



Illustrated Parts Manual

**Model
H800AJ**

**P/N
3121771**

October 1, 2018 - Rev E

ANSI

CE



AS/NZS



An Oshkosh Corporation Company

REVISION LOG

January 15, 2018 - A - Original Issue Of Manual (Manual edited to 1001221047 Revision C)

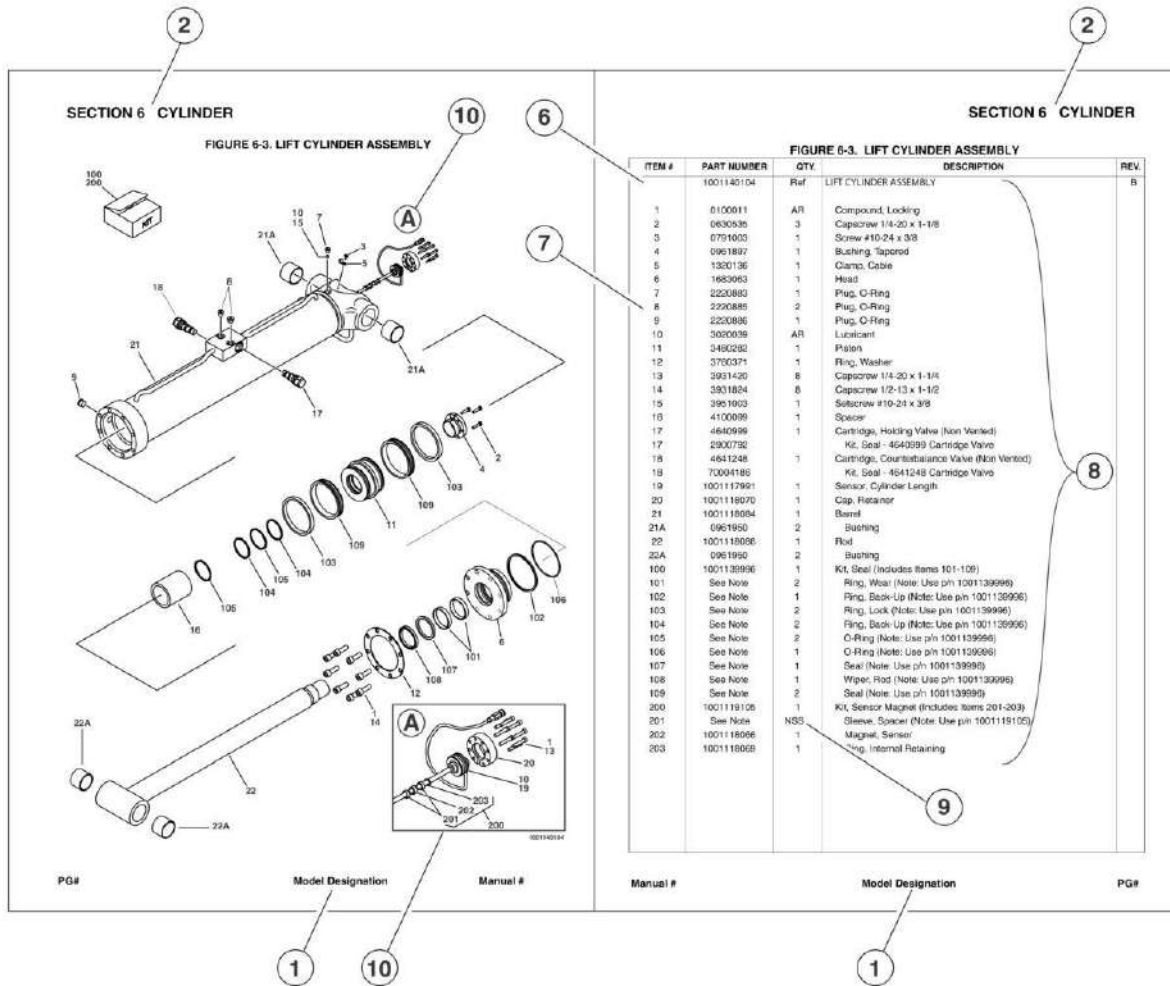
March 1, 2018 - B - Revised Manual (Manual edited to 1001221047 Revision C)

May 21, 2018 - C - Revised Manual (Manual Edited to 1001221047 Revision F)

August 24, 2018 - D - Revised Manual (Manual Edited to 1001221047 Revision F)

October 1, 2018 - E - Revised Manual (Manual Edited to 1001221047 Revision F)

GENERAL INFORMATION



1) MACHINE IDENTIFICATION

Machines are identified by model and in some cases a combination of models, serial number (SN) or regional standard (i.e. ANSI, CE, CSA). Components may also be identified by SN or manufacturer. Common components that may be identified by these characteristics are engines and hydraulic components.

2) PARTS MANUAL ORGANIZATION

Product information in this manual is organized under section titles. Frame, Cylinder, Hydraulic and Electrical are a few examples. Each section is organized by figure and page number. The information within the Figure is then organized by item number, part number, description and corresponding illustration (s).

3) TABLE OF CONTENTS

A table of contents is found toward the beginning of the manual. Figure number, description and page number are provided for quick reference to the page containing the related information.

4) RECOMMENDED SPARE PARTS

The Recommended Spare Parts, located near the end of the manual, reference most frequently used maintenance parts.

5) PART NUMBER INDEX

A numerical index listing all part numbers and the corresponding page number(s) appears at the back of the manual.

GENERAL INFORMATION

6) NON-SERVICED PARTS

In some instances, it is necessary to display non-serviced parts, assemblies or installations. In the case of assemblies and installations there will be a Ref in the Qty column. In case of parts that are not available for service within assemblies or components, there will be a NSS (Not Sold Separately) or NLA (No Longer Available) listed in the Qty. column of the manual.

7) PARTS LIST ITEM NUMBERS

Numbers shown in the item# column correspond to numbers used in the associated illustration (s). Item numbers which are missing from the sequence in the parts list are not used on that page

8) INDENTED PARTS DESCRIPTION

An indented part description is included in the item under which it is indented.

9) ABBREVIATION AND SYMBOLS

AC.....	..Alternating Current	LCD.....	..Liquid Crystal Display
ADE.....	..Advanced Design Electronics	LED.....	..Light Emitting Diodes
ANSI.....	..American National Standards Institute	LH.....	..Left Hand
AR.....	..As Required	LSS.....	..Load Sensing System
ASSY.....	..Assembly	M(m).....	..Metric/Meter
AUX.....	..Auxiliary	MM (mm).....	..Milimeter
AWG.....	..American Wire Gauge	mA.....	..Miliamps
B/M.....	..Bill of Material	NLA.....	..No Longer Available
CE.....	..European Conformity	NPT.....	..National Pipe Threads
CCW.....	..Counter Clockwise	NSS.....	..Not Sold Separately
cm.....	..Centimeter	OD.....	..Outside Diameter
CW.....	..Clockwise	ORB.....	..O-Ring Boss
CSA.....	..Canadian Standards Association	ORFS.....	..O-Ring Face Seal
CYL.....	..Cylinder	OZ (oz).....	..Ounces
DIA.....	..Diameter	PG.....	..Page
DC.....	..Direct Current	P/N.....	..Part Number
EMS.....	..Emergency Stop	qt.....	..Quarts
ENG.....	..Engine	QTY.....	..Quantity
FT (ft).....	..Feet	REF.....	..Reference
GA (Ga).....	..Gauge	REV.....	..Revision Level
HYD.....	..Hydraulic	RH.....	..Right Hand
Hz.....	..Hertz	SAE.....	..Society of Automotive Engineers
ID.....	..Inside Diameter	SN.....	..Serial Number
in.....	..Inches	SPEC(S).....	..Specifications
ISO.....	..International Organization for Standards	T/T.....	..Turntable
JIC.....	..Joint Industry Council	UGM.....	..Universal Ground Module
KG.....	..Kilogram	V.....	..Volts
L.....	..Liter	W.....	..Watts
LB.....	..Pounds	#.....	..Number

10) ILLUSTRATION REFERENCE LETTERS

When necessary, illustrations may contain reference letters that are intended to track information (i. e. hoses, harnesses) from one point to another or to track visual enlargement of components to show details that may be located in another area on the illustration.

Note: Due to continuous product improvements, JLG Industries, Inc. reserves the right to make specification changes without prior notification. Contact JLG Industries, Inc. for updated information.

TABLE OF CONTENTS

SECTION 1 - FRAME.....	11
FIGURE 1-1. AXLE INSTALLATION - WITHOUT TOW PACKAGE.....	12
FIGURE 1-2. AXLE INSTALLATION - WITH TOW PACKAGE.....	14
FIGURE 1-3. STEER INSTALLATION - WITHOUT TOW PACKAGE.....	16
FIGURE 1-4. STEER INSTALLATION - WITH TOW PACKAGE.....	18
FIGURE 1-5. WHEEL DRIVE AND FRAME VALVES INSTALLATION.....	20
FIGURE 1-6. DRIVE HUB/BRAKE ASSEMBLY (Prior to SN 0300247156).....	22
FIGURE 1-7. DRIVE HUB/BRAKE ASSEMBLY (SN 0300247156 to Present).....	26
FIGURE 1-8. DRIVE MOTOR ASSEMBLY.....	28
FIGURE 1-9. TIRE & WHEEL INSTALLATION - 15-625 NHS FOAM-FILLED.....	30
FIGURE 1-10. TIRE AND WHEEL INSTALLATION - 18-625 NHS FOAM-FILLED.....	32
FIGURE 1-11. TIRE AND WHEEL INSTALLATION - 18-625 NHS FOAM-FILLED NON-MARKING (Prior to SN 0300247156) ...	34
FIGURE 1-12. TIRE AND WHEEL INSTALLATION - 18-625 NHS FOAM-FILLED NON-MARKING (SN 0300247156 to Present).....	36
FIGURE 1-13. FRAME SHIELDS INSTALLATION.....	38
FIGURE 1-14. TOW PACKAGE INSTALLATION (OPTIONAL) (ANSI, ANSI EXPORT AND CHINA SPECS).....	40
SECTION 2 - TURNTABLE.....	43
FIGURE 2-1. VALVES INSTALLATION - WITHOUT LSS.....	44
FIGURE 2-2. VALVES INSTALLATION - WITH LSS.....	46
FIGURE 2-3. MAIN VALVE ASSEMBLY (Prior to SN 0300247156).....	48
FIGURE 2-4. MAIN VALVE ASSEMBLY (SN 0300247156 to Present).....	52
FIGURE 2-5. BRAKE/2 SPEED VALVE ASSEMBLY.....	56
FIGURE 2-6. SWING DRIVE INSTALLATION.....	58
FIGURE 2-7. SWING MOTOR/HUB ASSEMBLY.....	60
FIGURE 2-8. TURNTABLE BEARING AND LUBE INSTALLATION.....	64
FIGURE 2-9. TURNTABLE LOCK INSTALLATION.....	66
FIGURE 2-10. ROTARY COUPLING INSTALLATION.....	68
FIGURE 2-11. TANKS INSTALLATION.....	70
FIGURE 2-12. HYDRAULIC TANK ASSEMBLY.....	72
FIGURE 2-13. FUEL TANK ASSEMBLY.....	74
FIGURE 2-14. COOLER INSTALLATION.....	76
FIGURE 2-15. BATTERY BOXES INSTALLATION.....	78
FIGURE 2-16. BATTERY CHARGERS INSTALLATION (FACTORY SUPPLIED 220V PLUG).....	82
FIGURE 2-17. BATTERY CHARGERS INSTALLATION (CUSTOMER SUPPLIED PLUG).....	84
FIGURE 2-18. ELECTRICAL SYSTEM INSTALLATION.....	86
FIGURE 2-19. IMG CONTROL BOX ASSEMBLY.....	88
FIGURE 2-20. ELECTRICAL ASSEMBLY - 12V FUSE BOX.....	92
FIGURE 2-21. GROUND CONTROL BOX ASSEMBLY.....	94
FIGURE 2-22. GROUND CONTROL PANEL DECAL INSTALLATION (WITHOUT MSSO).....	96
FIGURE 2-23. GROUND CONTROL PANEL DECAL INSTALLATION (WITH MSSO).....	98
FIGURE 2-24. ALARM INSTALLATION.....	100
FIGURE 2-25. STROBE LIGHT INSTLLATION - AMBER (OPTIONAL).....	102
FIGURE 2-26. STROBE LIGHT INSTLLATION - BLUE (OPTIONAL).....	104
FIGURE 2-27. STROBE LIGHT INSTLLATION - RED (OPTIONAL).....	106
FIGURE 2-28. HEAT SHIELD AND ACCESS PANELS INSTALLATION.....	108
FIGURE 2-29. HOODS INSTALLATION.....	110
FIGURE 2-30. HOOD ASSEMBLY - TANK SIDE.....	114
FIGURE 2-31. HOOD ASSEMBLY - ENGINE SIDE.....	116
SECTION 3 - ENGINE.....	119
FIGURE 3-1. ENGINE INSTALLATION.....	120
FIGURE 3-2. ENGINE AND PUMPS SUB-ASSEMBLY.....	124
FIGURE 3-3. ENGINE AND TRAY ASSEMBLY.....	126
FIGURE 3-4. ENGINE AND GENERATOR ASSEMBLY.....	130
FIGURE 3-5. ENGINE AND CLUTCH ASSEMBLY.....	132
FIGURE 3-6. KUBOTA ENGINE COMPONENTS.....	134
FIGURE 3-7. GENERATOR ASSEMBLY.....	138
FIGURE 3-8. VARIABLE PUMP ASSEMBLY.....	140
FIGURE 3-9. HYDROSTATIC PUMP ASSEMBLY.....	144
FIGURE 3-10. FUEL/WATER SEPARATOR ASSEMBLY.....	146
FIGURE 3-11. ENGINE HOOD BAFFLES INSTALLATION.....	148
FIGURE 3-12. TRAY JACK INSTALLATION.....	150

TABLE OF CONTENTS

FIGURE 3-13. 4000W GENERATOR INSTALLATION - 220V/50HZ (OPTIONAL)	152
FIGURE 3-14. 7500W SKYPOWER GENERATOR INSTALLATION - 220V/50HZ (OPTIONAL)	156
FIGURE 3-15. 7500W SKYPOWER GENERATOR INSTALLATION - 110V/60HZ (OPTIONAL)	160
SECTION 4 - BOOM	165
FIGURE 4-1. BOOM AND CYLINDER INSTALLATION	166
FIGURE 4-2. MAIN BOOM ASSEMBLY	170
FIGURE 4-3. TOWER BOOM ASSEMBLY	172
FIGURE 4-4. ROTATOR ASSEMBLY	174
FIGURE 4-5. POWER TRACK INSTALLATION - MAIN BOOM	176
FIGURE 4-6. POWER TRACK INSTALLATION - TOWER BOOM	178
FIGURE 4-7. BOOM VALVES INSTALLATION - WITHOUT LSS	180
FIGURE 4-8. BOOM VALVES INSTALLATION - WITH LSS	182
FIGURE 4-9. BOOM VALVE ASSEMBLY	184
FIGURE 4-10. BOOM VALVE AND LIMIT SWITCHES INSTALLATION	186
FIGURE 4-11. TILT SENSOR INSTALLATION	188
FIGURE 4-12. TRANSPORT POSITION SWITCH INSTALLATION (CE SPECS)	190
FIGURE 4-13. PLATFORM SUPPORT INSTALLATION - WITHOUT LSS	192
FIGURE 4-14. PLATFORM SUPPORT INSTALLATION - WITH LSS	194
SECTION 5 - PLATFORM	197
FIGURE 5-1. PLATFORM ASSEMBLY - 30IN X 4FT (76CM X 1.22M) WITH SWING GATE	198
FIGURE 5-2. PLATFORM ASSEMBLY - 30IN X 4FT (76CM X 1.22M) WITH DROP BAR	200
FIGURE 5-3. PLATFORM ASSEMBLY - 30IN X 6FT (76CM X 1.83M) WITH SWING GATE	202
FIGURE 5-4. PLATFORM ASSEMBLY - 30IN X 6FT (76CM X 1.83M) WITH DROP BAR	204
FIGURE 5-5. PLATFORM ASSEMBLY - 36IN X 6FT (91.5CM X 1.83M) WITH SWING GATE	206
FIGURE 5-6. PLATFORM ASSEMBLY - 36IN X 6FT (91.5CM X 1.83M) WITH DROP BAR	208
FIGURE 5-7. PLATFORM ASSEMBLY - 36IN X 6FT (91.5CM X 1.83M) WITH FALL ARREST (ANSI, ANSI EXPORT, CHINA & CSA SPECS)	210
FIGURE 5-8. PLATFORM ASSEMBLY - 36IN X 8FT (91.5CM X 2.44M) WITH SWING GATE	212
FIGURE 5-9. PLATFORM ASSEMBLY - 36IN X 8FT (91.5CM X 2.44M) WITH DROP BAR	214
FIGURE 5-10. PLATFORM ASSEMBLY - 36IN X 8FT (91.5CM X 2.44M) WITH FALL ARREST	216
FIGURE 5-11. TRAY ASSEMBLY	218
FIGURE 5-12. PLATFORM CONSOLE AND FOOTSWITCH INSTALLATION	220
FIGURE 5-13. CONSOLE BOX ASSEMBLY	222
FIGURE 5-14. LIGHT PANEL INSTALLATION	226
FIGURE 5-15. JIB SWITCH INSTALLATION	228
FIGURE 5-16. CONTROLLER ASSEMBLY (DRIVE AND STEER)	230
FIGURE 5-17. CONTROLLER ASSEMBLY (LIFT AND SWING)	232
FIGURE 5-18. FOOTSWITCH ASSEMBLY	236
FIGURE 5-19. SKYGUARD INSTALLATION	238
FIGURE 5-20. SOFT TOUCH INSTALLATION - 6FT (1.83M) PLATFORM (OPTIONAL)	240
FIGURE 5-21. SOFT TOUCH INSTALLATION - 6FT (1.83M) FALL ARREST PLATFORM (OPTIONAL)	242
FIGURE 5-22. SOFT TOUCH INSTALLATION - 8FT (2.4M) PLATFORM (OPTIONAL)	244
FIGURE 5-23. SOFT TOUCH INSTALLATION - 8FT (2.4M) FALL ARREST PLATFORM (OPTIONAL)	246
FIGURE 5-24. SKYGLAZIER INSTALLATION (ANSI, ANSI EXPORT, AUSTRALIAN & CSA SPECS)	248
FIGURE 5-25. SKYWELDER INSTALLATION (50HZ)	250
FIGURE 5-26. SKYWELDER INSTALLATION (60HZ)	252
FIGURE 5-27. SKYWELDER PREP PACKAGE (60HZ)	254
FIGURE 5-28. WELDER ASSEMBLY	256
FIGURE 5-29. PIPE RACK INSTALLATION (ANSI AND CSA SPECS ONLY)	258
FIGURE 5-30. FALL ARREST INSTALLATION (BOLT-ON EXTERNAL) (6FT/1.82M PLATFORM)	260
FIGURE 5-31. FALL ARREST INSTALLATION (BOLT-ON EXTERNAL) (6FT/1.82M TRI-ENTRY PLATFORM)	262
FIGURE 5-32. FALL ARREST INSTALLATION (BOLT-ON EXTERNAL) (8FT/2.4M PLATFORM)	264
SECTION 6 - CYLINDER	267
FIGURE 6-1. AXLE LOCKOUT CYLINDER ASSEMBLY	268
FIGURE 6-2. LEVEL (SLAVE) CYLINDER ASSEMBLY - JIB (Prior to SN 0300247156)	270
FIGURE 6-3. LEVEL (SLAVE) CYLINDER ASSEMBLY - JIB (SN 0300247156 to Present)	272
FIGURE 6-4. LEVEL (SLAVE) CYLINDER ASSEMBLY - UPRIGHT (Prior to SN 0300247156)	274
FIGURE 6-5. LEVEL (SLAVE) CYLINDER ASSEMBLY - UPRIGHT (SN 0300247156 to Present)	276
FIGURE 6-6. LIFT CYLINDER ASSEMBLY - JIB (Prior to SN 0300247156)	278
FIGURE 6-7. LIFT CYLINDER ASSEMBLY - JIB (SN 0300247156 to Present)	280
FIGURE 6-8. LIFT CYLINDER ASSEMBLY - MAIN BOOM (Prior to SN 0300247156)	282

TABLE OF CONTENTS

FIGURE 6-9. LIFT CYLINDER ASSEMBLY - MAIN BOOM (SN 0300247156 to Present).....	284
FIGURE 6-10. LIFT CYLINDER ASSEMBLY - TOWER BOOM (Prior to SN 0300247156)	286
FIGURE 6-11. LIFT CYLINDER ASSEMBLY - TOWER BOOM (SN 0300247156 to Present)	288
FIGURE 6-12. MASTER CYLINDER ASSEMBLY (Prior to SN 0300247156)	290
FIGURE 6-13. MASTER CYLINDER ASSEMBLY (SN 0300247156 to Present)	292
FIGURE 6-14. STEER CYLINDER ASSEMBLY.....	294
FIGURE 6-15. TELESCOPE CYLINDER ASSEMBLY - MAIN BOOM (Prior to SN 0300247156).....	296
FIGURE 6-16. TELESCOPE CYLINDER ASSEMBLY - MAIN BOOM (SN 0300247156 to Present).....	298
FIGURE 6-17. TELESCOPE CYLINDER ASSEMBLY - TOWER BOOM (Prior to SN 0300247156).....	300
FIGURE 6-18. TELESCOPE CYLINDER ASSEMBLY - TOWER BOOM (SN 0300247156 to Present)	302
SECTION 7 - HYDRAULIC	305
FIGURE 7-1. AXLE LOCKOUT HYDRAULIC DIAGRAM.....	306
FIGURE 7-2. DRIVE HYDRAULIC DIAGRAM.....	308
FIGURE 7-3. STANDARD HYDRAULIC DIAGRAM.....	314
FIGURE 7-4. TOW HYDRAULIC DIAGRAM	318
FIGURE 7-5. HYDRAULIC DIAGRAM LIST	320
SECTION 8 - ELECTRICAL	321
FIGURE 8-1. ELECTRICAL DIAGRAM LIST.....	322
FIGURE 8-2. AC BOX AT PLATFORM INSTALLATION - 110V GFI RECEPTACLE (ALL SPECS EXCEPT AUSTRALIAN & CE SPECS)	324
FIGURE 8-3. AC BOX AT PLATFORM INSTALLATION - 110V IEC YELLOW (CE SPECS) (MACHINES WITHOUT 4000W GENERATOR).....	326
FIGURE 8-4. AC BOX AT PLATFORM INSTALLATION - 110V IEC YELLOW (CE SPECS) (MACHINES WITH 4000W GENERATOR).....	328
FIGURE 8-5. AC BOX AT PLATFORM INSTALLATION - 220V (ANSI, CSA & JAPANESE SPECS)	330
FIGURE 8-6. AC BOX AT PLATFORM INSTALLATION - 220V IEC BLUE (CE SPECS) (MACHINES WITHOUT 4000W GENERATOR).....	332
FIGURE 8-7. AC BOX AT PLATFORM INSTALLATION - 220V IEC BLUE (CE SPECS) (MACHINES WITH 4000W GENERATOR).....	334
FIGURE 8-8. AC BOX AT PLATFORM INSTALLATION - 220V CEE7 2X4 POST GROUND (CE SPECS) (MACHINES WITHOUT 4000W GENERATOR)	336
FIGURE 8-9. AC BOX AT PLATFORM INSTALLATION - 220V CEE7 2X4 POST GROUND (CE SPECS) (MACHINES WITH 4000W GENERATOR)	338
FIGURE 8-10. AC BOX AT PLATFORM INSTALLATION - 220V CEE7 2X4 SIDE GROUND (CE SPECS) (MACHINES WITHOUT 4000W GENERATOR)	340
FIGURE 8-11. AC BOX AT PLATFORM INSTALLATION - 220V CEE7 2X4 SIDE GROUND (CE SPECS) (MACHINES WITH 4000W GENERATOR)	342
FIGURE 8-12. AC BOX AT PLATFORM INSTALLATION - 220V AFSINT 107 (CE SPECS) (MACHINES WITHOUT 4000W GENERATOR).....	344
FIGURE 8-13. AC BOX AT PLATFORM INSTALLATION - 220V AFSINT 107 (CE SPECS) (MACHINES WITH 4000W GENERATOR).....	346
FIGURE 8-14. AC BOX AT PLATFORM INSTALLATION - BOX WITH COVER (ANSI EXPORT, AUSTRALIAN, CHINA & JAPANESE SPECS).....	348
FIGURE 8-15. AC BOX AT PLATFORM INSTALLATION - 240V RECEPTACLE (WITH 4000W GENERATOR) (ALL SPECS EXCEPT ANSI & CSA SPECS).....	350
FIGURE 8-16. AC BOX AT PLATFORM INSTALLATION - 240V RECEPTACLE (WITH 7500W SKYPOWER GENERATOR) (ANSI & CSA SPECS).....	352
FIGURE 8-17. AC BOX AT PLATFORM MID-BOOM PLUG INSTALLATION (WITHOUT 7500W SKYPOWER GENERATOR) (ALL SPECS EXCEPT ANSI & CSA SPECS)	354
FIGURE 8-18. AC BOX AT PLATFORM MID-BOOM PLUG INSTALLATION (WITH 7500W SKYPOWER GENERATOR).....	356
FIGURE 8-19. AC BREAKER BOX INSTALLATION - WITH 2 BREAKERS (CE SPECS WITHOUT 4000W GENERATOR) (Prior to SN 0300247156).....	358
FIGURE 8-20. AC BREAKER BOX INSTALLATION - WITH 2 BREAKERS (CE SPECS WITH 4000W GENERATOR) (SN 0300247156 to Present)	360
FIGURE 8-21. AC BREAKER BOX INSTALLATION - WITH 2 BREAKERS (BRAZIL SPECS)	362
FIGURE 8-22. AC BREAKER BOX INSTALLATION - WITH 3 BREAKERS (CE SPECS WITH 4000W GENERATOR).....	364
FIGURE 8-23. BATTERY CABLES INSTALLATION	366
FIGURE 8-24. BATTERY STACK HARNESS (LH)	368
FIGURE 8-25. BATTERY STACK HARNESS (RH).....	370
FIGURE 8-26. BOOM VALVE HARNESS	372
FIGURE 8-27. BOOM CABLES INSTALLATION (MACHINES WITHOUT GENERATOR)	374
FIGURE 8-28. BOOM CABLES INSTALLATION (AUSTRALIAN SPECS WITH 4000W GENERATOR).....	376
FIGURE 8-29. BOOM CABLES INSTALLATION (CE SPECS WITH 4000W GENERATOR)	378

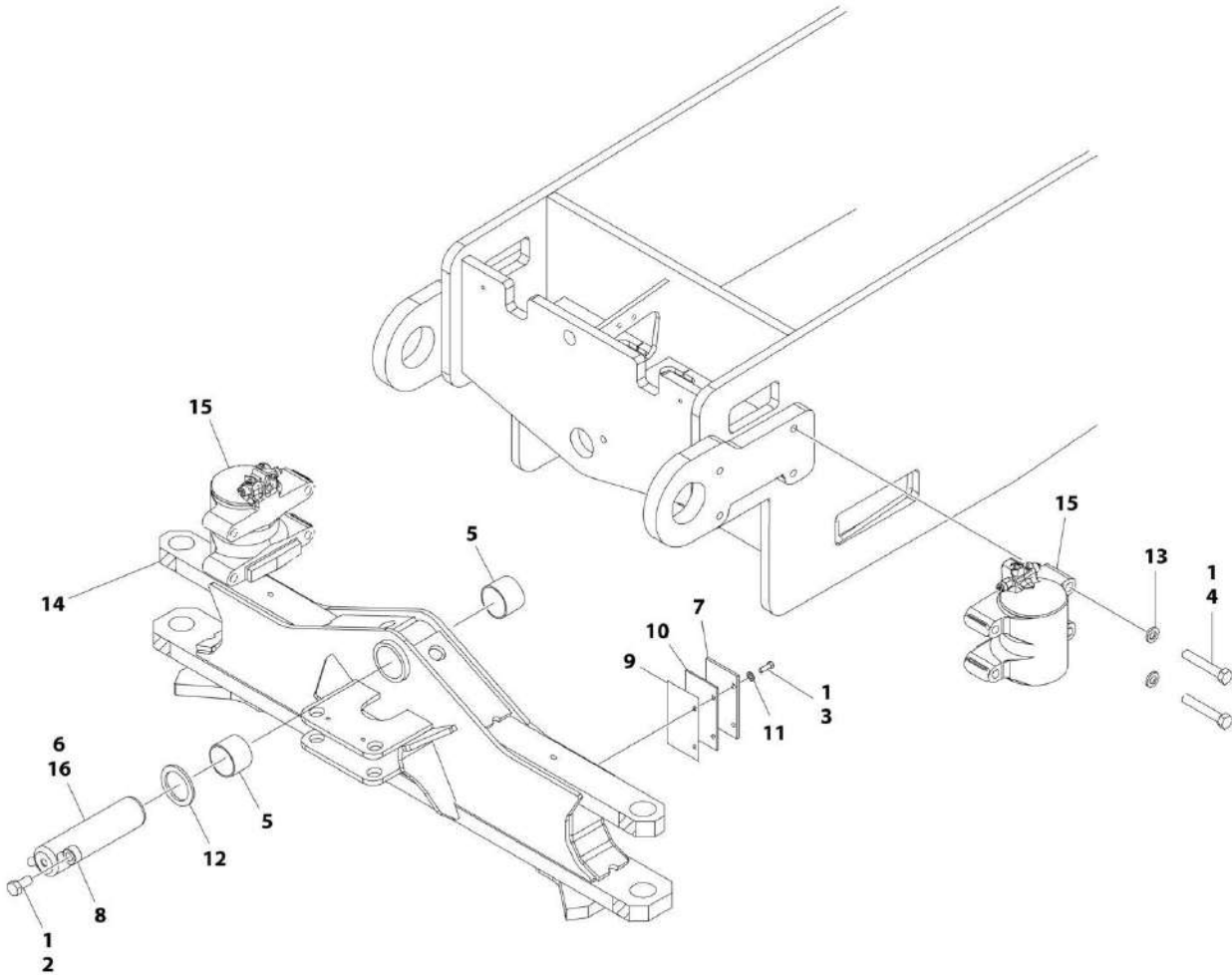
TABLE OF CONTENTS

FIGURE 8-30. BOOM CABLES INSTALLATION (ANSI, ANSI EXPORT, CHINA, CSA & JAPANESE SPECS WITH 7500W GENERATOR)	380
FIGURE 8-31. BOOM CABLES INSTALLATION (AUSTRALIAN & CE SPECS WITH 7500W GENERATOR)	382
FIGURE 8-32. BOOM CABLE - MAIN BOOM	384
FIGURE 8-33. BOOM CABLE - TOWER BOOM	386
FIGURE 8-34. BREAKER BOX KIT - WITH 2 BREAKERS (CE SPECS WITHOUT 4000W GENERATOR & BRAZIL SPECS) ..	388
FIGURE 8-35. BREAKER BOX KIT - WITH 2 BREAKERS (CE SPECS WITH 4000W GENERATOR)	390
FIGURE 8-36. BREAKER BOX KIT - WITH 3 BREAKERS (CE SPECS WITH 4000W GENERATOR)	392
FIGURE 8-37. CHARGER HARNESS	394
FIGURE 8-38. CONTROL HARNESS	396
FIGURE 8-39. ELECTRICAL SYSTEM INSTALLATION	398
FIGURE 8-40. ENGINE HARNESS - KUBOTA	400
FIGURE 8-41. ENGINE TRAY HARNESS	402
FIGURE 8-42. GENERATOR HARNESS - 4000W	404
FIGURE 8-43. GENERATOR HARNESS - 7500W SKYPOWER	406
FIGURE 8-44. GENERATOR HARNESS - 4000W AND 7500W SKYPOWER	408
FIGURE 8-45. GROUND CONTROL BOX HARNESS	410
FIGURE 8-46. H-BRIDGE/CLUTCH HARNESS	412
FIGURE 8-47. HYBRID 84V HARNESS	414
FIGURE 8-48. MAIN VALVE HARNESS	416
FIGURE 8-49. PLATFORM CONSOLE BOX HARNESS	418
FIGURE 8-50. RECEPTACLE BOX KIT - 110V IEC YELLOW (CE SPEC)	422
FIGURE 8-51. RECEPTACLE BOX KIT - 220V IEC BLUE (CE SPEC)	424
FIGURE 8-52. RECEPTACLE BOX KIT - 220V CEE7 POST GROUND 2X4 BOX (CE SPEC)	426
FIGURE 8-53. RECEPTACLE BOX KIT - 220V CEE7 SIDE GROUND (CE SPEC)	428
FIGURE 8-54. RECEPTACLE BOX KIT - 220V AFSINT 107 (CE SPEC)	430
FIGURE 8-55. RESOLVER/CONVERTER/INVERTER HARNESS	432
FIGURE 8-56. STROBE LIGHT CONTROL HARNESS (BLUE & RED LIGHTS)	434
FIGURE 8-57. TURNTABLE HARNESS	436
FIGURE 8-58. TURNTABLE/FUSE PANEL HARNESS	438
SECTION 9 - DECALS	441
FIGURE 9-1. DECAL INSTALLATION - ANSI SPECS (ENGLISH LANGUAGE)	442
FIGURE 9-2. DECAL INSTALLATION - AUSTRALIAN SPECS (ENGLISH LANGUAGE)	444
FIGURE 9-3. DECAL INSTALLATION - BRAZIL SPECS (ENGLISH/PORTUGUESE LANGUAGES)	446
FIGURE 9-4. DECAL INSTALLATION - CE SPECS (ENGLISH LANGUAGE)	448
FIGURE 9-5. DECAL INSTALLATION - CHINA SPECS (ENGLISH/CHINESE LANGUAGES)	450
FIGURE 9-6. DECAL INSTALLATION - CSA SPECS (ENGLISH/FRENCH LANGUAGES)	452
FIGURE 9-7. DECAL INSTALLATION - JAPANESE SPECS (ENGLISH/JAPANESE LANGUAGES)	454
FIGURE 9-8. DECAL INSTALLATION - KOREAN SPECS (ENGLISH/KOREAN LANGUAGES)	456
FIGURE 9-9. DECAL INSTALLATION - LATIN AMERICAN SPECS (ENGLISH/SPANISH LANGUAGES)	458
FIGURE 9-10. DECALS INSTALLATION - OPTIONS	460
SECTION 10 - RECOMMENDED SERVICE PARTS STOCK	463
FIGURE 10-1. RECOMMENDED SERVICE PARTS STOCK	464
SECTION 11 - SPECIAL OPTIONS	467
FIGURE 11-1. SPECIAL OPTIONS	468
PART NUMBER INDEX	471

SECTION 1 - FRAME

SECTION 1 - FRAME

FIGURE 1-1. AXLE INSTALLATION - WITHOUT TOW PACKAGE



ART_1001154584

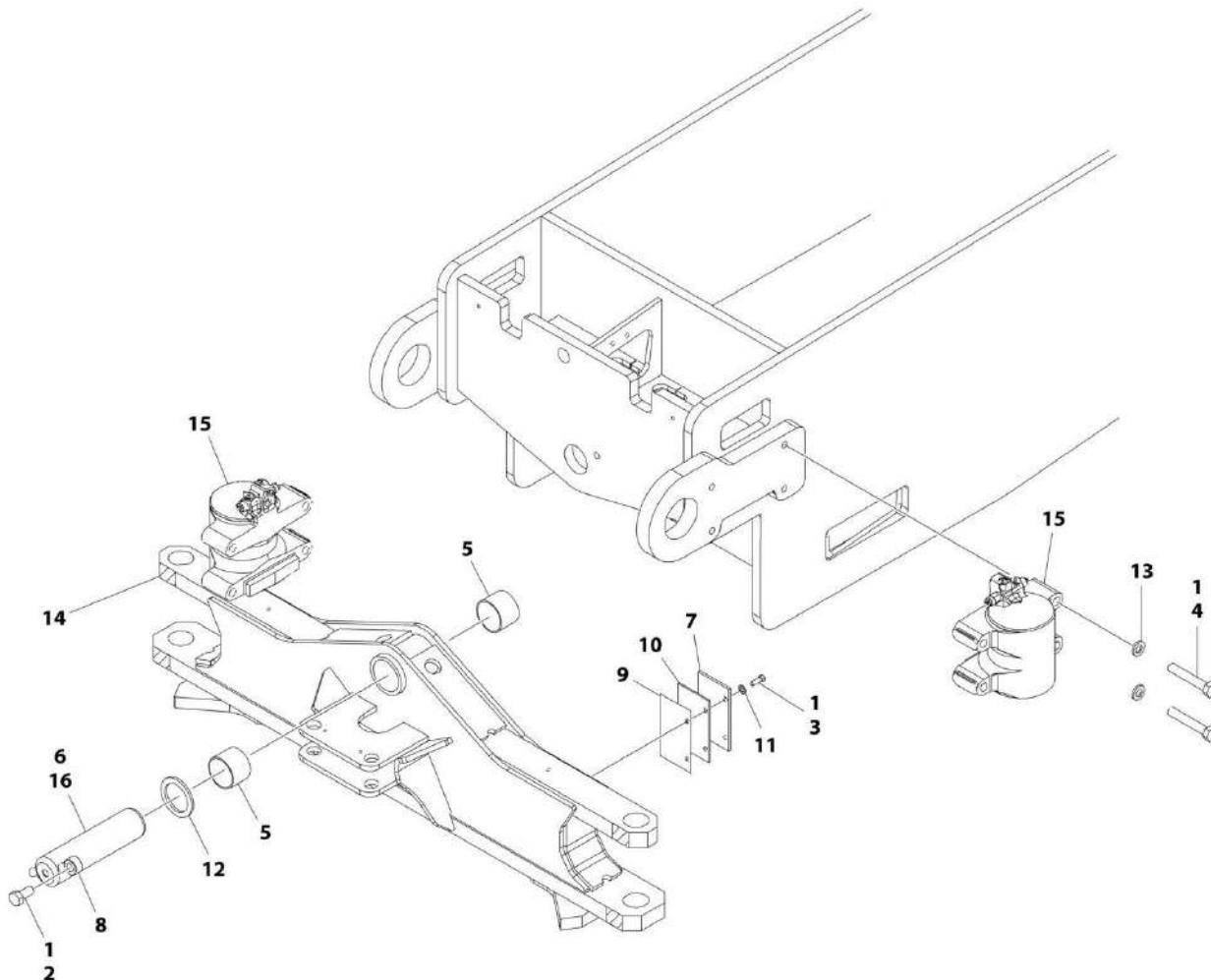
SECTION 1 - FRAME

FIGURE 1-1. AXLE INSTALLATION - WITHOUT TOW PACKAGE

ITEM	PART NUMBER	QTY	DESCRIPTION	REV
	1001154584	Ref	AXLE INSTALLATION	D
1	0100011	AR	Compound, Locking	
2	0642212	1	Bolt 3/4 x 1-1/2	
3	0681608	4	Bolt 3/8 x 1 Grade 8	
4	0682236	8	Bolt 3/4 x 4-1/2 Grade 8	
5	0962102	2	Bushing	
6	3020039	AR	Lubricant	
7	3538047	2	Shim .25	
8	3841287	1	Keeper, Pin	
9	4070878	AR	Shim 16 Gauge	
10	4070879	AR	Shim 11 Gauge	
11	4711600	4	Washer 3/8	
12	4740472	1	Washer	
13	4892200	8	Washer 3/4	
14	1001152719	1	Axle	
15	1001204560	2	Axle Lockout Cylinder Assembly (See Separate Breakdown in CYLINDER SECTION)	
16	1001156710	1	Pin	

SECTION 1 - FRAME

FIGURE 1-2. AXLE INSTALLATION - WITH TOW PACKAGE



ART_1001155194

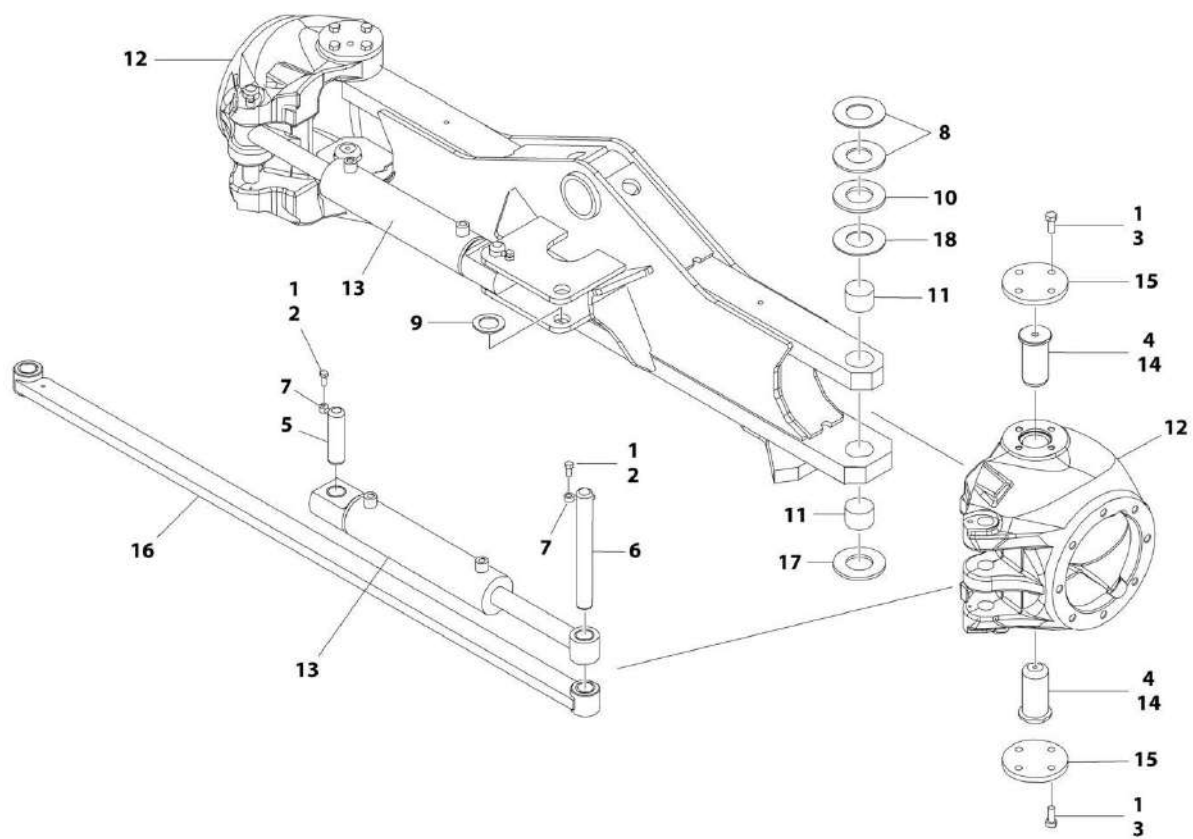
SECTION 1 - FRAME

FIGURE 1-2. AXLE INSTALLATION - WITH TOW PACKAGE

ITEM	PART NUMBER	QTY	DESCRIPTION	REV
	1001155194	Ref	AXLE INSTALLATION	D
1	0100011	AR	Compound, Locking	
2	0642212	1	Bolt 3/4 x 1-1/2	
3	0681608	4	Bolt 3/8 x 1 Grade 8	
4	0682236	8	Bolt 3/4 x 4-1/2 Grade 8	
5	0962102	2	Bushing	
6	3020039	AR	Lubricant	
7	3538047	2	Shim .25	
8	3841287	1	Keeper, Pin	
9	4070878	AR	Shim 16 Gauge	
10	4070879	AR	Shim 11 Gauge	
11	4711600	4	Washer 3/8	
12	4740472	1	Washer	
13	4892200	8	Washer 3/4	
14	1001154875	1	Axle	
15	1001204560	2	Axle Lockout Cylinder Assembly (See Separate Breakdown in CYLINDER SECTION)	
16	1001156710	1	Pin	

SECTION 1 - FRAME

FIGURE 1-3. STEER INSTALLATION - WITHOUT TOW PACKAGE



ART_1001151034

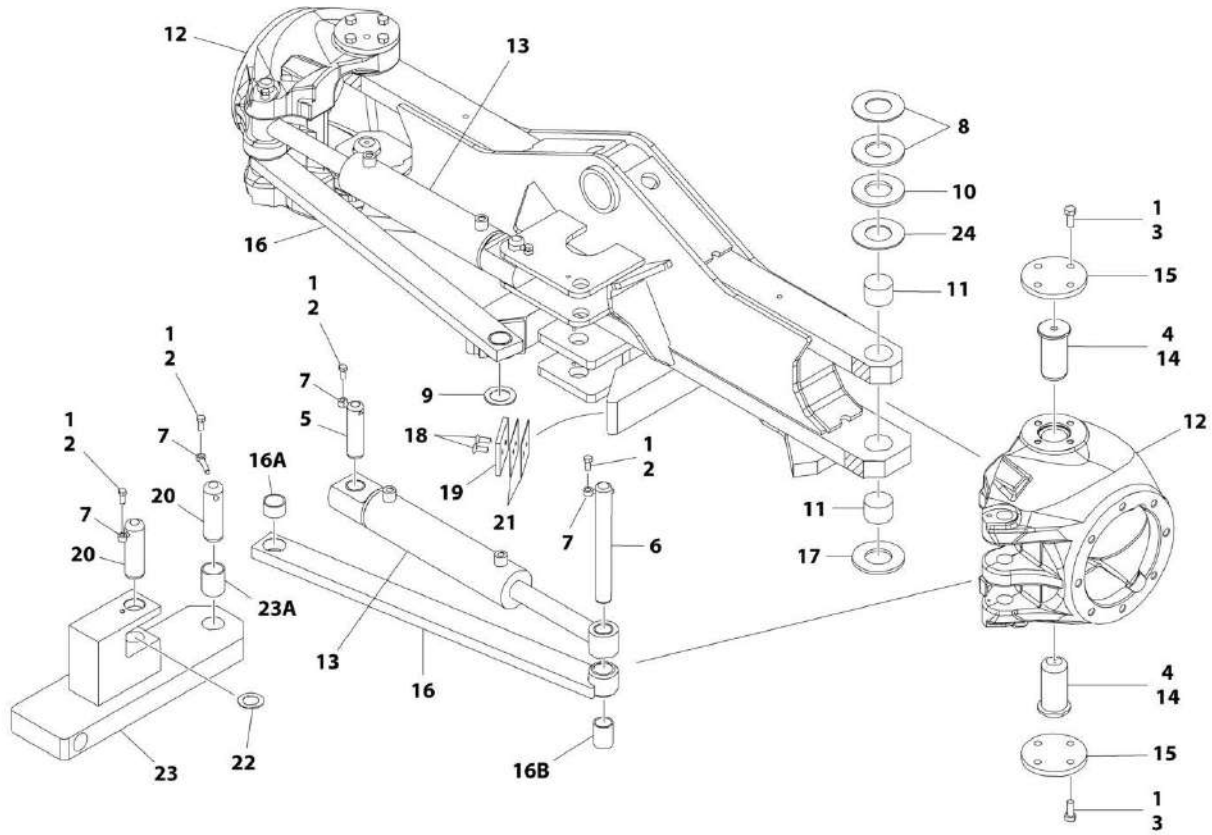
SECTION 1 - FRAME

FIGURE 1-3. STEER INSTALLATION - WITHOUT TOW PACKAGE

ITEM	PART NUMBER	QTY	DESCRIPTION	REV
	1001151034	Ref	STEER INSTALLATION	F
1	0100011	AR	Compound, Locking	
2	0641607	4	Bolt 3/8 x 7/8	
3	0641810	16	Bolt 1/2 x 1-1/4	
4	3020029	AR	Lubricant	
5	3422417	2	Pin	
6	3422790	2	Pin	
7	3841520	4	Keeper, Pin	
8	4740256	AR	Washer, Thrust	
9	4740473	2	Washer	
10	1001103810	AR	Washer, Thrust	
11	1001165657	4	Bearing	
12	1001150372	2	Spindle	
13	1001150539	2	Steer Cylinder Assembly (See Separate Breakdown in CYLINDER SECTION)	
14	1001161355	4	Kingpin	
15	1001150937	4	Plate	
16	1001151980	1	Tie-Rod	
17	1001161399	2	Washer,Thrust	
18	4740463	AR	Washer, Thrust	

SECTION 1 - FRAME

FIGURE 1-4. STEER INSTALLATION - WITH TOW PACKAGE



ART_1001155192

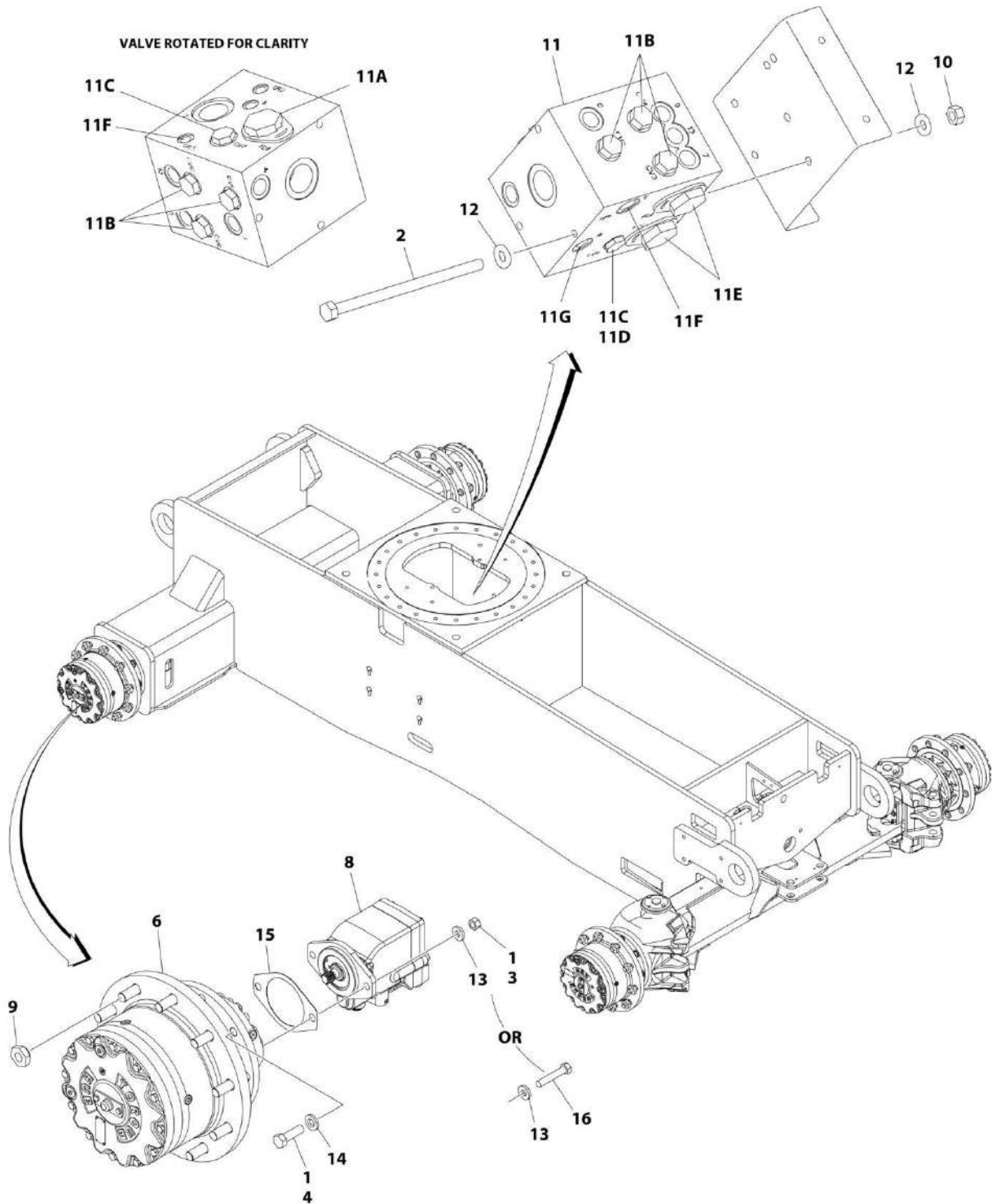
SECTION 1 - FRAME

FIGURE 1-4. STEER INSTALLATION - WITH TOW PACKAGE

ITEM	PART NUMBER	QTY	DESCRIPTION	REV
	1001155192	Ref	STEER INSTALLATION	D
1	0100011	AR	Compound, Locking	
2	0641607	6	Bolt 3/8 x 7/8	
3	0641810	16	Bolt 1/2 x 1-1/4	
4	3020029	AR	Lubricant	
5	3422417	2	Pin	
6	3422790	2	Pin	
7	3841520	6	Keeper, Pin	
8	4740256	AR	Washer, Thrust	
9	4740473	2	Washer	
10	1001103810	AR	Washer, Thrust	
11	1001165657	4	Bearing	
12	1001150372	2	Spindle	
13	1001150539	2	Steer Cylinder Assembly (See Separate Breakdown in CYLINDER SECTION)	
14	1001161355	4	Kingpin	
15	1001150937	4	Plate	
16	1001154931	2	Tie-Rod	
16A	0962181	1	Bushing	
16B	0962152	1	Bushing	
17	1001161399	2	Washer, Thrust	
18	0741609	4	Screw 3/8 x 1-1/8	
19	3340966	2	Pad, Stop	
20	3422848	2	Pin, Hitch	
21	4071059	AR	Shim 16 Gauge	
22	4740155	3	Washer, Thrust	
23	1001155035	1	Link	
23A	0962348	1	Bushing	
24	4740463	AR	Washer, Thrust	

SECTION 1 - FRAME

FIGURE 1-5. WHEEL DRIVE AND FRAME VALVES INSTALLATION



ART_1001157016

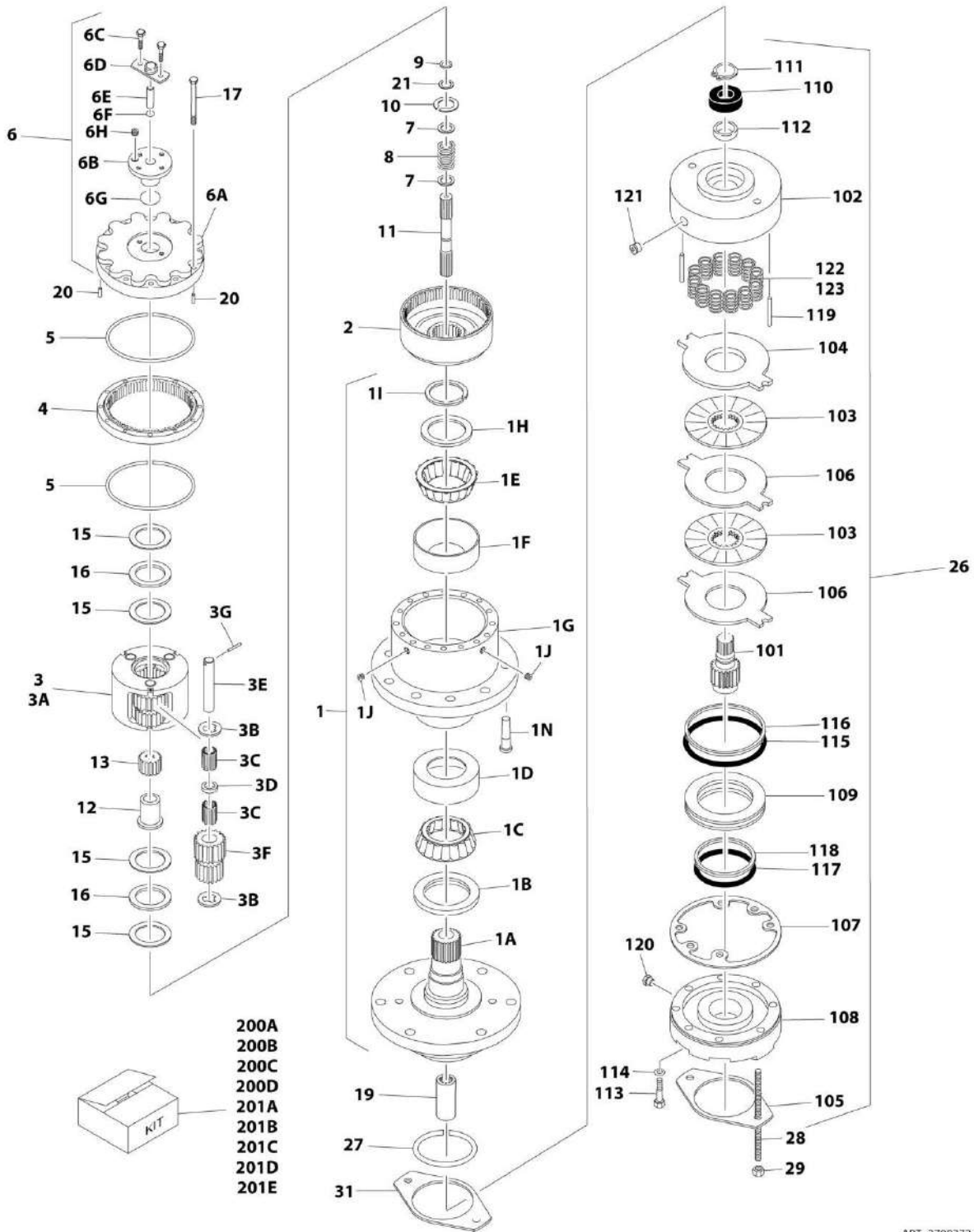
SECTION 1 - FRAME

FIGURE 1-5. WHEEL DRIVE AND FRAME VALVES INSTALLATION

ITEM	PART NUMBER	QTY	DESCRIPTION	REV
	1001157016	Ref	WHEEL DRIVE AND FRAME VALVES INSTALLATION	C
1	0100011	AR	Compound, Locking	
2	0641560	3	Bolt 5/16 x 7-1/2	
3	3311801	8	Nut 1/2 (Prior to SN 0300247156)	
4	0682016	32	Bolt 5/8 x 2 Grade 8	
5	2300016	AR	Fluid, Hydraulic (Not Shown) (Prior to SN 0300247156)	
6	2780272	NLA	Drive Hub Assembly (Use p/n 1001228544) (See Separate Breakdown in this Section) (Prior to SN 0300247156)	
6	1001219219	4	Drive Hub Assembly (See Separate Breakdown in this Section) (SN 0300247156 to Present)	
7	3020008	AR	Lubricant (Not Shown)	
8	3160348	4	Drive Motor Assembly (See Separate Breakdown in this Section)	
9	3300007	40	Nut, Wheel	
10	3311505	3	Nut 5/16	
11	4641303	1	Flow Divider Valve Assembly	
11A	7023933	1	Cartridge, Flow Divider	
11A	7021625	1	Seal Kit - 7023933 Cartridge	
11B	7022397	6	Cartridge, Check	
11B	7022399	6	Seal Kit - 7022397 Cartridge	
11C	7021639	2	Cartridge, Check Valves	
11C	2900756	2	Seal Kit - 7021639 Cartridge	
11D	7024881	1	Piston, Pilot	
11E	7023917	2	Cartridge, Flow Divider	
11E	7021625	2	Seal Kit - 7023917 Cartridge	
11F	70003935	2	Orifice	
11G	70003936	1	Orifice	
12	4711500	6	Washer 5/16	
13	4891800	8	Washer 1/2	
14	4892000	32	Washer 5/8	
15	3960526	2	Gasket (SN 0300247156 to Present)	
16	0681822	4	Bolt 1/2 x 2-3/4	

SECTION 1 - FRAME

FIGURE 1-6. DRIVE HUB/BRAKE ASSEMBLY (Prior to SN 0300247156)



ART_2780272

SECTION 1 - FRAME

FIGURE 1-6. DRIVE HUB/BRAKE ASSEMBLY (Prior to SN 0300247156)

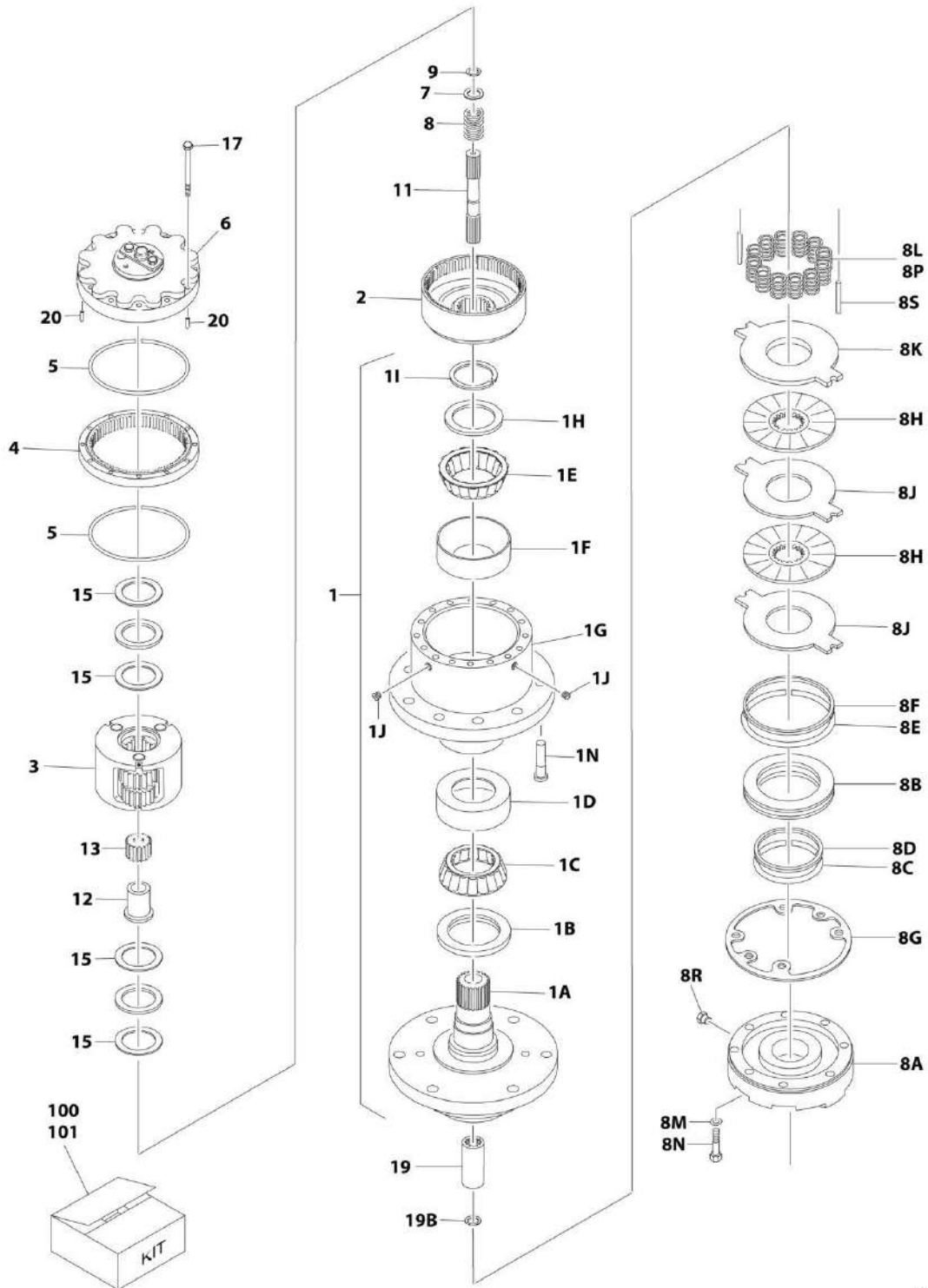
ITEM	PART NUMBER	QTY	DESCRIPTION	REV
	2780272	Ref	DRIVE HUB/BRAKE ASSEMBLY	E
	2780227	Ref	Hub Assembly	B
1	See Note	1	Spindle/Housing Assembly (Note: Not Available - Purchase Individual Components)	
1A	7010464	1	Spindle	
1B	7000236	1	Seal	
1C	7000273	1	Cone, Bearing	
1D	7000272	1	Cup, Bearing	
1E	7000275	1	Cone, Bearing	
1F	7000274	1	Cup, Bearing	
1G	7017033	1	Housing	
1H	7000239	1	Washer, Thrust	
1I	7000240	1	Ring, Retaining	
1J	7001928	1	Plug, Pipe	
1N	7000265	10	Stud, Wheel	
2	7024782	1	Gear, Ring	
3	See Note	1	Carrier Assembly (Note: Not Available - Purchase Individual Components)	
3A	7024147	1	Carrier	
3B	7001901	6	Washer, Thrust, Tanged	
3C	7001902	96	Bearing, Needle	
3D	7001903	3	Spacer, Thrust	
3E	7024146	3	Shaft, Planet	
3F	7024148	3	Gear, Cluster	
3G	7001906	3	Roll Pin	
4	7024151	1	Gear, Internal	
5	7000224	1	O-Ring	
6	See Note	1	Cover Assembly (Note: Not Available - Purchase Individual Components)	
6A	7024155	1	Cover	
6B	7024783	1	Cap	
6C	7000220	4	Bolt 1/4 x 3/4	
6D	7000231	1	Cap, Disengage	
6E	7000235	1	Rod, Disengage	
6F	7000213	1	O-Ring	
6G	7000238	1	O-Ring	
6H	7017048	1	Plug, Pipe	
7	7000282	2	Washer, Thrust	
8	7000283	1	Spring	
9	7000284	1	Ring, Retaining	
10	7017027	1	Ring, Retaining	
11	7024781	1	Shaft, Input	
12	7024154	1	Spacer, Input	
13	7024149	1	Gear, Sun	
15	7000287	4	Washer, Thrust	
16	7000288	2	Washer, Thrust	
17	7000289	12	Bolt 3/8 x 2-1/2 Grade 8	
19	7000290	1	Coupling	
20	7017047	2	Pin, Dowel	
21	7017050	1	Washer, Thrust	

SECTION 1 - FRAME

ITEM	PART NUMBER	QTY	DESCRIPTION	REV
26	7024182	1	Brake Assembly (Includes Items 101-123)	
27	7024763	2	O-Ring	
28	7024717	2	Stud 1/2 x 4-5/8	
29	7024718	2	Nut 1/2	
31	70005483	1	Gasket	
	7024182	Ref	BRAKE ASSEMBLY	
101	7024189	1	Shaft	
102	See Note	NSS	Housing (Note: Not Available - Purchase Complete Assembly)	
103	See Note	NSS	Plate, Friction (Note: Use Item 201C)	
104	See Note	NSS	Plate, Pressure (Note: Use Item 201C)	
105	7000731	1	Gasket	
106	See Note	NSS	Plate, Outer (Note: Use Item 201C)	
107	See Note	NSS	Gasket (Note: Use Item 200B, 201C or 201D)	
108	7024191	1	Cylinder	
109	7024192	1	Piston	
110	See Note	NSS	Bearing, Ball (Note: Use Item 201D)	
111	See Note	NSS	Ring, Retaining (Note: Use Item 201D)	
112	See Note	NSS	Seal, Shaft (Note: Use Item 201D)	
113	See Note	NSS	Capscrew (Note: Not Available for Purchase)	
114	See Note	NSS	Washer, Lock (Note: Not Available for Purchase)	
115	See Note	NSS	O-Ring (Note: Use Item 200B)	
116	See Note	NSS	Ring, Back-up (Note: Use Item 200B)	
117	See Note	NSS	O-Ring (Note: Use Item 200B)	
118	See Note	NSS	Ring, Back-up (Note: Use Item 200B)	
119	7024190	2	Pin, Dowel	
120	See Note	NSS	Plug (Note: Not Available for Purchase)	
121	See Note	NSS	Plug (Note: Not Available for Purchase)	
122	See Note	NSS	Spring Kit (Natural) (Note: Use Item 201B)	
123	See Note	NSS	Spring Kit (Blue) (Note: Use Item 201B)	
		Ref	KIT OPTIONS:	
200A	7017068	1	Seal Kit - Hub (Includes Items 1B, 1I, 5, 6F, 6G, 15 & 16)	
200B	7024194	1	Seal Kit - 7024182 Brake (Includes Items 105, 107 & 115-118)	
200C	70006431	1	Seal Kit - Hub (Includes Items 1B, 1I, 5, 6F & 17)	
200D	70006430	1	Seal & Bearing Kit - Hub (Includes Items 1B, 1C, 1D, 1E, 1F 1I, 5, 6F & 17)	
201A	7024195	NLA	Spring Kit - 7024182 Brake (Includes 12 Natural Colored Springs) (Note: Use p/n 7024196)	
201B	7024196	1	Spring Kit - 7024182 Brake (Includes 12 Natural & 2 Blue Colored Springs)	
201C	7024193	1	Friction Disc Kit - 7024182 Brake (Includes Items 103, 104, 106 & 107)	
201D	7024197	1	Bearing Kit - 7024182 Brake (Includes Items 107 & 110-112)	
201E	70003798	1	Bearing Kit - Hub (Includes Items 1C, 1D, 1E & 1F)	

SECTION 1 - FRAME

FIGURE 1-7. DRIVE HUB/BRAKE ASSEMBLY (SN 0300247156 to Present)



ART_1001219219

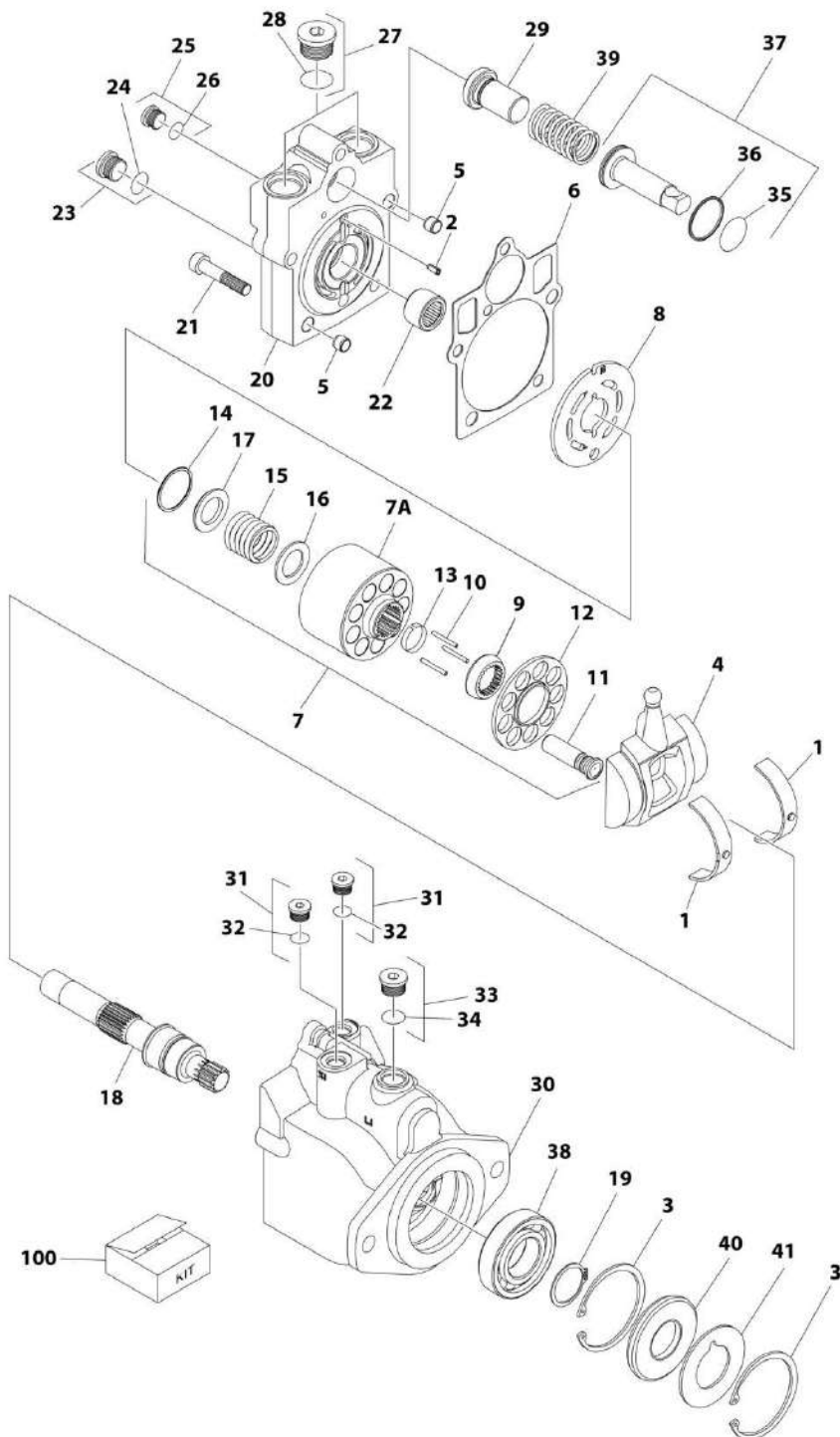
SECTION 1 - FRAME

FIGURE 1-7. DRIVE HUB/BRAKE ASSEMBLY (SN 0300247156 to Present)

ITEM	PART NUMBER	QTY	DESCRIPTION	REV
	1001219219	Ref	DRIVE HUB/BRAKE ASSEMBLY (SN 0300244580 to Present)	B
1	See Note	NSS	Spindle/Housing Assembly (Note: Not Available - Purchase Individual Components)	
1A	70006677	1	Spindle	
1B	70006678	1	Seal	
1C	1001091460	1	Cone, Bearing	
1D	1001091460	1	Cup, Bearing	
1E	1001091461	1	Cone, Bearing	
1F	1001091461	1	Cup, Bearing	
1G	See Note	NSS	Housing (Note: Not Available - Not Available for Purchase)	
1H	7000239	1	Thrustwasher	
1I	7000240	1	Ring, Retaining	
1J	7001928	1	Plug, Pipe	
1N	See Note	NSS	Stud, Wheel (Note: Not Available - Not Available for Purchase)	
2	7024782	1	Gear, Ring	
3	70006673	1	Carrier Assembly	
4	7024151	1	Gear, Internal	
5	7000224	2	O-Ring	
6	70006674	NSS	Cover Assembly (Note: Not Available - Not Available for Purchase)	
7	70006691	1	Thrustwasher	
8	7000283	1	Spring	
8A	7024191	1	Housing, Piston	
8B	70006684	1	Piston	
8C	70006688	1	O-Ring	
8D	70006689	1	Ring, Back-up	
8E	70006686	1	O-Ring	
8F	70006687	1	Ring, Back-up	
8G	70006679	1	Gasket	
8H	70006683	2	Brake, Stator	
8J	70006681	2	Brake, Rotor	
8K	70006682	1	Plate, Pressure	
8L	80344004	10	Spring	
8M	70006685	6	Capscrew	
8N	70006690	6	Lockwasher	
8P	70006680	2	Spring	
8R	7017082	2	Plug	
8S	7024190	2	Pin, Dowel	
9	7000284	1	Ring, Retaining	
11	70006675	1	Shaft, Input	
12	7024154	1	Spacer, Input	
13	7024149	1	Gear, Sun	
15	70006692	2	Thrustwasher	
17	7000289	12	Bolt 3/8 x 2-1/2in (Grade 8)	
19	70006676	1	Coupling	
19B	7017028	1	Ring, Retaining	
20	7017047	2	Pin, Dowel	
100	70006832	1	Friction Disc Kit (Includes Items 8G, 8H, 8J & 8K)	
101	70006833	1	Seal Kit (Includes Items - 8C-8G)	

SECTION 1 - FRAME

FIGURE 1-8. DRIVE MOTOR ASSEMBLY



ART_3160348

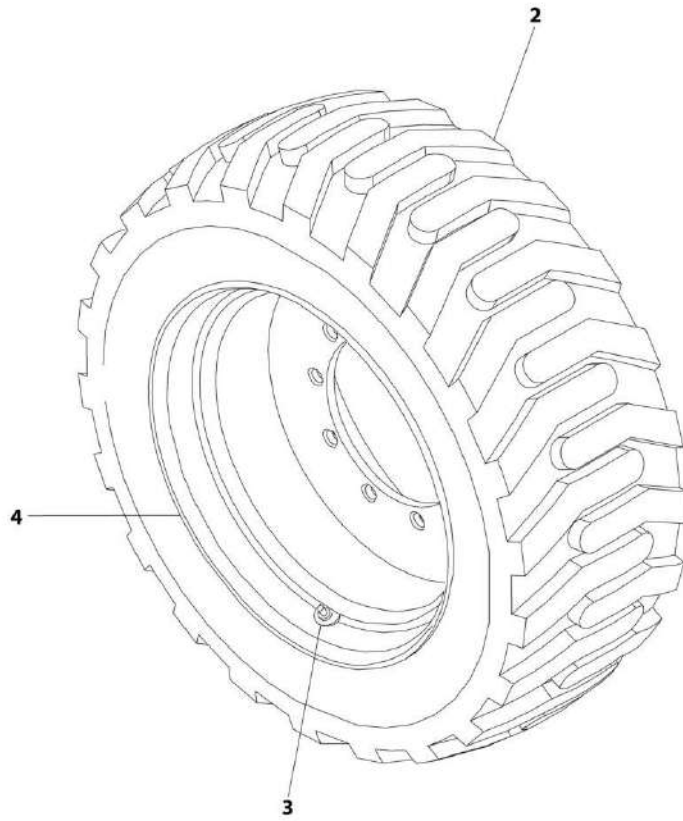
SECTION 1 - FRAME

FIGURE 1-8. DRIVE MOTOR ASSEMBLY

ITEM	PART NUMBER	QTY	DESCRIPTION	REV
	3160348	Ref	DRIVE MOTOR ASSEMBLY	D
1	7022302	2	Bearing, Journal	
2	7007446	1	Pin	
3	7007438	2	Ring, Retaining	
4	7022305	1	Swash Plate	
5	See Note	2	Pin (Note: Not Available for Purchase)	
6	See Note	NSS	Gasket (Note: Use Item 100)	
7	7023907	1	Cylinder Block Kit (Includes Items 7A & 9-17)	
7A	See Note	NSS	Block, Cylinder (Note: Use Item 7)	
8	7023908	1	Plate, Valve	
9	7021277	1	Guide, Slipper Retainer	
10	7021275	3	Pin, Slipper Hold Down	
11	See Note	NSS	Piston Assembly (Note: Use Item 7)	
12	7022310	1	Retainer, Slipper	
13	7021276	1	Retainer, Hold Down Pin	
14	7022311	1	Ring, Retaining	
15	7022312	1	Spring	
16	7024868	1	Washer	
17	7022314	1	Retainer, Spring	
18	7023910	1	Shaft	
19	7007439	1	Ring, Retaining	
20	70000797	1	Cap, End - Axial	
21	7022368	5	Screw	
22	7021249	1	Bearing, Needle	
23	2220886	1	Plug (Includes Item 24)	
24	See Note	1	O-Ring (Note: Use Item 23 or 100)	
25	2220883	1	Plug (Includes Item 26)	
26	See Note	NSS	O-Ring (Note: Use Item 25 or 100)	
27	2220888	2	Plug (Includes Item 28)	
28	See Note	NSS	O-Ring (Note: Use Item 27 or 100)	
29	7022372	1	Seat, Spring	
30	See Note	NSS	Housing (Note: Not Available - Purchase Complete Assembly)	
31	2220883	2	Plug (Use Item 32)	
32	See Note	NSS	O-Ring (Note: Use Item 31 or 100)	
33	2220886	1	Plug (Use Item 34)	
34	See Note	NSS	O-Ring (Note: Use Item 33 or 100)	
35	See Note	NSS	O-Ring (Note: Use Item 100)	
36	See Note	NSS	Ring, Seal (Note: Use Item 100)	
37	7024854	1	Piston, Servo (Includes Items 35 & 36)	
38	7007437	1	Bearing	
39	7022326	1	Spring	
40	See Note	1	Seal, Lip (Note: Use Item 100)	
41	7022371	1	Washer, Support	
		Ref	KIT OPTIONS:	
100	7022328	1	Seal Kit (Includes Items 6, 24, 26, 28, 32, 34, 35, 36 & 40)	

SECTION 1 - FRAME

FIGURE 1-9. TIRE & WHEEL INSTALLATION - 15-625 NHS FOAM-FILLED



ART_0270886

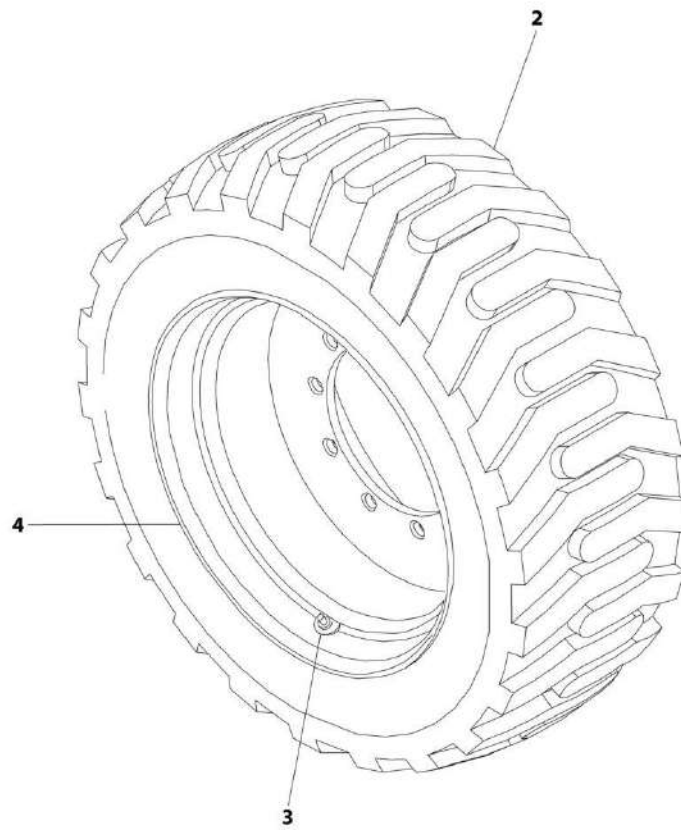
SECTION 1 - FRAME

FIGURE 1-9. TIRE & WHEEL INSTALLATION - 15-625 NHS FOAM-FILLED

ITEM	PART NUMBER	QTY	DESCRIPTION	REV
	0270886	Ref	TIRE AND WHEEL INSTALLATION	D
	0271085	2	Tire and Wheel Assembly - 15-625 NHS Foam-Filled LH Side	G
	0271086	2	Tire and Wheel Assembly - 15-625 NHS Foam-Filled RH Side	G
		Ref	Note: Assemblies may require ballast/foam filling to manufacturer's specifications prior to installing on a machine. Refer to Operation and Safety or Service and Maintenance Manuals.	
		Ref	Purchase individual tire and/or rim only if able to foam fill tire and wheel assembly, otherwise, purchase complete assembly.	
2	4520252	1	Tire 15-625	
3	4641122	1	Valve, Air	
4	4860224	1	Rim, Wheel - 13 x 24.5 Rim	

SECTION 1 - FRAME

FIGURE 1-10. TIRE AND WHEEL INSTALLATION - 18-625 NHS FOAM-FILLED



ART_0270888

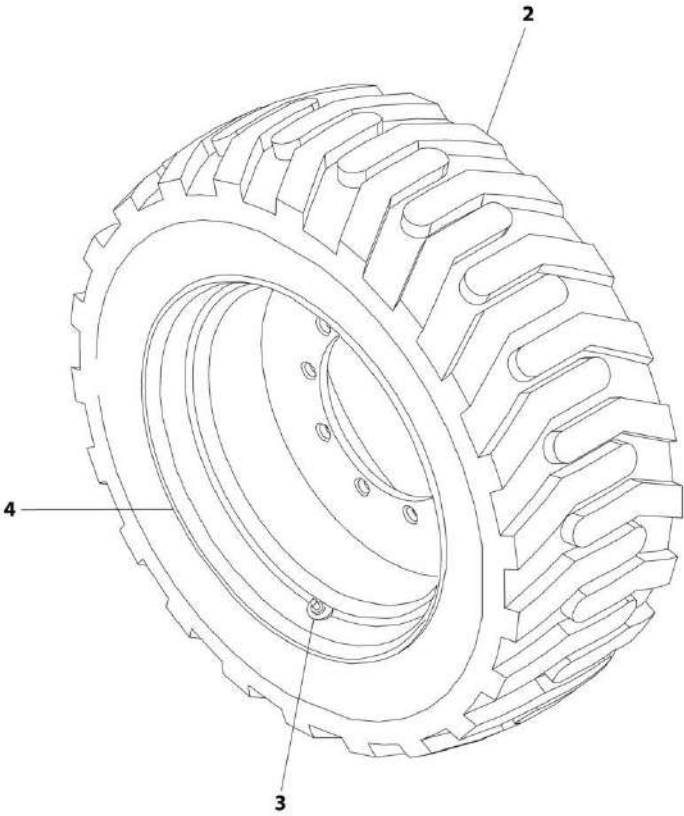
SECTION 1 - FRAME

FIGURE 1-10. TIRE AND WHEEL INSTALLATION - 18-625 NHS FOAM-FILLED

ITEM	PART NUMBER	QTY	DESCRIPTION	REV
	0270888	Ref	TIRE AND WHEEL INSTALLATION	C
	0271090	2	Tire and Wheel Assembly - 18-625 NHS Foam-Filled LH Side	E
	0271091	2	Tire and Wheel Assembly - 18-625 NHS Foam-Filled RH Side	E
		Ref	Note: Assemblies may require ballast/foam filling to manufacturer's specifications prior to installing on a machine. Refer to Operation and Safety or Service and Maintenance Manuals.	
		Ref	Purchase individual tire and/or rim only if able to foam fill tire and wheel assembly, otherwise, purchase complete assembly.	
2	4520253	1	Tire 18-625	
3	4641122	1	Valve, Air	
4	4860225	1	Rim, Wheel - 15 x 24.5 Rim	

SECTION 1 - FRAME

FIGURE 1-11. TIRE AND WHEEL INSTALLATION - 18-625 NHS FOAM-FILLED NON-MARKING (Prior to SN 0300247156)



ART_1001169757

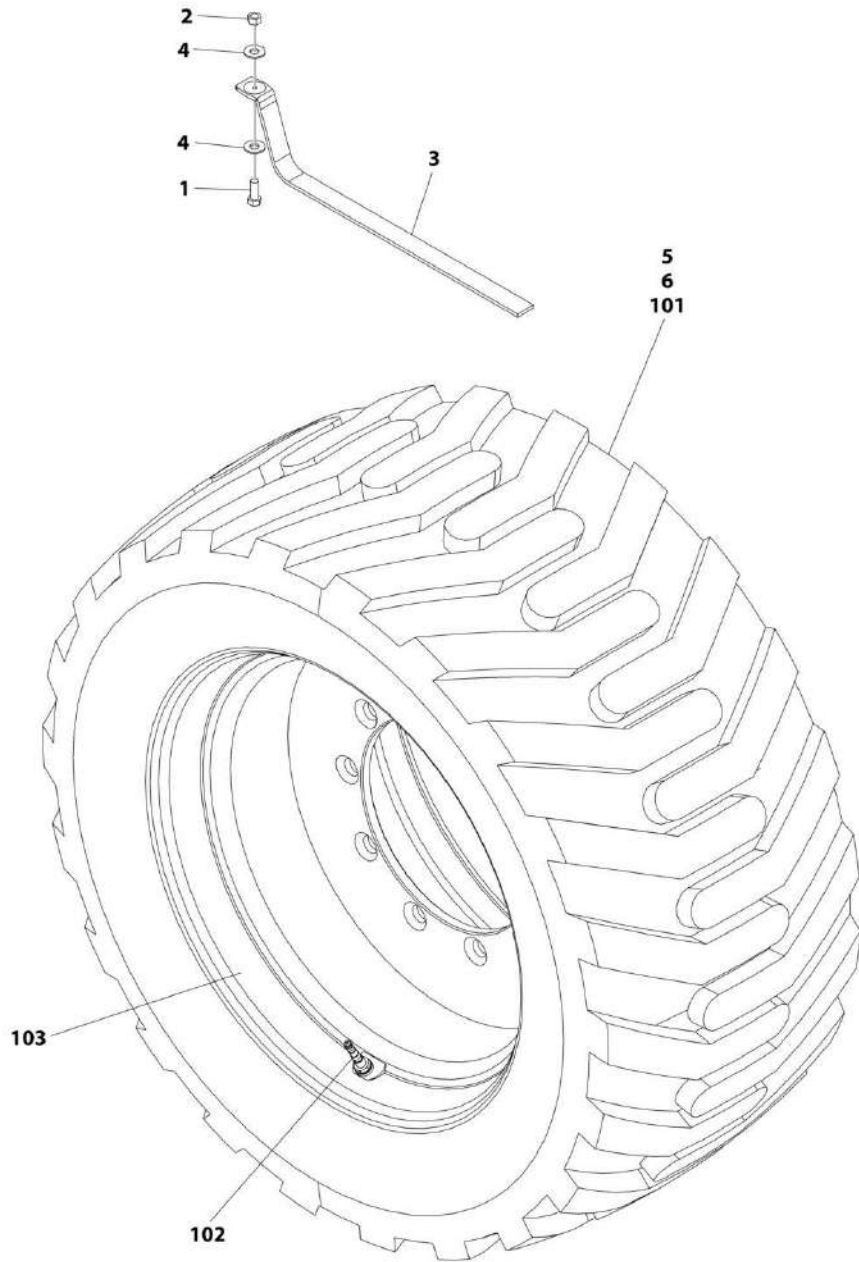
SECTION 1 - FRAME

FIGURE 1-11. TIRE AND WHEEL INSTALLATION - 18-625 NHS FOAM-FILLED NON-MARKING (Prior to SN 0300247156)

ITEM	PART NUMBER	QTY	DESCRIPTION	REV
	1001169757	Ref	TIRE AND WHEEL INSTALLATION	A
	1001169755	2	Tire and Wheel Assembly - 18-625 NHS Foam-Filled Non-Marking LH Side	B
	1001169756	2	Tire and Wheel Assembly - 18-625 NHS Foam-Filled Non-Marking RH Side	B
		Ref	Note: Assemblies may require ballast/foam filling to manufacturer's specifications prior to installing on a machine. Refer to Operation and Safety or Service and Maintenance Manuals.	
		Ref	Purchase individual tire and/or rim only if able to foam fill tire and wheel assembly, otherwise, purchase complete assembly.	
2	1001169754	1	Tire 18-625 Non-Marking	
3	4641122	1	Valve, Air	
4	4860225	1	Rim, Wheel - 15 x 24.5 Rim	

SECTION 1 - FRAME

FIGURE 1-12. TIRE AND WHEEL INSTALLATION - 18-625 NHS FOAM-FILLED NON-MARKING (SN 0300247156 to Present)



ART_1001236435

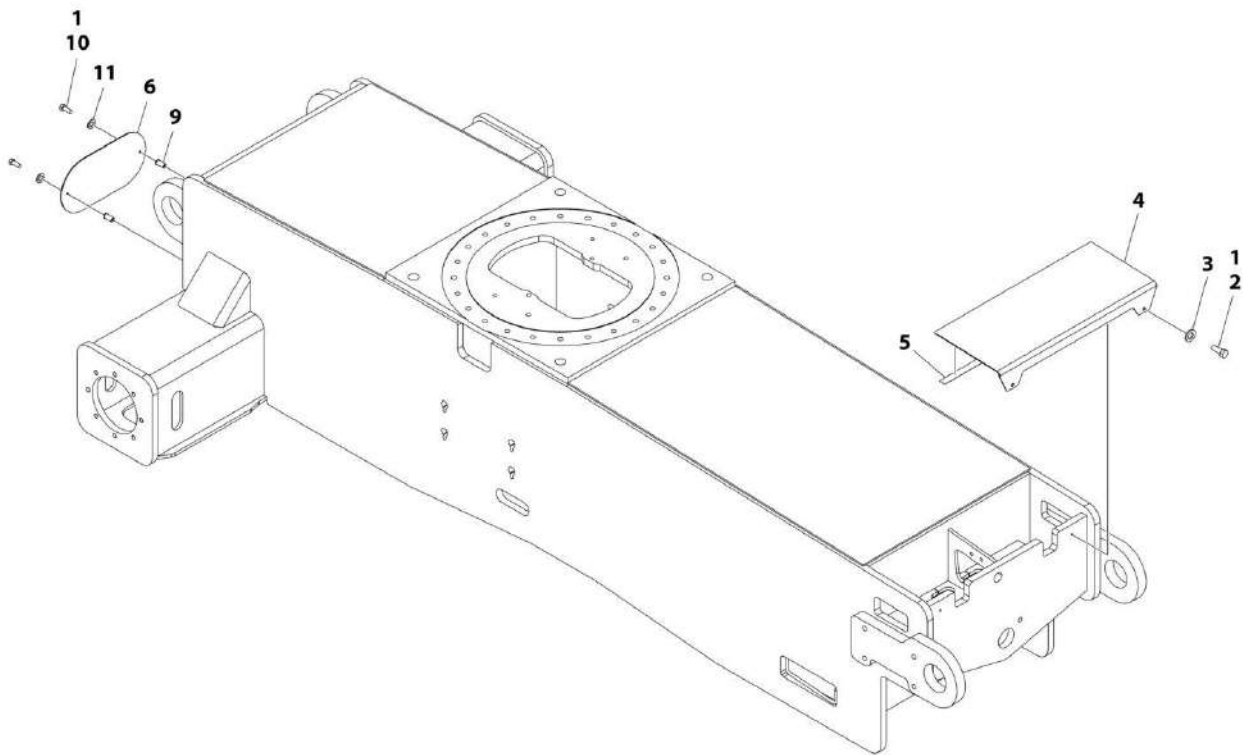
SECTION 1 - FRAME

FIGURE 1-12. TIRE AND WHEEL INSTALLATION - 18-625 NHS FOAM-FILLED NON-MARKING (SN 0300247156 to Present)

ITEM	PART NUMBER	QTY	DESCRIPTION	REV
	1001236435	Ref	TIRE AND WHEEL INSTALLATION	A
1	0641608	1	Bolt 3/8 x 1	
2	3311605	1	Nut 3/8	
3	4240084	1	Strap, Anti-Static	
4	4751600	2	Washer 3/8	
5	1001169755	2	Tire and Wheel Assembly - 18-625 NHS Foam-Filled Non-Marking LH Side	B
6	1001169756	2	Tire and Wheel Assembly - 18-625 NHS Foam-Filled Non-Marking RH Side	B
		Ref	Note: Assemblies may require ballast/foam filling to manufacturer's specifications prior to installing on a machine. Refer to Operation and Safety or Service and Maintenance Manuals.	
		Ref	Purchase individual tire and/or rim only if able to foam fill tire and wheel assembly, otherwise, purchase complete assembly.	
101	1001169754	1	Tire 18-625 Non-Marking	
102	4641122	1	Valve, Air	
103	4860225	1	Rim, Wheel - 15 x 24.5 Rim	

SECTION 1 - FRAME

FIGURE 1-13. FRAME SHIELDS INSTALLATION



ART_1001158203

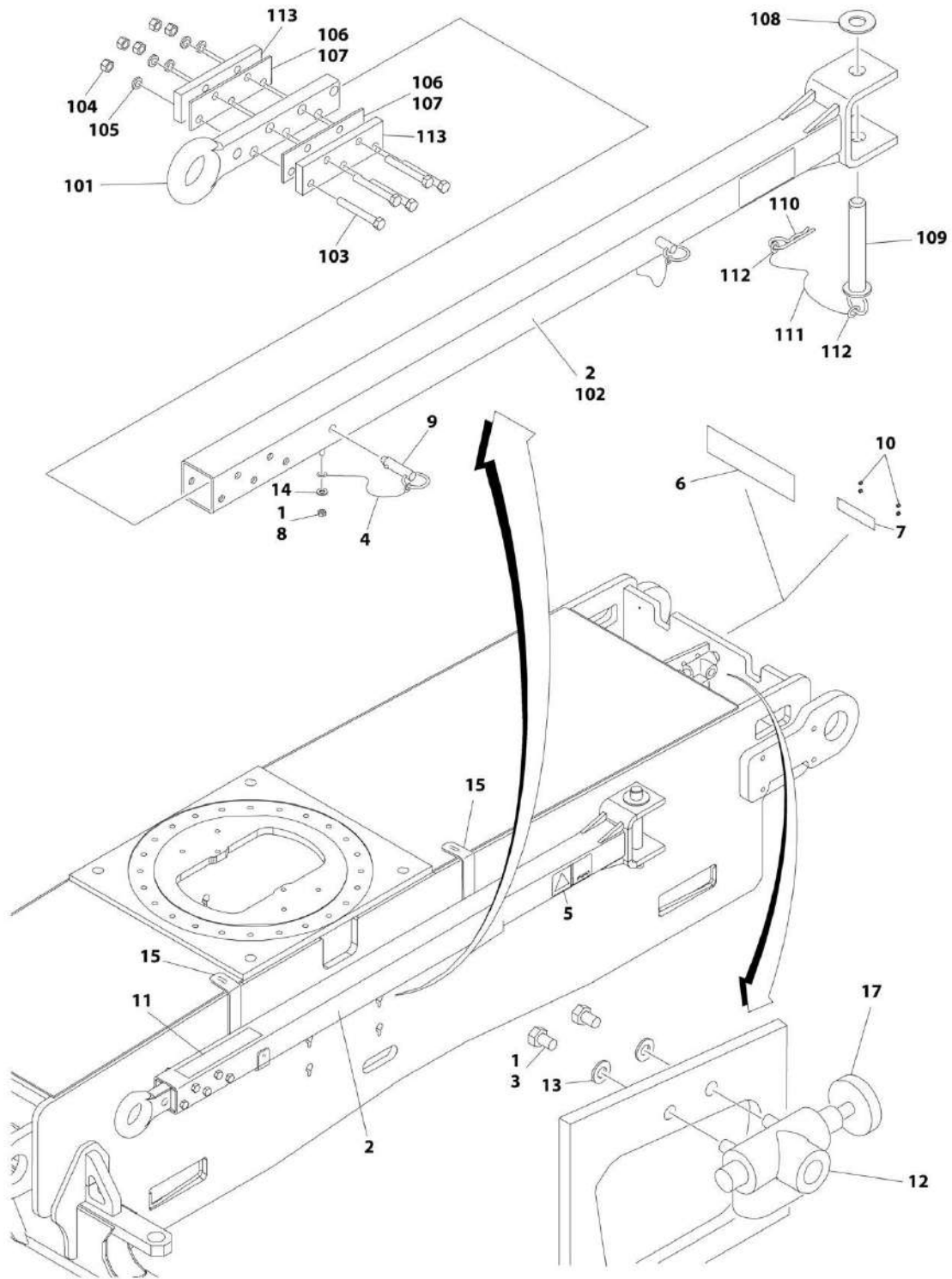
SECTION 1 - FRAME

FIGURE 1-13. FRAME SHIELDS INSTALLATION

ITEM	PART NUMBER	QTY	DESCRIPTION	REV
	1001158203	Ref	FRAME SHIELDS INSTALLATION	D
1	0100011	AR	Compound, Locking	
2	0641606	2	Bolt 3/8 x 3/4	
3	4751600	2	Washer 3/8	
4	1001158187	1	Cover	
5	4280296	27 in/ 68cm	Trim	
6	1001158188	1	Cover	
9	8580420	2	Nut, Well	
10	0641410	2	Bolt 1/4 x 1-1/4	
11	4751400	2	Washer 1/4	

SECTION 1 - FRAME

FIGURE 1-14. TOW PACKAGE INSTALLATION (OPTIONAL) (ANSI, ANSI EXPORT AND CHINA SPECS)



ART_1001158258

SECTION 1 - FRAME

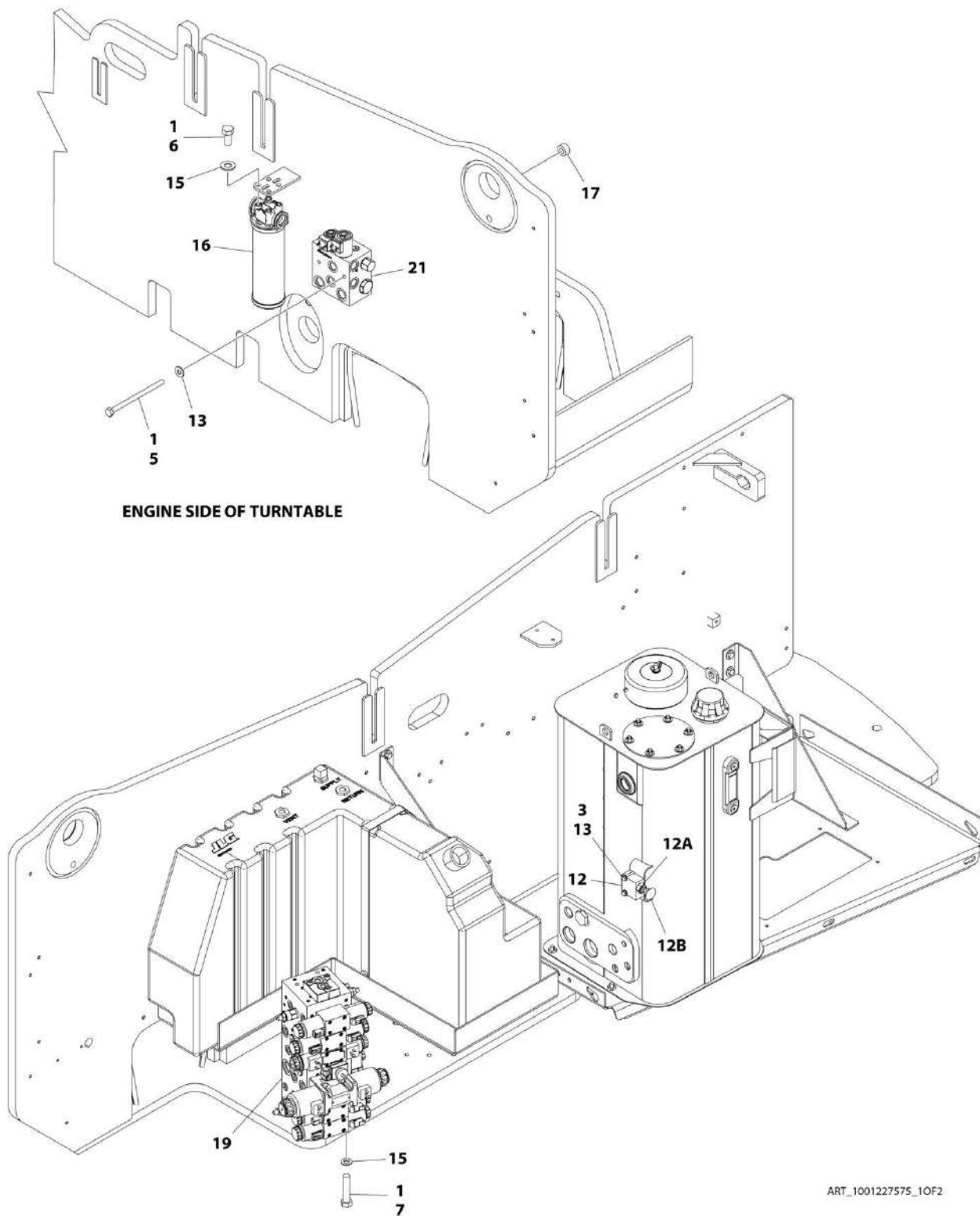
FIGURE 1-14. TOW PACKAGE INSTALLATION (OPTIONAL) (ANSI, ANSI EXPORT AND CHINA SPECS)

ITEM	PART NUMBER	QTY	DESCRIPTION	REV
	1001158258	Ref	TOW PACKAGE INSTALLATION	B
1	0100011	AR	Compound, Locking	
2	0232121	1	Tow Bar Assembly (See Items 101-113 for Breakdown)	
3	0641508	2	Bolt 5/16 x 1	
3	0641504	2	Bolt 5/16 x 1/2	
4	1260017	2 ft/0.3m	Chain	
5	1704578	2	Decal - Crushing	
6	1705090	1	Decal - Towing Instructions	
7	3250872	1	Nameplate - Steer/Tow Valve	
8	3311401	2	Nut 1/4	
9	3420292	2	Pin	
10	3820001	4	Rivet, Pop	
11	4420051	2 ft/0.3m	Tape	
12	4640261	1	Valve, Float Position	
13	4711500	AR	Washer 5/16	
14	4751400	2	Washer 1/4	
15	1001158522	2	Bracket	
17	1001160780	1	Rod, Extension	
	0232121	Ref	TOW BAR ASSEMBLY	7-G
101	0360406	1	Bar, Draw	
102	4843777	1	Bar, Tow	
103	0642038	5	Bolt 5/8 x 4-3/4	
104	3312001	5	Nut 5/8	
105	4762000	5	Washer 5/8	
106	4070450	AR	Shim 14 Gauge	
107	4070561	AR	Shim 11 Gauge	
108	4740036	1	Washer 1-1/2	
109	3420447	1	Pin	
110	3420372	1	Pin	
111	1260135	1	Chain	
112	3760170	2	Ring	
113	4070560	2	Shim .88	

SECTION 2 - TURNTABLE

SECTION 2 - TURNTABLE

FIGURE 2-1. VALVES INSTALLATION - WITHOUT LSS



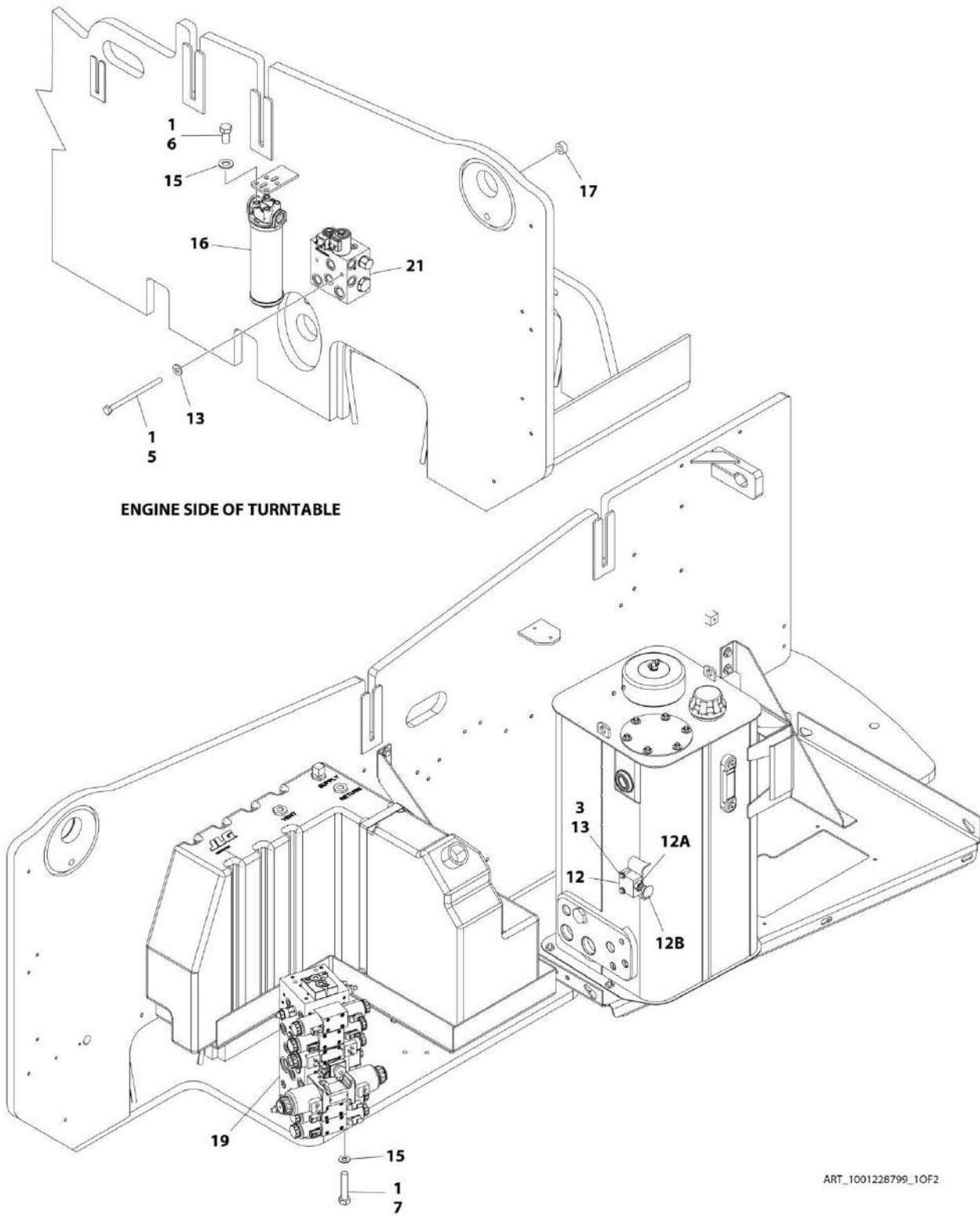
SECTION 2 - TURNTABLE

FIGURE 2-1. VALVES INSTALLATION - WITHOUT LSS

ITEM	PART NUMBER	QTY	DESCRIPTION	REV
	1001227575	Ref	VALVES INSTALLATION	B
1	0100011	AR	Compound, Locking	
3	0641414	2	Bolt 1/4 x 1-3/4	
5	0641432	2	Bolt 1/4 x 4	
6	0641606	4	Bolt 3/8 x 3/4	
7	0641614	3	Bolt 3/8 x 1-3/4	
12	4640866	1	Level Valve Assembly	
12A	7017466	1	Cartridge	
12A	2900708	1	Seal Kit	
12B	7012959	1	Knob	
13	4711400	8	Washer 1/4	
15	4711600	9	Washer 3/8	
16	1001108617	1	Pressure Filter Assembly	
16	70002231	1	Element, Filter	
17	1001110425	2	Spacer	
19	1001172218	NLA	Main Valve Assembly (Use p/n 1001228170) (See Separate Breakdown in this Section) (Prior to SN 0300247156)	
19	1001228170	1	Main Valve Assembly (See Separate Breakdown in this Section) (SN 0300247156 to Present)	
21	1001226814	1	Brake/2 Speed Valve Assembly (See Separate Breakdown in this Section)	

SECTION 2 - TURNTABLE

FIGURE 2-2. VALVES INSTALLATION - WITH LSS



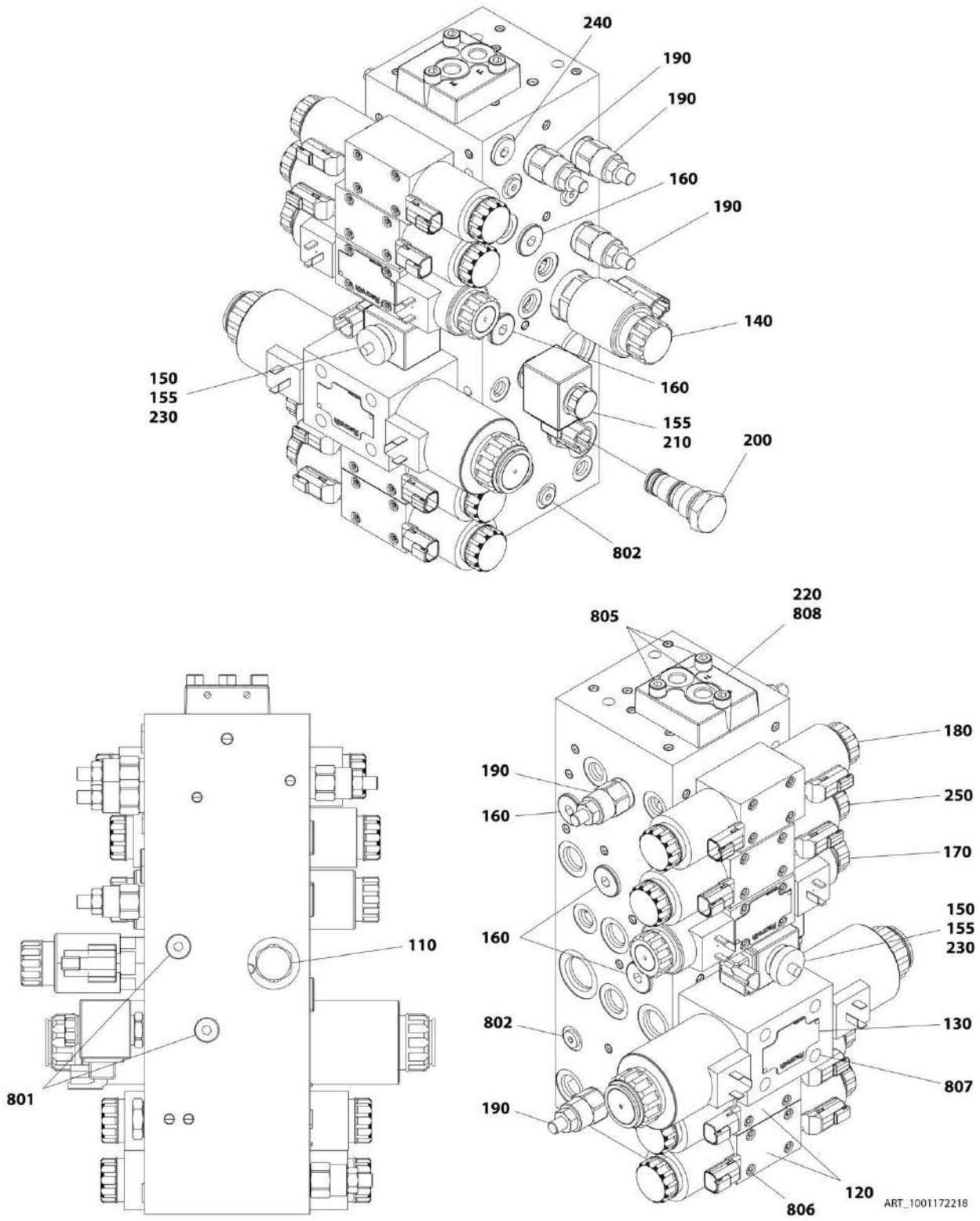
SECTION 2 - TURNTABLE

FIGURE 2-2. VALVES INSTALLATION - WITH LSS

ITEM	PART NUMBER	QTY	DESCRIPTION	REV
	1001228799	Ref	VALVES INSTALLATION	B
1	0100011	AR	Compound, Locking	
3	0641414	2	Bolt 1/4 x 1-3/4	
5	0641432	2	Bolt 1/4 x 4	
6	0641606	4	Bolt 3/8 x 3/4	
7	0641614	3	Bolt 3/8 x 1-3/4	
12	4640866	1	Level Valve Assembly	
12A	7017466	1	Cartridge	
12A	2900708	1	Seal Kit	
12B	7012959	1	Knob	
13	4711400	8	Washer 1/4	
15	4711600	9	Washer 3/8	
16	1001108617	1	Pressure Filter Assembly	
16	70002231	1	Element, Filter	
17	1001110425	2	Spacer	
19	1001172218	NLA	Main Valve Assembly (Use p/n 1001228170) (See Separate Breakdown in this Section) (Prior to SN 0300247156)	
19	1001228170	1	Main Valve Assembly (See Separate Breakdown in this Section) (SN 0300247156 to Present)	
21	1001226814	1	Brake/2 Speed Valve Assembly (See Separate Breakdown in this Section)	

SECTION 2 - TURNTABLE

FIGURE 2-3. MAIN VALVE ASSEMBLY (Prior to SN 0300247156)



SECTION 2 - TURNTABLE

FIGURE 2-3. MAIN VALVE ASSEMBLY (Prior to SN 0300247156)

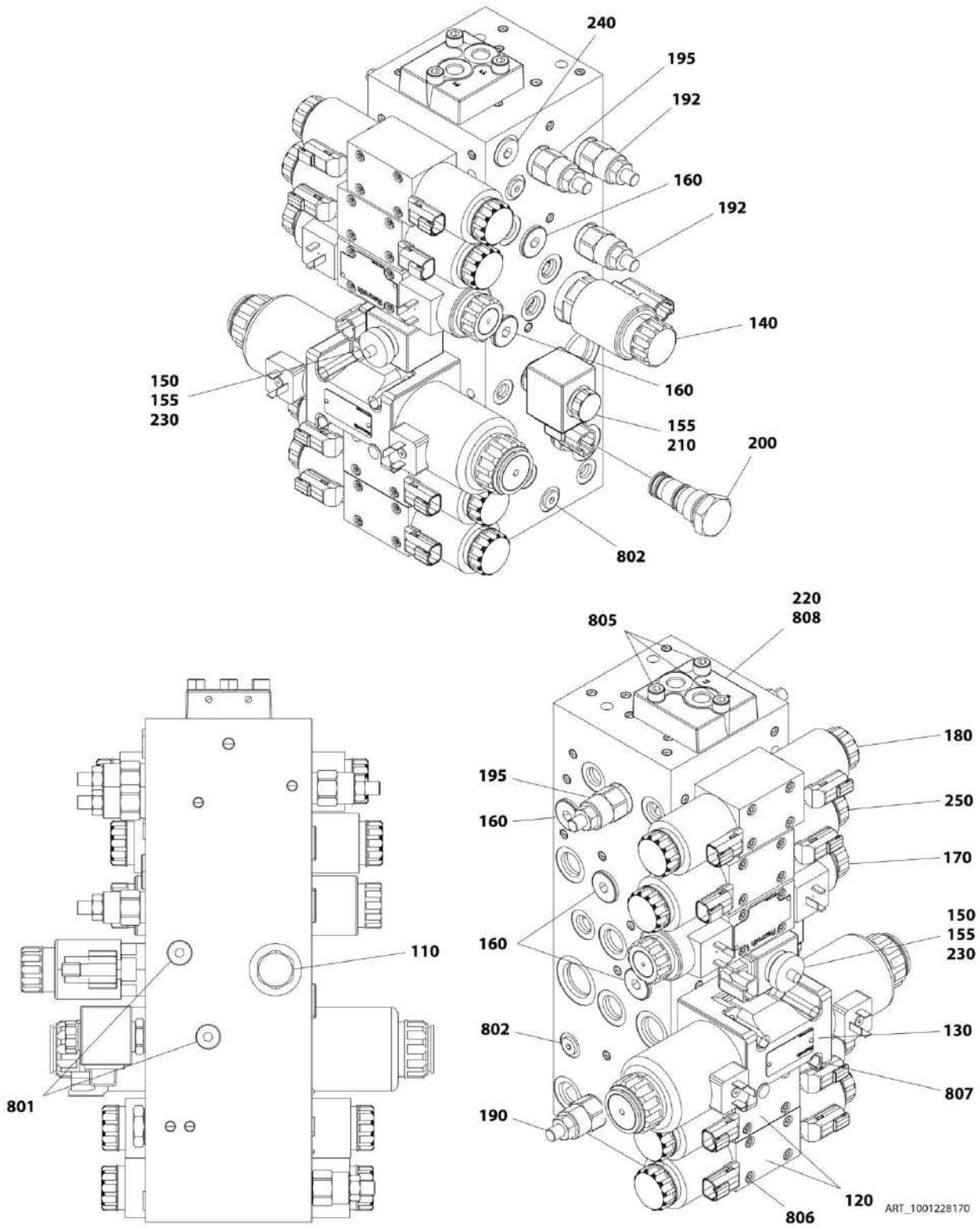
ITEM	PART NUMBER	QTY	DESCRIPTION	REV
	1001172218	Ref	MAIN VALVE ASSEMBLY	C
110	70005194	1	Valve, Check Cartridge	
110	70004584	1	Seal Kit - 70005194 Valve	
120	70004459	2	Valve Assembly (Tower Tele and Tower Lift)	
120	7012773	2	Seal Kit - 70004459 Valve	
120	70004460	4	Coil	
120	7021375	4	Nut, Coil	
120	70004461	4	O-Ring, Pole Tube	
130	70000579	1	Valve Assembly (Upper Tele)	
130	70000583	1	Seal Kit - 70000579 Valve	
130	70000582	2	Coil	
130	70000580	2	Nut, Coil	
130	7021363	2	O-Ring, Pole Tube	
140	70004657	1	Valve, Cartridge (Flow Control)	
140	70004594	1	Seal Kit - 70004657 Valve	
140	70004595	1	Coil	
140	70004596	1	O-Ring, Pole Tube	
140	70004597	1	Nut, Coil	
150	70004598	1	Valve, Cartridge Less Coil (Steer Dump)	
150	70004055	1	Seal Kit - 70004598 Valve	
155	70004653	2	Coil	
155	70004051	2	Nut, Coil	
160	70023859	5	Valve, Shuffle Cartridge	
160	70023860	5	Seal Kit - 70023859 Valve	
170	7018992	1	Valve Assembly (Upper Lift)	
170	7012773	1	Seal Kit - 7018992 Valve	
170	7018991	2	Coil	
170	7021375	2	Nut, Coil	
170	70004461	2	O-Ring, Pole Tube	
180	70005195	1	Valve Assembly (Front Steer)	
180	7012773	1	Seal Kit - 70005195 Valve	
180	70004463	2	Coil	
180	7021375	2	Nut, Coil	
180	70004461	2	O-Ring, Pole Tube	
190	70003019	5	Valve, Relief Cartridge	
190	70004052	5	Seal Kit - 70003019 Valve	
200	70004665	1	Valve, Check - Cartridge	
200	70023862	1	Seal Kit - 70004665 Valve	
210	70004457	1	Valve, Cartridge Less Coil (Main Dump)	
210	70004050	1	Seal Kit - 70004665 Valve	
220	70004667	1	Cover	
230	70005196	1	Orifice .118	
240	70005197	1	Plug (2WS)	
240	70004052	1	Seal Kit - 70005197 Plug	
250	70005198	1	Valve Assembly (Swing)	
250	7012773	1	Seal Kit - 70005198 Valve	
250	70004463	2	Coil	
250	7021375	2	Nut, Coil	
250	70004461	2	O-Ring, Pole Tube	
801	70005199	2	Plug	

SECTION 2 - TURNTABLE

ITEM	PART NUMBER	QTY	DESCRIPTION	REV
802	70005200	4	Plug	
805	70005201	3	Capscrew	
806	7018942	20	Capscrew	
807	7018951	4	Capscrew	
808	70005202	2	O-Ring	

SECTION 2 - TURNTABLE

FIGURE 2-4. MAIN VALVE ASSEMBLY (SN 0300247156 to Present)



SECTION 2 - TURNTABLE

FIGURE 2-4. MAIN VALVE ASSEMBLY (SN 0300247156 to Present)

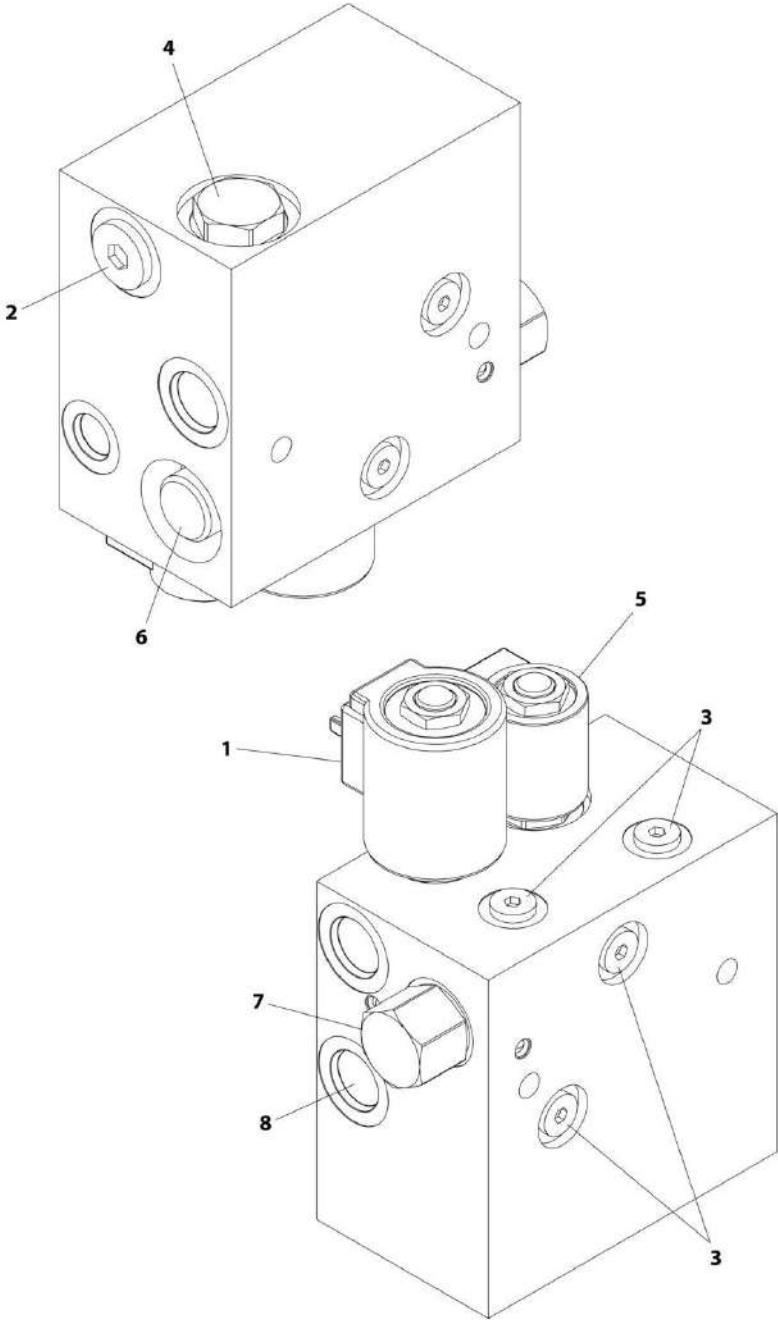
ITEM	PART NUMBER	QTY	DESCRIPTION	REV
	1001228170	Ref	MAIN VALVE ASSEMBLY	A
110	70005194	1	Valve, Check Cartridge	
110	70004584	1	Seal Kit - 70005194 Valve	
120	70004459	2	Valve Assembly (Tower Tele and Tower Lift)	
120	7012773	2	Seal Kit - 70004459 Valve	
120	70004460	4	Coil	
120	7021375	4	Nut, Coil	
120	70004461	4	O-Ring, Pole Tube	
130	70006955	1	Valve Assembly (Upper Tele)	
130	70006957	1	Seal Kit - 70006955 Valve	
130	70006956	2	Coil	
140	70004657	1	Valve, Cartridge (Flow Control)	
140	70004594	1	Seal Kit - 70004657 Valve	
140	70004595	1	Coil	
140	70004596	1	O-Ring, Pole Tube	
140	70004597	1	Nut, Coil	
150	70004598	1	Valve, Cartridge Less Coil (Steer Dump)	
150	70004055	1	Seal Kit - 70004598 Valve	
155	70004653	2	Coil	
155	70004051	2	Nut, Coil	
160	70023859	5	Valve, Shuffle Cartridge	
160	70023860	5	Seal Kit - 70023859 Valve	
170	7018992	1	Valve Assembly (Upper Lift)	
170	7024021	1	Seal Kit - 7018992 Valve	
170	7018991	2	Coil	
170	7021375	2	Nut, Coil	
170	70004461	2	O-Ring, Pole Tube	
180	70005195	1	Valve Assembly (Front Steer)	
180	7012773	1	Seal Kit - 70005195 Valve	
180	70004463	2	Coil	
180	7021375	2	Nut, Coil	
180	70004461	2	O-Ring, Pole Tube	
190	70006959	1	Valve, Relief Cartridge	
190	See Note	NSS	Seal Kit - 70006959 Valve (Note: Not Available for Purchase)	
192	70006960	2	Valve, Relief Cartridge	
192	See Note	NSS	Seal Kit - 70006960 Valve (Note: Not Available for Purchase)	
195	70006958	2	Valve, Relief Cartridge	
195	See Note	NSS	Seal Kit - 70006958 Valve (Note: Not Available for Purchase)	
200	70004665	1	Valve, Check - Cartridge	
200	70023862	1	Seal Kit - 70004665 Valve	
210	70004457	1	Valve, Cartridge Less Coil (Main Dump)	
210	70004050	1	Seal Kit - 70004665 Valve	
210	70004653	1	Coil	
220	70004667	1	Cover	
230	70005196	1	Orifice .118	
240	70005197	1	Plug (2WS)	
240	70004052	1	Seal Kit - 70005197 Plug	
250	70005198	1	Valve Assembly (Swing)	
250	70006961	1	Seal Kit - 70005198 Valve	
250	70004463	2	Coil	

SECTION 2 - TURNTABLE

ITEM	PART NUMBER	QTY	DESCRIPTION	REV
250	7021375	2	Nut, Coil	
250	70004461	2	O-Ring, Pole Tube	
801	70005199	2	Plug	
802	70005200	4	Plug	
805	70005201	3	Capscrew	
806	7018942	20	Capscrew	
807	7018951	4	Capscrew	
808	70005202	2	O-Ring	

SECTION 2 - TURNTABLE

FIGURE 2-5. BRAKE/2 SPEED VALVE ASSEMBLY



ART_1001226814

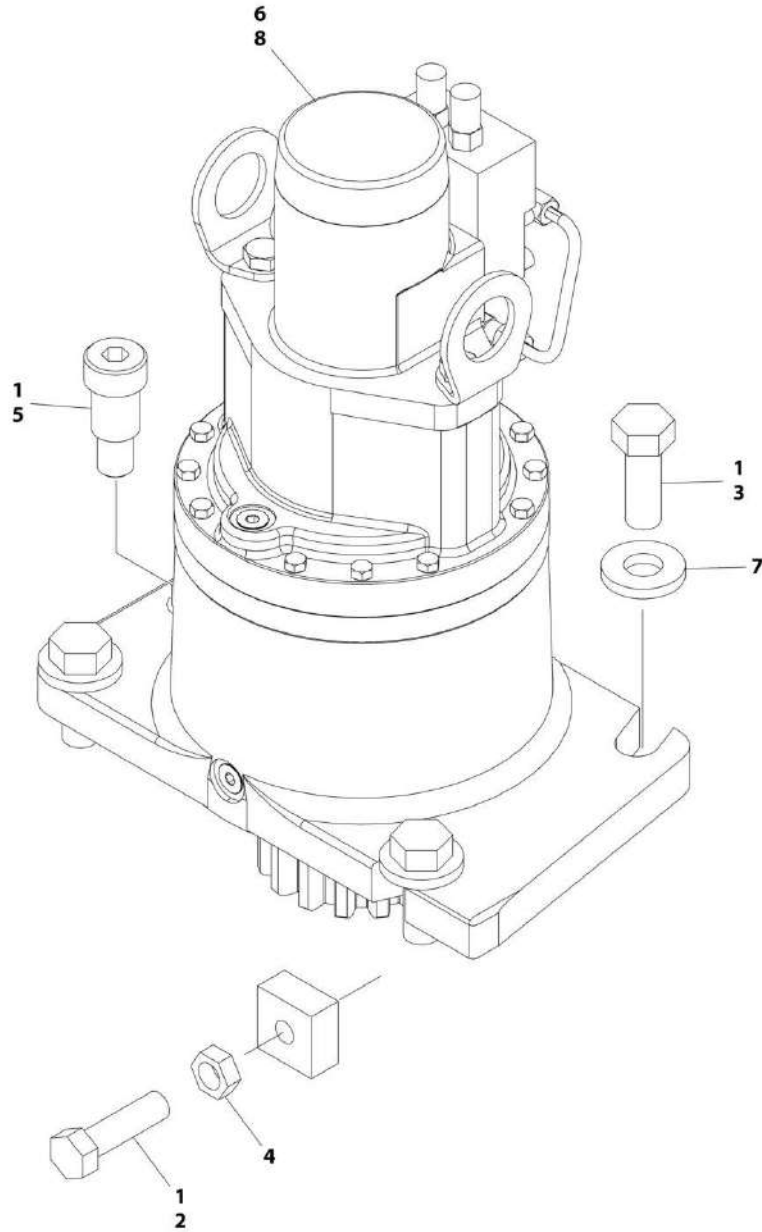
SECTION 2 - TURNTABLE

FIGURE 2-5. BRAKE/2 SPEED VALVE ASSEMBLY

ITEM	PART NUMBER	QTY	DESCRIPTION	REV
	1001226814	Ref	BRAKE/2 SPEED VALVE ASSEMBLY	E
1	7012995	1	Valve, Cartridge	
1	7012518	1	Seal Kit - 7012995 Valve	
1	7012943	1	Nut, Coil	
2	2220886	1	Plug, O-Ring	
3	2220883	1	Plug, O-Ring	
4	4641192	1	Valve, Cartridge	
4	7017496	1	Seal Kit - 4641192 Valve	
5	7012941	1	Valve, Cartridge	
5	7010543	1	Seal Kit - 7012941 Valve	
5	7012944	1	Nut, Coil	
6	7012989	1	Valve, Cartridge	
6	7012953	1	Seal Kit - 7012989 Valve	
7	7012928	1	Valve, Cartridge	
7	70003649	1	Seal Kit - 7012928 Valve	
8	70003975	1	Plug, Orifice	

SECTION 2 - TURNTABLE

FIGURE 2-6. SWING DRIVE INSTALLATION



ART_1001156136

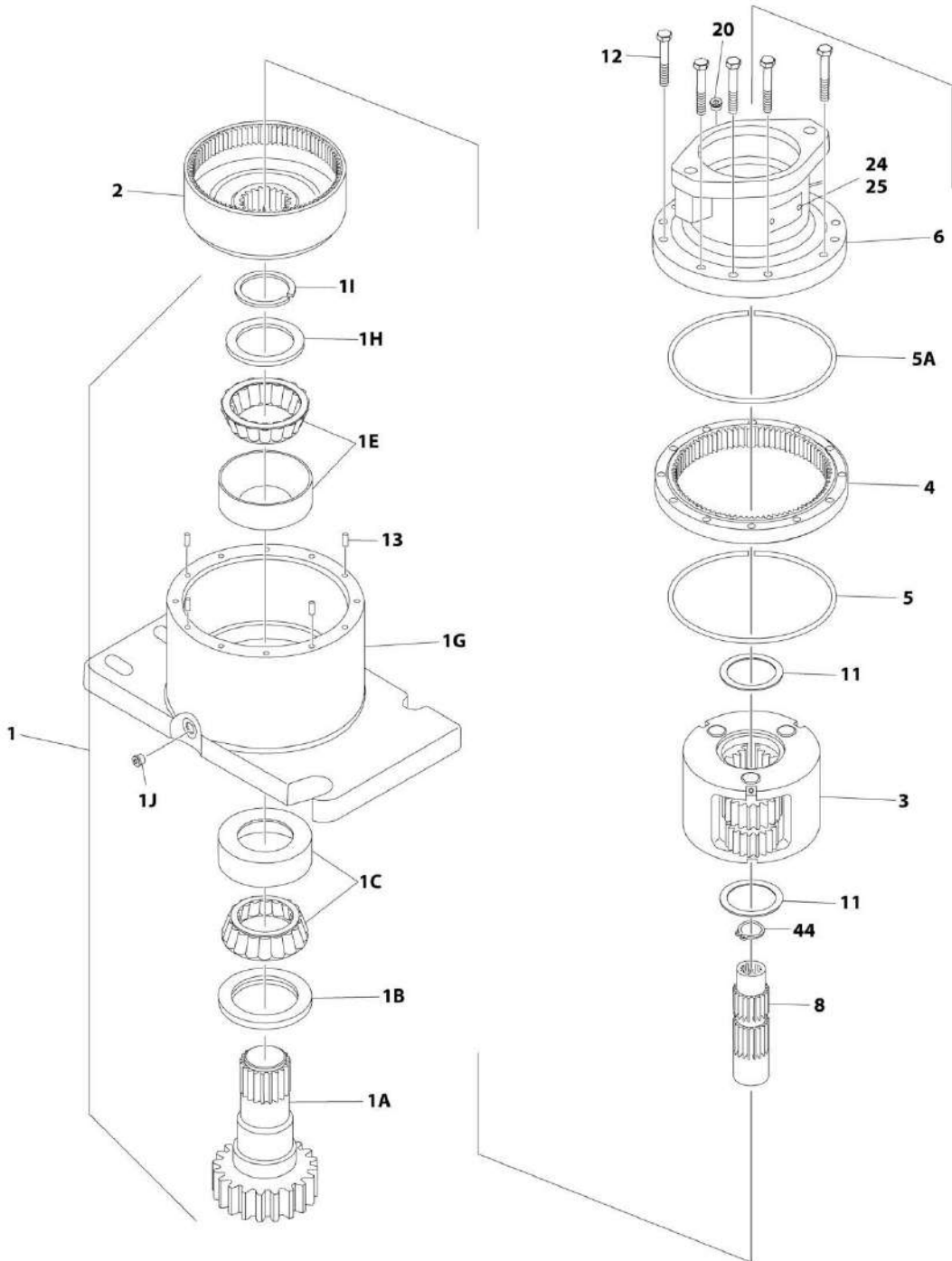
SECTION 2 - TURNTABLE

FIGURE 2-6. SWING DRIVE INSTALLATION

ITEM	PART NUMBER	QTY	DESCRIPTION	REV
	1001156136	Ref	SWING DRIVE INSTALLATION	A
1	0100019	AR	Compound, Locking	
2	0642016	1	Bolt 5/8 x 2-1/4	
3	0682216	4	Bolt 3/4 x 2 Grade 8	
4	3312002	1	Nut 5/8	
5	3900293	1	Screw 1 x 1-1/4	
6	4071009	1	Shim	
7	4740057	4	Washer	
8	1001101060	1	Swing Motor/Hub Assembly (See Separate Breakdown in this Section)	

SECTION 2 - TURNTABLE

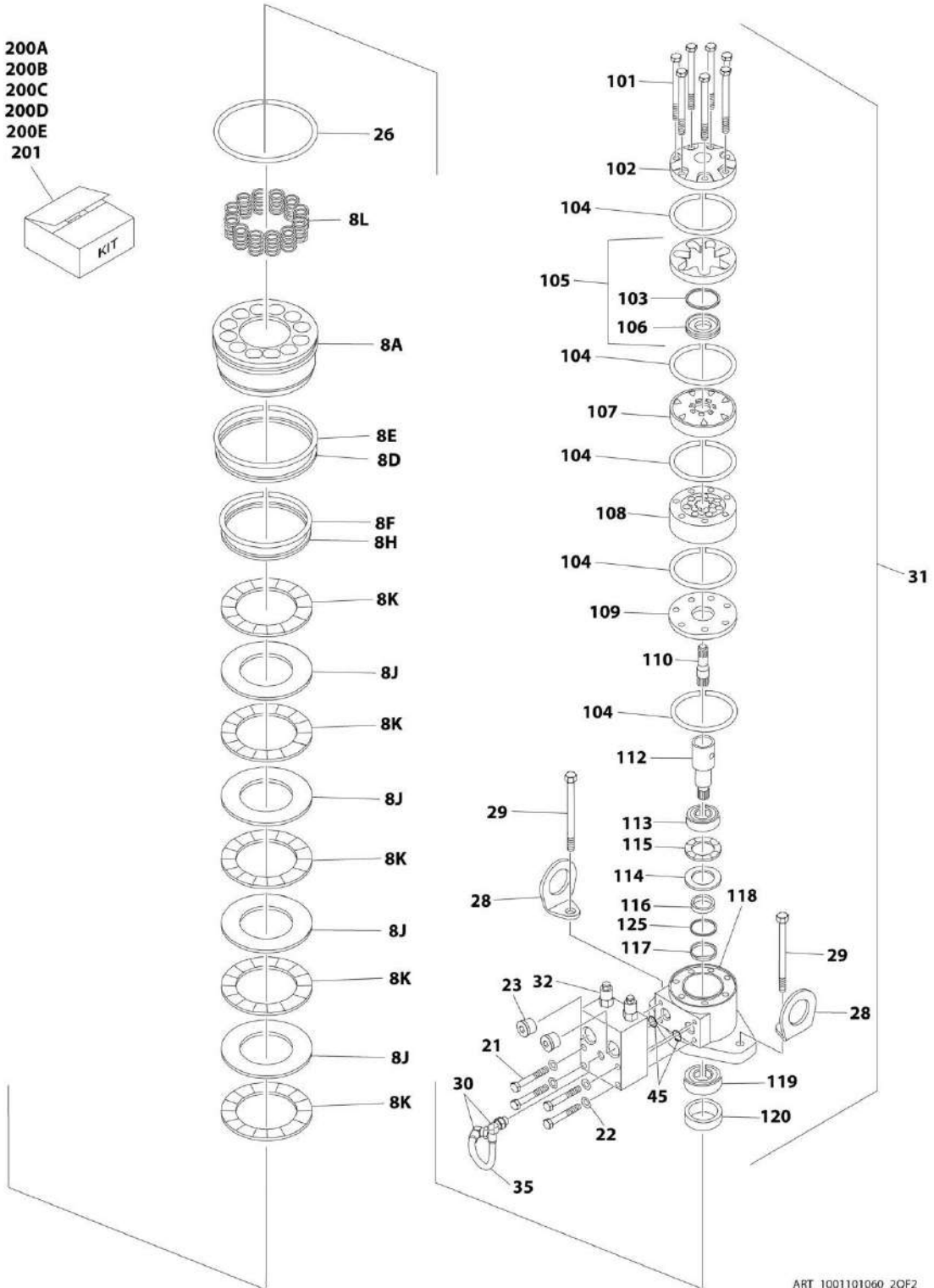
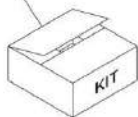
FIGURE 2-7. SWING MOTOR/HUB ASSEMBLY



ART_1001101060_10F2

SECTION 2 - TURNTABLE

- 200A
- 200B
- 200C
- 200D
- 200E
- 201



ART_1001101060_20F2

SECTION 2 - TURNTABLE

FIGURE 2-7. SWING MOTOR/HUB ASSEMBLY

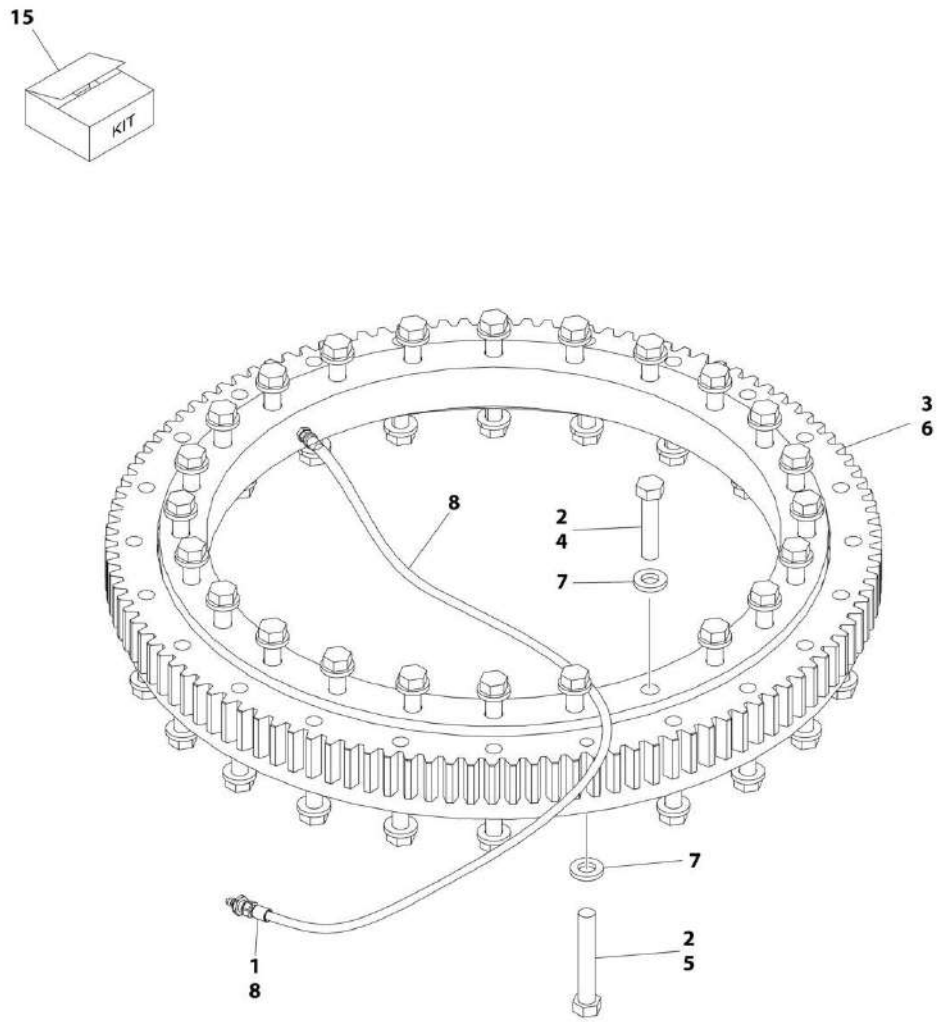
ITEM	PART NUMBER	QTY	DESCRIPTION	REV
	1001101060	Ref	SWING MOTOR/HUB ASSEMBLY	A
1	See Note	1	Housing/Shaft Assembly (Note: Not Available - Purchase Individual Components)	
1A	7010492	1	Shaft, Output	
1B	7000228	1	Seal, Lip	
1C	7000255	1	Bearing Kit (Includes Cup and Cone)	
1E	7000257	1	Bearing Kit (Includes Cup and Cone)	
1G	7024762	1	Housing	
1H	7007633	1	Washer, Thrust	
1I	7000229	1	Ring, Retaining	
1J	7017072	1	Plug, Pipe	
2	7000246	1	Gear, Internal	
3	80424002	1	Carrier Assembly	
4	7000248	1	Gear, Ring	
5	7000230	1	O-Ring	
5A	7017070	1	O-Ring	
6	See Note	1	Housing, Brake (Note: Not Available - Purchase Complete Assembly)	
8	70002065	1	Gear, Sun	
8A	70000782	1	Piston	
8D	70002070	1	O-Ring	
8E	70002071	1	Ring, Back-up	
8F	70002073	1	O-Ring	
8H	70002072	1	Ring, Back-up	
8J	70002067	4	Disc, Rotor	
8K	70002068	5	Disc, Stator	
8L	70002066	14	Spring	
11	7000253	2	Washer, Thrust	
12	7000217	12	Bolt 3/8 x 2-1/4 Grade 8	
13	7017080	4	Pin, Dowel	
20	7017072	1	Plug, Pipe	
21	7024704	4	Bolt 5/16 x 2 Grade 8	
22	See Note	4	Lockwasher (Note: Not Available for Purchase)	
23	7017023	2	Plug, Pipe	
24	See Note	1	Plate, ID (Note: Not Available for Purchase)	
25	7000281	2	Screw, Drive	
26	7024763	1	O-Ring	
28	See Note	2	Lug, Lifting (Note: Not Available for Purchase)	
29	70002069	2	Bolt 1/2 x 2 Grade 8	
30	7017085	2	Elbow	
31	70002075	1	Motor Assembly (See Items 101-125 for Breakdown)	
32	7024784	1	Valve Assembly - Complete (No Serviceable Parts)	
35	70002074	1	Tube	
44	7017028	1	Ring, Internal Retaining	
45	7000213	2	O-Ring	
	70002075	Ref	MOTOR ASSEMBLY	
101	7024454	5	Bolt	
102	7004035	1	Cover, End	
103	7023318	1	Seal, Commutator	
104	7004036	5	Seal, Ring	

SECTION 2 - TURNTABLE

ITEM	PART NUMBER	QTY	DESCRIPTION	REV
105	7024453	1	Commutator and Ring Assembly	
106	See Note	1	Ring (Note: Use p/n 7024453)	
107	7024379	1	Manifold	
108	7024455	1	Rotor Set	
109	7024380	1	Plate, Wear	
110	7024456	1	Link, Drive	
112	7024458	1	Shaft, Coupling	
113	7024381	1	Bearing, Inner	
114	7004043	1	Washer, Thrust	
115	7004044	1	Bearing, Thrust	
116	7004049	1	Seal, Inner	
117	7004045	1	Washer, Back-up	
118	7024457	1	Housing	
119	7024390	1	Bearing, Outer	
120	7004047	1	Seal	
125	80424043	1	Washer, Back-up	
		Ref	KIT OPTIONS:	
200A	7024100	1	Seal Kit - Swing Hub (Includes Items 1B, 1I, 5, 5A & 11)	
200B	70002086	1	Seal Kit - Swing Brake (Includes Items 8D, 8E, 8F, 8H & 26)	
200C	7024396	1	Seal Kit - Swing Motor (Includes Items 103, 104, 116, 117, 120 & 125)	
200D	70006436	1	Seal Kit - Hub (Includes Items 1B, 1I, 5, 5A, 12 & 26)	
200E	70006437	1	Seal & Bearing Kit - Hub (Includes Items 1B, 1C, 1E, 1I, 5, 5A, 12 & 26)	
201	70002085	1	Disc Kit - Swing Brake (Includes Items 8J & 8K)	

SECTION 2 - TURNTABLE

FIGURE 2-8. TURNTABLE BEARING AND LUBE INSTALLATION



ART_1001157049

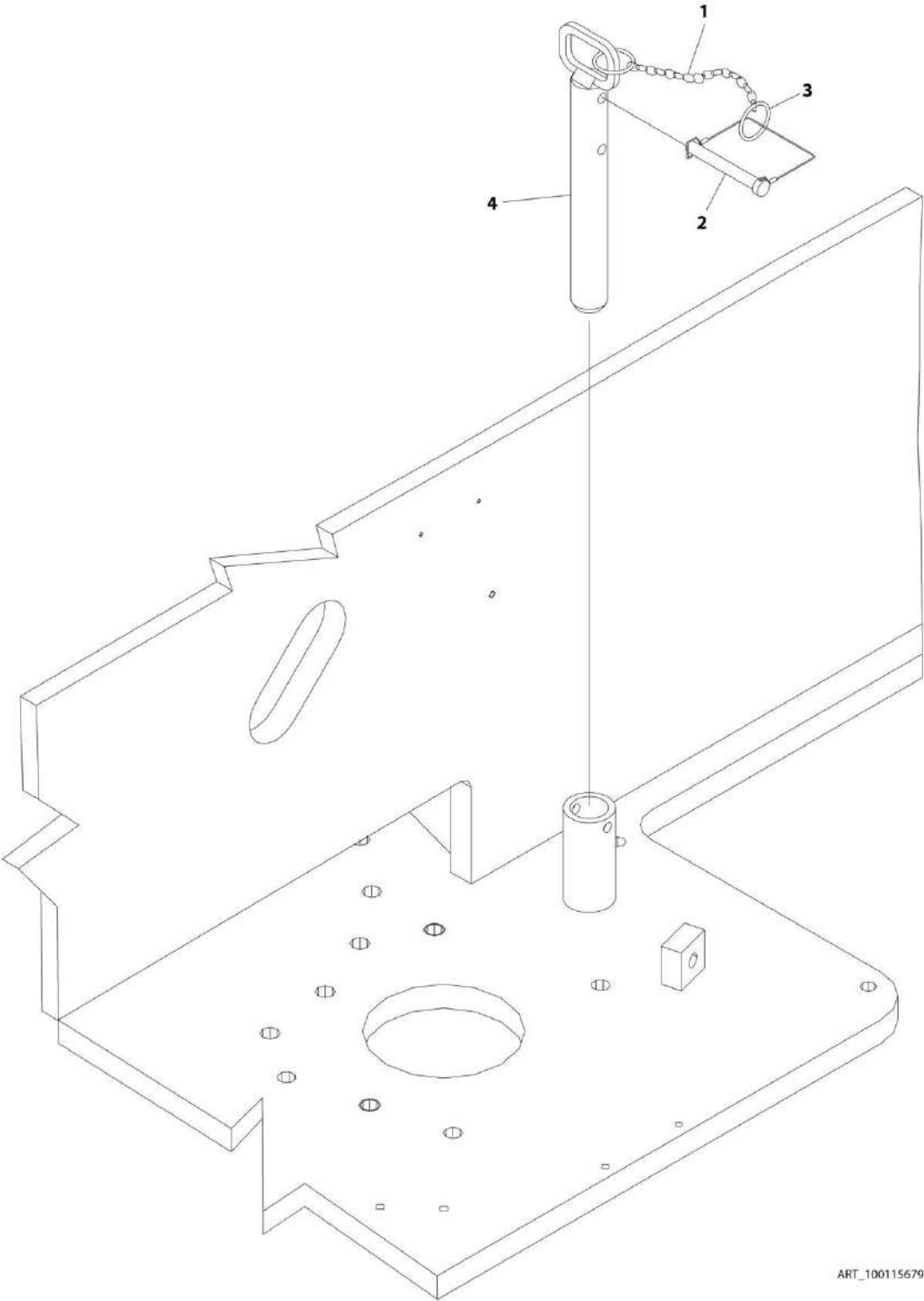
SECTION 2 - TURNTABLE

FIGURE 2-8. TURNTABLE BEARING AND LUBE INSTALLATION

ITEM	PART NUMBER	QTY	DESCRIPTION	REV
	1001157049	Ref	TURNTABLE BEARING AND LUBE INSTALLATION	A
1	0100011	AR	Compound, Locking	
2	0100019	AR	Compound, Locking	
3	0440244	1	Bearing, Turntable	
4	0682023	24	Bolt 5/8 x 2-7/8 Grade 8	
5	0682032	24	Bolt 5/8 x 4 Grade 8	
6	3020029	AR	Lubricant	
7	4892000	48	Washer 5/8	
8	1001157058	1	Hose	
15	2915094	1	Turntable Bearing Kit	

SECTION 2 - TURNTABLE

FIGURE 2-9. TURNTABLE LOCK INSTALLATION



ART_1001156798

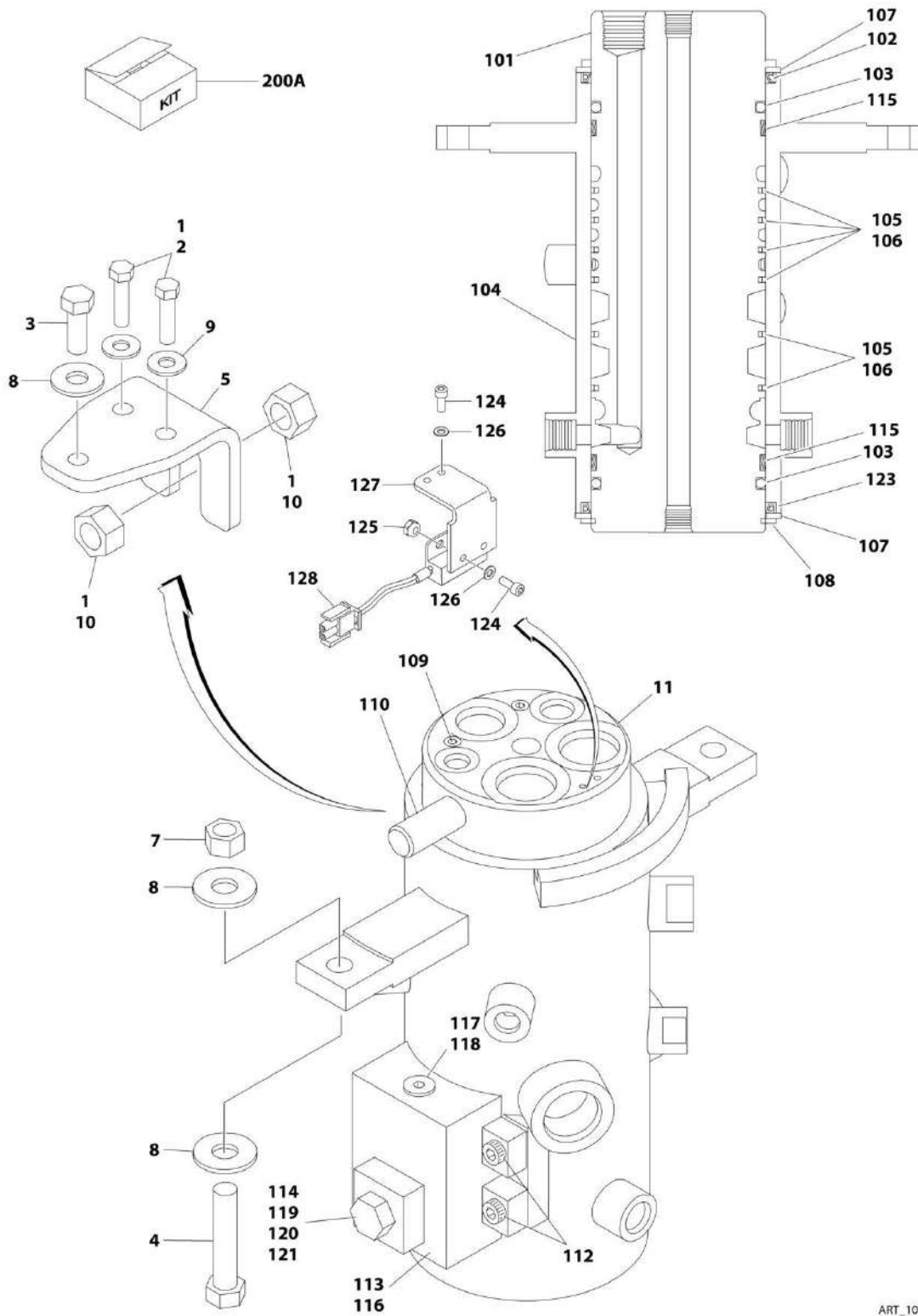
SECTION 2 - TURNTABLE

FIGURE 2-9. TURNTABLE LOCK INSTALLATION

ITEM	PART NUMBER	QTY	DESCRIPTION	REV
	1001156798	Ref	TURNTABLE LOCK INSTALLATION	A
1	1260017	9 in/23cm	Chain	
2	3421565	1	Pin, Snap	
3	3760170	2	Ring, Quick Release	
4	4844958	1	Pin	

SECTION 2 - TURNTABLE

FIGURE 2-10. ROTARY COUPLING INSTALLATION



ART_1001107529

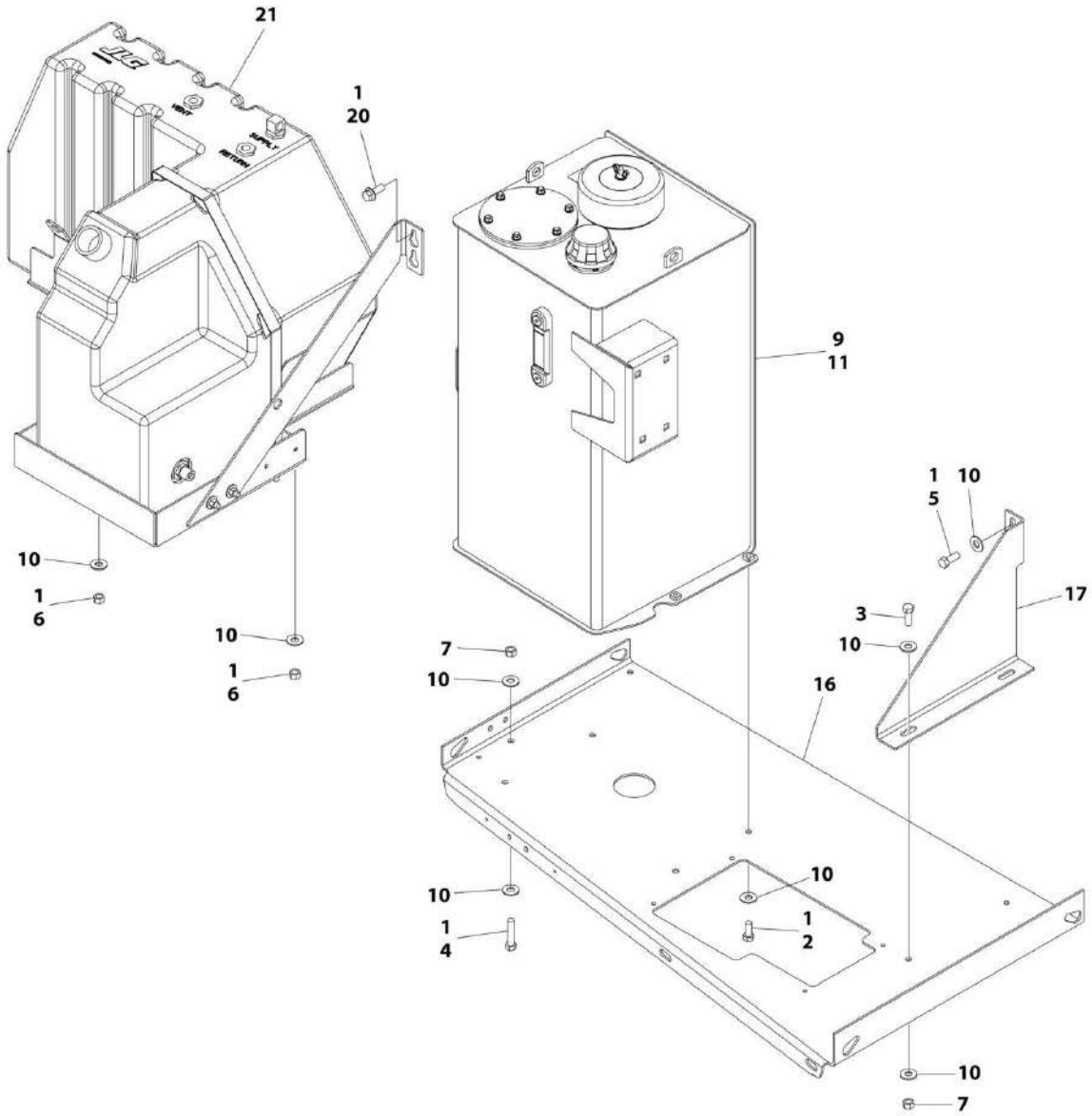
SECTION 2 - TURNTABLE

FIGURE 2-10. ROTARY COUPLING INSTALLATION

ITEM	PART NUMBER	QTY	DESCRIPTION	REV
	1001107529	Ref	ROTARY COUPLING INSTALLATION	B
1	0100011	AR	Compound, Locking	
2	0641611	2	Bolt 3/8 x 1-3/8	
3	0641812	1	Bolt 1/2 x 1-1/2	
4	0641820	2	Bolt 1/2 x 2-1/2	
5	0903242	1	Bracket	
7	3271805	2	Nut 1/2	
8	4751800	5	Washer 1/2	
9	4891600	2	Washer 3/8	
10	3322201	2	Nut 3/4	
11	1001106974	1	Coupling, Rotary Assembly (See Items 101-128 for Breakdown)	
	1001106974	Ref	ROTARY COUPLING ASSEMBLY	B
101	See Note	NSS	Body (Note: Not Available - Purchase Complete Assembly)	
102	See Note	NSS	Seal (Note: Use Item 200A)	
103	See Note	NSS	O-Ring (Note: Use Item 200A)	
104	See Note	NSS	Housing (Note: Not Available - Purchase Complete Assembly)	
105	See Note	NSS	Seal, Cap (Note: Use Item 200A)	
106	See Note	NSS	O-Ring (Note: Use Item 200A)	
107	7026503	2	Ring	
108	7026504	1	Ring, Retaining	
109	80934561	AR	Plug	
110	See Note	NSS	Lug, Torque (Note: Not Available for Purchase)	
112	7026197	4	Bolt 5/16 x 1-1/4	
113	See Note	NSS	O-Ring (Note: Use Item 200A)	
114	See Note	NSS	O-Ring (Note: Use Item 200A)	
115	See Note	NSS	Bearing (Note: Use Item 200A)	
116	7024404	1	Block Valve Assembly	
117	7026505	1	Plug	
118	7026506	1	Valve, Check	
119	7026507	1	Plug	
120	See Note	NSS	Plunger, Valve (Note: Use p/n 7024404)	
121	7026509	1	Spring, Compression	
123	See Note	NSS	Seal (Note: Use Item 200A)	
124	See Note	NSS	Capscrew #10 x 1/2 (Note: Not Available for Purchase)	
125	See Note	NSS	Nut #10 (Note: Not Available for Purchase)	
126	See Note	NSS	Flatwasher #10 (Note: Not Available for Purchase)	
127	70003454	1	Bracket, Switch Mounting	
128	4360517	1	Switch, Proximity	
200A	70001248	1	Seal Kit (Includes Items 102, 103, 105, 106, 113, 114, 115 & 123)	

SECTION 2 - TURNTABLE

FIGURE 2-11. TANKS INSTALLATION



ART_1001223977

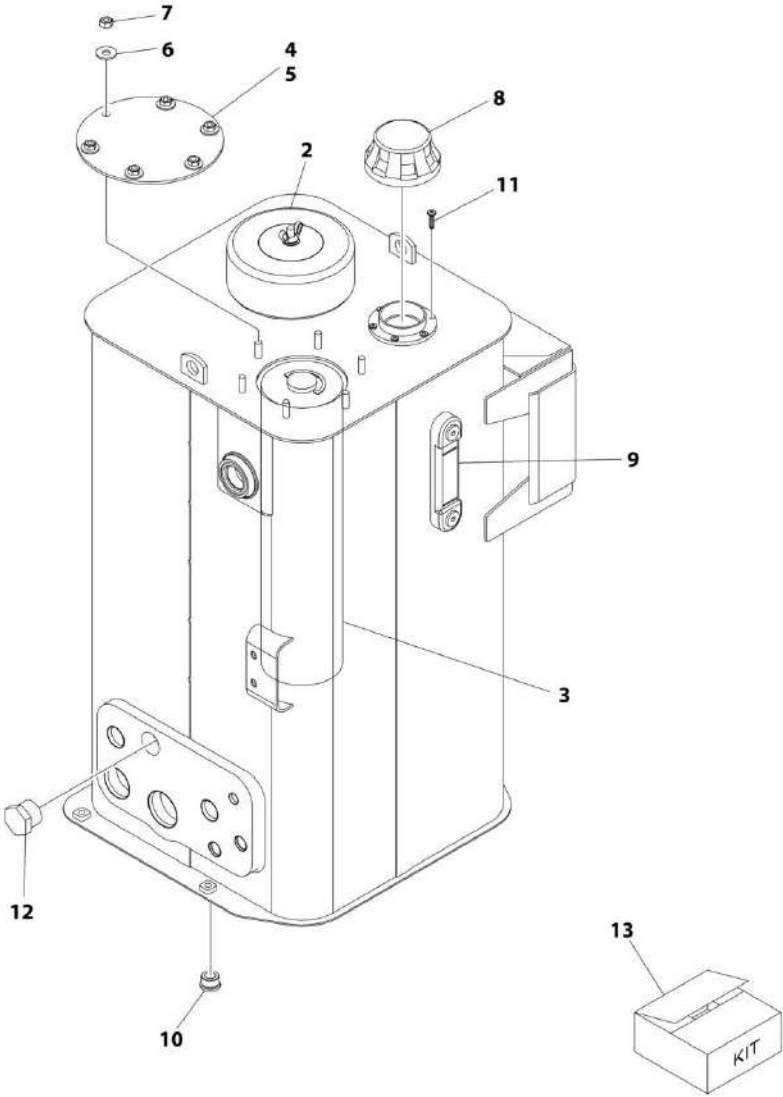
SECTION 2 - TURNTABLE

FIGURE 2-11. TANKS INSTALLATION

ITEM	PART NUMBER	QTY	DESCRIPTION	REV
	1001223977	Ref	TANKS INSTALLATION	C
1	0100011	AR	Compound, Locking	
2	0641607	4	Bolt 3/8 x 7/8	
3	0641608	2	Bolt 3/8 x 1	
4	0641614	2	Bolt 3/8 x 1-3/4	
5	0681608	2	Bolt 3/8 x 1	
6	3311601	2	Nut 3/8	
7	3311605	4	Nut 3/8	
9	4420038	26 in/ 0.66m	Tape	
10	4751600	16	Washer 3/8	
11	1001178057	1	Hydraulic Tank Assembly (See Separate Breakdown in this Section)	
16	1001227338	1	Tray	
17	1001227383	1	Bracket	
20	0811608	2	Screw 3/8 x 1	
21	1001233641	1	Fuel Tank Assembly (See Separate Breakdown in this Section)	

SECTION 2 - TURNTABLE

FIGURE 2-12. HYDRAULIC TANK ASSEMBLY



ART_1001178057

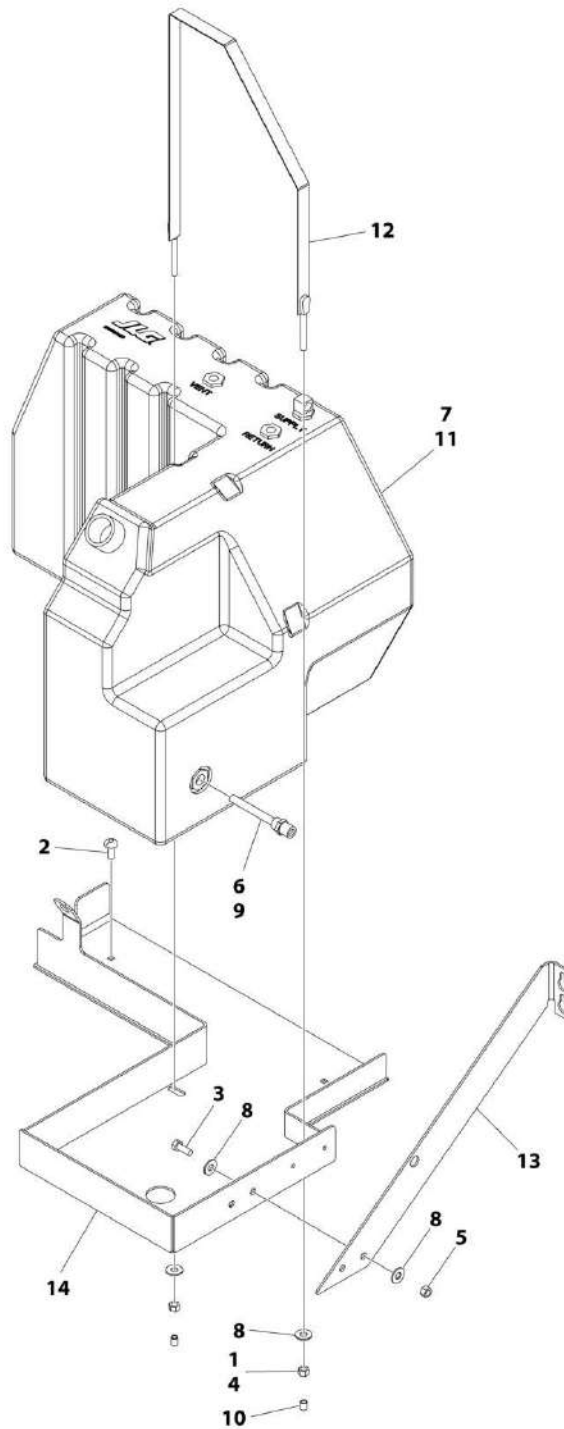
SECTION 2 - TURNTABLE

FIGURE 2-12. HYDRAULIC TANK ASSEMBLY

ITEM	PART NUMBER	QTY	DESCRIPTION	REV
	1001178057	Ref	HYDRAULIC TANK ASSEMBLY	D
2	70005708	1	Breather Assembly (Includes Breather, Element and Wingnut)	
2	See Note	NSS	Element, Breather (Note: Use p/n 70005708 or Item 13)	
3	See Note	NSS	Element, Hydraulic (Note: Use Item 13)	
4	70002839	1	Gasket	
5	See Note	NSS	Cover (Note: Not Available for Purchase)	
6	83304173	6	Washer 5/16	
7	70004199	6	Nut 5/16	
8	70002838	1	Cap, Fill	
9	7024441	1	Gauge, Level	
10	70002112	1	Plug	
11	70004795	6	Screw #10 x 3/4	
12	See Note	NSS	Plug (Note: Not Available - Purchase Locally)	
13	70002814	1	Hydraulic Tank Service Kit (Includes Items 2-4)	

SECTION 2 - TURNTABLE

FIGURE 2-13. FUEL TANK ASSEMBLY



ART_1001233641

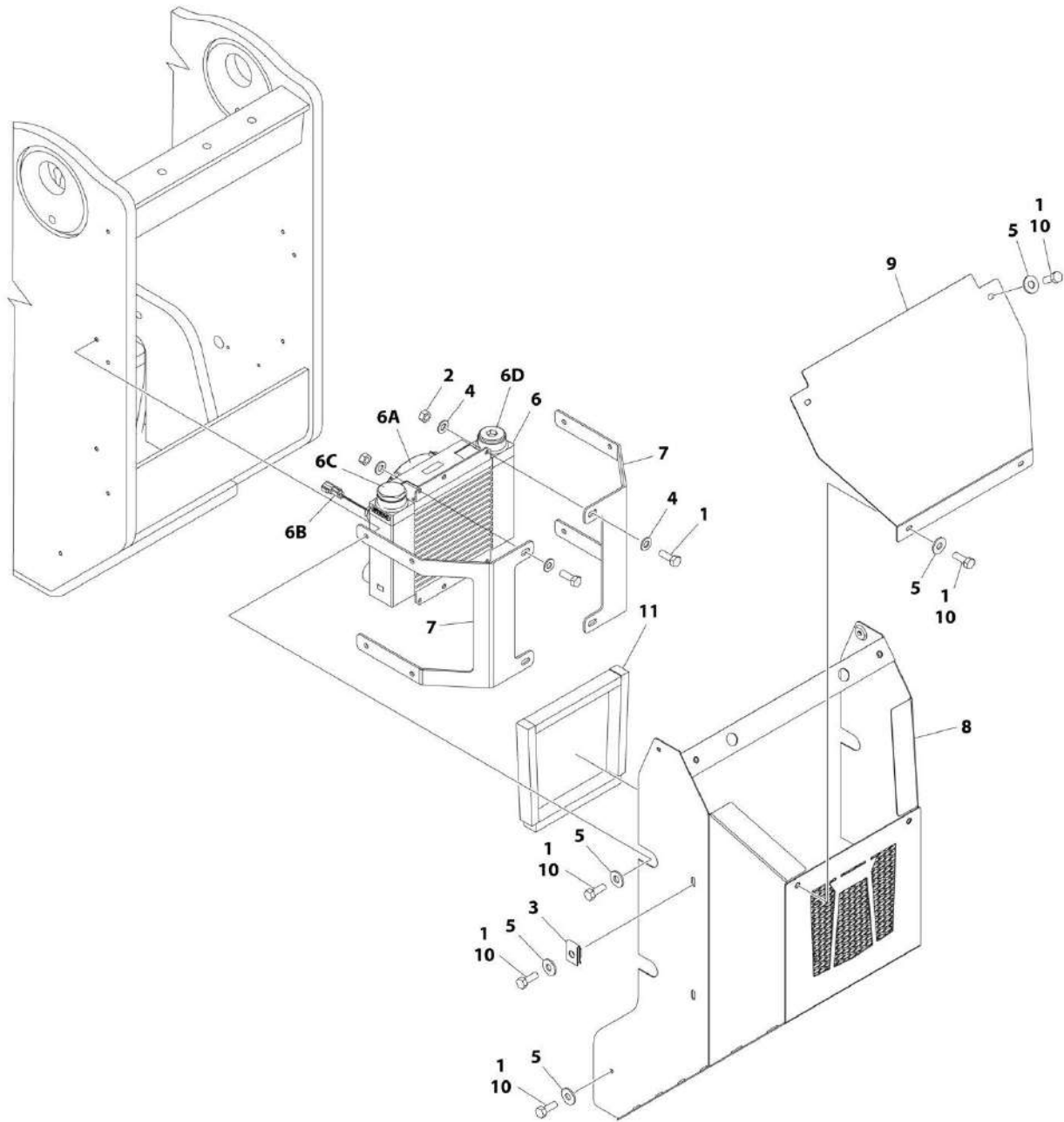
SECTION 2 - TURNTABLE

FIGURE 2-13. FUEL TANK ASSEMBLY

ITEM	PART NUMBER	QTY	DESCRIPTION	REV
	1001233641	Ref	FUEL TANK ASSEMBLY	A
1	0100011	AR	Compound, Locking	
2	0630446	2	Bolt 3/8 x 1	
3	0641608	2	Bolt 3/8 x 1	
4	3311601	2	Nut 3/8	
5	3311605	2	Nut 3/8	
6	4360436	1	Switch, Fuel Level	
7	4420038	37 in/ 0.94m	Tape	
8	4751600	6	Washer 3/8	
9	1001182997	AR	Adhesive	
10	1001218572	2	Cap	
11	1001224123	1	Tank, Fuel	
11	See Note	NSS	Cap (Note: Not Available at time of Printing)	
11	See Note	NSS	Tube, Pick-up (Note: Not Available at time of Printing)	
12	1001224384	1	Strap	
13	1001233635	1	Bracket	
14	1001233640	1	Tray	

SECTION 2 - TURNTABLE

FIGURE 2-14. COOLER INSTALLATION



ART_1001223981

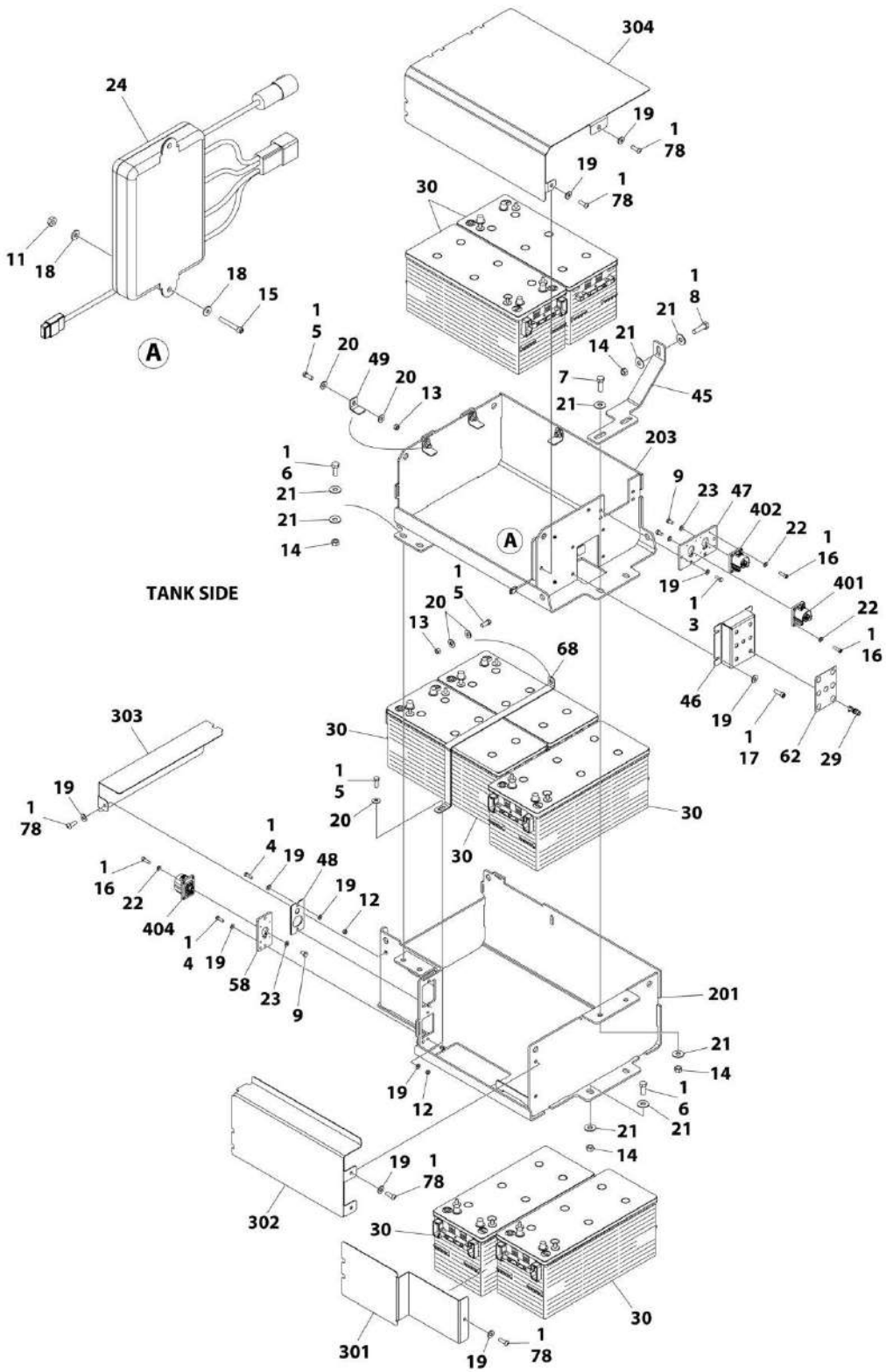
SECTION 2 - TURNTABLE

FIGURE 2-14. COOLER INSTALLATION

ITEM	PART NUMBER	QTY	DESCRIPTION	REV
	1001223981	Ref	COOLER INSTALLATION	C
1	0641507	20	Bolt 5/16 x 7/8	
2	3271505	4	Nut 5/16	
3	3300364	1	Nut, Tinnerman 5/16	
4	4711500	8	Washer 5/16	
5	4751500	16	Washer 5/16	
6	1001225804	1	Cooler Assembly	
6A	70006577	1	Fan/Motor Assembly	
6A	4460994	1	Plug, Male - 2 Position (Fan/Motor)	
6A	4460993	2	Terminal (Fan/Motor)	
6B	70006576	1	Thermostat	
6B	4460891	1	Plug, Male - 2 Position (Thermostat)	
6B	4460465	2	Socket, Female (Thermostat)	
6C	70006578	1	Valve, By-Pass	
6D	70006579	1	Plug	
7	1001227198	2	Bracket	
8	1001227869	1	Cover, Vented	
9	1001227870	1	Cover	
10	0100011	AR	Compound, Locking	
11	1001233249	4	Seal	

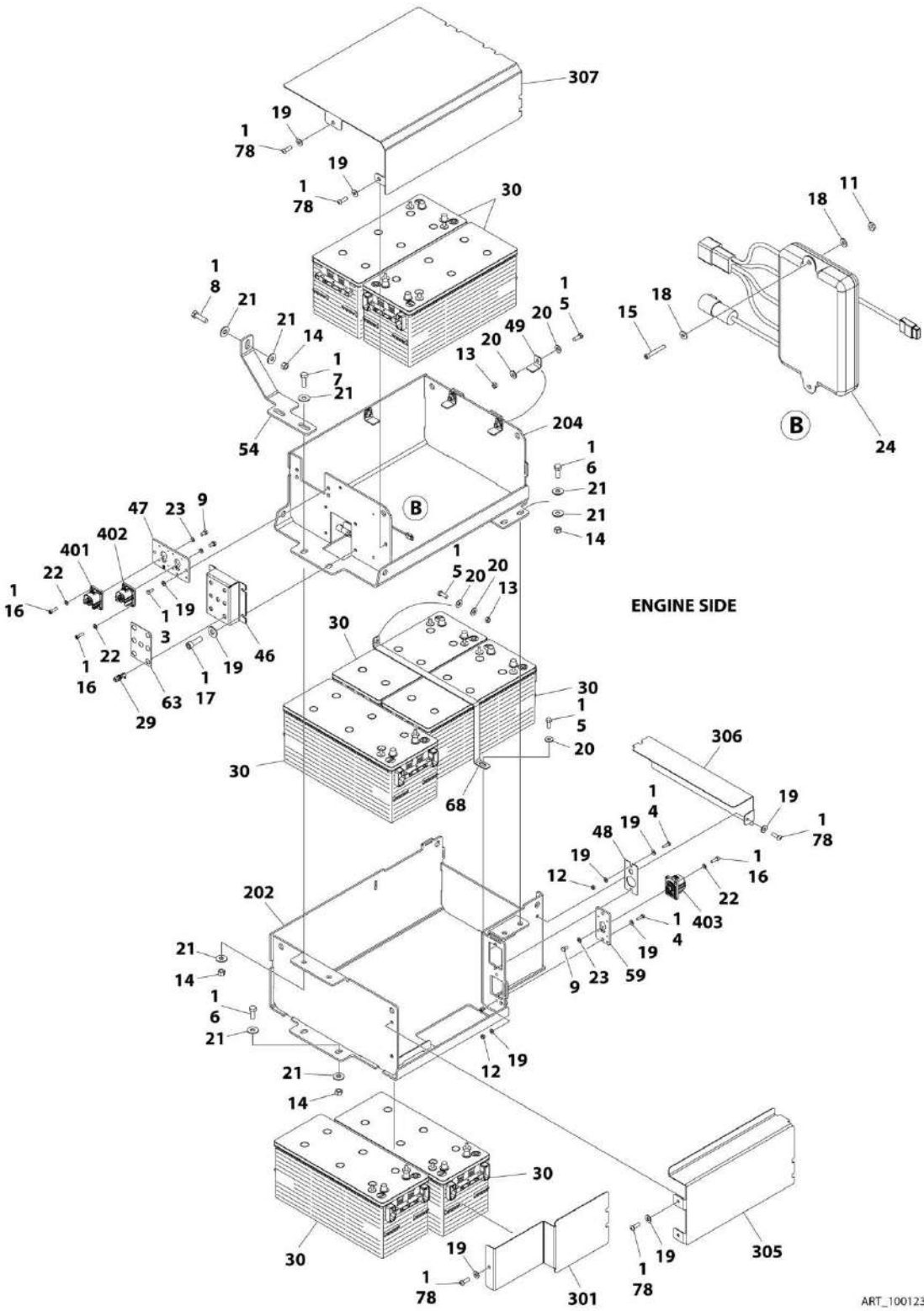
SECTION 2 - TURNTABLE

FIGURE 2-15. BATTERY BOXES INSTALLATION



ART_1001231700_10F3

SECTION 2 - TURNTABLE



ART_1001231700_20F3

SECTION 2 - TURNTABLE

FIGURE 2-15. BATTERY BOXES INSTALLATION

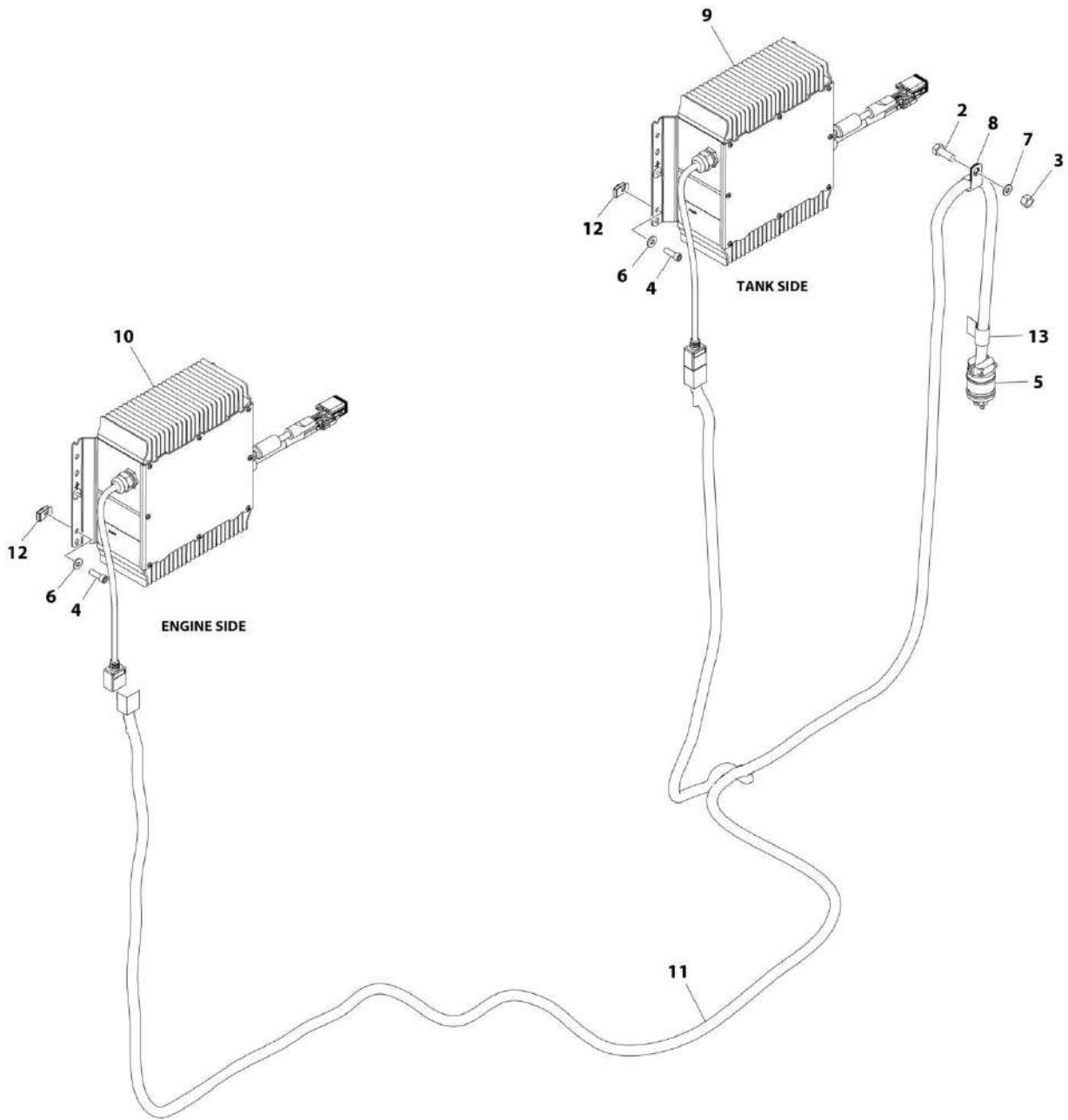
ITEM	PART NUMBER	QTY	DESCRIPTION	REV
	1001231700	Ref	BATTERY BOXES INSTALLATION	G
1	0100011	AR	Compound, Locking	
3	0641406	4	Bolt 1/4 x 3/4	
4	0641407	8	Bolt 1/4 x 7/8	
5	0641608	16	Bolt 3/8 x 1	
6	0641810	12	Bolt 1/2 x 1-1/4	
7	0641812	4	Bolt 1/2 x 1-1/2	
8	0641814	2	Bolt 1/2 x 1-3/4	
9	0760807	6	Bolt M8 x 14	
11	3310605	4	Nut #6	
12	3311401	8	Nut 1/4	
13	3311601	14	Nut 3/8	
14	3311801	18	Nut 1/2	
15	3930616	4	Capscrew #6 x 1	
16	3931010	24	Capscrew #10 x 5/8	
17	3931412	8	Capscrew 1/4 x 3/4	
18	4710600	8	Washer #6	
19	4711400	40	Washer 1/4	
20	4751600	30	Washer 3/8	
21	4751800	36	Washer 1/2	
22	4811600	24	Washer M5	
23	4811900	6	Washer M8	
24	1001222358	2	Regulator	
29	1001226935	14	Fuseholder	
30	1001231249	14	Battery	
45	1001231596	1	Plate	
46	1001231597	2	Mount	
47	1001231598	2	Mount	
48	1001231599	2	Cover	
49	1001231600	12	Plate	
54	1001231655	1	Plate	
58	1001231839	1	Mount	
59	1001231840	1	Mount	
62	1001230711	1	Decal - Tank Battery Stack Fuses	
63	1001230712	1	Decal - Engine Battery Stack Fuses	
68	1001233737	2	Plate	
73	4240099	2	Tie-Strap (Not Shown)	
78	0641405	12	Bolt 1/4 x 5/8	
200	1001233443	1	Battery Box Kit (Not Shown)	
201	1001231569	1	Box, Battery	
202	1001231570	1	Box, Battery	
203	1001231581	1	Box, Battery (Tank Side)	
204	1001231582	1	Box, Battery (Engine Side)	
300	1001233444	1	Battery Covers Kit (Not Shown)	
301	1001231601	2	Cover, Battery Box	
302	1001231606	1	Cover, Battery Box	
303	1001231607	1	Cover, Battery Box	
304	1001231608	1	Cover, Battery Box	
305	1001231656	1	Cover, Battery Box	
306	1001231657	1	Cover, Battery Box	

SECTION 2 - TURNTABLE

ITEM	PART NUMBER	QTY	DESCRIPTION	REV
307	1001231658	1	Cover, Battery Box	
400	1001233446	1	Connector Kit (Not Shown)	
401	1001223195	2	Connector	
402	1001223196	2	Connector	
403	1001223198	1	Connector	
404	1001223200	1	Connector	

SECTION 2 - TURNTABLE

FIGURE 2-16. BATTERY CHARGERS INSTALLATION (FACTORY SUPPLIED 220V PLUG)



ART_1001223124

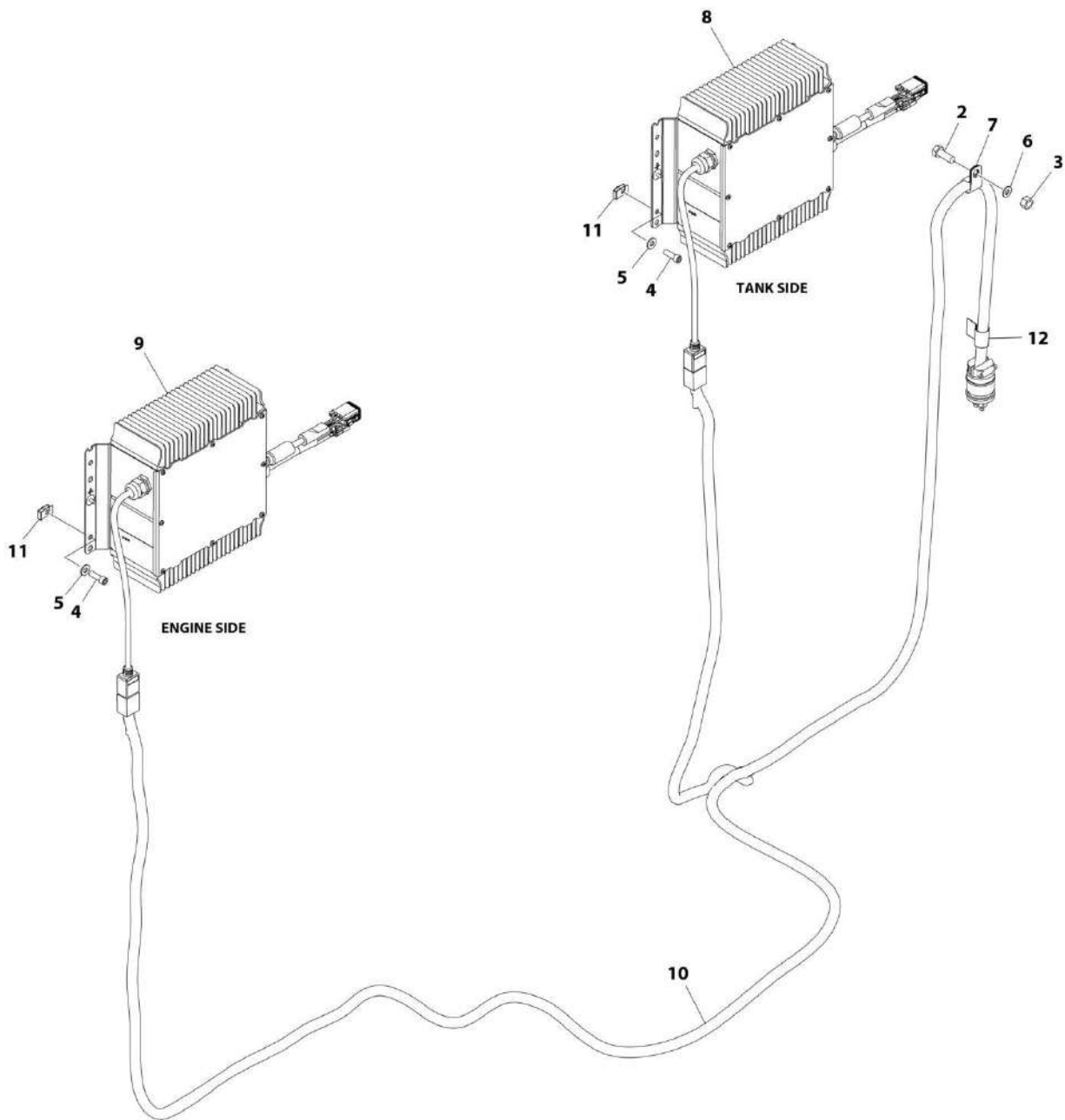
SECTION 2 - TURNTABLE

FIGURE 2-16. BATTERY CHARGERS INSTALLATION (FACTORY SUPPLIED 220V PLUG)

ITEM	PART NUMBER	QTY	DESCRIPTION	REV
	1001223124	Ref	BATTERY CHARGERS INSTALLATION	F
2	0641608	1	Bolt 3/8 x 1	
3	3311605	1	Nut 3/8	
4	3931412	8	Capscrew 1/4 x 3/4	
5	4460233	1	Plug	
6	4711400	8	Washer 1/4	
7	4711600	2	Washer 3/8	
8	1320061	1	Clamp	
9	1001222359	1	Charger, Battery (Primary)	
10	1001222360	1	Charger, Battery (Secondary)	
11	10012226031	1	Cable, AC	
12	3300454	8	Nut, Tinnerman 1/4	
13	1001238309	1	Decal - 240V Heater Cord	

SECTION 2 - TURNTABLE

FIGURE 2-17. BATTERY CHARGERS INSTALLATION (CUSTOMER SUPPLIED PLUG)



ART_1001227901

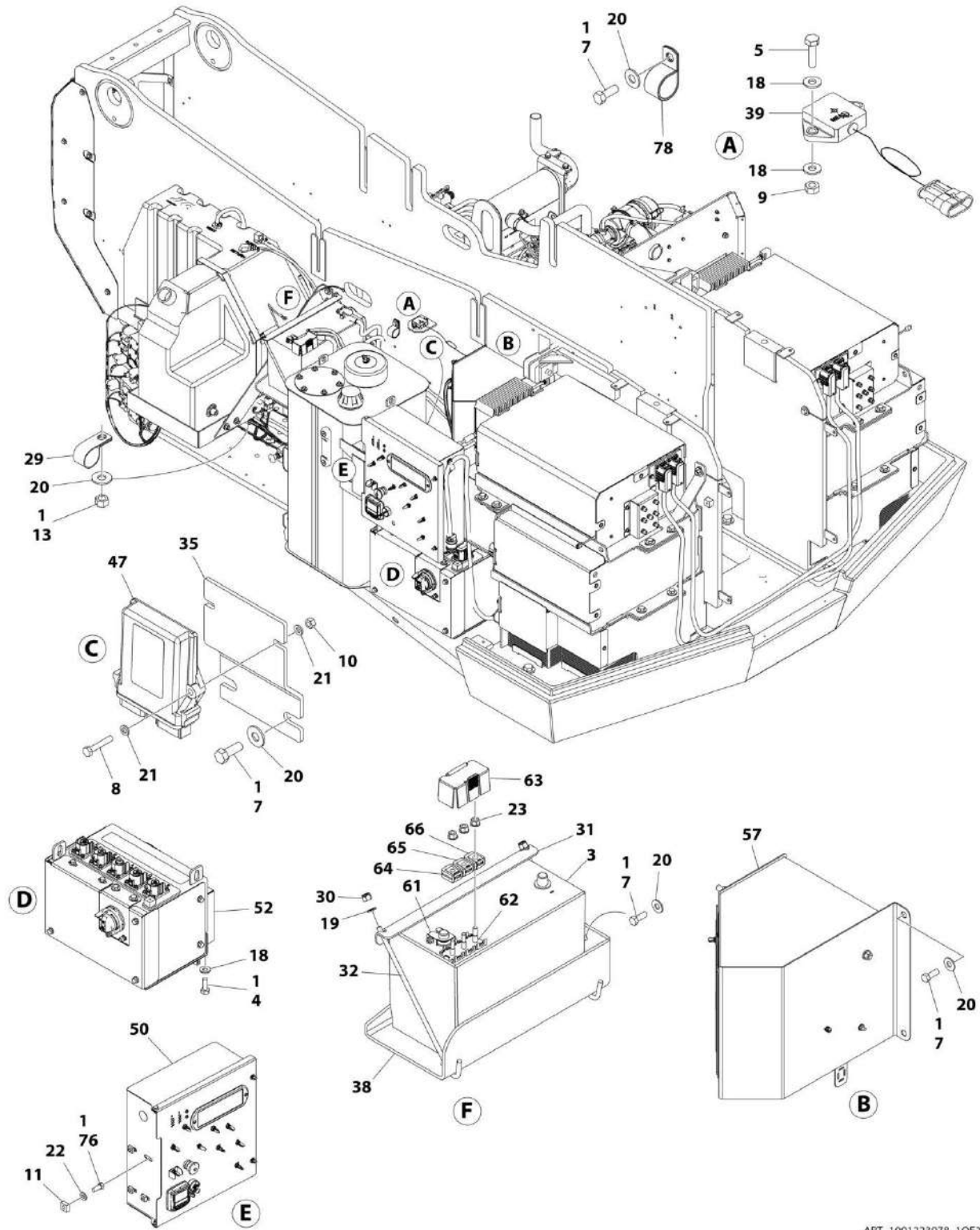
SECTION 2 - TURNTABLE

FIGURE 2-17. BATTERY CHARGERS INSTALLATION (CUSTOMER SUPPLIED PLUG)

ITEM	PART NUMBER	QTY	DESCRIPTION	REV
	1001227901	Ref	BATTERY CHARGERS INSTALLATION	E
2	0641608	1	Bolt 3/8 x 1	
3	3311605	1	Nut 3/8	
4	3931412	8	Capscrew 1/4 x 3/4	
5	4711400	8	Washer 1/4	
6	4711600	2	Washer 3/8	
7	1320061	1	Clamp	
8	1001222359	1	Charger, Battery (Primary)	
9	1001222360	1	Charger, Battery (Secondary)	
10	1001226031	1	Cable, AC	
11	3300454	8	Nut, Tinnerman 1/4	
12	1001238309	1	Decal - 240V Heater Cord	

SECTION 2 - TURNTABLE

FIGURE 2-18. ELECTRICAL SYSTEM INSTALLATION



ART_1001223978_10F2

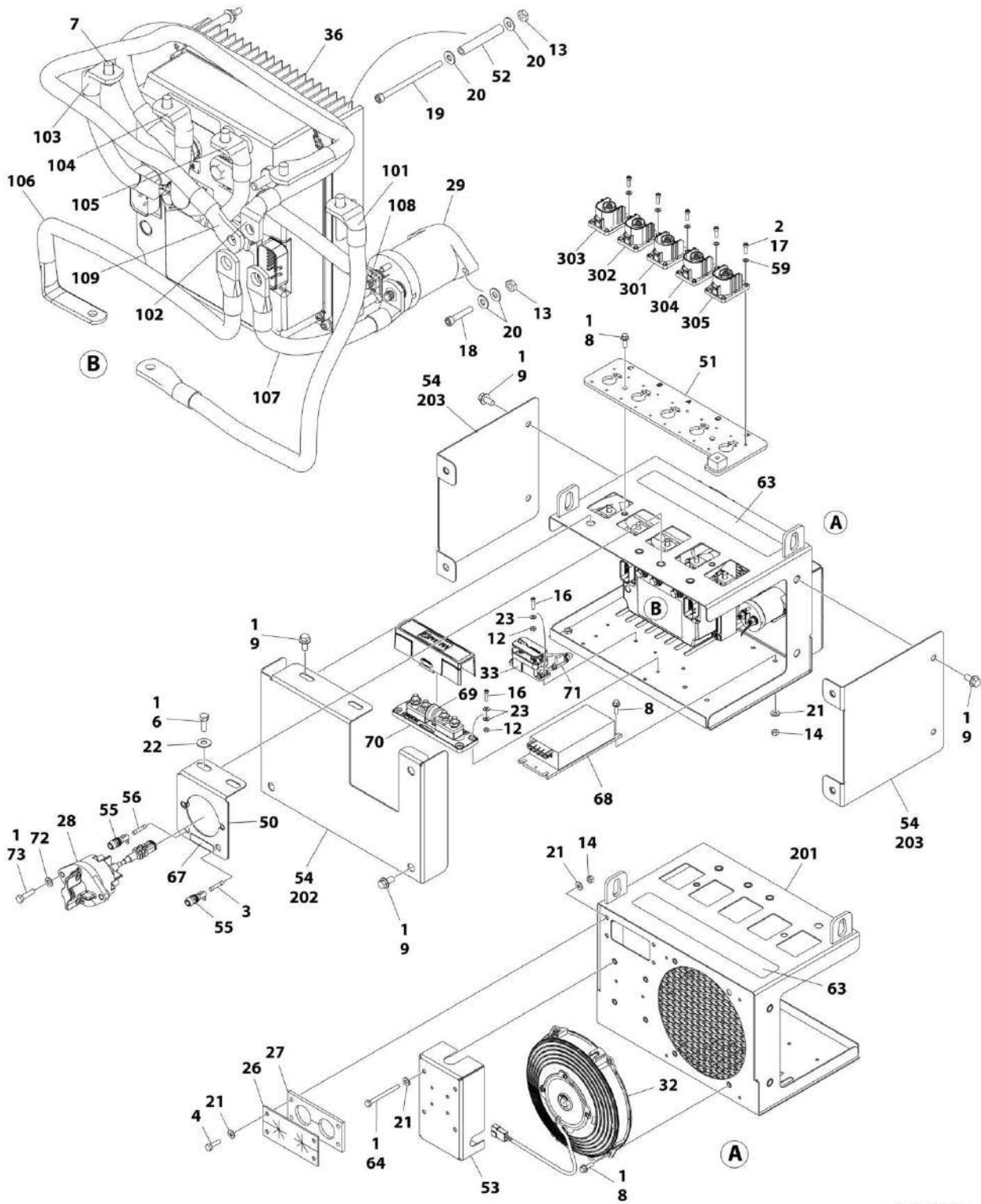
SECTION 2 - TURNTABLE

FIGURE 2-18. ELECTRICAL SYSTEM INSTALLATION

ITEM	PART NUMBER	QTY	DESCRIPTION	REV
	1001223978	Ref	ELECTRICAL SYSTEM INSTALLATION	H
1	0100011	AR	Compound, Locking	
3	0400075	1	Battery	
4	0641406	4	Bolt 1/4 x 3/4	
5	0641408	2	Bolt 1/4 x 1	
7	0681608	10	Bolt 3/8 x 1	
8	0700615	2	Bolt M6 x 35	
9	3271405	2	Nut 1/4	
10	3290607	2	Nut M6	
11	3300205	4	Nut, Retainer	
13	3311605	2	Nut 3/8	
13	3311601	2	Nut 3/8	
18	4711400	8	Washer 1/4	
19	4711500	2	Washer 5/16	
20	4751600	12	Washer 3/8	
21	4811700	4	Washer M6	
22	4891500	4	Washer 5/16	
23	5260818	3	Nut M8	
29	8406201	2	Clip	
30	88521205	2	Nut 5/16	
31	91401281	1	Bracket	
32	1001093382	2	J-Bolt	
35	1001142722	1	Bracket	
38	1001162497	1	Tray, Battery	
39	1001219601	1	Sensor, Tilt	
47	1001223583	1	Module, Control (Note: Recalibration Required when Replaced)	
50	1001225976	1	Ground Control Box Assembly (See Separate Breakdown in this Section)	
52	1001226120	1	IMG Control Box Assembly (See Separate Breakdown in this Section)	
57	1001232494	1	Fuse Box Assembly (See Separate Breakdown in this Section)	
61	1001226929	1	Terminal	
62	1001226930	1	Stud Assembly	
63	1001226931	1	Boot, Red	
64	1001226932	1	Fuse 40Amp	
65	1001226933	1	Fuse 80Amp	
66	1001226934	1	Shunt	
76	0641506	4	Bolt 5/16 x 3/4	
77	0760812	1	Bolt M8 x 25 (Not Shown)	
78	1320060	1	Clamp	
79	1320263	1	Clamp (Not Shown)	
80	3290805	1	Nut M8 (Not Shown)	
82	4811900	2	Washer M8 (Not Shown)	
86	4240099	1	Tie-Strap (Not Shown)	
88	4061032	1	Shield (Not Shown - Located over Hydraulic Pump)	

SECTION 2 - TURNTABLE

FIGURE 2-19. IMG CONTROL BOX ASSEMBLY



ART_1001226120

SECTION 2 - TURNTABLE

FIGURE 2-19. IMG CONTROL BOX ASSEMBLY

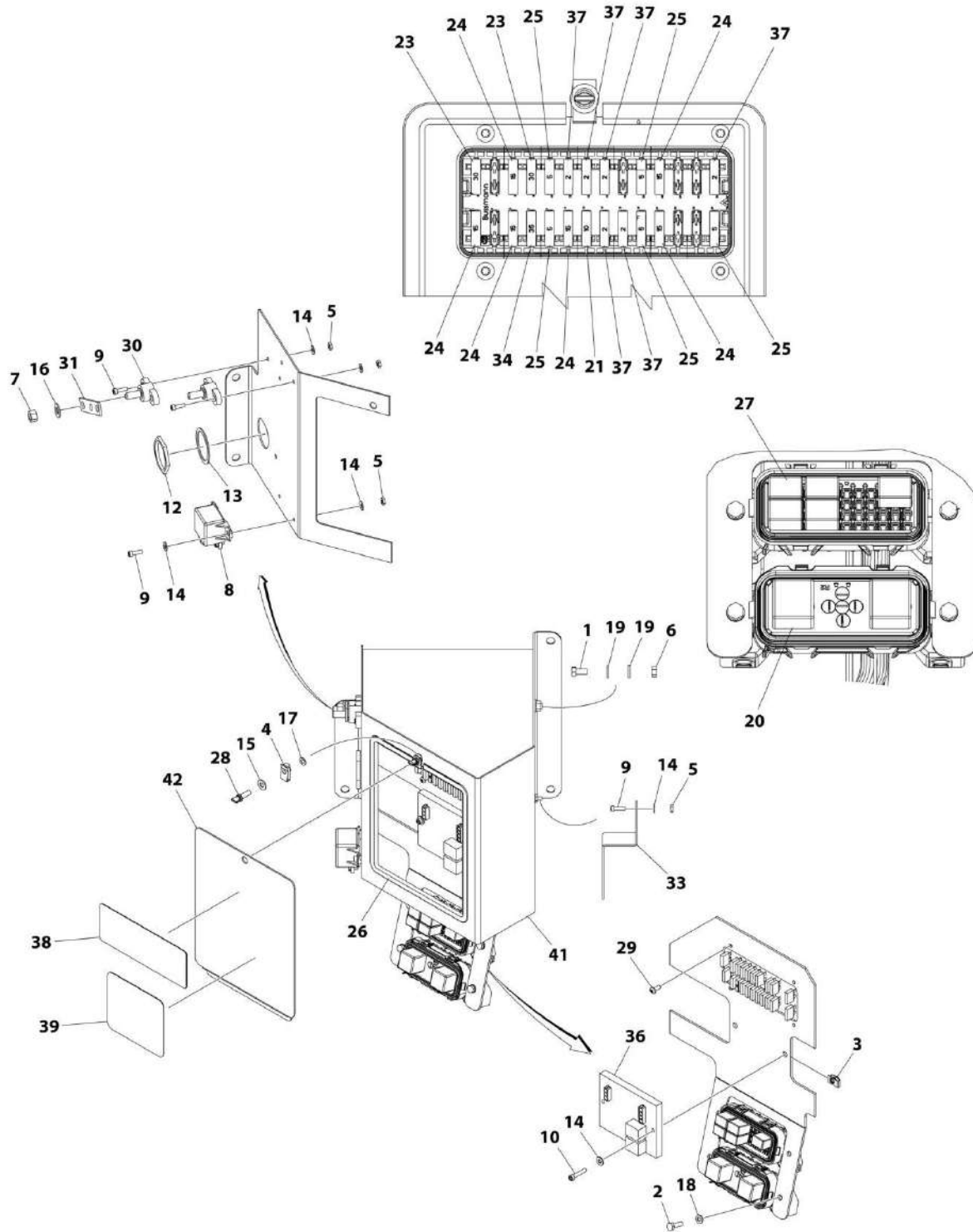
ITEM	PART NUMBER	QTY	DESCRIPTION	REV
	1001226120	Ref	IMG CONTROL BOX ASSEMBLY	J
1	0100011	AR	Compound, Locking	
2	0100035	AR	Compound, Locking	
3	1001234314	1	Fuse 10Amp	
4	0641408	4	Bolt 1/4 x 1	
6	0641608	2	Bolt 3/8 x 1	
7	0760807	5	Bolt M8 x 14	
8	0811406	10	Screw 1/4 x 3/4	
9	0811606	9	Screw 3/8 x 3/4	
12	3310805	8	Nut #8	
13	3311005	6	Nut #10	
14	3311405	8	Nut 1/4	
16	3930812	8	Capscrew #8 x 3/4	
17	3931010	20	Capscrew #10 x 5/8	
18	3931016	2	Capscrew #10 x 1	
19	3931048	4	Capscrew #10 x 3	
20	4711000	12	Washer #10	
21	4711400	16	Washer 1/4	
22	4751600	2	Washer 3/8	
23	4750800	12	Washer #8	
26	1001168243	1	Shield	
27	1001168244	1	Shield	
28	1001236759	1	Switch, STDP Interlock	
29	1001222340	1	Relay, Main Contactor	
32	1001222363	1	Fan, Cooling	
33	1001222365	2	Relay	
36	1001222879	1	Controller, IMG (Note: Recalibration Required when Replaced)	
50	1001236967	1	Plate, IMG Disconnect Switch	
51	1001226146	1	Mount, IMG Connector	
52	1001226190	4	Sleeve	
53	1001226492	1	Cover Assembly	
53	1001224943	1	Converter	
53	1001226489	1	Cover	
54	1001113047	95 in/ 2.4m	Seal	
55	1001226935	2	Holder, Fuse	
56	1001228440	1	Fuse 15Amp	
59	4811600	20	Washer M5	
63	1001227763	1	Decal - Header Label IMG Box	
64	0641424	4	Bolt 1/4 x 3	
67	1001230714	1	Decal - IMG Fuse	
68	1001233188	1	Converter	
69	1001233198	1	Fuse 200Amp - 400Amp	
70	1001233203	1	Holder, Fuse	
71	1001234488	2	Electrical Assembly - Flyback Diode	
72	4711500	2	Washer 5/16	
73	0641510	2	Bolt 5/16 x 1-1/4	
100	1001233442	1	IMG Box Cable Kit	B
101	1001222375	1	Cable - Battery to Fuse	
102	1001222378	1	Cable - Negative to IMG	

SECTION 2 - TURNTABLE

ITEM	PART NUMBER	QTY	DESCRIPTION	REV
103	1001223916	1	Cable - IMG (U) to Box	
104	1001223917	1	Cable - IMG (V) to Box	
105	1001223918	1	Cable - IMG (W) to Box	
106	1001223951	1	Cable - Fuse to Rotary Disc	
107	1001223952	1	Cable - Rotary Disc to Main Controller	
108	1001223953	1	Cable - Main Controller to IMG	
109	1001230507	1	Cable (Negative to Bulkhead)	
200	1001233445	1	IMG Box Plate Kit	B
201	1001226121	1	Box	
202	1001226124	1	Cover, Front	
203	1001230154	2	Panel	
300	1001233447	1	IMG Cable Connector Kit	A
301	1001222915	1	Connector	
302	1001223195	1	Connector	
303	1001223196	1	Connector	
304	1001223198	1	Connector	
305	1001223200	1	Connector	

SECTION 2 - TURNTABLE

FIGURE 2-20. ELECTRICAL ASSEMBLY - 12V FUSE BOX



ART_1001232494

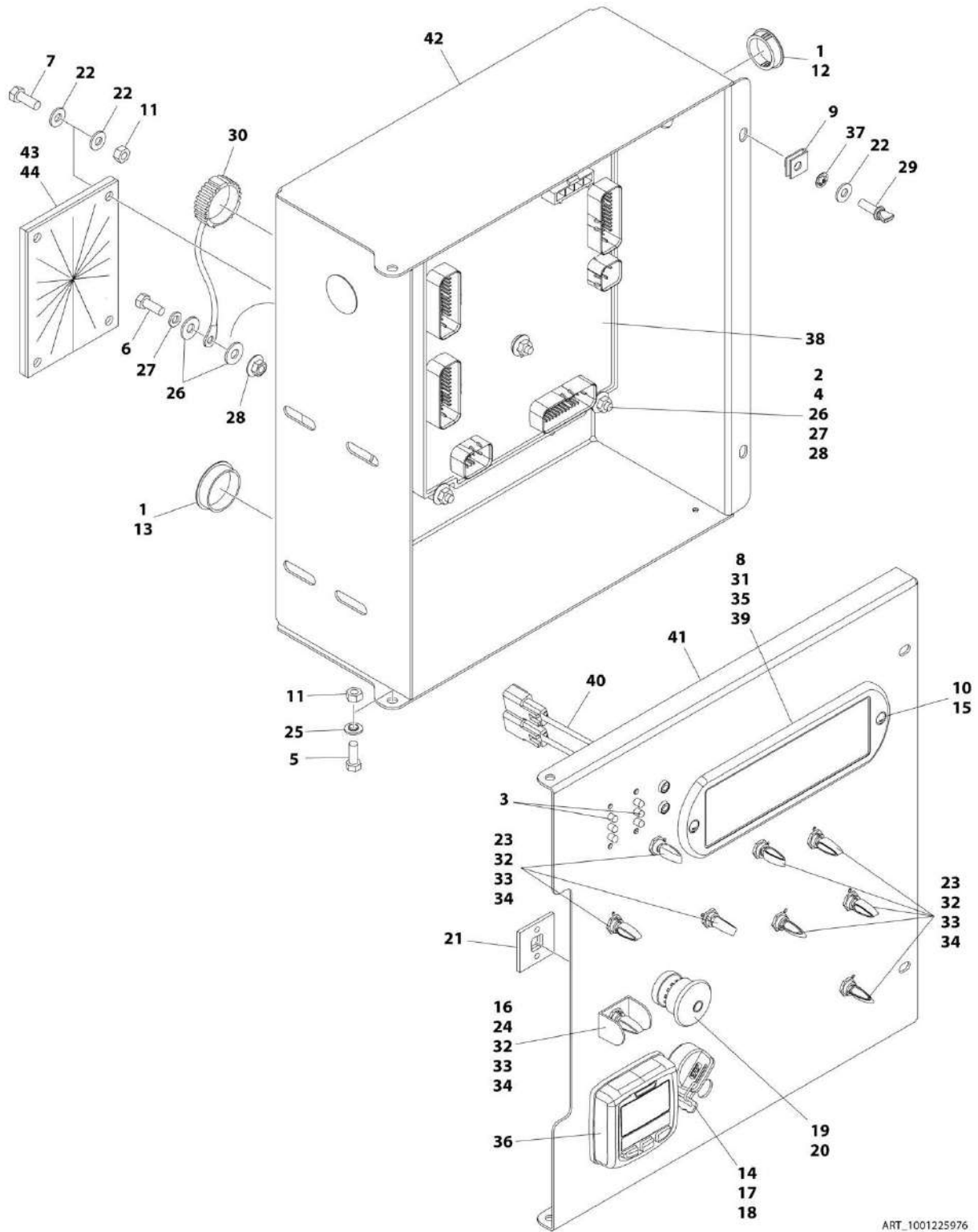
SECTION 2 - TURNTABLE

FIGURE 2-20. ELECTRICAL ASSEMBLY - 12V FUSE BOX

ITEM	PART NUMBER	QTY	DESCRIPTION	REV
	1001232494	Ref	ELECTRICAL ASSEMBLY - 12V FUSE BOX	D
1	0641505	1	Bolt 5/16 x 5/8	
2	0760610	4	Bolt M6 x 20	
3	3300365	2	Nut, Retainer	
4	3300454	1	Nut, Tinnerman 1/4	
5	3311005	7	Nut #10	
6	3311505	1	Nut 5/16	
7	3311605	1	Nut 3/8	
8	3740112	1	Relay	
9	3931010	7	Capscrew #10 x 5/8	
10	3931016	2	Capscrew #10 x 1	
11	4240099	1	Tie-Strap (Not Shown)	
12	4460470	1	Nut	
13	4460471	1	Washer	
14	4711000	11	Washer #10	
15	4711400	1	Washer 1/4	
16	4711600	1	Washer 3/8	
17	4771400	1	Washer 1/4	
17	4771200	1	Washer #12	
18	4811700	4	Washer M6	
19	4891500	2	Washer 5/16	
20	8225117	2	Relay	
21	8229234	1	Fuse - 10 Amp	
23	8229236	2	Fuse - 30 Amp	
24	8229237	6	Fuse - 15 Amp	
25	8229261	5	Fuse - 5 Amp	
26	1001113047	2.7 ft/ 0.82m	Trim	
27	1001095704	5	Relay	
28	1001103308	1	Screw 1/4 x 3/4	
29	1001108134	1	Screw #10 x 1/2	
30	1001120750	2	Stud	
31	1001128241	1	Bussbar	
32	1001146588	2	Tie-Strap (Not Shown)	
33	1001159162	1	Bracket	
34	1001172066	1	Fuse - 35 Amp	
35	1001222050	1	Engine Harness (Not Shown) (See Separate Breakdown in ELECTRICAL SECTION)	
36	1001223581	1	Control, H-Bridge	
37	1001227788	6	Fuse - 2 Amp	
38	1001229790	1	Decal - Fuse Box	
39	1001229791	1	Decal - Relays	
40	1001230522	1	Turntable-Fuse Panel Harness (Not Shown) (See Separate Breakdown in ELECTRICAL SECTION)	
41	1001232495	1	Box, Fuse	
42	1001232499	1	Cover	
43	1001226404	1	Harness - H-Bridge/Clutch (Not Shown) (See Separate Breakdown in ELECTRICAL SECTION)	

SECTION 2 - TURNTABLE

FIGURE 2-21. GROUND CONTROL BOX ASSEMBLY



ART_1001225976

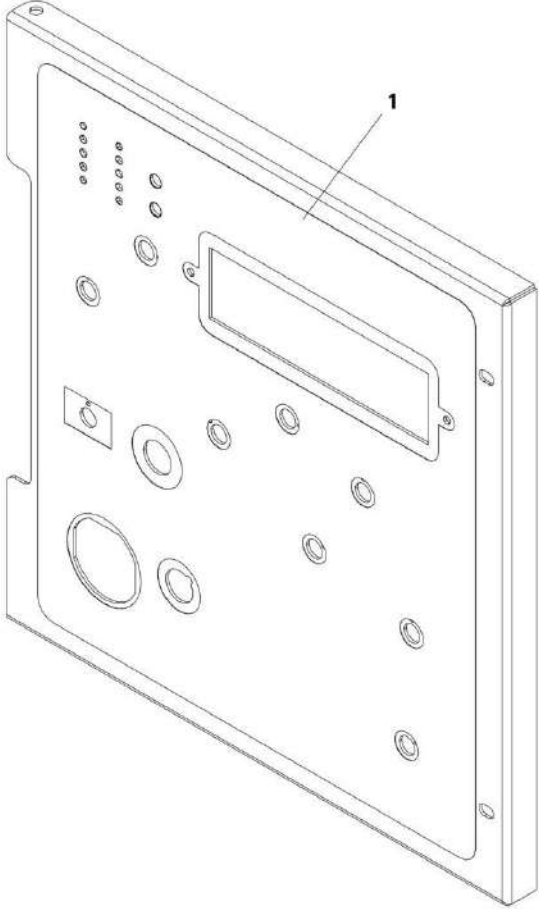
SECTION 2 - TURNTABLE

FIGURE 2-21. GROUND CONTROL BOX ASSEMBLY

ITEM	PART NUMBER	QTY	DESCRIPTION	REV
	1001225976	Ref	GROUND CONTROL BOX ASSEMBLY	C
1	0100009	AR	Sealant	
2	0100011	AR	Compound, Locking	
3	0610131	2	LED P/C Board	
4	0630548	5	Bolt 2-1/2	
5	0641405	2	Bolt 1/4 x 5/8	
6	0641407	1	Bolt 1/4 x 7/8	
7	0641408	4	Bolt 1/4 x 1	
8	1670829	1	Bezel	
9	3300353	2	Nut, Tinnerman	
10	3300408	2	Nut	
11	3311405	6	Nut 1/4	
12	3520031	2	Plug	
13	3520035	1	Plug	
14	3910804	6	Screw #8 x 1/4	
15	3911018	2	Screw #10 x 1-1/8	
16	4060906	1	Guard, Switch	
17	4070991	1	Shim .125	
18	4360469	1	Switch, Key	
18	2860030	1 Set	Key, Replacement	
19	4360475	1	Switch, Emergency Stop	
19	7020175	1	Cap, Mushroom	
19	7020176	1	Block, Contact	
20	4360476	1	Switch, Contact Block	
21	4460488	6	Mount, Tie-Strap	
22	4711400	10	Washer 1/4	
23	4740397	8	Washer	
24	4740444	1	Washer	
25	4740518	2	Washer	
26	4751400	12	Washer 1/4	
27	4761400	6	Washer 1/4	
28	77143013	11	Nut 1/4	
29	1001103308	2	Screw 1/4 x 3/4	
30	1001106736	1	Cap, Dust	
31	1001146220	1	Fixture, Light	
32	1001155043	9	Washer	
33	1001155044	9	Nut 15/32	
34	1001155045	9	Switch, Toggle	
35	1001170838	1	Panel, LED	
36	1001171482	1	Gauge, Display	
37	1001188874	2	Nut	
38	1001222338	1	Module, Ground Control (Note: Recalibration Required when Replaced)	
39	1001223570	1	Decal - Display	
40	1001225120	2	Lamp	
41	1001225968	1	Lid	
42	1001225969	1	Box	
43	1001229017	1	Shield, Cable	
44	1001229018	1	Trim, Shield	

SECTION 2 - TURNTABLE

FIGURE 2-22. GROUND CONTROL PANEL DECAL INSTALLATION (WITHOUT MSSO)



ART_1001223565

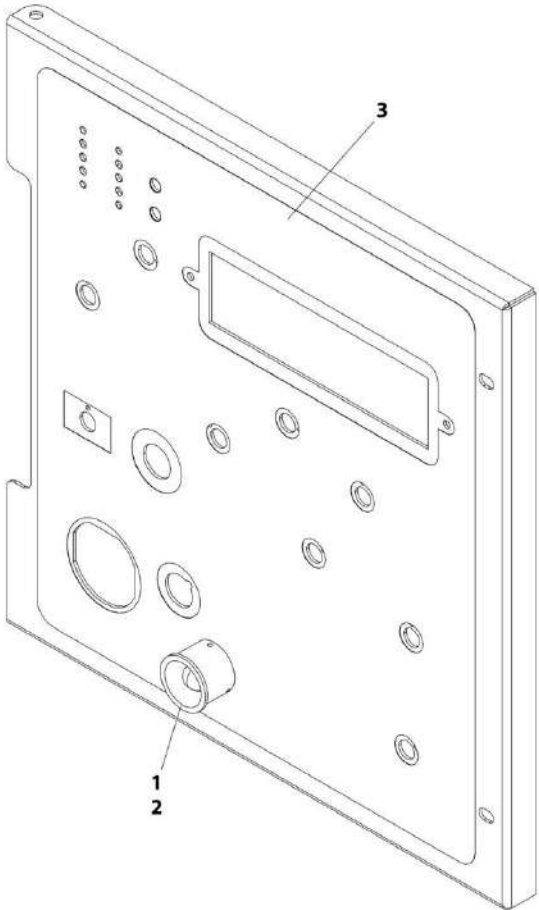
SECTION 2 - TURNTABLE

FIGURE 2-22. GROUND CONTROL PANEL DECAL INSTALLATION (WITHOUT MSSO)

ITEM	PART NUMBER	QTY	DESCRIPTION	REV
1	1001223565 1001234218	Ref 1	GROUND CONTROL PANEL DECAL INSTALLATION Decal - Ground Control Box	B

SECTION 2 - TURNTABLE

FIGURE 2-23. GROUND CONTROL PANEL DECAL INSTALLATION (WITH MSSO)



ART_1001223569

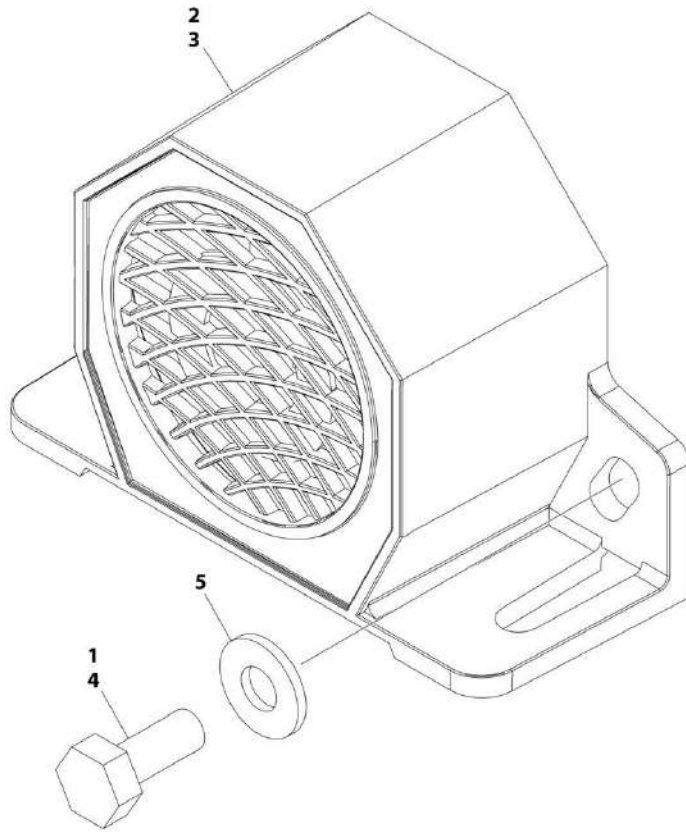
SECTION 2 - TURNTABLE

FIGURE 2-23. GROUND CONTROL PANEL DECAL INSTALLATION (WITH MSSO)

ITEM	PART NUMBER	QTY	DESCRIPTION	REV
	1001223569	Ref	GROUND CONTROL PANEL DECAL INSTALLATION	B
1	4360387	1	Switch, Push Button	
2	1001176469	1	Shroud, Switch	
3	1001234219	1	Decal - Ground Control Box	

SECTION 2 - TURNTABLE

FIGURE 2-24. ALARM INSTALLATION



ART_1001158364

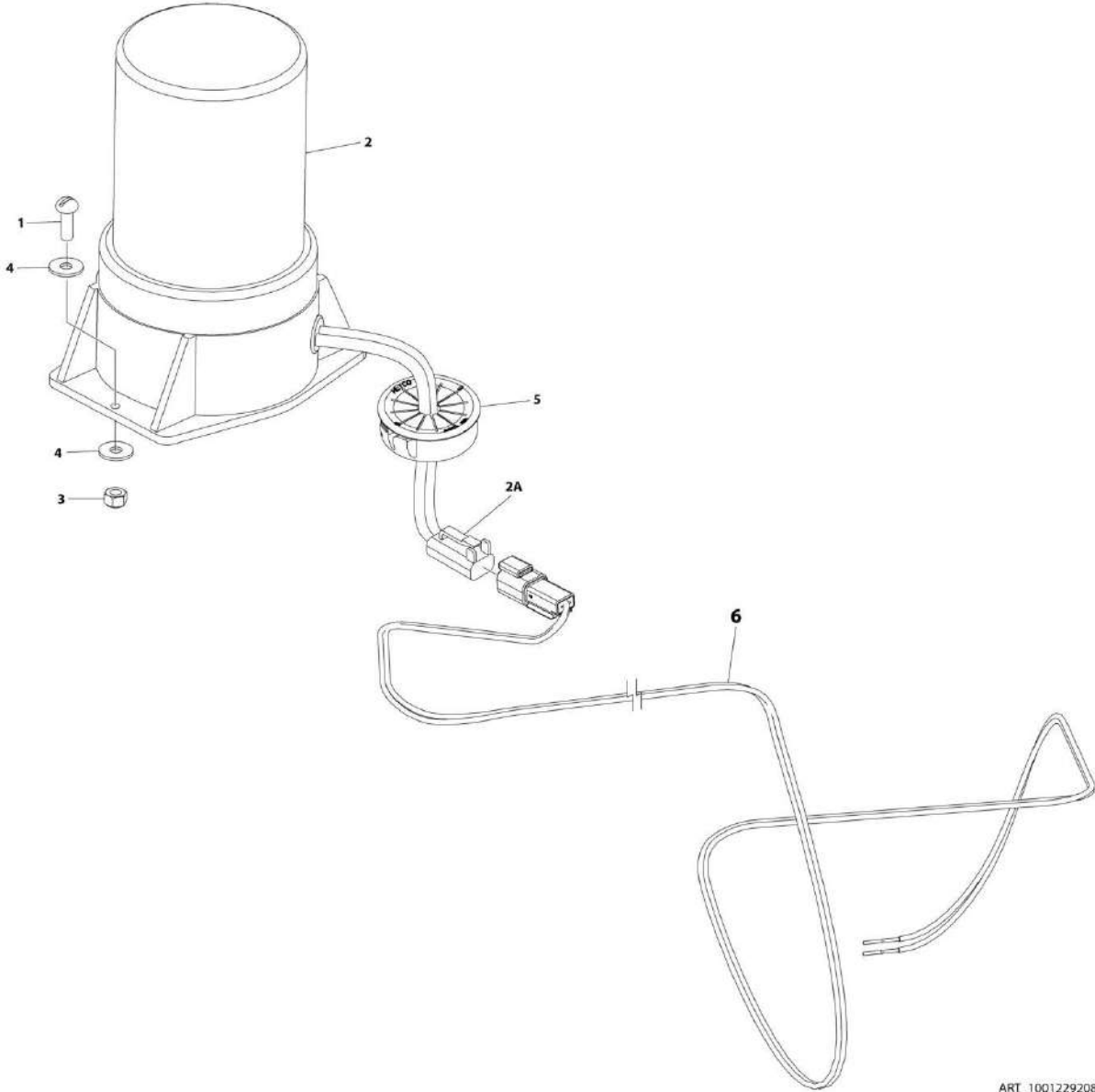
SECTION 2 - TURNTABLE

FIGURE 2-24. ALARM INSTALLATION

ITEM	PART NUMBER	QTY	DESCRIPTION	REV
	1001158364	Ref	ALARM INSTALLATION	A
1	0100011	AR	Compound, Locking	
2	0100048	AR	Grease, Dielectric	
3	0140044	1	Alarm	
4	0641405	2	Bolt 1/4 x 5/8	
5	4711400	2	Washer 1/4	

SECTION 2 - TURNTABLE

FIGURE 2-25. STROBE LIGHT INSTLLATION - AMBER (OPTIONAL)



ART_1001229208

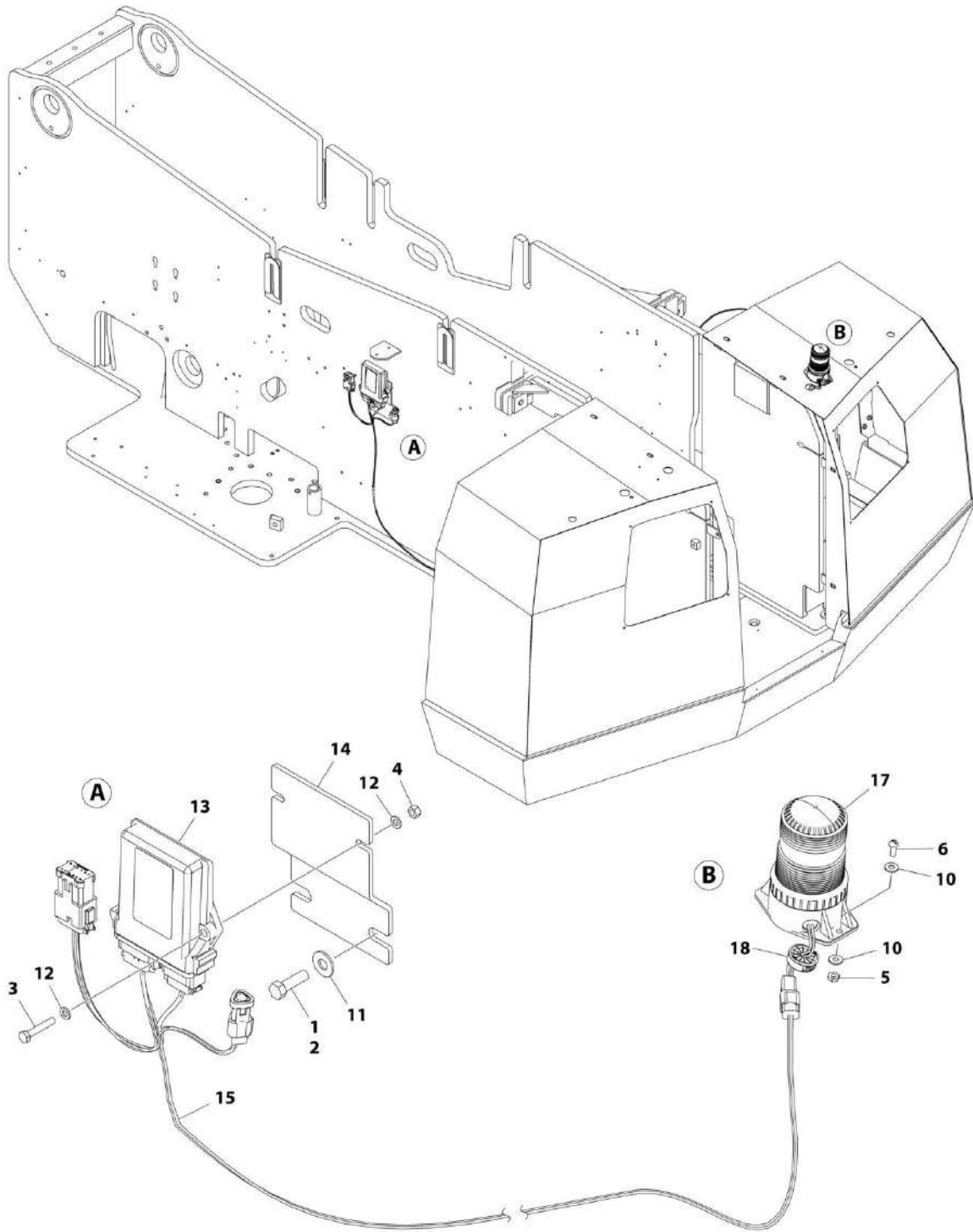
SECTION 2 - TURNTABLE

FIGURE 2-25. STROBE LIGHT INSTLLATION - AMBER (OPTIONAL)

ITEM	PART NUMBER	QTY	DESCRIPTION	REV
	1001229208	Ref	STROBE LIGHT INSTLLATION	D
1	3911010	2	Screw #10 x 5/8	
2	2920161	1	Lamp, Strobe Beacon	
2	7016319	1	Bulb	
2	7016372	1	Lens	
2A	4460891	1	Plug, Male - 2 Position	
2A	4460465	2	Socket, Female	
3	3311005	2	Nut #10	
4	4751000	4	Washer #10	
5	1001169085	1	Grommet	
6	1001231263	1	Cable, Strobe	
6	4460897	1	Receptacle, Female	
6	4460464	2	Pin, Male	
6	4460226	2	Socket, Female	

SECTION 2 - TURNTABLE

FIGURE 2-26. STROBE LIGHT INSTLLATION - BLUE (OPTIONAL)



ART_1001228658

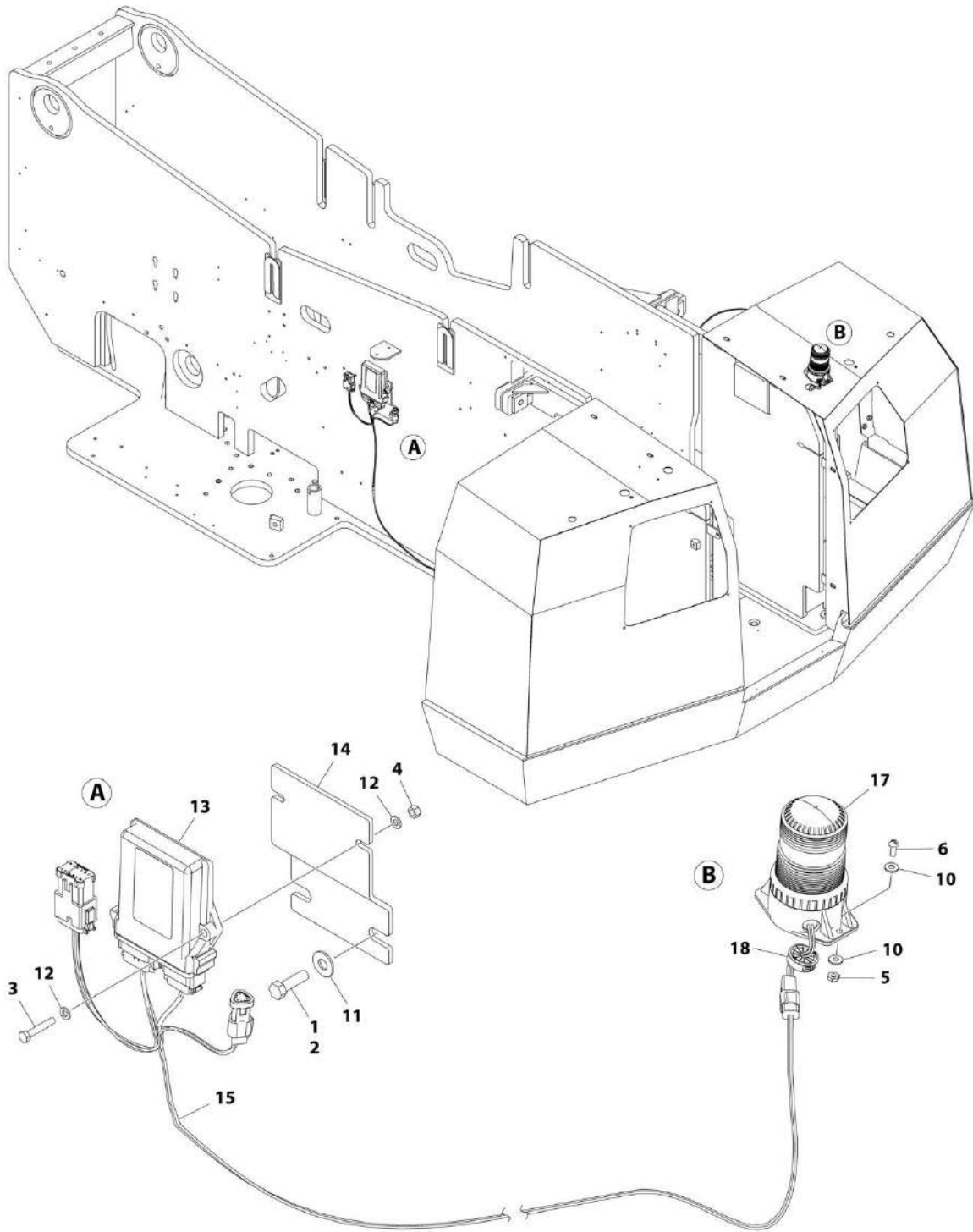
SECTION 2 - TURNTABLE

FIGURE 2-26. STROBE LIGHT INSTLLATION - BLUE (OPTIONAL)

ITEM	PART NUMBER	QTY	DESCRIPTION	REV
	1001228658	Ref	STROBE LIGHT INSTLLATION	B
1	0100011	AR	Compound, Locking	
2	0641610	2	Bolt 3/8 x 1-1/4	
3	0700615	2	Bolt M6 x 35	
4	3290607	2	Nut M6	
5	3311005	2	Nut #10	
6	3911008	2	Screw #10 x 1/2	
7	4240032	AR	Tie-Strap (Not Shown)	
8	4240033	AR	Tie-Strap (Not Shown)	
9	4460488	AR	Mount, Tie-Strap (Not Shown)	
10	4751000	4	Washer #10	
11	4751600	2	Washer 3/8	
12	4811700	4	Washer M6	
13	1001142683	1	Module, Beacon Light	
14	1001142722	1	Bracket	
15	1001142736	1	Beacon Control Harness (See Separate Breakdown in ELECTRICAL SECTION)	
17	1001200910	1	Light, Strobe (Blue)	
18	1001169085	1	Grommet	

SECTION 2 - TURNTABLE

FIGURE 2-27. STROBE LIGHT INSTLLATION - RED (OPTIONAL)



ART_1001228657

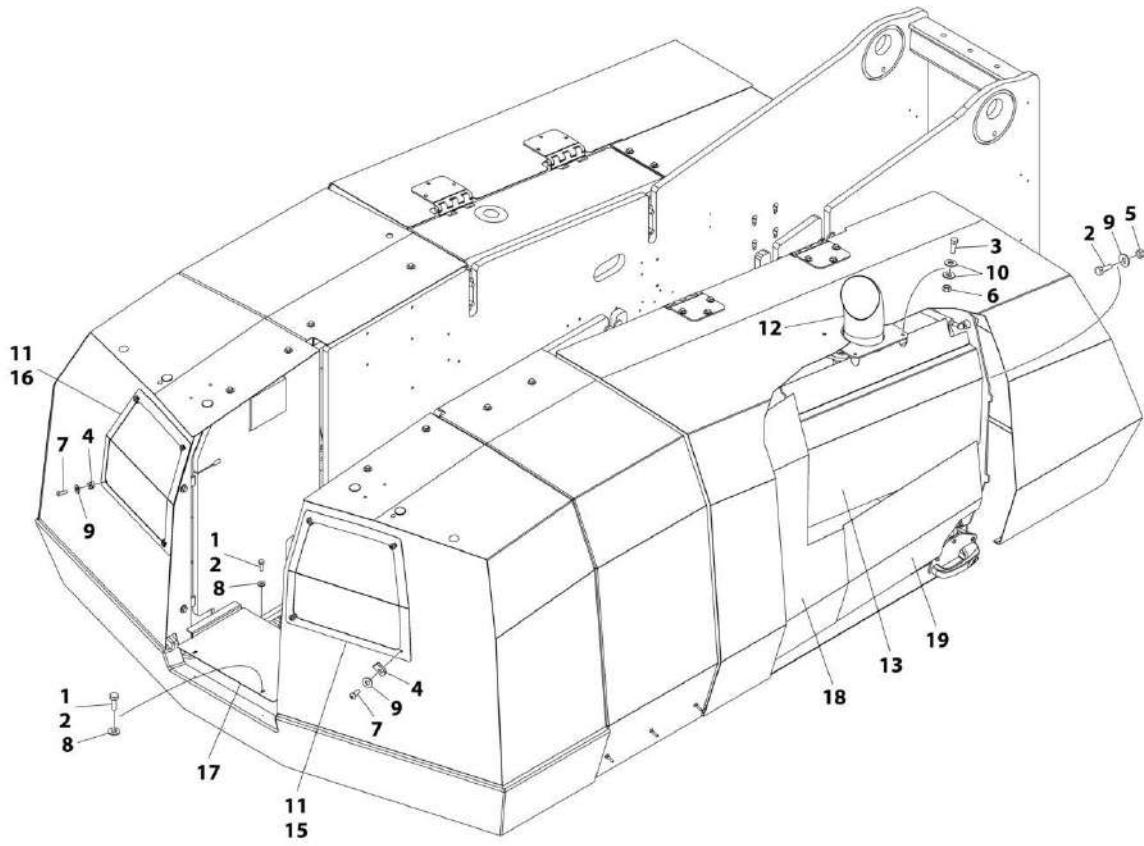
SECTION 2 - TURNTABLE

FIGURE 2-27. STROBE LIGHT INSTLLATION - RED (OPTIONAL)

ITEM	PART NUMBER	QTY	DESCRIPTION	REV
	1001228657	Ref	STROBE LIGHT INSTLLATION	B
1	0100011	AR	Compound, Locking	
2	0641610	2	Bolt 3/8 x 1-1/4	
3	0700615	2	Bolt M6 x 35	
4	3290607	2	Nut M6	
5	3311005	2	Nut #10	
6	3911008	2	Screw #10 x 1/2	
7	4240032	AR	Tie-Strap (Not Shown)	
8	4240033	AR	Tie-Strap (Not Shown)	
9	4460488	AR	Mount, Tie-Strap (Not Shown)	
10	4751000	4	Washer #10	
11	4751600	2	Washer 3/8	
12	4811700	4	Washer M6	
13	1001142683	1	Module, Beacon Light	
14	1001142722	1	Bracket	
15	1001142736	1	Beacon Control Harness (See Separate Breakdown in ELECTRICAL SECTION)	
17	1001207004	1	Light, Strobe (Red)	
18	1001169085	1	Grommet	

SECTION 2 - TURNTABLE

FIGURE 2-28. HEAT SHIELD AND ACCESS PANELS INSTALLATION



ART_1001227307

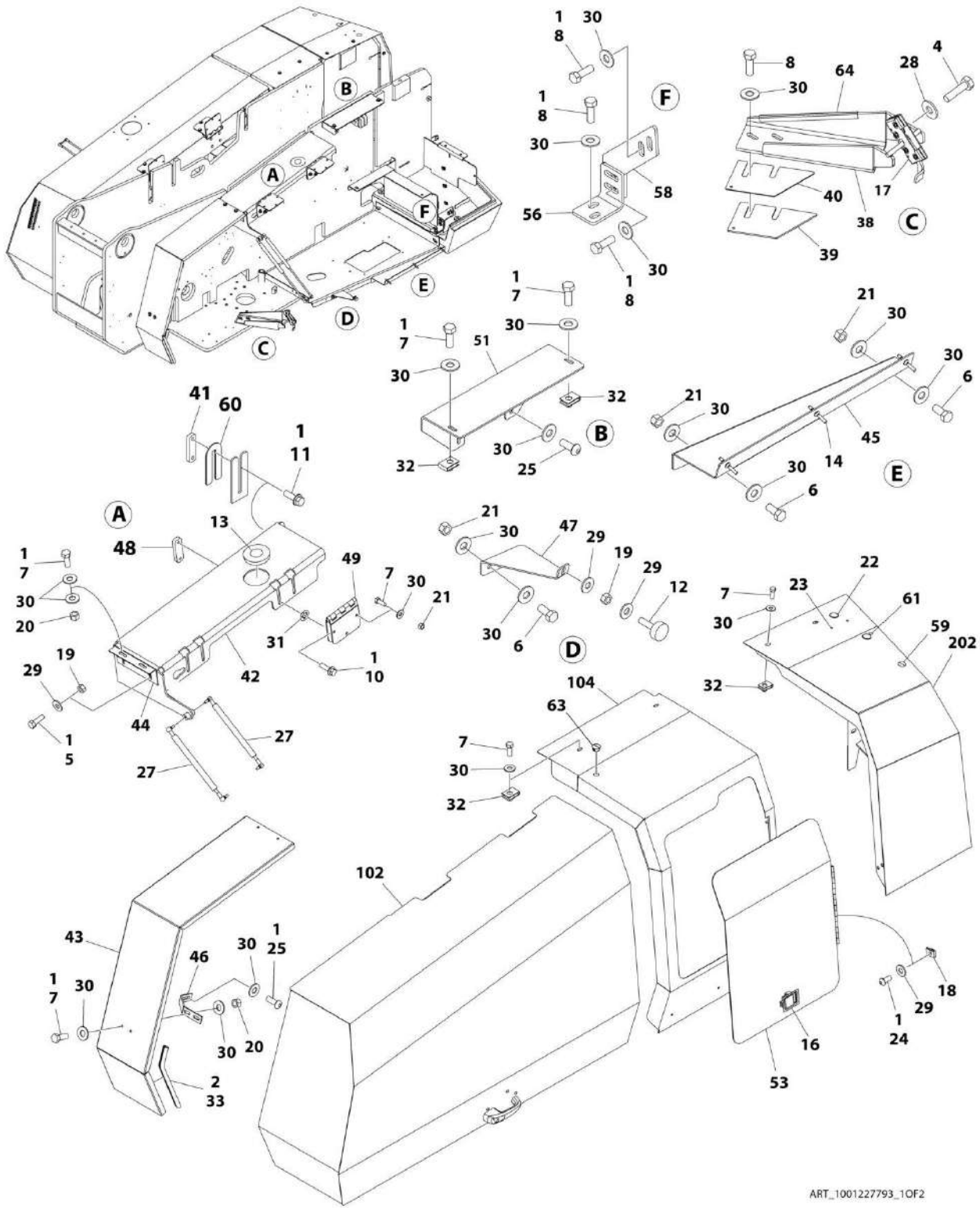
SECTION 2 - TURNTABLE

FIGURE 2-28. HEAT SHIELD AND ACCESS PANELS INSTALLATION

ITEM	PART NUMBER	QTY	DESCRIPTION	REV
	1001227307	Ref	HEAT SHIELD AND ACCESS PANELS INSTALLATION	E
1	0100011	AR	Compound, Locking	
2	0641406	7	Bolt 1/4 x 3/4	
3	0641608	4	Bolt 3/8 x 1	
4	3300454	8	Nut, Tinnerman 1/4	
5	3311405	3	Nut 1/4	
6	3311605	4	Nut 3/8	
7	3900258	8	Screw 1/4 x 3/4	
8	4711400	4	Washer 1/4	
9	4751400	11	Washer 1/4	
10	4751600	8	Washer 3/8	
11	1001113047	11 ft/ 3.3m	Seal	
12	1001144527	1	Pipe, Exhaust	
13	1001163101	1	Heat Shield	
15	1001228113	1	Panel, Access	
16	1001228475	1	Panel, Access	
17	1001229098	1	Cover	
18	1001235839	1	Insulate	
19	1001236370	1	Insulate	

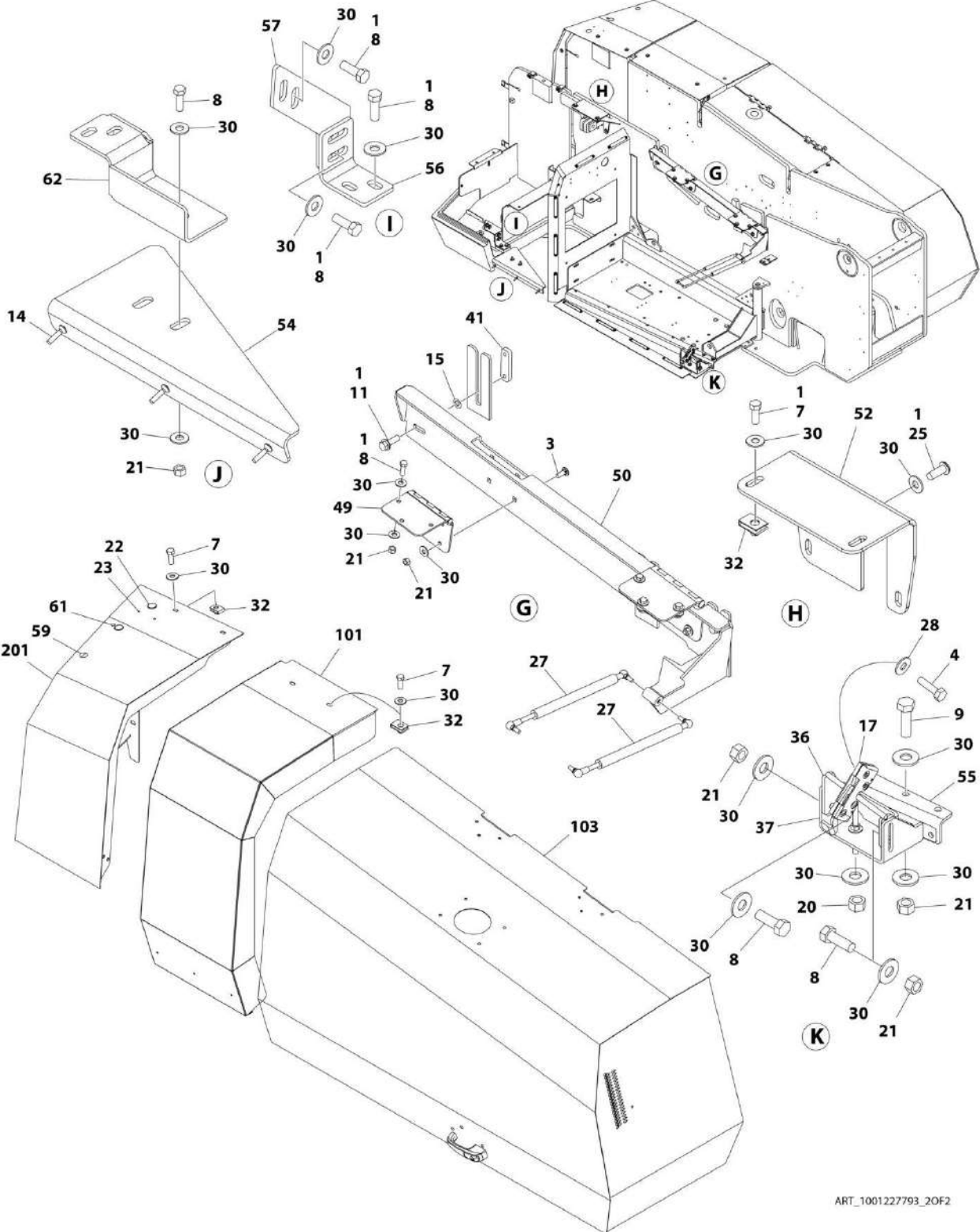
SECTION 2 - TURNTABLE

FIGURE 2-29. HOODS INSTALLATION



ART_1001227793_10F2

SECTION 2 - TURNTABLE



ART_1001227793_20F2

SECTION 2 - TURNTABLE

FIGURE 2-29. HOODS INSTALLATION

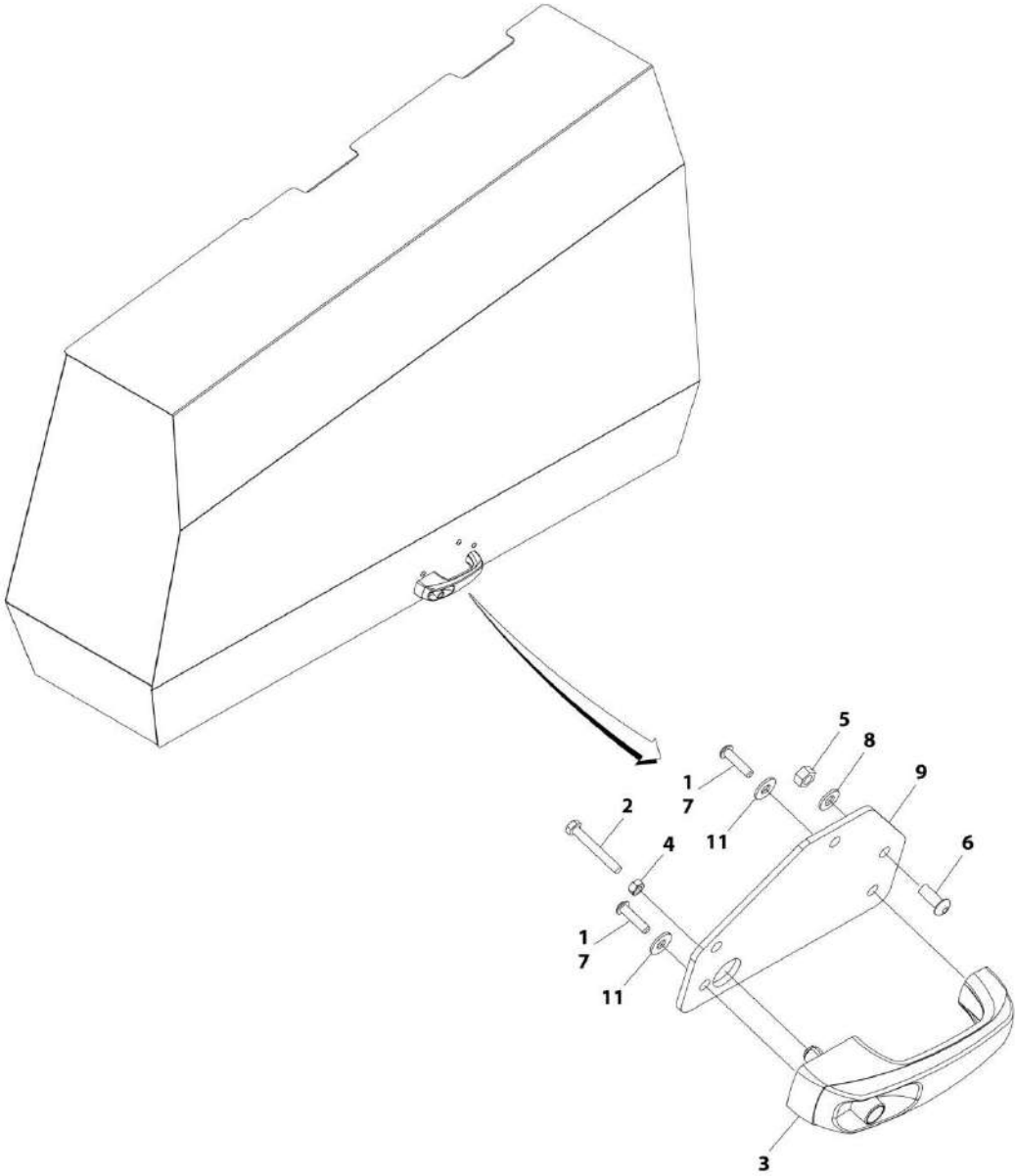
ITEM	PART NUMBER	QTY	DESCRIPTION	REV
	1001227793	Ref	HOODS INSTALLATION	E
1	0100011	AR	Compound, Locking	
2	0100081	AR	Adhesive	
3	0630485	8	Bolt	
4	0641408	8	Bolt 1/4 x 1	
5	0641508	2	Bolt 5/16 x 1	
6	0641607	4	Bolt 3/8 x 7/8	
7	0641608	22	Bolt 3/8 x 1	
8	0641609	26	Bolt 3/8 x 1-1/8	
9	0641610	2	Bolt 3/8 x 1-1/4	
10	0811610	8	Screw 3/8 x 1-1/4	
11	0811812	8	Screw 1/2 x 1-1/2	
12	0940049	1	Stopper	
13	1120601	1	Plug	
14	2080040	6	Fastener	
15	2080072	4	Fastener	
16	2940045	1	Latch	
17	2940173	2	Latch	
18	3300364	3	Nut, Tinnerman 5/16	
19	3311501	4	Nut 5/16	
20	3311601	6	Nut 3/8	
21	3311605	32	Nut 3/8	
22	3520032	4	Plug	
23	3520173	4	Plug	
24	3900210	3	Screw 5/16 x 3/4	
25	3900316	7	Screw 3/8 x 1	
27	4160194	4	Spring, Gas	
28	4751400	8	Washer 1/4	
29	4751500	7	Washer 5/16	
30	4751600	89	Washer 3/8	
31	8310070	8	Pushnut 3/8	
32	88662523	12	Nut, Tinnerman	
33	1001110166	4.9 ft/ 1.5m	Seal	
34	1001113047	6.4 ft/ 2m	Seal	
36	1001235944	1	Bracket	
37	1001235943	1	Bracket	
38	1001117568	1	Bracket	
39	1001121122	AR	Shim 3mm	
40	1001121123	AR	Shim 1.5mm	
41	1001150260	4	Plate	
42	1001155895	1	Mount	
43	1001155899	1	Spacer	
44	1001157612	1	Bracket	
45	1001230008	1	Bracket	
46	1001230014	1	Bracket	
47	1001161089	1	Bracket	
48	1001186251	1	Plate	
49	1001186254	1	Hinge	
50	1001196768	1	Mount	

SECTION 2 - TURNTABLE

ITEM	PART NUMBER	QTY	DESCRIPTION	REV
51	1001226452	1	Bracket	
52	1001226453	1	Bracket	
53	1001227731	1	Door	
54	1001227735	1	Bracket	
55	1001227798	1	Mount	
56	1001228359	2	Bracket	
57	1001228403	1	Bracket	
58	1001228517	1	Bracket	
59	1001131130	2	Plug	
60	1001230010	AR	Shim	
61	1001226421	2	Plug	
62	1001235518	1	Bracket	
63	3520030	1	Plug	
64	4060805	9 in/ 0.23m	Flex-Trim	
100	1001227794	Ref	Hood Kit	
101	1001117219	1	Hood, Engine Side (Fixed)	
102	1001157209	1	Hood Assembly - Tank Side (See Separate Breakdown in this Section)	
103	1001232084	1	Hood Assembly - Engine Side (Note: Heat Shield must be Installed Before Being put back into Service) (See Separate Breakdown in this Section)	
104	1001227734	1	Hood, Tank Side (Fixed)	
200	1001229556	Ref	Battery Cover Kit	
201	1001228882	1	Cover, Engine Side (Rear)	
202	1001228945	1	Cover, Tank Side (Rear)	

SECTION 2 - TURNTABLE

FIGURE 2-30. HOOD ASSEMBLY - TANK SIDE



ART_1001157209

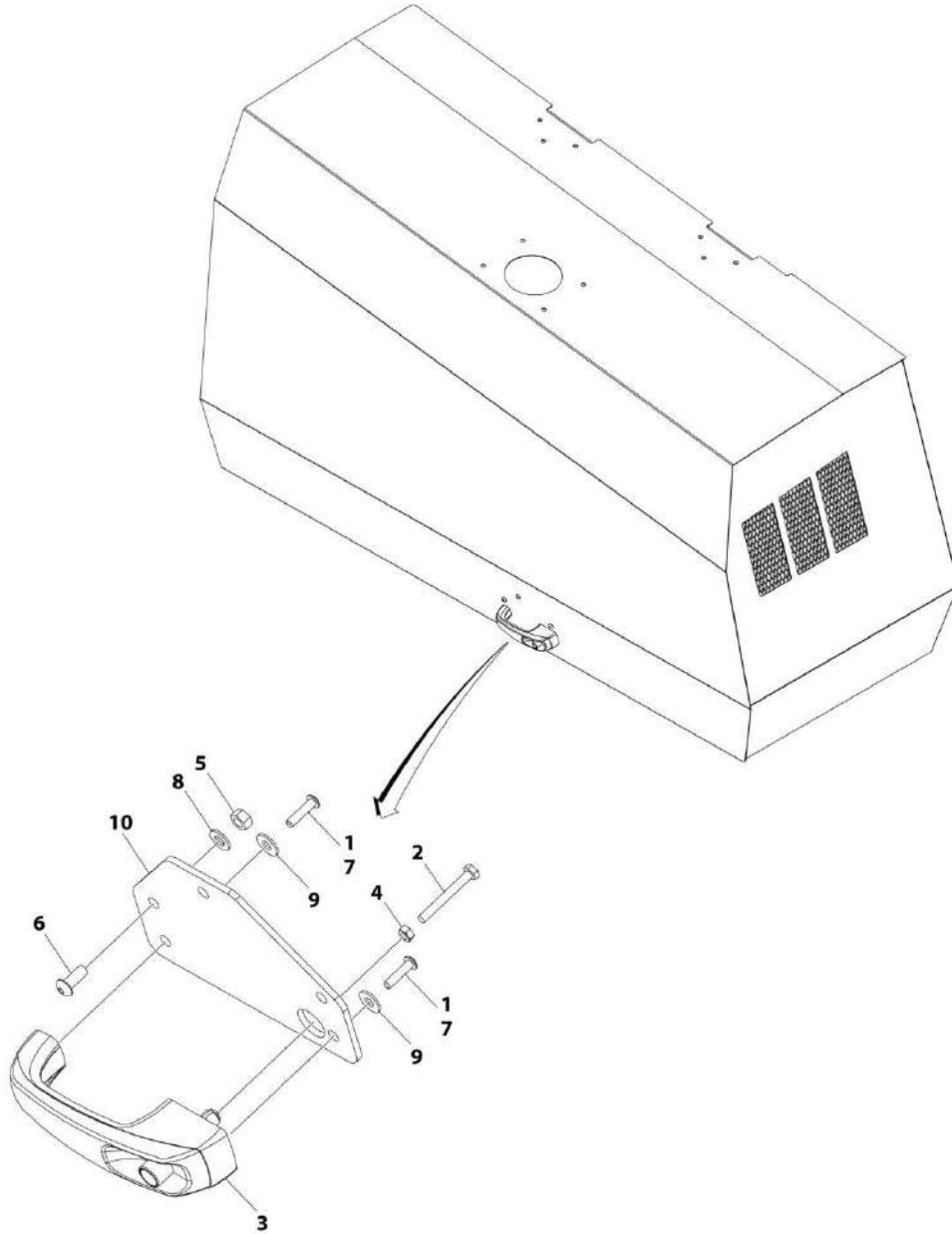
SECTION 2 - TURNTABLE

FIGURE 2-30. HOOD ASSEMBLY - TANK SIDE

ITEM	PART NUMBER	QTY	DESCRIPTION	REV
	1001157209	Ref	HOOD ASSEMBLY	B
1	0100011	AR	Compound, Locking	
2	0700617	1	Bolt M6 x 45	
3	2560187	1	Handle, Push Button	
4	3290601	1	Nut M6	
5	3311505	3	Nut 5/16	
6	3900210	3	Screw 5/16 x 3/4	
7	3900363	2	Screw M6 x 25	
8	4711500	3	Washer 5/16	
9	1001116290	1	Plate, Latch Mounting	
11	4751400	2	Washer 1/4	

SECTION 2 - TURNTABLE

FIGURE 2-31. HOOD ASSEMBLY - ENGINE SIDE



ART_1001232084

SECTION 2 - TURNTABLE

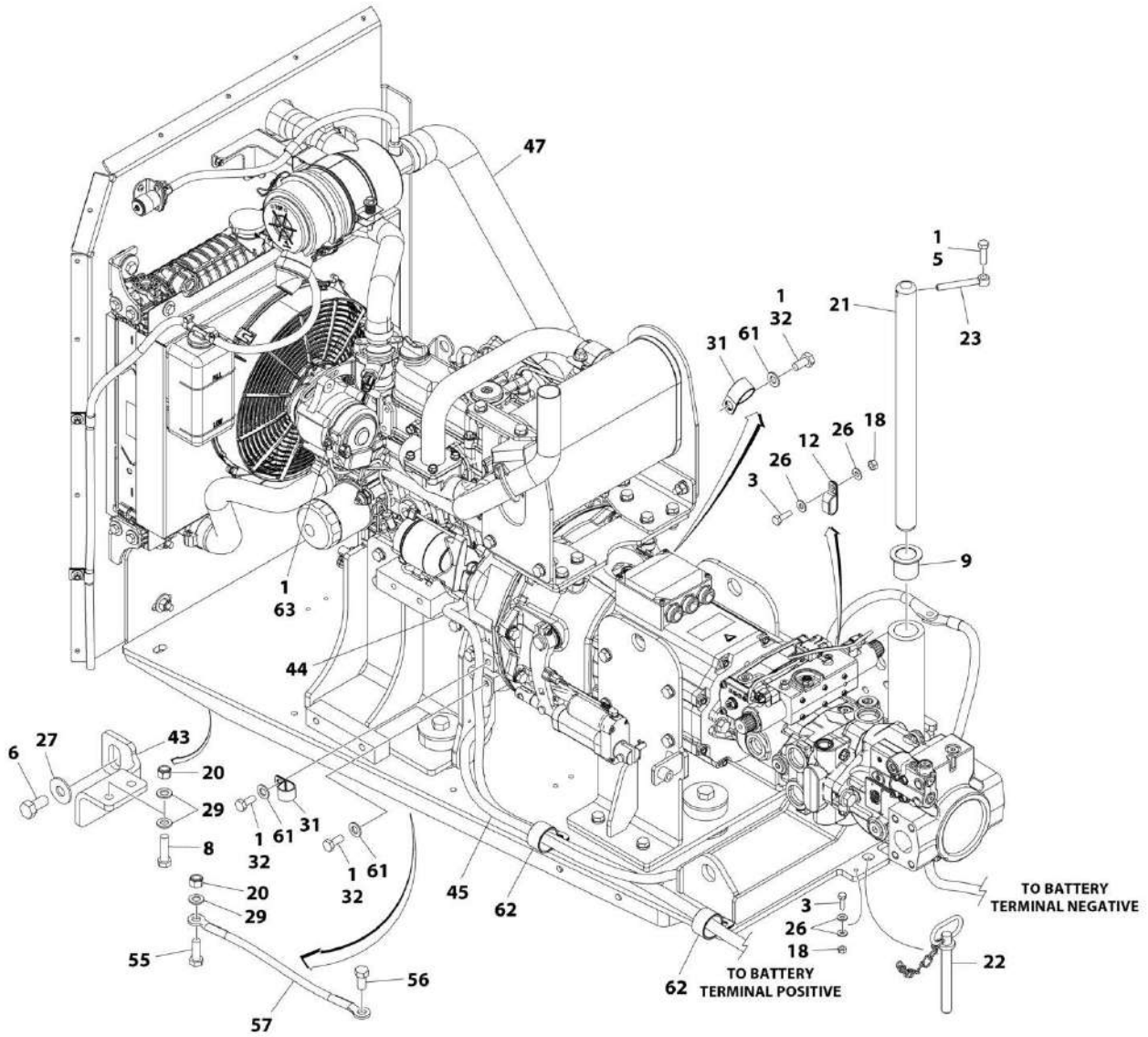
FIGURE 2-31. HOOD ASSEMBLY - ENGINE SIDE

ITEM	PART NUMBER	QTY	DESCRIPTION	REV
	1001232084	Ref	HOOD ASSEMBLY	B
1	0100011	AR	Compound, Locking	
2	0700618	1	Bolt M6 x 50	
3	2560187	1	Handle, Push Button	
4	3290601	1	Nut M6	
5	3311505	3	Nut 5/16	
6	3900210	3	Screw 5/16 x 3/4	
7	3900363	2	Screw M6 x 25	
8	4711500	3	Washer 5/16	
9	4751400	2	Washer 1/4	
10	1001116290	1	Plate, Latch Mounting	

SECTION 3 - ENGINE

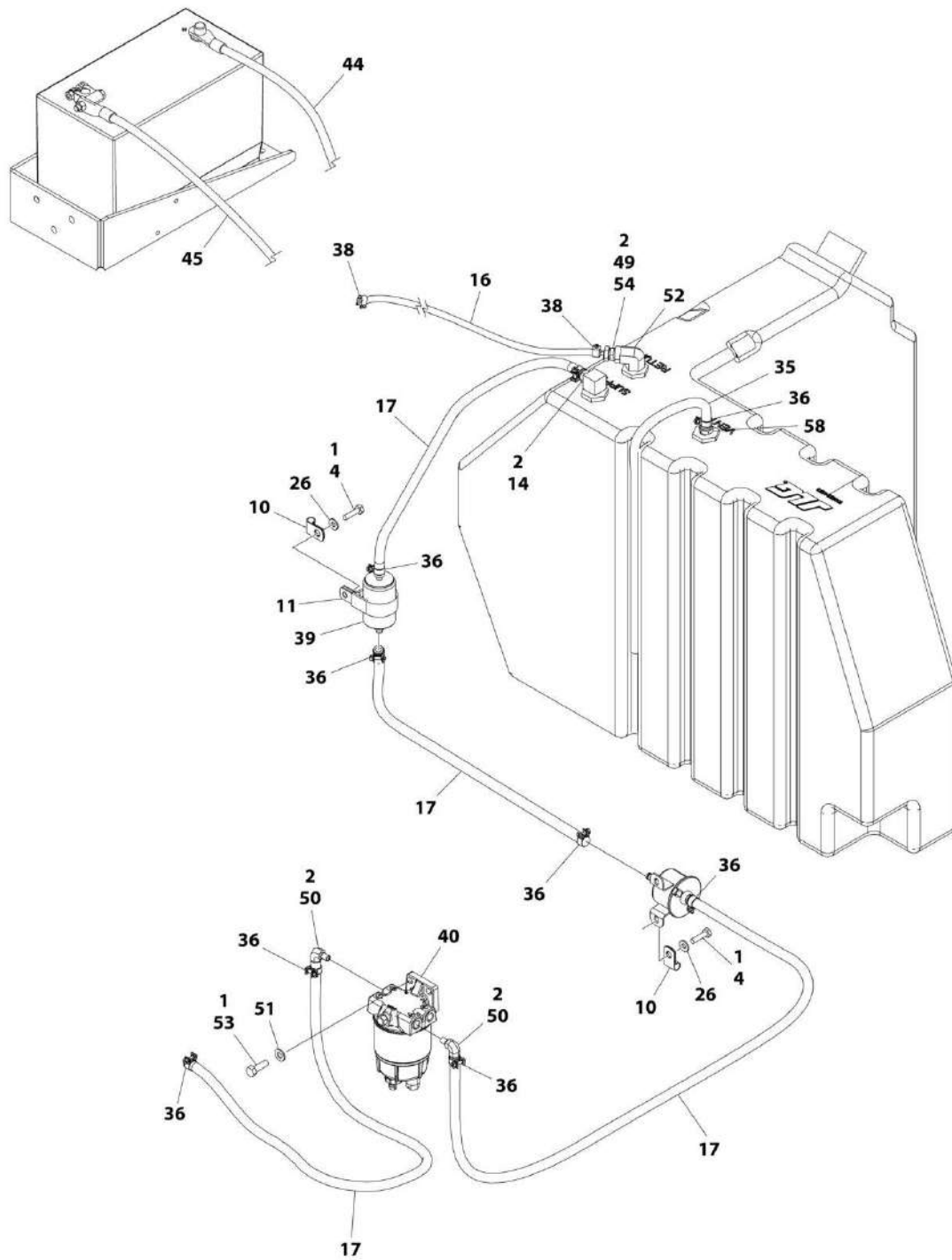
SECTION 3 - ENGINE

FIGURE 3-1. ENGINE INSTALLATION



ART_1001226669_10F2

SECTION 3 - ENGINE



ART_1001226669_2OF2

SECTION 3 - ENGINE

FIGURE 3-1. ENGINE INSTALLATION

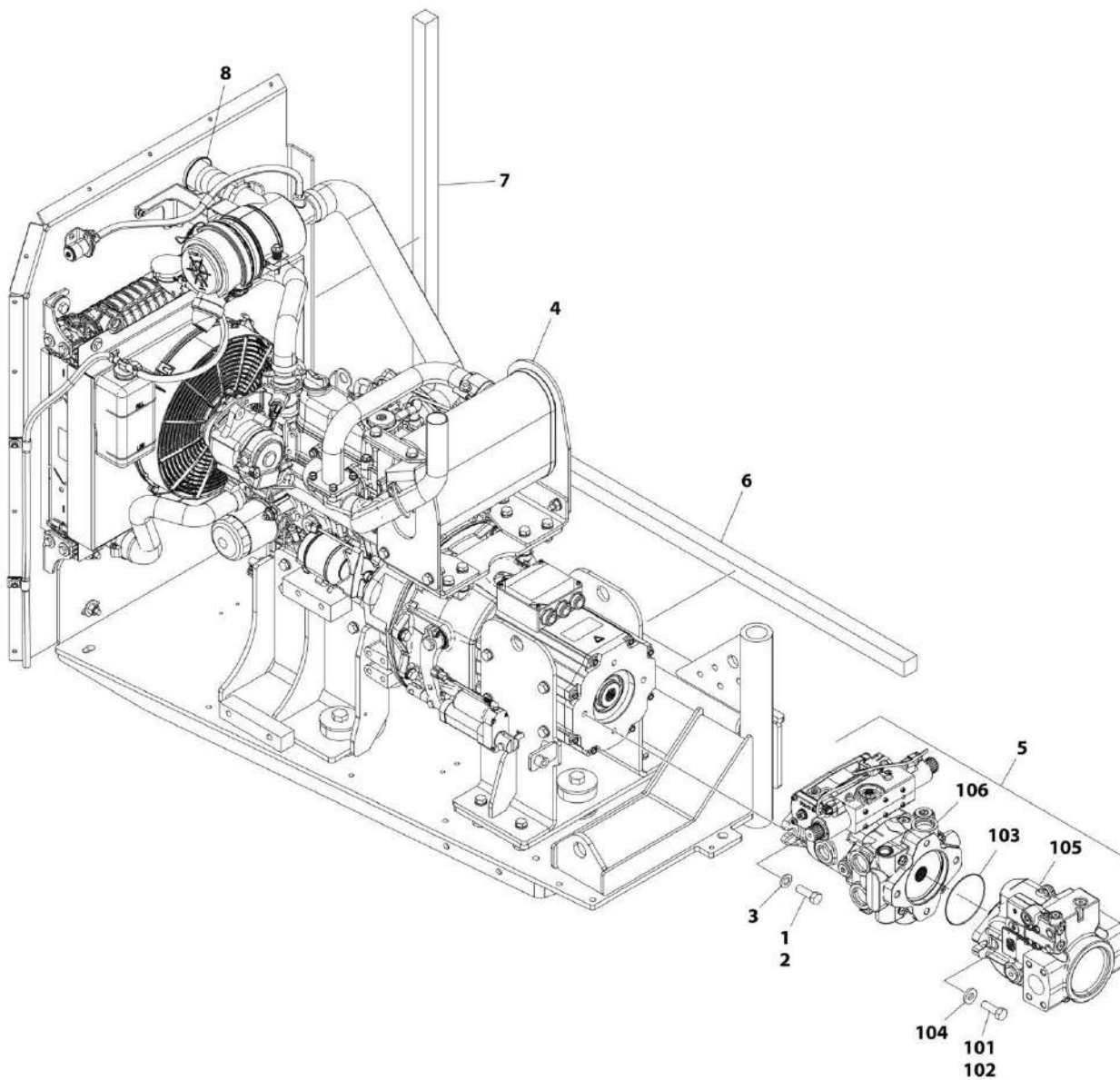
ITEM	PART NUMBER	QTY	DESCRIPTION	REV
	1001226669	Ref	ENGINE INSTALLATION	G
1	0100011	AR	Compound, Locking	
2	0100020	AR	Sealant	
3	0641407	2	Bolt 1/4 x 7/8	
4	0641408	3	Bolt 1/4 x 1	
5	0641610	1	Bolt 3/8 x 1-1/4	
6	0642016	1	Bolt 5/8 x 2	
8	0701217	2	Bolt M12 x 45	
9	0961986	2	Bearing	
10	1320263	2	Clamp	
11	1320265	1	Clamp	
12	1321385	1	Clamp	
14	2180348	1	Fitting, NPT/Barbed	
15	2300004	AR	Coolant (Not Shown)	
16	2720271	13 ft/ 3.97m	Hose	
17	2720058	12.5 ft/ 3.8m	Hose	
18	3271405	2	Nut 1/4	
20	3291205	3	Nut M12	
21	3422446	1	Pin	
22	3422533	1	Pin	
23	3841143	1	Keeper, Pin	
25	4240099	3	Tie-Strap (Not Shown)	
26	4711400	7	Washer 1/4	
27	4752000	1	Washer 5/8	
29	4812100	5	Washer M12	
31	80683013	2	Clamp	
32	1001118746	3	Bolt M10 x 25	
34	1001159301	AR	Oil, Engine (Not Shown)	
35	1001165035	50 in/ 127cm	Hose	
36	1001174486	9	Clamp	
38	1001185585	2	Clamp	
39	1001190545	1	Filter, Fuel	
40	1001190609	1	Fuel/Water Separator Assembly (See Separate Breakdown in this Section)	
42	1001230605	1	Engine Harness (Not Shown) (See Separate Breakdown in ELECTRICAL SECTION)	
43	1001236341	1	Plate	
44	1001225731	1	Cable, Battery (Positive)	
45	1001225733	1	Cable, Battery (Negative)	
46	1001225985	1	Cable, Alternator (Not Shown)	
47	1001226549	1	Engine and Pumps Sub-Assembly (See Separate Breakdown in this Section)	
49	2220250	1	Fitting NPT/NPT	
50	2221046	2	Fitting, 90	
51	4711500	2	Washer 5/16	
52	8540205	1	Fitting, 90 FNPTF/NPTF	
53	0641508	2	Bolt 5/16 x 1	
54	2180666	1	Fitting, NPT/Barbed	

SECTION 3 - ENGINE

ITEM	PART NUMBER	QTY	DESCRIPTION	REV
55	0761215	1	Bolt M12 x 35	
56	0641808	1	Bolt 1/2 x 1	
57	1060637	1	Lanyard	
58	2180876	1	Fitting, NPT/Barbed	
59	1001232528	1	Seal (Not Shown)	
61	4812000	3	Washer M10	
62	85841150	2	Clamp	
63	3290601	1	Nut M6	
100	1001237291	1	Battery Cable Kit (Includes Items 44 & 45) (Not Shown) (SN 0300250734 to Present)	

SECTION 3 - ENGINE

FIGURE 3-2. ENGINE AND PUMPS SUB-ASSEMBLY



ART_1001226549

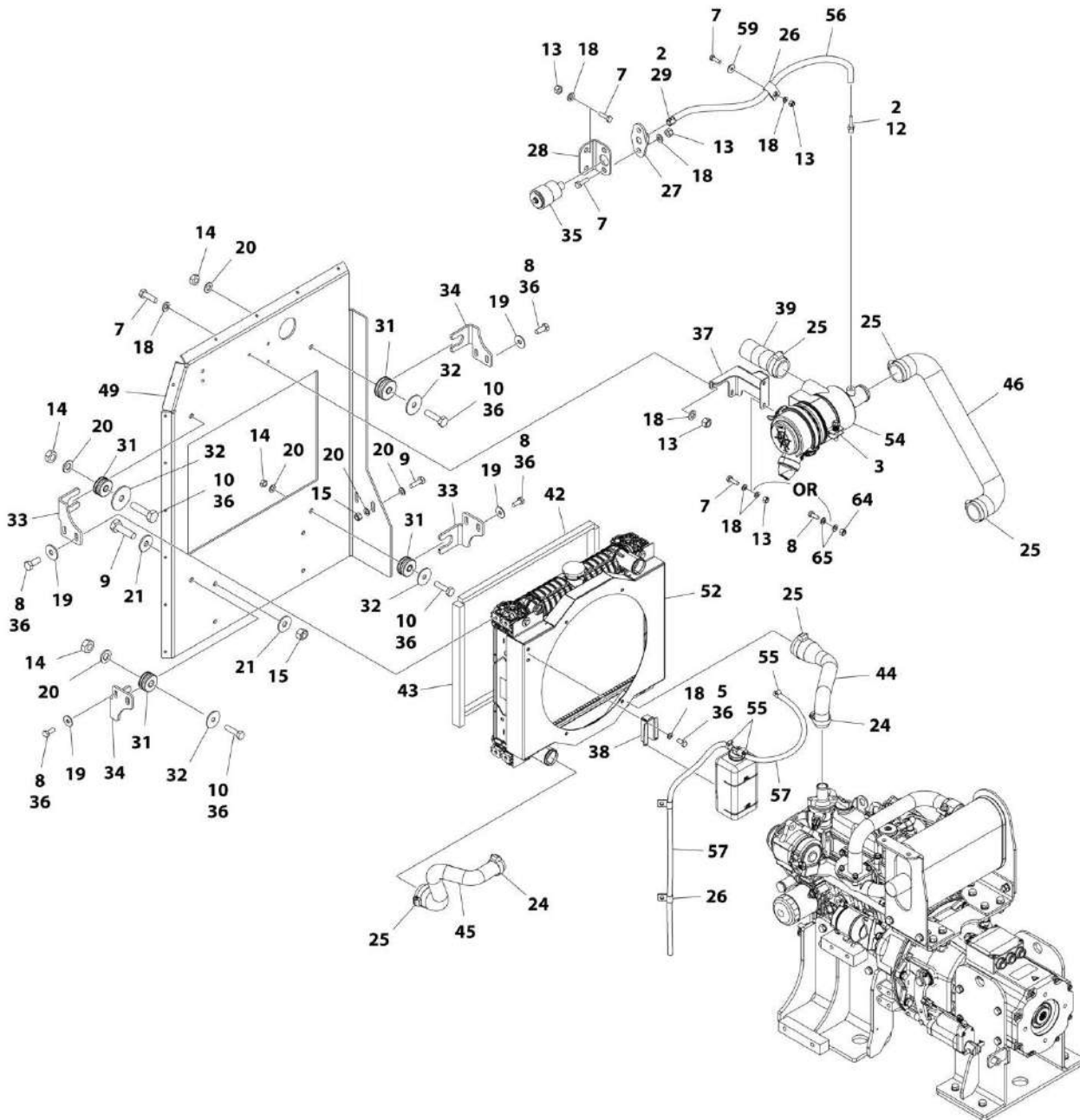
SECTION 3 - ENGINE

FIGURE 3-2. ENGINE AND PUMPS SUB-ASSEMBLY

ITEM	PART NUMBER	QTY	DESCRIPTION	REV
	1001226549	Ref	ENGINE AND PUMPS SUB-ASSEMBLY	C
1	0100011	AR	Compound, Locking	
2	0641812	2	Bolt 1/2 x 1-1/2	
3	5241200	2	Washer M12	
4	1001223754	1	Engine Assembly (See Separate Breakdown in this Section)	
5	1001226551	1	Pump Sub-Assembly (Includes Items 101-106)	
6	3960468	1	Seal	
7	3960469	1	Seal	
8	1001232529	1	Seal	
101	0100011	AR	Compound, Locking	
102	0641812	2	Bolt 1/2 x 1-1/2	
103	3790044	1	O-Ring	
104	4891800	2	Washer 1/2	
105	1001094595	1	Variable Pump Assembly (See Separate Breakdown in this Section)	
106	1001225745	1	Hydrostatic Pump Assembly (See Separate Breakdown in this Section)	

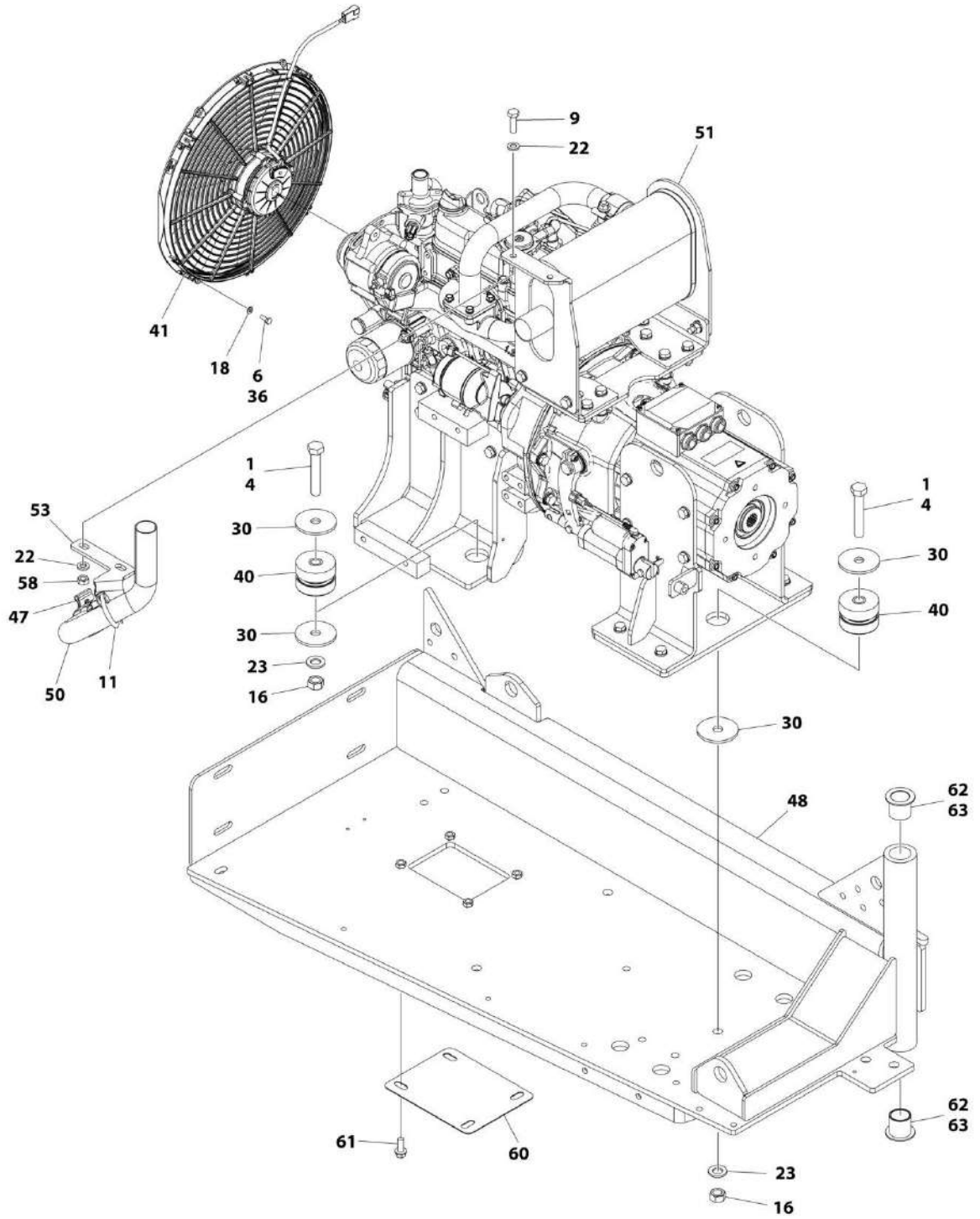
SECTION 3 - ENGINE

FIGURE 3-3. ENGINE AND TRAY ASSEMBLY



ART_1001223754_10F2

SECTION 3 - ENGINE



ART_1001223754_20F2

SECTION 3 - ENGINE

FIGURE 3-3. ENGINE AND TRAY ASSEMBLY

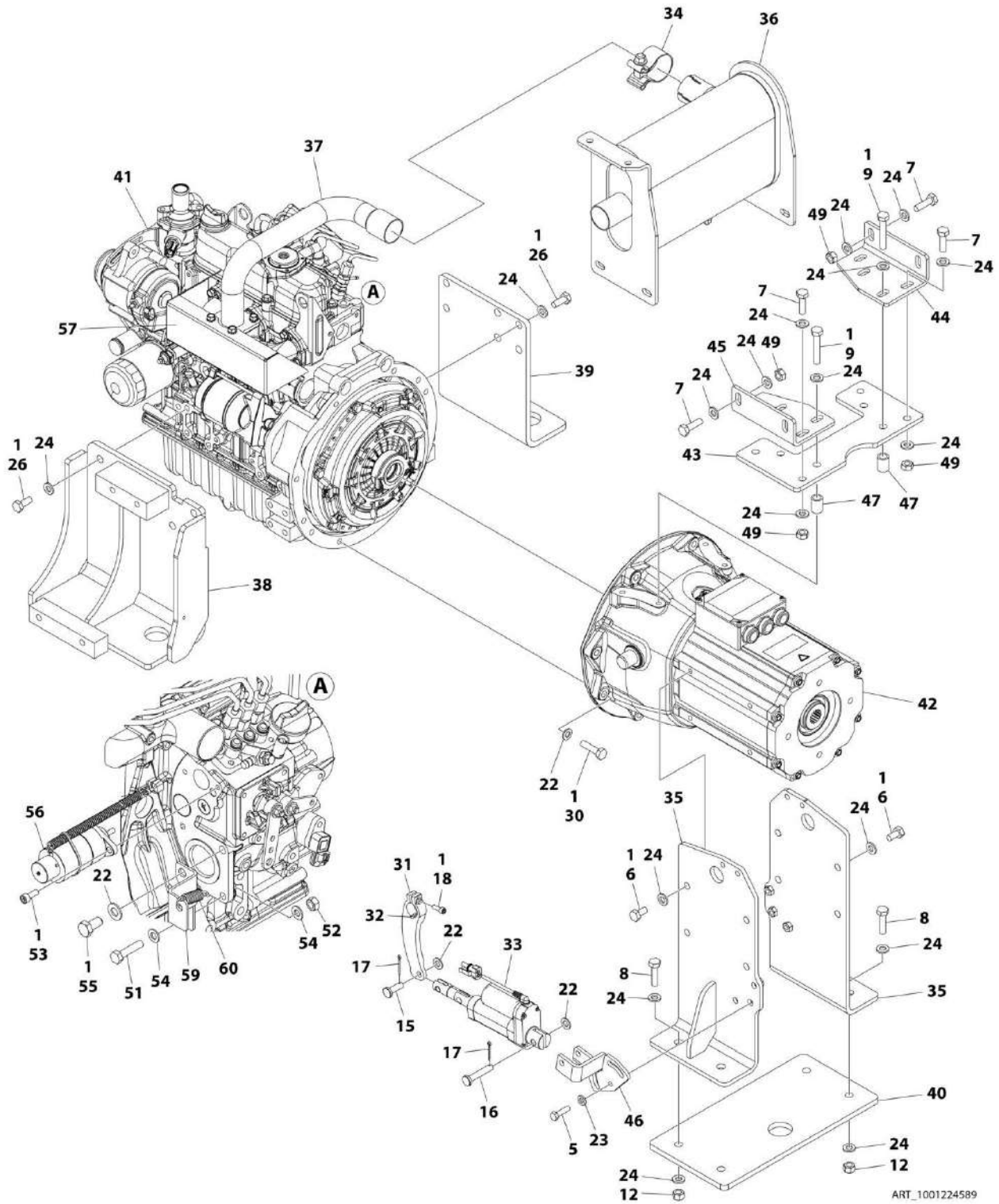
ITEM	PART NUMBER	QTY	DESCRIPTION	REV
	1001223754	Ref	ENGINE AND TRAY ASSEMBLY	G
1	0100011	AR	Compound, Locking	
2	0100020	AR	Sealant	
3	0340045	1	Band	
4	0711626	3	Bolt M16 x 90 Grade 10.9	
5	0760607	2	Bolt M6 x 14	
6	0760608	4	Bolt M6 x 16	
7	0760610	AR	Bolt M6 x 20	
8	0760810	AR	Bolt M8 x 20	
9	0761015	8	Bolt M10 x 35	
10	0761016	4	Bolt M10 x 40	
11	1320274	1	Clamp	
12	2220315	1	Fitting, Straight Barbed	
13	3290605	AR	Nut M6	
14	3291001	4	Nut M10	
15	3291005	6	Nut M10	
16	3331611	3	Nut M16	
17	3900364	4	Screw M6 x 20	
18	4811700	AR	Washer M6	
19	4811902	8	Washer M8	
20	4812000	8	Washer M10	
21	4812002	8	Washer M10	
22	5241000	4	Washer M10	
23	5241600	3	Washer M16	
24	8405102	2	Clamp	
25	8405104	5	Clamp	
26	8406110	3	Clip	
27	1001138173	1	Support	
28	1001138175	1	Bracket	
29	1001141995	1	Fitting, NPT/Barbed	
30	1001146219	6	Washer	
31	1001169054	4	Isolator	
32	1001169138	4	Pad	
33	1001169967	2	Bracket	
34	1001170035	2	Bracket	
35	1001170981	1	Indicator, Air Intake Restriction	
36	1001180620	AR	Adhesive	
37	1001182980	1	Bracket	
38	1001182982	1	Mount	
39	1001182983	1	Tube	
40	1001190164	3	Mount, Motor	
41	1001222465	1	Fan	
42	1001217183	2	Seal	
43	1001217185	2	Seal	
44	1001222882	1	Tube, Coolant Inlet	
45	1001222883	1	Tube, Coolant Outlet	
46	1001222884	1	Tube	
47	1001223302	1	Clamp	
48	1001223405	1	Tray	
49	1001223787	1	Plate, Radiator	

SECTION 3 - ENGINE

ITEM	PART NUMBER	QTY	DESCRIPTION	REV
50	1001223987	1	Pipe, Exhaust	
51	1001224589	1	Engine and Generator Assembly (See Separate Breakdown in this Section)	
52	1001232267	1	Radiator	
53	1001229561	1	Support	
54	1001118280	1	Air Filter Assembly	
54	7015004	1	Element, Filter	
54	7015005	1	Cover, Fliter	
54	7015006	1	Valve, Vacuator	
55	1320022	3	Clamp	
56	1001138248	18 in/ 44cm	Tube	
57	1001172533	50 in/ 1.3m	Hose	
58	3291007	2	Nut M10	
59	4811702	1	Washer M6	
60	0811608	4	Screw 3/8 x 1	
61	1001232375	1	Panel	
62	0100062	AR	Adhesive	
63	0961986	2	Bearing	
64	3290805	2	Nut M8	
65	4811900	4	Washer M8	

SECTION 3 - ENGINE

FIGURE 3-4. ENGINE AND GENERATOR ASSEMBLY



ART_1001224589

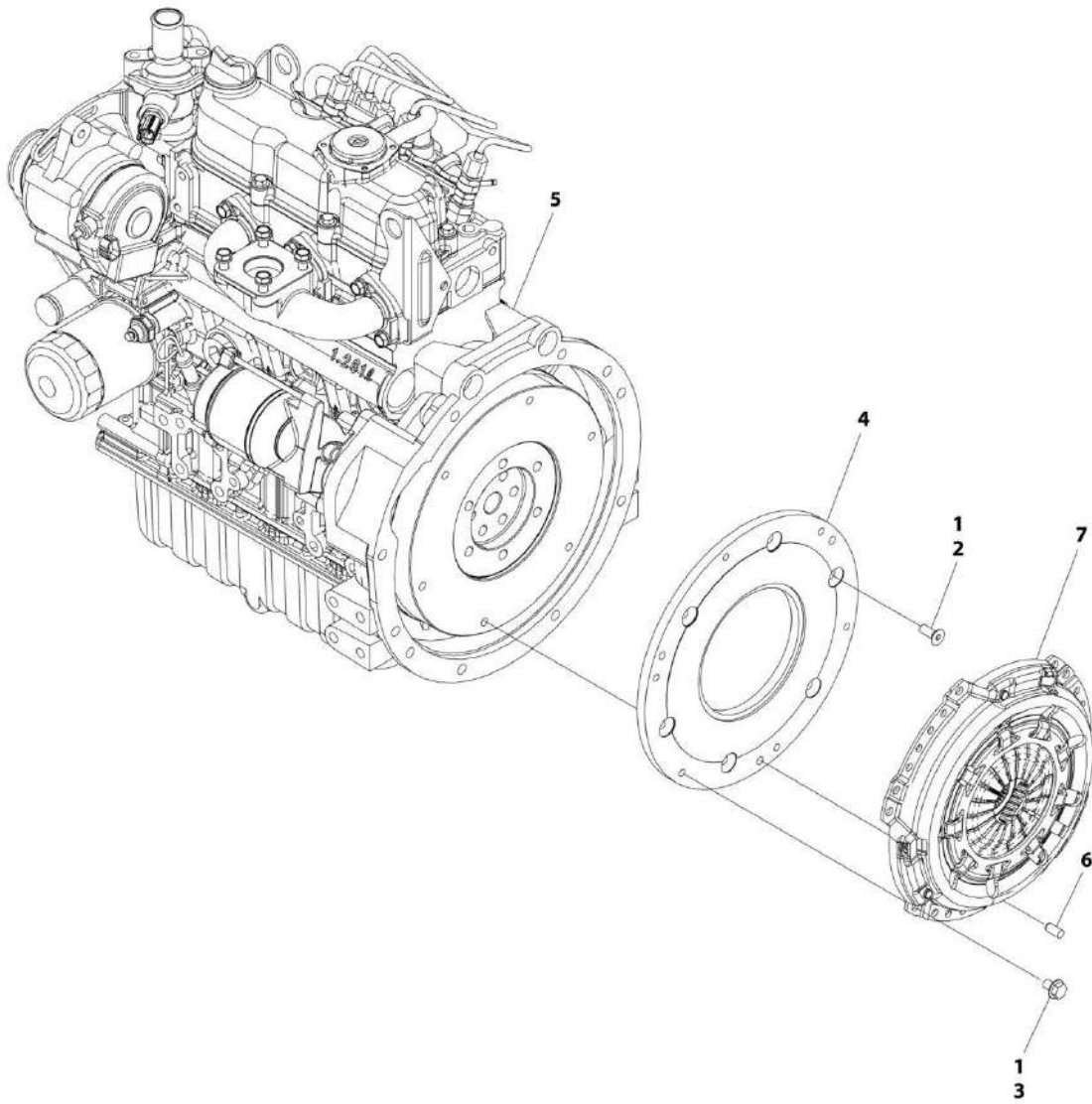
SECTION 3 - ENGINE

FIGURE 3-4. ENGINE AND GENERATOR ASSEMBLY

ITEM	PART NUMBER	QTY	DESCRIPTION	REV
	1001224589	Ref	ENGINE AND GENERATOR ASSEMBLY	E
1	0100011	AR	Compound, Locking	
5	0760814	3	Bolt M8 x 30	
6	0761010	8	Bolt M10 x 20	
7	0761015	8	Bolt M10 x 35	
8	0761016	4	Bolt M10 x 40	
9	0761020	4	Bolt M10 x 60	
15	1001235452	1	Pin	
16	1001235453	1	Pin	
17	3450304	2	Pin, Cotter 3/32 x 1	
18	4031708	1	Capscrew M6 x 20	
22	4812000	11	Washer M10	
23	5240800	3	Washer M8	
24	5241000	48	Washer M10	
26	1001118746	12	Bolt M10 x 25	
30	1001186919	8	Bolt M10 x 40	
31	1001222784	1	Lever	
32	1001228723	1	Key	
33	1001223088	1	Actuator	
33	4460742	1	Plug, Male - 2 Position	
33	4460743	2	Socket, Female	
33	8220079	2	Seal	
34	1001223302	1	Clamp	
35	1001223721	2	Support	
36	1001223744	1	Muffler	
37	1001223842	1	Pipe, Exhaust	
38	1001223997	1	Mount, Engine	
39	1001224000	1	Mount, Engine	
40	1001224009	1	Plate	
41	1001224584	1	Engine and Clutch Assembly (See Separate Breakdown in this Section)	
42	1001224585	1	Generator Assembly (See Separate Breakdown in this Section)	
43	1001225093	1	Plate	
44	1001225094	1	Plate	
45	1001225095	1	Plate	
46	1001225104	1	Mount	
47	1001225429	4	Spacer	
49	3291007	8	Nut M10	
51	0700815	1	Bolt M8 x 35	
52	3290807	1	Nut M8	
53	4031707	2	Bolt M6 x 16	
54	4811900	2	Washer M8	
55	8303511	1	Bolt M10 x 20	
56	1001118579	1	Actuator	
57	1001236206	1	Shield	
59	1001231323	1	Plate	
60	1001232181	1	Spring	

SECTION 3 - ENGINE

FIGURE 3-5. ENGINE AND CLUTCH ASSEMBLY



ART_1001224584

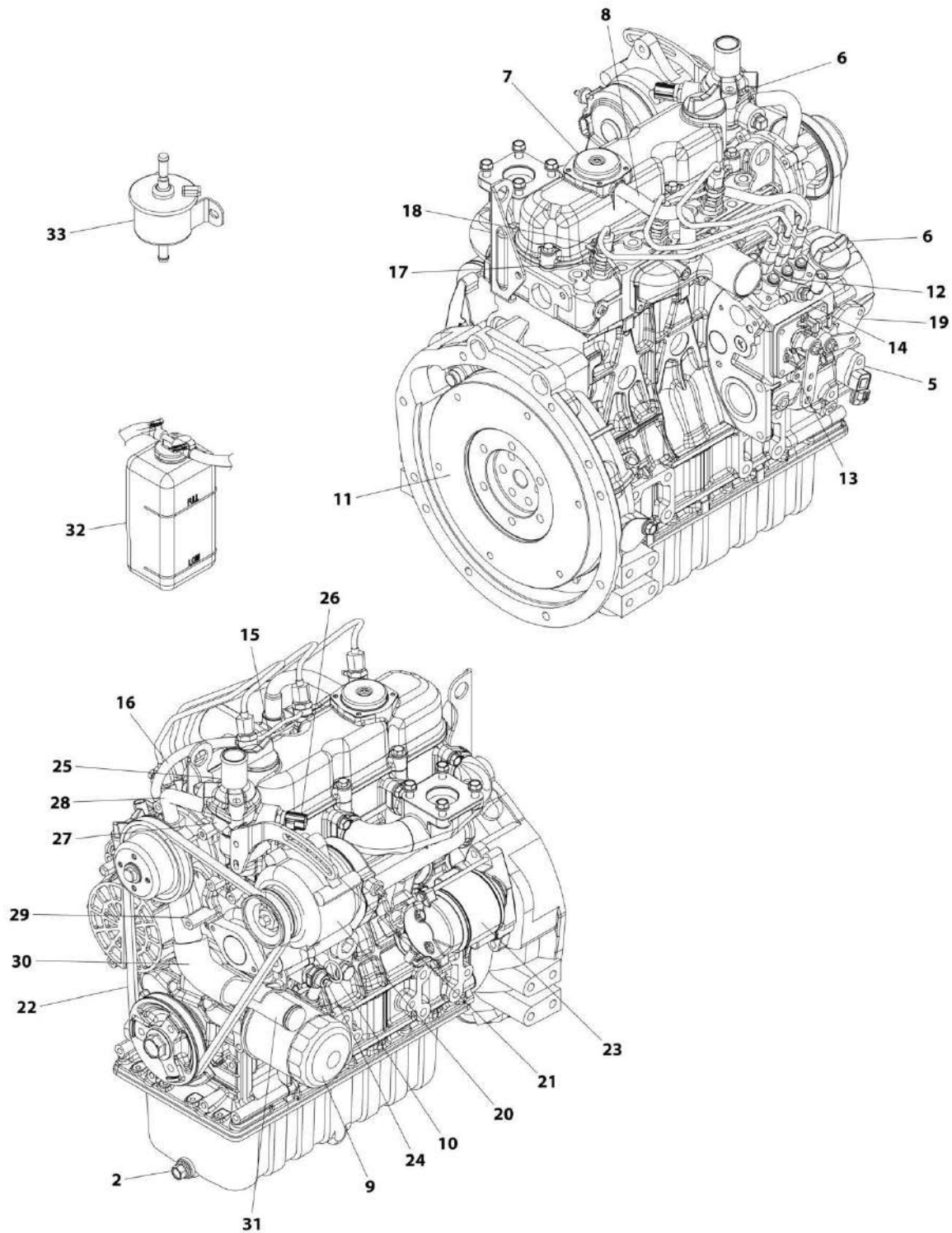
SECTION 3 - ENGINE

FIGURE 3-5. ENGINE AND CLUTCH ASSEMBLY

ITEM	PART NUMBER	QTY	DESCRIPTION	REV
	1001224584	Ref	ENGINE AND CLUTCH ASSEMBLY	B
1	0100011	AR	Compound, Locking	
2	3900382	6	Screw	
3	5250806	6	Bolt M8 x 12	
4	1001222783	1	Adapter	
5	1001222896	1	Kubota Engine Components (See Separate Breakdown in this Section)	
6	1001223061	3	Pin	
7	1001223148	1	Clutch	

SECTION 3 - ENGINE

FIGURE 3-6. KUBOTA ENGINE COMPONENTS



ART_1001222896

SECTION 3 - ENGINE

FIGURE 3-6. KUBOTA ENGINE COMPONENTS

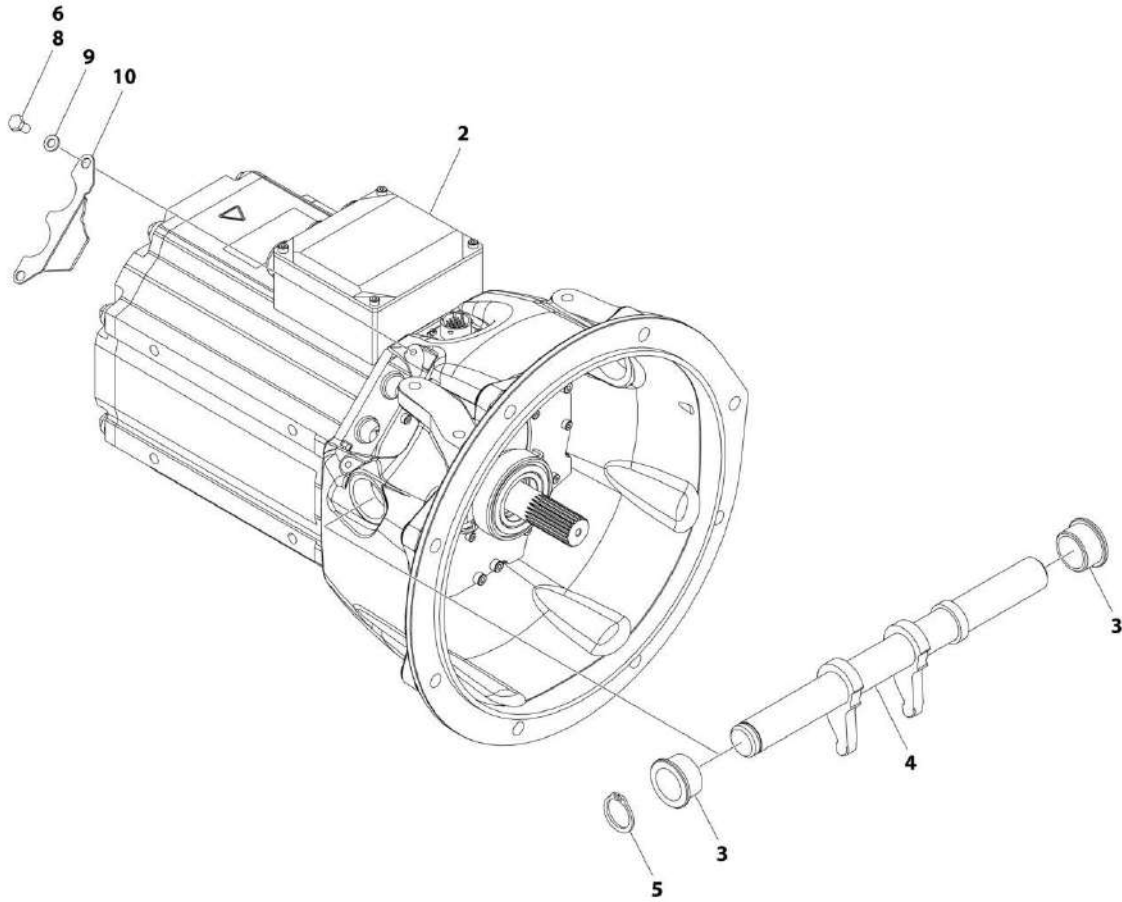
ITEM	PART NUMBER	QTY	DESCRIPTION	REV
	1001222896	Ref	KUBOTA ENGINE COMPONENTS	E
1	7023154	1	Plug, Drain (Not Shown - Located on bottom of Oil Pan)	
1	70002315	1	Seal	
2	70004525	1	Plug, Drain	
2	70004526	1	Seal	
3	70005220	1	Gasket, Head (Not Shown)	
3	70005221	1	Gasket, Valve Cover (Not Shown)	
3	7023149	1	Gasket, Intake Manifold (Not Shown)	
3	7023148	1	Gasket, Exhaust Manifold (Not Shown)	
3	7023124	1	Gasket, Muffler (Not Shown)	
3	70005226	1	Gasket, Upper Kit (Not Shown)	
3	70005227	1	Gasket, Lower Kit (Not Shown)	
4	7023157	1	Seal, Oil (Not Shown - Crankshaft Seal)	
5	70006666	1	Sensor	
6	70002318	2	Cap, Filler	
6	70004311	2	O-Ring	
7	70003060	1	Valve, Breather	
7	70003061	1	Cover, Beather	
7	7017934	4	Screw	
8	70002316	1	Pipe, Water Return	
8	70002317	1	Tube, Breather	
8	70004530	1	Clamp	
8	70004531	1	Clamp	
9	70004395	1	Filter, Oil	
9	7017913	1	Washer	
9	7017914	1	Pipe, Joint	
10	70006667	1	Dipstick	
11	70005224	1	Gear, Rim	
12	7023164	1	Pump, Injector	
12	70002319	1	Shim (0.175mm)	
12	70002320	1	Shim (0.200mm)	
12	70002321	1	Shim (0.250mm)	
12	70002322	1	Shim (0.300mm)	
12	70002323	1	Shim (0.350mm)	
12	70004842	2	Stud	
13	7023165	1	Gasket	
14	70004397	1	Gasket	
15	70004536	1	Over Flow Pipe Assembly (To injectors)	
16	70004539	1	Over Flow Pipe Assembly (To Injector Pump)	
16	70004537	1	Screw, Breather	
16	70004538	1	Seal	
17	70004399	3	Injector	
17	70004540	3	Nut	
17	7023167	3	Seal	
17	7023168	3	Seal, Heat	
18	70004398	3	Plug, Glow	
18	70004544	1	Cord, Glow Plug	
19	70004400	1	Gasket, Fuel Pump	
20	70006661	1	Alternator	
21	70006664	1	Adjustment Arm	

SECTION 3 - ENGINE

ITEM	PART NUMBER	QTY	DESCRIPTION	REV
22	70006665	1	Belt	
23	7023144	1	Starter	
24	7017901	1	Oil Pressure Switch	
25	7023170	1	Thermostat	
25	70002326	1	Gasket	
26	70003064	1	Sensor, Water Temperature	
26	70003063	1	Seal	
27	7023145	1	Gasket, Thermostat Housing	
28	7017958	1	Pipe, Water Return	
29	70002327	1	Pump, Water	
29	70002328	1	Gasket	
30	7017963	1	Pipe, Water	
31	70002330	1	Pipe, Water	
32	7023126	1	Tank, Reserve	
33	70005228	1	Pump, Fuel	

SECTION 3 - ENGINE

FIGURE 3-7. GENERATOR ASSEMBLY



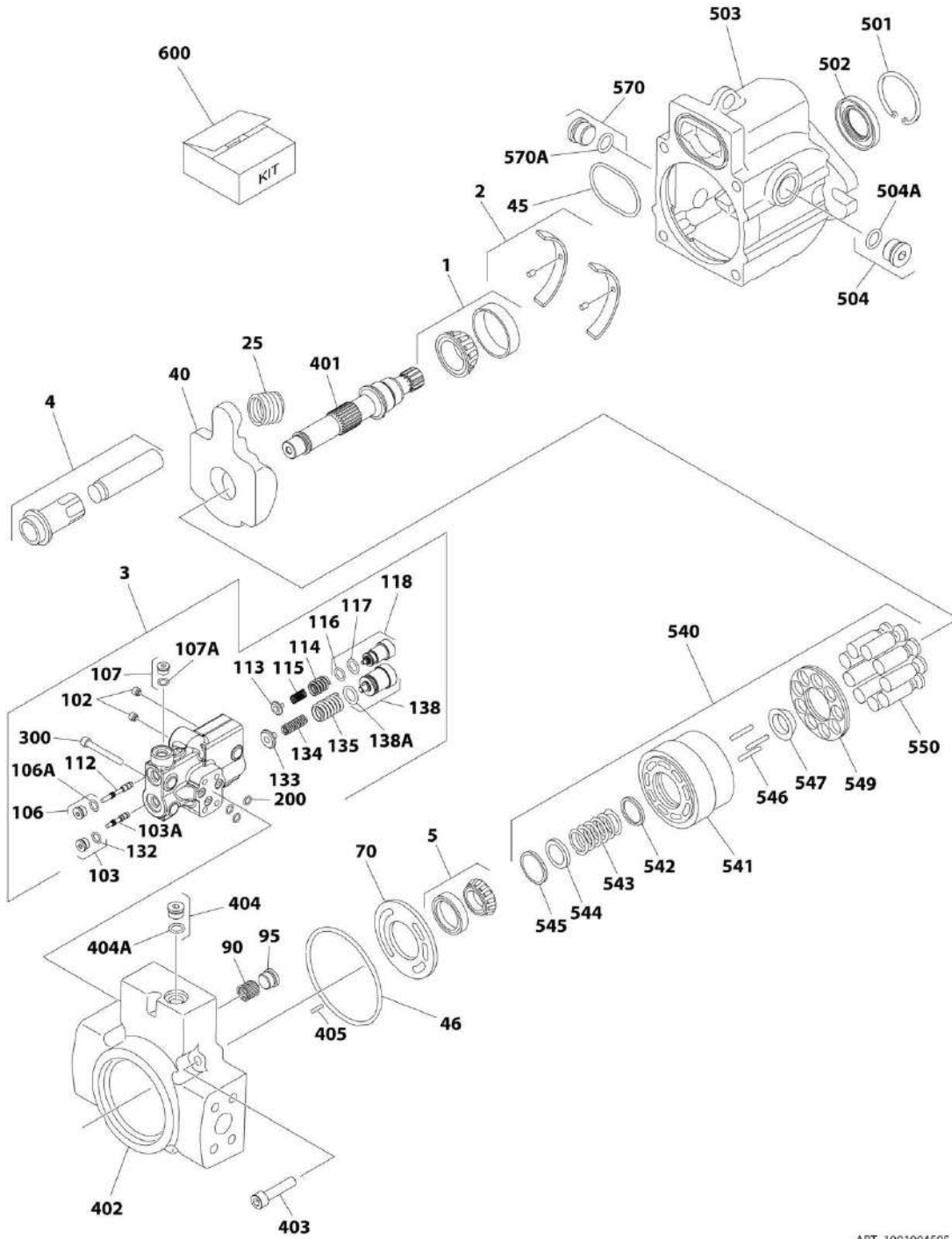
ART_1001224585

FIGURE 3-7. GENERATOR ASSEMBLY

ITEM	PART NUMBER	QTY	DESCRIPTION	REV
	1001224585	Ref	GENERATOR ASSEMBLY	C
2	1001221813	1	Generator Components (Note: No Serviceable Components)	
3	1001222731	2	Bearing	
4	1001222797	1	Release Shaft Assembly	
5	1001223059	1	Ring, Snap	
6	0100011	AR	Compound, Locking	
8	0760606	2	Bolt M6 x 12	
9	4811700	2	Washer M6	
10	1001227909	1	Cover	

SECTION 3 - ENGINE

FIGURE 3-8. VARIABLE PUMP ASSEMBLY



ART_1001094595

SECTION 3 - ENGINE

FIGURE 3-8. VARIABLE PUMP ASSEMBLY

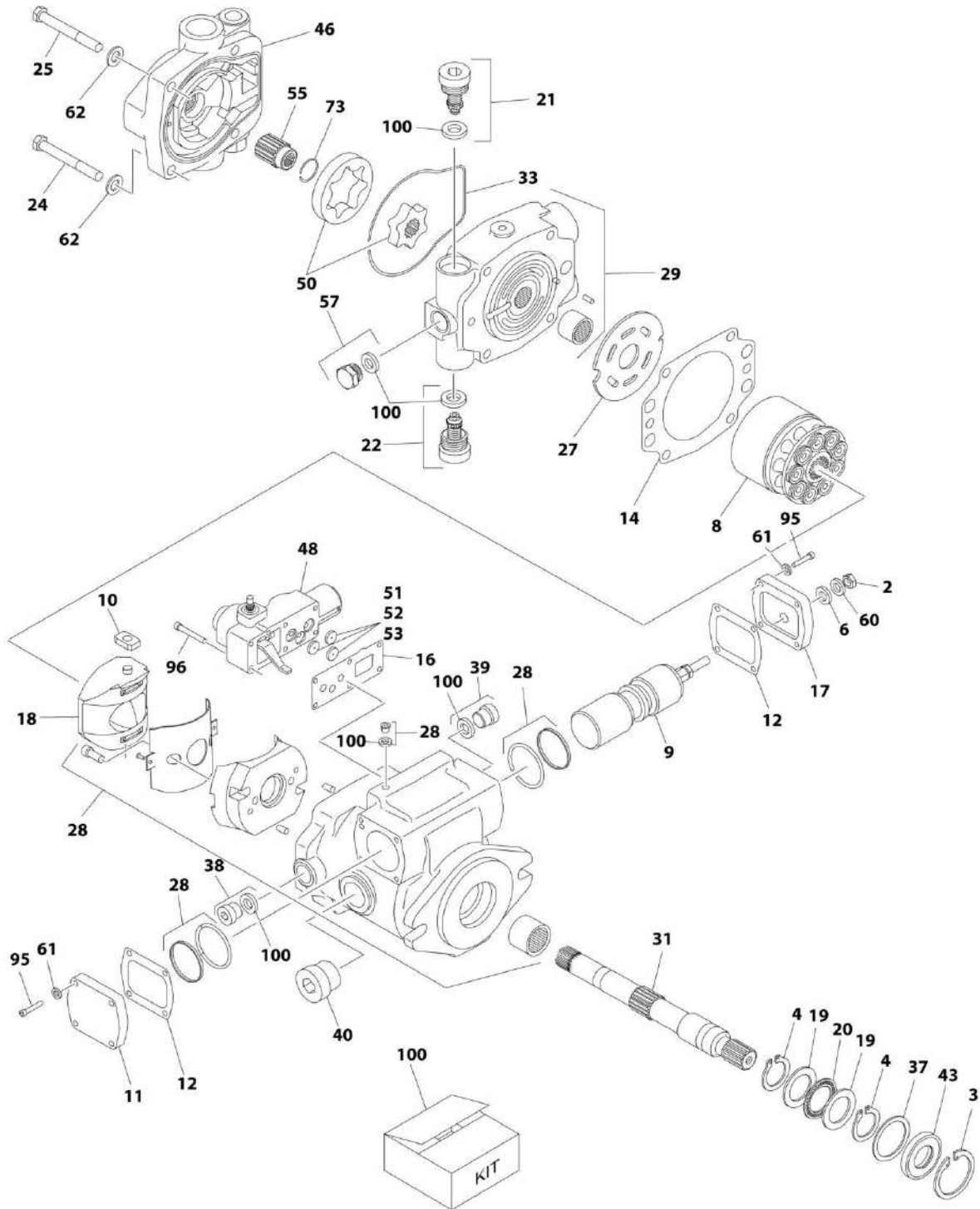
ITEM	PART NUMBER	QTY	DESCRIPTION	REV
	1001094595	Ref	VARIABLE PUMP ASSEMBLY	A
1	7023947	1	Bearing, Front (Includes Cup and Cone)	
2	7023948	1	Bearings, Swash Plate (Includes Both Sides and Pins)	
3	7023956	1	Control Valve Assembly (Includes Items 102-300)	
4	7023949	1	Servo Piston Assembly	
5	7023950	1	Bearing, Rear (Includes Cup and Cone)	
25	7023951	1	Spring	
40	7023952	1	Swash Plate	
45	See Note	NSS	O-Ring (Note: Use Item 600)	
46	See Note	NSS	O-Ring (Note: Use Item 600)	
70	70001954	1	Plate, Valve	
90	70001955	1	Spring, Check Valve	
95	70001956	1	Poppet, Check Valve	
102	See Note	NSS	Setscrew (Note: Use Item 3)	
103	See Note	NSS	Plug (Note: Use Item 3)	
103A	See Note	NSS	O-Ring (Note: Use Item 600)	
106	See Note	NSS	Plug (Note: Use Item 3)	
106A	See Note	NSS	O-Ring (Note: Use Item 600)	
107	See Note	NSS	Plug (Note: Use Item 3)	
107A	See Note	NSS	O-Ring (Note: Use Item 600)	
112	See Note	NSS	Spool, Control (Note: Use Item 3)	
113	See Note	NSS	Guide, Spring (Note: Use Item 3)	
114	See Note	NSS	Spring (Note: Use Item 3)	
115	See Note	NSS	Spring (Note: Use Item 3)	
116	See Note	NSS	O-Ring (Note: Use Item 600)	
117	See Note	NSS	Ring, Back-up (Note: Use Item 600)	
118	See Note	NSS	Plug, Adjusting (Note: Use Item 3)	
132	See Note	NSS	Spool, Control (Note: Use Item 3)	
133	See Note	NSS	Guide, Spring (Note: Use Item 3)	
134	See Note	NSS	Spring (Note: Use Item 3)	
135	See Note	NSS	Spring (Note: Use Item 3)	
138	See Note	NSS	Plug, PC Adjusting (Note: Use Item 3)	
138A	See Note	NSS	O-Ring (Note: Use Item 600)	
200	See Note	NSS	Ring, Seal (Note: Use Item 600)	
300	7023957	4	Screw	
401	7023958	1	Shaft	
402	70001957	1	Cap, End	
403	7023960	4	Screw	
404	7022318	1	Plug	
404A	See Note	NSS	O-Ring (Note: Use Item 600)	
405	7023961	1	Pin	
501	7023962	1	Ring, Retaining	
502	See Note	NSS	Seal, Lip (Note: Use Item 600)	
503	See Note	NSS	Housing (Note: Not Available - Purchase Assembly)	
504	7023964	1	Plug	
504A	7007415	1	O-Ring	
540	7023965	1	Cylinder Block Assembly	
541	See Note	NSS	Block, Cylinder (Note: Use Item 540)	
542	7024868	1	Washer	
543	7024867	1	Spring	

SECTION 3 - ENGINE

ITEM	PART NUMBER	QTY	DESCRIPTION	REV
544	7022314	1	Retainer, Spring	
545	7022311	1	Ring, Retaining	
546	7021275	3	Pin, Slipper	
547	7024864	1	Guide, Slipper	
549	7024866	1	Retainer, Slipper	
550	7023966	9	Piston Assembly	
570	7023964	1	Plug	
570A	7007415	1	O-Ring	
600	7023967	1	Seal Kit - Complete (Includes Items 45 , 46, 103A, 106A, 107A, 118, 138A, 200, 444A & 502)	

SECTION 3 - ENGINE

FIGURE 3-9. HYDROSTATIC PUMP ASSEMBLY



ART_1001225745

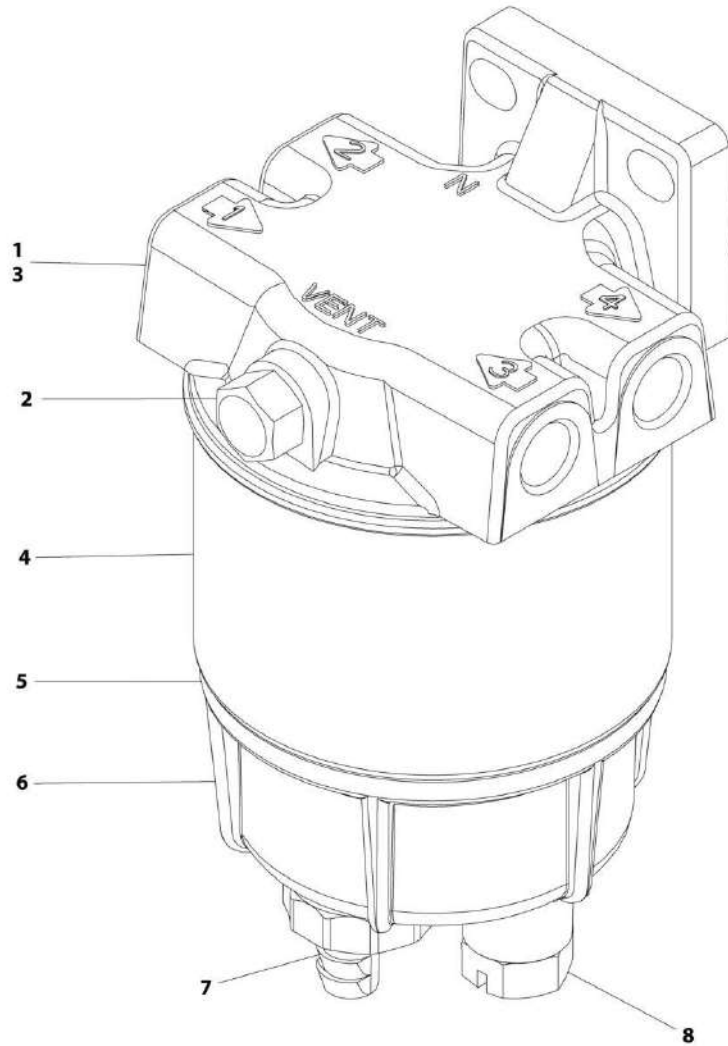
SECTION 3 - ENGINE

FIGURE 3-9. HYDROSTATIC PUMP ASSEMBLY

ITEM	PART NUMBER	QTY	DESCRIPTION	REV
	1001225745	Ref	HYDROSTATIC PUMP ASSEMBLY	A
2	70004329	1	Nut	
3	See Note	NSS	Ring, Retaining (Note: Use Item 100)	
4	See Note	NSS	Ring, Retaining (Note: Use Item 100)	
6	See Note	NSS	Washer, Seal (Note: Use Item 100)	
8	70004331	1	Cylinder Block Assembly	
9	70004332	1	Servo Piston Assembly	
10	70004333	1	Follower, Servo Piston	
11	70005458	1	Cover	
12	See Note	NSS	Gasket, Cover (Note: Use Item 100)	
14	See Note	NSS	Gasket, Housing (Note: Use Item 100)	
16	See Note	NSS	Gasket, Control Housing (Note: Use Item 100)	
17	70005459	1	Cover	
18	70004336	1	Camplate Assembly	
19	7004907	2	Race, Thrust	
20	7004908	1	Bearing, Thrust	
21	70004337	1	Relief Valve Assembly	
22	70004337	1	Relief Valve Assembly	
24	70004338	2	Capscrew	
25	70004338	2	Capscrew	
27	70004340	1	Plate, Valve	
28	See Note	NSS	Housing (Note: Not Available - Purchase Assembly)	
29	70005460	1	End Cover Assembly	
31	70004342	1	Shaft, Drive	
33	See Note	NSS	O-Ring (Note: Use Item 100)	
37	7004906	1	Washer	
38	70005461	1	Plug	
39	70005461	1	Plug	
40	70005462	1	Plug	
43	See Note	NSS	Seal, Shaft (Note: Use Item 100)	
46	70004343	1	Adapter, Charge Pump	
48	70004344	1	Servo Control Assembly	
50	70004345	1	Gerotor	
51	70004346	1	Orifice	
52	70004346	1	Orifice	
53	70004346	1	Orifice	
55	70004347	1	Coupler	
57	70005463	1	Plug	
60	70004348	1	Washer	
61	70004349	8	Washer	
62	70004350	4	Washer	
73	70004351	1	Ring, Retaining	
95	70005464	8	Capscrew	
96	70005465	6	Capscrew	
100	70004352	1	Seal Kit - Pump (Includes Items 3, 4, 6, 12, 14, 16, 33 & 43 and Valve and Plug O-Rings and Seals)	

SECTION 3 - ENGINE

FIGURE 3-10. FUEL/WATER SEPARATOR ASSEMBLY



ART_1001190609

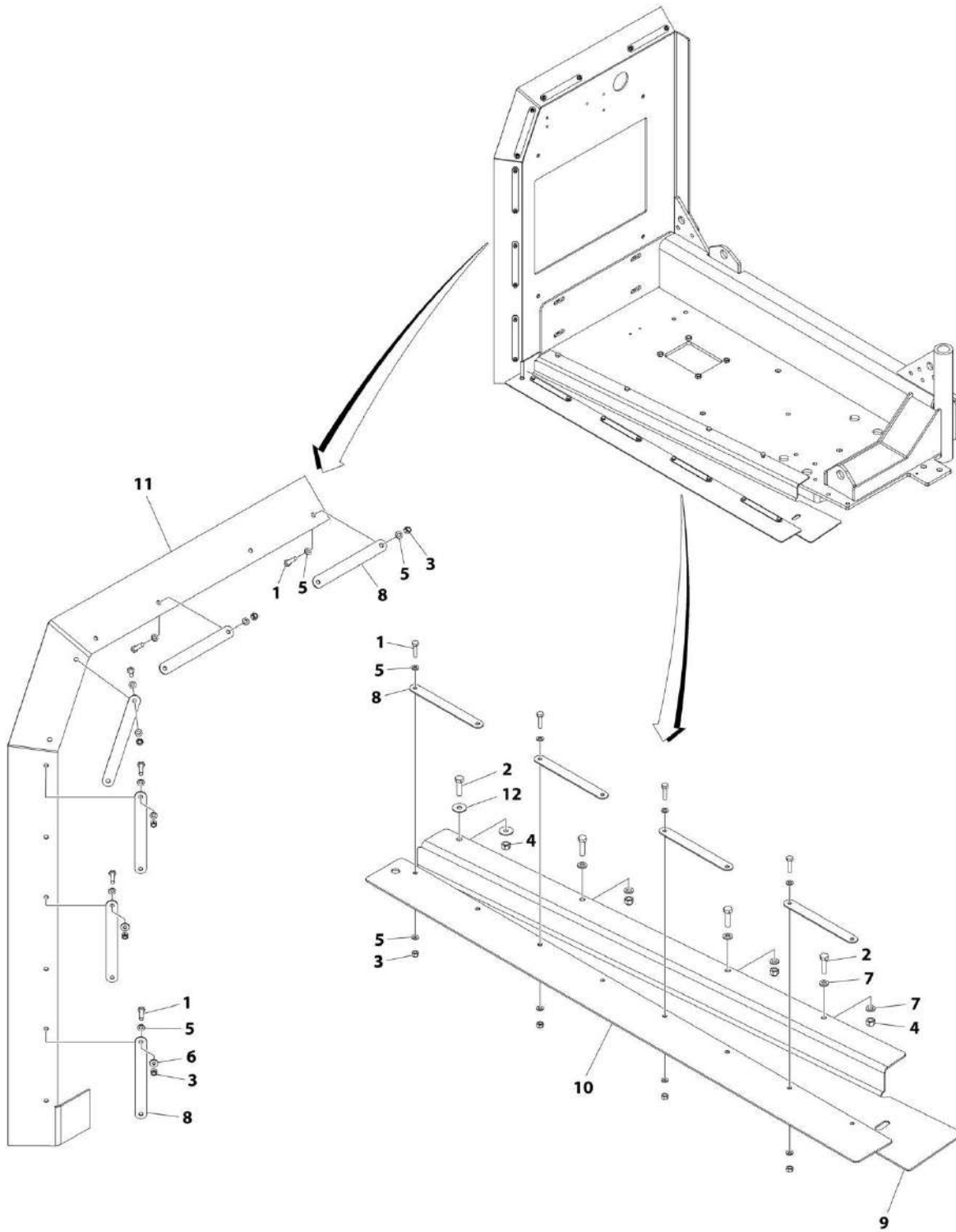
SECTION 3 - ENGINE

FIGURE 3-10. FUEL/WATER SEPARATOR ASSEMBLY

ITEM	PART NUMBER	QTY	DESCRIPTION	REV
	1001190609	Ref	FUEL/WATER SEPARATOR ASSEMBLY - DIESEL ENGINES	A
1	70005293	1	Head, Mounting	
2	70005294	1	Plug	
3	70005295	1	Gasket, Head	
4	70005296	1	Element	
5	70005297	1	O-Ring	
6	70002901	1	Bowl	
7	70004070	1	Drain, Self Venting	
8	70004069	1	Plug	

SECTION 3 - ENGINE

FIGURE 3-11. ENGINE HOOD Baffles INSTALLATION



ART_1001227743

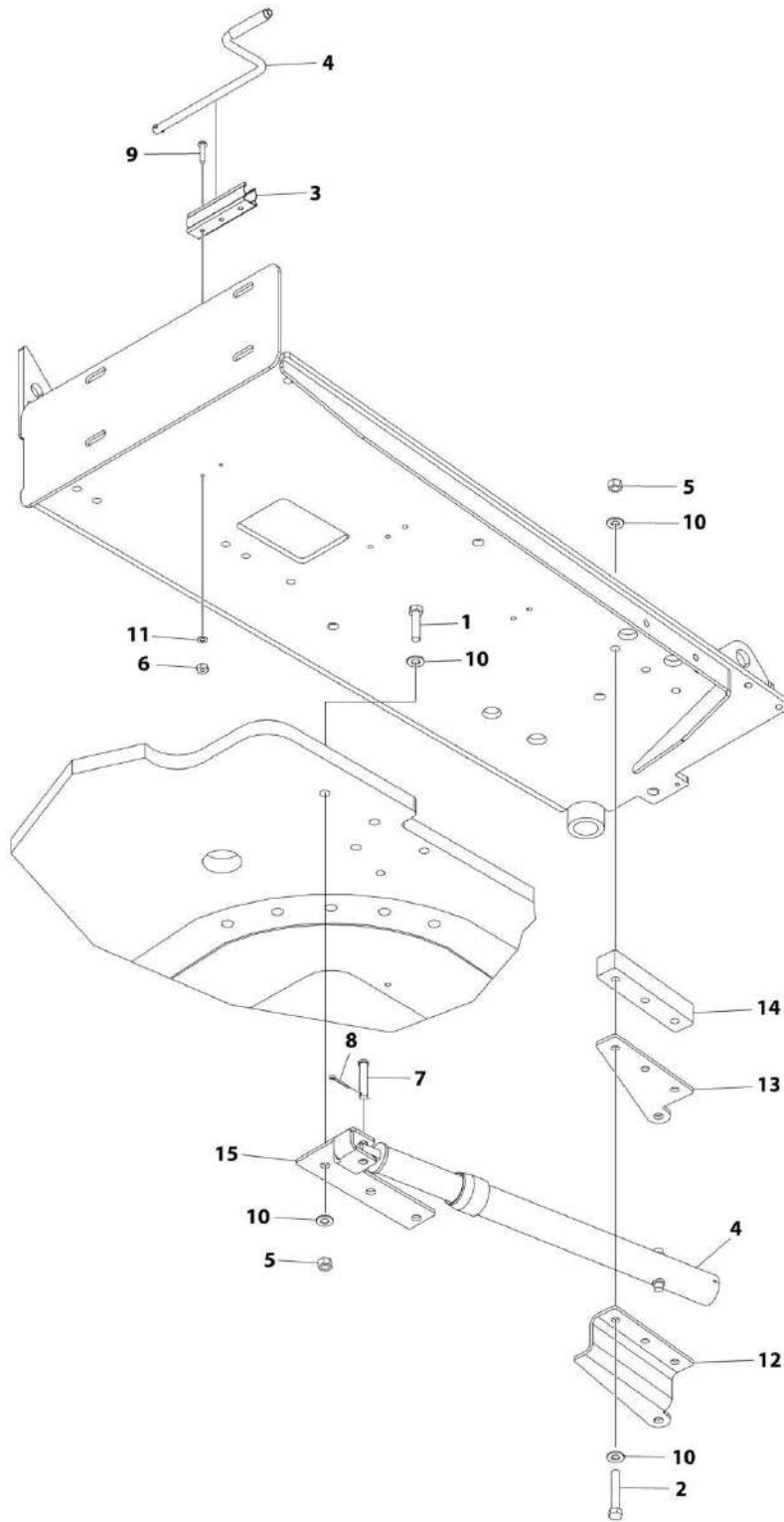
SECTION 3 - ENGINE

FIGURE 3-11. ENGINE HOOD BAFFLES INSTALLATION

ITEM	PART NUMBER	QTY	DESCRIPTION	REV
	1001227743	Ref	ENGINE HOOD BAFFLES INSTALLATION	C
1	0760612	20	Bolt M6 x 25	
2	0760814	4	Bolt M8 x 30	
3	3290605	20	Nut M6	
4	3290805	4	Nut M8	
5	4811700	38	Washer M6	
6	4811702	2	Washer M6	
7	4811900	6	Washer M8	
8	1001167164	10	Support	
9	1001227740	1	Plate	
10	1001227741	1	Seal	
11	1001227742	1	Seal	
12	4811902	2	Washer M8	

SECTION 3 - ENGINE

FIGURE 3-12. TRAY JACK INSTALLATION



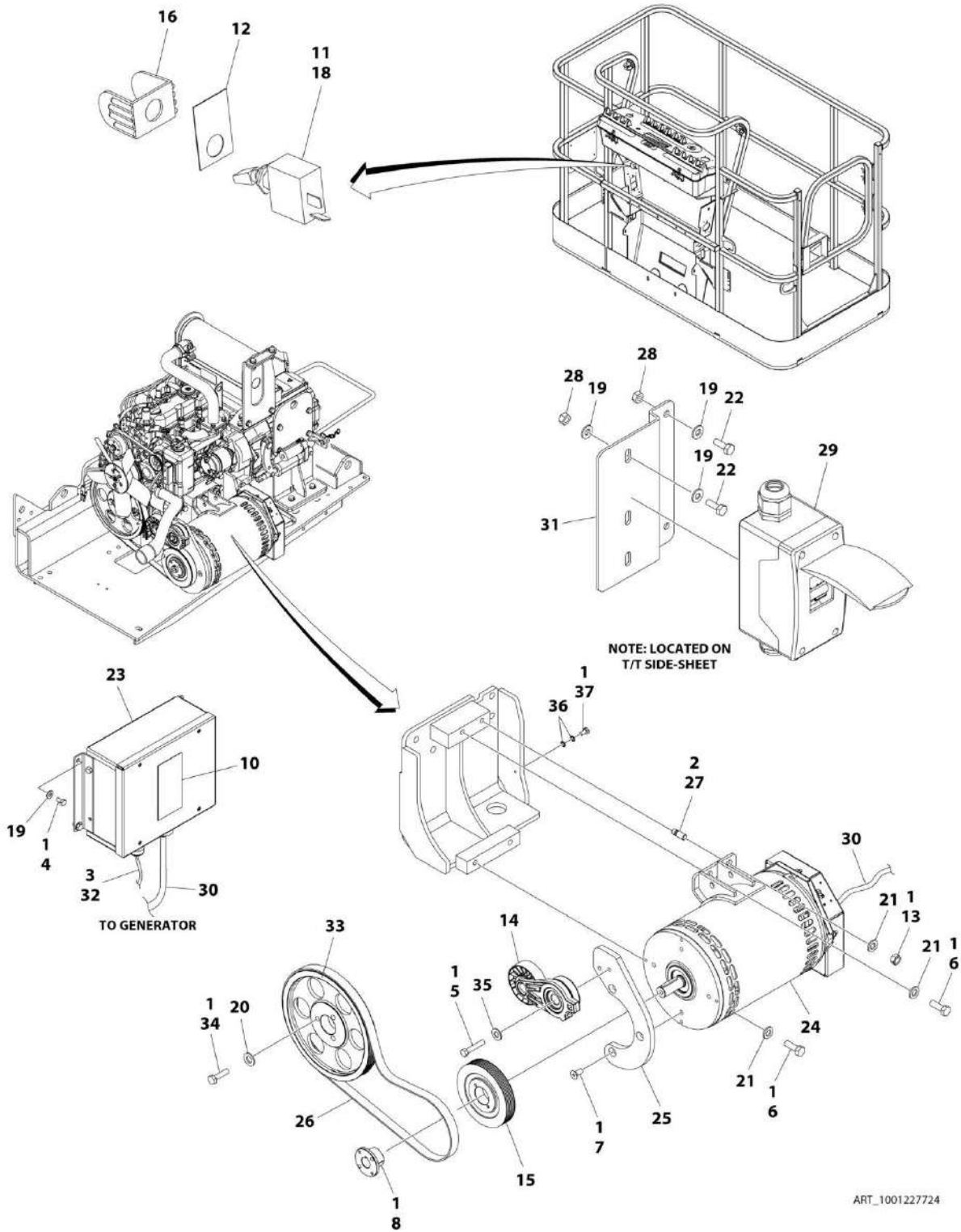
ART_1001229066

FIGURE 3-12. TRAY JACK INSTALLATION

ITEM	PART NUMBER	QTY	DESCRIPTION	REV
	1001229066	Ref	TRAY JACK INSTALLATION	B
1	0641816	3	Bolt 1/2 x 2	
2	0641824	3	Bolt 1/2 x 3	
3	1380147	1	Clip	
4	2840016	1	Jack and Handle Assembly	
4	7024598	1	Handle	
5	3271805	6	Nut 1/2 Grade 8	
6	3310601	2	Nut #6	
7	3430820	1	Pin	
8	3450404	1	Pin, Cotter 1/8 x 1	
9	3910610	2	Screw #6 x 5/8	
10	4711800	11	Washer 1/2	
11	4770600	2	Washer #6	
12	1001175073	1	Support	
13	1001175074	1	Support	
14	1001175075	1	Shim	
15	1001229067	1	Bracket	

SECTION 3 - ENGINE

FIGURE 3-13. 4000W GENERATOR INSTALLATION - 220V/50HZ (OPTIONAL)



SECTION 3 - ENGINE

FIGURE 3-13. 4000W GENERATOR INSTALLATION - 220V/50HZ (OPTIONAL)

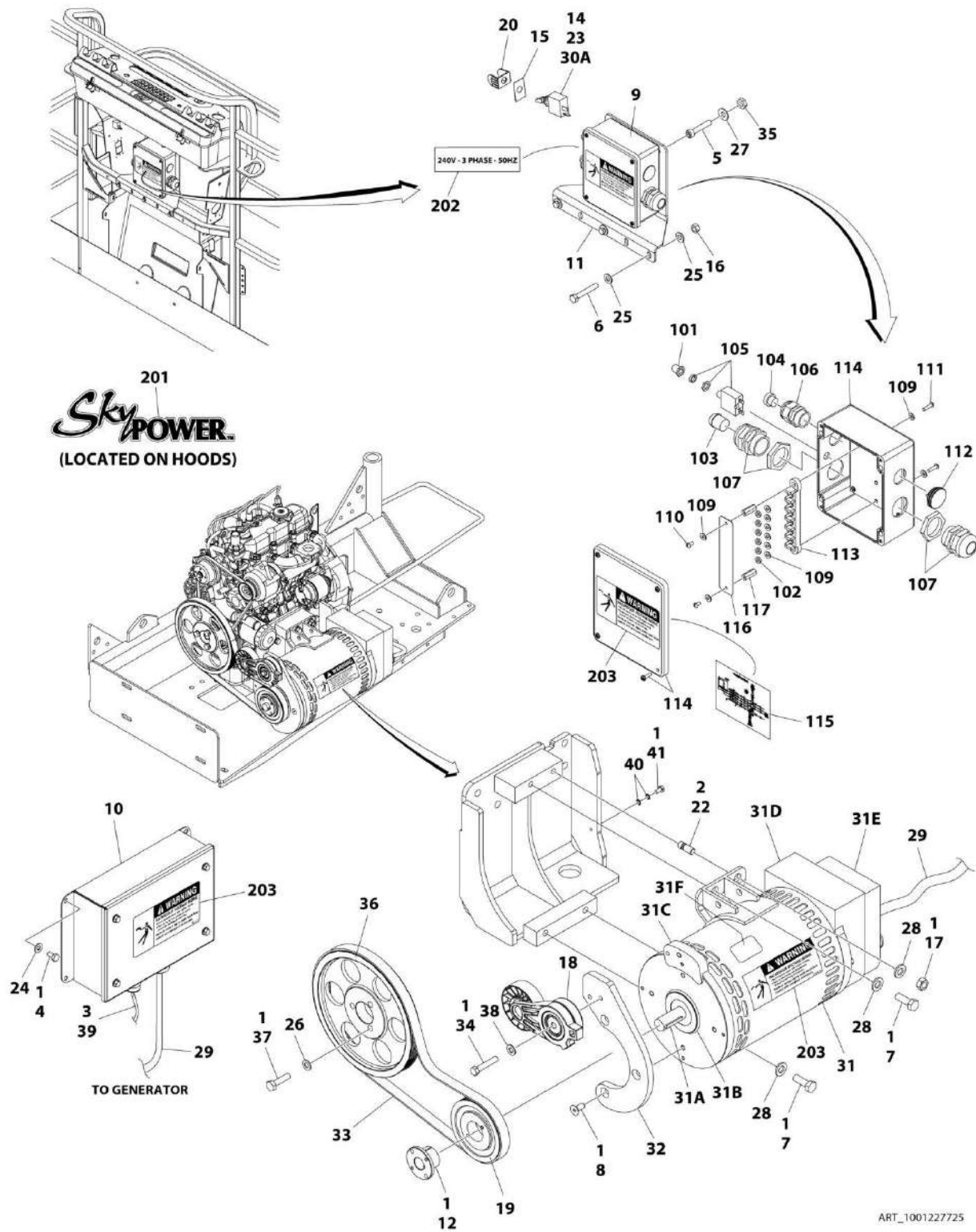
ITEM	PART NUMBER	QTY	DESCRIPTION	REV
	1001227724	Ref	4000W GENERATOR INSTALLATION	D
1	0100011	AR	Compound, Locking	
2	0100019	AR	Compound, Locking	
3	0100048	AR	Grease, Dielectric	
4	0641404	4	Bolt 1/4 x 1/2	
5	0641616	1	Bolt 3/8 x 2	
6	0761215	3	Bolt M12 x 35	
7	0741607	3	Screw 3/8 x 7/8	
8	0962520	1	Bushing, Split	
10	1705489	2	Decal - Hazardous Voltage	
11	2820031	AR	Heatshrink	
12	3251102	1	Nameplate - Generator	
13	3291201	1	Nut M12	
14	3580317	1	Tensioner, Belt	
15	3580319	1	Pulley	
16	4060802	1	Guard, Switch	
17	4240018	1	Tie-Strap (Not Shown)	
18	4360336	1	Switch, Toggle	
19	4711400	4	Washer 1/4	
20	4812000	3	Washer M10	
21	5241200	4	Washer M12	
22	0641406	4	Bolt 1/4 x 3/4	
23	1001138566	1	Box, Control	
24	1001206119	1	Generator Assembly	
24	70003709	1	Ring, Retaining (External)	
24	70003708	1	Ring, Retaining (Internal)	
24	70001966	1	Bearing	
24	70004092	1	Endbell (Shaft End)	
24	70004171	1	Key	
24	70004676	1	Rotor	
24	70005624	1	Stator	
24	70004678	1	Endbell (Rear)	
24	70004679	1	Cover, Endbell (Rear)	
24	70004680	1	Enclosure, Wiring	
24	70004681	1	Cover, Enclosure	
24	70005624	1	Switch, Reset (Located on Enclosure Cover)	
24	70004098	1	Connector, Strain Relief (Located on Enclosure Cover)	
24	70004683	1	Bushing, Connector (Use p/n 70004098)	
24	70001973	1	Decal - Warning Pinch Point	
25	1001227526	1	Plate, Tensioner	
26	1001235296	1	V-Belt	
27	1001196382	1	Stud	
28	3311405	4	Nut 1/4	
29	1001165368	1	Breaker Box Kit (See Separate Breakdown in ELECTRICAL SECTION)	
30	1001152532	1	Generator Harness (Generator Control Box to Generator) (See Separate Breakdown in ELECTRICAL SECTION)	
31	1001229080	1	Bracket	
32	1001231225	1	Harness, Generator Enable (Generator Control Box to Engine Harness) (See Separate Breakdown in ELECTRICAL SECTION)	

SECTION 3 - ENGINE

ITEM	PART NUMBER	QTY	DESCRIPTION	REV
32	4460967	1	Plug, Male - 2 Position	
32	4460465	1	Socket, Female	
33	1001183726	1	Pulley	
34	1001186919	3	Bolt M10 x 40	
35	4711600	1	Washer 3/8	
36	4871700	2	Washer M6	
37	0760606	1	Bolt M6 x 12	

SECTION 3 - ENGINE

FIGURE 3-14. 7500W SKYPOWER GENERATOR INSTALLATION - 220V/50HZ (OPTIONAL)



SECTION 3 - ENGINE

FIGURE 3-14. 7500W SKYPOWER GENERATOR INSTALLATION - 220V/50HZ (OPTIONAL)

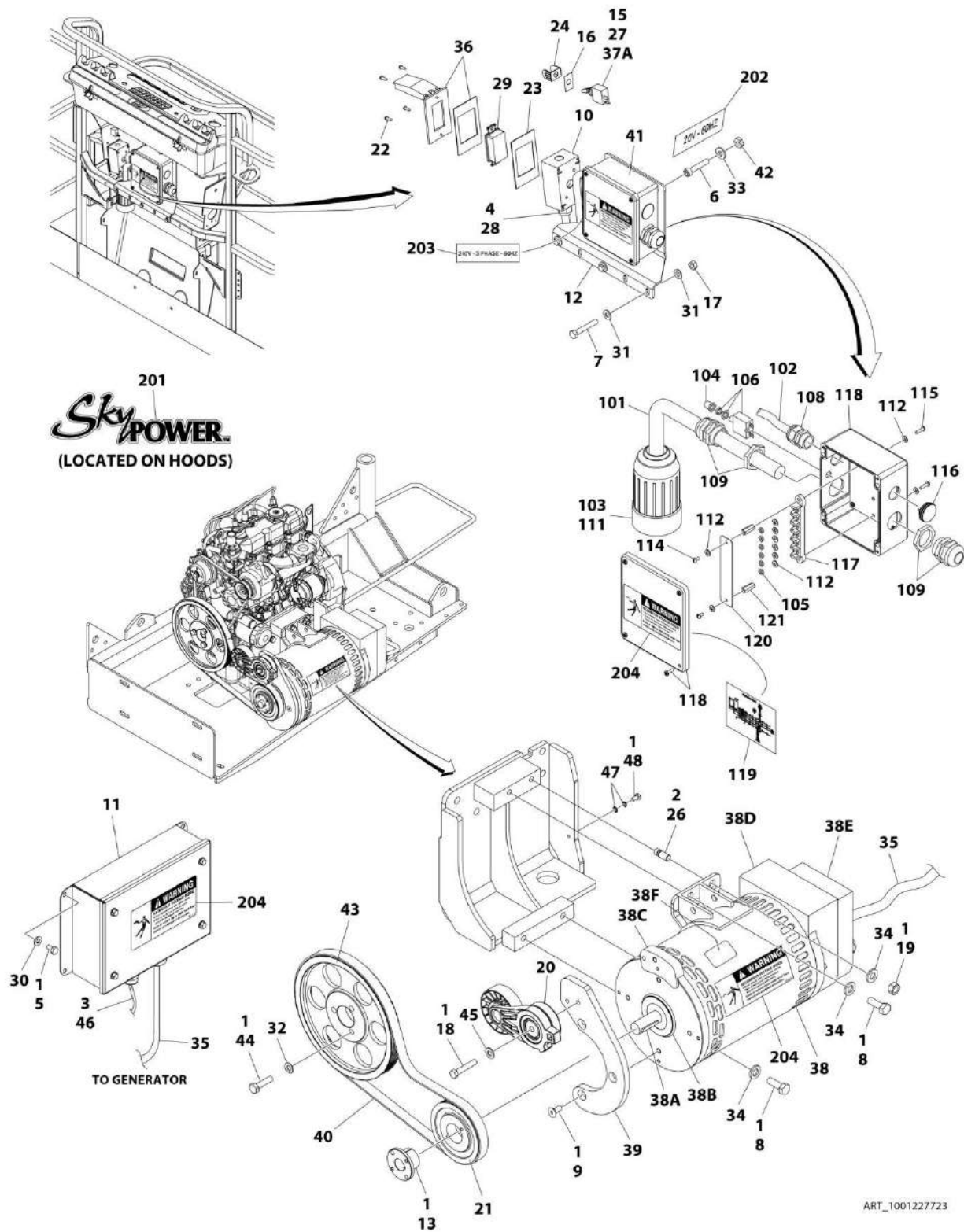
ITEM	PART NUMBER	QTY	DESCRIPTION	REV
	1001227725	Ref	7500W SKYPOWER GENERATOR INSTALLATION	D
1	0100011	AR	Compound, Locking	
2	0100019	AR	Compound, Locking	
3	0100048	AR	Grease, Dielectric	
4	0641404	4	Bolt 1/4 x 1/2	
5	3931016	4	Capscrew #10 x 1	
6	0641516	3	Bolt 5/16 x 2	
7	0761215	3	Bolt M12 x 35	
8	0741607	3	Screw 3/8 x 7/8	
9	1001157525	1	Junction Box Assembly (See Items 101-117 for Breakdown)	
10	0861572	1	Box, Control	
10	7024488	1	Card, Circuit - Generator Power (Not Shown)	
10	See Note	1	Fuse (Note: Not Available - Purchase Locally)	
10	7024489	1	Card, Circuit - Control (Not Shown)	
10		Ref	Note: When replacing card, rocker switch on card must be set for required application.	
10	70000619	1	Circuit Card Harness	
10	77363232	1	Connector - 6 Position	
10	See Note	NSS	Connector - 3 Position (Note: Not Available for Purchase)	
11	0902888	1	Bracket	
12	0962520	1	Bushing	
14	2820031	AR	Heatshrink	
15	3252764	1	Nameplate - AC & Weld	
16	3311505	3	Nut 5/16	
17	3291201	1	Nut M12	
18	3580317	1	Tensioner, Belt	
19	3580319	1	Pulley	
20	4060802	1	Guard, Switch	
21	4240018	1	Tie-Strap (Not Shown)	
22	1001196382	1	Stud	
23	4360336	1	Switch, Toggle	
24	4711400	4	Washer 1/4	
25	4711500	6	Washer 5/16	
26	4812000	3	Washer M10	
27	4751000	4	Washer #10	
28	5241200	4	Washer M12	
29	4922925	1	Generator Harness	
29	4460225	1	Plug, Male - 6 Position (Plugs into Generator)	
29	4460268	6	Socket, Female	
29	4460807	1	Seal, Plug	
29	4460808	1	Seal, Interface	
30	1001231260	1	Generator Wiring Diagram (See Separate Breakdown in ELECTRICAL SECTION)	
30A	4922641	1	Switch Harness	
31	1001155348	1	Generator Assembly	
31	70001100	1	Rotor (Includes p/n 70001384 & 70000863) (Not Shown)	
31	70001384	1	Bearing, Shaft (Rear) (Not Shown)	
31	70000863	1	Fan, Generator (Not Shown)	
31	70004093	1	Stator (Not Shown)	
31	70002297	2	Stud 1/4 x 12-7/8 (Not Shown)	

SECTION 3 - ENGINE

ITEM	PART NUMBER	QTY	DESCRIPTION	REV
31	70003631	1	Brushholder Assembly (Not Shown)	
31A	70004099	1	Key	
31B	70001966	1	Bearing, Ball Radial (Located in Belt Tensioner Endbell)	
31B	70003709	1	Ring, Retaining (Small)	
31B	70003708	1	Ring, Retaining (Large)	
31C	70004092	1	Endbell, Belt Tensioner	
31D	70004094	1	Endbell, Brush Block	
31E	70004096	1	Shroud Assembly	
31E	7027799	1	Block, Connector - 6 Position (Not Shown)	
31E	70002460	6	Nut, Brass (Attaches p/n 7027799 to Cover) (Not Shown)	
31E	7024485	1	Breaker, Circuit 30Amp (Not Shown)	
31E	70001696	1	Boot, Breaker (Not Shown)	
31E	7026597	1	Connector with Leads (Not Shown)	
31E	7026626	1	Connector with Pins (Not Shown)	
31E	70004098	1	Clamp, Cable (Not Shown)	
31E	70004095	1	Plate, End Panel (Not Shown)	
31E	70004097	1	Insulator, End Panel (Not Shown)	
31E	70001974	1	Decal - Terminal Connections (Not Shown)	
31F	70001973	1	Decal - Warning Moving Parts	
32	1001227526	1	Plate, Tensioner	
33	1001235296	1	V-Belt	
34	0641616	1	Bolt 3/8 x 2	
35	3311005	4	Nut #10	
36	1001183726	1	Pulley	
37	1001186919	3	Bolt M10 x 40	
38	4711600	1	Washer 3/8	
39	1001231225	1	Harness, Generator Enable (See Separate Breakdown in ELECTRICAL SECTION)	
40	4871700	2	Washer M6	
41	0760606	1	Bolt M6 x 12	
	1001157525	Ref	JUNCTION BOX ASSEMBLY	B
101	3300396	1	Cover, Fuse	
102	3311001	6	Nut #10	
103	3520189	1	Plug (50Hz Spec Only)	
104	3520192	1	Plug	
105	4360070	1	Circuit Breaker - 15Amp	
106	4460425	1	Strain Relief, Terminal	
107	4460426	2	Connector, Strain Relief	
109	4711000	11	Washer #10	
110	10702077	2	Screw #10 x 3/8	
111	10702082	2	Screw #10 x 3/4	
112	1001152525	1	Plug	
113	1001157520	1	Block, Terminal	
114	1001157521	1	Box, Junction	
115	1001157528	1	Decal - Wiring Schematic	
116	1001158007	1	Cover, PVC	
117	1001158008	2	Stand-Off	
	0272589	Ref	DECAL INSTALLATION	A
201	1705460	2	Decal - SkyPower	
202	1705461	1	Decal - 240V - 3 Phase	
203	1705489	3	Decal - Hazardous Voltage	

SECTION 3 - ENGINE

FIGURE 3-15. 7500W SKYPOWER GENERATOR INSTALLATION - 110V/60HZ (OPTIONAL)



ART_1001227723

SECTION 3 - ENGINE

FIGURE 3-15. 7500W SKYPOWER GENERATOR INSTALLATION - 110V/60HZ (OPTIONAL)

ITEM	PART NUMBER	QTY	DESCRIPTION	REV
	1001227723	Ref	7500W SKYPOWER GENERATOR INSTALLATION	D
1	0100011	AR	Compound, Locking	
2	0100019	AR	Compound, Locking	
3	0100048	AR	Grease, Dielectric	
4	0100079	AR	Sealant	
5	0641404	4	Bolt 1/4 x 1/2	
6	3931016	4	Capscrew #10 x 1	
7	0641516	3	Bolt 5/16 x 2	
8	0761215	3	Bolt M12 x 35	
9	0741607	3	Screw 3/8 x 7/8	
10	0860038	1	Box, Switch	
11	0861538	1	Control Box Assembly	
11	7024488	1	Card, Circuit - Generator Power	
11	See Note	NSS	Fuse (Note: Not Available - Purchase Locally)	
11	7024489	1	Card, Circuit - Control	
11	70000619	1	Harness, Control Box (Internal)	
12	0902888	1	Bracket	
13	0962520	1	Bushing	
15	2820031	AR	Heatshrink	
16	3252764	1	Nameplate - AC & Weld	
17	3311505	3	Nut 5/16	
18	0641616	1	Bolt 3/8 x 2	
19	3291201	1	Nut M12	
20	3580317	1	Pulley	
21	3580318	1	Pulley	
22	3910606	4	Screw #6 x 3/8	
23	3960422	1	Gasket	
24	4060802	1	Guard, Switch	
25	4240018	1	Tie-Strap (Not Shown)	
26	1001196382	1	Stud	
27	4360336	1	Switch, Toggle	
28	4460071	1	Connector, Strain Relief	
29	4460346	1	Receptacle	
30	4711400	4	Washer 1/4	
31	4711500	6	Washer 5/16	
32	4812000	3	Washer M10	
33	4751000	4	Washer #10	
34	5241200	4	Washer M12	
35	4922925	1	Generator Harness	
35	4460225	1	Plug, Male -6 Position (Plugs into Generator)	
35	4460268	6	Socket, Female	
35	4460807	1	Seal, Plug	
35	4460808	1	Seal, Interface	
36	1001110873	1	Cover	
37	1001231260	1	Generator Wiring Diagram (See Separate Breakdown in ELECTRICAL SECTION)	
37A	4922641	1	Switch Harness	
38	1001155348	1	Generator Assembly	
38	70004093	1	Stator (Not Shown)	
38	70002297	2	Stud 1/4 x 12-7/8 (Not Shown)	

SECTION 3 - ENGINE

ITEM	PART NUMBER	QTY	DESCRIPTION	REV
38	70003631	1	Brushholder Assembly (Not Shown)	
38A	70004099	1	Key	
38B	70001966	1	Bearing, Ball Radial (Located in Belt Tensioner Endbell)	
38B	70003709	1	Ring, Retaining (Small)	
38B	70003708	1	Ring, Retaining (Large)	
38C	70004092	1	Endbell, Belt Tensioner	
38D	70004094	1	Endbell, Brush Block	
38E	70004096	1	Shroud Assembly	
38E	7027799	1	Block, Connector - 6 Position (Not Shown)	
38E	70002460	6	Nut Brass (Attaches p/n 7027799 to Cover) (Not Shown)	
38E	7024485	1	Breaker, Circuit 30Amp (Not Shown)	
38E	70001696	1	Boot, Breaker (Not Shown)	
38E	7026597	1	Connector with Leads (Not Shown)	
38E	7026626	1	Connector with Pins (Not Shown)	
38E	70004098	1	Clamp, Cable (Not Shown)	
38E	70004095	1	Plate, End Panel (Not Shown)	
38E	70004097	1	Insulator, End Panel (Not Shown)	
38E	70001974	1	Decal - Terminal Connections (Not Shown)	
38F	70001973	1	Decal - Warning Moving Parts	
39	1001227526	1	Plate, Tensioner	
40	1001235519	1	V-Belt	
41	1001157592	1	Junction Box Assembly (See Items 101-121 for Breakdown)	
42	3311005	4	Nut #10	
43	1001183726	1	Pulley	
44	1001186919	3	Bolt M10 x 40	
45	4711600	1	Washer 3/8	
46	1001231225	1	Harness, Generator Enable (See Separate Breakdown in ELECTRICAL SECTION)	
47	4871700	2	Washer M6	
48	0760606	1	Bolt M6 x 12	
	1001157592	Ref	JUNCTION BOX ASSEMBLY	C
101	1060343	1.5 ft/ 0.5m	Cable, Electrical 10/4	
102	1001179154	2.5 ft/ 0.8m	Cable, Electrical 12/3	
103	1671092	1	Cover	
104	3300396	1	Cover, Fuse	
105	3311001	6	Nut #10	
106	4360070	1	Circuit Breaker - 15Amp	
108	4460425	1	Strain Relief, Terminal	
109	4460426	2	Connector, Strain Relief	
111	4460963	1	Connector	
112	4711000	10	Washer #10	
114	10702077	2	Screw #10 x 3/8	
115	10702082	2	Screw #10 x 3/4	
116	1001152525	1	Plug	
117	1001157520	1	Block, Terminal	
118	1001157521	1	Box, Junction	
119	1001157528	1	Decal - Wiring Schematic	
120	1001158007	1	Cover, PVC	
121	1001158008	2	Stand-Off	
	0272435	Ref	DECAL INSTALLATION	D

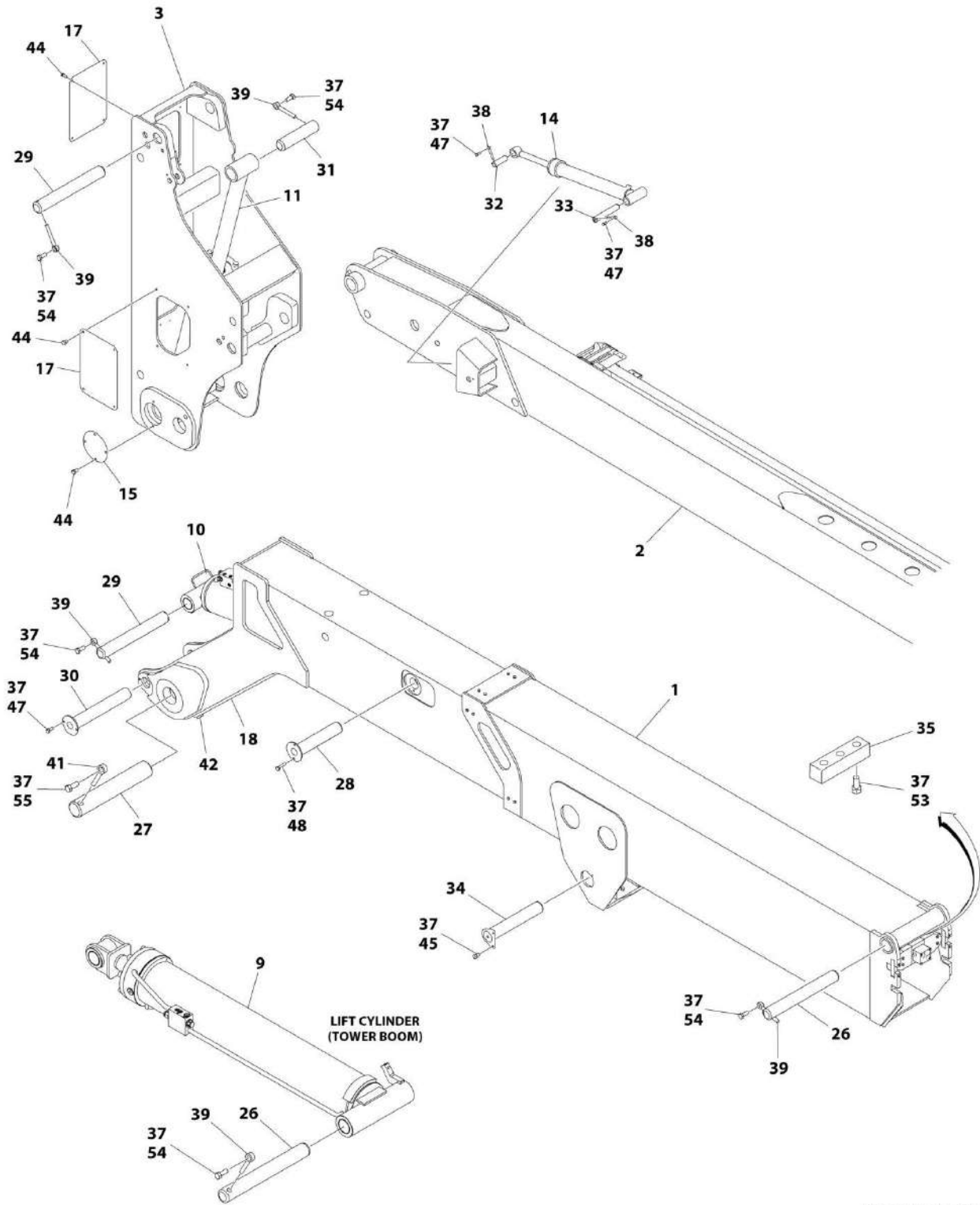
SECTION 3 - ENGINE

ITEM	PART NUMBER	QTY	DESCRIPTION	REV
201	1705460	2	Decal - SkyPower	
202	3251243	1	Decal - 120V/60Hz	
203	1705375	1	Decal - 240V/3Phase	
204	1705387	3	Decal - Hazardous Voltage	

SECTION 4 - BOOM

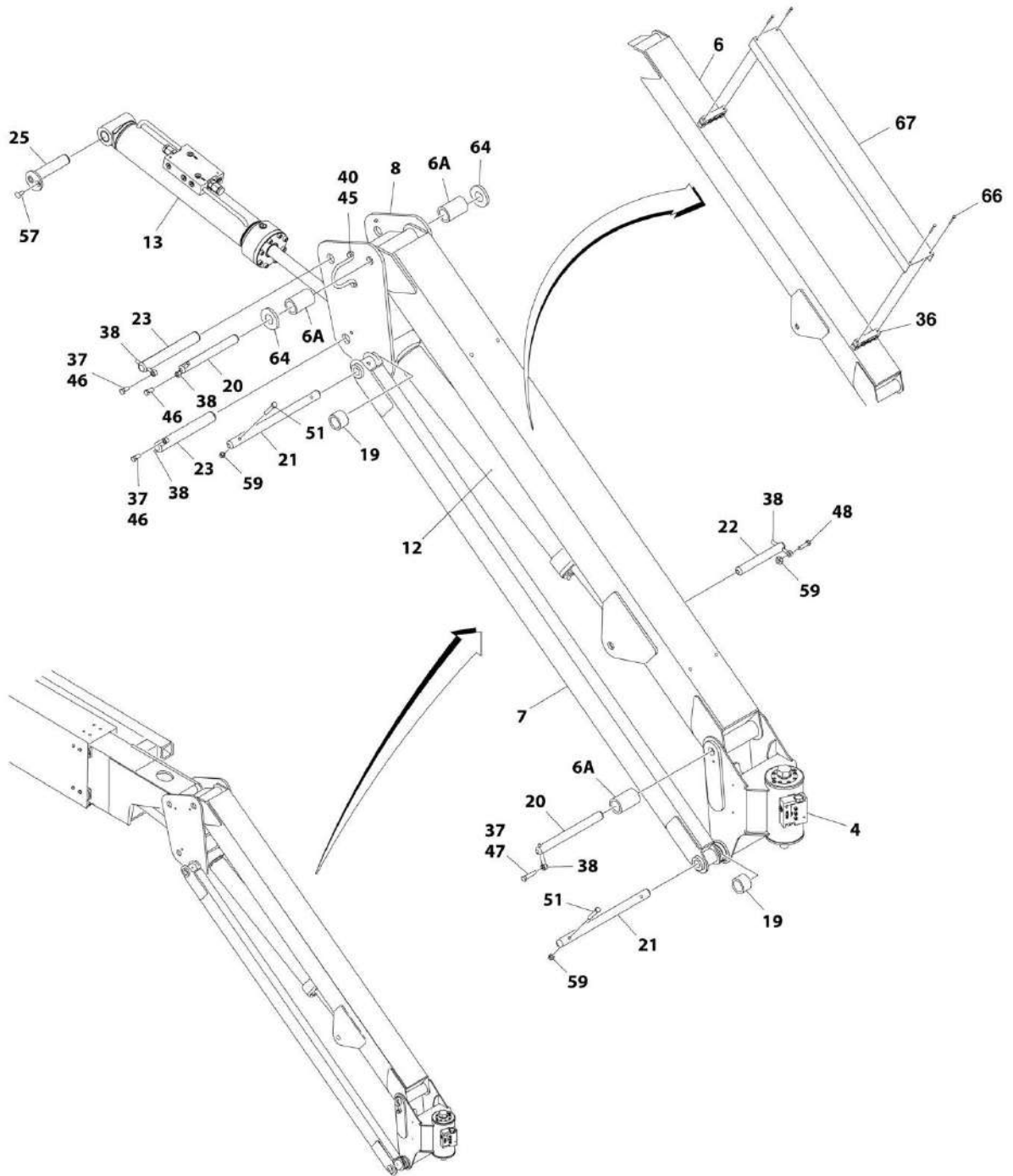
SECTION 4 - BOOM

FIGURE 4-1. BOOM AND CYLINDER INSTALLATION



ART_1001170448_10F2

SECTION 4 - BOOM



ART_1001170448_20F2

SECTION 4 - BOOM

FIGURE 4-1. BOOM AND CYLINDER INSTALLATION

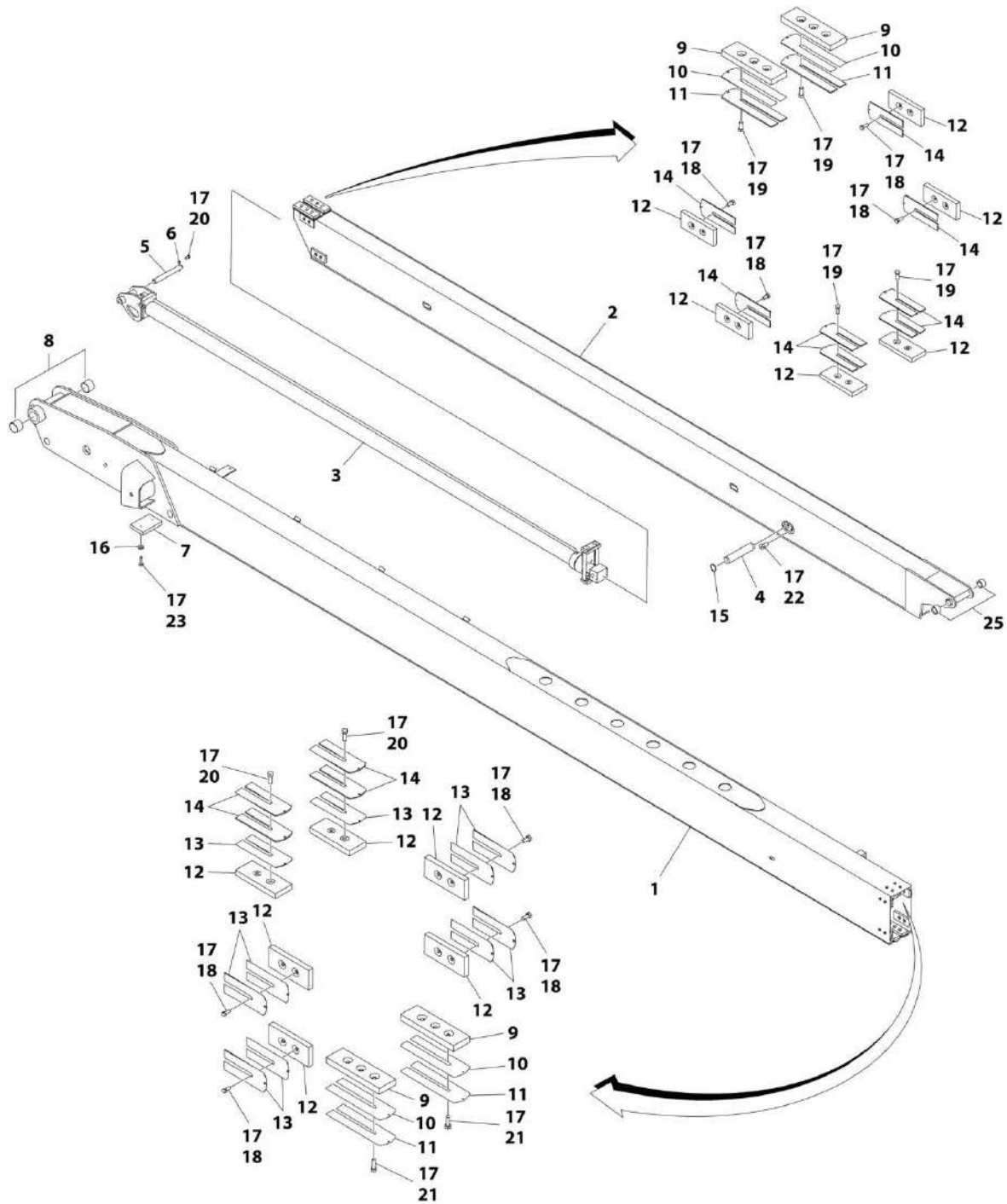
ITEM	PART NUMBER	QTY	DESCRIPTION	REV
	1001170448	Ref	BOOM AND CYLINDER INSTALLATION	L
1	0801132	1	Boom Assembly - Tower (See Separate Breakdown in this Section)	
2	1001149286	1	Boom Assembly - Main (See Separate Breakdown in this Section)	
3	4845593	1	Upright	
4	1001217780	1	Rotator Actuator Assembly (See Separate Breakdown in this Section)	
6	4844816	1	Tube, Jib (Top)	
6A	0962335	4	Bearing	
7	4844817	2	Tube, Jib (Bottom)	
8	1001170548	1	Pivot	
9	1683537	NLA	Tower Boom Lift Cylinder Assembly (Use p/n 1001228009) (See Separate Breakdown in CYLINDER SECTION) (Prior to SN 0300247156)	
9	1001228009	1	Tower Boom Lift Cylinder Assembly (See Separate Breakdown in CYLINDER SECTION) (SN 0300247156 to Present)	
10	1684497	NLA	Upright Level (Slave) Cylinder Assembly (Use p/n 1001228041) (See Separate Breakdown in CYLINDER SECTION) (Prior to SN 0300247156)	
10	1001228041	1	Upright Level (Slave) Cylinder Assembly (See Separate Breakdown in CYLINDER SECTION) (SN 0300247156 to Present)	
11	1683547	NLA	Main Boom Lift Cylinder Assembly (See Separate Breakdown in CYLINDER SECTION) (Use p/n 1001228010) (Prior to SN 0300247156)	
11	1001228010	1	Main Boom Lift Cylinder Assembly (See Separate Breakdown in CYLINDER SECTION) (SN 0300247156 to Present)	
12	1683609	NLA	Jib Lift Cylinder Assembly (Use p/n 1001248012) (See Separate Breakdown in CYLINDER SECTION) (Prior to SN 0300247156)	
12	1001248012	1	Jib Lift Cylinder Assembly (See Separate Breakdown in CYLINDER SECTION) (SN 0300247156 to Present)	
13	1684228	NLA	Jib Level (Slave) Cylinder Assembly (Use p/n 1001228030) (See Separate Breakdown in CYLINDER SECTION) (Prior to SN 0300247156)	
13	1001228030	1	Jib Level (Slave) Cylinder Assembly (See Separate Breakdown in CYLINDER SECTION) (SN 0300247156 to Present)	
14	1683682	NLA	Master Cylinder Assembly (Use p/n 1001228050) (See Separate Breakdown in CYLINDER SECTION) (Prior to SN 0300247156)	
14	1001228050	1	Master Cylinder Assembly (See Separate Breakdown in CYLINDER SECTION) (SN 0300247156 to Present)	
15	1120510	2	Cover, Upright	
17	1670844	4	Cover, Upright	
18	1670850	1	Cover, Tower Fly	
19	0961947	6	Bearing	
20	3422860	2	Pin	
21	3422861	2	Pin	
22	3422867	1	Pin	
23	3422561	2	Pin	
25	3422583	1	Pin	
26	3422681	2	Pin	
27	3422683	1	Pin	
28	3422684	1	Pin	
29	3422685	2	Pin	
30	3422686	1	Pin	

SECTION 4 - BOOM

ITEM	PART NUMBER	QTY	DESCRIPTION	REV
31	3422687	1	Pin	
32	3422688	1	Pin	
33	3422689	1	Pin	
34	3422729	1	Pin	
35	3340835	1	Pad, Rest	
36	1001165350	2	Clamp, Block	
37	0100011	AR	Compound, Locking	
38	3841143	7	Keeper, Pin	
39	3841287	5	Keeper, Pin	
40	3841340	1	Rod, Hose Loop	
41	3841356	1	Keeper, Pin	
42	0641404	4	Bolt 1/4 x 1/2	
44	0641604	24	Bolt 3/8 x 1/2	
45	0641606	4	Bolt 3/8 x 3/4	
46	0641607	3	Bolt 3/8 x 7/8	
47	0641608	5	Bolt 3/8 x 1	
48	0641611	3	Bolt 3/8 x 1-3/8	
51	0641618	4	Bolt 3/8 x 2-1/4	
53	0641820	3	Bolt 1/2 x 2-1/2	
53	0641840	3	Bolt 1/2 x 5	
54	0642214	5	Bolt 3/4 x 1-3/4	
55	0642620	1	Bolt 1 x 2-1/2	
57	0741607	1	Screw 3/8 x 7/8	
59	3311605	5	Nut 3/8	
64	4740439	2	Washer, Thrust	
66	0641424	4	Bolt 1/4 x 3	
67	1671034	1	Cover, Jib	
68	1001213705	1	Plug (Not Shown - Located on T/T near item 26 Pin)	

SECTION 4 - BOOM

FIGURE 4-2. MAIN BOOM ASSEMBLY



ART_1001149286

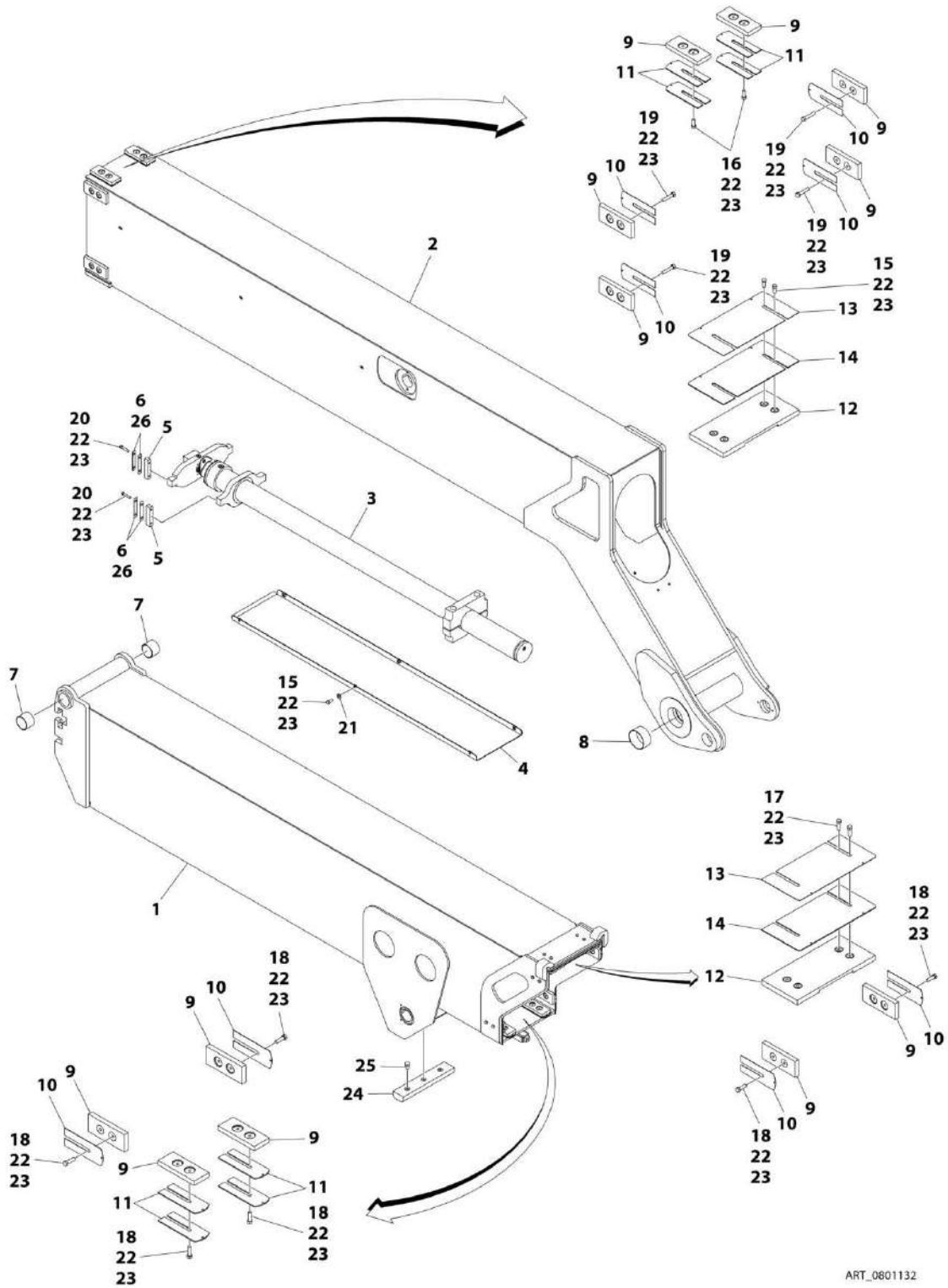
SECTION 4 - BOOM

FIGURE 4-2. MAIN BOOM ASSEMBLY

ITEM	PART NUMBER	QTY	DESCRIPTION	REV
	1001149286	Ref	MAIN BOOM ASSEMBLY	C
1	0801591	1	Base, Boom	
2	0801573	1	Fly, Boom	
3	1001149284	NLA	Telescope Cylinder Assembly (Use p/n 1001228087) (See Separate Breakdown in CYLINDER SECTION) (Prior to SN 0300247156)	
3	1001228087	1	Jib Lift Cylinder Assembly (See Separate Breakdown in CYLINDER SECTION) (SN 0300247156 to Present)	
4	3422457	1	Pin	
5	3422690	1	Pin	
6	3841143	1	Keeper, Pin	
7	0561295	1	Block, Boom Rest	
8	0962102	2	Bushing	
9	3340871	4	Pad, Wear	
10	4070863	4	Shim 1/8	
11	4070864	4	Shim .05	
12	1001148652	12	Pad, Wear	
13	4070897	10	Shim .05	
14	4070898	12	Shim 1/8	
15	3760133	2	Ring, Retaining	
16	4711600	2	Washer 3/8	
17	0100011	AR	Compound, Locking	
18	0641606	16	Bolt 3/8 x 3/4	
19	0641607	10	Bolt 3/8 x 7/8	
20	0641608	5	Bolt 3/8 x 1	
21	0641609	6	Bolt 3/8 x 1-1/8	
22	3900259	4	Bolt, Shoulder	
23	0641612	2	Bolt 3/8 x 1-1/2	
25	0961951	2	Bushing	

SECTION 4 - BOOM

FIGURE 4-3. TOWER BOOM ASSEMBLY



ART_0601132

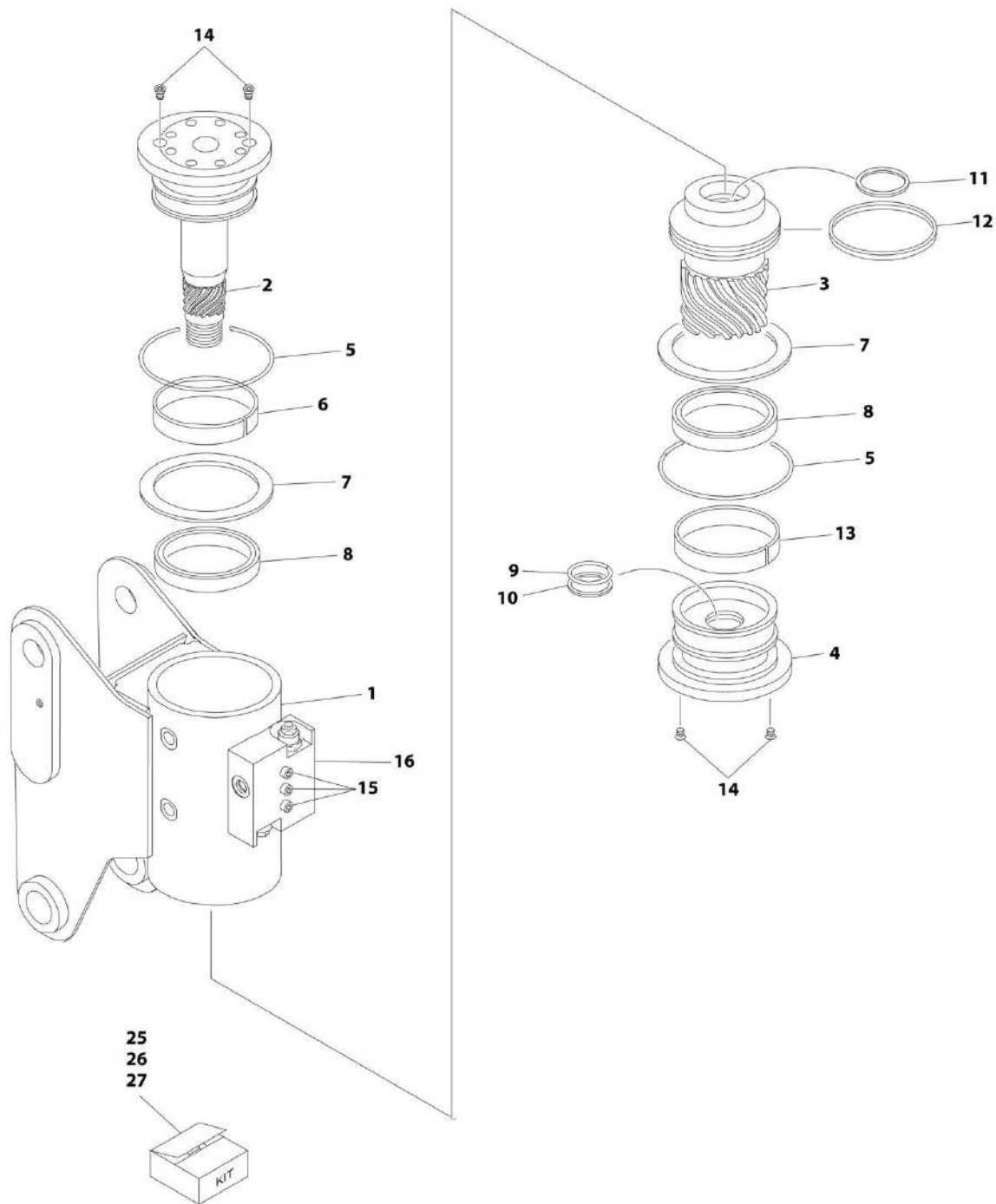
SECTION 4 - BOOM

FIGURE 4-3. TOWER BOOM ASSEMBLY

ITEM	PART NUMBER	QTY	DESCRIPTION	REV
	0801132	Ref	TOWER BOOM ASSEMBLY	H
1	0801594	1	Base, Boom	
2	0801496	1	Fly, Boom	
3	1001188840	NLA	Tower Telescope Cylinder Assembly (Use p/n 1001228086) (See Separate Breakdown in CYLINDER ASSEMBLY) (Prior to SN 0300247156)	
3	1001228086	1	Tower Telescope Cylinder Assembly (See Separate Breakdown in CYLINDER ASSEMBLY) (SN 0300247156 to Present)	
4	4340706	1	Support	
5	0561185	4	Block, Attach	
6	4070929	8	Shim 1/16	
7	0962102	2	Bushing	
8	0962122	2	Bushing	
9	3340881	12	Pad, Wear	
10	4070897	8	Shim .05	
11	4070898	8	Shim .12	
12	3340828	2	Pad, Wear	
13	4070967	2	Shim .05	
14	4070968	2	Shim .12	
15	0641607	10	Bolt 3/8 x 7/8	
16	0641608	4	Bolt 3/8 x 1	
17	0641609	4	Bolt 3/8 x 1-1/8	
18	0641610	12	Bolt 3/8 x 1-1/4	
19	0641615	8	Bolt 3/8 x 1-7/8	
20	0641616	8	Bolt 3/8 x 2	
21	4711600	6	Washer 3/8	
22	0100011	AR	Compound, Locking	
23	0100038	AR	Primer, Locking	
24	3340835	1	Pad, Boom Rest	
25	0641806	3	Bolt 1/2 x 3/4	
26	4071007	4	Shim 20Ga	

SECTION 4 - BOOM

FIGURE 4-4. ROTATOR ASSEMBLY



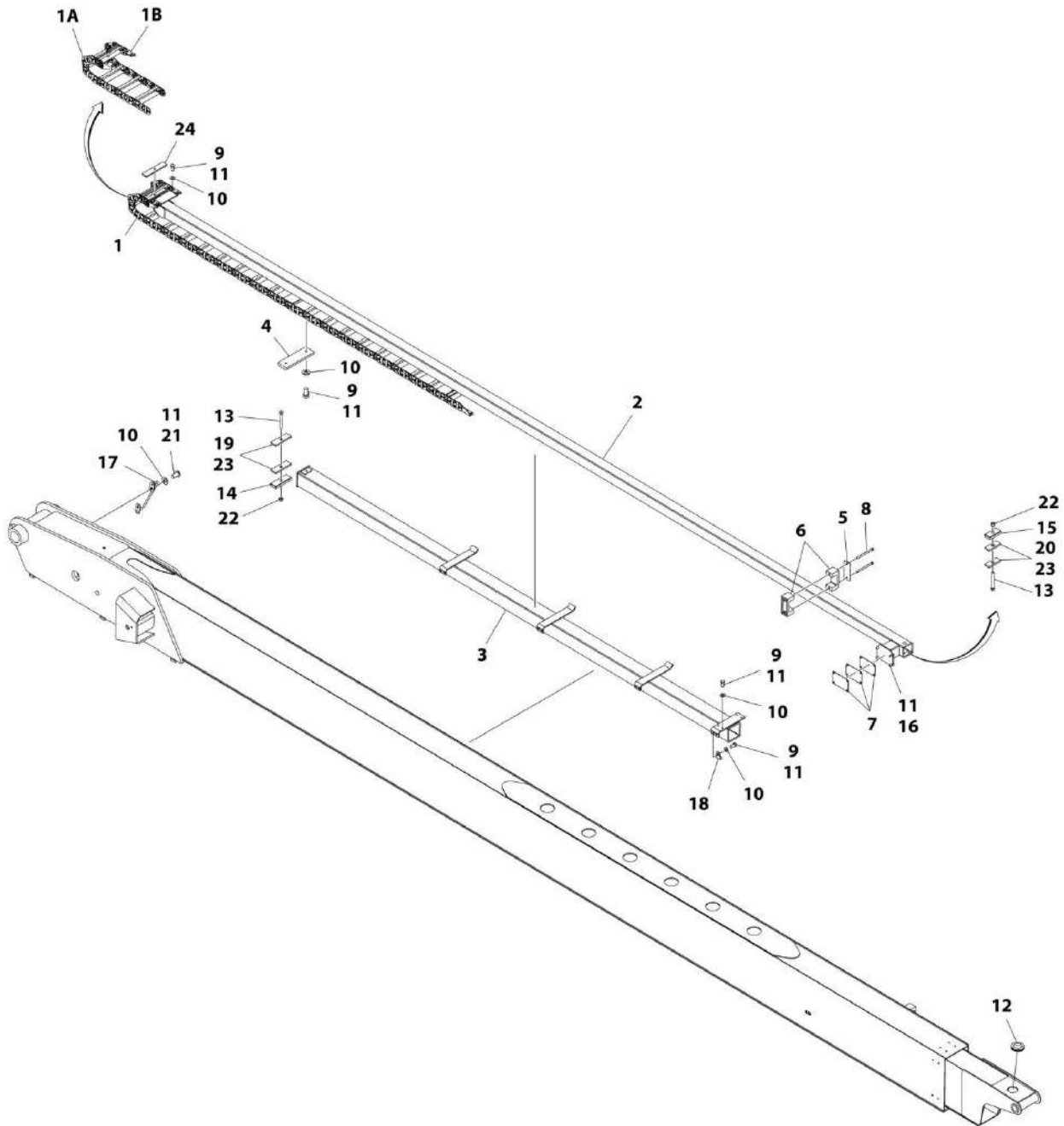
ART_1001217780

FIGURE 4-4. ROTATOR ASSEMBLY

ITEM	PART NUMBER	QTY	DESCRIPTION	REV
	1001217780	Ref	ROTATOR ASSEMBLY	A
1	See Note	NSS	Housing/Ring Gear Assembly (Note: Not Available - Purchase Complete Assembly)	
2	7017162	1	Shaft	
2	7017195	2	Bushing, Shaft	
3	7017163	1	Piston/Sleeve Assembly	
4	7017164	1	Cap, End	
5	See Note	NSS	O-Ring (Note: Use Item 25)	
6	See Note	NSS	Bearing, Shaft (Note: Use Item 26)	
7	See Note	NSS	Washer, Thrust (Note: Use Item 26)	
8	See Note	NSS	Packing, Bearing (Note: Use Item 25)	
9	See Note	NSS	Seal, Cap (Note: Use Item 25)	
10	See Note	NSS	Ring, Back-up Cap (Note: Use Item 25)	
11	See Note	NSS	Seal, Rod (Note: Use Item 25)	
12	See Note	NSS	Seal, Piston (Note: Use Item 25)	
13	See Note	NSS	Bearing, Cap (Note: Use Item 26)	
14	70001697	6	Capscrew 1/4 x 3/8 Grade 8	
15	See Note	3	Bolt 1/4 x 1-1/2 Grade 8 (Note: Not Available - Purchase Locally)	
16	7017172	1	Valve Assembly	
16	7017192	2	Cartridge, Valve	
16	See Note	NSS	Seal Kit - 7017192 Valve (Note: Not Available - Purchase Cartridge)	
16	See Note	NSS	Cartridge, Valve (Not Shown - Located on Side of Block) (Note: Not Available - Purchase Complete Valve)	
16	See Note	NSS	Seal Kit - Valve Located on Side of Block (Note: Not Available - Purchase Cartridge)	
25	70000342	1	Seal Kit (Includes Items 5, 8-12 & 27)	
26	7017159	1	Bearing Kit (Includes Items 6, 7 & 13)	
27	7017142	1	Hardware Kit (Includes Dowel Pins, Plugs and Item 14)	

SECTION 4 - BOOM

FIGURE 4-5. POWER TRACK INSTALLATION - MAIN BOOM



ART_0258077

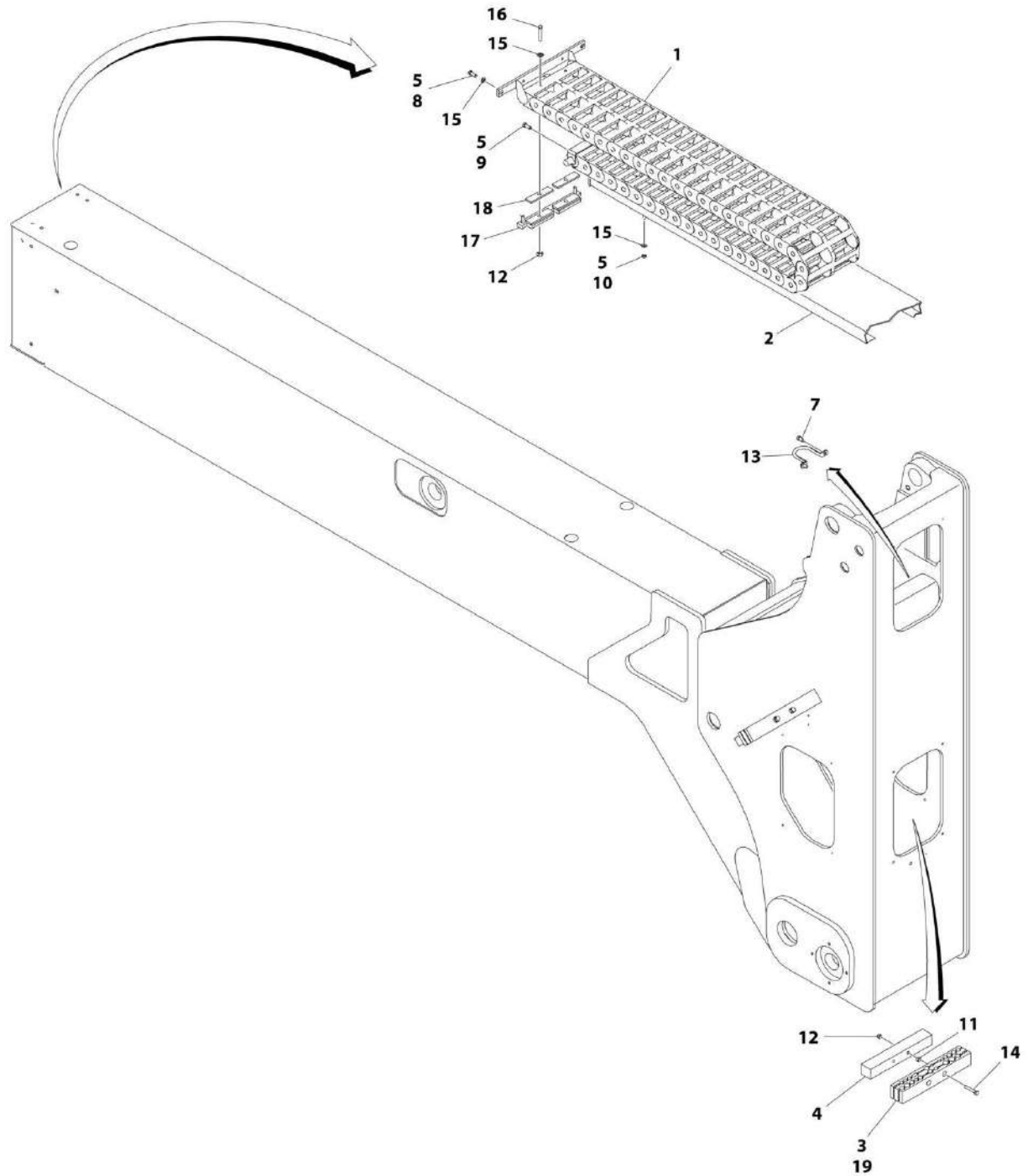
SECTION 4 - BOOM

FIGURE 4-5. POWER TRACK INSTALLATION - MAIN BOOM

ITEM	PART NUMBER	QTY	DESCRIPTION	REV
	0258077	Ref	POWER TRACK INSTALLATION	K
1	1001099837	1	Track, Power	
1A	70002013	AR	Carrier Repair Section (Includes 1 Pin Assembly for each end)	
1B	70002014	1	Mounting Foot Kit (Includes Both Pair of Feet)	
2	1001170527	1	Tube, Push	
3	4845730	1	Support	
4	3340840	1	Pad	
5	1001136400	1	Plate. Backing	
6	3340764	2	Pad	
7	4070969	3	Shim 16 Gauge	
8	0641640	2	Bolt 3/8 x 5	
9	0641606	AR	Bolt 3/8 x 3/4	
10	4711600	22	Washer 3/8	
11	0100011	AR	Compound, Locking	
12	1320263	1	Clamp, Loop	
13	0641607	4	Bolt 3/8 x 7/8	
14	0641624	2	Bolt 3/8 x 3	
15	1320289	1	Clamp	
16	1320288	1	Clamp	
17	3841406	1	Loop, Hose	
18	91203039	2	Pad	
19	3340941	2	Pad	
20	3900283	2	Screw 3/8 x 3/4	
21	0100081	AR	Adhesive	
22	3311605	2	Nut 3/8	
23	4071052	2	Shim 1/4	
24	4060805	8 in/ 20cm	Flex-Trim	

SECTION 4 - BOOM

FIGURE 4-6. POWER TRACK INSTALLATION - TOWER BOOM



ART_1001171203

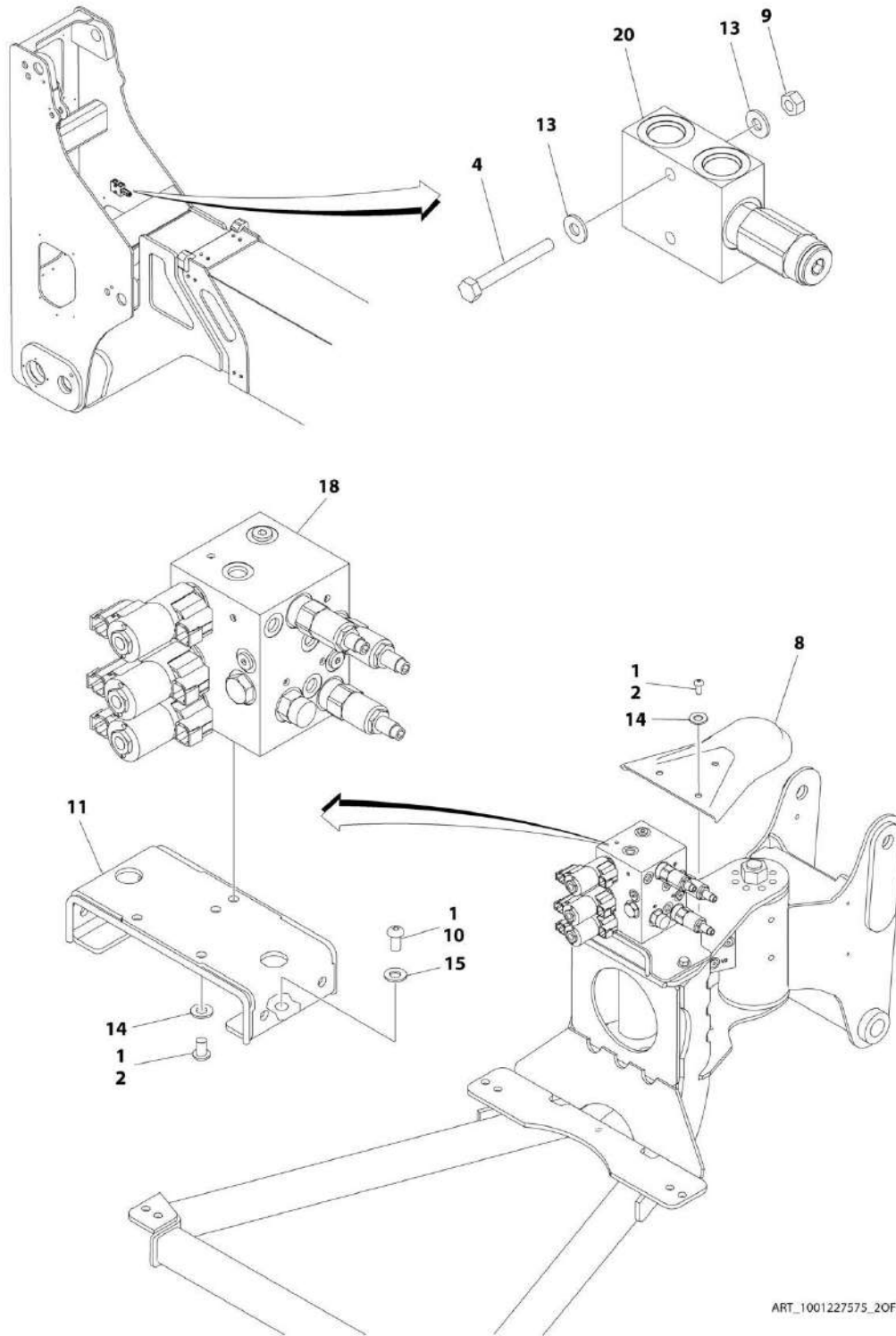
SECTION 4 - BOOM

FIGURE 4-6. POWER TRACK INSTALLATION - TOWER BOOM

ITEM	PART NUMBER	QTY	DESCRIPTION	REV
	1001171203	Ref	POWER TRACK INSTALLATION	D
1	1180346	1	Track, Power	
1	7020064	1	Bracket, End (Moving)	
1	7020065	1	Bracket, End (Fixed)	
1	7020066	1	Section, Repair	
1	7020067	1	Link, Repair	
2	4845680	1	Tube, Hose	
3	0100038	AR	Primer, Locking	
4	1320250	2	Bar	
5	0100011	AR	Compound, Locking	
7	0641605	2	Bolt 3/8 x 5/8	
8	0641606	2	Bolt 3/8 x 3/4	
9	0641622	2	Bolt 3/8 x 2-3/4	
10	3311601	4	Nut 3/8	
11	3311602	4	Nut 3/8	
12	3311605	6	Nut 3/8	
13	3841340	1	Rod, Hose Loop	
14	3900262	4	Bolt 3/8 x 4-3/4	
15	4711600	AR	Washer 3/8	
16	0641624	2	Bolt 3/8 x 3	
17	0259420	1	Clamp	
17	3340859	2	Pad	
18	3340859	2	Pad	
19	1001172179	2	Clamp, Block	

SECTION 4 - BOOM

FIGURE 4-7. BOOM VALVES INSTALLATION - WITHOUT LSS



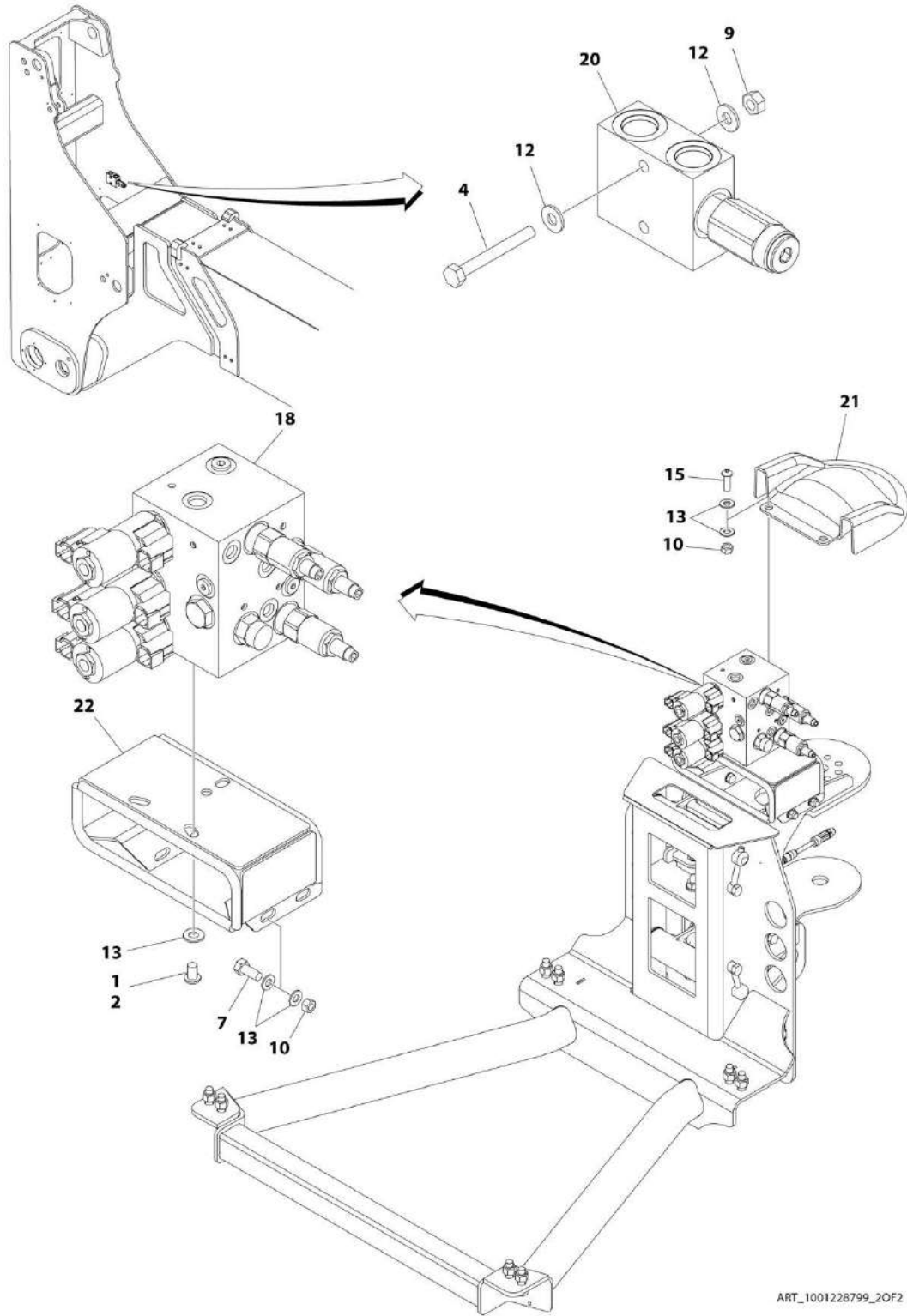
ART_1001227575_20F2

FIGURE 4-7. BOOM VALVES INSTALLATION - WITHOUT LSS

ITEM	PART NUMBER	QTY	DESCRIPTION	REV
	1001227575	Ref	BOOM VALVES INSTALLATION	B
1	0100011	AR	Compound, Locking	
2	0630467	6	Screw 5/16 x 1/2	
4	0641418	2	Bolt 1/4 x 2-1/4	
8	1670964	1	Cover	
9	3311405	2	Nut 1/4	
10	3900283	2	Screw 3/8 x 3/4	
11	4341264	1	Bracket, Mounting	
13	4711400	4	Washer 1/4	
14	4711500	6	Washer 5/16	
15	4711600	5	Washer 3/8	
18	1001152565	1	Boom Valve Assembly (See Separate Breakdown in this Section)	
20	1001200054	1	Valve Assembly (Relief)	
20	7012970	1	Cartridge, Valve	
20	7012953	1	Seal Kit - 7012970 Cartridge	

SECTION 4 - BOOM

FIGURE 4-8. BOOM VALVES INSTALLATION - WITH LSS



ART_1001228799_2OF2

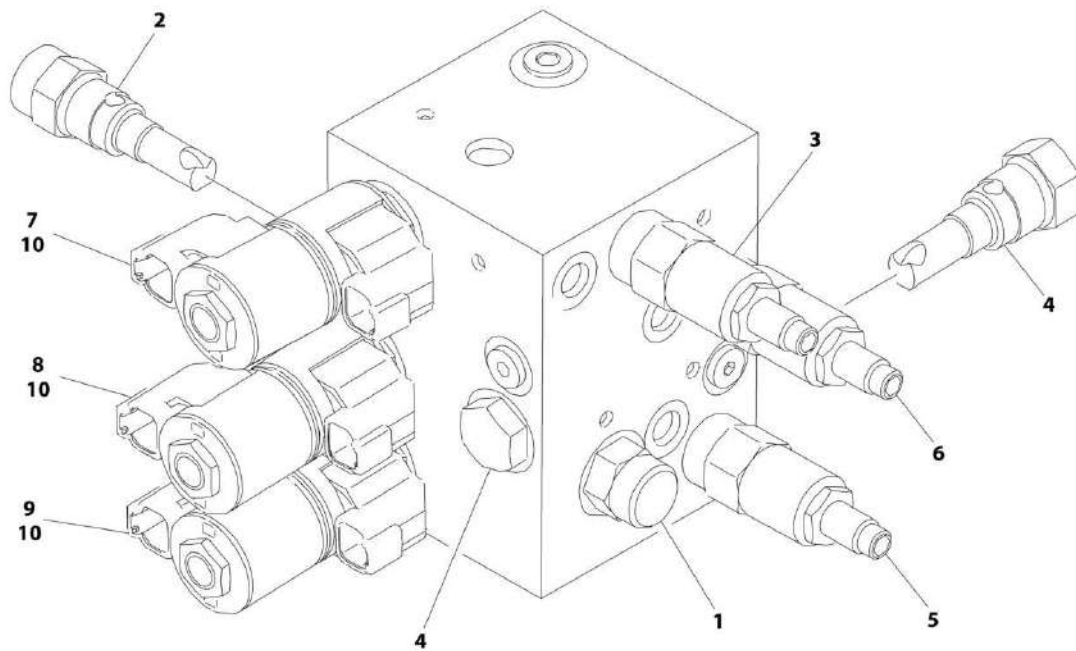
SECTION 4 - BOOM

FIGURE 4-8. BOOM VALVES INSTALLATION - WITH LSS

ITEM	PART NUMBER	QTY	DESCRIPTION	REV
	1001228799	Ref	BOOM VALVES INSTALLATION	B
1	0100011	AR	Compound, Locking	
2	0630467	3	Screw 5/16 x 1/2	
4	0641418	2	Bolt 1/4 x 2-1/4	
7	0641607	4	Bolt 3/8 x 7/8	
9	3311405	2	Nut 1/4	
10	3311505	6	Nut 5/16	
12	4711400	8	Washer 1/4	
13	4711500	15	Washer 5/16	
15	88261024	2	Capscrew 5/16 x 1	
18	1001152565	1	Boom Valve Assembly (See Separate Breakdown in this Section)	
20	1001200054	1	Valve Assembly (Relief)	
20	7012970	1	Cartridge, Valve	
20	7012953	1	Seal Kit - 7012970 Valve	
21	1001207969	1	Cover	
22	1001208994	1	Mount	

SECTION 4 - BOOM

FIGURE 4-9. BOOM VALVE ASSEMBLY



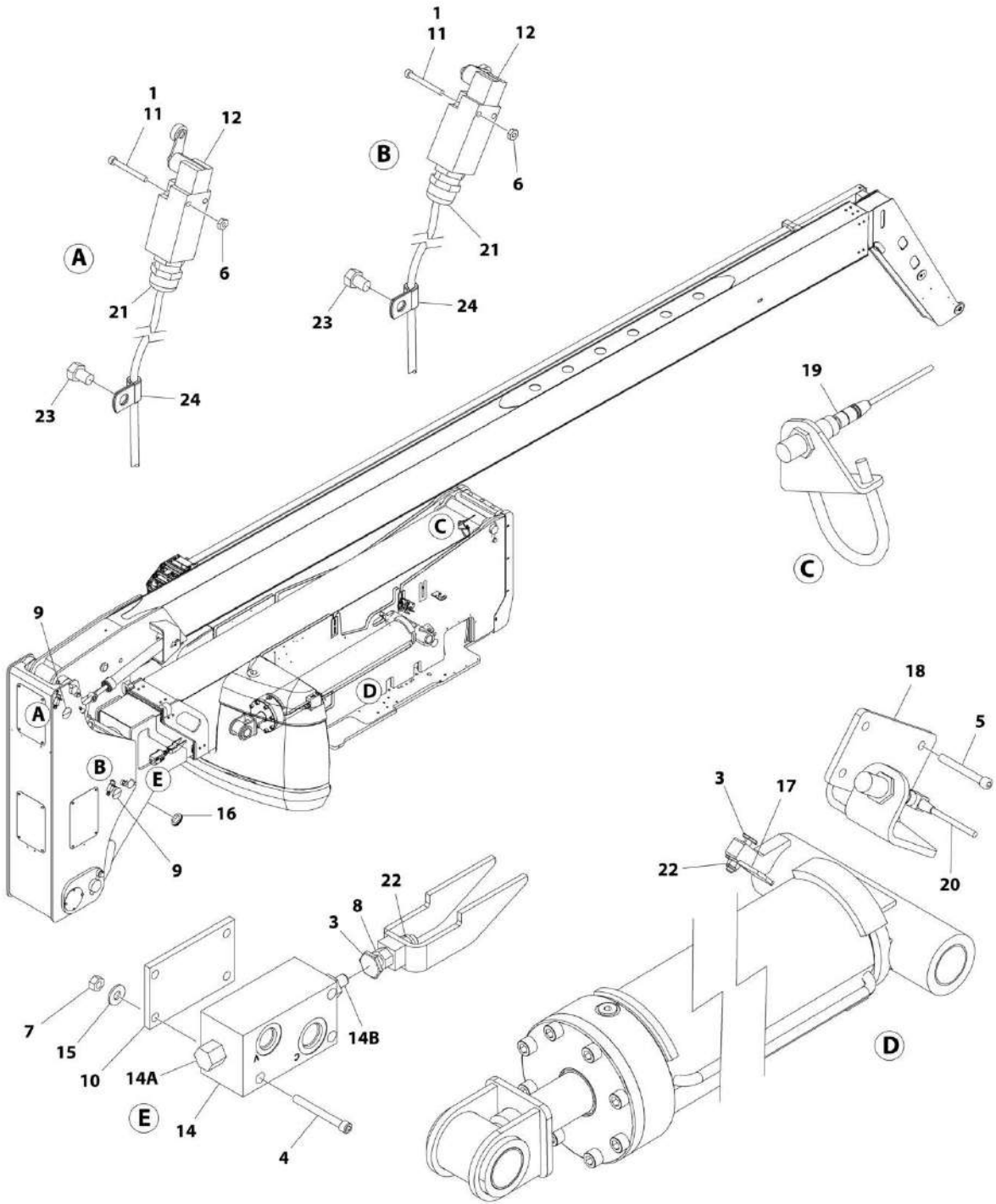
ART_1001152565

FIGURE 4-9. BOOM VALVE ASSEMBLY

ITEM	PART NUMBER	QTY	DESCRIPTION	REV
	1001152565	Ref	BOOM VALVE ASSEMBLY	C
1	7012989	1	Valve, Flow	
1	7012953	1	Seal Kit - 7012989 Valve	
2	7012965	1	Valve, Flow	
2	7012953	1	Seal Kit - 7012965 Valve	
3	70003790	1	Valve, Relief	
3	7021653	1	Seal Kit - 70003790 Valve	
4	7012914	2	Valve, Cartridge	
4	7012918	2	Seal Kit - 7012914 Valve	
5	7023911	1	Valve, Relief	
5	7012967	1	Seal Kit - 7023911 Valve	
6	7023912	1	Valve, Relief	
6	7012967	1	Seal Kit - 7023912 Valve	
7	7017452	1	Valve, Solenoid (Jib)	
7	7017402	2	Seal Kit - 7017452 Valve	
8	7017452	1	Valve, Solenoid (Platform Level)	
8	7017402	1	Seal Kit - 7017452 Valve	
9	7017452	1	Valve, Solenoid (Rotator)	
9	7017402	2	Seal Kit - 7017452 Valve	
10	70002386	6	Coil	
11	70002064	2	Plug, Orifice (Not Shown)	
12	7017406	2	Plug (Not Shown)	

SECTION 4 - BOOM

FIGURE 4-10. BOOM VALVE AND LIMIT SWITCHES INSTALLATION



ART_0258217

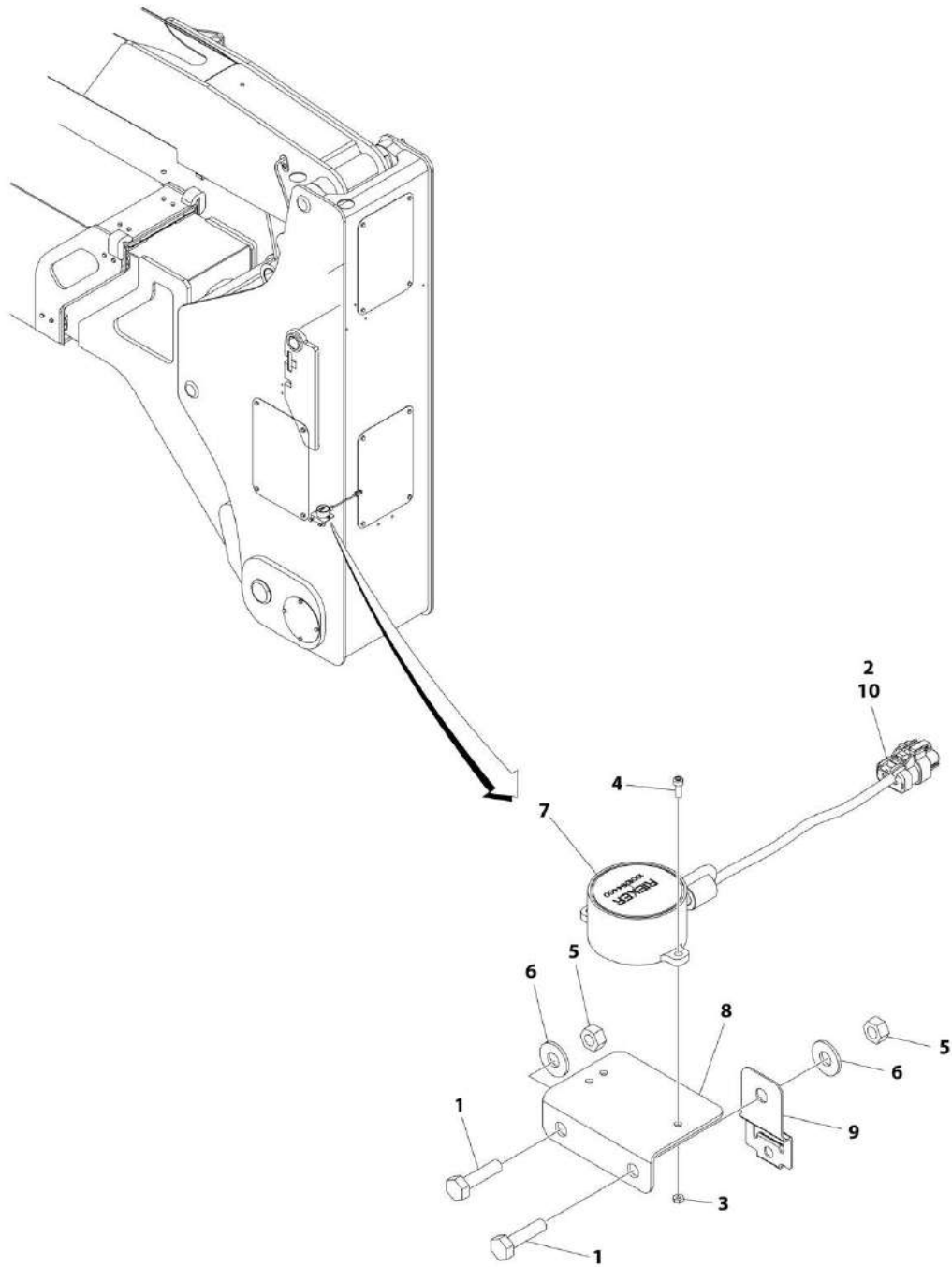
SECTION 4 - BOOM

FIGURE 4-10. BOOM VALVE AND LIMIT SWITCHES INSTALLATION

ITEM	PART NUMBER	QTY	DESCRIPTION	REV
	0258217	Ref	BOOM VALVE AND LIMIT SWITCHES INSTALLATION	S
1	0100011	AR	Compound, Locking	
3	0630427	2	Bolt	
4	3931436	3	Capscrew 1/4 x 2-1/4	
5	3931464	3	Capscrew 1/4 x 4	
5	3931432	3	Capscrew 1/4 x 2	
6	3310801	4	Nut #8	
7	3311405	AR	Nut 1/4	
8	3311801	1	Nut 1/2	
9	3520035	2	Plug	
10	3570928	2	Plate, Spacer	
11	3930824	2	Capscrew #8 x 1-1/2	
12	4360578	2	Switch, Limit	
14	4641435	2	Valve, Switch	
14A	7011342	2	Valve, Check (1 Per Assembly)	
14A	7011333	2	Seal Kit - Check Valve (1 Per Assembly)	
14B	See Note	NSS	Valve, Plunger (1 Per Assembly) (Note: Not Available - Purchase Complete Valve Assembly)	
14B	See Note	NSS	Seal Kit (1 Per Assembly) (Note: Not Available for Purchase)	
15	4751400	AR	Washer 1/4	
16	4060805	7 in/25cm	Trim	
17	3572606	1	Plate, Switch Target	
18	3572607	1	Plate, Switch Mount	
19	4360498	1	Switch, Proximity	
20	4360499	1	Switch, Proximity	
21	4460968	2	Connector, Strain Relief	
22	88521008	2	Nut 1/2	
23	0641604	2	Bolt 3/8 x 1/2	
24	91203039	2	Clamp	

SECTION 4 - BOOM

FIGURE 4-11. TILT SENSOR INSTALLATION



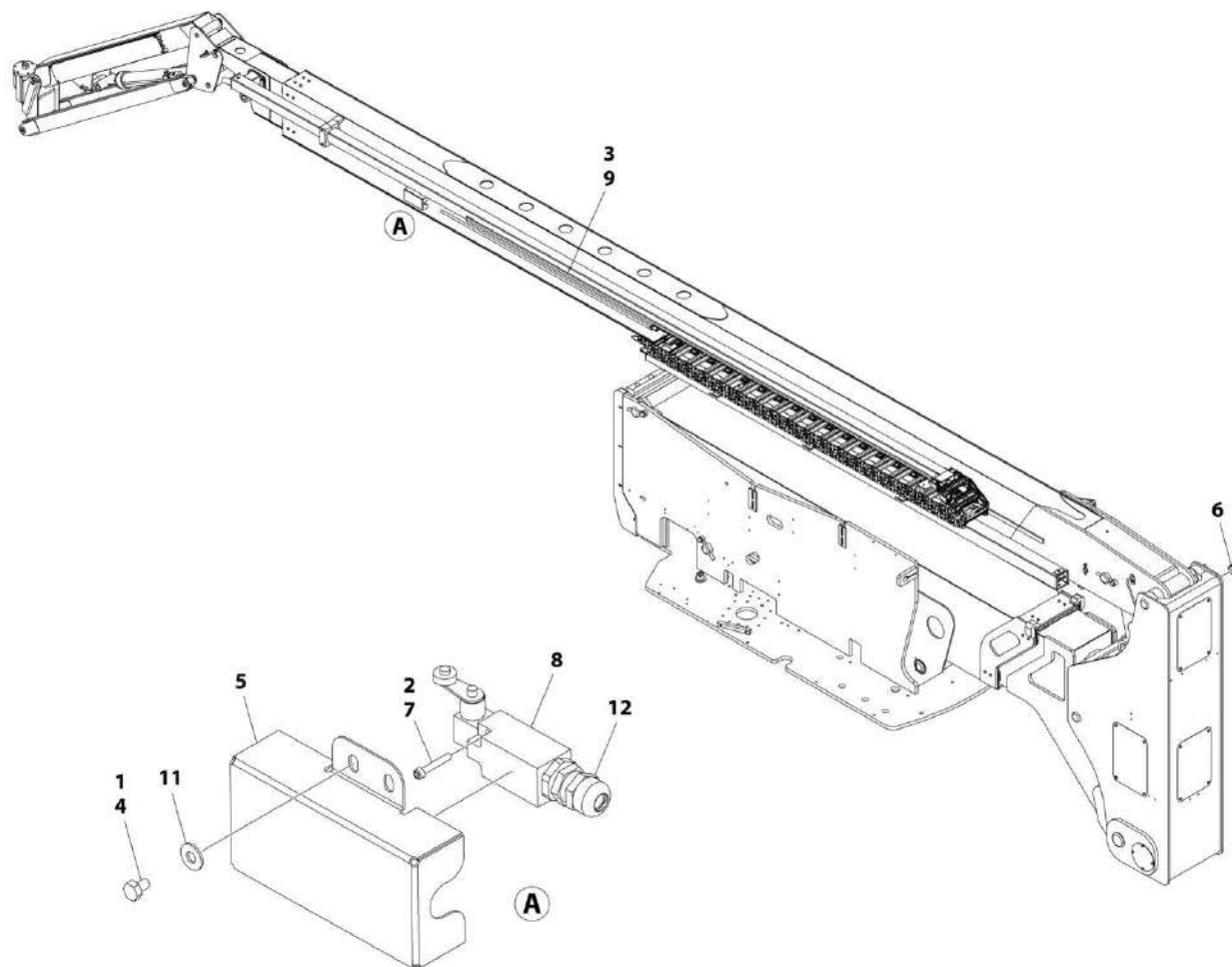
ART_0275733

FIGURE 4-11. TILT SENSOR INSTALLATION

ITEM	PART NUMBER	QTY	DESCRIPTION	REV
	0275733	Ref	TILT SENSOR INSTALLATION	B
1	0641408	2	Bolt 1/4 x 1	
2	0100048	AR	Grease, Dielectric	
3	3310605	3	Nut #6	
4	3930606	3	Screw #6 x 3/4	
5	3311405	2	Nut 1/4	
6	4751400	2	Washer 1/4	
7	1001094400	1	Sensor, Dual Axis	
8	1001096736	1	Bracket, Tilt Sensor	
9	1001153749	1	Clip	
10	1001200497	1	Connector - 3 Position	

SECTION 4 - BOOM

FIGURE 4-12. TRANSPORT POSITION SWITCH INSTALLATION (CE SPECS)



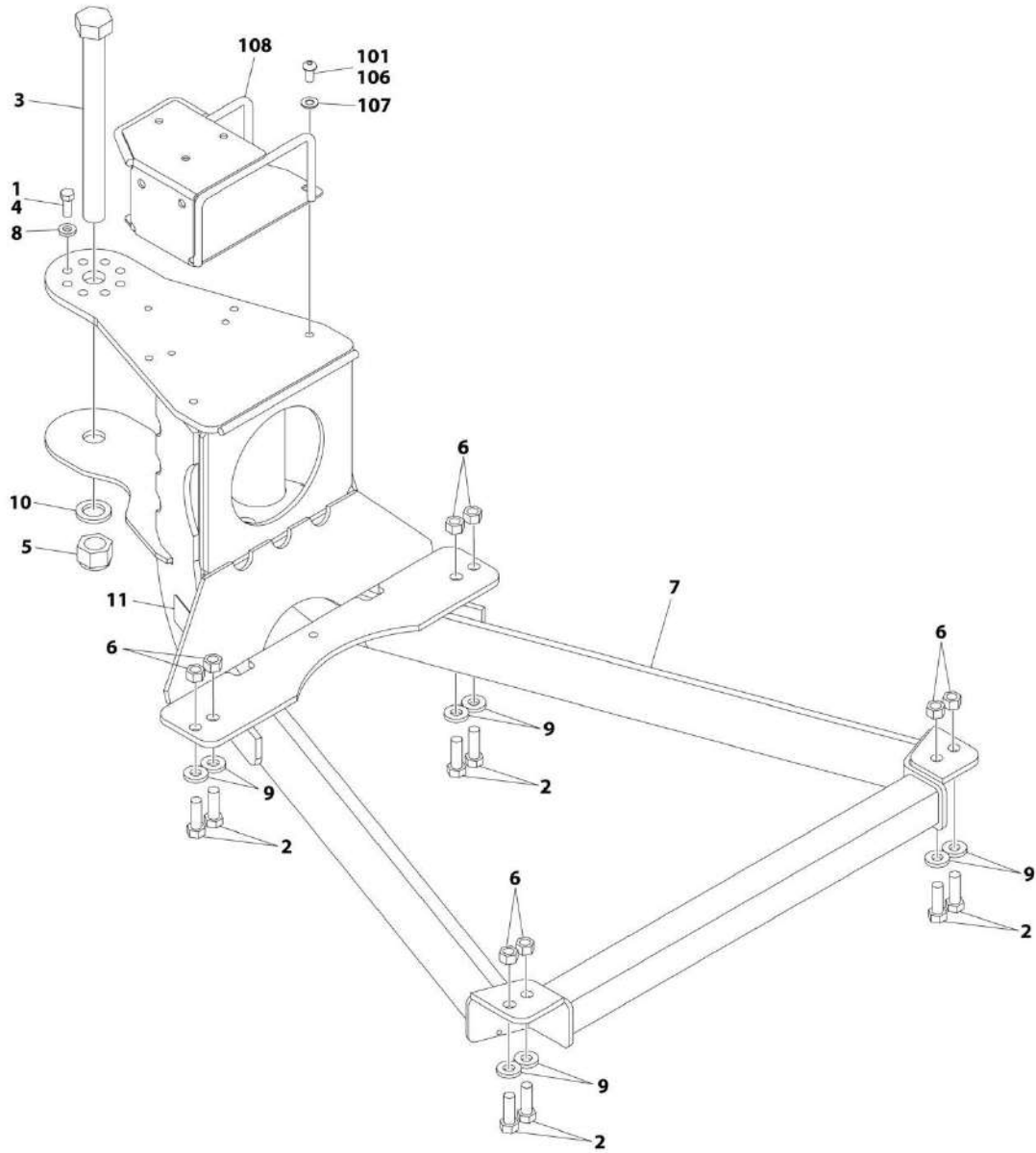
ART_0258567

FIGURE 4-12. TRANSPORT POSITION SWITCH INSTALLATION (CE SPECS)

ITEM	PART NUMBER	QTY	DESCRIPTION	REV
	0258567	Ref	TRANSPORT POSITION SWITCH INSTALLATION	F
1	0100011	AR	Compound, Locking	
2	0100035	AR	Compound, Locking	
3	1001106481	1	Bar, Fiberglass	
4	0641403	4	Bolt 1/4 x 3/8	
5	3380535	1	Cover, Switch	
6	3520035	1	Plug, Cap	
7	3930816	2	Capscrew #8 x 1	
8	4360578	1	Switch, Limit	
9	4420060	AR	Tape	
11	4751400	4	Washer 1/4	
12	4460968	1	Connector, Strain Relief	

SECTION 4 - BOOM

FIGURE 4-13. PLATFORM SUPPORT INSTALLATION - WITHOUT LSS



ART_0272070

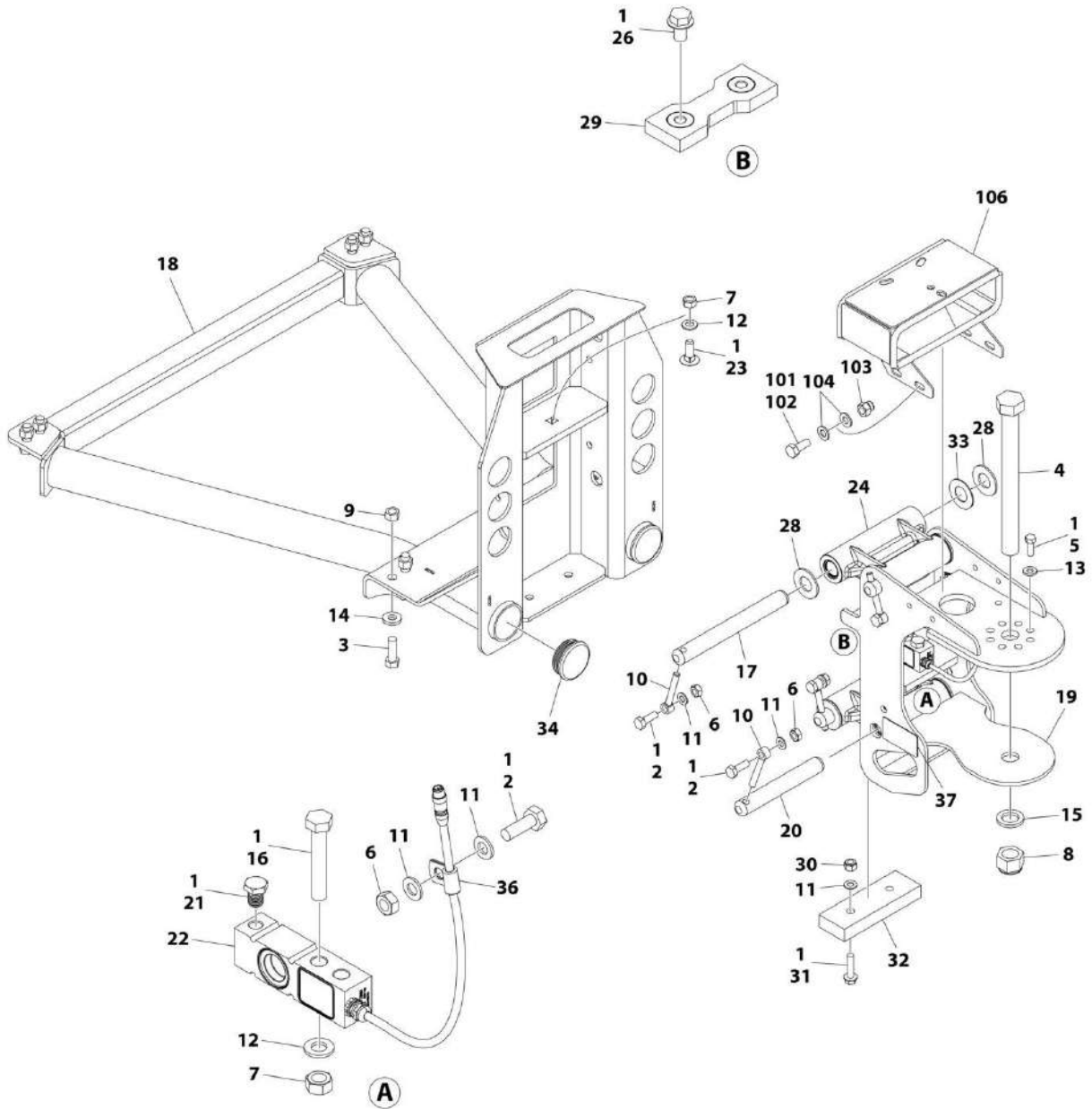
SECTION 4 - BOOM

FIGURE 4-13. PLATFORM SUPPORT INSTALLATION - WITHOUT LSS

ITEM	PART NUMBER	QTY	DESCRIPTION	REV
	0272070	Ref	PLATFORM SUPPORT INSTALLATION	H
1	0100011	AR	Compound, Locking	
2	0641812	8	Bolt 1/2 x 1-1/2	
3	0642684	1	Bolt 1 x 10-1/2	
4	0681608	8	Bolt 3/8 x 1	
5	3300243	1	Nut 1	
6	3311805	8	Nut 1/2	
7	4846573	1	Support	
8	4891600	8	Washer 3/8	
9	4891800	8	Washer 1/2	
10	4892600	1	Washer 1	
11	1001216630	2	Decal - Tie Down/No Lift	
	1001202688	Ref	VALVE MOUNT INSTALLATION	B
101	0100011	AR	Compound, Locking	
106	3900283	4	Screw 3/8 x 3/4	
107	4711600	4	Washer 3/8	
108	1001206920	1	Mount, Valve	

SECTION 4 - BOOM

FIGURE 4-14. PLATFORM SUPPORT INSTALLATION - WITH LSS



ART_1001167596

SECTION 4 - BOOM

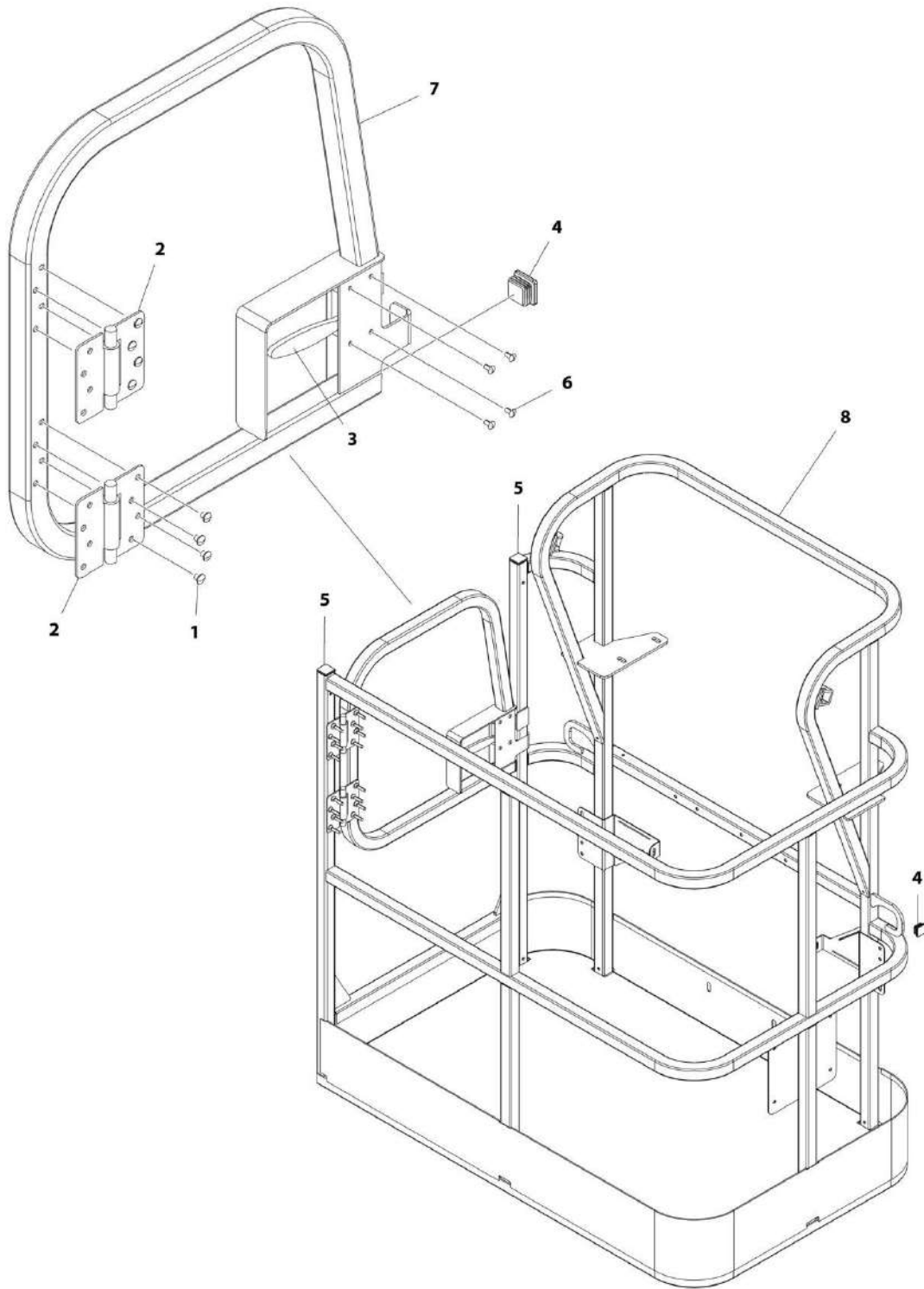
FIGURE 4-14. PLATFORM SUPPORT INSTALLATION - WITH LSS

ITEM	PART NUMBER	QTY	DESCRIPTION	REV
	1001167596	Ref	PLATFORM SUPPORT INSTALLATION	J
1	0100011	AR	Compound, Locking	
2	0761014	5	Bolt M10 x 30	
3	0641812	8	Bolt 1/2 x 1-1/2	
3	0761216	8	Bolt M12 x 40	
4	0642684	1	Bolt 1 x 10-1/2	
5	0681608	8	Bolt 3/8 x 1	
6	3291001	5	Nut M10	
7	3291201	3	Nut M12	
8	3300243	1	Nut 1	
9	3311805	8	Nut 1/2	
9	3291205	8	Nut M12	
10	3841143	4	Keeper, Pin	
11	4812000	8	Washer M10	
12	4812100	3	Washer M12	
13	4891600	8	Washer 3/8	
14	4891800	8	Washer 1/2	
14	5241200	8	Washer M12	
15	4892600	1	Washer 1	
16	1001098828	2	Bolt M12 x 70 Grade 10.9	
17	1001167565	2	Pin	
18	1001200494	1	Support, Platform	
19	1001167567	1	Support, Rotator	
20	1001168402	2	Pin	
21	1001188622	1	Screw	
22	1001172663	1	Gauge, Load Sensing	
23	1001188844	1	Bolt M12 x 35	
24	1001201351	2	Link	
26	5251008	2	Bolt M10 x 16	
28	1001189002	8	Bearing	
29	1001190985	1	Pad, Wear	
30	3291005	2	Nut M10	
31	5251016	2	Bolt M10 x 40	
32	1001200491	1	Pad, Wear	
33	1001189001	4	Bearing	
34	1001204725	2	Plug	
36	91203039	1	Clamp	
37	1001216630	2	Decal - Tie Down/No Lift	
	1001202687	Ref	VALVE MOUNT INSTALLATION	B
101	0100011	AR	Compound, Locking	
102	0760810	4	Bolt M8 x 20	
103	3290806	4	Nut M8	
104	4811900	8	Washer M8	
106	1001208994	1	Mount, Valve	

SECTION 5 - PLATFORM

SECTION 5 - PLATFORM

FIGURE 5-1. PLATFORM ASSEMBLY - 30IN X 4FT (76CM X 1.22M) WITH SWING GATE



ART_1001186387

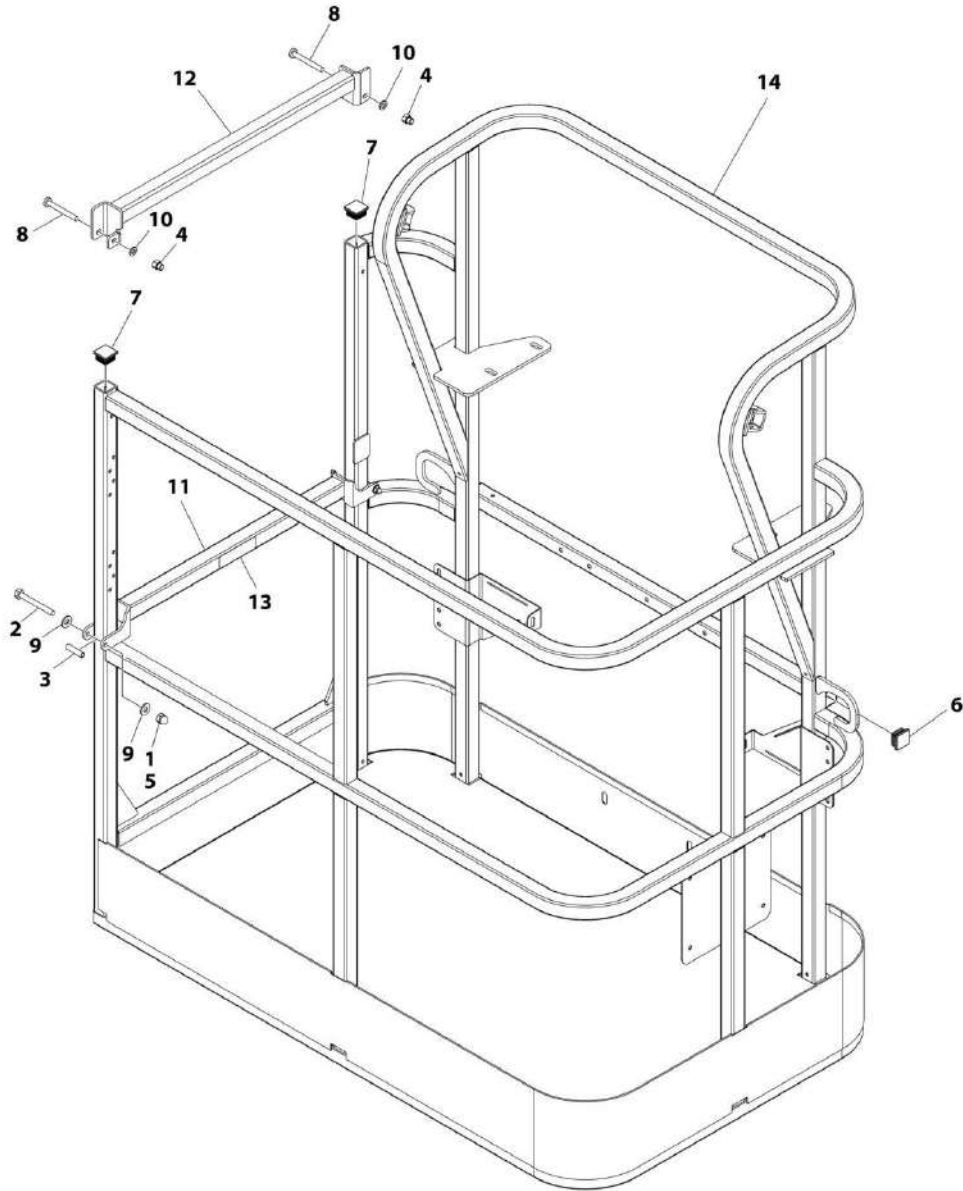
SECTION 5 - PLATFORM

FIGURE 5-1. PLATFORM ASSEMBLY - 30IN X 4FT (76CM X 1.22M) WITH SWING GATE

ITEM	PART NUMBER	QTY	DESCRIPTION	REV
	1001186387	Ref	PLATFORM ASSEMBLY	B
		Ref	Note: Platform and Mesh must be ordered separately for Platforms with Mesh. See SPECIAL OPTIONS SECTION for Mesh Installations.	
		Ref	Note: Replacement Decals Must be Ordered Separately - See DECALS SECTION.	
1	2080040	16	Fastener, Huck	
2	2600281	2	Hinge	
3	2940074	1	Latch	
4	3520072	3	Plug	
5	3520198	2	Plug	
6	3820020	4	Rivet	
7	1001144629	1	Gate	
8	See Note	1	Platform (Note: Not Available - Purchase Platform Assembly)	

SECTION 5 - PLATFORM

FIGURE 5-2. PLATFORM ASSEMBLY - 30IN X 4FT (76CM X 1.22M) WITH DROP BAR



ART_1001186375

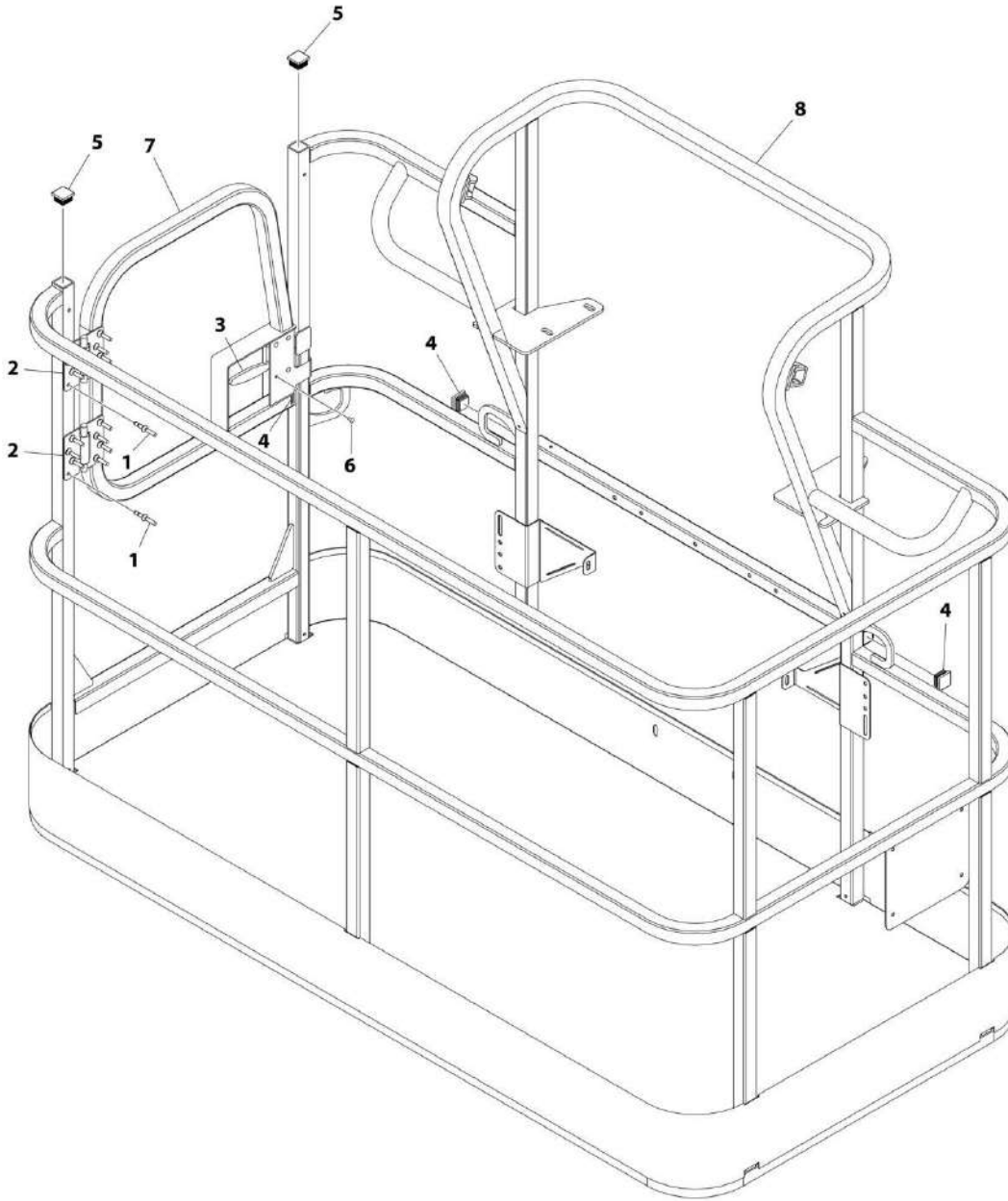
SECTION 5 - PLATFORM

FIGURE 5-2. PLATFORM ASSEMBLY - 30IN X 4FT (76CM X 1.22M) WITH DROP BAR

ITEM	PART NUMBER	QTY	DESCRIPTION	REV
	1001186375	Ref	PLATFORM ASSEMBLY	B
		Ref	Note: Replacement Decals Must be Ordered Separately - See DECALS SECTION.	
1	0100011	AR	Compound, Locking	
2	0641418	2	Bolt 1/4 x 2-1/4	
3	0961845	2	Bushing	
4	3290606	2	Nut M6	
5	3300151	2	Nut 1/4	
6	3520072	2	Plug	
7	3520198	2	Plug	
8	4010618	2	Screw M6 x 50	
9	4711400	4	Washer 1/4	
10	4811700	2	Washer M6	
11	1001138494	1	Bar, Drop	
12	1001138514	1	Rail - Top	
13	1001140429	1	Decal - Drop Bar	
14	See Note	1	Platform (Note: Not Available - Purchase Platform Assembly)	

SECTION 5 - PLATFORM

FIGURE 5-3. PLATFORM ASSEMBLY - 30IN X 6FT (76CM X 1.83M) WITH SWING GATE



ART_1001186385

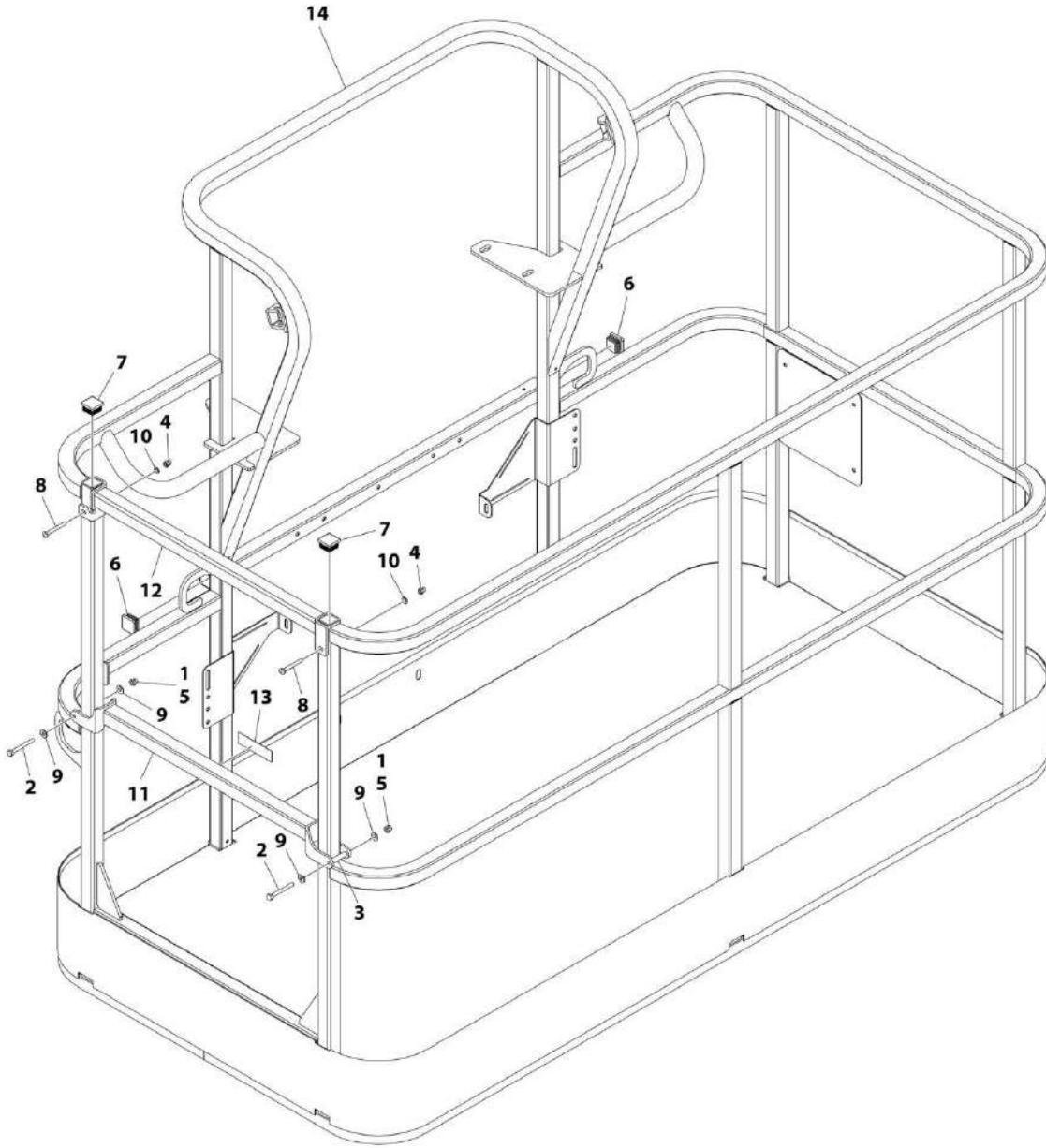
SECTION 5 - PLATFORM

FIGURE 5-3. PLATFORM ASSEMBLY - 30IN X 6FT (76CM X 1.83M) WITH SWING GATE

ITEM	PART NUMBER	QTY	DESCRIPTION	REV
	1001186385	Ref	PLATFORM ASSEMBLY	D
		Ref	Note: Platform and Mesh must be ordered separately for Platforms with Mesh. See SPECIAL OPTIONS SECTION for Mesh Installations.	
		Ref	Note: Replacement Decals Must be Ordered Separately - See DECALS SECTION.	
1	2080040	16	Fastener, Huck	
2	2600281	2	Hinge	
3	2940074	1	Latch	
4	3520072	3	Plug	
5	3520198	2	Plug	
6	3820020	4	Rivet	
7	1001144629	1	Gate	
8	See Note	1	Platform (Note: Not Available - Purchase Platform Assembly)	

SECTION 5 - PLATFORM

FIGURE 5-4. PLATFORM ASSEMBLY - 30IN X 6FT (76CM X 1.83M) WITH DROP BAR



ART_1001186378

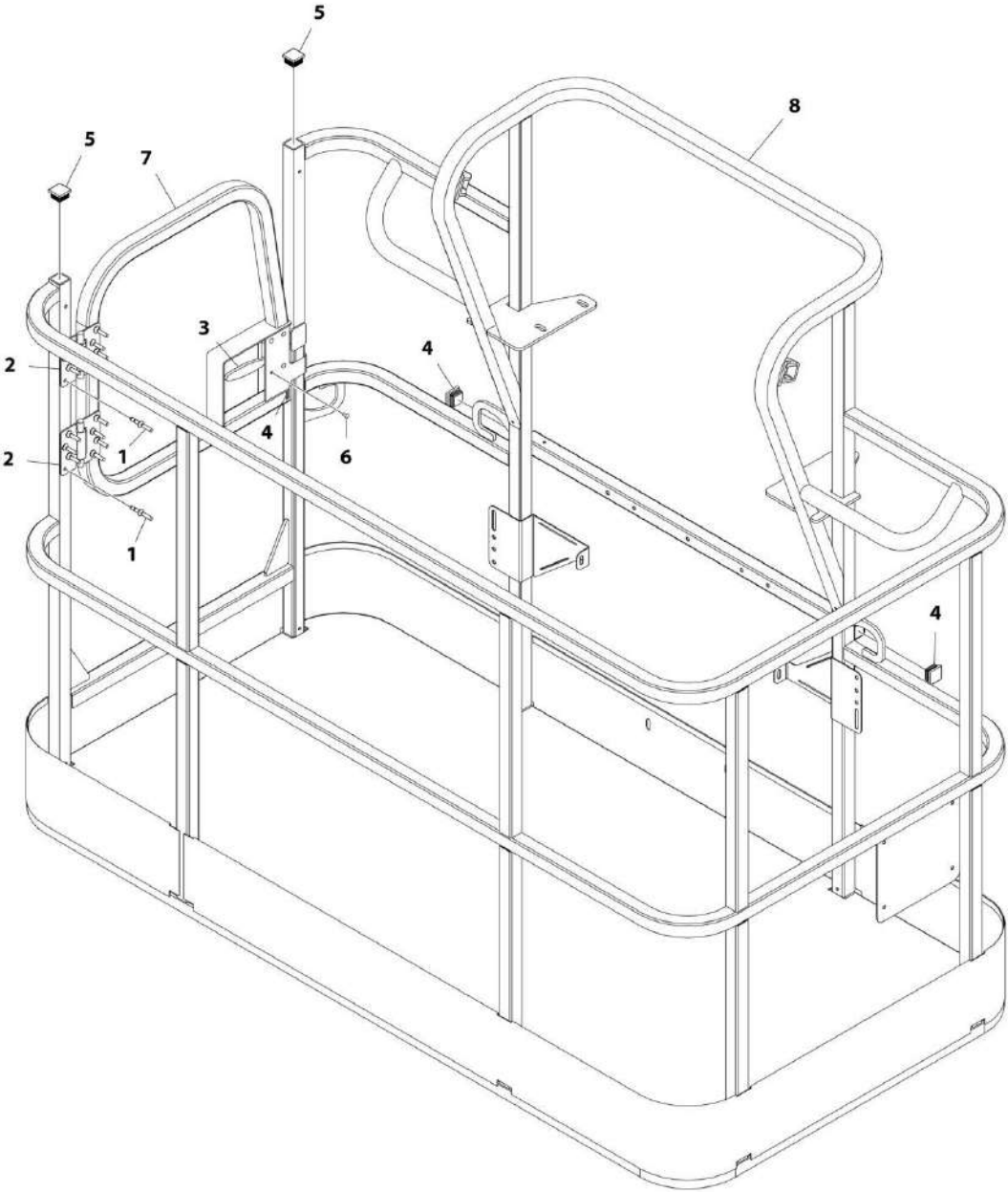
SECTION 5 - PLATFORM

FIGURE 5-4. PLATFORM ASSEMBLY - 30IN X 6FT (76CM X 1.83M) WITH DROP BAR

ITEM	PART NUMBER	QTY	DESCRIPTION	REV
	1001186378	Ref	PLATFORM ASSEMBLY	C
		Ref	Note: Platform and Mesh must be ordered separately for Platforms with Mesh. See SPECIAL OPTIONS SECTION for Mesh Installations.	
		Ref	Note: Replacement Decals Must be Ordered Separately - See DECALS SECTION.	
1	0100011	AR	Compound, Locking	
2	0641418	2	Bolt 1/4 x 2-1/4	
3	0961845	2	Bushing	
4	3290606	2	Nut M6	
5	3300151	2	Nut 1/4	
6	3520072	2	Plug	
7	3520198	2	Plug	
8	4010618	2	Screw M6 x 50	
9	4711400	4	Washer 1/4	
10	4811700	2	Washer M6	
11	1001138494	1	Bar, Drop	
12	1001138514	1	Rail (Top)	
13	1001140429	1	Decal - Drop Bar	
14	See Note	1	Platform (Note: Not Available - Purchase Platform Assembly)	

SECTION 5 - PLATFORM

FIGURE 5-5. PLATFORM ASSEMBLY - 36IN X 6FT (91.5CM X 1.83M) WITH SWING GATE



ART_1001186384

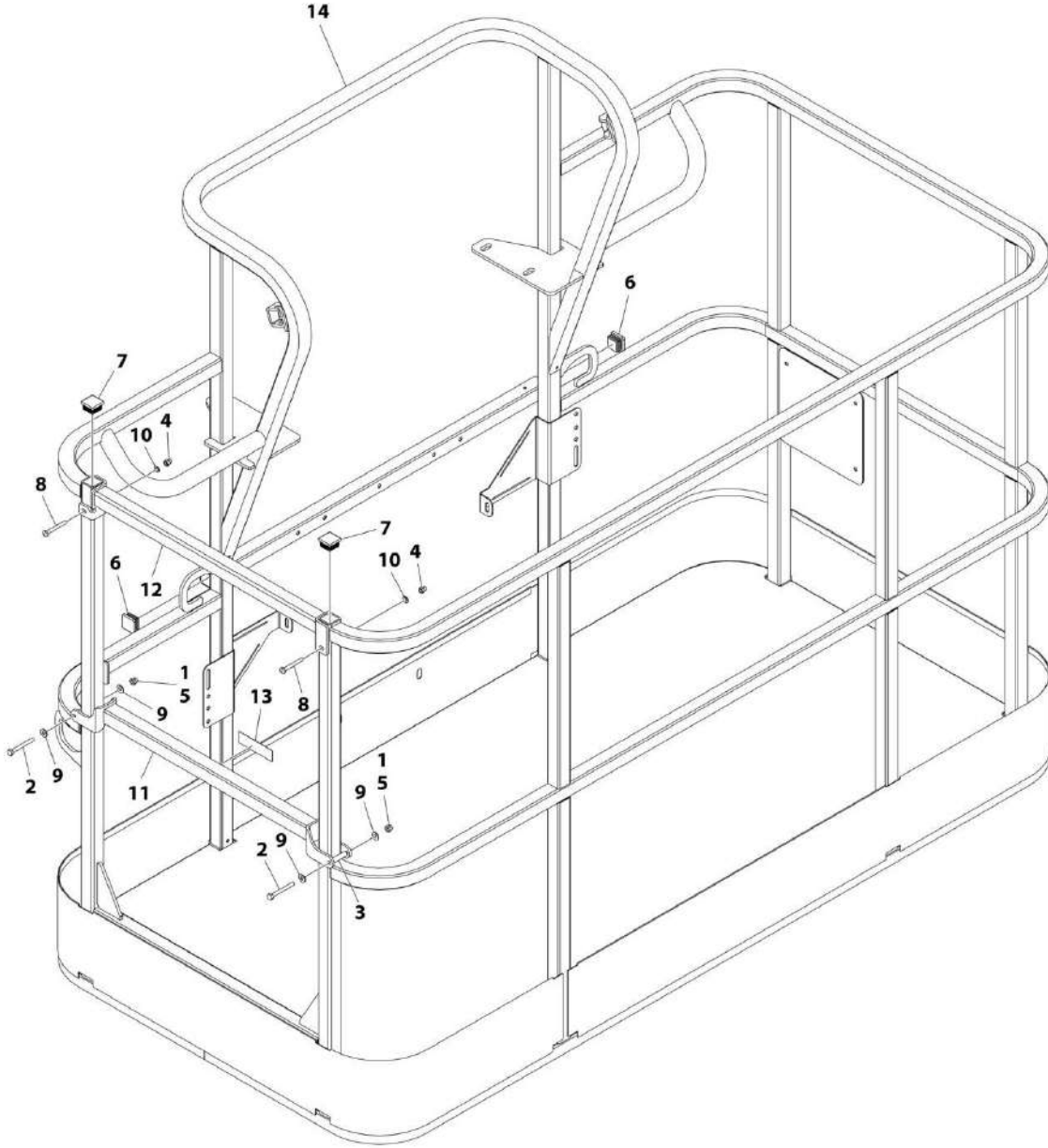
SECTION 5 - PLATFORM

FIGURE 5-5. PLATFORM ASSEMBLY - 36IN X 6FT (91.5CM X 1.83M) WITH SWING GATE

ITEM	PART NUMBER	QTY	DESCRIPTION	REV
	1001186384	Ref	PLATFORM ASSEMBLY	B
		Ref	Note: Platform and Mesh must be ordered separately for Platforms with Mesh. See SPECIAL OPTIONS SECTION for Mesh Installations.	
		Ref	Note: Replacement Decals Must be Ordered Separately - See DECALS SECTION.	
1	2080040	16	Fastener, Huck	
2	2600281	2	Hinge	
3	2940074	1	Latch	
4	3520072	3	Plug	
5	3520198	2	Plug	
6	3820020	4	Rivet	
7	1001144629	1	Gate	
8	See Note	1	Platform (Note: Not Available - Purchase Platform Assembly)	

SECTION 5 - PLATFORM

FIGURE 5-6. PLATFORM ASSEMBLY - 36IN X 6FT (91.5CM X 1.83M) WITH DROP BAR



ART_1001186379

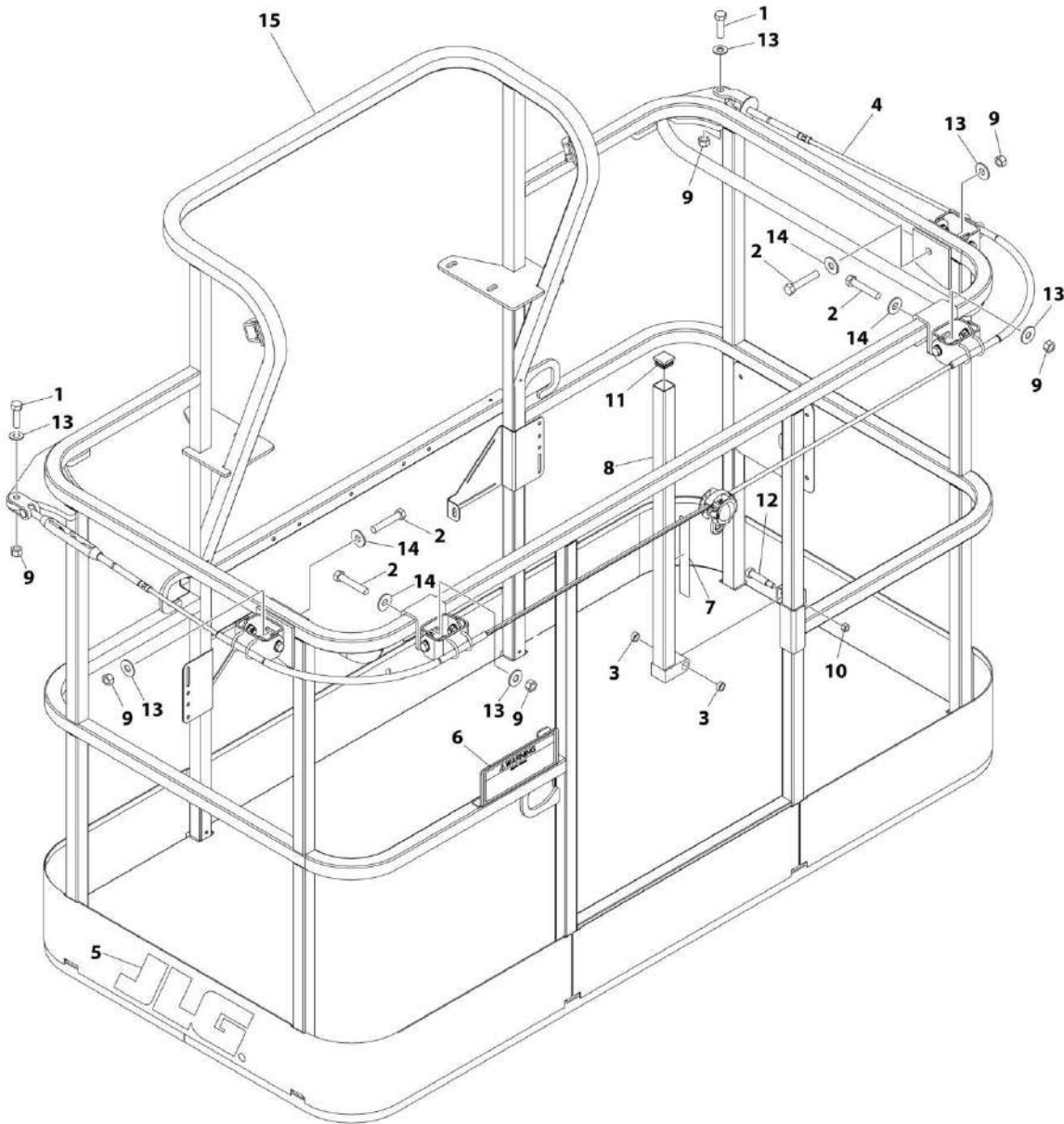
SECTION 5 - PLATFORM

FIGURE 5-6. PLATFORM ASSEMBLY - 36IN X 6FT (91.5CM X 1.83M) WITH DROP BAR

ITEM	PART NUMBER	QTY	DESCRIPTION	REV
	1001186379	Ref	PLATFORM ASSEMBLY	B
		Ref	Note: Platform and Mesh must be ordered separately for Platforms with Mesh. See SPECIAL OPTIONS SECTION for Mesh Installations.	
		Ref	Note: Replacement Decals Must be Ordered Separately - See DECALS SECTION.	
1	0100011	AR	Compound, Locking	
2	0641418	2	Bolt 1/4 x 2-1/4	
3	0961845	2	Bushing	
4	3290606	2	Nut M6	
5	3300151	2	Nut 1/4	
6	3520072	2	Plug	
7	3520198	2	Plug	
8	4010618	2	Screw M6 x 50	
9	4711400	4	Washer 1/4	
10	4811700	2	Washer M6	
11	1001138494	1	Bar, Drop	
12	1001138514	1	Rail (Top)	
13	1001140429	1	Decal - Drop Bar	
14	See Note	1	Platform (Note: Not Available - Purchase Platform Assembly)	

SECTION 5 - PLATFORM

FIGURE 5-7. PLATFORM ASSEMBLY - 36IN X 6FT (91.5CM X 1.83M) WITH FALL ARREST (ANSI, ANSI EXPORT, CHINA & CSA SPECS)



ART_1001186333

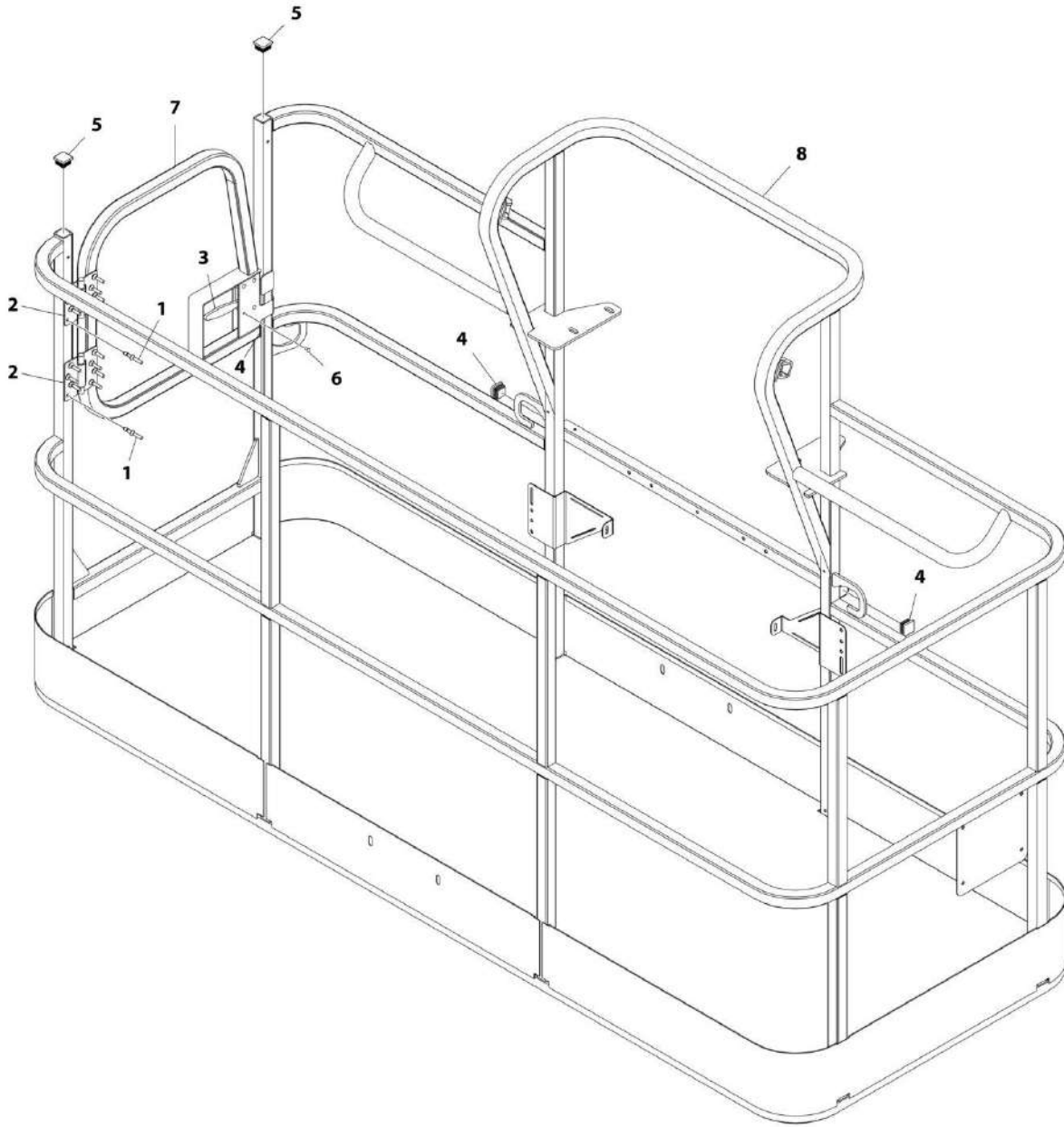
SECTION 5 - PLATFORM

FIGURE 5-7. PLATFORM ASSEMBLY - 36IN X 6FT (91.5CM X 1.83M) WITH FALL ARREST (ANSI, ANSI EXPORT, CHINA & CSA SPECS)

ITEM	PART NUMBER	QTY	DESCRIPTION	REV
	1001186333	Ref	PLATFORM ASSEMBLY	C
		Ref	Note: Fall Arrest Not Available on Australian and CE Specs.	
		Ref	Note: Replacement Decals Must be Ordered Separately - See DECALS SECTION.	
1	0681814	2	Bolt 1/2 x 1-3/4 Grade 8	
2	0681822	4	Bolt 1/2 x 2-3/4 Grade 8	
3	0962270	2	Bearing	
4	1001203655	1	Cable	
5	1702773	1	Decal - JLG	
6	1705014	1	Decal - Safety	
7	1706385	1	Decal - Drop Bar	
8	2410014	1	Bar, Drop	
9	3271805	6	Nut 1/2 Grade 8	
10	3311605	1	Nut 3/8	
11	3520072	1	Plug	
12	3900054	1	Bolt 1/2 x 1-3/4	
13	4711800	8	Washer 1/2	
14	4751800	4	Washer 1/2	
15	See Note	1	Platform (Note: Not Available - Purchase Platform Assembly)	

SECTION 5 - PLATFORM

FIGURE 5-8. PLATFORM ASSEMBLY - 36IN X 8FT (91.5CM X 2.44M) WITH SWING GATE



ART_1001186383

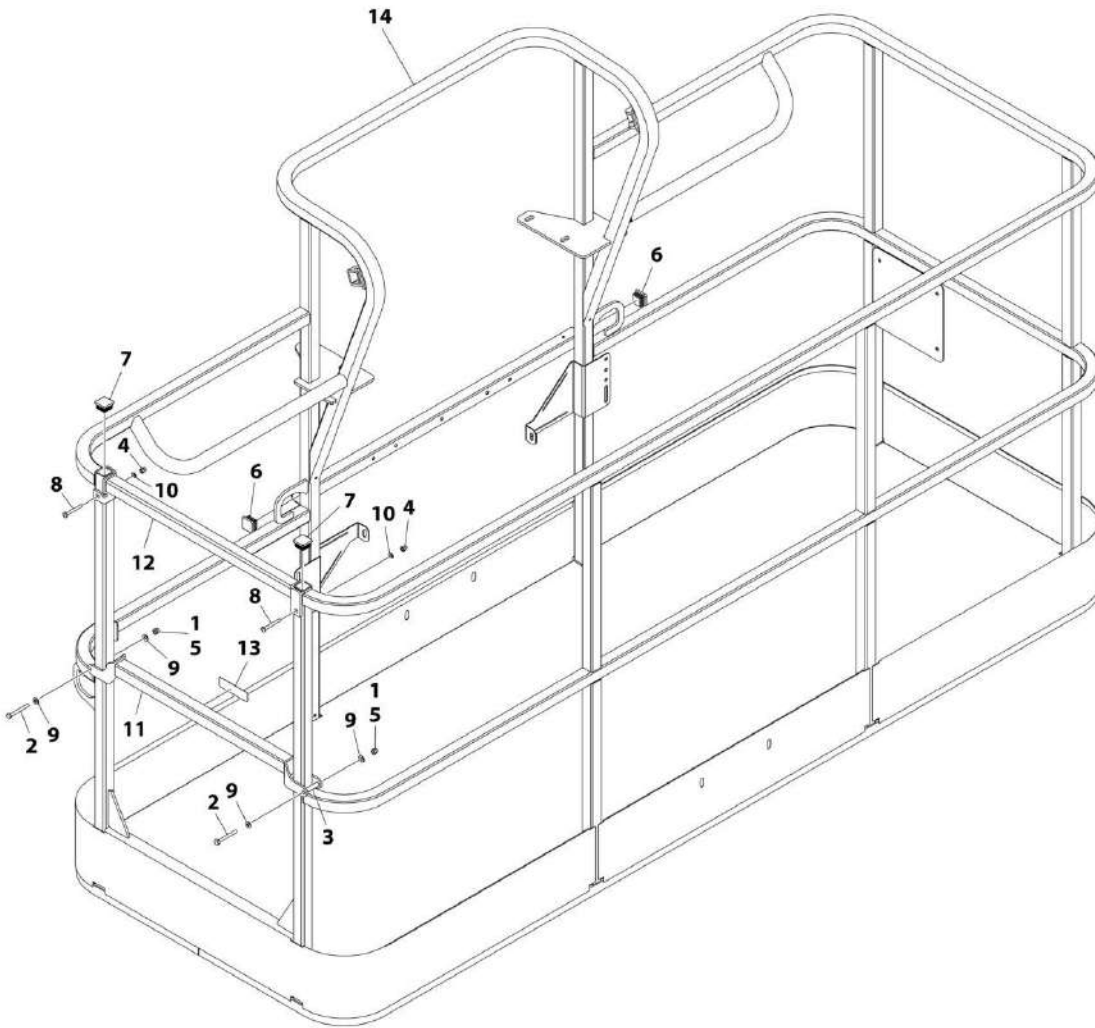
SECTION 5 - PLATFORM

FIGURE 5-8. PLATFORM ASSEMBLY - 36IN X 8FT (91.5CM X 2.44M) WITH SWING GATE

ITEM	PART NUMBER	QTY	DESCRIPTION	REV
	1001186383	Ref	PLATFORM ASSEMBLY	C
		Ref	Note: Platform and Mesh must be ordered separately for Platforms with Mesh. See SPECIAL OPTIONS SECTION for Mesh Installations.	
		Ref	Note: Replacement Decals Must be Ordered Separately - See DECALS SECTION.	
1	2080040	16	Fastener, Huck	
2	2600281	2	Hinge	
3	2940074	1	Latch	
4	3520072	3	Plug	
5	3520198	2	Plug	
6	3820020	4	Rivet	
7	1001144629	1	Gate	
8	See Note	1	Platform (Note: Not Available - Purchase Platform Assembly)	

SECTION 5 - PLATFORM

FIGURE 5-9. PLATFORM ASSEMBLY - 36IN X 8FT (91.5CM X 2.44M) WITH DROP BAR



ART_1001186382

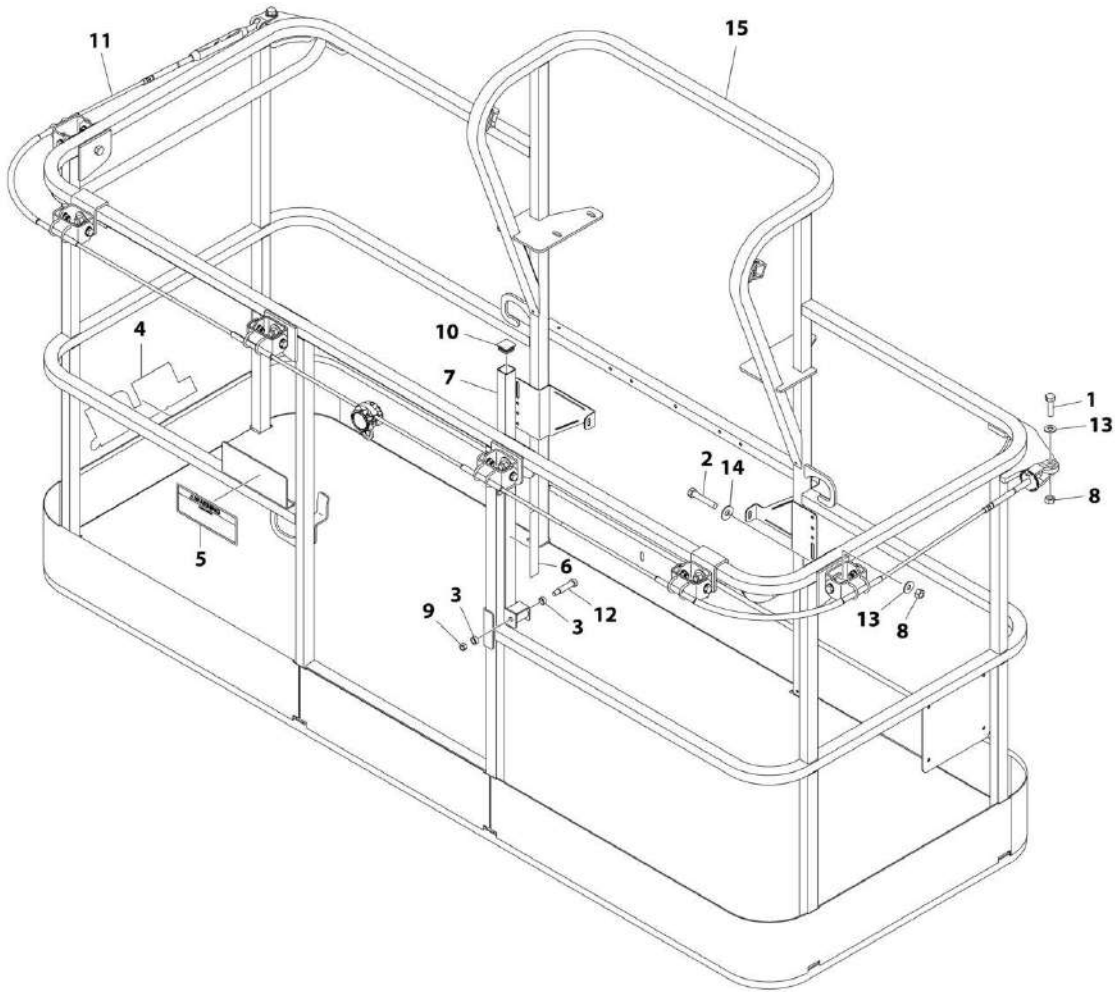
SECTION 5 - PLATFORM

FIGURE 5-9. PLATFORM ASSEMBLY - 36IN X 8FT (91.5CM X 2.44M) WITH DROP BAR

ITEM	PART NUMBER	QTY	DESCRIPTION	REV
	1001186382	Ref	PLATFORM ASSEMBLY	C
		Ref	Note: Platform and Mesh must be ordered separately for Platforms with Mesh. See SPECIAL OPTIONS SECTION for Mesh Installations.	
		Ref	Note: Replacement Decals Must be Ordered Separately - See DECALS SECTION.	
1	0100011	AR	Compound, Locking	
2	0641418	2	Bolt 1/4 x 2-1/4	
3	0961845	2	Bushing	
4	3290606	2	Nut M6	
5	3300151	2	Nut 1/4	
6	3520072	2	Plug	
7	3520198	2	Plug	
8	4010618	2	Screw M6 x 50	
9	4711400	4	Washer 1/4	
10	4811700	2	Washer M6	
11	1001138494	1	Bar, Drop	
12	1001138514	1	Rail (Top)	
13	1001140429	1	Decal - Drop Bar	
14	See Note	NSS	Platform (Note: Not Available - Purchase Platform Assembly)	

SECTION 5 - PLATFORM

FIGURE 5-10. PLATFORM ASSEMBLY - 36IN X 8FT (91.5CM X 2.44M) WITH FALL ARREST



ART_1001186334

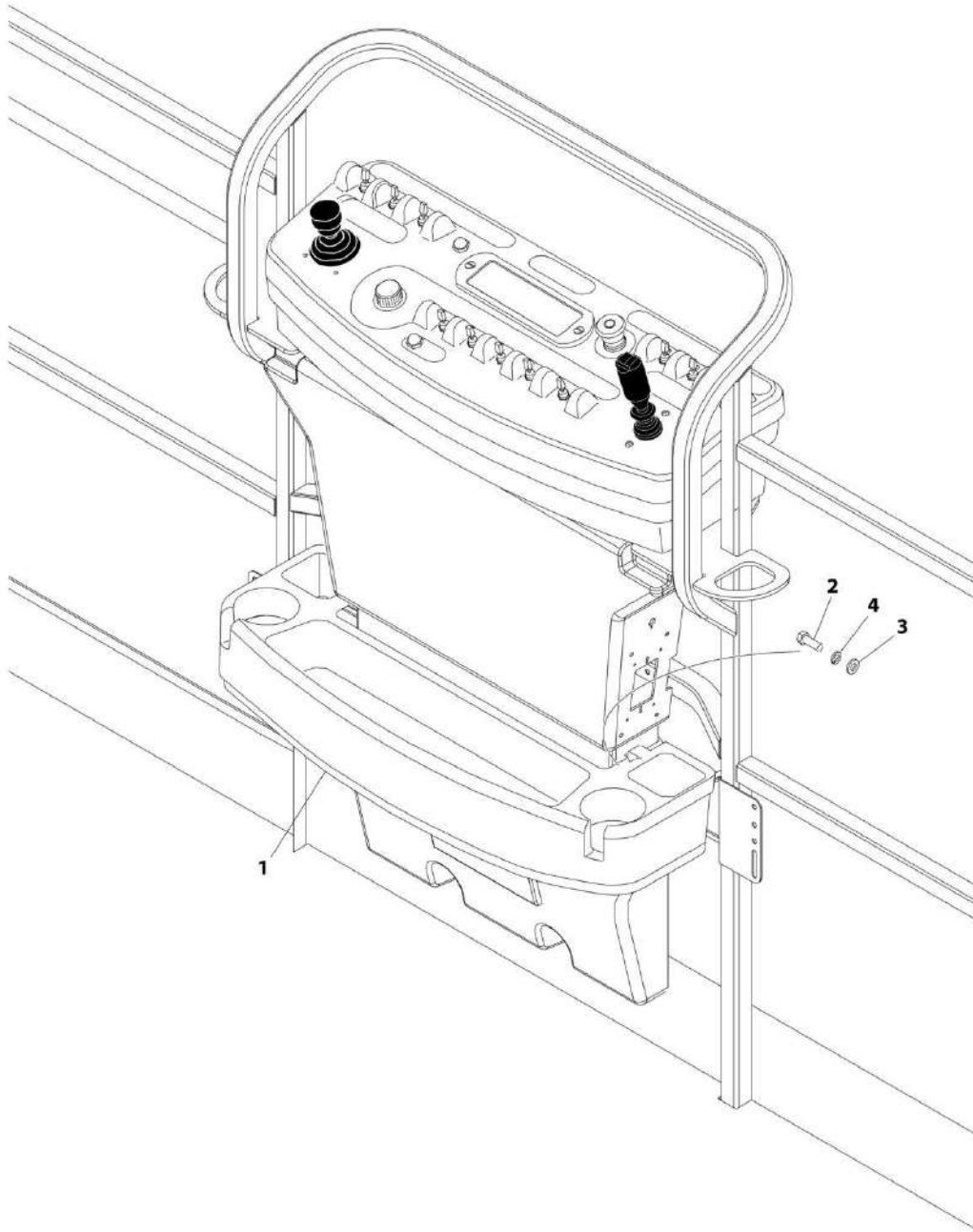
SECTION 5 - PLATFORM

FIGURE 5-10. PLATFORM ASSEMBLY - 36IN X 8FT (91.5CM X 2.44M) WITH FALL ARREST

ITEM	PART NUMBER	QTY	DESCRIPTION	REV
	1001186334	Ref	PLATFORM ASSEMBLY	D
		Ref	Note: Replacement Decals Must be Ordered Separately - See DECALS SECTION.	
		Ref	Note: Fall Arrest Not Available on Australian and CE Specs.	
1	0681814	2	Bolt 1/2 x 1-3/4 Grade 8	
2	0681822	6	Bolt 1/2 x 2-3/4 Grade 8	
3	0962270	2	Bearing	
4	1702773	1	Decal - JLG	
5	1705014	1	Decal - Safety	
6	1706385	1	Decal - Drop Bar	
7	2410014	1	Bar, Drop	
8	3271805	8	Nut 1/2 Grade 8	
9	3311605	1	Nut 3/8	
10	3520072	1	Plug	
11	1001203656	1	Cable	
12	3900054	1	Bolt 1/2 x 1-3/4	
13	4711800	2	Washer 1/2	
14	4751800	6	Washer 1/2	
15	See Note	NSS	Platform (Note: Purchase Platform Assembly)	

SECTION 5 - PLATFORM

FIGURE 5-11. TRAY ASSEMBLY



ART_1580012

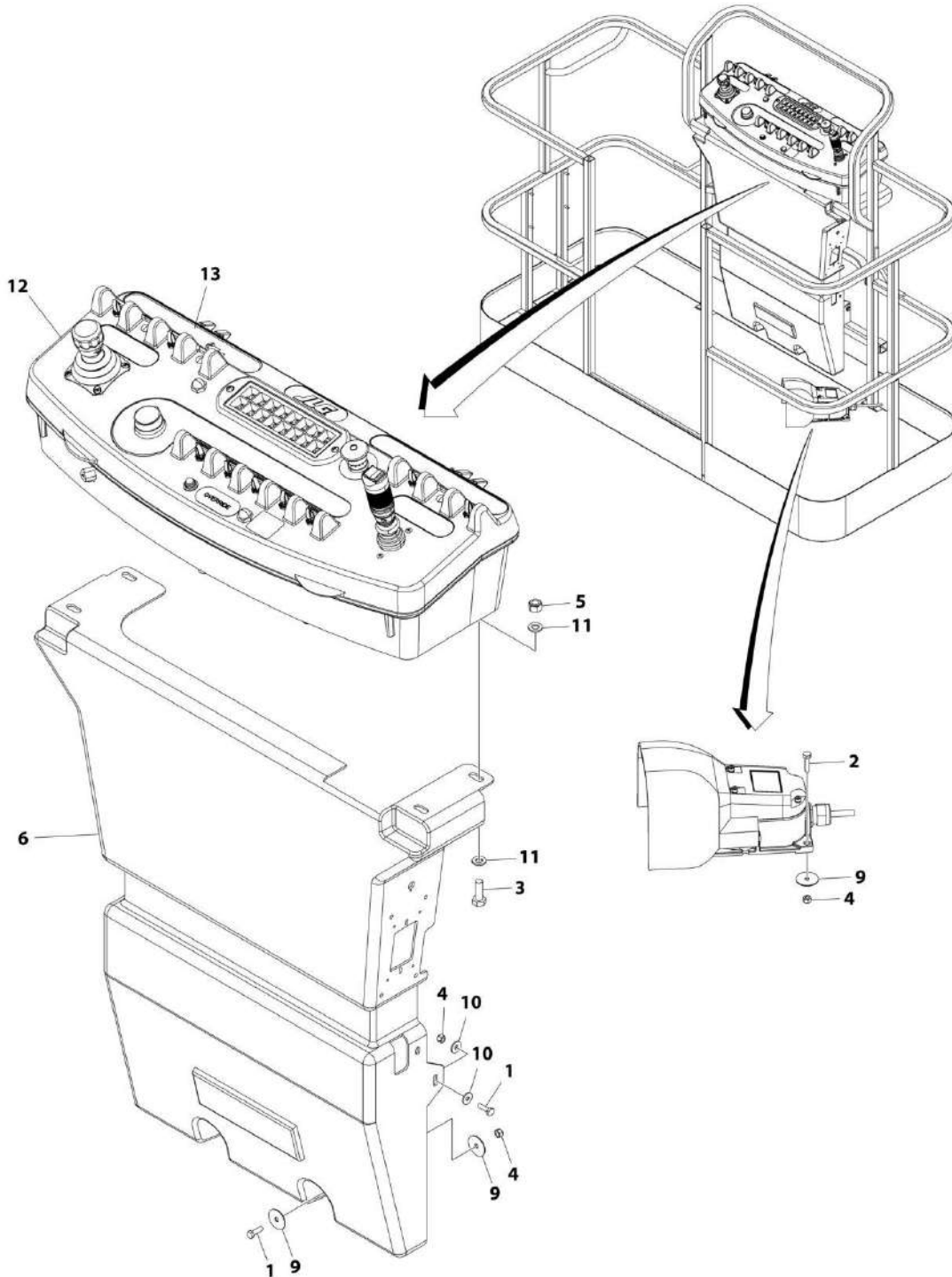
SECTION 5 - PLATFORM

FIGURE 5-11. TRAY ASSEMBLY

ITEM	PART NUMBER	QTY	DESCRIPTION	REV
	1580012	Ref	TRAY ASSEMBLY	C
1	See Note	1	Tray, Storage (Center) (Note: Purchase p/n 1580012)	
2	0641406	2	Bolt 1/4 x 3/4	
3	4751400	2	Washer 1/4	
4	4761400	2	Washer 1/4	

SECTION 5 - PLATFORM

FIGURE 5-12. PLATFORM CONSOLE AND FOOTSWITCH INSTALLATION



ART_1001222706

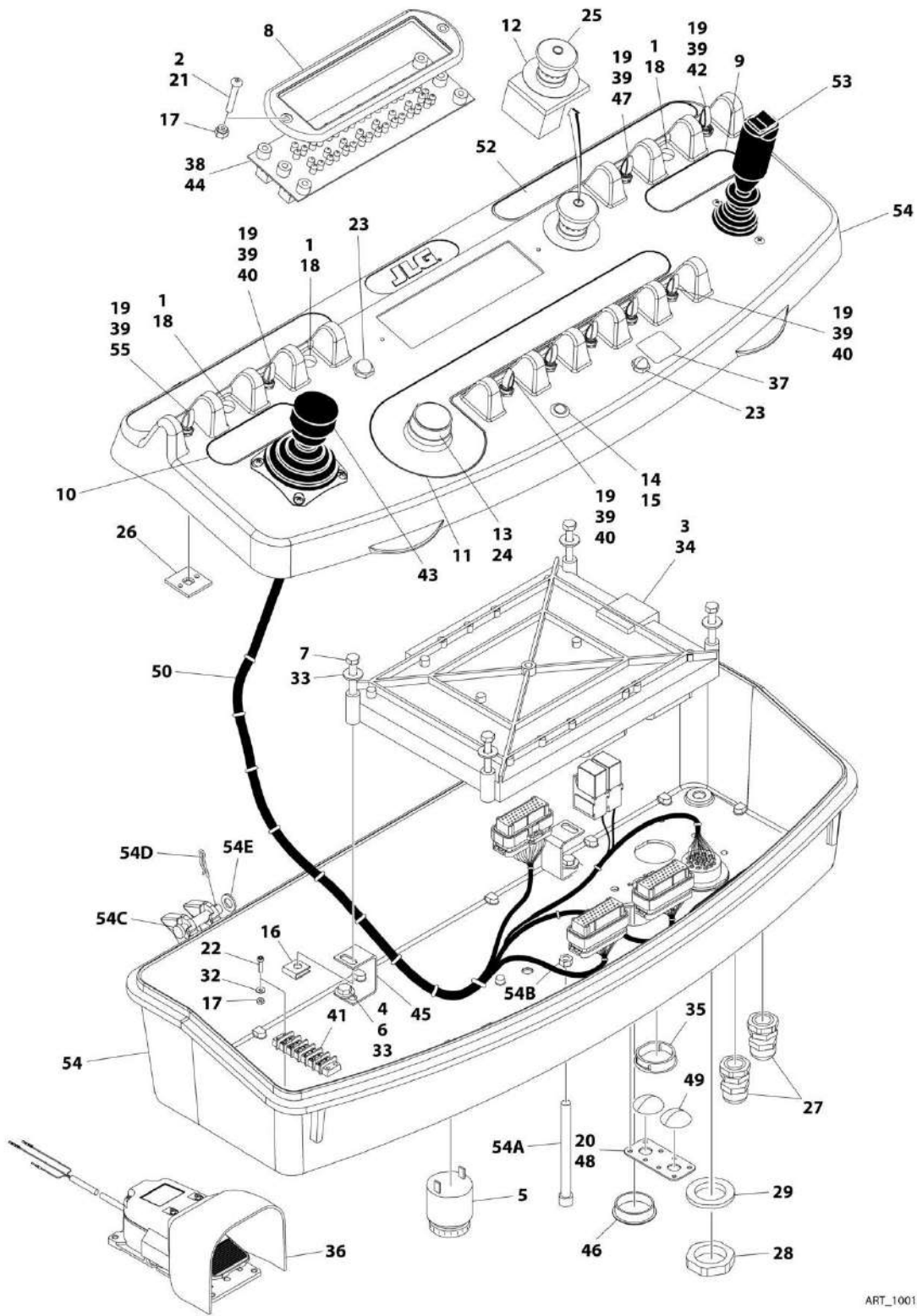
SECTION 5 - PLATFORM

FIGURE 5-12. PLATFORM CONSOLE AND FOOTSWITCH INSTALLATION

ITEM	PART NUMBER	QTY	DESCRIPTION	REV
	1001222706	Ref	PLATFORM CONSOLE AND FOOTSWITCH INSTALLATION	B
1	0641406	4	Bolt 1/4 x 3/4	
2	0641408	3	Bolt 1/4 x 1	
3	0641610	4	Bolt 3/8 x 1-1/4	
4	3311405	7	Nut 1/4	
5	3311605	4	Nut 3/8	
6	3380434	1	Panel	
9	4740362	7	Washer	
10	4751400	4	Washer 1/4	
11	4761600	8	Washer 3/8	
12	1001222707	1	Platform Console Assembly (See Separate Breakdown in this Section)	
13	1702676	1	Decal - Horn	

SECTION 5 - PLATFORM

FIGURE 5-13. CONSOLE BOX ASSEMBLY



ART_1001222707

SECTION 5 - PLATFORM

FIGURE 5-13. CONSOLE BOX ASSEMBLY

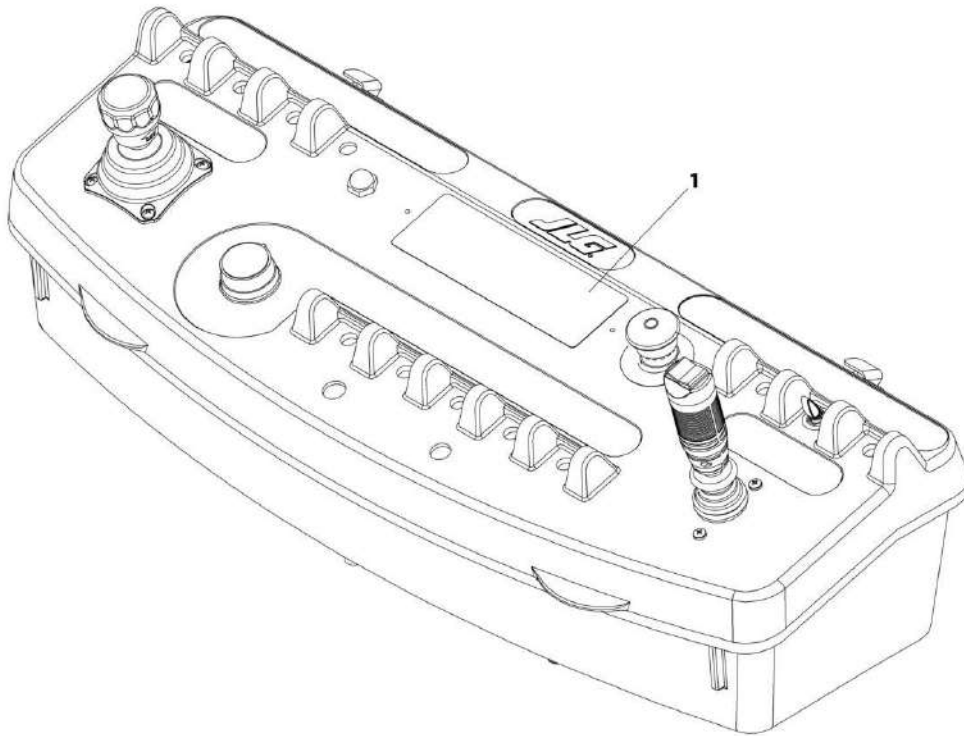
ITEM	PART NUMBER	QTY	DESCRIPTION	REV
	1001222707	Ref	CONSOLE BOX ASSEMBLY	F
1	0100009	AR	Sealant	
2	0100035	AR	Compound, Locking	
3	0100048	AR	Grease, Dielectric	
4	0100081	AR	Adhesive	
5	0140011	1	Alarm	
6	0641404	4	Bolt 1/4 x 1/2	
7	0641414	4	Bolt 1/4 x 1-3/4	
8	1670829	1	Bezel	
9	1702565	1	Decal - Drive and Steer	
10	1702566	1	Decal - Lift and Swing	
11	1702567	1	Decal - Function Speed	
12	1704260	1	Decal - Emergency Stop	
13	2560136	1	Handle, Knob	
14	2920028	1	Light, Indicator	
15	2920029	1	Bulb, Light	
16	3300353	4	Nut, Tinnerman	
17	3311005	4	Nut #10	
18	3520054	3	Plug	
19	3790012	9	O-Ring	
20	3900349	8	Capscrew M2.5 x 8	
21	3911018	2	Screw #10 x 1-1/8	
22	3931012	2	Capscrew #10 x 3/4	
22	3931016	2	Capscrew #10 x 1	
23	4360387	2	Switch, Push Button	
24	4360407	1	Controller, Speed	
24	4460224	1	Receptacle, Female - 6 Position	
24	4460226	6	Socket, Female	
24	See Note	1	Gasket "Top Hat" (Included with Switch) (Note: Not Available - Purchase Complete Controller)	
24	70003784	1	Seal	
25	4360475	1	Switch, Emergency Stop	
25	7020175	1	Cap, Red	
25	7020176	1	Block, Contact	
26	4460234	3	Mount, Tie-Strap	
27	4460428	2	Connector, Strain Relief	
28	4460470	1	Nut, Terminal	
29	4460471	1	Washer, Terminal	
30	4460708	1	Connector - 15 Position (Not Shown)	
32	4751000	2	Washer #10	
33	4751400	8	Washer 1/4	
34	1001106938	1	Module, Platform (Note: Re-calibration Required when Replaced)	
35	1001110434	1	Plug	
36	1001117174	1	Footswitch Assembly (See Separate Breakdown in this Section)	
37	1001144433	1	Decal - No Weight SkyGuard	
38	1001146220	1	Fixture, Light	
39	1001155044	9	Nut 15/32	
40	1001155045	6	Switch, Toggle	
41	1001157292	1	Bussbar	
42	1001159256	1	Switch, Toggle	

SECTION 5 - PLATFORM

ITEM	PART NUMBER	QTY	DESCRIPTION	REV
43	1001166539	NLA	Controller Assembly (Lift and Swing) (Use p/n 10012129555) (See Separate Breakdown in this Section)	
44	1001170838	1	Gauge, LED	
45	1001172760	4	Bracket	
46	1001185281	1	Plug	
47	1001211363	1	Switch, Toggle	
48	1001213882	1	Mount	
49	1001220486	1	Plug	
50	1001222042	1	Platform Console Harness (See Separate Breakdown in ELECTRICAL SECTION)	
52	1001222709	1	Decal - Stop	
53	1001166538	NLA	Controller Assembly (Drive and Steer) (Use p/n 1001212415) (See Separate Breakdown in this Section)	
54	1001215228	1	Console Box Assembly	
54A	0630568	1	Capscrew 3/8 x 4-1/2	
54B	3311601	1	Nut 3/8	
54C	3430616	2	Pin	
54D	3470003	2	Hairpin	
54E	4711600	2	Washer 3/8	
55	1001161709	1	Switch, Toggle	

SECTION 5 - PLATFORM

FIGURE 5-14. LIGHT PANEL INSTALLATION



ART_1001222710

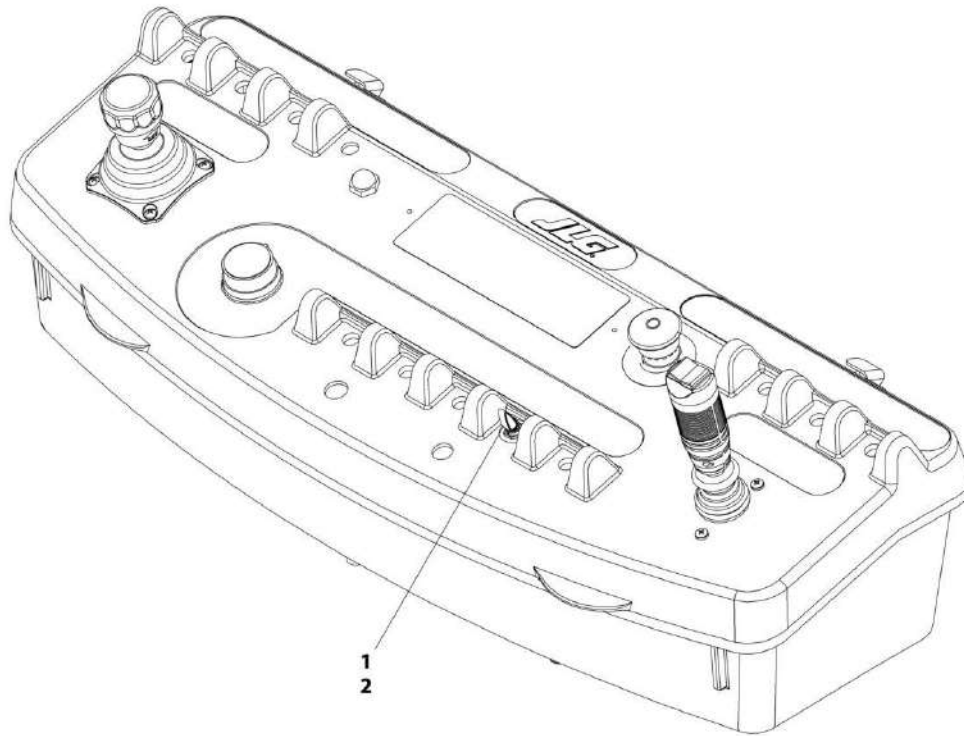
SECTION 5 - PLATFORM

FIGURE 5-14. LIGHT PANEL INSTALLATION

ITEM	PART NUMBER	QTY	DESCRIPTION	REV
1	1001222710	Ref	LIGHT PANEL INSTALLATION	A
	1001222713	1	Decal - Display	

SECTION 5 - PLATFORM

FIGURE 5-15. JIB SWITCH INSTALLATION



ART_0271340

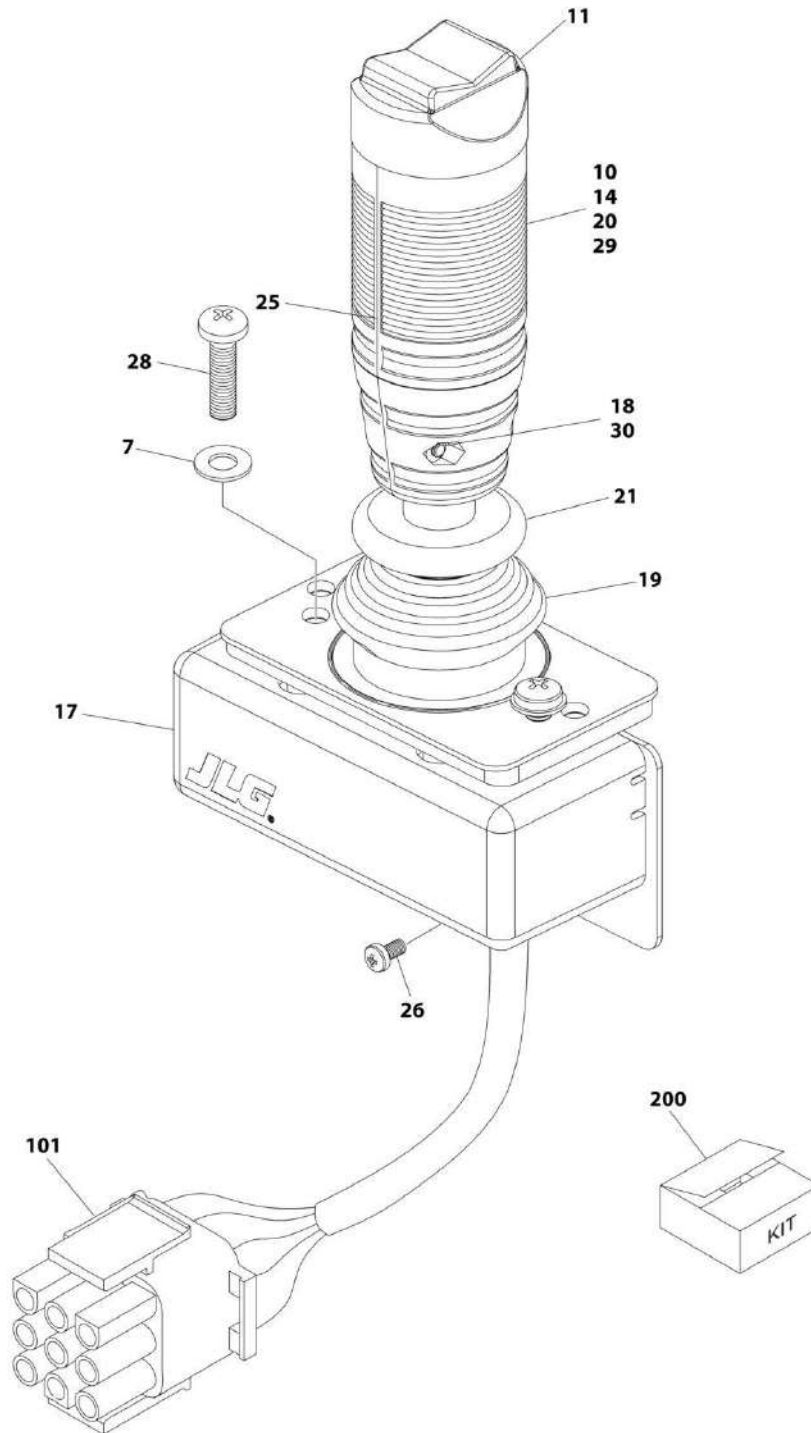
SECTION 5 - PLATFORM

FIGURE 5-15. JIB SWITCH INSTALLATION

ITEM	PART NUMBER	QTY	DESCRIPTION	REV
	0271340	Ref	JIB SWITCH INSTALLATION	1/A
1	4360328	1	Switch, Toggle	
2	3790012	1	O-Ring	

SECTION 5 - PLATFORM

FIGURE 5-16. CONTROLLER ASSEMBLY (DRIVE AND STEER)



ART_1001166538

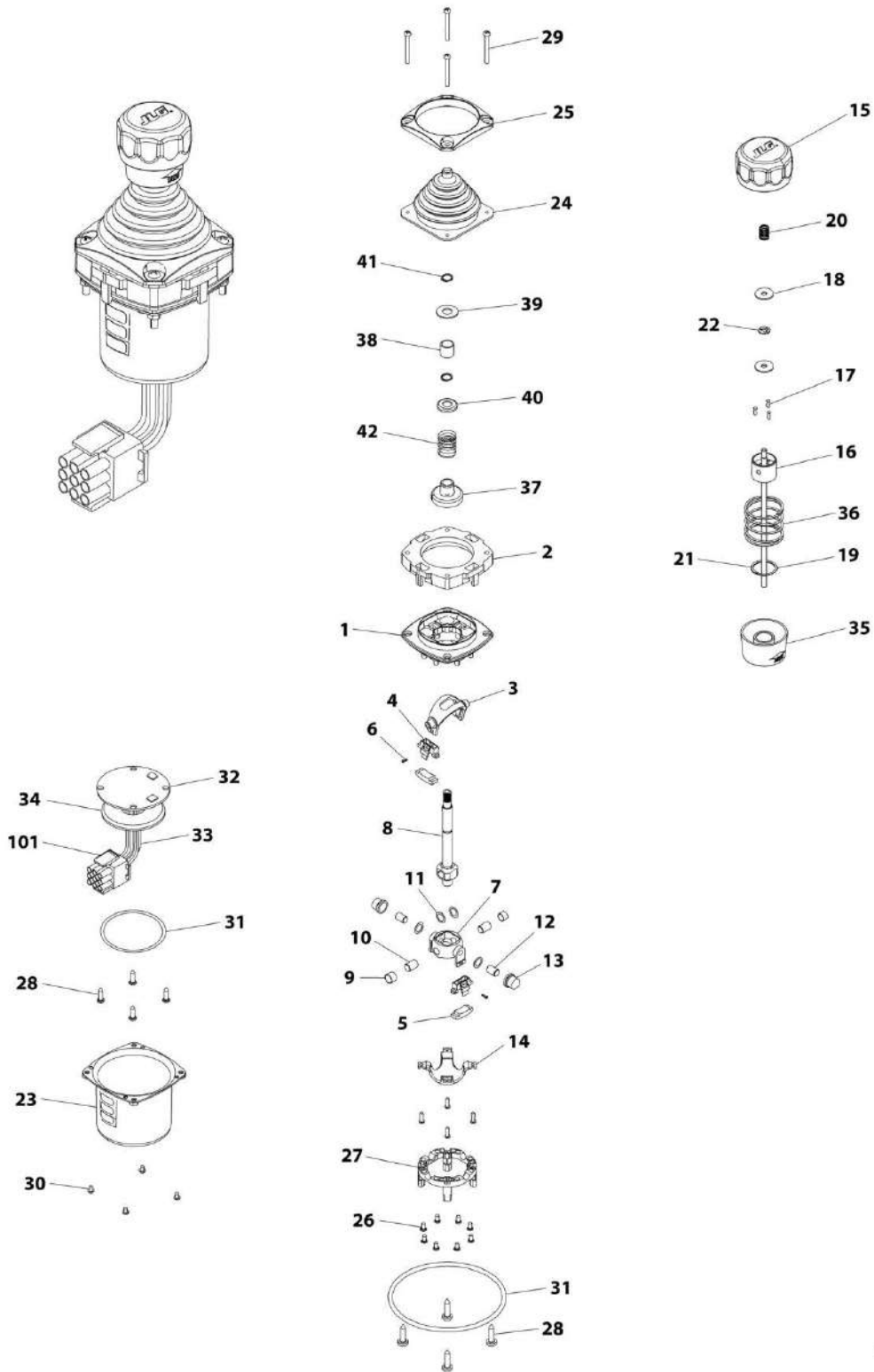
SECTION 5 - PLATFORM

FIGURE 5-16. CONTROLLER ASSEMBLY (DRIVE AND STEER)

ITEM	PART NUMBER	QTY	DESCRIPTION	REV
	1001166538	Ref	CONTROLLER ASSEMBLY	G
		Ref	Note : Use p/n 1001212415 Kit as Replacement.	
7	70004738	2	Washer	
10	70004739	1	Roller	
11	70004740	1	Boot, Switch	
14	70004741	2	Half, Handle	
17	70004742	1	Enclosure	
18	70004743	4	Nut	
19	70004744	NLA	Boot, Controller (Note: Use Item 200)	
20	70004745	NLA	Tube, Locking (Note: Use Item 200)	
21	70004746	NLA	Disc, Locking (Note: Use Item 200)	
25	70004747	2	Seal, Rope	
26	70004748	1	Screw M3 x 6	
28	70004749	2	Screw M5 x 20	
29	70004750	1	Pin, Dowel	
30	70004751	4	Screw M3 x 16	
101	4460265	1	Connector - 9 Position	
101	4460226	7	Socket, Female	
200	70005230	1	Boot Kit (Includes Items 19-21)	

SECTION 5 - PLATFORM

FIGURE 5-17. CONTROLLER ASSEMBLY (LIFT AND SWING)



ART_1001166539

SECTION 5 - PLATFORM

FIGURE 5-17. CONTROLLER ASSEMBLY (LIFT AND SWING)

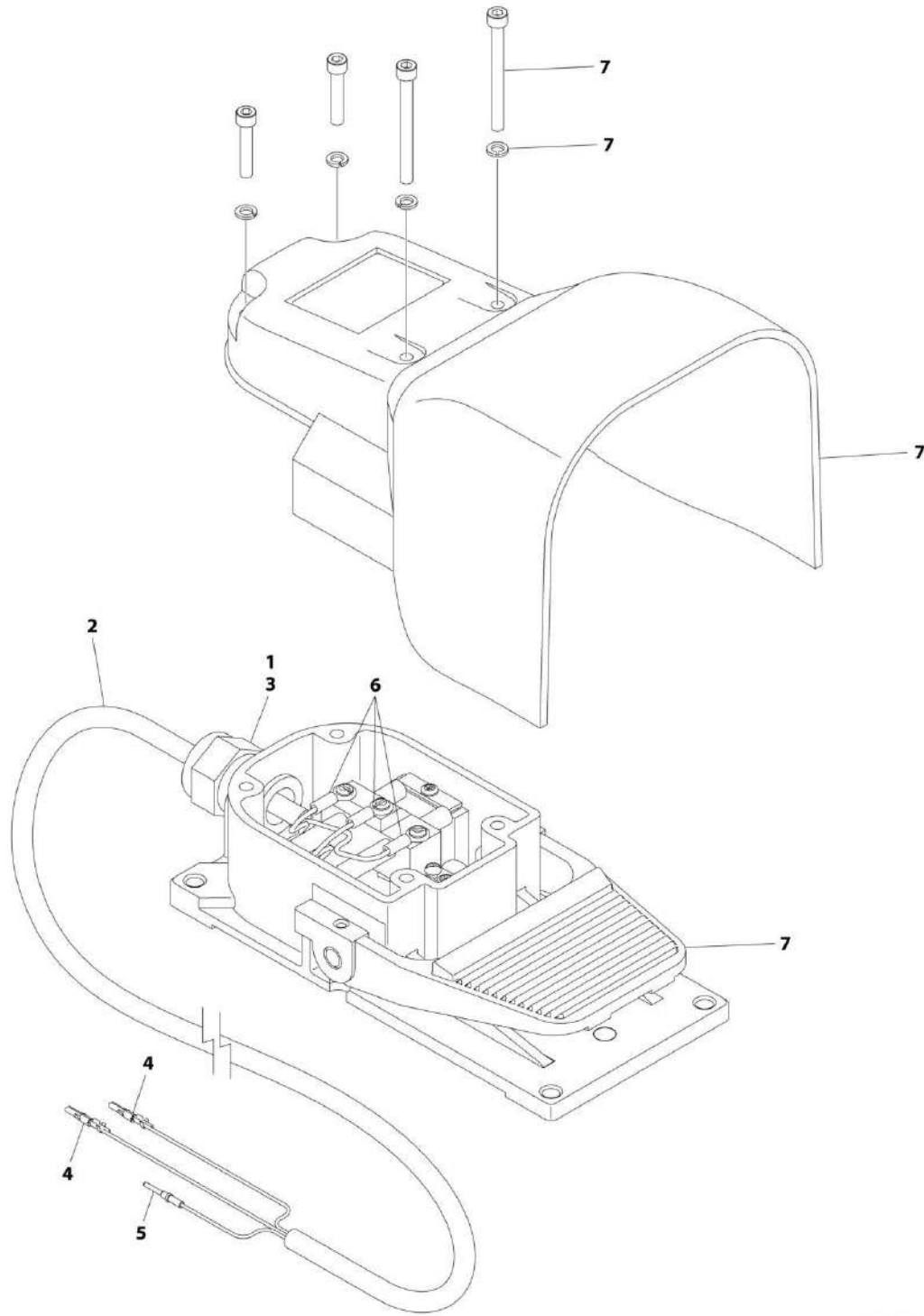
ITEM	PART NUMBER	QTY	DESCRIPTION	REV
	1001166539	Ref	CONTROLLER ASSEMBLY	D
		Ref	Note: Use p/n 1001129555 as Replacement.	
1	See Note	NSS	Main Cast Body (Note: Not Available - Purchase Complete Assembly)	
2	70004752	1	Adapter	
3	See Note	NSS	Pivot Arm, Plastic (Note: Not Available - Purchase Complete Assembly)	
4	See Note	NSS	Holder, Magnet (Note: Not Available - Purchase Complete Assembly)	
5	See Note	NSS	Arc, Magnet (Note: Not Available - Purchase Complete Assembly)	
6	See Note	NSS	Screw (Note: Not Available for Purchase)	
7	See Note	NSS	Pivot Arm, Cast (Note: Not Available - Purchase Complete Assembly)	
8	See Note	NSS	Shaft, Main (Note: Not Available - Purchase Complete Assembly)	
9	See Note	NSS	Bearing (Note: Not Available - Purchase Complete Assembly)	
10	See Note	NSS	Pin (Note: Not Available - Purchase Complete Assembly)	
11	See Note	NSS	Shim (Note: Not Available - Purchase Complete Assembly)	
12	See Note	NSS	Pin (Note: Not Available - Purchase Complete Assembly)	
13	See Note	NSS	Bearing (Note: Not Available - Purchase Complete Assembly)	
14	See Note	NSS	Dome, Centering (Note: Not Available - Purchase Complete Assembly)	
15	70004753	1	Cap	
16	70004754	1	Insert, Cap	
17	70004755	3	Pin	
18	70004756	2	Washer	
19	70004757	1	Pin, Centering	
20	70004758	1	Spring	
21	70004759	1	Ring, Retaining	
22	70004760	1	E-Ring	
23	70004761	1	Can, Enclosure	
24	70004762	1	Boot	
25	70004763	1	Bezel	
26	See Note	NSS	Screw (Note: Not Available for Purchase)	
27	See Note	NSS	Base Mounting (Note: Not Available - Purchase Complete Assembly)	
28	See Note	NSS	Screw (Note: Not Available for Purchase)	
29	70004764	4	Screw	
30	70004765	4	Screw	
31	70004766	1	O-Ring	
32	See Note	NSS	Plate (Note: Not Available - Purchase Complete Assembly)	
33	See Note	NSS	Harness (Note: Not Available - Purchase Complete Assembly)	
34	70004767	1	Grommet, Rubber	
35	70004768	1	Housing	
36	70004769	1	Spring	
37	70004770	1	Stopper	
38	70004771	1	Spacer	
39	70004772	1	Washer	
40	70004773	1	Disc	
41	70004774	2	Ring, Retaining	
42	70004775	1	Spring	

SECTION 5 - PLATFORM

ITEM	PART NUMBER	QTY	DESCRIPTION	REV
101	4460265	1	Connector - 9 Position	
101	4460226	6	Socket, Female	

SECTION 5 - PLATFORM

FIGURE 5-18. FOOTSWITCH ASSEMBLY



ART_1001117174

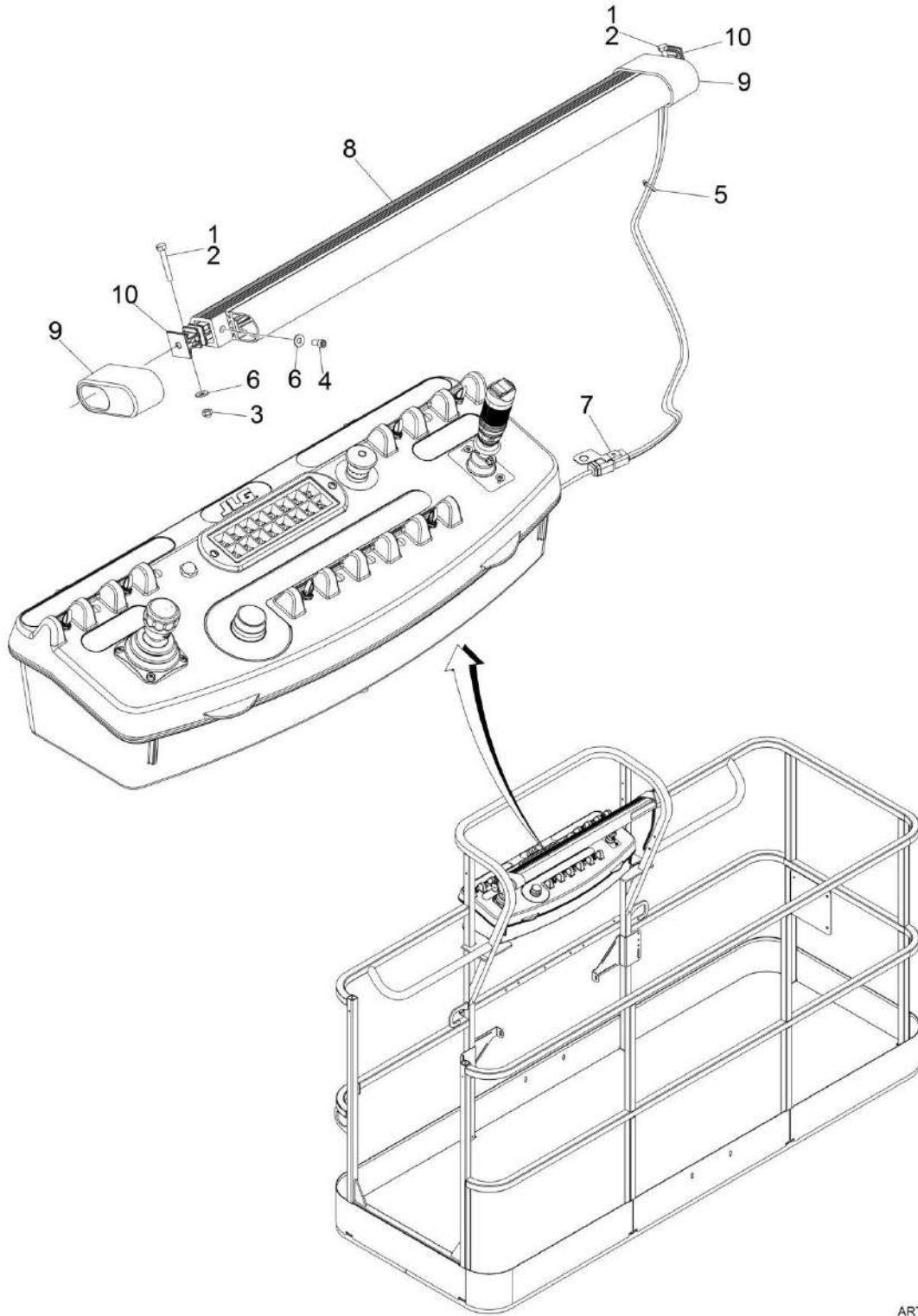
SECTION 5 - PLATFORM

FIGURE 5-18. FOOTSWITCH ASSEMBLY

ITEM	PART NUMBER	QTY	DESCRIPTION	REV
	1001117174	Ref	FOOTSWITCH ASSEMBLY	B
1	0100020	AR	Sealant	
2	1060918	7.5 ft/ 2.3m	Cable, Electrical - 18/3	
3	4460071	1	Connector, Strain Relief	
4	4460226	2	Socket, Female	
5	4460464	1	Pin, Male	
6	1001098122	3	Terminal	
7	1001117172	1	Footswitch	
7	70002902	1	Switch, 20Amp	
7	70002903	1	Gasket	
7	70002905	1	Cover	
7	70002904	1	Kit, Replacement Bolt	

SECTION 5 - PLATFORM

FIGURE 5-19. SKYGUARD INSTALLATION



ART_1001187508

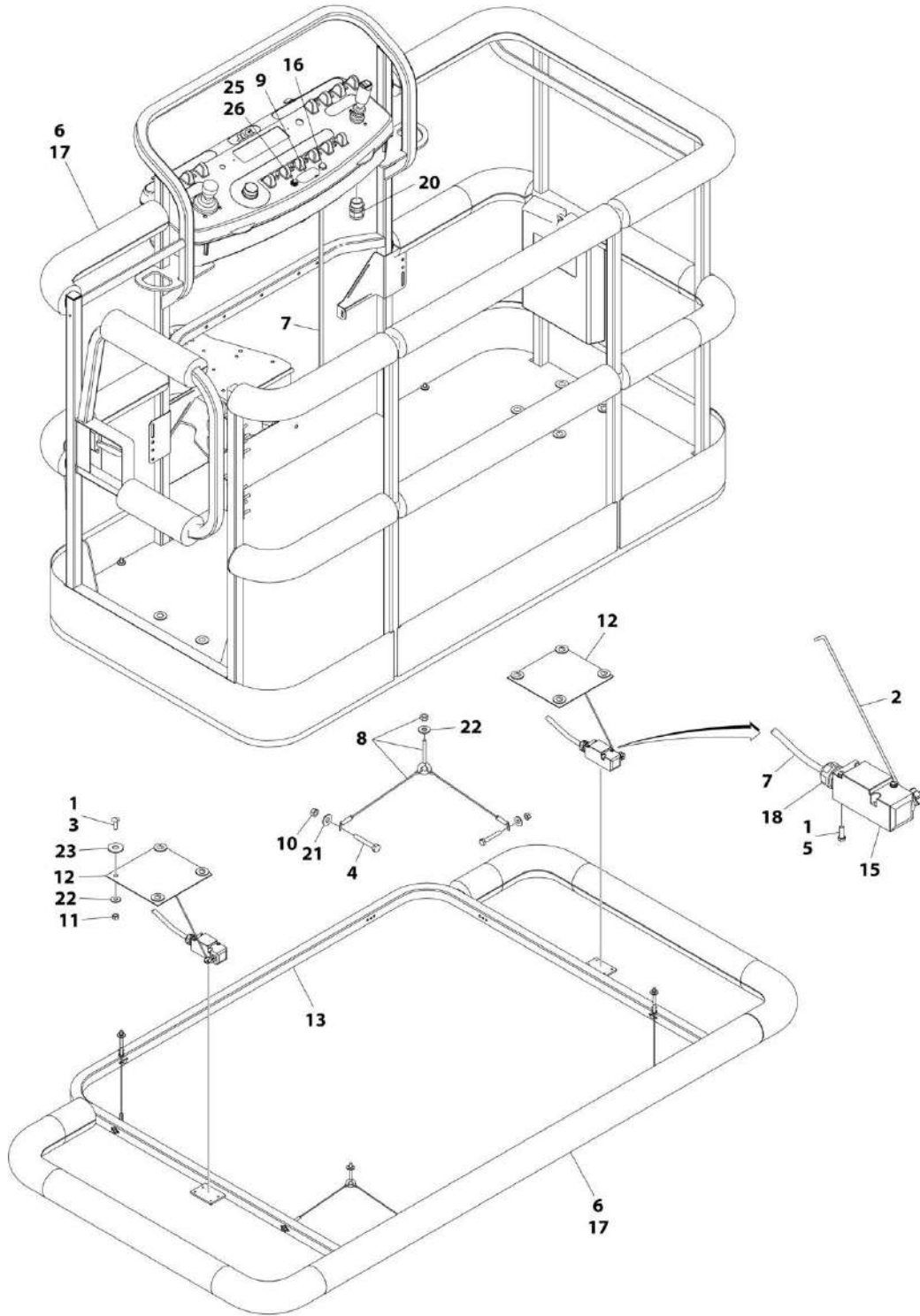
SECTION 5 - PLATFORM

FIGURE 5-19. SKYGUARD INSTALLATION

ITEM	PART NUMBER	QTY	DESCRIPTION	REV
	1001187508	Ref	SKYGUARD INSTALLATION	C
1	0100011	AR	Compound, Locking	
2	0641414	2	Bolt 1/4 x 1-3/4	
3	3300430	2	Nut 1/4	
4	3931424	2	Capscrew 1/4 x 1-1/2	
4	3931408	2	Capscrew 1/4 x 1/2	
5	4240033	AR	Tie-Strap	
6	4711400	AR	Washer 1/4	
7	1001120328	1	Mount	
8	1001137673	1	SkyGuard Switch Assembly	
9	1001186517	2	Cover, Platform Sensor	
10	1001188889	2	Support, Block (Prior to SN 0300247156)	
10	1001209664	2	Support, Block (SN 0300247156 to Present)	

SECTION 5 - PLATFORM

FIGURE 5-20. SOFT TOUCH INSTALLATION - 6FT (1.83M) PLATFORM (OPTIONAL)



ART_0273824

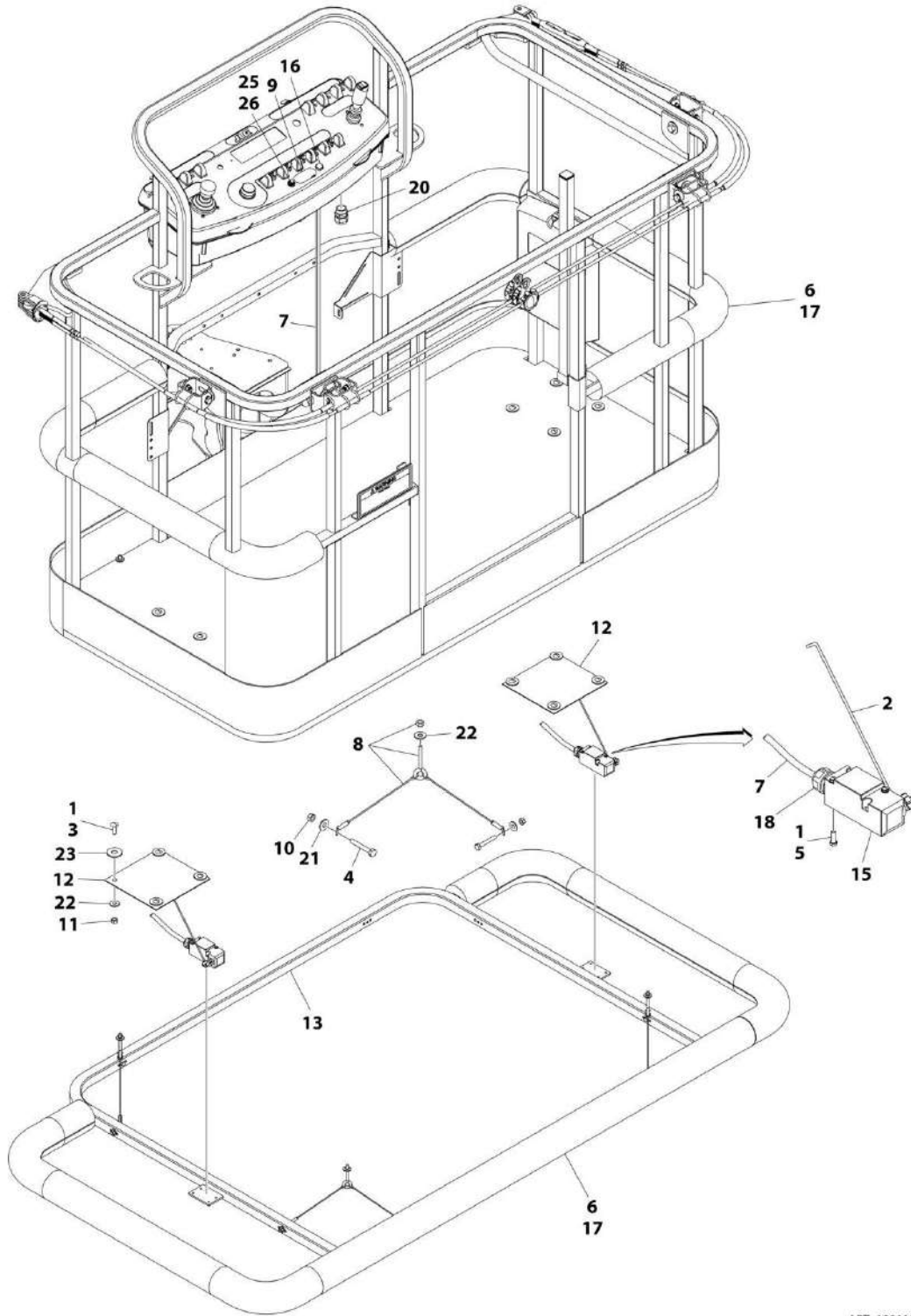
SECTION 5 - PLATFORM

FIGURE 5-20. SOFT TOUCH INSTALLATION - 6FT (1.83M) PLATFORM (OPTIONAL)

ITEM	PART NUMBER	QTY	DESCRIPTION	REV
	0273824	Ref	SOFT TOUCH INSTALLATION	D
1	0100011	AR	Compound, Locking	
2	0200048	2	Arm, Switch	
3	0630462	8	Bolt	
4	0641414	8	Bolt 1/4 x 1-3/4	
5	0721005	4	Bolt #10 x 5/8	
6	0940103	1	Bumper Kit (Includes Corners and Enough Straight Material for One Platform)	
6	0940092	12	Bumper (Corner)	
6	0940094	AR	Bumper (12ft Length)	
7	1060341	23 ft/7m	Cable, Electrical - 16/2	
8	1060903	4	Wire Rope and Eyebolt Assembly	
9	1702938	1	Decal - Soft Touch Override	
10	3311401	8	Nut 1/4	
11	3311501	8	Nut 5/16	
12	3575359	2	Plate, Switch Strike	
13	3641569	1	Rail, Soft Touch	
14	4240099	7	Tie-Strap (Not Shown)	
15	4360057	2	Switch, Limit	
16	4360387	1	Switch, Push Button	
17	4420068	AR	Tape, Adhesive	
17	1001197017	AR	Tie-Strap	
18	4460049	2	Connector, Strain Relief	
19	4460234	7	Tie-Strap (Not Shown)	
20	4460425	1	Connector, Strain Relief	
21	4751400	8	Washer 1/4	
22	4751500	12	Washer 5/16	
23	4751800	8	Washer 1/2	
25	2920028	1	Light, Indicator	
26	2920029	1	Bulb, Light	

SECTION 5 - PLATFORM

FIGURE 5-21. SOFT TOUCH INSTALLATION - 6FT (1.83M) FALL ARREST PLATFORM (OPTIONAL)



ART_1001108256

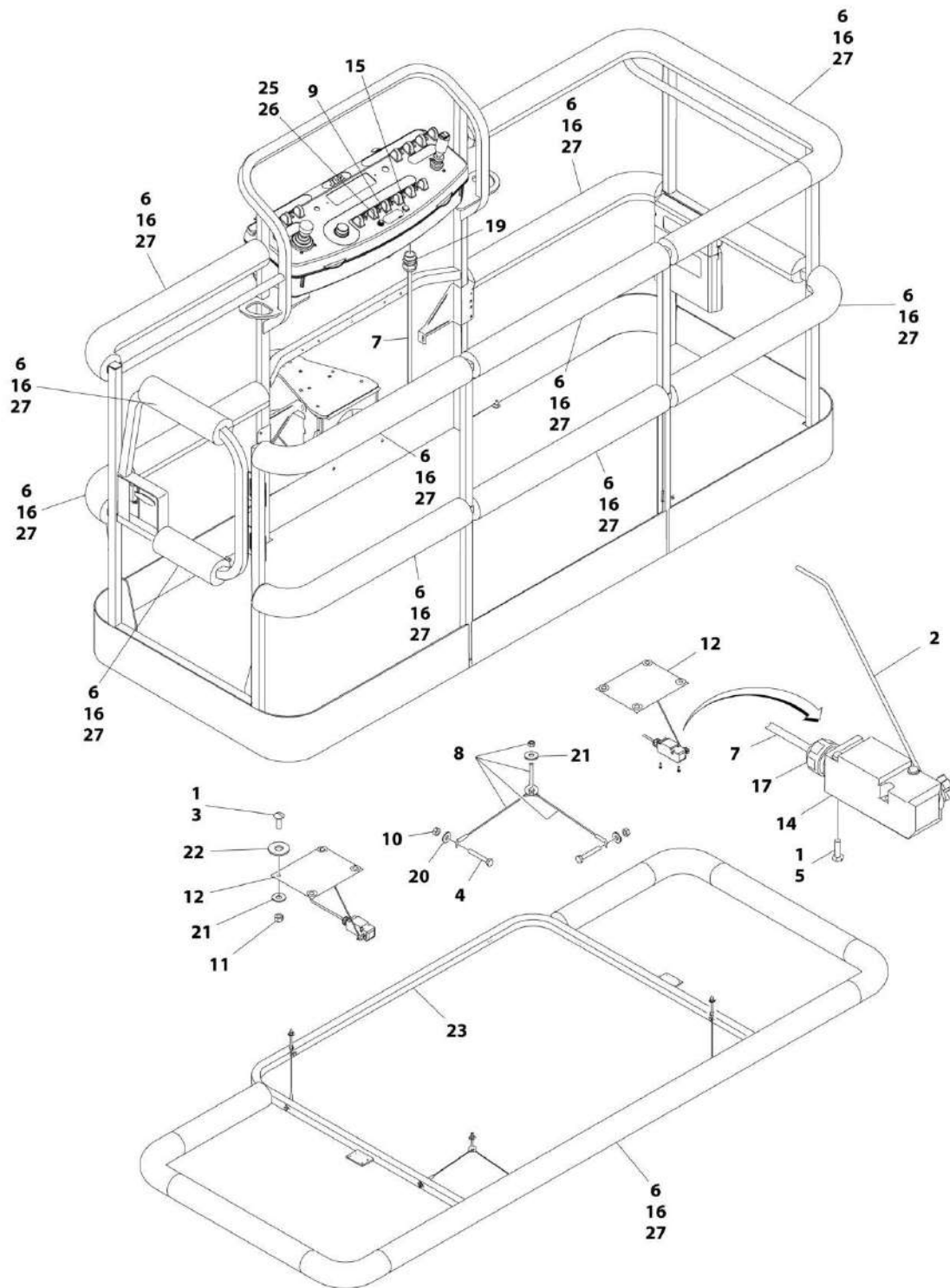
SECTION 5 - PLATFORM

FIGURE 5-21. SOFT TOUCH INSTALLATION - 6FT (1.83M) FALL ARREST PLATFORM (OPTIONAL)

ITEM	PART NUMBER	QTY	DESCRIPTION	REV
	1001108256	Ref	SOFT TOUCH INSTALLATION	C
1	0100011	AR	Compound, Locking	
2	0200048	2	Arm, Switch	
3	0630462	8	Bolt	
4	0641414	8	Bolt 1/4 x 1-3/4	
5	0721005	4	Bolt #10 x 5/8	
6	0940177	1	Bumper Kit (Includes Corners and Enough Straight Material for One Platform)	
6	0940092	8	Bumper (Corner)	
6	0940094	AR	Bumper (12ft Length)	
7	1060341	23 ft/7m	Cable, Electrical - 16/2	
8	1060903	4	Wire Rope and Eyebolt Assembly	
9	1702938	1	Decal - Soft Touch Override	
10	3311401	8	Nut 1/4	
11	3311501	8	Nut 5/16	
12	3575359	2	Plate, Switch Strike	
13	3641569	1	Rail, Soft Touch	
14	4240099	7	Tie-Strap (Not Shown)	
15	4360057	2	Switch, Limit	
16	4360387	1	Switch, Push Button	
17	4420068	AR	Tape, Adhesive	
17	1001197017	AR	Tie-Strap	
18	4420069	2	Connector, Strain Relief	
19	4460234	7	Tie-Strap (Not Shown)	
20	4460425	1	Connector, Strain Relief	
21	4751400	8	Washer 1/4	
22	4751500	9	Washer 5/16	
23	4751800	8	Washer 1/2	
25	2920028	1	Light, Indicator	
26	2920029	1	Bulb, Light	

SECTION 5 - PLATFORM

FIGURE 5-22. SOFT TOUCH INSTALLATION - 8FT (2.4M) PLATFORM (OPTIONAL)



ART_0272427

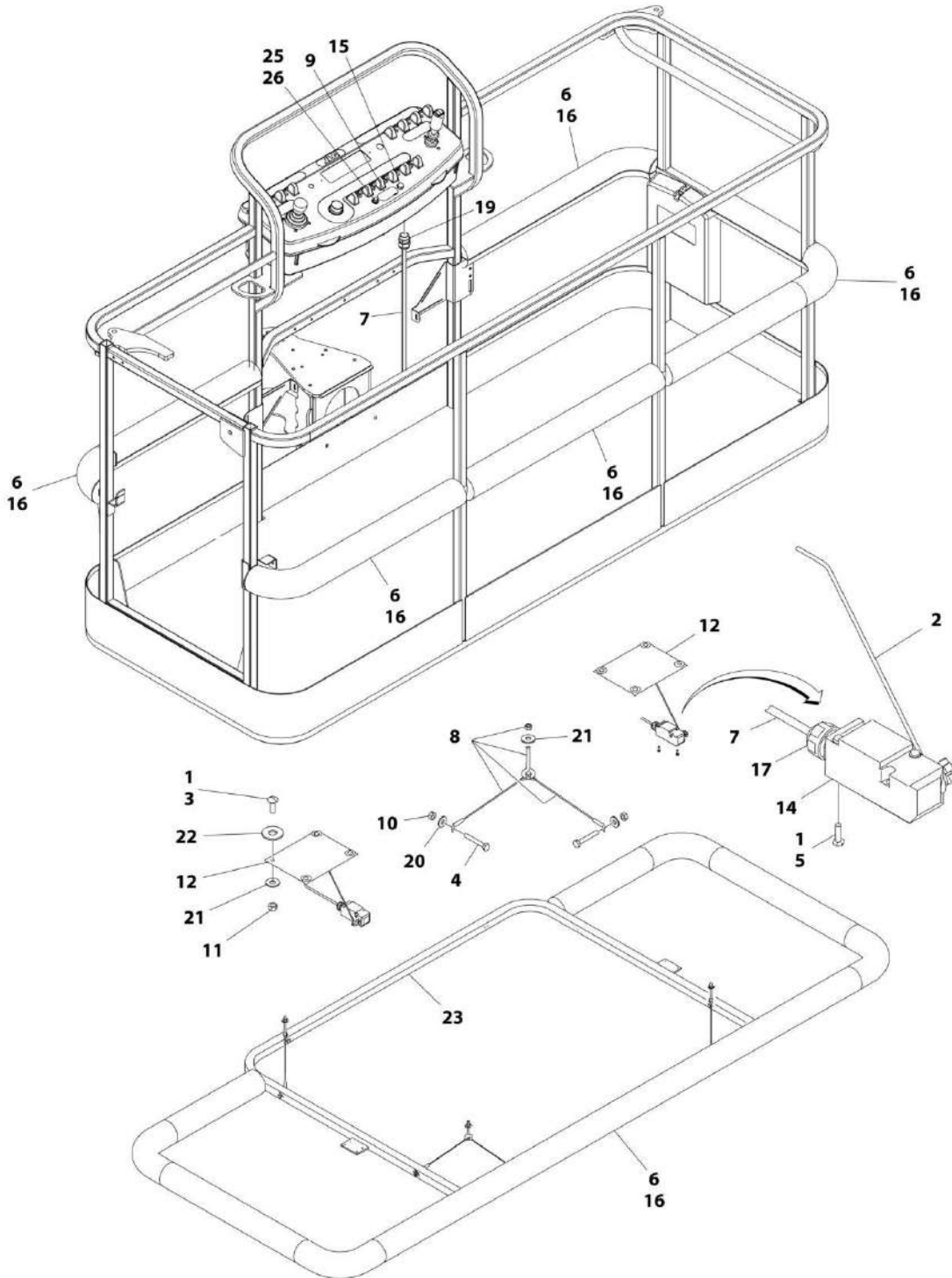
SECTION 5 - PLATFORM

FIGURE 5-22. SOFT TOUCH INSTALLATION - 8FT (2.4M) PLATFORM (OPTIONAL)

ITEM	PART NUMBER	QTY	DESCRIPTION	REV
	0272427	Ref	SOFT TOUCH INSTALLATION	G
1	0100011	AR	Compound, Locking	
2	0200048	2	Arm, Switch	
3	0630462	8	Bolt	
4	0641414	8	Bolt 1/4 x 1-3/4	
5	0721005	4	Bolt #10 x 5/8	
6	0940103	1	Bumper Kit (Includes Corners and Enough Straight Material for One Platform)	
6	0940092	12	Bumper (Corner)	
6	0940094	AR	Bumper (12ft Length)	
7	1060341	23 ft/7m	Cable, Electrical - 16/2	
8	1060903	4	Wire Rope and Eyebolt Assembly	
9	1702938	1	Decal - Soft Touch Override	
10	3311401	8	Nut 1/4	
11	3311501	8	Nut 5/16	
12	3574091	2	Plate, Switch Strike	
13	4240099	7	Tie-Strap (Not Shown)	
14	4360057	2	Switch, Limit	
15	4360387	1	Switch, Push Button	
16	4420068	AR	Tape, Adhesive	
16	1001197017	AR	Tie-Strap	
17	4460049	2	Connector, Strain Relief	
18	4460234	7	Tie-Strap (Not Shown)	
19	4460425	1	Connector, Strain Relief	
20	4751400	8	Washer 1/4	
21	4751500	12	Washer 5/16	
22	4751800	8	Washer 1/2	
23	4846673	1	Rail, Soft Touch	
25	2920028	1	Light, Indicator	
26	2920029	1	Bulb, Light	

SECTION 5 - PLATFORM

FIGURE 5-23. SOFT TOUCH INSTALLATION - 8FT (2.4M) FALL ARREST PLATFORM (OPTIONAL)



ART_0273706

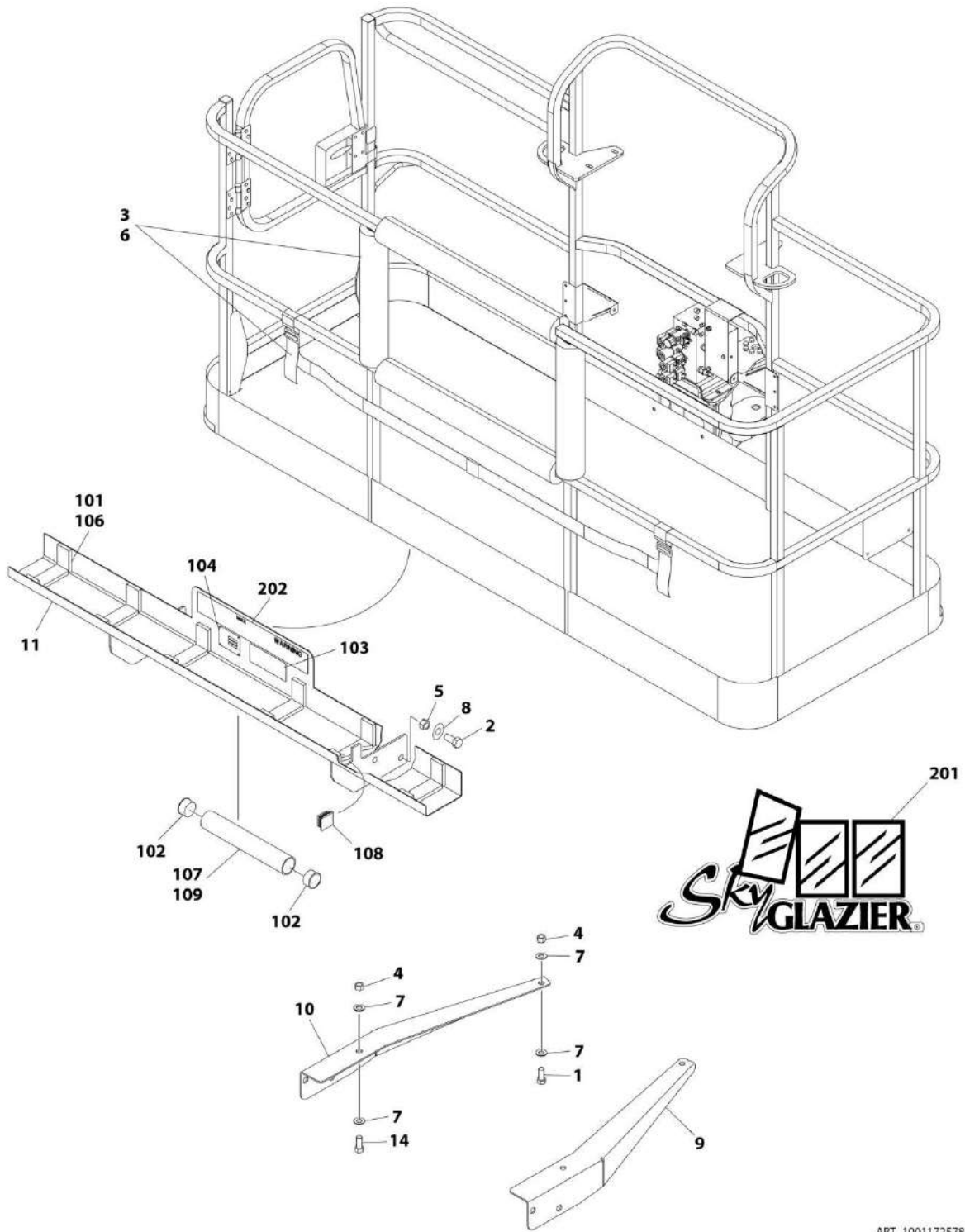
SECTION 5 - PLATFORM

FIGURE 5-23. SOFT TOUCH INSTALLATION - 8FT (2.4M) FALL ARREST PLATFORM (OPTIONAL)

ITEM	PART NUMBER	QTY	DESCRIPTION	REV
	0273706	Ref	SOFT TOUCH INSTALLATION	D
1	0100011	AR	Compound, Locking	
2	0200048	2	Arm, Switch	
3	0630462	8	Bolt	
4	0641414	8	Bolt 1/4 x 1-3/4	
5	0721005	4	Bolt #10 x 5/8	
6	0940133	1	Bumper Kit (Includes Corners and Enough Straight Material for One Platform)	
6	0940092	8	Bumper (Corner)	
6	0940094	AR	Bumper (12ft Length)	
7	1060341	23 ft/7m	Cable, Electrical - 16/2	
8	1060903	4	Wire Rope and Eyebolt Assembly	
9	1702938	1	Decal - Soft Touch Override	
10	3311401	8	Nut 1/4	
11	3311501	8	Nut 5/16	
12	3574091	2	Plate, Switch Strike	
13	4240099	7	Tie-Strap (Not Shown)	
14	4360057	2	Switch, Limit	
15	4360387	1	Switch, Push Button	
16	4420068	AR	Tape, Adhesive	
16	1001197017	AR	Tie-Strap	
17	4460049	2	Connector, Strain Relief	
18	4460234	7	Tie-Strap (Not Shown)	
19	4460425	1	Connector, Strain Relief	
20	4751400	8	Washer 1/4	
21	4751500	12	Washer 5/16	
22	4751800	8	Washer 1/2	
23	4846673	1	Rail, Soft Touch	
25	2920028	1	Light, Indicator	
26	2920029	1	Bulb, Light	

SECTION 5 - PLATFORM

FIGURE 5-24. SKYGLAZIER INSTALLATION (ANSI, ANSI EXPORT, AUSTRALIAN & CSA SPECS)



ART_1001172578

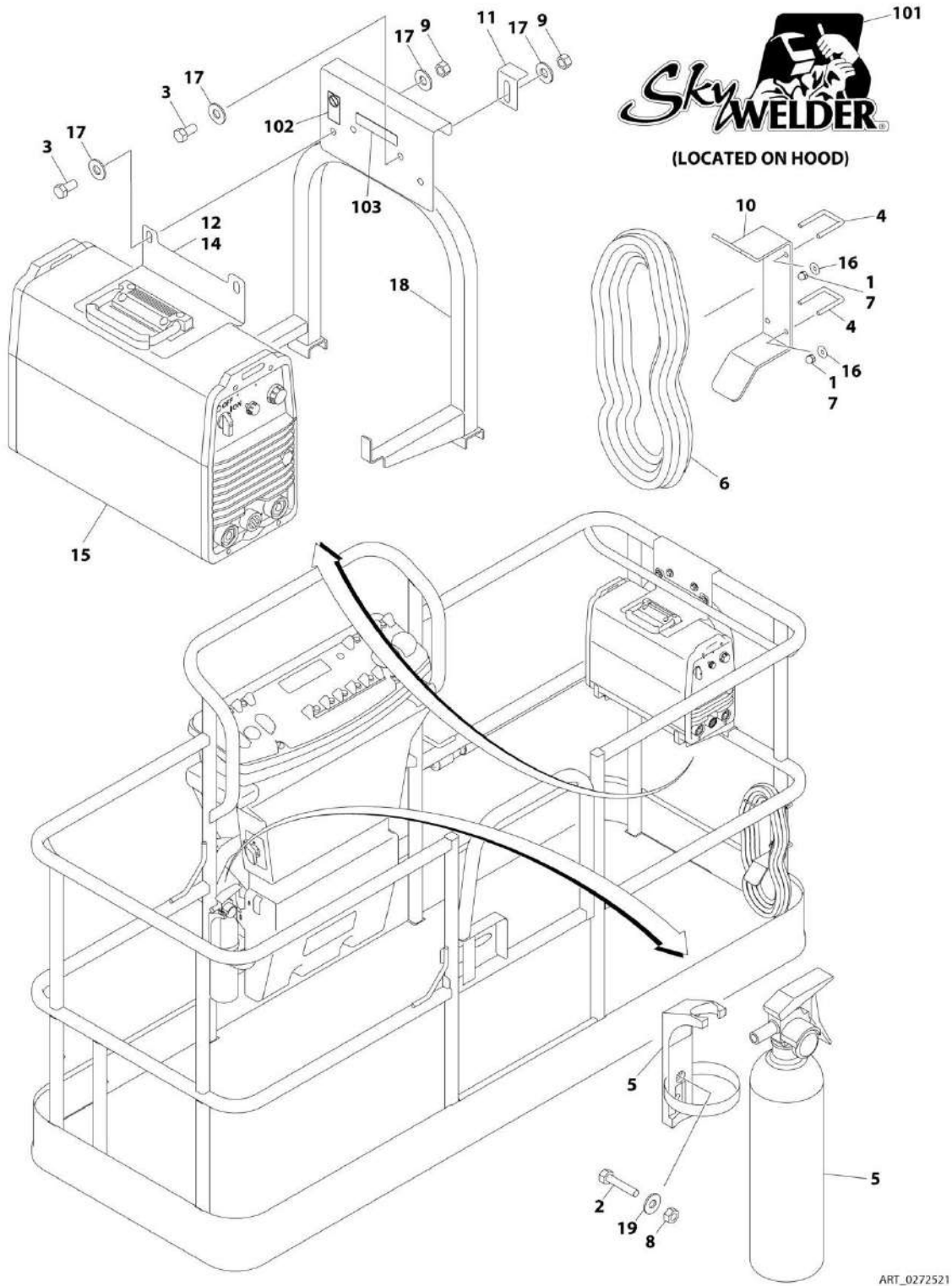
SECTION 5 - PLATFORM

FIGURE 5-24. SKYGLAZIER INSTALLATION (ANSI, ANSI EXPORT, AUSTRALIAN & CSA SPECS)

ITEM	PART NUMBER	QTY	DESCRIPTION	REV
	1001172578	Ref	SKYGLAZIER INSTALLATION	C
1	0642012	2	Bolt 5/8 x 1-1/2	
2	0642212	4	Bolt 3/4 x 1-1/2	
3	2902212	1	Bumpers and Strap Kit	
3	0940102	1	Bumper Only	
3	4240149	1	Strap Only	
4	3312005	1	Nut 5/8	
5	3312205	4	Nut 3/4	
6	4420014	AR	Tape	
7	4712000	6	Washer 5/8	
8	4712200	8	Washer 3/4	
9	1001099366	1	Support	
10	1001099367	1	Support	
11	1001172577	1	Tray Assembly (See Items 101-111 for Breakdown)	
14	8310129	2	Bolt 3/4 x 2-1/2	
	1001172577	Ref	TRAY ASSEMBLY	B
101	0100081	AR	Adhesive	
102	1120555	2	Cap, Tube	
103	1701509	1	Decal - Manual	
104	See Note	NSS	Nameplate - Serial Number (Note: Not Available for Purchase)	
106	3340956	1	Pad Kit	
107	3460334	1	Tube	
108	3520071	2	Plug	
109	4420066	AR	Tape, Double Sided	
	1001172570	Ref	SKYGLAZIER DECAL INSTALLATION (ANSI Specs)	C
	1001172620	Ref	SKYGLAZIER DECAL INSTALLATION (Australian Specs)	C
	1001234945	Ref	SKYGLAZIER DECAL INSTALLATION (Brazil Specs)	A
	1001234944	Ref	SKYGLAZIER DECAL INSTALLATION (Latin American Specs)	A
201	1705358	2	Decal - SkyGlazier	
202	1001199035	2	Decal - SkyGlazier Capacity (ANSI Specs)	
202	1001199036	2	Decal - SkyGlazier Capacity (Australian Specs)	
202	1001234946	2	Decal - SkyGlazier Capacity (Brazil Specs)	
202	1001234947	2	Decal - SkyGlazier Capacity (Latin American Specs)	

SECTION 5 - PLATFORM

FIGURE 5-25. SKYWELDER INSTALLATION (50HZ)



ART_0272521

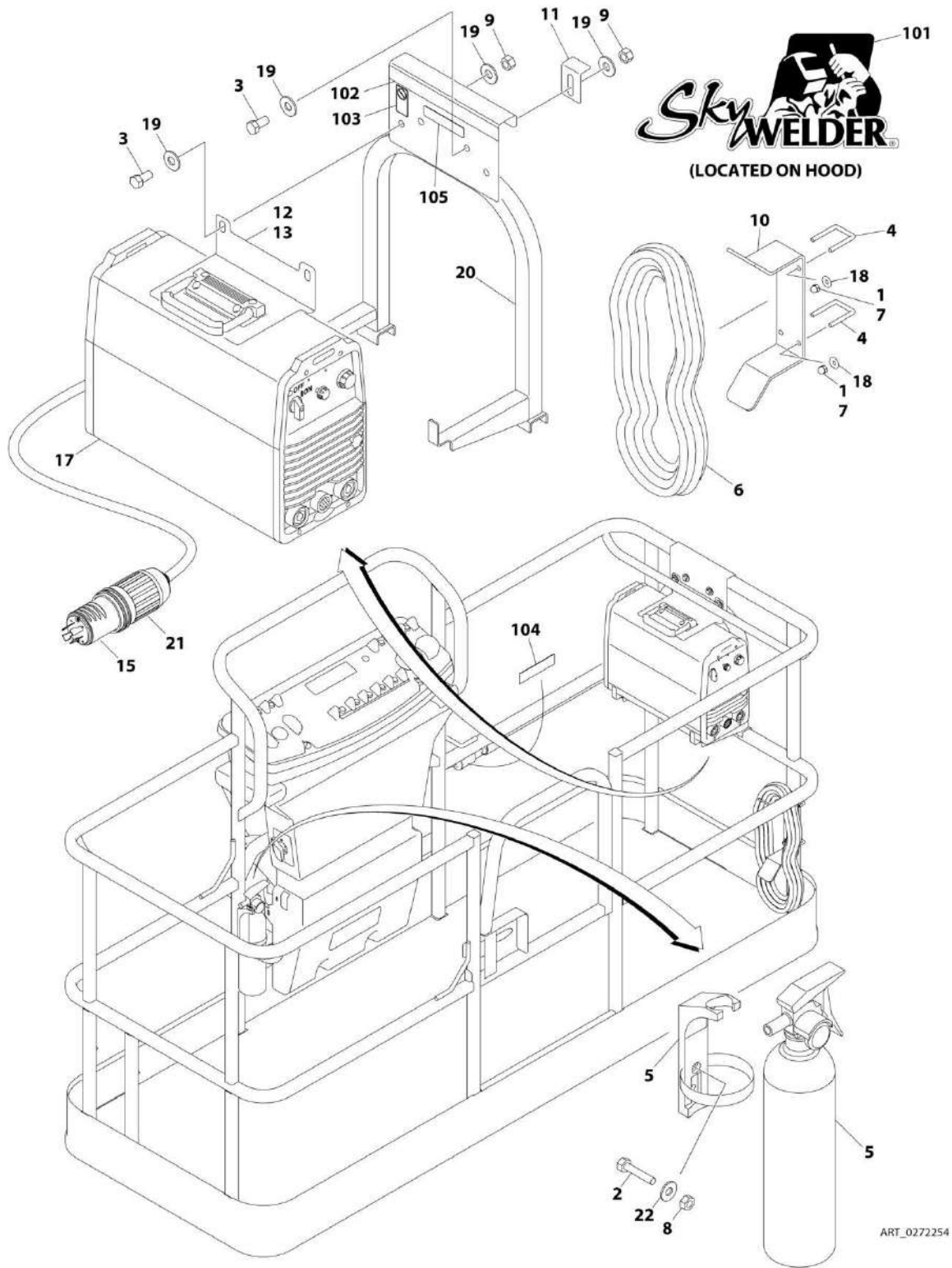
SECTION 5 - PLATFORM

FIGURE 5-25. SKYWELDER INSTALLATION (50HZ)

ITEM	PART NUMBER	QTY	DESCRIPTION	REV
	0272521	Ref	SKYWELDER INSTALLATION	F
1	0100011	AR	Compound, Locking	
2	0630518	2	Screw #10 x 3/4	
3	0641606	4	Bolt 3/8 x 3/4	
4	1320302	2	U-Clamp	
5	2030010	1	Extinguisher, Fire	
6	2902217	1	Weld Leads Kit	
7	3300151	4	Nut 1/4	
8	3311005	2	Nut #10	
9	3311605	4	Nut 3/8	
10	3573400	1	Bracket	
11	3577121	2	Angle	
12	3573642	1	Plate	
13	4240099	AR	Tie-Strap (Not Shown)	
14	4420037	AR	Tape	
15	4530028	1	Welder Assembly (See WELDER ASSEMBLY for Breakdown)	
16	4751400	4	Washer 1/4	
17	4751600	8	Washer 3/8	
18	4846627	1	Support	
19	4751000	2	Washer #10	
	0272588	Ref	SKYWELDER DECAL INSTALLATION	B
101	1705355	1	Decal - SkyWelder	
102	1705305	1	Decal - Weld Lead	
103	1001228988	1	Decal - Weight	

SECTION 5 - PLATFORM

FIGURE 5-26. SKYWELDER INSTALLATION (60HZ)



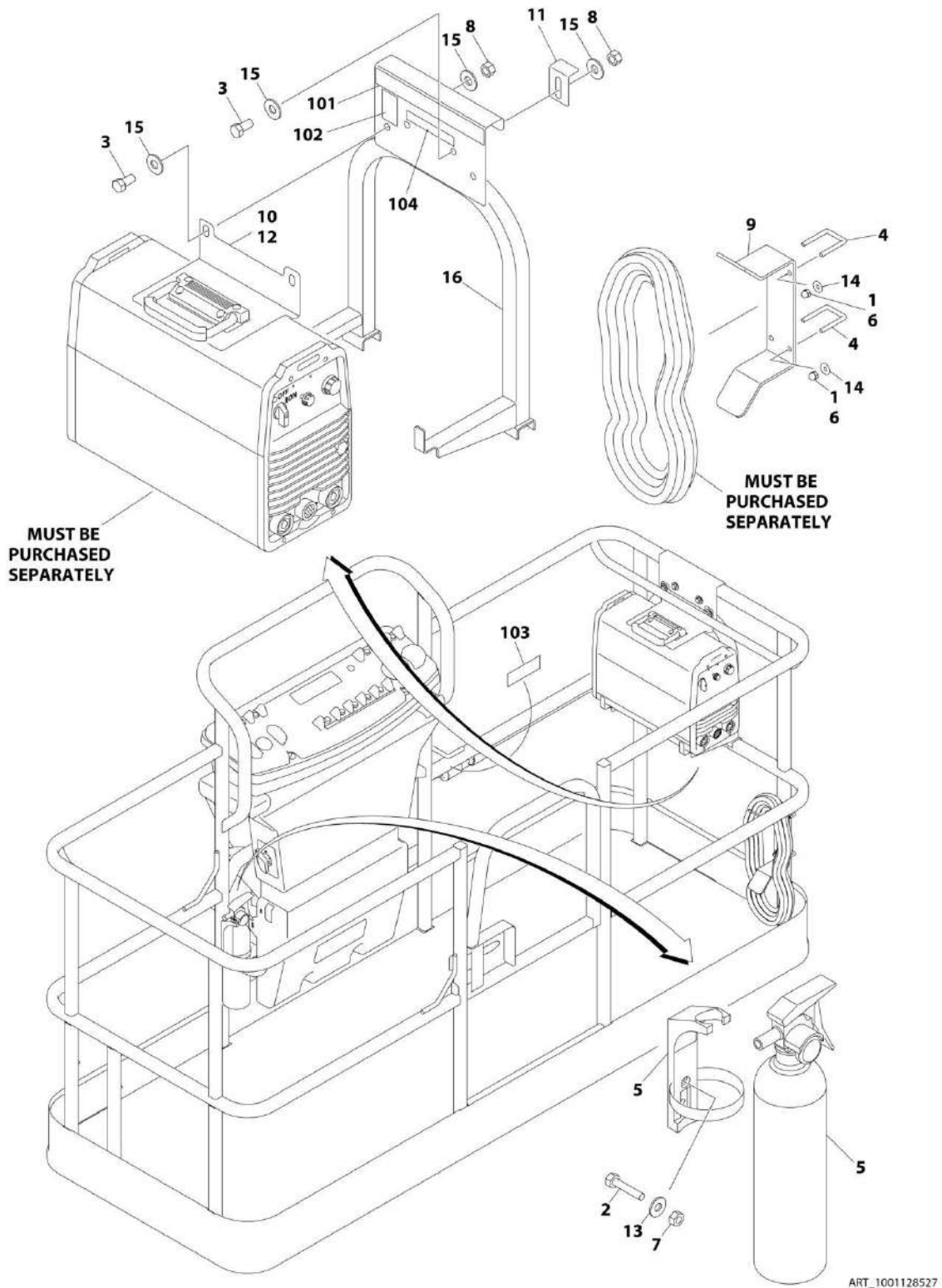
SECTION 5 - PLATFORM

FIGURE 5-26. SKYWELDER INSTALLATION (60HZ)

ITEM	PART NUMBER	QTY	DESCRIPTION	REV
	0272254	Ref	SKYWELDER INSTALLATION	I
1	0100011	AR	Compound, Locking	
2	0630518	2	Screw #10 x 3/4	
3	0641606	4	Bolt 3/8 x 3/4	
4	1320302	2	U-Clamp	
5	2030010	1	Extinguisher, Fire	
6	2902217	1	Weld Leads Kit	
7	3300151	4	Nut 1/4	
8	3311005	2	Nut #10	
9	3311605	4	Nut 3/8	
10	3573400	1	Bracket	
11	3577121	2	Angle	
12	3573642	1	Plate	
13	4420037	AR	Tape	
14	4240099	AR	Tie-Strap (Not Shown)	
15	4460962	1	Plug, Male Twistlock	
17	4530028	1	Welder Assembly (See WELDER ASSEMBLY for Breakdown)	
18	4751400	4	Washer 1/4	
19	4751600	8	Washer 3/8	
20	4846627	1	Support	
21	1671093	1	Cover, Plug	
22	4751000	2	Washer #10	
	0272448	Ref	SKYWELDER DECAL INSTALLATION	B
101	1705355	2	Decal - SkyWelder	
102	1702868	1	Decal - No Hands	
103	1705305	1	Decal - Weld Lead	
104	1705375	1	Decal - 240V - 3 Phase - 60Hz	
105	1001228988	1	Decal - Weight	

SECTION 5 - PLATFORM

FIGURE 5-27. SKYWELDER PREP PACKAGE (60HZ)



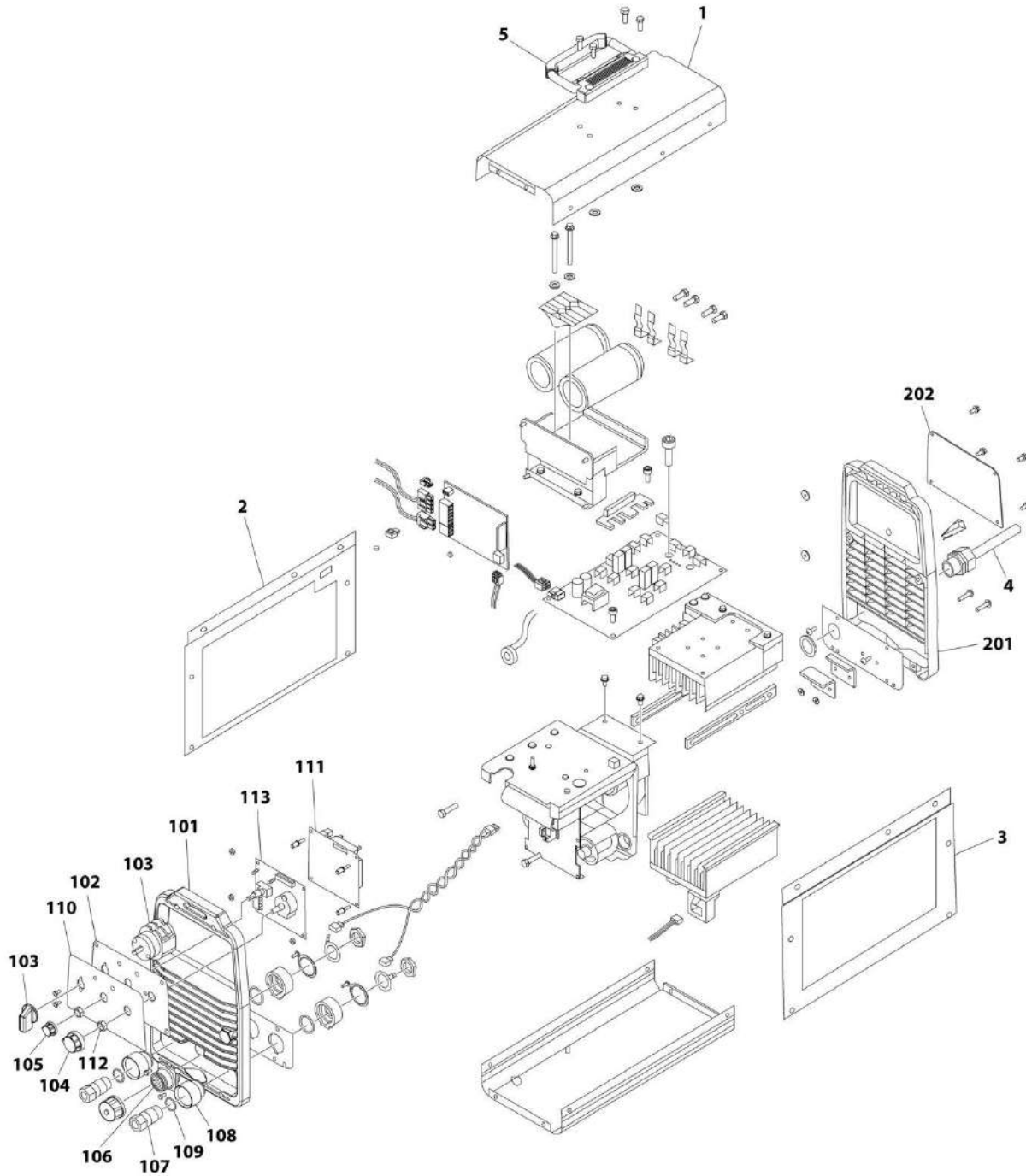
SECTION 5 - PLATFORM

FIGURE 5-27. SKYWELDER PREP PACKAGE (60HZ)

ITEM	PART NUMBER	QTY	DESCRIPTION	REV
	1001128527	Ref	SKYWELDER PREP PACKAGE	B
1	0100011	AR	Compound, Locking	
2	0630518	2	Screw #10 x 3/4	
3	0641606	4	Bolt 3/8 x 3/4	
4	1320302	2	U-Clamp	
5	2030010	1	Extinguisher, Fire	
6	3300151	4	Nut 1/4	
7	3311005	2	Nut #10	
8	3311605	4	Nut 3/8	
9	3573400	1	Bracket	
10	3573642	1	Plate	
11	3577121	2	Angle	
12	4420037	AR	Tape	
13	4751000	2	Washer #10	
14	4751400	4	Washer 1/4	
15	4751600	8	Washer 3/8	
16	4846627	1	Support	
	1001128556	Ref	SKYWELDER DECAL INSTALLATION	B
101	1702868	1	Decal - No Hands	
102	1705305	1	Decal - Weld Lead	
103	1705375	1	Decal - 240V - 3 Phase - 60Hz	
104	1001228988	1	Decal - Weight	

SECTION 5 - PLATFORM

FIGURE 5-28. WELDER ASSEMBLY



ART_4530028

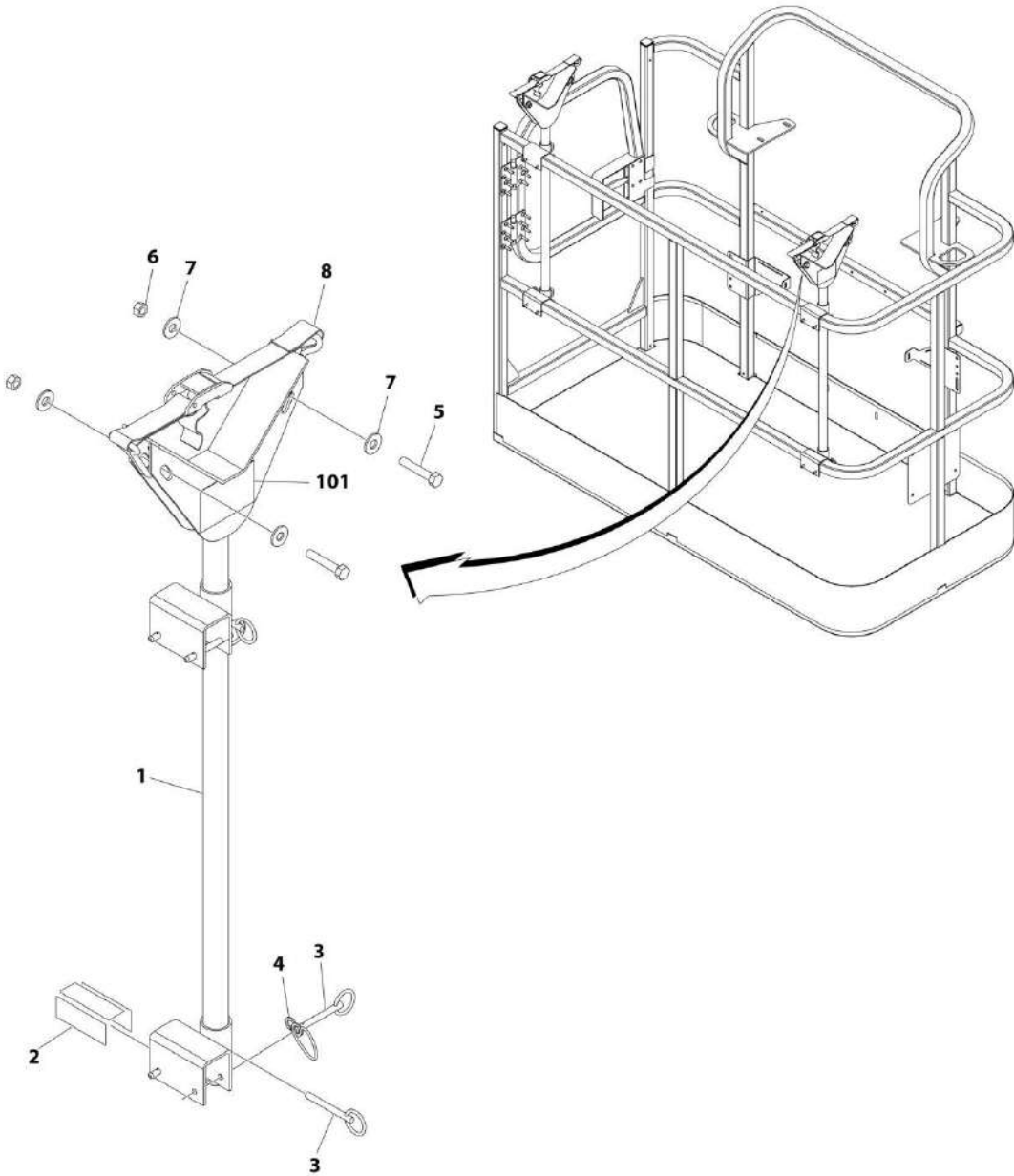
SECTION 5 - PLATFORM

FIGURE 5-28. WELDER ASSEMBLY

ITEM	PART NUMBER	QTY	DESCRIPTION	REV
	4530028	Ref	WELDER ASSEMBLY	B
		Ref	Note: For Other Components, contact your Miller Welder Dealer.	
1	7027773	1	Cover, Top	
1	7027774	1	Decal - Static Precautionary Warning	
2	See Note	NSS	Panel, LH Side (Note: Part of Item 1. Purchase Item 1)	
3	See Note	NSS	Panel, RH Side (Note: Part of Item 1. Purchase Item 1)	
4	7024467	1	Cable, Power	
4	7027775	1	Decal - Electrical Shock Warning (Not Shown)	
5	7027776	1	Handle, Carrying	
101	7024462	1	Panel, Front	
102	7024463	1	Panel, Console	
103	7024469	1	Switch with Lead	
104	7024470	1	Knob	
105	7024471	1	Knob	
106	7024472	1	Receptacle with Leads and Plugs	
107	7024473	2	Receptacle, Twistlock Female	
108	7024474	2	Insulator	
109	7024475	2	O-Ring	
110	7027777	1	Nameplate	
111	7027779	1	Circuit Card Assembly (Process Control)	
112	7024478	2	Nut	
113	7027778	1	Circuit Card Assembly (Operator Interface)	
201	7024462	1	Panel, Rear	
202	7027780	1	Panel, Cover	

SECTION 5 - PLATFORM

FIGURE 5-29. PIPE RACK INSTALLATION (ANSI AND CSA SPECS ONLY)



ART_1001213852

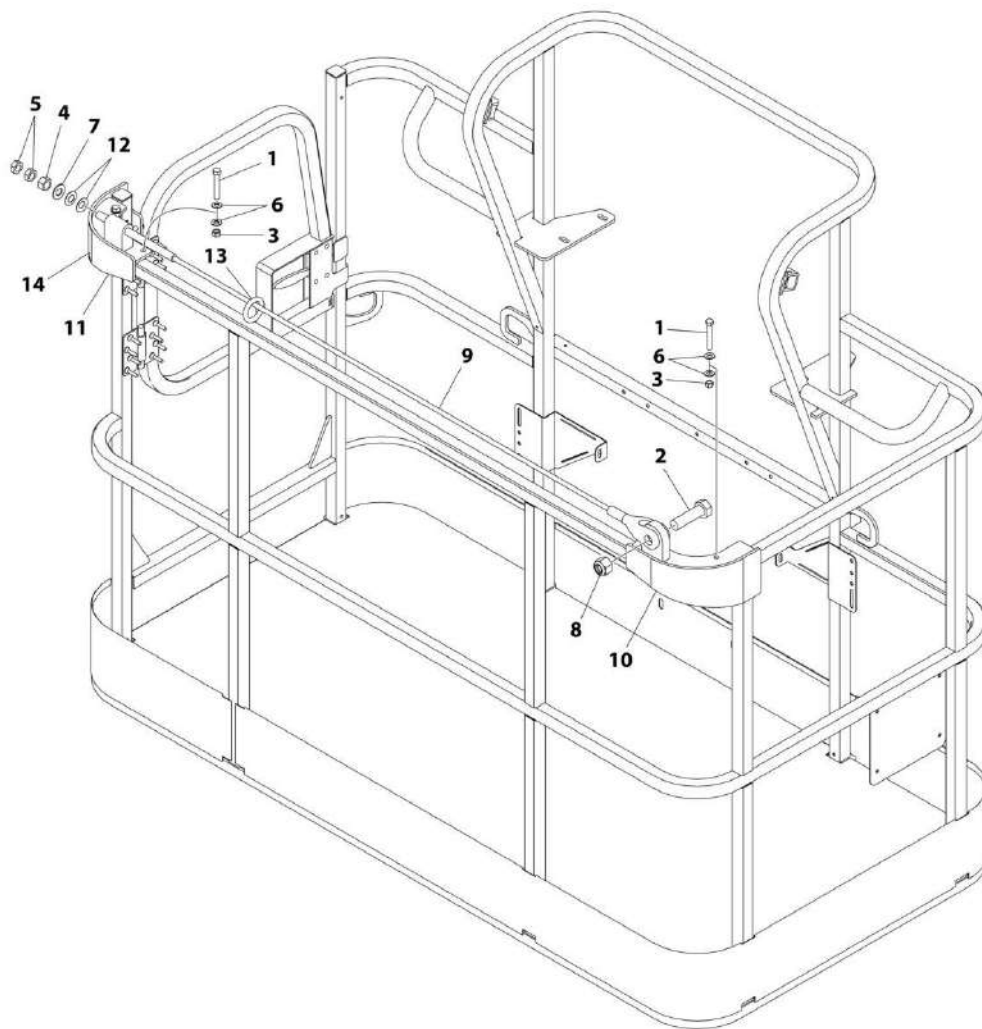
SECTION 5 - PLATFORM

FIGURE 5-29. PIPE RACK INSTALLATION (ANSI AND CSA SPECS ONLY)

ITEM	PART NUMBER	QTY	DESCRIPTION	REV
	1001213852	Ref	PIPE RACK INSTALLATION	A
1	4845582	2	Rack, Pipe	
2	4420062	AR	Tape	
3	3422661	10	Pin	
4	1060379	4	Lanyard	
5	0641514	4	Bolt 5/16 x 1-3/4	
6	3311505	4	Nut 5/16	
7	4751500	8	Washer 5/16	
8	0480100	2	Tie-Down	
		Ref	PIPE RACK DECAL INSTALLATION	
101	1703683	2	Decal - Pipe Rack (ANSI Specs)	
101	1001219415	2	Decal - Pipe Rack (Australian Specs)	
101	1001106450	2	Decal - Pipe Rack (Latin American Specs)	
101	1001107469	2	Panel, Mounting (Latin American Specs Only)	

SECTION 5 - PLATFORM

FIGURE 5-30. FALL ARREST INSTALLATION (BOLT-ON EXTERNAL) (6FT/1.82M PLATFORM)



ART_1001236747

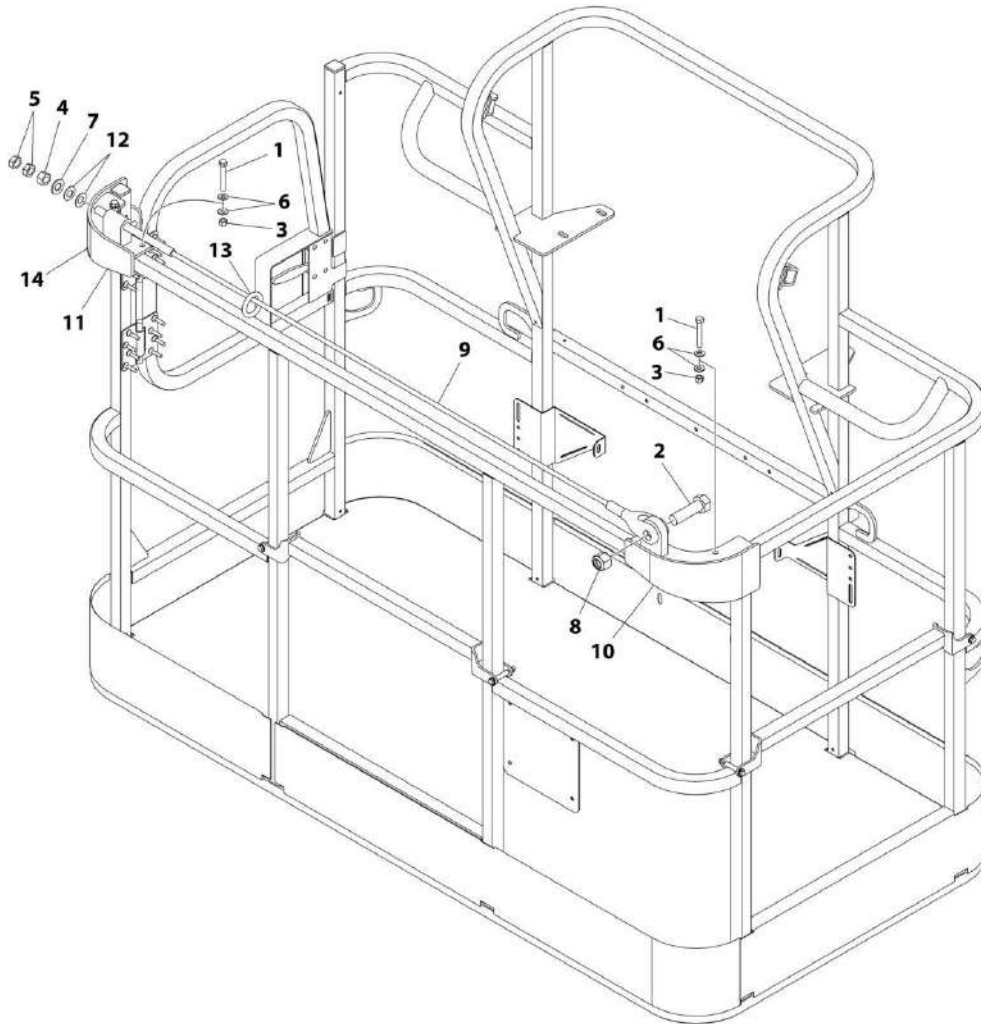
SECTION 5 - PLATFORM

FIGURE 5-30. FALL ARREST INSTALLATION (BOLT-ON EXTERNAL) (6FT/1.82M PLATFORM)

ITEM	PART NUMBER	QTY	DESCRIPTION	REV
	1001236747	Ref	FALL ARREST INSTALLATION (BOLT - ON EXTERNAL) 6FT/1.82M PLATFORM	A
1	0681620	6	Bolt 3/8 x 2-1/2	
2	0682424	1	Bolt 7/8 x 3	
3	3271605	6	Nut 3/8	
4	3272001	1	Nut 5/8	
5	3312002	2	Nut 5/8	
6	4711600	12	Washer 3/8	
7	4712000	1	Washer 5/8	
8	88521214	1	Nut 7/8	
9	1001231950	1	Rope	
10	1001232010	1	Bracket (RH)	
11	1001232011	1	Bracket (LH)	
12	1001236891	2	Washer	
13	1001236895	1	Ring	
14	1001238263	1	Decal - Warning Falling Hazard	

SECTION 5 - PLATFORM

FIGURE 5-31. FALL ARREST INSTALLATION (BOLT-ON EXTERNAL) (6FT/1.82M TRI-ENTRY PLATFORM)



ART_1001238463

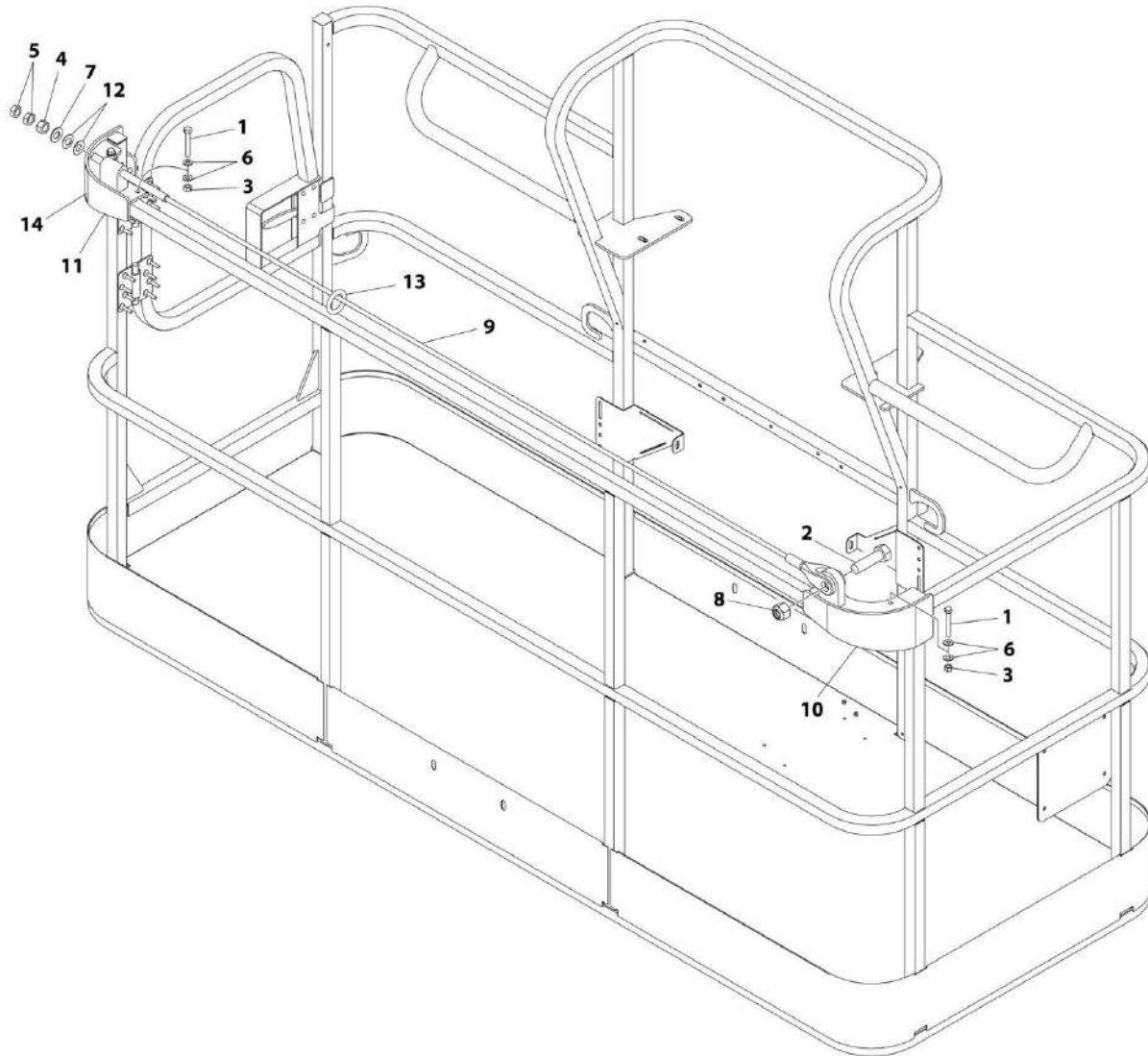
SECTION 5 - PLATFORM

FIGURE 5-31. FALL ARREST INSTALLATION (BOLT-ON EXTERNAL) (6FT/1.82M TRI-ENTRY PLATFORM)

ITEM	PART NUMBER	QTY	DESCRIPTION	REV
	1001238463	Ref	FALL ARREST INSTALLATION (BOLT - ON EXTERNAL) 6FT/1.82M PLATFORM	B
1	0681620	6	Bolt 3/8 x 2-1/2	
2	0682424	1	Bolt 7/8 x 3	
3	3271605	6	Nut 3/8	
4	3272001	1	Nut 5/8	
5	3312002	2	Nut 5/8	
6	4711600	12	Washer 3/8	
7	4712000	1	Washer 5/8	
8	88521214	1	Nut 7/8	
9	1001231950	1	Rope	
10	1001232010	1	Bracket (RH)	
11	1001232011	1	Bracket (LH)	
12	1001236891	2	Washer	
13	1001236895	1	Ring	
14	1001238263	1	Decal - Warning Falling Hazard	

SECTION 5 - PLATFORM

FIGURE 5-32. FALL ARREST INSTALLATION (BOLT-ON EXTERNAL) (8FT/2.4M PLATFORM)



ART_1001236746

SECTION 5 - PLATFORM

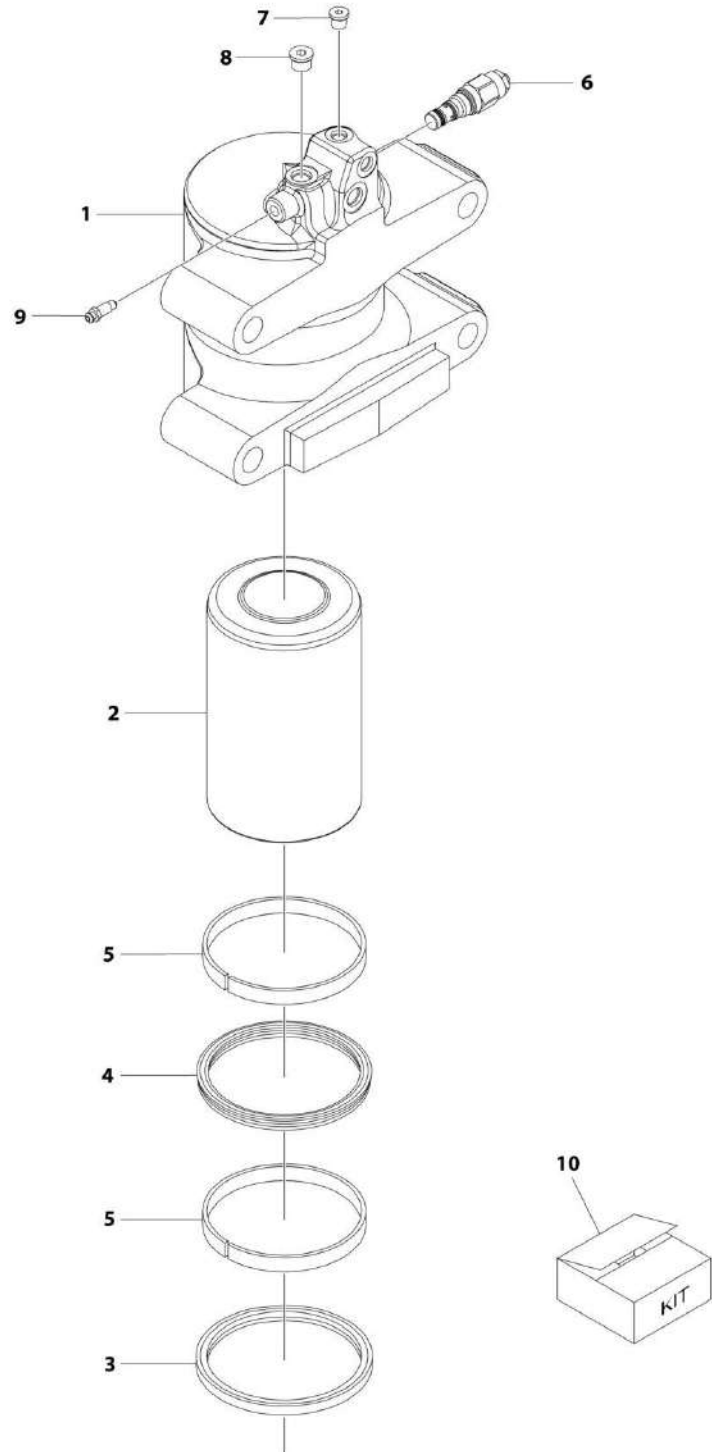
FIGURE 5-32. FALL ARREST INSTALLATION (BOLT-ON EXTERNAL) (8FT/2.4M PLATFORM)

ITEM	PART NUMBER	QTY	DESCRIPTION	REV
	1001236746	Ref	FALL ARREST INSTALLATION (BOLT - ON EXTERNAL) 8FT/2.4M PLATFORM	A
1	0681620	6	Bolt 3/8 x 2-1/2	
2	0682424	1	Bolt 7/8 x 3	
3	3271605	6	Nut 3/8	
4	3272001	1	Nut 5/8	
5	3312002	2	Nut 5/8	
6	4711600	12	Washer 3/8	
7	4712000	1	Washer 5/8	
8	88521214	1	Nut 7/8	
9	1001231949	1	Rope	
10	1001232010	1	Bracket (RH)	
11	1001232011	1	Bracket (LH)	
12	1001236891	2	Washer	
13	1001236895	1	Ring	
14	1001238263	1	Decal - Warning Falling Hazard	

SECTION 6 - CYLINDER

SECTION 6 - CYLINDER

FIGURE 6-1. AXLE LOCKOUT CYLINDER ASSEMBLY



ART_1001204560

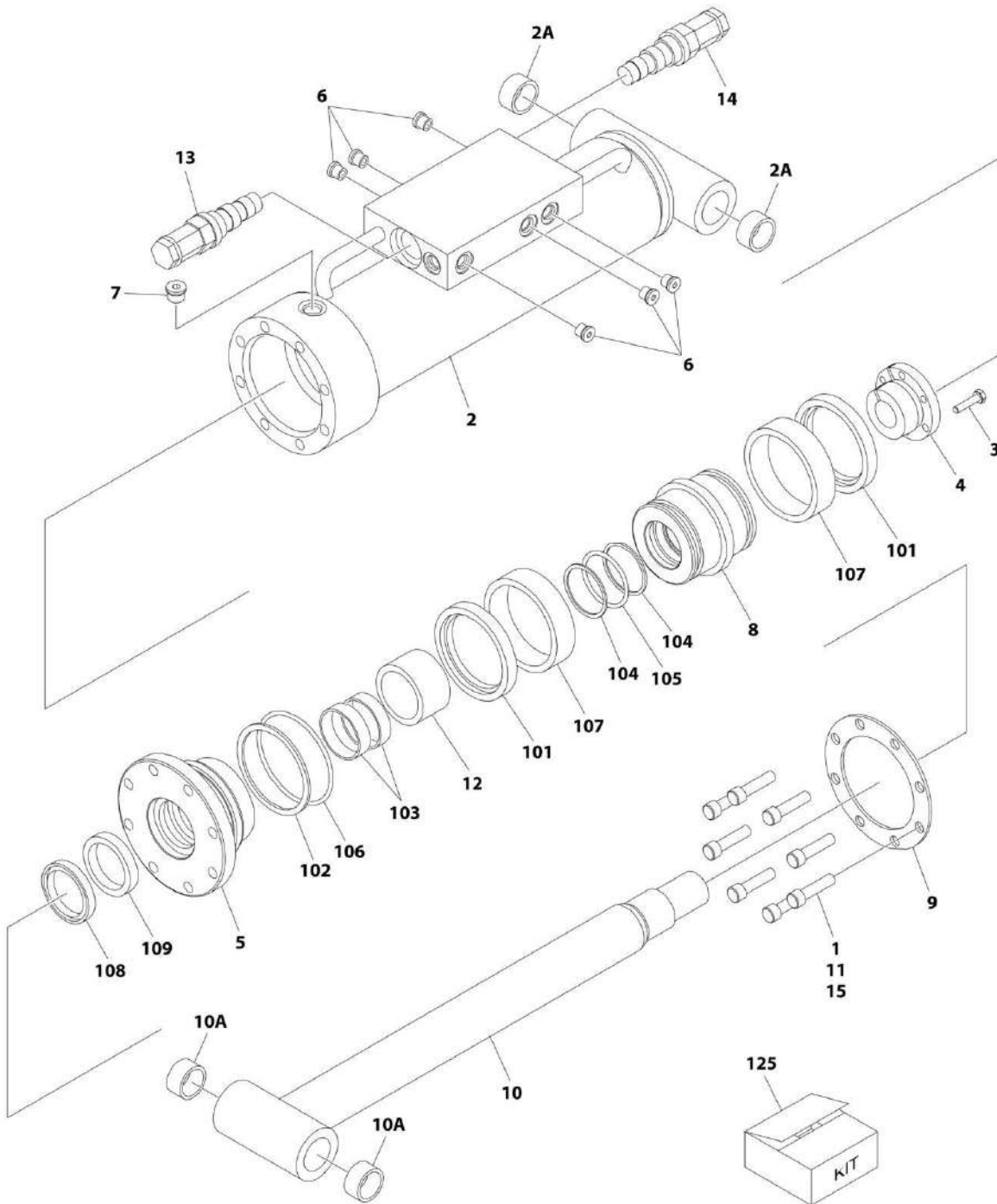
SECTION 6 - CYLINDER

FIGURE 6-1. AXLE LOCKOUT CYLINDER ASSMBLY

ITEM	PART NUMBER	QTY	DESCRIPTION	REV
	1001204560	Ref	AXLE LOCKOUT CYLINDER ASSEMBLY	A
1	1001154126	1	Barrel	
2	1001154687	1	Rod	
3	See Note	NSS	Wiper (Note: Use Item 10)	
4	See Note	NSS	Seal, Rod (Note: Use Item 10)	
5	See Note	NSS	Ring, Wear (Note: Use Item 10)	
6	1001117372	1	Cartridge, Valve (Counterbalance)	
6	70002842	1	Seal Kit - 1001117372 Valve (1 Per Assembly)	
7	2220883	1	Plug, O-Ring	
8	2220885	1	Plug, O-Ring	
9	4640858	1	Valve, Bleeder	
10	1001098167	1	Seal Kit (Includes Items 3-5)	

SECTION 6 - CYLINDER

FIGURE 6-2. LEVEL (SLAVE) CYLINDER ASSEMBLY - JIB (Prior to SN 0300247156)



ART_1684228

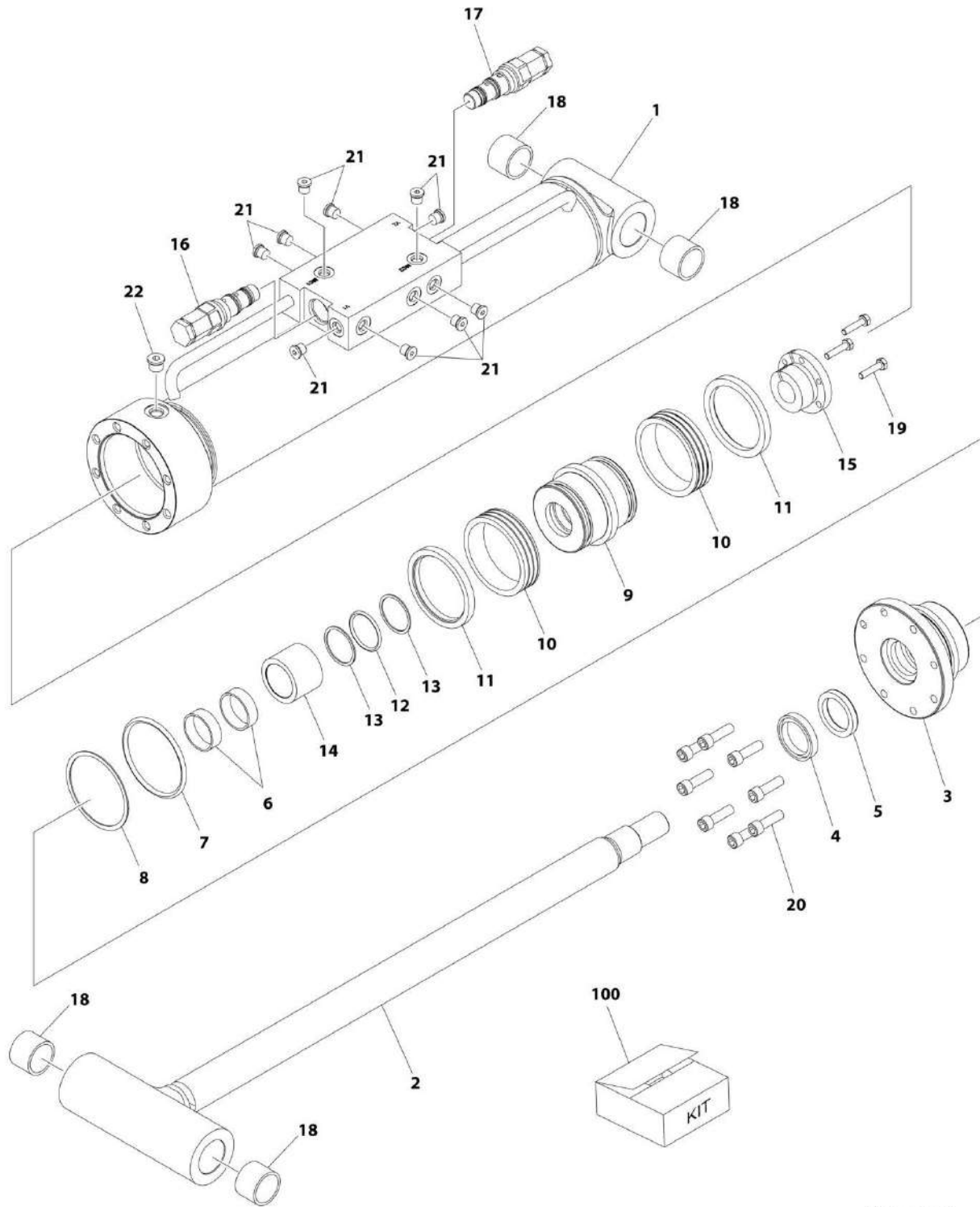
SECTION 6 - CYLINDER

FIGURE 6-2. LEVEL (SLAVE) CYLINDER ASSEMBLY - JIB (Prior to SN 0300247156)

ITEM	PART NUMBER	QTY	DESCRIPTION	REV
	1684228	Ref	LEVEL (SLAVE) CYLINDER ASSEMBLY	F
		Ref	Note: Original Cylinder May Have Been Replaced with Service Replacement. Identify PN Stamped on Cylinder Before Ordering Parts.	
1	0100011	AR	Compound, Locking	
2	1684230	1	Barrel (Note: Includes Item 2A)	
2A	0961951	4	Bushing	
3	0630535	3	Capscrew 1/4 x 1	
4	0961894	1	Bushing, Tapered	
5	1683055	1	Head	
6	2220883	6	Plug	
7	2220885	1	Plug	
8	3480188	1	Piston	
9	3760369	1	Ring, Washer	
10	1684232	1	Rod (Note: Includes Item 10A)	
10A	0961951	4	Bushing	
11	3931620	8	Capscrew 3/8 x 1-1/4	
12	4566468	1	Spacer, Tube	
13	4640605	1	Valve, Cartridge	
13	2900792	1	Seal Kit - 4640605 Valve	
14	4640932	1	Valve, Cartridge	
14	7011112	1	Seal Kit - 4640932 Valve	
15	0100038	AR	Primer, Locking	
101	See Note	NSS	Ring, Lock (Note: Use Item 125)	
102	See Note	NSS	Ring, Back-up (Note: Use Item 125)	
103	See Note	NSS	Ring, Wear (Note: Use Item 125)	
104	See Note	NSS	Ring, Back-up (Note: Use Item 125)	
105	See Note	NSS	O-Ring (Note: Use Item 125)	
106	See Note	NSS	O-Ring (Note: Use Item 125)	
107	See Note	NSS	Seal (Note: Use Item 125)	
108	See Note	NSS	Wiper (Note: Use Item 125)	
109	See Note	NSS	Seal (Note: Use Item 125)	
125	2901301	1	Seal Kit (Includes Items 101-109)	

SECTION 6 - CYLINDER

FIGURE 6-3. LEVEL (SLAVE) CYLINDER ASSEMBLY - JIB (SN 0300247156 to Present)



ART_1001228030

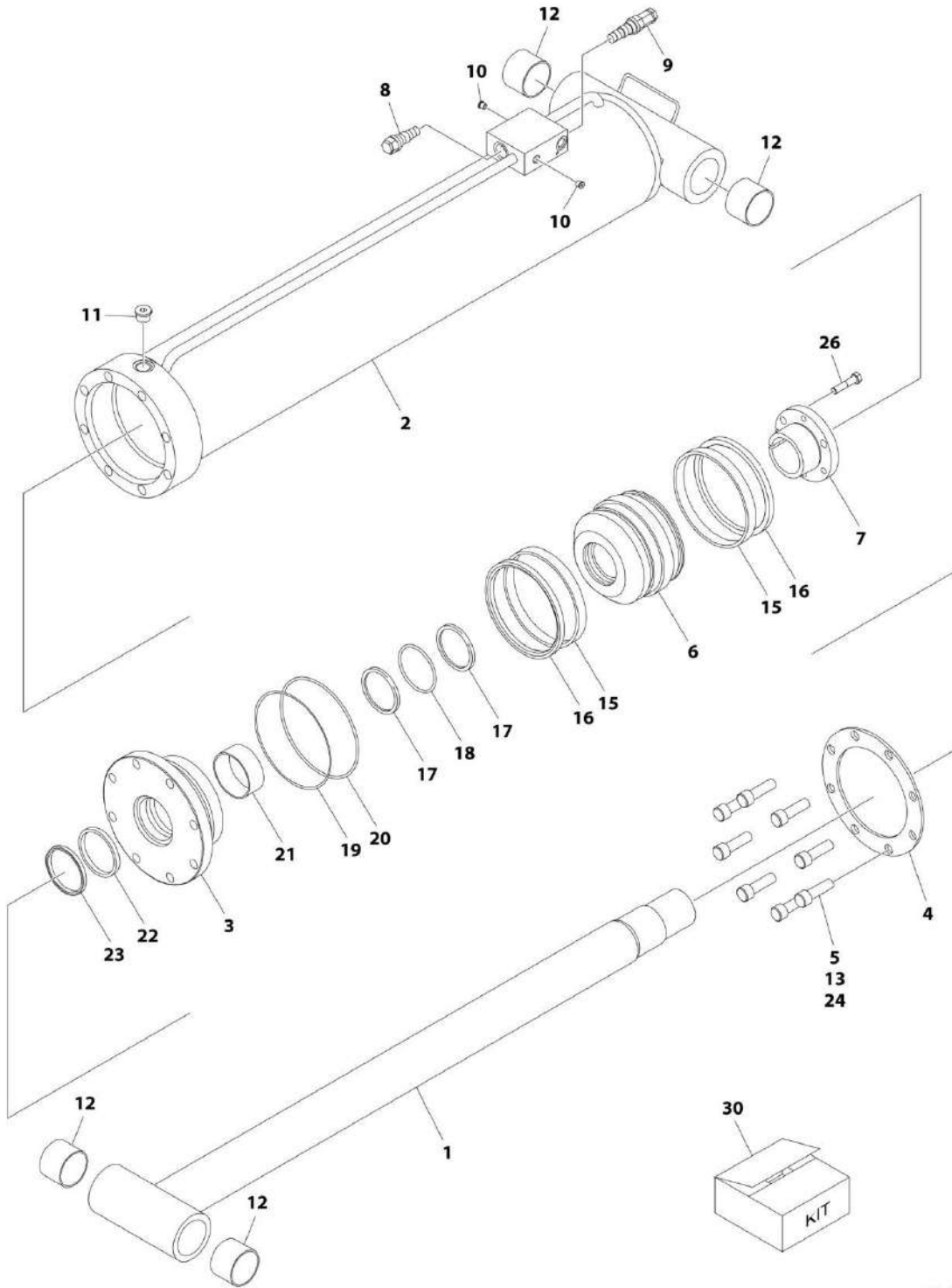
SECTION 6 - CYLINDER

FIGURE 6-3. LEVEL (SLAVE) CYLINDER ASSEMBLY - JIB (SN 0300247156 to Present)

ITEM	PART NUMBER	QTY	DESCRIPTION	REV
	1001228030	Ref	LEVEL (SLAVE) CYLINDER ASSEMBLY	C
		Ref	Note: Original Cylinder may have been replaced with Service Replacement. Identify PN Stamped on Cylinder Before Ordering Parts.	
1	See Note	NSS	Barrel (Note: Not Available for Purchase)	
2	70006642	1	Rod	
3	70006643	1	Head	
4	See Note	NSS	Wiper (Note: Use Item 100)	
5	See Note	NSS	Seal (Note: Use Item 100)	
6	See Note	NSS	Ring, Wear (Note: Use Item 100)	
7	See Note	NSS	O-Ring (Note: Use Item 100)	
8	See Note	NSS	Ring, Back-up (Note: Use Item 100)	
9	70006644	1	Piston	
10	See Note	NSS	Seal (Note: Use Item 100)	
11	See Note	NSS	Ring, Lock (Note: Use Item 100)	
12	See Note	NSS	O-Ring (Note: Use Item 100)	
13	See Note	NSS	Ring, Back-up (Note: Use Item 100)	
14	70006645	1	Spacer, Tube	
15	0961894	1	Bushing, Tapered	
16	4640932	1	Valve, Cartridge	
16	7011112	1	Seal Kit - 4640932 Valve	
17	4640605	1	Valve, Cartridge	
17	2900792	1	Seal Kit - 4640605 Valve	
18	0961951	4	Bushing	
19	0630535	3	Bolt	
20	3931620	8	Capscrew 3/8-16 x 1-1/4	
21	2220883	10	Plug, O-Ring	
22	2220885	1	Plug, O-Ring (Prior to SN 0300253862)	
100	1001138796	1	Seal Kit (Includes Items 4-8 & 10-13)	

SECTION 6 - CYLINDER

FIGURE 6-4. LEVEL (SLAVE) CYLINDER ASSEMBLY - UPRIGHT (Prior to SN 0300247156)



ART_1684497

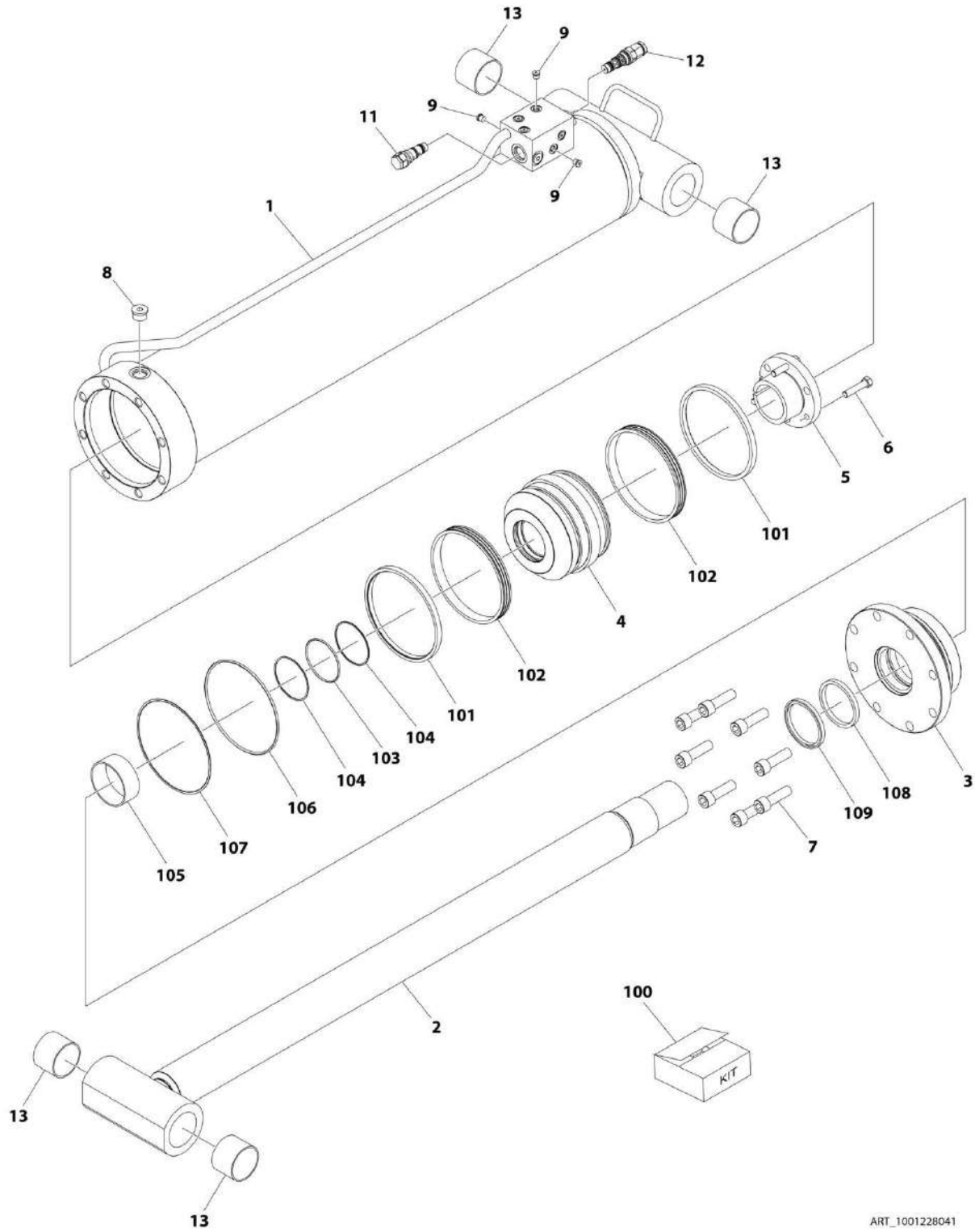
SECTION 6 - CYLINDER

FIGURE 6-4. LEVEL (SLAVE) CYLINDER ASSEMBLY - UPRIGHT (Prior to SN 0300247156)

ITEM	PART NUMBER	QTY	DESCRIPTION	REV
	1684497	Ref	LEVEL (SLAVE) CYLINDER ASSEMBLY	D
		Ref	Note: Original Cylinder May Have Been Replaced with Service Replacement. Identify PN Stamped on Cylinder Before Ordering Parts.	
1	1683544	1	Rod	
2	0370034	1	Barrel	
3	1683071	1	Head	
4	3760374	1	Ring, Washer	
5	3932240	8	Capscrew 3/4 x 2-1/2	
6	3480237	1	Piston	
7	0961901	1	Bushing, Tapered	
8	4640509	1	Cartridge, Valve	
8	2900792	1	Seal Kit - 4640509 Valve	
9	4640605	1	Cartridge, Valve	
9	2900792	1	Seal Kit - 4640605 Valve	
10	2220883	2	Plug, O-Ring	
11	2220888	1	Plug, O-Ring	
12	0962102	4	Bushing	
13	0100011	AR	Compound, Locking	
15	See Note	NSS	Seal (Note: Use Item 30)	
16	See Note	NSS	Ring, Lock (Note: Use Item 30)	
17	See Note	NSS	Ring, Back-up (Note: Use Item 30)	
18	See Note	NSS	Ring, Washer (Note: Use Item 30)	
19	See Note	NSS	Ring, Back-up (Note: Use Item 30)	
20	See Note	NSS	O-Ring (Note: Use Item 30)	
21	See Note	NSS	Ring, Wear (Note: Use Item 30)	
22	See Note	NSS	Seal, Rod (Note: Use Item 30)	
23	See Note	NSS	Wiper (Note: Use Item 30)	
24	0100038	AR	Primer, Locking	
26	0630537	3	Bolt	
30	2901526	1	Seal Kit (Includes Items 15-23)	

SECTION 6 - CYLINDER

FIGURE 6-5. LEVEL (SLAVE) CYLINDER ASSEMBLY - UPRIGHT (SN 0300247156 to Present)



ART_1001228041

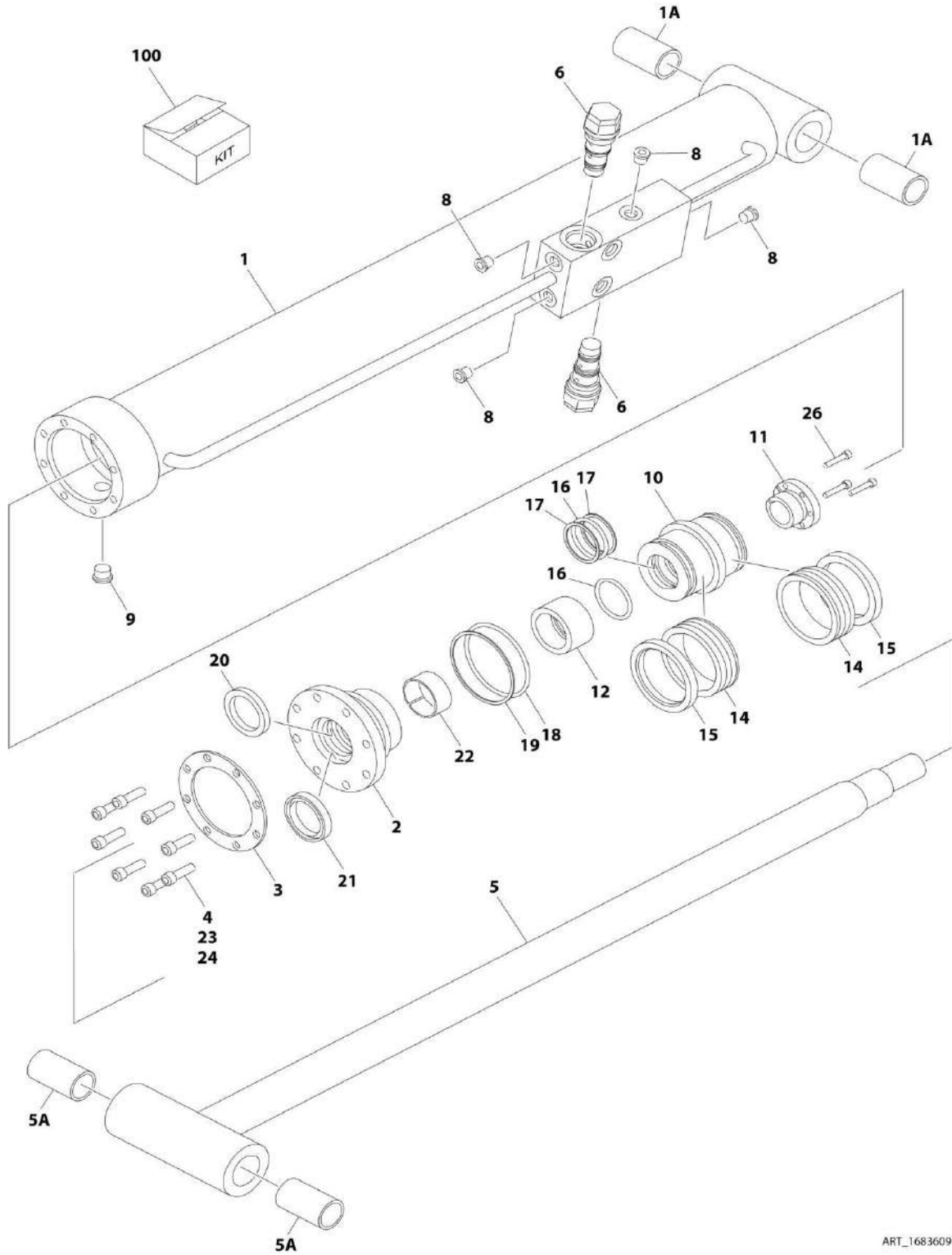
SECTION 6 - CYLINDER

FIGURE 6-5. LEVEL (SLAVE) CYLINDER ASSEMBLY - UPRIGHT (SN 0300247156 to Present)

ITEM	PART NUMBER	QTY	DESCRIPTION	REV
	1001228041	Ref	LEVEL CYLINDER ASSEMBLY	B
		Ref	Note: Original Cylinder may have been replaced with Service Replacement. Identify PN Stamped on Cylinder Before Ordering Parts.	
1	See Note	NSS	Barrel (Note: Not Available for Purchase)	
2	70006391	1	Rod	
3	70006390	1	Head	
4	70006389	1	Piston	
5	70006385	1	Bushing, Tapered	
6	0630537	3	Bolt	
7	3932240	8	Capscrew 3/4 x 2-1/2	
8	2220888	1	Plug, O-Ring	
9	2220883	6	Plug, O-Ring	
11	4640509	1	Cartridge, Valve	
11	2900792	1	Seal Kit - 4640509 Valve	
12	4640605	1	Cartridge, Valve	
12	2900792	1	Seal Kit - 4640605 Valve	
13	0962102	4	Bushing	
100	2901526	1	Seal Kit (Includes Items 101-109)	
101	See Note	NSS	Ring, Lock (Note: Use Item 100)	
102	See Note	NSS	Seal (Note: Use Item 100)	
103	See Note	NSS	Ring, Washer (Note: Use Item 100)	
104	See Note	NSS	Ring, Back-up (Note: Use Item 100)	
105	See Note	NSS	Ring, Wear (Note: Use Item 100)	
106	See Note	NSS	O-Ring (Note: Use Item 100)	
107	See Note	NSS	Ring, Back-up (Note: Use Item 100)	
108	See Note	NSS	Seal, Rod (Note: Use Item 100)	
109	See Note	NSS	Wiper (Note: Use Item 100)	

SECTION 6 - CYLINDER

FIGURE 6-6. LIFT CYLINDER ASSEMBLY - JIB (Prior to SN 0300247156)



ART_1683609

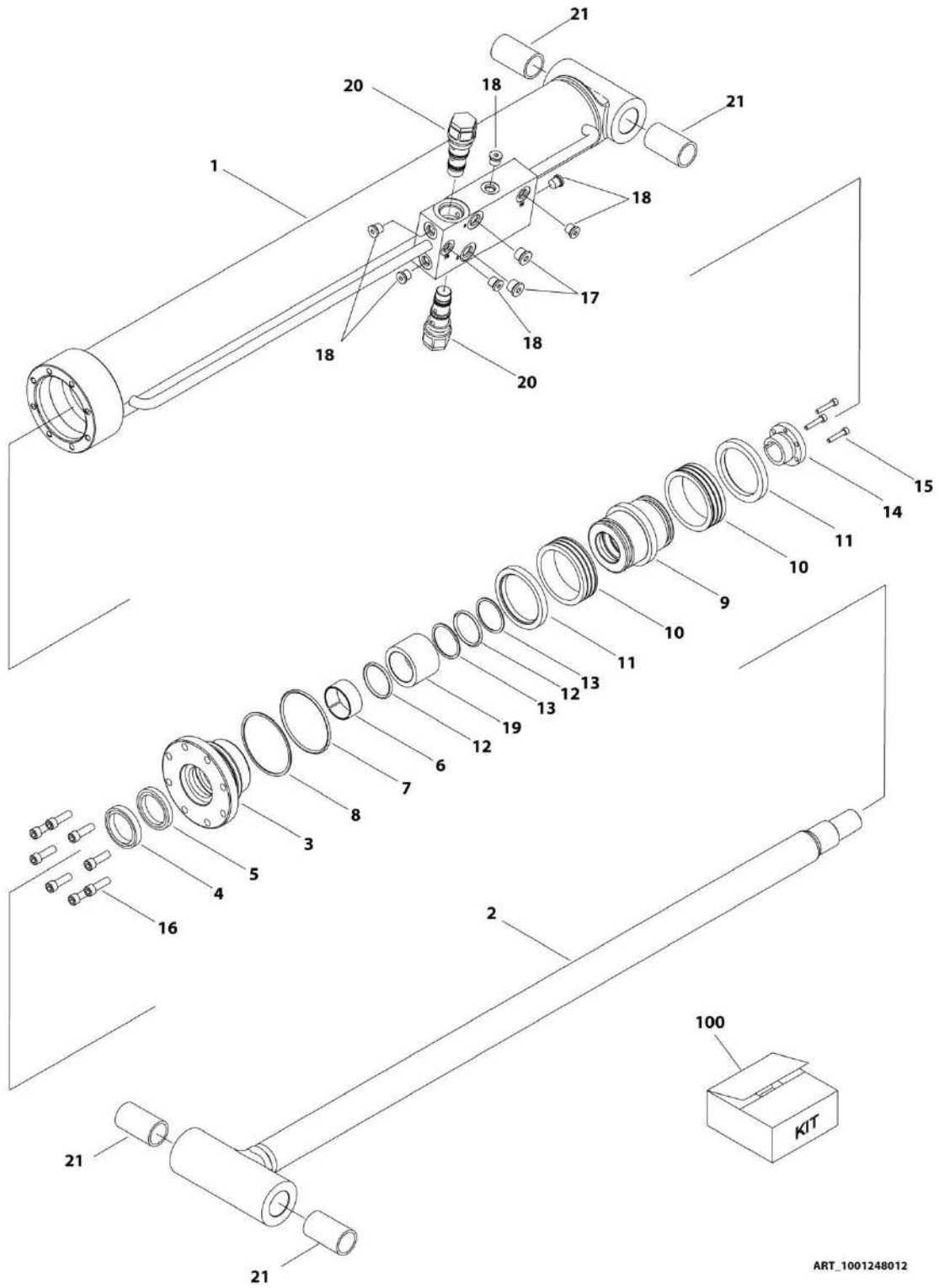
SECTION 6 - CYLINDER

FIGURE 6-6. LIFT CYLINDER ASSEMBLY - JIB (Prior to SN 0300247156)

ITEM	PART NUMBER	QTY	DESCRIPTION	REV
	1683609	Ref	LIFT CYLINDER ASSEMBLY	L
		Ref	Note: Original Cylinder may have been replaced with Service Replacement. Identify PN Stamped on Cylinder Before Ordering Parts.	
1	1684089	1	Barrel	
1A	0962336	2	Bushing	
2	1683053	1	Head	
3	3760368	1	Ring, Washer	
4	3931516	8	Capscrew 5/16in-18NC x 1in	
5	1684090	1	Rod	
5A	0962336	2	Bushing	
6	4640509	2	Cartridge, Valve	
6	2900792	2	Seal Kit - 4640509 Valve	
8	2220883	2	Plug #4	
9	2220885	1	Plug #6	
10	3480210	1	Piston	
11	0961893	1	Bushing, Tapered	
12	4100100	1	Spacer, Tube	
14	See Note	NSS	Seal (Note: Use Item 100)	
15	See Note	NSS	Ring, Lock (Note: Use Item 100)	
16	See Note	NSS	O-Ring (Note: Use Item 100)	
17	See Note	NSS	Ring, Back-up (Note: Use Item 100)	
18	See Note	NSS	O-Ring (Note: Use Item 100)	
19	See Note	NSS	Ring, Back-up (Note: Use Item 100)	
20	See Note	NSS	Seal, Rod (Note: Use Item 100)	
21	See Note	NSS	Wiper (Note: Use Item 100)	
22	See Note	NSS	Ring, Wear (Note: Use Item 100)	
23	0100011	AR	Compound, Locking	
24	0100038	AR	Primer, Locking	
26	0630534	3	Bolt #10-24NC x 1in	
100	2901303	1	Seal Kit (Includes Items 14-22)	

SECTION 6 - CYLINDER

FIGURE 6-7. LIFT CYLINDER ASSEMBLY - JIB (SN 0300247156 to Present)



ART_1001248012

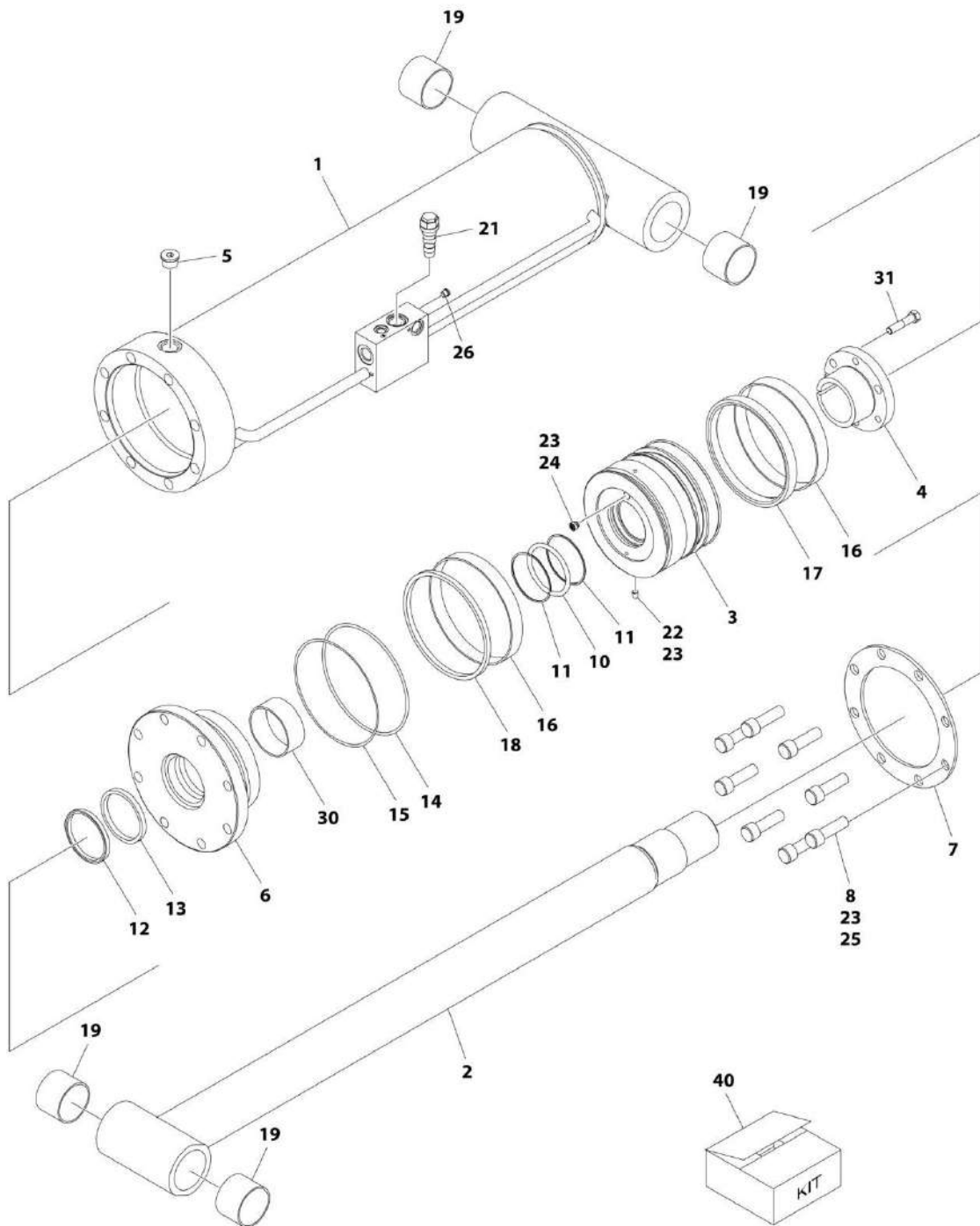
SECTION 6 - CYLINDER

FIGURE 6-7. LIFT CYLINDER ASSEMBLY - JIB (SN 0300247156 to Present)

ITEM	PART NUMBER	QTY	DESCRIPTION	REV
	1001248012	Ref	LIFT CYLINDER ASSEMBLY - JIB	A
		Ref	Note: Original Cylinder May Have Been Replaced with Service Replacement. Identify PN Stamped on Cylinder Before Ordering Parts.	
1	See Note	NSS	Barrel (Note: Not Available for Purchase)	
2	70006734	1	Rod	
3	70006649	1	Head	
4	See Note	NSS	Wiper (Note: Use Item 100)	
5	See Note	NSS	Seal, Rod (Note: Use Item 100)	
6	See Note	NSS	Ring, Wear (Note: Use Item 100)	
7	See Note	NSS	O-Ring (Note: Use Item 100)	
8	See Note	NSS	Ring, Back-up (Note: Use Item 100)	
9	70006650	1	Piston	
10	See Note	NSS	Seal (Note: Use Item 100)	
11	See Note	NSS	Ring, Lock (Note: Use Item 100)	
12	See Note	NSS	O-Ring (Note: Use Item 100)	
13	See Note	NSS	Ring, Back-up (Note: Use Item 100)	
14	0961893	1	Bushing, Tapered	
15	0630534	3	Capscrew, Socket Head #10 x 1	
16	70006735	8	Capscrew 5/16	
17	2220885	2	Plug, O-Ring	
18	2220883	6	Plug, O-Ring	
19	70006736	1	Spacer	
20	4640509	2	Cartridge, Valve	
20	2900792	2	Seal Kit - 4640509 Valve	
21	0962336	4	Bushing	
100	1001138795	1	Seal Kit (Includes Items 4-8 & 10-13)	

SECTION 6 - CYLINDER

FIGURE 6-8. LIFT CYLINDER ASSEMBLY - MAIN BOOM (Prior to SN 0300247156)



ART_1683547

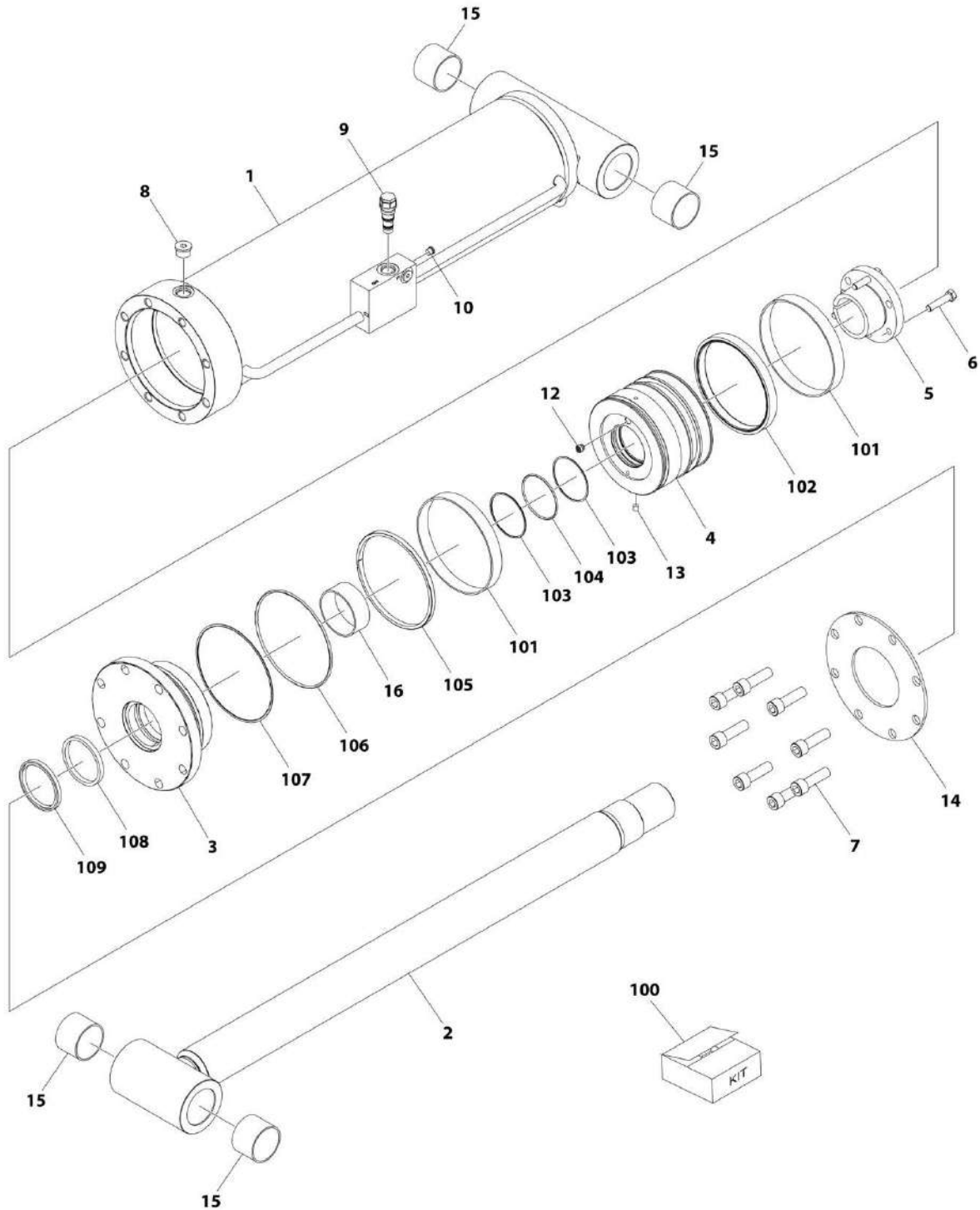
SECTION 6 - CYLINDER

FIGURE 6-8. LIFT CYLINDER ASSEMBLY - MAIN BOOM (Prior to SN 0300247156)

ITEM	PART NUMBER	QTY	DESCRIPTION	REV
	1683547	Ref	LIFT CYLINDER ASSEMBLY	M
		Ref	Note: Original Cylinder May Have Been Replaced with Service Replacement. Identify PN Stamped on Cylinder Before Ordering Parts.	
1	1683821	1	Barrel	
2	1683549	1	Rod	
3	3480238	1	Piston	
4	0961901	1	Bushing, Tapered	
5	2220888	1	Plug, O-Ring	
6	1683071	1	Head	
7	3760374	1	Washer, Ring	
8	3932240	1	Capscrew 3/4 x 2-1/2	
10	See Note	NSS	O-Ring (Note: Use Item 40)	
11	See Note	NSS	Ring, Back-up (Note: Use Item 40)	
12	See Note	NSS	Wiper (Note: Use Item 40)	
13	See Note	NSS	Seal, Rod (Note: Use Item 40)	
14	See Note	NSS	O-Ring (Note: Use Item 40)	
15	See Note	NSS	Ring, Back-up (Note: Use Item 40)	
16	See Note	NSS	Ring, Wear (Note: Use Item 40)	
17	See Note	NSS	T-Seal (Note: Use Item 40)	
18	See Note	NSS	Seal (Note: Use Item 40)	
19	0962102	4	Bushing	
21	4640509	1	Cartridge, Valve	
21	2900792	1	Seal Kit - 4640509 Valve	
22	2180615	1	Orifice	
23	0100011	AR	Compound, Locking	
24	4641027	1	Plug, Check Valve	
25	0100038	AR	Primer, Locking	
26	2220883	1	Plug	
30	See Note	NSS	Ring, Wear (Note: Use Item 40)	
31	0630537	3	Bolt	
40	2901514	1	Seal Kit (Includes Items 10-18 & 30)	

SECTION 6 - CYLINDER

FIGURE 6-9. LIFT CYLINDER ASSEMBLY - MAIN BOOM (SN 0300247156 to Present)



ART_1001228010

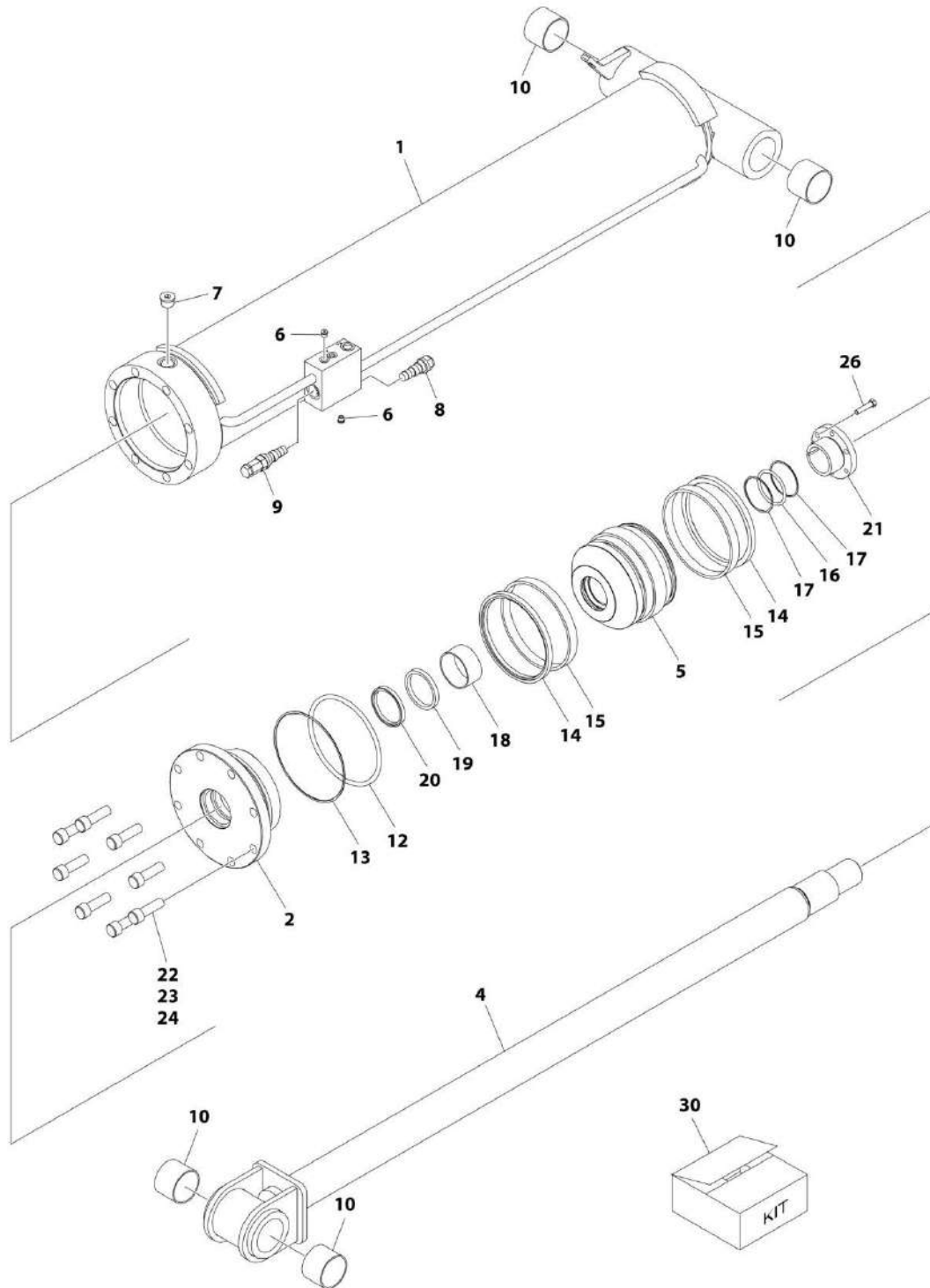
SECTION 6 - CYLINDER

FIGURE 6-9. LIFT CYLINDER ASSEMBLY - MAIN BOOM (SN 0300247156 to Present)

ITEM	PART NUMBER	QTY	DESCRIPTION	REV
	1001228010	Ref	LIFT CYLINDER ASSEMBLY	B
		Ref	Note: Original Cylinder may have been replaced with Service Replacement. Identify PN Stamped on Cylinder Before Ordering Parts.	
1	See Note	NSS	Barrel (Note: Not Available for Purchase)	
2	70006388	1	Rod	
3	70006387	1	Head	
4	70006386	1	Piston	
5	70006385	1	Bushing, Tapered	
6	0630537	3	Bolt	
7	3932240	8	Capscrew 3/4 x 2-1/2	
7	See Note	AR	Compound, Locking (Note: Use Loctite 263)	
8	2220888	1	Plug	
9	4640509	1	Cartridge, Valve	
9	2900792	1	Seal Kit - 4640509 Valve	
10	2220883	1	Plug	
12	4641027	1	Plug, Check Valve	
13	2180615	1	Orifice	
14	70006384	1	Washer, Ring	
15	0962102	4	Bushing	
16	See Note	NSS	Ring, Wear (Note: Use Item 100)	
100	2901514	1	Seal Kit (Includes Items 16 and 101-109)	
101	See Note	NSS	Ring, Wear (Note: Use Item 100)	
102	See Note	NSS	T-Seal (Note: Use Item 100)	
103	See Note	NSS	Ring, Back-up (Note: Use Item 100)	
104	See Note	NSS	O-Ring (Note: Use Item 100)	
105	See Note	NSS	Seal (Note: Use Item 100)	
106	See Note	NSS	O-Ring (Note: Use Item 100)	
107	See Note	NSS	Ring Back-up (Note: Use Item 100)	
108	See Note	NSS	Seal, Rod (Note: Use Item 100)	
109	See Note	NSS	Wiper (Note: Use Item 100)	

SECTION 6 - CYLINDER

FIGURE 6-10. LIFT CYLINDER ASSEMBLY - TOWER BOOM (Prior to SN 0300247156)



ART_1683537

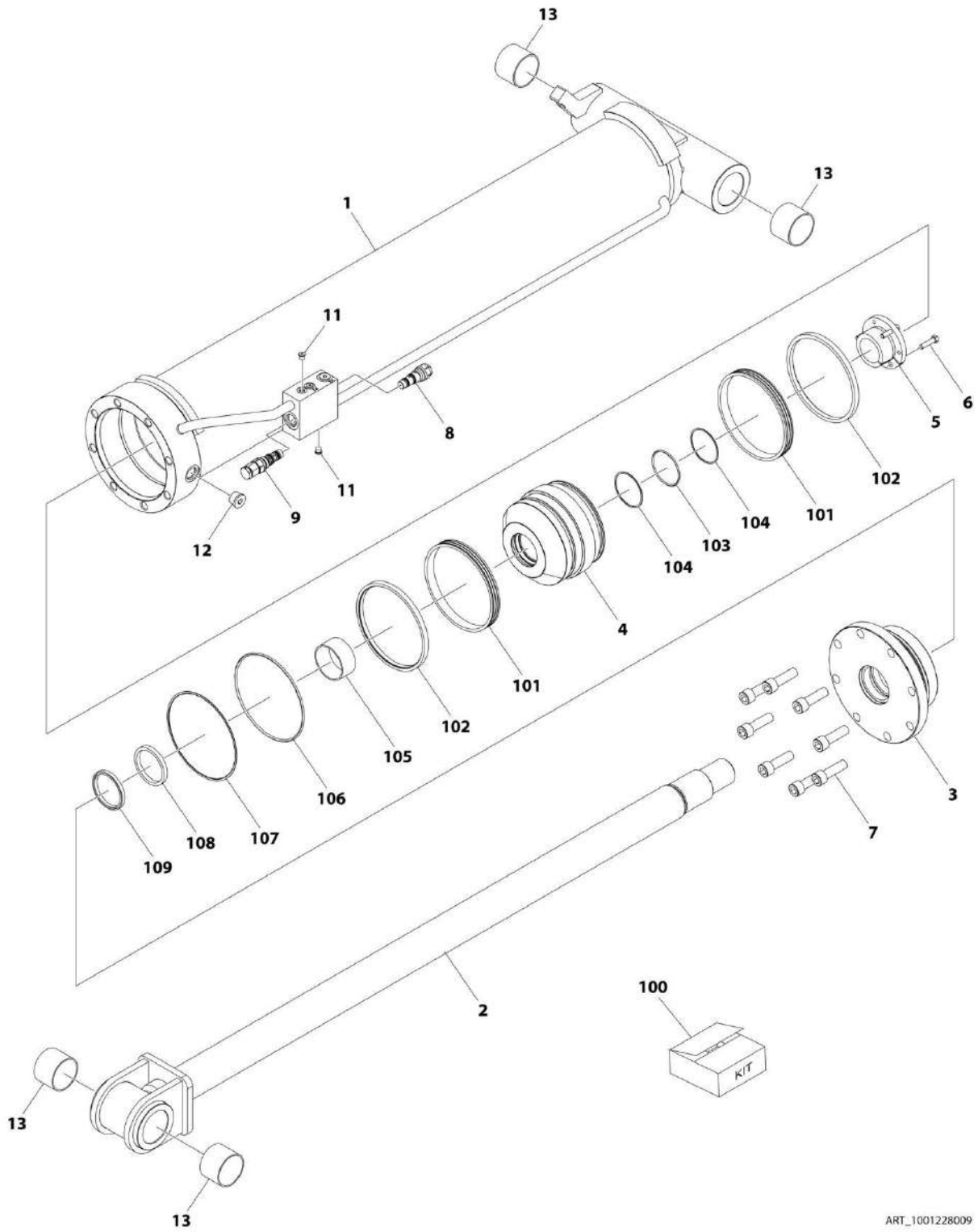
SECTION 6 - CYLINDER

FIGURE 6-10. LIFT CYLINDER ASSEMBLY - TOWER BOOM (Prior to SN 0300247156)

ITEM	PART NUMBER	QTY	DESCRIPTION	REV
	1683537	Ref	LIFT CYLINDER ASSEMBLY	J
		Ref	Note: Original Cylinder May Have Been Replaced with Service Replacement. Identify PN Stamped on Cylinder Before Ordering Parts.	
1	1683823	1	Barrel	
2	1683818	1	Head	
4	1683539	1	Rod	
5	3480236	1	Piston	
6	2220883	2	Plug, O-Ring	
7	2220888	1	Plug, O-Ring	
8	4640509	1	Cartridge, Valve	
8	2900792	1	Seal Kit - 4640999 Valve	
9	4640605	1	Cartridge, Valve	
9	2900792	1	Seal Kit - 4640605 Valve	
10	0962102	4	Bushing	
12	See Note	NSS	O-Ring (Note: Use Item 30)	
13	See Note	NSS	Ring, Back-up (Note: Use Item 30)	
14	See Note	NSS	Ring, Lock (Note: Use Item 30)	
15	See Note	NSS	Seal (Note: Use Item 30)	
16	See Note	NSS	O-Ring (Note: Use Item 30)	
17	See Note	NSS	Ring, Back-up (Note: Use Item 30)	
18	See Note	NSS	Ring, Wear (Note: Use Item 30)	
19	See Note	NSS	Seal (Note: Use Item 30)	
20	See Note	NSS	Wiper (Note: Use Item 30)	
21	0961903	1	Bushing, Tapered	
22	3932240	8	Capscrew 3/4 x 2-1/2	
23	0100011	AR	Compound, Locking	
24	0100038	AR	Primer, Locking	
26	0630536	3	Bolt	
30	2901537	1	Seal Kit (Includes Items 12-20)	

SECTION 6 - CYLINDER

FIGURE 6-11. LIFT CYLINDER ASSEMBLY - TOWER BOOM (SN 0300247156 to Present)



ART_1001228009

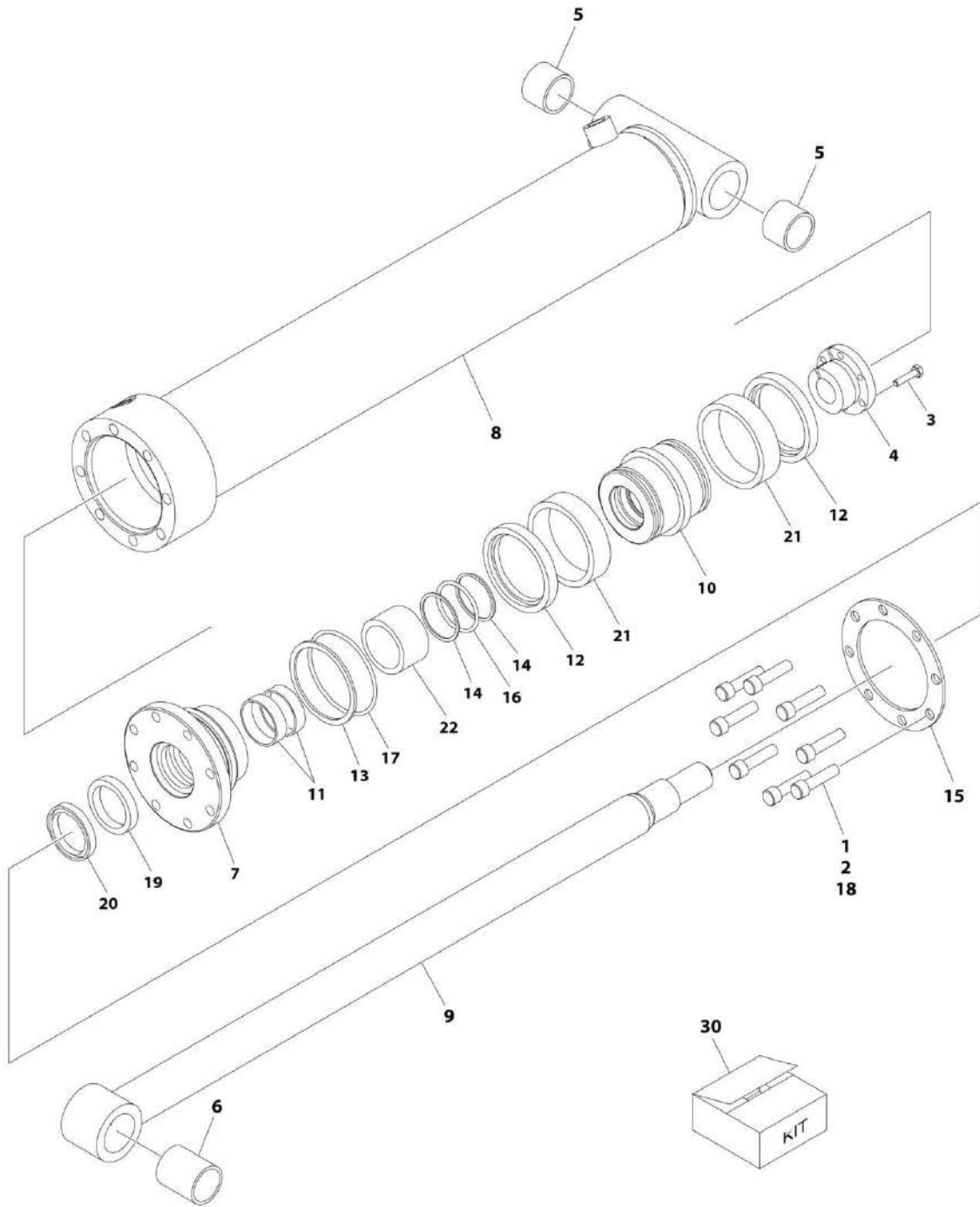
SECTION 6 - CYLINDER

FIGURE 6-11. LIFT CYLINDER ASSEMBLY - TOWER BOOM (SN 0300247156 to Present)

ITEM	PART NUMBER	QTY	DESCRIPTION	REV
	1001228009	Ref	LIFT CYLINDER ASSEMBLY	B
		Ref	Note: Original Cylinder may have been replaced with Service Replacement. Identify PN Stamped on Cylinder Before Ordering Parts.	
1	See Note	NSS	Barrel (Note: Not Available for Purchase)	
2	70006378	1	Rod	
3	70006377	1	Head	
4	70006376	1	Piston	
5	70006375	1	Bushing, Tapered	
6	0630536	3	Bolt	
7	3932240	8	Capscrew 3/4 x 2-1/2	
8	4640509	1	Cartridge, Valve	
8	2900792	1	Seal Kit - 4640999 Valve	
9	4640605	1	Cartridge, Valve	
9	2900792	1	Seal Kit - 4640605 Valve	
11	2220883	4	Plug, O-Ring	
12	2220888	1	Plug, O-Ring	
13	0962102	4	Bushing	
100	2901537	1	Seal Kit (Includes Items 101-109)	
101	See Note	NSS	Seal (Note: Use Item 100)	
102	See Note	NSS	Ring, Lock (Note: Use Item 100)	
103	See Note	NSS	O-Ring (Note: Use Item 100)	
104	See Note	NSS	Ring, Back-up (Note: Use Item 100)	
105	See Note	NSS	Ring, Wear (Note: Use Item 100)	
106	See Note	NSS	O-Ring (Note: Use Item 100)	
107	See Note	NSS	Ring, Back-up (Note: Use Item 100)	
108	See Note	NSS	Seal (Note: Use Item 100)	
109	See Note	NSS	Wiper (Note: Use Item 100)	

SECTION 6 - CYLINDER

FIGURE 6-12. MASTER CYLINDER ASSEMBLY (Prior to SN 0300247156)



ART_1683682

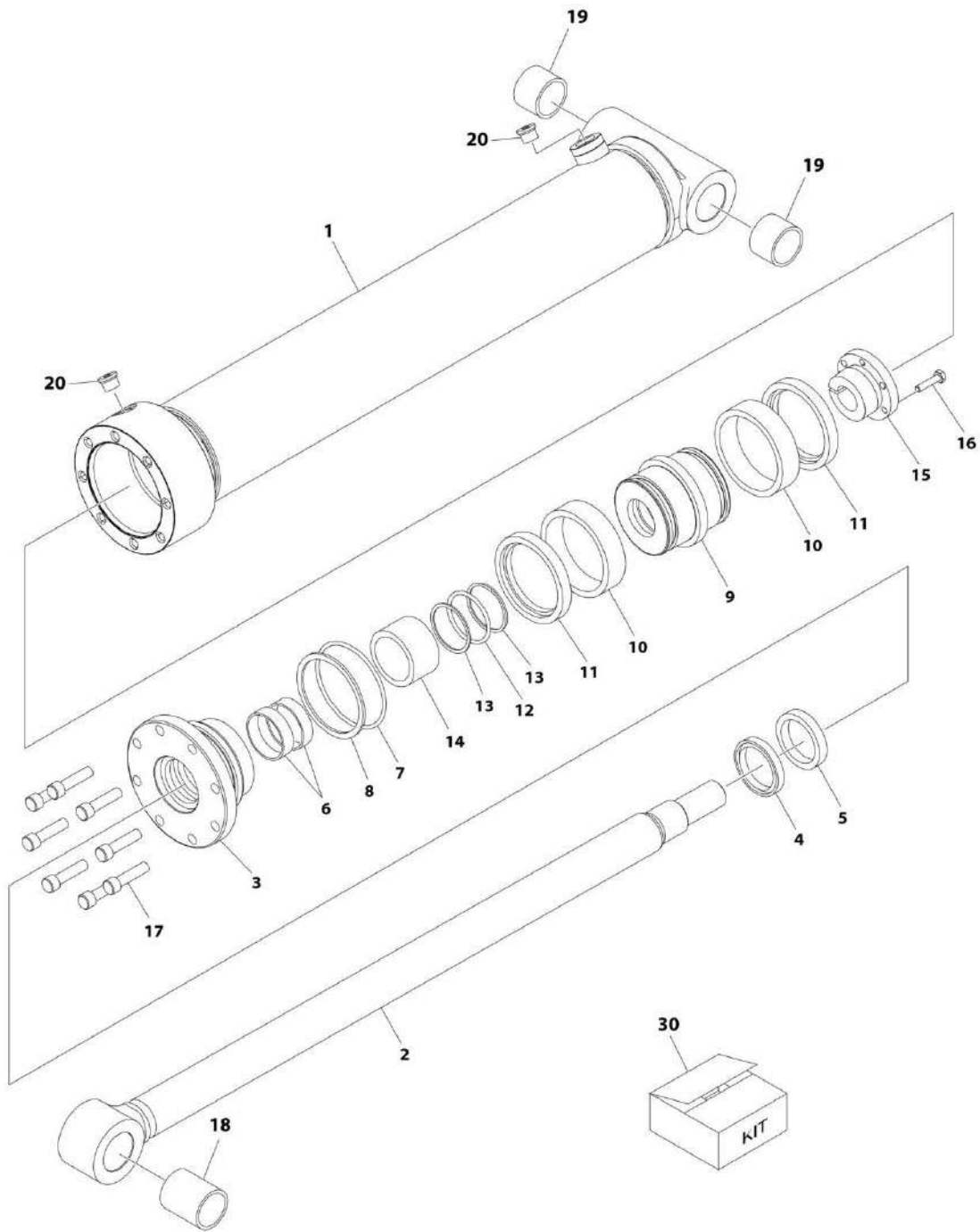
SECTION 6 - CYLINDER

FIGURE 6-12. MASTER CYLINDER ASSEMBLY (Prior to SN 0300247156)

ITEM	PART NUMBER	QTY	DESCRIPTION	REV
	1683682	Ref	MASTER CYLINDER ASSEMBLY	H
		Ref	Note: Original Cylinder May Have Been Replaced with Service Replacement. Identify PN Stamped on Cylinder Before Ordering Parts.	
1	0100011	AR	Compound, Locking	
2	0100038	AR	Primer, Locking	
3	0630535	3	Capscrew 1/4 x 1-1/8	
4	0961894	1	Bushing, Tapered	
5	0961951	2	Bushing	
6	0962155	1	Bushing	
7	1683055	1	Head	
8	1684125	1	Barrel	
9	1684126	1	Rod	
10	3480188	1	Piston	
11	See Note	NSS	Ring, Wear (Note: Use Item 30)	
12	See Note	NSS	Ring, Lock (Note: Use Item 30)	
13	See Note	NSS	Ring, Back-up (Note: Use Item 30)	
14	See Note	NSS	Ring, Back-up (Note: Use Item 30)	
15	3760369	1	Ring, Washer	
16	See Note	NSS	O-Ring (Note: Use Item 30)	
17	See Note	NSS	O-Ring (Note: Use Item 30)	
18	3931620	8	Capscrew 3/8 x 1-1/4	
19	See Note	NSS	Seal, Rod (Note: Use Item 30)	
20	See Note	NSS	Wiper (Note: Use Item 30)	
21	See Note	NSS	Seal (Note: Use Item 30)	
22	4566468	1	Spacer, Tube	
30	2901301	1	Seal Kit (Includes Items 11-14, 16, 17 & 19-21)	

SECTION 6 - CYLINDER

FIGURE 6-13. MASTER CYLINDER ASSEMBLY (SN 0300247156 to Present)



ART_1001228050

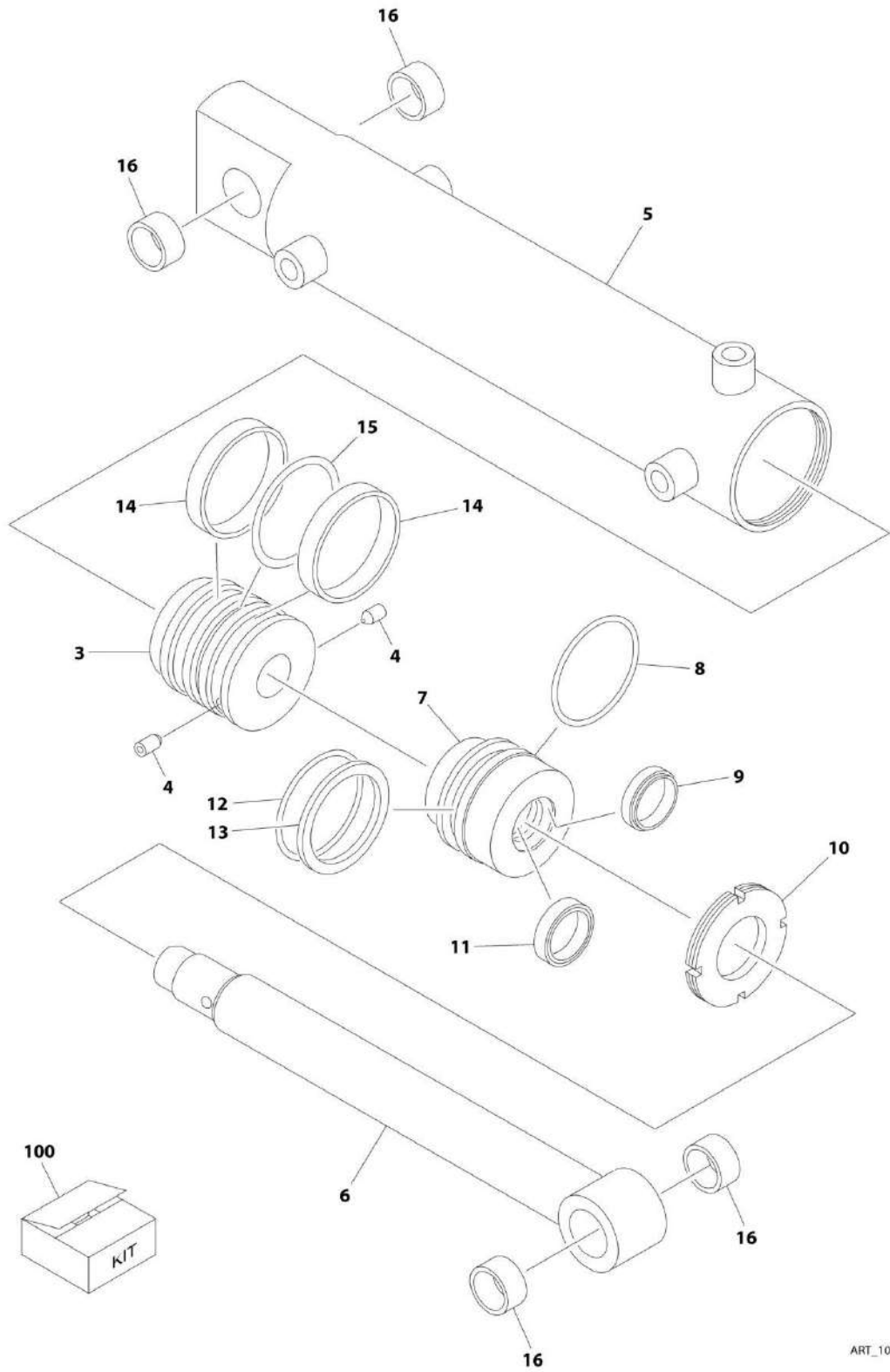
SECTION 6 - CYLINDER

FIGURE 6-13. MASTER CYLINDER ASSEMBLY (SN 0300247156 to Present)

ITEM	PART NUMBER	QTY	DESCRIPTION	REV
	1001228050	Ref	MASTER CYLINDER ASSEMBLY	A
		Ref	Note: Original Cylinder may have been replaced with Service Replacement. Identify PN Stamped on Cylinder Before Ordering Parts.	
1	See Note	NSS	Barrel (Note: Not Available for Purchase)	
2	70006668	1	Rod	
3	70006643	1	Head	
4	See Note	NSS	Wiper (Note: Use Item 30)	
5	See Note	NSS	Seal, Rod (Note: Use Item 30)	
6	See Note	NSS	Ring, Wear (Note: Use Item 30)	
7	See Note	NSS	O-Ring (Note: Use Item 30)	
8	See Note	NSS	Ring, Back-up (Note: Use Item 30)	
9	70006644	1	Piston	
10	See Note	NSS	Ring, Wear (Note: Use Item 30)	
11	See Note	NSS	Ring, Lock (Note: Use Item 30)	
12	See Note	NSS	O-Ring (Note: Use Item 30)	
13	See Note	NSS	Ring, Back-up (Note: Use Item 30)	
14	70006651	1	Spacer, Tube	
15	0961894	1	Bushing, Tapered	
16	0630535	3	Capscrew 1/4 x 1-1/8	
17	3931620	8	Capscrew 3/8 x 1-1/4	
18	0962155	1	Bushing	
19	0961951	2	Bushing	
20	2220885	2	Plug, O-Ring	
30	1001138796	1	Seal Kit (Machines with Arctic Package) (Includes Items 4-8 & 10-13)	

SECTION 6 - CYLINDER

FIGURE 6-14. STEER CYLINDER ASSEMBLY



ART_1001150539

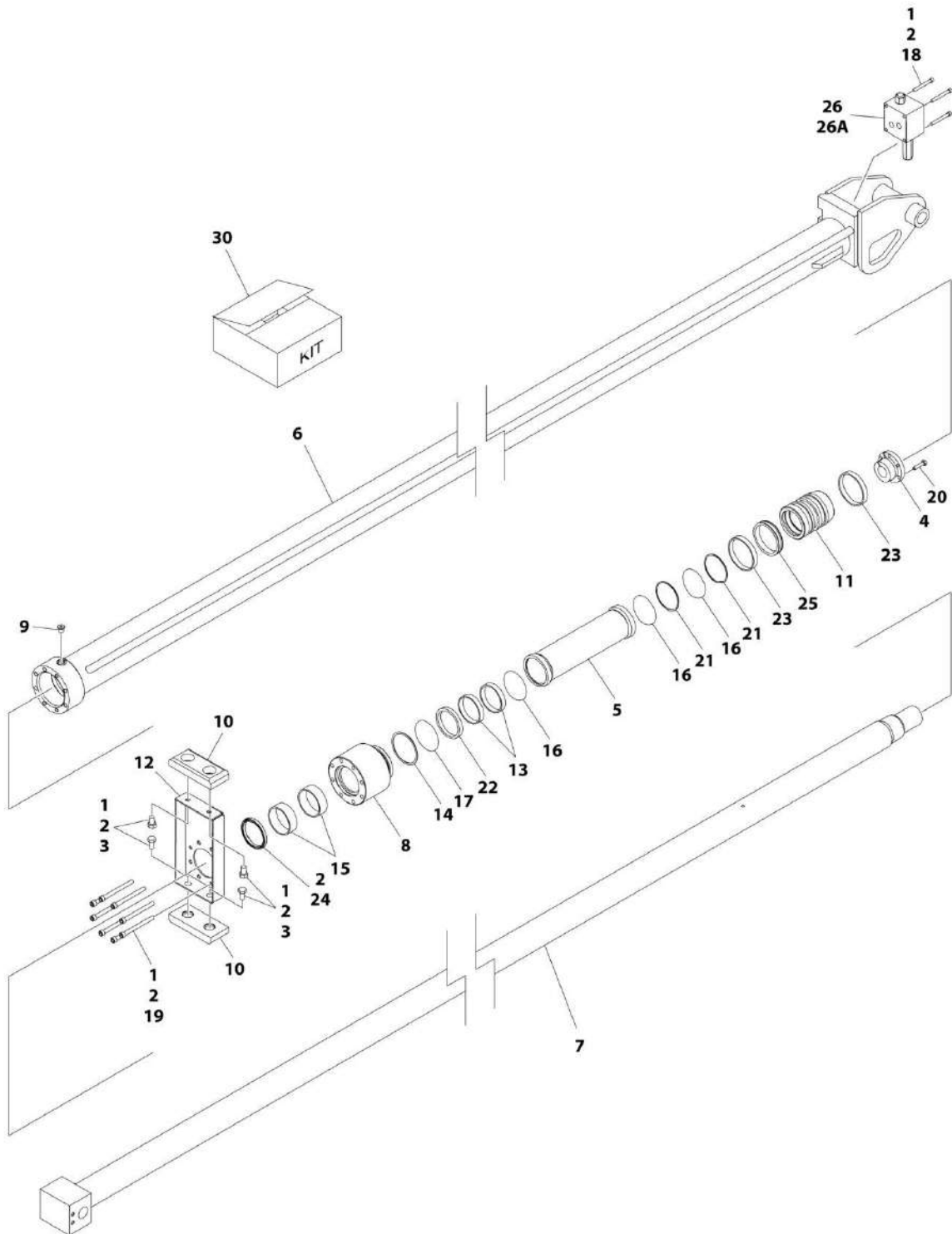
SECTION 6 - CYLINDER

FIGURE 6-14. STEER CYLINDER ASSEMBLY

ITEM	PART NUMBER	QTY	DESCRIPTION	REV
	1001150539	Ref	STEER CYLINDER ASSEMBLY	F
3	70002744	1	Piston	
4	70002745	2	Setscrew M6 x 10	
5	70004381	1	Barrel	
6	70004382	1	Rod	
7	70002748	1	Head	
8	See Note	NSS	Ring (Note: Use Item 100)	
9	See Note	NSS	Wiper (Note: Use Item 100)	
10	70002749	1	Nut, Spanner	
11	See Note	NSS	Seal (Note: Use Item 100)	
12	See Note	NSS	O-Ring (Note: Use Item 100)	
13	See Note	NSS	Ring, Back-up (Note: Use Item 100)	
14	See Note	NSS	Ring, Wear (Note: Use Item 100)	
15	See Note	NSS	Seal (Note: Use Item 100)	
16	0962152	4	Bushings	
100	70002751	1	Seal Kit (Includes Items 8, 9 & 11-15)	

SECTION 6 - CYLINDER

FIGURE 6-15. TELESCOPE CYLINDER ASSEMBLY - MAIN BOOM (Prior to SN 0300247156)



ART_1001149284

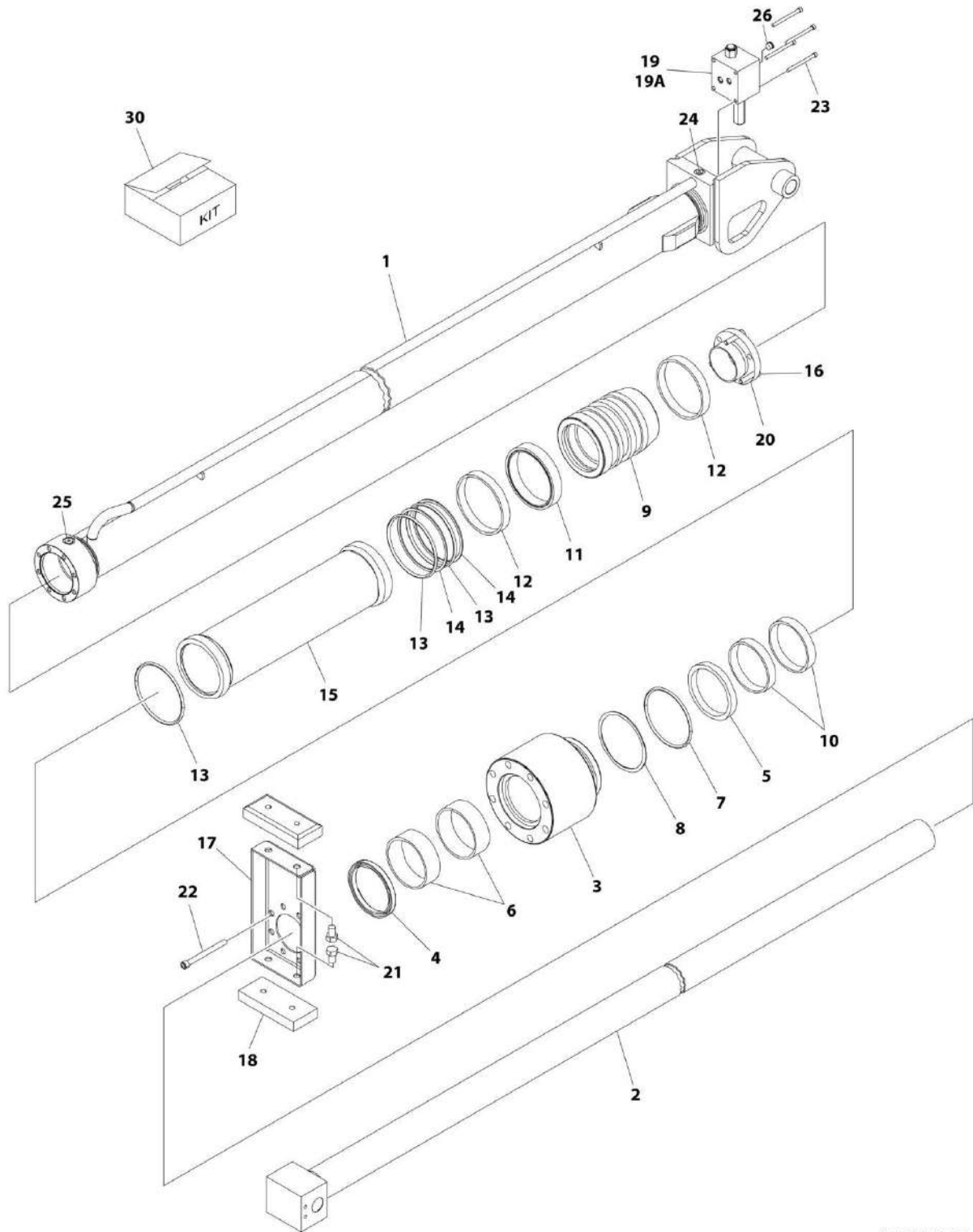
SECTION 6 - CYLINDER

FIGURE 6-15. TELESCOPE CYLINDER ASSEMBLY - MAIN BOOM (Prior to SN 0300247156)

ITEM	PART NUMBER	QTY	DESCRIPTION	REV
	1001149284	Ref	TELESCOPE CYLINDER ASSEMBLY	B
		Ref	Note: Original Cylinder may have been replaced with Service Replacement. Identify PN Stamped on Cylinder Before Ordering Parts.	
1	0100011	AR	Compound, Locking	
2	0100038	AR	Primer, Locking	
3	0641806	4	Bolt 1/2 x 3/4	
4	0961897	1	Bushing, Tapered	
5	0962524	1	Spacer, Tube	
6	1683673	1	Barrel	
7	1683675	1	Rod	
8	1683663	1	Head	
9	2220885	1	Plug, O-Ring	
10	3340838	2	Pad, Wear	
11	3480234	1	Piston	
12	3570775	1	Plate	
13	See Note	NSS	Ring, Wear (Note: Use Item 30)	
14	See Note	NSS	Ring, Back-up (Note: Use Item 30)	
15	See Note	NSS	Ring, Wear (Note: Use Item 30)	
16	See Note	NSS	O-Ring (Note: Use Item 30)	
17	See Note	NSS	O-Ring (Note: Use Item 30)	
18	3931448	4	Capscrew 1/4 x 3	
19	3931664	8	Capscrew 3/8 x 4	
20	0630535	3	Bolt 1/4 x 1-1/8	
21	See Note	NSS	Ring, Back-up (Note: Use Item 30)	
22	See Note	NSS	Seal, Rod (Note: Use Item 30)	
23	See Note	NSS	Ring, Wear (Note: Use Item 30)	
24	See Note	NSS	Wiper (Note: Use Item 30)	
25	See Note	NSS	T-Seal (Note: Use Item 30)	
26	4641033	1	Valve Assembly (No serviceable parts - sold as assembly only)	
26	7024508	2	O-Ring (Between Valve and Cylinder Barrel)	
30	1001149391	1	Seal Kit (Includes Items 13-17 & 21-25)	

SECTION 6 - CYLINDER

FIGURE 6-16. TELESCOPE CYLINDER ASSEMBLY - MAIN BOOM (SN 0300247156 to Present)



ART_1001228087

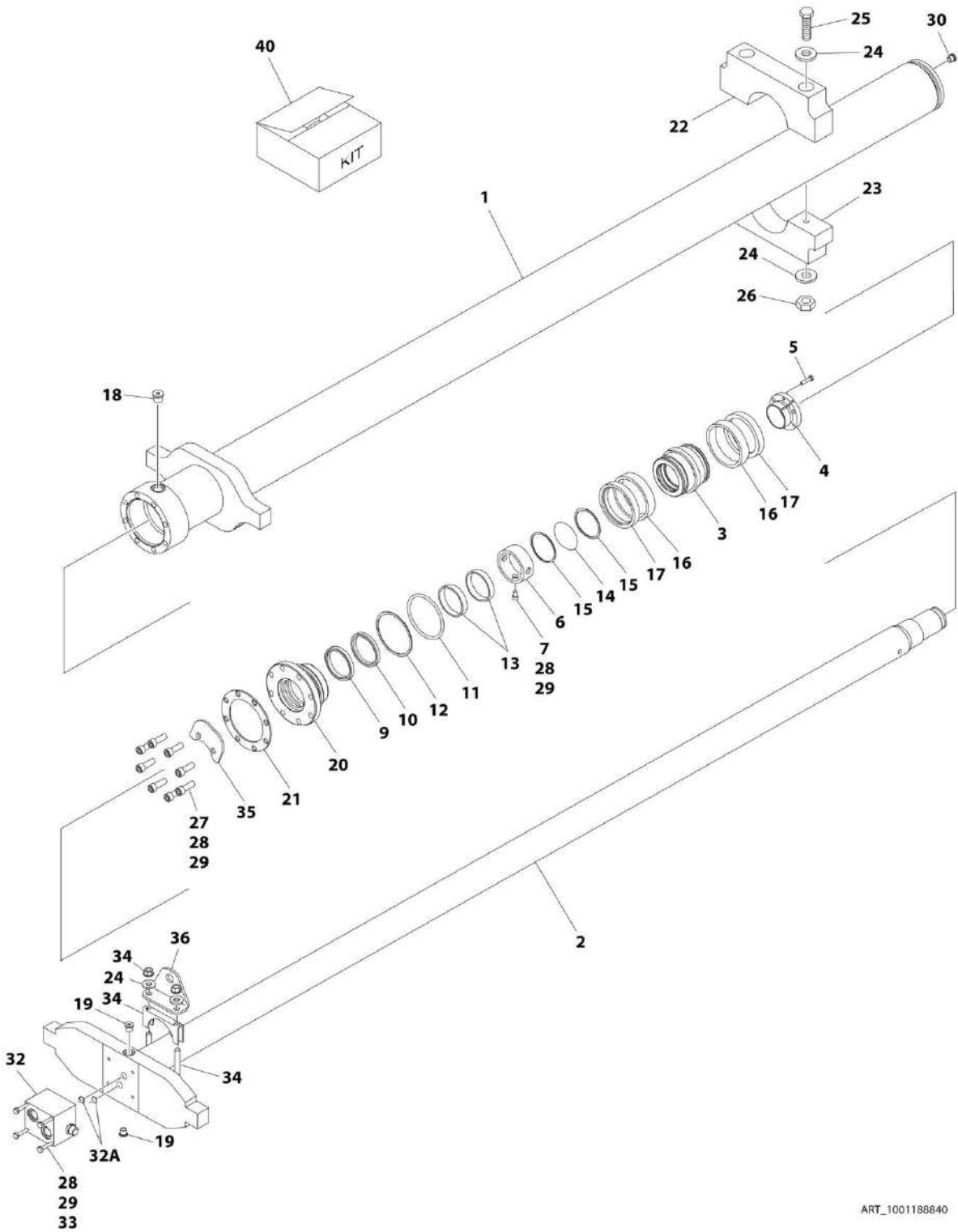
SECTION 6 - CYLINDER

FIGURE 6-16. TELESCOPE CYLINDER ASSEMBLY - MAIN BOOM (SN 0300247156 to Present)

ITEM	PART NUMBER	QTY	DESCRIPTION	REV
	1001228087	Ref	TELESCOPE CYLINDER ASSEMBLY	A
		Ref	Note: Original Cylinder may have been replaced with Service Replacement. Identify PN Stamped on Cylinder Before Ordering Parts.	
1	See Note	NSS	Barrel (Note: Not Available for Purchase)	
2	70006669	1	Rod	
3	70006670	1	Head	
4	See Note	NSS	Wiper (Note: Use Item 30)	
5	See Note	NSS	Seal, Rod (Note: Use Item 30)	
6	See Note	NSS	Ring, Wear (Note: Use Item 30)	
7	See Note	NSS	O-Ring (Note: Use Item 30)	
8	See Note	NSS	Ring, Back-up (Note: Use Item 30)	
9	70006671	1	Piston	
10	See Note	NSS	Ring, Wear (Note: Use Item 30)	
11	See Note	NSS	Seal, Piston (Note: Use Item 30)	
12	See Note	NSS	Ring, Wear (Note: Use Item 30)	
13	See Note	NSS	O-Ring (Note: Use Item 30)	
14	See Note	NSS	Ring, Back-up (Note: Use Item 30)	
15	70006672	1	Spacer	
16	0961897	1	Bushing, Tapered	
17	3570775	1	Plate	
18	3340838	2	Pad, Wear	
19	4641033	1	Valve Assembly (No serviceable parts - sold as assembly only)	
19A	7024508	2	O-Ring (Between Valve and Cylinder Barrel)	
20	0630535	3	Bolt 1/4 x 1-1/8	
21	0641806	4	Bolt 1/2 x 3/4	
22	3931664	8	Capscrew 3/8 x 4	
23	3931448	4	Capscrew 1/4 x 3	
24	2220883	1	Plug, O-Ring	
25	2220885	1	Plug, O-Ring	
26	2220886	1	Plug, O-Ring	
30	1001149391	1	Seal Kit (Includes Items 4-8 & 10-14)	

SECTION 6 - CYLINDER

FIGURE 6-17. TELESCOPE CYLINDER ASSEMBLY - TOWER BOOM (Prior to SN 0300247156)



ART_1001188840

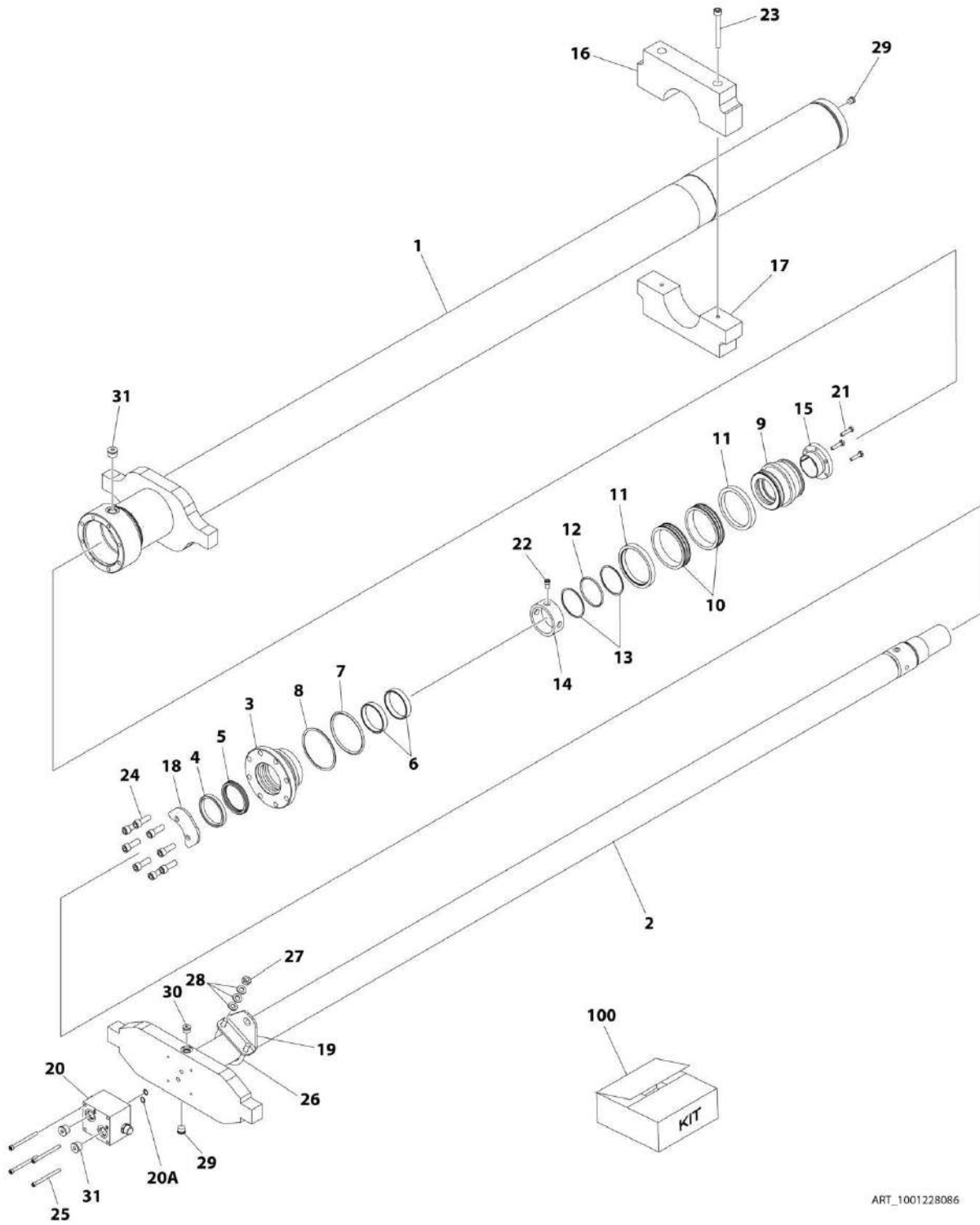
SECTION 6 - CYLINDER

FIGURE 6-17. TELESCOPE CYLINDER ASSEMBLY - TOWER BOOM (Prior to SN 0300247156)

ITEM	PART NUMBER	QTY	DESCRIPTION	REV
	1001188840	Ref	TELESCOPE CYLINDER ASSEMBLY	C
1	1683632	1	Barrel	
2	1683629	1	Rod	
3	3480211	1	Piston	
4	0961897	1	Bushing, Tapered	
5	0630535	3	Bolt 1/4 x 1-1/8	
6	4567413	1	Spacer, Tube	
7	3931508	1	Capscrew 5/16 x 1/2	
9	See Note	1	Wiper (Note: Use Item 40)	
10	See Note	1	Seal (Note: Use Item 40)	
11	See Note	1	O-Ring (Note: Use Item 40)	
12	See Note	1	Ring, Back-up (Note: Use Item 40)	
13	See Note	1	Ring, Wear (Note: Use Item 40)	
14	See Note	1	O-Ring (Note: Use Item 40)	
15	See Note	1	Ring, Back-up (Note: Use Item 40)	
16	See Note	1	Seal (Note: Use Item 40)	
17	See Note	1	Ring, Lock (Note: use Item 40)	
18	2220886	1	Plug, O-Ring	
19	2220885	2	Plug, O-Ring	
20	1683061	1	Head	
21	3760370	1	Ring, Washer	
22	3340834	1	Pad, Support	
23	3340833	1	Pad, Support	
24	4711600	10	Washer 3/8	
25	0641652	3	Bolt 3/8 x 6-1/2	
26	3271605	2	Nut 3/8	
27	3931720	2	Capscrew 7/16 x 1-1/4	
28	0100038	AR	Primer, Locking	
29	0100011	AR	Compound, Locking	
30	2220883	1	Plug, O-Ring	
32	4641032	1	Valve Assembly (No serviceable parts - sold as assembly only)	
32A	7024397	2	O-Ring (Between Valve and Cylinder Barrel)	
33	3931448	4	Capscrew 1/4 x 3	
34	1320011	1	Clamp	
34	1001228506	1	Clamp	
35	3572604	1	Plate, Proximity Switch Target	
36	3572605	1	Plate, Proximity Switch Mount	
40	2901273	1	Seal Kit (Includes Items 9-17)	

SECTION 6 - CYLINDER

FIGURE 6-18. TELESCOPE CYLINDER ASSEMBLY - TOWER BOOM (SN 0300247156 to Present)



ART_1001228086

SECTION 6 - CYLINDER

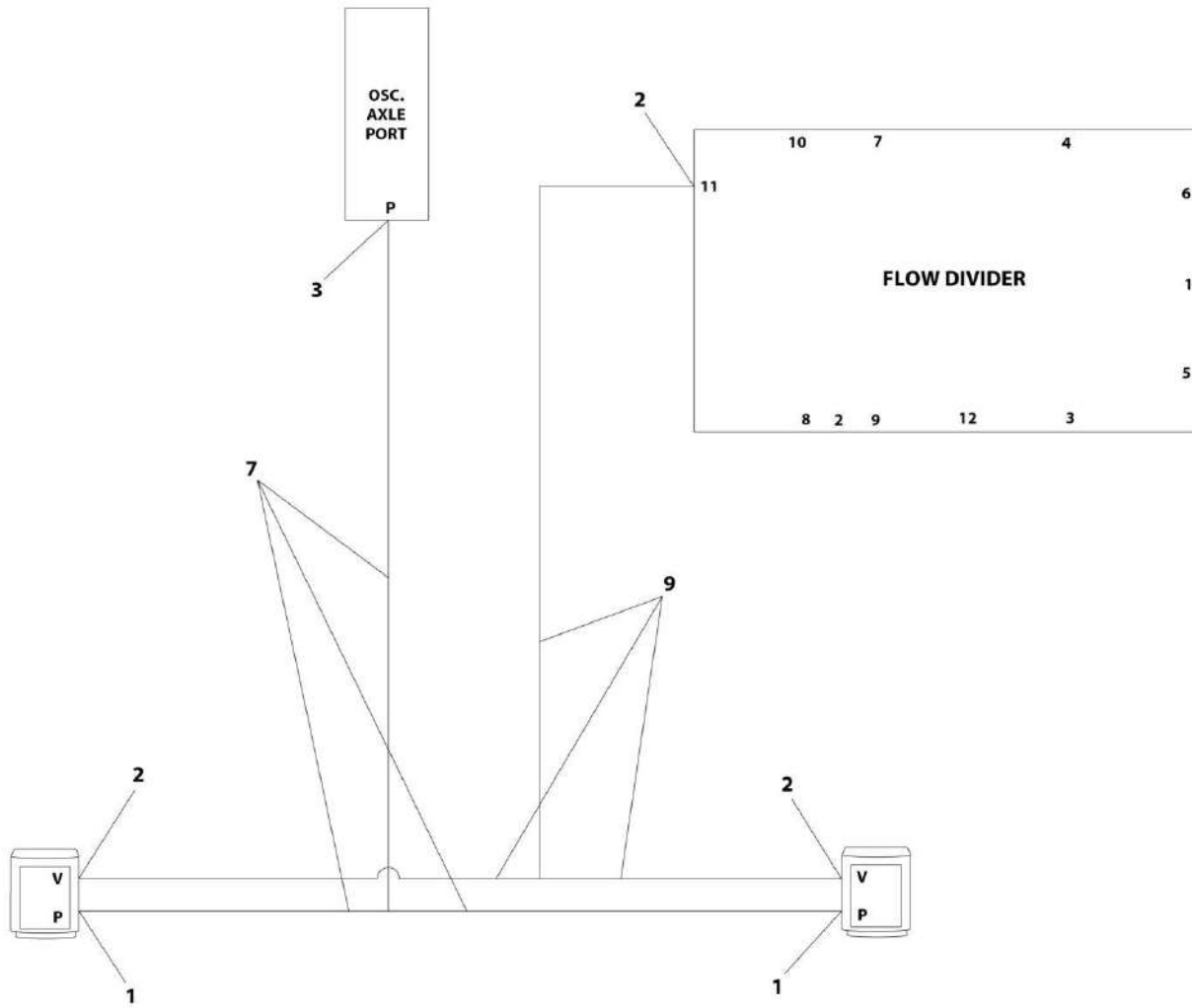
FIGURE 6-18. TELESCOPE CYLINDER ASSEMBLY - TOWER BOOM (SN 0300247156 to Present)

ITEM	PART NUMBER	QTY	DESCRIPTION	REV
	1001228086	Ref	TELESCOPE CYLINDER ASSEMBLY	B
		Ref	Note: Original Cylinder may have been replaced with Service Replacement. Identify PN Stamped on Cylinder Before Ordering Parts.	
1	See Note	NSS	Barrel (Note: Not Available for Purchase)	
2	70006921	1	Rod	
3	70006480	1	Head	
4	See Note	NSS	Wiper (Note: Use Item 100)	
5	See Note	NSS	Seal, Rod (Note: Use Item 100)	
6	See Note	NSS	Ring, Wear (Note: Use Item 100)	
7	See Note	NSS	O-Ring (Note: Use Item 100)	
8	See Note	NSS	Ring, Back-up (Note: Use Item 100)	
9	70006479	1	Piston	
10	See Note	NSS	Seal, Piston (Note: Use Item 100)	
11	See Note	NSS	Ring, Lock (Note: use Item 100)	
12	See Note	NSS	O-Ring (Note: Use Item 100)	
13	See Note	NSS	Ring, Back-up (Note: Use Item 100)	
14	70006922	1	Spacer	
15	0961897	1	Bushing, Tapered	
16	70006923	1	Pad, Wear	
17	70006924	1	Pad, Wear	
18	70006925	1	Plate	
19	70006926	1	Plate	
20	4641032	1	Valve Assembly (No serviceable parts - sold as assembly only)	
20A	7024397	2	O-Ring (Between Valve and Cylinder Barrel)	
21	0630535	3	Bolt 1/4 x 1-1/8	
22	70006731	1	Bolt	
23	70006927	2	Bolt M10	
24	70006728	8	Bolt 7/16	
25	70006733	4	Bolt M8	
26	70006928	1	U-Bolt M10	
27	70005594	2	Nut M10	
28	70006344	6	Washer M10	
29	2220883	2	Plug, O-Ring	
30	2220885	1	Plug, O-Ring	
31	2220886	3	Plug, O-Ring	
100	1001188842	1	Seal Kit - 1001228086 Cylinder (Includes Items 4-8 & 10-13)	

SECTION 7 - HYDRAULIC

SECTION 7 - HYDRAULIC

FIGURE 7-1. AXLE LOCKOUT HYDRAULIC DIAGRAM



ART_1001157400

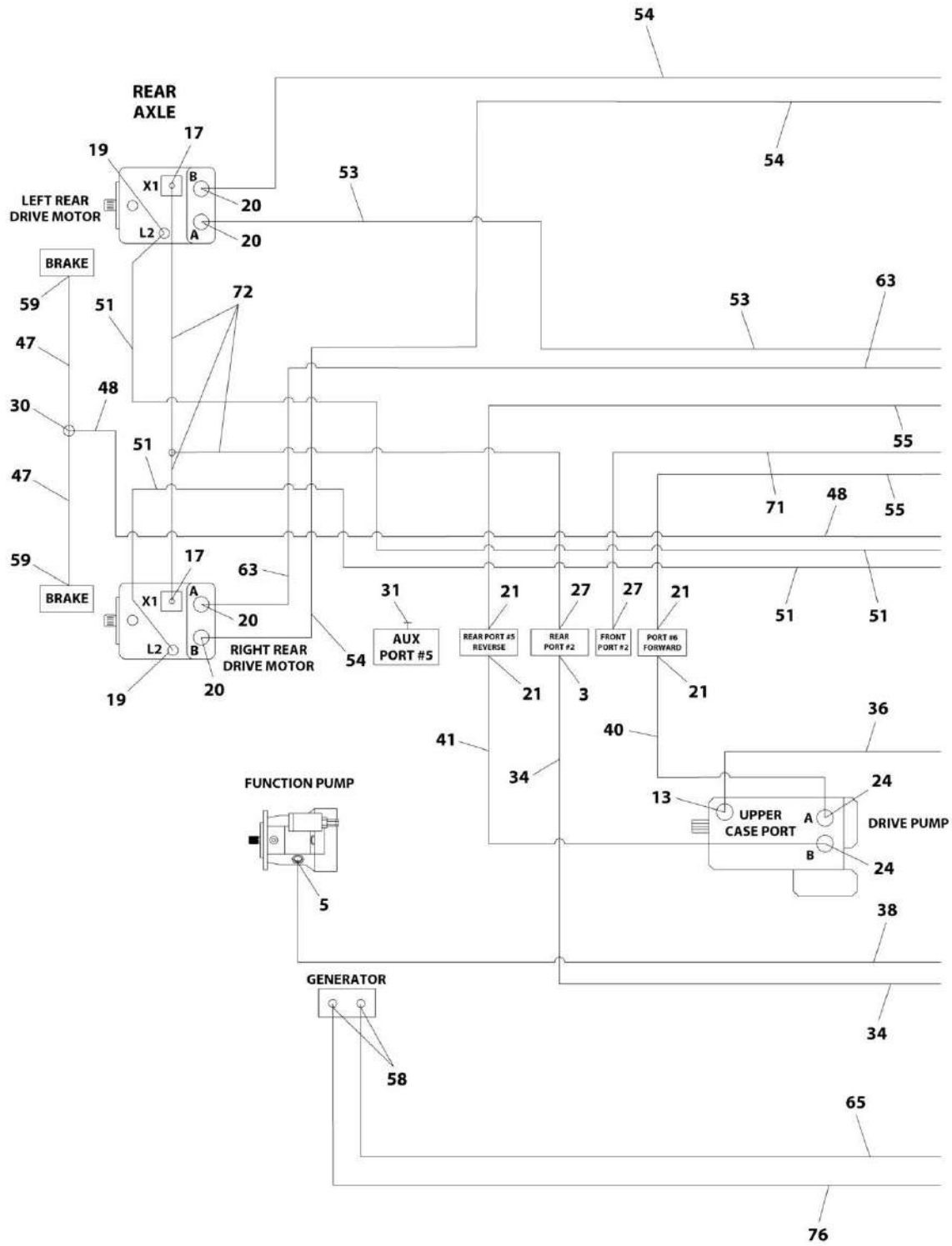
SECTION 7 - HYDRAULIC

FIGURE 7-1. AXLE LOCKOUT HYDRAULIC DIAGRAM

ITEM	PART NUMBER	QTY	DESCRIPTION	REV
	1001157400	Ref	AXLE LOCKOUT HYDRAULIC DIAGRAM	F
1	2110404	2	Fitting, Straight ORFS/ORB	
2	2110606	3	Fitting, Straight ORFS/ORB	
3	2110408	1	Fitting, Straight ORFS/ORB	
7	1001198339	1	Hose with Crimped Tee	
9	1001198336	1	Hose with Crimped Tee	

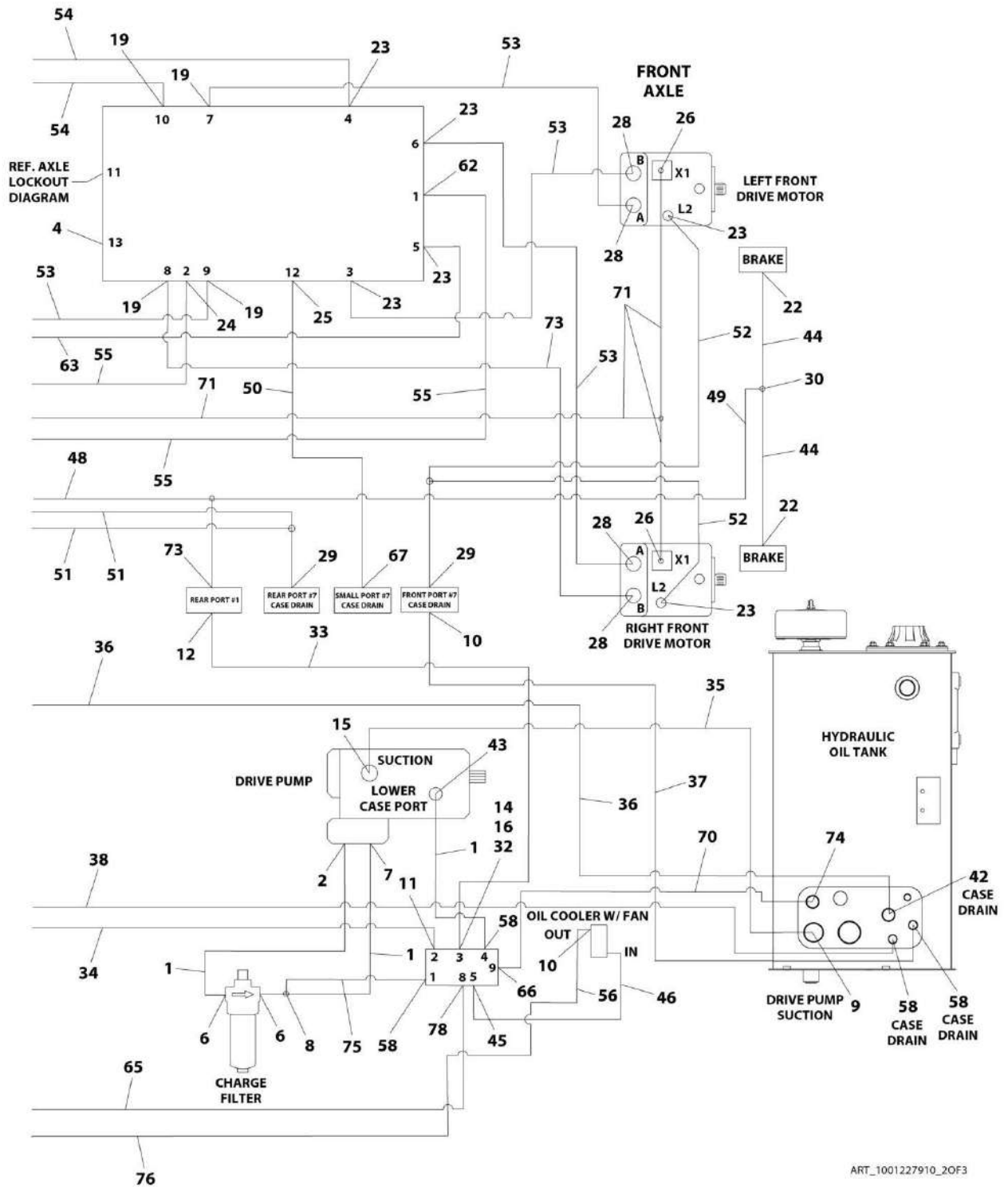
SECTION 7 - HYDRAULIC

FIGURE 7-2. DRIVE HYDRAULIC DIAGRAM



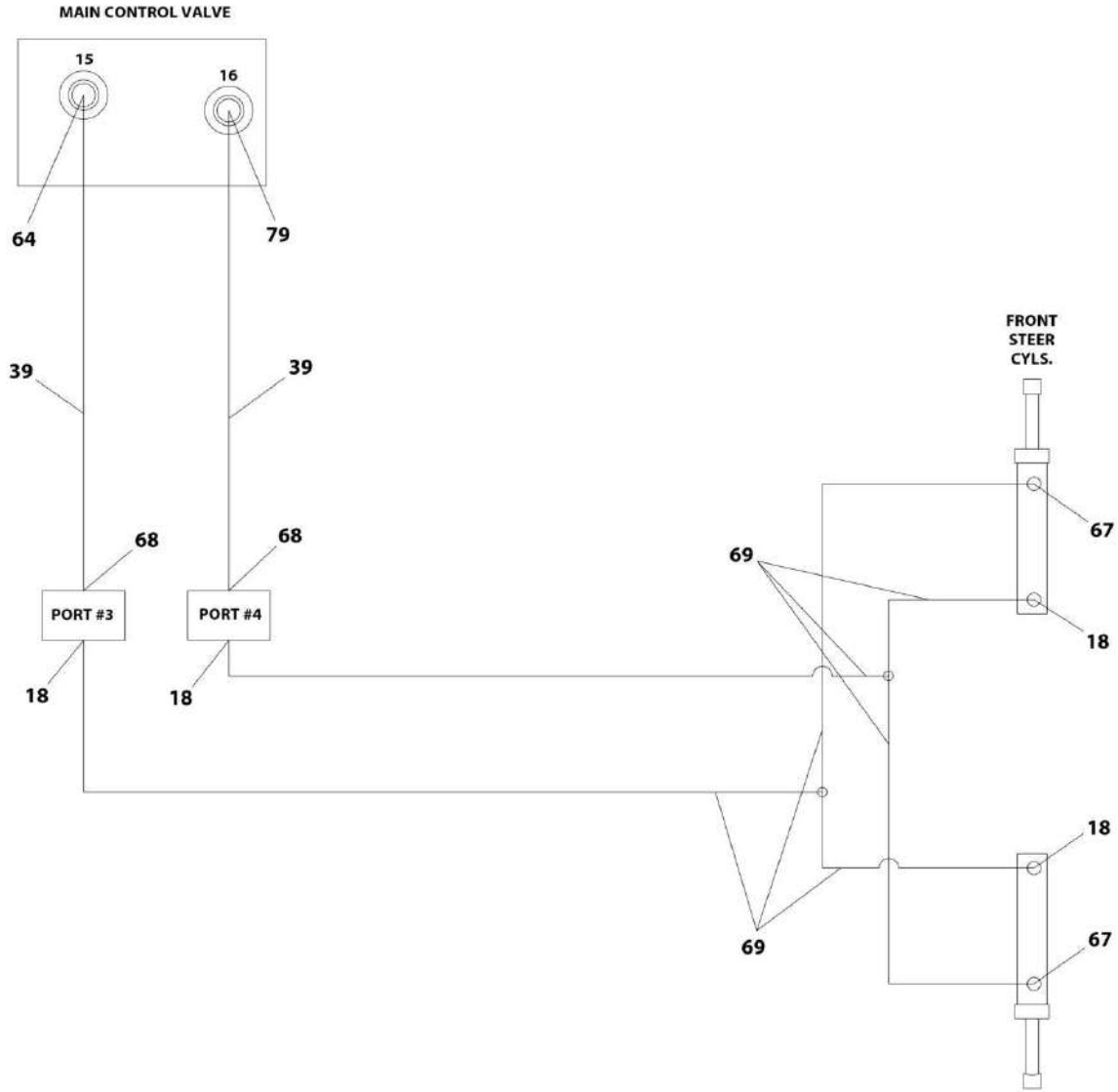
ART_1001227910_10F3

SECTION 7 - HYDRAULIC



ART_1001227910_2OF3

SECTION 7 - HYDRAULIC



ART_1001227910_3OF3

SECTION 7 - HYDRAULIC

FIGURE 7-2. DRIVE HYDRAULIC DIAGRAM

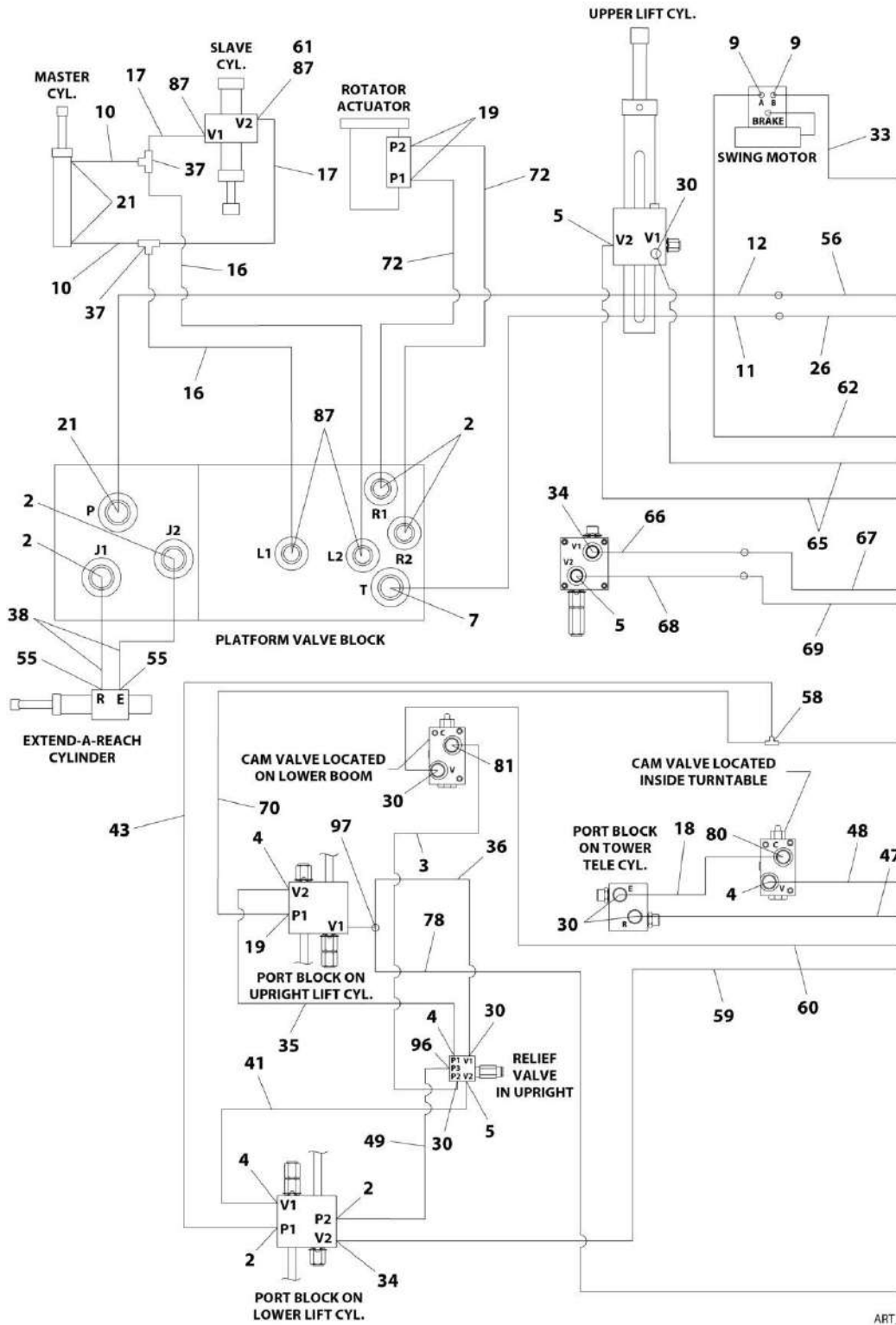
ITEM	PART NUMBER	QTY	DESCRIPTION	REV
	1001227910	Ref	DRIVE HYDRAULIC DIAGRAM	E
1	2752494	3	Hose	
2	2220800	1	Fitting, Straight ORB/FL	
3	2220582	1	Fitting, Straight ORB/FL	
4	2220238	1	Fitting, Plug ORB	
5	2220671	1	Fitting, 90 JIC/ORB	
6	2220366	2	Fitting, 90 ORB	
7	2220374	1	Fitting, Straight JIC/ORB	
8	2220385	1	Fitting, Tee JIC	
9	2220380	1	Fitting, Straight ORB/FL	
10	2220375	3	Fitting, Straight ORB/FL	
11	2221040	1	Fitting, 45 JIC/ORB	
12	2220468	1	Fitting, Straight ORB/FL	
13	2220578	1	Fitting, 90 JIC/ORB	
14	1001228696	1	Fitting, Straight FORB/ORB	
15	8770050	1	Fitting, 90 JIC/ORB	
16	4641284	1	Valve, Check	
17	2110406	2	Fitting, Straight ORFS/ORB	
18	2110606	4	Fitting, Straight ORFS/ORB	
19	2110808	6	Fitting, Straight ORFS/ORB	
20	2110812	4	Fitting, Straight ORFS/ORB	
21	2111616	4	Fitting, Straight ORFS/ORB	
22	2110404	2	Fitting, Straight ORFS/ORB	
23	2130808	6	Fitting, 90 ORFS/ORB	
24	2131616	3	Fitting, 90 ORFS/ORB	
25	2130604	1	Fitting, 90 ORFS/ORB	
26	2130406	2	Fitting, 90 ORFS/ORB	
27	2150406	2	Fitting, 45 ORFS/ORB	
28	2110812	4	Fitting, 45 ORFS/ORB	
29	2170408	2	Fitting, Tee ORFS/ORFS/ORB	
30	2170504	2	Fitting, Tee ORFS	
31	2220237	1	Fitting, Plug ORB	
32	2220654	1	Fitting, 90 JIC/FSJIC	
33	2752997	1	Hose	
34	2751399	1	Hose	
35	2752754	1	Hose	
36	1001188135	1	Hose	
37	2751500	1	Hose	
38	2752938	1	Hose	
39	2752489	2	Hose	
40	1001156332	1	Hose	
41	1001156333	1	Hose	
42	2220451	1	Fitting, Straight JIC/ORB	
43	2221077	1	Fitting, 45	
44	2754512	2	Hose	
45	2220500	1	Fitting, 45 JIC/ORB	
46	1001196297	1	Hose	
47	2754337	2	Hose	
48	2753622	1	Hose	
49	2753542	1	Hose	

SECTION 7 - HYDRAULIC

ITEM	PART NUMBER	QTY	DESCRIPTION	REV
50	2753626	1	Hose	
51	2753686	2	Hose	
52	2753628	2	Hose	
53	2753970	4	Hose	
54	2753971	2	Hose	
55	2753634	2	Hose	
56	1001228678	1	Hose	
58	2220373	6	Fitting, Straight JIC/ORB	
59	2110404	2	Fitting, Straight ORFS/ORB	
62	2151616	1	Fitting, 90 ORFS/ORB	
63	2754338	1	Hose	
64	2220371	1	Fitting, Straight JIC/ORB	
65	1001228679	1	Hose	
66	2221050	1	Fitting, 45 JIC/ORB	
67	2130606	3	Fitting, 90 ORFS/ORB	
68	2220473	2	Fitting, 90 ORB/FL	
69	1001198333	2	Hose with Crimped Tee	
70	2752765	1	Hose	
71	1001198341	1	Hose with Crimped Tee	
72	1001198340	1	Hose with Crimped Tee	
73	1001198338	1	Fitting, Tee ORFS/ORB	
74	2220906	1	Fitting, 90 JIC/ORB (Prior to SN 0300253862)	
74	2220865	1	Adapter, Straight/JIC (SN 0300253862 to Present)	
75	2752493	1	Hose	
76	2220683	1	Fitting, 45 JIC/FSJIC	
77	1001233573	1	Hose	
78	2220499	1	Fitting, 45 JIC/ORB	
79	2220371	1	Fitting, Straight JIC/ORB (Prior to SN 0300253862)	
79	2220998	1	Adapter, Straight/JIC (SN 0300253862 to Present)	

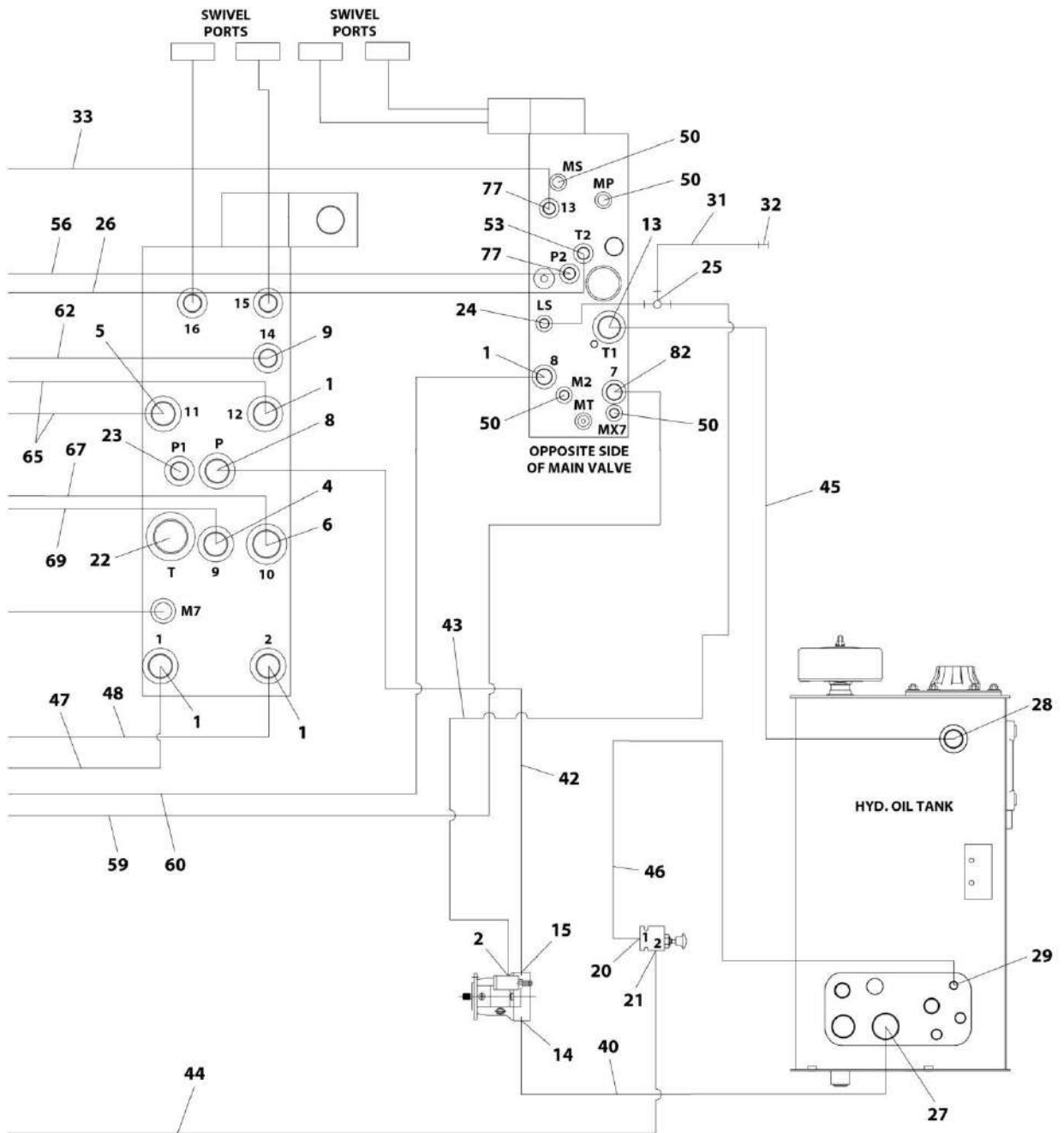
SECTION 7 - HYDRAULIC

FIGURE 7-3. STANDARD HYDRAULIC DIAGRAM



ART_1001227892_10F2

SECTION 7 - HYDRAULIC



ART_1001227892_20F2

SECTION 7 - HYDRAULIC

FIGURE 7-3. STANDARD HYDRAULIC DIAGRAM

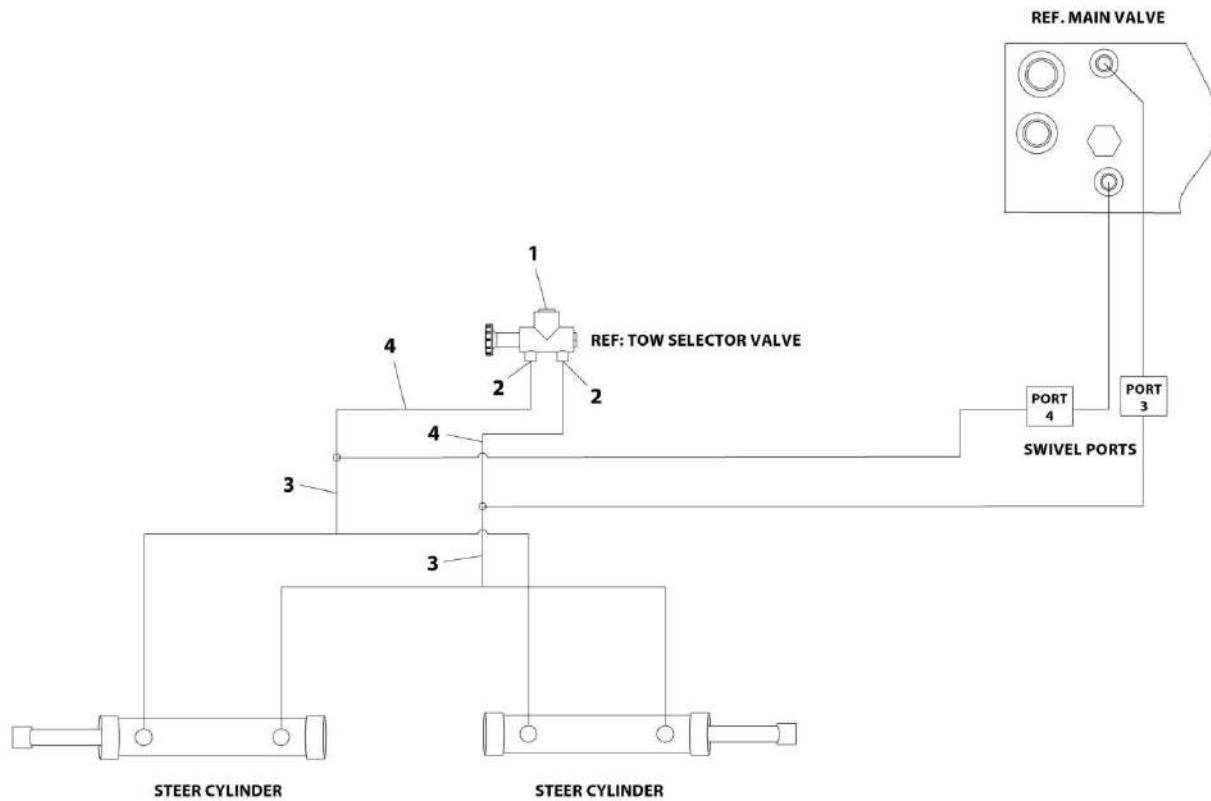
ITEM	PART NUMBER	QTY	DESCRIPTION	REV
	1001227892	Ref	STANDARD HYDRAULIC DIAGRAM	D
1	2220381	AR	Fitting, Straight ORB/JIC	
2	2220415	AR	Fitting, Straight ORB/JIC	
3	2753199	1	Hose	
4	2220373	AR	Fitting, Straight ORB/JIC	
5	2220500	3	Fitting, 45 ORB/JIC	
6	2220947	1	Fitting, Straight ORB/JIC (Prior to SN 0300253862)	
6	88662037	1	Adapter, Straight/JIC (SN 0300253862 to Present)	
7	2220600	1	Adapter, Straight/JIC	
8	2220593	1	Fitting, Straight ORB/JIC	
9	2220371	3	Fitting, Straight ORB/JIC	
10	2753126	2	Hose	
11	1001179546	1	Hose	
12	1001179545	1	Hose	
13	1001179329	1	Hose	
14	2220737	1	Split Flange	
15	2220478	1	Split Flange	
16	1001155673	2	Hose	
17	1001119602	2	Hose	
18	2753200	1	Hose	
19	2220466	2	Fitting, 90 ORB/JIC	
20	2220582	1	Fitting, Straight ORB/JIC	
21	2220473	4	Fitting, 90 ORB/JIC	
22	2220240	1	Fitting, Plug ORB	
23	2220237	1	Fitting, Plug ORB	
24	2220923	1	Fitting, Straight ORB/JIC (SN 0300247156 to Present)	
25	2220605	1	Fitting, Tee JIC/FSJIC/JIC (SN 0300247156 to Present)	
26	1001182162	1	Hose	
27	2220765	1	Fitting, Straight ORB/FL	
28	2220377	1	Fitting, Straight JIC/ORB	
29	2220582	1	Fitting, Straight JIC/ORB	
30	2220596	6	Fitting, 90 ORB/FL	
31	2752995	1	Hose (SN 0300247156 to Present)	
32	91143177	1	Fitting, Test (SN 0300247156 to Present)	
33	2752461	1	Hose	
34	2220852	2	Fitting, Straight ORB/FL	
35	2753197	1	Hose	
36	2753196	1	Hose	
37	2220490	2	Fitting, Tee FL/FL	
38	2753442	2	Hose	
40	1001179079	1	Hose	
41	2753195	1	Hose	
42	2753231	1	Hose	
43	2753010	2	Hose	
44	2752468	1	Hose	
45	2752723	1	Hose	
46	2753274	1	Hose	
47	2753192	1	Hose	
48	2752494	1	Hose	
49	2753008	1	Hose	

SECTION 7 - HYDRAULIC

ITEM	PART NUMBER	QTY	DESCRIPTION	REV
50	2221086	4	Fitting, Test	
53	1001136881	1	Fitting, 45 ORB/FG	
55	2220472	2	Fitting, 90 ORB/FL	
56	2753123	1	Hose	
58	2221034	1	Fitting, Tee FL/FL/ORB	
59	2752768	1	Hose	
60	2752930	1	Hose	
61	4567139	1	Tube	
62	2752484	1	Hose	
65	2753189	2	Hose	
66	2752767	1	Hose	
67	2752766	1	Hose	
68	2753190	1	Hose	
69	2753191	1	Hose	
70	2752978	1	Hose	
72	1001159707	2	Hose	
77	2220501	2	Fitting, 45 ORB/FL	
78	4567757	1	Tube	
79	4100062	4	Protection, Hose (Not Shown - Located at Tower Boom Power Track)	
80	2220947	1	Fitting, O-Ring FL	
81	2221036	1	Fitting, 90 ORB/FL	
82	2220950	1	Fitting, 45 ORB/FL	
87	2220603	4	Fitting, Straight ORB/FL	
96	2220468	1	Fitting, Straight JIC/ORB	
97	1001215289	1	Fitting, Tee JIC/ORB/JIC	

SECTION 7 - HYDRAULIC

FIGURE 7-4. TOW HYDRAULIC DIAGRAM



ART_1001157401

SECTION 7 - HYDRAULIC

FIGURE 7-4. TOW HYDRAULIC DIAGRAM

ITEM	PART NUMBER	QTY	DESCRIPTION	REV
	1001157401	Ref	TOW HYDRAULIC DIAGRAM	B
1	2220238	1	Fitting, Plug ORB	
2	2110608	2	Fitting, Straight ORFS/ORB	
3	2170706	2	Fitting, Tee ORFS/ORFS/ORFS	
4	2753879	2	Hose	

SECTION 7 - HYDRAULIC

FIGURE 7-5. HYDRAULIC DIAGRAM LIST

ITEM	PART NUMBER	QTY	DESCRIPTION	REV
		Ref	HYDRAULIC DIAGRAM LIST	
		Ref	Note: Diagrams that are not shown are available from the JLG Service Department. See Service and Maintenance Manual for Schematics.	
	1001157400	Ref	Axle Lockout Hydraulic Diagram (Machines with Oscillating Axle)	
	1001227910	Ref	Drive Hydraulic Diagram	
	1001227892	Ref	Standard Hydraulic Diagram	
	1001227160	Ref	Standard Hydraulic Schematic	
	1001157401	Ref	Tow Package Hydraulic Diagram	

SECTION 8 - ELECTRICAL

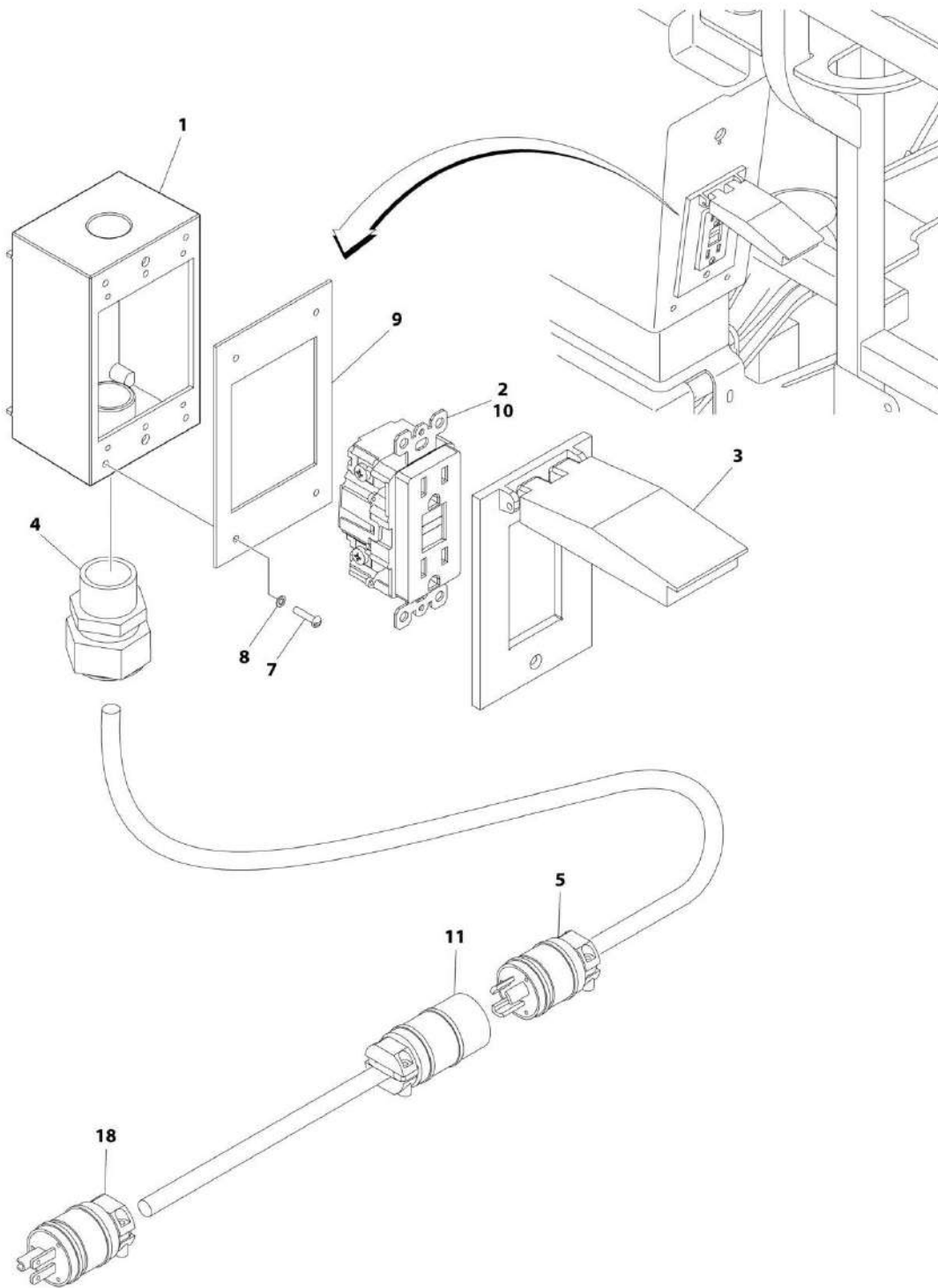
SECTION 8 - ELECTRICAL

FIGURE 8-1. ELECTRICAL DIAGRAM LIST

ITEM	PART NUMBER	QTY	DESCRIPTION	REV
		Ref	Note: Information on Diagrams Not Shown is Available from JLG Service/Parts Department. Schematics Shown in the Service and Maintenance Manual.	
	1001194437	Ref	Generator (4000W/50Hz) Electrical Diagram (ANSI Export, China and Japanese Specs)	
	1001159648	Ref	Generator (4000W/50Hz) Electrical Diagram (Australian Specs)	
	1001153025	Ref	Generator (4000W/50Hz) Electrical Diagram - 110V (CE Specs)	
	1001160271	Ref	Generator (4000W/50Hz) Electrical Diagram - 220V (CE Specs)	
	1001231260	Ref	Generator (7500W) Electrical Diagram	
	4933218	Ref	Soft Touch Electrical Diagram	
	1001221692	Ref	Standard Electrical Schematic Diagram	

SECTION 8 - ELECTRICAL

FIGURE 8-2. AC BOX AT PLATFORM INSTALLATION - 110V GFI RECEPTACLE (ALL SPECS EXCEPT AUSTRALIAN & CE SPECS)



ART_0272259

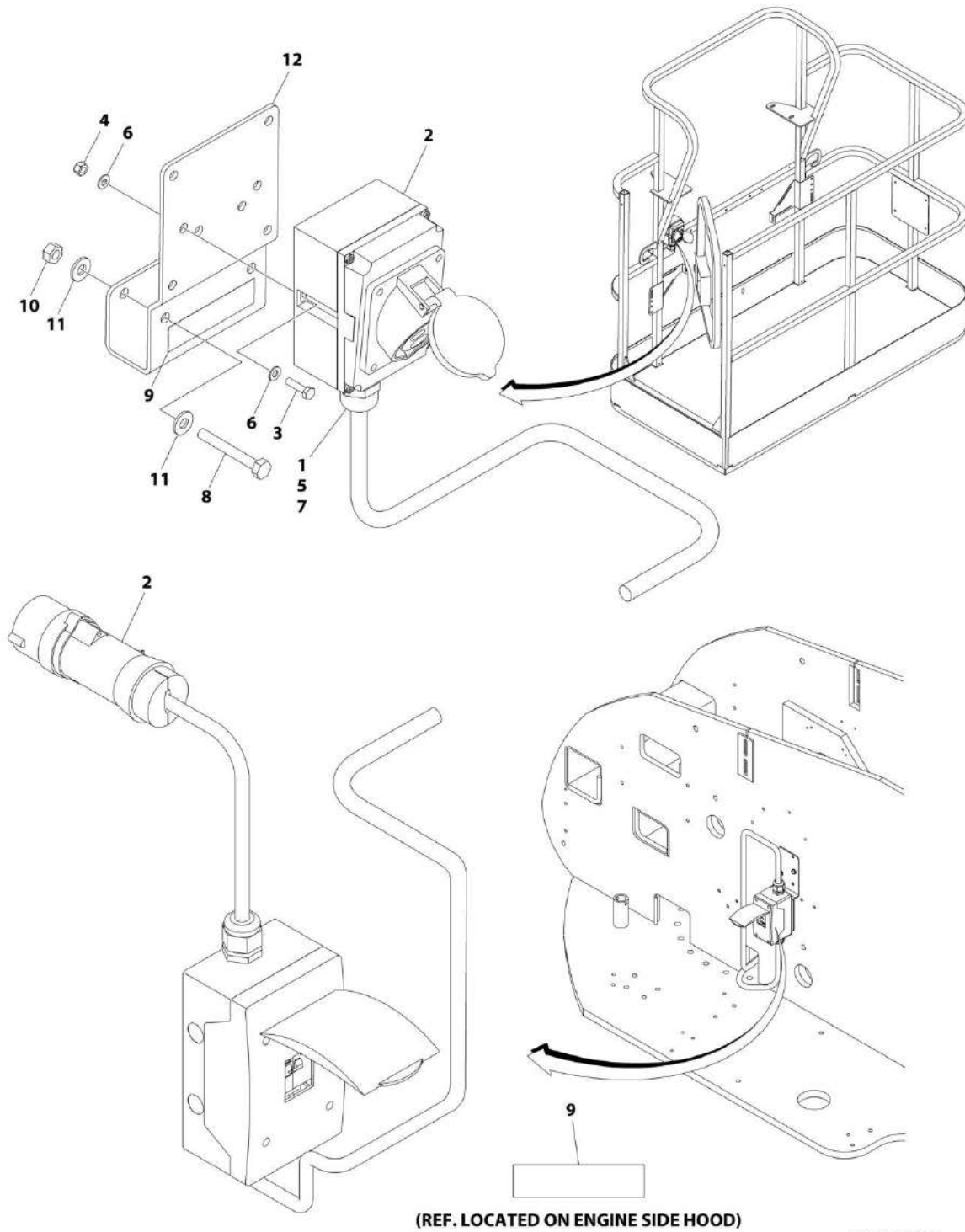
SECTION 8 - ELECTRICAL

FIGURE 8-2. AC BOX AT PLATFORM INSTALLATION - 110V GFI RECEPTACLE (ALL SPECS EXCEPT AUSTRALIAN & CE SPECS)

ITEM	PART NUMBER	QTY	DESCRIPTION	REV
	0272259	Ref	AC BOX AT PLATFORM INSTALLATION - 110V GFI RECEPTACLE	C
1	0860038	1	Box, Switch	
2	4460346	1	Receptacle	
3	1001110873	1	Shield, Cover	
4	4460051	1	Connector, Strain Relief	
5	1001213584	1	Plug, Male	
7	3910610	4	Screw #6 x 5/8	
8	4760600	4	Washer #6	
9	3960422	1	Gasket	
10	4460315	3	Terminal, Spade	
11	1001213585	1	Receptacle, Female	
18	4460205	1	Plug, Male	

SECTION 8 - ELECTRICAL

FIGURE 8-3. AC BOX AT PLATFORM INSTALLATION - 110V IEC YELLOW (CE SPECS) (MACHINES WITHOUT 4000W GENERATOR)



ART_1001091969

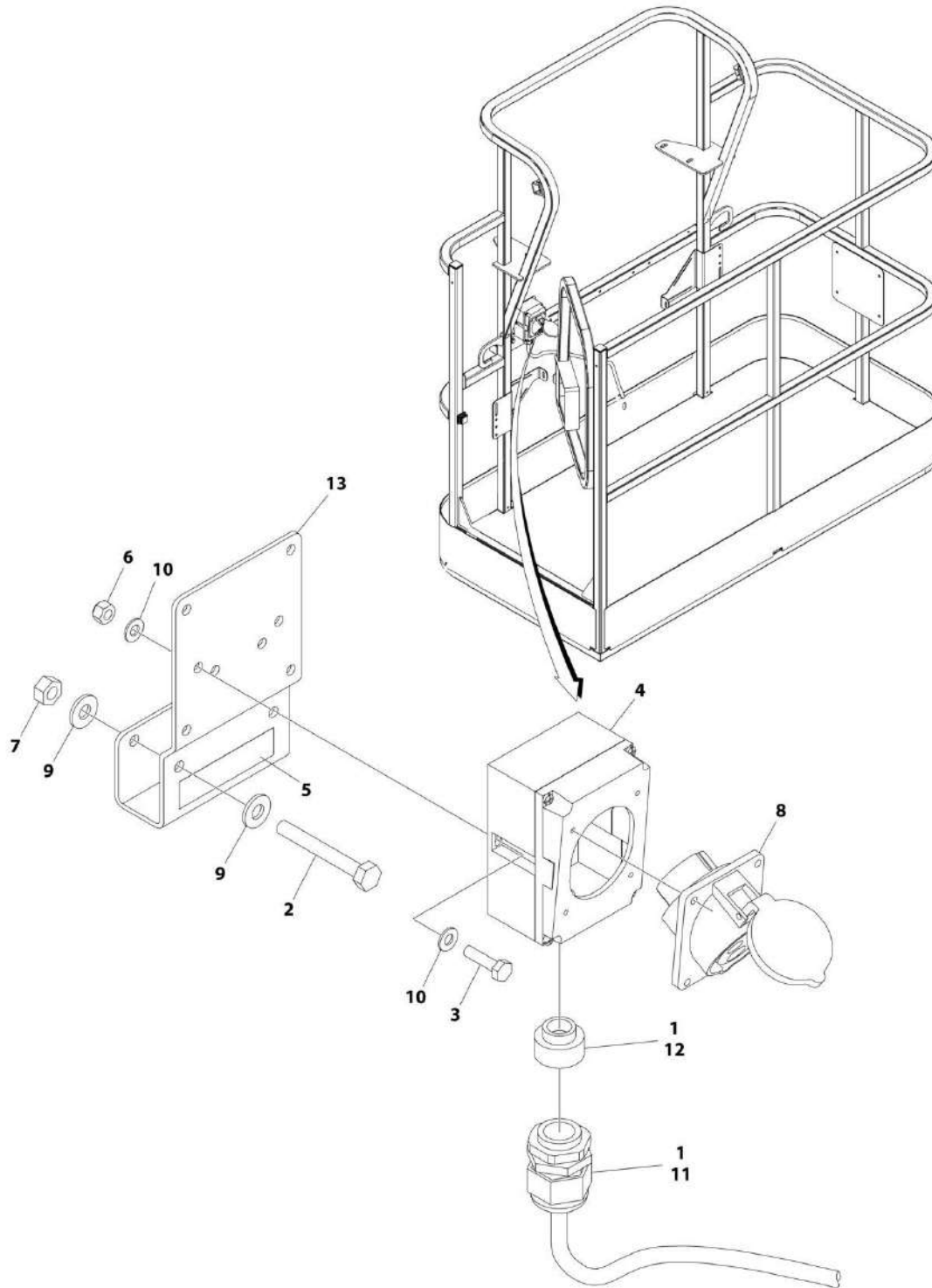
SECTION 8 - ELECTRICAL

FIGURE 8-3. AC BOX AT PLATFORM INSTALLATION - 110V IEC YELLOW (CE SPECS) (MACHINES WITHOUT 4000W GENERATOR)

ITEM	PART NUMBER	QTY	DESCRIPTION	REV
	1001091969	Ref	AC BOX AT PLATFORM INSTALLATION - 110V IEC YELLOW (CE SPECS)	D
1	0100020	AR	Sealant, Pipe	
2	0275216	1	Receptacle Box Kit (See Separate Breakdown in this Section)	
3	0700408	2	Bolt M4 x 16	
4	3290405	2	Nut M4	
5	1001101196	1	Adapter	
6	4811400	4	Washer M4	
7	1001101191	1	Connector, Strain Relief	
8	0641416	2	Bolt 1/4 x 2	
9	1705325	AR	Decal - 110V	
10	3311405	2	Nut 1/4	
11	4711400	4	Washer 1/4	
12	1001193018	1	Bracket	

SECTION 8 - ELECTRICAL

FIGURE 8-4. AC BOX AT PLATFORM INSTALLATION - 110V IEC YELLOW (CE SPECS) (MACHINES WITH 4000W GENERATOR)



ART_1001206253

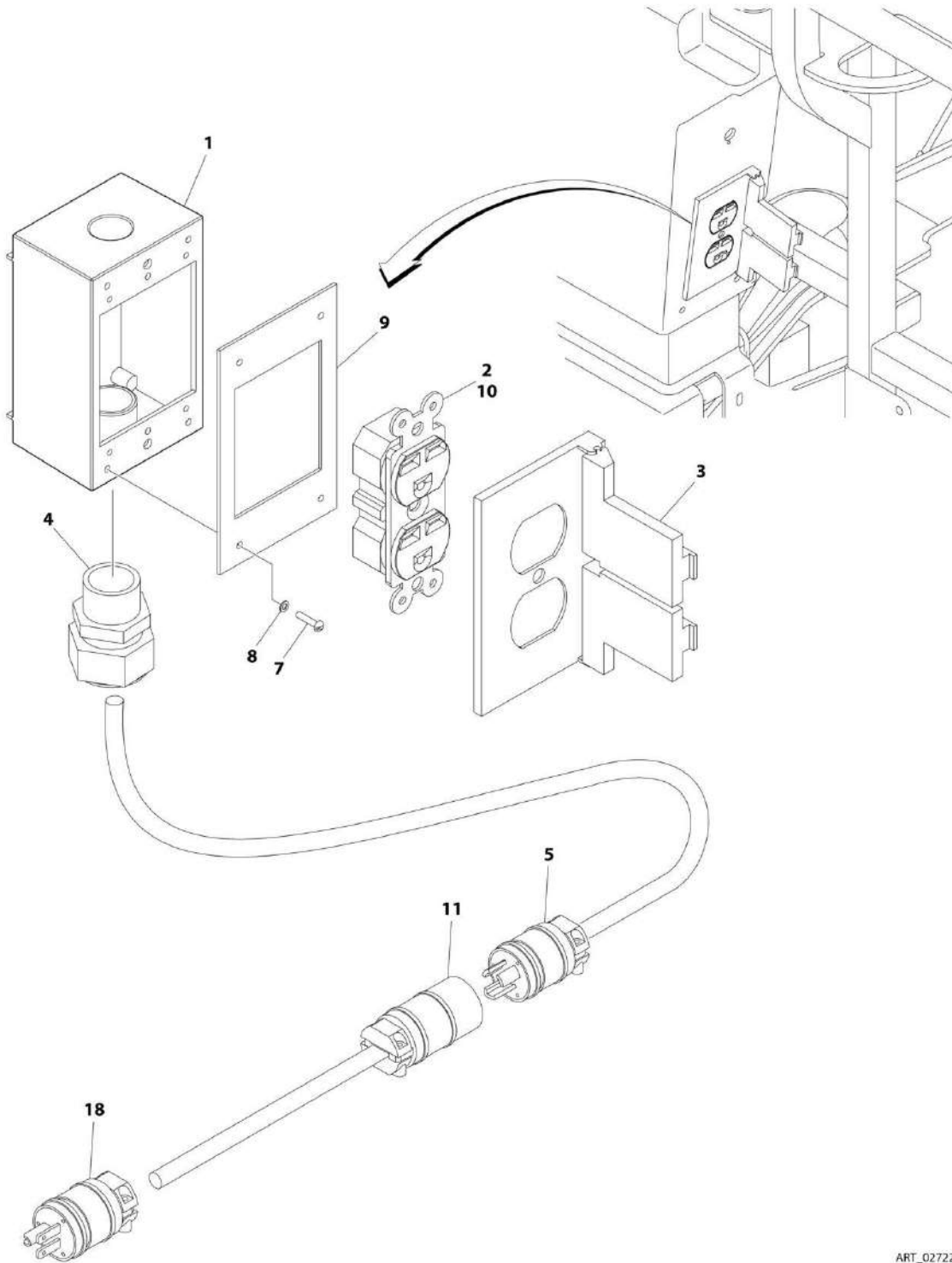
SECTION 8 - ELECTRICAL

FIGURE 8-4. AC BOX AT PLATFORM INSTALLATION - 110V IEC YELLOW (CE SPECS) (MACHINES WITH 4000W GENERATOR)

ITEM	PART NUMBER	QTY	DESCRIPTION	REV
	1001206253	Ref	AC BOX AT PLATFORM INSTALLATION - 110V IEC YELLOW (CE SPECS)	A
1	0100020	AR	Sealant, Pipe	
2	0641416	2	Bolt 1/4 x 2	
3	0700408	2	Bolt M4 x 16	
4	0861781	1	Box, Switch	
5	1705325	1	Decal - 110V	
6	3290405	2	Nut M4	
7	3311405	2	Nut 1/4	
8	4461198	1	Receptacle	
9	4711400	4	Washer 1/4	
10	4811400	4	Washer M4	
11	1001101191	1	Connector, Strain Relief	
12	1001101196	1	Adapter	
13	1001193018	1	Bracket, AC Receptacle	

SECTION 8 - ELECTRICAL

FIGURE 8-5. AC BOX AT PLATFORM INSTALLATION - 220V (ANSI, CSA & JAPANESE SPECS)



ART_0272260

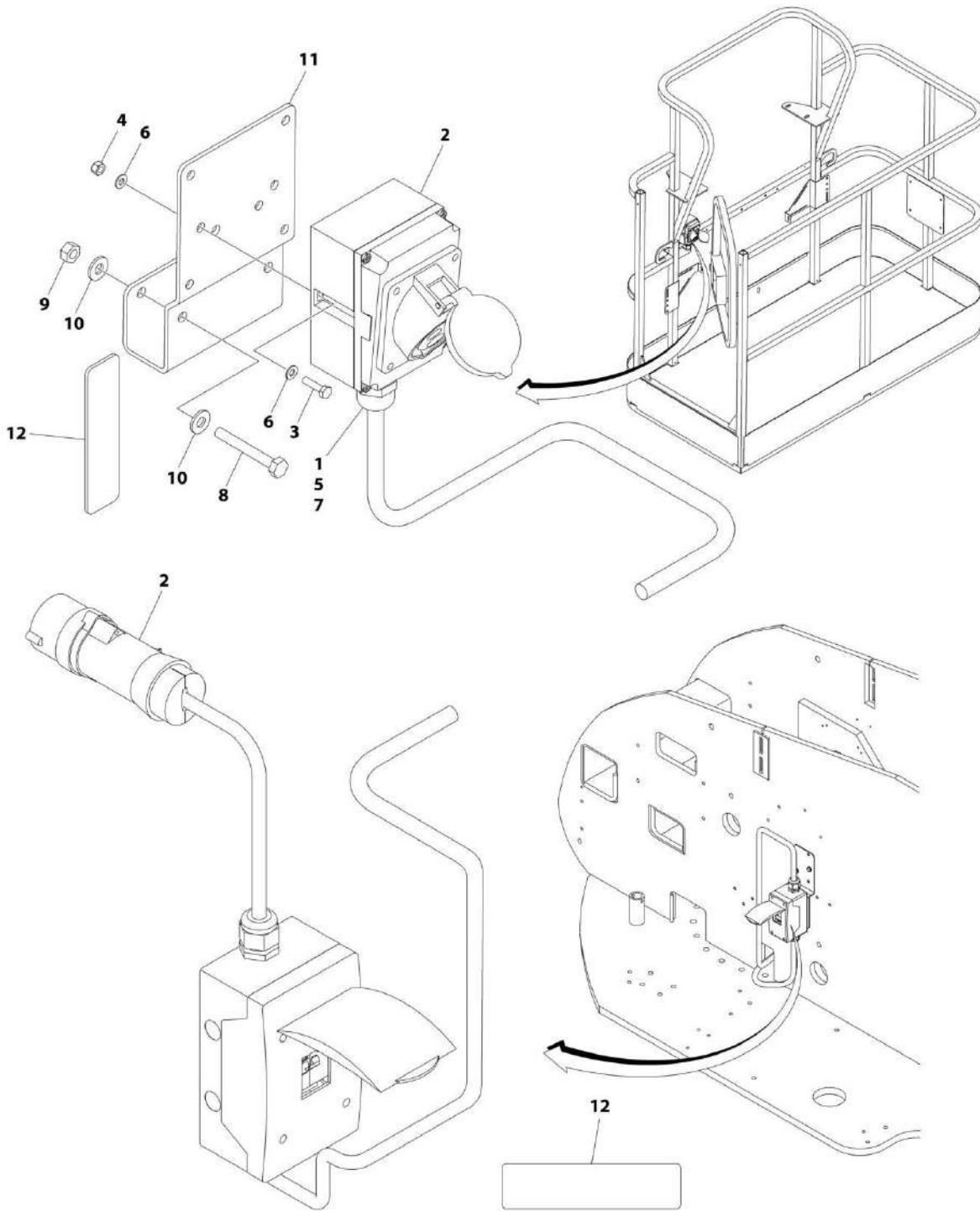
SECTION 8 - ELECTRICAL

FIGURE 8-5. AC BOX AT PLATFORM INSTALLATION - 220V (ANSI, CSA & JAPANESE SPECS)

ITEM	PART NUMBER	QTY	DESCRIPTION	REV
	0272260	Ref	AC BOX AT PLATFORM INSTALLATION - 220V	C
1	0860038	1	Box, Switch	
2	4460125	1	Receptacle	
3	4060092	1	Shield	
4	4460051	1	Connector, Strain Relief	
5	1001213584	2	Plug, Male	
7	3910610	4	Screw #6 x 5/8	
8	4760600	4	Washer #6	
9	3960422	1	Gasket	
10	4460315	1	Terminal, Spade	
11	1001213585	1	Receptacle, Female	
18	4460233	1	Plug, Male	

SECTION 8 - ELECTRICAL

FIGURE 8-6. AC BOX AT PLATFORM INSTALLATION - 220V IEC BLUE (CE SPECS) (MACHINES WITHOUT 4000W GENERATOR)



ART_1001091970

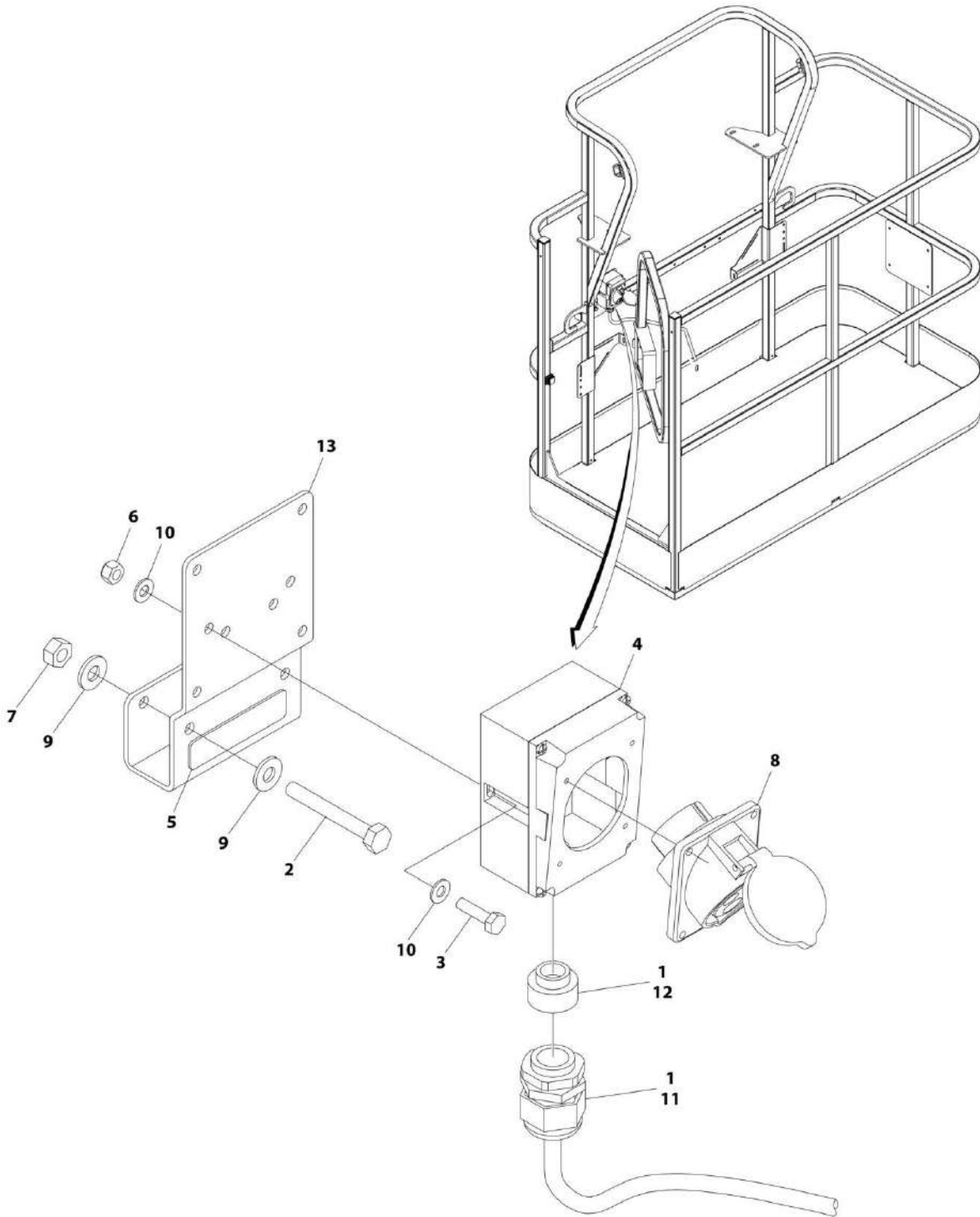
SECTION 8 - ELECTRICAL

FIGURE 8-6. AC BOX AT PLATFORM INSTALLATION - 220V IEC BLUE (CE SPECS) (MACHINES WITHOUT 4000W GENERATOR)

ITEM	PART NUMBER	QTY	DESCRIPTION	REV
	1001091970	Ref	AC BOX AT PLATFORM INSTALLATION - 220V IEC BLUE (CE SPECS)	D
1	0100020	AR	Sealant, Pipe	
2	0275217	1	Receptacle Box Kit (See Separate Breakdown in this Section)	
3	0700408	2	Bolt M4 x 16	
4	3290405	2	Nut M4	
5	1001101196	1	Adapter	
6	4811400	4	Washer M4	
7	1001101191	1	Connector, Strain Relief	
8	0641416	2	Bolt 1/4 x 2	
9	3311405	2	Nut 1/4	
10	4711400	4	Washer 1/4	
11	1001193018	1	Bracket	
12	3251242	2	Decal - 240V/50Hz	

SECTION 8 - ELECTRICAL

FIGURE 8-7. AC BOX AT PLATFORM INSTALLATION - 220V IEC BLUE (CE SPECS) (MACHINES WITH 4000W GENERATOR)



ART_1001206254

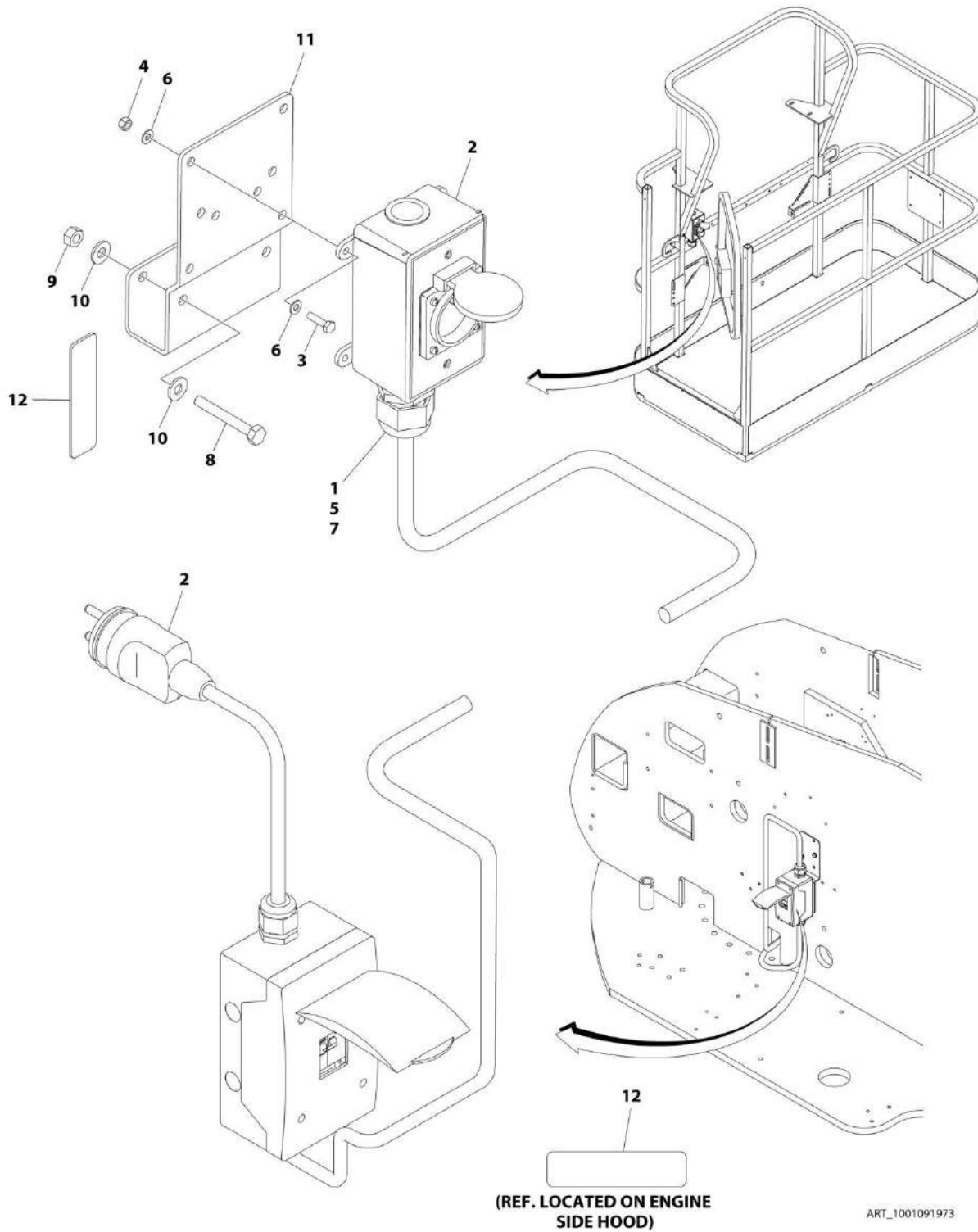
SECTION 8 - ELECTRICAL

FIGURE 8-7. AC BOX AT PLATFORM INSTALLATION - 220V IEC BLUE (CE SPECS) (MACHINES WITH 4000W GENERATOR)

ITEM	PART NUMBER	QTY	DESCRIPTION	REV
	1001206254	Ref	AC BOX AT PLATFORM INSTALLATION - 220V IEC BLUE (CE SPECS)	A
1	0100020	AR	Sealant, Pipe	
2	0641416	2	Bolt 1/4 x 2	
3	0700408	2	Bolt M4 x 16	
4	0861781	1	Box, Switch	
5	3251242	1	Decal - 240V/50Hz	
6	3290405	2	Nut M4	
7	3311405	2	Nut 1/4	
8	4461201	1	Receptacle	
9	4711400	4	Washer 1/4	
10	4811400	4	Washer M4	
11	1001101191	1	Connector, Strain Relief	
12	1001101196	1	Adapter	
13	1001193018	1	Bracket, AC Receptacle	

SECTION 8 - ELECTRICAL

FIGURE 8-8. AC BOX AT PLATFORM INSTALLATION - 220V CEE7 2X4 POST GROUND (CE SPECS)
(MACHINES WITHOUT 4000W GENERATOR)



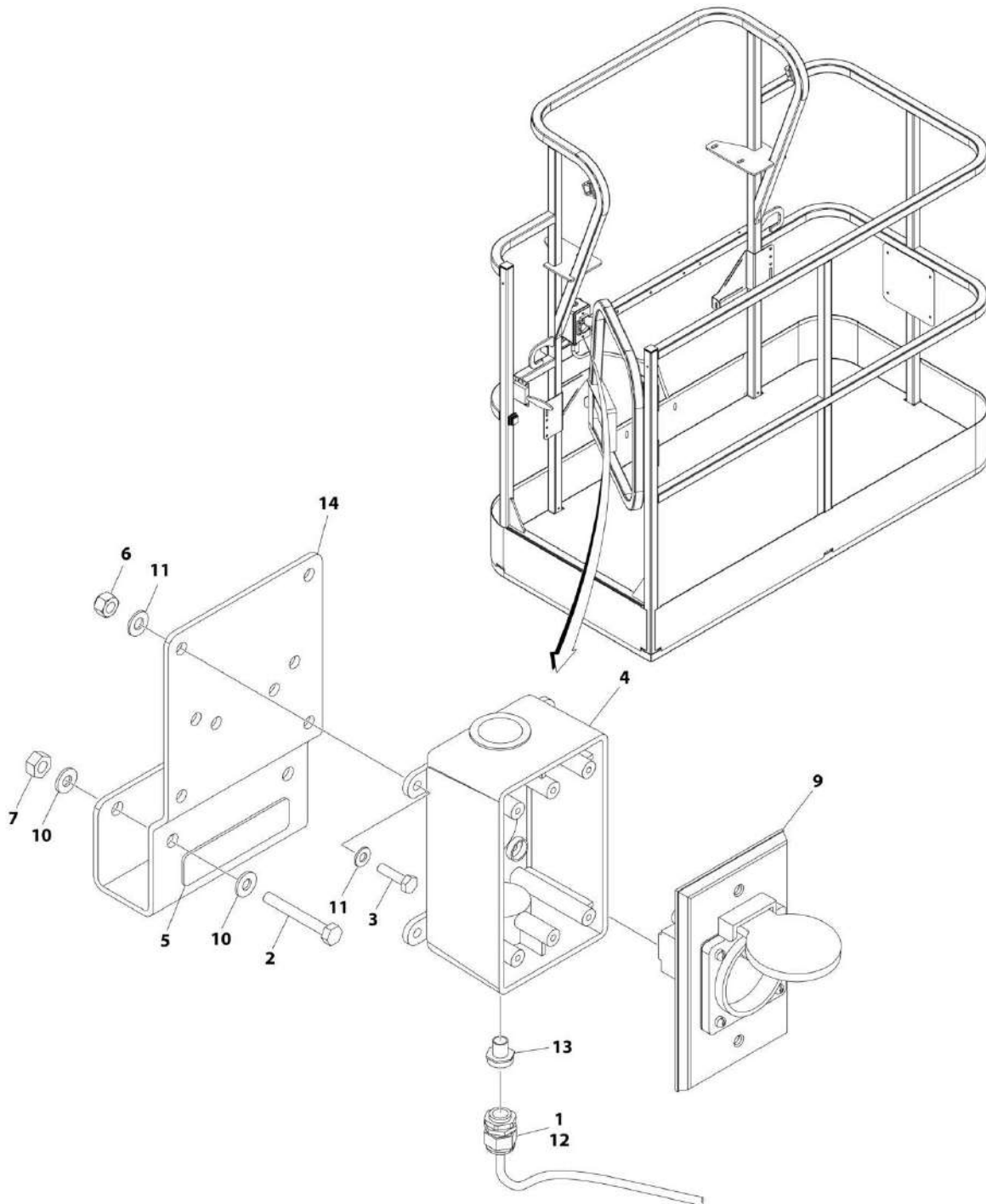
SECTION 8 - ELECTRICAL

**FIGURE 8-8. AC BOX AT PLATFORM INSTALLATION - 220V CEE7 2X4 POST GROUND (CE SPECS)
(MACHINES WITHOUT 4000W GENERATOR)**

ITEM	PART NUMBER	QTY	DESCRIPTION	REV
	1001091973	Ref	AC BOX AT PLATFORM INSTALLATION - 220V CEE7 2X4 BOX POST GROUND (CE SPECS)	F
1	0100020	AR	Sealant, Pipe	
2	0275452	1	Receptacle Box Kit (See Separate Breakdown in this Section)	
3	0700408	4	Bolt M4 x 16	
4	3290405	4	Nut M4	
5	1001101197	1	Adapter	
6	4811400	8	Washer M4	
7	1001101191	1	Connector, Strain Relief	
8	0641416	2	Bolt 1/4 x 2	
9	3311405	2	Nut 1/4	
10	4711400	4	Washer 1/4	
11	1001193018	1	Bracket	
12	3251242	2	Decal - 240V/50Hz	
13	4460806	2	Terminal, Fork (Not Shown)	
14	1001205958	1	Terminal (Not Shown)	

SECTION 8 - ELECTRICAL

**FIGURE 8-9. AC BOX AT PLATFORM INSTALLATION - 220V CEE7 2X4 POST GROUND (CE SPECS)
(MACHINES WITH 4000W GENERATOR)**



ART_1001206250

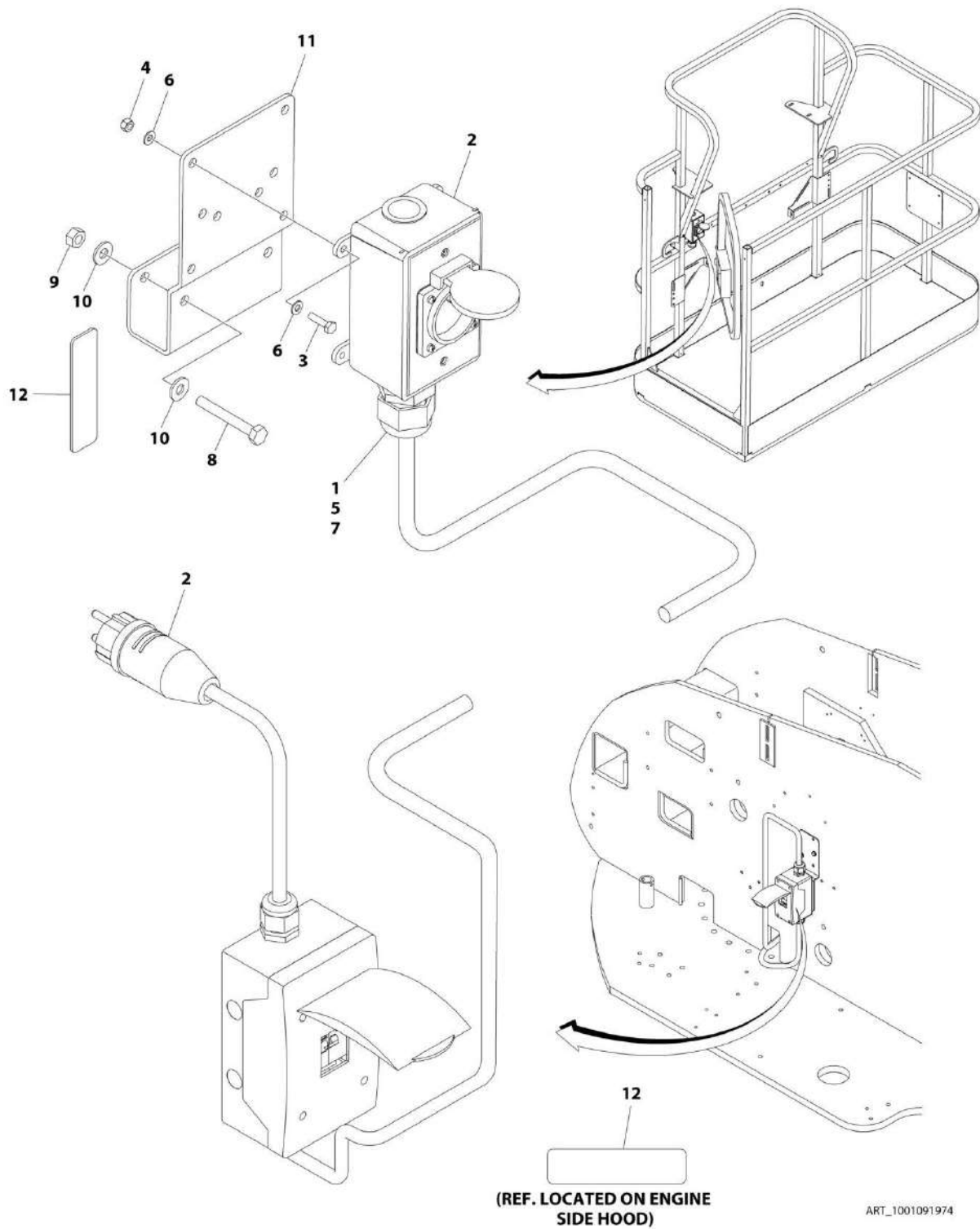
SECTION 8 - ELECTRICAL

**FIGURE 8-9. AC BOX AT PLATFORM INSTALLATION - 220V CEE7 2X4 POST GROUND (CE SPECS)
(MACHINES WITH 4000W GENERATOR)**

ITEM	PART NUMBER	QTY	DESCRIPTION	REV
	1001206250	Ref	AC BOX AT PLATFORM INSTALLATION - 220V CEE7 2X4 BOX POST GROUND (CE SPECS)	A
1	0100020	AR	Sealant, Pipe	
2	0641416	2	Bolt 1/4 x 2	
3	0700408	4	Bolt M4 x 16	
4	0861731	1	Box, Switch	
5	3251242	1	Decal - 240V/50Hz	
6	3290405	4	Nut M4	
7	3311405	2	Nut 1/4	
8	4460806	2	Terminal, Fork (Not Shown)	
9	4461244	1	Receptacle	
10	4711400	4	Washer 1/4	
11	4811400	8	Washer M4	
12	1001101191	1	Connector, Strain Relief	
13	1001101197	1	Adapter	
14	1001193018	1	Bracket, AC Receptacle	
15	1001205958	1	Terminal (Not Shown)	

SECTION 8 - ELECTRICAL

**FIGURE 8-10. AC BOX AT PLATFORM INSTALLATION - 220V CEE7 2X4 SIDE GROUND (CE SPECS)
(MACHINES WITHOUT 4000W GENERATOR)**



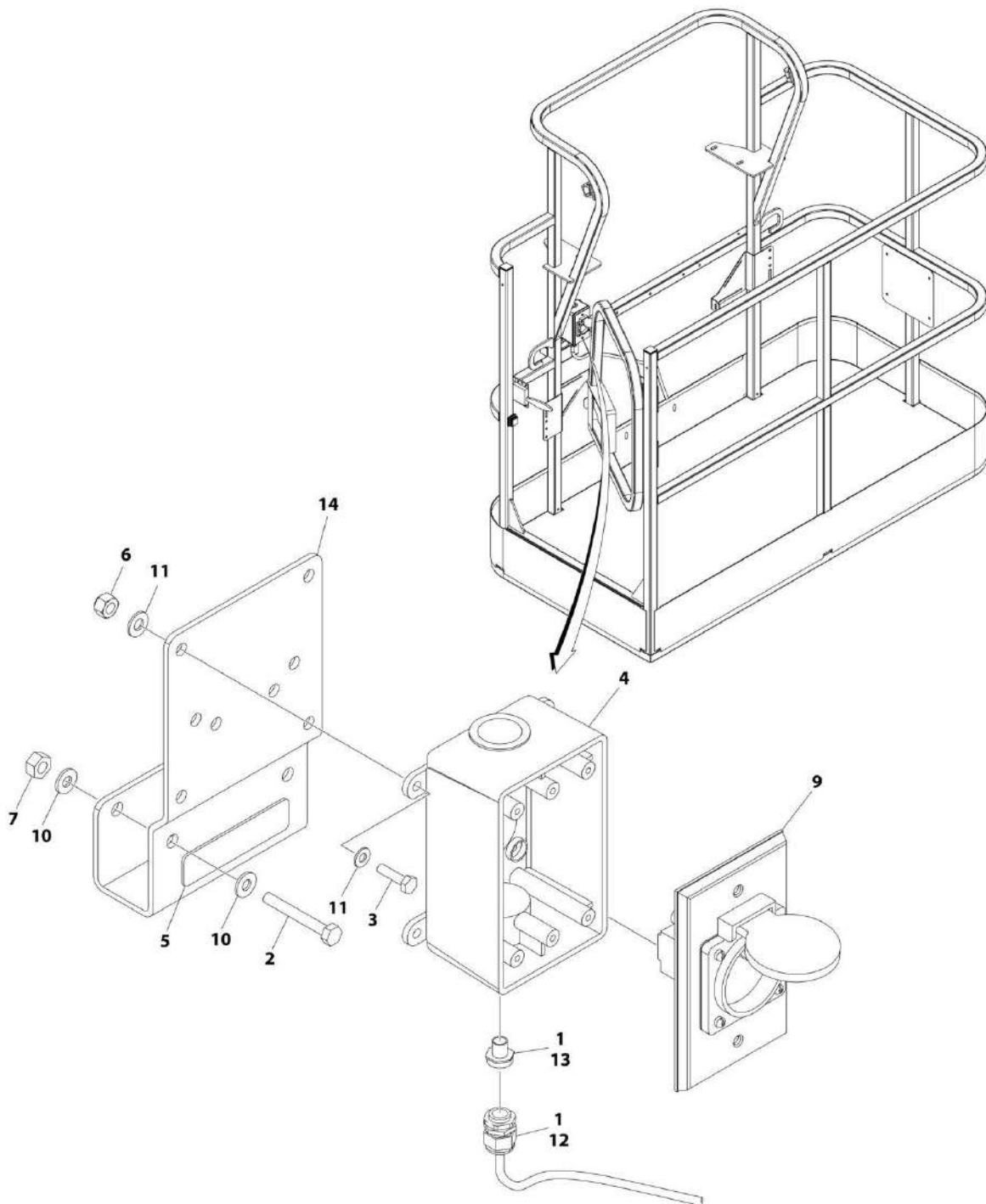
SECTION 8 - ELECTRICAL

**FIGURE 8-10. AC BOX AT PLATFORM INSTALLATION - 220V CEE7 2X4 SIDE GROUND (CE SPECS)
(MACHINES WITHOUT 4000W GENERATOR)**

ITEM	PART NUMBER	QTY	DESCRIPTION	REV
	1001091974	Ref	AC BOX AT PLATFORM INSTALLATION - 220V CEE7 2X4 BOX SIDE GROUND (CE SPECS)	F
1	0100020	AR	Sealant, Pipe	
2	0275453	1	Receptacle Box Kit (See Separate Breakdown in this Section)	
3	0700408	4	Bolt M4 x 16	
4	3290405	4	Nut M4	
5	1001101197	1	Adapter	
6	4811400	8	Washer M4	
7	1001101191	1	Connector, Strain Relief	
8	0641416	2	Bolt 1/4 x 2	
9	3311405	2	Nut 1/4	
10	4711400	4	Washer 1/4	
11	1001193018	1	Bracket	
12	3251242	2	Decal - 240V/50Hz	
13	4460806	2	Terminal, Fork (Not Shown)	
14	1001205958	1	Terminal (Not Shown)	

SECTION 8 - ELECTRICAL

FIGURE 8-11. AC BOX AT PLATFORM INSTALLATION - 220V CEE7 2X4 SIDE GROUND (CE SPECS)
(MACHINES WITH 4000W GENERATOR)



ART_1001206251

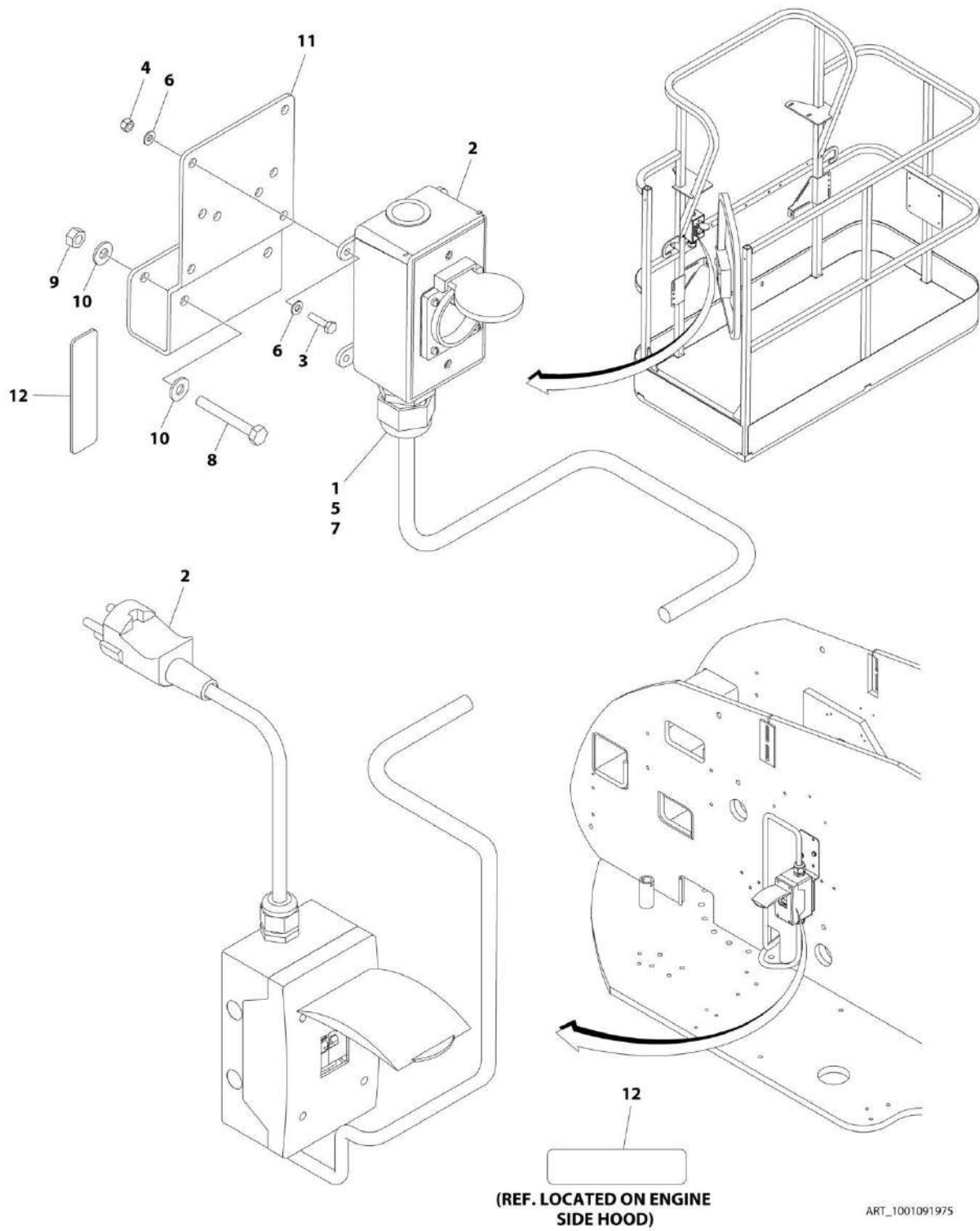
SECTION 8 - ELECTRICAL

**FIGURE 8-11. AC BOX AT PLATFORM INSTALLATION - 220V CEE7 2X4 SIDE GROUND (CE SPECS)
(MACHINES WITH 4000W GENERATOR)**

ITEM	PART NUMBER	QTY	DESCRIPTION	REV
	1001206251	Ref	AC BOX AT PLATFORM INSTALLATION - 220V CEE7 2X4 BOX SIDE GROUND (CE SPECS)	A
1	0100020	AR	Sealant, Pipe	
2	0641416	2	Bolt 1/4 x 2	
3	0700408	4	Bolt M4 x 16	
4	0861731	1	Box, Switch	
5	3251242	1	Decal - 240V/50Hz	
6	3290405	4	Nut M4	
7	3311405	2	Nut 1/4	
8	4460806	2	Terminal, Fork (Not Shown)	
9	4461245	1	Receptacle	
10	4711400	4	Washer 1/4	
11	4811400	8	Washer M4	
12	1001101191	1	Connector, Strain Relief	
13	1001101197	1	Adapter	
14	1001193018	1	Bracket, AC Receptacle	
15	1001205958	1	Terminal (Not Shown)	

SECTION 8 - ELECTRICAL

FIGURE 8-12. AC BOX AT PLATFORM INSTALLATION - 220V AFSINT 107 (CE SPECS) (MACHINES WITHOUT 4000W GENERATOR)



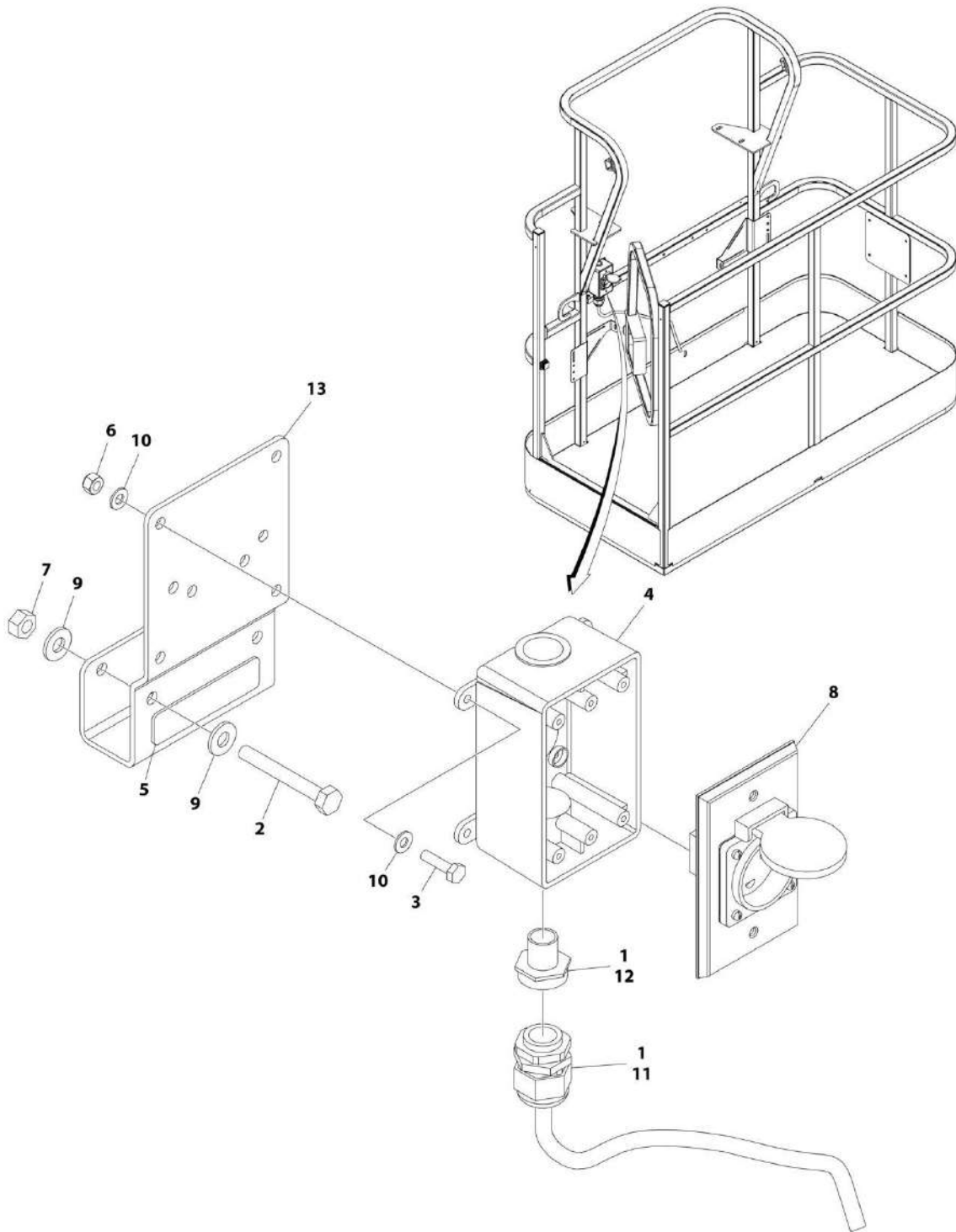
SECTION 8 - ELECTRICAL

FIGURE 8-12. AC BOX AT PLATFORM INSTALLATION - 220V AFSINT 107 (CE SPECS) (MACHINES WITHOUT 4000W GENERATOR)

ITEM	PART NUMBER	QTY	DESCRIPTION	REV
	1001091975	Ref	AC BOX AT PLATFORM INSTALLATION - 220V AFSINT 107 (CE SPECS)	F
1	0100020	AR	Sealant, Pipe	
2	0275454	1	Receptacle Box Kit (See Separate Breakdown in this Section)	
3	0700408	4	Bolt M4 x 16	
4	3290405	4	Nut M4	
5	1001101197	1	Adapter	
6	4811400	8	Washer M4	
7	1001101191	1	Connector, Strain Relief	
8	0641416	2	Bolt 1/4 x 2	
9	3311405	2	Nut 1/4	
10	4711400	4	Washer 1/4	
11	1001193018	1	Bracket	
12	3251242	2	Decal - 240V/50Hz	
13	1001205958	3	Terminal (Not Shown)	

SECTION 8 - ELECTRICAL

FIGURE 8-13. AC BOX AT PLATFORM INSTALLATION - 220V AFSINT 107 (CE SPECS) (MACHINES WITH 4000W GENERATOR)



ART_1001206252

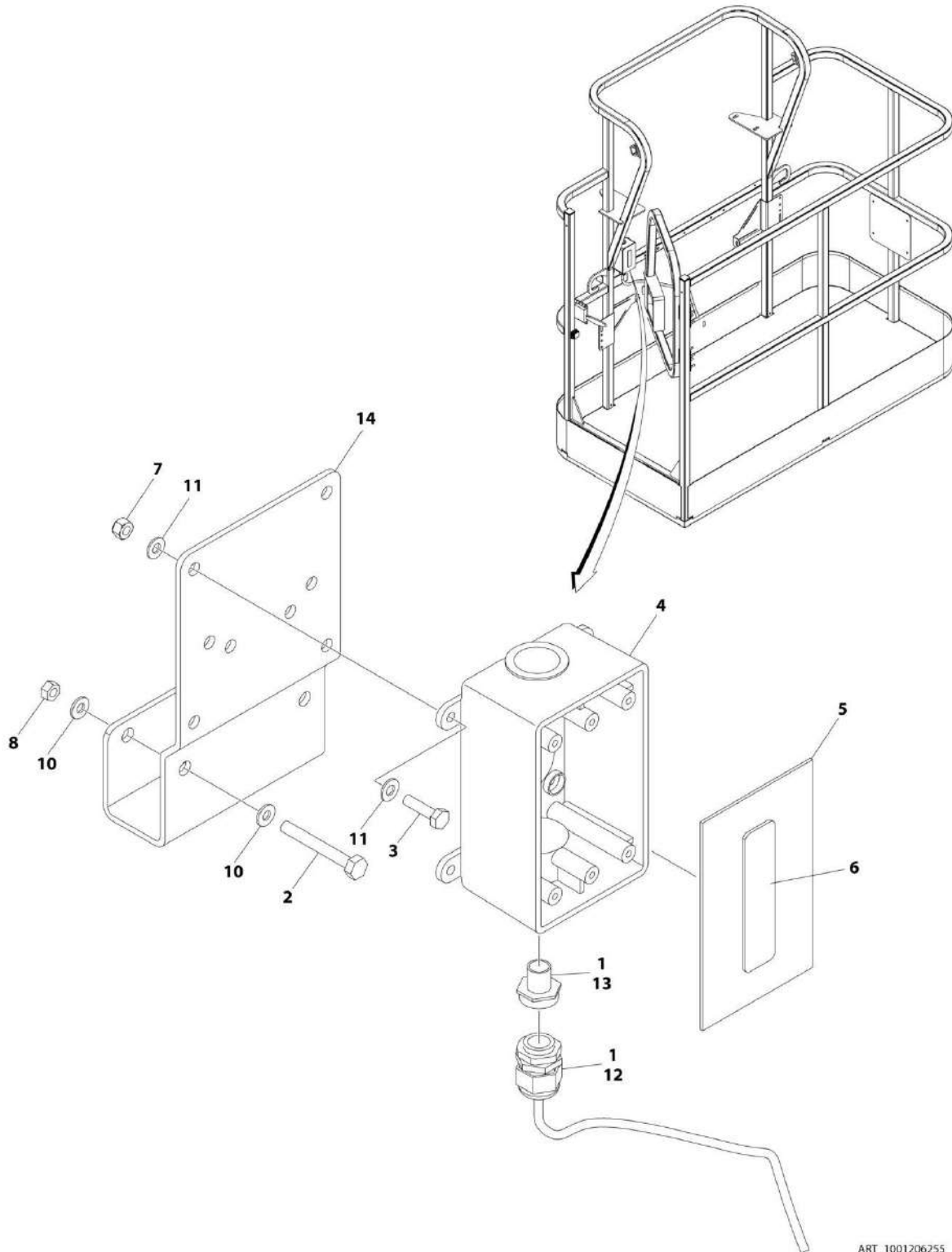
SECTION 8 - ELECTRICAL

FIGURE 8-13. AC BOX AT PLATFORM INSTALLATION - 220V AFSINT 107 (CE SPECS) (MACHINES WITH 4000W GENERATOR)

ITEM	PART NUMBER	QTY	DESCRIPTION	REV
	1001206252	Ref	AC BOX AT PLATFORM INSTALLATION - 220V AFSINT 107 (CE SPECS)	A
1	0100020	AR	Sealant, Pipe	
2	0641416	2	Bolt 1/4 x 2	
3	0700408	4	Bolt M4 x 16	
4	0861731	1	Box, Switch	
5	3251242	1	Decal - 240V/50Hz	
6	3290405	4	Nut M4	
7	3311405	2	Nut 1/4	
8	4461246	1	Receptacle	
9	4711400	4	Washer 1/4	
10	4811400	8	Washer M4	
11	1001101191	1	Connector, Strain Relief	
12	1001101197	1	Adapter	
13	1001193018	1	Bracket, AC Receptacle	
14	1001205958	3	Terminal (Not Shown)	

SECTION 8 - ELECTRICAL

FIGURE 8-14. AC BOX AT PLATFORM INSTALLATION - BOX WITH COVER (ANSI EXPORT, AUSTRALIAN, CHINA & JAPANESE SPECS)



ART_1001206255

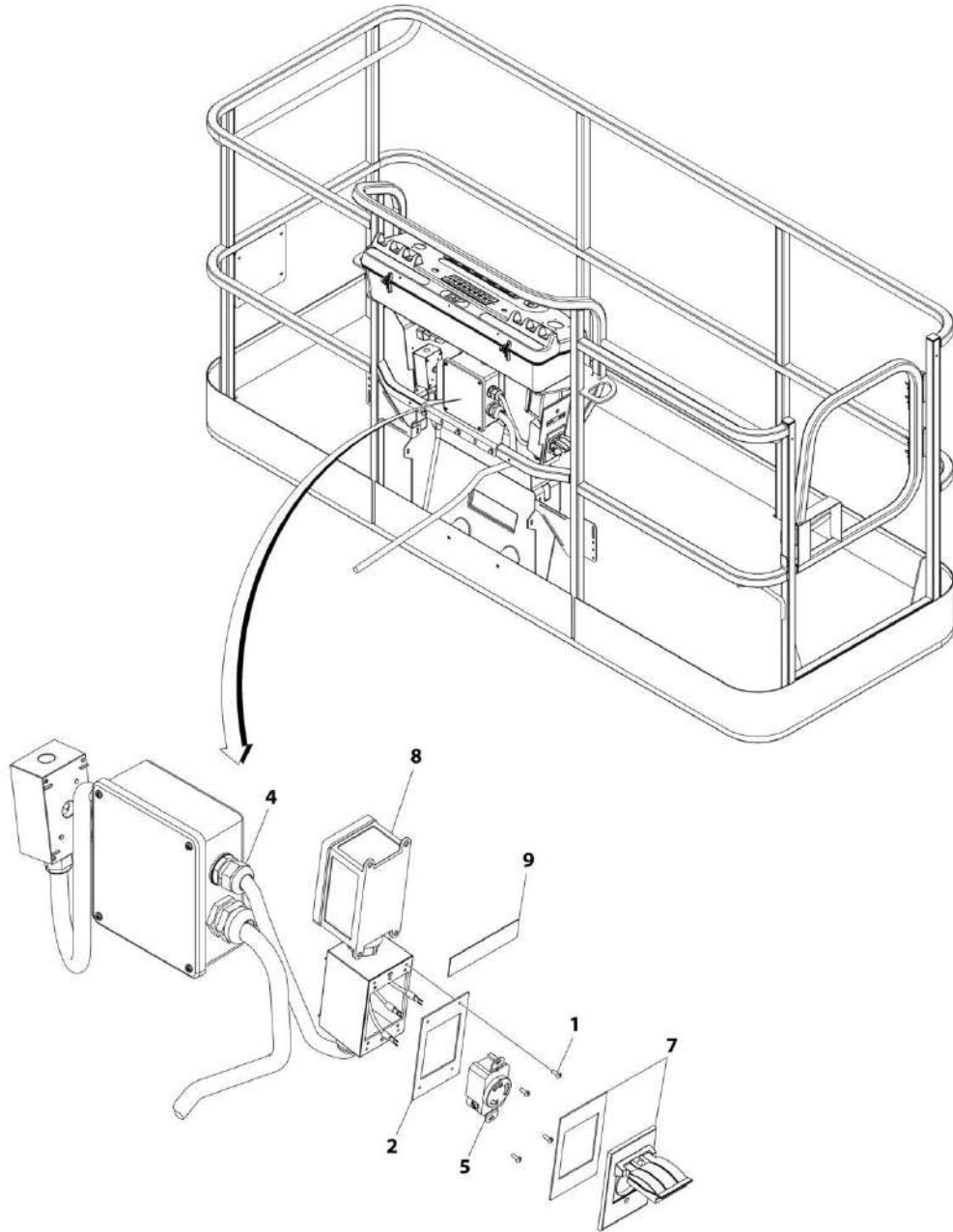
SECTION 8 - ELECTRICAL

FIGURE 8-14. AC BOX AT PLATFORM INSTALLATION - BOX WITH COVER (ANSI EXPORT, AUSTRALIAN, CHINA & JAPANESE SPECS)

ITEM	PART NUMBER	QTY	DESCRIPTION	REV
	1001206255	Ref	AC BOX AT PLATFORM INSTALLATION - BOX WITH COVER	A
1	0100020	AR	Sealant, Pipe	
2	0641416	2	Bolt 1/4 x 2	
3	0700408	4	Bolt M4 x 16	
4	0861731	1	Box, Switch	
5	1670603	1	Cover	
6	3251242	1	Decal - 240V-50Hz	
7	3290405	4	Nut M4	
8	3311405	2	Nut 1/4	
10	4711400	4	Washer 1/4	
11	4811400	8	Washer M4	
12	1001101191	1	Connector, Strain Relief	
13	1001101197	1	Adapter	
14	1001193018	1	Bracket, AC Receptacle	

SECTION 8 - ELECTRICAL

FIGURE 8-15. AC BOX AT PLATFORM INSTALLATION - 240V RECEPTACLE (WITH 4000W GENERATOR) (ALL SPECS EXCEPT ANSI & CSA SPECS)



ART_1001171131

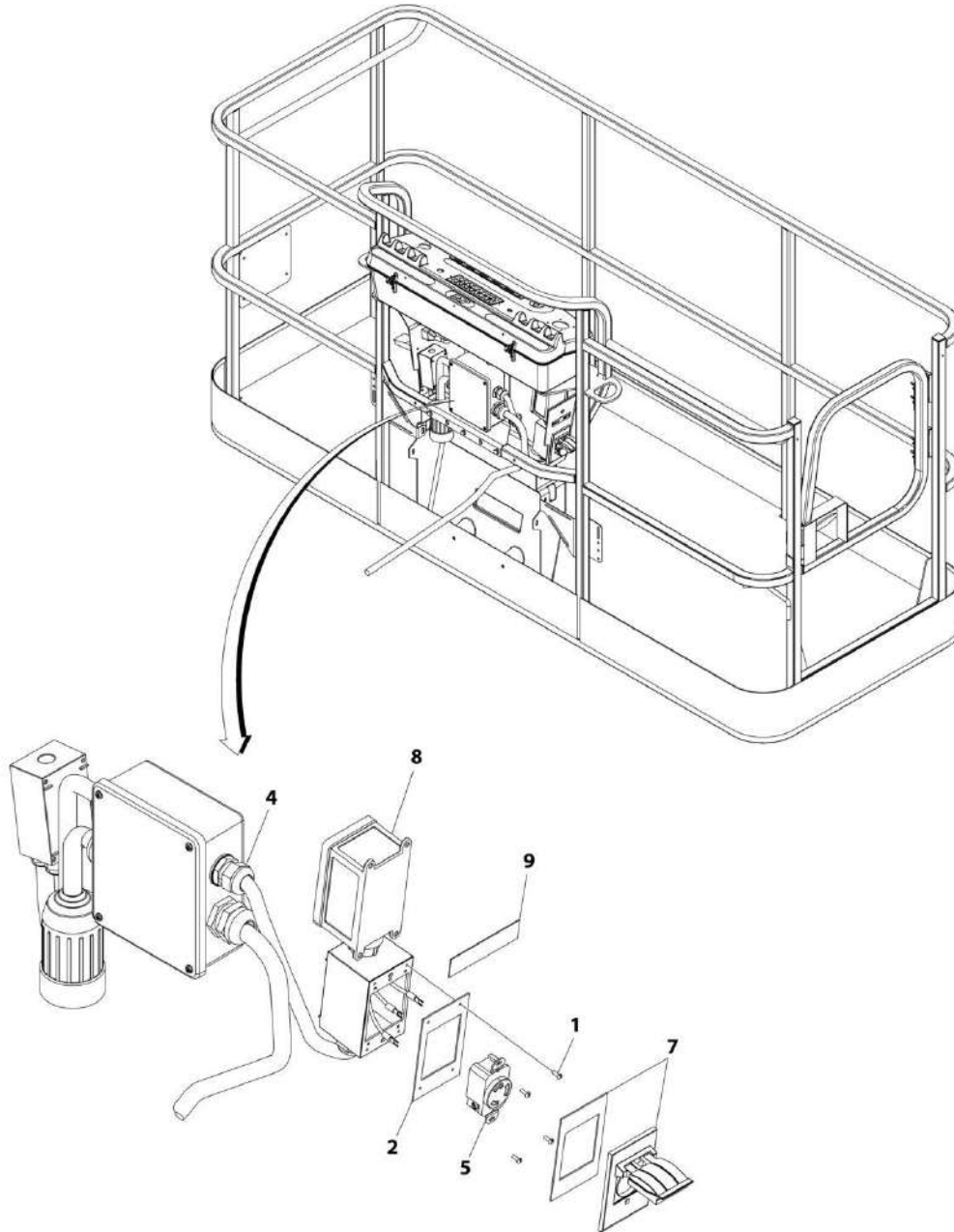
SECTION 8 - ELECTRICAL

FIGURE 8-15. AC BOX AT PLATFORM INSTALLATION - 240V RECEPTACLE (WITH 4000W GENERATOR) (ALL SPECS EXCEPT ANSI & CSA SPECS)

ITEM	PART NUMBER	QTY	DESCRIPTION	REV
	1001171131	Ref	AC BOX AT PLATFORM INSTALLATION - 240V RECEPTACLE	B
1	3910606	4	Screw #6 x 3/8	
2	3960422	1	Gasket	
3	4240018	AR	Tie-Strap (Not Shown)	
4	4460425	1	Connector, Strain Relief	
5	1001176862	1	Receptacle	
7	1001110872	1	Cover, Receptacle	
8	1001159120	1	Box, Breaker	
9	1705374	1	Decal - 240V/60Hz	

SECTION 8 - ELECTRICAL

FIGURE 8-16. AC BOX AT PLATFORM INSTALLATION - 240V RECEPTACLE (WITH 7500W SKYPOWER GENERATOR) (ANSI & CSA SPECS)



ART_1001159121

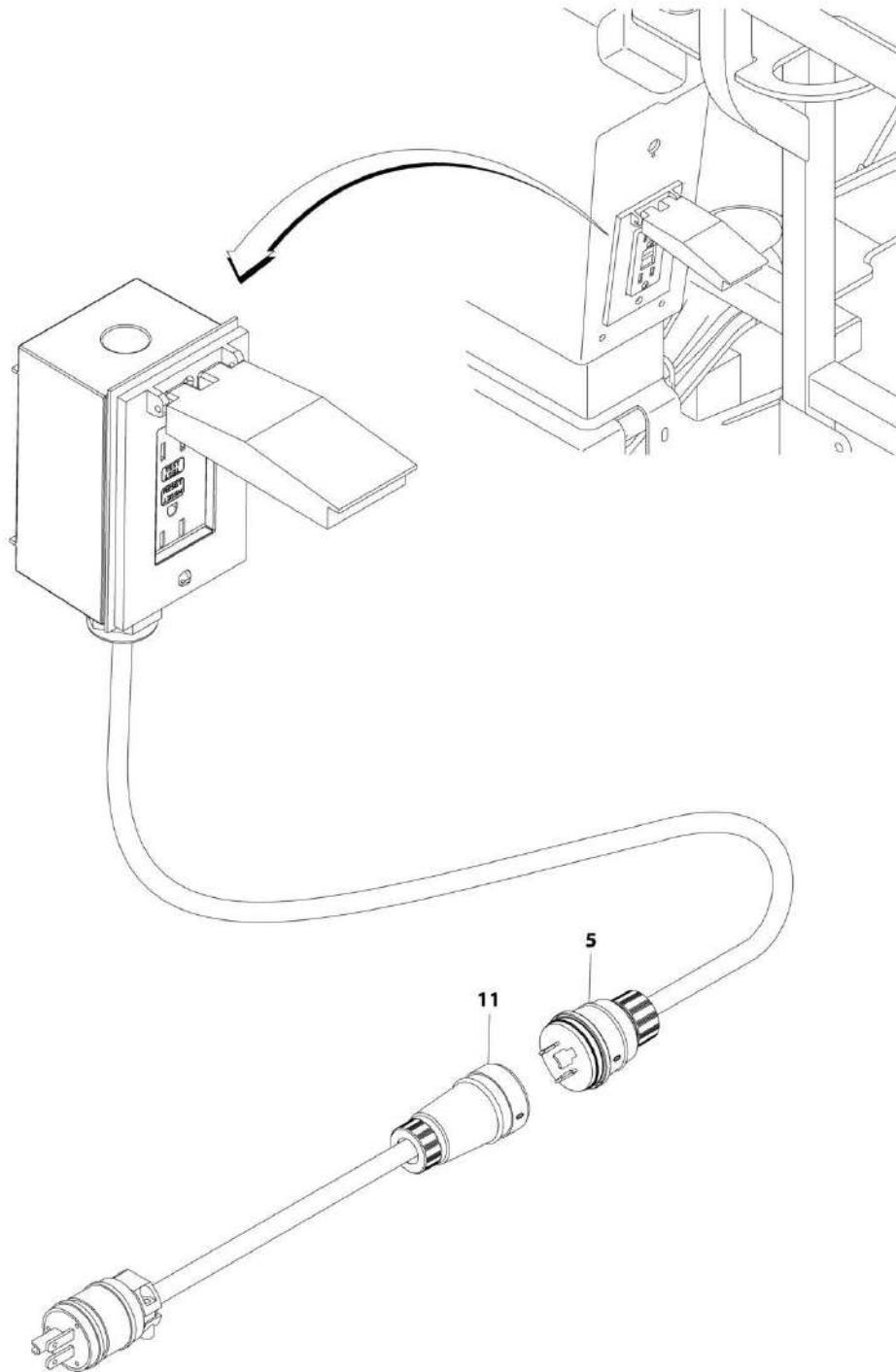
SECTION 8 - ELECTRICAL

FIGURE 8-16. AC BOX AT PLATFORM INSTALLATION - 240V RECEPTACLE (WITH 7500W SKYPOWER GENERATOR) (ANSI & CSA SPECS)

ITEM	PART NUMBER	QTY	DESCRIPTION	REV
	1001159121	Ref	AC BOX AT PLATFORM INSTALLATION - 240V RECEPTACLE	B
1	3910606	4	Screw #6 x 3/8	
2	3960422	1	Gasket	
3	4240018	AR	Tie-Strap (Not Shown)	
4	4460425	1	Connector, Strain Relief	
5	4460958	1	Receptacle	
7	1001110872	1	Cover, Receptacle	
8	1001159120	1	Box, Breaker	
9	1705374	1	Decal - 240V/60Hz	

SECTION 8 - ELECTRICAL

FIGURE 8-17. AC BOX AT PLATFORM MID-BOOM PLUG INSTALLATION (WITHOUT 7500W SKYPOWER GENERATOR) (ALL SPECS EXCEPT ANSI & CSA SPECS)



ART_0256202

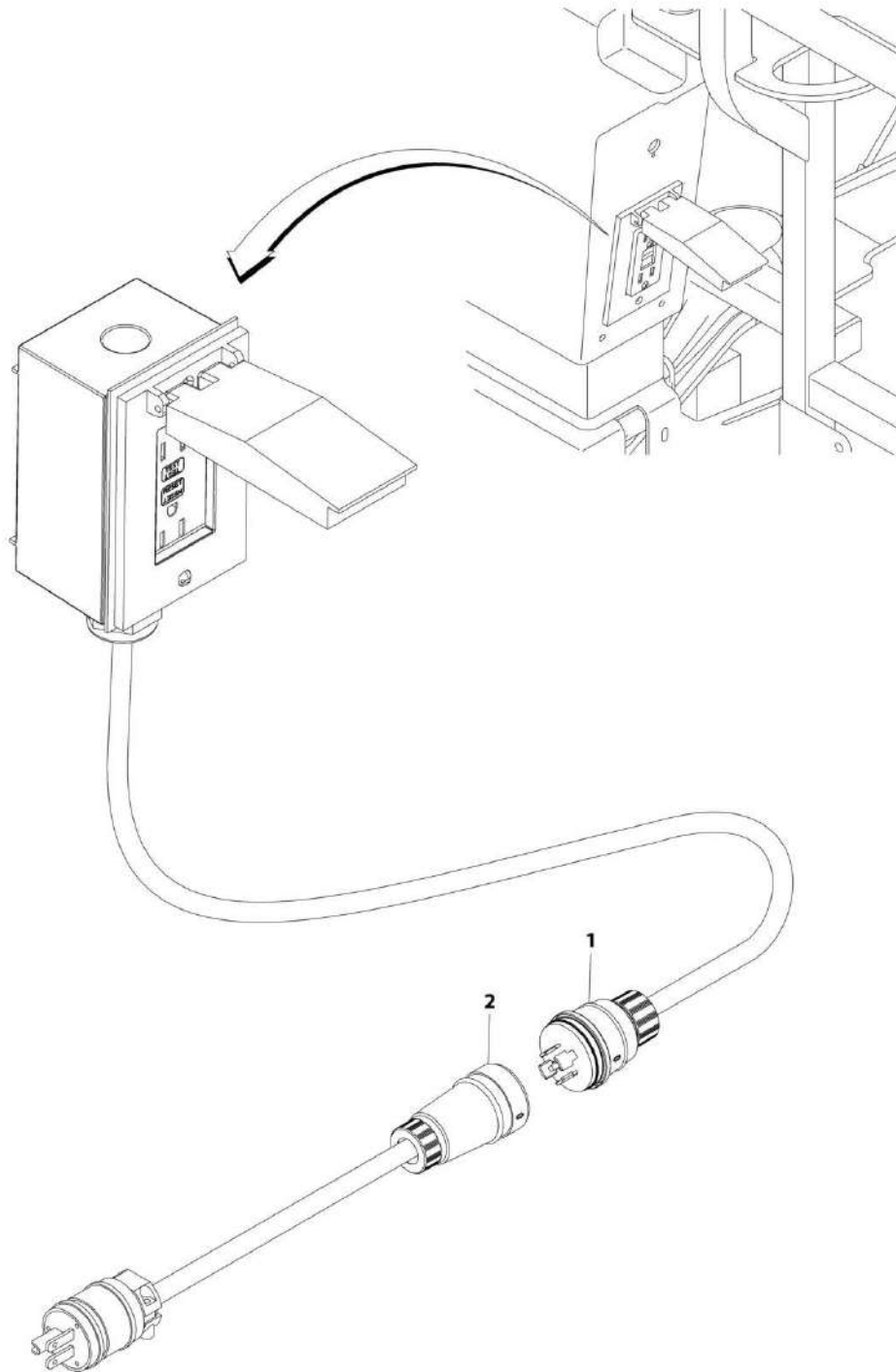
SECTION 8 - ELECTRICAL

FIGURE 8-17. AC BOX AT PLATFORM MID-BOOM PLUG INSTALLATION (WITHOUT 7500W SKYPOWER GENERATOR) (ALL SPECS EXCEPT ANSI & CSA SPECS)

ITEM	PART NUMBER	QTY	DESCRIPTION	REV
	0256202	Ref	AC BOX AT PLATFORM MID-BOOM PLUG INSTALLATION	D
5	1001213584	1	Plug	
11	1001213585	1	Receptacle	

SECTION 8 - ELECTRICAL

FIGURE 8-18. AC BOX AT PLATFORM MID-BOOM PLUG INSTALLATION (WITH 7500W SKYPOWER GENERATOR)



ART_0272433

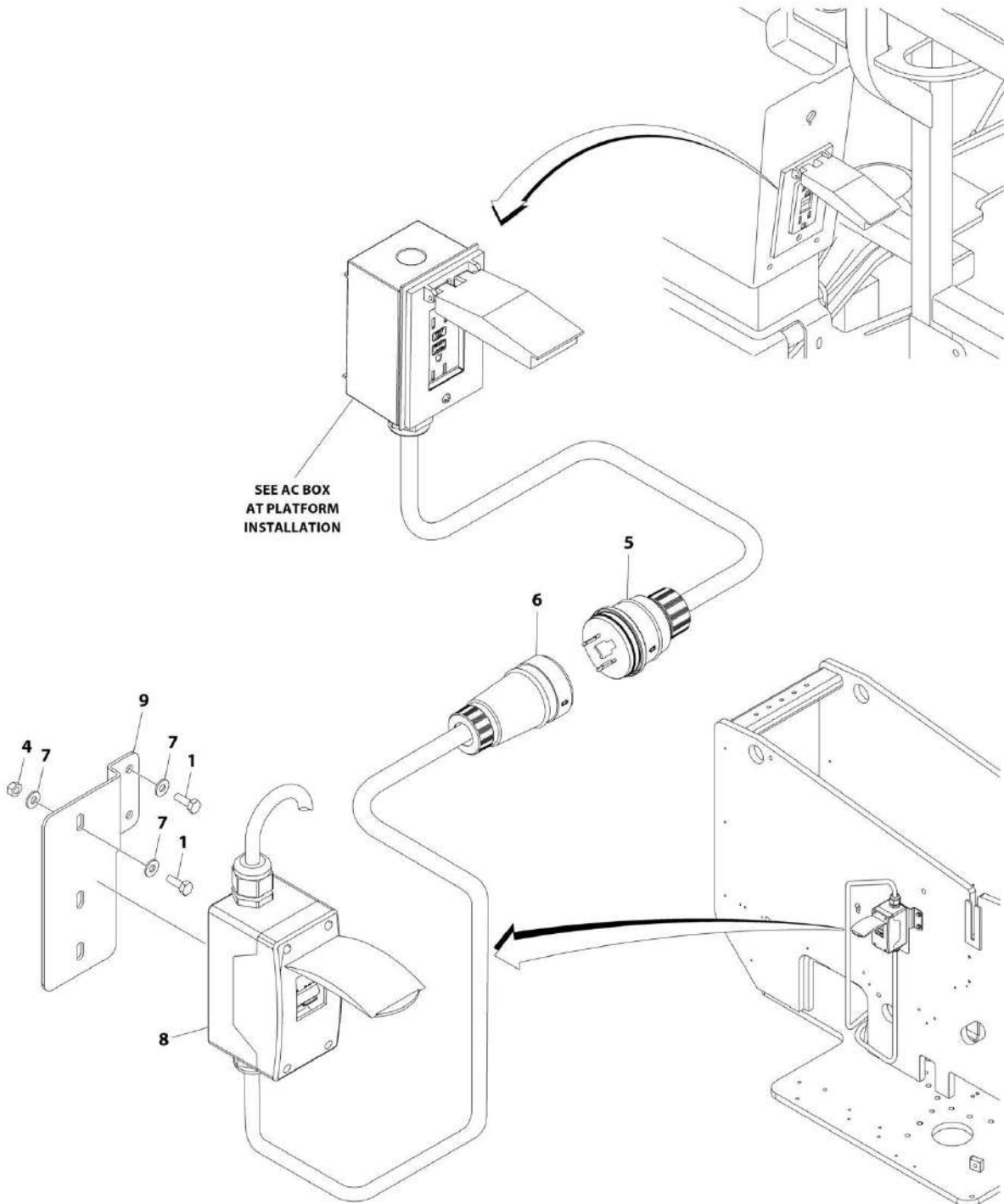
SECTION 8 - ELECTRICAL

FIGURE 8-18. AC BOX AT PLATFORM MID-BOOM PLUG INSTALLATION (WITH 7500W SKYPOWER GENERATOR)

ITEM	PART NUMBER	QTY	DESCRIPTION	REV
	0272433	Ref	AC BOX AT PLATFORM MID-BOOM PLUG INSTALLATION	D
1	1001218622	1	Plug	
2	1001218623	1	Receptacle	

SECTION 8 - ELECTRICAL

FIGURE 8-19. AC BREAKER BOX INSTALLATION - WITH 2 BREAKERS (CE SPECS WITHOUT 4000W GENERATOR) (Prior to SN 0300247156)



ART_1001177710

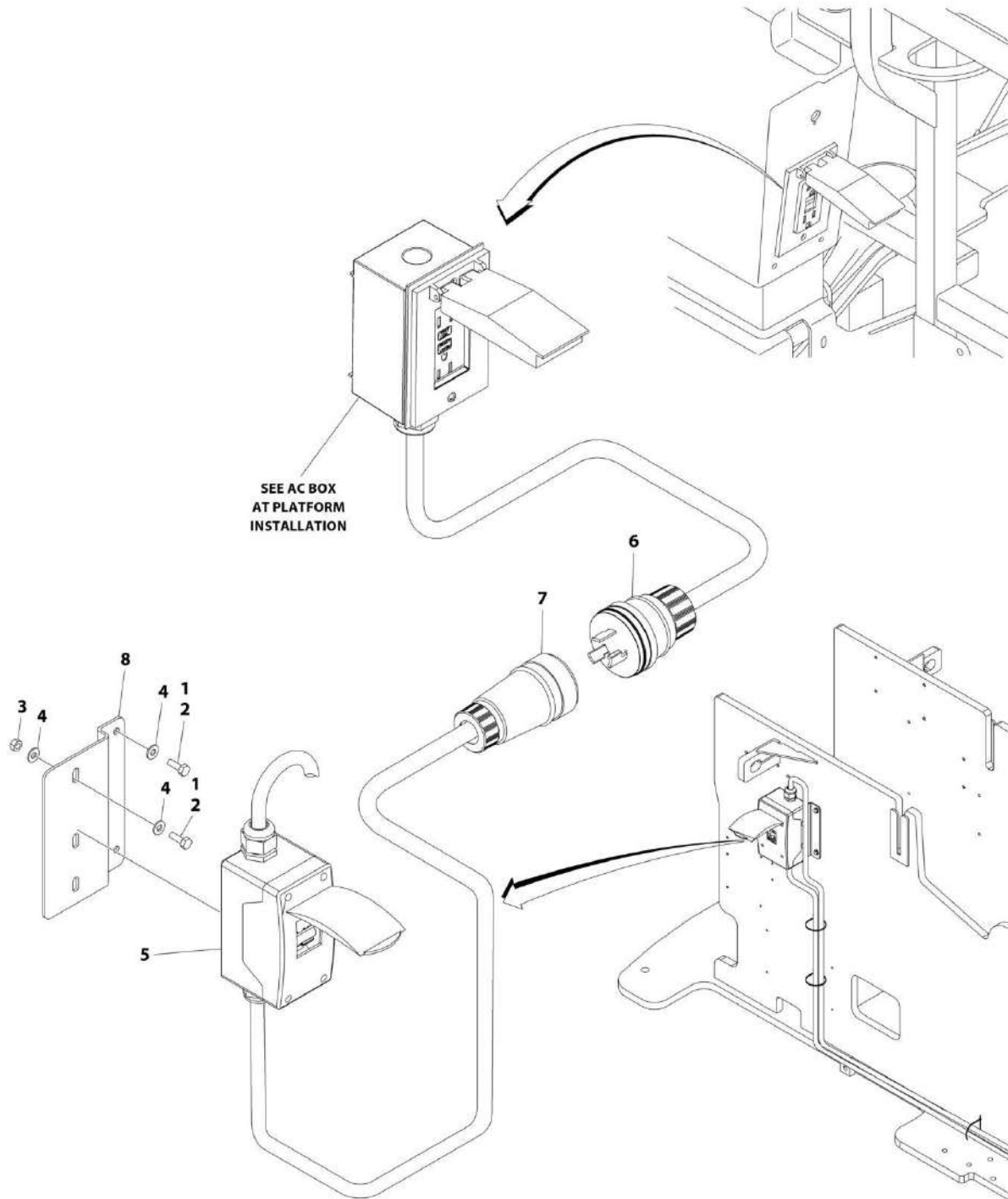
SECTION 8 - ELECTRICAL

FIGURE 8-19. AC BREAKER BOX INSTALLATION - WITH 2 BREAKERS (CE SPECS WITHOUT 4000W GENERATOR) (Prior to SN 0300247156)

ITEM	PART NUMBER	QTY	DESCRIPTION	REV
	1001177710	Ref	AC BREAKER BOX INSTALLATION	C
1	0641406	4	Bolt 1/4 x 3/4	
4	3311405	2	Nut 1/4	
5	1001213584	1	Plug, Male	
6	1001213585	1	Receptacle, Female	
7	4711400	6	Washer 1/4	
8	1001109654	1	Breaker Box Kit - With 2 Breakers (See Separate Breakdown in this Section)	
9	1001177035	1	Bracket	

SECTION 8 - ELECTRICAL

FIGURE 8-20. AC BREAKER BOX INSTALLATION - WITH 2 BREAKERS (CE SPECS WITH 4000W GENERATOR) (SN 0300247156 to Present)



ART_1001236962

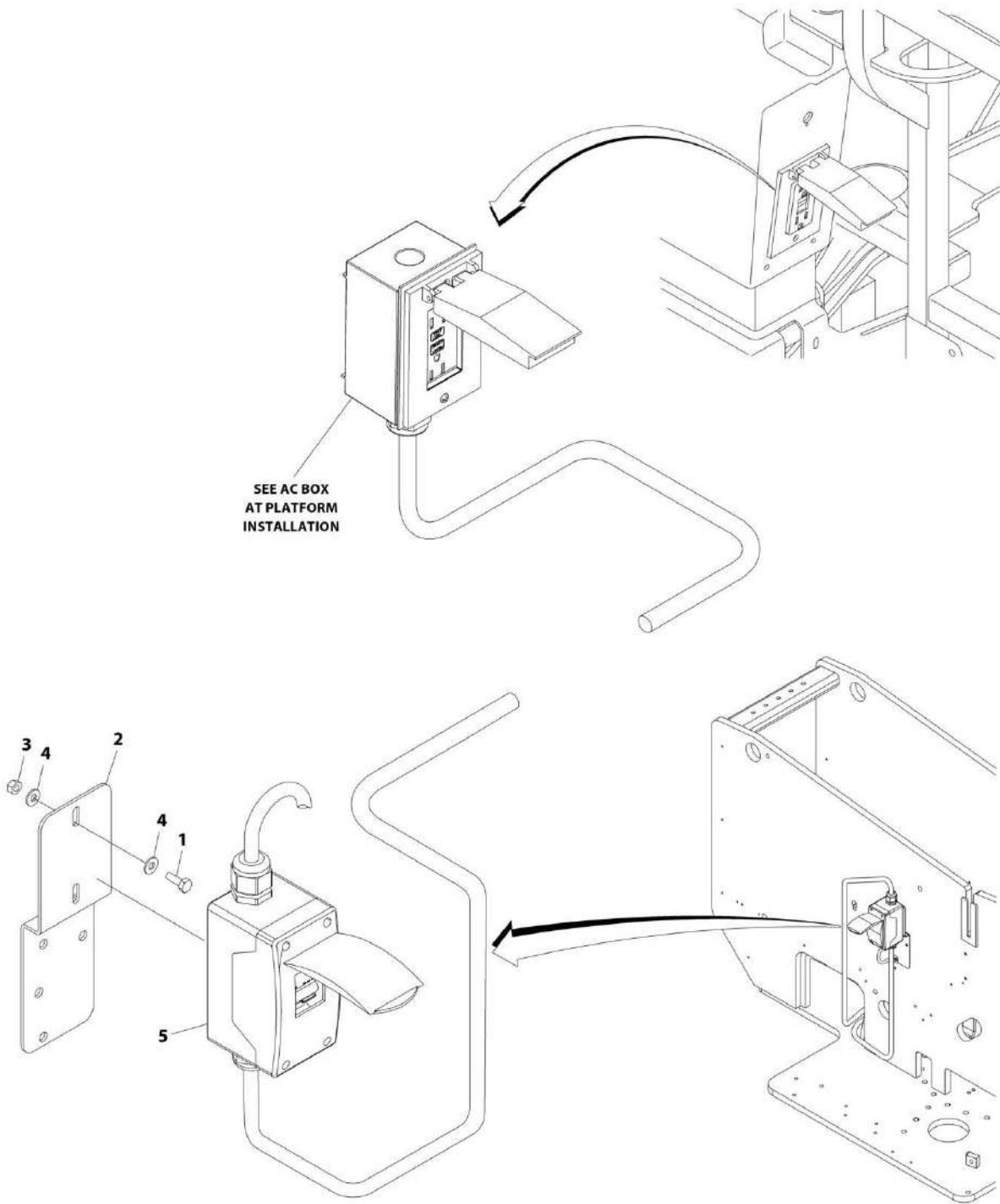
SECTION 8 - ELECTRICAL

FIGURE 8-20. AC BREAKER BOX INSTALLATION - WITH 2 BREAKERS (CE SPECS WITH 4000W GENERATOR) (SN 0300247156 to Present)

ITEM	PART NUMBER	QTY	DESCRIPTION	REV
	1001236962	Ref	AC BREAKER BOX INSTALLATION	A
1	0100011	AR	Compound, Locking	
2	0641406	4	Bolt 1/4 x 3/4	
3	3311405	2	Nut 1/4	
4	4711400	6	Washer 1/4	
5	1001165368	1	Breaker Box Kit - With 2 Breakers (See Separate Breakdown in this Section)	
6	1001213584	1	Plug, Male	
7	1001213585	1	Receptacle, Female	
8	1001229080	1	Bracket	
9	4240099	AR	Tie-Strap (Not Shown)	

SECTION 8 - ELECTRICAL

FIGURE 8-21. AC BREAKER BOX INSTALLATION - WITH 2 BREAKERS (BRAZIL SPECS)



ART_1001171016

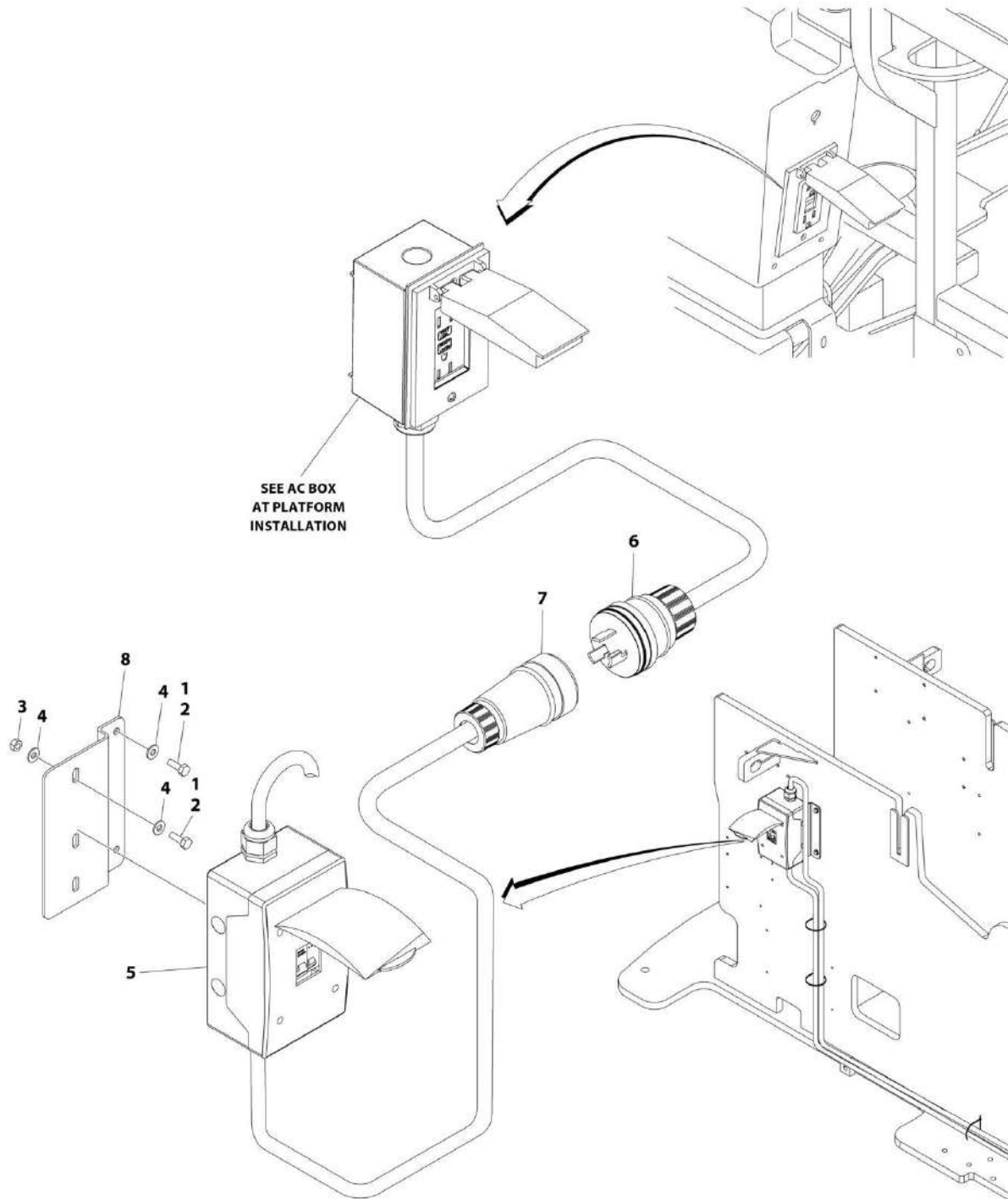
SECTION 8 - ELECTRICAL

FIGURE 8-21. AC BREAKER BOX INSTALLATION - WITH 2 BREAKERS (BRAZIL SPECS)

ITEM	PART NUMBER	QTY	DESCRIPTION	REV
	1001171016	Ref	AC BREAKER BOX INSTALLATION	A
1	0641406	2	Bolt 1/4 x 3/4	
2	0903697	1	Bracket	
3	3311405	2	Nut 1/4	
4	4711400	4	Washer 1/4	
5	1001109654	1	Breaker Box Kit - With 2 Breakers (See Separate Breakdown in this Section)	

SECTION 8 - ELECTRICAL

FIGURE 8-22. AC BREAKER BOX INSTALLATION - WITH 3 BREAKERS (CE SPECS WITH 4000W GENERATOR)



ART_1001234588

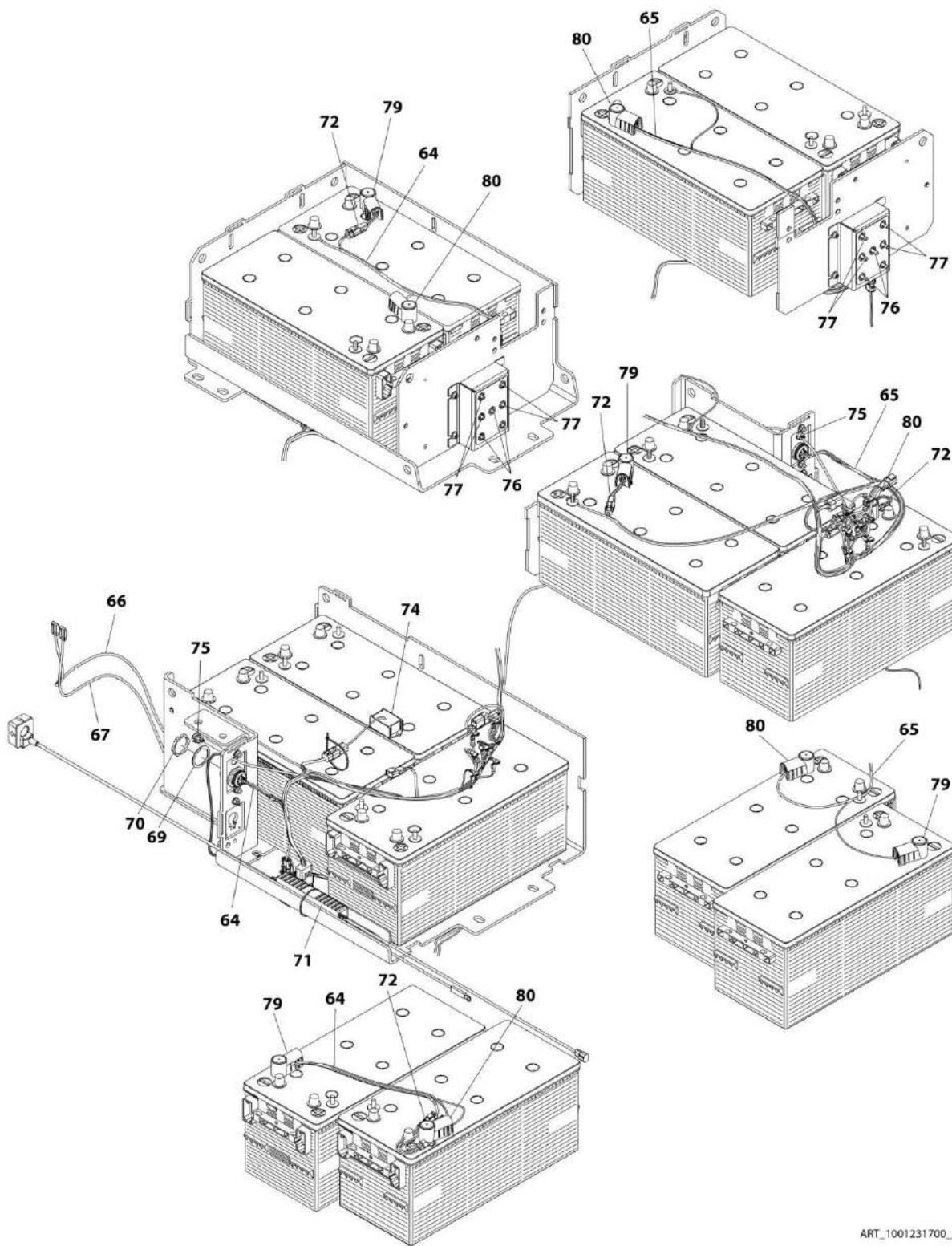
SECTION 8 - ELECTRICAL

FIGURE 8-22. AC BREAKER BOX INSTALLATION - WITH 3 BREAKERS (CE SPECS WITH 4000W GENERATOR)

ITEM	PART NUMBER	QTY	DESCRIPTION	REV
	1001234588	Ref	AC BREAKER BOX INSTALLATION	A
1	0100011	AR	Compound, Locking	
2	0641406	4	Bolt 1/4 x 3/4	
3	3311405	2	Nut 1/4	
4	4711400	6	Washer 1/4	
5	1001205690	1	Breaker Box Kit - With 3 Breakers (See Separate Breakdown in this Section)	
6	1001213584	1	Plug, Male	
7	1001213585	1	Receptacle, Female	
8	1001229080	1	Bracket	
9	4240099	AR	Tie-Strap (Not Shown)	

SECTION 8 - ELECTRICAL

FIGURE 8-23. BATTERY CABLES INSTALLATION



ART_1001231700_30F3

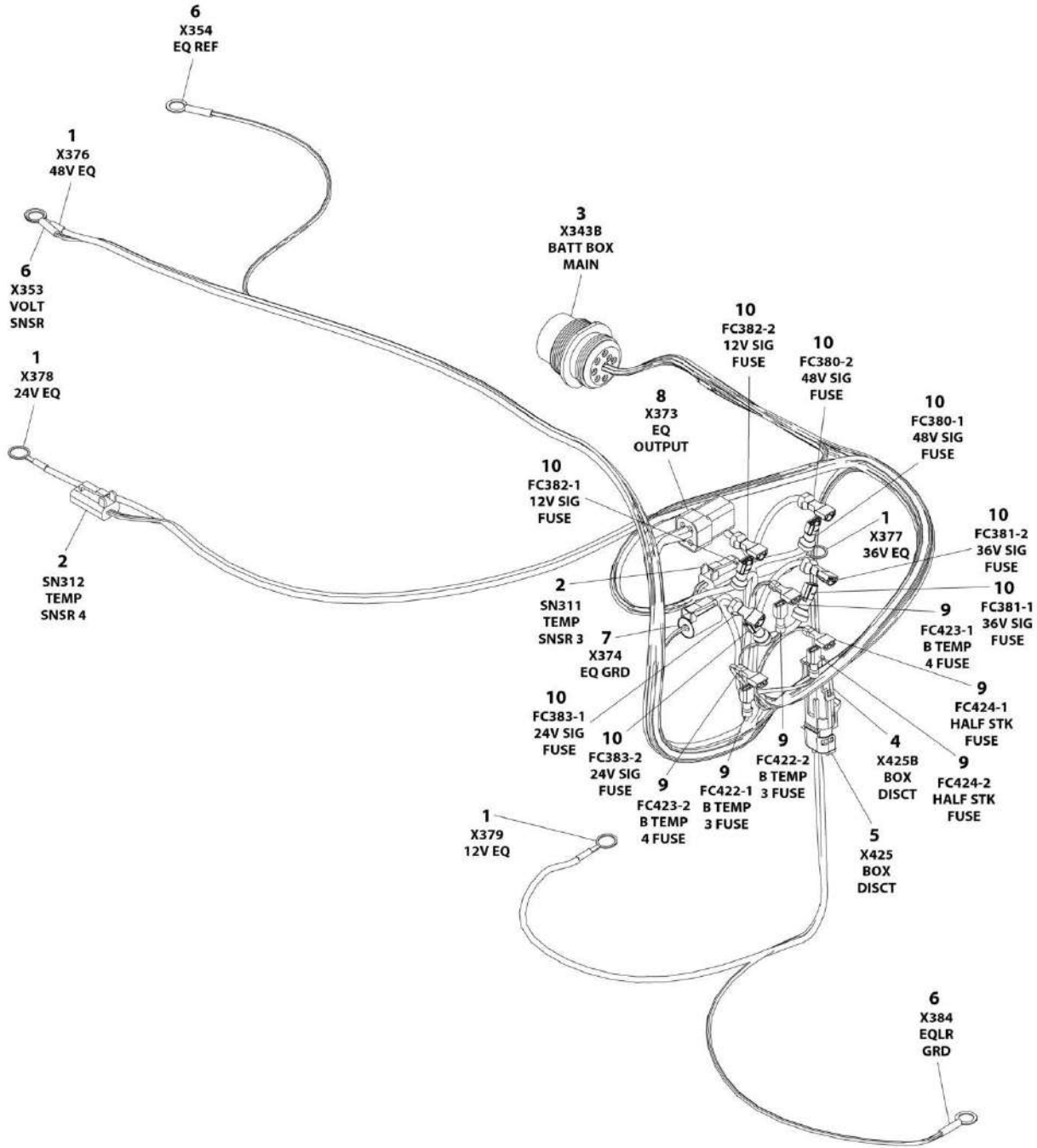
SECTION 8 - ELECTRICAL

FIGURE 8-23. BATTERY CABLES INSTALLATION

ITEM	PART NUMBER	QTY	DESCRIPTION	REV
	1001231700	Ref	BATTERY CABLES INSTALLATION	G
64	1001231685	1	Battery Stack Harness (RH) (See Separate Breakdown in this Section)	
65	1001231686	1	Battery Stack Harness (LH) (See Separate Breakdown in this Section)	
66	1001232840	1	Cable Equalizer LED (LH)	
66	4460910	1	Receptacle, Female - 3 Position	
66	1001126011	3	Terminal	
66	4460911	1	Plug, Male - 3 Position	
66	1001126008	3	Terminal	
67	1001232841	1	Cable Equalizer LED (RH)	
67	4460910	1	Receptacle, Female - 3 Position	
67	1001126011	3	Terminal	
67	4460911	1	Plug, Male - 3 Position	
67	1001126008	3	Terminal	
69	4460496	2	Washer	
70	4460497	2	Nut	
71	1001222336	1	Control, Monitor and Harness	
72	1001225131	5	Temperature Sensor Harness	
74	1001227080	1	Terminator, Electrical	
75	1001233825	2	Connector, Strain Relief	
76	2400080	6	Fuse - 1 Amp	
77	1001234313	8	Fuse - 7.5 Amp	
79	1001225557	4	Boot (Black) (SN 0300247156 to Present)	
80	1001225558	5	Boot (Red) (SN 0300247156 to Present)	
81	4240032	AR	Tie-Strap (Not Shown) (SN 0300247156 to Present)	
100	1001233440	1	Battery Connect Cable Kit (Not Shown)	
101	1001222379	1	Cable, Battery Jumper (+)	
102	1001222380	1	Cable, Battery Jumper (-)	
500	1001233448	2	Battery Box Cable Kit (Not Shown)	
501	1001231425	2	Cable, Battery Jumper (+) (1 Per Kit)	
502	1001231426	2	Cable, Battery Jumper (-) (1 Per Kit)	
503	1001231481	2	Cable, Battery Bulkhead (+) (1 Per Kit)	
504	1001231482	2	Cable, Battery Bulkhead (-) (1 Per Kit)	
505	1001231514	2	Cable, Battery Jumper (+) (1 Per Kit)	
506	1001231515	2	Cable, Battery Jumper (-) (1 Per Kit)	
507	1001231519	2	Cable, 84V Short (1 Per Kit)	
508	1001231520	2	Cable, 84V MID (1 Per Kit)	
509	1001231521	2	Cable, 84V Long (1 Per Kit)	
510	1001231522	2	Cable, 84V Bulkhead (1 Per Kit)	

SECTION 8 - ELECTRICAL

FIGURE 8-24. BATTERY STACK HARNESS (LH)



ART_1001231686

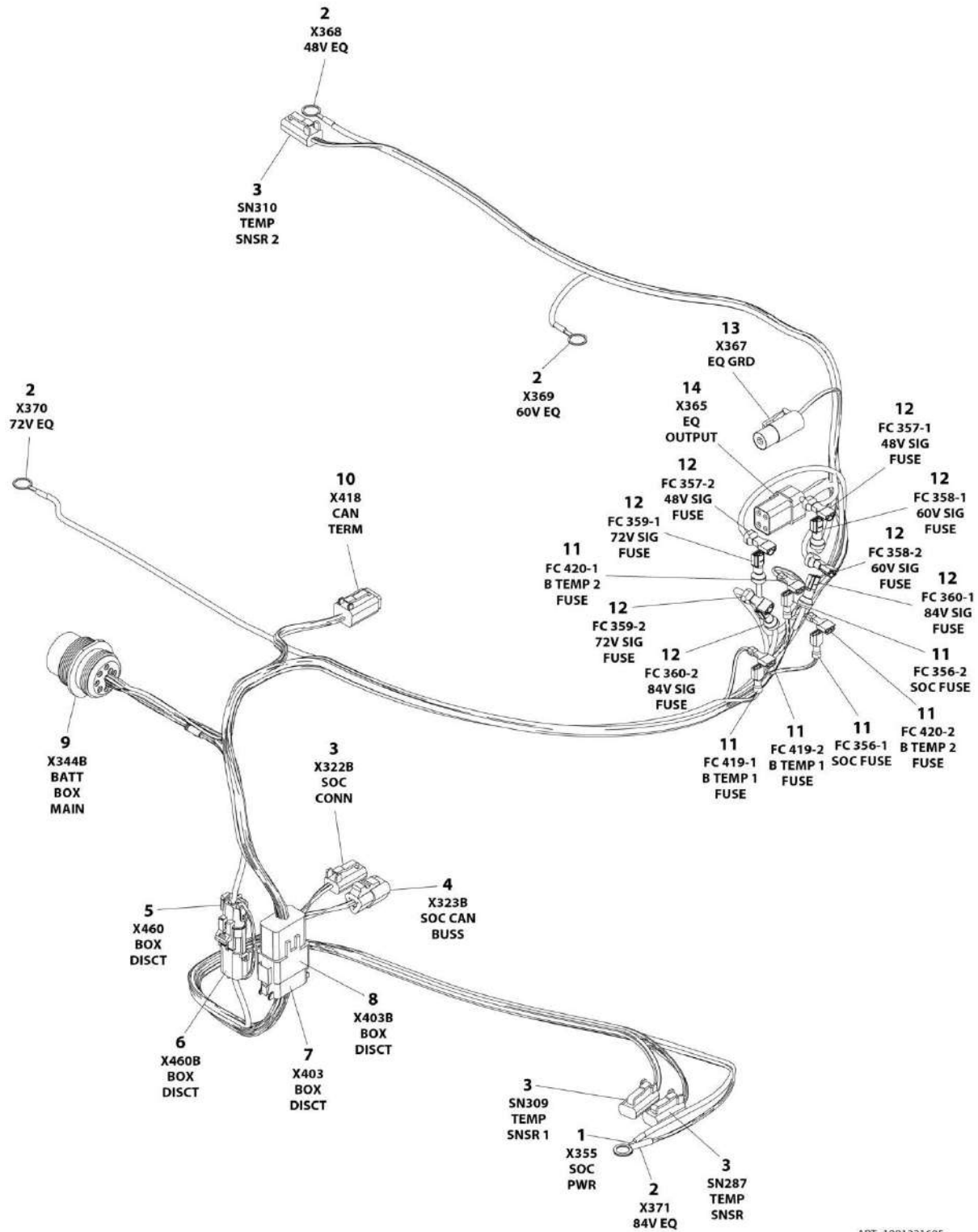
SECTION 8 - ELECTRICAL

FIGURE 8-24. BATTERY STACK HARNESS (LH)

ITEM	PART NUMBER	QTY	DESCRIPTION	REV
	1001231686	Ref	BATTERY STACK HARNESS	B
1	4460019	4	Terminal, Ring	
2	4460891	2	Plug, Male - 2 Position	
2	4460465	4	Socket, Female	
3	1001112612	1	Connector - 9 Position	
3	4460464	5	Pin, Male	
3	4460466	4	Plug, Terminal	
4	4461157	1	Receptacle, Female - 2 Position	
4	4460850	2	Terminal	
5	4460742	1	Plug, Male - 2 Position	
5	4460790	2	Terminal	
6	4460256	3	Terminal, Ring	
7	4461261	1	Plug, Male - 1 Position	
7	4460509	1	Socket, Female	
8	1001116810	1	Plug, Male - 4 Position	
8	4460509	8	Socket, Female	
9	8220051	6	Terminal	
10	8220043	8	Terminal	

SECTION 8 - ELECTRICAL

FIGURE 8-25. BATTERY STACK HARNESS (RH)



ART_1001231685

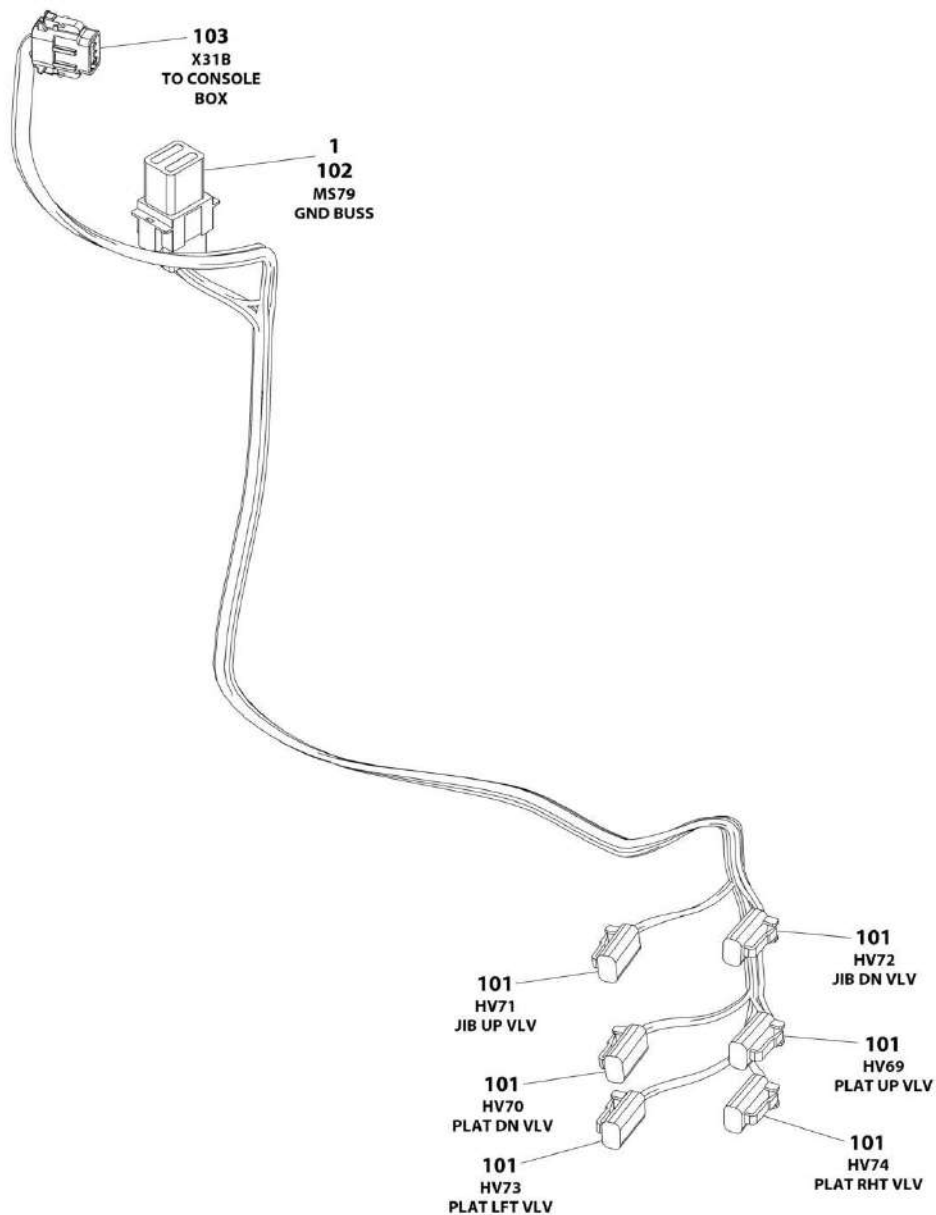
SECTION 8 - ELECTRICAL

FIGURE 8-25. BATTERY STACK HARNESS (RH)

ITEM	PART NUMBER	QTY	DESCRIPTION	REV
	1001231685	Ref	BATTERY STACK HARNESS	A
1	4460256	3	Terminal , Ring	
2	4460019	4	Terminal , Ring	
3	4460891	2	Plug, Male - 2 Position	
3	4460465	4	Socket, Female	
4	4460539	1	Plug, Male - 3 Position	
4	4460465	3	Socket, Female	
5	4461157	1	Receptacle, Female - 2 Position	
5	4460850	2	Terminal	
6	4460742	1	Plug, Male - 2 Position	
6	4460790	2	Terminal	
7	4460836	1	Plug, Male - 12 Position	
7	4460465	9	Socket, Female	
7	4460466	3	Plug, Terminal	
8	4460950	1	Receptacle, Female - 12 Position	
8	4460464	9	Pin, Male	
8	4460466	3	Plug, Terminal	
9	1001112612	1	Connector - 9 Position	
9	4460464	5	Pin, Male	
10	4460884	1	Plug, Male - 4 Position	
10	4460465	4	Socket, Female	
11	8220051	6	Terminal	
12	8220043	8	Terminal	
13	4461261	1	Plug, Male - 1 Position	
13	4460509	1	Socket, Female	
14	1001116810	1	Plug, Male - 4 Position	
14	4460509	8	Socket, Female	

SECTION 8 - ELECTRICAL

FIGURE 8-26. BOOM VALVE HARNESS



ART_1001222047

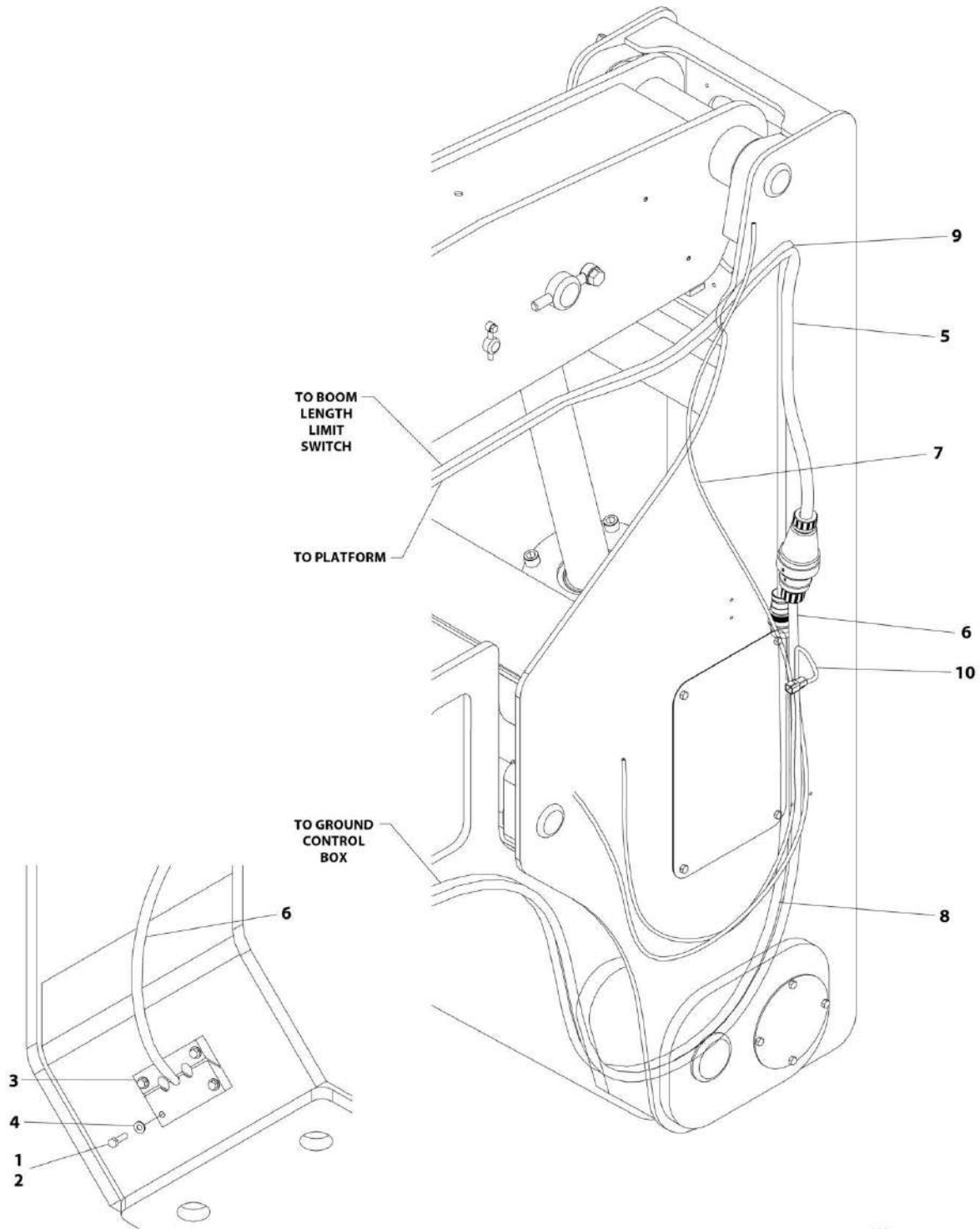
SECTION 8 - ELECTRICAL

FIGURE 8-26. BOOM VALVE HARNESS

ITEM	PART NUMBER	QTY	DESCRIPTION	REV
	1001222047	Ref	BOOM VALVE HARNESS	B
1	4460852	1	Connector, Buss - 8 Position	
101	4460891	6	Plug, Male - 2 Position	
101	4460465	12	Socket, Female	
102	4460851	1	Plug, Male - 8 Position	
102	4460465	8	Socket, Female	
103	1001190577	1	Plug, Male - 8 Position	
103	1001126008	7	Socket, Female	
103	4460518	1	Plug, Terminal	

SECTION 8 - ELECTRICAL

FIGURE 8-27. BOOM CABLES INSTALLATION (MACHINES WITHOUT GENERATOR)



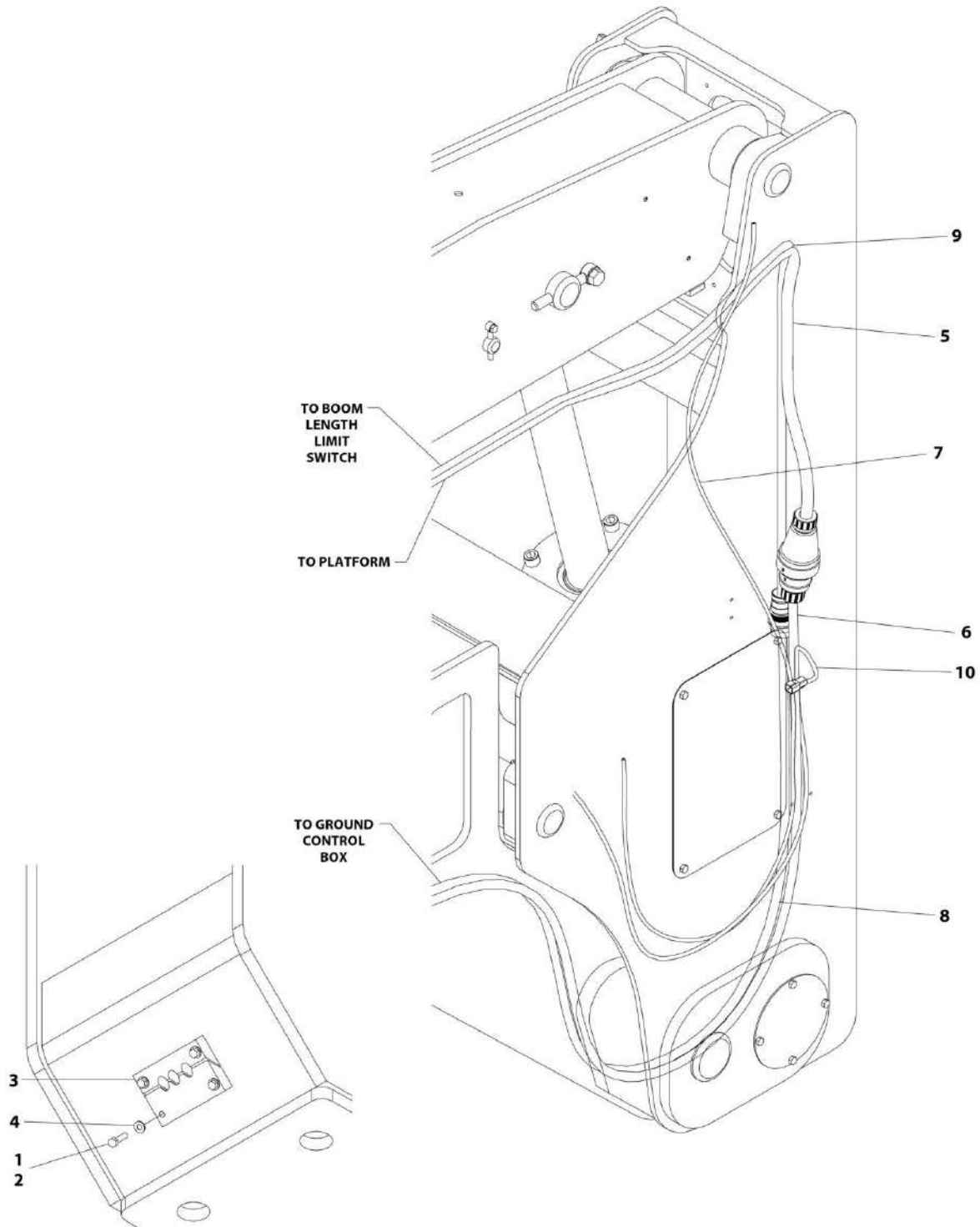
SECTION 8 - ELECTRICAL

FIGURE 8-27. BOOM CABLES INSTALLATION (MACHINES WITHOUT GENERATOR)

ITEM	PART NUMBER	QTY	DESCRIPTION	REV
	1001223433	Ref	BOOM CABLES INSTALLATION	D
1	0100011	AR	Compound, Locking	
2	0641612	4	Bolt 3/8 x 1-1/2	
3	1320256	1	Clamp, Block	
4	4711600	4	Washer 3/8	
5	4922216	1	AC Cable, 10/3 (Main Boom)	
6	4922217	1	AC Cable, 10/3 (Tower Boom)	
7	4922578	2	Cable, Main Boom Elevation Limit Switch	
8	1001222055	1	Boom Cable - Tower Boom (See Separate Breakdown in this Section)	
9	1001227356	1	Boom Cable - Main Boom (See Separate Breakdown in this Section)	
10	1001227359	1	Tilt Sensor Harness	
10	1001097051	1	Connector - 4 Position	
10	1001097082	3	Terminal	

SECTION 8 - ELECTRICAL

FIGURE 8-28. BOOM CABLES INSTALLATION (AUSTRALIAN SPECS WITH 4000W GENERATOR)



ART_1001227853

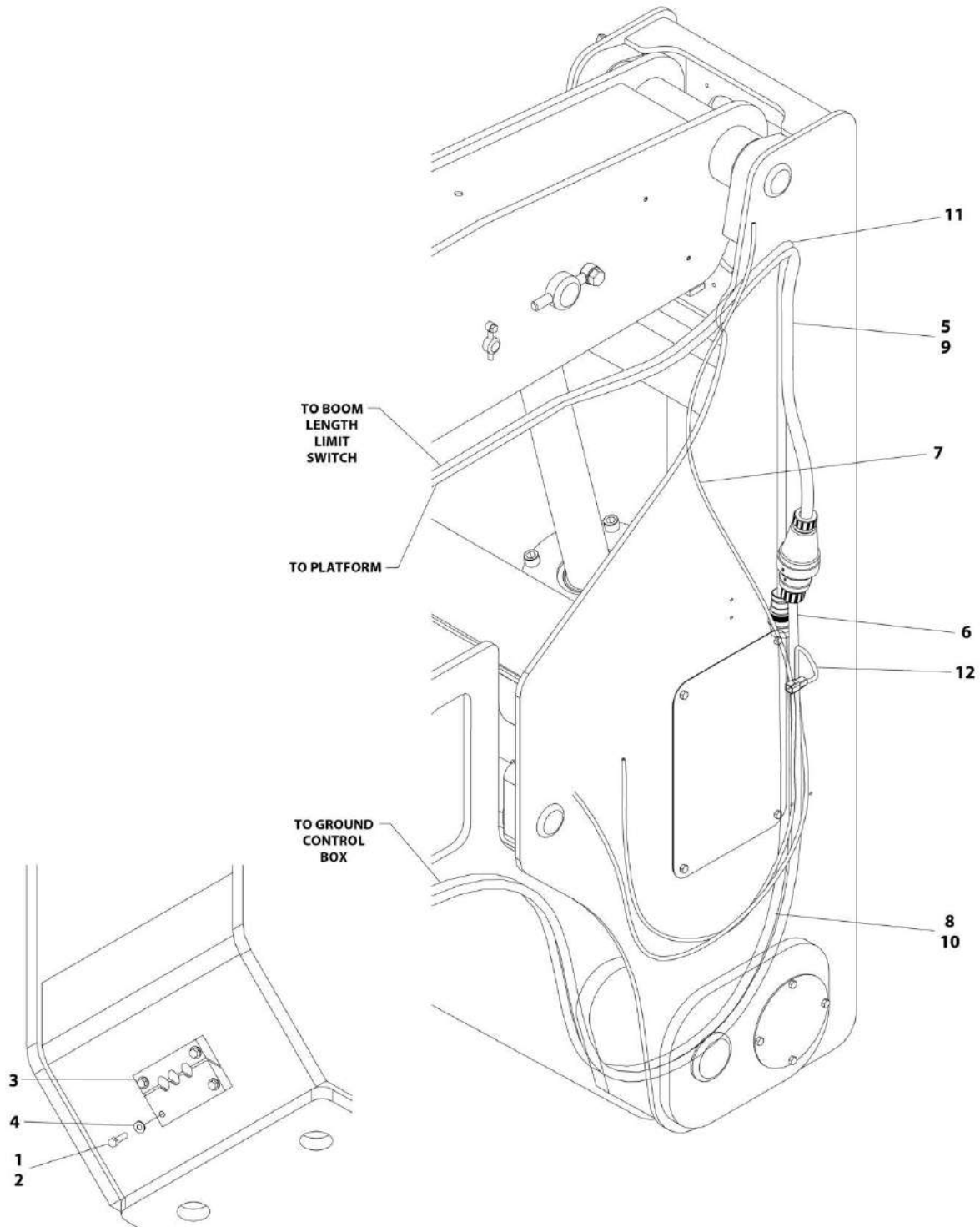
SECTION 8 - ELECTRICAL

FIGURE 8-28. BOOM CABLES INSTALLATION (AUSTRALIAN SPECS WITH 4000W GENERATOR)

ITEM	PART NUMBER	QTY	DESCRIPTION	REV
	1001227853	Ref	BOOM CABLES INSTALLATION	C
1	0100011	AR	Compound, Locking	
2	0641612	4	Bolt 3/8 x 1-1/2	
3	1320256	1	Clamp, Block	
4	4711600	4	Washer 3/8	
5	4922219	1	AC Cable - 10/3 (Main Boom)	
6	4922220	1	AC Cable - 10/3 (Tower Boom)	
7	4922578	2	Cable, Main Boom Elevation Limit Switch	
8	1001222055	1	Boom Cable - Tower Boom (See Separate Breakdown in this Section)	
9	1001227356	1	Boom Cable - Main Boom (See Separate Breakdown in this Section)	
10	1001227359	1	Tilt Sensor Harness	
10	1001097051	1	Connector - 4 Position	
10	1001097082	3	Terminal	
11	4240099	AR	Tie-Strap (Not Shown)	

SECTION 8 - ELECTRICAL

FIGURE 8-29. BOOM CABLES INSTALLATION (CE SPECS WITH 4000W GENERATOR)



ART_1001227850

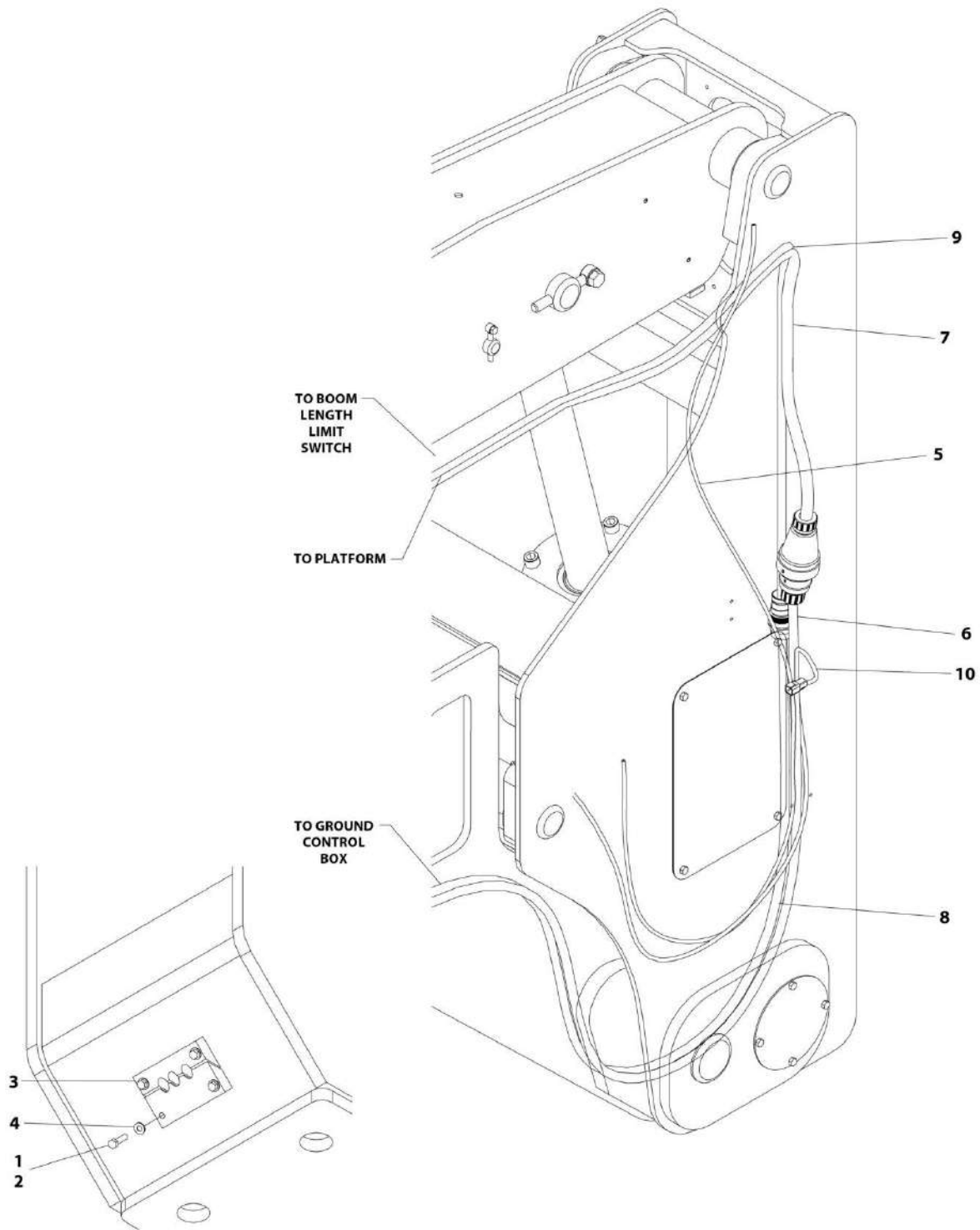
SECTION 8 - ELECTRICAL

FIGURE 8-29. BOOM CABLES INSTALLATION (CE SPECS WITH 4000W GENERATOR)

ITEM	PART NUMBER	QTY	DESCRIPTION	REV
	1001227850	Ref	BOOM CABLES INSTALLATION	C
1	0100011	AR	Compound, Locking	
2	0641612	4	Bolt 3/8 x 1-1/2	
3	1320256	1	Clamp, Block	
4	4711600	4	Washer 3/8	
5	4922219	1	AC Cable - 10/3 (Main Boom)	
6	4922220	1	AC Cable - 10/3 (Tower Boom)	
7	4922578	2	Cable, Main Boom Elevation Limit Switch	
8	4922579	1	Boom Length Harness (Tower Boom)	
8	4460891	1	Plug, Male - 2 Position	
8	4460465	2	Socket, Female	
9	4922580	1	Boom Length Harness (Main Boom)	
9	4460897	1	Receptacle, Female	
9	4460464	2	Pin, Male	
10	1001222055	1	Boom Cable - Tower Boom (See Separate Breakdown in this Section)	
11	1001227356	1	Boom Cable - Main Boom (See Separate Breakdown in this Section)	
12	1001227359	1	Tilt Sensor Harness	
12	1001097051	1	Connector - 4 Position	
12	1001097082	3	Terminal	
13	4240099	AR	Tie-Strap (Not Shown)	

SECTION 8 - ELECTRICAL

FIGURE 8-30. BOOM CABLES INSTALLATION (ANSI, ANSI EXPORT, CHINA, CSA & JAPANESE SPECS WITH 7500W GENERATOR)



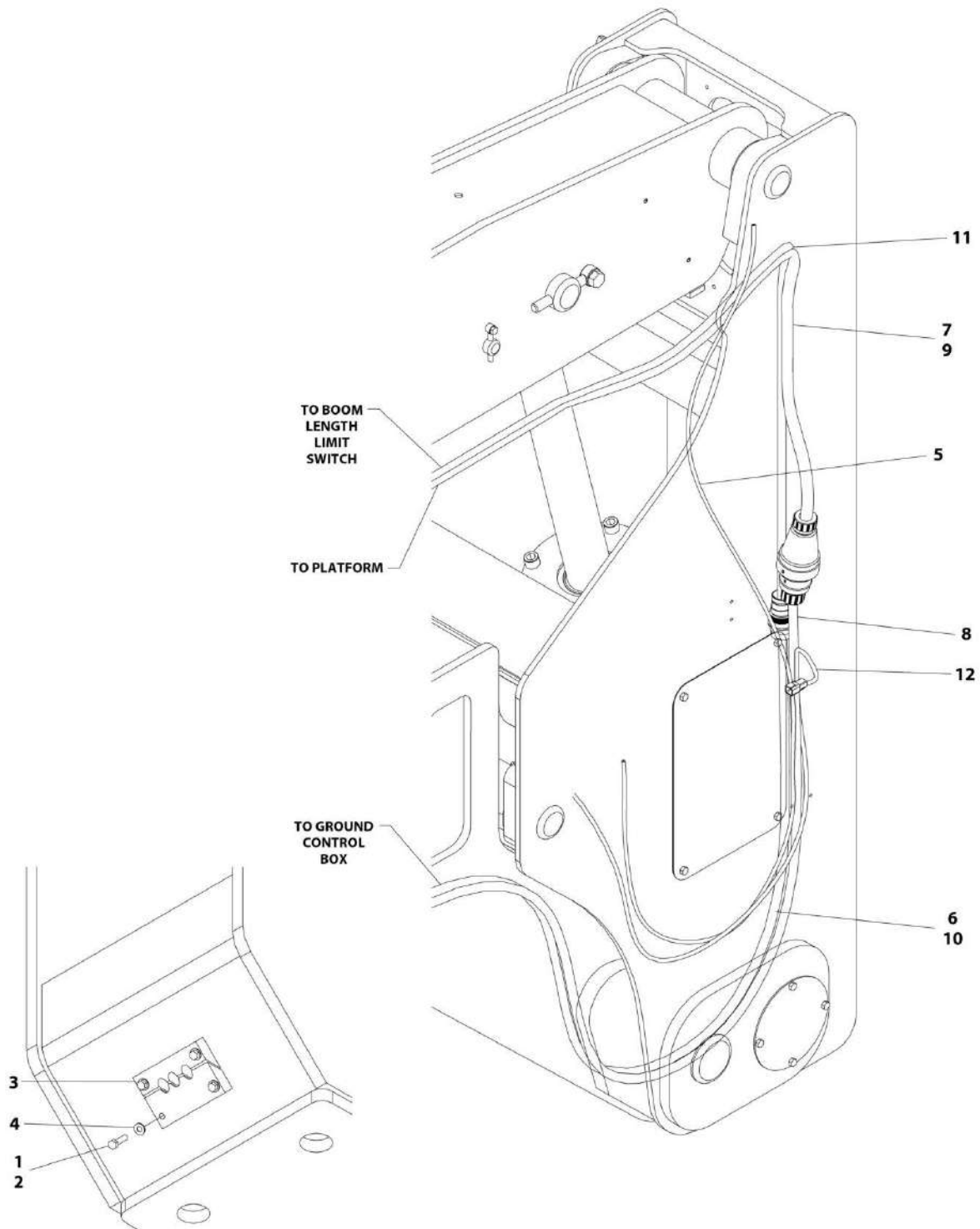
SECTION 8 - ELECTRICAL

FIGURE 8-30. BOOM CABLES INSTALLATION (ANSI, ANSI EXPORT, CHINA, CSA & JAPANESE SPECS WITH 7500W GENERATOR)

ITEM	PART NUMBER	QTY	DESCRIPTION	REV
	1001227851	Ref	BOOM CABLES INSTALLATION	D
1	0100011	AR	Compound, Locking	
2	0641612	4	Bolt 3/8 x 1-1/2	
3	1320256	1	Clamp, Block	
4	4711600	4	Washer 3/8	
5	4922578	2	Cable, Main Boom Elevation Limit Switch	
6	1001125125	1	AC Cable 8/5 (Tower Boom)	
7	1001125126	1	AC Cable 8/5 (Main Boom)	
8	1001222055	1	Boom Cable - Tower Boom (See Separate Breakdown in this Section)	
9	1001227356	1	Boom Cable - Main Boom (See Separate Breakdown in this Section)	
10	1001227359	1	Tilt Sensor Harness	
10	1001097051	1	Connector - 4 Position	
10	1001097082	3	Terminal	
13	4240099	AR	Tie-Strap (Not Shown)	

SECTION 8 - ELECTRICAL

FIGURE 8-31. BOOM CABLES INSTALLATION (AUSTRALIAN & CE SPECS WITH 7500W GENERATOR)



ART_1001227852

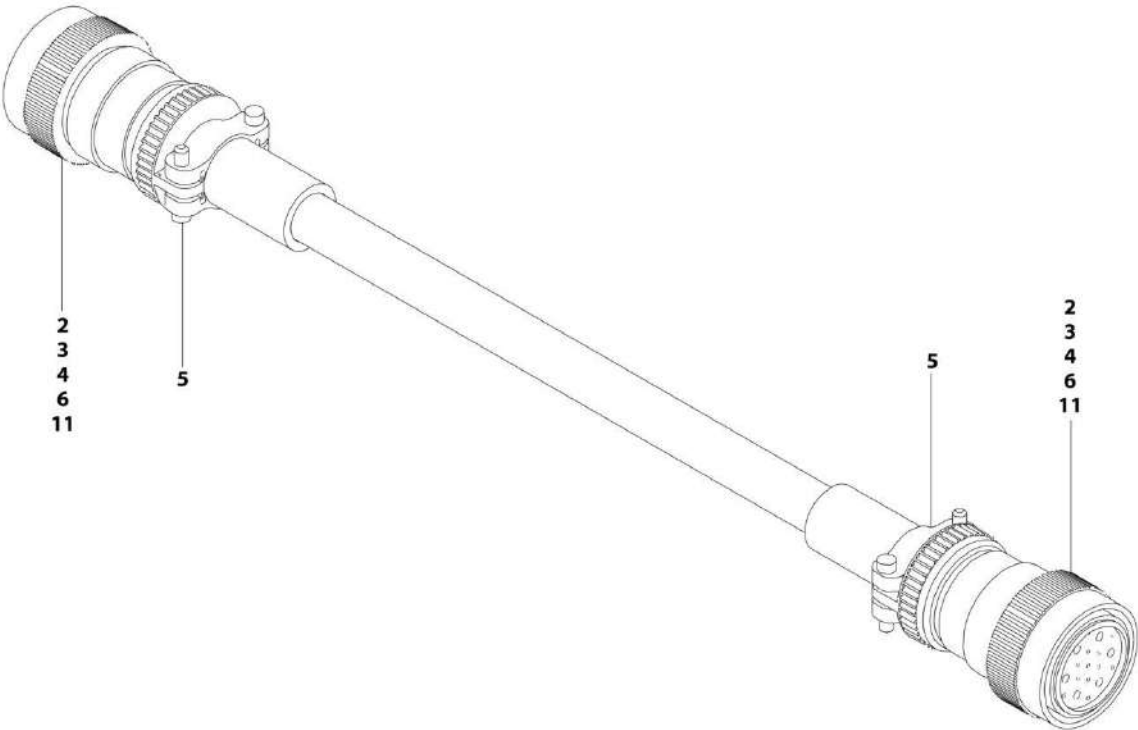
SECTION 8 - ELECTRICAL

FIGURE 8-31. BOOM CABLES INSTALLATION (AUSTRALIAN & CE SPECS WITH 7500W GENERATOR)

ITEM	PART NUMBER	QTY	DESCRIPTION	REV
	1001227852	Ref	BOOM CABLES INSTALLATION	D
1	0100011	AR	Compound, Locking	
2	0641612	4	Bolt 3/8 x 1-1/2	
3	1320256	1	Clamp, Block	
4	4711600	4	Washer 3/8	
5	4922578	2	Cable, Main Boom Elevation Limit Switch	
6	4922579	1	Boom Length Harness (Tower Boom)	
6	4460891	1	Plug, Male - 2 Position	
6	4460465	2	Socket, Female	
7	4922580	1	Boom Length Harness (Main Boom)	
7	4460897	1	Receptacle, Female	
7	4460464	2	Pin, Male	
8	1001125125	1	AC Cable 8/5 (Tower Boom)	
9	1001125126	1	AC Cable 8/5 (Tower Boom)	
10	1001222055	1	Boom Cable - Tower Boom (See Separate Breakdown in this Section)	
11	1001227356	1	Boom Cable - Main Boom (See Separate Breakdown in this Section)	
12	1001227359	1	Tilt Sensor Harness	
12	1001097051	1	Connector - 4 Position	
12	1001097082	3	Terminal	
15	4240099	AR	Tie-Strap (Not Shown)	

SECTION 8 - ELECTRICAL

FIGURE 8-32. BOOM CABLE - MAIN BOOM



ART_1001222055

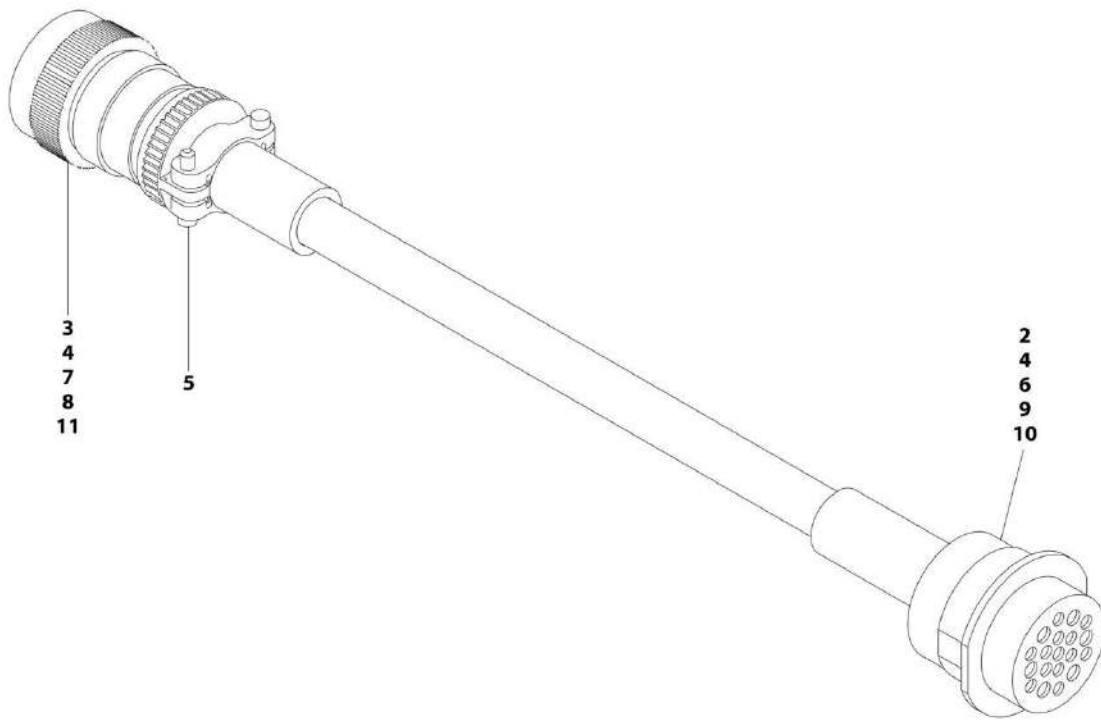
SECTION 8 - ELECTRICAL

FIGURE 8-32. BOOM CABLE - MAIN BOOM

ITEM	PART NUMBER	QTY	DESCRIPTION	REV
	1001222055	Ref	BOOM CABLE - MAIN BOOM	C
2	4460465	10	Socket, Female	
3	4460865	2	Connector - 19 Position	
4	4460509	8	Socket, Female	
5	4460473	2	Clamp	
6	4460466	10	Plug, Terminal	
11	4460944	10	Socket, Female	

SECTION 8 - ELECTRICAL

FIGURE 8-33. BOOM CABLE - TOWER BOOM



AI

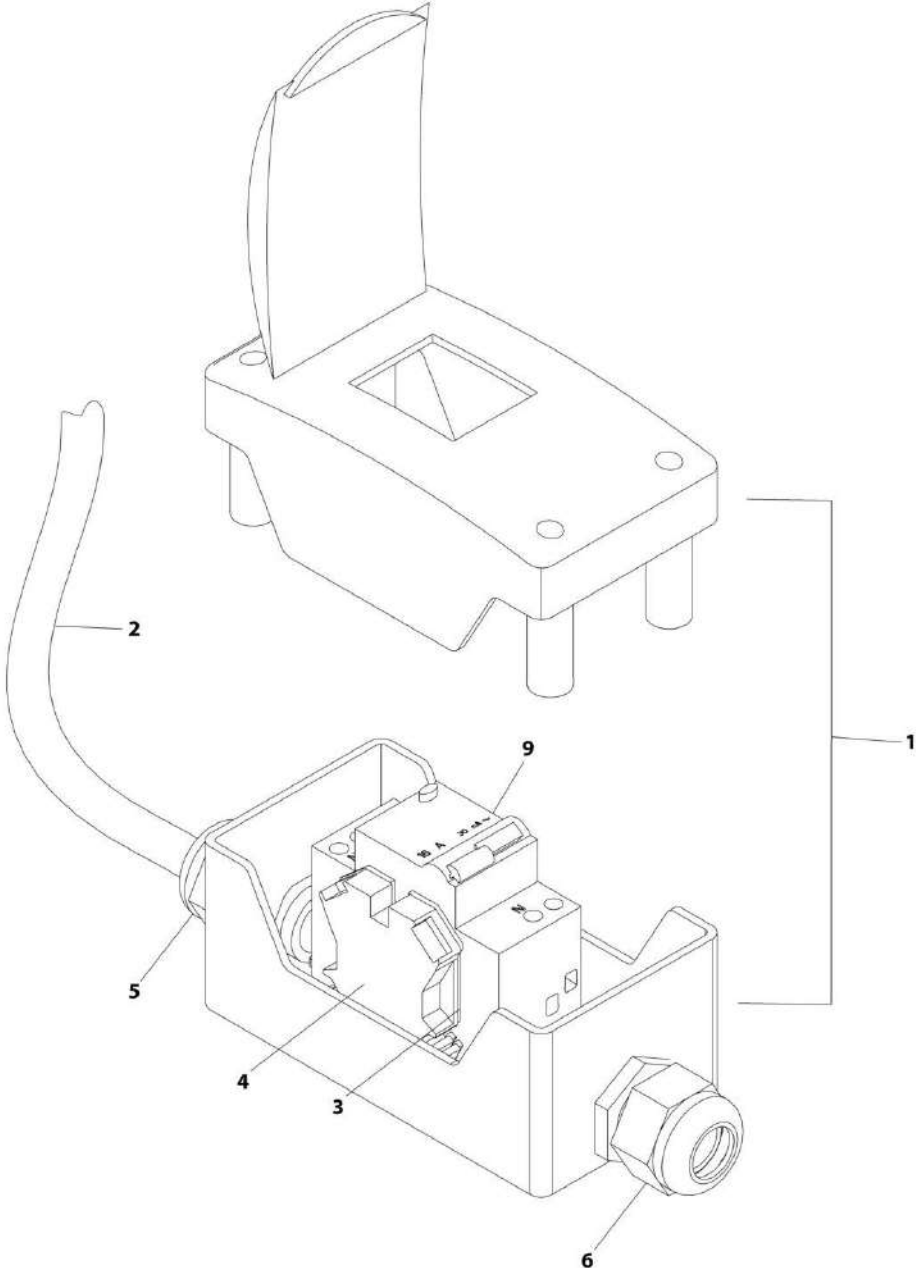
SECTION 8 - ELECTRICAL

FIGURE 8-33. BOOM CABLE - TOWER BOOM

ITEM	PART NUMBER	QTY	DESCRIPTION	REV
	1001227356	Ref	BOOM CABLE - TOWER BOOM	A
2	4460464	8	Pin, Male	
3	4460465	8	Socket, Female	
4	4460466	10	Plug, Terminal	
5	4460473	1	Clamp	
6	4460508	4	Pin, Male	
7	4460509	4	Socket, Female	
8	4460865	1	Connector - 19 Position	
9	4460866	1	Connector - 19 Position	
10	4460943	2	Pin, Male	
11	4460944	2	Socket, Female	

SECTION 8 - ELECTRICAL

FIGURE 8-34. BREAKER BOX KIT - WITH 2 BREAKERS (CE SPECS WITHOUT 4000W GENERATOR & BRAZIL SPECS)



ART_1001109654

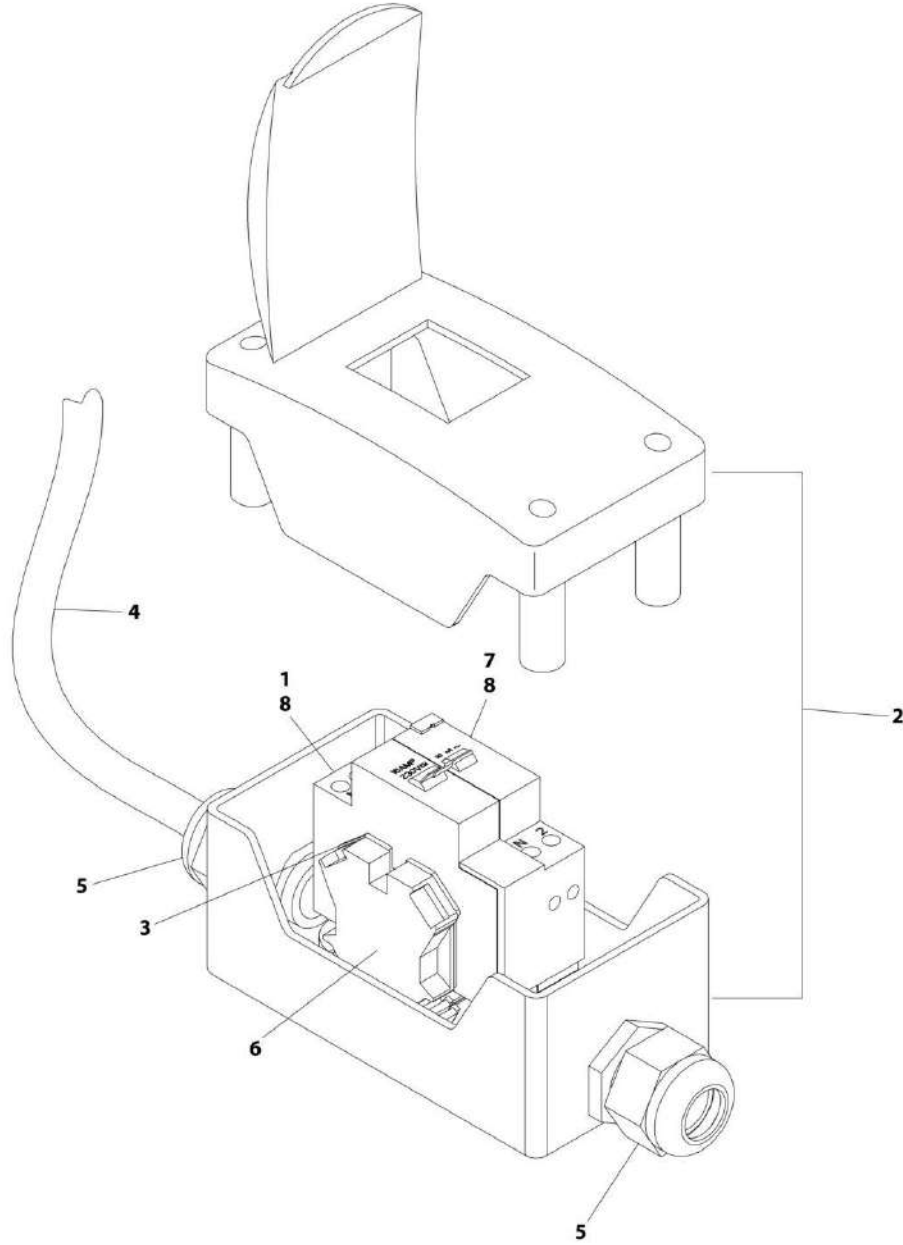
SECTION 8 - ELECTRICAL

FIGURE 8-34. BREAKER BOX KIT - WITH 2 BREAKERS (CE SPECS WITHOUT 4000W GENERATOR & BRAZIL SPECS)

ITEM	PART NUMBER	QTY	DESCRIPTION	REV
	1001109654	Ref	BREAKER BOX KIT	B
1	0861880	1	Box, Breaker	
2	1060908	12 ft/ 3.6m	Cable 12/3	
3	4460956	1	Barrier, Terminal Block End	
4	4460957	1	Block, Terminal	
5	1001097150	1	Connector, Strain Relief	
6	1001101191	1	Connector, Strain Relief	
9	1001181045	1	Breaker - 30mA/16Amp	

SECTION 8 - ELECTRICAL

FIGURE 8-35. BREAKER BOX KIT - WITH 2 BREAKERS (CE SPECS WITH 4000W GENERATOR)



ART_1001165368

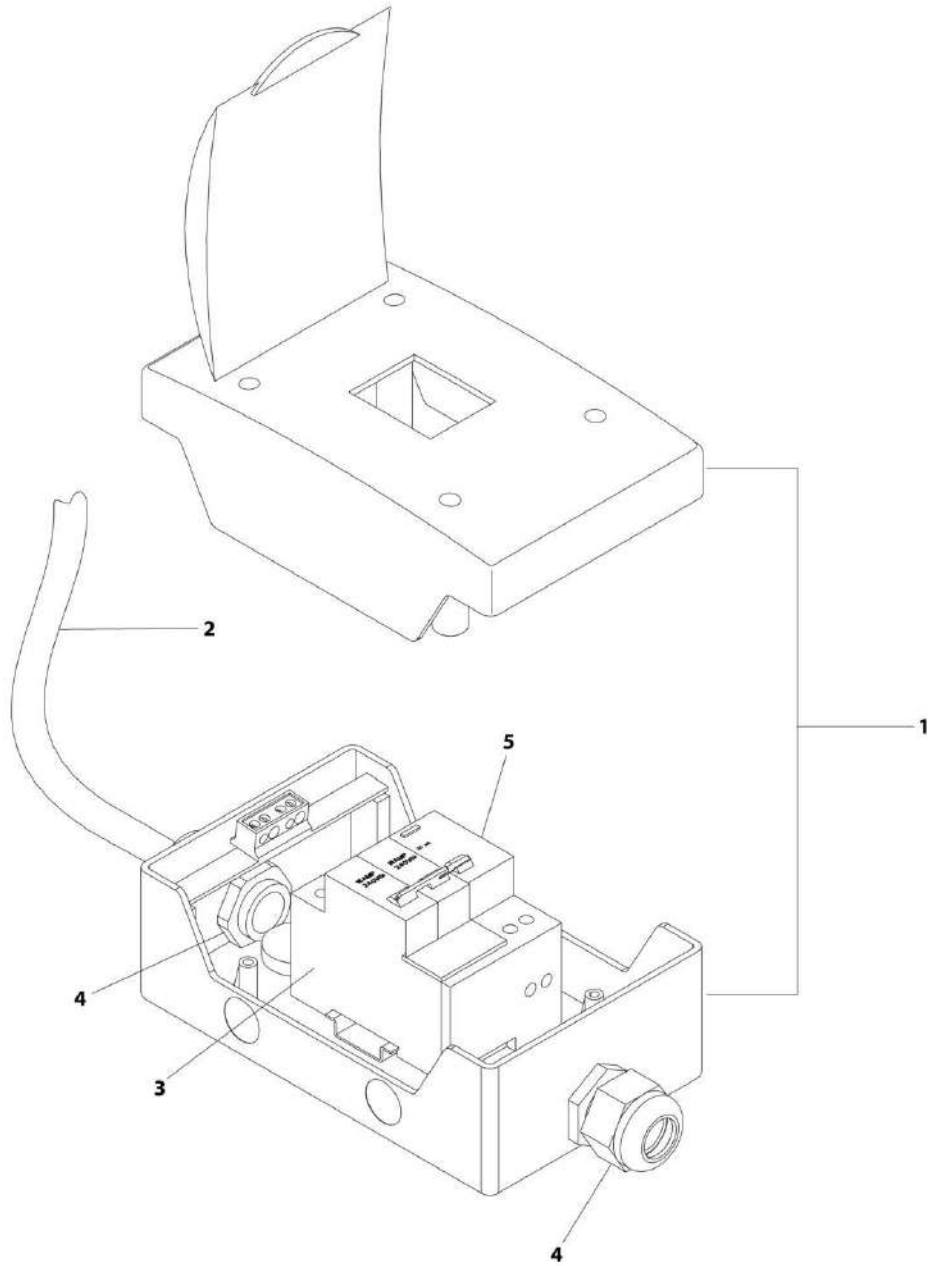
SECTION 8 - ELECTRICAL

FIGURE 8-35. BREAKER BOX KIT - WITH 2 BREAKERS (CE SPECS WITH 4000W GENERATOR)

ITEM	PART NUMBER	QTY	DESCRIPTION	REV
	1001165368	Ref	BREAKER BOX KIT	B
1	See Note	NR	Breaker (Note: Not Required for this Model)	
2	0861880	1	Box, Circuit Breaker	
3	4460956	1	Barrier, Terminal Block End	
4	1060545	12 ft/ 3.6m	Cable, Electrical 10/3	
5	1001101191	2	Connector, Strain Relief	
6	4460957	1	Block, Terminal	
7	See Note	NR	Breaker (Note: Not Required for this Model)	
8	1001181045	1	Breaker 30mA/16Amp	

SECTION 8 - ELECTRICAL

FIGURE 8-36. BREAKER BOX KIT - WITH 3 BREAKERS (CE SPECS WITH 4000W GENERATOR)



ART_1001205690

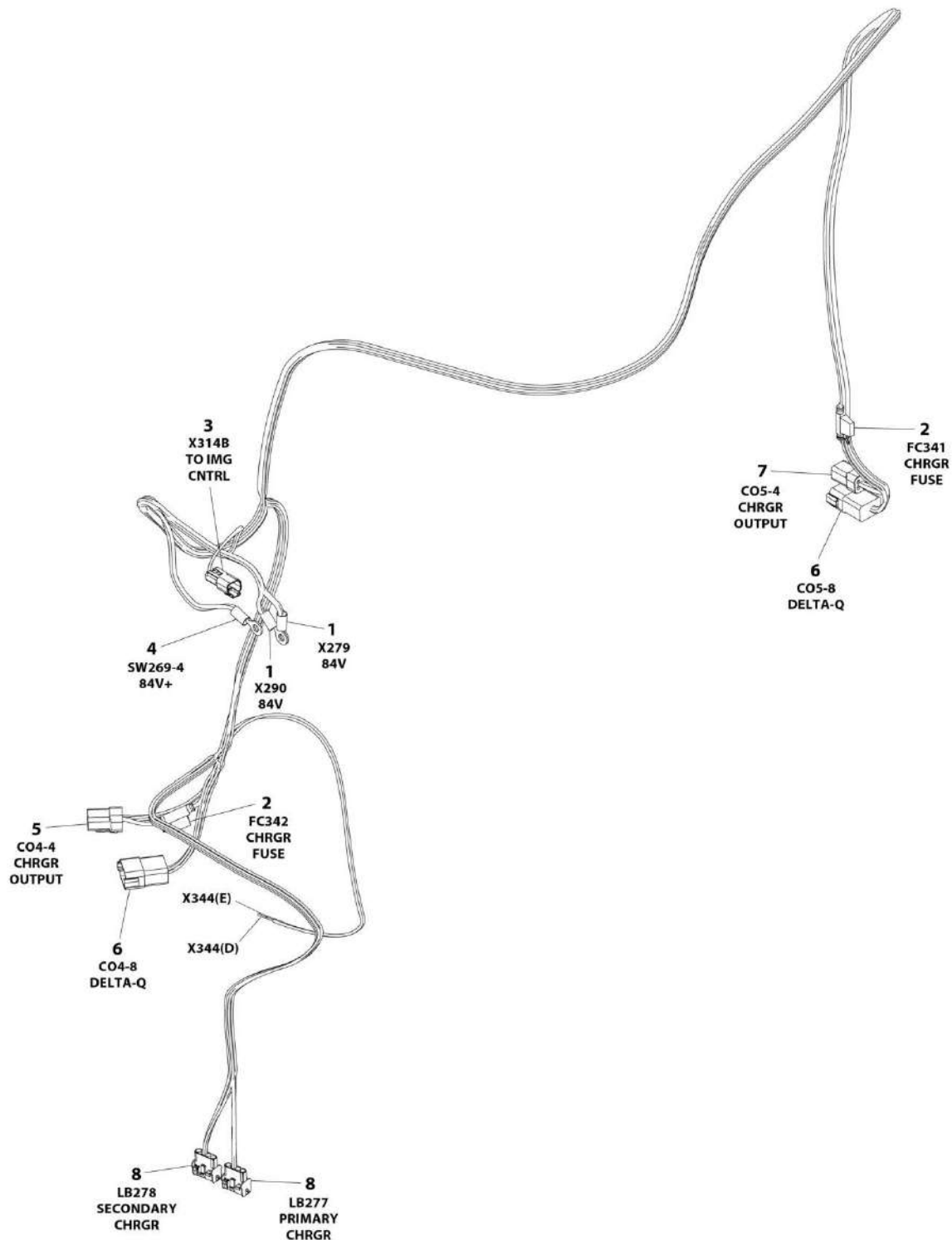
SECTION 8 - ELECTRICAL

FIGURE 8-36. BREAKER BOX KIT - WITH 3 BREAKERS (CE SPECS WITH 4000W GENERATOR)

ITEM	PART NUMBER	QTY	DESCRIPTION	REV
	1001205690	Ref	BREAKER BOX KIT	A
1	1001152483	1	Box, Breaker	
2	1060545	12 ft / 3.6m	Cable, Electrical 10/3	
3	1001189172	1	Breaker 16Amp Double	
4	1001101191	2	Connector, Strain Relief	
5	1001189171	1	Breaker 30mA	

SECTION 8 - ELECTRICAL

FIGURE 8-37. CHARGER HARNESS



ART_1001222052

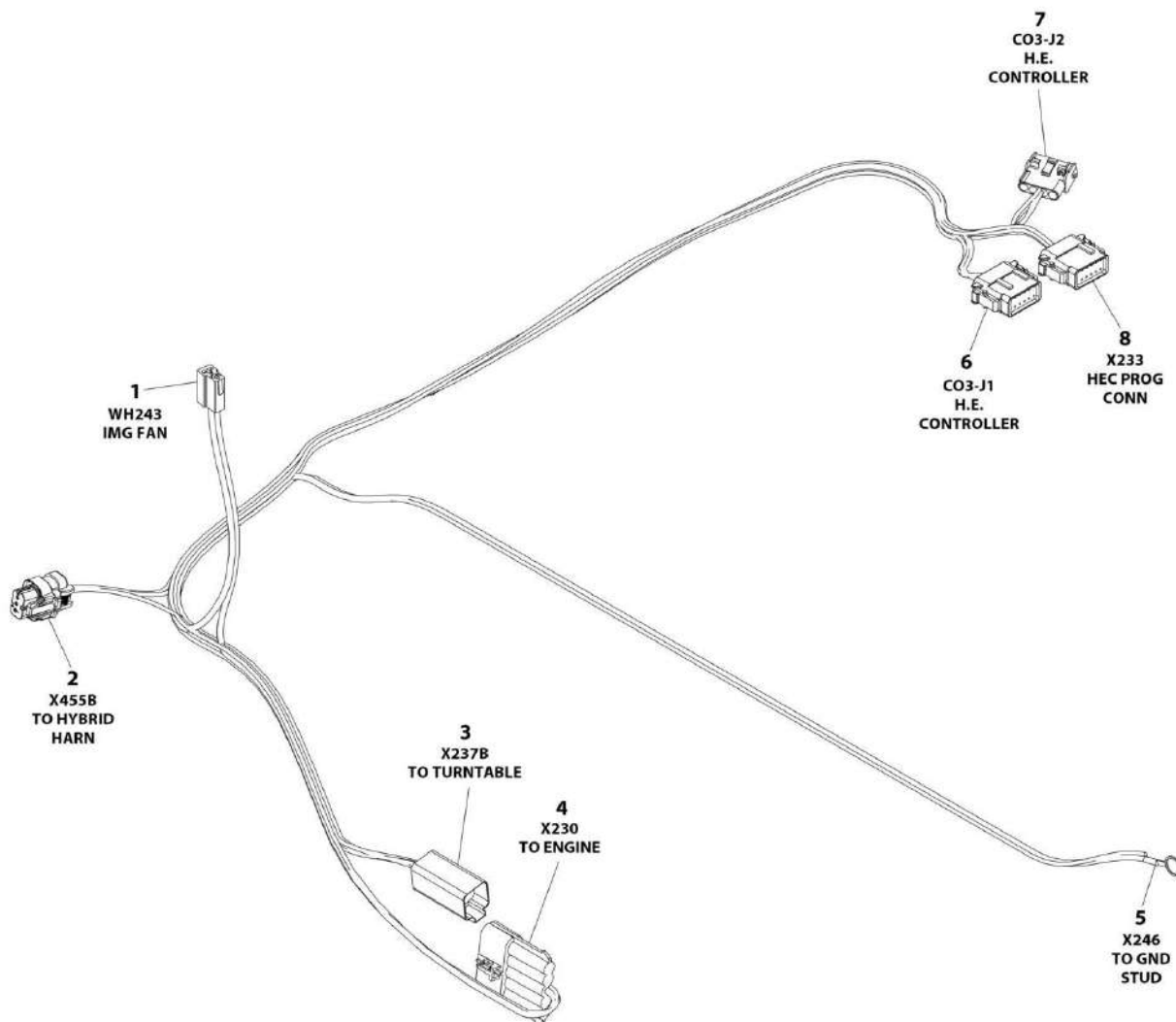
SECTION 8 - ELECTRICAL

FIGURE 8-37. CHARGER HARNESS

ITEM	PART NUMBER	QTY	DESCRIPTION	REV
	1001222052	Ref	CHARGER HARNESS	D
1	8220045	2	Terminal, Ring	
2	2400081	2	Fuseholder with Cover	
2	See Note	2	Fuse - 15 Amp (Note: Purchase Locally)	
3	4460897	1	Receptacle, Female - 2 Position	
3	4460464	2	Pin, Male	
4	1001117107	1	Terminal, Ring (Prior to SN 0300247156)	
4	1001130900	1	Terminal, Ring (SN 0300247156 to Present)	
5	1001225476	1	Connector - 4 Position	
5	1001225591	4	Terminal	
6	4460931	2	Receptacle, Female - 8 Position	
6	4460464	17	Pin, Male	
6	4460466	2	Plug, Terminal	
7	1001225477	1	Connector - 4 Position	
7	1001225591	2	Terminal	
8	4460761	2	Receptacle, Female - 4 Position	
8	4460226	8	Socket, Female	

SECTION 8 - ELECTRICAL

FIGURE 8-38. CONTROL HARNESS



ART_1001228985

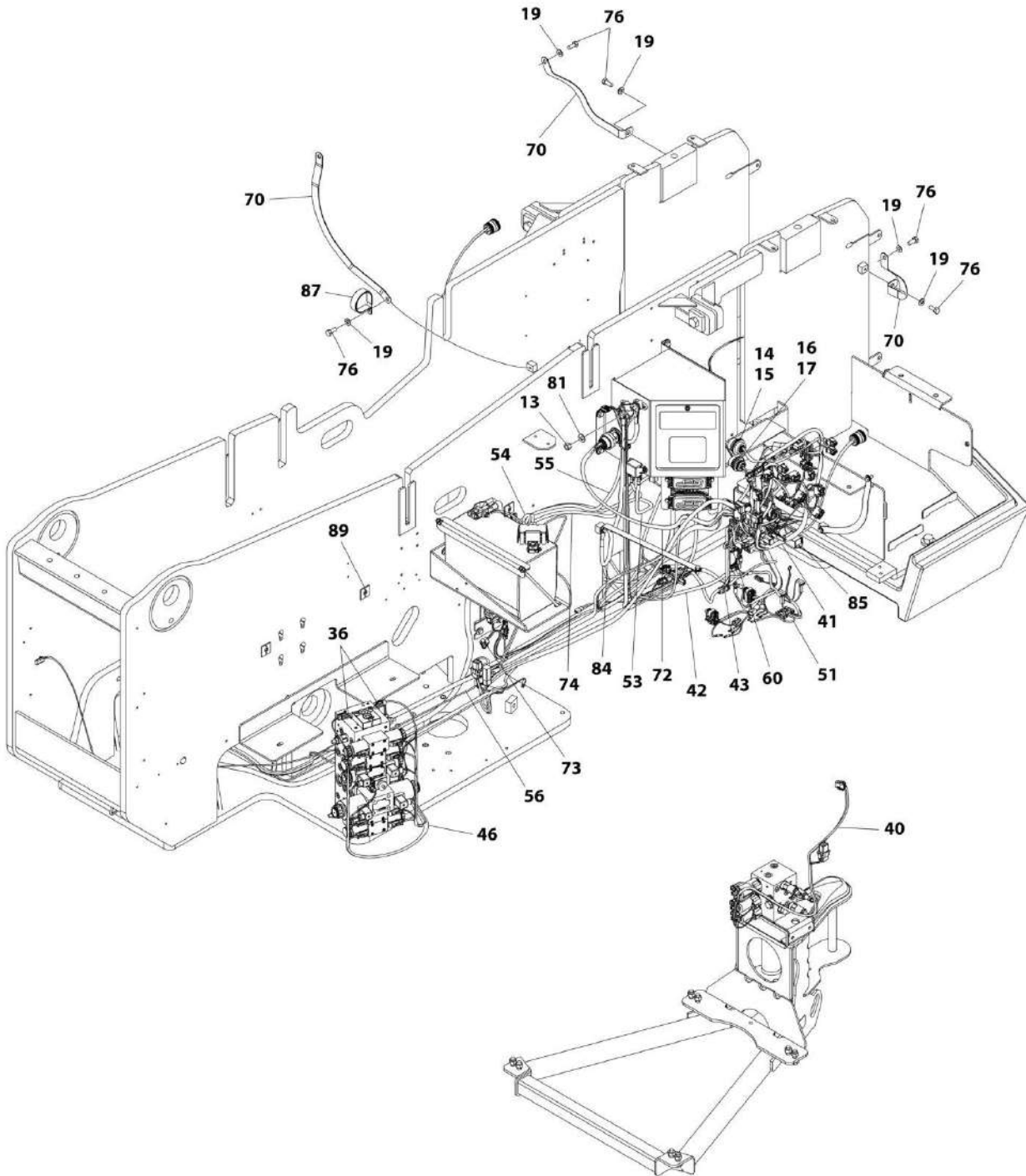
SECTION 8 - ELECTRICAL

FIGURE 8-38. CONTROL HARNESS

ITEM	PART NUMBER	QTY	DESCRIPTION	REV
	1001228985	Ref	CONTROL HARNESS	D
1	4460994	1	Housing, Terminal	
1	1001116723	2	Terminal	
2	1001200497	1	Plug, Male - 3 Position	
2	4460465	3	Socket, Female	
3	4460899	1	Receptacle, Female - 6 Position	
3	4460943	2	Pin, Male	
3	4460464	3	Pin, Male	
3	4460466	1	Plug, Terminal	
4	1001121727	1	Plug, Male - 5 Position	
4	1001116745	2	Socket, Female	
4	8220162	1	Socket, Female	
4	4460508	2	Seal	
4	80963067	1	Seal	
4	1001116727	2	Plug, Terminal	
5	8220019	1	Terminal, Ring	
6	1001116808	1	Plug, Male - 12 Position	
6	1001116694	5	Socket, Female	
6	4460518	7	Plug, Terminal	
7	1001116774	1	Plug, Male - 12 Position	
7	1001119619	2	Socket, Female	
7	1001116694	2	Socket, Female	
7	4460518	8	Plug, Terminal	
8	4460761	1	Receptacle, Female - 4 Position	
8	4460226	4	Socket, Female	

SECTION 8 - ELECTRICAL

FIGURE 8-39. ELECTRICAL SYSTEM INSTALLATION



ART_1001223978_2OF2

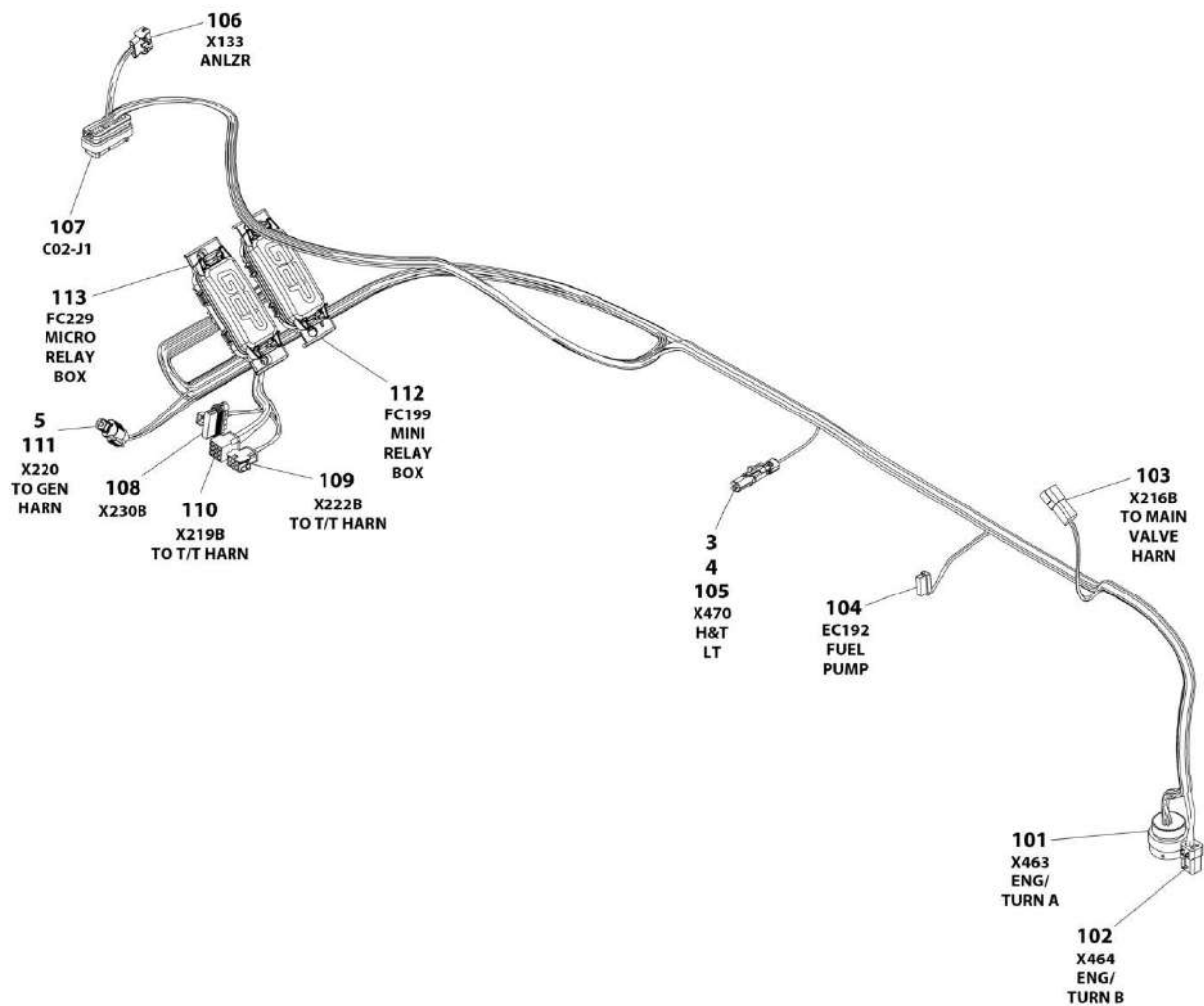
SECTION 8 - ELECTRICAL

FIGURE 8-39. ELECTRICAL SYSTEM INSTALLATION

ITEM	PART NUMBER	QTY	DESCRIPTION	REV
	1001223978	Ref	ELECTRICAL SYSTEM INSTALLATION - ELECTRICAL SECTION	H
2	0100048	AR	Grease, Dielectric (Not Shown)	
13	3311605	1	Nut 3/8	
13	3311601	1	Nut 3/8	
14	4460470	1	Nut	
15	4460471	1	Washer	
16	4460496	1	Washer	
17	4460497	1	Nut	
19	4711500	10	Washer 5/16	
36	1001144295	2	Cap	
37	1001146588	2	Tie-Strap (Not Shown)	
40	1001222047	1	Boom Valve Harness (See Separate Breakdown in this Section)	
41	1001222048	1	Ground Control Harness (See Separate Breakdown in this Section)	
42	1001222052	1	Charger Harness (See Separate Breakdown in this Section)	
43	1001222369	1	Resolver/Converter/Inverter Harness (See Separate Breakdown in this Section)	
46	1001223260	1	Main Valve Harness (See Separate Breakdown in this Section)	
51	1001225994	1	Hybrid 84V Harness (See Separate Breakdown in this Section)	
53	1001226267	1	Cable, Ignition Relay to Fusebox	
54	1001226268	1	Cable, Battery to Ignition Relay	
55	1001226270	1	Cable, Negative to Stud	
56	1001226404	1	H-Bridge/Clutch Harness (See Separate Breakdown in this Section)	
60	1001226522	1	Cable, Resolver/Converter to Ignition Control	
70	1001227925	5	Cable, Ground Strap	
72	1001228984	1	Turntable Harness (See Separate Breakdown in this Section)	
73	1001228985	1	Controller Harness (See Separate Breakdown in this Section)	
74	1001226269	1	Cable, B+ to Fuse	
76	0641506	10	Bolt 5/16 x 3/4	
81	4711600	1	Washer	
83	1001181923	1	Panel, Hose Shield (Not Shown)	
84	1001233420	1	Cable, Chassis Ground	
85	1001227080	1	Electrical Assembly, Terminator (Connect to Item 72)	
86	4240099	4	Tie-Strap (Not Shown)	
87	8410001	1	Clamp	
89	4460488	3	Terminal, Mount	
100	1001233441	1	Cable, Battery to Ignition Kit (Not Shown)	
101	1001222370	1	Cable, System B+	
102	1001222371	1	Cable, System B- Ignition	
103	1001222372	1	Cable, 3 Phase Motor (U)	
104	1001223949	1	Cable, 3 Phase Motor (V)	
105	1001223950	1	Cable, 3 Phase Motor (W)	

SECTION 8 - ELECTRICAL

FIGURE 8-40. ENGINE HARNESS - KUBOTA



ART_1001222050

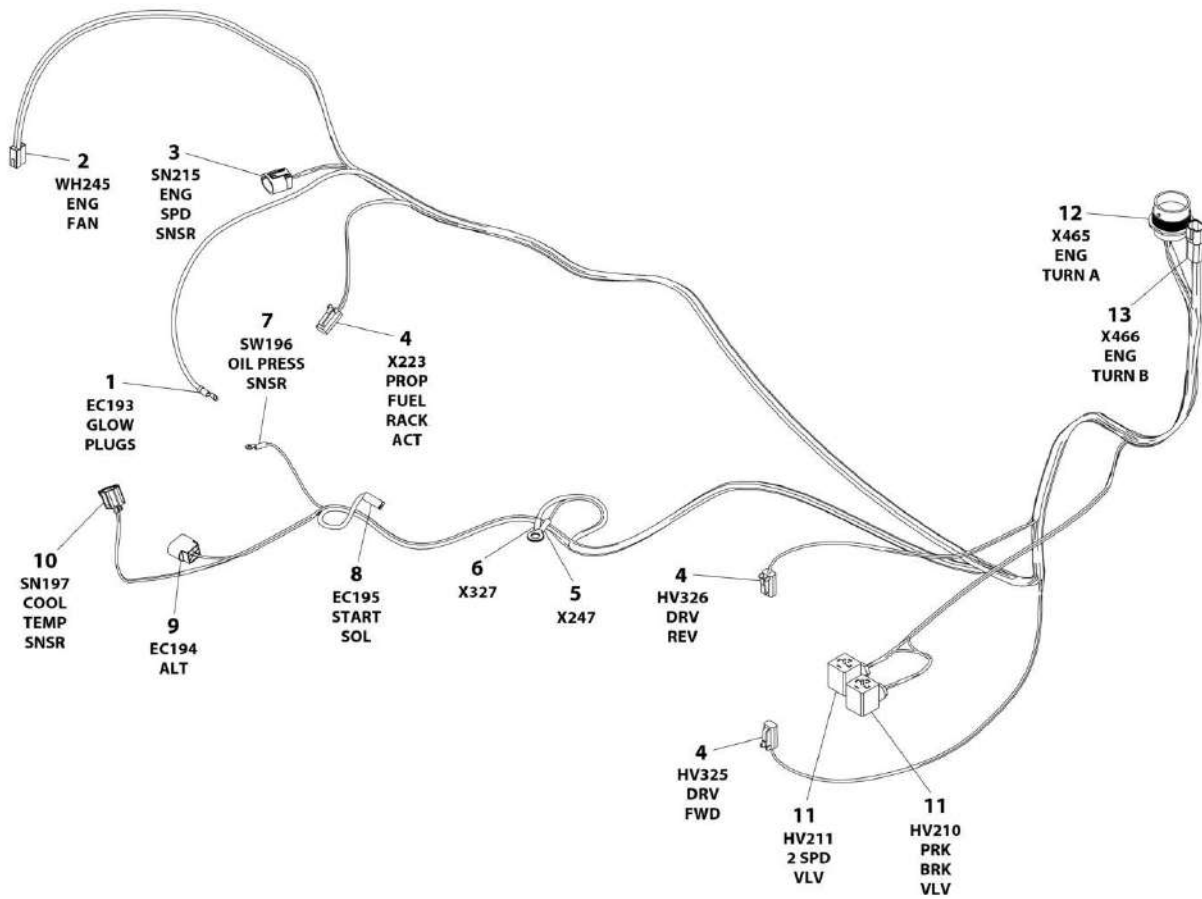
SECTION 8 - ELECTRICAL

FIGURE 8-40. ENGINE HARNESS - KUBOTA

ITEM	PART NUMBER	QTY	DESCRIPTION	REV
	1001222050	Ref	ENGINE HARNESS - KUBOTA	F
3	80963056	1	Connector - 1 Position	
4	1001116727	1	Plug	
5	1001144296	1	Cap	
101	1001147923	1	Connector - 24 Position	
101	4460465	17	Socket - Female	
101	4460466	7	Plug, Terminal	
102	1001200497	1	Plug, Male - 4 Position	
102	1001150611	3	Socket, Female	
102	4460466	1	Plug, Terminal	
103	4460932	1	Receptacle, Female - 4 Position	
103	4460464	4	Pin, Male	
104	1001118744	1	Housing, Terminal	
104	1001118745	2	Terminal	
105	80963055	1	Plug, Male - 1 Position	
105	4460457	1	Terminal	
105	4460458	1	Seal	
106	4460761	1	Receptacle, Female - 4 Position	
106	4460226	4	Socket - Female	
107	4460874	1	Connector - 35 Position	
107	4460871	25	Socket, Female	
107	4460905	10	Plug, Terminal	
108	1001121726	1	Receptacle, Female - 5 Position	
108	4460746	2	Terminal	
108	8220125	2	Terminal	
108	4460458	2	Seal	
108	80963067	2	Seal	
108	4460748	2	Plug, Terminal	
109	4460224	1	Receptacle, Female - 6 Position	
109	4460267	4	Pin, Male	
110	4460266	1	Receptacle, Female - 9 Position	
110	4460705	7	Pin, Male	
111	4460539	1	Plug, Male - 3 Position	
111	4460465	3	Socket, Female	
112	1001223460	1	Holder, Relay	
112	1001233761	5	Terminal	
112	8220099	3	Terminal	
112	1001234288	5	Seal	
112	1001234289	3	Seal	
112	1001234287	6	Plug, Terminal	
113	1001185964	1	Holder, Relay	
113	4460746	13	Terminal	
113	8220125	5	Terminal	
113	1001116747	1	Terminal	
113	4460458	13	Seal	
113	80963067	6	Seal	
113	4460789	1	Seal	

SECTION 8 - ELECTRICAL

FIGURE 8-41. ENGINE TRAY HARNESS



ART_1001230605

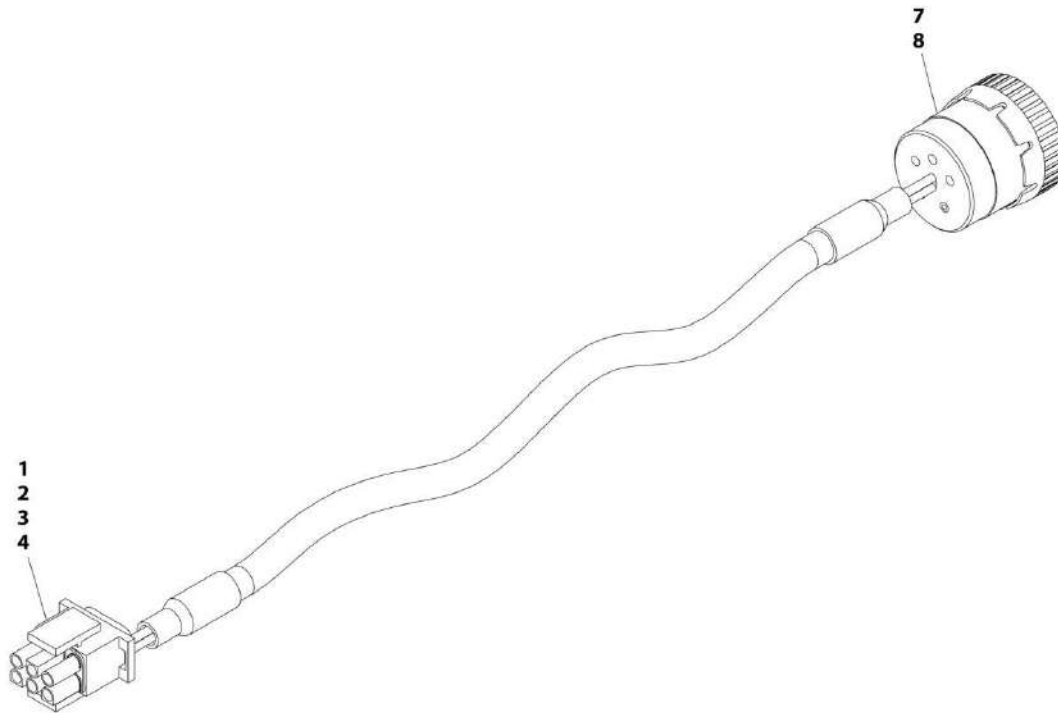
SECTION 8 - ELECTRICAL

FIGURE 8-41. ENGINE TRAY HARNESS

ITEM	PART NUMBER	QTY	DESCRIPTION	REV
	1001230605	Ref	ENGINE TRAY HARNESS	D
1	4460142	1	Terminal, Ring	
2	4460994	1	Housing, Terminal	
2	1001236489	2	Terminal	
3	1001223431	1	Connector - 3 Position	
3	1001223794	3	Socket, Female	
3	1001223797	3	Seal	
4	4460891	3	Plug, Male - 2 Position	
4	4460465	6	Socket, Female	
5	4460019	1	Terminal, Ring	
6	4460256	1	Terminal, Ring	
7	8220007	1	Terminal, Ring	
8	1001116995	1	Housing, Terminal	
8	1001236490	1	Terminal	
9	1001125748	1	Receptacle, Female - 3 Position	
9	1001129773	2	Pin, Male	
9	1001125773	1	Pin, Male	
9	1001129772	1	Seal	
10	1001118657	1	Plug, Male - 2 Position	
10	1001188387	2	Terminal	
10	1001118659	2	Seal	
11	4460880	2	Connector, DIN	
12	1001148106	1	Connector - 23 Position	
12	4460464	16	Pin, Male	
12	4460466	7	Plug, Terminal	
13	1001116811	1	Receptacle, Female - 4 Position	
13	1001150610	3	Pin, Male	
13	4460508	1	Pin, Male	

SECTION 8 - ELECTRICAL

FIGURE 8-42. GENERATOR HARNESS - 4000W



ART_1001152532

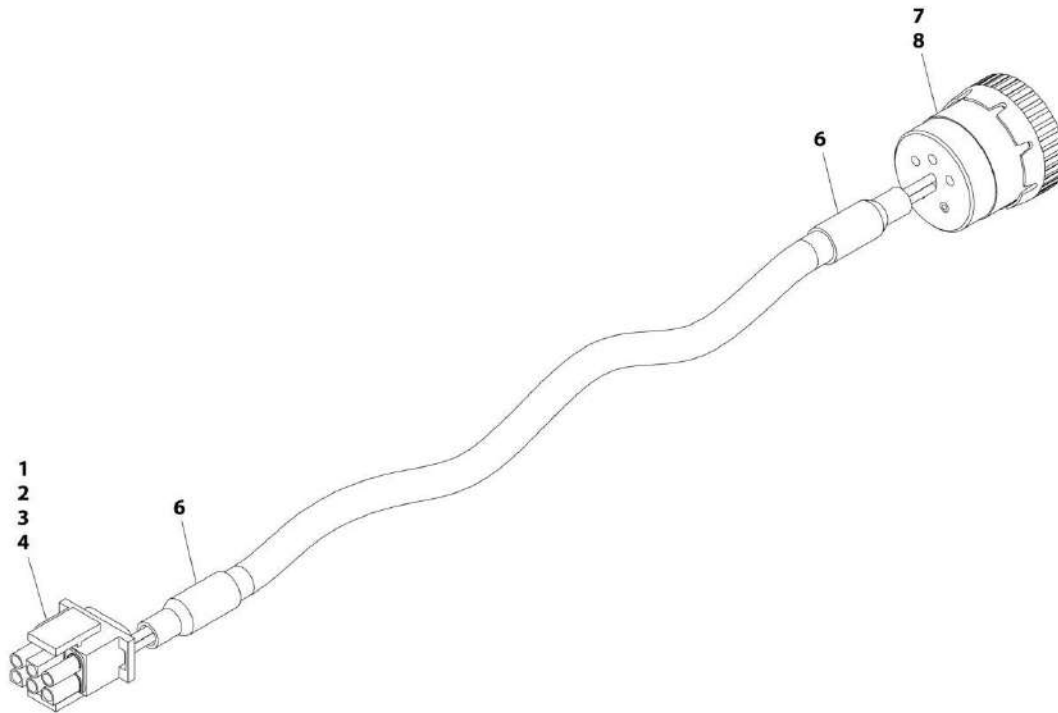
SECTION 8 - ELECTRICAL

FIGURE 8-42. GENERATOR HARNESS - 4000W

ITEM	PART NUMBER	QTY	DESCRIPTION	REV
	1001152532	Ref	GENERATOR HARNESS	A
1	4460225	1	Plug, Male - 2 Position	
2	4460268	2	Socket, Female	
3	4460807	1	Seal	
4	4460808	1	Seal	
7	4460465	2	Socket, Female	
8	77363233	1	Connector - 6 Position	

SECTION 8 - ELECTRICAL

FIGURE 8-43. GENERATOR HARNESS - 7500W SKYPOWER



ART_4922925

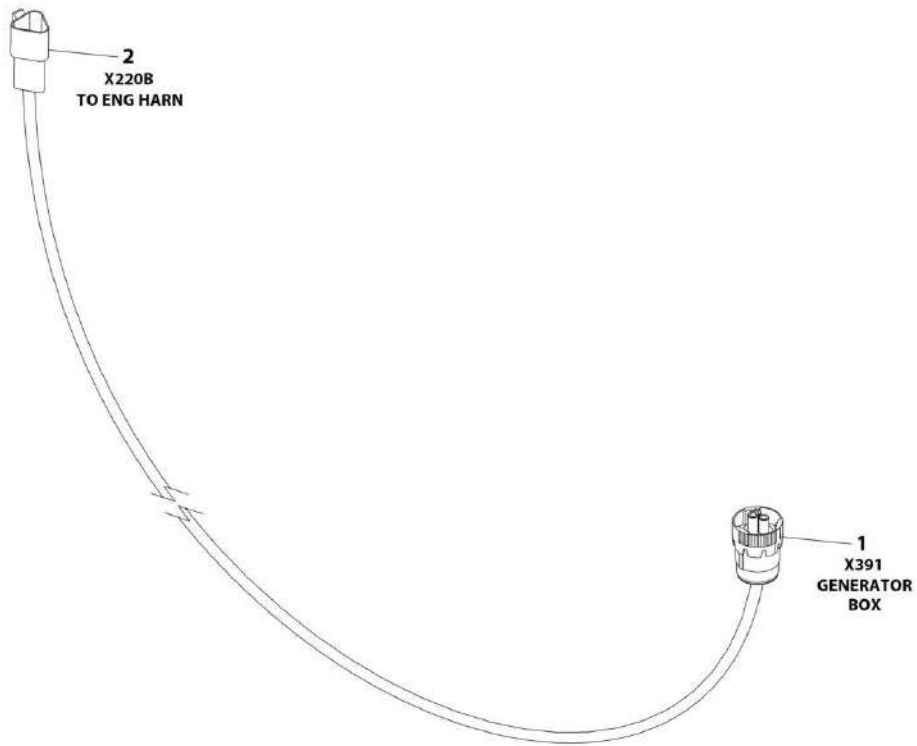
SECTION 8 - ELECTRICAL

FIGURE 8-43. GENERATOR HARNESS - 7500W SKYPOWER

ITEM	PART NUMBER	QTY	DESCRIPTION	REV
	4922925	Ref	GENERATOR HARNESS - 7500W SKYPOWER	C
1	4460225	1	Plug, Male - 2 Position	
2	4460268	6	Socket, Female	
3	4460807	1	Seal	
4	4460808	1	Seal	
6	2820019	AR	Heat Shrink	
7	4460465	6	Socket, Female	
8	77363233	1	Connector - 6 Position	

SECTION 8 - ELECTRICAL

FIGURE 8-44. GENERATOR HARNESS - 4000W AND 7500W SKYPOWER



ART_1001231225

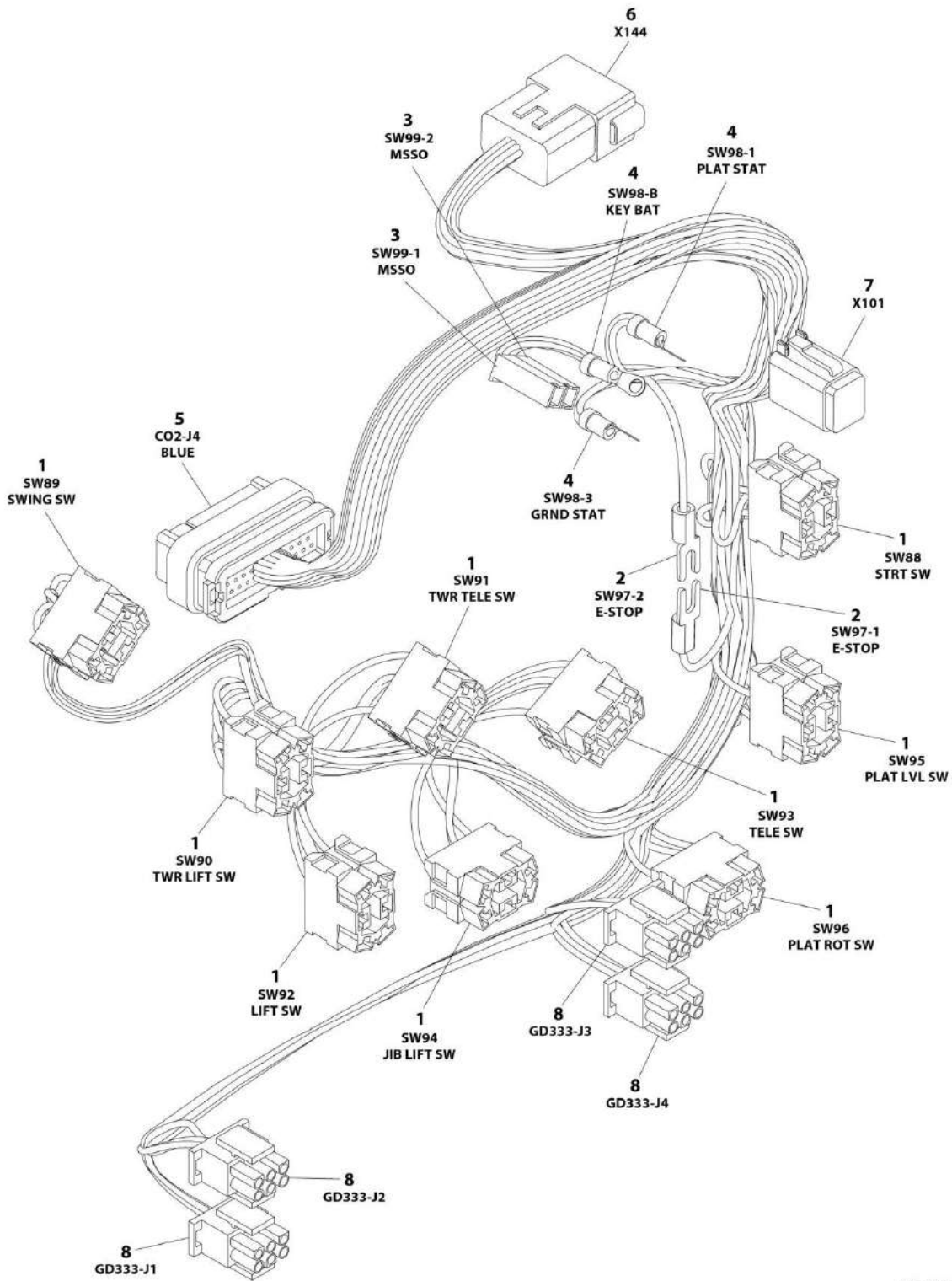
SECTION 8 - ELECTRICAL

FIGURE 8-44. GENERATOR HARNESS - 4000W AND 7500W SKYPOWER

ITEM	PART NUMBER	QTY	DESCRIPTION	REV
	1001231225	Ref	GENERATOR ENABLE HARNESS	A
1	4460967	1	Plug, Male - 3 Position	
1	4460465	3	Socket, Female	
2	4460536	1	Receptacle, Female - 3 Position	
2	4460464	3	Pin, Male	

SECTION 8 - ELECTRICAL

FIGURE 8-45. GROUND CONTROL BOX HARNESS



ART_1001222048

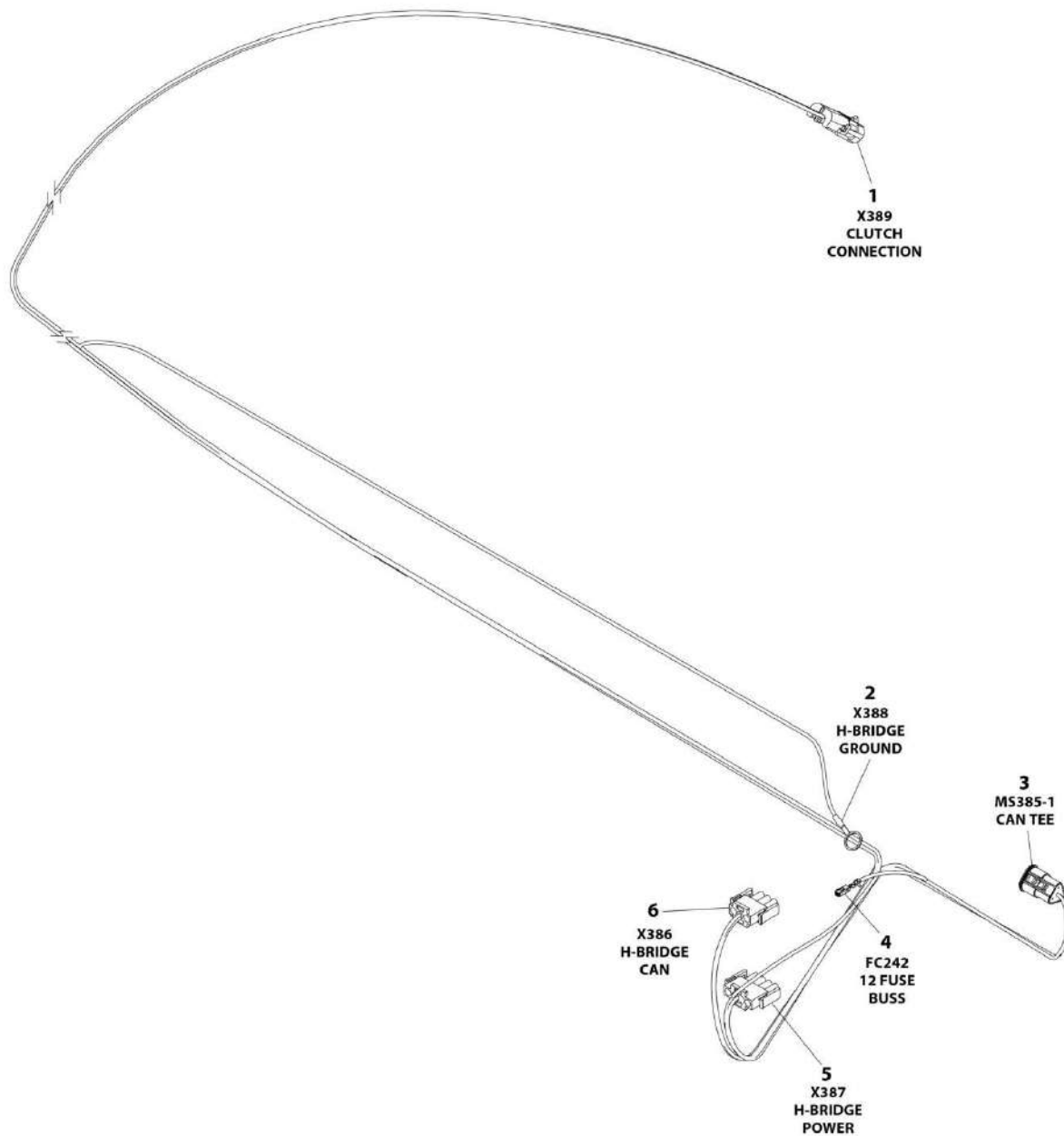
SECTION 8 - ELECTRICAL

FIGURE 8-45. GROUND CONTROL BOX HARNESS

ITEM	PART NUMBER	QTY	DESCRIPTION	REV
	1001222048	Ref	GROUND CONTROL BOX HARNESS	D
1	4460418	9	Connector, Switch	
1	1001159186	19	Terminal	
1	4460419	16	Terminal	
2	4460144	2	Terminal, Ring	
3	4460260	1	Housing, Terminal	
3	4460259	2	Terminal	
4	4460042	3	Terminal, Ring	
5	4460876	1	Connector - 35 Position	
5	4460871	27	Socket, Female	
5	4460905	8	Plug, Terminal	
6	4460970	1	Receptacle, Female - 12 Position	
6	4460464	8	Pin, Male	
6	4460943	2	Pin, Male	
6	4460466	2	Plug, Terminal	
7	4460894	1	Plug, Male - 6 Position	
7	4460465	4	Socket, Female	
7	4460466	2	Plug, Terminal	
8	4460225	4	Plug, Male - 2 Position	
8	4460226	10	Socket, Female	
8	4460268	4	Socket, Female	

SECTION 8 - ELECTRICAL

FIGURE 8-46. H-BRIDGE/CLUTCH HARNESS



ART_1001226404

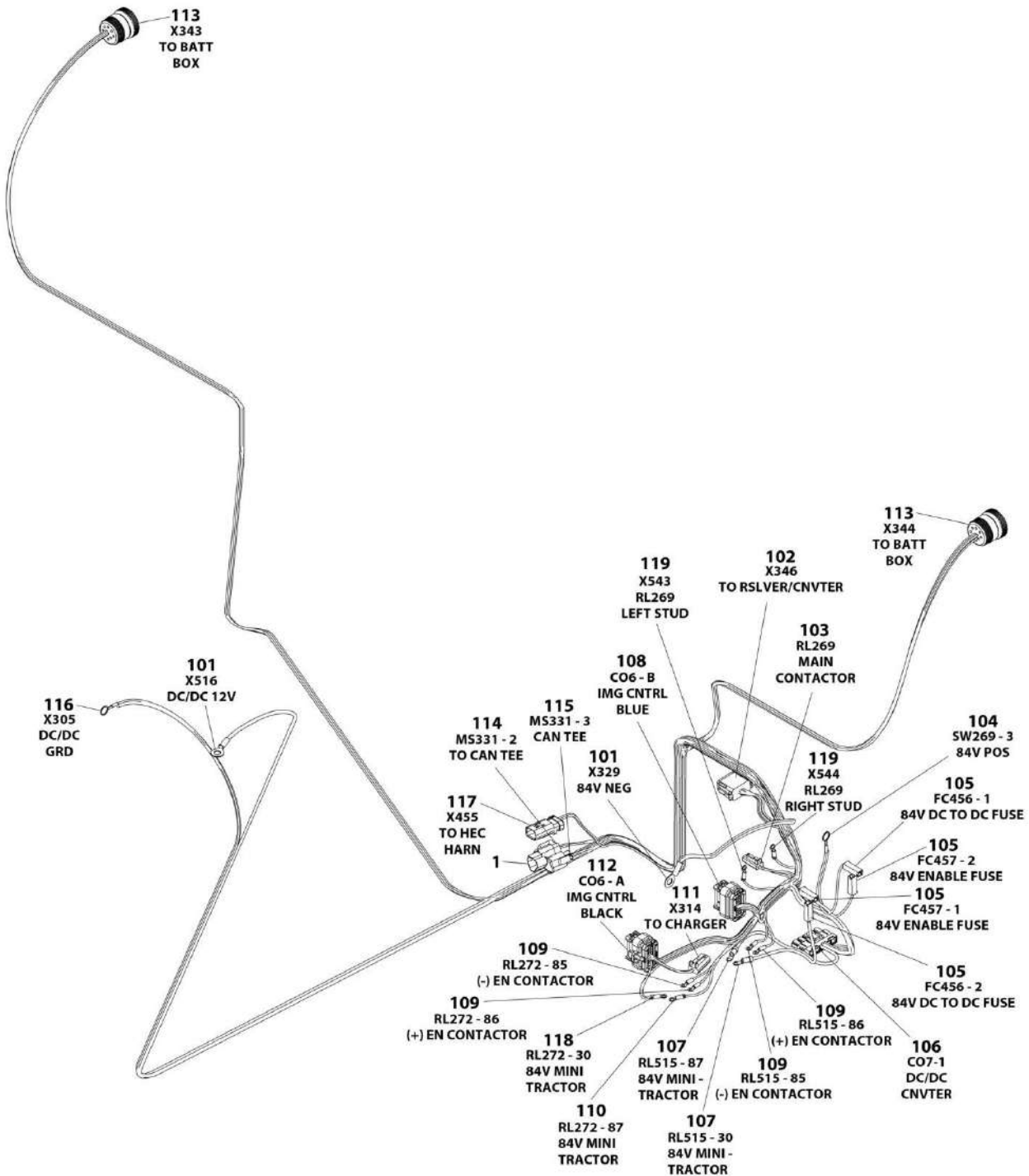
SECTION 8 - ELECTRICAL

FIGURE 8-46. H-BRIDGE/CLUTCH HARNESS

ITEM	PART NUMBER	QTY	DESCRIPTION	REV
	1001226404	Ref	H-BRIDGE/CLUTCH HARNESS	C
1	4461157	1	Receptacle, Female - 2 Position	
1	4460979	2	Socket, Female	
2	4460722	1	Terminal, Ring	
3	1001116812	1	Plug, Male - 3 Position	
3	4460944	2	Socket, Female	
3	4460466	1	Plug, Terminal	
4	1001189750	1	Terminal	
5	1001119031	1	Plug, Male - 4 Position	
5	4460268	4	Socket, Female	
6	4460326	1	Plug, Male - 3 Position	
6	4460268	3	Socket, Female	

SECTION 8 - ELECTRICAL

FIGURE 8-47. HYBRID 84V HARNESS



ART_1001225994

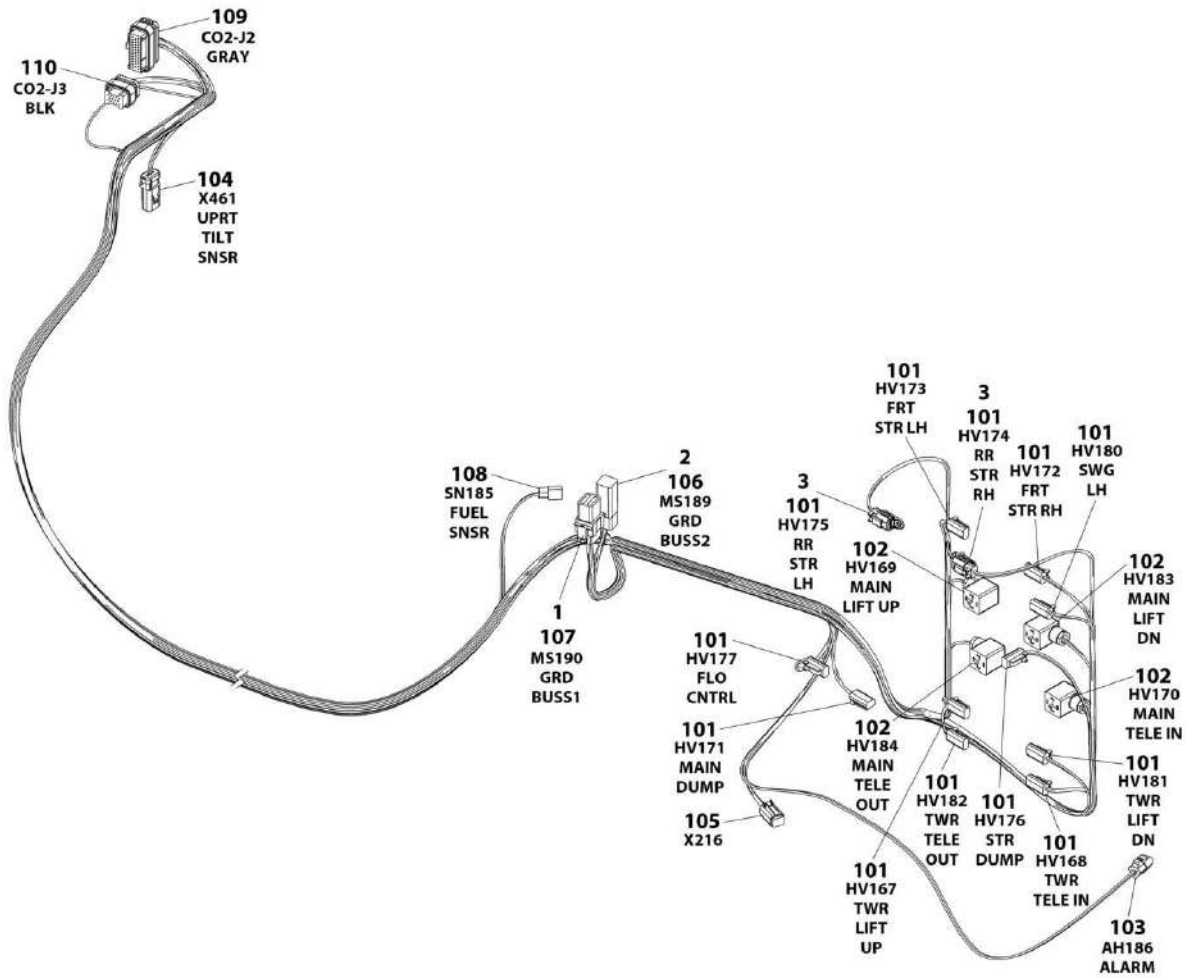
SECTION 8 - ELECTRICAL

FIGURE 8-47. HYBRID 84V HARNESS

ITEM	PART NUMBER	QTY	DESCRIPTION	REV
	1001225994	Ref	HYBRID 84V HARNESS	F
1	4460945	1	Receptacle, 3 Way	
101	8220045	2	Terminal, Ring	
102	4460836	1	Plug, Male - 12 Position	
102	4460465	9	Socket, Female	
102	4460466	3	Plug, Terminal	
103	4461290	1	Plug, Male - 2 Position (Prior to SN 0300247156)	
103	4460918	2	Terminal (Prior to SN 0300247156)	
104	8220029	1	Terminal, Ring	
105	4460260	4	Housing, Terminal	
105	4460259	4	Terminal	
106	1001117012	1	Receptacle, Female - 5 Position	
106	4460887	4	Terminal	
106	4461271	1	Plug, Terminal	
107	4460142	2	Terminal, Ring	
108	1001096138	1	Connector - 23 Position	
108	4460871	10	Socket, Female	
108	4460905	13	Plug, Terminal	
109	1001098122	4	Terminal, Ring	
110	4460247	1	Terminal, Ring	
111	4460891	1	Plug, Male - 2 Position	
111	4460465	2	Socket, Female	
112	1001116994	1	Connector - 23 Position	
112	4460871	12	Socket, Female	
112	4460905	11	Plug, Terminal	
113	1001112796	2	Connector - 9 Position	
113	4460465	13	Socket, Female	
113	4460466	4	Plug, Terminal	
114	4460539	1	Plug, Male - 3 Position	
114	4460944	2	Socket, Female	
114	4460466	1	Plug, Terminal	
115	1001116812	1	Plug, Male - 3 Position	
115	4460944	2	Socket, Female	
115	4460465	1	Socket, Female	
116	8220164	1	Terminal, Ring	
117	1001229530	1	Receptacle, Female - 3 Position	
117	4460464	2	Pin, Male	
117	4460466	1	Plug, Terminal	
118	4460042	1	Terminal, Ring	
119	4460427	2	Terminal, Ring (SN 0300247156 to Present)	

SECTION 8 - ELECTRICAL

FIGURE 8-48. MAIN VALVE HARNESS



ART_1001223260

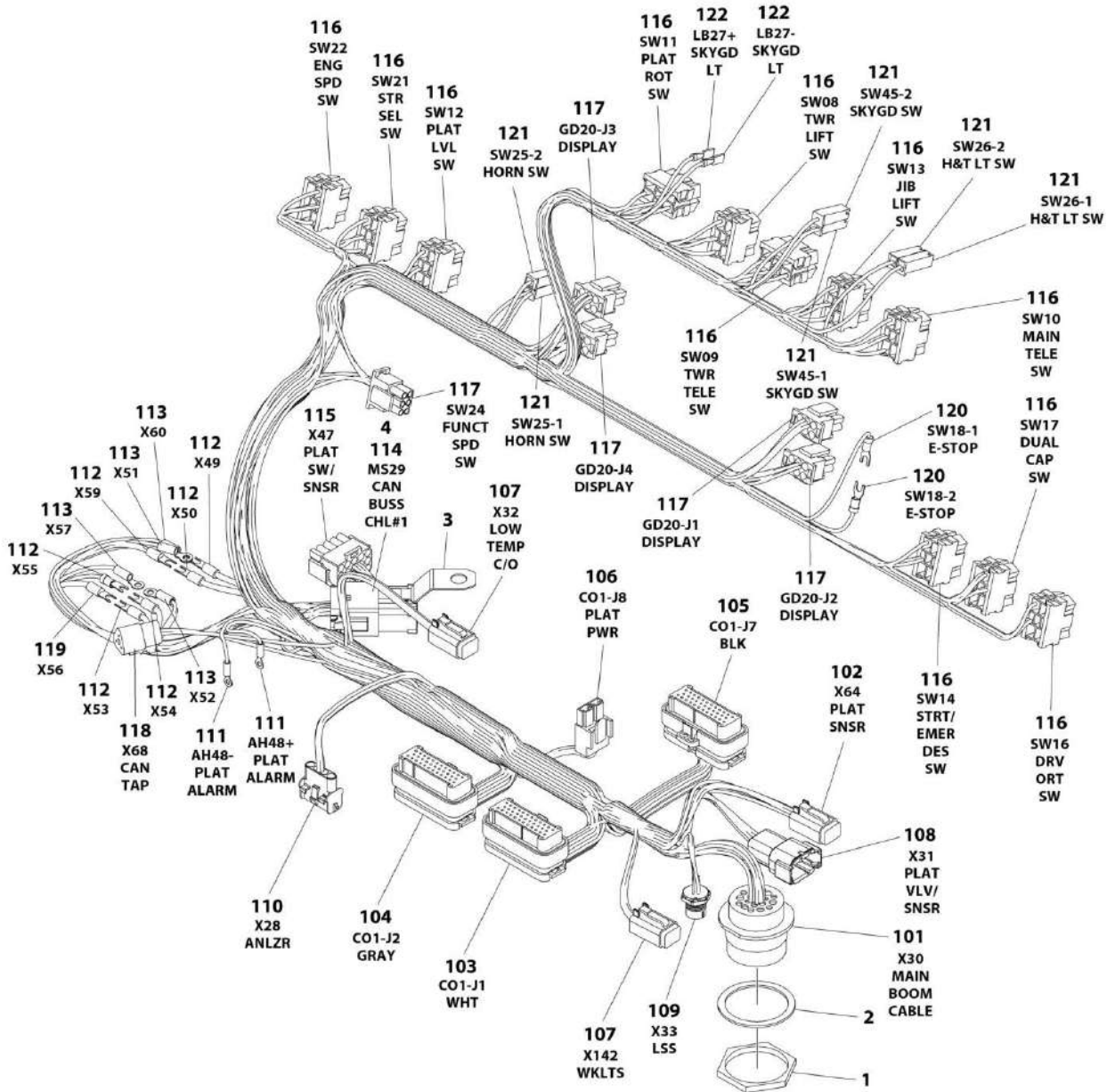
SECTION 8 - ELECTRICAL

FIGURE 8-48. MAIN VALVE HARNESS

ITEM	PART NUMBER	QTY	DESCRIPTION	REV
	1001223260	Ref	MAIN VALVE HARNESS	F
1	4460852	1	Connector - 8 Position	
2	4460892	1	Bussbar - 6 Position	
3	1001144295	1	Cap	
101	4460891	13	Plug, Male - 2 Position	
101	4460465	26	Socket, Female	
102	4460880	4	Connector, DIN	
103	4460539	1	Plug, Male - 3 Position	
103	4460465	2	Socket, Female	
103	4460466	1	Plug, Terminal	
104	1001229530	1	Receptacle, Female - 3 Position	
104	4460943	3	Pin, Male	
105	4460884	1	Plug, Male - 4 Position	
105	4460465	4	Socket, Female	
106	4460894	1	Plug, Male - 6 Position	
106	4460465	6	Socket, Female	
107	4460851	1	Plug, Male - 8 Position	
107	4460465	8	Socket, Female	
108	4460424	1	Plug, Male - 2 Position	
108	4460268	2	Socket, Female	
109	4460875	1	Connector - 35 Position	
109	4460871	25	Socket, Female	
109	4460905	10	Plug, Terminal	
110	4460872	1	Connector - 14 Position	
110	4460871	10	Socket, Female	
110	4460905	4	Plug, Terminal	

SECTION 8 - ELECTRICAL

FIGURE 8-49. PLATFORM CONSOLE BOX HARNESS



ART_1001222042

SECTION 8 - ELECTRICAL

FIGURE 8-49. PLATFORM CONSOLE BOX HARNESS

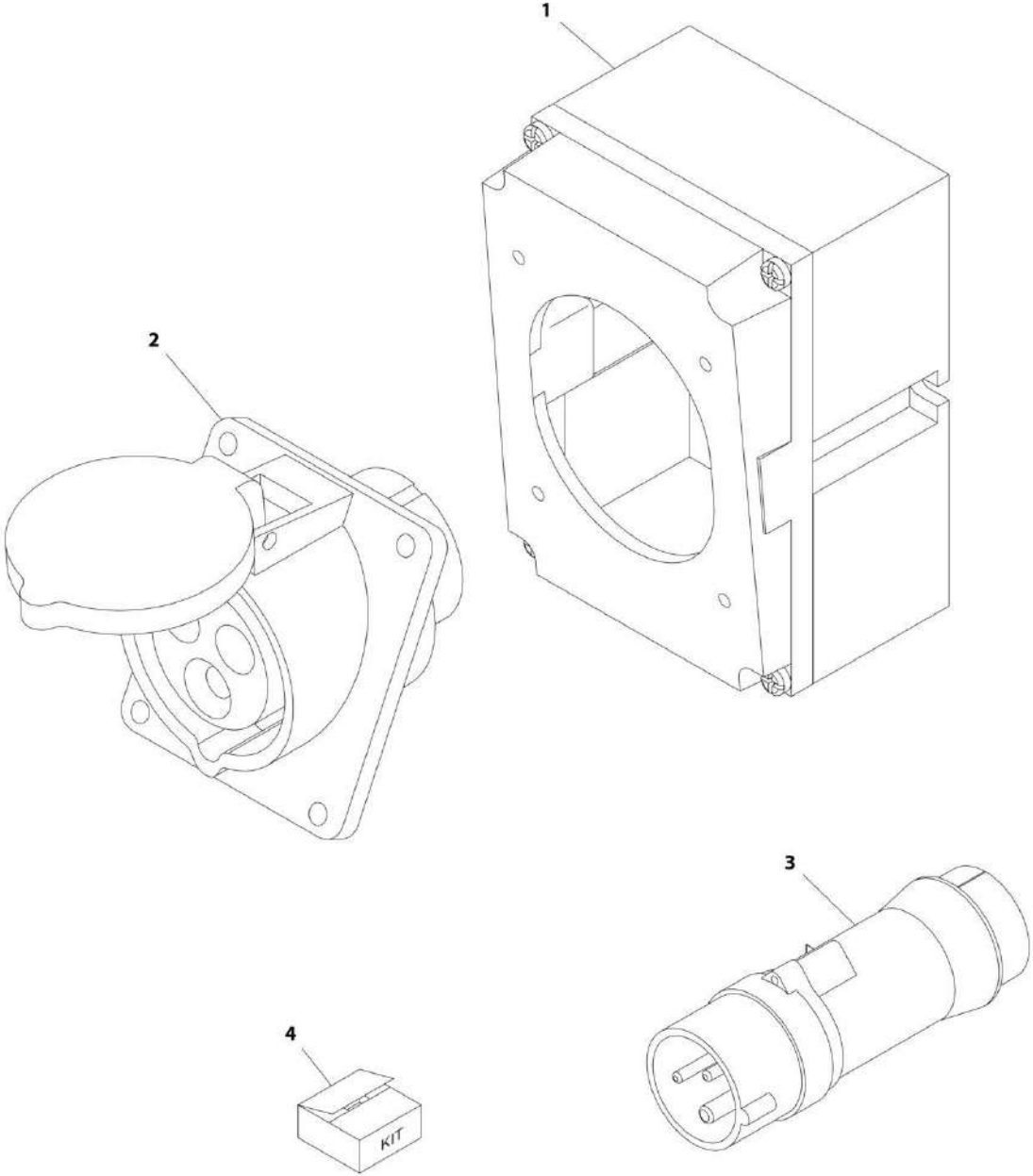
ITEM	PART NUMBER	QTY	DESCRIPTION	REV
	1001222042	Ref	PLATFORM CONSOLE BOX HARNESS	F
1	4460470	1	Nut	
2	4460471	1	Washer	
3	1001120328	1	Mount, Connector	
4	1001125677	1	Bussbar - 12 Position	
101	4460866	1	Connector - 19 Position	
101	4460943	2	Pin, Male	
101	4460464	3	Pin, Male	
101	4460508	4	Pin, Male	
101	4460466	9	Plug, Terminal	
102	4460894	1	Plug, Male - 6 Position	
102	4460465	6	Socket, Female	
103	4460874	1	Connector - 35 Position	
103	4460871	30	Socket, Female	
103	4460905	5	Plug, Terminal	
104	4460875	1	Connector - 35 Position	
104	4460871	24	Socket, Female	
104	4460905	11	Plug, Terminal	
105	4460873	1	Connector - 35 Position	
105	4460871	22	Socket, Female	
105	4460905	13	Plug, Terminal	
106	4460879	1	Receptacle, Female - 2 Position	
106	4460887	2	Terminal	
107	4460884	2	Plug, Male - 4 Position	
107	4460465	8	Socket, Female	
108	1001190578	1	Receptacle, Female - 8 Position	
108	1001126011	7	Terminal	
108	4460518	1	Plug, Terminal	
109	1001213447	1	Receptacle, Female - 5 Position	
110	4460761	1	Receptacle, Female - 4 Position	
110	4460227	4	Pin, Male	
111	1001098122	2	Terminal, Ring	
112	4460315	6	Terminal, Fork	
113	8220007	4	Terminal, Ring	
114	4460933	1	Plug, Male - 12 Position	
114	4460944	10	Socket, Female	
114	4460466	2	Plug, Terminal	
115	4460343	1	Plug, Male - 15 Position	
115	4460227	10	Pin, Male	
115	4460267	2	Pin, Male	
116	4460418	11	Connector, Switch	
116	4460419	22	Terminal	
116	1001159186	20	Terminal	
117	4460225	5	Plug, Male - 6 Position	
117	4460227	4	Pin, Male	
117	4460267	2	Pin, Male	
117	4460226	20	Socket, Female	
118	4460539	1	Plug, Male - 3 Position	
118	4460944	2	Socket, Female	
118	4460466	1	Plug, Terminal	

SECTION 8 - ELECTRICAL

ITEM	PART NUMBER	QTY	DESCRIPTION	REV
119	4460314	1	Terminal, Fork	
120	4460183	2	Terminal, Fork	
121	4460260	6	Housing, Terminal	
121	4460259	6	Terminal	
122	4460016	2	Terminal	

SECTION 8 - ELECTRICAL

FIGURE 8-50. RECEPTACLE BOX KIT - 110V IEC YELLOW (CE SPEC)



ART_0275216

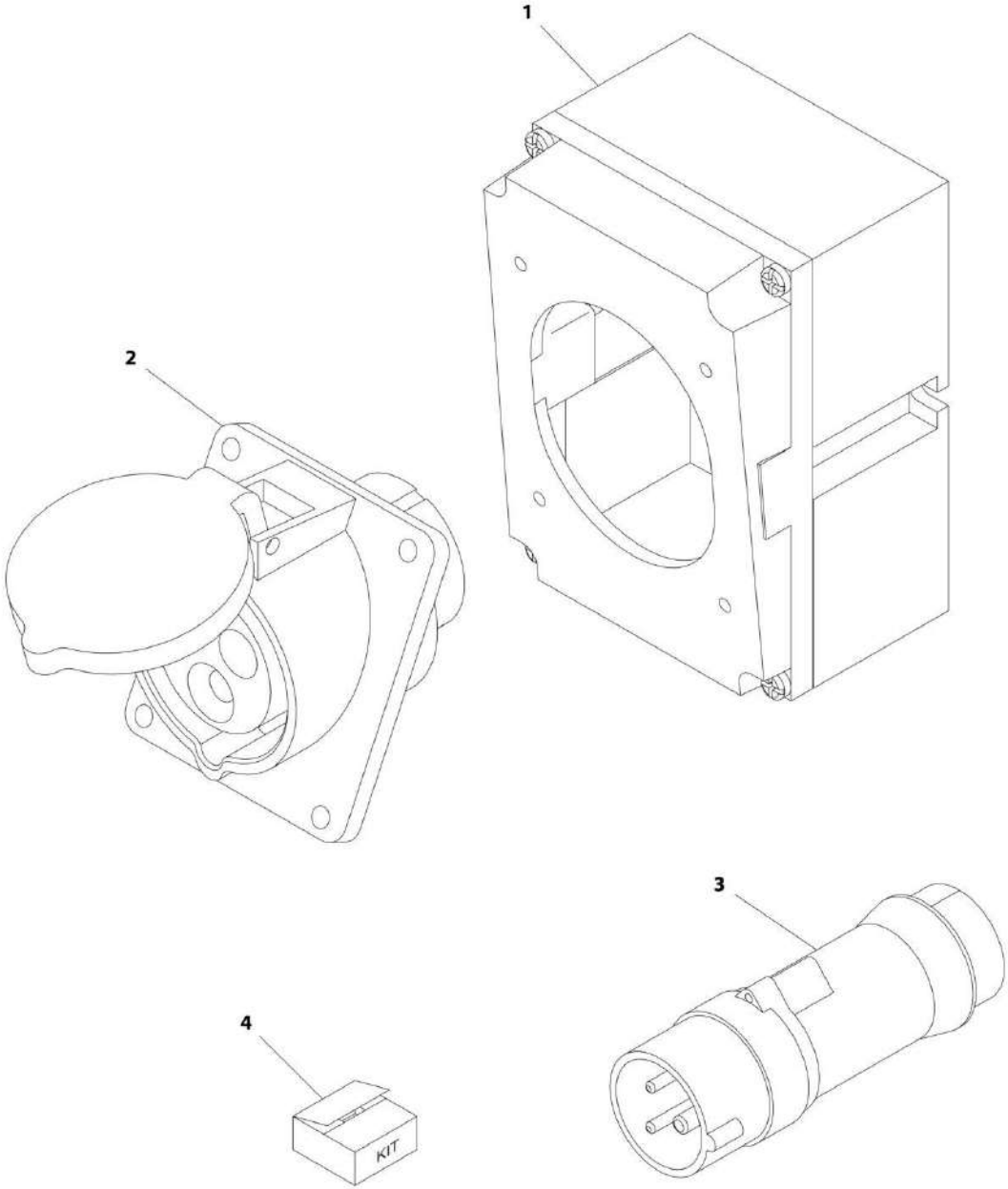
SECTION 8 - ELECTRICAL

FIGURE 8-50. RECEPTACLE BOX KIT - 110V IEC YELLOW (CE SPEC)

ITEM	PART NUMBER	QTY	DESCRIPTION	REV
	0275216	Ref	RECEPTACLE BOX KIT - 110V IEC YELLOW (CE SPEC)	B
1	0861781	1	Box, Switch	
2	4461198	1	Receptacle	
3	4461196	1	Plug, Male	
4	1001100341	1	Plug and Socket Kit (Includes Items 1-3 and Female Plug p/n 4461197)	

SECTION 8 - ELECTRICAL

FIGURE 8-51. RECEPTACLE BOX KIT - 220V IEC BLUE (CE SPEC)



ART_0275217

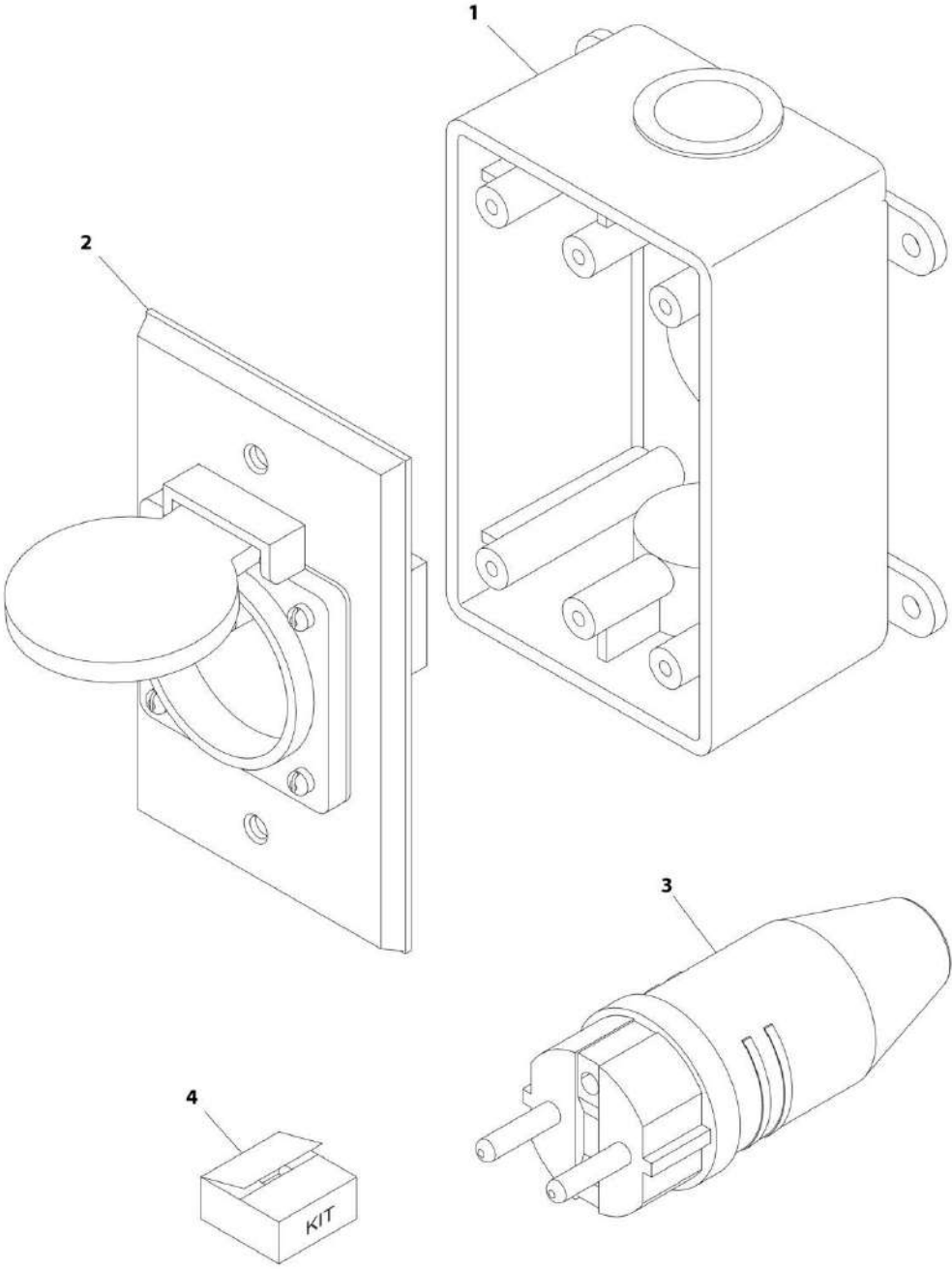
SECTION 8 - ELECTRICAL

FIGURE 8-51. RECEPTACLE BOX KIT - 220V IEC BLUE (CE SPEC)

ITEM	PART NUMBER	QTY	DESCRIPTION	REV
	0275217	Ref	RECEPTACLE BOX KIT - 220V IEC BLUE (CE SPEC)	B
1	0861781	1	Box, Switch	
2	4461201	1	Receptacle	
3	4461199	1	Plug, Male	
4	1001100342	1	Plug and Socket Kit (Includes Items 1-3 and Female Plug p/n 4461200)	

SECTION 8 - ELECTRICAL

FIGURE 8-52. RECEPTACLE BOX KIT - 220V CEE7 POST GROUND 2X4 BOX (CE SPEC)



ART_0275452

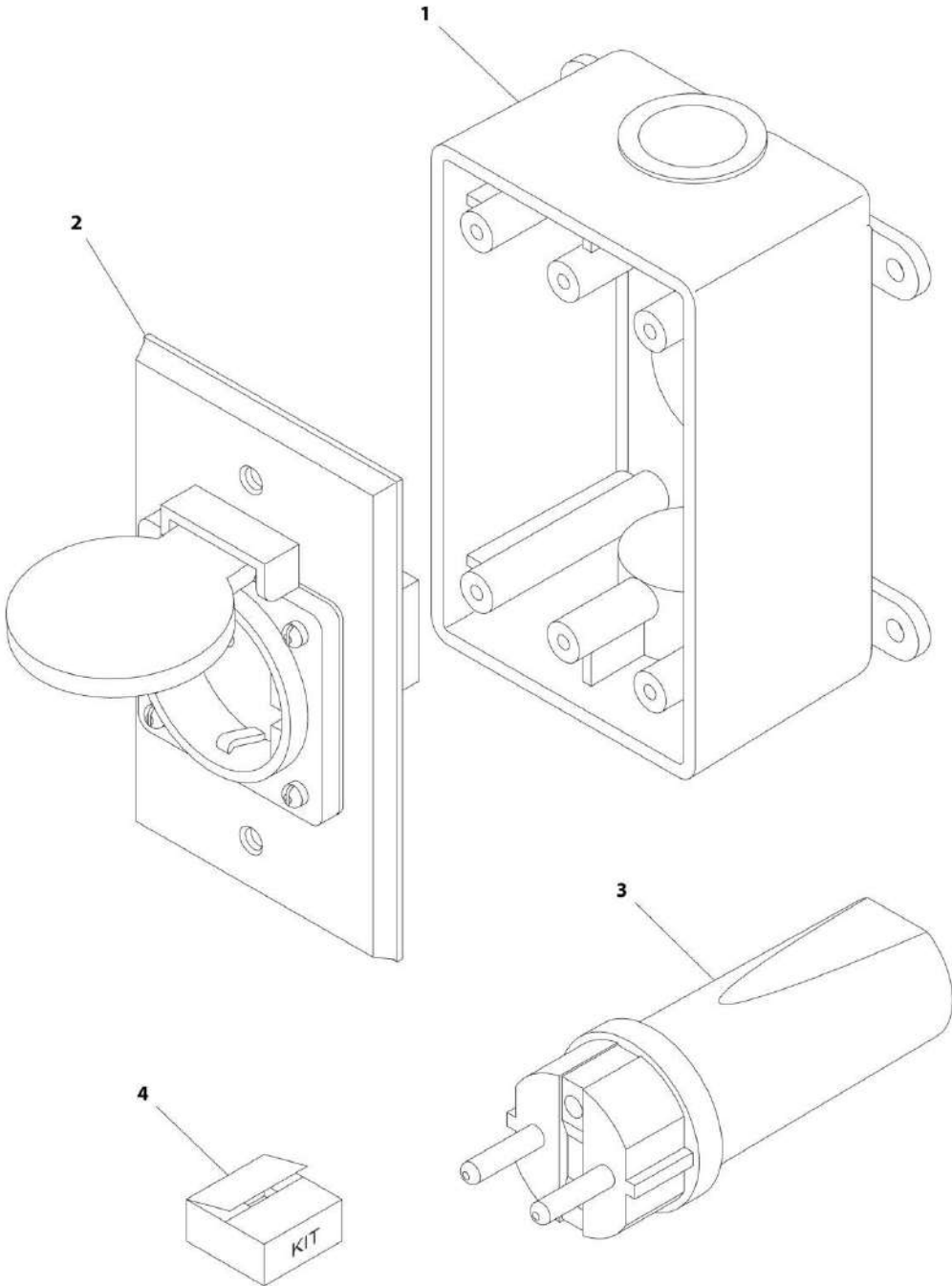
SECTION 8 - ELECTRICAL

FIGURE 8-52. RECEPTACLE BOX KIT - 220V CEE7 POST GROUND 2X4 BOX (CE SPEC)

ITEM	PART NUMBER	QTY	DESCRIPTION	REV
	0275452	Ref	RECEPTACLE BOX KIT - 220V CEE7 POST GROUND (CE SPEC)	C
1	0861731	1	Box, Switch	
2	4461244	1	Receptacle	
3	4461205	1	Plug, Male	
4	1001100345	1	Plug and Socket Kit (Includes Items 1-3 and Female Plug p/n 4461206)	

SECTION 8 - ELECTRICAL

FIGURE 8-53. RECEPTACLE BOX KIT - 220V CEE7 SIDE GROUND (CE SPEC)



ART_0275453

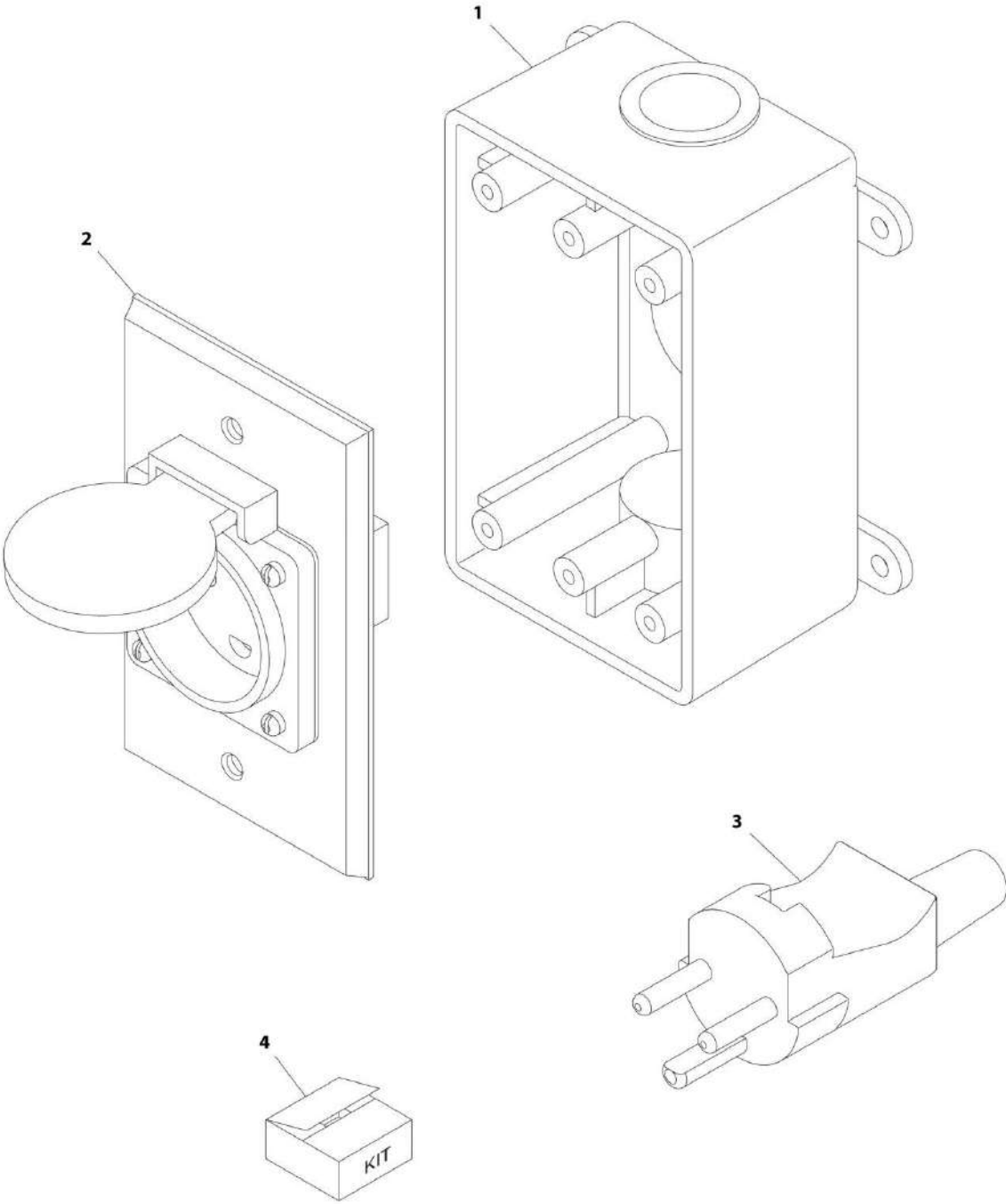
SECTION 8 - ELECTRICAL

FIGURE 8-53. RECEPTACLE BOX KIT - 220V CEE7 SIDE GROUND (CE SPEC)

ITEM	PART NUMBER	QTY	DESCRIPTION	REV
	0275453	Ref	RECEPTACLE BOX KIT - 220V CEE7 SIDE GROUND (CE SPEC)	B
1	0861731	1	Box, Switch	
2	4461245	1	Receptacle	
3	4461205	1	Plug, Male	
4	1001100347	1	Plug and Socket Kit (Includes Items 1-3 and Female Plug p/n 4461206)	

SECTION 8 - ELECTRICAL

FIGURE 8-54. RECEPTACLE BOX KIT - 220V AFSINT 107 (CE SPEC)



ART_0275454

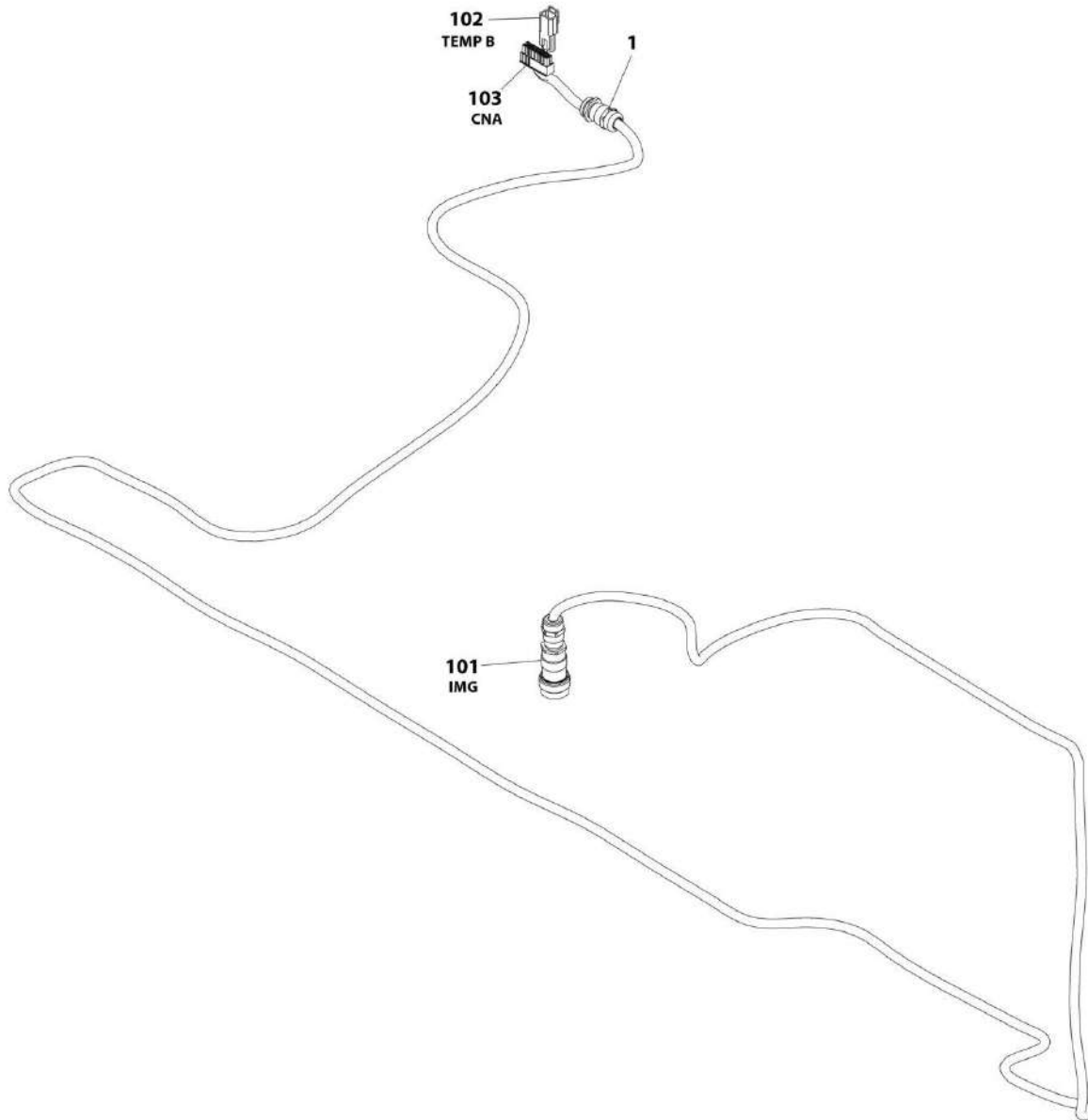
SECTION 8 - ELECTRICAL

FIGURE 8-54. RECEPTACLE BOX KIT - 220V AFSINT 107 (CE SPEC)

ITEM	PART NUMBER	QTY	DESCRIPTION	REV
	0275454	Ref	RECEPTACLE BOX KIT - 220V AFSINT 107 (CE SPEC)	B
1	0861731	1	Box, Switch	
2	4461246	1	Receptacle	
3	4461249	1	Plug, Male	
4	1001100346	1	Plug and Socket Kit (Includes Items 1-3 and Female Plug p/n 4461250)	

SECTION 8 - ELECTRICAL

FIGURE 8-55. RESOLVER/CONVERTER/INVERTER HARNESS



ART_1001222369

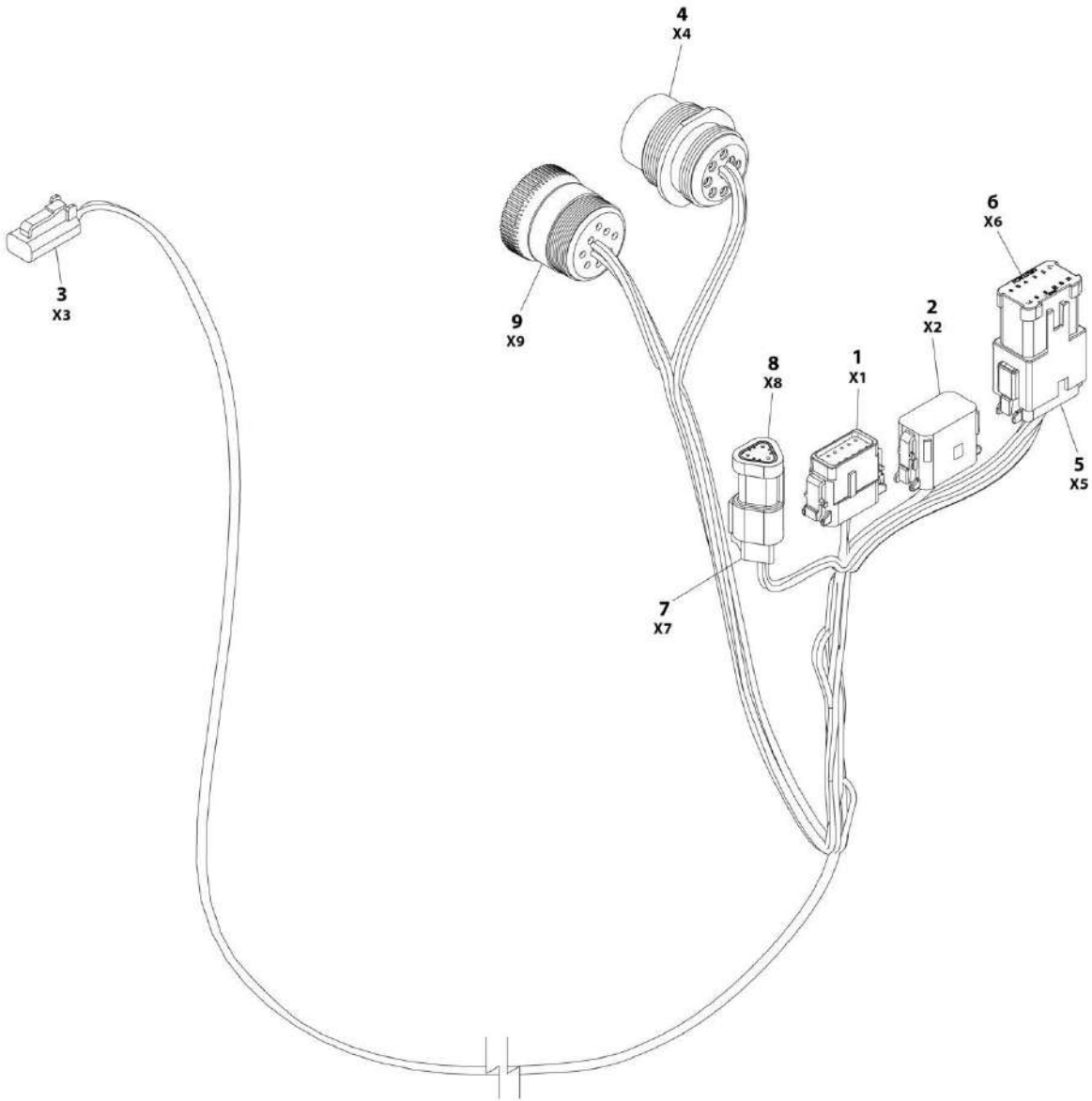
SECTION 8 - ELECTRICAL

FIGURE 8-55. RESOLVER/CONVERTER/INVERTER HARNESS

ITEM	PART NUMBER	QTY	DESCRIPTION	REV
	1001222369	Ref	RESOLVER/CONVERTER/INVERTER HARNESS	B
1	1001226468	1	Connector, Strain Relief	
101	1001226506	1	Connector - 19 Position	
102	1001153612	1	Receptacle, Female - 2 Position	
102	1001126010	2	Terminal	
103	1001225362	1	Connector - 16 Position	
103	4460877	6	Socket, Female	
103	1001228628	10	Plug, Terminal	
103	1001228629	1	Seal	

SECTION 8 - ELECTRICAL

FIGURE 8-56. STROBE LIGHT CONTROL HARNESS (BLUE & RED LIGHTS)



ART_1001142736

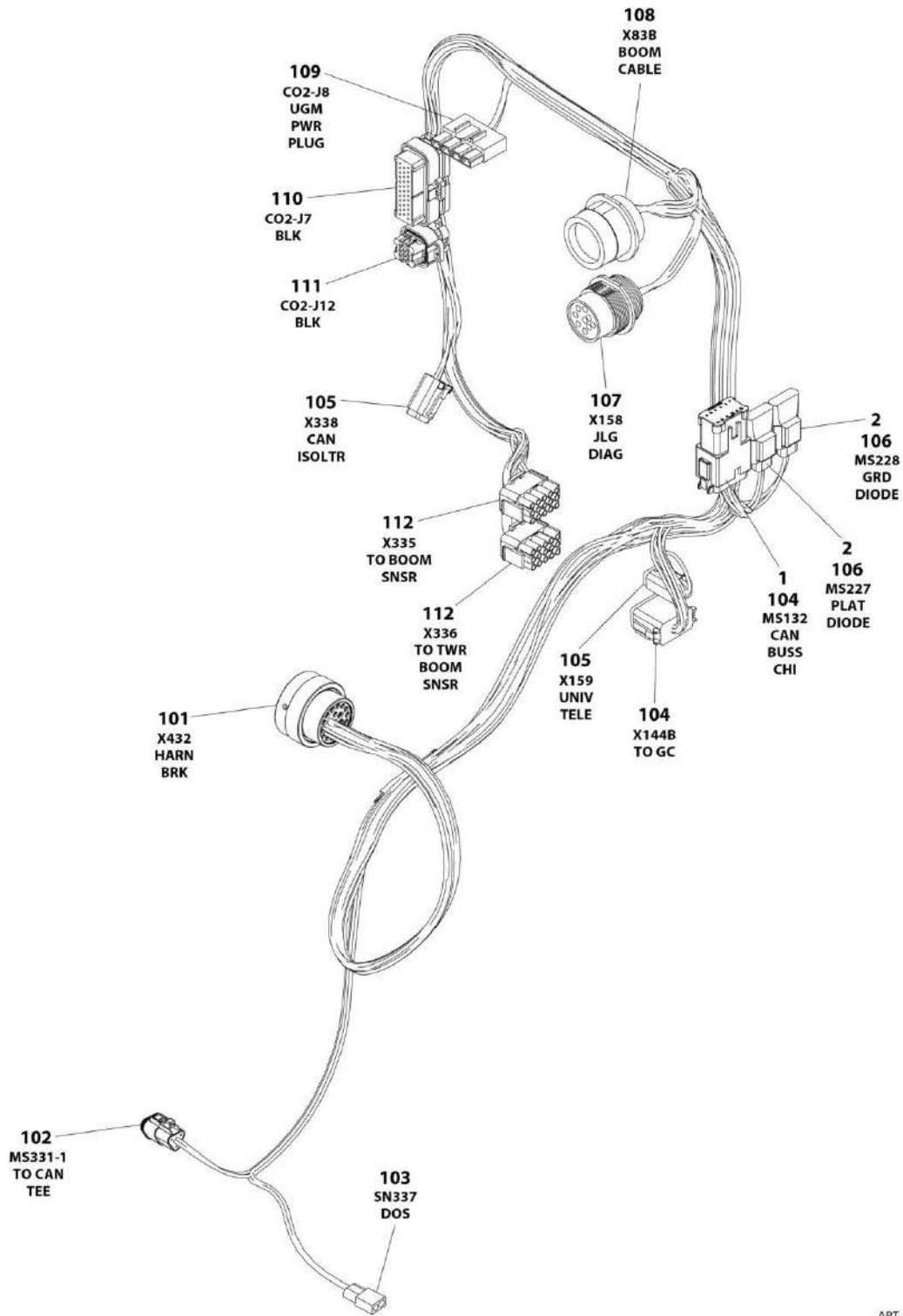
SECTION 8 - ELECTRICAL

FIGURE 8-56. STROBE LIGHT CONTROL HARNESS (BLUE & RED LIGHTS)

ITEM	PART NUMBER	QTY	DESCRIPTION	REV
	1001142736	Ref	STROBE LIGHT CONTROL HARNESS (BLUE & RED LIGHTS)	F
1	1001116808	1	Plug, Male - 12 Position	
1	4460928	3	Socket, Female	
1	4460518	9	Plug, Terminal	
2	1001116774	1	Plug, Male - 12 Position	
2	4460928	3	Socket, Female	
2	4460518	9	Plug, Terminal	
3	4460891	1	Plug, Male - 2 Position	
3	4460465	2	Socket, Female	
4	1001112612	1	Connector - 9 Position	
4	4460464	6	Pin, Male	
4	4460466	3	Plug, Terminal	
5	4460933	1	Plug, Male - 12 Position	
5	4460465	12	Socket, Female	
6	1001119020	1	Bussbar - 12 Position	
7	4461095	1	Plug, Male - 3 Position	
7	4460465	3	Socket, Female	
8	4461070	1	Bussbar - 3 Position	
9	1001112796	1	Connector - 9 Position	
9	4460465	6	Socket, Female	
9	4460466	3	Plug, Terminal	

SECTION 8 - ELECTRICAL

FIGURE 8-57. TURNTABLE HARNESS



ART_1001228984

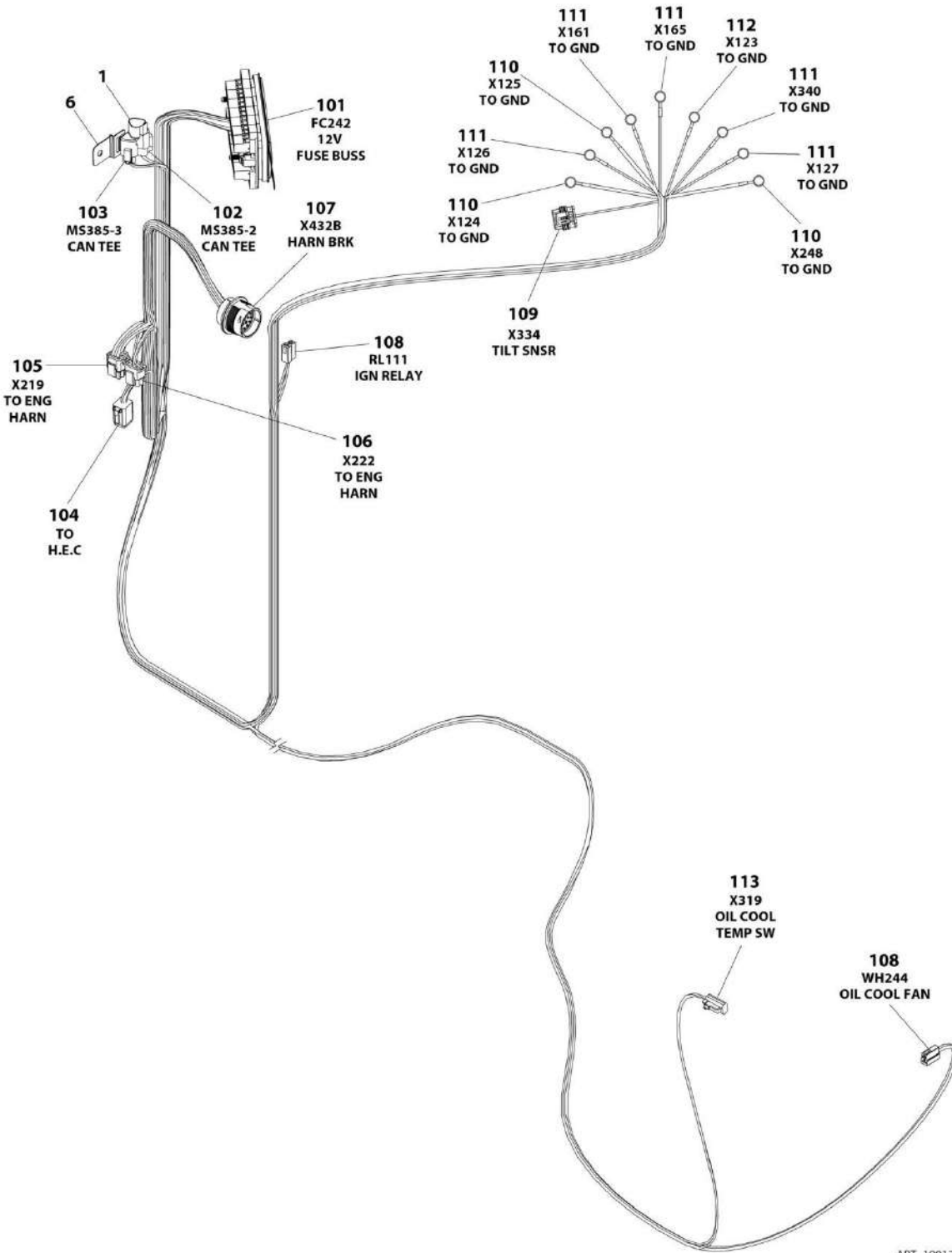
SECTION 8 - ELECTRICAL

FIGURE 8-57. TURNTABLE HARNESS

ITEM	PART NUMBER	QTY	DESCRIPTION	REV
	1001228984	Ref	TURNTABLE HARNESS	D
1	1001125677	1	Bussbar - 12 Position	
2	1001116816	2	Connector - 2 Position	
101	1001229233	1	Connector - 21 Position	
101	4460465	18	Socket, Female	
101	4460466	3	Plug, Terminal	
102	1001116812	1	Plug, Male - 3 Position	
102	4460944	2	Socket, Female	
102	4460465	1	Socket, Female	
103	4460424	1	Plug, Male - 2 Position	
103	4460226	2	Socket, Female	
104	4460933	2	Plug, Male - 12 Position	
104	4460944	14	Socket, Female	
104	4460465	8	Socket, Female	
104	4460466	2	Plug, Terminal	
105	4460884	2	Plug, Male - 4 Position	
105	4460465	4	Socket, Female	
105	4460944	4	Socket, Female	
106	4460891	2	Plug, Male - 2 Position	
106	4460465	4	Socket, Female	
107	1001112612	1	Connector - 9 Position	
107	4460464	3	Pin, Male	
107	4460943	2	Pin, Male	
107	4460466	4	Plug, Terminal	
108	4460866	1	Connector - 19 Position	
108	4460464	5	Pin, Male	
108	4460943	2	Pin, Male	
108	4460508	4	Pin, Male	
108	4460466	8	Plug, Terminal	
109	4460878	1	Receptacle, Female - 4 Position	
109	4460887	2	Terminal	
110	4460873	1	Connector - 35 Position	
110	4460871	23	Socket, Female	
110	4460905	12	Plug, Terminal	
111	1001113961	1	Plug, Male - 8 Position	
111	4460871	4	Socket, Female	
111	4460905	4	Plug, Terminal	
112	4460434	2	Plug, Male - 15 Position	
112	4460227	18	Pin, Male	
112	4460267	1	Pin, Male	

SECTION 8 - ELECTRICAL

FIGURE 8-58. TURNTABLE/FUSE PANEL HARNESS



ART_1001230522

SECTION 8 - ELECTRICAL

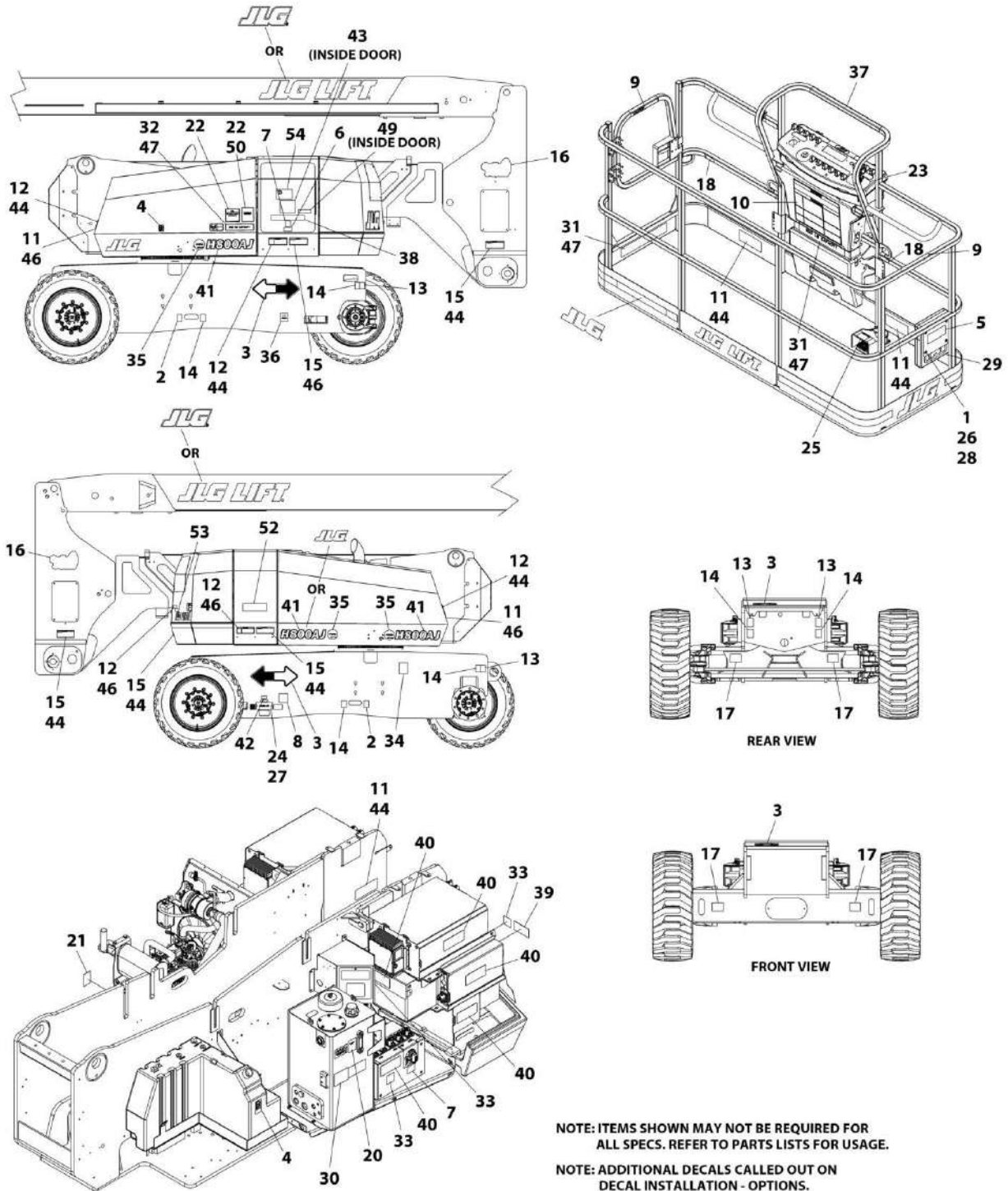
FIGURE 8-58. TURNTABLE/FUSE PANEL HARNESS

ITEM	PART NUMBER	QTY	DESCRIPTION	REV
	1001230522	Ref	TURNTABLE/FUSE PANEL HARNESS	C
1	4460945	1	Receptacle, 3 Way	
6	1001153749	1	Mount, Connector	
101	1001225219	1	Connector - 28 Position	
101	1001189572	9	Terminal	
101	1001189571	3	Terminal	
101	1001189570	10	Terminal	
102	4460539	1	Plug, Male - 3 Position	
102	4460944	2	Socket, Female	
102	4460466	1	Plug, Terminal	
103	1001116812	1	Plug, Male - 3 Position	
103	4460944	2	Socket, Female	
103	4460466	1	Plug, Terminal	
104	4460894	1	Plug, Male - 6 Position	
104	4460465	5	Socket, Female	
104	4460466	1	Plug, Terminal	
105	4460265	1	Plug, Male - 9 Position	
105	4460906	8	Socket, Female	
106	4460225	1	Plug, Male - 6 Position	
106	4460268	4	Socket, Female	
107	1001229232	1	Connector - 21 Position	
107	4460464	14	Pin, Male	
107	4460508	4	Pin, Male	
107	4460466	3	Plug, Terminal	
108	4460994	2	Housing, Terminal	
108	1001116720	2	Terminal	
108	1001116716	2	Terminal	
109	1001103012	1	Plug, Male - 4 Position	
109	1001107854	4	Terminal	
109	1001104498	4	Seal	
110	4460019	3	Terminal, Ring	
111	4460722	5	Terminal, Ring	
112	1001225219	1	Terminal, Ring	
113	4460891	1	Plug, Male - 2 Position	
113	4460465	2	Socket, Female	

SECTION 9 - DECALS

SECTION 9 - DECALS

FIGURE 9-1. DECAL INSTALLATION - ANSI SPECS (ENGLISH LANGUAGE)



NOTE: ITEMS SHOWN MAY NOT BE REQUIRED FOR ALL SPECS. REFER TO PARTS LISTS FOR USAGE.
 NOTE: ADDITIONAL DECALS CALLED OUT ON DECAL INSTALLATION - OPTIONS.

ART_1001223542

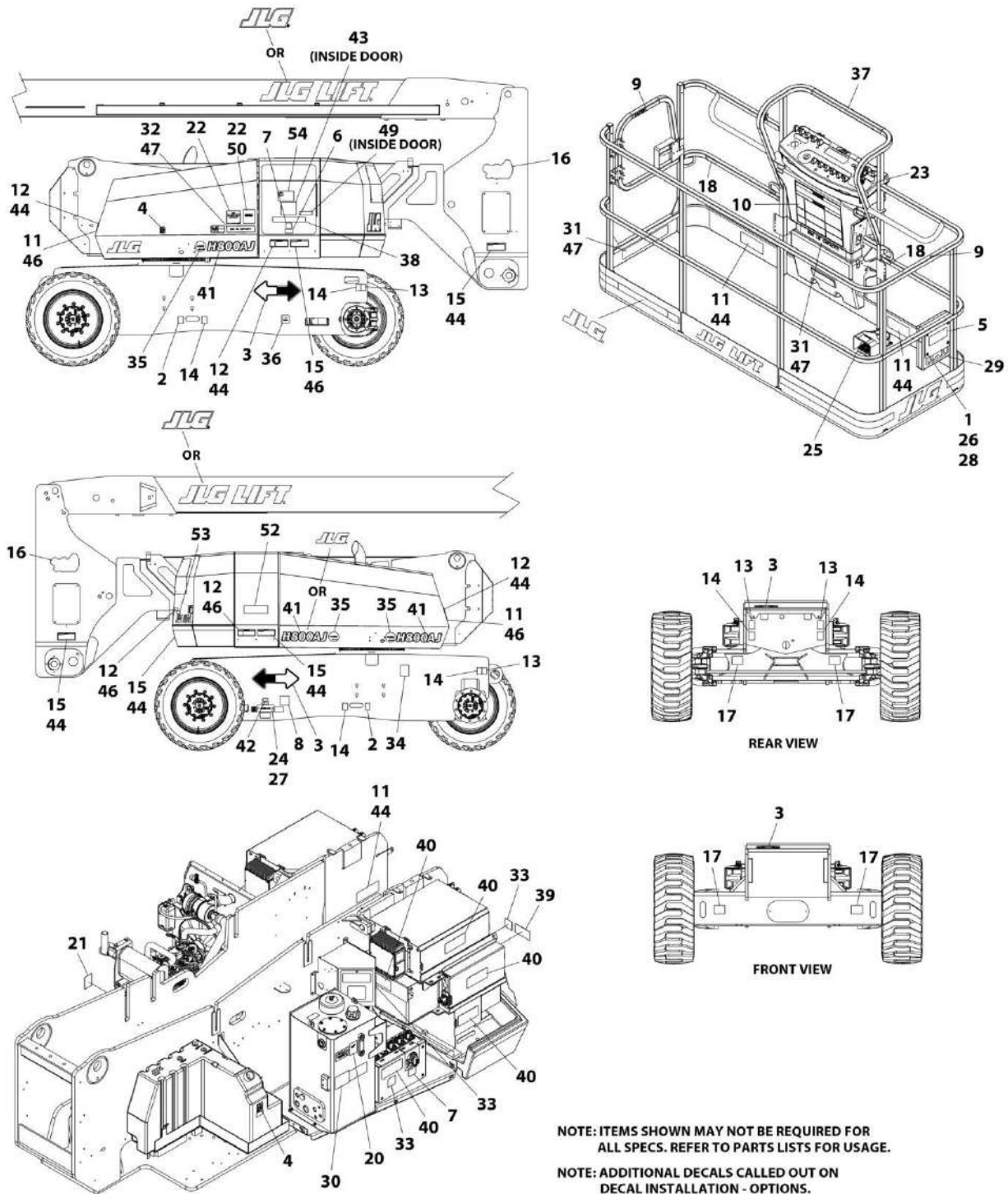
SECTION 9 - DECALS

FIGURE 9-1. DECAL INSTALLATION - ANSI SPECS (ENGLISH LANGUAGE)

ITEM	PART NUMBER	QTY	DESCRIPTION	REV
	1001223542	Ref	DECAL INSTALLATION - ANSI	E
1	0641406	4	Bolt, 1/4 x 3/4	
2	1701499	2	Decal - No Tie Down/Lift	
3	1701501	4	Decal - Arrow	
4	1701505	2	Decal - Diesel Fuel	
5	1701509	1	Decal - Manual	
6	1001233785	1	Decal - Charger Plug	
7	1702155	2	Decal - Battery Disconnect	
8	See Note	NSS	Decal - Bar Code (Note: Not Available for Purchase)	
9	1702868	2	Decal - No Hands	
10	1703797	1	Decal - Danger/Warning	
11	1703804	6	Decal - Warning/Crushing	
12	1703805	5	Decal - Electrocutation	
13	1703811	4	Decal - Lifting Lug	
14	1703814	6	Decal - Tie Down	
15	1703953	5	Decal - Warning/Crushing	
16	1703959	2	Decal - Quik Stik	
17	1703960	4	Decal - Maximum Tire Load	
18	1704277	3	Decal - Lanyard Attach	
20	1704412	1	Decal - Hydraulic Oil	
21	1704972	1	Decal - Glow Plugs	
22	1705336	1	Decal - Danger/Warning	
23	1705351	1	Decal - Drive/Steer Instructions	
24	See Note	NSS	Nameplate - Manufacturers (Note: Not Available for Purchase)	
25	3252347	1	Nameplate - Footswitch	
26	3311405	4	Nut 1/4	
27	3820001	2	Rivet	
28	4751400	8	Washer 1/4	
29	91403230	1	Box, Manual Storage	
30	1001096141	1	Decal - Upright Level Over Ride	
31	1001121801	2	Decal - Warning Maximum Capacity	
32	1001121814	1	Decal - Warning Maximum Capacity	
33	1001125483	6	Decal - Pressure Wash	
34	1001131269	1	Decal - Patent	
35	1001174449	2	Decal - Hybrid	
36	1001223055	1	Decal - Yearly Inspection	
37	1001223552	1	Decal - Legend	
38	1001223553	1	Decal - Legend	
39	1001223554	2	Decal - Warning Tip Over Hazard	
40	1001223556	9	Decal - Electric Shock Hazard	
41	1001223558	2	Decal - H800AJ	
42	1001228370	1	Decal - ICES	
43	1001228411	1	Decal - LED Indicator	
52	1001233452	1	Decal - Lifting Diagram	
54	1001117307	1	Decal - Emergency Stop	

SECTION 9 - DECALS

FIGURE 9-2. DECAL INSTALLATION - AUSTRALIAN SPECS (ENGLISH LANGUAGE)



NOTE: ITEMS SHOWN MAY NOT BE REQUIRED FOR ALL SPECS. REFER TO PARTS LISTS FOR USAGE.
 NOTE: ADDITIONAL DECALS CALLED OUT ON DECAL INSTALLATION - OPTIONS.

ART_1001223543

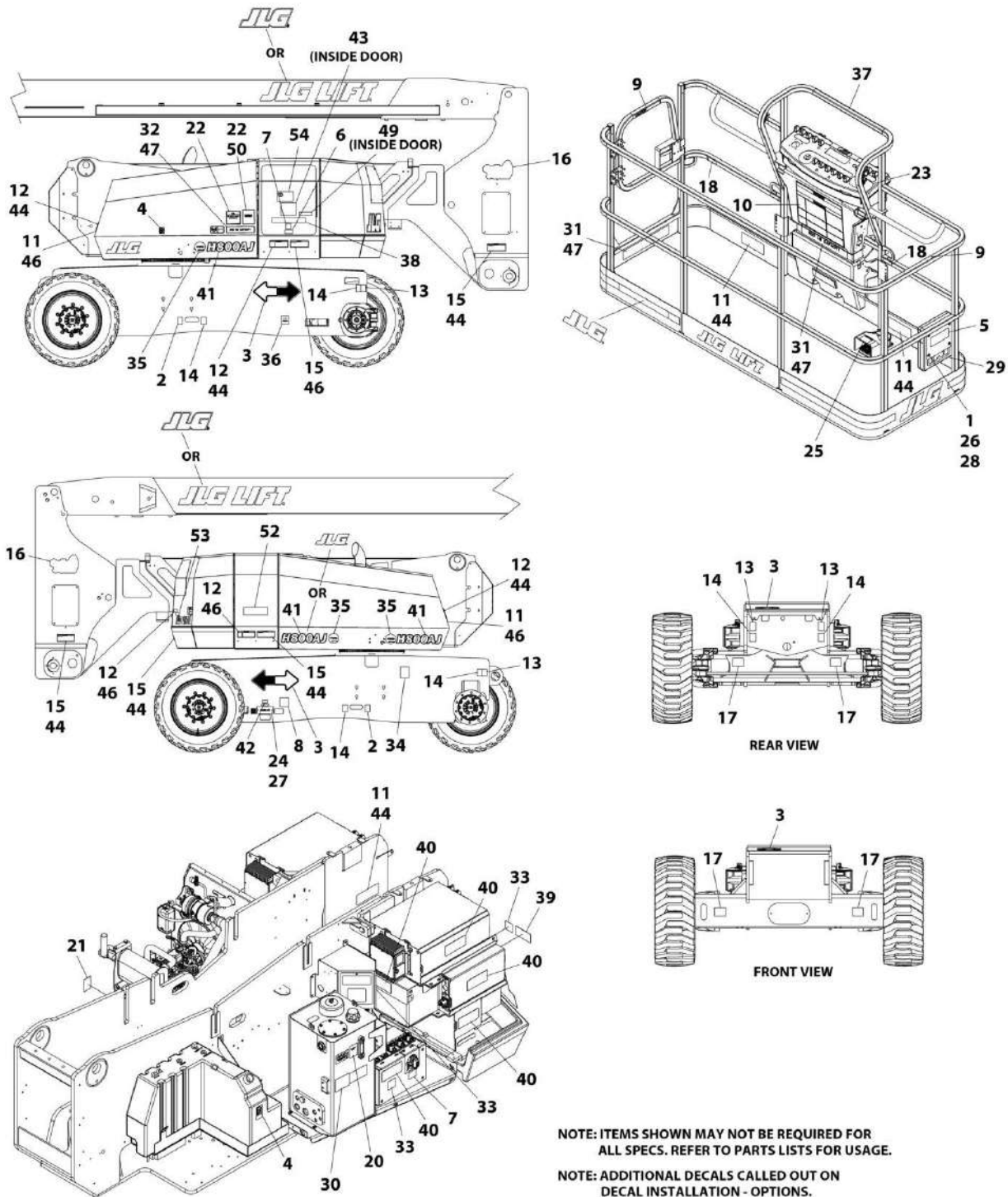
SECTION 9 - DECALS

FIGURE 9-2. DECAL INSTALLATION - AUSTRALIAN SPECS (ENGLISH LANGUAGE)

ITEM	PART NUMBER	QTY	DESCRIPTION	REV
	1001223543	Ref	DECAL INSTALLATION - AUSTRALIAN	E
1	0641406	4	Bolt, 1/4 x 3/4	
2	1701499	2	Decal - No Tie Down/Lift	
3	1701501	4	Decal - Arrow	
4	1701505	2	Decal - Diesel Fuel	
5	1701509	1	Decal - Manual	
6	1001233785	1	Decal - Charger Plug	
7	1702155	2	Decal - Battery Disconnect	
8	See Note	NSS	Decal - Bar Code (Note: Not Available for Purchase)	
10	1705921	1	Decal - Tipping/Electrocution	
13	1703811	4	Decal - Lifting Lug	
14	1703814	6	Decal - Tie Down	
16	1703959	2	Decal - Quik Stik	
17	1703960	4	Decal - Maximum Tire Load	
18	1704277	3	Decal - Lanyard Attach	
20	1704412	1	Decal - Hydraulic Oil	
21	1706098	1	Decal - Warning Ether Start	
22	1705822	1	Decal - Electrical/Safety Manual	
24	See Note	NSS	Nameplate - Manufacturers (Note: Not Available for Purchase)	
25	1705828	1	Nameplate - Footswitch	
26	3311405	4	Nut 1/4	
27	3820001	2	Rivet	
28	4751400	8	Washer 1/4	
29	91403230	1	Box, Manual Storage	
30	1705977	1	Decal - Upright Level Over Ride	
33	1001125483	6	Decal - Pressure Wash	
35	1001174449	2	Decal - Hybrid	
39	1001223560	2	Decal - Tip Over Hazard	
40	1001223561	9	Decal - Shock Hazard	
41	1001223558	2	Decal - H800AJ	
43	1001228411	1	Decal - LED Indicator	
44	1701518	11	Decal - Crushing	
46	1705961	5	Decal - Electrocution	
47	1705978	3	Decal - 230KG Capacity	
50	1001112551	1	Decal - Emergency Controls	
51	1001232893	1	Decal - Wheel Assembly Mass	
52	1001233452	1	Decal - Lifting Diagram	
53	1001204510	1	Decal - Sound Power Level (Prior to SN 0300247156)	
53	1001237844	1	Decal - Sound Power Level (SN 0300247156 to Present)	
54	1001117307	1	Decal - Emergency Stop	

SECTION 9 - DECALS

FIGURE 9-3. DECAL INSTALLATION - BRAZIL SPECS (ENGLISH/PORTUGUESE LANGUAGES)



NOTE: ITEMS SHOWN MAY NOT BE REQUIRED FOR ALL SPECS. REFER TO PARTS LISTS FOR USAGE.
 NOTE: ADDITIONAL DECALS CALLED OUT ON DECAL INSTALLATION - OPTIONS.

ART_1001223550

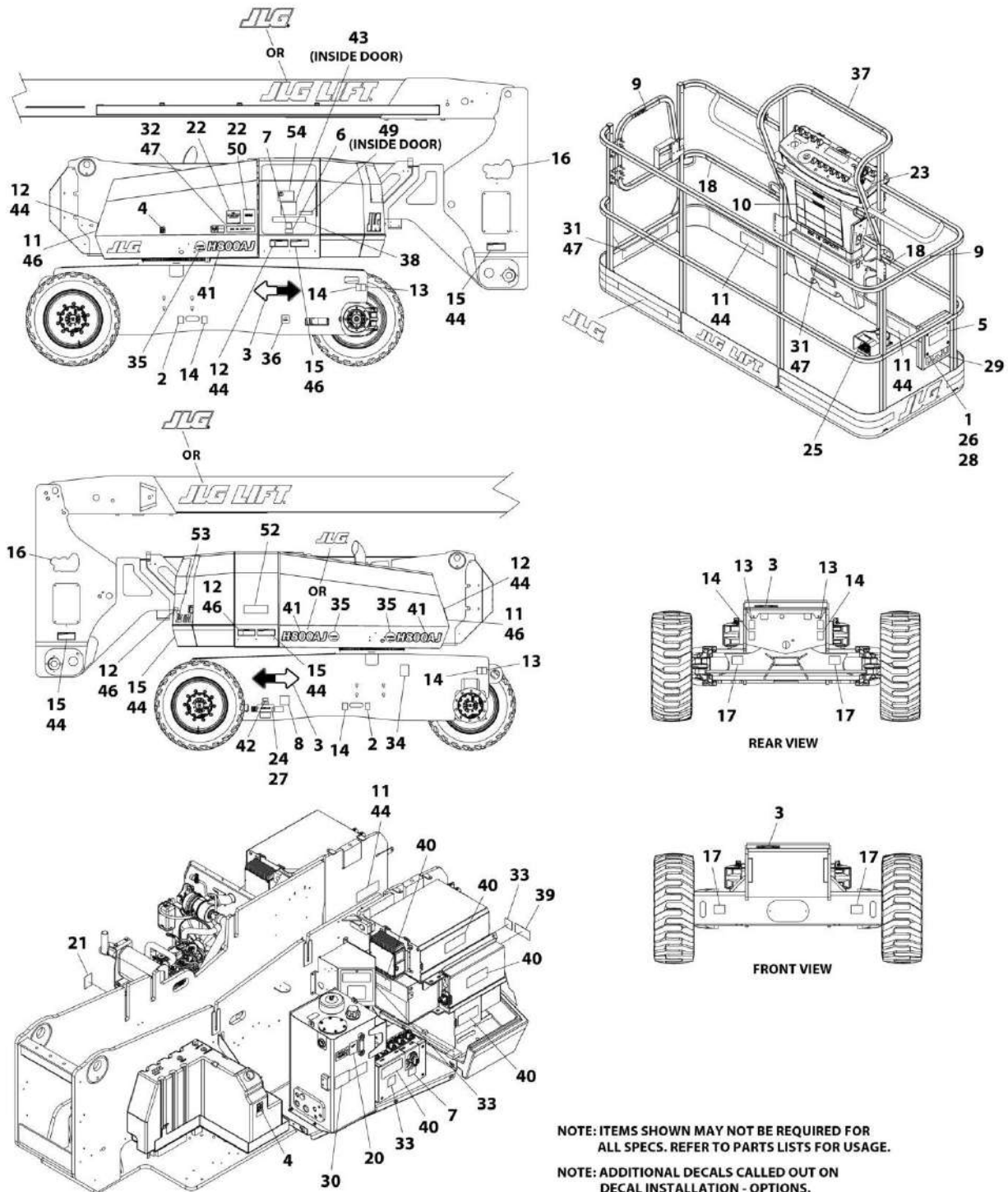
SECTION 9 - DECALS

FIGURE 9-3. DECAL INSTALLATION - BRAZIL SPECS (ENGLISH/PORTUGUESE LANGUAGES)

ITEM	PART NUMBER	QTY	DESCRIPTION	REV
	1001223550	1	DECAL INSTALLATION - BRAZIL	C
1	0641406	4	Bolt 1/4 X 3/4	
2	1701499	2	Decal - No Tie Down/Lift	
3	1701501	4	Decal - Arrow	
4	1701505	2	Decal - Diesel Fuel	
5	1701509	1	Decal - Manual	
6	1001233785	1	Decal - Charger Plug	
7	1702155	2	Decal - Battery Disconnect	
8	See Note	NSS	Decal - Bar Code (Note: Not Available For Purchase)	
9	1705967	2	Decal - No Hands	
10	1705895	1	Decal - Danger/Warning	
11	1705898	6	Decal - Crushing	
12	1705897	5	Decal - Danger Electrocution	
13	1703811	4	Decal - Lifting Lug	
14	1703814	6	Decal - Tie Down	
15	1705903	5	Decal - Warning/Crushing	
16	1703959	2	Decal - Quik Stik	
17	1703960	4	Decal - Maximum Tire Load	
18	1704277	3	Decal - Lanyard Attach	
20	1704412	1	Decal - Hydraulic Oil	
21	1706059	1	Decal - Warning Explosion	
22	1705896	1	Decal - Warning Inspection	
23	1705905	1	Decal - Drive/Steer Instructions	
24	See Note	NSS	Nameplate - Manufacturers (Note: Not Available for Purchase)	
25	1705902	1	Decal - Footswitch	
26	3311405	4	Nut 1/4	
27	3820001	2	Rivet	
28	4751400	8	Washer 1/4	
29	91403230	1	Box, Manual Storage	
30	1705977	1	Decal - Upright Level Over Ride	
31	1001121656	2	Decal - Warning Dual Capacity	
32	1001121655	1	Decal - Warning Dual Capacity	
33	1001125483	6	Decal - Pressure Wash	
35	1001174449	2	Decal - Hybrid	
36	1001224052	1	Decal - Yearly Inspection	
37	1001223552	1	Decal - Legend	
38	1001223553	1	Decal - Legend	
39	1001233066	2	Decal - Tipping Hazard	
40	1001233011	9	Decal - Electrical Shock Hazard	
41	1001223558	2	Decal - H800AJ	
43	1001228411	1	Decal - LED Indicator	
52	1001233452	1	Decal - Lifting Diagram	
54	1001117307	1	Decal - Emergency Stop	

SECTION 9 - DECALS

FIGURE 9-4. DECAL INSTALLATION - CE SPECS (ENGLISH LANGUAGE)



NOTE: ITEMS SHOWN MAY NOT BE REQUIRED FOR ALL SPECS. REFER TO PARTS LISTS FOR USAGE.
 NOTE: ADDITIONAL DECALS CALLED OUT ON DECAL INSTALLATION - OPTIONS.

ART_1001223544

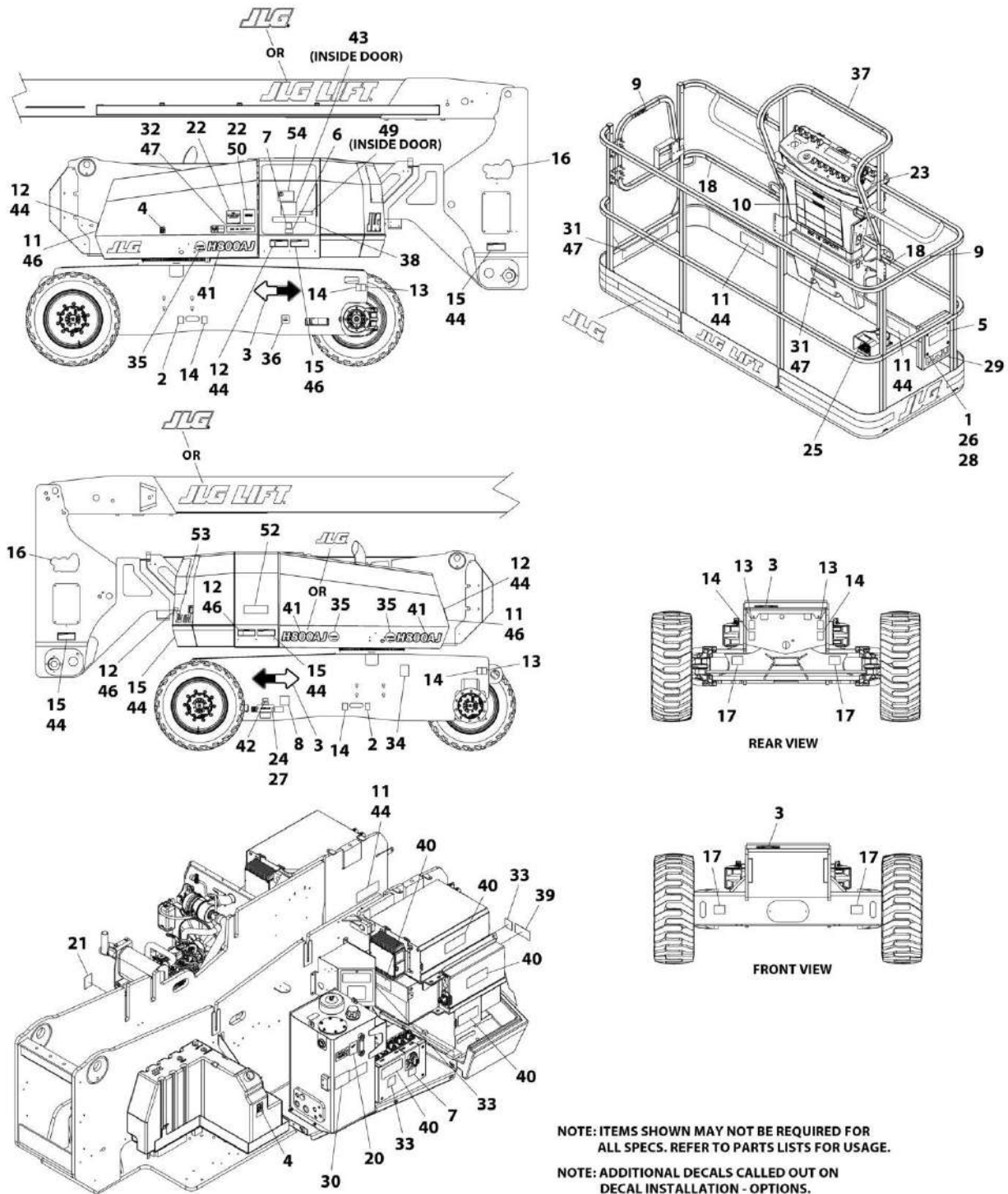
SECTION 9 - DECALS

FIGURE 9-4. DECAL INSTALLATION - CE SPECS (ENGLISH LANGUAGE)

ITEM	PART NUMBER	QTY	DESCRIPTION	REV
	1001223544	1	DECAL INSTALLATION - CE	F
1	0641406	4	Bolt, 1/4 x 3/4	
2	1701499	2	Decal - No Tie Down/Lift	
3	1701501	4	Decal - Arrow	
4	1701505	2	Decal - Diesel Fuel	
5	1701509	1	Decal - Manual	
6	1001233785	1	Decal - Charger Plug	
7	1702155	2	Decal - Battery Disconnect	
8	See Note	NSS	Decal - Bar Code (Note: Not Available for Purchase)	
10	1705921	1	Decal - Tipping/Electrocution	
13	1703811	4	Decal - Lifting Lug	
14	1703814	6	Decal - Tie Down	
16	1703959	2	Decal - Quik Stik	
17	1703960	4	Decal - Maximum Tire Load	
18	1704277	3	Decal - Lanyard Attach	
20	1704412	1	Decal - Hydraulic Oil	
21	1706098	1	Decal - Warning Ether Start	
22	1705822	1	Decal - Electrical/Safety Manual	
24	See Note	NSS	Decal - Manufacturers (Note: Not Available for Purchase)	
25	1705828	1	Nameplate - Footswitch	
26	3311405	4	Nut 1/4	
27	3820001	2	Rivet	
28	4751400	8	Washer 1/4	
29	91403230	1	Box, Manual Storage	
30	1705977	1	Decal - Upright Level Over Ride	
33	1001125483	6	Decal - Pressure Wash	
35	1001174449	2	Decal - Hybrid	
39	1001223560	2	Decal - Tip Over Hazard	
40	1001223561	9	Decal - Shock Hazard	
41	1001223558	2	Decal - H800AJ	
43	1001228411	1	Decal - LED Indicator	
44	1701518	11	Decal - Crushing	
46	1705961	5	Decal - Electrocution	
47	1705978	2	Decal - 230KG Capacity	
49	1001189882	1	Decal - MSSO Operation	
52	1001233452	1	Decal - Lifting Diagram	
53	1001204510	1	Decal - Sound Power Level (Prior to SN 0300247156)	
53	1001237844	1	Decal - Sound Power Level (SN 0300247156 to Present)	
54	1001117307	1	Decal - Emergency Stop	

SECTION 9 - DECALS

FIGURE 9-5. DECAL INSTALLATION - CHINA SPECS (ENGLISH/CHINESE LANGUAGES)



ART_1001223548

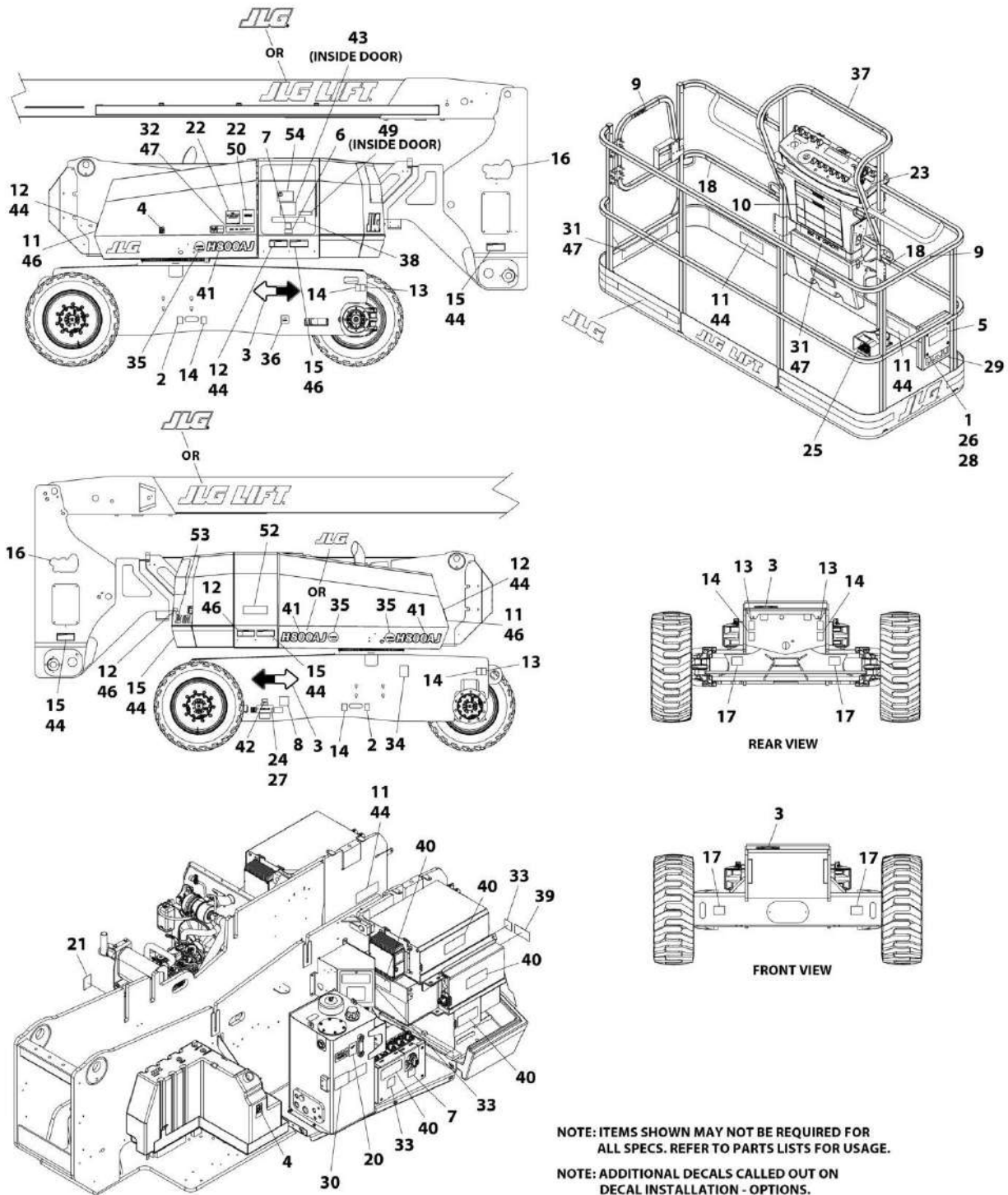
SECTION 9 - DECALS

FIGURE 9-5. DECAL INSTALLATION - CHINA SPECS (ENGLISH/CHINESE LANGUAGES)

ITEM	PART NUMBER	QTY	DESCRIPTION	REV
	1001223548	1	DECAL INSTALLATION - CHINA	C
1	0641406	4	Bolt 1/4 X 3/4	
2	1701499	2	Decal - No Tie Down/Lift	
3	1701501	4	Decal - Arrow	
4	1701505	2	Decal - Diesel Fuel	
5	1701509	1	Decal - Manual	
6	1001233785	1	Decal - Charger Plug	
7	1702155	2	Decal - Battery Disconnect	
8	See Note	NSS	Decal - Bar Code (Note: Not Available For Purchase)	
9	1001116846	2	Decal - Caution No Hands	
10	1703925	1	Decal - Warning/Danger	
11	1703949	6	Decal - Crushing	
12	1001116851	5	Decal - Electrocution	
13	1703811	4	Decal - Lifting Lug	
14	1703814	6	Decal - Tie Down	
15	1703943	5	Decal - Warning/Crushing	
16	1703959	2	Decal - Quik Stik	
17	1703960	4	Decal - Maximum Tire Load	
18	1704277	3	Decal - Lanyard Attach	
20	1704412	1	Decal - Hydraulic Oil	
21	1706060	1	Decal - Warning Fire Hazard	
22	1001116849	1	Decal - Warning Inspection	
23	1705430	1	Decal - Drive Steer Instructions	
24	See Note	NSS	Nameplate - Manufacturers (Note: Not Available for Purchase)	
25	1703982	1	Decal - Footswitch	
26	3311405	4	Nut 1/4	
27	3820001	2	Rivet	
28	4751400	8	Washer 1/4	
29	91403230	1	Box, Manual Storage	
30	1705977	1	Decal - Upright Level Over Ride	
31	1001121810	2	Decal - Warning Maximum Capacity	
32	1001121823	1	Decal - Warning Maximum Capacity	
33	1001125483	6	Decal - Pressure Wash	
35	1001174449	2	Decal - Hybrid	
36	1001224050	1	Decal - Yearly Inspection	
37	1001223552	1	Decal - Legend	
38	1001223553	1	Decal - Legend	
39	1001233065	2	Decal - Tipping Hazard	
40	1001233010	9	Decal - Electrical Shock Hazard	
41	1001223558	2	Decal - H800AJ	
43	1001228411	1	Decal - LED Indicator	
52	1001233452	1	Decal - Lifting Diagram	
54	1001117307	1	Decal - Emergency Stop	

SECTION 9 - DECALS

FIGURE 9-6. DECAL INSTALLATION - CSA SPECS (ENGLISH/FRENCH LANGUAGES)



NOTE: ITEMS SHOWN MAY NOT BE REQUIRED FOR ALL SPECS. REFER TO PARTS LISTS FOR USAGE.
 NOTE: ADDITIONAL DECALS CALLED OUT ON DECAL INSTALLATION - OPTIONS.

ART_1001223547

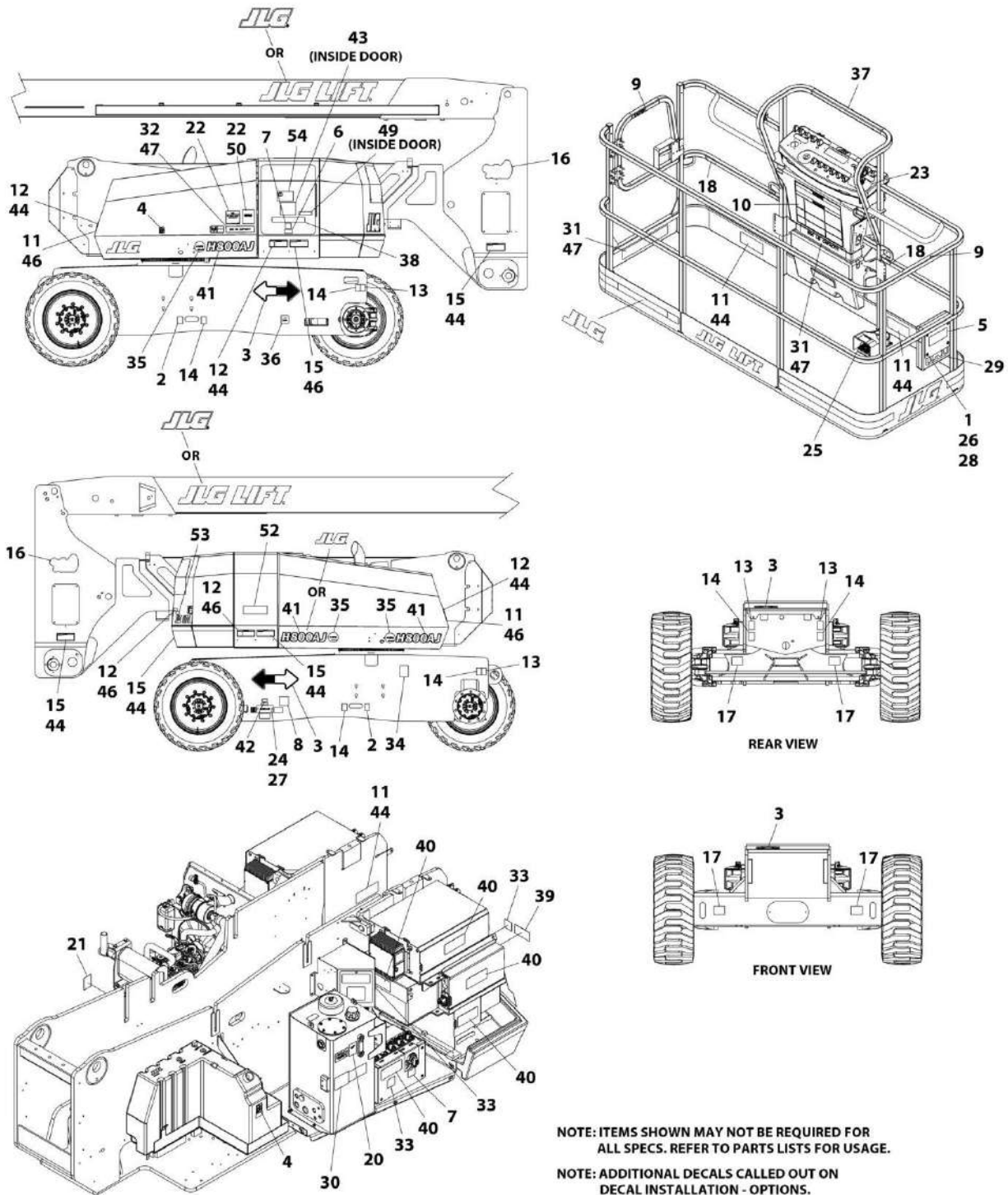
SECTION 9 - DECALS

FIGURE 9-6. DECAL INSTALLATION - CSA SPECS (ENGLISH/FRENCH LANGUAGES)

ITEM	PART NUMBER	QTY	DESCRIPTION	REV
	1001223547	1	DECAL INSTALLATION - CSA	C
1	0641406	4	Bolt, 1/4 x 3/4	
2	1701499	2	Decal - No Tie Down/Lift	
3	1701501	4	Decal - Arrow	
4	1701505	2	Decal - Diesel Fuel	
5	1701509	1	Decal - Manual	
6	1001233785	1	Decal - Charger Plug	
7	1702155	2	Decal - Battery Disconnect	
8	See Note	NSS	Decal - Bar Code (Note: Not Available for Purchase)	
9	1704000	2	Decal - No Hands	
10	1703924	1	Decal - Warning/Danger	
11	1703948	6	Decal - Warning/Crushing	
12	1703936	5	Decal - Electrocution	
13	1703811	4	Decal - Lifting Lug	
14	1703814	6	Decal - Tie Down	
15	1703942	5	Decal - Crushing	
16	1703959	2	Decal - Quik Stik	
17	1703960	4	Decal - Maximum Tire Load	
18	1704277	3	Decal - Lanyard Attach	
20	1704412	1	Decal - Hydraulic Oil	
21	1706064	1	Decal - Warning Fire Hazard	
22	1705347	1	Decal - Warning Inspection	
23	1705429	1	Decal - Drive/Steer Instructions	
24	See Note	NSS	Nameplate - Manufacturers (Note: Not Available for Purchase)	
25	1703984	1	Decal - Footswitch	
26	3311405	4	Nut 1/4	
27	3820001	2	Rivet	
28	4751400	8	Washer 1/4	
29	91403230	1	Box, Manual Storage	
30	1705977	1	Decal - Upright Level Over Ride	
31	1001121803	2	Decal - Warning Maximum Capacity	
32	1001121816	1	Decal - Warning Maximum Capacity	
33	1001125483	6	Decal - Pressure Wash	
34	1001131269	1	Decal - Patent	
35	1001174449	2	Decal - Hybrid	
36	1001223971	1	Decal - Yearly Inspection	
37	1001223552	1	Decal - Legend	
38	1001223553	1	Decal - Legend	
39	1001233063	2	Decal - Tipping Hazard	
40	1001233008	9	Decal - Electrical Shock Hazard	
41	1001223558	2	Decal - H800AJ	
42	1001228370	1	Decal - ICES	
43	1001228411	1	Decal - LED Indicator	
52	1001233452	1	Decal - Lifting Diagram	
54	1001117307	1	Decal - Emergency Stop	

SECTION 9 - DECALS

FIGURE 9-7. DECAL INSTALLATION - JAPANESE SPECS (ENGLISH/JAPANESE LANGUAGES)



NOTE: ITEMS SHOWN MAY NOT BE REQUIRED FOR ALL SPECS. REFER TO PARTS LISTS FOR USAGE.
 NOTE: ADDITIONAL DECALS CALLED OUT ON DECAL INSTALLATION - OPTIONS.

ART_1001223545

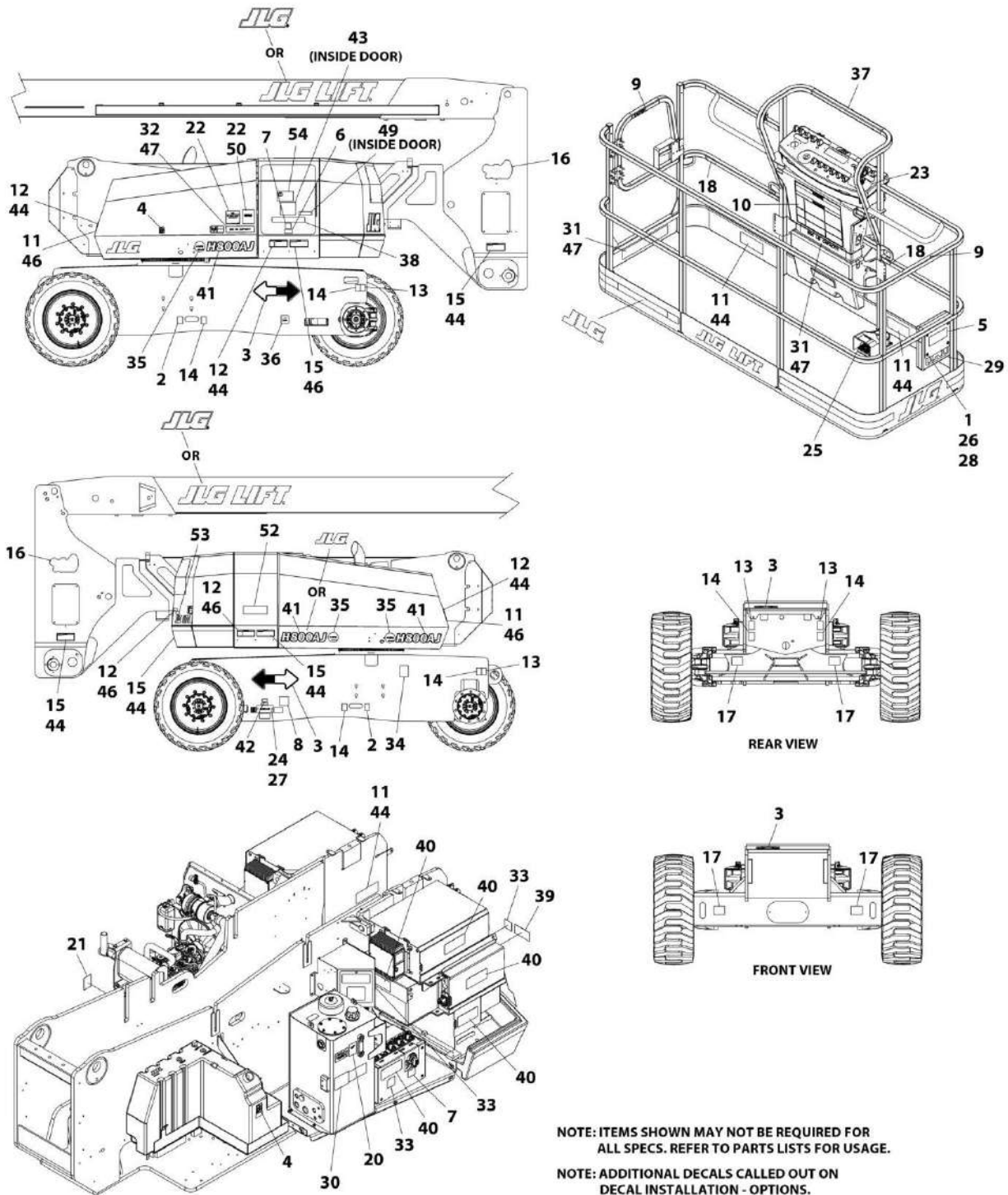
SECTION 9 - DECALS

FIGURE 9-7. DECAL INSTALLATION - JAPANESE SPECS (ENGLISH/JAPANESE LANGUAGES)

ITEM	PART NUMBER	QTY	DESCRIPTION	REV
	1001223545	1	DECAL INSTALLATION - JAPANESE	C
1	0641406	4	Bolt, 1/4 x 3/4	
2	1701499	2	Decal - No Tie Down/Left	
3	1701501	4	Decal - Arrow	
4	1701505	2	Decal - Diesel Fuel	
5	1701509	1	Decal - Manual	
6	1001233785	1	Decal - Charger Plug	
7	1702155	2	Decal - Battery Disconnect	
8	See Note	NSS	Decal - Bar Code (Note: Not Available for Purchase)	
10	1703926	1	Decal - Danger/Warning	
11	1703950	6	Decal - Crushing	
12	1703938	5	Decal - Electrocution	
13	1703811	4	Decal - Lifting Lug	
14	1703814	6	Decal - Tie Down	
15	1703944	5	Decal - Warning/Crushing	
16	1703959	2	Decal - Quik Stik	
17	1703960	4	Decal - Maximum Tire Load	
18	1704277	3	Decal - Lanyard Attach	
20	1704412	1	Decal - Hydraulic Oil	
21	1706062	1	Decal - Warning Explosion/Fire	
22	1705344	1	Decal - Warning Inspection	
23	1705426	1	Decal - Drive/Steer Instructions	
24	See Note	NSS	Nameplate - Manufacturers (Note: Not Available for Purchase)	
25	1703980	1	Decal - Footswitch	
26	3311405	4	Nut 1/4	
27	3820001	2	Rivet	
28	4751400	8	Washer 1/4	
29	91403230	1	Box, Manual Storage	
30	1705977	1	Decal - Upright Level Over Ride	
31	1001121808	2	Decal - Warning Maximum Capacity	
32	1001121821	1	Decal - Warning Maximum Capacity	
33	1001125483	6	Decal - Pressure Wash	
35	1001174449	2	Decal - Hybrid	
36	1001224053	1	Decal - Yearly Inspection	
37	1001223552	1	Decal - Legend	
38	1001223553	1	Decal - Legend	
39	1001233068	2	Decal - Tipping Hazard	
40	1001233013	9	Decal - Electrical Shock Hazard	
41	1001223558	2	Decal - H800AJ	
43	1001228411	1	Decal - LED Indicator	
52	1001233452	1	Decal - Lifting Diagram	
54	1001117307	1	Decal - Emergency Stop	

SECTION 9 - DECALS

FIGURE 9-8. DECAL INSTALLATION - KOREAN SPECS (ENGLISH/KOREAN LANGUAGES)



NOTE: ITEMS SHOWN MAY NOT BE REQUIRED FOR ALL SPECS. REFER TO PARTS LISTS FOR USAGE.
 NOTE: ADDITIONAL DECALS CALLED OUT ON DECAL INSTALLATION - OPTIONS.

ART_1001223546

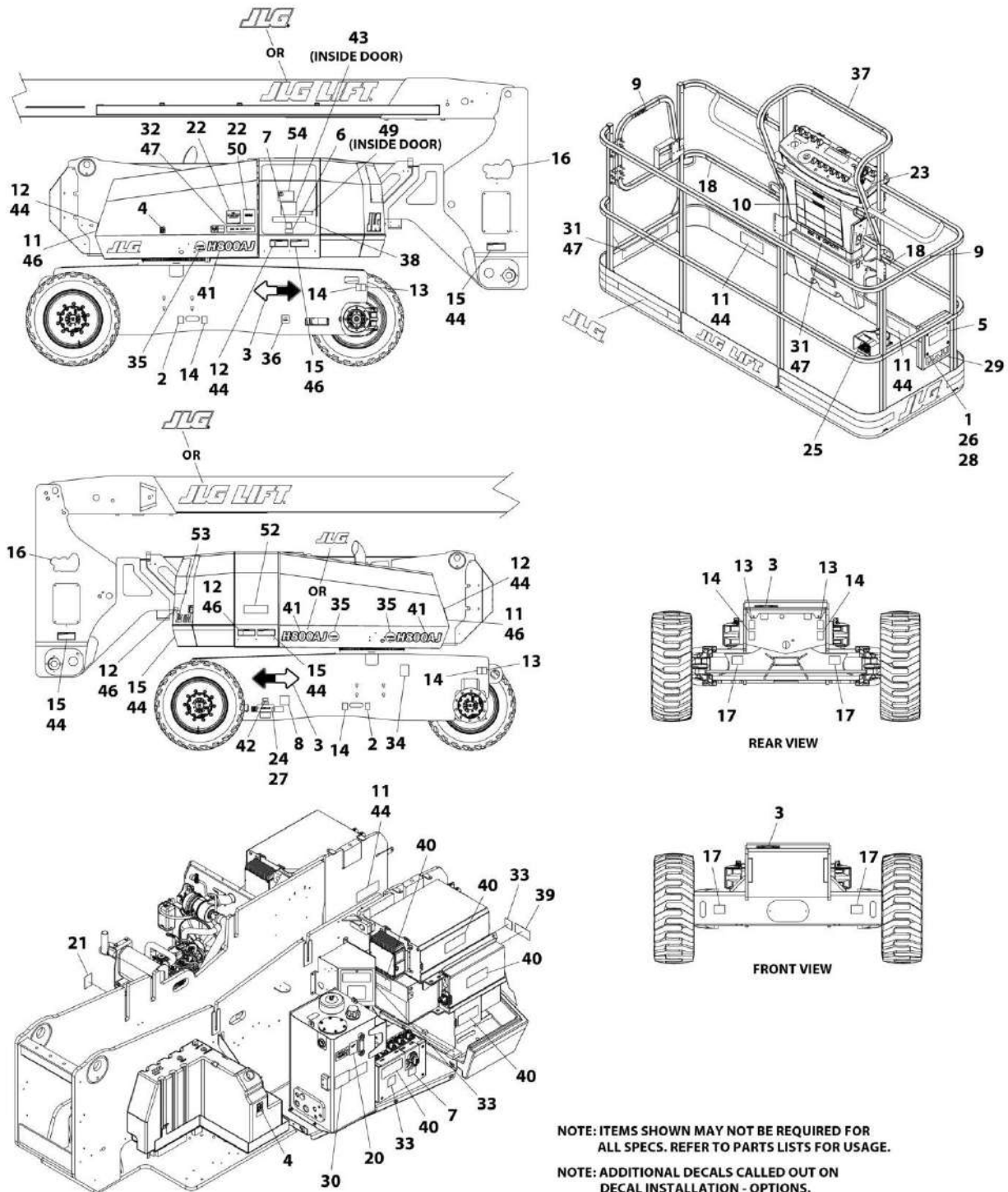
SECTION 9 - DECALS

FIGURE 9-8. DECAL INSTALLATION - KOREAN SPECS (ENGLISH/KOREAN LANGUAGES)

ITEM	PART NUMBER	QTY	DESCRIPTION	REV
	1001223546	1	DECAL INSTALLATION - KOREAN	C
1	0641406	4	Bolt, 1/4 x 3/4	
2	1701499	2	Decal - No Tie Down/Lift	
3	1701501	4	Decal - Arrow	
4	1701505	2	Decal - Diesel Fuel	
5	1701509	1	Decal - Manual	
6	1001233785	1	Decal - Charger Plug	
7	1702155	2	Decal - Battery Disconnect	
8	See Note	NSS	Decal - Bar Code (Note: Not Available for Purchase)	
9	1705969	2	Decal - No Hands	
10	1703927	1	Decal - Warning/Danger	
11	1703951	6	Decal - Warning/Crushing	
12	1703939	5	Decal - Danger Electrocutation	
13	1703811	4	Decal - Lifting Lug	
14	1703814	6	Decal - Tie Down	
15	1703945	5	Decal - Warning/Crushing	
16	1703959	2	Decal - Quik Stik	
17	1703960	4	Decal - Maximum Tire Load	
18	1704277	3	Decal - Lanyard Attach	
20	1704412	1	Decal - Hydraulic Oil	
21	1706061	1	Decal - Warning Fire Hazard	
22	1705345	1	Decal - Warning Inspection	
23	1705427	1	Decal - Drive/Steer Instructions	
24	See Note	NSS	Nameplate - Manufacturers (Note: Not Available for Purchase)	
25	1703981	1	Decal - Footswitch	
26	3311405	4	Nut 1/4	
27	3820001	2	Rivet	
28	4751400	8	Washer 1/4	
29	91403230	1	Box, Manual Storage	
30	1705977	1	Decal - Upright Level Over Ride	
31	1001121918	2	Decal - Warning Maximum Capacity	
32	1001121921	1	Decal - Warning Maximum Capacity	
33	1001125483	6	Decal - Pressure Wash	
35	1001174449	2	Decal - Hybrid	
36	1001224048	1	Decal - Yearly Inspection	
37	1001223552	1	Decal - Legend	
38	1001223553	1	Decal - Legend	
39	1001233064	2	Decal - Tipping Hazard	
40	1001233009	9	Decal - Electrical Shock Hazard	
41	1001223558	2	Decal - H800AJ	
43	1001228411	1	Decal - LED Indicator	
52	1001233452	1	Decal - Lifting Diagram	
54	1001117307	1	Decal - Emergency Stop	

SECTION 9 - DECALS

FIGURE 9-9. DECAL INSTALLATION - LATIN AMERICAN SPECS (ENGLISH/SPANISH LANGUAGES)



NOTE: ITEMS SHOWN MAY NOT BE REQUIRED FOR ALL SPECS. REFER TO PARTS LISTS FOR USAGE.
 NOTE: ADDITIONAL DECALS CALLED OUT ON DECAL INSTALLATION - OPTIONS.

ART_1001223549

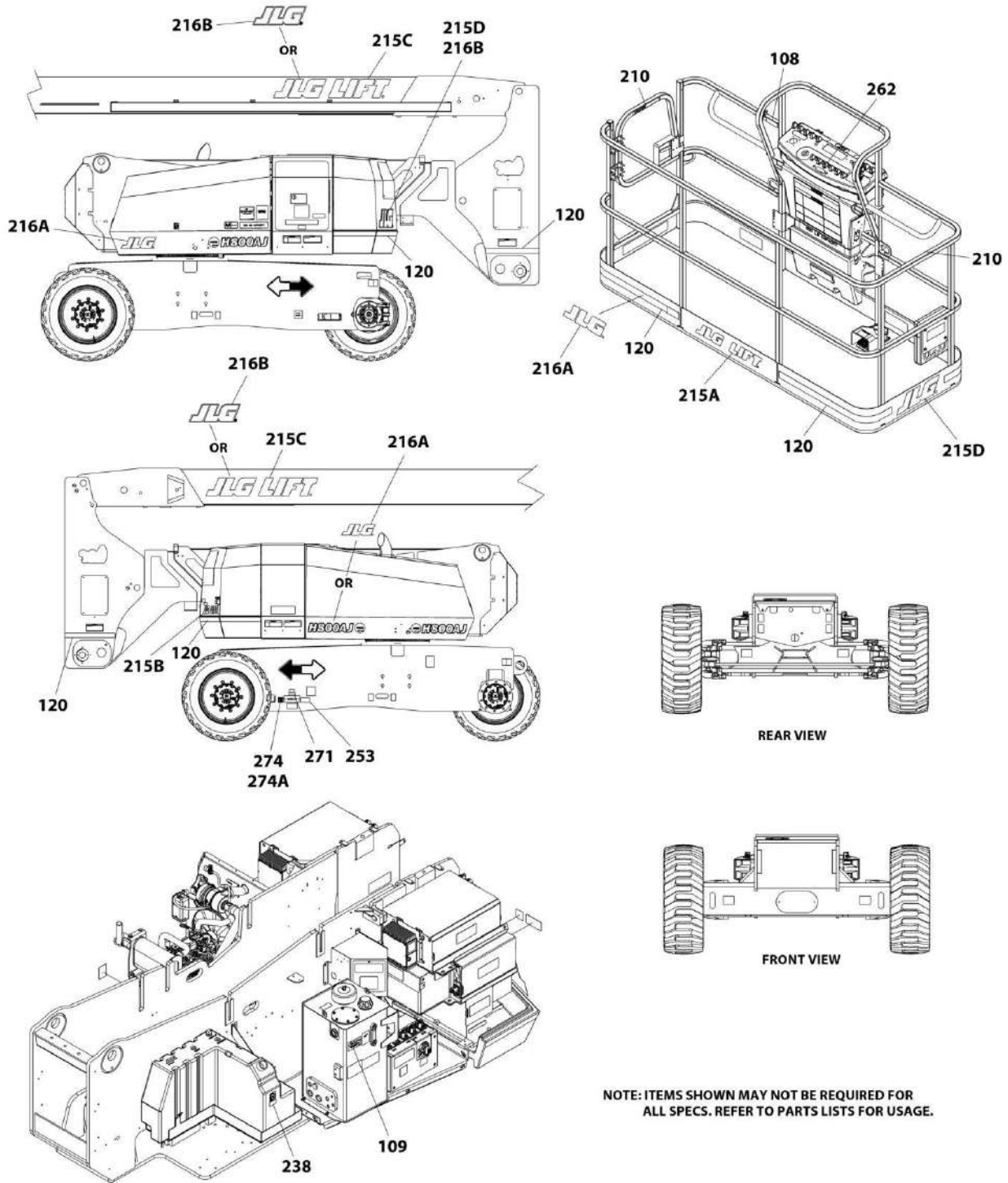
SECTION 9 - DECALS

FIGURE 9-9. DECAL INSTALLATION - LATIN AMERICAN SPECS (ENGLISH/SPANISH LANGUAGES)

ITEM	PART NUMBER	QTY	DESCRIPTION	REV
	1001223549	Ref	DECAL INSTALLATION - LATIN AMERICAN	C
1	0641406	4	Bolt, 1/4 x 3/4	
2	1701499	2	Decal - No Tie Down/Lift	
3	1701501	4	Decal - Arrow	
4	1701505	2	Decal - Diesel Fuel	
5	1701509	1	Decal - Manual	
6	1001233785	1	Decal - Charger Plug	
7	1702155	2	Decal - Battery Disconnect	
8	See Note	NSS	Decal - Bar Code (Note: Not Available for Purchase)	
9	1704001	2	Decal - No Hands	
10	1703923	1	Decal - Warning/Danger	
11	1703947	6	Decal - Warning/Crushing	
12	1703935	5	Decal - Electrocution	
13	1703811	4	Decal - Lifting Lug	
14	1703814	6	Decal - Tie Down	
15	1703941	5	Decal - Warning/Crushing	
16	1703959	2	Decal - Quik Stik	
17	1703960	4	Decal - Maximum Tire Load	
18	1704277	3	Decal - Lanyard Attach	
20	1704412	1	Decal - Hydraulic Oil	
21	1706063	1	Decal - Warning Fire Hazard	
22	1705917	1	Decal - Warning Inspection	
23	1705910	1	Decal - Drive/Steer Instuctions	
23	See Note	NSS	Nameplate - Manufacturers (Note: Not Available for Purchase)	
25	1703983	1	Decal - Footswitch	
26	3311405	4	Nut 1/4	
27	3820001	2	Rivet	
28	4751400	8	Washer 1/4	
29	91403230	1	Box, Manual Storage	
30	1705977	1	Decal - Upright Level Over Ride	
31	1001121805	2	Decal - Warning Maximum Capacity	
32	1001121818	1	Decal - Warning Maximum Capacity	
33	1001125483	6	Decal - Pressure Wash	
35	1001174449	2	Decal - Hybrid	
36	1001224049	1	Decal - Yearly Inspection	
37	1001223552	1	Decal - Legend	
38	1001223553	1	Decal - Legend	
39	1001233067	2	Decal - Tipping Hazard	
40	1001233012	9	Decal - Electrical Shock Hazard	
41	1001223558	2	Decal - H800AJ	
43	1001228411	1	Decal - LED Indicator	
52	1001233452	1	Decal - Lifting Diagram	
54	1001117307	1	Decal - Emergency Stop	

SECTION 9 - DECALS

FIGURE 9-10. DECALS INSTALLATION - OPTIONS



NOTE: ITEMS SHOWN MAY NOT BE REQUIRED FOR ALL SPECS. REFER TO PARTS LISTS FOR USAGE.

ART_DECAL_OPTIONS

SECTION 9 - DECALS

FIGURE 9-10. DECALS INSTALLATION - OPTIONS

ITEM	PART NUMBER	QTY	DESCRIPTION	REV
	1001223519	Ref	DECAL INSTALLATION - REFERENCE CHART	B
	1001221047	Ref	DECAL INSTALLATION - OPTIONS	C
108	1702962	1	Decal - Proposition 65	
109	1702788	1	Decal - Biodegradeable Hydraulic Fluid (All Specs except German Spec)	
109	1703479	1	Decal - Biodegradeable Hydraulic Fluid (German Spec)	
120	4420051	23 ft /7m	Decal - Warning Stripes	
		Ref	Decal - No Hands Options	
210	1702868	2	Decal - No Hands (ANSI/ANSI Export/Australian/CE Specs) (English Language)	
210	1705967	1	Decal - No Hands (Brazil Specs) (Portuguese & Spanish Languages)	
210	1001116846	2	Decal - No Hands (China Specs) (English & Chinese Languages)	
210	1704000	2	Decal - No Hands (CSA Specs) (English & French Languages)	
210	1705969	2	Decal - No Hands (Korean Specs) (English & Korean Languages)	
210	1704001	2	Decal - No Hands (Latin American Specs) (English & Spanish Languages)	
215	1001232986	Ref	Decal Installation - JLG Logo (All Specs Except CE Specs) (Not Shown)	B
215A	1702773	1	Decal - JLG	
215B	1702774	2	Decal - JLG Lift	
215C	1702861	2	Decal - JLG Lift	
215D	1001159323	1	Decal - JLG	
216	1001235097	Ref	Decal Installation - JLG Logo (CE Specs Only) (Not Shown)	A
216A	1702773	3	Decal - JLG	
216B	1001159323	3	Decal - JLG (CE Specs Only)	
238	1001125387	1	Decal - Ultra Low Sulfur Fuel (ANSI & CSA Specs)	
238	1001139654	1	Decal - Ultra Low Sulfur Fuel (CE Specs)	
253	1001143852	1	Decal - Emission Compliance (ANSI Export, Australian and China Specs)	
262	1001141300	1	Decal - SkyGuard Override (Without Soft-Touch)	
262	1001141302	1	Decal - SkyGuard Override (With Soft-Touch)	
271	1705514	1	Decal - CSA (CSA Specs)	
274	1001214030	1	Decal - EAC Installation (CIS and Russia Specs)	
274A	1001173703	1	Decal - EAC	

SECTION 10 - RECOMMENDED SERVICE PARTS STOCK

SECTION 10 - RECOMMENDED SERVICE PARTS STOCK

SECTION 10 - RECOMMENDED SERVICE PARTS STOCK

FIGURE 10-1. RECOMMENDED SERVICE PARTS STOCK

ITEM	PART NUMBER	QTY	DESCRIPTION	REV
		Ref	Note: The following list will service one machine (built to current production per date on the front cover) with emergency repair parts which can be installed in the field. Parts from the list should be replaced when inventory is depleted to keep service parts stock supplied. For further information, contact your JLG dealer or the JLG Industries Parts Department.	
		Ref	STANDARD PARTS	
	70002231	12	Element, Filter	
	70004460	1	Coil	
	70000582	1	Coil	
	70004595	1	Coil	
	70004653	1	Coil	
	7018991	1	Coil	
	70004463	1	Coil	
	70002814	12	Hydraulic Tank Service Kit	
	1001226932	2	Fuse 40Amp	
	1001226933	2	Fuse 80Amp	
	1001231544	1	Switch, STDP Interlock	
	1001222340	1	Relay, Main Contactor	
	1001222357	2	Fuse 500Amp	
	1001222365	1	Relay	
	1001228440	2	Fuse 15Amp	
	2400068	1	Fuse	
	3740112	1	Relay	
	8225117	1	Relay	
	8229234	2	Fuse 10Amp	
	8229236	2	Fuse 30Amp	
	8229237	2	Fuse 15Amp	
	8229261	2	Fuse 5Amp	
	1001095704	1	Relay	
	1001172066	2	Fuse 35Amp	
	1001227788	2	Fuse 2Amp	
	4360469	1	Switch, Key	
	2860030	1	Key, Replacement	
	4360475	1	Switch, Emergency Stop	
	4360476	1	Switch, Contact Block	
	1001155045	1	Switch, Toggle	
	1001190545	12	Strainer, Fuel	
	7015004	12	Element, Air Filter	
	70005296	12	Element, Fuel/Water Separator Filter	
	70002013	1	Repair Section - Power Track (Main Boom)	
	7020066	1	Repair Section - Power Track (Tower Boom)	
	70002386	1	Coil	
	4360331	1	Switch, Toggle	
	4360387	1	Switch, Push Button	
	4360407	1	Switch, Potentiometer	
	1001159256	1	Switch, Toggle	
	1001129555	1	Controller Assembly (Lift and Swing)	
	1001212415	1	Controller Assembly (Drive and Steer)	

SECTION 10 - RECOMMENDED SERVICE PARTS STOCK

ITEM	PART NUMBER	QTY	DESCRIPTION	REV
	4360328	1	Switch, Toggle	
	1001137673	1	Switch, SkyGuard Assembly	
	2400080	2	Fuse 1Amp	
	1001234313	2	Fuse 7.5Amp	
		Ref	VARIABLE PARTS	
	4360517	1	Switch, Proximity	
	70002838	1	Fill Cap Assembly (Includes Cap, Chain & Fill Basket)	
	1001222358	1	Regulator, Battery	
	1001219601	1	Sensor, Tilt	
	1001222361	1	Regulator	
	1001222879	1	Controller, IMG	
	1001223581	1	Control, H-Bridge	
	1001222338	1	Module, Ground Control	
	4360336	1	Switch, Toggle (With Generator)	
	4360578	1	Switch, Limit	
	4360498	1	Switch, Proximity	
	4360499	1	Switch, Proximity	
	1001094400	1	Sensor, Tilt Sensor	
	2940074	1	Latch (Machines with Gate)	
	1001106938	1	Module, Platform Control	
	4360057	1	Switch, Limit Machines with Soft Touch)	
	1001181045	1	Breaker, 30mA/16Amp (CE Spec)	

SECTION 11 - SPECIAL OPTIONS

SECTION 11 - SPECIAL OPTIONS

FIGURE 11-1. SPECIAL OPTIONS

ITEM	PART NUMBER	QTY	DESCRIPTION	REV
	Note	Ref	Note: This list is to accommodate machines ordered with special equipment. Options may not be applicable to all models. For more specific parts information contact JLG Parts Department.	
		Ref	MISCELLANEOUS SPECIAL OPTIONS	
	1001152965	Ref	Beacon/Strobe Light (Amber) (Platform Mounted) Installation	
	1001228656	Ref	Beacon/Strobe Light (Amber) (Dual Ground & Platform Mounted) Installation	
	1001158259	Ref	Bellows Installation - Chassis	
	2910887	Ref	Boom Wear Pad Kit	
	0258654	Ref	Boom Wipers Installation	
	1001172045	Ref	Cable/Ladder Carrier Installation (800AJ Only)	
		Ref	ClearSky Telematics Installation (Dealer Installed)	
	1001230187	Ref	ClearSky Telematics Installation - Canbus Connection (Dealer Installed) (ANSI & CSA Specs)	
	1001234099	Ref	ClearSky Telematics Installation - Canbus Connection (Dealer Installed) (CE Specs)	
	1001230504	Ref	ClearSky Telematics Installation - 3 Wire Connection (Dealer Installed) (ANSI & CSA Specs)	
	1001234102	Ref	ClearSky Telematics Installation - 3 Wire Connection (Dealer Installed) (CE Specs)	
		Ref	ClearSky Telematics Installation (Factory Installed)	
	1001227448	Ref	ClearSky Telematics Installation - Canbus Connection (Factory Installed) (ANSI & CSA Specs)	
	1001228949	Ref	ClearSky Telematics Installation - Canbus Connection (Factory Installed) (ANSI Export & CE Specs)	
	1001229107	Ref	ClearSky Telematics Installation - 3 Wire Connection (Factory Installed) (ANSI & CSA Specs)	
	1001233237	Ref	ClearSky Telematics Installation - 3 Wire Connection (Factory Installed) (ANSI Export & CE Specs)	
	1001235269	Ref	Clutch Actuator Installation Kit	
	1001227904	Ref	Cold Weather Package Installation - 120V (All Specs except CE Specs)	
	1001232214	Ref	Cold Weather Package Installation - 240V (CE Specs Only)	
	1001115918	Ref	Cribbing Installation	
		Ref	Decal Installation Options:	
	1001196614	Ref	Decal - Ahern Rentals	
	1001196713	Ref	Decal - Blueline	
	1001127094	Ref	Decal - ClearSky (ANSI, ANSI Export, CSA and CE Spec) (Steel Hoods)	
	0274528	Ref	Decal - Head and Engquist Equipment L.L.C. (HANDE)	
	1001222212	Ref	Decal - Herc Rental	
	1001222205	Ref	Decal - Hertz (Canada)	
	1001143077	Ref	Decal - Hewitt the Rental Store (English)	
	1001143512	Ref	Decal - Hewitt the Rental Store (French)	
	1001140644	Ref	Decal - Leavitt	
	0274248	Ref	Decal - National Equipment Services (NES)	
	1001218710	Ref	Decal- Riwal	
	1001197853	Ref	Decal - Sunbelt	
	1001235118	Ref	Decal - Thompson Cat Rental	
	1001151081	Ref	Decal - Titan Rentals	
	0273122	Ref	Decal - United Rentals	

SECTION 11 - SPECIAL OPTIONS

ITEM	PART NUMBER	QTY	DESCRIPTION	REV
		Ref	Decal Kit Options:	
	1001220864	Ref	Boom Transport Decal Kit	
	1001108721	Ref	Platform Decal Kit	
	2902396	Ref	Drive/Steer Cutout Kit	
	1001238307	Ref	Dual Plug Charging Kit – 120V	
	1001148902	Ref	Electrical Connector Kits - Amp	
	1001148903	Ref	Electrical Connector Kits - Deutsch DT	
	1001148904	Ref	Electrical Connector Kits - Deutsch HD	
	1001148905	Ref	Electrical Connector Kits - Packard	
	1001148906	Ref	Electrical Connector Kits - Various	
	1001108962	Ref	Exhaust Rain Cap Installation (Australian and CE Specs)	
	1001139099	Ref	Fire Extinguisher Installation (20lb)	
	2300004	Ref	Fluids - Coolant, Standard (Deutz TD2.9L4/GM Engines without Arctic Package)	
	1001159301	Ref	Fluids - Engine Oil, (10W-30)	
	2300014	Ref	Fluids - Hydraulic Fluids - Mobil 424	
	2300016	Ref	Fluids - Hydraulic Fluids - Mobil DTE 10 Excel 32	
	2300042	Ref	Fluids - Hydraulic Fluids - Biodegradeable	
	2300029	Ref	Fluids - Hydraulic Fluids - Biodegradeable Synthetic	
	2300019	Ref	Fluids - Hydraulic Fluids - Quintolubric Fire Resistant	
	3020039	Ref	Fluids - Lubricant (Axle Pivot)	
	3020029	Ref	Fluids - Lubricant (Kingpin)	
	1001117294	Ref	Footswitch Shield (Note: Move Decal to Shield)	
	1001202749	Ref	Fuel Cap Cover Installation (Black) (Note: Lock p/n 1001102157 must be Purchased Separately)	
	1001191395	Ref	Fuel Cap Cover Installation (Green) (Diesel Machines) (Note: Lock p/n 1001102157 must be Purchased Separately)	
	1001094475	Ref	Generator Hourmeter Installation	
	1001227816	Ref	Headlights and Taillights Installation	
	1001183225	Ref	Hose Kit - Main Boom	
	1001183226	Ref	Hose Kit - Tower Boom	
	1001148971	Ref	Lanyard (Bolt-On) Kit Installation	
	1001195304	Ref	Platform Console Cover Installation (Factory Installed)	
	1001110974	Ref	Platform Console Cover Installation (Factory Installed)	
	1580013	Ref	Platform Corner Tray Installation	
	1001142504	Ref	Platform Entry Kit - Drop Bar (To Replace Swing Gate with Drop Bar)	
	1001142505	Ref	Platform Entry Kit - Swing Gate (To Replace Drop Bar with Swing Gate)	
	1001120467	Ref	Platform Floodlights Installation	
	0273147	Ref	Platform Mesh to Top Rail Installation - 2.5ft x 4ft Platforms (ANSI/ANSI Export and CSA Specs)	
	0273149	Ref	Platform Mesh to Top Rail Installation - 3ft x 6ft Platforms (ANSI/ANSI Export and CSA Specs)	
	0273145	Ref	Platform Mesh to Top Rail Installation - 3ft x 8ft Platforms (ANSI/ANSI Export and CSA Specs)	
		Ref	Platform Mesh to Top Rail Add-on Kits:	
	1001214552	Ref	30in x 4ft (76cm x 1.22m) with Gate	
	1001214561	Ref	36in x 6ft (91.5cm x 1.83m) with Gate	
	1001214562	Ref	36in x 8ft (91.5cm x 2.44m) with Gate	
		Ref	Platform Mesh to Mid Rail Add-On Kits: (ANSI Specs)	
	1001214478	Ref	30in x 4ft (76cm x 1.22m) with Gate	
	1001214524	Ref	30in x 6ft (76cm x 1.83m) with Gate	

SECTION 11 - SPECIAL OPTIONS

ITEM	PART NUMBER	QTY	DESCRIPTION	REV
	1001214540	Ref	36in x 6ft (91.5cm x 1.83m) with Gate	
	1001214548	Ref	36in x 8ft (91.5cm x 2.44m) with Gate	
	0272733	Ref	Platform, Top Rail Extension Installation - 3ft x 6ft Platforms	
	0272725	Ref	Platform, Top Rail Extension Installation - 3ft x 8ft Platforms	
	1001120466	Ref	Platform Worklights Installation	
	1001209059	Ref	Platform Work Surface Installation	
	1001205492	Ref	SkyGlazier Tray Kit (ANSI Specs)	
	1001197016	Ref	SkyGuard Platform Sensor Kit	
	1001157013	Ref	Soft-Touch Counterweight Installation	
	1001200285	Ref	Telematics Installation (Customer Supplied)	
	1001228363	Ref	Telematics - Herc	
	1001210089	Ref	Telematics - Cat	
	1001209282	Ref	Telematics - Loxam	
	1001210090	Ref	Telematics - Riwal	
	1001195610	Ref	Telematics - United Rentals (M6)	
	1001214463	Ref	Telematics - United Rentals (M8)	
		Ref	Tools for Service	
	1600244	1	Analyzer, Machine System	
	7002840	1	Antirotation Pin Removal Tool	
	1001227898	1	Clutch Shaft Alignment Tool (Production)	
	1001234306	1	Clutch Shaft Alignment Tool (Service)	
	8896941	1	Wire Stripper	
	7002821	1	Wire Crimper (To install wire ends to wires)	
	7002823	1	Pin/Socket Extractor - Universal (To Remove Pins/Sockets from Connectors)	
	4460467	1	Extractor - 16-18 Gauge (For Removal of Pin/Sockets from Deutsch Connectors)	
	4460510	1	Extractor - 12-14 Gauge (For Removal of Pin/Sockets from Deutsch Connectors)	
	7002822	1	Screwdriver, Potentiometer (To Adjust Drive Controllers)	
	7016654	1	Screwdriver, Magnetic	
	7004275	1	Seal Installation Tool - 1in	
	7004276	1	Seal Installation Tool - 1-1/2in	
	7002826	1	Seal Installation Tool - 2in	
	7016655	1	Wire Rope Sheave Gauge	
	7016652	1	Huck Bolt Fastener (For Small Huck Bolts Only)	
	70000017	1	ADE Software CD	
	1001137005	1	Software Cable Kit	
	70005663	1	Tool, Port Plate for Pump p/n 1001142522	
	0256196	Ref	Wheel Covers Installation	

PART NUMBER INDEX

PART NUMBER INDEX

0100009.....95, 223	0273122 468	0641514 259	0721005.... 241, 243, 245, 247
0100011.... 13, 15, 17, 19, 21, 39, 41, 45, 47, 65, 69, 71, 75, 77, 80, 87, 89, 95, 101, 105, 107, 109, 112, 115, 117, 122, 125, 128, 131, 133, 139, 153, 157, 161, 169, 171, 173, 177, 179, 181, 183, 187, 191, 193, 195, 201, 205, 209, 215, 239, 241, 243, 245, 247, 251, 253, 255, 271, 275, 279, 283, 287, 291, 297, 301, 361, 365, 375, 377, 379, 381, 383	0273145 469	0641516 157, 161	0741607.... 153, 157, 161, 169
010001959, 65, 153, 157, 161	0273147 469	0641560 21	0741609..... 19
0100020.... 122, 128, 237, 327, 329, 333, 335, 337, 339, 341, 343, 345, 347, 349	0273149 469	0641604 169, 187	0760606.... 139, 154, 158, 162
0100035..... 89, 191, 223	0273706 247	0641605 179	0760607..... 128
0100038.... 173, 179, 271, 275, 279, 283, 287, 291, 297, 301	0273824 241	0641606 . 39, 45, 47, 169, 171, 177, 179, 251, 253, 255	0760608..... 128
0100048.... 101, 153, 157, 161, 189, 223, 399	0274528 468	0641607 . 17, 19, 71, 112, 169, 171, 173, 177, 183	0760610..... 93, 128
0100062..... 129	0275216 327, 423	0641608 ... 37, 71, 75, 80, 83, 85, 89, 109, 112, 169, 171, 173	0760612..... 149
0100079..... 161	0275217 333, 425	0641609 112, 171, 173	0760807..... 80, 89
0100081.... 112, 177, 223, 249	0275452 337, 427	0641610 ... 105, 107, 112, 122, 173, 221	0760810..... 128, 195
0140011..... 223	0275453 341, 429	0641611 69, 169	0760812..... 87
0140044..... 101	0275454 345, 431	0641612 ... 171, 375, 377, 379, 381, 383	0760814..... 131, 149
0200048.... 241, 243, 245, 247	0275733 189	0641614 45, 47, 71	0761010..... 131
0232121..... 41	0340045 128	0641616 ... 153, 158, 161, 173	0761215.... 123, 153, 157, 161
0256196..... 470	0360406 41	0641618 169	0761216..... 195
0256202..... 355	0370034 275	0641622 179	0801132..... 168, 173
0258077..... 177	0400075 87	0641624 177, 179	0801496..... 173
0258217..... 187	0440244 65	0641640 177	0801573..... 171
0258567..... 191	0480100 259	0641652 301	0801591..... 171
0258654..... 468	0561185 173	0641806 173, 297, 299	0801594..... 173
0259420..... 179	0561295 171	0641808 123	0811406..... 89
0270886..... 31	0610131 95	0641810 17, 19, 80	0811606..... 89
0270888..... 33	0630427 187	0641812 69, 80, 125, 193, 195	0811608..... 71, 129
0271085..... 31	0630446 75	0641814 80	0811610..... 112
0271086..... 31	0630462 ... 241, 243, 245, 247	0641816 151	0811812..... 112
0271090..... 33	0630467 181, 183	0641820 69, 169	0860038.... 161, 325, 331
0271091..... 33	0630485 112	0641824 151	0861538..... 161
0271340..... 229	0630518 ... 251, 253, 255	0641840 169	0861572..... 157
0272070..... 193	0630534 279, 281	0642012 249	0861731.... 339, 343, 347, 349, 427, 429, 431
0272254..... 253	0630535 ... 271, 273, 291, 293, 297, 299, 301, 303	0642016 59, 122	0861781.... 329, 335, 423, 425
0272259..... 325	0630536 287, 289	0642038 41	0861880..... 389, 391
0272260..... 331	0630537 ... 275, 277, 283, 285	0642212 13, 15, 249	0902888..... 157, 161
0272427..... 245	0630548 95	0642214 169	0903242..... 69
0272433..... 357	0630568 224	0642620 169	0903697..... 363
0272435..... 162	0641403 191	0642684 193, 195	0940049..... 112
0272448..... 253	0641404 ... 153, 157, 161, 169, 223	0681608 ... 13, 15, 71, 87, 193, 195	0940092.... 241, 243, 245, 247
0272521..... 251	0641405 80, 95, 101	0681620 ... 261, 263, 265	0940094.... 241, 243, 245, 247
0272588..... 251	0641406 80, 87, 109, 153, 219, 221, 359, 361, 363, 365, 443, 445, 447, 449, 451, 453, 455, 457, 459	0681814 211, 217	0940102..... 249
0272589..... 158	0641407 80, 95, 122	0681822 21, 211, 217	0940103..... 241, 245
0272725..... 470	0641408 . 87, 89, 95, 112, 122, 189, 221	0682016 21	0940133..... 247
0272733..... 470	0641410 39	0682023 65	0940177..... 243
	0641414 45, 47, 223, 239, 241, 243, 245, 247	0682032 65	0961845.... 201, 205, 209, 215
	0641416 ... 327, 329, 333, 335, 337, 339, 341, 343, 345, 347, 349	0682216 59	0961893..... 279, 281
	0641418 ... 181, 183, 201, 205, 209, 215	0682236 13, 15	0961894.... 271, 273, 291, 293
	0641424 89, 169	0682424 261, 263, 265	0961897.... 297, 299, 301, 303
	0641432 45, 47	0700408 ... 327, 329, 333, 335, 337, 339, 341, 343, 345, 347, 349	0961901..... 275, 283
	0641504 41	0700615 87, 105, 107	0961903..... 287
	0641505 93	0700617 115	0961947..... 168
	0641506 87, 399	0700618 117	0961951.... 171, 271, 273, 291, 293
	0641507 77	0700815 131	0961986..... 122, 129
	0641508 41, 112, 122	0701217 122	
	0641510 89	0711626 128	

PART NUMBER INDEX

096210213, 15, 171, 173, 275, 277, 283, 285, 287, 289	1001108256.....243	1001121123.....112	1001143077 468
0962122 173	1001108617..... 45, 47	1001121655.....447	1001143512 468
0962152 19, 295	1001108721.....469	1001121656.....447	1001143852 461
0962155 291, 293	1001108962..... 469	1001121726.....401	1001144295 399, 417
0962181 19	1001109654..... 359, 363, 389	1001121727.....397	1001144296 401
0962270 211, 217	1001110166..... 112	1001121801.....443	1001144433 223
0962335 168	1001110425..... 45, 47	1001121803.....453	1001144527 109
0962336 279, 281	1001110434..... 223	1001121805.....459	1001144629 199, 203, 207, 213
0962348 19	1001110872..... 351, 353	1001121808.....455	1001146219 128
0962520 153, 157, 161	1001110873..... 161, 325	1001121810.....451	1001146220 95, 223
0962524 297	1001110974..... 469	1001121814.....443	1001146588 93, 399
1001091460 27	1001112551..... 445	1001121816.....453	1001147923 401
1001091461 27	1001112612..... 369, 371, 435, 437	1001121818.....459	1001148106 403
1001091969 327	1001112796..... 415, 435	1001121821.....455	1001148652 171
1001091970 333	1001113047.. 89, 93, 109, 112	1001121823.....451	1001148902 469
1001091973 337	1001113961..... 437	1001121918.....457	1001148903 469
1001091974 341	1001115918..... 468	1001125125..... 381, 383	1001148904 469
1001091975 345	1001116290..... 115, 117	1001125126..... 381, 383	1001148905 469
1001093382 87	1001116694..... 397	1001125387 461	1001148906 469
1001094400 189, 465	1001116716..... 439	1001125483..... 443, 445, 447, 449, 451, 453, 455, 457, 459	1001148971 469
1001094475 469	1001116720..... 439	1001125677 419, 437	1001149284 171, 297
1001094595 125, 141	1001116723..... 397	1001125748 403	1001149286 168, 171
1001095704 93, 464	1001116727..... 397, 401	1001125773..... 403	1001149391 297, 299
1001096138 415	1001116745..... 397	1001126008..... 367, 373	1001150260 112
1001096141 443	1001116747..... 401	1001126010..... 433	1001150372 17, 19
1001096736 189	1001116774..... 397, 435	1001126011..... 367, 419	1001150539 .. 17, 19, 295
1001097051 375, 377, 379, 381, 383	1001116808..... 397, 435	1001127094 468	1001150610 403
1001097082 375, 377, 379, 381, 383	1001116810..... 369, 371	1001128241 93	1001150611 401
1001097150 389	1001116811..... 403	1001128527 255	1001150937 17, 19
1001098122 237, 415, 419	1001116812..... 413, 415, 437, 439	1001128556 255	1001151034 17
1001098167 269	1001116816..... 437	1001129555 464	1001151081 468
1001098828 195	1001116846..... 451, 461	1001129772 403	1001151980 17
1001099366 249	1001116849..... 451	1001129773 403	1001152483 393
1001099367 249	1001116851..... 451	1001130900 395	1001152525 158, 162
1001099837 177	1001116994..... 415	1001131130 113	1001152532 153, 405
1001100341 423	1001116995..... 403	1001131269..... 443, 453	1001152565 181, 183, 185
1001100342 425	1001117012..... 415	1001136400 177	1001152719 13
1001100345 427	1001117107..... 395	1001136881 317	1001152965 468
1001100346 431	1001117172..... 237	1001137005 470	1001153025 322
1001100347 429	1001117174..... 223, 237	1001137673..... 239, 465	1001153612 433
1001101060 59, 62	1001117219..... 113	1001138173..... 128	1001153749 189, 439
1001101191 327, 329, 333, 335, 337, 339, 341, 343, 345, 347, 349, 389, 391, 393	1001117294..... 469	1001138175..... 128	1001154126 269
1001101196 327, 329, 333, 335	1001117307..... 443, 445, 447, 449, 451, 453, 455, 457, 459	1001138248..... 129	1001154584 13
1001101197 337, 339, 341, 343, 345, 347, 349	1001117372..... 269	1001138494..... 201, 205, 209, 215	1001154687 269
1001103012 439	1001117568..... 112	1001138514..... 201, 205, 209, 215	1001154875 15
1001103308 93, 95	1001118280..... 129	1001138566..... 153	1001154931 19
1001103810 17, 19	1001118579..... 131	1001138795..... 281	1001155035 19
1001104498 439	1001118657..... 403	1001138796..... 273, 293	1001155043 95
1001106450 259	1001118659..... 403	1001139099..... 469	1001155044 95, 223
1001106481 191	1001118744..... 401	1001139654..... 461	1001155045 95, 223, 464
1001106736 95	1001118745..... 401	1001140429..... 201, 205, 209, 215	1001155192 19
1001106938 223, 465	1001118746..... 122, 131	1001142504..... 469	1001155194 15
1001106974 69	1001118746..... 122, 131	1001142505..... 469	1001155348 157, 161
1001107469 259	1001119020..... 435	1001142505..... 469	1001155673 316
1001107529 69	1001119031..... 413	1001142683..... 105, 107	1001155895 112
1001107854 439	1001119602..... 316	1001142722.. 87, 105, 107	1001155899 112
1001108134 93	1001119619..... 397	1001142736..... 105, 107, 435	1001155989 112
	1001120328..... 239, 419		1001156136 59
	1001120466..... 470		1001156332 311
	1001120467..... 469		1001156333 311
	1001120750..... 93		1001156710 13, 15
	1001121122..... 112		1001156798 67
			1001157013 470
			1001157016 21
			1001157049 65
			1001157058 65

PART NUMBER INDEX

1001157209..... 113, 115	1001171203..... 179	1001188842..... 303	1001206252..... 347
1001157292..... 223	1001171482..... 95	1001188844..... 195	1001206253..... 329
1001157400..... 307, 320	1001172045..... 468	1001188874..... 95	1001206254..... 335
1001157401..... 319, 320	1001172066..... 93, 464	1001188889..... 239	1001206255..... 349
1001157520..... 158, 162	1001172179..... 179	1001189001..... 195	1001206920..... 193
1001157521..... 158, 162	1001172218..... 45, 47, 49	1001189002..... 195	1001207004..... 107
1001157525..... 157, 158	1001172533..... 129	1001189171..... 393	1001207969..... 183
1001157528..... 158, 162	1001172570..... 249	1001189172..... 393	1001208994..... 183, 195
1001157592..... 162	1001172577..... 249	1001189570..... 439	1001209059..... 470
1001157612..... 112	1001172578..... 249	1001189571..... 439	1001209282..... 470
1001158007..... 158, 162	1001172620..... 249	1001189572..... 439	1001209664..... 239
1001158008..... 158, 162	1001172663..... 195	1001189750..... 413	1001210089..... 470
1001158187..... 39	1001172760..... 224	1001189882..... 449	1001210090..... 470
1001158188..... 39	1001173703..... 461	1001190164..... 128	1001211363..... 224
1001158203..... 39	1001174449..... 443, 445, 447, 449, 451, 453, 455, 457, 459	1001190545..... 122, 464	1001212415..... 464
1001158258..... 41	1001174486..... 122	1001190577..... 373	1001213447..... 419
1001158259..... 468	1001175073..... 151	1001190578..... 419	1001213584..... 325, 331, 355, 359, 361, 365
1001158364..... 101	1001175074..... 151	1001190609..... 122, 147	1001213585..... 325, 331, 355, 359, 361, 365
1001158522..... 41	1001175074..... 151	1001190985..... 195	1001213705..... 169
1001159120..... 351, 353	1001175075..... 151	1001191395..... 469	1001213852..... 259
1001159121..... 353	1001175075..... 151	1001193018..... 327, 329, 333, 335, 337, 339, 341, 343, 345, 347, 349	1001213882..... 224
1001159162..... 93	1001176469..... 99	1001194437..... 322	1001214030..... 461
1001159186..... 411, 419	1001176862..... 351	1001195304..... 469	1001214463..... 470
1001159256..... 223, 464	1001177035..... 359	1001195610..... 470	1001214478..... 469
1001159301..... 122, 469	1001177710..... 359	1001196297..... 311	1001214524..... 469
1001159323..... 461	1001178057..... 71, 73	1001196382..... 153, 157, 161	1001214540..... 470
1001159648..... 322	1001179079..... 316	1001196614..... 468	1001214548..... 470
1001159707..... 317	1001179154..... 162	1001196713..... 468	1001214552..... 469
1001160271..... 322	1001179329..... 316	1001196768..... 112	1001214561..... 469
1001160780..... 41	1001179545..... 316	1001197016..... 470	1001214562..... 469
1001161089..... 112	1001180620..... 128	1001197017..... 241, 243, 245, 247	1001215228..... 224
1001161355..... 17, 19	1001181045..... 389, 391, 465	1001197853..... 468	1001215289..... 317
1001161399..... 17, 19	1001181923..... 399	1001198333..... 312	1001216630..... 193, 195
1001161709..... 224	1001182162..... 316	1001198336..... 307	1001217183..... 128
1001162497..... 87	1001182980..... 128	1001198338..... 312	1001217185..... 128
1001163101..... 109	1001182982..... 128	1001198339..... 307	1001217780..... 168, 175
1001165035..... 122	1001182983..... 128	1001198340..... 312	1001218572..... 75
1001165350..... 169	1001182997..... 75	1001198341..... 312	1001218622..... 357
1001165368..... 153, 361, 391	1001183225..... 469	1001199035..... 249	1001218623..... 357
1001165657..... 17, 19	1001183226..... 469	1001199036..... 249	1001218710..... 468
1001166538..... 224, 231	1001183726..... 154, 158, 162	1001200054..... 181, 183	1001219219..... 21, 27
1001166539..... 224, 233	1001185281..... 224	1001200285..... 470	1001219415..... 259
1001167164..... 149	1001185585..... 122	1001200491..... 195	1001219601..... 87, 465
1001167565..... 195	1001185964..... 401	1001200494..... 195	1001220486..... 224
1001167567..... 195	1001186251..... 112	1001200497..... 189, 397, 401	1001220864..... 469
1001167596..... 195	1001186254..... 112	1001200910..... 105	1001221047..... 461
1001168243..... 89	1001186333..... 211	1001201351..... 195	1001221692..... 322
1001168244..... 89	1001186334..... 217	1001202687..... 195	1001221813..... 139
1001168402..... 195	1001186375..... 201	1001202688..... 193	1001222042..... 224, 419
1001169054..... 128	1001186378..... 205	1001202749..... 469	1001222047..... 373, 399
1001169085..... 103, 105, 107	1001186379..... 209	1001203655..... 211	1001222048..... 399, 411
1001169138..... 128	1001186382..... 215	1001203656..... 217	1001222050..... 93, 401
1001169754..... 35, 37	1001186383..... 213	1001204510..... 445, 449	1001222052..... 395, 399
1001169755..... 35, 37	1001186384..... 207	1001204560..... 13, 15, 269	1001222055..... 375, 377, 379, 381, 383, 385
1001169756..... 35, 37	1001186385..... 203	1001204725..... 195	1001222205..... 468
1001169757..... 35	1001186387..... 199	1001205492..... 470	1001222212..... 468
1001169967..... 128	1001186517..... 239	1001205690..... 365, 393	1001222336..... 367
1001170035..... 128	1001186919..... 131, 154, 158, 162	1001205958..... 337, 339, 341, 343, 345, 347	1001222338..... 95, 465
1001170448..... 168	1001187508..... 239	1001206119..... 153	1001222340..... 89, 464
1001170527..... 177	1001188135..... 311	1001206250..... 339	1001222357..... 464
1001170548..... 168	1001188387..... 403	1001206251..... 343	1001222358..... 80, 465
1001170838..... 95, 224	1001188622..... 195		1001222359..... 83, 85
1001170981..... 128	1001188840..... 173, 301		1001222360..... 83, 85
1001171016..... 363			1001222361..... 465
1001171131..... 351			

PART NUMBER INDEX

1001222363..... 89	1001223583..... 87	1001226270..... 399	1001228041 168, 277
1001222365 89, 464	1001223721..... 131	1001226404. 93, 399, 413	1001228050 168, 293
1001222369 399, 433	1001223744..... 131	1001226421 113	1001228086 173, 303
1001222370 399	1001223754..... 125, 128	1001226452 113	1001228087 171, 299
1001222371 399	1001223787..... 128	1001226453 113	1001228113 109
1001222372 399	1001223794..... 403	1001226468 433	1001228170 45, 47, 53
1001222375 89	1001223797..... 403	1001226489 89	1001228359 113
1001222378 89	1001223842..... 131	1001226492 89	1001228363 470
1001222379 367	1001223916..... 90	1001226506 433	1001228370 443, 453
1001222380 367	1001223917..... 90	1001226522 399	1001228403 113
1001222465 128	1001223918..... 90	1001226549 122, 125	1001228411 443, 445,
1001222706 221	1001223949..... 399	1001226551 125	447, 449, 451, 453,
1001222707 221, 223	1001223950..... 399	1001226669 122	455, 457, 459
1001222709 224	1001223951..... 90	1001226814 45, 47, 57	1001228440 89, 464
1001222710 227	1001223952..... 90	1001226929 87	1001228475 109
1001222713 227	1001223953..... 90	1001226930 87	1001228506 301
1001222731 139	1001223971..... 453	1001226931 87	1001228517 113
1001222783 133	1001223977..... 71	1001226932 87, 464	1001228628 433
1001222784 131	1001223978..... 87, 399	1001226933 87, 464	1001228629 433
1001222797 139	1001223981..... 77	1001226934 87	1001228656 468
1001222879 89, 465	1001223987..... 129	1001226935 80, 89	1001228657 107
1001222882 128	1001223997..... 131	1001227080 367, 399	1001228658 105
1001222883 128	1001224000..... 131	1001227160 320	1001228678 312
1001222884 128	1001224009..... 131	1001227198 77	1001228679 312
1001222896 133, 135	1001224048..... 457	1001227307 109	1001228696 311
1001222915 90	1001224049..... 459	1001227338 71	1001228723 131
1001223055 443	1001224050..... 451	1001227356 375, 377,	1001228799 47, 183
1001223059 139	1001224052..... 447	379, 381, 383, 387	1001228882 113
1001223061 133	1001224053..... 455	1001227359 375, 377,	1001228945 113
1001223088 131	1001224123..... 75	379, 381, 383	1001228949 468
1001223124 83	1001224384..... 75	1001227383 71	1001228984 399, 437
1001223148 133	1001224584..... 131, 133	1001227448 468	1001228985 397, 399
1001223195 81, 90	1001224585..... 131, 139	1001227526 153, 158,	1001228988 251, 253,
1001223196 81, 90	1001224589..... 129, 131	162	255
1001223198 81, 90	1001224943..... 89	1001227575 45, 181	1001229017 95
1001223200 81, 90	1001225093..... 131	1001227723 161	1001229018 95
1001223260 399, 417	1001225094..... 131	1001227724 153	1001229066 151
1001223302 128, 131	1001225095..... 131	1001227725 157	1001229067 151
1001223405 128	1001225104..... 131	1001227731 113	1001229080 153, 361,
1001223431 403	1001225120..... 95	1001227734 113	365
1001223433 375	1001225131..... 367	1001227735 113	1001229098 109
1001223460 401	1001225219..... 439	1001227740 149	1001229107 468
1001223519 461	1001225362..... 433	1001227741 149	1001229208 103
1001223542 443	1001225429..... 131	1001227742 149	1001229232 439
1001223543 445	1001225476..... 395	1001227743 149	1001229233 437
1001223544 449	1001225477..... 395	1001227763 89	1001229530 415, 417
1001223545 455	1001225557..... 367	1001227788 93, 464	1001229556 113
1001223546 457	1001225558..... 367	1001227793 112	1001229561 129
1001223547 453	1001225591..... 395	1001227794 113	1001229790 93
1001223548 451	1001225731..... 122	1001227798 113	1001229791 93
1001223549 459	1001225733..... 122	1001227816 469	1001230008 112
1001223550 447	1001225745..... 125, 145	1001227850 379	1001230010 113
1001223552 443, 447,	1001225804..... 77	1001227851 381	1001230014 112
451, 453, 455, 457, 459	1001225968..... 95	1001227852 383	1001230154 90
1001223553 443, 447,	1001225969..... 95	1001227853 377	1001230187 468
451, 453, 455, 457, 459	1001225976..... 87, 95	1001227869 77	1001230504 468
1001223554 443	1001225985..... 122	1001227870 77	1001230507 90
1001223556 443	1001225994..... 399, 415	1001227892 316, 320	1001230522 93, 439
1001223558 443, 445,	1001226031..... 83, 85	1001227898 470	1001230605 122, 403
447, 449, 451, 453,	1001226120..... 87, 89	1001227901 85	1001230711 80
455, 457, 459	1001226121..... 90	1001227904 468	1001230712 80
1001223560 445, 449	1001226124..... 90	1001227909 139	1001230714 89
1001223561 445, 449	1001226146..... 89	1001227910 311, 320	1001231225 153, 158,
1001223565 97	1001226190..... 89	1001227925 399	162, 409
1001223569 99	1001226267..... 399	1001228009 168, 289	1001231249 80
1001223570 95	1001226268..... 399	1001228010 168, 285	1001231260 157, 161,
1001223581 93, 465	1001226269..... 399	1001228030 168, 273	322

PART NUMBER INDEX

1001231263.....	103	1001233188.....	89	1001236895.....	261, 263, 265	1683632.....	301
1001231323.....	131	1001233198.....	89	1001236962.....	361	1683663.....	297
1001231425.....	367	1001233203.....	89	1001236967.....	89	1683673.....	297
1001231426.....	367	1001233237.....	468	1001237291.....	123	1683675.....	297
1001231481.....	367	1001233249.....	77	1001237844.....	445, 449	1683682.....	168, 291
1001231482.....	367	1001233420.....	399	1001238263.....	261, 263, 265	1683818.....	287
1001231514.....	367	1001233440.....	367	1001238307.....	469	1683821.....	283
1001231515.....	367	1001233441.....	399	1001238309.....	83, 85	1683823.....	287
1001231519.....	367	1001233442.....	89	1001238463.....	263	1684089.....	279
1001231520.....	367	1001233443.....	80	1001248012.....	168, 281	1684090.....	279
1001231521.....	367	1001233444.....	80	1060341... 241, 243, 245, 247		1684125.....	291
1001231522.....	367	1001233445.....	90	1060343.....	162	1684126.....	291
1001231544.....	464	1001233446.....	81	1060379.....	259	1684228.....	168, 271
1001231569.....	80	1001233447.....	90	1060545.....	391, 393	1684230.....	271
1001231570.....	80	1001233448.....	367	1060637.....	123	1684232.....	271
1001231581.....	80	1001233452.....	443, 445, 447, 449, 451, 453, 455, 457, 459	1060903... 241, 243, 245, 247		1684497.....	168, 275
1001231582.....	80	1001233573.....	312	1060908.....	389	1701499... 443, 445, 447, 449, 451, 453, 455, 457, 459	
1001231596.....	80	1001233635.....	75	1060918.....	237	1701501... 443, 445, 447, 449, 451, 453, 455, 457, 459	
1001231597.....	80	1001233640.....	75	10702077.....	158, 162	1701505... 443, 445, 447, 449, 451, 453, 455, 457, 459	
1001231598.....	80	1001233641.....	71, 75	10702082.....	158, 162	1701509... 249, 443, 445, 447, 449, 451, 453, 455, 457, 459	
1001231599.....	80	1001233737.....	80	1120510.....	168	1701518.....	445, 449
1001231600.....	80	1001233761.....	401	1120555.....	249	1702155... 443, 445, 447, 449, 451, 453, 455, 457, 459	
1001231601.....	80	1001233785.....	443, 445, 447, 449, 451, 453, 455, 457, 459	1120601.....	112	1702565.....	223
1001231606.....	80	1001233825.....	367	1180346.....	179	1702566.....	223
1001231607.....	80	1001234099.....	468	1260017.....	41, 67	1702567.....	223
1001231608.....	80	1001234102.....	468	1260135.....	41	1702676.....	221
1001231655.....	80	1001234218.....	97	1320011.....	301	1702773.....	211, 217, 461
1001231656.....	80	1001234219.....	99	1320022.....	129	1702774.....	461
1001231657.....	80	1001234287.....	401	1320060.....	87	1702788.....	461
1001231658.....	81	1001234288.....	401	1320061.....	83, 85	1702861.....	461
1001231685.....	367, 371	1001234289.....	401	1320250.....	179	1702868... 253, 255, 443, 461	
1001231686.....	367, 369	1001234306.....	470	1320256... 375, 377, 379, 381, 383		1702938... 241, 243, 245, 247	
1001231700.....	80, 367	1001234313.....	367, 465	1320263.....	87, 122, 177	1702962.....	461
1001231839.....	80	1001234314.....	89	1320265.....	122	1703479.....	461
1001231840.....	80	1001234488.....	89	1320274.....	128	1703683.....	259
1001231949.....	265	1001234588.....	365	1320288.....	177	1703797.....	443
1001231950.....	261, 263	1001234944.....	249	1320289.....	177	1703804.....	443
1001232010.....	261, 263, 265	1001234945.....	249	1320302... 251, 253, 255		1703805.....	443
1001232011.....	261, 263, 265	1001234946.....	249	1321385.....	122	1703811... 443, 445, 447, 449, 451, 453, 455, 457, 459	
1001232084.....	113, 117	1001235097.....	461	1380147.....	151	1703814... 443, 445, 447, 449, 451, 453, 455, 457, 459	
1001232181.....	131	1001235118.....	468	1580012.....	219	1703923.....	459
1001232214.....	468	1001235269.....	468	1580013.....	469	1703924.....	453
1001232267.....	129	1001235296.....	153, 158	1600244.....	470	1703925.....	451
1001232375.....	129	1001235452.....	131	1670603.....	349	1703926.....	455
1001232494.....	87, 93	1001235453.....	131	1670829.....	95, 223	1703927.....	457
1001232495.....	93	1001235518.....	113	1670844.....	168	1703935.....	459
1001232499.....	93	1001235519.....	162	1670850.....	168	1703936.....	453
1001232528.....	123	1001235839.....	109	1670964.....	181	1703938.....	455
1001232529.....	125	1001235943.....	112	1671034.....	169	1703939.....	457
1001232840.....	367	1001235944.....	112	1671092.....	162	1703941.....	459
1001232841.....	367	1001236206.....	131	1671093.....	253	1703942.....	453
1001232893.....	445	1001236341.....	122	1683053.....	279		
1001232986.....	461	1001236370.....	109	1683055.....	271, 291		
1001233008.....	453	1001236435.....	37	1683061.....	301		
1001233009.....	457	1001236489.....	403	1683071.....	275, 283		
1001233010.....	451	1001236490.....	403	1683537.....	168, 287		
1001233011.....	447	1001236746.....	265	1683539.....	287		
1001233012.....	459	1001236747.....	261	1683544.....	275		
1001233013.....	455	1001236759.....	89	1683547.....	168, 283		
1001233063.....	453	1001236891.....	261, 263, 265	1683549.....	283		
1001233064.....	457			1683609.....	168, 279		
1001233065.....	451			1683629.....	301		
1001233066.....	447						
1001233067.....	459						
1001233068.....	455						

PART NUMBER INDEX

1703943	451	1705969	457, 461	2220600.....	316	2752995	316
1703944	455	1705977 ...	445, 447, 449, 451, 453, 455, 457, 459	2220603.....	317	2752997	311
1703945	457	1705978	445, 449	2220605.....	316	2753008	316
1703947	459	1706059	447	2220654.....	311	2753010	316
1703948	453	1706060	451	2220671.....	311	2753123	317
1703949	451	1706061	457	2220683.....	312	2753126	316
1703950	455	1706062	455	2220737.....	316	2753189	317
1703951	457	1706063	459	2220765.....	316	2753190	317
1703953	443	1706064	453	2220800.....	311	2753191	317
1703959 ...	443, 445, 447, 449, 451, 453, 455, 457, 459	1706098	445, 449	2220852.....	316	2753192	316
1703960 ...	443, 445, 447, 449, 451, 453, 455, 457, 459	1706385	211, 217	2220865.....	312	2753195	316
1703980	455	2030010 ...	251, 253, 255	2220883 29, 57, 269, 271, 273, 275, 277, 279, 281, 283, 285, 287, 289, 299, 301, 303	312	2753196	316
1703981	457	2080040 ...	112, 199, 203, 207, 213	2220885.....	269, 271, 273, 279, 281, 293, 297, 299, 301, 303	2753197	316
1703982	451	2110404 ...	307, 311, 312	2220886 29, 57, 299, 301, 303	316	2753199	316
1703983	459	2110406	311	2220888.....	29, 275, 277, 283, 285, 287, 289	2753200	316
1703984	453	2110408	307	2220906.....	312	2753231	316
1704000	453, 461	2110606	307, 311	2220923.....	316	2753274	316
1704001	459, 461	2110608	319	2220947.....	316, 317	2753442	316
1704260	223	2110808	311	2220950.....	317	2753542	311
1704277 ...	443, 445, 447, 449, 451, 453, 455, 457, 459	2110812	311	2220998.....	312	2753622	311
1704412 ...	443, 445, 447, 449, 451, 453, 455, 457, 459	2111616	311	2221034.....	317	2753626	312
1704578	41	2130406	311	2221036.....	317	2753628	312
1704972	443	2130604	311	2221040.....	311	2753634	312
1705014	211, 217	2130606	312	2221046.....	122	2753686	312
1705090	41	2130808	311	2221050.....	312	2753879	319
1705305 ...	251, 253, 255	2131616	311	2221077.....	311	2753970	312
1705325	327, 329	2150406	311	2221086.....	317	2753971	312
1705336	443	2151616	312	2300004.....	122, 469	2754337	311
1705344	455	2170408	311	2300014.....	469	2754338	312
1705345	457	2170504	311	2300016.....	21, 469	2754512	311
1705347	453	2170706	319	2300019.....	469	2780227	23
1705351	443	2180348	122	2300029.....	469	2780272	21, 23
1705355	251, 253	2180615	283, 285	2300042.....	469	2820019	407
1705358	249	2180666	122	2400068.....	464	2820031 ...	153, 157, 161
1705374	351, 353	2180876	123	2400080.....	367, 465	2840016	151
1705375 ...	163, 253, 255	2220237	311, 316	2400081.....	395	2860030	95, 464
1705387	163	2220238	311, 319	2410014.....	211, 217	2900708	45, 47
1705426	455	2220240	316	2560136.....	223	2900756	21
1705427	457	2220250	122	2560187.....	115, 117	2900792 ...	271, 273, 275, 277, 279, 281, 283, 285, 287, 289
1705429	453	2220315	128	2600281 ...	199, 203, 207, 213	2901273	301
1705430	451	2220366	311	2720058.....	122	2901301	271, 291
1705460	158, 163	2220371	312, 316	2720271.....	122	2901303	279
1705461	158	2220373	312, 316	2751399.....	311	2901514	283, 285
1705489	153, 158	2220374	311	2751500.....	311	2901526	275, 277
1705514	461	2220375	311	2752461.....	316	2901537	287, 289
1705822	445, 449	2220377	316	2752468.....	316	2902212	249
1705828	445, 449	2220380	311	2752484.....	317	2902217	251, 253
1705895	447	2220381	316	2752489.....	311	2902396	469
1705896	447	2220385	311	2752493.....	312	2910887	468
1705897	447	2220415	316	2752494.....	311, 316	2915094	65
1705898	447	2220451	311	2752499.....	312	2920028 ...	223, 241, 243, 245, 247
1705902	447	2220466	316	2752489.....	311	2920029 ...	223, 241, 243, 245, 247
1705903	447	2220468	311, 317	2752493.....	312	2920161	103
1705905	447	2220472	317	2752494.....	311, 316	2940045	112
1705910	459	2220473	312, 316	2752499.....	312	2940074 ...	199, 203, 207, 213, 465
1705917	459	2220478	316	2752523.....	316	2940173	112
1705921	445, 449	2220490	316	2752723.....	316	3020008	21
1705961	445, 449	2220499	312	2752754.....	311	3020029 ...	17, 19, 65, 469
1705967	447, 461	2220500	311, 316	2752765.....	312	3020039	13, 15, 469
		2220501	317	2752766.....	317	3160348	21, 29
		2220501	317	2752767.....	317	3250872	41
		2220578	311	2752768.....	317	3251102	153
		2220582	311, 316	2752930.....	317		
		2220593	316	2752938.....	311		
		2220596	316	2752978.....	317		

PART NUMBER INDEX

3251242.....333, 335, 337, 339, 341, 343, 345, 347, 349	3311605 ... 37, 71, 75, 83, 85, 87, 93, 109, 112, 169, 177, 179, 211, 217, 221, 251, 253, 255, 399	3480238 283	3911008..... 105, 107
3251243..... 163	3311801 21, 80, 187	3520030 113	3911010..... 103
3252347 443	3311805 193, 195	3520031 95	3911018..... 95, 223
3252764..... 157, 161	3312001 41	3520032 112	3930606..... 189
3271405..... 87, 122	3312002 59, 261, 263, 265	3520035 95, 187, 191	3930616..... 80
3271505..... 77	3312005 249	3520054 223	3930812..... 89
3271605.... 261, 263, 265, 301	3312205 249	3520071 249	3930816..... 191
3271805..... 69, 151, 211, 217	3322201 69	3520072 ... 199, 201, 203, 205, 207, 209, 211, 213, 215, 217	3930824..... 187
3272001 261, 263, 265	3331611 128	3520173 112	3931010..... 80, 89, 93
3290405.... 327, 329, 333, 335, 337, 339, 341, 343, 345, 347, 349	3340764 177	3520189 158	3931012..... 223
3290601 115, 117, 123	3340828 173	3520192 158	3931048..... 89
3290605..... 128, 149	3340833 301	3520198 ... 199, 201, 203, 205, 207, 209, 213, 215	3931408..... 239
3290606.... 201, 205, 209, 215	3340834 301	3538047 13, 15	3931412..... 80, 83, 85
3290607..... 87, 105, 107	3340835 169, 173	3570775 297, 299	3931424..... 239
3290805..... 87, 129, 149	3340838 297, 299	3570928 187	3931432..... 187
3290806..... 195	3340840 177	3572604 301	3931436..... 187
3290807..... 131	3340859 179	3572605 301	3931448.... 297, 299, 301
3291001..... 128, 195	3340871 171	3572606 187	3931464..... 187
3291005..... 128, 195	3340881 173	3572607 187	3931508..... 301
3291007..... 129, 131	3340941 177	3573400 251, 253, 255	3931516..... 279
3291201 153, 157, 161, 195	3340956 249	3573642 ... 251, 253, 255	3931620.... 271, 273, 291, 293
3291205..... 122, 195	3340966 19	3574091 245, 247	3931664..... 297, 299
3300007..... 21	3380434 221	3575359 241, 243	3931720..... 301
3300151 201, 205, 209, 215, 251, 253, 255	3380535 191	3577121 ... 251, 253, 255	3932240.... 275, 277, 283, 285, 287, 289
3300205..... 87	3420292 41	3580317 153, 157, 161	3960422.... 161, 325, 331, 351, 353
3300243 193, 195	3420372 41	3580318 161	3960468..... 125
3300353..... 95, 223	3420447 41	3580319 153, 157	3960469..... 125
3300364..... 77, 112	3421565 67	3641569 241, 243	3960526..... 21
3300365..... 93	3422417 17, 19	3740112 93, 464	4010618.... 201, 205, 209, 215
3300396..... 158, 162	3422446 122	3760133 171	4031707..... 131
3300408..... 95	3422457 171	3760170 41, 67	4031708..... 131
3300430..... 239	3422533 122	3760368 279	4060092..... 331
3300454... 83, 85, 93, 109	3422561 168	3760369 271, 291	4060802.... 153, 157, 161
3310601..... 151	3422583 168	3760374 275, 283	4060805.... 113, 177, 187
3310605..... 80, 189	3422661 259	3790012 223, 229	4060906..... 95
3310801..... 187	3422681 168	3790044 125	4061032..... 87
3310805..... 89	3422688 168	3820001 41, 443, 445, 447, 449, 451, 453, 455, 457, 459	4070450..... 41
3311001..... 158, 162	3422687 169	3820020 ... 199, 203, 207, 213	4070560..... 41
3311005 89, 93, 103, 105, 107, 158, 162, 223, 251, 253, 255	3422688 169	3841143 ... 122, 169, 171, 195	4070561..... 41
3311401 41, 80, 241, 243, 245, 247	3422689 169	3841287 13, 15, 169	4070863..... 171
3311405 89, 95, 109, 153, 181, 183, 187, 189, 221, 327, 329, 333, 335, 337, 339, 341, 343, 345, 347, 349, 359, 361, 363, 365, 443, 445, 447, 449, 451, 453, 455, 457, 459	3422690 171	3841340 169, 179	4070864..... 171
3311501 112, 241, 243, 245, 247	3422729 169	3841356 169	4070878..... 13, 15
3311505 21, 93, 115, 117, 157, 161, 183, 259	3422790 17, 19	3841406 177	4070879..... 13, 15
3311601 71, 75, 80, 87, 112, 179, 224, 399	3422848 19	3841520 17, 19	4070897..... 171, 173
3311602..... 179	3422860 168	3900054 211, 217	4070898..... 171, 173
	3422861 168	3900210 112, 115, 117	4070929..... 173
	3422867 168	3900258 109	4070967..... 173
	3430616 224	3900259 171	4070968..... 173
	3430820 151	3900262 179	4070969..... 177
	3450304 131	3900283 177, 181, 193	4070991..... 95
	3450404 151	3900293 59	4071007..... 173
	3460334 249	3900316 112	4071009..... 59
	3470003 224	3900349 223	4071052..... 177
	3480188 271, 291	3900363 115, 117	4071059..... 19
	3480210 279	3900364 128	4100062..... 317
	3480211 301	3900382 133	4100100..... 279
	3480234 297	3910606 161, 351, 353	4160194..... 112
	3480236 287	3910610 151, 325, 331	4240018.... 153, 157, 161, 351, 353
	3480237 275	3910804 95	4240032.... 105, 107, 367
			4240033.... 105, 107, 239

PART NUMBER INDEX

4240084	37	4460268 ...	157, 161, 405, 407, 411, 413, 417, 439	4460807....	157, 161, 405, 407	4461199	425
4240099 .80, 87, 93, 122, 241, 243, 245, 247, 251, 253, 361, 365, 377, 379, 381, 383, 399		4460314	420	4460808....	157, 161, 405, 407	4461201	335, 425
4240149	249	4460315 ...	325, 331, 419	4460836.....	371, 415	4461205	427, 429
4280296	39	4460326	413	4460850.....	369, 371	4461244	339, 427
4340706	173	4460343	419	4460851.....	373, 417	4461245	343, 429
4341264	181	4460346	161, 325	4460852.....	373, 417	4461246	347, 431
4360057 ...	241, 243, 245, 247, 465	4460418	411, 419	4460865.....	385, 387	4461249	431
4360070	158, 162	4460419	411, 419	4460866.....	387, 419, 437	4461261	369, 371
4360328	229, 465	4460424	417, 437	4460871....	401, 411, 415, 417, 419, 437	4461271	415
4360331	464	4460425 ...	158, 162, 241, 243, 245, 247, 351, 353	4460872.....	417	4461290	415
4360336 ...	153, 157, 161, 465	4460426	158, 162	4460873.....	419, 437	4520252	31
4360387	99, 223, 241, 243, 245, 247, 464	4460427	415	4460874.....	401, 419	4520253	33
4360407	223, 464	4460428	223	4460875.....	417, 419	4530028 ...	251, 253, 257
4360436	75	4460434	437	4460876.....	411	4566468	271, 291
4360469	95, 464	4460457	401	4460877.....	433	4567139	317
4360475	95, 223, 464	4460458	401	4460878.....	437	4567413	301
4360476	95, 464	4460464 ...	103, 237, 369, 371, 379, 383, 387, 395, 397, 401, 403, 409, 411, 415, 419, 435, 437, 439	4460879.....	419	4567757	317
4360498	187, 465	4460465	77, 103, 154, 369, 371, 373, 379, 383, 385, 387, 397, 401, 403, 405, 407, 409, 411, 415, 417, 419, 435, 437, 439	4460880.....	403, 417	4640261	41
4360499	187, 465	4460466 ...	369, 371, 385, 387, 395, 397, 401, 403, 411, 413, 415, 417, 419, 435, 437, 439	4460884....	371, 417, 419, 437	4640509 ...	275, 277, 279, 281, 283, 285, 287, 289
4360517	69, 465	4460467	470	4460887....	415, 419, 437	4640605 ...	271, 273, 275, 277, 287, 289
4360578	187, 191, 465	4460470	93, 223, 399, 419	4460887....	415, 419, 437	4640858	269
4420014	249	4460471	93, 223, 399, 419	4460889....	411, 417, 419, 439	4640866	45, 47
4420037 ...	251, 253, 255	4460473	385, 387	4460897....	103, 379, 383, 395	4640932	271, 273
4420038	71, 75	4460488	95, 105, 107, 399	4460899.....	397	4641027	283, 285
4420051	41, 461	4460496	367, 399	4460905....	401, 411, 415, 417, 419, 437	4641032	301, 303
4420060	191	4460497	367, 399	4460906.....	439	4641033	297, 299
4420062	259	4460508 ...	387, 397, 403, 419, 437, 439	4460910.....	367	4641122 ...	31, 33, 35, 37
4420066	249	4460509 ...	369, 371, 385, 387	4460911.....	367	4641192	57
4420068 ...	241, 243, 245, 247	4460510	470	4460918.....	415	4641284	311
4420069	243	4460518 ...	373, 397, 419, 435	4460928.....	435	4641303	21
4460016	420	4460536	409	4460931.....	395	4641435	187
4460019 ...	369, 371, 403, 439	4460539 ...	371, 401, 415, 417, 419, 439	4460932.....	401	4710600	80
4460042	411, 415	4460705	401	4460933....	419, 435, 437	4711000.89, 93, 158, 162	
4460049 ...	241, 245, 247	4460708	223	4460943....	387, 397, 411, 417, 419, 437	4711400 ...	45, 47, 80, 83, 85, 87, 89, 93, 95, 101, 109, 122, 153, 157, 161, 181, 183, 201, 205, 209, 215, 239, 327, 329, 333, 335, 337, 339, 341, 343, 345, 347, 349, 359, 361, 363, 365
4460051	325, 331	4460722	413, 439	4460944....	385, 387, 413, 415, 419, 437, 439	4711500 ...	21, 41, 77, 87, 89, 115, 117, 122, 157, 161, 181, 183, 399
4460071	161, 237	4460742	131, 369, 371	4460945.....	415, 439	4711600 ...	13, 15, 45, 47, 83, 85, 93, 154, 158, 162, 171, 173, 177, 179, 181, 193, 224, 261, 263, 265, 301, 375, 377, 379, 381, 383, 399
4460125	331	4460743	131	4460950.....	371	4711800	151, 211, 217
4460142	403, 415	4460746	401	4460956.....	389, 391	4712000 ...	249, 261, 263, 265
4460144	411	4460748	401	4460957.....	389, 391	4712200	249
4460183	420	4460761 ...	395, 397, 401, 419	4460958.....	353	4740036	41
4460205	325	4460789	401	4460962.....	253	4740057	59
4460224	223, 401	4460790	369, 371	4460963.....	162	4740155	19
4460225 ...	157, 161, 405, 407, 411, 419, 439	4460806 ...	337, 339, 341, 343	4460967.....	154, 409	4740256	17, 19
4460226 ...	103, 223, 231, 234, 237, 395, 397, 401, 411, 419, 437			4460968.....	187, 191	4740362	221
4460227	419, 437			4460970.....	411	4740397	95
4460233	83, 331			4460979.....	413	4740439	169
4460234 ...	223, 241, 243, 245, 247			4460993.....	77	4740444	95
4460247	415			4460994....	77, 397, 403, 439	4740463	17, 19
4460256	369, 371, 403			4461070.....	435		
4460259	411, 415, 420			4461095.....	435		
4460260	411, 415, 420			4461157....	369, 371, 413		
4460265	231, 234, 439			4461196.....	423		
4460266	401			4461198.....	329, 423		
4460267	401, 419, 437						

PART NUMBER INDEX

4740472.....13, 15	4922219..... 377, 379	70002315..... 135	70003975.....57
4740473.....17, 19	4922220..... 377, 379	70002316..... 135	70004050.....49, 53
4740518.....95	4922578... 375, 377, 379,	70002317..... 135	70004051.....49, 53
4750800.....89	381, 383	70002318..... 135	70004052.....49, 53
4751000.... 103, 105, 107,	4922579..... 379, 383	70002319..... 135	70004055.....49, 53
157, 161, 223, 251,	4922580..... 379, 383	70002320..... 135	70004069.....147
253, 255	4922641..... 157, 161	70002321..... 135	70004070.....147
4751400..39, 41, 95, 109,	4922925 ... 157, 161, 407	70002322..... 135	70004092... 153, 158, 162
112, 115, 117, 187,	4933218..... 322	70002323..... 135	70004093..... 157, 161
189, 191, 219, 221,	5240800..... 131	70002326..... 136	70004094..... 158, 162
223, 241, 243, 245,	5241000..... 128, 131	70002327..... 136	70004095..... 158, 162
247, 251, 253, 255,	5241200... 125, 153, 157,	70002328..... 136	70004096..... 158, 162
443, 445, 447, 449,	161, 195	70002330..... 136	70004097..... 158, 162
451, 453, 455, 457, 459	5241600..... 128	7000235..... 23	70004098... 153, 158, 162
4751500.....77, 112, 241,	5250806..... 133	7000236..... 23	70004099..... 158, 162
243, 245, 247, 259	5251008..... 195	7000238..... 23	70004171..... 153
4751600....37, 39, 71, 75,	5251016..... 195	70002386..... 185, 464	70004199.....73
80, 87, 89, 105, 107,	5260818..... 87	7000239..... 23, 27	70004311.....135
109, 112, 251, 253, 255	70000017..... 470	7000240..... 23, 27	70004329.....145
4751800 69, 80, 211, 217,	70000342..... 175	7000246..... 62	70004331.....145
241, 243, 245, 247	70000579..... 49	70002460..... 158, 162	70004332.....145
4752000.....122	70000580..... 49	7000248..... 62	70004333.....145
4760600.....325, 331	70000582..... 49, 464	7000253..... 62	70004336.....145
4761400.....95, 219	70000583..... 49	7000255..... 62	70004337.....145
4761600.....221	70000619..... 157, 161	7000257..... 62	70004338.....145
4762000.....41	70000782..... 62	7000265..... 23	70004340.....145
4770600.....151	70000797..... 29	7000272..... 23	70004342.....145
4771200.....93	70000863..... 157	7000273..... 23	70004343.....145
4771400.....93	70001100..... 157	7000274..... 23	70004344.....145
4811400....327, 329, 333,	70001248..... 69	70002744..... 295	70004345.....145
335, 337, 339, 341,	70001384..... 157	70002745..... 295	70004346.....145
343, 345, 347, 349	70001696..... 158, 162	70002748..... 295	70004347.....145
4811600.....80, 89	70001697..... 175	70002749..... 295	70004348.....145
4811700 87, 93, 105, 107,	70001954..... 141	7000275..... 23	70004349.....145
128, 139, 149, 201,	70001955..... 141	70002751..... 295	70004350.....145
205, 209, 215	70001956..... 141	7000281..... 62	70004351.....145
4811702.....129, 149	70001957..... 141	70002814..... 73, 464	70004352.....145
4811900 80, 87, 129, 131,	70001966.. 153, 158, 162	7000282..... 23	70004381.....295
149, 195	70001973.. 153, 158, 162	7000283..... 23, 27	70004382.....295
4811902.....128, 149	70001974..... 158, 162	70002838..... 73, 465	70004395.....135
4812000.... 123, 128, 131,	70002013..... 177, 464	70002839..... 73	70004397.....135
153, 157, 161, 195	70002014..... 177	7000284..... 23, 27	70004398.....135
4812002.....128	70002064..... 185	70002842..... 269	70004399.....135
4812100.....122, 195	70002065..... 62	7000287..... 23	70004400.....135
4843777.....41	70002066..... 62	7000288..... 23	70004457.....49, 53
4844816.....168	70002067..... 62	7000289..... 23, 27	70004459.....49, 53
4844817.....168	70002068..... 62	7000290..... 23	70004460.....49, 53, 464
4844958.....67	70002069..... 62	70002901..... 147	70004461.....49, 53, 54
4845582.....259	70002070..... 62	70002902..... 237	70004463.....49, 53, 464
4845593.....168	70002071..... 62	70002903..... 237	70004525.....135
4845680.....179	70002072..... 62	70002904..... 237	70004526.....135
4845730.....177	70002073..... 62	70002905..... 237	70004530.....135
4846573.....193	70002074..... 62	70003019..... 49	70004531.....135
4846627.... 251, 253, 255	70002075..... 62	70003060..... 135	70004536.....135
4846673.....245, 247	70002085..... 63	70003061..... 135	70004537.....135
4860224.....31	70002086..... 63	70003063..... 136	70004538.....135
4860225.....33, 35, 37	70002112..... 73	70003064..... 136	70004539.....135
4871700.... 154, 158, 162	7000213..... 23, 62	70003454..... 69	70004540.....135
4891500.....87, 93	7000217..... 62	70003631..... 158, 162	70004544.....135
4891600.....69, 193, 195	7000220..... 23	70003649..... 57	70004584.....49, 53
4891800....21, 125, 193,	70002231..... 45, 47, 464	70003708.. 153, 158, 162	70004594.....49, 53
195	7000224..... 23, 27	70003709.. 153, 158, 162	70004595.....49, 53, 464
4892000.....21, 65	7000228..... 62	70003784..... 223	70004596.....49, 53
4892200.....13, 15	7000229..... 62	70003790..... 185	70004597.....49, 53
4892600.....193, 195	70002297..... 157, 161	70003798..... 24	70004598.....49, 53
4922216.....375	7000230..... 62	70003935..... 21	70004653.....49, 53, 464
4922217.....375	7000231..... 23	70003936..... 21	70004657.....49, 53

PART NUMBER INDEX

70004665 49, 53	70005296 147, 464	70006685 27	7011333 187
70004667 49, 53	70005297 147	70006686 27	7011342 187
70004676 153	70005458 145	70006687 27	7012518 57
70004678 153	70005459 145	70006688 27	7012773 49, 53
70004679 153	70005460 145	70006689 27	7012914 185
70004680 153	70005461 145	70006690 27	7012918 185
70004681 153	70005462 145	70006691 27	7012928 57
70004683 153	70005463 145	70006692 27	7012941 57
70004738 231	70005464 145	70006728 303	7012943 57
70004739 231	70005465 145	70006731 303	7012944 57
70004740 231	70005483 24	70006733 303	7012953 57, 181, 183, 185
70004741 231	70005594 303	70006734 281	7012959 45, 47
70004742 231	70005624 153	70006735 281	7012965 185
70004743 231	70005663 470	70006736 281	7012967 185
70004744 231	70005708 73	70006832 27	7012970 181, 183
70004745 231	70006344 303	70006833 27	7012989 57, 185
70004746 231	70006375 289	70006921 303	7012995 57
70004747 231	70006376 289	70006922 303	7015004 129, 464
70004748 231	70006377 289	70006923 303	7015005 129
70004749 231	70006378 289	70006924 303	7015006 129
70004750 231	70006384 285	70006925 303	7016319 103
70004751 231	70006385 277, 285	70006926 303	7016372 103
70004752 233	70006386 285	70006927 303	7016652 470
70004753 233	70006387 285	70006928 303	7016654 470
70004754 233	70006388 285	70006955 53	7016655 470
70004755 233	70006389 277	70006956 53	7017023 62
70004756 233	70006390 277	70006957 53	7017027 23
70004757 233	70006391 277	70006958 53	7017028 27, 62
70004758 233	70006430 24	70006959 53	7017033 23
70004759 233	70006431 24	70006960 53	7017047 23, 27
70004760 233	70006436 63	70006961 53	7017048 23
70004761 233	70006437 63	7000731 24	7017050 23
70004762 233	70006479 303	7001901 23	7017068 24
70004763 233	70006480 303	7001902 23	7017070 62
70004764 233	70006576 77	7001903 23	7017072 62
70004765 233	70006577 77	7001906 23	7017080 62
70004766 233	70006578 77	7001928 23, 27	7017082 27
70004767 233	70006579 77	70023859 49, 53	7017085 62
70004768 233	70006642 273	70023860 49, 53	7017142 175
70004769 233	70006643 273, 293	70023862 49, 53	7017159 175
70004770 233	70006644 273, 293	7002821 470	7017162 175
70004771 233	70006645 273	7002822 470	7017163 175
70004772 233	70006649 281	7002823 470	7017164 175
70004773 233	70006650 281	7002826 470	7017172 175
70004774 233	70006651 293	7002840 470	7017192 175
70004775 233	70006661 135	7004035 62	7017195 175
70004795 73	70006664 135	7004036 62	7017402 185
70004842 135	70006665 136	7004043 63	7017406 185
70005194 49, 53	70006666 135	7004044 63	7017452 185
70005195 49, 53	70006667 135	7004045 63	7017466 45, 47
70005196 49, 53	70006668 293	7004047 63	7017496 57
70005197 49, 53	70006669 299	7004049 63	7017901 136
70005198 49, 53	70006670 299	7004275 470	7017913 135
70005199 49, 54	70006671 299	7004276 470	7017914 135
70005200 50, 54	70006672 299	7004906 145	7017934 135
70005201 50, 54	70006673 27	7004907 145	7017958 136
70005202 50, 54	70006674 27	7004908 145	7017963 136
70005220 135	70006675 27	7007415 141, 142	7018942 50, 54
70005221 135	70006676 27	7007437 29	7018951 50, 54
70005224 135	70006677 27	7007438 29	7018991 49, 53, 464
70005226 135	70006678 27	7007439 29	7018992 49, 53
70005227 135	70006679 27	7007446 29	7020064 179
70005228 136	70006680 27	7007633 62	7020065 179
70005230 231	70006681 27	7010464 23	7020066 179, 464
70005293 147	70006682 27	7010492 62	7020067 179
70005294 147	70006683 27	7010543 57	7020175 95, 223
70005295 147	70006684 27	7011112 271, 273	

PART NUMBER INDEX

7020176.....	95, 223	7023951	141	7024470	257	80424002.....	62
7021249.....	29	7023952	141	7024471	257	80424043.....	63
7021275.....	29, 142	7023956	141	7024472	257	80683013.....	122
7021276.....	29	7023957	141	7024473	257	80934561.....	69
7021277.....	29	7023958	141	7024474	257	80963055.....	401
7021363.....	49	7023960	141	7024475	257	80963056.....	401
7021375.....	49, 53, 54	7023961	141	7024478	257	80963067.....	397, 401
7021625.....	21	7023962	141	7024485	158, 162	8220007.....	403, 419
7021639.....	21	7023964	141, 142	7024488	157, 161	8220019.....	397
7021653.....	185	7023965	141	7024489	157, 161	8220029.....	415
7022302.....	29	7023966	142	7024508	297, 299	8220043.....	369, 371
7022305.....	29	7023967	142	7024598	151	8220045.....	395, 415
7022310.....	29	7024021	53	7024704	62	8220051.....	369, 371
7022311.....	29, 142	7024100	63	7024717	24	8220079.....	131
7022312.....	29	7024146	23	7024718	24	8220099.....	401
7022314.....	29, 142	7024147	23	7024762	62	8220125.....	401
7022318.....	141	7024148	23	7024763	24, 62	8220162.....	397
7022326.....	29	7024149	23, 27	7024781	23	8220164.....	415
7022328.....	29	7024151	23, 27	7024782	23, 27	8225117.....	93, 464
7022368.....	29	7024154	23, 27	7024783	23	8229234.....	93, 464
7022371.....	29	7024155	23	7024784	62	8229236.....	93, 464
7022372.....	29	7024182	24	7024854	29	8229237.....	93, 464
7022397.....	21	7024189	24	7024864	142	8229261.....	93, 464
7022399.....	21	7024190	24, 27	7024866	142	8303511.....	131
7023124.....	135	7024191	24, 27	7024867	141	8310070.....	112
7023126.....	136	7024192	24	7024868	29, 141	8310129.....	249
7023144.....	136	7024193	24	7024881	21	83304173.....	73
7023145.....	136	7024194	24	7026197	69	8405102.....	128
7023148.....	135	7024195	24	7026503	69	8405104.....	128
7023149.....	135	7024196	24	7026504	69	8406110.....	128
7023154.....	135	7024197	24	7026505	69	8406201.....	87
7023157.....	135	7024379	63	7026506	69	8410001.....	399
7023164.....	135	7024380	63	7026507	69	8540205.....	122
7023165.....	135	7024381	63	7026509	69	8580420.....	39
7023167.....	135	7024390	63	7026597	158, 162	85841150.....	123
7023168.....	135	7024396	63	7026626	158, 162	8770050.....	311
7023170.....	136	7024397	301, 303	7027773	257	88261024.....	183
7023318.....	62	7024404	69	7027774	257	88521008.....	187
7023907.....	29	7024441	73	7027775	257	88521205.....	87
7023908.....	29	7024453	63	7027776	257	88521214... 261, 263, 265	
7023910.....	29	7024454	62	7027777	257	88662037.....	316
7023911.....	185	7024455	63	7027778	257	88662523.....	112
7023912.....	185	7024456	63	7027779	257	8896941.....	470
7023917.....	21	7024457	63	7027780	257	91143177.....	316
7023933.....	21	7024458	63	7027799	158, 162	91203039... 177, 187, 195	
7023947.....	141	7024462	257	77143013	95	91401281.....	87
7023948.....	141	7024463	257	77363232	157	91403230.. 443, 445, 447,	
7023949.....	141	7024467	257	77363233	405, 407	449, 451, 453, 455,	
7023950.....	141	7024469	257	80344004	27	457, 459	



3121771



An Oshkosh Corporation Company

Corporate Office
JLG Industries, Inc.
1 JLG Drive
McConnellsburg, PA 17233-9533 USA
☎ (717) 485-5161 (Corporate)
☎ (877) 554-5438 (Customer Support)
☎ (717) 485-6417

Visit our website for JLG Worldwide Locations.
www.jlg.com