



# Illustrated Parts Manual

**Models**  
**600SC**  
**660SJC**

SN 0300236299 to Present

**P/N**  
**3121777**

August 10, 2018 - Rev E

**ANSI**

**CE**



**AS/NZS**



An Oshkosh Corporation Company



## REVISION LOG

### **PARTS MANUAL REVISION LOG:**

**September 30, 2017 - A - Original Issue of Manual (Manual edited to 1001188600 Revision U) (Revision 1)**

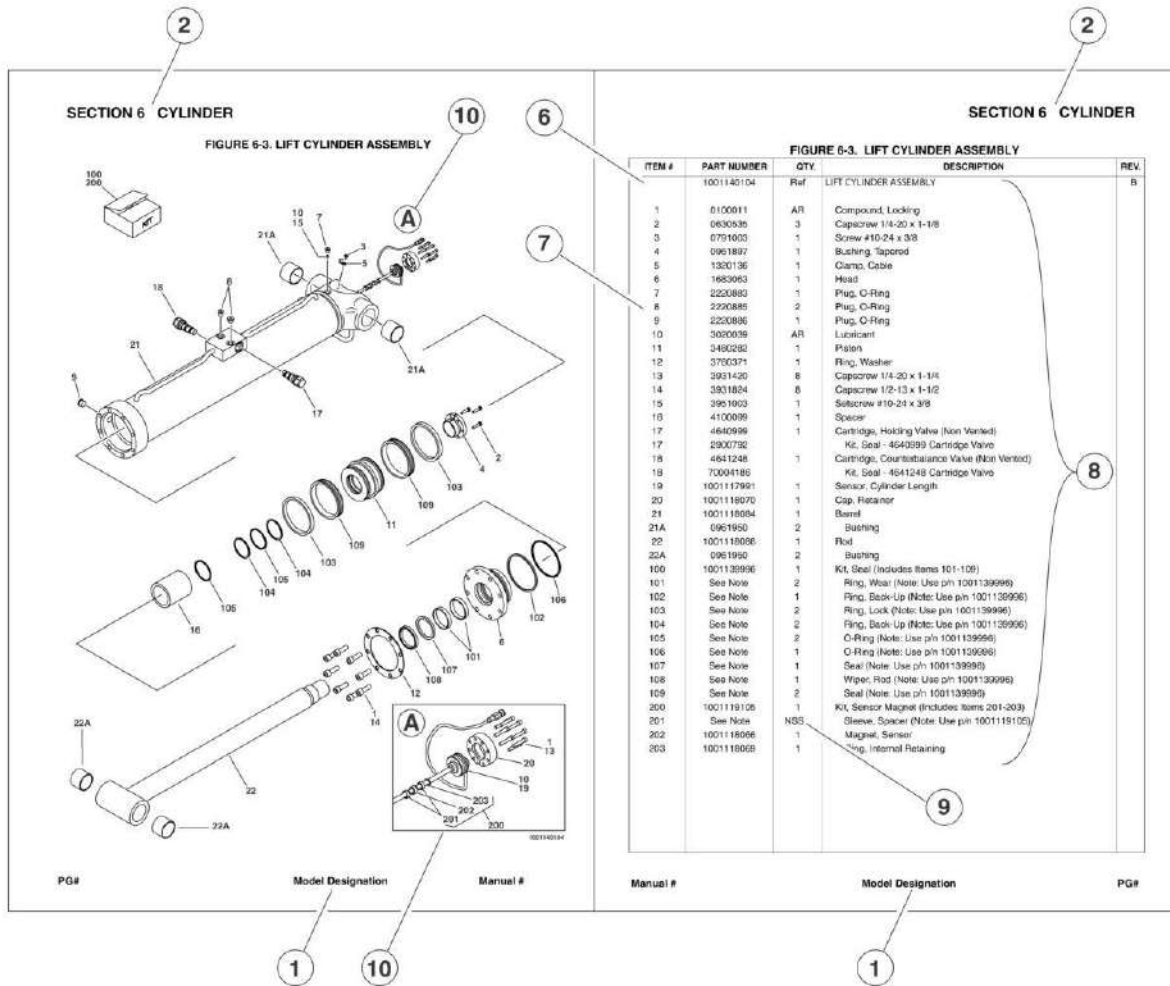
**November 30, 2017 - B - Revised Manual (Manual Edited to 1001188600 Revision U) (Revision 2)**

**February 12, 2018 - C - Revised Manual (Manual Edited to 1001188600 Revision U) (Revision 2)**

**May 18, 2018 - D - Revised Manual (Manual Edited to 1001188600 Revision Z) (Revision 3)**

**August 10, 2018 - E - Revised Manual (Manual Edited to 1001188600 Revision Z) (Revision 2)**

# GENERAL INFORMATION



## 1) MACHINE IDENTIFICATION

Machines are identified by model and in some cases a combination of models, serial number (SN) or regional standard (i.e. ANSI, CE, CSA). Components may also be identified by SN or manufacturer. Common components that may be identified by these characteristics are engines and hydraulic components.

## 2) PARTS MANUAL ORGANIZATION

Product information in this manual is organized under section titles. Frame, Cylinder, Hydraulic and Electrical are a few examples. Each section is organized by figure and page number. The information within the Figure is then organized by item number, part number, description and corresponding illustration(s).

## 3) TABLE OF CONTENTS

A table of contents is found toward the beginning of the manual. Figure number, description and page number are provided for quick reference to the page containing the related information.

## 4) RECOMMENDED SPARE PARTS

The Recommended Spare Parts, located near the end of the manual, reference most frequently used maintenance parts.

## 5) PART NUMBER INDEX

A numerical index listing all part numbers and the corresponding page number(s) appears at the back of the manual.

## GENERAL INFORMATION

### 6) NON-SERVICED PARTS

In some instances, it is necessary to display non-serviced parts, assemblies or installations. In the case of assemblies and installations there will be a Ref in the Qty column. In case of parts that are not available for service within assemblies or components, there will be a NSS (Not Sold Separately) or NLA (No Longer Available) listed in the Qty. column of the manual.

### 7) PARTS LIST ITEM NUMBERS

Numbers shown in the item# column correspond to numbers used in the associated illustration (s). Item numbers which are missing from the sequence in the parts list are not used on that page

### 8) INDENTED PARTS DESCRIPTION

An indented part description is included in the item under which it is indented.

### 9) ABBREVIATION AND SYMBOLS

AC.....	..Alternating Current	LCD.....	..Liquid Crystal Display
ADE.....	..Advanced Design Electronics	LED.....	..Light Emitting Diodes
ANSI.....	..American National Standards Institute	LH.....	..Left Hand
AR.....	..As Required	LSS.....	..Load Sensing System
ASSY.....	..Assembly	M(m).....	..Metric/Meter
AUX.....	..Auxiliary	MM (mm).....	..Milimeter
AWG.....	..American WireGauge	mA.....	..Miliamps
B/M.....	..Bill of Material	NLA.....	..No Longer Available
CE.....	..European Conformity	NPT.....	..National Pipe Threads
CCW.....	..Counter Clockwise	NSS.....	..Not So Id Separately
cm.....	..Centimeter	OD.....	..Outside Diameter
CW.....	..Clockwise	ORB.....	..O-Ring Boss
CSA.....	..Canadian Standards Association	ORFS.....	..O-Ring Face Seal
CYL.....	..Cylinder	OZ (oz).....	..Ounces
DIA.....	..Diameter	PG.....	..Page
DC.....	..Direct Current	P/N.....	..Part Number
EMS.....	..Emergency Stop	qt.....	..Quarts
ENG.....	..Engine	QTY.....	..Quantity
FT(ft).....	..Feet	REF.....	..Reference
GA(Ga).....	..Gauge	REV.....	..Revision Level
HYD.....	..Hydraulic	RH.....	..Right Hand
Hz.....	..Hertz	SAE.....	..Society of A utomotive Engineers
ID.....	..Inside Diameter	SN.....	..Serial Number
in.....	..inches	SPEC(S).....	..Specifications
ISO.....	..International Organization for Standards	T/T.....	..Turntable
JIC.....	..Joint Industry Council	UGM.....	..Universal Ground Module
KG.....	..Kilogram	V.....	..Volts
L.....	..Liter	W.....	..Watts
LB.....	..Pounds	#.....	..Number

### 10) ILLUSTRATION REFERENCE LETTERS

When necessary, illustrations may contain reference letters that are intended to track information (i. e. hoses, harnesses) from one point to another or to track visual enlargement of components to show details that may be located in another area on the illustration.

*Note: Due to continuous product improvements, JLG Industries, Inc. reserves the right to make specification changes without prior notification. Contact JLG Industries, Inc. for updated information.*



# TABLE OF CONTENTS

SECTION 1 - FRAME.....	13
FIGURE 1-1. GRADALL FRAME ASSEMBLY (600SC).....	14
FIGURE 1-2. GRADALL FRAME ASSEMBLY (660SJC).....	16
FIGURE 1-3. GRADALL FRAME DRIVE ASSEMBLY.....	18
FIGURE 1-4. GRADALL FRAME TRACK ROLLER ASSEMBLY (BOTTOM).....	22
FIGURE 1-5. GRADALL FRAME TRACK ROLLER ASSEMBLY (CARRIER).....	24
FIGURE 1-6. GRADALL FRAME TRACK CHAIN ASSEMBLY.....	26
FIGURE 1-7. GRADALL FRAME IDLER ASSEMBLY.....	28
FIGURE 1-8. GRADALL FRAME SPRING ASSEMBLY.....	30
FIGURE 1-9. GRADALL FRAME SHOCK ASSEMBLY.....	32
FIGURE 1-10. RUBBER TRACK PAD INSTALLATION.....	34
SECTION 2 - TURNTABLE.....	37
FIGURE 2-1. VALVE INSTALLATION - 600SC.....	38
FIGURE 2-2. VALVE INSTALLATION - 660SJC.....	40
FIGURE 2-3. MAIN VALVE ASSEMBLY.....	42
FIGURE 2-4. SWING DRIVE INSTALLATION.....	46
FIGURE 2-5. SWING MOTOR/HUB ASSEMBLY.....	48
FIGURE 2-6. TURNTABLE BEARING AND LUBE INSTALLATION.....	52
FIGURE 2-7. TURNTABLE LOCK INSTALLATION.....	54
FIGURE 2-8. ROTARY COUPLING INSTALLATION.....	56
FIGURE 2-9. ROTARY COUPLING ASSEMBLY.....	58
FIGURE 2-10. DRIVE ORIENTATION INSTALLATION.....	60
FIGURE 2-11. TANKS INSTALLATION - DIESEL MACHINES (POLY FUEL TANK).....	62
FIGURE 2-12. TANKS INSTALLATION - DIESEL MACHINES (STEEL FUEL TANK).....	64
FIGURE 2-13. HYDRAULIC TANK ASSEMBLY.....	66
FIGURE 2-14. BATTERY AND AUXILIARY PUMP INSTALLATION.....	68
FIGURE 2-15. ELECTRICAL COMPONENTS INSTALLATION - 600SC.....	70
FIGURE 2-16. ELECTRICAL COMPONENTS INSTALLATION - 660SJC.....	72
FIGURE 2-17. GROUND CONTROL PANEL ASSEMBLY - 600SC.....	74
FIGURE 2-18. GROUND CONTROL PANEL ASSEMBLY - 660SJC.....	76
FIGURE 2-19. KEYSWITCH INSTALLATION - 600SC (ALL SPECS EXCEPT CE SPECS).....	78
FIGURE 2-20. KEYSWITCH INSTALLATION - 600SC (CE SPECS).....	80
FIGURE 2-21. KEYSWITCH INSTALLATION - 660SJC (ALL SPECS EXCEPT CE SPECS).....	82
FIGURE 2-22. KEYSWITCH INSTALLATION - 660SJC (CE SPECS).....	84
FIGURE 2-23. STROBE LIGHT INSTALLATION - AMBER (OPTIONAL).....	86
FIGURE 2-24. STROBE LIGHT INSTALLATION - BLUE (OPTIONAL).....	88
FIGURE 2-25. STROBE LIGHT INSTALLATION - RED (OPTIONAL).....	90
FIGURE 2-26. HOODS INSTALLATIONS - ABS.....	92
FIGURE 2-27. HOOD ASSEMBLY - TANK SIDE (ABS).....	96
FIGURE 2-28. HOOD ASSEMBLY - ENGINE SIDE (ABS).....	98
FIGURE 2-29. HOODS INSTALLATIONS - STEEL.....	100
FIGURE 2-30. HOOD ASSEMBLY - TANK SIDE (STEEL).....	104
FIGURE 2-31. HOOD ASSEMBLY - ENGINE SIDE (STEEL).....	106
FIGURE 2-32. HOOD INSULATION INSTALLATION (STEEL HOODS).....	108
FIGURE 2-33. COVERS INSTALLATION.....	110
SECTION 3 - ENGINE.....	113
FIGURE 3-1. DEUTZ D2011 ENGINE INSTALLATION - WITHOUT ARCTIC PACKAGE.....	114
FIGURE 3-2. DEUTZ D2011 ENGINE AND PUMPS SUB-ASSEMBLY - WITHOUT ARCTIC PACKAGE.....	116
FIGURE 3-3. DEUTZ D2011 ENGINE ASSEMBLY - WITHOUT ARCTIC PACKAGE.....	120
FIGURE 3-4. DEUTZ D2011 ENGINE INSTALLATION - WITH ARCTIC PACKAGE.....	124
FIGURE 3-5. DEUTZ D2011 ENGINE AND PUMPS SUB-ASSEMBLY - WITH ARCTIC PACKAGE.....	128
FIGURE 3-6. DEUTZ D2011 ENGINE ASSEMBLY - WITH ARCTIC PACKAGE.....	132
FIGURE 3-7. DEUTZ D2011 ENGINE COMPONENTS.....	136
FIGURE 3-8. DEUTZ TD2.9L4 ENGINE INSTALLATION - WITHOUT ARCTIC PACKAGE.....	140
FIGURE 3-9. DEUTZ TD2.9L4 ENGINE AND PUMPS SUB-ASSEMBLY - WITHOUT ARCTIC PACKAGE.....	142
FIGURE 3-10. DEUTZ TD2.9L4 ENGINE ASSEMBLY - WITHOUT ARCTIC PACKAGE.....	146
FIGURE 3-11. DEUTZ TD2.9L4 ENGINE INSTALLATION - WITH ARCTIC PACKAGE.....	152
FIGURE 3-12. DEUTZ TD2.9L4 ENGINE AND PUMPS SUB-ASSEMBLY - WITH ARCTIC PACKAGE.....	156
FIGURE 3-13. DEUTZ TD2.9L4 ENGINE ASSEMBLY - WITH ARCTIC PACKAGE.....	160
FIGURE 3-14. DEUTZ TD2.9L4 ENGINE COMPONENTS.....	166
FIGURE 3-15. DEUTZ TD2.9L4 ENGINE INSTALLATION - WITHOUT ARCTIC PACKAGE (CHINA SPECS ONLY).....	172

# TABLE OF CONTENTS

FIGURE 3-16. DEUTZ TD2.9L4 ENGINE AND PUMPS SUB-ASSEMBLY - WITHOUT ARCTIC PACKAGE (CHINA SPECS ONLY) .....	174
FIGURE 3-17. DEUTZ TD2.9L4 ENGINE ASSEMBLY - WITHOUT ARCTIC PACKAGE (CHINA SPECS ONLY) .....	178
FIGURE 3-18. DEUTZ TD2.9L4 ENGINE INSTALLATION - WITH ARCTIC PACKAGE (CHINA SPECS ONLY).....	184
FIGURE 3-19. DEUTZ TD2.9L4 ENGINE AND PUMPS SUB-ASSEMBLY - WITH ARCTIC PACKAGE (CHINA SPECS ONLY) .....	188
FIGURE 3-20. DEUTZ TD2.9L4 ENGINE ASSEMBLY - WITH ARCTIC PACKAGE (CHINA SPECS ONLY).....	192
FIGURE 3-21. DEUTZ TD2.9L4 ENGINE COMPONENTS (CHINA SPECS ONLY) .....	198
FIGURE 3-22. DEUTZ TD2.9L4 (STAGE V) ENGINE INSTALLATION.....	202
FIGURE 3-23. DEUTZ TD2.9L4 (STAGE V) ENGINE AND PUMP SUB-ASSEMBLY.....	204
FIGURE 3-24. DEUTZ TD2.9L4 (STAGE V) ENGINE ASSEMBLY .....	208
FIGURE 3-25. DEUTZ TD2.9L4 (STAGE V) ENGINE COMPONENTS.....	214
FIGURE 3-26. PUMP COUPLING KIT (DEUTZ ENGINES).....	220
FIGURE 3-27. PISTON PUMP ASSEMBLY- FRONT .....	222
FIGURE 3-28. PISTON PUMP ASSEMBLY- REAR.....	226
FIGURE 3-29. FUEL FILTER INSTALLATION (STEEL FUEL TANK) (DEUTZ D2011 ENGINES) .....	230
FIGURE 3-30. FUEL PUMP AND FILTER INSTALLATION (STEEL FUEL TANK) (DEUTZ TD2.9L4 ENGINES) .....	232
FIGURE 3-31. FUEL FILTER INSTALLATION (DEUTZ TD2.9L4 ENGINES).....	234
FIGURE 3-32. FUEL FILTER ASSEMBLY (DEUTZ TD2.9L4 ENGINES).....	236
FIGURE 3-33. BREATHER HEATER INSTALLATION - DEUTZ D2.9L4 ENGINE WITH ARCTIC PACKAGE .....	238
FIGURE 3-34. MUFFLER INSTALLATION - SPARK ARRESTING (DEUTZ D2011 ENGINES) (OPTIONAL).....	240
FIGURE 3-35. DEUTZ 2.9L4 EXHAUST INSTALLATION (CHINA SPECS ONLY) .....	242
FIGURE 3-36. ENGINE HOOD BAFFLES INSTALLATION - ABS HOODS .....	244
FIGURE 3-37. ENGINE HOOD BAFFLES INSTALLATION - STEEL HOODS .....	246
FIGURE 3-38. TRAY JACK INSTALLATION .....	248
FIGURE 3-39. MOTOR MOUNT INSTALLATION - WITHOUT GENERATOR (DEUTZ D2011 ENGINES) .....	250
FIGURE 3-40. MOTOR MOUNT INSTALLATION - WITH GENERATOR (DEUTZ D2011 ENGINES).....	252
FIGURE 3-41. MOTOR MOUNT INSTALLATION - WITHOUT GENERATOR (DEUTZ TD2.9L4 ENGINES) .....	254
FIGURE 3-42. MOTOR MOUNT INSTALLATION - WITH GENERATOR (DEUTZ TD2.9L4 ENGINES).....	256
FIGURE 3-43. 2500W GENERATOR INSTALLATION - 220V/50HZ (DEUTZ D2011 ENGINES) (OPTIONAL).....	258
FIGURE 3-44. 2500W GENERATOR INSTALLATION - 110V/60HZ (DEUTZ D2011 ENGINES) (OPTIONAL).....	260
FIGURE 3-45. 2500W GENERATOR INSTALLATION - 110V/60HZ (DEUTZ TD2.9L4 ENGINES) (OPTIONAL) .....	262
FIGURE 3-46. 4000W GENERATOR INSTALLATION - 220V/50HZ (DEUTZ D2011 ENGINES) (OPTIONAL).....	266
FIGURE 3-47. 4000W GENERATOR INSTALLATION - 110V/60HZ (DEUTZ D2011 ENGINES) (OPTIONAL).....	270
FIGURE 3-48. 4000W GENERATOR INSTALLATION - 220V/50HZ ( DEUTZ TD2.9L4 ENGINES) (OPTIONAL) .....	274
FIGURE 3-49. 4000W GENERATOR INSTALLATION - 110V/60HZ (DEUTZ TD2.9L4 ENGINES) (OPTIONAL) .....	278
FIGURE 3-50. 7500W SKYPOWER GENERATOR INSTALLATION - 220V/50HZ (DEUTZ D2011 ENGINES) (OPTIONAL).....	282
FIGURE 3-51. 7500W SKYPOWER GENERATOR INSTALLATION - 110V/60HZ (DEUTZ D2011 ENGINES) (OPTIONAL).....	286
FIGURE 3-52. 7500W GENERATOR INSTALLATION - 220V/50HZ (DEUTZ TD2.9L4 ENGINES) (OPTIONAL) .....	290
FIGURE 3-53. 7500W SKYPOWER GENERATOR INSTALLATION - 110V/60HZ (DEUTZ TD2.9L4 ENGINES) (OPTIONAL).....	294
 SECTION 4 - BOOM.....	 299
FIGURE 4-1. BOOM INSTALLATION - 600SC .....	300
FIGURE 4-2. BOOM INSTALLATION - 660SJC .....	304
FIGURE 4-3. BOOM ASSEMBLY - 600SC .....	308
FIGURE 4-4. BOOM ASSEMBLY - 660SJC .....	312
FIGURE 4-5. JIB ASSEMBLY - 660SJC .....	316
FIGURE 4-6. PLATFORM ROTATOR ASSEMBLY - 600SC .....	318
FIGURE 4-7. PLATFORM ROTATOR ASSEMBLY - 660SJC .....	320
FIGURE 4-8. POWER TRACK INSTALLATION .....	322
FIGURE 4-9. BOOM VALVES INSTALLATION - 600SC .....	324
FIGURE 4-10. BOOM VALVES INSTALLATION - 660SJC .....	326
FIGURE 4-11. PLATFORM VALVE ASSEMBLY - 600SC .....	328
FIGURE 4-12. PLATFORM VALVE ASSEMBLY - 660SJC .....	330
FIGURE 4-13. BOOM SENSORS INSTALLATION - 600SC.....	332
FIGURE 4-14. BOOM SENSORS INSTALLATION - 660SJC.....	334
FIGURE 4-15. PLATFORM SUPPORT INSTALLATION - WITHOUT LSS.....	336
FIGURE 4-16. PLATFORM SUPPORT INSTALLATION - WITH LSS .....	338
 SECTION 5 - PLATFORM.....	 341
FIGURE 5-1. PLATFORM ASSEMBLY - 30IN X 3FT (76CM X .91M) - DROP BAR ENTRY .....	342
FIGURE 5-2. PLATFORM ASSEMBLY - 36IN X 6FT (91.5CM X 1.83M) WITH SWING GATE .....	344
FIGURE 5-3. PLATFORM ASSEMBLY - 36IN X 6FT (91.5CM X 1.83M) WITH DROP BAR .....	346
FIGURE 5-4. PLATFORM ASSEMBLY - 36IN X 6FT (91.5CM X 1.83M) TRI-ENTRY WITH SWING GATE .....	348
FIGURE 5-5. PLATFORM ASSEMBLY - 36IN X 6FT (91.5CM X 1.83M) TRI-ENTRY WITH DROPBAR .....	350



# TABLE OF CONTENTS

FIGURE 5-6. PLATFORM ASSEMBLY - 36IN X 8FT (91.5CM X 2.44M) WITH SWING GATE.....	352
FIGURE 5-7. PLATFORM ASSEMBLY - 36IN X 8FT (91.5CM X 2.44M) WITH DROP BAR.....	354
FIGURE 5-8. TRAY ASSEMBLY.....	356
FIGURE 5-9. PLATFORM CONSOLE AND FOOTSWITCH INSTALLATION.....	358
FIGURE 5-10. CONSOLE BOX ASSEMBLY.....	360
FIGURE 5-11. DECAL AND LIGHT PANEL INSTALLATION - 600SC (ALL SPECS EXCEPT AUSTRALIAN AND CE SPECS).....	364
FIGURE 5-12. DECAL AND LIGHT PANEL INSTALLATION - 600SC (AUSTRALIAN AND CE SPECS).....	366
FIGURE 5-13. DECAL AND LIGHT PANEL INSTALLATION - 660SJC (ALL SPECS EXCEPT AUSTRALIAN AND CE SPECS).....	368
FIGURE 5-14. DECAL AND LIGHT PANEL INSTALLATION - 660SJC (AUSTRALIAN AND CE SPECS).....	370
FIGURE 5-15. CONTROLLER ASSEMBLY (DRIVE AND STEER).....	372
FIGURE 5-16. CONTROLLER ASSEMBLY (LIFT AND SWING).....	374
FIGURE 5-17. FOOTSWITCH ASSEMBLY.....	378
FIGURE 5-18. SKYGUARD INSTALLATION.....	380
FIGURE 5-19. CROSS RAIL INSTALLATION.....	382
FIGURE 5-20. SKYGLAZIER INSTALLATION - 600SC & 660SJC (ANSI, AUSTRALIAN AND CSA SPECS).....	384
FIGURE 5-21. SKYWELDER INSTALLATION (50HZ).....	386
FIGURE 5-22. SKYWELDER INSTALLATION (60HZ).....	388
FIGURE 5-23. SKYWELDER PREP PACKAGE (60HZ).....	390
FIGURE 5-24. WELDER ASSEMBLY.....	392
SECTION 6 - CYLINDER.....	395
FIGURE 6-1. LEVEL CYLINDER ASSEMBLY - PLATFORM SLAVE (600SC).....	396
FIGURE 6-2. LEVEL CYLINDER ASSEMBLY - PLATFORM SLAVE (660SJC).....	398
FIGURE 6-3. LIFT CYLINDER ASSEMBLY - BOOM.....	400
FIGURE 6-4. LIFT CYLINDER ASSEMBLY - JIB (660SJC) (SN 0300236299 through 0300245222).....	402
FIGURE 6-5. LIFT CYLINDER ASSEMBLY - JIB (660SJC) (SN 0300245223 to Present).....	404
FIGURE 6-6. TELESCOPE CYLINDER (SN 0300236299 through 0300245222).....	406
FIGURE 6-7. TELESCOPE CYLINDER ASSEMBLY (SN 0300245223 through 0300251713).....	408
FIGURE 6-8. TELESCOPE CYLINDER ASSEMBLY (SN 0300251714 to Present).....	410
SECTION 7 - HYDRAULIC.....	413
FIGURE 7-1. FRAME HYDRAULIC DIAGRAM (600SC).....	414
FIGURE 7-2. FRAME HYDRAULIC DIAGRAM (660 SJC).....	416
FIGURE 7-3. STANDARD HYDRAULIC DIAGRAM (600SC).....	418
FIGURE 7-4. STANDARD HYDRAULIC DIAGRAM (660SJC).....	426
FIGURE 7-5. HYDRAULIC DIAGRAM LIST.....	434
SECTION 8 - ELECTRICAL.....	435
FIGURE 8-1. ELECTRICAL DIAGRAM LIST.....	436
FIGURE 8-2. AC BOX AT PLATFORM INSTALLATION -110V (ALL SPECS EXCEPT AUSTRALIAN & CE SPECS).....	438
FIGURE 8-3. AC BOX AT PLATFORM INSTALLATION - 110V IEC YELLOW (CE SPECS WITHOUT 4000W/50HZ GENERATOR).....	440
FIGURE 8-4. AC BOX AT PLATFORM INSTALLATION - 110V IEC YELLOW (CE SPECS WITH 4000W/50HZ GENERATOR).....	442
FIGURE 8-5. AC BOX AT PLATFORM INSTALLATION - 220V IEC BLUE (CE SPECS WITHOUT 4000W/50HZ GENERATOR).....	444
FIGURE 8-6. AC BOX AT PLATFORM INSTALLATION - 220V IEC BLUE (CE SPECS WITH 4000W/50HZ GENERATOR).....	446
FIGURE 8-7. AC BOX AT PLATFORM INSTALLATION - 220V CEE7 2IN X 4IN POST GROUND (CE SPECS WITHOUT 4000W/50HZ GENERATOR).....	448
FIGURE 8-8. AC BOX AT PLATFORM INSTALLATION - 220V CEE7 2IN X 4IN POST GROUND (CE SPECS WITH 4000W/50HZ GENERATOR).....	450
FIGURE 8-9. AC BOX AT PLATFORM INSTALLATION - 220V CEE7 2IN X 4IN SIDE GROUND (CE SPECS WITHOUT 4000W/50HZ GENERATOR).....	452
FIGURE 8-10. AC BOX AT PLATFORM INSTALLATION - 220V CEE7 2IN X 4IN SIDE GROUND (CE SPECS WITH 4000W/50HZ GENERATOR).....	454
FIGURE 8-11. AC BOX AT PLATFORM INSTALLATION - 220V AFSINT107 (CE SPECS WITHOUT 4000W/50HZ GENERATOR).....	456
FIGURE 8-12. AC BOX AT PLATFORM INSTALLATION - 220V AFSINT107 (CE SPECS WITH 4000W/50HZ GENERATOR).....	458
FIGURE 8-13. AC BOX AT PLATFORM INSTALLATION - 220V CUSTOMER SUPPLIED COMPONENTS (ANSI EXPORT, CE AND CHINA SPECS).....	460
FIGURE 8-14. AC BOX AT PLATFORM INSTALLATION - 240V (WITH 4000W GENERATOR) (ALL SPECS EXCEPT AUSTRALIAN & CE SPECS).....	462

# TABLE OF CONTENTS

FIGURE 8-15. AC BOX AT PLATFORM INSTALLATION - 240V (WITH 7500WSKYPOWER GENERATOR) (ALL SPECS EXCEPT AUSTRALIAN & CE SPECS).....	464
FIGURE 8-16. AC BREAKER BOX INSTALLATION - SINGLE DOUBLE POLE BREAKER .....	466
FIGURE 8-17. AC BREAKER BOX INSTALLATION - 3 BREAKERS.....	468
FIGURE 8-18. AC CABLES AND CLAMPS INSTALLATION - WITHOUT GENERATOR (600SC) (ALL SPECS EXCEPT ANSI & CSA SPECS) .....	470
FIGURE 8-19. AC CABLES AND CLAMPS INSTALLATION - WITHOUT GENERATOR (660SJC) (ALL SPECS EXCEPT ANSI & CSA SPECS) .....	472
FIGURE 8-20. AC CABLES AND CLAMPS INSTALLATION - WITHOUT GENERATOR (600SC) (ANSI & CSA SPECS).....	474
FIGURE 8-21. AC CABLES AND CLAMPS INSTALLATION - WITHOUT GENERATOR (660SJC) (ANSI & CSA SPECS).....	476
FIGURE 8-22. AC CABLES AND CLAMPS INSTALLATION - WITH 2500W GENERATOR (600SC) .....	478
FIGURE 8-23. AC CABLES AND CLAMPS INSTALLATION - WITH 2500W GENERATOR (660SJC) .....	480
FIGURE 8-24. AC CABLES AND CLAMPS INSTALLATION - WITH 4000W-50HZ GENERATOR (600SC) .....	482
FIGURE 8-25. AC CABLES AND CLAMPS INSTALLATION - WITH 4000W-50HZ GENERATOR (660SJC).....	484
FIGURE 8-26. AC CABLES AND CLAMPS INSTALLATION - WITH 4000W-60HZ GENERATOR (600SC) .....	486
FIGURE 8-27. AC CABLES AND CLAMPS INSTALLATION - WITH 4000W-60HZ GENERATOR (660SJC).....	488
FIGURE 8-28. AC CABLES AND CLAMPS INSTALLATION - WITH 7500W SKYPOWER GENERATOR (600SC).....	490
FIGURE 8-29. AC CABLES AND CLAMPS INSTALLATION - WITH 7500W SKYPOWER GENERATOR (660SJC).....	492
FIGURE 8-30. BREAKER BOX KIT - SINGLE DOUBLE POLE BREAKER (WITHOUT 4000W/50HZ GENERATOR) .....	494
FIGURE 8-31. BREAKER BOX KIT - SINGLE DOUBLE POLE BREAKER (WITH 4000W/50HZ GENERATOR).....	496
FIGURE 8-32. BREAKER BOX KIT - 3 BREAKERS (SN 0300236299 through 0300241590).....	498
FIGURE 8-33. BREAKER BOX KIT - 3 BREAKERS (SN 0300241591 to Present) .....	500
FIGURE 8-34. BOOM ANGLE SENSOR HARNESS .....	502
FIGURE 8-35. BOOM CABLE - LOWER.....	504
FIGURE 8-36. BOOM CABLE - UPPER (600SC) .....	506
FIGURE 8-37. BOOM CABLE - UPPER (660SJC) .....	508
FIGURE 8-38. CAPACITY PROXIMITY HARNESS.....	510
FIGURE 8-39. ELECTRICAL COMPONENTS INSTALLATION - 600SC .....	512
FIGURE 8-40. ELECTRICAL COMPONENTS INSTALLATION - 660SJC.....	514
FIGURE 8-41. ENGINE HARNESS - DEUTZ D2011 ENGINES.....	516
FIGURE 8-42. ENGINE HARNESS - DEUTZ TD2.9L4 ENGINES (SN 0300236299 through 0300241926).....	518
FIGURE 8-43. ENGINE HARNESS - DEUTZ TD2.9L4 ENGINES (SN 0300241927 to Present) .....	522
FIGURE 8-44. FUEL PUMP HARNESS - DEUTZ TD2.9L4 ENGINE .....	526
FIGURE 8-45. GENERATOR HARNESS - 2500W .....	528
FIGURE 8-46. GENERATOR HARNESS - 4000W .....	530
FIGURE 8-47. GENERATOR HARNESS - 7500W SKYPOWER .....	532
FIGURE 8-48. GENERATOR RECEPTACLE BOX TO AC PLUG HARNESS (2500W GENERATOR) .....	534
FIGURE 8-49. GENERATOR TO ENGINE HARNESS - 7500W SKYPOWER GENERATOR (DEUTZ D2011 ONLY).....	536
FIGURE 8-50. GROUND CONTROL HARNESS .....	538
FIGURE 8-51. LIFT CYLINDER HARNESS.....	540
FIGURE 8-52. MAIN VALVE HARNESS.....	542
FIGURE 8-53. PLATFORM CONSOLE HARNESS .....	544
FIGURE 8-54. PLATFORM VALVE HARNESS (600SC) .....	548
FIGURE 8-55. PLATFORM VALVE HARNESS (660SJC) .....	550
FIGURE 8-56. RECEPTACLE BOX KIT - 110V IEC YELLOW (CE SPEC) .....	552
FIGURE 8-57. RECEPTACLE BOX KIT - 220V IEC BLUE (CE SPEC).....	554
FIGURE 8-58. RECEPTACLE BOX KIT - 220V CEE7 POST GROUND 2X4 BOX (CE SPEC) .....	556
FIGURE 8-59. RECEPTACLE BOX KIT - 220V CEE7 SIDE GROUND (CE SPEC).....	558
FIGURE 8-60. RECEPTACLE BOX KIT - 220V AFSINT107 (CE SPEC) .....	560
FIGURE 8-61. STROBE LIGHT CONTROL HARNESS (BLUE LIGHT) .....	562
FIGURE 8-62. TELE PROXIMITY HARNESS.....	564
FIGURE 8-63. TURNTABLE HARNESS.....	566
SECTION 9 - DECALS .....	569
FIGURE 9-1. DECAL INSTALLATION - 600SC (ANSI SPECS - ENGLISH LANGUAGE).....	570
FIGURE 9-2. DECAL INSTALLATION - 600SC (BRAZIL SPECS - PORTUGUESE/SPANISH LANGUAGES) .....	572
FIGURE 9-3. DECAL INSTALLATION - 600SC (CE SPECS - ENGLISH LANGUAGE) .....	574
FIGURE 9-4. DECAL INSTALLATION - 600SC (CHINESE SPECS - ENGLISH/SIMPLIFIED CHINESE LANGUAGES) .....	576
FIGURE 9-5. DECAL INSTALLATION - 600SC (CHINESE SPECS - ENGLISH/TRADITIONAL CHINESE LANGUAGES) .....	578
FIGURE 9-6. DECAL INSTALLATION - 600SC (CSA SPECS - ENGLISH/FRENCH LANGUAGES) .....	580
FIGURE 9-7. DECAL INSTALLATION - 600SC (JAPANESE SPECS - ENGLISH/JAPANESE LANGUAGES) .....	582
FIGURE 9-8. DECAL INSTALLATION - 600SC (KOREAN SPECS - ENGLISH/KOREAN LANGUAGES) .....	584
FIGURE 9-9. DECAL INSTALLATION - 600SC (LATIN AMERICA SPECS - ENGLISH/SPANISH LANGUAGES) .....	586
FIGURE 9-10. DECAL INSTALLATION - 660SJC (ANSI SPECS - ENGLISH LANGUAGE).....	588
FIGURE 9-11. DECAL INSTALLATION - 660SJC (AUSTRALIAN SPECS - ENGLISH LANGUAGE).....	590
FIGURE 9-12. DECAL INSTALLATION - 660SJC (BRAZIL SPECS - PORTUGUESE/SPANISH LANGUAGES) .....	592

# TABLE OF CONTENTS

FIGURE 9-13. DECAL INSTALLATION - 660SJC (CE SPECS - ENGLISH LANGUAGE).....	594
FIGURE 9-14. DECAL INSTALLATION - 660SJC (CHINESE SPECS - ENGLISH/SIMPLIFIED CHINESE LANGUAGES).....	596
FIGURE 9-15. DECAL INSTALLATION - 660SJC (CHINESE SPECS - ENGLISH/TRADITIONAL CHINESE LANGUAGES)....	598
FIGURE 9-16. DECAL INSTALLATION - 660SJC (CSA SPECS - ENGLISH/FRENCH LANGUAGES).....	600
FIGURE 9-17. DECAL INSTALLATION - 660SJC (JAPANESE SPECS - ENGLISH/JAPANESE LANGUAGES).....	602
FIGURE 9-18. DECAL INSTALLATION - 660SJC (KOREAN SPECS - ENGLISH/KOREAN LANGUAGES).....	604
FIGURE 9-19. DECAL INSTALLATION - 660SJC (LATIN AMERICA SPECS - ENGLISH/SPANISH LANGUAGES) .....	606
FIGURE 9-20. DECAL INSTALLATION - OPTIONS .....	608
SECTION 10 - RECOMMENDED SERVICE PARTS STOCK .....	611
FIGURE 10-1. RECOMMENDED SERVICE PARTS STOCK .....	612
SECTION 11 - SPECIAL OPTIONS.....	615
FIGURE 11-1. SPECIAL OPTIONS.....	616
PART NUMBER INDEX .....	621



**SECTION 1 - FRAME**



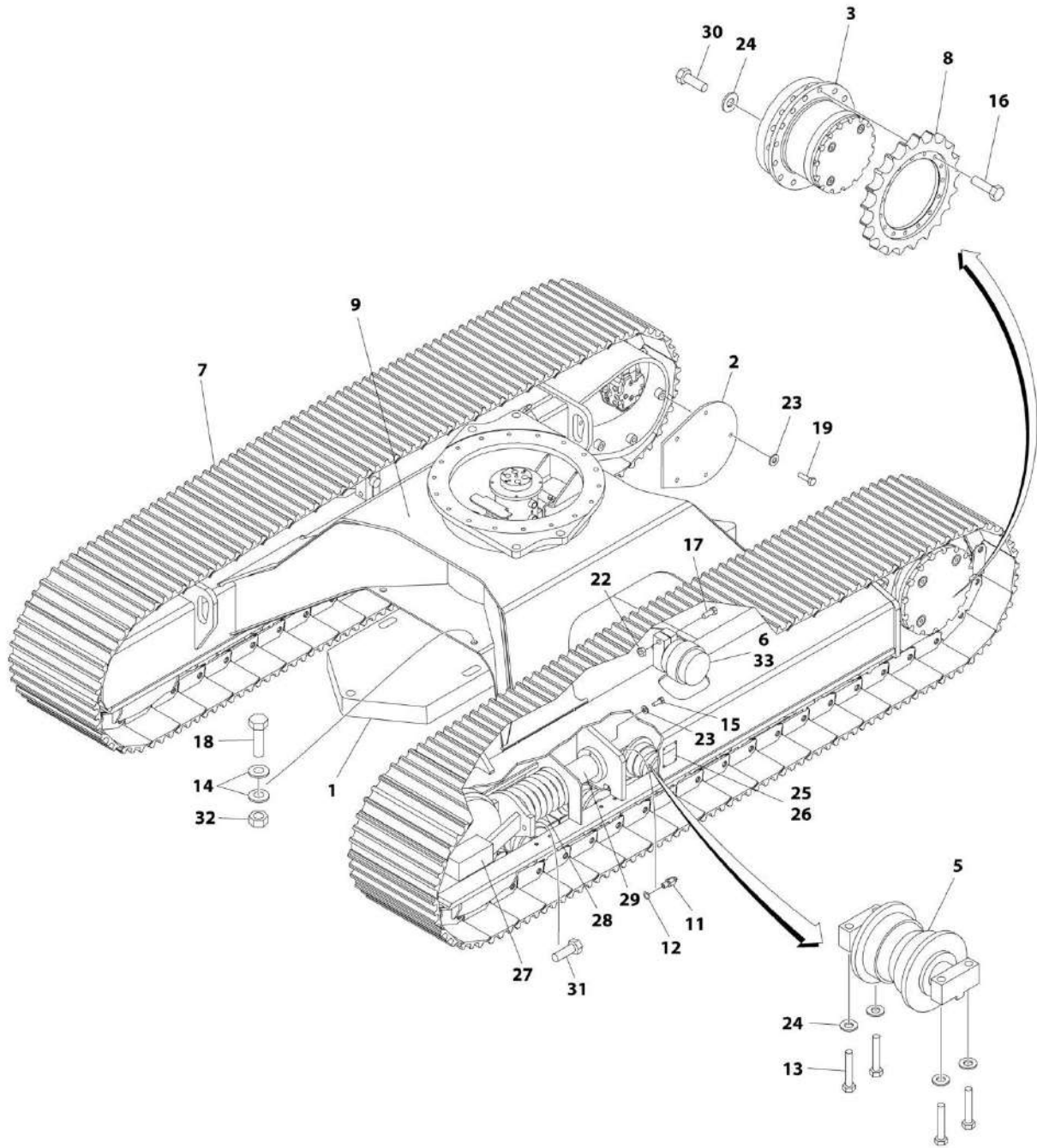
## SECTION 1 - FRAME

**FIGURE 1-1. GRADALL FRAME ASSEMBLY (600SC)**

ITEM	PART NUMBER	QTY	DESCRIPTION	REV
	1001196734	Ref	GRADALL FRAME ASSEMBLY	E
2	80211039	2	Plate, Cover	
3	80213121	2	Drive Assembly (See Separate Breakdown in this Section)	
5	80213004	12	Track Roller Assembly - Bottom (See Separate Breakdown in this Section)	
6	80213005	2	Track Roller Assembly - Carrier (See Separate Breakdown in this Section)	
7	80213117	2	Track Chain Assembly (See Separate Breakdown in this Section)	
8	80213044	2	Sprocket, Drive	
9	80216028	1	Undercarriage	
11	80613008	2	Fitting, Grease	
12	80613009	2	Seal, Grease Fitting	
13	80683015	48	Bolt 5/8 x 3	
15	83191002	4	Bolt M12 x 45	
16	80213011	30	Bolt M16 x 50	
17	83201001	2	Bolt 3/4 x 4-1/4	
19	88201065	10	Bolt 1/2 x 1	
22	88521212	2	Nut 3/4	
23	88551013	14	Washer 1/2	
24	90027472	80	Washer 5/8	
25	80213060	2	Nameplate - Caution	
26	88341012	8	Screw #4 x 5/16	
27	80213040	2	Idler Assembly (See Separate Breakdown in this Section)	
28	80213041	2	Spring Assembly (See Separate Breakdown in this Section)	
29	80213042	2	Shock Assembly (See Separate Breakdown in this Section)	
30	83191056	32	Bolt M16 x 50	
31	83191058	4	Capscrew M16 x 45	
33	14403323	AR	Never-Seize	

# SECTION 1 - FRAME

## FIGURE 1-2. GRADALL FRAME ASSEMBLY (660SJC)



ART\_1001196677



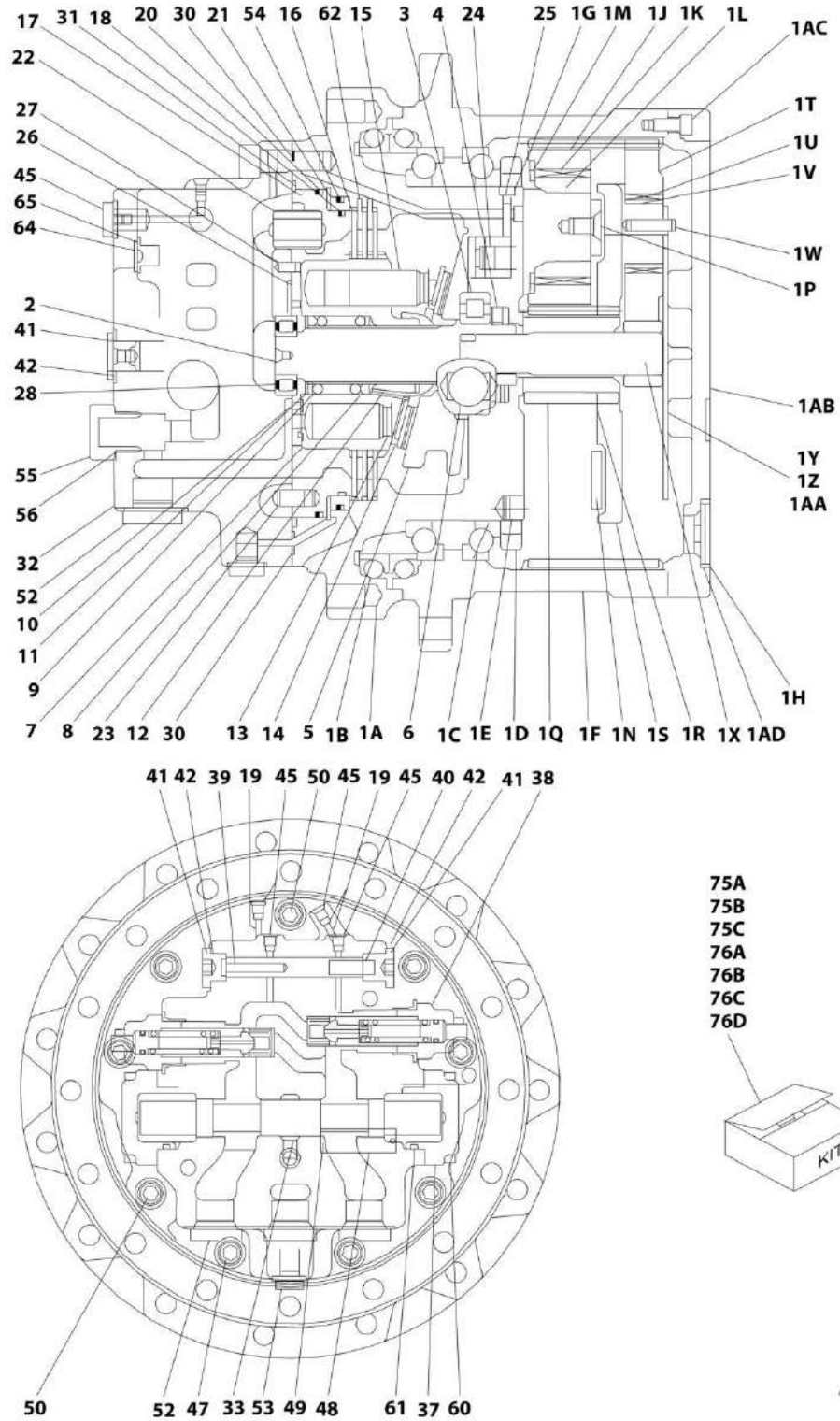
# SECTION 1 - FRAME

**FIGURE 1-2. GRADALL FRAME ASSEMBLY (660SJC)**

ITEM	PART NUMBER	QTY	DESCRIPTION	REV
	1001196677	Ref	GRADALL FRAME ASSEMBLY	F
1	80211154	1	Counterweight	
2	80211039	2	Plate, Cover	
3	80213121	2	Drive Assembly (See Separate Breakdown in this Section)	
5	80213004	12	Track Roller Assembly - Bottom (See Separate Breakdown in this Section)	
6	80213005	2	Track Roller Assembly - Carrier (See Separate Breakdown in this Section)	
7	80213117	2	Track Chain Assembly (See Separate Breakdown in this Section)	
8	80213044	2	Sprocket, Drive	
9	80216028	1	Undercarriage	
11	80613008	2	Fitting, Grease	
12	80613009	2	Seal, Grease Fitting	
13	80683015	48	Bolt 5/8 x 3	
14	90027475	8	Washer 1	
15	83191002	4	Bolt M12 x 45	
16	80213011	30	Bolt M16 x 50	
17	83201001	2	Bolt 3/4 x 4-1/4	
18	83201047	4	Capscrew 1 x 8-1/2 (Grade 8)	
18	83201147	4	Capscrew 1 x 8-1/2	
19	88201065	10	Bolt 1/2	
22	88521212	2	Nut 3/4	
23	88551013	14	Washer 1/2	
24	90027472	80	Washer 5/8	
25	80213060	2	Nameplate - Caution	
26	88341012	8	Screw #4 x 5/16	
27	80213040	2	Idler Assembly (See Separate Breakdown in this Section)	
28	80213041	2	Spring Assembly (See Separate Breakdown in this Section)	
29	80213042	2	Shock Assembly (See Separate Breakdown in this Section)	
30	83191056	32	Bolt M16 x 50	
31	83191058	4	Capscrew M16 x 45	
32	88501016	4	Nut 1	
33	14403323	AR	Never-Seize	

# SECTION 1 - FRAME

## FIGURE 1-3. GRADALL FRAME DRIVE ASSEMBLY



ART\_80213121

# SECTION 1 - FRAME

## FIGURE 1-3. GRADALL FRAME DRIVE ASSEMBLY

ITEM	PART NUMBER	QTY	DESCRIPTION	REV
	80213121	Ref	GRADALL FRAME DRIVE ASSEMBLY	
1	80214375	1	Gear Box Assembly	
1A	See Note	NSS	Flange (Note: Use Item 76B)	
1B	See Note	NSS	Seal, Floating (Note: Use Item 75A)	
1C	80214337	2	Bearing, Angular	
1D	See Note	NSS	Nut, Ring (Note: Use Item 1)	
1E	See Note	NSS	Plug (Note: Use Item 1)	
1F	See Note	NSS	Housing (Note: Use Item 1)	
1G	See Note	NSS	Plug (Note: Not Available - Purchase Locally)	
1H	See Note	NSS	Plug (Note: Not Available - Purchase Locally)	
1J	80214332	4	Gear, Planetary (B)	
1K	80214334	4	Bearing, Needle	
1L	80214333	4	Bushing, Floating	
1M	See Note	NSS	Thrustwasher (Note: Use Item 1)	
1N	See Note	NSS	Plate, Thrust (Note: Use Item 1)	
1P	See Note	NSS	Screw (Note: Use Item 1)	
1Q	80214329	1	Gear, Sun	
1R	See Note	NSS	Ring, Retaining (Note: Not Available - Purchase Locally)	
1S	See Note	NSS	Holder (Note: Use Item 1)	
1T	80214376	3	Gear, Planetary (A)	
1U	80214326	3	Bearing, Needle	
1V	80214325	3	Race, Inner Bearing	
1W	See Note	NSS	Pin, Spring (Note: Use Item 1)	
1X	80214377	1	Driveshaft	
1Y	See Note	NSS	Plate, Thrust (Note: Use Item 76A)	
1Z	See Note	NSS	Plate, Thrust (Note: Use Item 76A)	
1AA	See Note	NSS	Plate, Thrust (Note: Use Item 76A)	
1AB	7022693	1	Cover	
1AC	See Note	16	Bolt (Note: Not Available - Purchase Locally)	
1AD	See Note	NSS	O-Ring (Note: Use Item 75A)	
2	80214308	1	Shaft	
3	80914076	1	Bearing	
4	See Note	NSS	Seal, Oil (Note: Use Item 75B)	
5	See Note	NSS	Plate, Swash (Note: Purchase Complete Assembly)	
6	See Note	NSS	Ball (Note: Purchase Complete Assembly)	
7	See Note	NSS	Block, Cylinder (Note: Use Item 76B)	
8	See Note	NSS	Collar (Note: Purchase Complete Assembly)	
9	See Note	NSS	Spring (Note: Purchase Complete Assembly)	
10	See Note	NSS	Collar (Note: Purchase Complete Assembly)	
11	See Note	NSS	Ring, Retaining (Note: Not Available - Purchase Locally)	
12	80214312	3	Pin	
13	See Note	NSS	Retainer, Holder (Note: Not Available - Purchase Complete Assembly)	
14	See Note	NSS	Plate, Retainer (Note: Not Available - Purchase Complete Assembly)	
15	See Note	NSS	Piston Assembly (Note: Use Item 76B)	
16	See Note	NSS	Plate, Brake Disc (Note: Use Item 76C)	
17	See Note	NSS	Piston, Brake (Note: Use Item 76C)	
18	See Note	NSS	O-Ring (Note: Use Item 75B or 76C)	
19	See Note	NSS	Orifice (Note: Not Available for Purchase)	

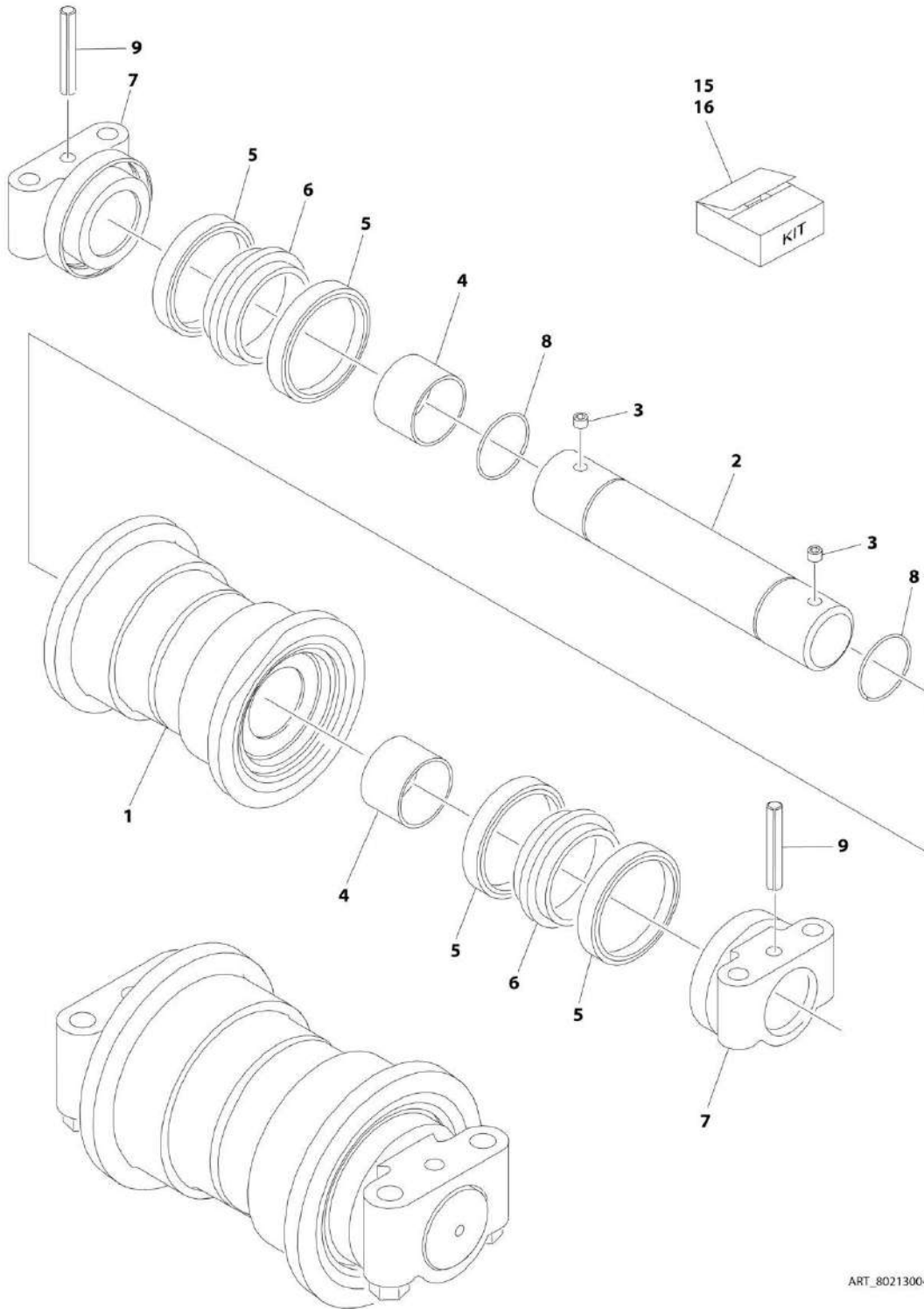
## SECTION 1 - FRAME

ITEM	PART NUMBER	QTY	DESCRIPTION	REV
20	See Note	NSS	O-Ring (Note: Use Item 75B or 76C)	
21	See Note	NSS	Collar (Note: Use Item 76C)	
22	See Note	NSS	Spring (Note: Not Available - Purchase Complete Assembly)	
23	See Note	NSS	Pin (Note: Not Available - Purchase Complete Assembly)	
24	See Note	NSS	Piston Assembly (Note: Not Available - Purchase Complete Assembly)	
25	See Note	NSS	Spring (Note: Not Available - Purchase Complete Assembly)	
26	See Note	NSS	Plate, Valve (Note: Not Available - Purchase Complete Assembly)	
27	See Note	NSS	Pin (Note: Not Available - Purchase Complete Assembly)	
28	80214378	1	Bearing	
30	See Note	NSS	O-Ring (Note: Use Item 75B)	
31	See Note	NSS	O-Ring (Note: Use Item 75B)	
32	See Note	NSS	Plate, Base (Note: Use Item 76C)	
33	See Note	NSS	Spool (Note: Use Item 76C)	
37	See Note	NSS	Flange (Note: Not Available - Purchase Complete Assembly)	
38	80214379	2	Relief Valve Assembly (See Below for Seal Kit)	
39	See Note	NSS	Spool (Note: Not Available - Purchase Complete Assembly)	
40	See Note	NSS	Spring (Note: Not Available - Purchase Complete Assembly)	
41	See Note	NSS	Plug (Note: Not Available - Purchase Locally)	
42	See Note	NSS	O-Ring (Note: Use Item 75B)	
45	See Note	NSS	Plug (Note: Not Available - Purchase Locally)	
47	See Note	NSS	Bolt (Note: Not Available - Purchase Locally)	
48	See Note	NSS	Nameplate (Note: Not Available for Purchase)	
49	See Note	NSS	Drivescrew (Note: Not Available for Purchase)	
50	See Note	NSS	Bolt (Note: Not Available for Purchase)	
52	See Note	NSS	Plug, Shipping (Note: Not Available for Purchase)	
53	See Note	NSS	Plug, Shipping (Note: Not Available for Purchase)	
54	See Note	NSS	O-Ring (Note: Use Item 75B)	
55	See Note	NSS	Plug (Note: Not Available - Purchase Locally)	
56	See Note	NSS	O-Ring (Note: Use Item 75B)	
60	See Note	NSS	Bolt (Note: Not Available - Purchase Locally)	
61	See Note	NSS	O-Ring (Note: Use Item 75B)	
62	See Note	NSS	Plate, Friction (Note: Use Item 76C)	
64	See Note	NSS	Plug (Note: Not Available - Purchase Locally)	
65	See Note	NSS	O-Ring (Note: Use Item 75B)	
75		Ref	Seal Kit Options:	
75A	80214371	1	Hub Seal Kit (Includes Items 1B & 1AD)	
75B	80214372	1	Motor/Brake/Valve Seal Kit (Includes Items 4, 18, 20, 30, 31, 42, 54, 56, 61, 65 & Item 75C)	
75C	See Note	NSS	Relief Valve Seal Kit (Includes 3 O-Rings and 2 Back-up Rings for Item 38) (Note: Use Item 75B)	
76		Ref	Repair Kit Options:	
76A	80214172	1	Hub Thrust Plate Kit (Includes Items 1Y, 1Z & 1AA)	
76B	80214171	1	Cylinder Block Kit (Includes Items 1, 7 & 15)	
76C	80214373	1	Brake Kit (Includes Items 16, 17, 18, 20, 21 & 62)	
76D	80214374	1	Base Plate Kit (Includes Items 32 & 33)	



# SECTION 1 - FRAME

FIGURE 1-4. GRADALL FRAME TRACK ROLLER ASSEMBLY (BOTTOM)



ART\_80213004

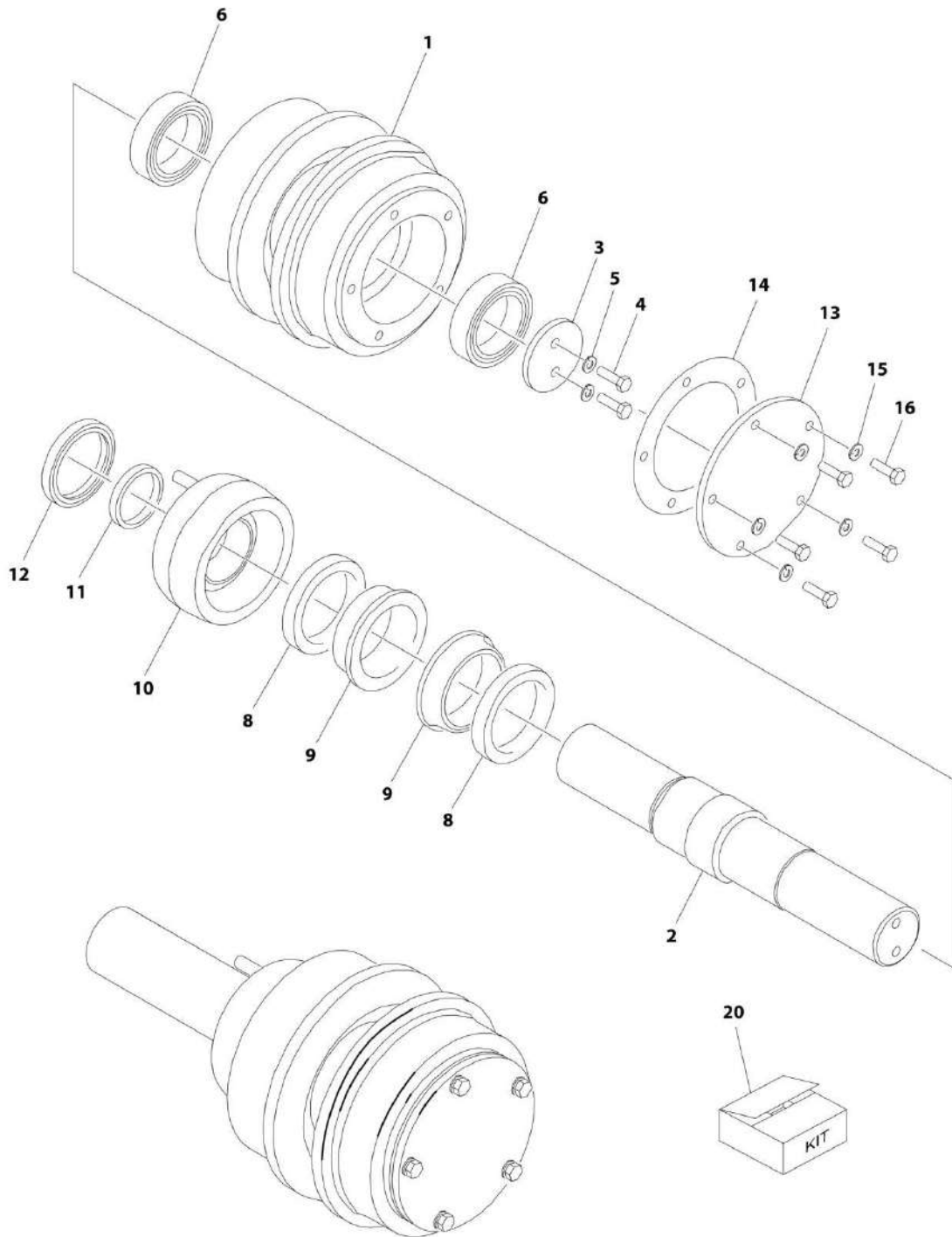
## SECTION 1 - FRAME

**FIGURE 1-4. GRADALL FRAME TRACK ROLLER ASSEMBLY (BOTTOM)**

ITEM	PART NUMBER	QTY	DESCRIPTION	REV
	80213004	Ref	GRADALL FRAME TRACK ROLLER ASSEMBLY	F
1	See Note	NSS	Roller, Guide (Note: Use Item 16)	
2	80214008	1	Shaft	
3	See Note	NSS	Plug (Note: Not Available - Purchase Locally)	
4	80214006	2	Bearing	
5	80214003	4	Ring	
6	80214003	2	Seal	
7	80214002	2	Support, Mounting Bracket	
8	80214007	2	O-Ring	
9	80214001	2	Rollpin	
15	80214003	2	Seal Kit (Includes Items 5 & 6)	
16	80214005	1	Roller Guide Bearing Kit (Includes Items 1 & 4)	

# SECTION 1 - FRAME

## FIGURE 1-5. GRADALL FRAME TRACK ROLLER ASSEMBLY (CARRIER)



ART\_80213005



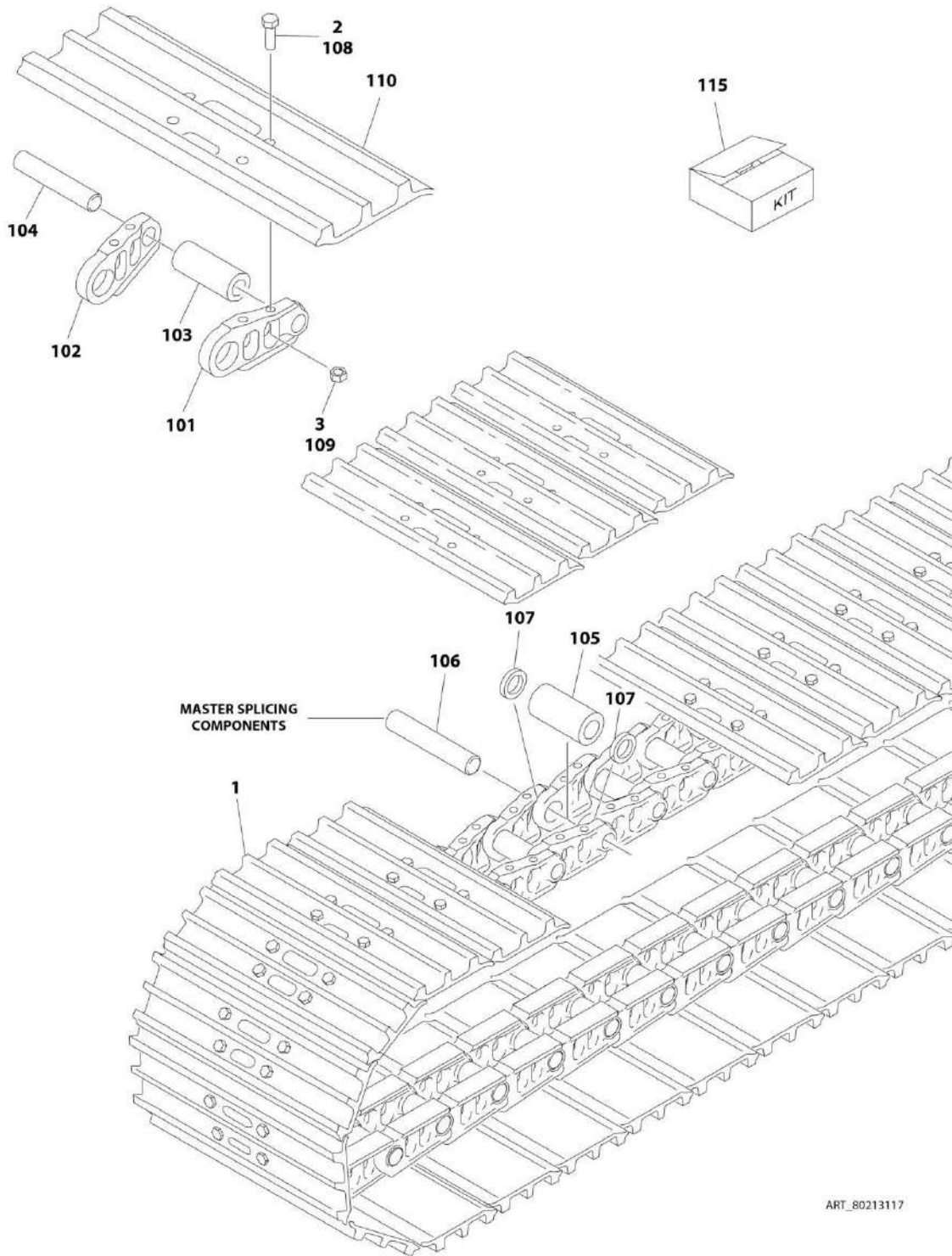
## SECTION 1 - FRAME

**FIGURE 1-5. GRADALL FRAME TRACK ROLLER ASSEMBLY (CARRIER)**

ITEM	PART NUMBER	QTY	DESCRIPTION	REV
	80213005	Ref	GRADALL FRAME TRACK ROLLER ASSEMBLY	D
1	80214017	NLA	Roller, Guide (Use p/n 80213005)	
2	80214022	1	Shaft	
3	See Note	NSS	Cover, Internal (Note: Not Available - Purchase Complete Assembly)	
4	80214014	2	Bolt	
5	80214015	2	Washer	
6	80214013	2	Bearing, Roller	
8	See Note	NSS	Ring, Seal (Note: Use Item 20)	
9	See Note	NSS	Ring, Tension (Note: Use Item 20)	
10	80214019	1	Collar	
11	80214020	1	Ring, Packing	
12	80214021	1	Ring, Seal	
13	80214011	1	Cover	
14	80214012	1	Seal, Cover	
15	80214010	5	Lockwasher	
16	80214009	5	Bolt	
20	80214018	1	Seal Kit (Includes Items 8 & 9)	

# SECTION 1 - FRAME

## FIGURE 1-6. GRADALL FRAME TRACK CHAIN ASSEMBLY



ART\_80213117

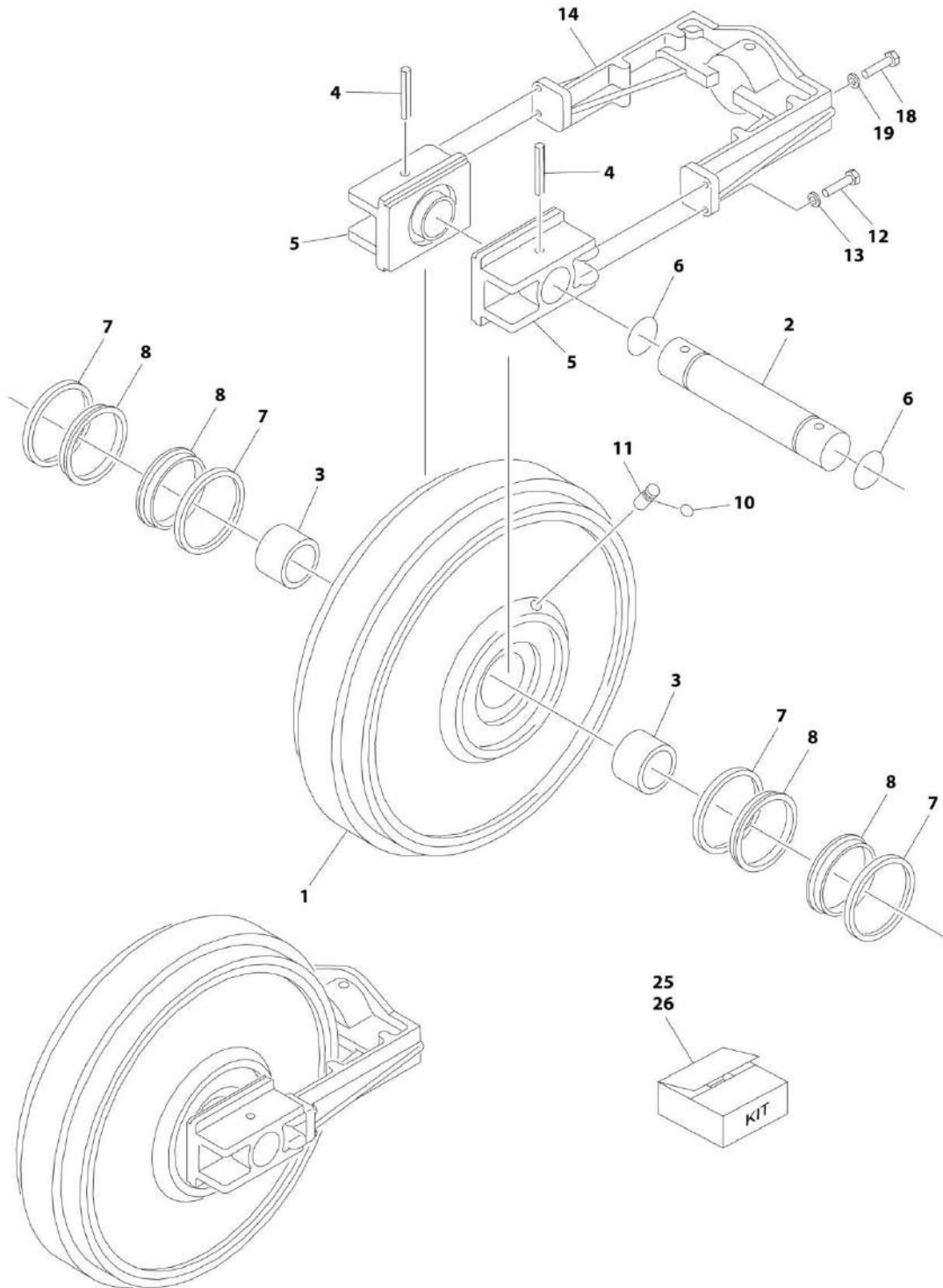
## SECTION 1 - FRAME

**FIGURE 1-6. GRADALL FRAME TRACK CHAIN ASSEMBLY**

ITEM	PART NUMBER	QTY	DESCRIPTION	REV
	80213117	Ref	GRADALL FRAME TRACK CHAIN ASSEMBLY	
		Ref	Note: Qty shown is for one track - 2 tracks per machine	
1	See Note	47	Shoe Assembly (Note: Not Available - Purchase Individual Parts)	
2	80213016	188	Bolt	
3	80214368	188	Nut	
		Ref	SHOE ASSEMBLY	
		Ref	Note: Qty shown is for one side - 47 shoes per track and 2 tracks per machine	
101	80214361	47	Link, Right	
102	80214362	47	Link, Left	
103	80214363	47	Bearing	
104	80214364	46	Pin, Hinge	
105	80214365	1	Bearing, Splice	
106	80214366	1	Pin, Splice Hinge	
107	80214367	2	Spacer	
108	80213016	188	Screw	
109	80214368	188	Nut	
110	80214369	47	Cleat, Track	
115	80214370	1	Pin and Bearing Kit (Includes Items 103-107)	

# SECTION 1 - FRAME

## FIGURE 1-7. GRADALL FRAME IDLER ASSEMBLY



ART\_90213040

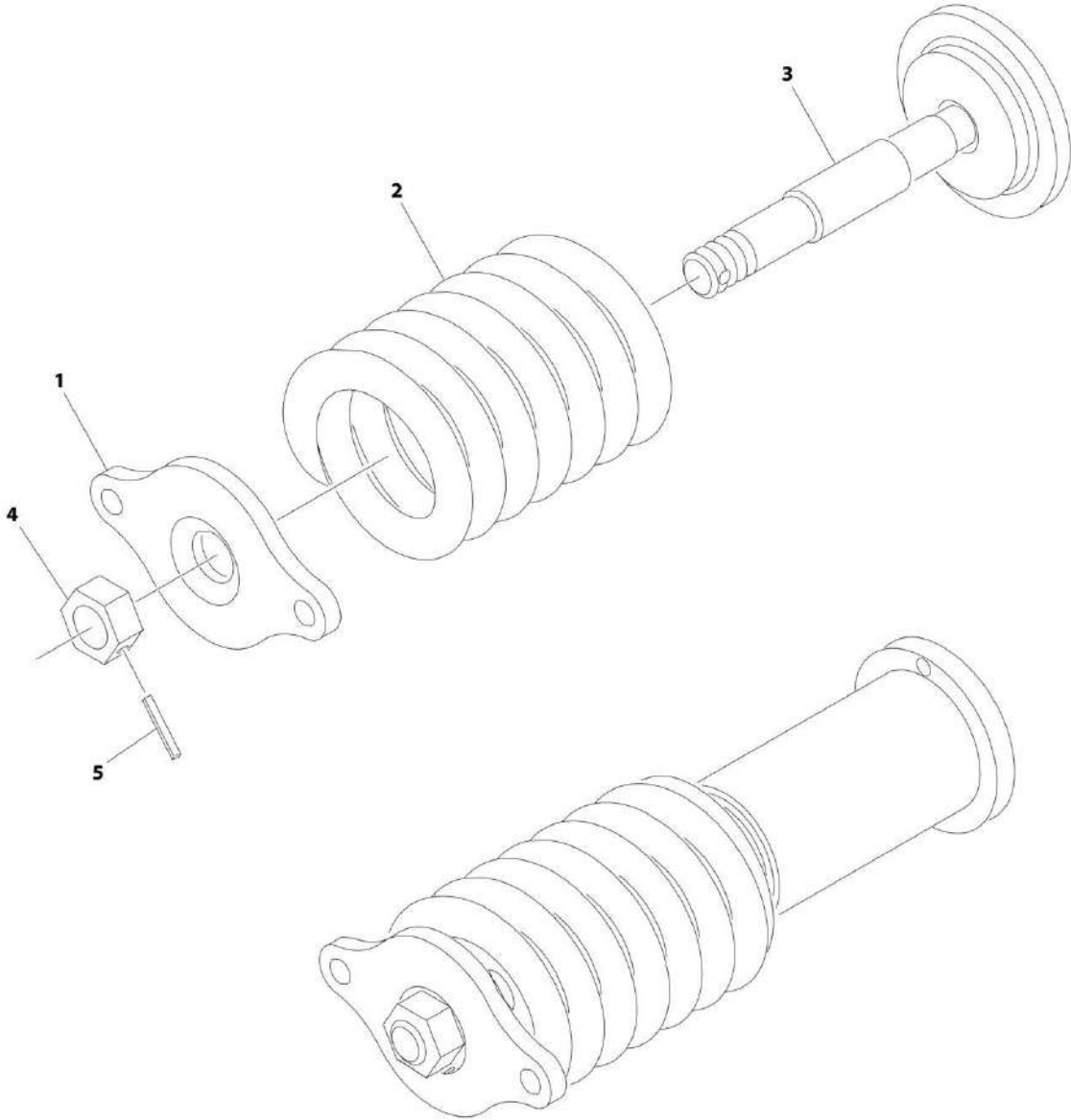
## SECTION 1 - FRAME

**FIGURE 1-7. GRADALL FRAME IDLER ASSEMBLY**

ITEM	PART NUMBER	QTY	DESCRIPTION	REV
	80213040	Ref	GRADALL FRAME IDLER ASSEMBLY	B
1	See Note	NSS	Idler without Bearing (Note: Use Item 25)	
2	80214027	1	Shaft	
3	80214024	2	Bearing	
4	80214004	2	Rollpin	
5	80214026	2	Bracket, Mounting	
6	80214028	2	Seal	
7	See Note	NSS	Seal (Note: Use Item 26)	
8	See Note	NSS	Holder, Seal (Note: Use Item 26)	
10	83604107	1	O-Ring	
11	83694108	1	Plug	
12	80214030	4	Bolt	
13	83694007	4	Lockwasher	
14	80214029	1	Bracket	
18	83694009	2	Bolt	
19	83694010	2	Lockwasher	
25	80214023	1	Idler Kit (Includes Items 1 & 3)	
26	83694040	2	Seal and Holder Kit (Includes Items 7 & 8)	

**SECTION 1 - FRAME**

**FIGURE 1-8. GRADALL FRAME SPRING ASSEMBLY**



ART\_80213041

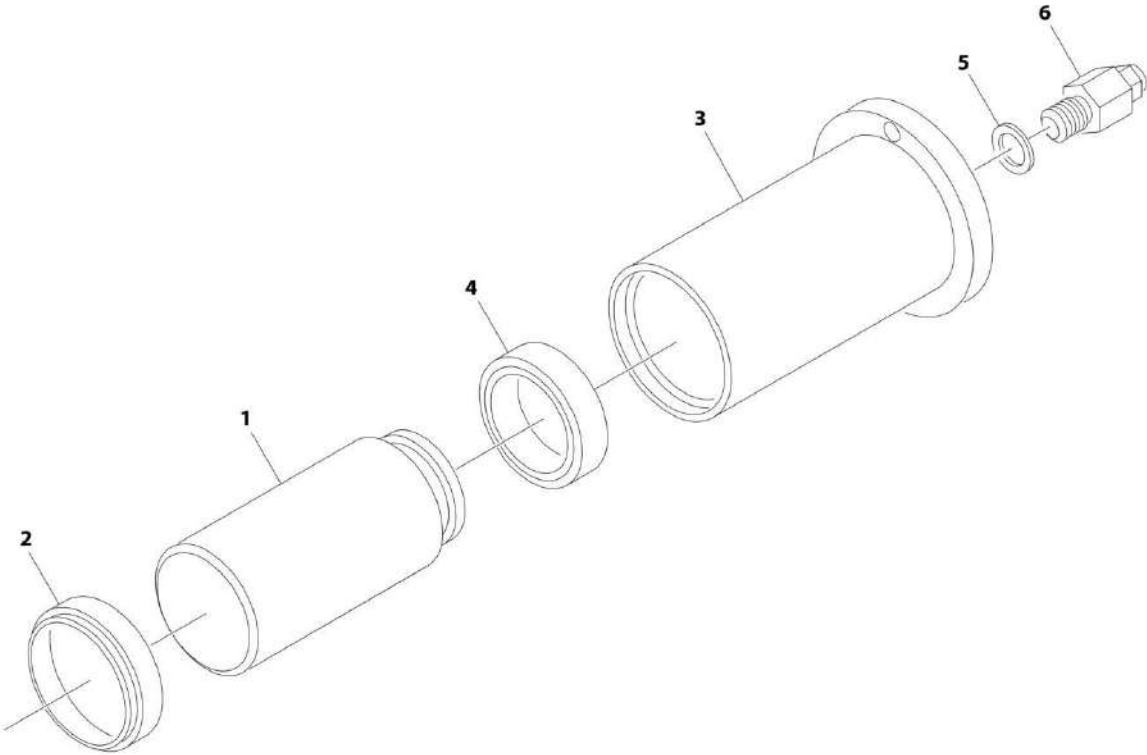
## SECTION 1 - FRAME

### FIGURE 1-8. GRADALL FRAME SPRING ASSEMBLY

ITEM	PART NUMBER	QTY	DESCRIPTION	REV
	80213041	Ref	GRADALL FRAME SPRING ASSEMBLY	C
1	80214031	1	Flange, Mounting	
2	80214033	1	Spring	
3	80214034	1	Plate, Base	
4	80214010	1	Locknut	
5	80214011	1	Rollpin	

**SECTION 1 - FRAME**

**FIGURE 1-9. GRADALL FRAME SHOCK ASSEMBLY**



ART\_80213043



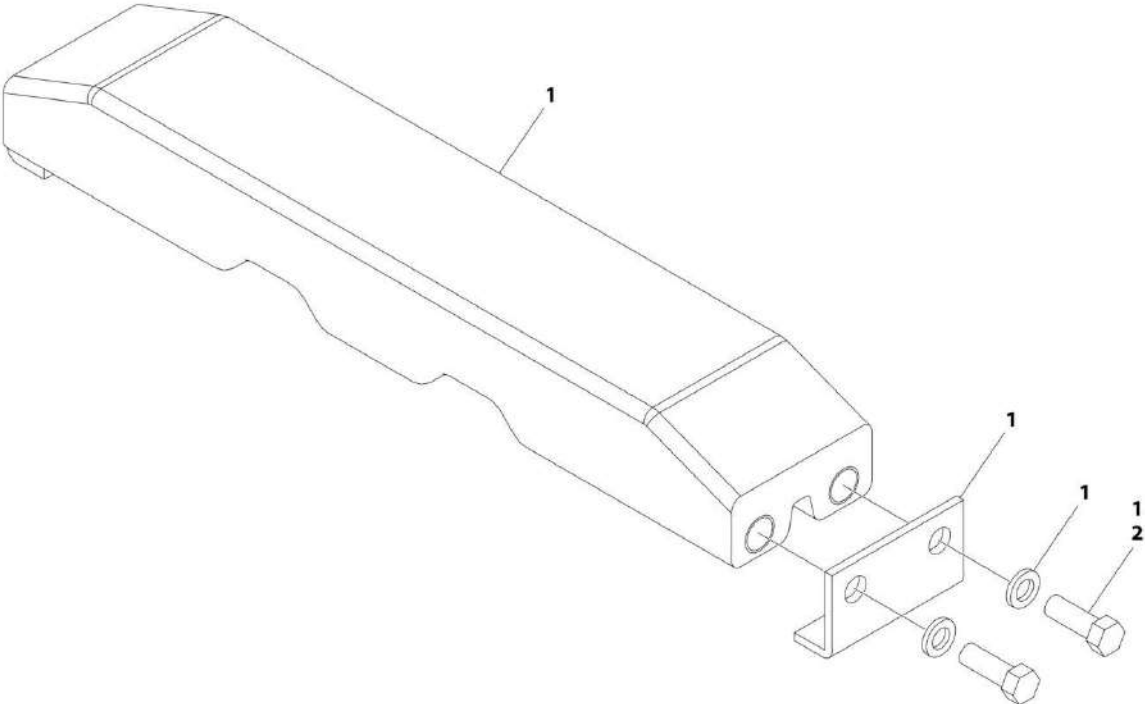
## SECTION 1 - FRAME

### FIGURE 1-9. GRADALL FRAME SHOCK ASSEMBLY

ITEM	PART NUMBER	QTY	DESCRIPTION	REV
	80213042	Ref	GRADALL FRAME SHOCK ASSEMBLY	A
1	83694046	1	Piston/Rod	
2	83694045	1	Wiper	
3	80614008	1	Barrel	
4	83694047	1	Seal	
5	80613009	1	Seal	
6	80613008	1	Fitting	

**SECTION 1 - FRAME**

**FIGURE 1-10. RUBBER TRACK PAD INSTALLATION**



ART\_0272029

**FIGURE 1-10. RUBBER TRACK PAD INSTALLATION**

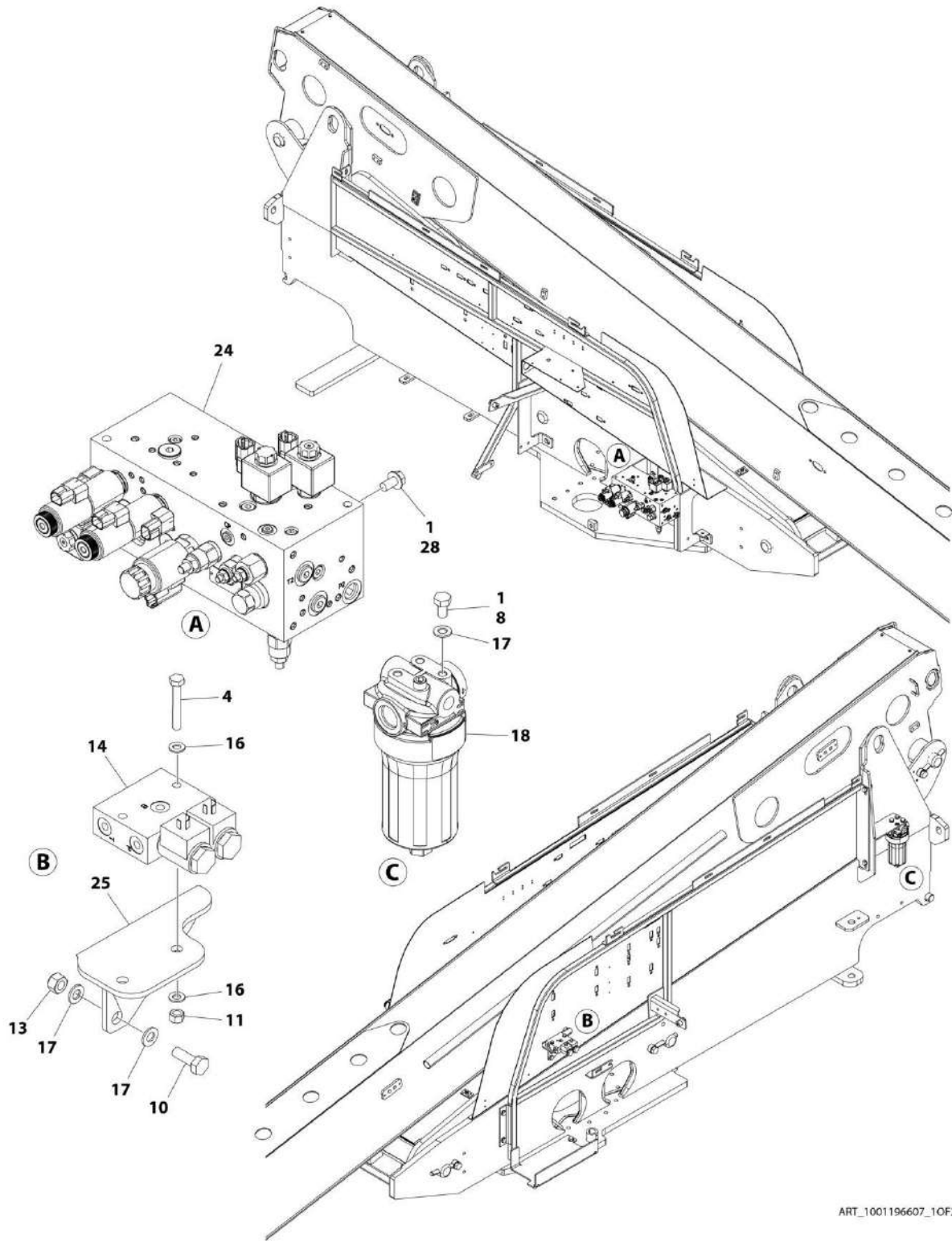
<b>ITEM</b>	<b>PART NUMBER</b>	<b>QTY</b>	<b>DESCRIPTION</b>	<b>REV</b>
	0272029	Ref	RUBBER TRACK PAD INSTALLATION	1-B
1	3340938	94	Pad, Rubber Track	
2	0100011	AR	Compound, Locking	



**SECTION 2 - TURNTABLE**

# SECTION 2 - TURNTABLE

## FIGURE 2-1. VALVE INSTALLATION - 600SC



ART\_1001196607\_10F2

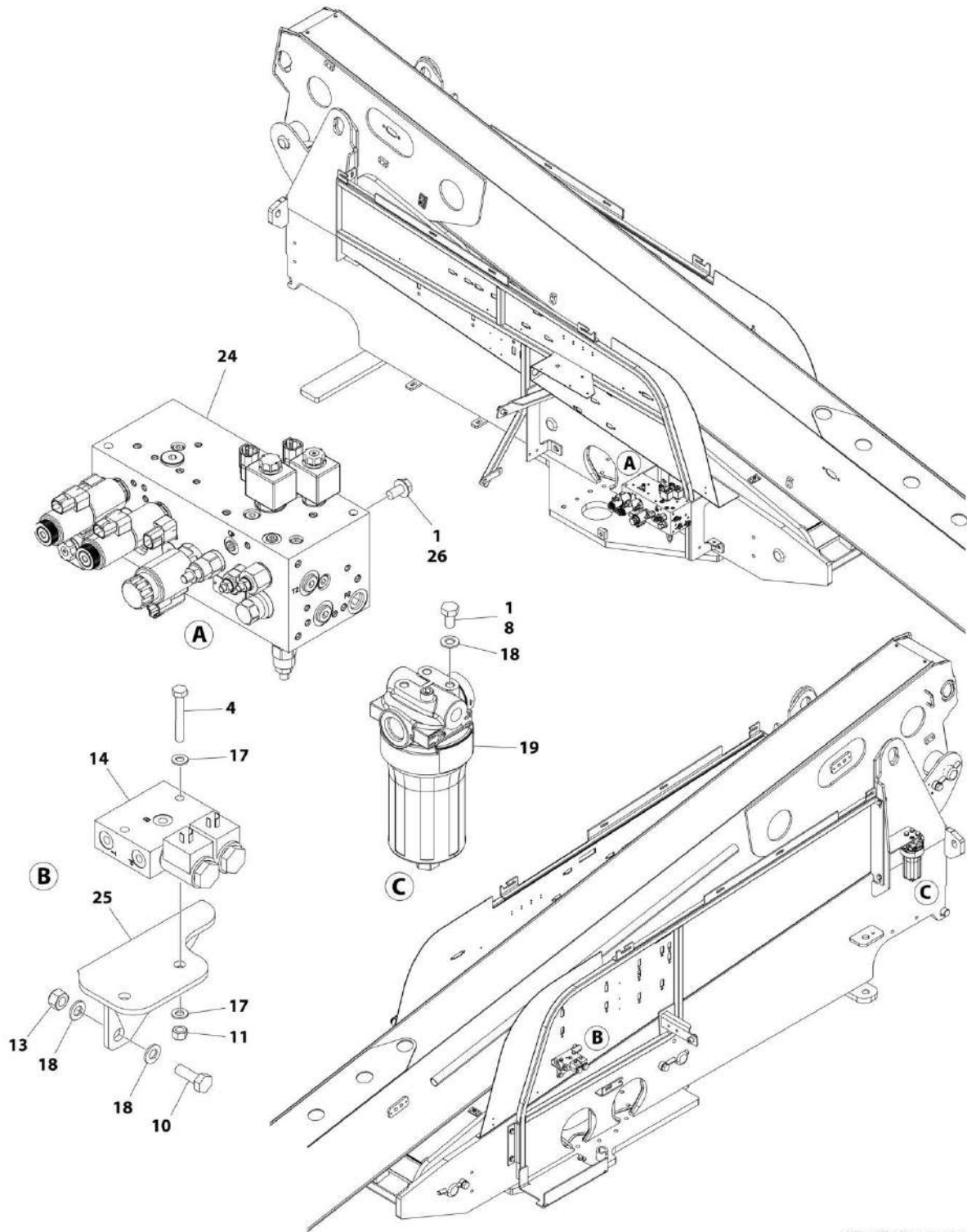
**SECTION 2 - TURNTABLE**

**FIGURE 2-1. VALVE INSTALLATION - 600SC**

ITEM	PART NUMBER	QTY	DESCRIPTION	REV
	1001196607	Ref	VALVE INSTALLATION	D
1	0100011	AR	Compound, Locking	
4	0700819	2	Bolt M8 x 55	
8	0761009	6	Bolt M10 x 18	
10	0761014	2	Bolt M10 x 30	
11	3290805	5	Nut M8	
13	3291005	2	Nut M10	
14	4641317	1	Brake/Two Speed Valve Assembly	
14	7012941	2	Cartridge Less Coil	
14	7010543	2	Seal Kit - 7012941 Valve	
14	7012944	2	Coil	
16	4811900	10	Washer M8	
17	4812000	10	Washer M10	
18	1001208874	1	Filter, Hydraulic	
18	70010383	1	Element, Filter	
24	1001196595	1	Main Valve Assembly (See Separate Breakdown in this Section)	
25	1001196803	1	Bracket	
28	5251009	4	Bolt M10 x 18	

# SECTION 2 - TURNTABLE

## FIGURE 2-2. VALVE INSTALLATION - 660SJC



ART\_1001197143\_10F2



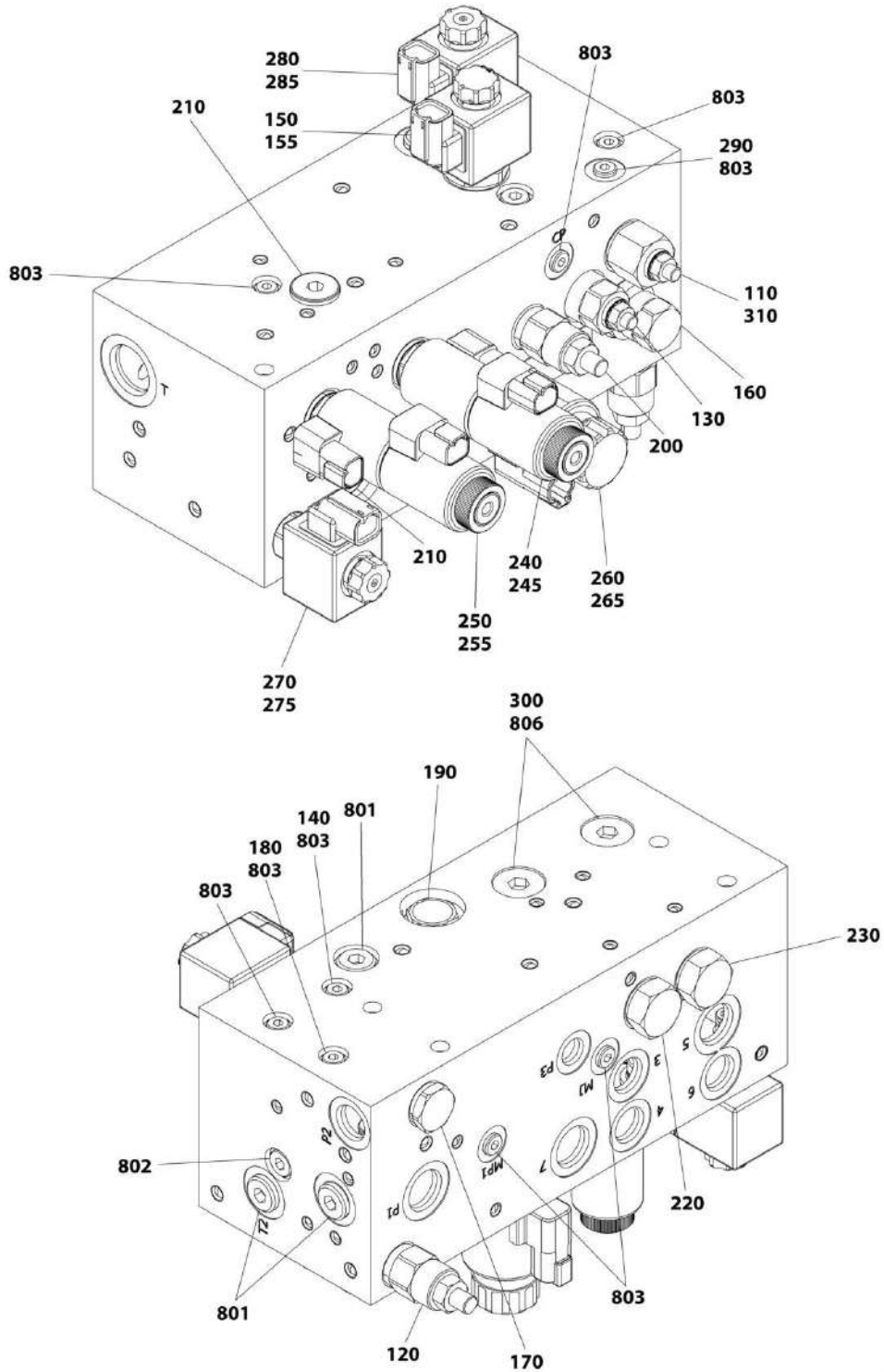
**SECTION 2 - TURNTABLE**

**FIGURE 2-2. VALVE INSTALLATION - 660SJC**

ITEM	PART NUMBER	QTY	DESCRIPTION	REV
	1001197143	Ref	VALVE INSTALLATION	E
1	0100011	AR	Compound, Locking	
4	0700819	2	Bolt M8 x 55	
8	0761009	6	Bolt M10 x 18	
10	0761014	2	Bolt M10 x 30	
11	3290805	4	Nut M8	
13	3291005	2	Nut M10	
14	4641317	1	Brake/Two Speed Valve Assembly	
14	7012941	2	Cartridge Less Coil	
14	7010543	2	Seal Kit - 7012941 Valve	
14	7012944	2	Coil	
17	4811900	9	Washer M8	
18	4812000	10	Washer M10	
19	1001208874	1	Filter, Hydraulic	
19	70010383	1	Element, Filter	
24	1001196595	1	Main Valve Assembly (See Separate Breakdown in this Section)	
25	1001196803	1	Bracket	
26	5251009	4	Bolt M10 x 18	

# SECTION 2 - TURNTABLE

## FIGURE 2-3. MAIN VALVE ASSEMBLY



ART\_1001196595

**SECTION 2 - TURNTABLE**

**FIGURE 2-3. MAIN VALVE ASSEMBLY**

ITEM	PART NUMBER	QTY	DESCRIPTION	REV
	1001196595	Ref	MAIN VALVE ASSEMBLY	C
110	70006109	1	Valve, Flow/Pressure Control	
110	70006110	1	Cap	
110	70004656	1	Seal Kit - 70006109 Valve	
120	70003019	1	Valve, Relief	
120	70004052	1	Seal Kit - 70003019 Valve	
130	70004607	1	Valve, Relief	
130	70004602	1	Seal Kit - 70004607 Valve	
140	70004668	1	Orifice	
150	70006111	1	Valve, Solenoid without Coil	
150	70004584	1	Seal Kit - 70006111 Valve	
150	70004051	1	Coil Nut & Pole Tube O-Ring Kit	
155	70004653	1	Coil	
160	70006112	1	Valve, Load Sense	
160	70006113	1	Seal Kit - 70006112 Valve	
170	70005952	1	Valve, Check	
170	70004052	1	Seal Kit - 70005952 Valve	
180	7022527	1	Orifice 2mm	
190	70003027	1	Valve, Flow/Pressure Control	
190	70004052	1	Seal Kit - 70003027 Valve	
200	70003019	1	Valve, Relief	
200	70004052	1	Seal Kit - 70003019 Valve	
210	70023859	4	Valve, Relief	
210	70023860	4	Seal Kit - 70023859 Valve	
220	70006114	1	Valve, Pressure Compensator	
220	70004656	1	Seal Kit - 70006114 Valve	
230	70006114	1	Valve, Pressure Compensator	
230	70004656	1	Seal Kit - 70006114 Valve	
240	70006115	1	Valve, Solenoid without Coil (Swing)	
240	70006116	1	Seal Kit - 70006115 Valve	
240	70004661	1	Nut, Coil	
240	70024457	1	O-Ring at Coil Nut	
240	70004662	1	O-Ring at Bottom of Pole Tube	
245	80434249	2	Coil	
250	70006117	1	Valve, Solenoid without Coil (Tele)	
250	70006116	1	Seal Kit - 70006117 Valve	
250	70004661	1	Nut, Coil	
250	70024457	1	O-Ring at Coil Nut	
250	70004662	1	O-Ring at Bottom of Pole Tube	
255	80434249	2	Coil	
260	70004657	1	Valve, Solenoid (Lift)	
260	70004594	1	Seal Kit - 70004657 Valve	
260	70004597	1	Nut, Coil	
260	70004596	1	O-Ring at Coil Nut	
265	70004595	1	Coil	
270	70004598	1	Valve, Solenoid (Lift)	
270	70004055	1	Seal Kit - 70004598 Valve	
270	70005947	1	Coil Nut & Pole Tube O-Ring Kit	
275	70004653	1	Coil	
280	70006118	1	Valve, Solenoid (Lift)	

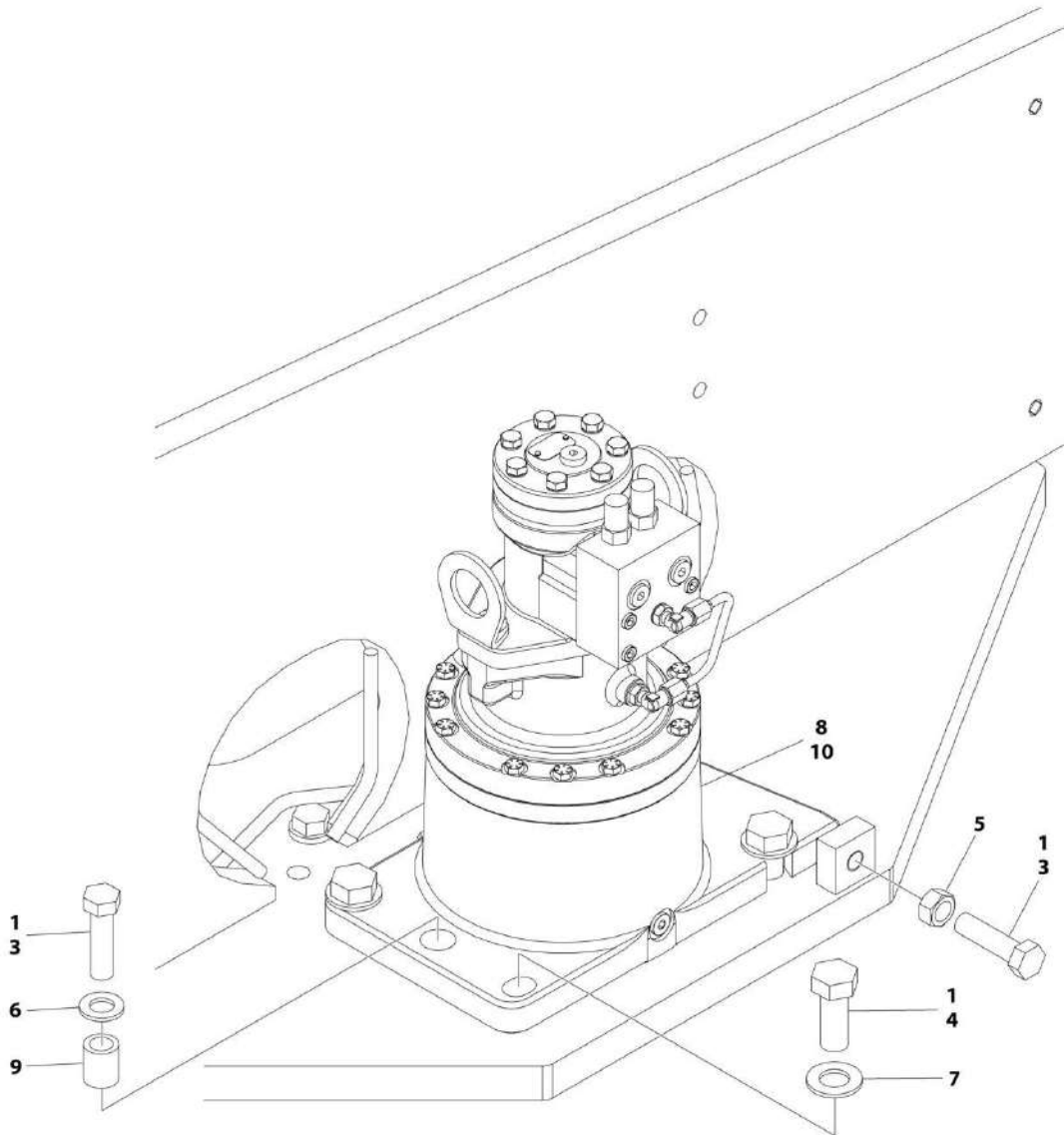
## SECTION 2 - TURNTABLE

ITEM	PART NUMBER	QTY	DESCRIPTION	REV
280	70004052	1	Seal Kit - 70006118 Valve	
280	70004051	1	Coil Nut & Pole Tube O-Ring Kit	
285	70004653	1	Coil	
290	7023821	1	Orifice .8mm	
300	70006119	1	Valve, Check	
310	70006357	1	Orifice 4mm	
801	70002759	4	Plug	
802	70004617	2	Plug	
803	70002758	9	Plug	
806	70006120	2	Plug	



# SECTION 2 - TURNTABLE

## FIGURE 2-4. SWING DRIVE INSTALLATION



ART\_1001185842

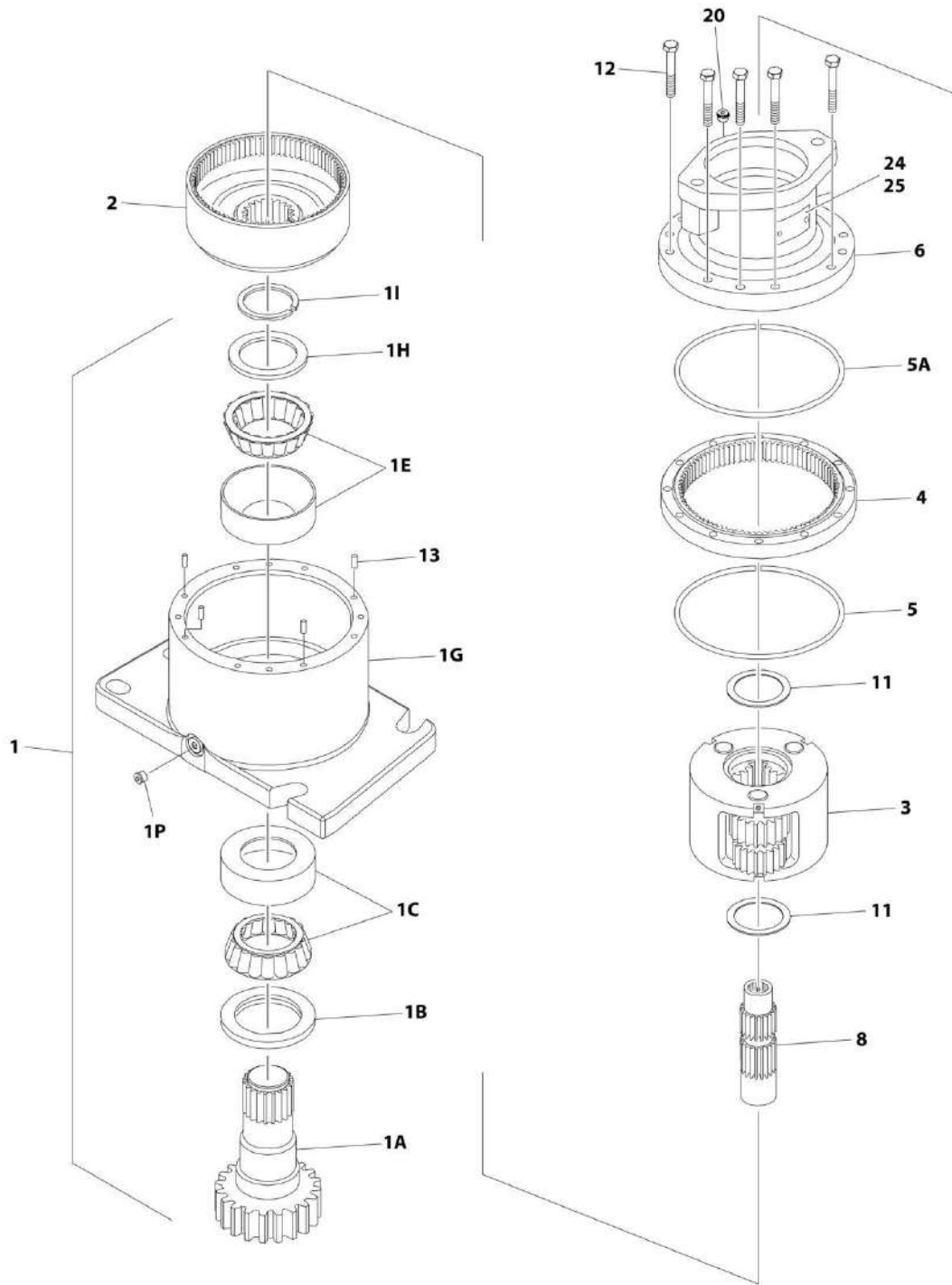
**SECTION 2 - TURNTABLE**

**FIGURE 2-4. SWING DRIVE INSTALLATION**

<b>ITEM</b>	<b>PART NUMBER</b>	<b>QTY</b>	<b>DESCRIPTION</b>	<b>REV</b>
	1001185842	Ref	SWING DRIVE INSTALLATION	B
1	0100019	AR	Compound, Locking	
3	0771620	2	Bolt M16 x 60	
4	0772018	4	Bolt M20 x 50	
5	3291601	1	Nut M16	
6	5241600	1	Washer M16	
7	5242000	4	Washer M20	
8	1001125492	1	Shim	
9	1001134543	1	Spacer	
10	1001187855	1	Swing Motor/Hub Assembly (See Separate Breakdown in this Section)	

# SECTION 2 - TURNTABLE

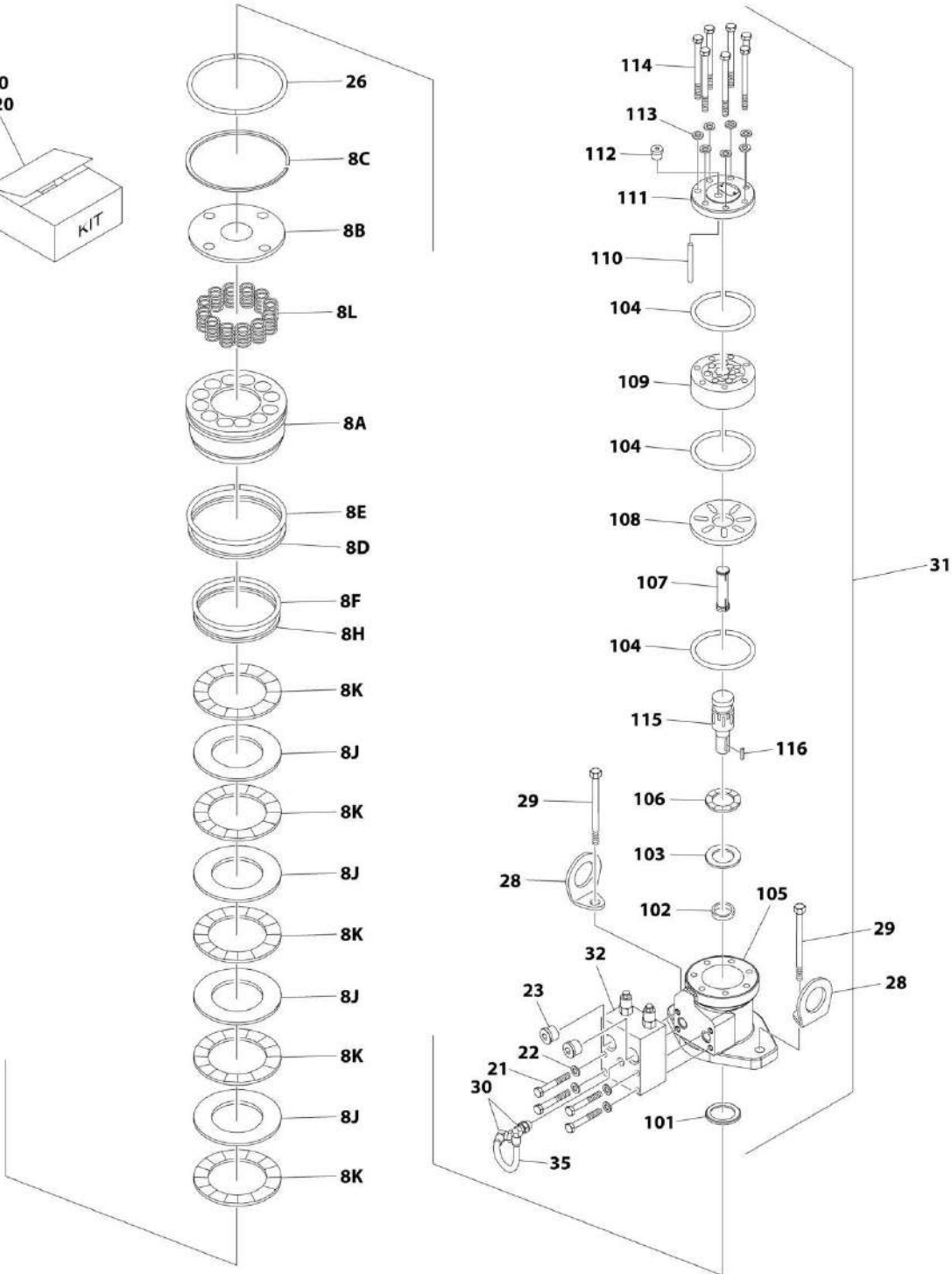
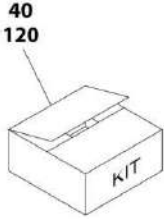
## FIGURE 2-5. SWING MOTOR/HUB ASSEMBLY



ART\_1001187855\_10F2



# SECTION 2 - TURNTABLE



ART\_1001187855\_2OF2

## SECTION 2 - TURNTABLE

**FIGURE 2-5. SWING MOTOR/HUB ASSEMBLY**

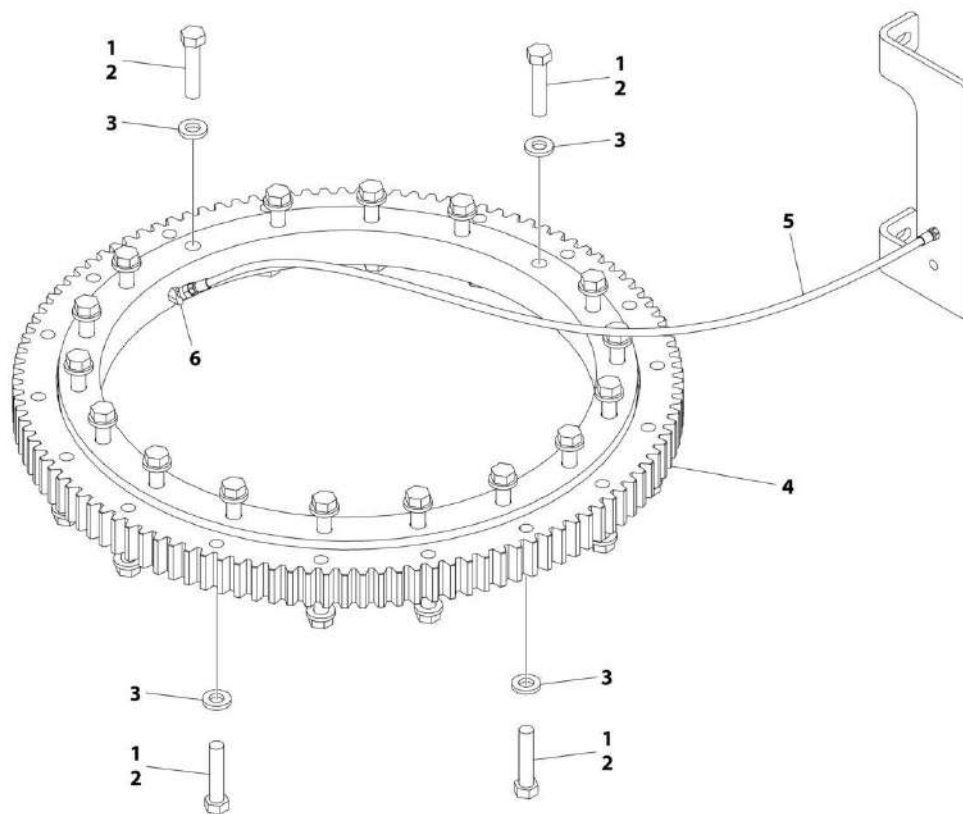
ITEM	PART NUMBER	QTY	DESCRIPTION	REV
	1001187855	Ref	SWING MOTOR/HUB ASSEMBLY	D
1	See Note	NSS	Housing/Shaft Assembly (Note: Not Available - Purchase Complete Swing Motor/Hub Assembly)	
1A	7010492	1	Shaft, Output	
1B	7000228	1	Seal, Lip	
1C	7000255	1	Bearing Kit (Includes Cup and Cone)	
1E	7000257	1	Bearing Kit (Includes Cup and Cone)	
1G	See Note	1	Housing (Note: Not Available for Purchase)	
1H	7007633	1	Thrustwasher	
1I	7000229	1	Ring, Retaining	
1P	7017072	1	Plug, Pipe	
2	7000246	1	Gear, Internal	
3	7000247	1	Carrier Assembly	
3A	7001931	1	Carrier	
3B	7001985	6	Washer, Tanged	
3C	7001909	96	Bearing, Needle	
3D	7000263	3	Thrustwasher	
3E	7001911	3	Shaft, Planet	
3F	7001912	3	Gear, Cluster	
3G	7010474	3	Roll Pin	
4	7000248	1	Gear, Ring	
5	7000230	1	O-Ring (Black)	
5A	7017070	1	O-Ring (White)	
6	See Note	NSS	Housing, Brake (Note: Not Available for Purchase)	
7	70005203	1	Gear, Sun	
8		Ref	Brake Components	
8A	70004037	1	Piston, Brake	
8B	7024743	1	Plate, Pressure	
8C	70004039	1	Ring, Retaining	
8D	70004041	1	O-Ring	
8E	70004044	1	Ring, Back-up	
8F	70004042	1	O-Ring	
8H	70004043	1	Ring, Back-up	
8J	See Note	NSS	Rotor, Brake (Note: Use p/n 70002085)	
8K	See Note	NSS	Stator, Brake (Note: Use p/n 70002085)	
8L	70002066	7	Spring, Brake	
11	7000253	2	Thrustwasher	
12	7000217	12	Bolt, 5/16 x 2-1/4 Grade 8	
13	7017080	4	Pin, Dowel	
20	7017072	1	Plug, Pipe	
21	7024704	4	Bolt 5/16 x 2 Grade 8	
22	70004045	4	Lockwasher	
23	7017023	2	Plug, Pipe	
24	See Note	NSS	Plate, ID (Note: Not Available for Purchase)	
25	See Note	NSS	Rivet	
26	7024763	1	O-Ring	
28	See Note	NSS	Lug, Lifting (Note: Not Available for Purchase)	
29	70004040	2	Bolt 1/2 x 1-1/2 Grade 8	
30	7017085	2	Elbow	
31	70006304	1	Motor Assembly (See Items 101-120 for Breakdown)	

## SECTION 2 - TURNTABLE

ITEM	PART NUMBER	QTY	DESCRIPTION	REV
32	7024784	1	Valve (No Serviceable Parts)	
33	7017082	1	Plug, Pipe (Not Shown)	
35	70004047	1	Tube	
40	7024100	1	Seal Kit - Hub (Includes Items 1B, 1I, 5, 5A & 11)	
	70006304	Ref	Motor Assembly	
101	See Note	NSS	Seal, Dust (Note: Use Item 120)	
102	See Note	NSS	Seal, Shaft (Note: Use Item 120)	
103	See Note	NSS	Thrustwasher (Note: Use Item 120)	
104	See Note	NSS	Seal, Ring (Note: Use Item 120)	
105	See Note	NSS	Housing (Note: Purchase Complete Assembly)	
106	70006306	1	Bearing, Thrust	
107	7005889	1	Link, Drive	
108	70006307	1	Plate, Wear	
109	70006310	1	Rotor Set	
110	7005891	1	Pin	
111	70006308	1	Cover, End	
112	See Note	NSS	Plug (Note: Purchase Complete Assembly)	
113	70006309	1	Washer Kit (Includes 7 Washers)	
114	70006313	1	Bolt Kit (Includes 7 Bolts)	
115	See Note	NSS	Shaft (Note: Purchase Complete Assembly)	
116	See Note	NSS	Key (Note: Purchase Complete Assembly)	
120	70006305	1	Seal Kit - Motor (Includes Items 101-104)	

## SECTION 2 - TURNTABLE

FIGURE 2-6. TURNTABLE BEARING AND LUBE INSTALLATION



ART\_1001185709

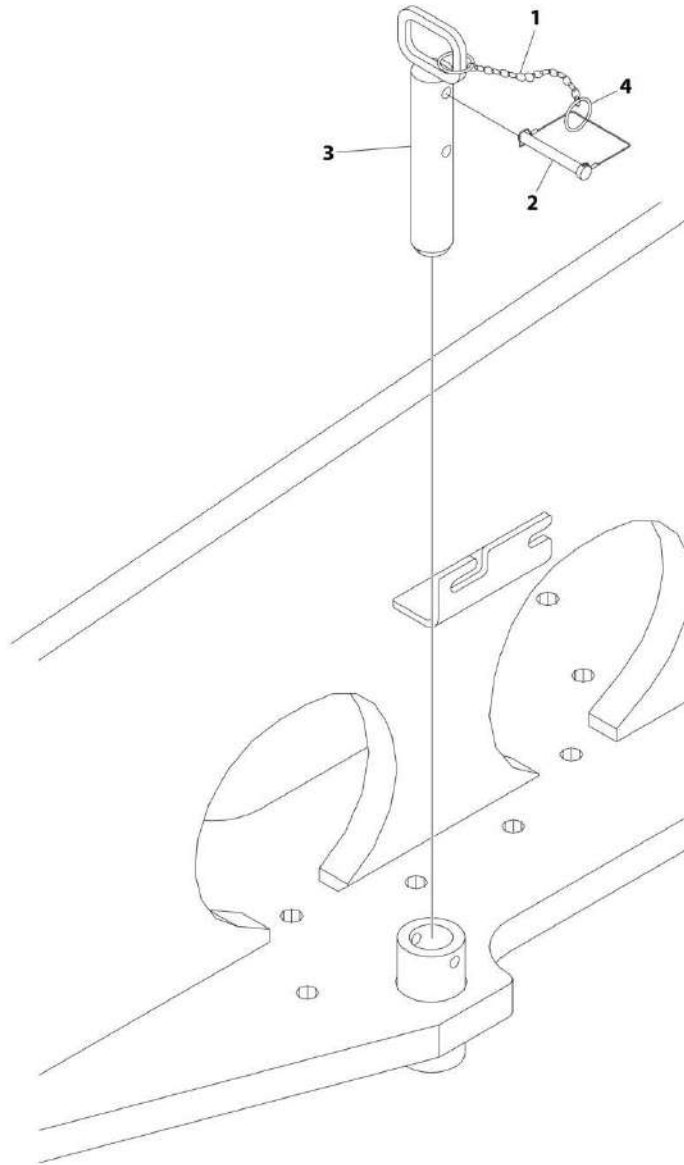
**SECTION 2 - TURNTABLE**

**FIGURE 2-6. TURNTABLE BEARING AND LUBE INSTALLATION**

<b>ITEM</b>	<b>PART NUMBER</b>	<b>QTY</b>	<b>DESCRIPTION</b>	<b>REV</b>
	1001185709	Ref	TURNTABLE BEARING AND LUBE INSTALLATION	D
1	0100019	AR	Compound, Locking	
2	0682023	36	Bolt 5/8 x 2-7/8	
3	4892000	36	Washer 5/8	
4	0440233	1	Bearing, Turntable	
5	1001188125	1	Hose	
6	2220124	1	Fitting, 45	

## SECTION 2 - TURNTABLE

FIGURE 2-7. TURNTABLE LOCK INSTALLATION



ART\_1001187022

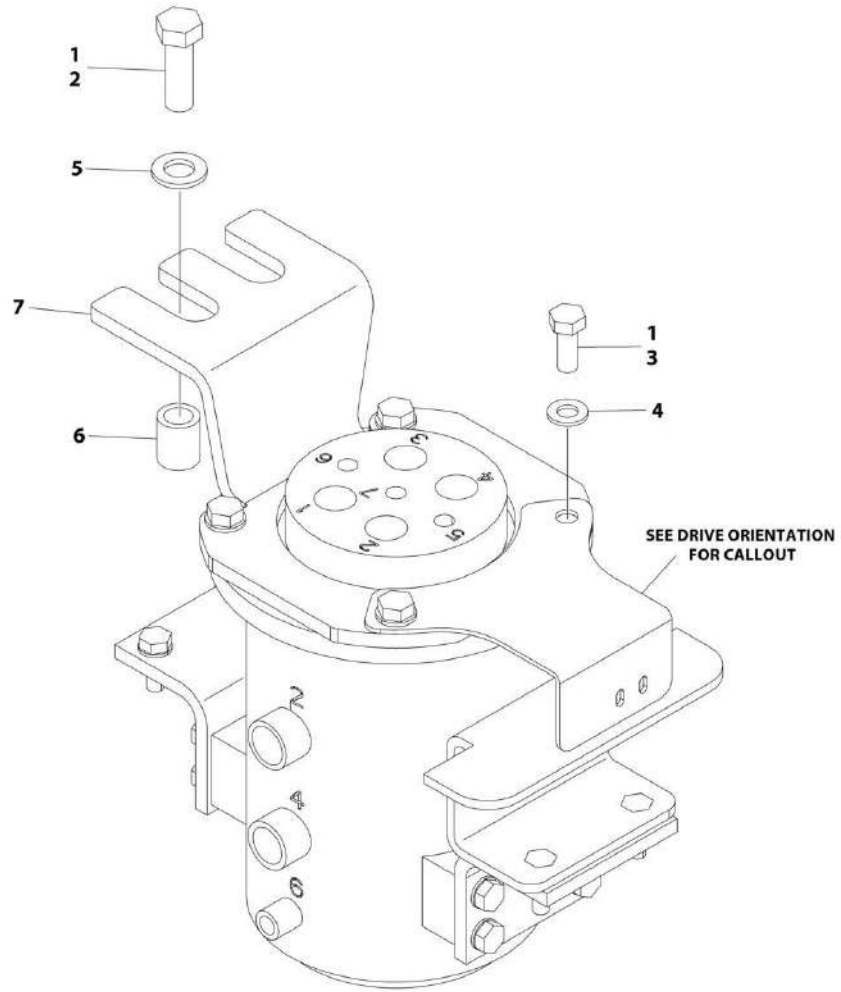
**SECTION 2 - TURNTABLE**

**FIGURE 2-7. TURNTABLE LOCK INSTALLATION**

<b>ITEM</b>	<b>PART NUMBER</b>	<b>QTY</b>	<b>DESCRIPTION</b>	<b>REV</b>
	1001187022	Ref	TURNTABLE LOCK INSTALLATION	A
1	1260017	9 in/23cm	Chain	
2	3421565	1	Snap-Pin	
3	3421627	1	Pin, Lock	
4	3760170	2	Ring	

## SECTION 2 - TURNTABLE

FIGURE 2-8. ROTARY COUPLING INSTALLATION



ART\_1001197084



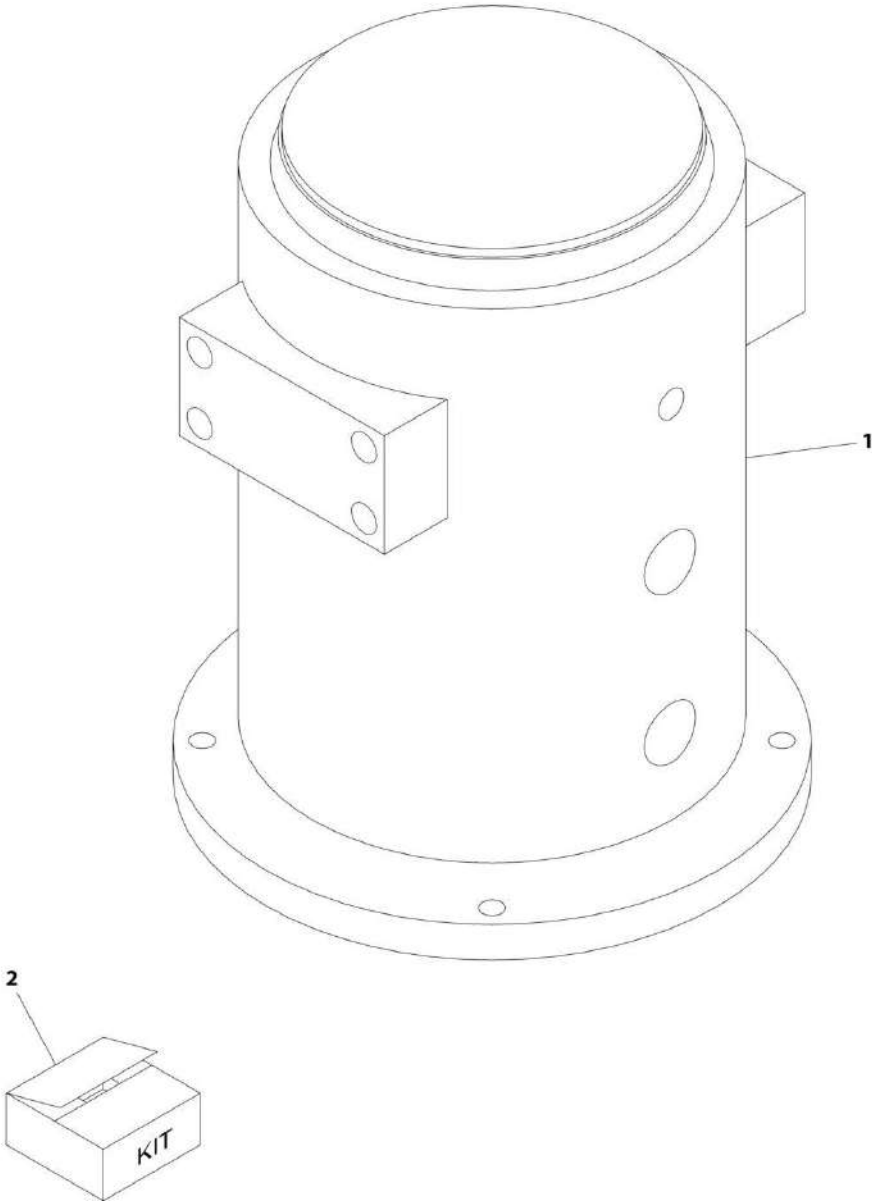
**SECTION 2 - TURNTABLE**

**FIGURE 2-8. ROTARY COUPLING INSTALLATION**

<b>ITEM</b>	<b>PART NUMBER</b>	<b>QTY</b>	<b>DESCRIPTION</b>	<b>REV</b>
	1001197084	Ref	ROTARY COUPLING INSTALLATION	A
1	0100011	AR	Compound, Locking	
2	0701618	2	Bolt M16 x 50	
3	0761214	4	Bolt M12 x 30	
4	4812100	4	Washer M12	
5	5241600	2	Washer M16	
6	1001134543	2	Spacer	
7	1001197070	1	Mount	

**SECTION 2 - TURNTABLE**

**FIGURE 2-9. ROTARY COUPLING ASSEMBLY**



ART\_80213115

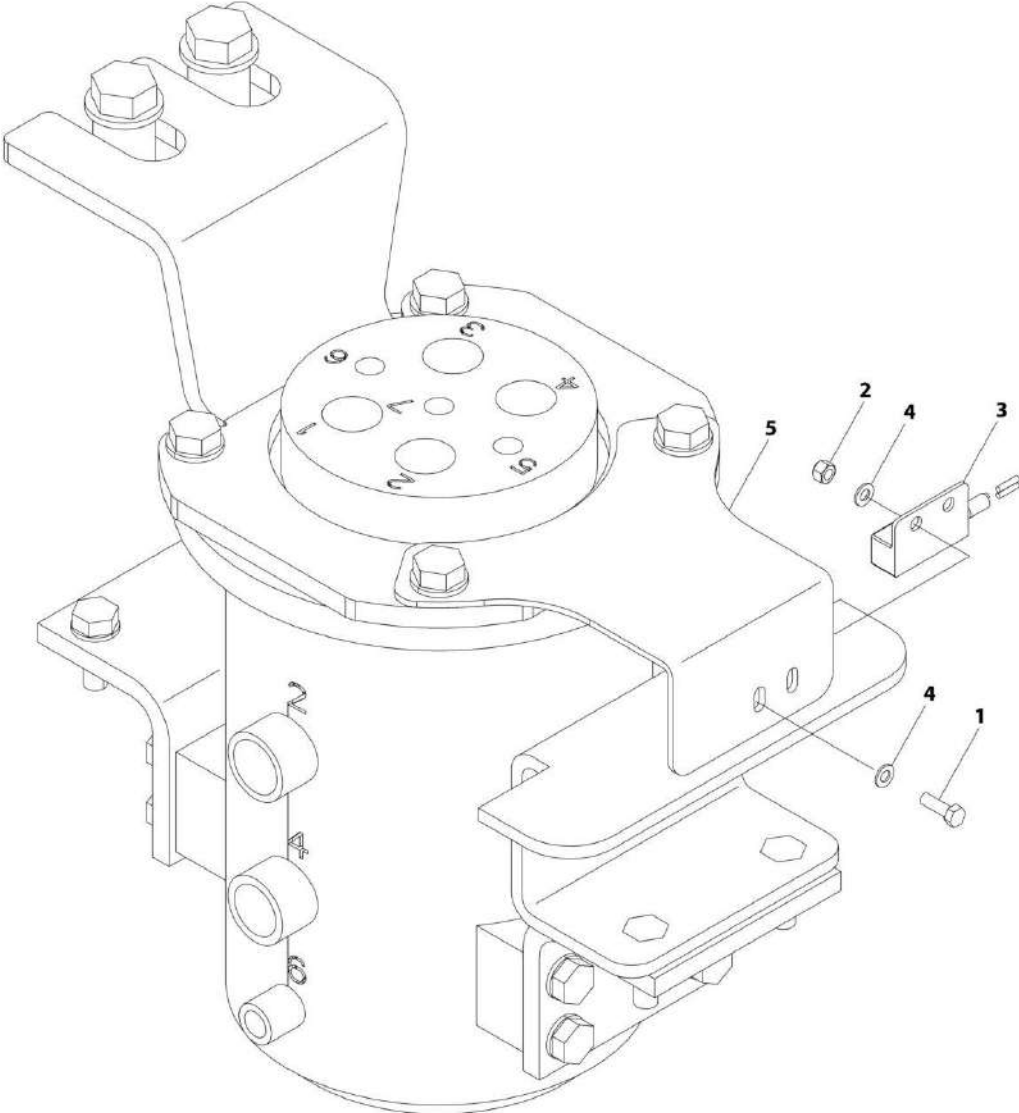
**SECTION 2 - TURNTABLE**

**FIGURE 2-9. ROTARY COUPLING ASSEMBLY**

ITEM	PART NUMBER	QTY	DESCRIPTION	REV
1	80213115	Ref	ROTARY COUPLING ASSEMBLY	
2	80213116	1	Seal Kit - 80213115 Coupling (Includes 9 Seals & 2 Wiper Rings)	

**SECTION 2 - TURNTABLE**

**FIGURE 2-10. DRIVE ORIENTATION INSTALLATION**



ART\_1001197461

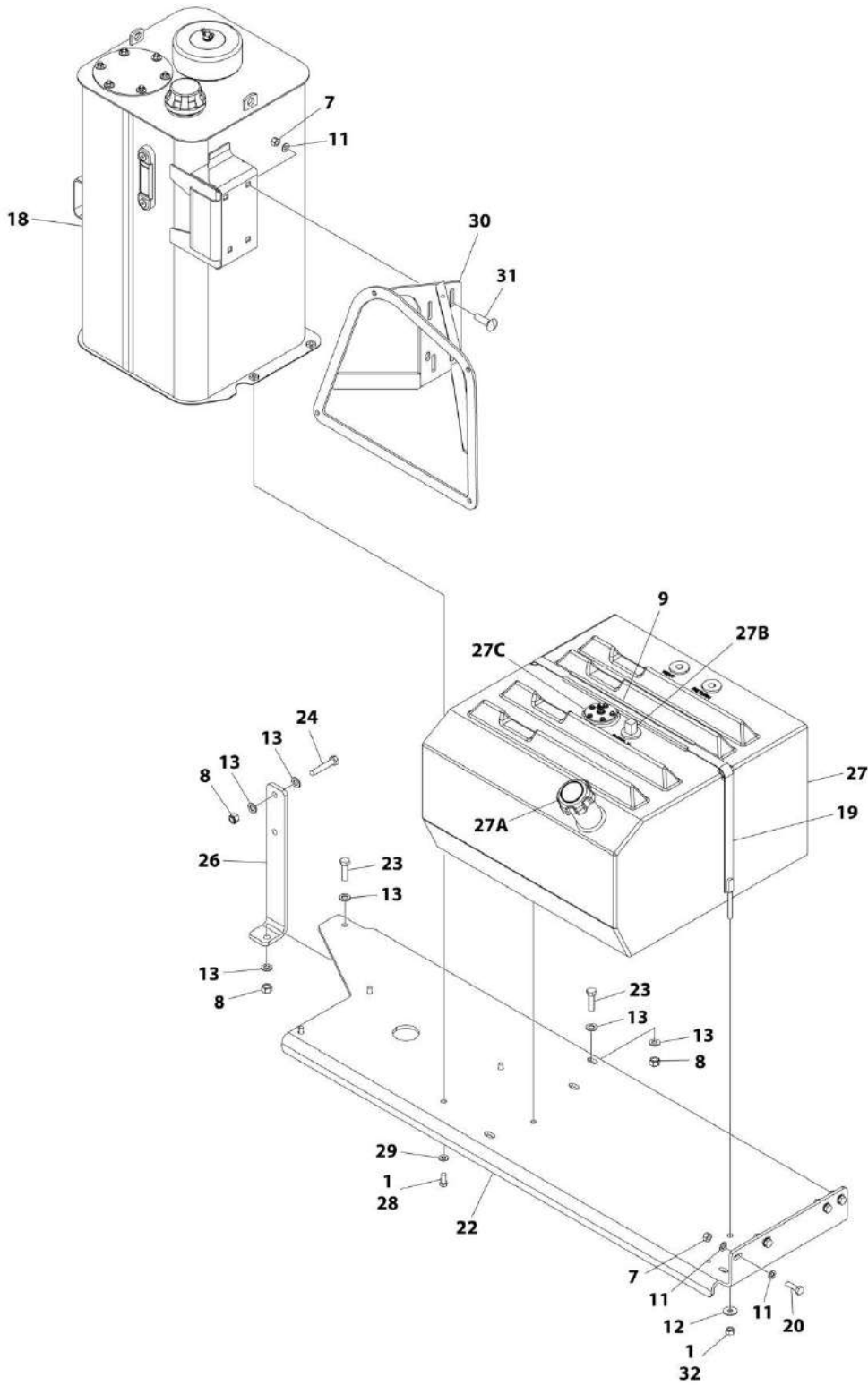
**SECTION 2 - TURNTABLE**

**FIGURE 2-10. DRIVE ORIENTATION INSTALLATION**

<b>ITEM</b>	<b>PART NUMBER</b>	<b>QTY</b>	<b>DESCRIPTION</b>	<b>REV</b>
	1001197461	Ref	DRIVE ORIENTATION INSTALLATION	B
1	0760508	2	Bolt M5 x 16	
2	3290505	2	Nut M5	
3	4360517	1	Switch, Proximity	
4	4811600	4	Washer M5	
5	1001197689	1	Bracket	

# SECTION 2 - TURNTABLE

## FIGURE 2-11. TANKS INSTALLATION - DIESEL MACHINES (POLY FUEL TANK)



ART\_1001168257

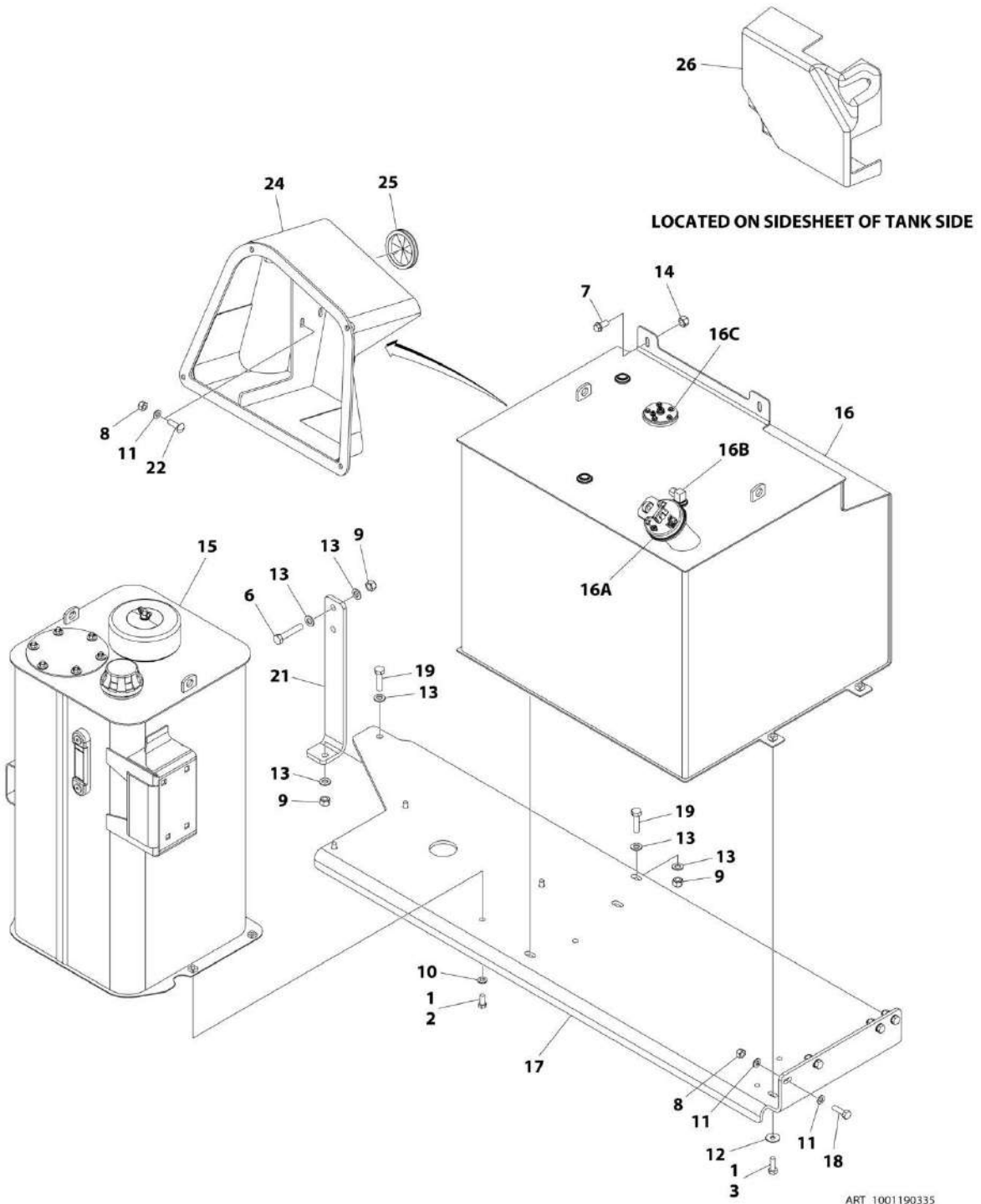
## SECTION 2 - TURNTABLE

**FIGURE 2-11. TANKS INSTALLATION - DIESEL MACHINES (POLY FUEL TANK)**

ITEM	PART NUMBER	QTY	DESCRIPTION	REV
	1001188257	Ref	TANKS INSTALLATION	I
1	0100011	AR	Compound, Locking	
7	3291005	8	Nut M10	
8	3291205	4	Nut M12	
9	4280295	48 in/ 122cm	Strip, Protector	
11	4812000	12	Washer M10	
12	4812002	2	Washer M10	
13	4812100	8	Washer M12	
18	1001178057	1	Hydraulic Tank Assembly (See Separate Breakdown in this Section)	
19	1001189119	1	Strap	
20	0701015	4	Bolt M10 x 35	
22	1001199933	1	Tray	
23	0701217	2	Bolt M12 x 45	
24	0701221	2	Bolt M12 x 65	
26	1001199883	1	Support	
27	1001201325	1	Tank, Fuel	
27A	70004414	1	Cap, Fill	
27B	7020043	1	Tube, Pickup	
27C	1001148607	1	Sender, Fuel Level	
27C	0731005	5	Screw #10 x 5/8	
27C	4751000	5	Washer #10	
28	0641607	4	Bolt 3/8 x 7/8	
28	0641608	4	Bolt 3/8 x 1	
29	4711600	4	Washer 3/8	
30	1001213251	1	Support, Ground Control	
31	1001228406	4	Bolt M10 x 35	
31	0630613	4	Bolt M10 x 30	
32	3291005	2	Nut M10	
32	3291001	2	Nut M10	

## SECTION 2 - TURNTABLE

FIGURE 2-12. TANKS INSTALLATION - DIESEL MACHINES (STEEL FUEL TANK)





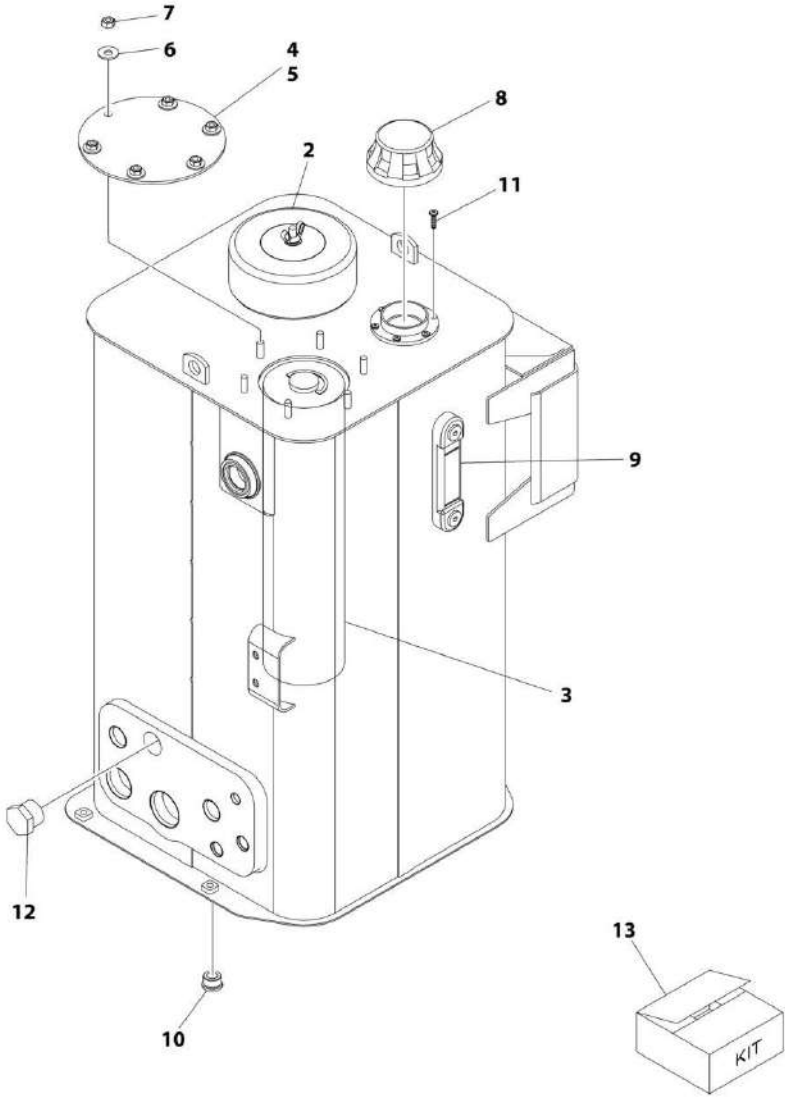
## SECTION 2 - TURNTABLE

**FIGURE 2-12. TANKS INSTALLATION - DIESEL MACHINES (STEEL FUEL TANK)**

ITEM	PART NUMBER	QTY	DESCRIPTION	REV
	1001190335	Ref	TANKS INSTALLATION	H
1	0100011	AR	Compound, Locking	
2	0641607	4	Bolt 3/8 x 7/8	
2	0641608	4	Bolt 3/8 x 1	
3	0761014	4	Bolt M10 x 30	
6	0701221	2	Bolt M12 x 65	
7	5251012	2	Bolt M10 x 25	
8	3291005	8	Nut M10	
9	3291205	4	Nut M12	
10	4711600	4	Washer 3/8	
11	4812000	12	Washer M10	
12	4812002	4	Washer M10	
13	4812100	8	Washer M12	
14	1001118972	1	Nut, Tinnerman M10	
15	1001178057	1	Hydraulic Tank Assembly (See Separate Breakdown in this Section)	
16	1001189764	1	Tank, Fuel	
16A	1001080707	1	Cap, Fill	
16B	70006314	1	Tube, Pickup	
16C	1001189800	1	Sender, Fuel Level	
16C	0731005	5	Screw #10 x 5/8	
16C	4751000	5	Washer #10	
17	1001199933	1	Tray	
18	0701015	4	Bolt M10 x 35	
19	0701217	2	Bolt M12 x 45	
21	1001199883	1	Support	
22	1001228406	4	Bolt M10 x 35	
22	0630613	4	Bolt M10 x 30	
24	1001229572	1	Mount, Ground Control	
25	1001218676	1	Grommet	
26	1001218539	1	Cover	

# SECTION 2 - TURNTABLE

## FIGURE 2-13. HYDRAULIC TANK ASSEMBLY



ART\_1001178057

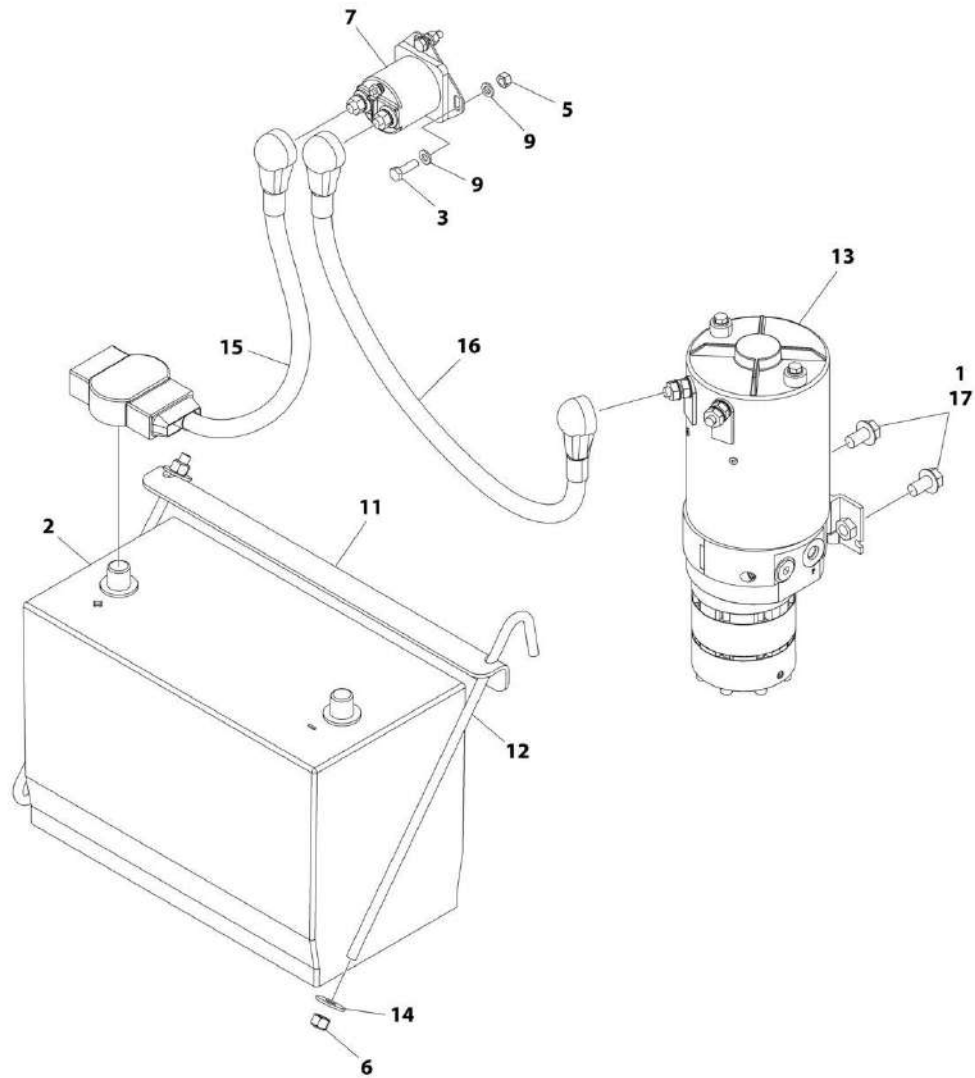
**SECTION 2 - TURNTABLE**

**FIGURE 2-13. HYDRAULIC TANK ASSEMBLY**

ITEM	PART NUMBER	QTY	DESCRIPTION	REV
	1001178057	Ref	HYDRAULIC TANK ASSEMBLY	D
2	70005708	1	Breather Assembly (Includes Breather, Element and Wingnut)	
2	See Note	NSS	Element, Breather (Note: Use p/n 70005708 or Item 13)	
3	See Note	NSS	Element, Hydraulic (Note: Use Item 13)	
4	70002839	1	Gasket	
5	See Note	NSS	Cover (Note: Not Available for Purchase)	
6	83304173	6	Washer 5/16	
7	70004199	6	Nut 5/16	
8	70002838	1	Cap, Fill	
9	7024441	1	Gauge, Level	
10	70002112	1	Plug	
11	70004795	6	Screw #10 x 3/4	
12	See Note	NSS	Plug (Note: Not Available - Purchase Locally)	
13	70002814	1	Hydraulic Tank Service Kit (Includes Items 2-4)	

## SECTION 2 - TURNTABLE

FIGURE 2-14. BATTERY AND AUXILIARY PUMP INSTALLATION



ART\_1001186346

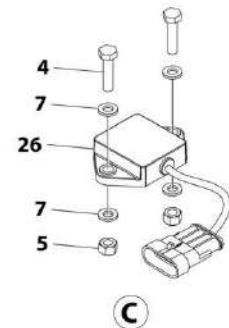
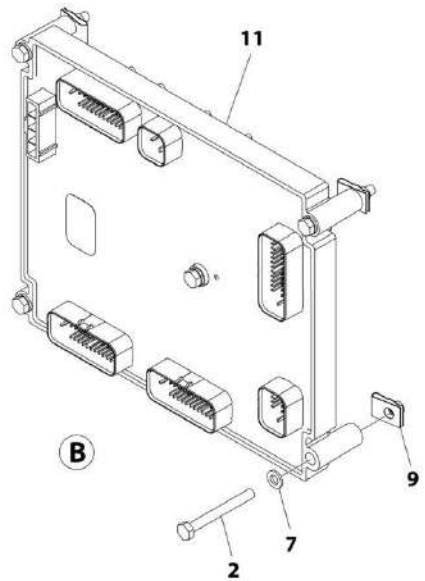
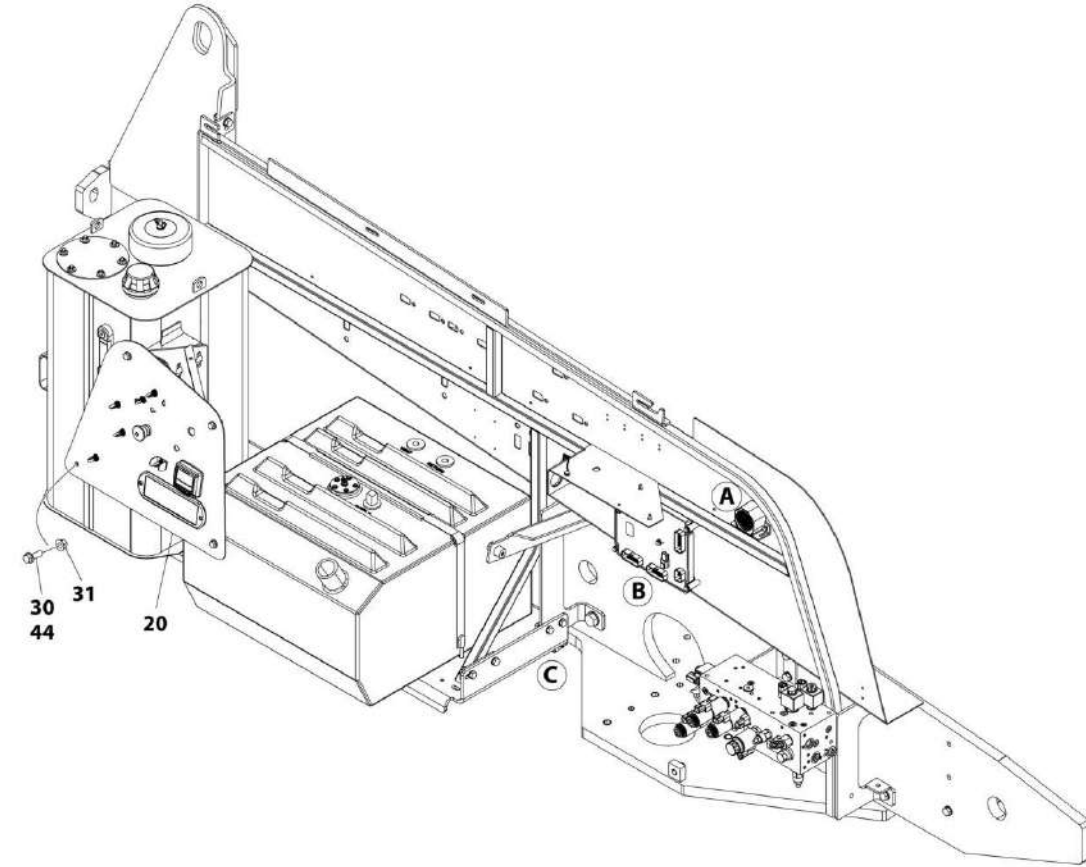
# SECTION 2 - TURNTABLE

**FIGURE 2-14. BATTERY AND AUXILIARY PUMP INSTALLATION**

ITEM	PART NUMBER	QTY	DESCRIPTION	REV
	1001186346	Ref	BATTERY AND AUXILIARY PUMP INSTALLATION	F
1	0100011	AR	Compound, Locking	
2	0400075	1	Battery	
3	0700610	2	Bolt M6 x 20	
5	3290605	2	Nut M6	
6	3290805	2	Nut M8	
7	3740067	1	Relay	
9	4811700	4	Washer M6	
11	91401281	1	Bracket, Hold Down	
12	1001192012	2	J-Bolt	
13	1001187808	1	Auxiliary Pump/Motor Assembly (Note: Replacement Motor is only Service Component Available. For Other Components, Replace Complete Assembly.)	
13	70003998	1	Motor, Replacement	
14	4811902	2	Washer M8	
15	1001188664	1	Cable, Battery (+)	
16	1001188666	1	Cable, Aux Relay to Aux Pump	
17	5251009	2	Bolt M10 x 18	

# SECTION 2 - TURNTABLE

## FIGURE 2-15. ELECTRICAL COMPONENTS INSTALLATION - 600SC



ART\_1001199302\_10F2

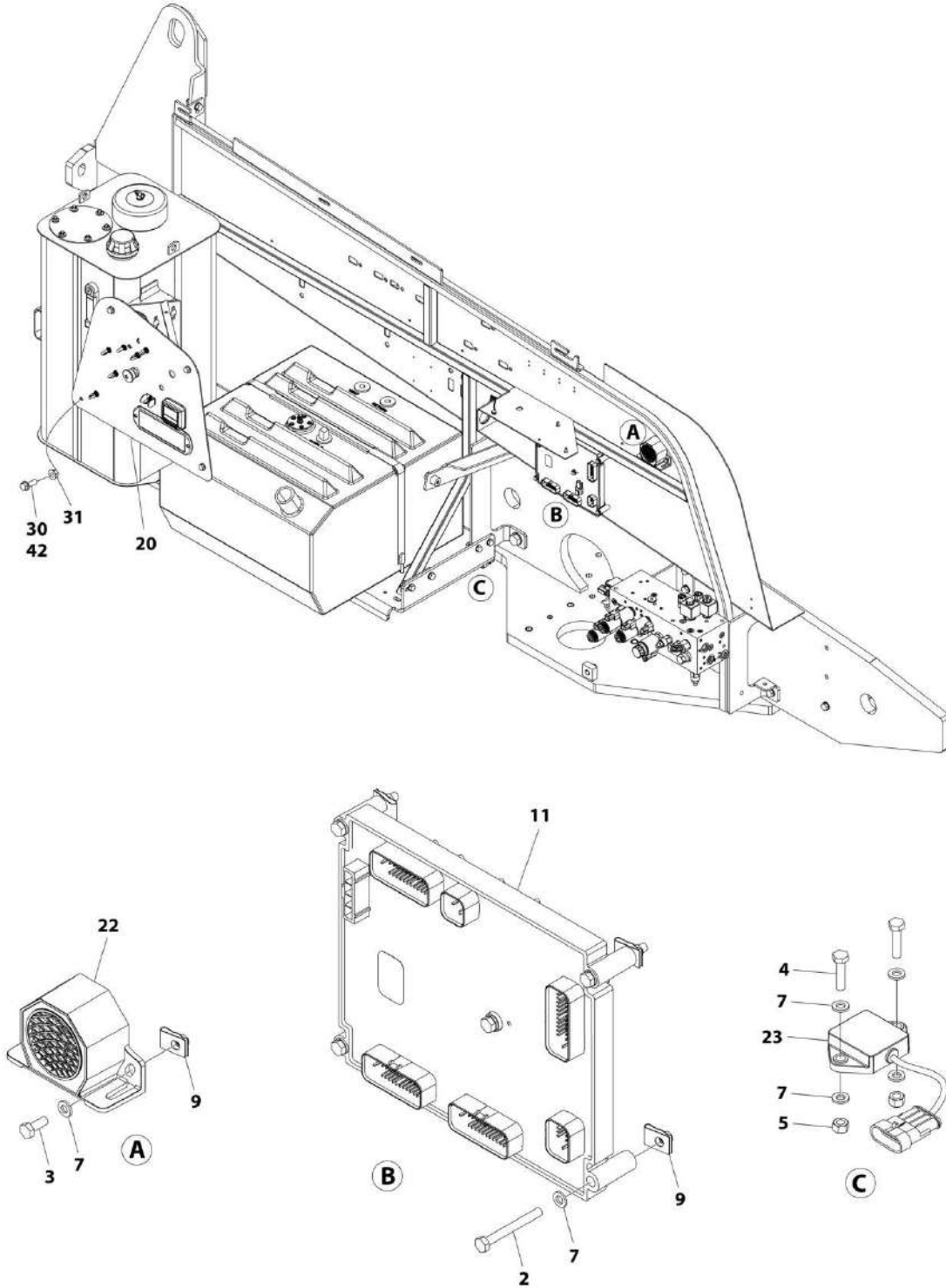
## SECTION 2 - TURNTABLE

**FIGURE 2-15. ELECTRICAL COMPONENTS INSTALLATION - 600SC**

ITEM	PART NUMBER	QTY	DESCRIPTION	REV
	1001199302	Ref	ELECTRICAL COMPONENTS INSTALLATION	J
2	0700619	5	Bolt M6 x 55	
3	0700608	5	Bolt M6 x 16	
4	0760612	2	Bolt M6 x 25	
5	3290605	3	Nut M6	
7	4811700	15	Washer M6	
9	1001130220	7	Nut, Tinnerman M6	
11	1001187200	1	Module, Ground Control (Note: Re-calibration Required when Replaced)	
20	1001192108	1	Ground Control Panel Assembly (See Separate Breakdown in this Section)	
22	0140043	1	Alarm	
26	1001181325	1	Sensor <b>(SN 0300236299 through 0300241590)</b>	
26	1001219601	1	Sensor <b>(SN 0300241591 to Present)</b>	
30	5251014	4	Bolt M10 x 30	
31	5261018	4	Nut M10 Class 10	
31	5261000	4	Nut M10 Class 10	
44	0100011	AR	Compound, Locking <b>(SN 0300243774 to Present)</b>	

# SECTION 2 - TURNTABLE

## FIGURE 2-16. ELECTRICAL COMPONENTS INSTALLATION - 660SJC



ART\_1001200979\_10F2



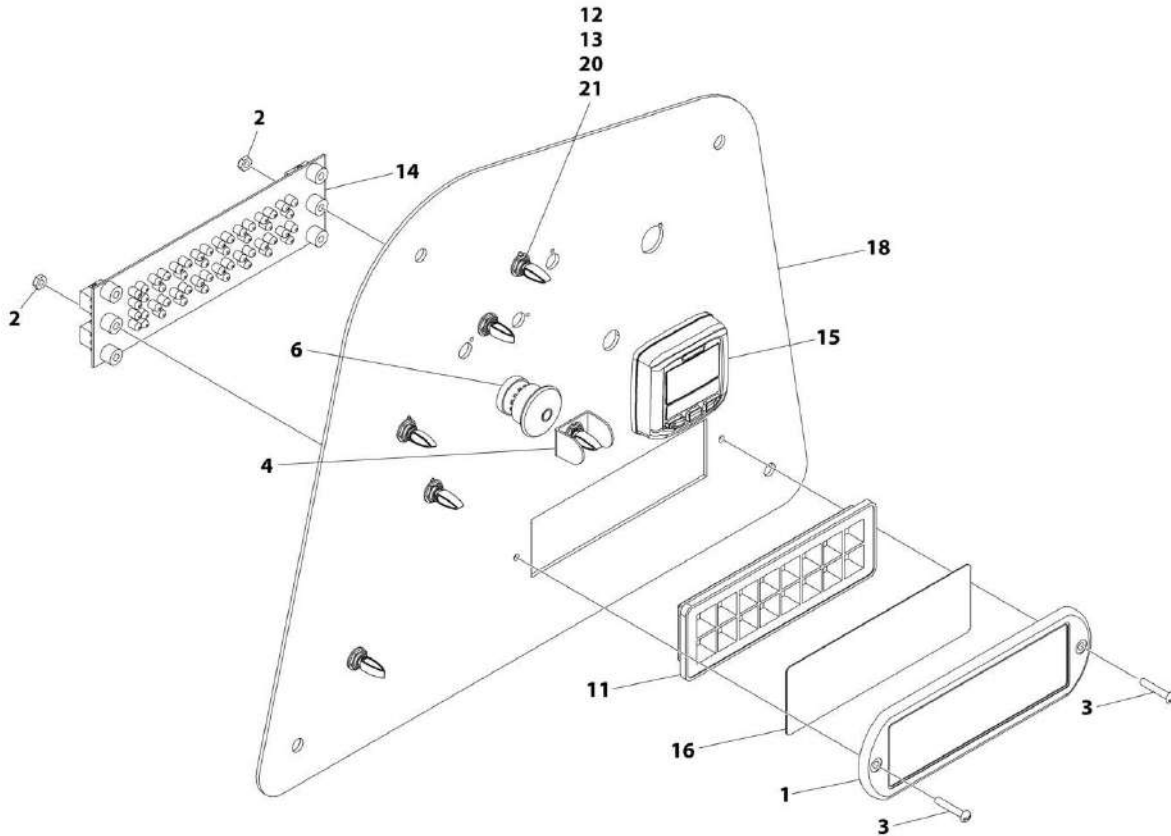
# SECTION 2 - TURNTABLE

**FIGURE 2-16. ELECTRICAL COMPONENTS INSTALLATION - 660SJC**

ITEM	PART NUMBER	QTY	DESCRIPTION	REV
	1001200979	Ref	ELECTRICAL COMPONENTS INSTALLATION	H
2	0700619	5	Bolt M6 x 55	
3	0700608	5	Bolt M6 x 16	
4	0760612	2	Bolt M6 x 25	
5	3290605	3	Nut M6	
7	4811700	15	Washer M6	
9	1001130220	7	Nut, Tinnerman M6	
11	1001187200	1	Module, Ground Control (Note: Re-calibration Required when Replaced)	
20	1001191115	1	Ground Control Panel Assembly (See Separate Breakdown in this Section)	
22	0140043	1	Alarm	
23	1001181325	1	Sensor <b>(SN 0300236299 through 0300241590)</b>	
23	1001219601	1	Sensor <b>(SN 0300241591 to Present)</b>	
30	5251014	4	Bolt M10 x 30	
31	5261018	4	Nut M10 Class 10	
31	5261000	4	Nut M10 Class 10	
42	0100011	AR	Compound, Locking <b>(SN 0300243774 to Present)</b>	

# SECTION 2 - TURNTABLE

## FIGURE 2-17. GROUND CONTROL PANEL ASSEMBLY - 600SC



ART\_1001192108

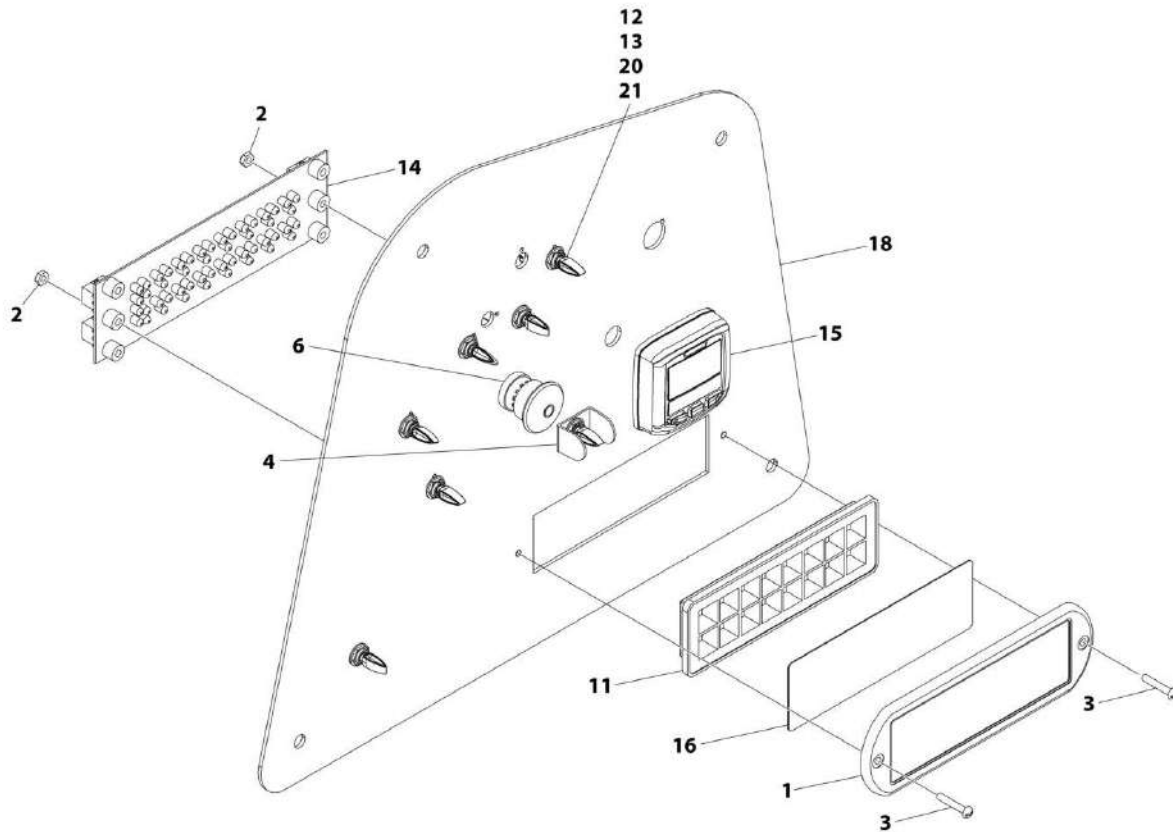
**SECTION 2 - TURNTABLE**

**FIGURE 2-17. GROUND CONTROL PANEL ASSEMBLY - 600SC**

ITEM	PART NUMBER	QTY	DESCRIPTION	REV
	1001192108	Ref	GROUND CONTROL PANEL ASSEMBLY	D
1	1670829	1	Bezel	
2	3300408	2	Nut	
3	3911018	2	Screw #10 x 1-1/8	
4	4060906	1	Guard, Switch	
6	4360475	1	Switch, Emergency Stop	
6	7020175	1	Cap	
6	7020176	1	Block, Contact	
11	1001146220	1	Housing, Display	
12	1001155043	6	Washer	
13	1001155044	6	Nut 15/32	
14	1001170838	1	Panel, LED	
15	1001171482	1	Gauge	
16	1001173529	1	Decal - Display Panel	
18	1001191126	1	Plate	
20	4740397	6	Washer	
21	1001155045	6	Switch, Toggle	

## SECTION 2 - TURNTABLE

FIGURE 2-18. GROUND CONTROL PANEL ASSEMBLY - 660SJC



ART\_1001191115

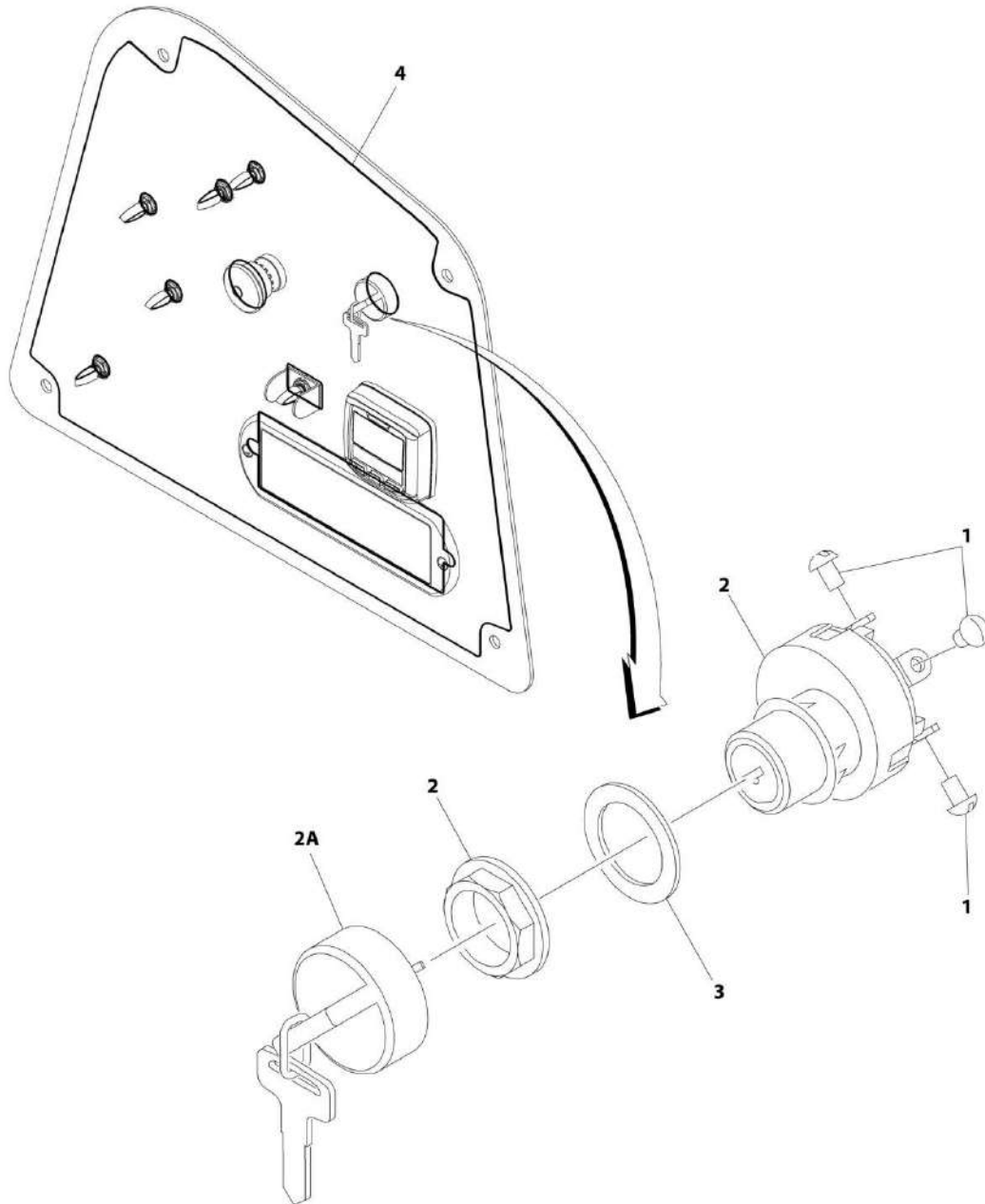
**SECTION 2 - TURNTABLE**

**FIGURE 2-18. GROUND CONTROL PANEL ASSEMBLY - 660SJC**

ITEM	PART NUMBER	QTY	DESCRIPTION	REV
	1001191115	Ref	GROUND CONTROL PANEL ASSEMBLY	D
1	1670829	1	Bezel	
2	3300408	2	Nut	
3	3911018	2	Screw #10 x 1-1/8	
4	4060906	1	Guard, Switch	
6	4360475	1	Switch, Emergency Stop	
6	7020175	1	Cap	
6	7020176	1	Block, Contact	
11	1001146220	1	Housing, Display	
12	1001155043	7	Washer	
13	1001155044	7	Nut 15/32	
14	1001170838	1	Panel, LED	
15	1001171482	1	Gauge	
16	1001173529	1	Decal - Display Panel	
18	1001191126	1	Plate	
20	4740397	7	Washer	
21	1001155045	7	Switch, Toggle	

## SECTION 2 - TURNTABLE

FIGURE 2-19. KEYSWITCH INSTALLATION - 600SC (ALL SPECS EXCEPT CE SPECS)



ART\_1001200055

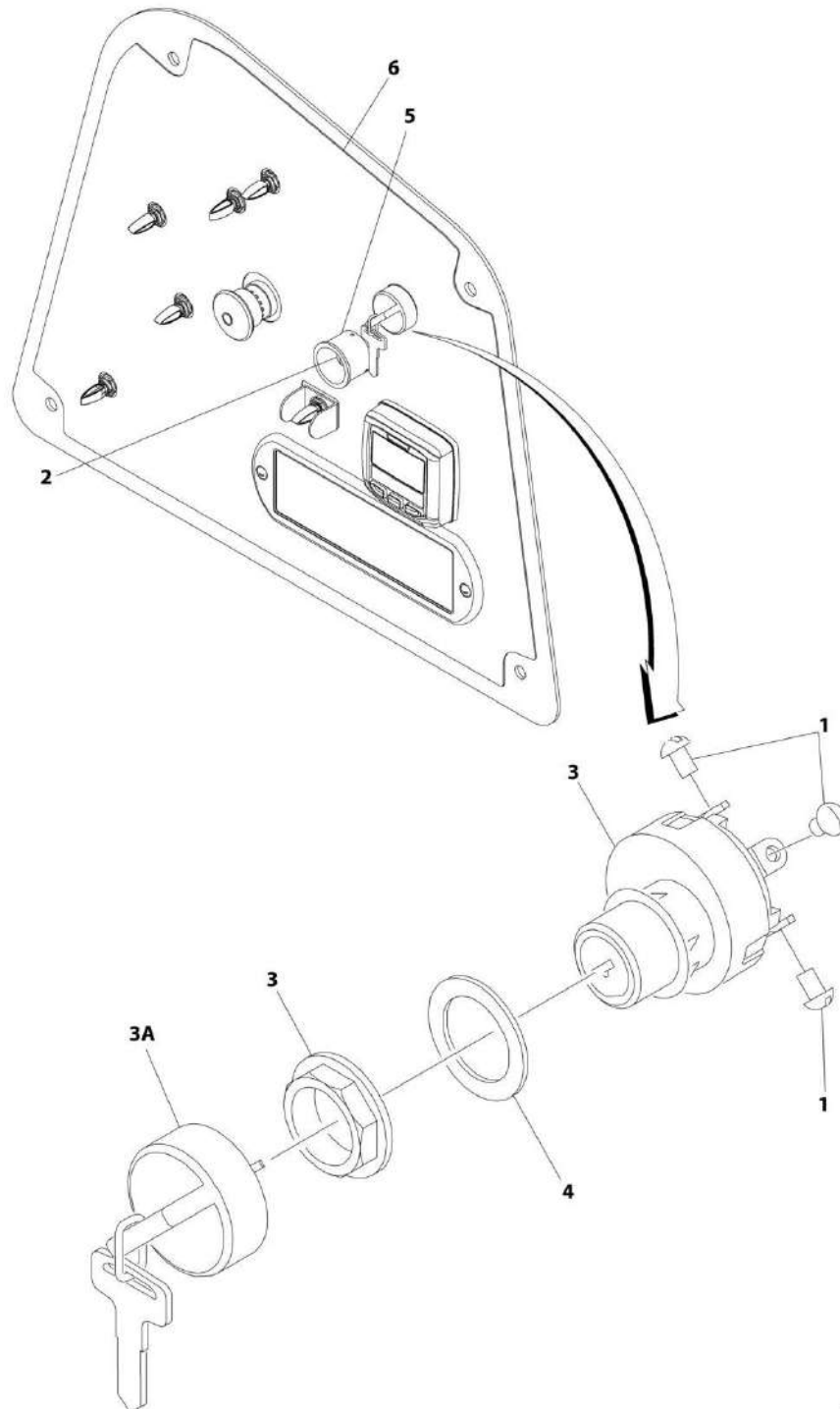
**SECTION 2 - TURNTABLE**

**FIGURE 2-19. KEYSWITCH INSTALLATION - 600SC (ALL SPECS EXCEPT CE SPECS)**

<b>ITEM</b>	<b>PART NUMBER</b>	<b>QTY</b>	<b>DESCRIPTION</b>	<b>REV</b>
	1001200055	Ref	KEYSWITCH INSTALLATION	A
1	3910804	6	Screw #8 x 1/4	
2	4360469	1	Switch, Key	
2A	2860030	1 Set	Key, Replacement	
3	1001151393	1	Shim	
4	1001200057	1	Decal - Ground Control Panel	

## SECTION 2 - TURNTABLE

FIGURE 2-20. KEYSWITCH INSTALLATION - 600SC (CE SPECS)



ART\_1001200930



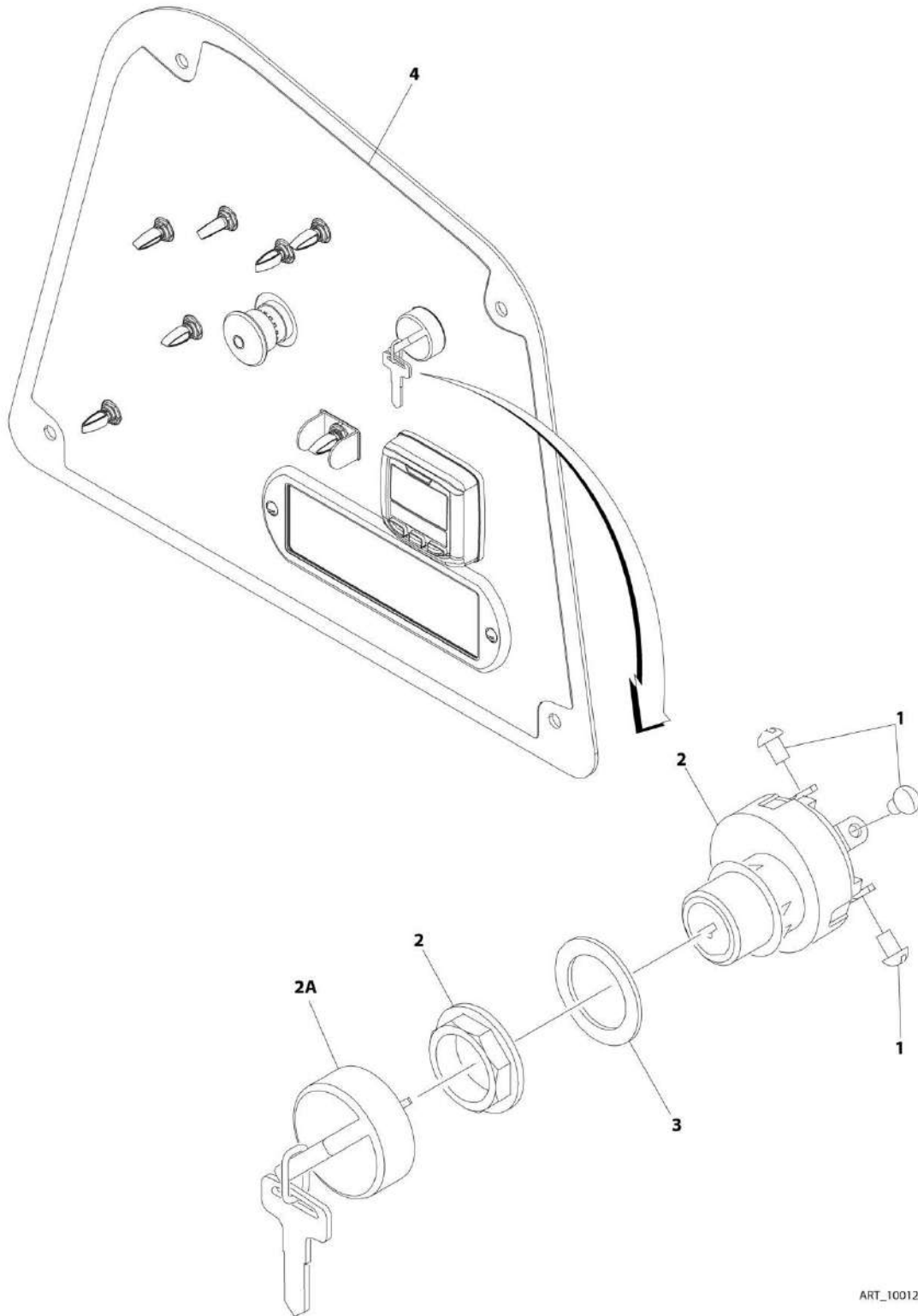
**SECTION 2 - TURNTABLE**

**FIGURE 2-20. KEYSWITCH INSTALLATION - 600SC (CE SPECS)**

ITEM	PART NUMBER	QTY	DESCRIPTION	REV
	1001200930	Ref	KEYSWITCH INSTALLATION	A
1	3910804	6	Screw #8 x 1/4	
2	4360387	1	Switch, Push Button	
3	4360469	1	Switch, Key	
3A	2860030	1 Set	Key, Replacement	
4	1001151393	1	Shim	
5	1001176469	1	Shroud, Switch	
6	1001200932	1	Decal - Ground Control Panel	

## SECTION 2 - TURNTABLE

FIGURE 2-21. KEYSWITCH INSTALLATION - 660SJC (ALL SPECS EXCEPT CE SPECS)



ART\_1001200056

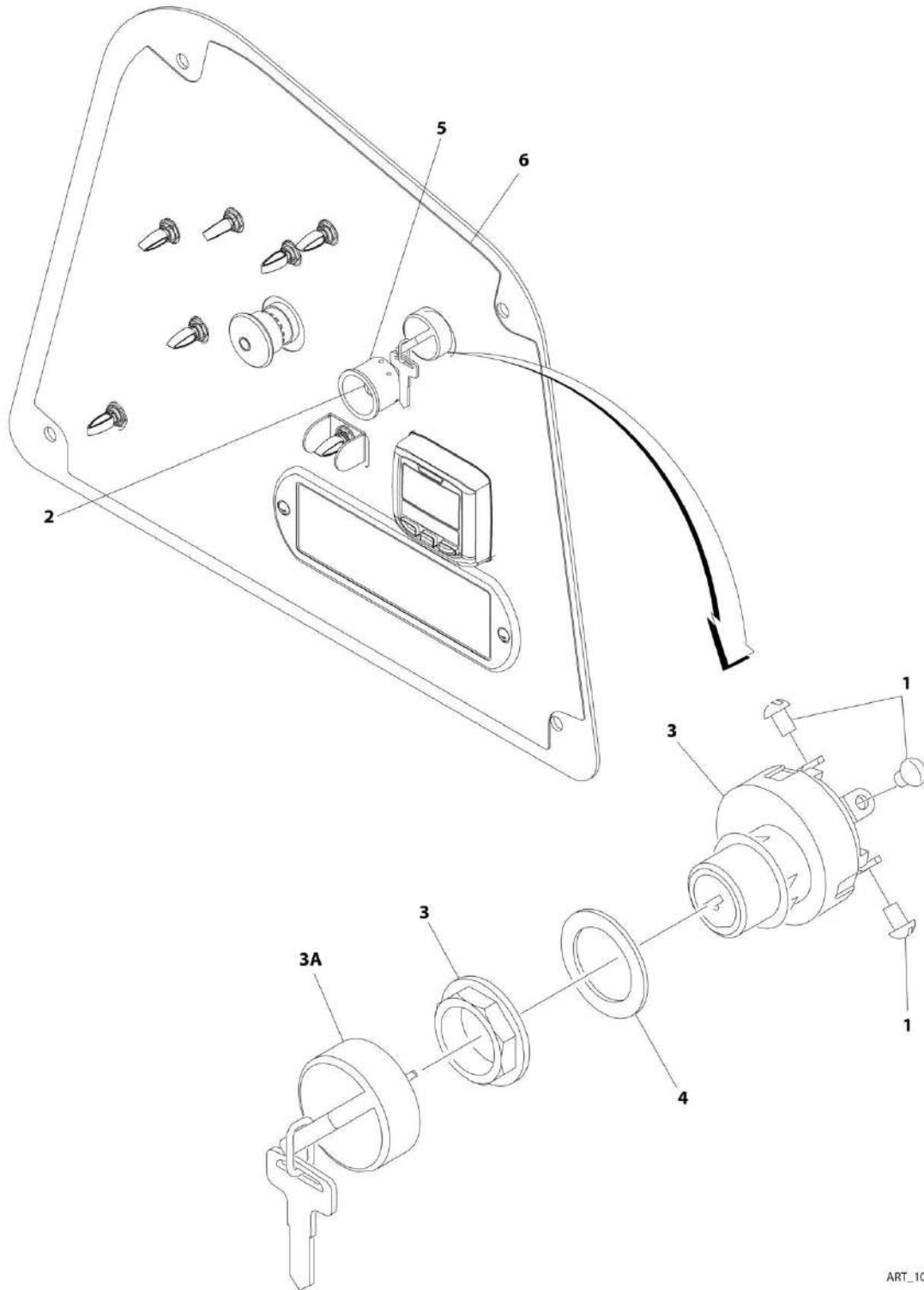
**SECTION 2 - TURNTABLE**

**FIGURE 2-21. KEYSWITCH INSTALLATION - 660SJC (ALL SPECS EXCEPT CE SPECS)**

<b>ITEM</b>	<b>PART NUMBER</b>	<b>QTY</b>	<b>DESCRIPTION</b>	<b>REV</b>
	1001200056	Ref	KEYSWITCH INSTALLATION	A
1	3910804	6	Screw #8 x 1/4	
2	4360469	1	Switch, Key	
2A	2860030	1 Set	Key, Replacement	
3	1001151393	1	Shim	
4	1001200058	1	Decal - Ground Control Panel	

## SECTION 2 - TURNTABLE

FIGURE 2-22. KEYSWITCH INSTALLATION - 660SJC (CE SPECS)



ART\_1001200931

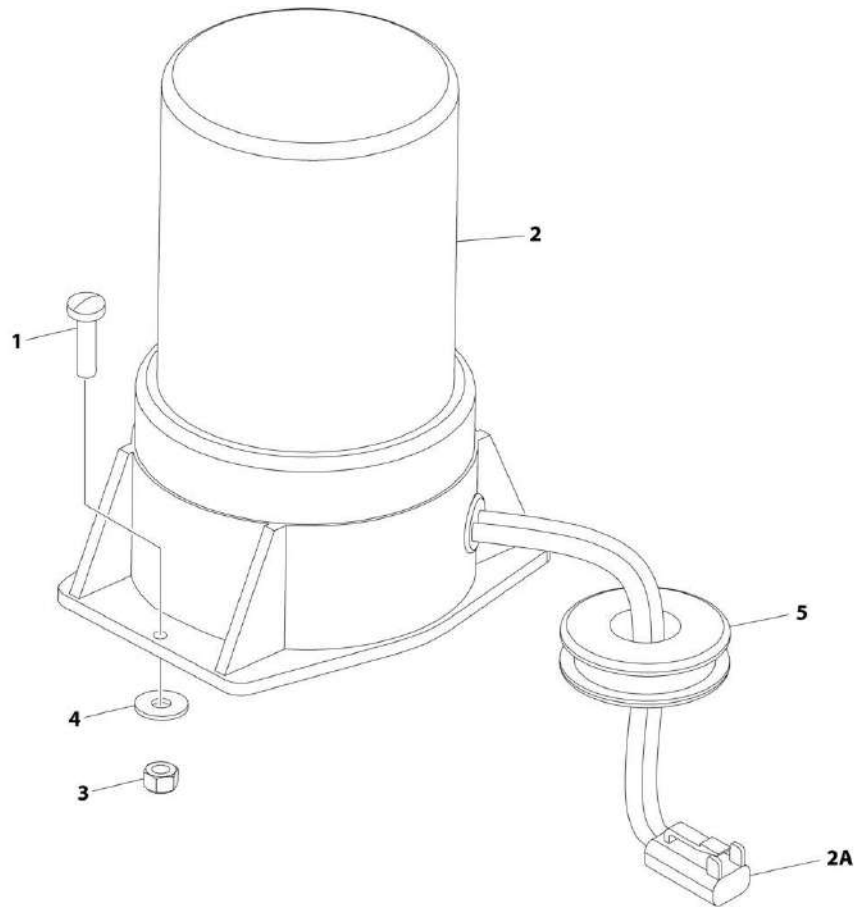
**SECTION 2 - TURNTABLE**

**FIGURE 2-22. KEYSWITCH INSTALLATION - 660SJC (CE SPECS)**

<b>ITEM</b>	<b>PART NUMBER</b>	<b>QTY</b>	<b>DESCRIPTION</b>	<b>REV</b>
	1001200931	Ref	KEYSWITCH INSTALLATION	A
1	3910804	6	Screw #8 x 1/4	
2	4360387	1	Switch, Push Button	
3	4360469	1	Switch, Key	
3A	2860030	1 Set	Key, Replacement	
4	1001151393	1	Shim	
5	1001176469	1	Shroud, Switch	
6	1001200933	1	Decal - Ground Control Panel	

## SECTION 2 - TURNTABLE

FIGURE 2-23. STROBE LIGHT INSTALLATION - AMBER (OPTIONAL)



ART\_1001191557

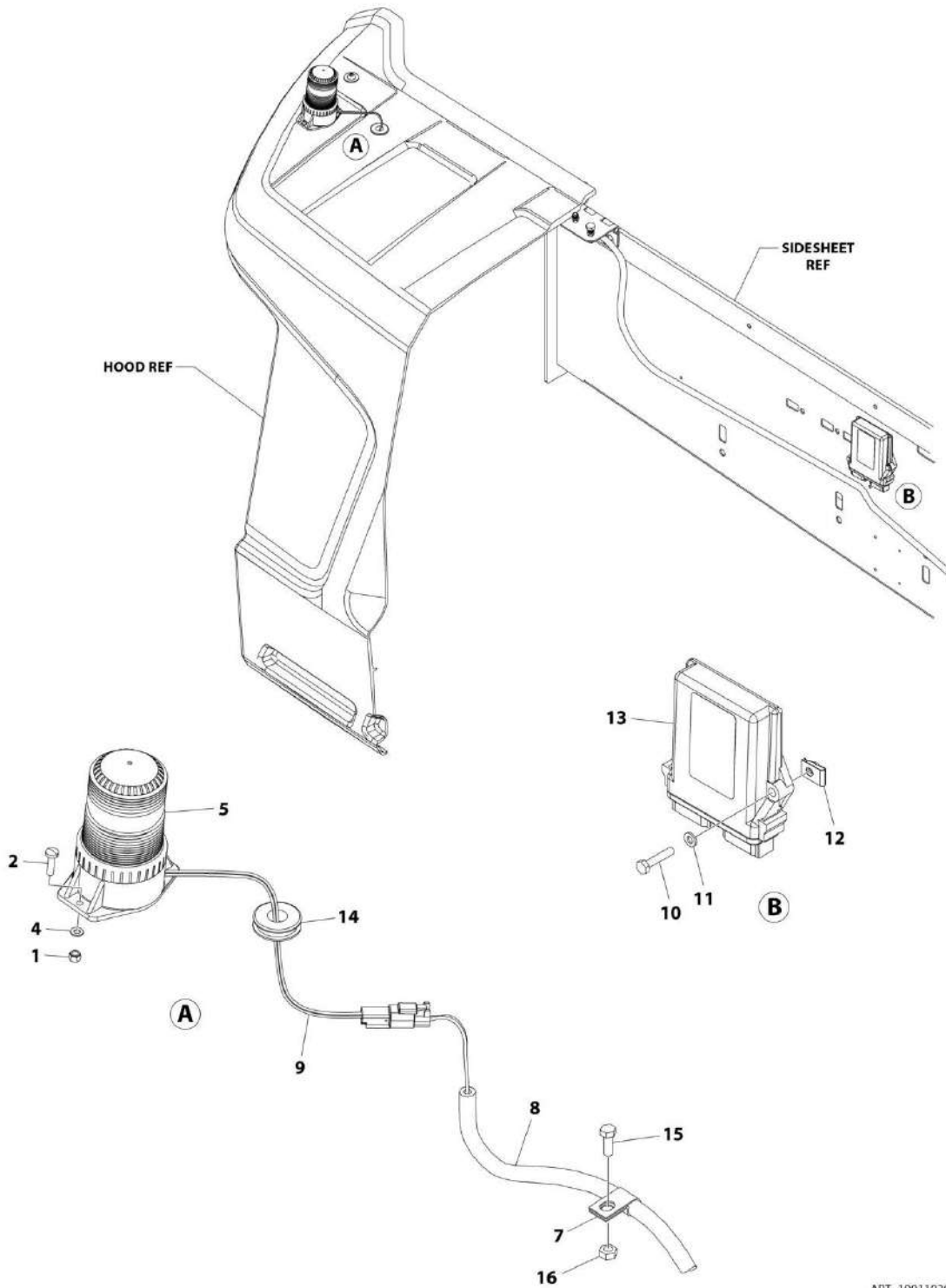
**SECTION 2 - TURNTABLE**

**FIGURE 2-23. STROBE LIGHT INSTALLATION - AMBER (OPTIONAL)**

<b>ITEM</b>	<b>PART NUMBER</b>	<b>QTY</b>	<b>DESCRIPTION</b>	<b>REV</b>
	1001191557	Ref	STROBE LIGHT INSTALLATION	D
1	4010510	2	Screw M5 x 20	
2	2920161	1	Light Strobe (Amber)	
2	7016319	1	Bulb	
2	7016372	1	Lens	
2A	4460891	1	Plug, Male - 2 Position	
2A	4460465	2	Socket, Female	
3	3290505	2	Nut M5	
4	4811600	2	Washer M5	
5	2540020	1	Grommet	
7	4240099	1	Tie-Strap (Not Shown)	

# SECTION 2 - TURNTABLE

## FIGURE 2-24. STROBE LIGHT INSTALLATION - BLUE (OPTIONAL)



ART\_1001193944



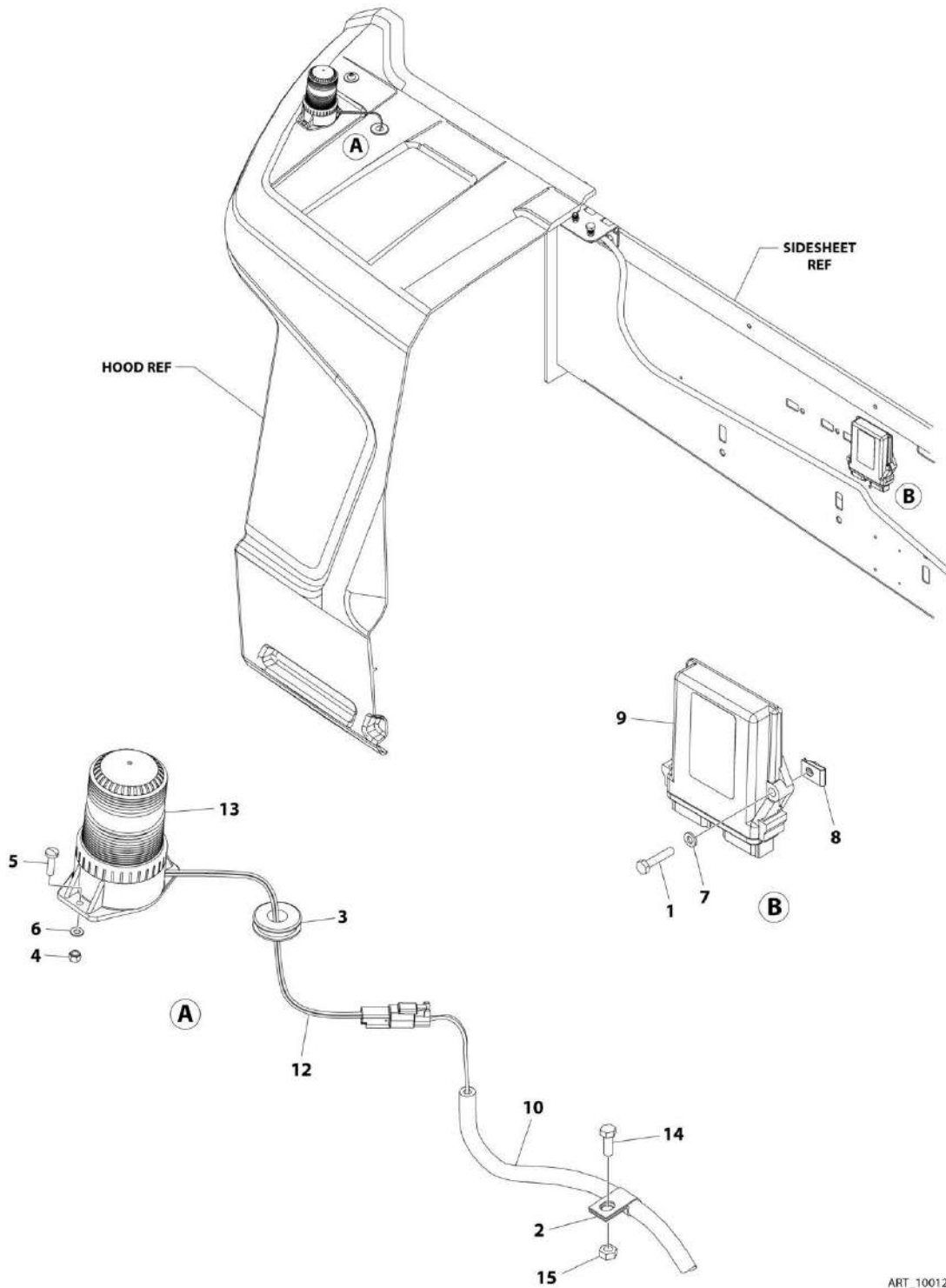
**SECTION 2 - TURNTABLE**

**FIGURE 2-24. STROBE LIGHT INSTALLATION - BLUE (OPTIONAL)**

ITEM	PART NUMBER	QTY	DESCRIPTION	REV
	1001193944	Ref	STROBE LIGHT INSTALLATION	H
1	3290505	2	Nut M5	
2	4010510	2	Screw M5 x 20	
4	4811600	2	Washer M5	
5	1001200910	1	Light, Strobe (Blue)	
5	4460897	2	Receptacle, Female - 2 Position	
5	4460464	4	Pin, Male	
7	8406110	1	Clip	
8	1001142736	1	Strobe Light Control Harness (See Separate Breakdown in ELECTRICAL SECTION)	
9	1001196458	1	Strobe Light Extension Harness	
9	4460891	1	Plug, Male - 4 Position	
9	4460465	2	Socket, Female	
9	4460897	2	Receptacle, Female - 2 Position	
9	4460464	4	Pin, Male	
10	0760614	2	Bolt M6 x 30	
11	4811700	2	Washer M6	
12	1001130220	2	Nut, Tinnerman M6	
13	1001142683	1	Module, Beacon Control	
14	2540020	1	Grommet	
15	0761016	1	Bolt M10 x 40	
16	3291005	1	Nut M10	

# SECTION 2 - TURNTABLE

## FIGURE 2-25. STROBE LIGHT INSTALLATION - RED (OPTIONAL)



ART\_1001212192

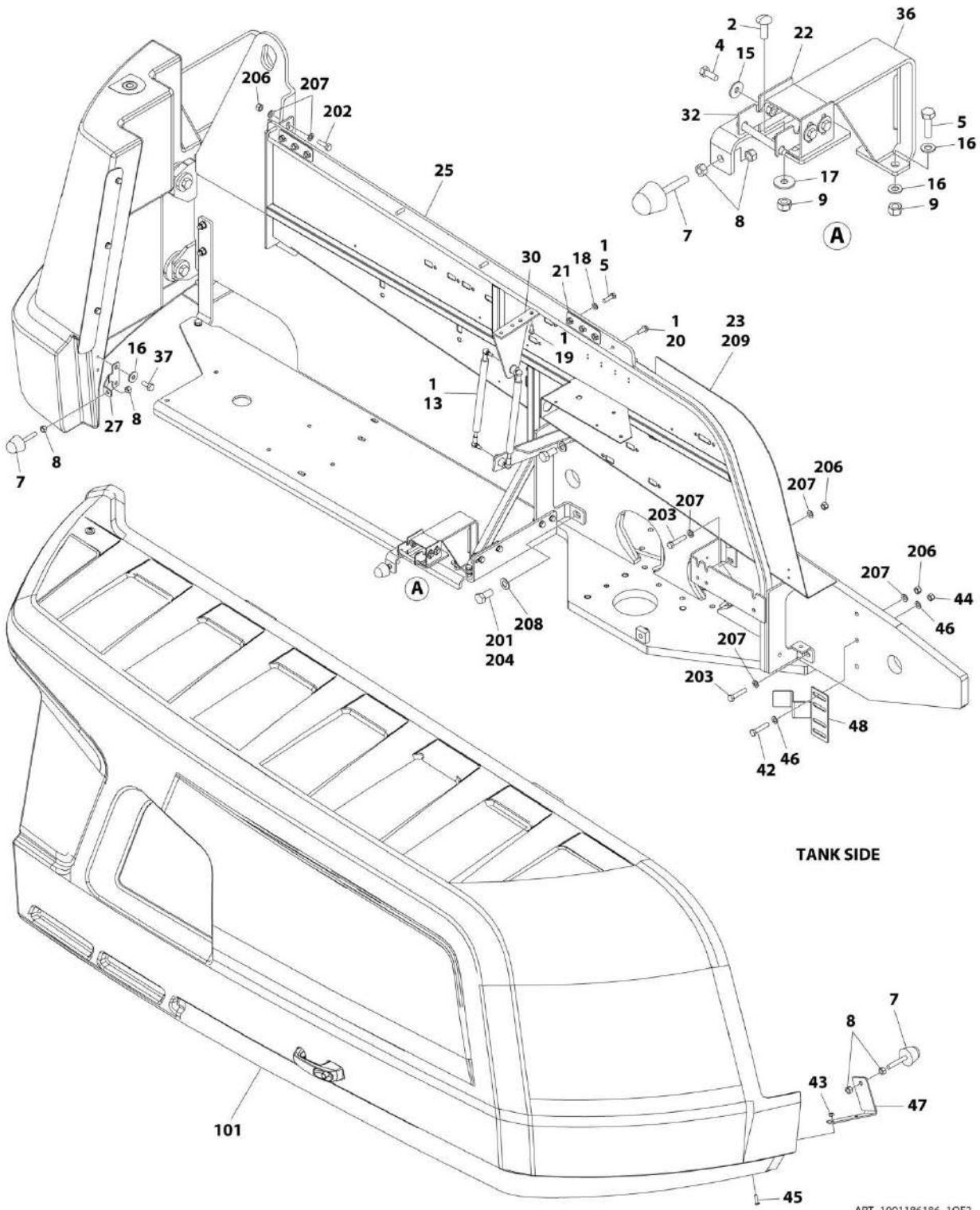
**SECTION 2 - TURNTABLE**

**FIGURE 2-25. STROBE LIGHT INSTALLATION - RED (OPTIONAL)**

ITEM	PART NUMBER	QTY	DESCRIPTION	REV
	1001212192	Ref	STROBE LIGHT INSTALLATION	C
1	0760614	2	Bolt M6 x 30	
2	8406110	1	Clip	
3	2540020	1	Grommet	
4	3290505	2	Nut M5	
5	4010510	2	Screw M5 x 20	
6	4811600	2	Washer M5	
7	4811700	2	Washer M6	
8	1001130220	2	Nut, Tinnerman M6	
9	1001142683	1	Module, Beacon Control	
10	1001142736	1	Strobe Light Control Harness (See Separate Breakdown in ELECTRICAL SECTION)	
12	1001196458	1	Strobe Light Extension Harness	
12	4460891	1	Plug, Male - 4 Position	
12	4460465	2	Socket, Female	
12	4460897	2	Receptacle, Female - 2 Position	
12	4460464	4	Pin, Male	
13	1001207004	1	Light, Strobe (Red)	
13	4460897	2	Receptacle, Female - 2 Position	
13	4460464	4	Pin, Male	
14	0761016	1	Bolt M10 x 40	
15	3291005	1	Nut M10	

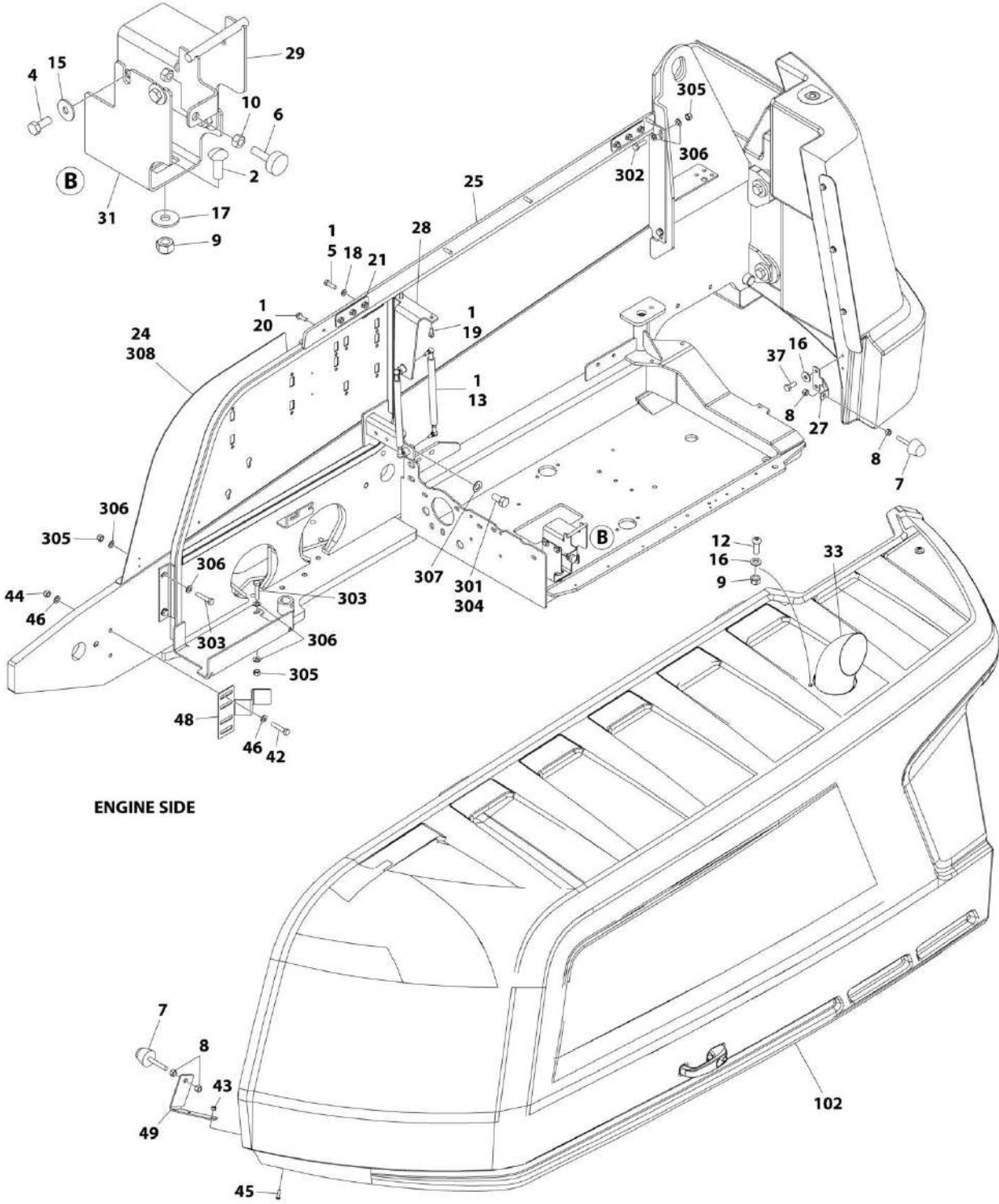
# SECTION 2 - TURNTABLE

## FIGURE 2-26. HOODS INSTALLATIONS - ABS



ART\_1001186186\_10F2

# SECTION 2 - TURNTABLE



ART\_1001186186\_20F2

## SECTION 2 - TURNTABLE

FIGURE 2-26. HOODS INSTALLATIONS - ABS

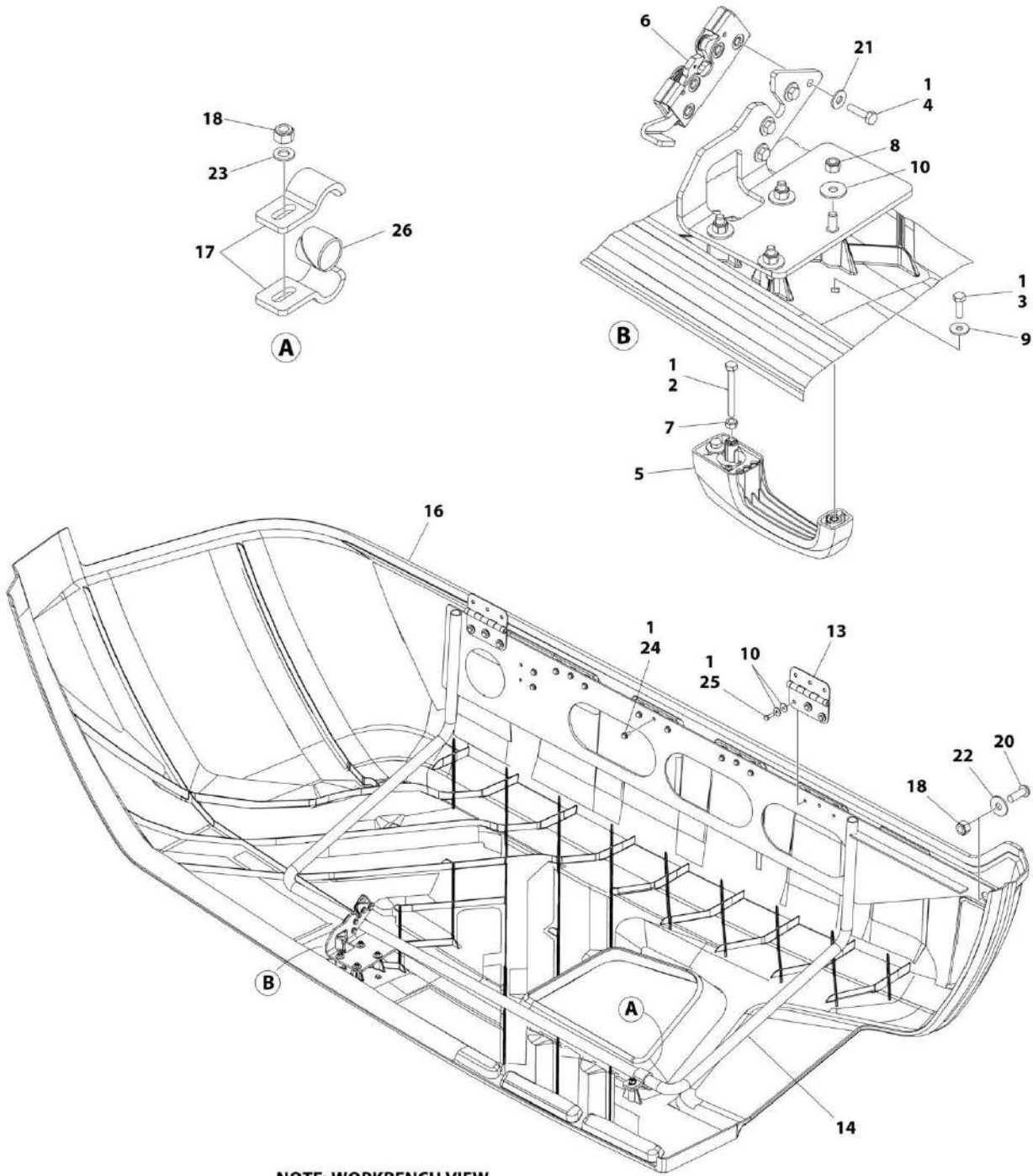
ITEM	PART NUMBER	QTY	DESCRIPTION	REV
	1001186186	Ref	HOODS INSTALLATIONS	F
1	0100011	AR	Compound, Locking	
2	0630613	4	Bolt M10 x 30	
4	0760810	8	Bolt M8 x 20	
5	0761015	14	Bolt M10 x 35	
6	0940049	1	Stopper	
7	1001206314	5	Bumper	
8	3311601	10	Nut 3/8	
9	3291005	8	Nut M10	
10	3311501	2	Nut 5/16	
12	1001174673	2	Screw M10 x 30	
13	1001210762	4	Spring, Gas	
15	4811902	8	Washer M8	
16	4812000	6	Washer M10	
17	4812002	6	Washer M10	
18	5241000	12	Washer M10	
19	5250812	4	Bolt M8 x 25	
20	5251014	8	Bolt M10 x 30	
21	1001169046	4	Nut, Hinge	
22	1001172615	1	Mount	
23	1001187950	1	Side-Sheet Assembly - Tank Side (See Items 201-209 for Breakdown)	
24	1001187951	1	Side-Sheet Assembly - Engine Side (See Items 301-308 for Breakdown)	
25	1001189067	2	Mount	
27	1001190338	2	Bracket	
28	1001190476	1	Bracket	
29	1001190756	1	Support	
30	1001192841	1	Bracket	
31	1001192842	1	Mount	
32	1001192843	1	Support	
33	1001193760	1	Pipe, Exhaust	
36	1001206880	1	Support	
37	0701012	2	Bolt M10 x 25	
42	0701220	2	Bolt M12 x 60	
43	3290605	4	Nut M6	
44	3291205	2	Nut M12	
45	3900364	4	Screw M6 x 20	
46	4812100	4	Washer M12	
47	1001213543	1	Bracket	
48	1001231310	2	Bracket	
49	1001213744	1	Bracket	
100	1001227887	1	Hood Kit (Not Shown)	
101	1001195454	1	Hood Assembly - Tank Side (See Separate Breakdown in this Section)	
102	1001195455	1	Hood Assembly - Engine Side (See Separate Breakdown in this Section)	
	1001187950	Ref	SIDE-SHEET ASSEMBLY - TANK SIDE	C
201	0100011	AR	Compound, Locking	
202	0701216	2	Bolt M12 x 40	

**SECTION 2 - TURNTABLE**

ITEM	PART NUMBER	QTY	DESCRIPTION	REV
203	0701220	4	Bolt M12 x 60	
204	0762016	2	Bolt M20 x 40	
206	3291205	6	Nut M12	
207	4812100	12	Washer M12	
208	4812500	2	Washer M20	
209	1001188194	1	Side-Sheet, Tank Side	
	1001187951	Ref	SIDE-SHEET ASSEMBLY - ENGINE SIDE	B
301	0100011	AR	Compound, Locking	
302	0701216	2	Bolt M12 x 40	
303	0701220	3	Bolt M12 x 60	
304	0762016	1	Bolt M20 x 40	
305	3291205	5	Nut M12	
306	4812100	10	Washer M12	
307	4812500	1	Washer M20	
308	1001188187	1	Side-Sheet, Engine Side	

# SECTION 2 - TURNTABLE

## FIGURE 2-27. HOOD ASSEMBLY - TANK SIDE (ABS)



ART\_1001195454



## SECTION 2 - TURNTABLE

**FIGURE 2-27. HOOD ASSEMBLY - TANK SIDE (ABS)**

ITEM	PART NUMBER	QTY	DESCRIPTION	REV
	1001195454	Ref	HOOD ASSEMBLY	E
1	0100011	AR	Compound, Locking	
2	0700619	1	Bolt M6 x 55	
3	0760610	2	Bolt M6 x 20	
4	0641408	4	Bolt 1/4 x 1	
5	2560187	1	Handle, Push Button	
6	2940173	1	Latch, Rotary	
7	3290601	1	Nut M6	
8	3290805	4	Nut M8	
9	4811702	2	Washer M6	
10	4811902	16	Washer M8	
13	1001139384	2	Hinge	
14	1001204303	1	Support	
16	1001193168	1	Hood	
17	1321384	2	Clamp	
18	3291005	2	Nut M10	
20	1001174673	1	Screw M10 x 30	
21	4751400	4	Washer 1/4	
22	4812002	1	Washer M10	
23	4812000	1	Washer M10	
24	5250810	11	Bolt M8 x 20	
25	0760812	6	Bolt M8 x 25	
26	1001227367	1	Bearing	



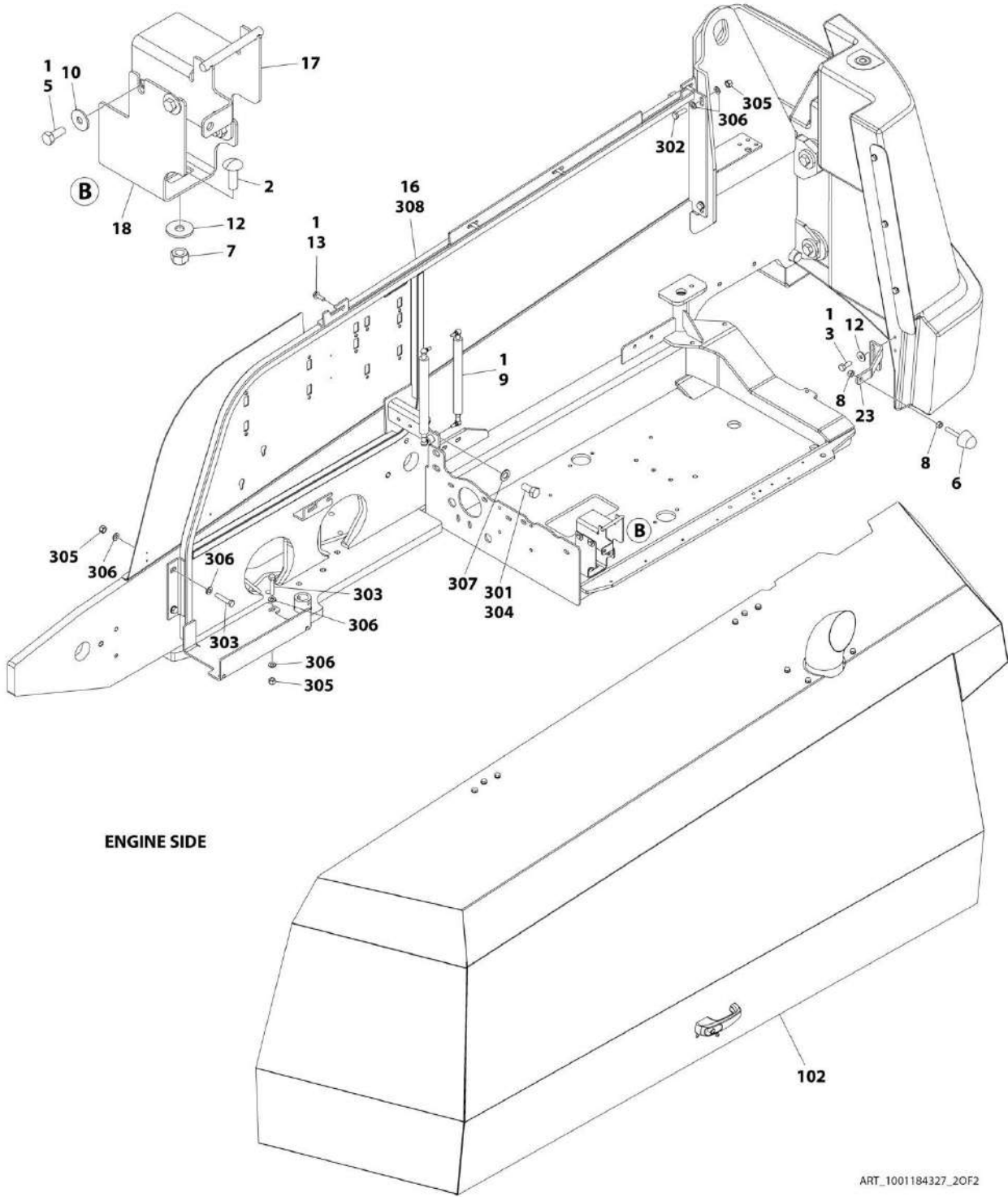
**SECTION 2 - TURNTABLE**

**FIGURE 2-28. HOOD ASSEMBLY - ENGINE SIDE (ABS)**

ITEM	PART NUMBER	QTY	DESCRIPTION	REV
	1001195455	Ref	HOOD ASSEMBLY	E
1	0100011	AR	Compound, Locking	
2	0700619	1	Bolt M6 x 55	
3	0760610	2	Bolt M6 x 20	
4	0641408	4	Bolt 1/4 x 1	
5	2560187	1	Handle, Push Button	
6	2940173	1	Latch, Rotary	
7	3290601	1	Nut M6	
8	3290805	4	Nut M8	
9	4811702	2	Washer M6	
10	4811902	16	Washer M8	
13	1001139384	2	Hinge	
14	1001204251	1	Support	
16	1001193169	1	Hood	
17	1321384	2	Clamp	
18	3291005	2	Nut M10	
20	1001174673	1	Screw M10 x 30	
21	4751400	4	Washer 1/4	
22	4812002	1	Washer M10	
23	4812000	1	Washer M10	
24	5250810	11	Bolt M8 x 20	
25	0760812	6	Bolt M8 x 25	
26	1001227367	1	Bearing	



**SECTION 2 - TURNTABLE**



ART\_1001184327\_20F2

## SECTION 2 - TURNTABLE

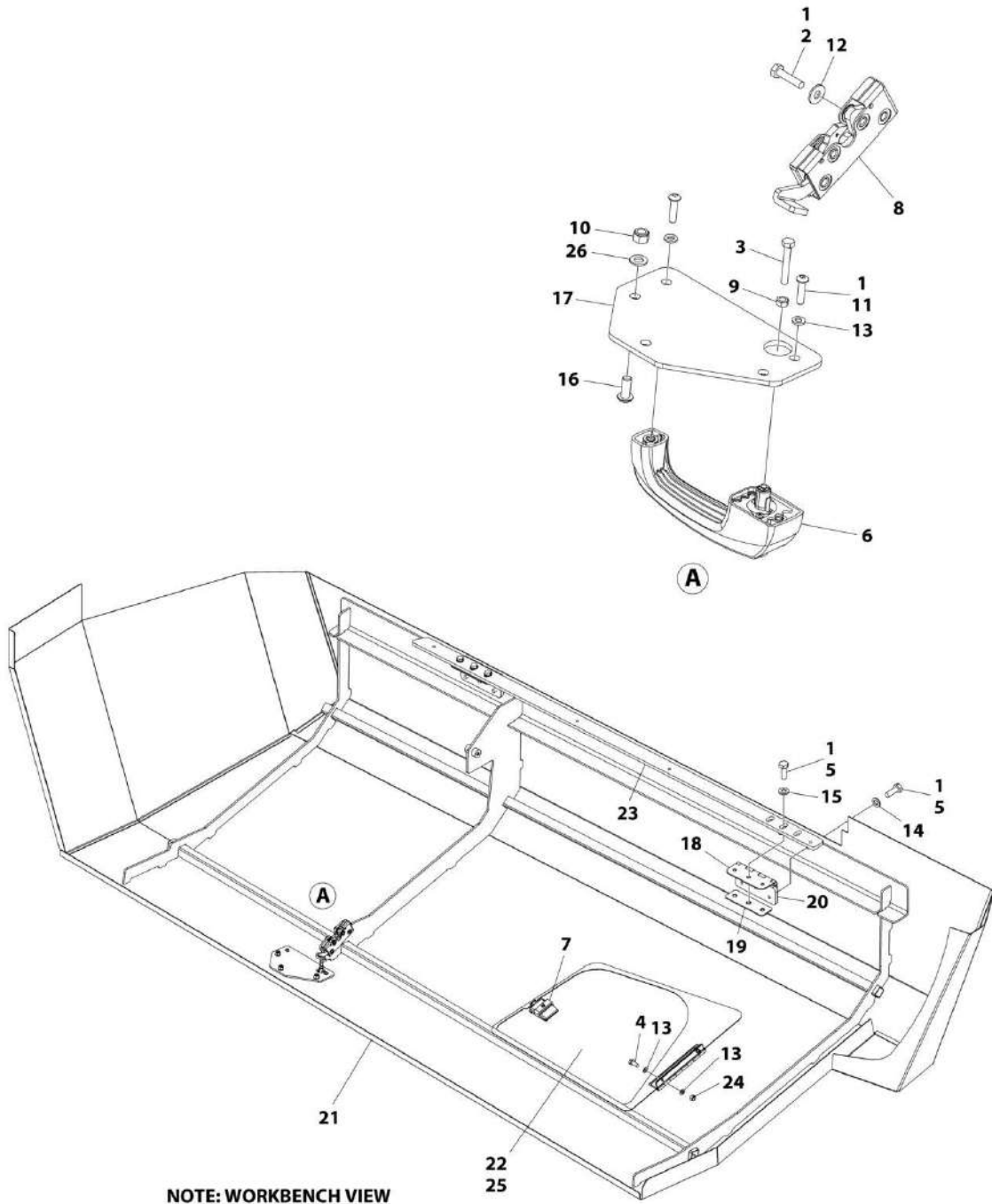
FIGURE 2-29. HOODS INSTALLATIONS - STEEL

ITEM	PART NUMBER	QTY	DESCRIPTION	REV
	1001184327	Ref	HOODS INSTALLATIONS	J
1	0100011	AR	Compound, Locking	
2	0630613	4	Bolt M10 x 30	
3	0701012	4	Bolt M10 x 25	
4	0701016	2	Bolt M10 x 40	
5	0760810	8	Bolt M8 x 20	
6	1001206314	2	Bumper	
7	3291005	6	Nut M10	
8	3311601	4	Nut 3/8	
9	1001219138	4	Spring, Gas	
10	4811902	8	Washer M8	
11	4812000	4	Washer M10	
12	4812002	8	Washer M10	
13	5251014	8	Bolt M10 x 30	
14	1001172615	1	Mount	
15	1001187950	1	Side-Sheet Assembly - Tank Side (See Items 201-209 for Breakdown)	
16	1001187951	1	Side-Sheet Assembly - Engine Side (See Items 301-308 for Breakdown)	
17	1001190756	1	Support	
18	1001192842	1	Mount	
19	1001192843	1	Support	
20	1001195535	1	Mount	
23	1001212333	2	Bracket	
25	1001117307	1	Decal - Emergency Stop	
100	1001227888	1	Hood Kit (Not Shown)	
101	1001211762	1	Hood Assembly - Tank Side (See Separate Breakdown in this Section)	
102	1001211774	1	Hood Assembly - Engine Side (See Separate Breakdown in this Section)	
	1001187950	Ref	SIDE-SHEET ASSEMBLY - TANK SIDE	C
201	0100011	AR	Compound, Locking	
202	0701216	2	Bolt M12 x 40	
203	0701220	4	Bolt M12 x 60	
204	0762016	2	Bolt M20 x 40	
206	3291205	6	Nut M12	
207	4812100	12	Washer M12	
208	4812500	2	Washer M20	
209	1001188194	1	Side-Sheet, Tank Side	
	1001187951	Ref	SIDE-SHEET ASSEMBLY - ENGINE SIDE	B
301	0100011	AR	Compound, Locking	
302	0701216	2	Bolt M12 x 40	
303	0701220	3	Bolt M12 x 60	
304	0762016	1	Bolt M20 x 40	
305	3291205	5	Nut M12	
306	4812100	10	Washer M12	
307	4812500	1	Washer M20	
308	1001188187	1	Side-Sheet, Engine Side	



# SECTION 2 - TURNTABLE

## FIGURE 2-30. HOOD ASSEMBLY - TANK SIDE (STEEL)



ART\_1001211762



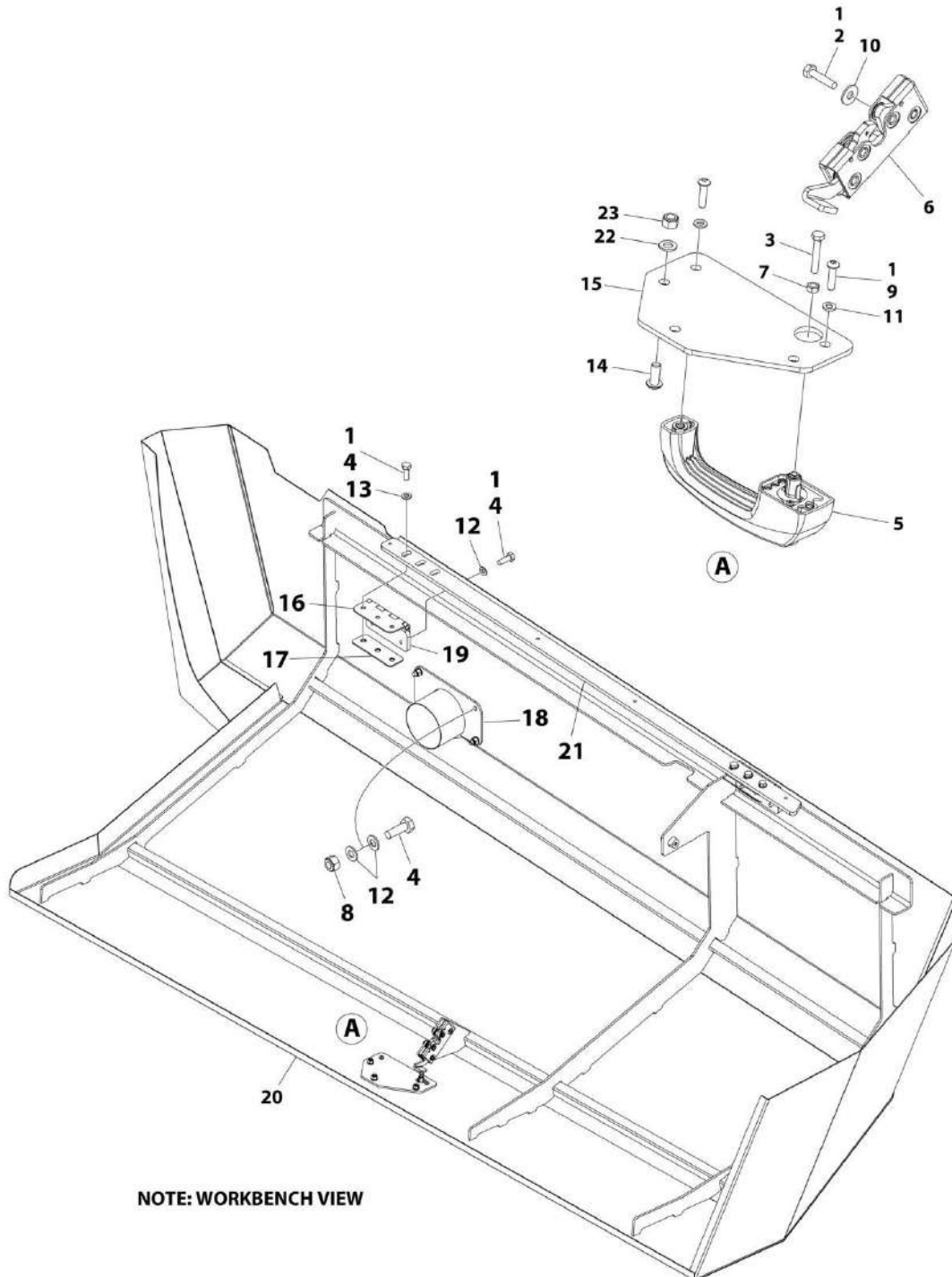
## SECTION 2 - TURNTABLE

**FIGURE 2-30. HOOD ASSEMBLY - TANK SIDE (STEEL)**

ITEM	PART NUMBER	QTY	DESCRIPTION	REV
	1001211762	Ref	HOOD ASSEMBLY	H
1	0100011	AR	Compound, Locking	
2	0641409	4	Bolt 1/4 x 1-1/8	
3	0700616	1	Bolt M6 x 40	
4	0760608	2	Bolt M6 x 16	
5	0761014	12	Bolt M10 x 30	
6	2560187	1	Handle, Push Button	
7	2940045	1	Latch, Paddle	
8	2940173	1	Latch, Rotary	
9	3290601	1	Nut M6	
10	3290805	3	Nut M8	
11	3900363	2	Screw M6 x 25	
12	4751400	4	Washer 1/4	
13	4811700	6	Washer M6	
14	4812000	6	Washer M10	
15	5241000	6	Washer M10	
16	1001164726	3	Screw M8 x 20	
17	1001116290	1	Plate	
18	1001139384	2	Hinge	
19	1001169046	2	Nut, Hinge	
20	1001202333	2	Plate, Nut	
21	1001211752	1	Hood	
22	1001211760	1	Door	
23	1001211761	1	Plate	
24	3290605	2	Nut M6	
25	1001113047	78 in/ 2m	Seal	
26	4811900	3	Washer M8	

# SECTION 2 - TURNTABLE

## FIGURE 2-31. HOOD ASSEMBLY - ENGINE SIDE (STEEL)



ART\_1001211774

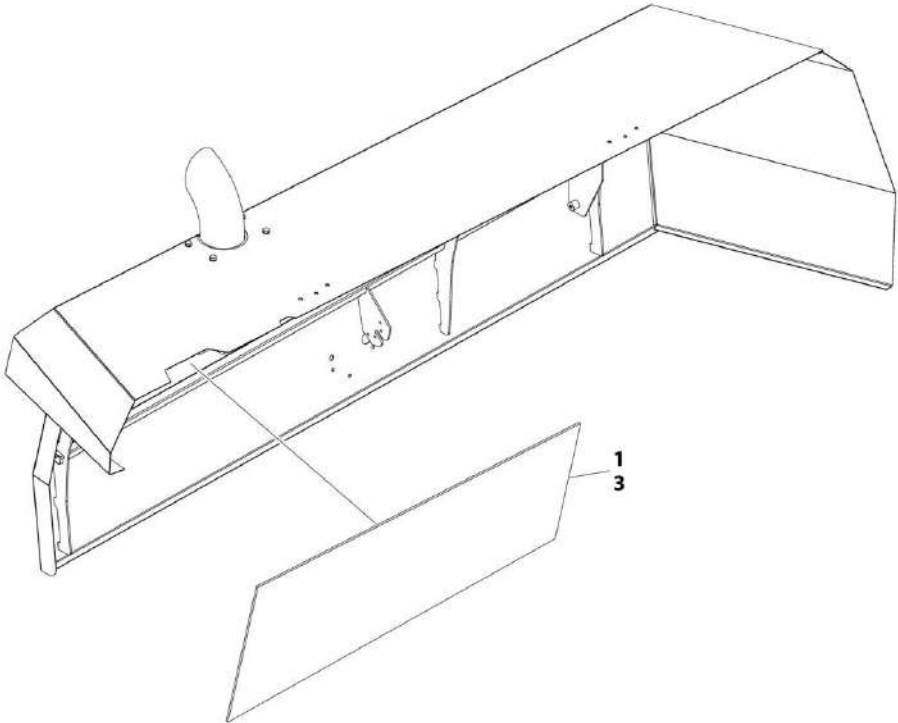
**SECTION 2 - TURNTABLE**

**FIGURE 2-31. HOOD ASSEMBLY - ENGINE SIDE (STEEL)**

ITEM	PART NUMBER	QTY	DESCRIPTION	REV
	1001211774	Ref	HOOD ASSEMBLY	G
1	0100011	AR	Compound, Locking	
2	0641409	4	Bolt 1/4 x 1-1/8	
3	0700615	1	Bolt M6 x 35	
4	0761014	16	Bolt M10 x 30	
5	2560187	1	Handle , Push Button	
6	2940173	1	Latch, Rotary	
7	3290601	1	Nut M6	
8	3291005	4	Nut M10	
9	3900363	2	Screw M6 x 25	
10	4751400	4	Washer 1/4	
11	4811700	2	Washer M6	
12	4812000	14	Washer M10	
13	5241000	6	Washer M10	
14	1001164726	3	Screw M8 x 20	
15	1001116290	1	Plate	
16	1001139384	2	Hinge	
17	1001169046	2	Nut, Hinge	
18	1001194888	1	Pipe, Exhaust	
19	1001202333	2	Plate, Nut	
20	1001211767	1	Hood	
21	1001211773	1	Plate	
22	4811900	3	Washer M8	
23	3290805	3	Nut M8	

**SECTION 2 - TURNTABLE**

**FIGURE 2-32. HOOD INSULATION INSTALLATION (STEEL HOODS)**



ART\_1001237894

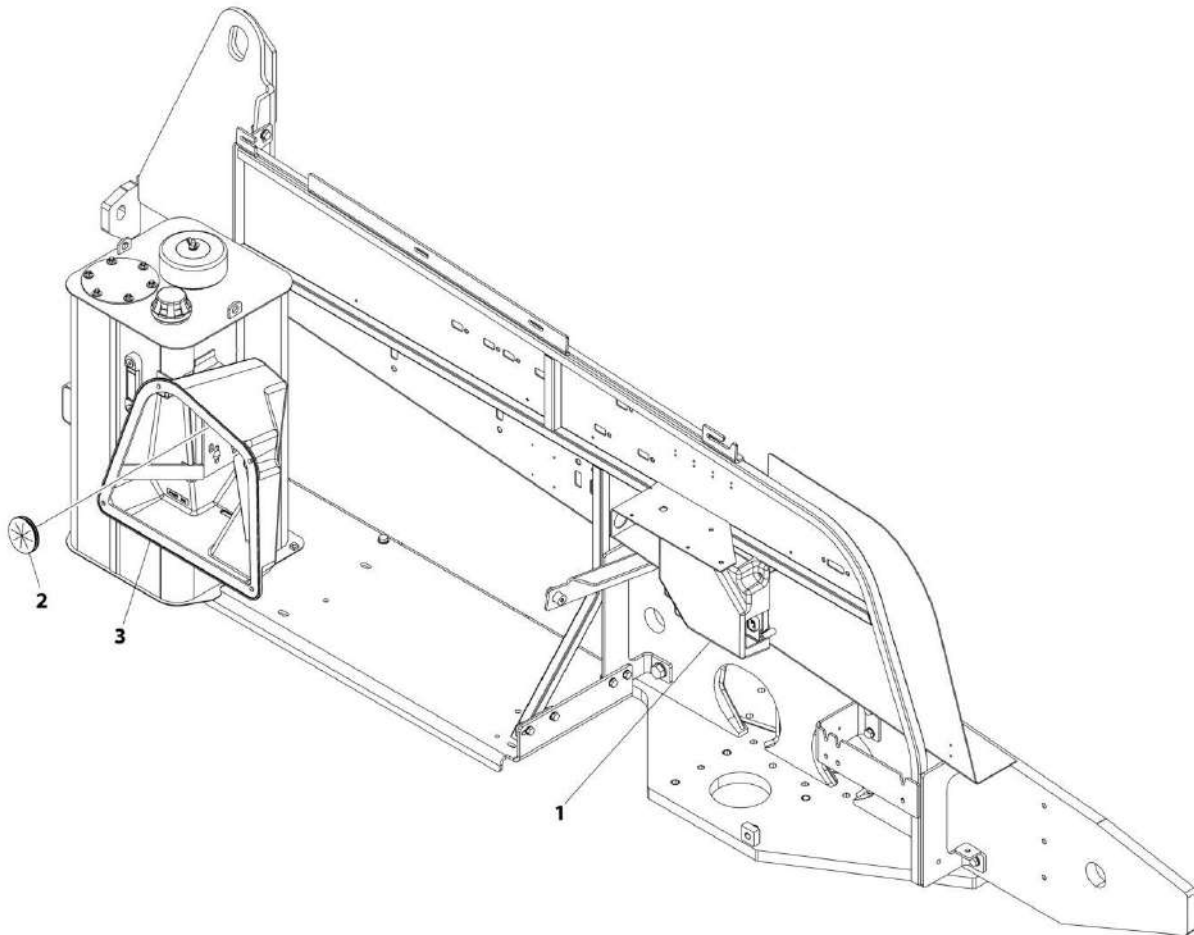
**SECTION 2 - TURNTABLE**

**FIGURE 2-32. HOOD INSULATION INSTALLATION (STEEL HOODS)**

<b>ITEM</b>	<b>PART NUMBER</b>	<b>QTY</b>	<b>DESCRIPTION</b>	<b>REV</b>
	1001237894	Ref	HOOD INSULATION INSTALLATION (STEEL HOODS)	A
1	1001117140	AR	Tape	
2	1001184327	1	Hood Installation (Not Shown - See Separate Breakdown in this Section)	
3	1001237895	1	Insulate, Heat Shield	

## SECTION 2 - TURNTABLE

FIGURE 2-33. COVERS INSTALLATION



ART\_1001219128

**SECTION 2 - TURNTABLE**

**FIGURE 2-33. COVERS INSTALLATION**

<b>ITEM</b>	<b>PART NUMBER</b>	<b>QTY</b>	<b>DESCRIPTION</b>	<b>REV</b>
	1001219128	Ref	COVERS INSTALLATION	A
1	1001218539	1	Cover, Controller	
2	1001218676	1	Grommet	
3	1001220638	1	Cover, Ground Control	

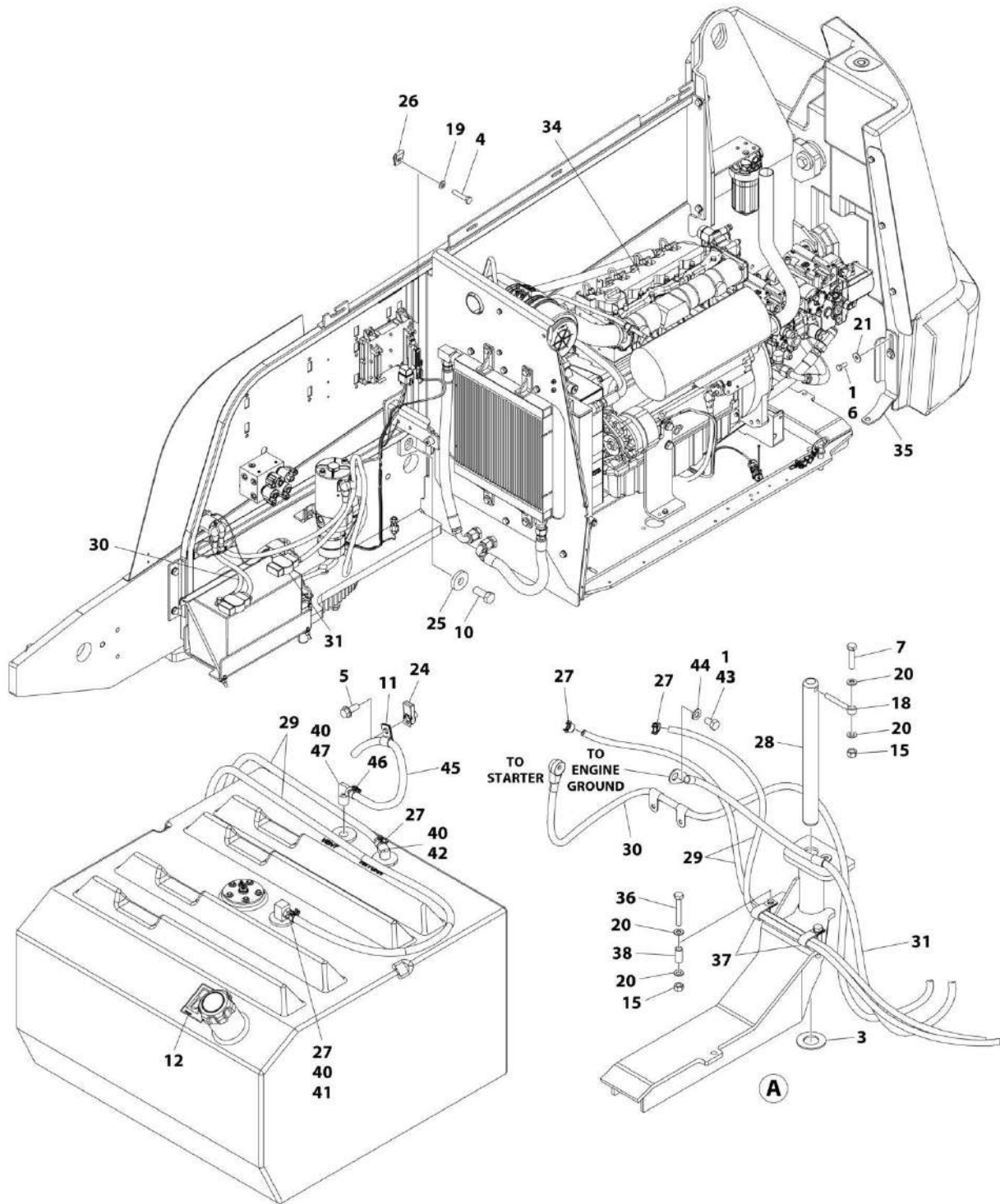




**SECTION 3 - ENGINE**

# SECTION 3 - ENGINE

## FIGURE 3-1. DEUTZ D2011 ENGINE INSTALLATION - WITHOUT ARCTIC PACKAGE



ART\_1001196565

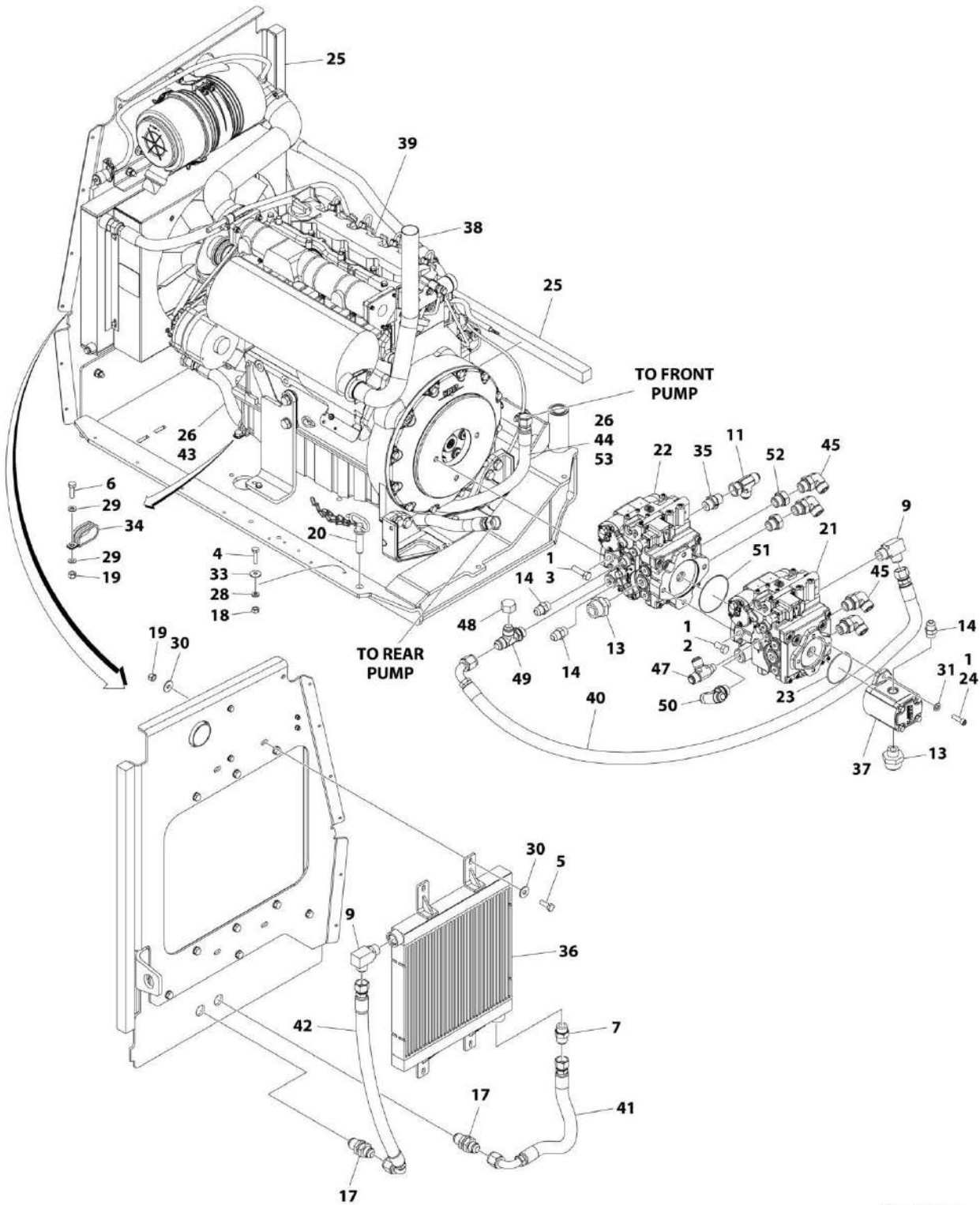
## SECTION 3 - ENGINE

**FIGURE 3-1. DEUTZ D2011 ENGINE INSTALLATION - WITHOUT ARCTIC PACKAGE**

ITEM	PART NUMBER	QTY	DESCRIPTION	REV
	1001196565	Ref	DEUTZ D2011 ENGINE INSTALLATION	G
1	0100011	AR	Compound, Locking	
3	0440162	1	Bearing	
4	0700614	4	Bolt M6 x 30	
5	5251012	1	Bolt M10 x 25	
6	0701012	2	Bolt M10 x 25	
7	0711018	1	Bolt M10 x 50	
10	0772018	1	Bolt M20 x 50	
11	8406110	1	Clip	
12	1701505	1	Decal - Diesel Fuel	
15	3291005	3	Nut M10	
18	3841143	1	Keeper, Pin	
19	4811700	4	Washer M6	
20	4812000	6	Washer M10	
21	4812002	2	Washer M10	
24	1001118972	1	Nut, Tinnerman M10	
25	1001119051	1	Washer	
26	1001130220	4	Nut, Tinnerman M6	
27	1001174486	4	Clamp	
28	1001155094	1	Pin	
29	2720058	288 in/ 7.3m	Hose, Fuel	
30	1001188667	1	Cable, Battery (+) to Aux Relay to Starter	
31	1001188670	1	Cable, Battery (-) to Aux Pump and Ground	
34	1001196572	1	Deutz D2011 Engine and Pumps Sub-Assembly (See Separate Breakdown in this Section)	
35	1001197881	1	Bracket	
36	0701022	2	Bolt M10 x 70	
37	1001026127	2	Clamp	
38	1001200731	2	Tube	
39	4240099	6	Tie-Strap (Not Shown)	
40	0100020	AR	Sealant	
41	2180348	1	Fitting, Straight NPT x Barb	
42	2221176	1	Fitting, 90 Barbed	
43	0761210	1	Bolt M12 x 20	
44	4812100	1	Washer M12	
45	2720058	20 in/ 0.5m	Hose, Fuel <b>(SN 0300236299 through 0300244374)</b>	
45	1001165035	20 in/ 0.5m	Hose <b>(SN 0300244375 to Present)</b>	
46	1001174486	1	Clamp <b>(SN 0300236299 through 0300244374)</b>	
46	1001136975	1	Clamp <b>(SN 0300244375 to Present)</b>	
47	2221176	1	Fitting, 90 Barbed <b>(SN 0300236299 through 0300244374)</b>	
47	2220313	1	Fitting, 90 NPTF/Barb <b>(SN 0300244375 to Present)</b>	
100	1001235699	1	Battery Cable Kit (Includes Items 30 & 31) (Not Shown) <b>(SN 0300244375 to Present)</b>	

# SECTION 3 - ENGINE

FIGURE 3-2. DEUTZ D2011 ENGINE AND PUMPS SUB-ASSEMBLY - WITHOUT ARCTIC PACKAGE



ART\_1001196572

## SECTION 3 - ENGINE

**FIGURE 3-2. DEUTZ D2011 ENGINE AND PUMPS SUB-ASSEMBLY - WITHOUT ARCTIC PACKAGE**

ITEM	PART NUMBER	QTY	DESCRIPTION	REV
	1001196572	Ref	DEUTZ D2011 ENGINE AND PUMPS SUB-ASSEMBLY	G
1	0100011	AR	Compound, Locking	
2	0641808	2	Bolt 1/2 x 1	
3	0641814	2	Bolt 1/2 x 1-3/4	
4	0760612	1	Bolt M6 x 25	
5	0761014	4	Bolt M10 x 30	
6	0761015	2	Bolt M10 x 35	
7	2220451	1	Fitting, Straight JIC/ORB	
9	2220578	2	Fitting, 90 JIC/ORB	
11	2220700	1	Fitting, Tee JIC/FSJIC/JIC (SN 0300236299 through 0300243549)	
13	2220946	2	Fitting, Straight JIC/ORB	
14	2220947	3	Fitting, Straight JIC/ORB	
17	2230027	2	Fitting, Straight	
18	3290605	1	Nut M6	
19	3291005	6	Nut M10	
20	3422532	1	Pin	
21	3600359	1	Piston Pump Assembly - Rear (See Separate Breakdown in this Section)	
22	3600363	1	Piston Pump Assembly - Front (See Separate Breakdown in this Section)	
23	3790152	1	O-Ring	
24	3931620	2	Capscrew 3/8 x 1-1/4	
24	3931618	2	Capscrew 3/8 x 1-1/8	
25	3960469	2	Seal	
26	4061032	AR	Shield	
27	4240099	AR	Tie-Strap (Not Shown)	
28	4811700	1	Washer M6	
29	4812000	4	Washer M10	
30	4812002	8	Washer M10	
31	5241000	2	Washer M10	
33	4811702	1	Washer M6	
34	1001164196	2	Clamp	
35	1001179156	1	Valve, Check	
36	1001188601	1	Radiator, Oil Cooler	
37	1001190143	1	Gear Pump Assembly	
37	70006356	1	Seal Kit - 1001190143 Pump	
38	1001191273	1	Pipe, Exhaust	
39	1001196571	1	Deutz D2011 Engine Assembly (See Separate Breakdown in this Section)	
40	1001200216	1	Hose	
41	1001195504	1	Hose	
42	1001195505	1	Hose	
43	1001195509	1	Hose	
44	1001195507	1	Hose (SN 0300236299 through 0300243549)	
45	2131212	4	Fitting, 90 ORFS/ORB	
47	1001213814	1	Fitting, Tee JIC/ORB/JIC	
48	2220518	1	Cap	
49	2220738	1	Fitting, Tee JIC/ORB/JIC	
50	2220695	1	Fitting, Tee JIC/ORB/JIC	

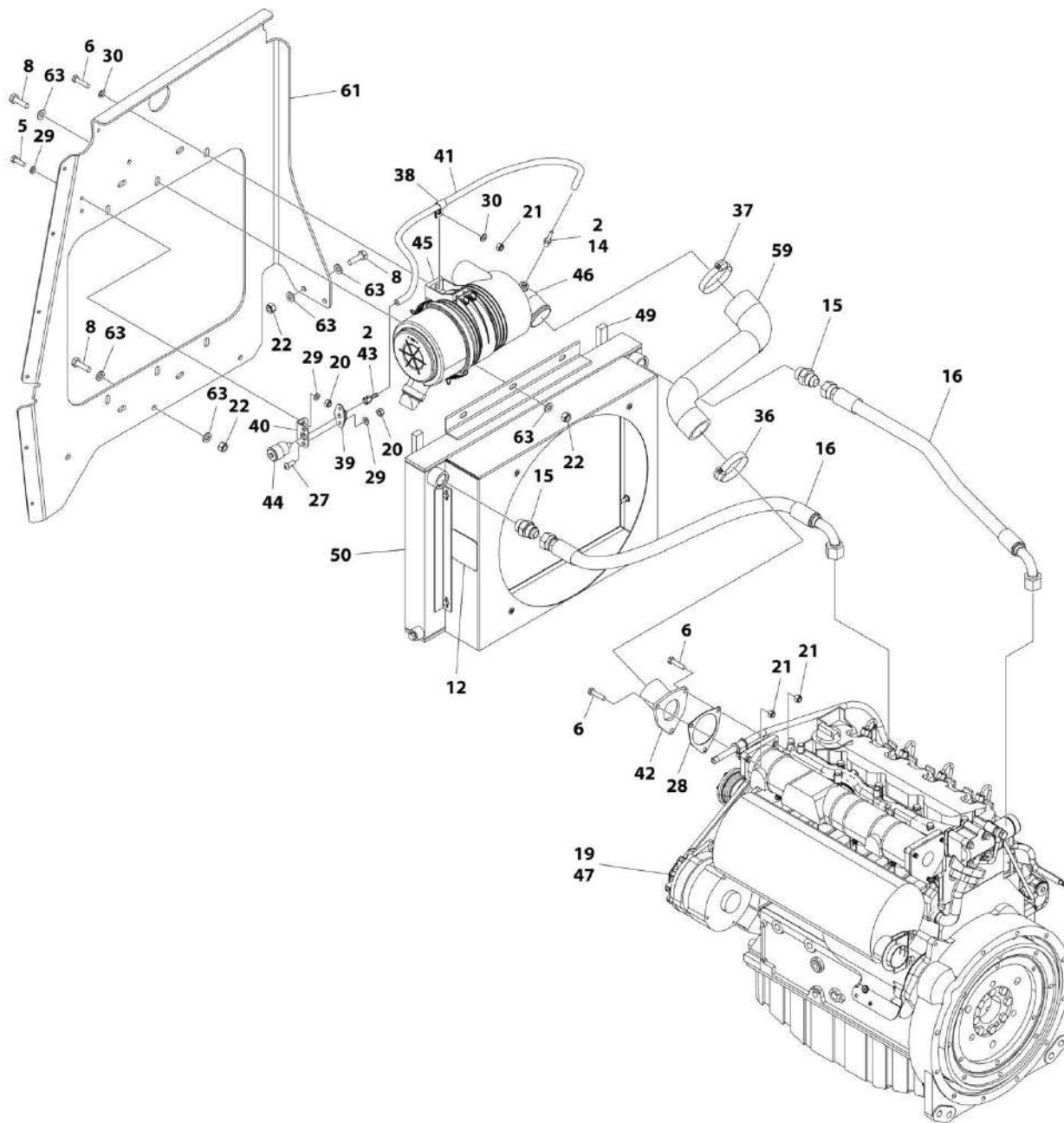
## SECTION 3 - ENGINE

ITEM	PART NUMBER	QTY	DESCRIPTION	REV
51	3790045	1	O-Ring	
52	1001233450	2	Fitting, Straight ORB/ORB	
53	1001235110	1	Hose <b>(SN 0300243550 to Present)</b>	



# SECTION 3 - ENGINE

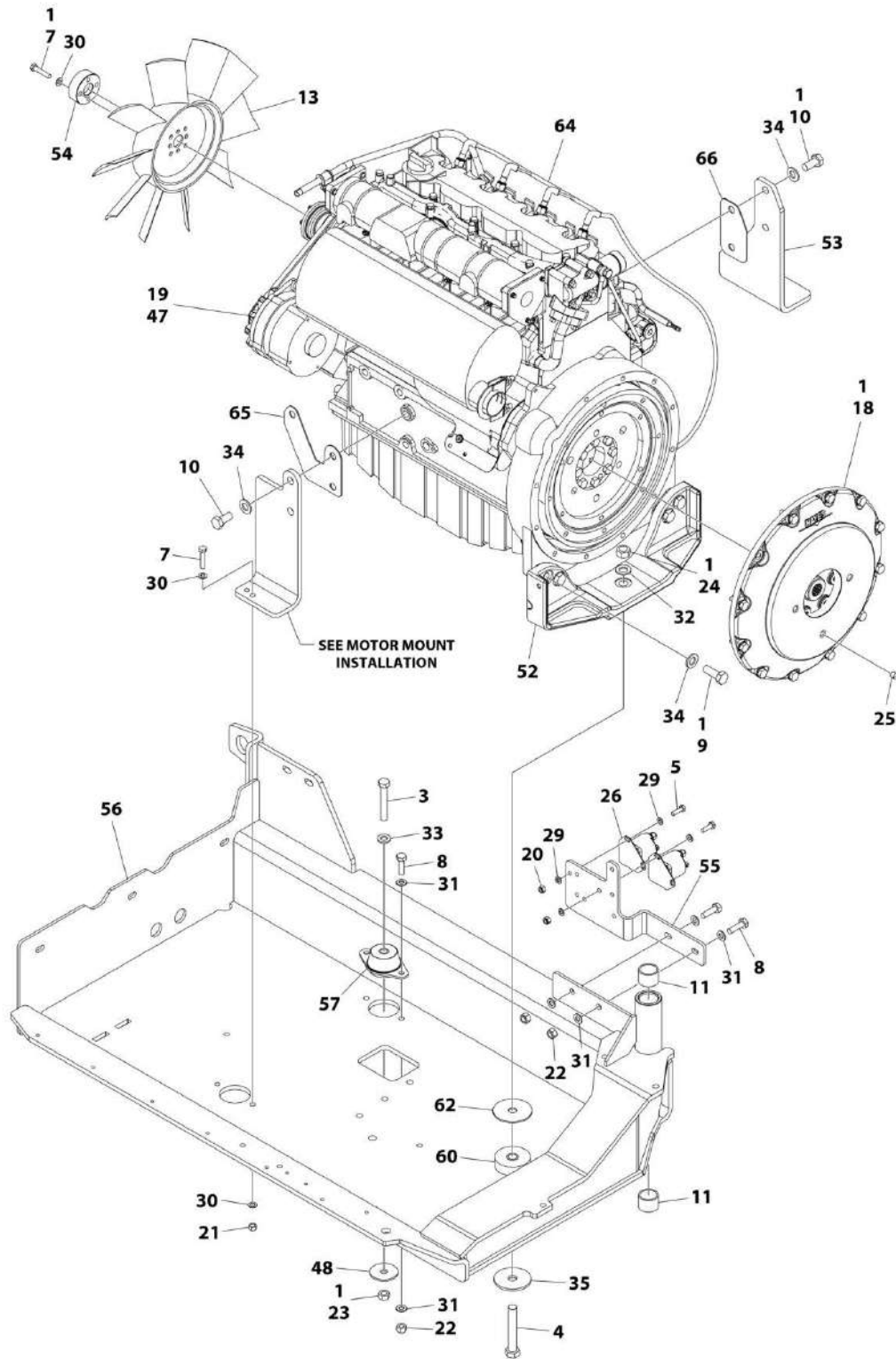
## FIGURE 3-3. DEUTZ D2011 ENGINE ASSEMBLY - WITHOUT ARCTIC PACKAGE



ART\_1001196571\_1OF2



# SECTION 3 - ENGINE



ART\_1001196571\_20F2

## SECTION 3 - ENGINE

FIGURE 3-3. DEUTZ D2011 ENGINE ASSEMBLY - WITHOUT ARCTIC PACKAGE

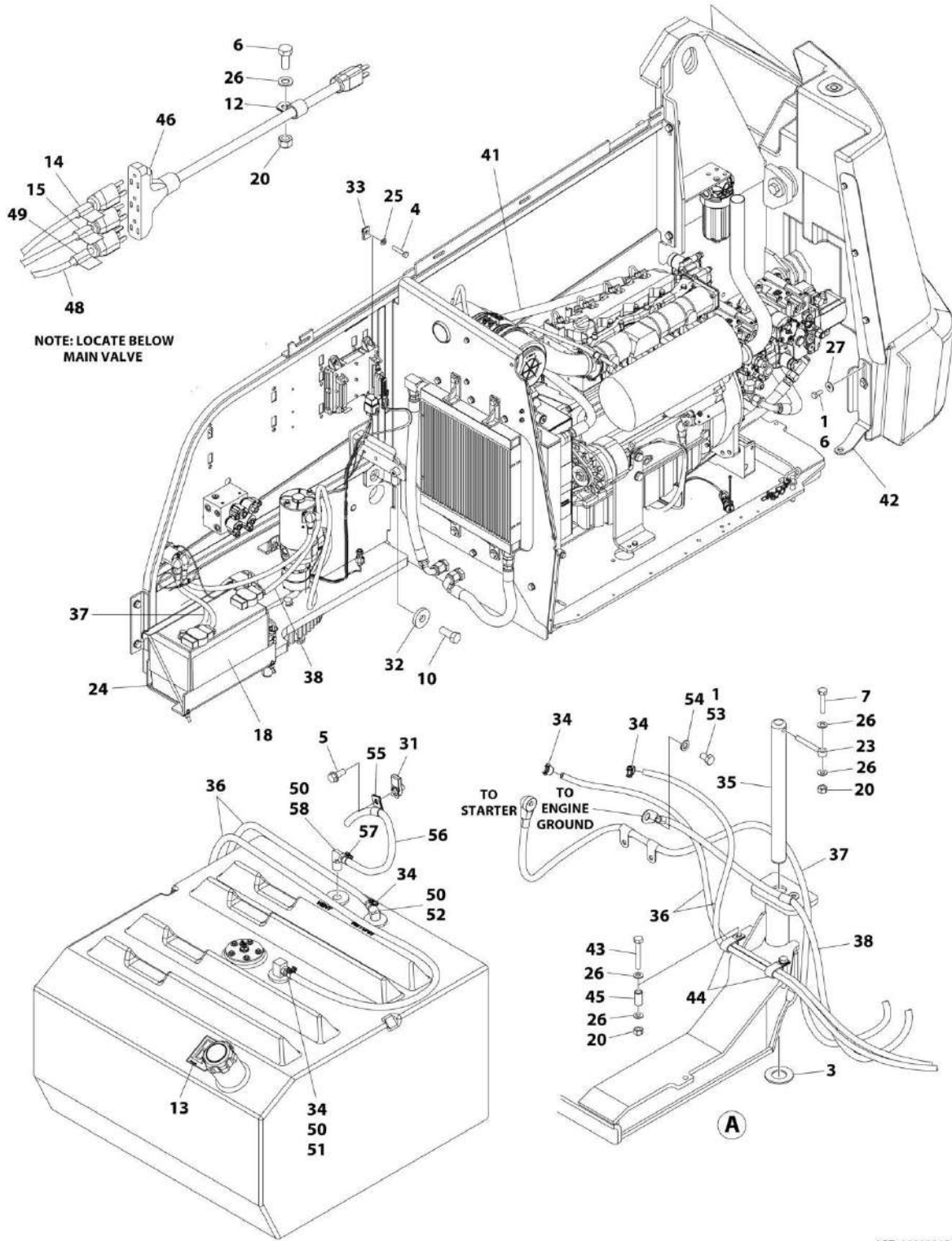
ITEM	PART NUMBER	QTY	DESCRIPTION	REV
	1001196571	Ref	DEUTZ D2011 ENGINE ASSEMBLY	M
1	0100011	AR	Compound, Locking	
2	0100020	AR	Sealant	
3	0711224	1	Bolt M12 x 80	
4	0711627	1	Bolt M16 x 100	
5	0760610	6	Bolt M6 x 20	
6	0760815	5	Bolt M8 x 35	
7	0760816	5	Bolt M8 x 40	
8	0761015	15	Bolt M10 x 35	
9	0771416	4	Bolt M14 x 40	
10	0771414	4	Bolt M14 x 30	
11	0961951	2	Bushing	
12	1703162	2	Decal - Fan Blade	
13	2060025	1	Fan	
14	2220315	1	Fitting, Straight Barbed	
15	2220451	2	Fitting, Straight ORB/JIC	
16	2720398	2	Hose	
18	2902065	1	Pump Coupling Kit (See Separate Breakdown in this Section)	
19	3020016	AR	Oil, Motor 15W-40	
20	3290605	8	Nut M6	
21	3290805	6	Nut M8	
22	3291005	15	Nut M10	
23	3331211	1	Nut M12	
24	3331611	1	Nut M16	
25	3520054	2	Plug	
26	3740067	2	Relay	
27	3900357	2	Screw M6 x 16	
28	3960407	1	Gasket, Air Intake Adapter	
29	4811700	14	Washer M6	
30	4811900	10	Washer M8	
31	4812000	8	Washer M10	
32	4812300	1	Washer M16	
33	5241200	1	Washer M12	
34	5241400	8	Washer M14	
35	7300435	1	Washer	
36	8405203	1	Clamp	
37	8405204	1	Clamp	
38	8406109	1	Clip	
39	1001138173	1	Support	
40	1001138175	1	Bracket	
41	1001138248	29.6 in/ 0.7m	Tube	
42	1001139819	1	Adapter	
43	1001141995	1	Fitting, Straight NPT/Barbed	
44	1001143390	1	Indicator, Air Filter Service	
45	1001147812	1	Clamp	
46	1001147813	1	Filter, Air	
46	70004020	1	Element, Filter	
47	1001147823	1	Deutz D2011 Engine Components (See Separate Breakdown in this Section)	

## SECTION 3 - ENGINE

ITEM	PART NUMBER	QTY	DESCRIPTION	REV
48	1001168018	1	Washer	
49	1001168166	2	Seal	
50	1001187082	1	Radiator	
51	1001188236	1	Engine Harness - Deutz D2011 Engines (Not Shown) (See Separate Breakdown in ELECTRICAL SECTION)	
52	1001188535	1	Bracket, Engine - Rear	
53	1001189026	1	Bracket, Engine - Right	
54	1001189161	1	Adapter, Fan	
55	1001203885	1	Plate	
56	1001200435	1	Tray	
57	1001191610	1	Mount, Motor	
59	1001195711	1	Hose	
60	1001197149	1	Support	
61	1001200793	1	Support	
62	1001197725	1	Spacer	
63	5241000	22	Washer M10	
64	4923379	1	Glow Plug Harness (SN 0300236299 through 0300243773)	
64	1001234396	1	Glow Plug Harness (SN 0300243774 to Present)	
65	1001201843	1	Shim .079	
66	1001201844	1	Shim .079	

# SECTION 3 - ENGINE

FIGURE 3-4. DEUTZ D2011 ENGINE INSTALLATION - WITH ARCTIC PACKAGE



## SECTION 3 - ENGINE

**FIGURE 3-4. DEUTZ D2011 ENGINE INSTALLATION - WITH ARCTIC PACKAGE**

ITEM	PART NUMBER	QTY	DESCRIPTION	REV
	1001196566	Ref	DEUTZ D2011 ENGINE INSTALLATION	G
1	0100011	AR	Compound, Locking	
3	0440162	1	Bearing	
4	0700614	4	Bolt M6 x 30	
5	5251012	1	Bolt M10 x 25	
6	0701012	3	Bolt M10 x 25	
7	0711018	1	Bolt M10 x 50	
10	0772018	1	Bolt M20 x 50	
12	1320061	1	Clamp	
13	1701505	1	Decal - Diesel Fuel	
14	1702941	1	Decal - Battery Heater	
15	1702943	1	Decal - Hydraulic Tank Heater	
18	2580024	1	Heater, Battery	
19	1001188972	1	Heater, Immersion (Not Shown - Located on Hydraulic Tank)	
20	3291005	4	Nut M10	
23	3841143	1	Keeper, Pin	
24	3980007	1	Seal, Battery	
25	4811700	4	Washer M6	
26	4812000	7	Washer M10	
27	4812002	2	Washer M10	
31	1001118972	1	Nut, Tinnerman M10	
32	1001119051	1	Washer	
33	1001130220	4	Nut, Tinnerman M6	
34	1001174486	5	Clamp	
35	1001155094	1	Pin	
36	2720058	308 in/ 7.9m	Hose, Fuel	
37	1001188667	1	Cable, Battery (+) to Aux Relay to Starter	
38	1001188670	1	Cable, Battery (-) to Aux Pump and Ground	
41	1001196574	1	Deutz D2011 Engine and Pumps Sub-Assembly (See Separate Breakdown in this Section)	
42	1001197881	1	Bracket	
43	0701022	2	Bolt M10 x 70	
44	1001026127	2	Clamp	
45	1001200731	2	Tube	
46	1060626	1	Plug, 3 Way	
47	4240099	1	Tie-Strap (Not Shown)	
48	1001150918	1	Cable, Extension	
49	1702942	1	Decal - Engine Block Heater	
50	0100020	AR	Sealant	
51	2180348	1	Fitting, Straight NPT/Barbed	
52	2221176	1	Fitting, 90 Barbed	
53	0761210	1	Bolt M12 x 20	
54	4812100	1	Washer M12	
55	8406110	1	Clip	
56	2720058	20 in/ 0.5m	Hose, Fuel (SN 0300236299 through 0300244374)	
56	1001165035	20 in/ 0.5m	Hose (SN 0300244375 to Present)	
57	1001174486	1	Clamp (SN 0300236299 through 0300244374)	

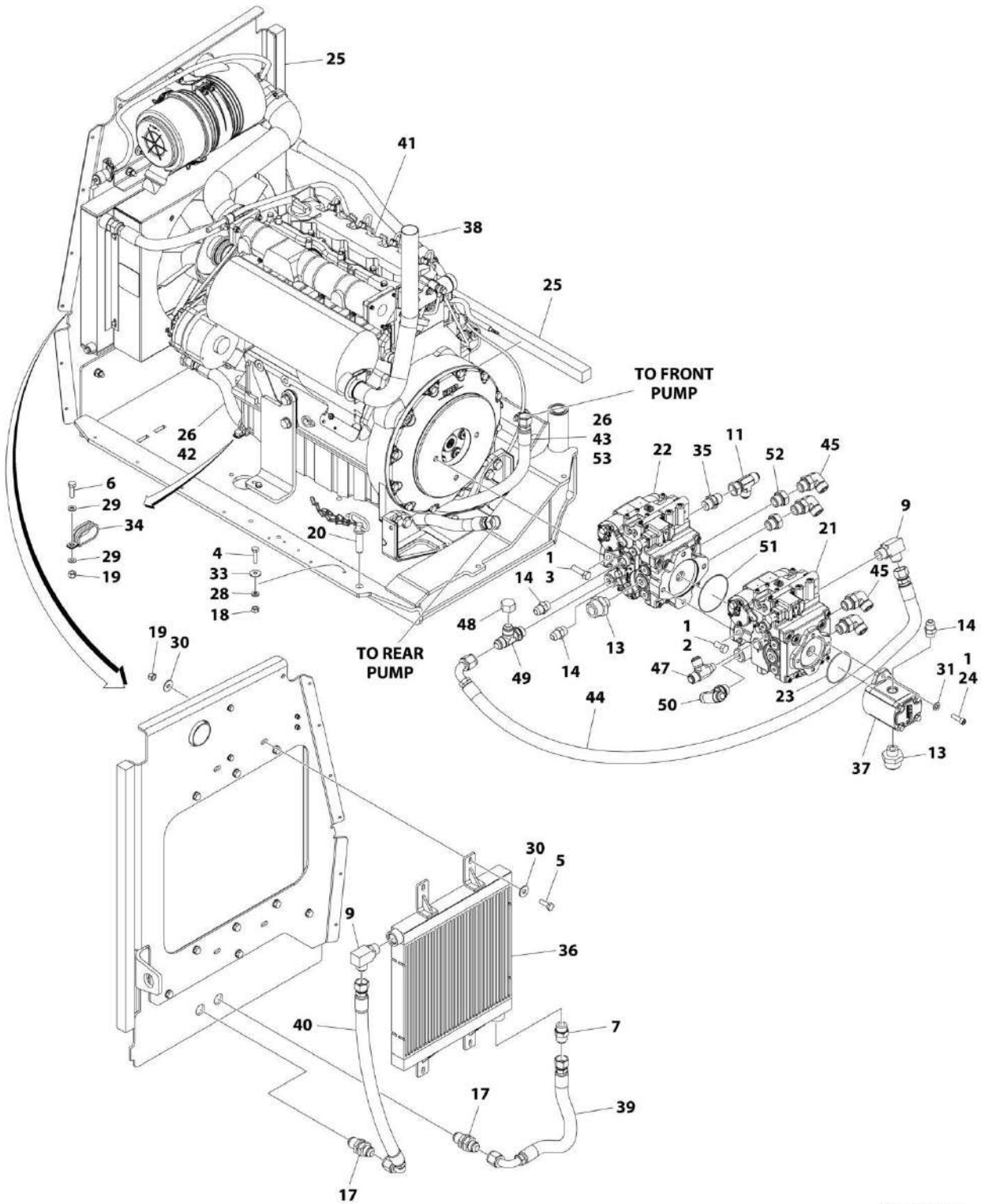
## SECTION 3 - ENGINE

ITEM	PART NUMBER	QTY	DESCRIPTION	REV
57	1001136975	1	Clamp (SN 0300244375 to Present)	
58	2221176	1	Fitting, 90 Barbed (SN 0300236299 through 0300244374)	
58	2220313	1	Fitting, 90 NPTF/Barb (SN 0300244375 to Present)	
100	1001235699	1	Battery Cable Kit (Includes Items 37 & 38) (Not Shown) (SN 0300244375 to Present)	



# SECTION 3 - ENGINE

FIGURE 3-5. DEUTZ D2011 ENGINE AND PUMPS SUB-ASSEMBLY - WITH ARCTIC PACKAGE



ART\_1001196574



## SECTION 3 - ENGINE

**FIGURE 3-5. DEUTZ D2011 ENGINE AND PUMPS SUB-ASSEMBLY - WITH ARCTIC PACKAGE**

ITEM	PART NUMBER	QTY	DESCRIPTION	REV
	1001196574	Ref	DEUTZ D2011 ENGINE AND PUMPS SUB-ASSEMBLY	G
1	0100011	AR	Compound, Locking	
2	0641808	2	Bolt 1/2 x 1	
3	0641814	2	Bolt 1/2 x 1-3/4	
4	0760612	1	Bolt M6 x 25	
5	0761014	4	Bolt M10 x 30	
6	0761015	2	Bolt M10 x 35	
7	2220451	1	Fitting, Straight JIC/ORB	
9	2220578	1	Fitting, 90 JIC/ORB	
11	2220700	1	Fitting, Tee JIC/FSJIC/JIC (SN 0300236299 through 0300243549)	
13	2220946	2	Fitting, Straight JIC/ORB	
14	2220947	3	Fitting, Straight JIC/ORB	
17	2230027	2	Fitting, Straight	
18	3290605	1	Nut M6	
19	3291005	6	Nut M10	
20	3422532	1	Pin	
21	3600359	1	Piston Pump Assembly - Rear (See Separate Breakdown in this Section)	
22	3600363	1	Piston Pump Assembly - Front (See Separate Breakdown in this Section)	
23	3790152	1	O-Ring	
24	3931620	2	Capscrew 3/8 x 1-1/4	
24	3931618	2	Capscrew 3/8 x 1-1/8	
25	3960469	2	Seal	
26	4061032	AR	Shield	
27	4240099	AR	Tie-Strap (Not Shown)	
28	4811700	1	Washer M6	
29	4812000	4	Washer M10	
30	4812002	8	Washer M10	
31	5241000	2	Washer M10	
33	4811702	1	Washer M6	
34	1001164196	2	Clamp	
35	1001179156	1	Valve, Check	
36	1001188601	1	Radiator, Oil Cooler	
37	1001190143	1	Gear Pump Assembly	
37	70006356	1	Seal Kit - 1001190143 Pump	
38	1001191273	1	Pipe	
39	1001195504	1	Hose	
40	1001195505	1	Hose	
41	1001196573	1	Deutz D2011 Engine Assembly (See Separate Breakdown in this Section)	
42	1001195509	1	Hose	
43	1001195507	1	Hose (SN 0300236299 through 0300243549)	
44	1001200216	1	Hose	
45	2131212	4	Fitting, 90 ORFS/ORB	
47	1001213814	1	Fitting, Tee JIC/ORB/JIC	
48	2220518	1	Cap	
49	2220738	1	Fitting, Tee JIC/ORB/JIC	
50	2220695	1	Fitting, Tee JIC/ORB/JIC	

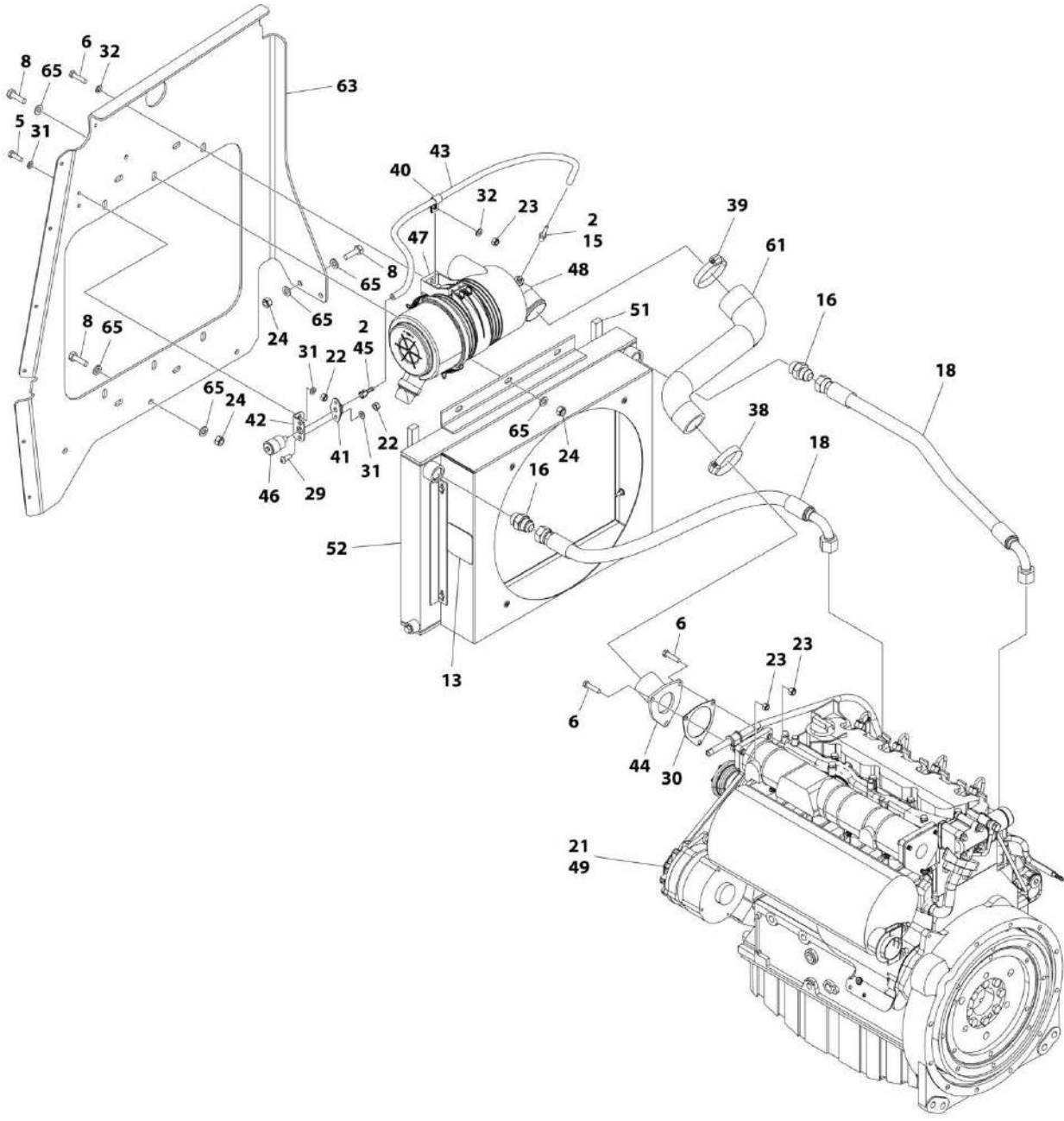
## SECTION 3 - ENGINE

ITEM	PART NUMBER	QTY	DESCRIPTION	REV
51	3790045	1	O-Ring	
52	1001233450	2	Fitting, Straight ORB/ORB	
53	1001235110	1	Hose <b>(SN 0300243550 to Present)</b>	



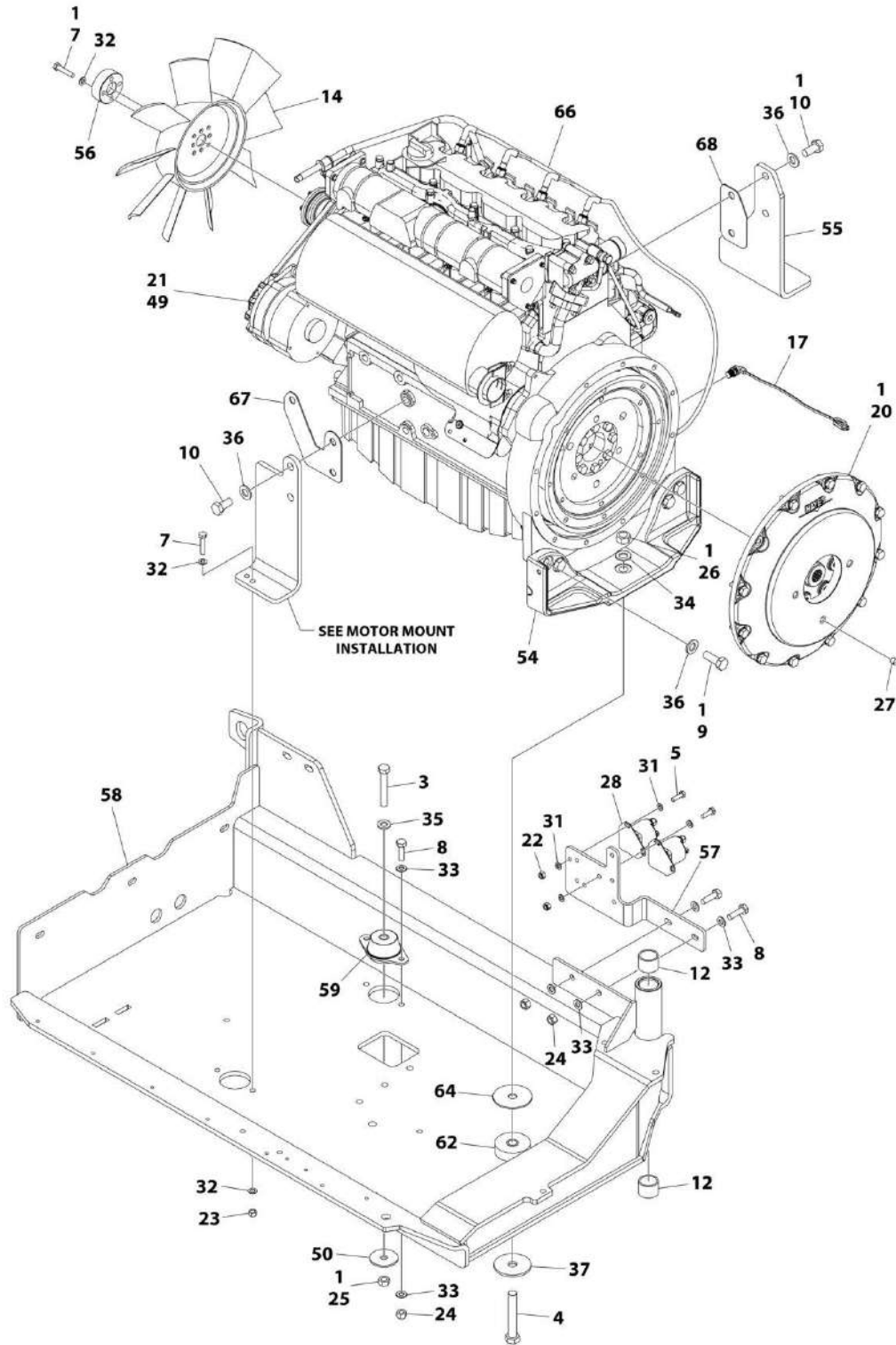
# SECTION 3 - ENGINE

## FIGURE 3-6. DEUTZ D2011 ENGINE ASSEMBLY - WITH ARCTIC PACKAGE



ART\_1001196573\_1OF2

# SECTION 3 - ENGINE



ART\_1001196573\_20F2

## SECTION 3 - ENGINE

FIGURE 3-6. DEUTZ D2011 ENGINE ASSEMBLY - WITH ARCTIC PACKAGE

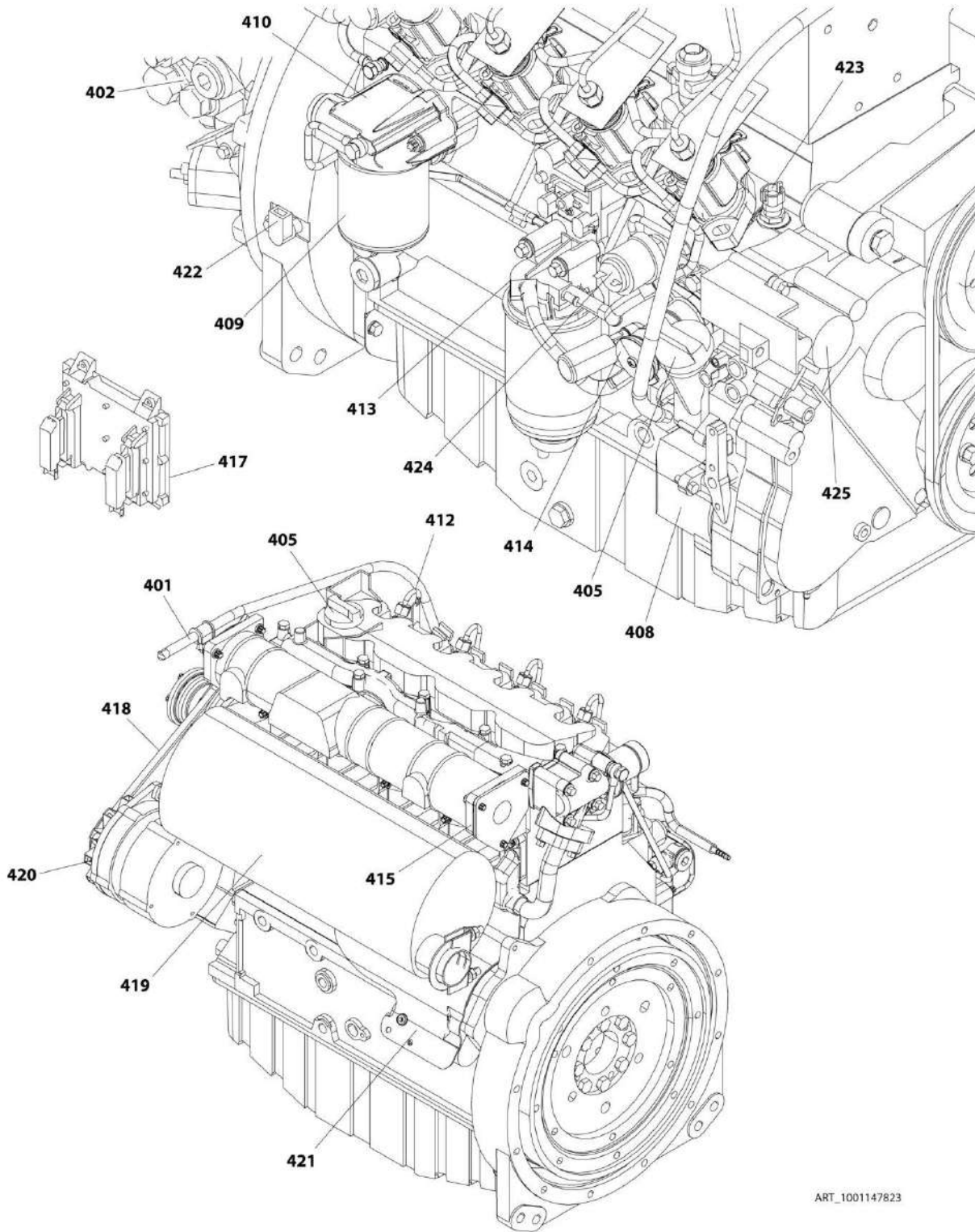
ITEM	PART NUMBER	QTY	DESCRIPTION	REV
	1001196573	Ref	DEUTZ D2011 ENGINE ASSEMBLY	M
1	0100011	AR	Compound, Locking	
2	0100020	AR	Sealant	
3	0701224	1	Bolt M12 x 80	
4	0711627	1	Bolt M16 x 100	
5	0760610	6	Bolt M6 x 20	
6	0760815	5	Bolt M8 x 35	
7	0760816	5	Bolt M8 x 40	
8	0761015	15	Bolt M10 x 35	
9	0771416	4	Bolt M14 x 40	
10	0771414	4	Bolt M14 x 30	
12	0961951	2	Bushing	
13	1703162	2	Decal - Fan Blade	
14	2060025	1	Fan	
15	2220315	1	Fitting, Straight Barbed	
16	2220451	2	Fitting, Straight ORB/JIC	
17	2580062	1	Heater, Engine Block	
18	2720398	2	Hose	
20	2902065	1	Pump Coupling Kit (See Separate Breakdown in this Section)	
21	3020044	AR	Oil, Engine 0W-40	
22	3290605	8	Nut M6	
23	3290805	6	Nut M8	
24	3291005	15	Nut M10	
25	3331211	1	Nut M12	
26	3331611	1	Nut M16	
27	3520054	2	Plug	
28	3740067	2	Relay	
29	3900357	2	Screw M6 x 16	
30	3960407	1	Gasket, Air Intake Adapter	
31	4811700	14	Washer M6	
32	4811900	10	Washer M8	
33	4812000	8	Washer M10	
34	4812300	1	Washer M16	
35	5241200	1	Washer M12	
36	5241400	8	Washer M14	
37	7300435	1	Washer	
38	8405203	1	Clamp	
39	8405204	1	Clamp	
40	8406109	1	Clip	
41	1001138173	1	Support	
42	1001138175	1	Bracket	
43	1001138248	29.6 in/ 0.7m	Tube	
44	1001139819	1	Adapter	
45	1001141995	1	Fitting, Straight NPT/Barbed	
46	1001143390	1	Indicator, Air Filter Service	
47	1001147812	1	Clamp	
48	1001147813	1	Filter, Air	
48	70004020	1	Element, Filter	
49	1001147823	1	Deutz D2011 Engine Components (See Separate Breakdown in	

## SECTION 3 - ENGINE

ITEM	PART NUMBER	QTY	DESCRIPTION	REV
			this Section)	
50	1001168018	1	Washer	
51	1001168166	2	Seal	
52	1001187082	1	Radiator	
53	1001188236	1	Engine Harness - Deutz D2011 Engines (Not Shown) (See Separate Breakdown in ELECTRICAL SECTION)	
54	1001188535	1	Bracket, Engine - Rear	
55	1001189026	1	Bracket, Engine - Right	
56	1001189161	1	Adapter, Fan	
57	1001203885	1	Plate	
58	1001200435	1	Tray	
59	1001191610	1	Mount, Motor	
61	1001195711	1	Hose	
62	1001197149	1	Support	
63	1001200793	1	Support	
64	1001197725	1	Spacer	
65	5241000	22	Washer M10	
66	4923379	1	Glow Plug Harness (SN 0300236299 through 0300243773)	
66	1001234396	1	Glow Plug Harness (SN 0300243774 to Present)	
67	1001201843	1	Shim .079	
68	1001201844	1	Shim .079	

# SECTION 3 - ENGINE

## FIGURE 3-7. DEUTZ D2011 ENGINE COMPONENTS



ART\_1001147823



## SECTION 3 - ENGINE

**FIGURE 3-7. DEUTZ D2011 ENGINE COMPONENTS**

ITEM	PART NUMBER	QTY	DESCRIPTION	REV
	1001147823	Ref	DEUTZ D2011 ENGINE COMPONENTS	B
401	70004287	1	Dipstick	
401	70000044	1	Seal, Dipstick	
401	70001002	1	Tube, Dipstick	
401	7020403	1	Seal, Dipstick Tube	
402	70003475	1	Thermostat	
403	70002718	1	Seal, Rear Main (Not Shown)	
404	70001870	1	Flywheel (Not Shown)	
404	7024579	1	Ring Gear (Located on Flywheel - Not Shown)	
405	7020465	2	Cap, Filler	
406		Ref	Gasket, Head Options (Not Shown):	
406	70002415	1	Gasket with 1 Notch	
406	70002416	1	Gasket with 2 Notches	
406	70002417	1	Gasket with 3 Notches	
406	70004289	1	Gasket Kit (Note: Does not include Head Gasket)	
407	70000800	1	Kit, Timing Belt/Idler (Not Shown)	
408	70001850	1	Pump, Oil Lube	
408	7020468	1	Seal Between Oil Pump and Engine Block (Not Shown)	
409	7016331	1	Filter, Oil	
410	70003472	1	Bracket, Oil Filter	
410	7027236	1	Sender, Temperature	
410	70003473	1	Gasket, Bracket to Engine Block	
411	70004268	2	Connector, Radiator Hose (Not Shown)	
411	70004269	2	Ring, Sealing (Not Shown)	
412	70003478	4	Injector, Fuel	
412	70003136	4	Seal	
412		Ref	Pump, Injector Options:	
412	70000912	4	Series A Injector	
412	70000913	4	Series B Injector	
412	70000914	4	Series C Injector	
412	70000915	4	Series D Injector	
412	70003464	4	Seal	
413	7016328	1	Filter, Fuel	
413	70001423	1	Bracket, Fuel Filter	
414	70000916	1	Pump Fuel Supply	
414	70001435	1	Repair Kit for 70000916 Pump	
414	70000919	1	Hand, Pump	
414	70000918	1	Seal, Hand Pump	
414	70000917	1	O-Seal Between Fuel Pump and Engine Block	
415		Ref	Intake Monifold Components	
415	70003469	1	Flange, Blanking	
415	70003468	1	Seal (Flange to Air Intake Manifold)	
415	70001871	4	Gasket, Intake Manifold to Engine Block (Not Shown)	
415	70003470	8	Screw, Torx Head (Not Shown)	
417	7027795	1	Module, Control	
417		Ref	Left Module Connections:	
417	7027796	1	Cable, Interconnect (Module to 70001872 Cable)	
417	70004060	1	Plug, Connector	
417	70001872	1	Cable, Harness	
417	70004103	1	Cable (Alternator to 70001872 Cable)	

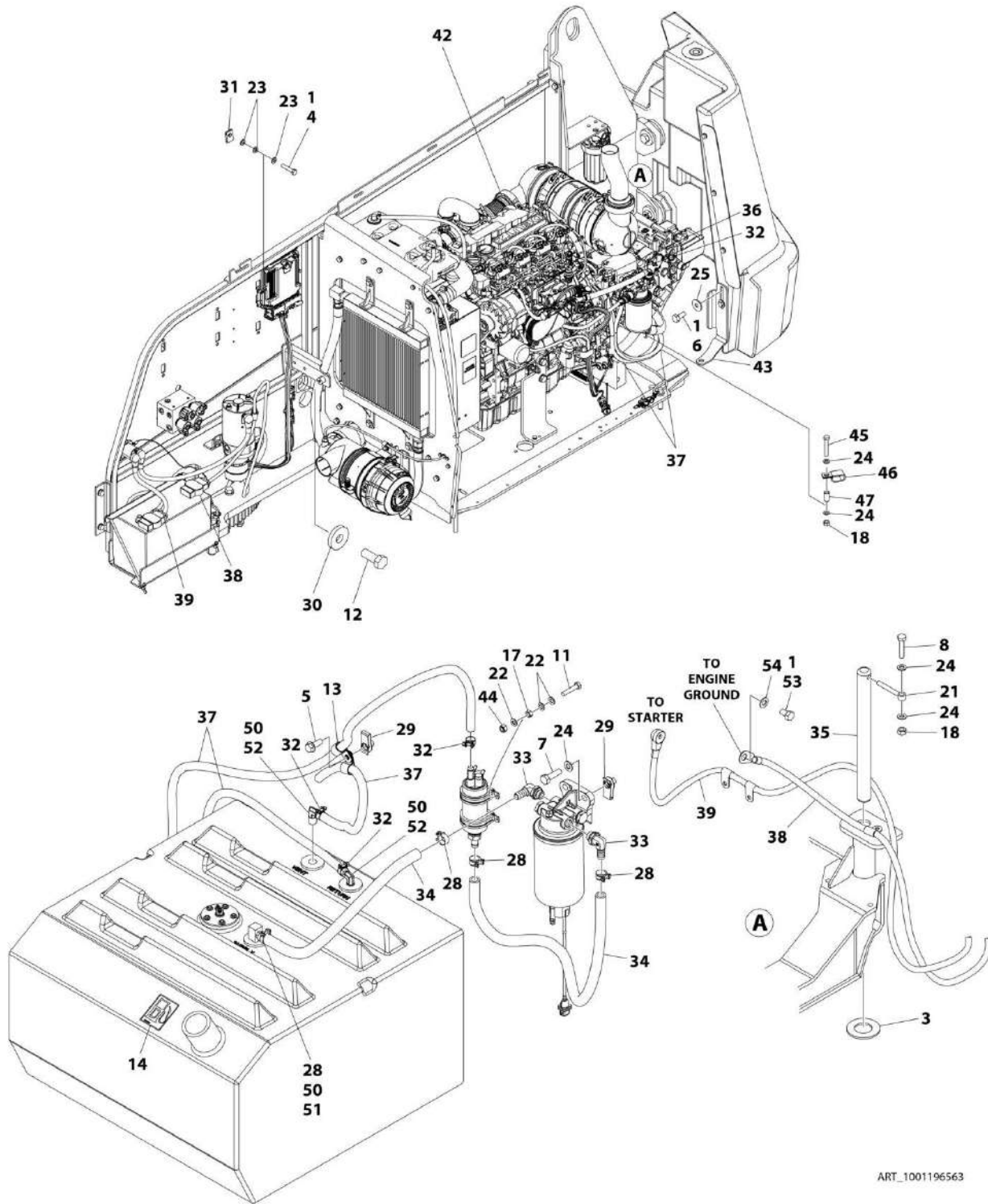
## SECTION 3 - ENGINE

ITEM	PART NUMBER	QTY	DESCRIPTION	REV
417	70004271	1	Cable (Starter to 70001872 Cable)	
417		Ref	Right Module Connections:	
417	70004059	1	Plug, Diagnostic	
418	7020408	1	V-Belt	
419		Ref	Muffler Options:	
419	7000695	1	Standard Muffler (Supplied with Engine)	
419	0256689	NSS	Spark Arrester Muffler (Use p/n 3220103)	
419	0256690	NSS	Catalytic Muffler (Use p/n 3220104)	
419		Ref	Muffler Components:	
419	1320176	1	Clamp, Saddle for 3220103 Muffler and Standard Muffler	
419	70001017	1	Clamp for 3220104 Muffler	
419	7024560	1	Plug, Brass (3220103 & 3220104 Mufflers)	
419	See Note	1	Pipe, Exhaust Standard Muffler (Note: See Item 255)	
419	7024398	1	Pipe, Exhaust (3220103 & 3220104 Mufflers)	
419	7020471	4	Gasket, Exhaust Manifold to Engine Block	
419	70004270	8	Stud, Muffler	
420	70004056	1	Alternator	
420	70001868	1	Regulator, Voltage (Not Shown)	
420	70001866	1	Seal, Gasket for Voltage Regulator (Not Shown)	
420	70000851	1	Bracket, Mounting (Not Shown)	
420	70002234	1	Bracket, Adjusting (Not Shown)	
421	7020479	1	Starter	
421	70004058	1	Relay	
421	70001498	1	Shield, Starter Heat	
422	70004272	1	Sensor, Speed	
422	70003932	1	Spacer, Sensor	
423	7027791	1	Transmitter, Temperature	
424	7027790	1	Sensor, Oil Pressure	
425	7027792	1	Actuator, Throttle	
425	7027276	2	Spring, Actuator	
426	70000345	4	Plug, Glow (Not Shown)	



# SECTION 3 - ENGINE

FIGURE 3-8. DEUTZ TD2.9L4 ENGINE INSTALLATION - WITHOUT ARCTIC PACKAGE



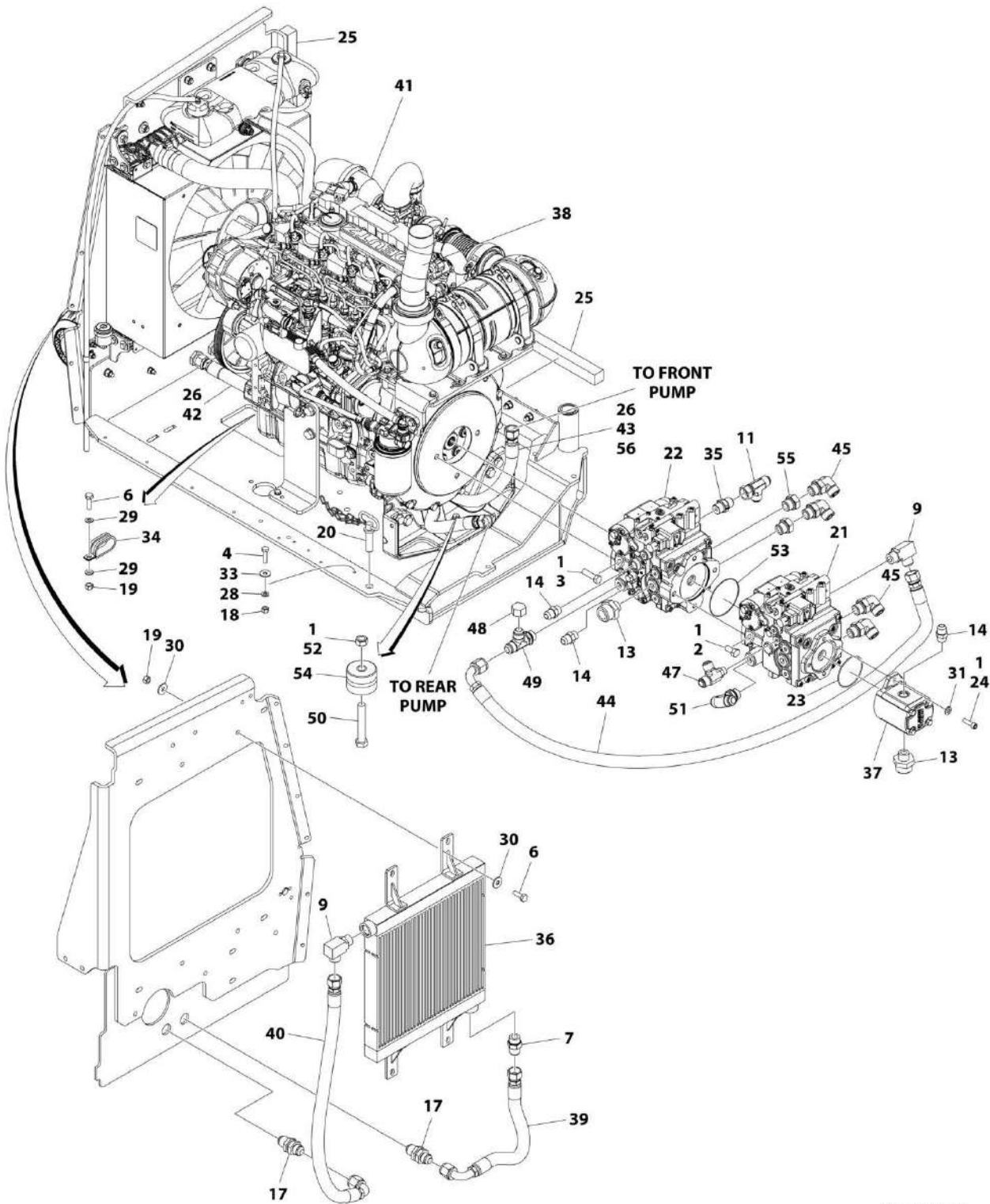
## SECTION 3 - ENGINE

**FIGURE 3-8. DEUTZ TD2.9L4 ENGINE INSTALLATION - WITHOUT ARCTIC PACKAGE**

ITEM	PART NUMBER	QTY	DESCRIPTION	REV
	1001196563	Ref	DEUTZ TD2.9L4 ENGINE INSTALLATION	H
1	0100011	AR	Compound, Locking	
3	0440162	1	Bearing	
4	0700614	4	Bolt M6 x 30	
5	5251012	1	Bolt M10 x 25	
6	0701012	2	Bolt M10 x 25	
7	0701015	2	Bolt M10 x 35	
8	0711018	1	Bolt M10 x 50	
11	0760512	4	Bolt M5 x 25	
12	0772018	1	Bolt M20 x 50	
13	1320061	2	Clamp	
14	1701505	1	Decal - Diesel Fuel	
17	3290501	4	Nut M5	
18	3291005	2	Nut M10	
21	3841143	1	Keeper, Pin	
22	4811600	12	Washer M5	
23	4811700	12	Washer M6	
24	4812000	6	Washer M10	
25	4812002	2	Washer M10	
28	1001175568	4	Clip	
29	1001118972	3	Nut, Tinnerman M10	
30	1001119051	1	Washer	
31	1001130220	4	Nut, Tinnerman M6	
32	1001136975	5	Clamp	
33	1001142501	2	Fitting, 90 Barbed	
34	1001154405	33 in/ 0.8m	Hose	
35	1001155094	1	Pin	
36	1001155823	1	Fitting, 90 Quick Connect	
37	1001165035	27 ft/ 8.2m	Hose	
38	1001188668	1	Cable, Battery (-) to Aux Pump and Ground	
39	1001188669	1	Cable, Battery (+) to Aux Relay to Starter	
42	1001196568	1	Deutz TD2.9L4 T4F Engine and Pump Sub-Assembly (See Separate Breakdown in this Section)	
43	1001197881	1	Bracket	
44	3290505	4	Nut M5	
45	0701022	1	Bolt M10 x 70	
46	1001026127	1	Clamp	
47	1001200731	1	Tube	
48	4240099	1	Tie-Strap (Not Shown)	
49	1001190444	1	Fuel Pump Harness - Deutz TD2.9L4 Engine (Not Shown) (See Separate Breakdown in ELECTRICAL SECTION)	
50	0100020	AR	Sealant	
51	2180832	1	Fitting, Straight Barbed	
52	2220313	2	Fitting, 90 NPTF/Barb	
53	0761210	1	Bolt M12 x 20	
54	4812100	1	Washer M12	
100	1001235532	1	Battery Cable Kit (Includes Items 38 & 39) (Not Shown) <b>(SN 0300244375 to Present)</b>	

# SECTION 3 - ENGINE

## FIGURE 3-9. DEUTZ TD2.9L4 ENGINE AND PUMPS SUB-ASSEMBLY - WITHOUT ARCTIC PACKAGE



## SECTION 3 - ENGINE

**FIGURE 3-9. DEUTZ TD2.9L4 ENGINE AND PUMPS SUB-ASSEMBLY - WITHOUT ARCTIC PACKAGE**

ITEM	PART NUMBER	QTY	DESCRIPTION	REV
	1001196568	Ref	DEUTZ TD2.9L4 ENGINE AND PUMPS SUB-ASSEMBLY	H
1	0100011	AR	Compound, Locking	
2	0641808	2	Bolt 1/2 x 1	
3	0641814	2	Bolt 1/2 x 1-3/4	
4	0760612	1	Bolt M6 x 25	
6	0761015	6	Bolt M10 x 35	
7	2220451	1	Fitting, Straight JIC/ORB	
9	2220578	2	Fitting, 90 JIC/ORB	
11	2220700	1	Fitting, Tee JIC/FSJIC/JIC ( <b>SN 0300236299 through 0300243549</b> )	
13	2220946	2	Fitting, Straight JIC/ORB	
14	2220947	3	Fitting, Straight JIC/ORB	
17	2230027	2	Fitting, Straight	
18	3290605	1	Nut M6	
19	3291005	6	Nut M10	
20	3422532	1	Pin	
21	3600359	1	Piston Pump Assembly - Rear (See Separate Breakdown in this Section)	
22	3600363	1	Piston Pump Assembly - Front (See Separate Breakdown in this Section)	
23	3790152	1	O-Ring	
24	3931620	2	Capscrew 3/8 x 1-1/4	
24	3931618	2	Capscrew 3/8 x 1-1/8	
25	3960469	2	Seal	
26	4061032	AR	Shield	
27	4240099	AR	Tie-Strap (Not Shown)	
28	4811700	1	Washer M6	
29	4812000	4	Washer M10	
30	4812002	8	Washer M10	
31	5241000	2	Washer M10	
33	4811702	1	Washer M6	
34	1001164196	2	Clamp	
35	1001179156	1	Valve, Check	
36	1001188171	1	Radiator, Oil Cooler	
37	1001190143	1	Gear Pump Assembly	
37	70006356	1	Seal Kit - 1001190143 Pump	
38	1001211042	1	Pipe, Exhaust	
39	1001195504	1	Hose	
40	1001195506	1	Hose	
41	1001186812	1	Deutz TD2.9L4 Engine Assembly (See Separate Breakdown in this Section)	
42	1001195509	1	Hose	
43	1001195507	1	Hose ( <b>SN 0300236299 through 0300243549</b> )	
44	1001200216	1	Hose	
45	2131212	4	Fitting, 90 ORFS/ORB	
47	1001213814	1	Fitting, Tee JIC/ORB/JIC	
48	2220518	1	Cap	
49	2220738	1	Fitting, Tee JIC/ORB/JIC	
50	0711627	1	Bolt M16 x 100	
51	2220695	1	Fitting, Tee JIC/ORB/JIC	

## SECTION 3 - ENGINE

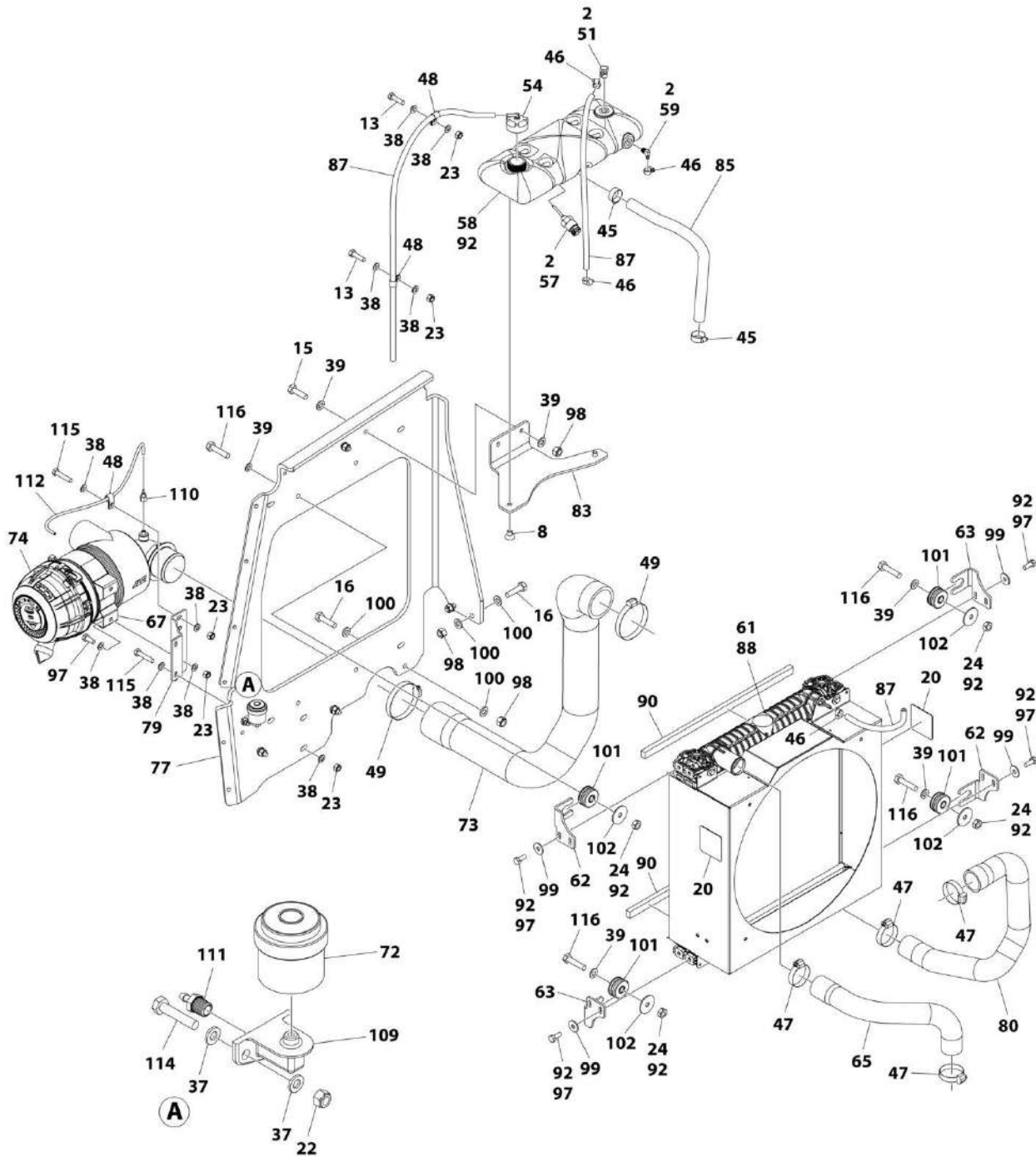
ITEM	PART NUMBER	QTY	DESCRIPTION	REV
52	3331611	1	Nut M16	
53	3790045	1	O-Ring	
54	1001197149	1	Mount, Engine	
55	1001233450	2	Fitting, Straight ORB/ORB	
56	1001235110	1	Hose <b>(SN 0300243550 to Present)</b>	





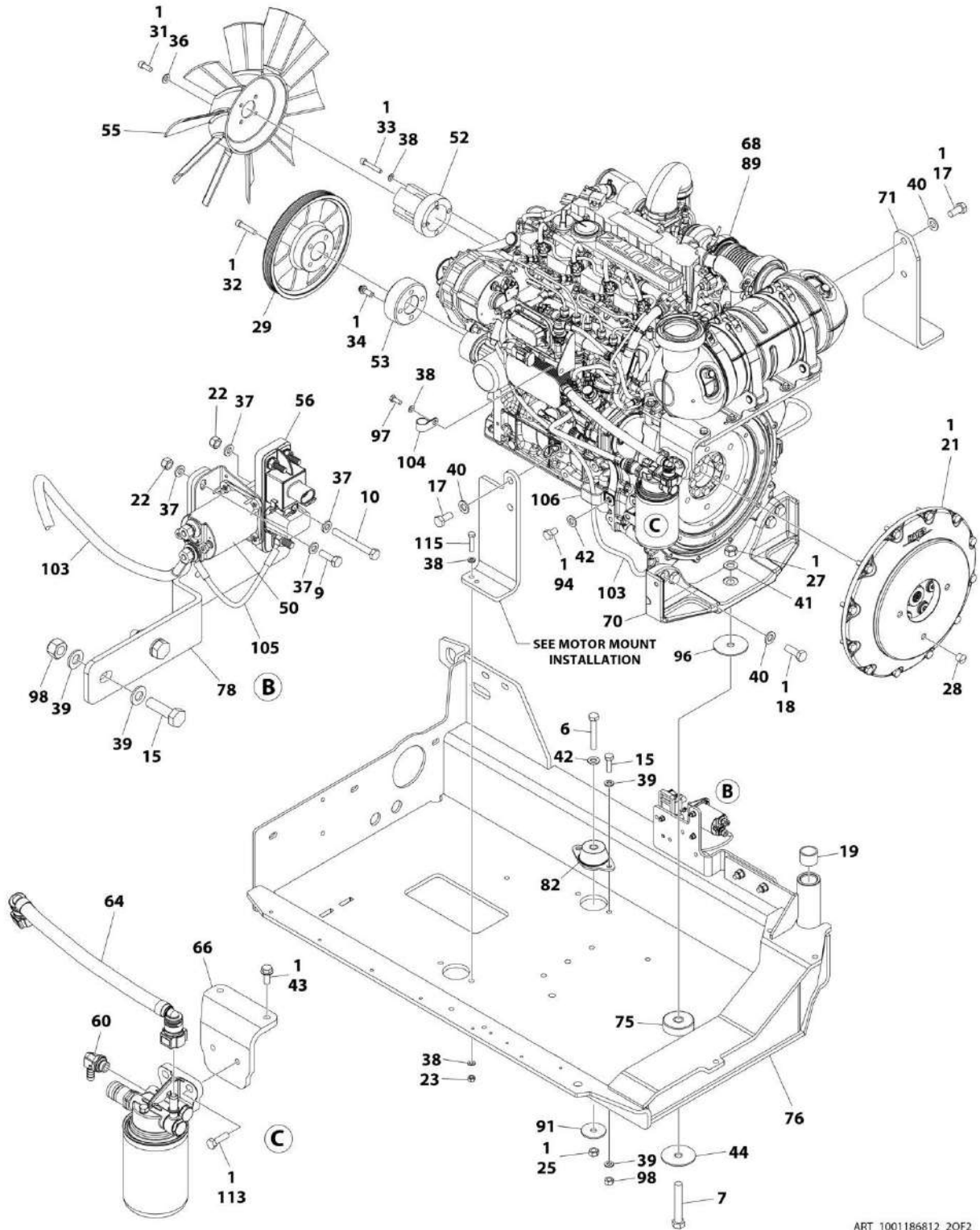
# SECTION 3 - ENGINE

## FIGURE 3-10. DEUTZ TD2.9L4 ENGINE ASSEMBLY - WITHOUT ARCTIC PACKAGE



ART\_1001186812\_1OF2

# SECTION 3 - ENGINE



ART\_1001186812\_20F2

## SECTION 3 - ENGINE

FIGURE 3-10. DEUTZ TD2.9L4 ENGINE ASSEMBLY - WITHOUT ARCTIC PACKAGE

ITEM	PART NUMBER	QTY	DESCRIPTION	REV
	1001186812	Ref	DEUTZ TD2.9L4 ENGINE ASSEMBLY	S
1	0100011	AR	Compound, Locking	
2	0100020	AR	Sealant	
6	0711224	1	Bolt M12 x 80	
7	0711627	1	Bolt M16 x 100	
8	0741605	2	Screw 3/8 x 5/8	
9	0760610	2	Bolt M6 x 20	
10	0760619	1	Bolt M6 x 55	
13	0760814	3	Bolt M8 x 30	
15	0761015	6	Bolt M10 x 35	
16	0761016	5	Bolt M10 x 40	
17	0771414	4	Bolt M14 x 30	
18	0771416	4	Bolt M14 x 40	
19	0961951	2	Bushing	
20	1703162	2	Decal - Fan Blade	
21	2902065	1	Pump Coupling Kit (See Separate Breakdown in this Section)	
22	3290605	5	Nut M6	
23	3290805	8	Nut M8	
24	3291001	4	Nut M10	
25	3331211	1	Nut M12	
27	3331611	1	Nut M16	
28	3520054	1	Plug	
29	3580320	1	Pulley	
31	3931512	4	Capscrew 5/16 x 3/4	
32	3931628	4	Capscrew 3/8 x 1-3/4	
33	4031914	4	Capscrew M8 x 50	
34	4032014	4	Capscrew M10 x 50	
36	4711500	4	Washer 5/16	
37	4811700	10	Washer M6	
38	4811900	21	Washer M8	
39	4812000	20	Washer M10	
40	5241400	8	Washer M14	
41	4812300	1	Washer M16	
42	5241200	2	Washer M12	
43	5250810	2	Bolt M8 x 20	
44	7300435	1	Washer	
45	8405007	2	Clamp	
46	8405009	4	Clamp	
47	8405104	4	Clamp	
48	8406109	3	Clip	
49	8410011	2	Clamp	
50	1001117308	1	Contactora	
51	1001134488	1	Fitting, 90 Barbed (Part of Item 58)	
52	1001135138	1	Adapter, Fan	
53	1001135679	1	Adapter	
54	1001136834	1	Cap, Tank	
55	1001137276	1	Fan	
56	1001138228	1	Relay	
57	1001138827	1	Sensor, Coolant Level (Part of Item 58)	
58	1001140535	NLA	Tank, Surge (Use p/n 1001230635) (SN 0300236299 through	

## SECTION 3 - ENGINE

ITEM	PART NUMBER	QTY	DESCRIPTION	REV
			<b>0300242293)</b>	
58	1001230635	1	Tank, Surge (Include Items 51, 57 & 59) <b>(SN 0300242294 to Present)</b>	
59	1001140564	1	Fitting, 90 Barbed (Part of Item 58)	
60	1001152489	1	Fitting, 90 Barbed	
61	1001167042	1	Radiator	
62	1001169967	2	Bracket	
63	1001170035	2	Bracket	
64	1001177359	1	Hose	
65	1001177844	1	Hose, Radiator (Top)	
66	1001227059	NLA	Mount (Use p/n 1001231805) <b>(SN 0300236299 through 0300242293)</b>	
66	1001231805	1	Mount <b>(SN 0300242294 to Present)</b>	
67	1001186426	1	Clamp, Air Cleaner	
68	1001186902	1	Deutz TD2.9L4 Engine (See Separate Breakdown in this Section)	
69	1001188237	NLA	Engine Harness - Deutz TD2.9L4 Engines (Not Shown) (Use pn 1001233895) (See Separate Breakdown in ELECTRICAL Section) <b>(SN 0300236299 through 0300241926)</b>	
69	1001233895	1	Engine Harness - Deutz TD2.9L4 Engines (Not Shown) (See Separate Breakdown in ELECTRICAL Section) <b>(SN 0300241927 to Present)</b>	
70	1001188535	1	Bracket, Engine - Rear	
71	1001189026	1	Bracket, Engine - Right	
72	1001166716	1	Restriction, Indicator	
73	1001189913	1	Hose	
74	1001189979	1	Filter, Air	
74	70005008	1	Element, Filter	
75	1001190164	1	Mount, Motor	
76	1001200745	1	Tray	
77	1001229091	1	Support, Radiator	
78	1001203885	1	Plate	
79	1001190942	1	Support	
80	1001191025	1	Hose, Radiator (Bottom)	
82	1001191610	1	Mount, Motor	
83	1001192400	1	Bracket	
85	1001193049	1	Hose	
87	2720015	80 in/ 2.1m	Hose	
88	2300004	AR	Coolant	
89	1001136079	AR	Oil, Motor 15W-40	
90	1001168166	2	Seal	
91	1001168018	1	Washer	
92	1001180620	AR	Adhesive	
94	0761210	1	Bolt M12 x 20	
96	1001197725	1	Spacer	
97	0760810	11	Bolt M8 x 20	
98	3291005	11	Nut M10	
99	4811902	8	Washer M8	
100	5241000	10	Washer M10	
101	1001169054	4	Isolator	
102	1001169138	4	Pad, Snubbing	
103	1001190442	1	Harness, Alternator Power	
103	1001098764	1	Boot - Red	

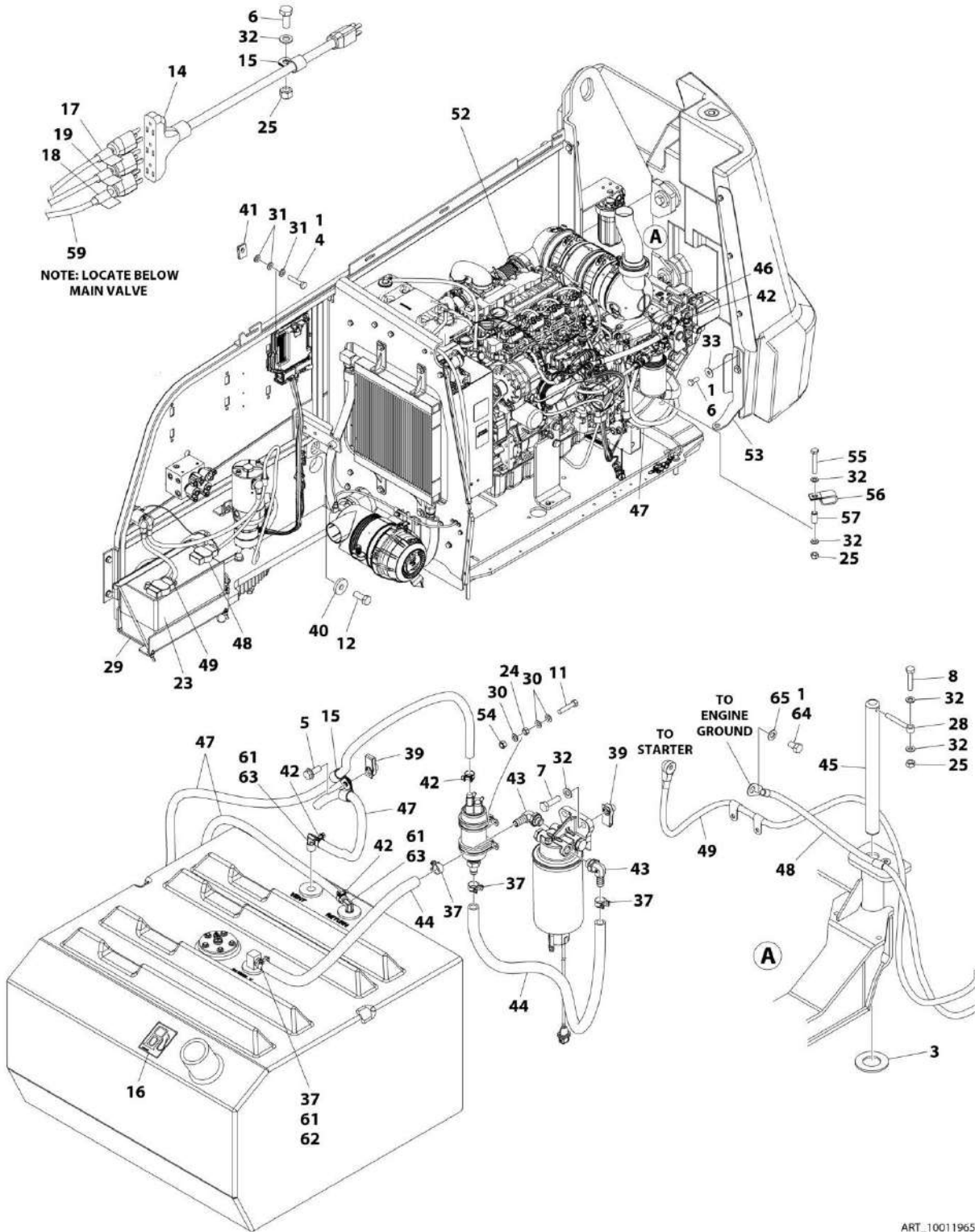
## SECTION 3 - ENGINE

ITEM	PART NUMBER	QTY	DESCRIPTION	REV
104	1320202	1	Clamp	
105	1001141304	1	Harness, Glow Fuse	
106	1001181899	1	Clamp	
108	4240099	1	Tie-Strap (Not Shown)	
109	1001223254	1	Bracket	
110	1001223255	1	Fitting, Straight FNPT	
111	1001223256	1	Fitting, Straight MNPT	
112	1001223257	24 in/ .6m	Hose	
113	5251012	2	Bolt M10 x 25	
114	0760614	2	Bolt M6 x 30	
115	0760816	3	Bolt M8 x 40	
116	0761017	4	Bolt M10 x 45	



# SECTION 3 - ENGINE

FIGURE 3-11. DEUTZ TD2.9L4 ENGINE INSTALLATION - WITH ARCTIC PACKAGE





## SECTION 3 - ENGINE

**FIGURE 3-11. DEUTZ TD2.9L4 ENGINE INSTALLATION - WITH ARCTIC PACKAGE**

ITEM	PART NUMBER	QTY	DESCRIPTION	REV
	1001196564	Ref	DEUTZ TD2.9L4 ENGINE INSTALLATION	H
1	0100011	AR	Compound, Locking	
3	0440162	1	Bearing	
4	0700614	4	Bolt M6 x 30	
5	5251012	1	Bolt M10 x 25	
6	0701012	3	Bolt M10 x 25	
7	0701015	2	Bolt M10 x 35	
8	0711018	1	Bolt M10 x 50	
11	0760512	4	Bolt M5 x 25	
12	0772018	1	Bolt M20 x 50	
14	1060626	1	Plug, 3 Way	
15	1320061	3	Clamp	
16	1701505	1	Decal - Diesel Fuel	
17	1702941	1	Decal - Battery Heater	
18	1702942	1	Decal - Engine Block Heater	
19	1702943	1	Decal - Hydraulic Tank Heater	
23	2580024	1	Heater, Battery	
24	3290501	4	Nut M5	
25	3291005	3	Nut M10	
28	3841143	1	Keeper, Pin	
29	3980007	1	Seat, Battery	
30	4811600	12	Washer M5	
31	4811700	12	Washer M6	
32	4812000	7	Washer M10	
33	4812002	2	Washer M10	
37	1001175568	4	Clip	
38	1001188972	1	Heater, Immersion (Not Shown - Located on Hydraulic Tank)	
39	1001118972	3	Nut, Tinnerman M10	
40	1001119051	1	Washer	
41	1001130220	4	Nut, Tinnerman M6	
42	1001136975	5	Clamp	
43	1001142501	2	Fitting, 90 Barbed	
44	1001154405	33 in/ 0.8m	Hose	
45	1001155094	1	Pin	
46	1001155823	1	Fitting, 90 Quick Connect	
47	1001165035	27 ft/ 8.2m	Hose	
48	1001188668	1	Cable, Battery (-) to Aux Pump and Ground	
49	1001188669	1	Cable, Battery (+) to Aux Relay to Starter	
52	1001196570	1	Deutz TH2.9L4 Engine and Pumps Sub-Assembly (See Separate Breakdown in this Section)	
53	1001197881	1	Bracket	
54	3290505	4	Nut M5	
55	0701022	1	Bolt M10 x 70	
56	1001026127	1	Clamp	
57	1001200731	1	Tube	
58	4240099	1	Tie-Strap (Not Shown)	
59	1001150918	1	Cable, Extension	
60	1001190444	1	Engine Harness - Deutz TD2.9L4 Engines (Not Shown) (See	

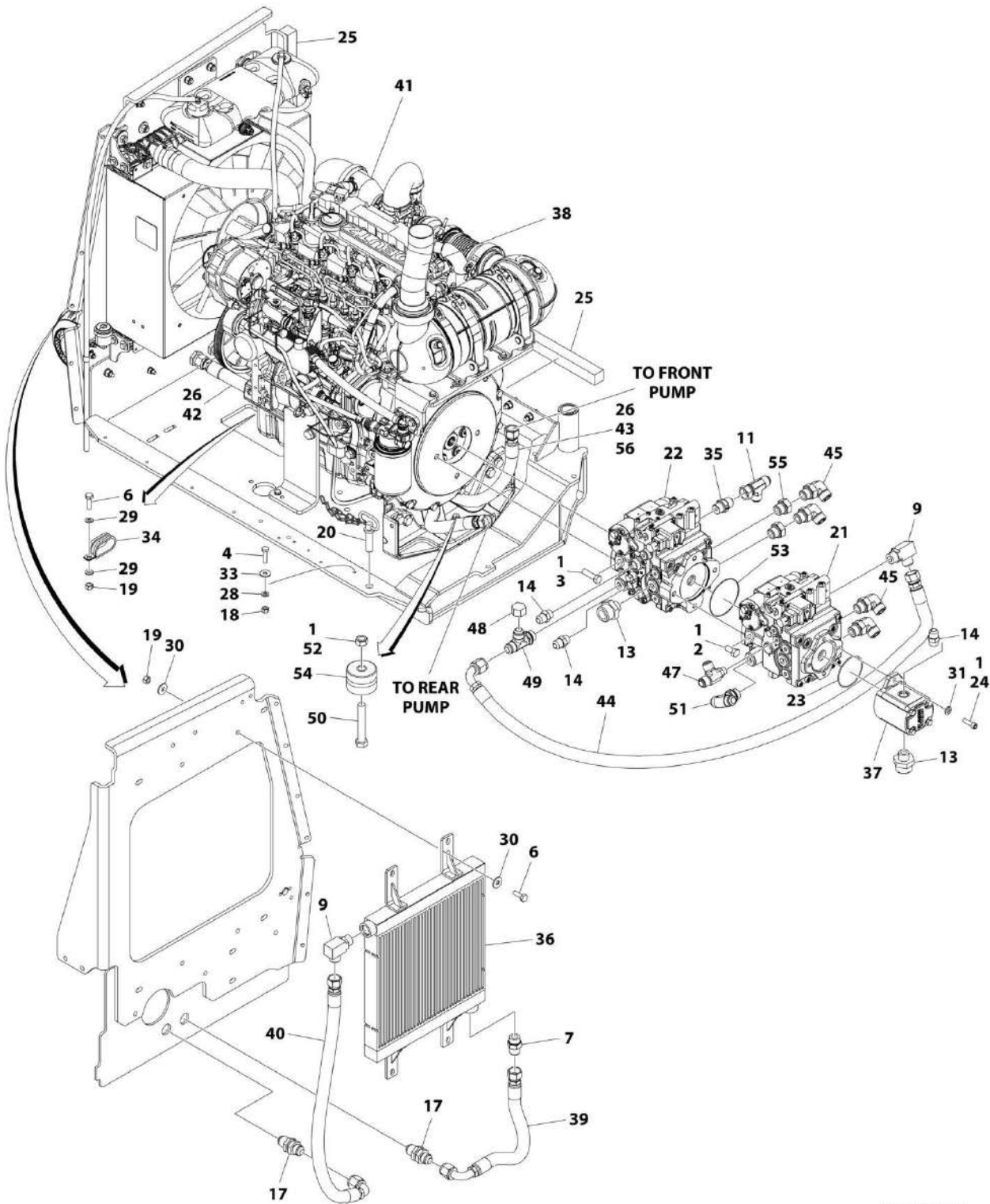
## SECTION 3 - ENGINE

ITEM	PART NUMBER	QTY	DESCRIPTION	REV
			Separate Breakdown in ELECTRICAL SECTION)	
61	0100020	AR	Sealant	
62	2180832	1	Fitting, Straight Barbed	
63	2220313	2	Fitting, 90 NPTF/Barb	
64	0761210	1	Bolt M12 x 20	
65	4812100	1	Washer M12	
66	1001233763	1	Deutz Breather Heater Installation (Not Shown - See Separate Breakdown in this Section) <b>(SN 0300244375 to Present)</b>	
66	4240099	AR	Tie-Strap	
66	1001196634	1	Fuse 2amp	
66	1001232842	1	Heater, Deutz Breather Kit	
66	2400060	1	Fuse, Holder	
100	1001235532	1	Battery Cable Kit (Includes Items 48 & 49) (Not Shown) <b>(SN 0300244375 to Present)</b>	



# SECTION 3 - ENGINE

FIGURE 3-12. DEUTZ TD2.9L4 ENGINE AND PUMPS SUB-ASSEMBLY - WITH ARCTIC PACKAGE



ART\_1001196570

## SECTION 3 - ENGINE

**FIGURE 3-12. DEUTZ TD2.9L4 ENGINE AND PUMPS SUB-ASSEMBLY - WITH ARCTIC PACKAGE**

ITEM	PART NUMBER	QTY	DESCRIPTION	REV
	1001196570	Ref	DEUTZ TD2.9L4 ENGINE AND PUMPS SUB-ASSEMBLY	H
1	0100011	AR	Compound, Locking	
2	0641808	2	Bolt 1/2 x 1	
3	0641814	2	Bolt 1/2 x 1-3/4	
4	0760612	1	Bolt M6 x 25	
6	0761015	6	Bolt M10 x 35	
7	2220451	1	Fitting, Straight JIC/ORB	
9	2220578	2	Fitting, 90 JIC/ORB	
11	2220700	1	Fitting, Tee JIC/FSJIC/JIC (SN 0300236299 through 0300243549)	
13	2220946	2	Fitting, Straight JIC/ORB	
14	2220947	3	Fitting, Straight JIC/ORB	
17	2230027	2	Fitting, Straight	
18	3290605	1	Nut M6	
19	3291005	6	Nut M10	
20	3422532	1	Pin	
21	3600359	1	Piston Pump Assembly - Rear (See Separate Breakdown in this Section)	
22	3600363	1	Piston Pump Assembly - Front (See Separate Breakdown in this Section)	
23	3790152	1	O-Ring	
24	3931620	2	Capscrew 3/8 x 1-1/4	
24	3931618	2	Capscrew 3/8 x 1-1/8	
25	3960469	2	Seal	
26	4061032	AR	Shield	
27	4240099	AR	Tie-Strap (Not Shown)	
28	4811700	1	Washer M6	
29	4812000	4	Washer M10	
30	4812002	8	Washer M10	
31	5241000	2	Washer M10	
33	4811702	1	Washer M6	
34	1001164196	2	Clamp	
35	1001179156	1	Valve, Check	
36	1001188171	1	Radiator, Oil Cooler	
37	1001190143	1	Gear Pump Assembly	
37	70006356	1	Seal Kit - 1001190143 Pump	
38	1001211042	1	Pipe, Exhaust	
39	1001195504	1	Hose	
40	1001195506	1	Hose	
41	1001186814	1	Deutz TD2.9L4 Engine Assembly (See Separate Breakdown in this Section)	
42	1001195509	1	Hose	
43	1001195507	1	Hose (SN 0300236299 through 0300243549)	
44	1001200216	1	Hose	
45	2131212	4	Fitting, 90 ORFS/ORB	
47	1001213814	1	Fitting, Tee JIC/ORB/JIC	
48	2220518	1	Cap	
49	2220738	1	Fitting, Tee JIC/ORB/JIC	
50	0711627	1	Bolt M16 x 100	
51	2220695	1	Fitting, Tee JIC/ORB/JIC	

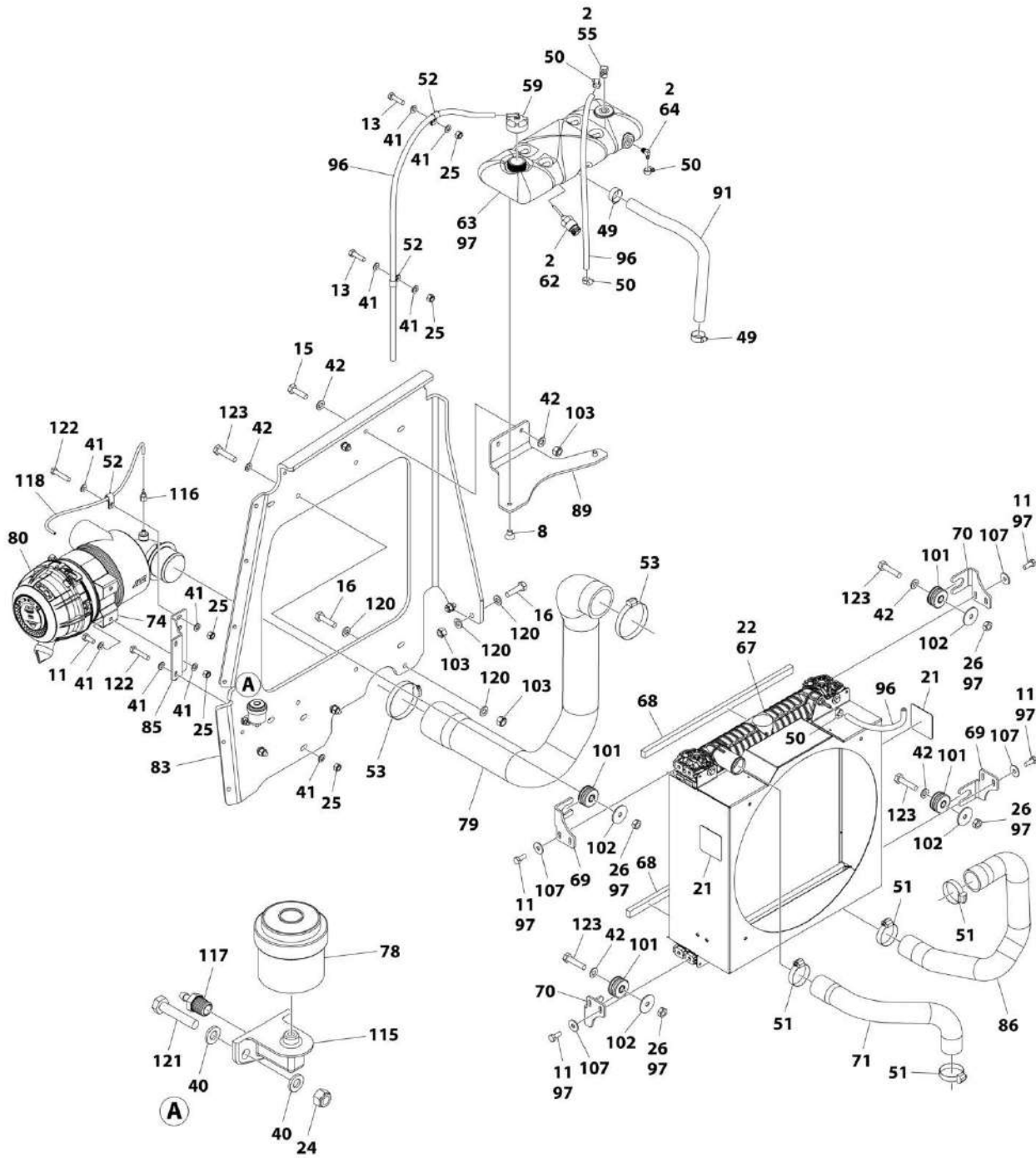
### SECTION 3 - ENGINE

ITEM	PART NUMBER	QTY	DESCRIPTION	REV
52	3331611	1	Nut M16	
53	3790045	1	O-Ring	
54	1001197149	1	Mount	
55	1001233450	2	Fitting, Straight ORB/ORB	
56	1001235110	1	Hose <b>(SN 0300243550 to Present)</b>	



# SECTION 3 - ENGINE

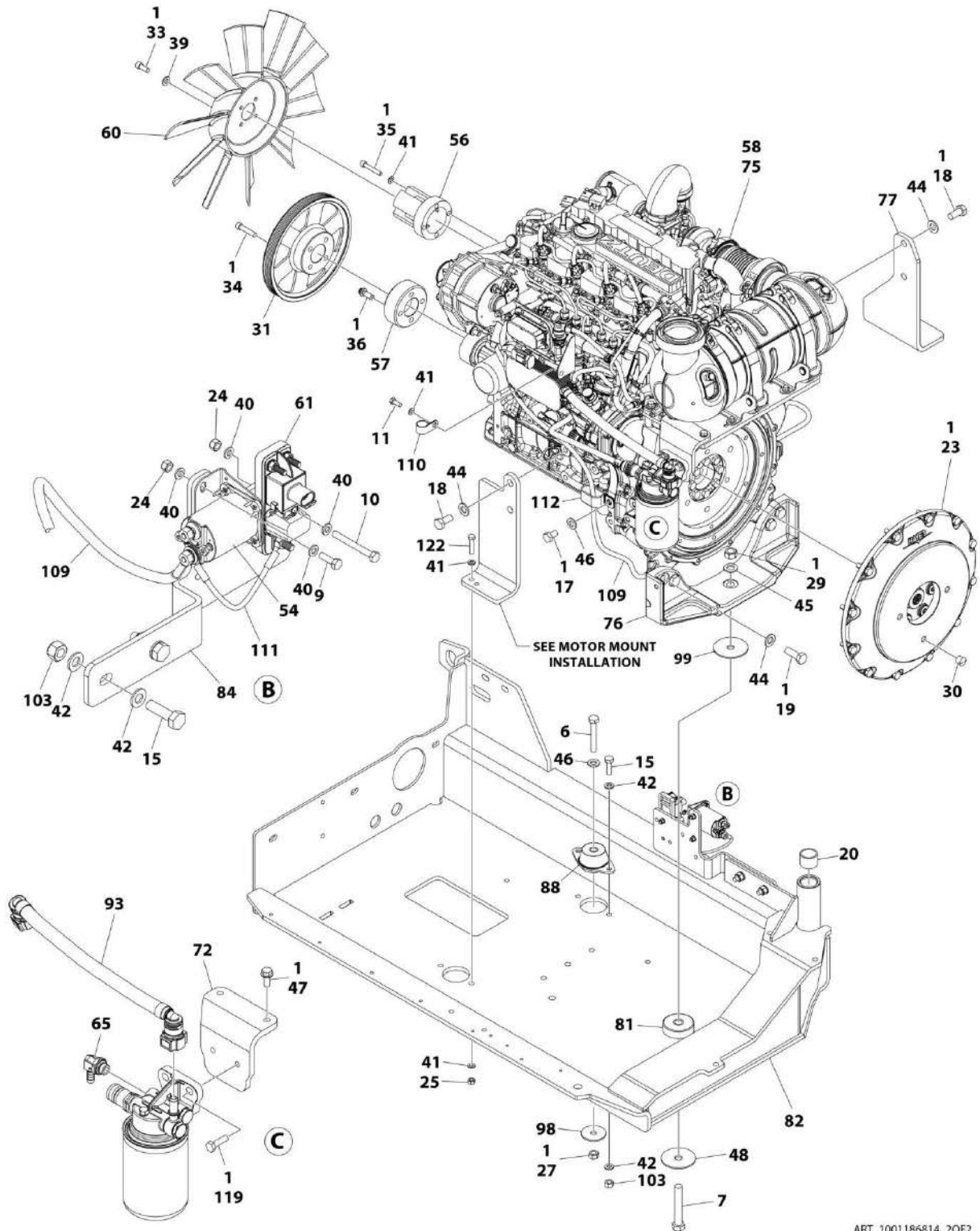
## FIGURE 3-13. DEUTZ TD2.9L4 ENGINE ASSEMBLY - WITH ARCTIC PACKAGE



ART\_1001186814\_1OF2



# SECTION 3 - ENGINE



ART\_1001186814\_20F2

## SECTION 3 - ENGINE

FIGURE 3-13. DEUTZ TD2.9L4 ENGINE ASSEMBLY - WITH ARCTIC PACKAGE

ITEM	PART NUMBER	QTY	DESCRIPTION	REV
	1001186814	Ref	DEUTZ TD2.9L4 ENGINE ASSEMBLY	S
1	0100011	AR	Compound, Locking	
2	0100020	AR	Sealant	
6	0711224	1	Bolt M12 x 80	
7	0711627	1	Bolt M16 x 100	
8	0741605	2	Screw 3/8 x 5/8	
9	0760610	2	Bolt M6 x 20	
10	0760619	1	Bolt M6 x 55	
11	0760810	11	Bolt M8 x 20	
13	0760814	3	Bolt M8 x 30	
15	0761015	6	Bolt M10 x 35	
16	0761016	5	Bolt M10 x 40	
17	0761210	1	Bolt M12 x 20	
18	0771414	4	Bolt M14 x 30	
19	0771416	4	Bolt M14 x 40	
20	0961951	2	Bushing	
21	1703162	2	Decal - Fan Blade	
22	2300041	AR	Coolant	
23	2902065	1	Pump Coupling Kit (See Separate Breakdown in this Section)	
24	3290605	5	Nut M6	
25	3290805	8	Nut M8	
26	3291001	4	Nut M10	
27	3331211	1	Nut M12	
29	3331611	1	Nut M16	
30	3520054	1	Plug	
31	3580320	1	Pulley	
33	3931512	4	Capscrew 5/16 x 3/4	
34	3931628	4	Capscrew 3/8 x 1-3/4	
35	4031914	4	Capscrew M8 x 50	
36	4032014	4	Capscrew M10 x 50	
39	4711500	4	Washer 5/16	
40	4811700	10	Washer M6	
41	4811900	21	Washer M8	
42	4812000	20	Washer M10	
44	5241400	8	Washer M14	
45	4812300	1	Washer M16	
46	5241200	2	Washer M12	
47	5250810	2	Bolt M8 x 20	
48	7300435	1	Washer	
49	8405007	2	Clamp	
50	8405009	4	Clamp	
51	8405104	4	Clamp	
52	8406109	3	Clip	
53	8410011	2	Clamp	
54	1001117308	1	Contactora	
55	1001134488	1	Fitting, 90 Barbed (Part of Item 63)	
56	1001135138	1	Adapter	
57	1001135679	1	Adapter	
58	1001136172	AR	Oil, Motor 5W-40	
59	1001136834	1	Cap, Tank	

## SECTION 3 - ENGINE

ITEM	PART NUMBER	QTY	DESCRIPTION	REV
60	1001137276	1	Fan	
61	1001138228	1	Relay	
62	1001138827	1	Sensor, Coolant Level (Part of Item 63)	
63	1001140535	NLA	Tank, Surge (Use p/n 1001230635) <b>(SN 0300236299 through 0300242293)</b>	
63	1001230635	1	Tank, Surge (Includes Items 55, 62 & 64) <b>(SN 0300242294 to Present)</b>	
64	1001140564	1	Fitting, 90 Barbed (Part of Item 63)	
65	1001152489	1	Fitting, 90 Pipe/Barbed	
67	1001167042	1	Radiator	
68	1001168166	2	Seal	
69	1001169967	2	Bracket	
70	1001170035	2	Bracket	
71	1001177844	1	Hose, Radiator (Top)	
72	1001227059	NLA	Mount (Use p/n 1001231805) <b>(SN 0300236299 through 0300242293)</b>	
72	1001231805	1	Mount <b>(SN 0300242294 to Present)</b>	
74	1001186426	1	Clamp, Air Cleaner	
75	1001186902	1	Deutz TD2.9L4 Engine (See Separate Breakdown in this Section)	
76	1001188535	1	Bracket, Engine - Rear	
77	1001189026	1	Bracket, Engine - Right	
78	1001166716	1	Restriction, Indicator	
79	1001189913	1	Hose	
80	1001189979	1	Filter, Air	
80	70005008	1	Element, Filter	
81	1001190164	1	Mount, Motor	
82	1001200745	1	Tray	
83	1001229091	1	Support, Radiator	
84	1001203885	1	Plate	
85	1001190942	1	Support	
86	1001191025	1	Hose, Radiator (Bottom)	
88	1001191610	1	Mount, Motor	
89	1001192400	1	Bracket	
91	1001193049	1	Hose	
92	1001140312	1	Heater, Engine Block	
93	1001177359	1	Hose	
94	1001188237	NLA	Engine Harness - Deutz TD2.9L4 Engines (Not Shown) (Use pn 1001233895) (See Separate Breakdown in ELECTRICAL SECTION) <b>(SN 0300236299 through 0300241926)</b>	
94	1001233895	1	Engine Harness - Deutz TD2.9L4 Engines (Not Shown) (See Separate Breakdown in ELECTRICAL SECTION) <b>(SN 0300241927 to Present)</b>	
96	2720015	80 in/ 2.1m	Hose	
97	1001180620	AR	Adhesive	
98	1001168018	1	Washer	
99	1001197725	1	Spacer	
101	1001169054	4	Isolator	
102	1001169138	4	Pad, Snubbing	
103	3291005	11	Nut M10	
107	4811902	8	Washer M8	
108	1001181895	AR	Adhesive	
109	1001190442	1	Harness, Alternator Power	

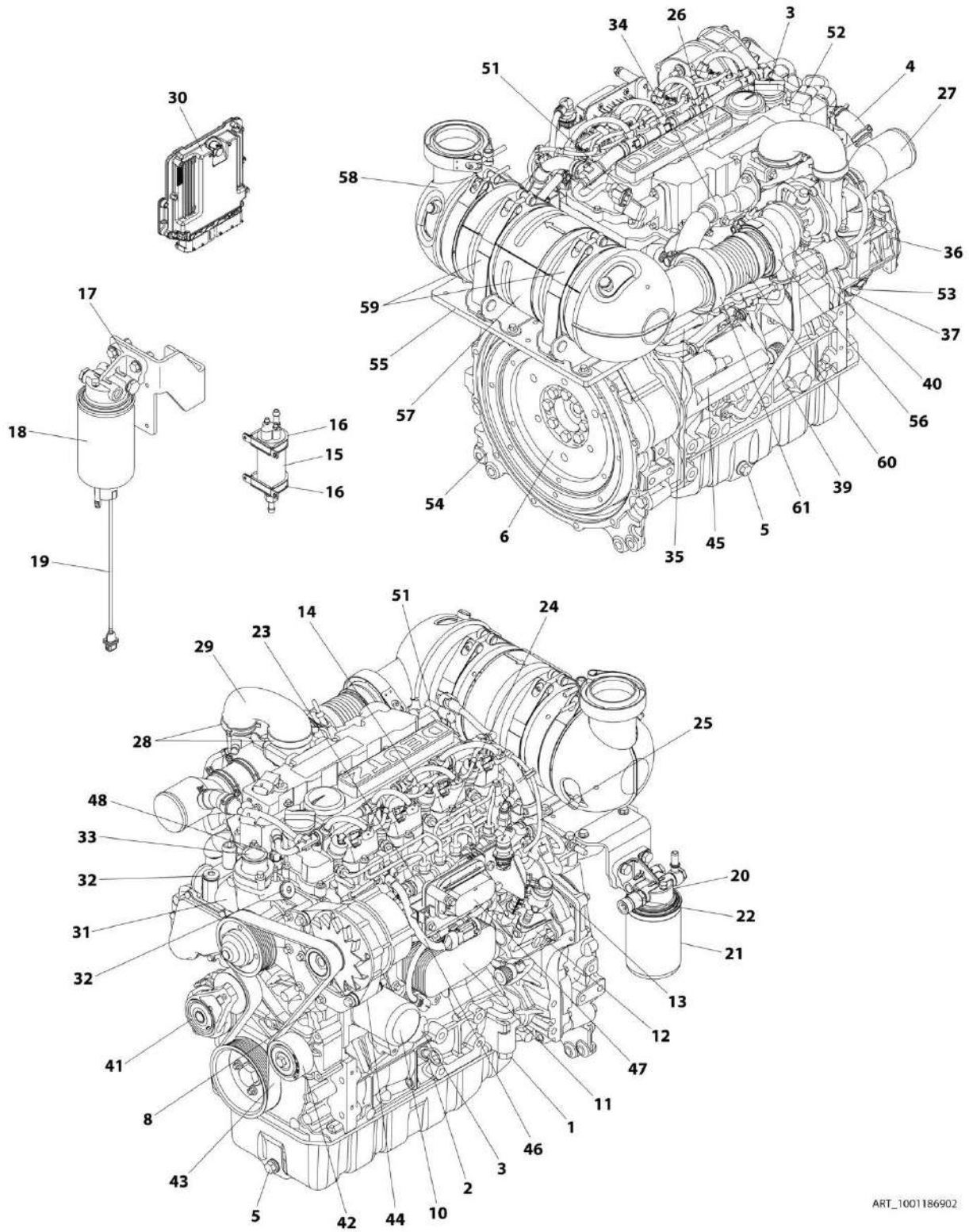
## SECTION 3 - ENGINE

ITEM	PART NUMBER	QTY	DESCRIPTION	REV
109	1001098764	1	Boot - Red	
110	1320202	1	Clamp	
111	1001141304	1	Harness, Glow Fuse	
112	1001181899	1	Clamp	
114	4240099	1	Tie-Strap (Not Shown)	
115	1001223254	1	Bracket	
116	1001223255	1	Fitting, Straight FNPT	
117	1001223256	1	Fitting, Straight MNPT	
118	1001223257	24 in/ .6m	Hose	
119	5251012	2	Bolt M10 x 25	
120	5241000	10	Washer M10	
121	0760614	2	Bolt M6 x 30	
122	0760816	3	Bolt M8 x 40	
123	0761017	4	Bolt M10 x 45	



# SECTION 3 - ENGINE

## FIGURE 3-14. DEUTZ TD2.9L4 ENGINE COMPONENTS



ART\_1001186902

## SECTION 3 - ENGINE

### FIGURE 3-14. DEUTZ TD2.9L4 ENGINE COMPONENTS

ITEM	PART NUMBER	QTY	DESCRIPTION	REV
	1001186902	Ref	DEUTZ TD2.9L4 ENGINE COMPONENTS	D
1	70025660	1	Plug	
1	70006264	1	Valve, Plunger	
1	70006265	1	Spring	
1	70006266	1	Seal	
2	70024904	1	Dipstick	
2	70024905	2	Seal	
3	7020465	2	Cap, Fill	
4	70005920	1	Line, Breather	
4	70025111	2	Clamp	
5	70006941	2	Plug	
5	70005942	2	Seal	
6	70001870	1	Flywheel	
6	7024579	1	Ring Gear	
6	70025139	8	Bolt	
7		Ref	Gasket & Seal Options (Not Shown):	
7	70005938	1	Gasket Kit	
7	70024906	1	Gasket, Head	
7	70005922	1	Gasket, Valve Cover	
7	70028185	1	Gasket, Front Cover	
7	70004280	1	Seal, Front Main	
7	70002718	1	Seal, Rear Main	
8	70025091	1	Plug	
8	70025076	1	Valve, Plunger	
8	70025176	1	Spring	
8	70025082	1	Seal	
9	70005172	1	Pump, Lube (Not Shown - Located RH Rear)	
9	70025135	1	O-Seal	
9	70005173	1	Gasket	
10	7016331	1	Filter, Oil	
10	70025137	1	Bushing, Oil Filter	
11	70024494	1	Cooler, Oil	
11	70024925	1	Gasket, Oil Filter	
12	70024924	1	Pump, High Pressure	
12	70025152	1	Gasket (Spacer to Pump)	
12	70024488	1	Spacer	
12	70024517	1	Gasket (Spacer to Block)	
12	70004505	1	Valve, Overflow	
12	70004506	1	Gasket, Overflow	
12	70004507	1	Gasket, Overflow	
13	70004508	1	Valve, Volume Control	
13	70004509	1	O-Ring	
13	70004510	1	Gasket	
14	70025181	4	Injector	
14	70025140	4	Washer, Sealing	
14	70025146	4	Clamp	
14	70025145	4	O-Seal	
14	70025154	4	Shoe/Pad, Clamping	
15	1001226098	1	Pump, Fuel Supply (was p/n 70005174 & 70006144)	
16	70025144	2	Clip, Clamp	

## SECTION 3 - ENGINE

ITEM	PART NUMBER	QTY	DESCRIPTION	REV
17	70024961	1	Fuel Filter Assembly	
18	70025153	1	Element, Filter	
19	70024513	1	Cable, Sensor	
19	70025239	1	Seal, Ring	
20	70025160	1	Fuel Filter Assembly	
20	70004513	2	Seal (at Hollow Bolt)	
21	70025161	1	Element, Filter	
22	70024504	1	Sensor, Pressure	
22	70024920	1	O-Seal	
23	70025151	1	Rail, Fuel	
23	70025235	1	Repair Kit - Fuel Rail	
23	70025240	1	O-Ring	
24	70025182	1	Tube, Fuel - Cylinders 1 & 2	
24	70025183	1	Tube, Fuel - Cylinders 3 & 4	
24	70025184	1	Tube, Fuel	
25	70024502	1	Pipe, Fuel Leakage	
25	70025185	1	Hose, Fuel	
25	70025158	1	Manifold	
25	70025109	2	Clamp, Spring	
25	70025115	1	Clamp	
25	70025133	1	Hose	
25	70025101	2	Clamp	
25	70025148	1	Connector, Plug-in	
26	70005923	1	Manifold, Charger Air	
26	70005177	1	Gasket, Charger Air Manifold	
26	70005924	1	Seal (Manifold to Elbow)	
26	70005925	1	Line, Breather (Not Shown)	
26	70005181	1	O-Seal (Breather to Manifold)	
27	70005926	1	Elbow	
27	70025112	2	Clamp	
27	70004501	1	Sleeve, Rubber	
28	70005927	1	Sleeve	
28	70025107	2	Clamp	
29	70005928	1	Elbow, Air Charge	
30	70025210	1	Module, ECU	
31	70024910	1	Pump, Coolant	
31	70025200	1	Ring, Sealing (Pump to Block)	
32	70025084	2	Plug	
32	7020492	2	Ring, Sealing	
33	70005929	1	Thermostat	
33	70005184	1	O-Seal (Thermostat to Housing)	
33	70005930	1	Housing, Thermostat	
33	70005931	1	O-Seal (Thermostat to Pump)	
33	70025124	2	Bolt	
34	70025178	1	Tube	
34	70025179	2	Gasket (at Either End of Tube)	
35	70025768	1	Valve, Shuttle	
35	70025180	1	Gasket	
35	70025174	1	Housing, Shuttle Valve	
35	70025175	1	Cap, Shuttle Valve	
36	70025203	1	Module, EGR	



## SECTION 3 - ENGINE

ITEM	PART NUMBER	QTY	DESCRIPTION	REV
36	70025155	1	Plug (Not Shown)	
37	70005188	1	Valve, EGR Control	
37	70005189	1	Seal (Valve to Module)	
38	70004282	1	Manifold, Exhaust (Not Shown)	
38	70025164	1	Gasket, Manifold to Head (Not Shown)	
38	70025130	8	Bolt, Manifold (Not Shown)	
38	70026995	1	Elbow, Exhaust (Not Shown)	
38	70025179	2	Gasket, Manifold to Elbow (Not Shown)	
39	70005932	1	Tube, Oil Return	
39	70025132	1	O-Seal	
40	70004276	1	Turbocharger	
40	70024509	1	Gasket (Turbocharger to Oil Return Tube Housing)	
40	1001191599	1	Gasket (Turbocharger to Exhaust)	
41	70025477	1	Tensioner, Belt	
42	70024484	1	Roller, Idler	
43	70004277	1	Belt	
44	70025733	1	Pulley, Alternator	
44	70024914	1	Alternator	
44	70025149	1	Controller	
44	70025131	1	Fan	
45	70024915	1	Starter	
45	70005647	1	Switch, Solenoid	
45	70005648	1	Relay	
46	70000345	4	Glow Plug	
46	70025231	1	Harness, Glow Plug	
46	70025233	1	Connector, Plug-in	
47	70025077	1	Harness, Engine	
48	70024918	1	Sender, Temperature	
49	70024504	1	Sensor, Pressure (Not Shown - RH Front)	
49	70024920	1	O-Seal	
50	70026210	1	Sensor, Speed (Not Shown - Front)	
50	70005191	1	Ring, Seal	
51	70024507	1	Sensor, Pressure	
51	70025120	1	O-Seal	
51	70005933	1	Adapter	
51	70005934	1	O-Seal	
52	70024922	1	Sender, Temperature	
52	70025212	1	O-Seal	
53	70026210	1	Sensor, Speed (Not Shown - Front)	
53	70024917	1	O-Seal	
54	70025192	1	Housing	
55	70005935	1	Bracket	
56	70025877	1	Clip	
56	70025242	1	Gasket	
56	70025877	1	Clip	
56	70025242	1	Gasket	
57	70005937	1	Muffler, DOC	
58	70025246	1	Outlet, Muffler	
59	70025245	2	Clamp	
60	70004504	1	Compensator	
60	70025242	1	Gasket	

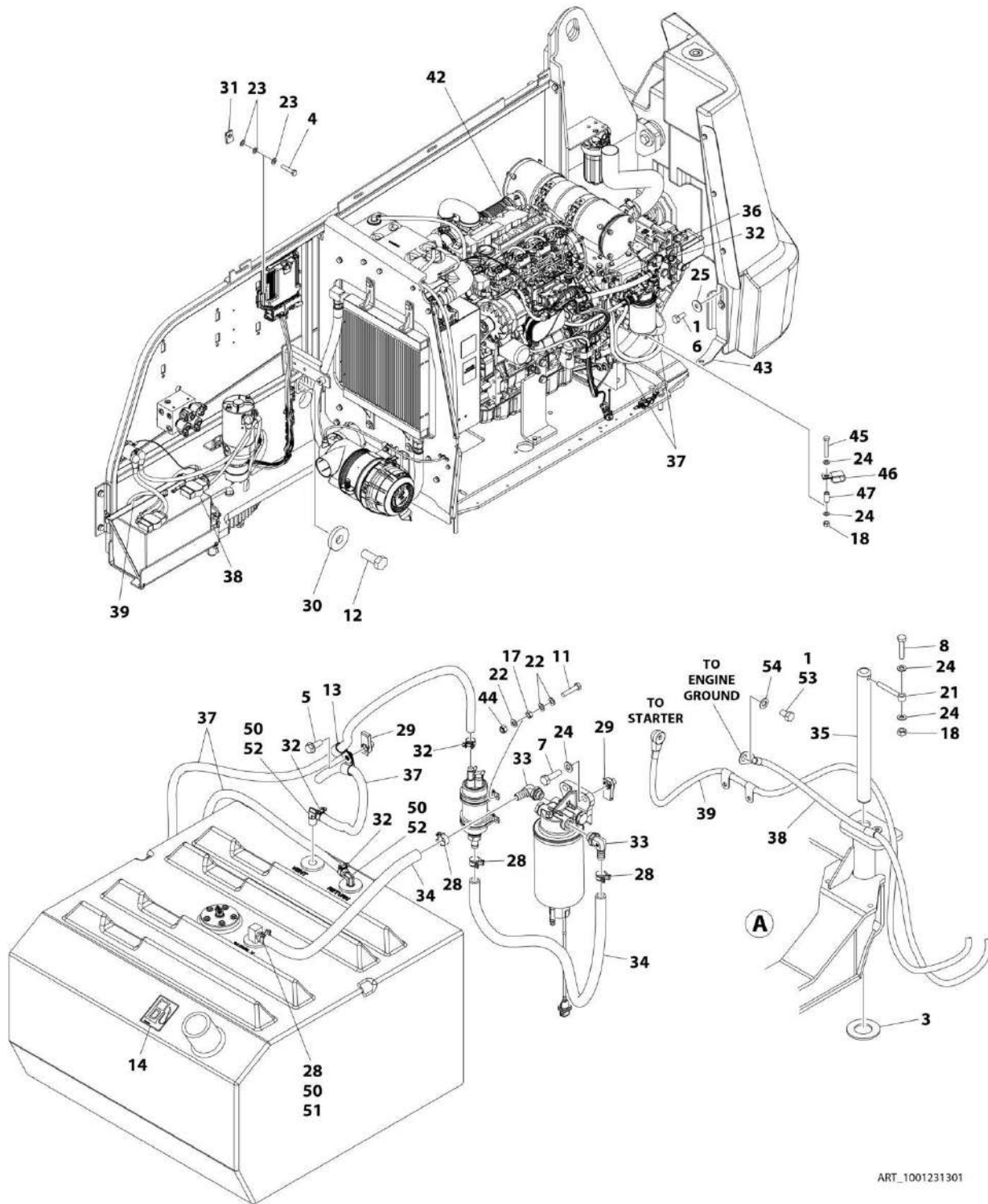
### SECTION 3 - ENGINE

ITEM	PART NUMBER	QTY	DESCRIPTION	REV
60	70005527	1	Clip	
61	70025877	1	Clip	



# SECTION 3 - ENGINE

FIGURE 3-15. DEUTZ TD2.9L4 ENGINE INSTALLATION - WITHOUT ARCTIC PACKAGE (CHINA SPECS ONLY)



ART\_1001231301

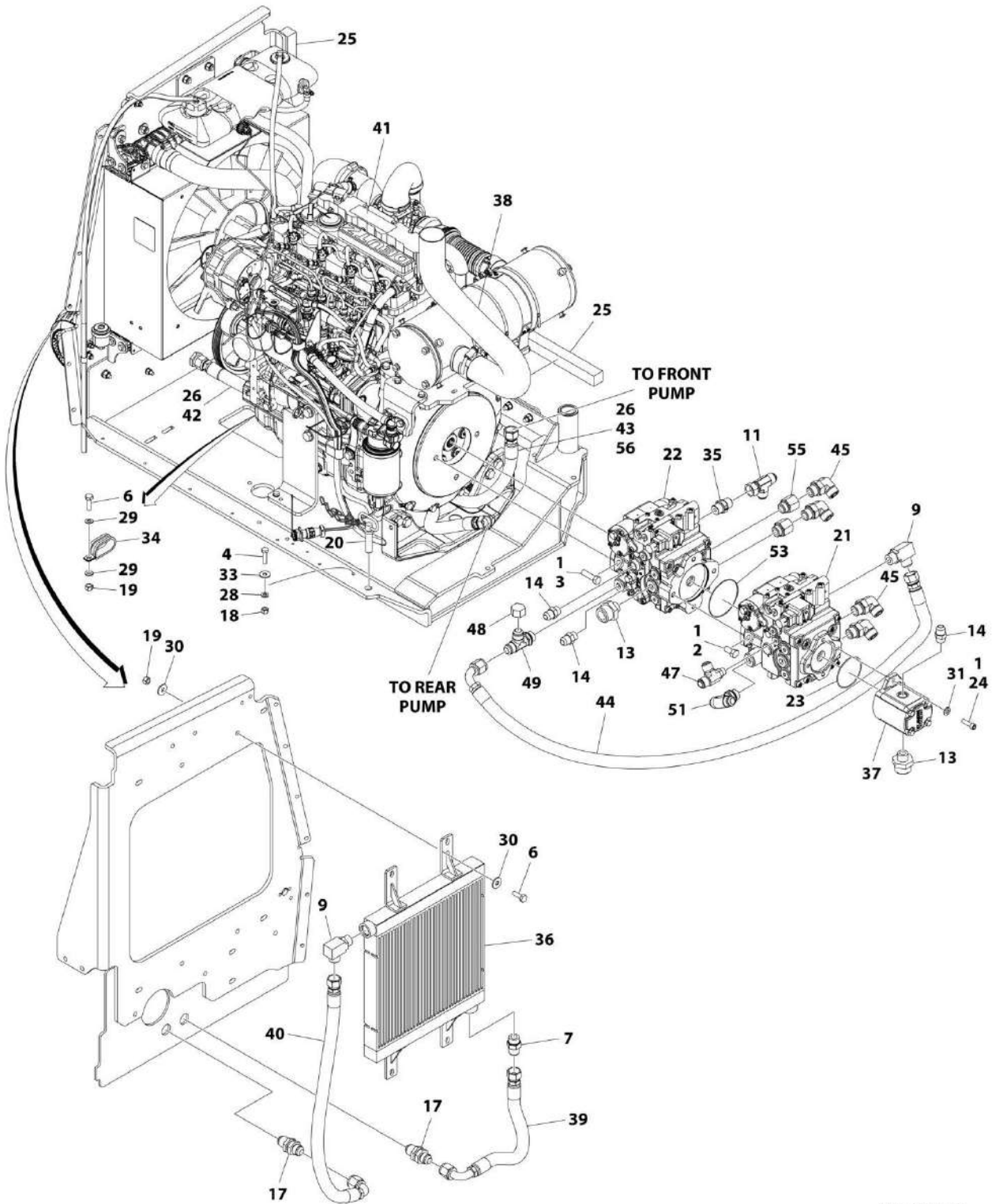
## SECTION 3 - ENGINE

**FIGURE 3-15. DEUTZ TD2.9L4 ENGINE INSTALLATION - WITHOUT ARCTIC PACKAGE (CHINA SPECS ONLY)**

ITEM	PART NUMBER	QTY	DESCRIPTION	REV
	1001231301	Ref	DEUTZ TD2.9L4 ENGINE INSTALLATION	C
1	0100011	AR	Compound, Locking	
3	0440162	1	Bearing	
4	0700614	4	Bolt M6 x 30	
5	5251012	1	Bolt M10 x 25	
6	0701012	2	Bolt M10 x 25	
7	0701015	2	Bolt M10 x 35	
8	0711018	1	Bolt M10 x 50	
11	0760512	4	Bolt M5 x 25	
12	0772018	1	Bolt M20 x 50	
13	1320061	2	Clamp	
14	1701505	1	Decal - Diesel Fuel	
17	3290501	4	Nut M5	
18	3291005	2	Nut M10	
21	3841143	1	Keeper, Pin	
22	4811600	12	Washer M5	
23	4811700	12	Washer M6	
24	4812000	6	Washer M10	
25	4812002	2	Washer M10	
28	1001175568	4	Clip	
29	1001118972	3	Nut, Tinnerman M10	
30	1001119051	1	Washer	
31	1001130220	4	Nut, Tinnerman M6	
32	1001136975	5	Clamp	
33	1001142501	2	Fitting, 90 Barbed	
34	1001154405	33 in/ 0.8m	Hose	
35	1001155094	1	Pin	
36	1001155823	1	Fitting, 90 Quick Connect	
37	1001165035	27 ft/ 8.2m	Hose	
38	1001188668	1	Cable, Battery (-) to Aux Pump and Ground	
39	1001188669	1	Cable, Battery (+) to Aux Relay to Starter	
42	1001231302	1	Deutz TD2.9L4 T4F Engine and Pump Sub-Assembly (See Separate Breakdown in this Section)	
43	1001197881	1	Bracket	
44	3290505	4	Nut M5	
45	0701022	1	Bolt M10 x 70	
46	1001026127	1	Clamp	
47	1001200731	1	Tube	
48	4240099	7	Tie-Strap (Not Shown)	
49	1001190444	1	Fuel Pump Harness - Deutz TD2.9L4 Engine (Not Shown) (See Separate Breakdown in ELECTRICAL SECTION)	
50	0100020	AR	Sealant	
51	2180832	1	Fitting, Straight Barbed	
52	2220313	2	Fitting, 90 NPTF/Barb	
53	0761210	1	Bolt M12 x 20	
54	4812100	1	Washer M12	
100	1001235532	1	Battery Cable Kit (Includes Items 38 & 39) (Not Shown) <b>(SN 0300244375 to Present)</b>	

# SECTION 3 - ENGINE

FIGURE 3-16. DEUTZ TD2.9L4 ENGINE AND PUMPS SUB-ASSEMBLY - WITHOUT ARCTIC PACKAGE (CHINA SPECS ONLY)



ART\_1001196568

## SECTION 3 - ENGINE

**FIGURE 3-16. DEUTZ TD2.9L4 ENGINE AND PUMPS SUB-ASSEMBLY - WITHOUT ARCTIC PACKAGE  
(CHINA SPECS ONLY)**

ITEM	PART NUMBER	QTY	DESCRIPTION	REV
	1001231302	Ref	DEUTZ TD2.9L4 ENGINE AND PUMPS SUB-ASSEMBLY	C
1	0100011	AR	Compound, Locking	
2	0641808	2	Bolt 1/2 x 1	
3	0641814	2	Bolt 1/2 x 1-3/4	
4	0760612	1	Bolt M6 x 25	
6	0761015	6	Bolt M10 x 35	
7	2220451	1	Fitting, Straight JIC/ORB	
9	2220578	2	Fitting, 90 JIC/ORB	
11	2220700	1	Fitting, Tee JIC/FSJIC/JIC <b>(SN 0300236299 through 0300243549)</b>	
13	2220946	2	Fitting, Straight JIC/ORB	
14	2220947	3	Fitting, Straight JIC/ORB	
17	2230027	2	Fitting, Straight	
18	3290605	1	Nut M6	
19	3291005	6	Nut M10	
20	3422532	1	Pin	
21	3600359	1	Piston Pump Assembly - Rear (See Separate Breakdown in this Section)	
22	3600363	1	Piston Pump Assembly - Front (See Separate Breakdown in this Section)	
23	3790152	1	O-Ring	
24	3931620	2	Capscrew 3/8 x 1-1/4	
24	3931618	2	Capscrew 3/8 x 1-1/8	
25	3960469	2	Seal	
26	4061032	AR	Shield	
27	4240099	AR	Tie-Strap (Not Shown)	
28	4811700	1	Washer M6	
29	4812000	4	Washer M10	
30	4812002	8	Washer M10	
31	5241000	2	Washer M10	
33	4811702	1	Washer M6	
34	1001164196	2	Clamp	
35	1001179156	1	Valve, Check	
36	1001188171	1	Radiator, Oil Cooler	
37	1001190143	1	Gear Pump Assembly	
37	70006356	1	Seal Kit - 1001190143 Pump	
38	1001231690	1	Pipe, Exhaust	
39	1001195504	1	Hose	
40	1001195506	1	Hose	
41	1001231308	1	Deutz TD2.9L4 Engine Assembly (See Separate Breakdown in this Section)	
42	1001195509	1	Hose	
43	1001195507	1	Hose <b>(SN 0300236299 through 0300243549)</b>	
44	1001200216	1	Hose	
45	2131212	4	Fitting, 90 ORFS/ORB	
47	1001213814	1	Fitting, Tee JIC/ORB/JIC	
48	2220518	1	Cap	
49	2220738	1	Fitting, Tee JIC/ORB/JIC	
51	2220695	1	Fitting, Tee JIC/ORB/JIC	
53	3790045	1	O-Ring	

## SECTION 3 - ENGINE

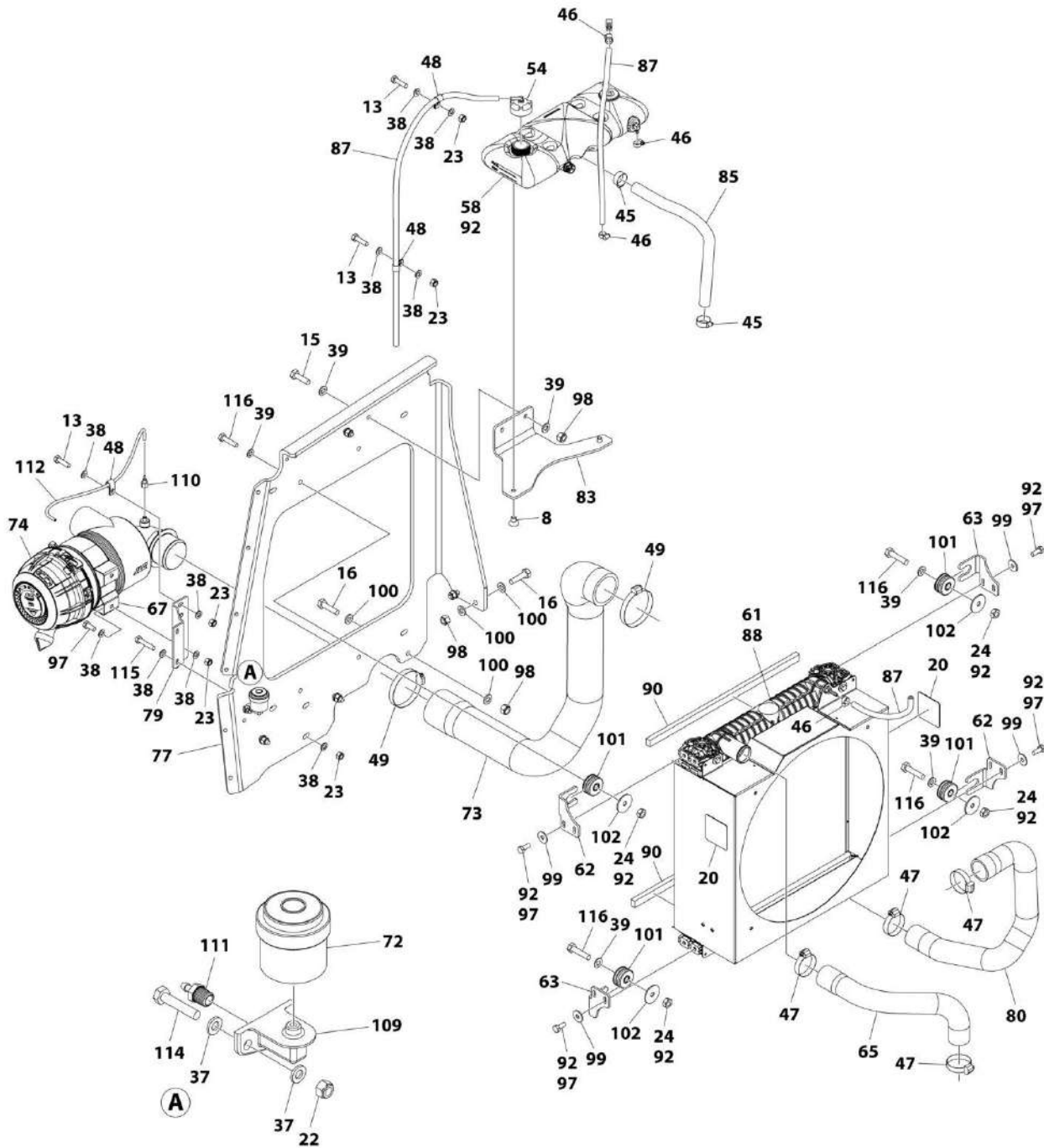
ITEM	PART NUMBER	QTY	DESCRIPTION	REV
55	1001233450	2	Fitting, Straight ORB/ORB	
56	1001235110	1	Hose <b>(SN 0300243550 to Present)</b>	





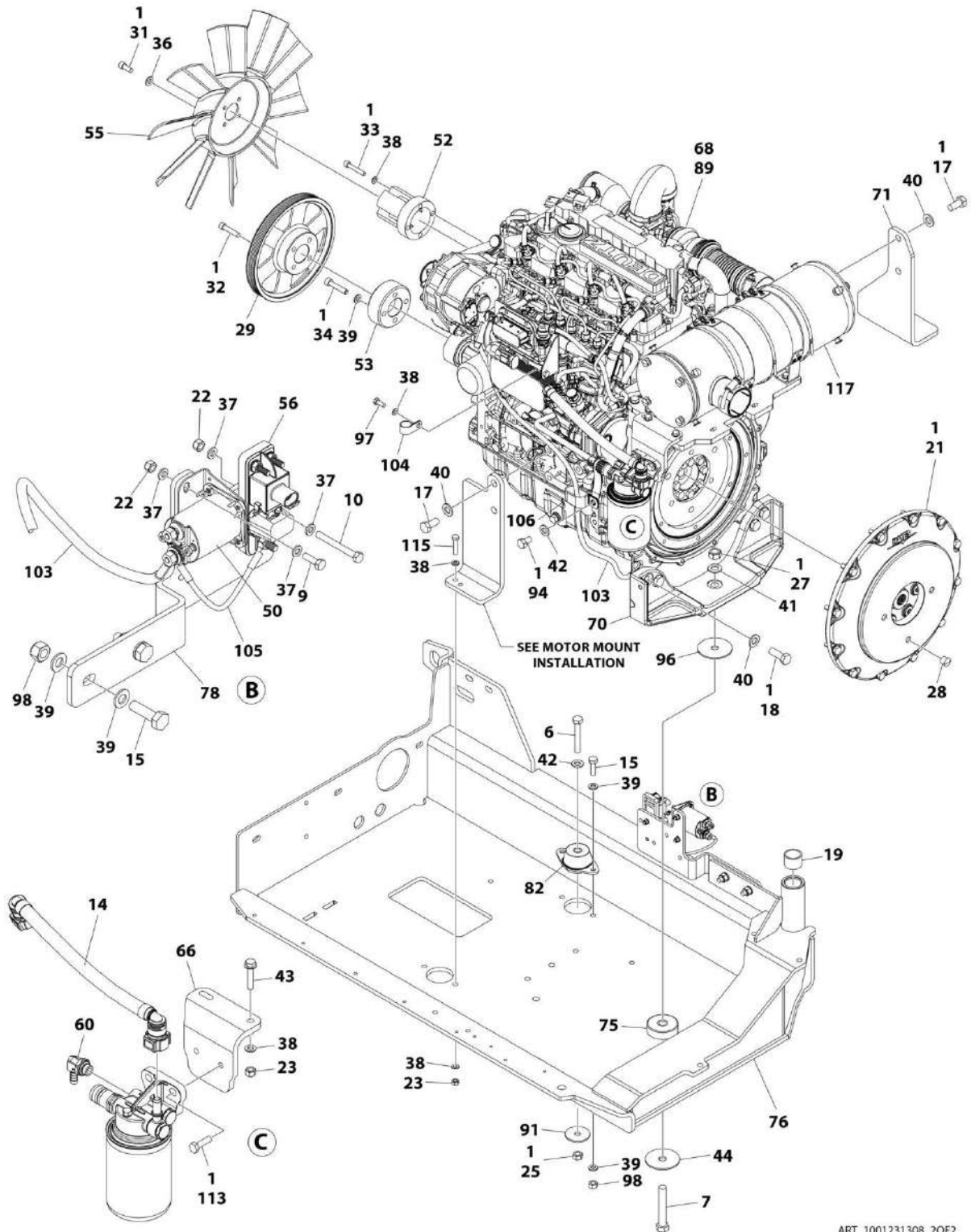
# SECTION 3 - ENGINE

## FIGURE 3-17. DEUTZ TD2.9L4 ENGINE ASSEMBLY - WITHOUT ARCTIC PACKAGE (CHINA SPECS ONLY)



ART\_1001231308\_10F2

# SECTION 3 - ENGINE



ART\_1001231308\_20F2

## SECTION 3 - ENGINE

**FIGURE 3-17. DEUTZ TD2.9L4 ENGINE ASSEMBLY - WITHOUT ARCTIC PACKAGE (CHINA SPECS ONLY)**

ITEM	PART NUMBER	QTY	DESCRIPTION	REV
	1001231308	Ref	DEUTZ TD2.9L4 ENGINE ASSEMBLY	E
1	0100011	AR	Compound, Locking	
6	0711224	1	Bolt M12 x 80	
7	0711627	1	Bolt M16 x 100	
8	0741605	2	Screw 3/8 x 5/8	
9	0760610	2	Bolt M6 x 20	
10	0760619	1	Bolt M6 x 55	
13	0760814	3	Bolt M8 x 30	
14	1001177359	1	Hose	
15	0761015	6	Bolt M10 x 35	
16	0761016	5	Bolt M10 x 40	
17	0771414	4	Bolt M14 x 30	
18	0771416	4	Bolt M14 x 40	
19	0961951	2	Bushing	
20	1703162	2	Decal - Fan Blade	
21	2902065	1	Pump Coupling Kit (See Separate Breakdown in this Section)	
22	3290605	5	Nut M6	
23	3290805	10	Nut M8	
24	3291001	4	Nut M10	
25	3331211	1	Nut M12	
27	3331611	1	Nut M16	
28	3520054	1	Plug	
29	3580320	1	Pulley	
31	3931512	4	Capscrew 5/16 x 3/4	
32	3931628	4	Capscrew 3/8 x 1-3/4	
33	4031914	4	Capscrew M8 x 50	
34	4032014	4	Capscrew M10 x 50	
36	4711500	4	Washer 5/16	
37	4811700	10	Washer M6	
38	4811900	23	Washer M8	
39	4812000	20	Washer M10	
40	5241400	8	Washer M14	
41	4812300	1	Washer M16	
42	5241200	2	Washer M12	
43	5250816	2	Bolt M8 x 40	
44	7300435	1	Washer	
45	8405007	2	Clamp	
46	8405009	4	Clamp	
47	8405104	4	Clamp	
48	8406109	3	Clip	
49	8410011	2	Clamp	
50	1001117308	1	Contactora	
52	1001135138	1	Adapter, Fan	
53	1001135679	1	Adapter	
54	1001136834	1	Cap, Tank	
55	1001137276	1	Fan	
56	1001138228	1	Relay	
58	1001230635	1	Tank, Surge	
60	1001152489	1	Fitting, 90 Barbed	

## SECTION 3 - ENGINE

ITEM	PART NUMBER	QTY	DESCRIPTION	REV
61	1001167042	1	Radiator	
62	1001169967	2	Bracket	
63	1001170035	2	Bracket	
65	1001177844	1	Hose, Radiator (Top)	
66	1001231805	1	Bracket	
67	1001186426	1	Clamp, Air Cleaner	
68	1001223591	1	Deutz TD2.9L4 Engine (See Separate Breakdown in this Section)	
69	1001188237	NLA	Engine Harness - Deutz TD2.9L4 Engines (Use p/n 1001233895) (Not Shown) (See Separate Breakdown in ELECTRICAL Section) <b>(SN 0300236299 through 0300241926)</b>	
69	1001233895	1	Engine Harness - Deutz TD2.9L4 Engines (Not Shown) (See Separate Breakdown in ELECTRICAL Section) <b>(SN 0300241927 to Present)</b>	
70	1001188535	1	Bracket, Engine - Rear	
71	1001189026	1	Bracket, Engine - Right	
72	1001166716	1	Restriction, Indicator	
73	1001189913	1	Hose	
74	1001189979	1	Filter, Air	
74	70005008	1	Element, Filter	
75	1001197149	1	Mount, Motor	
76	1001200745	1	Tray	
77	1001229091	1	Support, Radiator	
78	1001203885	1	Plate	
79	1001190942	1	Support	
80	1001191025	1	Hose, Radiator (Bottom)	
82	1001191610	1	Mount, Motor	
83	1001192400	1	Bracket	
85	1001193049	1	Hose	
87	2720015	80 in/ 2.1m	Hose	
88	2300004	AR	Coolant	
89	1001136079	AR	Oil, Motor 15W-40	
90	1001168166	2	Seal	
91	1001168018	1	Washer	
92	1001180620	AR	Adhesive	
94	0761210	1	Bolt M12 x 20	
96	1001197725	1	Spacer	
97	0760810	11	Bolt M8 x 20	
98	3291005	11	Nut M10	
99	4811902	8	Washer M8	
100	5241000	10	Washer M10	
101	1001169054	4	Isolator	
102	1001169138	4	Pad, Snubbing	
103	1001190442	1	Harness, Alternator Power	
103	1001098764	1	Boot - Red	
104	1320202	1	Clamp	
105	1001141304	1	Harness, Glow Fuse	
106	1001181899	1	Clamp	
108	4240099	3	Tie-Strap (Not Shown)	
109	1001223254	1	Bracket	
110	1001223255	1	Fitting, Straight FNPT	
111	1001223256	1	Fitting, Straight MNPT	

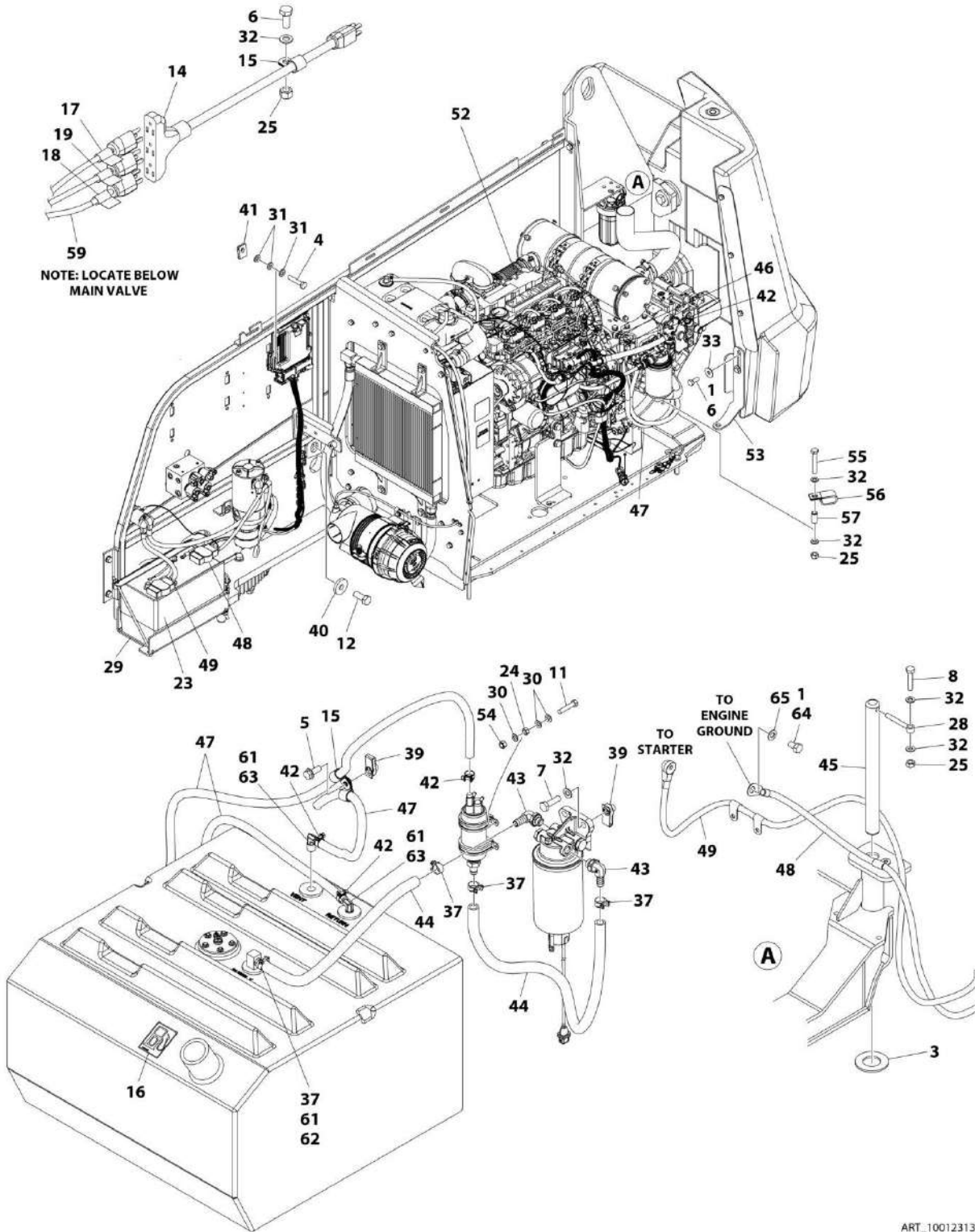
## SECTION 3 - ENGINE

ITEM	PART NUMBER	QTY	DESCRIPTION	REV
112	1001223257	24 in/ 0.6m	Hose	
113	5251012	2	Bolt M10 x 25	
114	0760614	2	Bolt M6 x 30	
115	0760816	3	Bolt M8 x 40	
116	0761017	4	Bolt M10 x 45	
117	1001231649	1	Deutz TD2.9L4 Engine Exhaust Installation (See Separate Breakdown in this Section)	



# SECTION 3 - ENGINE

FIGURE 3-18. DEUTZ TD2.9L4 ENGINE INSTALLATION - WITH ARCTIC PACKAGE (CHINA SPECS ONLY)



ART\_1001231303



## SECTION 3 - ENGINE

**FIGURE 3-18. DEUTZ TD2.9L4 ENGINE INSTALLATION - WITH ARCTIC PACKAGE (CHINA SPECS ONLY)**

ITEM	PART NUMBER	QTY	DESCRIPTION	REV
	1001231303	Ref	DEUTZ TD2.9L4 ENGINE INSTALLATION	C
1	0100011	AR	Compound, Locking	
3	0440162	1	Bearing	
4	0700614	4	Bolt M6 x 30	
5	5251012	1	Bolt M10 x 25	
6	0701012	3	Bolt M10 x 25	
7	0701015	2	Bolt M10 x 35	
8	0711018	1	Bolt M10 x 50	
11	0760512	4	Bolt M5 x 25	
12	0772018	1	Bolt M20 x 50	
14	1060626	1	Plug, 3 Way	
15	1320061	3	Clamp	
16	1701505	1	Decal - Diesel Fuel	
17	1702941	1	Decal - Battery Heater	
18	1702942	1	Decal - Engine Block Heater	
19	1702943	1	Decal - Hydraulic Tank Heater	
23	2580024	1	Heater, Battery	
24	3290501	4	Nut M5	
25	3291005	3	Nut M10	
28	3841143	1	Keeper, Pin	
29	3980007	1	Seat, Battery	
30	4811600	12	Washer M5	
31	4811700	12	Washer M6	
32	4812000	7	Washer M10	
33	4812002	2	Washer M10	
37	1001175568	4	Clip	
38	1001188972	1	Heater, Immersion (Not Shown - Located on Hydraulic Tank)	
39	1001118972	3	Nut, Tinnerman M10	
40	1001119051	1	Washer	
41	1001130220	4	Nut, Tinnerman M6	
42	1001136975	5	Clamp	
43	1001142501	2	Fitting, 90 Barbed	
44	1001154405	42 in/ 1.1m	Hose	
45	1001155094	1	Pin	
46	1001155823	1	Fitting, 90 Quick Connect	
47	1001165035	25 ft/ 7.6m	Hose	
48	1001188668	1	Cable, Battery (-) to Aux Pump and Ground	
49	1001188669	1	Cable, Battery (+) to Aux Relay to Starter	
52	1001231305	1	Deutz TH2.9L4 Engine and Pumps Sub-Assembly (See Separate Breakdown in this Section)	
53	1001197881	1	Bracket	
54	3290505	4	Nut M5	
55	0701022	1	Bolt M10 x 70	
56	1001026127	1	Clamp	
57	1001200731	1	Tube	
58	4240099	1	Tie-Strap (Not Shown)	
59	1001150918	1	Cable, Extension	

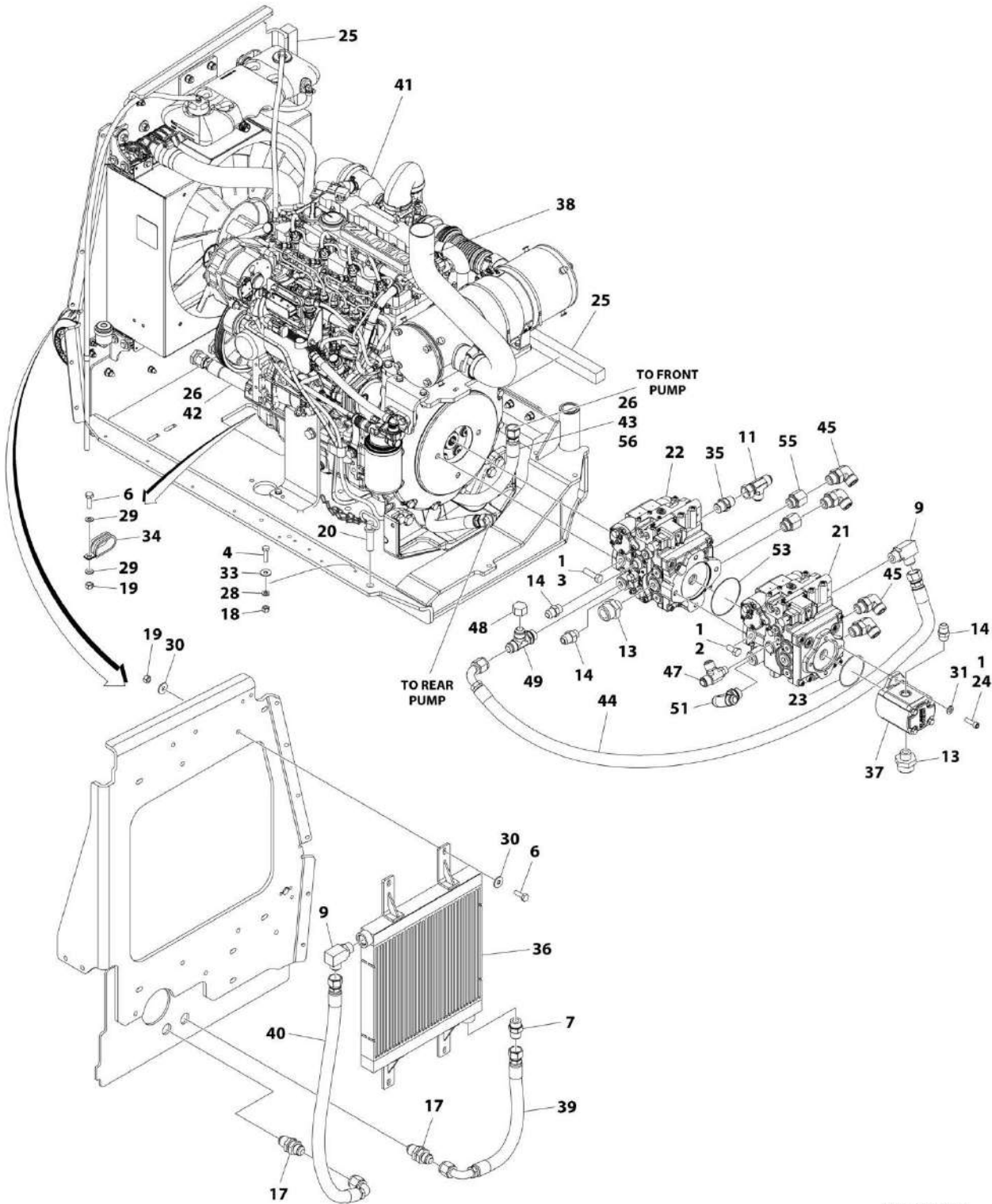
## SECTION 3 - ENGINE

ITEM	PART NUMBER	QTY	DESCRIPTION	REV
60	1001190444	1	Engine Harness - Deutz TD2.9L4 Engines (Not Shown) (See Separate Breakdown in ELECTRICAL SECTION)	
61	0100020	AR	Sealant	
62	2180832	1	Fitting, Straight Barbed	
63	2220313	2	Fitting, 90 NPTF/Barb	
64	0761210	1	Bolt M12 x 20	
65	4812100	1	Washer M12	
66	1001233763	1	Deutz Breather Heater Installation (Not Shown - See Separate Breakdown in this Section) <b>(SN 0300244375 to Present)</b>	
66	4240099	AR	Tie-Strap	
66	1001196634	1	Fuse 2amp	
66	1001232842	1	Heater, Deutz Breather Kit	
66	2400060	1	Fuse, Holder	
100	1001235532	1	Battery Cable Kit (Includes Items 48 & 49) (Not Shown) <b>(SN 0300244375 to Present)</b>	



# SECTION 3 - ENGINE

## FIGURE 3-19. DEUTZ TD2.9L4 ENGINE AND PUMPS SUB-ASSEMBLY - WITH ARCTIC PACKAGE (CHINA SPECS ONLY)



ART\_1001231305

## SECTION 3 - ENGINE

**FIGURE 3-19. DEUTZ TD2.9L4 ENGINE AND PUMPS SUB-ASSEMBLY - WITH ARCTIC PACKAGE  
(CHINA SPECS ONLY)**

ITEM	PART NUMBER	QTY	DESCRIPTION	REV
	1001231305	Ref	DEUTZ TD2.9L4 ENGINE AND PUMPS SUB-ASSEMBLY	C
1	0100011	AR	Compound, Locking	
2	0641808	2	Bolt 1/2 x 1	
3	0641814	2	Bolt 1/2 x 1-3/4	
4	0760612	1	Bolt M6 x 25	
6	0761015	6	Bolt M10 x 35	
7	2220451	1	Fitting, Straight JIC/ORB	
9	2220578	2	Fitting, 90 JIC/ORB	
11	2220700	1	Fitting, Tee JIC/FSJIC/JIC <b>(SN 0300236299 through 0300243549)</b>	
13	2220946	2	Fitting, Straight JIC/ORB	
14	2220947	3	Fitting, Straight JIC/ORB	
17	2230027	2	Fitting, Straight	
18	3290605	1	Nut M6	
19	3291005	6	Nut M10	
20	3422532	1	Pin	
21	3600359	1	Piston Pump Assembly - Rear (See Separate Breakdown in this Section)	
22	3600363	1	Piston Pump Assembly - Front (See Separate Breakdown in this Section)	
23	3790152	1	O-Ring	
24	3931620	2	Capscrew 3/8 x 1-1/4	
24	3931618	2	Capscrew 3/8 x 1-1/8	
25	3960469	2	Seal	
26	4061032	AR	Shield	
27	4240099	AR	Tie-Strap (Not Shown)	
28	4811700	1	Washer M6	
29	4812000	4	Washer M10	
30	4812002	8	Washer M10	
31	5241000	2	Washer M10	
33	4811702	1	Washer M6	
34	1001164196	2	Clamp	
35	1001179156	1	Valve, Check	
36	1001188171	1	Radiator, Oil Cooler	
37	1001190143	1	Gear Pump Assembly	
37	70006356	1	Seal Kit - 1001190143 Pump	
38	1001231690	1	Pipe, Exhaust	
39	1001195504	1	Hose	
40	1001195506	1	Hose	
41	1001231307	1	Deutz TD2.9L4 Engine Assembly (See Separate Breakdown in this Section)	
42	1001195509	1	Hose	
43	1001195507	1	Hose <b>(SN 0300236299 through 0300243549)</b>	
44	1001200216	1	Hose	
45	2131212	4	Fitting, 90 ORFS/ORB	
47	1001213814	1	Fitting, Tee JIC/ORB/JIC	
48	2220518	1	Cap	
49	2220738	1	Fitting, Tee JIC/ORB/JIC	
51	2220695	1	Fitting, Tee JIC/ORB/JIC	
53	3790045	1	O-Ring	

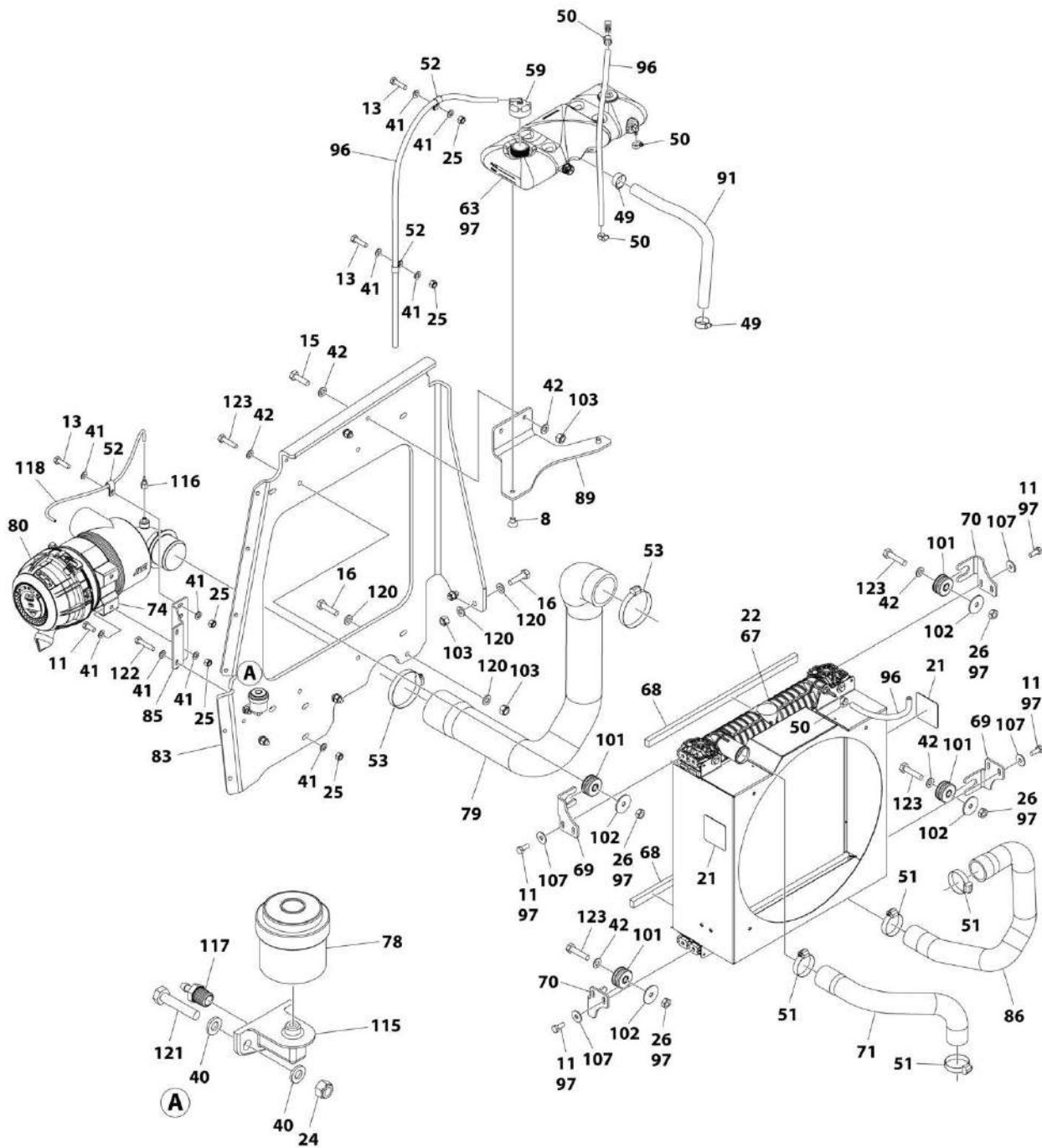
## SECTION 3 - ENGINE

ITEM	PART NUMBER	QTY	DESCRIPTION	REV
55	1001233450	2	Fitting, Straight ORB/ORB	
56	1001235110	1	Hose <b>(SN 0300243550 to Present)</b>	



# SECTION 3 - ENGINE

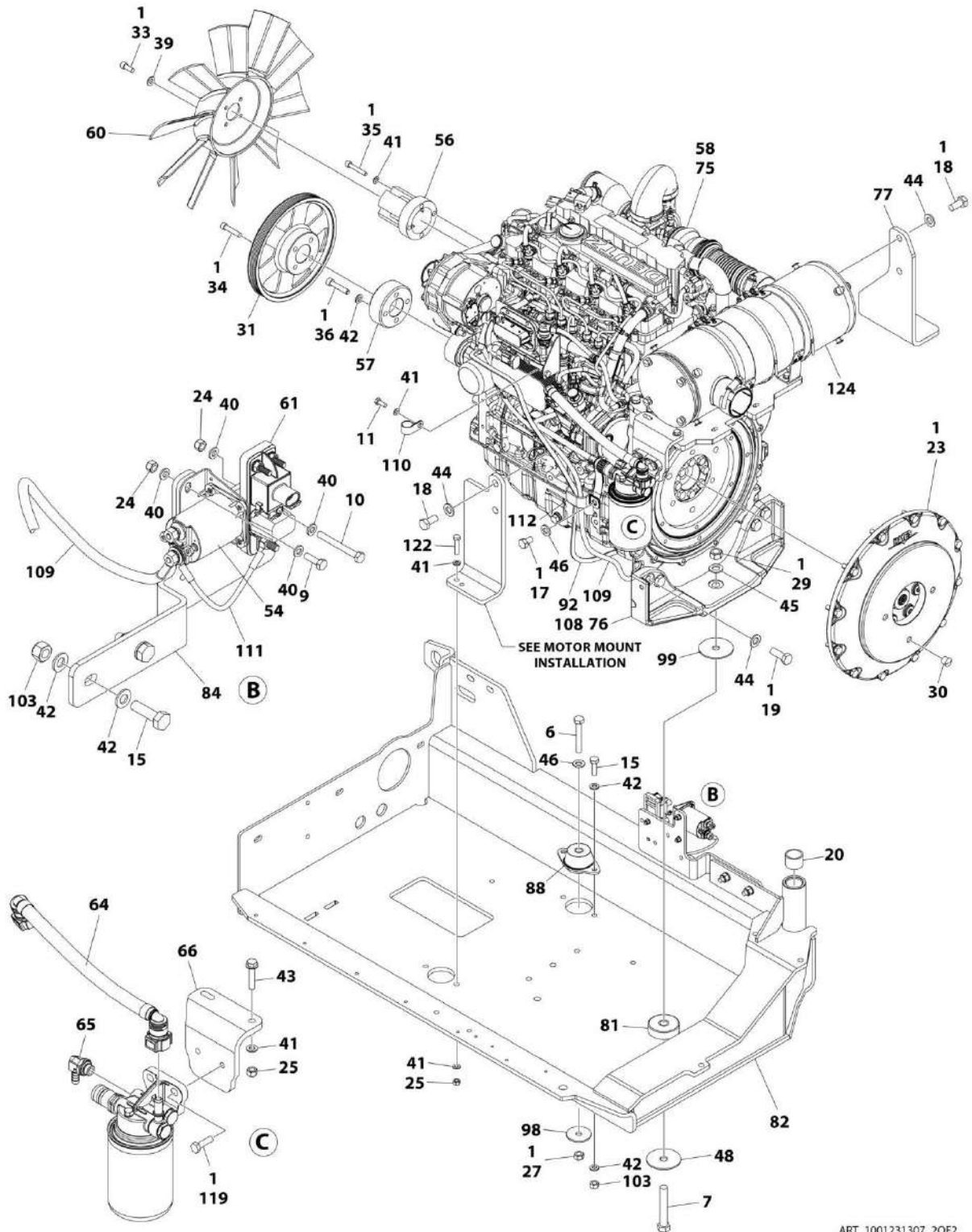
## FIGURE 3-20. DEUTZ TD2.9L4 ENGINE ASSEMBLY - WITH ARCTIC PACKAGE (CHINA SPECS ONLY)



ART\_1001231307\_1OF2



# SECTION 3 - ENGINE



ART\_1001231307\_20F2

## SECTION 3 - ENGINE

FIGURE 3-20. DEUTZ TD2.9L4 ENGINE ASSEMBLY - WITH ARCTIC PACKAGE (CHINA SPECS ONLY)

ITEM	PART NUMBER	QTY	DESCRIPTION	REV
	1001231307	Ref	DEUTZ TD2.9L4 ENGINE ASSEMBLY	D
1	0100011	AR	Compound, Locking	
6	0711224	1	Bolt M12 x 80	
7	0711627	1	Bolt M16 x 100	
8	0741605	2	Screw 3/8 x 5/8	
9	0760610	2	Bolt M6 x 20	
10	0760619	1	Bolt M6 x 55	
11	0760810	11	Bolt M8 x 20	
13	0760814	3	Bolt M8 x 30	
15	0761015	6	Bolt M10 x 35	
16	0761016	5	Bolt M10 x 40	
17	0761210	1	Bolt M12 x 20	
18	0771414	4	Bolt M14 x 30	
19	0771416	4	Bolt M14 x 40	
20	0961951	2	Bushing	
21	1703162	2	Decal - Fan Blade	
22	2300041	AR	Coolant	
23	2902065	1	Pump Coupling Kit (See Separate Breakdown in this Section)	
24	3290605	5	Nut M6	
25	3290805	10	Nut M8	
26	3291001	4	Nut M10	
27	3331211	1	Nut M12	
29	3331611	1	Nut M16	
30	3520054	1	Plug	
31	3580320	1	Pulley	
33	3931512	4	Capscrew 5/16 x 3/4	
34	3931628	4	Capscrew 3/8 x 1-3/4	
35	4031914	4	Capscrew M8 x 50	
36	4032014	4	Capscrew M10 x 50	
39	4711500	4	Washer 5/16	
40	4811700	10	Washer M6	
41	4811900	23	Washer M8	
42	4812000	20	Washer M10	
43	5250816	2	Bolt M8 x 40	
44	5241400	8	Washer M14	
45	4812300	1	Washer M16	
46	5241200	2	Washer M12	
48	7300435	1	Washer	
49	8405007	2	Clamp	
50	8405009	4	Clamp	
51	8405104	4	Clamp	
52	8406109	3	Clip	
53	8410011	2	Clamp	
54	1001117308	1	Contactactor	
56	1001135138	1	Adapter	
57	1001135679	1	Adapter	
58	1001136172	AR	Oil, Motor 5W-40	
59	1001136834	1	Cap, Tank	
60	1001137276	1	Fan	
61	1001138228	1	Relay	

## SECTION 3 - ENGINE

ITEM	PART NUMBER	QTY	DESCRIPTION	REV
63	1001230635	1	Tank, Surge	
64	1001177359	1	Hose	
65	1001152489	1	Fitting, 90 Pipe/Barbed	
66	1001231805	1	Bracket	
67	1001167042	1	Radiator	
68	1001168166	2	Seal	
69	1001169967	2	Bracket	
70	1001170035	2	Bracket	
71	1001177844	1	Hose, Radiator (Top)	
74	1001186426	1	Clamp, Air Cleaner	
75	1001223591	1	Deutz TD2.9L4 Engine (See Separate Breakdown in this Section)	
76	1001188535	1	Bracket, Engine - Rear	
77	1001189026	1	Bracket, Engine - Right	
78	1001166716	1	Restriction, Indicator	
79	1001189913	1	Hose	
80	1001189979	1	Filter, Air	
80	70005008	1	Element, Filter	
81	1001197149	1	Mount, Motor	
82	1001200745	1	Tray	
83	1001229091	1	Support, Radiator	
84	1001203885	1	Plate	
85	1001190942	1	Support	
86	1001191025	1	Hose, Radiator (Bottom)	
88	1001191610	1	Mount, Motor	
89	1001192400	1	Bracket	
91	1001193049	1	Hose	
92	1001140312	1	Heater, Engine Block	
94	1001188237	NLA	Engine Harness - Deutz TD2.9L4 Engines (Use p/n 1001233895) (Not Shown) (See Separate Breakdown in ELECTRICAL SECTION) (SN 0300236299 through 0300241926)	
94	1001233895	1	Engine Harness - Deutz TD2.9L4 Engines (Not Shown) (See Separate Breakdown in ELECTRICAL SECTION) (SN 0300241927 to Present)	
96	2720015	80 in/ 2.1m	Hose	
97	1001180620	AR	Adhesive	
98	1001168018	1	Washer	
99	1001197725	1	Spacer	
101	1001169054	4	Isolator	
102	1001169138	4	Pad, Snubbing	
103	3291005	11	Nut M10	
107	4811902	8	Washer M8	
108	1001181895	AR	Adhesive	
109	1001190442	1	Harness, Alternator Power	
109	1001098764	1	Boot - Red	
110	1320202	1	Clamp	
111	1001141304	1	Harness, Glow Fuse	
112	1001181899	1	Clamp	
114	4240099	2	Tie-Strap (Not Shown)	
115	1001223254	1	Bracket	
116	1001223255	1	Fitting, Straight FNPT	
117	1001223256	1	Fitting, Straight MNPT	

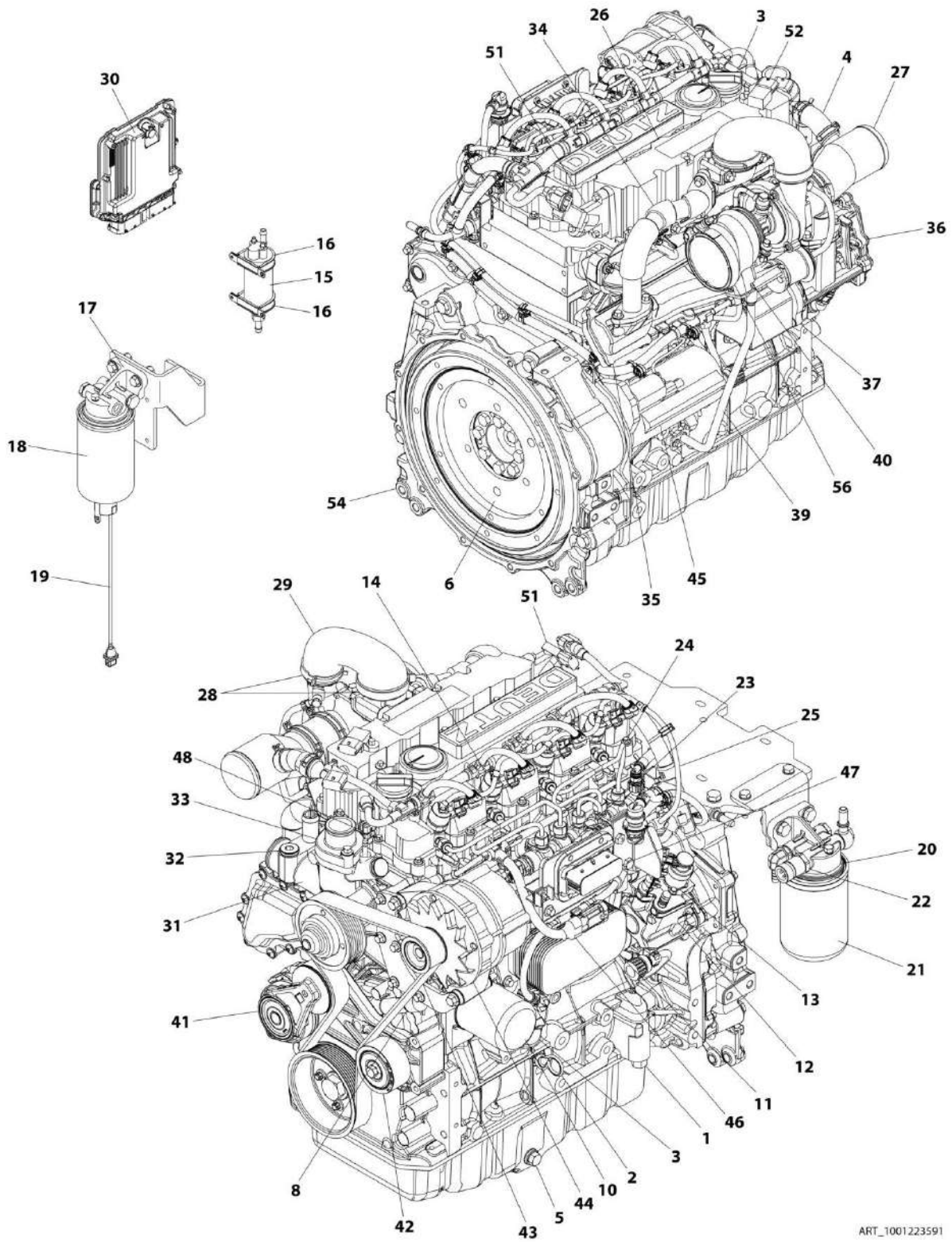
## SECTION 3 - ENGINE

ITEM	PART NUMBER	QTY	DESCRIPTION	REV
118	1001223257	24 in/ 0.6m	Hose	
119	5251012	2	Bolt M10 x 25	
120	5241000	10	Washer M10	
121	0760614	2	Bolt M6 x 30	
122	0760816	3	Bolt M8 x 40	
123	0761017	4	Bolt M10 x 45	
124	1001231649	1	Deutz TD2.9L4 Engine Exhaust Installation (See Separate Breakdown in this Section)	



# SECTION 3 - ENGINE

FIGURE 3-21. DEUTZ TD2.9L4 ENGINE COMPONENTS (CHINA SPECS ONLY)



ART\_1001223591

## SECTION 3 - ENGINE

**FIGURE 3-21. DEUTZ TD2.9L4 ENGINE COMPONENTS (CHINA SPECS ONLY)**

ITEM	PART NUMBER	QTY	DESCRIPTION	REV
	1001223591	Ref	DEUTZ TD2.9L4 ENGINE COMPONENTS	A
1	70025660	1	Plug	
1	70006264	1	Valve, Plunger	
1	70006265	1	Spring	
1	70006266	1	Seal	
2	70024904	1	Dipstick	
2	70024905	2	Seal	
3	7020465	2	Cap, Fill	
4	70005920	1	Line, Breather	
4	70025111	2	Clamp	
5	70006941	2	Plug	
5	70005942	2	Seal	
6	70001870	1	Flywheel	
6	7024579	1	Ring Gear	
6	70025139	8	Bolt	
7		Ref	Gasket & Seal Options (Not Shown):	
7	70005938	1	Gasket Kit	
7	70024906	1	Gasket, Head	
7	70005922	1	Gasket, Valve Cover	
7	70028185	1	Gasket, Front Cover	
7	70004280	1	Seal, Front Main	
7	70002718	1	Seal, Rear Main	
8	See Note	NSS	Valve, Slide (Note: Not Available for Purchase)	
8	70025082	1	Seal	
9	70005172	1	Pump, Lube (Not Shown - Located RH Rear)	
9	70025135	1	O-Seal	
9	70005173	1	Gasket	
10	7016331	1	Filter, Oil	
11	70024494	1	Cooler, Oil	
11	70024925	1	Gasket, Oil Filter	
12	70024924	1	Pump, High Pressure	
12	70025152	1	Gasket (Spacer to Pump)	
12	70024488	1	Spacer	
12	70024517	1	Gasket (Spacer to Block)	
12	70004505	1	Valve, Overflow	
12	70004506	1	Gasket, Overflow	
12	70004507	1	Gasket, Overflow	
13	70004508	1	Valve, Volume Control	
13	70004509	1	O-Ring	
13	70004510	1	Gasket	
14	70025181	4	Injector	
14	70025140	4	Washer, Sealing	
14	70025146	4	Clamp	
14	70025145	4	O-Seal	
14	70025154	4	Shoe/Pad, Clamping	
15	70006144	NLA	Pump, Fuel Supply (Use p/n 1001226098)	
16	70025144	2	Clip, Clamp	
17	70024961	1	Fuel Filter Assembly	
18	1001225430	1	Element, Filter	
19	70024513	1	Cable, Sensor	

## SECTION 3 - ENGINE

ITEM	PART NUMBER	QTY	DESCRIPTION	REV
19	70025239	1	Seal, Ring	
20	70004511	1	Fuel Filter Assembly	
20	70004513	2	Seal (at Hollow Bolt)	
21	1001225432	1	Element, Filter	
22	70028538	1	Sensor, Pressure	
22	70024920	1	O-Seal	
23	70025151	1	Rail, Fuel	
23	70025235	1	Repair Kit - Fuel Rail	
23	70025240	1	O-Ring	
24	70025182	1	Tube, Fuel - Cylinders 1 & 2	
24	70025183	1	Tube, Fuel - Cylinders 3 & 4	
24	70025184	1	Tube, Fuel	
25	70024502	1	Pipe, Fuel Leakage	
25	70025185	1	Hose, Fuel	
25	70025158	1	Manifold	
25	70025109	2	Clamp, Spring	
25	70025115	1	Clamp	
25	70025133	1	Hose	
25	70025101	2	Clamp	
25	70025148	1	Connector, Plug-in	
26	70005923	1	Manifold, Charger Air	
26	70005177	1	Gasket, Charger Air Manifold	
26	70005924	1	Seal (Manifold to Elbow)	
26	7000180	1	Line, Breather (Not Shown)	
26	70005181	1	O-Seal (Breather to Manifold)	
27	70005926	1	Elbow	
27	70025112	2	Clamp	
27	70004501	1	Sleeve, Rubber	
28	See Note	NSS	Sleeve (Note: Not Available for Purchase)	
28	70025107	2	Clamp	
29	70005928	1	Elbow, Air Charge	
30	70025210	1	Module, ECU	
31	70028802	1	Pump, Coolant	
31	70025200	1	Ring, Sealing (Pump to Block)	
32	70025084	2	Plug	
32	7020492	2	Ring, Sealing	
33	70005929	1	Thermostat	
33	70005184	1	O-Seal (Thermostat to Housing)	
33	70025142	1	Housing, Thermostat	
33	70005931	1	O-Seal (Thermostat to Pump)	
33	70025124	2	Bolt	
34	See Note	NSS	Tube (Note: Not Available for Purchase)	
34	70025179	2	Gasket (at Either End of Tube)	
35	See Note	NSS	Valve, Shuttle (Note: Not Available for Purchase)	
35	70025180	1	Gasket	
35	See Note	NSS	Housing, Shuttle Valve (Note: Not Available for Purchase)	
35	70025175	1	Cap, Shuttle Valve	
36	70025203	1	Module, EGR	
36	70025155	1	Plug (Not Shown)	
37	70005188	1	Valve, EGR Control	
37	70005189	1	Seal (Valve to Module)	

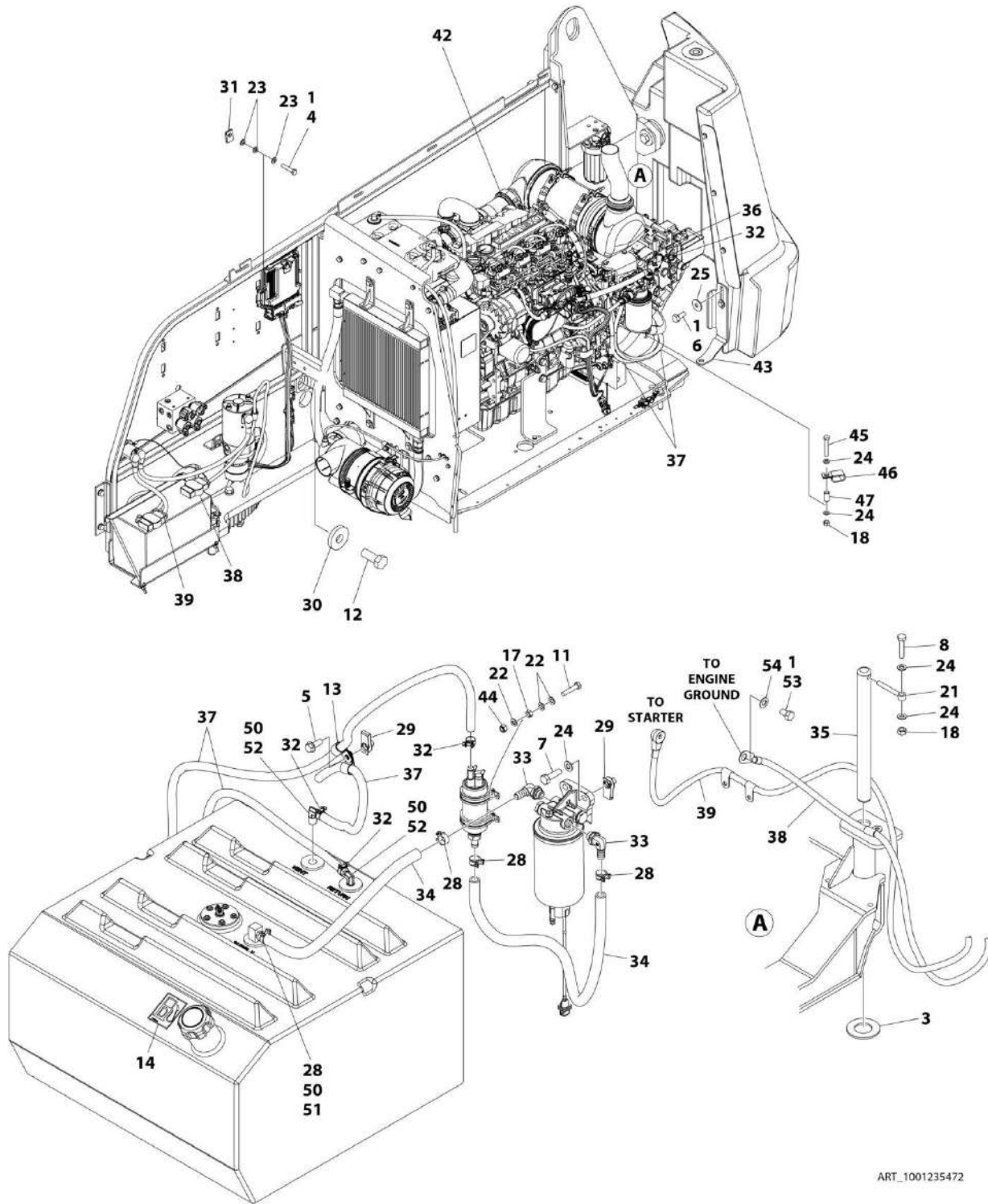


## SECTION 3 - ENGINE

ITEM	PART NUMBER	QTY	DESCRIPTION	REV
38	70004282	1	Manifold, Exhaust (Not Shown)	
38	70025164	1	Gasket, Manifold to Head (Not Shown)	
38	70025130	8	Bolt, Manifold (Not Shown)	
38	70026995	1	Elbow, Exhaust (Not Shown)	
38	70025179	2	Gasket, Manifold to Elbow (Not Shown)	
39	70005932	1	Tube, Oil Return	
39	70025132	1	O-Seal	
40	70004276	1	Turbocharger	
40	70024509	1	Gasket (Turbocharger to Oil Return Tube Housing)	
40	1001191599	1	Gasket (Turbocharger to Exhaust)	
41	70025477	1	Tensioner, Belt	
42	70024484	1	Roller, Idler	
43	70004277	1	Belt	
44	70025733	1	Pulley, Alternator	
44	70006652	1	Alternator	
44	70006653	1	Controller	
44	See Note	NSS	Fan (Note: Not Available for Purchase)	
45	70024915	1	Starter	
45	70005647	1	Switch, Solenoid	
45	70005648	1	Relay	
46	70000345	4	Glow Plug	
46	70025231	1	Harness, Glow Plug	
46	70025233	1	Connector, Plug-in	
47	70025077	1	Harness, Engine	
48	70024918	1	Sender, Temperature	
49	70028538	1	Sensor, Pressure (Not Shown - RH Front)	
49	70024920	1	O-Seal	
50	70026210	1	Sensor, Speed (Not Shown - Front)	
50	70005191	1	Ring, Seal	
51	70024507	1	Sensor, Pressure	
51	70025120	1	O-Seal	
51	70005933	1	Adapter	
51	70005934	1	O-Seal	
52	70024922	1	Sender, Temperature	
52	70025212	1	O-Seal	
53	70026210	1	Sensor, Speed (Not Shown - Front)	
53	70024917	1	O-Seal	
54	70025192	1	Housing	
56	70005527	1	Clip	

# SECTION 3 - ENGINE

## FIGURE 3-22. DEUTZ TD2.9L4 (STAGE V) ENGINE INSTALLATION



ART\_1001235472

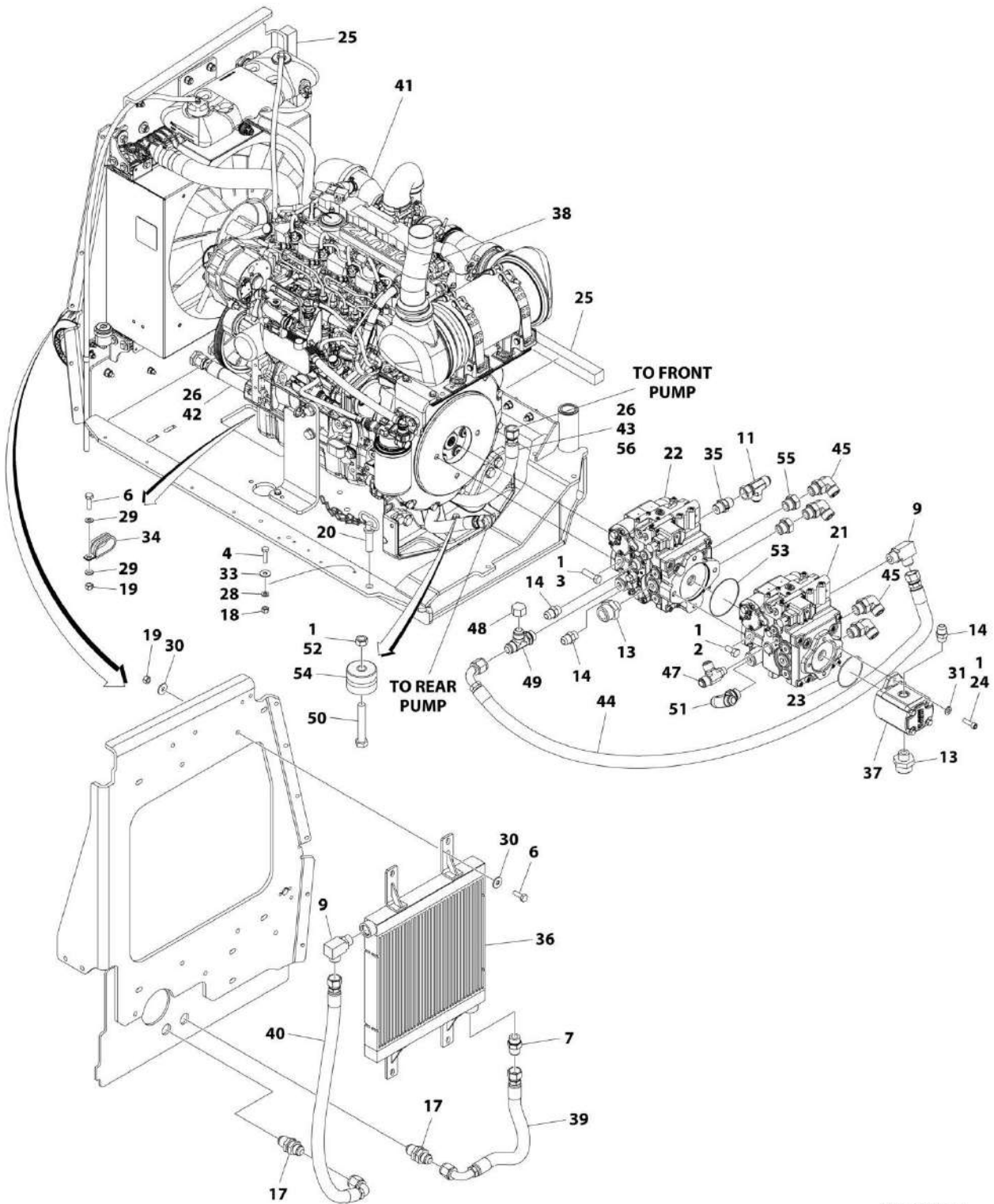
## SECTION 3 - ENGINE

**FIGURE 3-22. DEUTZ TD2.9L4 (STAGE V) ENGINE INSTALLATION**

ITEM	PART NUMBER	QTY	DESCRIPTION	REV
	1001235472	Ref	DEUTZ TD2.9L4 (STAGE V) ENGINE INSTALLATION	A
1	0100011	AR	Compound, Locking	
3	0440162	1	Bearing	
4	0700614	4	Bolt M6 x 30	
5	5251012	1	Bolt M10 x 25	
6	0701012	2	Bolt M10 x 25	
7	0701015	2	Bolt M10 x 35	
8	0711018	1	Bolt M10 x 50	
11	0760512	4	Bolt M5 x 25	
12	0772018	1	Bolt M20 x 50	
13	1320061	2	Clamp	
14	1701505	1	Decal - Diesel Fuel	
17	3290501	4	Nut M5	
18	3291005	2	Nut M10	
21	3841143	1	Keeper, Pin	
22	4811600	12	Washer M5	
23	4811700	12	Washer M6	
24	4812000	6	Washer M10	
25	4812002	2	Washer M10	
28	1001175568	4	Clip	
29	1001118972	3	Nut, Tinnerman M10	
30	1001119051	1	Washer	
31	1001130220	4	Nut, Tinnerman M6	
32	1001136975	5	Clamp	
33	1001142501	2	Fitting, 90 Barbed	
34	1001154405	33 in/ 0.8m	Hose	
35	1001155094	1	Pin	
36	1001155823	1	Fitting, 90 Quick Connect	
37	1001165035	27 ft/ 8.2m	Hose	
38	1001188668	1	Cable, Battery (-) to Aux Pump and Ground	
39	1001188669	1	Cable, Battery (+) to Aux Relay to Starter	
42	1001235473	1	Deutz TD2.9L4 (Stage V) Engine and Pump Sub-Assembly (See Separate Breakdown in this Section)	
43	1001197881	1	Bracket	
44	3290505	4	Nut M5	
45	0701022	1	Bolt M10 x 70	
46	1001026127	1	Clamp	
47	1001200731	1	Tube	
48	4240099	1	Tie-Strap (Not Shown)	
49	1001190444	1	Fuel Pump Harness - Deutz TD2.9L4 Engine (Not Shown) (See Separate Breakdown in ELECTRICAL SECTION)	
50	0100020	AR	Sealant	
51	2180832	1	Fitting, Straight Barbed	
52	2220313	2	Fitting, 90 NPTF/Barb	
53	0761210	1	Bolt M12 x 20	
54	4812100	1	Washer M12	
100	1001235532	1	Battery Cable Kit (Includes Items 38 & 39) (Not Shown)	

# SECTION 3 - ENGINE

## FIGURE 3-23. DEUTZ TD2.9L4 (STAGE V) ENGINE AND PUMP SUB-ASSEMBLY



ART\_1001235473

## SECTION 3 - ENGINE

**FIGURE 3-23. DEUTZ TD2.9L4 (STAGE V) ENGINE AND PUMP SUB-ASSEMBLY**

ITEM	PART NUMBER	QTY	DESCRIPTION	REV
	1001235473	Ref	DEUTZ TD2.9L4 (STAGE V) ENGINE AND PUMP SUB-ASSEMBLY	A
1	0100011	AR	Compound, Locking	
2	0641808	2	Bolt 1/2 x 1	
3	0641814	2	Bolt 1/2 x 1-3/4	
4	0760612	1	Bolt M6 x 25	
6	0761015	6	Bolt M10 x 35	
7	2220451	1	Fitting, Straight JIC/ORB	
9	2220578	2	Fitting, 90 JIC/ORB	
11	2220700	1	Fitting, Tee JIC/FSJIC/JIC	
13	2220946	2	Fitting, Straight JIC/ORB	
14	2220947	3	Fitting, Straight JIC/ORB	
17	2230027	2	Fitting, Straight	
18	3290605	1	Nut M6	
19	3291005	6	Nut M10	
20	3422532	1	Pin	
21	3600359	1	Piston Pump Assembly - Rear (See Separate Breakdown in this Section)	
22	3600363	1	Piston Pump Assembly - Front (See Separate Breakdown in this Section)	
23	3790152	1	O-Ring	
24	3931620	2	Capscrew 3/8 x 1-1/4	
24	3931618	2	Capscrew 3/8 x 1-1/8	
25	3960469	2	Seal	
26	4061032	AR	Shield	
27	4240099	AR	Tie-Strap (Not Shown)	
28	4811700	1	Washer M6	
29	4812000	4	Washer M10	
30	4812002	8	Washer M10	
31	5241000	2	Washer M10	
33	4811702	1	Washer M6	
34	1001164196	2	Clamp	
35	1001179156	1	Valve, Check	
36	1001188171	1	Radiator, Oil Cooler	
37	1001190143	1	Gear Pump Assembly	
37	70006356	1	Seal Kit - 1001190143 Pump	
38	1001211042	1	Pipe, Exhaust	
39	1001195504	1	Hose	
40	1001195506	1	Hose	
41	1001235474	1	Deutz TD2.9L4 (Stage V) Engine Assembly (See Separate Breakdown in this Section)	
42	1001195509	1	Hose	
43	1001195507	1	Hose	
44	1001200216	1	Hose	
45	2131212	4	Fitting, 90 ORFS/ORB	
47	1001213814	1	Fitting, Tee JIC/ORB/JIC	
48	2220518	1	Cap	
49	2220738	1	Fitting, Tee JIC/ORB/JIC	
50	0711627	1	Bolt M16 x 100	
51	2220695	1	Fitting, Tee JIC/ORB/JIC	

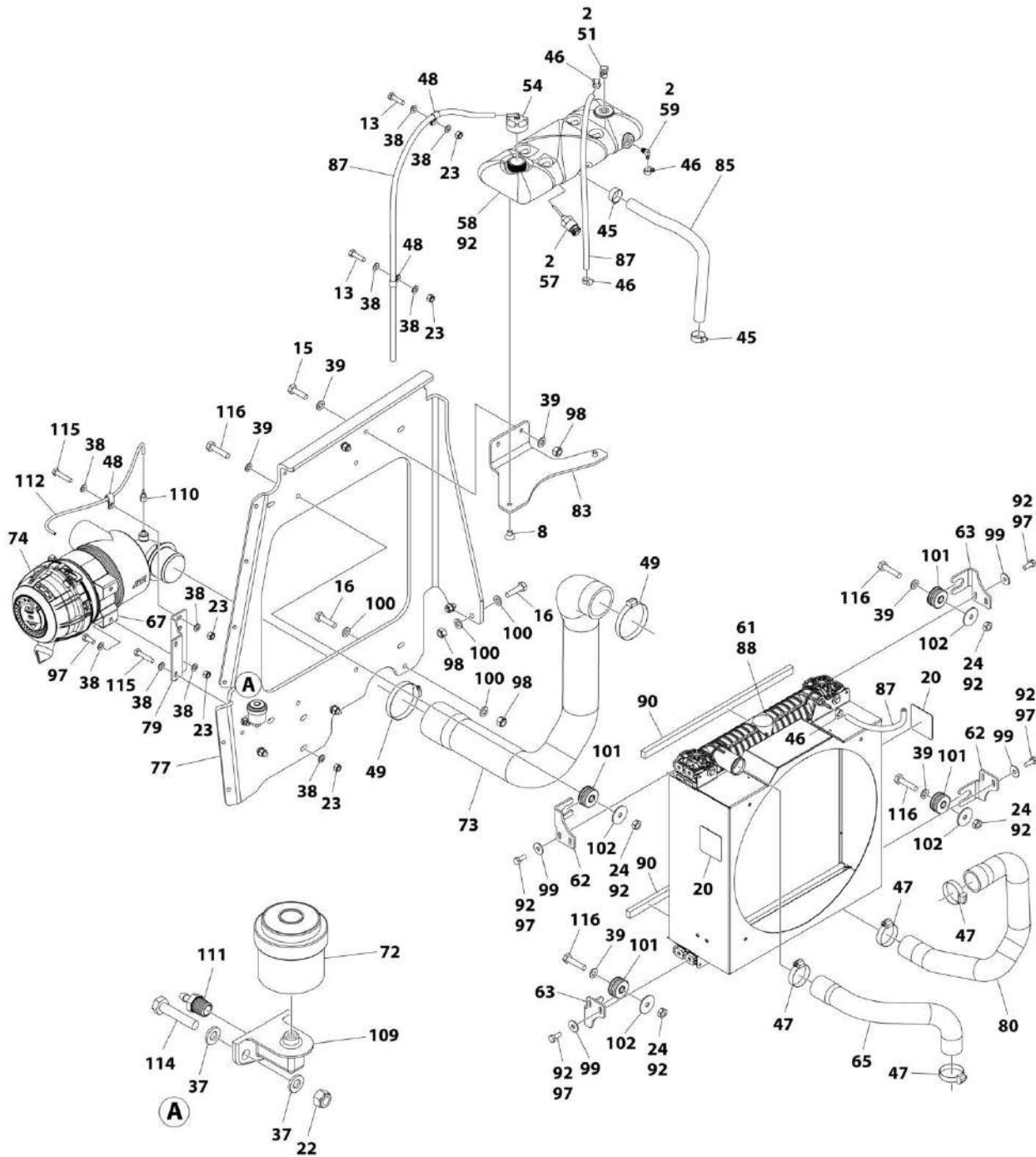
## SECTION 3 - ENGINE

ITEM	PART NUMBER	QTY	DESCRIPTION	REV
52	3331611	1	Nut M16	
53	3790045	1	O-Ring	
54	1001197149	1	Mount, Engine	
55	1001233450	2	Fitting, Straight ORB/ORB	
56	1001235110	1	Hose	



# SECTION 3 - ENGINE

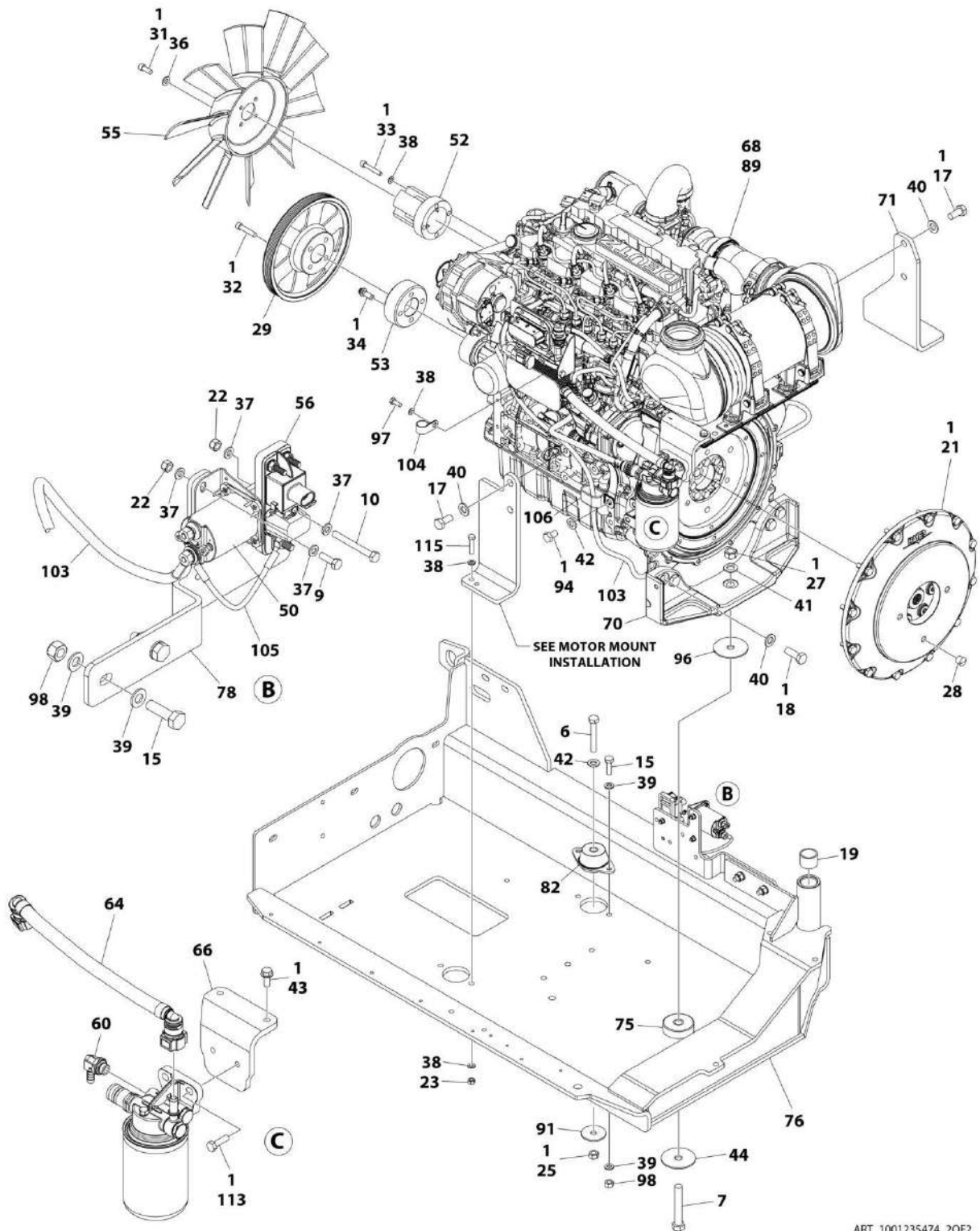
## FIGURE 3-24. DEUTZ TD2.9L4 (STAGE V) ENGINE ASSEMBLY



ART\_1001235474\_1OF2



# SECTION 3 - ENGINE



ART\_1001235474\_20F2

## SECTION 3 - ENGINE

FIGURE 3-24. DEUTZ TD2.9L4 (STAGE V) ENGINE ASSEMBLY

ITEM	PART NUMBER	QTY	DESCRIPTION	REV
	1001235474	Ref	DEUTZ TD2.9L4 (STAGE V) ENGINE ASSEMBLY	A
1	0100011	AR	Compound, Locking	
2	0100020	AR	Sealant	
6	0711224	1	Bolt M12 x 80	
7	0711627	1	Bolt M16 x 100	
8	0741605	2	Screw 3/8 x 5/8	
9	0760610	2	Bolt M6 x 20	
10	0760619	1	Bolt M6 x 55	
13	0760814	3	Bolt M8 x 30	
15	0761015	6	Bolt M10 x 35	
16	0761016	5	Bolt M10 x 40	
17	0771414	4	Bolt M14 x 30	
18	0771416	4	Bolt M14 x 40	
19	0961951	2	Bushing	
20	1703162	2	Decal - Fan Blade	
21	2902065	1	Pump Coupling Kit (See Separate Breakdown in this Section)	
22	3290605	5	Nut M6	
23	3290805	8	Nut M8	
24	3291001	4	Nut M10	
25	3331211	1	Nut M12	
27	3331611	1	Nut M16	
28	3520054	1	Plug	
29	3580320	1	Pulley	
31	3931512	4	Capscrew 5/16 x 3/4	
32	3931628	4	Capscrew 3/8 x 1-3/4	
33	4031914	4	Capscrew M8 x 50	
34	4032014	4	Capscrew M10 x 50	
36	4711500	4	Washer 5/16	
37	4811700	10	Washer M6	
38	4811900	21	Washer M8	
39	4812000	20	Washer M10	
40	5241400	8	Washer M14	
41	4812300	1	Washer M16	
42	5241200	2	Washer M12	
43	5250810	2	Bolt M8 x 20	
44	7300435	1	Washer	
45	8405007	2	Clamp	
46	8405009	4	Clamp	
47	8405104	4	Clamp	
48	8406109	3	Clip	
49	8410011	2	Clamp	
50	1001117308	1	Contactora	
51	1001134488	1	Fitting, 90 Barbed (Part of Item 58)	
52	1001135138	1	Adapter, Fan	
53	1001135679	1	Adapter	
54	1001136834	1	Cap, Tank	
55	1001137276	1	Fan	
56	1001138228	1	Relay	
57	1001138827	1	Sensor, Coolant Level (Part of Item 58)	
58	1001230635	1	Tank, Surge (Include Items 51, 57 & 59)	

## SECTION 3 - ENGINE

ITEM	PART NUMBER	QTY	DESCRIPTION	REV
59	1001140564	1	Fitting, 90 Barbed (Part of Item 58)	
60	1001152489	1	Fitting, 90 Barbed	
61	1001167042	1	Radiator	
62	1001169967	2	Bracket	
63	1001170035	2	Bracket	
64	1001177359	1	Hose	
65	1001177844	1	Hose, Radiator (Top)	
66	1001231805	1	Mount	
67	1001186426	1	Clamp, Air Cleaner	
68	1001235458	1	Deutz TD2.9L4 (Stage V) Engine (See Separate Breakdown in this Section)	
69	1001233895	1	Engine Harness - Deutz Engines (Not Shown) (See Separate Breakdown in ELECTRICAL Section)	
70	1001188535	1	Bracket, Engine - Rear	
71	1001189026	1	Bracket, Engine - Right	
72	1001166716	1	Restriction, Indicator	
73	1001189913	1	Hose	
74	1001189979	1	Filter, Air	
74	70005008	1	Element, Filter	
75	1001190164	1	Mount, Motor	
76	1001200745	1	Tray	
77	1001229091	1	Support, Radiator	
78	1001203885	1	Plate	
79	1001190942	1	Support	
80	1001191025	1	Hose, Radiator (Bottom)	
82	1001191610	1	Mount, Motor	
83	1001192400	1	Bracket	
85	1001193049	1	Hose	
87	2720015	80 in/ 2.1m	Hose	
88	2300004	AR	Coolant	
89	1001136079	AR	Oil, Motor 15W-40	
90	1001168166	2	Seal	
91	1001168018	1	Washer	
92	1001180620	AR	Adhesive	
94	0761210	1	Bolt M12 x 20	
96	1001197725	1	Spacer	
97	0760810	11	Bolt M8 x 20	
98	3291005	11	Nut M10	
99	4811902	8	Washer M8	
100	5241000	10	Washer M10	
101	1001169054	4	Isolator	
102	1001169138	4	Pad, Snubbing	
103	1001190442	1	Harness, Alternator Power	
103	1001098764	1	Boot - Red	
104	1320202	1	Clamp	
105	1001141304	1	Harness, Glow Fuse	
106	1001181899	1	Clamp	
108	4240099	1	Tie-Strap (Not Shown)	
109	1001223254	1	Bracket	
110	1001223255	1	Fitting, Straight FNPT	
111	1001223256	1	Fitting, Straight MNPT	

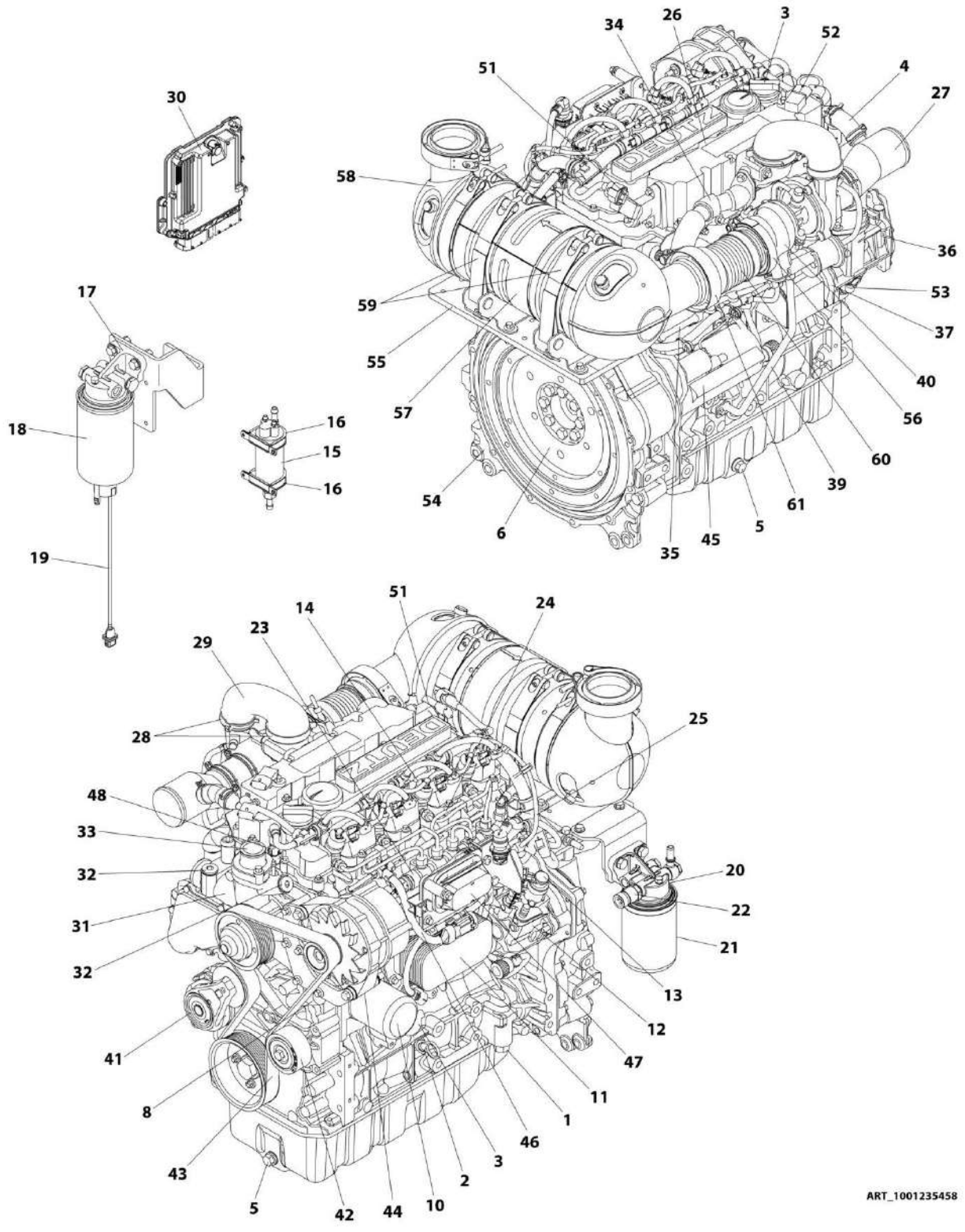
## SECTION 3 - ENGINE

ITEM	PART NUMBER	QTY	DESCRIPTION	REV
112	1001223257	24 in/ .6m	Hose	
113	5251012	2	Bolt M10 x 25	
114	0760614	2	Bolt M6 x 30	
115	0760816	3	Bolt M8 x 40	
116	0761017	4	Bolt M10 x 45	



# SECTION 3 - ENGINE

## FIGURE 3-25. DEUTZ TD2.9L4 (STAGE V) ENGINE COMPONENTS



ART\_1001235458

## SECTION 3 - ENGINE

**FIGURE 3-25. DEUTZ TD2.9L4 (STAGE V) ENGINE COMPONENTS**

ITEM	PART NUMBER	QTY	DESCRIPTION	REV
	1001235458	Ref	DEUTZ TD2.9L4 (STAGE V) ENGINE COMPONENTS	A
1	70025660	1	Plug	
1	70006264	1	Valve, Plunger	
1	70006265	1	Spring	
1	70006266	1	Seal	
2	70024904	1	Dipstick	
2	70024905	2	Seal	
3	7020465	2	Cap, Fill	
4	70005920	1	Line, Breather	
4	70025111	2	Clamp	
5	70006941	2	Plug	
5	70005942	2	Seal	
6	70001870	1	Flywheel	
6	7024579	1	Ring Gear	
6	70025139	8	Bolt	
7		Ref	Gasket & Seal Options (Not Shown):	
7	70005938	1	Gasket Kit	
7	70024906	1	Gasket, Head	
7	70005922	1	Gasket, Valve Cover	
7	70028185	1	Gasket, Front Cover	
7	70004280	1	Seal, Front Main	
7	70002718	1	Seal, Rear Main	
8	70025091	1	Plug	
8	70025076	1	Valve, Plunger	
8	70025176	1	Spring	
8	70025082	1	Seal	
9	70005172	1	Pump, Lube (Not Shown - Located RH Rear)	
9	70025135	1	O-Seal	
9	70005173	1	Gasket	
10	7016331	1	Filter, Oil	
10	70025137	1	Bushing, Oil Filter	
11	70024494	1	Cooler, Oil	
11	70024925	1	Gasket, Oil Filter	
12	70024924	1	Pump, High Pressure	
12	70025152	1	Gasket (Spacer to Pump)	
12	70024488	1	Spacer	
12	70024517	1	Gasket (Spacer to Block)	
12	70004505	1	Valve, Overflow	
12	70004506	1	Gasket, Overflow	
12	70004507	1	Gasket, Overflow	
13	70004508	1	Valve, Volume Control	
13	70004509	1	O-Ring	
13	70004510	1	Gasket	
14	70025181	4	Injector	
14	70025140	4	Washer, Sealing	
14	70025146	4	Clamp	
14	70025145	4	O-Seal	
14	70025154	4	Shoe/Pad, Clamping	
15	1001226098	1	Pump, Fuel Supply (was p/n 70005174 & 70006144)	
16	70025144	2	Clip, Clamp	

## SECTION 3 - ENGINE

ITEM	PART NUMBER	QTY	DESCRIPTION	REV
17	70024961	1	Fuel Filter Assembly	
18	70025153	1	Element, Filter	
19	70024513	1	Cable, Sensor	
19	70025239	1	Seal, Ring	
20	70025160	1	Fuel Filter Assembly	
20	70004513	2	Seal (at Hollow Bolt)	
21	70025161	1	Element, Filter	
22	70024504	1	Sensor, Pressure	
22	70024920	1	O-Seal	
23	70025151	1	Rail, Fuel	
23	70025235	1	Repair Kit - Fuel Rail	
23	70025240	1	O-Ring	
24	70025182	1	Tube, Fuel - Cylinders 1 & 2	
24	70025183	1	Tube, Fuel - Cylinders 3 & 4	
24	70025184	1	Tube, Fuel	
25	70024502	1	Pipe, Fuel Leakage	
25	70025185	1	Hose, Fuel	
25	70025158	1	Manifold	
25	70025109	2	Clamp, Spring	
25	70025115	1	Clamp	
25	70025133	1	Hose	
25	70025101	2	Clamp	
25	70025148	1	Connector, Plug-in	
26	70005923	1	Manifold, Charger Air	
26	70005177	1	Gasket, Charger Air Manifold	
26	70005924	1	Seal (Manifold to Elbow)	
26	70005925	1	Line, Breather (Not Shown)	
26	70005181	1	O-Seal (Breather to Manifold)	
27	70005926	1	Elbow	
27	70025112	2	Clamp	
27	70004501	1	Sleeve, Rubber	
28	70005927	1	Sleeve	
28	70025107	2	Clamp	
29	70005928	1	Elbow, Air Charge	
30	70025210	1	Module, ECU	
31	70024910	1	Pump, Coolant	
31	70025200	1	Ring, Sealing (Pump to Block)	
32	70025084	2	Plug	
32	7020492	2	Ring, Sealing	
33	70005929	1	Thermostat	
33	70005184	1	O-Seal (Thermostat to Housing)	
33	70005930	1	Housing, Thermostat	
33	70005931	1	O-Seal (Thermostat to Pump)	
33	70025124	2	Bolt	
34	70025178	1	Tube	
34	70025179	2	Gasket (at Either End of Tube)	
35	70025768	1	Valve, Shuttle	
35	70025180	1	Gasket	
35	70025174	1	Housing, Shuttle Valve	
35	70025175	1	Cap, Shuttle Valve	
36	70025203	1	Module, EGR	



## SECTION 3 - ENGINE

ITEM	PART NUMBER	QTY	DESCRIPTION	REV
36	70025155	1	Plug (Not Shown)	
37	70005188	1	Valve, EGR Control	
37	70005189	1	Seal (Valve to Module)	
38	70004282	1	Manifold, Exhaust (Not Shown)	
38	70025164	1	Gasket, Manifold to Head (Not Shown)	
38	70025130	8	Bolt, Manifold (Not Shown)	
38	70026995	1	Elbow, Exhaust (Not Shown)	
38	70025179	2	Gasket, Manifold to Elbow (Not Shown)	
39	70005932	1	Tube, Oil Return	
39	70025132	1	O-Seal	
40	70004276	1	Turbocharger	
40	70024509	1	Gasket (Turbocharger to Oil Return Tube Housing)	
40	1001191599	1	Gasket (Turbocharger to Exhaust)	
41	70025477	1	Tensioner, Belt	
42	70024484	1	Roller, Idler	
43	70004277	1	Belt	
44	70025733	1	Pulley, Alternator	
44	70024914	1	Alternator	
44	70025149	1	Controller	
44	70025131	1	Fan	
45	70024915	1	Starter	
45	70005647	1	Switch, Solenoid	
45	70005648	1	Relay	
46	70000345	4	Glow Plug	
46	70025231	1	Harness, Glow Plug	
46	70025233	1	Connector, Plug-in	
47	70025077	1	Harness, Engine	
48	70024918	1	Sender, Temperature	
49	70024504	1	Sensor, Pressure (Not Shown - RH Front)	
49	70024920	1	O-Seal	
50	70026210	1	Sensor, Speed (Not Shown - Front)	
50	70005191	1	Ring, Seal	
51	70024507	1	Sensor, Pressure	
51	70025120	1	O-Seal	
51	70005933	1	Adapter	
51	70005934	1	O-Seal	
52	70024922	1	Sender, Temperature	
52	70025212	1	O-Seal	
53	70026210	1	Sensor, Speed (Not Shown - Front)	
53	70024917	1	O-Seal	
54	70025192	1	Housing	
55	70005935	1	Bracket	
56	70025877	1	Clip	
56	70025242	1	Gasket	
56	70025877	1	Clip	
56	70025242	1	Gasket	
57	70005937	1	Muffler, DOC	
58	70025246	1	Outlet, Muffler	
59	70025245	2	Clamp	
60	70004504	1	Compensator	
60	70025242	1	Gasket	

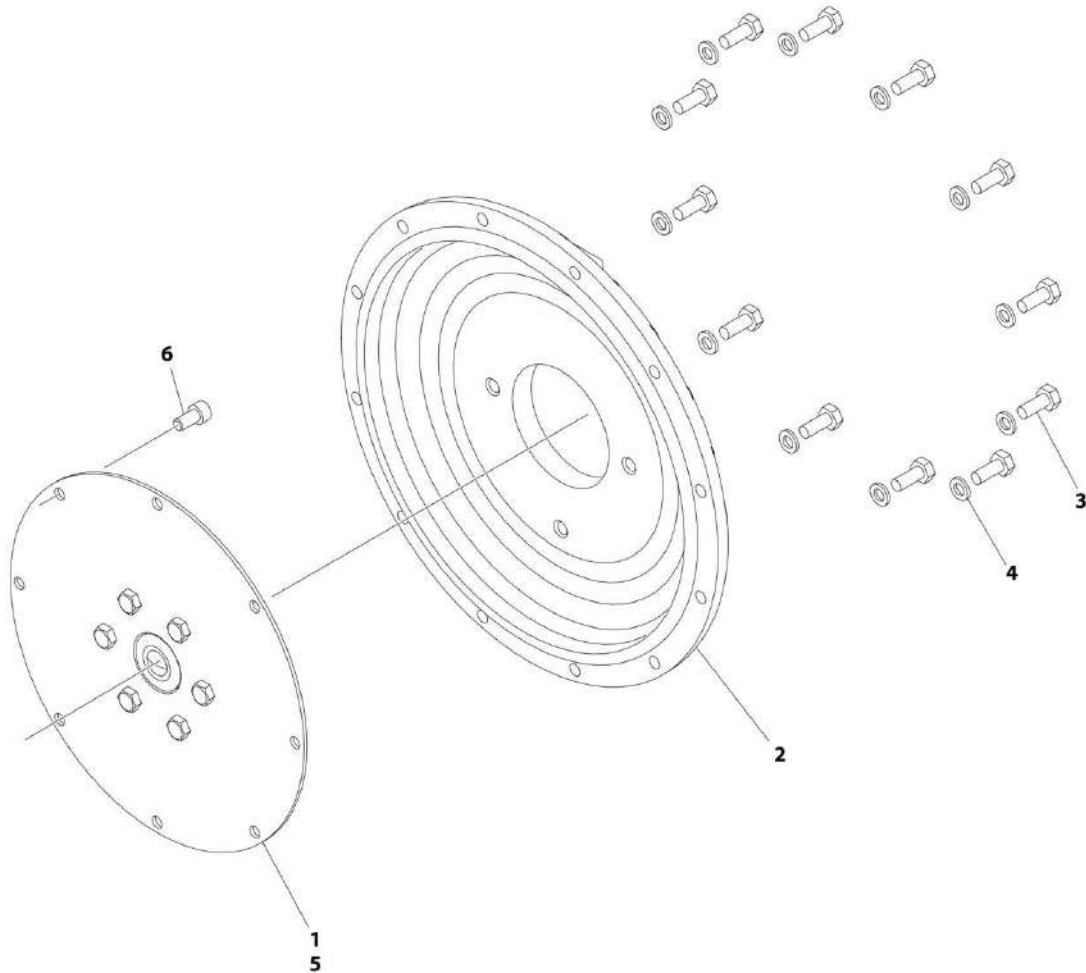
## SECTION 3 - ENGINE

ITEM	PART NUMBER	QTY	DESCRIPTION	REV
60	70005527	1	Clip	
61	70025877	1	Clip	



# SECTION 3 - ENGINE

## FIGURE 3-26. PUMP COUPLING KIT (DEUTZ ENGINES)



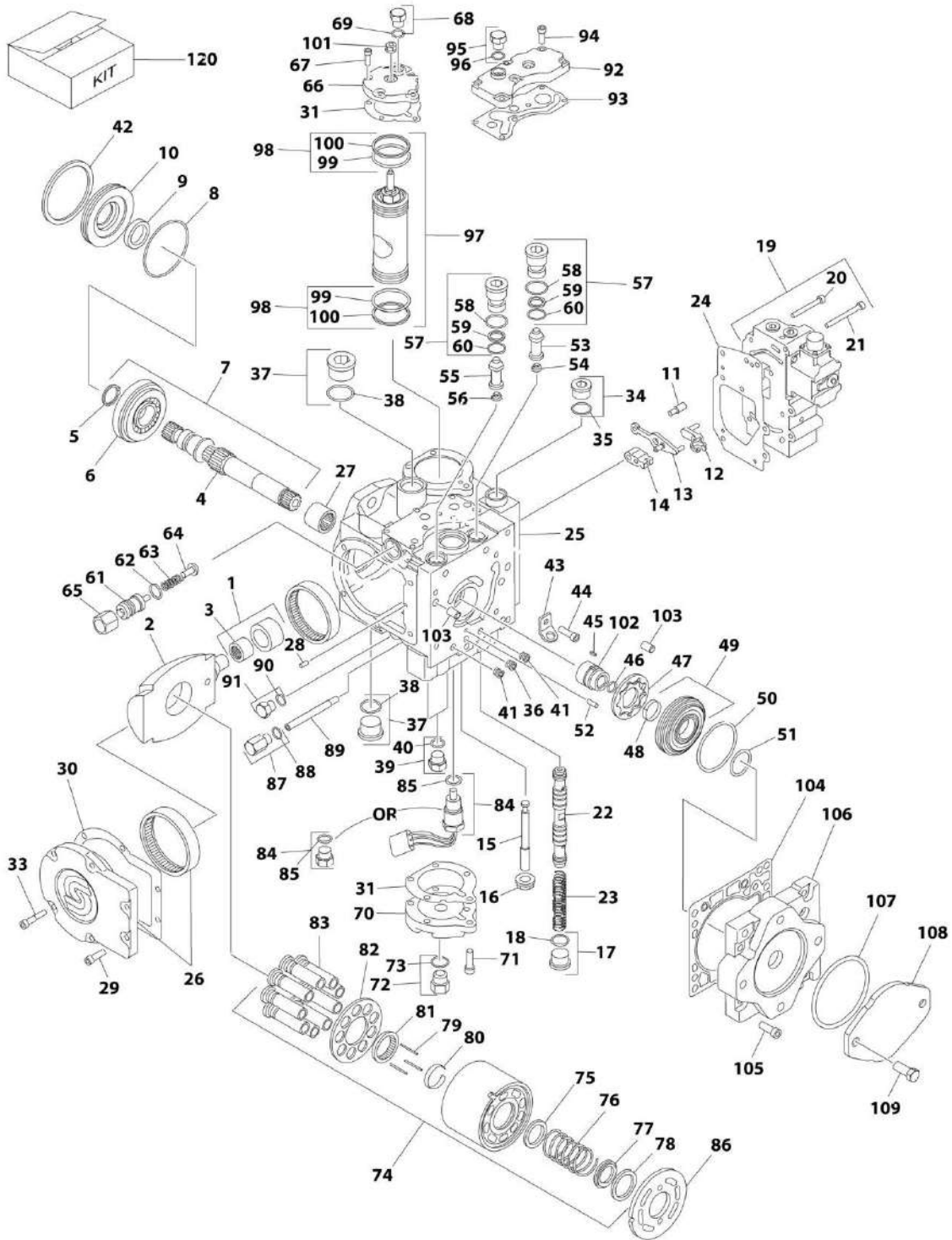
ART\_2902065

**SECTION 3 - ENGINE****FIGURE 3-26. PUMP COUPLING KIT (DEUTZ ENGINES)**

<b>ITEM</b>	<b>PART NUMBER</b>	<b>QTY</b>	<b>DESCRIPTION</b>	<b>REV</b>
	2902065	Ref	PUMP COUPLING KIT	K
1	70000793	1	Coupling, Hayes	
2	See Note	NSS	Plate, Pump Adapter (Note: Use p/n 2902065)	
3	See Note	NSS	Bolt, M10 x 30 Grade 10.9 (Note: Use p/n 2902065)	
4	See Note	NSS	Washer M10 (Note: Use p/n 2902065)	
5	3020021	AR	Grease, Coupling	
6	See Note	NSS	Capscrew M10 x 20 Grade 10.9 (Note: Use p/n 2902065)	

# SECTION 3 - ENGINE

## FIGURE 3-27. PISTON PUMP ASSEMBLY- FRONT



ART\_3600363

## SECTION 3 - ENGINE

### FIGURE 3-27. PISTON PUMP ASSEMBLY- FRONT

ITEM	PART NUMBER	QTY	DESCRIPTION	REV
	3600363	Ref	PISTON PUMP ASSEMBLY	B
1	7024805	1	Cam Follower Bearing Assembly (Includes Item 3)	
2	7022330	1	Swashplate	
3	7021236	1	Bearing, Needle	
4	7021237	1	Shaft	
5	7021238	1	Ring, Retaining	
6	7021239	1	Bearing, Roller	
7	7021240	1	Shaft (Includes Items 4-6)	
8	See Note	NSS	O-Ring (Note: Use Item 120)	
9	See Note	NSS	Seal, Lip (Note: Use Item 120)	
10	7021243	1	Carrier, Shaft Seal	
11	7023996	1	Screw	
12	7022331	1	Link, Control Summing	
13	7022332	1	Link, Control Feedback	
14	7022333	1	Link, Neutral Adjust	
15	7022334	1	Screw, Neutral Adjust	
16	7023997	1	Nut, Seal	
17	7022321	1	Plug (Includes Item 18)	
18	See Note	NSS	O-Ring (Note: Use Item 17 or 120)	
19	7022335	1	Control Kit (Includes Items 20 & 21)	
20	7023998	4	Screw	
21	7021267	3	Screw	
22	7022336	1	Spool Assembly	
23	7022337	1	Spring	
24	7022338	1	Gasket, Control	
25	7023999	1	Housing Assembly (Includes Items 27, 32, 36 & 41)	
26	7021248	1	Side Cover Assembly	
27	7021249	1	Bearing, Needle	
28	7021250	1	Pin	
29	7021251	2	Screw	
30	See Note	NSS	Gasket, Side Cover (Note: Use Item 120)	
31	7021253	2	Gasket, Servo Cover	
33	7021255	4	Screw	
34	7022321	1	Plug (Includes Item 35)	
35	See Note	NSS	O-Ring (Note: Use Item 34 or 120)	
36	7001485	1	Plug	
37	7007419	2	Plug (Includes Item 38)	
38	See Note	NSS	O-Ring (Note: Use Item 37 or 120)	
39	7007470	2	Plug (Includes Item 40)	
40	See Note	NSS	O-Ring (Note: Use Item 39 or 120)	
41	7001485	2	Plug, Pipe	
42	7021257	1	Ring, Retaining	
43	7022340	1	Bracket, Lifting	
44	7021251	1	Screw	
45	7022342	1	Key	
46	7022341	1	Ring, Retaining	
47	7022343	1	Gerotor Assembly	
48	7021259	1	Bearing, Journal	
49	7022344	1	Cover Assembly (Gerotor) (Includes Item 48):	
50	See Note	1	O-Ring (Note: No longer required per supplier. Pressure is the	

## SECTION 3 - ENGINE

ITEM	PART NUMBER	QTY	DESCRIPTION	REV
			same on either side of o-ring)	
51	See Note	NSS	O-Ring (Note: Use Item 120)	
52	See Note	1	Pin (Note: Not Available for Purchase)	
53	7022345	1	Valve, SCR	
54	7024800	1	Spring	
55	7022345	1	Valve, SCR	
56	7024800	1	Spring	
57	7021265	2	Bypass Valve Assembly (Includes Items 58, 59 & 60)	
58	See Note	NSS	O-Ring (Note: Use Item 57 or 120)	
59	See Note	NSS	Ring, Back-up (Note: Use Item 57 or 120)	
60	See Note	NSS	O-Ring (Note: Use Item 57 or 120)	
61	7022346	1	Adjuster	
62	7021289	1	O-Ring	
63	7022347	1	Spring	
64	7024804	1	Poppet	
65	7022190	1	Nut	
66	7022348	1	Cover, Servo	
67	7021255	5	Screw, Torx	
68	7007470	1	Plug (Includes Item 69)	
69	See Note	NSS	O-Ring (Note: Use Item 68 or 120)	
70	7001268	1	Cover, Servo	
71	7021255	5	Screw, Torx	
72	7007470	1	Plug (Includes Item 73)	
73	See Note	NSS	O-Ring (Note: Use Item 72 or 120)	
74	7022349	1	Cylinder Block Kit Options (Includes Items 75 to 83)	
75	7021271	1	Washer, Special	
76	7021272	1	Spring, Cylinder Block	
77	7021273	1	Washer, Special	
78	7021274	1	Ring, Retaining	
79	7021275	3	Pin, Slipper Hold Down	
80	7021276	1	Retainer, Pin	
81	7021277	1	Guide, Retainer	
82	7021278	1	Retainer, Slipper	
83	7021279	9	Piston Assembly	
84	7022350	1	Sensor, Speed (Includes Item 85)	
85	See Note	NSS	O-Ring (Note: Use Item 84 or 120)	
86	7021281	1	Plate, Valve (Right Side)	
87	7007470	1	Plug (Includes Item 88)	
88	See Note	NSS	O-Ring (Note: Use Item 87 or 120)	
89	7024801	1	Spool, Loop Flushing	
90	7021283	1	Plug (Includes Item 91)	
91	See Note	NSS	O-Ring (Note: Use Item 90 or 120)	
92	7021285	1	Adapter, Remote Filter	
93	See Note	NSS	Gasket, Filter Adapter	
94	7021255	7	Screw (Front Pump Only)	
95	7007470	1	Plug (Includes Item 96)	
96	See Note	NSS	O-Ring (Note: Use Item 95 or 120)	
97	7022351	1	Servo Piston Kit (Includes Qty 2 of Item 98)	
98	7007412	2	Servo Piston Ring Kit (Includes Items 99 & 100)	
99	See Note	NSS	O-Ring (Note: Use Item 97, 98 or 120)	
100	See Note	NSS	Ring, Piston (Note: Use Item 97, 98 or 120)	

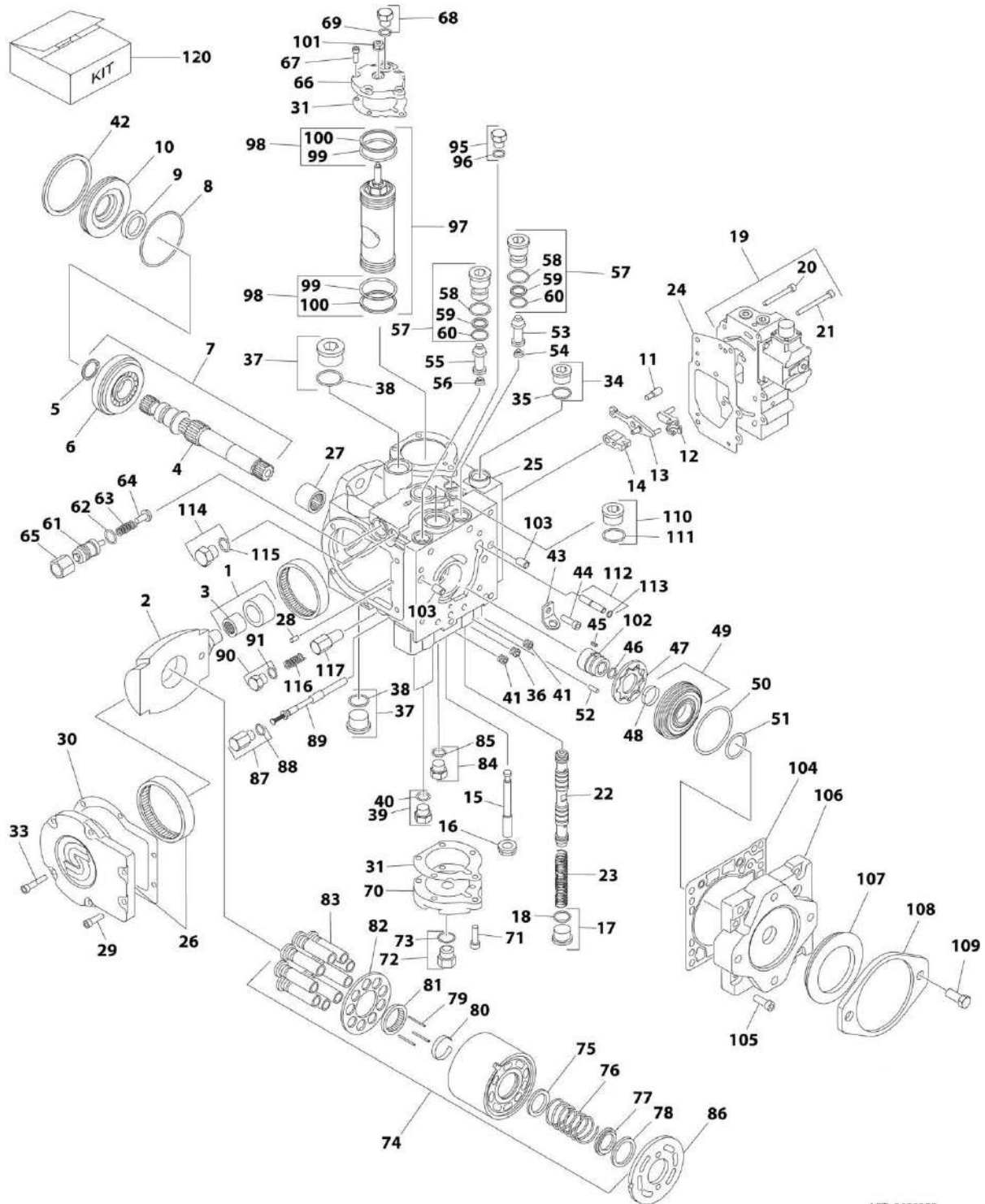


## SECTION 3 - ENGINE

ITEM	PART NUMBER	QTY	DESCRIPTION	REV
101	See Note	NSS	Nut, Seal (Note: Use Item 120)	
102	7022352	1	Coupling	
103	7001481	2	Pin	
104	See Note	NSS	Gasket, Charge Pump (Note: Use Item 120)	
105	7021296	6	Screw, Torx	
106	7022353	1	Cover, Charge Pump	
107	See Note	NSS	O-Ring (Note: Use Item 120)	
108	7021229	1	Cover, Flange	
109	7007289	2	Screw	
120	7021280	1	Seal Kit - Complete (Includes Items 8, 9, 16, 18, 30, 31, 35, 38, 40, 51, 58, 59, 60, 69, 73, 85, 88, 91, 93, 96, 99, 100, 101, 104, 107, 111, 113 & 115)	

# SECTION 3 - ENGINE

## FIGURE 3-28. PISTON PUMP ASSEMBLY- REAR



ART\_3600359

## SECTION 3 - ENGINE

**FIGURE 3-28. PISTON PUMP ASSEMBLY- REAR**

ITEM	PART NUMBER	QTY	DESCRIPTION	REV
	3600359	Ref	PISTON PUMP ASSEMBLY	A
1	7024805	1	Cam Follower Bearing Assembly (Includes Item 3)	
2	7022330	1	Swashplate	
3	7021236	1	Bearing, Needle	
4	7022354	1	Shaft	
5	7021238	1	Ring, Retaining	
6	7021239	1	Bearing, Roller	
7	7022355	1	Shaft (Includes Items 4, 5 & 6)	
8	See Note	NSS	O-Ring (Note: Use Item 120)	
9	See Note	NSS	Seal, Lip (Note: Use Item 120)	
10	7021243	1	Carrier, Shaft Seal	
11	7023996	1	Screw	
12	7022331	1	Link, Control Summing	
13	7022332	1	Link, Control Feedback	
14	7022333	1	Link, Neutral Adjust	
15	7022334	1	Screw, Neutral Adjust	
16	7023997	1	Nut, Seal	
17	7022321	1	Plug (Includes Item 18)	
18	See Note	NSS	O-Ring (Note: Use Item 17 or 120)	
19	7022335	1	Control Kit (Includes Items 20 & 21)	
20	7023998	4	Screw	
21	7021267	3	Screw	
22	7022336	1	Spool Assembly	
23	7022337	1	Spring	
24	7022338	1	Gasket, Control	
25	See Note	NLA	Housing Assembly (Note: Not Available - Purchase Complete Rear Pump)	
26	7021248	1	Side Cover Assembly	
27	7021249	1	Bearing, Needle	
28	7021250	1	Pin	
29	7021251	2	Screw	
30	See Note	NSS	Gasket, Side Cover (Note: Use Item 120)	
31	7021253	2	Gasket, Servo Cover	
33	7021255	4	Screw	
34	7022321	1	Plug (Includes Item 35)	
35	See Note	NSS	O-Ring (Note: Use Item 34 or 120)	
36	7001485	1	Plug	
37	7007419	2	Plug (Includes Item 38)	
38	See Note	NSS	O-Ring (Note: Use Item 37 or 120)	
39	7007470	2	Plug (Includes Item 40)	
40	See Note	NSS	O-Ring (Note: Use Item 39 or 120)	
41	7001485	2	Plug, Pipe	
42	7021257	1	Ring, Retaining	
43	7022340	1	Bracket, Lifting	
44	7021251	1	Screw	
45	7022342	1	Key	
46	7022341	1	Ring, Retaining	
47	7022357	1	Spacer	
48	7021259	1	Bearing, Journal	
49	7021260	1	Cover Assembly (Includes Item 48)	

## SECTION 3 - ENGINE

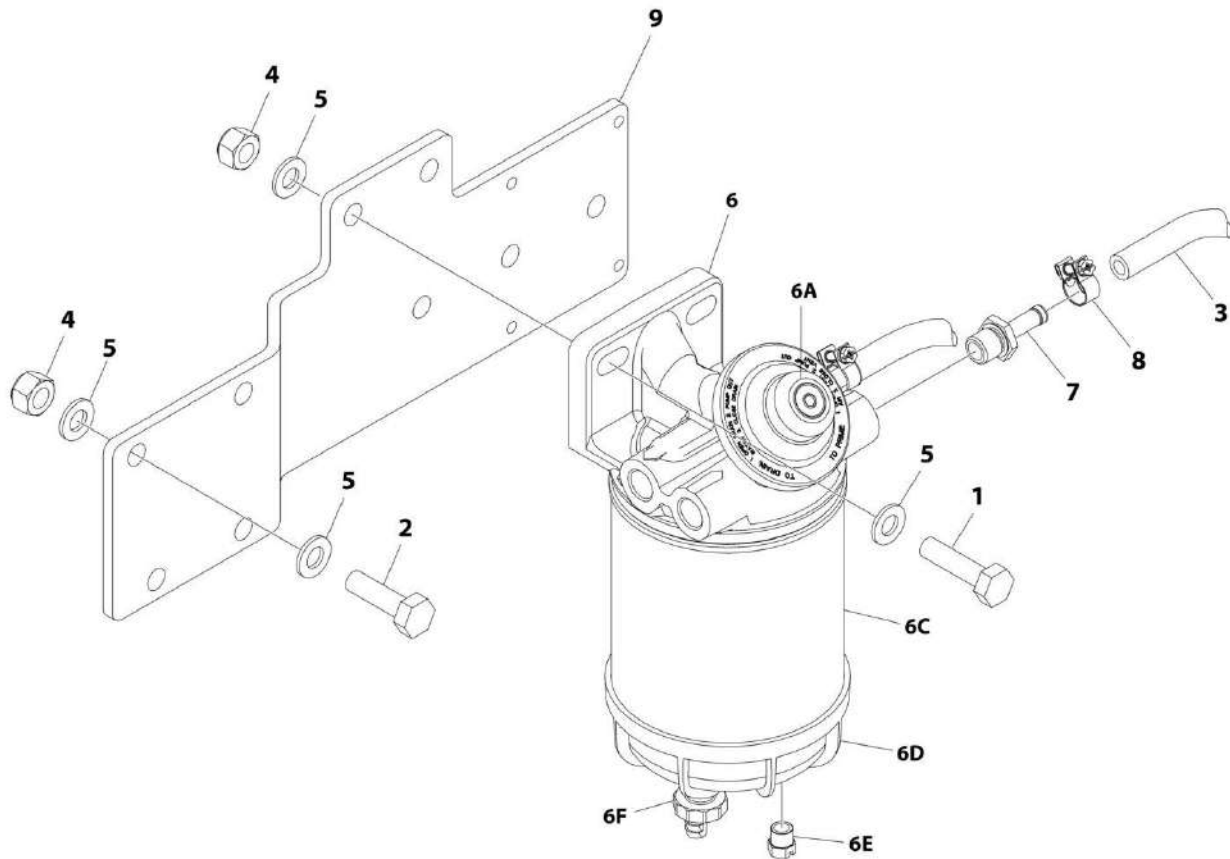
ITEM	PART NUMBER	QTY	DESCRIPTION	REV
50	See Note	1	O-Ring (Note: No longer required per supplier. Pressure is the same on either side of o-ring)	
51	See Note	NSS	O-Ring (Note: Use Item 120)	
52	See Note	1	Pin (Note: Not Available for Purchase)	
53	7022345	1	Valve, SCR	
54	7024800	1	Spring	
55	7022345	1	Valve, SCR	
56	7024800	1	Spring	
57	7021265	2	Bypass Valve Assembly (Includes Items 58, 59 & 60)	
58	See Note	NSS	O-Ring (Note: Use Item 57 or 120)	
59	See Note	NSS	Ring, Back-up (Note: Use Item 57 or 120)	
60	See Note	NSS	O-Ring (Note: Use Item 57 or 120)	
61	7022346	1	Adjuster	
62	7021289	1	O-Ring	
63	7022347	1	Spring	
64	7024804	1	Poppet	
65	7022190	1	Nut	
66	7022348	1	Cover, Servo	
67	7021255	5	Screw, Torx	
68	7007470	1	Plug (Includes Item 69)	
69	See Note	NSS	O-Ring (Note: Use Item 68 or 120)	
70	7001268	1	Cover, Servo	
71	7021255	5	Screw, Torx	
72	7007470	1	Plug (Includes Item 73)	
73	See Note	NSS	O-Ring (Note: Use Item 72 or 120)	
74	7021269	1	Cylinder Block Kit (Includes Items 75 to 83)	
75	7021271	1	Washer, Special	
76	7021272	1	Spring, Cylinder Block	
77	7021273	1	Washer, Special	
78	7021274	1	Ring, Retaining	
79	7021275	3	Pin, Slipper Hold Down	
80	7021276	1	Retainer, Pin	
81	7021277	1	Guide, Retainer	
82	7021278	1	Retainer, Slipper	
83	7021279	9	Piston Assembly	
84	7007470	1	Plug (Includes Item 85)	
85	See Note	NSS	O-Ring (Note: Use Item 84 or 120)	
86	7021281	1	Plate, Valve (Right Side)	
87	7007470	1	Plug (Includes Item 88)	
88	See Note	NSS	O-Ring (Note: Use Item 87 or 120)	
89	7024801	1	Spool, Loop Flushing	
90	7021283	1	Plug (Includes Item 91)	
91	See Note	NSS	O-Ring (Note: Use Item 90 or 120)	
95	7007470	1	Plug (Includes Item 96)	
96	See Note	NSS	O-Ring (Note: Use Item 95 or 120)	
97	7022351	1	Servo Piston Kit (Includes Qty 2 of Item 98)	
98	7007412	2	Servo Piston Ring Kit (Includes Items 99 & 100)	
99	See Note	NSS	O-Ring (Note: Use Item 97, 98 or 120)	
100	See Note	NSS	Ring, Piston (Note: Use Item 97, 98 or 120)	
101	See Note	NSS	Nut, Seal (Note: Use Item 120)	
102	7022359	1	Coupling	
103	7001481	2	Pin	

## SECTION 3 - ENGINE

ITEM	PART NUMBER	QTY	DESCRIPTION	REV
104	See Note	NSS	Gasket, Charge Pump (Note: Use Item 120)	
105	7021296	6	Screw, Torx	
106	7021297	1	Cover, Charge Pump	
107	7021298	1	Seal	
108	7021299	1	Cover, Flange	
109	7007289	2	Screw	
110	7007419	1	Plug (Rear Pump Only)	
111	See Note	NSS	O-Ring (Rear Pump Only) (Note: Use Item 110 or 120)	
112	7022358	1	Plug (Include Item 113)	
113	See Note	NSS	O-Ring (Note: Use Item 112 or 120)	
114	7021256	1	Plug (Include Item 115) (Rear Pump Only)	
115	See Note	NSS	O-Ring (Rear Pump Only) (Note: Use Item 114 or 120)	
116	7024802	1	Spring	
117	7024803	1	Poppet	
120	7021280	1	Seal Kit - Complete (Includes Items 8, 9, 16, 18, 30, 31, 35, 38, 40, 51, 58, 59, 60, 69, 73, 85, 88, 91, 93, 96, 99, 100, 101, 104, 107, 111, 113 & 115)	

# SECTION 3 - ENGINE

## FIGURE 3-29. FUEL FILTER INSTALLATION (STEEL FUEL TANK) (DEUTZ D2011 ENGINES)



ART\_1001225054

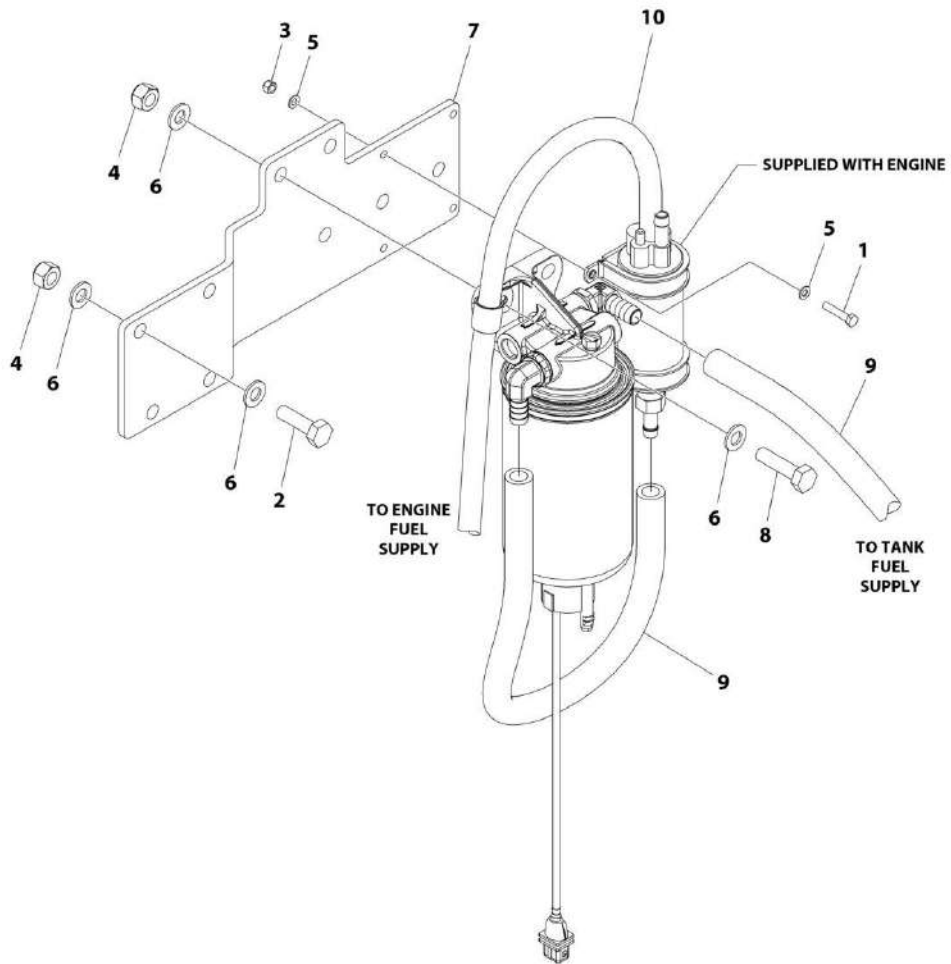
## SECTION 3 - ENGINE

**FIGURE 3-29. FUEL FILTER INSTALLATION (STEEL FUEL TANK) (DEUTZ D2011 ENGINES)**

ITEM	PART NUMBER	QTY	DESCRIPTION	REV
	1001225054	Ref	FUEL FILTER INSTALLATION	B
1	0761016	2	Bolt M10 x 40	
2	0761015	2	Bolt M10 x 35	
2	1001228406	2	Bolt M10 x 35	
3	2720058	32 in/ 80cm	Hose, Fuel Line	
4	3291005	4	Nut M10	
5	4812000	AR	Washer M10	
6	1001149452	1	Fuel Filter/Water Separator Assembly	
6A	See Note	NSS	Indicator, Restriction (Note: Use p/n 1001149452)	
6B	70004064	1	Bypass Valve Kit (Not Shown)	
6C	70004065	1	Gasket, Head to Element	
6C	70004066	1	Element, Filter	
6D	70004067	1	Gasket, Element to Bowl	
6D	70004068	1	Bowl Kit (Includes Bowl, Element and Plug)	
6E	70004069	1	Plug	
6F	70004070	1	Drain	
7	1001149469	2	Fitting, Straight Barbed	
8	1001174486	2	Clamp	
9	1001224967	1	Bracket	

# SECTION 3 - ENGINE

## FIGURE 3-30. FUEL PUMP AND FILTER INSTALLATION (STEEL FUEL TANK) (DEUTZ TD2.9L4 ENGINES)



ART\_1001204902



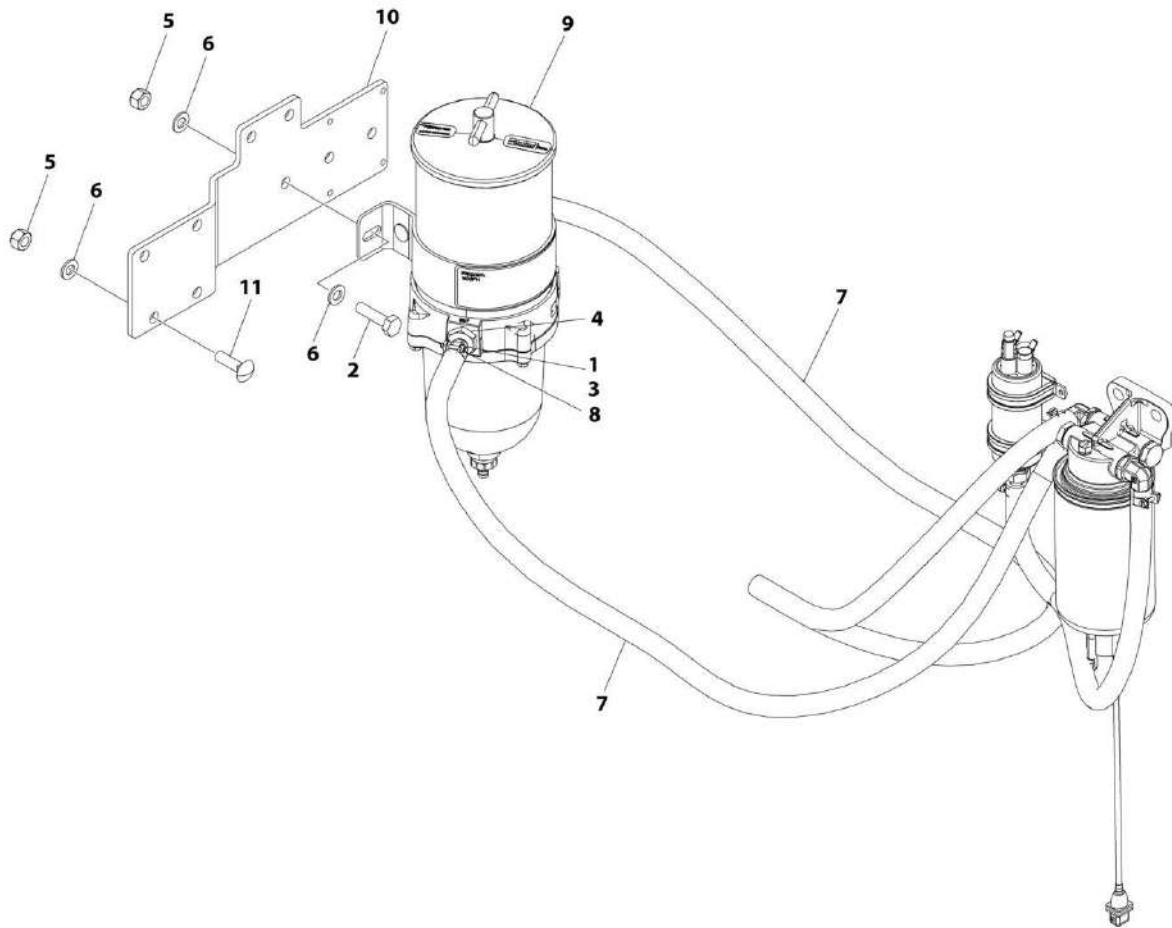
## SECTION 3 - ENGINE

**FIGURE 3-30. FUEL PUMP AND FILTER INSTALLATION (STEEL FUEL TANK) (DEUTZ TD2.9L4 ENGINES)**

ITEM	PART NUMBER	QTY	DESCRIPTION	REV
	1001204902	Ref	FUEL PUMP AND FILTER INSTALLATION	D
1	0760512	4	Bolt M5 x 25	
2	0761015	2	Bolt M10 x 35	
2	1001228406	2	Bolt M10 x 35	
3	3290505	4	Nut M5	
4	3291005	4	Nut M10	
5	4811600	8	Washer M5	
6	4812000	AR	Washer M10	
7	1001224967	1	Bracket	
8	0701016	2	Bolt M10 x 40	
9	1001154405	2.3 ft/ 70cm	Hose	
10	1001165035	2.5 ft/ 75cm	Hose	

# SECTION 3 - ENGINE

## FIGURE 3-31. FUEL FILTER INSTALLATION (DEUTZ TD2.9L4 ENGINES)



ART\_1001224474

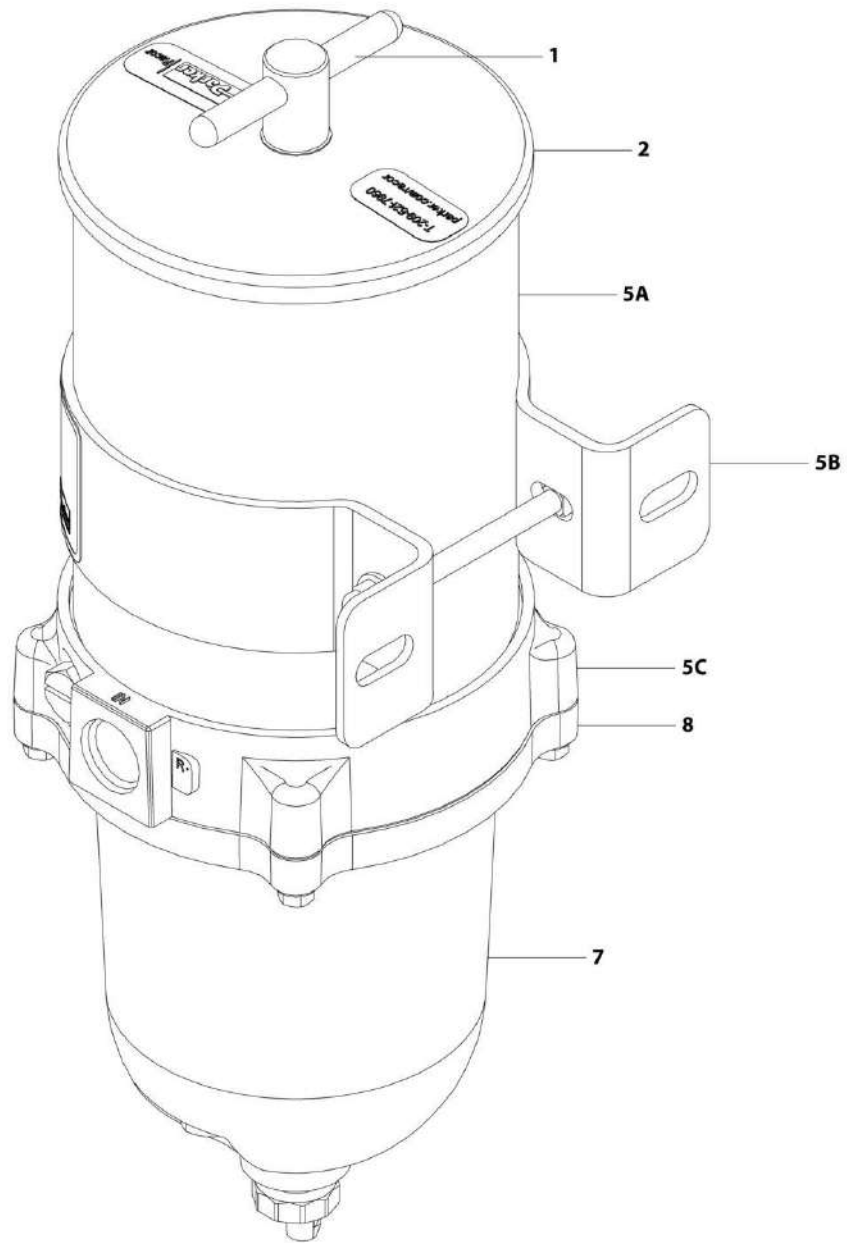
## SECTION 3 - ENGINE

**FIGURE 3-31. FUEL FILTER INSTALLATION (DEUTZ TD2.9L4 ENGINES)**

ITEM	PART NUMBER	QTY	DESCRIPTION	REV
	1001224473	Ref	FUEL FILTER INSTALLATION	B
1	0100020	AR	Sealant	
2	0761016	2	Bolt M10 x 40	
3	2180832	2	Fitting, Straight Barbed	
4	2220816	2	Fitting, Straight NPT	
5	3291005	4	Nut M10	
6	4812000	6	Washer M10	
7	1001154405	42 in/ 1.1m	Hose	
8	1001175568	2	Clip	
9	1001222817	1	Fuel Filter Assembly (See Separate Breakdown in this Section)	
10	1001224967	1	Bracket	
11	1001228406	2	Bolt M10 x 35, GRADE 8.8	

# SECTION 3 - ENGINE

## FIGURE 3-32. FUEL FILTER ASSEMBLY (DEUTZ TD2.9L4 ENGINES)



ART\_1001222817

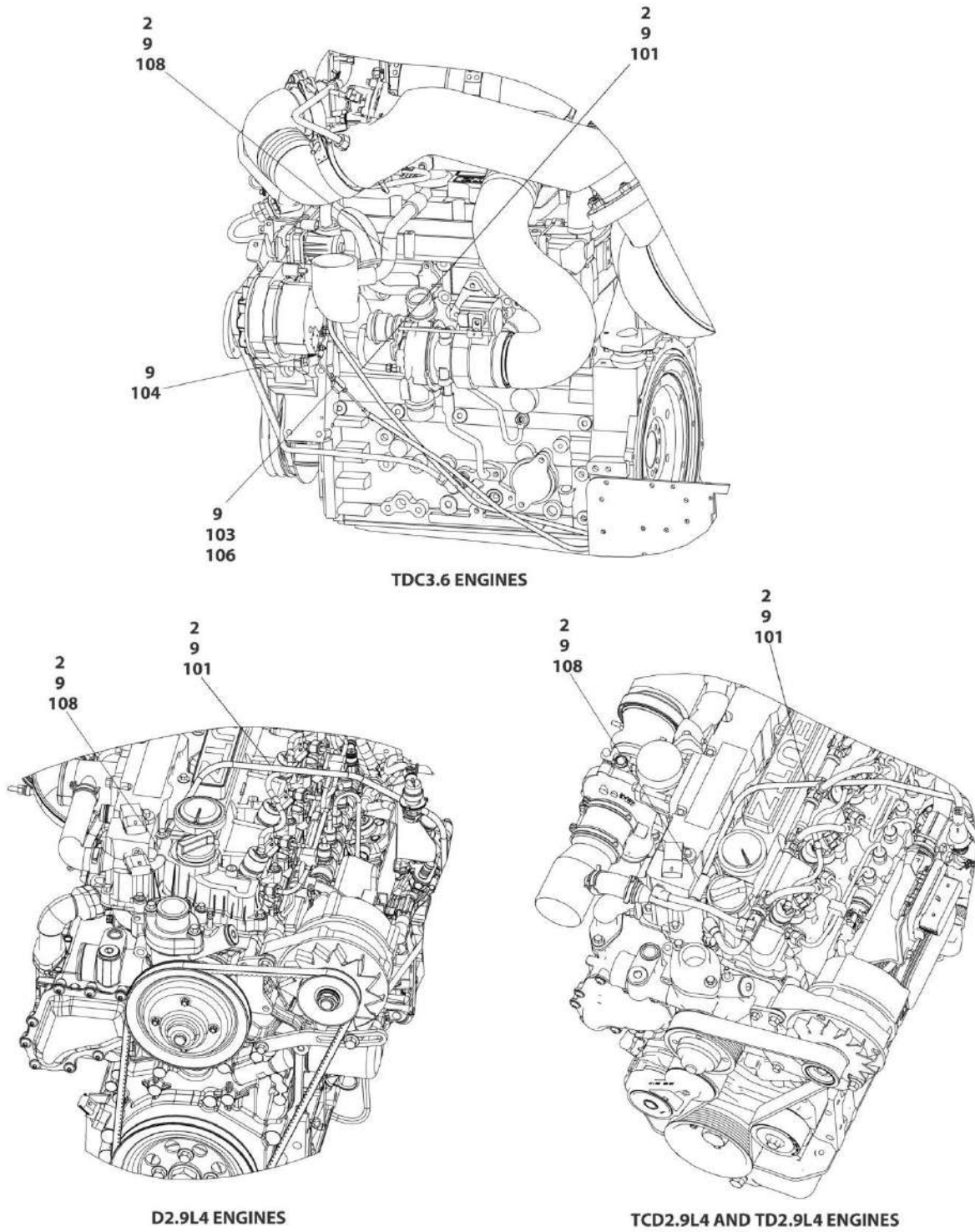
## SECTION 3 - ENGINE

**FIGURE 3-32. FUEL FILTER ASSEMBLY (DEUTZ TD2.9L4 ENGINES)**

ITEM	PART NUMBER	QTY	DESCRIPTION	REV
	1001222817	Ref	FUEL FILTER ASSEMBLY	A
1	70006403	1	Handle Kit (Includes Handle, Handle O-Ring & Lid Gasket)	
2	70006404	1	Lid Kit (Includes Lid, Handle O-Ring & Lid Gasket)	
3	70006405	1	Element, Filter (Not Shown)	
5A	See Note	NSS	Housing (Note: Use p/n 1001222817)	
5B	See Note	NSS	Bracket (Note: Use p/n 1001222817)	
5C	See Note	NSS	Tube, Return ((Note: Use p/n 1001222817))	
6	70006407	1	Certrfuge & Baffle Kit (Not Shown - Located at Bottom of 5C) (Also Includes p/n 70006406 & Bowl Gasket)	
6	70006406	1	Checkball & Gasket Kit (Not Shown - Located at Bottom of 5C)	
7	70006409	1	Bowl Kit (Includes Bowl Gasket, Plug with O-Ring & Drain)	
7	70006408	1	Gasket, Bowl	
8	70006410	1	Bowl Ring Kit (Includes Bowl Gasket & Bolts)	

# SECTION 3 - ENGINE

## FIGURE 3-33. BREATHER HEATER INSTALLATION - DEUTZ D2.9L4 ENGINE WITH ARCTIC PACKAGE



ART\_1001233763

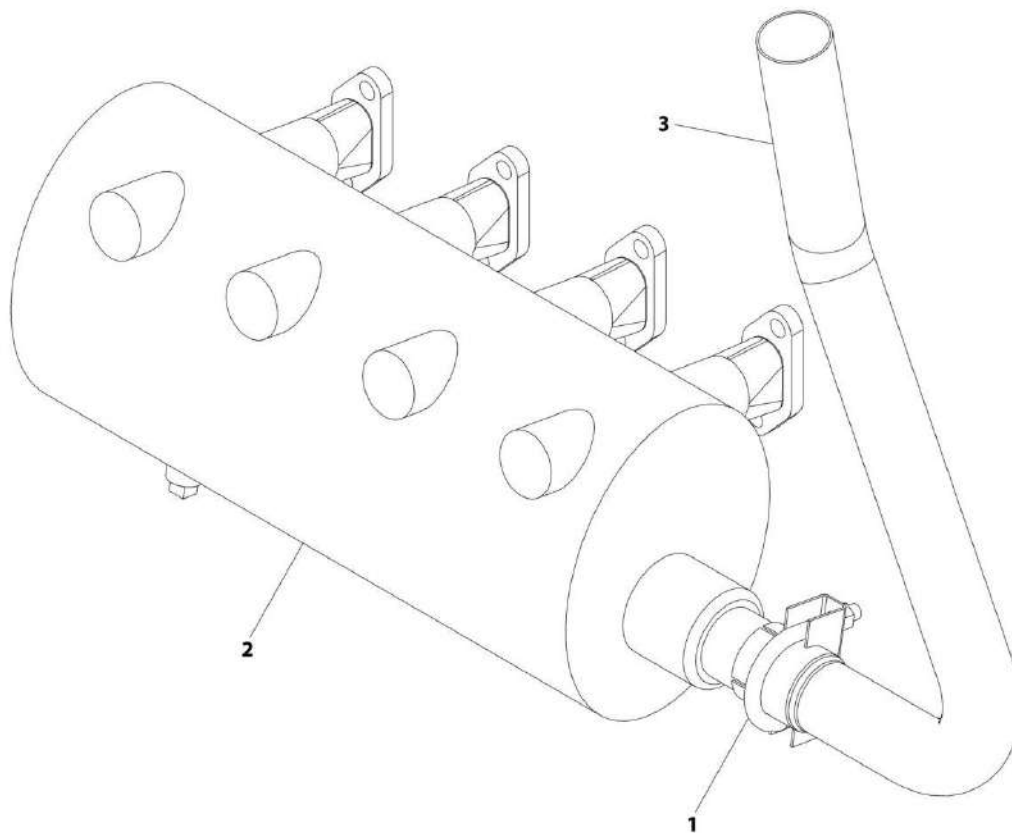
## SECTION 3 - ENGINE

**FIGURE 3-33. BREATHER HEATER INSTALLATION - DEUTZ D2.9L4 ENGINE WITH ARCTIC PACKAGE**

ITEM	PART NUMBER	QTY	DESCRIPTION	REV
	1001233763	Ref	BREATHER HEATER INSTALLATION - DEUTZ ENGINES	C
2	4240099	AR	Tie-Strap	
9	1001243895	1	Breather Heater Harness	
101	2820035	10 ft/ 3m	Insulation	
103	2400060	1	Fuseholder with Cover	
104	4460043	1	Terminal, Ring	
105	4460722	1	Terminal, Ring (Not Shown)	
106	1001196634	1	Fuse - 2 Amp	
108	1001232842	1	Breather Heater Kit	

## SECTION 3 - ENGINE

FIGURE 3-34. MUFFLER INSTALLATION - SPARK ARRESTING (DEUTZ D2011 ENGINES)  
(OPTIONAL)



ART\_1001192284



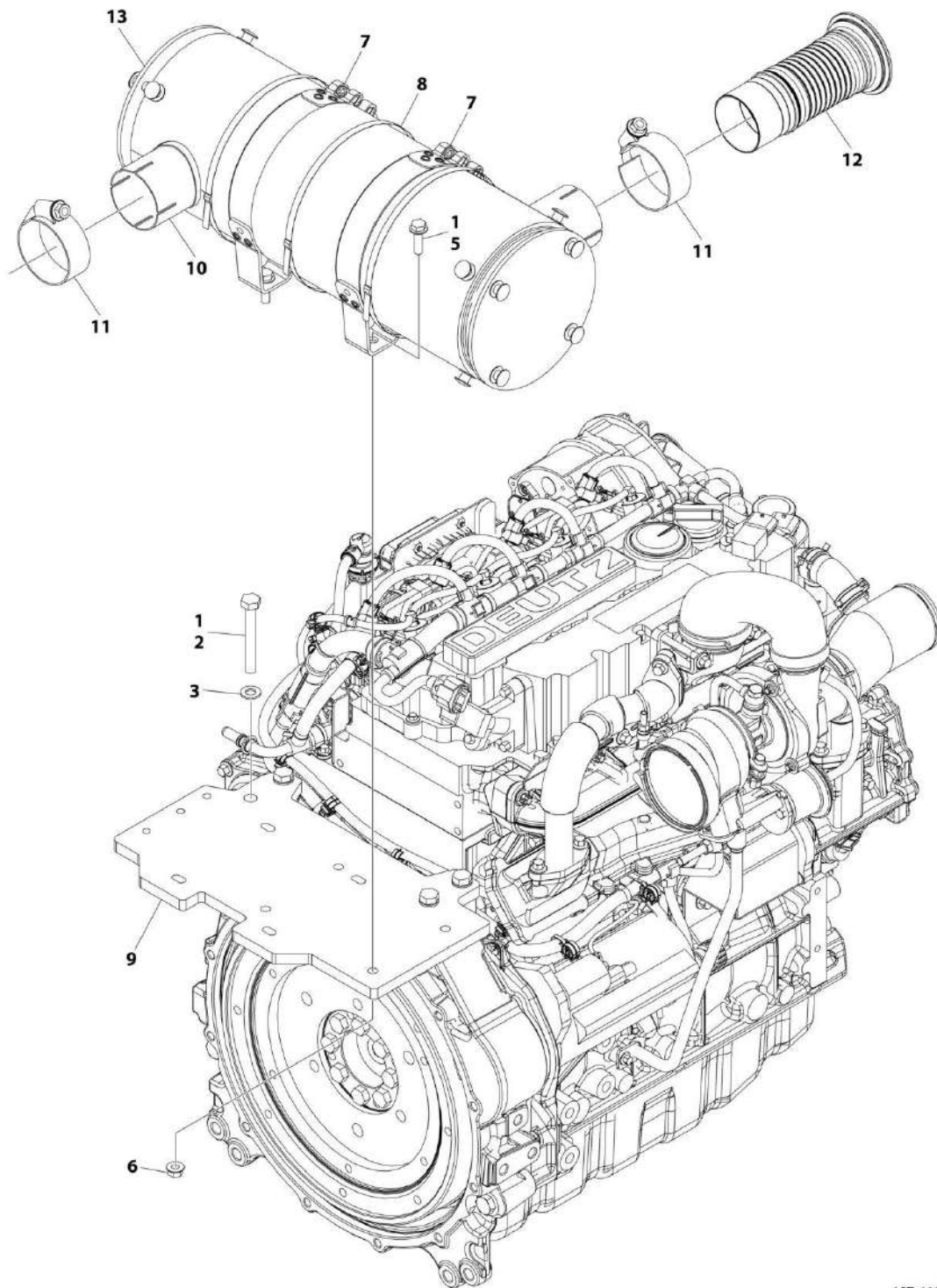
## SECTION 3 - ENGINE

**FIGURE 3-34. MUFFLER INSTALLATION - SPARK ARRESTING (DEUTZ D2011 ENGINES)  
(OPTIONAL)**

ITEM	PART NUMBER	QTY	DESCRIPTION	REV
	1001192284	Ref	MUFFLER INSTALLATION	B
1	1320176	1	Clamp	
2	1001195763	1	Pipe, Exhaust	
3	1001191156	1	Muffler, Spark Arresting	

# SECTION 3 - ENGINE

FIGURE 3-35. DEUTZ 2.9L4 EXHAUST INSTALLATION (CHINA SPECS ONLY)



ART\_1001231649

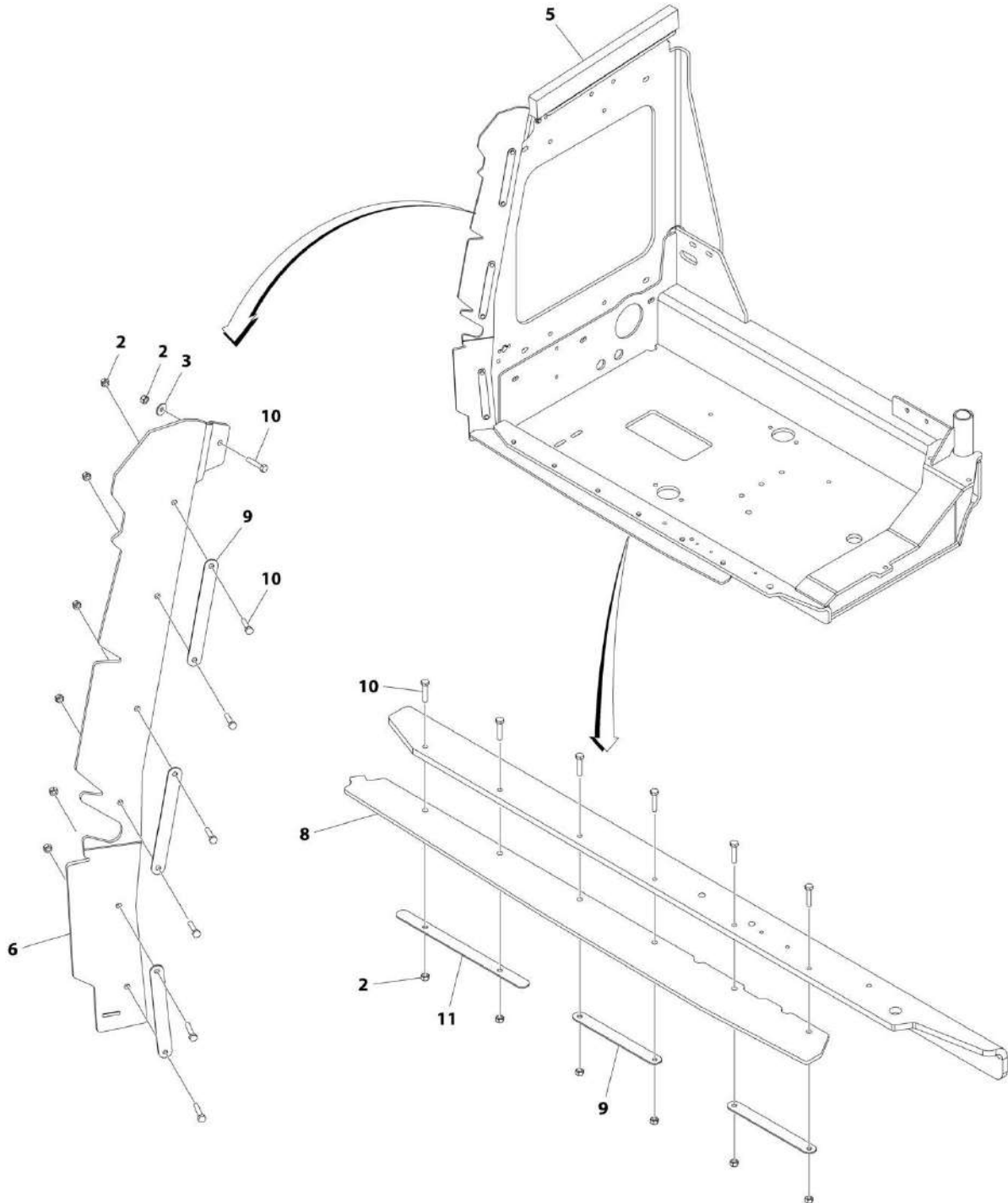
## SECTION 3 - ENGINE

**FIGURE 3-35. DEUTZ 2.9L4 EXHAUST INSTALLATION (CHINA SPECS ONLY)**

ITEM	PART NUMBER	QTY	DESCRIPTION	REV
	1001231649	Ref	DEUTZ 2.9L4 EXHAUST INSTALLATION	A
1	0100011	AR	Compound, Locking	
2	0701024	4	Bolt M10 x 80	
3	4812000	4	Washer M10	
4	4920385	AR	Wire, Safety (Not Shown)	
5	5250813	4	Bolt M8 x 28	
6	5260800	4	Nut M8 Grade 10.9	
7	1001119727	2	Clamp	
8	1001137336	3	Strap	
9	1001221203	1	Bracket	
10	1001221207	1	Muffler	
11	1001221212	2	Clamp	
12	1001221217	1	Pipe	
13	1001221427	1	Wrap, Muffler	

# SECTION 3 - ENGINE

## FIGURE 3-36. ENGINE HOOD Baffles INSTALLATION - ABS HOODS



ART\_1001197268

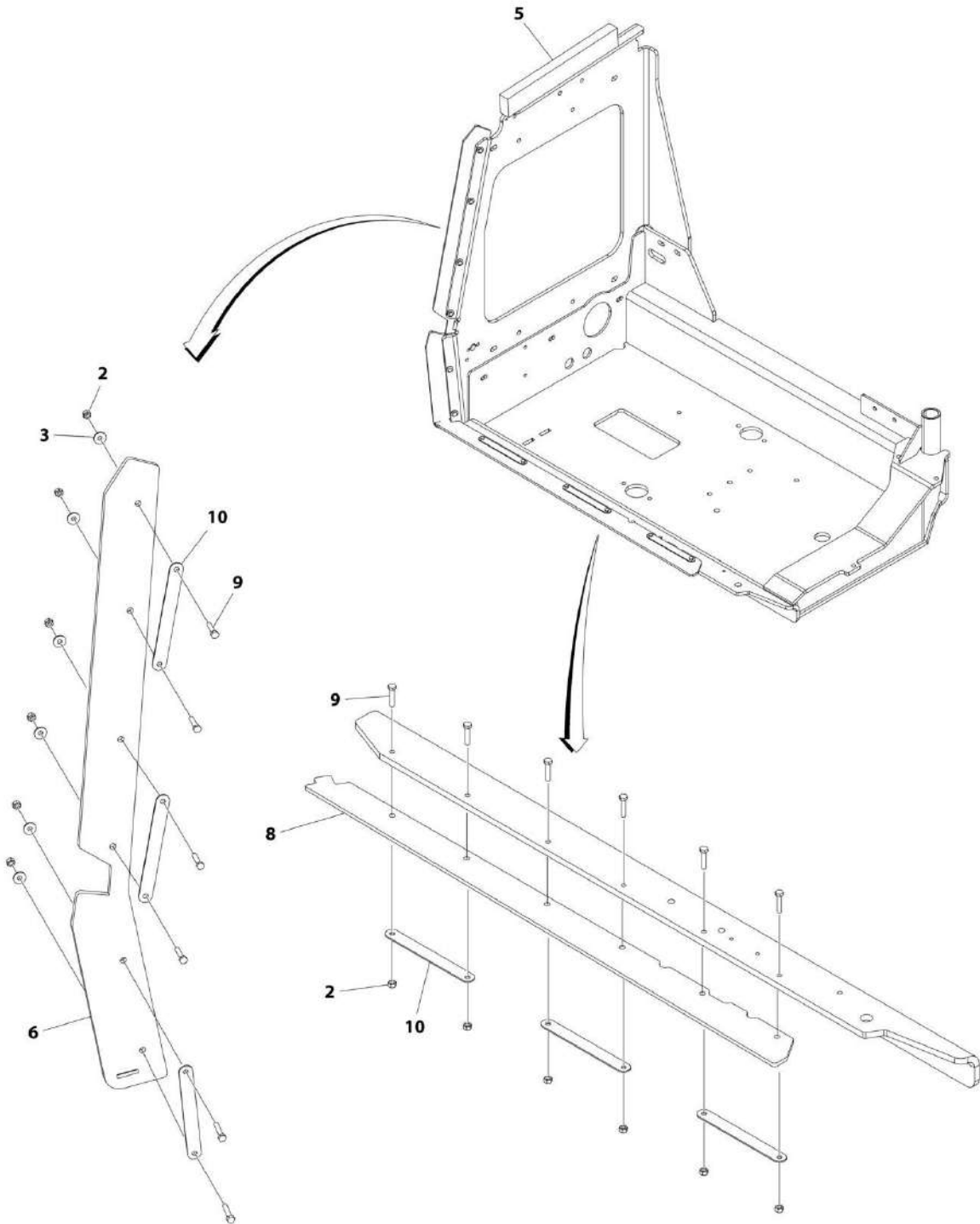
## SECTION 3 - ENGINE

**FIGURE 3-36. ENGINE HOOD BAFFLES INSTALLATION - ABS HOODS**

ITEM	PART NUMBER	QTY	DESCRIPTION	REV
	1001197268	Ref	ENGINE HOOD BAFFLES INSTALLATION	G
2	3290605	13	Nut M6	
3	4811702	8	Washer M6	
5	1001197389	1	Seal	
6	1001197386	NLA	Seal (Use p/n 1001234370) <b>(600SC SN 0300235168 through 0300243424)</b>	
6	1001197386	NLA	Seal (Use p/n 1001234370) <b>(660SJC SN 0300235168 through 0300243424)</b>	
6	1001234370	1	Seal <b>(600SC SN 0300243425 to Present)</b>	
6	1001234370	1	Seal <b>(660SJC SN 0300243425 to Present)</b>	
8	1001197388	NLA	Seal (Use p/n 1001234371) <b>(600SC SN 0300235168 through 0300243424)</b>	
8	1001197388	NLA	Seal (Use p/n 1001234371) <b>(660SJC SN 0300235168 through 0300243424)</b>	
8	1001234371	1	Seal <b>(600SC SN 0300243425 to Present)</b>	
8	1001234371	1	Seal <b>(660SJC SN 0300243425 to Present)</b>	
9	1001167164	5	Support	
10	0760614	13	Bolt M6 x 30	
11	1001233429	1	Support	

# SECTION 3 - ENGINE

## FIGURE 3-37. ENGINE HOOD Baffles INSTALLATION - STEEL HOODS



ART\_1001197269

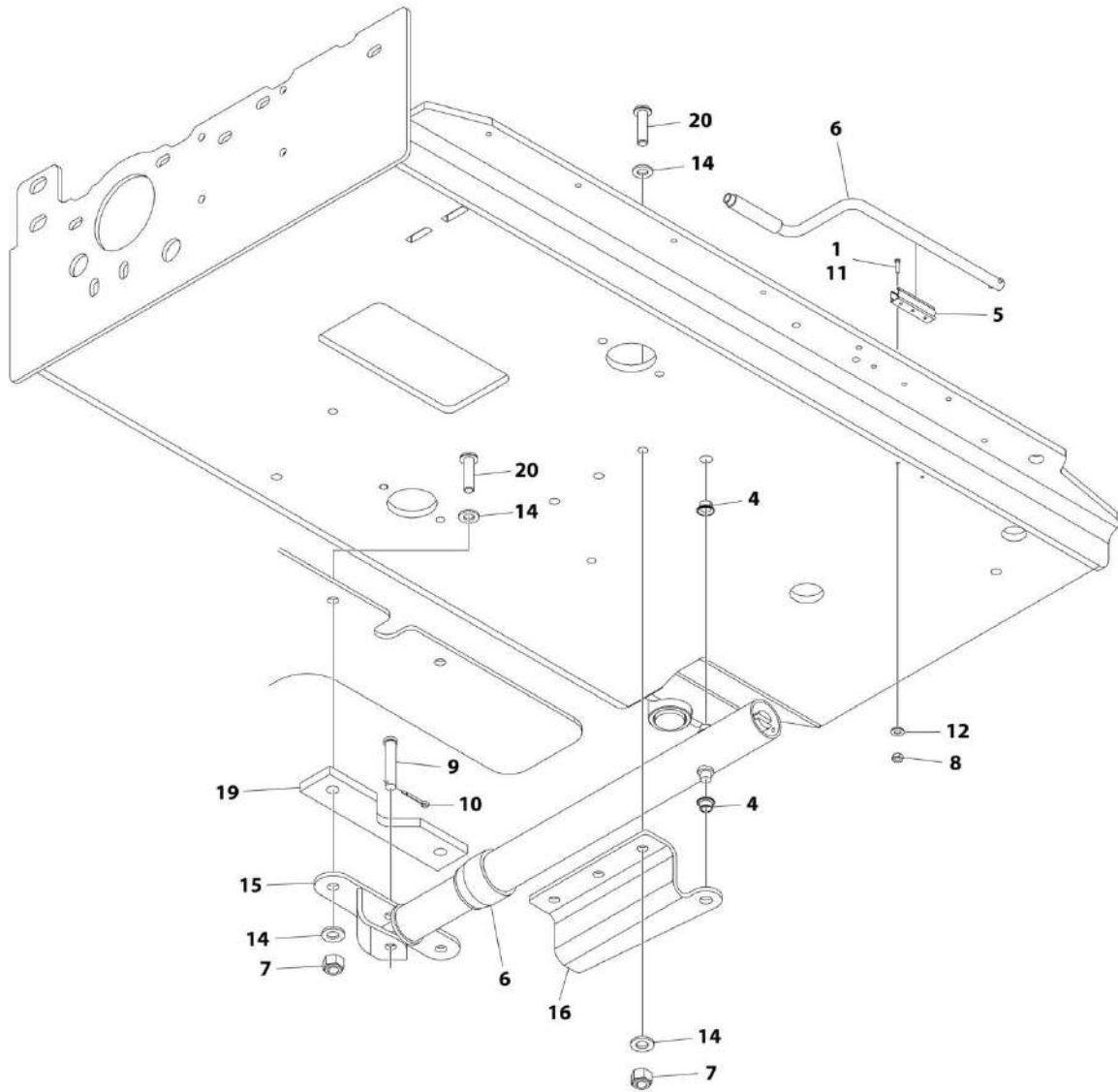
## SECTION 3 - ENGINE

**FIGURE 3-37. ENGINE HOOD BAFFLES INSTALLATION - STEEL HOODS**

ITEM	PART NUMBER	QTY	DESCRIPTION	REV
	1001197269	Ref	ENGINE HOOD BAFFLES INSTALLATION	F
2	3290605	AR	Nut M6	
3	4811702	AR	Washer M6	
5	1001197389	1	Seal <b>(600SC SN 0300235168 through 0300243424)</b>	
5	1001197389	1	Seal <b>(660SJC SN 0300235168 through 0300243424)</b>	
5	1001234281	1	Seal <b>(600SC SN 0300243425 to Present)</b>	
5	1001234281	1	Seal <b>(660SJC SN 0300243425 to Present)</b>	
6	1001197390	NLA	Seal (Use p/n 1001234299) <b>(600SC SN 0300235168 through 0300243424)</b>	
6	1001197390	NLA	Seal (Use p/n 1001234299) <b>(660SJC SN 0300235168 through 0300243424)</b>	
6	1001234299	1	Seal <b>(600SC SN 0300243425 to Present)</b>	
6	1001234299	1	Seal <b>(660SJC SN 0300243425 to Present)</b>	
8	1001197392	NLA	Seal (Use p/n 1001234283) <b>(600SC SN 0300235168 through 0300243424)</b>	
8	1001197392	NLA	Seal (Use p/n 1001234283) <b>(660SJC SN 0300235168 through 0300243424)</b>	
8	1001234283	1	Seal <b>(600SC SN 0300243425 to Present)</b>	
8	1001234283	1	Seal <b>(660SJC SN 0300243425 to Present)</b>	
9	0760614	AR	Bolt M6 x 30	
10	1001167164	6	Support	

# SECTION 3 - ENGINE

## FIGURE 3-38. TRAY JACK INSTALLATION



ART\_1001186980

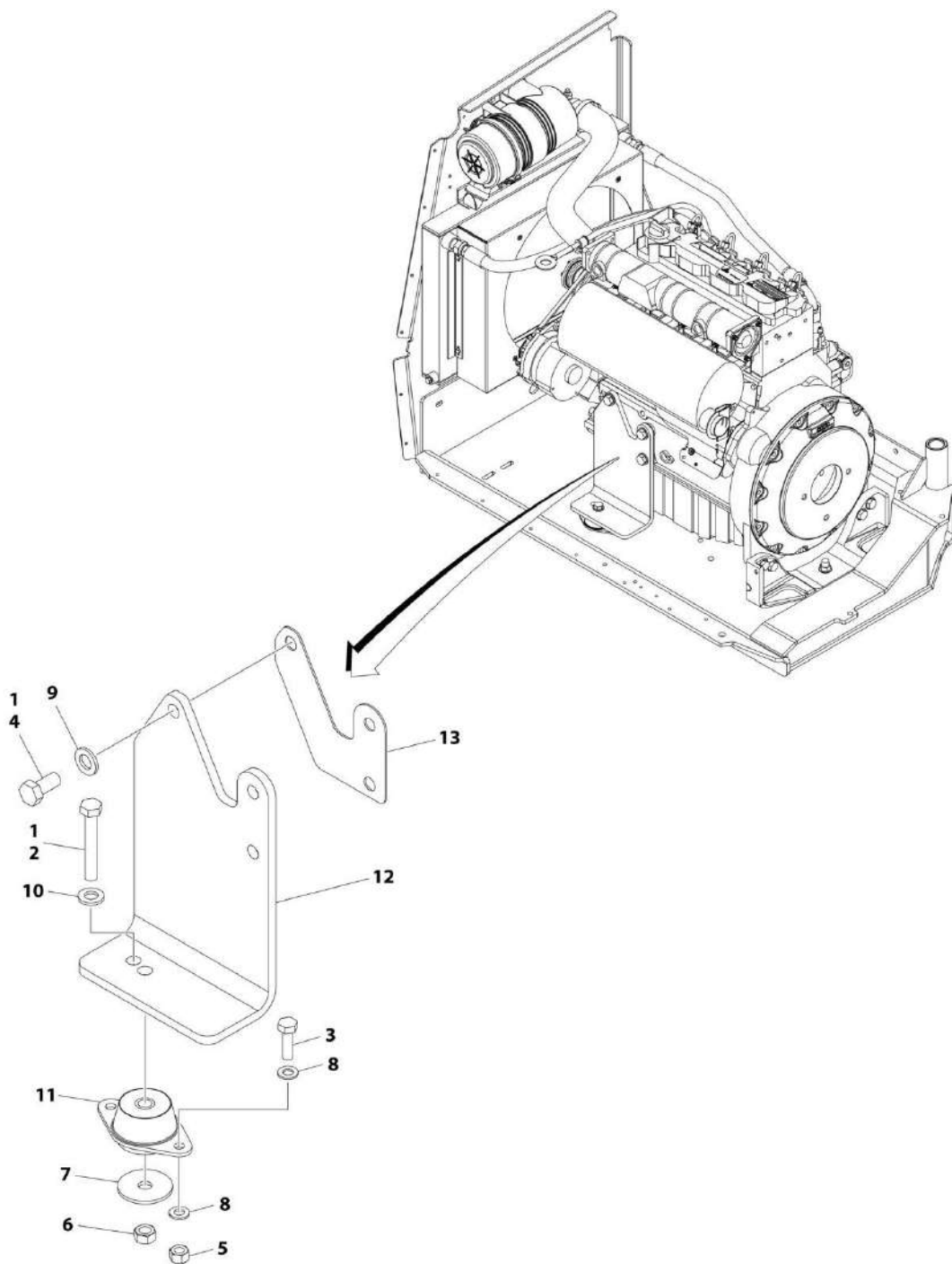


FIGURE 3-38. TRAY JACK INSTALLATION

ITEM	PART NUMBER	QTY	DESCRIPTION	REV
	1001186980	Ref	TRAY JACK INSTALLATION	E
1	0100011	AR	Compound, Locking	
4	0962051	2	Bearing	
5	1380147	1	Clip	
6	2840016	1	Jack and Handle Assembly	
6	7024598	1	Handle	
7	3291205	5	Nut M12	
8	3290301	2	Nut M3	
9	3430820	1	Pin	
10	3450404	1	Pin (SN 0300236299 through 0300251713)	
10	1001236121	1	Pin (SN 0300251714 to Present)	
11	4010308	2	Screw M3 x 16	
12	4811400	2	Washer M4	
14	4812100	10	Washer M12	
15	1001166894	1	Support	
16	1001175073	1	Support	
19	1001186981	1	Plate	
20	1001102978	5	Screw M12 x 45 Grade 10.9	

## SECTION 3 - ENGINE

FIGURE 3-39. MOTOR MOUNT INSTALLATION - WITHOUT GENERATOR (DEUTZ D2011 ENGINES)



ART\_1001192443

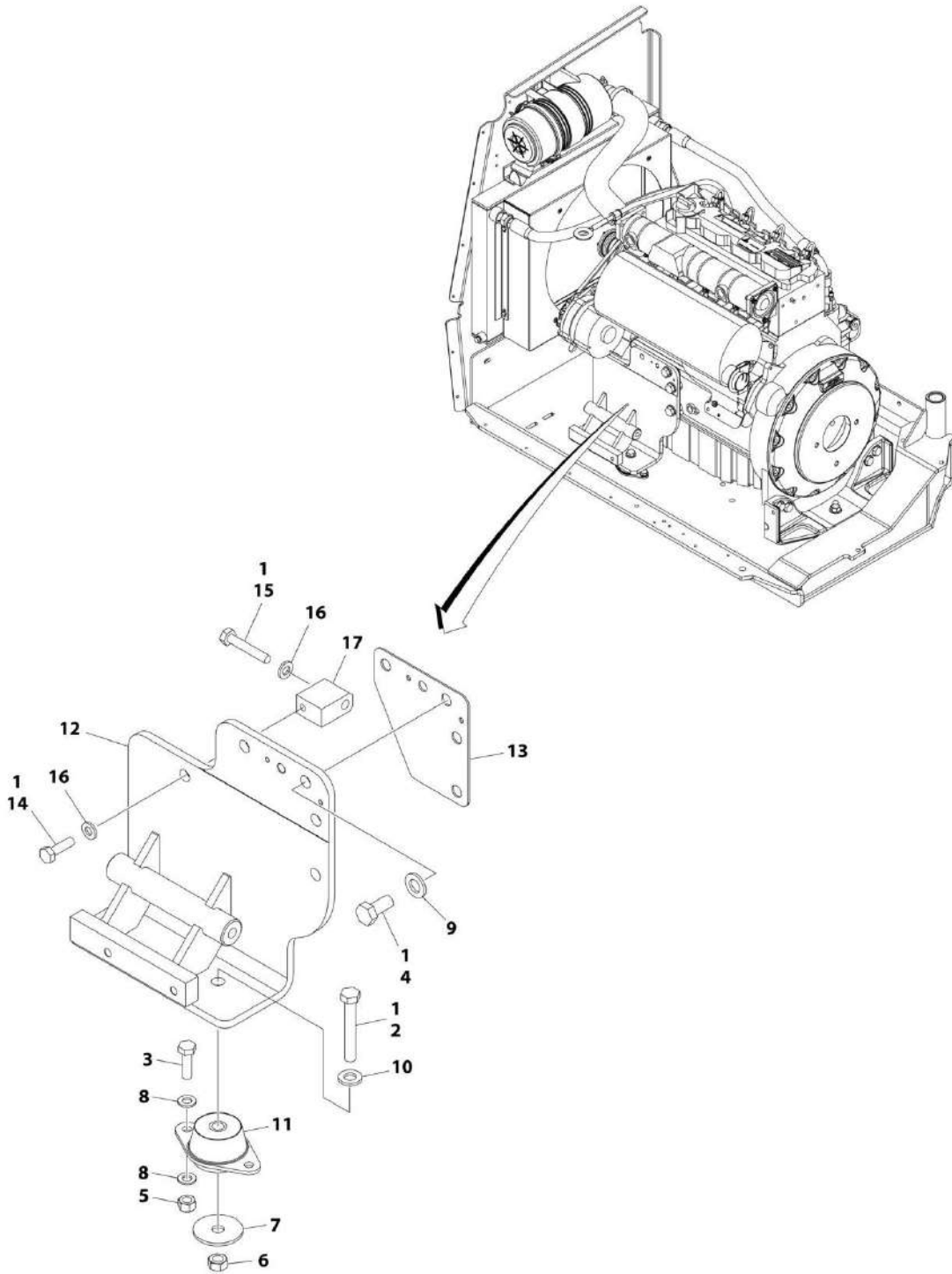
## SECTION 3 - ENGINE

**FIGURE 3-39. MOTOR MOUNT INSTALLATION - WITHOUT GENERATOR (DEUTZ D2011 ENGINES)**

ITEM	PART NUMBER	QTY	DESCRIPTION	REV
	1001192443	Ref	MOTOR MOUNT INSTALLATION	D
1	0100011	AR	Compound, Locking	
2	0711224	1	Bolt M12 x 80	
3	0761015	2	Bolt M10 x 35	
4	0771414	3	Bolt M14 x 30	
5	3291005	2	Nut M10	
6	3331211	1	Nut M12	
7	1001168018	1	Washer	
8	4812000	4	Washer M10	
9	5241400	3	Washer M14	
10	5241200	1	Washer M12	
11	1001191610	1	Mount, Motor	
12	1001189227	1	Mount	
13	1001201843	1	Shim	

# SECTION 3 - ENGINE

FIGURE 3-40. MOTOR MOUNT INSTALLATION - WITH GENERATOR (DEUTZ D2011 ENGINES)



ART\_1001191856

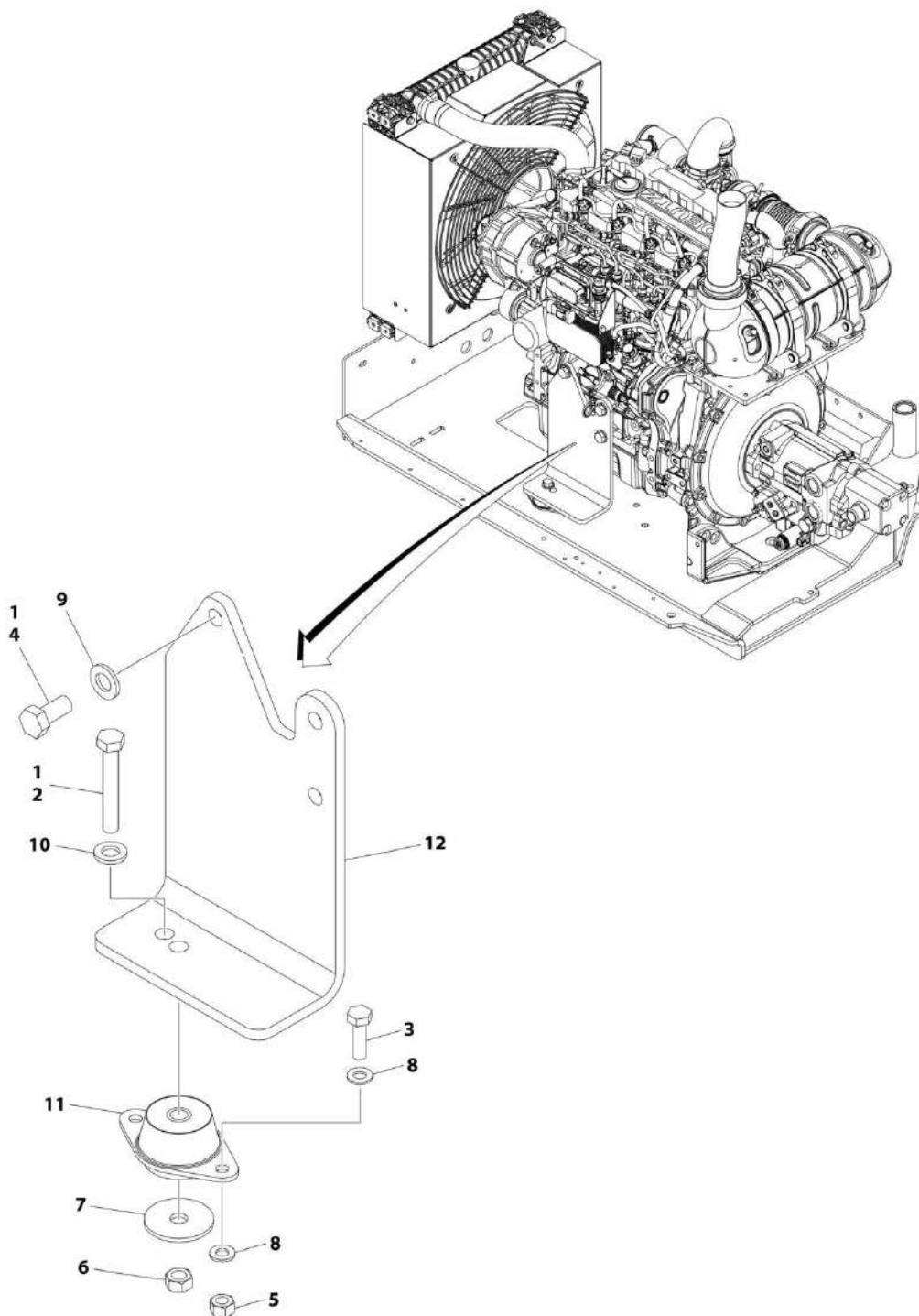
## SECTION 3 - ENGINE

**FIGURE 3-40. MOTOR MOUNT INSTALLATION - WITH GENERATOR (DEUTZ D2011 ENGINES)**

ITEM	PART NUMBER	QTY	DESCRIPTION	REV
	1001191856	Ref	MOTOR MOUNT INSTALLATION	F
1	0100011	AR	Compound, Locking	
2	0711224	1	Bolt M12 x 80	
3	0761015	2	Bolt M10 x 35	
4	0771415	3	Bolt M14 x 35	
5	3291005	2	Nut M10	
6	3331211	1	Nut M12	
7	1001168018	1	Washer	
8	4812000	4	Washer M10	
9	5241400	3	Washer M14	
10	5241200	1	Washer M12	
11	1001191610	1	Mount, Engine	
12	1001239710	1	Bracket	
13	1001205957	1	Shim	
14	0711015	1	Bolt M10 x 35	
15	0711020	1	Bolt M10 x 60	
16	5241000	2	Washer M10	
17	1001239715	1	Block	

# SECTION 3 - ENGINE

FIGURE 3-41. MOTOR MOUNT INSTALLATION - WITHOUT GENERATOR (DEUTZ TD2.9L4 ENGINES)



ART\_1001192442

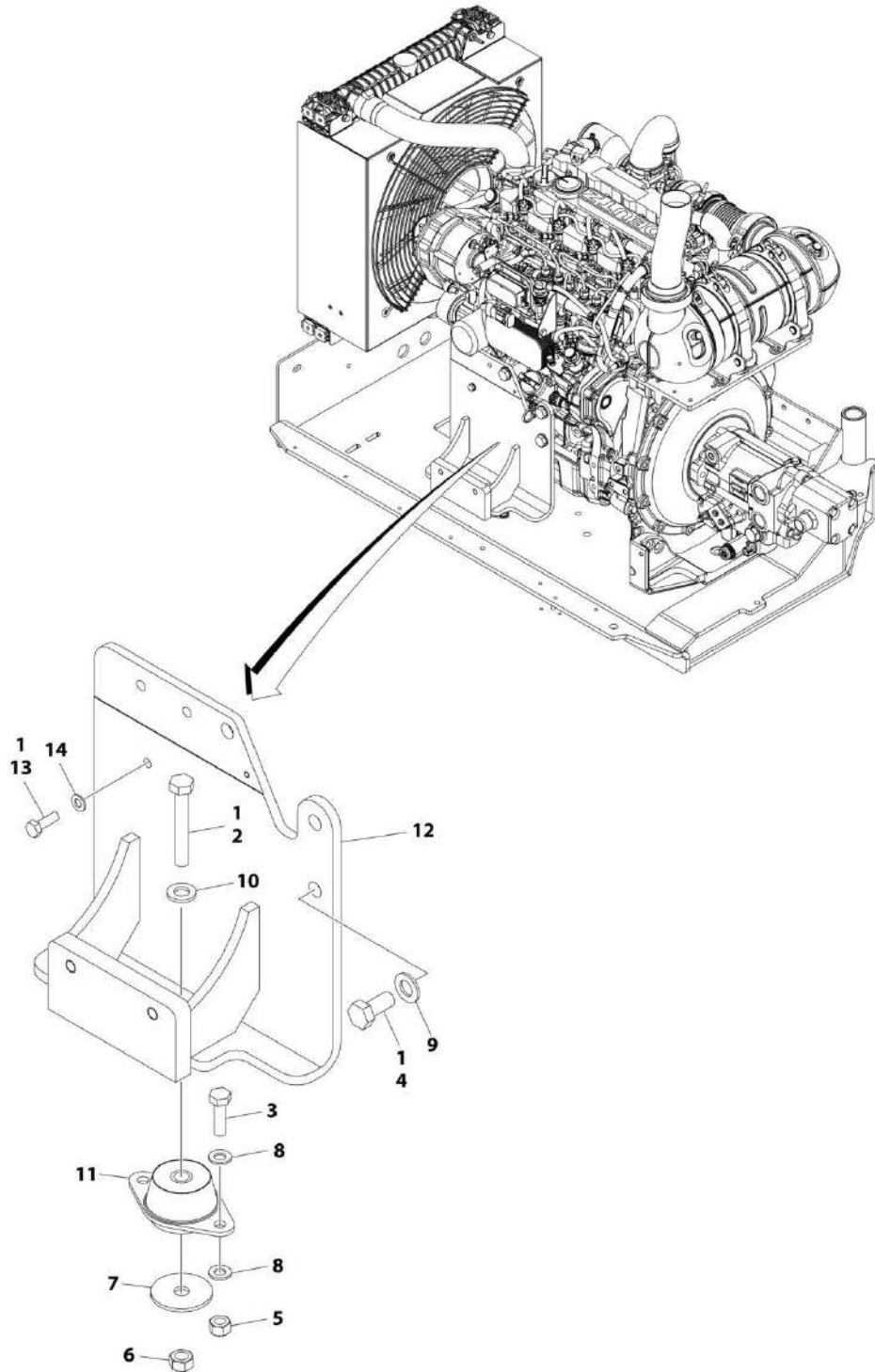
## SECTION 3 - ENGINE

**FIGURE 3-41. MOTOR MOUNT INSTALLATION - WITHOUT GENERATOR (DEUTZ TD2.9L4 ENGINES)**

ITEM	PART NUMBER	QTY	DESCRIPTION	REV
	1001192442	Ref	MOTOR MOUNT INSTALLATION	D
1	0100011	AR	Compound, Locking	
2	0711224	1	Bolt M12 x 80	
3	0761015	2	Bolt M10 x 35	
4	0771414	3	Bolt M14 x 30	
5	3291005	2	Nut M10	
6	3331211	1	Nut M12	
7	1001168018	1	Washer	
8	4812000	4	Washer M10	
9	5241400	3	Washer M14	
10	5241200	1	Washer M12	
11	1001191610	1	Mount, Motor	
12	1001189227	1	Mount	

# SECTION 3 - ENGINE

FIGURE 3-42. MOTOR MOUNT INSTALLATION - WITH GENERATOR (DEUTZ TD2.9L4 ENGINES)



ART\_1001192008



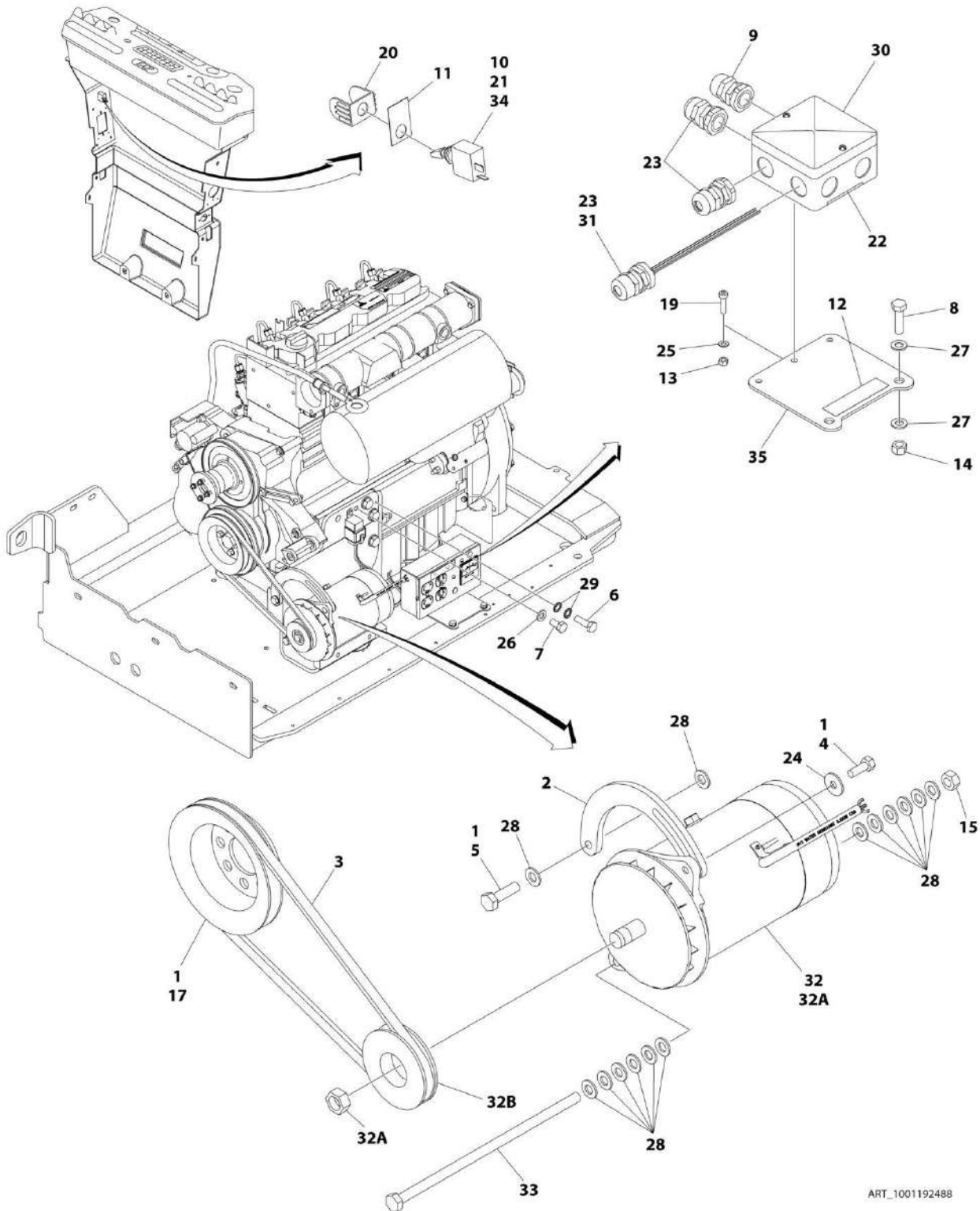
## SECTION 3 - ENGINE

**FIGURE 3-42. MOTOR MOUNT INSTALLATION - WITH GENERATOR (DEUTZ TD2.9L4 ENGINES)**

ITEM	PART NUMBER	QTY	DESCRIPTION	REV
	1001192008	Ref	MOTOR MOUNT INSTALLATION	F
1	0100011	AR	Compound, Locking	
2	0711224	1	Bolt M12 x 80	
3	0761015	2	Bolt M10 x 35	
4	0771415	3	Bolt M14 x 35	
5	3291005	2	Nut M10	
6	3331211	1	Nut M12	
7	1001168018	1	Washer	
8	4812000	4	Washer M10	
9	5241400	3	Washer M14	
10	5241200	1	Washer M12	
11	1001191610	1	Mount, Motor	
12	1001209016	1	Mount	
13	0770814	1	Bolt M8 x 30	
14	5240800	1	Washer M8	

# SECTION 3 - ENGINE

## FIGURE 3-43. 2500W GENERATOR INSTALLATION - 220V/50HZ (DEUTZ D2011 ENGINES) (OPTIONAL)



ART\_1001192488

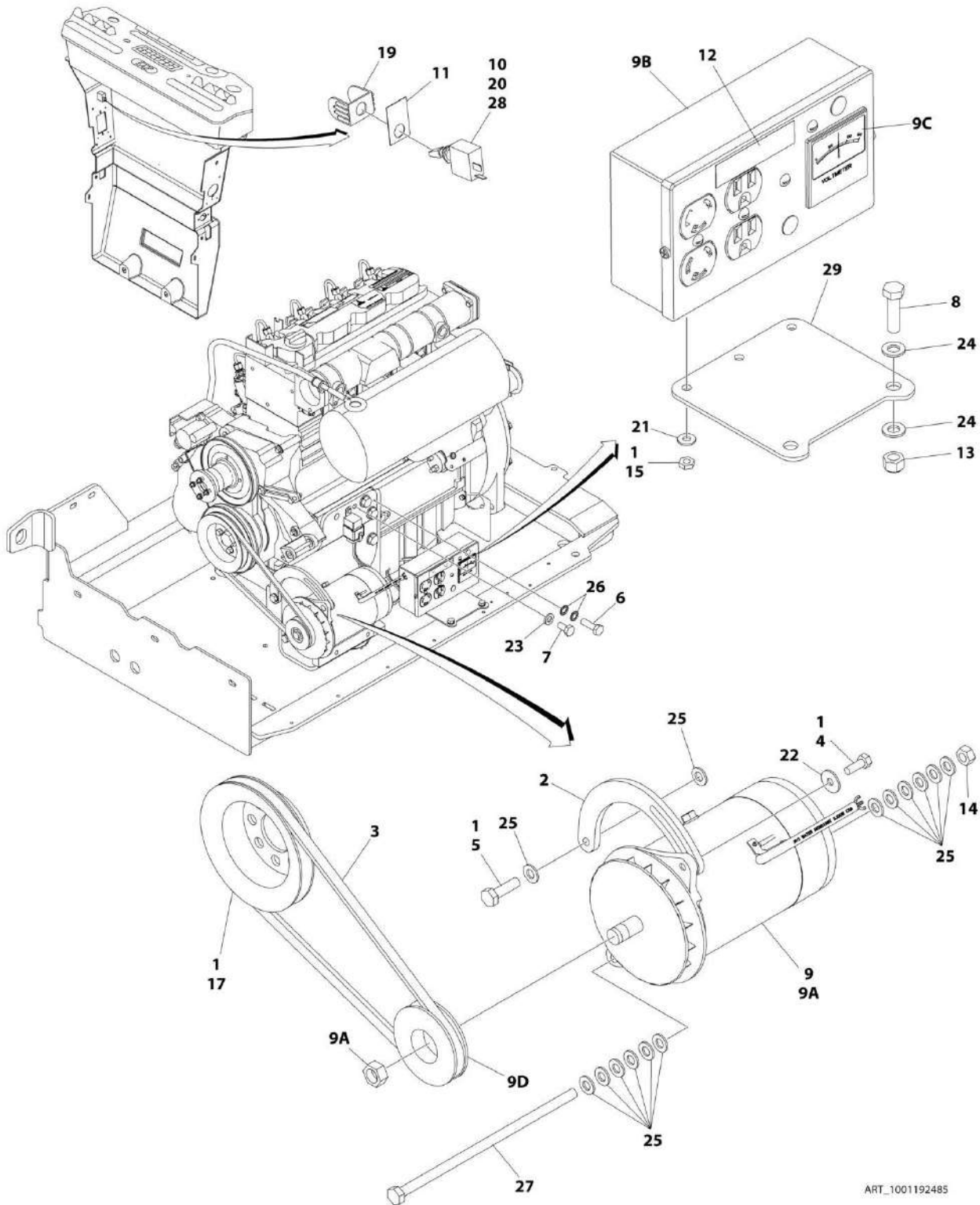
## SECTION 3 - ENGINE

**FIGURE 3-43. 2500W GENERATOR INSTALLATION - 220V/50HZ (DEUTZ D2011 ENGINES)  
(OPTIONAL)**

ITEM	PART NUMBER	QTY	DESCRIPTION	REV
	1001192488	Ref	2500W GENERATOR INSTALLATION	E
1	0100011	AR	Compound, Locking	
2	1001239716	1	Arm, Adjusting	
3	0480124	1	Belt, Generator	
4	0641508	1	Bolt 5/16 x 1	
5	0761012	1	Bolt M10 x 25	
6	0700610	1	Bolt M6 x 20	
7	0760606	1	Bolt M6 x 12	
8	0760814	2	Bolt M8 x 30	
9	0962449	1	Bushing	
10	2820031	AR	Heat Shrink	
11	3251102	1	Nameplate - Generator On/Off	
12	3252507	1	Decal - 220 Volt	
13	3290505	1	Nut M5	
14	3290805	2	Nut M8	
15	3291007	1	Nut M10	
17	3580158	1	Pulley	
19	4031608	1	Capscrew M5 x 20	
20	4060802	1	Guard, Switch	
21	4360336	1	Switch, Toggle	
22	4420060	1	Tape	
23	4460968	3	Connector, Strain Relief	
24	4811902	1	Washer M8	
25	4811600	1	Washer M5	
26	4811700	1	Washer M6	
27	4811900	4	Washer M8	
28	4812000	14	Washer M10	
29	4871700	2	Washer M6	
30	1001099869	1	Box, Junction	
31	1001100234	1	Lamp, Red	
32	1001100321	1	Generator Assembly	
32A		Ref	Note: Replacement Generators come standard with p/n 3580134 pulley. This pulley may not be correct for all applications. Refer to pulley options below.	
32A	70000123	1	Armature with Slip Rings	
32A	7012513	4	Cap, Brush Holder	
32A	7020108	4	Brush	
32A	7020109	4	Holder, Brush	
32A	7012514	1	Fan	
32A	7020110	1	Bell, Front	
32A	7020111	1	Bell, Rear	
32A	7020190	2	Bearing	
32B	3580134	1	Pulley	
32B	7027887	1	Key, Woodruff	
33	1001119280	1	Bolt M10 x 260	
34	4922641	1	Generator Switch Harness	
35	1001193167	1	Plate	
36	1001194114	1	Generator Harness - 2500W (Not Shown) (See Separate Breakdown in ELECTRICAL SECTION)	

# SECTION 3 - ENGINE

## FIGURE 3-44. 2500W GENERATOR INSTALLATION - 110V/60HZ (DEUTZ D2011 ENGINES) (OPTIONAL)



ART\_1001192485

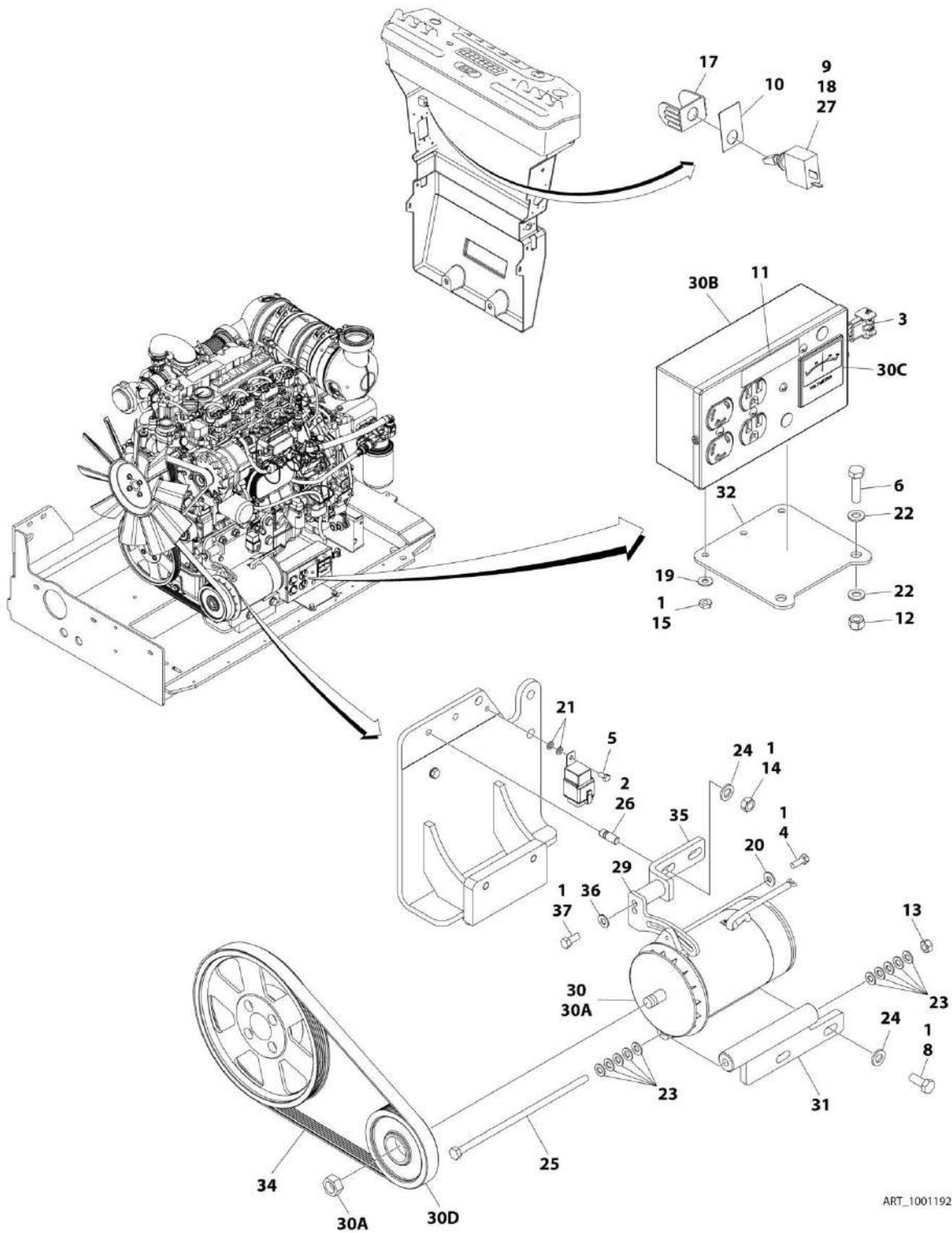
## SECTION 3 - ENGINE

**FIGURE 3-44. 2500W GENERATOR INSTALLATION - 110V/60HZ (DEUTZ D2011 ENGINES)  
(OPTIONAL)**

ITEM	PART NUMBER	QTY	DESCRIPTION	REV
	1001192485	Ref	2500W GENERATOR INSTALLATION	E
1	0100011	AR	Compound, Locking	
2	1001239716	1	Arm, Adjusting	
3	0480124	1	Belt	
4	0641508	1	Bolt 5/16 x 1	
5	0761012	1	Bolt M10 x 25	
6	0700610	1	Bolt M6 x 20	
7	0760606	1	Bolt M6 x 12	
8	0760814	2	Bolt M8 x 30	
9	2460055	1	Generator and Control Box Assembly	
9A	7012558	1	Generator, Replacement	
9A		Ref	Note: Replacement Generators come standard with p/n 3580134 pulley. This pulley may not be correct for all applications. Refer to pulley options below.	
9A	7012513	4	Cap, Brush Holder	
9A	7020108	4	Brush	
9A	7020109	4	Holder, Brush	
9A	7012514	1	Fan	
9A	7020190	2	Bearing	
9A	7020110	1	Bell, Front	
9A	7020111	1	Bell, Rear	
9B	7019680	1	Box, Control	
9B	4360542	1	Breaker, Circuit	
9B	4460190	AR	Receptacle, Standard	
9B	4460027	AR	Receptacle, Twistlock	
9C	2420203	1	Voltmeter	
9D	3580276	1	Pulley	
9D	7027887	1	Key, Woodruff	
10	2820031	AR	Heat Shrink	
11	3251102	1	Nameplate - Generator On/Off	
12	3251243	1	Decal - 120V-60Hz	
13	3290805	2	Nut M8	
14	3291007	1	Nut M10	
15	3311001	2	Nut #10	
17	3580158	1	Pulley	
19	4060802	1	Guard, Switch	
20	4360336	1	Switch, Toggle	
21	4751000	1	Washer #10	
22	4811902	1	Washer M8	
23	4811700	1	Washer M6	
24	4811900	4	Washer M8	
25	4812000	14	Washer M10	
26	4871700	2	Washer M6	
27	1001119280	1	Bolt M10 x 260	
28	4922641	1	Generator Switch Harness	
29	1001193167	1	Plate, Mounting	
30	1001194114	1	Generator Harness - 2500W (Not Shown) (See Separate Breakdown in ELECTRICAL SECTION)	

# SECTION 3 - ENGINE

## FIGURE 3-45. 2500W GENERATOR INSTALLATION - 110V/60HZ (DEUTZ TD2.9L4 ENGINES) (OPTIONAL)



ART\_1001192280

## SECTION 3 - ENGINE

**FIGURE 3-45. 2500W GENERATOR INSTALLATION - 110V/60HZ (DEUTZ TD2.9L4 ENGINES)  
(OPTIONAL)**

ITEM	PART NUMBER	QTY	DESCRIPTION	REV
	1001192280	Ref	2500W GENERATOR INSTALLATION	E
1	0100011	AR	Compound, Locking	
2	0100019	AR	Compound, Locking	
3	0100048	AR	Silicone	
4	0641507	1	Bolt 5/16 x 7/8	
5	0760606	1	Bolt M6 x 12	
6	0760814	2	Bolt M8 x 30	
8	0761214	2	Bolt M12 x 30	
9	2820031	AR	Heat Shrink	
10	3251102	1	Nameplate - Generator On/Off	
11	3251243	1	Decal - 120V-60Hz	
12	3290805	2	Nut M8	
13	3291007	1	Nut M10	
14	3291201	2	Nut M12	
15	3311001	2	Nut #10	
17	4060802	1	Guard, Switch	
18	4360336	1	Switch, Toggle	
19	4751000	2	Washer #10	
20	4751500	1	Washer 5/16	
21	4811700	2	Washer M6	
22	4811900	4	Washer M8	
23	4812000	10	Washer M10	
24	5241200	4	Washer M12	
25	1001119280	1	Bolt M10 x 260	
26	1001196382	2	Stud	
27	4922641	1	Generator Switch Harness	
29	1001179837	1	Arm, Adjusting	
30	1001180001	1	Generator and Control Box Assembly	
30A	7012558	1	Generator, Replacement	
30A		Ref	Note: Replacement Generators come standard with p/n 3580134 pulley. This Pulley may not be correct for all applications. Refer to Pulley options below.	
30A	7026199	1	Armature with Slip Rings	
30A	7012513	4	Cap, Brush Holder	
30A	7020108	4	Brush	
30A	7020109	4	Holder, Brush	
30A	7012514	1	Fan	
30A	7020110	1	Bell, Front	
30A	7020111	1	Bell, Rear	
30A	7020190	2	Bearing	
30B	7019680	1	Box, Control	
30B		Ref	Receptacle Options:	
30B	4460190	1	Receptacle, Standard	
30B	4460027	1	Receptacle, Twistlock	
30B	4360542	1	Breaker, Circuit	
30B	3520028	1	Plug, Hole	
30C	2420203	1	Voltmeter	
30D	3580276	1	Pulley	
30D	7027887	1	Key, Woodruff	

## SECTION 3 - ENGINE

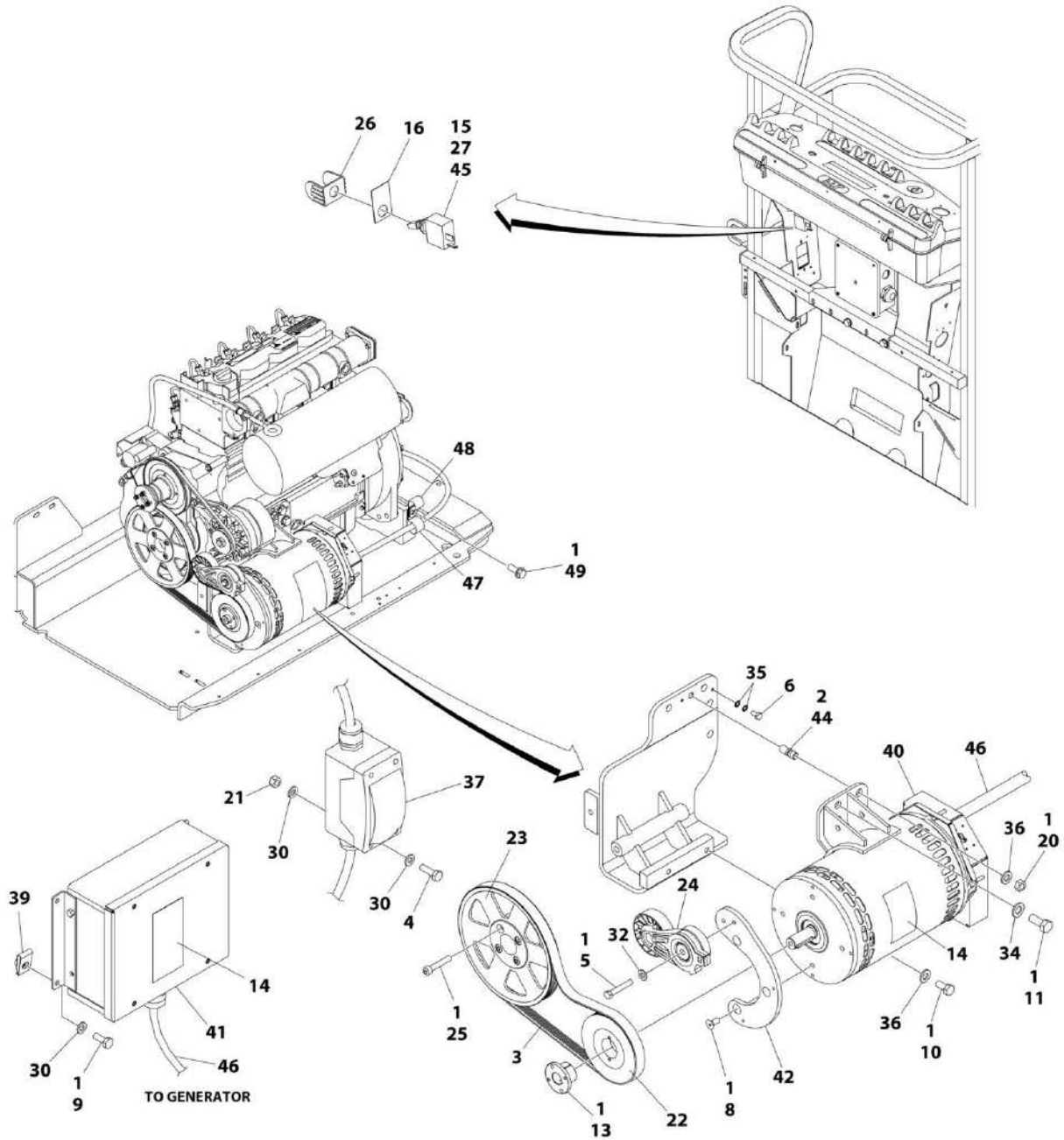
ITEM	PART NUMBER	QTY	DESCRIPTION	REV
31	1001181243	1	Mount (Lower)	
32	1001193167	1	Plate	
33	1001194114	1	Generator Harness - 2500W (Not Shown) (See Separate Breakdown in ELECTRICAL SECTION)	
34	1001148138	1	Belt	
35	1001216015	1	Mount (Upper)	
36	4711600	1	Washer 3/8	
37	0641607	1	Bolt 3/8 x 7/8	





# SECTION 3 - ENGINE

## FIGURE 3-46. 4000W GENERATOR INSTALLATION - 220V/50HZ (DEUTZ D2011 ENGINES) (OPTIONAL)



ART\_1001192487

## SECTION 3 - ENGINE

**FIGURE 3-46. 4000W GENERATOR INSTALLATION - 220V/50HZ (DEUTZ D2011 ENGINES)  
(OPTIONAL)**

ITEM	PART NUMBER	QTY	DESCRIPTION	REV
	1001192487	Ref	4000W GENERATOR INSTALLATION	G
1	0100011	AR	Compound, Locking	
2	0100019	AR	Compound, Locking	
3	1001141814	1	Belt	
4	0760610	2	Bolt M6 x 20	
5	0641618	1	Bolt 3/8 x 2-1/4	
6	0760606	1	Bolt M6 x 12	
8	0741607	3	Screw 3/8 x 7/8	
9	0760608	4	Bolt M6 x 16	
10	0761212	2	Bolt M12 x 25	
11	0761415	1	Bolt 14 x 35	
13	0962520	1	Bushing, Split	
14	1705489	2	Decal - Hazardous Voltage	
15	2820031	AR	Heat Shrink	
16	3251102	1	Nameplate - Generator On/Off	
20	3291201	1	Nut M12	
21	3290605	2	Nut M6	
22	3580319	1	Pulley	
23	3580320	1	Pulley	
24	3580317	1	Tensioner, Belt	
25	4032015	4	Capscrew M10 x 55	
26	4060802	1	Guard, Switch	
27	4360336	1	Switch, Toggle	
30	4811700	8	Washer M6	
32	5241000	1	Washer M10	
34	5241400	1	Washer M14	
35	4871700	2	Washer M6	
36	5241200	3	Washer M12	
37	1001096070	1	Breaker Box Kit (See Separate Breakdown in ELECTRICAL SECTION)	
39	1001130220	4	Nut, Tinnerman M6	
40	1001138565	1	Generator Assembly (50Hz)	
40	70003709	1	Ring, Retaining (External)	
40	70003708	1	Ring, Retaining (Internal)	
40	70001966	1	Bearing	
40	70004092	1	Endbell (Shaft End)	
40	70004171	1	Key	
40	70004676	1	Rotor	
40	70004677	1	Stator	
40	70004678	1	Endbell (Rear)	
40	70004679	1	Cover, Endbell (Rear)	
40	70004680	1	Enclosure, Wiring	
40	70004681	1	Cover, Enclosure	
40	70004682	1	Switch, Reset (Located on Enclosure Cover)	
40	70004683	1	Connector, Strain Relief (Located on Enclosure Cover)	
41	1001138566	1	Box, Control	
41	70006552	1	Capacitor	
41	70006553	1	Relay	
42	1001139357	1	Mount	

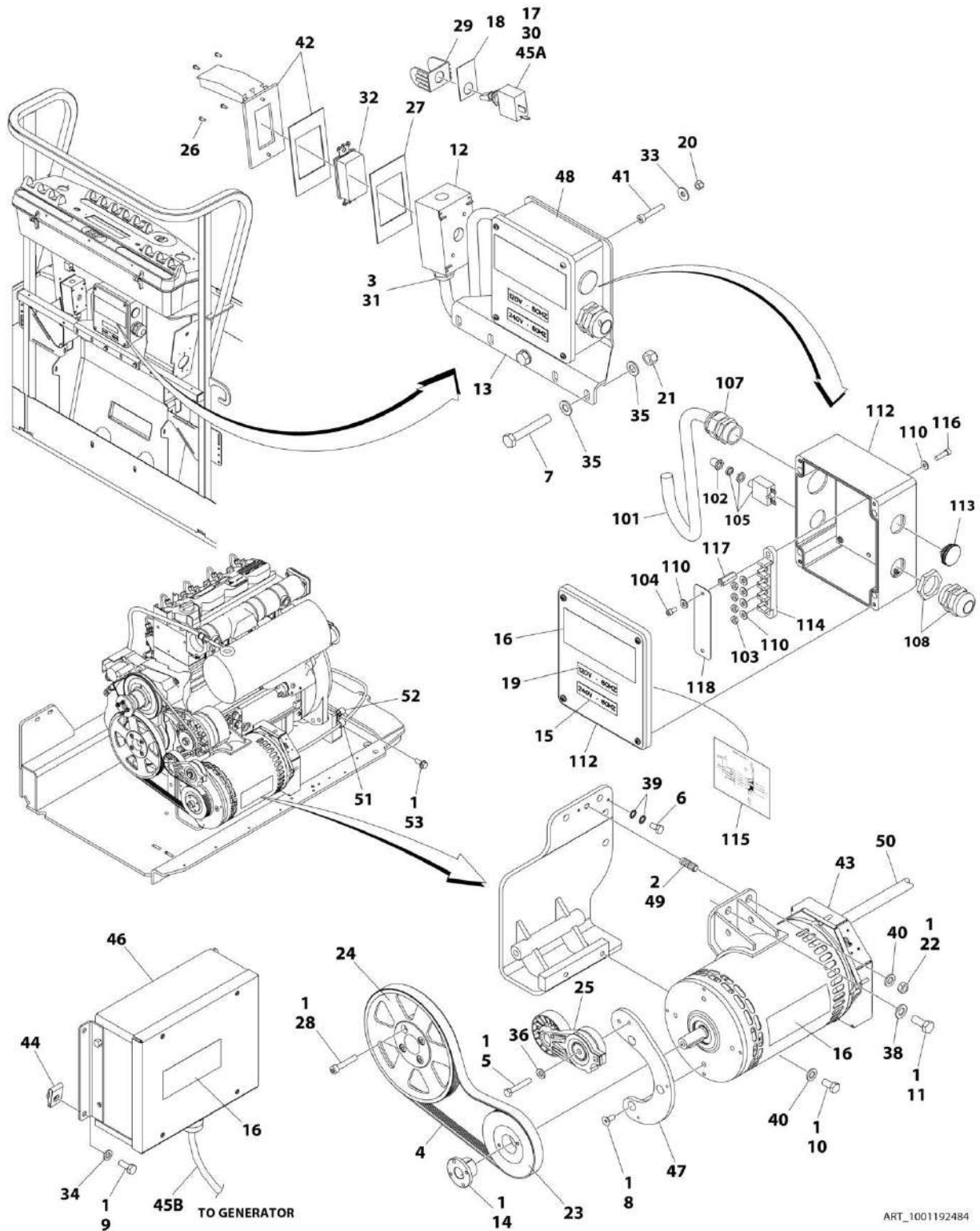
## SECTION 3 - ENGINE

ITEM	PART NUMBER	QTY	DESCRIPTION	REV
44	1001196382	1	Stud	
45	4922641	1	Generator Switch Harness	
46	1001152532	1	Generator Harness (See Separate Breakdown in ELECTRICAL SECTION)	
47	7274000040	1	Clamp	
48	1320061	1	Clamp	
49	5251012	1	Bolt M10 x 25	



# SECTION 3 - ENGINE

## FIGURE 3-47. 4000W GENERATOR INSTALLATION - 110V/60HZ (DEUTZ D2011 ENGINES) (OPTIONAL)



## SECTION 3 - ENGINE

**FIGURE 3-47. 4000W GENERATOR INSTALLATION - 110V/60HZ (DEUTZ D2011 ENGINES)  
(OPTIONAL)**

ITEM	PART NUMBER	QTY	DESCRIPTION	REV
	1001192484	Ref	4000W GENERATOR INSTALLATION	G
1	0100011	AR	Compound, Locking	
2	0100019	AR	Compound, Locking	
3	0100079	AR	Sealant	
4	1001136356	1	Belt	
5	0641618	1	Bolt 3/8 x 2-1/4	
6	0760606	1	Bolt M6 x 12	
7	0700819	1	Bolt M8 x 55	
8	0741607	3	Screw 3/8 x 7/8	
9	0760608	4	Bolt M6 x 16	
10	0761212	2	Bolt M12 x 25	
11	0761415	1	Bolt M14 x 35	
12	0860038	1	Box, Receptacle	
13	0902888	1	Bracket	
14	0962520	1	Bushing, Split	
15	1705374	1	Decal - 240V-60Hz	
16	1705387	3	Decal - Hazardous Voltage	
17	2820031	AR	Heat Shrink	
18	3251102	1	Nameplate - Generator On/Off	
19	3251243	1	Decal - 120V-60Hz	
20	3290505	4	Nut M5	
21	3290805	2	Nut M8	
22	3291201	1	Nut M12	
23	3580318	1	Pulley	
24	3580320	1	Pulley	
25	3580317	1	Tensioner, Belt	
26	3910606	4	Screw #6 x 3/8	
27	3960422	1	Gasket	
28	4032015	4	Capscrew M10 x 55	
29	4060802	1	Guard, Switch	
30	4360336	1	Switch, Toggle	
31	4460071	1	Connector, Strain Relief	
32	4460346	1	Receptacle	
33	4811602	4	Washer M5	
34	4811700	4	Washer M6	
35	4811900	4	Washer M8	
36	5241000	1	Washer M10	
38	5241400	1	Washer M14	
39	4871700	2	Washer M6	
40	5241200	3	Washer M12	
41	1001104029	4	Capscrew M5 x 30 Grade 12.9	
42	1001110873	1	Cover, Receptacle	
43	1001129858	1	Generator Assembly (60Hz)	
43	70003709	1	Ring, Retaining (External)	
43	70003708	1	Ring, Retaining (Internal)	
43	70001966	1	Bearing	
43	70004092	1	Endbell (Shaft End)	
43	70004171	1	Key	
43	70004676	1	Rotor	

## SECTION 3 - ENGINE

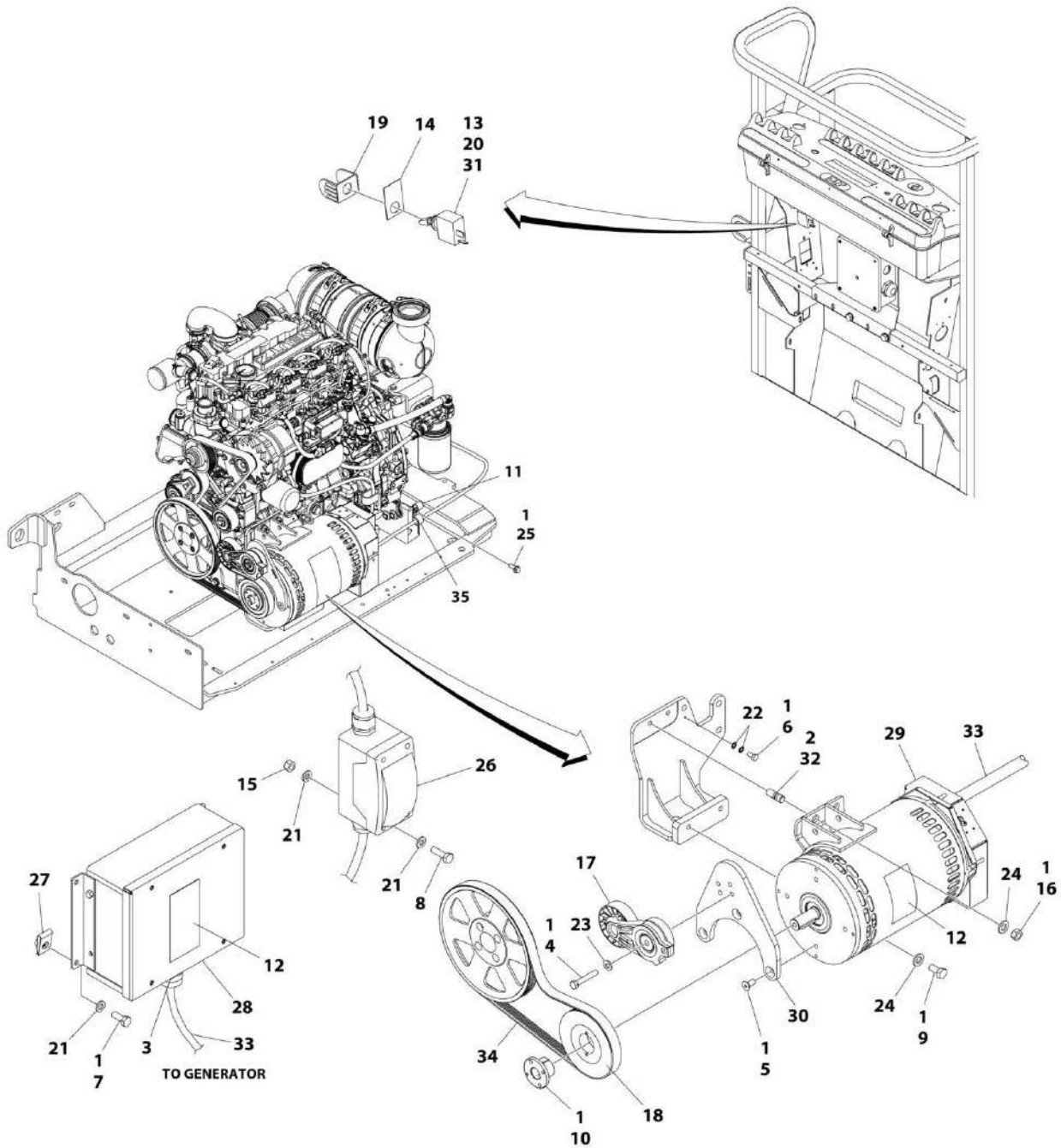
ITEM	PART NUMBER	QTY	DESCRIPTION	REV
43	70004684	1	Stator	
43	70004678	1	Endbell (Rear)	
43	70004679	1	Cover, Endbell (Rear)	
43	70004680	1	Enclosure, Wiring	
43	70004685	1	Cover, Enclosure	
43	70004682	1	Switch, Reset (Located on Enclosure Cover)	
43	70004098	1	Connector, Strain Relief (Located on Enclosure Cover)	
44	1001130220	4	Nut, Tinnerman M6	
45A	4922641	1	Generator Switch Harness	
45B	1001153197	1	Generator to Engine Harness	
45B	4460967	1	Connector - 3 Position	
45B	4460465	2	Socket, Female	
46	1001138566	1	Box, Control	
46	70006552	1	Capacitor	
46	70006553	1	Relay	
47	1001139357	1	Mount	
48	1001152457	1	Junction Box Assembly (See Items 101-118 for Breakdown)	
49	1001196382	1	Stud	
50	1001152532	1	Generator Harness (See Separate Breakdown in ELECTRICAL SECTION)	
51	7274000040	1	Clamp	
52	1320061	1	Clamp	
53	5251012	1	Bolt M10 x 25	
	1001152457	Ref	JUNCTION BOX ASSEMBLY	
101	1001179154	2.5 ft/ 0.8m	Cable, Electrical - 12/3	
102	3300396	1	Cover, Breaker	
103	3311001	4	Nut #10	
104	3900300	2	Screw	
105	4360070	1	Breaker, Circuit - 15Amp	
107	4460425	1	Connector, Strain Relief (LH Side)	
108	4460426	1	Connector, Strain Relief (RH Side)	
110	4711000	8	Washer #10	
112	1001152456	1	Box, Junction	
113	1001152525	1	Plug	
114	1001152530	1	Terminal, Block	
115	1001153260	1	Decal - Wiring Diagram	
116	3900267	2	Screw	
117	1001158008	2	Stand-Off	
118	1001158363	1	Cover, Terminal Block	





# SECTION 3 - ENGINE

## FIGURE 3-48. 4000W GENERATOR INSTALLATION - 220V/50HZ ( DEUTZ TD2.9L4 ENGINES) (OPTIONAL)



ART\_1001230953

## SECTION 3 - ENGINE

**FIGURE 3-48. 4000W GENERATOR INSTALLATION - 220V/50HZ ( DEUTZ TD2.9L4 ENGINES)  
(OPTIONAL)**

ITEM	PART NUMBER	QTY	DESCRIPTION	REV
	1001230953	Ref	4000W GENERATOR INSTALLATION	A
1	0100011	AR	Compound, Locking	
2	0100019	AR	Compound, Locking	
3	0100048	AR	Grease, Terminal	
4	0641616	1	Bolt 3/8 x 2	
5	0741607	3	Screw 3/8 x 7/8	
6	0760606	1	Bolt M6 x 12	
7	0760608	4	Bolt M6 x 16	
8	0760610	2	Bolt M6 x 20	
9	0761212	2	Bolt M12 x 25	
10	0962520	1	Bushing, Split	
11	1320061	1	Clamp	
12	1705489	2	Decal - Hazardous Voltage	
13	2820031	AR	Heatshrink	
14	3251102	1	Nameplate - Generator	
15	3290605	2	Nut M6	
16	3291201	2	Nut M12	
17	3580317	1	Tensioner, Belt	
18	3580319	1	Pulley	
19	4060802	1	Guard, Switch	
20	4360336	1	Switch, Toggle	
21	4811700	8	Washer M6	
22	4871700	2	Washer M6	
23	5241000	1	Washer M10	
24	5241200	4	Washer M12	
25	5251012	1	Bolt M10 x 25	
26	1001096070	1	Box & Breaker Kit (See Separate Breakdown in ELECTRICAL SECTION)	
27	1001130220	4	Nut, Tinnerman M6	
28	1001138566	1	Box, Control	
28	70006552	1	Capacitor	
28	70006553	1	Relay	
29	1001140347	1	Generator Assembly - 50Hz	
29	70003709	1	Ring, Retaining (External)	
29	70003708	1	Ring, Retaining (Internal)	
29	70001966	1	Bearing	
29	70004092	1	Endbell (Shaft End)	
29	70004099	1	Key	
29	70004676	1	Rotor	
29	70004686	1	Stator	
29	70004678	1	Endbell (Rear)	
29	70004679	1	Cover, Endbell (Rear)	
29	70004680	1	Enclosure, Wiring	
29	70004681	1	Cover, Enclosure	
29	70004682	1	Switch, Reset (Located on Enclosure Cover)	
29	70004683	1	Connector, Strain Relief (Located on Enclosure Cover)	
29	4460224	1	Connector - 6 Position (Located on Enclosure Cover)	
29	4460294	1	Pin, Male (Located on Enclosure Cover)	
30	1001142643	1	Support	

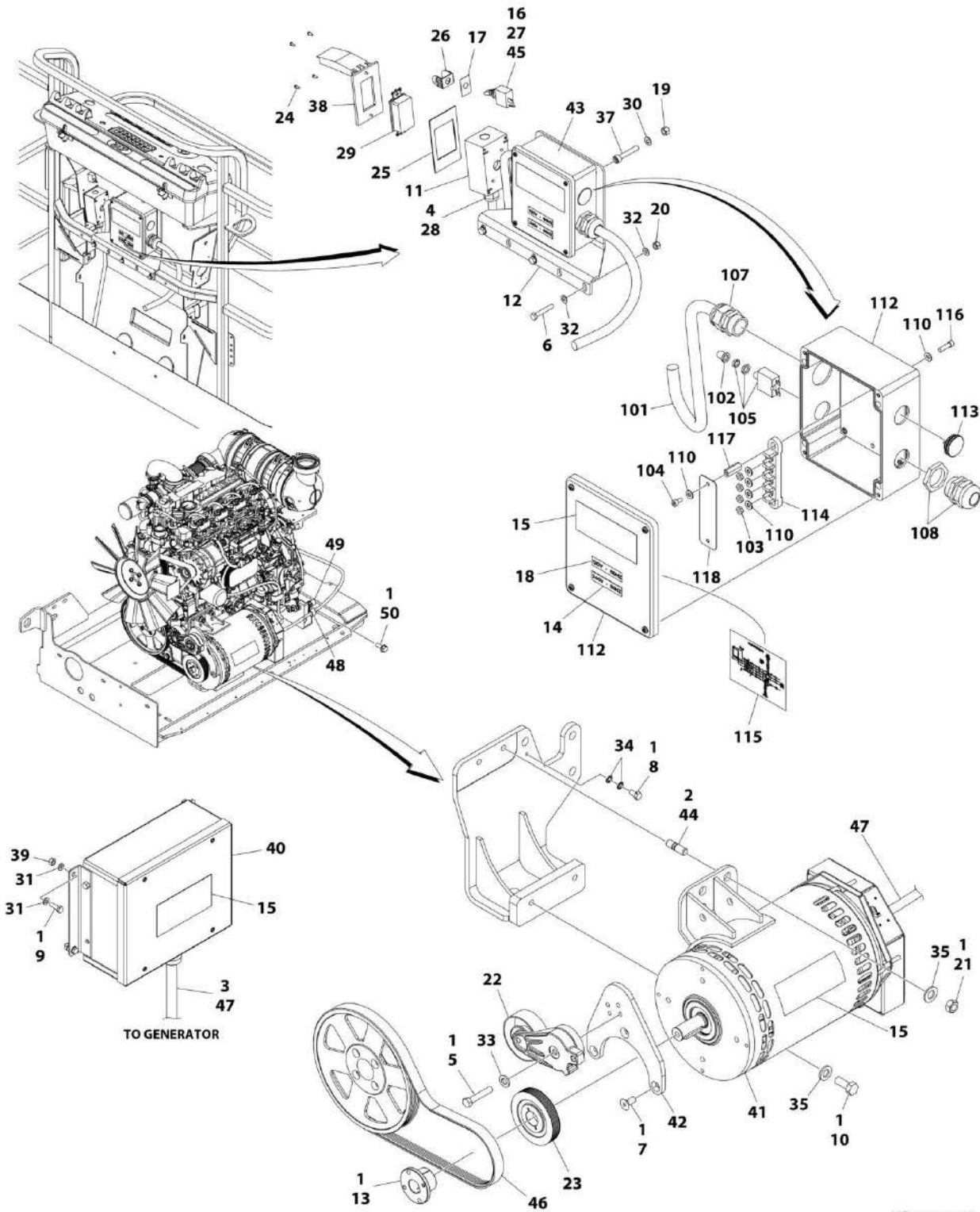
## SECTION 3 - ENGINE

ITEM	PART NUMBER	QTY	DESCRIPTION	REV
31	4922641	1	Switch Harness	
32	1001196382	2	Stud	
33	1001152532	1	Generator Harness (See Separate Breakdown in ELECTRICAL SECTION)	
34	1001214683	1	V-Belt	
35	7274000040	1	Clamp	



# SECTION 3 - ENGINE

## FIGURE 3-49. 4000W GENERATOR INSTALLATION - 110V/60HZ (DEUTZ TD2.9L4 ENGINES) (OPTIONAL)



## SECTION 3 - ENGINE

**FIGURE 3-49. 4000W GENERATOR INSTALLATION - 110V/60HZ (DEUTZ TD2.9L4 ENGINES)  
(OPTIONAL)**

ITEM	PART NUMBER	QTY	DESCRIPTION	REV
	1001192279	Ref	4000W GENERATOR INSTALLATION	F
1	0100011	AR	Compound, Locking	
2	0100019	AR	Compound, Locking	
3	0100048	AR	Compound, Locking	
4	0100079	AR	Sealant	
5	0641616	1	Bolt 3/8 x 2	
6	0700819	2	Bolt M8 x 55	
7	0741607	3	Screw 3/8 x 7/8	
8	0760606	1	Bolt M6 x 12	
9	0760608	4	Bolt M6 x 16	
10	0761212	2	Bolt M12 x 25	
11	0860038	1	Box, Receptacle	
12	0902888	1	Bracket	
13	0962520	1	Bushing, Split	
14	1705374	1	Decal - 240V-60Hz	
15	1705387	3	Decal - Hazardous Voltage	
16	2820031	AR	Heat Shrink	
17	3251102	1	Nameplate - Generator On/Off	
18	3251243	1	Decal - 120V-60Hz	
19	3290505	4	Nut M5	
20	3290805	2	Nut M8	
21	3291201	2	Nut M12	
22	3580317	1	Tensioner, Belt	
23	3580318	1	Pulley	
24	3910606	4	Screw #6 x 3/8	
25	3960422	1	Gasket	
26	4060802	1	Guard, Switch	
27	4360336	1	Switch, Toggle	
28	4460071	1	Connector, Strain Relief	
29	4460346	1	Receptacle	
30	4811602	4	Washer M5	
31	4811700	4	Washer M6	
32	4811900	4	Washer M8	
33	5241000	1	Washer M10	
34	4871700	2	Washer M6	
35	5241200	4	Washer M12	
37	1001104029	4	Capscrew M5 x 30 Grade 12.9	
38	1001110873	1	Cover	
39	1001130220	4	Nut, Tinnerman M6	
40	1001138566	1	Box, Control	
40	70006552	1	Capacitor	
40	70006553	1	Relay	
41	1001140346	1	Generator Assembly (60Hz)	
41	70003709	1	Ring, Retaining (External)	
41	70003708	1	Ring, Retaining (Internal)	
41	70001966	1	Bearing	
41	70004092	1	Endbell (Shaft End)	
41	70004099	1	Key	
41	70004676	1	Rotor	

## SECTION 3 - ENGINE

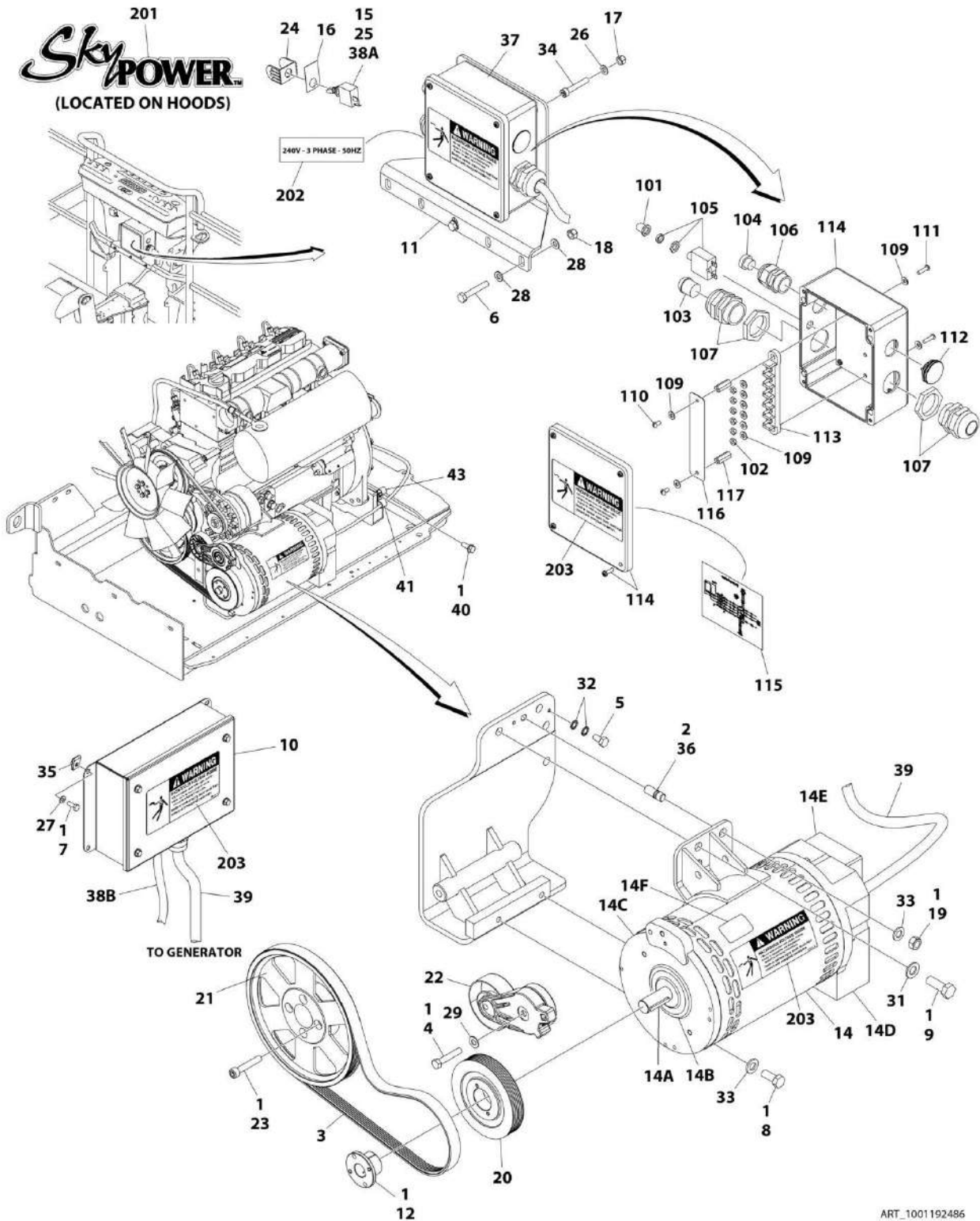
ITEM	PART NUMBER	QTY	DESCRIPTION	REV
41	70004687	1	Stator	
41	70004678	1	Endbell (Rear)	
41	70004679	1	Cover, Endbell (Rear)	
41	70004680	1	Enclosure, Wiring	
41	70004685	1	Cover, Enclosure	
41	70004682	1	Switch, Reset (Located on Enclosure Cover)	
41	70004098	1	Connector, Strain Relief (Located on Enclosure Cover)	
42	1001142643	1	Support	
43	1001152457	1	Junction Box Assembly (See Items 101-118 for Breakdown)	
44	1001196382	2	Stud	
45	4922641	1	Generator Switch Harness	
46	1001142646	1	Belt	
47	1001152532	1	Generator Harness (See Separate Breakdown in ELECTRICAL SECTION)	
48	7274000040	1	Clamp	
49	1320061	1	Clamp	
50	5251012	1	Bolt M10 x 25	
	1001152457	Ref	JUNCTION BOX ASSEMBLY	
101	1001179154	2.5 ft/ 0.8m	Cable, Electrical - 12/3	
102	3300396	1	Cover, Breaker	
103	3311001	4	Nut #10	
104	3900300	2	Screw	
105	4360070	1	Breaker, Circuit - 15Amp	
107	4460425	1	Connector, Strain Relief (LH Side)	
108	4460426	1	Connector, Strain Relief (RH Side)	
110	4711000	8	Washer #10	
112	1001152456	1	Box, Junction	
113	1001152525	1	Plug	
114	1001152530	1	Terminal, Block	
115	1001153260	1	Decal - Wiring Diagram	
116	3900267	2	Screw	
117	1001158008	2	Stand-Off	
118	1001158363	1	Cover, Terminal Block	





# SECTION 3 - ENGINE

FIGURE 3-50. 7500W SKYPOWER GENERATOR INSTALLATION - 220V/50HZ (DEUTZ D2011 ENGINES) (OPTIONAL)



## SECTION 3 - ENGINE

**FIGURE 3-50. 7500W SKYPOWER GENERATOR INSTALLATION - 220V/50HZ (DEUTZ D2011 ENGINES) (OPTIONAL)**

ITEM	PART NUMBER	QTY	DESCRIPTION	REV
	1001192486	Ref	7500W SKYPOWER GENERATOR INSTALLATION	H
1	0100011	AR	Compound, Locking	
2	0100019	AR	Compound, Locking	
3	1001141814	1	Belt	
4	0641618	1	Bolt 3/8 x 2-1/4	
5	0760606	1	Bolt M6 x 12	
6	0700819	2	Bolt M8 x 55	
7	0760608	4	Bolt M6 x 16	
8	0761212	2	Bolt M12 x 25	
9	0761415	1	Bolt M14 x 35	
10	0861572	1	Control Box Assembly	
10	7024488	1	Card, Circuit - Generator Power	
10	See Note	NSS	Fuse (Note: Not Available - Purchase Locally)	
10	7024489	1	Card, Circuit - Control	
10	70000619	1	Harness, Control Box (Internal)	
11	0902888	1	Bracket	
12	0962520	1	Bushing, Split	
14	2460048	1	Generator Assembly	
14	70001100	1	Rotor (Includes p/n 70001384 & 70000863) (Not Shown)	
14	70001384	1	Bearing, Ball Radial (Not Shown)	
14	70000863	1	Fan (Not Shown)	
14	70002088	1	Stator (Not Shown)	
14	70002297	1	Stud	
14	70003631	1	Brushholder Assembly (Not Shown)	
14A	70004171	1	Key	
14B	70001966	1	Bearing, Ball Radial (Located in Belt Tensioner Endbell)	
14B	70003708	1	Ring, Internal Retaining (Located in Belt Tensioner Endbell)	
14B	70003709	1	Ring, External Retaining (Located in Belt Tensioner Endbell)	
14C	70001953	1	Endbell, Belt Tensioner	
14D	70004169	1	Endbell, Brush Block	
14E	70004169	1	Shroud	
14E	See Note	NSS	Insulator, Endbell (Note: Not Available for Purchase)	
14E	7027799	1	Block, Connector 6 Position (Not Shown)	
14E	70002460	1	Nut, Brass (Attaches p/n 7027799 to Cover) (Not Shown)	
14E	7024485	1	Breaker, Circuit 30Amp (Not Shown)	
14E	70001696	1	Boot, Breaker (Not Shown)	
14E	7026626	1	Connector, 6 Position (Includes Seal) (Not Shown - Plugs into Item 39)	
14E	7026597	1	Connector, with Leads (Not Shown)	
14E	7026188	1	Clamp, Cable Options (Not Shown)	
14E	70004169	1	Plate, End Panel	
14E	70001974	1	Decal - Terminal Connections	
14F	70001973	1	Decal - Warning Moving Parts	
15	2820031	AR	Heat Shrink	
16	3252764	1	Nameplate - AC & Weld	
17	3290505	4	Nut M5	
18	3290805	2	Nut M8	
19	3291201	1	Nut M12	

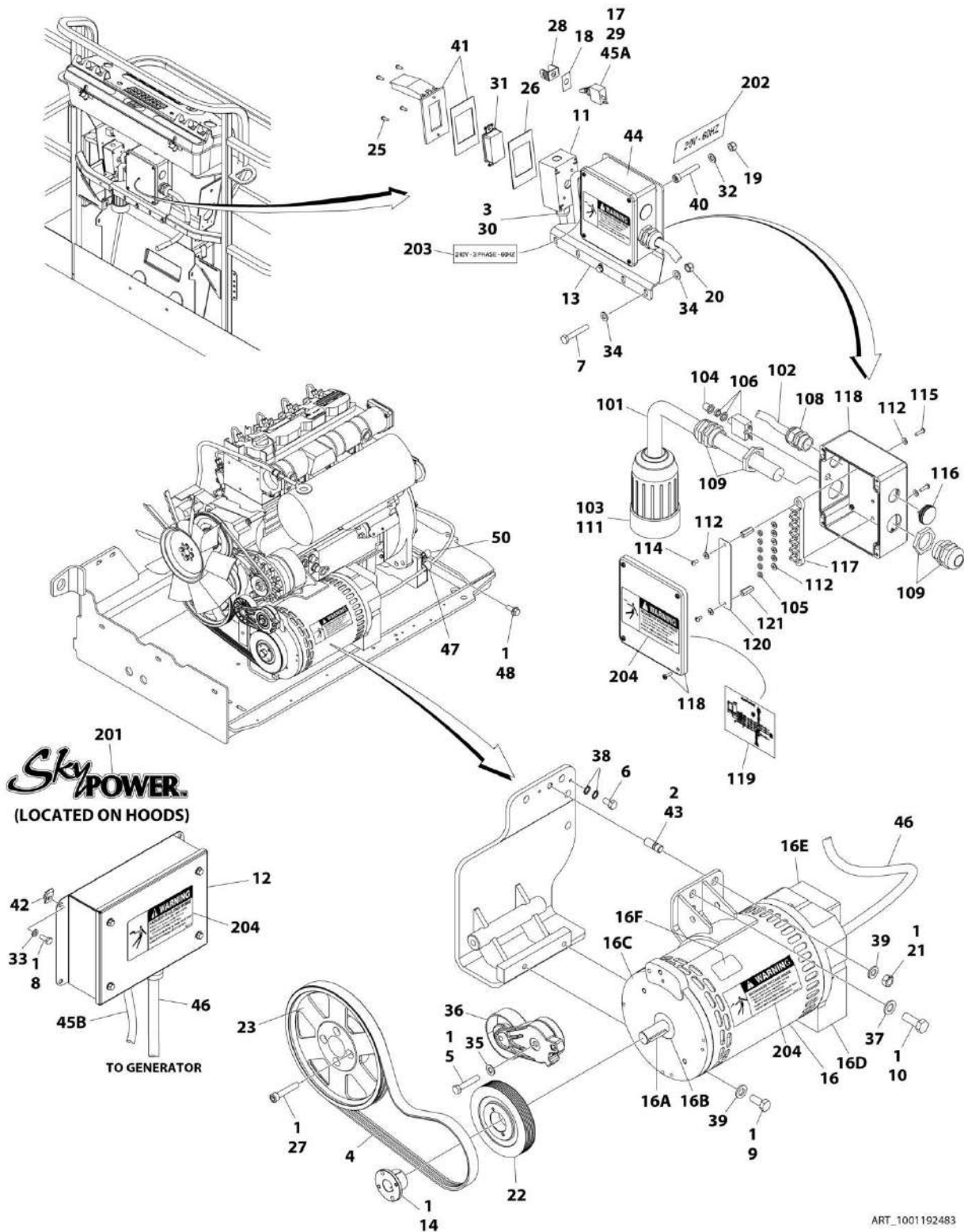
## SECTION 3 - ENGINE

ITEM	PART NUMBER	QTY	DESCRIPTION	REV
20	3580319	1	Pulley	
21	3580320	1	Pulley	
22	3580317	1	Tensioner, Belt	
23	4032015	4	Capscrew M10 x 55	
24	4060802	1	Guard, Switch	
25	4360336	1	Switch, Toggle	
26	4811602	4	Washer M5	
27	4811700	4	Washer M6	
28	4811900	4	Washer M8	
29	5241000	1	Washer M10	
31	5241400	1	Washer M14	
32	4871700	2	Washer M6	
33	5241200	3	Washer M12	
34	1001104029	4	Capscrew M5 x 30 Grade 12.9	
35	1001130220	4	Nut, Tinnerman M6	
36	1001196382	1	Stud	
37	1001157525	1	Junction Box Assembly (See Items 101-117 for Breakdown)	
38A	4922641	1	Generator Switch Harness	
38B	1001152429	1	Generator to Engine Harness (See Separate Breakdown in ELECTRICAL SECTION)	
39	4922925	1	Generator Harness (See Separate Breakdown in ELECTRICAL SECTION)	
40	5251012	1	Bolt M10 x 25	
41	7274000040	1	Clamp	
43	1320061	1	Clamp	
	1001157525	Ref	JUNCTION BOX ASSEMBLY	B
101	3300396	1	Cover, Fuse	
102	3311001	6	Nut #10	
103	3520189	1	Plug	
104	3520192	1	Plug	
105	4360070	1	Circuit Breaker - 15Amp	
106	4460425	1	Connector, Strain Relief	
107	4460426	2	Connector, Strain Relief	
109	4711000	10	Washer #10	
110	10702077	2	Screw #10 x 3/8	
111	10702082	2	Screw #10 x 3/4	
112	1001152525	1	Plug	
113	1001152520	1	Block, Terminal	
114	1001157521	1	Box, Junction	
115	1001157528	1	Decal - Wiring Schematic	
116	1001158007	1	Cover, PVC	
117	1001158008	2	Stand-Off	
	0272589	Ref	DECAL INSTALLATION	A
201	1705460	2	Decal - SkyPower	
202	1705461	1	Decal - 240V - 3 Phase - 50Hz	
203	1705489	3	Decal - Hazardous Voltage	



# SECTION 3 - ENGINE

FIGURE 3-51. 7500W SKYPOWER GENERATOR INSTALLATION - 110V/60HZ (DEUTZ D2011 ENGINES) (OPTIONAL)



## SECTION 3 - ENGINE

**FIGURE 3-51. 7500W SKYPOWER GENERATOR INSTALLATION - 110V/60HZ (DEUTZ D2011 ENGINES) (OPTIONAL)**

ITEM	PART NUMBER	QTY	DESCRIPTION	REV
	1001192483	Ref	7500W SKYPOWER GENERATOR INSTALLATION	H
1	0100011	AR	Compound, Locking	
2	0100019	AR	Compound, Locking	
3	0100079	AR	Sealant	
4	1001136356	1	Belt	
5	0641618	1	Bolt 3/8 x 2-1/4	
6	0760606	1	Bolt M6 x 12	
7	0700819	2	Bolt M8 x 55	
8	0760608	4	Bolt M6 x 16	
9	0761212	2	Bolt M12 x 25	
10	0761415	1	Bolt M14 x 35	
11	0860038	1	Box, Receptacle	
12	0861538	1	Control Box Assembly	
12	7024488	1	Card, Circuit - Generator Power	
12	See Note	NSS	Fuse (Note: Not Available - Purchase Locally)	
12	7024489	1	Card, Circuit - Control	
12	70000619	1	Harness, Control Box (Internal)	
13	0902888	1	Bracket	
14	0962520	1	Bushing, Split	
16	2460048	1	Generator Assembly	
16	70001100	1	Rotor (Includes p/n 70001384 & 70000863) (Not Shown)	
16	70001384	1	Bearing, Ball Radial (Not Shown)	
16	70000863	1	Fan (Not Shown)	
16	70002088	1	Stator (Not Shown)	
16	70002297	1	Stud	
16	70003631	1	Brushholder Assembly (Not Shown)	
16A	70004171	1	Key	
16B	70001966	1	Bearing, Ball Radial (Located in Belt Tensioner Endbell)	
16B	70003708	1	Ring, Internal Retaining (Located in Belt Tensioner Endbell)	
16B	70003709	1	Ring, External Retaining (Located in Belt Tensioner Endbell)	
16C	70001953	1	Endbell, Belt Tensioner	
16D	70004169	1	Endbell, Brush Block	
16E	70004169	1	Shroud	
16E	See Note	NSS	Insulator, Endbell (Note: Not Available for Purchase)	
16E	7027799	1	Block, Connector - 6 Position (Not Shown)	
16E	70002460	1	Nut, Brass (Attaches p/n 7027799 to Cover) (Not Shown)	
16E	7024485	1	Breaker, Circuit 30Amp (Not Shown)	
16E	70001696	1	Boot, Breaker (Not Shown)	
16E	7026626	1	Connector, 6 Position (Includes Seal) (Not Shown - Plugs into Item 39)	
16E	7026597	1	Connector, with Leads (Not Shown)	
16E	7026188	1	Clamp, Cable Options (Not Shown)	
16E	70004169	1	Plate, End Panel	
16E	70001974	1	Decal - Terminal Connections	
16F	70001973	1	Decal - Warning Moving Parts	
17	2820031	AR	Heat Shrink	
18	3252764	1	Nameplate - AC & Weld	
19	3290505	4	Nut M5	
20	3290805	2	Nut M8	

## SECTION 3 - ENGINE

ITEM	PART NUMBER	QTY	DESCRIPTION	REV
21	3291201	1	Nut M12	
22	3580318	1	Pulley	
23	3580320	1	Pulley	
25	3910606	4	Screw #6 x 3/8	
26	3960422	1	Gasket	
27	4032015	4	Capscrew M10 x 55	
28	4060802	1	Guard, Switch	
29	4360336	1	Switch, Toggle	
30	4460071	1	Connector, Strain Relief	
31	4460346	1	Receptacle	
32	4811602	4	Washer M5	
33	4811700	4	Washer M6	
34	4811900	4	Washer M8	
35	5241000	1	Washer M10	
36	3580317	1	Tensioner, Belt	
37	5241400	1	Washer M14	
38	4871700	2	Washer M6	
39	5241200	3	Washer M12	
40	1001104029	4	Capscrew M5 x 30 Grade 12.9	
41	1001110873	1	Cover	
42	1001130220	4	Nut, Tinnerman M6	
43	1001196382	1	Stud	
44	1001157592	1	Junction Box Assembly (See Items 101-121 for Breakdown)	
45A	4922641	1	Generator Switch Harness	
45B	1001152429	1	Generator to Engine Harness (See Separate Breakdown in ELECTRICAL SECTION)	
46	4922925	1	Generator Harness (See Separate Breakdown in ELECTRICAL SECTION)	
47	7274000040	1	Clamp	
48	5251012	1	Bolt M10 x 25	
50	1320061	1	Clamp	
	1001157592	Ref	JUNCTION BOX ASSEMBLY	C
101	1060343	1.5 ft/ 0.5m	Cable, Electrical 10/4	
102	1001179154	2.5 ft/ 0.8m	Cable, Electrical 12/3	
103	1671092	1	Cover	
104	3300396	1	Cover, Fuse	
105	3311001	6	Nut #10	
106	4360070	1	Circuit Breaker - 15Amp	
108	4460425	1	Connector, Strain Relief	
109	4460426	2	Connector, Strain Relief	
111	4460963	1	Connector	
112	4711000	10	Washer #10	
114	10702077	2	Screw #10 x 3/8	
115	10702082	2	Screw #10 x 3/4	
116	1001152525	1	Plug	
117	1001157520	1	Block, Terminal	
118	1001157521	1	Box, Junction	
119	1001157528	1	Decal - Wiring Schematic	
120	1001158007	1	Cover, PVC	
121	1001158008	2	Stand-Off	

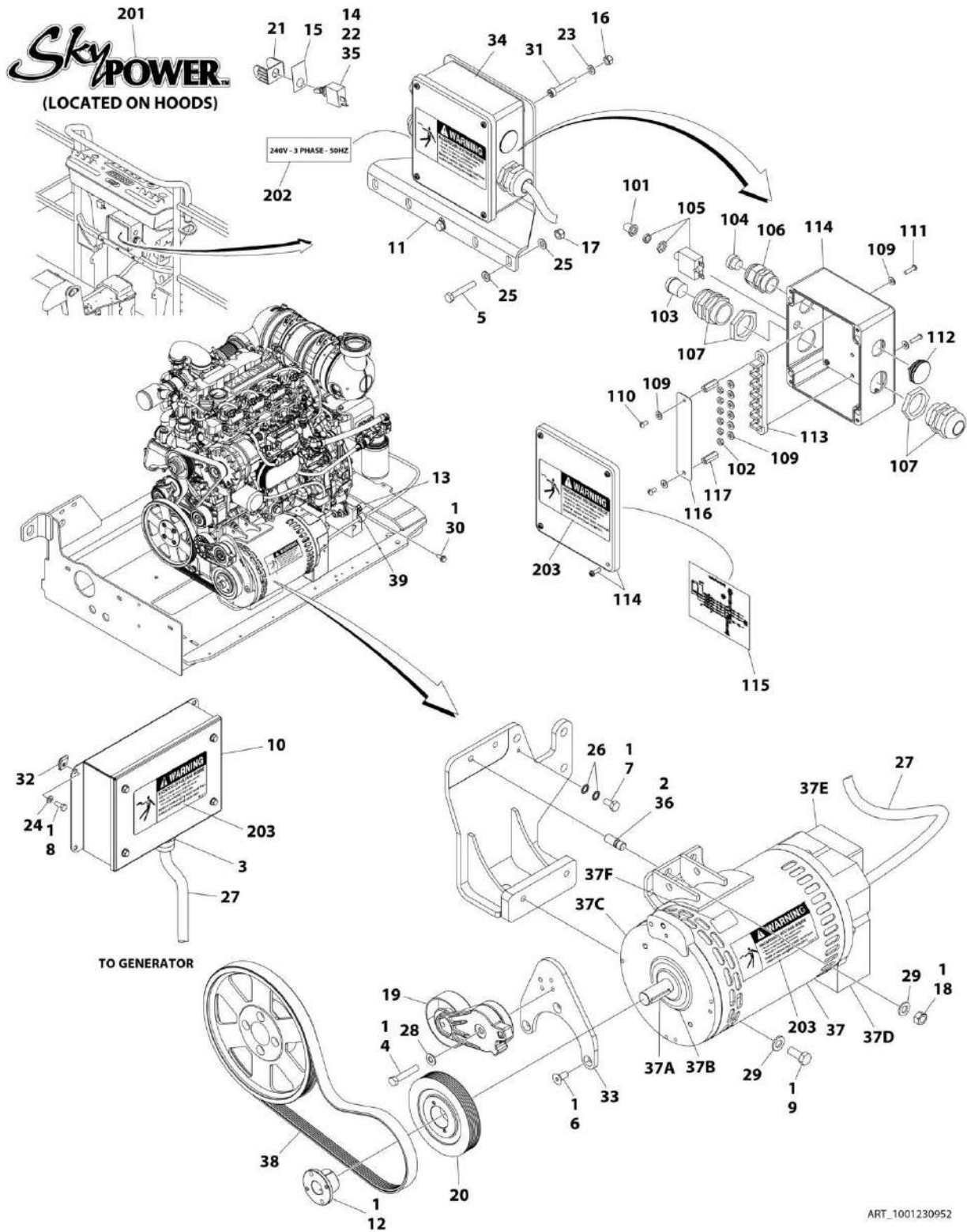


## SECTION 3 - ENGINE

ITEM	PART NUMBER	QTY	DESCRIPTION	REV
	0272435	Ref	DECAL INSTALLATION	D
201	1705460	2	Decal - SkyPower	
202	3251243	1	Decal - 120V-60Hz	
203	1705375	1	Decal - 240V - 3 Phase - 60Hz	
204	1705387	3	Decal - Hazardous Voltage	

# SECTION 3 - ENGINE

FIGURE 3-52. 7500W GENERATOR INSTALLATION - 220V/50HZ (DEUTZ TD2.9L4 ENGINES) (OPTIONAL)



## SECTION 3 - ENGINE

**FIGURE 3-52. 7500W GENERATOR INSTALLATION - 220V/50HZ (DEUTZ TD2.9L4 ENGINES)  
(OPTIONAL)**

ITEM	PART NUMBER	QTY	DESCRIPTION	REV
	1001230952	Ref	7500W GENERATOR INSTALLATION	A
1	0100011	AR	Compound, Locking	
2	0100019	AR	Compound, Locking	
3	0100048	AR	Grease, Terminal	
4	0641616	1	Bolt 3/8 x 2	
5	0700819	2	Bolt M8 x 55	
6	0741607	3	Screw 3/8 x 7/8	
7	0760606	1	Bolt M6 x 12	
8	0760608	4	Bolt M6 x 16	
9	0761212	2	Bolt M12 x 25	
10	0861572	1	Control Box Assembly	
10	7024488	1	Card, Circuit - Generator Power	
10	See Note	NSS	Fuse (Note: Not Available - Purchase Locally)	
10	7024489	1	Card, Circuit - Control	
10	70000619	1	Harness, Control Box (Internal)	
11	0902888	1	Bracket	
12	0962520	1	Bushing, Split	
13	1320061	1	Clamp	
14	2820031	AR	Heatshrink	
15	3252764	1	Nameplate - AC & Weld	
16	3290505	4	Nut M5	
17	3290805	2	Nut M8	
18	3291201	2	Nut M12	
19	3580317	1	Tensioner, Belt	
20	3580319	1	Pulley	
21	4060802	1	Guard, Switch	
22	4360336	1	Switch, Toggle	
23	4811602	4	Washer M5	
24	4811700	4	Washer M6	
25	4811900	4	Washer M8	
26	4871700	2	Washer M6	
27	4922925	1	Generator Harness (See Separate Breakdown in ELECTRICAL SECTION)	
28	5241000	1	Washer M10	
29	5241200	4	Washer M12	
30	5251012	1	Bolt M10 x 25	
31	1001104029	4	Capscrew M5 x 30, Grade 12.9	
32	1001130220	4	Nut, Tinnerman M6	
33	1001142643	1	Support	
34	1001157525	1	Junction Box Assembly (See Items 101-117 for Breakdown)	
35	4922641	1	Switch Harness	
36	1001196382	2	Stud	
37	1001212223	1	Generator Assembly - 50Hz	
37	70001100	1	Rotor (Includes p/n 70001384 & 70000863) (Not Shown)	
37	70001384	1	Bearing, Ball Radial (Not Shown)	
37	70000863	1	Fan (Not Shown)	
37	70006093	1	Stator (Not Shown)	
37	70002297	1	Stud	
37	70003631	1	Brushholder Assembly (Not Shown) (was p/n 7024484)	

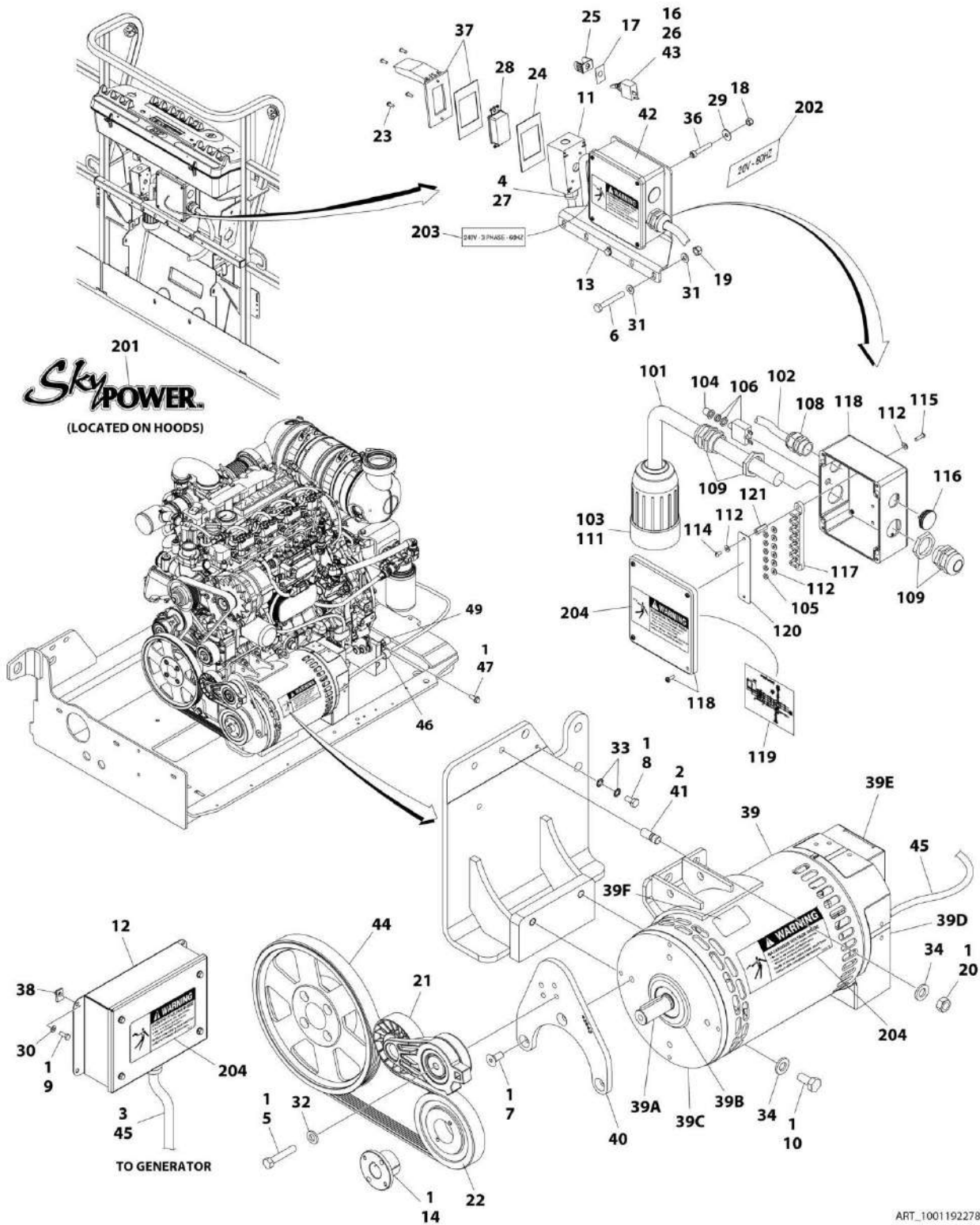
## SECTION 3 - ENGINE

ITEM	PART NUMBER	QTY	DESCRIPTION	REV
37A	70004099	1	Key	
37B	70001966	1	Bearing, Ball Radial (Located in Belt Tensioner Endbell)	
37B	70003708	1	Ring, Internal Retaining (Located in Belt Tensioner Endbell)	
37B	70003709	1	Ring, External Retaining (Located in Belt Tensioner Endbell)	
37C	70004092	1	Endbell, Belt Tensioner	
37D	70004094	1	Endbell, Brush Block	
37E	70006094	1	Shroud	
37E	70002291	1	Insulator, Endbell	
37E	7027799	1	Block, Connector - 6 Position (Not Shown)	
37E	70002460	1	Nut, Brass (Attaches p/n 7027799 to Cover) (Not Shown)	
37E	70006095	1	Breaker, Circuit 30Amp (Not Shown)	
37E	70006096	1	Boot, Breaker (Not Shown)	
37E	7026626	1	Connector - 6 Position (Includes Seal) (Not Shown - Plugs into Item 36)	
37E	7026597	1	Connector with Leads (Not Shown)	
37E	70004098	1	Clamp, Cable (Not Shown)	
37E	70006097	1	Plate, End Panel	
37E	70001974	1	Decal - Terminal Connections	
37F	70001973	1	Decal - Warning Moving Parts	
	1001157525	1	JUNCTION BOX ASSEMBLY	B
101	3300396	1	Cover, Fuse	
102	3311001	6	Nut #10	
103	3520189	1	Plug	
104	3520192	1	Plug	
105	4360070	1	Circuit Breaker - 15Amp	
106	4460425	1	Connector, Strain Relief	
107	4460426	2	Connector, Strain Relief	
109	4711000	10	Washer #10	
110	10702077	2	Screw #10 x 3/8	
111	10702082	2	Screw #10 x 3/4	
112	1001152525	1	Plug	
113	1001157520	1	Block, Terminal	
114	1001157521	1	Box, Junction	
115	1001157528	1	Decal - Wiring Schematic	
116	1001158007	1	Cover, PVC	
117	1001158008	2	Stand-Off	
	0272589	Ref	DECAL INSTALLATION	A
201	1705460	2	Decal - SkyPower	
202	1705461	1	Decal - 240V - 3 Phase - 50Hz	
203	1705489	3	Decal - Hazardous Voltage	



# SECTION 3 - ENGINE

FIGURE 3-53. 7500W SKYPOWER GENERATOR INSTALLATION - 110V/60HZ (DEUTZ TD2.9L4 ENGINES) (OPTIONAL)



## SECTION 3 - ENGINE

**FIGURE 3-53. 7500W SKYPOWER GENERATOR INSTALLATION - 110V/60HZ (DEUTZ TD2.9L4 ENGINES) (OPTIONAL)**

ITEM	PART NUMBER	QTY	DESCRIPTION	REV
	1001192278	Ref	7500W SKYPOWER GENERATOR INSTALLATION	G
1	0100011	AR	Compound, Locking	
2	0100019	AR	Compound, Locking	
3	0100048	AR	Compound Terminal	
4	0100079	AR	Sealant	
5	0641616	1	Bolt 3/8 x 2	
6	0700819	2	Bolt M8 x 55	
7	0741607	3	Screw 3/8 x 7/8	
8	0760606	1	Bolt M6 x 12	
9	0760608	4	Bolt M6 x 16	
10	0761212	2	Bolt M12 x 25	
11	0860038	1	Box, Receptacle	
12	0861538	1	Control Box Assembly	
12	7024488	1	Card, Circuit - Generator Power	
12	See Note	NSS	Fuse (Note: Not Available - Purchase Locally)	
12	7024489	1	Card, Circuit - Control	
12	70000619	1	Harness, Control Box (Internal)	
		Ref	Note: Same Circuit Card (P/N 7024489) is used for both 60Hz and 50Hz. When replacing card, rocker switch on card must be set for required application.	
13	0902888	1	Bracket	
14	0962520	1	Bushing, Split	
16	2820031	AR	Heat Shrink	
17	3252764	1	Nameplate - AC & Weld	
18	3290505	4	Nut M5	
19	3290805	2	Nut M8	
20	3291201	2	Nut M12	
21	3580317	1	Tensioner, Belt	
22	3580318	1	Pulley	
23	3910606	4	Screw #6 x 3/8	
24	3960422	1	Gasket	
25	4060802	1	Guard, Switch	
26	4360336	1	Switch, Toggle	
27	4460071	1	Connector, Strain Relief	
28	4460346	1	Receptacle	
29	4811602	4	Washer M5	
30	4811700	4	Washer M6	
31	4811900	4	Washer M8	
32	5241000	1	Washer M10	
33	4871700	2	Washer M6	
34	5241200	4	Washer M12	
36	1001104029	1	Capscrew M5 x 30 Grade 12.9	
37	1001110873	1	Cover	
38	1001130220	4	Nut, Tinnerman M6	
39	1001212223	1	Generator Assembly	
39	70001100	1	Rotor (Includes p/n 70001384 & 70000863) (Not Shown)	
39	70001384	1	Bearing, Ball Radial (Not Shown)	
39	70000863	1	Fan (Not Shown)	

## SECTION 3 - ENGINE

ITEM	PART NUMBER	QTY	DESCRIPTION	REV
39	70006093	1	Stator (Not Shown)	
39	70002297	1	Stud	
39	70003631	1	Brushholder Assembly (Not Shown) (was p/n 7024484)	
39A	70004099	1	Key	
39B	70001966	1	Bearing, Ball Radial (Located in Belt Tensioner Endbell)	
39B	70003708	1	Ring, Internal Retaining (Located in Belt Tensioner Endbell)	
39B	70003709	1	Ring, External Retaining (Located in Belt Tensioner Endbell)	
39C	70004092	1	Endbell, Belt Tensioner	
39D	70004094	1	Endbell, Brush Block	
39E	70006094	1	Shroud	
39E	70002291	1	Insulator, Endbell	
39E	7027799	1	Block, Connector - 6 Position (Not Shown)	
39E	70002460	1	Nut, Brass (Attaches p/n 7027799 to Cover) (Not Shown)	
39E	70006095	1	Breaker, Circuit 30Amp (Not Shown)	
39E	70006096	1	Boot, Breaker (Not Shown)	
39E	7026626	1	Connector, 6 Position (Includes Seal) (Not Shown - Plugs into Item 45)	
39E	7026597	1	Connector with Leads (Not Shown)	
39E	70004098	1	Clamp, Cable (Not Shown)	
39E	70006097	1	Plate, End Panel	
39E	70001974	1	Decal - Terminal Connections	
39F	70001973	1	Decal - Warning Moving Parts	
40	1001142643	1	Support	
41	1001196382	2	Stud	
42	1001157592	1	Junction Box Assembly (See Items 101-121 for Breakdown)	
43	4922641	1	Generator Switch Harness	
44	1001142646	1	Belt	
45	4922925	1	Generator Harness (See Separate Breakdown in ELECTRICAL SECTION)	
46	7274000040	1	Clamp	
47	5251012	1	Bolt M10 x 25	
49	1320061	1	Clamp	
	1001157592	Ref	JUNCTION BOX ASSEMBLY	C
101	1060343	1.5 ft/ 0.5m	Cable, Electrical 10/4	
102	1001179154	2.5 ft/ 76cm	Cable, Electrical 12/3	
103	1671092	1	Cover, Connector	
104	3300396	1	Cover, Fuse	
105	3311001	6	Nut #10	
106	4360070	1	Circuit Breaker - 15Amp	
108	4460425	1	Connector, Strain Relief	
109	4460426	2	Connector, Strain Relief	
111	4460963	1	Connector	
112	4711000	4	Washer #10	
114	10702077	2	Screw #10 x 3/8	
115	10702082	2	Screw #10 x 3/4	
116	1001152525	1	Plug	
117	1001157520	1	Block, Terminal	
118	1001157521	1	Box, Junction	
119	1001157528	1	Decal - Wiring Schematic	
120	1001158007	1	Cover, PVC	



## SECTION 3 - ENGINE

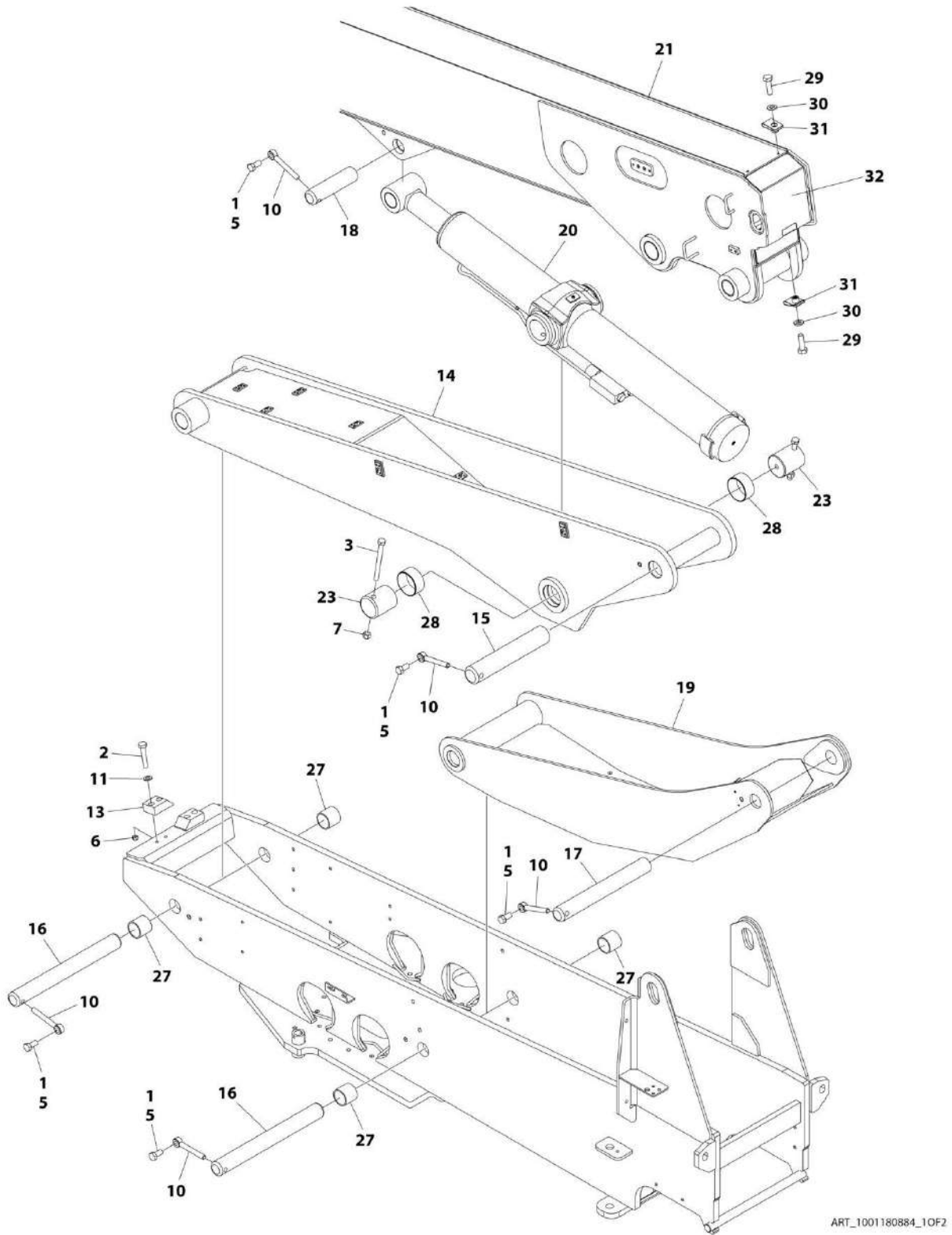
ITEM	PART NUMBER	QTY	DESCRIPTION	REV
121	1001158008	1	Stand-Off	D
	0272435	Ref	DECAL INSTALLATION	
201	1705460	2	Decal - SkyPower	
202	3251243	1	Decal - 120V-60Hz	
203	1705375	1	Decal - 240V - 3 Phase - 60Hz	
204	1705387	3	Decal - Hazardous Voltage	



**SECTION 4 - BOOM**

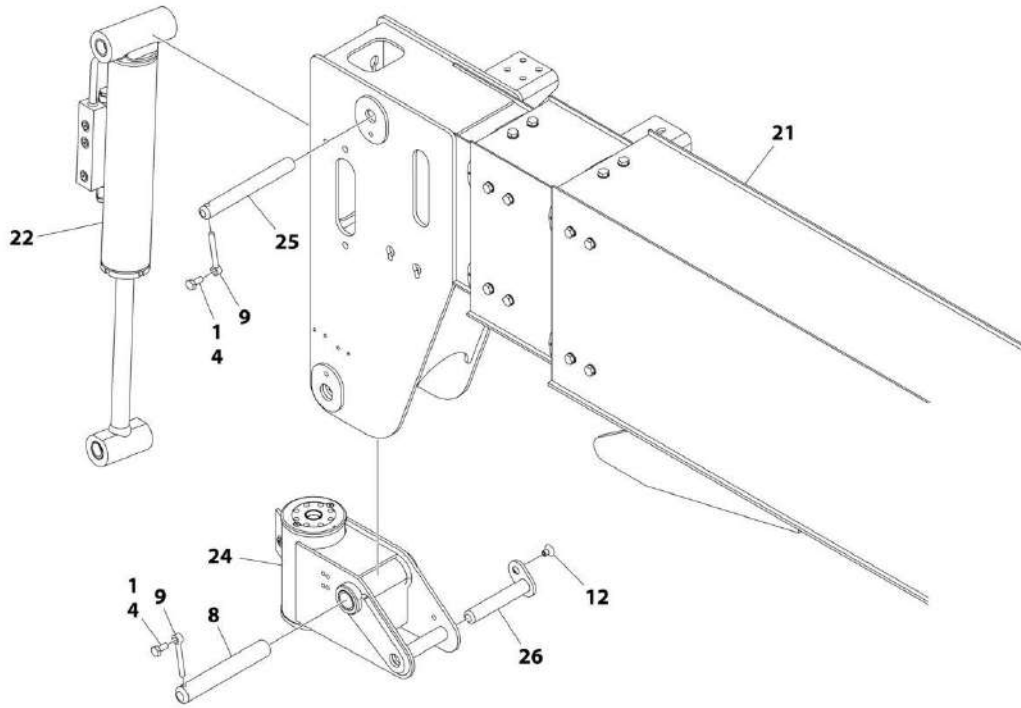
# SECTION 4 - BOOM

## FIGURE 4-1. BOOM INSTALLATION - 600SC



ART\_1001180884\_10F2

# SECTION 4 - BOOM



ART\_1001180884\_2OF2

## SECTION 4 - BOOM

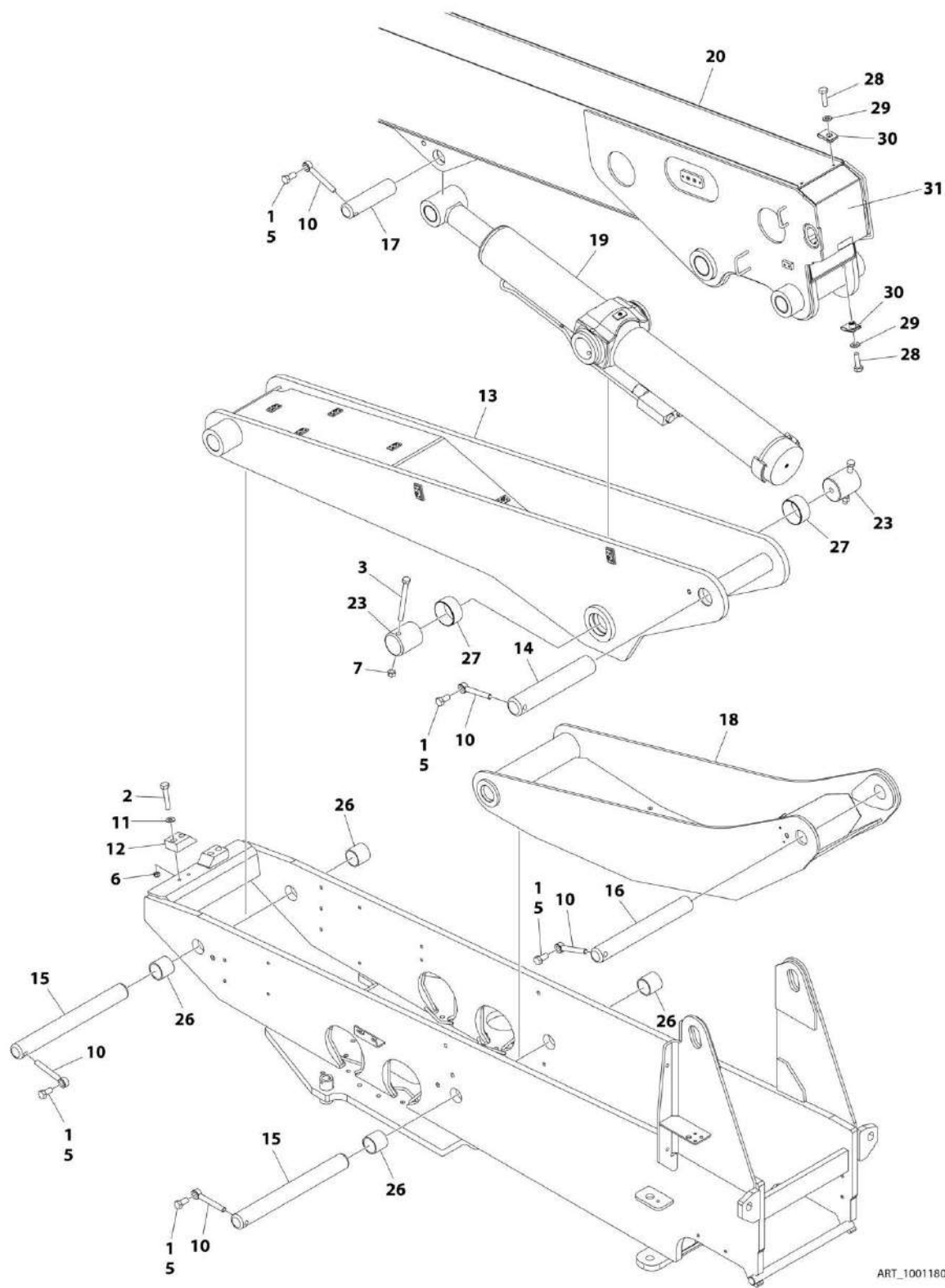
FIGURE 4-1. BOOM INSTALLATION - 600SC

ITEM	PART NUMBER	QTY	DESCRIPTION	REV
	1001180884	Ref	BOOM INSTALLATION	F
1	0100011	AR	Compound, Locking	
2	0701019	4	Bolt M10 x 55	
3	0711635	2	Bolt M16 x 180	
4	0761011	2	Bolt M10 x 22	
5	0762016	5	Bolt M20 x 40	
6	3291005	4	Nut M10	
7	3291605	2	Nut M16	
8	3422582	1	Pin	
9	3841143	2	Keeper, Pin	
10	3841287	5	Keeper, Pin	
11	4812000	4	Washer M10	
12	1001137032	1	Screw M10 x 16	
13	1001138459	2	Pad	
14	1001174231	1	Link	
15	1001174250	1	Pin	
16	1001174252	2	Pin	
17	1001174253	1	Pin	
18	1001174254	1	Pin	
19	1001174256	1	Link	
20	1001184500	1	Lift Cylinder Assembly (See Separate Breakdown in CYLINDER SECTION)	
21	1001180883	1	Boom Assembly (See Separate Breakdown in CYLINDER SECTION)	
22	1001184954	1	Level Cylinder Assembly - Platform Slave (See Separate Breakdown in CYLINDER SECTION)	
23	1001183926	2	Pin	
24	1001187348	1	Platform Rotator Assembly (See Separate Breakdown in this Section)	
25	1001192910	1	Pin	
26	1001192991	1	Pin	
27	0962423	4	Bearing	
28	1001174251	2	Bearing	
29	0760610	4	Bolt M6 x 20	
30	4811700	4	Washer M6	
31	1001130220	4	Nut, Tinnerman M6	
32	1001228177	1	Cover	



# SECTION 4 - BOOM

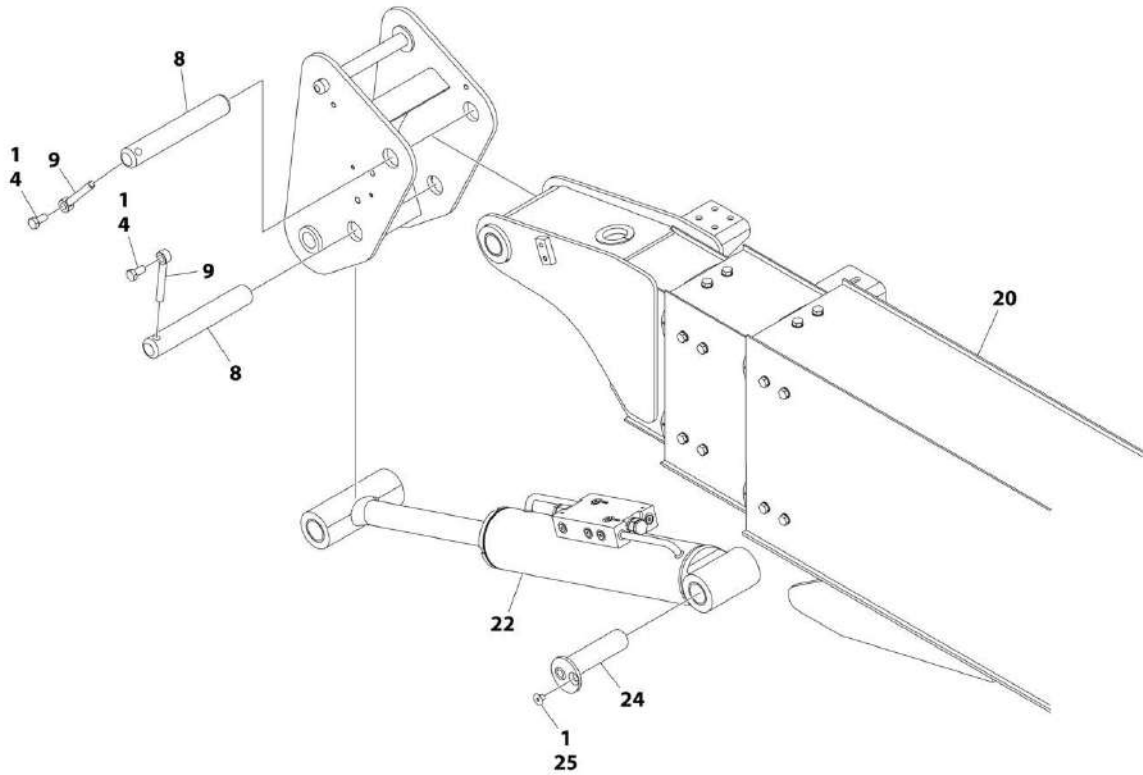
## FIGURE 4-2. BOOM INSTALLATION - 660SJC



ART\_1001180885\_10F2



# SECTION 4 - BOOM



ART\_1001180885\_2OF2

## SECTION 4 - BOOM

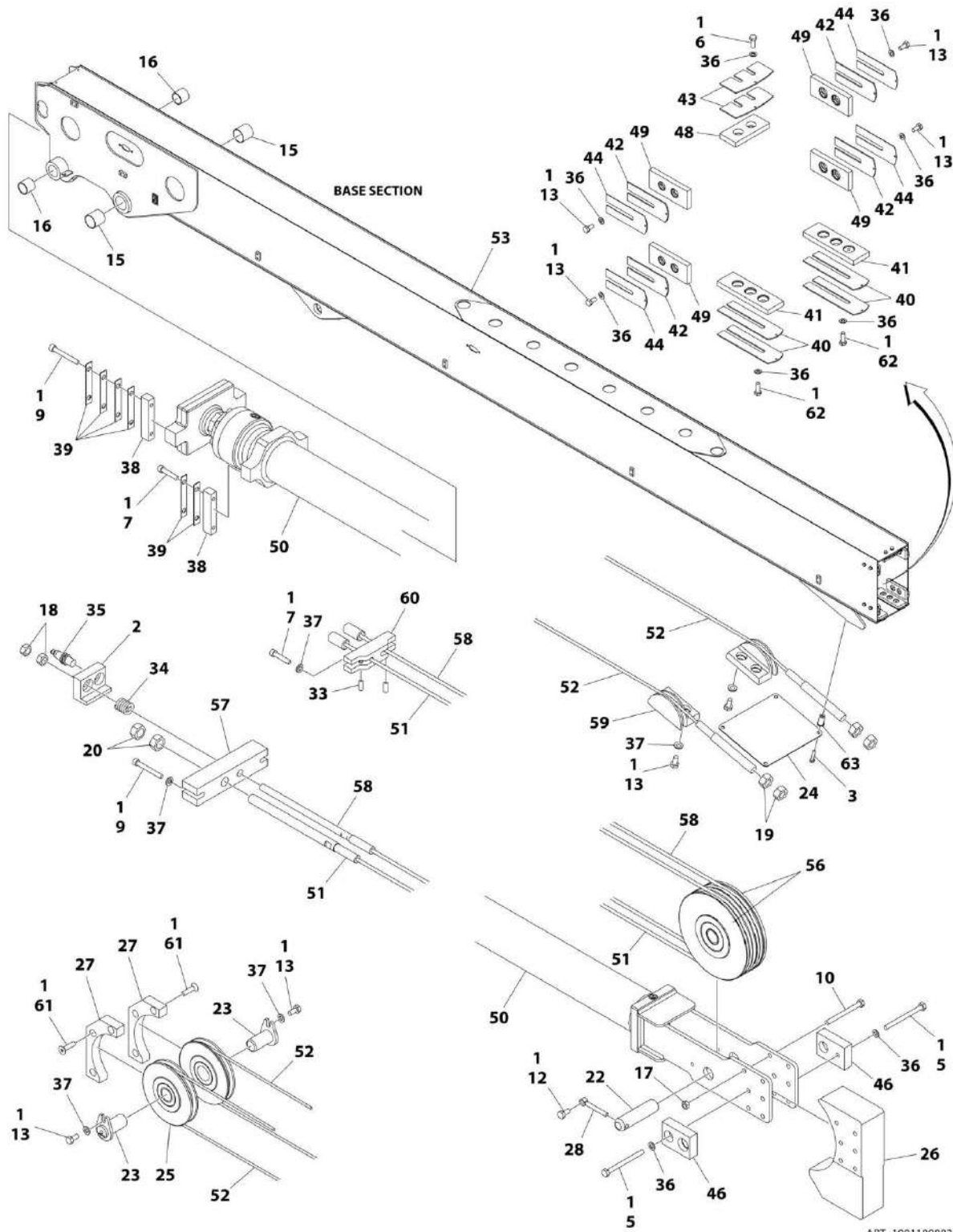
FIGURE 4-2. BOOM INSTALLATION - 660SJC

ITEM	PART NUMBER	QTY	DESCRIPTION	REV
	1001180885	Ref	BOOM INSTALLATION	F
1	0100011	AR	Compound, Locking	
2	0701019	4	Bolt M10 x 55	
3	0711635	2	Bolt M16 x 180	
4	0761212	2	Bolt M12 x 25	
5	0762016	5	Bolt M20 x 40	
6	3291005	4	Nut M10	
7	3291605	2	Nut M16	
8	3422793	2	Pin	
9	3841203	2	Keeper, Pin	
10	3841287	5	Keeper, Pin	
11	4812000	4	Washer M10	
12	1001138459	2	Pad	
13	1001174231	1	Link	
14	1001174250	1	Pin	
15	1001174252	2	Pin	
16	1001174253	1	Pin	
17	1001174254	1	Pin	
18	1001174256	1	Link	
19	1001184500	1	Lift Cylinder Assembly (See Separate Breakdown in CYLINDER SECTION)	
20	1001176217	1	Boom Assembly (See Separate Breakdown in this Section)	
22	1001184957	1	Level Cylinder Assembly - Platform Slave (See Separate Breakdown in CYLINDER SECTION)	
23	1001183926	2	Pin	
24	1001192052	1	Pin	
25	1001192027	1	Screw M10 x 12	
26	0962423	4	Bearing	
27	1001174251	2	Bearing	
28	0760610	4	Bolt M6 x 20	
29	4811700	4	Washer M6	
30	1001130220	4	Nut - Tinnerman M6	
31	1001228177	1	Cover	

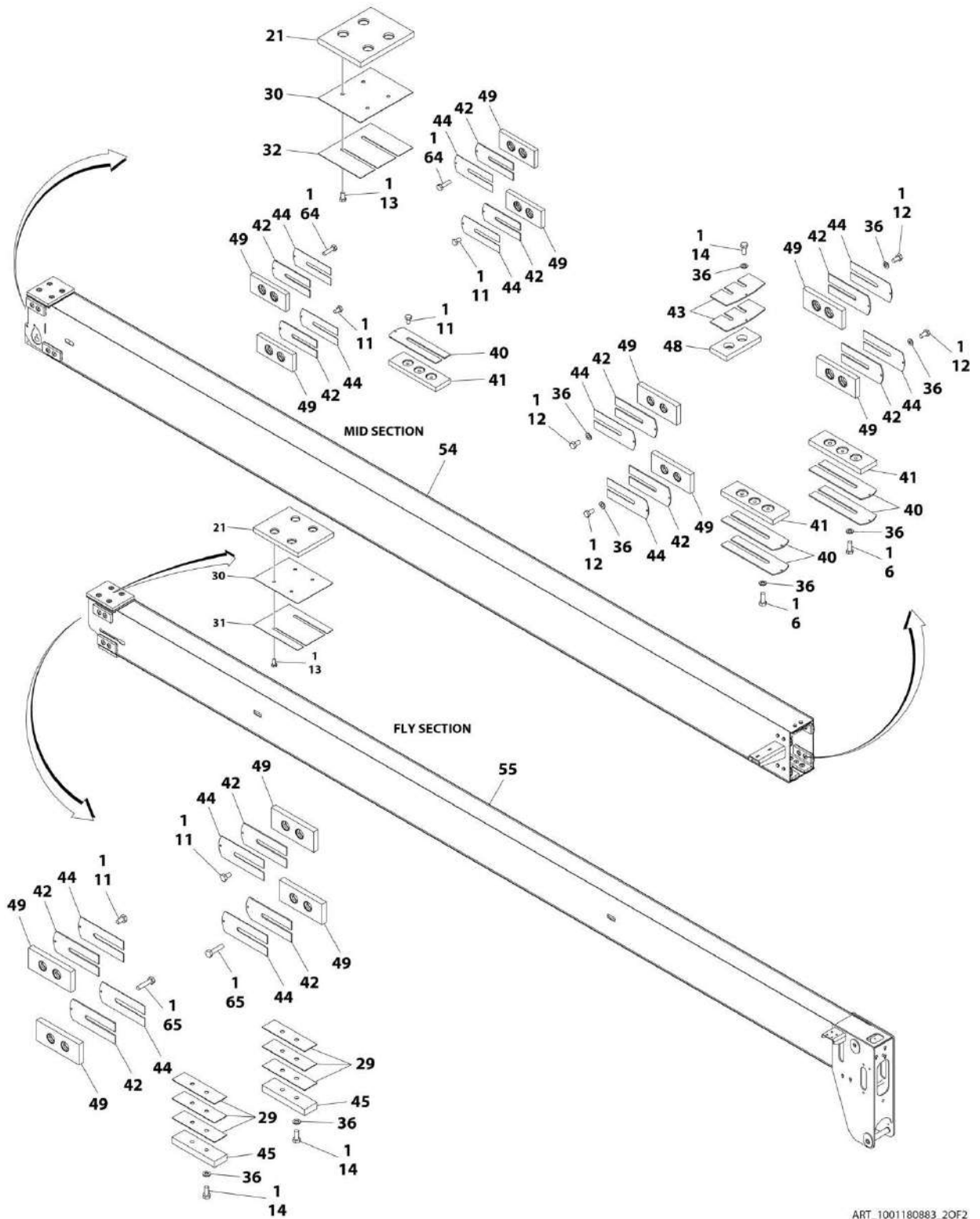


# SECTION 4 - BOOM

## FIGURE 4-3. BOOM ASSEMBLY - 600SC



# SECTION 4 - BOOM



ART\_1001180883\_20F2

# SECTION 4 - BOOM

## FIGURE 4-3. BOOM ASSEMBLY - 600SC

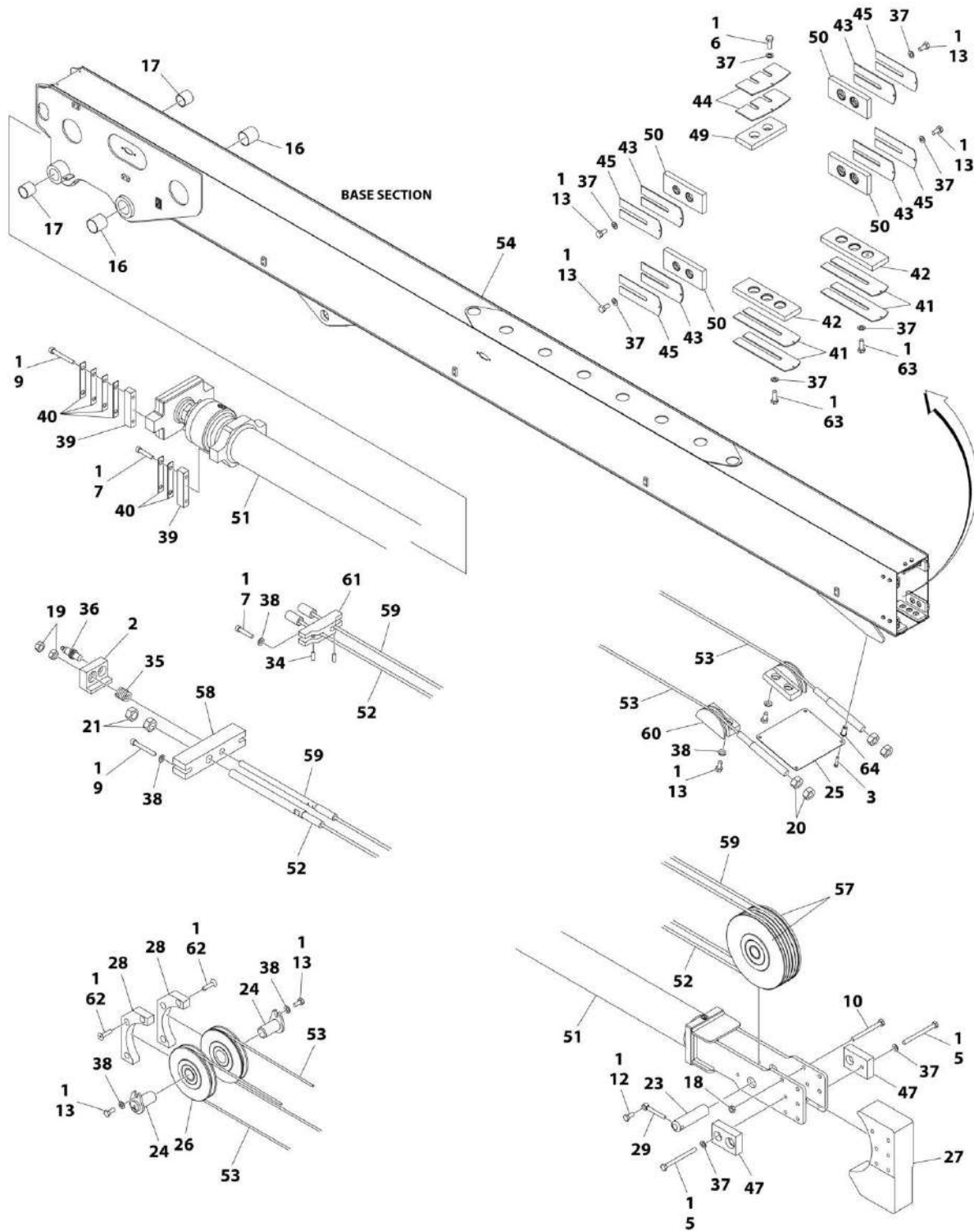
ITEM	PART NUMBER	QTY	DESCRIPTION	REV
	1001180883	Ref	BOOM ASSEMBLY	K
1	0100011	AR	Compound, Locking	
2	0561508	1	Block	
3	0760614	4	Bolt M6 x 30	
5	0701029	2	Bolt M10 x 120	
6	0701013	8	Bolt M10 x 28	
7	4032014	6	Capscrew M10 x 50	
9	4032020	6	Capscrew M10 x 80	
10	0701028	4	Bolt M10 x 110	
11	0761009	10	Bolt M10 x 18	
12	0761010	9	Bolt M10 x 20	
13	0761011	22	Bolt M10 x 22	
14	0761012	6	Bolt M10 x 25	
15	0962033	2	Bushing	
16	0962423	2	Bearing	
17	3291001	4	Nut M10	
18	3291601	2	Nut M16	
19	3292001	4	Nut M20	
20	3292201	2	Nut M22	
21	1001191385	2	Pad, Wear	
22	3422417	1	Pin	
23	3422424	2	Pin	
24	3539622	1	Cover	
25	3580243	2	Sheave, Retract	
25	0961951	2	Bushing (1 Per Sheave)	
26	3580248	1	Guard, Sheave (Extend)	
27	3580249	1	Guard, Sheave (Retract)	
28	3841143	1	Keeper, Pin	
29	4070895	6	Shim 16Ga	
30	4070896	2	Shim .06	
31	4070939	1	Shim 16Ga	
32	4070940	1	Shim 16Ga	
33	4092009	2	Setscrew M10 x 25	
34	4160149	1	Spring	
35	1001214831	1	Switch, Proximity	
36	4812000	38	Washer M10	
37	5241000	10	Washer M10	
38	1001135488	4	Block	
39	1001136571	12	Shim 16Ga	
40	1001136575	9	Shim 11Ga	
41	1001136583	5	Pad, Wear	
42	1001136592	16	Shim 11Ga	
43	1001138436	4	Shim 11Ga	
44	1001143713	16	Shim 18Ga	
45	1001148650	2	Pad, Wear	
46	1001191384	2	Pad, Wear	
48	1001136587	2	Pad, Wear	
49	1001153398	16	Pad, Wear	
50	1001175850	NLA	Telescope Cylinder Assembly (Use p/n 1001251079) (See Separate Breakdown in CYLINDER SECTION) (SN 0300236299)	

## SECTION 4 - BOOM

ITEM	PART NUMBER	QTY	DESCRIPTION	REV
50	1001228079	NLA	<b>through 0300245222)</b> Telescope Cylinder Assembly (Use p/n 1001251079) (See Separate Breakdown in CYLINDER SECTION) <b>(SN 0300245223 through 0300251713)</b>	
50	1001251079	1	Telescope Cylinder Assembly (See Separate Breakdown in CYLINDER SECTION) <b>(SN 0300251714 to Present)</b>	
51	1001175998	1	Rope, Wire (Extend)	
52	1001175999	2	Rope, Wire (Retract)	
53	1001176208	1	Base, Boom	
54	1001176212	1	Mid, Boom	
55	1001180882	1	Fly, Boom	
56	1001184913	2	Sheave, Extend	
56	1001184918	2	Bushing (1 Per Sheave)	
56	1001184917	2	Sleeve, Bronze (1 Per Sheave)	
56	1001184915	2	Ring, Retaining (1 Per Sheave)	
57	1001186541	1	Block	
58	1001189859	1	Rope, Wire (Extend)	
59	1001191048	2	Sheave, Block	
60	1001191202	1	Block	
61	1001191205	6	Screw M10 x 40	
62	0761014	6	Bolt M10 x 30	
63	1001203719	4	Wellnut M6	
64	0761016	4	Bolt M10 x 40	
65	0761017	4	Bolt M10 x 45	

# SECTION 4 - BOOM

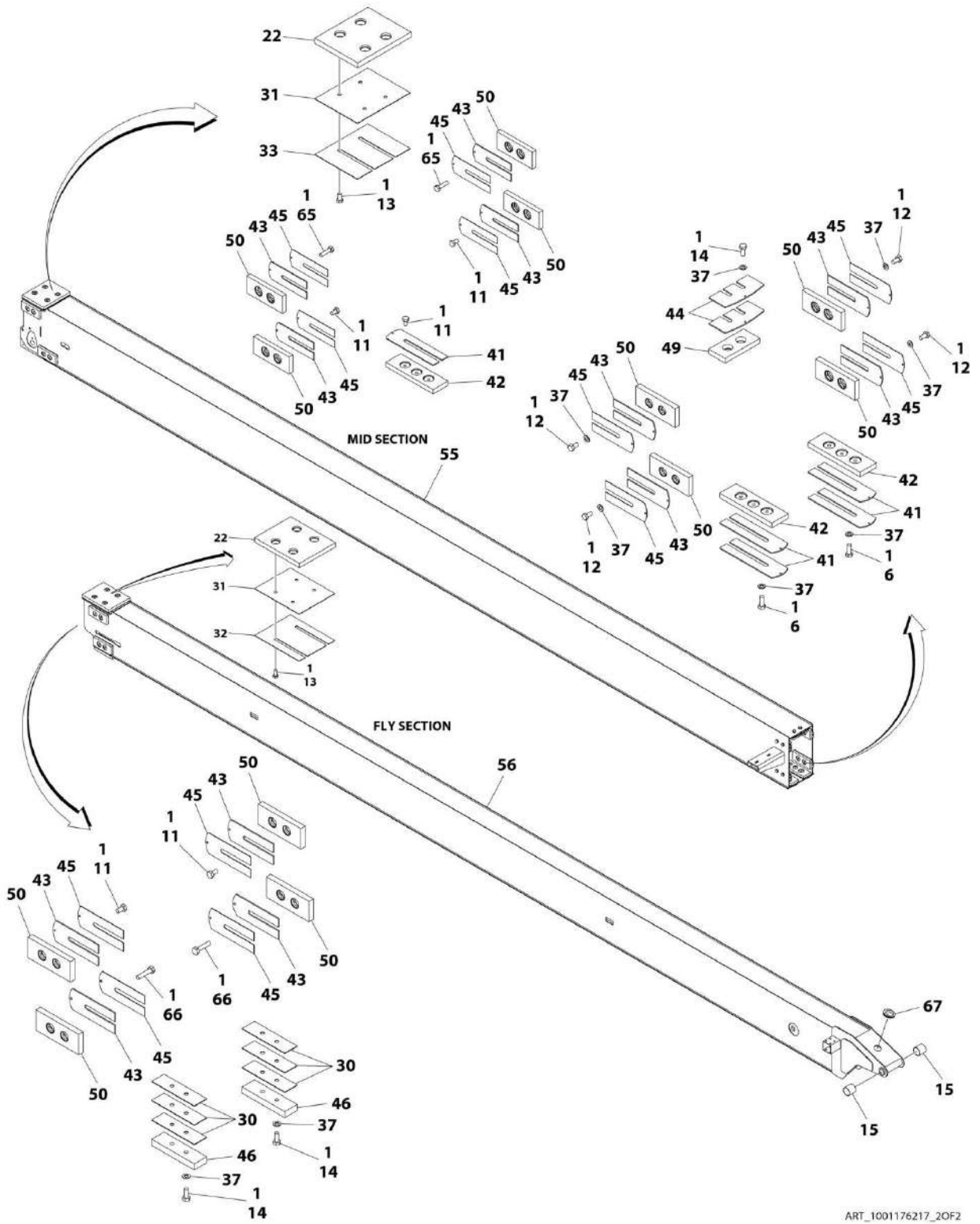
## FIGURE 4-4. BOOM ASSEMBLY - 660SJC



ART\_1001176217\_10F2



# SECTION 4 - BOOM



ART\_1001176217\_20F2

# SECTION 4 - BOOM

## FIGURE 4-4. BOOM ASSEMBLY - 660SJC

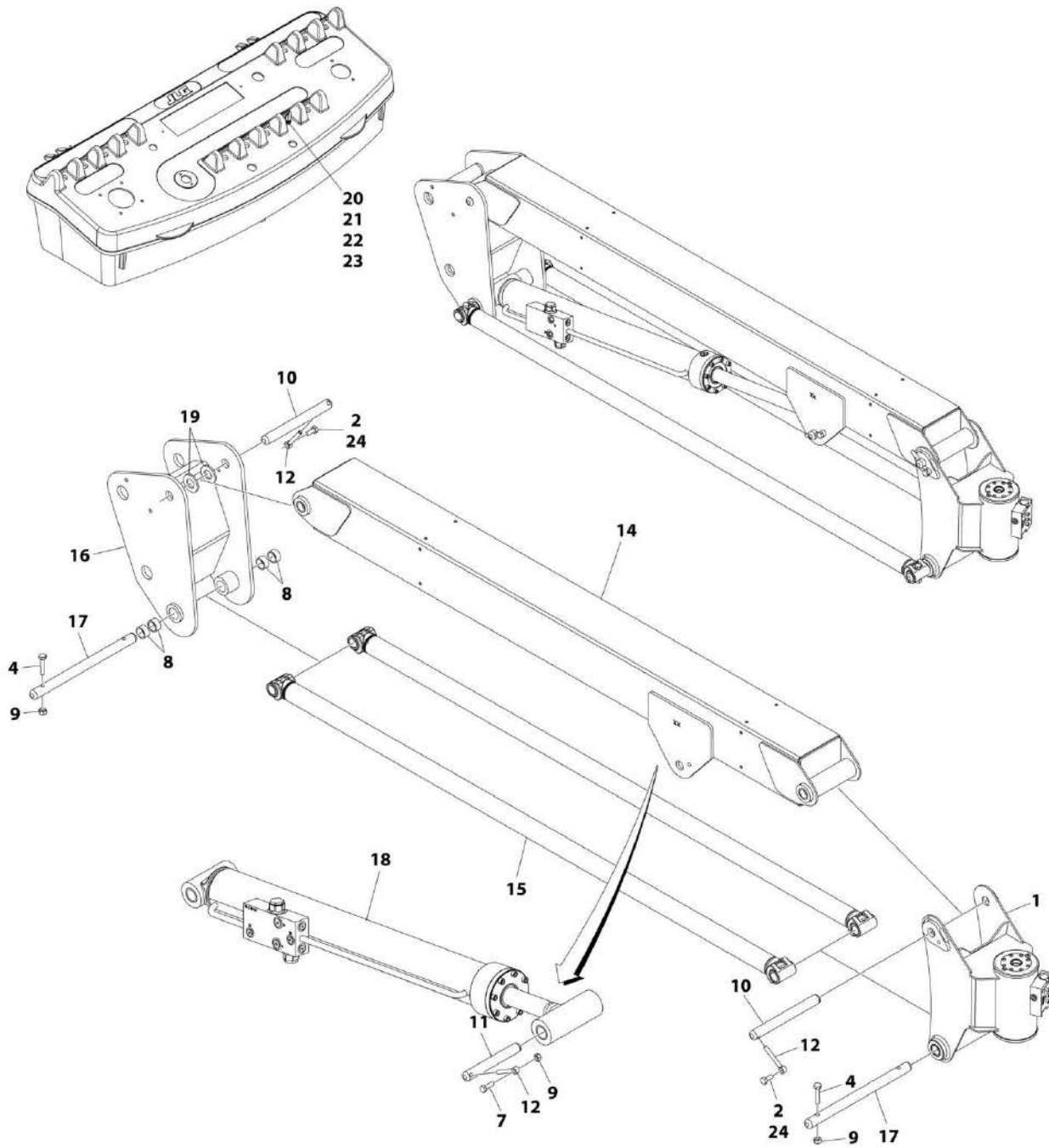
ITEM	PART NUMBER	QTY	DESCRIPTION	REV
	1001176217	Ref	BOOM ASSEMBLY	L
1	0100011	AR	Compound, Locking	
2	0561508	1	Block	
3	0760614	4	Bolt M6 x 30	
5	0701029	2	Bolt M10 x 120	
6	0701013	8	Bolt M10 x 28	
7	4032014	6	Capscrew M10 x 50	
9	4032020	6	Capscrew M10 x 80	
10	0701028	4	Bolt M10 x 110	
11	0761009	10	Bolt M10 x 18	
12	0761010	9	Bolt M10 x 20	
13	0761011	22	Bolt M10 x 22	
14	0761012	6	Bolt M10 x 25	
15	0961948	2	Bearing	
16	0962033	2	Bushing	
17	0962423	2	Bearing	
18	3291001	4	Nut M10	
19	3291601	2	Nut M16	
20	3292001	4	Nut M20	
21	3292201	2	Nut M22	
22	1001191385	2	Pad, Wear	
23	3422417	1	Pin	
24	3422424	2	Pin	
25	3539622	1	Cover	
25	0961951	2	Bushing (1 Per Sheave)	
26	3580243	2	Sheave, Retract	
27	3580248	1	Guard, Sheave (Extend)	
28	3580249	2	Guard, Sheave (Retract)	
29	3841143	1	Keeper, Pin	
30	4070895	6	Shim 16Ga	
31	4070896	2	Shim .06	
32	4070939	1	Shim 16Ga	
33	4070940	1	Shim 16Ga	
34	4092009	2	Setscrew M10 x 25	
35	4160149	1	Spring	
36	1001214831	1	Switch, Proximity	
37	4812000	38	Washer M10	
38	5241000	10	Washer M10	
39	1001135488	4	Block	
40	1001136571	12	Shim 16Ga	
41	1001136575	9	Shim 11Ga	
42	1001136583	5	Pad, Wear	
43	1001136592	16	Shim 11Ga	
44	1001138436	4	Shim 11Ga	
45	1001143713	16	Shim 18Ga	
46	1001148650	2	Pad, Wear	
47	1001191384	2	Pad, Wear	
49	1001136587	2	Pad, Wear	
50	1001153398	16	Pad, Wear	
51	1001175850	NLA	Telescope Cylinder Assembly (Use p/n 1001251079) (See	

## SECTION 4 - BOOM

ITEM	PART NUMBER	QTY	DESCRIPTION	REV
			Separate Breakdown in CYLINDER SECTION) (SN 0300236299 through 0300245222)	
51	1001228079	NLA	Telescope Cylinder Assembly (Use p/n 1001251079) (See Separate Breakdown in CYLINDER SECTION) (SN 0300245223 through 0300251713)	
51	1001251079	1	Telescope Cylinder Assembly (See Separate Breakdown in CYLINDER SECTION) (SN 0300251714 to Present)	
52	1001175998	1	Rope, Wire (Extend)	
53	1001175999	2	Rope, Wire (Retract)	
54	1001176208	1	Base, Boom	
55	1001176212	1	Mid, Boom	
56	1001176216	1	Fly, Boom	
57	1001184913	2	Sheave, Extend	
57	1001184918	2	Bushing (1 per Sheave)	
57	1001184917	2	Sleeve, Bronze (1 per Sheave)	
57	1001184915	2	Ring, Retaining (1 per Sheave)	
58	1001186541	1	Block	
59	1001189859	1	Rope, Wire (Extend)	
60	1001191048	2	Sheave, Block	
61	1001191202	1	Block	
62	1001191205	6	Screw M10 x 40	
63	0761014	6	Bolt M10 x 30	
64	1001203719	4	Wellnut M6	
65	0761016	4	Bolt M10 x 40	
66	0761017	4	Bolt M10 x45	
67	4060805	6 in/ 16cm	Flex - Trim	

# SECTION 4 - BOOM

## FIGURE 4-5. JIB ASSEMBLY - 660SJC



ART\_1001182046

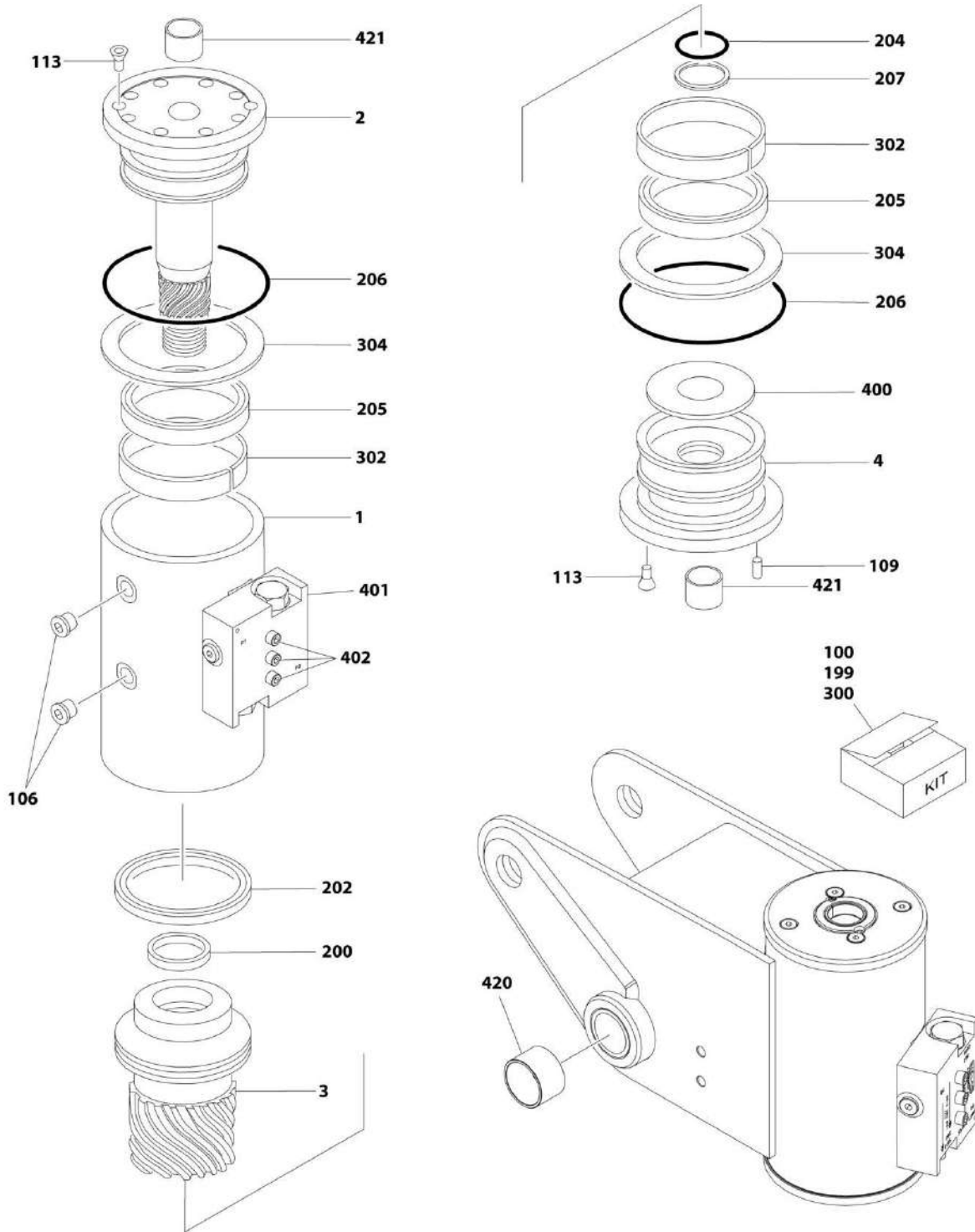
## SECTION 4 - BOOM

### FIGURE 4-5. JIB ASSEMBLY - 660SJC

ITEM	PART NUMBER	QTY	DESCRIPTION	REV
	1001182046	Ref	JIB ASSEMBLY	G
1	1001190580	1	Platform Rotator Assembly (See Separate Breakdown in this Section)	
2	0100011	AR	Compound, Locking	
4	0701018	4	Bolt M10 x 50	
7	0761014	1	Bolt M10 x 30	
8	0961947	4	Bearing	
9	3291005	1	Nut M10	
10	3422860	2	Pin	
11	3422867	1	Pin	
12	3841143	3	Keeper, Pin	
14	4844816	1	Tube, JIB	
14	0962335	4	Bushing	
15	1001181960	2	Link	
16	1001181962	1	Pivot	
17	1001182064	2	Pin	
18	1001231956	1	Lift Cylinder Assembly - JIB (See Separate Breakdown in CYLINDER SECTION) <b>(SN 0300236299 through 0300245222)</b>	
18	1001228013	1	Lift Cylinder Assembly - JIB (See Separate Breakdown in CYLINDER SECTION) <b>(SN 0300245223 to Present)</b>	
19	4740439	2	Washer	
20	3790012	1	O-Ring	
21	4740397	1	Spacer	
22	1001155044	1	Nut 15/32	
23	1001155045	1	Switch, Toggle	
24	0761012	2	Bolt M10 x 25	

# SECTION 4 - BOOM

## FIGURE 4-6. PLATFORM ROTATOR ASSEMBLY - 600SC



ART\_1001187348

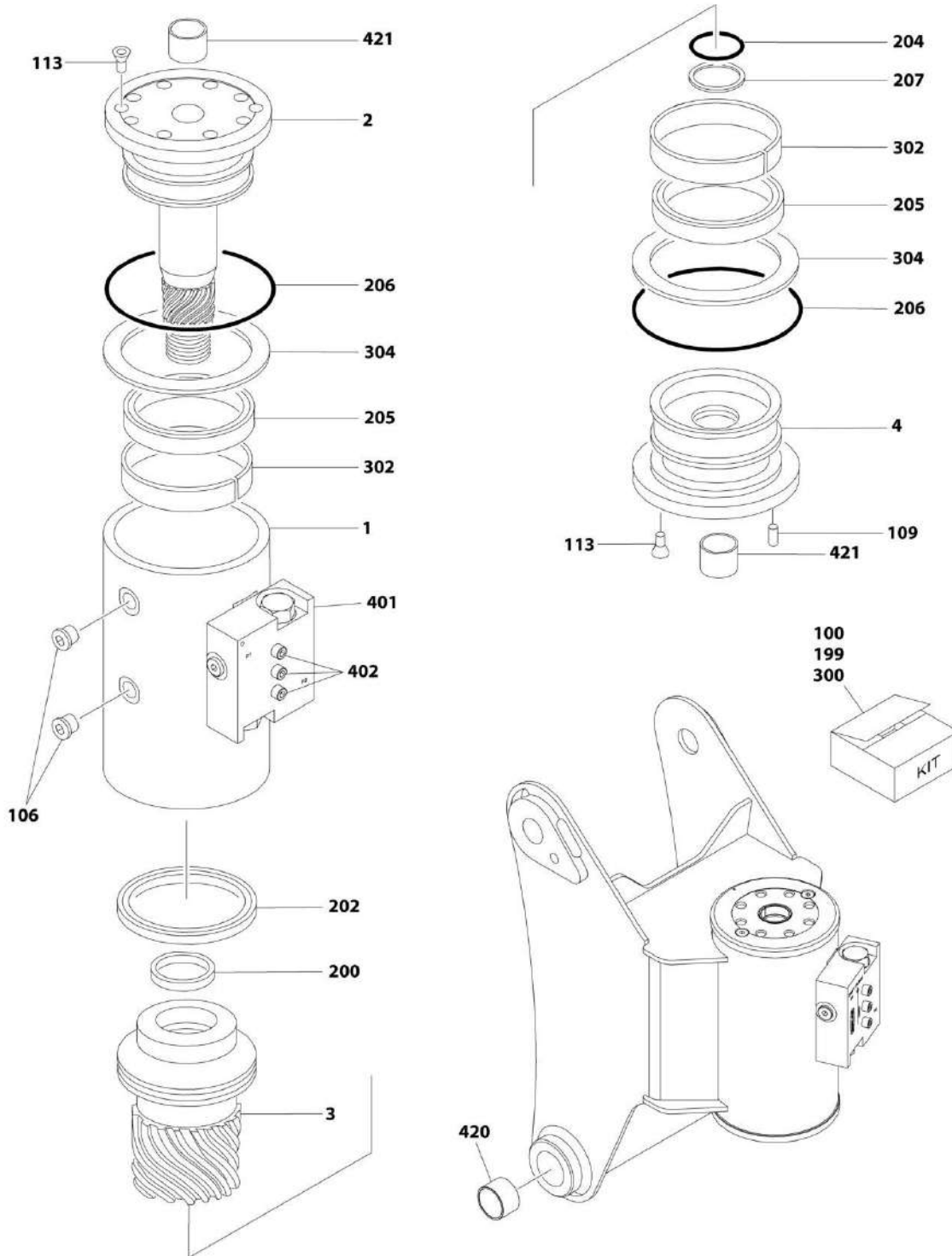
## SECTION 4 - BOOM

### FIGURE 4-6. PLATFORM ROTATOR ASSEMBLY - 600SC

ITEM	PART NUMBER	QTY	DESCRIPTION	REV
	1001187348	Ref	PLATFORM ROTATOR ASSEMBLY	E
1	See Note	NSS	Housing/Ring Gear (Note: Purchase Complete Assembly)	
2	7017162	1	Shaft	
3	7017163	1	Piston	
4	7017164	1	Cap	
100	7017142	1	Hardware Kit (Includes Items 106-109)	
106	See Note	NSS	Plug (Note: Use Item 100)	
109	See Note	NSS	Pin, Dowel (Note: Use Item 100)	
113	70001697	6	Screw 1/4 x 3/8	
199	70000342	1	Seal Kit - Low Temperature (Includes Items 200-207)	
200	See Note	NSS	T-Seal (Note: Use Item 199)	
202	See Note	NSS	T-Seal (Note: Use Item 199)	
204	See Note	NSS	O-Ring (Note: Use Item 199)	
205	See Note	NSS	Seal (Note: Use Item 199)	
206	See Note	NSS	O-Ring (Note: Use Item 199)	
207	See Note	NSS	Ring, Back-up (Note: Use Item 199)	
300	7017159	1	Bearing Kit (Includes Items 302-304)	
302	See Note	NSS	Bearing (Note: Use Item 300)	
304	See Note	NSS	Washer, Thrust (Note: Use Item 300)	
400	70005671	1	Stop	
401	7017172	1	Valve, Control (Note: Sold as Assembly Only)	
401	7017192	2	Cartridge, Valve - Counterbalance (Seal Kit Not Available)	
401	See Note	1	Cartridge, Valve - Check (Seal Kit Not Available) (Note: Use p/n 7017172)	
402	See Note	1	Bolt 1/4 x 1-1/2 Grade 8 (Note: Purchase Locally)	
420	0961951	2	Bushing	
421	7017195	2	Bushing	

# SECTION 4 - BOOM

## FIGURE 4-7. PLATFORM ROTATOR ASSEMBLY - 660SJC



ART\_1001190580



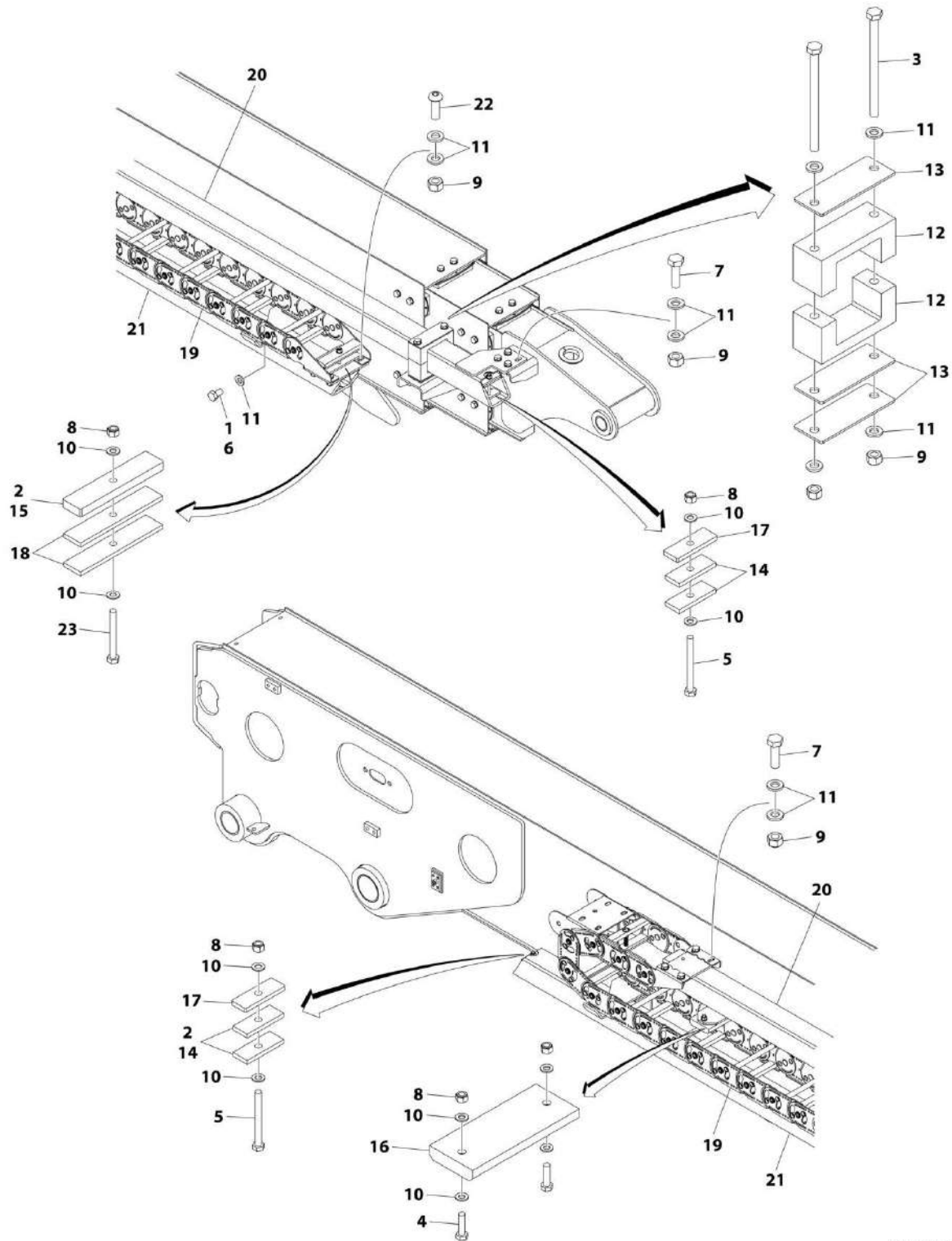
## SECTION 4 - BOOM

**FIGURE 4-7. PLATFORM ROTATOR ASSEMBLY - 660SJC**

ITEM	PART NUMBER	QTY	DESCRIPTION	REV
	1001190580	Ref	PLATFORM ROTATOR ASSEMBLY	F
1	See Note	NSS	Housing/Ring Gear (Note: Purchase Complete Assembly)	
2	7017162	1	Shaft	
3	7017163	1	Piston	
4	7017164	1	Cap	
100	7017142	1	Hardware Kit (Includes Items 106-109)	
106	See Note	NSS	Plug (Note: Use Item 100)	
109	See Note	NSS	Pin, Dowel (Note: Use Item 100)	
113	70001697	6	Screw 1/4 x 3/8	
199	70000342	1	Seal Kit - Low Temperature (Includes Items 200-207)	
200	See Note	NSS	T-Seal (Note: Use Item 199)	
202	See Note	NSS	T-Seal (Note: Use Item 199)	
204	See Note	NSS	O-Ring (Note: Use Item 199)	
205	See Note	NSS	Seal (Note: Use Item 199)	
206	See Note	NSS	Ring, Back-up (Note: Use Item 199)	
207	See Note	NSS	Ring, Back-up (Note: Use Item 199)	
300	7017159	1	Bearing Kit (Includes Items 302-304)	
302	See Note	NSS	Bearing (Note: Use Item 300)	
304	See Note	NSS	Washer, Thrust (Note: Use Item 300)	
401	7017172	1	Valve, Control (Note: Sold as Assembly Only)	
401	7017192	2	Cartridge, Valve - Counterbalance (Seal Kit Not Available)	
401	See Note	1	Cartridge, Valve - Check (Seal Kit Not Available) (Note: Use p/n 7017172)	
402	See Note	NSS	Bolt 1/4 x 1-1/2 Grade 8 (Note: Purchase Locally)	
420	0961947	2	Bushing	
421	7017195	1	Bushing	

# SECTION 4 - BOOM

## FIGURE 4-8. POWER TRACK INSTALLATION



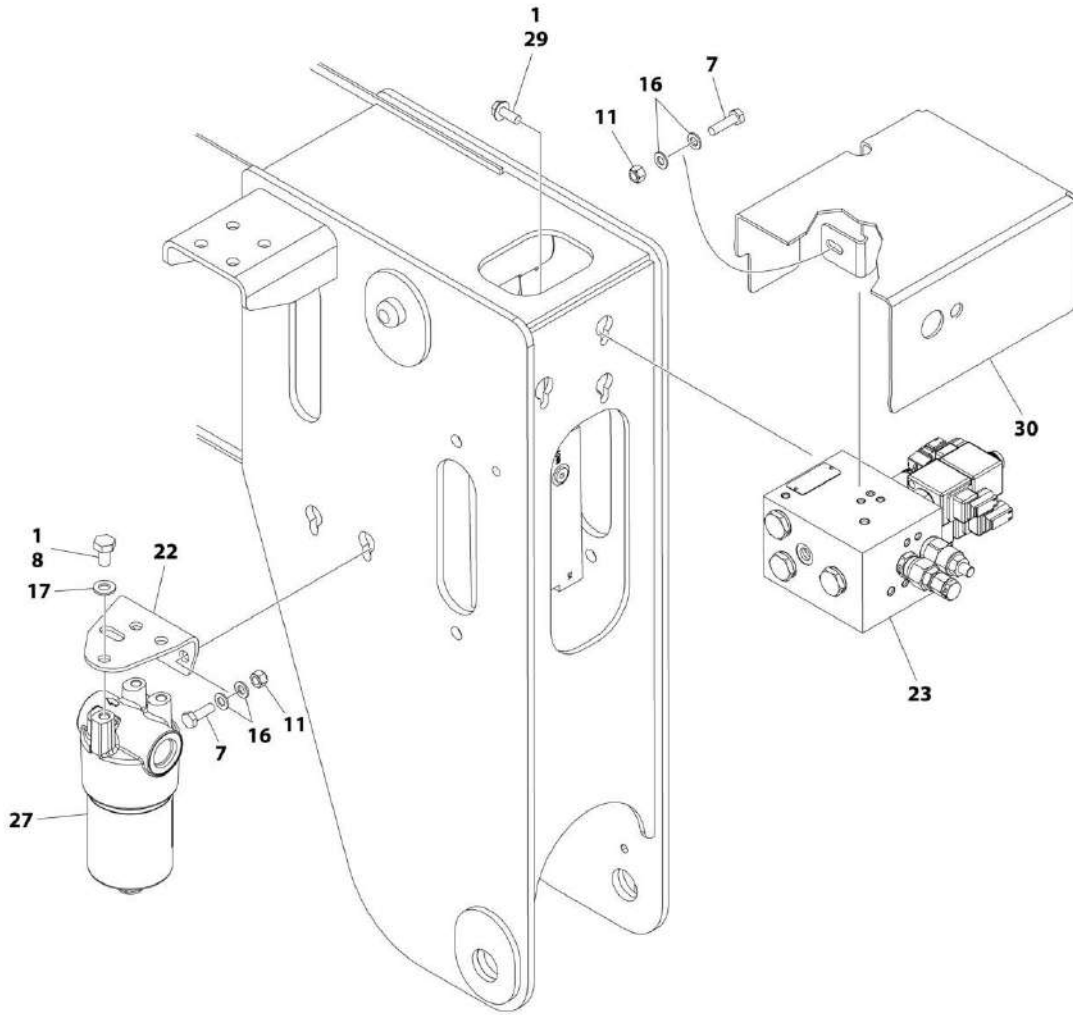
ART\_1001174630

FIGURE 4-8. POWER TRACK INSTALLATION

ITEM	PART NUMBER	QTY	DESCRIPTION	REV
	1001174630	Ref	POWER TRACK INSTALLATION	F
1	0100011	AR	Compound, Locking	
2	0100081	AR	Adhesive	
3	0701032	2	Bolt M10 x 150	
4	0760814	2	Bolt M8 x 30	
5	0760824	2	Bolt M8 x 80	
6	0761009	8	Bolt M10 x 18	
7	0761015	8	Bolt M10 x 35	
8	3290805	5	Nut M8	
9	3291005	14	Nut M10	
10	4811900	10	Washer M8	
11	5241000	36	Washer M10	
12	1001136398	2	Pad	
13	1001136400	AR	Plate	
14	1001136402	4	Pad	
15	1001136461	1	Plate	
16	1001136469	NLA	Pad, Wear (Use p/n 3340787) (SN 0300236299 through 0300248931)	
16	3340787	1	Pad, Wear (SN 0300248932 to Present)	
17	1001139078	2	Plate	
18	1001151192	2	Pad	
19	1001174631	1	Powertrack Assembly	
19	70005683	AR	Repair Section - Power Track	
19	70005684	1	Mounting Kit - Power Track (Includes Mounting Feet and Hardware)	
20	1001174632	1	Tube, Push	
21	1001174636	1	Support	
22	1001174673	4	Screw M10 x 30	
23	0760822	1	Bolt M8 x 70	

# SECTION 4 - BOOM

## FIGURE 4-9. BOOM VALVES INSTALLATION - 600SC



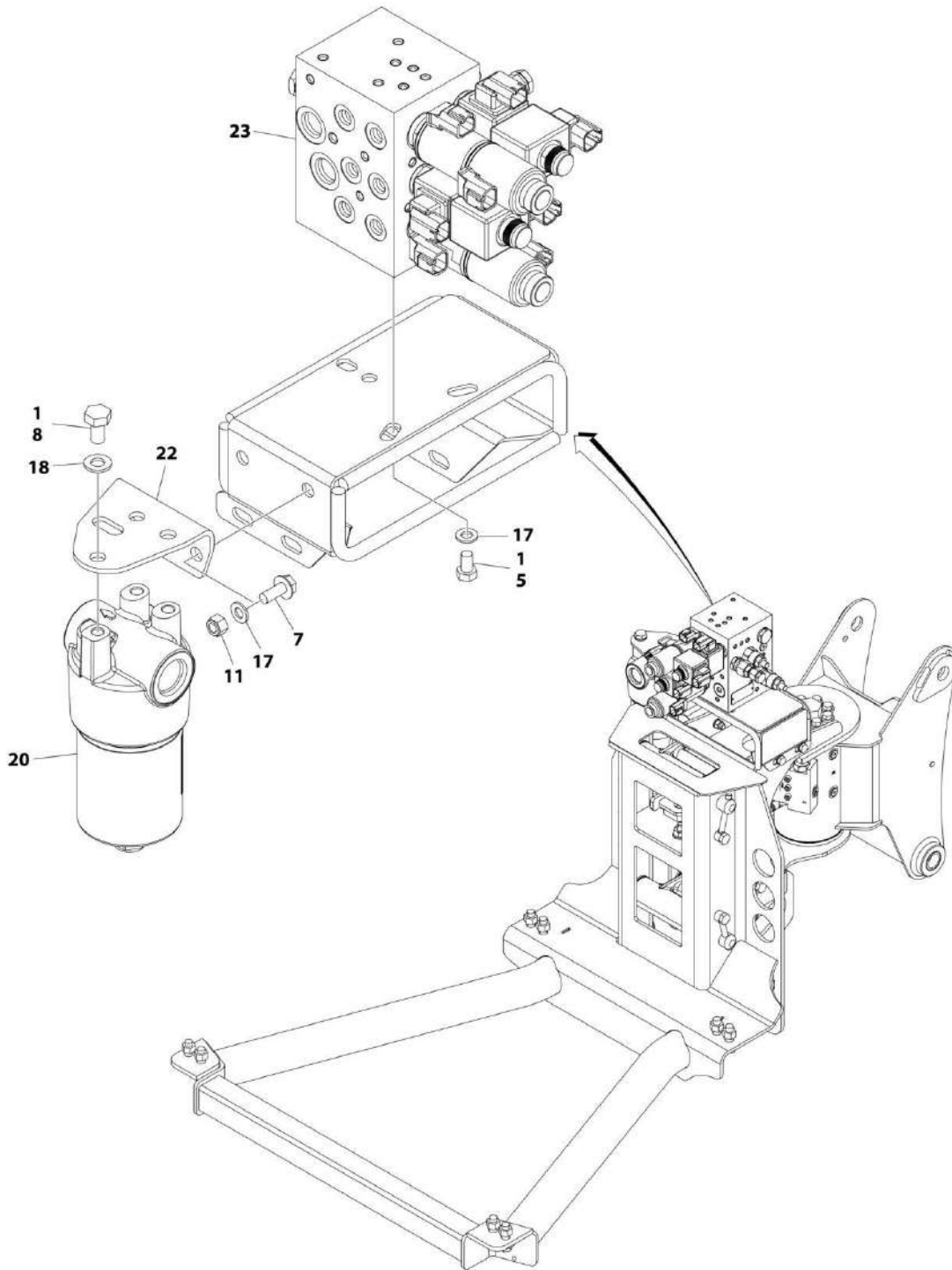
ART\_1001196607\_20F2

FIGURE 4-9. BOOM VALVES INSTALLATION - 600SC

ITEM	PART NUMBER	QTY	DESCRIPTION	REV
	1001196607	Ref	BOOM VALVES INSTALLATION	D
1	0100011	AR	Compound, Locking	
7	0760814	3	Bolt M8 x 30	
8	0761009	6	Bolt M10 x 18	
11	3290805	5	Nut M8	
16	4811900	10	Washer M8	
17	4812000	10	Washer M10	
22	1001188302	1	Mount	
23	1001190287	1	Platform Valve Assembly - 600SC (See Separate Breakdown in this Section)	
27	1001201511	1	Filter, High Pressure	
27	70005335	1	Element, Filter	
27	70005682	1	Repair Kit (Includes Element & Bowl O-Rings & Back-up Rings)	
29	5250810	3	Bolt M8 x 20	
30	1001204529	1	Cover	

# SECTION 4 - BOOM

## FIGURE 4-10. BOOM VALVES INSTALLATION - 660SJC



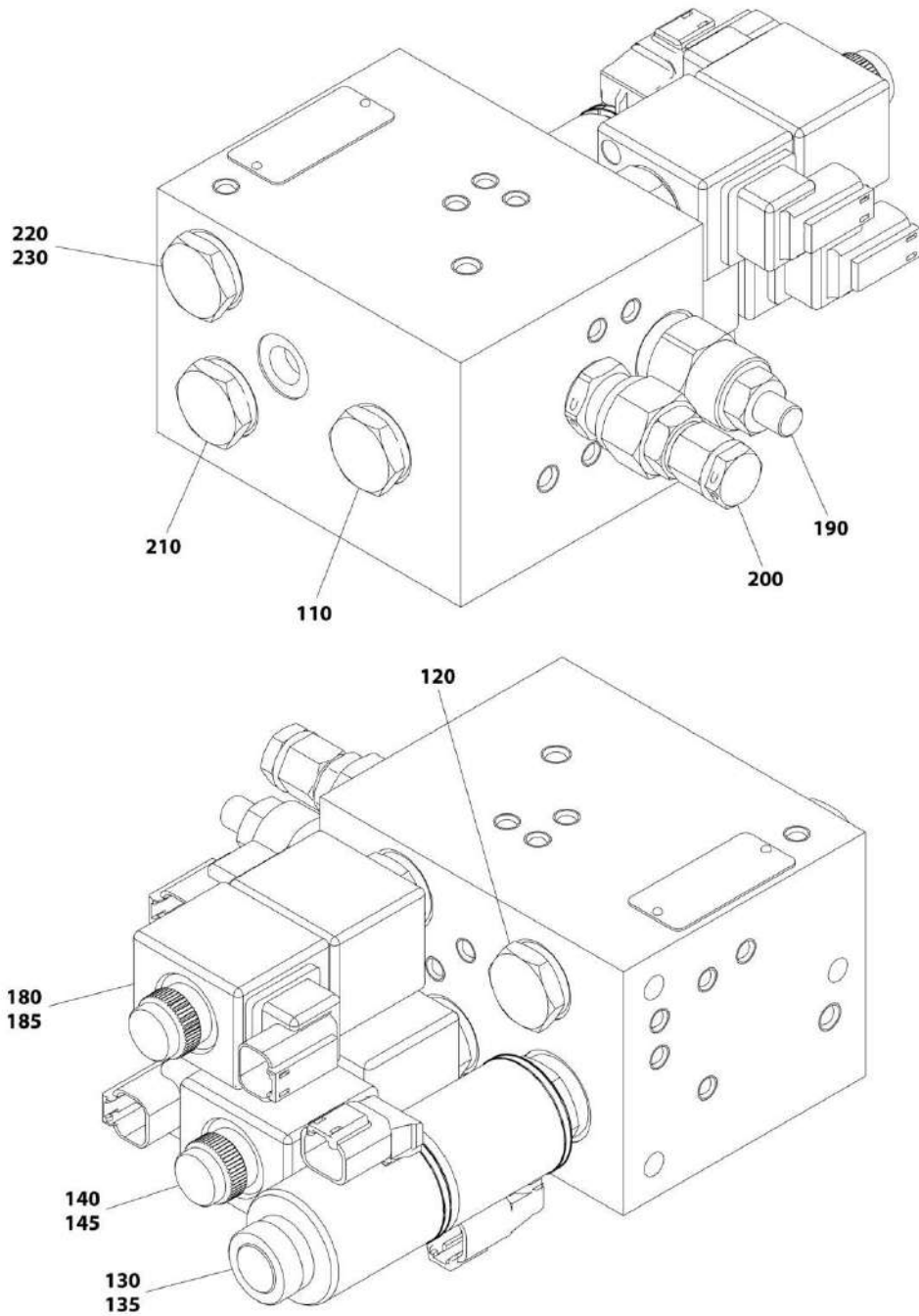
ART\_1001197143\_20F2

FIGURE 4-10. BOOM VALVES INSTALLATION - 660SJC

ITEM	PART NUMBER	QTY	DESCRIPTION	REV
	1001197143	Ref	BOOM VALVES INSTALLATION	E
1	0100011	AR	Compound, Locking	
5	0760807	3	Bolt M8 x 14	
7	5250810	2	Bolt M8 x 20	
8	0761009	3	Bolt M10 x 18	
11	3290805	2	Nut M8	
17	4811900	5	Washer M8	
18	4812000	3	Washer M10	
20	1001201511	1	Filter, High Pressure	
20	70005335	1	Element, Filter	
20	70005682	1	Repair Kit (Includes Element & Bowl O-Rings & Back-up Rings)	
22	1001188302	1	Plate	
23	1001190286	1	Platform Valve Assembly - 660SJC (See Separate Breakdown in this Section)	

# SECTION 4 - BOOM

## FIGURE 4-11. PLATFORM VALVE ASSEMBLY - 600SC



ART\_1001190287



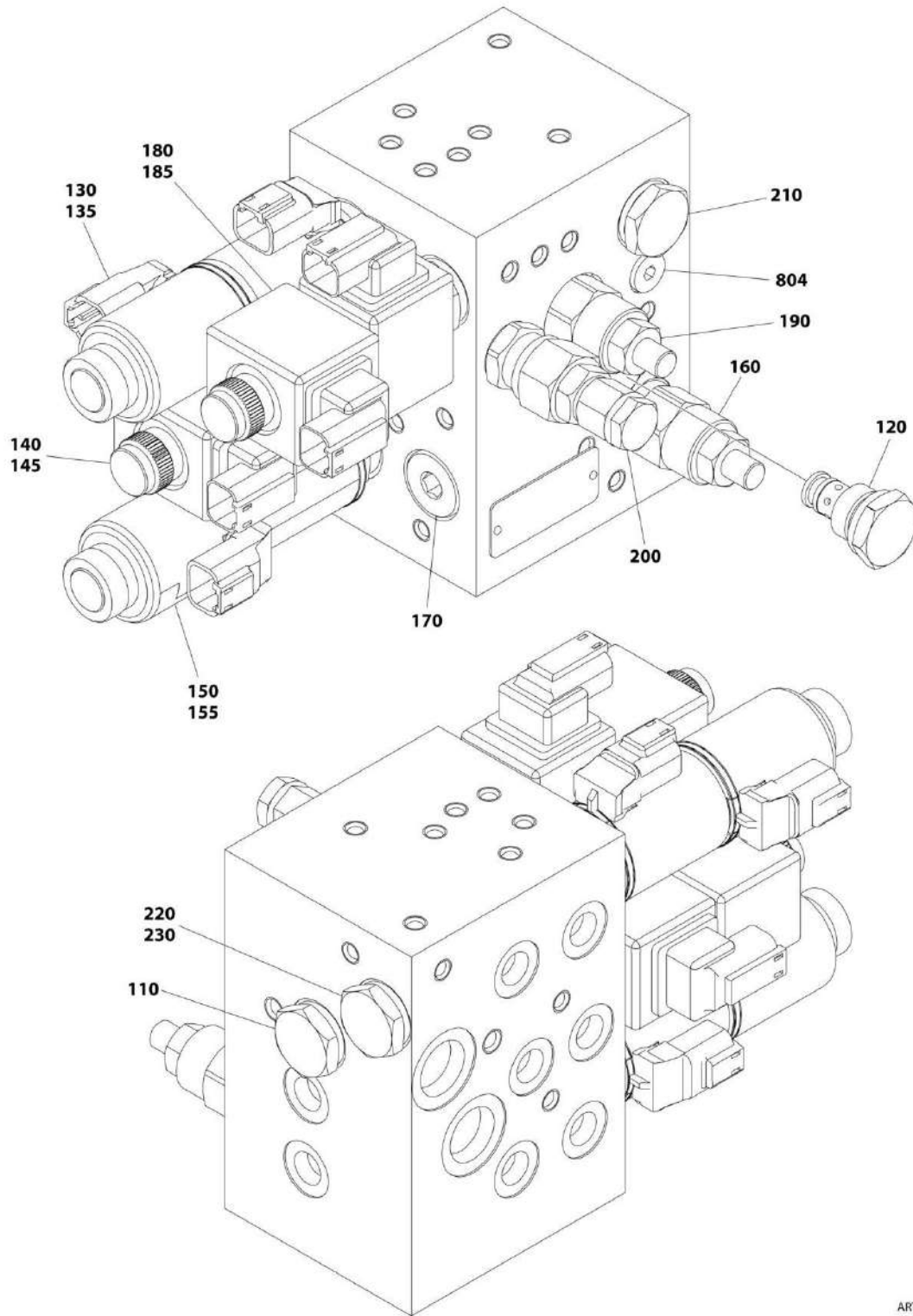
**SECTION 4 - BOOM**

**FIGURE 4-11. PLATFORM VALVE ASSEMBLY - 600SC**

ITEM	PART NUMBER	QTY	DESCRIPTION	REV
	1001190287	Ref	PLATFORM VALVE ASSEMBLY	E
110	70005951	1	Valve, Check	
110	70004052	1	Seal Kit - 70005951 Valve	
120	70003027	1	Valve, Flow/Pressure Control	
120	70004052	1	Seal Kit - 70003027 Valve	
130	70006121	1	Valve, Solenoid (Platform Level)	
130	70006116	1	Seal Kit - 70006121 Valve	
135	70006122	2	Coil	
140	70005627	1	Valve, Solenoid (Platform Swing)	
140	70004053	1	Seal Kit - 70005627 Valve	
140	70006123	1	Coil Nut & Pole Tube O-Ring Kit	
145	70004653	2	Coil	
180	70006124	1	Valve, Solenoid	
180	70023862	1	Seal Kit - 70006124 Valve	
180	70006123	1	Coil Nut & Pole Tube O-Ring Kit	
185	70004653	2	Coil	
190	70003019	1	Valve, Relief	
190	70004052	1	Seal Kit - 70003019 Valve	
200	70006125	1	Valve, Relief	
200	70006126	1	Seal Kit - 70006125 Valve	
210	70005952	1	Valve, Check	
210	70004052	1	Seal Kit - 70005952 Valve	
220	7022524	1	Orifice 0.5mm	
230	70005952	1	Valve, Check	
230	70004052	1	Seal Kit - 70005952 Valve	

# SECTION 4 - BOOM

## FIGURE 4-12. PLATFORM VALVE ASSEMBLY - 660SJC



ART\_1001190286

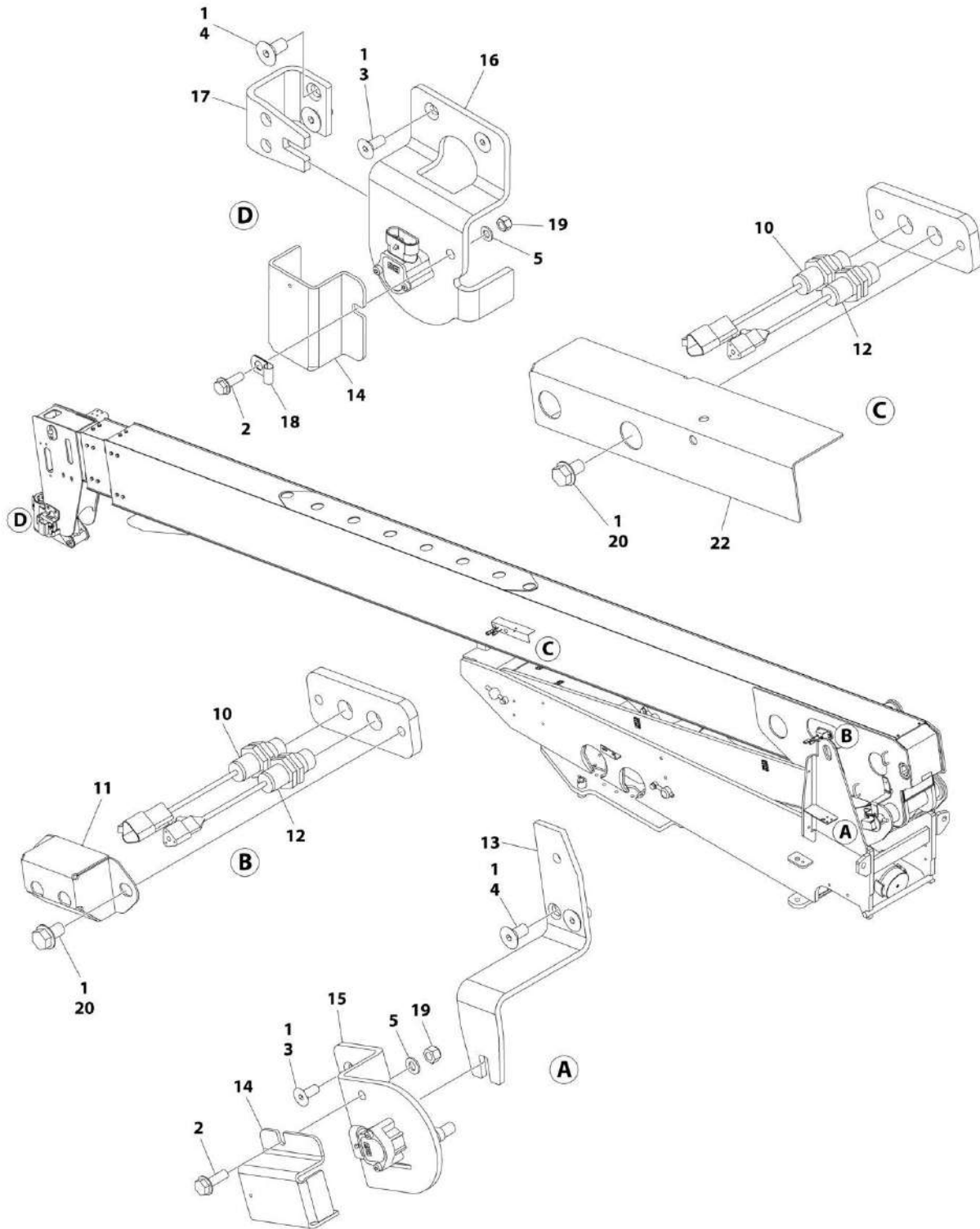
**SECTION 4 - BOOM**

**FIGURE 4-12. PLATFORM VALVE ASSEMBLY - 660SJC**

ITEM	PART NUMBER	QTY	DESCRIPTION	REV
	1001190286	Ref	PLATFORM VALVE ASSEMBLY	D
110	70005951	1	Valve, Check	
110	70004052	1	Seal Kit - 70005951 Valve	
120	70003027	1	Valve, Flow/Pressure Control	
120	70004052	1	Seal Kit - 70003027 Valve	
130	70006121	1	Valve, Solenoid (Platform Level)	
130	70006116	1	Seal Kit - 70006121 Valve	
135	70006122	2	Coil	
140	70005627	1	Valve, Solenoid (Platform Swing)	
140	70004053	1	Seal Kit - 70005627 Valve	
140	70006123	1	Coil Nut & Pole Tube O-Ring Kit	
145	70004653	2	Coil	
150	70006121	1	Valve, Solenoid (JIB Up/Down)	
150	70006116	1	Seal Kit - 70006121 Valve	
155	70006122	2	Coil	
160	70003019	1	Valve, Relief	
160	70004052	1	Seal Kit - 70003019 Valve	
170	70004613	1	Valve, Relief	
170	70023860	1	Seal Kit - 70004613 Valve	
180	70006124	1	Valve, Solenoid	
180	70023862	1	Seal Kit - 70006124 Valve	
180	70006123	1	Coil Nut & Pole Tube O-Ring Kit	
185	70004653	2	Coil	
190	70003019	1	Valve, Relief	
190	70004052	1	Seal Kit - 70003019 Valve	
200	70006125	1	Valve, Relief	
200	70006126	1	Seal Kit - 70006125 Valve	
210	70005952	1	Valve, Check	
210	70004052	1	Seal Kit - 70003019 Valve	
220	7022524	1	Orifice 0.5mm	
230	70005952	1	Valve, Check	
230	70004052	1	Seal Kit - 70005952 Valve	
804	70005200	1	Plug	

# SECTION 4 - BOOM

## FIGURE 4-13. BOOM SENSORS INSTALLATION - 600SC



ART\_1001187605

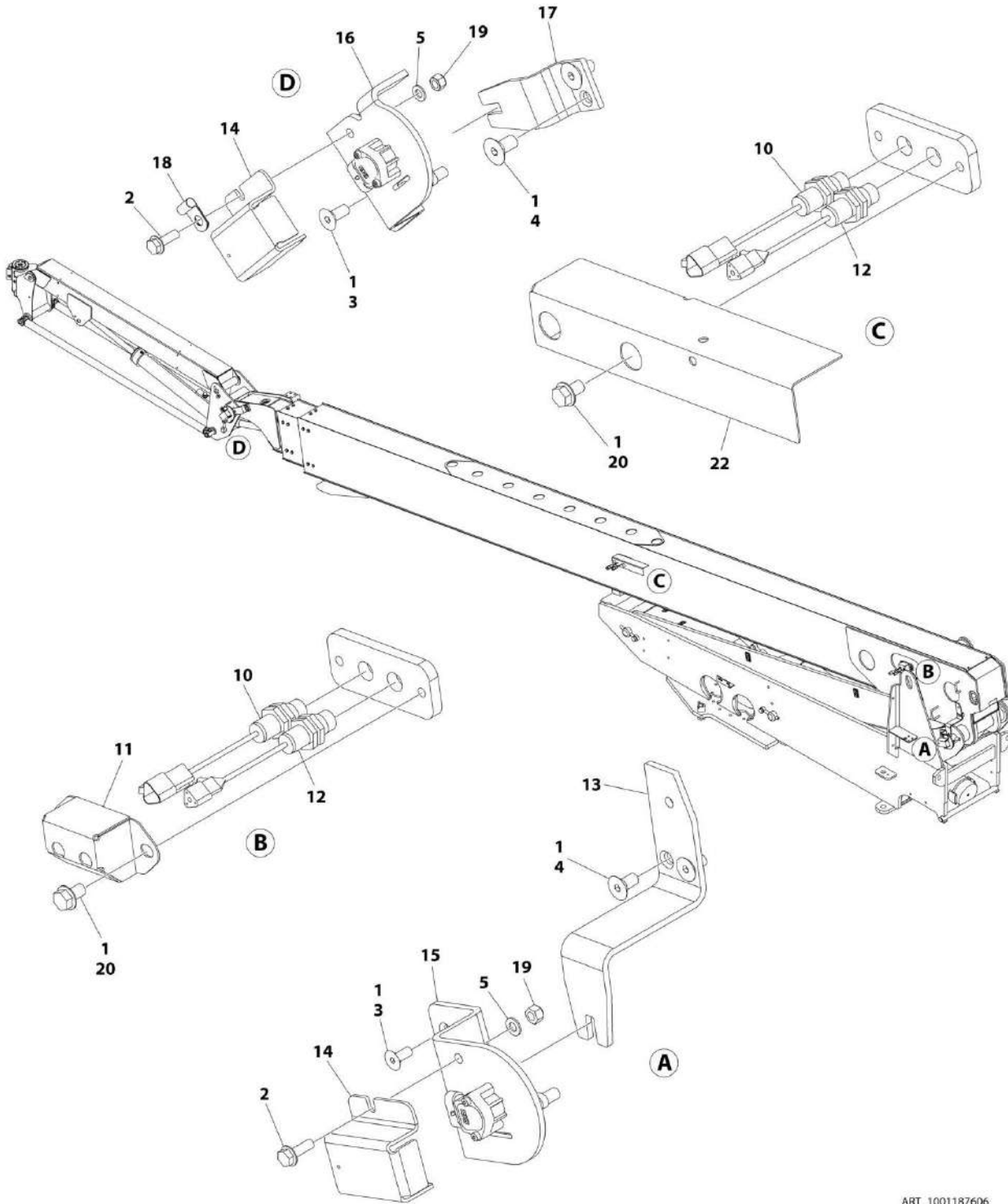
## SECTION 4 - BOOM

**FIGURE 4-13. BOOM SENSORS INSTALLATION - 600SC**

ITEM	PART NUMBER	QTY	DESCRIPTION	REV
	1001187605	Ref	BOOM SENSORS INSTALLATION	E
1	0100011	AR	Compound, Locking	
2	5250812	2	Bolt M8 x 25	
3	1001137125	4	Screw M8 x 20	
4	1001155441	4	Screw M10 x 20 Grade 10.9	
5	4811900	2	Washer M8	
10	1001170847	2	Sensor, Proximity	
11	1001204715	1	Bracket	
12	1001182570	2	Sensor, Proximity	
13	1001211585	1	Plate	
14	1001211588	2	Shield	
15	1001211577	1	Sensor (Lower)	
15	4010303	1	Screw Posi-drive M3 x 6	
15	1001204939	1	Sensor, Angle	
15	1001211580	1	Bracket	
15	1001211582	1	Link, Angle Sensor Arm	
16	1001211578	1	Sensor (Upper)	
16	4010303	1	Screw Posi-drive M3 x 6	
16	1001191020	1	Sensor, Angle	
16	1001211581	1	Bracket	
16	1001211583	1	Link, Angle Sensor Arm	
17	1001211586	1	Plate	
18	8406003	1	Clip	
19	3290805	2	Nut M8	
20	5251008	4	Bolt M10 x 16	
21	4240033	2	Tie-Strap (Not Shown)	
22	1001227792	1	Plate	

# SECTION 4 - BOOM

## FIGURE 4-14. BOOM SENSORS INSTALLATION - 660SJC



ART\_1001187606

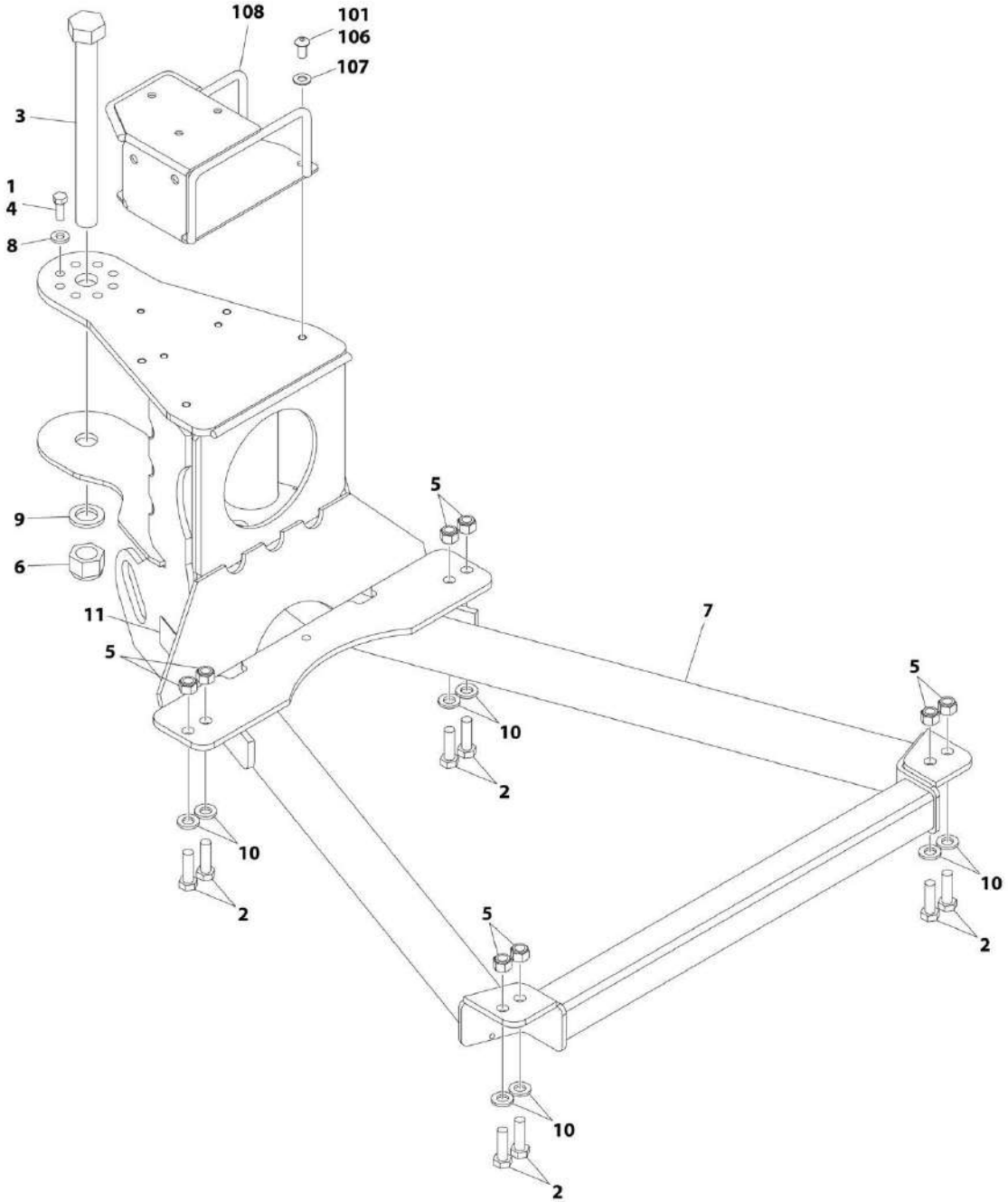
## SECTION 4 - BOOM

**FIGURE 4-14. BOOM SENSORS INSTALLATION - 660SJC**

ITEM	PART NUMBER	QTY	DESCRIPTION	REV
	1001187606	Ref	BOOM SENSORS INSTALLATION	E
1	0100011	AR	Compound, Locking	
2	5250812	2	Bolt M8 x 25	
3	1001137125	4	Screw M8 x 20	
4	1001155441	4	Screw M10 x 20 Grade 10.9	
5	4811900	2	Washer M8	
10	1001170847	2	Sensor, Proximity	
11	1001204715	1	Bracket	
12	1001182570	2	Sensor, Proximity	
13	1001211585	1	Plate	
14	1001211588	2	Shield	
15	1001211577	1	Sensor (Lower)	
15	4010303	1	Screw Posi-drive M3 x 6	
15	1001204939	1	Sensor, Angle	
15	1001211580	1	Bracket	
15	1001211582	1	Link, Angle Sensor Arm	
16	1001211579	1	Sensor (Upper)	
16	4010303	1	Screw Posi-drive M3 x 6	
16	1001191020	1	Sensor, Angle	
16	1001211581	1	Bracket	
16	1001211584	1	Link, Angle Sensor Arm	
17	1001211587	1	Plate	
18	8406003	1	Clip	
19	3290805	2	Nut M8	
20	5251008	4	Bolt M10 x 16	
21	4240033	2	Tie-Strap (Not Shown)	
22	1001227792	1	Plate	

# SECTION 4 - BOOM

## FIGURE 4-15. PLATFORM SUPPORT INSTALLATION - WITHOUT LSS



ART\_1001235513



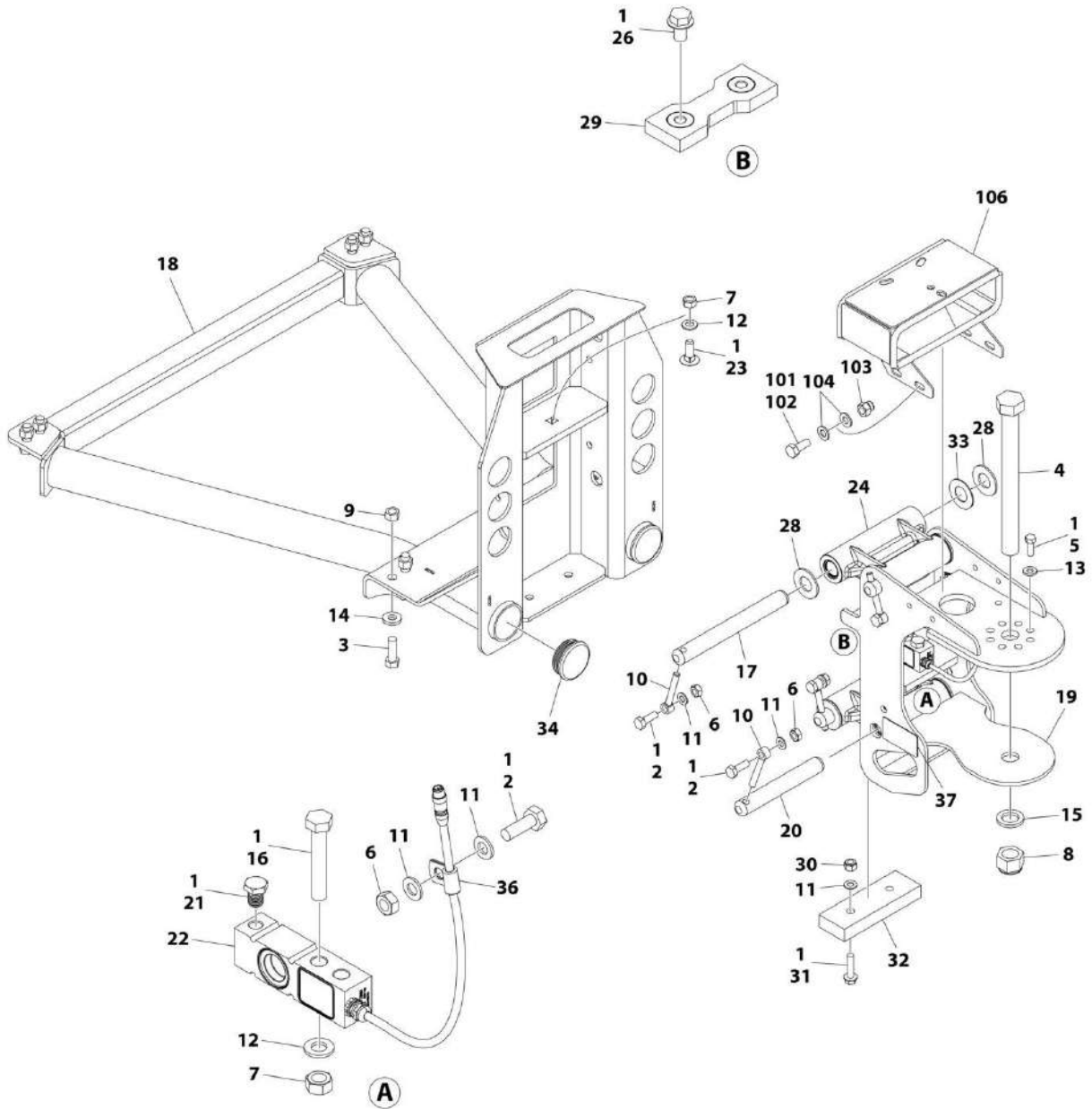
## SECTION 4 - BOOM

**FIGURE 4-15. PLATFORM SUPPORT INSTALLATION - WITHOUT LSS**

ITEM	PART NUMBER	QTY	DESCRIPTION	REV
	1001235513	1	PLATFORM SUPPORT INSTALLATION	A
1	0100011	AR	Compound, Locking	
2	0761216	8	Bolt M12 x 40	
3	0642684	1	Bolt 1 x 10-1/2	
4	0681608	8	Bolt 3/8 x 1	
5	3291205	8	Nut M12	
6	3300243	1	Nut 1	
7	4846573	1	Support	
8	4891600	8	Washer 3/8	
9	4892600	1	Washer 1	
10	5241200	8	Washer M12	
11	1001216630	2	Decal - Tie Down/No Lift	
	1001202688	1	VALVE MOUNT INSTALLATION	C
101	0100011	AR	Compound, Locking	
106	3900283	4	Screw 3/8 x 3/4	
107	4711600	4	Washer 3/8	
108	1001206920	1	Mount, Valve	

# SECTION 4 - BOOM

## FIGURE 4-16. PLATFORM SUPPORT INSTALLATION - WITH LSS



ART\_1001167596

## SECTION 4 - BOOM

**FIGURE 4-16. PLATFORM SUPPORT INSTALLATION - WITH LSS**

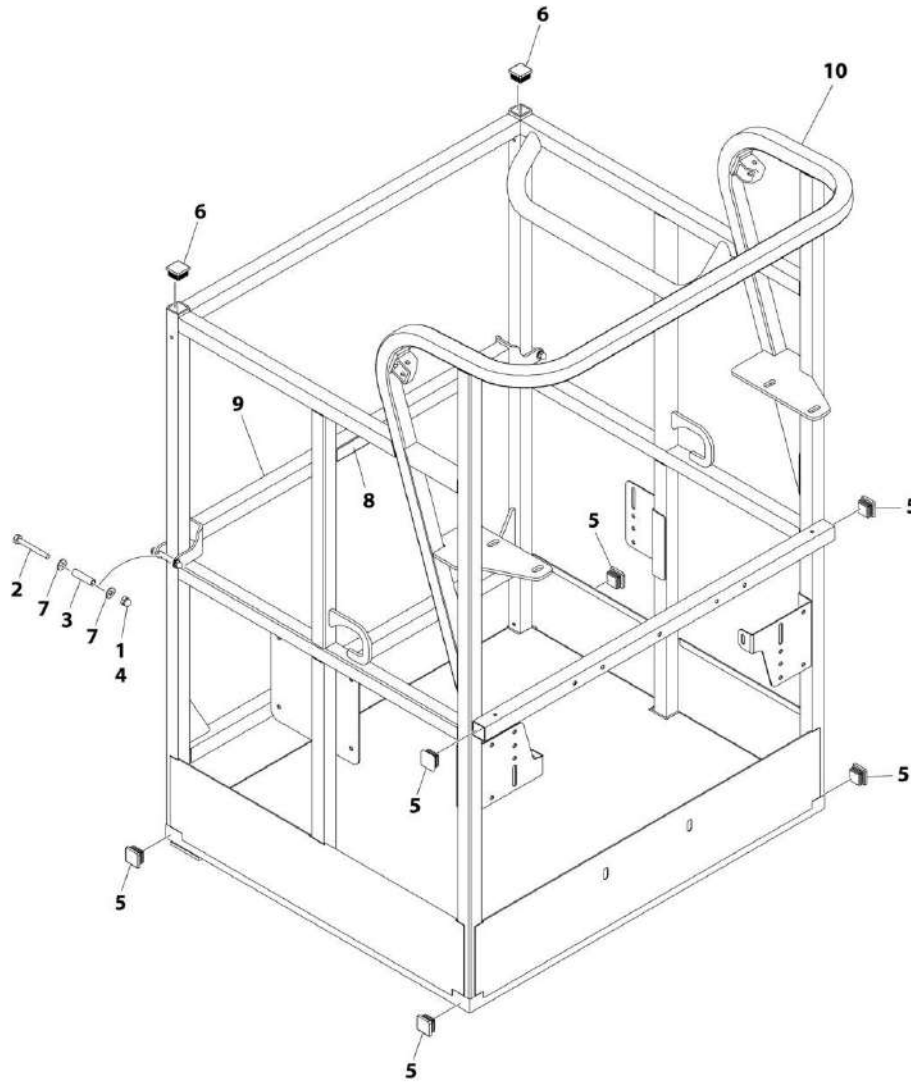
ITEM	PART NUMBER	QTY	DESCRIPTION	REV
	1001167596	Ref	PLATFORM SUPPORT INSTALLATION	J
1	0100011	AR	Compound, Locking	
2	0761014	5	Bolt M10 x 30	
3	0641812	8	Bolt 1/2 x 1-1/2	
3	0761216	8	Bolt M12 x 40	
4	0642684	1	Bolt 1 x 10-1/2	
5	0681608	8	Bolt 3/8 x 1	
6	3291001	5	Nut M10	
7	3291201	3	Nut M12	
8	3300243	1	Nut 1	
9	3311805	8	Nut 1/2	
9	3291205	8	Nut M12	
10	3841143	4	Keeper, Pin	
11	4812000	8	Washer M10	
12	4812100	3	Washer M12	
13	4891600	8	Washer 3/8	
14	4891800	8	Washer 1/2	
14	5241200	8	Washer M12	
15	4892600	1	Washer 1	
16	1001098828	2	Bolt M12 x 70 Grade 10.9	
17	1001167565	2	Pin	
18	1001200494	1	Support, Platform	
19	1001167567	1	Support, Rotator	
20	1001168402	2	Pin	
21	1001188622	1	Screw	
22	1001172663	1	Gauge, Load Sensing	
23	1001188844	1	Bolt M12 x 35	
24	1001201351	2	Link	
26	5251008	2	Bolt M10 x 16	
28	1001189002	8	Bearing	
29	1001190985	1	Pad, Wear	
30	3291005	2	Nut M10	
31	5251016	2	Bolt M10 x 40	
32	1001200491	1	Pad, Wear	
33	1001189001	4	Bearing	
34	1001204725	2	Plug	
36	91203039	1	Clamp	
37	1001216630	2	Decal - Tie Down/No Lift	
	1001202687	Ref	VALVE MOUNT INSTALLATION	B
101	0100011	AR	Compound, Locking	
102	0760810	4	Bolt M8 x 20	
103	3290806	4	Nut M8	
104	4811900	8	Washer M8	
106	1001208994	1	Mount, Valve	



**SECTION 5 - PLATFORM**

# SECTION 5 - PLATFORM

FIGURE 5-1. PLATFORM ASSEMBLY - 30IN X 3FT (76CM X .91M) - DROP BAR ENTRY



ART\_T001228215

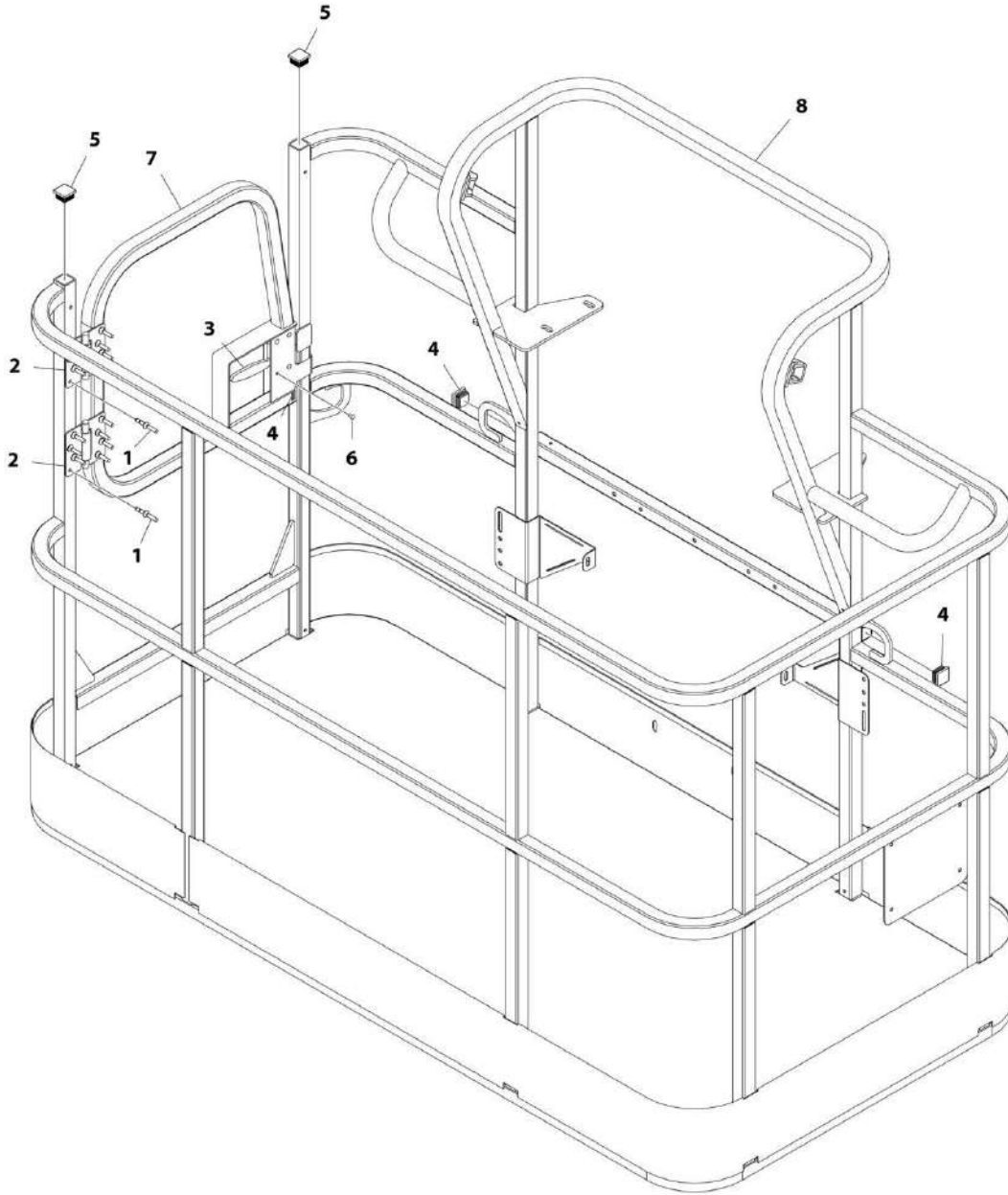
## SECTION 5 - PLATFORM

**FIGURE 5-1. PLATFORM ASSEMBLY - 30IN X 3FT (76CM X .91M) - DROP BAR ENTRY**

ITEM	PART NUMBER	QTY	DESCRIPTION	REV
	1001228215	Ref	PLATFORM ASSEMBLY - 30IN X 3FT (76CM X .91M) - DROP BAR ENTRY	A
	See Note	Ref	Note: Platform and Mesh must be ordered separately for Platforms with Mesh. See SPECIAL OPTIONS SECTION for Mesh Installations.	
	See Note	Ref	Note: Replacement Decals Must be Ordered Separately - See DECAL SECTION.	
1	0100011	AR	Compound, Locking	
2	0641418	2	Bolt 1/4 x 2-1/4	
3	0961845	2	Bushing	
4	3300151	2	Nut 1/4	
5	3520072	6	Cap, Plug	
6	3520198	2	Cap, Plug	
7	4711400	4	Washer 1/4	
8	1001140429	1	Decal - Drop Bar	
9	1001226872	1	Bar, Drop	
10	See Note	NSS	Platform, Weldment (Note: Not Available - Purchase Platform Assembly)	

# SECTION 5 - PLATFORM

FIGURE 5-2. PLATFORM ASSEMBLY - 36IN X 6FT (91.5CM X 1.83M) WITH SWING GATE



ART\_1001186384



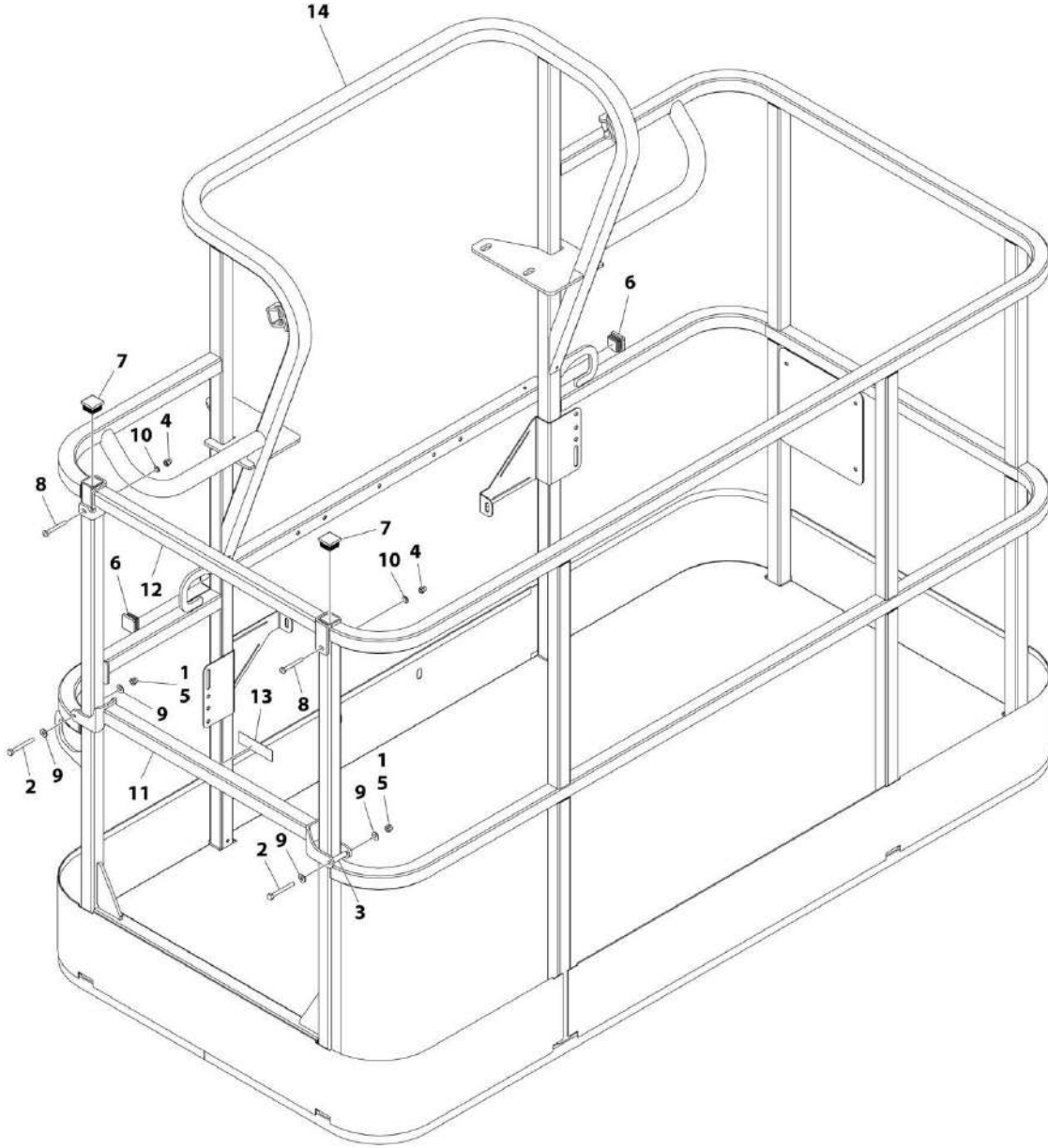
## SECTION 5 - PLATFORM

**FIGURE 5-2. PLATFORM ASSEMBLY - 36IN X 6FT (91.5CM X 1.83M) WITH SWING GATE**

ITEM	PART NUMBER	QTY	DESCRIPTION	REV
	1001186384	Ref	PLATFORM ASSEMBLY	B
		Ref	Note: Platform and Mesh must be ordered separately for Platforms with Mesh. See SPECIAL OPTIONS SECTION for Mesh Installations.	
		Ref	Note: Replacement Decals Must be Ordered Separately - See DECALS SECTION.	
1	2080040	16	Fastener, Huck	
2	2600281	2	Hinge	
3	2940074	1	Latch	
4	3520072	3	Plug	
5	3520198	2	Plug	
6	3820020	4	Rivet	
7	1001144629	1	Gate	
8	See Note	1	Platform (Note: Not Available - Purchase Platform Assembly)	

# SECTION 5 - PLATFORM

FIGURE 5-3. PLATFORM ASSEMBLY - 36IN X 6FT (91.5CM X 1.83M) WITH DROP BAR



ART\_1001186379

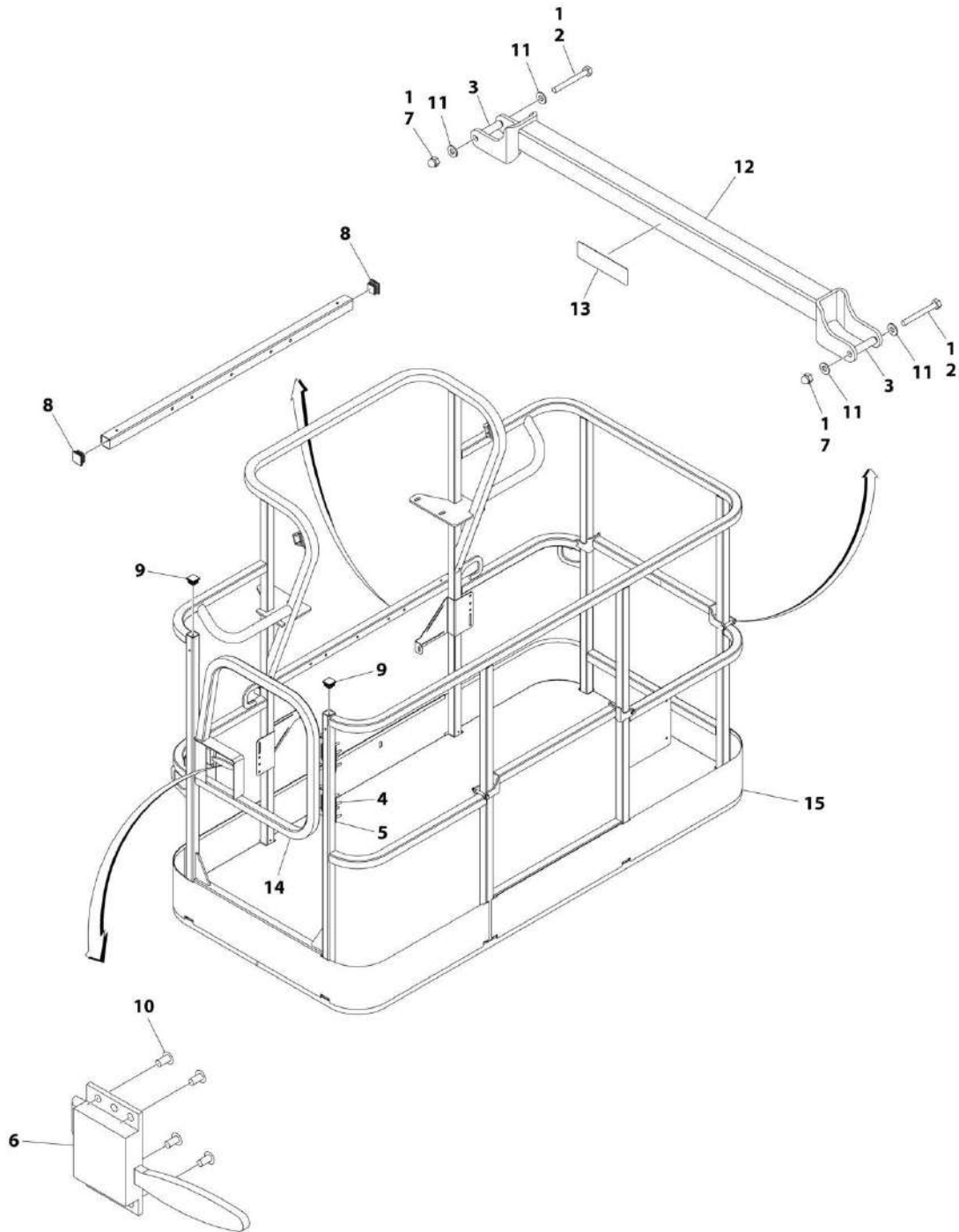
## SECTION 5 - PLATFORM

**FIGURE 5-3. PLATFORM ASSEMBLY - 36IN X 6FT (91.5CM X 1.83M) WITH DROP BAR**

ITEM	PART NUMBER	QTY	DESCRIPTION	REV
	1001186379	Ref	PLATFORM ASSEMBLY	B
		Ref	Note: Platform and Mesh must be ordered separately for Platforms with Mesh. See SPECIAL OPTIONS SECTION for Mesh Installations.	
		Ref	Note: Replacement Decals Must be Ordered Separately - See DECALS SECTION.	
1	0100011	AR	Compound, Locking	
2	0641418	2	Bolt 1/4 x 2-1/4	
3	0961845	2	Bushing	
4	3290606	2	Nut M6	
5	3300151	2	Nut 1/4	
6	3520072	2	Plug	
7	3520198	2	Plug	
8	4010618	2	Screw M6 x 50	
9	4711400	4	Washer 1/4	
10	4811700	2	Washer M6	
11	1001138494	1	Bar, Drop	
12	1001138514	1	Rail (Top)	
13	1001140429	1	Decal - Drop Bar	
14	See Note	1	Platform (Note: Not Available - Purchase Platform Assembly)	

# SECTION 5 - PLATFORM

FIGURE 5-4. PLATFORM ASSEMBLY - 36IN X 6FT (91.5CM X 1.83M) TRI-ENTRY WITH SWING GATE



ART\_1001228376

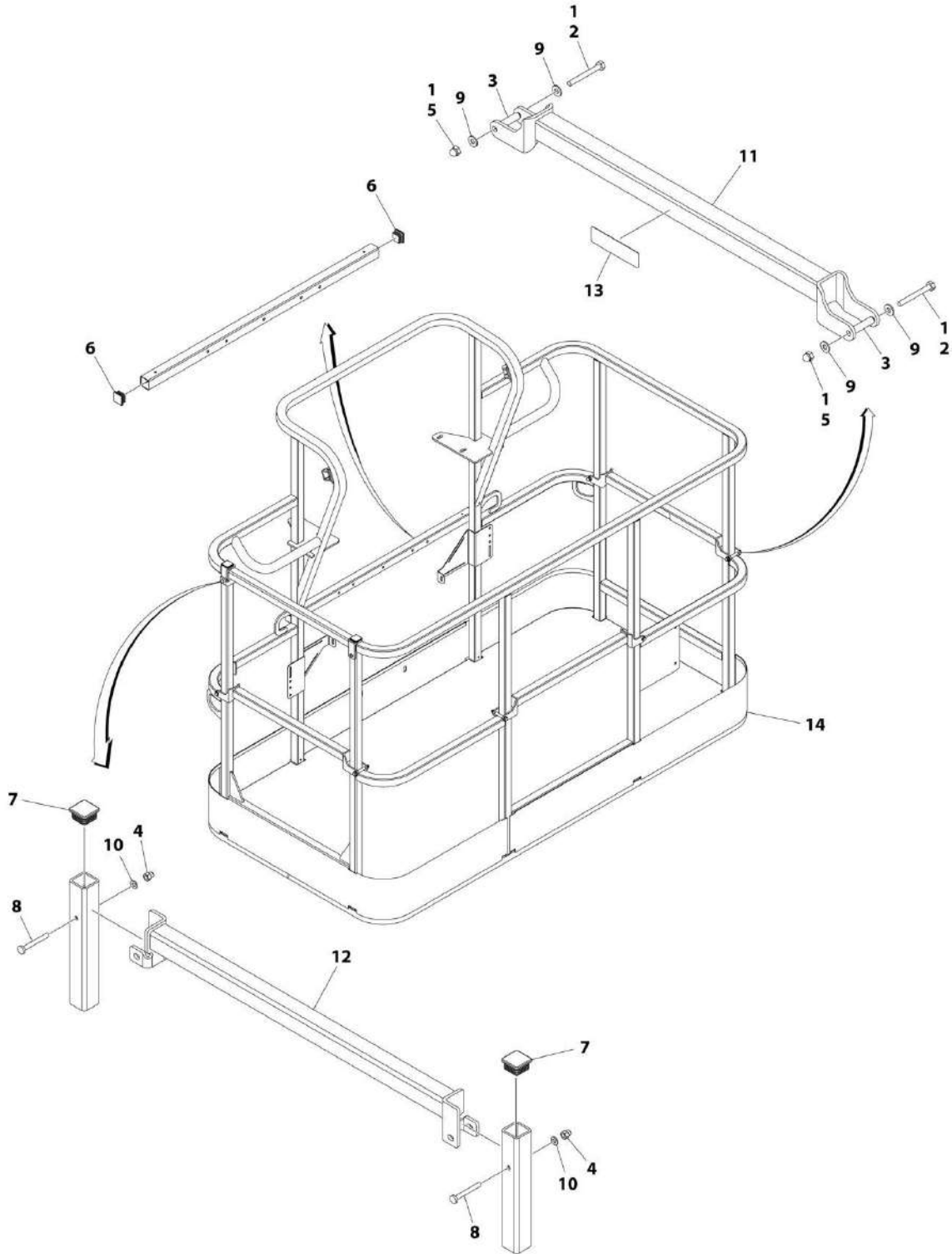
## SECTION 5 - PLATFORM

**FIGURE 5-4. PLATFORM ASSEMBLY - 36IN X 6FT (91.5CM X 1.83M) TRI-ENTRY WITH SWING GATE**

ITEM	PART NUMBER	QTY	DESCRIPTION	REV
	1001228376	Ref	PLATFORM ASSEMBLY - 36IN x 6FT (91.5CM x 1.83M)	A
		Ref	Note: Platform and Mesh must be ordered separately for Platforms with Mesh. See SPECIAL OPTIONS SECTION for Mesh Installations.	
		Ref	Note: Replacement Decals Must be Ordered Separately - See DECAL SECTION.	
1	0100011	AR	Compound, Locking	
2	0641418	4	Bolt 1/4 x 2-1/4	
3	0961845	4	Bushing	
4	2080040	16	Fastener	
5	2600281	2	Hinge	
6	2940074	1	Latch	
7	3300151	4	Nut 1/4	
8	3520072	3	Plug	
9	3520198	2	Plug	
10	3820020	4	Rivet	
11	4711400	8	Washer 1/4	
12	1001138494	2	Bar, Drop	
13	1001140429	2	Decal - Drop Bar	
14	1001144629	1	Gate	
15	See Note	NSS	Platform (Note: Not Available - Purchase Platform Assembly)	

# SECTION 5 - PLATFORM

FIGURE 5-5. PLATFORM ASSEMBLY - 36IN X 6FT (91.5CM X 1.83M) TRI-ENTRY WITH DROPBAR



ART\_1001228377

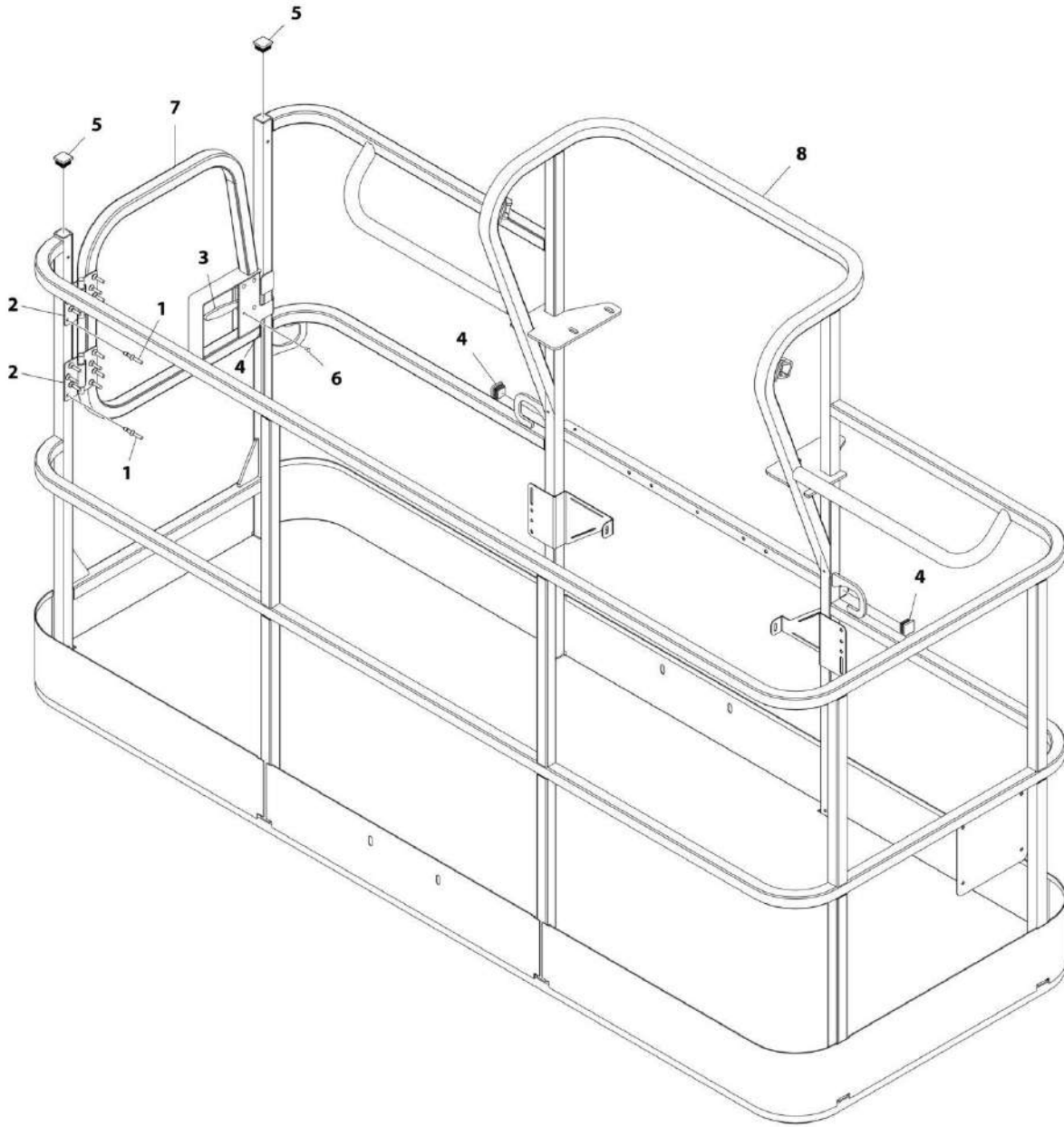
## SECTION 5 - PLATFORM

**FIGURE 5-5. PLATFORM ASSEMBLY - 36IN X 6FT (91.5CM X 1.83M) TRI-ENTRY WITH DROPBAR**

ITEM	PART NUMBER	QTY	DESCRIPTION	REV
	1001228377	Ref	PLATFORM ASSEMBLY - 36IN x 6FT (91.5CM x 1.83M)	A
		Ref	Note: Platform and Mesh must be ordered separately for Platforms with Mesh. See SPECIAL OPTIONS SECTION for Mesh Installations.	
		Ref	Note: Replacement Decals Must be Ordered Separately - See DECAL SECTION.	
1	0100011	1	Compound, Locking	
2	0641418	6	Bolt 1/4 x 2-1/4	
3	0961845	6	Bushing	
4	3290606	2	Nut M6	
5	3300151	6	Nut 1/4	
6	3520072	2	Plug	
7	3520198	2	Plug	
8	4010618	2	Screw M6 x 50	
9	4711400	12	Washer 1/4	
10	4811700	2	Washer M6	
11	1001138494	3	Bar, Drop	
12	1001138514	1	Rail (Top)	
13	1001140429	3	Decal - Drop Bar	
14	See Note	NSS	Platform, Weldment (Note: Not Available - Purchase Platform Assembly)	

# SECTION 5 - PLATFORM

FIGURE 5-6. PLATFORM ASSEMBLY - 36IN X 8FT (91.5CM X 2.44M) WITH SWING GATE



ART\_1001186383



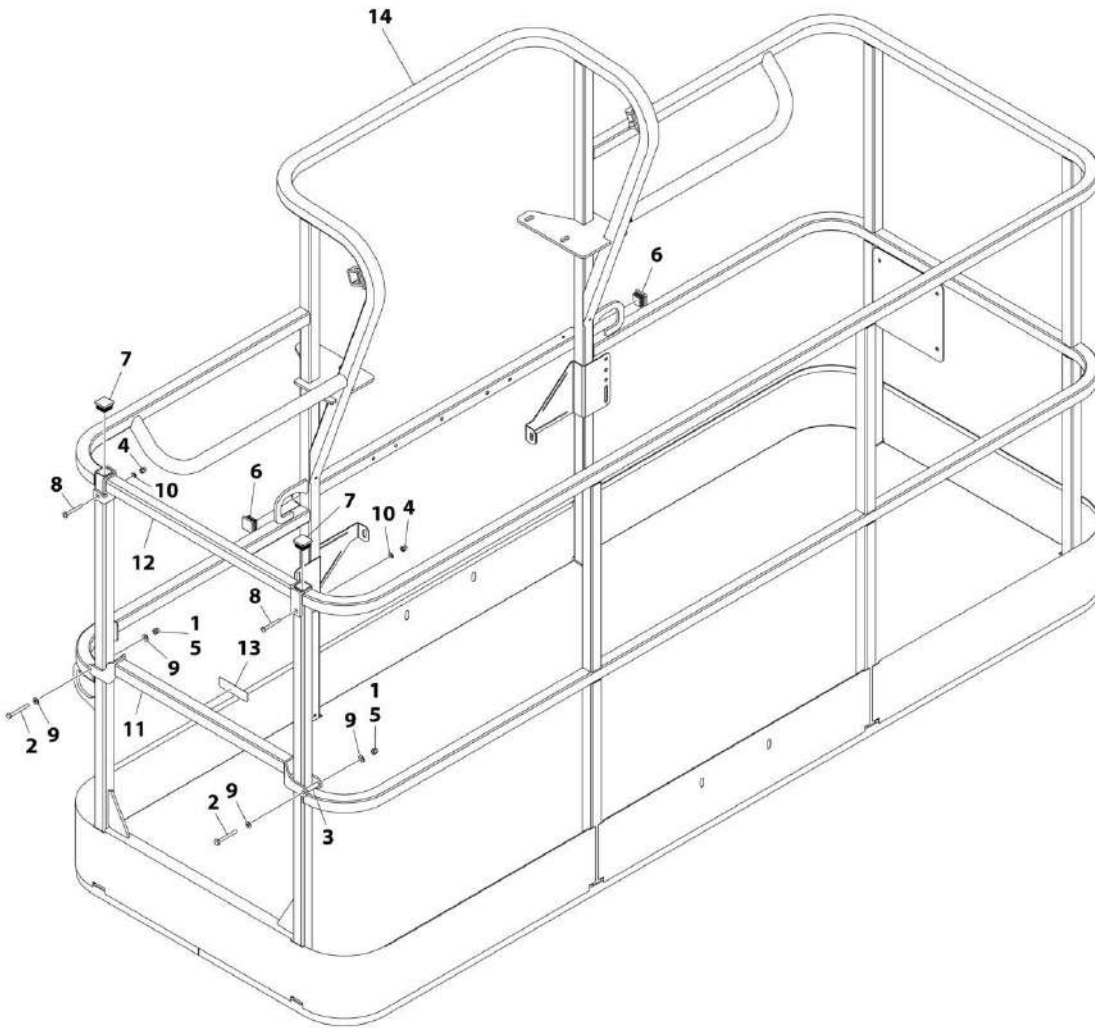
## SECTION 5 - PLATFORM

**FIGURE 5-6. PLATFORM ASSEMBLY - 36IN X 8FT (91.5CM X 2.44M) WITH SWING GATE**

ITEM	PART NUMBER	QTY	DESCRIPTION	REV
	1001186383	Ref	PLATFORM ASSEMBLY	C
		Ref	Note: Platform and Mesh must be ordered separately for Platforms with Mesh. See SPECIAL OPTIONS SECTION for Mesh Installations.	
		Ref	Note: Replacement Decals Must be Ordered Separately - See DECALS SECTION.	
1	2080040	16	Fastener, Huck	
2	2600281	2	Hinge	
3	2940074	1	Latch	
4	3520072	3	Plug	
5	3520198	2	Plug	
6	3820020	4	Rivet	
7	1001144629	1	Gate	
8	See Note	1	Platform (Note: Not Available - Purchase Platform Assembly)	

# SECTION 5 - PLATFORM

FIGURE 5-7. PLATFORM ASSEMBLY - 36IN X 8FT (91.5CM X 2.44M) WITH DROP BAR



ART\_1001186382

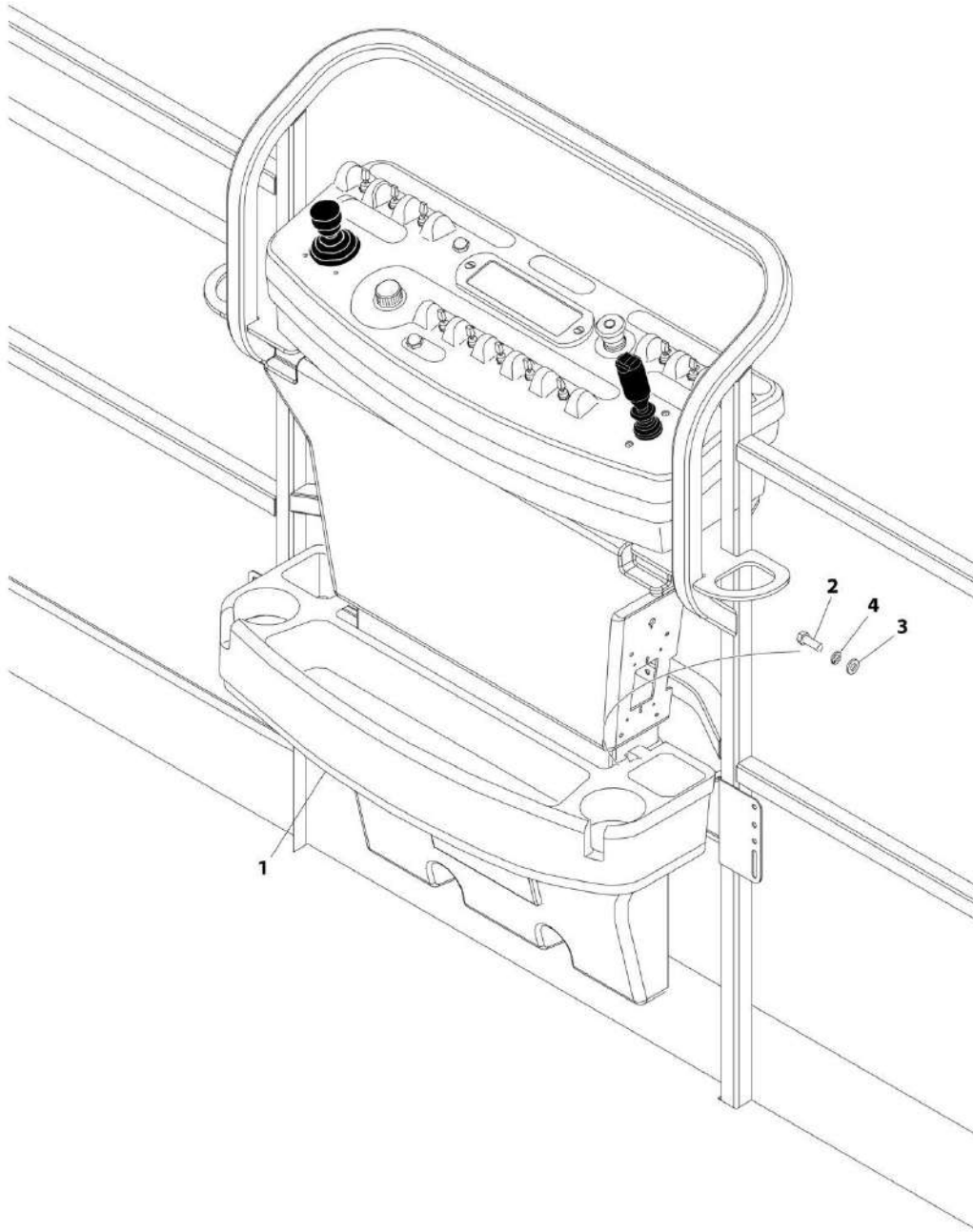
## SECTION 5 - PLATFORM

**FIGURE 5-7. PLATFORM ASSEMBLY - 36IN X 8FT (91.5CM X 2.44M) WITH DROP BAR**

ITEM	PART NUMBER	QTY	DESCRIPTION	REV
	1001186382	Ref	PLATFORM ASSEMBLY	C
		Ref	Note: Platform and Mesh must be ordered separately for Platforms with Mesh. See SPECIAL OPTIONS SECTION for Mesh Installations.	
		Ref	Note: Replacement Decals Must be Ordered Separately - See DECALS SECTION.	
1	0100011	AR	Compound, Locking	
2	0641418	2	Bolt 1/4 x 2-1/4	
3	0961845	2	Bushing	
4	3290606	2	Nut M6	
5	3300151	2	Nut 1/4	
6	3520072	2	Plug	
7	3520198	2	Plug	
8	4010618	2	Screw M6 x 50	
9	4711400	4	Washer 1/4	
10	4811700	2	Washer M6	
11	1001138494	1	Bar, Drop	
12	1001138514	1	Rail (Top)	
13	1001140429	1	Decal - Drop Bar	
14	See Note	NSS	Platform (Note: Not Available - Purchase Platform Assembly)	

# SECTION 5 - PLATFORM

## FIGURE 5-8. TRAY ASSEMBLY



ART\_1580012

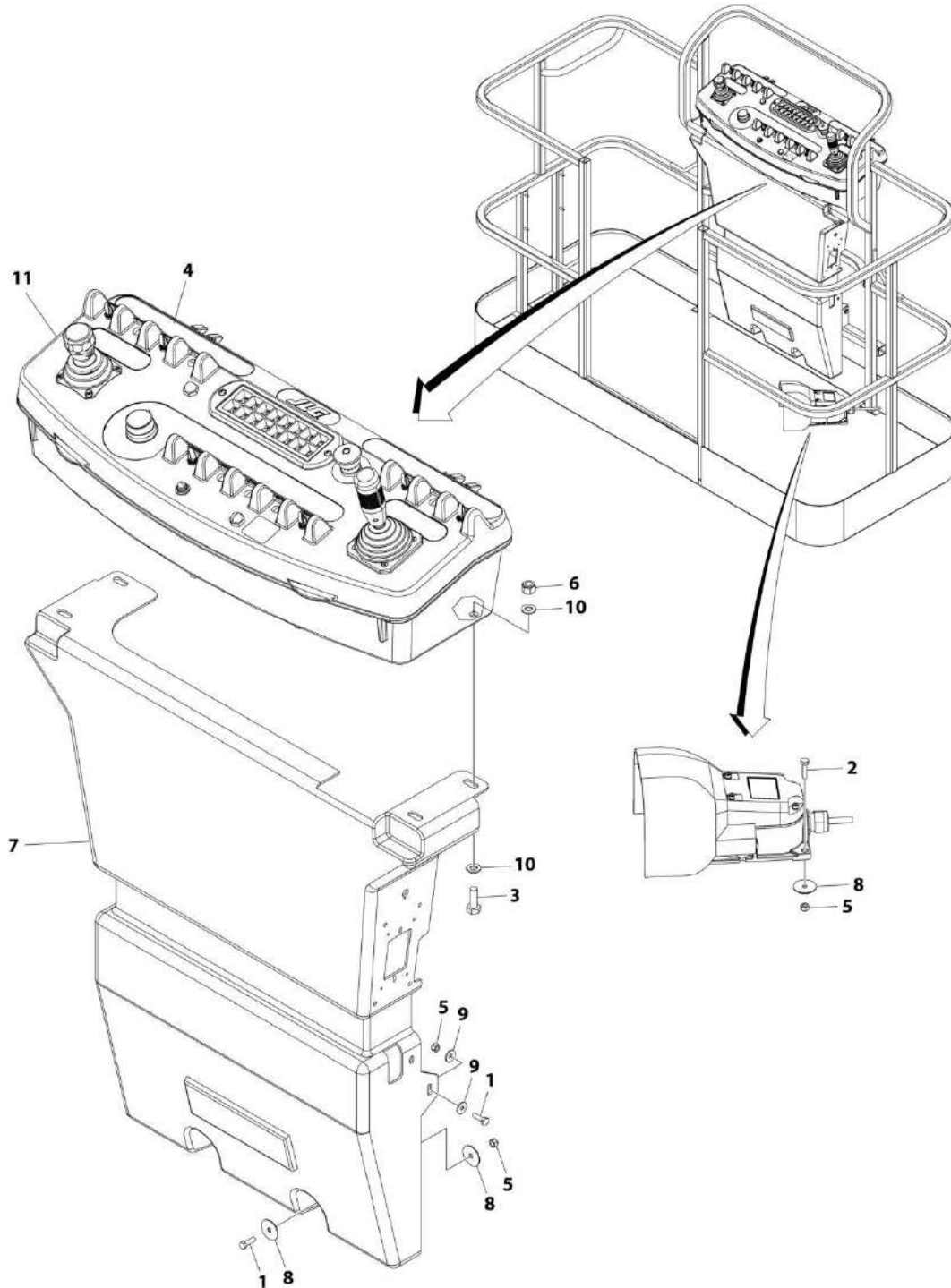
## SECTION 5 - PLATFORM

### FIGURE 5-8. TRAY ASSEMBLY

ITEM	PART NUMBER	QTY	DESCRIPTION	REV
	1580012	Ref	TRAY ASSEMBLY	C
1	See Note	1	Tray, Storage (Center) (Note: Purchase p/n 1580012)	
2	0641406	2	Bolt 1/4 x 3/4	
3	4751400	2	Washer 1/4	
4	4761400	2	Washer 1/4	

# SECTION 5 - PLATFORM

## FIGURE 5-9. PLATFORM CONSOLE AND FOOTSWITCH INSTALLATION



ART\_1001197177

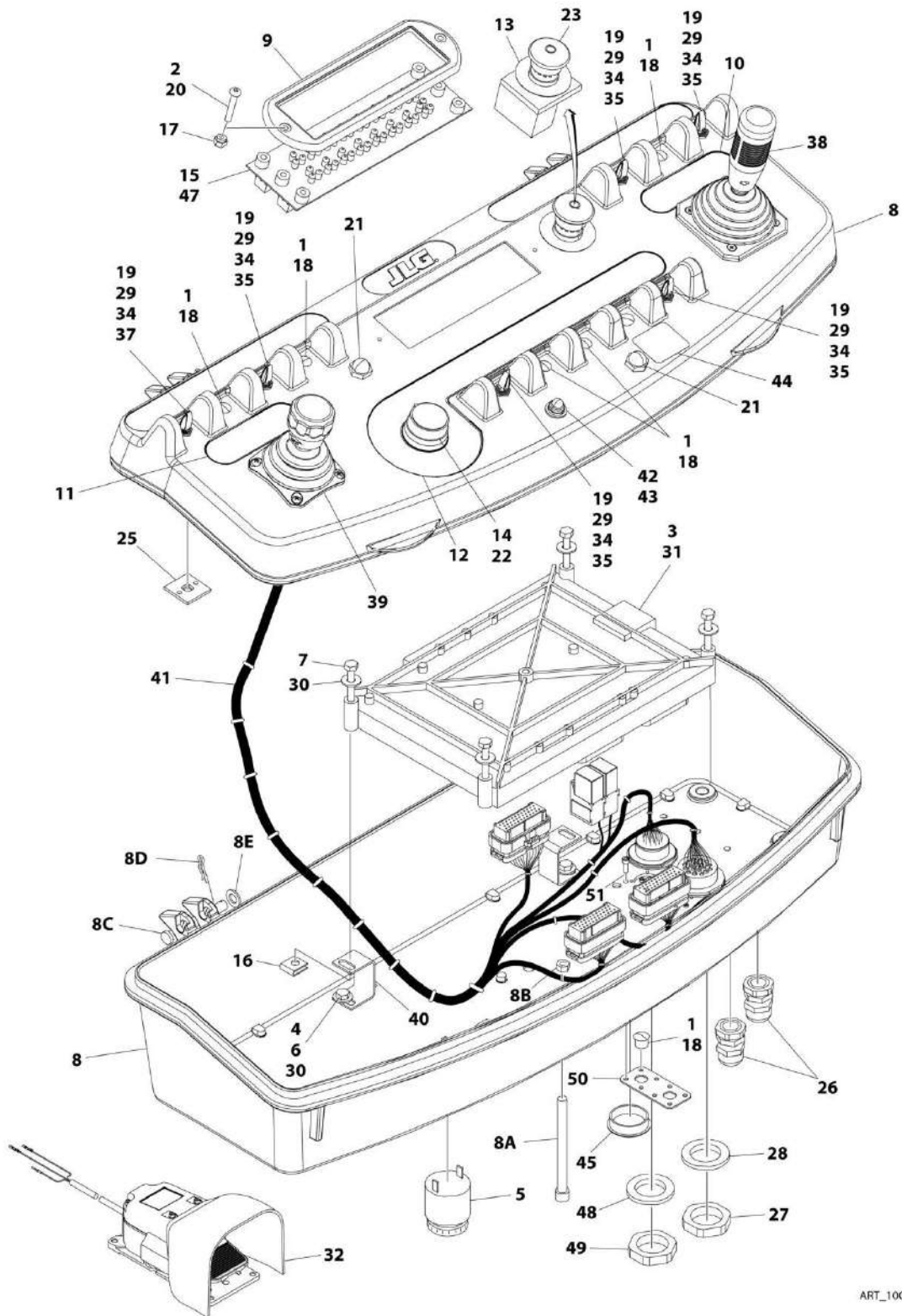
## SECTION 5 - PLATFORM

### FIGURE 5-9. PLATFORM CONSOLE AND FOOTSWITCH INSTALLATION

ITEM	PART NUMBER	QTY	DESCRIPTION	REV
	1001197177	Ref	PLATFORM CONSOLE AND FOOTSWITCH INSTALLATION	B
1	0700610	4	Bolt M6 x 20	
2	0700612	3	Bolt M6 x 25	
3	0701014	4	Bolt M10 x 30	
4	1001184626	1	Decal - Horn	
5	3290605	7	Nut M6	
6	3291005	4	Nut M10	
7	3380434	1	Panel	
8	4740362	7	Washer	
9	4811702	4	Washer M6	
10	4812000	8	Washer M10	
11	1001197176	1	Platform Console Assembly (See Separate Breakdown in this Section)	

# SECTION 5 - PLATFORM

## FIGURE 5-10. CONSOLE BOX ASSEMBLY



ART\_1001197176



## SECTION 5 - PLATFORM

**FIGURE 5-10. CONSOLE BOX ASSEMBLY**

ITEM	PART NUMBER	QTY	DESCRIPTION	REV
	1001197176	Ref	CONSOLE BOX ASSEMBLY	F
1	0100009	AR	Sealant	
2	0100035	AR	Compound, Locking	
3	0100048	AR	Grease, Dielectric	
4	0100081	AR	Adhesive	
5	0140011	1	Alarm	
6	0641404	4	Bolt 1/4 x 1/2	
7	0641414	4	Bolt 1/4 x 1-3/4	
8	1001215229	1	Console Box Assembly	
8A	0630568	1	Capscrew 3/8 x 4-1/2	
8B	3311601	1	Nut 3/8	
8C	3430616	2	Pin	
8D	3470003	2	Hairpin	
8E	4711600	2	Washer 3/8	
9	1670829	1	Bezel	
10	1704460	1	Decal - Drive and Steer	
11	1702566	1	Decal - Lift and Swing	
12	1702567	1	Decal - Function Speed	
13	1704260	1	Decal - Emergency Stop	
14	2560136	1	Handle, Knob	
15	1001170838	1	Gauge, LED	
16	3300353	4	Nut, Tinnerman	
17	3311005	2	Nut #10	
18	3520054	7	Plug	
19	3790012	6	O-Ring	
20	3911018	2	Screw #10 x 1-1/8	
21	4360387	2	Switch, Push Button	
22	4360407	1	Controller, Speed	
22	4460224	1	Receptacle, Female - 6 Position	
22	4460226	6	Socket, Female	
22	See Note	1	Gasket "Top Hat" (Includes with Switch) (Note: Not Available - Purchase Complete Controller)	
22	70003784	1	Seal	
23	4360475	1	Switch, Emergency Stop	
23	7020175	1	Cap, Red	
23	7020176	1	Block, Contact	
25	4460234	3	Mount, Tie-Strap	
26	4460428	2	Connector, Strain Relief	
27	4460470	1	Nut, Terminal	
28	4460471	1	Washer, Terminal	
29	4740397	6	Washer	
30	4751400	8	Washer 1/4	
31	1001185726	1	Module, Platform (Note: Re-calibration Required when Replaced)	
32	1001117174	1	Footswitch Assembly (See Separate Breakdown in this Section)	
34	1001155044	6	Nut 15/32	
35	1001155045	4	Switch, Toggle	
36	1001159256	1	Switch, Toggle	
37	1001161709	1	Switch, Toggle	
38	1600359	1	Controller Assembly (Drive and Steer) (See Separate Breakdown in this Section)	

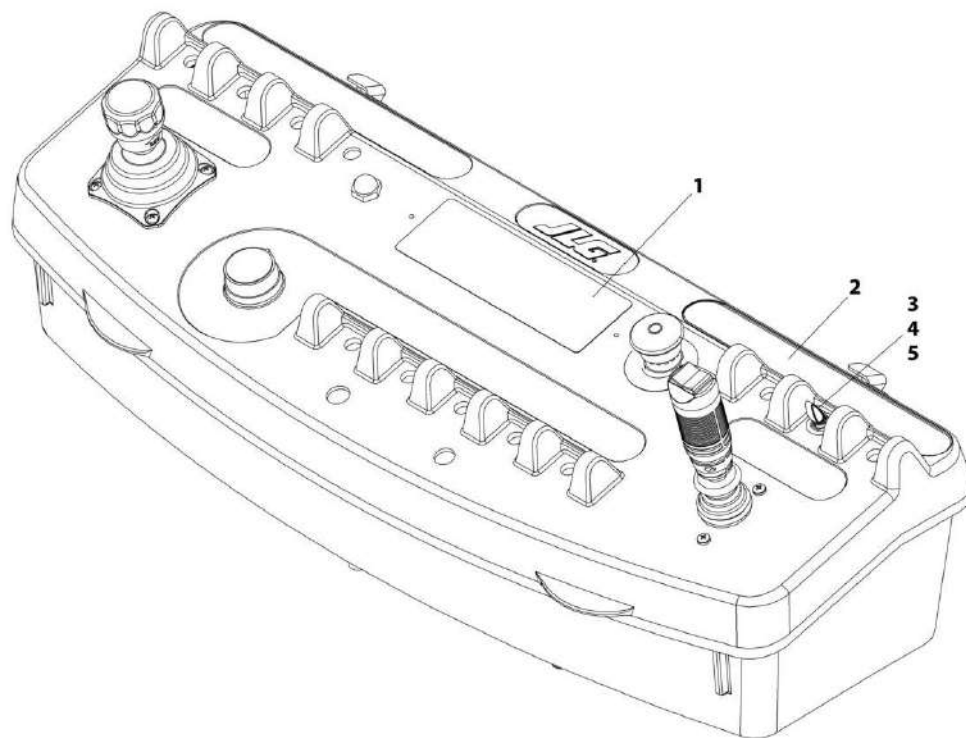
## SECTION 5 - PLATFORM

ITEM	PART NUMBER	QTY	DESCRIPTION	REV
39	1001166539	NLA	Controller Assembly (Lift and Swing) (Use p/n 10012129555) (See Separate Breakdown in this Section)	
40	1001172760	4	Bracket	
41	1001196222	1	Platform Console Harness (See Separate Breakdown in ELECTRICAL SECTION)	
42	2920028	1	Light, Indicator	
43	2920029	1	Bulb, Light	
44	1001144433	1	Decal - No Weight SkyGuard	
45	1001185281	1	Plug	
47	1001146220	1	Fixture, Light	
48	4460496	1	Washer, Terminal	
49	4460497	1	Nut, Terminal	
50	1001213882	1	Mount, Connector	
51	3900349	1	Capscrew M2.5 x 8	



## SECTION 5 - PLATFORM

FIGURE 5-11. DECAL AND LIGHT PANEL INSTALLATION - 600SC (ALL SPECS EXCEPT AUSTRALIAN AND CE SPECS)



ART\_1001167963

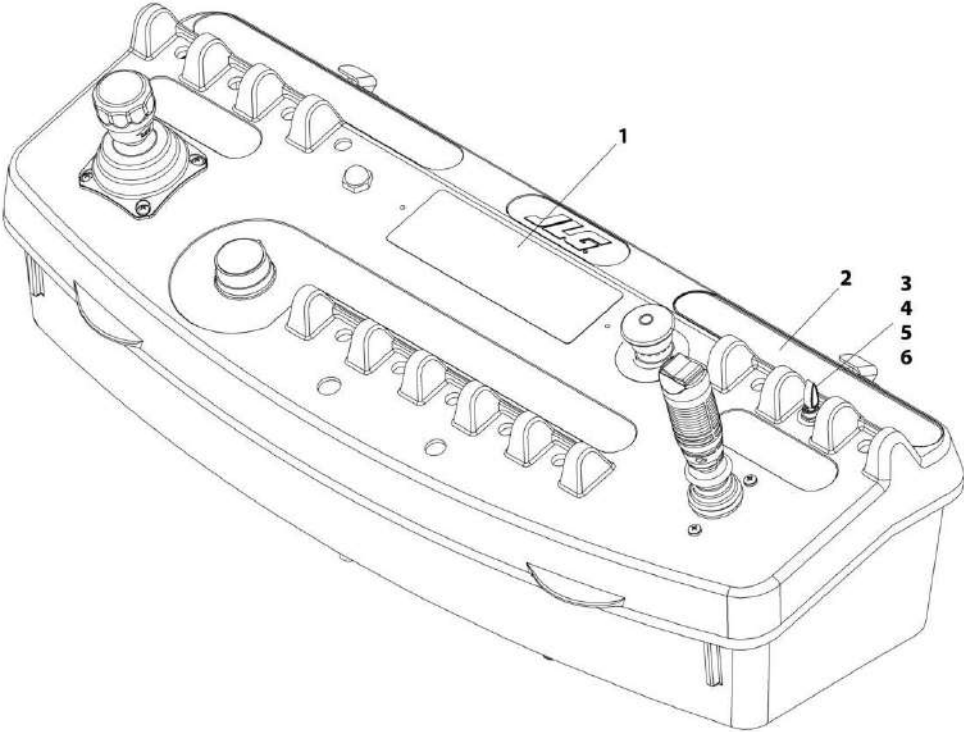
## SECTION 5 - PLATFORM

**FIGURE 5-11. DECAL AND LIGHT PANEL INSTALLATION - 600SC (ALL SPECS EXCEPT AUSTRALIAN AND CE SPECS)**

ITEM	PART NUMBER	QTY	DESCRIPTION	REV
	1001167963	Ref	DECAL AND LIGHT PANEL INSTALLATION	C
1	1001167962	1	Decal - Display	
2	1001195947	1	Decal - Stop and Aux Power	
3	3790012	1	O-Ring	
4	1001155044	1	Nut 15/32	
5	1001161710	1	Switch, Toggle	

**SECTION 5 - PLATFORM**

**FIGURE 5-12. DECAL AND LIGHT PANEL INSTALLATION - 600SC (AUSTRALIAN AND CE SPECS)**



ART\_1001184620

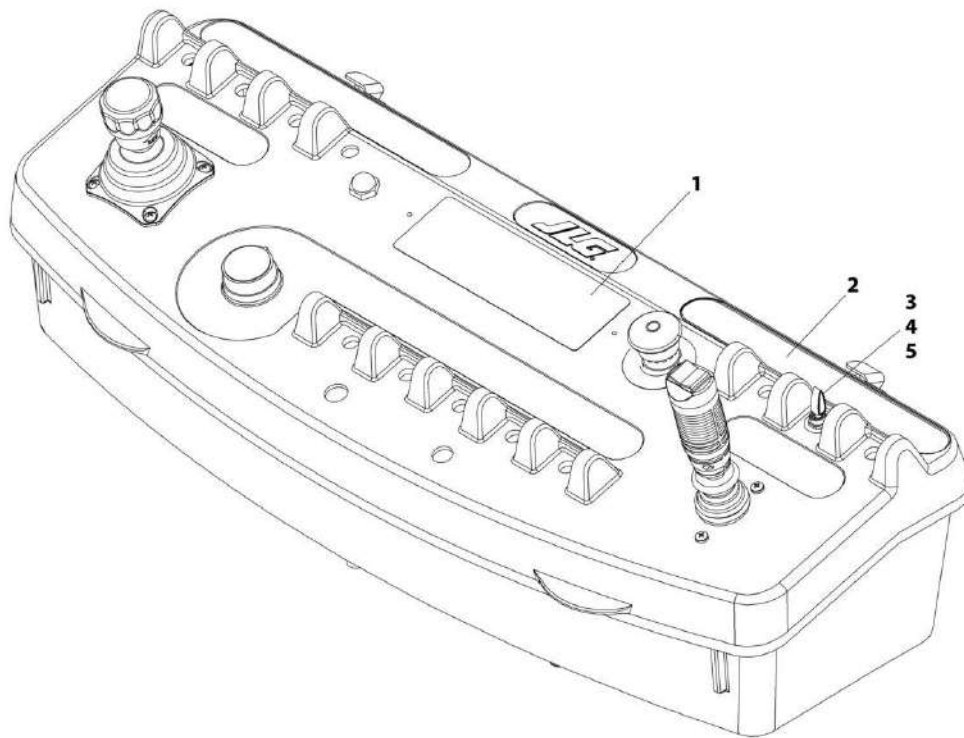
## SECTION 5 - PLATFORM

**FIGURE 5-12. DECAL AND LIGHT PANEL INSTALLATION - 600SC (AUSTRALIAN AND CE SPECS)**

ITEM	PART NUMBER	QTY	DESCRIPTION	REV
	1001184620	Ref	DECAL AND LIGHT PANEL INSTALLATION	B
1	1001184621	1	Decal - Display	
2	1001184619	1	Decal - Stop and Aux Power	
3	3790012	1	O-Ring	
4	1001155044	1	Nut 15/32	
5	1001161710	1	Switch, Toggle	
6	4740397	1	Spacer	

## SECTION 5 - PLATFORM

FIGURE 5-13. DECAL AND LIGHT PANEL INSTALLATION - 660SJC (ALL SPECS EXCEPT AUSTRALIAN AND CE SPECS)



ART\_1001193238



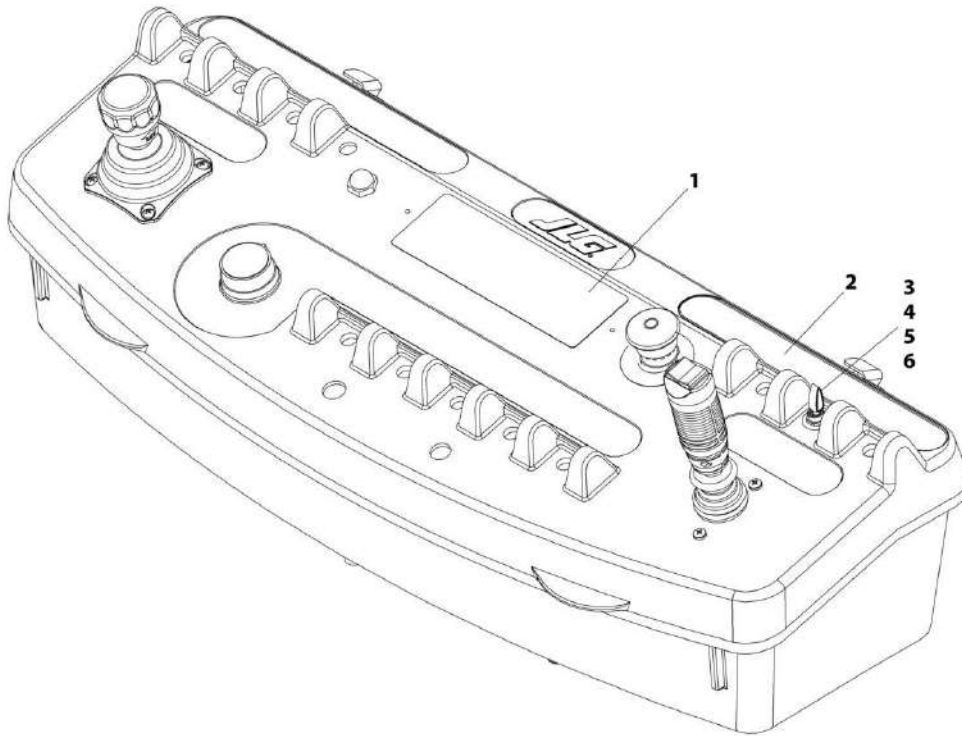
## SECTION 5 - PLATFORM

**FIGURE 5-13. DECAL AND LIGHT PANEL INSTALLATION - 660SJC (ALL SPECS EXCEPT AUSTRALIAN AND CE SPECS)**

ITEM	PART NUMBER	QTY	DESCRIPTION	REV
	1001193238	Ref	DECAL AND LIGHT PANEL INSTALLATION	B
1	1001193756	1	Decal - Display	
2	1001207105	1	Decal - Stop and Aux Power	
3	3790012	1	O-Ring	
4	1001155044	1	Nut 15/32	
5	1001161710	1	Switch, Toggle	

## SECTION 5 - PLATFORM

FIGURE 5-14. DECAL AND LIGHT PANEL INSTALLATION - 660SJC (AUSTRALIAN AND CE SPECS)



ART\_1001193239

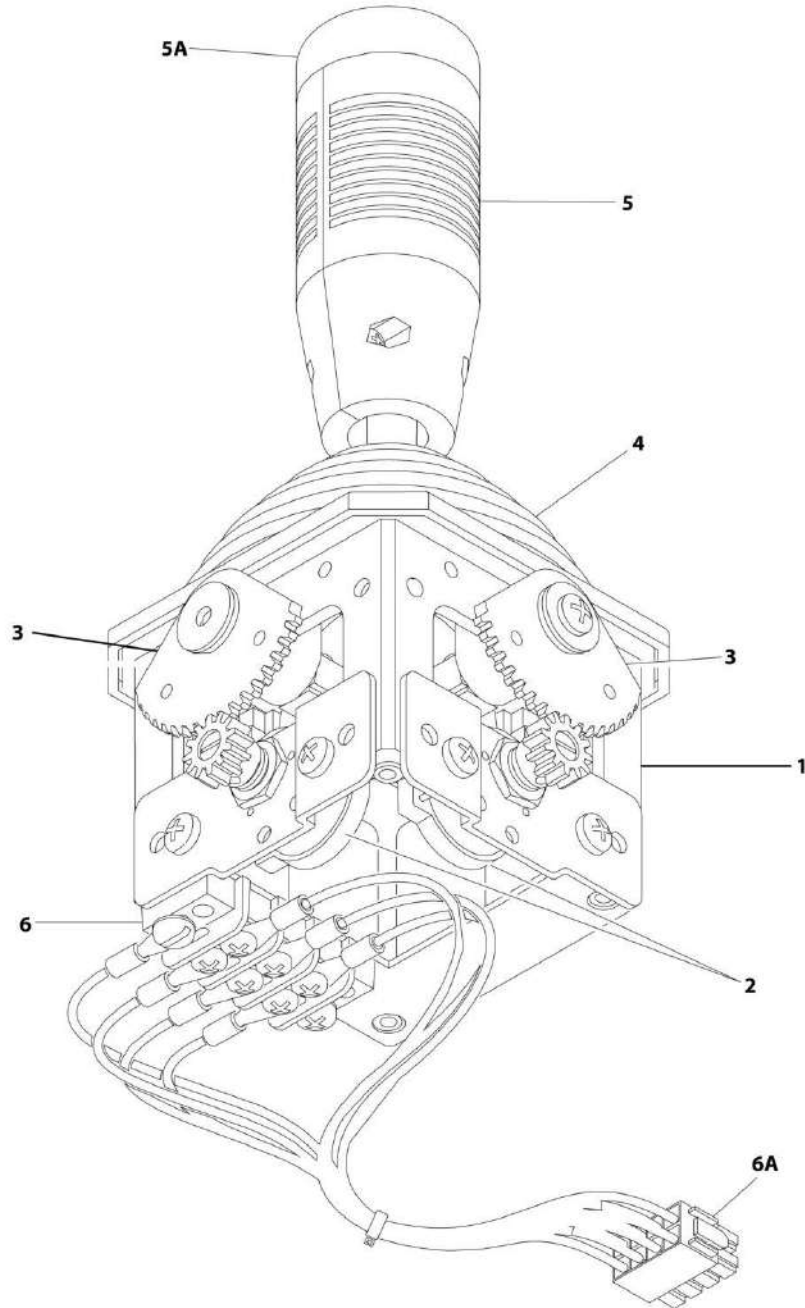
## SECTION 5 - PLATFORM

**FIGURE 5-14. DECAL AND LIGHT PANEL INSTALLATION - 660SJC (AUSTRALIAN AND CE SPECS)**

ITEM	PART NUMBER	QTY	DESCRIPTION	REV
	1001193239	Ref	DECAL AND LIGHT PANEL INSTALLATION	B
1	1001193757	1	Decal - Display	
2	1001193758	1	Decal - Stop and Aux Power	
3	3790012	1	O-Ring	
4	1001155044	1	Nut 15/32	
5	1001161710	1	Switch, Toggle	
6	4740397	1	Washer	

# SECTION 5 - PLATFORM

## FIGURE 5-15. CONTROLLER ASSEMBLY (DRIVE AND STEER)



ART\_1600359

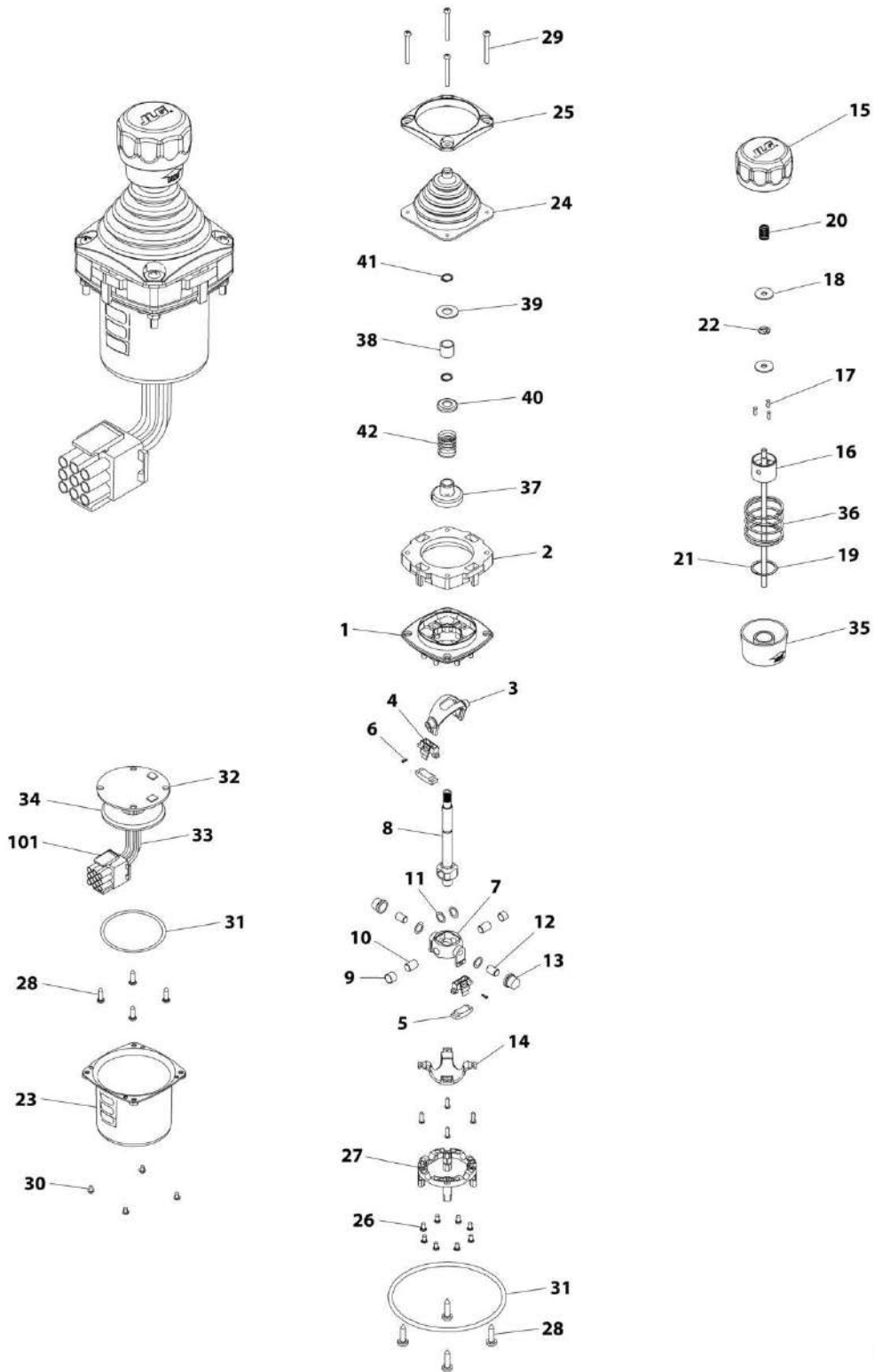
## SECTION 5 - PLATFORM

**FIGURE 5-15. CONTROLLER ASSEMBLY (DRIVE AND STEER)**

ITEM	PART NUMBER	QTY	DESCRIPTION	REV
	1600359	Ref	CONTROLLER ASSEMBLY	A
1	7022832	1	Housing Assembly (Includes Casting, Gimbles, etc)	
2	7022833	2	Potentiometer Plate	
2	7003974	2	Potentiometer	
3	7022834	2	Drive Gear Assembly	
4	7022835	1	Boot Assembly	
5	7022836	1	Handle Assembly	
5A	7022839	1	Cap, Rubber	
5A	7022838	1	Switch, Push Button	
6	7022837	1	Terminal Block/PC Board Assembly	
6A	See Note	NSS	Plug, Male 8 Position (Note: Not Available for Purchase)	
6A	4460871	6	Socket, Female	

# SECTION 5 - PLATFORM

## FIGURE 5-16. CONTROLLER ASSEMBLY (LIFT AND SWING)



ART\_1001166539

## SECTION 5 - PLATFORM

**FIGURE 5-16. CONTROLLER ASSEMBLY (LIFT AND SWING)**

ITEM	PART NUMBER	QTY	DESCRIPTION	REV
	1001166539	Ref	CONTROLLER ASSEMBLY	D
		Ref	Note: Use p/n 1001129555 as Replacement.	
1	See Note	NSS	Main Cast Body (Note: Not Available - Purchase Complete Assembly)	
2	70004752	1	Adapter	
3	See Note	NSS	Pivot Arm, Plastic (Note: Not Available - Purchase Complete Assembly)	
4	See Note	NSS	Holder, Magnet (Note: Not Available - Purchase Complete Assembly)	
5	See Note	NSS	Arc, Magnet (Note: Not Available - Purchase Complete Assembly)	
6	See Note	NSS	Screw (Note: Not Available for Purchase)	
7	See Note	NSS	Pivot Arm, Cast (Note: Not Available - Purchase Complete Assembly)	
8	See Note	NSS	Shaft, Main (Note: Not Available - Purchase Complete Assembly)	
9	See Note	NSS	Bearing (Note: Not Available - Purchase Complete Assembly)	
10	See Note	NSS	Pin (Note: Not Available - Purchase Complete Assembly)	
11	See Note	NSS	Shim (Note: Not Available - Purchase Complete Assembly)	
12	See Note	NSS	Pin (Note: Not Available - Purchase Complete Assembly)	
13	See Note	NSS	Bearing (Note: Not Available - Purchase Complete Assembly)	
14	See Note	NSS	Dome, Centering (Note: Not Available - Purchase Complete Assembly)	
15	70004753	1	Cap	
16	70004754	1	Insert, Cap	
17	70004755	3	Pin	
18	70004756	2	Washer	
19	70004757	1	Pin, Centering	
20	70004758	1	Spring	
21	70004759	1	Ring, Retaining	
22	70004760	1	E-Ring	
23	70004761	1	Can, Enclosure	
24	70004762	1	Boot	
25	70004763	1	Bezel	
26	See Note	NSS	Screw (Note: Not Available for Purchase)	
27	See Note	NSS	Base Mounting (Note: Not Available - Purchase Complete Assembly)	
28	See Note	NSS	Screw (Note: Not Available for Purchase)	
29	70004764	4	Screw	
30	70004765	4	Screw	
31	70004766	1	O-Ring	
32	See Note	NSS	Plate (Note: Not Available - Purchase Complete Assembly)	
33	See Note	NSS	Harness (Note: Not Available - Purchase Complete Assembly)	
34	70004767	1	Grommet, Rubber	
35	70004768	1	Housing	
36	70004769	1	Spring	
37	70004770	1	Stopper	
38	70004771	1	Spacer	
39	70004772	1	Washer	
40	70004773	1	Disc	
41	70004774	2	Ring, Retaining	
42	70004775	1	Spring	

## SECTION 5 - PLATFORM

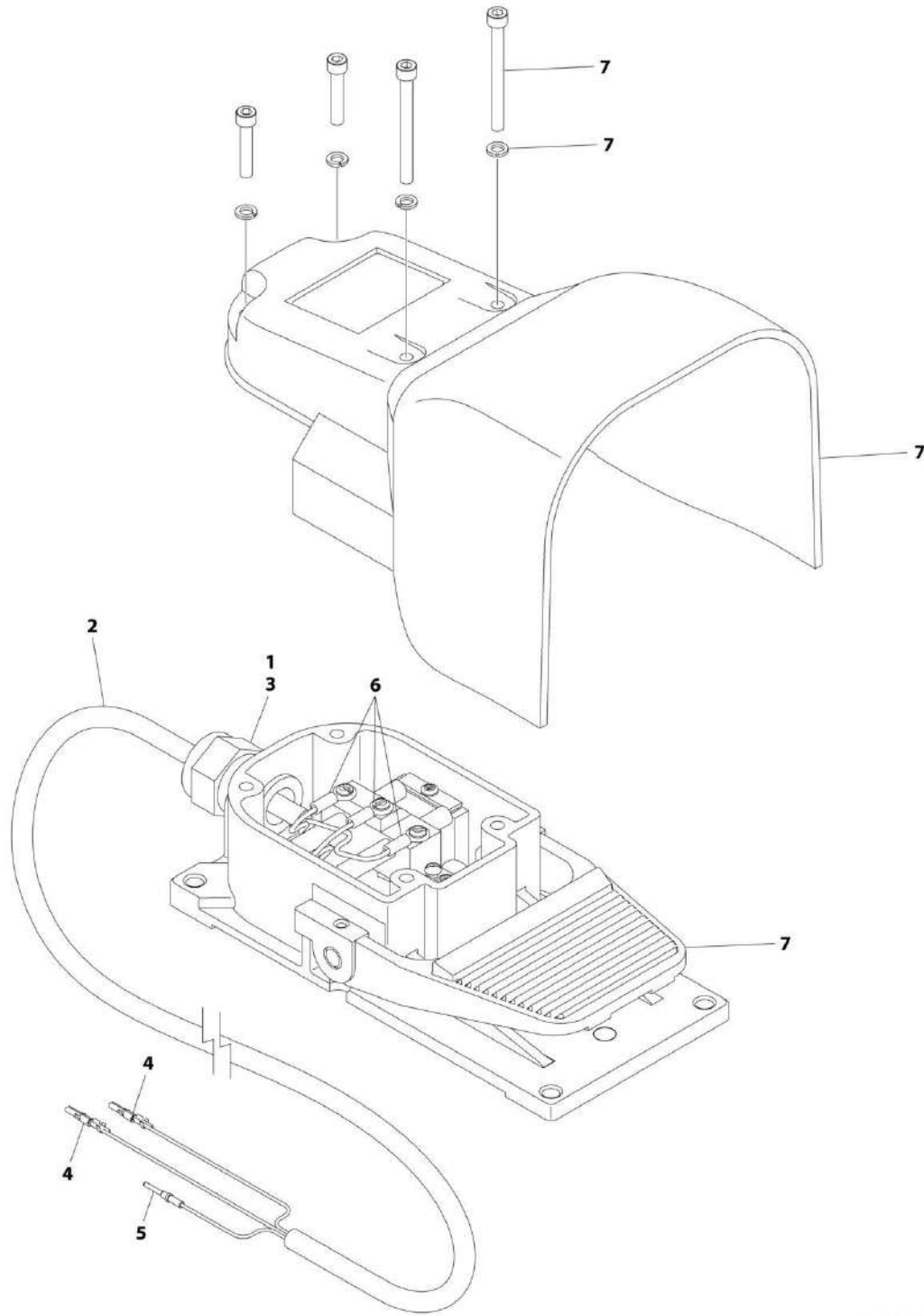
ITEM	PART NUMBER	QTY	DESCRIPTION	REV
101	4460265	1	Connector - 9 Position	
101	4460226	6	Socket, Female	





# SECTION 5 - PLATFORM

## FIGURE 5-17. FOOTSWITCH ASSEMBLY



ART\_1001117174

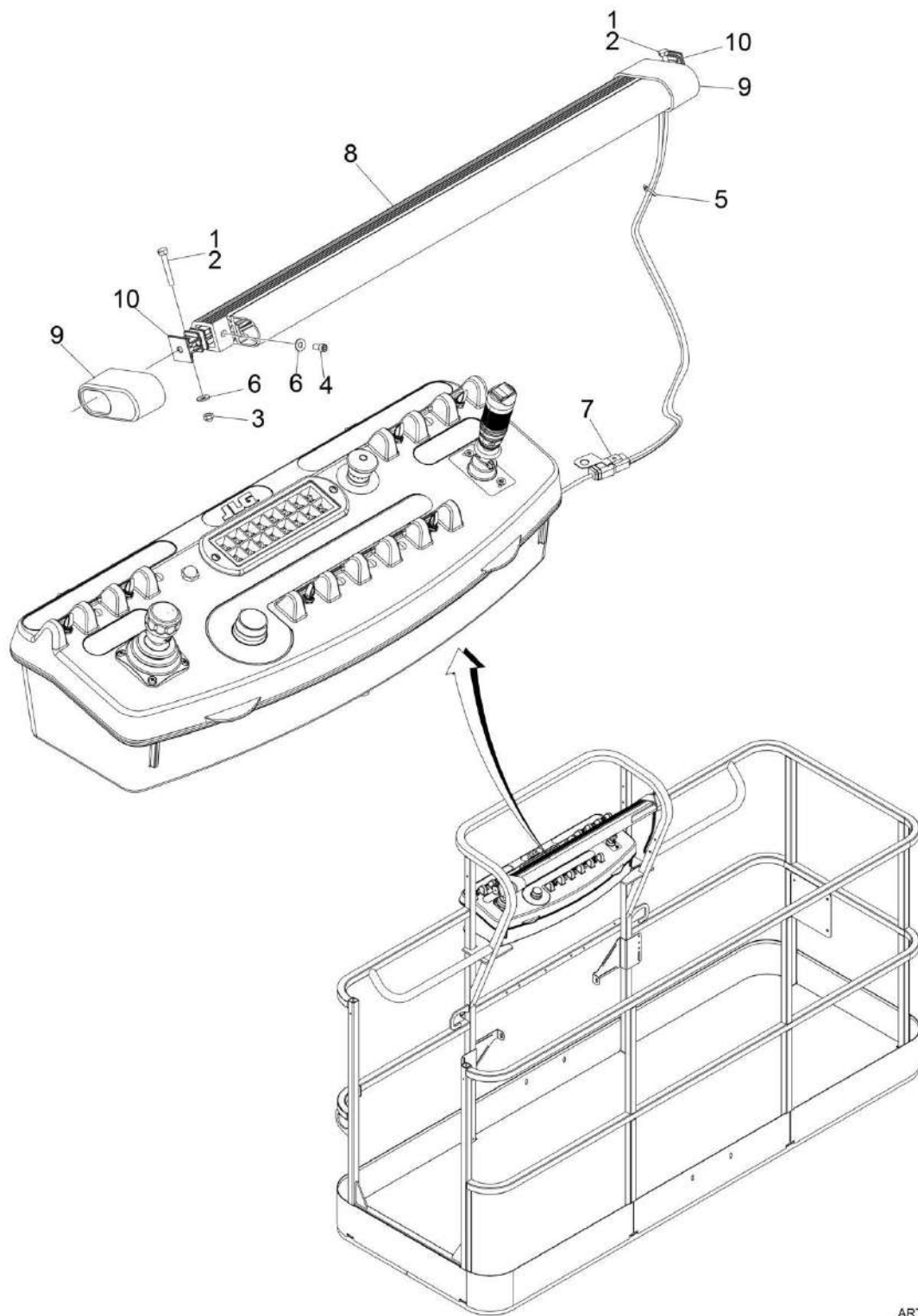
## SECTION 5 - PLATFORM

### FIGURE 5-17. FOOTSWITCH ASSEMBLY

ITEM	PART NUMBER	QTY	DESCRIPTION	REV
	1001117174	Ref	FOOTSWITCH ASSEMBLY	B
1	0100020	AR	Sealant	
2	1060918	7.5 ft/ 2.3m	Cable, Electrical - 18/3	
3	4460071	1	Connector, Strain Relief	
4	4460226	2	Socket, Female	
5	4460464	1	Pin, Male	
6	1001098122	3	Terminal	
7	1001117172	1	Footswitch	
7	70002902	1	Switch, 20Amp	
7	70002903	1	Gasket	
7	70002905	1	Cover	
7	70002904	1	Kit, Replacement Bolt	

# SECTION 5 - PLATFORM

## FIGURE 5-18. SKYGUARD INSTALLATION



ART\_1001187508

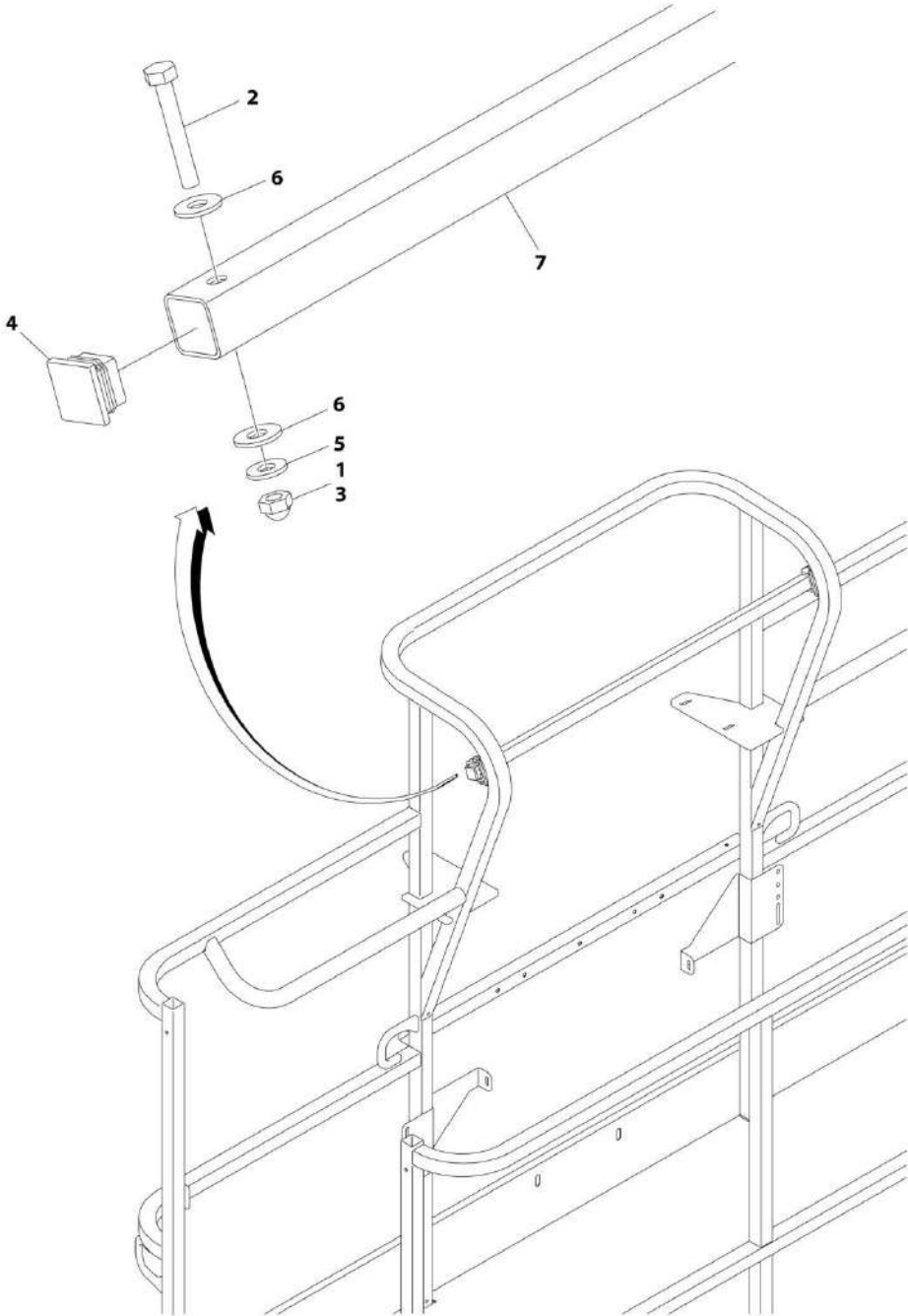
## SECTION 5 - PLATFORM

### FIGURE 5-18. SKYGUARD INSTALLATION

ITEM	PART NUMBER	QTY	DESCRIPTION	REV
	1001187508	Ref	SKYGUARD INSTALLATION	C
1	0100011	AR	Compound, Locking	
2	0641414	2	Bolt 1/4 x 1-3/4	
3	3300430	2	Nut 1/4	
4	3931424	2	Capscrew 1/4 x 1-1/2	
4	3931408	2	Capscrew 1/4 x 1/2	
5	4240033	AR	Tie-Strap	
6	4711400	AR	Washer 1/4	
7	1001120328	1	Mount	
8	1001137673	1	SkyGuard Switch Assembly	
9	1001186517	2	Cover, Platform Sensor	
10	1001188889	2	Support, Block <b>(SN 0300236299 through 0300244667)</b>	
10	1001209664	2	Support, Block <b>(SN 0300244668 to Present)</b>	

**SECTION 5 - PLATFORM**

**FIGURE 5-19. CROSS RAIL INSTALLATION**



ART\_1001182138

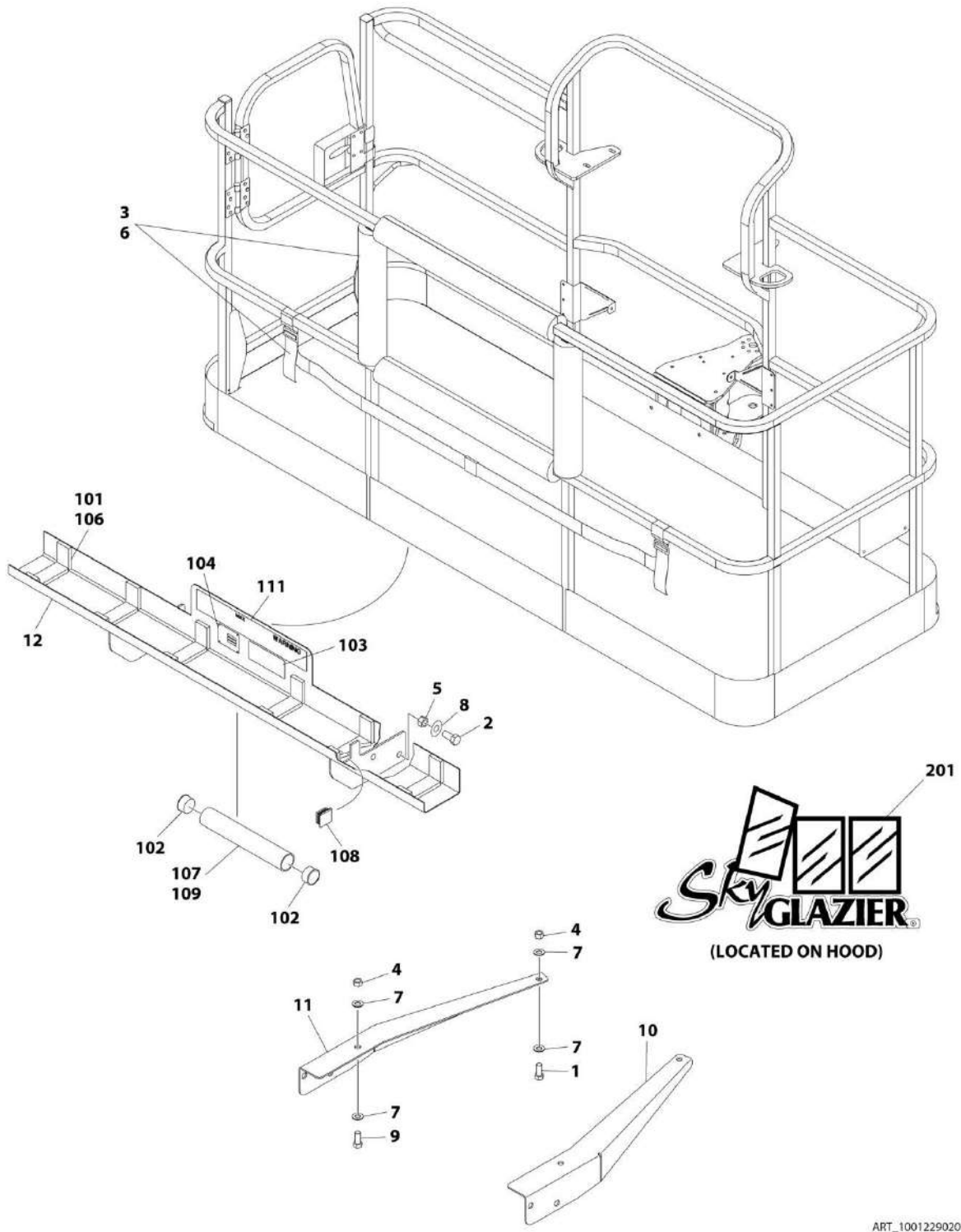
## SECTION 5 - PLATFORM

### FIGURE 5-19. CROSS RAIL INSTALLATION

ITEM	PART NUMBER	QTY	DESCRIPTION	REV
	1001182138	Ref	CROSS RAIL INSTALLATION	A
1	0100071	AR	Compound, Locking	
2	0641414	2	Bolt 1/4 x 1-3/4	
3	3300430	2	Nut 1/4	
4	3520182	2	Plug	
5	4711400	2	Washer 1/4	
6	4751400	4	Washer 1/4	
7	1001191708	1	Bar	

# SECTION 5 - PLATFORM

FIGURE 5-20. SKYGLAZIER INSTALLATION - 600SC & 660SJC (ANSI, AUSTRALIAN AND CSA SPECS)





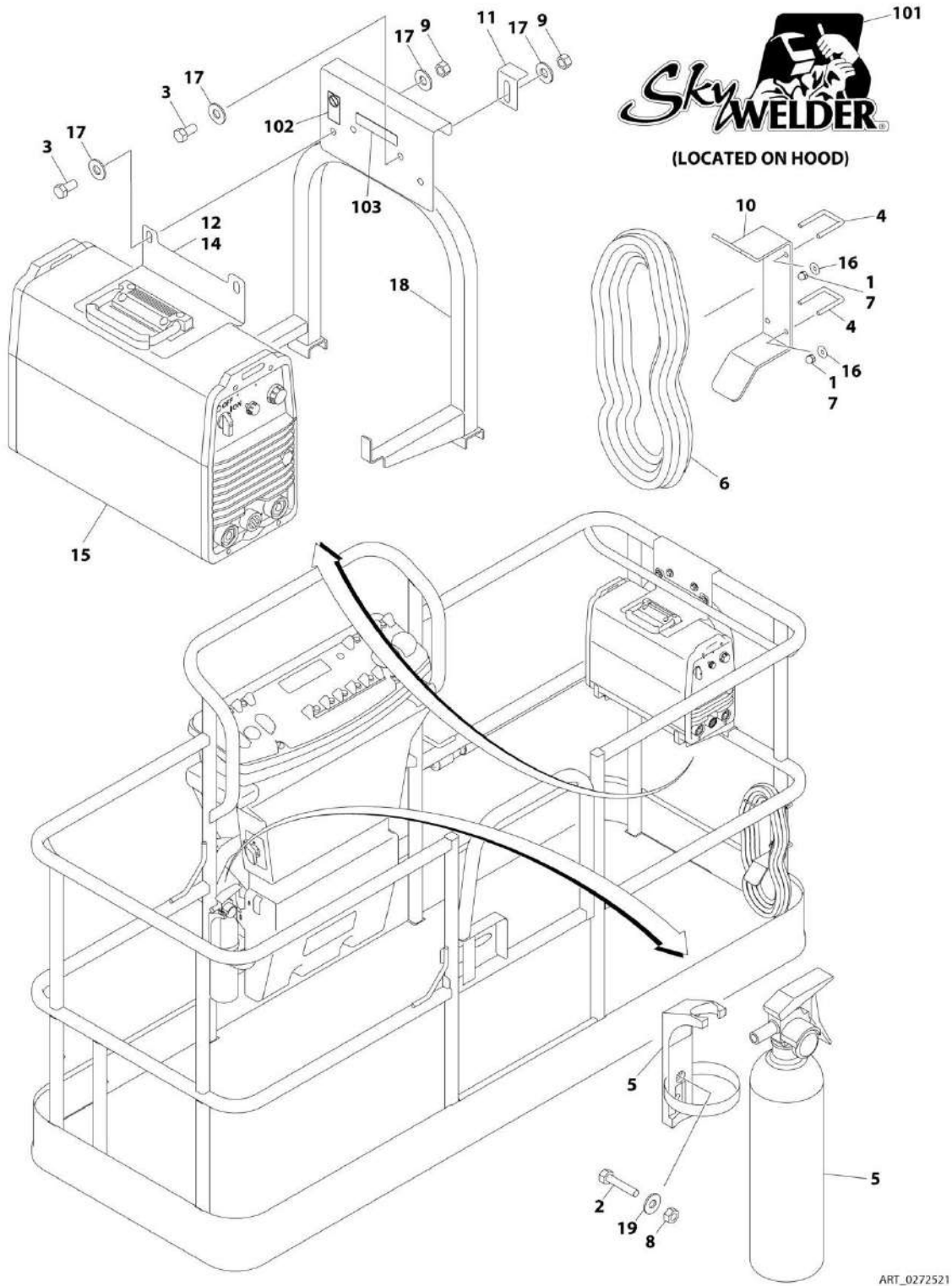
## SECTION 5 - PLATFORM

**FIGURE 5-20. SKYGLAZIER INSTALLATION - 600SC & 660SJC (ANSI, AUSTRALIAN AND CSA SPECS)**

ITEM	PART NUMBER	QTY	DESCRIPTION	REV
	1001229020	Ref	SKYGLAZIER INSTALLATION	A
1	0642012	2	Bolt 5/8 x 1-1/2	
2	0642212	4	Bolt 3/4 x 1-1/2	
3	2902212	1	Bumpers and Strap Kit	
3	0940102	1	Bumper Only	
3	4240149	1	Strap Only	
4	3312005	4	Nut 5/8	
5	3312205	4	Nut 3/4	
6	4420014	AR	Tape	
7	4712000	6	Washer 5/8	
8	4712200	8	Washer 3/4	
9	8310129	2	Bolt 3/4 x 2-1/2	
10	1001099366	1	Support	
11	1001099367	1	Support	
12	1001229082	1	Tray Assembly (See Items 101-111 for Breakdown)	
	1001229082	Ref	TRAY ASSEMBLY	A
101	0100081	AR	Adhesive	
102	1120555	2	Cap, Tube	
103	1701509	1	Decal - Manual	
104	See Note	NSS	Nameplate - Serial Number (Note: Not Available for Purchase)	
106	3340956	1	Pad Kit	
107	3460334	1	Tube	
108	3520071	2	Plug	
109	4420066	AR	Tape, Double Sided	
111	1001199035	2	Decal - Glazier Capacity	
	0272418	Ref	SKYGLAZIER DECAL INSTALLATION	4
201	1705358	2	Decal - SkyGlazier	

# SECTION 5 - PLATFORM

## FIGURE 5-21. SKYWELDER INSTALLATION (50HZ)



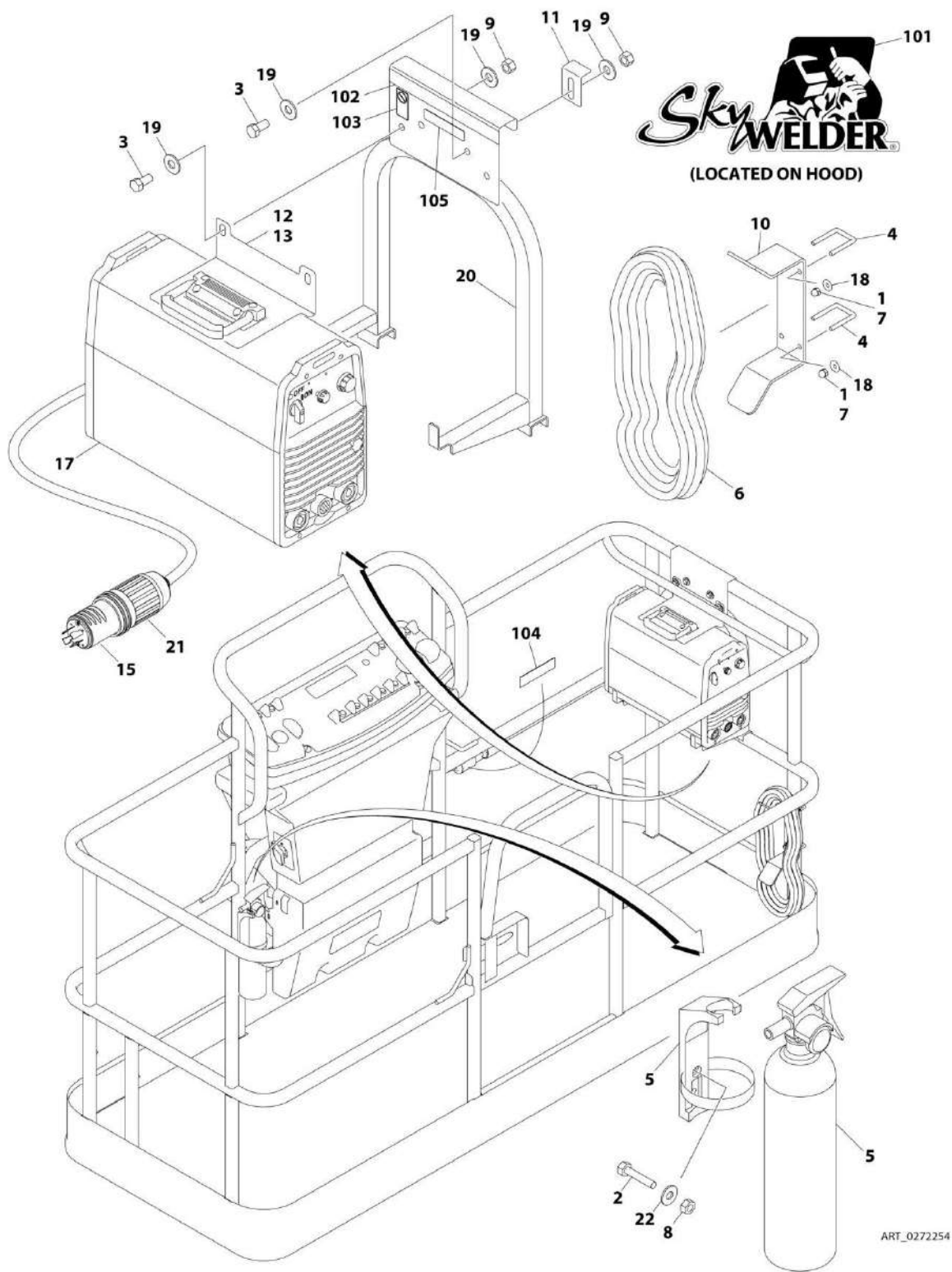
## SECTION 5 - PLATFORM

**FIGURE 5-21. SKYWELDER INSTALLATION (50HZ)**

ITEM	PART NUMBER	QTY	DESCRIPTION	REV
	0272521	Ref	SKYWELDER INSTALLATION	F
1	0100011	AR	Compound, Locking	
2	0630518	2	Screw #10 x 3/4	
3	0641606	4	Bolt 3/8 x 3/4	
4	1320302	2	U-Clamp	
5	2030010	1	Extinguisher, Fire	
6	2902217	1	Weld Leads Kit	
7	3300151	4	Nut 1/4	
8	3311005	2	Nut #10	
9	3311605	4	Nut 3/8	
10	3573400	1	Bracket	
11	3577121	2	Angle	
12	3573642	1	Plate	
13	4240099	AR	Tie-Strap (Not Shown)	
14	4420037	AR	Tape	
15	4530028	1	Welder Assembly (See WELDER ASSEMBLY for Breakdown)	
16	4751400	4	Washer 1/4	
17	4751600	8	Washer 3/8	
18	4846627	1	Support	
19	4751000	2	Washer #10	
	0272588	Ref	SKYWELDER DECAL INSTALLATION	B
101	1705355	1	Decal - SkyWelder	
102	1705305	1	Decal - Weld Lead	
103	1001228988	1	Decal - Weight	

# SECTION 5 - PLATFORM

## FIGURE 5-22. SKYWELDER INSTALLATION (60HZ)



ART\_0272254

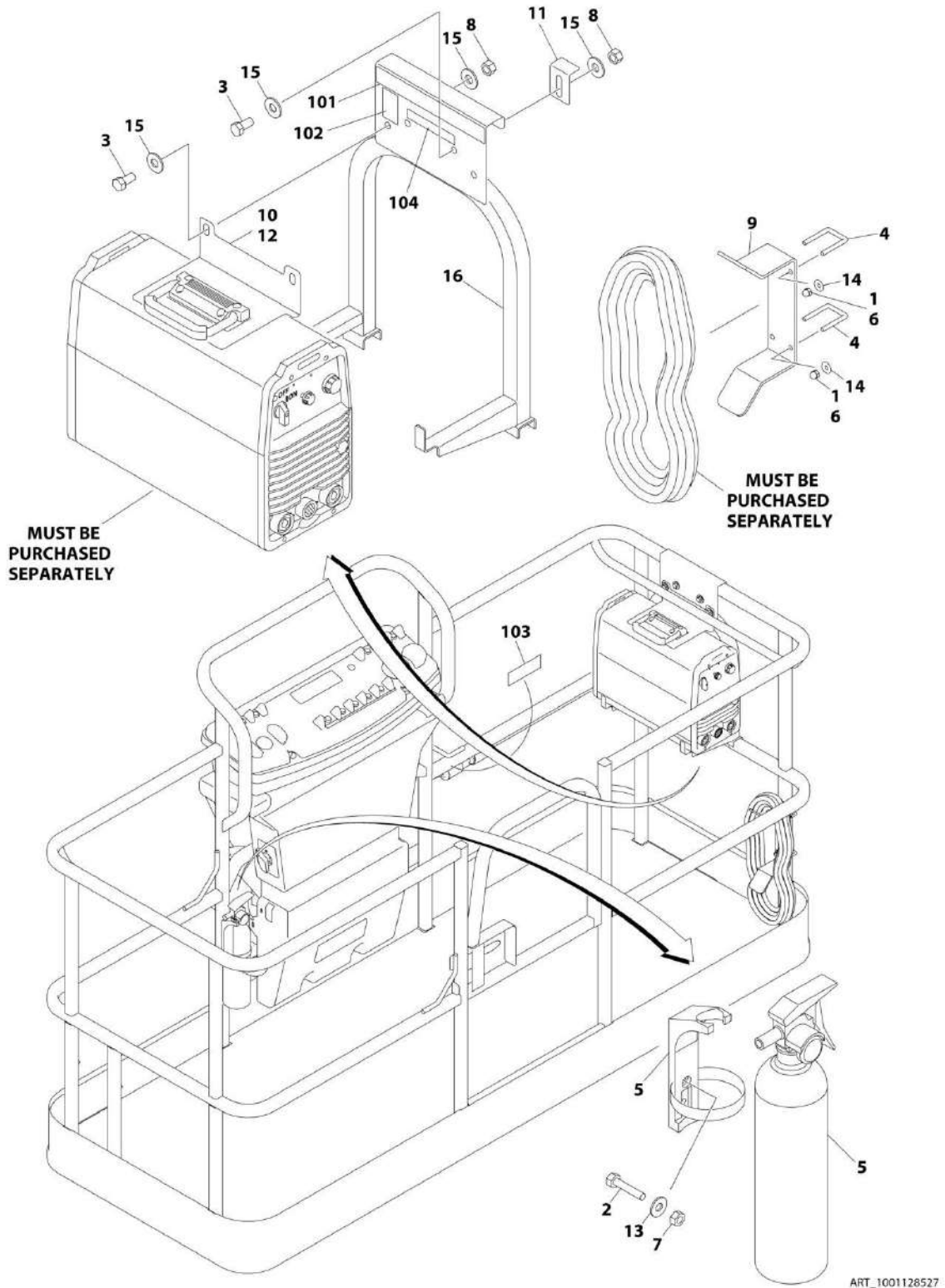
## SECTION 5 - PLATFORM

**FIGURE 5-22. SKYWELDER INSTALLATION (60HZ)**

ITEM	PART NUMBER	QTY	DESCRIPTION	REV
	0272254	Ref	SKYWELDER INSTALLATION	I
1	0100011	AR	Compound, Locking	
2	0630518	2	Screw #10 x 3/4	
3	0641606	4	Bolt 3/8 x 3/4	
4	1320302	2	U-Clamp	
5	2030010	1	Extinguisher, Fire	
6	2902217	1	Weld Leads Kit	
7	3300151	4	Nut 1/4	
8	3311005	2	Nut #10	
9	3311605	4	Nut 3/8	
10	3573400	1	Bracket	
11	3577121	2	Angle	
12	3573642	1	Plate	
13	4420037	AR	Tape	
14	4240099	AR	Tie-Strap (Not Shown)	
15	4460962	1	Plug, Male Twistlock	
17	4530028	1	Welder Assembly (See WELDER ASSEMBLY for Breakdown)	
18	4751400	4	Washer 1/4	
19	4751600	8	Washer 3/8	
20	4846627	1	Support	
21	1671093	1	Cover, Plug	
22	4751000	2	Washer #10	
	0272448	Ref	SKYWELDER DECAL INSTALLATION	B
101	1705355	2	Decal - SkyWelder	
102	1702868	1	Decal - No Hands	
103	1705305	1	Decal - Weld Lead	
104	1705375	1	Decal - 240V - 3 Phase - 60Hz	
105	1001228988	1	Decal - Weight	

# SECTION 5 - PLATFORM

## FIGURE 5-23. SKYWELDER PREP PACKAGE (60HZ)



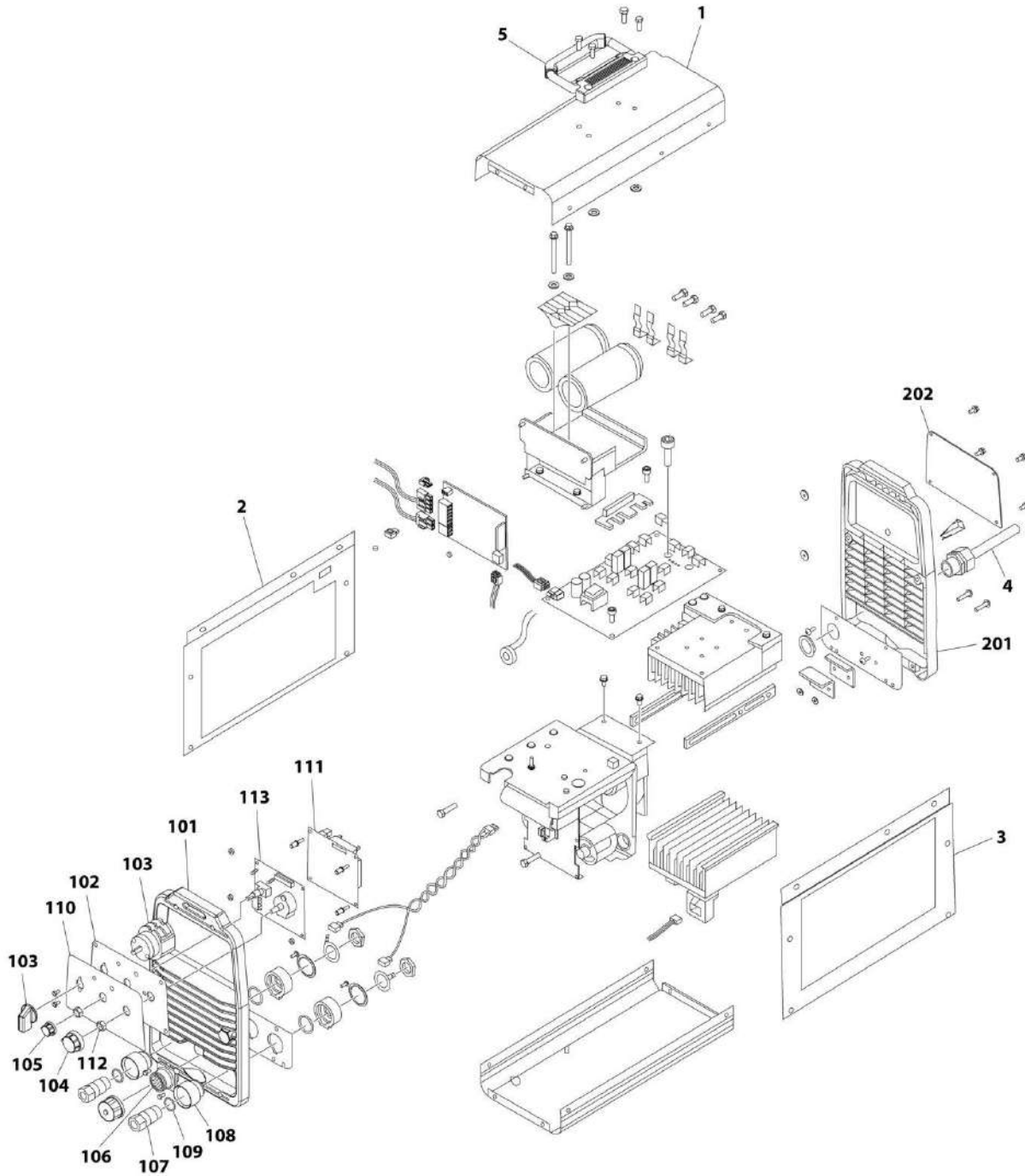
## SECTION 5 - PLATFORM

**FIGURE 5-23. SKYWELDER PREP PACKAGE (60HZ)**

ITEM	PART NUMBER	QTY	DESCRIPTION	REV
	1001128527	Ref	SKYWELDER PREP PACKAGE	B
1	0100011	AR	Compound, Locking	
2	0630518	2	Screw #10 x 3/4	
3	0641606	4	Bolt 3/8 x 3/4	
4	1320302	2	U-Clamp	
5	2030010	1	Extinguisher, Fire	
6	3300151	4	Nut 1/4	
7	3311005	2	Nut #10	
8	3311605	4	Nut 3/8	
9	3573400	1	Bracket	
10	3573642	1	Plate	
11	3577121	2	Angle	
12	4420037	AR	Tape	
13	4751000	2	Washer #10	
14	4751400	4	Washer 1/4	
15	4751600	8	Washer 3/8	
16	4846627	1	Support	
	1001128556	Ref	SKYWELDER DECAL INSTALLATION	B
101	1702868	1	Decal - No Hands	
102	1705305	1	Decal - Weld Lead	
103	1705375	1	Decal - 240V - 3 Phase - 60Hz	
104	1001228988	1	Decal - Weight	

# SECTION 5 - PLATFORM

## FIGURE 5-24. WELDER ASSEMBLY



ART\_4530028



## SECTION 5 - PLATFORM

### FIGURE 5-24. WELDER ASSEMBLY

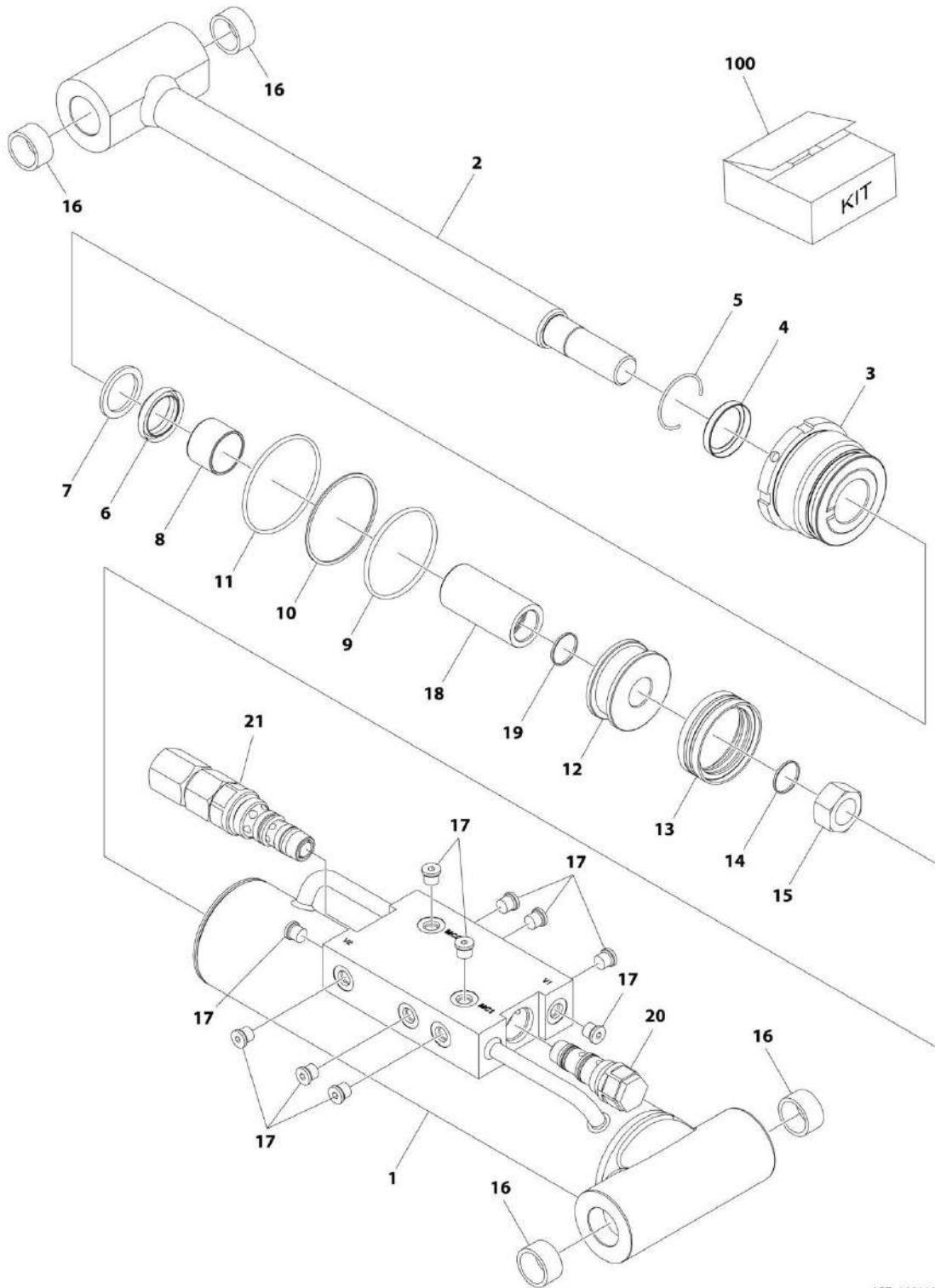
ITEM	PART NUMBER	QTY	DESCRIPTION	REV
	4530028	Ref	WELDER ASSEMBLY	B
		Ref	Note: For Other Components, contact your Miller Welder Dealer.	
1	7027773	1	Cover, Top	
1	7027774	1	Decal - Static Precautionary Warning	
2	See Note	NSS	Panel, LH Side (Note: Part of Item 1. Purchase Item 1)	
3	See Note	NSS	Panel, RH Side (Note: Part of Item 1. Purchase Item 1)	
4	7024467	1	Cable, Power	
4	7027775	1	Decal - Electrical Shock Warning (Not Shown)	
5	7027776	1	Handle, Carrying	
101	7024462	1	Panel, Front	
102	7024463	1	Panel, Console	
103	7024469	1	Switch with Lead	
104	7024470	1	Knob	
105	7024471	1	Knob	
106	7024472	1	Receptacle with Leads and Plugs	
107	7024473	2	Receptacle, Twistlock Female	
108	7024474	2	Insulator	
109	7024475	2	O-Ring	
110	7027777	1	Nameplate	
111	7027779	1	Circuit Card Assembly (Process Control)	
112	7024478	2	Nut	
113	7027778	1	Circuit Card Assembly (Operator Interface)	
201	7024462	1	Panel, Rear	
202	7027780	1	Panel, Cover	



**SECTION 6 - CYLINDER**

# SECTION 6 - CYLINDER

## FIGURE 6-1. LEVEL CYLINDER ASSEMBLY - PLATFORM SLAVE (600SC)



ART\_1001184954

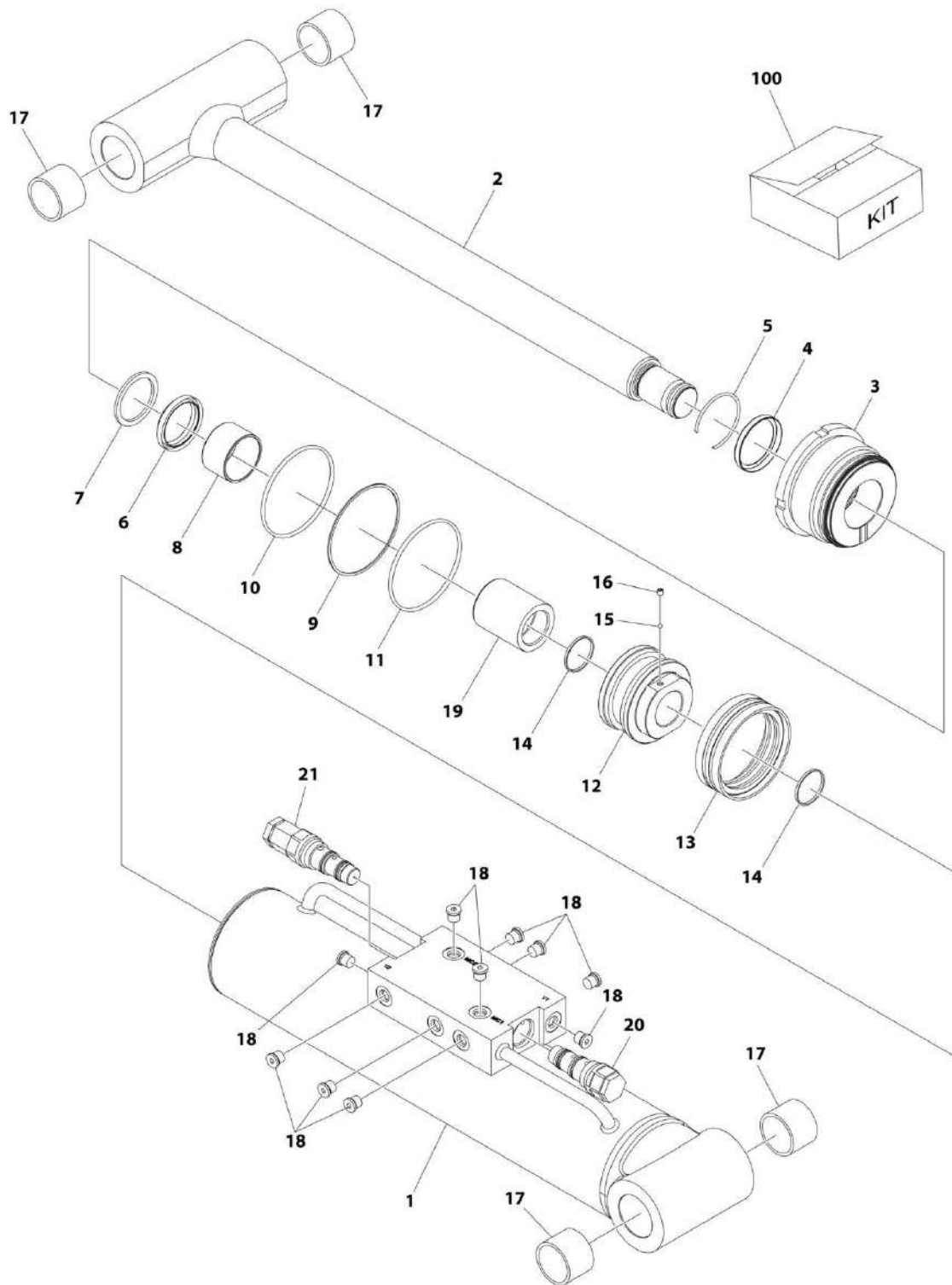
## SECTION 6 - CYLINDER

**FIGURE 6-1. LEVEL CYLINDER ASSEMBLY - PLATFORM SLAVE (600SC)**

ITEM	PART NUMBER	QTY	DESCRIPTION	REV
	1001184954	Ref	LEVEL CYLINDER ASSEMBLY	E
1	70005693	1	Barrel	
2	70005694	1	Rod	
3	70003085	1	Head	
4	See Note	NSS	Wiper (Note: Use Item 100)	
5	70002366	1	Ring, Retaining	
6	See Note	NSS	Seal, Rod (Note: Use Item 100)	
7	See Note	NSS	Ring, Back-up (Note: Use Item 100)	
8	70005695	1	Bearing	
9	See Note	NSS	O-Ring (Note: Use Item 100)	
10	See Note	NSS	Ring, Back-up (Note: Use Item 100)	
11	See Note	NSS	O-Ring (Note: Use Item 100)	
12	70002381	1	Piston	
13	See Note	NSS	Seal, Piston (Note: Use Item 100)	
14	See Note	NSS	O-Ring (Note: Use Item 100)	
15	70002335	1	Nut	
16	0961947	4	Bearing	
17	2220883	10	Plug	
18	70005696	1	Spacer	
19	See Note	NSS	O-Ring (Note: Use Item 100)	
20	4640999	1	Valve, Counterbalance	
20	2900792	1	Seal Kit - 4640999 Valve	
21	1001232117	1	Valve, Counterbalance	
21	7011112	1	Seal Kit - 1001232117 Valve	
100	70005697	1	Seal Kit - 1001184954 Cylinder (Includes Items 4, 6, 7, 9, 10, 11, 13, 14 & 19)	

# SECTION 6 - CYLINDER

## FIGURE 6-2. LEVEL CYLINDER ASSEMBLY - PLATFORM SLAVE (660SJC)



ART\_1001184957

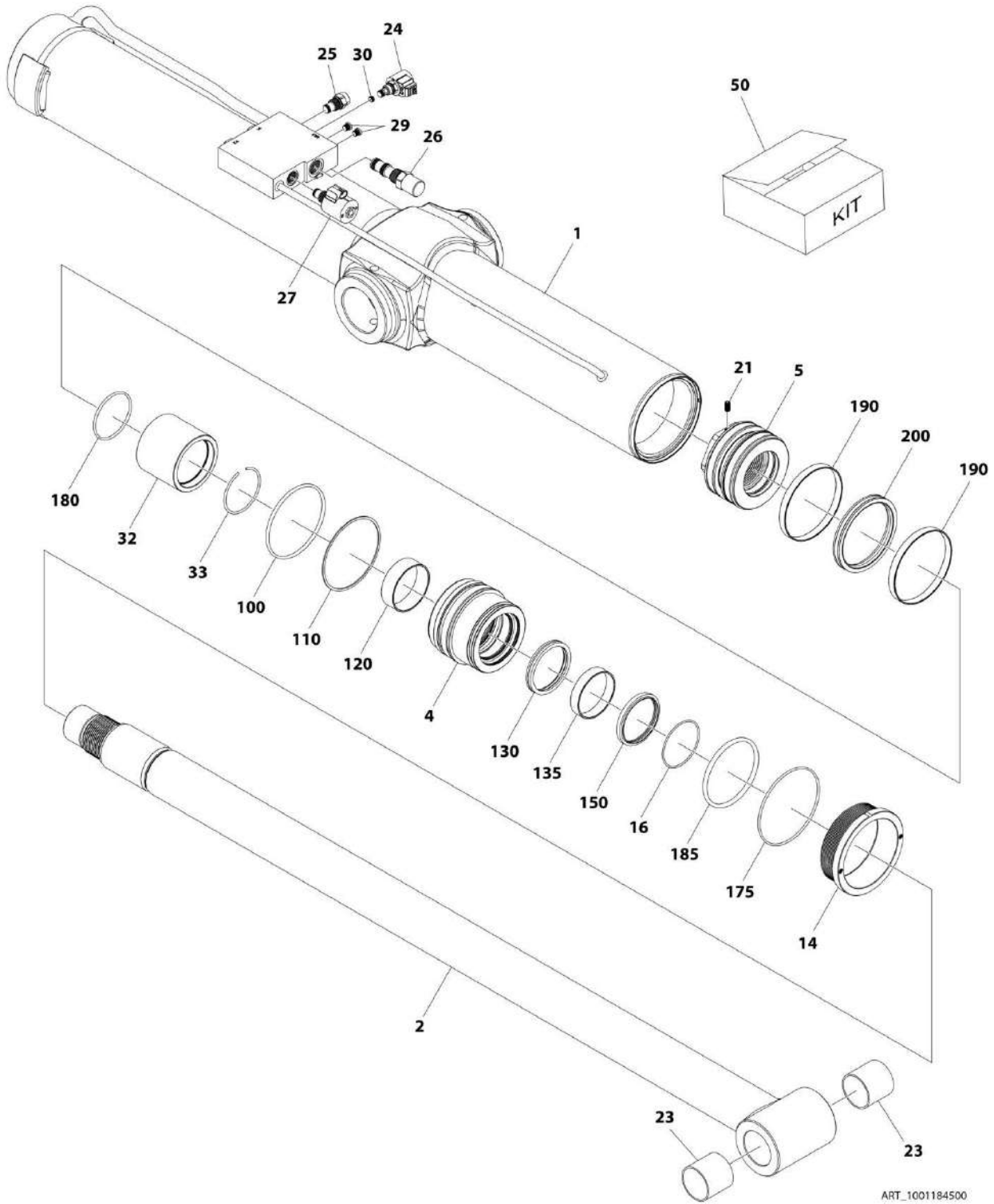
## SECTION 6 - CYLINDER

**FIGURE 6-2. LEVEL CYLINDER ASSEMBLY - PLATFORM SLAVE (660SJC)**

ITEM	PART NUMBER	QTY	DESCRIPTION	REV
	1001184957	Ref	LEVEL CYLINDER ASSEMBLY	D
1	70005698	1	Barrel	
2	70005699	1	Rod	
3	70005700	1	Head	
4	See Note	NSS	Wiper (Note: Use Item 100)	
5	70002410	1	Ring, Retaining	
6	See Note	NSS	Seal, Rod (Note: Use Item 100)	
7	See Note	NSS	Ring, Back-up (Note: Use Item 100)	
8	70004237	1	Bearing	
9	See Note	NSS	O-Ring (Note: Use Item 100)	
10	See Note	NSS	Ring, Back-up (Note: Use Item 100)	
11	See Note	NSS	O-Ring (Note: Use Item 100)	
12	70005701	1	Piston	
13	See Note	NSS	Seal, Piston (Note: Use Item 100)	
14	See Note	NSS	O-Ring (Note: Use Item 100)	
15	70022564	1	Ball	
16	70023369	1	Setscrew	
17	0961948	4	Bearing	
18	2220883	10	Plug	
19	70005702	1	Spacer	
20	4640999	1	Valve, Counterbalance	
20	2900792	1	Seal Kit - 4640999 Valve	
21	4640932	1	Valve, Counterbalance	
21	7011112	1	Seal Kit - 4640932 Valve	
100	70005703	1	Seal Kit - 1001184957 Cylinder (Include Items 4, 6, 7, 9, 10, 11, 13 & 14)	

# SECTION 6 - CYLINDER

## FIGURE 6-3. LIFT CYLINDER ASSEMBLY - BOOM





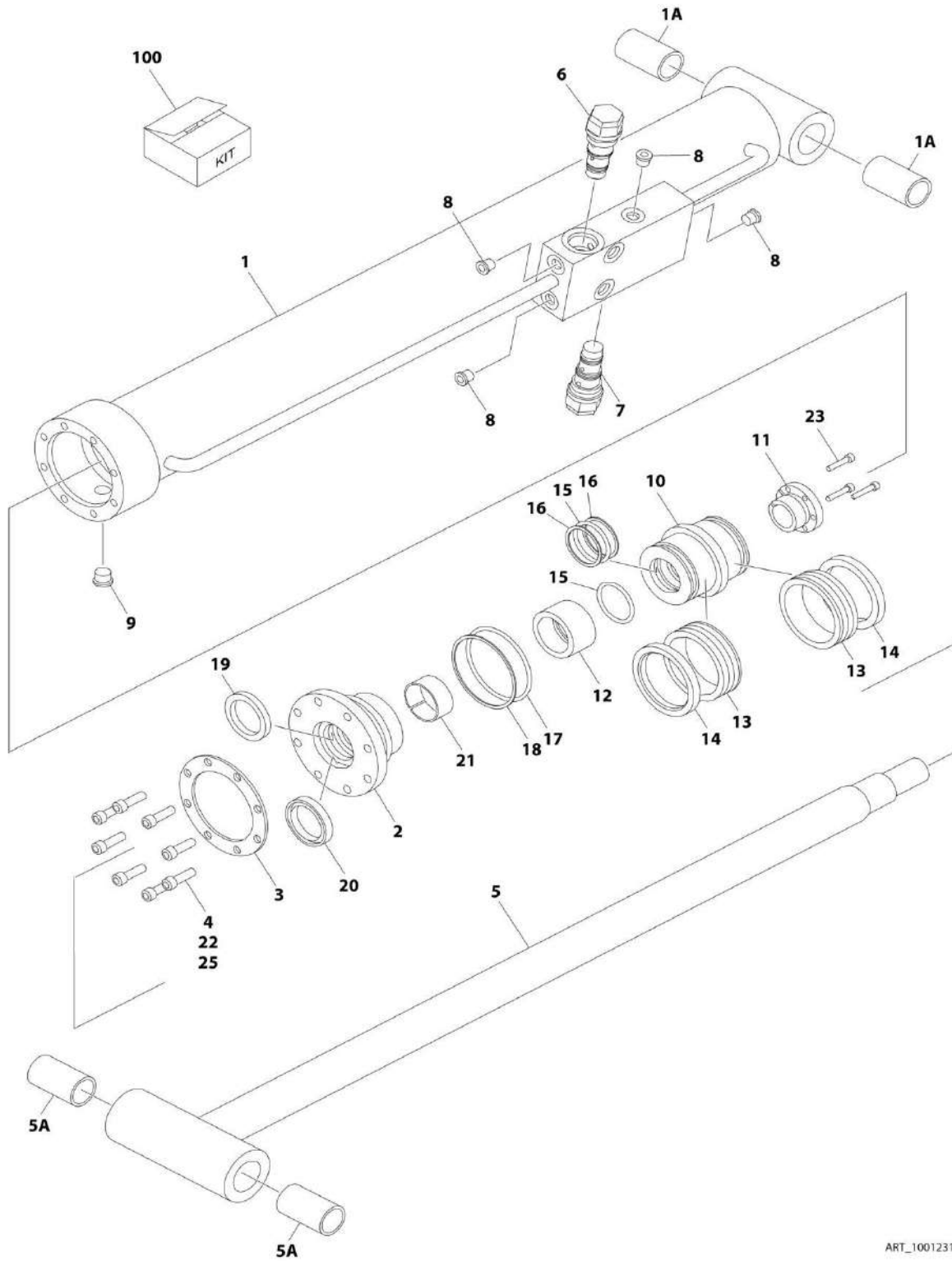
## SECTION 6 - CYLINDER

### FIGURE 6-3. LIFT CYLINDER ASSEMBLY - BOOM

ITEM	PART NUMBER	QTY	DESCRIPTION	REV
	1001184500	Ref	LIFT CYLINDER ASSEMBLY	J
1	70005570	1	Barrel	
2	70005571	1	Rod	
4	70005572	1	Head	
5	70025580	1	Head	
14	70026164	1	Collar, Locking	
16	70000699	1	Ring, Retaining	
21	70025582	1	Setscrew	
23	0962423	2	Bushing	
24	1001195382	1	Valve, Solenoid	
24	7017467	1	Cartridge Less Coil	
24	7012967	1	Seal Kit - 1001195382 & 7017467 Valves	
24	70005576	1	Coil	
25	4641390	1	Valve, Check	
25	7017496	1	Seal Kit - 4641930 Valve	
26	1001203628	1	Valve, Pressure Compensator	
26	7012925	1	Seal Kit - 1001203628 Valve	
27	1001218037	1	Valve, Solenoid	
27	70006003	1	Cartridge Less Coil	
27	70006005	1	Seal Kit - 1001218037 & 70006003 Valve	
27	70006004	1	Coil	
27	70006006	1	Coil Nut Kit	
29	70025619	2	Plug	
30	70006261	1	Orifice	
32	70006260	1	Spacer	
33	70005575	1	Wire, Retaining	
50	70005563	1	Seal Kit - 1001184500 Cylinder (Includes Items 100-200)	
100	See Note	NSS	O-Ring (Note: Use Item 50)	
110	See Note	NSS	Ring, Back-up (Note: Use Item 50)	
120	See Note	NSS	Ring, Bearing (Note: Use Item 50)	
130	See Note	NSS	Seal, Rod (Note: Use Item 50)	
135	See Note	NSS	Ring, Bearing (Note: Use Item 50)	
150	See Note	NSS	Wiper (Note: Use Item 50)	
175	See Note	NSS	O-Ring (Note: Use Item 50)	
180	See Note	NSS	O-Ring (Note: Use Item 50)	
185	See Note	NSS	O-Ring (Note: Use Item 50)	
190	See Note	NSS	Ring, Bearing (Note: Use Item 50)	
200	See Note	NSS	Seal, Piston (Note: Use Item 50)	

# SECTION 6 - CYLINDER

FIGURE 6-4. LIFT CYLINDER ASSEMBLY - JIB (660SJC) (SN 0300236299 through 0300245222)



ART\_1001231956

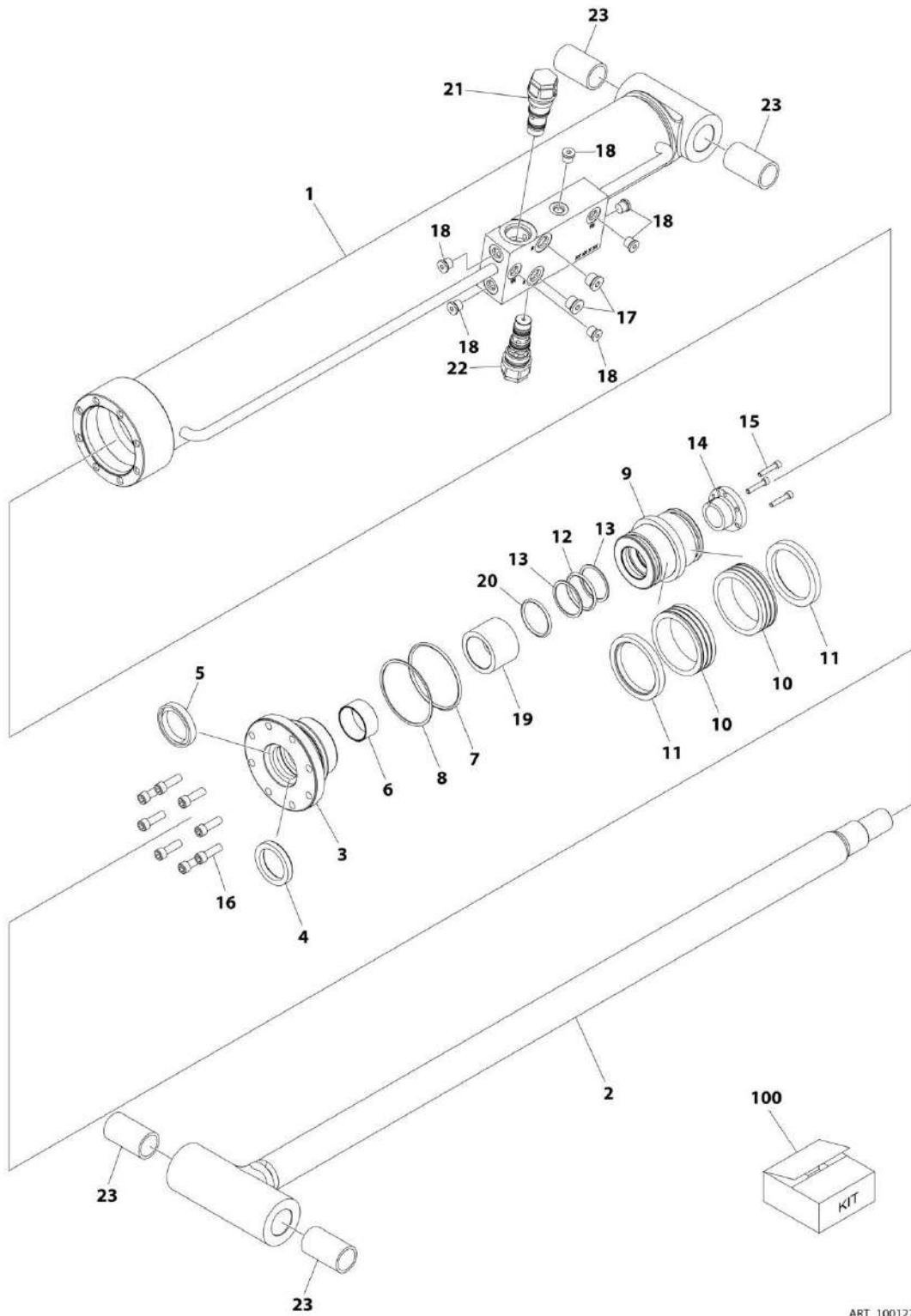
## SECTION 6 - CYLINDER

**FIGURE 6-4. LIFT CYLINDER ASSEMBLY - JIB (660SJC) (SN 0300236299 through 0300245222)**

ITEM	PART NUMBER	QTY	DESCRIPTION	REV
	1001231956	Ref	LIFT CYLINDER ASSEMBLY	C
		Ref	Note: Original Cylinder May Have Been Replaced with Service Replacement. Identify PN Stamped on Cylinder Before Ordering Parts.	
1	1684089	1	Barrel	
1A	0962336	2	Bushing	
2	1683053	1	Head	
3	3760368	1	Ring, Washer	
4	3931516	8	Capscrew 5/16in-18NC x 1in	
5	1684090	1	Rod	
5A	0962336	2	Bushing	
6	4640509	1	Cartridge, Valve	
6	2900792	1	Seal Kit - 4640509 Valve	
7	1001231963	1	Cartridge, Valve	
7	70004186	1	Seal Kit - 1001231963 Valve	
8	2220883	4	Plug, O-Ring #4	
9	2220885	1	Plug, O-Ring #6	
10	3480210	1	Piston	
11	0961893	1	Bushing, Tapered	
12	4100100	1	Spacer, Tube	
13	See Note	NSS	Seal (Note: Use Item 100)	
14	See Note	NSS	Ring, Lock (Note: Use Item 100)	
15	See Note	NSS	O-Ring (Note: Use Item 100)	
16	See Note	NSS	Ring, Back-up (Note: Use Item 100)	
17	See Note	NSS	O-Ring (Note: Use Item 100)	
18	See Note	NSS	Ring, Back-up (Note: Use Item 100)	
19	See Note	NSS	Seal, Rod (Note: Use Item 100)	
20	See Note	NSS	Wiper (Note: Use Item 100)	
21	See Note	NSS	Ring, Wear (Note: Use Item 100)	
22	0100011	AR	Compound, Locking	
23	0630534	3	Bolt #10-24NC x 1in	
25	0100038	AR	Primer, Locking	
100	2901303	1	Seal Kit (Includes Items 13-21)	

# SECTION 6 - CYLINDER

FIGURE 6-5. LIFT CYLINDER ASSEMBLY - JIB (660SJC) (SN 0300245223 to Present)



ART\_1001228013

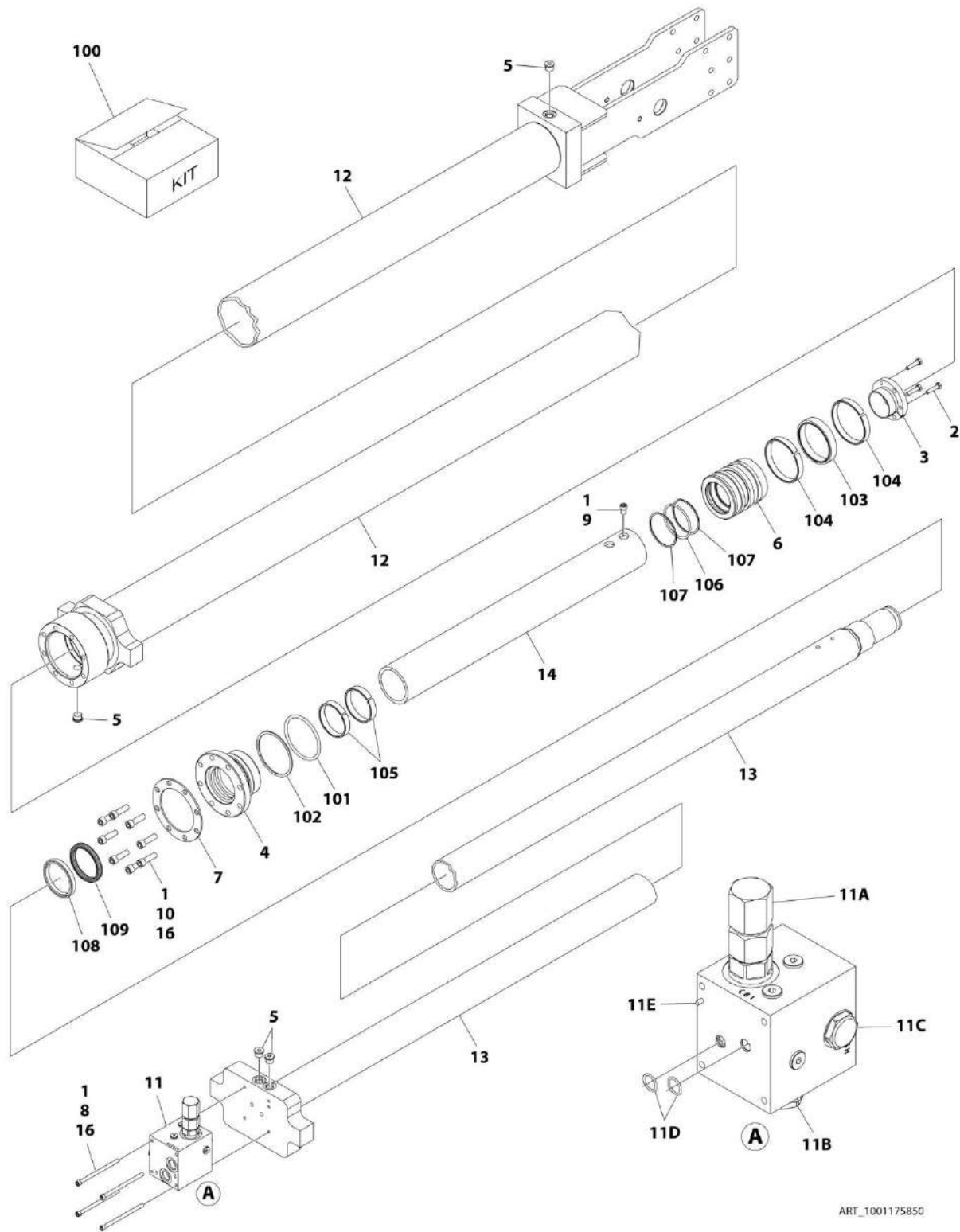
## SECTION 6 - CYLINDER

**FIGURE 6-5. LIFT CYLINDER ASSEMBLY - JIB (660SJC) (SN 0300245223 to Present)**

ITEM	PART NUMBER	QTY	DESCRIPTION	REV
	1001228013	Ref	LIFT CYLINDER ASSEMBLY	B
		Ref	Note: Original Cylinder May Have Been Replaced with Service Replacement. Identify PN Stamped on Cylinder Before Ordering Parts.	
1	See Note	NSS	Barrel (Note: Not Available for Purchase)	
2	70006734	1	Rod	
3	70006649	1	Head	
4	See Note	NSS	Wiper (Note: Use Item 100)	
5	See Note	NSS	Seal, Rod (Note: Use Item 100)	
6	See Note	NSS	Ring, Wear (Note: Use Item 100)	
7	See Note	NSS	O-Ring (Note: Use Item 100)	
8	See Note	NSS	Ring, Back-up (Note: Use Item 100)	
9	70006650	1	Piston	
10	See Note	NSS	Seal (Note: Use Item 100)	
11	See Note	NSS	Ring, Lock (Note: Use Item 100)	
12	See Note	NSS	O-Ring (Note: Use Item 100)	
13	See Note	NSS	Ring, Back-up (Note: Use Item 100)	
14	0961893	1	Bushing, Tapered	
15	0630534	3	Bolt #10-24NC x 1in	
16	70006735	8	Capscrew 5/16 x 1	
17	2220885	2	Plug, O-Ring #6	
18	2220883	6	Plug, O-Ring #4	
19	70006736	1	Spacer, Tube	
20	See Note	NSS	O-Ring (Note: Use Item 100)	
21	4640509	1	Cartridge, Valve	
21	2900792	1	Seal Kit - 4640509 Valve	
22	1001231963	1	Cartridge, Valve	
22	70004186	1	Seal Kit - 1001231963 Valve	
23	0962336	4	Bushing	
100	2901303	1	Seal Kit (Includes Items 4-8, 10-13 & 20)	

# SECTION 6 - CYLINDER

FIGURE 6-6. TELESCOPE CYLINDER (SN 0300236299 through 0300245222)



ART\_1001175850

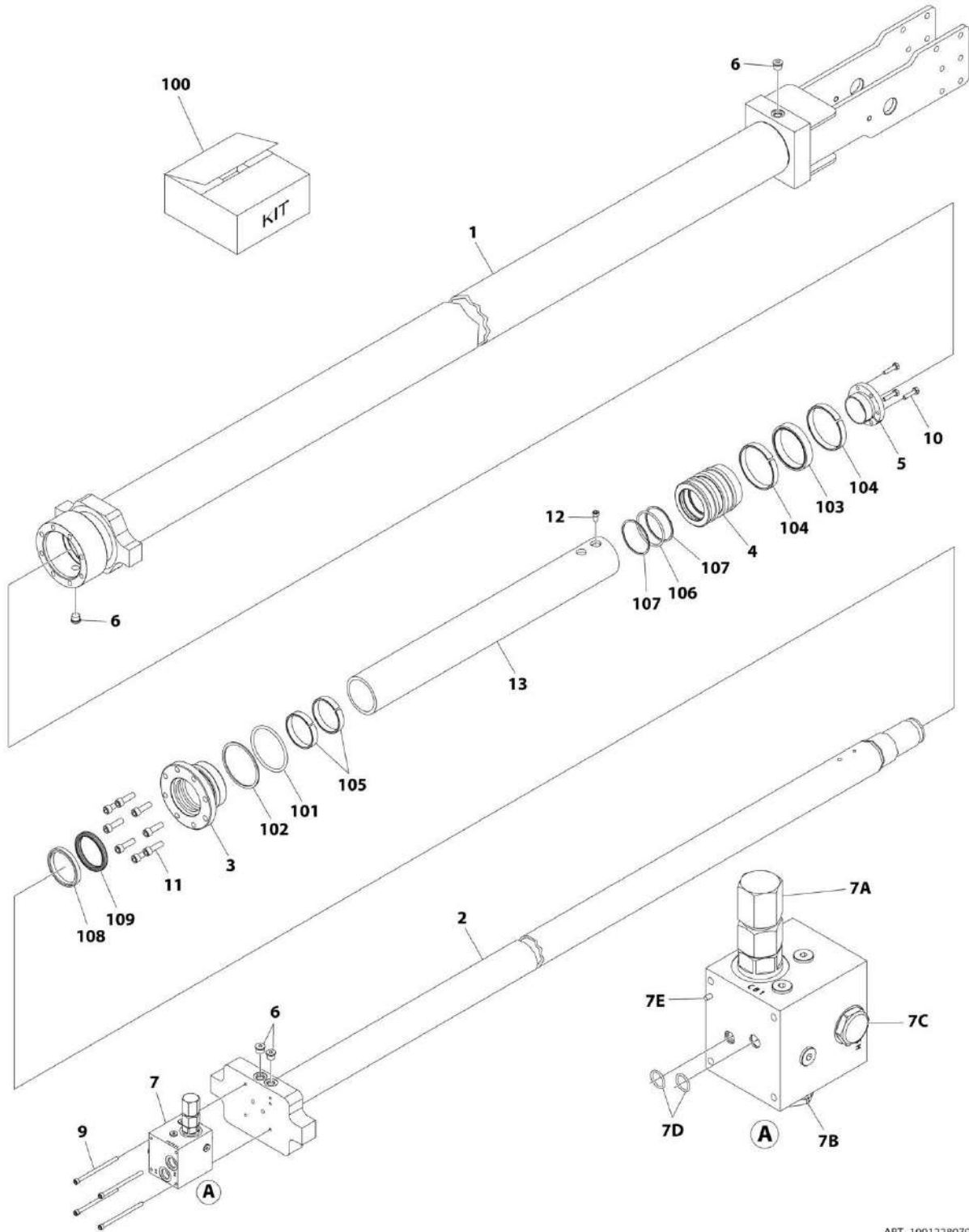
## SECTION 6 - CYLINDER

**FIGURE 6-6. TELESCOPE CYLINDER (SN 0300236299 through 0300245222)**

ITEM	PART NUMBER	QTY	DESCRIPTION	REV
	1001175850	Ref	TELESCOPE CYLINDER ASSEMBLY	E
		Ref	Note: Original Cylinder may have been replaced with Service Replacement. Identify PN Stamped on Cylinder Before Ordering Parts.	
1	0100011	AR	Compound, Locking	
2	0630535	3	Bolt 1/4 x 1-1/8	
3	0961897	1	Bushing, Tapered	
4	1683057	1	Head	
5	2220885	4	Plug #6	
6	3480205	1	Piston	
7	3760369	1	Ring, Washer	
8	3931464	4	Capscrew 1/4 x 4	
9	3931508	1	Capscrew 5/16 x 1/2	
10	3931620	8	Capscrew 3/8 x 1-1/4	
11	1001133245	1	Valve Assembly	
11A	70003926	1	Cartridge, Valve	
11A	70004186	1	Seal Kit - 70003926 Valve	
11B	70004155	1	Cartridge, Valve	
11B	70004186	1	Seal Kit - 70004155 Valve	
11C	70003928	1	Cartridge, Valve	
11C	70003929	1	Seal Kit - 70003928 Valve	
11D	70003982	1	Seal	
11E	70003930	1	Roll Pin	
12	1001175346	1	Barrel	
13	1001175852	1	Rod	
14	1001176339	1	Spacer	
16	0100038	AR	Primer	
100	1001177519	1	Seal Kit - 1001175850 (Includes Item 101-109)	
101	1001177520	NSS	O-Ring (Note: Use Item 100)	
102	1001177521	NSS	Ring, Back-up (Note: Use Item 100)	
103	1001177522	NSS	Seal (Note: Use Item 100)	
104	3960361	NSS	Ring, Wear (Note: Use Item 100)	
105	3760132	NSS	Ring, Wear (Note: Use Item 100)	
106	1001138915	NSS	O-Ring (Note: Use Item 100)	
107	3760356	NSS	Seal, Back-up (Note: Use Item 100)	
108	3960158	NSS	Wiper (Note: Use Item 100)	
109	1001215321	NSS	Seal, Rod (Note: Use Item 100)	

# SECTION 6 - CYLINDER

FIGURE 6-7. TELESCOPE CYLINDER ASSEMBLY (SN 0300245223 through 0300251713)



ART\_1001228079



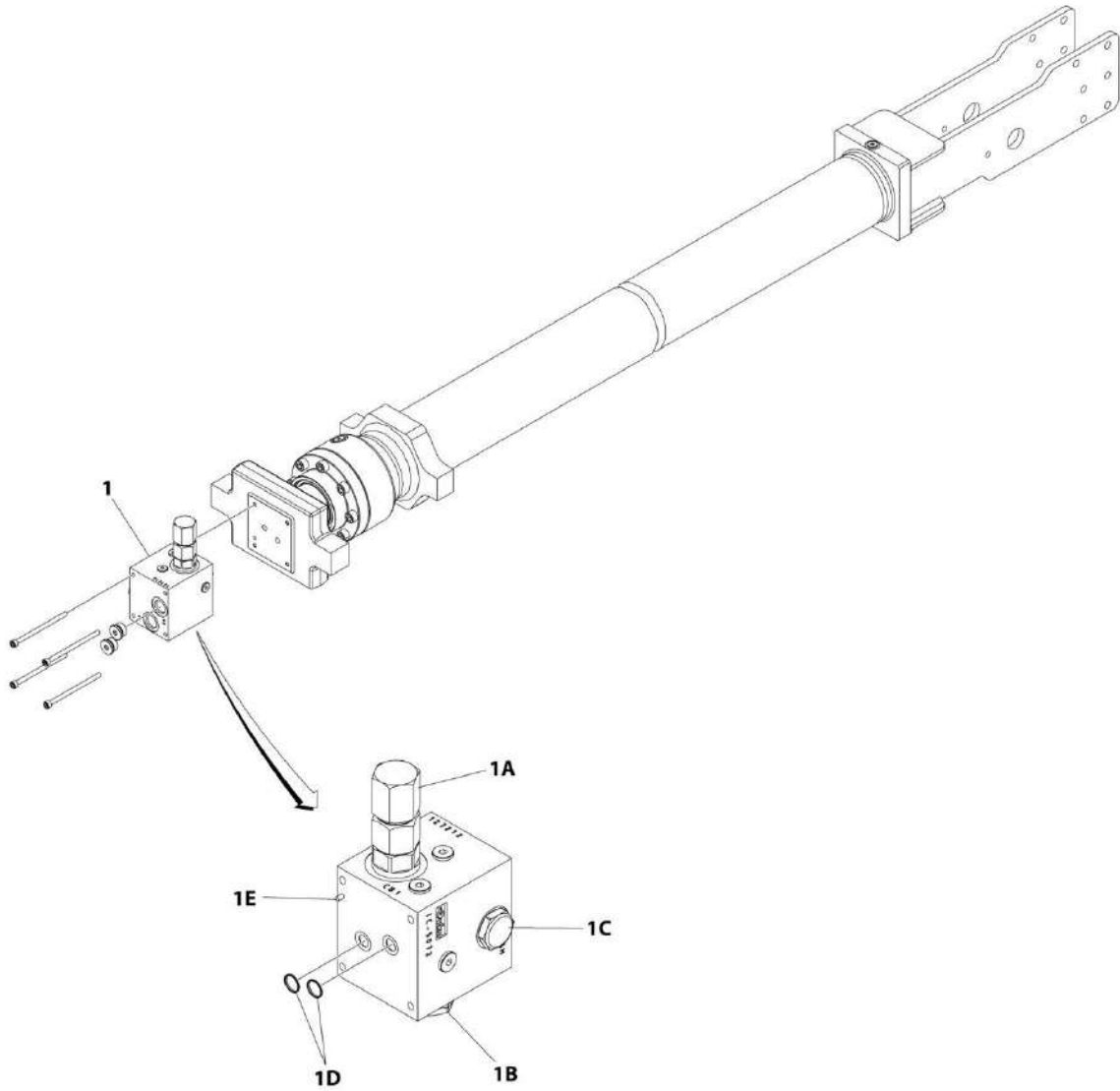
## SECTION 6 - CYLINDER

**FIGURE 6-7. TELESCOPE CYLINDER ASSEMBLY (SN 0300245223 through 0300251713)**

ITEM	PART NUMBER	QTY	DESCRIPTION	REV
	1001228079	Ref	TELESCOPE CYLINDER ASSEMBLY	A
		Ref	Note: Original Cylinder may have been replaced with Service Replacement. Identify PN Stamped on Cylinder Before Ordering Parts.	
1	See Note	NSS	Barrel (Note: Not Available for Purchase)	
2	70006441	1	Rod	
3	70006440	1	Head	
4	70006439	1	Piston	
5	70006438	1	Bushing, Tapered	
6	2220885	4	Plug #6	
7	1001133245	1	Valve Assembly	
7A	70003926	1	Cartridge, Valve	
7A	70004186	1	Seal Kit - 70003926 Valve	
7B	70004155	1	Cartridge, Valve	
7B	70004186	1	Seal Kit - 70004155 Valve	
7C	70003928	1	Cartridge, Valve	
7C	70003929	1	Seal Kit - 70003928 Valve	
7D	70003982	1	Seal	
7E	70003930	1	Roll Pin	
9	3931464	4	Capscrew 1/4 x 4	
10	0630535	3	Bolt 1/4 x 1-1/8	
11	3931620	8	Capscrew 3/8 x 1-1/4	
12	3931508	1	Capscrew 5/16 x 1/2	
13	See Note	NSS	Spacer (Note: Not available for purchase)	
100	1001177519	1	Seal Kit - 1001228079 (Includes Item 101-109)	
101	1001177520	NSS	O-Ring (Note: Use Item 100)	
102	1001177521	NSS	Ring, Back-up (Note: Use Item 100)	
103	1001177522	NSS	Seal (Note: Use Item 100)	
104	3960361	NSS	Ring, Wear (Note: Use Item 100)	
105	3760132	NSS	Ring, Wear (Note: Use Item 100)	
106	1001138915	NSS	O-Ring (Note: Use Item 100)	
107	3760356	NSS	Seal, Back-up (Note: Use Item 100)	
108	3960158	NSS	Wiper (Note: Use Item 100)	
109	1001215321	NSS	Seal, Rod (Note: Use Item 100)	

# SECTION 6 - CYLINDER

FIGURE 6-8. TELESCOPE CYLINDER ASSEMBLY (SN 0300251714 to Present)



ART\_1001251079

## SECTION 6 - CYLINDER

**FIGURE 6-8. TELESCOPE CYLINDER ASSEMBLY (SN 0300251714 to Present)**

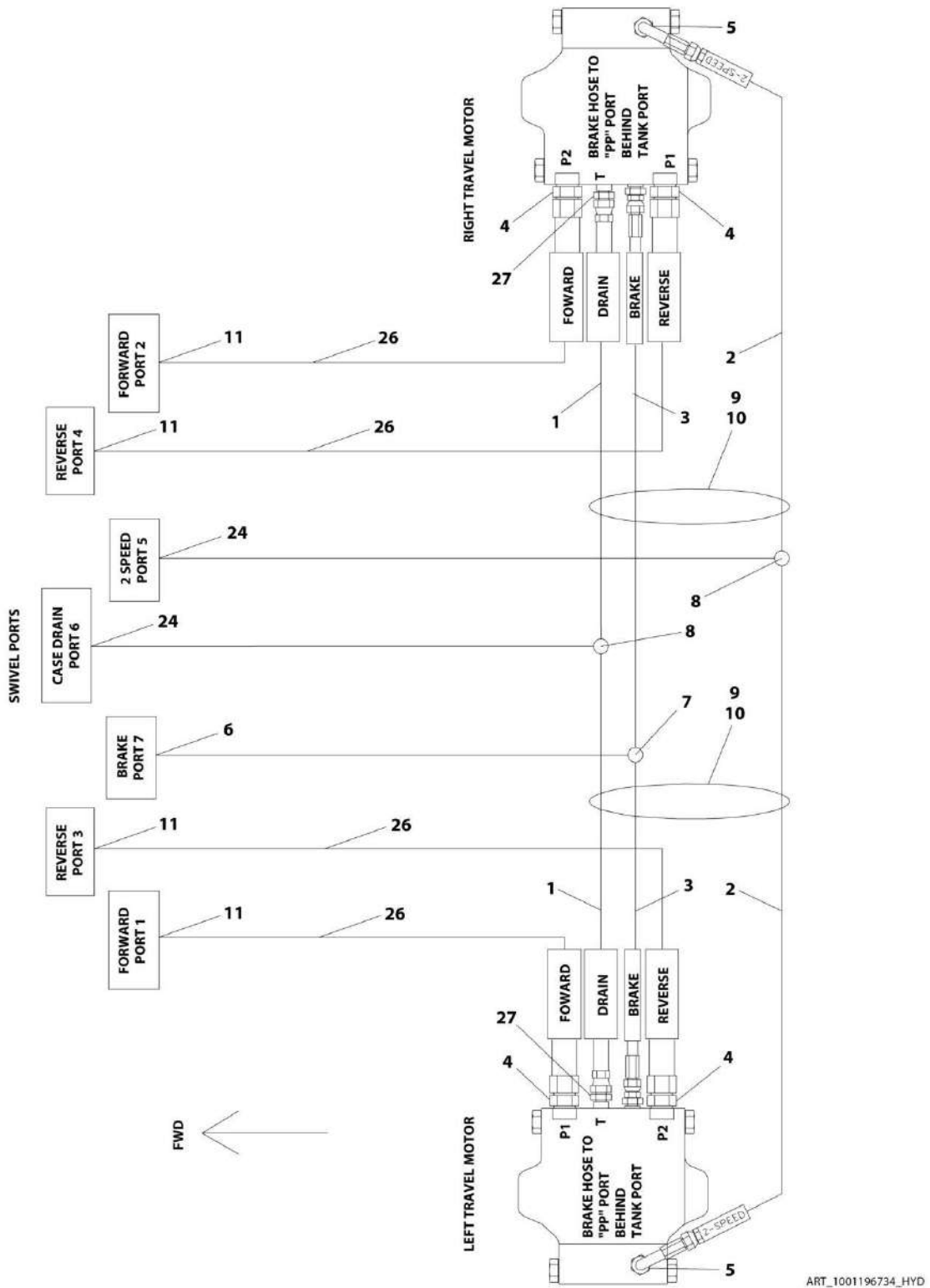
ITEM	PART NUMBER	QTY	DESCRIPTION	REV
	1001251079	Ref	TELESCOPE CYLINDER ASSEMBLY	A
	See Note	Ref	Note: Original Cylinder may have been replaced with Service Replacement. Identify PN Stamped on Cylinder Before Ordering Parts.	
	See Note	Ref	Note: No Service Parts Available at time of Printing	
1	1001133245	1	Valve Assembly	
1A	70003926	1	Cartridge, Valve	
1A	70004186	1	Seal Kit - 70003926 Valve	
1B	70004155	1	Cartridge, Valve	
1B	70004186	1	Seal Kit - 70004155 Valve	
1C	70003928	1	Cartridge, Valve	
1C	70003929	1	Seal Kit - 70003928 Valve	
1D	70003982	2	Seal	
1E	70003930	1	Roll Pin	



**SECTION 7 - HYDRAULIC**

# SECTION 7 - HYDRAULIC

## FIGURE 7-1. FRAME HYDRAULIC DIAGRAM (600SC)



ART\_1001196734\_HYD

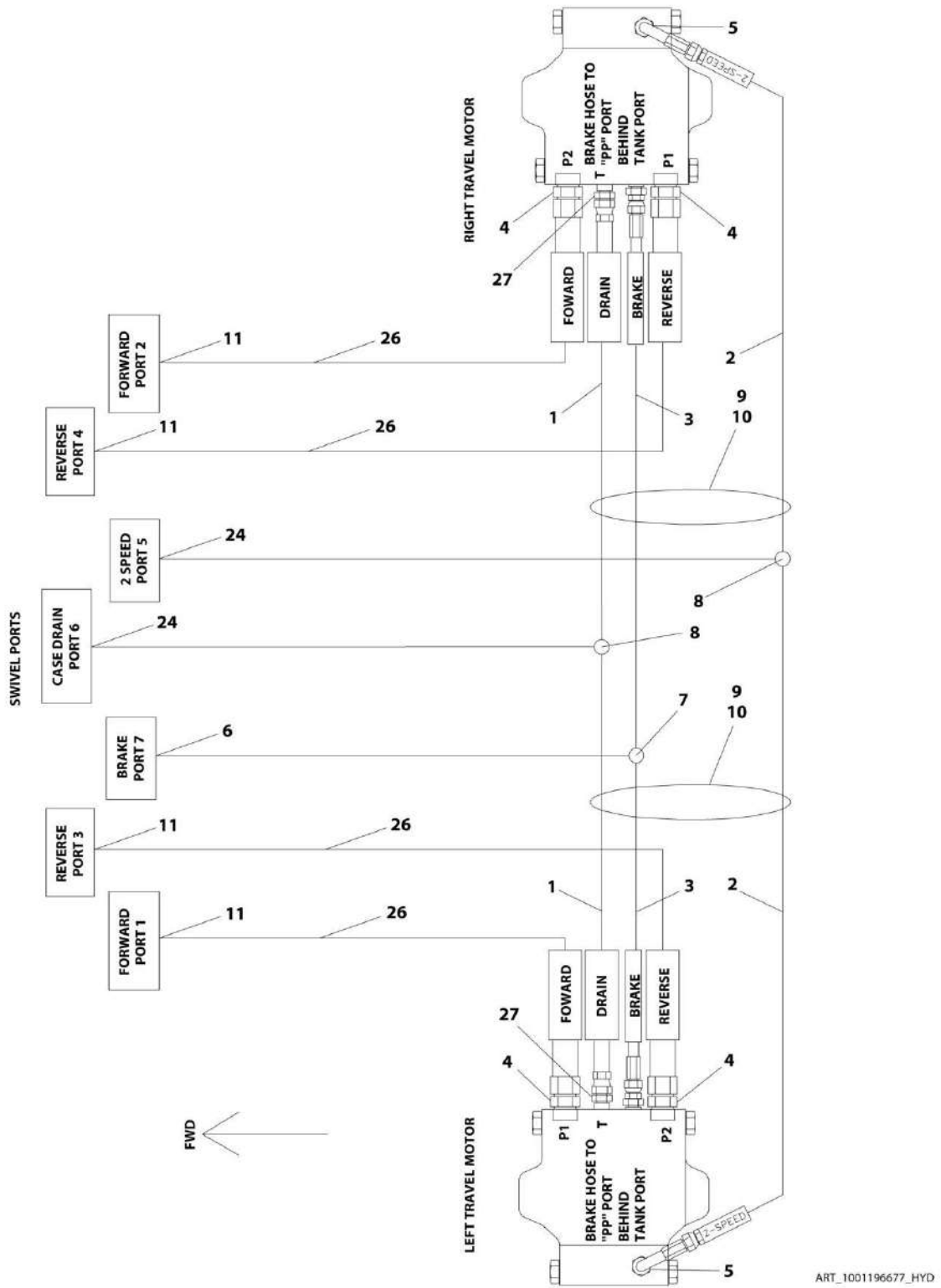
## SECTION 7 - HYDRAULIC

**FIGURE 7-1. FRAME HYDRAULIC DIAGRAM (600SC)**

ITEM	PART NUMBER	QTY	DESCRIPTION	REV
	1001196734	Ref	FRAME HYDRAULIC DIAGRAM	E
1	84718604	2	Hose	
2	84719728	2	Hose	
3	84719727	2	Hose	
4	2151212	4	Fitting, 45	
5	88662329	NLA	Fitting, 90 (Use p/n 21530606)	
6	80213119	1	Fitting, 90	
7	88662354	NLA	Fitting, Tee (Use p/n 2170806)	
8	88662446	NLA	Fitting, Tee (Use p/n 2170706)	
9	83953053	2	Sleeve	
10	90027187	4	Tie-Strap	
11	88662332	NLA	Fitting, 90 (Use p/n 2131212)	
24	88662301	NLA	Fitting, Straight (use p/n 2110606)	
25	14403364	AR	Compound, Locking (Not Shown)	
26	84718465	4	Hose	
27	88662448	NLA	Fitting, Straight (Use p/n 2110612)	

# SECTION 7 - HYDRAULIC

## FIGURE 7-2. FRAME HYDRAULIC DIAGRAM (660 SJC)



ART\_1001196677\_HYD



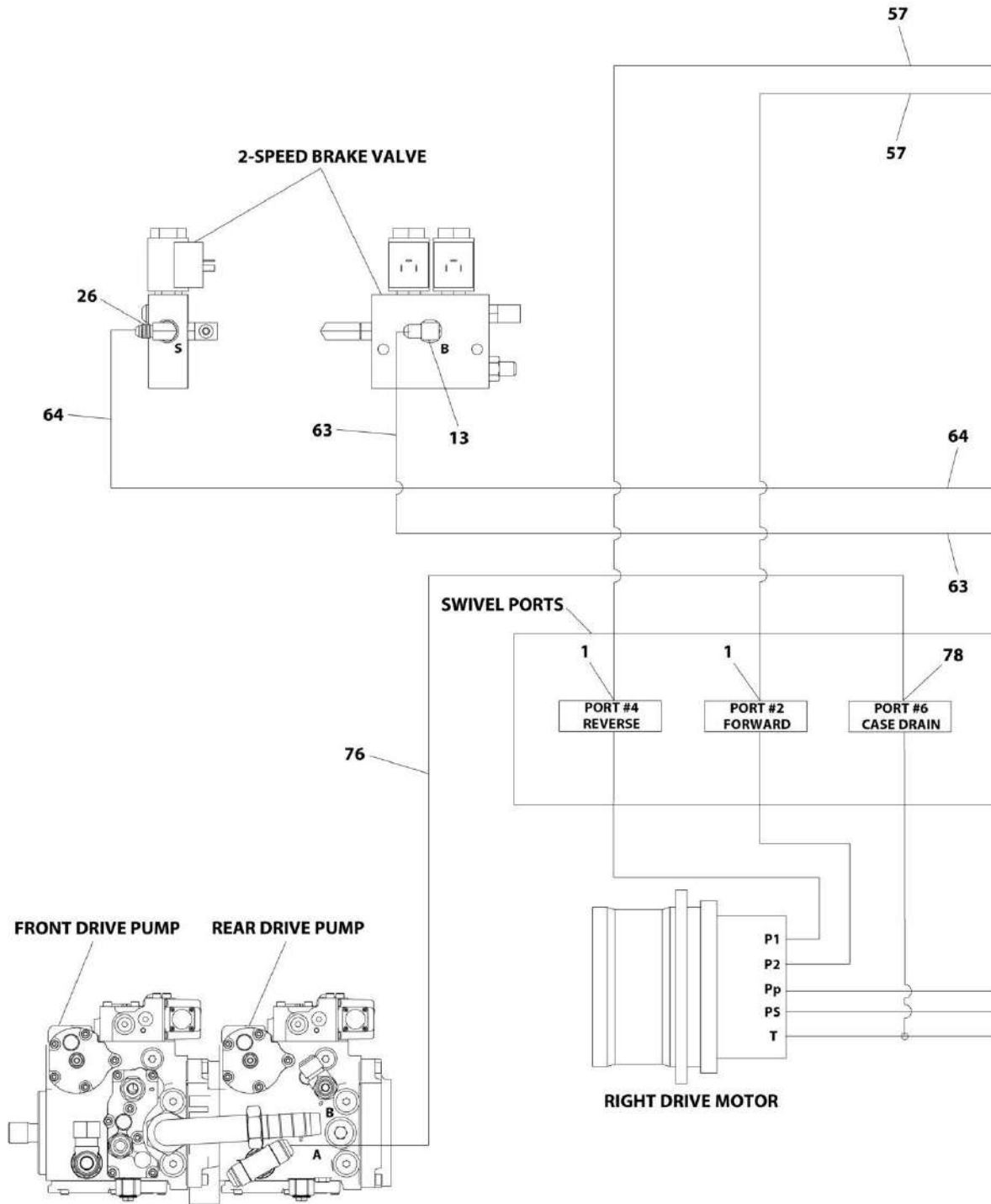
## SECTION 7 - HYDRAULIC

**FIGURE 7-2. FRAME HYDRAULIC DIAGRAM (660 SJC)**

ITEM	PART NUMBER	QTY	DESCRIPTION	REV
	1001196677	1	FRAME HYDRAULIC DIAGRAM	F
1	84718604	2	Hose	
2	84719728	2	Hose	
3	84719727	2	Hose	
4	2151212	4	Fitting, 45	
5	88662329	NLA	Fitting, 90 (Use p/n 21530606)	
6	80213119	1	Fitting, 90	
7	88662354	NLA	Fitting, Tee (Use p/n 2170806)	
8	88662446	NLA	Fitting, Tee (Use p/n 2170706)	
9	83953053	2	Sleeve	
10	90027187	1	Tie-Strap	
11	88662332	NLA	Fitting, 90 (Use p/n 2131212)	
24	88662301	NLA	Fitting, Straight (Use p/n 2110606)	
25	14403364	AR	Compound, Locking (Not Shown)	
26	84718465	4	Hose	
27	88662448	NLA	Fitting, Straight (Use p/n 2110612)	

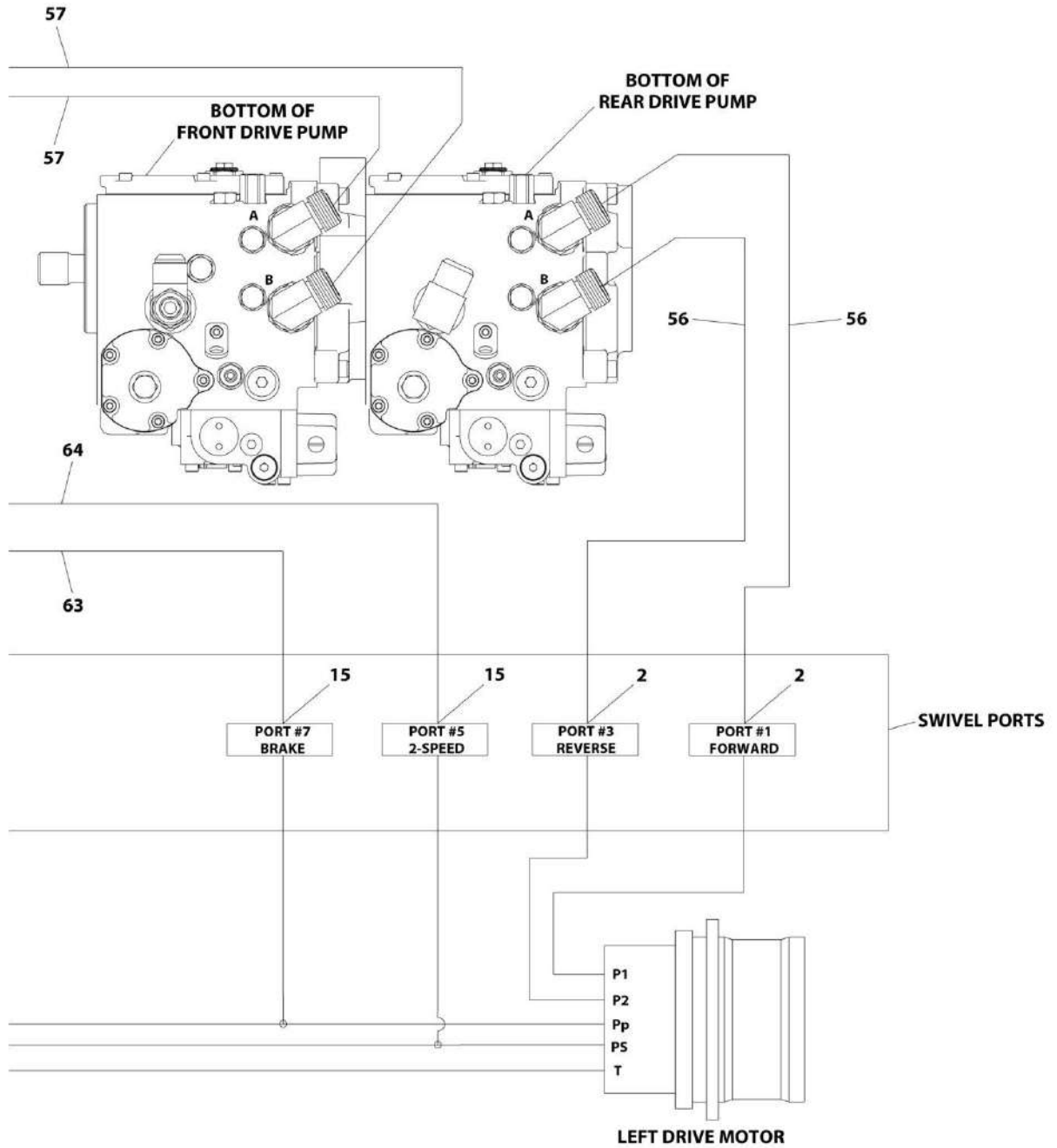
# SECTION 7 - HYDRAULIC

FIGURE 7-3. STANDARD HYDRAULIC DIAGRAM (600SC)



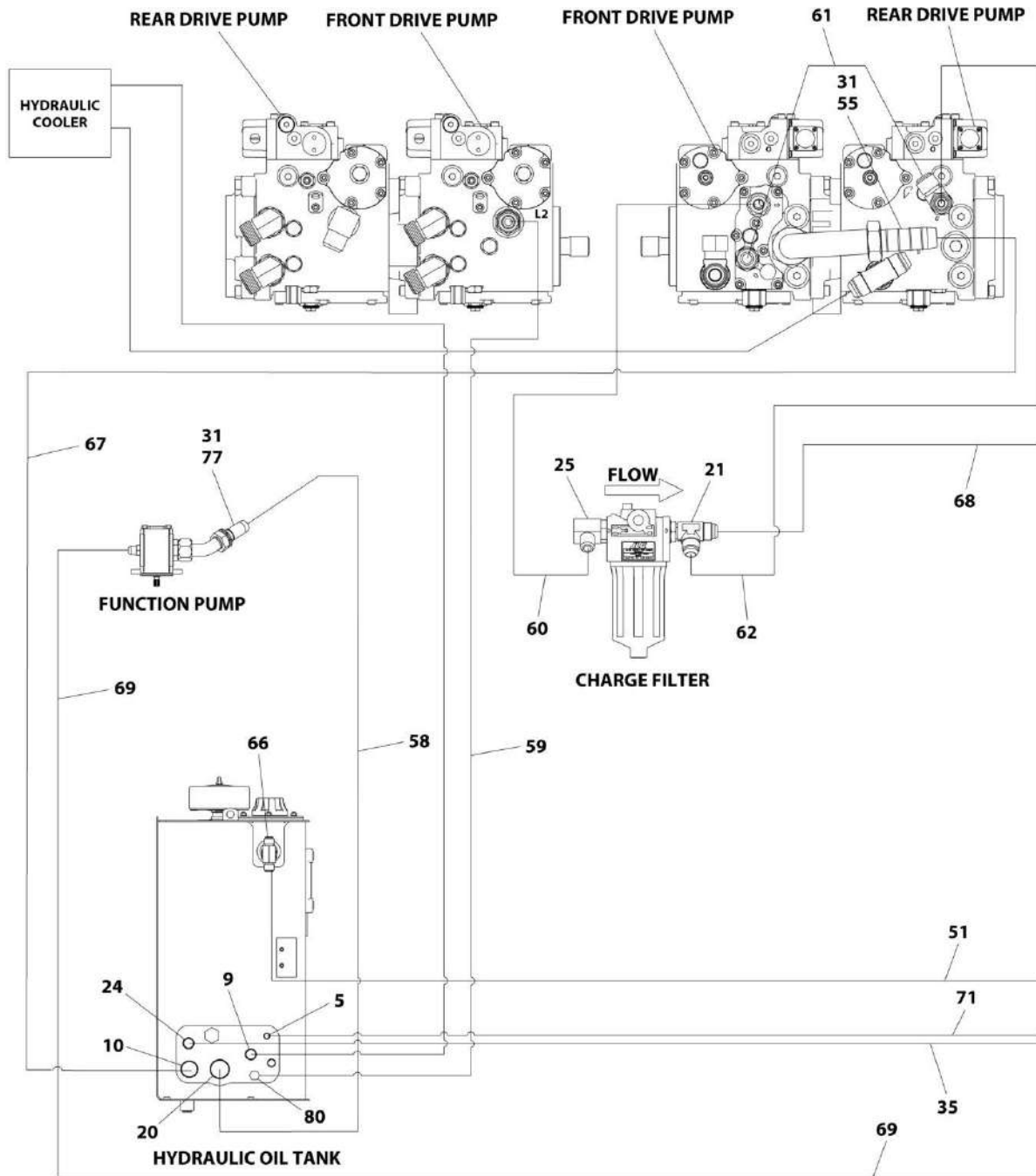
ART\_1001201186\_10F6

# SECTION 7 - HYDRAULIC



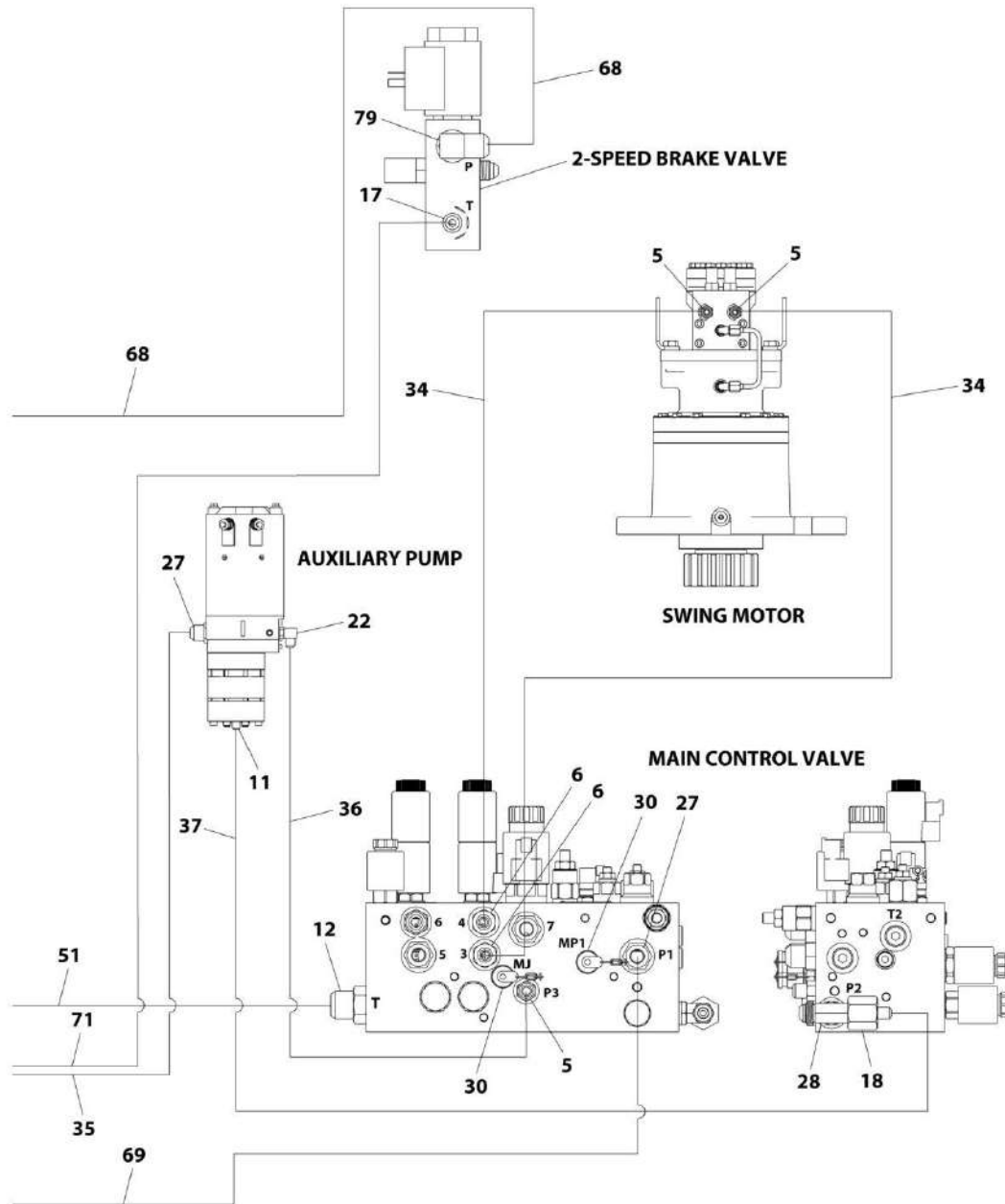
ART\_1001201186\_20F6

# SECTION 7 - HYDRAULIC



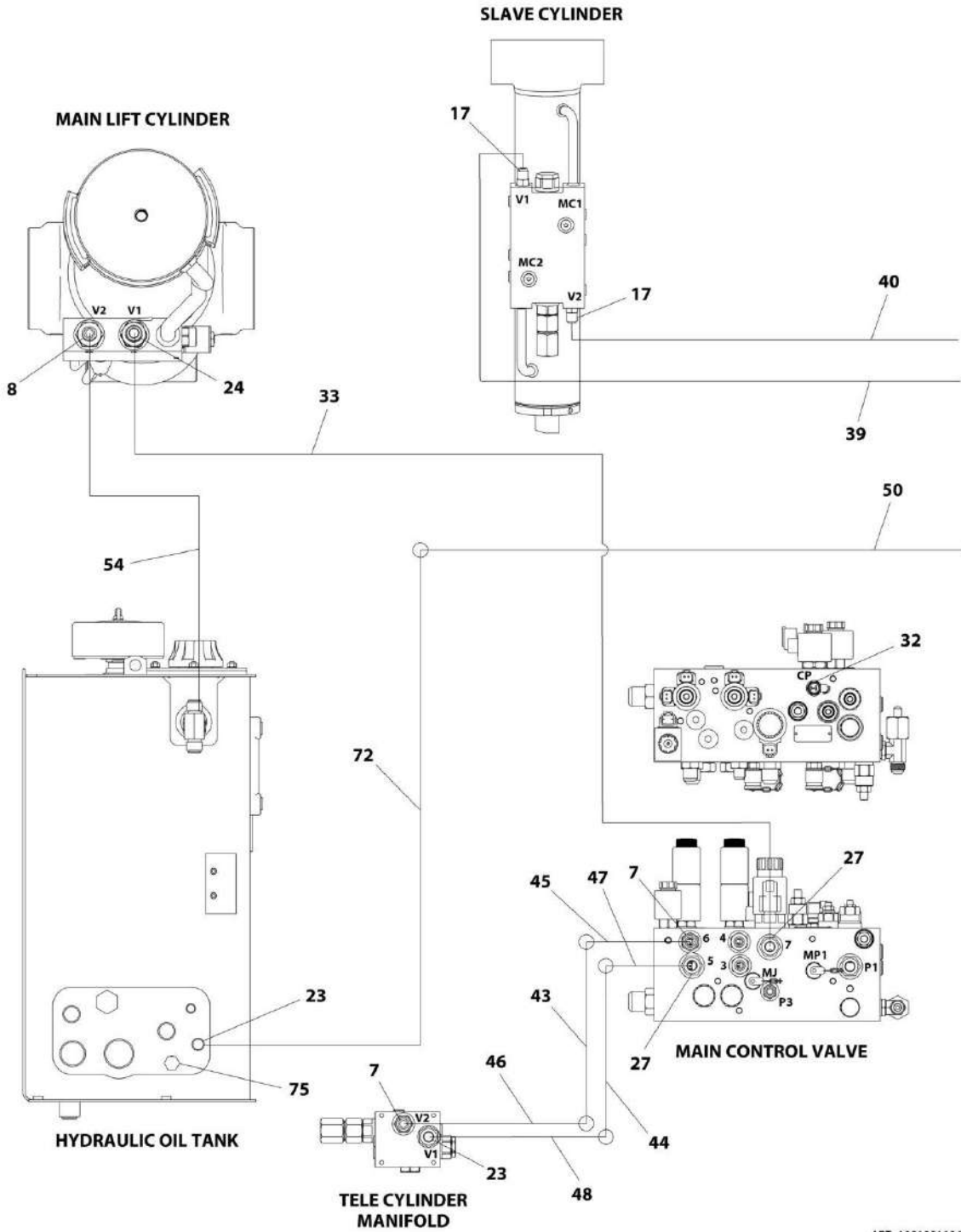
ART\_1001201186\_30F6

# SECTION 7 - HYDRAULIC



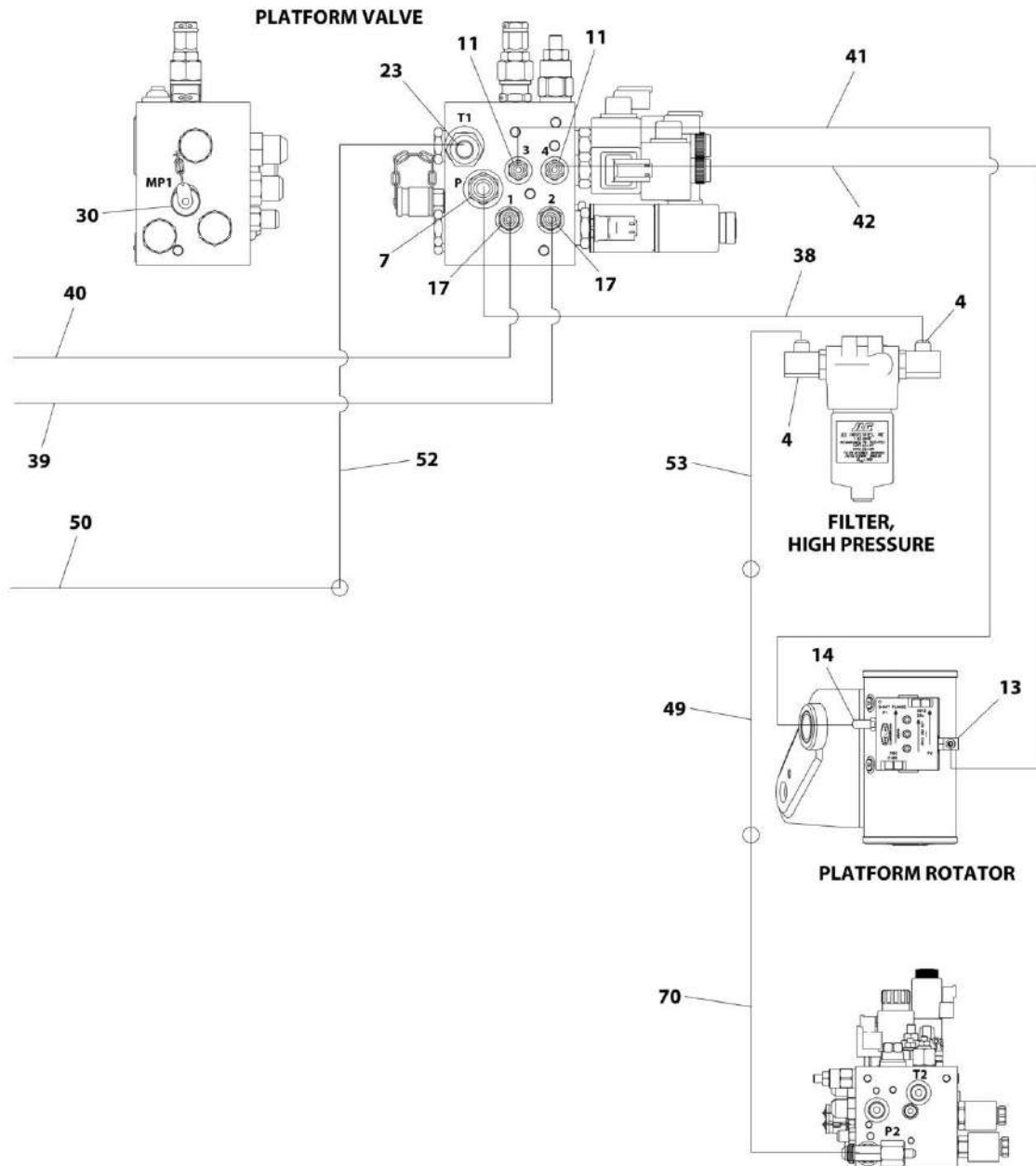
ART\_1001201185\_40F6

# SECTION 7 - HYDRAULIC



ART\_1001201186\_50F6

# SECTION 7 - HYDRAULIC



ART\_1001201186\_6OF6

# SECTION 7 - HYDRAULIC

## FIGURE 7-3. STANDARD HYDRAULIC DIAGRAM (600SC)

ITEM	PART NUMBER	QTY	DESCRIPTION	REV
	1001201186	Ref	STANDARD HYDRAULIC DIAGRAM	G
1	2111212	2	Fitting, Straight ORFS/ORB	
2	2170112	2	Fitting, Straight ORFS/ORB	
4	2220366	2	Fitting, 90 JIC/ORB	
5	2220371	4	Fitting, Straight JIC/ORB	
6	2220372	2	Fitting, Stright JIC/ORB	
7	2220373	3	Fitting, Stright JIC/ORB	
8	2220375	1	Fitting, Stright JIC/ORB	
9	2220637	1	Fitting, 45 JIC/ORB (SN 0300236299 through 0300243549)	
9	2220498	1	Fitting, 45 JIC/ORB (SN 0300243550 to Present)	
10	2220380	1	Fitting, Straight JIC/ORB	
11	2220415	3	Fitting, Straight JIC/ORB	
12	2220451	1	Fitting, Straight JIC/ORB	
13	2220466	2	Fitting, 90 JIC/ORB	
14	2220502	1	Fitting, 45 JIC/ORB	
15	2220582	2	Fitting, Straight JIC/ORB	
17	2220603	5	Fitting, Straight JIC/ORB	
18	2220618	1	Fitting, Straight JIC/FSJIC	
20	2220733	1	Fitting, Straight JIC/ORB	
21	2220738	1	Fitting, Tee JIC/ORB/JIC	
22	2220775	1	Fitting, 90 JIC/ORB	
23	2220852	3	Fitting, Straight JIC/ORB	
24	2220865	2	Fitting, Straight JIC/ORB	
25	2220906	1	Fitting, 90 JIC/ORB	
26	2220940	1	Fitting, 90 JIC/ORB	
27	2220947	4	Fitting, Straight JIC/ORB	
28	2220999	1	Fitting, Tee JIC/ORB/JIC	
30	2221086	3	Fitting, Test	
31	80633030	2	Clamp	
32	1001119455	1	Valve, Oil Sampling	
33	1001192641	1	Hose	
34	1001192651	2	Hose	
35	1001228226	1	Hose	
36	1001192654	1	Hose	
37	1001192655	1	Hose	
38	1001192658	1	Hose	
39	1001192684	1	Hose	
40	1001192685	1	Hose	
41	1001192686	1	Hose	
42	1001192687	1	Hose	
43	1001192693	1	Tube	
44	1001192694	1	Tube	
45	1001192695	1	Hose	
46	1001192696	1	Hose	
47	1001192698	1	Hose	
48	1001192699	1	Hose	
49	1001201255	1	Tube	
50	1001220903	1	Tube	
51	1001203430	1	Hose	
52	1001220941	1	Hose	

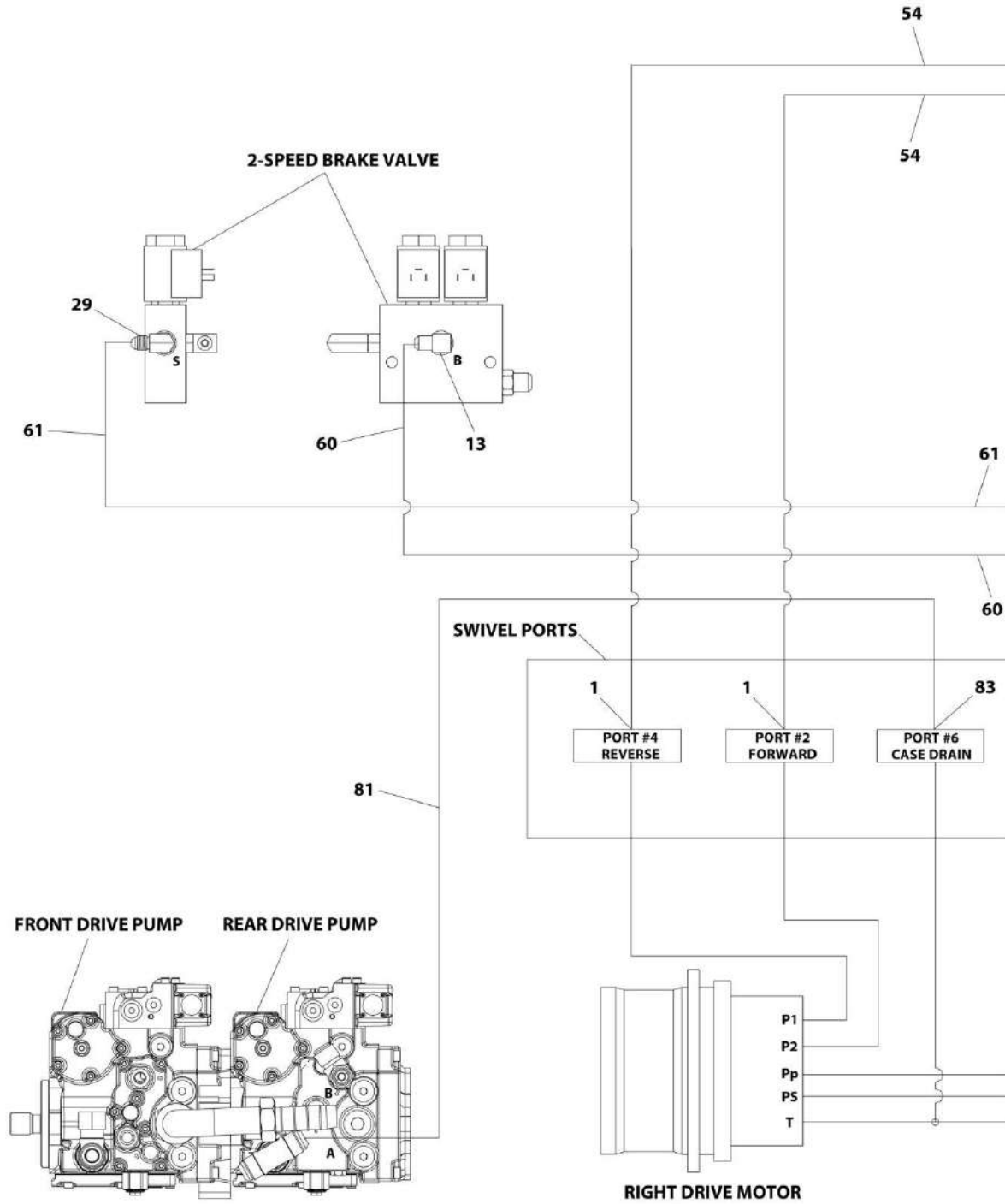


## SECTION 7 - HYDRAULIC

ITEM	PART NUMBER	QTY	DESCRIPTION	REV
53	1001204389	1	Hose	
54	1001204645	1	Hose	
55	1001205824	1	Fitting, 90 Barb	
56	1001211281	2	Hose	
57	1001211282	2	Hose	
58	1001211283	1	Hose	
59	1001211284	1	Hose (SN 0300236299 through 0300243549)	
59	1001235487	1	Hose (SN 0300243550 to Present)	
60	1001211286	1	Hose	
61	1001211287	1	Hose	
62	1001211288	1	Hose	
63	1001211291	1	Hose	
64	1001211292	1	Hose	
66	1001214408	1	Fitting, Tee JIC/ORB/JIC	
67	1001203432	1	Hose	
68	1001192673	1	Hose	
69	1001192679	1	Hose	
70	1001203424	1	Hose	
71	1001214149	1	Hose	
72	1001220912	1	Hose	
75	2220238	1	Plug (SN 0300236299 through 0300243549)	
76	1001229337	1	Hose	
77	1001230217	1	Fitting, 45 Barb	
78	1001230313	1	Fitting, Straight JIC/ORB	
79	1001232948	1	Fitting, 90 JIC/ORB	
80	2221345	1	Fitting, 45 JIC/ORB (SN 0300243550 to Present)	

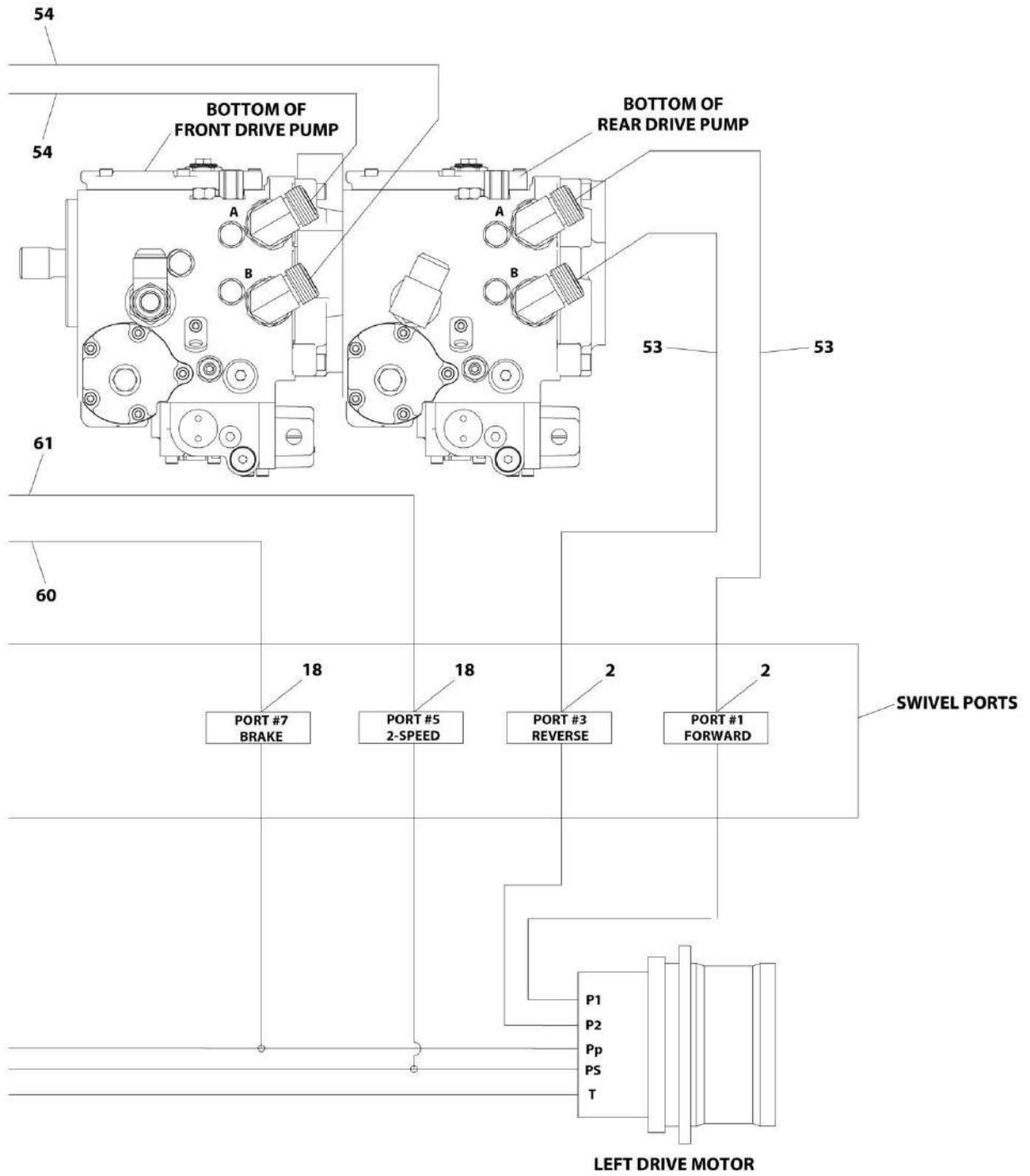
# SECTION 7 - HYDRAULIC

## FIGURE 7-4. STANDARD HYDRAULIC DIAGRAM (660SJC)



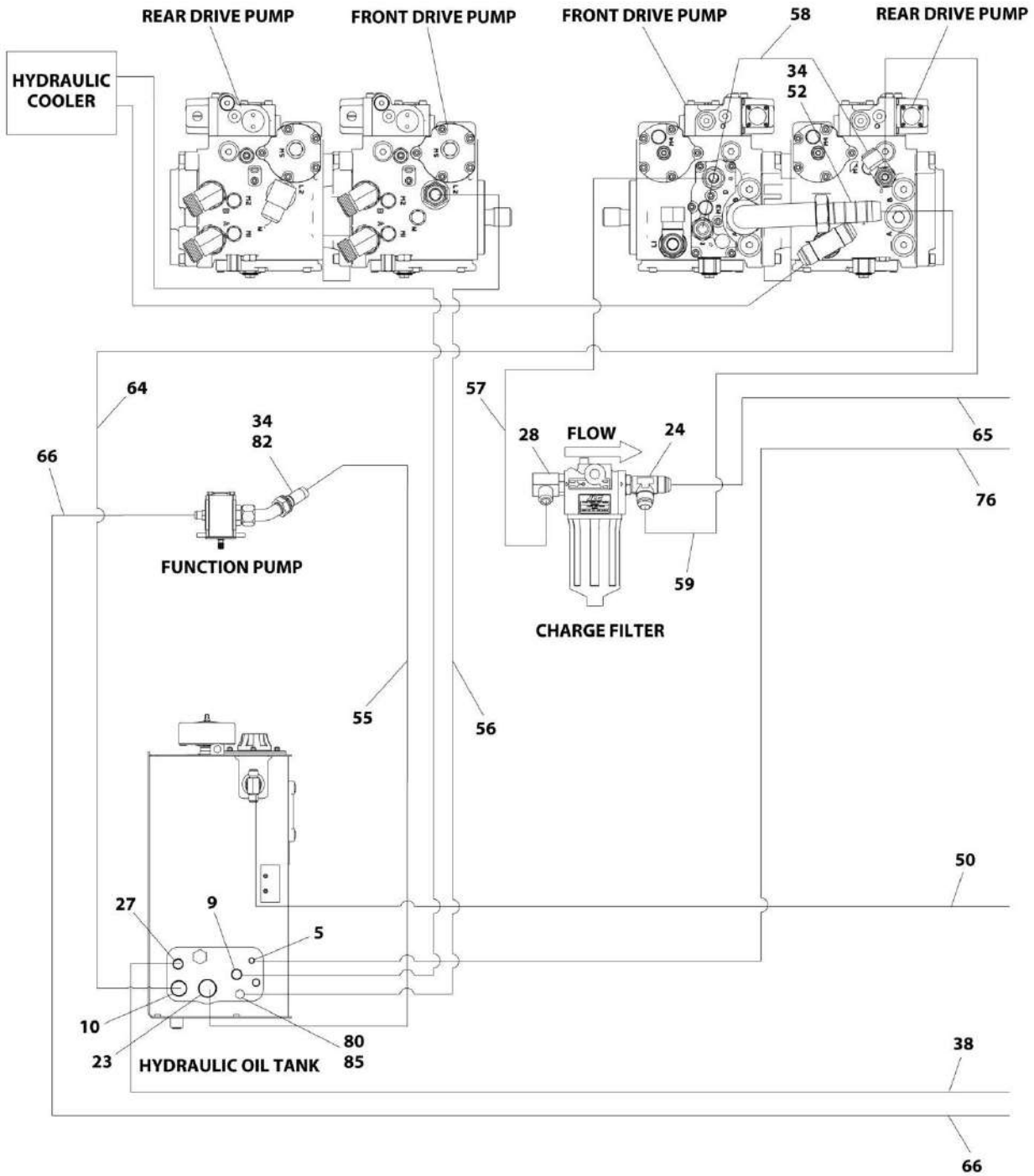
ART\_1001193250\_10F6

# SECTION 7 - HYDRAULIC



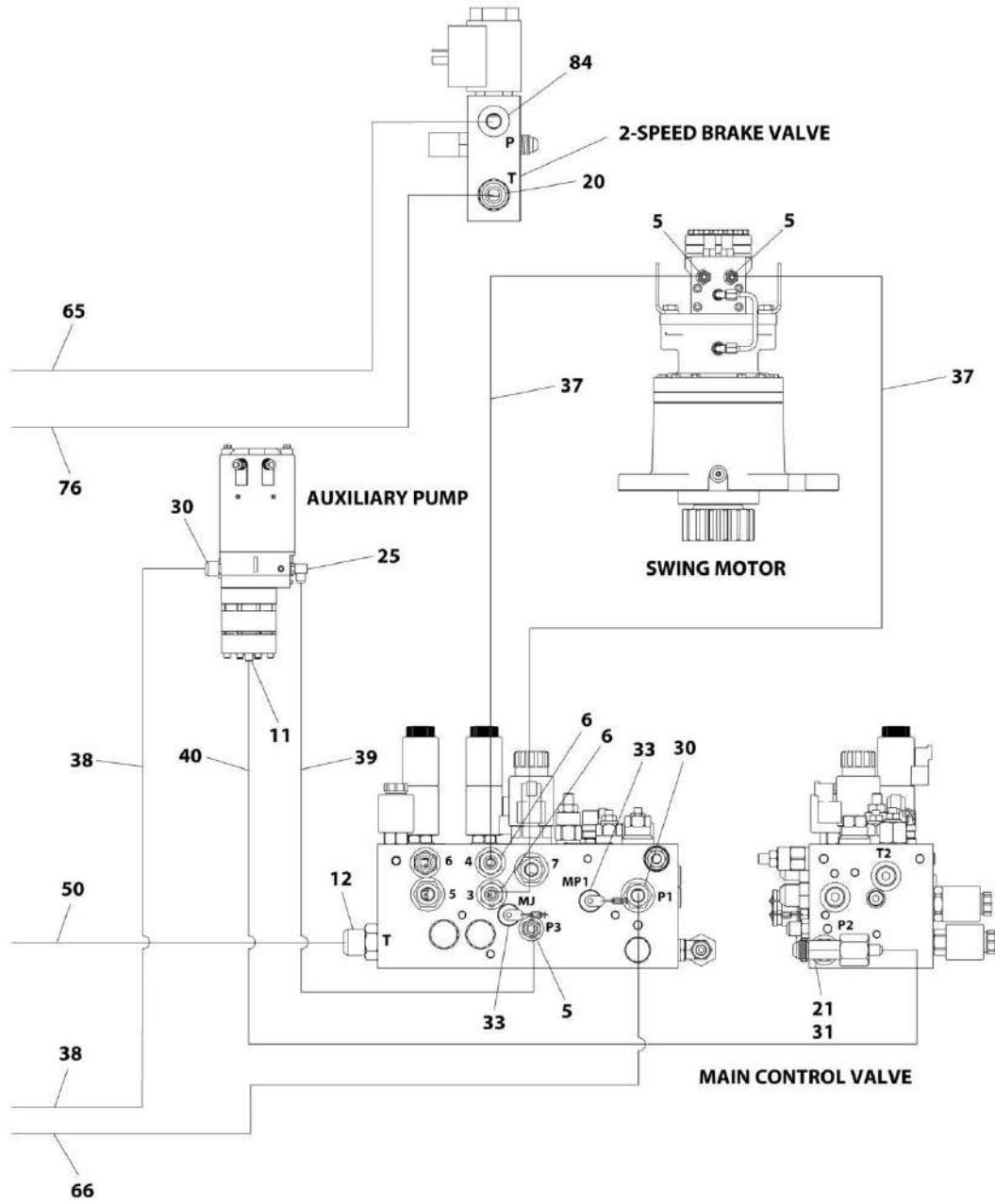
ART\_1001193250\_20F6

# SECTION 7 - HYDRAULIC



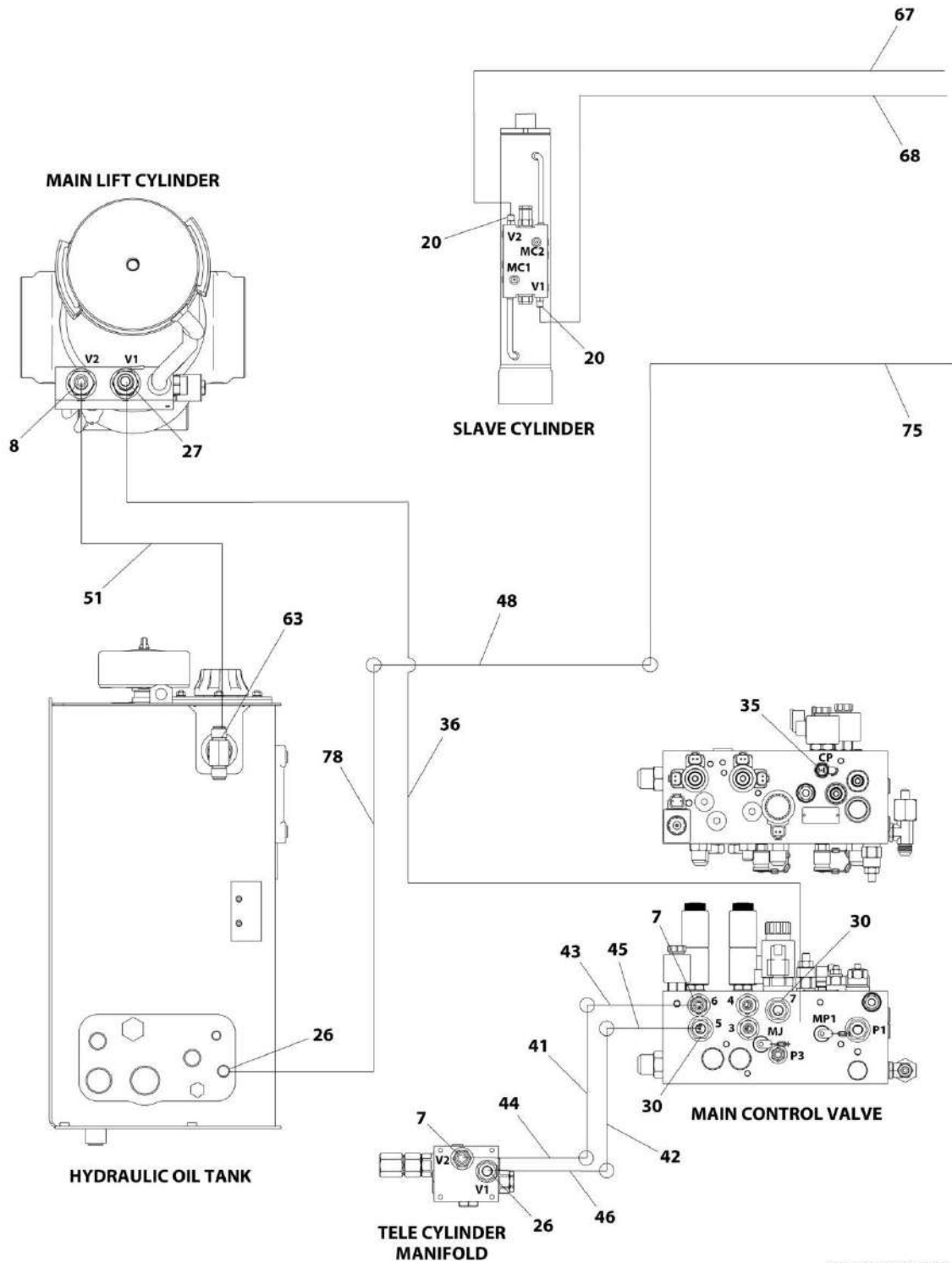
ART\_1001193250\_30F6

# SECTION 7 - HYDRAULIC



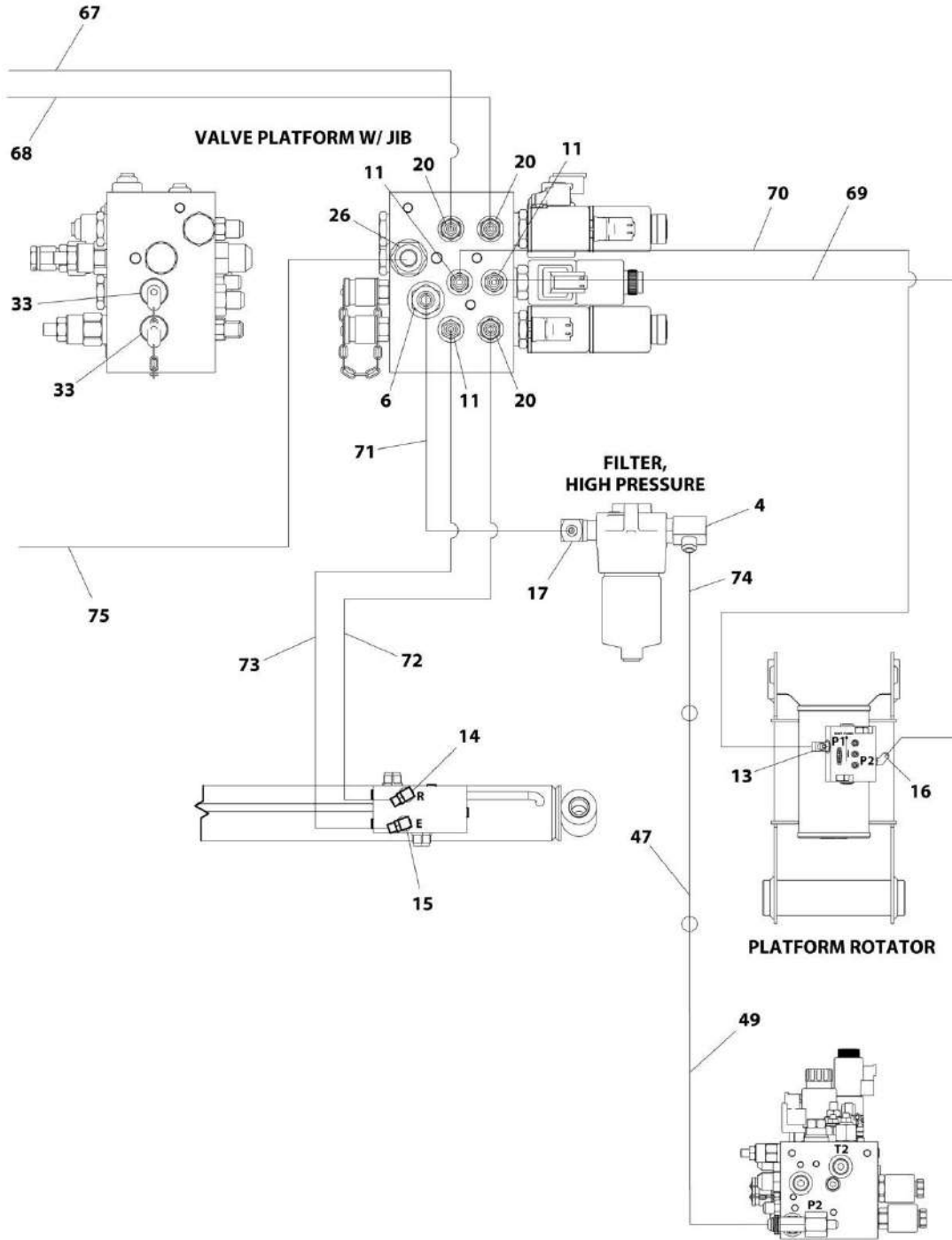
ART\_1001193250\_40F6

# SECTION 7 - HYDRAULIC



ART\_1001193250\_SOF6

# SECTION 7 - HYDRAULIC



ART\_1001193250\_6OF6

# SECTION 7 - HYDRAULIC

## FIGURE 7-4. STANDARD HYDRAULIC DIAGRAM (660SJC)

ITEM	PART NUMBER	QTY	DESCRIPTION	REV
	1001193250	Ref	STANDARD HYDRAULIC DIAGRAM	G
1	2111212	2	Fitting, Straight ORFS/ORB	
2	2170112	2	Fitting, Straight ORFS/ORB	
4	2220366	1	Fitting, 90 JIC/ORB	
5	2220371	4	Fitting, Straight JIC/ORB	
6	2220372	3	Fitting, Straight JIC/ORB	
7	2220373	2	Fitting, Straight JIC/ORB	
8	2220375	1	Fitting, Straight JIC/ORB	
9	2220637	1	Fitting, 45 JIC/ORB (SN 0300236299 through 0300243549)	
9	2220498	1	Fitting, 45 JIC/ORB (SN 0300243550 to Present)	
10	2220380	1	Fitting, Straight JIC/ORB	
11	2220415	4	Fitting, Straight JIC/ORB	
12	2220451	1	Fitting, Straight JIC/ORB	
13	2220466	2	Fitting, 90 JIC/ORB	
14	2220472	1	Fitting, 90 JIC/ORB	
15	2220473	1	Fitting, 90 JIC/ORB	
16	2220502	1	Fitting, 45 JIC/ORB	
17	2221048	1	Fitting, 90 JIC/ORB	
18	2220582	2	Fitting, Straight JIC/ORB	
20	2220603	6	Fitting, Straight JIC/ORB	
21	2220618	1	Fitting, Straight JIC/FSJIC	
23	2220733	1	Fitting, Straight JIC/ORB	
24	2220738	1	Fitting, Tee JIC/ORB/JIC	
25	2220775	1	Fitting, 90 JIC/ORB	
26	2220852	3	Fitting, Stright JIC/ORB	
27	2220865	2	Fitting, Stright JIC/ORB	
28	2220906	1	Fitting, 90 JIC/ORB	
29	2220940	1	Fitting, Elbow	
30	2220947	4	Fitting, Stright JIC/ORB	
31	2220999	1	Fitting, Tee JIC/ORB/JIC	
33	2221086	4	Fitting, Test	
34	80633030	2	Clamp	
35	1001119455	1	Valve, Oil Sampling	
36	1001192641	1	Hose	
37	1001192651	2	Hose	
38	1001228226	1	Hose	
39	1001192654	1	Hose	
40	1001192655	1	Hose	
41	1001192693	1	Tube	
42	1001192694	1	Tube	
43	1001192695	1	Hose	
44	1001192696	1	Hose	
45	1001192698	1	Hose	
46	1001192699	1	Hose	
47	1001201255	1	Tube	
48	1001220903	1	Tube	
49	1001203424	1	Hose	
50	1001203430	1	Hose	
51	1001204645	1	Hose	
52	1001205824	1	Fitting, 90 Barb	



## SECTION 7 - HYDRAULIC

ITEM	PART NUMBER	QTY	DESCRIPTION	REV
53	1001211281	2	Hose	
54	1001211282	2	Hose	
55	1001211283	1	Hose	
56	1001211284	1	Hose (SN 0300236299 through 0300243549)	
56	1001235487	1	Hose (SN 0300243550 to Present)	
57	1001211286	1	Hose	
58	1001211287	1	Hose	
59	1001211288	1	Hose	
60	1001211291	1	Hose	
61	1001211292	1	Hose	
63	1001214408	1	Fitting, Tee JIC/ORB/JIC	
64	1001203432	1	Hose	
65	1001192673	1	Hose	
66	1001192679	1	Hose	
67	1001193927	1	Hose	
68	1001193928	1	Hose	
69	1001192929	1	Hose	
70	1001193930	1	Hose	
71	1001222522	1	Hose	
72	1001193932	1	Hose	
73	1001193933	1	Hose	
74	1001203426	1	Hose	
75	1001221016	1	Hose	
76	1001214149	1	Hose	
78	1001220912	1	Hose	
80	2220238	1	Plug (SN 0300236299 through 0300243549)	
81	1001229337	1	Hose	
82	1001230217	1	Fitting, 45 Barb	
83	1001230313	1	Fitting, Straight JIC/ORB	
84	1001232948	1	Fitting, 90 JIC/ORB	
85	2221345	1	Fitting, 45 JIC/ORB (SN 0300243550 to Present)	

## SECTION 7 - HYDRAULIC

**FIGURE 7-5. HYDRAULIC DIAGRAM LIST**

ITEM	PART NUMBER	QTY	DESCRIPTION	REV
		Ref	HYDRAULIC DIAGRAM LIST	
		Ref	Note: Diagrams that are not shown are available from the JLG Service Department. See Service and Maintenance Manual for Schematics.	
		Ref	HYDRAULIC DIAGRAM - FRAME	
	1001196734	Ref	Frame Hydraulic Diagram (600SC)	
	1001196677	Ref	Frame Hydraulic Diagram (660SJC)	
		Ref	HYDRAULIC DIAGRAM - STANDARD	
	1001201186	Ref	Standard Hydraulic Diagram (600SC)	
	1001193250	Ref	Standard Hydraulic Diagram (660SJC)	
	1001230009	Ref	HYDRAULIC SCHEMATIC	

**SECTION 8 - ELECTRICAL**

## SECTION 8 - ELECTRICAL

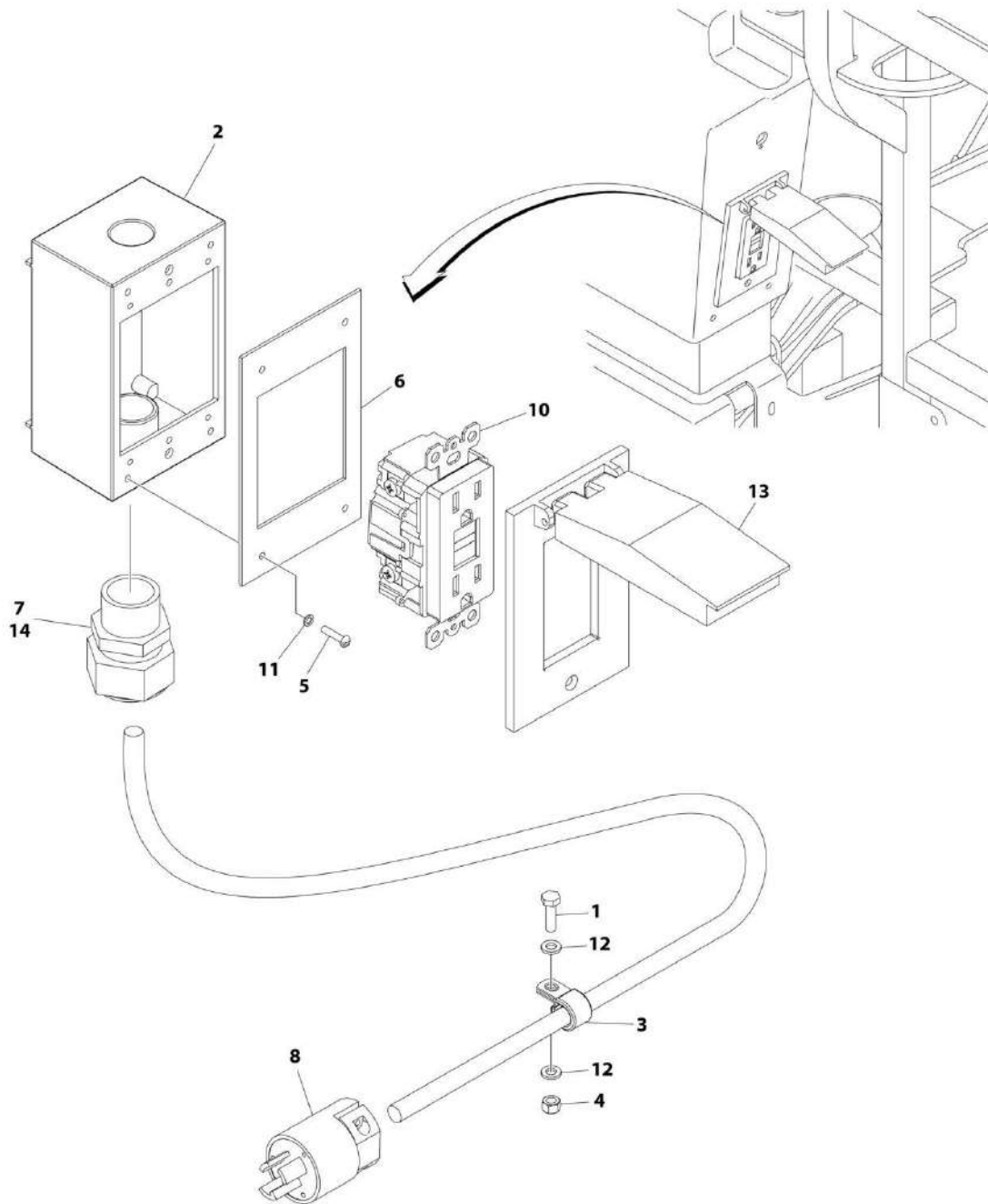
**FIGURE 8-1. ELECTRICAL DIAGRAM LIST**

ITEM	PART NUMBER	QTY	DESCRIPTION	REV
		Ref	ELECTRICAL DIAGRAM LIST	
		Ref	Note: Diagrams that are not shown are available from the JLG Service Department. See Service and Maintenance Manual for Schematics.	
		Ref	GENERATOR ELECTRICAL DIAGRAMS	
		Ref	2500W Generator Electrical Diagram Options:	
	1001188732	Ref	Machines with 110V/60Hz Generators	
	1001188731	Ref	Machines with 220V/50Hz Generators	
		Ref	4000W Generator Electrical Diagram Options:	
	1001175631	Ref	Machines with 110V/60Hz Generators (Deutz Engines)	
	1001175632	Ref	Machines with 220V/50Hz Generators (Deutz Engines)	
		Ref	7500W SkyPower Generator Electrical Diagram Options:	
	1001174675	Ref	All Machines	
	4933218	Ref	PLATFORM SOFT TOUCH SYSTEM ELECTRICAL DIAGRAM	
	1001186700	Ref	STANDARD ELECTRICAL SCHEMATIC	



## SECTION 8 - ELECTRICAL

FIGURE 8-2. AC BOX AT PLATFORM INSTALLATION -110V (ALL SPECS EXCEPT AUSTRALIAN & CE SPECS)



ART\_1001190773

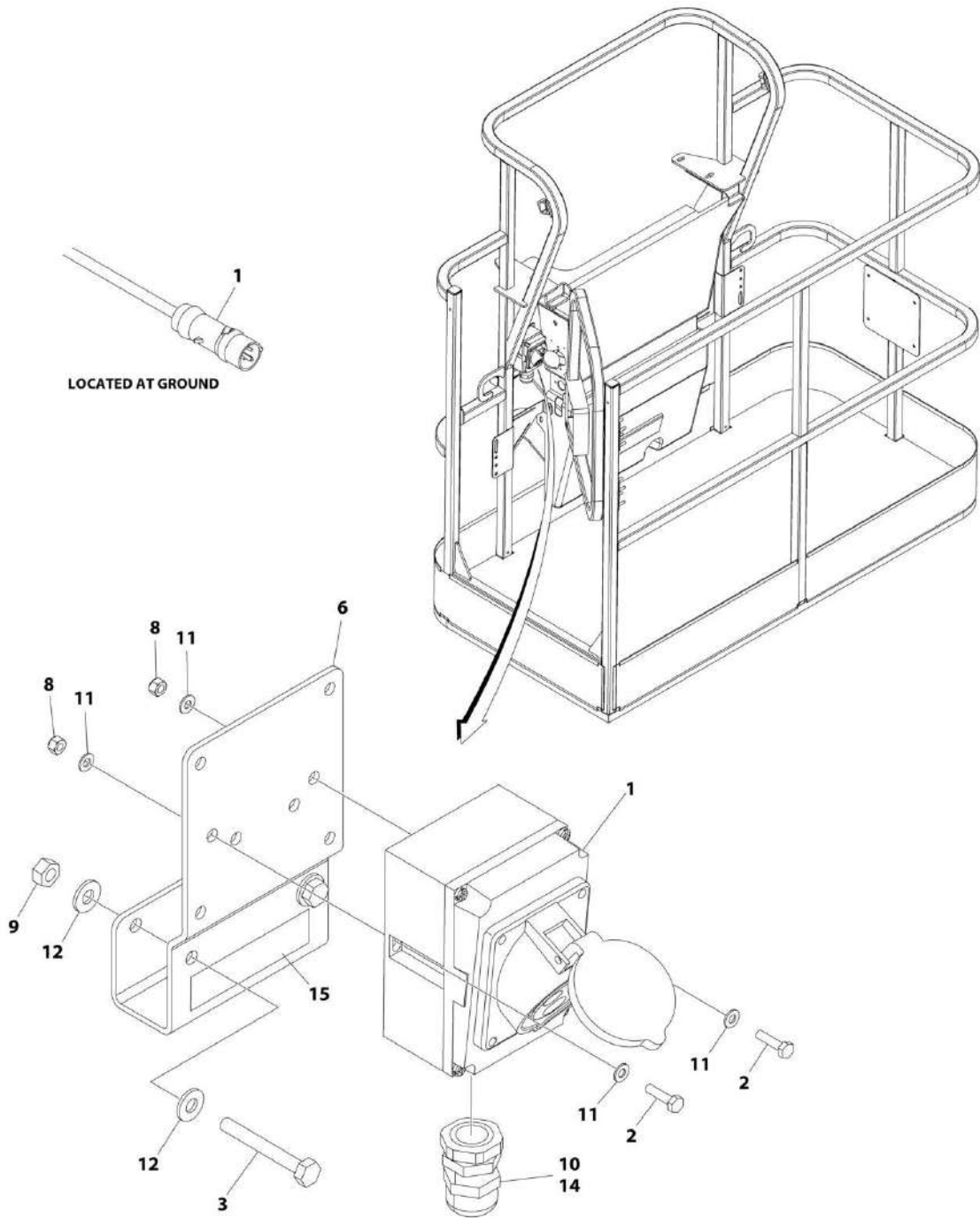
## SECTION 8 - ELECTRICAL

**FIGURE 8-2. AC BOX AT PLATFORM INSTALLATION -110V (ALL SPECS EXCEPT AUSTRALIAN & CE SPECS)**

ITEM	PART NUMBER	QTY	DESCRIPTION	REV
	1001190773	Ref	AC BOX AT PLATFORM INSTALLATION	C
1	0760610	1	Bolt M6 x 20	
2	0860038	1	Box, Switch	
3	1320041	1	Clamp	
4	3290605	1	Nut M6	
5	3910610	4	Screw #6 x 5/8	
6	3960422	1	Gasket	
7	4460071	1	Connector, Strain Relief	
8	4460205	1	Plug, Male	
9	4460315	1	Terminal, Spade (Not Shown)	
10	4460346	1	Receptacle	
11	4760600	4	Washer #6	
12	4811700	2	Washer M6	
13	1001110873	1	Shield, Cover	
14	0100079	AR	Sealant	

# SECTION 8 - ELECTRICAL

FIGURE 8-3. AC BOX AT PLATFORM INSTALLATION - 110V IEC YELLOW (CE SPECS WITHOUT 4000W/50HZ GENERATOR)



ART\_1001190493



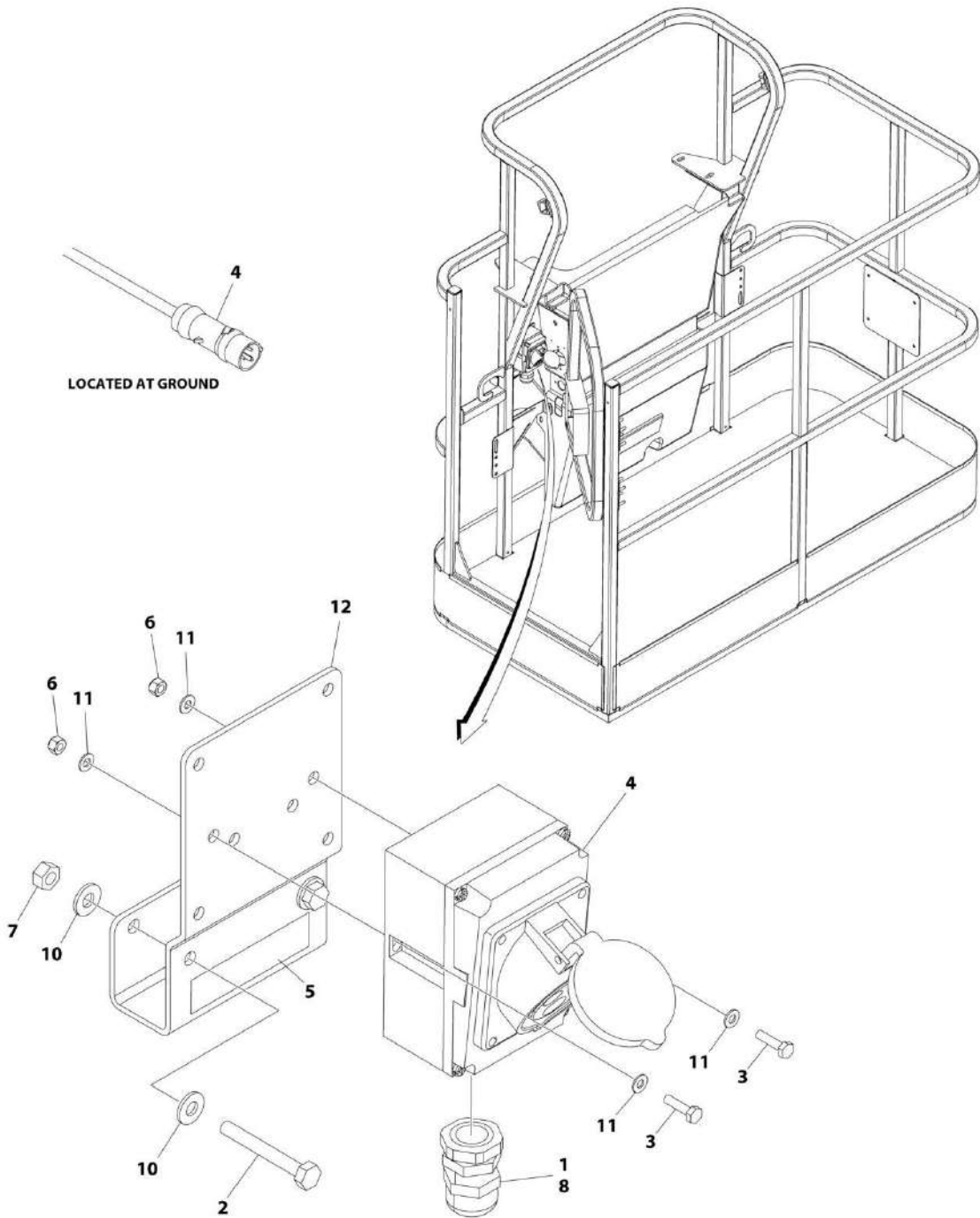
## SECTION 8 - ELECTRICAL

**FIGURE 8-3. AC BOX AT PLATFORM INSTALLATION - 110V IEC YELLOW (CE SPECS WITHOUT 4000W/50HZ GENERATOR)**

ITEM	PART NUMBER	QTY	DESCRIPTION	REV
	1001190493	Ref	AC BOX AT PLATFORM INSTALLATION	C
1	0275216	1	Receptacle Box Kit - 110V IEC Yellow (See Separate Breakdown in this Section)	
2	0700408	2	Bolt M4 x 16	
3	0700618	2	Bolt M6 x 50	
6	1001193018	1	Bracket	
8	3290405	2	Nut M4	
9	3290605	2	Nut M6	
10	4460968	1	Connector, Strain Relief	
11	4811400	4	Washer M4	
12	4811700	4	Washer M6	
14	0100079	AR	Sealant	
15	1705325	1	Decal - 110V	

# SECTION 8 - ELECTRICAL

FIGURE 8-4. AC BOX AT PLATFORM INSTALLATION - 110V IEC YELLOW (CE SPECS WITH 4000W/50HZ GENERATOR)



ART\_1001194203

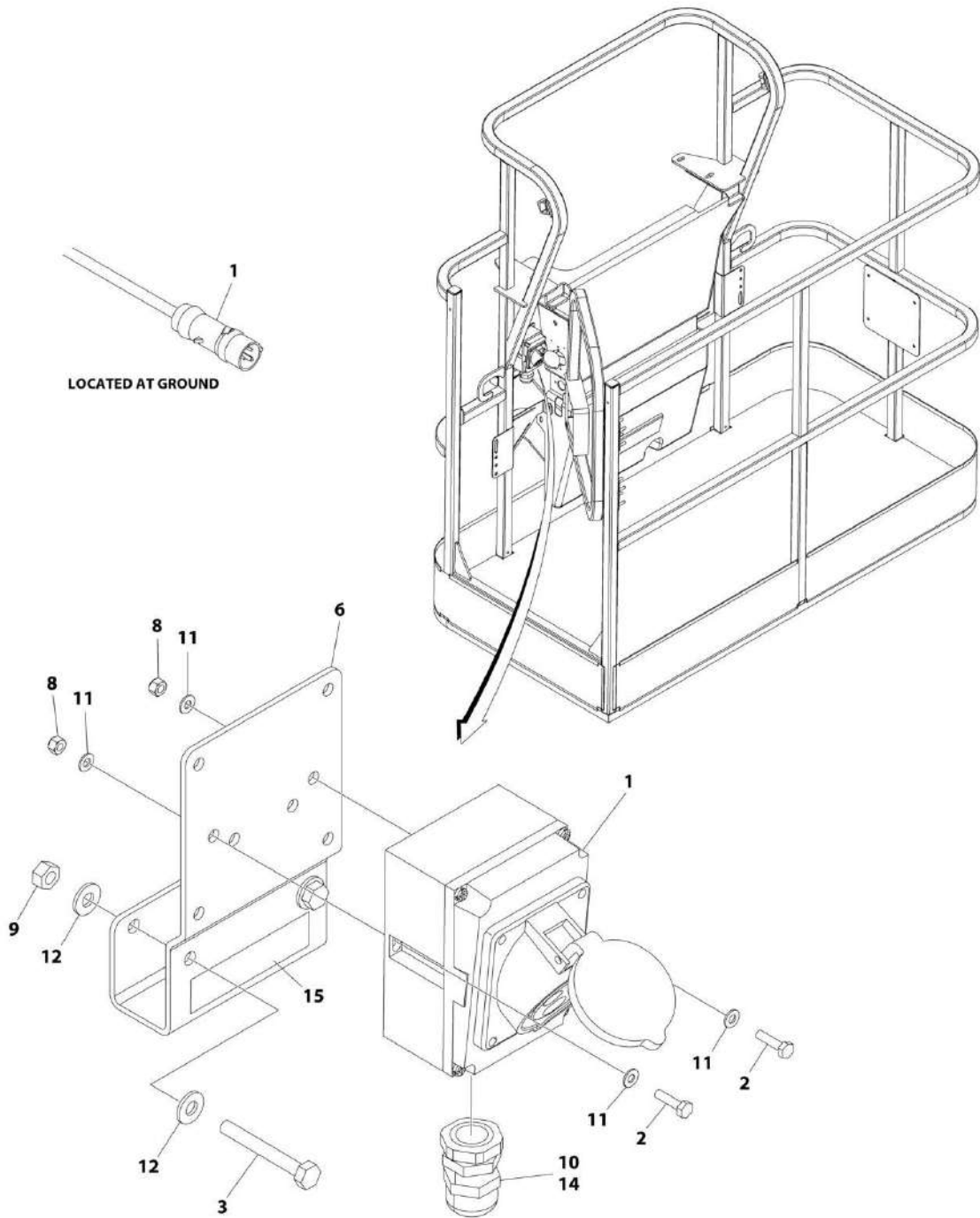
## SECTION 8 - ELECTRICAL

**FIGURE 8-4. AC BOX AT PLATFORM INSTALLATION - 110V IEC YELLOW (CE SPECS WITH 4000W/50HZ GENERATOR)**

ITEM	PART NUMBER	QTY	DESCRIPTION	REV
	1001194203	Ref	AC BOX AT PLATFORM INSTALLATION	B
1	0100020	AR	Sealant	
2	0641416	2	Bolt 1/4 x 2	
3	0700408	2	Bolt M4 x 16	
4	0275216	1	Receptacle Box Kit - 110V IEC Yellow (See Separate Breakdown in this Section)	
5	1705325	1	Decal - 110V	
6	3290405	2	Nut M4	
7	3311405	2	Nut 1/4	
8	4460968	1	Connector, Strain Relief	
10	4711400	4	Washer 1/4	
11	4811400	4	Washer M4	
12	1001193018	1	Bracket	

# SECTION 8 - ELECTRICAL

FIGURE 8-5. AC BOX AT PLATFORM INSTALLATION - 220V IEC BLUE (CE SPECS WITHOUT 4000W/50HZ GENERATOR)



ART\_1001190495

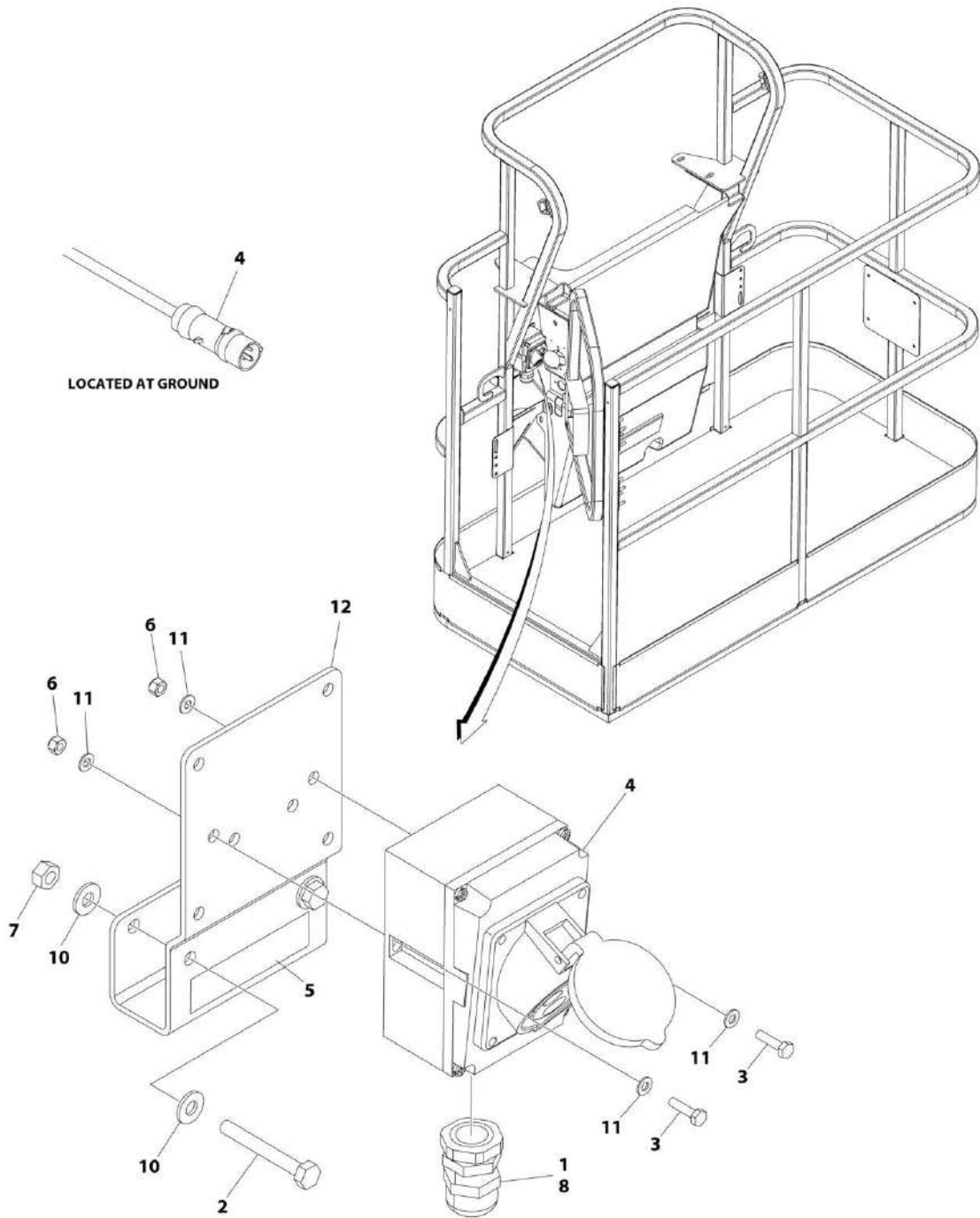
## SECTION 8 - ELECTRICAL

**FIGURE 8-5. AC BOX AT PLATFORM INSTALLATION - 220V IEC BLUE (CE SPECS WITHOUT 4000W/50HZ GENERATOR)**

ITEM	PART NUMBER	QTY	DESCRIPTION	REV
	1001190495	Ref	AC BOX AT PLATFORM INSTALLATION	C
1	0275217	1	Receptacle Box Kit - 220V IEC Blue (See Separate Breakdown in this Section)	
2	0700408	2	Bolt M4 x 16	
3	0700618	2	Bolt M6 x 50	
6	1001193018	1	Bracket	
8	3290405	2	Nut M4	
9	3290605	2	Nut M6	
10	4460968	1	Connector, Strain Relief	
11	4811400	4	Washer M4	
12	4811700	4	Washer M6	
14	0100079	AR	Sealant	
15	3252507	1	Decal - 220 Volt	

# SECTION 8 - ELECTRICAL

FIGURE 8-6. AC BOX AT PLATFORM INSTALLATION - 220V IEC BLUE (CE SPECS WITH 4000W/50HZ GENERATOR)



ART\_1001194204

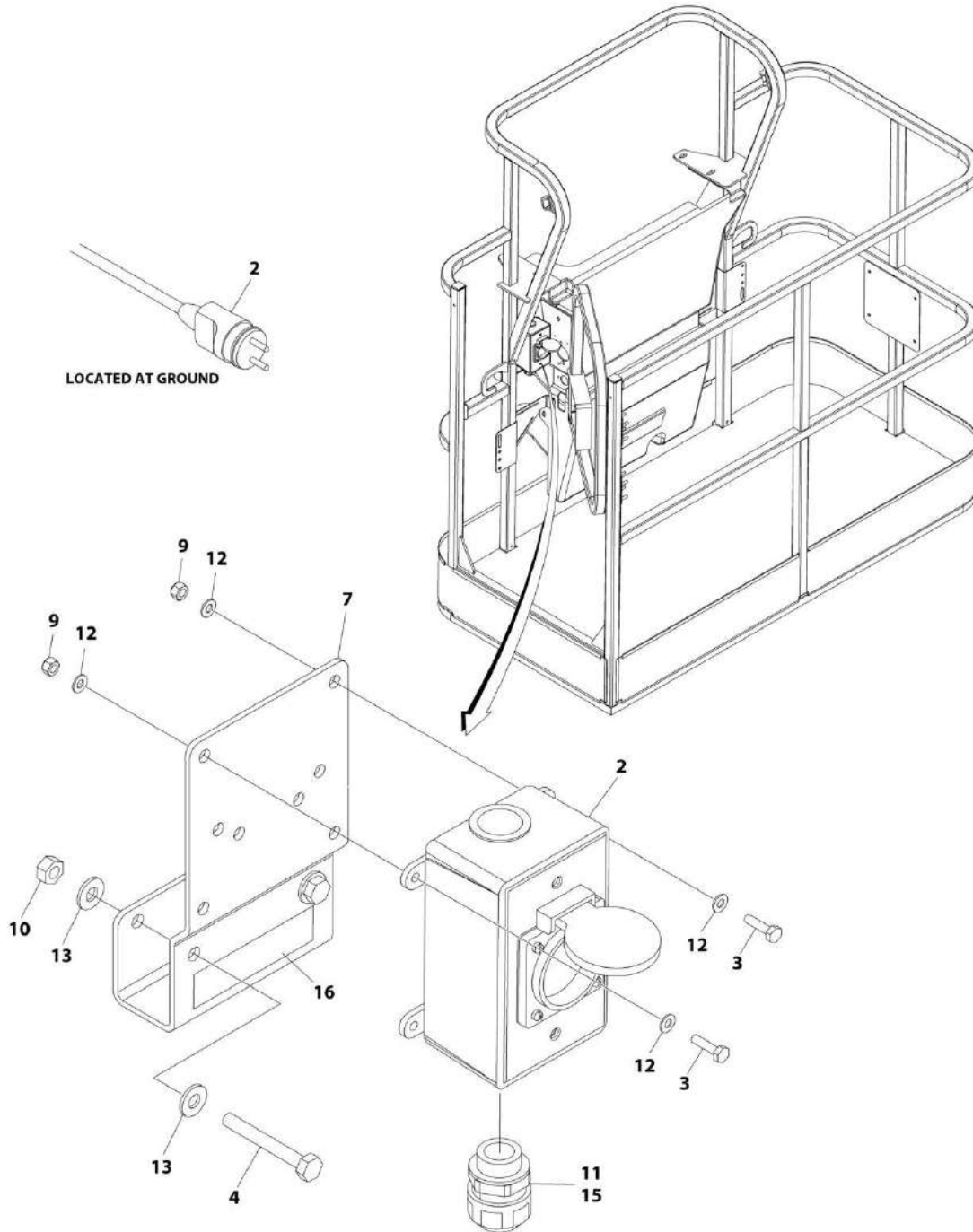
## SECTION 8 - ELECTRICAL

**FIGURE 8-6. AC BOX AT PLATFORM INSTALLATION - 220V IEC BLUE (CE SPECS WITH 4000W/50HZ GENERATOR)**

ITEM	PART NUMBER	QTY	DESCRIPTION	REV
	1001194204	Ref	AC BOX AT PLATFORM INSTALLATION	B
1	0100020	AR	Sealant	
2	0641416	2	Bolt 1/4 x 2	
3	0700408	2	Bolt M4 x 16	
4	0275217	1	Receptacle Box Kit - 220V IEC Blue (See Separate Breakdown in this Section)	
5	3251242	1	Decal - 240V/50Hz	
6	3290405	2	Nut M4	
7	3311405	2	Nut 1/4	
8	4460968	1	Connector, Strain Relief	
10	4711400	4	Washer 1/4	
11	4811400	4	Washer M4	
12	1001193018	1	Bracket	

# SECTION 8 - ELECTRICAL

FIGURE 8-7. AC BOX AT PLATFORM INSTALLATION - 220V CEE7 2IN X 4IN POST GROUND (CE SPECS WITHOUT 4000W/50HZ GENERATOR)



ART\_1001190441



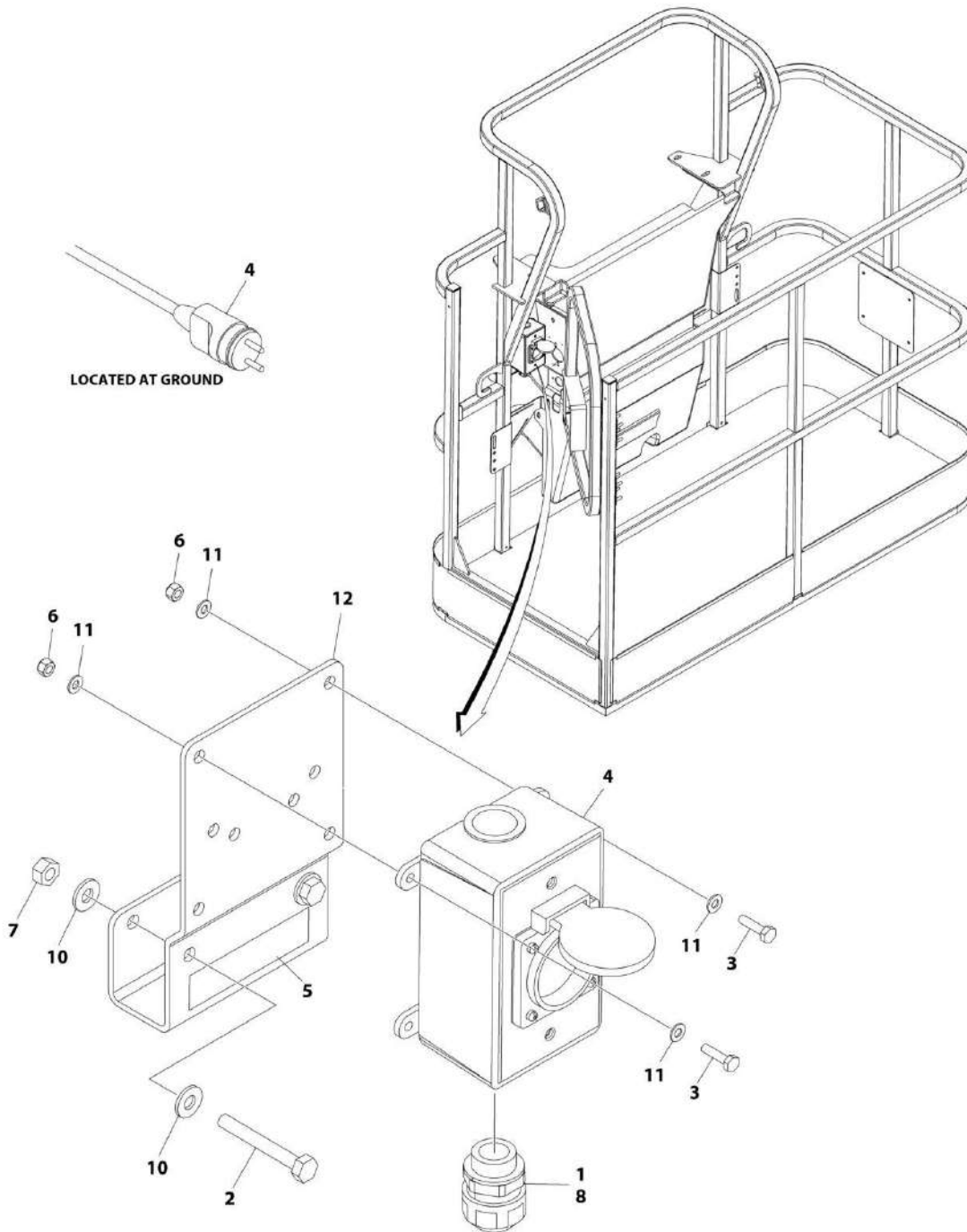
## SECTION 8 - ELECTRICAL

**FIGURE 8-7. AC BOX AT PLATFORM INSTALLATION - 220V CEE7 2IN X 4IN POST GROUND (CE SPECS WITHOUT 4000W/50HZ GENERATOR)**

ITEM	PART NUMBER	QTY	DESCRIPTION	REV
	1001190441	Ref	AC BOX AT PLATFORM INSTALLATION	D
2	0275452	1	Receptacle Box Kit - 220V CEE7 Post Ground 2in x 4in (See Separate Breakdown in this Section)	
3	0700408	4	Bolt M4 x 16	
4	0700618	2	Bolt M6 x 50	
7	1001193018	1	Bracket	
9	3290405	4	Nut M4	
10	3290605	2	Nut M6	
11	4460662	1	Connector, Strain Relief	
12	4811400	8	Washer M4	
13	4811700	4	Washer M6	
15	0100079	AR	Sealant	
16	3252507	1	Decal - 220 Volt	

# SECTION 8 - ELECTRICAL

FIGURE 8-8. AC BOX AT PLATFORM INSTALLATION - 220V CEE7 2IN X 4IN POST GROUND (CE SPECS WITH 4000W/50HZ GENERATOR)



ART\_1001194197

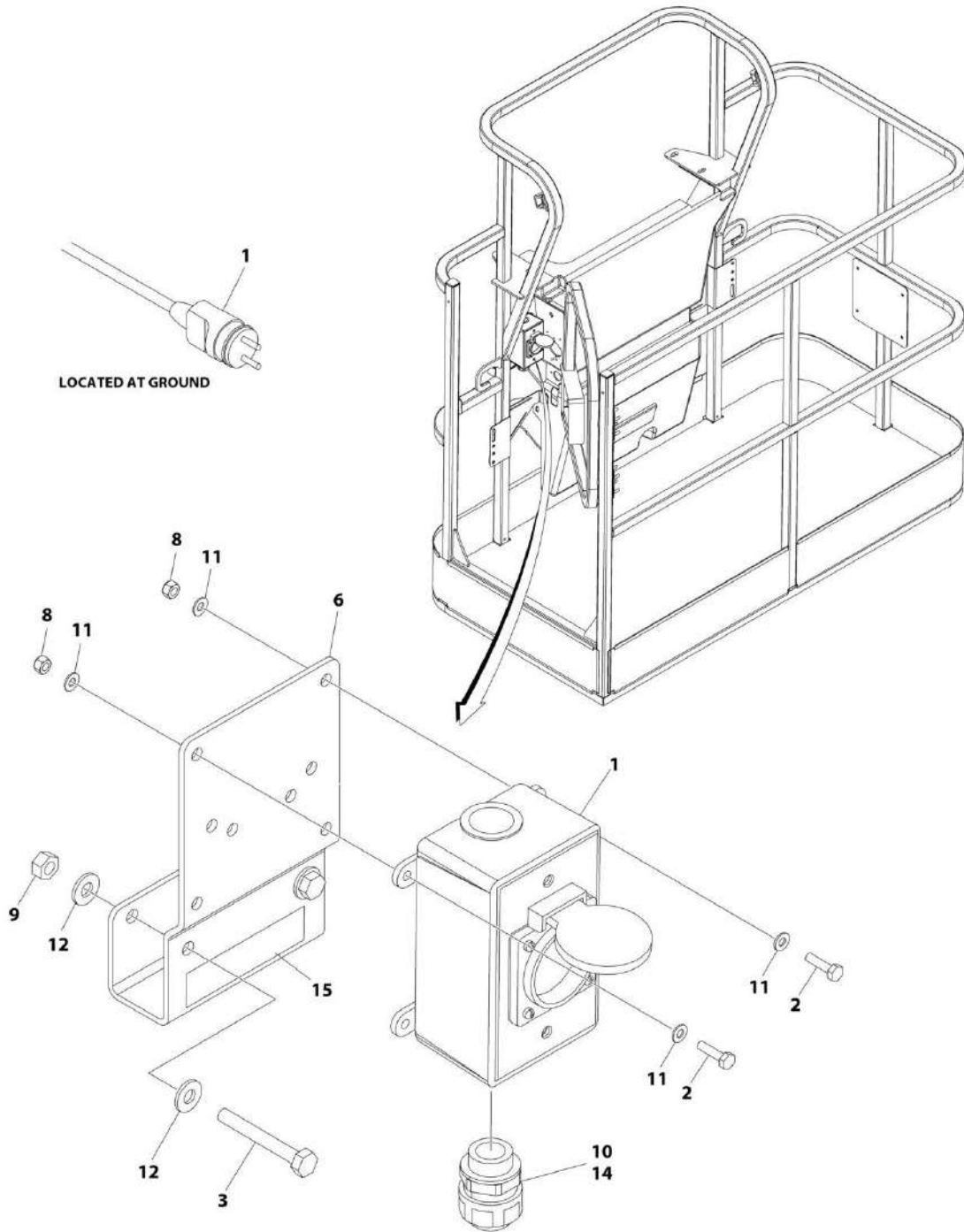
## SECTION 8 - ELECTRICAL

**FIGURE 8-8. AC BOX AT PLATFORM INSTALLATION - 220V CEE7 2IN X 4IN POST GROUND (CE SPECS WITH 4000W/50HZ GENERATOR)**

ITEM	PART NUMBER	QTY	DESCRIPTION	REV
	1001194197	Ref	AC BOX AT PLATFORM INSTALLATION	B
1	0100020	AR	Sealant	
2	0641416	2	Bolt 1/4 x 2	
3	0700408	4	Bolt M4 x 16	
4	0275452	1	Receptacle Box Kit - 220V CEE7 Post Ground 21in x 4in (See Separate Breakdown in this Section)	
5	3251242	1	Decal - 240V/50Hz	
6	3290405	4	Nut M4	
7	3311405	2	Nut 1/4	
8	4460662	1	Connector, Strain Relief	
10	4711400	4	Washer 1/4	
11	4811400	8	Washer M4	
12	1001193018	1	Bracket	

# SECTION 8 - ELECTRICAL

FIGURE 8-9. AC BOX AT PLATFORM INSTALLATION - 220V CEE7 2IN X 4IN SIDE GROUND (CE SPECS WITHOUT 4000W/50HZ GENERATOR)



ART\_1001190484

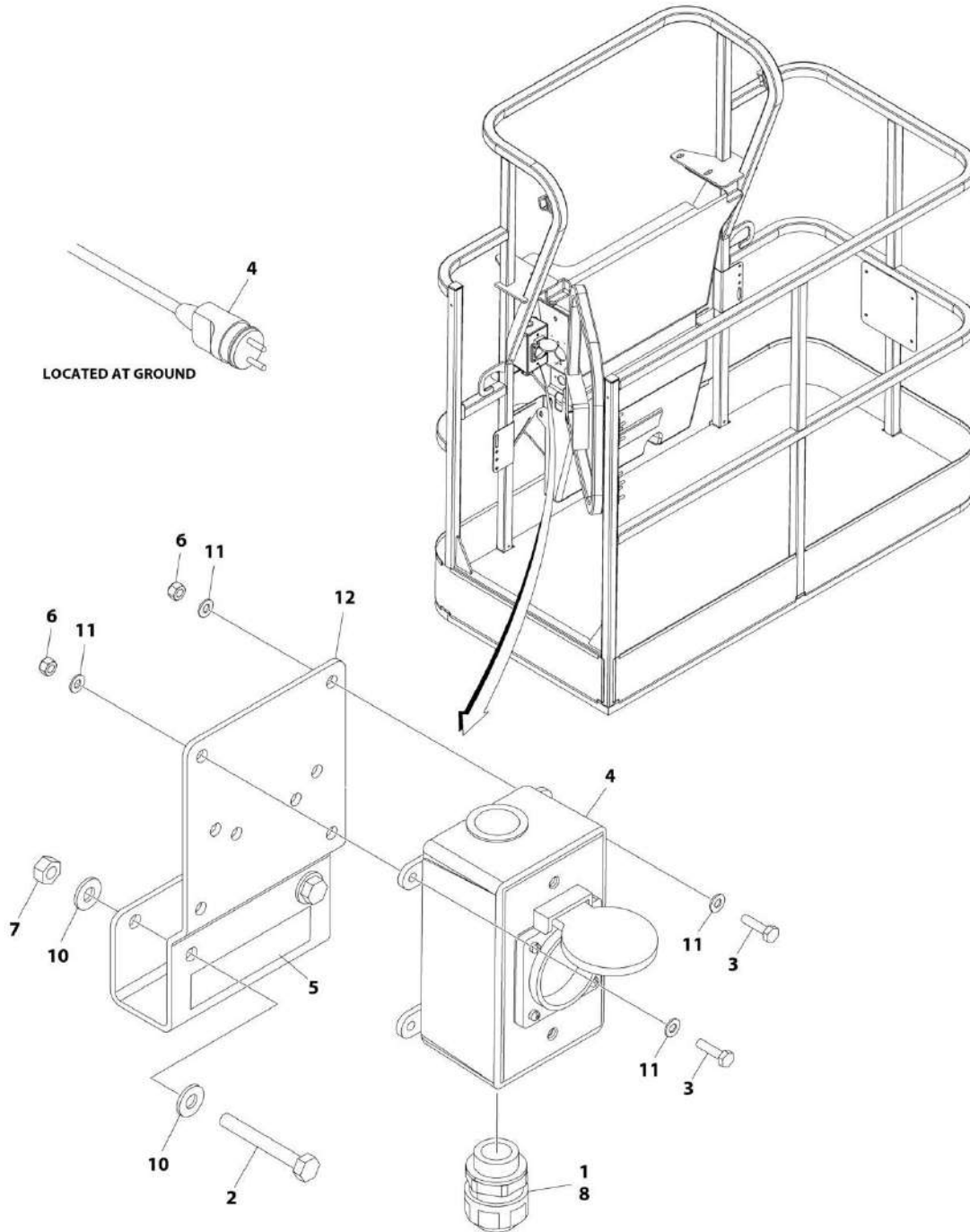
## SECTION 8 - ELECTRICAL

**FIGURE 8-9. AC BOX AT PLATFORM INSTALLATION - 220V CEE7 2IN X 4IN SIDE GROUND (CE SPECS WITHOUT 4000W/50HZ GENERATOR)**

ITEM	PART NUMBER	QTY	DESCRIPTION	REV
	1001190484	Ref	AC BOX AT PLATFORM INSTALLATION	D
1	0275453	1	Receptacle Box Kit - 220V CEE7 Side Ground 2in x 4in (See Separate Breakdown in this Section)	
2	0700408	4	Bolt M4 x 16	
3	0700618	2	Bolt M6 x 50	
6	1001193018	1	Bracket	
8	3290405	4	Nut M4	
9	3290605	2	Nut M6	
10	4460662	1	Connector, Strain Relief	
11	4811400	8	Washer M4	
12	4811700	4	Washer M6	
14	0100079	AR	Sealant	
15	3252507	1	Decal - 220 Volt	

# SECTION 8 - ELECTRICAL

FIGURE 8-10. AC BOX AT PLATFORM INSTALLATION - 220V CEE7 2IN X 4IN SIDE GROUND (CE SPECS WITH 4000W/50HZ GENERATOR)



ART\_1001194198

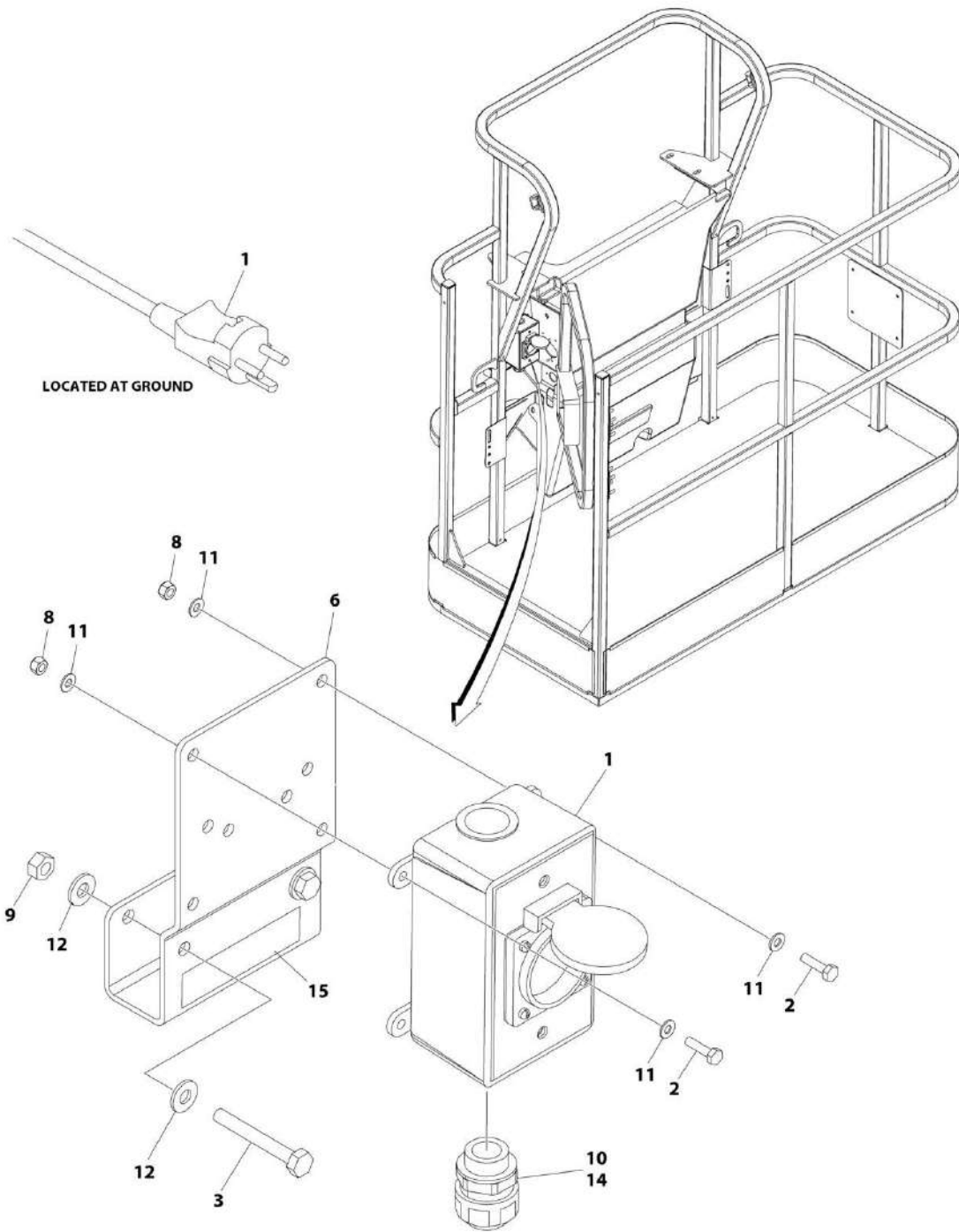
## SECTION 8 - ELECTRICAL

**FIGURE 8-10. AC BOX AT PLATFORM INSTALLATION - 220V CEE7 2IN X 4IN SIDE GROUND (CE SPECS WITH 4000W/50HZ GENERATOR)**

ITEM	PART NUMBER	QTY	DESCRIPTION	REV
	1001194198	Ref	AC BOX AT PLATFORM INSTALLATION	B
1	0100020	AR	Sealant	
2	0641416	2	Bolt 1/4 x 2	
3	0700408	4	Bolt M4 x 16	
4	0275453	1	Receptacle Box Kit - 220V CEE7 Side Ground 2in x 4in (See Separate Breakdown in this Section)	
5	3251242	1	Decal - 240V/50Hz	
6	3290405	4	Nut M4	
7	3311405	2	Nut 1/4	
8	4460662	1	Connector, Strain Relief	
10	4711400	4	Washer 1/4	
11	4811400	8	Washer M4	
12	1001193018	1	Bracket	

# SECTION 8 - ELECTRICAL

FIGURE 8-11. AC BOX AT PLATFORM INSTALLATION - 220V AFSINT107 (CE SPECS WITHOUT 4000W/50HZ GENERATOR)



ART\_1001190485



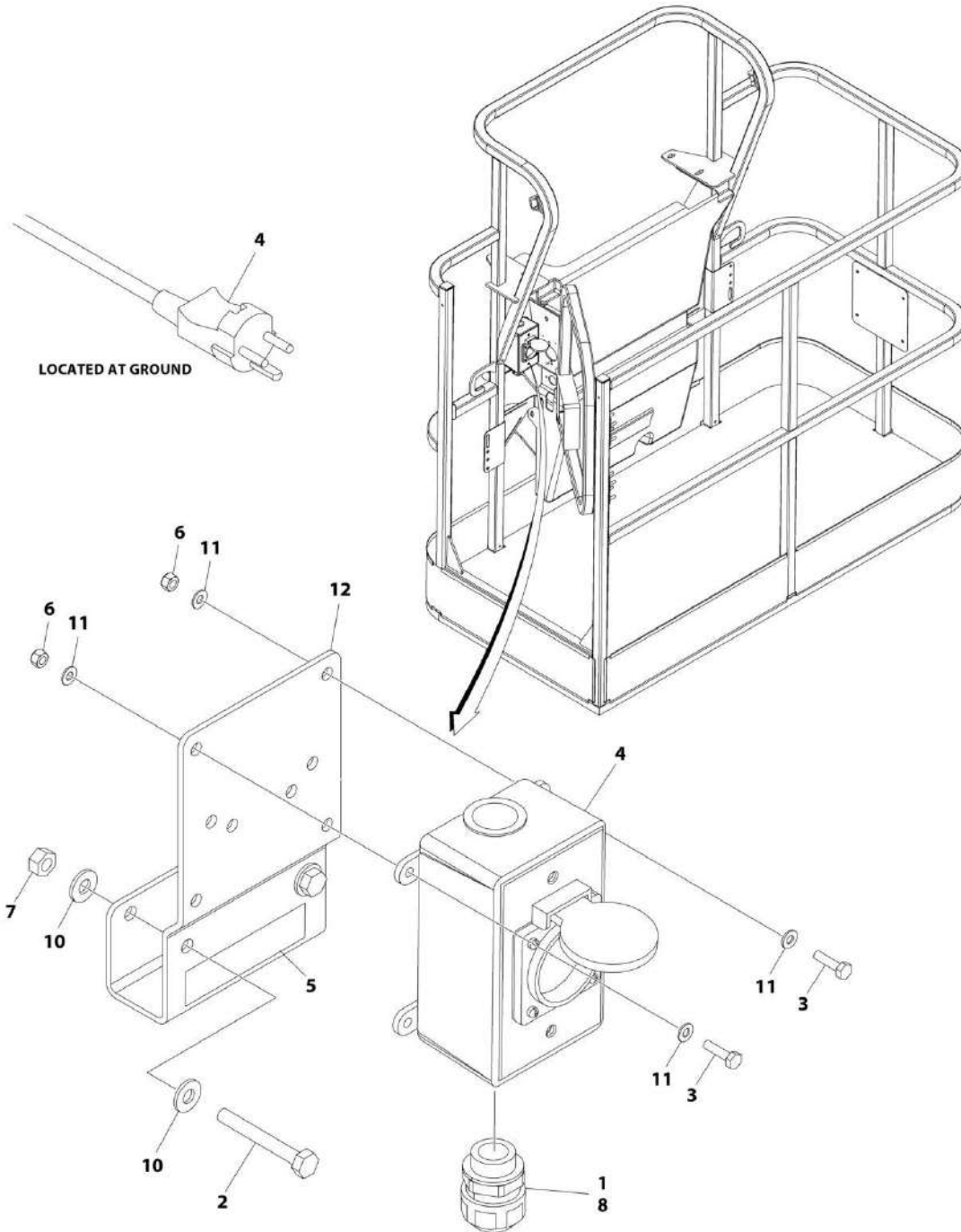
## SECTION 8 - ELECTRICAL

**FIGURE 8-11. AC BOX AT PLATFORM INSTALLATION - 220V AFSINT107 (CE SPECS WITHOUT 4000W/50HZ GENERATOR)**

ITEM	PART NUMBER	QTY	DESCRIPTION	REV
	1001190485	Ref	AC BOX AT PLATFORM INSTALLATION	C
1	0275454	1	Receptacle Box Kit - 220V AFSINT107 (See Separate Breakdown in this Section)	
2	0700408	4	Bolt M4 x 16	
3	0700618	2	Bolt M6 x 50	
6	1001193018	1	Bracket	
8	3290405	4	Nut M4	
9	3290605	2	Nut M6	
10	4460662	1	Connector, Strain Relief	
11	4811400	8	Washer M4	
12	4811700	4	Washer M6	
14	0100079	AR	Sealant	
15	3252507	1	Decal - 220 Volt	

# SECTION 8 - ELECTRICAL

FIGURE 8-12. AC BOX AT PLATFORM INSTALLATION - 220V AFSINT107 (CE SPECS WITH 4000W/50HZ GENERATOR)



ART\_1001194200

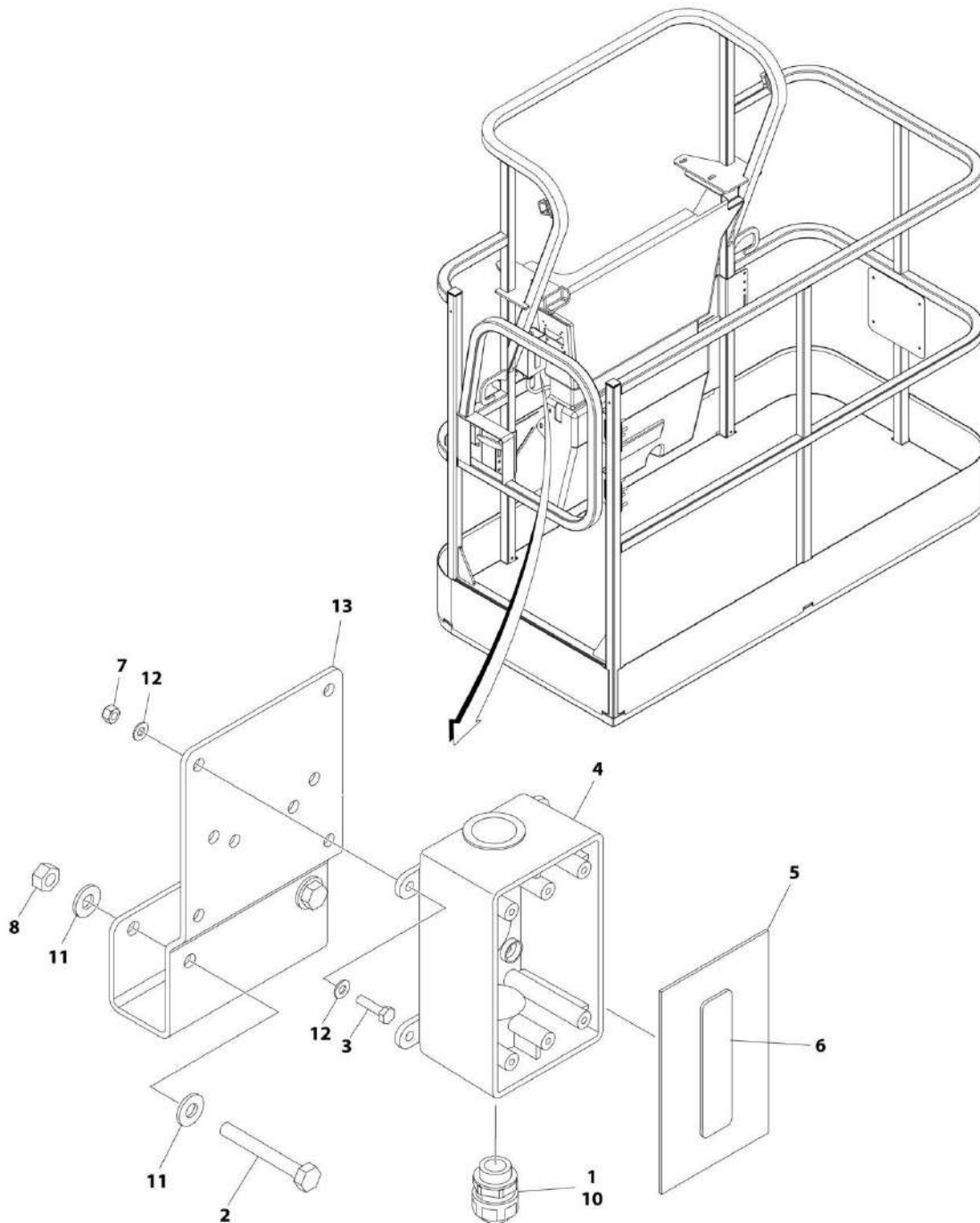
## SECTION 8 - ELECTRICAL

**FIGURE 8-12. AC BOX AT PLATFORM INSTALLATION - 220V AFSINT107 (CE SPECS WITH 4000W/50HZ GENERATOR)**

ITEM	PART NUMBER	QTY	DESCRIPTION	REV
	1001194200	Ref	AC BOX AT PLATFORM INSTALLATION	B
1	0100020	AR	Sealant	
2	0641416	2	Bolt 1/4 x 2	
3	0700408	4	Bolt M4 x 16	
4	0275454	1	Receptacle Box Kit - 220V AFSINT107 (See Separate Breakdown in this Section)	
5	3251242	1	Decal - 240V/50Hz	
6	3290405	4	Nut M4	
7	3311405	2	Nut 1/4	
8	4460662	1	Connector, Strain Relief	
10	4711400	4	Washer 1/4	
11	4811400	8	Washer M4	
12	1001193018	1	Bracket	

## SECTION 8 - ELECTRICAL

FIGURE 8-13. AC BOX AT PLATFORM INSTALLATION - 220V CUSTOMER SUPPLIED COMPONENTS  
(ANSI EXPORT, CE AND CHINA SPECS)



ART\_1001194365

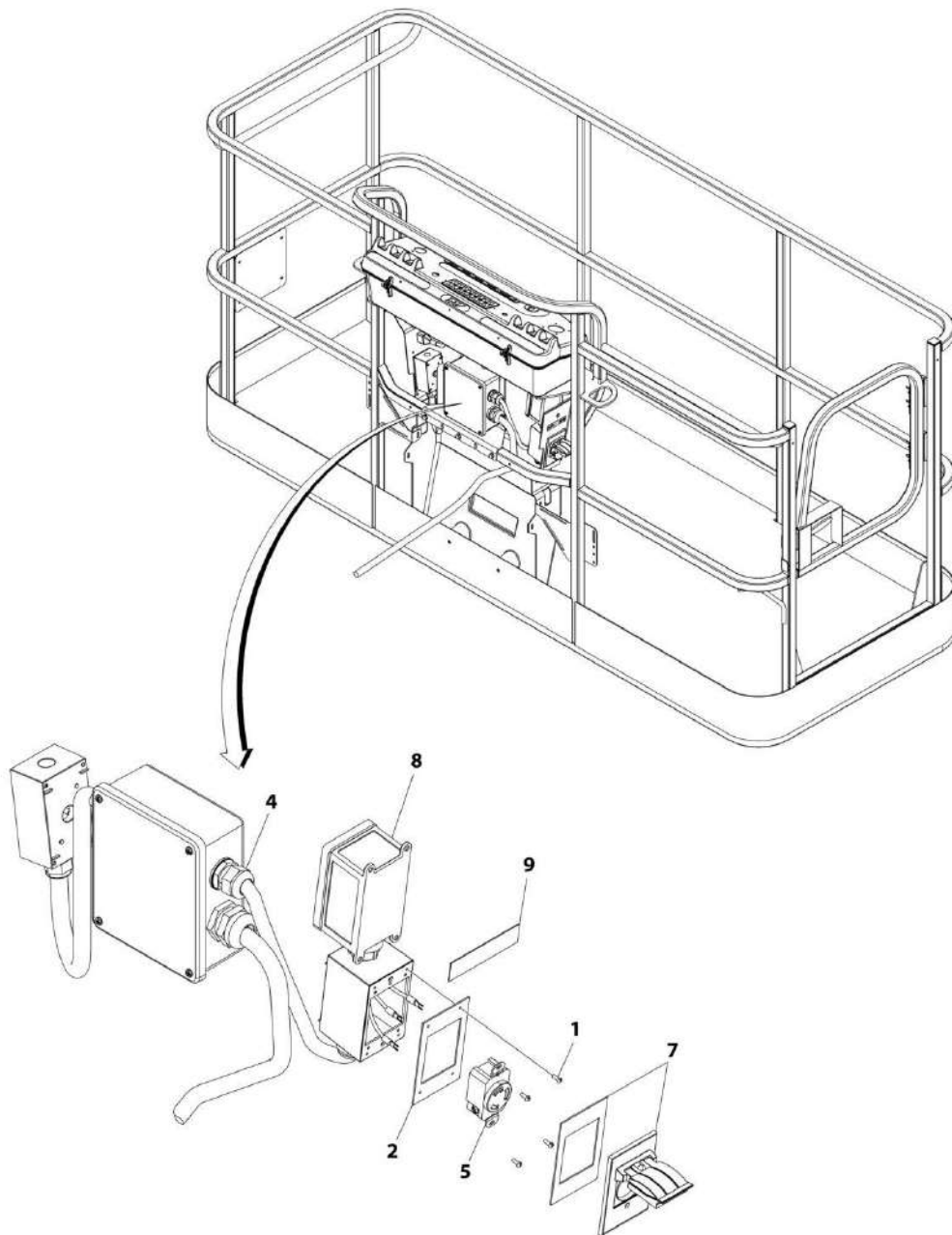
## SECTION 8 - ELECTRICAL

**FIGURE 8-13. AC BOX AT PLATFORM INSTALLATION - 220V CUSTOMER SUPPLIED COMPONENTS  
(ANSI EXPORT, CE AND CHINA SPECS)**

ITEM	PART NUMBER	QTY	DESCRIPTION	REV
	1001194365	Ref	AC BOX AT PLATFORM INSTALLATION	A
1	0100020	AR	Sealant	
2	0641416	2	Bolt 1/4 x 2	
3	0700408	4	Bolt M4 x 16	
4	0861731	1	Box, Receptacle	
5	1670603	1	Cover	
6	3251242	1	Decal - 240V/50Hz	
7	3290405	4	Nut M4	
8	3311405	2	Nut 1/4	
10	4460662	1	Connector, Strain Relief	
11	4711400	4	Washer 1/4	
12	4811400	8	Washer M4	
13	1001193018	1	Bracket	

## SECTION 8 - ELECTRICAL

FIGURE 8-14. AC BOX AT PLATFORM INSTALLATION - 240V (WITH 4000W GENERATOR) (ALL SPECS EXCEPT AUSTRALIAN & CE SPECS)



ART\_1001171131

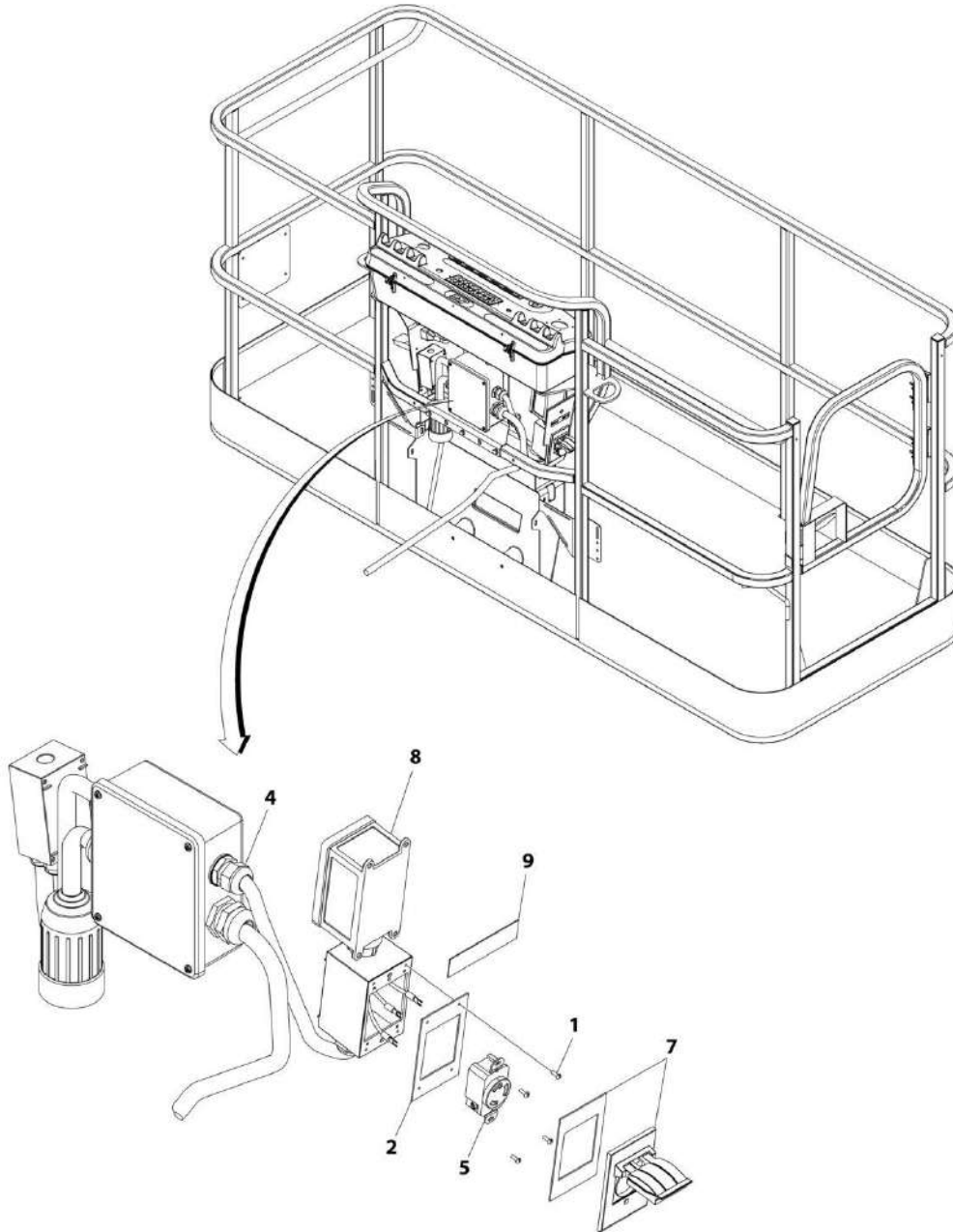
## SECTION 8 - ELECTRICAL

**FIGURE 8-14. AC BOX AT PLATFORM INSTALLATION - 240V (WITH 4000W GENERATOR) (ALL SPECS EXCEPT AUSTRALIAN & CE SPECS)**

ITEM	PART NUMBER	QTY	DESCRIPTION	REV
	1001171131	Ref	AC BOX AT PLATFORM INSTALLATION - 240V RECEPTACLE	B
1	3910606	4	Screw #6 x 3/8	
2	3960422	1	Gasket	
3	4240018	AR	Tie-Strap (Not Shown)	
4	4460425	1	Connector, Strain Relief	
5	1001176862	1	Receptacle	
7	1001110872	1	Cover, Receptacle	
8	1001159120	1	Box, Breaker	
9	1705374	1	Decal - 240V/60Hz	

## SECTION 8 - ELECTRICAL

FIGURE 8-15. AC BOX AT PLATFORM INSTALLATION - 240V (WITH 7500WSKYPOWER GENERATOR) (ALL SPECS EXCEPT AUSTRALIAN & CE SPECS)



ART\_1001159121



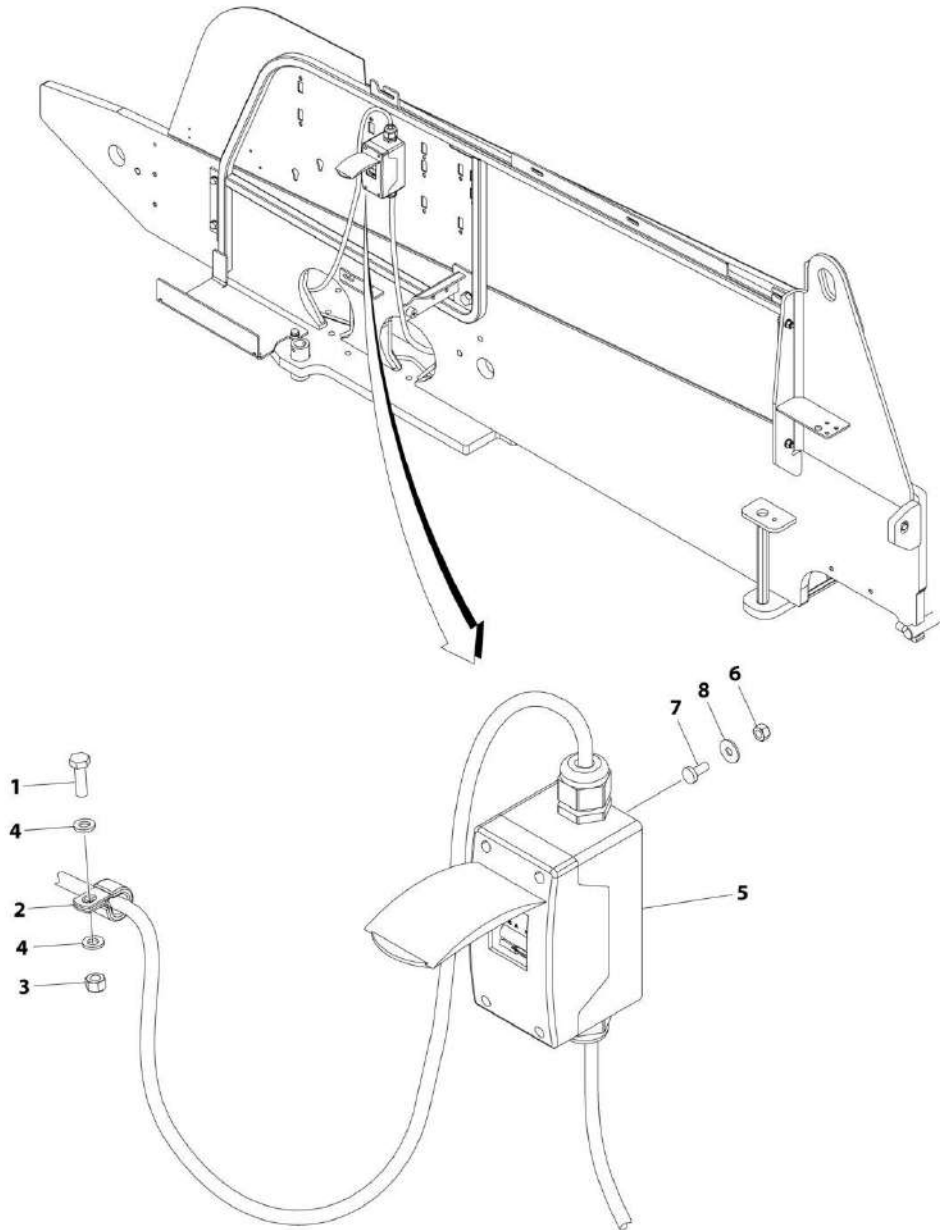
## SECTION 8 - ELECTRICAL

**FIGURE 8-15. AC BOX AT PLATFORM INSTALLATION - 240V (WITH 7500WSKYPower GENERATOR) (ALL SPECS EXCEPT AUSTRALIAN & CE SPECS)**

ITEM	PART NUMBER	QTY	DESCRIPTION	REV
	1001159121	Ref	AC BOX AT PLATFORM INSTALLATION - 240V RECEPTACLE	B
1	3910606	4	Screw #6 x 3/8	
2	3960422	1	Gasket	
3	4240018	AR	Tie-Strap (Not Shown)	
4	4460425	1	Connector, Strain Relief	
5	4460958	1	Receptacle	
7	1001110872	1	Cover, Receptacle	
8	1001159120	1	Box, Breaker	
9	1705374	1	Decal - 240V/60Hz	

# SECTION 8 - ELECTRICAL

## FIGURE 8-16. AC BREAKER BOX INSTALLATION - SINGLE DOUBLE POLE BREAKER



ART\_1001190774

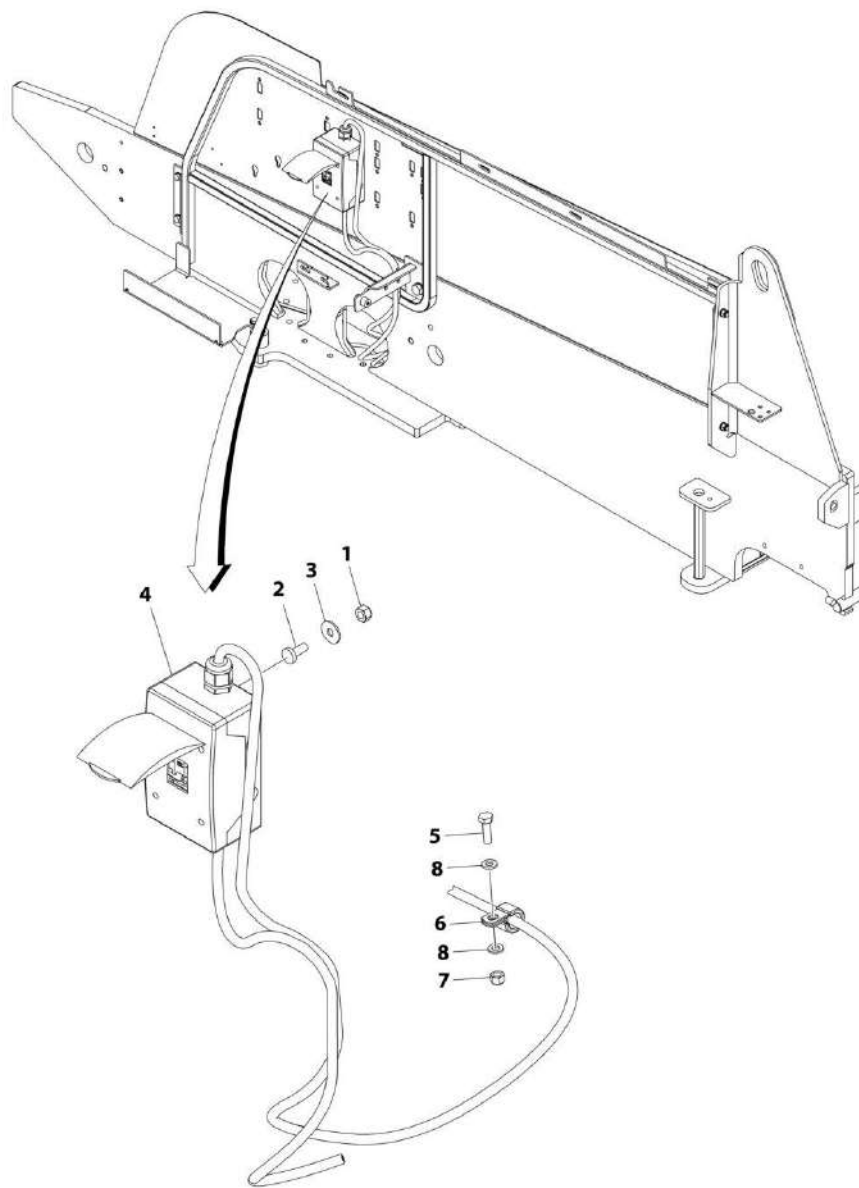
## SECTION 8 - ELECTRICAL

**FIGURE 8-16. AC BREAKER BOX INSTALLATION - SINGLE DOUBLE POLE BREAKER**

ITEM	PART NUMBER	QTY	DESCRIPTION	REV
	1001190774	Ref	AC BREAKER BOX INSTALLATION	C
1	0760610	1	Bolt M6 x 20	
2	1320041	1	Clamp	
3	3290605	1	Nut M6	
4	4811700	2	Washer M6	
5	2902549	1	Breaker Box Kit - Single Double Pole Breaker (See Separate Breakdown in this Section)	
6	3290405	2	Nut M4	
7	4010405	2	Screw M4 x 10	
8	1001091102	2	Washer M4	

# SECTION 8 - ELECTRICAL

## FIGURE 8-17. AC BREAKER BOX INSTALLATION - 3 BREAKERS



ART\_1001211049

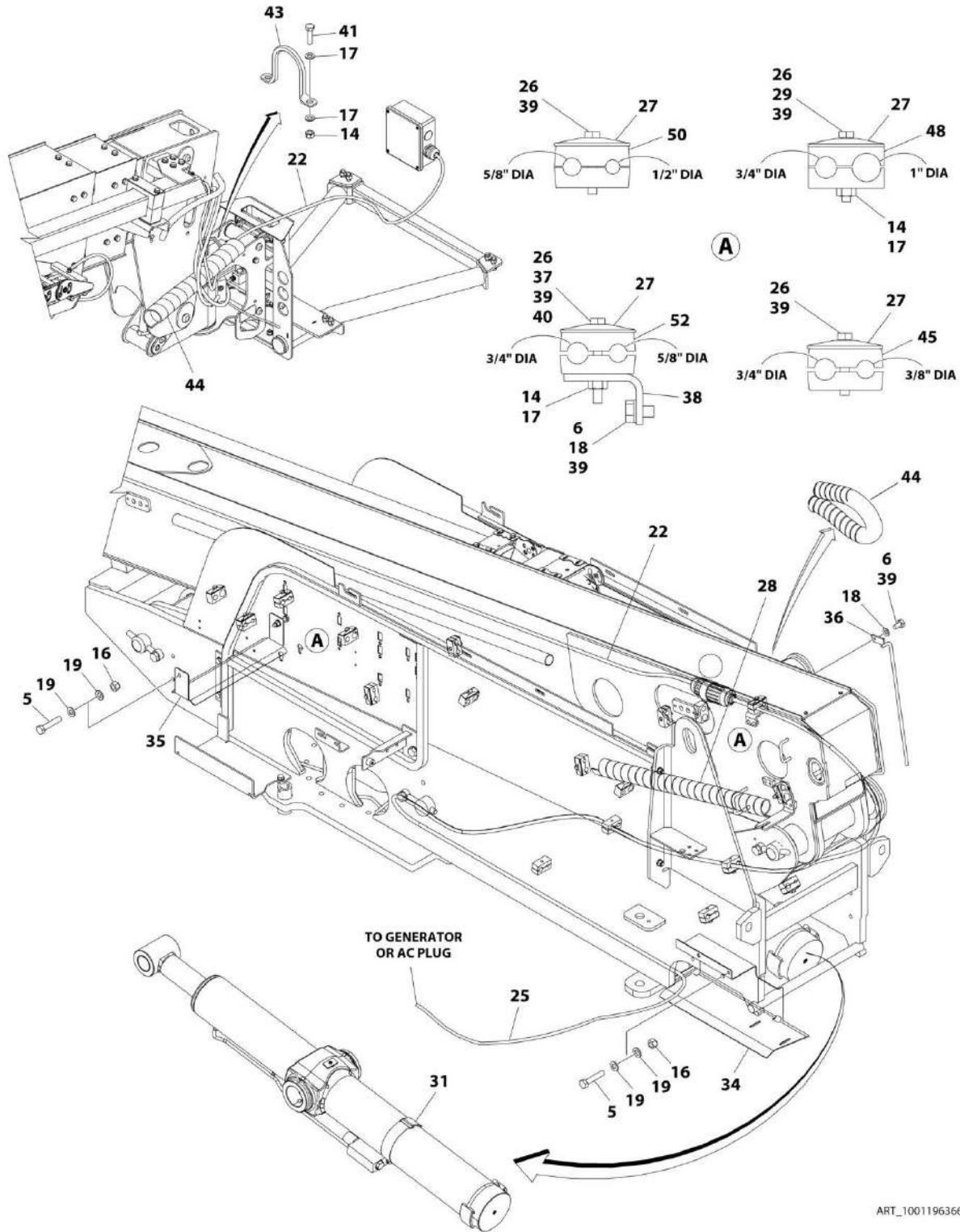
## SECTION 8 - ELECTRICAL

**FIGURE 8-17. AC BREAKER BOX INSTALLATION - 3 BREAKERS**

ITEM	PART NUMBER	QTY	DESCRIPTION	REV
	1001211049	Ref	AC BREAKER BOX INSTALLATION	C
1	3290405	2	Nut M4	
2	4010405	2	Screw M4 x 10	
3	1001091102	2	Washer M4	
4	1001152485	1	Breaker Box Kit - 3 Breakers (See Separate Breakdown in this Section) <b>(600SC SN 0300236299 through 0300241590)</b>	
4	1001152485	1	Breaker Box Kit - 3 Breakers (See Separate Breakdown in this Section) <b>(660SJC SN 0300236299 through 0300241590)</b>	
4	1001152486	1	Breaker Box Kit - 3 Breakers (See Separate Breakdown in this Section) <b>(600SC SN 0300241591 to Present)</b>	
4	1001152486	1	Breaker Box Kit - 3 Breakers (See Separate Breakdown in this Section) <b>(660SJC SN 0300241591 to Present)</b>	
5	0760610	1	Bolt M6 x 20	
6	1320041	1	Clamp	
7	3290605	1	Nut M6	
8	4811700	2	Washer M6	

# SECTION 8 - ELECTRICAL

## FIGURE 8-18. AC CABLES AND CLAMPS INSTALLATION - WITHOUT GENERATOR (600SC) (ALL SPECS EXCEPT ANSI & CSA SPECS)



ART\_1001196366

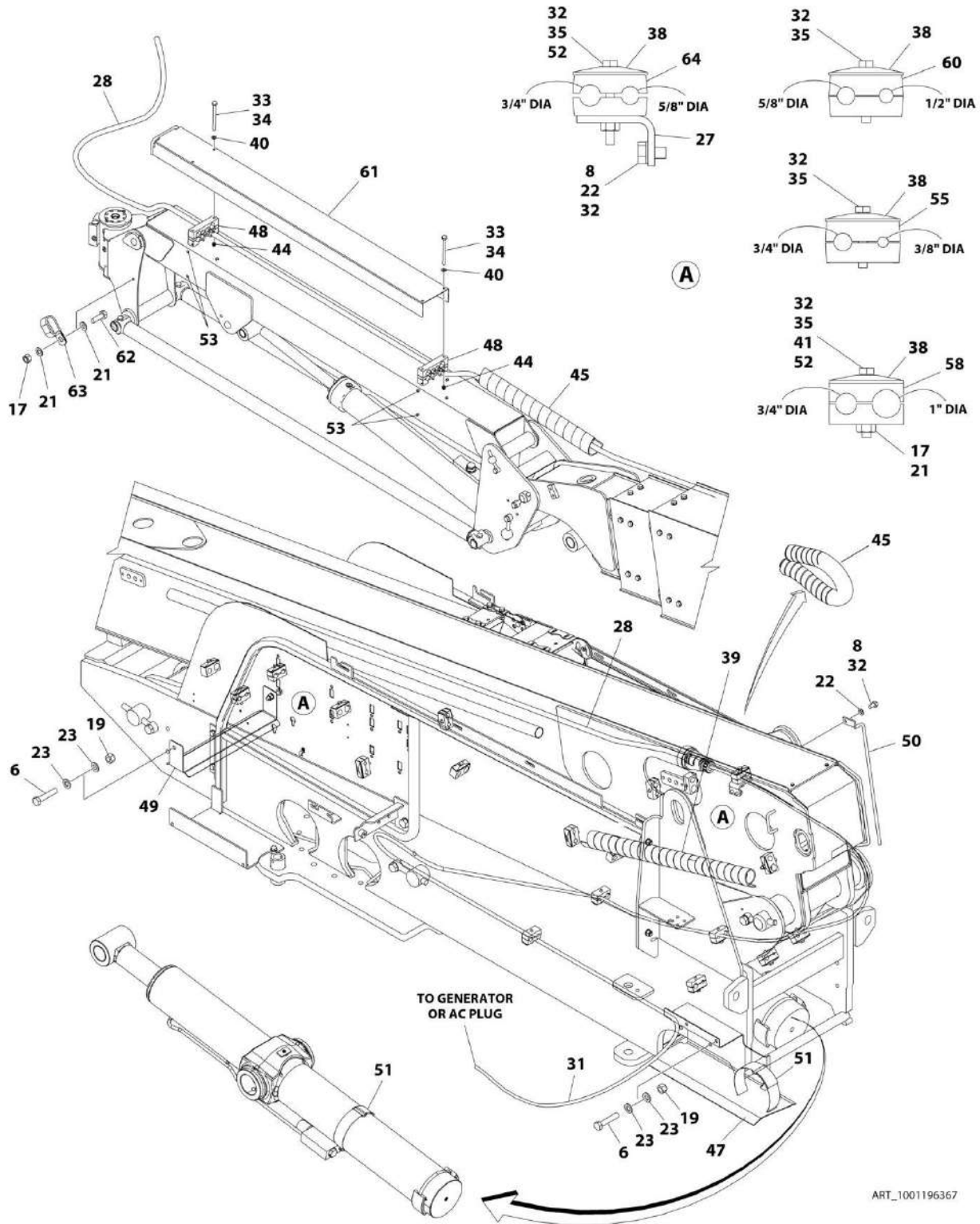
## SECTION 8 - ELECTRICAL

**FIGURE 8-18. AC CABLES AND CLAMPS INSTALLATION - WITHOUT GENERATOR (600SC) (ALL SPECS EXCEPT ANSI & CSA SPECS)**

ITEM	PART NUMBER	QTY	DESCRIPTION	REV
	1001196366	Ref	AC CABLES AND CLAMPS INSTALLATION	I
5	0701220	4	Bolt M12 x 60	
6	0761009	2	Bolt M10 x 18	
14	3290805	4	Nut M8	
16	3291205	4	Nut M12	
17	4811900	5	Washer M8	
18	4812000	3	Washer M10	
19	4812100	8	Washer M12	
20	1001146588	4	Tie-Strap (Not Shown)	
22	1001195225	1	AC Ground to Platform Cable (Upper)	
22	1001214095	1	Plug, Male	
25	1001196368	1	AC Ground to Platform Cable (Lower)	
25	1001214096	1	Receptacle, Female	
26	0700818	16	Bolt M8 x 50	
27	77133137	19	Cover, Clamp	
28	1001204690	1	Shield, Tube	
29	5281918	1	Capscrew M8 x 70	
31	1001143645	2	Strap, Cinch	
34	1001199881	1	Support	
35	1001201342	1	Support	
36	1001202936	1	Guide	
37	0700822	1	Bolt M8 x 70	
38	1001229637	1	Bracket	
39	0100011	AR	Compound, Locking	
40	0760822	1	Bolt M8 x 70	
41	0760814	2	Bolt M8 x 30	
42	4240018	3	Tie-Strap (Not Shown)	
43	3841340	1	Loop, Hose	
44	1001181923	AR	Shield, Tube	
45	1001209948	3	Clamp	
48	1001209951	6	Clamp	
50	1001209953	7	Clamp	
51	4240099	2	Tie-Strap (Not Shown)	
52	1001209949	3	Clamp	

# SECTION 8 - ELECTRICAL

## FIGURE 8-19. AC CABLES AND CLAMPS INSTALLATION - WITHOUT GENERATOR (660SJC) (ALL SPECS EXCEPT ANSI & CSA SPECS)





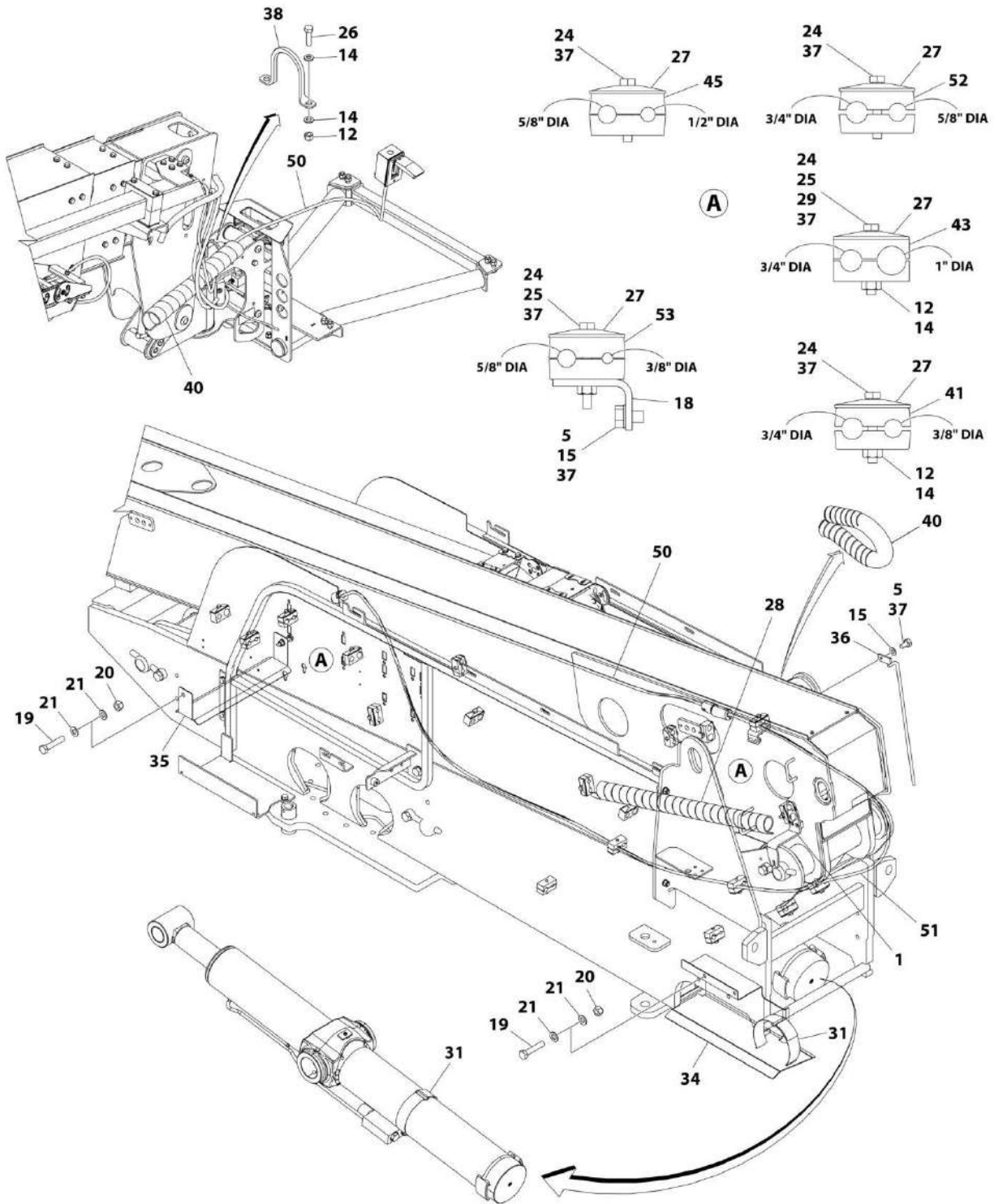
## SECTION 8 - ELECTRICAL

**FIGURE 8-19. AC CABLES AND CLAMPS INSTALLATION - WITHOUT GENERATOR (660SJC) (ALL SPECS EXCEPT ANSI & CSA SPECS)**

ITEM	PART NUMBER	QTY	DESCRIPTION	REV
	1001196367	Ref	AC CABLES AND CLAMPS INSTALLATION	I
6	0701220	4	Bolt M12 x 60	
8	0761009	3	Bolt M10 x 18	
17	3290805	4	Nut M8	
19	3291205	4	Nut M12	
21	4811900	5	Washer M8	
22	4812000	3	Washer M10	
23	4812100	8	Washer M12	
24	1001146588	4	Tie-Strap (Not Shown)	
27	1001229637	1	Bracket	
28	1001195226	1	AC Ground to Platform Cable (Upper)	
28	1001214095	1	Plug, Male	
31	1001196368	1	AC Ground to Platform Cable (Lower)	
31	1001214096	1	Receptacle, Female	
32	0100011	AR	Compound, Locking	
33	0100035	AR	Compound, Locking	
34	0641424	4	Bolt 1/4 x 3	
35	0700818	16	Bolt M8 x 50	
38	77133137	19	Cover, Clamp	
39	1001204690	1	Shield, Tube	
40	4811700	4	Washer M6	
41	5281918	1	Capscrew M8 x 70	
44	2080044	4	Rivet - Nut 1/4	
45	1001181923	AR	Shield, Tube	
47	1001199881	1	Support	
48	1001201090	2	Block, Clamp	
49	1001201342	1	Support	
50	1001202936	1	Guide	
51	1001143645	2	Strap, Cinch	
52	0700822	2	Bolt M8 x 70	
53	3520034	8	Plug	
54	4240018	4	Tie-Strap (Not Shown)	
55	1001209948	3	Clamp	
58	1001209951	6	Clamp	
60	1001209953	7	Clamp	
61	1001209957	1	Cover	
62	0760812	1	Bolt M8 x 25	
63	1001116792	1	Clamp	
64	1001209949	3	Clamp	

# SECTION 8 - ELECTRICAL

## FIGURE 8-20. AC CABLES AND CLAMPS INSTALLATION - WITHOUT GENERATOR (600SC) (ANSI & CSA SPECS)



ART\_1001193207

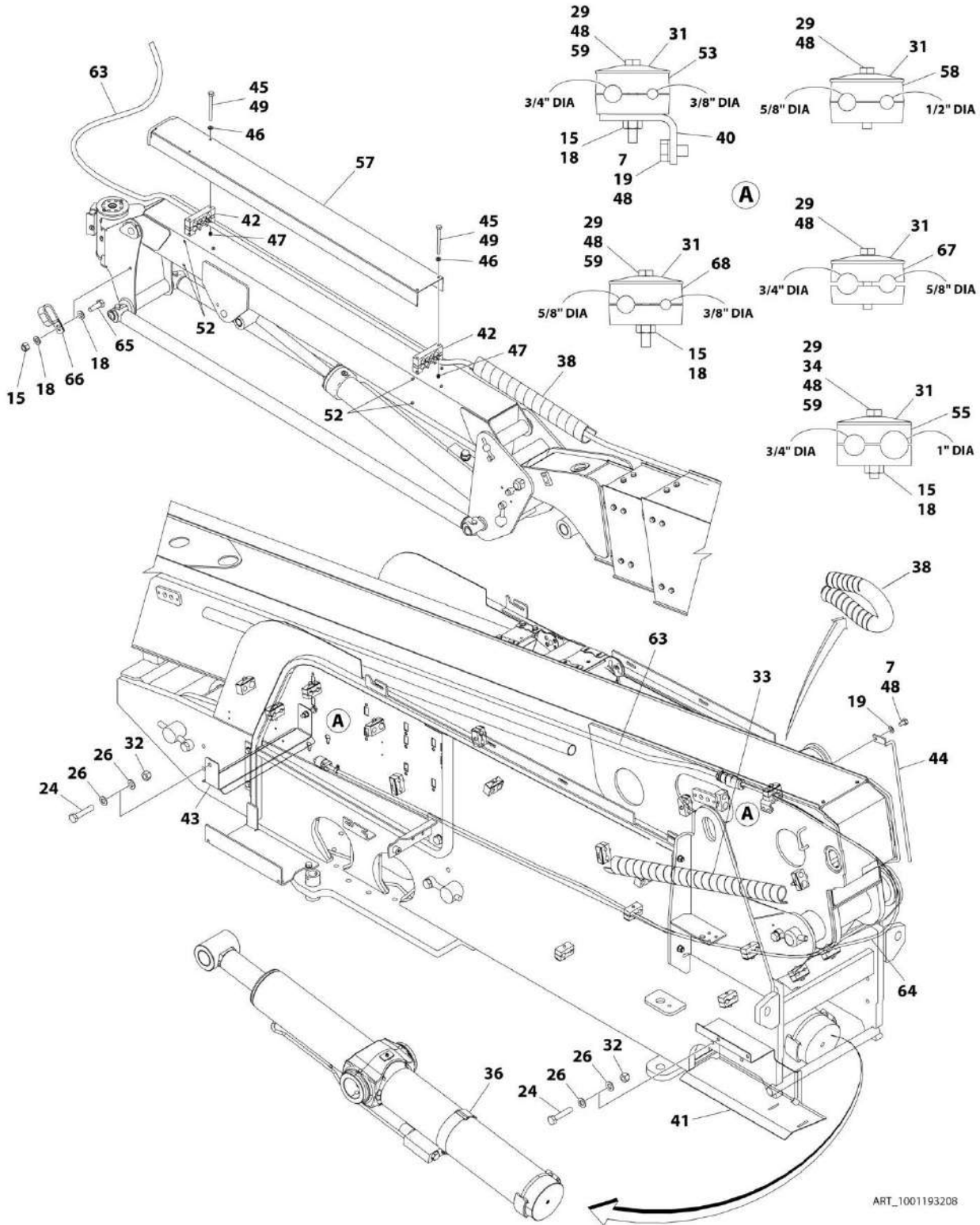
## SECTION 8 - ELECTRICAL

**FIGURE 8-20. AC CABLES AND CLAMPS INSTALLATION - WITHOUT GENERATOR (600SC) (ANSI & CSA SPECS)**

ITEM	PART NUMBER	QTY	DESCRIPTION	REV
	1001193207	Ref	AC CABLES AND CLAMPS INSTALLATION	K
1	1001211585	1	Bracket	
5	0761009	3	Bolt M10 x 18	
12	3290805	4	Nut M8	
14	4811900	5	Washer M8	
15	4812000	3	Washer M10	
16	1001146588	4	Tie-Strap (Not Shown)	
18	1001229637	1	Bracket	
19	0701220	4	Bolt M12 x 60	
20	3291205	4	Nut M12	
21	4812100	8	Washer M12	
24	0700818	16	Bolt M8 x 50	
25	0700822	2	Bolt M8 x 70	
26	0760814	2	Bolt M8 x 30	
27	77133137	19	Cover, Clamp	
28	1001204690	1	Shield, Tube	
29	5281918	1	Capscrew M8 x 70	
31	1001143645	2	Strap, Cinch	
34	1001199881	1	Support	
35	1001201342	1	Support	
36	1001202936	1	Guide	
37	0100011	AR	Compound, Locking	
38	3841340	1	Loop, Hose	
39	4240018	3	Tie-Strap (Not Shown)	
40	1001181923	AR	Shield, Tube	
41	1001209948	3	Clamp	
43	1001209951	6	Clamp	
45	1001209953	3	Clamp	
46	4240099	2	Tie-Strap (Not Shown)	
50	1001195227	1	AC Ground to Platform Cable (Upper)	
50	1001120204	1	Plug, Male	
51	1001195525	1	AC Ground to Platform Cable (Lower)	
51	1001120205	1	Receptacle, Female	
52	1001209949	3	Clamp	
53	1001228809	4	Clamp	

# SECTION 8 - ELECTRICAL

## FIGURE 8-21. AC CABLES AND CLAMPS INSTALLATION - WITHOUT GENERATOR (660SJC) (ANSI & CSA SPECS)



ART\_1001193208

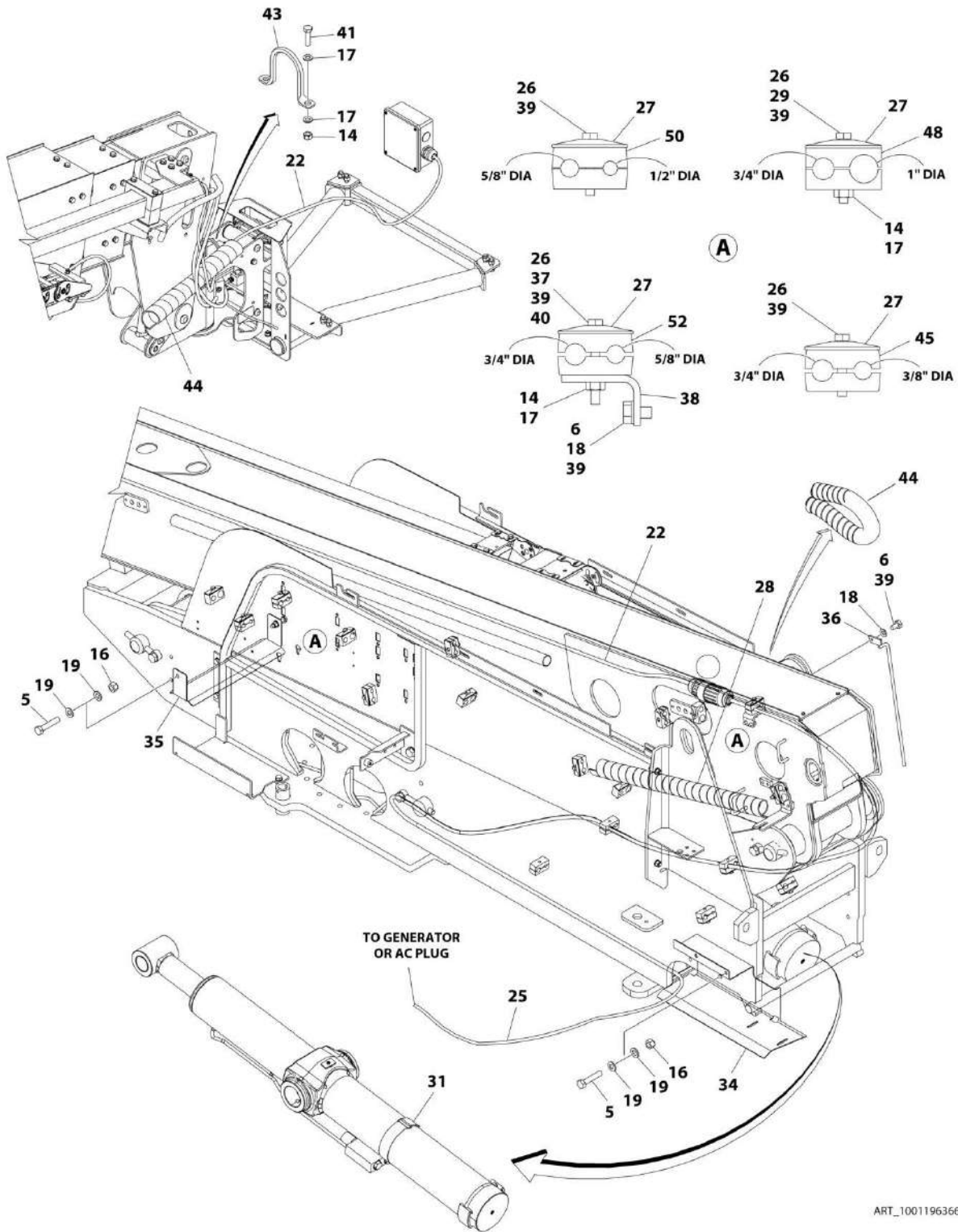
## SECTION 8 - ELECTRICAL

**FIGURE 8-21. AC CABLES AND CLAMPS INSTALLATION - WITHOUT GENERATOR (660SJC) (ANSI & CSA SPECS)**

ITEM	PART NUMBER	QTY	DESCRIPTION	REV
	1001193208	Ref	AC CABLES AND CLAMPS INSTALLATION	K
7	0761009	3	Bolt M10 x 18	
15	3290805	3	Nut M8	
18	4811900	3	Washer M8	
19	4812000	3	Washer M10	
20	1001146588	4	Tie-Strap (Not Shown)	
24	0701220	4	Bolt M12 x 60	
26	4812100	8	Washer M12	
29	0700818	16	Bolt M8 x 50	
31	77133137	19	Cover, Clamp	
32	3291205	4	Nut M12	
33	1001204690	1	Shield, Tube	
34	5281918	1	Capscrew M8 x 70	
36	1001143645	2	Strap, Cinch	
38	1001181923	AR	Shield, Tube	
40	1001229637	1	Bracket	
41	1001199881	1	Support	
42	1001201090	2	Block, Clamp	
43	1001201342	1	Support	
44	1001202936	1	Guide	
45	0641424	4	Bolt 1/4 x 3	
46	4811700	4	Washer M6	
47	2080044	4	Rivet - Nut 1/4	
48	0100011	AR	Compound, Locking	
49	0100035	AR	Compound, Locking	
51	4240018	4	Tie-Strap (Not Shown)	
52	3520034	8	Plug	
53	1001209948	3	Clamp	
55	1001209951	6	Clamp	
57	1001209957	1	Cover	
58	1001209953	3	Clamp	
59	0700822	2	Bolt M8 x 70	
63	1001195228	1	AC Ground to Platform Cable (Upper)	
63	1001120204	1	Plug, Male	
64	1001195525	1	AC Ground to Platform Cable (Lower)	
64	1001120205	1	Receptacle, Female	
65	0760812	1	Bolt M8 x 25	
66	1001116792	1	Clamp	
67	1001209949	3	Clamp	
68	1001228809	4	Clamp	

# SECTION 8 - ELECTRICAL

## FIGURE 8-22. AC CABLES AND CLAMPS INSTALLATION - WITH 2500W GENERATOR (600SC)



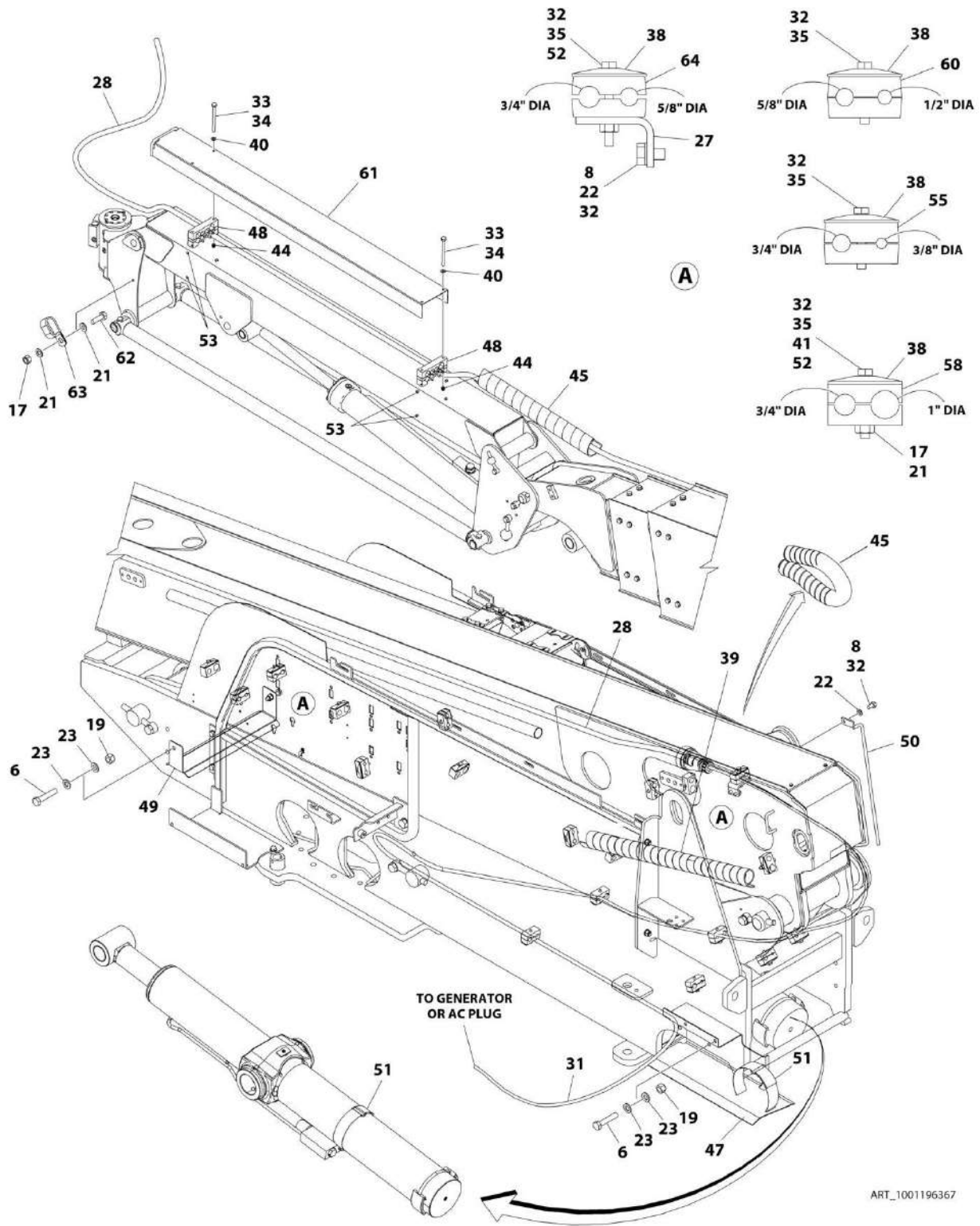
## SECTION 8 - ELECTRICAL

**FIGURE 8-22. AC CABLES AND CLAMPS INSTALLATION - WITH 2500W GENERATOR (600SC)**

ITEM	PART NUMBER	QTY	DESCRIPTION	REV
	1001196366	Ref	AC CABLES AND CLAMPS INSTALLATION	I
5	0701220	4	Bolt M12 x 60	
6	0761009	2	Bolt M10 x 18	
14	3290805	4	Nut M8	
16	3291205	4	Nut M12	
17	4811900	5	Washer M8	
18	4812000	3	Washer M10	
19	4812100	8	Washer M12	
20	1001146588	4	Tie-Strap (Not Shown)	
22	1001195225	1	AC Ground to Platform Cable (Upper)	
22	1001214095	1	Plug, Male	
25	1001196368	1	AC Ground to Platform Cable (Lower)	
25	1001214096	1	Receptacle, Female	
26	0700818	16	Bolt M8 x 50	
27	77133137	19	Cover, Clamp	
28	1001204690	1	Shield, Tube	
29	5281918	1	Capscrew M8 x 70	
31	1001143645	2	Strap, Cinch	
34	1001199881	1	Support	
35	1001201342	1	Support	
36	1001202936	1	Guide	
37	0700822	1	Bolt M8 x 70	
38	1001229637	1	Bracket	
39	0100011	AR	Compound, Locking	
40	0760822	1	Bolt M8 x 70	
41	0760814	2	Bolt M8 x 30	
42	4240018	3	Tie-Strap (Not Shown)	
43	3841340	1	Loop, Hose	
44	1001181923	AR	Shield, Tube	
45	1001209948	3	Clamp	
48	1001209951	6	Clamp	
50	1001209953	7	Clamp	
51	4240099	2	Tie-Strap (Not Shown)	
52	1001209949	3	Clamp	

# SECTION 8 - ELECTRICAL

## FIGURE 8-23. AC CABLES AND CLAMPS INSTALLATION - WITH 2500W GENERATOR (660SJC)





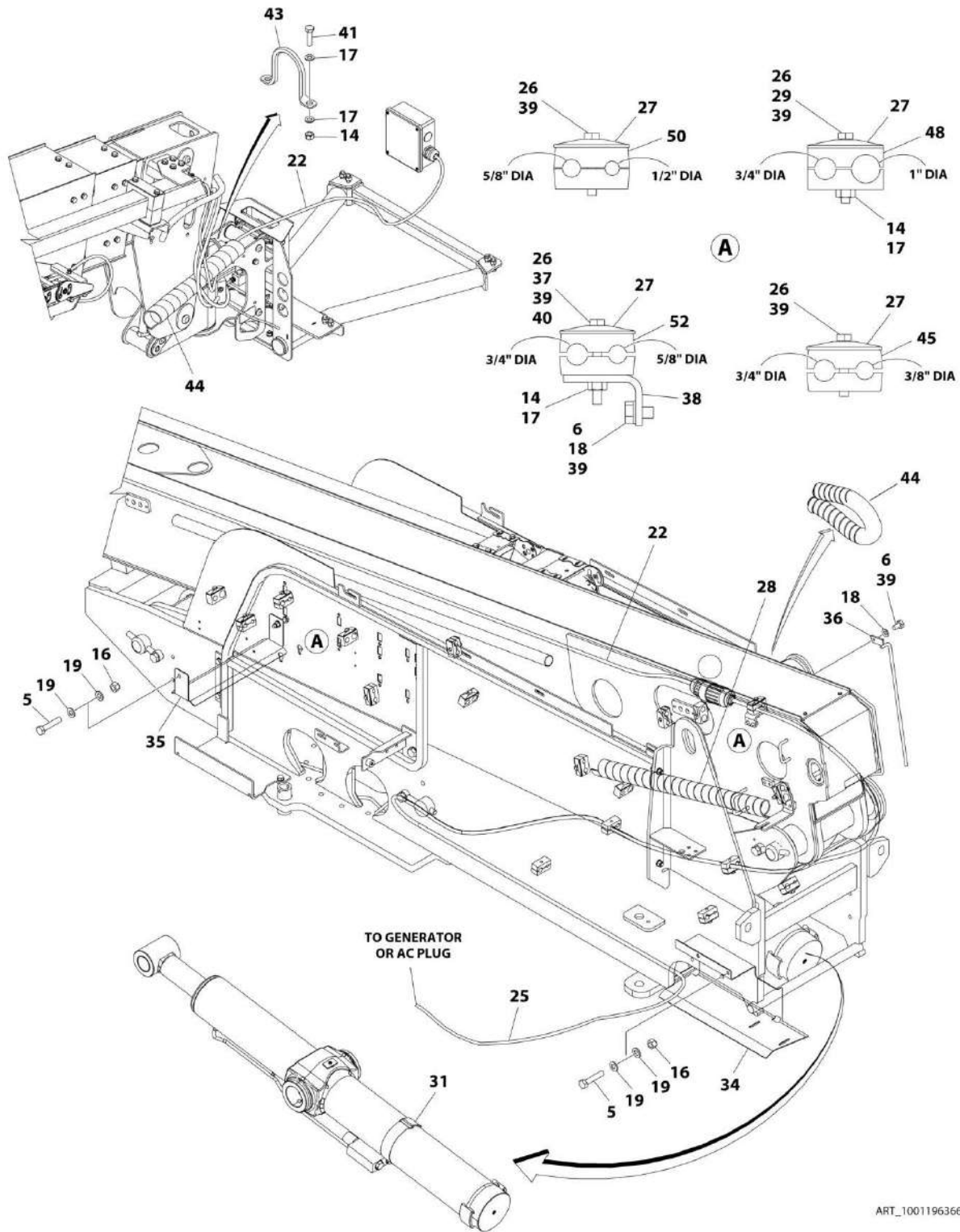
## SECTION 8 - ELECTRICAL

**FIGURE 8-23. AC CABLES AND CLAMPS INSTALLATION - WITH 2500W GENERATOR (660SJC)**

ITEM	PART NUMBER	QTY	DESCRIPTION	REV
	1001196367	Ref	AC CABLES AND CLAMPS INSTALLATION	I
6	0701220	4	Bolt M12 x 60	
8	0761009	3	Bolt M10 x 18	
17	3290805	4	Nut M8	
19	3291205	4	Nut M12	
21	4811900	5	Washer M8	
22	4812000	3	Washer M10	
23	4812100	8	Washer M12	
24	1001146588	4	Tie-Strap (Not Shown)	
27	1001229637	1	Bracket	
28	1001195226	1	AC Ground to Platform Cable (Upper)	
28	1001214095	1	Plug, Male	
31	1001196368	1	AC Ground to Platform Cable (Lower)	
31	1001214096	1	Receptacle, Female	
32	0100011	AR	Compound, Locking	
33	0100035	AR	Compound, Locking	
34	0641424	4	Bolt 1/4 x 3	
35	0700818	16	Bolt M8 x 50	
38	77133137	19	Cover, Clamp	
39	1001204690	1	Shield, Tube	
40	4811700	4	Washer M6	
41	5281918	1	Capscrew M8 x 70	
44	2080044	4	Rivet - Nut 1/4	
45	1001181923	AR	Shield, Tube	
47	1001199881	1	Support	
48	1001201090	2	Block, Clamp	
49	1001201342	1	Support	
50	1001202936	1	Guide	
51	1001143645	2	Strap, Cinch	
52	0700822	2	Bolt M8 x 70	
53	3520034	8	Plug	
54	4240018	4	Tie-Strap (Not Shown)	
55	1001209948	3	Clamp	
58	1001209951	6	Clamp	
60	1001209953	7	Clamp	
61	1001209957	1	Cover	
62	0760812	1	Bolt M8 x 25	
63	1001116792	1	Clamp	
64	1001209949	3	Clamp	

# SECTION 8 - ELECTRICAL

## FIGURE 8-24. AC CABLES AND CLAMPS INSTALLATION - WITH 4000W-50HZ GENERATOR (600SC)



ART\_1001196366

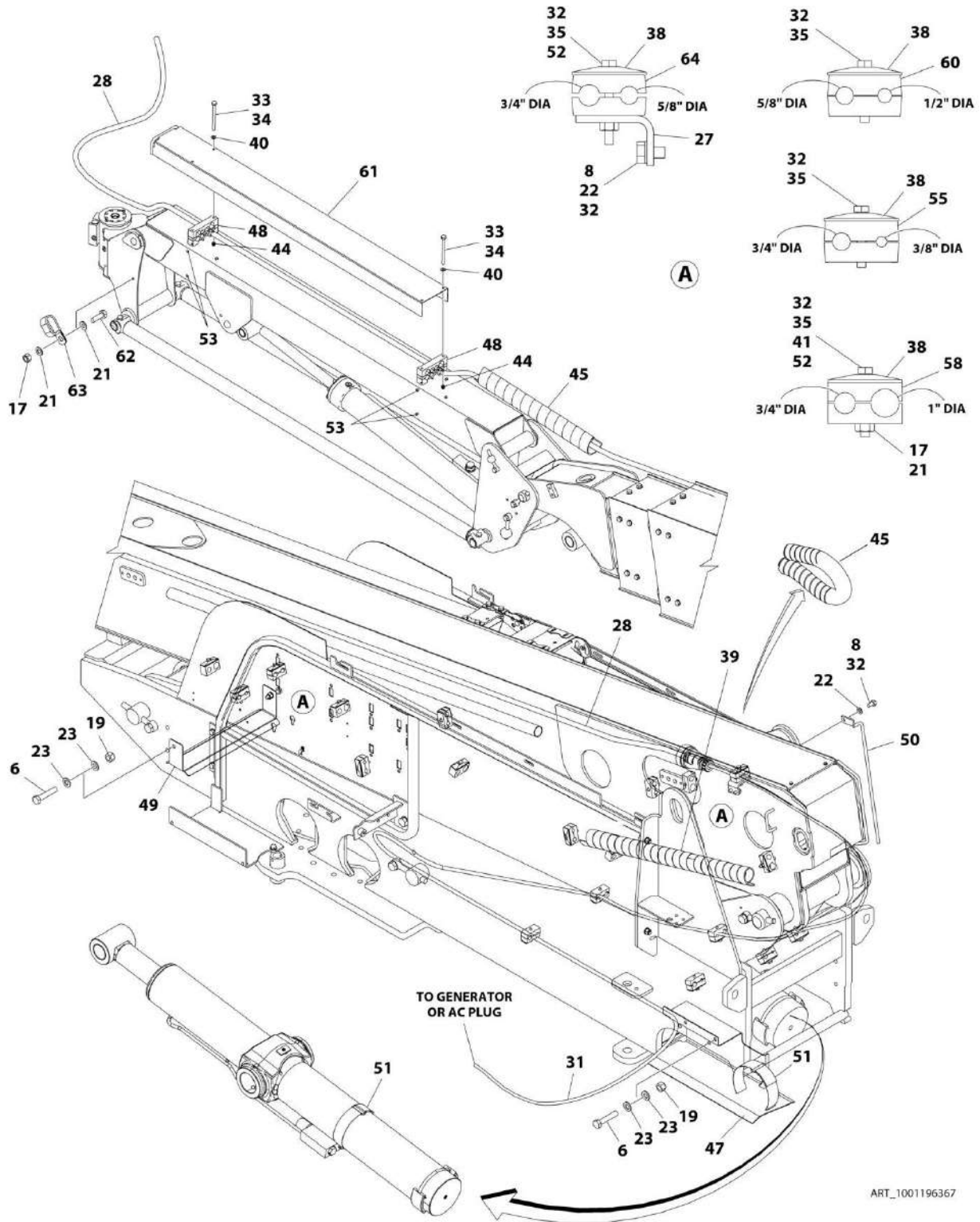
## SECTION 8 - ELECTRICAL

**FIGURE 8-24. AC CABLES AND CLAMPS INSTALLATION - WITH 4000W-50HZ GENERATOR (600SC)**

ITEM	PART NUMBER	QTY	DESCRIPTION	REV
	1001196366	Ref	AC CABLES AND CLAMPS INSTALLATION	I
5	0701220	4	Bolt M12 x 60	
6	0761009	2	Bolt M10 x 18	
14	3290805	4	Nut M8	
16	3291205	4	Nut M12	
17	4811900	5	Washer M8	
18	4812000	3	Washer M10	
19	4812100	8	Washer M12	
20	1001146588	4	Tie-Strap (Not Shown)	
22	1001195225	1	AC Ground to Platform Cable (Upper)	
22	1001214095	1	Plug, Male	
25	1001196368	1	AC Ground to Platform Cable (Lower)	
25	1001214096	1	Receptacle, Female	
26	0700818	16	Bolt M8 x 50	
27	77133137	19	Cover, Clamp	
28	1001204690	1	Shield, Tube	
29	5281918	1	Capscrew M8 x 70	
31	1001143645	2	Strap, Cinch	
34	1001199881	1	Support	
35	1001201342	1	Support	
36	1001202936	1	Guide	
37	0700822	1	Bolt M8 x 70	
38	1001229637	1	Bracket	
39	0100011	AR	Compound, Locking	
40	0760822	1	Bolt M8 x 70	
41	0760814	2	Bolt M8 x 30	
42	4240018	3	Tie-Strap (Not Shown)	
43	3841340	1	Loop, Hose	
44	1001181923	AR	Shield, Tube	
45	1001209948	3	Clamp	
48	1001209951	6	Clamp	
50	1001209953	7	Clamp	
51	4240099	2	Tie-Strap (Not Shown)	
52	1001209949	3	Clamp	

# SECTION 8 - ELECTRICAL

## FIGURE 8-25. AC CABLES AND CLAMPS INSTALLATION - WITH 4000W-50HZ GENERATOR (660SJC)



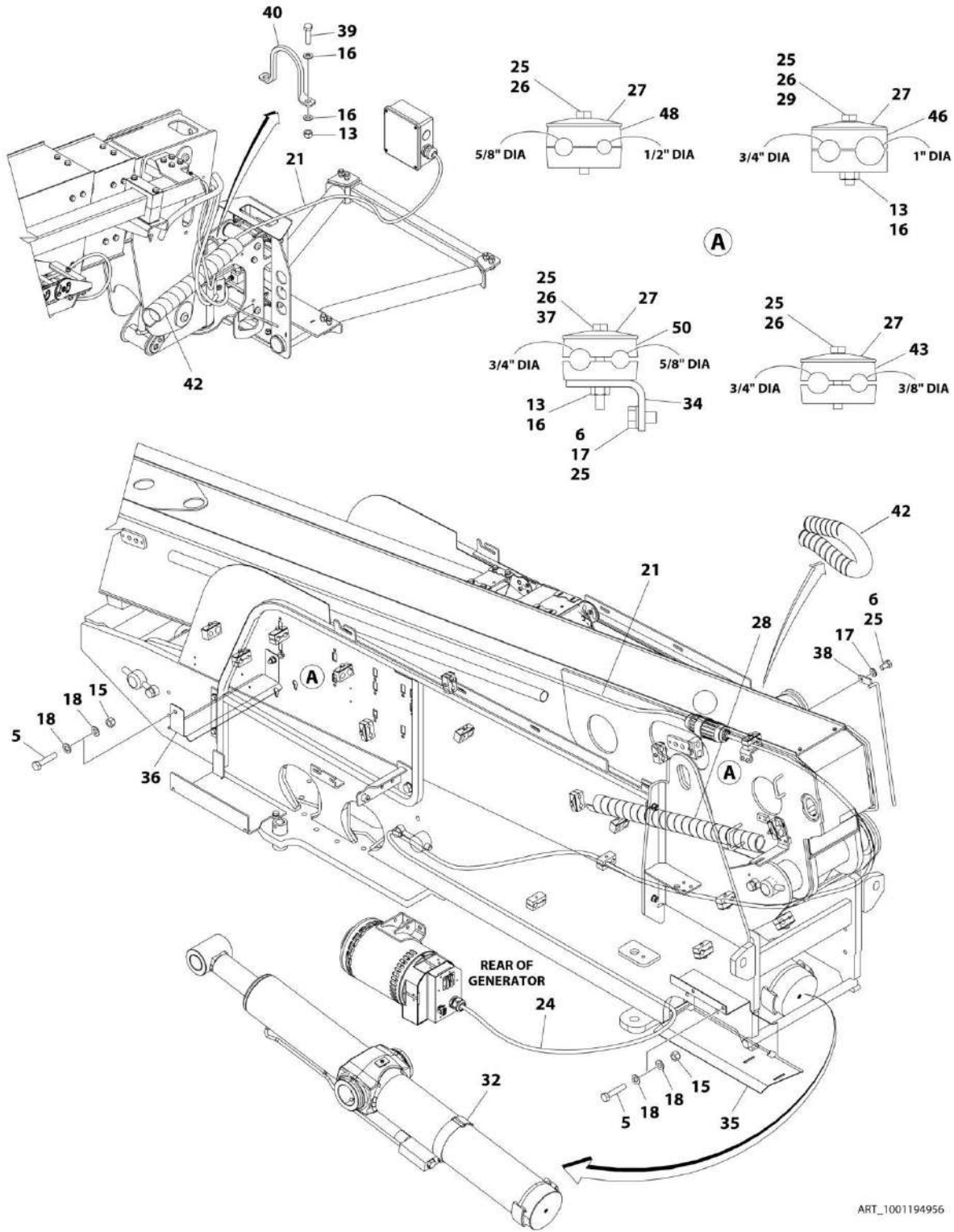
## SECTION 8 - ELECTRICAL

**FIGURE 8-25. AC CABLES AND CLAMPS INSTALLATION - WITH 4000W-50HZ GENERATOR  
(660SJC)**

ITEM	PART NUMBER	QTY	DESCRIPTION	REV
	1001196367	Ref	AC CABLES AND CLAMPS INSTALLATION	I
6	0701220	4	Bolt M12 x 60	
8	0761009	3	Bolt M10 x 18	
17	3290805	4	Nut M8	
19	3291205	4	Nut M12	
21	4811900	5	Washer M8	
22	4812000	3	Washer M10	
23	4812100	8	Washer M12	
24	1001146588	4	Tie-Strap (Not Shown)	
27	1001229637	1	Bracket	
28	1001195226	1	AC Ground to Platform Cable (Upper)	
28	1001214095	1	Plug, Male	
31	1001196368	1	AC Ground to Platform Cable (Lower)	
31	1001214096	1	Receptacle, Female	
32	0100011	AR	Compound, Locking	
33	0100035	AR	Compound, Locking	
34	0641424	4	Bolt 1/4 x 3	
35	0700818	16	Bolt M8 x 50	
38	77133137	19	Cover, Clamp	
39	1001204690	1	Shield, Tube	
40	4811700	4	Washer M6	
41	5281918	1	Capscrew M8 x 70	
44	2080044	4	Rivet - Nut 1/4	
45	1001181923	AR	Shield, Tube	
47	1001199881	1	Support	
48	1001201090	2	Block, Clamp	
49	1001201342	1	Support	
50	1001202936	1	Guide	
51	1001143645	2	Strap, Cinch	
52	0700822	2	Bolt M8 x 70	
53	3520034	8	Plug	
54	4240018	4	Tie-Strap (Not Shown)	
55	1001209948	3	Clamp	
58	1001209951	6	Clamp	
60	1001209953	7	Clamp	
61	1001209957	1	Cover	
62	0760812	1	Bolt M8 x 25	
63	1001116792	1	Clamp	
64	1001209949	3	Clamp	

# SECTION 8 - ELECTRICAL

FIGURE 8-26. AC CABLES AND CLAMPS INSTALLATION - WITH 4000W-60HZ GENERATOR (600SC)



ART\_1001194956

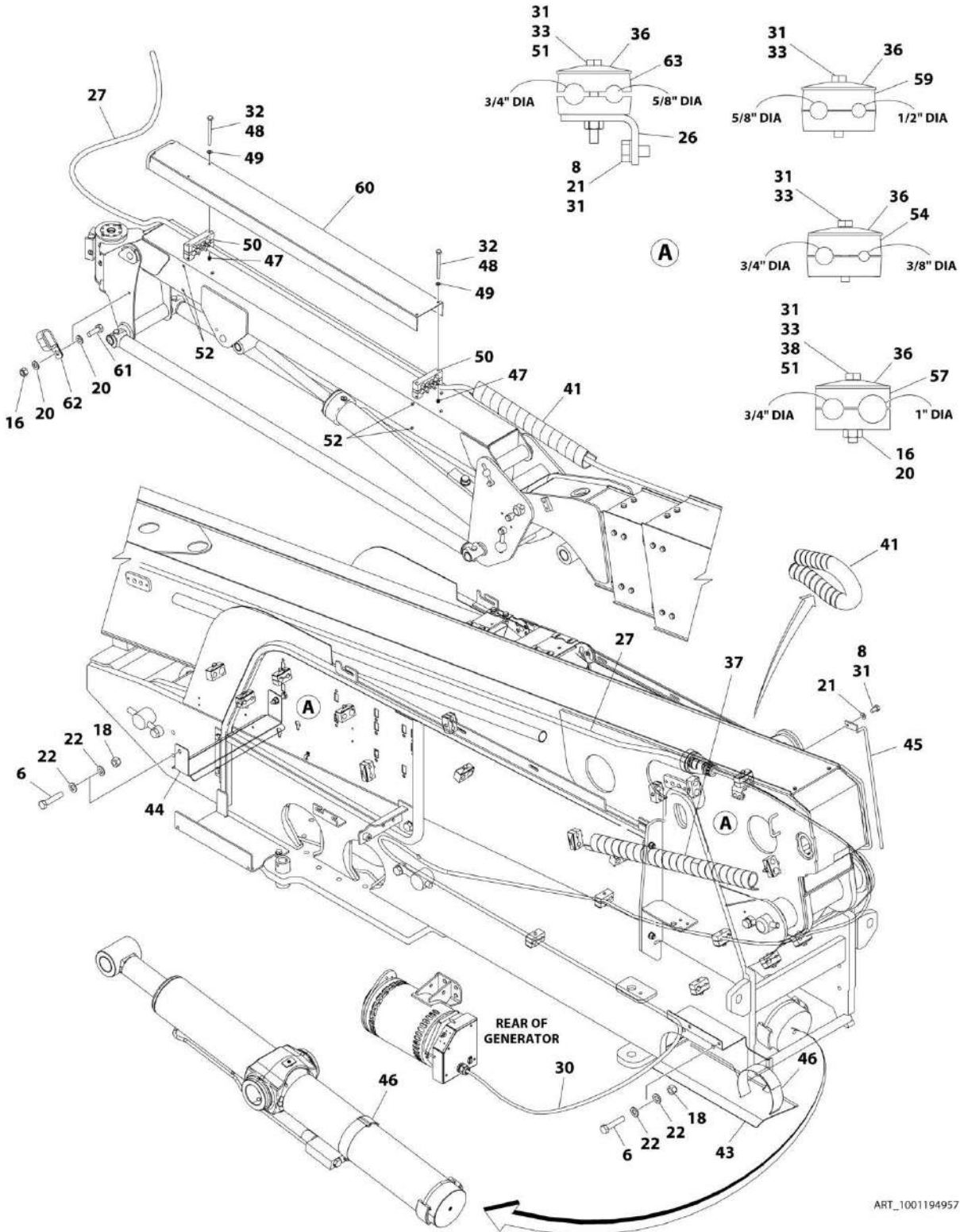
## SECTION 8 - ELECTRICAL

**FIGURE 8-26. AC CABLES AND CLAMPS INSTALLATION - WITH 4000W-60HZ GENERATOR (600SC)**

ITEM	PART NUMBER	QTY	DESCRIPTION	REV
	1001194956	Ref	AC CABLES AND CLAMPS INSTALLATION	I
5	0701220	4	Bolt M12 x 60	
6	0761009	3	Bolt M10 x 18	
13	3290805	4	Nut M8	
15	3291205	4	Nut M12	
16	4811900	5	Washer M8	
17	4812000	3	Washer M10	
18	4812100	8	Washer M12	
19	1001146588	4	Tie-Strap (Not Shown)	
21	1001228186	1	AC Ground to Platform Cable (Upper)	
21	4460959	1	Plug, Male	
21	1671093	1	Cover, Plug	
24	1001228188	1	AC Ground to Platform Cable (Lower)	
24	4460960	1	Receptacle, Female	
24	1671092	1	Cover, Receptacle	
25	0100011	AR	Compound, Locking	
26	0700818	16	Bolt M8 x 50	
27	77133137	19	Cover, Clamp	
28	1001204690	1	Shield, Tube	
29	5281918	1	Capscrew M8 x 70	
32	1001143645	2	Strap, Cinch	
34	1001229637	1	Bracket	
35	1001199881	1	Support	
36	1001201342	1	Support	
37	0700822	2	Bolt M8 x 70	
38	1001202936	1	Guide	
39	0760814	2	Bolt M8 x 30	
40	3841340	1	Loop, Hose	
41	4240018	3	Tie-Strap (Not Shown)	
42	1001181923	AR	Shield, Tube	
43	1001209948	3	Clamp	
46	1001209951	6	Clamp	
48	1001209953	7	Clamp	
49	4240099	2	Tie-Strap (Not Shown)	
50	1001209949	3	Clamp	

# SECTION 8 - ELECTRICAL

## FIGURE 8-27. AC CABLES AND CLAMPS INSTALLATION - WITH 4000W-60HZ GENERATOR (660SJC)





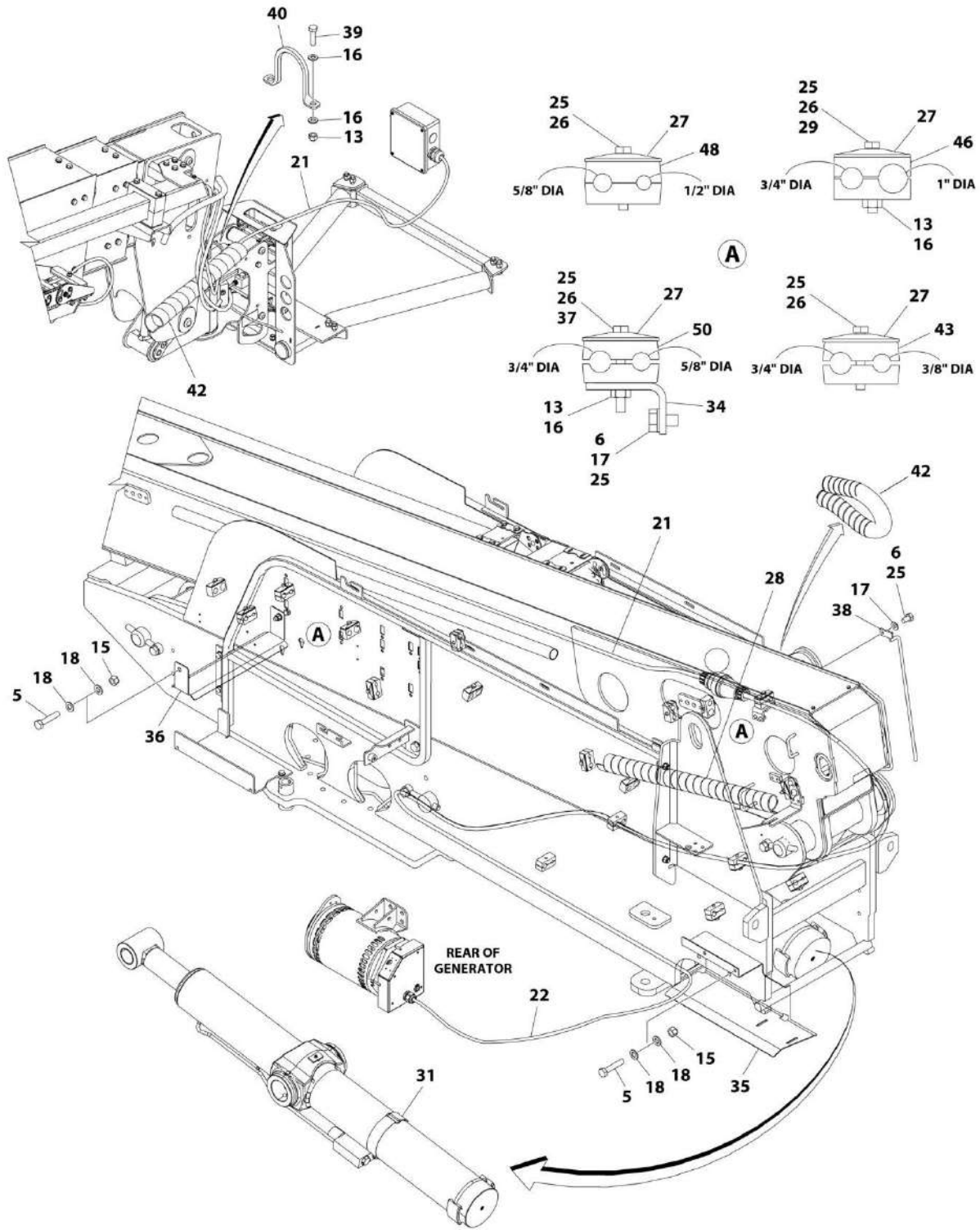
## SECTION 8 - ELECTRICAL

**FIGURE 8-27. AC CABLES AND CLAMPS INSTALLATION - WITH 4000W-60HZ GENERATOR  
(660SJC)**

ITEM	PART NUMBER	QTY	DESCRIPTION	REV
	1001194957	Ref	AC CABLES AND CLAMPS INSTALLATION	I
6	0701220	4	Bolt M12 x 60	
8	0761009	3	Bolt M10 x 18	
16	3290805	4	Nut M8	
18	3291205	4	Nut M12	
20	4811900	5	Washer M8	
21	4812000	3	Washer M10	
22	4812100	8	Washer M12	
23	1001146588	4	Tie-Strap (Not Shown)	
26	1001229637	1	Bracket	
27	1001228187	1	AC Ground to Platform Cable (Upper)	
27	4460959	1	Plug, Male	
27	1671093	1	Cover, Plug	
30	1001228188	1	AC Ground to Platform Cable (Lower)	
30	4460960	1	Receptacle, Female	
30	1671092	1	Cover, Receptacle	
31	0100011	AR	Compound, Locking	
32	0100035	AR	Compound, Locking	
33	0700818	16	Bolt M8 x 50	
36	77133137	19	Cover, Clamp	
37	1001204690	1	Shield, Tube	
38	5281918	1	Capscrew M8 x 70	
41	1001181923	AR	Shield, Tube	
43	1001199881	1	Support	
44	1001201342	1	Support	
45	1001202936	1	Guide	
46	1001143645	2	Strap, Cinch	
47	2080044	4	Rivet - Nut 1/4	
48	0641424	4	Bolt 1/4 x 3	
49	4811700	4	Washer M6	
50	1001201090	2	Block, Clamp	
51	0700822	2	Bolt M8 x 70	
52	3520034	8	Plug	
53	4240018	4	Tie-Strap (Not Shown)	
54	1001209948	3	Clamp	
57	1001209951	6	Clamp	
59	1001209953	7	Clamp	
60	1001209957	1	Cover	
61	0760812	1	Bolt M8 x 25	
62	1001116792	1	Clamp	
63	1001209949	3	Clamp	

# SECTION 8 - ELECTRICAL

## FIGURE 8-28. AC CABLES AND CLAMPS INSTALLATION - WITH 7500W SKYPOWER GENERATOR (600SC)



ART\_1001194961

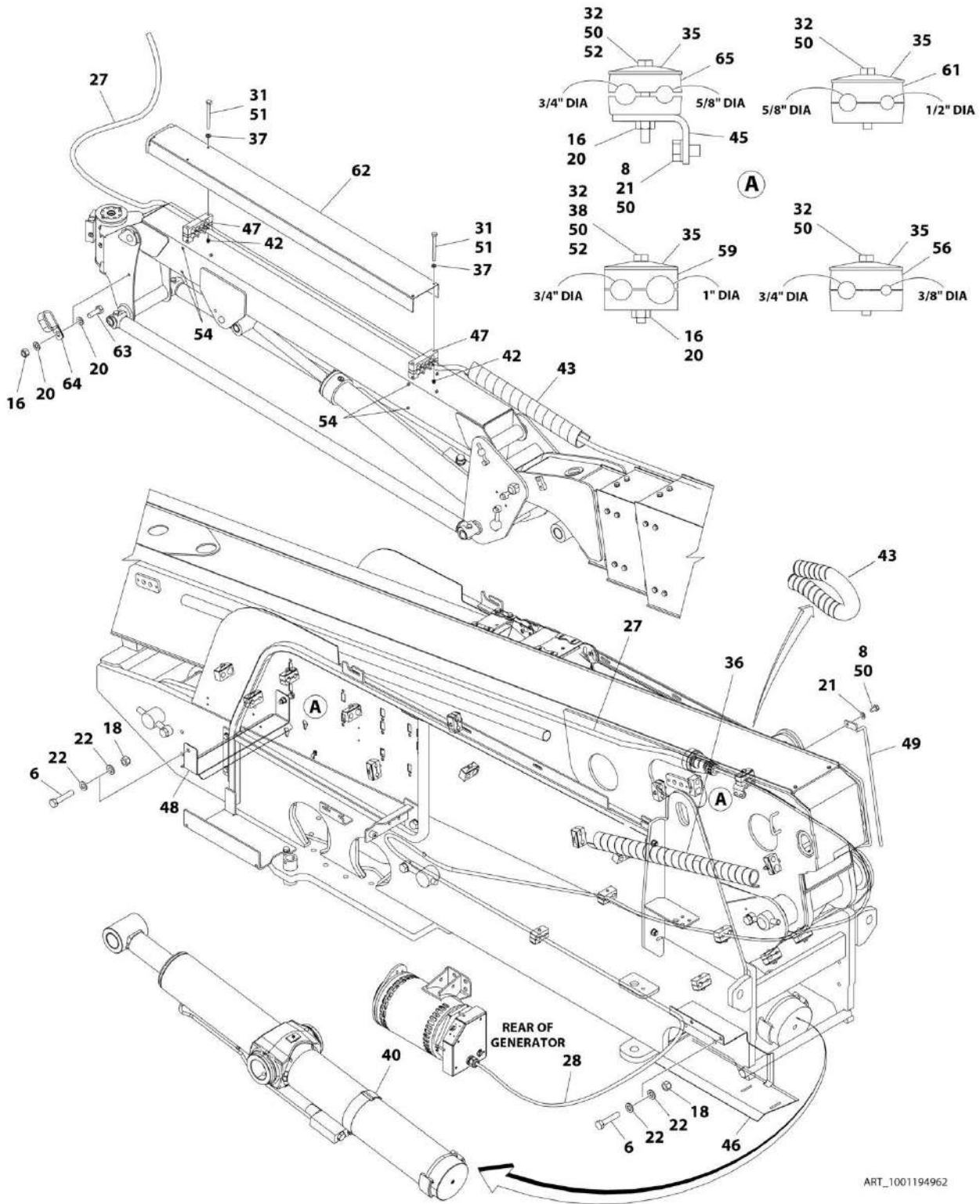
## SECTION 8 - ELECTRICAL

**FIGURE 8-28. AC CABLES AND CLAMPS INSTALLATION - WITH 7500W SKYPOWER GENERATOR  
(600SC)**

ITEM	PART NUMBER	QTY	DESCRIPTION	REV
	1001194961	Ref	AC CABLES AND CLAMPS INSTALLATION	J
5	0701220	4	Bolt M12 x 60	
6	0761009	3	Bolt M10 x 18	
13	3290805	4	Nut M8	
15	3291205	4	Nut M12	
16	4811900	5	Washer M8	
17	4812000	3	Washer M10	
18	4812100	8	Washer M12	
19	1001146588	4	Tie-Strap (Not Shown)	
21	1001195229	1	AC Ground to Platform Cable (Upper)	
21	4460959	1	Plug, Male	
21	1671093	1	Cover, Plug	
22	1001195357	1	AC Ground to Platform Cable (Lower)	
22	4460960	1	Receptacle, Female	
22	1671092	1	Cover, Female	
25	0100011	AR	Compound, Locking	
26	0700818	16	Bolt M8 x 50	
27	77133137	19	Cover, Clamp	
28	1001204690	1	Shield, Tube	
29	5281918	1	Capscrew M8 x 70	
31	1001143645	2	Strap, Cinch	
34	1001229637	1	Bracket	
35	1001199881	1	Support	
36	1001201342	1	Support	
37	0700822	2	Bolt M8 x 70	
38	1001202936	1	Guide	
39	0760814	2	Bolt M8 x 30	
40	3841340	1	Loop, Hose	
41	4240018	3	Tie-Strap (Not Shown)	
42	1001181923	AR	Shield, Tube	
43	1001209948	3	Clamp	
46	1001209951	6	Clamp	
48	1001209953	3	Clamp	
49	4240099	2	Tie-Strap (Not Shown)	
50	1001209949	7	Clamp	

# SECTION 8 - ELECTRICAL

## FIGURE 8-29. AC CABLES AND CLAMPS INSTALLATION - WITH 7500W SKYPOWER GENERATOR (660SJC)



ART\_1001194962

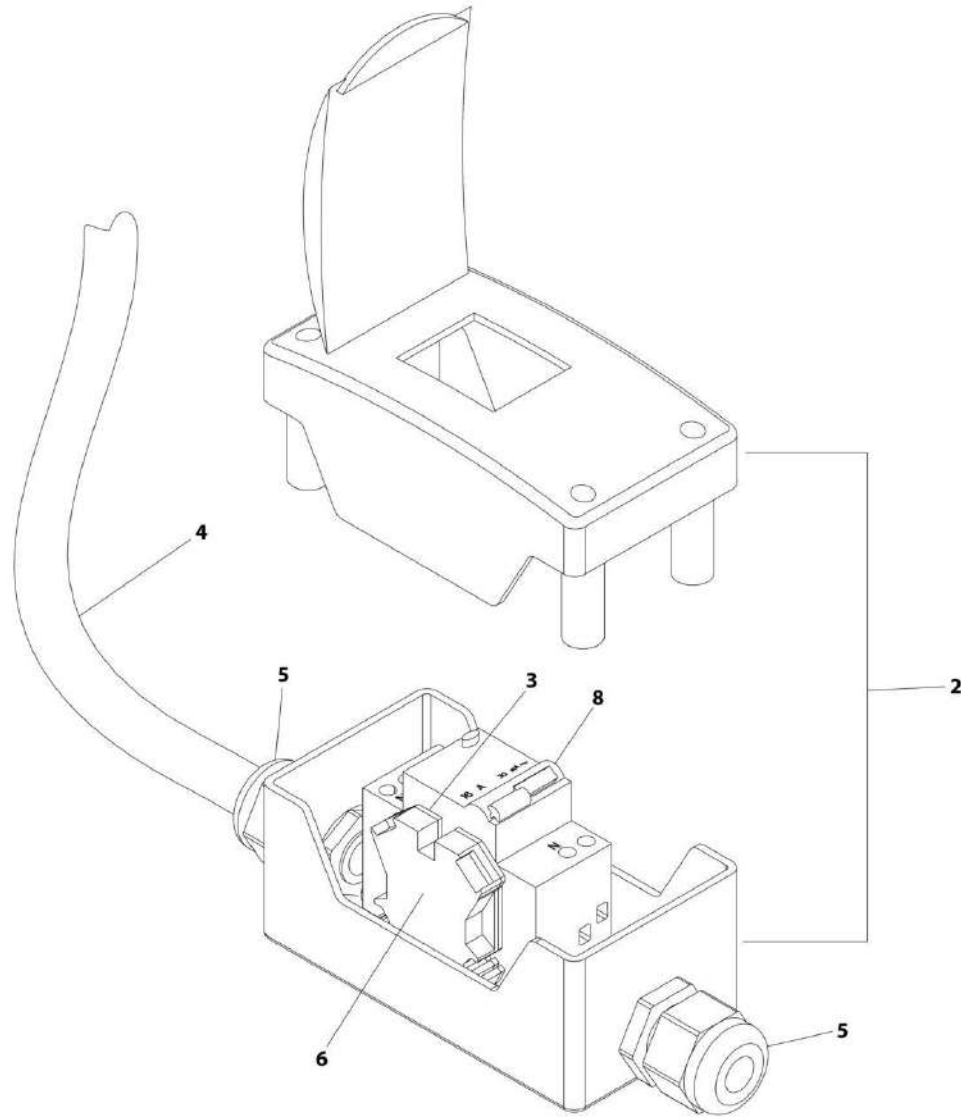
## SECTION 8 - ELECTRICAL

**FIGURE 8-29. AC CABLES AND CLAMPS INSTALLATION - WITH 7500W SKYPOWER GENERATOR  
(660SJC)**

ITEM	PART NUMBER	QTY	DESCRIPTION	REV
	1001194962	Ref	AC CABLES AND CLAMPS INSTALLATION	J
6	0701220	4	Bolt M12 x 60	
8	0761009	3	Bolt M10 x 18	
16	3290805	4	Nut M8	
18	3291205	4	Nut M12	
20	4811900	5	Washer M8	
21	4812000	3	Washer M10	
22	4812100	8	Washer M12	
23	1001146588	4	Tie-Strap (Not Shown)	
27	1001227075	1	AC Ground to Platform Cable (Upper)	
27	4460959	1	Plug, Male	
27	1671093	1	Cover, Plug	
28	1001226304	1	AC Ground to Platform Cable (Lower)	
28	4460960	1	Receptacle, Female	
28	1671092	1	Cover, Receptacle	
31	0641424	4	Bolt 1/4 x 3	
32	0700818	16	Bolt M8 x 50	
35	77133137	19	Cover, Clamp	
36	1001204690	1	Shield, Tube	
37	4811700	4	Washer M6	
38	5281918	1	Capscrew M8 x 70	
40	1001143645	2	Strap, Cinch	
42	2080044	4	Rivet - Nut 1/4	
43	1001181923	AR	Shield, Tube	
45	1001229637	1	Bracket	
46	1001199881	1	Support	
47	1001201090	2	Block, Clamp	
48	1001201342	1	Support	
49	1001202936	1	Guide	
50	0100011	AR	Compound, Locking	
51	0100035	AR	Compound, Locking	
52	0700822	2	Bolt M8 x 70	
54	3520034	8	Plug	
55	4240018	4	Tie-Strap (Not Shown)	
56	1001209948	3	Clamp	
59	1001209951	6	Clamp	
61	1001209953	3	Clamp	
62	1001209957	1	Cover	
63	0760812	1	Bolt M8 x 25	
64	1001116792	1	Clamp	
65	1001209949	7	Clamp	
66	0700819	1	Bolt M8 x 55 (Not Shown)	

# SECTION 8 - ELECTRICAL

FIGURE 8-30. BREAKER BOX KIT - SINGLE DOUBLE POLE BREAKER (WITHOUT 4000W/50HZ GENERATOR)



ART\_2902549

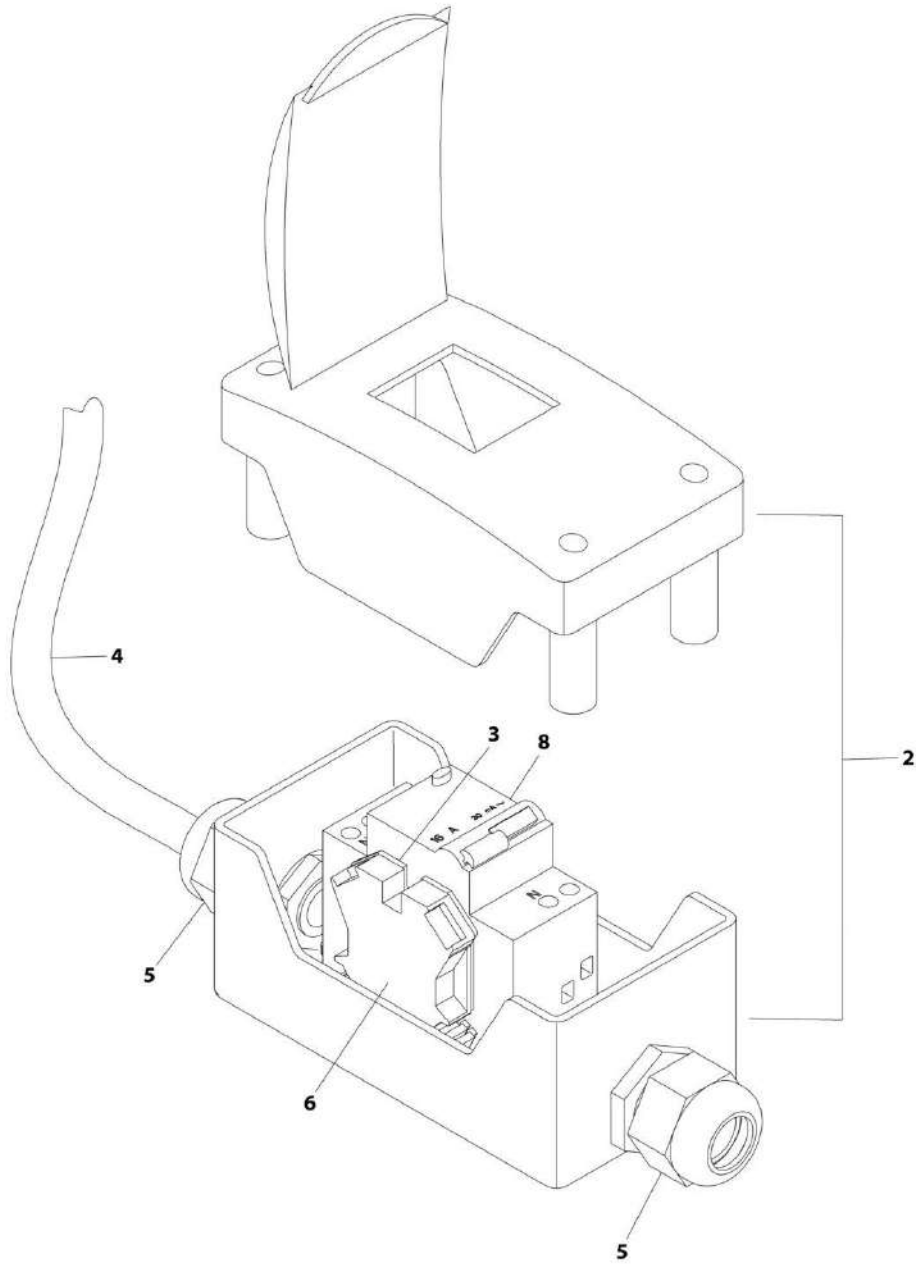
## SECTION 8 - ELECTRICAL

**FIGURE 8-30. BREAKER BOX KIT - SINGLE DOUBLE POLE BREAKER (WITHOUT 4000W/50HZ GENERATOR)**

ITEM	PART NUMBER	QTY	DESCRIPTION	REV
	2902549	Ref	BREAKER BOX KIT	F
2	0861880	1	Box	
3	4460956	1	Barrier, Terminal	
4	1060908	6 ft/ 1.8m	Cable, 12/3	
5	1001097150	2	Connector, Strain Relief	
6	4460957	1	Block, Terminal	
8	1001181045	1	Breaker, 16Amp	

# SECTION 8 - ELECTRICAL

FIGURE 8-31. BREAKER BOX KIT - SINGLE DOUBLE POLE BREAKER (WITH 4000W/50HZ GENERATOR)



ART\_1001096070



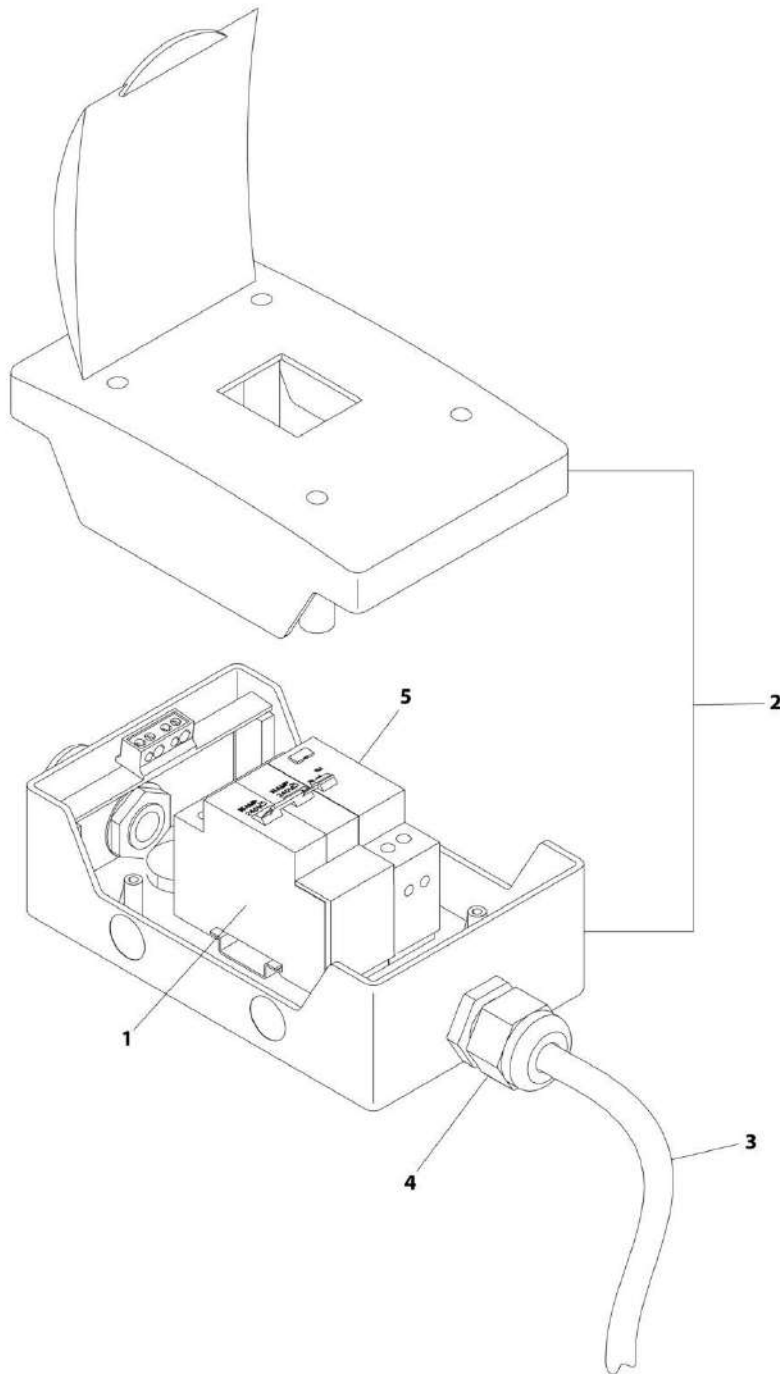
## SECTION 8 - ELECTRICAL

**FIGURE 8-31. BREAKER BOX KIT - SINGLE DOUBLE POLE BREAKER (WITH 4000W/50HZ GENERATOR)**

ITEM	PART NUMBER	QTY	DESCRIPTION	REV
	1001096070	Ref	BREAKER BOX KIT	E
2	0861880	1	Box, Breaker	
3	4460956	1	Barrier, Terminal Block End	
4	1060908	12 ft/3.6m	Cable, Electrical 12/3	
5	1001097150	2	Connector, Strain Relief	
6	4460957	1	Block, Terminal	
8	1001181045	1	Breaker, Double 30mA/16Amp	

## SECTION 8 - ELECTRICAL

FIGURE 8-32. BREAKER BOX KIT - 3 BREAKERS (SN 0300236299 through 0300241590)



ART\_1001152485

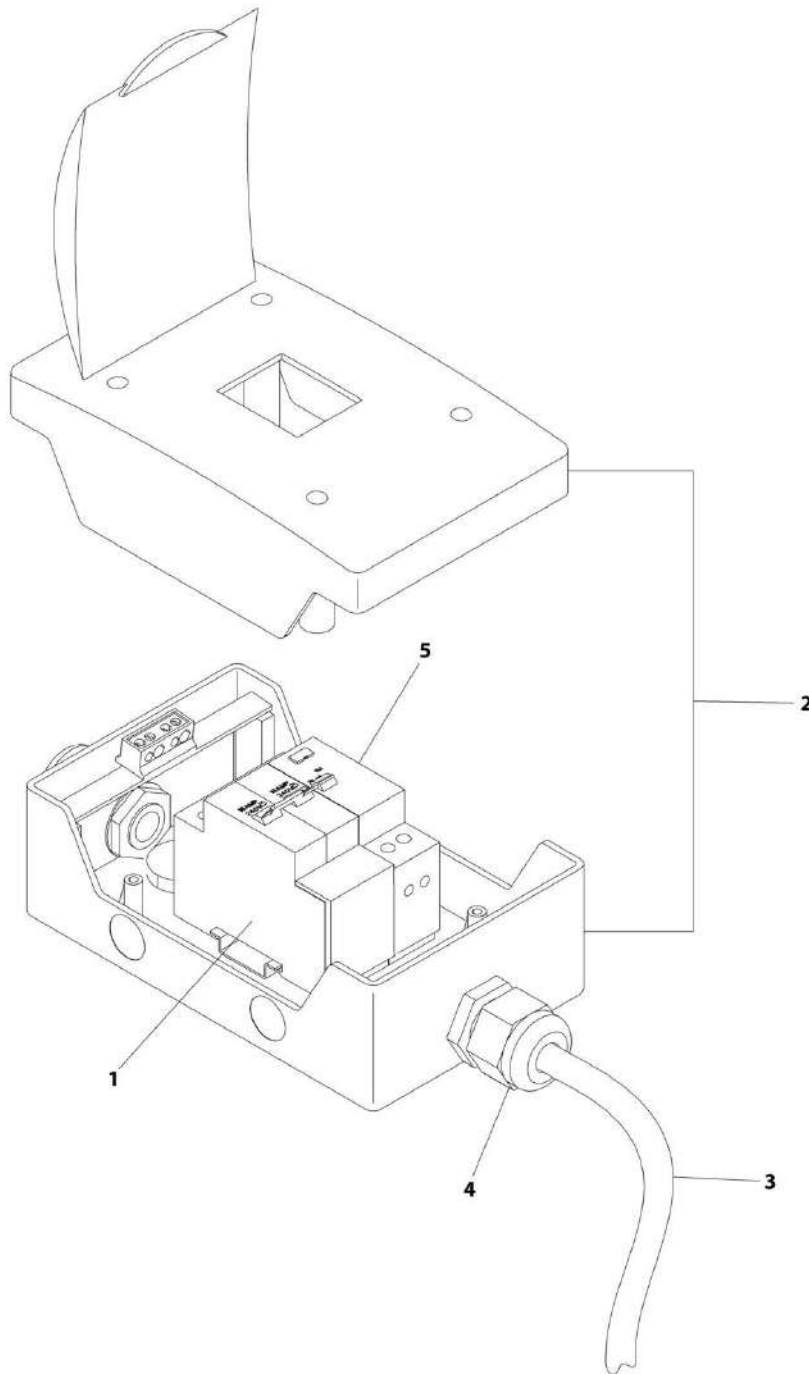
## SECTION 8 - ELECTRICAL

**FIGURE 8-32. BREAKER BOX KIT - 3 BREAKERS (SN 0300236299 through 0300241590)**

ITEM	PART NUMBER	QTY	DESCRIPTION	REV
	1001152485	Ref	BREAKER BOX KIT	A
1	1001152479	1	Breaker, 16 Amp (Double)	
2	1001152483	1	Box	
3	1060908	6 ft/1.8m	Cable, 12/3	
4	1001097150	1	Connector, Strain Relief	
5	1001152482	1	Breaker, 30mA	

# SECTION 8 - ELECTRICAL

FIGURE 8-33. BREAKER BOX KIT - 3 BREAKERS (SN 0300241591 to Present)



ART\_1001152486

## SECTION 8 - ELECTRICAL

**FIGURE 8-33. BREAKER BOX KIT - 3 BREAKERS (SN 0300241591 to Present)**

ITEM	PART NUMBER	QTY	DESCRIPTION	REV
	1001152486	Ref	BREAKER BOX KIT	A
1	1001152479	1	Breaker, 16 Amp (Double)	
2	1001152483	1	Box	
3	1060908	12 ft / 3.66m	Cable, 12/3	
4	1001097150	1	Connector, Strain Relief	
5	1001152482	1	Breaker, 30mA	

# SECTION 8 - ELECTRICAL

## FIGURE 8-34. BOOM ANGLE SENSOR HARNESS



ART\_1001189005

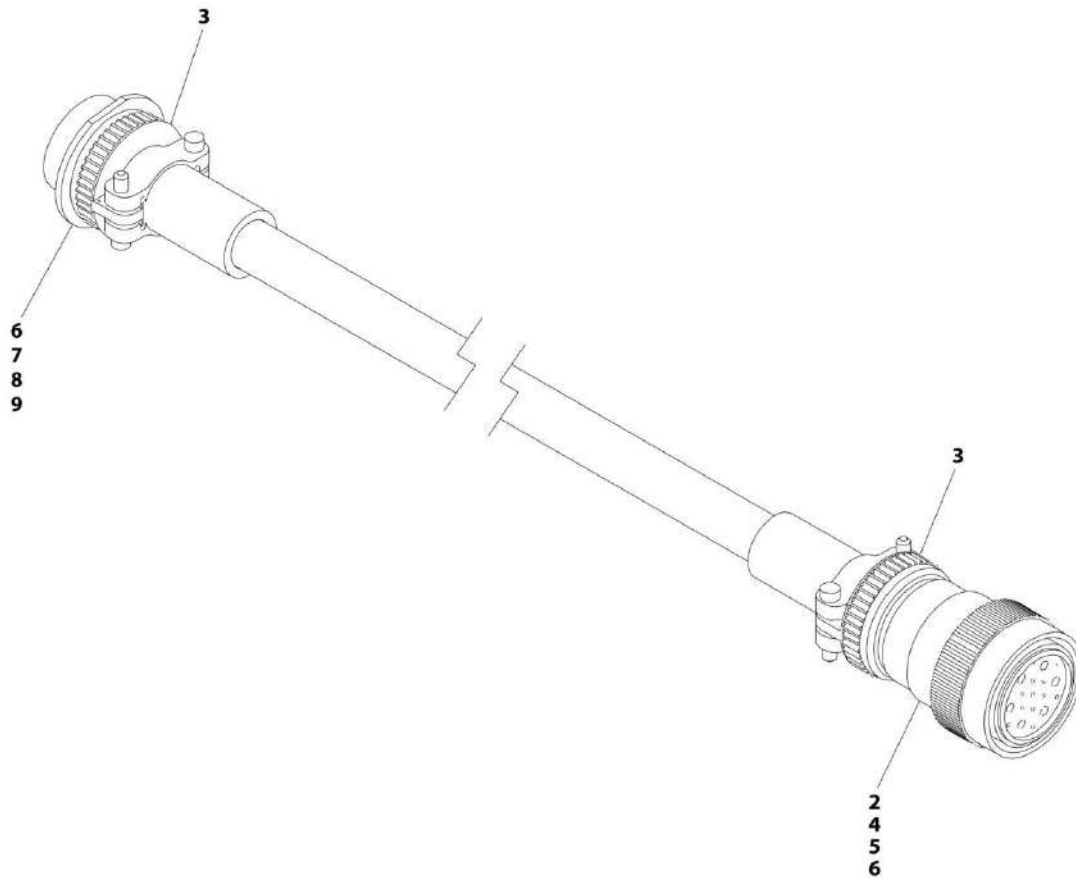
## SECTION 8 - ELECTRICAL

### FIGURE 8-34. BOOM ANGLE SENSOR HARNESS

ITEM	PART NUMBER	QTY	DESCRIPTION	REV
	1001189005	Ref	BOOM ANGLE SENSOR HARNESS	D
1	1001230931	1	Plug, Male - 6 Position	
1	1001116748	6	Terminal	
2	4460932	1	Receptacle, Female - 4 Position	
2	4460464	4	Pin, Male	

# SECTION 8 - ELECTRICAL

## FIGURE 8-35. BOOM CABLE - LOWER



ART\_1001206082



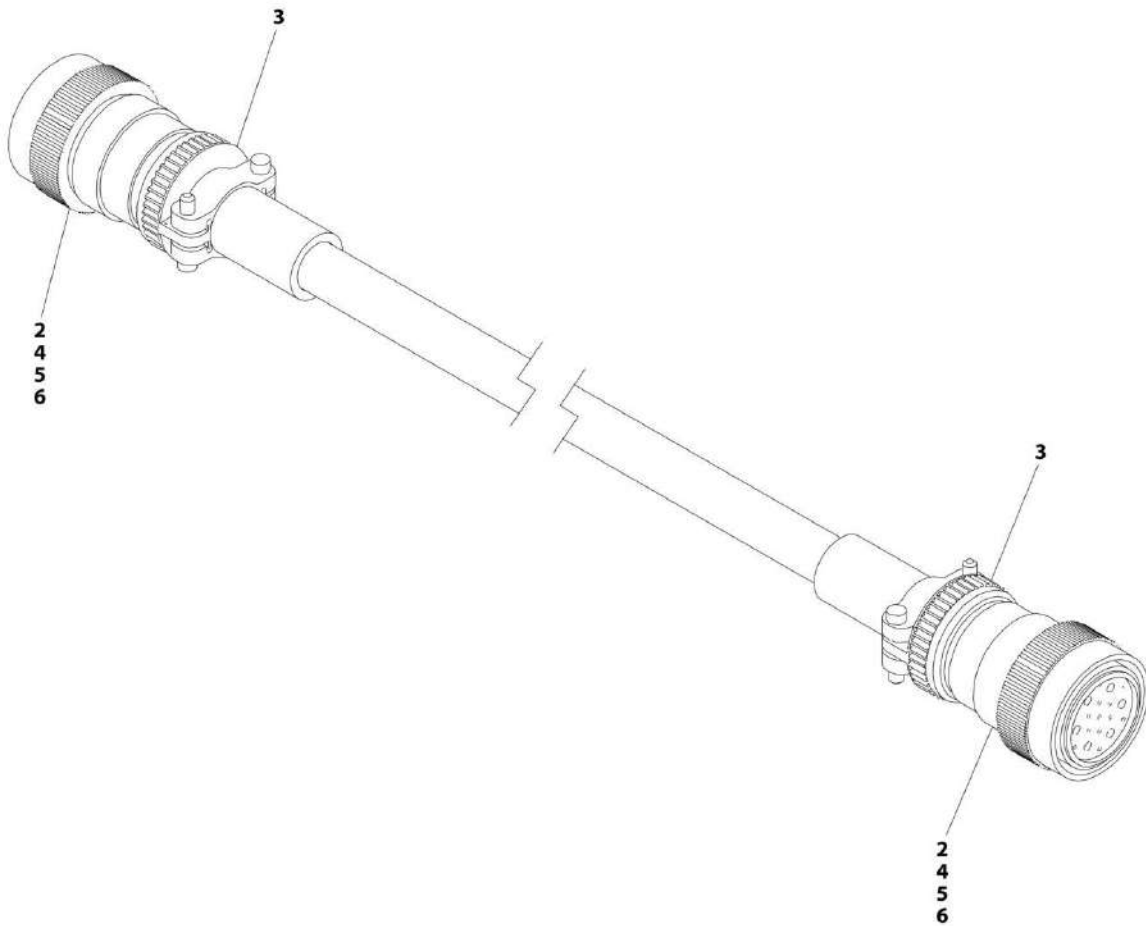
## SECTION 8 - ELECTRICAL

### FIGURE 8-35. BOOM CABLE - LOWER

ITEM	PART NUMBER	QTY	DESCRIPTION	REV
	1001206082	Ref	BOOM CABLE	C
2	4460865	1	Connector - 19 Position	
3	4460473	2	Clamp	
4	4460465	10	Socket, Female	
5	4460509	4	Socket, Female	
6	4460466	10	Plug, Socket	
7	4460866	1	Connector - 19 Position	
8	4460508	4	Pin, Male	
9	4460464	10	Pin, Male	

# SECTION 8 - ELECTRICAL

## FIGURE 8-36. BOOM CABLE - UPPER (600SC)



ART\_1001188533

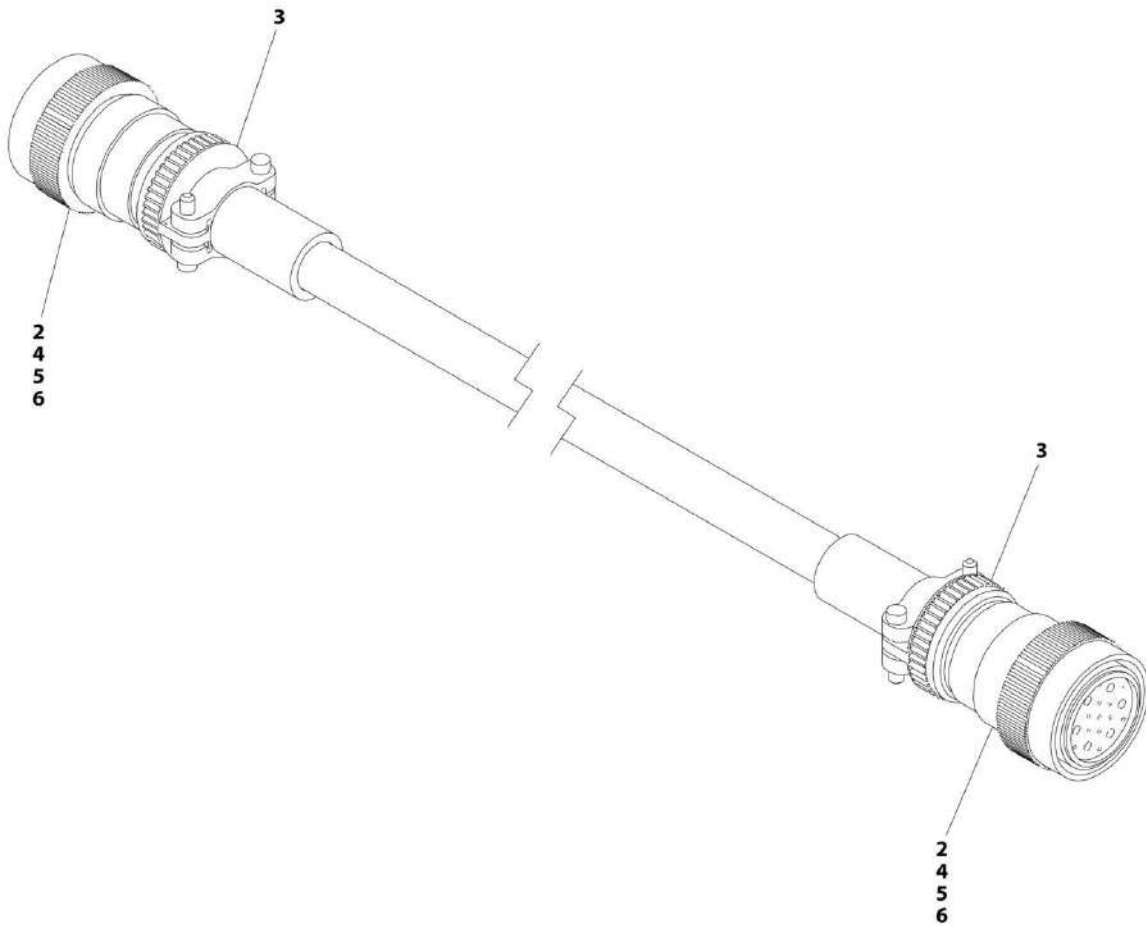
## SECTION 8 - ELECTRICAL

### FIGURE 8-36. BOOM CABLE - UPPER (600SC)

ITEM	PART NUMBER	QTY	DESCRIPTION	REV
	1001188533	Ref	BOOM CABLE	C
2	4460865	2	Connector - 19 Position	
3	4460473	2	Clamp	
4	4460465	20	Socket, Female	
5	4460509	8	Socket, Female	
6	4460466	10	Plug, Socket	
7	1001226400	2	Heat Shrink (Not Shown)	

# SECTION 8 - ELECTRICAL

## FIGURE 8-37. BOOM CABLE - UPPER (660SJC)



ART\_1001188534

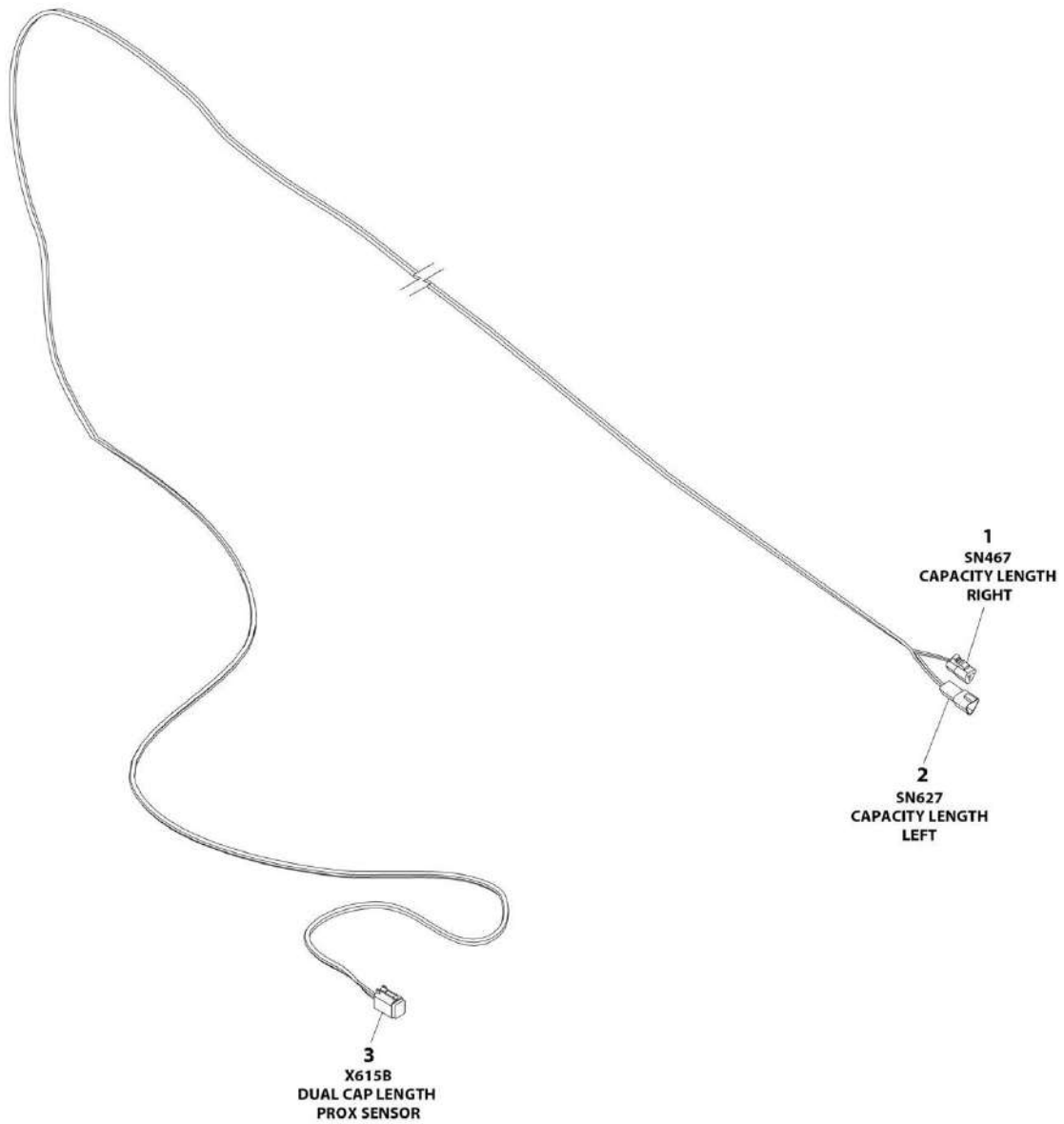
## SECTION 8 - ELECTRICAL

### FIGURE 8-37. BOOM CABLE - UPPER (660SJC)

ITEM	PART NUMBER	QTY	DESCRIPTION	REV
	1001188534	Ref	BOOM CABLE	C
2	4460865	2	Connector - 19 Position	
3	4460473	2	Clamp	
4	4460465	20	Socket, Female	
5	4460509	8	Socket, Female	
6	4460466	10	Plug, Socket	
7	1001226400	2	Heat Shrink (Not Shown)	

# SECTION 8 - ELECTRICAL

## FIGURE 8-38. CAPACITY PROXIMITY HARNESS



ART\_1001189004

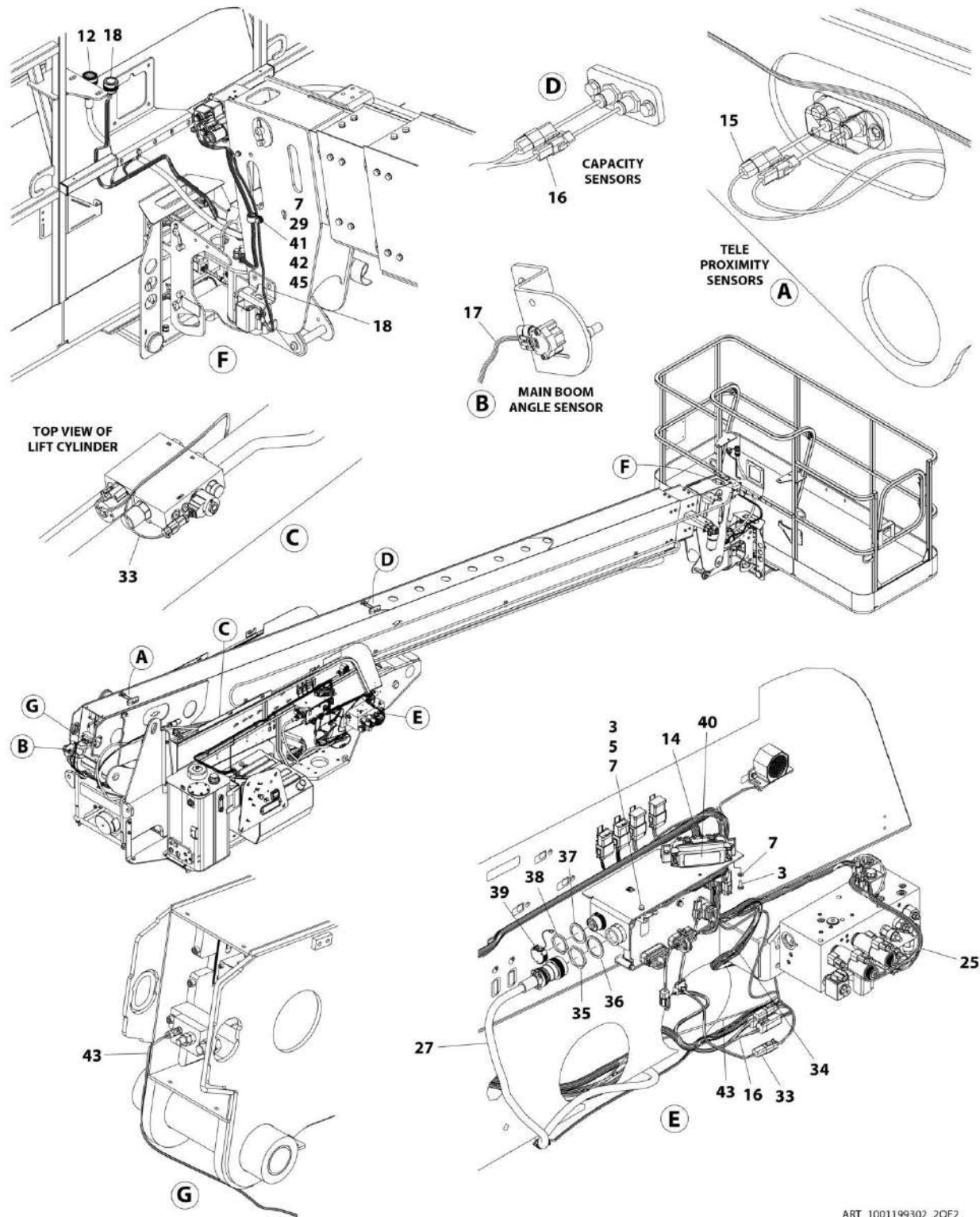
## SECTION 8 - ELECTRICAL

### FIGURE 8-38. CAPACITY PROXIMITY HARNESS

ITEM	PART NUMBER	QTY	DESCRIPTION	REV
	1001189004	Ref	CAPACITY PROXIMITY HARNESS	D
1	4460539	1	Plug, Male - 3 Position	
1	4460465	3	Socket, Female	
2	4460536	1	Receptacle, Female - 3 Position	
2	4640464	3	Pin, Male	
3	4460894	1	Plug, Male - 6 Position	
3	4460465	6	Socket, Female	

# SECTION 8 - ELECTRICAL

## FIGURE 8-39. ELECTRICAL COMPONENTS INSTALLATION - 600SC



ART\_1001199302\_2OF2



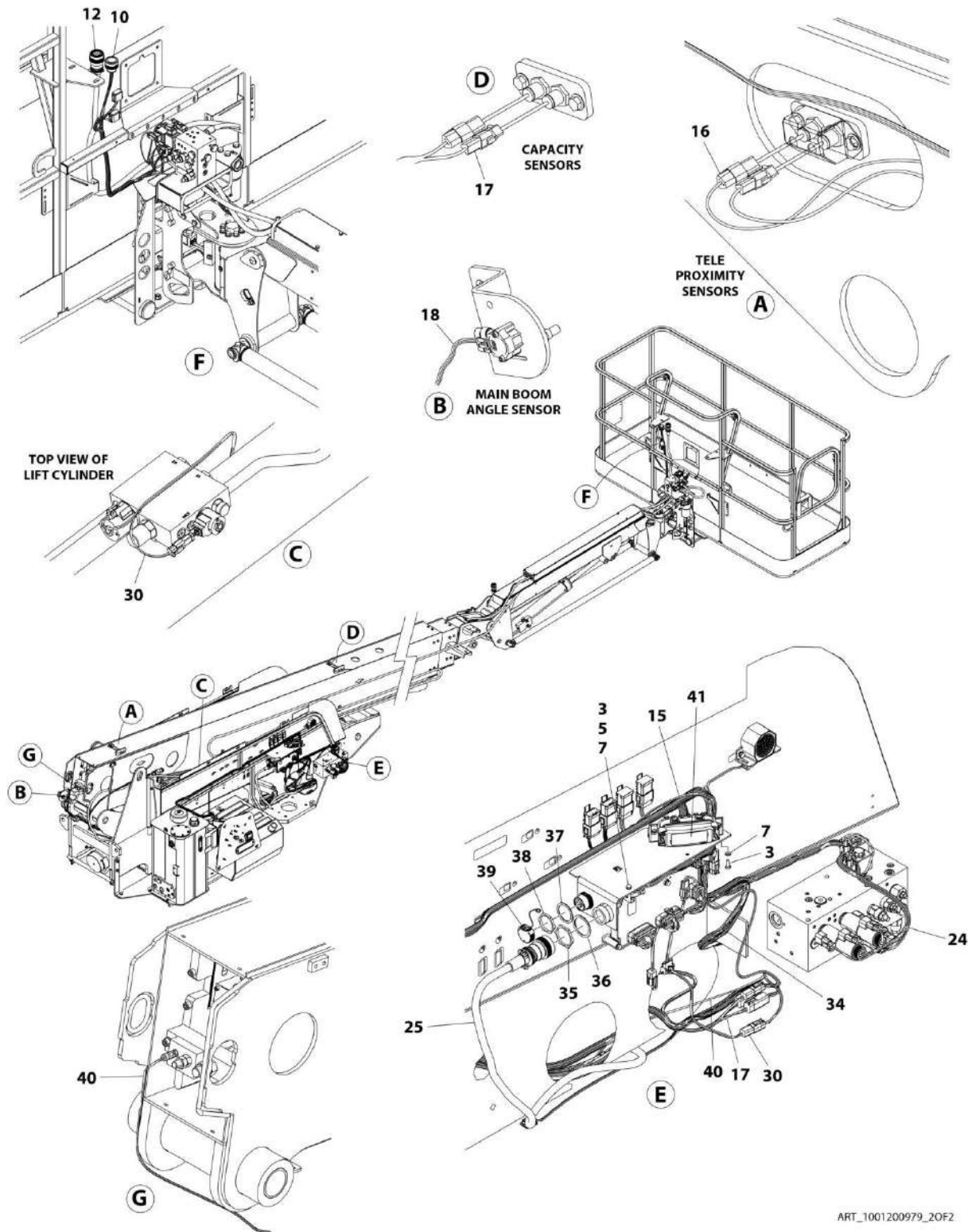
## SECTION 8 - ELECTRICAL

**FIGURE 8-39. ELECTRICAL COMPONENTS INSTALLATION - 600SC**

ITEM	PART NUMBER	QTY	DESCRIPTION	REV
	1001199302	Ref	ELECTRICAL COMPONENTS INSTALLATION	J
3	0760608	5	Bolt M6 x 16	
5	3290605	3	Nut M6	
7	4811700	16	Washer M6	
12	1001188533	1	Boom Cable - Upper (See Separate Breakdown in this Section)	
14	1001188644	1	Ground Control Harness (See Separate Breakdown in this Section)	
15	1001189003	15	Tele Proximity Harness (See Separate Breakdown in this Section)	
16	1001189004	1	Capacity Proximity Harness (See Separate Breakdown in this Section)	
17	1001189005	1	Boom Angle Sensor Harness (See Separate Breakdown in this Section)	
18	1001191328	1	Platform Valve Harness (See Separate Breakdown in this Section)	
25	1001197706	1	Main Valve Harness (See Separate Breakdown in this Section)	
27	1001206082	1	Boom Cable - Lower (See Separate Breakdown in this Section)	
28	4240099	AR	Tie-Strap (Not Shown)	
29	1320041	1	Clamp	
33	1001205923	1	Lift Cylinder Harness (See Separate Breakdown in this Section)	
34	1001215304	1	Turntable Harness (See Separate Breakdown in this Section)	
35	4460470	1	Nut, Terminal	
36	4460471	1	Washer, Terminal	
37	4460496	1	Washer, Terminal	
38	4460497	1	Nut, Terminal	
39	1001106736	1	Cap, Dust	
40	1001231846	1	Decal - Fuse Box	
41	1001203719	1	Nut M6	
42	0760615	1	Bolt M6 x 35	
43	1001227527	1	Service Cable	
45	1320043	1	Clamp <b>(SN 0300243774 to Present)</b>	

# SECTION 8 - ELECTRICAL

## FIGURE 8-40. ELECTRICAL COMPONENTS INSTALLATION - 660SJC



ART\_1001200979\_20F2

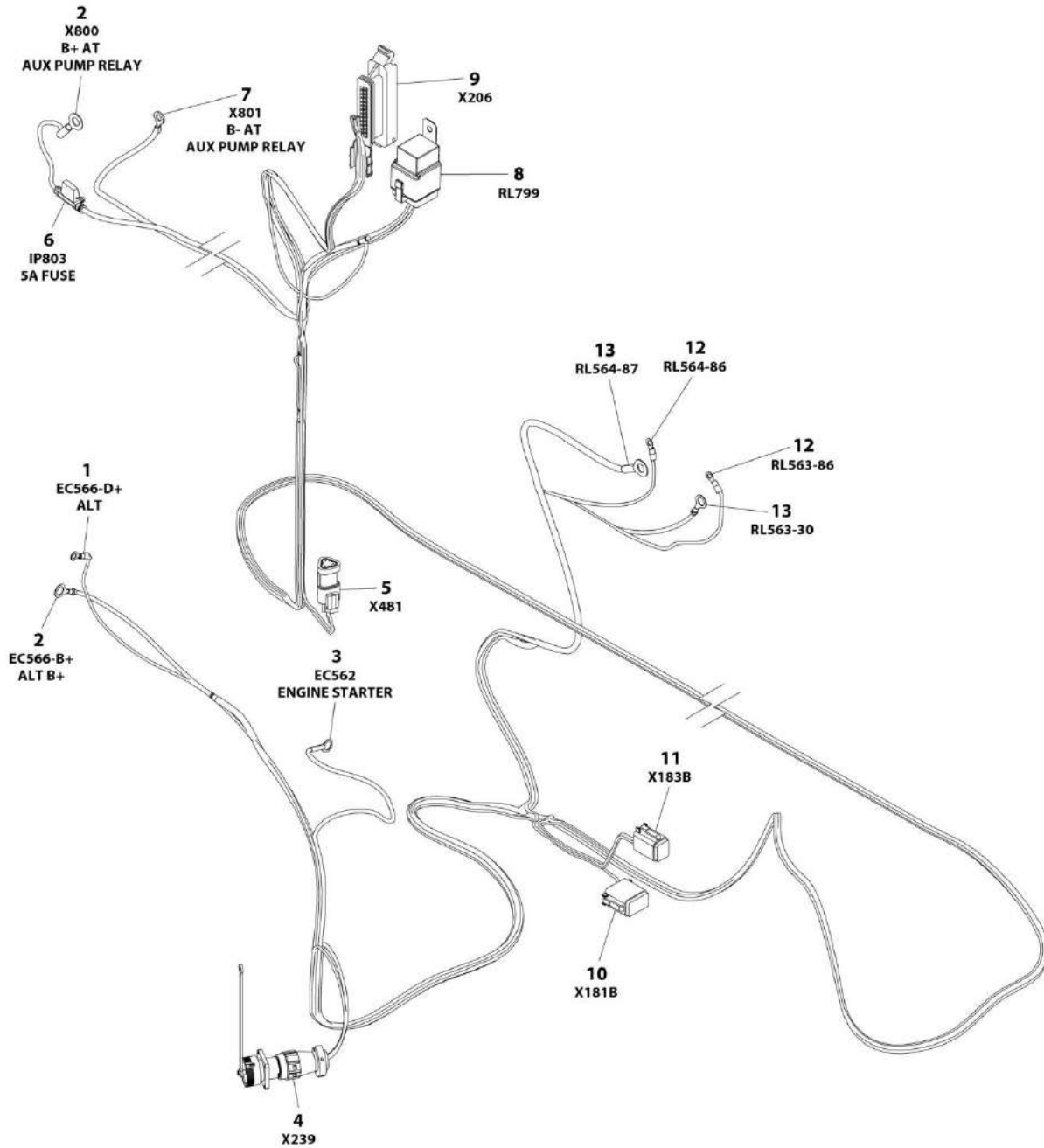
## SECTION 8 - ELECTRICAL

**FIGURE 8-40. ELECTRICAL COMPONENTS INSTALLATION - 660SJC**

ITEM	PART NUMBER	QTY	DESCRIPTION	REV
	1001200979	Ref	ELECTRICAL COMPONENTS INSTALLATION	I
3	0760608	1	Bolt M6 x 16	
5	3290605	3	Nut M6	
7	4811700	15	Washer M6	
10	1001189111	1	Platfrom Valve Harness (See Separate Breakdown in this Section)	
12	1001188534	1	Boom Cable - Upper (See Separate Breakdown in this Section)	
15	1001188644	1	Ground Control Harness (See Separate Breakdown in this Section)	
16	1001189003	1	Tele Proximity Harness (See Separate Breakdown in this Section)	
17	1001189004	1	Capacity Proximity Harness (See Separate Breakdown in this Section)	
18	1001189005	1	Boom Angle Sensor Harness (See Separate Breakdown in this Section)	
24	1001197706	1	Main Valve Harness (See Separate Breakdown in this Section)	
25	1001206082	1	Boom Cable - Lower (See Separate Breakdown in this Section)	
30	1001205923	1	Lift Cylinder Harness (See Separate Breakdown in this Section)	
31	4240099	10	Tie-Strap (Not Shown)	
34	1001215304	1	Turntable Harness (See Separate Breakdown in this Section)	
35	4460470	1	Nut, Terminal	
36	4460471	1	Washer, Terminal	
37	4460496	1	Washer, Terminal	
38	4460497	1	Nut, Terminal	
39	1001106736	1	Cap, Dust	
40	1001227527	1	Cable, Service	
41	1001196637	1	Decal - Fuse Box	

# SECTION 8 - ELECTRICAL

## FIGURE 8-41. ENGINE HARNESS - DEUTZ D2011 ENGINES



ART\_1001188236

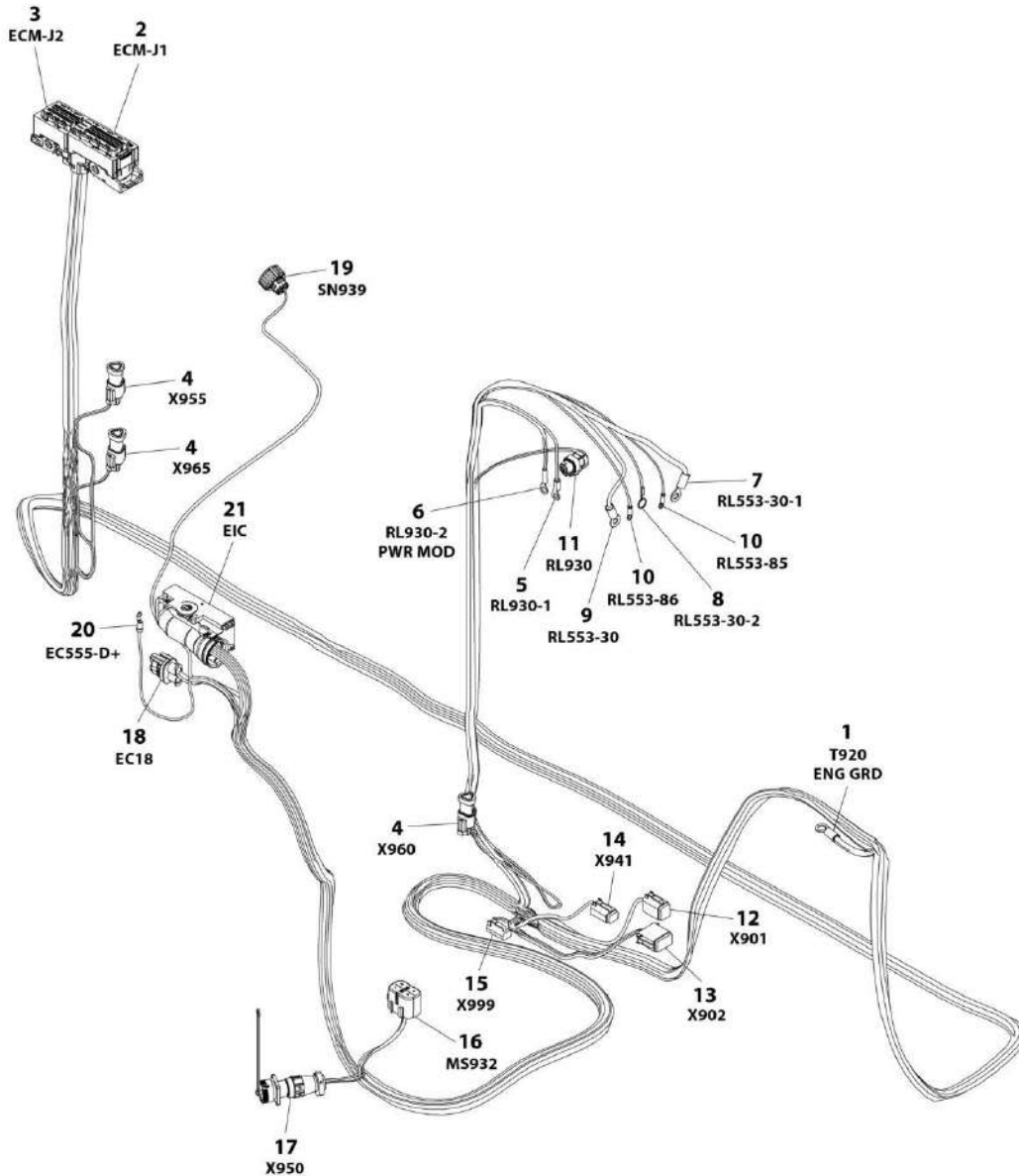
## SECTION 8 - ELECTRICAL

### FIGURE 8-41. ENGINE HARNESS - DEUTZ D2011 ENGINES

ITEM	PART NUMBER	QTY	DESCRIPTION	REV
	1001188236	Ref	ENGINE HARNESS	F
1	4460042	1	Terminal, Ring	
2	8220045	2	Terminal, Ring	
3	4460142	1	Terminal, Ring	
4	2902443	1	Receptacle Kit	
4	4461073	1	Cap, Dust	
5	4461095	1	Plug, Male - 3 Position	
5	4460944	2	Socket, Female	
5	4460466	1	Plug, Terminal	
5	4461070	1	Receptacle, Female - 3 Position	
5	4460943	3	Pin, Male	
6	2600066	2	Fuseholder with 5Amp Fuse	
6	See Note	NSS	Fuse - 5Amp (Note: Purchase Locally)	
7	4460312	1	Terminal, Ring	
8	1001118282	1	Plug, Relay <b>(SN 0300236299 through 0300242293)</b>	
8	1001117025	1	Plug, Relay <b>(SN 0300242294 to Present)</b>	
8	1001116734	1	Terminal	
8	1001116732	3	Terminal	
8	1001128128	1	Plug, Terminal	
9	4461052	1	Connector - 25 Position	
9	4461060	1	Terminal	
9	4461005	6	Terminal	
9	4461008	18	Plug, Terminal	
9	4461054	1	Seal	
9	4461006	6	Seal	
9	4461053	1	Cover	
10	4460930	1	Plug, Male - 8 Position	
10	4460465	8	Socket, Female	
10	4460466	7	Plug, Terminal	
11	4460894	1	Plug, Male - 6 Position	
11	4460465	3	Socket, Female	
11	4460944	2	Socket, Female	
11	4460466	1	Plug, Terminal	
12	4460313	2	Terminal, Ring	
13	8220164	2	Terminal, Ring	

# SECTION 8 - ELECTRICAL

FIGURE 8-42. ENGINE HARNESS - DEUTZ TD2.9L4 ENGINES (SN 0300236299 through 0300241926)



ART\_1001188237

## SECTION 8 - ELECTRICAL

**FIGURE 8-42. ENGINE HARNESS - DEUTZ TD2.9L4 ENGINES (SN 0300236299 through 0300241926)**

ITEM	PART NUMBER	QTY	DESCRIPTION	REV
	1001188237	Ref	ENGINE HARNESS	G
1	8220115	1	Terminal, Ring	
2	1001133956	1	Connector - 94 Position	
2	1001126351	1	Terminal	
2	1001126352	6	Terminal	
2	1001126384	21	Terminal	
2	1001126357	1	Plug, Terminal	
2	1001126356	65	Plug, Terminal	
3	1001133956	1	Connector - 60 Position	
3	1001126351	13	Terminal	
3	1001126384	17	Terminal	
3	1001126357	11	Plug, Terminal	
3	1001126356	19	Plug, Terminal	
4	4461095	3	Plug, Male - 3 Position	
4	4460944	6	Socket, Female	
4	4460466	3	Plug, Terminal	
4	4461070	3	Receptacle, Female - 3 Position	
4	4460943	9	Pin, Male	
5	4460043	1	Terminal, Ring	
6	1001117106	1	Terminal, Ring	
7	1001117107	1	Terminal, Ring	
8	4460703	1	Terminal, Ring	
9	8220164	1	Terminal, Ring	
10	4460313	2	Terminal, Ring	
11	1001116952	1	Plug, Male - 2 Position	
11	4460465	2	Socket, Female	
12	4460894	1	Plug, Male - 6 Position	
12	4460465	3	Socket, Female	
12	4460944	2	Socket, Female	
12	4460466	1	Plug, Terminal	
13	4460930	1	Plug, Male - 8 Position	
13	4460465	1	Socket, Female	
13	4460466	7	Plug, Terminal	
14	4460884	1	Plug, Male - 4 Position	
14	4460465	2	Socket, Female	
14	4460942	2	Socket, Female	
15	4460891	6	Plug, Male - 4 Position	
15	4460465	10	Socket, Female	
16	80484084	1	Plug, Male - 8 Position	
16	8229242	1	Fuse - 5Amp	
16	80983191	1	Fuse - 10Amp	
16	1001116728	4	Socket, Female	
16	1001116727	4	Plug, Terminal	
17	2902443	1	Receptacle Kit	
17	4461073	1	Cap, Dust	
17	4461071	6	Terminal	
18	1001142938	1	Plug, Male - 2 Position	
18	1001142941	2	Terminal	
19	1001133714	1	Connector - 4 Position	
19	1001133715	13	Terminal	

## SECTION 8 - ELECTRICAL

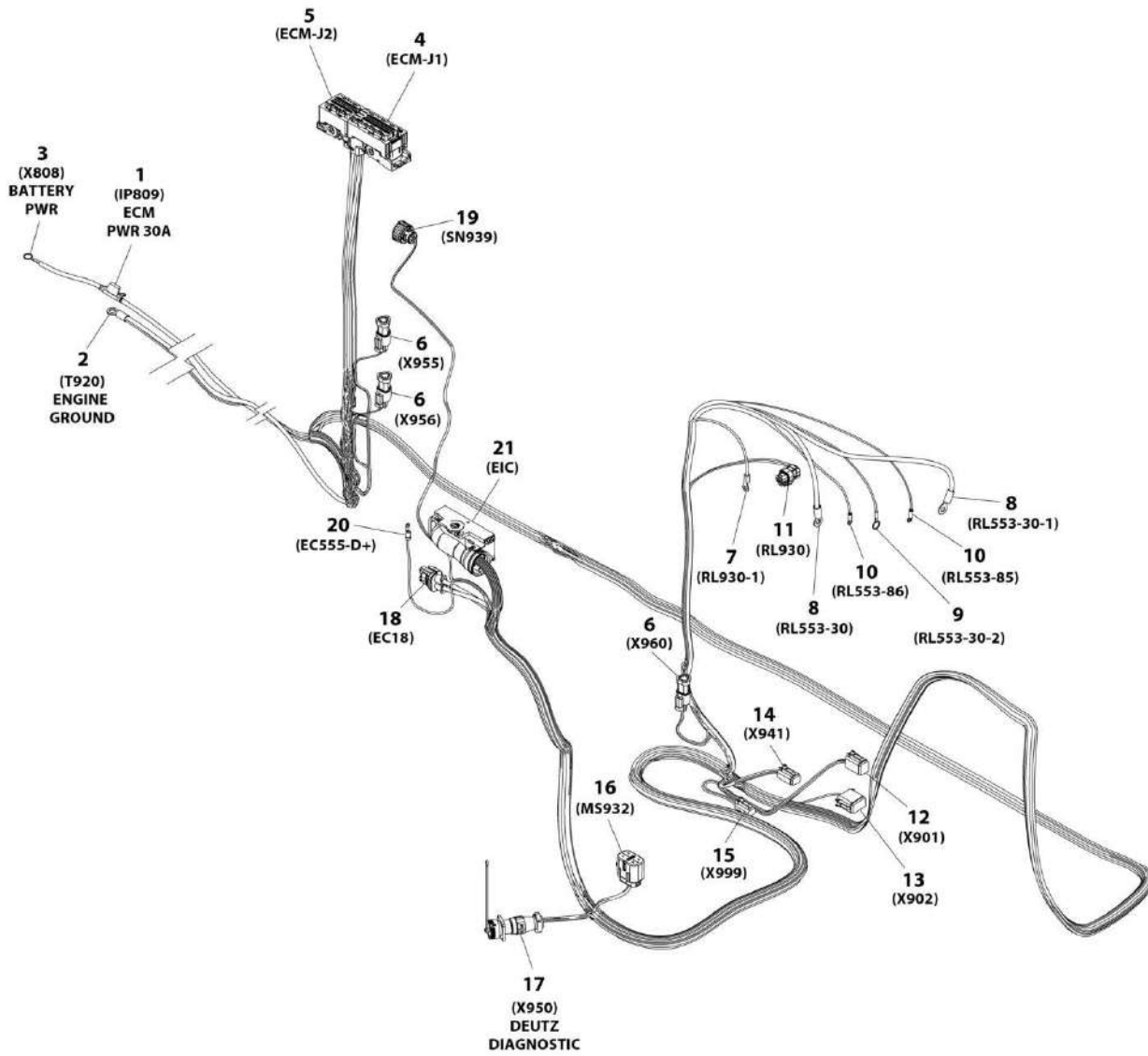
ITEM	PART NUMBER	QTY	DESCRIPTION	REV
19	1001135651	11	Plug, Terminal	
20	4460042	1	Terminal, Ring	
21	1001126362	1	Connector - 62 Position	
21	1001126363	35	Terminal	
21	1001126365	2	Terminal	
21	1001126391	20	Plug, Terminal	
21	4461008	4	Plug, Terminal	
21	1001151856	1	Elbow	





# SECTION 8 - ELECTRICAL

FIGURE 8-43. ENGINE HARNESS - DEUTZ TD2.9L4 ENGINES (SN 0300241927 to Present)



ART\_1001233895

## SECTION 8 - ELECTRICAL

**FIGURE 8-43. ENGINE HARNESS - DEUTZ TD2.9L4 ENGINES (SN 0300241927 to Present)**

ITEM	PART NUMBER	QTY	DESCRIPTION	REV
	1001233895	Ref	ENGINE HARNESS	C
1	1001172064	1	Fuseholder with 30Amp Fuse	
1	1001172065	1	Fuse - 30A	
2	8220115	1	Terminal, Ring	
3	4460019	1	Terminal, Ring	
4	1001133956	1	Connector - 94 Position	
4	1001126351	2	Terminal	
4	1001126352	6	Terminal	
4	1001126384	21	Terminal	
4	1001126357	2	Plug, Terminal	
4	1001126356	63	Plug, Terminal	
5	1001133957	1	Connector - 60 Position	
5	1001126351	13	Terminal	
5	1001126384	17	Terminal	
5	1001126357	11	Plug, Terminal	
5	1001126356	19	Plug, Terminal	
6	4461095	3	Plug, Male - 3 Position	
6	4460944	6	Socket, Female	
6	4460466	3	Plug, Terminal	
6	4461070	3	Receptacle, Female - 3 Position	
6	4460943	9	Pin, Male	
7	4460043	1	Terminal, Ring	
8	1001117107	2	Terminal, Ring	
9	4460703	1	Terminal, Ring	
10	4460313	2	Terminal, Ring	
11	1001116952	1	Plug, Male - 2 Position	
11	4460465	2	Socket, Female	
12	4460894	1	Plug, Male - 6 Position	
12	4460465	3	Socket, Female	
12	4460944	2	Socket, Female	
12	4460466	1	Plug, Terminal	
13	4460930	1	Plug, Male - 8 Position	
13	4460465	1	Socket, Female	
13	4460466	7	Plug, Terminal	
14	4460884	1	Plug, Male - 4 Position	
14	4460884	1	Plug, Male - 4 Position <b>(600SC SN 0300236299 through 0300243774)</b>	
14	4460884	1	Plug, Male - 4 Position <b>(660SJC SN 0300236299 through 0300243774)</b>	
14	1001220379	1	Plug, Male - 4 Position <b>(600SC SN 0300243775 to Present)</b>	
14	1001220379	1	Plug, Male - 4 Position <b>(660SJC SN 0300243775 to Present)</b>	
14	4460465	2	Socket, Female	
14	4460942	2	Socket, Female	
15	4460891	1	Plug, Male - 4 Position	
15	4460465	2	Socket, Female	
16	80484084	1	Plug, Male - 8 Position	
16	8229242	1	Fuse - 5Amp	
16	80983191	1	Fuse - 10Amp	
16	1001116728	4	Socket, Female	
16	1001116727	4	Plug, Terminal	

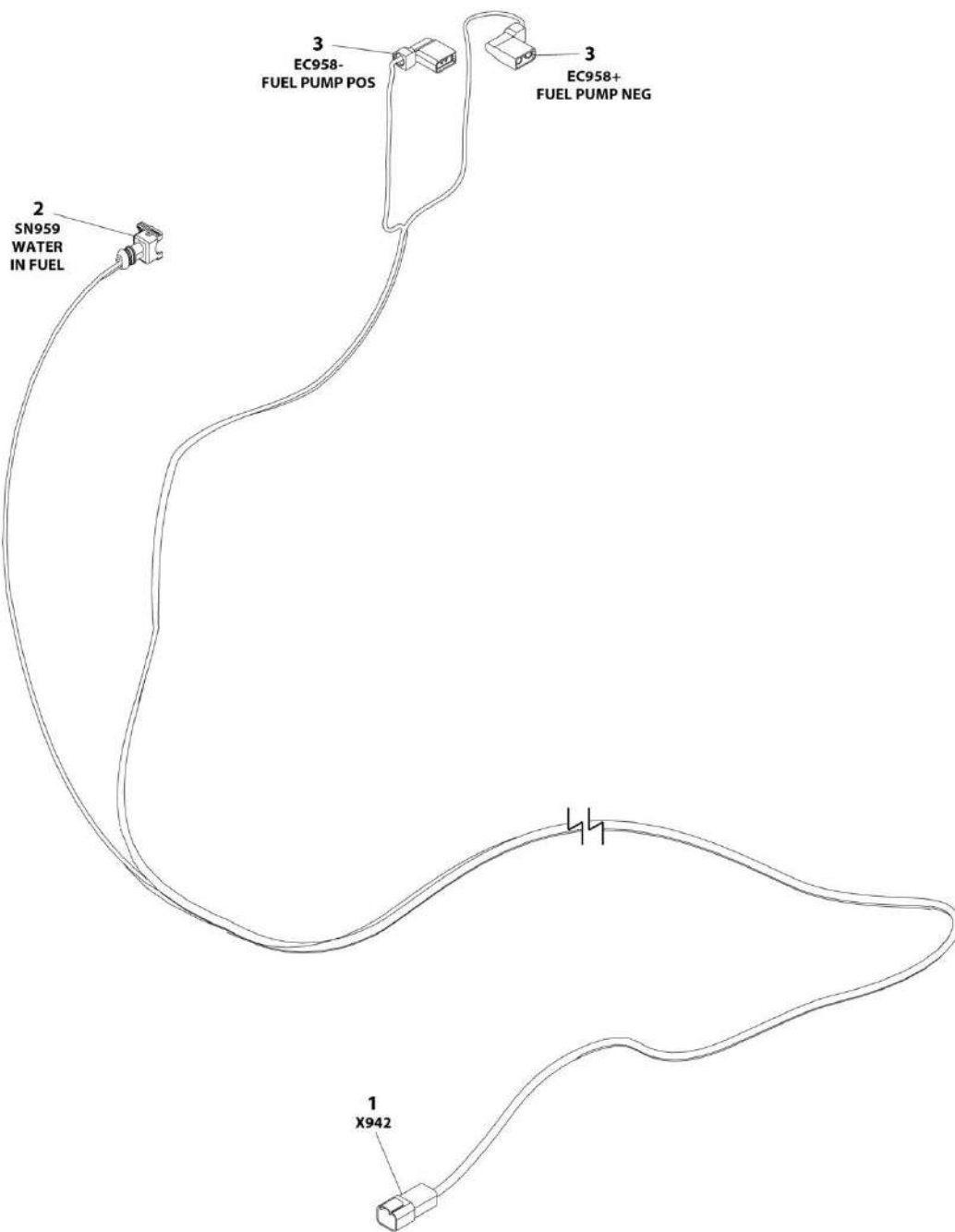
## SECTION 8 - ELECTRICAL

ITEM	PART NUMBER	QTY	DESCRIPTION	REV
16	1001147264	1	Cap	
17	2902443	1	Receptacle Kit	
17	4461073	1	Cap, Dust	
17	4461071	6	Terminal	
18	1001142938	1	Plug, Male - 2 Position	
18	1001142940	2	Terminal	
18	1001142941	2	Seal	
19	1001133714	1	Connector - 4 Position	
19	1001133715	13	Terminal	
19	1001135651	11	Plug, Terminal	
20	4460042	1	Terminal, Ring	
21	1001126362	1	Connector - 62 Position	
21	1001126363	35	Terminal	
21	1001126365	2	Terminal	
21	1001126391	20	Plug, Terminal	
21	4461008	4	Plug, Terminal	
21	1001151856	1	Elbow	



# SECTION 8 - ELECTRICAL

## FIGURE 8-44. FUEL PUMP HARNESS - DEUTZ TD2.9L4 ENGINE



ART\_1001190444

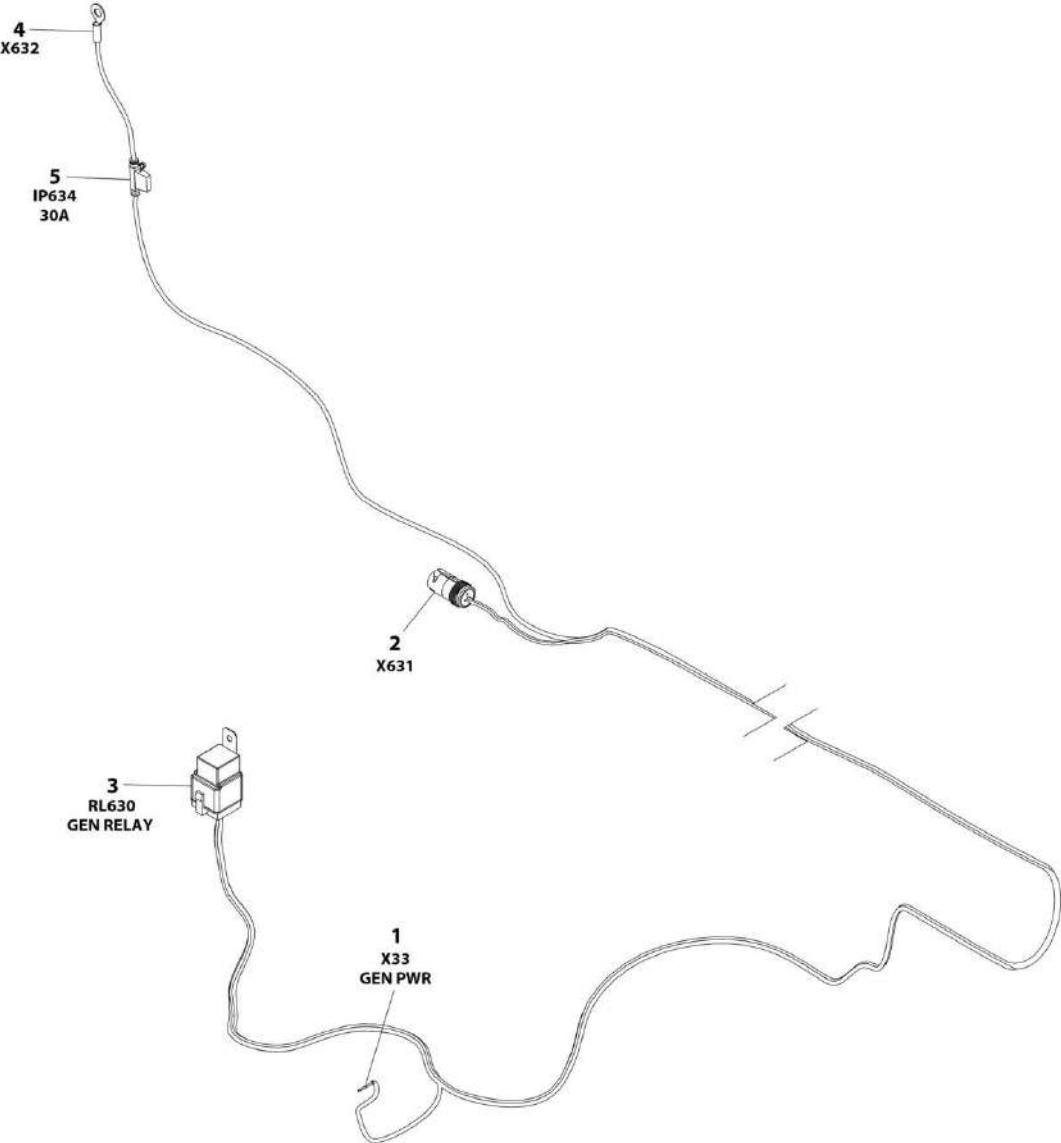
## SECTION 8 - ELECTRICAL

### FIGURE 8-44. FUEL PUMP HARNESS - DEUTZ TD2.9L4 ENGINE

ITEM	PART NUMBER	QTY	DESCRIPTION	REV
	1001190444	Ref	FUEL PUMP HARNESS	D
1	4460932	1	Receptacle, Female - 4 Position	
1	4460941	4	Pin, Male	
2	1001116983	1	Plug, Male - 2 Posiiton	
2	4461054	2	Socket, Female	
3	1001223045	2	Connector	

**SECTION 8 - ELECTRICAL**

**FIGURE 8-45. GENERATOR HARNESS - 2500W**



ART\_1001194114



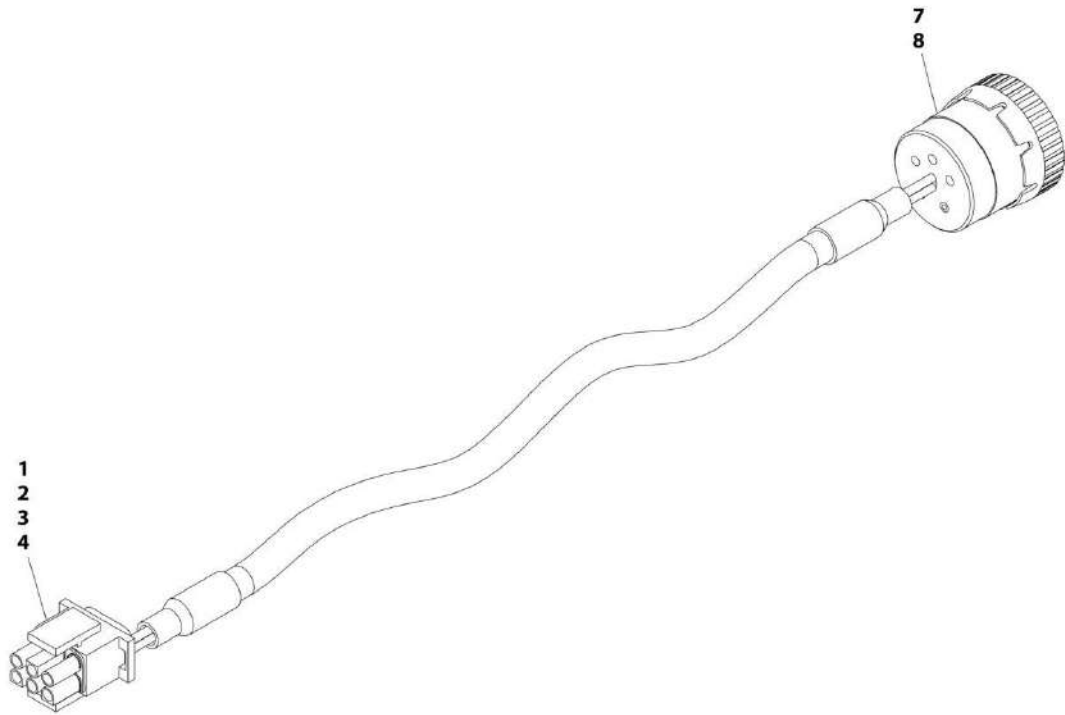
## SECTION 8 - ELECTRICAL

**FIGURE 8-45. GENERATOR HARNESS - 2500W**

ITEM	PART NUMBER	QTY	DESCRIPTION	REV
	1001194114	Ref	GENERATOR HARNESS	B
1	4460906	1	Socket, Female	
2	1001154726	1	Receptacle, Female - 3 Position	
2	4460464	2	Pin, Male	
2	4460466	1	Plug, Terminal	
3	1001117057	1	Connector, Relay (SN 0300236299 through 0300240644)	
3	1001120851	1	Connector, Relay (SN 0300240645 to Present)	
3	1001116734	2	Terminal	
3	1001116732	2	Terminal	
3	3740080	1	Relay	
4	8220045	1	Terminal, Ring	
5	2400060	1	Fuseholder - 30Amp (Includes Cover)	
5	8229245	1	Fuse - 30Amp	

# SECTION 8 - ELECTRICAL

## FIGURE 8-46. GENERATOR HARNESS - 4000W



ART\_1001152532

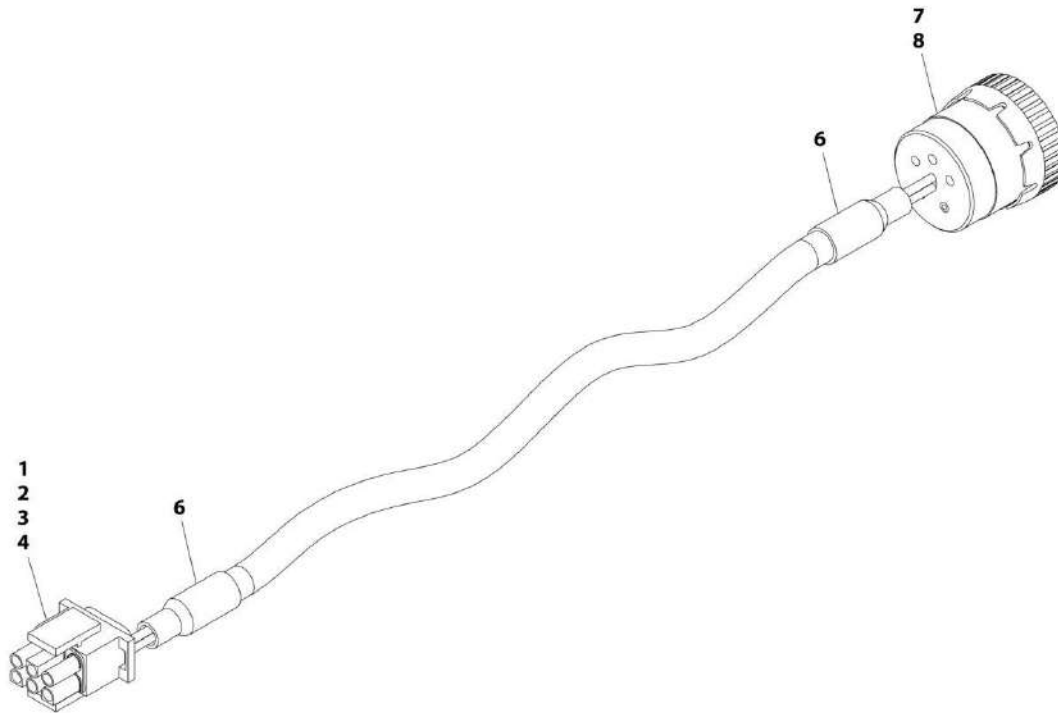
## SECTION 8 - ELECTRICAL

### FIGURE 8-46. GENERATOR HARNESS - 4000W

ITEM	PART NUMBER	QTY	DESCRIPTION	REV
	1001152532	Ref	GENERATOR HARNESS	A
1	4460225	1	Plug, Male - 2 Position	
2	4460268	2	Socket, Female	
3	4460807	1	Seal	
4	4460808	1	Seal	
7	4460465	2	Socket, Female	
8	77363233	1	Connector - 6 Position	

# SECTION 8 - ELECTRICAL

## FIGURE 8-47. GENERATOR HARNESS - 7500W SKYPOWER



ART\_4922925

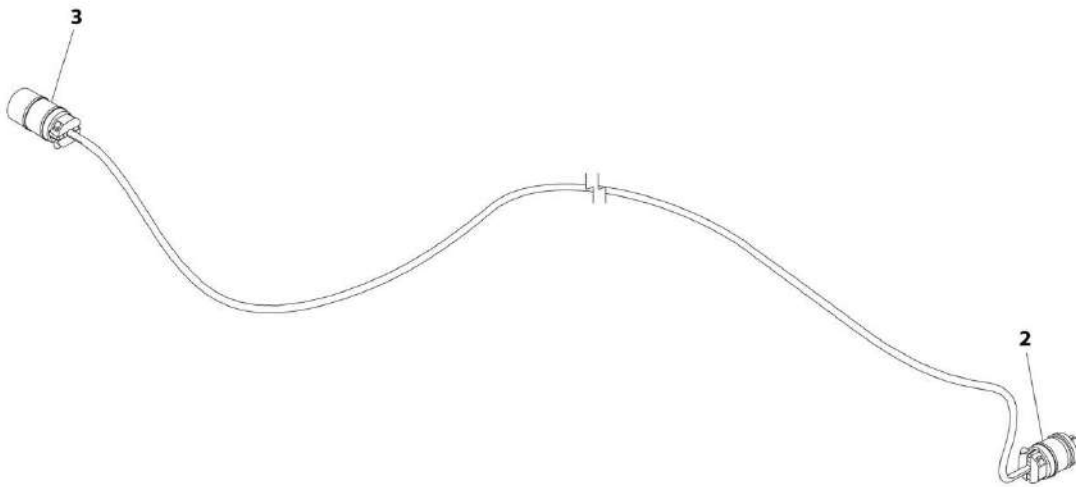
## SECTION 8 - ELECTRICAL

### FIGURE 8-47. GENERATOR HARNESS - 7500W SKYPOWER

ITEM	PART NUMBER	QTY	DESCRIPTION	REV
	4922925	Ref	GENERATOR HARNESS - 7500W SKYPOWER	C
1	4460225	1	Plug, Male - 2 Position	
2	4460268	6	Socket, Female	
3	4460807	1	Seal	
4	4460808	1	Seal	
6	2820019	AR	Heat Shrink	
7	4460465	6	Socket, Female	
8	77363233	1	Connector - 6 Position	

## SECTION 8 - ELECTRICAL

FIGURE 8-48. GENERATOR RECEPTACLE BOX TO AC PLUG HARNESS (2500W GENERATOR)



ART\_4921827

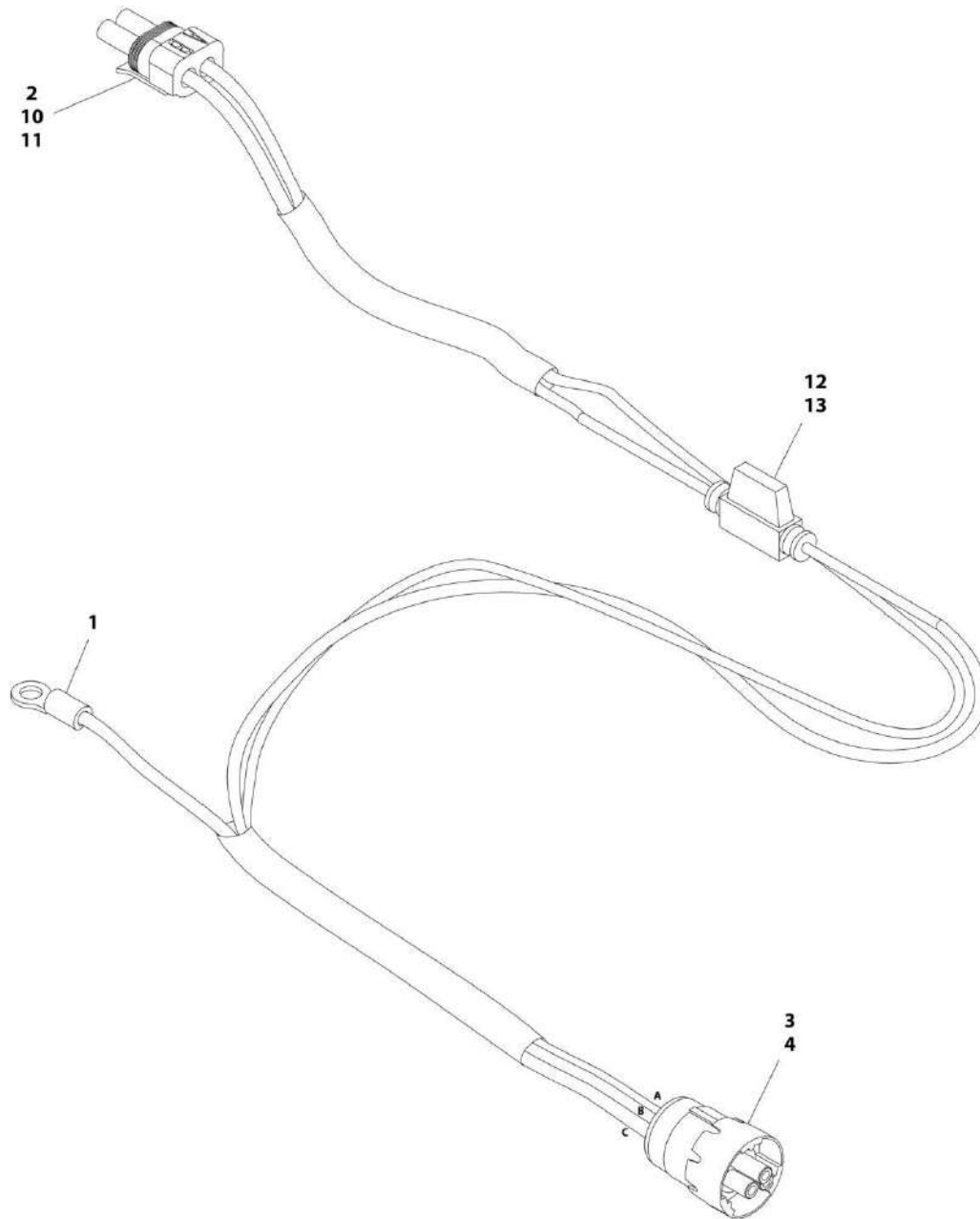
## SECTION 8 - ELECTRICAL

**FIGURE 8-48. GENERATOR RECEPTACLE BOX TO AC PLUG HARNESS (2500W GENERATOR)**

ITEM	PART NUMBER	QTY	DESCRIPTION	REV
	4921827	Ref	GENERATOR RECEPTACLE BOX TO AC PLUG HARNESS	1/A
2	4460205	1	Plug, Male	
3	4460134	1	Receptacle, Female	

## SECTION 8 - ELECTRICAL

FIGURE 8-49. GENERATOR TO ENGINE HARNESS - 7500W SKYPOWER GENERATOR (DEUTZ D2011 ONLY)



ART\_1001152429



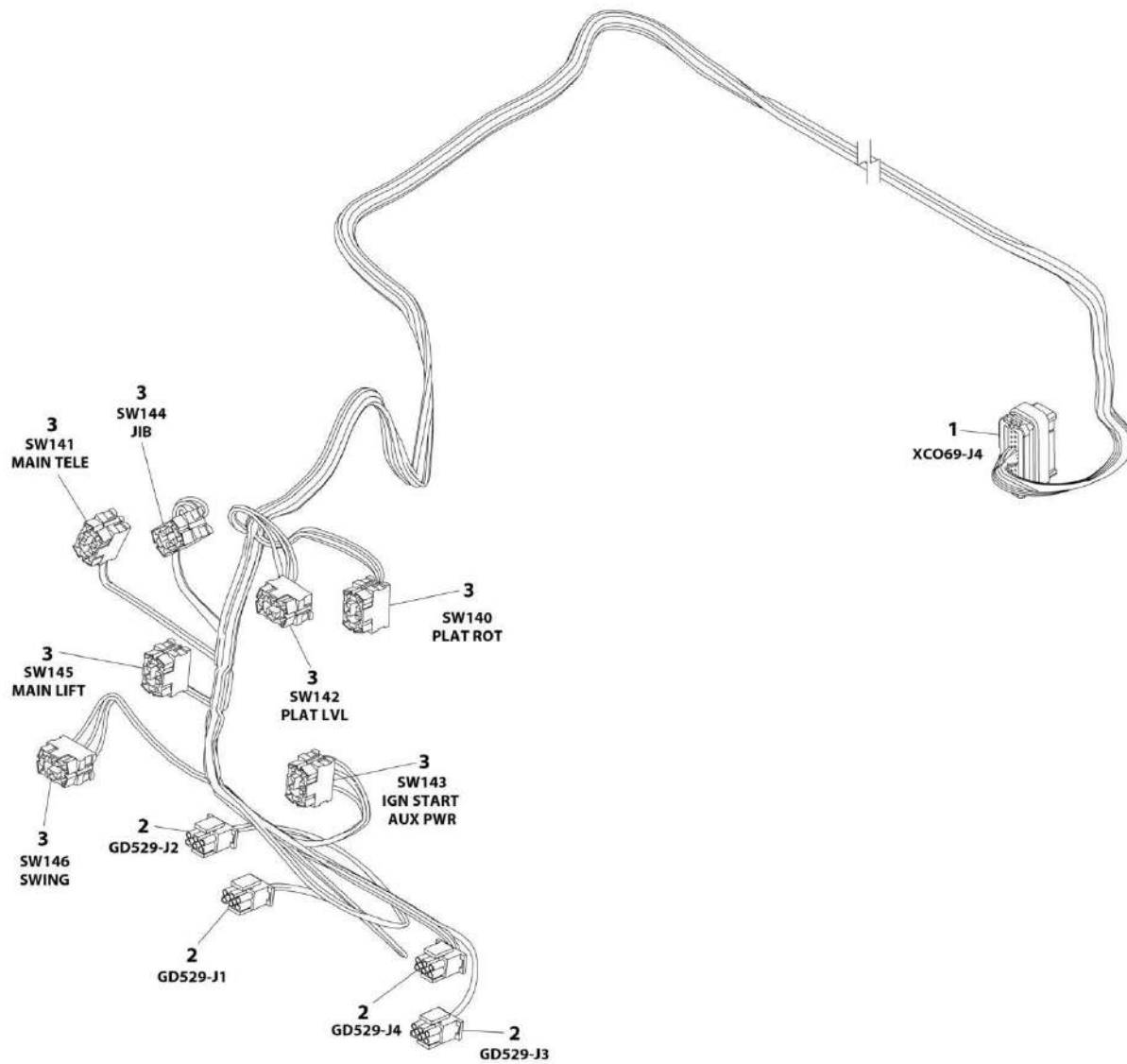
## SECTION 8 - ELECTRICAL

**FIGURE 8-49. GENERATOR TO ENGINE HARNESS - 7500W SKYPOWER GENERATOR (DEUTZ D2011 ONLY)**

ITEM	PART NUMBER	QTY	DESCRIPTION	REV
	1001152429	Ref	GENERATOR TO ENGINE HARNESS	C
1	4460043	1	Terminal, Ring	
2	4460742	1	Plug, Male - 2 Position	
3	4460967	1	Connector - 3 Position	
4	4460465	3	Socket, Female	
10	4460743	2	Terminal, Female	
11	4460458	2	Seal	
12	2400060	1	Fuseholder (Includes Cover)	
13	2400064	1	Fuse - 5Amp	

# SECTION 8 - ELECTRICAL

## FIGURE 8-50. GROUND CONTROL HARNESS



ART\_1001188644

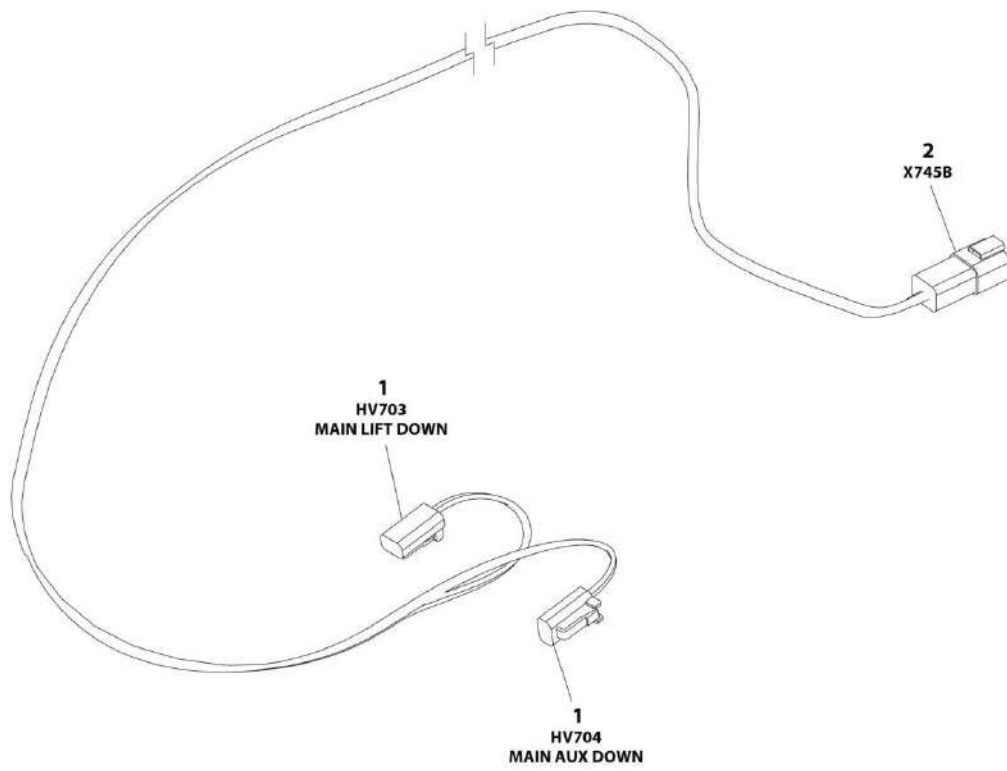
## SECTION 8 - ELECTRICAL

### FIGURE 8-50. GROUND CONTROL HARNESS

ITEM	PART NUMBER	QTY	DESCRIPTION	REV
	1001188644	Ref	GROUND CONTROL HARNESS	E
1	4460876	1	Connector - 35 Position	
1	4460871	25	Socket, Female	
1	4460905	10	Plug, Terminal	
2	4460225	4	Plug, Male - 6 Position	
2	4460226	10	Socket, Female	
3	4460418	7	Connector, Switch	
3	4460419	12	Terminal	
3	1001159186	15	Terminal	

# SECTION 8 - ELECTRICAL

## FIGURE 8-51. LIFT CYLINDER HARNESS



ART\_1001205923

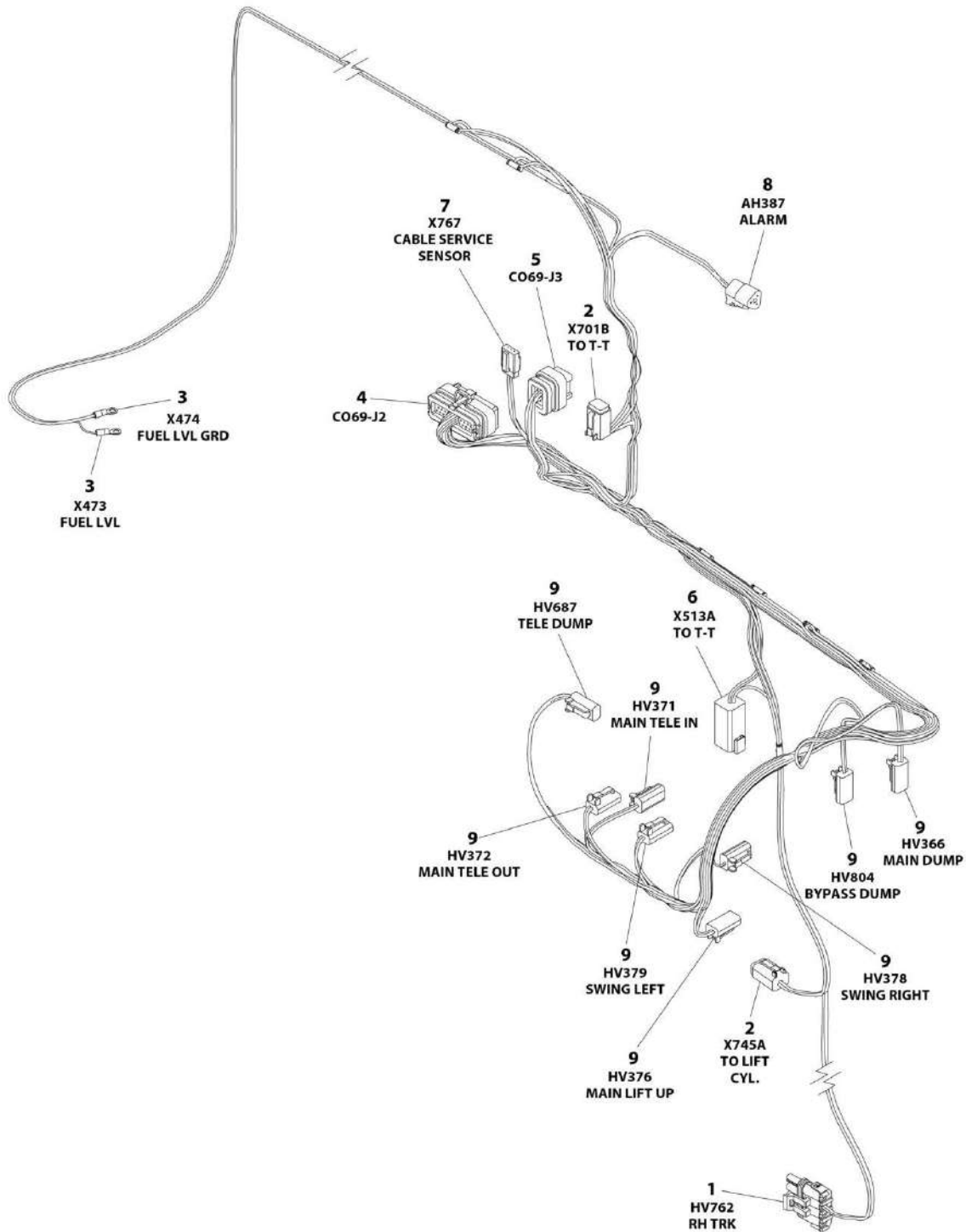
## SECTION 8 - ELECTRICAL

### FIGURE 8-51. LIFT CYLINDER HARNESS

ITEM	PART NUMBER	QTY	DESCRIPTION	REV
	1001205923	Ref	LIFT CYLINDER HARNESS	A
1	4460891	2	Plug, Male - 2 Position	
1	4460465	4	Socket, Female	
2	4460932	1	Receptacle, Female - 4 Position	
2	4460464	4	Pin, Male	

# SECTION 8 - ELECTRICAL

## FIGURE 8-52. MAIN VALVE HARNESS



ART\_1001197706

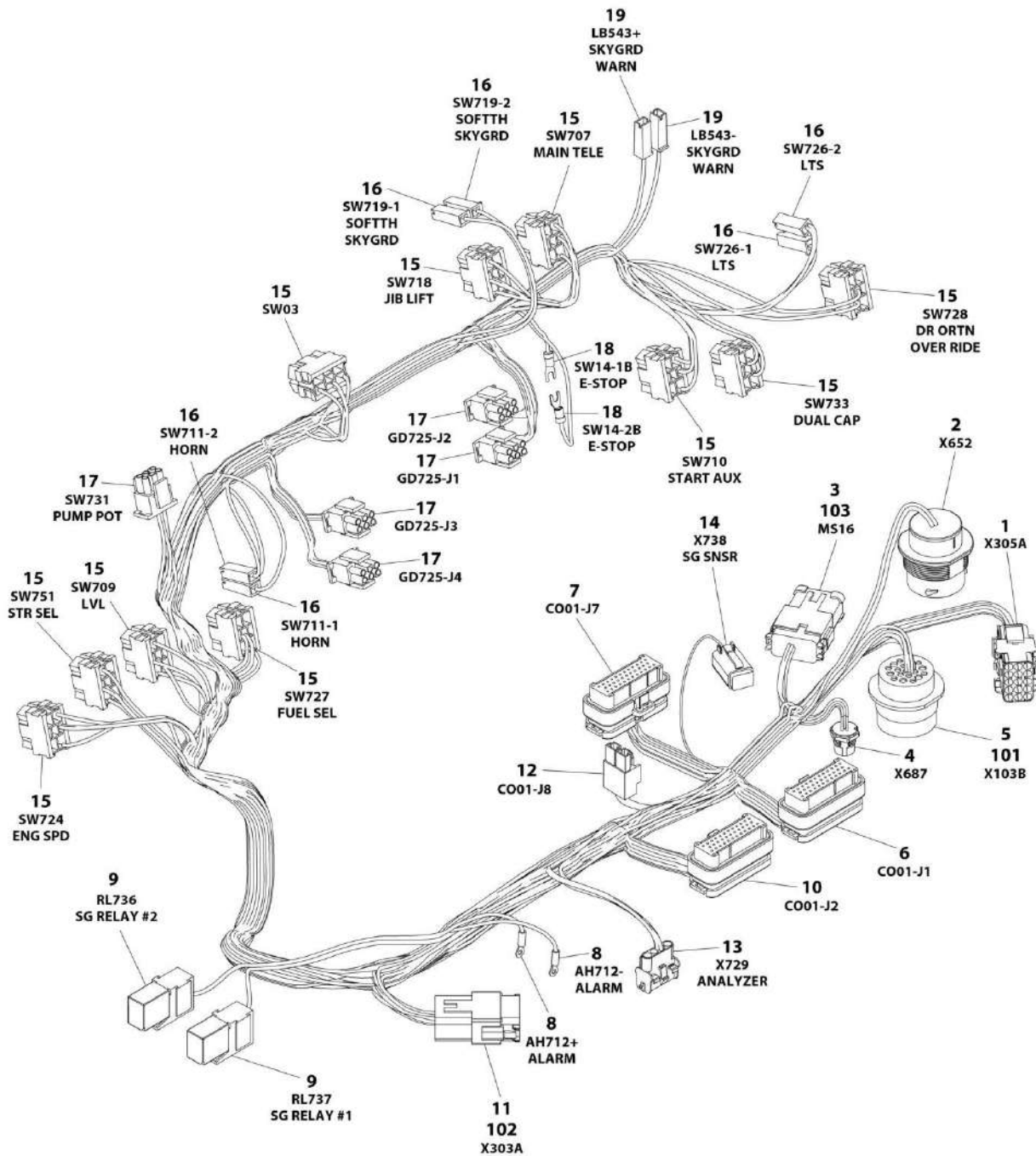
## SECTION 8 - ELECTRICAL

### FIGURE 8-52. MAIN VALVE HARNESS

ITEM	PART NUMBER	QTY	DESCRIPTION	REV
	1001197706	Ref	MAIN VALVE HARNESS	E
1	4460460	1	Receptacle, Female - 4 Position	
1	4460457	4	Terminal	
2	4460884	2	Plug, Male - 4 Position	
2	4460465	8	Socket, Female	
3	4460313	2	Terminal, Ring	
4	4460875	1	Connector - 35 Position	
4	4460871	22	Socket, Female	
4	4460905	13	Plug, Terminal	
5	4460872	1	Connector - 14 Position	
5	4460871	10	Socket, Female	
5	4460905	4	Plug, Terminal	
6	4460899	1	Receptacle, Female - 6 Position	
6	4460464	4	Pin, Male	
6	4460466	2	Plug, Terminal	
7	4460911	1	Plug, Male - 3 Position	
7	1001116694	3	Socket, Female	
8	4460539	1	Plug, Male - 3 Position	
8	4460465	3	Socket, Female	
9	4460891	8	Plug, Male - 2 Position	
9	4460465	16	Socket, Female	

# SECTION 8 - ELECTRICAL

## FIGURE 8-53. PLATFORM CONSOLE HARNESS



ART\_1001196222



## SECTION 8 - ELECTRICAL

### FIGURE 8-53. PLATFORM CONSOLE HARNESS

ITEM	PART NUMBER	QTY	DESCRIPTION	REV
	1001196222	Ref	PLATFORM CONSOLE HARNESS	H
1	4460434	1	Connector - 15 Position	
1	4460267	8	Pin, Male	
2	4460925	1	Connector - 21 Position	
2	1001116695	13	Pin, Male	
2	4460466	8	Plug, Terminal	
3	4460933	1	Plug, Male - 12 Position	
3	4460465	8	Socket, Female	
3	4460466	4	Plug, Terminal	
4	1001213447	1	Connector - 4 Position	
4	See Note	NSS	Terminal (Note: Purchase p/n 1001213447)	
5	4460866	1	Connector - 19 Position	
5	4460464	7	Pin, Male	
5	4460943	2	Pin, Male	
5	1001157891	2	Pin, Male	
5	4460466	8	Plug, Terminal	
6	4460874	1	Connector - 35 Position	
6	4460871	28	Socket, Female	
6	4460905	7	Plug, Terminal	
7	4460873	1	Connector - 35 Position	
7	4460871	24	Socket, Female	
7	4460905	11	Plug, Terminal	
8	1001098122	2	Terminal, Ring	
9	1001186431	2	Relay	
9	1001186432	2	Connector, Relay	
9	1001118384	3	Terminal	
9	1001118388	2	Terminal	
10	4460876	1	Connector - 35 Position	
10	4460871	27	Socket, Female	
10	4460905	8	Plug, Terminal	
11	4460970	1	Receptacle, Female - 12 Position	
11	1001116693	11	Pin, Male	
11	4460466	1	Plug, Terminal	
12	4460879	1	Plug, Male - 2 Position	
12	4460887	2	Terminal	
13	4460761	1	Receptacle, Female - 4 Position	
13	4460267	4	Pin, Male	
14	4460884	1	Plug, Male - 4 Position	
14	4460944	4	Socket, Female	
15	4460418	10	Connector - 6 Position	
15	4460419	20	Terminal	
15	1001159186	17	Terminal	
16	4460260	6	Housing, Terminal	
16	4460259	6	Terminal	
17	4460225	5	Plug, Male - 6 Position	
17	4460227	6	Pin, Male (Note: Used on Pump Potentiometer Connection Only)	
17	4460226	19	Socket, Female	
18	4460183	2	Terminal, Fork	
19	1001116705	2	Terminal	
101	4460708	1	Connector - 12 Position	

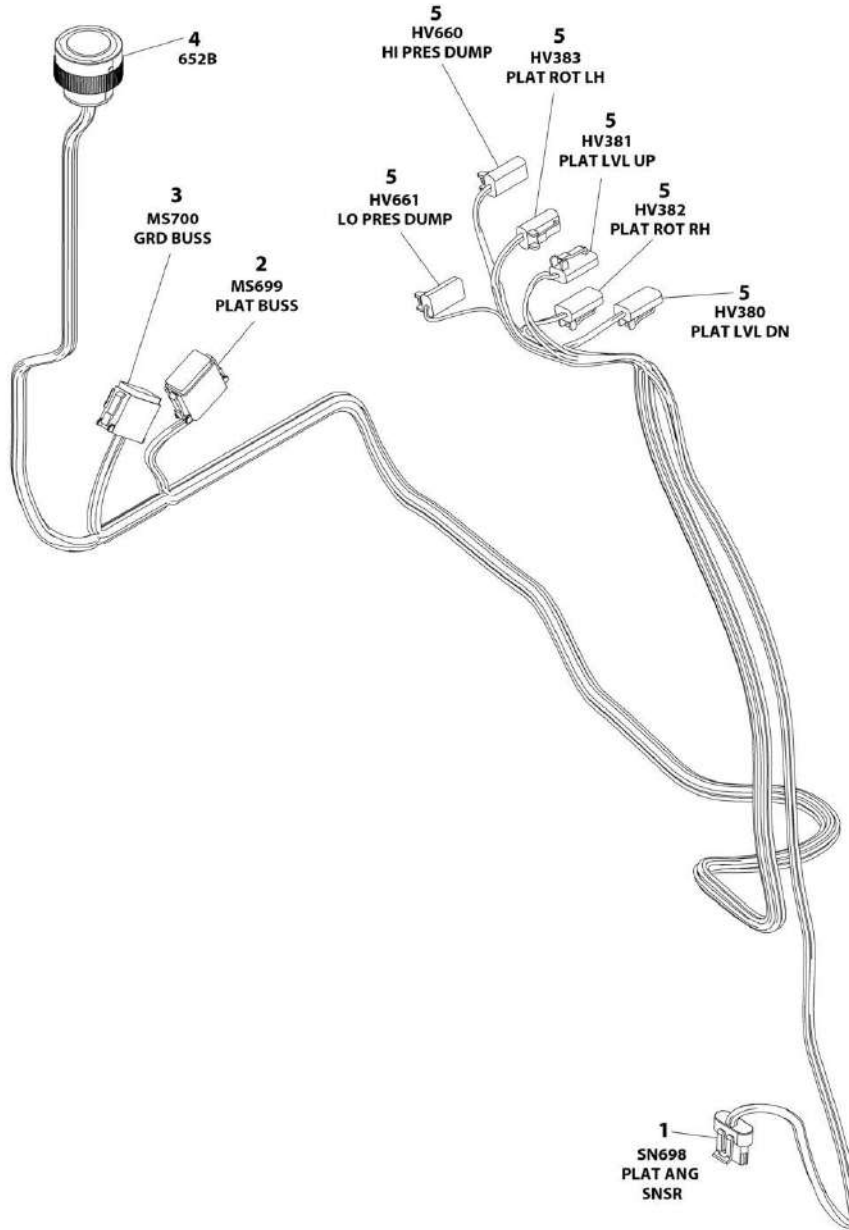
## SECTION 8 - ELECTRICAL

ITEM	PART NUMBER	QTY	DESCRIPTION	REV
102	4460933	1	Plug, Male - 12 Position	
103	1001125677	1	Connector, Bussbar	



# SECTION 8 - ELECTRICAL

## FIGURE 8-54. PLATFORM VALVE HARNESS (600SC)



ART\_1001191328

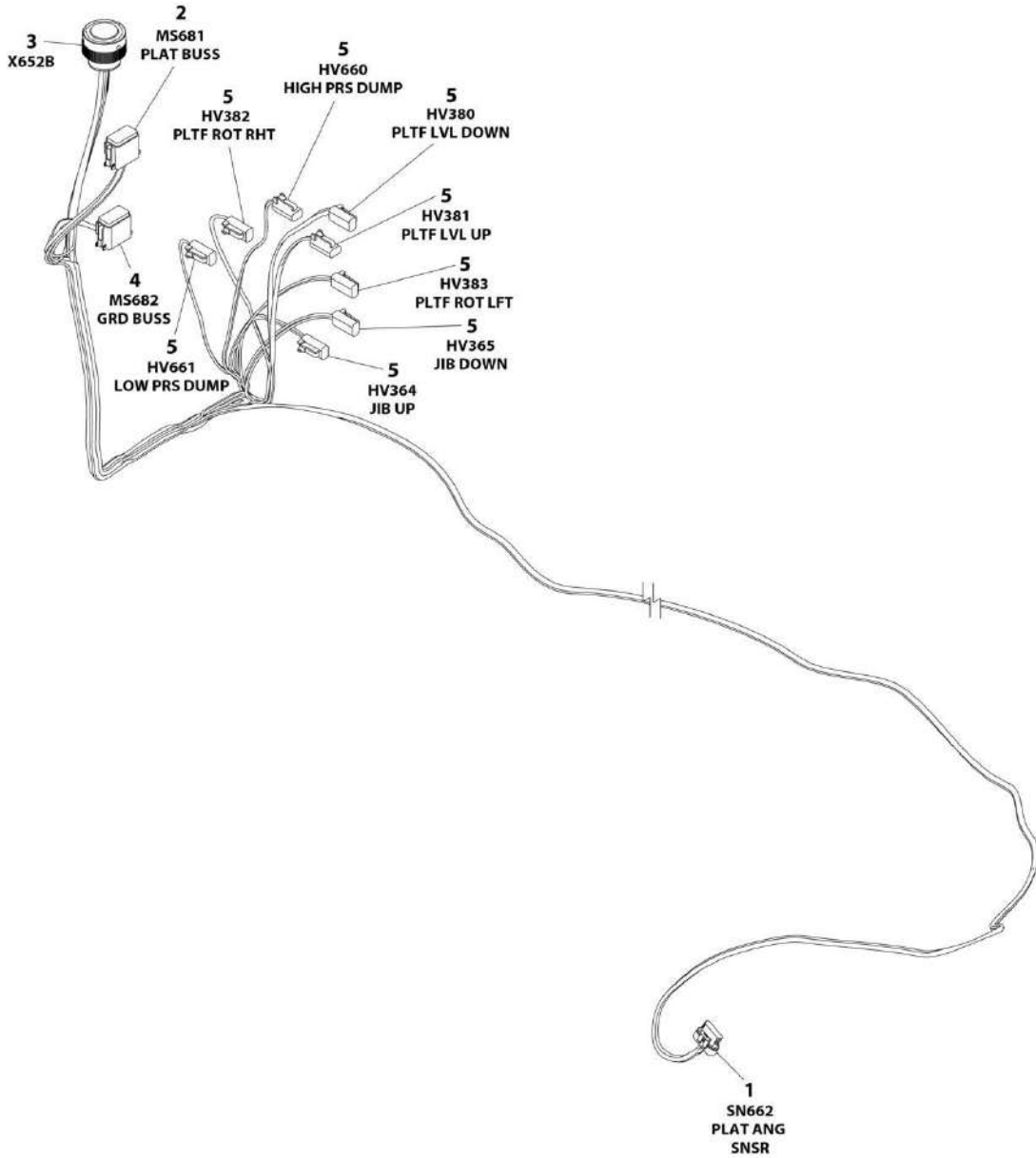
## SECTION 8 - ELECTRICAL

**FIGURE 8-54. PLATFORM VALVE HARNESS (600SC)**

ITEM	PART NUMBER	QTY	DESCRIPTION	REV
	1001191328	Ref	PLATFORM VALVE HARNESS	F
1	1001230931	1	Plug, Male - 6 Position	
1	1001116748	6	Terminal	
2	4460933	1	Plug, Male - 12 Position	
2	4460465	6	Socket, Female	
2	4460466	6	Plug, Terminal	
2	1001125677	1	Connector, Bussbar	
2	1001120328	1	Mount, Connector	
3	4460836	1	Plug, Male - 12 Posiiton	
3	4460465	7	Socket, Female	
3	4460466	5	Plug, Terminal	
3	4460837	1	Connector, Bussbar	
3	1001120328	1	Mount, Connector	
4	4460926	1	Connector - 21 Position	
4	4460465	11	Socket, Female	
4	4460466	10	Plug, Terminal	
5	4460891	6	Plug, Male - 2 Position	
5	4460465	12	Socket, Female	

# SECTION 8 - ELECTRICAL

## FIGURE 8-55. PLATFORM VALVE HARNESS (660SJC)



ART\_1001189111

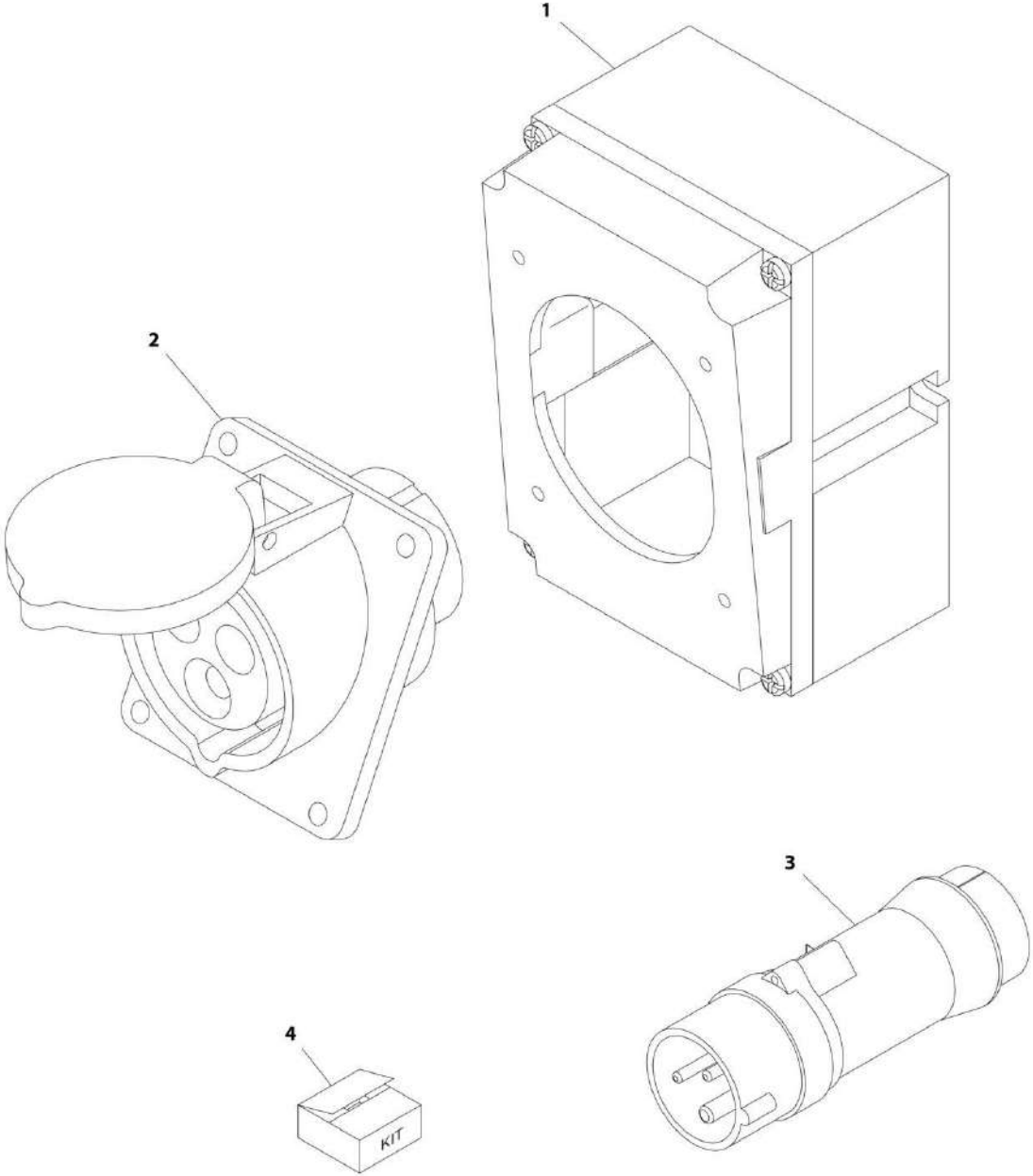
## SECTION 8 - ELECTRICAL

**FIGURE 8-55. PLATFORM VALVE HARNESS (660SJC)**

ITEM	PART NUMBER	QTY	DESCRIPTION	REV
	1001189111	Ref	PLATFORM VALVE HARNESS	1
1	1001230931	1	Plug, Male - 6 Position	
1	1001116748	6	Terminal	
2	4460933	1	Plug, Male - 12 Position	
2	4460465	6	Socket, Female	
2	4460466	6	Plug, Terminal	
2	1001125677	1	Connector, Bussbar	
3	4460926	1	Connector - 21 Position	
3	4460928	13	Socket, Female	
3	4460518	8	Plug, Terminal	
4	4460836	1	Plug, Male - 12 Position	
4	4460465	9	Socket, Female	
4	4460466	3	Plug, Terminal	
4	4460837	1	Connector, Bussbar	
5	4460891	8	Plug, Male - 2 Position	
5	4460465	16	Socket, Female	

**SECTION 8 - ELECTRICAL**

**FIGURE 8-56. RECEPTACLE BOX KIT - 110V IEC YELLOW (CE SPEC)**



ART\_0275216



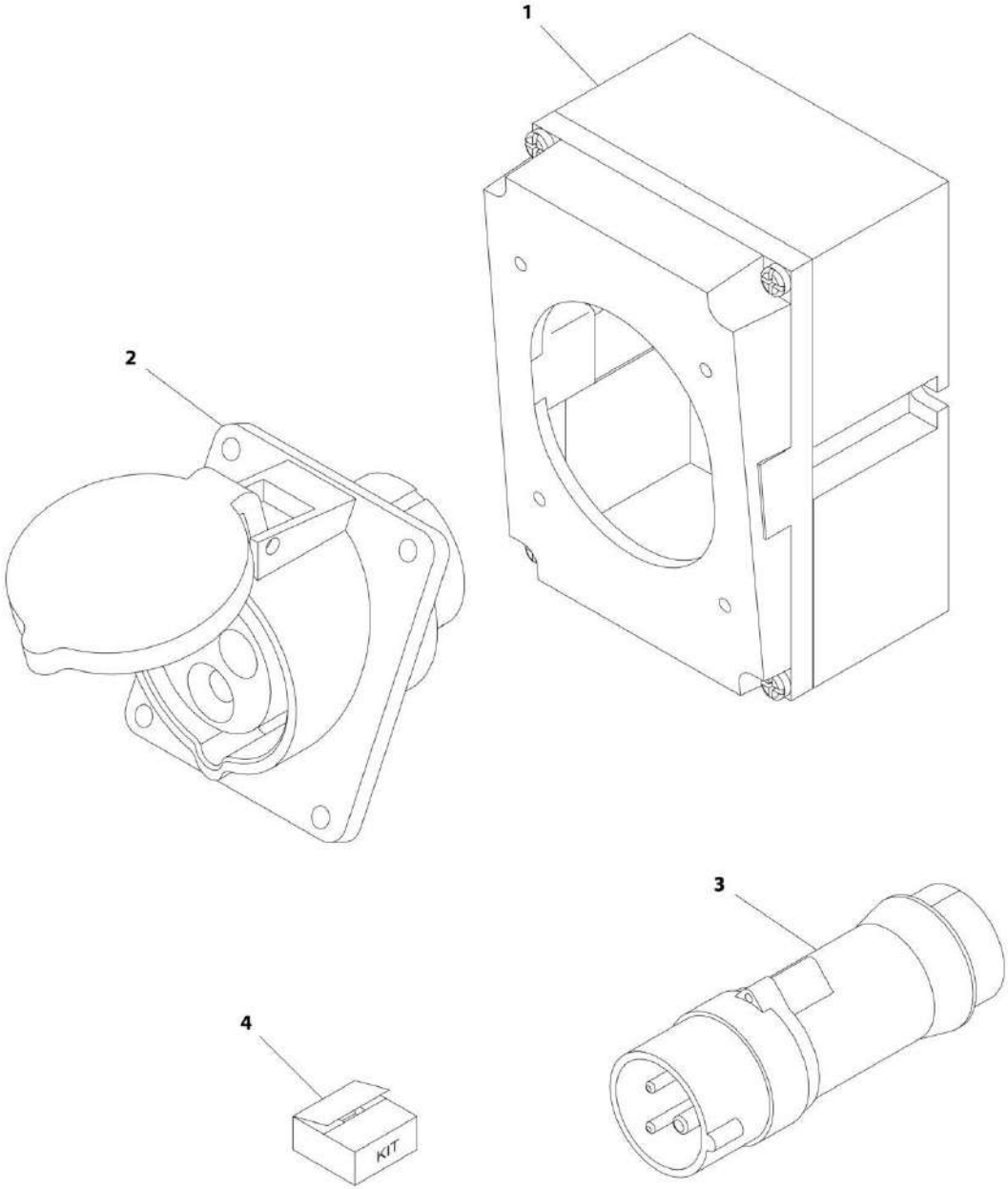
## SECTION 8 - ELECTRICAL

**FIGURE 8-56. RECEPTACLE BOX KIT - 110V IEC YELLOW (CE SPEC)**

ITEM	PART NUMBER	QTY	DESCRIPTION	REV
	0275216	Ref	RECEPTACLE BOX KIT - 110V IEC YELLOW (CE SPEC)	B
1	0861781	1	Box, Switch	
2	4461198	1	Receptacle	
3	4461196	1	Plug, Male	
4	1001100341	1	Plug and Socket Kit (Includes Items 1-3 and Female Plug p/n 4461197)	

**SECTION 8 - ELECTRICAL**

**FIGURE 8-57. RECEPTACLE BOX KIT - 220V IEC BLUE (CE SPEC)**



ART\_0275217

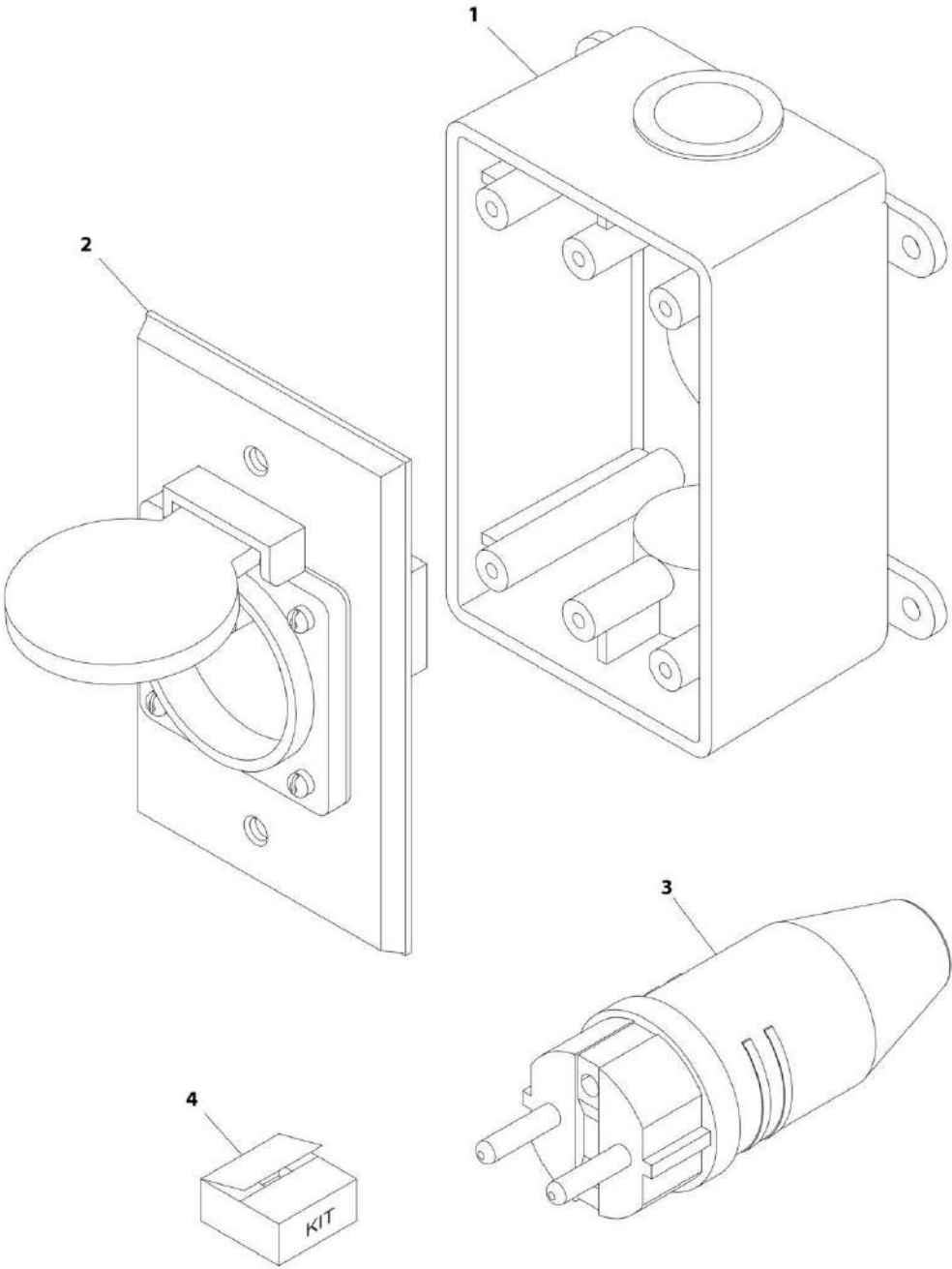
## SECTION 8 - ELECTRICAL

**FIGURE 8-57. RECEPTACLE BOX KIT - 220V IEC BLUE (CE SPEC)**

ITEM	PART NUMBER	QTY	DESCRIPTION	REV
	0275217	Ref	RECEPTACLE BOX KIT - 220V IEC BLUE (CE SPEC)	B
1	0861781	1	Box, Switch	
2	4461201	1	Receptacle	
3	4461199	1	Plug, Male	
4	1001100342	1	Plug and Socket Kit (Includes Items 1-3 and Female Plug p/n 4461200)	

**SECTION 8 - ELECTRICAL**

**FIGURE 8-58. RECEPTACLE BOX KIT - 220V CEE7 POST GROUND 2X4 BOX (CE SPEC)**



ART\_0275452

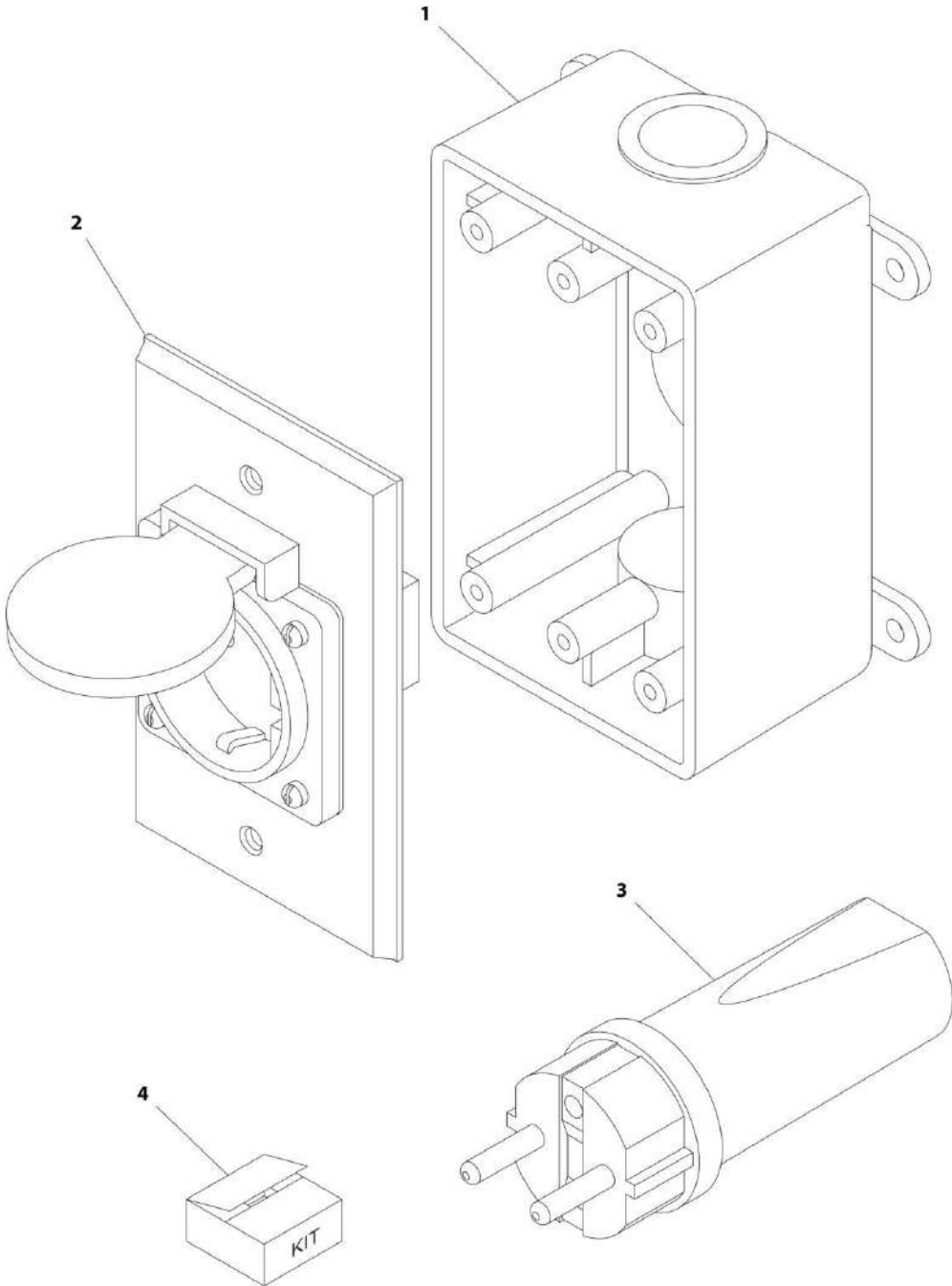
## SECTION 8 - ELECTRICAL

**FIGURE 8-58. RECEPTACLE BOX KIT - 220V CEE7 POST GROUND 2X4 BOX (CE SPEC)**

ITEM	PART NUMBER	QTY	DESCRIPTION	REV
	0275452	Ref	RECEPTACLE BOX KIT - 220V CEE7 POST GROUND (CE SPEC)	C
1	0861731	1	Box, Switch	
2	4461244	1	Receptacle	
3	4461205	1	Plug, Male	
4	1001100345	1	Plug and Socket Kit (Includes Items 1-3 and Female Plug p/n 4461206)	

**SECTION 8 - ELECTRICAL**

**FIGURE 8-59. RECEPTACLE BOX KIT - 220V CEE7 SIDE GROUND (CE SPEC)**



ART\_0275453

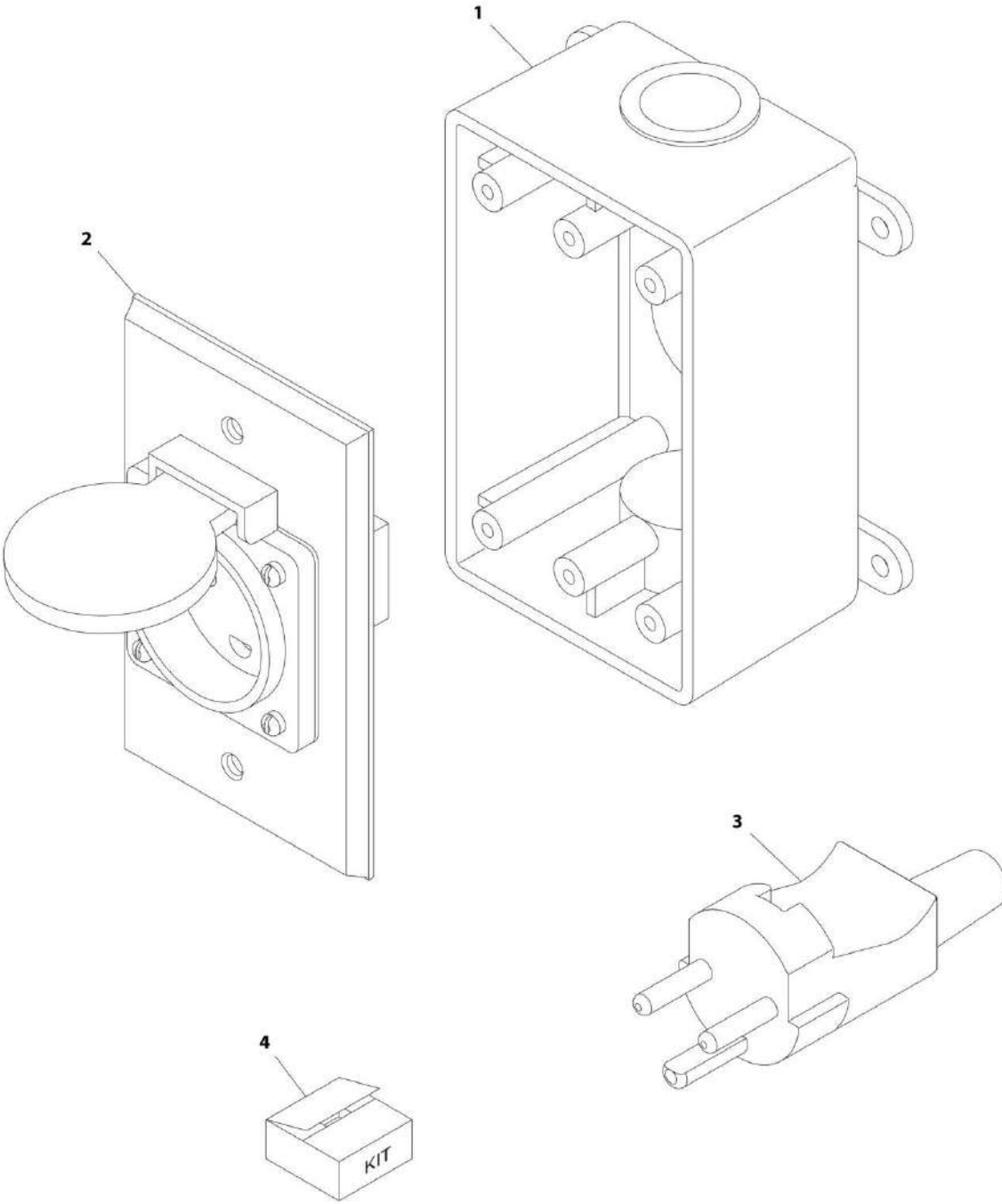
## SECTION 8 - ELECTRICAL

**FIGURE 8-59. RECEPTACLE BOX KIT - 220V CEE7 SIDE GROUND (CE SPEC)**

ITEM	PART NUMBER	QTY	DESCRIPTION	REV
	0275453	Ref	RECEPTACLE BOX KIT - 220V CEE7 SIDE GROUND (CE SPEC)	B
1	0861731	1	Box, Switch	
2	4461245	1	Receptacle	
3	4461205	1	Plug, Male	
4	1001100347	1	Plug and Socket Kit (Includes Items 1-3 and Female Plug p/n 4461206)	

**SECTION 8 - ELECTRICAL**

**FIGURE 8-60. RECEPTACLE BOX KIT - 220V AFSINT107 (CE SPEC)**



ART\_0275454



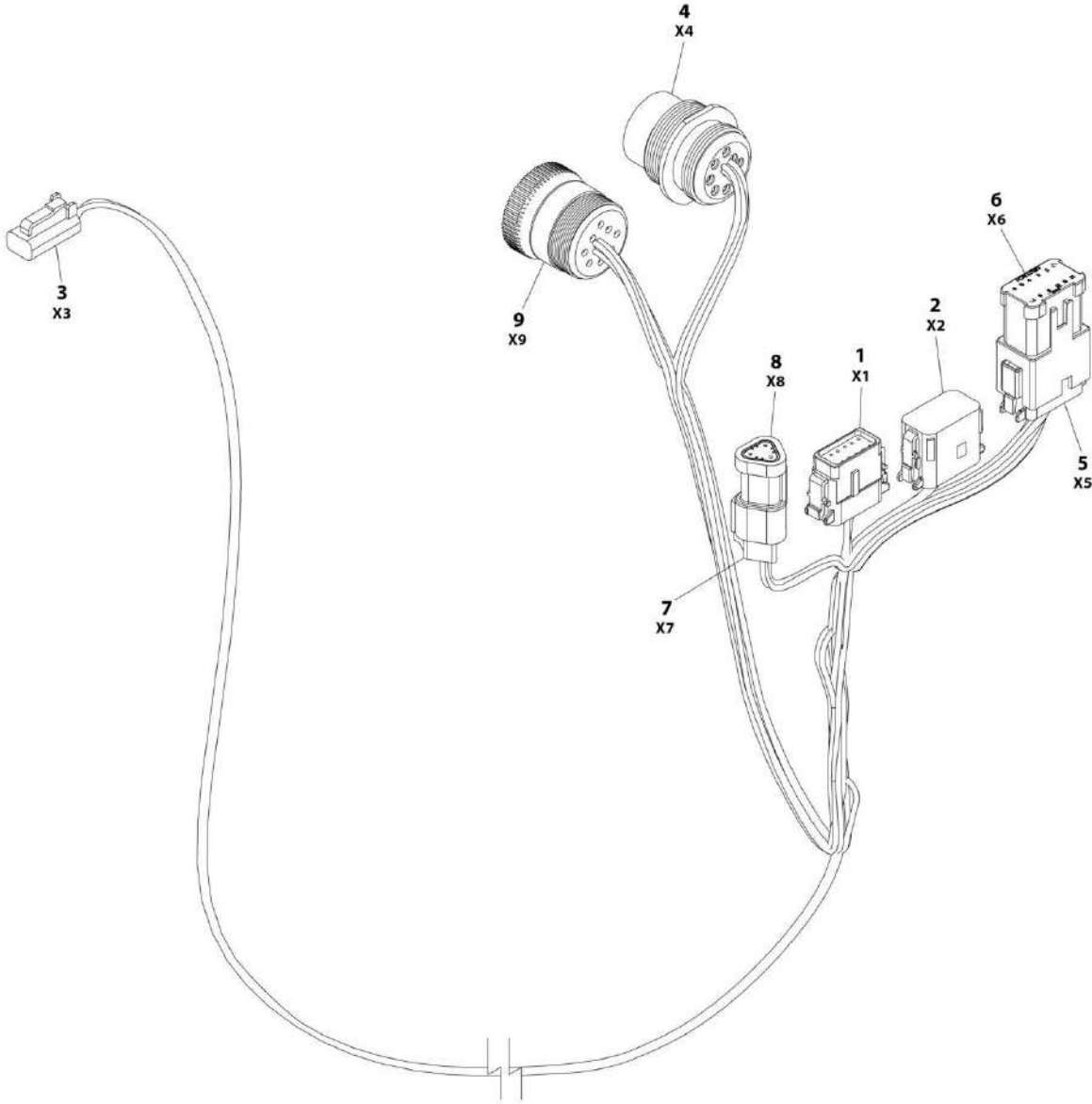
## SECTION 8 - ELECTRICAL

**FIGURE 8-60. RECEPTACLE BOX KIT - 220V AFSINT107 (CE SPEC)**

ITEM	PART NUMBER	QTY	DESCRIPTION	REV
	0275454	Ref	RECEPTACLE BOX KIT - 220V AFSINT 107 (CE SPEC)	B
1	0861731	1	Box, Switch	
2	4461246	1	Receptacle	
3	4461249	1	Plug, Male	
4	1001100346	1	Plug and Socket Kit (Includes Items 1-3 and Female Plug p/n 4461250)	

**SECTION 8 - ELECTRICAL**

**FIGURE 8-61. STROBE LIGHT CONTROL HARNESS (BLUE LIGHT)**



ART\_1001142736

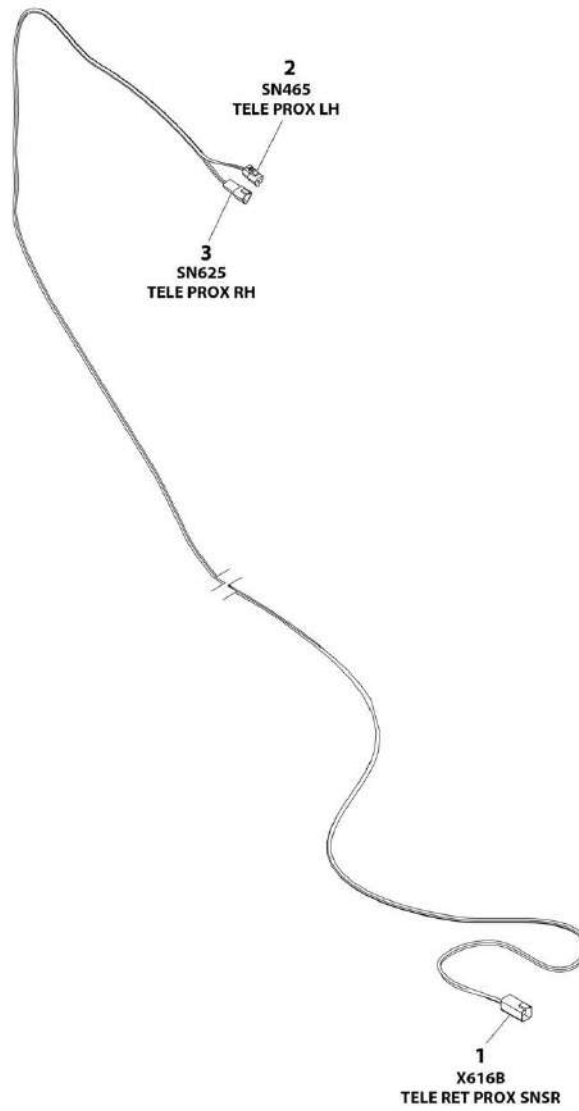
## SECTION 8 - ELECTRICAL

**FIGURE 8-61. STROBE LIGHT CONTROL HARNESS (BLUE LIGHT)**

ITEM	PART NUMBER	QTY	DESCRIPTION	REV
	1001142736	Ref	STROBE LIGHT CONTROL HARNESS (BLUE & RED LIGHTS)	F
1	1001116808	1	Plug, Male - 12 Position	
1	4460928	3	Socket, Female	
1	4460518	9	Plug, Terminal	
2	1001116774	1	Plug, Male - 12 Position	
2	4460928	3	Socket, Female	
2	4460518	9	Plug, Terminal	
3	4460891	1	Plug, Male - 2 Position	
3	4460465	2	Socket, Female	
4	1001112612	1	Connector - 9 Position	
4	4460464	6	Pin, Male	
4	4460466	3	Plug, Terminal	
5	4460933	1	Plug, Male - 12 Position	
5	4460465	12	Socket, Female	
6	1001119020	1	Bussbar - 12 Position	
7	4461095	1	Plug, Male - 3 Position	
7	4460465	3	Socket, Female	
8	4461070	1	Bussbar - 3 Position	
9	1001112796	1	Connector - 9 Position	
9	4460465	6	Socket, Female	
9	4460466	3	Plug, Terminal	

# SECTION 8 - ELECTRICAL

## FIGURE 8-62. TELE PROXIMITY HARNESS



ART\_1001189003

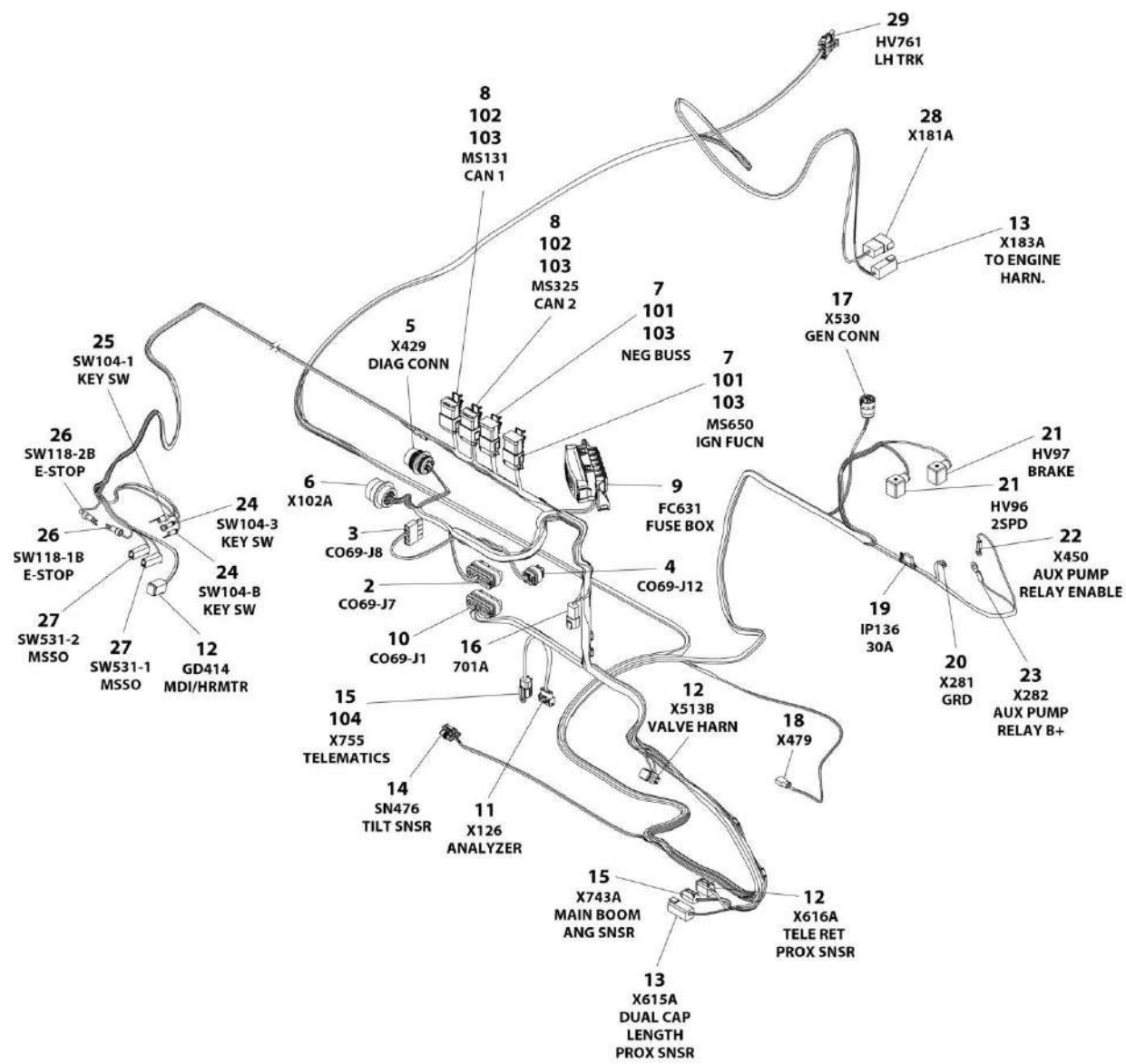
## SECTION 8 - ELECTRICAL

### FIGURE 8-62. TELE PROXIMITY HARNESS

ITEM	PART NUMBER	QTY	DESCRIPTION	REV
	1001189003	Ref	TELE PROXIMITY HARNESS	D
1	4460899	1	Receptacle, Female - 6 Position	
1	4460464	6	Pin, Male	
2	4460539	1	Plug, Male - 3 Position	
2	4460465	3	Socket, Female	
3	4460536	1	Receptacle, Female - 3 Position	
3	4460464	3	Pin, Male	

# SECTION 8 - ELECTRICAL

## FIGURE 8-63. TURNTABLE HARNESS



ART\_1001215304

## SECTION 8 - ELECTRICAL

### FIGURE 8-63. TURNTABLE HARNESS

ITEM	PART NUMBER	QTY	DESCRIPTION	REV
	1001215304	Ref	TURNTABLE HARNESS	D
2	4460873	1	Connector - 35 Position	
2	4460871	26	Socket, Female	
2	4460905	9	Plug, Temrinal	
3	4460878	1	Plug, Male - 4 Position	
3	4460887	3	Socket, Female	
3	4461271	1	Socket, Female	
4	1001113961	1	Connector - 8 Position	
4	4460871	5	Socket, Female	
4	4460905	3	Plug, Terminal	
5	1001112612	1	Connector - 9 Position	
5	4460464	5	Pin, Male	
5	4460466	4	Plug, Terminal	
6	4460866	1	Connector - 19 Position	
6	4460464	7	Pin, Male	
6	4460508	2	Pin, Male	
6	4460943	2	Pin, Male	
6	4460466	7	Plug, Terminal	
7	4460836	2	Plug, Male - 12 Position	
7	4460465	12	Socket, Female	
7	4460466	12	Plug, Terminal	
8	4460933	2	Plug, Male - 12 Position	
8	4460944	14	Socket, Female	
8	4460466	10	Plug, Terminal	
9	1001185964	1	Box, Fuse Less Fuses	
9	1001196635	1	Fuse 3Amp	
9	8229242	3	Fuse 5Amp	
9	8229244	2	Fuse 15Amp	
9	1001095704	1	Relay	
9	1001129285	2	Diode	
9	1001116728	14	Terminal	
9	4460458	14	Seal, Terminal	
9	8220125	7	Terminal	
9	80963067	7	Seal, Terminal	
9	4460748	27	Plug, Terminal	
10	4460874	1	Connector - 35 Position	
10	4460871	18	Socket, Female	
10	4460905	17	Plug, Terminal	
11	1001119032	1	Receptacle, Female - 4 Position	
11	1001118378	4	Pin, Male	
12	4460894	3	Plug, Male - 6 Position	
12	4460465	10	Socket, Female	
12	4460464	2	Pin, Male	
12	4460466	6	Plug, Terminal	
13	4460899	2	Receptacle, Female - 6 Position	
13	4460464	8	Pin, Male	
14	1001103012	1	Plug, Male - 4 Position	
14	1001107854	4	Terminal	
14	1001104498	4	Seal, Terminal	
15	4460884	2	Plug, Male - 4 Position	

## SECTION 8 - ELECTRICAL

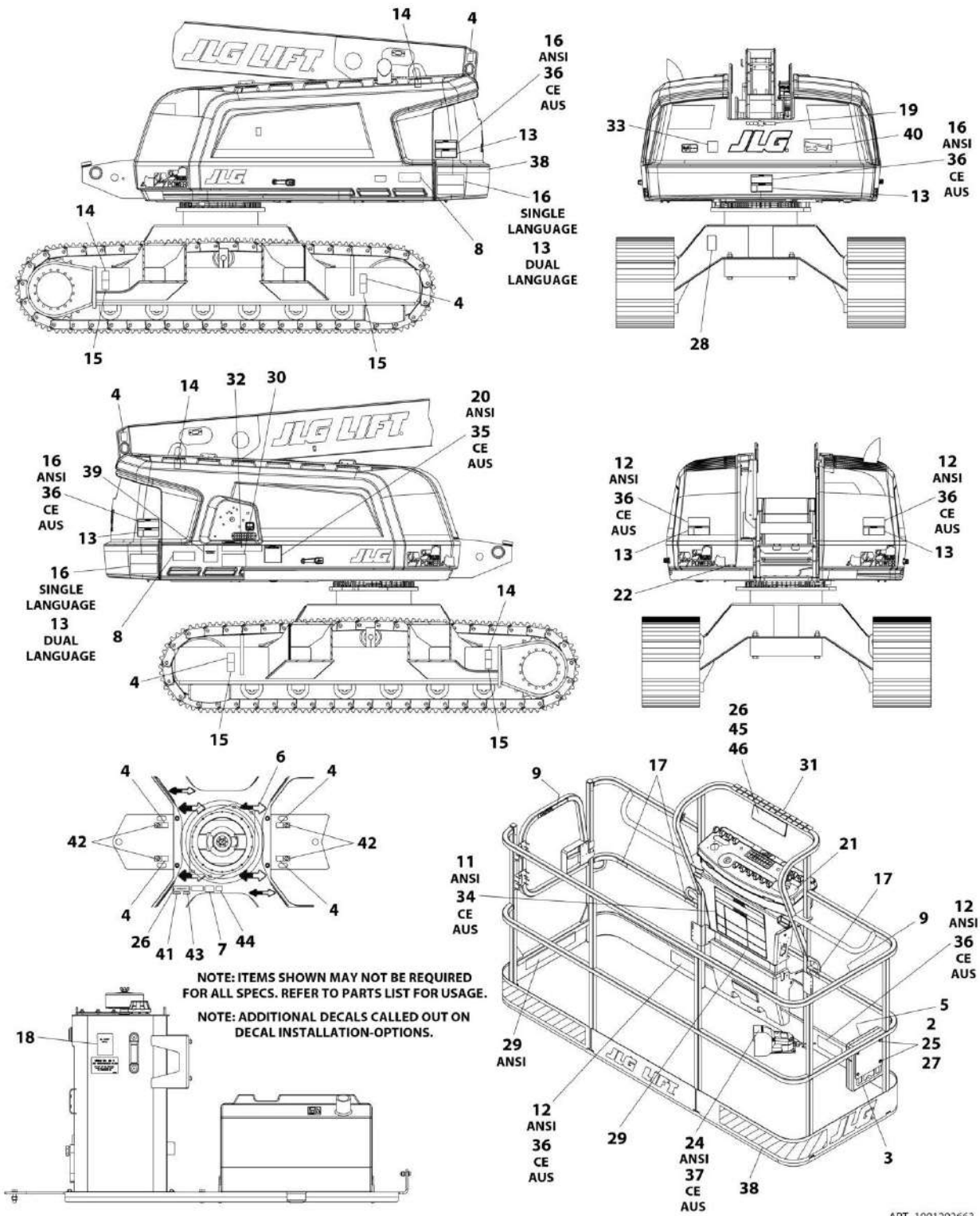
ITEM	PART NUMBER	QTY	DESCRIPTION	REV
15	4460465	8	Socket, Female	
16	4460932	1	Receptacle, Female - 4 Position	
16	4460464	4	Pin, Male	
17	4460967	1	Plug, Male - 3 Position	
17	4460465	3	Socket, Female	
18	4460424	1	Receptacle, Female - 2 Position	
18	4460226	6	Socket, Female	
19	1001172064	1	Fuseholder (Includes Cover)	
19	8229245	1	Fuse 30Amp <b>(Prior to SN 0300246304)</b>	
19	1001172065	1	Fuse 30Amp <b>(SN 0300246304 to Present)</b>	
20	4460312	1	Terminal, Ring	
21	4460880	2	Connector, DIN	
22	4460043	1	Terminal, Ring	
23	8220045	1	Terminal, Ring	
24	4460247	2	Terminal, Ring	
25	4460042	1	Terminal, Ring	
26	4460183	2	Terminal, Ring	
27	4460260	2	Cover, Terminal	
27	4460259	2	Terminal	
28	4460931	2	Receptacle, Female - 8 Position	
28	4460464	3	Pin, Male	
28	4460466	5	Plug, Terminal	
29	4460460	1	Receptacle, Female - 4 Position	
29	4460457	4	Terminal	
101	4460837	2	Connector, Bussbar	
102	1001125677	2	Connector, Bussbar	
103	1001121172	4	Mount, Connector	
104	1001192401	1	Cap, Dust	



**SECTION 9 - DECALS**

# SECTION 9 - DECALS

## FIGURE 9-1. DECAL INSTALLATION - 600SC (ANSI SPECS - ENGLISH LANGUAGE)



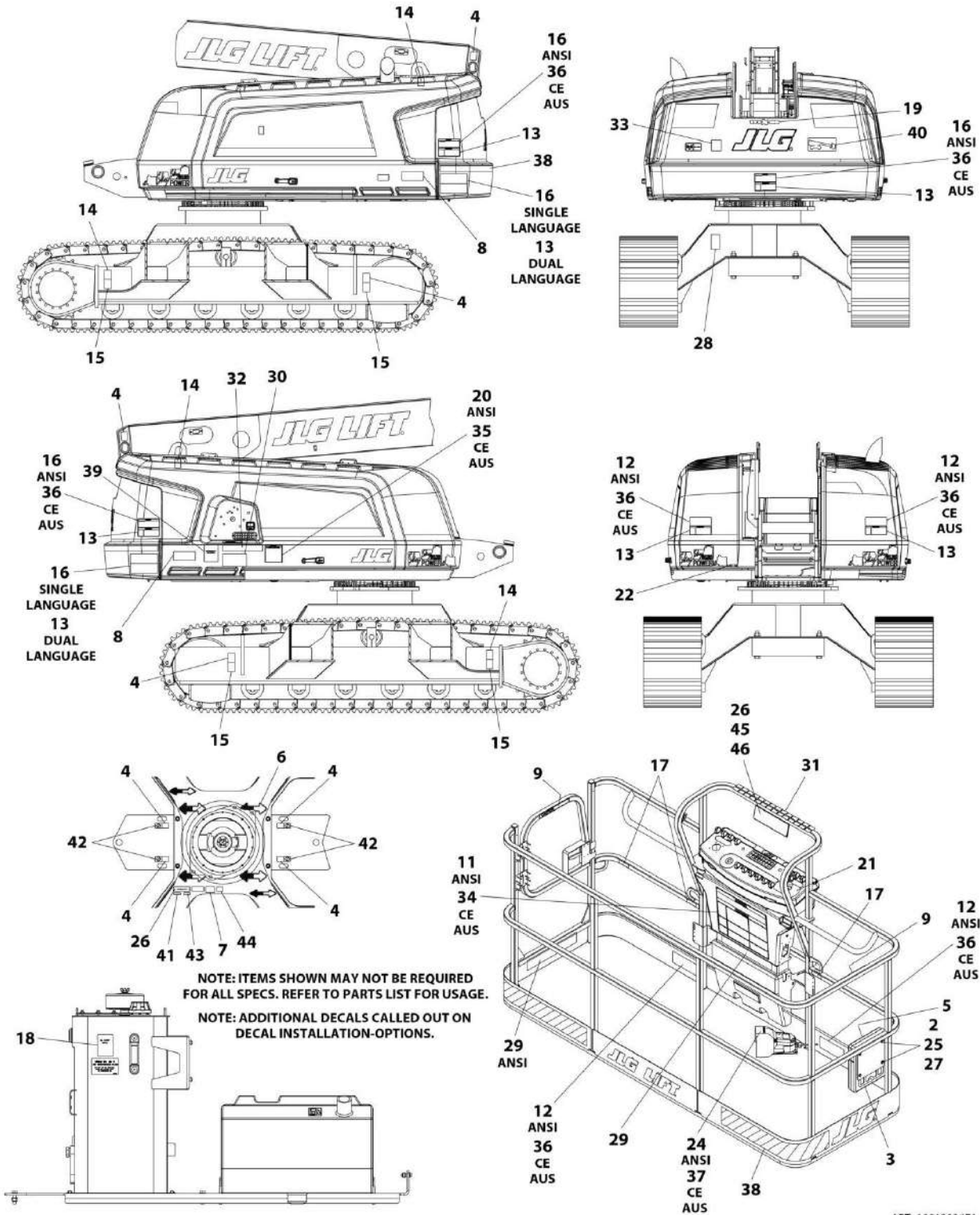
## SECTION 9 - DECALS

**FIGURE 9-1. DECAL INSTALLATION - 600SC (ANSI SPECS - ENGLISH LANGUAGE)**

ITEM	PART NUMBER	QTY	DESCRIPTION	REV
	1001202663	Ref	DECAL INSTALLATION	E
2	0700610	4	Bolt M6 x 20	
3	91403230	1	Box, Manual Storage	
4	1701499	4	Decal - No Tie Down/Lift	
5	1701509	1	Decal - Manual	
6	1701529	6	Decal - Arrow	
7	See Note	NSS	Decal - Bar Code (Note: Not Available for Purchase)	
8	1704434	2	Decal - 600SC	
9	1702868	2	Decal - No Hands	
11	1703797	1	Decal - Danger/Warning	
12	1703804	4	Decal - Warning/Crushing	
13	1703805	5	Decal - Electrocution	
14	1703811	4	Decal - Lifting Lug	
15	1703814	4	Decal - Tie Down	
16	1703953	3	Decal - Warning/Crushing	
17	1704277	3	Decal - Lanyard Attach Graphic	
18	1704412	1	Decal - Hydraulic Oil	
19	1704885	1	Decal - Website	
20	1705336	1	Decal - Danger/Warning	
21	1705351	1	Decal - Drive/Steer Instruction	
22	3251243	1	Decal - 120V/60Hz	
24	3252347	1	Nameplate - Footswitch	
25	3290605	4	Nut M6	
26	3820001	5	Rivet	
27	4811700	8	Washer M6	
28	1001131269	1	Decal - Patent	
29	1001171335	1	Decal - Warning Dual Capacity	
30	1001171336	1	Decal - Warning Dual Capacity	
31	1001225647	1	Decal - Legend	
32	1001174313	1	Decal - Legend	
40	1001228613	1	Decal - Lift Diagram	
41	1705514	1	Decal - CSA	
43	1001228370	1	Decal - Ices (Canada) <b>(SN 0300236299 through 0300241926)</b>	
43	1001223453	1	Decal - Ices (Canada) <b>(SN 0300241927 to Present)</b>	
44	1001223055	1	Decal - Inspection	
45	3572044	1	Plate, Mounting	
46	1704468	1	Decal - Machine Motion Hazard	

# SECTION 9 - DECALS

## FIGURE 9-2. DECAL INSTALLATION - 600SC (BRAZIL SPECS - PORTUGUESE/SPANISH LANGUAGES)



ART\_1001202671

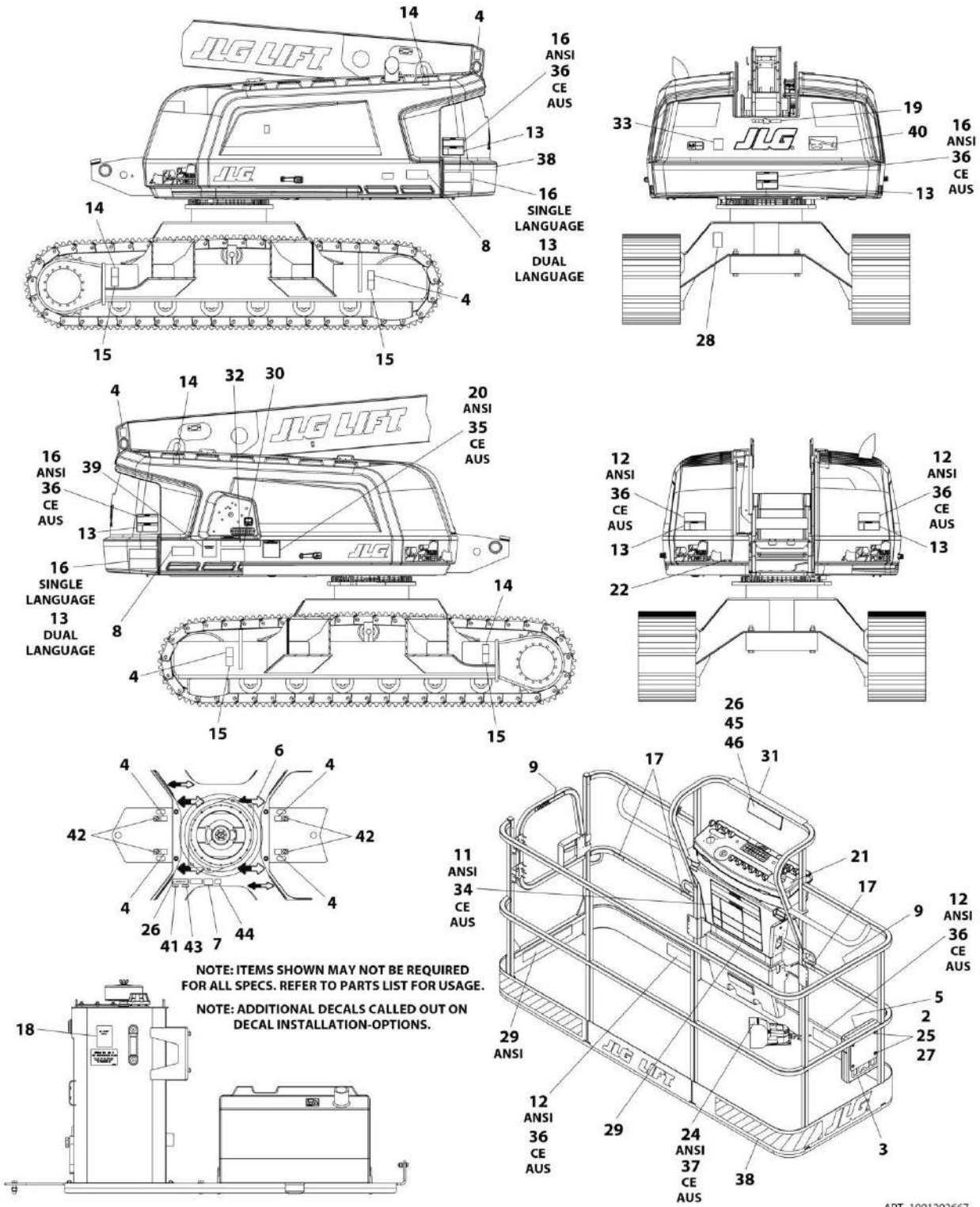
## SECTION 9 - DECALS

**FIGURE 9-2. DECAL INSTALLATION - 600SC (BRAZIL SPECS - PORTUGUESE/SPANISH LANGUAGES)**

ITEM	PART NUMBER	QTY	DESCRIPTION	REV
	1001202671	Ref	DECAL INSTALLATION	D
2	0700610	4	Bot M6 x 20	
3	91403230	1	Box, Manual Storage	
4	1701499	4	Decal - No Tie Down/Lift	
5	1701509	1	Decal - Manual	
6	1701529	6	Decal - Arrow	
7	See Note	NSS	Decal - Bar Code (Note: Not Available For Purchase)	
8	1704434	2	Decal - 600SC	
9	1704002	2	Decal - No Hands	
11	1703928	1	Decal - Danger/Warning	
12	1703952	4	Decal - Warning/Crushing	
13	1703940	5	Decal - Electrocution	
14	1703811	4	Decal - Lifting Lug	
15	1703814	4	Decal - Tie Down	
16	1703946	3	Decal - Warning/Crushing	
17	1704277	3	Decal - Lanyard Attach Graphic	
18	1704412	1	Decal - Hydraulic Oil	
19	1704885	1	Decal - Website	
20	1705349	1	Decal - Warning/Inspection	
21	1001113680	1	Decal - Drive/Steer Instruction	
22	3251243	1	Decal - 120V/60Hz	
24	1703985	1	Nameplate - Footswitch	
25	3290605	4	Nut M6	
26	3820001	5	Rivet	
27	4811700	8	Washer M6	
29	1001171359	2	Decal - Warning Dual Capacity	
30	1001171360	1	Decal - Warning Dual Capacity	
31	1001225647	1	Decal - Legend	
32	1001174313	1	Decal - Legend	
40	1001215615	1	Decal - Lift Diagram	
44	1001224052	1	Decal - Inspection	
45	1001093553	1	Plate, Mounting	
46	1001233313	1	Decal - Machine Motion Hazard	

# SECTION 9 - DECALS

## FIGURE 9-3. DECAL INSTALLATION - 600SC (CE SPECS - ENGLISH LANGUAGE)



## SECTION 9 - DECALS

**FIGURE 9-3. DECAL INSTALLATION - 600SC (CE SPECS - ENGLISH LANGUAGE)**

ITEM	PART NUMBER	QTY	DESCRIPTION	REV
	1001202667	Ref	DECAL INSTALLATION	E
2	0700610	4	Bolt M6 x 20	
3	91403230	1	Box, Manual Storage	
4	1701499	4	Decal - No Tie Down/Lift	
5	1701509	1	Decal - Manual	
6	1701529	6	Decal - Arrow	
7	See Note	NSS	Decal - Bar Code (Note: Not Available For Purchase)	
8	1704434	2	Decal - 600SC	
13	1705961	5	Decal - Electrocutation	
14	1703811	4	Decal - Lifting Lug	
15	1703814	4	Decal - Tie Down	
17	1704277	3	Decal - Lanyard Attach Graphic	
18	1704412	1	Decal - Hydraulic Oil	
25	3290605	4	Nut M6	
26	3820001	2	Rivet	
27	4811700	8	Washer M6	
29	1001185237	1	Decal - Warning Maximum Capacity	
30	1001185237	1	Decal - Warning Maximum Capacity	
34	1705921	1	Decal - Tipping/Electrocutation	
35	1705822	1	Decal - Electrocutation/Safety Manual	
36	1701518	7	Decal - Crushing	
37	1705828	1	Nameplate - Footswitch	
38	4420051	208 in/ 5.3m	Tape, Safety	
40	1001228613	1	Decal - Lift Diagram	
57	1001159323	2	Decal - JLG	
59	1702773	3	Decal - JLG	





## SECTION 9 - DECALS

**FIGURE 9-4. DECAL INSTALLATION - 600SC (CHINESE SPECS - ENGLISH/SIMPLIFIED CHINESE LANGUAGES)**

ITEM	PART NUMBER	QTY	DESCRIPTION	REV
	1001218058	Ref	DECAL INSTALLATION	D
2	0700610	4	Bolt M6 x 20	
3	91403230	1	Box, Manual Storage	
4	1701499	4	Decal - No Tie Down/Lift	
5	1701509	1	Decal - Manual	
6	1701529	6	Decal - Arrow	
7	See Note	NSS	Decal - Bar Code (Note: Not Available for Purchase)	
8	1704434	2	Decal - 600SC	
9	1705968	2	Decal - No Hands	
11	1001116847	1	Decal - Warning	
12	1001116850	4	Decal - Warning/Crushing	
13	1703937	5	Decal - Electrocution	
14	1703811	4	Decal - Lifting Lug	
15	1703814	4	Decal - Tie Down	
16	1001116845	3	Decal - Warning/Crushing	
17	1704277	3	Decal - Lanyard Attach Graphic	
18	1704412	1	Decal - Hydraulic Oil	
19	1704885	1	Decal - Website	
20	1001116848	1	Decal - Warning Inspection	
21	1705430	1	Decal - Drive Steer	
22	3251243	1	Decal - 120V/60Hz	
24	1001116852	1	Nameplate - Footswtich	
25	3290605	4	Nut M6	
26	3820001	5	Rivet	
27	4811700	8	Washer M6	
29	1001216739	2	Decal - Warning Dual Capacity	
30	1001216740	1	Decal - Warning Dual Capacity	
31	1001225647	1	Decal - Legend	
32	1001174313	1	Decal - Legend	
38	4420051	208 in/ 5.3m	Tape, Safety	
40	1001228613	1	Decal - Lift Diagram	
44	1001224051	1	Decal - Inspection	
45	1001093553	1	Plate, Mounting	
46	1001116963	1	Decal - Machine Motion Hazard	



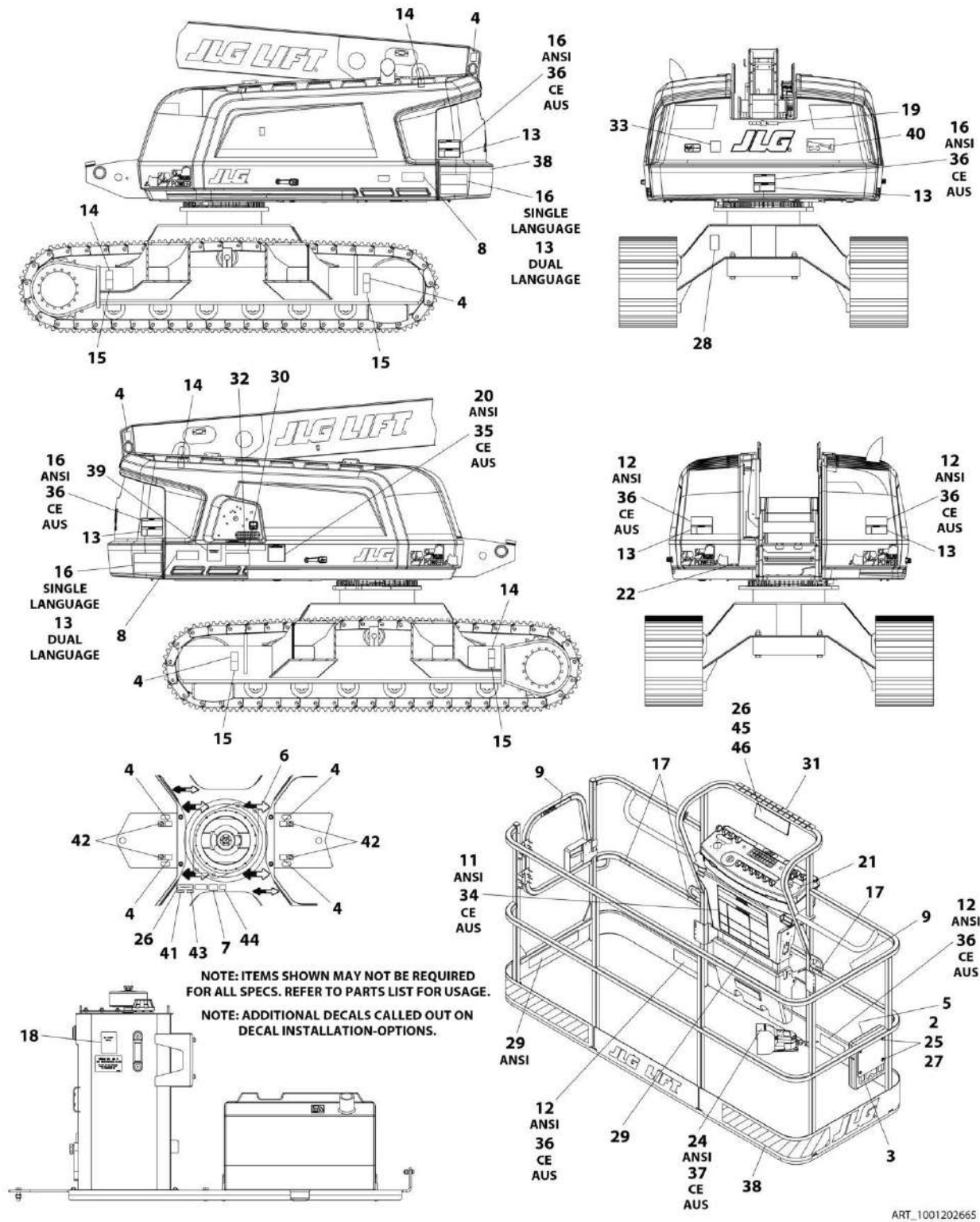
## SECTION 9 - DECALS

**FIGURE 9-5. DECAL INSTALLATION - 600SC (CHINESE SPECS - ENGLISH/TRADITIONAL CHINESE LANGUAGES)**

ITEM	PART NUMBER	QTY	DESCRIPTION	REV
	1001202673	Ref	DECAL INSTALLATION	D
2	0700610	4	Bolt M6 x 20	
3	91403230	1	Box, Manual Storage	
4	1701499	4	Decal - No Tie Down/Lift	
5	1701509	1	Decal - Manual	
6	1701529	6	Decal - Arrow	
7	See Note	NSS	Decal - Bar Code (Note: Not Available for Purchase)	
8	1704434	2	Decal - 600SC	
9	1001116846	2	Decal - No Hands	
11	1703925	1	Decal - Danger/Warning	
12	1703949	4	Decal - Crushing	
13	1001116851	5	Decal - Electrocution	
14	1703811	4	Decal - Lifting Lug	
15	1703814	4	Decal - Tie Down	
16	1703943	3	Decal - Warning/Crushing	
17	1704277	3	Decal - Lanyard Attach Graphic	
18	1704412	1	Decal - Hydraulic Oil	
19	1704885	1	Decal - Website	
20	1001116849	1	Decal - Warning/Inspection	
21	1001116863	1	Decal - Drive/Steer Instruction	
22	3251243	1	Decal - 120V/60Hz	
24	1703982	1	Nameplate - Footswitch	
25	3290605	4	Nut M6	
26	3820001	5	Rivet	
27	4811700	8	Washer M6	
29	1001171355	2	Decal - Warning Dual Capacity	
30	1001171356	1	Decal - Warning Dual Capacity	
31	1001225647	1	Decal - Legend	
32	1001174313	1	Decal - Legend	
38	4420051	208 in/ 5.3m	Tape, Safety	
40	1001228613	1	Decal - Lift Diagram	
44	1001224050	1	Decal - Inspection	
45	1001093553	1	Plate, Mounting	
46	1001116964	1	Decal - Machine Motion Hazard	

# SECTION 9 - DECALS

FIGURE 9-6. DECAL INSTALLATION - 600SC (CSA SPECS - ENGLISH/FRENCH LANGUAGES)



ART\_1001202665

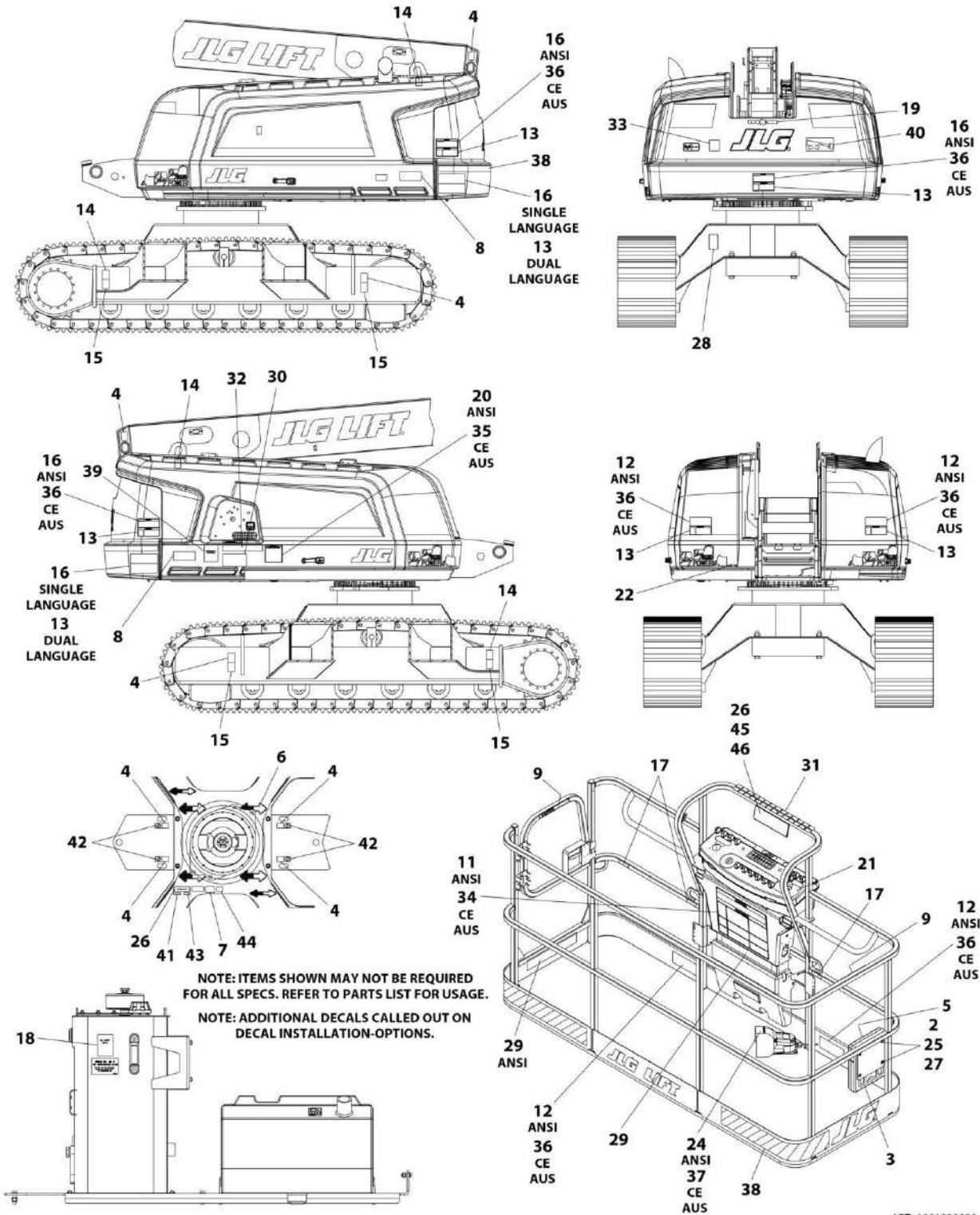
## SECTION 9 - DECALS

**FIGURE 9-6. DECAL INSTALLATION - 600SC (CSA SPECS - ENGLISH/FRENCH LANGUAGES)**

ITEM	PART NUMBER	QTY	DESCRIPTION	REV
	1001202665	Ref	DECAL INSTALLATION	E
2	0700610	4	Bolt M6 x 20	
3	91403230	1	Box, Manual Storage	
4	1701499	4	Decal - No Tie Down/Lift	
5	1701509	1	Decal - Manual	
6	1701529	6	Decal - Arrow	
7	See Note	NSS	Decal - Bar Code (Note: Not Available for Purchase)	
8	1704434	2	Decal - 600SC	
9	1704000	2	Decal - No Hands	
11	1703924	1	Decal - Danger/Warning	
12	1703948	4	Decal - Warning/Crushing	
13	1703936	5	Decal - Electrocution	
14	1703811	4	Decal - Lifting Lug	
15	1703814	4	Decal - Tie Down	
16	1703942	3	Decal - Crushing	
17	1704277	3	Decal - Lanyard Attach Graphic	
18	1704412	1	Decal - Hydraulic Oil	
19	1704885	1	Decal - Website	
20	1705347	1	Decal - Warning/Inspection	
21	1705429	1	Decal - Drive/Steer Instruction	
22	3251243	1	Decal - 120V/60Hz	
24	1703984	1	Nameplate - Footswitch	
25	3290605	4	Nut M6	
26	3820001	5	Rivet	
27	4811700	8	Washer M6	
28	1001131269	1	Decal - Patent	
29	1001171351	2	Decal - Warning Dual Capacity	
30	1001171352	1	Decal - Warning Dual Capacity	
31	1001225647	1	Decal - Legend	
32	1001174313	1	Decal - Legend	
40	1001228613	1	Decal - Lift Diagram	
41	1705514	1	Decal - CSA	
43	1001228370	1	Decal - Ices (Canada) <b>(SN 0300236299 through 0300241926)</b>	
43	1001223453	1	Decal - Ices (Canada) <b>(SN 0300241927 to Present)</b>	
44	1001223971	1	Decal - Inspection	
45	1001093553	1	Plate, Mounting	
46	1001093684	1	Decal - Machine Motion Hazard	

# SECTION 9 - DECALS

FIGURE 9-7. DECAL INSTALLATION - 600SC (JAPANESE SPECS - ENGLISH/JAPANESE LANGUAGES)



ART\_1001229929

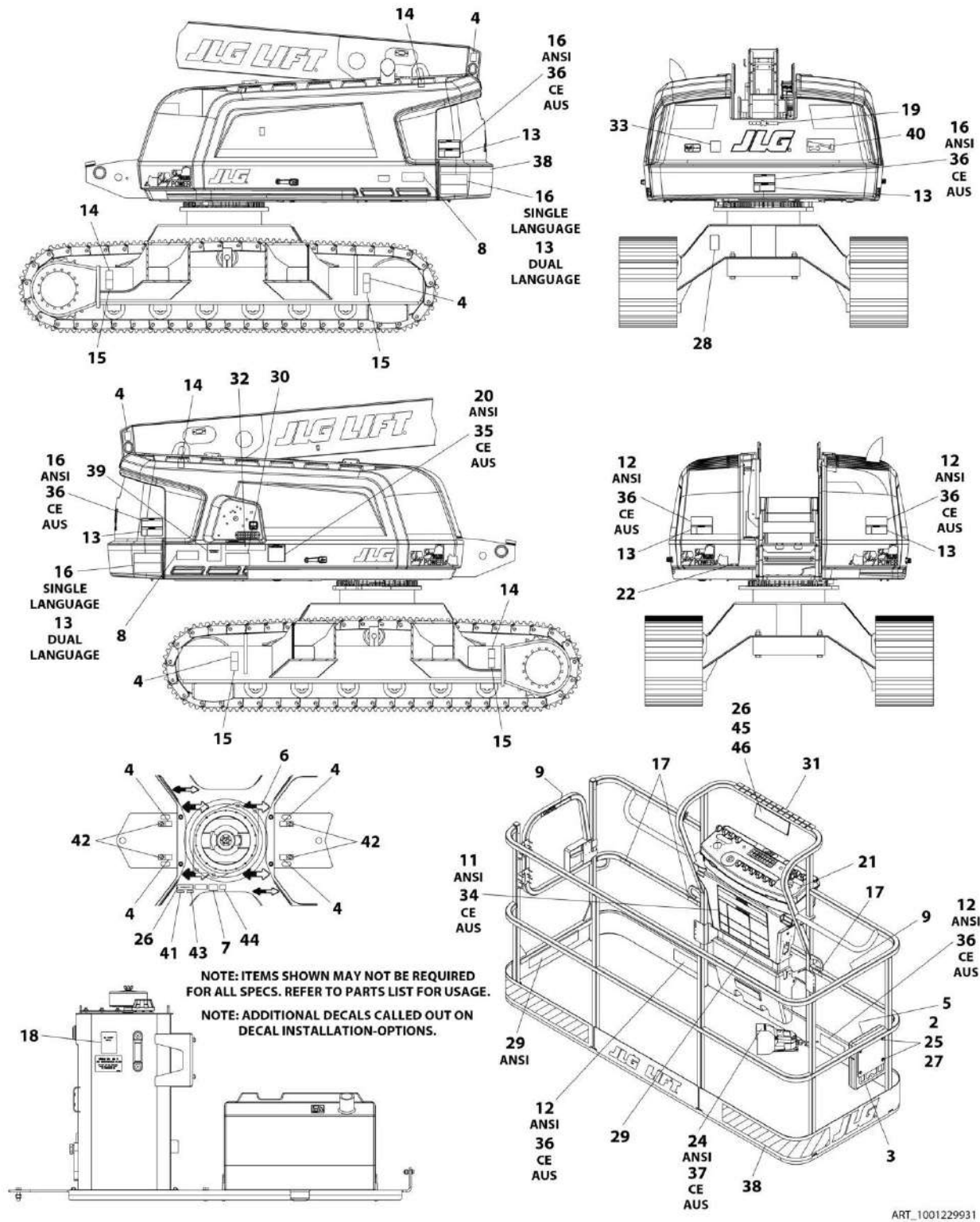
## SECTION 9 - DECALS

**FIGURE 9-7. DECAL INSTALLATION - 600SC (JAPANESE SPECS - ENGLISH/JAPANESE LANGUAGES)**

ITEM	PART NUMBER	QTY	DESCRIPTION	REV
	1001229929	Ref	DECAL INSTALLATION	B
2	0700610	4	Bolt M6 x 20	
3	91403230	1	Box, Manual Storage	
4	1701499	4	Decal - No Tie Down/Lift	
5	1701509	1	Decal - Manual	
6	1701529	6	Decal - Arrow	
7	See Note	NSS	Decal - Bar Code (Note: Not Available for Purchase)	
8	1704434	2	Decal - 600SC	
11	1703926	1	Decal - Danger/Warning	
12	1703950	4	Decal - Crushing	
13	1703938	5	Decal - Electrocution	
14	1703811	4	Decal - Lifting Lug	
15	1703814	4	Decal - Tie Down	
16	1703944	3	Decal - Warning/Crushing	
17	1704277	3	Decal - Lanyard Attach Graphic	
18	1704412	1	Decal - Hydraulic Oil	
19	1704885	1	Decal - Website	
20	1705344	1	Decal - Warning/Inspection	
21	1705426	1	Decal - Drive/Steer Instruction	
22	3251243	1	Decal - 120V/60Hz	
24	1703980	1	Nameplate - Footswtich	
25	3290605	4	Nut M6	
26	3820001	5	Rivet	
27	4811700	8	Washer M6	
29	1001171341	2	Decal - Warning Dual Capacity	
30	1001171342	1	Decal - Warning Dual Capacity	
31	1001225647	1	Decal - Legend	
32	1001174313	1	Decal - Legend	
40	1001228613	1	Decal - Lift Diagram	
44	1001224053	1	Decal - Inspection	
45	1001093553	1	Plate, Mounting	
46	1001215285	1	Decal - Machine Motion Hazard	

# SECTION 9 - DECALS

FIGURE 9-8. DECAL INSTALLATION - 600SC (KOREAN SPECS - ENGLISH/KOREAN LANGUAGES)



ART\_1001229931



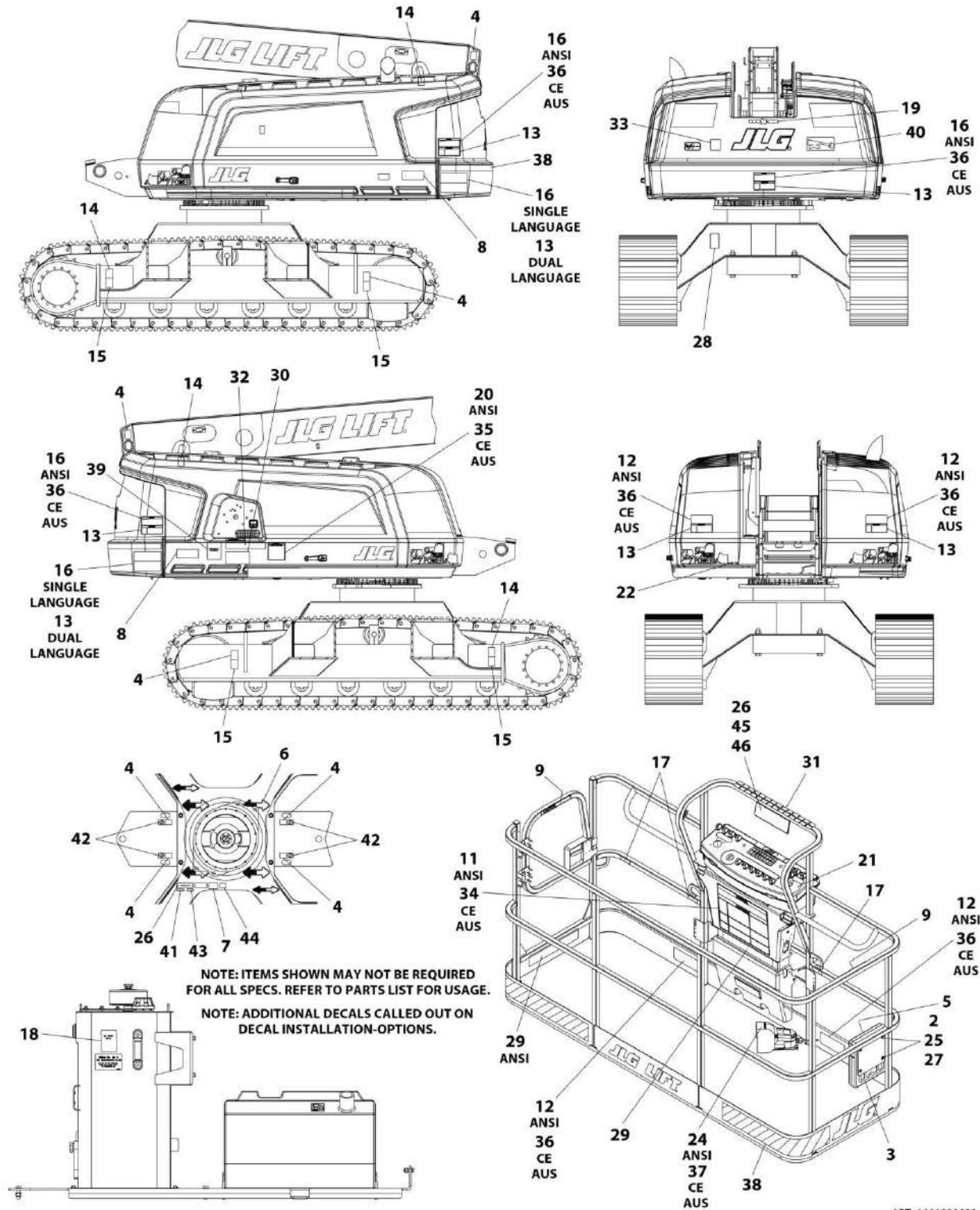
## SECTION 9 - DECALS

**FIGURE 9-8. DECAL INSTALLATION - 600SC (KOREAN SPECS - ENGLISH/KOREAN LANGUAGES)**

ITEM	PART NUMBER	QTY	DESCRIPTION	REV
	1001229931	Ref	DECAL INSTALLATION	B
2	0700610	4	Bolt M6 x 20	
3	91403230	1	Box, Manual Storage	
4	1701499	4	Decal - No Tie Down/Lift	
5	1701509	1	Decal - Manual	
6	1701529	4	Decal - Arrow	
7	See Note	1	Decal - Bar Code (Note: Not Available for Purchase)	
8	1704434	2	Decal - 600SC	
9	1705969	2	Decal - No Hands	
11	1703927	1	Decal - Danger/Warning	
12	1703951	4	Decal - Crushing	
13	1703939	5	Decal - Danger/Electrocution	
14	1703811	4	Decal - Lifting Lug	
15	1703814	4	Decal - Tie Down	
16	1703945	3	Decal - Warning/Crushing	
17	1704277	3	Decal - Lanyard Attach Graphic	
18	1704412	1	Decal - Hydraulic Oil	
19	1704885	1	Decal - Website	
20	1705345	1	Decal - Warning/Inspection	
21	1705427	1	Decal - Drive/Steer Instruction	
24	1703981	1	Nameplate - Footswitch	
25	3290605	4	Nut M6	
26	3820001	5	Rivet	
27	4811700	8	Washer M6	
29	1001171345	2	Decal - Warning Dual Capacity	
30	1001171346	1	Decal - Warning Dual Capacity	
31	1001225647	1	Decal - Legend	
32	1001174313	1	Decal - Legend	
40	1001228613	1	Decal - Crawler Lift Diagram	
44	1001224048	1	Decal - Inspection	
45	1001093553	1	Plate, Mounting	
46	1001215286	1	Decal - Machine Motion Hazard	

# SECTION 9 - DECALS

## FIGURE 9-9. DECAL INSTALLATION - 600SC (LATIN AMERICA SPECS - ENGLISH/SPANISH LANGUAGES)



ART\_1001229933

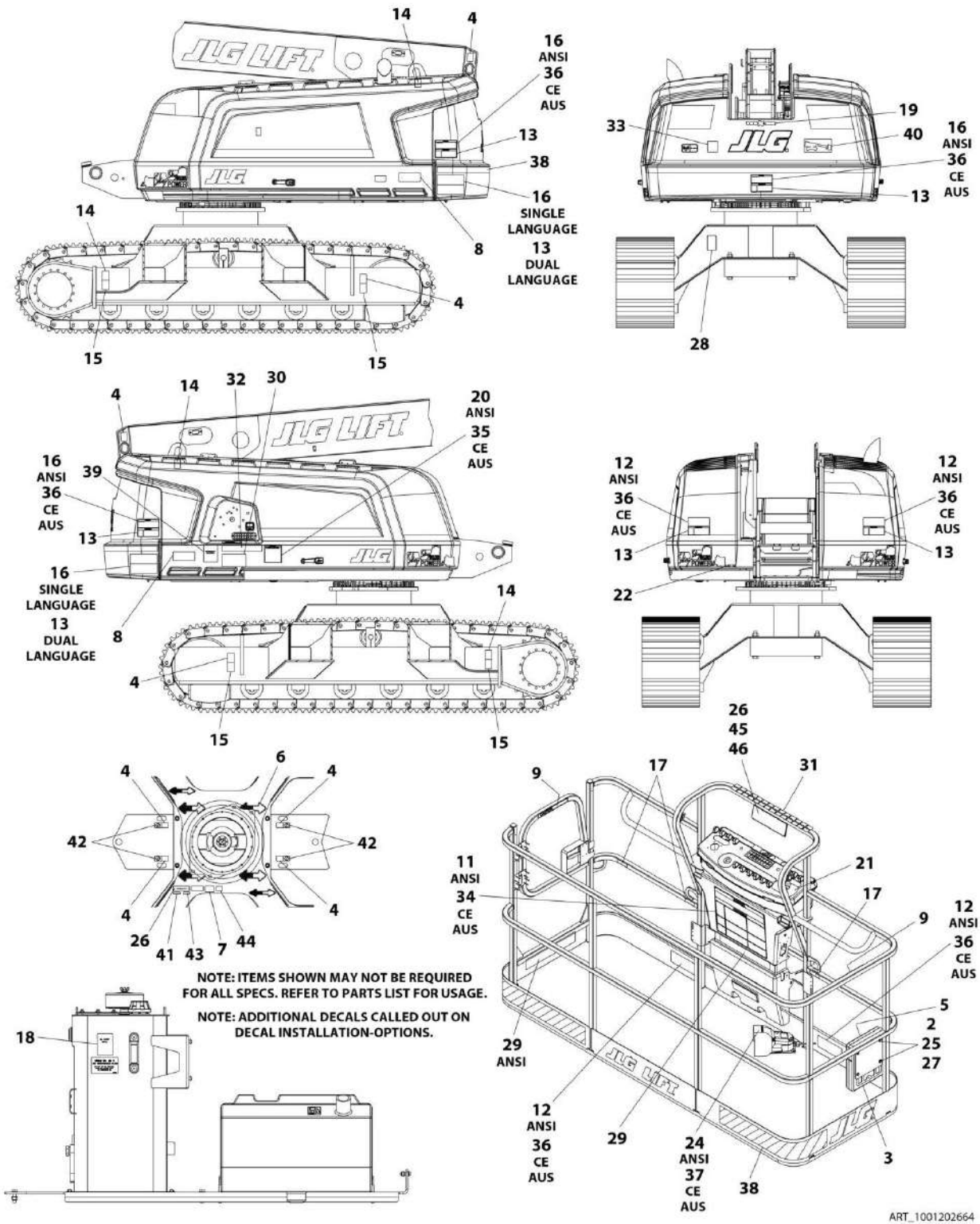
## SECTION 9 - DECALS

**FIGURE 9-9. DECAL INSTALLATION - 600SC (LATIN AMERICA SPECS - ENGLISH/SPANISH LANGUAGES)**

ITEM	PART NUMBER	QTY	DESCRIPTION	REV
	1001229933	Ref	DECAL INSTALLATION	B
2	0700610	4	Bolt M6 x 20	
3	91403230	1	Box, Manual Storage	
4	1701499	4	Decal - No Tie Down/Lift	
5	1701509	1	Decal - Manual	
6	1701529	6	Decal - Arrow	
7	See Note	NSS	Decal - Bar Code (Note: Not Available for Purchase)	
8	1704434	2	Decal - 600SC	
9	1704001	2	Decal - No Hands	
11	1703923	1	Decal - Danger/Warning	
12	1703947	4	Decal - Warning/Crushing	
13	1703935	5	Decal - Electrocution	
14	1703811	4	Decal - Lifting Lug	
15	1703814	4	Decal - Tie Down	
16	1703941	3	Decal - Warning/Crushing	
17	1704277	3	Decal - Lanyard Attach Graphic	
18	1704412	1	Decal - Hydraulic Oil	
19	1704885	1	Decal - Website	
20	1705917	1	Decal - Warning/Inspection	
21	1705910	1	Decal - Drive/Steer Instruction	
22	3251243	1	Decal - 120V/60Hz	
24	1703983	1	Nameplate - Footswtich	
25	3290605	4	Nut M6	
26	3820001	5	Rivet	
27	4811700	8	Washer M6	
29	1001171349	2	Decal - Warning Dual Capacity	
30	1001171350	1	Decal - Warning Dual Capacity	
31	1001225647	1	Decal - Legend	
32	1001174313	1	Decal - Legend	
40	1001228613	1	Decal - Lift Diagram	
44	1001224049	1	Decal - Inspection	
45	1001093553	1	Plate, Mounting	
46	1001233312	1	Decal - Machine Motion Hazard	

# SECTION 9 - DECALS

FIGURE 9-10. DECAL INSTALLATION - 660SJC (ANSI SPECS - ENGLISH LANGUAGE)



ART\_1001202664

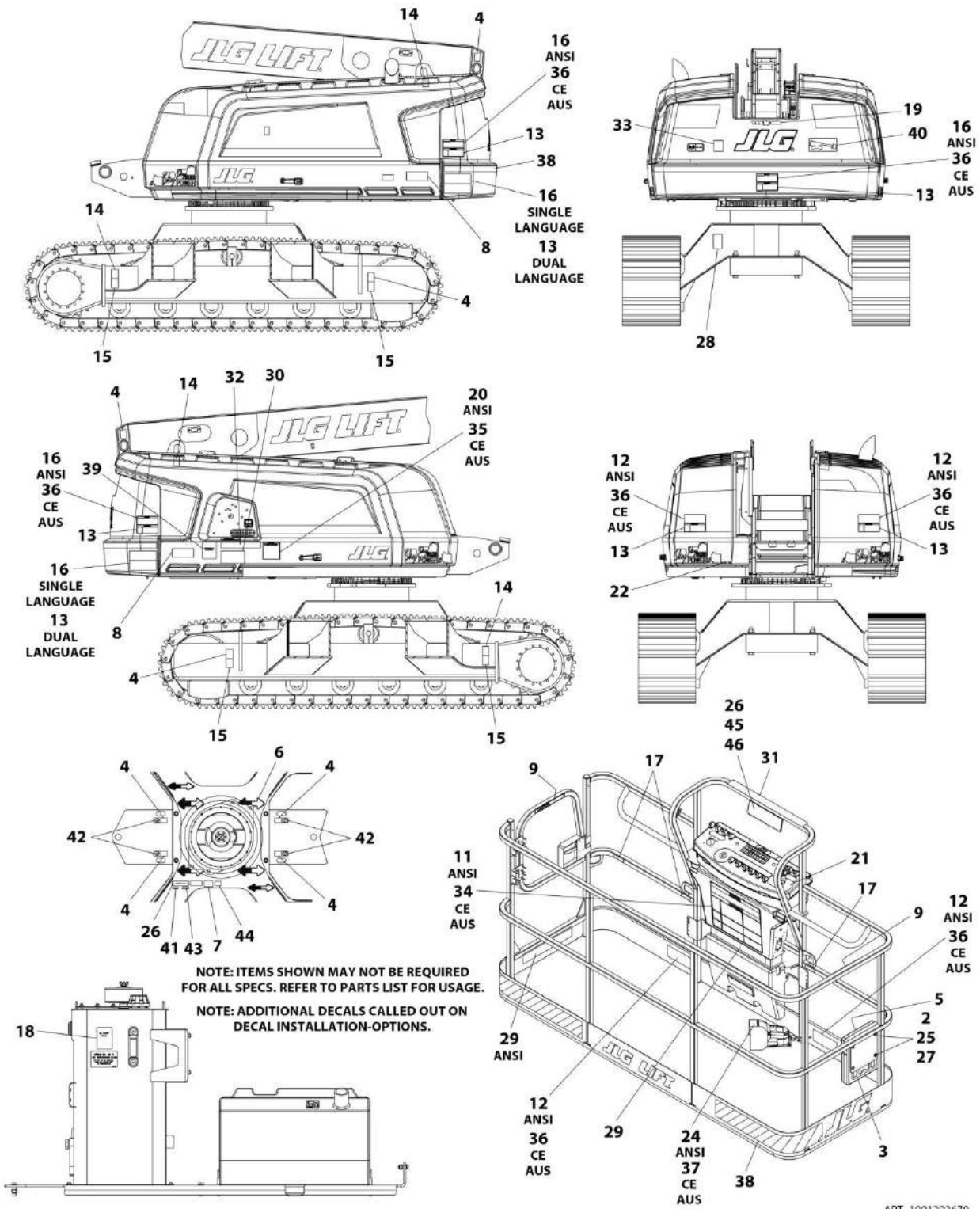
## SECTION 9 - DECALS

**FIGURE 9-10. DECAL INSTALLATION - 660SJC (ANSI SPECS - ENGLISH LANGUAGE)**

ITEM	PART NUMBER	QTY	DESCRIPTION	REV
	1001202664	Ref	DECAL INSTALLATION	E
2	0700610	4	Bolt M6 x 20	
3	91403230	1	Box, Manual Storage	
4	1701499	8	Decal - No Tie Down/Lift	
5	1701509	1	Decal - Manual	
6	1701529	6	Decal - Arrow	
7	See Note	NSS	Decal - Bar Code (Note: Not Available for Purchase)	
8	1703165	2	Decal - 660SJC	
9	1702868	2	Decal - No Hands	
11	1703797	1	Decal - Danger/Warning	
12	1703804	4	Decal - Warning/Crushing	
13	1703805	5	Decal - Electrocution	
14	1703811	4	Decal - Lifting Lug	
15	1703814	4	Decal - Tie Down	
16	1703953	3	Decal - Warning/Crushing	
17	1704277	3	Decal - Lanyard Attach Graphic	
18	1704412	1	Decal - Hydraulic Oil	
19	1704885	1	Decal - Website	
20	1705336	1	Decal - Danger/Warning	
21	1705351	1	Decal - Drive/Steer Instruction	
22	3251243	1	Decal - 120V/60Hz	
24	3252347	1	Nameplate - Footswitch	
25	3290605	4	Nut M6	
26	3820001	5	Rivet	
27	4811700	8	Washer M6	
28	1001131269	1	Decal - Patent	
29	1001194234	2	Decal - Warning Dual Capacity	
30	1001194235	1	Decal - Warning Dual Capacity	
31	1001225647	1	Decal - Legend	
32	1001174313	1	Decal - Legend	
40	1001228613	1	Decal - Lift Diagram	
41	1705514	1	Decal - CSA	
42	1704461	4	Decal - No Tie Down	
43	1001228370	1	Decal - Ices (Canada) <b>(SN 0300236299 through 0300241926)</b>	
43	1001223453	1	Decal - Ices (Canada) <b>(SN 0300241927 to Present)</b>	
44	1001223055	1	Decal - Inspection	
45	3572044	1	Plate, Mounting	
46	1704468	1	Decal - Machine Motion Hazard	

# SECTION 9 - DECALS

FIGURE 9-11. DECAL INSTALLATION - 660SJC (AUSTRALIAN SPECS - ENGLISH LANGUAGE)



ART\_1001202670

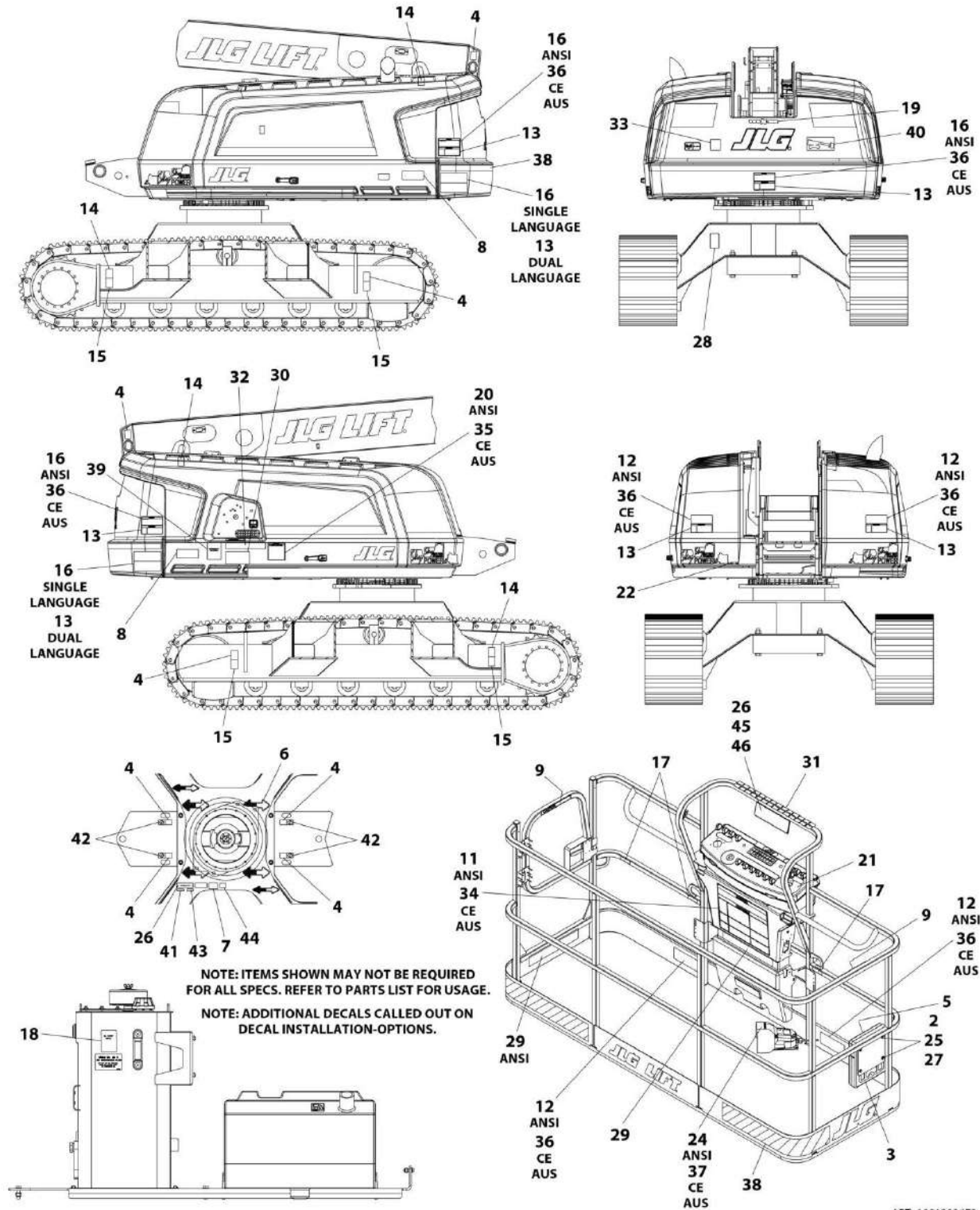
## SECTION 9 - DECALS

**FIGURE 9-11. DECAL INSTALLATION - 660SJC (AUSTRALIAN SPECS - ENGLISH LANGUAGE)**

ITEM	PART NUMBER	QTY	DESCRIPTION	REV
	1001202670	Ref	DECAL INSTALLATION	D
2	0700610	4	Bolt M6 x 20	
3	91403230	1	Box, Manual Storage	
4	1701499	8	Decal - No Tie Down/Lift	
5	1701509	1	Decal - Manual	
6	1701529	6	Decal - Arrow	
7	See Note	NSS	Decal - Bar Code (Note: Not Available for Purchase)	
8	1703165	2	Decal - 660SJC	
13	1705961	5	Decal - Electrocution	
14	1703811	4	Decal - Lifting Lug	
15	1703814	4	Decal - Tie Down	
17	1704277	3	Decal - Lanyard Attach Graphic	
18	1704412	1	Decal - Hydraulic Oil	
19	1704885	1	Decal - Website	
25	3290605	4	Nut M6	
26	3820001	2	Rivet	
27	4811700	8	Washer M6	
29	1001194236	1	Decal - Capacity	
30	1001194236	1	Decal - Capacity	
34	1705921	1	Decal - Tipping/Electrocution	
35	1705822	1	Decal - Electrocution/Safety Manual	
36	1701518	7	Decal - Crushing	
37	1705828	1	Nameplate - Footswitch	
38	4420051	208 in/ 5.3m	Tape, Safety	
39	1001112551	1	Decal - Emergency Controls	
40	1001228613	1	Decal - Lift Diagram	
42	1704461	4	Decal - No Tie Down	

# SECTION 9 - DECALS

FIGURE 9-12. DECAL INSTALLATION - 660SJC (BRAZIL SPECS - PORTUGUESE/SPANISH LANGUAGES)



ART\_1001202672



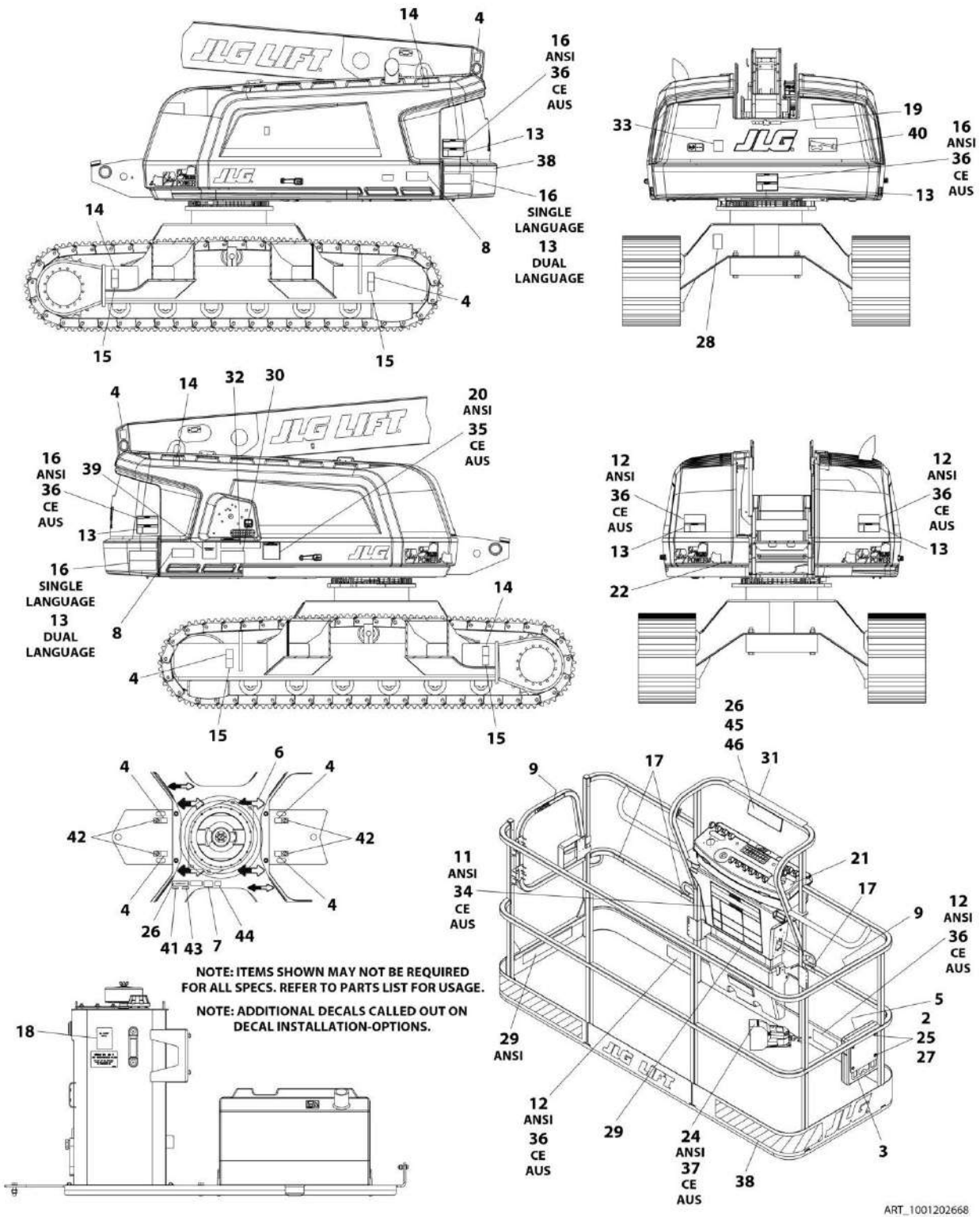
## SECTION 9 - DECALS

**FIGURE 9-12. DECAL INSTALLATION - 660SJC (BRAZIL SPECS - PORTUGUESE/SPANISH LANGUAGES)**

ITEM	PART NUMBER	QTY	DESCRIPTION	REV
	1001202672	Ref	DECAL INSTALLATION	D
2	0700610	4	Bolt M6 x 20	
3	91403230	1	Box, Manual Storage	
4	1701499	8	Decal - No Tie Down/Lift	
5	1701509	1	Decal - Manual	
6	1701529	6	Decal - Arrow	
7	See Note	NSS	Decal - Bar Code (Note: Not Available For Purchase)	
8	1703165	2	Decal - 660SJC	
9	1704002	2	Decal - No Hands	
11	1703928	1	Decal - Danger/Warning	
12	1703952	4	Decal - Warning/Crushing	
13	1703940	5	Decal - Electrocutation	
14	1703811	4	Decal - Lifting Lug	
15	1703814	4	Decal - Tie Down	
16	1703946	3	Decal - Warning/Crushing	
17	1704277	3	Decal - Lanyard Attach Graphic	
18	1704412	1	Decal - Hydraulic Oil	
19	1704885	1	Decal - Website	
20	1705349	1	Decal - Warning/Inspection	
21	1001113680	1	Decal - Drive/Steer Instruction	
22	3251243	1	Decal - 120V/60Hz	
24	1703985	1	Nameplate - Footswitch	
25	3290605	4	Nut M6	
26	3820001	5	Rivet	
27	4811700	8	Washer M6	
29	1001216745	2	Decal - Warning Dual Capacity	
30	1001216746	1	Decal - Warning Dual Capacity	
31	1001225647	1	Decal - Legend	
32	1001174313	1	Decal - Legend	
40	1001228613	1	Decal - Lift Diagram	
42	1704461	4	Decal - No Tie Down	
44	1001224052	1	Decal - Inspection	
45	1001093553	1	Plate, Mounting	
46	1001233313	1	Decal - Machine Motion Hazard	

# SECTION 9 - DECALS

## FIGURE 9-13. DECAL INSTALLATION - 660SJC (CE SPECS - ENGLISH LANGUAGE)



ART\_1001202668

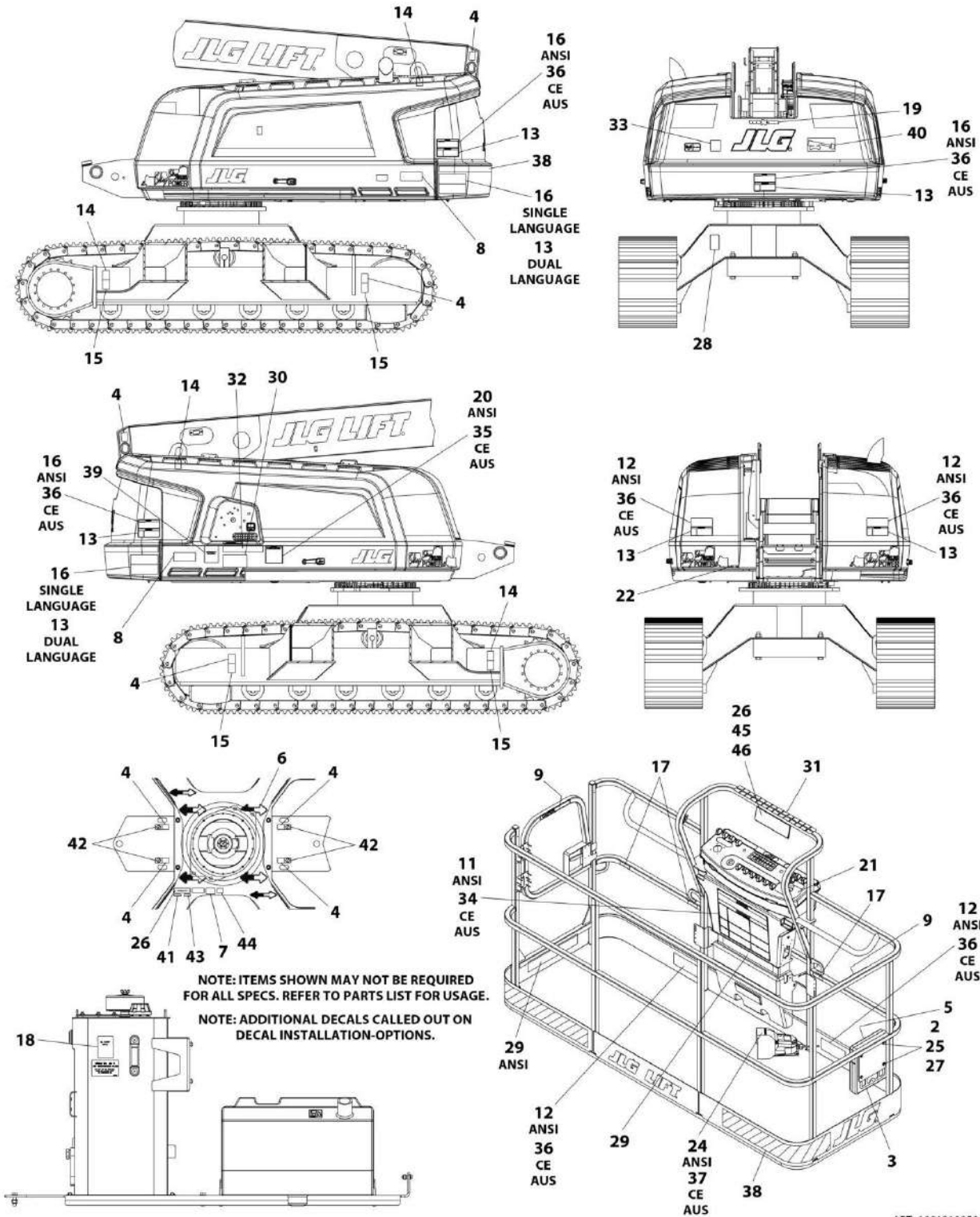
## SECTION 9 - DECALS

**FIGURE 9-13. DECAL INSTALLATION - 660SJC (CE SPECS - ENGLISH LANGUAGE)**

ITEM	PART NUMBER	QTY	DESCRIPTION	REV
	1001202668	Ref	DECAL INSTALLATION	D
2	0700610	4	Bolt M6 x 20	
3	91403230	1	Box, Manual Storage	
4	1701499	8	Decal - No Tie Down/Lift	
5	1701509	1	Decal - Manual	
6	1701529	6	Decal - Arrow	
7	See Note	NSS	Decal - Bar Code (Note: Not Available For Purchase)	
8	1703165	2	Decal - 660SJC	
13	1705961	5	Decal - Electrocution	
14	1703811	4	Decal - Lifting Lug	
15	1703814	4	Decal - Tie Down	
17	1704277	3	Decal - Lanyard Attach Graphic	
18	1704412	1	Decal - Hydraulic Oil	
25	3290605	4	Nut M6	
26	3820001	2	Rivet	
27	4811700	8	Washer M6	
29	1001194236	1	Decal - Capacity	
30	1001194236	1	Decal - Capacity	
34	1705921	1	Decal - Tipping/Electrocution	
35	1705822	1	Decal - Electrocution/Safety Manual	
36	1701518	7	Decal - Crushing	
37	1705828	1	Nameplate - Footswitch	
38	4420051	208 in/ 5.3m	Tape, Safety	
40	1001215615	1	Decal - Lift Diagram	
42	1704461	4	Decal - No Tie Down	
57	1001159323	2	Decal - JLG	
59	1702773	3	Decal - JLG	

# SECTION 9 - DECALS

FIGURE 9-14. DECAL INSTALLATION - 660SJC (CHINESE SPECS - ENGLISH/SIMPLIFIED CHINESE LANGUAGES)



ART\_1001218059

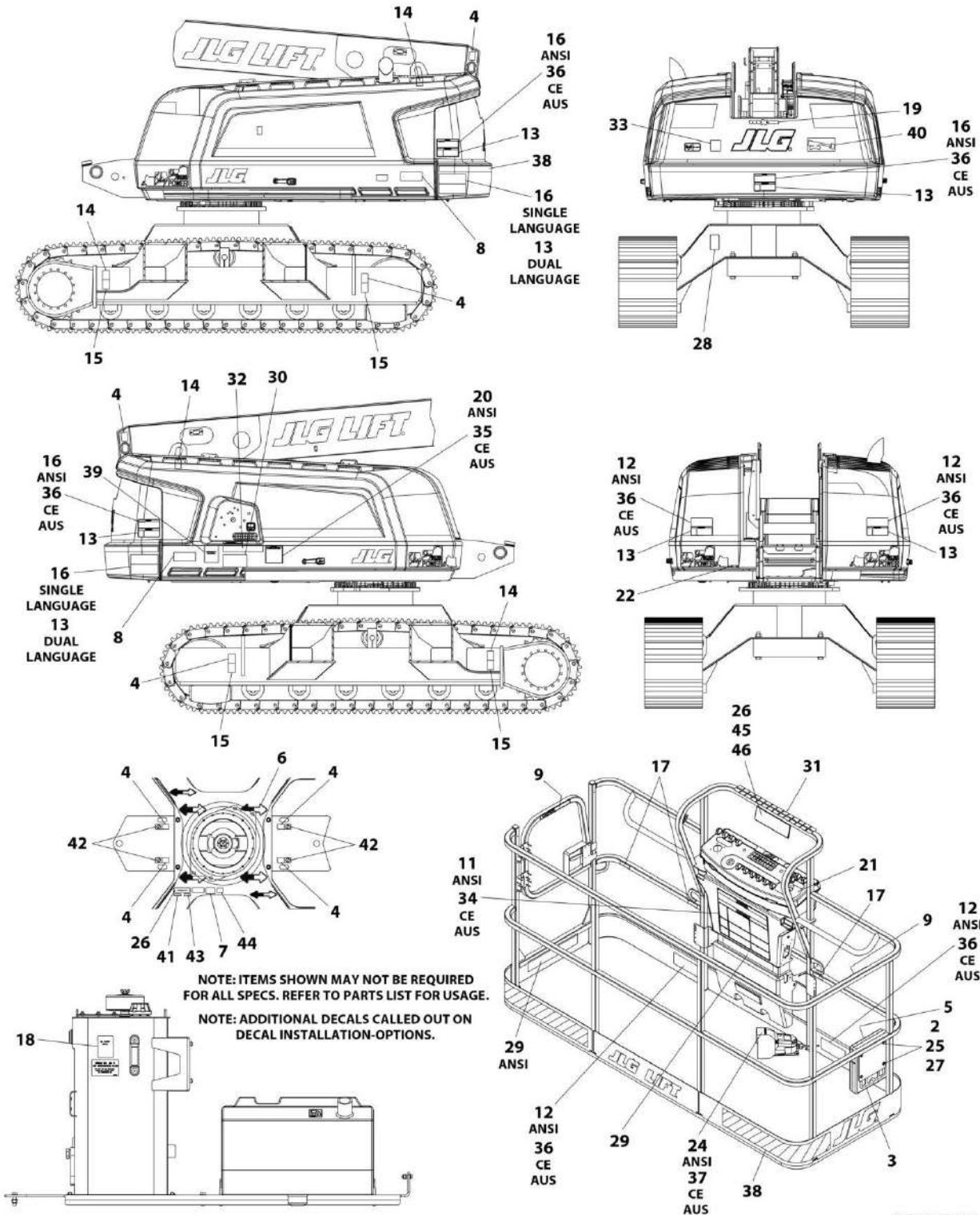
## SECTION 9 - DECALS

**FIGURE 9-14. DECAL INSTALLATION - 660SJC (CHINESE SPECS - ENGLISH/SIMPLIFIED CHINESE LANGUAGES)**

ITEM	PART NUMBER	QTY	DESCRIPTION	REV
	1001218059	Ref	DECAL INSTALLATION	D
2	0700610	4	Bolt M6 x 20	
3	91403230	1	Box, Manual Storage	
4	1701499	8	Decal - No Tie Down/Lift	
5	1701509	1	Decal - Manual	
6	1701529	6	Decal - Arrow	
7	See Note	NSS	Decal - Bar Code (Note: Not Available for Purchase)	
8	1703165	2	Decal - 660SJC	
9	1705968	2	Decal - No Hands	
11	1001116847	1	Decal - Warning	
12	1001116850	4	Decal - Warning/Crushing	
13	1703937	5	Decal - Electrocution	
14	1703811	4	Decal - Lifting Lug	
15	1703814	4	Decal - Tie Down	
16	1001116845	3	Decal - Warning/Crushing	
17	1704277	3	Decal - Lanyard Attach Graphic	
18	1704412	1	Decal - Hydraulic Oil	
19	1704885	1	Decal - Website	
20	1001116848	1	Decal - Warning/Inspection	
21	1705430	1	Decal - Drive/Steer	
22	3251243	1	Decal - 120V/60Hz	
24	1001116852	1	Nameplate - Footswitch	
25	3290605	4	Nut M6	
26	3820001	5	Rivet	
27	4811700	8	Washer M6	
29	1001216741	2	Decal - Warning Dual Capacity	
30	1001216742	1	Decal - Warning Dual Capacity	
31	1001225647	1	Decal - Legend	
32	1001174313	1	Decal - Legend	
38	4420051	208 in/ 5.3m	Tape, Safety	
40	1001228613	1	Decal - Lift Diagram	
42	1704461	4	Decal - No Tie Down	
44	1001224051	1	Decal - Inspection	
45	1001093553	1	Plate, Mounting	
46	1001116963	1	Decal - Machine Motion Hazard	

# SECTION 9 - DECALS

FIGURE 9-15. DECAL INSTALLATION - 660SJC (CHINESE SPECS - ENGLISH/TRADITIONAL CHINESE LANGUAGES)



ART\_1001202674

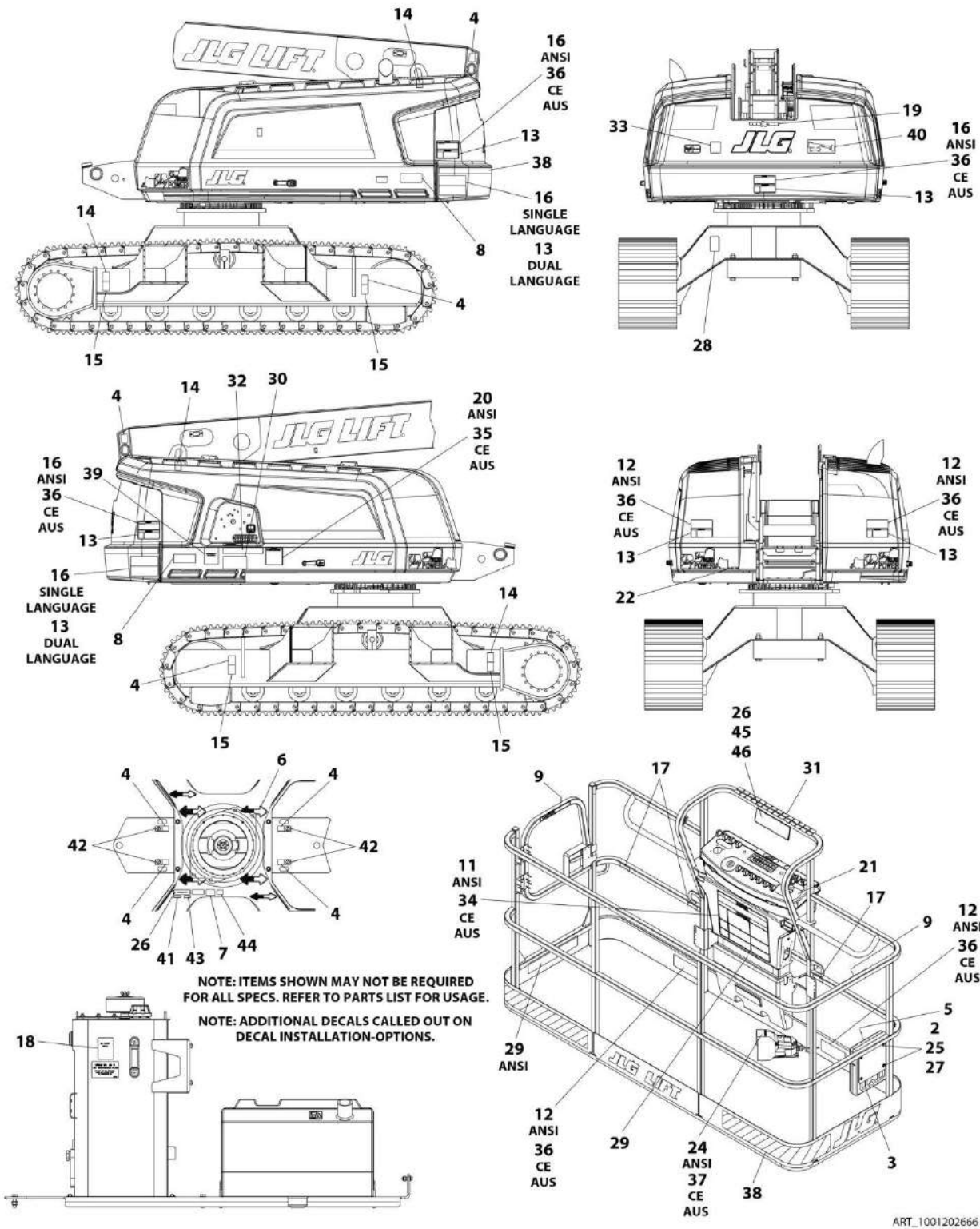
## SECTION 9 - DECALS

**FIGURE 9-15. DECAL INSTALLATION - 660SJC (CHINESE SPECS - ENGLISH/TRADITIONAL CHINESE LANGUAGES)**

ITEM	PART NUMBER	QTY	DESCRIPTION	REV
	1001202674	Ref	DECAL INSTALLATION	D
2	0700610	4	Bolt M6 x 20	
3	91403230	1	Box, Manual Storage	
4	1701499	8	Decal - No Tie Down/Lift	
5	1701509	1	Decal - Manual	
6	1701529	6	Decal - Arrow	
7	See Note	NSS	Decal - Bar Code (Note: Not Available for Purchase)	
8	1703165	2	660SJC	
9	1001116846	2	Decal - Caution/No Hands	
11	1703925	1	Decal - Danger/Warning	
12	1703949	4	Decal - Crushing	
13	1001116851	5	Decal - Electrocution	
14	1703811	4	Decal - Lifting Lug	
15	1703814	8	Decal - Tie Down	
16	1703943	3	Decal - Warning/Crushing	
17	1704277	3	Decal - Lanyard Attach Graphic	
18	1704412	1	Decal - Hydraulic Oil	
19	1704885	1	Decal - Website	
20	1001116849	1	Decal - Warning/Inspection	
21	1001116863	1	Decal - Drive/Steer Instruction	
22	3251243	1	Decal - 120V/60Hz	
24	1703982	1	Nameplate - Footswitch	
25	3290605	4	Nut M6	
26	3820001	5	Rivet	
27	4811700	8	Washer M6	
29	1001216736	2	Decal - Warning Dual Capacity	
30	1001216737	1	Decal - Warning Dual Capacity	
31	1001225647	1	Decal - Legend	
32	1001174313	1	Decal - Legend	
38	4420051	208 in/ 5.3m	Tape, Safety	
40	1001228613	1	Decal - Lift Diagram	
42	1704461	4	Decal - No Tie Down	
44	1001224050	1	Decal - Inspection	
45	1001093553	1	Plate, Mounting	
46	1001116964	1	Decal - Machine Motion Hazard	

# SECTION 9 - DECALS

FIGURE 9-16. DECAL INSTALLATION - 660SJC (CSA SPECS - ENGLISH/FRENCH LANGUAGES)



ART\_1001202666



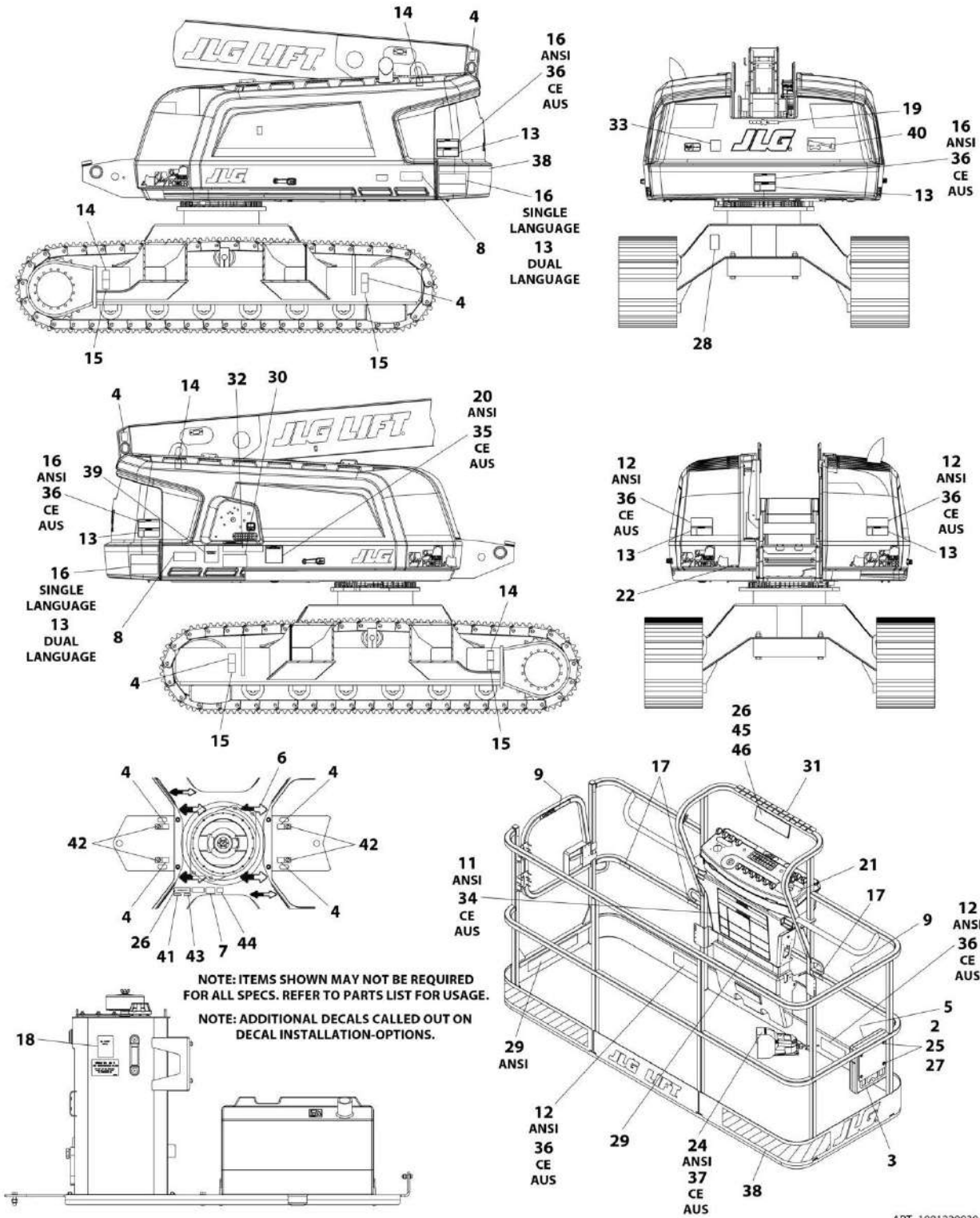
## SECTION 9 - DECALS

**FIGURE 9-16. DECAL INSTALLATION - 660SJC (CSA SPECS - ENGLISH/FRENCH LANGUAGES)**

ITEM	PART NUMBER	QTY	DESCRIPTION	REV
	1001202666	Ref	DECAL INSTALLATION	E
2	0700610	4	Bolt M6 x 20	
3	91403230	1	Box, Manual Storage	
4	1701499	8	Decal - No Tie Down/Lift	
5	1701509	1	Decal - Manual	
6	1701529	6	Decal - Arrow	
7	See Note	NSS	Decal - Bar Code (Note: Not Available For Purchase)	
8	1703165	2	Decal - 660SJC	
9	1704000	2	Decal - No Hands	
11	1703924	1	Decal - Danger/Warning	
12	1703948	4	Decal - Warning/Crushing	
13	1703936	5	Decal - Electrocution	
14	1703811	4	Decal - Lifting Lug	
15	1703814	4	Decal - Tie Down	
16	1703942	3	Decal - Crushing	
17	1704277	3	Decal - Lanyard Attach Graphic	
18	1704412	1	Decal - Hydraulic Oil	
19	1704885	1	Decal - Website	
20	1705347	1	Decal - Warning/Inspection	
21	1705429	1	Decal - Drive/Steer Instruction	
22	3251243	1	Decal - 120V/60Hz	
24	1703984	1	Nameplate - Footswitch	
25	3290605	4	Nut M6	
26	3820001	5	Rivet	
27	4811700	8	Washer M6	
28	1001131269	1	Decal - Patent	
29	1001216749	2	Decal - Warning Dual Capacity	
30	1001216750	1	Decal - Warning Dual Capacity	
31	1001225647	1	Decal - Legend	
32	1001174313	1	Decal - Legend	
40	1001228613	1	Decal - Lift Diagram	
41	1705514	1	Decal - CSA	
42	1704461	4	Decal - No Tie Down	
43	1001228370	1	Decal - Ices (Canada) <b>(SN 0300236299 through 0300241926)</b>	
43	1001223453	1	Decal - Ices (Canada) <b>(SN 0300241927 to Present)</b>	
44	1001223971	1	Decal - Inspection	
45	1001093553	1	Plate, Mounting	
46	1001093684	1	Decal - Machine Motion Hazard	

# SECTION 9 - DECALS

## FIGURE 9-17. DECAL INSTALLATION - 660SJC (JAPANESE SPECS - ENGLISH/JAPANESE LANGUAGES)



ART\_1001229930

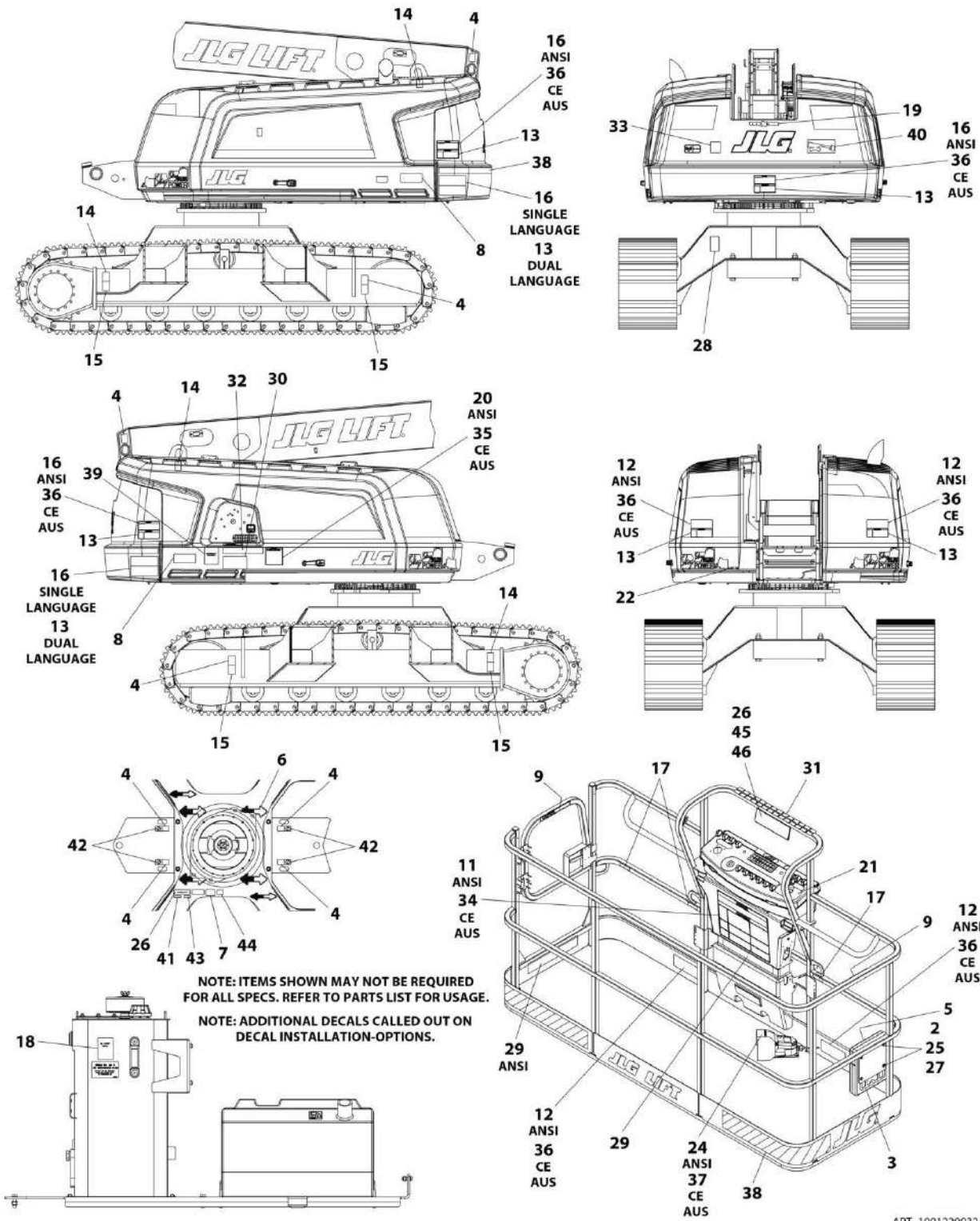
## SECTION 9 - DECALS

**FIGURE 9-17. DECAL INSTALLATION - 660SJC (JAPANESE SPECS - ENGLISH/JAPANESE LANGUAGES)**

ITEM	PART NUMBER	QTY	DESCRIPTION	REV
	1001229930	Ref	DECAL INSTALLATION	B
2	0700610	4	Bolt M6 x 20	
3	91403230	1	Box, Manual Storage	
4	1701499	8	Decal - No Tie Down/Lift	
5	1701509	1	Decal - Manual	
6	1701529	6	Decal - Arrow	
7	See Note	NSS	Decal - Bar Code (Note: Not Available for Purchase)	
8	1703165	2	Decal - 660SJC	
11	1703926	1	Decal - Danger/Warning	
12	1703950	4	Decal - Crushing	
13	1703938	5	Decal - Electrocution	
14	1703811	4	Decal - Lifting Lug	
15	1703814	4	Decal - Tie Down	
16	1703944	3	Decal - Warning/Crushing	
17	1704277	3	Decal - Lanyard Attach Graphic	
18	1704412	1	Decal - Hydraulic Oil	
19	1704885	1	Decal - Website	
20	1705344	1	Decal - Warning/Inspection	
21	1705426	1	Decal - Drive/Steer Instruction	
22	3251243	1	Decal - 120V/60Hz	
24	1703980	1	Nameplate - Footswitch	
25	3290605	4	Nut M6	
26	3820001	5	Rivet	
27	4811700	8	Washer M6	
29	1001216751	2	Decal - Warning Dual Capacity	
30	1001216752	1	Decal - Warning Dual Capacity	
31	1001225647	1	Decal - Legend	
32	1001174313	1	Decal - Legend	
40	1001228613	1	Decal - Lift Diagram	
42	1704461	4	Decal - No Tie Down	
44	1001224053	1	Decal - Inspection	
45	1001093553	1	Plate, Mounting	
46	1001215285	1	Decal - Machine Motion Hazard	

# SECTION 9 - DECALS

FIGURE 9-18. DECAL INSTALLATION - 660SJC (KOREAN SPECS - ENGLISH/KOREAN LANGUAGES)



ART\_1001229932

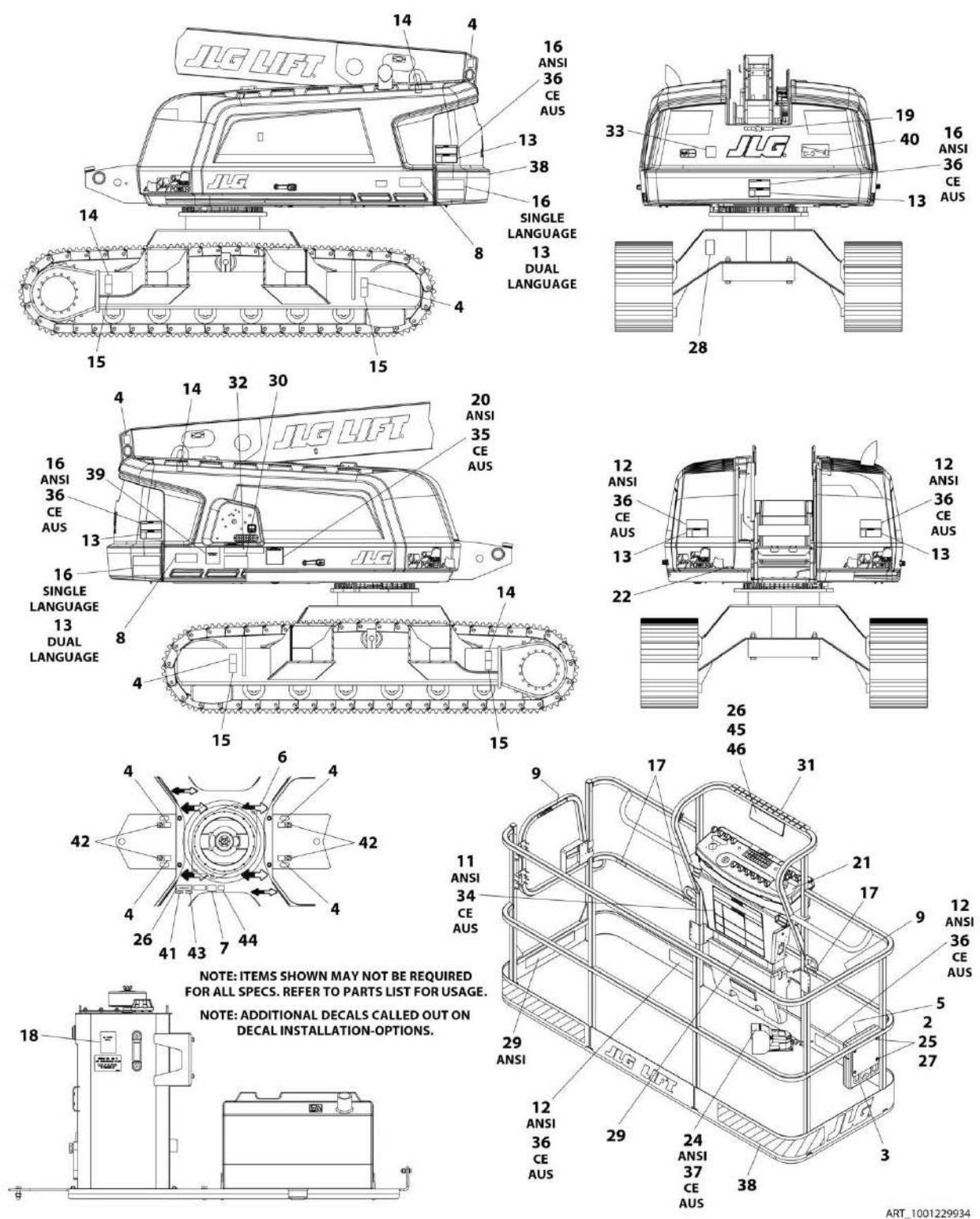
## SECTION 9 - DECALS

**FIGURE 9-18. DECAL INSTALLATION - 660SJC (KOREAN SPECS - ENGLISH/KOREAN LANGUAGES)**

ITEM	PART NUMBER	QTY	DESCRIPTION	REV
	1001229932	Ref	DECAL INSTALLATION	B
2	0700610	4	Bolt M6 x 20	
3	91403230	1	Box, Manual Storage	
4	1701499	8	Decal - No Tie Down/Lift	
5	1701509	1	Decal - Manual	
6	1701529	6	Decal - Arrow	
7	See Note	NSS	Decal - Bar Code (Note: Not Available for Purchase)	
8	1703165	2	Decal - 660SJC	
9	1705969	2	Decal - No Hands	
11	1703927	1	Decal - Danger/Warning	
12	1703951	4	Decal - Warning/Crushing	
13	1703939	5	Decal - Danger/Electrocution	
14	1703811	4	Decal - Lifting Lug	
15	1703814	4	Decal - Tie Down	
16	1703945	3	Decal - Warning/Crushing	
17	1704277	3	Decal - Lanyard Attach Graphic	
18	1704412	1	Decal - Hydraulic Oil	
19	1704885	1	Decal - Website	
20	1705345	1	Decal - Warning/Inspection	
21	1705427	1	Decal - Drive/Steer Instruction	
24	1703981	1	Nameplate - Footswitch	
25	3290605	4	Nut M6	
26	3820001	5	Rivet	
27	4811700	8	Washer M6	
29	1001216734	2	Decal - Warning Dual Capacity	
30	1001216735	1	Decal - Warning Dual Capacity	
31	1001225647	1	Decal - Legend	
32	1001174313	1	Decal - Legend	
40	1001228613	1	Decal - Lift Diagram	
42	1704461	4	Decal - No Tie Down	
44	1001224048	1	Decal - Inspection	
45	1001093553	1	Plate, Mounting	
46	1001215286	1	Decal - Machine Motion Hazard	

# SECTION 9 - DECALS

FIGURE 9-19. DECAL INSTALLATION - 660SJC (LATIN AMERICA SPECS - ENGLISH/SPANISH LANGUAGES)



ART\_1001229934

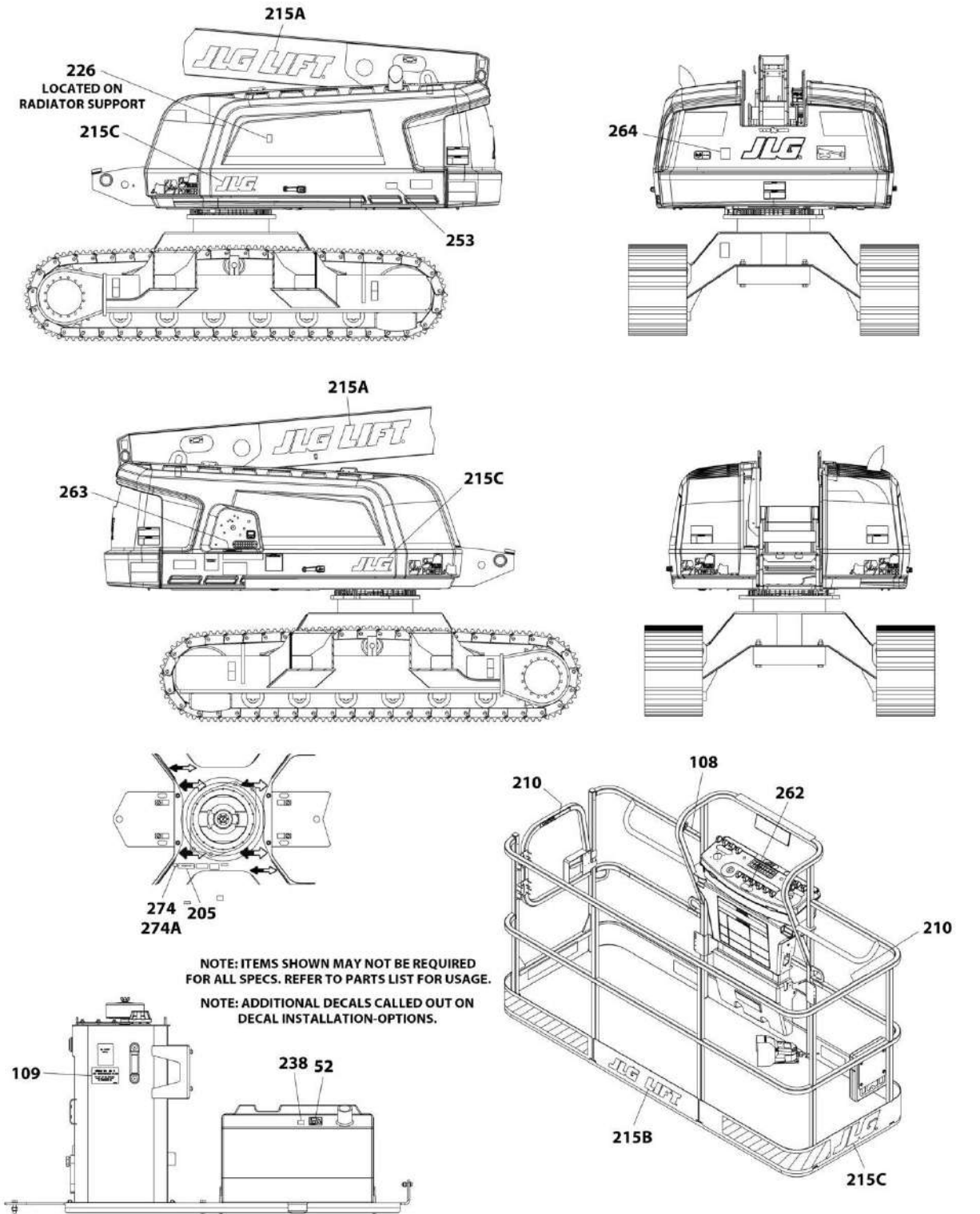
## SECTION 9 - DECALS

**FIGURE 9-19. DECAL INSTALLATION - 660SJC (LATIN AMERICA SPECS - ENGLISH/SPANISH LANGUAGES)**

ITEM	PART NUMBER	QTY	DESCRIPTION	REV
	1001229934	Ref	DECAL INSTALLATION	B
2	0700610	4	Bolt M6 x 20	
3	91403230	1	Box, Manual Storage	
4	1701499	8	Decal - No Tie Down/Lift	
5	1701509	1	Decal - Manual	
6	1701529	6	Decal - Arrow	
7	See Note	NSS	Decal - Bar Code (Note: Not Available for Purchase)	
8	1703165	2	Decal - 660SJC	
9	1704001	2	Decal - No Hands	
11	1703923	1	Decal - Danger/Warning	
12	1703947	4	Decal - Warning/Crushing	
13	1703935	5	Decal - Electrocution	
14	1703811	4	Decal - Lifting Lug	
15	1703814	4	Decal - Tie Down	
16	1703941	3	Decal - Warning/Crushing	
17	1704277	3	Decal - Lanyard Attach Graphic	
18	1704412	1	Decal - Hydraulic Oil	
19	1704885	1	Decal - Website	
20	1705917	1	Decal - Warning/Inspection	
21	1705910	1	Decal - Drive/Steer Instruction	
22	3251243	1	Decal - 120V/60Hz	
24	1703983	1	Nameplate - Footswitch	
25	3290605	4	Nut M6	
26	3820001	5	Rivet	
27	4811700	8	Washer M6	
29	1001216747	2	Decal - Warning Dual Capacity	
30	1001216748	1	Decal - Warning Dual Capacity	
31	1001225647	1	Decal - Legend	
32	1001174313	1	Decal - Legend	
40	1001228613	1	Decal - Lift Diagram	
42	1704461	4	Decal - No Tie Down	
44	1001224049	1	Decal - Inspection	
45	1001093553	1	Plate, Mounting	
46	1001233312	1	Decal - Machine Motion Hazard	

# SECTION 9 - DECALS

## FIGURE 9-20. DECAL INSTALLATION - OPTIONS



ART\_DECAL\_OPTIONS



## SECTION 9 - DECALS

**FIGURE 9-20. DECAL INSTALLATION - OPTIONS**

ITEM	PART NUMBER	QTY	DESCRIPTION	REV
	1001194233	Ref	DECAL INSTALLATION - REFERENCE CHART	K
	1001188600	Ref	DECAL INSTALLATION - OPTIONS	U
52	1701505	1	Decal - Diesel Fuel	
108	0256487	Ref	Proposition 65 Warning Decal Installation (Diesel Engines) ( <b>SN 0300236299 through 0300248546</b> )	
108	1702962	1	Decal - Proposition 65	
108	1001231801	1	Decal - Proposition 65 Warning (Diesel Engines) ( <b>SN 0300248547 to Present</b> )	
109	1702788	1	Decal - Biodegradeable Hydraulic Fluid (All Specs except German Spec)	
109	1703479	1	Decal - Biodegradeable Hydraulic Fluid (German Spec)	
109	1704174	1	Decal - SYN Biodegradeable Hydraulic Fluid (All Specs except German Spec)	
109	1704175	1	Decal - SYN Biodegradeable Hydraulic Fluid (German Spec)	
205	See Note	NSS	Nameplate - Manufacturers Serial Number (Note: Not Available for Purchase)	
210		Ref	Decal - No Hands Options (Machines with Platform Mesh/Soft-Touch Options):	
210	1702868	2	Decal - No Hands (ANSI/ANSI Export/Australian/CE Specs) (English Language)	
210	1704002	2	Decal - No Hands (Brazil Specs) (Portuguese & Spanish Languages)	
210	1705968	2	Decal - No Hands (China Specs) (English & Simplified Chinese Languages)	
210	1001116846	2	Decal - No Hands (China Specs) (English & Traditional Chinese Languages)	
210	1704000	2	Decal - No Hands (CSA Specs) (English & French Languages)	
210	1705969	2	Decal - No Hands (Korean Specs) (English & Korean Languages)	
210	1704001	2	Decal - No Hands (Latin American Specs) (English & Spanish Languages)	
215	1001206816	1	Decal Installation - JLG Logo (Not Shown)	A
215A	1702861	2	Decal - JLG Lift	
215B	1702774	1	Decal - JLG Lift	
215C	1702773	AR	Decal - JLG	
226		Ref	Decal - Warning Explosion/Fire Options (Diesel Engine Machines Only):	
226	1704972	1	Decal - Warning Explosion/Fire (ANSI/ANSI Export and China Spec)	
226	1706098	1	Decal - Warning Explosion/Fire (Australian and CE Specs)	
226	1706059	1	Decal - Warning Explosion/Fire (Brazil Spec - Dual Language English/Portuguese)	
226	1706060	1	Decal - Warning Explosion/Fire (Chinese Spec - Dual Language English/Chinese)	
226	1706064	1	Decal - Warning Explosion/Fire (CSA Spec - Dual Language English/French)	
226	1706062	1	Decal - Warning Explosion/Fire (Japanese Spec - Dual Language English/Japanese)	
226	1706061	1	Decal - Warning Explosion/Fire (Korean Spec - Dual Language English/Korean)	
226	1706063	1	Decal - Warning Explosion/Fire (Latin American - Dual Language English/Spanish)	
238	1001125387	1	Decal - Ultra Low Sulfur Fuel (ANSI & CSA Specs)	
238	1001139654	1	Decal - Ultra Low Sulfur Fuel (ANSI Export HRC & Japanese	

## SECTION 9 - DECALS

ITEM	PART NUMBER	QTY	DESCRIPTION	REV
253	1001143852	1	Specs) Decal - Emission Compliance (Machines with Diesel Engines) (ANSI Export, Australian, CE and China Specs) (Not Shown)	
262	1001141300	1	Decal - SkyGuard Override (Without Soft-Touch)	
262	1001141302	1	Decal - SkyGuard Override (With Soft-Touch)	
263	1001197408	1	Decal - MSSO (CE Specs)	
264	1001130492	1	Decal - Sound Power (Deutz D2011 Engines) (Australian and CE Specs)	
264	1705515	1	Decal - Sound Power (Deutz DT2.9L4 Engines) (Australian and CE Specs)	
274	1001214030	1	Decal - EAC Installation (CIS and Russia Specs)	
274A	1001173703	1	Decal - EAC	

## **SECTION 10 - RECOMMENDED SERVICE PARTS STOCK**

## **SECTION 10 - RECOMMENDED SERVICE PARTS STOCK**

# SECTION 10 - RECOMMENDED SERVICE PARTS STOCK

FIGURE 10-1. RECOMMENDED SERVICE PARTS STOCK

ITEM	PART NUMBER	QTY	DESCRIPTION	REV
		Ref	Note: The following list will service one machine (built to current production per date on the front cover) with emergency repair parts which can be installed in the field. Parts from the list should be replaced when inventory is depleted to keep service parts stock supplied. For further information, contact your JLG dealer or the JLG Industries Parts Department.	
		Ref	STANDARD PARTS	
	70010383	1	Element, Filter (Includes O-Ring)	
	70004653	1	Coil	
	80434249	1	Coil	
	70004595	1	Coil	
	70002386	1	Coil	
	70002814	12	Hydraulic Tank Service Kit	
	4360475	1	Switch, Mushroom	
	1001155045	1	Switch, Toggle	
	4360469	1	Switch, Key	
	2860030	1 Set	Key, Replacement	
	70004066	12	Element, Filter	
	70005683	1	Repair Section - Powertrack	
	70005335	12	Element, High Pressure Filter	
	70006122	1	Coil	
	4360407	1	Controller, Speed	
	4360387	1	Switch, Push Button	
	1001117174	1	Footswitch Assembly	
	1001159256	1	Switch, Toggle	
	1001161709	1	Switch, Toggle	
	1600359	1	Controller, Drive and Steer	
	1001129555	1	Controller, Lift and Swing	
	1001161710	1	Switch, Toggle	
	1001137673	1	Switch, SkyGuard	
	70006004	1	Coil	
	70005576	1	Coil	
	1001196635	2	Fuse 3Amp	
	8229242	2	Fuse 5Amp	
	8229244	2	Fuse 15Amp	
	1001095704	1	Relay	
	1001129285	2	Diode	
	8229245	2	Fuse 30Amp	
	1001186431	1	Relay	
		Ref	VARIABLE PARTS	
	4360517	1	Switch, Proximity	
	1001219601	1	Sensor	
	1001187200	1	Module, Ground Control	
	1001142683	1	Module (Used with Blue or Red Beacons)	
	3740067	1	Relay (Deutz D2011 Engines)	
	70004020	12	Element, AC Filter (Deutz D2011 Engines)	
	7016331	12	Element, Oil Filter (Deutz D2011 Engine)	
	7016328	12	Filter, Fuel (Deutz D2011 Engines)	
	7027795	1	Module, Engine Control (ECU) (Deutz D2011 Engines)	

## SECTION 10 - RECOMMENDED SERVICE PARTS STOCK

ITEM	PART NUMBER	QTY	DESCRIPTION	REV
	1001138228	1	Relay (Deutz TD2.9L4 Engines)	
	70005008	12	Element, AC Filter (Deutz TD2.9L4 Engines)	
	7016331	12	Filter, Oil (Deutz DT2.9L4 Engines)	
	70025153	12	Element, Fuel Filter (Deutz TD2.9L4 Engines)	
	70025161	12	Element, Fuel Filter (Deutz TD2.9L4 Engines)	
	70025210	1	Module, Engine Control (ECM/ECU) (Deutz TD2.9L4 Engines)	
	70006425	12	Element, Filter (Deutz TD2.9L4 Engines)	
	4360336	1	Switch, Toggle (Generator Options)	
	4360070	1	Circuit Breaker 15Amp (Machines with 4000W or 7500W Generator)	
	1001214831	1	Switch, Proximity (Boom)	
	1001170847	1	Sensor, Proximity	
	1001182570	1	Sensor, Proximity	
	1001211577	1	Sensor (Lower)	
	1001211578	1	Sensor (Upper) (600SC)	
	1001211579	1	Sensor (Upper) (660SJC)	
	2940074	1	Latch (Machines with Gate Entry Platform)	
	1001185726	1	Module, Platform	
	1001181045	1	Breaker, Circuit 16A (CE Specs Machines with Single Breaker Box)	
	1001152479	1	Breaker, Circuit 16A Double (CE Specs Machines with 3 Breaker Box)	
	1001152482	1	Breaker, Circuit 30mA (CE Specs Machines with 3 Breaker Box)	
	80983191	2	Fuse - 10Amp (Deutz TD2.9L4 Engines)	
	3740080	1	Relay (Machines with 2500W Generator)	
	2400064	2	Fuse 5A (Deutz D2011 Engine Machines with 7500W SkyPower Generator)	



**SECTION 11 - SPECIAL OPTIONS**

## SECTION 11 - SPECIAL OPTIONS

**FIGURE 11-1. SPECIAL OPTIONS**

ITEM	PART NUMBER	QTY	DESCRIPTION	REV
	Note	Ref	Note: This list is to accommodate machines ordered with special equipment. Options may not be applicable to all models. For more specific parts information contact JLG Parts Department.	
		Ref	MISCELLANEOUS SPECIAL OPTIONS	
		Ref	Airline to Platform Installation Options:	
	1001192931	Ref	Airline Installation (600SC)	
	1001194110	Ref	Airline Installation (600SC Arctic Package)	
	1001193215	Ref	Airline Installation (660SJC)	
	1001194045	Ref	Airline Installation (660SJC Arctic Package)	
	1001194205	Ref	Airline Installation - Dual Lines (600SC) (ANSI, ANSI Export, China & CSA Specs)	
	1001235884	Ref	Air Intake Shutoff Valve (Deutz TD2.9L4 Engines)	
	1001205019	Ref	Arctic Package Installation Kit - With Deutz TD2.9L4 Engines and Without SkyPower (600S)	
	1001205018	Ref	Arctic Package Installation Kit - With Deutz TD2.9L4 Engines and With SkyPower (600SC)	
	1001205024	Ref	Arctic Package Installation Kit - With Deutz TD2.9L4 Engines and Without SkyPower (660SJC)	
	1001205023	Ref	Arctic Package Installation Kit - With Deutz TD2.9L4 Engines and With SkyPower (660SJC)	
	1001189169	Ref	Bellows Installation - Boom (600SC)	
	1001189170	Ref	Bellows Installation - Boom (660SJC)	
	1001236700	Ref	Boom Cable/Hose Protection Installation (600SC)	
	1001236701	Ref	Boom Cable/Hose Protection Installation (660SJC)	
	1001195235	Ref	Boom Wipers Installation	
		Ref	ClearSky Telematics (Factory Installed)	
	1001227404	Ref	ClearSky Telematics Installation - Canbus Connection (Factory Installed) (ANSI & CSA Specs)	
	1001228947	Ref	ClearSky Telematics Installation - Canbus Connection (Factory Installed) (ANSI Export and CE Specs)	
	1001229107	Ref	ClearSky Telematics Installation - 3 Wire Connection (Factory Installed) (ANSI & CSA Specs)	
	1001233237	Ref	ClearSky Telematics Installation - 3 Wire Connection (Factory Installed) (ANSI Export and CE Specs)	
	1001234099	Ref	ClearSky Telematics Kit (Dealer Installed) (CE Specs)	
		Ref	Cold Weather Package Installation Options:	
	1001192489	Ref	Cold Weather Package Installation (Deutz TD2011L04 Engine Machines)	
	1001192475	Ref	Cold Weather Package Installation (Deutz TD2.9L4 Engine Machines)	
		Ref	Decal Installations Options:	
	1001232732	Ref	Decal - Ahern Rentals	
	1001232574	Ref	Decal - Blue Line Rentals	
	1001196083	Ref	Decal - Boels	
	1001120992	Ref	Decal - ClearSky (ANSI Spec) (ANSI, ANSI Export, Australian, Brazilian, CE and CSA Specs Only)	
	1001196088	Ref	Decal - Fedex	
	0257195	Ref	Decal - Government Warranty	
	1001196082	Ref	Decal - Head & Engquist Equipment (H&E)	
	1001232519	Ref	Decal - Herc	
	1001232520	Ref	Decal - Hertz (Canada)	



## SECTION 11 - SPECIAL OPTIONS

ITEM	PART NUMBER	QTY	DESCRIPTION	REV
	1001202684	Ref	Decal - Hewitt Rental Store (CAT Rentals)	
	1001196084	Ref	Decal - Leavitt	
	1001196081	Ref	Decal - National Equipment Services (NES)	
	1001200131	Ref	Decal - Quick Reference (Danish) (Lomax Rentals)	
	1001200129	Ref	Decal - Quick Reference (Dutch) (Lomax Rentals)	
	1001181145	Ref	Decal - Quick Reference (English) (Lomax Rentals)	
	1001200128	Ref	Decal - Quick Reference (French) (Lomax Rentals)	
	1001200130	Ref	Decal - Quick Reference (German) (Lomax Rentals)	
	1001200134	Ref	Decal - Quick Reference (Norwegian) (Lomax Rentals)	
	1001200133	Ref	Decal - Quick Reference (Spanish) (Lomax Rentals)	
	1001200132	Ref	Decal - Quick Reference (Swedish) (Lomax Rentals)	
	1001232733	Ref	Decal - Riwal	
	1001196079	Ref	Decal - Sunbelt Rentals	
	1001237015	Ref	Decal - Synergy Equipment Installation	
	1001196086	Ref	Decal - Titan Rentals	
	1001196078	Ref	Decal - United Rentals	
		Ref	Decal Kits	
	1001238909	Ref	Platform Decal Kit	
	1001238908	Ref	Platform Console Box Decal Kit	
		Ref	Electrical Connector Kits	
	1001148902	Ref	Amp/Tyco Electrical Connector Kit	
	1001148903	Ref	Deutsch DT Electrical Connector Kit	
	1001148904	Ref	Deutsch HD Electrical Connector Kit	
	1001148905	Ref	Packard Electrical Connector Kit	
	1001148906	Ref	Various Electrical Connectors Kit	
	1001220390	Ref	Engine Block Heater Installation (Ford Engine Machines)	
	1001192610	Ref	Fan Grille Installation (Deutz D2011 Engines)	
	1001192482	Ref	Fan Grille Installation (Deutz DT2.9L4 Engines)	
		Ref	Filter Kits:	
		Ref	Combined Filter Kit (Hydraulic/Air and Fuel/Engine Oil)	
	1001238962	1	Deutz D2011 Engines	
	1001238961	1	Deutz TD2.9L4 Engines	
		Ref	Fluids	
		Ref	Coolant Options:	
	2300004	Ref	Machines without Arctic Package	
	2300041	Ref	Machines with Arctic Package	
	3020021	Ref	Engine Coupling Grease	
		Ref	Engine Oil Options:	
	3020016	Ref	Motor Oil (Deutz TD2011 Engine Machines without Arctic Package)	
	3020044	Ref	Motor Oil (Deutz TD2011 Engine Machines with Arctic Package)	
	1001136079	Ref	Motor Oil (Deutz T2.9L4 Engine Machines without Arctic Package)	
	1001136172	Ref	Motor Oil (Deutz T2.9L4 Engine Machines with Arctic Package)	
		Ref	Hydraulic Fluids:	
	2300014	Ref	Mobil 424	
	2300027	Ref	Mobil 224H Bio	
	2300029	Ref	Mobil EAL ISO 46 Bio	
	2300016	Ref	Mobil DTE 10 EXCEL 32	
	2300019	Ref	Quaker State Quintolubric 888-46 Fire Resistant	
	2300039	Ref	Exxon Unis Hvl 26 (Machines with Arctic Package)	

## SECTION 11 - SPECIAL OPTIONS

ITEM	PART NUMBER	QTY	DESCRIPTION	REV
	1001117294	Ref	Footswitch Shield (Note: Move Decal to Shield)	
	1001202749	Ref	Fuel Cap Cover Installation (Black) (Note: Lock p/n 1001102157 must be Purchased Separately)	
	1001191395	Ref	Fuel Cap Cover Installation (Green) (Note: Lock p/n 1001102157 must be Purchased Separately)	
		Ref	Hood (Steel) Replacement Kit	
	1001126286	Ref	Deutz Engine Machines	
	1001148971	Ref	Lanyard (Bolt-On) Kit Installation	
		Ref	Light Options:	
	1001190717	Ref	Headlights & Taillights Installation	
	1001178951	Ref	Platform Mounted Strobe Light Installation	
	1001193521	Ref	Platform/Ground Dual Located Mounted Strobe Light Installation	
	1001120466	Ref	Platform Worklights Installation	
	1001183407	Ref	Low Temperature Cutout Installation (Russian Specs)	
	1001233035	Ref	Pinion Shield Installation	
		Ref	Platform Console Cover Installations	
	1001195304	Ref	Platform Console Cover Installation (Clear Polycarbonate)	
	1001110974	Ref	Platform Console Cover Installation (Steel) (All Specs except Australian and CE Specs)	
	1001125230	Ref	Platform Console Cover Installation (Steel) (Chinese Specs)	
	1001125229	Ref	Platform Console Cover Installation (Steel) (Korean Specs)	
		Ref	Platform Entry Kit	
	1001142504	Ref	Kit, Replace Swing Gate with Drop Bar	
	1001142505	Ref	Kit, Replace Drop Bar with Swing Gate	
		Ref	Platform Extension (Top Rail)	
	0272733	Ref	36in x 72in Platforms	
	0272725	Ref	36in x 96in Platforms	
		Ref	Platform Mesh to Top Rail Add-on Kits:	
	1001214561	Ref	36in x 6ft (91.5cm x 1.83m) with Gate	
	1001214562	Ref	36in x 8ft (91.5cm x 2.44m) with Gate	
		Ref	Platform Mesh to Top Rail Installations	
	0273149	Ref	36in x 6ft (91.5cm x 1.83m)	
	0273145	Ref	36in x 8ft (91.5cm x 2.44m)	
	1580013	Ref	Platform Tray (Corner Mounted)	
	1001238903	Ref	Platform Valve Hose Kit - 600SC	
	1001238906	Ref	Platform Valve Hose Kit - 660SJC	
	1001101422	Ref	SkyGlazier Kit (Platform not Included)	
	1001137672	Ref	SkyGuard Installation Kit (Old Style Platform)	
	1001197016	Ref	SkyGuard Installation Kit (New Style Platform)	
	1001206311	Ref	SkyGuard Blue Beacon Installation Kit	
	1001217055	Ref	SkyPower Kit (Deutz TD2.9L4 Engine)	
	1001231235	Ref	SkyWelder Locking Bracket	
	1001200279	Ref	Telematics Installation (Customer Supplied)	
	1001210089	Ref	Telematics - Cat	
	1001228363	Ref	Telematics - Herc	
	1001209282	Ref	Telematics - Loxam	
	1001210090	Ref	Telematics - Riwal	
	1001195610	Ref	Telematics - United Rentals (M6)	
	1001214463	Ref	Telematics - United Rentals (M8)	
	1001228580	Ref	Telematics Installation Canbus (Customer Supplied)	
		Ref	Tools for Service	
	7002840	1	Anti-Rotation Pin Removal Tool	

## SECTION 11 - SPECIAL OPTIONS

ITEM	PART NUMBER	QTY	DESCRIPTION	REV
	8896941	1	Wire Stripper	
	7002821	1	Wire Crimper (To install wire ends to wires)	
	7002823	1	Pin/Socket Extractor - Universal (To Remove Pins/Sockets from Connectors)	
	4460467	1	Extractor - 16-18 Gauge (For Removal of Pin/Sockets from Deutsch Connectors)	
	4460510	1	Extractor - 12-14 Gauge (For Removal of Pin/Sockets from Deutsch Connectors)	
	7002822	1	Screwdriver, Potentiometer (To Adjust Drive Controllers)	
	7016654	1	Screwdriver, Magnetic	
	7004275	1	Seal Installation Tool - 1in	
	7004276	1	Seal Installation Tool - 1-1/2in	
	7002826	1	Seal Installation Tool - 2in	
	7016655	1	Wire Rope Sheave Gauge	
	7016652	1	Huck Bolt FASTER (For Small Huck Bolts Only)	
	1001137005	1	Software Cable Kit	
	2915096	Ref	Turntable Bearing Kit	
	1001238902	Ref	Upper Power Track Hose Kit - 600SC	
	1001238904	Ref	Upper Power Track Hose Kit - 660SJC	
	1001238901	Ref	Wear Pad Kit	
	1001238907	Ref	Wire Rope Kit	



**PART NUMBER INDEX**

# PART NUMBER INDEX

0100009.....361	0440162... 115, 125, 141, 153, 173, 185, 203	0701012 ..... 94, 102, 115, 125, 141, 153, 173, 185, 203	076081297, 99, 473, 477, 481, 485, 489, 493
0100011....35, 39, 41, 57, 63, 65, 69, 71, 73, 94, 95, 97, 99, 102, 105, 107, 115, 117, 122, 125, 129, 134, 141, 143, 148, 153, 157, 162, 173, 175, 180, 185, 189, 194, 203, 205, 210, 243, 249, 251, 253, 255, 257, 259, 261, 263, 267, 271, 275, 279, 283, 287, 291, 295, 302, 306, 310, 314, 317, 323, 325, 327, 333, 335, 337, 339, 343, 347, 349, 351, 355, 381, 387, 389, 391, 403, 407, 471, 473, 475, 477, 479, 481, 483, 485, 487, 489, 491, 493	0440233 ..... 53 0480124 ..... 259, 261 0561508 ..... 310, 314 0630518 .... 387, 389, 391 0630534 ..... 403, 405 0630535 ..... 407, 409 0630568 ..... 361 0630613 ...63, 65, 94, 102 0641404 ..... 361 0641406 ..... 357 0641408 ..... 97, 99 0641409 ..... 105, 107 0641414 .... 361, 381, 383 0641416 .... 443, 447, 451, 455, 459, 461 0641418 ... 343, 347, 349, 351, 355 0641424 ... 473, 477, 481, 485, 489, 493 0641507 ..... 263 0641508 ..... 259, 261 0641606 .... 387, 389, 391 0641607 ..... 63, 65, 264 0641608 ..... 63, 65 0641616 ... 275, 279, 291, 295 0641618 ... 267, 271, 283, 287 0641808 ... 117, 129, 143, 157, 175, 189, 205 0641812 ..... 339 0641814 ... 117, 129, 143, 157, 175, 189, 205 0642012 ..... 385 0642212 ..... 385 0642684 ..... 337, 339 0681608 ..... 337, 339 0682023 ..... 53 0700408 ... 441, 443, 445, 447, 449, 451, 453, 455, 457, 459, 461 0700608 ..... 71, 73 0700610 ..... 69, 259, 261, 359, 571, 573, 575, 577, 579, 581, 583, 585, 587, 589, 591, 593, 595, 597, 599, 601, 603, 605, 607 0700612 ..... 359 0700614 ... 115, 125, 141, 153, 173, 185, 203 0700615 ..... 107 0700616 ..... 105 0700618 ... 441, 445, 449, 453, 457 0700619 ... 71, 73, 97, 99 0700818 ... 471, 473, 475, 477, 479, 481, 483, 485, 487, 489, 491, 493 070081939, 41, 271, 279, 283, 287, 291, 295, 493 0700822 ... 471, 473, 475, 477, 479, 481, 483, 485, 487, 489, 491, 493	0701013 ..... 310, 314 0701014 ..... 359 070101563, 65, 141, 153, 173, 185, 203 0701016 ..... 102, 233 0701018 ..... 317 0701019 ..... 302, 306 0701022 ... 115, 125, 141, 153, 173, 185, 203 0701024 ..... 243 0701028 ..... 310, 314 0701029 ..... 310, 314 0701032 ..... 323 0701216 ..... 94, 95, 102 0701217 ..... 63, 65 070122094, 95, 102, 471, 473, 475, 477, 479, 481, 483, 485, 487, 489, 491, 493 0701221 ..... 63, 65 0701224 ..... 134 0701618 ..... 57 0711015 ..... 253 0711018 ... 115, 125, 141, 153, 173, 185, 203 0711020 ..... 253 0711224 ... 122, 148, 162, 180, 194, 210, 251, 253, 255, 257 0711627 ... 122, 134, 143, 148, 157, 162, 180, 194, 205, 210 0711635 ..... 302, 306 0731005 ..... 63, 65 0741605 ... 148, 162, 180, 194, 210 0741607 ... 267, 271, 275, 279, 291, 295 0760508 ..... 61 0760512 ... 141, 153, 173, 185, 203, 233 0760606 ... 259, 261, 263, 267, 271, 275, 279, 283, 287, 291, 295 0760608 ... 105, 267, 271, 275, 279, 283, 287, 291, 295, 513, 515 076061097, 99, 122, 134, 148, 162, 180, 194, 210, 267, 275, 302, 306, 439, 467, 469 076061271, 73, 117, 129, 143, 157, 175, 189, 205 076061489, 91, 150, 164, 182, 196, 212, 245, 247, 310, 314 0760615 ..... 513 0760619 ... 148, 162, 180, 194, 210 0760807 ..... 327 0760810 ..... 94, 102, 149, 162, 181, 194, 211, 339	0760814.... 148, 162, 180, 194, 210, 259, 261, 263, 323, 325, 471, 475, 479, 483, 487, 491 0760815..... 122, 134 0760816.... 122, 134, 150, 164, 182, 196, 212 0760822.... 323, 471, 479, 483 0760824..... 323 076100939, 41, 310, 314, 323, 325, 327, 471, 473, 475, 477, 479, 481, 483, 485, 487, 489, 491, 493 0761010..... 310, 314 0761011.... 302, 310, 314 0761012.... 259, 261, 310, 314, 317 0761014... 39, 41, 65, 105, 107, 117, 129, 311, 315, 317, 339 0761015..... 94, 117, 122, 129, 134, 143, 148, 157, 162, 175, 180, 189, 194, 205, 210, 231, 233, 251, 253, 255, 257, 323 076101689, 91, 148, 162, 180, 194, 210, 231, 235, 311, 315 0761017.... 150, 164, 182, 196, 212, 311, 315 0761210.... 115, 125, 141, 149, 154, 162, 173, 181, 186, 194, 203, 211 0761212.... 267, 271, 275, 279, 283, 287, 291, 295, 306 0761214..... 57, 263 0761216..... 337, 339 0761415.... 267, 271, 283, 287 0762016..... 95, 102, 302, 306 0770814..... 257 0771414.... 122, 134, 148, 162, 180, 194, 210, 251, 255 0771415..... 253, 257 0771416.... 122, 134, 148, 162, 180, 194, 210 0771620..... 47 0772018..... 47, 115, 125, 141, 153, 173, 185, 203 0860038.... 271, 279, 287, 295, 439 0861538..... 287, 295 0861572..... 283, 291 0861731.... 461, 557, 559, 561 0861781..... 553, 555 0861880..... 495, 497

## PART NUMBER INDEX

0902888 ... 271, 279, 283, 287, 291, 295	1001113961.....567	1001125492.....47	1001137672 ..... 618
0940049 ..... 94	1001116290..... 105, 107	1001125677.....546, 549, 551, 568	1001137673 ..... 381, 612
0940102 ..... 385	1001116693..... 545	1001126286.....618	1001138173 ..... 122, 134
0961845 ... 343, 347, 349, 351, 355	1001116694..... 543	1001126351..... 519, 523	1001138175 ..... 122, 134
0961893 ..... 403, 405	1001116695..... 545	1001126352..... 519, 523	1001138228 ..... 148, 163, 180, 194, 210, 613
0961897 ..... 407	1001116705..... 545	1001126356..... 519, 523	1001138248 ..... 122, 134
0961947 .... 317, 321, 397	1001116727..... 519, 523	1001126357..... 519, 523	1001138436 ..... 310, 314
0961948 ..... 314, 399	1001116728..... 519, 523, 567	1001126362..... 520, 524	1001138459 ..... 302, 306
0961951 ... 122, 134, 148, 162, 180, 194, 210, 310, 314, 319	1001116732..... 517, 529	1001126363..... 520, 524	1001138494 ..... 347, 349, 351, 355
0962033 ..... 310, 314	1001116734..... 517, 529	1001126365..... 520, 524	1001138514 ..... 347, 351, 355
0962051 ..... 249	1001116748..... 503, 549, 551	1001126384..... 519, 523	1001138565 ..... 267
0962335 ..... 317	1001116774..... 563	1001126391..... 520, 524	1001138566 ..... 267, 272, 275, 279
0962336 ..... 403, 405	1001116792..... 473, 477, 481, 485, 489, 493	1001128128..... 517	1001138827 ..... 148, 163, 210
0962423 ... 302, 306, 310, 314, 401	1001116808..... 563	1001128527..... 391	1001138915 ..... 407, 409
0962449 ..... 259	1001116845..... 577, 597	1001128556..... 391	1001139078 ..... 323
0962520 ... 267, 271, 275, 279, 283, 287, 291, 295	1001116846..... 579, 599, 609	1001129285..... 567, 612	1001139357 ..... 267, 272
1001026127 .... 115, 125, 141, 153, 173, 185, 203	1001116847..... 577, 597	1001129555..... 612	1001139384 .. 97, 99, 105, 107
1001080707 ..... 65	1001116848..... 577, 597	1001129858..... 271	1001139654 ..... 609
1001091102 ..... 467, 469	1001116849..... 579, 599	1001130220... 71, 73, 89, 91, 115, 125, 141, 153, 173, 185, 203, 267, 272, 275, 279, 284, 288, 291, 295, 302, 306	1001139819 ..... 122, 134
1001093553 .... 573, 577, 579, 581, 583, 585, 587, 593, 597, 599, 601, 603, 605, 607	1001116850..... 577, 597	1001130492..... 610	1001140312 ..... 163, 195
1001093684 ..... 581, 601	1001116851..... 579, 599	1001131269..... 571, 581, 589, 601	1001140346 ..... 279
1001095704 ..... 567, 612	1001116852..... 577, 597	1001133245..... 407, 409, 411	1001140347 ..... 275
1001096070 .... 267, 275, 497	1001116863..... 579, 599	1001133714..... 519, 524	1001140429 ..... 343, 347, 349, 351, 355
1001097150 ..... 495, 497, 499, 501	1001116952..... 519, 523	1001133715..... 519, 524	1001140535 ..... 148, 163
1001098122 ..... 379, 545	1001116963..... 579, 599	1001133956..... 519, 523	1001140564 ..... 149, 163, 211
1001098764 .... 149, 164, 181, 195, 211	1001116983..... 527	1001133957 ..... 523	1001141300 ..... 610
1001098828 ..... 339	1001117025..... 517	1001134488..... 148, 162, 210	1001141302 ..... 610
1001099366 ..... 385	1001117057..... 529	1001134543..... 47, 57	1001141304 .... 150, 164, 181, 195, 211
1001099367 ..... 385	1001117106..... 519	1001135138..... 148, 162, 180, 194, 210	1001141814 ..... 267, 283
1001099869 ..... 259	1001117107..... 519, 523	1001135488..... 310, 314	1001141995 ..... 122, 134
1001100234 ..... 259	1001117140..... 109	1001135651..... 520, 524	1001142501 .... 141, 153, 173, 185, 203
1001100321 ..... 259	1001117172..... 379	1001135679..... 148, 162, 180, 194, 210	1001142504 ..... 618
1001100341 ..... 553	1001117174..... 361, 379, 612	1001136079..... 149, 181, 211, 617	1001142505 ..... 618
1001100342 ..... 555	1001117294..... 618	1001136172..... 162, 194, 617	1001142643 .... 275, 280, 291, 296
1001100345 ..... 557	1001117307..... 102	1001136356..... 271, 287	1001142646 ..... 280, 296
1001100346 ..... 561	1001117308..... 148, 162, 180, 194, 210	1001136398..... 323	1001142683 .. 89, 91, 612
1001100347 ..... 559	1001118282..... 517	1001136400 ..... 323	1001142736 .. 89, 91, 563
1001101422 ..... 618	1001118378..... 567	1001136402 ..... 323	1001142938 ..... 519, 524
1001102978 ..... 249	1001118384..... 545	1001136429..... 323	1001142940 ..... 524
1001103012 ..... 567	1001118388..... 545	1001136461 ..... 323	1001142941 ..... 519, 524
1001104029 .... 271, 279, 284, 288, 291, 295	1001118972 65, 115, 125, 141, 153, 173, 185, 203	1001136469 ..... 323	1001143390 ..... 122, 134
1001104498 ..... 567	1001119020..... 563	1001136571 ..... 310, 314	1001143645 ..... 471, 473, 475, 477, 479, 481, 483, 485, 487, 489, 491, 493
1001106736 ..... 513, 515	1001119032..... 567	1001136575..... 310, 314	1001143713 ..... 310, 314
1001107854 ..... 567	1001119051..... 115, 125, 141, 153, 173, 185, 203	1001136583..... 310, 314	1001143852 ..... 610
1001110872 ..... 463, 465	1001119280..... 259, 261, 263	1001136587 ..... 310, 314	1001144433 ..... 362
1001110873 .... 271, 279, 288, 295, 439	1001119455..... 424, 432	1001136592..... 310, 314	1001144629 ..... 345, 349, 353
1001110974 ..... 618	1001119727..... 243	1001136597..... 115, 126, 141, 153, 173, 185, 203	1001146220 .. 75, 77, 362
1001112551 ..... 591	1001120204..... 475, 477	1001137005..... 619	1001146588 ..... 471, 473, 475, 477, 479, 481, 483, 485, 487, 489, 491, 493
1001112612 ..... 563, 567	1001120205..... 475, 477	1001137032..... 302	1001147264 ..... 524
1001112796 ..... 563	1001120229..... 618	1001137125..... 333, 335	
1001113047 ..... 105	1001120328..... 381, 549	1001137276..... 148, 163, 180, 194, 210	
1001113680 ..... 573, 593	1001120466..... 618	1001137336..... 243	
	1001120851..... 529		
	1001120992..... 616		
	1001121172..... 568		
	1001125229..... 618		
	1001125230..... 618		
	1001125387..... 609		

# PART NUMBER INDEX

1001147812.....122, 134	1001158007 ..... 284, 288, 292, 296	1001172615 ..... 94, 102	1001181045.....495, 497, 613
1001147813.....122, 134	1001158008 ..... 272, 280, 284, 288, 292, 297	1001172663 ..... 339	1001181145.....617
1001147823.....122, 134, 137	1001158363 ..... 272, 280	1001172760 ..... 362	1001181243.....264
1001148138.....264	1001159120 ..... 463, 465	1001173529 ..... 75, 77	1001181325.....71, 73
1001148607.....63	1001159121 ..... 465	1001173703 ..... 610	1001181895.....163, 195
1001148650.....310, 314	1001159186 ..... 539, 545	1001174231 ..... 302, 306	1001181899.....150, 164, 181, 195, 211
1001148902.....617	1001159256 ..... 361, 612	1001174250 ..... 302, 306	1001181923.....471, 473, 475, 477, 479, 481, 483, 485, 487, 489, 491, 493
1001148903.....617	1001159323 ..... 575, 595	1001174251 ..... 302, 306	1001181960.....317
1001148904.....617	1001161709 ..... 361, 612	1001174252 ..... 302, 306	1001181962.....317
1001148905.....617	1001161710 ..... 365, 367, 369, 371, 612	1001174253 ..... 302, 306	1001182046.....317
1001148906.....617	1001164196 ..... 117, 129, 143, 157, 175, 189, 205	1001174254 ..... 302, 306	1001182064.....317
1001148971.....618	1001164726 ..... 105, 107	1001174256 ..... 302, 306	1001182138.....383
1001149452.....231	1001165035 ..... 115, 125, 141, 153, 173, 185, 203, 233	1001174313 ..... 571, 573, 577, 579, 581, 583, 585, 587, 589, 593, 597, 599, 601, 603, 605, 607	1001182570.....333, 335, 613
1001149469.....231	1001166539 ..... 362, 375	1001174486 ..... 115, 125, 231	1001183407.....618
1001150918.....125, 153, 185	1001166716 ..... 149, 163, 181, 195, 211	1001174630 ..... 323	1001183926.....302, 306
1001151192.....323	1001166894 ..... 249	1001174631 ..... 323	1001184327.....102, 109
1001151393.....79, 81, 83, 85	1001167042 ..... 149, 163, 181, 195, 211	1001174632 ..... 323	1001184500.....302, 306, 401
1001151856.....520, 524	1001167164 ..... 245, 247	1001174636 ..... 323	1001184619.....367
1001152429.....284, 288, 537	1001167565 ..... 339	1001174673 ... 94, 97, 99, 323	1001184620.....367
1001152456.....272, 280	1001167567 ..... 339	1001174675 ..... 436	1001184621.....367
1001152457.....272, 280	1001167596 ..... 339	1001175073 ..... 249	1001184626.....359
1001152479.....499, 501, 613	1001167962 ..... 365	1001175346 ..... 407	1001184913.....311, 315
1001152482.....499, 501, 613	1001167963 ..... 365	1001175568 ..... 141, 153, 173, 185, 203, 235	1001184915.....311, 315
1001152483.....499, 501	1001168018 ..... 123, 135, 149, 163, 181, 195, 211, 251, 253, 255, 257	1001175631 ..... 436	1001184917.....311, 315
1001152485.....469, 499	1001168166 ..... 123, 135, 149, 163, 181, 195, 211	1001175632 ..... 436	1001184918.....311, 315
1001152486.....469, 501	1001168402 ..... 339	1001175850 ..... 310, 314, 407	1001184954.....302, 397
1001152489.....149, 163, 180, 195, 211	1001169046 94, 105, 107	1001175852 ..... 407	1001184957.....306, 399
1001152520.....284	1001169054 ..... 149, 163, 181, 195, 211	1001175998 ..... 311, 315	1001185237.....575
1001152525.....272, 280, 284, 288, 292, 296	1001169138 ..... 149, 163, 181, 195, 211	1001175999 ..... 311, 315	1001185281.....362
1001152530.....272, 280	1001169967 ..... 149, 163, 181, 195, 211	1001176208 ..... 311, 315	1001185709.....53
1001152532.....268, 272, 276, 280, 531	1001170035 ..... 149, 163, 181, 195, 211	1001176212 ..... 311, 315	1001185726.....361, 613
1001153197.....272	1001170838 .. 75, 77, 361	1001176216 ..... 315	1001185842.....47
1001153260.....272, 280	1001170847 ..... 333, 335, 613	1001176217 ..... 306, 314	1001185964.....567
1001153398.....310, 314	1001171131 ..... 463	1001176339 ..... 407	1001186186.....94
1001154405.....141, 153, 173, 185, 203, 233, 235	1001171335 ..... 571	1001176469 ..... 81, 85	1001186346.....69
1001154726.....529	1001171336 ..... 571	1001176862 ..... 463	1001186379.....347
1001155043.....75, 77	1001171341 ..... 583	1001177359 ..... 149, 163, 180, 195, 211	1001186382.....355
1001155044..75, 77, 317, 361, 365, 367, 369, 371	1001171342 ..... 583	1001177519 ..... 407, 409	1001186383.....353
1001155045..75, 77, 317, 361, 612	1001171345 ..... 585	1001177520 ..... 407, 409	1001186384.....345
1001155094.....115, 125, 141, 153, 173, 185, 203	1001171346 ..... 585	1001177521 ..... 407, 409	1001186426.....149, 163, 181, 195, 211
1001155441 ..... 333, 335	1001171349 ..... 587	1001177522 ..... 407, 409	1001186431.....545, 612
1001155823.....141, 153, 173, 185, 203	1001171350 ..... 587	1001177844 ..... 149, 163, 181, 195, 211	1001186432.....545
1001157520.....288, 292, 296	1001171351 ..... 581	1001178057 ... 63, 65, 67	1001186517.....381
1001157521 .....284, 288, 292, 296	1001171352 ..... 581	1001178951 ..... 618	1001186541.....311, 315
1001157525.....284, 291, 292	1001171355 ..... 579	1001179154 ..... 272, 280, 288, 296	1001186700.....436
1001157528.....284, 288, 292, 296	1001171356 ..... 579	1001179156 ..... 117, 129, 143, 157, 175, 189, 205	1001186812.....143, 148
1001157592.....288, 296	1001171359 ..... 573	1001179837 ..... 263	1001186814.....157, 162
1001157891.....545	1001171360 ..... 573	1001180001 ..... 263	1001186902.....149, 163, 167
	1001171482 ..... 75, 77	1001180620 ..... 149, 163, 181, 195, 211	1001186980.....249
	1001172064 ..... 523, 568	1001180882 ..... 311	1001186981.....249
	1001172065 ..... 523, 568	1001180883 ..... 302, 310	1001187022.....55
		1001180884 ..... 302	1001187082.....123, 135
		1001180885 ..... 306	1001187200...71, 73, 612
			1001187348.....302, 319
			1001187508.....381
			1001187605.....333
			1001187606.....335
			1001187808.....69



## PART NUMBER INDEX

1001187855..... 47, 50	1001190335..... 65	1001192651..... 424, 432	1001194961..... 491
1001187950..... 94, 102	1001190338..... 94	1001192654..... 424, 432	1001194962..... 493
1001187951 .. 94, 95, 102	1001190441..... 449	1001192655..... 424, 432	1001195225 ..... 471, 479, 483
1001188125..... 53	1001190442..... 149, 163, 181, 195, 211	1001192658..... 424	1001195226 ..... 473, 481, 485
1001188171 ..... 143, 157, 175, 189, 205	1001190444..... 141, 153, 173, 186, 203, 527	1001192673..... 425, 433	1001195227 ..... 475
1001188187..... 95, 102	1001190476..... 94	1001192679..... 425, 433	1001195228 ..... 477
1001188194..... 95, 102	1001190484..... 453	1001192684..... 424	1001195229 ..... 491
1001188236 ..... 123, 135, 517	1001190485..... 457	1001192685..... 424	1001195235 ..... 616
1001188237 ..... 149, 163, 181, 195, 519	1001190493..... 441	1001192686..... 424	1001195304 ..... 618
1001188257..... 63	1001190495..... 445	1001192693..... 424, 432	1001195357 ..... 491
1001188302..... 325, 327	1001190580..... 317, 321	1001192694..... 424, 432	1001195382 ..... 401
1001188533 ..... 507, 513	1001190717..... 618	1001192695..... 424, 432	1001195454 ..... 94, 97
1001188534 ..... 509, 515	1001190756..... 94, 102	1001192696..... 424, 432	1001195455 ..... 94, 99
1001188535 ..... 123, 135, 149, 163, 181, 195, 211	1001190773..... 439	1001192698..... 424, 432	1001195504 ..... 117, 129, 143, 157, 175, 189, 205
1001188600..... 609	1001190774..... 467	1001192699..... 424, 432	1001195505 ..... 117, 129
1001188601 ..... 117, 129	1001190942..... 149, 163, 181, 195, 211	1001192841..... 94	1001195506 ..... 143, 157, 175, 189, 205
1001188622..... 339	1001190985..... 339	1001192842..... 94, 102	1001195507 ..... 117, 129, 143, 157, 175, 189, 205
1001188644 ..... 513, 515, 539	1001191020..... 333, 335	1001192843..... 94, 102	1001195509 ..... 117, 129, 143, 157, 175, 189, 205
1001188664..... 69	1001191025..... 149, 163, 181, 195, 211	1001192910..... 302	1001195525 ..... 475, 477
1001188666..... 69	1001191048..... 311, 315	1001192929..... 433	1001195535 ..... 102
1001188667 ..... 115, 125	1001191115..... 73, 77	1001192931..... 616	1001195610 ..... 618
1001188668 ..... 141, 153, 173, 185, 203	1001191126..... 75, 77	1001192991..... 302	1001195711 ..... 123, 135
1001188669 ..... 141, 153, 173, 185, 203	1001191156..... 241	1001193018..... 441, 443, 445, 447, 449, 451, 453, 455, 457, 459, 461	1001195763 ..... 241
1001188670 ..... 115, 125	1001191202..... 311, 315	1001193049..... 149, 163, 181, 195, 211	1001195947 ..... 365
1001188731..... 436	1001191205..... 311, 315	1001193167..... 259, 261, 264	1001196078 ..... 617
1001188732..... 436	1001191273..... 117, 129	1001193168..... 97	1001196079 ..... 617
1001188844..... 339	1001191328..... 513, 549	1001193169..... 99	1001196081 ..... 617
1001188889..... 381	1001191384..... 310, 314	1001193207..... 475	1001196082 ..... 616
1001188972 ..... 125, 153, 185	1001191385..... 310, 314	1001193208..... 477	1001196083 ..... 616
1001189001..... 339	1001191395..... 618	1001193215..... 616	1001196084 ..... 617
1001189002..... 339	1001191557..... 87	1001193238..... 369	1001196086 ..... 617
1001189003 ..... 513, 515, 565	1001191599..... 169, 201, 217	1001193239..... 371	1001196088 ..... 616
1001189004 ..... 511, 513, 515	1001191610..... 123, 135, 149, 163, 181, 195, 211, 251, 253, 255, 257	1001193250..... 432, 434	1001196222 ..... 362, 545
1001189005 ..... 503, 513, 515	1001191708..... 383	1001193521..... 618	1001196366 ..... 471, 479, 483
1001189026 ..... 123, 135, 149, 163, 181, 195, 211	1001191856..... 253	1001193756..... 369	1001196367 ..... 473, 481, 485
1001189067..... 94	1001192008..... 257	1001193757..... 371	1001196368 ..... 471, 473, 479, 481, 483, 485
1001189111 ..... 515, 551	1001192012..... 69	1001193758..... 371	1001196382 ..... 263, 268, 272, 276, 280, 284, 288, 291, 296
1001189119..... 63	1001192027..... 306	1001193760..... 94	1001196458 ..... 89, 91
1001189161 ..... 123, 135	1001192052..... 306	1001193927..... 433	1001196563 ..... 141
1001189169..... 616	1001192108..... 71, 75	1001193928..... 433	1001196564 ..... 153
1001189170..... 616	1001192278..... 295	1001193930..... 433	1001196565 ..... 115
1001189227 ..... 251, 255	1001192279..... 279	1001193932..... 433	1001196566 ..... 125
1001189764..... 65	1001192280..... 263	1001193933..... 433	1001196568 ..... 141, 143
1001189800..... 65	1001192284..... 241	1001193944..... 89	1001196570 ..... 153, 157
1001189859 ..... 311, 315	1001192400..... 149, 163, 181, 195, 211	1001194045..... 616	1001196571 ..... 117, 122
1001189913 ..... 149, 163, 181, 195, 211	1001192401..... 568	1001194110..... 616	1001196572 ..... 115, 117
1001189979 ..... 149, 163, 181, 195, 211	1001192442..... 255	1001194114..... 259, 261, 264, 529	1001196573 ..... 129, 134
1001190143 ..... 117, 129, 143, 157, 175, 189, 205	1001192443..... 251	1001194197..... 451	1001196574 ..... 125, 129
1001190164 ..... 149, 163, 211	1001192475..... 616	1001194198..... 455	1001196595 ..... 39, 41, 43
1001190286 ..... 327, 331	1001192482..... 617	1001194200..... 459	1001196607 ..... 39, 325
1001190287 ..... 325, 329	1001192483..... 287	1001194203..... 443	1001196634 ..... 154, 186, 239
	1001192484..... 271	1001194204..... 447	1001196635 ..... 567, 612
	1001192485..... 261	1001194205..... 616	1001196637 ..... 515
	1001192486..... 283	1001194233..... 609	1001196677 ..... 17, 417, 434
	1001192487..... 267	1001194234..... 589	1001196734 ..... 15, 415, 434
	1001192488..... 259	1001194235..... 589	
	1001192489..... 616	1001194236..... 591, 595	
	1001192610..... 617	1001194365..... 461	
	1001192641..... 424, 432	1001194888..... 107	
		1001194956..... 487	
		1001194957..... 489	

# PART NUMBER INDEX

1001196803.....39, 41	1001201342..... 471, 473, 475, 477, 479, 481, 483, 485, 487, 489, 491, 493	1001207105 ..... 369	1001213814..... 117, 129, 143, 157, 175, 189, 205
1001197016.....618	1001201351 ..... 339	1001208874 ..... 39, 41	1001213882..... 362
1001197070.....57	1001201511 ..... 325, 327	1001208994 ..... 339	1001214030..... 610
1001197084.....57	1001201843..... 123, 135, 251	1001209016 ..... 257	1001214095..... 471, 473, 479, 481, 483, 485
1001197143..... 41, 327	1001201844..... 123, 135	1001209282 ..... 618	1001214096..... 471, 473, 479, 481, 483, 485
1001197149..... 123, 135, 144, 158, 181, 195, 206	1001202333..... 105, 107	1001209664 ..... 381	1001214149..... 425, 433
1001197176..... 359, 361	1001202663 ..... 571	1001209948 ..... 471, 473, 475, 477, 479, 481, 483, 485, 487, 489, 491, 493	1001214408..... 425, 433
1001197177..... 359	1001202664 ..... 589	1001209949 ..... 471, 473, 475, 477, 479, 481, 483, 485, 487, 489, 491, 493	1001214463..... 618
1001197268..... 245	1001202665 ..... 581	1001209951 ..... 471, 473, 475, 477, 479, 481, 483, 485, 487, 489, 491, 493	1001214561..... 618
1001197269..... 247	1001202666 ..... 601	1001209953 ..... 471, 473, 475, 477, 479, 481, 483, 485, 487, 489, 491, 493	1001214562..... 618
1001197386..... 245	1001202667 ..... 575	1001209957 ..... 473, 477, 481, 485, 489, 493	1001214683..... 276
1001197388..... 245	1001202668 ..... 595	1001210089 ..... 618	1001214831..... 310, 314, 613
1001197389..... 245, 247	1001202670 ..... 591	1001210090 ..... 618	1001215229..... 361
1001197390..... 247	1001202671 ..... 573	1001210099 ..... 618	1001215285..... 583, 603
1001197392..... 247	1001202672 ..... 593	1001210762 ..... 94	1001215286..... 585, 605
1001197408..... 610	1001202673 ..... 579	1001211042 ..... 143, 157, 205	1001215304..... 513, 515, 567
1001197461 ..... 61	1001202674 ..... 599	1001211049 ..... 469	1001215321..... 407, 409
1001197689 ..... 61	1001202684 ..... 617	1001211281 ..... 425, 433	1001215615..... 573, 595
1001197706..... 513, 515, 543	1001202687 ..... 339	1001211282 ..... 425, 433	1001216015..... 264
1001197725..... 123, 135, 149, 163, 181, 195, 211	1001202688 ..... 337	1001211283 ..... 425, 433	1001216630..... 337, 339
1001197881..... 115, 125, 141, 153, 173, 185, 203	1001202749 ..... 618	1001211284 ..... 425, 433	1001216734..... 605
1001199035 ..... 385	1001202936 ..... 471, 473, 475, 477, 479, 481, 483, 485, 487, 489, 491, 493	1001211286 ..... 425, 433	1001216735..... 605
1001199302..... 71, 513	1001203424 ..... 425, 432	1001211287 ..... 425, 433	1001216736..... 599
1001199881 ..... 471, 473, 475, 477, 479, 481, 483, 485, 487, 489, 491, 493	1001203426 ..... 433	1001211288 ..... 425, 433	1001216737..... 599
1001199883 ..... 63, 65	1001203430 ..... 424, 432	1001211289 ..... 425, 433	1001216739..... 577
1001199933 ..... 63, 65	1001203432 ..... 425, 433	1001211291 ..... 425, 433	1001216740..... 577
1001200055 ..... 79	1001203628 ..... 401	1001211292 ..... 425, 433	1001216741..... 597
1001200056 ..... 83	1001203719 ..... 311, 315, 513	1001211577 ..... 333, 335, 613	1001216742..... 597
1001200057 ..... 79	1001203885 ..... 123, 135, 149, 163, 181, 195, 211	1001211578 ..... 333, 613	1001216744..... 597
1001200058 ..... 83	1001204251 ..... 99	1001211579 ..... 335, 613	1001216745..... 593
1001200128 ..... 617	1001204303 ..... 97	1001211580 ..... 333, 335	1001216746..... 593
1001200129 ..... 617	1001204389 ..... 425	1001211581 ..... 333, 335	1001216747..... 607
1001200130 ..... 617	1001204529 ..... 325	1001211582 ..... 333, 335	1001216748..... 601
1001200131 ..... 617	1001204645 ..... 425, 432	1001211583 ..... 333	1001216750..... 601
1001200132 ..... 617	1001204690 ..... 471, 473, 475, 477, 479, 481, 483, 485, 487, 489, 491, 493	1001211584 ..... 335	1001216751..... 603
1001200133 ..... 617	1001204715 ..... 333, 335	1001211585 ..... 333, 335, 475	1001216752..... 603
1001200134 ..... 617	1001204725 ..... 339	1001211586 ..... 333	1001217055..... 618
1001200216..... 117, 129, 143, 157, 175, 189, 205	1001204902 ..... 233	1001211587 ..... 335	1001218037..... 401
1001200279 ..... 618	1001204939 ..... 333, 335	1001211588 ..... 333, 335	1001218058..... 577
1001200435 ..... 123, 135	1001205018 ..... 616	1001211752 ..... 105	1001218059..... 597
1001200491 ..... 339	1001205019 ..... 616	1001211760 ..... 105	1001218539..... 65, 111
1001200494 ..... 339	1001205023 ..... 616	1001211761 ..... 105	1001218676..... 65, 111
1001200731 ..... 115, 125, 141, 153, 173, 185, 203	1001205024 ..... 616	1001211762 ..... 102, 105	1001219128..... 111
1001200745..... 149, 163, 181, 195, 211	1001205824 ..... 425, 432	1001211767 ..... 107	1001219138..... 102
1001200793..... 123, 135	1001205923 ..... 513, 515, 541	1001211773 ..... 107	1001219601... 71, 73, 612
1001200910..... 89	1001205957 ..... 253	1001211774 ..... 102, 107	1001220379..... 523
1001200930..... 81	1001206082 ..... 505, 513, 515	1001212192 ..... 91	1001220390..... 617
1001200931 ..... 85	1001206311 ..... 618	1001212223 ..... 291, 295	1001220638..... 111
1001200932 ..... 81	1001206314 ..... 94, 102	1001212333 ..... 102	1001220903..... 424, 432
1001200933 ..... 85	1001206816 ..... 609	1001213251 ..... 63	1001220912..... 425, 433
1001200979 ..... 73, 515	1001206880 ..... 94	1001213447 ..... 545	1001220941..... 424
1001201090..... 473, 477, 481, 485, 489, 493	1001206920 ..... 337	1001213543 ..... 94	1001221016..... 433
1001201186..... 424, 434	1001207004 ..... 91	1001213744 ..... 94	1001221203..... 243
1001201255..... 424, 432			1001221207..... 243
1001201325 ..... 63			1001221212..... 243
			1001221217..... 243
			1001221427..... 243
			1001222522..... 433
			1001222817..... 235, 237
			1001223045..... 527
			1001223055..... 571, 589

## PART NUMBER INDEX

1001223254 ..... 150, 164, 181, 195, 211	1001228988..... 387, 389, 391	1001234283.....247	1600359 .... 361, 373, 612
1001223255 ..... 150, 164, 181, 195, 211	1001229020..... 385	1001234299.....247	1670603 ..... 461
1001223256 ..... 150, 164, 181, 195, 211	1001229082..... 385	1001234370.....245	1670829 ..... 75, 77, 361
1001223257 ..... 150, 164, 182, 196, 212	1001229091..... 149, 163, 181, 195, 211	1001234371.....245	1671092... 288, 296, 487, 489, 491, 493
1001223453 ..... 571, 581, 589, 601	1001229107..... 616	1001234396..... 123, 135	1671093... 389, 487, 489, 491, 493
1001223591 ..... 181, 195, 199	1001229337..... 425, 433	1001235110.....118, 130, 144, 158, 176, 190, 206	1683053 ..... 403
1001223971 ..... 581, 601	1001229572..... 65	1001235458.....211, 215	1683057 ..... 407
1001224048 ..... 585, 605	1001229637..... 471, 473, 475, 477, 479, 481, 483, 485, 487, 489, 491, 493	1001235472.....203	1684089 ..... 403
1001224049 ..... 587, 607	1001229929..... 583	1001235474.....205, 210	1684090 ..... 403
1001224050 ..... 579, 599	1001229930..... 603	1001235487 ..... 425, 433	1701499... 571, 573, 575, 577, 579, 581, 583, 585, 587, 589, 591, 593, 595, 597, 599, 601, 603, 605, 607
1001224051 ..... 577, 597	1001229931..... 585	1001235513.....337	1701505 ... 115, 125, 141, 153, 173, 185, 203, 609
1001224052 ..... 573, 593	1001229932..... 605	1001235532..... 141, 154, 173, 186, 203	1701509... 385, 571, 573, 575, 577, 579, 581, 583, 585, 587, 589, 591, 593, 595, 597, 599, 601, 603, 605, 607
1001224053 ..... 583, 603	1001229933..... 587	1001235699..... 115, 126	1701518 .... 575, 591, 595
1001224473 ..... 235	1001229934..... 607	1001235884.....616	1701529... 571, 573, 575, 577, 579, 581, 583, 585, 587, 589, 591, 593, 595, 597, 599, 601, 603, 605, 607
1001224967 ..... 231, 233, 235	1001230009..... 434	1001236121 .....249	1702566 ..... 361
1001225054 ..... 231	1001230217..... 425, 433	1001236700 .....616	1702567 ..... 361
1001225430 ..... 199	1001230313..... 425, 433	1001236701 .....616	1702773 .... 575, 595, 609
1001225432 ..... 200	1001230635..... 149, 163, 180, 195, 210	1001237015 .....617	1702774 ..... 609
1001225647 ..... 571, 573, 577, 579, 581, 583, 585, 587, 589, 593, 597, 599, 601, 603, 605, 607	1001230931..... 503, 549, 551	1001237894 ..... 109	1702788 ..... 609
1001226098 ..... 167, 215	1001230952..... 291	1001237895 ..... 109	1702861 ..... 609
1001226304 ..... 493	1001230953..... 275	1001238901 .....619	1702868... 389, 391, 571, 589, 609
1001226400 ..... 507, 509	1001231235..... 618	1001238902 .....619	1702941 .... 125, 153, 185
1001226872 ..... 343	1001231301..... 173	1001238903 .....618	1702942 .... 125, 153, 185
1001227059 ..... 149, 163	1001231302..... 173, 175	1001238904 .....619	1702943 .... 125, 153, 185
1001227075 ..... 493	1001231303..... 185	1001238906 .....618	1702962 ..... 609
1001227367 ..... 97, 99	1001231305..... 185, 189	1001238907 .....619	1703162 ... 122, 134, 148, 162, 180, 194, 210
1001227404 ..... 616	1001231307..... 189, 194	1001238908 .....617	1703165... 589, 591, 593, 595, 597, 599, 601, 603, 605, 607
1001227527 ..... 513, 515	1001231308..... 175, 180	1001238909 .....617	1703479 ..... 609
1001227792 ..... 333, 335	1001231310..... 94	1001238910 .....617	1703797 ..... 571, 589
1001227887 ..... 94	1001231649..... 182, 196, 243	1001239710 .....253	1703804 ..... 571, 589
1001227888 ..... 102	1001231690..... 175, 189	1001239715 .....253	1703805 ..... 571, 589
1001228013 ..... 317, 405	1001231801..... 609	1001239716 .....259, 261	1703811... 571, 573, 575, 577, 579, 581, 583, 585, 587, 589, 591, 593, 595, 597, 599, 601, 603, 605, 607
1001228079 ..... 311, 315, 409	1001231805..... 149, 163, 181, 195, 211	1001243895 .....239	1703814... 571, 573, 575, 577, 579, 581, 583, 585, 587, 589, 591, 593, 595, 597, 599, 601, 603, 605, 607
1001228177 ..... 302, 306	1001231846..... 513	1001251079.....311, 315, 411	1703923 ..... 587, 607
1001228186 ..... 487	1001231956..... 317, 403	1060343.....288, 296	1703924 ..... 581, 601
1001228187 ..... 489	1001231963..... 403, 405	1060626..... 125, 153, 185	1703925 ..... 579, 599
1001228188 ..... 487, 489	1001232117.....397	1060908....495, 497, 499, 501	1703926 ..... 583, 603
1001228215 ..... 343	1001232519..... 616	1060918.....379	1703927 ..... 585, 605
1001228226 ..... 424, 432	1001232520..... 616	10702077..284, 288, 292, 296	1703928 ..... 573, 593
1001228363 ..... 618	1001232574..... 616	10702082..284, 288, 292, 296	1703935 ..... 587, 607
1001228370 ..... 571, 581, 589, 601	1001232732..... 616	1120555.....385	
1001228376 ..... 349	1001232733..... 617	1260017 .....55	
1001228377 ..... 351	1001232842..... 154, 186, 239	1320041....439, 467, 469, 513	
1001228406 . 63, 65, 231, 233, 235	1001232948..... 425, 433	1320043.....513	
1001228580 ..... 618	1001233035..... 618	1320061 .... 125, 141, 153, 173, 185, 203, 268, 272, 275, 280, 284, 288, 291, 296	
1001228613 ..... 571, 575, 577, 579, 581, 583, 585, 587, 589, 591, 593, 597, 599, 601, 603, 605, 607	1001233237..... 616	1320176..... 138, 241	
1001228809 ..... 475, 477	1001233312..... 587, 607	1320202.... 150, 164, 181, 195, 211	
1001228947 ..... 616	1001233313..... 573, 593	1320302.....387, 389, 391	
	1001233429..... 245	1321384.....97, 99	
	1001233450..... 118, 130, 144, 158, 176, 190, 206	1380147.....249	
	1001233763..... 154, 186, 239	14403323..... 15, 17	
	1001233895..... 149, 163, 181, 195, 211, 523	14403364.....415, 417	
	1001234099..... 616	1580012.....357	
	1001234281..... 247	1580013.....618	

# PART NUMBER INDEX

1703936.....581, 601	1705375 ... 289, 297, 389, 391	2220578 ... 117, 129, 143, 157, 175, 189, 205	2840016.....249
1703937.....577, 597	1705387 ... 271, 279, 289, 297	2220582 ..... 424, 432	2860030....79, 81, 83, 85, 612
1703938.....583, 603	1705426 ..... 583, 603	2220603 ..... 424, 432	2900792....397, 399, 403, 405
1703939.....585, 605	1705427 ..... 585, 605	2220618 ..... 424, 432	2901303.....403, 405
1703940.....573, 593	1705429 ..... 581, 601	2220637 ..... 424, 432	2902065....122, 134, 148, 162, 180, 194, 210, 221
1703941.....587, 607	1705430 ..... 577, 597	2220695 ... 117, 129, 143, 157, 175, 189, 205	2902212.....385
1703942.....581, 601	1705460 ... 284, 289, 292, 297	2220700 ... 117, 129, 143, 157, 175, 189, 205	2902217.....387, 389
1703943.....579, 599	1705461 ..... 284, 292	2220733 ..... 424, 432	2902443....517, 519, 524
1703944.....583, 603	1705489 ... 267, 275, 284, 292	2220738 ... 117, 129, 143, 157, 175, 189, 205, 424, 432	2902549.....467, 495
1703945.....585, 605	1705514 ... 571, 581, 589, 601	2220775 ..... 424, 432	2915096.....619
1703946.....573, 593	1705515 ..... 610	2220816 ..... 235	2920028.....362
1703947.....587, 607	1705822 .... 575, 591, 595	2220852 ..... 424, 432	2920029.....362
1703948.....581, 601	1705828 .... 575, 591, 595	2220865 ..... 424, 432	2920161.....87
1703949.....579, 599	1705910 ..... 587, 607	2220883 ... 397, 399, 403, 405	2940045.....105
1703950.....583, 603	1705917 ..... 587, 607	2220885 ... 403, 405, 407, 409	2940074....345, 349, 353, 613
1703951.....585, 605	1705921 .... 575, 591, 595	2220906 ..... 424, 432	2940173.97, 99, 105, 107
1703952.....573, 593	1705961 .... 575, 591, 595	2220940 ..... 424, 432	3020016.....122, 617
1703953.....571, 589	1705968 .... 577, 597, 609	2220946 ... 117, 129, 143, 157, 175, 189, 205	3020021.....221, 617
1703980.....583, 603	1705969 .... 585, 605, 609	2220947 ... 117, 129, 143, 157, 175, 189, 205, 424, 432	3020044.....134, 617
1703981.....585, 605	1706059 ..... 609	2220999 ..... 424, 432	3251102....259, 261, 263, 267, 271, 275, 279
1703982.....579, 599	1706060 ..... 609	2221048 ..... 432	3251242....447, 451, 455, 459, 461
1703983.....587, 607	1706061 ..... 609	2221086 ..... 424, 432	3251243....261, 263, 271, 279, 289, 297, 571, 573, 577, 579, 581, 583, 587, 589, 593, 597, 599, 601, 603, 607
1703984.....581, 601	1706062 ..... 609	2221176 .... 115, 125, 126	3252347.....571, 589
1703985.....573, 593	1706063 ..... 609	2221345 ..... 425, 433	3252507....259, 445, 449, 453, 457
1704000....581, 601, 609	1706064 ..... 609	2230027 ... 117, 129, 143, 157, 175, 189, 205	3252764....283, 287, 291, 295
1704001....587, 607, 609	1706098 ..... 609	2300004 ... 149, 181, 211, 617	3290301.....249
1704002....573, 593, 609	2030010 .... 387, 389, 391	2300014 ..... 617	3290405....441, 443, 445, 447, 449, 451, 453, 455, 457, 459, 461, 467, 469
1704174.....609	2060025 ..... 122, 134	2300016 ..... 617	3290501....141, 153, 173, 185, 203
1704175.....609	2080040 ... 345, 349, 353	2300019 ..... 617	3290505....61, 87, 89, 91, 141, 153, 173, 185, 203, 233, 259, 271, 279, 283, 287, 291, 295
1704260.....361	2080044 ... 473, 477, 481, 485, 489, 493	2300027 ..... 617	3290601.97, 99, 105, 107
1704277....571, 573, 575, 577, 579, 581, 583, 585, 587, 589, 591, 593, 595, 597, 599, 601, 603, 605, 607	2111212 ..... 424, 432	2300029 ..... 617	3290605....69, 71, 73, 94, 105, 117, 122, 129, 134, 143, 148, 157, 162, 175, 180, 189, 194, 205, 210, 245, 247, 267, 275, 359, 439, 441, 445, 449, 453, 457, 467, 469, 513, 515, 571, 573, 575, 577, 579, 581, 583, 585, 587, 589, 591, 593, 595, 597, 599, 601, 603, 605,607
1704412....571, 573, 575, 577, 579, 581, 583, 585, 587, 589, 591, 593, 595, 597, 599, 601, 603, 605, 607	2131212 ... 117, 129, 143, 157, 175, 189, 205	2300039 ..... 617	3290606....347, 351, 355
1704434....571, 573, 575, 577, 579, 581, 583, 585, 587	2151212 ..... 415, 417	2300041 .... 162, 194, 617	3290805....39, 41, 69, 97, 99, 105, 107, 122, 134, 148, 162, 180, 194, 210, 259, 261, 263,
1704460.....361	2170112 ..... 424, 432	2400060 ... 154, 186, 239, 529, 537	
1704461....589, 591, 593, 595, 597, 599, 601, 603, 605, 607	2180348 ..... 115, 125	2400064 ..... 537, 613	
1704468.....571, 589	2180832 ... 141, 154, 173, 186, 203, 235	2420203 ..... 261, 263	
1704885....571, 573, 577, 579, 581, 583, 585, 587, 589, 591, 593, 597, 599, 601, 603, 605, 607	2220124 ..... 53	2460048 ..... 283, 287	
1704972.....609	2220238 ..... 425, 433	2460055 ..... 261	
1705305....387, 389, 391	2220313 ... 115, 126, 141, 154, 173, 186, 203	2540020 ..... 87, 89, 91	
1705325.....441, 443	2220315 ..... 122, 134	2560136 ..... 361	
1705336.....571, 589	2220366 ..... 424, 432	2560187 97, 99, 105, 107	
1705344.....583, 603	2220371 ..... 424, 432	2580024 .... 125, 153, 185	
1705345.....585, 605	2220372 ..... 424, 432	2580062 ..... 134	
1705347.....581, 601	2220373 ..... 424, 432	2600066 ..... 517	
1705349.....573, 593	2220375 ..... 424, 432	2600281 .... 345, 349, 353	
1705351.....571, 589	2220380 ..... 424, 432	2720015 ... 149, 163, 181, 195, 211	
1705355.....387, 389	2220415 ..... 424, 432	2720058 .... 115, 125, 231	
1705358.....385	2220451 ... 117, 122, 129, 134, 143, 157, 175, 189, 205, 424, 432	2720398 ..... 122, 134	
1705374....271, 279, 463, 465	2220466 ..... 424, 432	2820019 ..... 533	
	2220472 ..... 432	2820031 ... 259, 261, 263, 267, 271, 275, 279, 283, 287, 291, 295	
	2220473 ..... 432	2820035 ..... 239	
	2220498 ..... 424, 432		
	2220502 ..... 424, 432		
	2220518 ... 117, 129, 143, 157, 175, 189, 205		

# PART NUMBER INDEX

271, 279, 283, 287, 291, 295, 323, 325, 327, 333, 335, 471, 473, 475, 477, 479, 481, 483, 485, 487, 489, 491, 493	3422424 ..... 310, 314	585, 587, 589, 591, 593, 595, 597, 599, 601, 603, 605, 607	4070939 ..... 310, 314
3290806 ..... 339	3422532 ... 117, 129, 143, 157, 175, 189, 205	3820020.....345, 349, 353	4070940 ..... 310, 314
3291001 ..... 63, 148, 162, 180, 194, 210, 310, 314, 339	3422582 ..... 302	3841143....115, 125, 141, 153, 173, 185, 203, 302, 310, 314, 317, 339	4092009 ..... 310, 314
3291005 ... 39, 41, 63, 65, 89, 91, 94, 97, 99, 102, 107, 115, 117, 122, 125, 129, 134, 141, 143, 149, 153, 157, 163, 173, 175, 181, 185, 189, 195, 203, 205, 211, 231, 233, 235, 251, 253, 255, 257, 302, 306, 317, 323, 339, 359	3422793 ..... 306	3841203.....306	4100100 ..... 403
3291007 ... 259, 261, 263	3422860 ..... 317	3841287.....302, 306	4160149 ..... 310, 314
3291201 ... 263, 267, 271, 275, 279, 283, 288, 291, 295, 339	3422867 ..... 317	3841340....471, 475, 479, 483, 487, 491	4240018... 463, 465, 471, 473, 475, 477, 479, 481, 483, 485, 487, 489, 491, 493
3291205 ... 63, 65, 94, 95, 102, 249, 337, 339, 471, 473, 475, 477, 479, 481, 483, 485, 487, 489, 491, 493	3430616 ..... 361	3900267.....272, 280	4240033 .... 333, 335, 381
3291601 ..... 47, 310, 314	3430820 ..... 249	3900283.....337	4240099 .... 87, 115, 117, 125, 129, 141, 143, 150, 153, 154, 157, 164, 173, 175, 181, 185, 186, 189, 195, 203, 205, 211, 239, 387, 389, 471, 475, 479, 483, 487, 491, 513, 515
3291605 ..... 302, 306	3450404 ..... 249	3900300.....272, 280	4240149 ..... 385
3292001 ..... 310, 314	3460334 ..... 385	3900349.....362	4280295 ..... 63
3292201 ..... 310, 314	3470003 ..... 361	3900357.....122, 134	4360070 ... 272, 280, 284, 288, 292, 296, 613
3300151 ... 343, 347, 349, 351, 355, 387, 389, 391	3480205 ..... 407	3900363.....105, 107	4360336 ... 259, 261, 263, 267, 271, 275, 279, 284, 288, 291, 295, 613
3300243 ..... 337, 339	3480210 ..... 403	3900364.....94	4360387.81, 85, 361, 612
3300353 ..... 361	3520028 ..... 263	3910606....271, 279, 288, 295, 463, 465	4360407 ..... 361, 612
3300396 ... 272, 280, 284, 288, 292, 296	3520034 ... 473, 477, 481, 485, 489, 493	3910610.....439	4360469... 79, 81, 83, 85, 612
3300408 ..... 75, 77	3520054 ... 122, 134, 148, 162, 180, 194, 210, 361	3910804....79, 81, 83, 85	4360475.75, 77, 361, 612
3300430 ..... 381, 383	3520071 ..... 385	3911018.....75, 77, 361	4360517 ..... 61, 612
3311001 ... 261, 263, 272, 280, 284, 288, 292, 296	3520072 ... 343, 345, 347, 349, 351, 353, 355	3931408.....381	4360542 ..... 261, 263
3311005 ... 361, 387, 389, 391	3520182 ..... 383	3931424.....381	4420014 ..... 385
3311405 ... 443, 447, 451, 455, 459, 461	3520189 ..... 284, 292	3931464.....407, 409	4420037 .... 387, 389, 391
3311501 ..... 94	3520192 ..... 284, 292	3931508.....407, 409	4420051 ... 575, 577, 579, 591, 595, 597, 599
3311601 ..... 94, 102, 361	3520198 ... 343, 345, 347, 349, 351, 353, 355	3931512....148, 162, 180, 194, 210	4420060 ..... 259
3311605 ... 387, 389, 391	3539622 ..... 310, 314	3931516.....403	4420066 ..... 385
3311805 ..... 339	3572044 ..... 571, 589	3931618....117, 129, 143, 157, 175, 189, 205	4460019 ..... 523
3312005 ..... 385	3573400 .... 387, 389, 391	3931620....117, 129, 143, 157, 175, 189, 205, 407, 409	4460027 ..... 261, 263
3312205 ..... 385	3573642 .... 387, 389, 391	3931628....148, 162, 180, 194, 210	4460042 ... 517, 520, 524, 568
3331211 ... 122, 134, 148, 162, 180, 194, 210, 251, 253, 255, 257	3577121 ... 387, 389, 391	3960158.....407, 409	4460043 ... 239, 519, 523, 537, 568
3331611 ... 122, 134, 144, 148, 158, 162, 180, 194, 206, 210	3580134 ..... 259	3960361.....407, 409	4460071 ... 271, 279, 288, 295, 379, 439
3340787 ..... 323	3580158 ..... 259, 261	3960407.....122, 134	4460134 ..... 535
3340938 ..... 35	3580243 ..... 310, 314	3960422....271, 279, 288, 295, 439, 463, 465	4460142 ..... 517
3340956 ..... 385	3580248 ..... 310, 314	3960469....117, 129, 143, 157, 175, 189, 205	4460183 ..... 545, 568
3380434 ..... 359	3580249 ..... 310, 314	3980007....125, 153, 185	4460190 ..... 261, 263
3421565 ..... 55	3580276 ..... 261, 263	4010303.....333, 335	4460205 ..... 439, 535
3421627 ..... 55	3580317 ... 267, 271, 275, 279, 284, 288, 291, 295	4010308.....249	4460224 ..... 275, 361
3422417 ..... 310, 314	3580318 ... 271, 279, 288, 295	4010405.....467, 469	4460225 ... 531, 533, 539, 545
	3580319 ... 267, 275, 284, 291	4010510.....87, 89, 91	4460226 ... 361, 376, 379, 539, 545, 568
	3580320 ... 148, 162, 180, 194, 210, 267, 271, 284, 288	4010618....347, 351, 355	4460227 ..... 545
	3600359 ... 117, 129, 143, 157, 175, 189, 205, 227	4031608.....259	4460234 ..... 361
	3600363 ... 117, 129, 143, 157, 175, 189, 205, 223	4031914....148, 162, 180, 194, 210	4460247 ..... 568
	3740067 .... 69, 122, 134, 612	4032014....148, 162, 180, 194, 210, 310, 314	4460259 ..... 545, 568
	3740080 ..... 529, 613	4032015....267, 271, 284, 288	4460260 ..... 545, 568
	3760132 ..... 407, 409	4032020.....310, 314	4460265 ..... 376
	3760170 ..... 55	4060802....259, 261, 263, 267, 271, 275, 279, 284, 288, 291, 295	4460267 ..... 545
	3760356 ..... 407, 409	4060805.....315	4460268 ..... 531, 533
	3760368 ..... 403	4060906.....75, 77	4460294 ..... 275
	3760369 ..... 407	4061032....117, 129, 143, 157, 175, 189, 205	4460312 ..... 517, 568
	3790012 ... 317, 361, 365, 367, 369, 371	4070895.....310, 314	
	3790045 ... 118, 130, 144, 158, 175, 189, 206	4070896.....310, 314	
	3790152 ... 117, 129, 143, 157, 175, 189, 205		
	3820001 ... 571, 573, 575, 577, 579, 581, 583,		

# PART NUMBER INDEX

4460313.....517, 519, 523, 543	4460884 ... 519, 523, 543, 545, 567	4640509 ..... 403, 405	335, 339, 471, 473, 475, 477, 479, 481, 483, 485, 487, 489, 491, 493
4460315.....439	4460887 ..... 545, 567	4640932 ..... 399	4811902.... 69, 94, 97, 99, 102, 149, 163, 181, 195, 211, 259, 261
4460346.... 271, 279, 288, 295, 439	4460891 . 87, 89, 91, 519, 523, 541, 543, 549, 551, 563	4640999 ..... 397, 399	4812000.... 39, 41, 63, 65, 94, 97, 99, 102, 105, 107, 115, 117, 122, 125, 129, 134, 141, 143, 148, 153, 157, 162, 173, 175, 180, 185, 189, 194, 203, 205, 210, 231, 233, 235, 243, 251, 253, 255, 257, 259, 261, 263, 302, 306, 310, 314, 325, 327, 339, 359, 471, 473, 475, 477, 479, 481, 483, 485, 487, 489, 491, 493
4460418.....539, 545	4460894 ... 511, 517, 519, 523, 567	4641317 ..... 39, 41	4812002.... 63, 65, 94, 97, 99, 102, 115, 117, 125, 129, 141, 143, 153, 157, 173, 175, 185, 189, 203, 205
4460419.....539, 545	4460897 ..... 89, 91	4641390 ..... 401	4812100.... 57, 63, 65, 94, 95, 102, 115, 125, 141, 154, 173, 186, 203, 249, 339, 471, 473, 475, 477, 479, 481, 483, 485, 487, 489, 491, 493
4460424.....568	4460899 .... 543, 565, 567	4711000 ... 272, 280, 284, 288, 292, 296	4812300.... 122, 134, 148, 162, 180, 194, 210
4460425.... 272, 280, 284, 288, 292, 296, 463, 465	4460905 ... 539, 543, 545, 567	4711400 ... 343, 347, 349, 351, 355, 381, 383, 443, 447, 451, 455, 459, 461	4812500..... 95, 102
4460426.... 272, 280, 284, 288, 292, 296	4460906 ..... 529	4711500 ... 148, 162, 180, 194, 210	4844816..... 317
4460428.....361	4460911 ..... 543	4711600 63, 65, 264, 337, 361	4846573..... 337
4460434.....545	4460925 ..... 545	4712000 ..... 385	4846627.... 387, 389, 391
4460457 ..... 543, 568	4460926 ..... 549, 551	4712200 ..... 385	4871700.... 259, 261, 267, 271, 275, 279, 284, 288, 291, 295
4460458 ..... 537, 567	4460928 ..... 551, 563	4740362 ..... 359	4891600..... 337, 339
4460460.....543, 568	4460930 .... 517, 519, 523	4740397 75, 77, 317, 361, 367, 371	4891800..... 339
4460464 89, 91, 379, 503, 505, 529, 541, 543, 545, 563, 565, 567, 568	4460931 ..... 568	4740439 ..... 317	4892000..... 53
4460465.. 87, 89, 91, 272, 505, 507, 509, 511, 517, 519, 523, 531, 533, 537, 541, 543, 545, 549, 551, 563, 565, 567, 568	4460932 ... 503, 527, 541, 568	4751000 63, 65, 261, 263, 387, 389, 391	4892600..... 337, 339
4460466.... 505, 507, 509, 517, 519, 523, 529, 543, 545, 549, 551, 563, 567, 568	4460933 ... 545, 546, 549, 551, 563, 567	4751400 97, 99, 105, 107, 357, 361, 383, 387, 389, 391	4920385..... 243
4460467 ..... 619	4460941 ..... 527	4751500 ..... 263	4921827..... 535
4460470..... 361, 513, 515	4460942 ..... 519, 523	4751600 .... 387, 389, 391	4922641.... 259, 261, 263, 268, 272, 276, 280, 284, 288, 291, 296
4460471..... 361, 513, 515	4460943 ... 517, 519, 523, 545, 567	4760600 ..... 439	4922925.... 284, 288, 291, 296, 533
4460473..... 505, 507, 509	4460944 ... 517, 519, 523, 545, 567	4761400 ..... 357	4923379..... 123, 135
4460496..... 362, 513, 515	4460956 ..... 495, 497	4811400 ... 249, 441, 443, 445, 447, 449, 451, 453, 455, 457, 459, 461	4933218..... 436
4460497..... 362, 513, 515	4460957 ..... 495, 497	4811600 ... 61, 87, 89, 91, 141, 153, 173, 185, 203, 233, 259	5240800..... 257
4460508..... 505, 567	4460958 ..... 465	4811602 ... 271, 279, 284, 288, 291, 295	5241000..... 94, 105, 107, 117, 123, 129, 135, 143, 149, 157, 164, 175, 181, 189, 196, 205, 211, 253, 267, 271, 275, 279, 284, 288, 291, 295, 310, 314, 323
4460509..... 505, 507, 509	4460959 ... 487, 489, 491, 493	4811700 ... 69, 71, 73, 89, 91, 105, 107, 115, 117, 122, 125, 129, 134, 141, 143, 148, 153, 157, 162, 173, 175, 180, 185, 189, 194, 203, 205, 210, 259, 261, 263, 267, 271, 275, 279, 284, 288, 291, 295, 302, 306, 347, 351, 355, 439, 441, 445, 449, 453, 457, 467, 469, 473, 477, 481, 485, 489, 493, 513, 515, 571, 573, 575, 577, 579, 581, 583, 585, 587, 589, 591, 593, 595, 597, 599, 601, 603, 605, 607	5241200.... 122, 134, 148, 162, 180, 194, 210,
4460510..... 619	4460960 ... 487, 489, 491, 493	4811702 97, 99, 117, 129, 143, 157, 175, 189, 205, 245, 247, 359	
4460518..... 551, 563	4460962 ..... 389	4811900 39, 41, 105, 107, 122, 134, 148, 162, 180, 194, 210, 259, 261, 263, 271, 279, 284, 288, 291, 295, 297, 299, 301, 303, 305, 307	
4460536..... 511, 565	4460963 ..... 288, 296		
4460539..... 511, 543, 565	4460967 .... 272, 537, 568		
4460662.... 449, 451, 453, 455, 457, 459, 461	4460968 ... 259, 441, 443, 445, 447		
4460703..... 519, 523	4460970 ..... 545		
4460708..... 545	4461005 ..... 517		
4460722..... 239	4461006 ..... 517		
4460742..... 537	4461008 .... 517, 520, 524		
4460743..... 537	4461052 ..... 517		
4460748..... 567	4461053 ..... 517		
4460761 ..... 545	4461054 ..... 517, 527		
4460807 ..... 531, 533	4461060 ..... 517		
4460808 ..... 531, 533	4461070 ... 517, 519, 523, 563		
4460836.... 549, 551, 567	4461071 ..... 519, 524		
4460837.... 549, 551, 568	4461073 .... 517, 519, 524		
4460865.... 505, 507, 509	4461095 ... 517, 519, 523, 563		
4460866.... 505, 545, 567	4461196 ..... 553		
4460871 .... 373, 539, 543, 545, 567	4461198 ..... 553		
4460872..... 543	4461199 ..... 555		
4460873..... 545, 567	4461201 ..... 555		
4460874..... 545, 567	4461205 ..... 557, 559		
4460875..... 543	4461244 ..... 557		
4460876..... 539, 545	4461245 ..... 559		
4460878..... 567	4461246 ..... 561		
4460879..... 545	4461249 ..... 561		
4460880..... 568	4461271 ..... 567		
	4530028 .... 387, 389, 393		
	4640464 ..... 511		

# PART NUMBER INDEX

251, 253, 255, 257, 263, 267, 271, 275, 279, 284, 288, 291, 295, 337, 339	70001870 . 137, 167, 199, 215	70003709..267, 271, 275, 279, 283, 287, 292, 296	70004506.. 167, 199, 215
5241400 ... 122, 134, 148, 162, 180, 194, 210, 251, 253, 255, 257, 267, 271, 284, 288	70001871 ..... 137	70003784.....361	70004507.. 167, 199, 215
5241600 ..... 47, 57	70001872 ..... 137	70003926...407, 409, 411	70004508.. 167, 199, 215
5242000 ..... 47	70001953 ..... 283, 287	70003928...407, 409, 411	70004509.. 167, 199, 215
525081097, 99, 148, 162, 210, 325, 327	70001966 . 267, 271, 275, 279, 283, 287, 292, 296	70003929...407, 409, 411	70004510.. 167, 199, 215
5250812 ..... 94, 333, 335	70001973 . 283, 287, 292, 296	70003930...407, 409, 411	70004511 ..... 200
5250813 ..... 243	70001974 . 283, 287, 292, 296	70003932.....138	70004513.. 168, 200, 216
5250816 ..... 180, 194	70002066 ..... 50	70003982...407, 409, 411	70004584..... 43
5251008 ... 333, 335, 339	70002088 ..... 283, 287	70003998.....69	70004594..... 43
5251009 ..... 39, 41, 69	70002112 ..... 67	70004020... 122, 134, 612	70004595..... 43, 612
5251012 ..... 65, 115, 125, 141, 150, 153, 164, 173, 182, 185, 196, 203, 212, 268, 272, 275, 280, 284, 288, 291, 296	7000217 ..... 50	70004037.....50	70004596..... 43
5251014 .. 71, 73, 94, 102	70002234 ..... 138	70004039.....50	70004597..... 43
5251016 ..... 339	7000228 ..... 50	70004040.....50	70004598 ..... 43
5260800 ..... 243	7000229 ..... 50	70004041.....50	70004602 ..... 43
5261000 ..... 71, 73	70002291 ..... 292, 296	70004042.....50	70004607 ..... 43
5261018 ..... 71, 73	70002297 . 283, 287, 291, 296	70004043.....50	70004613 ..... 331
5281918 ... 471, 473, 475, 477, 479, 481, 483, 485, 487, 489, 491, 493	7000230 ..... 50	70004044.....50	70004617 ..... 44
70000044 ..... 137	70002335 ..... 397	70004045.....50	70004653..... 43, 44, 329, 331, 612
70000123 ..... 259	70002366 ..... 397	70004047.....51	70004656..... 43
70000342 ..... 319, 321	70002381 ..... 397	70004051..... 43, 44	70004657..... 43
70000345 . 138, 169, 201, 217	70002386 ..... 612	70004052..... 43, 44, 329, 331	70004661..... 43
70000619 . 283, 287, 291, 295	70002410 ..... 399	70004053..... 329, 331	70004662..... 43
70000699 ..... 401	70002415 ..... 137	70004055..... 43	70004668 ..... 43
70000793 ..... 221	70002416 ..... 137	70004056..... 138	70004676 . 267, 271, 275, 279
70000800 ..... 137	70002417 ..... 137	70004058..... 138	70004677 ..... 267
70000851 ..... 138	7000246 ..... 50	70004059..... 138	70004678 . 267, 272, 275, 280
70000863 . 283, 287, 291, 295	70002460 . 283, 287, 292, 296	70004060..... 137	70004679 . 267, 272, 275, 280
70000912 ..... 137	7000247 ..... 50	70004064..... 231	70004680 . 267, 272, 275, 280
70000913 ..... 137	7000248 ..... 50	70004065..... 231	70004681 ..... 267, 275
70000914 ..... 137	7000253 ..... 50	70004066..... 231, 612	70004682 . 267, 272, 275, 280
70000915 ..... 137	7000257 ..... 50	70004067..... 231	70004683 ..... 267, 275
70000916 ..... 137	7000263 ..... 50	70004068..... 231	70004684 ..... 272
70000917 ..... 137	70002718 . 137, 167, 199, 215	70004069..... 231	70004685 ..... 272, 280
70000918 ..... 137	70002758 ..... 44	70004070..... 231	70004686 ..... 275
70000919 ..... 137	70002759 ..... 44	70004092..267, 271, 275, 279, 292, 296	70004687 ..... 280
70001002 ..... 137	70002814 ..... 67, 612	70004094..... 292, 296	70004752 ..... 375
70001017 ..... 138	70002838 ..... 67	70004098..272, 280, 292, 296	70004753 ..... 375
70001100 . 283, 287, 291, 295	70002839 ..... 67	70004099..275, 279, 292, 296	70004754 ..... 375
70001384 . 283, 287, 291, 295	70002902 ..... 379	70004103..... 137	70004755 ..... 375
70001423 ..... 137	70002903 ..... 379	70004155...407, 409, 411	70004756 ..... 375
70001435 ..... 137	70002904 ..... 379	70004169..... 283, 287	70004757 ..... 375
70001498 ..... 138	70002905 ..... 379	70004171..267, 271, 283, 287	70004758 ..... 375
70001696 ..... 283, 287	70003019 .... 43, 329, 331	70004186..403, 405, 407, 409, 411	70004759 ..... 375
70001697 ..... 319, 321	70003027 .... 43, 329, 331	70004199..... 67	70004760 ..... 375
7000180 ..... 200	70003085 ..... 397	70004237..... 399	70004761 ..... 375
70001850 ..... 137	70003136 ..... 137	70004268 ..... 137	70004762 ..... 375
70001866 ..... 138	70003136 ..... 137	70004269..... 137	70004763 ..... 375
70001868 ..... 138	70003464 ..... 137	70004270..... 138	70004764 ..... 375
	70003468 ..... 137	70004271 ..... 138	70004765 ..... 375
	70003469 ..... 137	70004272..... 138	70004766 ..... 375
	70003470 ..... 137	70004276... 169, 201, 217	70004767 ..... 375
	70003472 ..... 137	70004277 ... 169, 201, 217	70004768 ..... 375
	70003473 ..... 137	70004280... 167, 199, 215	70004769 ..... 375
	70003475 ..... 137	70004282... 169, 201, 217	70004770 ..... 375
	70003478 ..... 137	70004287..... 137	70004771 ..... 375
	70003631 . 283, 287, 291, 296	70004289..... 137	70004772 ..... 375
	70003708 . 267, 271, 275, 279, 283, 287, 292, 296	70004414..... 63	70004773 ..... 375
		70004501... 168, 200, 216	70004774 ..... 375
		70004504..... 169, 217	70004775 ..... 375
		70004505... 167, 199, 215	70004795 ..... 67

# PART NUMBER INDEX

70005008..149, 163, 181, 195, 211, 613	70006096..... 292, 296	7001485 ..... 223, 227	70025155... 169, 200, 217
70005172... 167, 199, 215	70006097..... 292, 296	7001909 ..... 50	70025158... 168, 200, 216
70005173... 167, 199, 215	70006109..... 43	7001911 ..... 50	70025160..... 168, 216
70005177... 168, 200, 216	70006110..... 43	7001912 ..... 50	70025161... 168, 216, 613
70005181... 168, 200, 216	70006111..... 43	7001931 ..... 50	70025164... 169, 201, 217
70005184... 168, 200, 216	70006112..... 43	7001985 ..... 50	70025174..... 168, 216
70005188... 169, 200, 217	70006113..... 43	70022564 ..... 399	70025175... 168, 200, 216
70005189... 169, 200, 217	70006114..... 43	70023369 ..... 399	70025176..... 167, 215
70005191... 169, 201, 217	70006115..... 43	70023859 ..... 43	70025178..... 168, 216
70005200..... 331	70006116.... 43, 329, 331	70023860 ..... 43, 331	70025179.. 168, 169, 200, 201, 216, 217
70005203..... 50	70006117..... 43	70023862 ..... 329, 331	70025180... 168, 200, 216
70005335... 325, 327, 612	70006118..... 43	70024457 ..... 43	70025181... 167, 199, 215
70005527... 170, 201, 218	70006119..... 44	70024484 .. 169, 201, 217	70025182... 168, 200, 216
70005563..... 401	70006120..... 44	70024488 .. 167, 199, 215	70025183... 168, 200, 216
70005570..... 401	70006121..... 329, 331	70024494 .. 167, 199, 215	70025184... 168, 200, 216
70005571..... 401	70006122.. 329, 331, 612	70024502 .. 168, 200, 216	70025185... 168, 200, 216
70005572..... 401	70006123..... 329, 331	70024504 . 168, 169, 216, 217	70025192... 169, 201, 217
70005575..... 401	70006124..... 329, 331	70024507 .. 169, 201, 217	70025200... 168, 200, 216
70005576..... 401, 612	70006125..... 329, 331	70024509 .. 169, 201, 217	70025203... 168, 200, 216
70005627..... 329, 331	70006126..... 329, 331	70024513 .. 168, 199, 216	70025210.. 168, 200, 216, 613
70005647... 169, 201, 217	70006144..... 199	70024517 .. 167, 199, 215	70025212... 169, 201, 217
70005648... 169, 201, 217	70006260..... 401	70024904 .. 167, 199, 215	70025231... 169, 201, 217
70005671..... 319	70006261..... 401	70024905 .. 167, 199, 215	70025233... 169, 201, 217
70005682..... 325, 327	70006264 .. 167, 199, 215	70024906 .. 167, 199, 215	70025235... 168, 200, 216
70005683..... 323, 612	70006265 .. 167, 199, 215	70024910 ..... 168, 216	70025239... 168, 200, 216
70005684..... 323	70006266 .. 167, 199, 215	70024914 ..... 169, 217	70025240... 168, 200, 216
70005693..... 397	70006304 ..... 50, 51	70024915 .. 169, 201, 217	70025242..... 169, 217
70005694..... 397	70006305 ..... 51	70024917 .. 169, 201, 217	70025245..... 169, 217
70005695..... 397	70006306 ..... 51	70024918 .. 169, 201, 217	70025246..... 169, 217
70005696..... 397	70006307 ..... 51	70024920 . 168, 169, 200, 201, 216, 217	70025477... 169, 201, 217
70005697..... 397	70006308 ..... 51	70024922 .. 169, 201, 217	70025580..... 401
70005698..... 399	70006309 ..... 51	70024924 .. 167, 199, 215	70025582..... 401
70005699..... 399	70006310 ..... 51	70024925 .. 167, 199, 215	70025619..... 401
70005700..... 399	70006313 ..... 51	70024926 .. 168, 199, 216	70025660... 167, 199, 215
70005701..... 399	70006314 ..... 65	70024961 .. 168, 199, 216	70025733... 169, 201, 217
70005702..... 399	70006356 . 117, 129, 143, 157, 175, 189, 205	70025076 ..... 167, 215	70025768..... 168, 216
70005703..... 399	70006357 ..... 44	70025077 .. 169, 201, 217	70025877.. 169, 170, 217, 218
70005708..... 67	70006403 ..... 237	70025082 .. 167, 199, 215	70026164..... 401
70005920... 167, 199, 215	70006404 ..... 237	70025084 .. 168, 200, 216	70026210... 169, 201, 217
70005922... 167, 199, 215	70006405 ..... 237	70025091 ..... 167, 215	70026995... 169, 201, 217
70005923... 168, 200, 216	70006406 ..... 237	70025101 .. 168, 200, 216	70028185... 167, 199, 215
70005924... 168, 200, 216	70006407 ..... 237	70025107 .. 168, 200, 216	7002821..... 619
70005925..... 168, 216	70006408 ..... 237	70025109 .. 168, 200, 216	7002822..... 619
70005926... 168, 200, 216	70006409 ..... 237	70025111 .. 167, 199, 215	7002823..... 619
70005927..... 168, 216	70006410 ..... 237	70025112 .. 168, 200, 216	7002826..... 619
70005928... 168, 200, 216	70006425 ..... 613	70025115 .. 168, 200, 216	7002840..... 618
70005929... 168, 200, 216	70006438 ..... 409	70025120 .. 169, 201, 217	70028538..... 200, 201
70005930..... 168, 216	70006438 ..... 409	70025124 .. 168, 200, 216	70028802..... 200
70005931... 168, 200, 216	70006439 ..... 409	70025130 .. 169, 201, 217	7003974..... 373
70005932... 169, 201, 217	70006440 ..... 409	70025131 ..... 169, 217	7004275..... 619
70005933... 169, 201, 217	70006441 ..... 409	70025132 .. 169, 201, 217	7004276..... 619
70005934... 169, 201, 217	70006552 . 267, 272, 275, 279	70025133 .. 168, 200, 216	7005889..... 51
70005935..... 169, 217	70006553 . 267, 272, 275, 279	70025135 .. 167, 199, 215	7005891..... 51
70005937..... 169, 217	70006649 ..... 405	70025137 ..... 167, 215	7007289..... 225, 229
70005938... 167, 199, 215	70006649 ..... 405	70025139 .. 167, 199, 215	7007412..... 224, 228
70005942... 167, 199, 215	70006650 ..... 405	70025140 .. 167, 199, 215	7007419..... 223, 227, 229
70005947..... 43	70006652 ..... 201	70025142 ..... 200	7007470.... 223, 224, 227, 228
70005951..... 329, 331	70006653 ..... 201	70025144 .. 167, 199, 215	7007633..... 50
70005952.... 43, 329, 331	70006734 ..... 405	70025145 .. 167, 199, 215	7010474..... 50
70006003..... 401	70006735 ..... 405	70025146 .. 167, 199, 215	7010492..... 50
70006004..... 401, 612	70006736 ..... 405	70025148 .. 168, 200, 216	7010543..... 39, 41
70006005..... 401	70006736 ..... 405	70025149 ..... 169, 217	7011112..... 397, 399
70006006..... 401	70006941 .. 167, 199, 215	70025151 .. 168, 200, 216	7012513.... 259, 261, 263
70006093..... 291, 296	7000695..... 138	70025152 .. 167, 199, 215	
70006094..... 292, 296	70010383..... 39, 41, 612	70025153 .. 168, 216, 613	
70006095..... 292, 296	7001268 ..... 224, 228	70025154 .. 167, 199, 215	
	7001481 ..... 225, 228		



## PART NUMBER INDEX

7012514 .... 259, 261, 263	7021269 ..... 228	7024441 ..... 67	80213011 ..... 15, 17
7012558 ..... 261, 263	7021271 ..... 224, 228	7024462 ..... 393	80213016 ..... 27
7012925 ..... 401	7021272 ..... 224, 228	7024463 ..... 393	80213040 ..... 15, 17, 29
7012941 ..... 39, 41	7021273 ..... 224, 228	7024467 ..... 393	80213041 ..... 15, 17, 31
7012944 ..... 39, 41	7021274 ..... 224, 228	7024469 ..... 393	80213042 ..... 15, 17, 33
7012967 ..... 401	7021275 ..... 224, 228	7024470 ..... 393	80213044 ..... 15, 17
7016319 ..... 87	7021276 ..... 224, 228	7024471 ..... 393	80213060 ..... 15, 17
7016328 ..... 137, 612	7021277 ..... 224, 228	7024472 ..... 393	80213115 ..... 59
7016331 ... 137, 167, 199, 215, 612, 613	7021278 ..... 224, 228	7024473 ..... 393	80213116 ..... 59
7016372 ..... 87	7021279 ..... 224, 228	7024474 ..... 393	80213117 ..... 15, 17, 27
7016652 ..... 619	7021280 ..... 225, 229	7024475 ..... 393	80213119 ..... 415, 417
7016654 ..... 619	7021281 ..... 224, 228	7024478 ..... 393	80213121 ..... 15, 17, 19
7016655 ..... 619	7021283 ..... 224, 228	7024485 ..... 283, 287	80214001 ..... 23
7017023 ..... 50	7021285 ..... 224	7024488 .... 283, 287, 291, 295	80214002 ..... 23
7017070 ..... 50	7021289 ..... 224, 228	7024489 .... 283, 287, 291, 295	80214003 ..... 23
7017072 ..... 50	7021296 ..... 225, 229	7024560 ..... 138	80214004 ..... 29
7017080 ..... 50	7021297 ..... 229	7024579 .... 137, 167, 199, 215	80214005 ..... 23
7017082 ..... 51	7021298 ..... 229	7024598 ..... 249	80214006 ..... 23
7017085 ..... 50	7021299 ..... 229	7024704 ..... 50	80214007 ..... 23
7017142 ..... 319, 321	7022190 ..... 224, 228	7024743 ..... 50	80214008 ..... 23
7017159 ..... 319, 321	7022321 ..... 223, 227	7024763 ..... 50	80214009 ..... 25
7017162 ..... 319, 321	7022330 ..... 223, 227	7024784 ..... 51	80214010 ..... 25, 31
7017163 ..... 319, 321	7022331 ..... 223, 227	7024800 ..... 224, 228	80214011 ..... 25, 31
7017164 ..... 319, 321	7022332 ..... 223, 227	7024801 ..... 224, 228	80214012 ..... 25
7017172 ..... 319, 321	7022333 ..... 223, 227	7024802 ..... 229	80214013 ..... 25
7017192 ..... 319, 321	7022334 ..... 223, 227	7024803 ..... 229	80214014 ..... 25
7017195 ..... 319, 321	7022335 ..... 223, 227	7024804 ..... 224, 228	80214015 ..... 25
7017467 ..... 401	7022336 ..... 223, 227	7024805 ..... 223, 227	80214017 ..... 25
7017496 ..... 401	7022337 ..... 223, 227	7026188 ..... 283, 287	80214018 ..... 25
7019680 ..... 261, 263	7022338 ..... 223, 227	7026199 ..... 263	80214019 ..... 25
7020043 ..... 63	7022340 ..... 223, 227	7026597 .... 283, 287, 292, 296	80214020 ..... 25
7020108 .... 259, 261, 263	7022341 ..... 223, 227	7026626 .... 283, 287, 292, 296	80214021 ..... 25
7020109 .... 259, 261, 263	7022342 ..... 223, 227	7027236 ..... 137	80214022 ..... 25
7020110 .... 259, 261, 263	7022343 ..... 223	7027276 ..... 138	80214023 ..... 29
7020111 .... 259, 261, 263	7022344 ..... 223	7027773 ..... 393	80214024 ..... 29
7020175 ..... 75, 77, 361	7022345 ..... 224, 228	7027774 ..... 393	80214026 ..... 29
7020176 ..... 75, 77, 361	7022346 ..... 224, 228	7027775 ..... 393	80214027 ..... 29
7020190 .... 259, 261, 263	7022347 ..... 224, 228	7027776 ..... 393	80214028 ..... 29
7020403 ..... 137	7022348 ..... 224, 228	7027777 ..... 393	80214029 ..... 29
7020408 ..... 138	7022349 ..... 224	7027778 ..... 393	80214030 ..... 29
7020465 ... 137, 167, 199, 215	7022350 ..... 224	7027779 ..... 393	80214031 ..... 31
7020468 ..... 137	7022351 ..... 224, 228	7027780 ..... 393	80214033 ..... 31
7020471 ..... 138	7022352 ..... 225	7027790 ..... 138	80214034 ..... 31
7020479 ..... 138	7022353 ..... 225	7027795 ..... 137, 612	80214171 ..... 20
7020492 .... 168, 200, 216	7022354 ..... 227	7027796 ..... 137	80214172 ..... 20
7021229 ..... 225	7022355 ..... 227	7027799 .... 283, 287, 292, 296	80214308 ..... 19
7021236 ..... 223, 227	7022357 ..... 227	7027887 .... 259, 261, 263	80214312 ..... 19
7021237 ..... 223	7022358 ..... 229	7274000040 .... 268, 272, 276, 280, 284, 288, 296	80214325 ..... 19
7021238 ..... 223, 227	7022359 ..... 228	7300435 .... 122, 134, 148, 162, 180, 194, 210	80214326 ..... 19
7021239 ..... 223, 227	7022524 ..... 329, 331	77133137 . 471, 473, 475, 477, 479, 481, 483, 485, 487, 489, 491, 493	80214329 ..... 19
7021240 ..... 223	7022527 ..... 43	77363233 ..... 531, 533	80214332 ..... 19
7021243 ..... 223, 227	7022693 ..... 19	80211039 ..... 15, 17	80214333 ..... 19
7021248 ..... 223, 227	7022832 ..... 373	80211154 ..... 17	80214334 ..... 19
7021249 ..... 223, 227	7022833 ..... 373	80213004 ..... 15, 17, 23	80214337 ..... 19
7021250 ..... 223, 227	7022834 ..... 373	80213005 ..... 15, 17, 25	80214361 ..... 27
7021251 ..... 223, 227	7022835 ..... 373		80214362 ..... 27
7021253 ..... 223, 227	7022836 ..... 373		80214363 ..... 27
7021255 ... 223, 224, 227, 228	7022837 ..... 373		80214364 ..... 27
7021256 ..... 229	7022838 ..... 373		80214365 ..... 27
7021257 ..... 223, 227	7022839 ..... 373		80214366 ..... 27
7021259 ..... 223, 227	7023821 ..... 44		80214367 ..... 27
7021260 ..... 227	7023996 ..... 223, 227		80214368 ..... 27
7021265 ..... 224, 228	7023997 ..... 223, 227		80214369 ..... 27
7021267 ..... 223, 227	7023998 ..... 223, 227		80214370 ..... 27
	7023999 ..... 223		80214371 ..... 20
	7024100 ..... 51		80214372 ..... 20
	7024398 ..... 138		80214373 ..... 20

## PART NUMBER INDEX

80214374.....20	8229242 ... 519, 523, 567, 612	83953053 ..... 415, 417	88501016..... 17
80214375.....19	8229244 ..... 567, 612	8405007 ... 148, 162, 180, 194, 210	88521212..... 15, 17
80214376.....19	8229245 .... 529, 568, 612	8405009 ... 148, 162, 180, 194, 210	88551013..... 15, 17
80214377.....19	8310129 ..... 385	8405104 ... 148, 162, 180, 194, 210	88662301..... 415, 417
80214378.....20	83191002 ..... 15, 17	8405203 ..... 122, 134	88662329..... 415, 417
80214379.....20	83191056 ..... 15, 17	8405204 ..... 122, 134	88662332..... 415, 417
80216028..... 15, 17	83201001 ..... 15, 17	8406003 ..... 333, 335	88662354..... 415, 417
80434249..... 43, 612	83201047 ..... 17	8406109 ... 122, 134, 148, 162, 180, 194, 210	88662446..... 415, 417
80484084..... 519, 523	83201147 ..... 17	8406110 89, 91, 115, 125	88662448..... 415, 417
80613008..... 15, 17, 33	83304173 ..... 67	8410011 ... 148, 162, 180, 194, 210	8896941..... 619
80613009..... 15, 17, 33	83604107 ..... 29	84718465 ..... 415, 417	90027187..... 415, 417
80614008..... 33	83694007 ..... 29	84718604 ..... 415, 417	90027472..... 15, 17
80633030..... 424, 432	83694009 ..... 29	84719727 ..... 415, 417	90027475..... 17
80683015..... 15, 17	83694010 ..... 29	84719728 ..... 415, 417	91203039..... 339
80914076..... 19	83694040 ..... 29	88201065 ..... 15, 17	91401281..... 69
80963067..... 567	83694045 ..... 33	88341012 ..... 15, 17	91403230.. 571, 573, 575, 577, 579, 581, 583, 585, 587, 589, 591, 593, 595, 597, 599, 601, 603, 605, 607
80983191... 519, 523, 613	83694046 ..... 33		
8220045..... 517, 529, 568	83694047 ..... 33		
8220115..... 519, 523	83694108 ..... 29		
8220125..... 567			
8220164..... 517, 519			





3121777



An Oshkosh Corporation Company

**Corporate Office**  
**JLG Industries, Inc.**  
**1 JLG Drive**  
**McConnellsburg, PA 17233-9533 USA**  
**☎ (717) 485-5161 (Corporate)**  
**☎ (877) 554-5438 (Customer Support)**  
**☎ (717) 485-6417**

**Visit our website for JLG Worldwide Locations.**  
**[www.jlg.com](http://www.jlg.com)**