



Illustrated Parts Manual

Model 10MSP

SN 0130032507 TO PRESENT

P/N
3121780

August 20, 2018 - Rev D

ANSI

CE



AS/NZS



An Oshkosh Corporation Company

REVISION LOG

NOTES: Machines SN 0130032134 - 0130032138 also Built to 1001229200 Specs.

PARTS MANUAL REVISION LOG:

October 16, 2017 - A - Original Issue Of Manual (Edited to B/M 1001229200 Revision B)

February 28, 2018 - B - Revised Manual (Edited to B/M 1001229200 Revision C)

May 30, 2018 - C - Revised Manual (Edited to B/M 1001229200 Revision C)

August 20, 2018 - D - Revised Manual (Edited to B/M 1001229200 Revision D)

GENERAL INFORMATION

SECTION 6 CYLINDER

FIGURE 6-3. LIFT CYLINDER ASSEMBLY

PG# Model Designation Manual #

ITEM #	PART NUMBER	QTY.	DESCRIPTION	REV.
	1001140104	Ref	LIFT CYLINDER ASSEMBLY	B
1	0100011	AR	Compound, Locking	
2	0630535	3	Capscrew 1/4-20 x 1-1/8	
3	0791003	1	Screw #10-24 x 3/8	
4	0961897	1	Bushing, Tapered	
5	1320136	1	Clamp, Cable	
6	1683063	1	Head	
7	2220683	1	Plug, O-Ring	
8	2220885	2	Plug, O-Ring	
9	2220896	1	Plug, O-Ring	
10	3020039	AR	Lubricant	
11	3480282	1	Piston	
12	3760371	1	Ring, Washer	
13	3931420	8	Capscrew 1/4-20 x 1-1/4	
14	3931824	8	Capscrew 1/2-13 x 1-1/2	
15	3951003	1	Setscrew #10-24 x 3/8	
16	4100099	1	Spacer	
17	4640999	1	Cartridge, Holding Valve (Non Vented)	
17	2900792	1	Kit, Seal - 4640999 Cartridge Valve	
18	4641248	1	Cartridge, Countebalance Valve (Non Vented)	
18	70004186	1	Kit, Seal - 4641248 Cartridge Valve	
19	1001117991	1	Sensor, Cylinder Length	
20	1001118070	1	Cap, Retainer	
21	1001119084	1	Barrel	
21A	0961950	2	Bushing	
22	1001118086	1	Rod	
22A	0961950	2	Bushing	
100	1001139996	1	Kit, Seal (Includes Items 101-109)	
101	See Note	2	Ring, Wear (Note: Use p/n 1001139996)	
102	See Note	1	Ring, Back-Up (Note: Use p/n 1001139996)	
103	See Note	2	Ring, Lock (Note: Use p/n 1001139996)	
104	See Note	2	Ring, Back-Up (Note: Use p/n 1001139996)	
105	See Note	2	O-Ring (Note: Use p/n 1001139996)	
106	See Note	1	O-Ring (Note: Use p/n 1001139996)	
107	See Note	1	Seal (Note: Use p/n 1001139996)	
108	See Note	1	Wiper, Rod (Note: Use p/n 1001139996)	
109	See Note	2	Seal (Note: Use p/n 1001139996)	
200	1001119105	1	Kit, Sensor Magnet (Includes Items 201-203)	
201	See Note		Sleeve, Spacer (Note: Use p/n 1001119105)	
202	1001118066	1	Magnet, Sensor	
203	1001118069	1	Ring, Internal Retaining	

Manual # Model Designation PG#

1) MACHINE IDENTIFICATION

Machines are identified by model and in some cases a combination of models, serial number (SN) or regional standard (i.e. ANSI, CE, CSA). Components may also be identified by SN or manufacturer. Common components that may be identified by these characteristics are engines and hydraulic components.

2) PARTS MANUAL ORGANIZATION

Product information in this manual is organized under section titles. Frame, Cylinder, Hydraulic and Electrical are a few examples. Each section is organized by figure and page number. The information within the Figure is then organized by item number, part number, description and corresponding illustration(s).

3) TABLE OF CONTENTS

A table of contents is found toward the beginning of the manual. Figure number, description and page number are provided for quick reference to the page containing the related information.

4) RECOMMENDED SPARE PARTS

The Recommended Spare Parts, located near the end of the manual, reference most frequently used maintenance parts.

5) PART NUMBER INDEX

A numerical index listing all part numbers and the corresponding page number(s) appears at the back of the manual.

GENERAL INFORMATION

6) NON-SERVICED PARTS

In some instances, it is necessary to display non-serviced parts, assemblies or installations. In the case of assemblies and installations there will be a Ref in the Qty column. In case of parts that are not available for service within assemblies or components, there will be a NSS (Not Sold Separately) or NLA (No Longer Available) listed in the Qty. column of the manual.

7) PARTS LIST ITEM NUMBERS

Numbers shown in the item# column correspond to numbers used in the associated illustration (s). Item numbers which are missing from the sequence in the parts list are not used on that page

8) INDENTED PARTS DESCRIPTION

An indented part description is included in the item under which it is indented.

9) ABB REVIATION AND SYMBOLS

AC.....	.. Alternating Current	LCD Liquid Crystal Display
ADE.....	..Advanced Design Electronics	LED Light Emitting Diodes
ANSIAmerican National Standards Institute	LH.....	.. Left Hand
AR.....	..As Required	LSSLoad Sensing System
ASSY Assembly	M(m).....	.. Metric/Meter
AUX.....	..Auxiliary	MM (mm)Milimeter
AWG.....	..American WireGauge	mA.....	.. Milliamps
B/M.....	.. Bill of Material	NLA.....	..No Longer Available
CE.....	..European Conformity	NPT National Pipe Threads
CCWCounter Clockwise	NSSNot So ld Separately
cm.....	.. Centimeter	OD.....	..Outside Diameter
CWClockwise	ORB.....	.. O-Ring Boss
CSA.....	..Canadian Standards Association	ORFS O-Ring Face Seal
CYL.....	..Cylinder	OZ (oz).....	..Ounces
DIA.....	..Diameter	PGPage
DC.....	..Direct Current	P/N.....	..Part Number
EMS Emergency Stop	qt.....	..Quarts
ENGEngine	QTY.....	..Quantity
FT(ft).....	.. Feet	REFReference
GA(Ga).....	..Gauge	REVRevision Level
HYD.....	..Hydraulic	RH.....	.. Right Hand
HZ.....	.. Hertz	SAE.....	.. Society of Automotive Engineers
ID.....	..Inside Diameter	SN.....	..Serial Number
in.....	..inches	SPEC(S).....	..Specifications
ISOInternational Organization for Standards	T/T.....	..Turntable
JIC.....	..Joint Industry Council	UGMUniversal Ground Module
KGKilogram	V.....	.. Volts
L.....	..Liter	W.....	.. Watts
LBPounds	#.....	.. Number

10) ILLUSTRATION REFERENCE LETTERS

When necessary, illustrations may contain reference letters that are intended to track information (i. e. hoses, harnesses) from one point to another or to track visual enlargement of components to show details that may be located in another area on the illustration.

Note: Due to continuous product improvements, JLG Industries, Inc. reserves the right to make specification changes without prior notification. Contact JLG Industries, Inc. for updated information.

TABLE OF CONTENTS

SECTION 1 - BASE.....	9
FIGURE 1-1. BASE INSTALLATION	10
FIGURE 1-2. DRIVE MOTOR ASSEMBLY	12
FIGURE 1-3. COVERS INSTALLATION - MANUAL TRAY.....	14
FIGURE 1-4. COVERS INSTALLATION - POWER TRAY	16
FIGURE 1-5. TIE-DOWNS INSTALLATION	18
FIGURE 1-6. BUMPERS INSTALLATION (OPTIONAL)	20
FIGURE 1-7. GUIDE ROLLER INSTALLATION (OPTIONAL)	22
FIGURE 1-8. OBSTRUCTION SENSING PAD INSTALLATION (OPTIONAL).....	24
FIGURE 1-9. REMOTE MANUAL DESCENT INSTALLATION (OPTIONAL).....	26
SECTION 2 - CONTROLS	29
FIGURE 2-1. PUMP AND MOTOR ASSEMBLY	30
FIGURE 2-2. BATTERIES, ALARM AND STROBE INSTALLATION	34
FIGURE 2-3. BATTERY CHARGER INSTALLATION (WITHOUT CORD REEL)	36
FIGURE 2-4. BATTERY CHARGER INSTALLATION (WITH CORD REEL).....	38
FIGURE 2-5. CHARGER PLUG INSTALLATION - CUSTOMER SUPPLIED PLUG.....	40
FIGURE 2-6. CHARGER PLUG INSTALLATION - 110V PLUG.....	42
FIGURE 2-7. CHARGER PLUG INSTALLATION - 110V IEC YELLOW PLUG (CE SPECS)	44
FIGURE 2-8. CHARGER PLUG INSTALLATION - 220V IEC BLUE PLUG (CE SPECS).....	46
FIGURE 2-9. CHARGER PLUG INSTALLATION - 220V IEC KEYED GROUND PLUG (CE SPECS)	48
FIGURE 2-10. CHARGER PLUG INSTALLATION - 220V IEC POST GROUND PLUG (CE SPECS).....	50
FIGURE 2-11. CHARGER PLUG INSTALLATION - 220V IEC SIDE GROUND PLUG (CE SPECS).....	52
FIGURE 2-12. CHARGER PLUG INSTALLATION - 220V (AUSTRALIAN SPECS).....	54
FIGURE 2-13. GROUND CONTROL AND TRACTION MODULE INSTALLATION (ALL SPECS EXCEPT AUSTRALIAN, CHINESE AND JAPANESE SPECS)	56
FIGURE 2-14. GROUND CONTROL AND TRACTION MODULE INSTALLATION (AUSTRALIAN SPECS)	58
FIGURE 2-15. GROUND CONTROL AND TRACTION MODULE INSTALLATION (CHINESE AND JAPANESE SPECS).....	60
FIGURE 2-16. PLATFORM CONTROL BOX ASSEMBLY (ALL SPECS EXCEPT AUSTRALIAN SPECS).....	62
FIGURE 2-17. PLATFORM CONTROL BOX ASSEMBLY (AUSTRALIAN SPECS)	64
FIGURE 2-18. CONTROLLER ASSEMBLY	66
SECTION 3 - MAST	69
FIGURE 3-1. MAST INSTALLATION.....	70
FIGURE 3-2. MAST ASSEMBLY	72
SECTION 4 - PLATFORM.....	75
FIGURE 4-1. PLATFORM INSTALLATION - WITHOUT GATE LATCH.....	76
FIGURE 4-2. PLATFORM ASSEMBLY - WITHOUT GATE LATCH	78
FIGURE 4-3. PLATFORM INSTALLATION - WITH GATE LATCH	80
FIGURE 4-4. PLATFORM ASSEMBLY - WITH GATE LATCH	82
FIGURE 4-5. TRAY INSTALLATION - MANUAL	84
FIGURE 4-6. TRAY ASSEMBLY - MANUAL	86
FIGURE 4-7. TRAY INSTALLATION - POWER	88
FIGURE 4-8. PUMP ASSEMBLY - POWER TRAY	92
FIGURE 4-9. BICYCLE CARRIER INSTALLATION - ONE SIDE (OPTIONAL)	94
FIGURE 4-10. BICYCLE CARRIER INSTALLATION - BOTH SIDES (OPTIONAL)	96
FIGURE 4-11. CARGO BELT INSTALLATION (OPTIONAL)	98
FIGURE 4-12. FLOORMAT INSTALLATION (OPTIONAL)	100
FIGURE 4-13. FLUORESCENT TUBE CADDY INSTALLATION (OPTIONAL)	102
FIGURE 4-14. RUG CARRIER INSTALLATION (OPTIONAL)	104
FIGURE 4-15. SCANNER POCKET INSTALLATION (OPTIONAL)	106
SECTION 5 - CYLINDER.....	109
FIGURE 5-1. LIFT CYLINDER ASSEMBLY	110
FIGURE 5-2. POWER TRAY CYLINDER ASSEMBLY.....	112
SECTION 6 - HYDRAULIC	115
FIGURE 6-1. HYDRAULIC SYSTEM INSTALLATION - STANDARD	116
FIGURE 6-2. HYDRAULIC SYSTEM INSTALLATION - FIRE RESISTANT.....	118

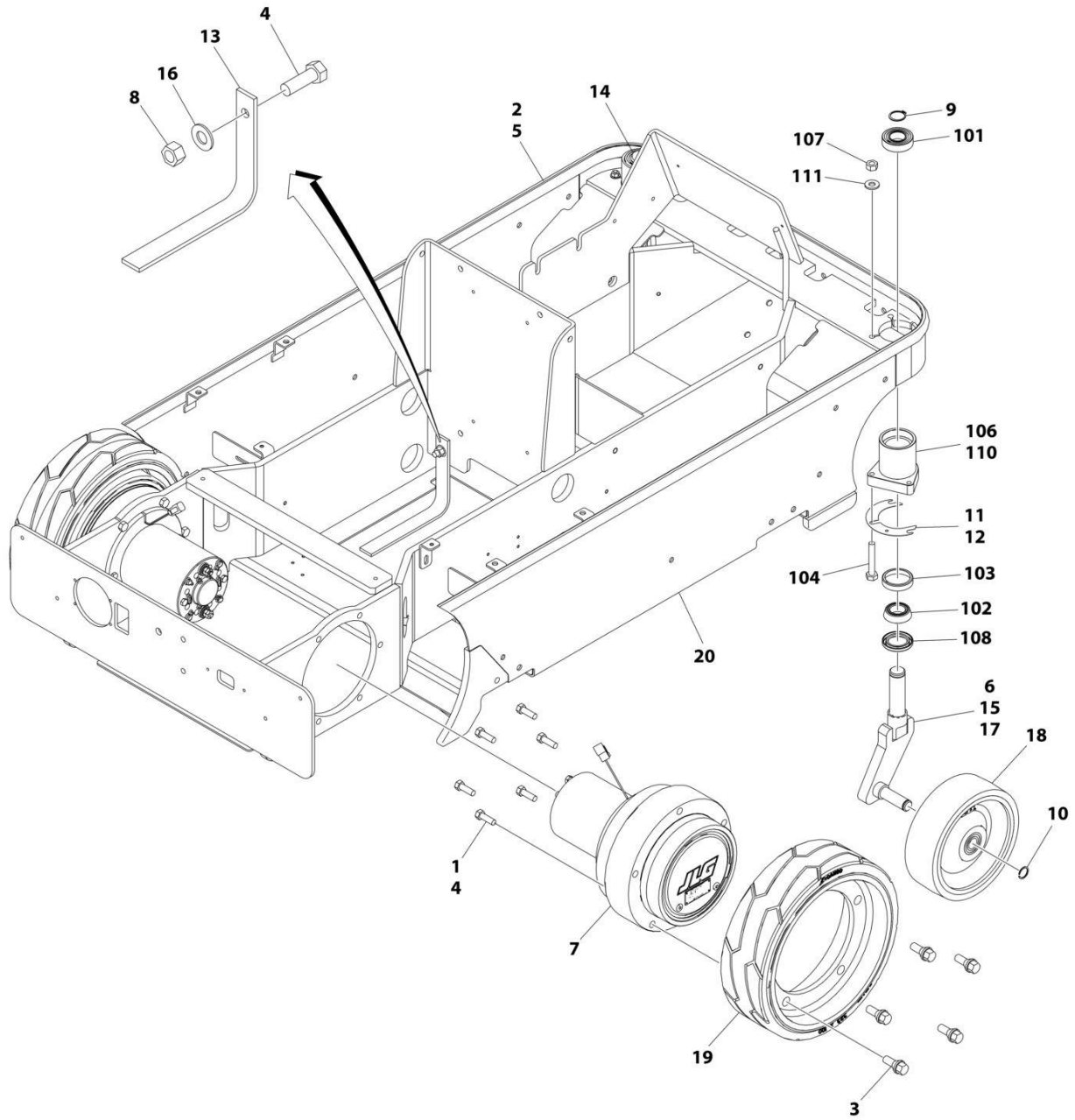
TABLE OF CONTENTS

SECTION 7 - ELECTRICAL.....	121
FIGURE 7-1. CABLES INSTALLATION (ALL SPECS EXCEPT AUSTRALIAN SPECS)	122
FIGURE 7-2. CABLES INSTALLATION (AUSTRALIAN SPECS)	124
FIGURE 7-3. DRIVE MOTOR HARNESS	126
FIGURE 7-4. FOOTSWITCH JUMPER HARNESS.....	128
FIGURE 7-5. GROUND TO PLATFORM HARNESS	130
FIGURE 7-6. LED AND TEMPERATURE SENSOR HARNESS.....	132
FIGURE 7-7. PLATFORM BOX POWER HARNESS.....	134
FIGURE 7-8. PLATFORM CONTROLS HARNESS	136
FIGURE 7-9. TRAY HARNESS.....	138
SECTION 8 - DECALS	141
FIGURE 8-1. COMMON DECALS INSTALLATION - MANUAL TRAY AND STANDARD PAINT	142
FIGURE 8-2. COMMON DECALS INSTALLATION - MANUAL TRAY AND SPECIAL PAINT	144
FIGURE 8-3. COMMON DECALS INSTALLATION - POWER TRAY AND STANDARD PAINT	146
FIGURE 8-4. COMMON DECALS INSTALLATION - POWER TRAY AND SPECIAL PAINT	148
FIGURE 8-5. DECAL INSTALLATION - ANSI SPECS (ENGLISH LANGUAGE) (MANUAL TRAY)	150
FIGURE 8-6. DECAL INSTALLATION - ANSI SPECS (ENGLISH LANGUAGE) (POWER TRAY)	152
FIGURE 8-7. DECAL INSTALLATION - AUSTRALIAN SPECS (ENGLISH LANGUAGE) (MANUAL TRAY)	154
FIGURE 8-8. DECAL INSTALLATION - AUSTRALIAN SPECS (ENGLISH LANGUAGE) (POWER TRAY)	156
FIGURE 8-9. DECAL INSTALLATION - BRAZIL SPECS (PORTUGUESE LANGUAGE) (MANUAL TRAY)	158
FIGURE 8-10. DECAL INSTALLATION - BRAZIL SPECS (PORTUGUESE LANGUAGE) (POWER TRAY)	160
FIGURE 8-11. DECAL INSTALLATION - CE SPECS (ENGLISH LANGUAGE) (MANUAL TRAY)	162
FIGURE 8-12. DECAL INSTALLATION - CE SPECS (ENGLISH LANGUAGE) (POWER TRAY).....	164
FIGURE 8-13. DECAL INSTALLATION - CHINA SPECS (CHINESE LANGUAGE) (MANUAL TRAY).....	166
FIGURE 8-14. DECAL INSTALLATION - CHINA SPECS (CHINESE LANGUAGE) (POWER TRAY)	168
FIGURE 8-15. DECAL INSTALLATION - CSA SPECS (FRENCH LANGUAGE) (MANUAL TRAY).....	170
FIGURE 8-16. DECAL INSTALLATION - CSA SPECS (FRENCH LANGUAGE) (POWER TRAY)	172
FIGURE 8-17. DECAL INSTALLATION - JAPAN SPECS (JAPANESE LANGUAGE) (MANUAL TRAY).....	174
FIGURE 8-18. DECAL INSTALLATION - JAPAN SPECS (JAPANESE LANGUAGE) (POWER TRAY)	176
FIGURE 8-19. DECAL INSTALLATION - LATIN AMERICAN SPECS (SPANISH LANGUAGE) (MANUAL TRAY)	178
FIGURE 8-20. DECAL INSTALLATION - LATIN AMERICAN SPECS (SPANISH LANGUAGE) (POWER TRAY).....	180
SECTION 9 - RECOMMENDED SERVICE PARTS STOCK.....	183
FIGURE 9-1. RECOMMENDED SERVICE PARTS STOCK.....	184
SECTION 10 - SPECIAL OPTIONS	185
FIGURE 10-1. SPECIAL OPTIONS	186
PART NUMBER INDEX.....	187

SECTION 1 - BASE

SECTION 1 - BASE

FIGURE 1-1. BASE INSTALLATION



ART_1001228849

SECTION 1 - BASE

FIGURE 1-1. BASE INSTALLATION

ITEM	PART NUMBER	QTY	DESCRIPTION	REV
	1001228849	Ref	BASE INSTALLATION	B
1	0100011	AR	Compound, Locking	
2	0100081	AR	Compound, Locking	
3	0630580	10	Bolt, Wheel	
4	0641609	13	Bolt 3/8 x 1-1/8	
5	0940132	1	Bumper, Chassis	
6	3020039	AR	Lubricant	
7	1001229310	2	Drive Motor Assembly (See Separate Breakdown in this Section)	
8	3311605	1	Nut 3/8	
9	3760115	2	Ring, Retaining	
10	3760496	2	Ring, Retaining	
11	4071113	AR	Shim .015	
12	4071114	AR	Shim .036	
13	4240147	1	Strap, Static	
14	4520342	1	Spindle (Left Side)	
15	4520343	1	Spindle (Right Side)	
16	4711600	1	Washer 3/8	
17	8882970	AR	Lubricant	
18	1001098810	2	Tire and Wheel Assembly	
19	1001114467	2	Tire and Wheel Assembly	
20	1001228850	NLA	Caster Assembly (Not Available - Purchase Individual Components)	A
101	0440306	2	Bearing, Ball	
102	0440307	2	Bearing, Roller	
103	0440308	2	Bearing, Race	
104	0641413	6	Bolt 1/4 x 1-5/8	
106	3020029	AR	Grease	
107	3271405	6	Nut 1/4	
108	3960590	2	Seal	
110	4341155	2	Mount, Caster	
111	4711400	6	Washer 1/4	

SECTION 1 - BASE

FIGURE 1-2. DRIVE MOTOR ASSEMBLY

INFORMATION NOT AVAILABLE AT THE TIME OF PRINTING

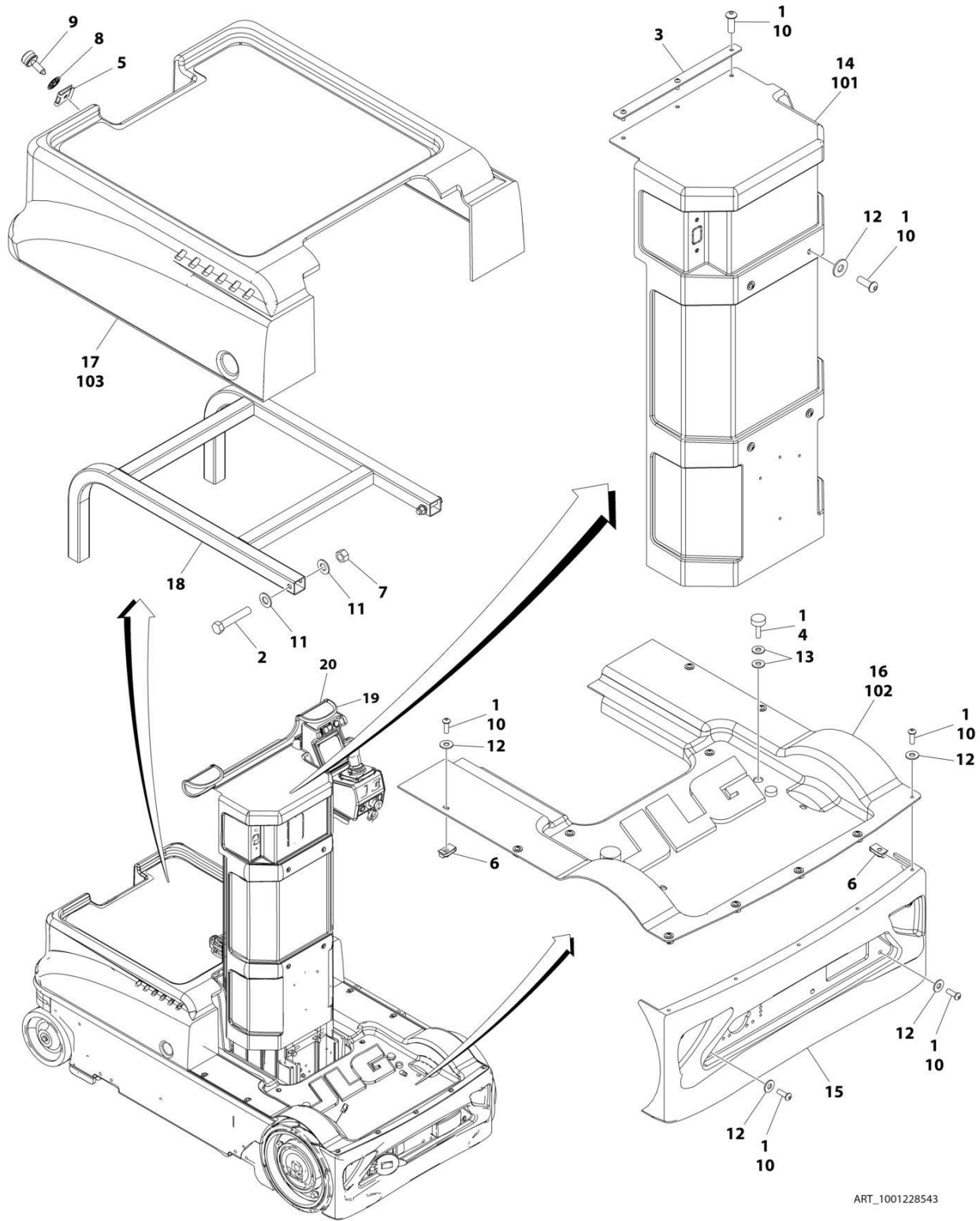
ART_1001229310

FIGURE 1-2. DRIVE MOTOR ASSEMBLY

ITEM	PART NUMBER	QTY	DESCRIPTION	REV
	1001229310	Ref	DRIVE MOTOR ASSEMBLY	A

SECTION 1 - BASE

FIGURE 1-3. COVERS INSTALLATION - MANUAL TRAY



ART_1001228543

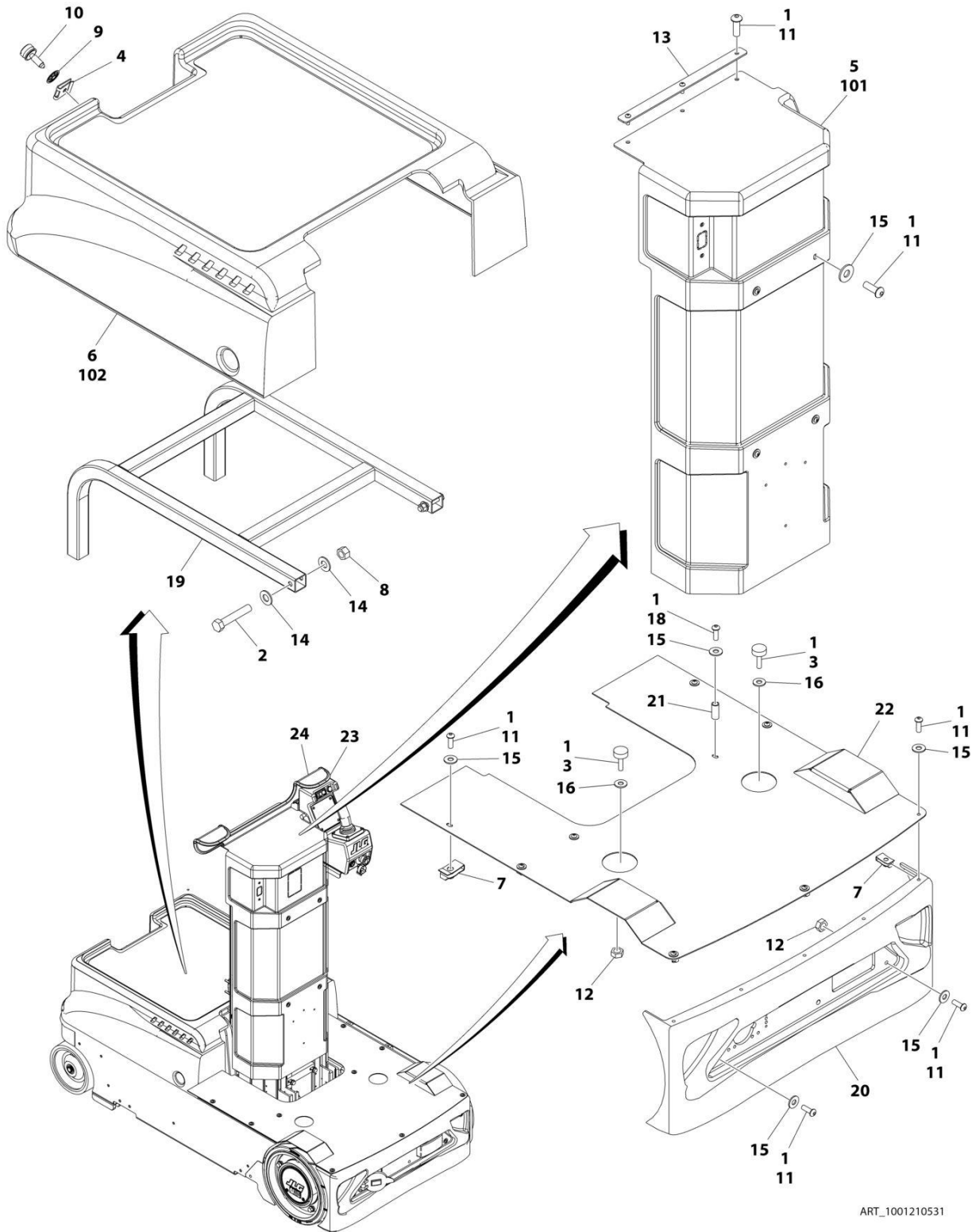
SECTION 1 - BASE

FIGURE 1-3. COVERS INSTALLATION - MANUAL TRAY

ITEM	PART NUMBER	QTY	DESCRIPTION	REV
	1001228543	Ref	COVERS INSTALLATION	C
1	0100011	AR	Compound, Locking	
2	0641617	2	Bolt 3/8 x 2-1/8	
3	1001229778	1	Bracket	
4	0940049	2	Stopper	
5	1380169	1	Clip	
6	3300454	9	Nut, Tinnerman 1/4	
7	3311605	2	Nut 3/8	
8	3760308	1	Retainer	
9	3900174	1	Screw, Thumb	
10	3900258	22	Screw 1/4 x 3/4	
11	4711600	4	Washer 3/8	
12	4751400	19	Washer 1/4	
13	4751500	4	Washer 5/16	
14	1001228538	1	Cover, Mast	
15	1001228539	1	Cover, Rear Bumper	
16	1001228540	1	Cover, Battery	
17	1001228541	1	Cover, Front	
18	1001228852	1	Support	
19	4060805	AR	Shield, Flex Trim (SN 0130033190 to Present)	
20	1001234322	1	Plate, Platform Controls Guard (SN 0130033190 to Present)	
100	1001233045	1	Kit, Hood / Covers, with OSS (10MSP) (SN 0130033190 to Present)	
101	1001228538	NSS	Cover, Mast	
102	1001228540	NSS	Cover, Battery and Frame	
103	1001228541	NSS	Hood, Front Cover Assembly	

SECTION 1 - BASE

FIGURE 1-4. COVERS INSTALLATION - POWER TRAY



ART_1001210531

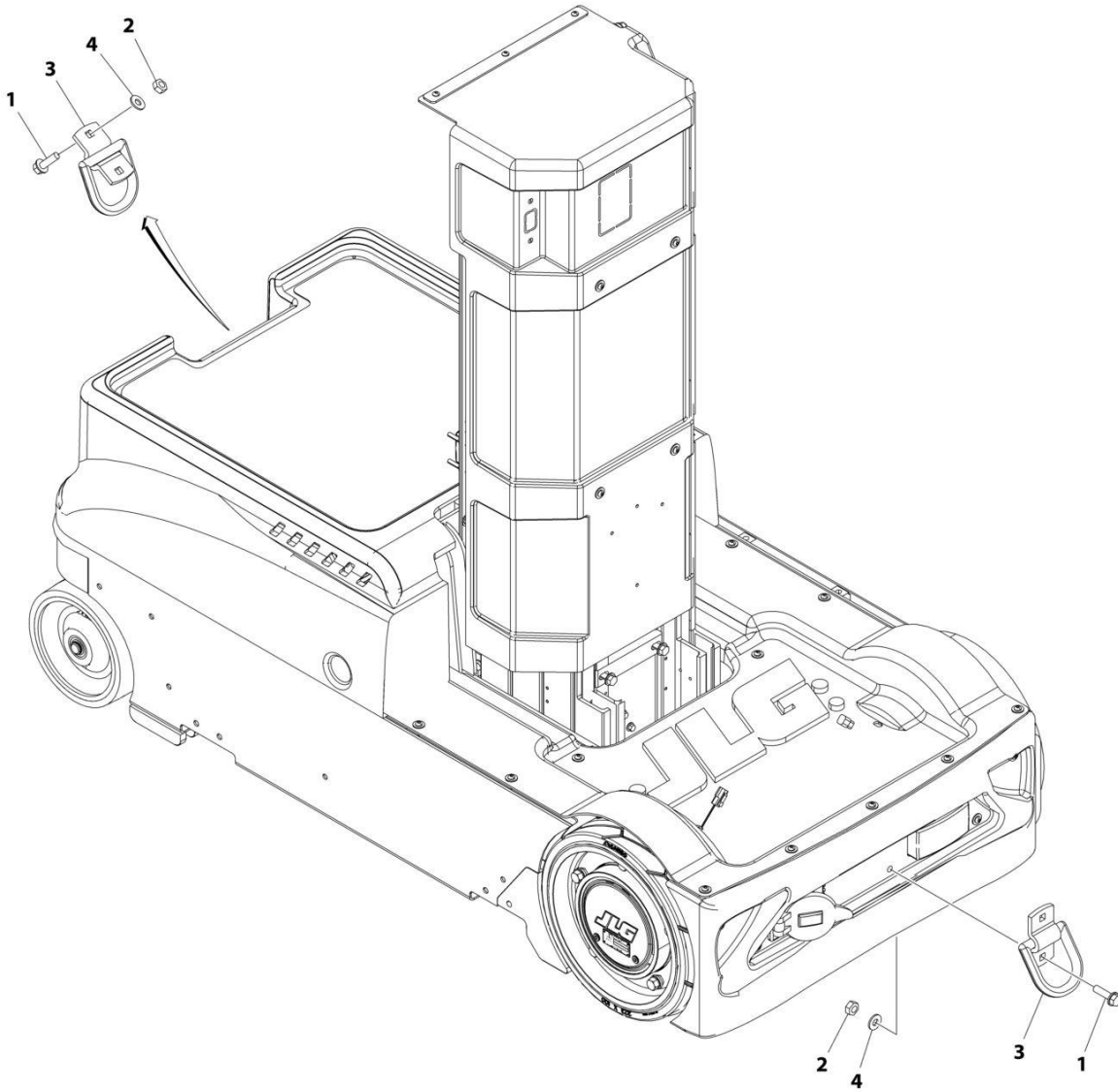
SECTION 1 - BASE

FIGURE 1-4. COVERS INSTALLATION - POWER TRAY

ITEM	PART NUMBER	QTY	DESCRIPTION	REV
	1001210531	Ref	COVERS INSTALLATION	C
1	0100011	AR	Compound, Locking	
2	0641617	2	Screw 3/8 x 2-1/8	
3	0940049	2	Stopper	
4	1380169	1	Clip	
5	1001228538	1	Cover, Mast	
6	1001228541	1	Cover, Front	
7	3300454	9	Nut, Tinnerman 1/4	
8	3311605	2	Nut 3/8	
9	3760308	1	Retainer	
10	3900174	1	Screw, Thumb	
11	3900258	16	Screw 1/4 x 3/4	
12	3311501	2	Nut 5/16	
13	1001229778	1	Bracket	
14	4711600	4	Washer 3/8	
15	4751400	15	Washer 1/4	
16	4751500	2	Washer 5/16	
18	3911432	2	Screw 1/4 x 2	
19	1001228852	1	Support	
20	1001228539	1	Cover, Rear Bumper	
21	1001157665	2	Tube, Spacer	
22	1001171824	1	Cover, Battery	
23	4060805	AR	Shield, Flex Trim (SN 0130033190 to Present)	
24	1001234322	1	Plate, Platform Controls Guard (SN 0130033190 to Present)	
100	1001233046	1	Kit, Hood / Covers, with OSS (10MSP) (SN 0130033190 to Present)	
101	See Note	NSS	Cover, Mast (Note: Use Item 100)	
102	See Note	NSS	Hood, Front Cover Assembly (Note: Use Item 100)	

SECTION 1 - BASE

FIGURE 1-5. TIE-DOWNS INSTALLATION



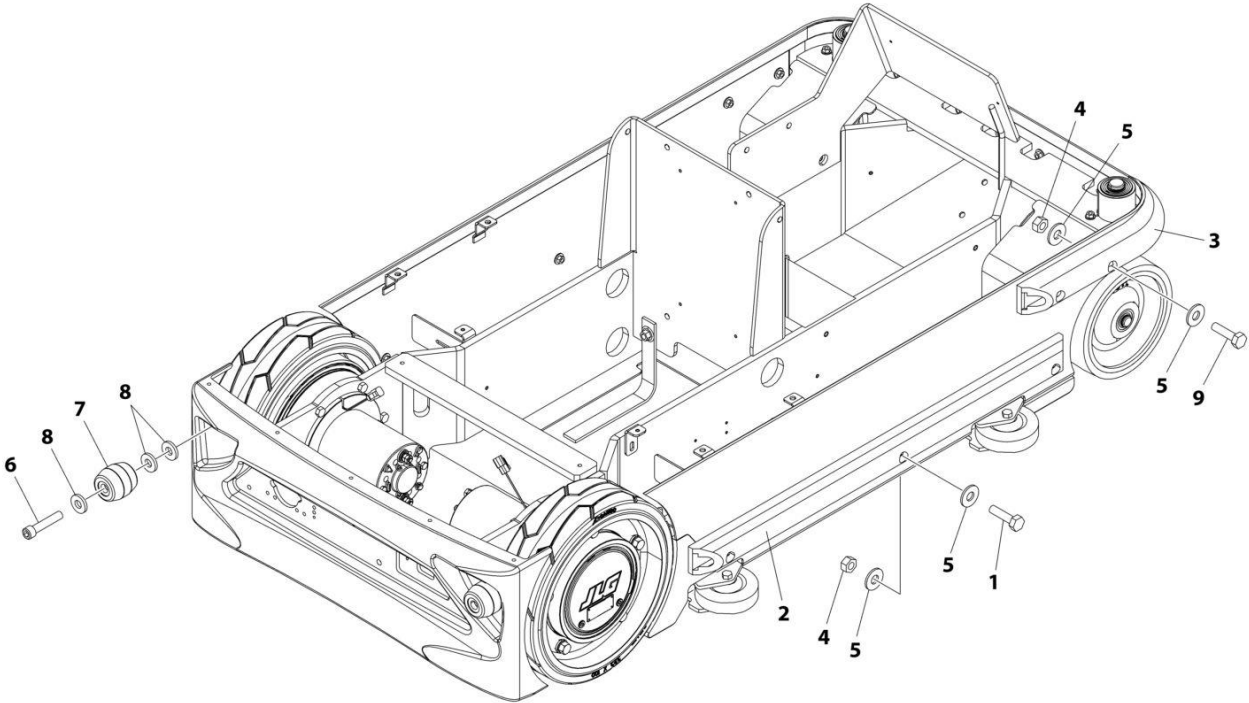
ART_0240114

FIGURE 1-5. TIE-DOWNS INSTALLATION

ITEM	PART NUMBER	QTY	DESCRIPTION	REV
	0240114	Ref	TIE-DOWNS INSTALLATION	A
1	0811610	4	Screw 3/8 x 1-1/4	
2	3311605	4	Nut 3/8	
3	3760365	2	Tie-Ring	
4	4711600	4	Washer 3/8	

SECTION 1 - BASE

FIGURE 1-6. BUMPERS INSTALLATION (OPTIONAL)



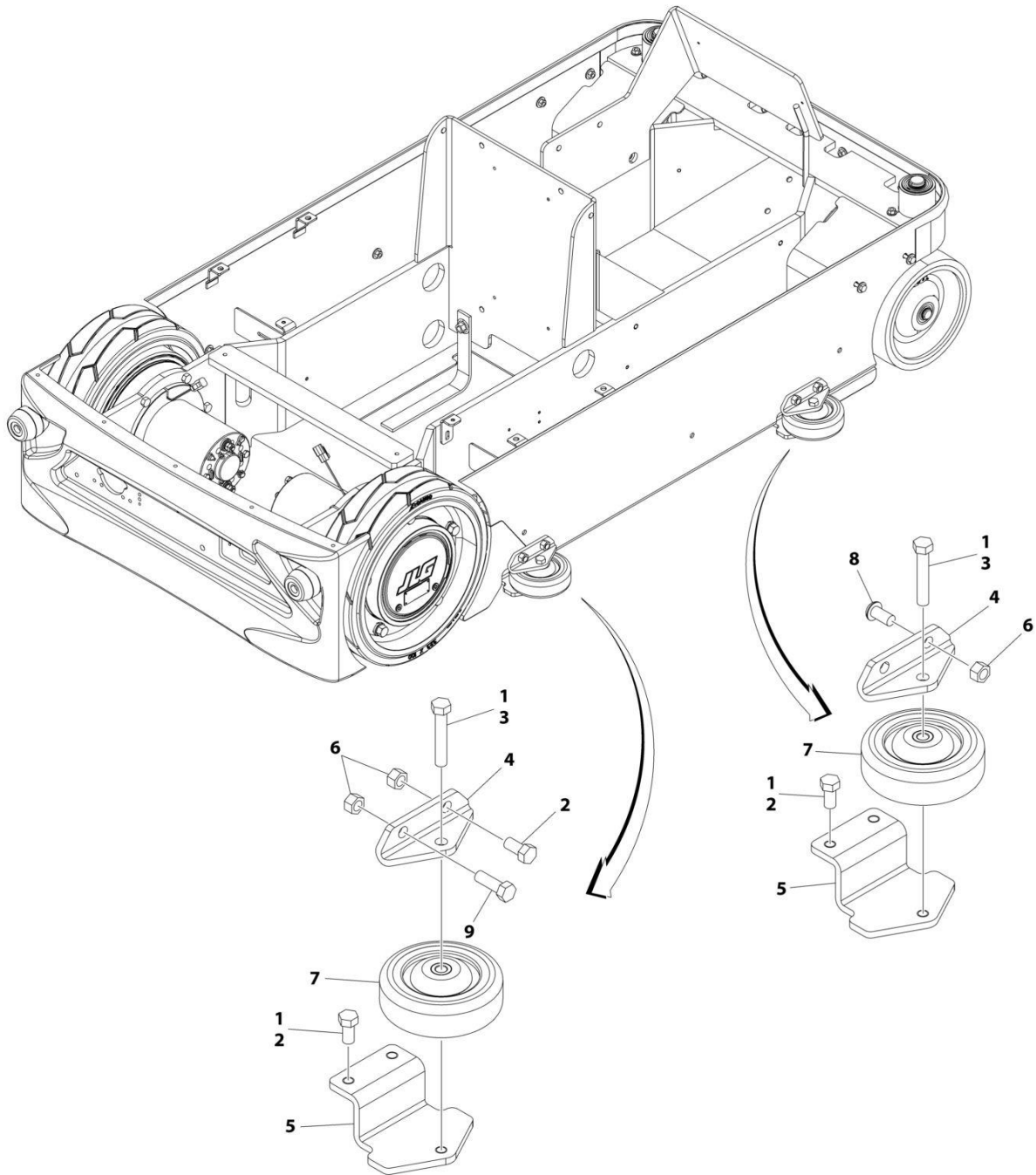
ART_0274078

FIGURE 1-6. BUMPERS INSTALLATION (OPTIONAL)

ITEM	PART NUMBER	QTY	DESCRIPTION	REV
	0274078	Ref	BUMPERS INSTALLATION	F
1	0641408	13	Bolt 1/4 - 20NC x 1 (Prior to SN 01300332764)	
1	0641408	6	Bolt 1/4 - 20NC x 1 (SN 01300332764 to Present)	
2	0940152	2	Bumper, Side	
3	1001204273	2	Bumper, Front	
4	3311405	AR	Nut 1/4	
5	4751400	AR	Washer 1/4	
6	3931420	2	Capscrew 1/4 x 1-1/4	
7	4160187	2	Spring, Rubber	
8	4891400	6	Washer 1/4	
9	0641410	8	Bolt 1/4 - 20NC x 1-1/4 (SN 01300332764 to Present)	

SECTION 1 - BASE

FIGURE 1-7. GUIDE ROLLER INSTALLATION (OPTIONAL)



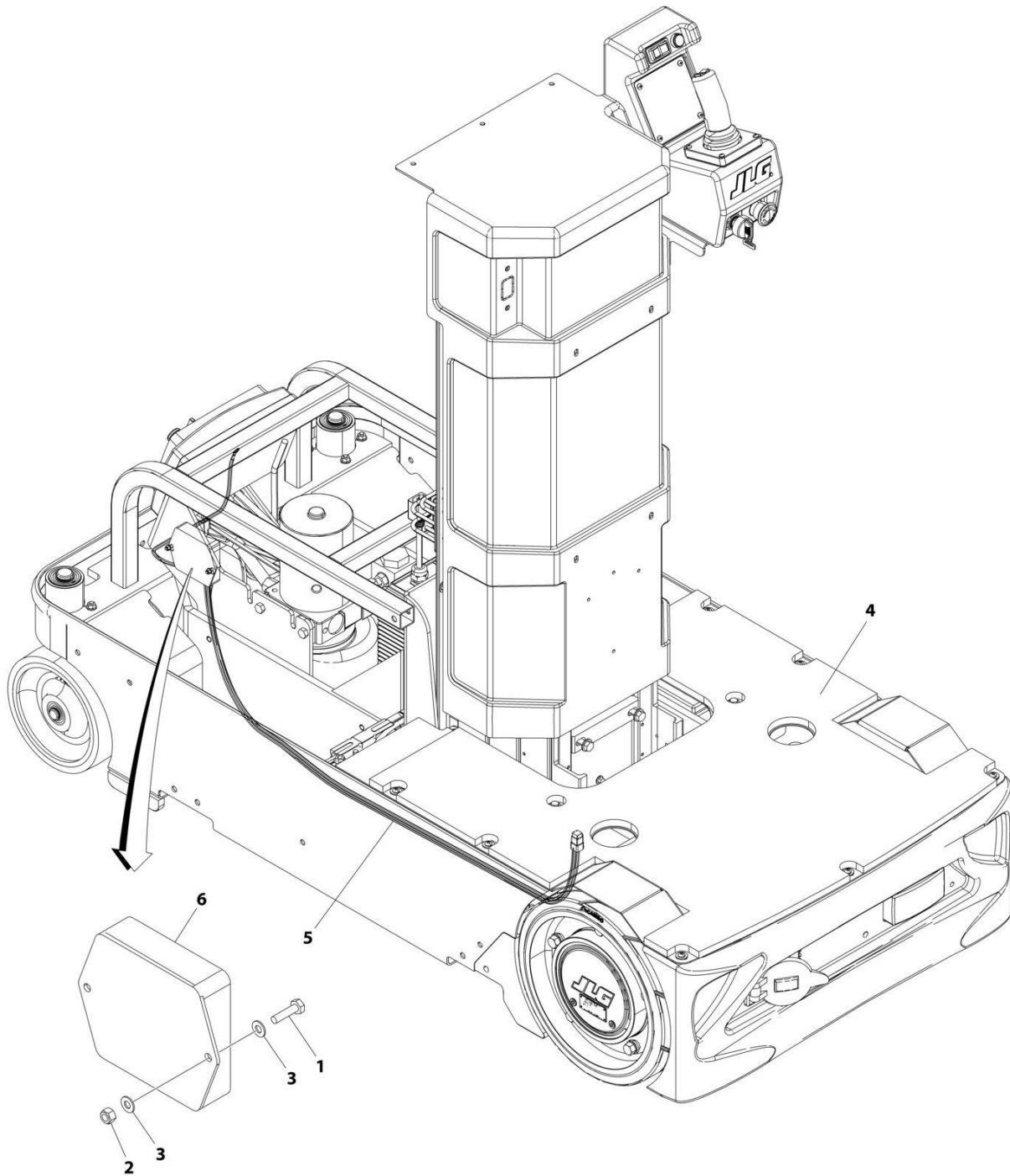
ART_0240103

FIGURE 1-7. GUIDE ROLLER INSTALLATION (OPTIONAL)

ITEM	PART NUMBER	QTY	DESCRIPTION	REV
	0240103	Ref	GUIDE ROLLER INSTALLATION	B
1	0100011	AR	Compound, Locking	
2	0641606	10	Bolt 3/8 x 3/4	
3	0641617	4	Bolt 3/8 x 2-1/8	
4	0903120	4	Bracket, Top Roller	
5	0903121	4	Bracket, Bottom Roller	
6	3311605	8	Nut 3/8	
7	4520352	4	Wheel	
8	3900283	4	Screw 3/8 x 3/4	
9	0641609	2	Bolt 3/8 x 1-1/8	

SECTION 1 - BASE

FIGURE 1-8. OBSTRUCTION SENSING PAD INSTALLATION (OPTIONAL)



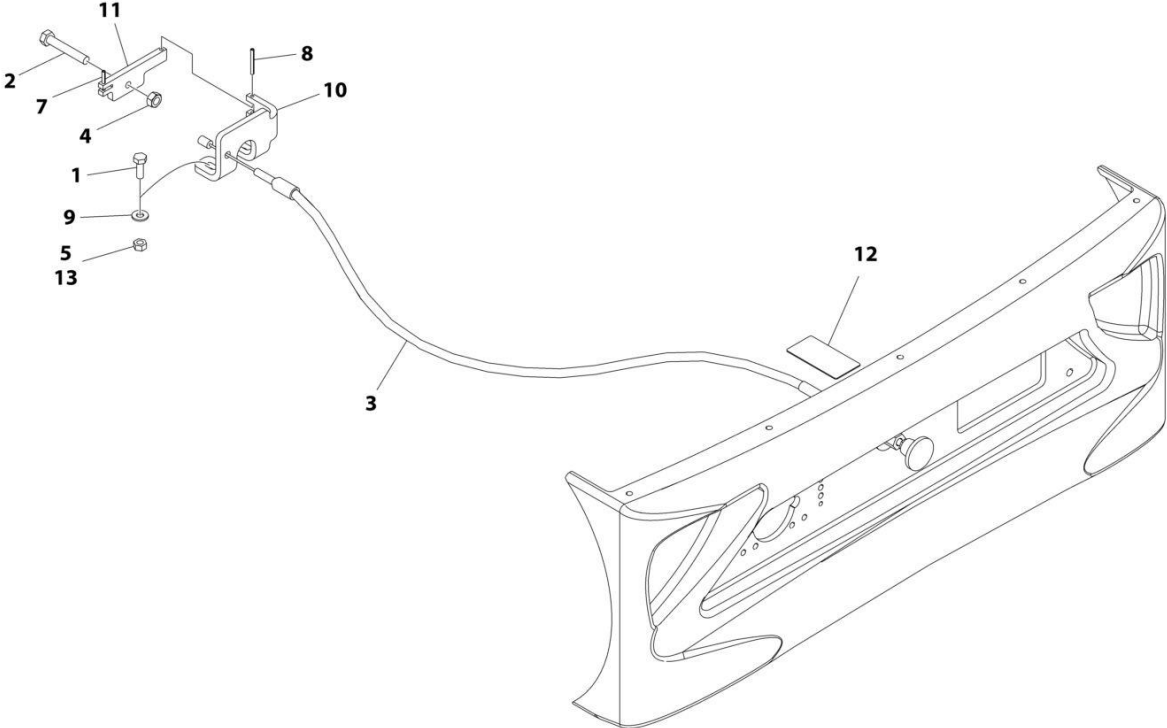
ART_1001210574

FIGURE 1-8. OBSTRUCTION SENSING PAD INSTALLATION (OPTIONAL)

ITEM	PART NUMBER	QTY	DESCRIPTION	REV
	1001210574	Ref	OBSTRUCTION SENSING PAD INSTALLATION	A
1	0760408	2	Bolt M4 x 16	
2	3290405	2	Nut M4	
3	4811400	4	Washer M4	
4	1001210573	1	Pad, Obstruction Switch	
5	1001228994	1	Sensing Pad Harness	
6	1001229990	1	Relay	

SECTION 1 - BASE

FIGURE 1-9. REMOTE MANUAL DESCENT INSTALLATION (OPTIONAL)



ART_1001206177

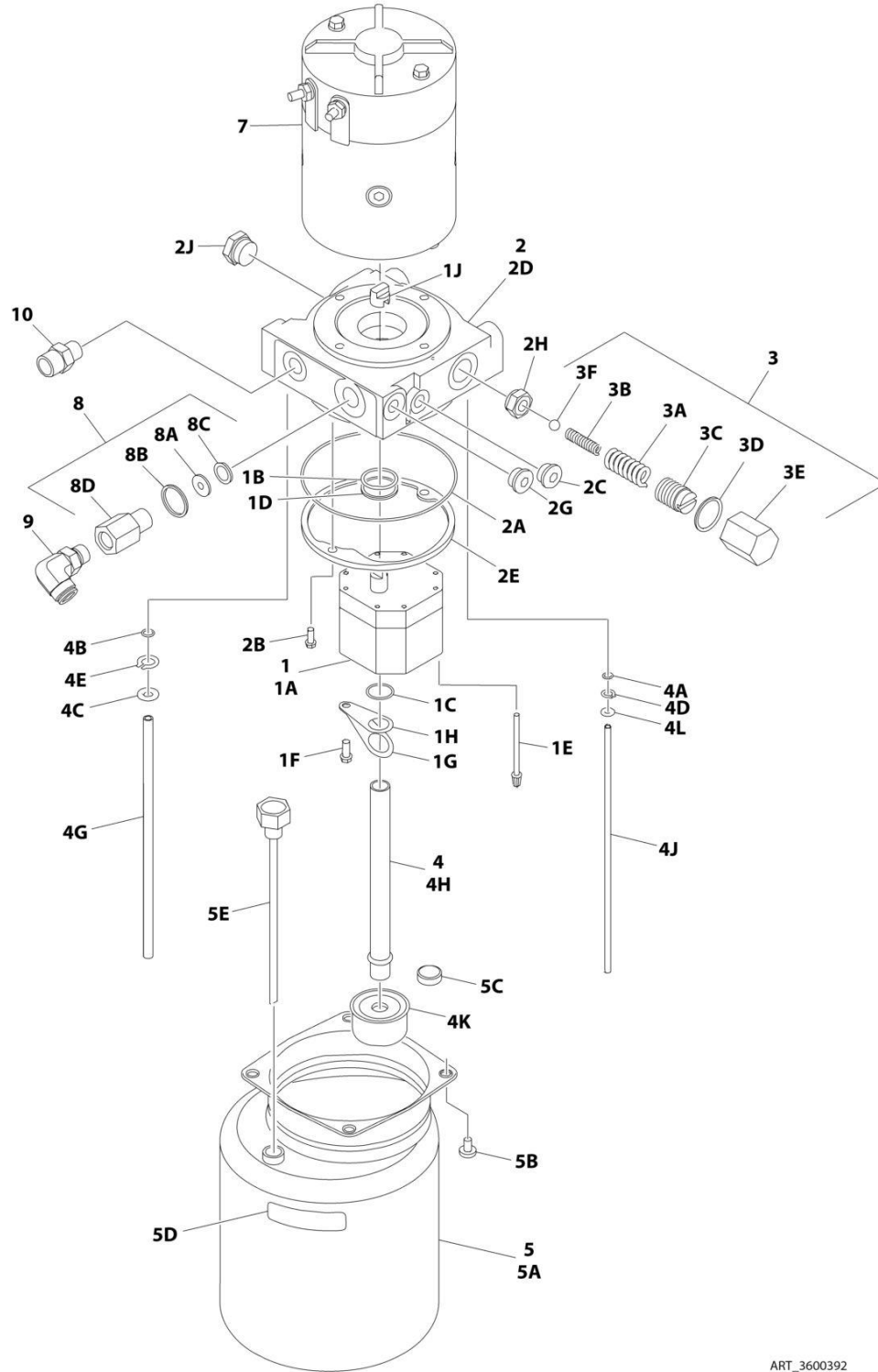
FIGURE 1-9. REMOTE MANUAL DESCENT INSTALLATION (OPTIONAL)

ITEM	PART NUMBER	QTY	DESCRIPTION	REV
	1001206177	Ref	REMOTE MANUAL DESCENT INSTALLATION	D
1	0641406	2	Bolt 1/4 x 3/4	
2	0760818	1	Bolt M8 x 50	
3	1001229725	1	Cable, Release	
4	3290801	1	Nut M8	
5	3311405	2	Nut 1/4 (Prior to SN 0130032919)	
7	3440410	1	Rollpin	
8	3440418	1	Rollpin	
9	4711400	2	Washer 1/4	
10	1001201909	1	Bracket	
11	1001201910	1	Plate	
12	1001206261	1	Decal - Manual Descent	
13	3321402	2	Nut 1/4 (SN 0130032919 to Present)	

SECTION 2 - CONTROLS

SECTION 2 - CONTROLS

FIGURE 2-1. PUMP AND MOTOR ASSEMBLY



ART_3600392

SECTION 2 - CONTROLS

FIGURE 2-1. PUMP AND MOTOR ASSEMBLY

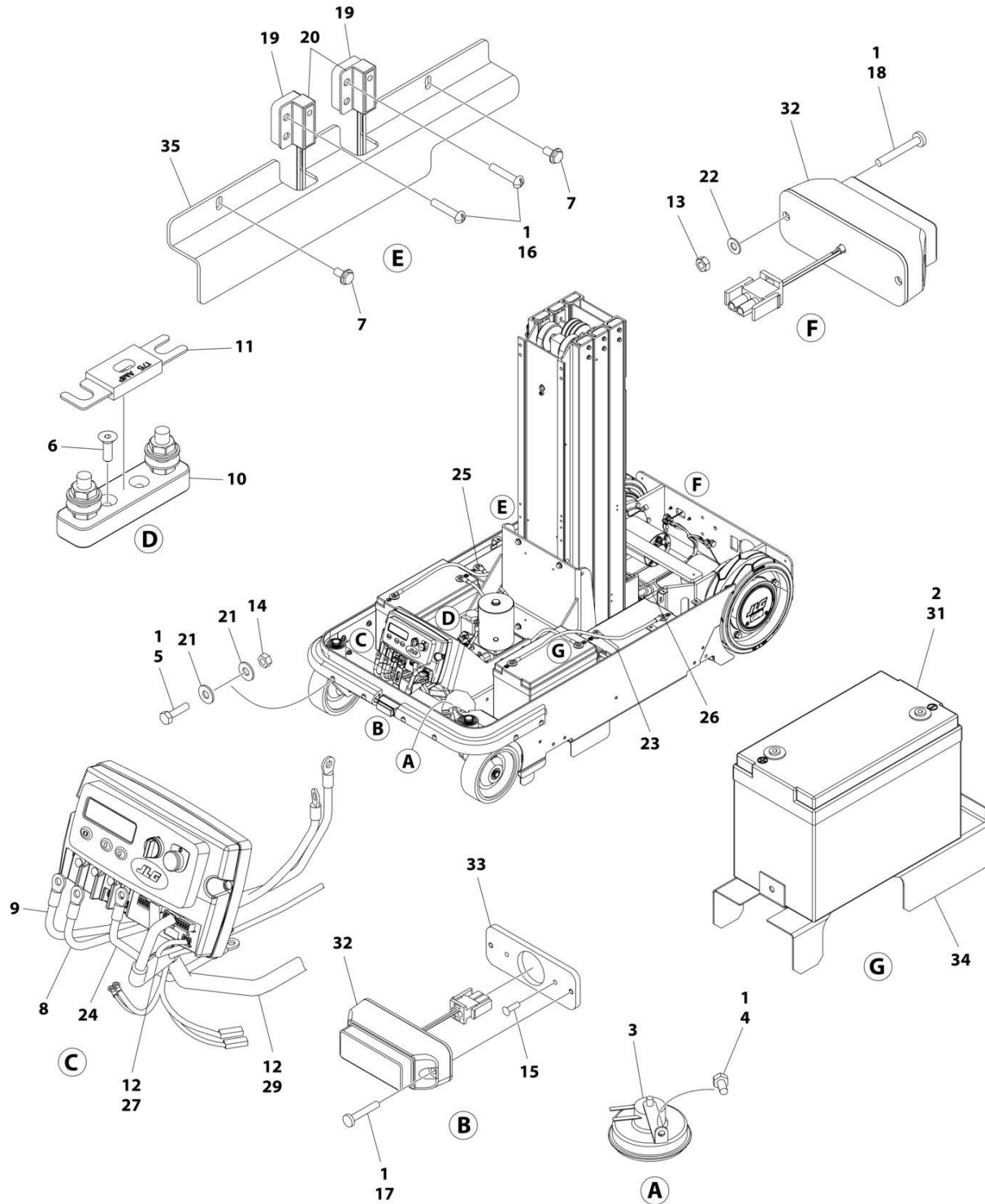
ITEM	PART NUMBER	QTY	DESCRIPTION	REV
	3600392	Ref	PUMP AND MOTOR ASSEMBLY	D
1	7027943	Ref	Pump Components Kit	
1A	See Note	NSS	Pump (Note: Use Item 1)	
1B	7027943	1	Seal	
1C	7011021	1	Seal	
1D	See Note	NSS	Seal (Note: Use Item 1)	
1E	7010928	4	Screw	
1F	7011033	1	Screw	
1G	See Note	NSS	Lockwasher (Note: Use Item 1)	
1H	See Note	NSS	Retainer (Note: Use Item 1)	
1J	7011016	1	Coupler	
2	7027944	Ref	Adaptor Components Kit	
2A	7011025	1	Seal	
2B	7011011	2	Screw	
2C	See Note	NSS	Plug (Note: Use Item 2)	
2D	See Note	NSS	Adaptor (Note: Use Item 2)	
2E	7011013	1	Retainer	
2F	See Note	NSS	Plug, Plastic (Not Shown) (Note: Use Item 2)	
2G	See Note	NSS	Plug, Steel (Note: Use Item 2)	
2H	See Note	NSS	Seat Assembly (Note: Use item 2)	
2J	See Note	NSS	Plug (Note: Use Item 2)	
3	7027945	Ref	Relief Valve Components Kit	
3A	7011008	1	Spring	
3B	7011017	1	Spring	
3C	7011009	1	Screw, Adjustment	
3D	See Note	NSS	Gasket (Note: Use Item 3)	
3E	7011004	1	Cap	
3F	See Note	NSS	Ball (Note: Use Item 3)	
4	7027946	Ref	Tube Components Kit	
4A	7011024	1	Seal	
4B	See Note	NSS	Seal (Note: Use Item 4)	
4C	See Note	NSS	Washer (Note: Use Item 4)	
4D	7011031	1	Ring, Retaining	
4E	7011032	1	Ring, Retaining	
4G	See Note	NSS	Tube (Note: Use Item 4)	
4H	See Note	NSS	Tube (Note: Use Item 4)	
4J	See Note	NSS	Tube (Note: Use Item 4)	
4K	7011029	1	Strainer	
4L	7011034	1	Spacer	
5	7027947	Ref	Tank Components Kit	
5A	See Note	NSS	Tank (Note: Use Item 5)	
5B	See Note	NSS	Screw (Note: Use Item 5)	
5C	7011027	1	Magnet	
5D	See Note	NSS	Label (Note: Use Item 5)	
5E	7011069	1	Breather/Dipstick	
6	See Note	1	Label (Not Shown) (Note: Not Available for Purchase)	
7	7027948	1	Motor Assembly	
7	See Note	NSS	Brush Kit (Note: Use Item 7)	
8	7027949	Ref	Return Port Components Kit	
8A	See Note	NSS	Seal (Note: Use Item 8)	

SECTION 2 - CONTROLS

ITEM	PART NUMBER	QTY	DESCRIPTION	REV
8B	See Note	NSS	Seal (Note: Use Item 8)	
8C	See Note	NSS	Washer (Note: Use Item 8)	
8D	See Note	NSS	Body, Return Port (Note: Use Item 8)	
9	2221185	1	Fitting, 90	
10	2110606	1	Fitting, Straight	

SECTION 2 - CONTROLS

FIGURE 2-2. BATTERIES, ALARM AND STROBE INSTALLATION



ART_1001229682

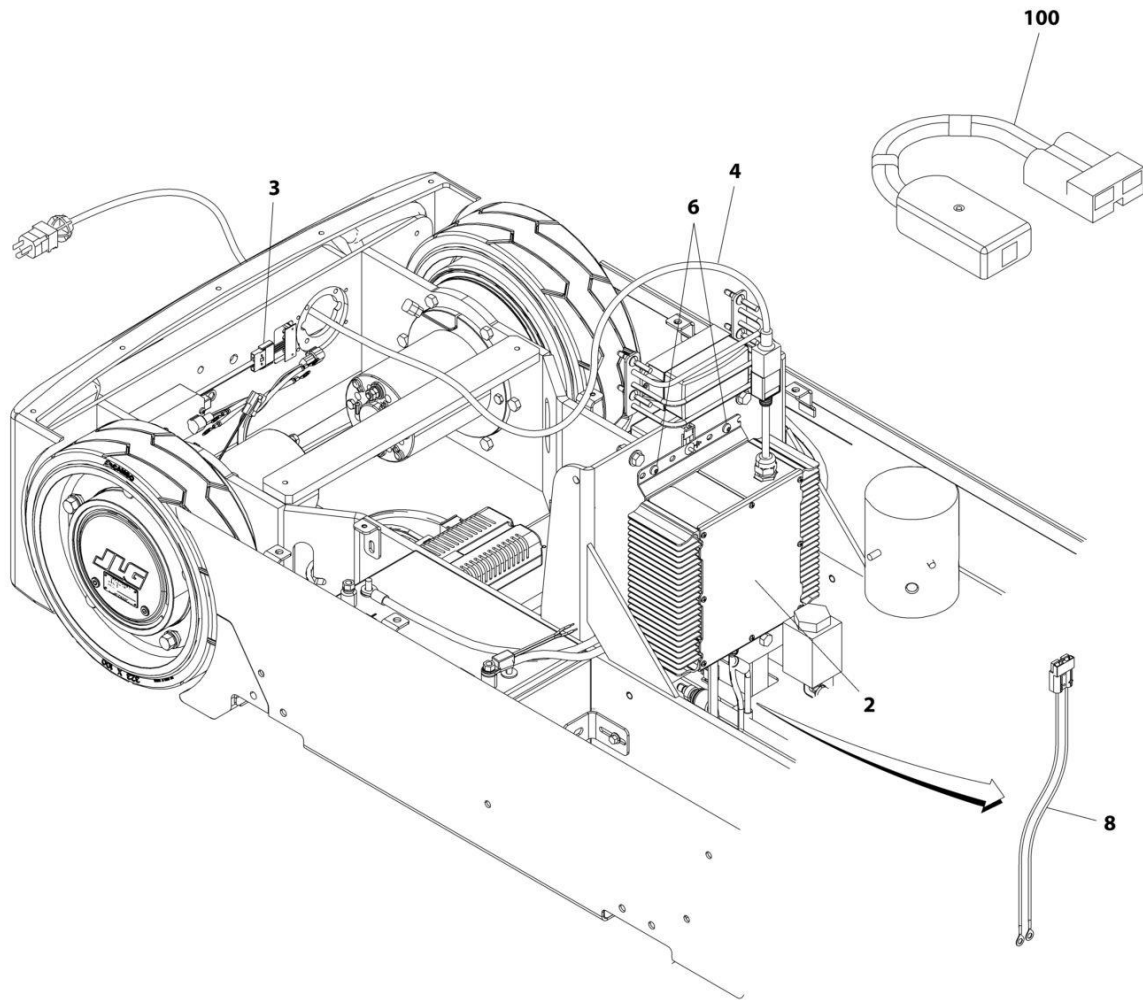
SECTION 2 - CONTROLS

FIGURE 2-2. BATTERIES, ALARM AND STROBE INSTALLATION

ITEM	PART NUMBER	QTY	DESCRIPTION	REV
	1001229682	Ref	BATTERIES, ALARM AND STROBE INSTALLATION	B
1	0100011	AR	Compound, Locking	
2	0100051	AR	Grease, Terminal	
3	0140022	1	Alarm	
4	0641404	1	Bolt 1/4 x 1/2	
5	0641408	8	Bolt 1/4 x 1	
6	0741005	2	Screw #10 x 5/8	
7	0791003	2	Screw #10 x 3/8	
8	1060943	1	Cable (GSM P+ to Pump+)	
9	1060944	1	Cable (GSM P- to Pump-)	
10	2400044	1	Fuse, Mounting Block	
11	2400069	1	Fuse 175Amp	
12	3020038	AR	Grease, Contact	
13	3290401	2	Nut M4	
14	3311405	8	Nut 1/4	
15	3820013	2	Rivet	
16	3911016	4	Screw #10 x 1 (Prior to SN 0130032819)	
16	3931016	4	Screw 10-24 x 1 (SN 0130032819 to Present)	
17	4010412	2	Screw M4 x 24	
18	4010414	2	Screw M4 x 30 (Prior to SN 0130032819)	
18	4031511	2	Screw M4 x 35 (SN 0130032819 to Present)	
19	4071084	2	Shim	
20	4360514	2	Switch, Proximity	
21	4751400	16	Washer 1/4	
22	4811400	2	Washer M4	
23	4923022	1	Cable (B+ to Fuse)	
24	4923023	1	Cable (Fuse to GSM)	
25	4923024	1	Cable (B- to GSM)	
26	4923028	1	Traction Module Power Harness	
27	4923029	1	Ground Station to Traction Module Harness	
28	4923383	1	Drive Motor Harness (Not Shown) (See Separate Breakdown in ELECTRICAL SECTION)	
29	4923446	1	Main (MSP) Harness	
30	1001121700	3	Cable (Battery B+ to B-) (Not Shown)	
31	1001177558	4	Battery	
32	1001187862	2	Light, Strobe	
33	1001207630	1	Plate	
34	1001229683	2	Plate	
35	1001229684	1	Shield, Wire	

SECTION 2 - CONTROLS

FIGURE 2-3. BATTERY CHARGER INSTALLATION (WITHOUT CORD REEL)



ART_0274898

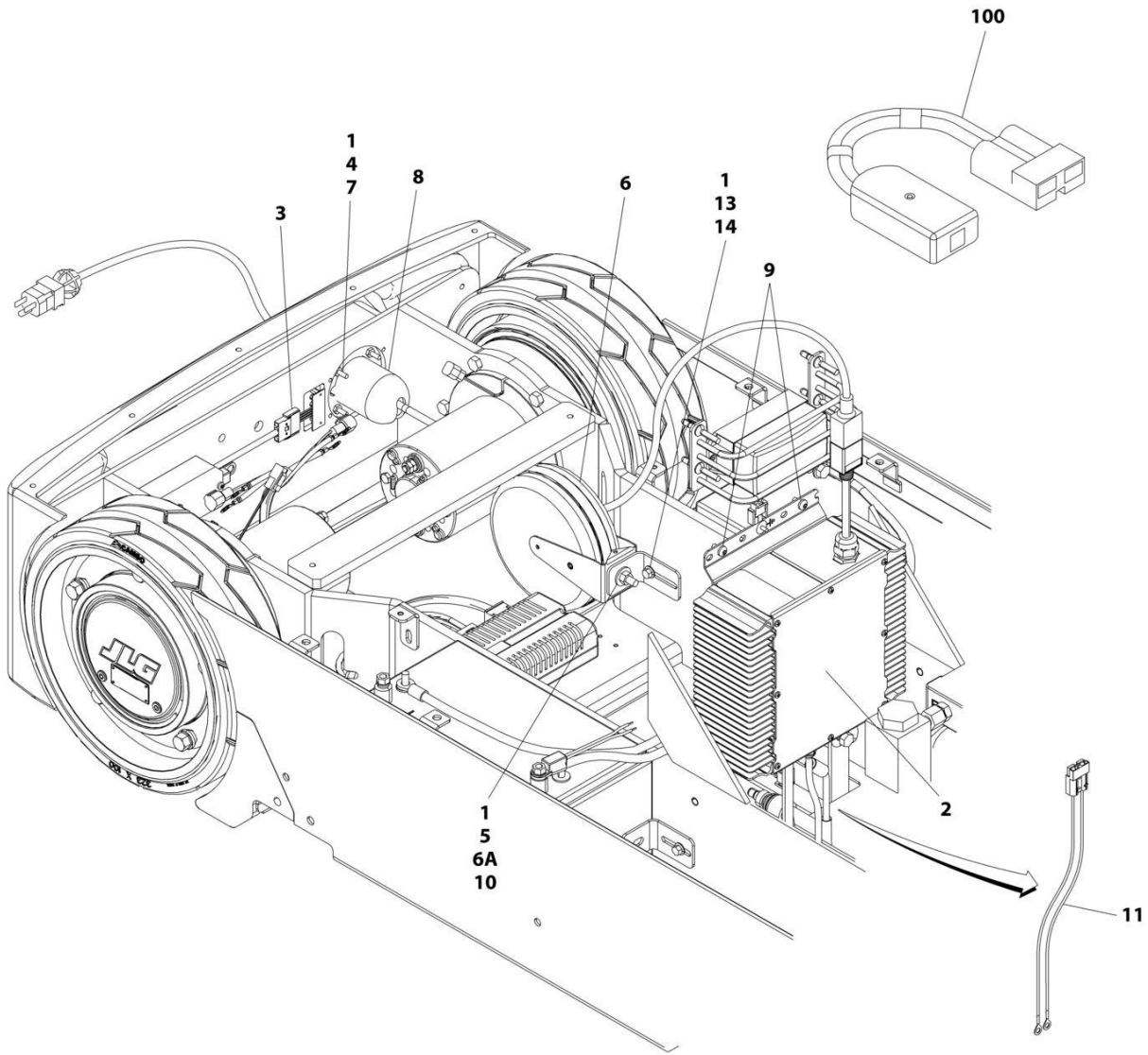
SECTION 2 - CONTROLS

FIGURE 2-3. BATTERY CHARGER INSTALLATION (WITHOUT CORD REEL)

ITEM	PART NUMBER	QTY	DESCRIPTION	REV
	0274898	Ref	BATTERY CHARGER INSTALLATION	F
		Ref	Note: Available on all Specs.	
2	1001136381	1	Battery Charger Assembly (No Serviceable Parts Available)	
3	0610131	1	LED, Board	
4	1060689	1	Cord, Electrical	
6	4191706	4	Screw M6 x 12	
8	4923438	1	Battery Charger Harness	
9	1001109821	1	LED and Temperature Sensor Harness (Not Shown) (See Separate Breakdown in ELECTRICAL SECTION)	
100	1600466	1	BATTERY CHARGER REPROGRAM CONTROLLER KIT (Use p/n 2915230)	

SECTION 2 - CONTROLS

FIGURE 2-4. BATTERY CHARGER INSTALLATION (WITH CORD REEL)



ART_0274900

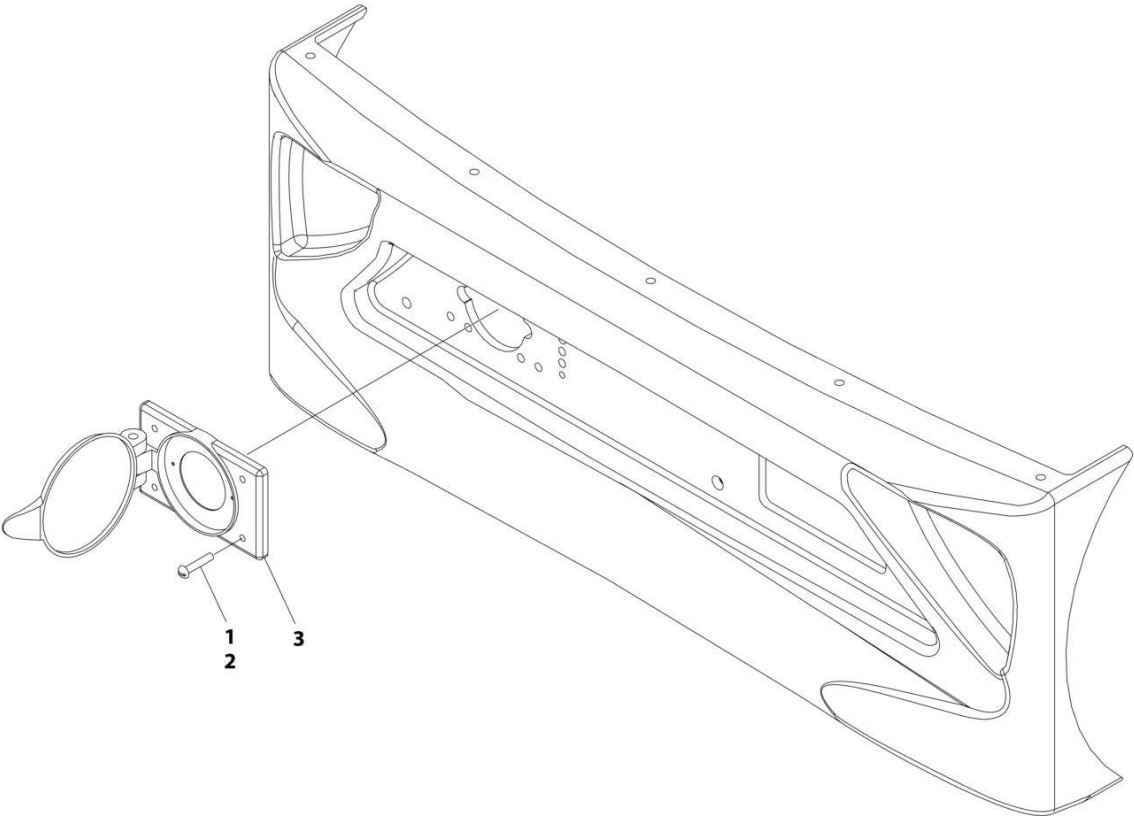
SECTION 2 - CONTROLS

FIGURE 2-4. BATTERY CHARGER INSTALLATION (WITH CORD REEL)

ITEM	PART NUMBER	QTY	DESCRIPTION	REV
	0274900	Ref	BATTERY CHARGER INSTALLATION	F
		Ref	Note: Available on ANSI, ANSI Export and CSA Specs.	
1	0100011	AR	Compound, Locking	
2	1001136381	1	Battery Charger Assembly (No Serviceable Parts Available)	
3	0610131	1	LED Board	
4	3311001	4	Nut #10	
5	3311501	1	Nut 5/16	
6	3680057	1	Reel, Charger Cord	
6A	0791508	1	Screw 5/16 x 1	
7	3911016	4	Screw #10 x 1	
8	4120046	1	Terminal, Inlet Socket, Cord Reel Stop	
9	4191706	4	Screw M6 x 12	
10	4751500	1	Washer 5/16	
11	4923438	1	Battery Charger Harness	
12	1001109821	1	LED and Temperature Sensor Harness (Not Shown) (See Separate Breakdown in ELECTRICAL SECTION)	
100	1600466	1	BATTERY CHARGER REPROGRAM CONTROLLER KIT (Use p/n 2915230)	

SECTION 2 - CONTROLS

FIGURE 2-5. CHARGER PLUG INSTALLATION - CUSTOMER SUPPLIED PLUG



ART_1001097456

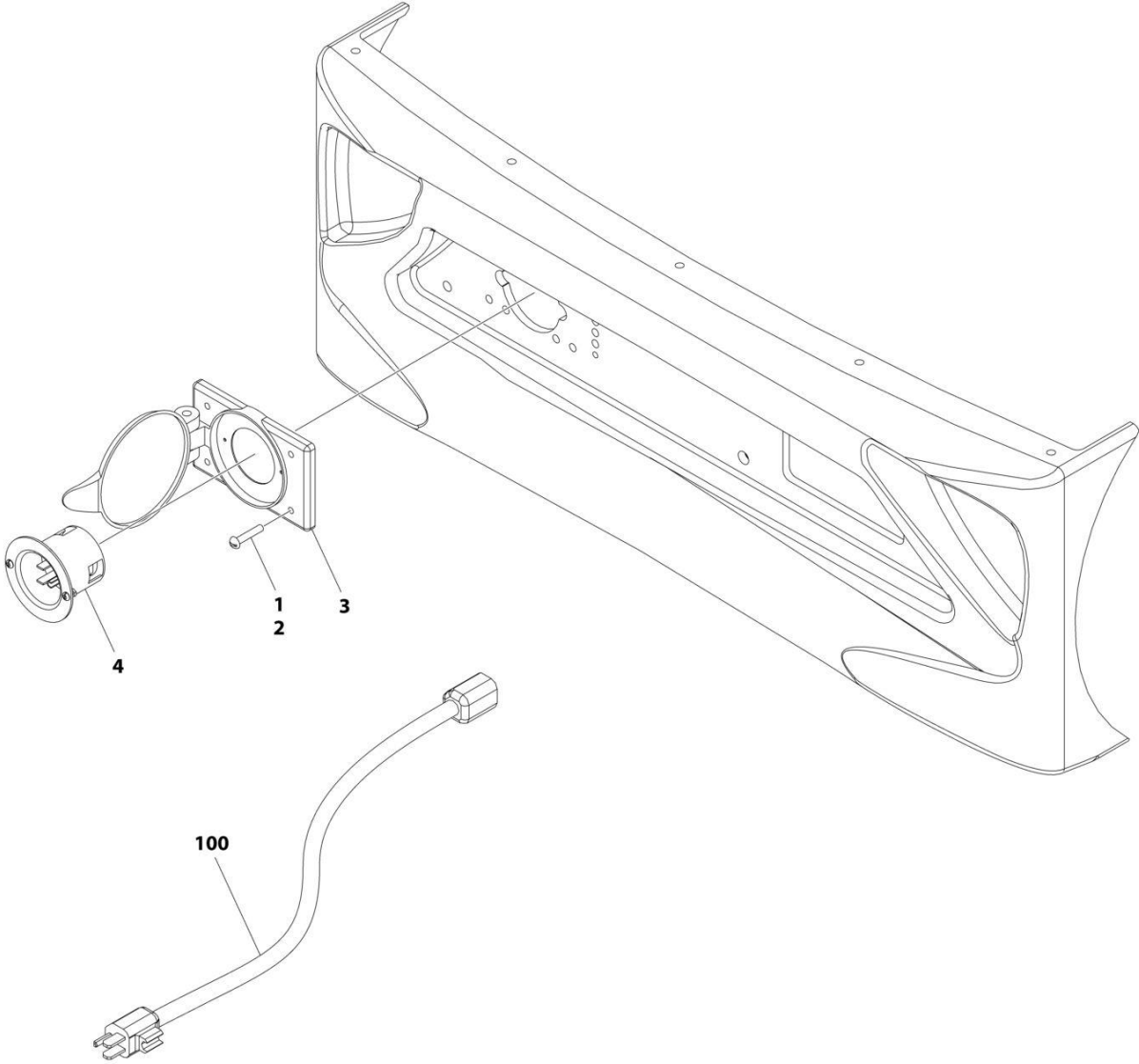
SECTION 2 - CONTROLS

FIGURE 2-5. CHARGER PLUG INSTALLATION - CUSTOMER SUPPLIED PLUG

ITEM	PART NUMBER	QTY	DESCRIPTION	REV
	1001097456	Ref	CHARGER PLUG INSTALLATION	A
1	0100011	AR	Compound, Locking	
2	3911016	4	Screw #10 x 1	
3	4460802	1	Cover, Weatherproof	

SECTION 2 - CONTROLS

FIGURE 2-6. CHARGER PLUG INSTALLATION - 110V PLUG



ART_1001097449

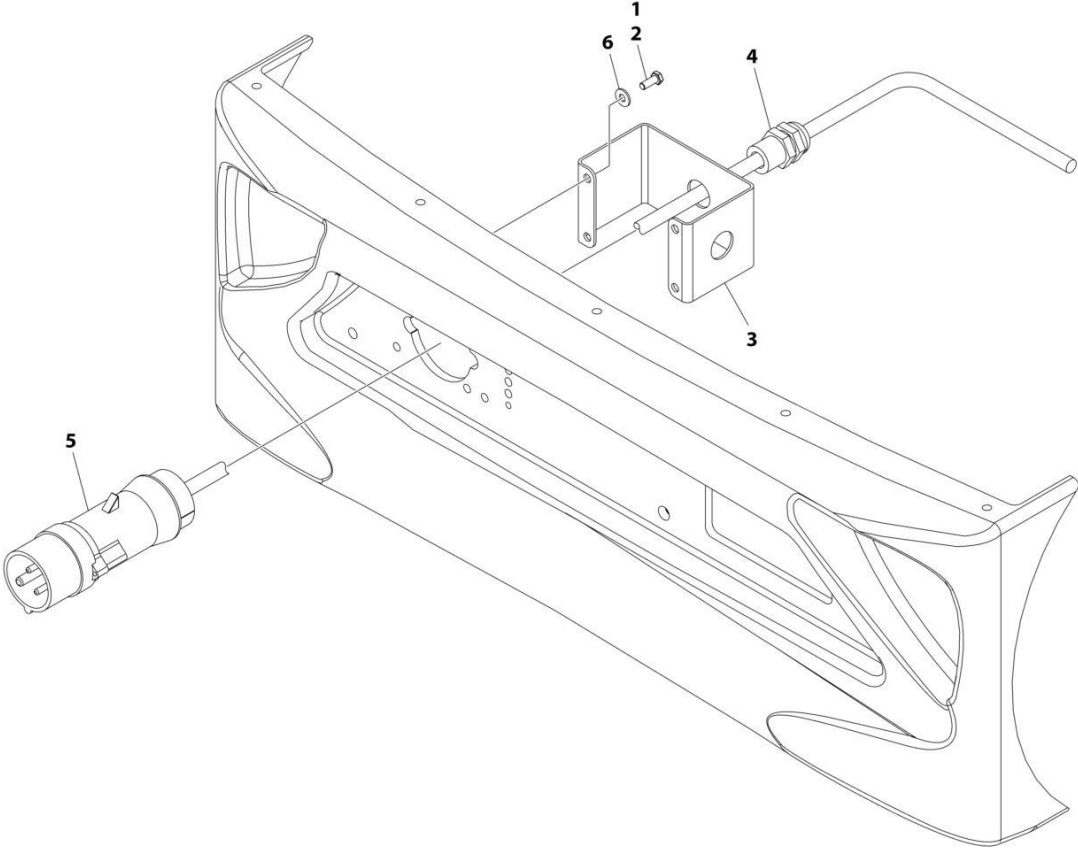
SECTION 2 - CONTROLS

FIGURE 2-6. CHARGER PLUG INSTALLATION - 110V PLUG

ITEM	PART NUMBER	QTY	DESCRIPTION	REV
	1001097449	Ref	CHARGER PLUG INSTALLATION - 110V PLUG	B
1	0100011	AR	Compound, Locking	
2	3911016	4	Screw #10 x 1	
3	4460802	1	Cover, Weatherproof	
4	4460803	1	Receptacle with Boot and Mounting Hardware	
100	4923174	6 ft/ 1.83m	CORD, EXTENSION (OPTIONAL)	

SECTION 2 - CONTROLS

FIGURE 2-7. CHARGER PLUG INSTALLATION - 110V IEC YELLOW PLUG (CE SPECS)



ART_1001097453

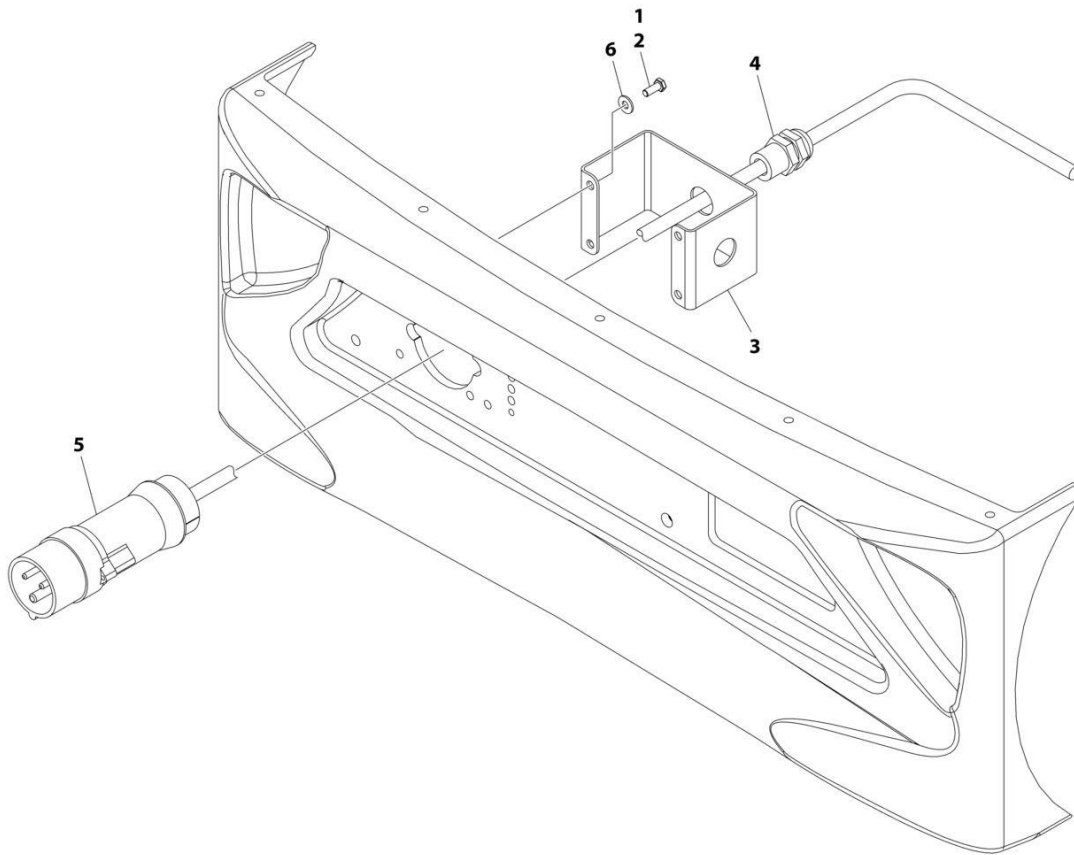
SECTION 2 - CONTROLS

FIGURE 2-7. CHARGER PLUG INSTALLATION - 110V IEC YELLOW PLUG (CE SPECS)

ITEM	PART NUMBER	QTY	DESCRIPTION	REV
	1001097453	Ref	CHARGER PLUG INSTALLATION - 110V IEC YELLOW PLUG	B
1	0100011	AR	Compound, Locking	
2	0721004	4	Screw #10 x 1/2	
3	3571584	1	Plate	
4	4460428	1	Connector, Strain Relief	
5	4461196	1	Plug - 110V IEC Yellow	
6	4711000	4	Washer #10	

SECTION 2 - CONTROLS

FIGURE 2-8. CHARGER PLUG INSTALLATION - 220V IEC BLUE PLUG (CE SPECS)



ART_1001097454

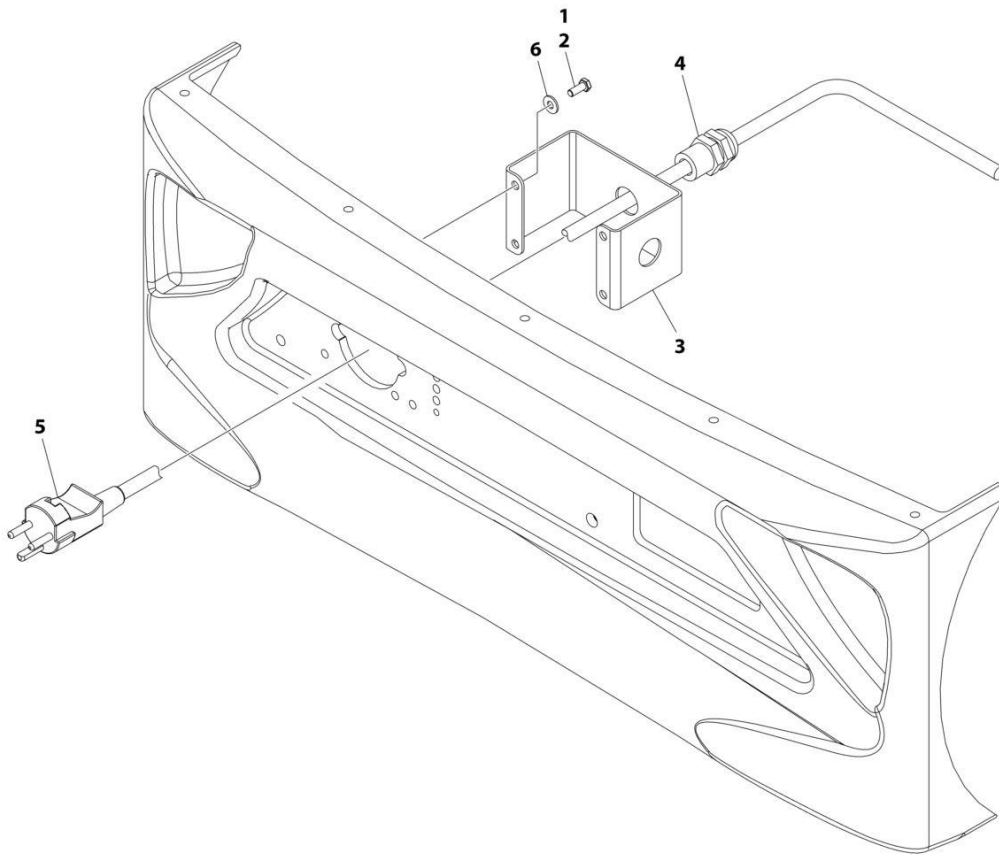
SECTION 2 - CONTROLS

FIGURE 2-8. CHARGER PLUG INSTALLATION - 220V IEC BLUE PLUG (CE SPECS)

ITEM	PART NUMBER	QTY	DESCRIPTION	REV
	1001097454	Ref	CHARGER PLUG INSTALLATION - 220V IEC BLUE PLUG	B
1	0100011	AR	Compound, Locking	
2	0721004	4	Screw #10 x 1/2	
3	3571584	1	Plate	
4	4460428	1	Connector, Strain Relief	
5	4461199	1	Plug - 220V IEC Blue	
6	4711000	4	Washer #10	

SECTION 2 - CONTROLS

FIGURE 2-9. CHARGER PLUG INSTALLATION - 220V IEC KEYED GROUND PLUG (CE SPECS)



ART_1001097452

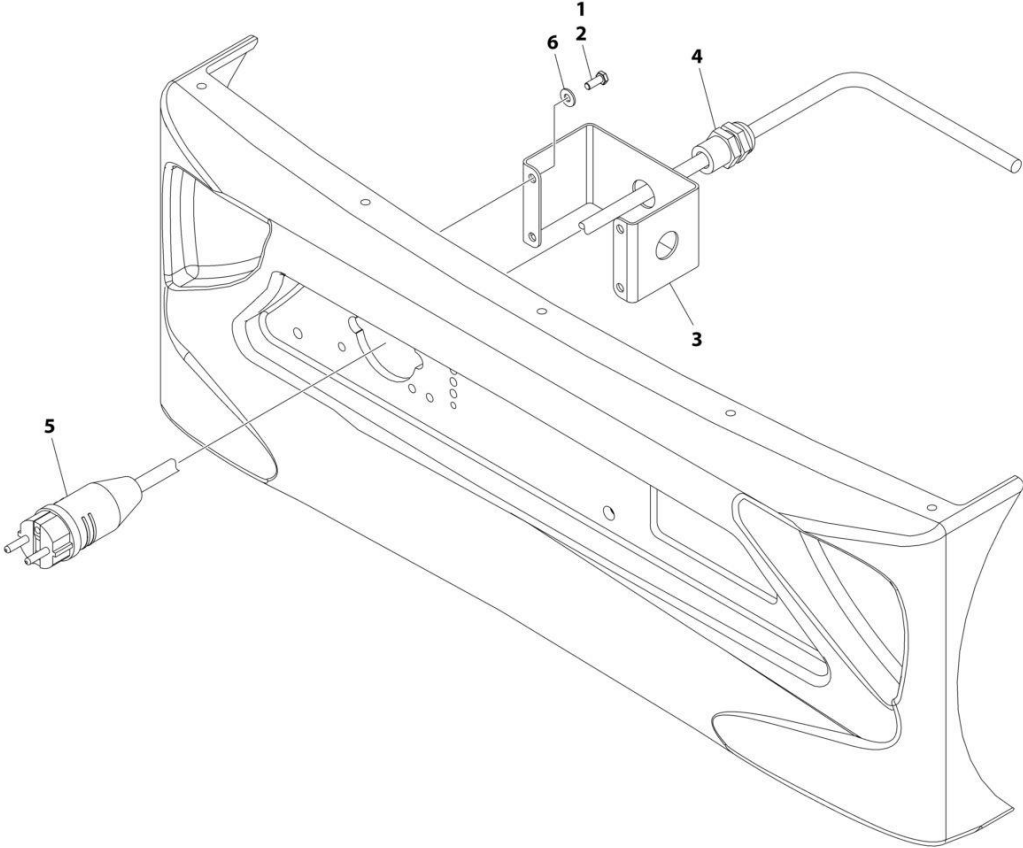
SECTION 2 - CONTROLS

FIGURE 2-9. CHARGER PLUG INSTALLATION - 220V IEC KEYED GROUND PLUG (CE SPECS)

ITEM	PART NUMBER	QTY	DESCRIPTION	REV
	1001097452	Ref	CHARGER PLUG INSTALLATION - 220V IEC KEYED GROUND PLUG	B
1	0100011	AR	Compound, Locking	
2	0721004	4	Screw #10 x 1/2	
3	3571584	1	Plate	
4	4460428	1	Connector, Strain Relief	
5	4461249	1	Plug - 220V Keyed	
6	4711000	4	Washer #10	

SECTION 2 - CONTROLS

FIGURE 2-10. CHARGER PLUG INSTALLATION - 220V IEC POST GROUND PLUG (CE SPECS)



ART_1001097450

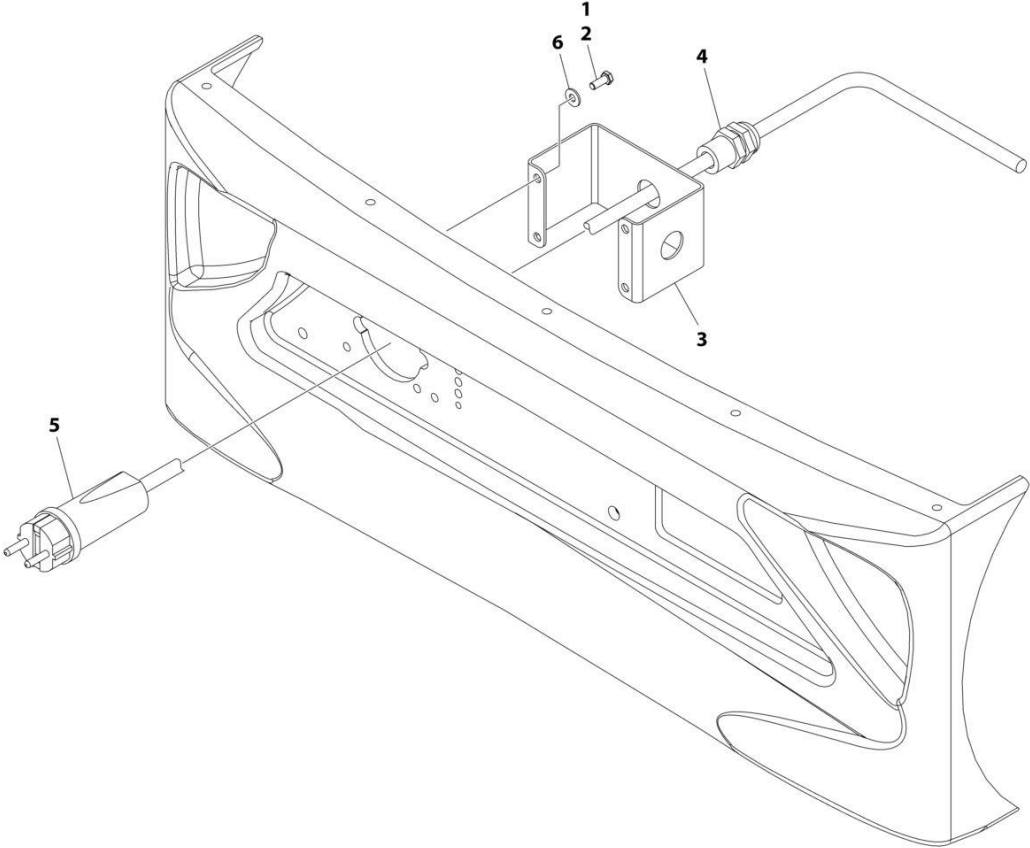
SECTION 2 - CONTROLS

FIGURE 2-10. CHARGER PLUG INSTALLATION - 220V IEC POST GROUND PLUG (CE SPECS)

ITEM	PART NUMBER	QTY	DESCRIPTION	REV
	1001097450	Ref	CHARGER PLUG INSTALLATION - 220V IEC POST GROUND PLUG	C
1	0100011	AR	Compound, Locking	
2	0721004	4	Screw #10 x 1/2	
3	3571584	1	Plate	
4	4460428	1	Strain Relief, Connector	
5	4461205	1	Plug - 220V IEC Post Ground	
6	4711000	4	Washer #10	

SECTION 2 - CONTROLS

FIGURE 2-11. CHARGER PLUG INSTALLATION - 220V IEC SIDE GROUND PLUG (CE SPECS)



ART_1001097451

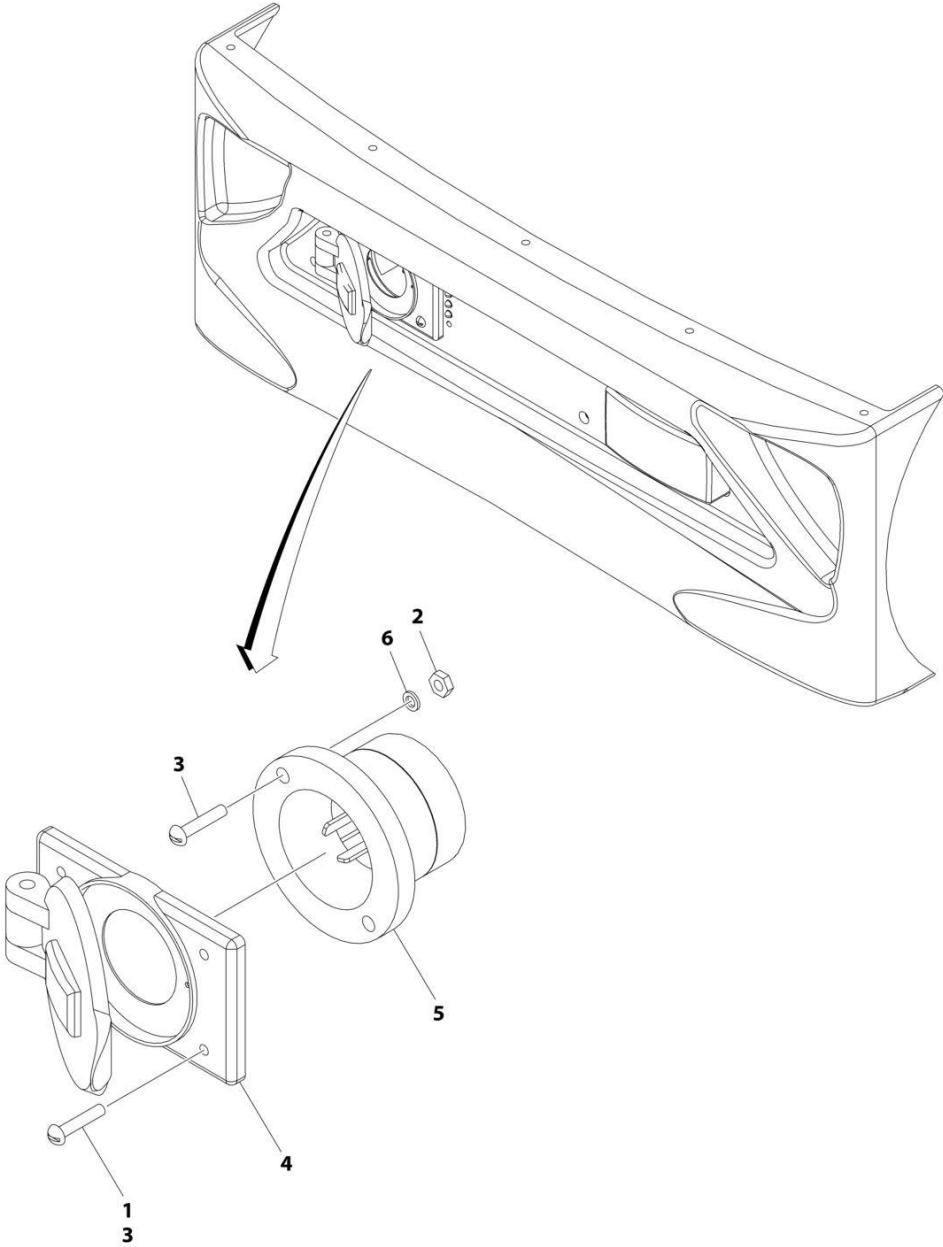
SECTION 2 - CONTROLS

FIGURE 2-11. CHARGER PLUG INSTALLATION - 220V IEC SIDE GROUND PLUG (CE SPECS)

ITEM	PART NUMBER	QTY	DESCRIPTION	REV
	1001097451	Ref	CHARGER PLUG INSTALLATION - 220V IEC SIDE GROUND PLUG	B
1	0100011	AR	Compound, Locking	
2	0721004	4	Screw #10 x 1/2	
3	3571584	1	Plate	
4	4460428	1	Connector, Strain Relief	
5	4461205	1	Plug - 220V Side Ground	
6	4711000	4	Washer #10	

SECTION 2 - CONTROLS

FIGURE 2-12. CHARGER PLUG INSTALLATION - 220V (AUSTRALIAN SPECS)



ART_1001097455

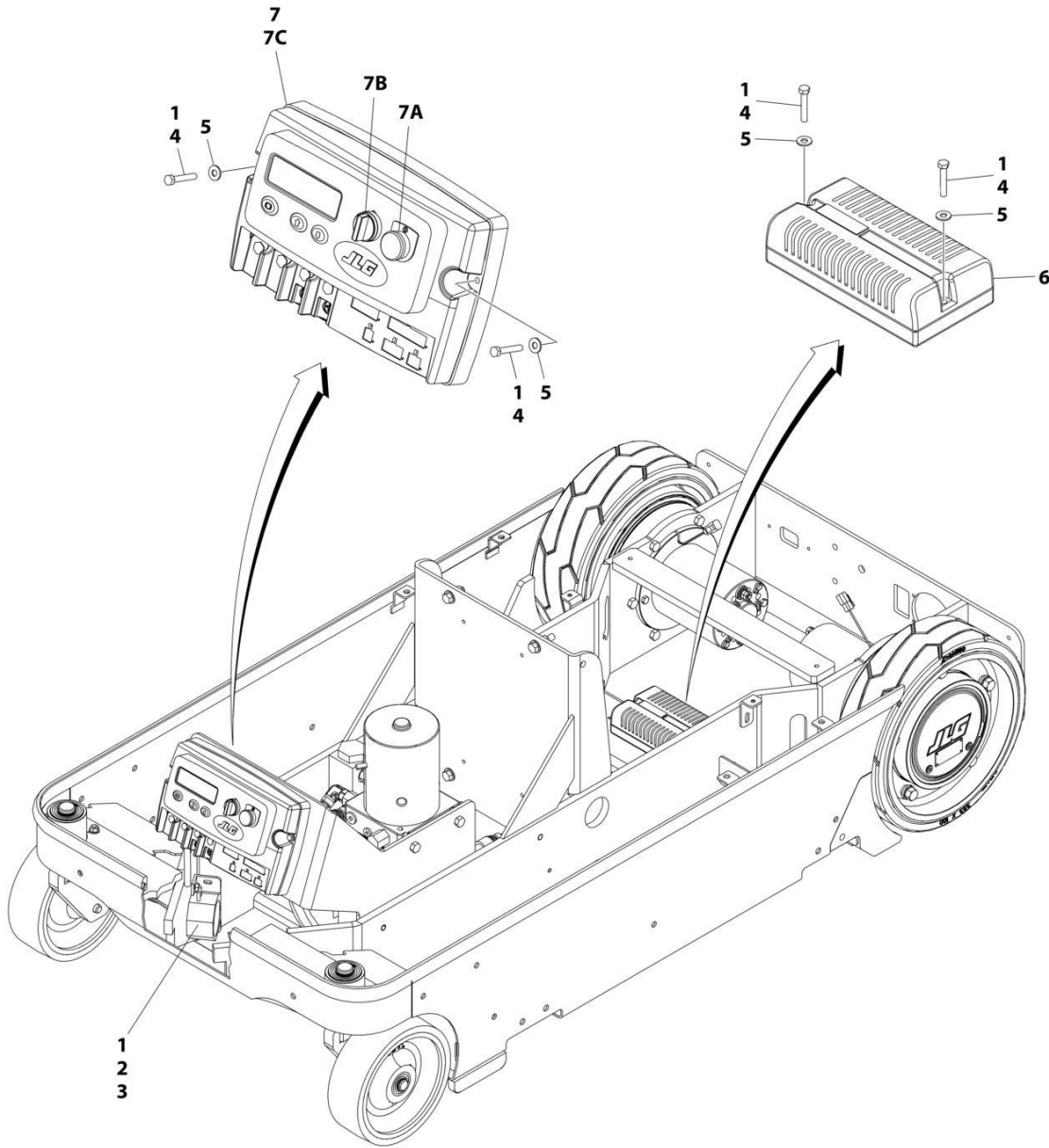
SECTION 2 - CONTROLS

FIGURE 2-12. CHARGER PLUG INSTALLATION - 220V (AUSTRALIAN SPECS)

ITEM	PART NUMBER	QTY	DESCRIPTION	REV
	1001097455	Ref	CHARGER PLUG INSTALLATION - 220V	C
1	0100011	AR	Compound, Locking	
2	3311001	1	Nut #10	
3	3911016	6	Screw #24 x 1	
4	4460802	1	Cover, Weatherproof	
5	4460940	1	Plug	
6	4761000	2	Washer #10	

SECTION 2 - CONTROLS

FIGURE 2-13. GROUND CONTROL AND TRACTION MODULE INSTALLATION (ALL SPECS EXCEPT AUSTRALIAN, CHINESE AND JAPANESE SPECS)



ART_1001229629

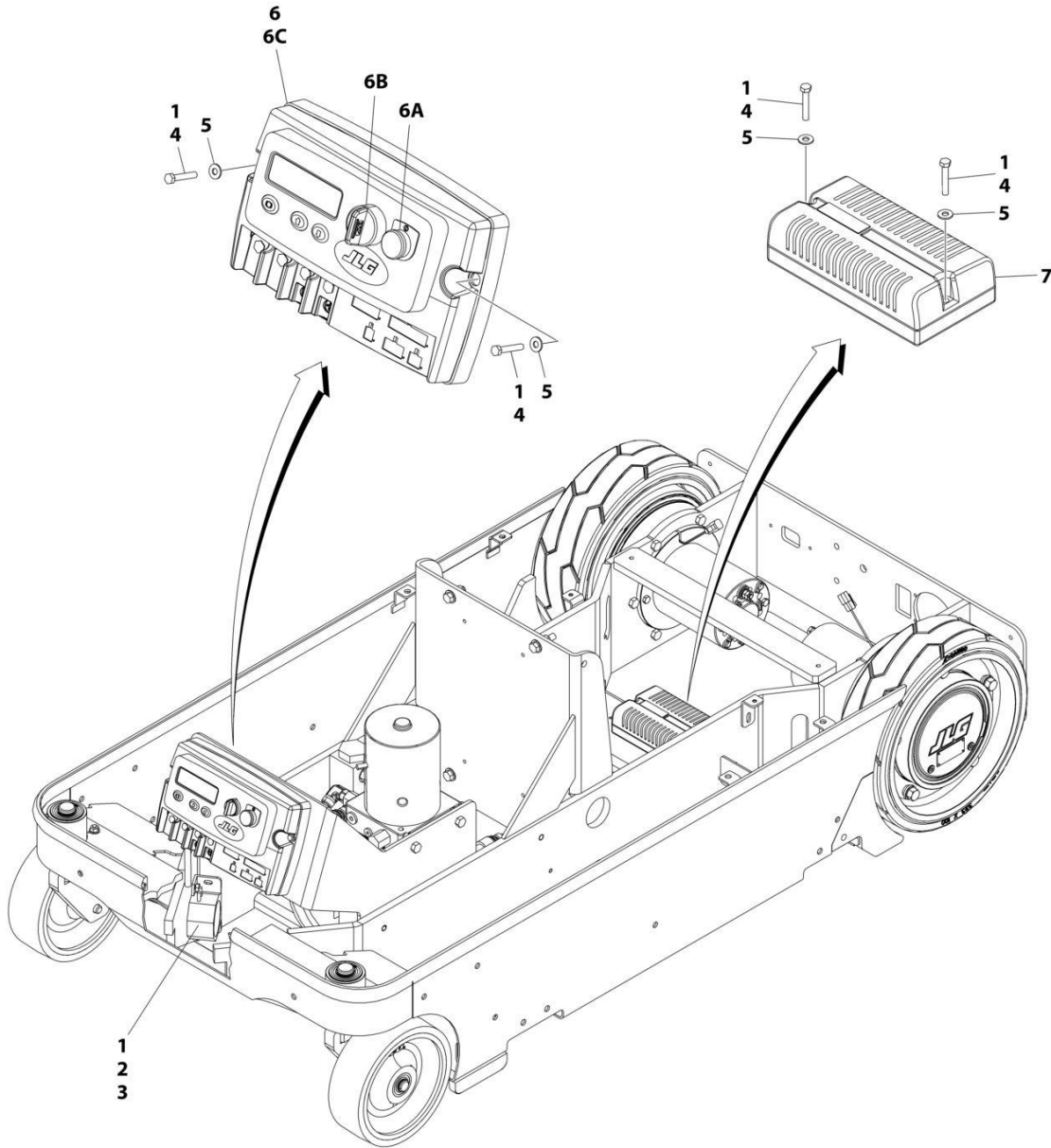
SECTION 2 - CONTROLS

FIGURE 2-13. GROUND CONTROL AND TRACTION MODULE INSTALLATION (ALL SPECS EXCEPT AUSTRALIAN, CHINESE AND JAPANESE SPECS)

ITEM	PART NUMBER	QTY	DESCRIPTION	REV
	1001229629	Ref	GROUND CONTROL AND TRACTION MODULE INSTALLATION	B
1	0100011	AR	Compound, Locking	
2	0140033	1	Alarm	
3	0641404	2	Bolt 1/4 x 1/2	
4	0760514	4	Bolt M5 x 30 (Prior to SN 0130032819)	
4	0721010	4	Bolt 1/4 (SN 0130032819 to Present)	
5	4751000	4	Washer #10	
6	1001231450	1	Module, Traction	
7	1001229632	1	Ground Control Station/Module Assembly	
7A	7024428	1	Switch, Emergency Stop	
7B	7024591	1	Switch, Selector	
7C	7024592	1	Cover	

SECTION 2 - CONTROLS

FIGURE 2-14. GROUND CONTROL AND TRACTION MODULE INSTALLATION (AUSTRALIAN SPECS)



ART_1001229631

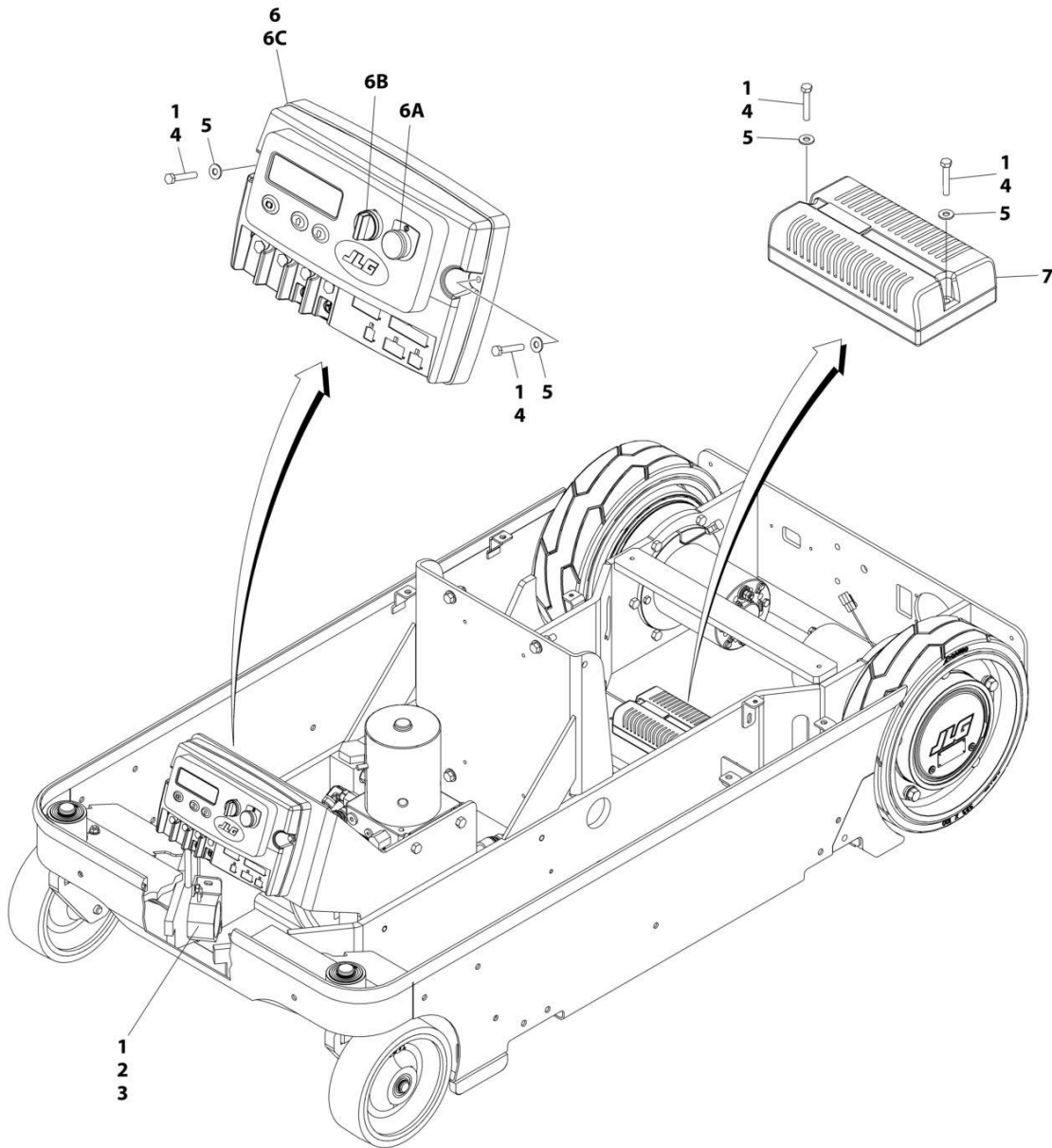
SECTION 2 - CONTROLS

FIGURE 2-14. GROUND CONTROL AND TRACTION MODULE INSTALLATION (AUSTRALIAN SPECS)

ITEM	PART NUMBER	QTY	DESCRIPTION	REV
	1001229631	Ref	GROUND CONTROL AND TRACTION MODULE INSTALLATION	B
1	0100011	AR	Compound, Locking	
2	0140033	1	Alarm	
3	0641404	2	Bolt 1/4 x 1/2	
4	0760514	4	Bolt M5 x 30 (Prior to SN 0130032819)	
4	0721010	4	Bolt 1/4 (SN 0130032819 to Present)	
5	4751000	4	Washer #10	
6	1001229634	1	Ground Control Station/Module Assembly	
6A	7024428	1	Switch, Emergency Stop	
6B	7024591	1	Switch, Selector	
6C	7024592	1	Cover	
7	1001231450	1	Module, Traction	

SECTION 2 - CONTROLS

FIGURE 2-15. GROUND CONTROL AND TRACTION MODULE INSTALLATION (CHINESE AND JAPANESE SPECS)



ART_1001229630

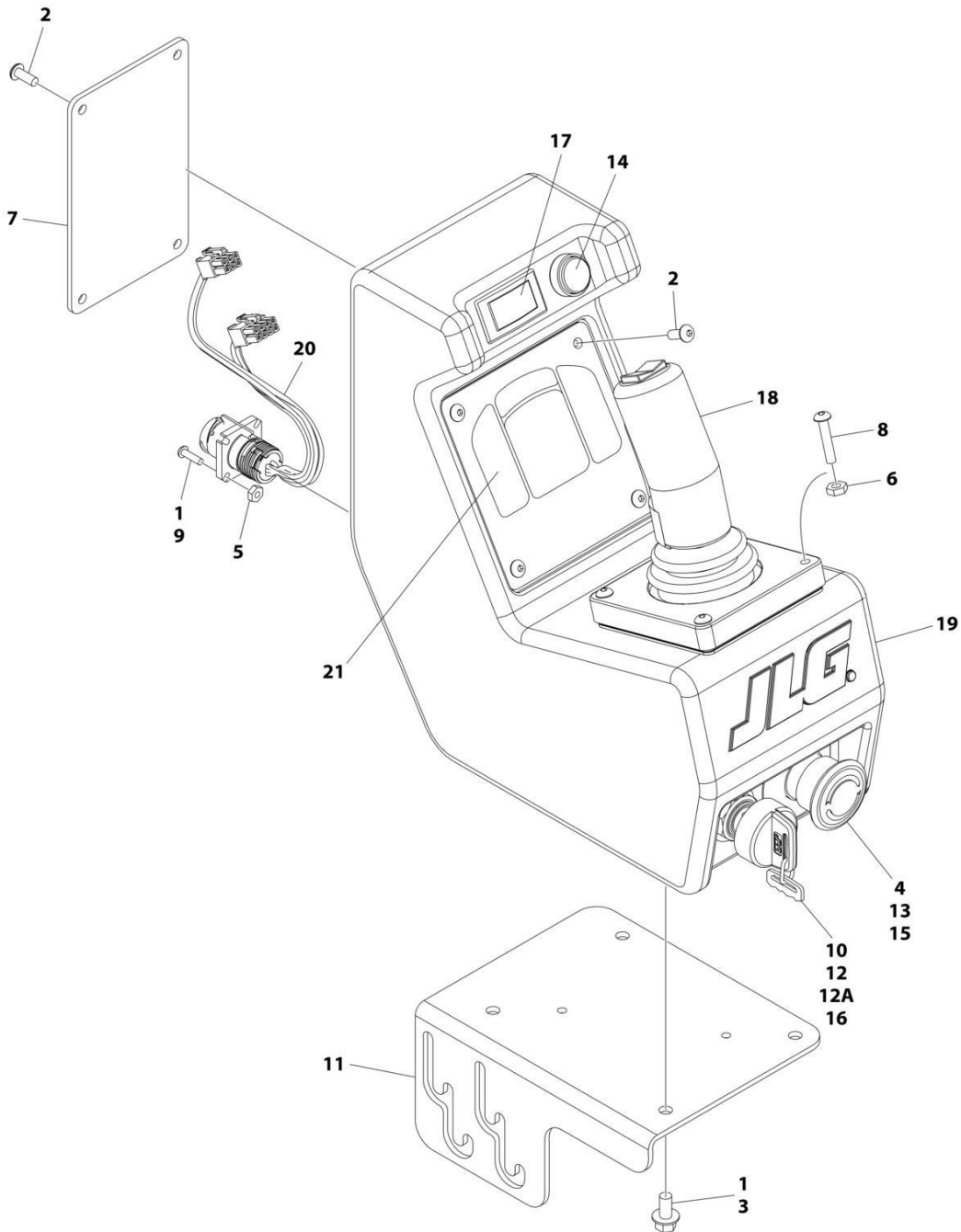
SECTION 2 - CONTROLS

FIGURE 2-15. GROUND CONTROL AND TRACTION MODULE INSTALLATION (CHINESE AND JAPANESE SPECS)

ITEM	PART NUMBER	QTY	DESCRIPTION	REV
	1001229630	Ref	GROUND CONTROL AND TRACTION MODULE INSTALLATION	B
1	0100011	AR	Compound, Locking	
2	0140033	1	Alarm	
3	0641404	2	Bolt 1/4 x 1/2	
4	0760514	4	Bolt M5 x 30 (Prior to SN 0130032819)	
4	0721010	4	Bolt 1/4 (SN 0130032819 to Present)	
5	4751000	4	Washer #10	
6	1001229633	1	Ground Control Station/Module Assembly	
6A	7024428	1	Switch, Emergency Stop	
6B	7024591	1	Switch, Selector	
6C	7024592	1	Cover	
7	1001231450	1	Module, Traction	

SECTION 2 - CONTROLS

FIGURE 2-16. PLATFORM CONTROL BOX ASSEMBLY (ALL SPECS EXCEPT AUSTRALIAN SPECS)



ART_1001228495

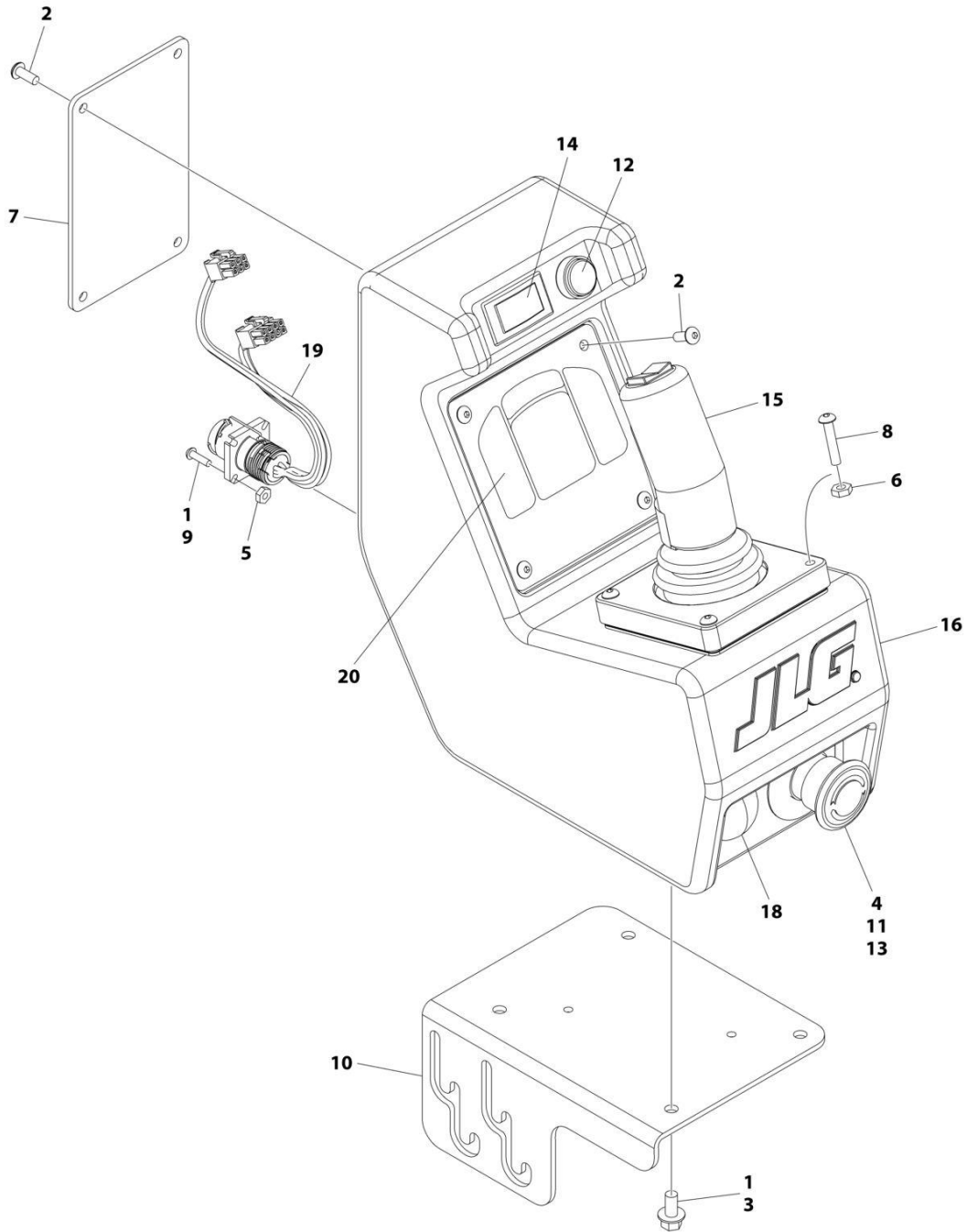
SECTION 2 - CONTROLS

FIGURE 2-16. PLATFORM CONTROL BOX ASSEMBLY (ALL SPECS EXCEPT AUSTRALIAN SPECS)

ITEM	PART NUMBER	QTY	DESCRIPTION	REV
	1001228495	Ref	PLATFORM CONTROL BOX ASSEMBLY	D
1	0100011	AR	Compound, Locking	
2	0630464	8	Screw #10 x 1/2	
3	0791404	4	Screw 1/4 x 1/2	
4	1706007	1	Decal - Emergency Stop	
5	3310601	4	Nut #6	
6	3311005	4	Nut #10	
7	3380540	1	Panel, Control Box	
8	3900189	4	Screw #10 x 1	
9	3910608	4	Screw #6 x 1/2	
10	3910804	2	Screw #8 x 1/4	
11	4340884	1	Mount, Control Box	
12	4360467	1	Switch, Key	
12A	2860030	1	Key, Replacement	
13	4360562	1	Switch, Emergency Stop	
14	4360567	1	Switch, Horn	
15	4923107	1	Emergency Stop Harness	
16	4923108	1	Key Switch Harness	
17	1001228835	1	Plug	
18	1001098192	1	Controller Assembly (See Separate Breakdown in this Section)	
19	1001098193	1	Box, Control	
20	1001227884	1	Power Harness	
21	1001228458	1	Module, Controller	

SECTION 2 - CONTROLS

FIGURE 2-17. PLATFORM CONTROL BOX ASSEMBLY (AUSTRALIAN SPECS)



ART_1001228496

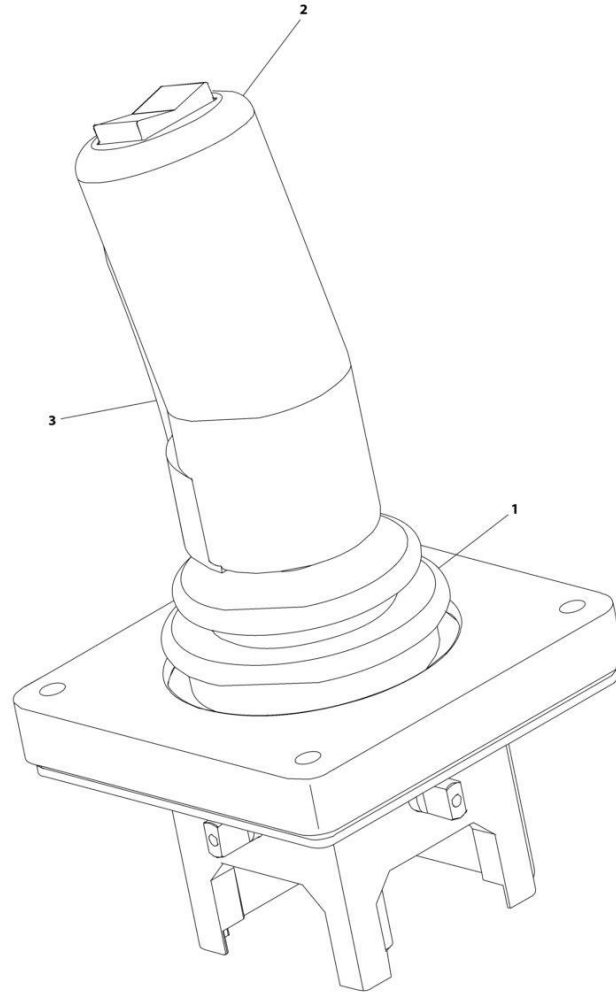
SECTION 2 - CONTROLS

FIGURE 2-17. PLATFORM CONTROL BOX ASSEMBLY (AUSTRALIAN SPECS)

ITEM	PART NUMBER	QTY	DESCRIPTION	REV
	1001228496	Ref	PLATFORM CONTROL BOX ASSEMBLY	D
1	0100011	AR	Compound, Locking	
2	0630464	8	Screw #10 x 1/2	
3	0791404	4	Screw 1/4 x 1/2	
4	1706007	1	Decal - Emergency Stop	
5	3310601	4	Nut #6	
6	3311005	4	Nut #10	
7	3380540	1	Panel, Control Box	
8	3900189	4	Screw #10 x 1	
9	3910608	4	Screw #6 x 1/2	
10	4340884	1	Mount, Control Box	
11	4360562	1	Switch, Emergency Stop	
12	4360567	1	Switch, Horn	
13	4923107	1	Emergency Stop Harness	
14	1001228835	1	Plug	
15	1001098192	1	Controller Assembly (See Separate Breakdown in this Section)	
16	1001098193	1	Box, Control	
17	1001137026	1	Key Switch Harness (Not Shown)	
18	1001137484	1	Plug	
19	1001227884	1	Power Harness	
20	1001228458	1	Module, Controller	

SECTION 2 - CONTROLS

FIGURE 2-18. CONTROLLER ASSEMBLY



ART_1001098192

SECTION 2 - CONTROLS

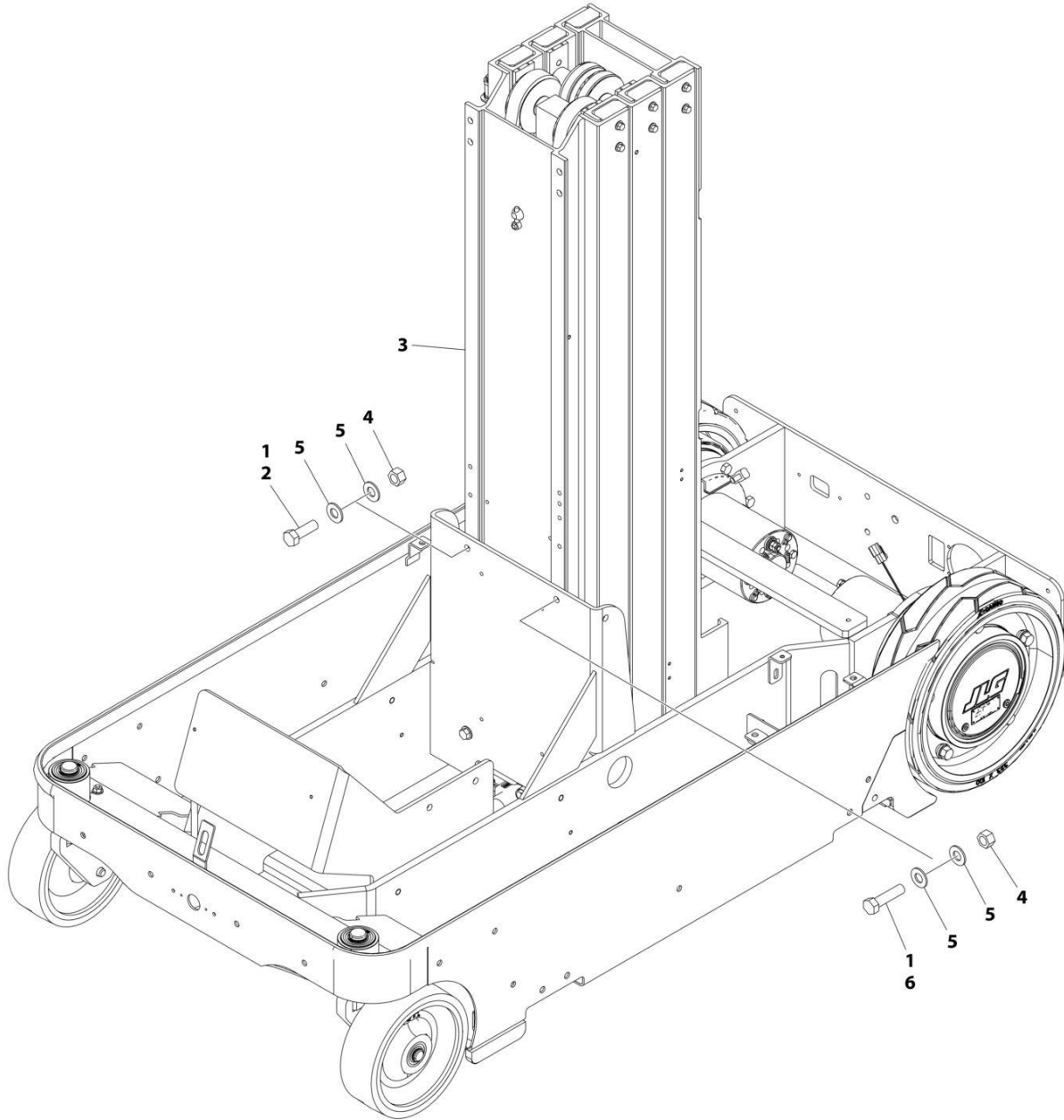
FIGURE 2-18. CONTROLLER ASSEMBLY

ITEM	PART NUMBER	QTY	DESCRIPTION	REV
	1001098192	Ref	CONTROLLER ASSEMBLY	A
1	70001250	1	Boot, Rubber (Base of Controller)	
1	7027766	1	Ring, Retaining	
1	70001251	1	Bezel, Mounting	
1	70001252	1	Gasket, Mounting	
2	70000084	1	Boot, Rubber (Steer Switch)	
2	70000082	2	Microswitch	
2	7027365	1	Actuator, Handle	
2	70000684	2	Screw	
2	70000686	2	Screw	
2	70000683	4	Washer, Neoprene	
2	70000685	2	Spacer	
2	70001253	1	Gasket, Handle	
3	7027765	1	Lever, Enable	
3	7027367	1	Switch, Push Button (Note: Not Shown - Located Behind Lever)	

SECTION 3 - MAST

SECTION 3 - MAST

FIGURE 3-1. MAST INSTALLATION



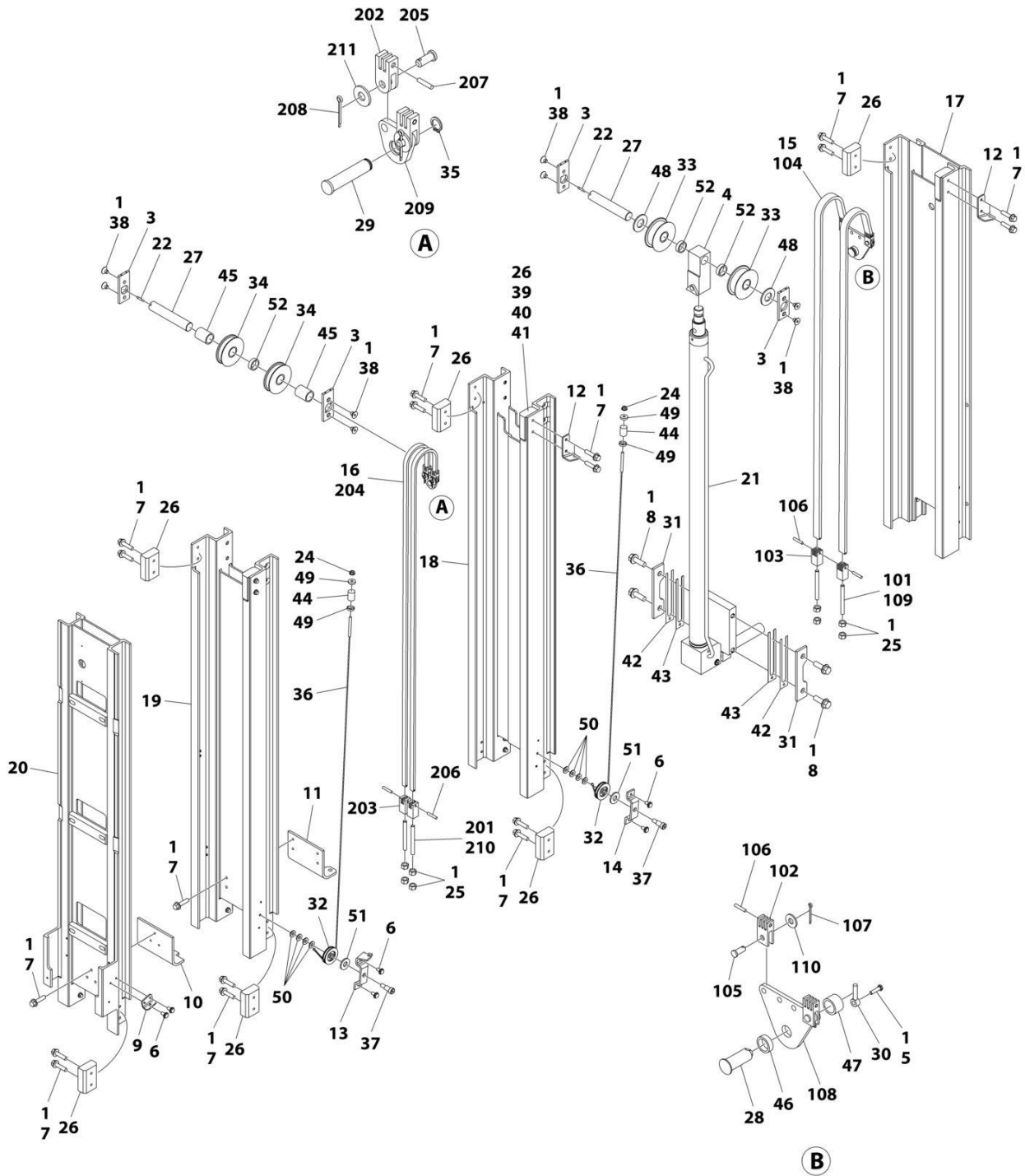
ART_0273545

FIGURE 3-1. MAST INSTALLATION

ITEM	PART NUMBER	QTY	DESCRIPTION	REV
	0273545	Ref	MAST INSTALLATION	B
1	0100019	AR	Compound, Locking	
2	0641609	3	Bolt 3/8 x 1-1/8	
3	0801394	1	Mast Assembly (See Separate Breakdown in this Section)	
4	3311601	4	Nut 3/8	
5	4711600	8	Washer 3/8	
6	0641612	1	Bolt 3/8 x 1-1/2	

SECTION 3 - MAST

FIGURE 3-2. MAST ASSEMBLY



ART_0801394

SECTION 3 - MAST

FIGURE 3-2. MAST ASSEMBLY

ITEM	PART NUMBER	QTY	DESCRIPTION	REV
	0801394	Ref	MAST ASSEMBLY	E
1	0100011	AR	Compound, Locking	
3	0362735	4	Bar, Support	
4	0561341	1	Block, Anchor	
5	0721006	1	Screw #10 x 3/4	
6	0791003	6	Screw #10 x 3/8	
7	0811408	31	Screw 1/4 x 1	
8	0791812	4	Screw 1/2 x 1-1/2	
9	0902047	1	Bracket, Sequence Cable	
10	0902423	1	Bracket, Chain Attach	
11	0902424	1	Bracket, Chain Attach	
12	0902431	2	Bracket, Sequence Cable	
13	0902445	1	Bracket, Sequence Cable	
14	0902698	1	Bracket, Sequence Cable	
15	1260375	1	Chain Assembly - #446 (See Items 101-110 for Breakdown)	
16	1260376	1	Chain Assembly - #444 (See Items 201-211 for Breakdown)	
17	1271567	1	Channel, Mast #1	
18	1271568	1	Channel, Mast #2	
19	1271569	1	Channel, Mast #3	
20	1271577	1	Channel, Header	
21	1001225209	1	Lift Cylinder Assembly (See Separate Breakdown in CYLINDER SECTION)	
22	2880310	2	Key	
23	3020041	AR	Lubricant (Not Shown - Used on Slides)	
24	3311408	2	Nut 1/4	
25	3311601	8	Nut 3/8	
26	3340845	12	Pad	
27	3422717	2	Pin	
28	3422750	1	Pin	
29	3422752	1	Pin	
30	3422757	1	Pin, Keeper	
31	3570893	2	Plate, Cylinder Mounting	
32	3580269	2	Sheave, Sequence Cable	
33	3580286	2	Sheave Assembly	
33	0440246	2	Bearing (1 Per Assembly)	
34	3580293	2	Sheave Assembly	
34	0440249	2	Bearing (1 Per Assembly)	
35	3760383	1	Ring, Retaining	
36	3890039	2	Cable, Sequence	
37	3900187	2	Screw, Shoulder	
38	3900192	8	Screw 3/8 x 1/2	
39	4070860	AR	Shim, Slide Pad	
40	4070861	AR	Shim, Slide Pad	
41	4070862	AR	Shim, Slide Pad	
42	4070970	AR	Shim, Cylinder Mount	
43	4070971	AR	Shim, Cylinder Mount	
44	4160124	2	Spring	
45	4567491	1	Tube, Spacer	
46	4567750	1	Tube, Spacer	
47	4567751	1	Tube, Spacer	

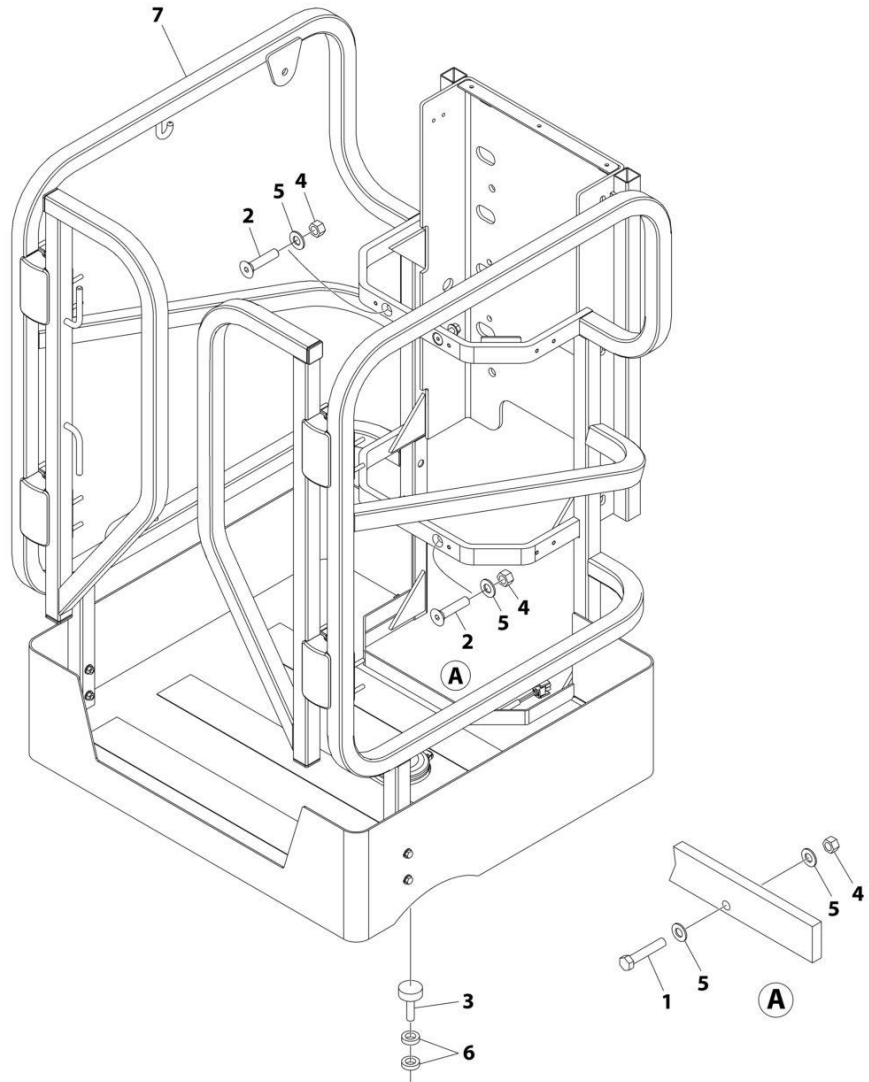
SECTION 3 - MAST

ITEM	PART NUMBER	QTY	DESCRIPTION	REV
48	4740007	2	Washer	
49	4740414	4	Washer, Cup	
50	4751000	8	Washer #10	
51	4751500	2	Washer 5/16	
52	4569003	3	Tube, Spacer	
60	0273417	Ref	Mast Kit (Includes Items 17-20) (Not Shown)	H
	1260375	Ref	CHAIN ASSEMBLY - #446 CHAIN	B
101	0100062	AR	Compound, Locking	
102	0561153	2	Block, Chain Anchor	
103	0561409	2	Block, Chain Anchor	
104	See Note	NLA	Chain (Note: Use p/n 1260375)	
105	3422338	2	Pin	
106	3422346	4	Pin	
107	3450304	2	Pin, Cotter	
108	3571101	1	Plate, Chain Adjustment	
109	4300111	2	Stud	
110	4751500	2	Washer 5/16	
	1260376	Ref	CHAIN ASSEMBLY - #444 CHAIN	C
201	0100019	AR	Compound, Locking	
202	0561149	2	Block, Chain Anchor	
203	0561408	2	Block, Chain Anchor	
204	See Note	NLA	Chain (Note: Use p/n 1260376)	
205	3422338	2	Pin	
206	3422346	2	Pin	
207	3422355	2	Pin	
208	3450304	2	Pin, Cotter	
209	3571103	1	Plate, Chain Adjustment	
210	4300111	2	Stud	
211	4751500	2	Washer 5/16	

SECTION 4 - PLATFORM

SECTION 4 - PLATFORM

FIGURE 4-1. PLATFORM INSTALLATION - WITHOUT GATE LATCH



ART_1001204795

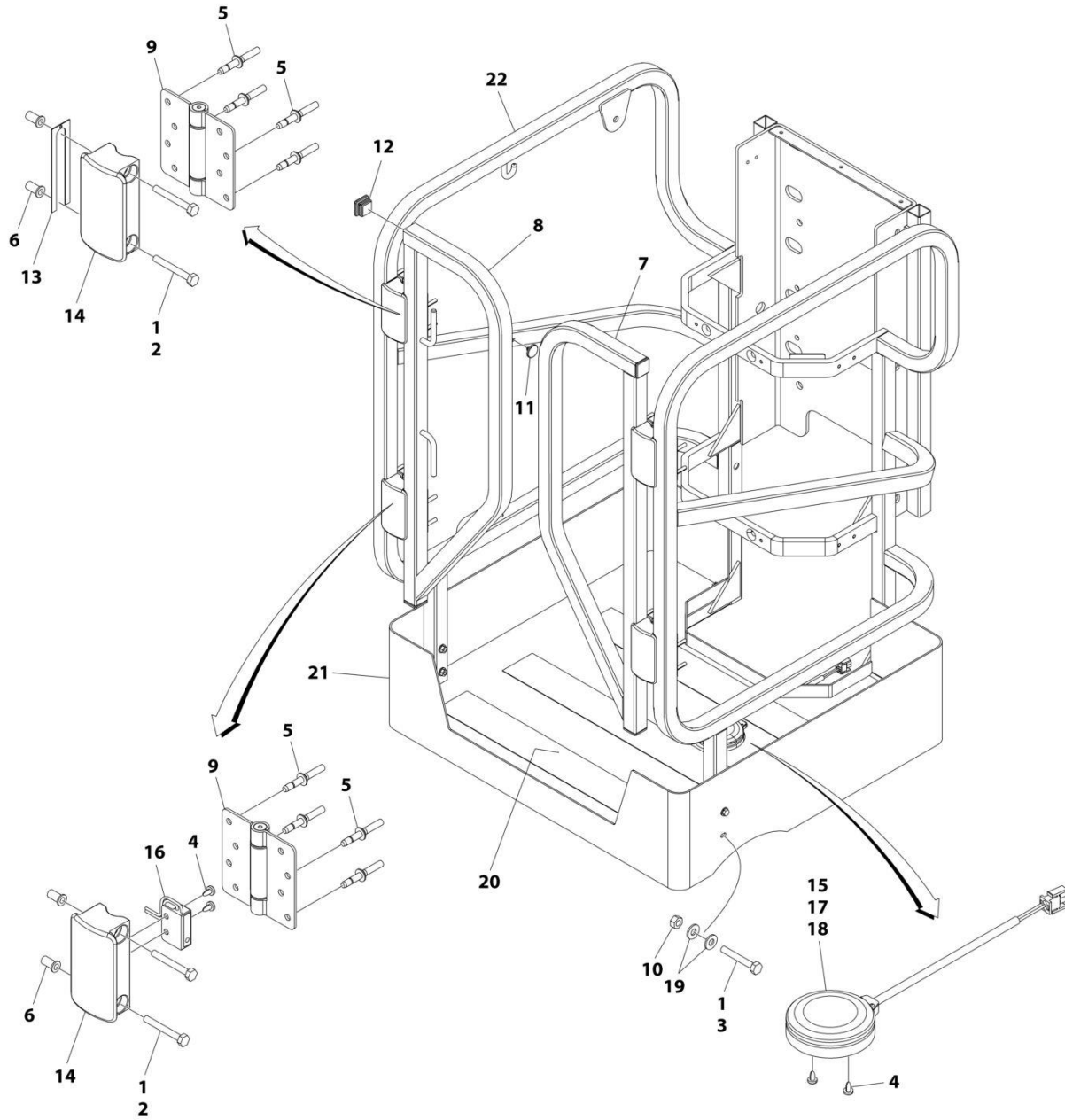
SECTION 4 - PLATFORM

FIGURE 4-1. PLATFORM INSTALLATION - WITHOUT GATE LATCH

ITEM	PART NUMBER	QTY	DESCRIPTION	REV
	1001204795	Ref	PLATFORM INSTALLATION	A
1	0641616	2	Bolt 3/8 x 2	
2	0741614	4	Screw 3/8 x 1-3/4	
3	0940049	2	Stopper	
4	3311605	6	Nut 3/8	
5	4711600	8	Washer 3/8	
6	4740139	4	Washer	
7	1001204796	1	Platform Assembly (See Separate Breakdown in this Section)	

SECTION 4 - PLATFORM

FIGURE 4-2. PLATFORM ASSEMBLY - WITHOUT GATE LATCH



ART_1001204796

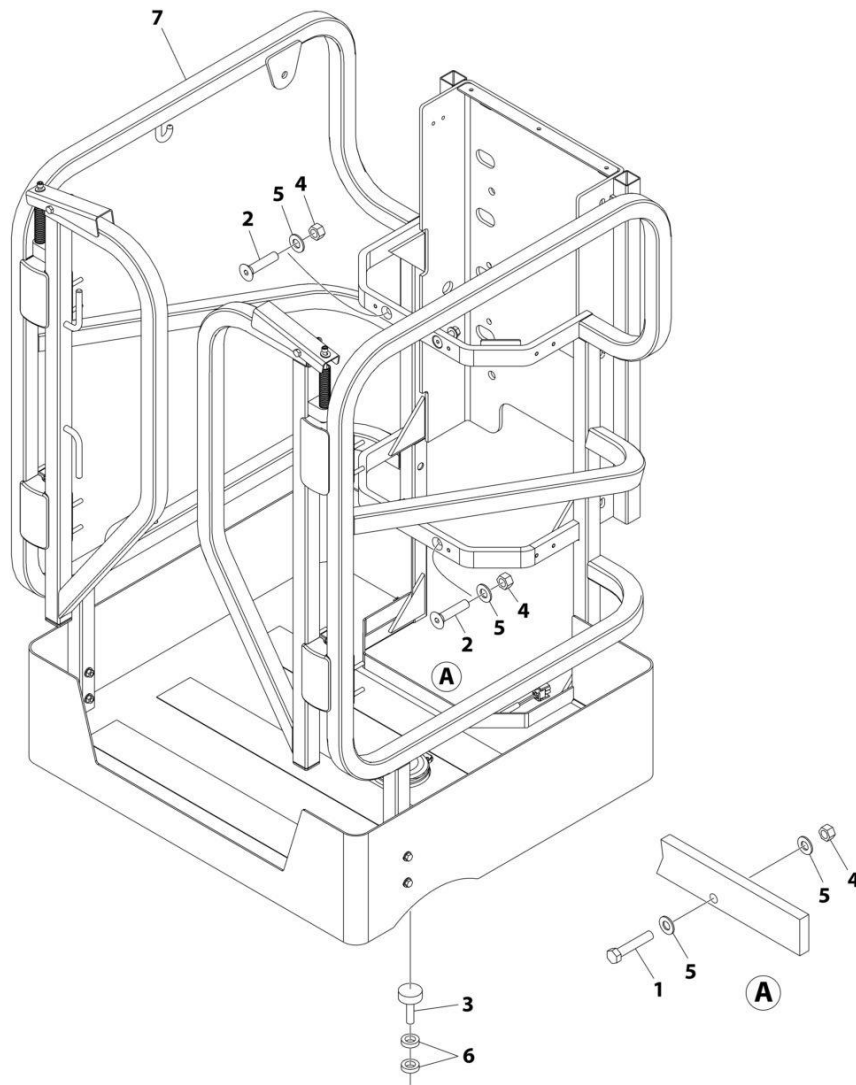
SECTION 4 - PLATFORM

FIGURE 4-2. PLATFORM ASSEMBLY - WITHOUT GATE LATCH

ITEM	PART NUMBER	QTY	DESCRIPTION	REV
	1001204796	Ref	PLATFORM ASSEMBLY	D
1	0100011	AR	Compound, Locking	
2	0641416	8	Bolt 1/4 x 2	
3	0681414	4	Bolt 1/4 x 1-3/4	
4	0751003	6	Screw	
5	2080040	16	Fastener	
6	2080043	8	Rivnut 1/4	
7	1001228875	1	Gate (RH)	
8	1001228876	1	Gate (LH)	
9	2600294	4	Hinge	
10	3311405	4	Nut 1/4	
11	3340962	2	Pad	
12	3520072	4	Plug	
13	4071095	AR	Shim 20Ga	
14	4220309	4	Stop, Gate	
15	1001229726	1	Footswitch	
16	1001230161	2	Switch, Proximity	
17	4460035	1	Terminal	
18	4460320	1	Plug, Male - 2 Position	
19	4711400	8	Washer 1/4	
20	1001099638	3	Tape, Safety	
21	1001206743	1	Base	
22	1001228239	1	Rail	

SECTION 4 - PLATFORM

FIGURE 4-3. PLATFORM INSTALLATION - WITH GATE LATCH



ART_1001206387

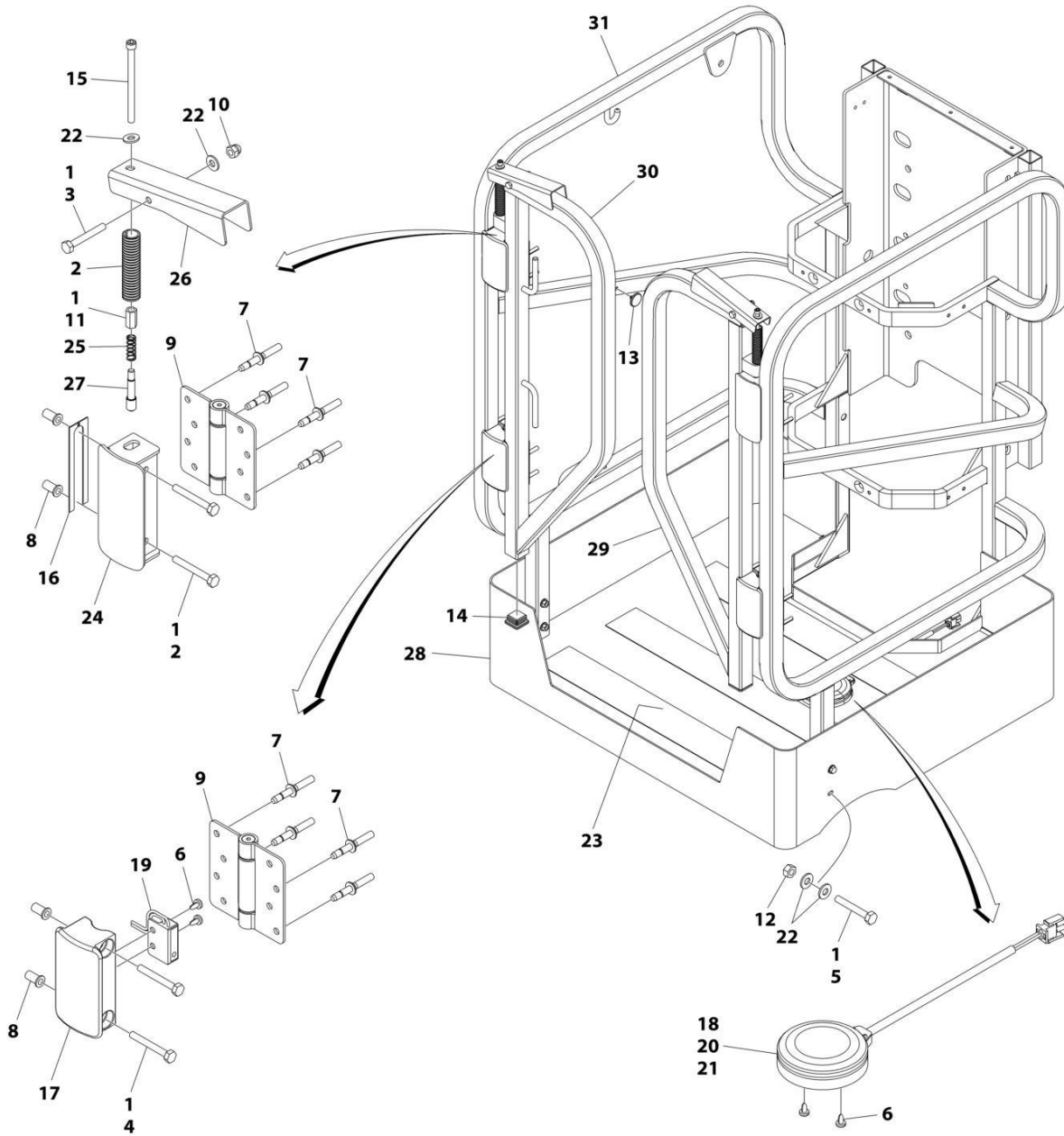
SECTION 4 - PLATFORM

FIGURE 4-3. PLATFORM INSTALLATION - WITH GATE LATCH

ITEM	PART NUMBER	QTY	DESCRIPTION	REV
	1001206387	Ref	PLATFORM INSTALLATION	A
1	0641616	2	Bolt 3/8 x 2	
2	0741614	4	Screw 3/8 x 1-3/4	
3	0940049	2	Stopper	
4	3311605	6	Nut 3/8	
5	4711600	8	Washer 3/8	
6	4740139	4	Washer	
7	1001207352	1	Platform Assembly (See Separate Breakdown in this Section)	

SECTION 4 - PLATFORM

FIGURE 4-4. PLATFORM ASSEMBLY - WITH GATE LATCH



ART_1001207352

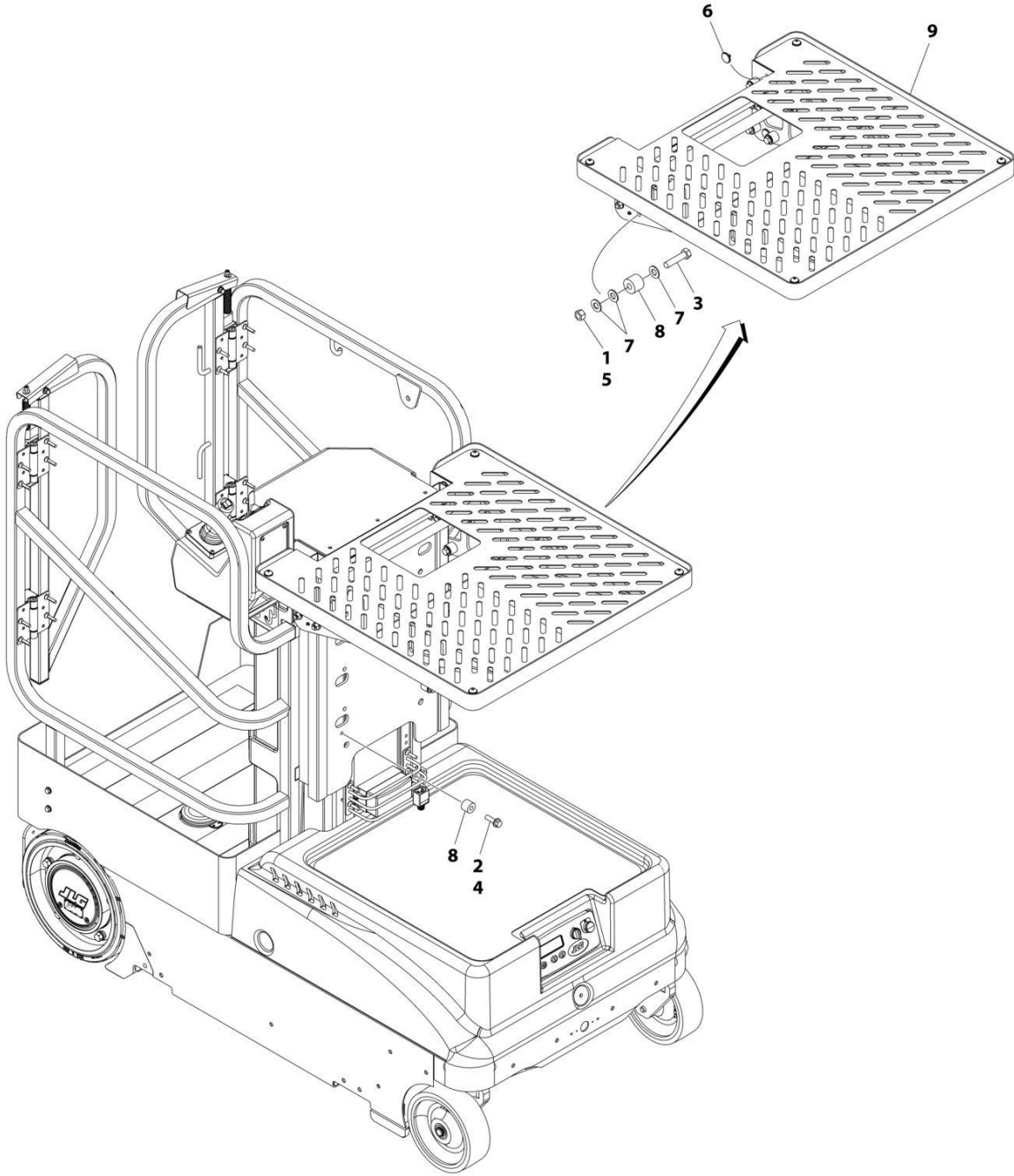
SECTION 4 - PLATFORM

FIGURE 4-4. PLATFORM ASSEMBLY - WITH GATE LATCH

ITEM	PART NUMBER	QTY	DESCRIPTION	REV
	1001207352	Ref	PLATFORM ASSEMBLY	D
1	0100011	AR	Compound, Locking	
2	280013	6 in/16cm	Conduit	
3	0641415	2	Bolt 1/4 x 1-7/8	
4	0641416	8	Bolt 1/4 x 2	
5	0681414	4	Bolt 1/4 x 1-3/4	
6	0751003	6	Screw	
7	2080040	16	Fastener	
8	2080043	8	Rivnut 1/4	
9	2600294	4	Hinge	
10	3300151	2	Nut 1/4	
11	3300381	2	Nut	
12	3311405	4	Nut 1/4	
13	3340962	2	Pad	
14	3520072	4	Plug	
15	3931456	2	Capscrew 1/4 x 3-1/2	
16	4071095	AR	Shim 20Ga	
17	4220309	2	Stop, Gate	
18	1001229726	1	Footswitch	
19	1001230161	2	Switch, Proximity	
20	4460035	1	Terminal	
21	4460320	1	Plug, Male - 2 Position	
22	4711400	12	Washer 1/4	
23	1001099638	3	Tape, Safety	
24	1001100141	2	Stop, Gate	
25	1001100634	2	Spring	
26	1001100142	2	Handle	
27	1001101529	2	Pin, Plunger	
28	1001206743	1	Base	
29	1001228873	1	Gate (RH)	
30	1001228874	1	Gate (LH)	
31	1001228239	1	Rail	

SECTION 4 - PLATFORM

FIGURE 4-5. TRAY INSTALLATION - MANUAL



ART_1001228847

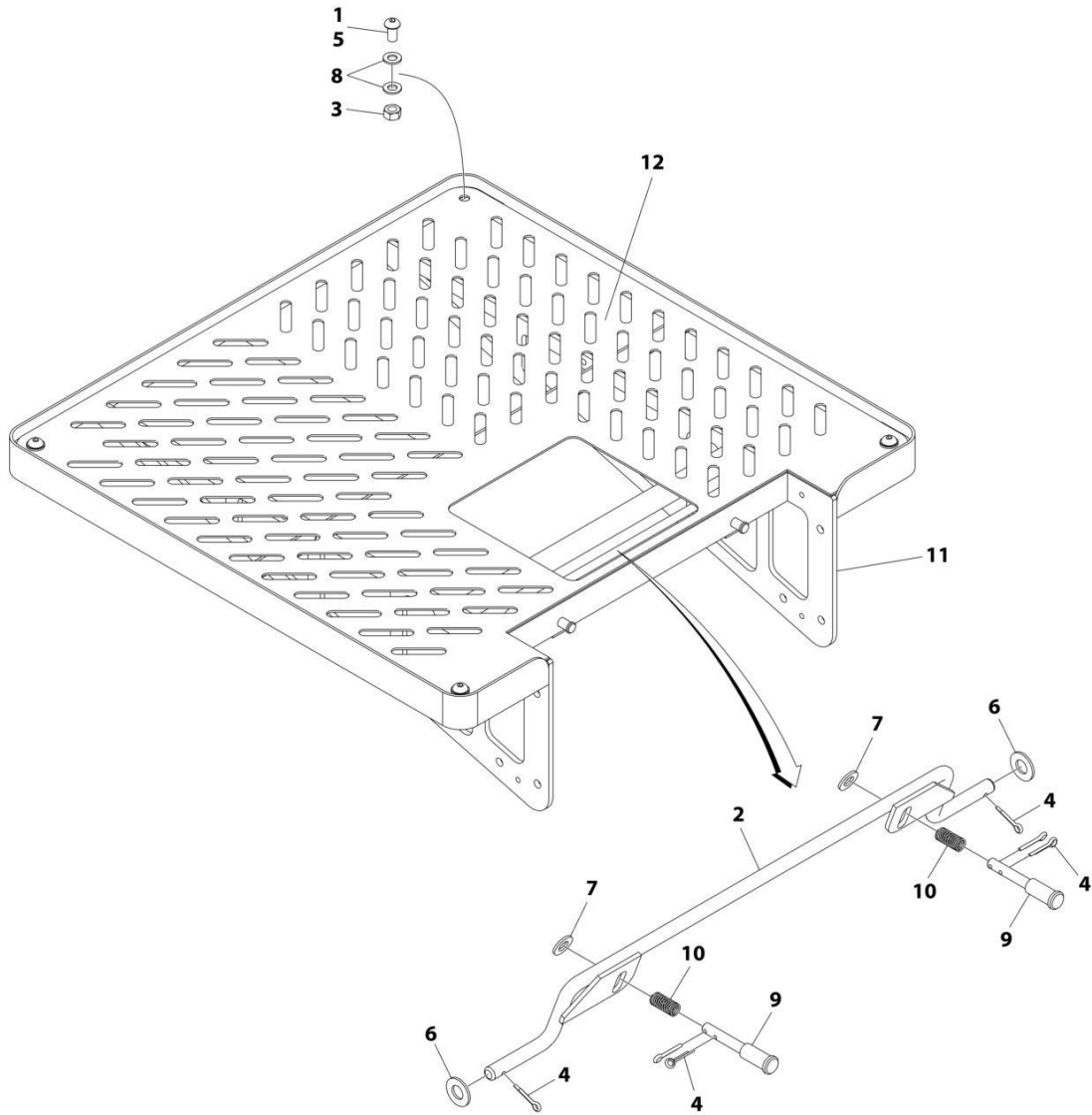
SECTION 4 - PLATFORM

FIGURE 4-5. TRAY INSTALLATION - MANUAL

ITEM	PART NUMBER	QTY	DESCRIPTION	REV
	1001228847	Ref	TRAY INSTALLATION	A
1	0100011	AR	Compound, Locking	
2	0100019	AR	Compound, Locking	
3	0641613	6	Bolt 3/8 x 1-5/8	
4	0811610	2	Screw 3/8 x 1-1/4	
5	3271601	6	Nut 3/8	
6	3340962	4	Pad	
7	4711600	18	Washer 3/8	
8	1001181407	8	Bar, Spacer	
9	1001228854	1	Tray Assembly (See Separate Breakdown in this Section)	

SECTION 4 - PLATFORM

FIGURE 4-6. TRAY ASSEMBLY - MANUAL



ART_1001228854

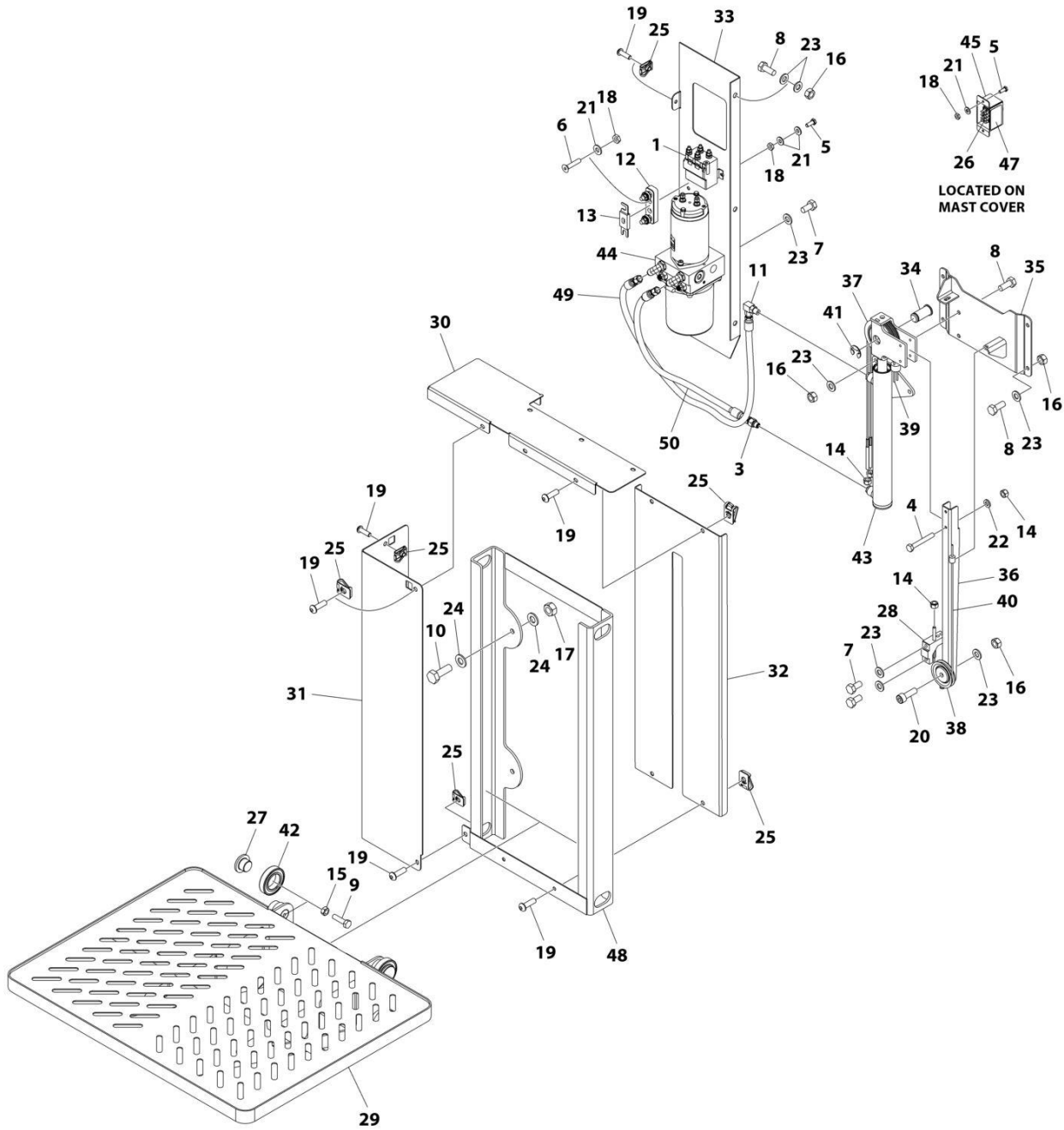
SECTION 4 - PLATFORM

FIGURE 4-6. TRAY ASSEMBLY - MANUAL

ITEM	PART NUMBER	QTY	DESCRIPTION	REV
	1001228854	Ref	TRAY ASSEMBLY	A
1	0100011	AR	Compound, Locking	
2	2940165	1	Latch	
3	3291007	4	Nut M10	
4	3450302	6	Pin .09 x 1/2	
5	3900393	4	Screw M10 x 20	
6	4711600	2	Washer 3/8	
7	4811900	2	Washer M8	
8	4812000	8	Washer M10	
9	1001171856	2	Pin, Plunger	
10	1001171869	2	Spring	
11	1001228848	1	Shelf	
12	1001228853	1	Plate	

SECTION 4 - PLATFORM

FIGURE 4-7. TRAY INSTALLATION - POWER



ART_1001228398

SECTION 4 - PLATFORM

FIGURE 4-7. TRAY INSTALLATION - POWER

ITEM	PART NUMBER	QTY	DESCRIPTION	REV
	1001228398	Ref	TRAY INSTALLATION	E
1	260269	1	Inverter/Relay	
3	1001231257	1	Fitting, Flow Control	
4	0700617	2	Bolt M6 x 45	
5	0721004	4	Screw #10 x 1/2	
6	0741008	2	Screw #10 x 1 (Prior to SN 0130032819)	
6	0741006	2	Screw #10 x 3/4 (SN 0130032819 to Present)	
7	0760808	4	Bolt M8 x 16 (Prior to SN 0130032819)	
7	0760807	4	Bolt M8 x 14 (SN 0130032819 to Present)	
8	0760810	10	Bolt M8 x 20	
9	0760814	4	Bolt M8 x 30	
10	0761014	4	Bolt M10 x 30	
11	2220775	1	Fitting, 90 JIC/ORB (Prior to SN 0130033694)	
11	2220466	1	Fitting, 90 JIC/ORB (SN 0130033694 to Present)	
12	2400044	1	Fuse, Mounting Block	
13	2400054	1	Fuse 35Amp	
14	3290605	5	Nut M6	
15	3290801	4	Nut M8	
16	3290807	11	Nut M8	
17	3291007	4	Nut M10	
18	3311005	6	Nut #10	
19	3900364	9	Screw M6 x 20	
20	4031909	1	Capscrew M8 x 25 (Prior to SN 0130032819)	
20	4031910	1	Capscrew M8 x 30 (SN 0130032819 to Present)	
21	4711000	8	Washer #10	
22	4811700	2	Washer M6	
23	4811900	18	Washer M8	
24	4812000	8	Washer M10	
25	8305919	9	Nut, Retainer M6	
26	1001164530	1	Switch	
27	1001204754	4	Pad	
28	1001204755	1	Bracket	
29	1001204756	1	Tray	
30	1001204770	1	Cover	
31	1001204771	1	Cover	
32	1001204772	1	Cover	
33	1001204779	1	Plate	
34	1001204783	1	Pin	
35	1001204787	1	Mount, Cylinder	
36	1001204791	1	Link	
37	1001205547	1	Pulley (Double)	
38	1001205548	1	Pulley (Single)	
39	1001205549	1	Cable (Double)	
40	1001205550	1	Cable (Single)	
41	1001205701	1	Circlip	
42	1001205719	4	Bearing	
43	1001205838	1	Power Tray Cylinder Assembly (See Separate Breakdown in CYLINDER SECTION)	
44	1001208602	1	Pump Assembly (See Separate Breakdown in this Section)	
45	1001210379	1	Cover	

SECTION 4 - PLATFORM

ITEM	PART NUMBER	QTY	DESCRIPTION	REV
46	1001210491	1	Tray Harness (Not Shown - See Separate Breakdown in ELECTRICAL SECTION)	
47	1001210530	1	Decal - Power Tray Up/Down	
48	1001228236	1	Channel	
49	1001229115	1	Hose	
50	1001229116	1	Hose	

SECTION 4 - PLATFORM

FIGURE 4-8. PUMP ASSEMBLY - POWER TRAY

INFORMATION NOT AVAILABLE AT THE TIME OF PRINTING

ART_1001208602

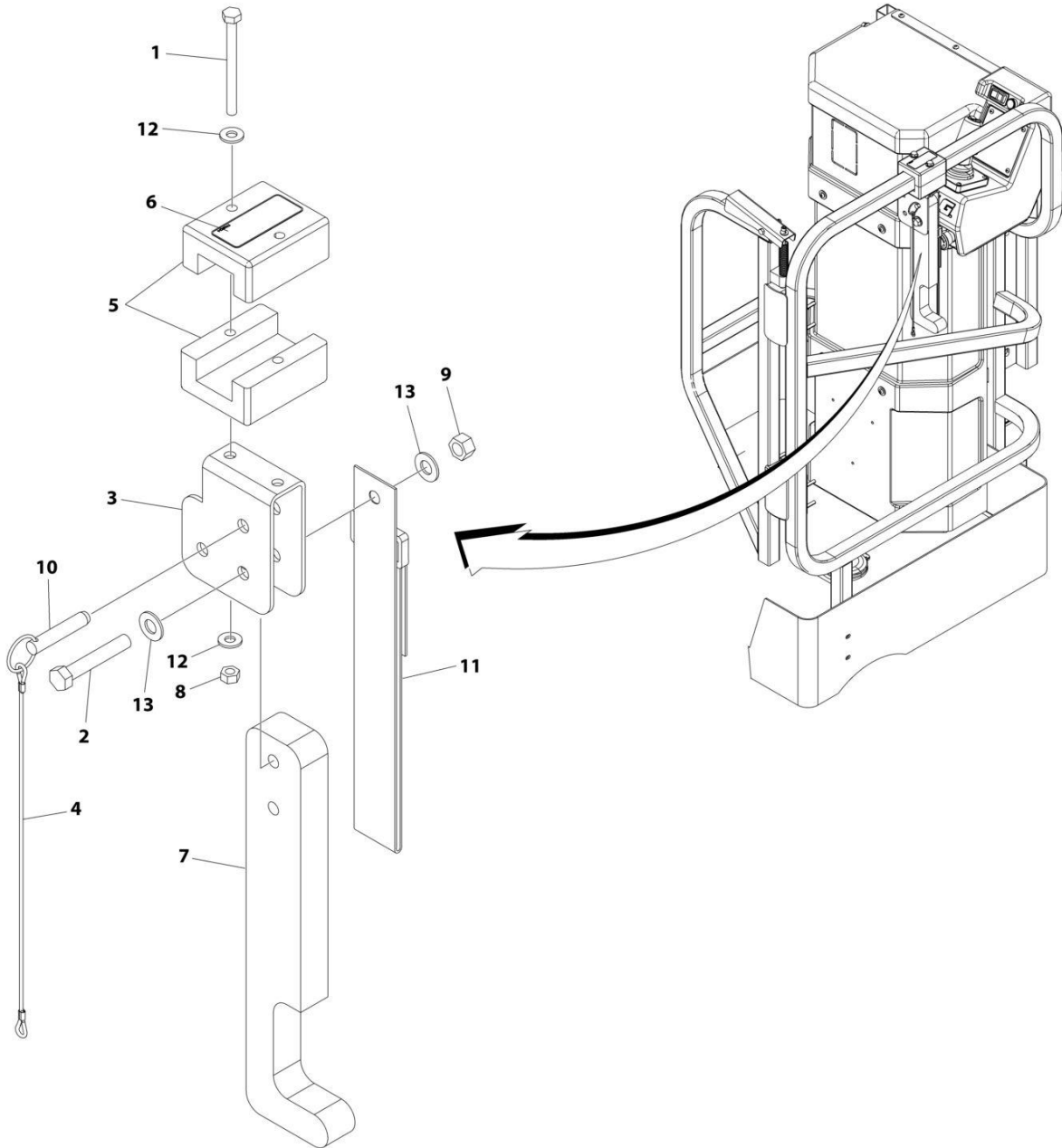
SECTION 4 - PLATFORM

FIGURE 4-8. PUMP ASSEMBLY - POWER TRAY

ITEM	PART NUMBER	QTY	DESCRIPTION	REV
	1001208602	Ref	PUMP ASSEMBLY	A

SECTION 4 - PLATFORM

FIGURE 4-9. BICYCLE CARRIER INSTALLATION - ONE SIDE (OPTIONAL)



ART_0273570

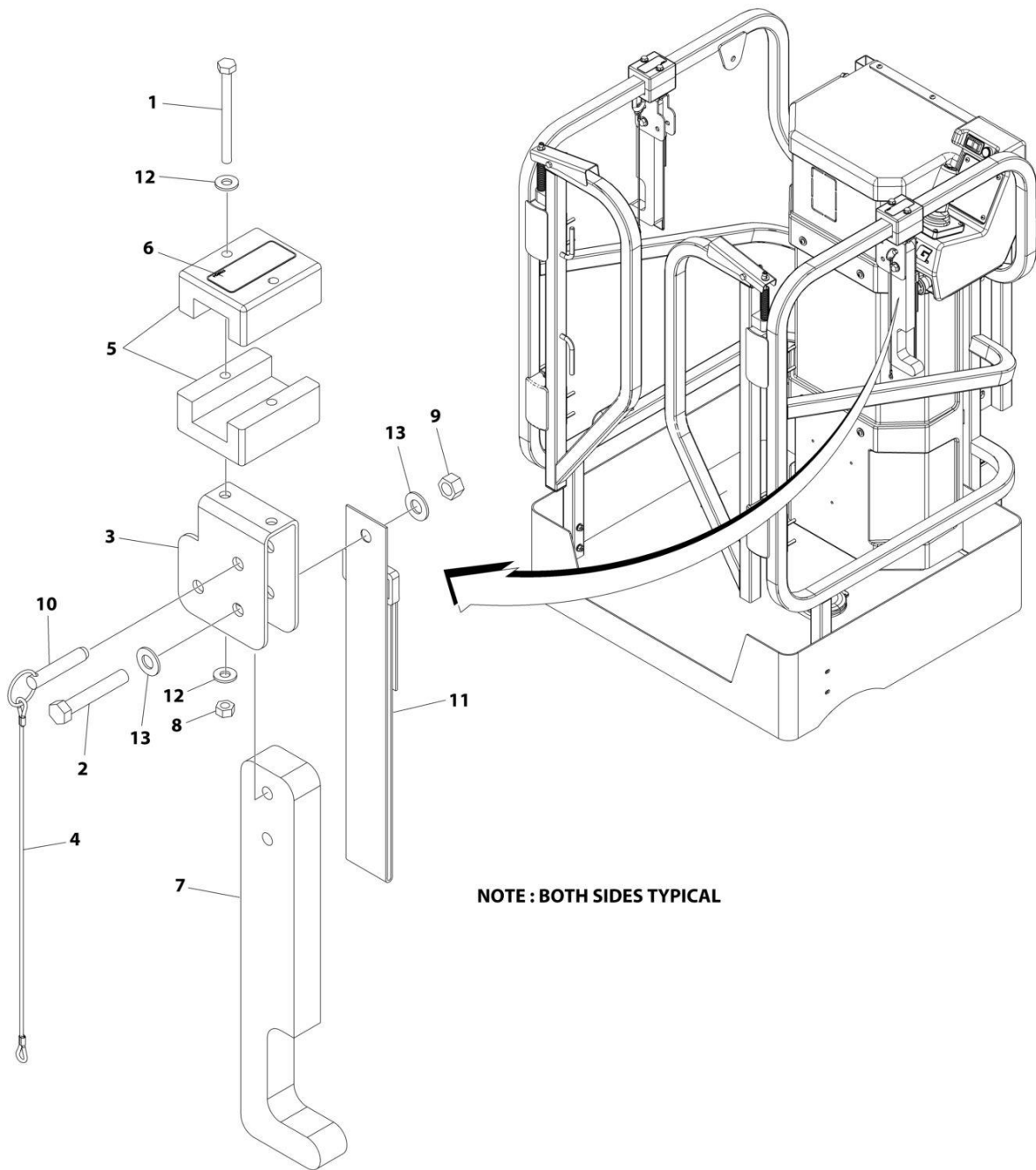
SECTION 4 - PLATFORM

FIGURE 4-9. BICYCLE CARRIER INSTALLATION - ONE SIDE (OPTIONAL)

ITEM	PART NUMBER	QTY	DESCRIPTION	REV
	0273570	Ref	BICYCLE CARRIER INSTALLATION	C
1	0641424	2	Bolt 1/4 x 3	
2	0641618	1	Bolt 3/8 x 2-1/4	
3	0902895	1	Bracket, Hanger	
4	1060799	1	Lanyard	
5	1320316	1	Clamp, Block	
6	1706134	1	Decal - Maximum Capacity	
7	2660121	1	Arm	
8	3311405	2	Nut 1/4	
9	3311605	1	Nut 3/8	
10	3420198	1	Pin, Quick Release	
11	4240163	1	Strap	
12	4711400	4	Washer 1/4	
13	4711600	4	Washer 3/8	

SECTION 4 - PLATFORM

FIGURE 4-10. BICYCLE CARRIER INSTALLATION - BOTH SIDES (OPTIONAL)



NOTE : BOTH SIDES TYPICAL

ART_0273571

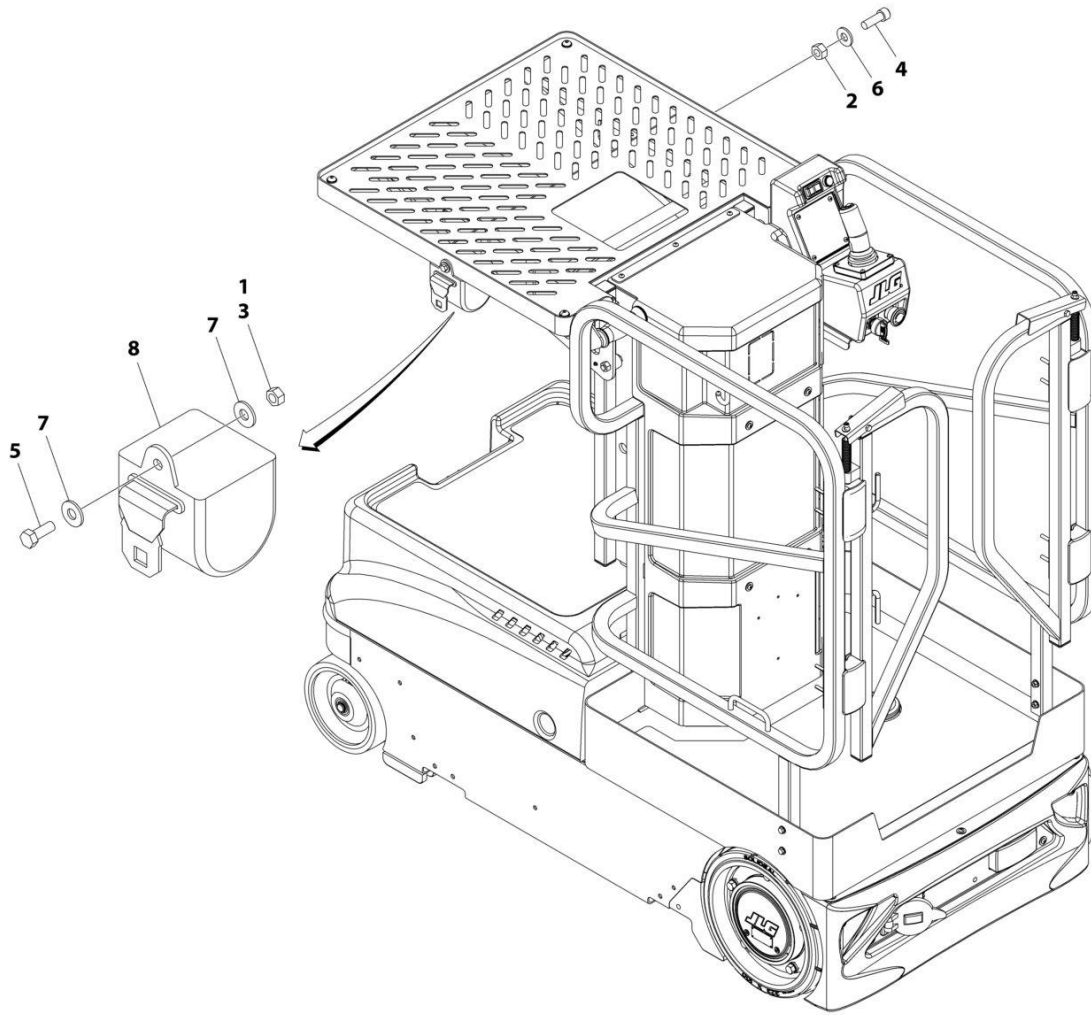
SECTION 4 - PLATFORM

FIGURE 4-10. BICYCLE CARRIER INSTALLATION - BOTH SIDES (OPTIONAL)

ITEM	PART NUMBER	QTY	DESCRIPTION	REV
	0273571	Ref	BICYCLE CARRIER INSTALLATION	C
1	0641424	4	Bolt 1/4 x 3	
2	0641618	2	Bolt 3/8 x 2-1/4	
3	0902895	2	Bracket, Hanger	
4	1060799	2	Lanyard	
5	1320316	2	Clamp, Block	
6	1706134	2	Decal - Maximum Capacity	
7	2660121	2	Arm	
8	3311405	4	Nut 1/4	
9	3311605	2	Nut 3/8	
10	3420198	2	Pin, Quick Release	
11	4240163	2	Strap	
12	4711400	8	Washer 1/4	
13	4711600	4	Washer 3/8	

SECTION 4 - PLATFORM

FIGURE 4-11. CARGO BELT INSTALLATION (OPTIONAL)



ART_1001091680

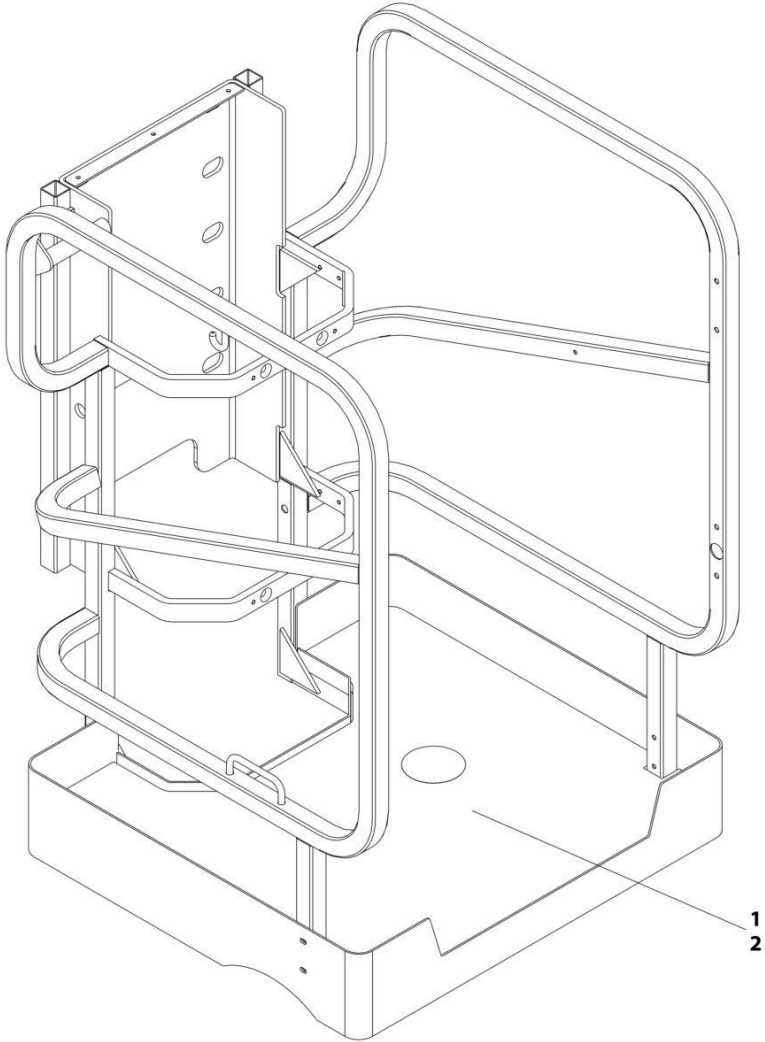
SECTION 4 - PLATFORM

FIGURE 4-11. CARGO BELT INSTALLATION (OPTIONAL)

ITEM	PART NUMBER	QTY	DESCRIPTION	REV
	1001091680	Ref	CARGO BELT INSTALLATION	B
1	0100011	AR	Compound, Locking	
2	3311405	1	Nut 1/4	
3	3311501	1	Nut 5/16	
4	3931412	1	Capscrew 1/4 x 3/4	
5	0641507	1	Bolt 5/16 x 7/8	
6	4711400	1	Washer 1/4	
7	4751500	2	Washer 5/16	
8	1001091679	1	Belt, Cargo	

SECTION 4 - PLATFORM

FIGURE 4-12. FLOORMAT INSTALLATION (OPTIONAL)



ART_1001222318

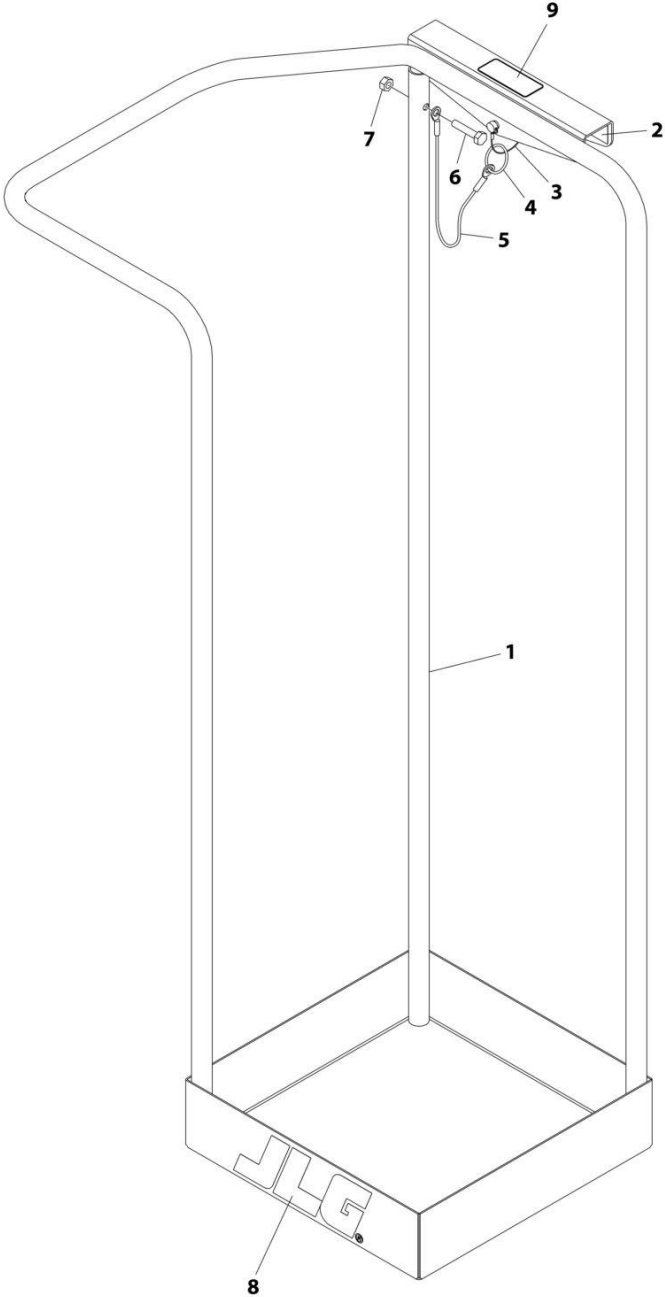
SECTION 4 - PLATFORM

FIGURE 4-12. FLOORMAT INSTALLATION (OPTIONAL)

ITEM	PART NUMBER	QTY	DESCRIPTION	REV
1	1001222318	Ref	FLOORMAT INSTALLATION	A
1	8882320	AR	Sealer, Seam	
2	1001206615	1	Floor Mat	

SECTION 4 - PLATFORM

FIGURE 4-13. FLUORESCENT TUBE CADDY INSTALLATION (OPTIONAL)



ART_0255040

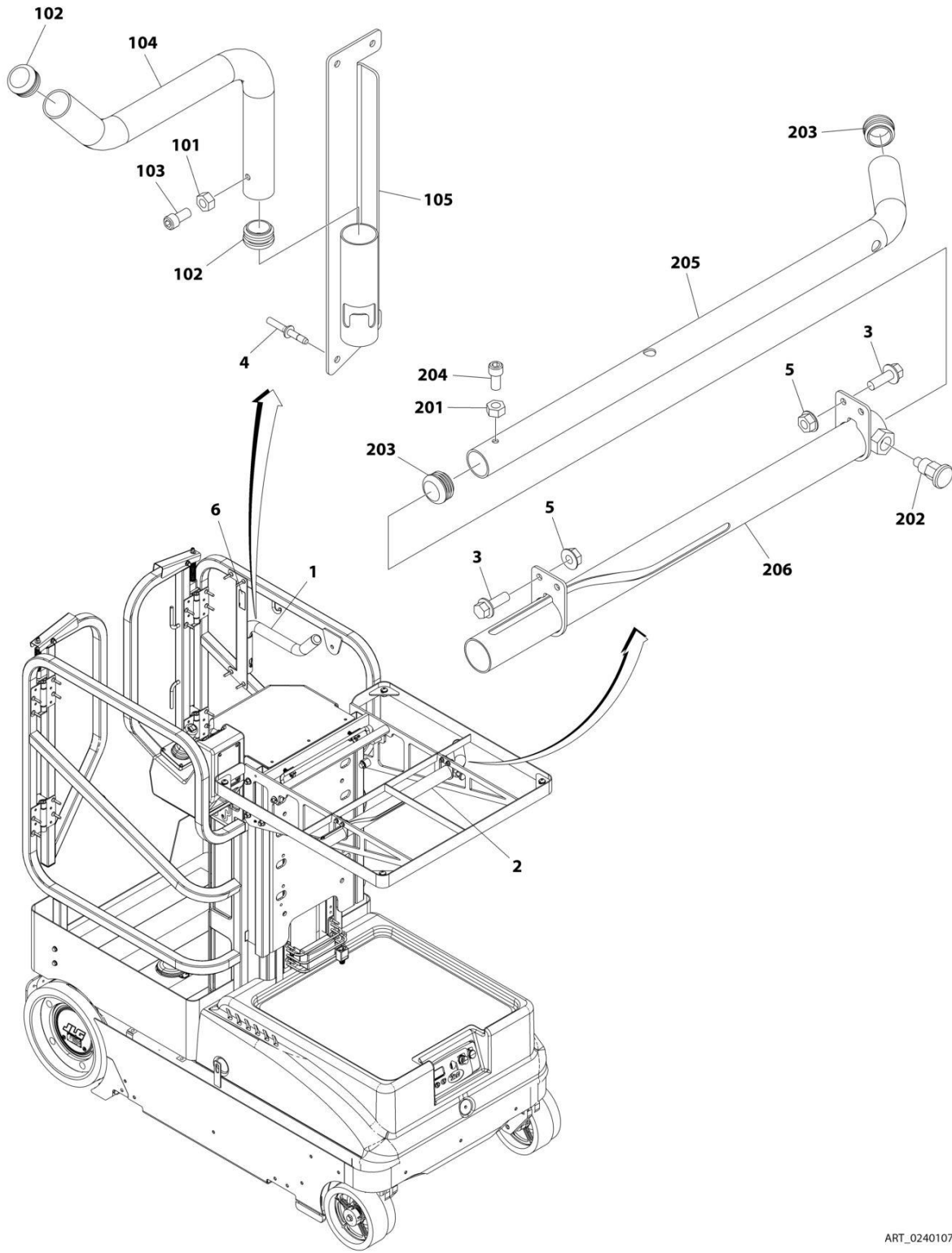
SECTION 4 - PLATFORM

FIGURE 4-13. FLUORESCENT TUBE CADDY INSTALLATION (OPTIONAL)

ITEM	PART NUMBER	QTY	DESCRIPTION	REV
	0255040	Ref	FLUORESCENT TUBE CADDY INSTALLATION	B
1	4844840	1	Caddy, Fluorescent Tube	
2	4280296	2 ft/0.7m	Strip, Wear	
3	3421453	1	Pin, Snapper	
4	3760170	1	Ring, Split	
5	1060380	1	Cable, Lanyard	
6	0641410	1	Bolt 1/4 x 1-1/4	
7	3311405	1	Nut 1/4	
8	1702365	1	Decal - JLG	
9	1706326	1	Decal - Max Capacity (15lb./7kg)	

SECTION 4 - PLATFORM

FIGURE 4-14. RUG CARRIER INSTALLATION (OPTIONAL)



ART_0240107

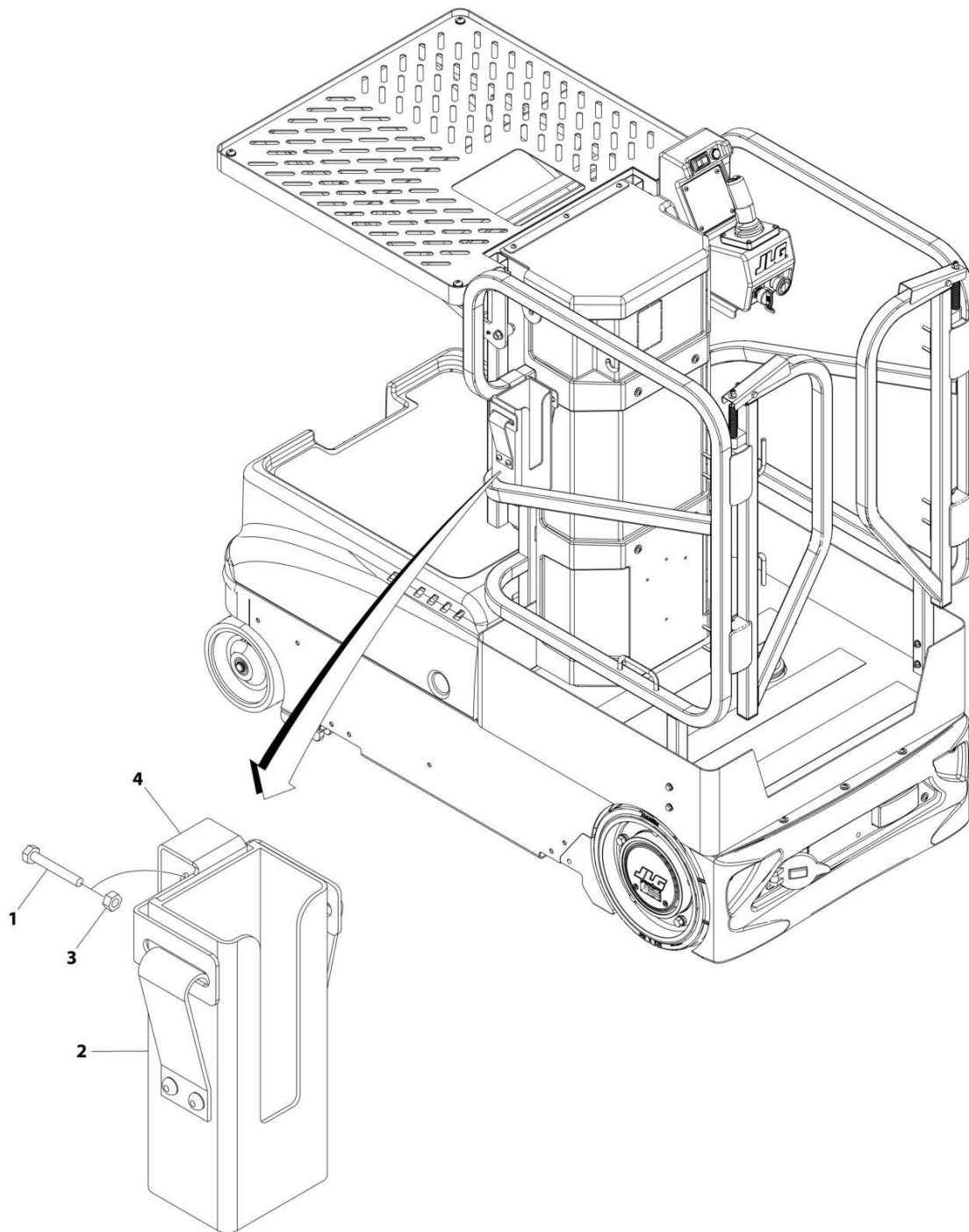
SECTION 4 - PLATFORM

FIGURE 4-14. RUG CARRIER INSTALLATION (OPTIONAL)

ITEM	PART NUMBER	QTY	DESCRIPTION	REV
	0240107	Ref	RUG CARRIER INSTALLATION	C
1	0240108	1	Accessory, Rug Carrier (Rear) (See Items 101 - 105 for Breakdown)	
2	0240109	1	Accessory, Rug Carrier (Front) (See Items 201 - 206 for Breakdown)	
3	0791406	4	Bolt 1/4 x 3/4	
4	2080040	4	Fastener, Huck	
5	3311408	4	Nut 1/4	
6	1706134	1	Decal - Capacity	
	0240108	Ref	ACCESSORY RUG CARRIER (REAR)	A
101	3311405	1	Nut 1/4	
102	3520176	2	Plug	
103	3931408	1	Screw 1/4 x 1/2	
104	4568208	1	Tube	
105	4630009	1	Carrier Pivot	
	0240109	Ref	ACCESSORY RUG CARRIER (FRONT)	A
201	3311405	1	Nut 1/4	
202	3422744	1	Pin, Plunger	
203	3520176	2	Plug	
204	3931408	1	Screw 1/4 x 1/2	
205	4569158	1	Tube	
206	4630010	1	Carrier Pivot	

SECTION 4 - PLATFORM

FIGURE 4-15. SCANNER POCKET INSTALLATION (OPTIONAL)



ART_0240112

SECTION 4 - PLATFORM

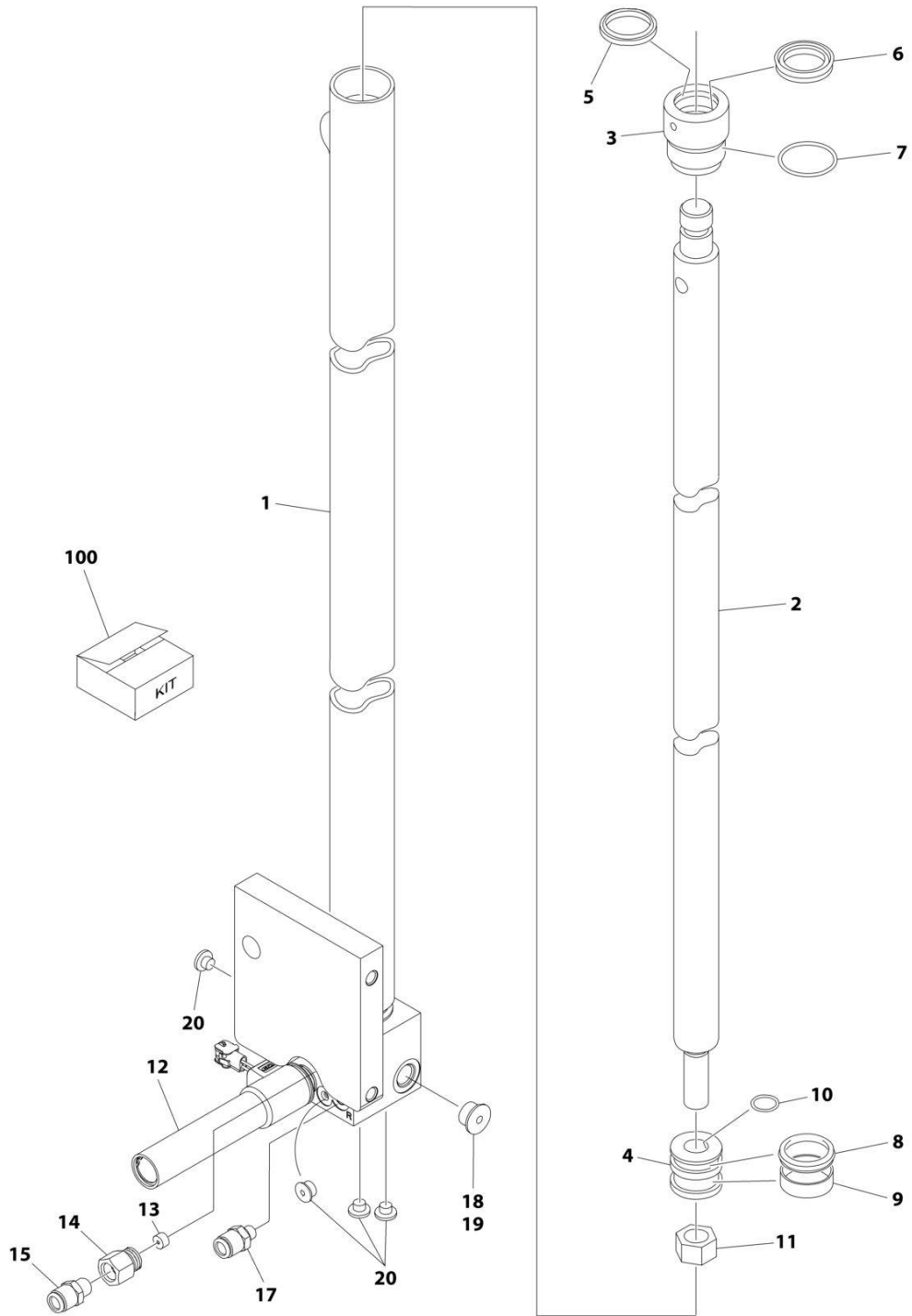
FIGURE 4-15. SCANNER POCKET INSTALLATION (OPTIONAL)

ITEM	PART NUMBER	QTY	DESCRIPTION	REV
	0240112	Ref	SCANNER POCKET INSTALLATION	B
1	0641414	1	Bolt 1/4 x 1-3/4	
2	1580031	1	Pocket, Scanner	
3	3311405	1	Nut 1/4	
4	4341005	1	Mount	

SECTION 5 - CYLINDER

SECTION 5 - CYLINDER

FIGURE 5-1. LIFT CYLINDER ASSEMBLY



ART_1001225209

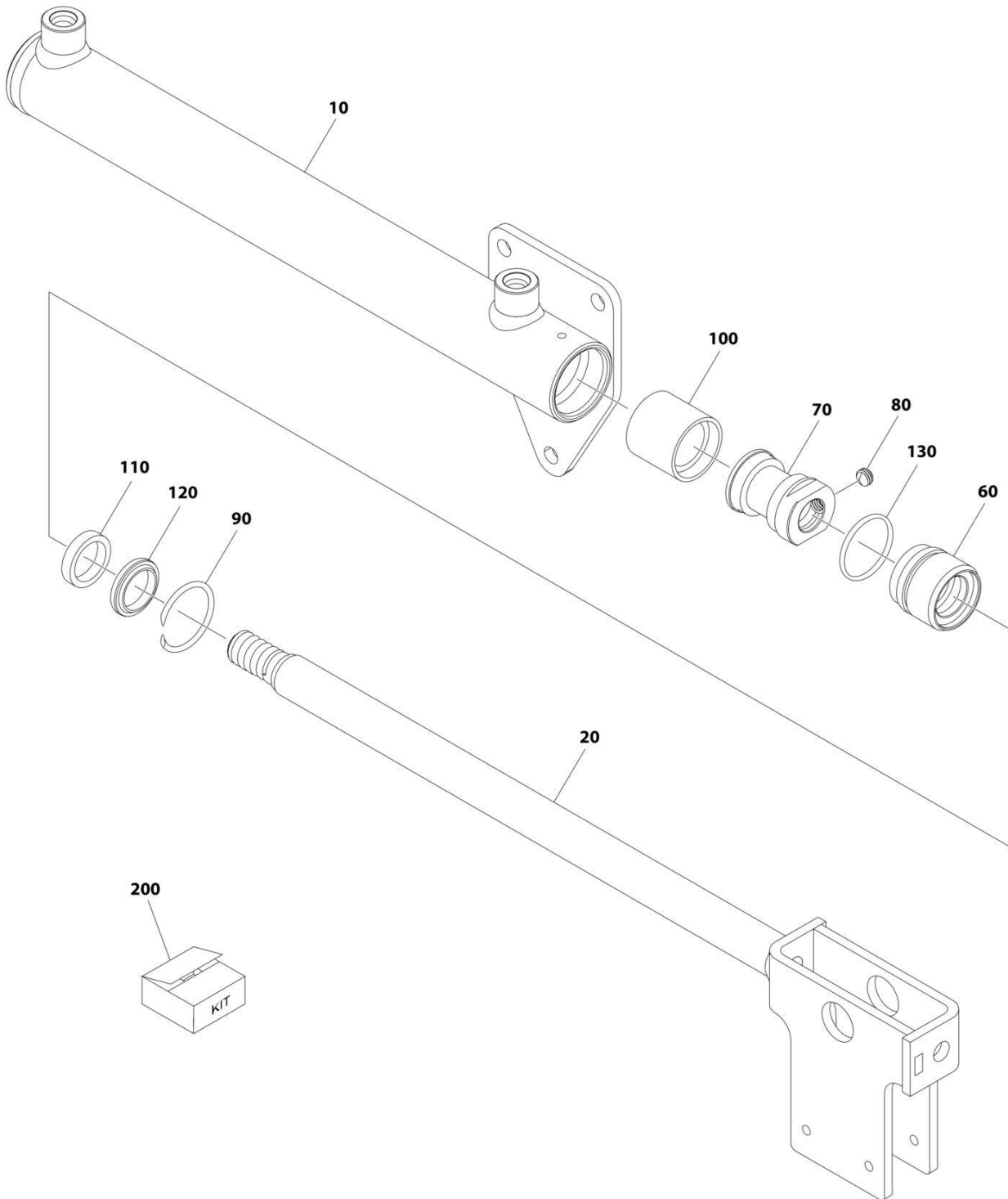
SECTION 5 - CYLINDER

FIGURE 5-1. LIFT CYLINDER ASSEMBLY

ITEM	PART NUMBER	QTY	DESCRIPTION	REV
	1001225209	Ref	LIFT CYLINDER ASSEMBLY	A
1	70000991	1	Barrel	
2	70000992	1	Rod	
3	70000993	1	Head	
4	7023392	1	Piston	
5	See Note	NSS	Wiper, Rod (Note: Use Item 100)	
6	See Note	NSS	Seal, Rod (Note: Use Item 100)	
7	See Note	NSS	O-Ring (Note: Use Item 100)	
8	See Note	NSS	Seal, Piston (Note: Use Item 100)	
9	See Note	NSS	Ring, Wear (Note: Use Item 100)	
10	See Note	NSS	O-Ring (Note: Use Item 100)	
11	7023391	1	Nut	
12	70006454	1	Valve, Manual Descent	
12	70006455	1	Coil	
12	70006453	1	Cartridge	
12	70006451	1	Manual Override	
13	70000218	1	Valve, Check	
14	2220591	1	Fitting, Reducer	
15	2221173	1	Fitting	
17	2221172	1	Fitting	
18	70000995	1	Valve, Flow Control	
19	See Note	1	Plug (Note: Not Available - Purchase Locally)	
20	See Note	4	Plug (Note: Not Available - Purchase Locally)	
		Ref	KIT OPTIONS:	
100	7023395	1	Seal Kit (Includes Items 5-10)	
		Ref	TOOL OPTIONS:	
200	7027247	1	Tool, Perma-Push Insert Disconnect (Not Shown)	

SECTION 5 - CYLINDER

FIGURE 5-2. POWER TRAY CYLINDER ASSEMBLY



ART_1001205838

SECTION 5 - CYLINDER

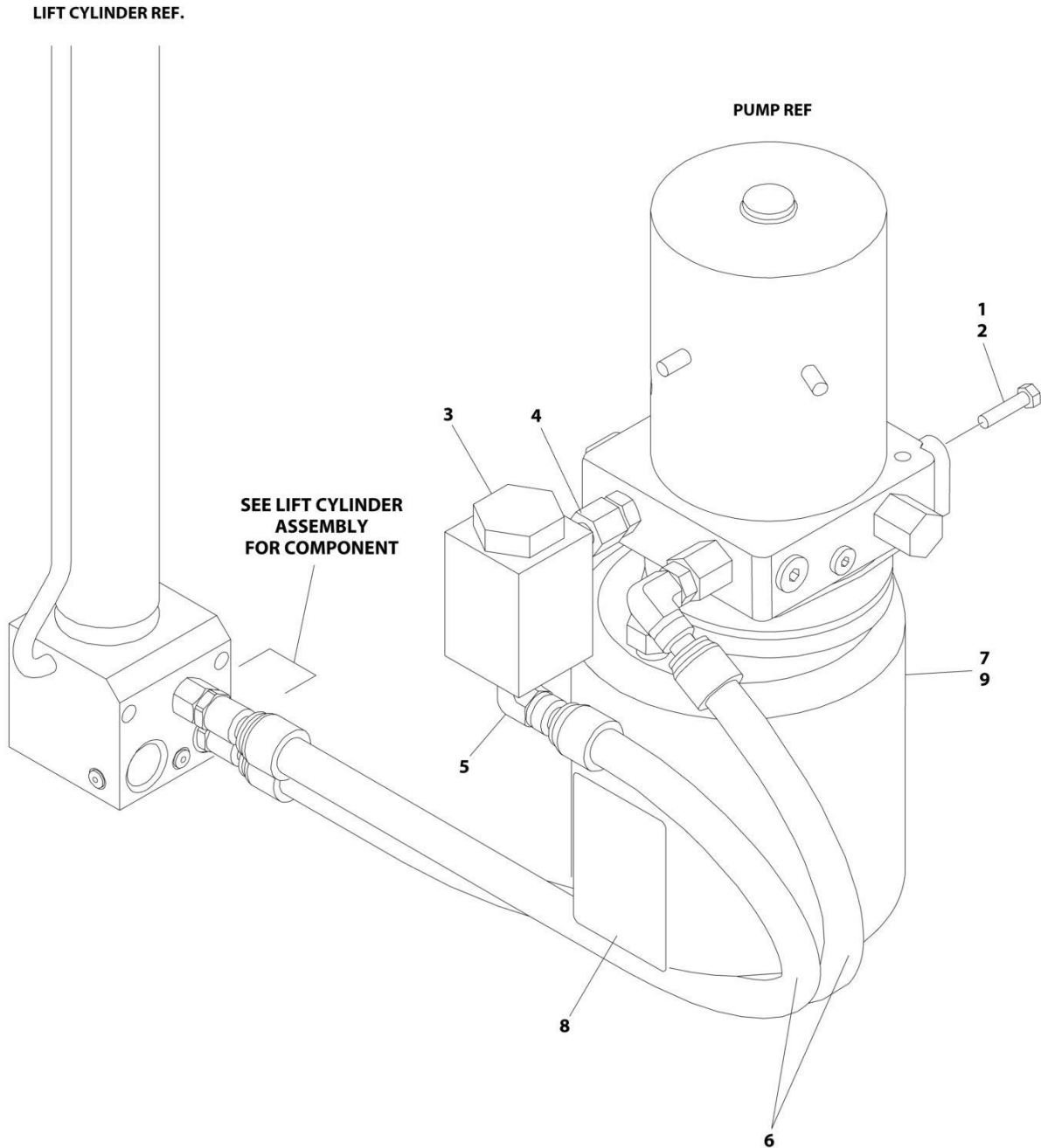
FIGURE 5-2. POWER TRAY CYLINDER ASSEMBLY

ITEM	PART NUMBER	QTY	DESCRIPTION	REV
	1001205838	Ref	POWER TRAY CYLINDER ASSEMBLY	A
10	See Note	NSS	Barrel (Note: Purchase Complete Cylinder)	
20	70006456	1	Rod	
60	70022704	1	Head	
70	70022703	1	Piston	
80	70006457	1	Setscrew	
90	70022700	1	Ring, Wire	
100	See Note	NSS	Seal, Piston (Note: Use Item 200)	
110	See Note	NSS	Seal, Rod (Note: Use Item 200)	
120	See Note	NSS	Wiper (Note: Use Item 200)	
130	See Note	NSS	O-RingWiper (Note: Use Item 200)	
200	70022705	1	Seal Kit (Includes Items 100-130)	

SECTION 6 - HYDRAULIC

SECTION 6 - HYDRAULIC

FIGURE 6-1. HYDRAULIC SYSTEM INSTALLATION - STANDARD



ART_0273546

SECTION 6 - HYDRAULIC

FIGURE 6-1. HYDRAULIC SYSTEM INSTALLATION - STANDARD

ITEM	PART NUMBER	QTY	DESCRIPTION	REV
	0273546	Ref	HYDRAULIC SYSTEM INSTALLATION	E
1	0100011	AR	Compound, Locking	
2	0641606	2	Bolt 3/8 x 3/4	
3	2120183	1	Filter, In-Line Pressure	
4	2221123	1	Fitting, Straight ORFS/ORB	
5	2221185	1	Fitting, 90 ORB/Push Hose	
6	2754025	2	Hose	
7	3600392	1	Pump and Motor Assembly (See Separate Breakdown in CONTROLS SECTION)	
8	1704412	1	Decal - Hydraulic oil	
9	2300014	AR	Fluid, Hydraulic	

SECTION 6 - HYDRAULIC

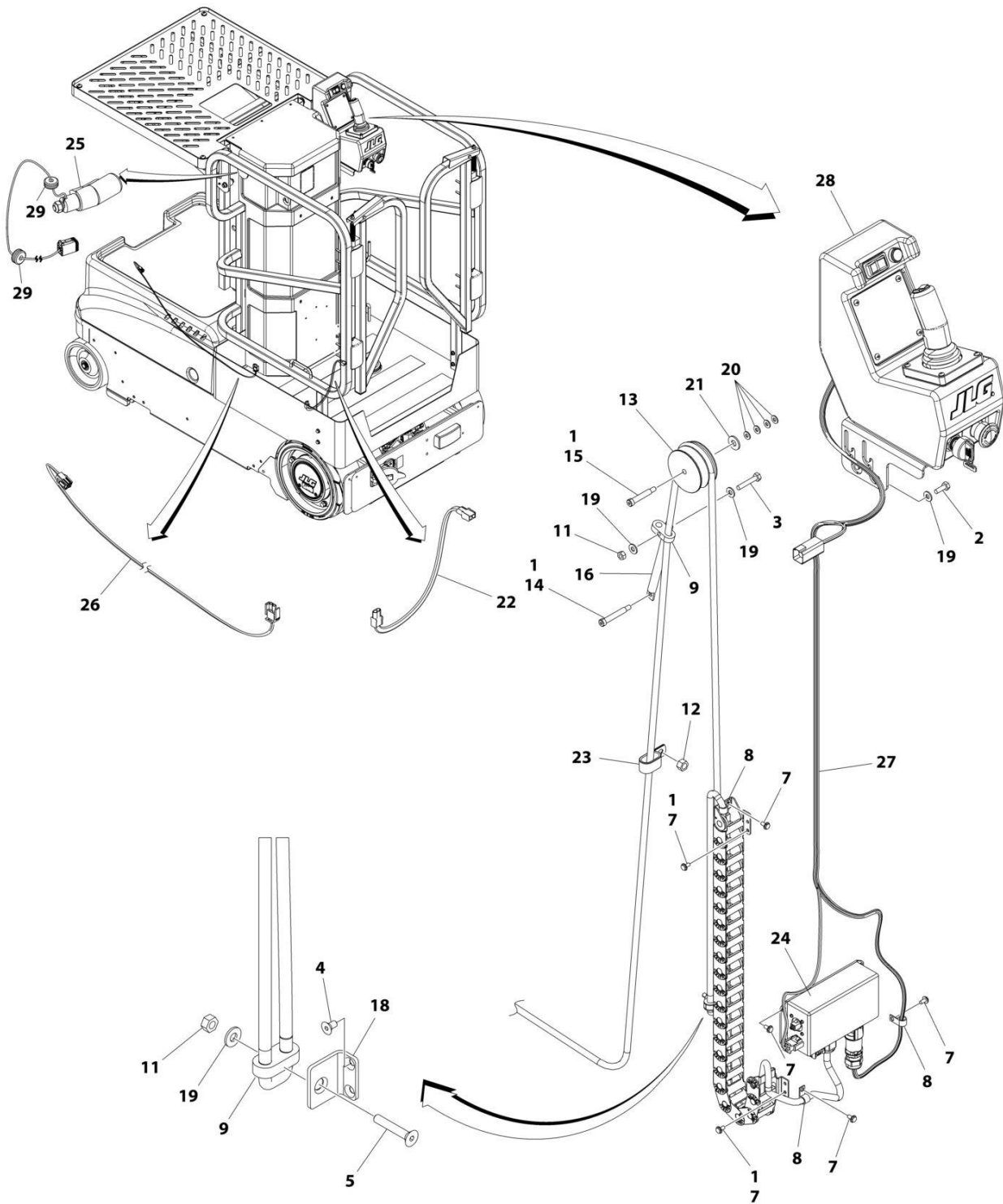
FIGURE 6-2. HYDRAULIC SYSTEM INSTALLATION - FIRE RESISTANT

ITEM	PART NUMBER	QTY	DESCRIPTION	REV
	0274181	Ref	HYDRAULIC SYSTEM INSTALLATION	A
1	0100011	AR	Compound, Locking	
2	0641606	2	Bolt 3/8 x 3/4	
3	1704412	1	Decal - Hydraulic Oil	
4	2120183	1	Filter, In-Line Pressure	
5	2221123	1	Fitting, Straight ORFS/ORB	
6	2221185	1	Fitting, 90 ORB/Push Hose	
7	2300021	AR	Fluid, Hydraulic	
8	2754025	2	Hose	
9	3600392	1	Pump and Motor Assembly (See Separate Breakdown in CONTROLS SECTION)	

SECTION 7 - ELECTRICAL

SECTION 7 - ELECTRICAL

FIGURE 7-1. CABLES INSTALLATION (ALL SPECS EXCEPT AUSTRALIAN SPECS)



ART_1001206460

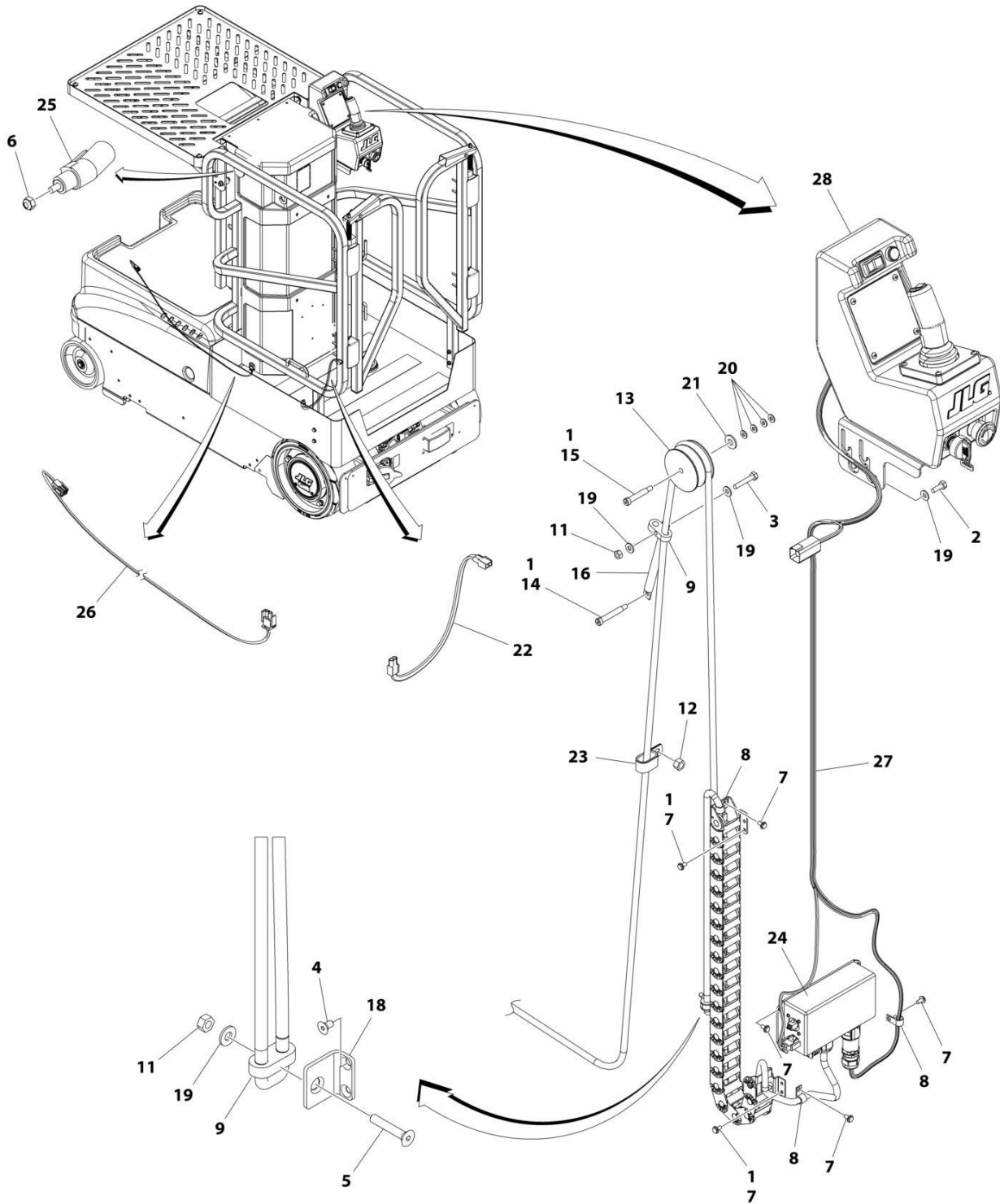
SECTION 7 - ELECTRICAL

FIGURE 7-1. CABLES INSTALLATION (ALL SPECS EXCEPT AUSTRALIAN SPECS)

ITEM	PART NUMBER	QTY	DESCRIPTION	REV
	1001206460	Ref	CABLES INSTALLATION	C
1	0100011	AR	Compound, Locking	
2	0641406	2	Bolt 1/4 x 3/4	
3	0641412	1	Bolt 1/4 x 1-1/2	
4	0741003	2	Screw #10 x 3/8	
5	0741412	1	Screw 1/4 x 1-1/2	
7	0791003	11	Screw #10 x 3/8	
8	1320043	3	Clamp	
9	1320149	2	Clamp	
10	3020038	AR	Grease, Terminal (Not Shown)	
11	3311405	2	Nut 1/4	
12	3311605	1	Nut 3/8	
13	3580344	1	Pulley	
14	3900264	1	Capscrew	
15	3900373	1	Capscrew	
16	4160130	1	Spring	
17	4240018	3	Tie-Strap (Not Shown)	
18	4340838	1	Support	
19	4711400	5	Washer 1/4	
20	4751000	4	Washer #10	
21	4751500	1	Washer 5/16	
22	1001112143	1	Aux 2 Jumper Harness	
22	4460424	2	Receptacle, Female - 2 Position	
22	4460268	4	Socket, Female	
23	1001116792	1	Clamp	
24	1001207339	1	Ground to Platform Harness (See Separate Breakdown in this Section)	
25	1001208283	1	Switch, Left Hand Control	
26	1001215226	1	Footswitch Jumper Harness (See Separate Breakdown in this Section)	
27	1001227882	1	Platform Controls Harness (See Separate Breakdown in this Section)	
28	1001228495	1	Platform Control Box Assembly (See Separate Breakdown in CONTROLS SECTION)	
29	1001081050	2	Grommet (SN 0130032819 to Present)	

SECTION 7 - ELECTRICAL

FIGURE 7-2. CABLES INSTALLATION (AUSTRALIAN SPECS)



ART_1001228494

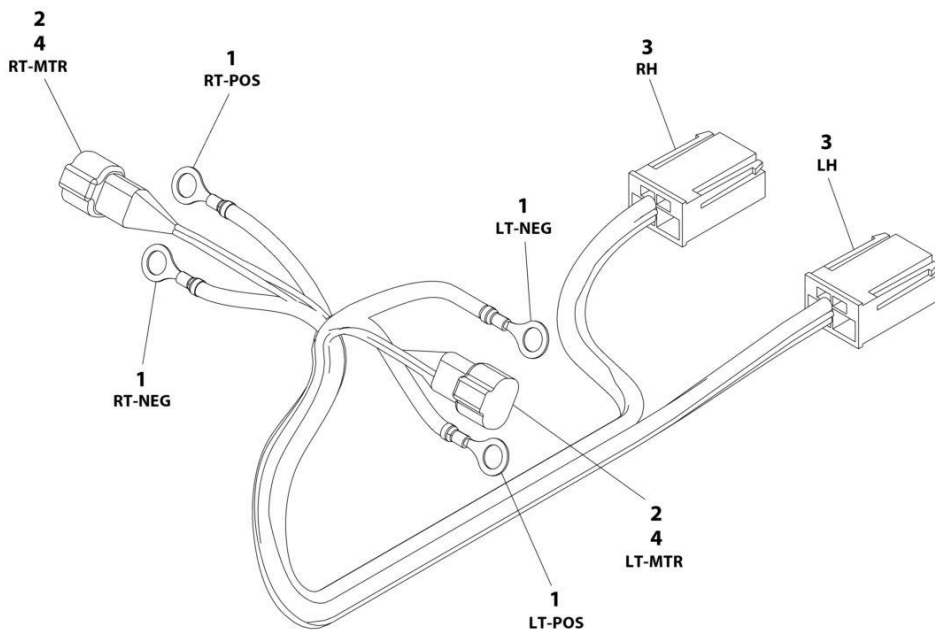
SECTION 7 - ELECTRICAL

FIGURE 7-2. CABLES INSTALLATION (AUSTRALIAN SPECS)

ITEM	PART NUMBER	QTY	DESCRIPTION	REV
	1001228494	Ref	CABLES INSTALLATION	A
1	0100011	AR	Compound, Locking	
2	0641406	2	Bolt 1/4 x 3/4	
3	0641412	1	Bolt 1/4 x 1-1/2	
4	0741003	2	Screw #10 x 3/8	
5	0741412	1	Screw 1/4 x 1-1/2	
6	0780808	1	Screw M8 x 16	
7	0791003	11	Screw #10 x 3/8	
8	1320043	3	Clamp	
9	1320149	2	Clamp	
10	3020038	AR	Grease, Terminal (Not Shown)	
11	3311405	2	Nut 1/4	
12	3311605	1	Nut 3/8	
13	3580344	1	Pulley	
14	3900264	1	Capscrew	
15	3900373	1	Capscrew	
16	4160130	1	Spring	
17	4240018	3	Tie-Strap (Not Shown)	
18	4340838	1	Support	
19	4711400	5	Washer 1/4	
20	4751000	4	Washer #10	
21	4751500	1	Washer 5/16	
22	1001112143	1	Aux 2 Jumper Harness	
22	4460424	2	Receptacle, Female - 2 Position	
22	4460268	4	Socket, Female	
23	1001116792	1	Clamp	
24	1001207339	1	Ground to Platform Harness (See Separate Breakdown in this Section)	
25	1001208283	1	Switch, Left Hand Control	
26	1001215226	1	Footswitch Jumper Harness (See Separate Breakdown in this Section)	
27	1001227882	1	Platform Controls Harness (See Separate Breakdown in this Section)	
28	1001228496	1	Platform Control Box Assembly (See Separate Breakdown in CONTROLS SECTION)	

SECTION 7 - ELECTRICAL

FIGURE 7-3. DRIVE MOTOR HARNESS



ART_4923383

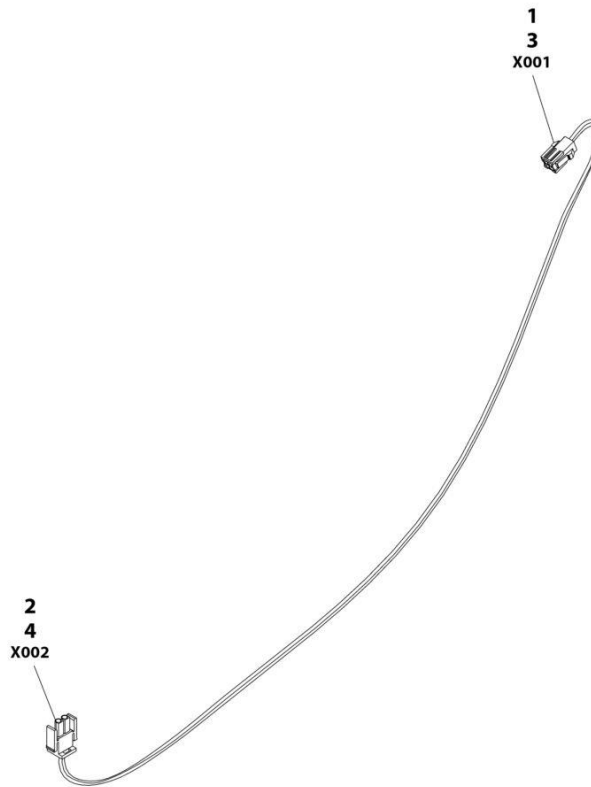
SECTION 7 - ELECTRICAL

FIGURE 7-3. DRIVE MOTOR HARNESS

ITEM	PART NUMBER	QTY	DESCRIPTION	REV
	4923383	Ref	DRIVE MOTOR HARNESS	E
1	4460738	4	Terminal, Ring	
2	4460897	2	Receptacle, Female - 2 Position	
3	4461108	2	Connector, P&G Drive Motor	
4	4460464	4	Pin, Male	

SECTION 7 - ELECTRICAL

FIGURE 7-4. FOOTSWITCH JUMPER HARNESS



ART_1001215226

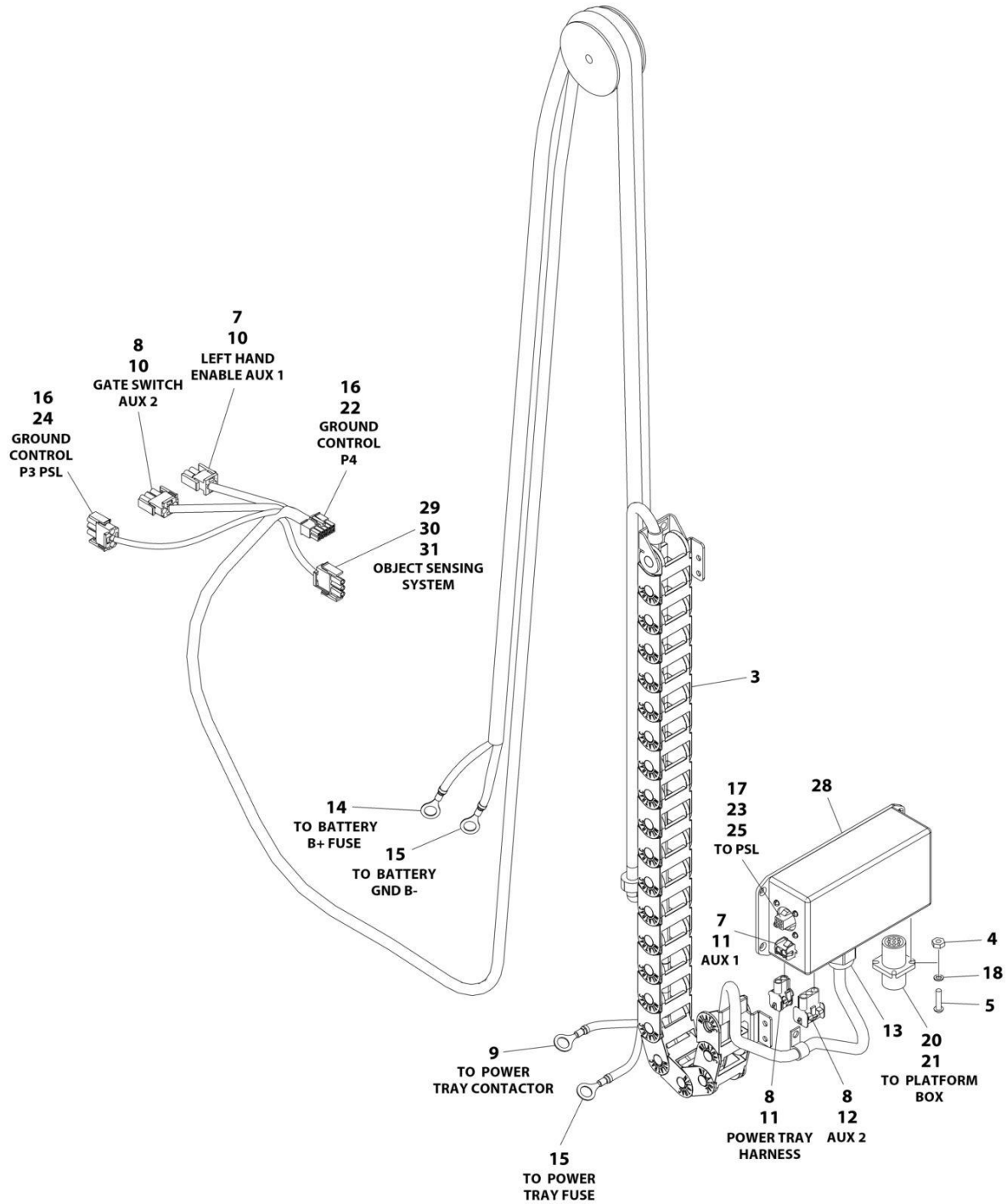
SECTION 7 - ELECTRICAL

FIGURE 7-4. FOOTSWITCH JUMPER HARNESS

ITEM	PART NUMBER	QTY	DESCRIPTION	REV
	1001215226	Ref	FOOTSWITCH JUMPER HARNESS	A
1	1001197889	1	Connector, 4 Position	
2	4460320	1	Plug, Male - 2 Position	
3	1001118156	2	Terminal	
4	4460226	2	Socket, Female	

SECTION 7 - ELECTRICAL

FIGURE 7-5. GROUND TO PLATFORM HARNESS



ART_1001207339

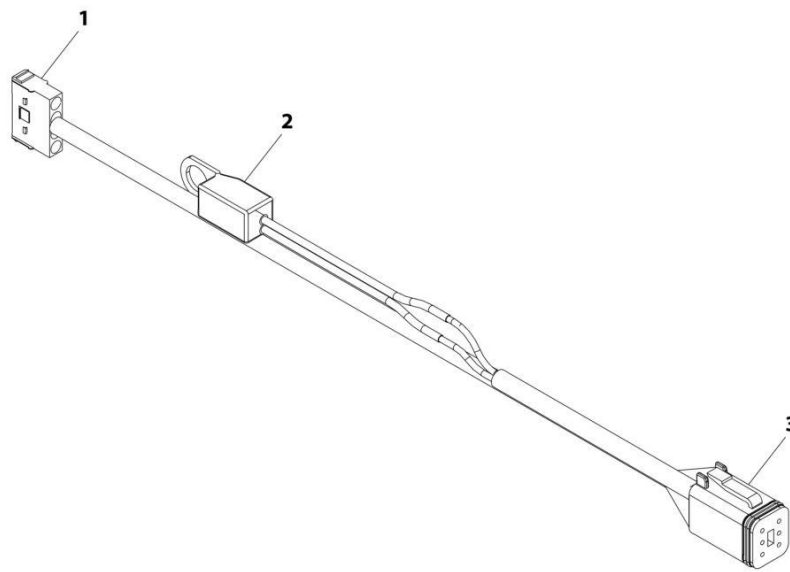
SECTION 7 - ELECTRICAL

FIGURE 7-5. GROUND TO PLATFORM HARNESS

ITEM	PART NUMBER	QTY	DESCRIPTION	REV
	1001207339	Ref	GROUND TO PLATFORM HARNESS	C
3	1180397	1	Power Track	
4	3310401	8	Nut #4	
5	3910408	8	Screw, #4 x 1/2	
7	4460226	4	Socket Contact	
8	4460267	7	Pin, Male	
9	4460312	1	Terminal, Ring	
10	4460320	2	Plug, Male 2 - Position	
11	4460424	2	Receptacle, Female - 2 Position	
12	4460445	1	Receptacle, Female - 3 Position	
13	4460633	1	Connector, Strain Relief	
14	4460670	1	Terminal, Ring	
15	4460738	2	Terminal, Ring	
16	4461023	12	Socket, Female	
17	4461025	4	Pin, Male	
18	4760400	8	Washer, #4	
20	1001215633	1	Connector - 9 Position	
21	1001215635	6	Pin, Male	
22	1001153723	1	Connector - 10 Position	
23	1001197889	1	Connector - 4 Position	
24	1001214996	1	Plug, Male - 4 Position	
25	1001215135	1	Plate, Adapter	
28	1001217893	1	Box, Junction	
29	4460465	2	Socket, Female	
30	4460891	1	Plug, Male - 2 Position	
31	1001144295	1	Cap	

SECTION 7 - ELECTRICAL

FIGURE 7-6. LED AND TEMPERATURE SENSOR HARNESS



ART_1001109821

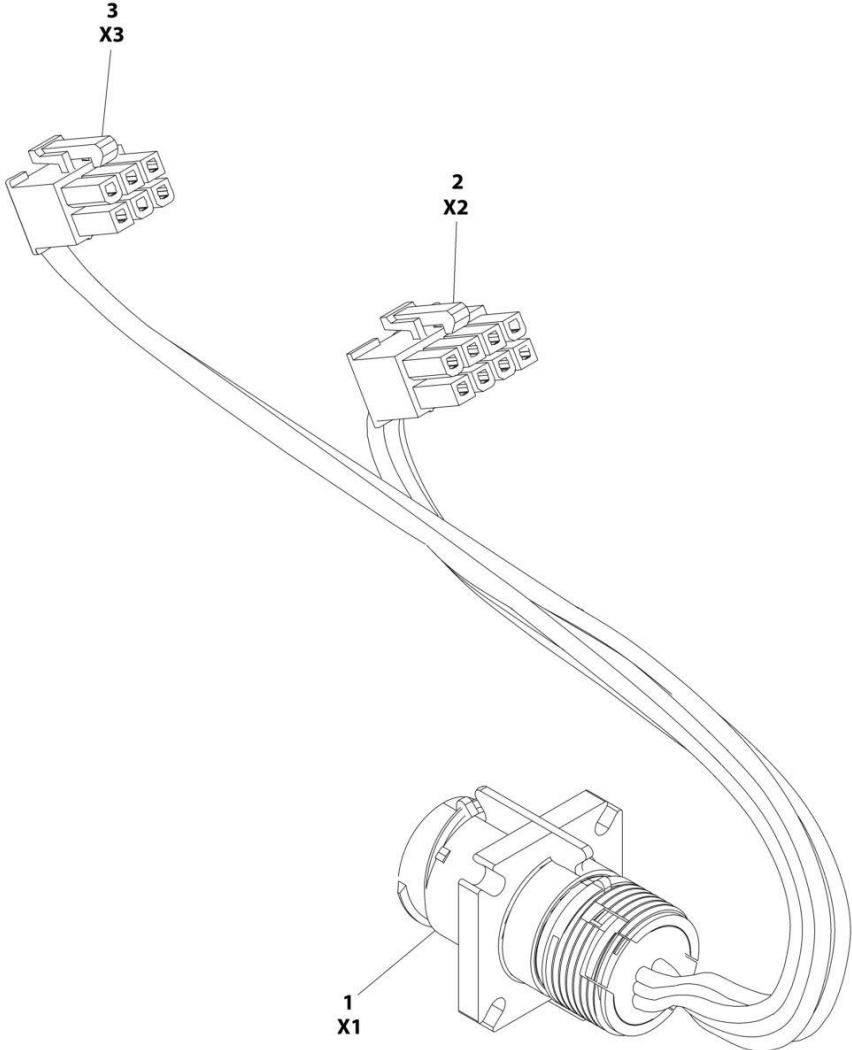
SECTION 7 - ELECTRICAL

FIGURE 7-6. LED AND TEMPERATURE SENSOR HARNESS

ITEM	PART NUMBER	QTY	DESCRIPTION	REV
	1001109821	Ref	LED AND TEMPERATURE SENSOR HARNESS	A
1	4460961	1	Receptacle, Female - 4 Position	
1	4460226	4	Socket, Female	
2	1001102771	1	Terminal, Temperature Sensor Ring	
3	4460894	1	Plug, Male - 6 Position	
3	4460465	6	Socket, Female	

SECTION 7 - ELECTRICAL

FIGURE 7-7. PLATFORM BOX POWER HARNESS



ART_1001227884

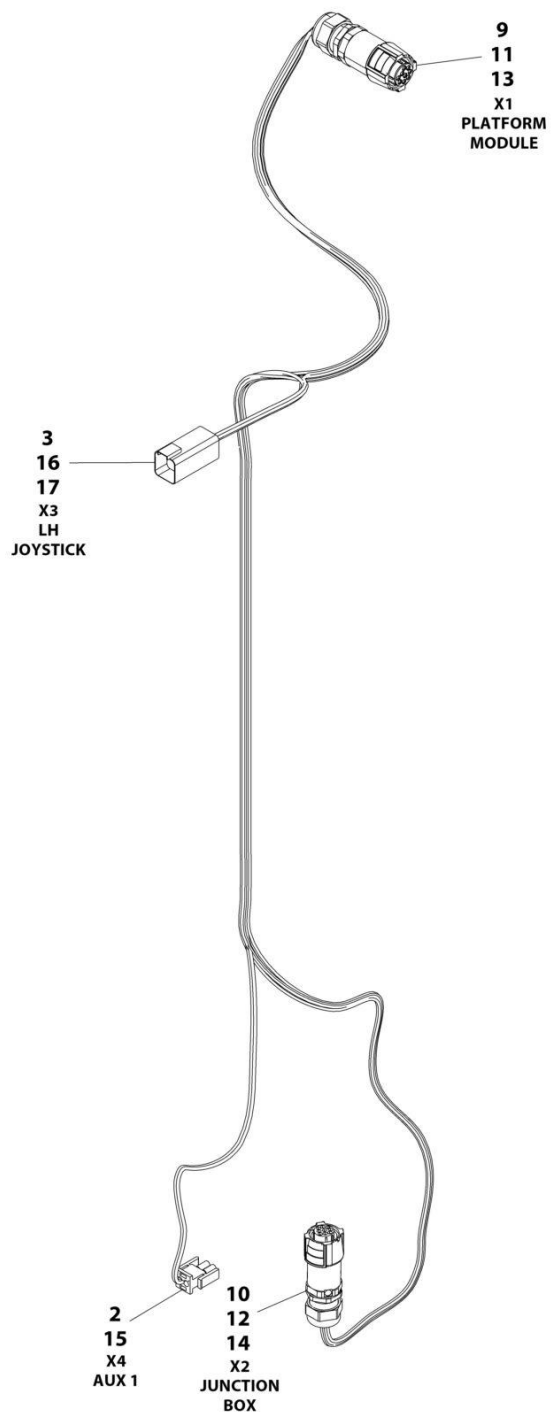
SECTION 7 - ELECTRICAL

FIGURE 7-7. PLATFORM BOX POWER HARNESS

ITEM	PART NUMBER	QTY	DESCRIPTION	REV
	1001227884	Ref	PLATFORM BOX POWER HARNESS	A
1	1001215633	1	Connector - 9 Position	
1	1001215635	8	Terminal	
2	1001151629	1	Plug, Male - 8 Position	
2	4461023	5	Socket, Female	
3	1001228387	1	Plug, Male - 6 Position	
3	4461023	3	Socket, Female	

SECTION 7 - ELECTRICAL

FIGURE 7-8. PLATFORM CONTROLS HARNESS



ART_1001227882

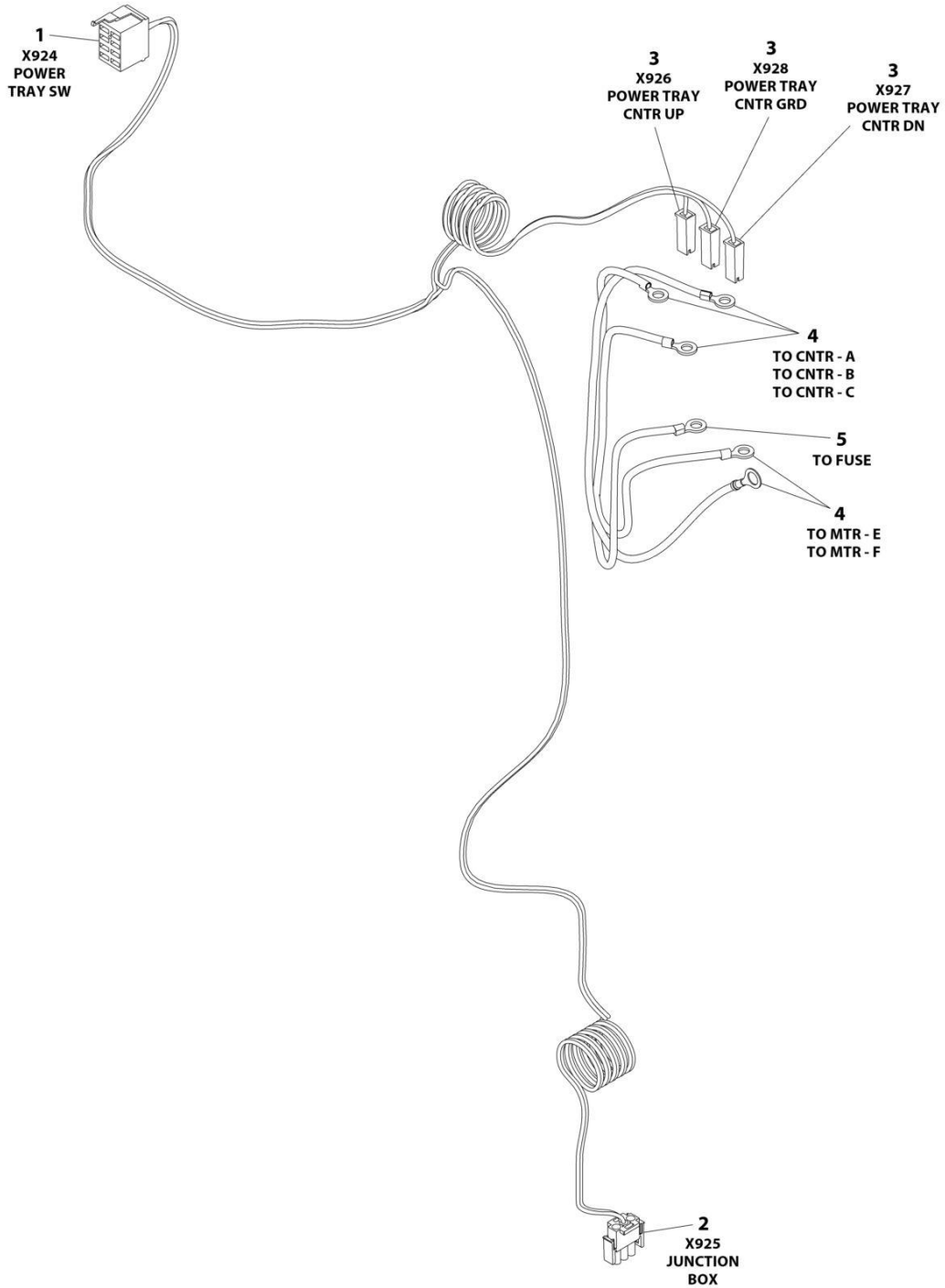
SECTION 7 - ELECTRICAL

FIGURE 7-8. PLATFORM CONTROLS HARNESS

ITEM	PART NUMBER	QTY	DESCRIPTION	REV
	1001227882	Ref	PLATFORM CONTROLS HARNESS	E
2	4460267	2	Pin, Male	
3	4460466	1	Terminal, Sealing Plug	
9	1001212654	9	Socket, Female	
10	1001212655	6	Socket, Female	
11	1001212656	1	Backshell	
12	1001212657	1	Backshell	
13	1001212660	1	Connector - 9 Position	
14	1001212661	1	Connector - 9 Position	
15	4460320	1	Plug, Male - 2 Position	
16	4460464	5	Pin, Male	
17	4460899	1	Receptacle, Female - 6 Position	

SECTION 7 - ELECTRICAL

FIGURE 7-9. TRAY HARNESS



ART_1001210491

SECTION 7 - ELECTRICAL

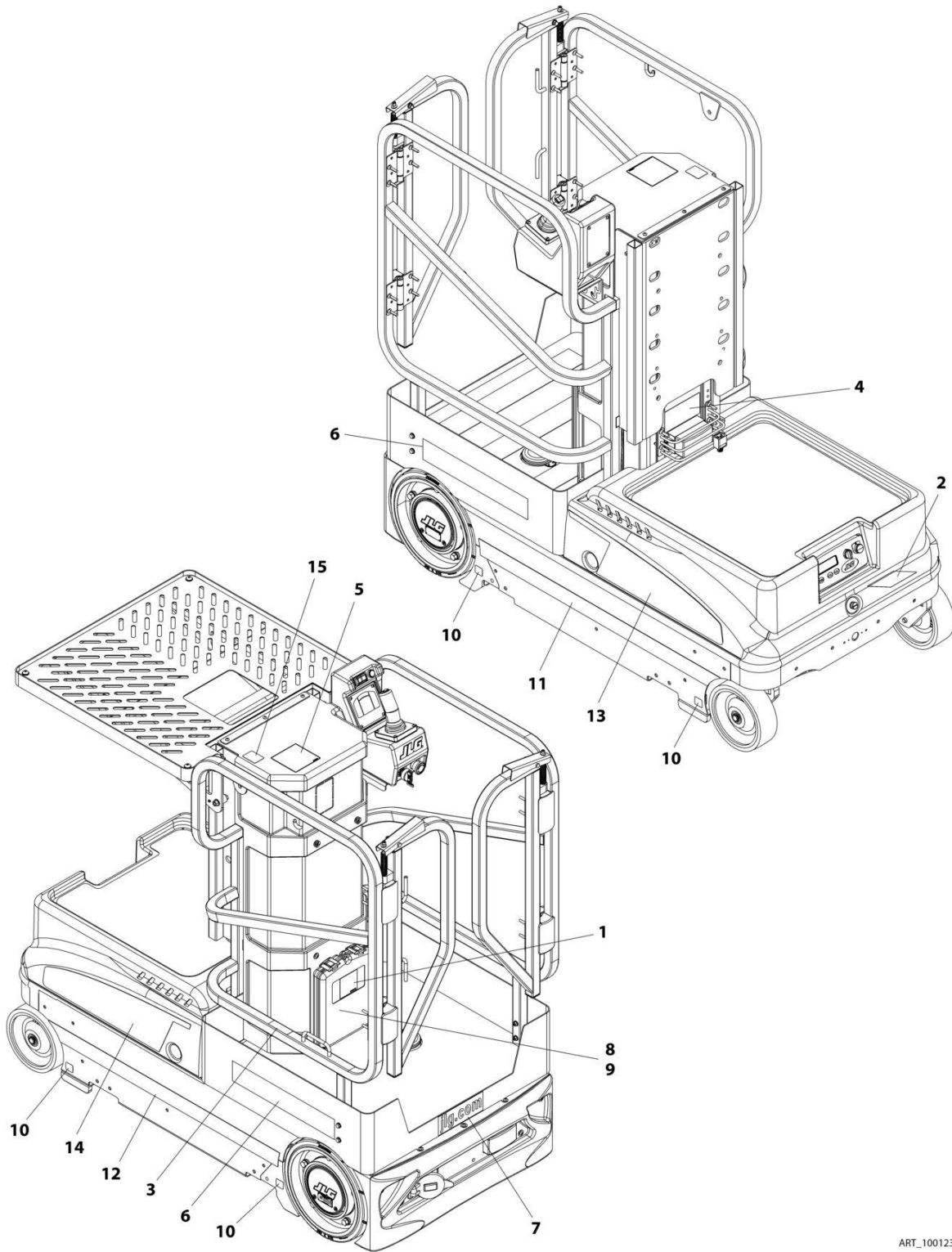
FIGURE 7-9. TRAY HARNESS

ITEM	PART NUMBER	QTY	DESCRIPTION	REV
	1001210491	Ref	TRAY HARNESS	A
1	8220904	1	Connector - 8 Position	
1	4460829	3	Terminal	
2	4460326	1	Plug, Male 2 - Position	
2	4460268	2	Socket, Female	
3	4460260	3	Cover, Terminal	
3	4460259	3	Terminal	
4	4460312	5	Terminal, Ring	
5	4460738	5	Terminal, Ring	

SECTION 8 - DECALS

SECTION 8 - DECALS

FIGURE 8-1. COMMON DECALS INSTALLATION - MANUAL TRAY AND STANDARD PAINT



ART_1001230220

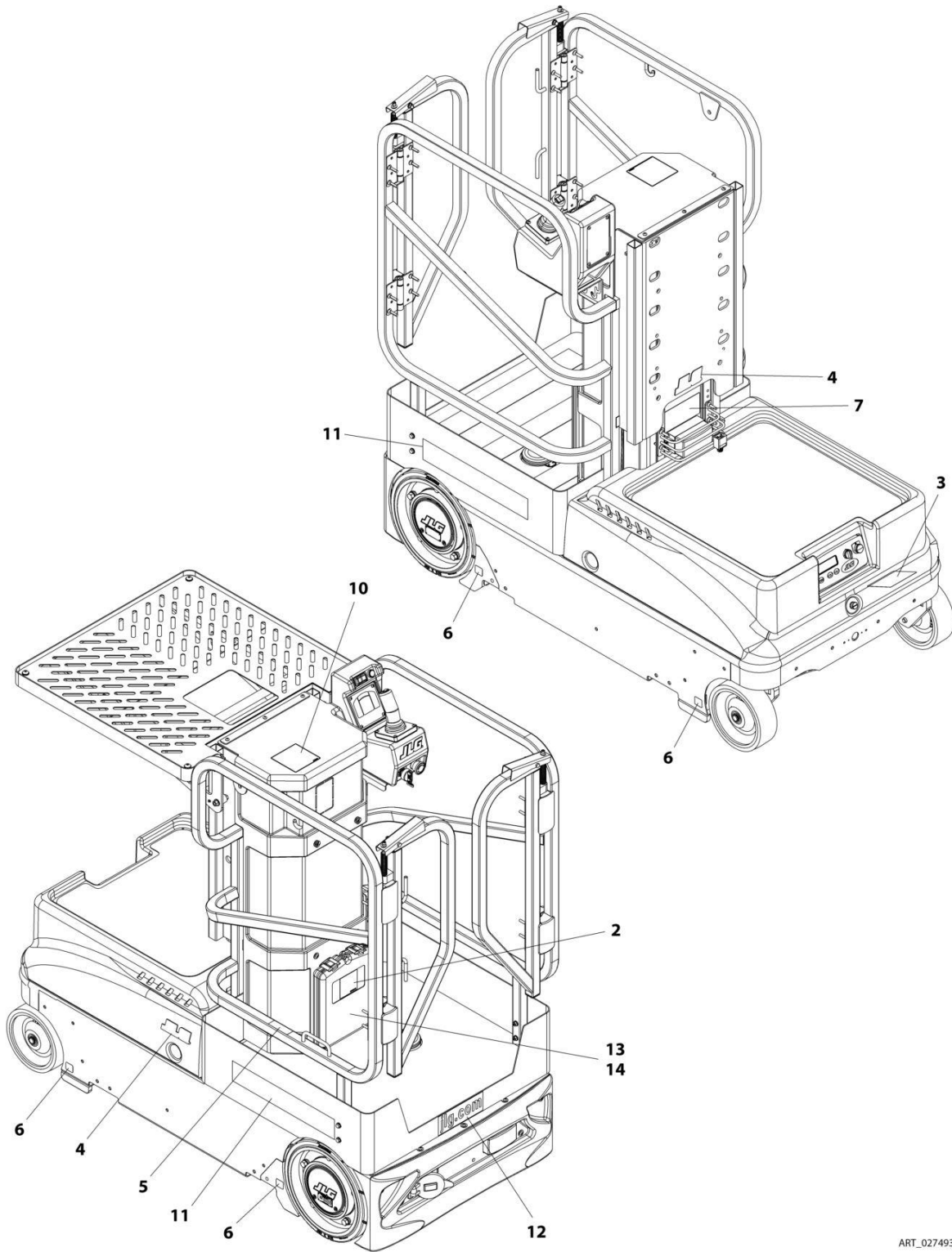
SECTION 8 - DECALS

FIGURE 8-1. COMMON DECALS INSTALLATION - MANUAL TRAY AND STANDARD PAINT

ITEM	PART NUMBER	QTY	DESCRIPTION	REV
	1001230220	Ref	COMMON DECALS INSTALLATION	A
1	1701640	1	Decal - Manual	
2	See Note	NSS	Decal - Bar Code (Note: Not Available for Purchase)	
3	1705624	1	Decal - Lanyard Attach	
4	1705992	1	Decal - Mount Decent Location	
5	1706131	1	Decal - Danger	
6	1706743	2	Decal - 10MSP	
7	1706764	1	Decal - Website	
8	3820032	4	Rivet	
9	8990147	1	Holder, Manual	
10	1001143557	4	Decal - Maximum Wheel Load	
11	1001230062	1	Decal - Stripe (LH)	
12	1001230063	1	Decal - Stripe (RH)	
13	1001230064	1	Decal - Logo (LH)	
14	1001230065	1	Decal - Logo (RH)	
15	1001230219	1	Decal - Lift	

SECTION 8 - DECALS

FIGURE 8-2. COMMON DECALS INSTALLATION - MANUAL TRAY AND SPECIAL PAINT



ART_0274935

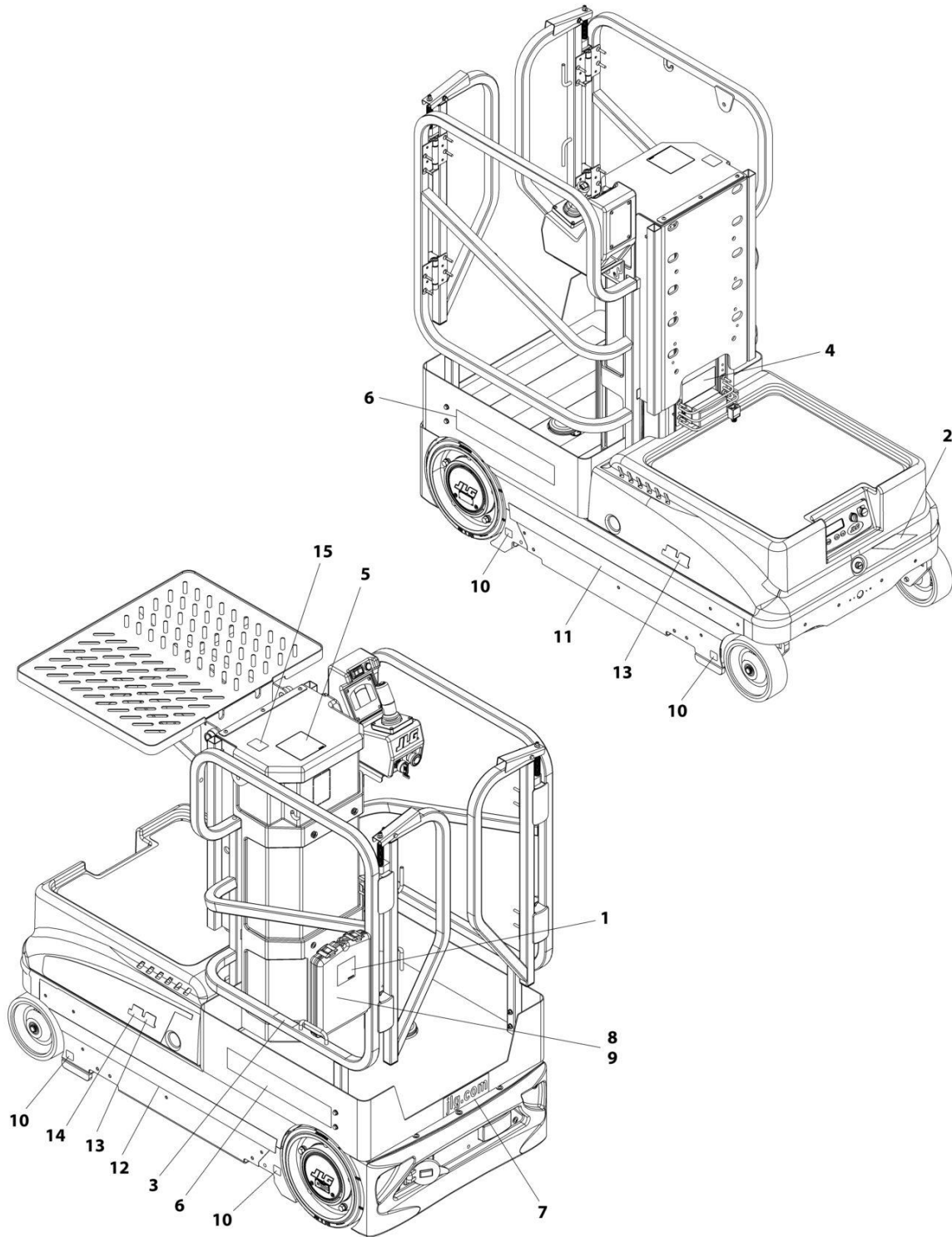
SECTION 8 - DECALS

FIGURE 8-2. COMMON DECALS INSTALLATION - MANUAL TRAY AND SPECIAL PAINT

ITEM	PART NUMBER	QTY	DESCRIPTION	REV
	0274935	Ref	COMMON DECALS INSTALLATION	G
2	1701640	1	Decal - Manual	
3	See Note	NSS	Decal - Bar Code (Note: Not Available for Purchase)	
4	1703681	3	Decal - JLG	
5	1705624	1	Decal - Lanyard Attach	
6	1001143557	4	Decal - Maximum Wheel Load	
7	1705992	1	Decal - Manual Decent Location	
10	1706131	1	Decal - Danger	
11	1706743	2	Decal - 10MSP	
12	1706764	1	Decal - Website	
13	3820032	4	Rivet	
14	8990147	1	Holder, Manual	

SECTION 8 - DECALS

FIGURE 8-3. COMMON DECALS INSTALLATION - POWER TRAY AND STANDARD PAINT



ART_1001230221

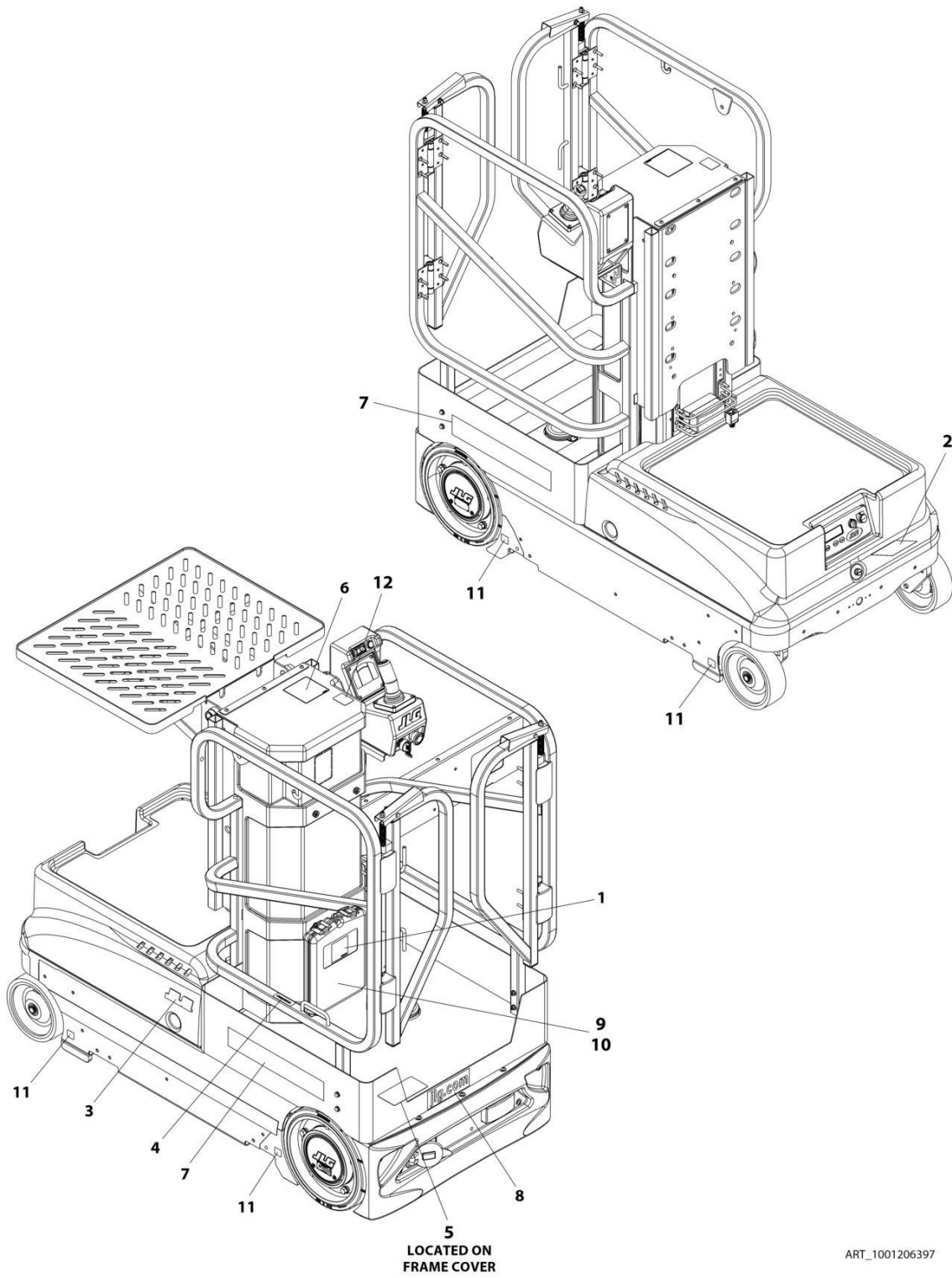
SECTION 8 - DECALS

FIGURE 8-3. COMMON DECALS INSTALLATION - POWER TRAY AND STANDARD PAINT

ITEM	PART NUMBER	QTY	DESCRIPTION	REV
	1001230221	Ref	COMMON DECALS INSTALLATION	B
1	1701640	1	Decal - Manual	
2	See Note	NSS	Decal - Bar Code (Note: Not Available for Purchase)	
3	1705624	1	Decal - Lanyard Attach (Prior to SN 0130032819)	
3	1001213582	1	Decal - Lanyard Attach (SN 0130032819 to Present)	
4	1705992	1	Decal - Manual Decent Location	
5	1706131	1	Decal - Danger	
6	1706743	2	Decal - 10MSP	
7	1706764	1	Decal - Website	
8	3820032	4	Rivet	
9	8990147	1	Holder, Manual	
10	1001143557	4	Decal - Maximum Wheel Load	
11	1001230062	1	Decal - Stripe (LH)	
12	1001230063	1	Decal - Stripe (RH)	
13	1001230064	1	Decal - Logo (LH) (Prior to SN 0130032819)	
13	1703681	2	Decal - Logo (SN 0130032819 to Present)	
14	1001230065	1	Decal - Logo (RH) (Prior to SN 0130032819)	
15	1001230219	1	Decal - Lift	

SECTION 8 - DECALS

FIGURE 8-4. COMMON DECALS INSTALLATION - POWER TRAY AND SPECIAL PAINT



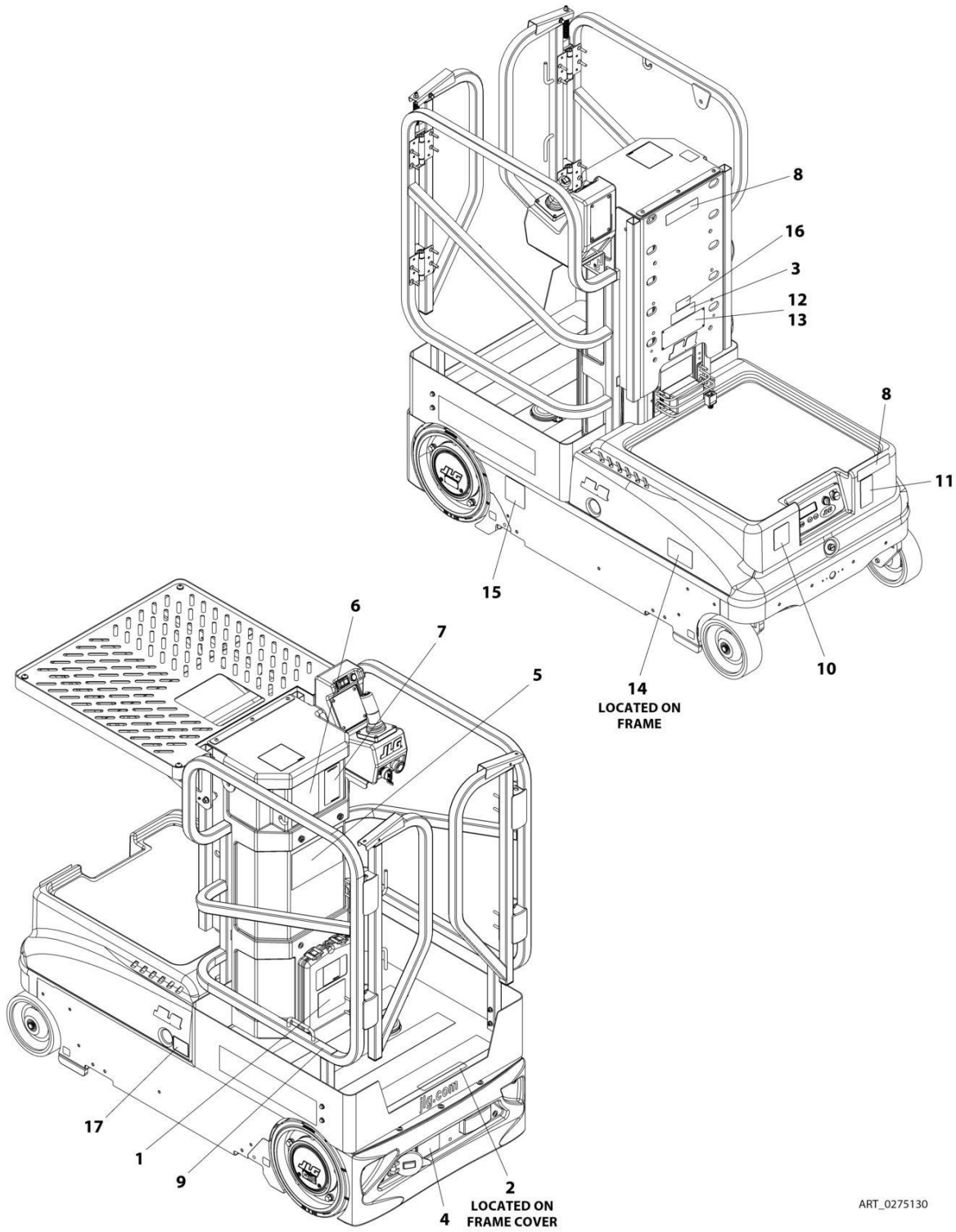
SECTION 8 - DECALS

FIGURE 8-4. COMMON DECALS INSTALLATION - POWER TRAY AND SPECIAL PAINT

ITEM	PART NUMBER	QTY	DESCRIPTION	REV
	1001206397	Ref	COMMON DECALS INSTALLATION	B
1	1701640	1	Decal - Manual	
2	See Note	NSS	Decal - Bar Code (Note: Not Available for Purchase)	
3	1703681	2	Decal - JLG	
4	1705624	1	Decal - Lanyard Attach (Prior to SN 0130032819)	
4	1001213582	1	Decal - Lanyard Attach (SN 0130032819 to Present)	
5	1705992	1	Decal - Manual Decent Location	
6	1706131	1	Decal - Danger	
7	1706743	2	Decal - 10MSP	
8	1706764	1	Decal - Website	
9	3820032	4	Rivet	
10	8990147	1	Holder, Manual	
11	1001143557	4	Decal - Maximum Wheel Load	
12	1001230219	1	Decal - Lift (SN 0130032819 to Present)	

SECTION 8 - DECALS

FIGURE 8-5. DECAL INSTALLATION - ANSI SPECS (ENGLISH LANGUAGE) (MANUAL TRAY)



ART_0275130

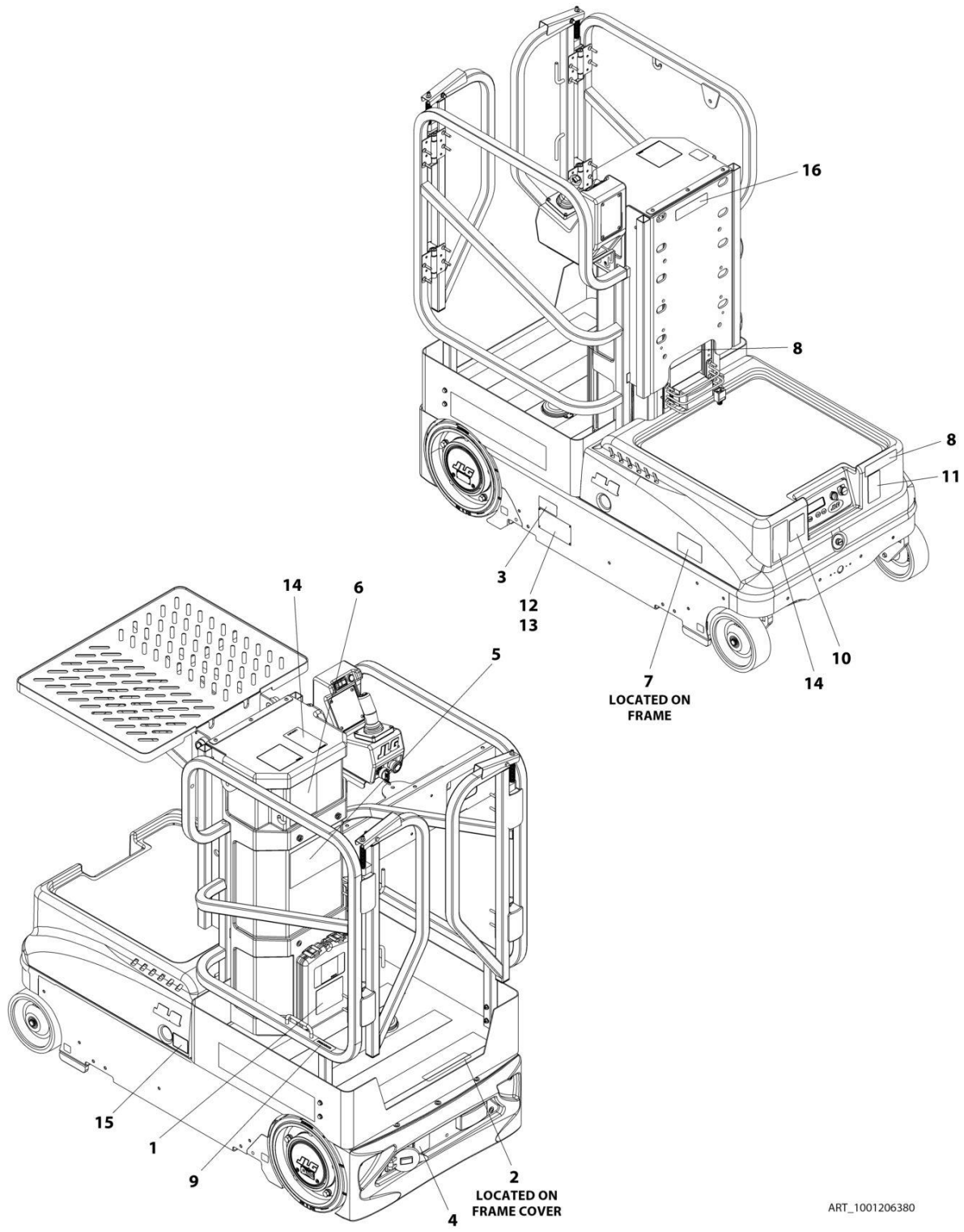
SECTION 8 - DECALS

FIGURE 8-5. DECAL INSTALLATION - ANSI SPECS (ENGLISH LANGUAGE) (MANUAL TRAY)

ITEM	PART NUMBER	QTY	DESCRIPTION	REV
	0275130	Ref	DECAL INSTALLATION	H
1	1703779	1	Decal - USA	
2	1703786	1	Decal - Crushing Hazard	
3	1705303	1	Decal - C.S.A	
4	1705929	1	Decal - Charger (Prior to SN 0130032819)	
4	1001233054	1	Decal - Charger (SN 0130032819 to Present)	
5	1705937	1	Decal - Warning	
6	1705938	1	Decal - Danger	
7	1001207205	1	Decal - Capacity	
8	1705995	3	Decal - Crushing Hazard (Prior to SN 0130032819)	
8	1705995	2	Decal - Crushing Hazard (SN 0130032819 to Present)	
9	1706115	1	Decal - Fall Restraint (Prior to SN 0130032819)	
10	1706616	1	Decal - Capacity	
11	1706617	1	Decal - No Riders	
12	2080057	4	Fastener	
13	See Note	NSS	Nameplate - Serial Number (Note: Not Available for Purchase)	
14	1001131273	1	Decal - Patent	
15	1001223055	1	Decal - Yearly Inspection	
16	1001228370	1	Decal - Canada ICES-001	
17	1706740	1	Decal - Battery Disconnect (SN 0130032819 to Present)	

SECTION 8 - DECALS

FIGURE 8-6. DECAL INSTALLATION - ANSI SPECS (ENGLISH LANGUAGE) (POWER TRAY)



ART_1001206380

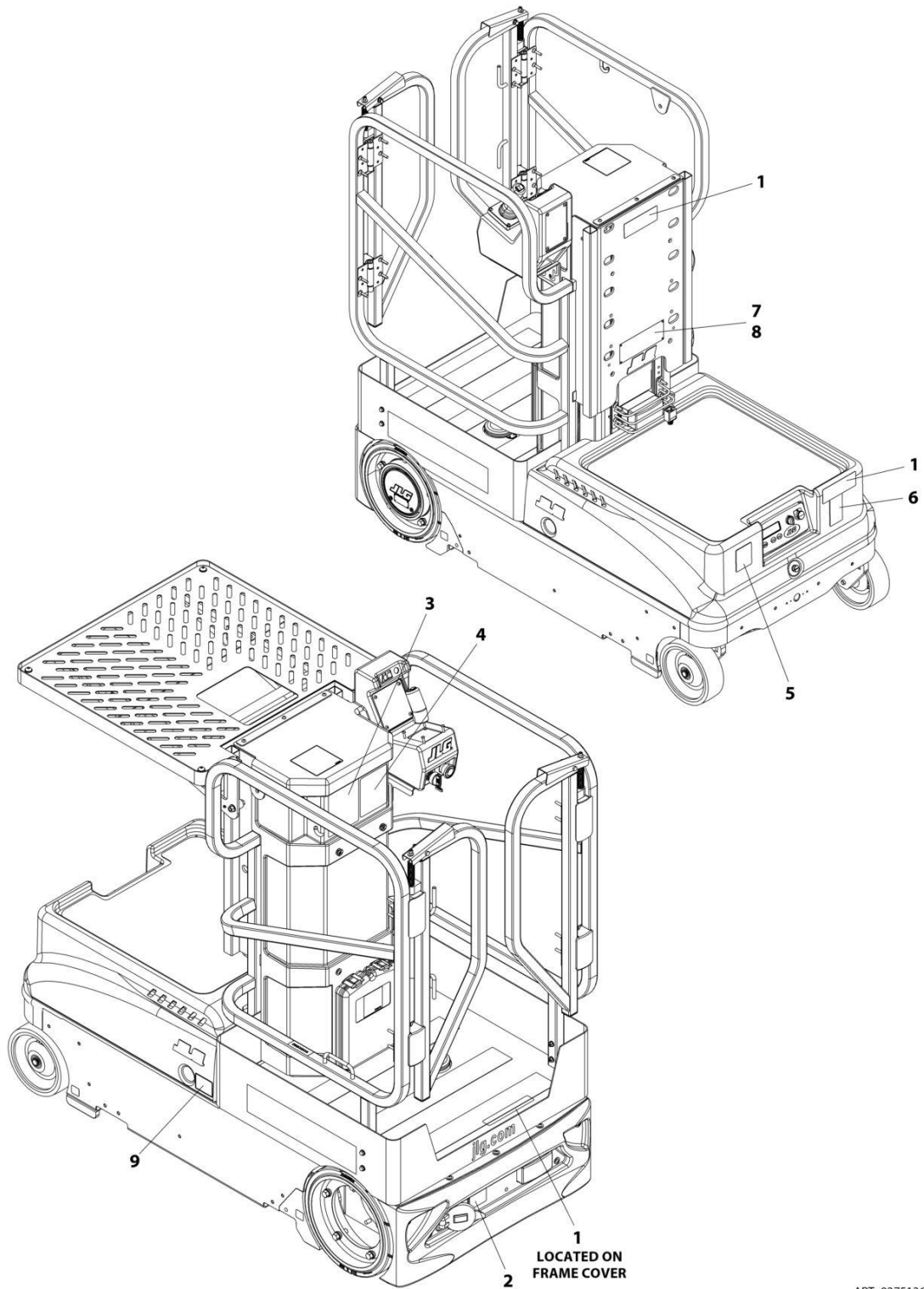
SECTION 8 - DECALS

FIGURE 8-6. DECAL INSTALLATION - ANSI SPECS (ENGLISH LANGUAGE) (POWER TRAY)

ITEM	PART NUMBER	QTY	DESCRIPTION	REV
	1001206380	Ref	DECAL INSTALLATION	B
1	1703779	1	Decal - USA	
2	1703786	1	Decal - Crushing Hazard	
3	1705303	1	Decal - C.S.A.	
4	1705929	1	Decal - Charger (Prior to SN 0130032819)	
4	1001233054	1	Decal - Charger (SN 0130032819 to Present)	
5	1705937	1	Decal - Warning	
6	1705938	1	Decal - Danger	
7	1001131273	1	Decal - Patent	
8	1705995	3	Decal - Crushing Hazard (Prior to SN 0130032819)	
8	1705995	2	Decal - Crushing Hazard (SN 0130032819 to Present)	
9	1706115	1	Decal - Fall Restraint (Prior to SN 0130032819)	
10	1706616	1	Decal - Capacity	
11	1706617	1	Decal - No Riders	
12	2080057	4	Fastener	
13	See Note	NSS	Nameplate - Serial Number (Note: Not Available for Purchase)	
14	1001206313	2	Decal - Capacity	
15	1706740	1	Decal - Battery Disconnect (SN 0130032819 to Present)	
16	1706302	1	Decal - Pinch Point (SN 0130032819 to Present)	

SECTION 8 - DECALS

FIGURE 8-7. DECAL INSTALLATION - AUSTRALIAN SPECS (ENGLISH LANGUAGE) (MANUAL TRAY)



ART_0275136

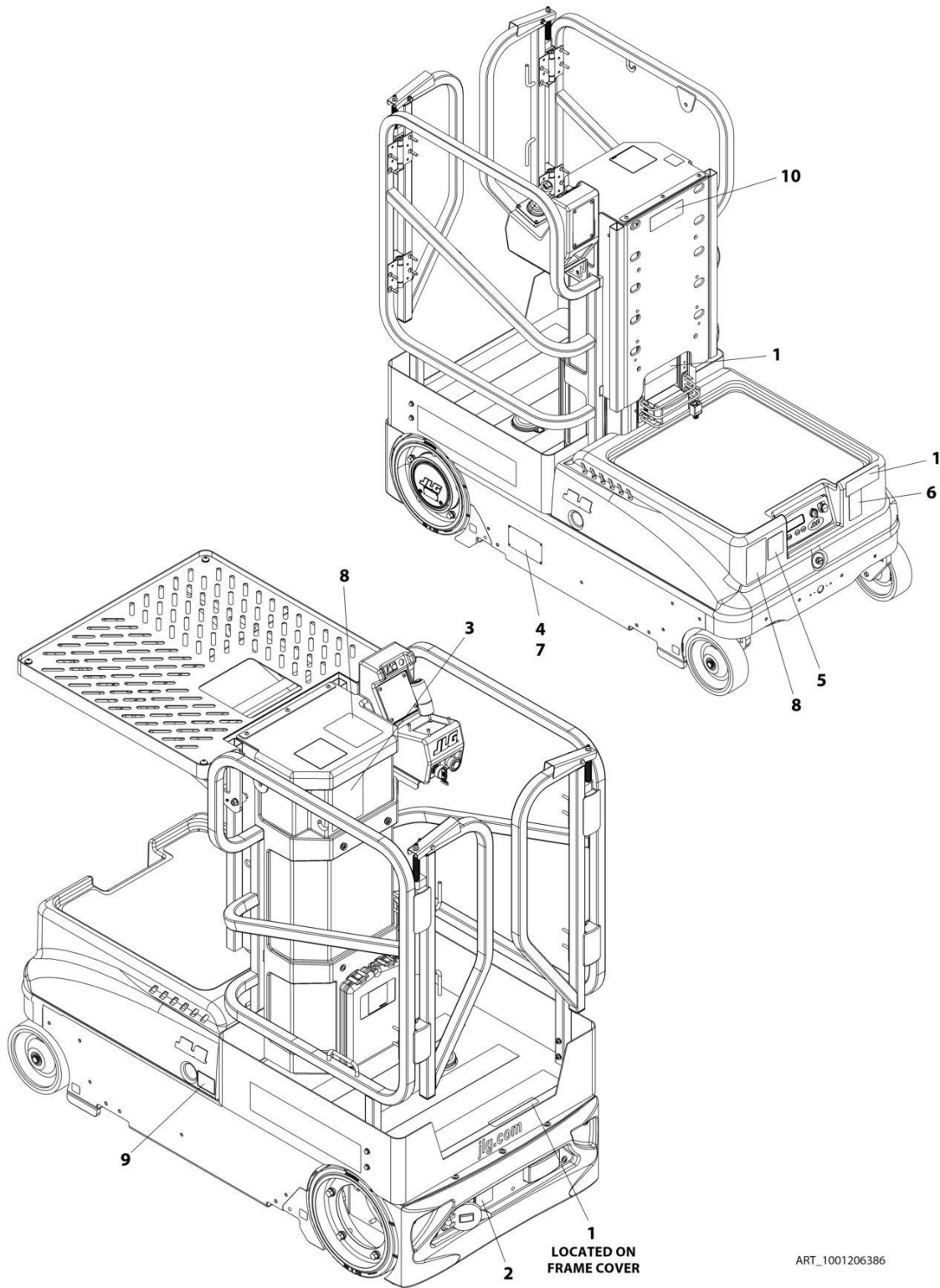
SECTION 8 - DECALS

FIGURE 8-7. DECAL INSTALLATION - AUSTRALIAN SPECS (ENGLISH LANGUAGE) (MANUAL TRAY)

ITEM	PART NUMBER	QTY	DESCRIPTION	REV
	0275136	Ref	DECAL INSTALLATION	F
1	1705099	4	Decal - Crushing Hazard (Prior to SN 0130032819)	
1	1705099	3	Decal - Crushing Hazard (SN 0130032819 to Present)	
2	1706077	1	Decal - Battery Charging Instruction	
3	1706078	1	Decal - Warning	
4	1001207206	1	Decal - Capacity	
5	1706616	1	Decal - Capacity	
6	1706617	1	Decal - No Riders	
7	2080057	2	Fastener	
8	See Note	NSS	Nameplate - Serial Number (Note: Not Available for Purchase)	
9	1706740	1	Decal - Battery Disconnect (SN 0130032819 to Present)	

SECTION 8 - DECALS

FIGURE 8-8. DECAL INSTALLATION - AUSTRALIAN SPECS (ENGLISH LANGUAGE) (POWER TRAY)



ART_1001206386

SECTION 8 - DECALS

FIGURE 8-8. DECAL INSTALLATION - AUSTRALIAN SPECS (ENGLISH LANGUAGE) (POWER TRAY)

ITEM	PART NUMBER	QTY	DESCRIPTION	REV
	1001206386	Ref	DECAL INSTALLATION	B
1	1705099	1	Decal - Crushing Hazard (Prior to SN 0130032819)	
1	1705099	3	Decal - Crushing Hazard (SN 0130032819 to Present)	
2	1706077	1	Decal - Battery Charging Instruction	
3	1706078	1	Decal - Warning	
4	See Note	NSS	Nameplate - Serial Number (Note: Not Available for Purchase)	
5	1706616	1	Decal - Capacity	
6	1706617	1	Decal - No Riders	
7	2080057	2	Fastener	
8	1001202686	2	Decal - Capacity	
9	1706740	1	Decal - Battery Disconnect (SN 0130032819 to Present)	
10	1706292	1	Decal - Pinch Point (SN 0130032819 to Present)	

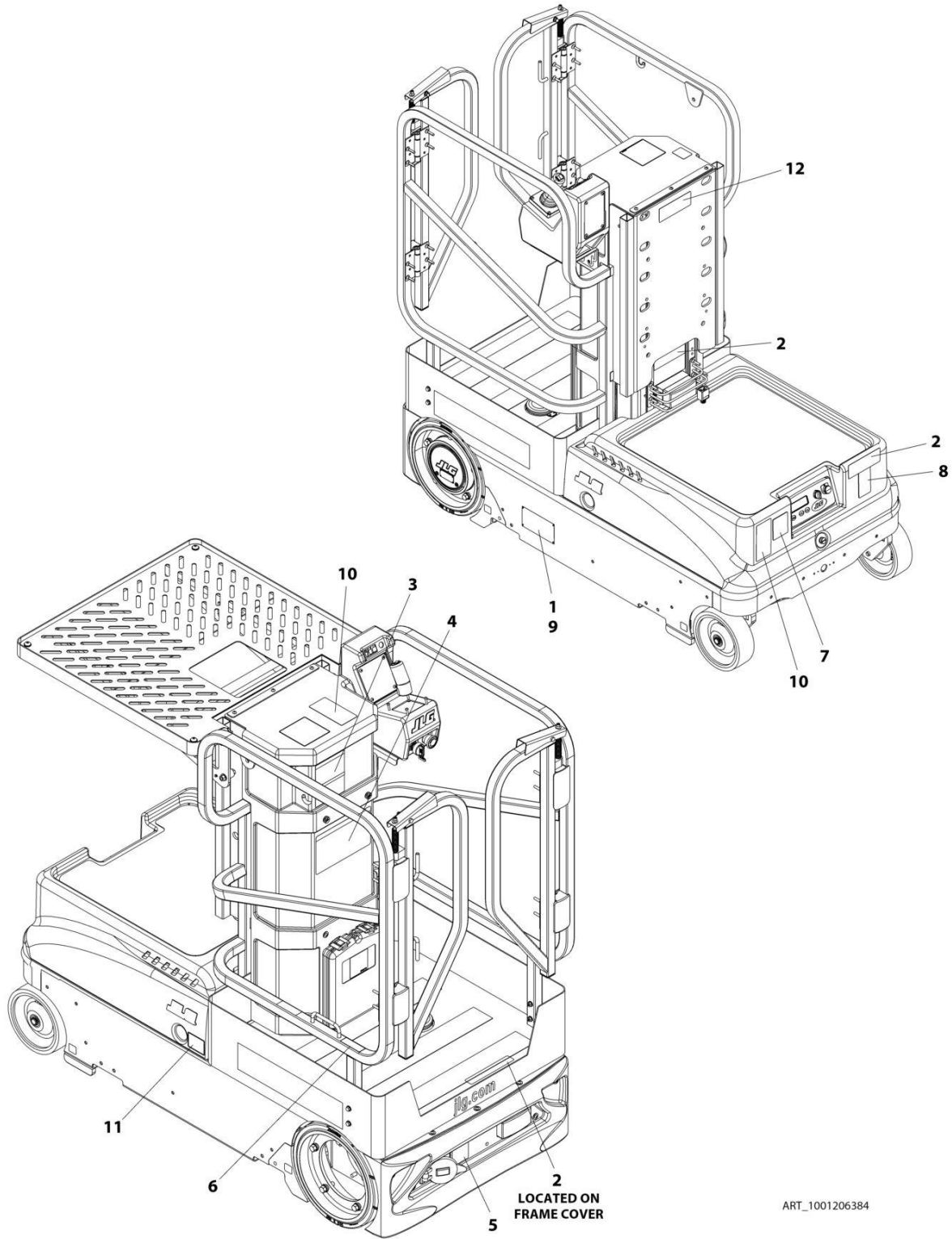
SECTION 8 - DECALS

FIGURE 8-9. DECAL INSTALLATION - BRAZIL SPECS (PORTUGUESE LANGUAGE) (MANUAL TRAY)

ITEM	PART NUMBER	QTY	DESCRIPTION	REV
	0275134	Ref	DECAL INSTALLATION	G
1	1001207205	1	Decal - Capacity	
2	1706086	4	Decal - Crushing Hazard (Prior to SN 0130032819)	
2	1706086	3	Decal - Crushing Hazard (SN 0130032819 to Present)	
3	1706087	1	Decal - Danger	
4	1706088	1	Decal - Warning	
5	1706089	1	Decal - Battery Charging Instruction (Prior to SN 0130032819)	
5	1001233057	1	Decal - Battery Charging Instruction (SN 0130032819 to Present)	
6	1706118	1	Decal - Fall Restraint	
7	1706616	1	Decal - Capacity	
8	1706617	1	Decal - No Riders	
9	2080057	4	Fastener	
10	See Note	NSS	Nameplate - Serial Number (Note: Not Available for Purchase)	
11	1001224052	1	Decal - Yearly Inspection	
12	1706740	1	Decal - Battery Disconnect (SN 0130032819 to Present)	

SECTION 8 - DECALS

FIGURE 8-10. DECAL INSTALLATION - BRAZIL SPECS (PORTUGUESE LANGUAGE) (POWER TRAY)



ART_1001206384

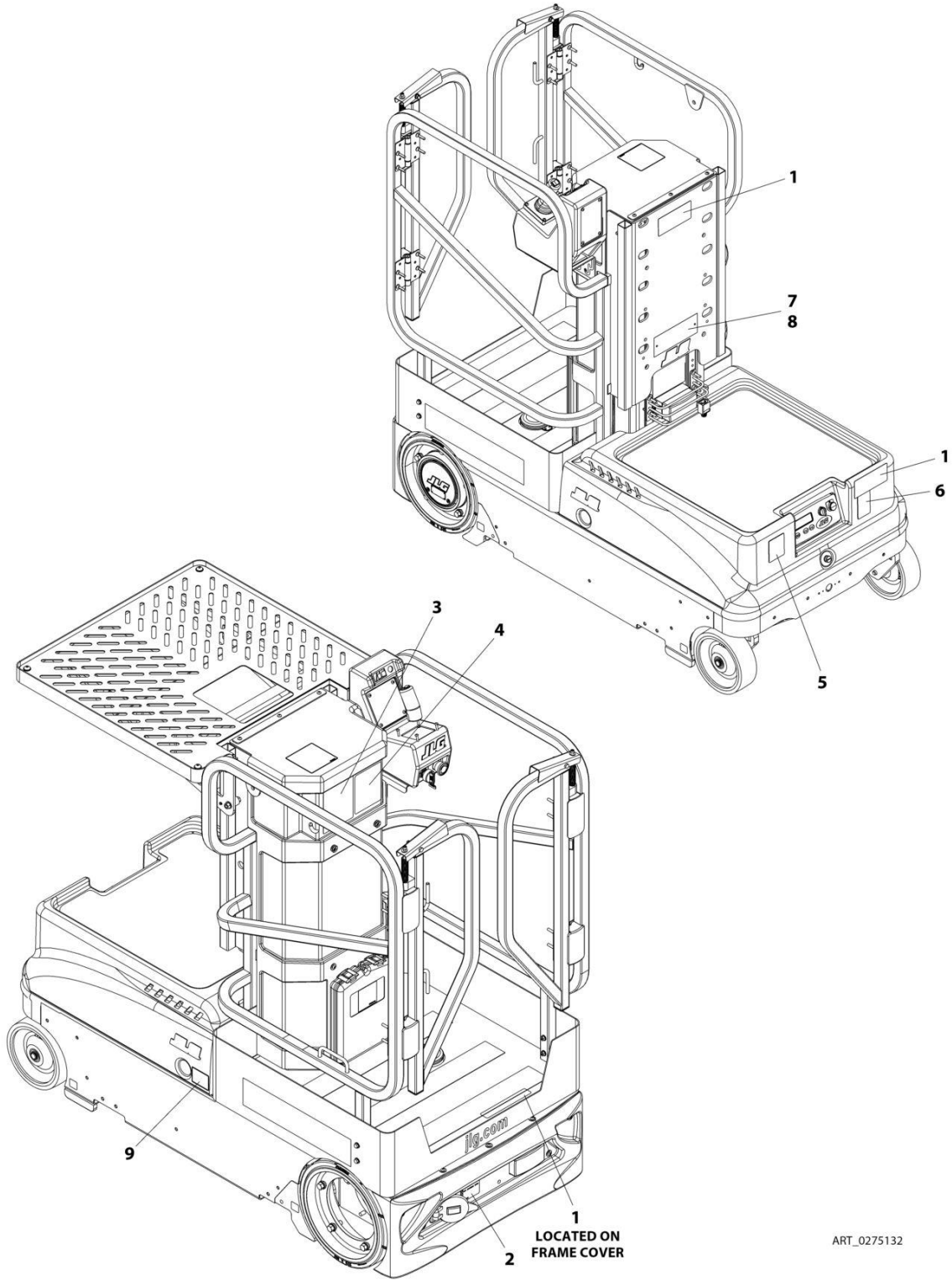
SECTION 8 - DECALS

FIGURE 8-10. DECAL INSTALLATION - BRAZIL SPECS (PORTUGUESE LANGUAGE) (POWER TRAY)

ITEM	PART NUMBER	QTY	DESCRIPTION	REV
	1001206384	Ref	DECAL INSTALLATION	B
1	See Note	NSS	Nameplate - Serial Number (Note: Not Available for Purchase)	
2	1706086	4	Decal - Crushing Hazard (Prior to SN 0130032819)	
2	1706086	3	Decal - Crushing Hazard (SN 0130032819 to Present)	
3	1706087	1	Decal - Danger	
4	1706088	1	Decal - Warning	
5	1706089	1	Decal - Battery Charging Instruction (Prior to SN 0130032819)	
5	1706089	1	Decal - Battery Charging Instruction (SN 0130032819 to Present)	
6	1706118	1	Decal - Fall Restraint	
7	1706616	1	Decal - Capacity	
8	1706617	1	Decal - No Riders	
9	2080057	4	Fastener	
10	1001206313	2	Decal - Capacity	
11	1706740	1	Decal - Battery Disconnect (SN 0130032819 to Present)	
12	1001233728	1	Decal - Pinch Point (SN 0130032819 to Present)	

SECTION 8 - DECALS

FIGURE 8-11. DECAL INSTALLATION - CE SPECS (ENGLISH LANGUAGE) (MANUAL TRAY)



ART_0275132

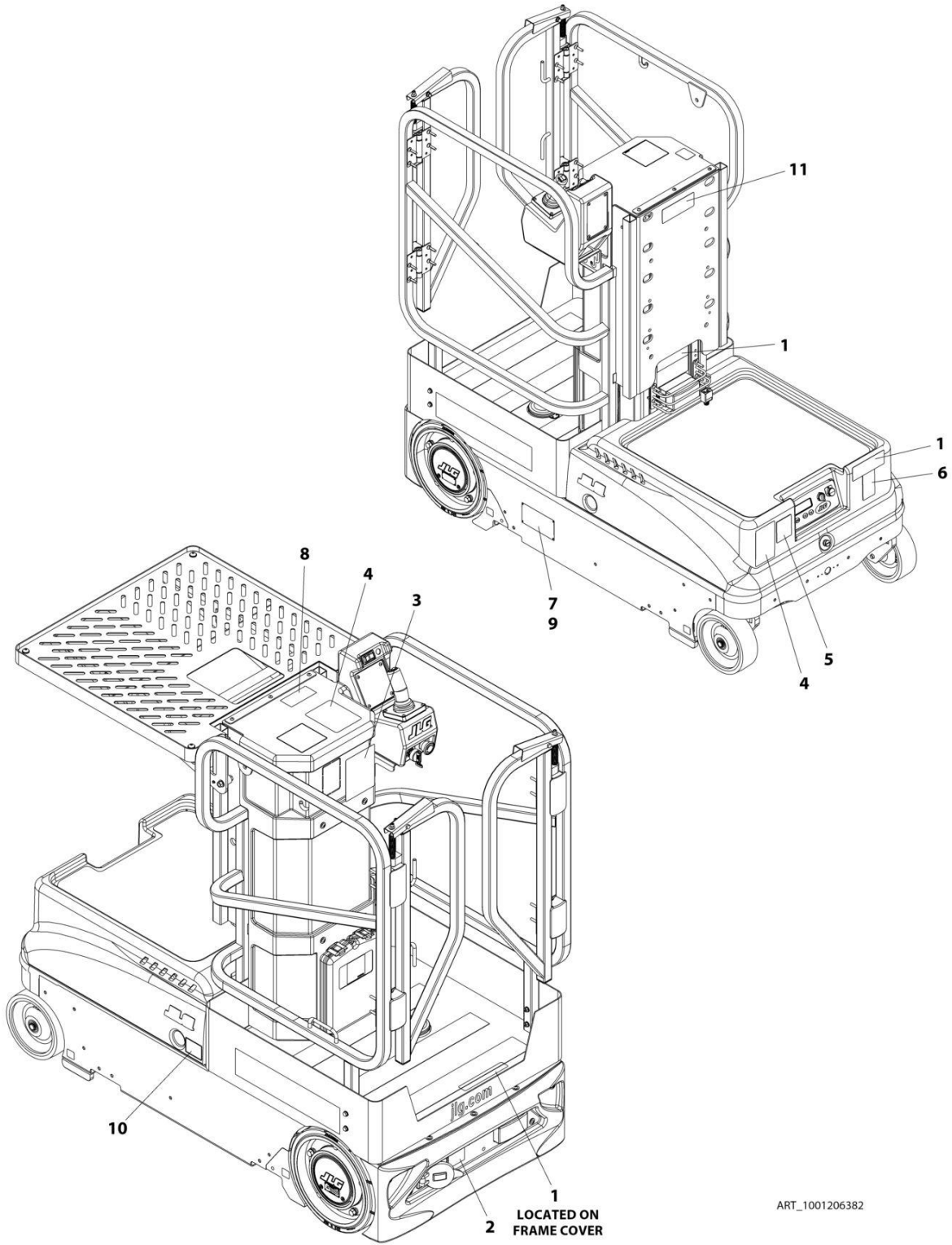
SECTION 8 - DECALS

FIGURE 8-11. DECAL INSTALLATION - CE SPECS (ENGLISH LANGUAGE) (MANUAL TRAY)

ITEM	PART NUMBER	QTY	DESCRIPTION	REV
	0275132	Ref	DECAL INSTALLATION	F
1	1705099	4	Decal - Crushing Hazard (Prior to SN 0130032819)	
1	1705099	3	Decal - Crushing Hazard (SN 0130032819 to Present)	
2	1706077	1	Decal - Battery Charging Instruction	
3	1706078	1	Decal - Warning	
4	1001207206	1	Decal - Capacity	
5	1706616	1	Decal - Capacity	
6	1706617	1	Decal - No Riders	
7	2080057	2	Fastener	
8	See Note	NSS	Nameplate - Serial Number (Note: Not Available for Purchase)	
9	1706740	1	Decal - Battery Disconnect (SN 0130032819 to Present)	

SECTION 8 - DECALS

FIGURE 8-12. DECAL INSTALLATION - CE SPECS (ENGLISH LANGUAGE) (POWER TRAY)



ART_1001206382

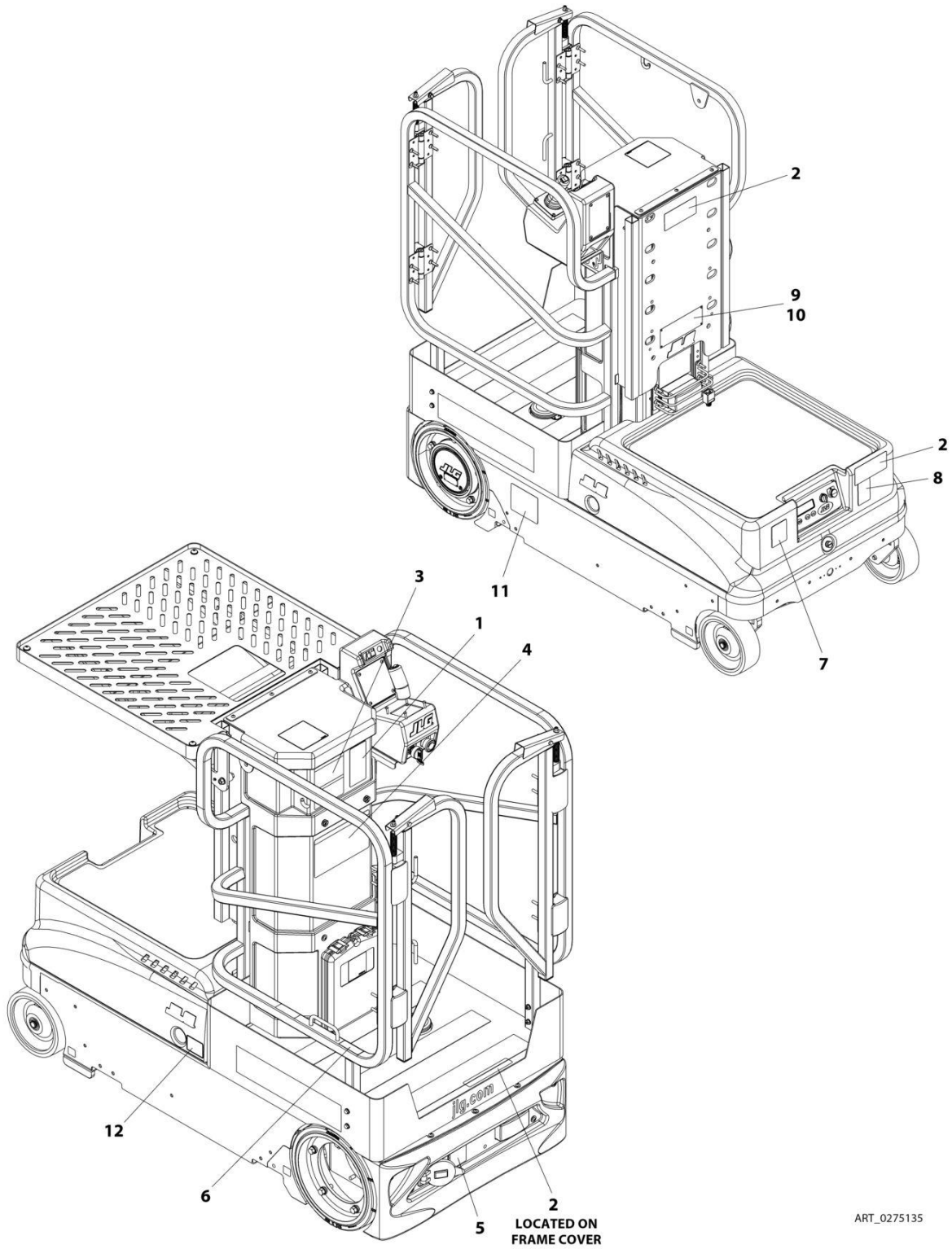
SECTION 8 - DECALS

FIGURE 8-12. DECAL INSTALLATION - CE SPECS (ENGLISH LANGUAGE) (POWER TRAY)

ITEM	PART NUMBER	QTY	DESCRIPTION	REV
	1001206382	Ref	DECAL INSTALLATION	B
1	1705099	4	Decal - Crushing Hazard (Prior to SN 0130032819)	
1	1705099	3	Decal - Crushing Hazard (SN 0130032819 to Present)	
2	1706077	1	Decal - Battery Charging Instruction	
3	1706078	1	Decal - Warning	
4	1001202686	1	Decal - Capacity	
5	1706616	1	Decal - Capacity	
6	1706617	1	Decal - No Riders	
7	2080057	2	Fastener	
8	1001158844	1	Decal - Hand Crushing Hazard	
9	See Note	NSS	Nameplate - Serial Number (Note: Not Available for Purchase)	
10	1706740	1	Decal - Battery Disconnect (SN 0130032819 to Present)	
11	1706292	1	Decal - Pinch Point (SN 0130032819 to Present)	

SECTION 8 - DECALS

FIGURE 8-13. DECAL INSTALLATION - CHINA SPECS (CHINESE LANGUAGE) (MANUAL TRAY)



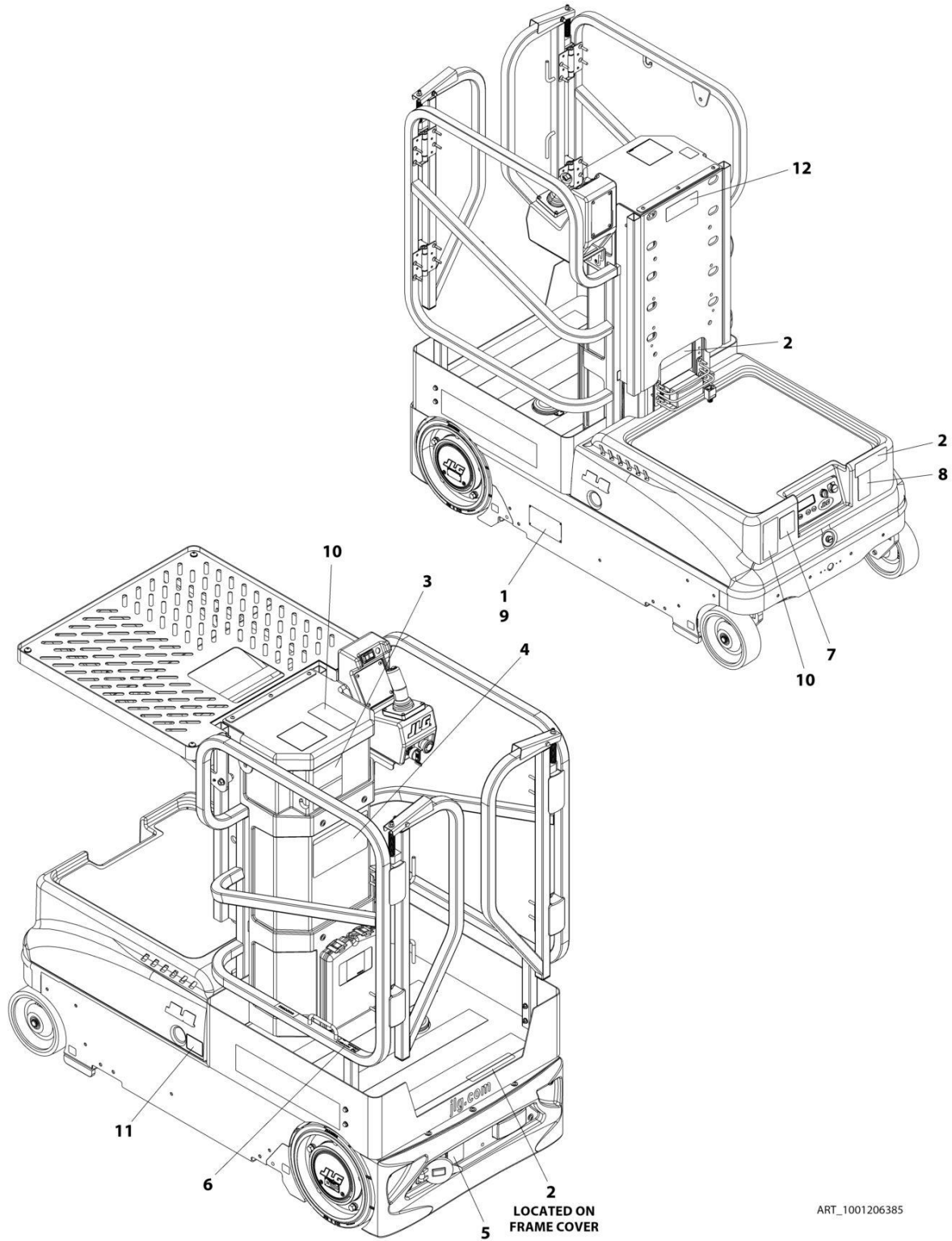
SECTION 8 - DECALS

FIGURE 8-13. DECAL INSTALLATION - CHINA SPECS (CHINESE LANGUAGE) (MANUAL TRAY)

ITEM	PART NUMBER	QTY	DESCRIPTION	REV
	0275135	Ref	DECAL INSTALLATION	G
1	1001207205	1	Decal - Capacity	
2	1706090	4	Decal - Crushing Hazard (Prior to SN 0130032819)	
2	1706090	3	Decal - Crushing Hazard (SN 0130032819 to Present)	
3	1706091	1	Decal - Danger	
4	1706092	1	Decal - Warning	
5	1706093	1	Decal - Battery Charging Instruction (Prior to SN 0130032819)	
5	1001233058	1	Decal - Battery Charging Instruction (SN 0130032819 to Present)	
6	1706117	1	Decal - Fall Restraint	
7	1706616	1	Decal - Capacity	
8	1706617	1	Decal - No Riders	
9	2080057	4	Fastener	
10	See Note	NSS	Nameplate - Serial Number (Note: Not Available for Purchase)	
11	1001224051	1	Decal - Yearly Inspection	
12	1706740	1	Decal - Battery Disconnect (SN 0130032819 to Present)	

SECTION 8 - DECALS

FIGURE 8-14. DECAL INSTALLATION - CHINA SPECS (CHINESE LANGUAGE) (POWER TRAY)



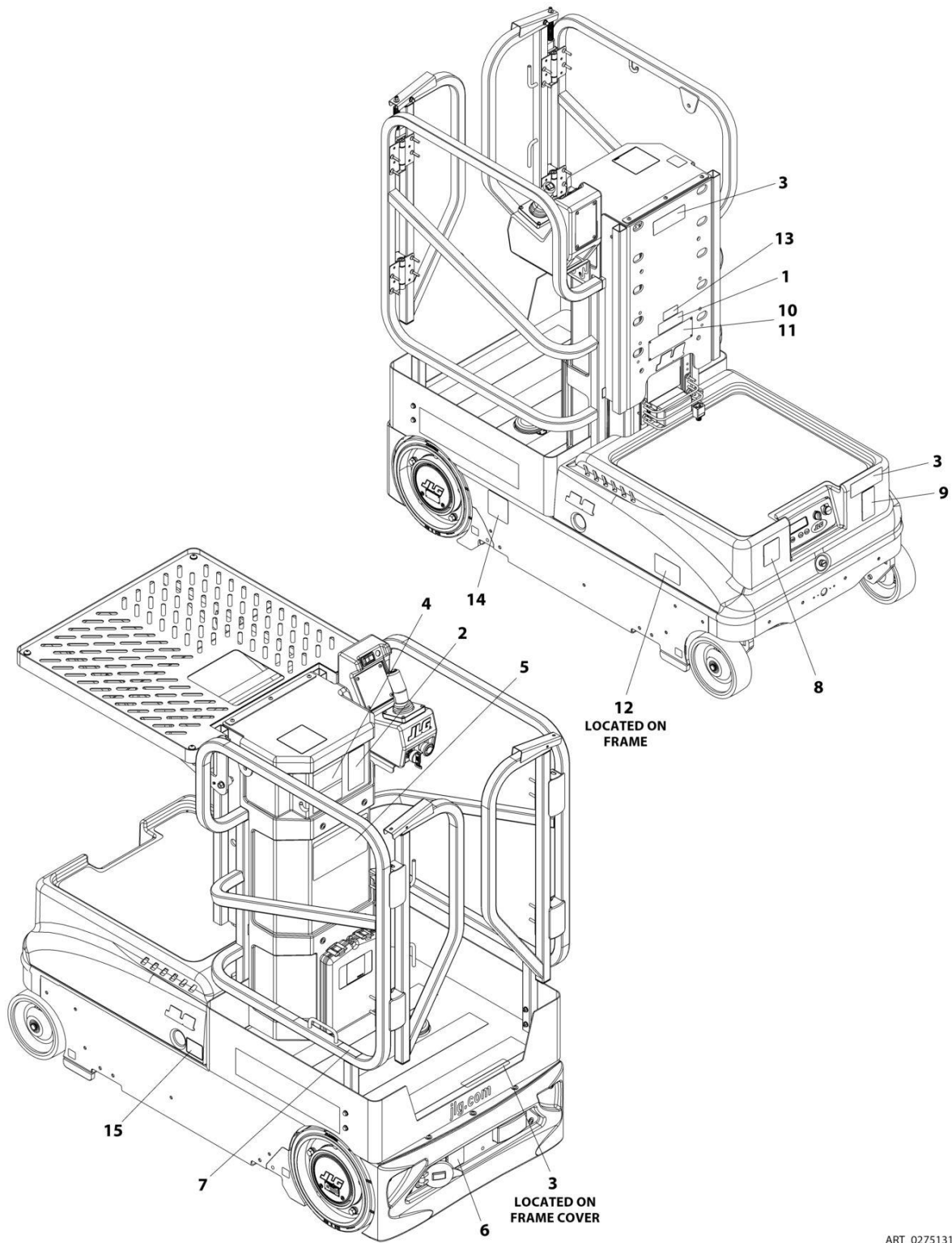
SECTION 8 - DECALS

FIGURE 8-14. DECAL INSTALLATION - CHINA SPECS (CHINESE LANGUAGE) (POWER TRAY)

ITEM	PART NUMBER	QTY	DESCRIPTION	REV
	1001206385	Ref	DECAL INSTALLATION	B
1	See Note	NSS	Nameplate - Serial Number (Note: Not Available for Purchase)	
2	1706090	4	Decal - Crushing Hazard (Prior to SN 0130032819)	
2	1706090	3	Decal - Crushing Hazard (SN 0130032819 to Present)	
3	1706091	1	Decal - Danger	
4	1706092	1	Decal - Warning	
5	1706093	1	Decal - Battery Charging Instruction (Prior to SN 0130032819)	
5	1001233058	1	Decal - Battery Charging Instruction (SN 0130032819 to Present)	
6	1706117	1	Decal - Fall Restraint	
7	1706616	1	Decal - Capacity	
8	1706617	1	Decal - No Riders	
9	2080057	4	Fastener	
10	1001206313	2	Decal - Capacity	
11	1706740	1	Decal - Battery Disconnect (SN 0130032819 to Present)	
12	1001233729	1	Decal - Pinch Point (SN 0130032819 to Present)	

SECTION 8 - DECALS

FIGURE 8-15. DECAL INSTALLATION - CSA SPECS (FRENCH LANGUAGE) (MANUAL TRAY)



ART_0275131

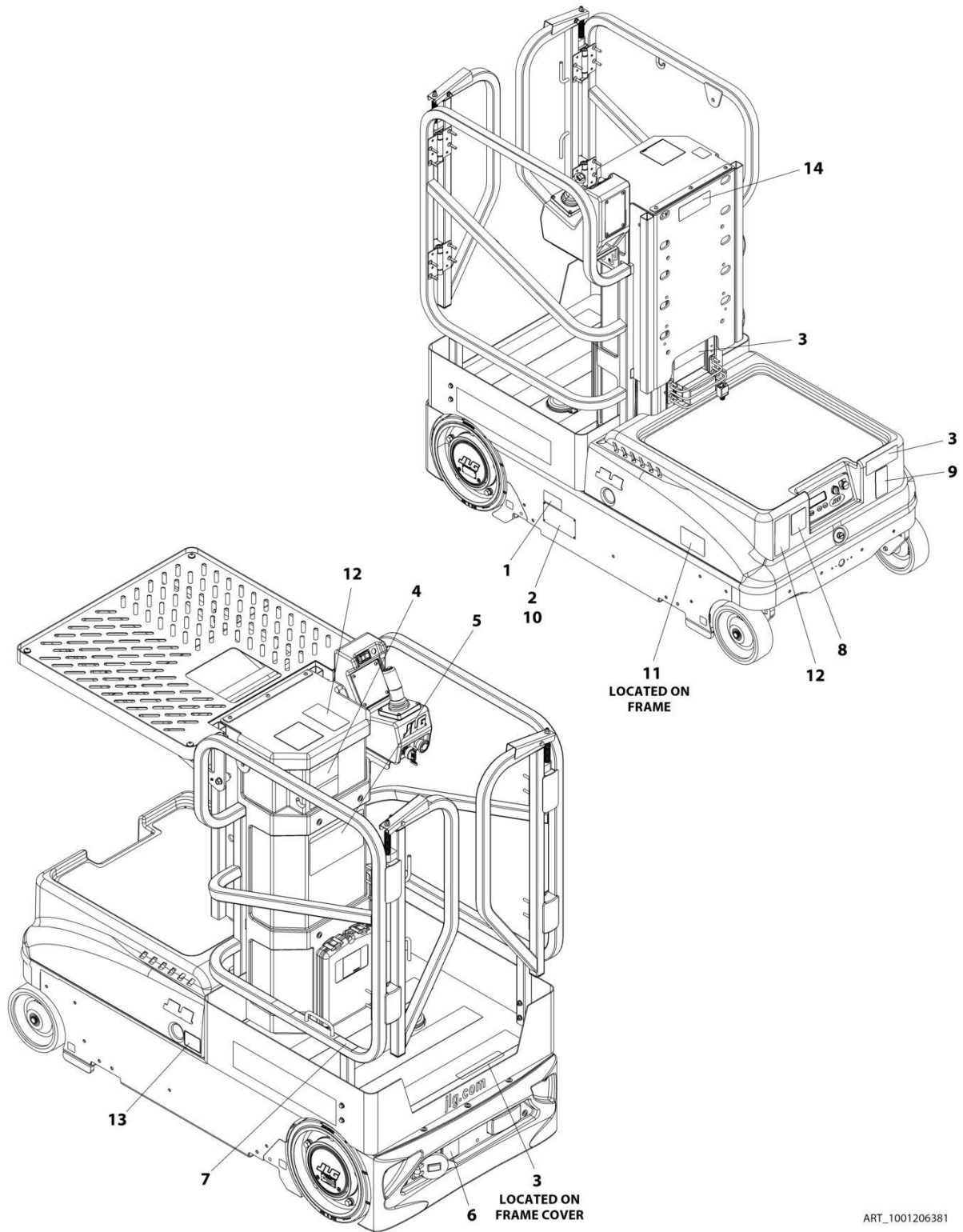
SECTION 8 - DECALS

FIGURE 8-15. DECAL INSTALLATION - CSA SPECS (FRENCH LANGUAGE) (MANUAL TRAY)

ITEM	PART NUMBER	QTY	DESCRIPTION	REV
	0275131	Ref	DECAL INSTALLATION	H
1	1705303	1	Decal - C.S.A.	
2	1001207205	1	Decal - Capacity	
3	1706094	4	Decal - Crushing Hazard (Prior to SN 0130032819)	
3	1706094	3	Decal - Crushing Hazard (SN 0130032819 to Present)	
4	1706095	1	Decal - Danger	
5	1706096	1	Decal - Warning	
6	1706097	1	Decal - Battery Charging Instruction (Prior to SN 0130032819)	
6	1001233055	1	Decal - Battery Charging Instruction (SN 0130032819 to Present)	
7	1706119	1	Decal - Fall Restraint	
8	1706616	1	Decal - Capacity	
9	1706617	1	Decal - No Riders	
10	2080057	4	Fastener	
11	See Note	NSS	Nameplate - Serial Number (Note: Not Available for Purchase)	
12	1001131273	1	Decal - Patent	
13	1001228370	1	Decal - Canada ICES-001	
14	1001223971	1	Decal - Yearly Inspection	
15	1706740	1	Decal - Battery Disconnect (SN 0130032819 to Present)	

SECTION 8 - DECALS

FIGURE 8-16. DECAL INSTALLATION - CSA SPECS (FRENCH LANGUAGE) (POWER TRAY)



ART_1001206381

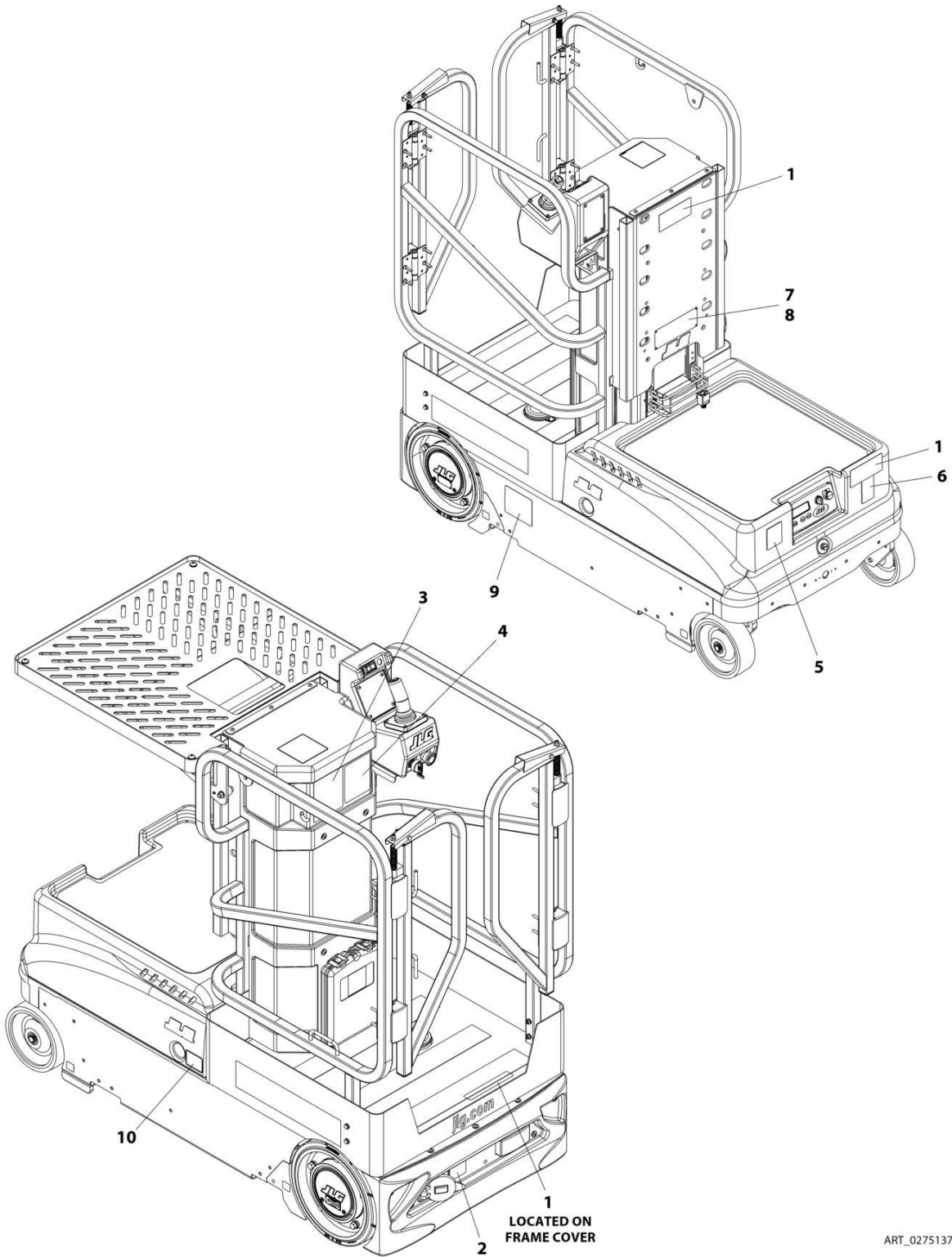
SECTION 8 - DECALS

FIGURE 8-16. DECAL INSTALLATION - CSA SPECS (FRENCH LANGUAGE) (POWER TRAY)

ITEM	PART NUMBER	QTY	DESCRIPTION	REV
	1001206381	Ref	DECAL INSTALLATION	B
1	1705303	1	Decal - C.S.A.	
2	See Note	NSS	Nameplate - Serial Number (Note: Not Available for Purchase)	
3	1706094	4	Decal - Crushing Hazard (Prior to SN 0130032819)	
3	1706094	3	Decal - Crushing Hazard (SN 0130032819 to Present)	
4	1706095	1	Decal - Danger	
5	1706096	1	Decal - Warning	
6	1706097	1	Decal - Battery Charging Instruction (Prior to SN 0130032819)	
6	1001233055	1	Decal - Battery Charging Instruction (SN 0130032819 to Present)	
7	1706119	1	Decal - Fall Restraint	
8	1706616	1	Decal - Capacity	
9	1706617	1	Decal - No Riders	
10	2080057	4	Fastener	
11	1001131273	1	Decal - Patent	
12	1001206313	2	Decal - Capacity	
13	1706740	1	Decal - Battery Disconnect (SN 0130032819 to Present)	
14	1001093992	1	Decal - Pinch Point (SN 0130032819 to Present)	

SECTION 8 - DECALS

FIGURE 8-17. DECAL INSTALLATION - JAPAN SPECS (JAPANESE LANGUAGE) (MANUAL TRAY)



ART_0275137

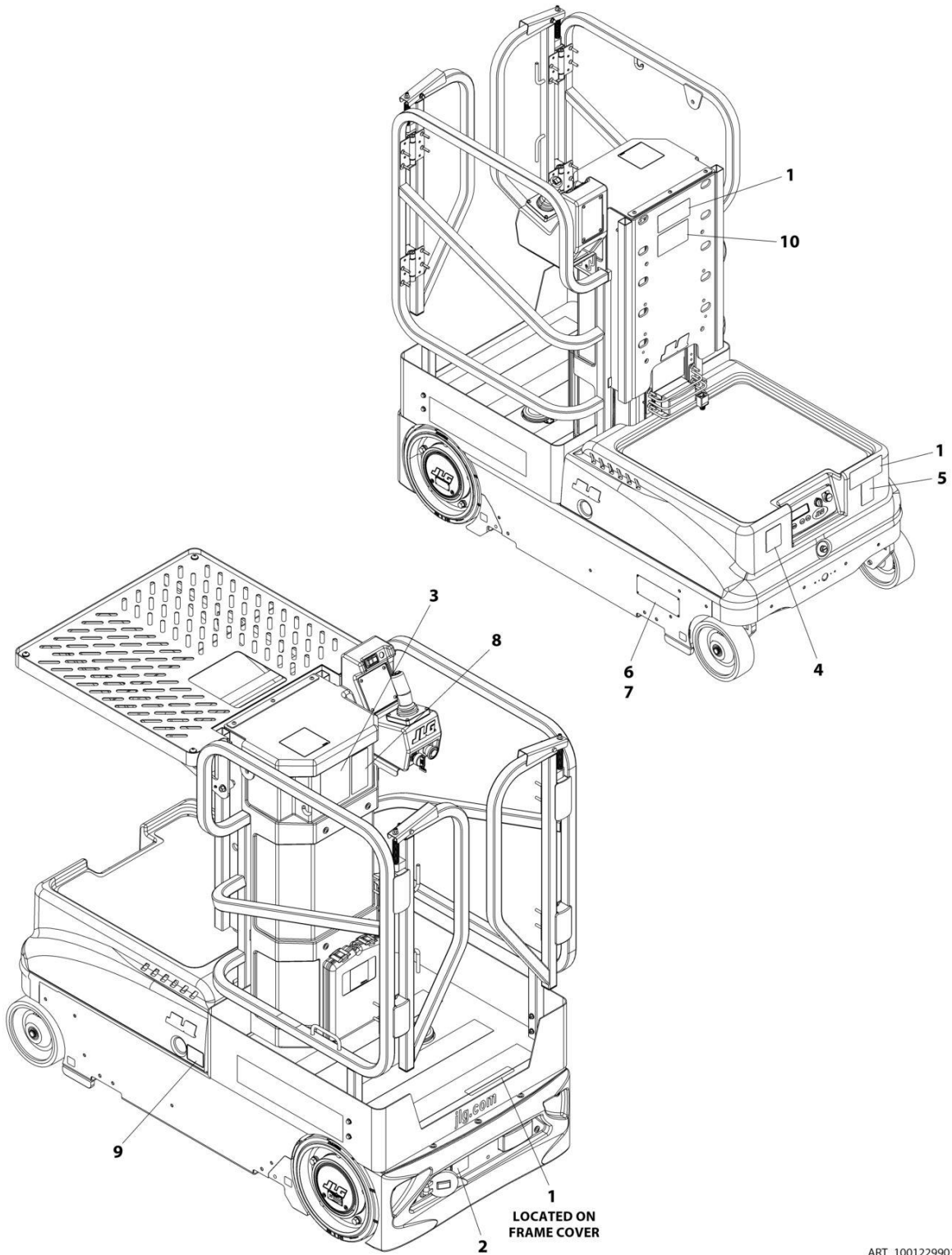
SECTION 8 - DECALS

FIGURE 8-17. DECAL INSTALLATION - JAPAN SPECS (JAPANESE LANGUAGE) (MANUAL TRAY)

ITEM	PART NUMBER	QTY	DESCRIPTION	REV
	0275137	Ref	DECAL INSTALLATION	F
1	1705099	4	Decal - Crushing Hazard (Prior to SN 0130032819)	
1	1705099	3	Decal - Crushing Hazard (SN 0130032819 to Present)	
2	1706077	1	Decal - Battery Charging Instruction	
3	1706078	1	Decal - Warning	
4	1001207206	1	Decal - Capacity	
5	1706616	1	Decal - Capacity	
6	1706617	1	Decal - No Riders	
7	2080057	2	Fastener	
8	See Note	NSS	Nameplate - Serial Number (Note: Not Available for Purchase)	
9	1001224053	1	Decal - Yearly Inspection	
10	1706740	1	Decal - Battery Disconnect (SN 0130032819 to Present)	

SECTION 8 - DECALS

FIGURE 8-18. DECAL INSTALLATION - JAPAN SPECS (JAPANESE LANGUAGE) (POWER TRAY)



ART_1001229901

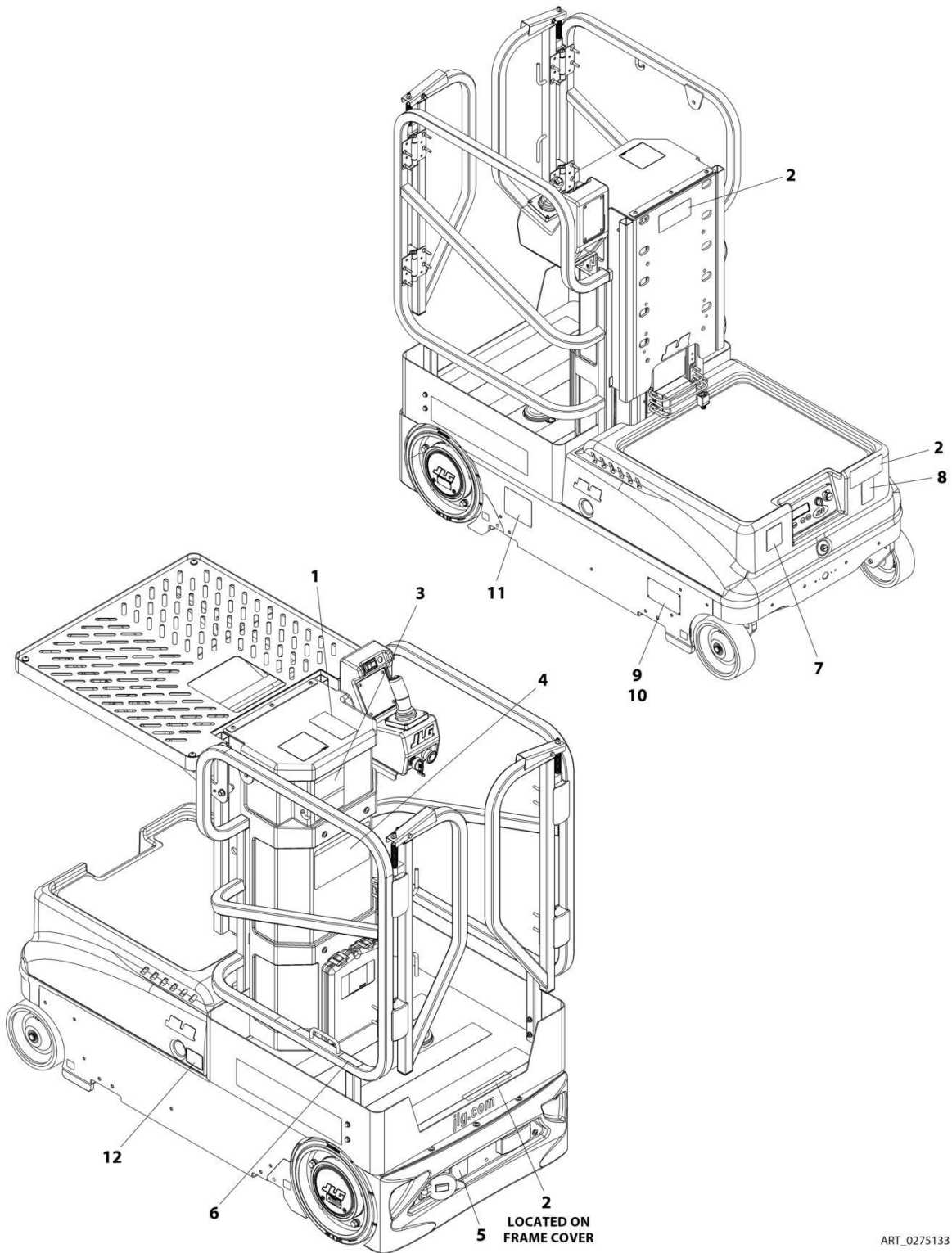
SECTION 8 - DECALS

FIGURE 8-18. DECAL INSTALLATION - JAPAN SPECS (JAPANESE LANGUAGE) (POWER TRAY)

ITEM	PART NUMBER	QTY	DESCRIPTION	REV
	1001229901	Ref	DECAL INSTALLATION	B
1	1705099	4	Decal - Crushing Hazard (Prior to SN 0130032819)	
1	1705099	3	Decal - Crushing Hazard (SN 0130032819 to Present)	
2	1706077	1	Decal - Battery Charging Instruction	
3	1706078	1	Decal - Warning	
4	1706616	1	Decal - Capacity	
5	1706617	1	Decal - No Riders	
6	2080057	2	Fastener	
7	See Note	NSS	Nameplate - Serial Number (Note: Not Available for Purchase)	
8	1001206313	1	Decal - Capacity	
9	1706740	1	Decal - Battery Disconnect (SN 0130032819 to Present)	
10	1706292	1	Decal - Pinch Point (ISO) (SN 0130032819 to Present)	

SECTION 8 - DECALS

FIGURE 8-19. DECAL INSTALLATION - LATIN AMERICAN SPECS (SPANISH LANGUAGE) (MANUAL TRAY)



ART_0275133

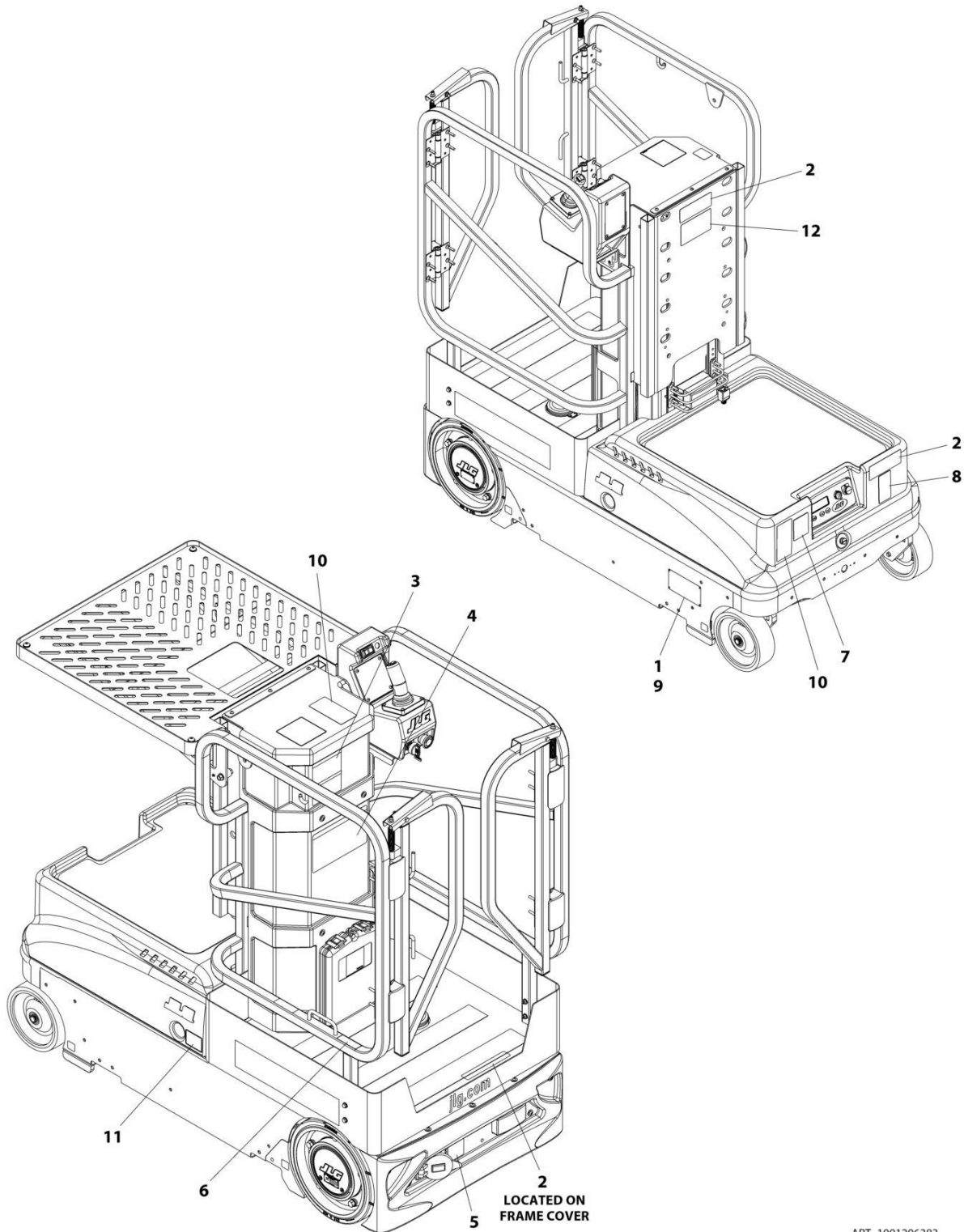
SECTION 8 - DECALS

FIGURE 8-19. DECAL INSTALLATION - LATIN AMERICAN SPECS (SPANISH LANGUAGE) (MANUAL TRAY)

ITEM	PART NUMBER	QTY	DESCRIPTION	REV
	0275133	Ref	DECAL INSTALLATION	G
1	1001207205	1	Decal - Capacity	
2	1706082	4	Decal - Crushing Hazard (Prior to SN 0130032819)	
2	1706082	3	Decal - Crushing Hazard (SN 0130032819 to Present)	
3	1706083	1	Decal - Danger	
4	1706084	1	Decal - Warning	
5	1706085	1	Decal - Battery Charging Instruction (Prior to SN 0130032819)	
5	1001233056	1	Decal - Battery Charging Instruction (SN 0130032819 to Present)	
6	1706116	1	Decal - Fall Restraint	
7	1706616	1	Decal - Capacity	
8	1706617	1	Decal - No Riders	
9	2080057	4	Fastener	
10	See Note	NSS	Nameplate - Serial Number (Note: Not Available for Purchase)	
11	1001224049	1	Decal - Yearly Inspection	
12	1706740	1	Decal - Battery Disconnect (SN 0130032819 to Present)	

SECTION 8 - DECALS

FIGURE 8-20. DECAL INSTALLATION - LATIN AMERICAN SPECS (SPANISH LANGUAGE) (POWER TRAY)



ART_1001206383

SECTION 8 - DECALS

FIGURE 8-20. DECAL INSTALLATION - LATIN AMERICAN SPECS (SPANISH LANGUAGE) (POWER TRAY)

ITEM	PART NUMBER	QTY	DESCRIPTION	REV
	1001206383	Ref	DECAL INSTALLATION	B
1	See Note	NSS	Nameplate - Serial Number (Note: Not Available for Purchase)	
2	1706082	4	Decal - Crushing Hazard (Prior to SN 0130032819)	
2	1706082	3	Decal - Crushing Hazard (SN 0130032819 to Present)	
3	1706083	1	Decal - Danger	
4	1706084	1	Decal - Warning	
5	1706085	1	Decal - Battery Charging Instruction (Prior to SN 0130032819)	
5	1001233056	1	Decal - Battery Charging Instruction (SN 0130032819 to Present)	
6	1706116	1	Decal - Fall Restraint	
7	1706616	1	Decal - Capacity	
8	1706617	1	Decal - No Riders	
9	2080057	4	Fastener	
10	1001206313	2	Decal - Capacity	
11	1706740	1	Decal - Battery Disconnect (SN 0130032819 to Present)	
12	1001233727	1	Decal - Pinch Point (SN 0130032819 to Present)	

SECTION 9 - RECOMMENDED SERVICE PARTS STOCK

SECTION 9 - RECOMMENDED SERVICE PARTS STOCK

SECTION 9 - RECOMMENDED SERVICE PARTS STOCK

FIGURE 9-1. RECOMMENDED SERVICE PARTS STOCK

ITEM	PART NUMBER	QTY	DESCRIPTION	REV
		Ref	Note: The following list will service one machine (built to current production per date on the front cover) with emergency repair parts which can be installed in the field. Parts from the list should be replaced when inventory is depleted to keep service parts stock supplied. For further information, contact your JLG dealer or the JLG Industries Parts Department.	
		Ref	STANDARD PARTS	
	7011069	1	Breather	
	2400069	2	Fuse 175 Amp	
	4360514	1	Proximity Switch	
	7024428	1	Emergency Stop Switch	
	7024591	1	Selector Switch	
	1001098192	1	Controller Assembly	
	4360467	1	Keyswitch	
	2860030	1	Key, Replacement	
	4360562	1	Switch, Emergency	
	4360567	1	Switch, Push Button	
	1001229726	1	Footswitch	
	1001230161	1	Proximity Switch	
	70006455	1	Coil	
	2120183	4	Filter, In-Line	
	1001208283	1	Switch, Left Hand Control	
		Ref	VARIABLE PARTS	
	1001231450	1	Traction Module	
	1001229629	1	Ground Control Module (All Specs except Australian, Japanese & Chinese Specs)	
	1001229634	1	Ground Control Module (Australian Spec)	
	1001229633	1	Ground Control Module (Japanese & Chinese Specs)	
	1001228458	1	Platform Module	

SECTION 10 - SPECIAL OPTIONS

SECTION 10 - SPECIAL OPTIONS

FIGURE 10-1. SPECIAL OPTIONS

ITEM	PART NUMBER	QTY	DESCRIPTION	REV
		Ref	Note: This list is to accomodate machines ordered with special equipment. Options may not be applicable to all models. For more specific parts information contact JLG Parts Department.	
		Ref	MISCELLANEOUS SPECIAL OPTIONS	
	1001229107	Ref	ClearSky Telematics 3 Wire Installation (Factory Installed)	
	1001233237	Ref	ClearSky Telematics 3 Wire Installation (CE Spec)	
		Ref	Decals Installations	
	1001229710	Ref	Decal - Clear Sky	
	1001214031	Ref	Decal - EAC (Russian/CIS Specs)	
	0274568	Ref	Decal - Ground Support Service	
	0274053	Ref	Decal - Target	
		Ref	Electrical Connector Kits	
	1001148902	Ref	Amp Connector Kit	
	1001148903	Ref	Deutsch DT Connector Kit	
	1001148904	Ref	Deutsch HD Connector Kit	
	1001148905	Ref	Packard Connector Kit	
	1001148906	Ref	Various Connector Kit	
	1001234481	Ref	Power Material Tray Kit	
	1001234482	Ref	Obstruction Sensing Pad Kit	
	1001234483	Ref	Remote Manual Decent Kit	
	1001213967	Ref	Security Lock Installation	
		Ref	Tools For Service:	
	7002821	1	Crimper (For Wire to Pin/Socket Connections)	
	7002823	1	Extractor (For Removal of Pin/Sockets Connectors)	
	4460467	1	Extractor 16-18 Gauge (For Wire to Pin/Socket from Deutsch Connectors)	
	4460510	1	Extractor 12-14 Gauge (For Wire to Pin/Socket from Deutsch Connectors)	
	7016654	1	Screwdriver, Magnetic	
	7004275	1	Seal Tool - 1in	
	7004276	1	Seal Tool - 1-1/2in	
	7002826	1	Seal Tool - 2in	
	8896941	1	Stripper, Wire	
	2915027	1	Rear Wheel Puller	
	7002842	1	Brake Crimp Removal Tool	
	7002841	1	Motor Crimp Removal Tool	
	7016618	1	Molex Tool (For Ground Control Station Electrical Connectors)	
	7002841	1	Intech Tool (For Drive Motor Electrical Connectors)	
	7002842	1	Intech Tool (For Drive Motor Brake Electrical Connectors)	
	7002847	1	Tyco/AMP Electronics Tool (For other General Electrical Connectors)	
	7002848	1	Tyco/AMP Electronics Tool (For other General Electrical Connectors)	
	7027247	1	Perma-Push Insert Disconnect Tool (For Hydraulic Fittings)	
	31201384	NLA	Video Operators	

PART NUMBER INDEX

PART NUMBER INDEX

0100011.....11, 15, 17, 23, 35, 39, 41, 43, 45, 47, 49, 51, 53, 55, 57, 59, 61, 63, 65, 73, 79, 83, 85, 87, 99, 117, 119, 123, 125	0641612..... 71	1001100634 83	1001206385.....169
0100019.....71, 74, 85	0641613..... 85	1001101529 83	1001206386..... 157
0100051.....35	0641616 77, 81	1001102771 133	1001206387..... 81
0100062.....74	0641617 15, 17, 23	1001109821 .. 37, 39, 133	1001206397..... 149
0100081..... 11	0641618 95, 97	1001112143 123, 125	1001206460..... 123
0140022.....35	0681414 79, 83	1001114467 11	1001206615..... 101
0140033.....57, 59, 61	0700617 89	1001116792 123, 125	1001206743.....79, 83
0240103.....23	0721004 ... 45, 47, 49, 51, 53, 89	1001118156 129	1001207205..... 151, 159, 167, 171, 179
0240107.....105	0721006 73	1001121700 35	1001207206..... 155, 163, 175
0240108.....105	0721010 57, 59, 61	1001131273 151, 153, 171, 173	1001207339..... 123, 125, 131
0240109.....105	0741003 123, 125	1001136381 37, 39	1001207352..... 81, 83
0240112.....107	0741005 35	1001137026 65	1001207630..... 35
0240114..... 19	0741006 89	1001137484 65	1001208283..... 123, 125, 184
0255040..... 103	0741008 89	1001143557 143, 145, 147, 149	1001208602..... 89, 93
0273417..... 74	0741412 123, 125	1001144295 131	1001210379..... 89
0273545.....71	0741614 77, 81	1001148902 186	1001210491..... 90, 139
0273546.....117	0751003 79, 83	1001148903 186	1001210530..... 90
0273570.....95	0760408 25	1001148904 186	1001210531..... 17
0273571.....97	0760514 57, 59, 61	1001148905 186	1001210573..... 25
0274053.....186	0760807 89	1001148906 186	1001210574..... 25
0274078.....21	0760808 89	1001148906 186	1001212654..... 137
0274181.....119	0760810 89	1001151629 135	1001212655..... 137
0274568.....186	0760814 89	1001153723 131	1001212656..... 137
0274898.....37	0760818 27	1001157665 17	1001212657..... 137
0274900.....39	0761014 89	1001158844 165	1001212660..... 137
0274935.....145	0780808 125	1001164530 89	1001212661..... 137
0275130.....151	0791003.35, 73, 123, 125	1001171824 17	1001213582..... 147, 149
0275131.....171	0791404 63, 65	1001171856 87	1001213967..... 186
0275132.....163	0791406 105	1001171869 87	1001214031..... 186
0275133.....179	0791508 39	1001177558 35	1001214996..... 131
0275134.....159	0791812 73	1001181407 85	1001215135..... 131
0275135.....167	0801394 71, 73	1001187862 35	1001215226..... 123, 125, 129
0275136.....155	0811408 73	1001197889 129, 131	1001215633..... 131, 135
0275137.....175	0811610 19, 85	1001201909 27	1001215635..... 131, 135
0362735..... 73	0902047 73	1001201910 27	1001217893..... 131
0440246..... 73	0902423 73	1001202686 157, 165	1001222318..... 101
0440249.....73	0902424 73	1001204273 21	1001223055..... 151
0440306..... 11	0902431 73	1001204754 89	1001223971..... 171
0440307..... 11	0902445 73	1001204755 89	1001224049..... 179
0440308..... 11	0902698 73	1001204756 89	1001224051..... 167
0561149.....74	0902895 95, 97	1001204770 89	1001224052..... 159
0561153.....74	0903120 23	1001204771 89	1001224053..... 175
0561341.....73	0903121 23	1001204772 89	1001225209..... 73, 111
0561408.....74	0940049 ... 15, 17, 77, 81	1001204779 89	1001227882..... 123, 125, 137
0561409.....74	0940132 11	1001204783 89	1001227884... 63, 65, 135
0610131.....37, 39	0940152 21	1001204787 89	1001228236..... 90
0630464.....63, 65	1001081050 123	1001204791 89	1001228239..... 79, 83
0630580..... 11	1001091679 99	1001204795 77	1001228370..... 151, 171
0641404.....35, 57, 59, 61	1001091680 99	1001204796 77, 79	1001228387..... 135
0641406.....27, 123, 125	1001093992 173	1001205547 89	1001228398..... 89
0641408.....21, 35	1001097449 43	1001205548 89	1001228458... 63, 65, 184
0641410.....21, 103	1001097450 51	1001205549 89	1001228494..... 125
0641412..... 123, 125	1001097451 53	1001205550 89	1001228495..... 63, 123
0641413..... 11	1001097452 49	1001205701 89	1001228496..... 65, 125
0641414.....107	1001097453 45	1001205719 89	1001228538..... 15, 17
0641415.....83	1001097454 47	1001205838 89, 113	1001228539..... 15, 17
0641416.....79, 83	1001097455 55	1001206177 27	1001228540..... 15
0641424.....95, 97	1001097456 41	1001206261 27	1001228541..... 15, 17
0641507.....99	1001098192 ... 63, 65, 67, 184	1001206313 153, 161, 169, 173, 177, 181	1001228543..... 15
0641606.....23, 117, 119	1001098193 63, 65	1001206380 153	1001228835..... 63, 65
0641609..... 11, 23, 71	1001098810 11	1001206381 173	
	1001099638 79, 83	1001206382 165	
	1001100141 83	1001206383 181	
	1001100142 83	1001206384 161	

PART NUMBER INDEX

1001228847	85	1271568	73	165, 167, 169, 171,	3311605 ... 11, 15, 17, 19,
1001228848	87	1271569	73	173, 175, 177, 179, 181	23, 77, 81, 95, 97, 123,
1001228849	11	1271577	73	1706740 ... 151, 153, 155,	125
1001228850	11	1320043	123, 125	157, 159, 161, 163,	3321402
1001228852	15, 17	1320149	123, 125	165, 167, 169, 171,	27
1001228853	87	1320316	95, 97	173, 175, 177, 179, 181	3340845
1001228854	85, 87	1380169	15, 17	1706743 ... 143, 145, 147,	73
1001228873	83	1580031	107	149	3340962
1001228874	83	1600466	37, 39	1706764 ... 143, 145, 147,	79, 83, 85
1001228875	79	1701640 ... 143, 145, 147,		149	3380540
1001228876	79	149		2080040 ... 79, 83, 105	63, 65
1001228994	25	1702365	103	1706764 ... 143, 145, 147,	3420198
1001229107	186	1703681 ... 145, 147, 149		149	95, 97
1001229115	90	1703779	151, 153	2080043 ... 79, 83	3421453
1001229116	90	1703786	151, 153	2080057 ... 151, 153, 155,	103
1001229310	11, 13	1703786	151, 153	157, 159, 161, 163,	3422338
1001229629	57, 184	1704412	117, 119	165, 167, 169, 171,	74
1001229630	61	1705099 ... 155, 157, 163,		173, 175, 177, 179, 181	3422346
1001229631	59	165, 175, 177		2110606	74
1001229632	57	1705303 ... 151, 153, 171,		32	3422355
1001229633	61, 184	173		2120183 ... 117, 119, 184	73
1001229634	59, 184	1705624 ... 143, 145, 147,		2220466	3422744
1001229682	35	149		89	105
1001229683	35	1705929	151, 153	2220591	3422750
1001229684	35	1705937	151, 153	111	73
1001229710	186	1705938	151, 153	2221123 ... 117, 119	3422752
1001229725	27	1705992 ... 143, 145, 147,		111	73
1001229726 ... 79, 83, 184		149		2221172	3422757
1001229778	15, 17	1705995	151, 153	111	73
1001229901	177	1706007	63, 65	2221173	3440410
1001229990	25	1706077 ... 155, 157, 163,		111	27
1001230062	143, 147	165, 175, 177		2221185 ... 32, 117, 119	27
1001230063	143, 147	1706078 ... 155, 157, 163,		117	27
1001230064	143, 147	165, 175, 177		2300014	27
1001230065	143, 147	1706082	179, 181	119	87
1001230161 ... 79, 83, 184		1706083	179, 181	2220775	87
1001230219 ... 143, 147,		1706084	179, 181	117, 119	3450302
149		1706085	179, 181	2221123 ... 117, 119	74
1001230220	143	1706086	159, 161	2221172	3520072
1001230221	147	1706087	159, 161	111	79, 83
1001231257	89	1706088	159, 161	2221173	105
1001231450 ... 57, 59, 61,		1706089	159, 161	111	3570893
184		1706090	167, 169	2221185 ... 32, 117, 119	73
1001233045	15	1706091	167, 169	2300014	74
1001233046	17	1706092	167, 169	119	3571101
1001233054	151, 153	1706093	167, 169	2400044	74
1001233055	171, 173	1706094	171, 173	35, 89	3580269
1001233056	179, 181	1706095	171, 173	2400054	73
1001233057	159	1706096	171, 173	35, 184	3580286
1001233058	167, 169	1706097	171, 173	2600294	73
1001233237	186	1706115	151, 153	79, 83	3580293
1001233727	181	1706116	179, 181	89	3580344
1001233728	161	1706117	167, 169	260269	123, 125
1001233729	169	1706118	159, 161	2660121	31, 117, 119
1001234322	15, 17	1706119	171, 173	2754025	39
1001234481	186	1706131 ... 143, 145, 147,		117, 119	3760115
1001234482	186	149		280013	11
1001234483	186	1706134	95, 97, 105	83	3760170
1060380	103	1706292 ... 157, 165, 177		2860030	103
1060689	37	1706302	153	2880310	15, 17
1060799	95, 97	1706326	103	2915027	19
1060943	35	1706616 ... 151, 153, 155,		87	3760365
1060944	35	157, 159, 161, 163,		3020029	73
1180397	131	165, 167, 169, 171,		11	3760383
1260375	73, 74	173, 175, 177, 179, 181		3020038 ... 35, 123, 125	11
1260376	73, 74	1706617 ... 151, 153, 155,		11	3820013
1271567	73	157, 159, 161, 163,		3020039	35
				73	3820032 ... 143, 145, 147,
				31201384	149
				186	3890039
				3271405	73
				11	3900174
				3271601	15, 17
				85	3900187
				35	73
				3290401	63, 65
				35	3900189
				25	63, 65
				3290405	73
				89	3900192
				3290605	73
				89	3900258
				3290801	15, 17
				27, 89	3900258
				89	123, 125
				3290807	23
				89	3900283
				3291007	23
				87, 89	3900364
				3300151	89
				83	3900373
				3300381	123, 125
				83	3900393
				3300454	87
				15, 17	3900393
				3310401	87
				131	3910408
				3310601	131
				63, 65	3910608
				3311001	63, 65
				39, 55	3910804
				3311005	63
				63, 65, 89	3911016 ... 35, 39, 41, 43,
				3311405 ... 21, 27, 35, 79,	55
				83, 95, 97, 99, 103,	3911432
				105, 107, 123, 125	17
				3311408	35
				73, 105	3931016
				3311501	35
				17, 39, 99	3931408
				3311601	105
				71, 73	3931412
					99
					3931420
					21
					3931456
					83
					3960590
					11
					4010412
					35

PART NUMBER INDEX

4010414.....	35	4460466.....	137	4761000.....	55	7002848.....	186
4031511.....	35	4460467.....	186	4811400.....	25, 35	7004275.....	186
4031909.....	89	4460510.....	186	4811700.....	89	7004276.....	186
4031910.....	89	4460633.....	131	4811900.....	87, 89	7010928.....	31
4060805.....	15, 17	4460670.....	131	4812000.....	87, 89	7011004.....	31
4070860.....	73	4460738.....	127, 131, 139	4844840.....	103	7011008.....	31
4070861.....	73	4460802.....	41, 43, 55	4891400.....	21	7011009.....	31
4070862.....	73	4460803.....	43	4923022.....	35	7011011.....	31
4070970.....	73	4460829.....	139	4923023.....	35	7011013.....	31
4070971.....	73	4460891.....	131	4923024.....	35	7011016.....	31
4071084.....	35	4460894.....	133	4923028.....	35	7011017.....	31
4071095.....	79, 83	4460897.....	127	4923029.....	35	7011021.....	31
4071113.....	11	4460899.....	137	4923107.....	63, 65	7011024.....	31
4071114.....	11	4460940.....	55	4923108.....	63	7011025.....	31
4120046.....	39	4460961.....	133	4923174.....	43	7011027.....	31
4160124.....	73	4461023.....	131, 135	4923383.....	35, 127	7011029.....	31
4160130.....	123, 125	4461025.....	131	4923438.....	37, 39	7011031.....	31
4160187.....	21	4461108.....	127	4923446.....	35	7011032.....	31
4191706.....	37, 39	4461196.....	45	7000082.....	67	7011033.....	31
4220309.....	79, 83	4461199.....	47	7000084.....	67	7011034.....	31
4240018.....	123, 125	4461205.....	51, 53	70000218.....	111	7011069.....	31, 184
4240147.....	11	4461249.....	49	70000683.....	67	7016618.....	186
4240163.....	95, 97	4520342.....	11	70000684.....	67	7016654.....	186
4280296.....	103	4520343.....	11	70000685.....	67	7023391.....	111
4300111.....	74	4520352.....	23	70000686.....	67	7023392.....	111
4340838.....	123, 125	4567491.....	73	70000991.....	111	7023395.....	111
4340884.....	63, 65	4567750.....	73	70000992.....	111	7024428.....	57, 59, 61, 184
4341005.....	107	4567751.....	73	70000993.....	111	7024591.....	57, 59, 61, 184
4341155.....	11	4568208.....	105	70000995.....	111	7024592.....	57, 59, 61
4360467.....	63, 184	4569003.....	74	70001250.....	67	7027247.....	111, 186
4360514.....	35, 184	4569158.....	105	70001251.....	67	7027365.....	67
4360562.....	63, 65, 184	4630009.....	105	70001252.....	67	7027367.....	67
4360567.....	63, 65, 184	4630010.....	105	70001253.....	67	7027765.....	67
4460035.....	79, 83	4711000.....	45, 47, 49, 51, 53, 89	70006451.....	111	7027766.....	67
4460226.....	129, 131, 133	4711400.....	11, 27, 79, 83, 95, 97, 99, 123, 125	70006453.....	111	7027943.....	31
4460259.....	139	4711600.....	11, 15, 17, 19, 71, 77, 81, 85, 87, 95, 97	70006454.....	111	7027944.....	31
4460260.....	139	4740007.....	74	70006455.....	111, 184	7027945.....	31
4460267.....	131, 137	4740139.....	77, 81	70006456.....	113	7027946.....	31
4460268.....	123, 125, 139	4740414.....	74	70006457.....	113	7027947.....	31
4460312.....	131, 139	4751000.....	57, 59, 61, 74, 123, 125	70022700.....	113	7027948.....	31
4460320.....	79, 83, 129, 131, 137	4751400.....	15, 17, 21, 35	70022703.....	113	7027949.....	31
4460326.....	139	4751500.....	15, 17, 39, 74, 99, 123, 125	70022704.....	113	8220904.....	139
4460424.....	123, 125, 131	4760400.....	131	70022705.....	113	8305919.....	89
4460428.....	45, 47, 49, 51, 53			7002821.....	186	8882320.....	101
4460445.....	131			7002823.....	186	8882970.....	11
4460464.....	127, 137			7002826.....	186	8896941.....	186
4460465.....	131, 133			7002841.....	186	8990147.....	143, 145, 147, 149
				7002842.....	186		
				7002847.....	186		



3121780



An Oshkosh Corporation Company

Corporate Office
JLG Industries, Inc.
1 JLG Drive
McConnellsburg, PA 17233-9533 USA
☎ (717) 485-5161 (Corporate)
☎ (877) 554-5438 (Customer Support)
☎ (717) 485-6417

Visit our website for JLG Worldwide Locations.
www.jlg.com