



Illustrated Parts Manual

Model

530LRT

SN E200000676

to Present

Including SN 1200030223

P/N

3121782

August 20, 2018 - Rev A

ANSI

CE



AS/NZS

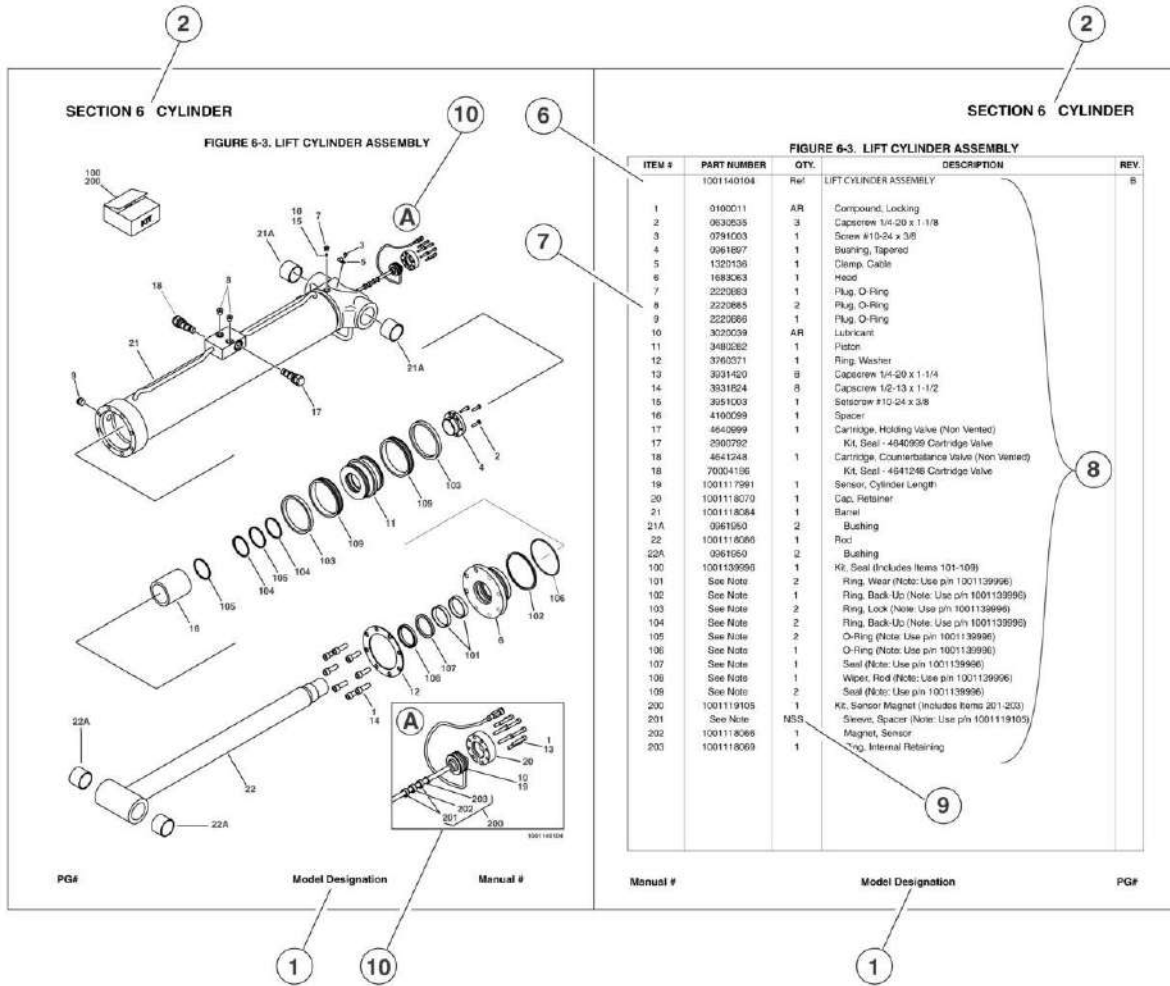


An Oshkosh Corporation Company

REVISION LOG

August 20, 2018 - A - Original Issue Of Manual (Edited to B/M 1001182000 Revision Y) (Revision 2)

GENERAL INFORMATION



1) MACHINE IDENTIFICATION

Machines are identified by model and in some cases a combination of models, serial number (SN) or regional standard (i.e. ANSI, CE, CSA). Components may also be identified by SN or manufacturer. Common components that may be identified by these characteristics are engines and hydraulic components.

2) PARTS MANUAL ORGANIZATION

Product information in this manual is organized under section titles. Frame, Cylinder, Hydraulic and Electrical are a few examples. Each section is organized by figure and page number. The information within the Figure is then organized by item number, part number, description and corresponding illustration (s).

3) TABLE OF CONTENTS

A table of contents is found toward the beginning of the manual. Figure number, description and page number are provided for quick reference to the page containing the related information.

4) RECOMMENDED SPARE PARTS

The Recommended Spare Parts, located near the end of the manual, reference most frequently used maintenance parts.

5) PART NUMBER INDEX

A numerical index listing all part numbers and the corresponding page number(s) appears at the back of the manual.

GENERAL INFORMATION

6) NON-SERVICED PARTS

In some instances, it is necessary to display non-serviced parts, assemblies or installations. In the case of assemblies and installations there will be a Ref in the Qty column. In case of parts that are not available for service within assemblies or components, there will be a NSS (Not Sold Separately) or NLA (No Longer Available) listed in the Qty. column of the manual.

7) PARTS LIST ITEM NUMBERS

Numbers shown in the item# column correspond to numbers used in the associated illustration (s). Item numbers which are missing from the sequence in the parts list are not used on that page

8) INDENTED PARTS DESCRIPTION

An indented part description is included in the item under which it is indented.

9) ABB REVIATION AND SYMBOLS

| | | | |
|--------------|---|--------------|--------------------------------------|
| AC..... | ..Alternating Current | LCD..... |Liquid Crystal Display |
| ADE..... | ..Advanced Design Electronics | LED..... |Light Emitting Diodes |
| ANSI..... | ..American National Standards Institute | LH..... |Left Hand |
| AR..... | ..As Required | LSS..... |Load Sensing System |
| ASSY..... |Assembly | M(m)..... |Metric/Meter |
| AUX..... | ..Auxiliary | MM (mm)..... |Millimeter |
| AWG..... | ..American Wire Gauge | mA..... |Milliamps |
| B/M..... |Bill of Material | NLA..... |No Longer Available |
| CE..... | ..European Conformity | NPT..... |National Pipe Threads |
| CCW..... | ..Counter Clockwise | NSS..... |Not Sold Separately |
| cm..... |Centimeter | OD..... |Outside Diameter |
| CW..... |Clockwise | ORB..... |O-Ring Boss |
| CSA..... | ..Canadian Standards Association | ORFS..... |O-Ring Face Seal |
| CYL..... |Cylinder | OZ (oz)..... |Ounces |
| DIA..... |Diameter | PG..... |Page |
| DC..... | ..Direct Current | P/N..... |Part Number |
| EMS..... |Emergency Stop | qt..... |Quarts |
| ENG..... |Engine | QTY..... |Quantity |
| FT (ft)..... |Feet | REF..... |Reference |
| GA (Ga)..... |Gauge | REV..... |Revision Level |
| HYD..... |Hydraulic | RH..... |Right Hand |
| Hz..... |Hertz | SAE..... |Society of Automotive Engineers |
| ID..... |Inside Diameter | SN..... |Serial Number |
| in..... |Inches | SPEC(S)..... |Specifications |
| ISO..... |International Organization for Standards | T/T..... |Turntable |
| JIC..... |Joint Industry Council | UGM..... |Universal Ground Module |
| KG..... |Kilogram | V..... |Volts |
| L..... |Liter | W..... |Watts |
| LB..... |Pounds | #..... |Number |

10) ILLUSTRATION REFERENCE LETTERS

When necessary, illustrations may contain reference letters that are intended to track information (i. e. hoses, harnesses) from one point to another or to track visual enlargement of components to show details that may be located in another area on the illustration.

Note: Due to continuous product improvements, JLG Industries, Inc. reserves the right to make specification changes without prior notification. Contact JLG Industries, Inc. for updated information.

TABLE OF CONTENTS

| | |
|---|-----|
| SECTION 1 - FRAME..... | 11 |
| FIGURE 1-1. AXLE INSTALLATION - FIXED..... | 12 |
| FIGURE 1-2. AXLE INSTALLATION - OSCILLATING..... | 14 |
| FIGURE 1-3. STEER INSTALLATION..... | 16 |
| FIGURE 1-4. WHEEL DRIVE INSTALLATION..... | 18 |
| FIGURE 1-5. DRIVE HUB ASSEMBLY - FRONT..... | 20 |
| FIGURE 1-6. DRIVE HUB AND BRAKE ASSEMBLY - REAR..... | 22 |
| FIGURE 1-7. DRIVE MOTOR ASSEMBLY..... | 26 |
| FIGURE 1-8. TIRE AND WHEEL INSTALLATION - 12 X 16.5 FOAM FILLED..... | 28 |
| FIGURE 1-9. TIRE AND WHEEL INSTALLATION - 12 X 16.5 FOAM FILLED NON-MARKING..... | 30 |
| FIGURE 1-10. TIRE AND WHEEL INSTALLATION - IN395/45/D20 FOAM FILLED..... | 32 |
| FIGURE 1-11. TIRE AND WHEEL INSTALLATION - IN395/45/D20 FOAM FILLED NON-MARKING..... | 34 |
| FIGURE 1-12. BEACON LIGHT INSTALLATION - OPTIONAL..... | 36 |
| FIGURE 1-13. LEVELING JACKS INSTALLATION..... | 38 |
| FIGURE 1-14. LEVELING JACKS ASSEMBLY..... | 40 |
| FIGURE 1-15. LEVELING JACKS VALVE ASSEMBLY..... | 42 |
| SECTION 2 - GROUND CONTROLS..... | 45 |
| FIGURE 2-1. VALVE INSTALLATION..... | 46 |
| FIGURE 2-2. MAIN VALVE ASSEMBLY..... | 48 |
| FIGURE 2-3. FLOW DIVIDER VALVE ASSEMBLY..... | 50 |
| FIGURE 2-4. TANKS & HORN INSTALLATION - DIESEL..... | 52 |
| FIGURE 2-5. TANKS AND HORN INSTALLATION - GASOLINE..... | 54 |
| FIGURE 2-6. HYDRAULIC TANK ASSEMBLY..... | 56 |
| FIGURE 2-7. ELECTRICAL COMPONENTS INSTALLATION - DIESEL..... | 58 |
| FIGURE 2-8. ELECTRICAL COMPONENTS INSTALLATION - KUBOTA GASOLINE..... | 60 |
| FIGURE 2-9. GROUND CONTROL BOX ASSEMBLY - KUBOTA DIESEL..... | 62 |
| FIGURE 2-10. GROUND CONTROL BOX ASSEMBLY - KUBOTA GASOLINE..... | 64 |
| FIGURE 2-11. MOTION ALARM INSTALLATION..... | 66 |
| FIGURE 2-12. WHITE NOISE ALARM INSTALLATION..... | 68 |
| FIGURE 2-13. HOODS AND LADDERS INSTALLATION..... | 70 |
| SECTION 3 - ENGINE..... | 73 |
| FIGURE 3-1. ENGINE INSTALLATION - KUBOTA DIESEL STAGE III (SN E200000676 through E200000730)..... | 74 |
| FIGURE 3-2. ENGINE AND PUMP SUB-ASSEMBLY - KUBOTA DIESEL STAGE III (SN E200000676 through E200000730) ... | 78 |
| FIGURE 3-3. ENGINE ASSEMBLY - KUBOTA DIESEL STAGE III (SN E200000676 through E200000730)..... | 80 |
| FIGURE 3-4. ENGINE INSTALLATION - KUBOTA DIESEL STAGE III WITH GENERATOR (SN E200000676 through E200000730)..... | 84 |
| FIGURE 3-5. ENGINE AND PUMP SUB-ASSEMBLY - KUBOTA DIESEL STAGE III WITH GENERATOR (SN E200000676 through E200000730)..... | 88 |
| FIGURE 3-6. ENGINE ASSEMBLY - KUBOTA DIESEL STAGE III WITH GENERATOR (SN E200000676 through E200000730)..... | 90 |
| FIGURE 3-7. ENGINE COMPONENTS - KUBOTA DIESEL STAGE III..... | 94 |
| FIGURE 3-8. ENGINE INSTALLATION - KUBOTA DIESEL T4F..... | 98 |
| FIGURE 3-9. ENGINE AND PUMP SUB-ASSEMBLY - KUBOTA DIESEL T4F (SN E200000676 through E200000722)..... | 102 |
| FIGURE 3-10. ENGINE AND PUMP SUB-ASSEMBLY - KUBOTA DIESEL T4F (SN E200000723 to Present)..... | 104 |
| FIGURE 3-11. ENGINE ASSEMBLY - KUBOTA DIESEL T4F (SN E200000676 through E200000722)..... | 106 |
| FIGURE 3-12. ENGINE ASSEMBLY - KUBOTA DIESEL T4F (SN E200000723 to Present)..... | 110 |
| FIGURE 3-13. ENGINE INSTALLATION - KUBOTA DIESEL T4F WITH GENERATOR..... | 114 |
| FIGURE 3-14. ENGINE AND PUMP SUB-ASSEMBLY - KUBOTA DIESEL T4F WITH GENERATOR (SN E200000676 through E200000722)..... | 118 |
| FIGURE 3-15. ENGINE AND PUMP SUB-ASSEMBLY - KUBOTA DIESEL T4F WITH GENERATOR (SN E200000723 to Present)..... | 120 |
| FIGURE 3-16. ENGINE ASSEMBLY - KUBOTA DIESEL T4F WITH GENERATOR (SN E200000676 through E200000722) ... | 122 |
| FIGURE 3-17. ENGINE ASSEMBLY - KUBOTA DIESEL T4F WITH GENERATOR (SN E200000723 to Present)..... | 126 |
| FIGURE 3-18. ENGINE COMPONENTS - KUBOTA DIESEL T4F (SN E200000676 through E200000722)..... | 130 |
| FIGURE 3-19. ENGINE COMPONENTS - KUBOTA DIESEL T4F (SN E200000723 to Present)..... | 134 |
| FIGURE 3-20. ENGINE INSTALLATION - KUBOTA GASOLINE..... | 138 |
| FIGURE 3-21. ENGINE AND PUMP SUB-ASSEMBLY - KUBOTA GASOLINE..... | 142 |
| FIGURE 3-22. ENGINE ASSEMBLY - KUBOTA GASOLINE..... | 144 |
| FIGURE 3-23. ENGINE INSTALLATION - KUBOTA GASOLINE WITH GENERATOR..... | 148 |
| FIGURE 3-24. ENGINE AND PUMP SUB-ASSEMBLY - KUBOTA GASOLINE WITH GENERATOR..... | 152 |
| FIGURE 3-25. ENGINE ASSEMBLY - KUBOTA GASOLINE WITH GENERATOR..... | 154 |

TABLE OF CONTENTS

| | |
|---|---------|
| FIGURE 3-26. ENGINE COMPONENTS - KUBOTA GASOLINE | 158 |
| FIGURE 3-27. FUEL/WATER SEPARATOR ASSEMBLY - DIESEL ENGINES | 162 |
| FIGURE 3-28. COUPLING KIT - DIESEL ENGINES | 164 |
| FIGURE 3-29. COUPLING KIT - GASOLINE ENGINES..... | 166 |
| FIGURE 3-30. PISTON PUMP ASSEMBLY..... | 168 |
| FIGURE 3-31. FAN GUARD INSTALLATION - KUBOTA | 172 |
| FIGURE 3-32. SPARK ARRESTOR MUFFLER - OPTIONAL (GASOLINE ENGINES)..... | 174 |
| FIGURE 3-33. GENERATOR INSTALLATION - 4000W (KUBOTA DIESEL STAGE III) | 176 |
| FIGURE 3-34. GENERATOR INSTALLATION - 4000W (KUBOTA DIESEL T4F)..... | 180 |
| FIGURE 3-35. GENERATOR INSTALLATION - 4000W (KUBOTA GASOLINE) (DUAL FUEL)..... | 184 |
| FIGURE 3-36. GENERATOR INSTALLATION - 7500W (KUBOTA DIESEL STAGE III) | 188 |
| FIGURE 3-37. GENERATOR INSTALLATION - 7500W (KUBOTA DIESEL T4F)..... | 192 |
| FIGURE 3-38. GENERATOR INSTALLATION - 7500W (KUBOTA GASOLINE) (DUAL FUEL)..... | 196 |
| FIGURE 3-39. JUNCTION BOX ASSEMBLY - 4000W GENERATOR (ALL SPECS EXCEPT AUSTRALIAN AND CE SPECS) | 200 |
| FIGURE 3-40. JUNCTION BOX ASSEMBLY - 7500W GENERATOR (ALL SPECS EXCEPT AUSTRALIAN AND CE SPECS) | 202 |
| FIGURE 3-41. JUNCTION BOX ASSEMBLY - 4000W/7500W GENERATOR (AUSTRALIAN AND CE SPECS)..... | 204 |
| SECTION 4 - SCISSORS ARMS | 207 |
| FIGURE 4-1. SCISSORS ARMS ASSEMBLY | 208 |
| FIGURE 4-2. SCISSORS ARMS INSTALLATION WITH AC CABLE..... | 214 |
| FIGURE 4-3. SCISSORS ARMS INSTALLATION WITH GENERATOR..... | 216 |
| FIGURE 4-4. ARM GUARDS INSTALLATION..... | 218 |
| SECTION 5 - PLATFORM..... | 221 |
| FIGURE 5-1. PLATFORM AND SINGLE EXTENSION INSTALLATION - STANDARD..... | 222 |
| FIGURE 5-2. PLATFORM AND DUAL EXTENSION INSTALLATION - STANDARD | 224 |
| FIGURE 5-3. PLATFORM AND DUAL EXTENSION INSTALLATION - MEGADECK | 226 |
| FIGURE 5-4. RAILS INSTALLATION - STANDARD PLATFORM WITH SINGLE EXTENSION..... | 228 |
| FIGURE 5-5. RAILS INSTALLATION - STANDARD PLATFORM WITH DUAL EXTENSION | 232 |
| FIGURE 5-6. RAILS INSTALLATION - MEGADECK PLATFORM WITH DUAL EXTENSION | 236 |
| FIGURE 5-7. PLATFORM CONSOLE BOX INSTALLATION - DIESEL MACHINES..... | 240 |
| FIGURE 5-8. PLATFORM CONSOLE BOX INSTALLATION - GASOLINE MACHINES | 242 |
| FIGURE 5-9. CONTROLLER ASSEMBLY..... | 244 |
| FIGURE 5-10. PLATFORM MODULE INSTALLATION | 246 |
| FIGURE 5-11. PIPE RACK INSTALLATION | 248 |
| SECTION 6 - CYLINDER..... | 251 |
| FIGURE 6-1. AXLE LOCKOUT CYLINDER ASSEMBLY | 252 |
| FIGURE 6-2. LOWER LIFT CYLINDER | 254 |
| FIGURE 6-3. UPPER LIFT CYLINDER..... | 256 |
| FIGURE 6-4. LEVELING JACK CYLINDER ASSEMBLY (SN E200000676 through E200000705)..... | 258 |
| FIGURE 6-5. LEVELING JACK CYLINDER ASSEMBLY (SN E200000706 to Present)..... | 260 |
| FIGURE 6-6. STEER CYLINDER ASSEMBLY | 262 |
| SECTION 7 - HYDRAULIC | 265 |
| FIGURE 7-1. HYDRAULIC DIAGRAM - FIXED AXLE | 266 |
| FIGURE 7-2. HYDRAULIC DIAGRAM - OSCILLATING AXLE | 274 |
| FIGURE 7-3. HYDRAULIC DIAGRAM - SCISSOR ARMS..... | 284 |
| FIGURE 7-4. HYDRAULIC DIAGRAM LIST..... | 286 |
| SECTION 8 - ELECTRICAL..... | 287 |
| FIGURE 8-1. ELECTRICAL DIAGRAM LIST | 288 |
| FIGURE 8-2. AC BOX AT PLATFORM INSTALLATION - 110V GFI (ANSI AND ANSI EXPORT SPECS)..... | 290 |
| FIGURE 8-3. AC BOX AT PLATFORM INSTALLATION - 220V (ANSI AND ANSI EXPORT SPECS)..... | 292 |
| FIGURE 8-4. AC BOX AT PLATFORM INSTALLATION - 110V IEC YELLOW (CE SPEC) | 294 |
| FIGURE 8-5. AC BOX AT PLATFORM INSTALLATION - 220V IEC BLUE (CE SPEC)..... | 296 |
| FIGURE 8-6. AC BOX AT PLATFORM INSTALLATION - 220V AFSINT107 (CE SPEC) | 298 |
| FIGURE 8-7. AC BOX AT PLATFORM INSTALLATION - 220V CEE7 POST GROUND WITH 2X4 BOX (CE SPEC) | 300 |
| FIGURE 8-8. AC BOX AT PLATFORM INSTALLATION - 220V CEE7 POST GROUND WITH 70X70 BOX (CE SPEC) | 302 |
| FIGURE 8-9. AC BOX AT PLATFORM INSTALLATION - 220V CEE7 SIDE GROUND WITH 2X4 BOX (CE SPEC) | 304 |
| FIGURE 8-10. AC BOX AT PLATFORM INSTALLATION - 220V CEE7 SIDE GROUND WITH 70X70 BOX (CE SPEC)..... | 306 |
| FIGURE 8-11. BATTERY CABLE KIT - DIESEL ENGINES..... | 308 |

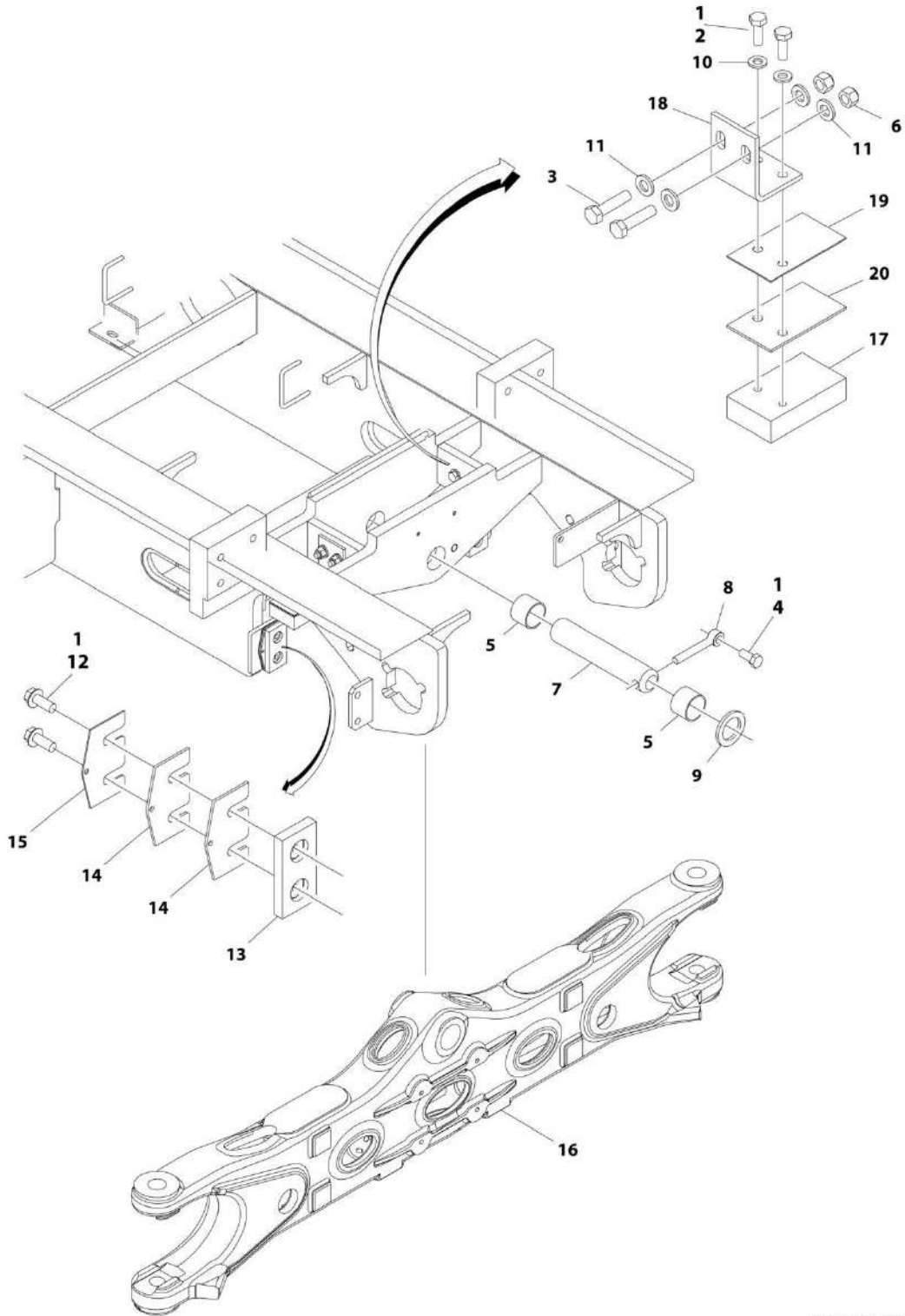
TABLE OF CONTENTS

| | |
|--|-----|
| FIGURE 8-12. BATTERY CABLE KIT - GASOLINE ENGINES..... | 310 |
| FIGURE 8-13. BEACON HARNESS ASSEMBLY (OPTIONAL)..... | 312 |
| FIGURE 8-14. BREAKER BOX KIT - SINGLE DOUBLE POLE BREAKER | 314 |
| FIGURE 8-15. CHASSIS HARNESS | 316 |
| FIGURE 8-16. DUAL FUEL HARNESS..... | 318 |
| FIGURE 8-17. ENGINE HARNESS - KUBOTA DIESEL | 322 |
| FIGURE 8-18. ENGINE HARNESS - KUBOTA GASOLINE..... | 326 |
| FIGURE 8-19. GENERATOR CONTROL HARNESS - 4000W GENERATOR (GENERATOR TO CONTROL BOX)..... | 330 |
| FIGURE 8-20. GENERATOR CONTROL HARNESS - 4000W GENERATOR (CONTROL BOX TO GENERATOR CONTROL)..... | 332 |
| FIGURE 8-21. GENERATOR CONTROL HARNESS - 7500W GENERATOR (GENERATOR TO CONTROL BOX)..... | 334 |
| FIGURE 8-22. GENERATOR CONTROL HARNESS - 7500W GENERATOR (CONTROL BOX TO GENERATOR CONTROL)..... | 336 |
| FIGURE 8-23. GROUND CONTROL BOX HARNESS - LOWER..... | 338 |
| FIGURE 8-24. GROUND CONTROL BOX HARNESS - UPPER | 340 |
| FIGURE 8-25. GROUND TO LOWER AUXILIARY HOLDING VALVE HARNESS | 342 |
| FIGURE 8-26. GROUND TO UPPER AUXILIARY HOLDING VALVE HARNESS | 344 |
| FIGURE 8-27. GROUND TO LOWER LIFT CYLINDER HARNESS | 346 |
| FIGURE 8-28. GROUND TO UPPER LIFT CYLINDER HARNESS | 348 |
| FIGURE 8-29. GROUND TO PLATFORM HARNESS | 350 |
| FIGURE 8-30. HYDRAULIC COMPARTMENT HARNESS | 352 |
| FIGURE 8-31. LEVELING JACK HARNESS | 354 |
| FIGURE 8-32. LSS HARNESS..... | 356 |
| FIGURE 8-33. OSCILLATING AXLE HARNESS..... | 358 |
| FIGURE 8-34. PLATFORM CONTROL BOX HARNESS | 360 |
| FIGURE 8-35. PLATFORM MODULE TO CONSOLE BOX HARNESS | 362 |
| FIGURE 8-36. RECEPTACLE ASSEMBLY (MACHINES WITH GENERATORS) (ALL SPECS EXCEPT AUSTRALIAN AND CE SPEC)..... | 364 |
| FIGURE 8-37. RECEPTACLE BOX KIT - 110V GFI..... | 366 |
| FIGURE 8-38. RECEPTACLE BOX KIT - 110V IEC YELLOW (CE SPEC)..... | 368 |
| FIGURE 8-39. RECEPTACLE BOX KIT - 220V IEC BLUE (CE SPEC) | 370 |
| FIGURE 8-40. RECEPTACLE BOX KIT - 220V AFSINT 107 (CE SPEC)..... | 372 |
| FIGURE 8-41. RECEPTACLE BOX KIT - 220V CEE7 SIDE GROUND (CE SPEC)..... | 374 |
| FIGURE 8-42. RECEPTACLE BOX KIT - 220V CEE7 POST GROUND (CE SPEC)..... | 376 |
| FIGURE 8-43. SCISSORS ARMS GUARD HARNESS..... | 378 |
| | |
| SECTION 9 - DECALS..... | 381 |
| | |
| FIGURE 9-1. DECAL INSTALLATION - ANSI AND ANSI EXPORT SPECS (ENGLISH) | 382 |
| FIGURE 9-2. DECAL INSTALLATION - AUSTRALIAN AND JAPANESE SPECS..... | 384 |
| FIGURE 9-3. DECAL INSTALLATION - BRAZIL SPECS (SPANISH/PORTUGUESE)..... | 386 |
| FIGURE 9-4. DECAL INSTALLATION - CE SPEC..... | 388 |
| FIGURE 9-5. DECAL INSTALLATION - CHINESE SPECS (ENGLISH/CHINESE) | 390 |
| FIGURE 9-6. DECAL INSTALLATION - CSA (ENGLISH/FRENCH) | 392 |
| FIGURE 9-7. DECAL INSTALLATION - KOREAN SPECS (ENGLISH/KOREAN) | 394 |
| FIGURE 9-8. ECAL INSTALLATION - LATIN AMERICAN SPECS (ENGLISH/SPANISH) | 396 |
| FIGURE 9-9. DECAL INSTALLATION - OPTIONS | 398 |
| | |
| SECTION 10 - RECOMMENDED SERVICE PARTS STOCK | 401 |
| | |
| FIGURE 10-1. RECOMMENDED SERVICE PARTS STOCK | 402 |
| | |
| SECTION 11 - SPECIAL OPTIONS..... | 403 |
| | |
| FIGURE 11-1. SPECIAL OPTIONS..... | 404 |
| | |
| PART NUMBER INDEX | 407 |

SECTION 1 - FRAME

SECTION 1 - FRAME

FIGURE 1-1. AXLE INSTALLATION - FIXED



ART_100117745

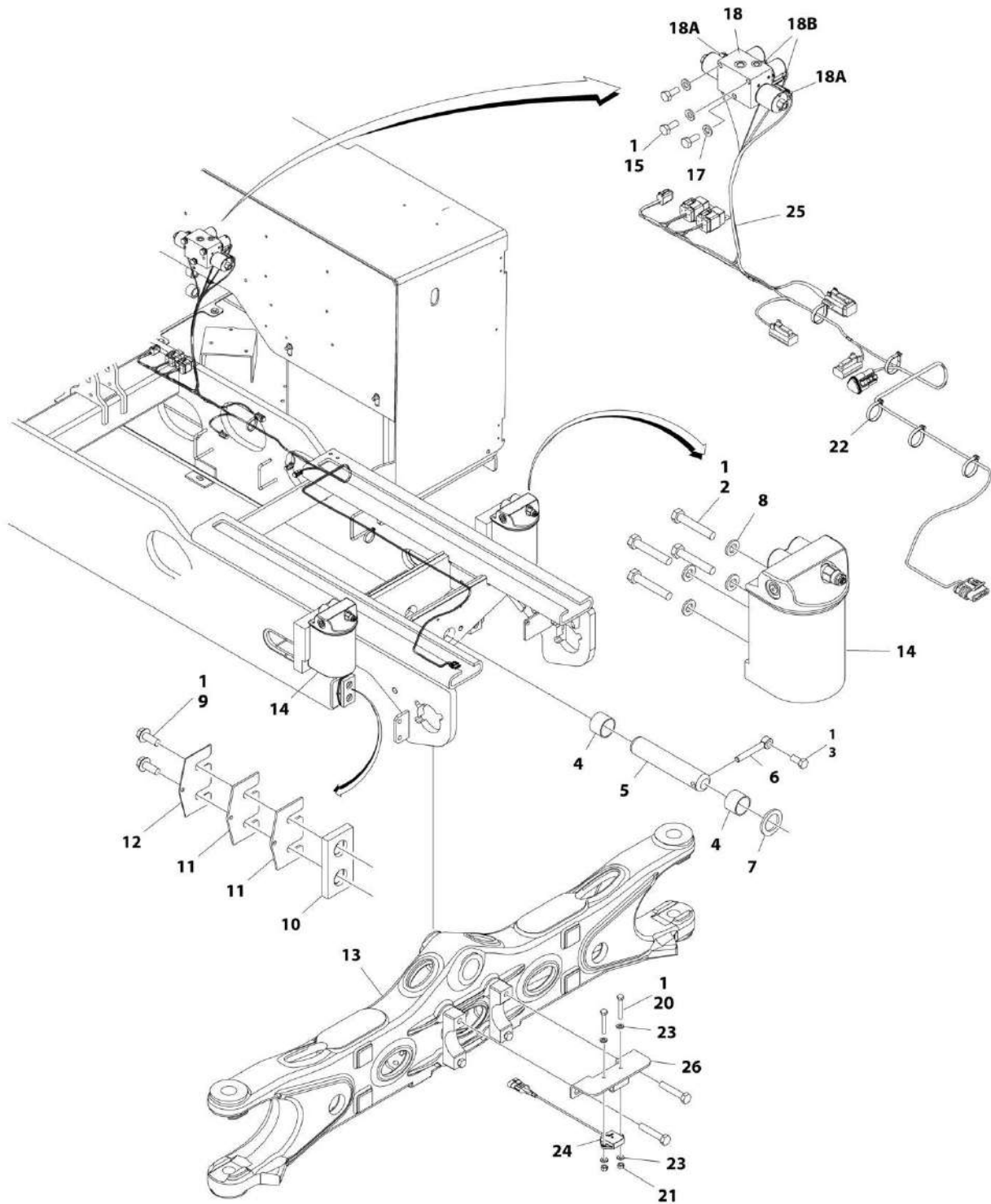
SECTION 1 - FRAME

FIGURE 1-1. AXLE INSTALLATION - FIXED

| ITEM | PART NUMBER | QTY | DESCRIPTION | REV |
|------|-------------|-----|---------------------------|-----|
| | 1001177745 | Ref | AXLE INSTALLATION - FIXED | A |
| 1 | 0100011 | AR | Compound, Locking | |
| 2 | 0701014 | 4 | Bolt M10 x 30 | |
| 3 | 0701218 | 4 | Bolt M12 x 50 | |
| 4 | 0761615 | 1 | Bolt M16 x 35 | |
| 5 | 0961950 | 2 | Bearing | |
| 6 | 3291205 | 4 | Nut M12 | |
| 7 | 3422592 | 1 | Pin | |
| 8 | 3841258 | 1 | Keeper, Pin | |
| 9 | 4740158 | 1 | Washer | |
| 10 | 5241000 | 4 | Washer M10 | |
| 11 | 5241200 | 8 | Washer M12 | |
| 12 | 5251012 | 4 | Bolt M10 x 25 | |
| 13 | 1001118511 | 2 | Pad, Wear | |
| 14 | 1001118518 | 4 | Shim 11Ga | |
| 15 | 1001118519 | 2 | Shim 16Ga | |
| 16 | 1001162995 | 1 | Axle | |
| 17 | 1001180307 | 2 | Block | |
| 18 | 1001180309 | 2 | Bracket | |
| 19 | 1001180315 | 2 | Shim .06 | |
| 20 | 1001180316 | 2 | Shim .12 | |

SECTION 1 - FRAME

FIGURE 1-2. AXLE INSTALLATION - OSCILLATING



ART_1001177749

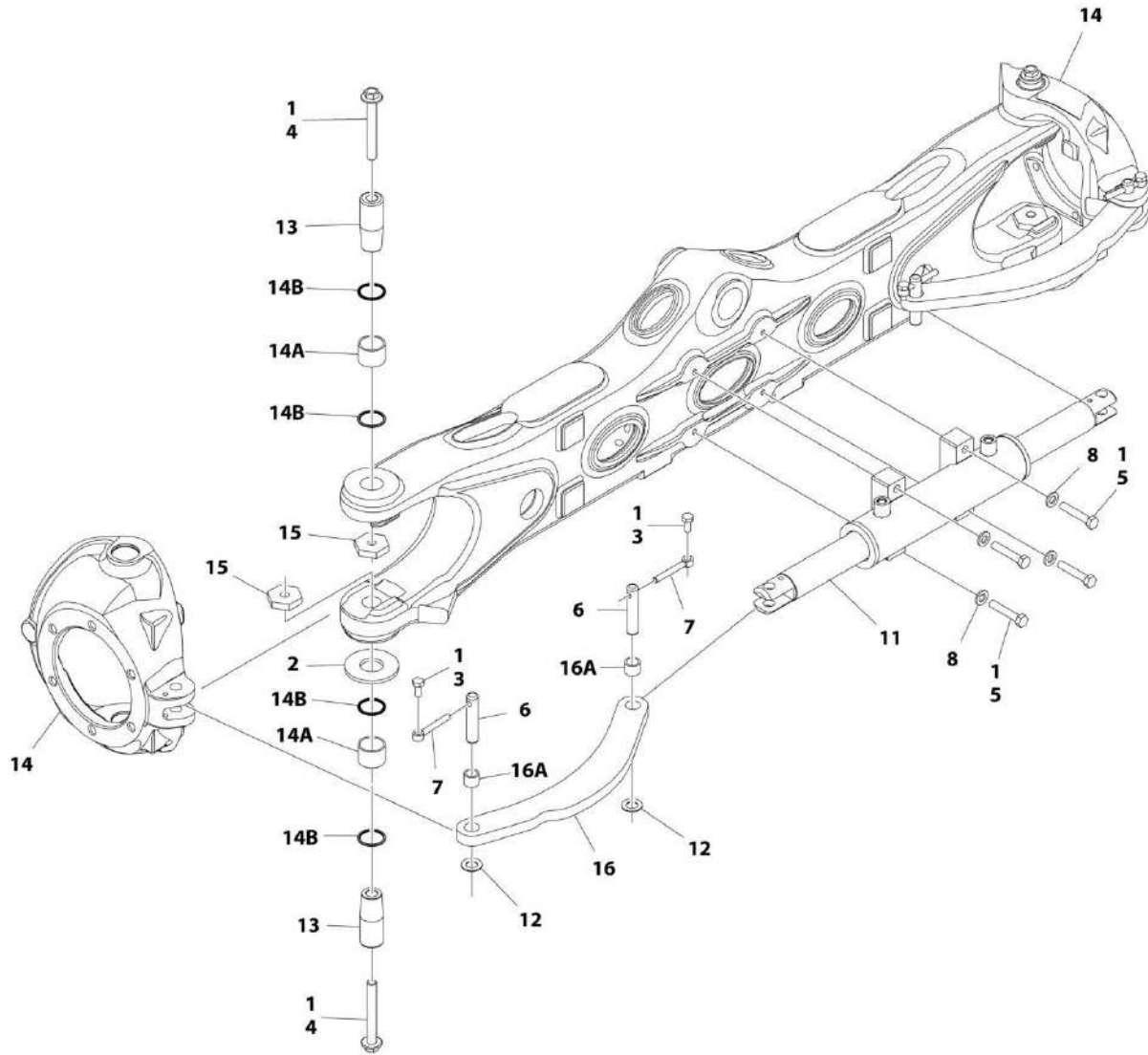
SECTION 1 - FRAME

FIGURE 1-2. AXLE INSTALLATION - OSCILLATING

| ITEM | PART NUMBER | QTY | DESCRIPTION | REV |
|------|-------------|-----|---|-----|
| | 1001177749 | Ref | AXLE INSTALLATION - OSCILLATING | F |
| 1 | 0100011 | AR | Compound, Locking | |
| 2 | 0701222 | 8 | Bolt M12 x 70 | |
| 3 | 0761615 | 1 | Bolt M16 x 35 | |
| 4 | 0961950 | 2 | Bearing | |
| 5 | 3422592 | 1 | Pin | |
| 6 | 3841258 | 1 | Keeper, Pin | |
| 7 | 4740158 | 1 | Washer | |
| 8 | 5241200 | 8 | Washer M12 | |
| 9 | 5251012 | 4 | Bolt M10 x 25 | |
| 10 | 1001118511 | 2 | Pad, Wear | |
| 11 | 1001118518 | 4 | Shim 11Ga | |
| 12 | 1001118519 | 2 | Shim 16Ga | |
| 13 | 1001162995 | 1 | Axle | |
| 14 | 1001163580 | 2 | Axle Lockout Cylinder Assembly (See Separate Breakdown in CYLINDER SECTION) | |
| 15 | 0701012 | 3 | Bolt M10 x 25 | |
| 17 | 5241000 | 3 | Washer M10 | |
| 18 | 1001191201 | 1 | Axle Lockout Valve Assembly | |
| 18A | 7012910 | 2 | Cartridge, Solenoid Less Coil | |
| 18A | 2900708 | 2 | Seal Kit - 7012910 Valve | |
| 18A | 70003977 | 2 | Nut, Coil | |
| 18A | 70050516 | 2 | Coil | |
| 18B | 70005163 | 2 | Cartridge, Solenoid Less Coil | |
| 18B | 70005164 | 2 | Seat Kit - 70005163 Valve | |
| 18B | 7022390 | 2 | Nut, Coil | |
| 18B | 70002963 | 2 | Coil | |
| 20 | 0700616 | 2 | Bolt M6 x 40 | |
| 21 | 3290601 | 2 | Nut M6 | |
| 22 | 4240018 | 5 | Tie-Strap | |
| 23 | 4811700 | 4 | Washer M6 | |
| 24 | 1001186467 | 1 | Sensor, Dual Axis | |
| 25 | 1001187601 | 1 | Oscillating Axle Harness (See Separate Breakdown in ELECTRICAL SECTION) | |
| 26 | 1001187695 | 1 | Bracket | |

SECTION 1 - FRAME

FIGURE 1-3. STEER INSTALLATION



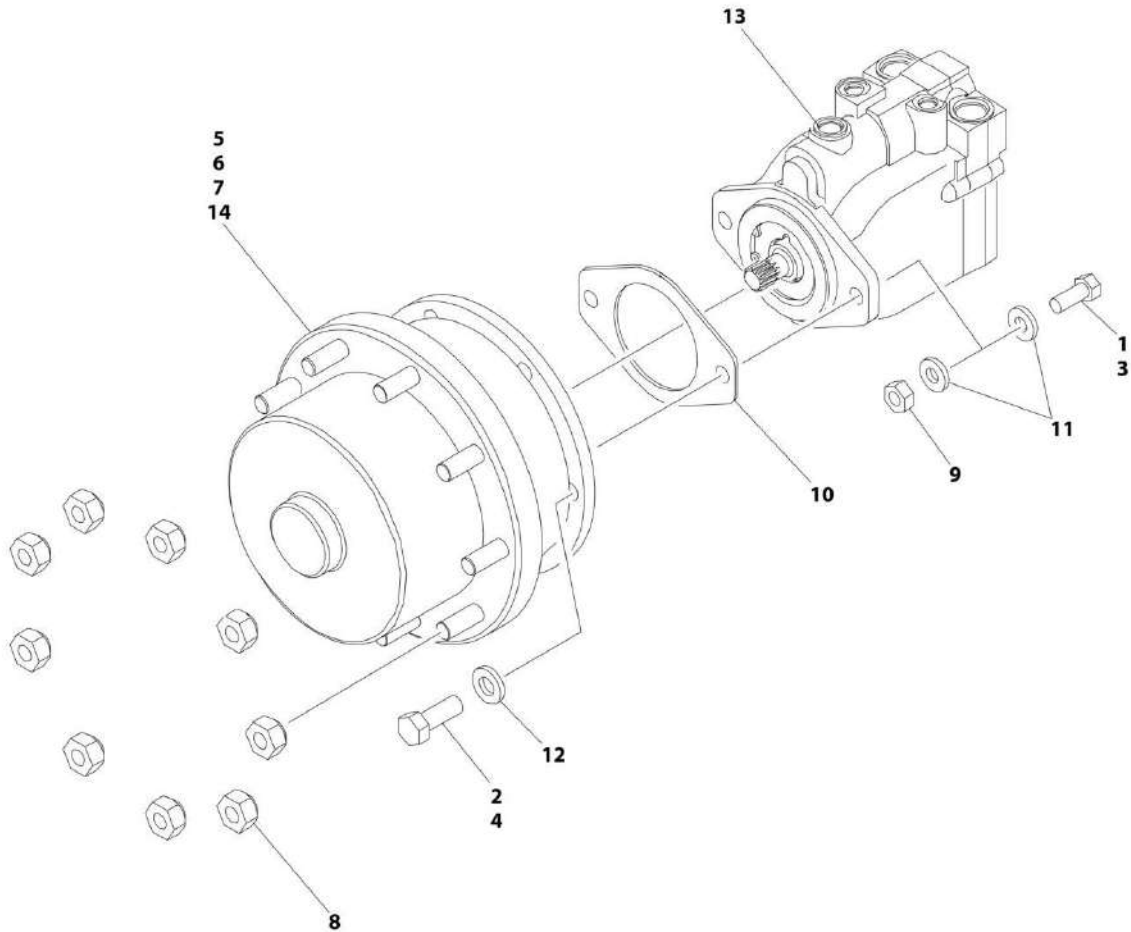
ART_1001177747

FIGURE 1-3. STEER INSTALLATION

| ITEM | PART NUMBER | QTY | DESCRIPTION | REV |
|------|-------------|-----|--|-----|
| | 1001177747 | Ref | STEER INSTALLATION | D |
| 1 | 0100011 | AR | Compound, Locking | |
| 2 | 1001233139 | 2 | Washer, Thrust | |
| 3 | 0761011 | 4 | Bolt M10 x 22 | |
| 4 | 1001190368 | 4 | Bolt M16 x 120 | |
| 5 | 0711221 | 4 | Bolt M12 x 65 | |
| 6 | 3423304 | 4 | Pin, Pivot | |
| 7 | 3841143 | 4 | Keeper, Pin | |
| 8 | 5241200 | 4 | Washer M12 | |
| 11 | 1001163178 | 1 | Steer Cylinder Assembly (See Separate Breakdown in CYLINDER SECTION) | |
| 12 | 4740086 | 4 | Washer | |
| 13 | 1001163405 | 4 | Kingpin | |
| 14 | 1001163715 | 2 | Spindle Assembly | |
| 14A | 0961948 | 2 | Bearing | |
| 14B | 1001163716 | 4 | Seal | |
| 15 | 1001176848 | 4 | Nut M16 | |
| 16 | 1001179256 | 2 | Tie-Rod | |
| 16A | 1001164209 | 2 | Bearing | |

SECTION 1 - FRAME

FIGURE 1-4. WHEEL DRIVE INSTALLATION



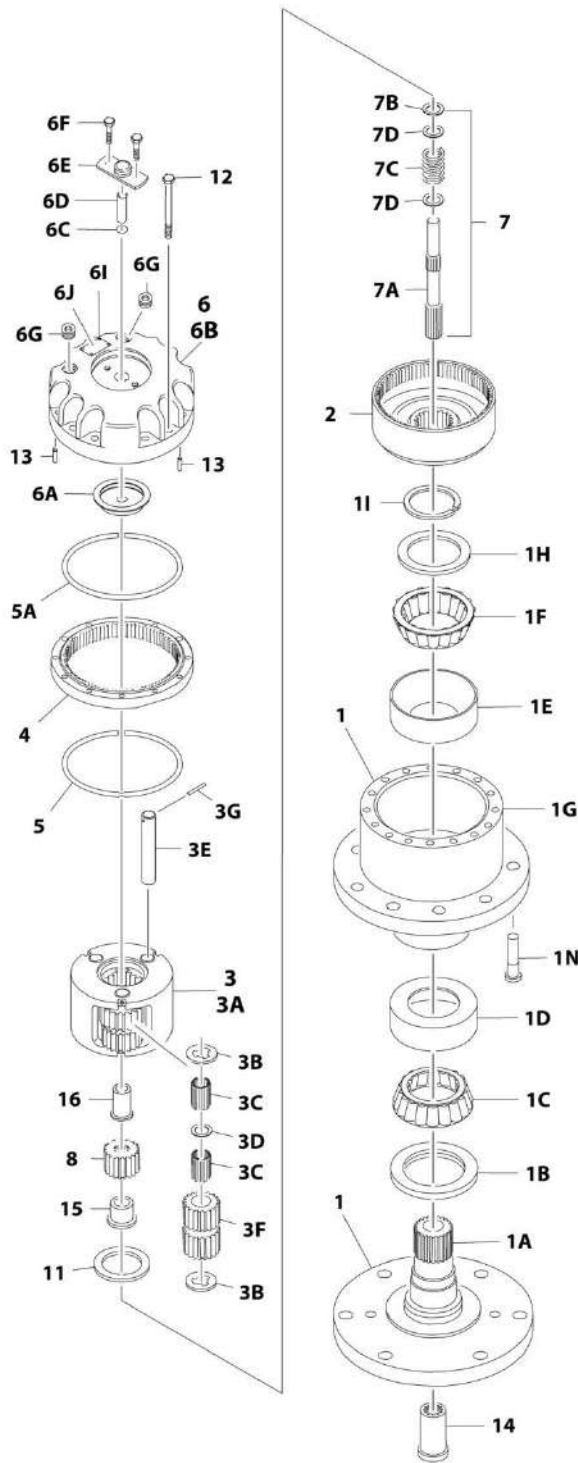
ART_1001102804

FIGURE 1-4. WHEEL DRIVE INSTALLATION

| ITEM | PART NUMBER | QTY | DESCRIPTION | REV |
|------|-------------|-----|---|-----|
| | 1001102804 | Ref | WHEEL DRIVE INSTALLATION | F |
| 1 | 0100011 | AR | Compound, Locking | |
| 2 | 0100019 | AR | Compound, Locking | |
| 3 | 0681810 | 4 | Bolt 1/2 x 1-1/4 | |
| 4 | 0682014 | 24 | Bolt 5/8 x 1-3/4 | |
| 5 | 2300016 | AR | Fluid, Hydraulic | |
| 6 | 2780267 | 2 | Drive Hub with Brake Assembly (Rear) (See Separate Breakdown in this Section) | |
| 7 | 2780268 | 2 | Drive Hub without Brake Assembly (Front) (See Separate Breakdown in this Section) | |
| 8 | 3300106 | 36 | Lugnut | |
| 9 | 3311801 | 4 | Nut 1/2 | |
| 10 | 3960526 | 4 | Gasket | |
| 11 | 4891800 | 8 | Washer 1/2 | |
| 12 | 4892000 | 24 | Washer 5/8 | |
| 13 | 1001102805 | 4 | Drive Motor Assembly (See Separate Breakdown in this Section) | |
| 14 | 3020008 | AR | Lubricant HD 80W-90 | |

SECTION 1 - FRAME

FIGURE 1-5. DRIVE HUB ASSEMBLY - FRONT



ART_2780268

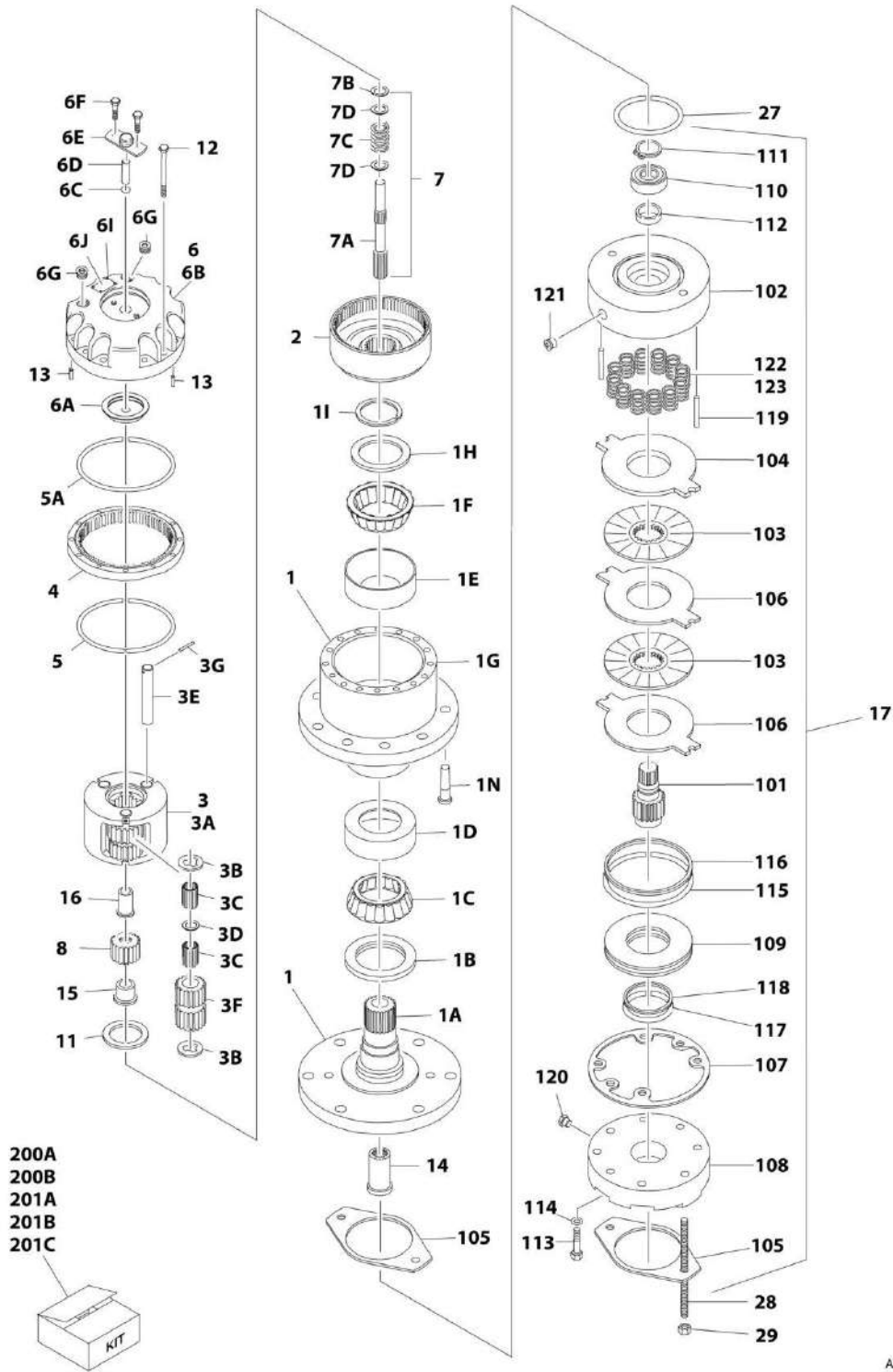
SECTION 1 - FRAME

FIGURE 1-5. DRIVE HUB ASSEMBLY - FRONT

| ITEM | PART NUMBER | QTY | DESCRIPTION | REV |
|------|-------------|-----|---|-----|
| | 2780268 | Ref | DRIVE HUB ASSEMBLY - FRONT | A |
| 1 | See Note | 1 | Spindle/Housing Assembly (Note: Purchase Individual Components) | |
| 1A | 7027059 | 1 | Spindle | |
| 1B | 7001998 | 1 | Seal | |
| 1C | 7010429 | 1 | Cone, Bearing (Includes Item 1D) | |
| 1D | 7010429 | 1 | Cup, Bearing (Includes Item 1C) | |
| 1E | 7000257 | 1 | Cup, Bearing | |
| 1F | 7000258 | 1 | Cone, Bearing | |
| 1G | 7007601 | 1 | Housing/Ring Gear | |
| 1H | 7000232 | 1 | Washer, Thrust | |
| 1I | 7000229 | 1 | Ring, Retaining | |
| 1N | 7007640 | 9 | Stud, Wheel | |
| 2 | 7000246 | 1 | Gear, Internal | |
| 3 | 7024712 | 1 | Carrier Assembly | |
| 3A | See Note | 1 | Carrier (Note: Use Item 3) | |
| 3B | See Note | 6 | Ring, Retaining (Note: Use Item 3) | |
| 3C | See Note | AR | Bearing, Needle (Note: Use Item 3) | |
| 3D | See Note | 3 | Washer, Thrust (Note: Use Item 3) | |
| 3E | See Note | 3 | Shaft, Planet (Note: Use Item 3) | |
| 3F | See Note | 3 | Gear, Planet (Note: Use Item 3) | |
| 3G | See Note | 3 | Roll Pin (Note: Use Item 3) | |
| 4 | 7000248 | 1 | Ring Gear | |
| 5 | 7000230 | 1 | O-Ring | |
| 5A | 7017070 | 1 | O-Ring | |
| 6 | 70001349 | 1 | Cover Assembly Kit | |
| 6A | See Note | 1 | Spacer, Thrust (Note: Use Item 6) | |
| 6B | See Note | 1 | Plate, Cover (Note: Use Item 6) | |
| 6C | See Note | 1 | O-Ring (Note: Use Item 6) | |
| 6D | See Note | 1 | Rod, Disconnect (Note: Use Item 6) | |
| 6E | See Note | 1 | Cap, Disengage (Note: Use Item 6) | |
| 6F | See Note | 2 | Bolt (Note: Use Item 6) | |
| 6G | See Note | 1 | Plug, Pipe (Note: Use Item 6) | |
| 6I | See Note | 4 | Rivet (Note: Not Available for Purchase) | |
| 6J | See Note | 1 | Plate, ID (Note: Not Available for Purchase) | |
| 7 | | Ref | Input Shaft Assembly | |
| 7A | 7024714 | 1 | Shaft | |
| 7B | 7000261 | 1 | Ring, Retaining | |
| 7C | 7000262 | 1 | Spring | |
| 7D | 7000263 | 2 | Spacer, Thrust | |
| 8 | 7024713 | 1 | Gear, Sun | |
| 11 | 7000253 | 1 | Washer, Thrust | |
| 12 | 7017067 | 12 | Bolt | |
| 13 | 7017080 | 4 | Pin, Dowel | |
| 14 | 7000206 | 1 | Coupling | |
| 15 | 7024715 | 1 | Spacer, Input | |
| 16 | 7024716 | 1 | Spacer, Input | |

SECTION 1 - FRAME

FIGURE 1-6. DRIVE HUB AND BRAKE ASSEMBLY - REAR



SECTION 1 - FRAME

FIGURE 1-6. DRIVE HUB AND BRAKE ASSEMBLY - REAR

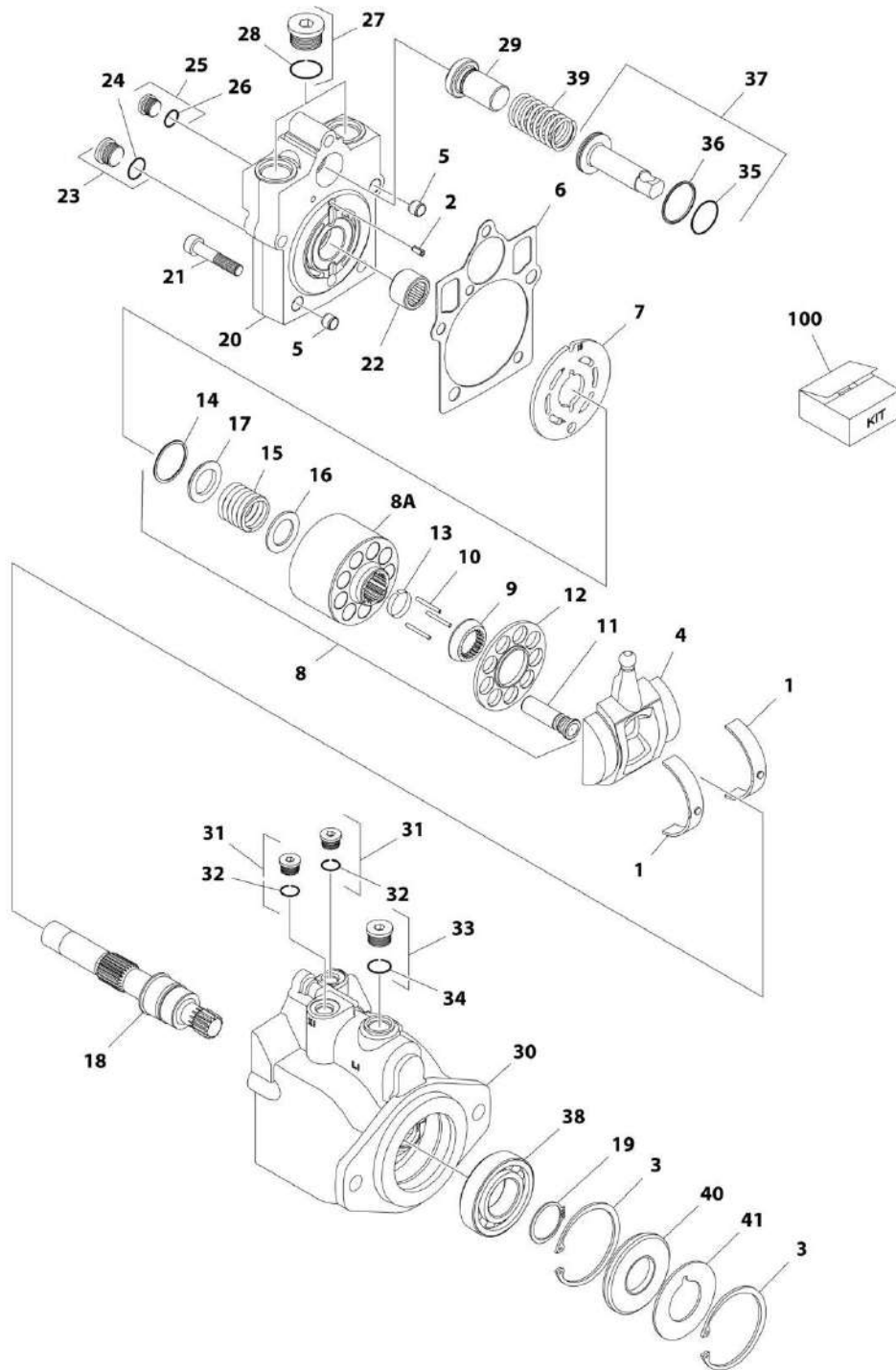
| ITEM | PART NUMBER | QTY | DESCRIPTION | REV |
|------|-------------|-----|---|-----|
| | 2780267 | Ref | DRIVE HUB AND BRAKE ASSEMBLY - REAR | I |
| 1 | See Note | 1 | Spindle/Housing Assembly (Note: Purchase Individual Components) | |
| 1A | 7027059 | 1 | Spindle | |
| 1B | 7001998 | 1 | Seal | |
| 1C | 7010429 | 1 | Cone, Bearing (Includes Item 1D) | |
| 1D | 7010429 | 1 | Cup, Bearing (Includes Item 1C) | |
| 1E | 7000257 | 1 | Cup, Bearing | |
| 1F | 7000258 | 1 | Cone, Bearing | |
| 1G | 7007601 | 1 | Housing/Ring Gear | |
| 1H | 7000232 | 1 | Washer, Thrust | |
| 1I | 7000229 | 1 | Ring, Retaining | |
| 1N | 7007640 | 9 | Stud, Wheel | |
| 2 | 7000246 | 1 | Gear, Internal | |
| 3 | 7024712 | 1 | Carrier Assembly | |
| 3A | See Note | 1 | Carrier (Note: Use Item 3) | |
| 3B | See Note | 6 | Ring, Retaining (Note: Use Item 3) | |
| 3C | See Note | AR | Bearing, Needle (Note: Use Item 3) | |
| 3D | See Note | 3 | Washer, Thrust (Note: Use Item 3) | |
| 3E | See Note | 3 | Shaft, Planet (Note: Use Item 3) | |
| 3F | See Note | 3 | Gear, Planet (Note: Use Item 3) | |
| 3G | See Note | 3 | Roll Pin (Note: Use Item 3) | |
| 4 | 7000248 | 1 | Ring Gear | |
| 5 | 7000230 | 1 | O-Ring | |
| 5A | 7017070 | 1 | O-Ring | |
| 6 | 70001349 | 1 | Cover Assembly Kit | |
| 6A | See Note | 1 | Spacer, Thrust (Note: Use Item 6) | |
| 6B | See Note | 1 | Plate, Cover (Note: Use Item 6) | |
| 6C | See Note | 1 | O-Ring (Note: Use Item 6) | |
| 6D | See Note | 1 | Rod, Disconnect (Note: Use Item 6) | |
| 6E | See Note | 1 | Cap, Disengage (Note: Use Item 6) | |
| 6F | See Note | 2 | Bolt (Note: Use Item 6) | |
| 6G | See Note | 1 | Plug, Pipe (Note: Use Item 6) | |
| 6I | See Note | 4 | Rivet (Note: Not Available for Purchase) | |
| 6J | See Note | 1 | Plate, ID (Note: Not Available for Purchase) | |
| 7 | | Ref | Input Shaft Assembly | |
| 7A | 7024714 | 1 | Shaft | |
| 7B | 7000261 | 1 | Ring, Retaining | |
| 7C | 7000262 | 1 | Spring | |
| 7D | 7000263 | 2 | Spacer, Thrust | |
| 8 | 7024713 | 1 | Gear, Sun | |
| 11 | 7000253 | 1 | Washer, Thrust | |
| 12 | 7017067 | 12 | Bolt | |
| 13 | 7017080 | 4 | Pin, Dowel | |
| 14 | 7000206 | 1 | Coupling | |
| 15 | 7024715 | 1 | Spacer, Input | |
| 16 | 7024716 | 1 | Spacer, Input | |
| 17 | 7024182 | 1 | Brake Assembly (See Items 101-123 for Breakdown) | |
| 27 | 7024705 | 1 | O-Ring | |
| 28 | 7024717 | 2 | Rod, Threaded | |

SECTION 1 - FRAME

| ITEM | PART NUMBER | QTY | DESCRIPTION | REV |
|------|-------------|-----|---|-----|
| 29 | 7024718 | 2 | Nut 1/2in-13NC | |
| | 7024182 | Ref | BRAKE ASSEMBLY | |
| 101 | 7024189 | 1 | Shaft | |
| 102 | See Note | 1 | Housing (Note: Use Item 17) | |
| 103 | See Note | 2 | Plate, Friction (Note: Use Item 201B) | |
| 104 | See Note | 1 | Plate, Pressure (Note: Use Item 201B) | |
| 105 | 7000731 | 2 | Gasket | |
| 106 | See Note | 2 | Plate, Outer (Note: Use Item 201B) | |
| 107 | See Note | 1 | Gasket (Note: Use Item 200A, 201B or 201C) | |
| 108 | 7024191 | 1 | Cylinder | |
| 109 | 7024192 | 1 | Piston | |
| 110 | See Note | 1 | Bearing, Ball (Note: Use Item 201C) | |
| 111 | See Note | 1 | Ring, Retaining (Note: Use Item 201C) | |
| 112 | See Note | 1 | Seal, Shaft (Note: Use Item 201C) | |
| 113 | See Note | 6 | Capscrew (Note: Use Item 17) | |
| 114 | See Note | 6 | Lockwasher (Note: Use Item 17) | |
| 115 | See Note | 1 | O-Ring (Note: Use Item 200B) | |
| 116 | See Note | 1 | Ring, Back-up (Note: Use Item 200B) | |
| 117 | See Note | 1 | O-Ring (Note: Use Item 200B) | |
| 118 | See Note | 1 | Ring, Back-up (Note: Use Item 200B) | |
| 119 | 7024190 | 2 | Pin, Dowel | |
| 120 | See Note | 1 | Plug (Note: Use Item 17) | |
| 121 | See Note | 2 | Plug (Note: Use Item 17) | |
| 122 | See Note | 12 | Spring Kit (Natural) (Note: Use Item 201A) | |
| 123 | See Note | 2 | Spring Kit (Blue) (Note: Use Item 201A) | |
| | | Ref | Kit Options | |
| 200 | | Ref | Seal Kit Options: | |
| 200A | See Note | 1 | Hub Seal Kit (Note: Purchase Individual Components) | |
| 200B | 7024194 | 1 | Brake Seal Kit (Includes Items 105, 107 & 115-118) | |
| 201 | | Ref | Repair Kit Options: | |
| 201A | 7024196 | 1 | Brake Spring Kit (Includes 12 Natural Colored and 2 Blue Colored Springs Items 122 & 123) | |
| 201B | 7024193 | 1 | Brake Friction Disc Kit (Includes Items 103, 104, 106 & 107) | |
| 201C | 7024197 | 1 | Brake Bearing Kit (Includes Items 107 & 110-112) | |

SECTION 1 - FRAME

FIGURE 1-7. DRIVE MOTOR ASSEMBLY



ART_1001102805

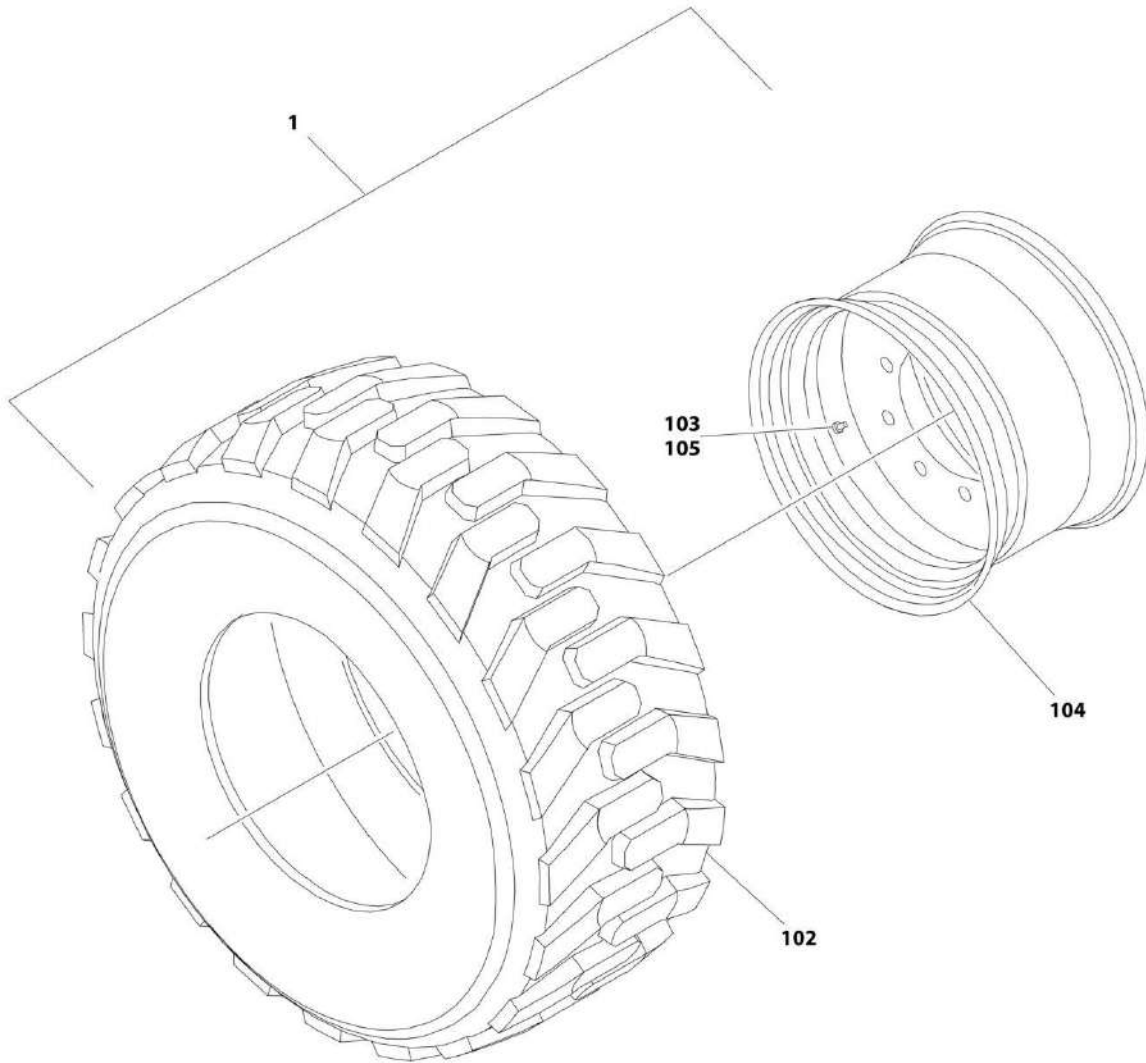
SECTION 1 - FRAME

FIGURE 1-7. DRIVE MOTOR ASSEMBLY

| ITEM | PART NUMBER | QTY | DESCRIPTION | REV |
|------|-------------|-----|--|-----|
| | 1001102805 | Ref | DRIVE MOTOR ASSEMBLY | D |
| 1 | 7022302 | 2 | Bearing, Journal | |
| 2 | 7007446 | 1 | Pin | |
| 3 | 7007438 | 2 | Ring, Retaining | |
| 4 | 7022305 | 1 | Swash Plate | |
| 5 | See Note | 2 | Pin (Note: Not Available for Purchase) | |
| 6 | See Note | 1 | Gasket (Note: Use Item 100) | |
| 7 | 7024862 | 1 | Plate, Valve | |
| 8 | 7023907 | 1 | Cylinder Block Kit (Includes Items 8A & 9-17) | |
| 8A | See Note | 1 | Block, Cylinder (Note: Use Item 8) | |
| 9 | 7021277 | 1 | Guide, Slipper Retainer | |
| 10 | 7021275 | 3 | Pin, Slipper Hold Down | |
| 11 | See Note | 9 | Piston Assembly (Note: Use Item 8) | |
| 12 | 7021276 | 1 | Retainer, Hold Down Pin | |
| 13 | 7022310 | 1 | Retainer, Slipper | |
| 14 | 7022311 | 1 | Ring, Retaining | |
| 15 | 7022312 | 1 | Spring | |
| 16 | 7024868 | 1 | Washer | |
| 17 | 7022314 | 1 | Retainer, Spring | |
| 18 | 7023910 | 1 | Shaft | |
| 19 | 7007439 | 1 | Ring, Retaining | |
| 20 | 70000797 | 1 | Cap, End - Axial | |
| 21 | 7022368 | 5 | Screw | |
| 22 | 7021249 | 1 | Bearing, Needle | |
| 23 | 2220886 | 1 | Plug (Includes Item 24) | |
| 24 | See Note | 1 | O-Ring (Note: Use Item 23 or 100) | |
| 25 | 2220883 | 1 | Plug (Includes Item 26) | |
| 26 | See Note | 1 | O-Ring (Note: Use Item 25 or 100) | |
| 27 | 7027419 | 2 | Plug (Includes Item 28) | |
| 28 | See Note | 2 | O-Ring (Note: Use Item 27 or 100) | |
| 29 | 7022369 | 1 | Seat, Spring | |
| 30 | 70001932 | 1 | Housing | |
| 31 | 2220883 | 2 | Plug (Includes Item 32) | |
| 32 | See Note | 2 | O-Ring (Note: Use Item 31 or 100) | |
| 33 | 2220886 | 1 | Plug (Includes Item 34) | |
| 34 | See Note | 1 | O-Ring (Note: Use Item 33 or 100) | |
| 35 | See Note | 1 | O-Ring (Note: Use Item 37 or 100) | |
| 36 | See Note | 1 | Ring, Seal (Note: Use Item 37 or 100) | |
| 37 | 7024854 | 1 | Piston, Servo (Includes Items 35 & 36) | |
| 38 | 7007437 | 1 | Bearing | |
| 39 | 7022326 | 1 | Spring | |
| 40 | See Note | 1 | Seal, Lip (Note: Use Item 100) | |
| 41 | 7022371 | 1 | Washer, Support | |
| 100 | 7022328 | 1 | Seal Kit (Includes Items 6, 24, 26, 28, 32, 34, 35, 36 & 40) | |

SECTION 1 - FRAME

FIGURE 1-8. TIRE AND WHEEL INSTALLATION - 12 X 16.5 FOAM FILLED



ART_0270092

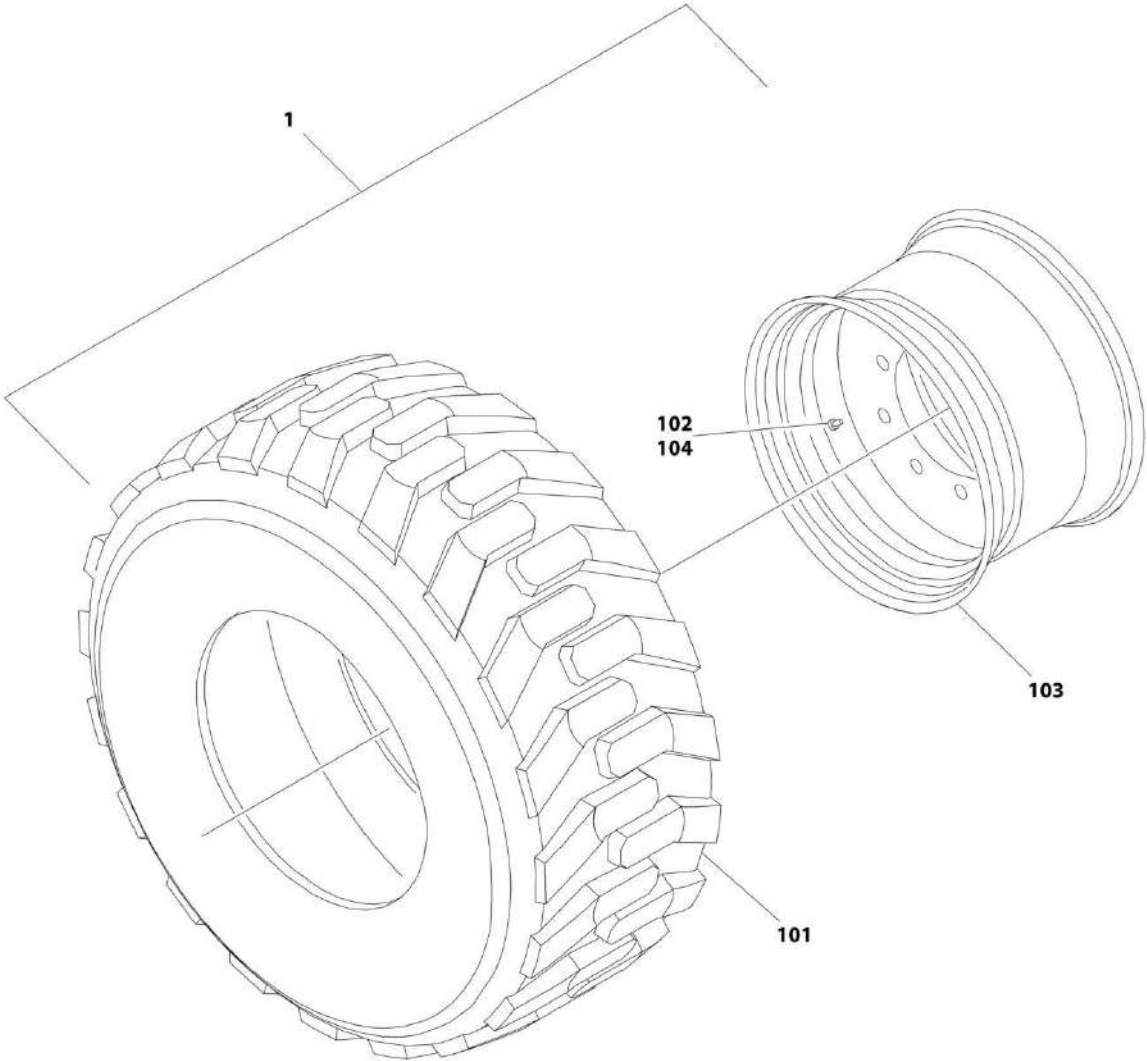
SECTION 1 - FRAME

FIGURE 1-8. TIRE AND WHEEL INSTALLATION - 12 X 16.5 FOAM FILLED

| ITEM | PART NUMBER | QTY | DESCRIPTION | REV |
|------|-------------|-----|--|-----|
| | 0270092 | Ref | TIRE AND WHEEL INSTALLATION - 12 X 16.5 FOAM FILLED (AVAILABLE ON ALL SPECS) | C |
| | | Ref | Note: Assemblies may require ballast/foam filling to manufacturer's specifications prior to installing on a machine. Refer to Operation and Safety or Service and Maintenance Manuals. Purchase individual tire and/or rim only if able to foam fill tire and wheel assembly, otherwise, purchase complete assembly. | |
| 1 | 1001148865 | 2 | Tire and Wheel Assembly - 12 x 16.5 (RH Side) | G |
| 1 | 1001148866 | 2 | Tire and Wheel Assembly - 12 x 16.5 (LH Side) | G |
| 102 | 4520216 | 4 | Tire - 12 x 16.5 | |
| 103 | 4641122 | 4 | Valve | |
| 104 | 1001147274 | 4 | Rim, Wheel | |
| 105 | 1001149953 | 4 | Cap, Valve Stem | |

SECTION 1 - FRAME

FIGURE 1-9. TIRE AND WHEEL INSTALLATION - 12 X 16.5 FOAM FILLED NON-MARKING



ART_0270653

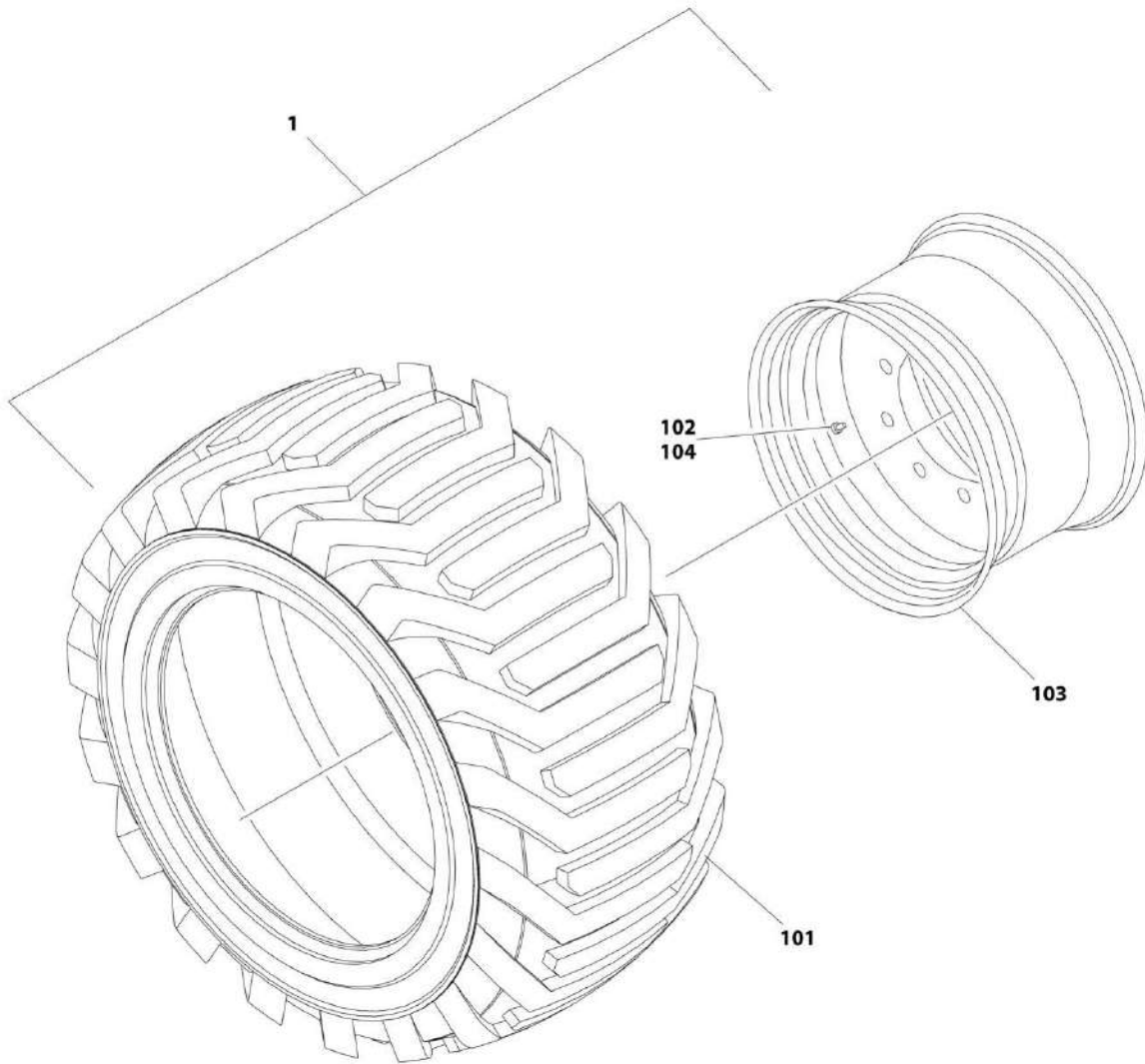
SECTION 1 - FRAME

FIGURE 1-9. TIRE AND WHEEL INSTALLATION - 12 X 16.5 FOAM FILLED NON-MARKING

| ITEM | PART NUMBER | QTY | DESCRIPTION | REV |
|------|-------------|-----|--|-----|
| | 0270653 | Ref | TIRE AND WHEEL INSTALLATION - 12 X 16.5 FOAM FILLED NON-MARKING (AVAILABLE ON ALL SPECS) | B |
| | | Ref | Note: Assemblies may require ballast/foam filling to manufacturer's specifications prior to installing on a machine. Refer to Operation and Safety or Service and Maintenance Manuals. Purchase individual tire and/or rim only if able to foam fill tire and wheel assembly, otherwise, purchase complete assembly. | |
| 1 | 1001148869 | 2 | Tire and Wheel Assembly - 12 x 16.5 Non-Marking (RH Side) | H |
| 1 | 1001148870 | 2 | Tire and Wheel Assembly - 12 x 16.5 Non-Marking (LH Side) | H |
| 101 | 4520240 | 4 | Tire 12 x 16.5 Non-Marking | |
| 102 | 4641122 | 4 | Valve | |
| 103 | 1001147274 | 4 | Rim, Wheel | |
| 104 | 1001149953 | 4 | Cap, Valve Stem | |

SECTION 1 - FRAME

FIGURE 1-10. TIRE AND WHEEL INSTALLATION - IN395/45/D20 FOAM FILLED



ART_1001179171

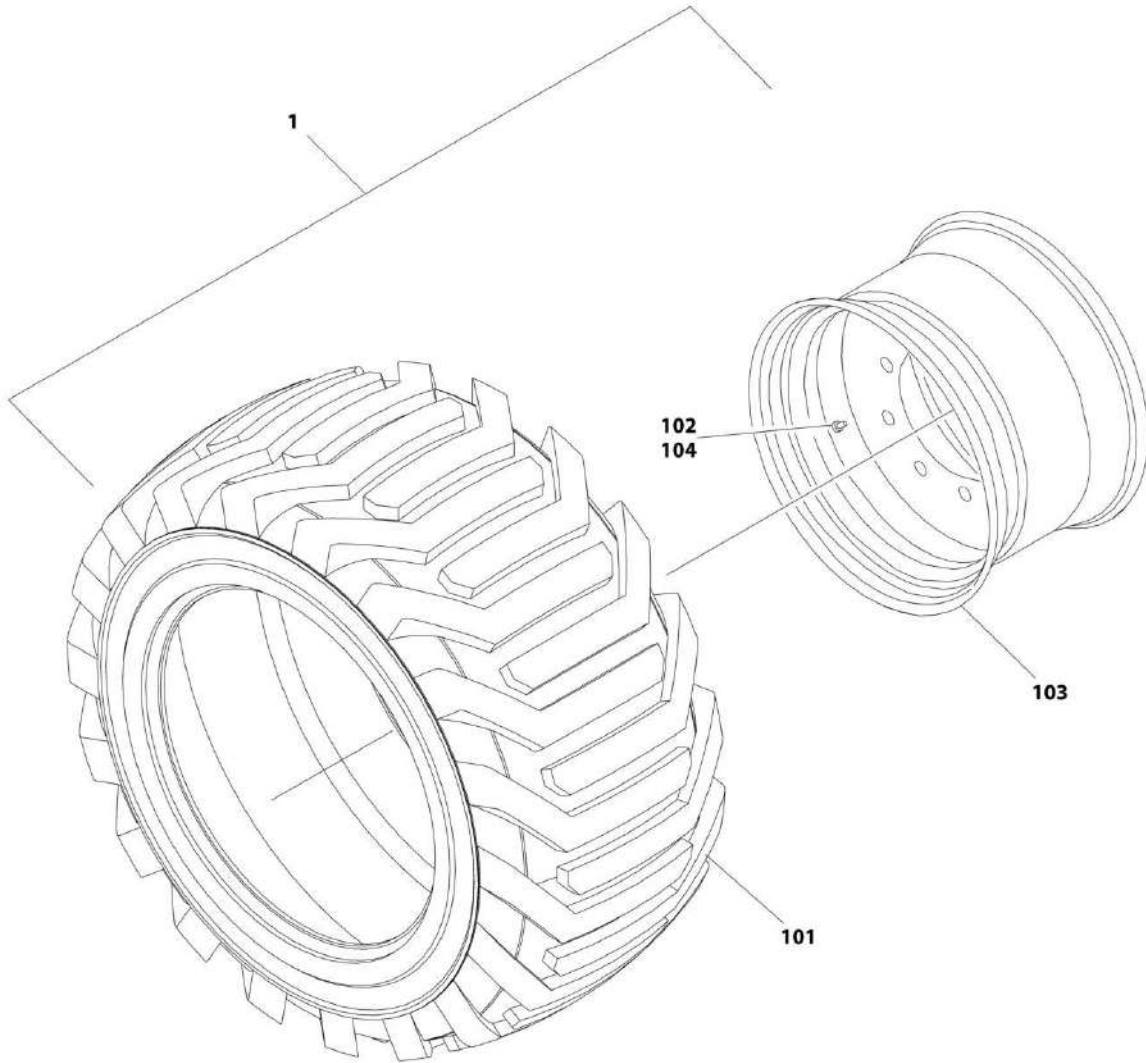
SECTION 1 - FRAME

FIGURE 1-10. TIRE AND WHEEL INSTALLATION - IN395/45/D20 FOAM FILLED

| ITEM | PART NUMBER | QTY | DESCRIPTION | REV |
|------|-------------|-----|--|-----|
| | 1001179171 | Ref | TIRE AND WHEEL INSTALLATION - IN395/45/D20 FOAM FILLED (AVAILABLE ON ALL SPECS) | A |
| | | Ref | Note: Assemblies may require ballast/foam filling to manufacturer's specifications prior to installing on a machine. Refer to Operation and Safety or Service and Maintenance Manuals. Purchase individual tire and/or rim only if able to foam fill tire and wheel assembly, otherwise, purchase complete assembly. | |
| 1 | 1001179173 | 2 | Tire and Wheel Assembly - IN395/45/D20 Non-Marking (RH Side) | B |
| 1 | 1001179172 | 2 | Tire and Wheel Assembly - IN395/45/D20 Non-Marking (LH Side) | B |
| 101 | 1001179175 | 4 | Tire IN395/45/D20 | |
| 102 | 4641122 | 4 | Valve | |
| 103 | 1001179174 | 4 | Rim, Wheel | |
| 104 | 1001149953 | 4 | Cap, Valve Stem | |

SECTION 1 - FRAME

FIGURE 1-11. TIRE AND WHEEL INSTALLATION - IN395/45/D20 FOAM FILLED NON-MARKING



ART_1001179956

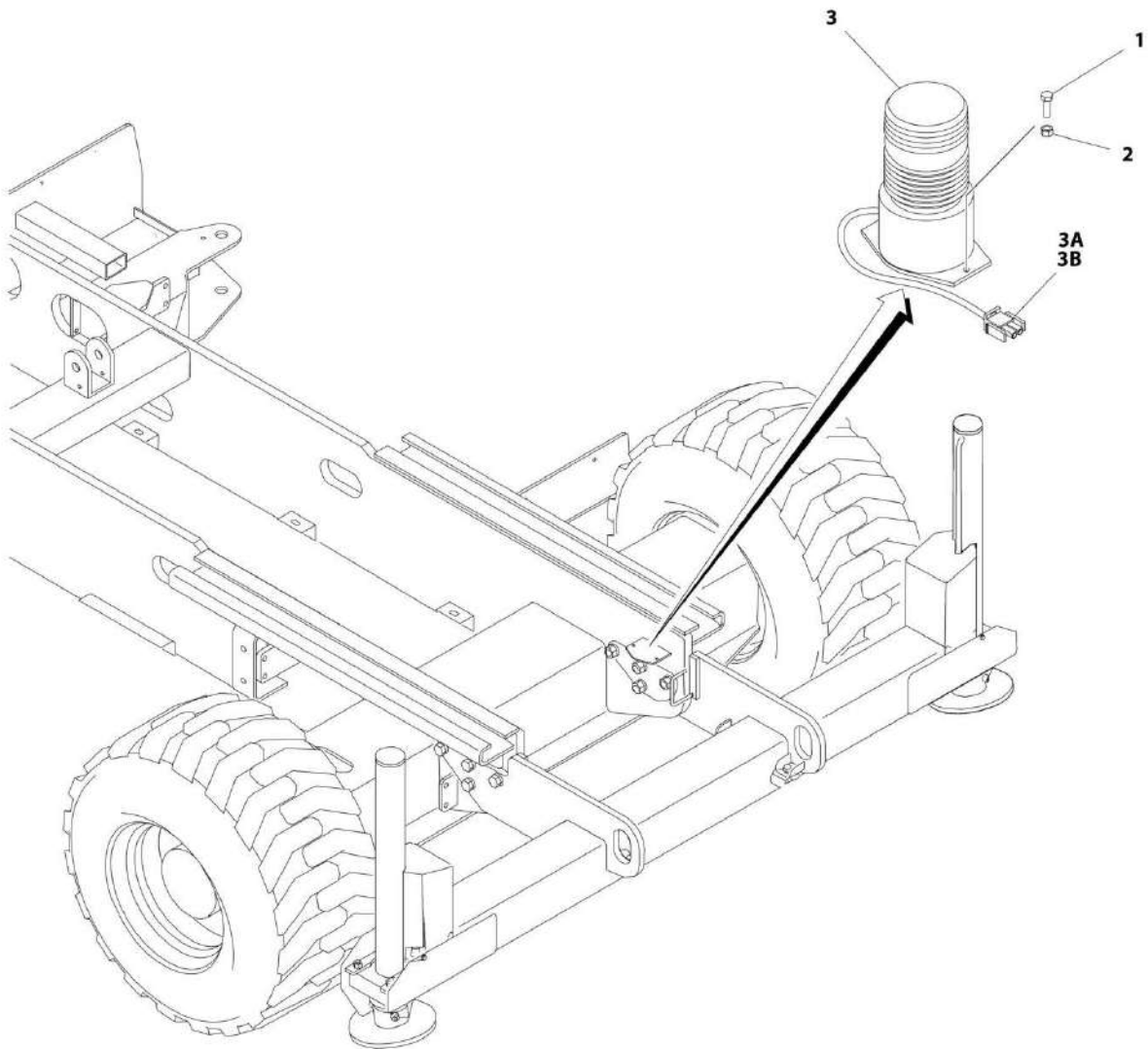
SECTION 1 - FRAME

FIGURE 1-11. TIRE AND WHEEL INSTALLATION - IN395/45/D20 FOAM FILLED NON-MARKING

| ITEM | PART NUMBER | QTY | DESCRIPTION | REV |
|------|-------------|-----|--|-----|
| | 1001179956 | Ref | TIRE AND WHEEL INSTALLATION - IN395/45/D20 FOAM FILLED NON-MARKING (AVAILABLE ON ALL SPECS) | A |
| | | Ref | Note: Assemblies may require ballast/foam filling to manufacturer's specifications prior to installing on a machine. Refer to Operation and Safety or Service and Maintenance Manuals. Purchase individual tire and/or rim only if able to foam fill tire and wheel assembly, otherwise, purchase complete assembly. | |
| 1 | 1001179958 | 2 | Tire and Wheel Assembly - IN395/45/D20 Non-Marking (RH Side) | B |
| 1 | 1001179957 | 2 | Tire and Wheel Assembly - IN395/45/D20 Non-Marking (LH Side) | B |
| 101 | 1001179959 | 4 | Tire IN395/45/D20 Non-Marking | |
| 102 | 4641122 | 4 | Valve | |
| 103 | 1001179174 | 4 | Rim, Wheel | |
| 104 | 1001149953 | 4 | Cap, Valve Stem | |

SECTION 1 - FRAME

FIGURE 1-12. BEACON LIGHT INSTALLATION - OPTIONAL



ART_1001205340

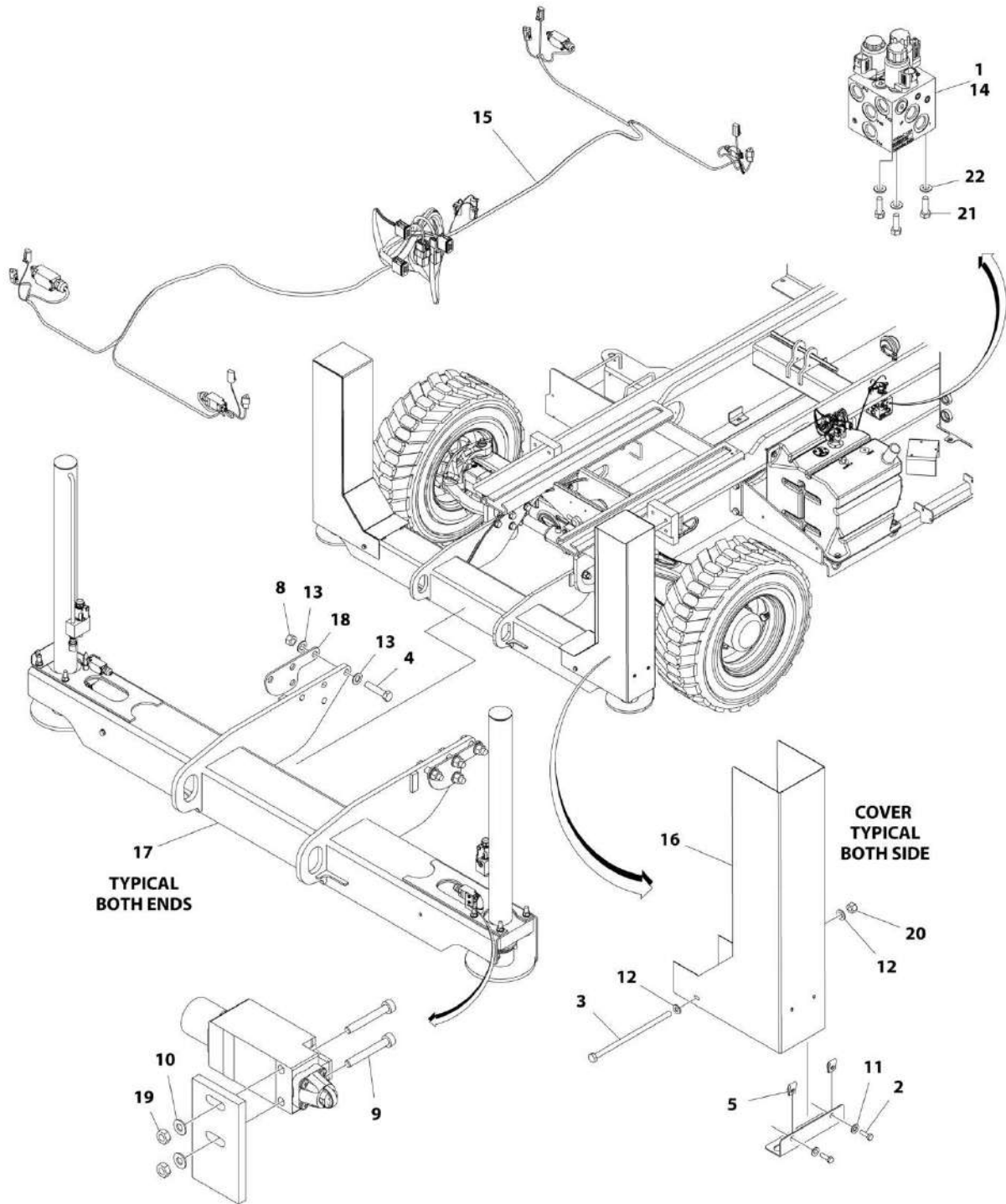
SECTION 1 - FRAME

FIGURE 1-12. BEACON LIGHT INSTALLATION - OPTIONAL

| ITEM | PART NUMBER | QTY | DESCRIPTION | REV |
|------|-------------|-----|--------------------------------------|-----|
| | 1001205340 | Ref | BEACON LIGHT INSTALLATION - OPTIONAL | A |
| 1 | 0760508 | 2 | Bolt, M5 X 16 | |
| 2 | 3290505 | 2 | Nut, Lock M5 X 0.8 | |
| 3 | 1001205343 | 1 | Beacon Light Assembly | |
| 3 | 2920146 | 1 | Beacon Light (Amber) | |
| 3 | 7016319 | 1 | Bulb, Replacement | |
| 3 | 7016372 | 1 | Len, Replacement | |
| 3A | 4460320 | 1 | Plug, Male - 2 Position | |
| 3B | 4460267 | 2 | Terminal | |

SECTION 1 - FRAME

FIGURE 1-13. LEVELING JACKS INSTALLATION



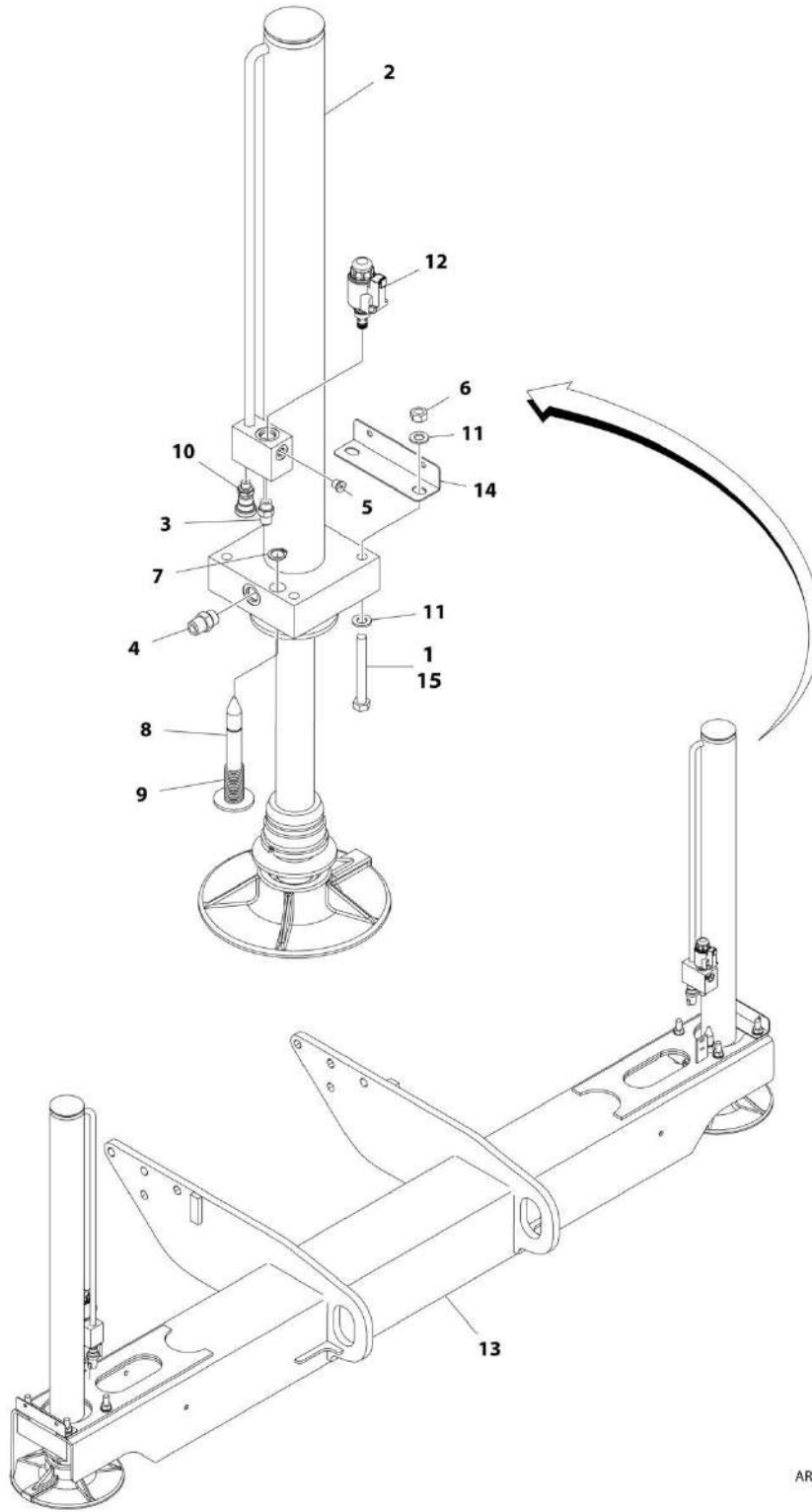
ART_1001178866

FIGURE 1-13. LEVELING JACKS INSTALLATION

| ITEM | PART NUMBER | QTY | DESCRIPTION | REV |
|------|-------------|-----|---|-----|
| | 1001178866 | Ref | LEVELING JACKS INSTALLATION | I |
| 1 | 0100011 | AR | Compound, Locking | |
| 2 | 0700610 | 8 | Bolt M6 x 20 | |
| 3 | 0701039 | 4 | Bolt M10 x 220 | |
| 4 | 0712026 | 16 | Bolt M20 x 90 | |
| 5 | 1001130220 | 8 | Nut, Tinnerman M6 | |
| 8 | 3332017 | 16 | Nut M20 | |
| 9 | 4031510 | 8 | Capscrew M4 x 30 | |
| 10 | 4811400 | 8 | Washer M4 | |
| 11 | 4811900 | AR | Washer M8 | |
| 11 | 4811702 | AR | Washer M6 | |
| 12 | 4812000 | 8 | Washer M10 | |
| 13 | 5242000 | 32 | Washer M20 | |
| 14 | 1001217108 | 1 | Leveling Jack Valve Assembly (See Separate Breakdown in this Section) | |
| 15 | 1001103801 | 1 | Leveling Jack Harness (See Separate Breakdown in ELECTRICAL SECTION) | |
| 16 | 1001179200 | 4 | Cover | |
| 17 | 1001182971 | 2 | Leveling Jack Assembly (See Separate Breakdown in this Section) | |
| 18 | 1001183328 | 4 | Plate | |
| 19 | 3290401 | 8 | Nut M4 | |
| 20 | 3291005 | 4 | Nut M10 | |
| 21 | 0641508 | 3 | Bolt 5/16 x 1 | |
| 22 | 4711500 | 3 | Washer 5/16 | |

SECTION 1 - FRAME

FIGURE 1-14. LEVELING JACKS ASSEMBLY



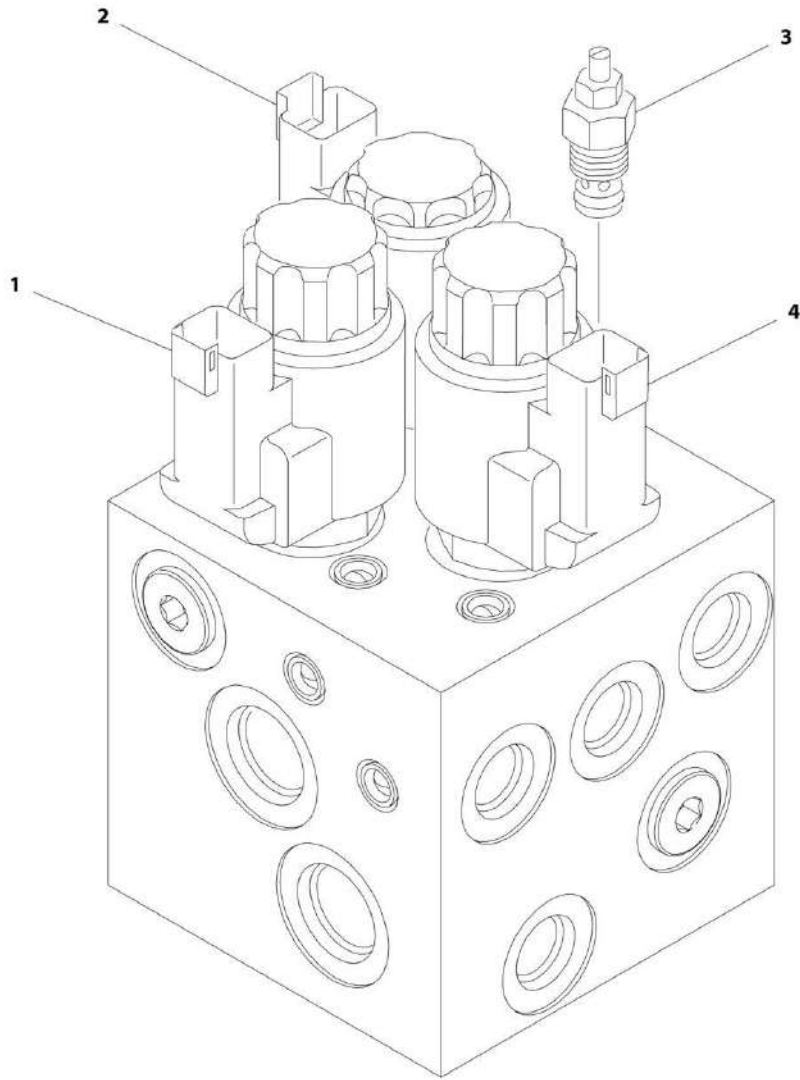
ART_1001182971

FIGURE 1-14. LEVELING JACKS ASSEMBLY

| ITEM | PART NUMBER | QTY | DESCRIPTION | REV |
|------|-------------|-----|---|-----|
| | 1001182971 | Ref | LEVELING JACKS ASSEMBLY | E |
| 1 | 0761227 | 8 | Bolt M12 x 100 | |
| 2 | 1684406 | 2 | Jack Cylinder Assembly (See Separate Breakdown in CYLINDER SECTION) (SN E200000676 through E200000705) | |
| 2 | 1001231261 | 2 | Jack Cylinder Assembly (See Separate Breakdown in CYLINDER SECTION) (SN E200000706 to Present) | |
| 3 | 2220371 | 2 | Fitting, Straight JIC/ORB | |
| 4 | 2220373 | 2 | Fitting, Straight JIC/ORB | |
| 5 | 2220883 | 2 | Plug | |
| 6 | 3331211 | 8 | Nut M12 | |
| 7 | 3760348 | 2 | Ring, Retaining | |
| 8 | 3841564 | 2 | Rod | |
| 9 | 4160116 | 2 | Spring | |
| 10 | 4360518 | 2 | Transducer, Pressure | |
| 11 | 4812100 | 16 | Washer M12 | |
| 12 | 1001103761 | 2 | Cartridge, Solenoid Valve | |
| 12 | 7024502 | 2 | Seal Kit - 1001103761 Valve (1 Per Cartridge) | |
| 12 | 70001965 | 2 | Coil (1 Per Cartridge) | |
| 12 | 7024506 | 2 | Coil Nut Kit (1 Per Cartridge) | |
| 13 | 1001179911 | 1 | Frame, Jack | |
| 14 | 1001191325 | 2 | Bracket | |
| 15 | 0100011 | AR | Compound, Locking | |

SECTION 1 - FRAME

FIGURE 1-15. LEVELING JACKS VALVE ASSEMBLY



ART_1001217108

SECTION 1 - FRAME

FIGURE 1-15. LEVELING JACKS VALVE ASSEMBLY

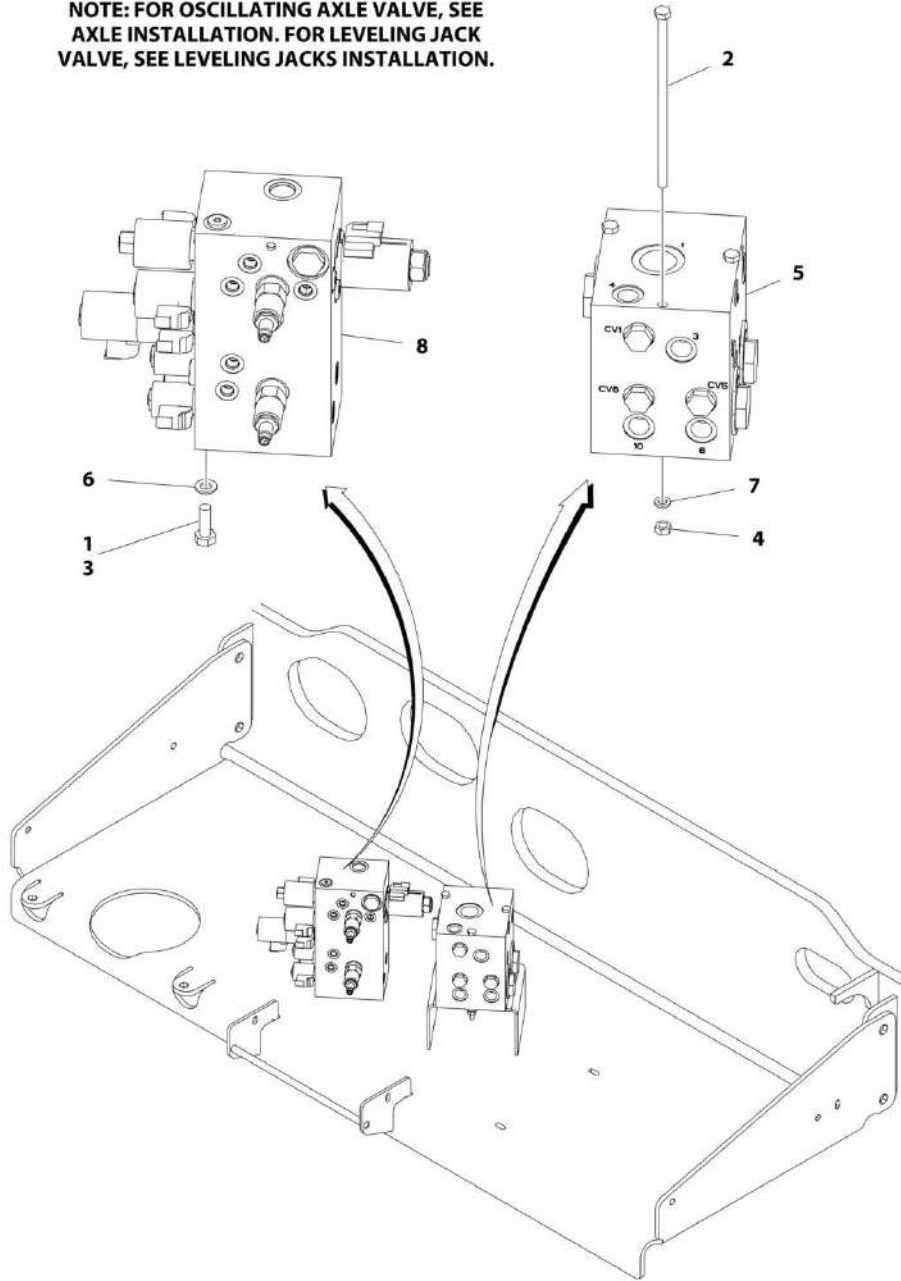
| ITEM | PART NUMBER | QTY | DESCRIPTION | REV |
|------|-------------|-----|----------------------------------|-----|
| | 1001217108 | Ref | LEVELING JACKS VALVE ASSEMBLY | B |
| 1 | 7024497 | 1 | Cartridge without Coil (Retract) | |
| 1 | 7024502 | 1 | Seal Kit - 7024497 Cartridge | |
| 1 | 70001965 | 1 | Coil | |
| 1 | 7024506 | 1 | Coil Nut Kit | |
| 2 | 7024498 | 1 | Cartridge without Coil (Extend) | |
| 2 | 7024503 | 1 | Seal Kit - 7024498 Cartridge | |
| 2 | 70001965 | 1 | Coil | |
| 2 | 7024507 | 1 | Coil Nut Kit | |
| 3 | 70006292 | 1 | Cartridge (Thermal Relief) | |
| 3 | 7024504 | 1 | Seal Kit - 70006292 Cartridge | |
| 4 | 7024500 | 1 | Cartridge without Coil | |
| 4 | 7024505 | 1 | Seal Kit - 7024500 Cartridge | |
| 4 | 70001965 | 1 | Coil | |
| 4 | 7024506 | 1 | Coil Nut Kit | |

SECTION 2 - GROUND CONTROLS

SECTION 2 - GROUND CONTROLS

FIGURE 2-1. VALVE INSTALLATION

NOTE: FOR OSCILLATING AXLE VALVE, SEE AXLE INSTALLATION. FOR LEVELING JACK VALVE, SEE LEVELING JACKS INSTALLATION.



ART_1001178489

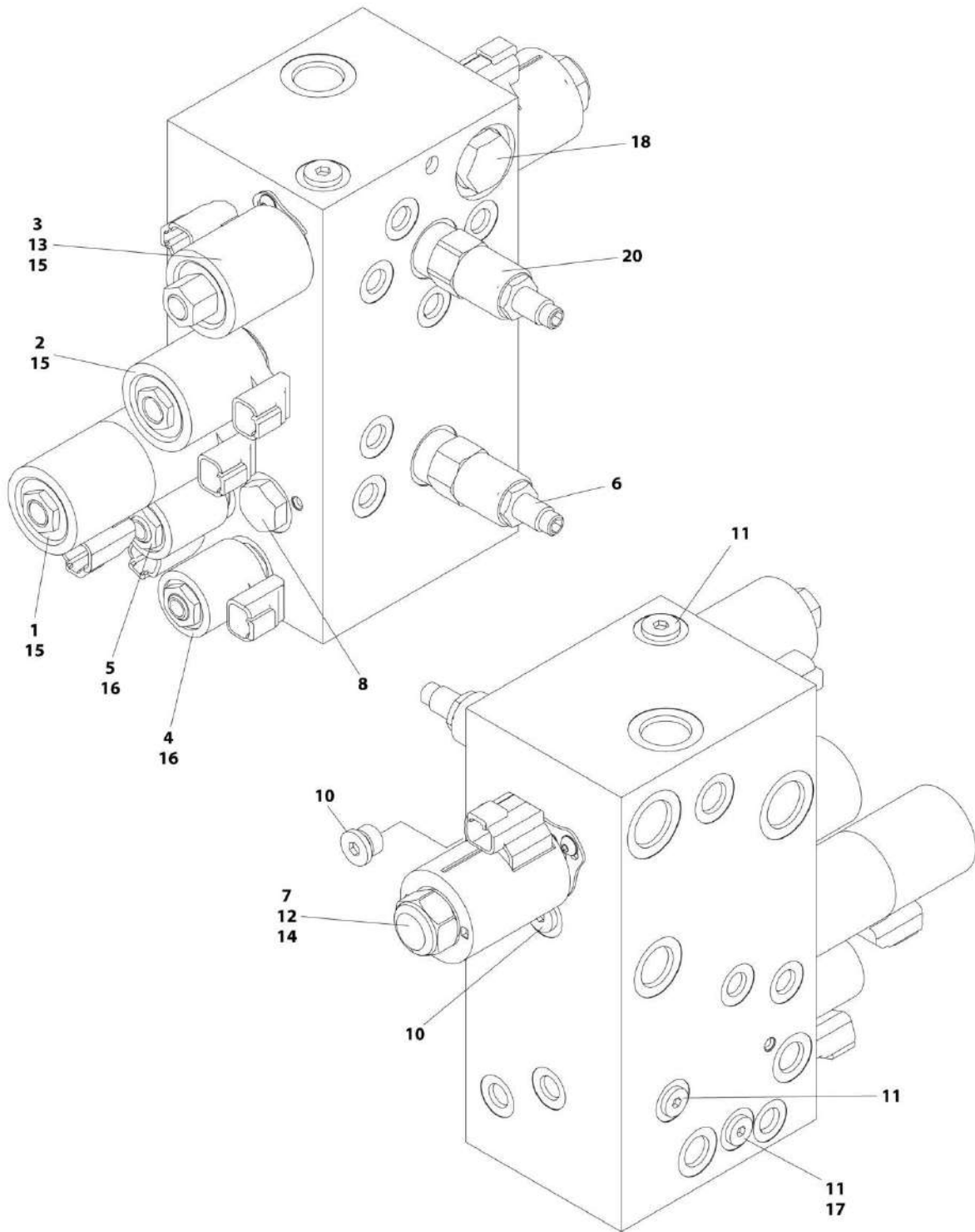
SECTION 2 - GROUND CONTROLS

FIGURE 2-1. VALVE INSTALLATION

| ITEM | PART NUMBER | QTY | DESCRIPTION | REV |
|------|-------------|-----|--|-----|
| | 1001178489 | Ref | VALVE INSTALLATION | D |
| 1 | 0100011 | AR | Compound, Locking | |
| 2 | 0700836 | 3 | Bolt M8 x 190 | |
| 3 | 0771014 | 4 | Bolt M10 x 30 | |
| 4 | 3290801 | 3 | Nut M8 | |
| 5 | 4641303 | 1 | Flow Divider Valve Assembly (See Separate Breakdown in this Section) | |
| 6 | 4812000 | 4 | Washer M10 | |
| 7 | 4831900 | 3 | Washer M8 | |
| 8 | 1001234828 | 1 | Main Valve Assembly (See Separate Breakdown in this Section) | |

SECTION 2 - GROUND CONTROLS

FIGURE 2-2. MAIN VALVE ASSEMBLY



ART_1001234828

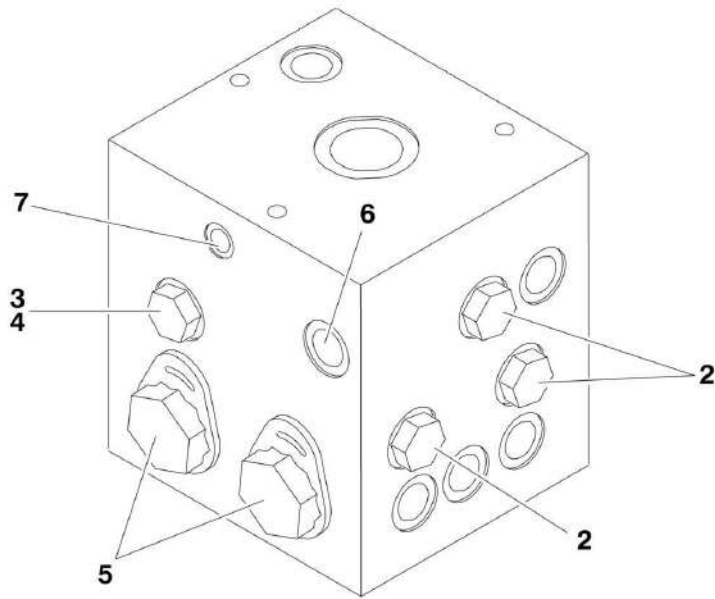
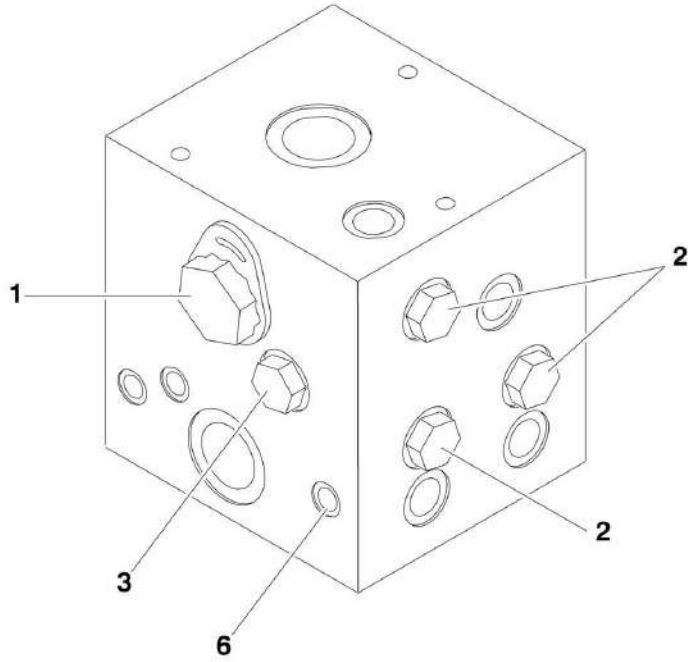
SECTION 2 - GROUND CONTROLS

FIGURE 2-2. MAIN VALVE ASSEMBLY

| ITEM | PART NUMBER | QTY | DESCRIPTION | REV |
|------|-------------|-----|---|-----|
| | 1001234828 | Ref | MAIN VALVE ASSEMBLY | C |
| 1 | 70005449 | 1 | Cartridge, Solenoid Less Coil (Steer) | |
| 1 | 70005073 | 1 | Seal Kit - 70005449 Valve | |
| 1 | 70003024 | 1 | Spacer, Coil | |
| 1 | 7022390 | 1 | Nut, Coil | |
| 2 | 70005448 | 1 | Cartridge, Solenoid Less Coil (Lift Up) | |
| 2 | 70004580 | 1 | Seal Kit - 70005448 Valve | |
| 2 | 7022390 | 1 | Nut, Coil | |
| 3 | 70005069 | 1 | Cartridge, Solenoid Less Coil (Main Dump) | |
| 3 | 7022399 | 1 | Seal Kit - 70005069 Valve | |
| 3 | 70003977 | 1 | Nut, Coil | |
| 4 | 70005167 | 1 | Cartridge, Solenoid Less Coil | |
| 4 | 7023900 | 1 | Seal Kit - 70005167 Valve | |
| 4 | 7022390 | 1 | Nut, Coil | |
| 5 | 70005167 | 1 | Cartridge, Solenoid Less Coil | |
| 5 | 7023900 | 1 | Seal Kit - 70005167 Valve | |
| 5 | 7022390 | 1 | Nut, Coil | |
| 6 | 70005452 | 1 | Cartridge, Relief Valve (SN E200000676 through E200000705) | |
| 6 | 70007036 | 1 | Cartridge, Relief Valve (SN E200000706 to Present) | |
| 6 | 7023936 | 1 | Seal Kit – 70005452 & 70007036 Valve | |
| 7 | 70006786 | 1 | Cartridge, Solenoid Less Coil | |
| 7 | 7012925 | 1 | Seal Kit - 70006786 Valve | |
| 8 | 7022398 | 1 | Cartridge, Valve (Load Shuttle) | |
| 8 | 7023900 | 1 | Seal Kit - 7022398 Valve | |
| 10 | 2220885 | 3 | Plug | |
| 11 | 2220883 | 2 | Plug | |
| 12 | 70005725 | 1 | Lock Down Kit | |
| 13 | 70005724 | 1 | Lock Down Kit | |
| 14 | 70003789 | 1 | Coil | |
| 15 | 70001967 | 4 | Coil | |
| 16 | 70001977 | 2 | Coil | |
| 17 | 70004883 | 1 | Orifice | |
| 18 | 70005100 | 1 | Cartridge, Check Valve | |
| 18 | 7022399 | 1 | Seal Kit - 70005100 Valve | |
| 20 | 70005165 | 1 | Cartridge, Relief Valve | |
| 20 | 7022399 | 1 | Seal Kit - 70005165 Valve | |

SECTION 2 - GROUND CONTROLS

FIGURE 2-3. FLOW DIVIDER VALVE ASSEMBLY



ART. 4641303

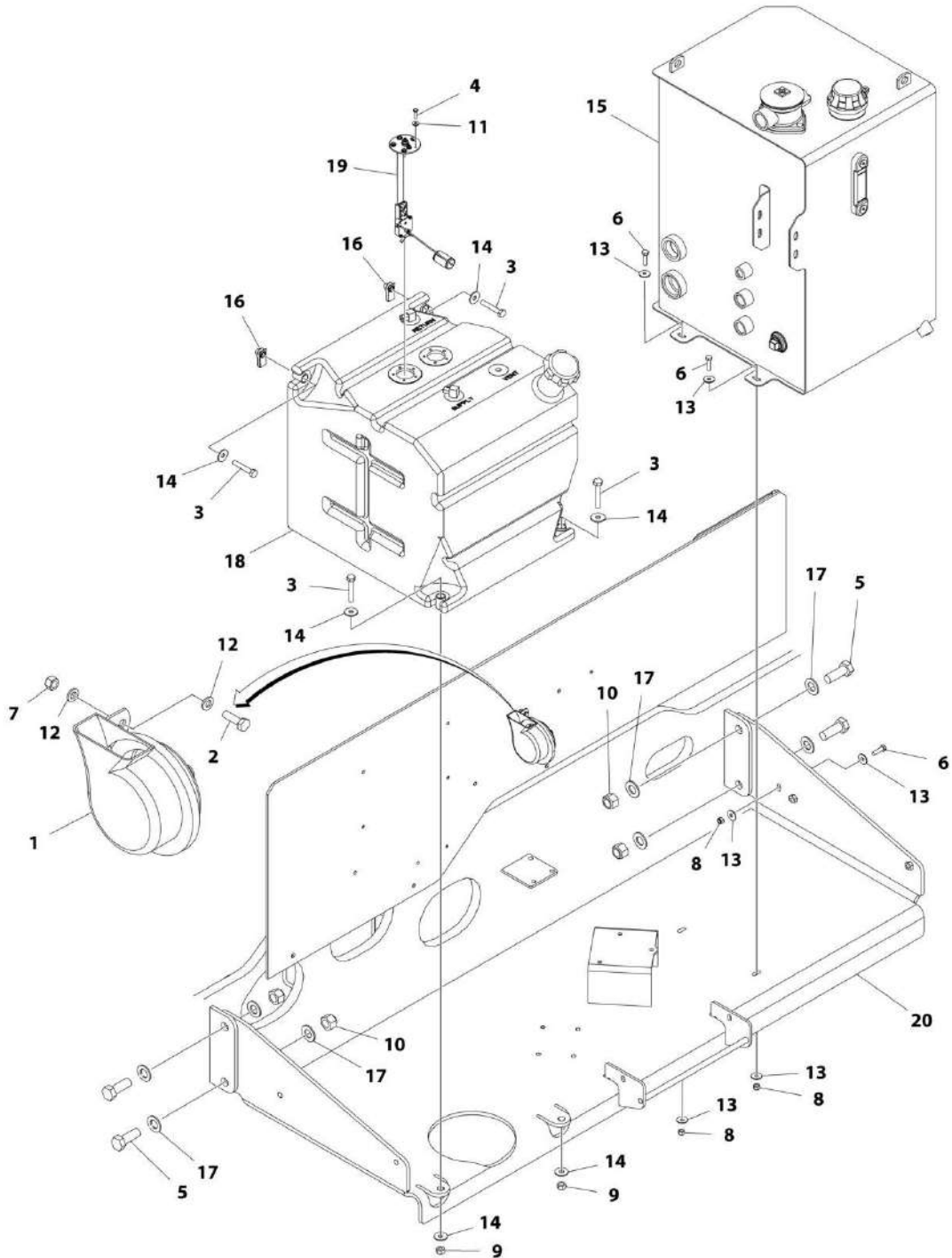
SECTION 2 - GROUND CONTROLS

FIGURE 2-3. FLOW DIVIDER VALVE ASSEMBLY

| ITEM | PART NUMBER | QTY | DESCRIPTION | REV |
|------|-------------|-----|------------------------------|-----|
| | 4641303 | Ref | FLOW DIVIDER VALVE ASSEMBLY | C |
| 1 | 7023933 | 1 | Cartridge, Flow Divider | |
| 1 | 7021625 | 1 | Seal Kit - 7023933 Cartridge | |
| 2 | 7022397 | 6 | Cartridge, Check | |
| 2 | 7022399 | 6 | Seal Kit - 7022397 Cartridge | |
| 3 | 7021639 | 2 | Cartridge, Check Valves | |
| 3 | 2900756 | 2 | Seal Kit - 7022398 Cartridge | |
| 4 | 7024881 | 1 | Piston, Pilot | |
| 5 | 7023917 | 2 | Cartridge, Flow Divider | |
| 5 | 7021625 | 2 | Seal Kit - 7023917 Cartridge | |
| 6 | 70003935 | 2 | Orifice | |
| 7 | 70003936 | 1 | Orifice | |

SECTION 2 - GROUND CONTROLS

FIGURE 2-4. TANKS & HORN INSTALLATION - DIESEL



ART_1001177751

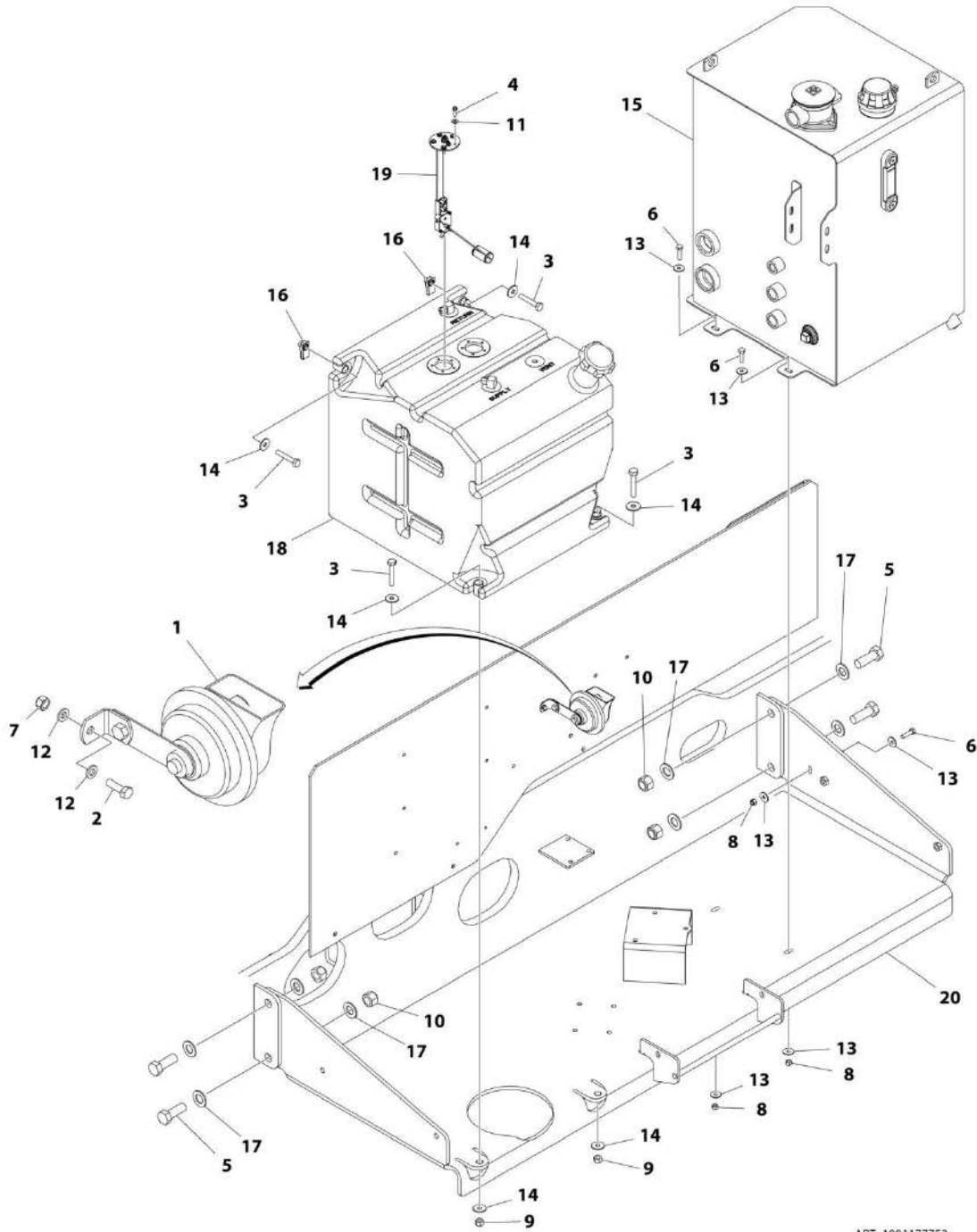
SECTION 2 - GROUND CONTROLS

FIGURE 2-4. TANKS & HORN INSTALLATION - DIESEL

| ITEM | PART NUMBER | QTY | DESCRIPTION | REV |
|------|-------------|-----|--|-----|
| | 1001177751 | Ref | TANKS AND HORN INSTALLATION - DIESEL | E |
| 1 | 0140001 | 1 | Horn | |
| 2 | 0700610 | 1 | Bolt M6 x 20 | |
| 3 | 0701020 | 4 | Bolt M10 x 60 | |
| 4 | 0731005 | 5 | Screw, #10 x 5/8 | |
| 5 | 0762019 | 4 | Bolt M20 x 55 | |
| 6 | 0760814 | 3 | Bolt M8 x 30 | |
| 7 | 3290605 | 1 | Nut M6 | |
| 8 | 3290805 | 3 | Nut M8 | |
| 9 | 3291005 | 2 | Nut M10 | |
| 10 | 3292005 | 4 | Nut M20 | |
| 11 | 4751000 | 5 | Washer #10 | |
| 12 | 4811700 | 2 | Washer M6 | |
| 13 | 4811902 | 6 | Washer M8 | |
| 14 | 4812002 | 6 | Washer M10 | |
| 15 | 1001102823 | 1 | Hydraulic Tank Assembly (See Separate Breakdown in this Section) | |
| 16 | 1001118972 | 2 | Nut Tinnerman M10 | |
| 17 | 5242000 | 8 | Washer M20 | |
| 18 | 1001163418 | 1 | Fuel Tank Assembly | |
| 18 | 1001193336 | 1 | Cap, Fuel | |
| 18 | 70004794 | 1 | Tube, Pick-up | |
| 19 | 1001231195 | 1 | Sensor, Fuel Level | |
| 20 | 1001181554 | 1 | Tray | |

SECTION 2 - GROUND CONTROLS

FIGURE 2-5. TANKS AND HORN INSTALLATION - GASOLINE



ART_1001177752

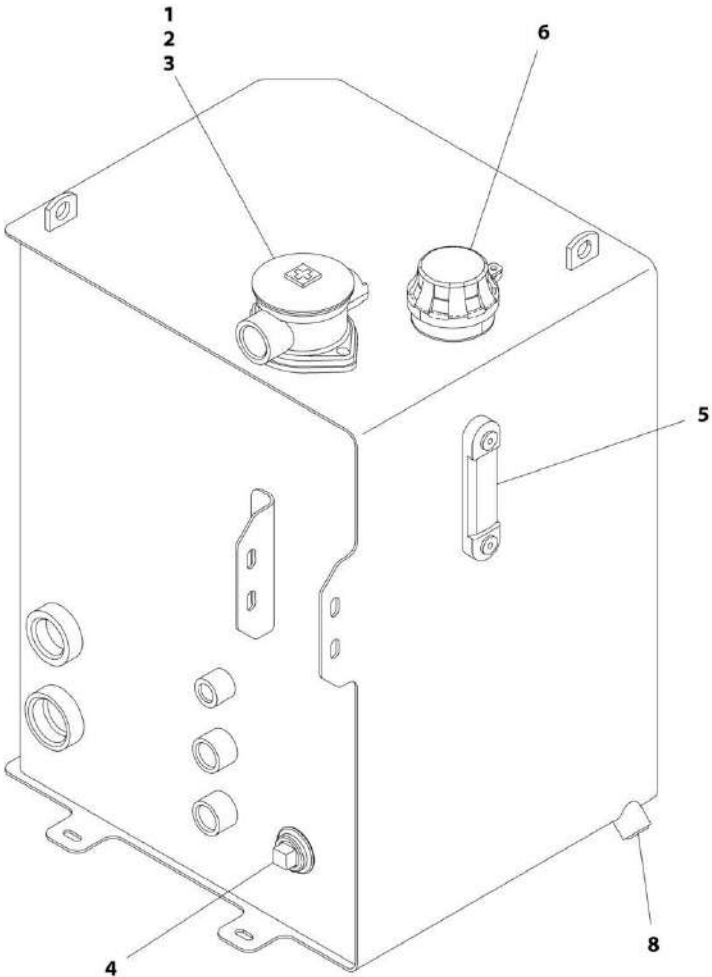
SECTION 2 - GROUND CONTROLS

FIGURE 2-5. TANKS AND HORN INSTALLATION - GASOLINE

| ITEM | PART NUMBER | QTY | DESCRIPTION | REV |
|------|-------------|-----|--|-----|
| | 1001177752 | Ref | TANKS AND HORN INSTALLATION - GASOLINE | E |
| 1 | 0140001 | 1 | Horn | |
| 2 | 0700610 | 1 | Bolt M6 x 20 | |
| 3 | 0701020 | 4 | Bolt M10 x 60 | |
| 4 | 0731005 | 5 | Screw, #10 x 5/8 | |
| 5 | 0762019 | 4 | Bolt M20 x 55 | |
| 6 | 0760814 | 3 | Bolt M8 x 30 | |
| 7 | 3290605 | 1 | Nut M6 | |
| 8 | 3290805 | 3 | Nut M8 | |
| 9 | 3291005 | 2 | Nut M10 | |
| 10 | 3292005 | 4 | Nut M20 | |
| 11 | 4751000 | 5 | Washer #10 | |
| 12 | 4811700 | 2 | Washer M6 | |
| 13 | 4811902 | 6 | Washer M8 | |
| 14 | 4812002 | 6 | Washer M10 | |
| 15 | 1001102823 | 1 | Hydraulic Tank Assembly (See Separate Breakdown in this Section) | |
| 16 | 1001118972 | 2 | Nut Tinnerman M10 | |
| 17 | 5242000 | 8 | Washer M20 | |
| 18 | 1001206896 | 1 | Fuel Tank Assembly | |
| 18 | 1001211336 | 1 | Cap, Fuel | |
| 18 | 70004794 | 1 | Tube, Pick-up | |
| 19 | 1001231195 | 1 | Sensor, Fuel Level | |
| 20 | 1001181554 | 1 | Tray | |

SECTION 2 - GROUND CONTROLS

FIGURE 2-6. HYDRAULIC TANK ASSEMBLY



ART_1001102823

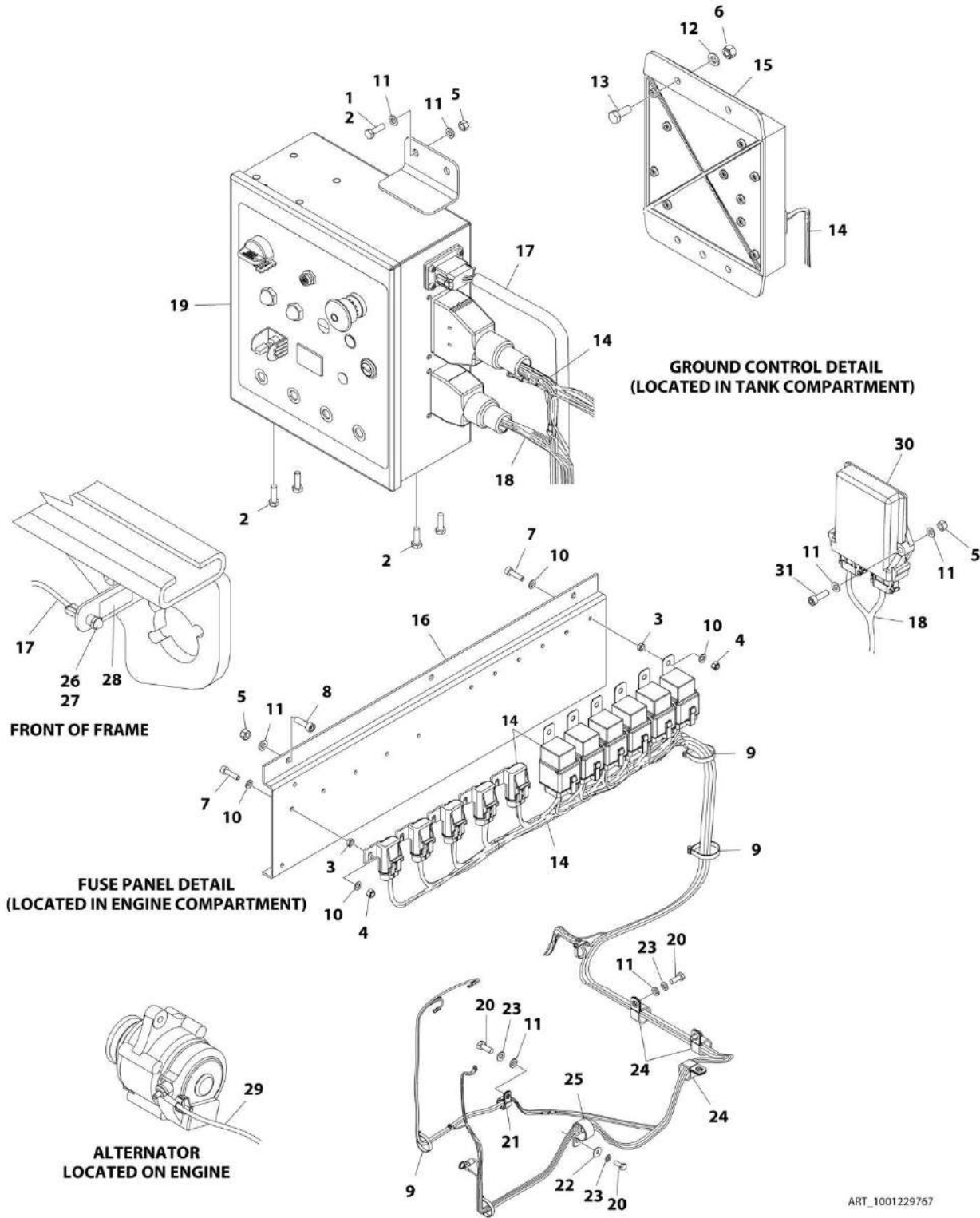
SECTION 2 - GROUND CONTROLS

FIGURE 2-6. HYDRAULIC TANK ASSEMBLY

| ITEM | PART NUMBER | QTY | DESCRIPTION | REV |
|------|-------------|-----|--|-----|
| | 1001102823 | Ref | HYDRAULIC TANK ASSEMBLY | C |
| 1 | 70001959 | 1 | Filter, Return | |
| 1 | 70001960 | 1 | Element, Filter | |
| 1 | 70002768 | 1 | Spring, Return Filter Assembly | |
| 2 | 7023306 | 1 | Seal Between Filter Cover and Head | |
| 3 | 7023347 | 1 | Gasket Between Tank and Filter Flange | |
| 4 | 7024446 | 1 | Plug, Magnetic 1in NPT | |
| 5 | 7024441 | 1 | Gauge, Fluid Level | |
| 6 | 70002113 | 1 | Breather/Fill Cap | |
| 7 | See Note | 2 | Strainer (Note: Not a serviceable Item per Vendor) (Not Shown) | |
| 8 | 70002112 | 1 | Plug, Magnetic | |

SECTION 2 - GROUND CONTROLS

FIGURE 2-7. ELECTRICAL COMPONENTS INSTALLATION - DIESEL



ART_1001229767

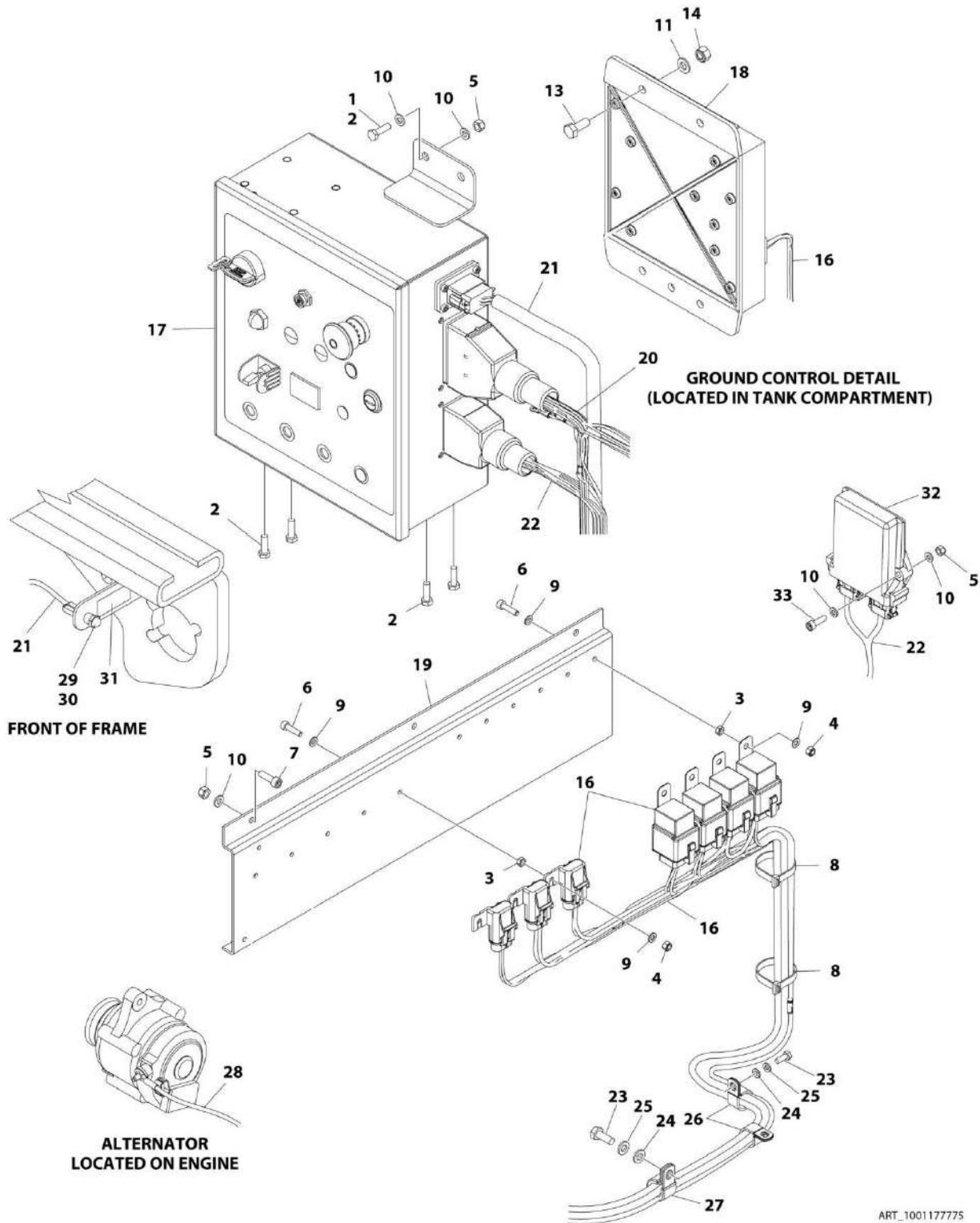
SECTION 2 - GROUND CONTROLS

FIGURE 2-7. ELECTRICAL COMPONENTS INSTALLATION - DIESEL

| ITEM | PART NUMBER | QTY | DESCRIPTION | REV |
|------|-------------|-----|--|-----|
| | 1001229767 | Ref | ELECTRICAL COMPONENTS INSTALLATION - DIESEL | F |
| 1 | 0100011 | AR | Compound, Locking | |
| 2 | 0760610 | 6 | Bolt M6 x 20 | |
| 3 | 3290501 | 11 | Nut M5 | |
| 4 | 3290505 | 11 | Nut M5 | |
| 5 | 3290605 | 7 | Nut M6 | |
| 6 | 3290805 | 4 | Nut M8 | |
| 7 | 4031608 | 11 | Bolt M5 x 20 | |
| 8 | 4031708 | 3 | Bolt M6 x 20 | |
| 9 | 4240018 | 17 | Tie-Strap | |
| 10 | 4811600 | 22 | Washer M5 | |
| 11 | 4811700 | 14 | Washer M6 | |
| 12 | 4811900 | 4 | Washer M8 | |
| 13 | 0760810001 | 4 | Capscrew M8 x 20 | |
| 14 | 1001244348 | 1 | Engine Harness - Diesel (See Separate Breakdown in ELECTRICAL SECTION) | |
| 15 | 1001182481 | 1 | Module, Control (Note: Re-calibration Required when Replaced) | |
| 16 | 1001185125 | 1 | Plate, Mounting | |
| 17 | 1001222025 | 1 | Hydraulic Compartment Harness (See Separate Breakdown in ELECTRICAL SECTION) | |
| 18 | 1001236270 | 1 | Chassis Harness (See Separate Breakdown in ELECTRICAL SECTION) | |
| 19 | 1001236353 | 1 | Ground Box Assembly (See Separate Breakdown in this Section) | |
| 20 | 0760608 | 4 | Bolt M6 x 16 | |
| 21 | 1320041 | 1 | Clamp | |
| 22 | 4811702 | 1 | Washer M6 | |
| 23 | 4831700 | 4 | Washer M6 | |
| 24 | 1001100319 | 3 | Hose Clip M10 | |
| 25 | 1320095 | 1 | Clamp | |
| 26 | 4360387 | 1 | Switch, Push Button | |
| 27 | 1001176469 | 1 | Shroud, Switch | |
| 28 | 1001226116 | 1 | Decal - Manual Descent Instruction | |
| 29 | 1001234069 | 1 | Harness, Fusible Link | |
| 30 | 1001234736 | 1 | Module, Control - Hydraulics (Note: Re-calibration Required when Replaced) | |
| 31 | 4031711 | 2 | Capscrew M6 x 35 | |

SECTION 2 - GROUND CONTROLS

FIGURE 2-8. ELECTRICAL COMPONENTS INSTALLATION - KUBOTA GASOLINE



ART_100117775

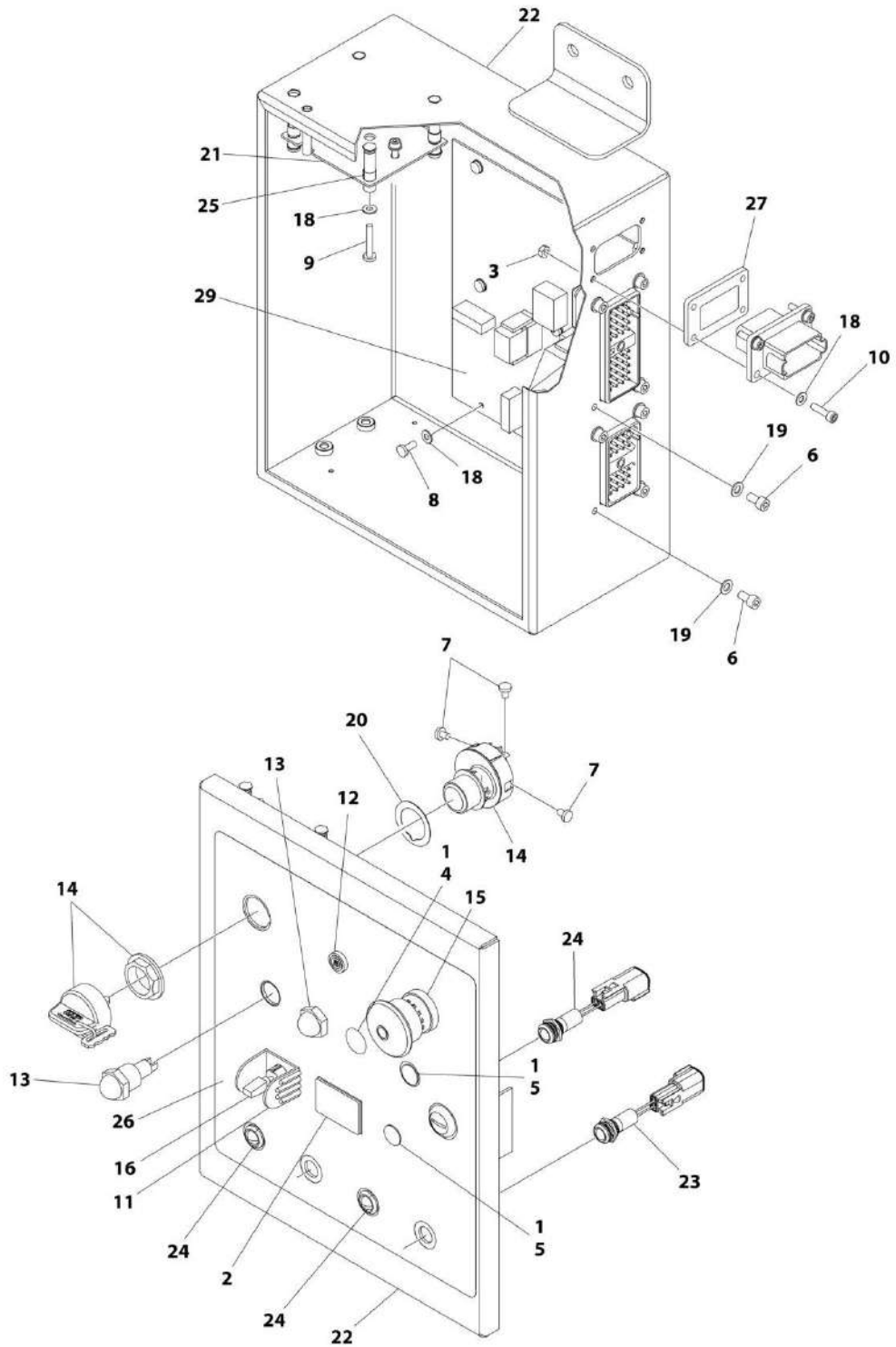
SECTION 2 - GROUND CONTROLS

FIGURE 2-8. ELECTRICAL COMPONENTS INSTALLATION - KUBOTA GASOLINE

| ITEM | PART NUMBER | QTY | DESCRIPTION | REV |
|------|-------------|-----|--|-----|
| | 1001177775 | Ref | ELECTRICAL COMPONENTS INSTALLATION - KUBOTA GASOLINE | I |
| 1 | 0100011 | AR | Compound, Locking | |
| 2 | 0760610 | 6 | Bolt M6 x 20 | |
| 3 | 3290501 | AR | Nut M5 | |
| 4 | 3290505 | AR | Nut M5 | |
| 5 | 3290605 | 5 | Nut M6 | |
| 6 | 4031608 | AR | Capscrew M5 x 20 | |
| 7 | 4031708 | 3 | Capscrew M6 x 20 | |
| 8 | 4240018 | 21 | Tie-Strap | |
| 9 | 4811600 | AR | Washer M5 | |
| 10 | 4811700 | 7 | Washer M6 | |
| 11 | 4811900 | 4 | Washer M8 | |
| 13 | 0760810001 | 4 | Bolt M8 x 20 | |
| 14 | 1001102433 | 4 | Nut M8 | |
| 16 | 1001244349 | 1 | Engine Harness - Gasoline (See Separate Breakdown in ELECTRICAL SECTION) | |
| 17 | 1001236430 | 1 | Ground Control Box Assembly (See Separate Breakdown in this Section) | |
| 18 | 1001182481 | 1 | Module, Control (Note: Re-calibration Required when Replaced) | |
| 19 | 1001185125 | 1 | Plate, Mounting | |
| 20 | 1001236380 | 1 | Dual Fuel Harness (See Separate Breakdown in ELECTRICAL SECTION) | |
| 21 | 1001222025 | 1 | Hydraulic Compartment Harness (See Separate Breakdown in ELECTRICAL SECTION) | |
| 22 | 1001236270 | 1 | Chassis Harness (See Separate Breakdown in ELECTRICAL SECTION) | |
| 23 | 0760608 | 2 | Bolt M6 x 16 | |
| 24 | 4811702 | 2 | Washer M6 | |
| 25 | 4831700 | 2 | Washer M6 | |
| 26 | 1001100319 | AR | Hose Clip M10 | |
| 27 | 1320095 | AR | Clamp | |
| 28 | 1001234069 | 1 | Harness, Fusible Link | |
| 29 | 4360387 | 1 | Switch, Push Button | |
| 30 | 1001176469 | 1 | Shroud, Switch | |
| 31 | 1001226116 | 1 | Decal - Manual Descent Instructions | |
| 32 | 1001234736 | 1 | Module, Control - Hydraulics (Note: Re-calibration Required when Replaced) | |
| 33 | 4031711 | AR | Capscrew M6 x 35 | |

SECTION 2 - GROUND CONTROLS

FIGURE 2-9. GROUND CONTROL BOX ASSEMBLY - KUBOTA DIESEL



ART_1001236353

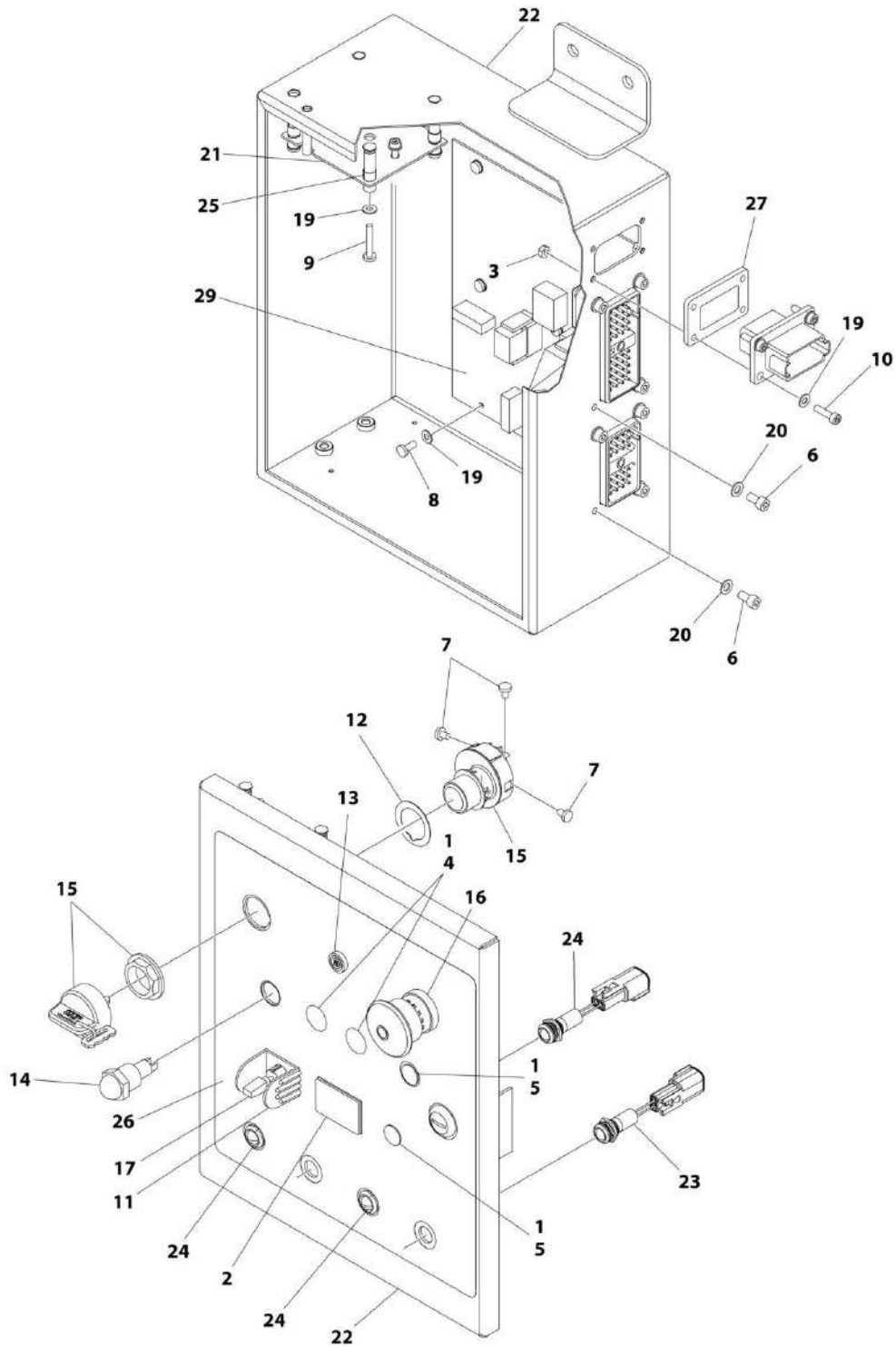
SECTION 2 - GROUND CONTROLS

FIGURE 2-9. GROUND CONTROL BOX ASSEMBLY - KUBOTA DIESEL

| ITEM | PART NUMBER | QTY | DESCRIPTION | REV |
|------|-------------|-------|---|-----|
| | 1001236353 | Ref | GROUND CONTROL BOX ASSEMBLY - KUBOTA DIESEL | A |
| 1 | 0100009 | AR | Sealant | |
| 2 | 2420172 | 1 | Gauge | |
| 3 | 3290405 | 4 | Nut M4 | |
| 4 | 3520026 | 1 | Plug, Hole | |
| 5 | 3520028 | 2 | Plug, Hole | |
| 6 | 3900300 | 8 | Capscrew | |
| 7 | 4010403 | 4 | Screw M4 x 6 | |
| 8 | 4010405 | 4 | Screw M4 x 10 | |
| 9 | 4010412 | 4 | Screw M4 x 24 | |
| 10 | 4031507 | 4 | Capscrew M4 x 16 | |
| 11 | 4060802 | 1 | Guard, Switch | |
| 12 | 4360070 | 1 | Breaker, Circuit 15Amp | |
| 13 | 4360387 | 2 | Switch, Push Button | |
| 14 | 4360469 | 1 | Switch, Key | |
| 14 | 2860030 | 1 set | Key, Replacement | |
| 15 | 4360475 | 1 | Switch, Emergency Stop | |
| 15 | 7020175 | 1 | Cap | |
| 15 | 7020176 | 1 | Block, Contact | |
| 16 | 4360524 | 1 | Switch, Toggle | |
| 17 | 4460234 | 8 | Mount, Tie-Strap (Not Shown) | |
| 18 | 4811400 | 12 | Washer M4 | |
| 19 | 4811600 | 8 | Washer M5 | |
| 20 | 4070987 | 5 | Shim, .063 | |
| 21 | 1001181330 | 1 | Sensor | |
| 21 | See Note | 1 | Connector - 4 Position (Note: Not Available for Purchase) | |
| 21 | See Note | 4 | Terminal (Note: Not Available for Purchase) | |
| 22 | 1001181711 | 1 | Box, Ground Control | |
| 22 | 1001165791 | 1 | Hinge | |
| 22 | 1001166257 | 1 | Latch | |
| 23 | 1001182680 | 1 | LED Light with Connector (Red) | |
| 24 | 1001182681 | 3 | LED Light with Connector (Yellow) | |
| 25 | 1001184730 | 4 | Washer, Nylon | |
| 26 | 1001189773 | 1 | Decal, Ground Control | |
| 27 | 1001190002 | 1 | Seal, Connector | |
| 28 | 1001227353 | 1 | Ground Control Box Harness - Upper (Not Shown) (See Separate Breakdown in ELECTRICAL SECTION) | |
| 29 | 1001234735 | 1 | Module, Ground Control (Note: Re-calibration Required when Replaced) | |
| 30 | 1001236153 | 1 | Ground Control Box Harness - Lower (Not Shown) (See Separate Breakdown in ELECTRICAL SECTION) | |

SECTION 2 - GROUND CONTROLS

FIGURE 2-10. GROUND CONTROL BOX ASSEMBLY - KUBOTA GASOLINE



ART_1001236430

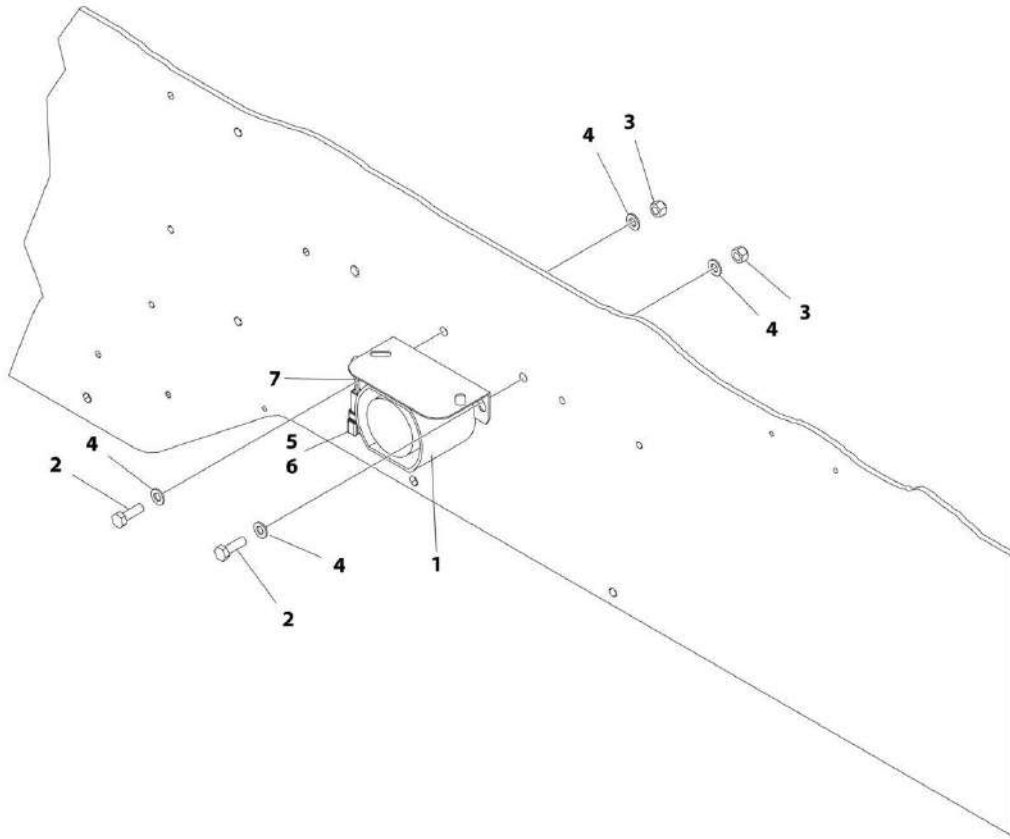
SECTION 2 - GROUND CONTROLS

FIGURE 2-10. GROUND CONTROL BOX ASSEMBLY - KUBOTA GASOLINE

| ITEM | PART NUMBER | QTY | DESCRIPTION | REV |
|------|-------------|-------|---|-----|
| | 1001236430 | Ref | GROUND CONTROL BOX ASSEMBLY - KUBOTA GASOLINE | A |
| 1 | 0100009 | AR | Sealant | |
| 2 | 2420172 | 1 | Gauge | |
| 3 | 3290405 | 4 | Nut M4 | |
| 4 | 3520026 | 2 | Plug, Hole | |
| 5 | 3520028 | 2 | Plug, Hole | |
| 6 | 3900300 | 8 | Capscrew | |
| 7 | 4010403 | 4 | Screw M4 x 6 | |
| 8 | 4010405 | 4 | Screw M4 x 10 | |
| 9 | 4010412 | 4 | Screw M4 x 24 | |
| 10 | 4031505 | 4 | Capscrew M4 x 10 | |
| 11 | 4060802 | 1 | Guard, Switch | |
| 12 | 4070987 | AR | Shim, .015 | |
| 13 | 4360070 | 1 | Breaker, Circuit 15Amp | |
| 14 | 4360387 | 1 | Switch, Push Button | |
| 15 | 4360469 | 1 | Switch, Key | |
| 15 | 2860030 | 1 set | Key, Replacement | |
| 16 | 4360475 | 1 | Switch, Emergency Stop | |
| 16 | 7020175 | 1 | Cap | |
| 16 | 7020176 | 1 | Block, Contact | |
| 17 | 4360524 | 1 | Switch, Toggle | |
| 18 | 4460234 | AR | Mount, Tie-Strap (Not Shown) | |
| 19 | 4811400 | 12 | Washer M4 | |
| 20 | 4811600 | 8 | Washer M5 | |
| 21 | 1001181330 | 1 | Sensor | |
| 21 | See Note | 1 | Connector - 4 Position (Note: Not Available for Purchase) | |
| 21 | See Note | 4 | Terminal (Note: Not Available for Purchase) | |
| 22 | 1001181711 | 1 | Box, Ground Control | |
| 22 | 1001165791 | 1 | Hinge | |
| 22 | 1001166257 | 1 | Latch | |
| 23 | 1001182680 | 1 | LED Light with Connector (Red) | |
| 24 | 1001182681 | 3 | LED Light with Connector (Yellow) | |
| 25 | 1001184730 | 4 | Washer, Nylon | |
| 26 | 1001189773 | 1 | Decal - Ground Control | |
| 27 | 1001190002 | 1 | Seal, Connector | |
| 28 | 1001227353 | 1 | Ground Control Box Harness - Upper (Not Shown) (See Separate Breakdown in ELECTRICAL SECTION) | |
| 29 | 1001234735 | 1 | Module, Ground Control (Note: Re-calibration Required when Replaced) | |
| 30 | 1001236153 | 1 | Ground Control Box Harness - Lower (Not Shown) (See Separate Breakdown in ELECTRICAL SECTION) | |

SECTION 2 - GROUND CONTROLS

FIGURE 2-11. MOTION ALARM INSTALLATION



ART_1001191641

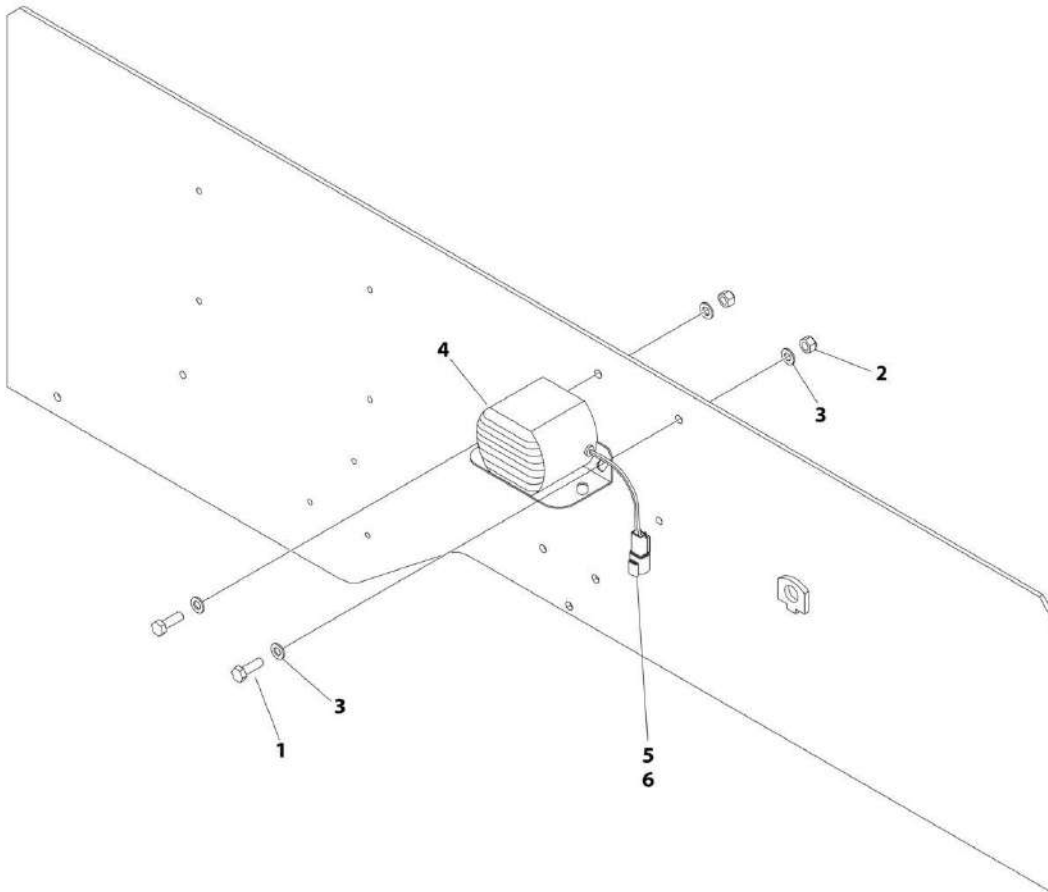
SECTION 2 - GROUND CONTROLS

FIGURE 2-11. MOTION ALARM INSTALLATION

| ITEM | PART NUMBER | QTY | DESCRIPTION | REV |
|------|-------------|-----|---------------------------|-----|
| | 1001191641 | Ref | MOTION ALARM INSTALLATION | C |
| 1 | 0140032 | 1 | Alarm | |
| 2 | 0770812 | 2 | Bolt M8 x 25 | |
| 3 | 3290805 | 2 | Nut M8 | |
| 4 | 4811900 | 4 | Washer M8 | |
| 5 | 4460464 | 2 | Pin, Male | |
| 6 | 4460897 | 1 | Connector - 2 Position | |
| 7 | 1001175012 | AR | Conduit | |

SECTION 2 - GROUND CONTROLS

FIGURE 2-12. WHITE NOISE ALARM INSTALLATION



ART_1001219108

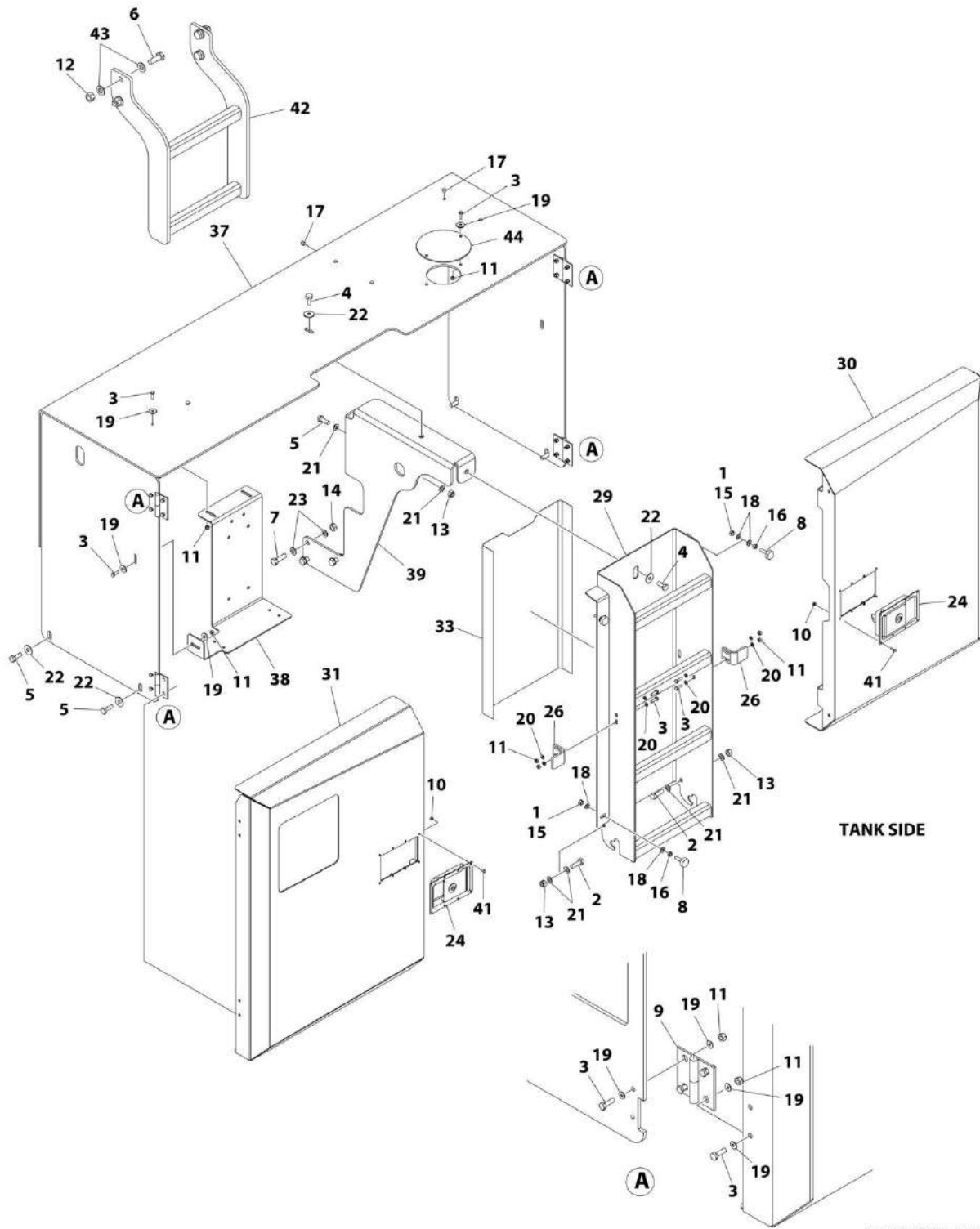
SECTION 2 - GROUND CONTROLS

FIGURE 2-12. WHITE NOISE ALARM INSTALLATION

| ITEM | PART NUMBER | QTY | DESCRIPTION | REV |
|------|-------------|-----|--------------------------------|-----|
| | 1001219108 | Ref | WHITE NOISE ALARM INSTALLATION | A |
| 1 | 0760612 | 2 | Bolt M6 x 25 | |
| 2 | 3290605 | 2 | Nut M6 | |
| 3 | 4811702 | 4 | Washer M6 | |
| 4 | 1001182806 | 1 | Alarm, White Noise | |
| 5 | 4460897 | 1 | Connector - 2 Position | |
| 6 | 4460464 | 2 | Pin, Male | |

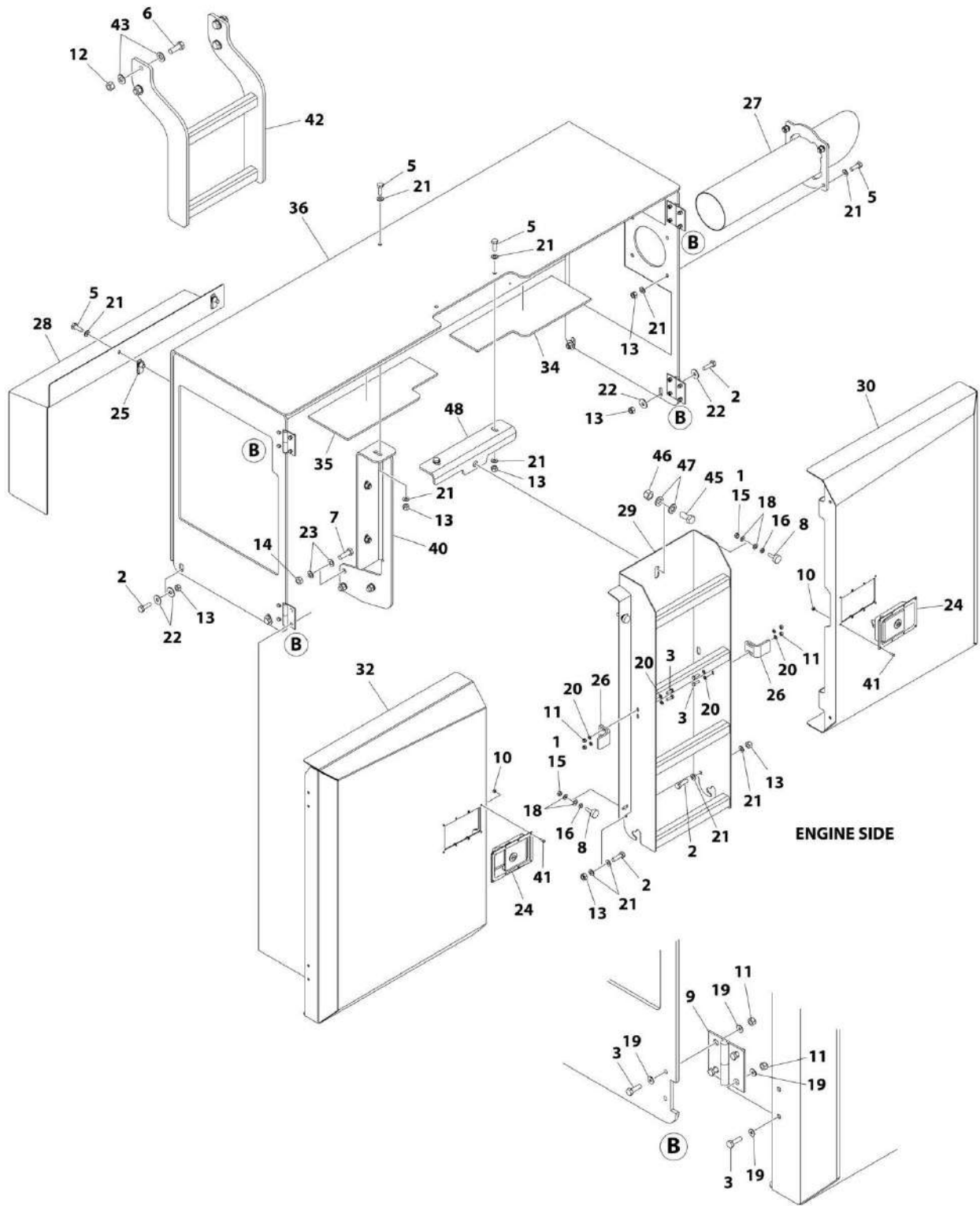
SECTION 2 - GROUND CONTROLS

FIGURE 2-13. HOODS AND LADDERS INSTALLATION



ART_1001177708_10F2

SECTION 2 - GROUND CONTROLS



ART_1001177708_2OF2

SECTION 2 - GROUND CONTROLS

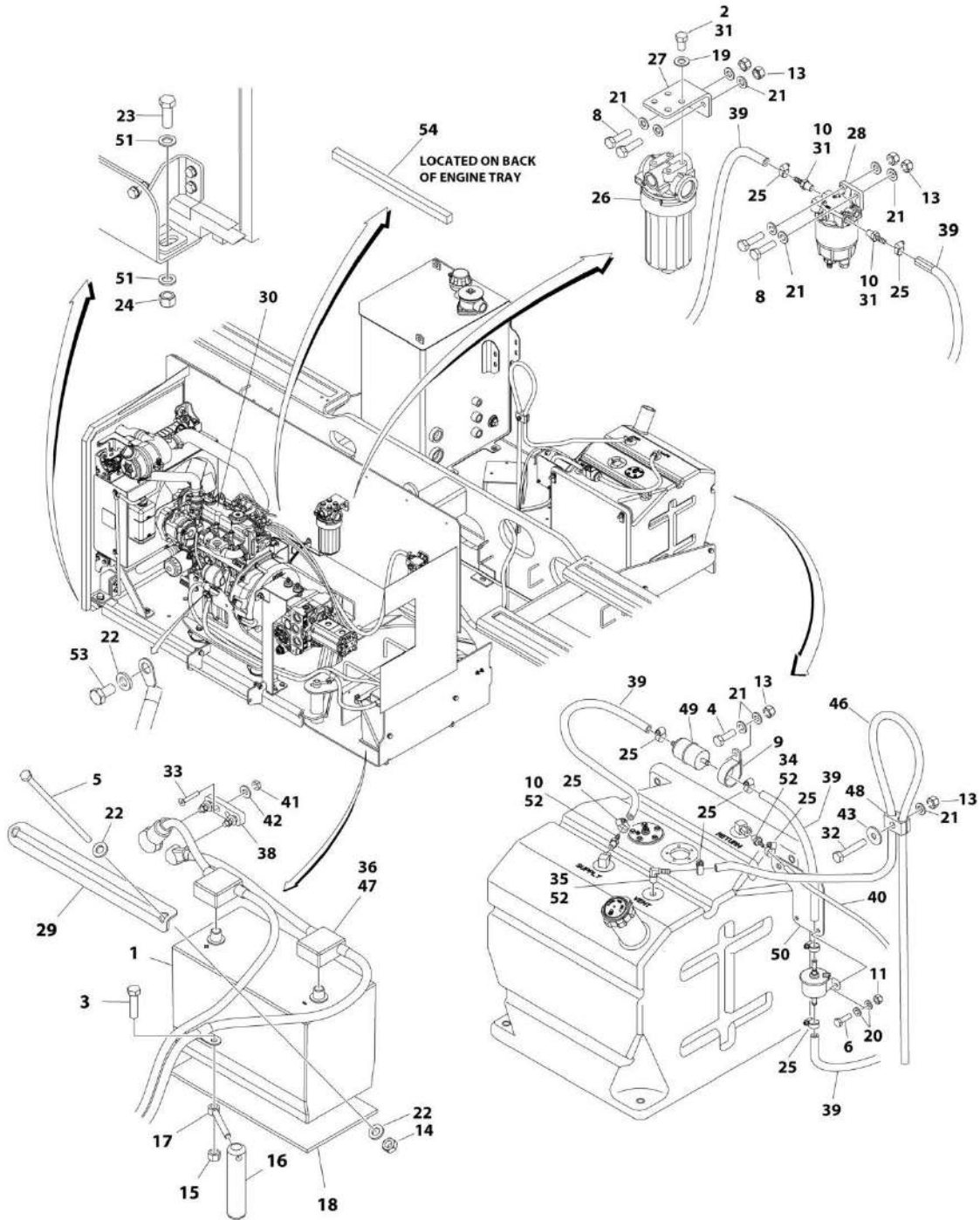
FIGURE 2-13. HOODS AND LADDERS INSTALLATION

| ITEM | PART NUMBER | QTY | DESCRIPTION | REV |
|------|-------------|-----|------------------------------|-----|
| | 1001233738 | Ref | HOODS INSTALLATION | E |
| 1 | 0100011 | AR | Compound, Locking | |
| 2 | 0701015 | 8 | Bolt M10 x 35 | |
| 3 | 0760610 | 45 | Bolt M6 x 20 | |
| 4 | 0761012 | 2 | Bolt M10 x 25 | |
| 5 | 0761014 | 16 | Bolt M10 x 30 | |
| 6 | 0761416 | 8 | Bolt M14 x 40 | |
| 7 | 0761216 | 6 | Bolt M12 x 40 | |
| 8 | 0940049 | 8 | Stop, Hood | |
| 9 | 2600216 | 8 | Hinge | |
| 10 | 3290505 | 32 | Nut M5 | |
| 11 | 3290605 | 45 | Nut M6 | |
| 12 | 3291407 | 8 | Nut M14 | |
| 13 | 3291005 | 18 | Nut M10 | |
| 14 | 3291201 | 6 | Nut M12 | |
| 15 | 3311501 | 8 | Nut 5/16 | |
| 16 | 3311502 | 8 | Nut 5/16 | |
| 17 | 3520060 | 6 | Plug 3/8 | |
| 18 | 4711500 | 16 | Washer 5/16 | |
| 19 | 4811700 | 72 | Washer M6 | |
| 20 | 4811702 | 18 | Washer M6 | |
| 21 | 4812000 | 30 | Washer M10 | |
| 22 | 4812002 | 14 | Washer M10 | |
| 23 | 4812100 | 12 | Washer M12 | |
| 24 | 1001093383 | 4 | Latch | |
| 25 | 1001118972 | 2 | Nut Tinnerman M10 | |
| 26 | 1001181116 | 4 | Bracket | |
| 27 | 1001183416 | 1 | Tube, Exhaust | |
| 28 | 1001183727 | 1 | Shield, Generator | |
| 29 | 1001204140 | 2 | Ladder | |
| 30 | 1001204145 | 2 | Door, Less Latch | |
| 31 | 1001204146 | 1 | Door, Less Latch | |
| 32 | 1001204147 | 1 | Door, Less Latch | |
| 33 | 1001238471 | 1 | Insulate | |
| 34 | 1001225257 | 1 | Insulate | |
| 35 | 1001225258 | 1 | Insulate | |
| 36 | 1001233544 | 1 | Shield Cover, Engine Side | |
| 37 | 1001233549 | 1 | Shield Cover, Hydraulic Side | |
| 38 | 1001233554 | 1 | Mount | |
| 39 | 1001233576 | 1 | Bracket | |
| 40 | 1001237910 | 1 | Bracket | |
| 41 | 1001234348 | 32 | Screw M5 x 16 Grade 10.9 | |
| 42 | 1001234847 | 2 | Ladder | |
| 43 | 4812200 | 16 | Washer M14 | |
| 44 | 1001226221 | 1 | Plate | |
| 45 | 0761615 | 1 | Bolt M16 x 35 | |
| 46 | 3291605 | 1 | Nut M16 | |
| 47 | 4812300 | 2 | Washer M16 | |
| 48 | 1001237909 | 1 | Bracket | |

SECTION 3 - ENGINE

SECTION 3 - ENGINE

FIGURE 3-1. ENGINE INSTALLATION - KUBOTA DIESEL STAGE III (SN E20000676 through E20000730)



ART_1001178695

SECTION 3 - ENGINE

FIGURE 3-1. ENGINE INSTALLATION - KUBOTA DIESEL STAGE III (SN E200000676 through E200000730)

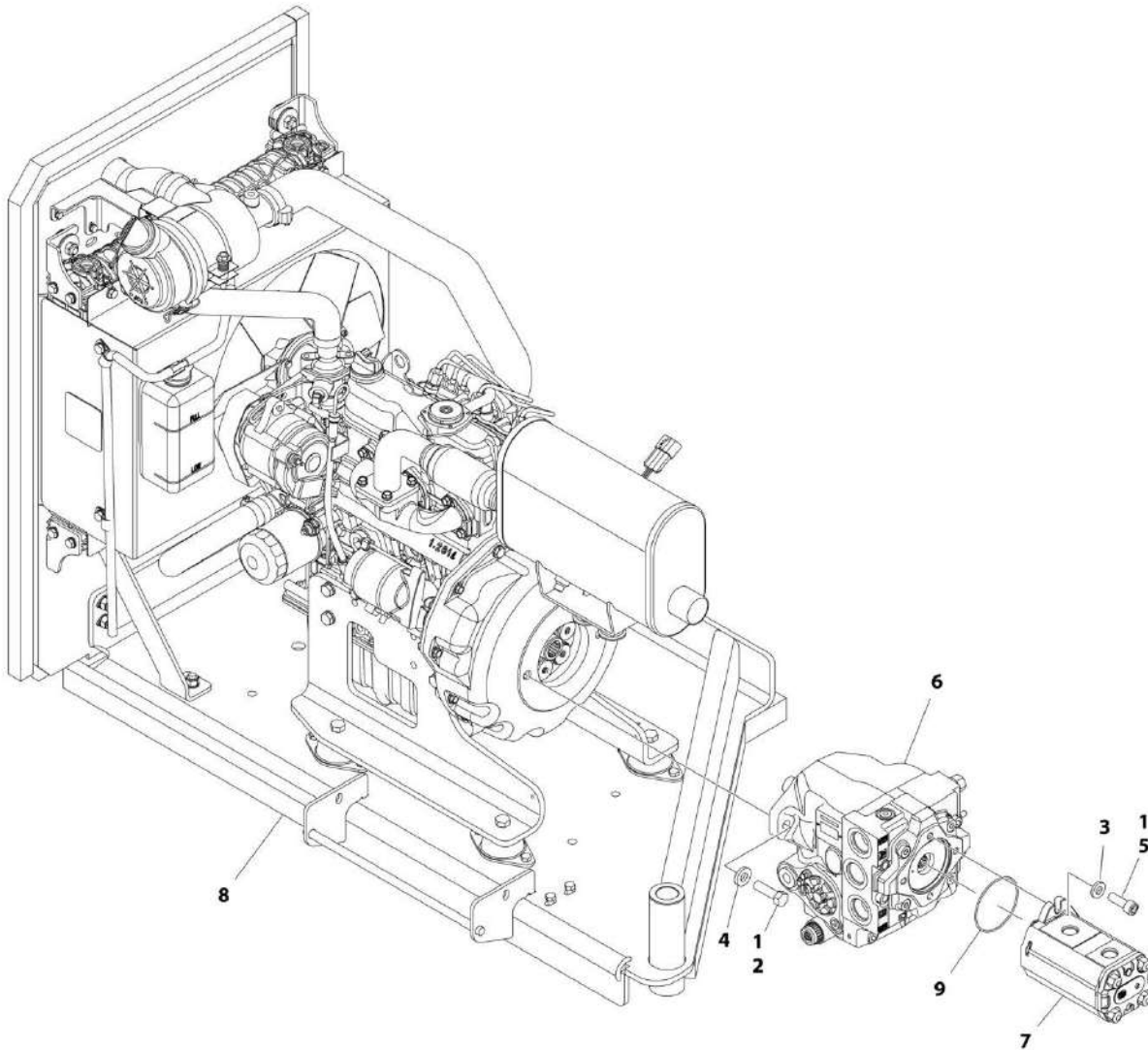
| ITEM | PART NUMBER | QTY | DESCRIPTION | REV |
|------|-------------|------------------|--|-----|
| | 1001178695 | Ref | ENGINE INSTALLATION - KUBOTA DIESEL STAGE III | H |
| 1 | 0400075 | 1 | Battery | |
| 2 | 0761010 | 3 | Bolt M10 x20 | |
| 3 | 0641612 | 1 | Bolt 3/8 x 1-1/2 | |
| 4 | 0700812 | 1 | Bolt M8 x 25 | |
| 5 | 0701047 | 2 | Bolt M10 x 300 | |
| 6 | 0760610 | 2 | Bolt M6 x 20 | |
| 8 | 0760814 | 4 | Bolt M8 x 30 | |
| 9 | 1320265 | 1 | Clamp | |
| 10 | 2180348 | 3 | Fitting, NPT/Barbed | |
| 11 | 3290605 | 2 | Nut M6 | |
| 13 | 3290805 | 6 | Nut M8 | |
| 14 | 3291001 | 2 | Nut M10 | |
| 15 | 3311605 | 1 | Nut 3/8 | |
| 16 | 3422669 | 1 | Pin | |
| 17 | 3841143 | 1 | Keeper, Pin | |
| 18 | 3980007 | 1 | Seat, Battery | |
| 19 | 4812000 | 3 | Washer M10 | |
| 20 | 4811700 | 4 | Washer M6 | |
| 21 | 4811900 | 11 | Washer M8 | |
| 22 | 5241000 | 5 | Washer M10 | |
| 23 | 0761617 | 1 | Bolt M16 x 45 | |
| 24 | 3291605 | 1 | Nut M16 | |
| 25 | 8405009 | 11 | Clamp | |
| 26 | 1001208874 | 1 | Filter, Charge Pump | |
| 26 | 70010383 | 1 | Element, Filter | |
| 27 | 1001194836 | 1 | Bracket | |
| 28 | 1001190609 | 1 | Fuel/Water Separator Assembly (See Separate Breakdown in this Section) | |
| 29 | 1001184065 | 1 | Bracket, Hold Down | |
| 30 | 1001185041 | 1 | Engine and Pump Sub-Assembly (See Separate Breakdown in this Section) | |
| 31 | 0100011 | AR | Compound, Locking | |
| 32 | 0700817 | 1 | Bolt M8 x 45 | |
| 33 | 0741010 | 2 | Screw #10 x 1-1/4 | |
| 34 | 2180666 | 1 | Fitting, NPT/Barbed | |
| 35 | 2220313 | 1 | Fitting, 90° NPTF/Barbed | |
| 36 | 0100051 | AR | Grease, Battery Terminal | |
| 37 | 2300004 | AR | Coolant (Not Shown) | |
| 38 | 2400044 | 1 | Fuse, Mounting Block | |
| 39 | 2720058 | 14.5 ft/ 4.4m | Hose | |
| 40 | 2720271 | 9.3 ft/ 2.8m | Hose | |
| 41 | 3300408 | 2 | Nut | |
| 42 | 4711400 | 2 | Washer 1/4 | |
| 43 | 4811902 | 1 | Washer M8 | |
| 45 | 1001159301 | AR | Oil, Engine (Not Shown) | |
| 46 | 1001165035 | 5.5 ft/ 1.7m | Hose | |

SECTION 3 - ENGINE

| ITEM | PART NUMBER | QTY | DESCRIPTION | REV |
|------|-------------|-----|---|-----|
| 47 | 1001186428 | 1 | Battery Cable Kit - Diesel (See Separate Breakdown in ELECTRICAL SECTION) | |
| 48 | 8750014 | 1 | Clamp | |
| 49 | 1001190545 | 1 | Strainer, Fuel | |
| 50 | 1001191146 | 1 | Bracket | |
| 51 | 4812300 | 2 | Washer M16 | |
| 52 | 0100020 | AR | Sealant | |
| 53 | 8303511 | 1 | Capscrew M10 | |
| 54 | 1001183421 | 1 | Foam, Baffle | |

SECTION 3 - ENGINE

FIGURE 3-2. ENGINE AND PUMP SUB-ASSEMBLY - KUBOTA DIESEL STAGE III (SN E20000676 through E20000730)



ART_1001185041

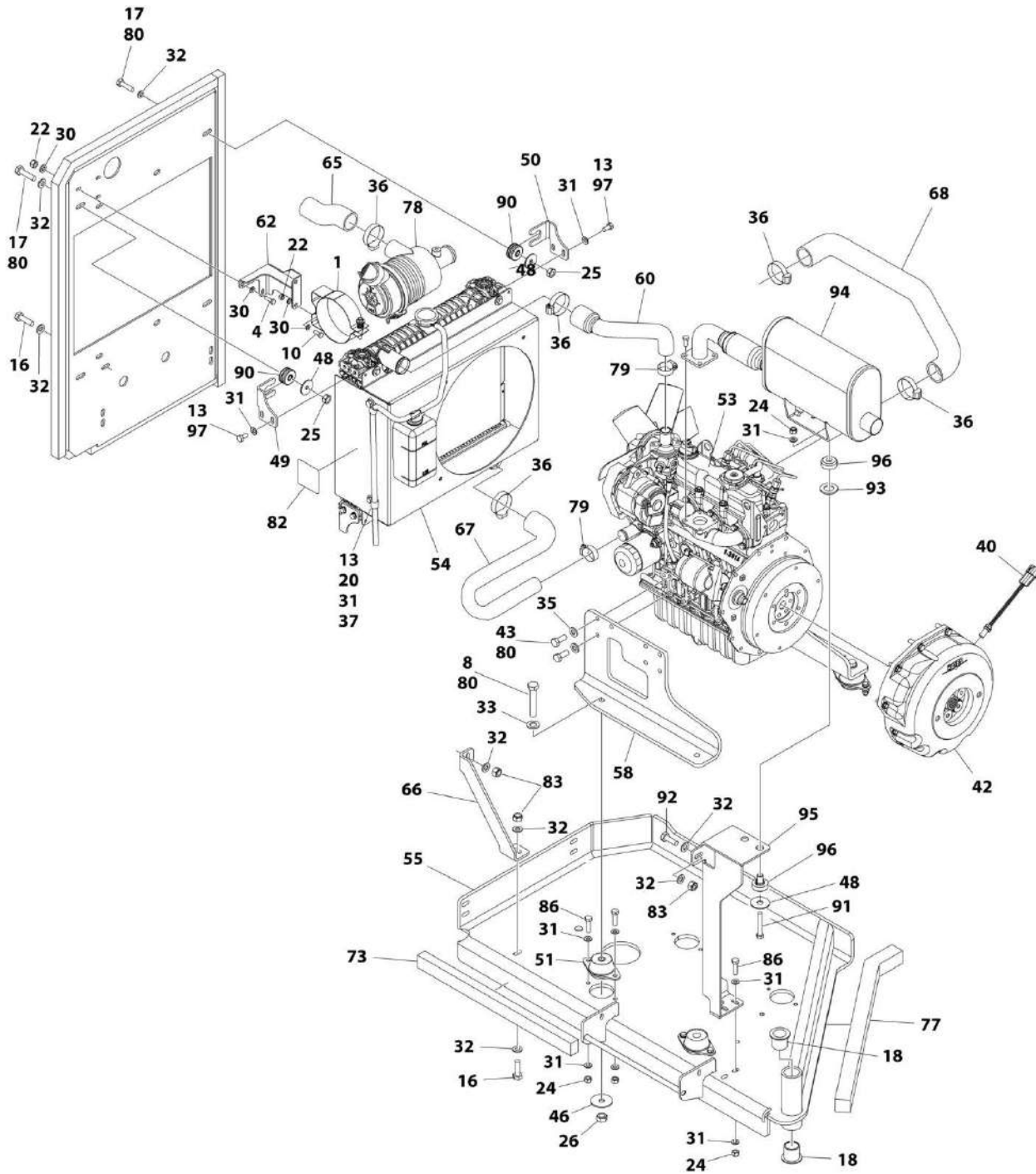
SECTION 3 - ENGINE

FIGURE 3-2. ENGINE AND PUMP SUB-ASSEMBLY - KUBOTA DIESEL STAGE III (SN E200000676 through E200000730)

| ITEM | PART NUMBER | QTY | DESCRIPTION | REV |
|------|-------------|-----|--|-----|
| | 1001185041 | Ref | ENGINE AND PUMP SUB-ASSEMBLY - KUBOTA DIESEL STAGE III | E |
| 1 | 0100011 | AR | Compound, Locking | |
| 2 | 0641814 | 2 | Bolt 1/2 x 1-3/4 | |
| 3 | 4891600 | 2 | Washer 3/8 | |
| 4 | 4891800 | 2 | Washer 1/2 | |
| 5 | 83191040 | 2 | Capscrew M10 x 30 | |
| 6 | 1001101331 | 1 | Piston Pump Assembly (See Separate Breakdown in this Section) | |
| 7 | 1001181393 | 1 | Gear Pump Assembly | |
| 7 | 7023929 | 1 | Seal Kit - 1001181393 Pump (Note: Seal Kit is only service component available) | |
| 8 | 1001185042 | 1 | Engine Assembly - Kubota Diesel Stage III (See Separate Breakdown in this Section) | |
| 9 | 3790152 | 1 | O-Ring | |

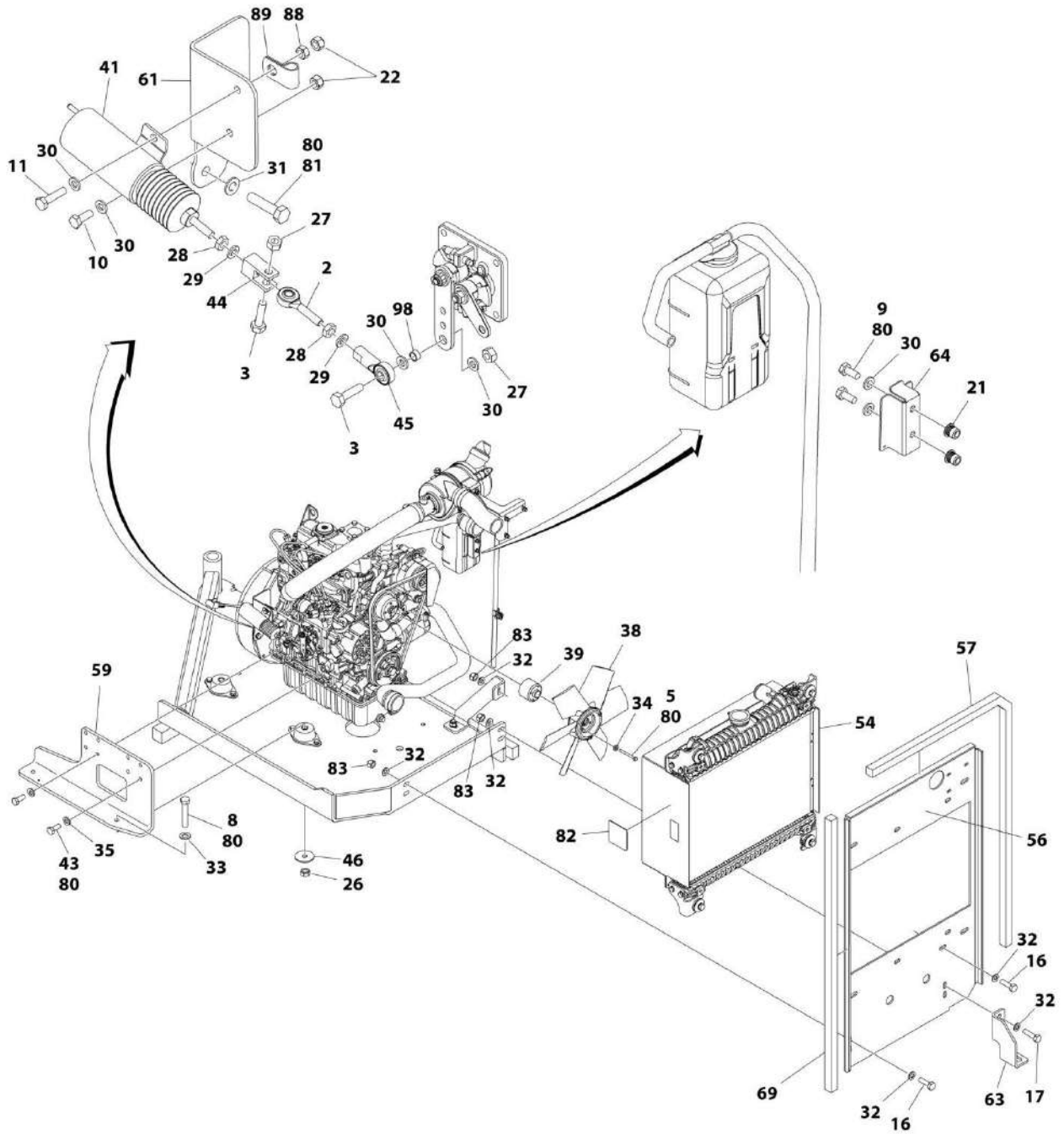
SECTION 3 - ENGINE

FIGURE 3-3. ENGINE ASSEMBLY - KUBOTA DIESEL STAGE III (SN E20000676 through E20000730)



ART_1001185042_10F2

SECTION 3 - ENGINE



ART_1001185042_2OF2

SECTION 3 - ENGINE

FIGURE 3-3. ENGINE ASSEMBLY - KUBOTA DIESEL STAGE III (SN E200000676 through E200000730)

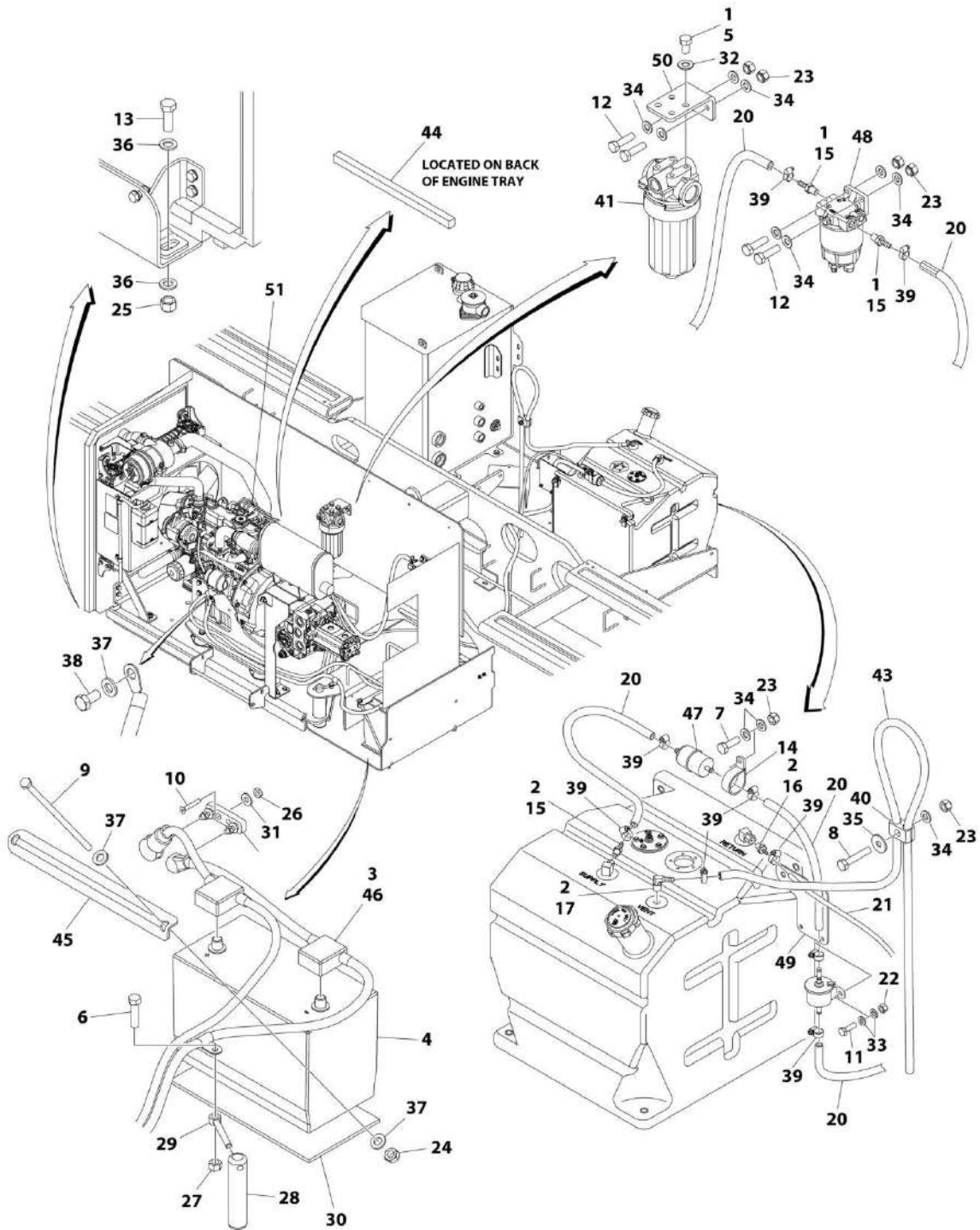
| ITEM | PART NUMBER | QTY | DESCRIPTION | REV |
|------|-------------|-----|--|-----|
| | 1001185042 | Ref | ENGINE ASSEMBLY - KUBOTA DIESEL STAGE III | N |
| 1 | 0340045 | 1 | Band, Mounting | |
| 2 | 0440334 | 1 | Bearing | |
| 3 | 0641408 | 2 | Bolt 1/4 x 1 | |
| 4 | 0700610 | AR | Bolt M6 x 20 | |
| 5 | 0700620 | 4 | Bolt M6 x 60 | |
| 8 | 0701222 | 4 | Bolt M12 x 70 | |
| 9 | 0760607 | 2 | Bolt M6 x 14 | |
| 10 | 0760608 | AR | Bolt M6 x 16 | |
| 10 | 0760610 | AR | Bolt M6 x 20 | |
| 11 | 0760612 | 1 | Bolt M6 x 25 | |
| 13 | 0760808 | 10 | Bolt M8 x 16 | |
| 16 | 0761015 | 4 | Bolt M10 x 35 | |
| 17 | 0761016 | 6 | Bolt M10 x 40 | |
| 18 | 0961986 | 2 | Bearing, Flange | |
| 20 | 1001191832 | AR | Nut M8 | |
| 21 | 1001176636 | AR | Nut M6 | |
| 22 | 3290605 | AR | Nut M6 | |
| 24 | 3290805 | AR | Nut M8 | |
| 25 | 3291001 | 4 | Nut M10 | |
| 26 | 3291201 | 4 | Nut M12 | |
| 27 | 3311405 | 2 | Nut 1/4 | |
| 28 | 3321402 | 2 | Nut 1/4 | |
| 29 | 4761400 | 2 | Washer 1/4 | |
| 30 | 4811700 | AR | Washer M6 | |
| 31 | 4811900 | AR | Washer M8 | |
| 32 | 4812000 | 18 | Washer M10 | |
| 33 | 5241200 | 4 | Washer M12 | |
| 34 | 5240600 | 4 | Washer M6 | |
| 35 | 5241000 | 8 | Washer M10 | |
| 36 | 8405104 | 5 | Clamp | |
| 37 | 85941016 | 2 | Clamp | |
| 38 | 1001118538 | 1 | Fan | |
| 39 | 1001118539 | 1 | Spacer, Fan | |
| 40 | 1001118580 | 1 | Sensor, Speed | |
| 41 | 1001118582 | 1 | Actuator, Throttle | |
| 42 | 1001118675 | 1 | Coupling Kit (See Separate Breakdown in this Section) | |
| 43 | 1001118746 | 8 | Bolt M10 x 25 | |
| 44 | 1001118881 | 1 | Clevis, Linkage | |
| 45 | 1001118925 | 1 | Bearing | |
| 46 | 1001168018 | 4 | Washer | |
| 48 | 1001169138 | 6 | Pad | |
| 49 | 1001169967 | 2 | Bracket, Radiator | |
| 50 | 1001170035 | 2 | Bracket, Radiator | |
| 51 | 1001187235 | 4 | Mount, Motor | |
| 53 | 1001224201 | 1 | Engine Components - Kubota Diesel Stage III (See Separate Breakdown in this Section) | |
| 54 | 1001220957 | 1 | Radiator | |
| 55 | 1001181649 | 1 | Tray, Engine | |

SECTION 3 - ENGINE

| ITEM | PART NUMBER | QTY | DESCRIPTION | REV |
|------|-------------|-----|----------------------------|-----|
| 56 | 1001181658 | 1 | Plate, Radiator Mounting | |
| 57 | 1001227285 | 1 | Seal | |
| 58 | 1001182976 | 1 | Mount, Engine (LH) | |
| 59 | 1001182977 | 1 | Mount, Engine (RH) | |
| 60 | 1001182978 | 1 | Tube, Inlet | |
| 61 | 1001182979 | 1 | Bracket, Throttle Cylinder | |
| 62 | 1001182980 | 1 | Bracket, Air Cleaner | |
| 63 | 1001182981 | 1 | Bracket, Tray | |
| 64 | 1001182982 | 1 | Mount | |
| 65 | 1001182983 | 1 | Tube, Intake | |
| 66 | 1001182984 | 1 | Bracket, Support | |
| 67 | 1001182985 | 1 | Tube, Outlet | |
| 68 | 1001182987 | 1 | Tube, Air Intake | |
| 69 | 1001183420 | 1 | Foam, Baffle | |
| 73 | 1001183424 | 1 | Foam, Baffle | |
| 77 | 1001184066 | 1 | Foam, Baffle | |
| 78 | 1001118280 | 1 | Air Filter Assembly | |
| 78 | 7015004 | 2 | Element | |
| 78 | 7015005 | 1 | Cover Assembly | |
| 78 | 1340069 | 1 | Valve, Vacuator | |
| 79 | 8405101 | 2 | Clamp | |
| 80 | 0100011 | AR | Compound, Locking | |
| 81 | 0700815 | 2 | Bolt M8 x 35 | |
| 82 | 1703162 | 2 | Decal - Fan Blade | |
| 83 | 3291005 | 7 | Nut M10 | |
| 86 | 0700814 | 10 | Bolt M8 | |
| 88 | 3290601 | AR | Nut M6 | |
| 89 | 90021705 | 1 | Clamp, Support | |
| 90 | 1001169054 | 4 | Isolator, Radiator | |
| 91 | 0700819 | 2 | Bolt, M8 x 55 | |
| 92 | 0761014 | 1 | Bolt M10 x 30 | |
| 93 | 4812500 | 2 | Washer M20 | |
| 94 | 1001234950 | 1 | Muffler | |
| 95 | 1001195600 | 1 | Bracket, Muffler | |
| 96 | 1001125248 | 2 | Mount, Engine | |
| 97 | 1001180620 | AR | Compound, Locking | |
| 98 | 1001128888 | AR | Washer | |

SECTION 3 - ENGINE

FIGURE 3-4. ENGINE INSTALLATION - KUBOTA DIESEL STAGE III WITH GENERATOR (SN E200000676 through E200000730)



ART_1001231718

SECTION 3 - ENGINE

FIGURE 3-4. ENGINE INSTALLATION - KUBOTA DIESEL STAGE III WITH GENERATOR (SN E200000676 through E200000730)

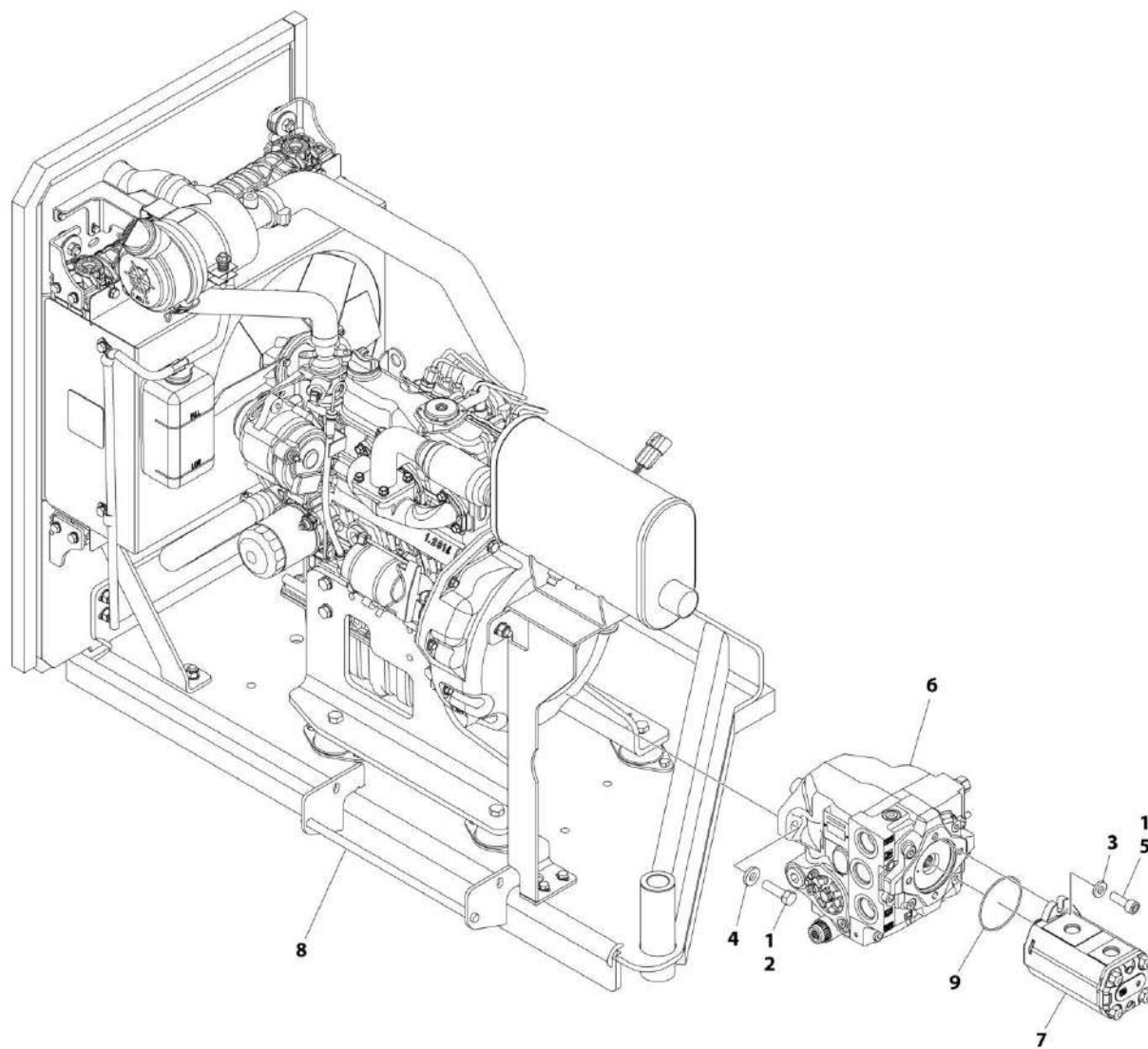
| ITEM | PART NUMBER | QTY | DESCRIPTION | REV |
|------|-------------|------------------|---|-----|
| | 1001231718 | Ref | ENGINE INSTALLATION - KUBOTA DIESEL STAGE III | C |
| 1 | 0100011 | AR | Compound, Locking | |
| 2 | 0100020 | AR | Sealant | |
| 3 | 0100051 | AR | Grease, Battery Terminal | |
| 4 | 0400075 | 1 | Battery | |
| 5 | 0761010 | 3 | Bolt M10 x 20 | |
| 6 | 0641612 | 1 | Bolt 3/8 x 1-1/2 | |
| 7 | 0700812 | 1 | Bolt M8 x 25 | |
| 8 | 0700817 | 1 | Bolt M8 x 45 | |
| 9 | 0701047 | 2 | Bolt M10 x 300 | |
| 10 | 0741010 | 2 | Screw #10 x 1-1/4 | |
| 11 | 0760610 | 2 | Bolt M6 x 20 | |
| 12 | 0760814 | 4 | Bolt M8 x 30 | |
| 13 | 0761617 | 1 | Bolt M16 x 45 | |
| 14 | 1320265 | 1 | Clamp | |
| 15 | 2180348 | 3 | Fitting, NPT/Barbed | |
| 16 | 2180666 | 1 | Fitting, NPT/Barbed | |
| 17 | 2220313 | 1 | Fitting, 90° NPTF/Barbed | |
| 18 | 2300004 | AR | Coolant (Not Shown) | |
| 19 | 2400044 | 1 | Fuse, Mounting Block | |
| 20 | 2720058 | 14.5 ft/ 4.4m | Hose | |
| 21 | 2720271 | 9.3 ft/ 2.8m | Hose | |
| 22 | 3290605 | 2 | Nut M6 | |
| 23 | 3290805 | 6 | Nut M8 | |
| 24 | 3291001 | 2 | Nut M10 | |
| 25 | 3291605 | 1 | Nut 3/8 | |
| 26 | 3300408 | 2 | Nut | |
| 27 | 3311605 | 1 | Nut 3/8 | |
| 28 | 3422669 | 1 | Pin | |
| 29 | 3841143 | 1 | Keeper, Pin | |
| 30 | 3980007 | 1 | Seat, Battery | |
| 31 | 4711400 | 2 | Washer 1/4 | |
| 32 | 4812000 | 3 | Washer M10 | |
| 33 | 4811700 | 4 | Washer M6 | |
| 34 | 4811900 | 11 | Washer M8 | |
| 35 | 4811902 | 1 | Washer M8 | |
| 36 | 4812300 | 2 | Washer M16 | |
| 37 | 5241000 | 5 | Washer M10 | |
| 38 | 8303511 | 1 | Capscrew M10 x 20 | |
| 39 | 8405009 | 11 | Clamp | |
| 40 | 8750014 | 1 | Clamp | |
| 41 | 1001208874 | 1 | Filter, Charge Pump | |
| 41 | 70010383 | 1 | Element (Includes O-Ring) | |
| 42 | 1001159301 | AR | Oil, Engine (Not Shown) | |
| 43 | 1001165035 | 5.5 ft/ 1.7m | Hose | |
| 44 | 1001183421 | 1 | Foam, Baffle | |

SECTION 3 - ENGINE

| ITEM | PART NUMBER | QTY | DESCRIPTION | REV |
|------|-------------|-----|---|-----|
| 45 | 1001184065 | 1 | Bracket, Hold Down | |
| 46 | 1001186428 | 1 | Battery Cable Kit - Diesel (See Separate Breakdown in ELECTRICAL SECTION) | |
| 47 | 1001190545 | 1 | Strainer, Fuel | |
| 48 | 1001190609 | 1 | Fuel/Water Separator Assembly (See Separate Breakdown in this Section) | |
| 49 | 1001191146 | 1 | Bracket | |
| 50 | 1001194836 | 1 | Bracket | |
| 51 | 1001231719 | 1 | Engine and Pump Sub-Assembly (See Separate Breakdown in this Section) | |

SECTION 3 - ENGINE

FIGURE 3-5. ENGINE AND PUMP SUB-ASSEMBLY - KUBOTA DIESEL STAGE III WITH GENERATOR
(SN E20000676 through E20000730)



ART_1001231719

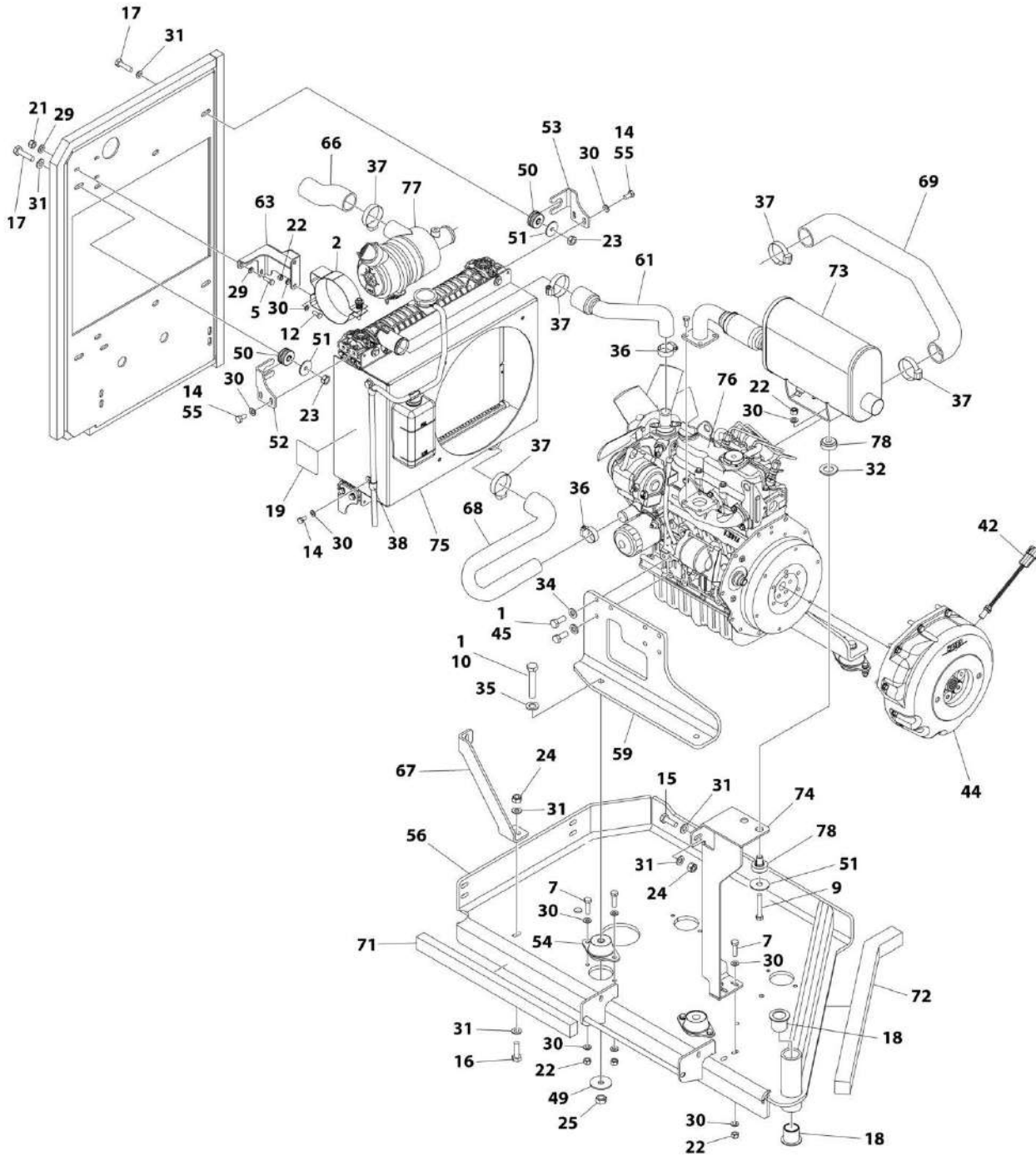
SECTION 3 - ENGINE

**FIGURE 3-5. ENGINE AND PUMP SUB-ASSEMBLY - KUBOTA DIESEL STAGE III WITH GENERATOR
(SN E200000676 through E200000730)**

| ITEM | PART NUMBER | QTY | DESCRIPTION | REV |
|------|-------------|-----|--|-----|
| | 1001231719 | Ref | ENGINE AND PUMP SUB-ASSEMBLY - KUBOTA DIESEL STAGE III | B |
| 1 | 0100011 | AR | Compound, Locking | |
| 2 | 0641814 | 2 | Bolt 1/2 x 1-3/4 | |
| 3 | 4891600 | 2 | Washer 3/8 | |
| 4 | 4891800 | 2 | Washer 1/2 | |
| 5 | 83191040 | 2 | Capscrew M10 x 30 | |
| 6 | 1001101331 | 1 | Piston Pump Assembly (See Separate Breakdown in this Section) | |
| 7 | 1001181393 | 1 | Gear Pump Assembly | |
| 7 | 7023929 | 1 | Seal Kit - 1001181393 Pump (Note: Seal Kit is only service component available) | |
| 8 | 1001231720 | 1 | Engine Assembly - Kubota Diesel Stage III (See Separate Breakdown in this Section) | |
| 9 | 3790152 | 1 | O-Ring | |

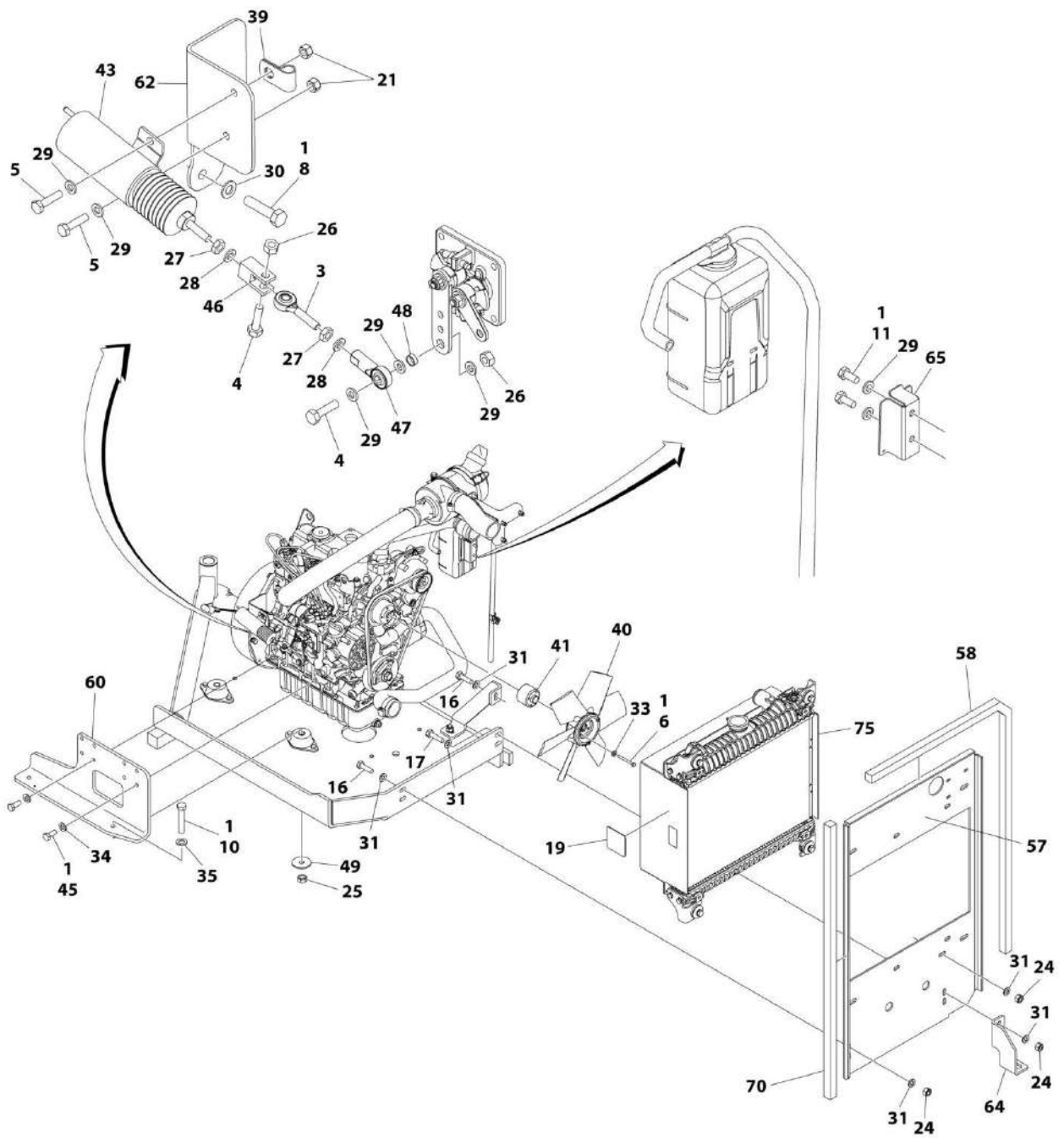
SECTION 3 - ENGINE

FIGURE 3-6. ENGINE ASSEMBLY - KUBOTA DIESEL STAGE III WITH GENERATOR (SN E200000676 through E200000730)



ART_1001231720_10F2

SECTION 3 - ENGINE



ART_1001231720_20F2

SECTION 3 - ENGINE

FIGURE 3-6. ENGINE ASSEMBLY - KUBOTA DIESEL STAGE III WITH GENERATOR (SN E200000676 through E200000730)

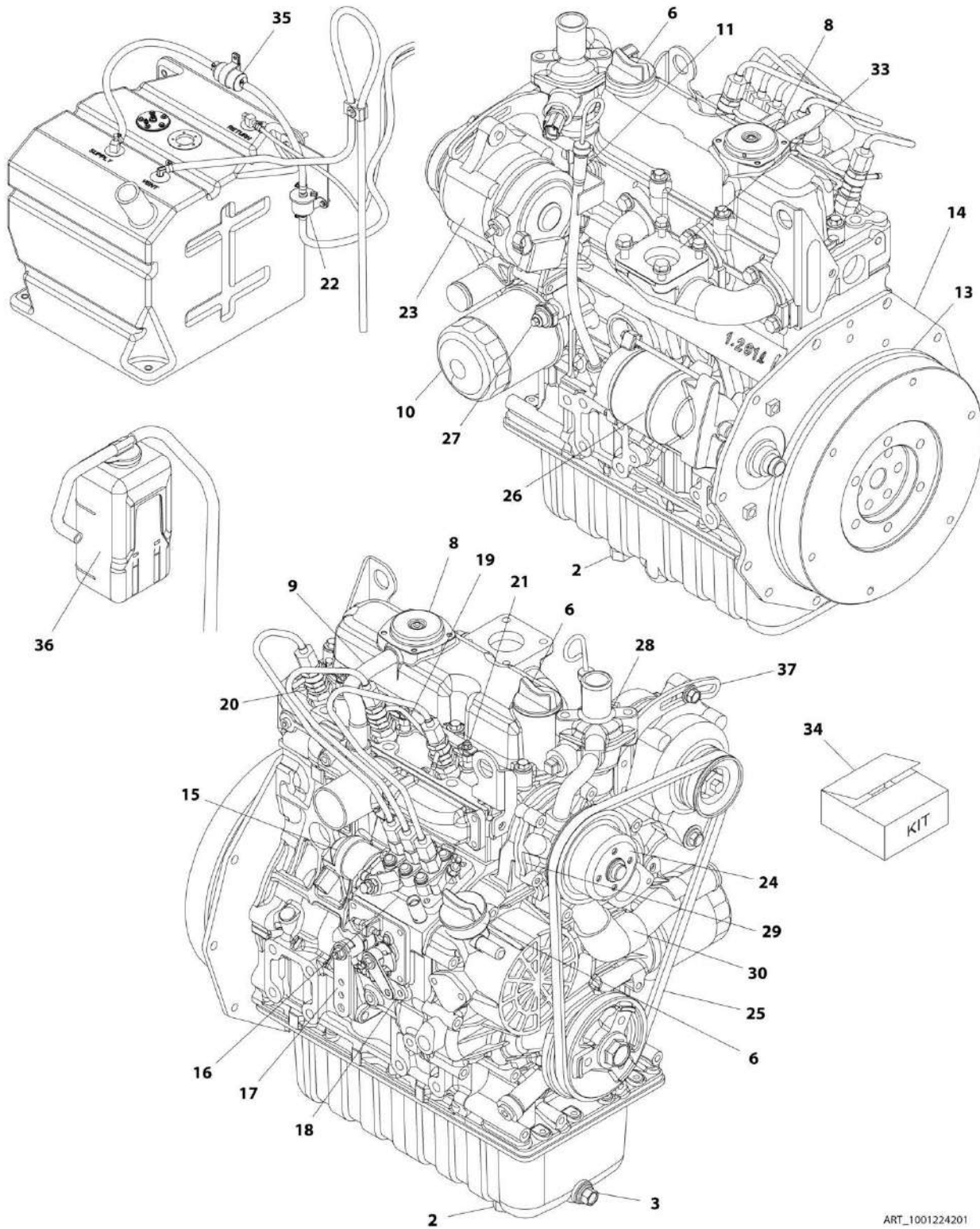
| ITEM | PART NUMBER | QTY | DESCRIPTION | REV |
|------|-------------|-----|---|-----|
| | 1001231720 | Ref | ENGINE ASSEMBLY - KUBOTA DIESEL STAGE III | C |
| 1 | 0100011 | AR | Compound, Locking | |
| 2 | 0340045 | 1 | Band, Mounting | |
| 3 | 0440334 | 1 | Bearing | |
| 4 | 0641408 | 2 | Bolt 1/4 x 1 | |
| 5 | 0700610 | 5 | Bolt M6 x 20 | |
| 6 | 0700620 | 4 | Bolt M6 x 60 | |
| 7 | 0700814 | 10 | Bolt M8 | |
| 8 | 0700815 | 2 | Bolt M8 x 35 | |
| 9 | 0700819 | 2 | Bolt, M8 x 55 | |
| 10 | 0701222 | 4 | Bolt M12 x 70 | |
| 11 | 0760607 | 2 | Bolt M6 x 14 | |
| 12 | 0760810 | 2 | Bolt M8 x 20 | |
| 14 | 0760808 | 10 | Bolt M8 x 16 | |
| 15 | 0761014 | 1 | Bolt M10 x 30 | |
| 16 | 0761015 | 4 | Bolt M10 x 35 | |
| 17 | 0761016 | 6 | Bolt M10 x 40 | |
| 18 | 0961986 | 2 | Bearing, Flange | |
| 19 | 1703162 | 2 | Decal - Fan Blade | |
| 21 | 3290605 | 5 | Nut M6 | |
| 22 | 3290805 | 14 | Nut M8 | |
| 23 | 3291001 | 4 | Nut M10 | |
| 24 | 3291005 | 7 | Nut M10 | |
| 25 | 3291201 | 4 | Nut M12 | |
| 26 | 3311405 | 2 | Nut 1/4 | |
| 27 | 3321402 | 2 | Nut 1/4 | |
| 28 | 4761400 | 2 | Washer 1/4 | |
| 29 | 4811700 | 13 | Washer M6 | |
| 30 | 4811900 | 38 | Washer M8 | |
| 31 | 4812000 | 18 | Washer M10 | |
| 32 | 4812500 | 2 | Washer M20 | |
| 33 | 5240600 | 4 | Washer M6 | |
| 34 | 5241000 | 8 | Washer M10 | |
| 35 | 5241200 | 4 | Washer M12 | |
| 36 | 8405101 | 2 | Clamp | |
| 37 | 8405104 | 5 | Clamp | |
| 38 | 85941016 | 2 | Clamp | |
| 39 | 90021705 | 1 | Clamp, Support | |
| 40 | 1001118538 | 1 | Fan | |
| 41 | 1001118539 | 1 | Spacer, Fan | |
| 42 | 1001118580 | 1 | Sensor, Speed | |
| 43 | 1001118582 | 1 | Actuator, Throttle | |
| 44 | 1001118675 | 1 | Coupling Kit (See Separate Breakdown in this Section) | |
| 45 | 1001118746 | 8 | Bolt M10 x 25 | |
| 46 | 1001118881 | 1 | Clevis, Linkage | |
| 47 | 1001118925 | 1 | Bearing | |
| 48 | 1001128888 | 1 | Washer | |
| 49 | 1001168018 | 4 | Washer | |
| 50 | 1001169054 | 4 | Isolator, Radiator | |

SECTION 3 - ENGINE

| ITEM | PART NUMBER | QTY | DESCRIPTION | REV |
|------|-------------|-----|--|-----|
| 51 | 1001169138 | 6 | Pad | |
| 52 | 1001169967 | 2 | Bracket, Radiator | |
| 53 | 1001170035 | 2 | Bracket, Radiator | |
| 54 | 1001175509 | 4 | Mount, Motor | |
| 55 | 1001180620 | AR | Compound, Locking | |
| 56 | 1001181649 | 1 | Tray, Engine | |
| 57 | 1001181658 | 1 | Plate, Radiator Mounting | |
| 58 | 1001227285 | 1 | Seal | |
| 59 | 1001182976 | 1 | Mount, Engine (LH) | |
| 60 | 1001182977 | 1 | Mount, Engine (RH) | |
| 61 | 1001182978 | 1 | Tube, Inlet | |
| 62 | 1001182979 | 1 | Bracket, Throttle Cylinder | |
| 63 | 1001182980 | 1 | Bracket, Air Cleaner | |
| 64 | 1001182981 | 1 | Bracket, Tray | |
| 65 | 1001182982 | 1 | Mount | |
| 66 | 1001182983 | 1 | Tube, Intake | |
| 67 | 1001182984 | 1 | Bracket, Support | |
| 68 | 1001182985 | 1 | Tube, Outlet | |
| 69 | 1001182987 | 1 | Tube, Air Intake | |
| 70 | 1001183420 | 1 | Foam, Baffle | |
| 71 | 1001183424 | 1 | Foam, Baffle | |
| 72 | 1001184066 | 1 | Foam, Baffle | |
| 73 | 1001234950 | 1 | Muffler | |
| 74 | 1001195600 | 1 | Bracket, Muffler | |
| 75 | 1001220957 | 1 | Radiator | |
| 76 | 1001224201 | 1 | Engine Components - Kubota Diesel Stage III (See Separate Breakdown in this Section) | |
| 77 | 1001118280 | 1 | Air Filter Assembly | |
| 77 | 7015004 | 2 | Element | |
| 77 | 7015005 | 1 | Cover Assembly | |
| 77 | 1340069 | 1 | Valve, Vacuator | |
| 78 | 1001125248 | 2 | Mount, Engine | |

SECTION 3 - ENGINE

FIGURE 3-7. ENGINE COMPONENTS - KUBOTA DIESEL STAGE III



ART_1001224201

SECTION 3 - ENGINE

FIGURE 3-7. ENGINE COMPONENTS - KUBOTA DIESEL STAGE III

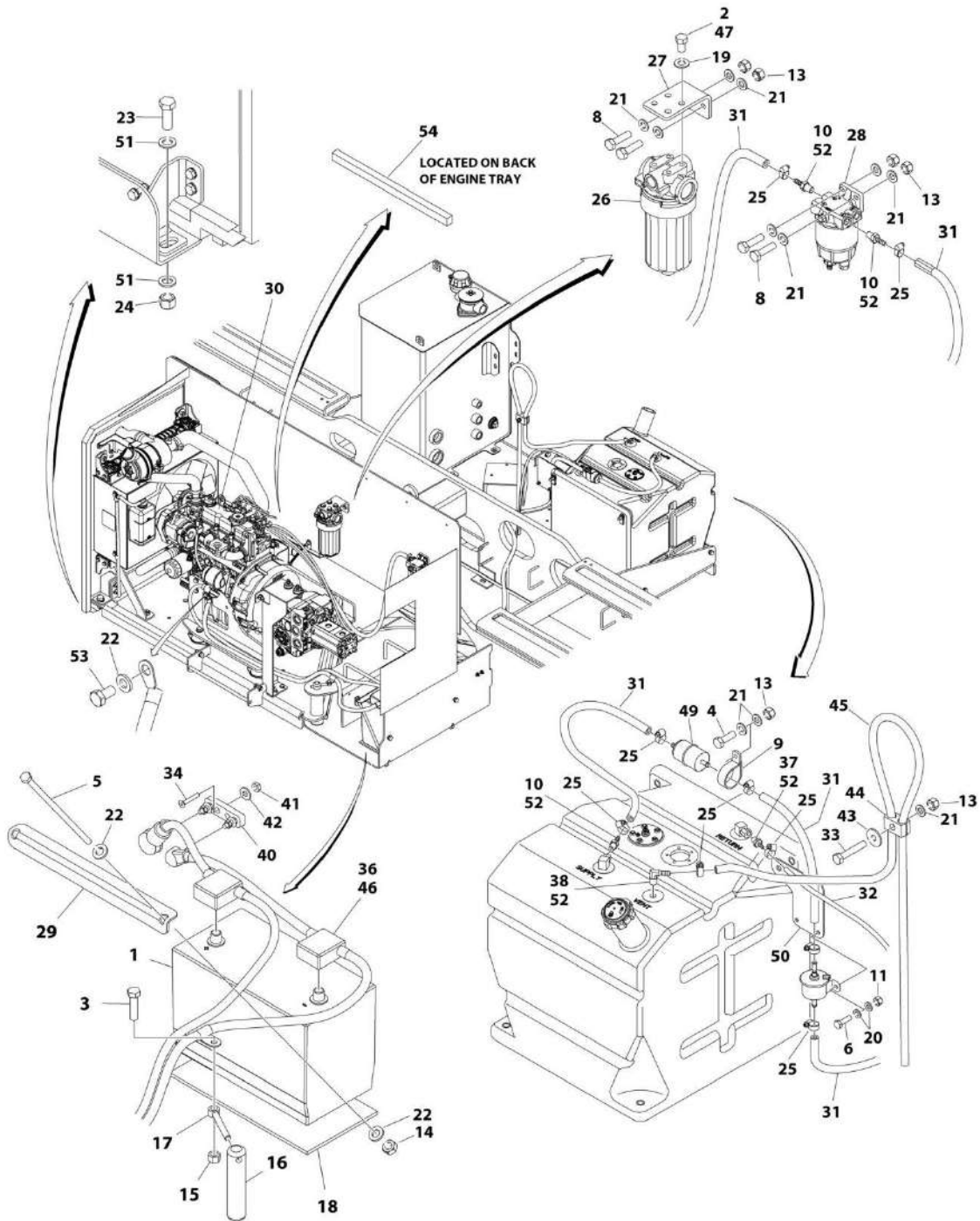
| ITEM | PART NUMBER | QTY | DESCRIPTION | REV |
|------|-------------|-----|---|-----|
| | 1001224201 | Ref | ENGINE COMPONENTS - KUBOTA DIESEL STAGE III | C |
| 1 | 70004524 | 1 | Drain (Not Shown) | |
| 2 | 7023154 | 1 | Plug, Drain | |
| 2 | 70002315 | 1 | Seal, Plug | |
| 3 | 70004525 | 1 | Plug, Drain | |
| 3 | 70004526 | 1 | Gasket | |
| 4 | 70005220 | 1 | Gasket, Cylinder Head (Not Shown) | |
| 5 | 7023157 | 1 | Seal, Front Main (Not Shown) | |
| 6 | 70002318 | 2 | Cap, Oil Fill | |
| 6 | 70004311 | 2 | O-Ring | |
| 7 | 70005221 | 1 | Gasket, Valve Cover (Not Shown) | |
| 8 | 70003060 | 1 | Valve, Breather | |
| 8 | 70003061 | 1 | Cover, Breather | |
| 8 | 7017934 | 4 | Screw | |
| 9 | 70002316 | 1 | Pipe, Water Return | |
| 9 | 70002317 | 1 | Tube, Breather | |
| 9 | 70004530 | 1 | Clamp, Hose | |
| 9 | 70004531 | 1 | Band, Pipe | |
| 10 | 70004395 | 1 | Filter, Oil | |
| 11 | 70005222 | 1 | Dipstick | |
| 11 | 70005223 | 1 | Tube, Dipstick | |
| 12 | 7017928 | 1 | Seal, Rear Main (Not Shown) | |
| 13 | 70005224 | 1 | Gear, Ring | |
| 14 | 70002419 | 1 | Plate, Rear End | |
| 15 | 7025479 | 1 | Solenoid, Stop | |
| 16 | 7023164 | 1 | Pump, Injection | |
| 16 | 70002319 | 1 | Shim, Injection | |
| 16 | 70002320 | 1 | Shim, Injection | |
| 16 | 70002321 | 1 | Shim, Injection Pump | |
| 16 | 70002322 | 1 | Shim, Injection Pump | |
| 16 | 70002323 | 1 | Shim, Injection Pump | |
| 16 | 7017945 | 1 | Joint, Eye | |
| 17 | 7023136 | 1 | Spring, Governor | |
| 17 | 70004396 | 1 | Control, Speed | |
| 17 | 70004397 | 1 | Gasket | |
| 18 | 7023165 | 1 | Gasket | |
| 19 | 70004536 | 1 | Pipe, Over Flow | |
| 19 | 70004537 | 1 | Screw, Air Bleeder | |
| 19 | 70004538 | 1 | Seal | |
| 19 | 70004539 | 1 | Pipe, Over Flow | |
| 20 | 70004399 | 3 | Holder, Nozzle | |
| 20 | 70004540 | 3 | Nut | |
| 20 | 7023167 | 3 | Gasket | |
| 20 | 7023168 | 3 | Seal, Heat | |
| 21 | 70002324 | 3 | Plug, Glow | |
| 21 | 70004544 | 1 | Cord, Glow Plug | |
| 22 | 70005228 | 1 | Fuel Pump Assembly - Electric | |
| 23 | 70006661 | 1 | Alternator - 60Amp | |
| 24 | 7023140 | 1 | Pulley, Fan | |
| 25 | 70006665 | 1 | V-Belt | |

SECTION 3 - ENGINE

| ITEM | PART NUMBER | QTY | DESCRIPTION | REV |
|------|-------------|-----|--------------------------------------|-----|
| 26 | 7023144 | 1 | Starter | |
| 27 | 7017901 | 1 | Switch, Oil | |
| 28 | 70003064 | 1 | Sensor, Water Temperature | |
| 28 | 70003063 | 1 | Washer, Seal | |
| 28 | 70004829 | 1 | Pipe, Water Return | |
| 28 | 7023145 | 1 | Gasket, Water Flange | |
| 28 | 7017958 | 1 | Hose, Water Return | |
| 28 | 7023170 | 1 | Thermostat | |
| 28 | 70002326 | 1 | Gasket Thermostat | |
| 29 | 70002327 | 1 | Pump, Water | |
| 29 | 70002328 | 1 | Gasket, Water Pump | |
| 30 | 7017963 | 1 | Pipe, Water | |
| 30 | 70002330 | 1 | Pipe, Water | |
| 31 | 7023149 | 1 | Gasket, Inlet Manifold (Not Shown) | |
| 32 | 7023148 | 1 | Gasket, Exhaust Manifold (Not Shown) | |
| 33 | 7023124 | 1 | Gasket, Muffler | |
| 33 | 70004415 | 4 | Bolt | |
| 34 | 70005226 | 1 | Upper Gasket Kit | |
| 34 | 70005227 | 1 | Lower Gasket Kit | |
| 35 | 7017992 | 1 | Fuel, Filter | |
| 36 | 70005229 | 1 | Tank, Coolant Reserve | |
| 37 | 70006664 | 1 | Arm, Adjustment | |

SECTION 3 - ENGINE

FIGURE 3-8. ENGINE INSTALLATION - KUBOTA DIESEL T4F



ART_100117786

SECTION 3 - ENGINE

FIGURE 3-8. ENGINE INSTALLATION - KUBOTA DIESEL T4F

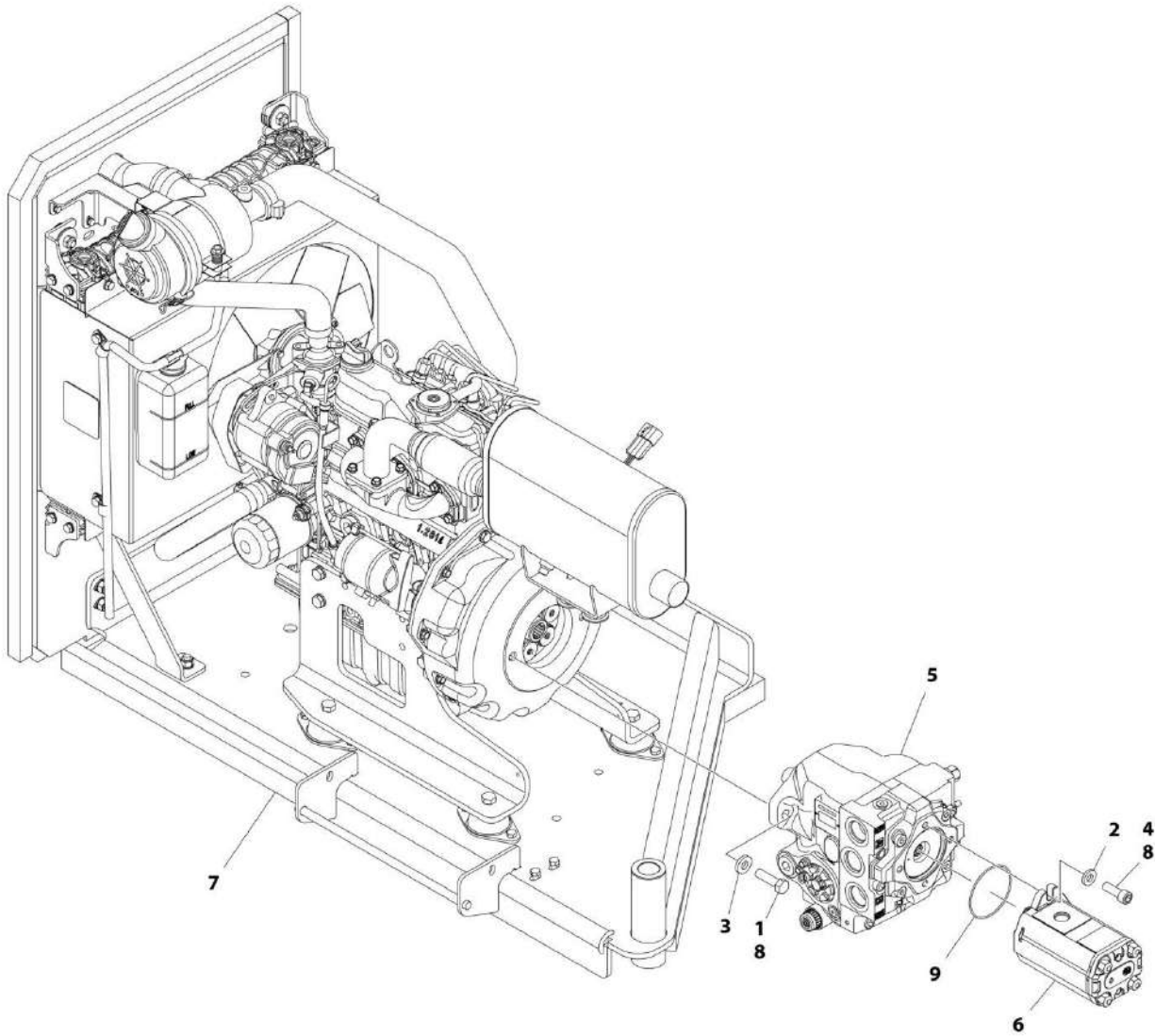
| ITEM | PART NUMBER | QTY | DESCRIPTION | REV |
|------|-------------|-------------------|--|-----|
| | 1001177786 | Ref | ENGINE INSTALLATION - KUBOTA DIESEL T4F | J |
| 1 | 0400075 | 1 | Battery | |
| 2 | 0761010 | 3 | Bolt M10 x 20 | |
| 3 | 0641612 | 1 | Bolt 3/8 x 1-1/2 | |
| 4 | 0700812 | 1 | Bolt M8 x 25 | |
| 5 | 0701047 | 2 | Bolt M10 x 300 | |
| 6 | 0760610 | 2 | Bolt M8 x 20 | |
| 8 | 0760814 | 4 | Bolt M8 x 30 | |
| 9 | 1320265 | 1 | Clamp | |
| 10 | 2180348 | 3 | Fitting, NPT/Barbed | |
| 11 | 3290605 | 2 | Nut M6 | |
| 13 | 3290805 | 6 | Nut M8 | |
| 14 | 3291001 | 2 | Nut M10 | |
| 15 | 3311605 | 1 | Nut 3/8 | |
| 16 | 3422669 | 1 | Pin | |
| 17 | 3841143 | 1 | Keeper, Pin | |
| 18 | 3980007 | 1 | Seat, Battery | |
| 19 | 4812000 | 3 | Washer M10 | |
| 20 | 4811700 | 4 | Washer M6 | |
| 21 | 4811900 | 11 | Washer M8 | |
| 22 | 5241000 | 5 | Washer M10 | |
| 23 | 0761617 | 1 | Bolt M16 x 45 | |
| 24 | 3291605 | 1 | Nut M16 | |
| 25 | 8405009 | 11 | Clamp | |
| 26 | 1001208874 | 1 | Filter, Charge Pump | |
| 26 | 70010383 | 1 | Element, Filter | |
| 27 | 1001194836 | 1 | Bracket, Charge Pump | |
| 28 | 1001190809 | 1 | Fuel/Water Separator Assembly (See Separate Breakdown in this Section) | |
| 29 | 1001184065 | 1 | Bracket, Hold Down | |
| 30 | 1001184498 | NLA | Engine and Pump Sub-Assembly (Use p/n 1001238776) (See Separate Breakdown in this Section) (SN E200000676 through E200000722) | |
| 30 | 1001238776 | 1 | Engine and Pump Sub-Assembly (See Separate Breakdown in this Section) (SN E200000723 to Present) | |
| 31 | 2720058 | 14.5 ft / 4.4m | Hose | |
| 32 | 2720271 | 9.3 ft / 2.8m | Hose | |
| 33 | 0700817 | 1 | Bolt M8 x 45 | |
| 34 | 0741010 | 2 | Screw #10 x 1-1/4 | |
| 35 | 1001159301 | AR | Oil, Engine (Not Shown) | |
| 36 | 0100051 | AR | Grease, Battery Terminal | |
| 37 | 2180666 | 1 | Fitting, NPT/Barbed | |
| 38 | 2220313 | 1 | Fitting, 90° NPTF/Barbed | |
| 39 | 2300004 | AR | Coolant (Not Shown) | |
| 40 | 2400044 | 1 | Fuse, Mounting Block | |
| 41 | 3300408 | 2 | Nut | |
| 42 | 4711400 | 2 | Washer 1/4 | |
| 43 | 4811902 | 1 | Washer M8 | |
| 44 | 8750014 | 1 | Clamp | |

SECTION 3 - ENGINE

| ITEM | PART NUMBER | QTY | DESCRIPTION | REV |
|------|-------------|------------------|---|-----|
| 45 | 1001165035 | 5.5 ft / 1.7m | Hose | |
| 46 | 1001186428 | 1 | Battery Cable Kit - Diesel (See Separate Breakdown in ELECTRICAL SECTION) | |
| 47 | 0100011 | AR | Compound, Locking | |
| 49 | 1001190545 | 1 | Strainer, Fuel | |
| 50 | 1001191146 | 1 | Bracket | |
| 51 | 4812300 | 2 | Washer M6 | |
| 52 | 0100020 | AR | Sealant | |
| 53 | 8303511 | 1 | Capscrew M10 x 20 | |
| 54 | 1001183421 | 1 | Foam, Baffle | |

SECTION 3 - ENGINE

FIGURE 3-9. ENGINE AND PUMP SUB-ASSEMBLY - KUBOTA DIESEL T4F (SN E20000676 through E20000722)



ART_1001184498

SECTION 3 - ENGINE

FIGURE 3-9. ENGINE AND PUMP SUB-ASSEMBLY - KUBOTA DIESEL T4F (SN E200000676 through E200000722)

| ITEM | PART NUMBER | QTY | DESCRIPTION | REV |
|------|-------------|-----|---|-----|
| | 1001184498 | Ref | ENGINE AND PUMP SUB-ASSEMBLY - KUBOTA DIESEL T4F | E |
| 1 | 0641814 | 2 | Bolt 1/2 x 1-3/4 | |
| 2 | 4891600 | 2 | Washer 3/8 | |
| 3 | 4891800 | 2 | Washer 1/2 | |
| 4 | 83191040 | 2 | Capscrew M10 x 30 | |
| 5 | 1001101331 | 1 | Piston Pump Assembly (See Separate Breakdown in this Section) | |
| 6 | 1001181393 | 1 | Gear Pump Assembly | |
| 6 | 7023929 | 1 | Seal Kit - 1001181393 Pump (Note: Seal Kit is only service component available) | |
| 7 | 1001184392 | NLA | Engine Assembly - Kubota Diesel T4F (Use p/n 1001238775) (See Separate Breakdown in this Section) | |
| 7 | 1001238775 | 1 | Engine Assembly - Kubota Diesel T4F (See Separate Breakdown in this Section) | |
| 8 | 0100011 | AR | Compound, Locking | |
| 9 | 3790152 | 1 | O-Ring | |

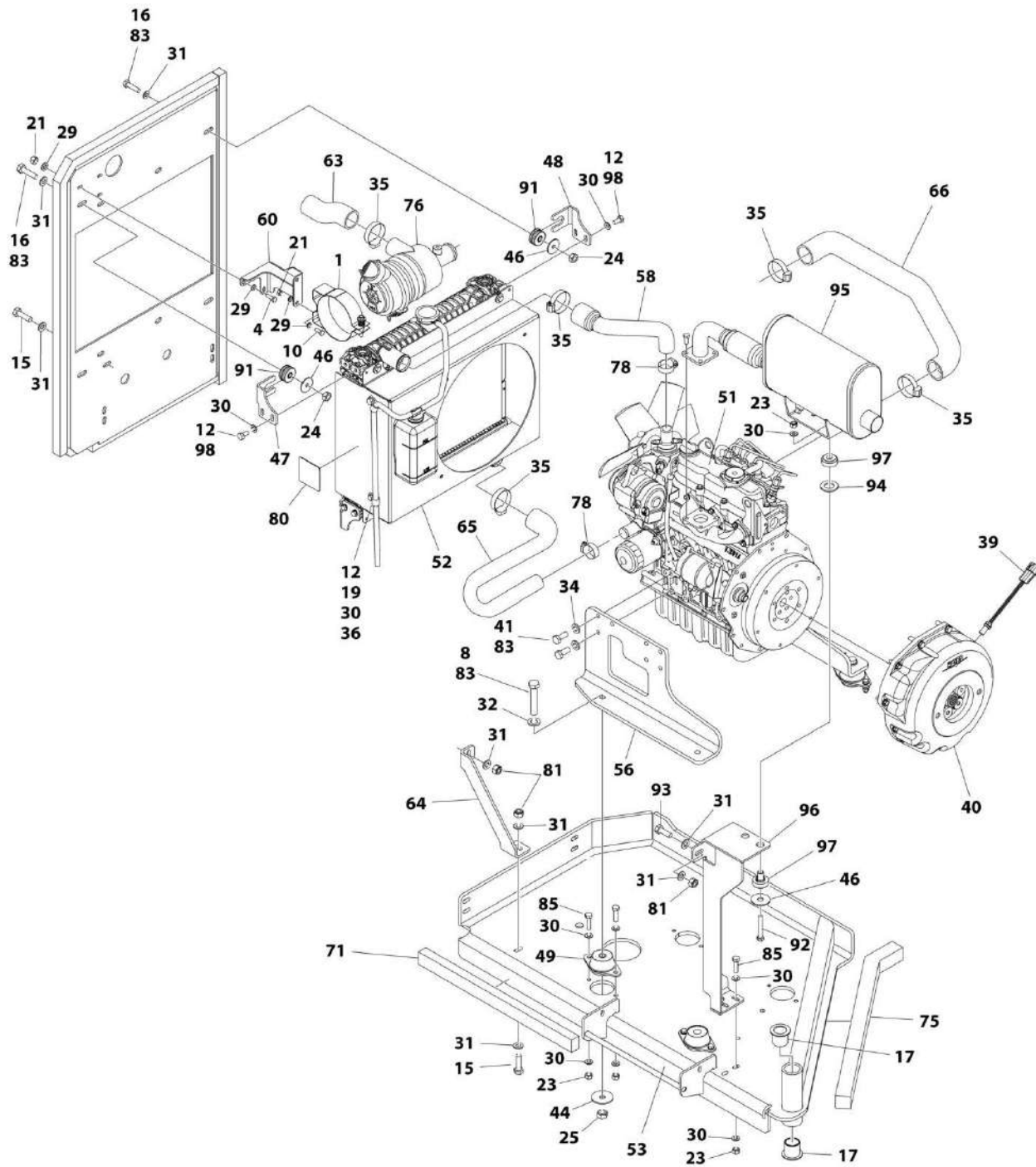
SECTION 3 - ENGINE

FIGURE 3-10. ENGINE AND PUMP SUB-ASSEMBLY - KUBOTA DIESEL T4F (SN E20000723 to Present)

| ITEM | PART NUMBER | QTY | DESCRIPTION | REV |
|------|-------------|-----|---|-----|
| | 1001238776 | Ref | ENGINE AND PUMP SUB-ASSEMBLY - KUBOTA DIESEL T4F | A |
| 1 | 0100011 | AR | Compound, Locking | |
| 2 | 0641814 | 2 | Bolt 1/2 x 1-3/4 | |
| 3 | 3790152 | 1 | O-Ring | |
| 4 | 4891600 | 2 | Washer 3/8 | |
| 5 | 4891800 | 2 | Washer 1/2 | |
| 6 | 83191040 | 2 | Capscrew M10 x 30 | |
| 7 | 1001101331 | 1 | Piston Pump Assembly (See Separate Breakdown in this Section) | |
| 8 | 1001181393 | 1 | Gear Pump Assembly | |
| 8 | 7023929 | 1 | Seal Kit - 1001181393 Pump (Note: Seal Kit is only service component available) | |
| 9 | 1001238775 | 1 | Engine Assembly - Kubota Diesel T4F (See Separate Breakdown in this Section) | |

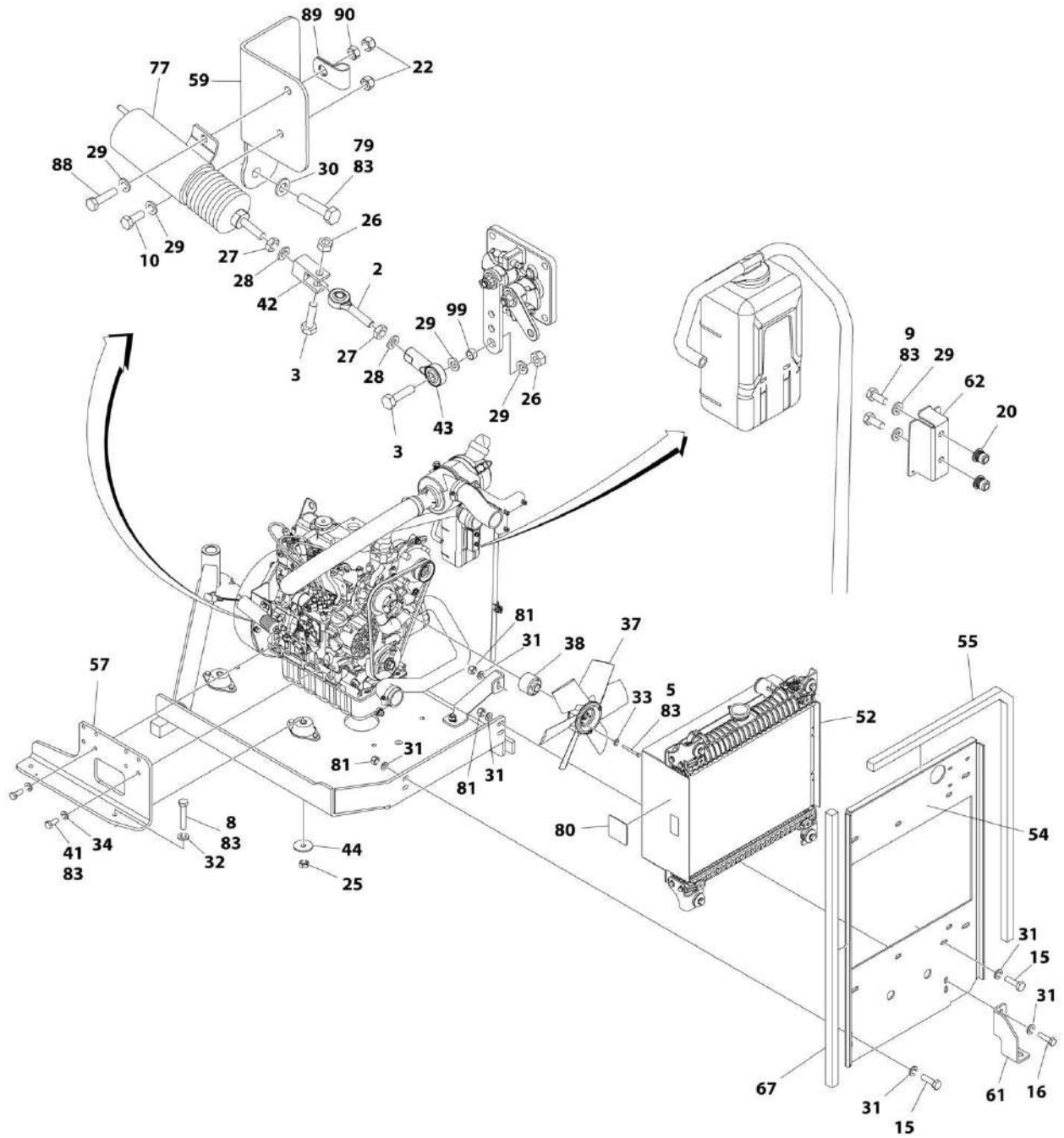
SECTION 3 - ENGINE

FIGURE 3-11. ENGINE ASSEMBLY - KUBOTA DIESEL T4F (SN E200000676 through E200000722)



ART_1001184392_10F2

SECTION 3 - ENGINE



ART_1001184392_20F2

SECTION 3 - ENGINE

FIGURE 3-11. ENGINE ASSEMBLY - KUBOTA DIESEL T4F (SN E200000676 through E200000722)

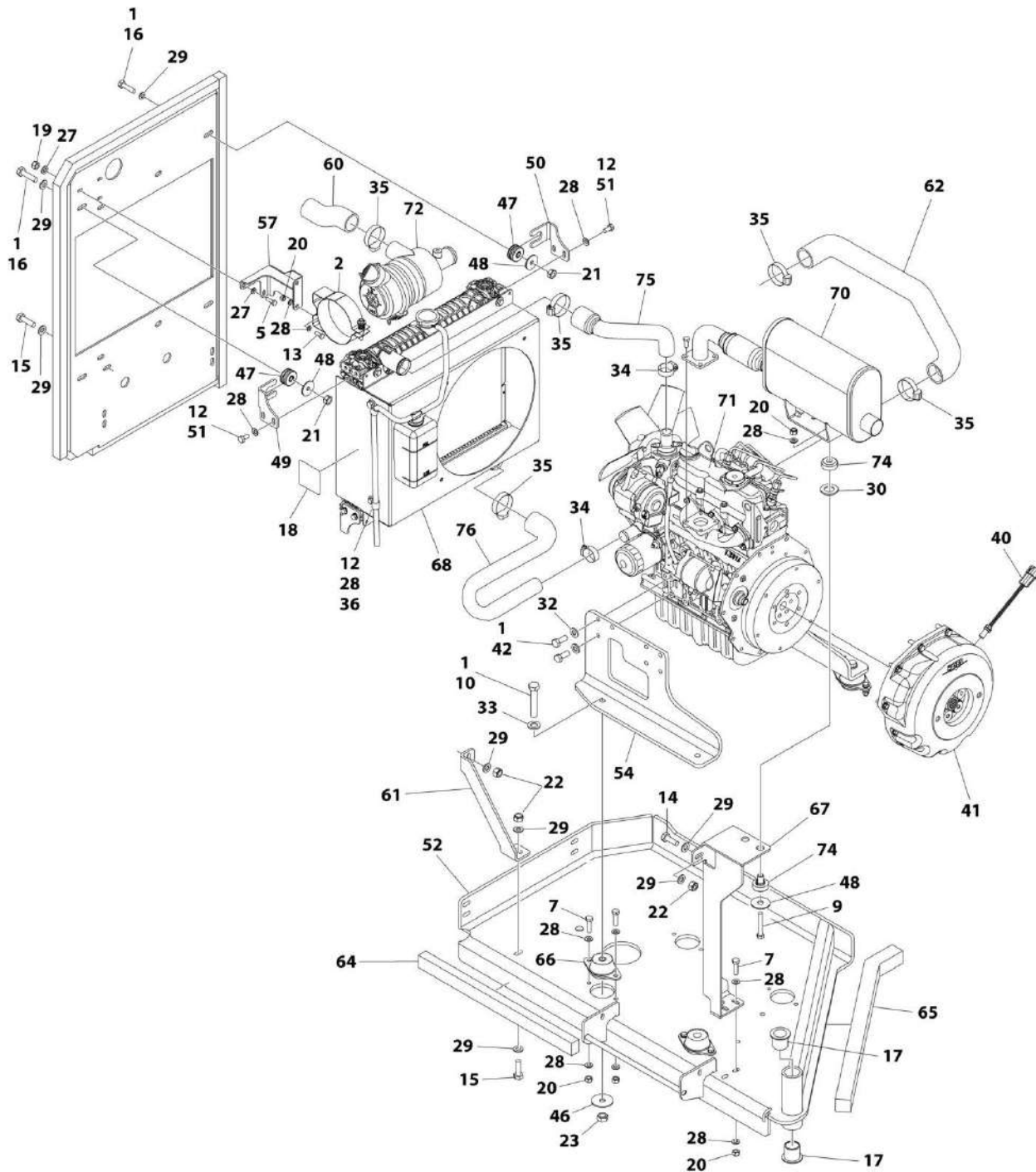
| ITEM | PART NUMBER | QTY | DESCRIPTION | REV |
|------|-------------|-----|--|-----|
| | 1001184392 | Ref | ENGINE ASSEMBLY - KUBOTA DIESEL T4F | O |
| 1 | 0340045 | 1 | Band, Mounting | |
| 2 | 0440334 | 1 | Bearing | |
| 3 | 0641408 | 2 | Bolt 1/4 x 1 | |
| 4 | 0700610 | AR | Bolt M6 x 20 | |
| 5 | 0700620 | 4 | Bolt M6 x 60 | |
| 8 | 0701222 | 4 | Bolt M12 x 70 | |
| 9 | 0760607 | 2 | Bolt M6 x 14 | |
| 10 | 0760608 | AR | Bolt M6 x 16 | |
| 10 | 0760610 | AR | Bolt M6 x 20 | |
| 12 | 0760808 | 10 | Bolt M8 x 16 | |
| 15 | 0761015 | 4 | Bolt M10 x 35 | |
| 16 | 0761016 | 6 | Bolt M10 x 40 | |
| 17 | 0961986 | 2 | Bearing, Flange | |
| 19 | 1001191832 | AR | Nut M8 | |
| 20 | 1001176636 | AR | Nut M6 | |
| 21 | 3290605 | AR | Nut M6 | |
| 23 | 3290805 | AR | Nut M8 | |
| 24 | 3291001 | 4 | Nut M10 | |
| 25 | 3291201 | 4 | Nut M12 | |
| 26 | 3311405 | 2 | Nut 1/4 | |
| 27 | 3321402 | 2 | Nut 1/4 | |
| 28 | 4761400 | 2 | Washer 1/4 | |
| 29 | 4811700 | AR | Washer M6 | |
| 30 | 4811900 | AR | Washer M8 | |
| 31 | 4812000 | 18 | Washer M10 | |
| 32 | 5241200 | 4 | Washer M12 | |
| 33 | 5240600 | 4 | Washer M6 | |
| 34 | 5241000 | 8 | Washer M10 | |
| 35 | 8405104 | 5 | Clamp | |
| 36 | 85941016 | 2 | Clamp | |
| 37 | 1001118538 | 1 | Fan | |
| 38 | 1001118539 | 1 | Fan, Spacer | |
| 39 | 1001118580 | 1 | Sensor, Speed | |
| 40 | 1001118675 | 1 | Housing, Coupling Kit (See Separate Breakdown in this Section) | |
| 41 | 1001118746 | 8 | Bolt M10 x 25 | |
| 42 | 1001118881 | 1 | Clevis, Linkage | |
| 43 | 1001118925 | 1 | Bearing | |
| 44 | 1001168018 | 4 | Washer | |
| 46 | 1001169138 | 6 | Pad | |
| 47 | 1001169967 | 2 | Bracket, Radiator | |
| 48 | 1001170035 | 2 | Bracket, Radiator | |
| 49 | 1001187235 | 4 | Mount, Motor | |
| 51 | 1001224430 | NLA | Engine Components - Kubota Diesel T4F (Use p/n 1001238770) (See Separate Breakdown in this Section) | |
| 51 | 1001238770 | 1 | Engine Components - Kubota Diesel T4F (See Separate Breakdown in this Section) | |
| 52 | 1001220957 | 1 | Radiator | |
| 53 | 1001181649 | 1 | Tray, Engine | |
| 54 | 1001181658 | 1 | Plate, Radiator Mounting | |

SECTION 3 - ENGINE

| ITEM | PART NUMBER | QTY | DESCRIPTION | REV |
|------|-------------|-----|----------------------------|-----|
| 55 | 1001227285 | 1 | Seal | |
| 56 | 1001182976 | 1 | Mount, Engine (LH) | |
| 57 | 1001182977 | 1 | Mount, Engine (RH) | |
| 58 | 1001182978 | 1 | Tube, Inlet | |
| 59 | 1001182979 | 1 | Bracket, Throttle Cylinder | |
| 60 | 1001182980 | 1 | Bracket, Air Cleaner | |
| 61 | 1001182981 | 1 | Bracket, Tray | |
| 62 | 1001182982 | 1 | Mount | |
| 63 | 1001182983 | 1 | Tube, Intake | |
| 64 | 1001182984 | 1 | Bracket, Support | |
| 65 | 1001182985 | 1 | Tube, Outlet | |
| 66 | 1001182987 | 1 | Tube, Air Intake | |
| 67 | 1001183420 | 1 | Foam, Baffle | |
| 71 | 1001183424 | 1 | Foam, Baffle | |
| 75 | 1001184066 | 1 | Foam, Baffle | |
| 76 | 1001118280 | 1 | Air Filter Assembly | |
| 76 | 7015004 | 2 | Element | |
| 76 | 7015005 | 1 | Cover Assembly | |
| 76 | 1340069 | 1 | Valve, Vacuator | |
| 77 | 1001118582 | 1 | Actuator, Throttle | |
| 78 | 8405101 | 2 | Clamp | |
| 79 | 0700815 | 2 | Bolt M8 x 35 | |
| 80 | 1703162 | 2 | Decal - Fan Blade | |
| 81 | 3291005 | 7 | Nut M10 | |
| 83 | 0100011 | AR | Compound, Locking | |
| 85 | 0700814 | 10 | Bolt M8 x 30 | |
| 88 | 0760612 | AR | Bolt M6 x 25 | |
| 89 | 90021705 | 1 | Clamp, Support | |
| 90 | 3290601 | AR | Nut M6 | |
| 91 | 1001169054 | 4 | Isolator, Radiator | |
| 92 | 0700819 | 2 | Bolt M8 x 55 | |
| 93 | 0761014 | 1 | Bolt M10 x 30 | |
| 94 | 4812500 | 2 | Washer M20 | |
| 95 | 1001234950 | 1 | Muffler | |
| 96 | 1001195600 | 1 | Bracket, Muffler | |
| 97 | 1001125248 | 2 | Mount, Engine | |
| 98 | 1001180620 | AR | Compound, Locking | |
| 99 | 1001128888 | AR | Washer | |

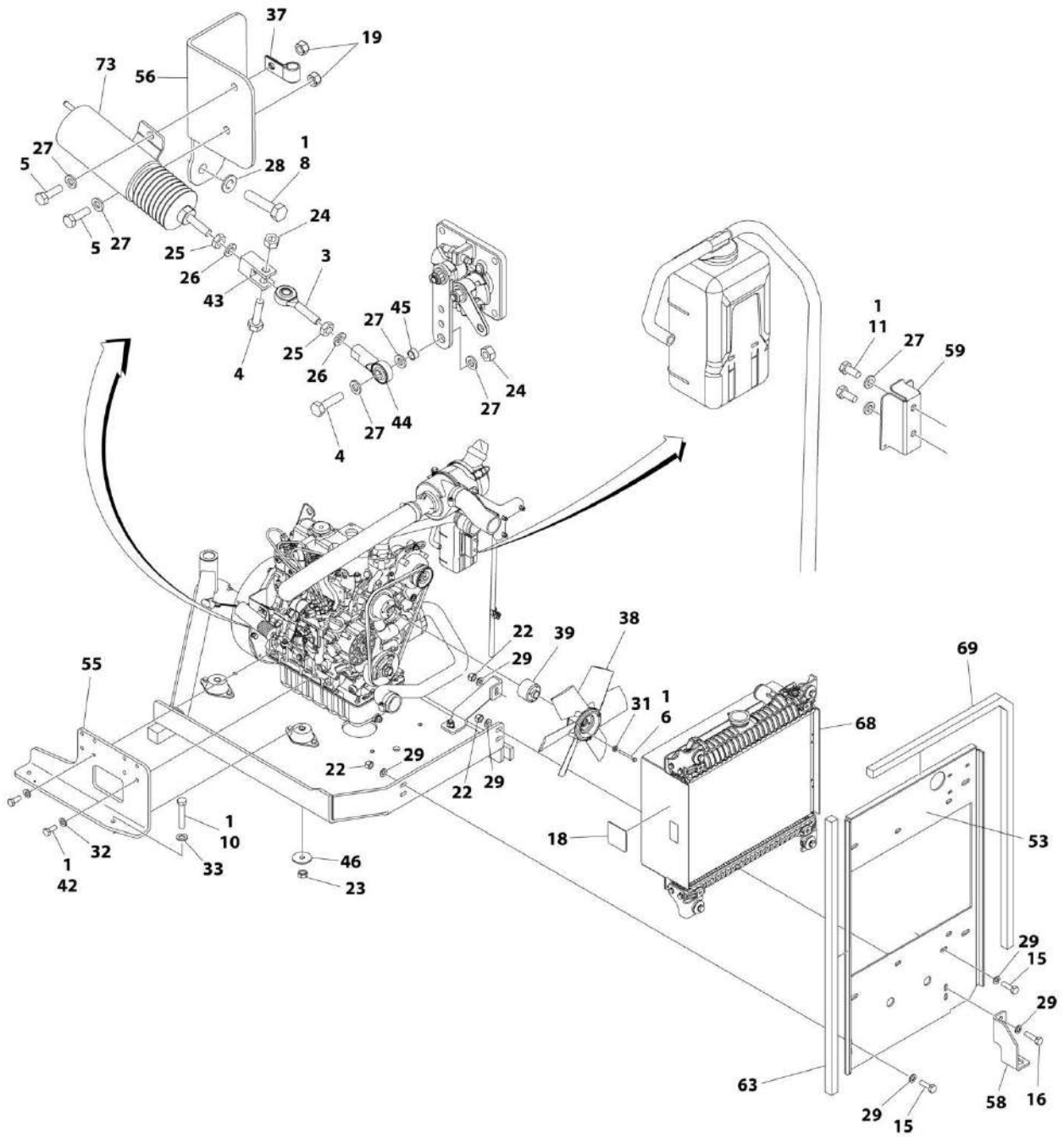
SECTION 3 - ENGINE

FIGURE 3-12. ENGINE ASSEMBLY - KUBOTA DIESEL T4F (SN E200000723 to Present)



ART_1001238775_10F2

SECTION 3 - ENGINE



ART_1001238775_2OF2

SECTION 3 - ENGINE

FIGURE 3-12. ENGINE ASSEMBLY - KUBOTA DIESEL T4F (SN E200000723 to Present)

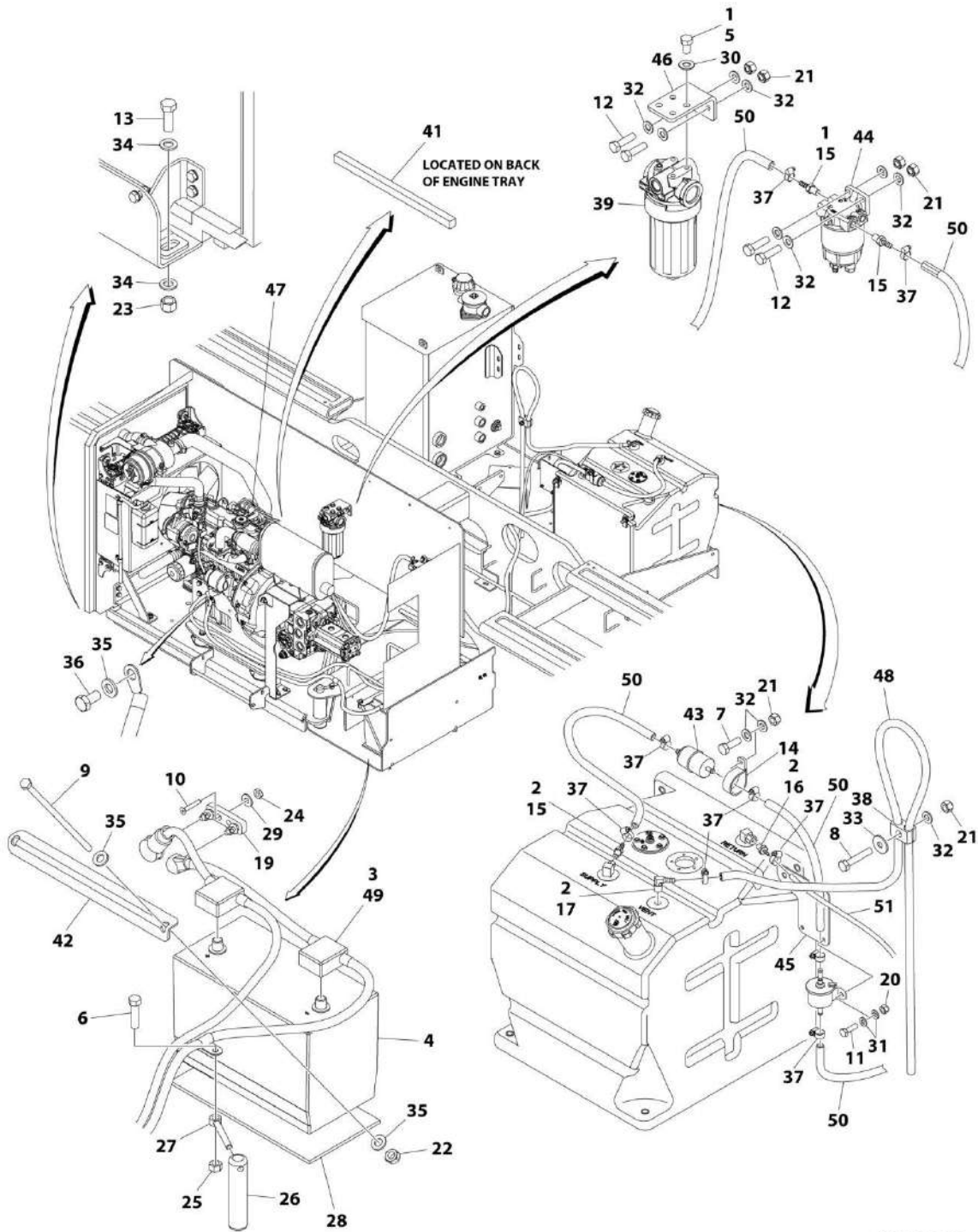
| ITEM | PART NUMBER | QTY | DESCRIPTION | REV |
|------|-------------|-----|--|-----|
| | 1001238775 | Ref | ENGINE ASSEMBLY - KUBOTA DIESEL T4F | A |
| 1 | 0100011 | AR | Compound, Locking | |
| 2 | 0340045 | 1 | Band, Mounting | |
| 3 | 0440334 | 1 | Bearing | |
| 4 | 0641408 | 2 | Bolt 1/4 x 1 | |
| 5 | 0700610 | 5 | Bolt M6 x 20 | |
| 6 | 0700620 | 4 | Bolt M6 x 60 | |
| 7 | 0700814 | 10 | Bolt M8 x 30 | |
| 8 | 0700815 | 2 | Bolt M8 x 35 | |
| 9 | 0700819 | 2 | Bolt M8 x 55 | |
| 10 | 0701222 | 4 | Bolt M12 x 70 | |
| 11 | 0760607 | 2 | Bolt M6 x 14 | |
| 12 | 0760608 | 10 | Bolt M6 x 16 | |
| 13 | 0760810 | AR | Bolt M8 x 20 | |
| 14 | 0761014 | 1 | Bolt M10 x 30 | |
| 15 | 0761015 | 4 | Bolt M10 x 35 | |
| 16 | 0761016 | 6 | Bolt M10 x 40 | |
| 17 | 0961986 | 2 | Bearing, Flange | |
| 18 | 1703162 | 2 | Decal - Fan Blade | |
| 19 | 3290605 | 5 | Nut M6 | |
| 20 | 3290805 | 14 | Nut M8 | |
| 21 | 3291001 | 4 | Nut M10 | |
| 22 | 3291005 | 7 | Nut M10 | |
| 23 | 3291201 | 4 | Nut M12 | |
| 24 | 3311405 | 2 | Nut 1/4 | |
| 25 | 3321402 | 2 | Nut 1/4 | |
| 26 | 4761400 | 2 | Washer 1/4 | |
| 27 | 4811700 | 13 | Washer M6 | |
| 28 | 4811900 | 38 | Washer M8 | |
| 29 | 4812000 | 18 | Washer M10 | |
| 30 | 4812500 | 2 | Washer M20 | |
| 31 | 5240600 | 4 | Washer M6 | |
| 32 | 5241000 | 8 | Washer M10 | |
| 33 | 5241200 | 4 | Washer M12 | |
| 34 | 8405101 | 2 | Clamp | |
| 35 | 8405104 | 5 | Clamp | |
| 36 | 85941016 | 2 | Clamp | |
| 37 | 90021705 | 1 | Clamp, Support | |
| 38 | 1001118538 | 1 | Fan | |
| 39 | 1001118539 | 1 | Fan, Spacer | |
| 40 | 1001118580 | 1 | Sensor, Speed | |
| 41 | 1001118675 | 1 | Housing, Coupling Kit (See Separate Breakdown in this Section) | |
| 42 | 1001118746 | 8 | Bolt M10 x 25 | |
| 43 | 1001118881 | 1 | Clevis, Linkage | |
| 44 | 1001118925 | 1 | Bearing | |
| 45 | 1001128888 | 1 | Washer | |
| 46 | 1001168018 | 4 | Washer | |
| 47 | 1001169054 | 4 | Isolator, Radiator | |
| 48 | 1001169138 | 6 | Pad | |
| 49 | 1001169967 | 2 | Bracket, Radiator | |

SECTION 3 - ENGINE

| ITEM | PART NUMBER | QTY | DESCRIPTION | REV |
|------|-------------|-----|--|-----|
| 50 | 1001170035 | 2 | Bracket, Radiator | |
| 51 | 1001180620 | AR | Compound, Locking | |
| 52 | 1001181649 | 1 | Tray, Engine | |
| 53 | 1001181658 | 1 | Plate, Radiator Mounting | |
| 54 | 1001182976 | 1 | Mount, Engine (LH) | |
| 55 | 1001182977 | 1 | Mount, Engine (RH) | |
| 56 | 1001182979 | 1 | Bracket, Throttle Cylinder | |
| 57 | 1001182980 | 1 | Bracket, Air Cleaner | |
| 58 | 1001182981 | 1 | Bracket, Tray | |
| 59 | 1001182982 | 1 | Mount | |
| 60 | 1001182983 | 1 | Tube, Intake | |
| 61 | 1001182984 | 1 | Bracket, Support | |
| 62 | 1001182987 | 1 | Tube, Air Intake | |
| 63 | 1001183420 | 1 | Foam, Baffle | |
| 64 | 1001183424 | 1 | Foam, Baffle | |
| 65 | 1001184066 | 1 | Foam, Baffle | |
| 66 | 1001187235 | 4 | Mount, Motor | |
| 67 | 1001195600 | 1 | Bracket, Muffler | |
| 68 | 1001220957 | 1 | Radiator | |
| 69 | 1001227285 | 1 | Seal | |
| 70 | 1001234950 | 1 | Muffler | |
| 71 | 1001238770 | 1 | Engine Components - Kubota Diesel T4F (See Separate Breakdown in this Section) | |
| 72 | 1001118280 | 1 | Air Filter Assembly | |
| 72 | 7015004 | 2 | Element | |
| 73 | 1001118582 | 1 | Actuator, Throttle | |
| 74 | 1001125248 | 2 | Mount, Engine | |
| 75 | 1001182978 | 1 | Tube, Inlet | |
| 76 | 1001182985 | 1 | Tube, Outlet | |

SECTION 3 - ENGINE

FIGURE 3-13. ENGINE INSTALLATION - KUBOTA DIESEL T4F WITH GENERATOR



ART_1001231712

SECTION 3 - ENGINE

FIGURE 3-13. ENGINE INSTALLATION - KUBOTA DIESEL T4F WITH GENERATOR

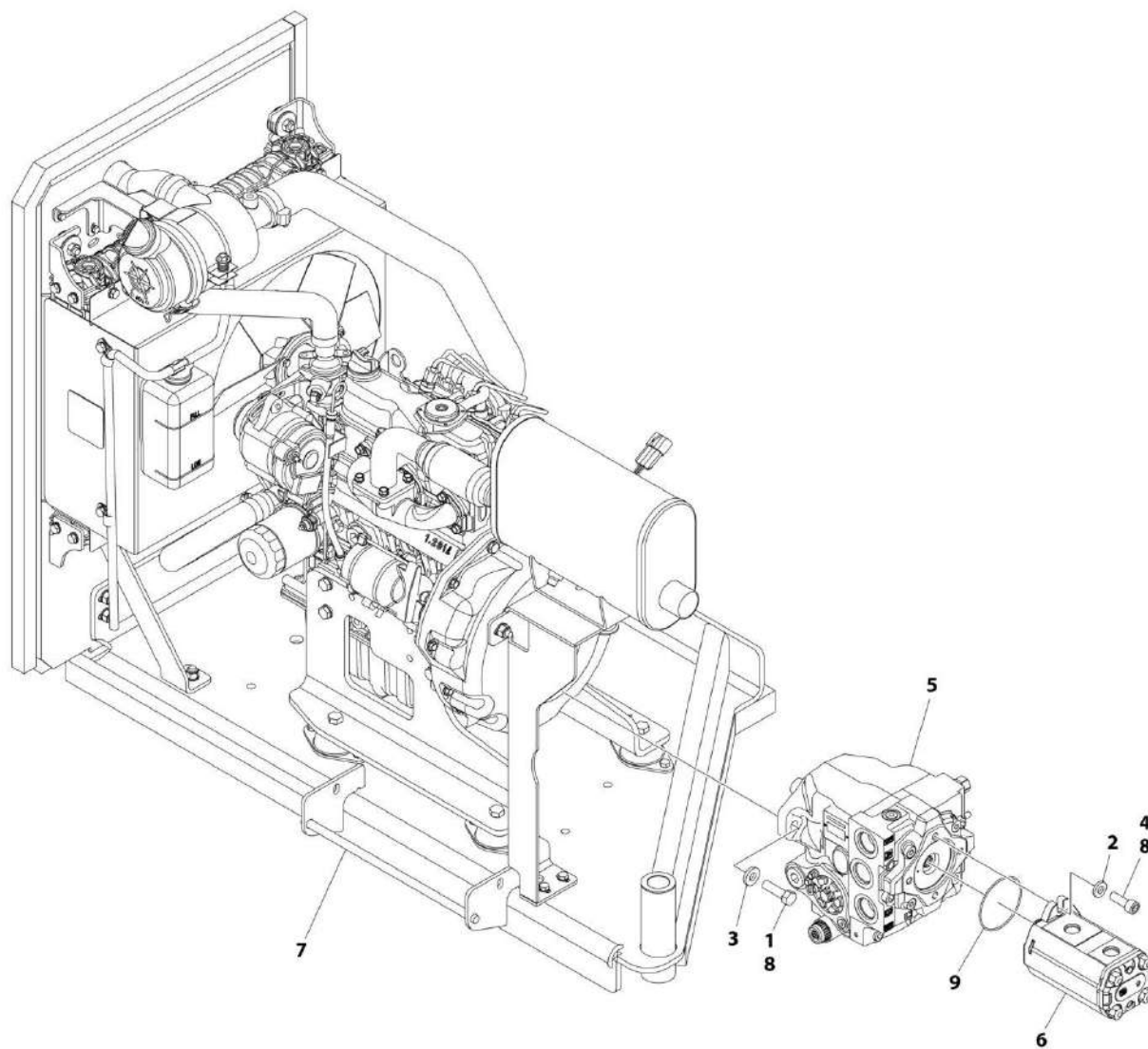
| ITEM | PART NUMBER | QTY | DESCRIPTION | REV |
|------|-------------|-----|---|-----|
| | 1001231712 | Ref | ENGINE INSTALLATION - KUBOTA DIESEL T4F | C |
| 1 | 0100011 | AR | Compound, Locking | |
| 2 | 0100020 | AR | Sealant | |
| 3 | 0100051 | AR | Grease, Battery Terminal | |
| 4 | 0400075 | 1 | Battery | |
| 5 | 0641605 | 4 | Bolt 3/8 x 5/8 | |
| 5 | 0761010 | 3 | Bolt M10 x 20 | |
| 6 | 0641612 | 1 | Bolt 3/8 x 1-1/2 | |
| 7 | 0700812 | 1 | Bolt M8 x 25 | |
| 8 | 0700817 | 1 | Bolt M8 x 45 | |
| 9 | 0701047 | 2 | Bolt M10 x 300 | |
| 10 | 0741010 | 2 | Screw #10 x 1-1/4 | |
| 11 | 0760610 | 2 | Bolt M8 x 20 | |
| 12 | 0760814 | 4 | Bolt M8 x 30 | |
| 13 | 0761617 | 1 | Bolt M16 x 45 | |
| 14 | 1320265 | 1 | Clamp | |
| 15 | 2180348 | 3 | Fitting, NPT/Barbed | |
| 16 | 2180666 | 1 | Fitting, NPT/Barbed | |
| 17 | 2220313 | 1 | Fitting, 90° NPTF/Barbed | |
| 18 | 2300004 | AR | Coolant (Not Shown) | |
| 19 | 2400044 | 1 | Fuse, Mounting Block | |
| 20 | 3290605 | 2 | Nut M6 | |
| 21 | 3290805 | 6 | Nut M8 | |
| 22 | 3291001 | 2 | Nut M10 | |
| 23 | 3291605 | 1 | Nut M16 | |
| 24 | 3300408 | 2 | Nut | |
| 25 | 3311605 | 1 | Nut 3/8 | |
| 26 | 3422669 | 1 | Pin | |
| 27 | 3841143 | 1 | Keeper, Pin | |
| 28 | 3980007 | 1 | Seat, Battery | |
| 29 | 4711400 | 2 | Washer 1/4 | |
| 30 | 4711600 | 4 | Washer 3/8 | |
| 30 | 4812000 | 3 | Washer M10 | |
| 31 | 4811700 | 4 | Washer M6 | |
| 32 | 4811900 | 11 | Washer M8 | |
| 33 | 4811902 | 1 | Washer M8 | |
| 34 | 4812300 | 2 | Washer M6 | |
| 35 | 5241000 | 5 | Washer M10 | |
| 36 | 8303511 | 1 | Capscrew M10 x 20 | |
| 37 | 8405009 | 11 | Clamp | |
| 38 | 8750014 | 1 | Clamp | |
| 39 | 1001102987 | 1 | Filter, Charge Pump (SN E200000676 through E200000722) | |
| 39 | 70010383 | 1 | Element, Filter | |
| 39 | 1001208874 | 1 | Filter, Charge Pump (SN E200000723 to Present) | |
| 39 | 70010383 | 1 | Element, Filter | |
| 40 | 1001159301 | AR | Oil, Engine (Not Shown) | |
| 41 | 1001183421 | 1 | Foam, Baffle | |
| 42 | 1001184065 | 1 | Bracket, Hold Down | |
| 43 | 1001190545 | 1 | Strainer, Fuel | |
| 44 | 1001190609 | 1 | Fuel/Water Separator Assembly (See Separate Breakdown in this | |

SECTION 3 - ENGINE

| ITEM | PART NUMBER | QTY | DESCRIPTION | REV |
|------|-------------|------------------|--|-----|
| 45 | 1001191146 | 1 | Section) Bracket | |
| 46 | 1001194836 | 1 | Bracket | |
| 47 | 1001231713 | NLA | Engine and Pump Sub-Assembly (Use p/n 1001238778) (See Separate Breakdown in this Section) (SN E200000676 through E200000722) | |
| 47 | 1001238778 | 1 | Engine and Pump Sub-Assembly (See Separate Breakdown in this Section) (SN E200000723 to Present) | |
| 48 | 1001165035 | 5.5 ft/ 1.7m | Hose | |
| 49 | 1001186428 | 1 | Battery Cable Kit - Diesel (See Separate Breakdown in ELECTRICAL SECTION) | |
| 50 | 2720058 | 14.5 ft/ 4.4m | Hose | |
| 51 | 2720271 | 18 ft/ 5.4m | Hose | |

SECTION 3 - ENGINE

FIGURE 3-14. ENGINE AND PUMP SUB-ASSEMBLY - KUBOTA DIESEL T4F WITH GENERATOR (SN E20000676 through E20000722)



ART_1001231713

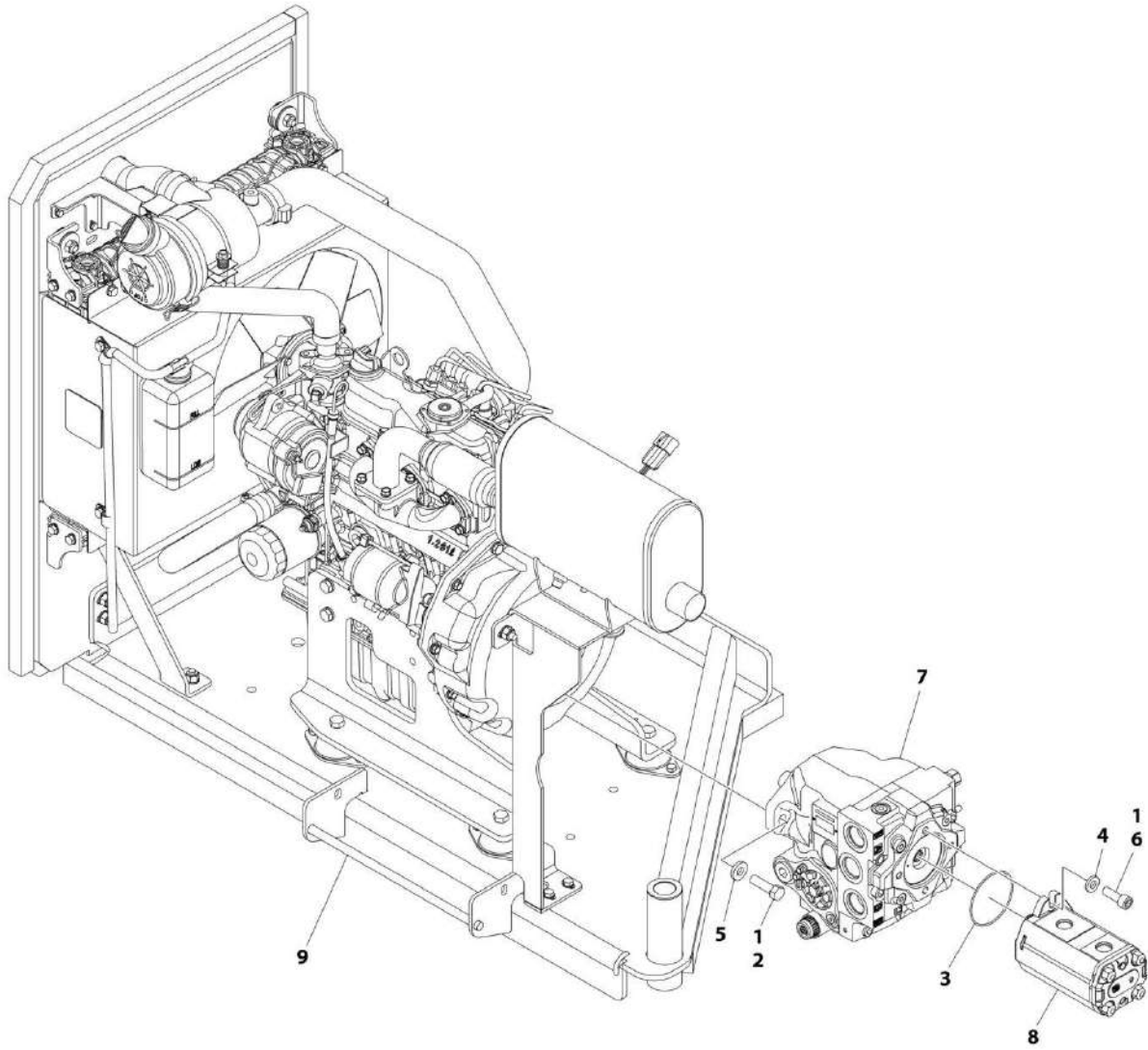
SECTION 3 - ENGINE

FIGURE 3-14. ENGINE AND PUMP SUB-ASSEMBLY - KUBOTA DIESEL T4F WITH GENERATOR (SN E200000676 through E200000722)

| ITEM | PART NUMBER | QTY | DESCRIPTION | REV |
|------|-------------|-----|---|-----|
| | 1001231713 | Ref | ENGINE AND PUMP SUB-ASSEMBLY - KUBOTA DIESEL T4F | B |
| 1 | 0641814 | 2 | Bolt 1/2 x 1-3/4 | |
| 2 | 4891600 | 2 | Washer 3/8 | |
| 3 | 4891800 | 2 | Washer 1/2 | |
| 4 | 83191040 | 2 | Capscrew M10 x 30 | |
| 5 | 1001101331 | 1 | Piston Pump Assembly (See Separate Breakdown in this Section) | |
| 6 | 1001181393 | 1 | Gear Pump Assembly | |
| 6 | 7023929 | 1 | Seal Kit - 1001181393 Pump (Note: Seal Kit is only service component available) | |
| 7 | 1001231714 | NLA | Engine Assembly - Kubota Diesel T4F (Use p/n 1001238777) (See Separate Breakdown in this Section) | |
| 7 | 1001238777 | 1 | Engine Assembly - Kubota Diesel T4F (See Separate Breakdown in this Section) | |
| 8 | 0100011 | AR | Compound, Locking | |
| 9 | 3790152 | 1 | O-Ring | |

SECTION 3 - ENGINE

FIGURE 3-15. ENGINE AND PUMP SUB-ASSEMBLY - KUBOTA DIESEL T4F WITH GENERATOR (SN E200000723 to Present)



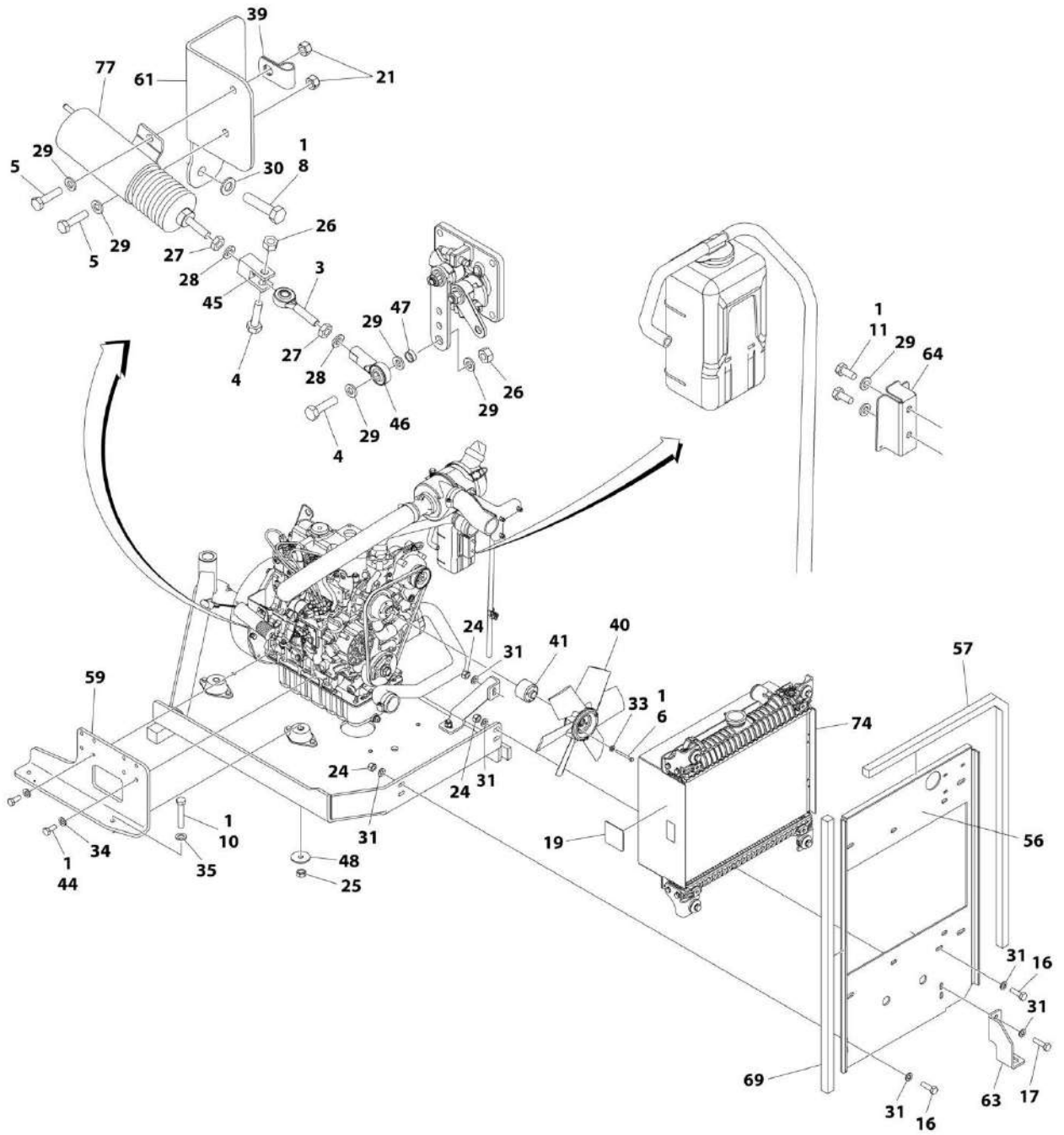
ART_1001238778

SECTION 3 - ENGINE

FIGURE 3-15. ENGINE AND PUMP SUB-ASSEMBLY - KUBOTA DIESEL T4F WITH GENERATOR (SN E200000723 to Present)

| ITEM | PART NUMBER | QTY | DESCRIPTION | REV |
|------|-------------|-----|---|-----|
| | 1001238778 | Ref | ENGINE AND PUMP SUB-ASSEMBLY - KUBOTA DIESEL T4F | A |
| 1 | 0100011 | AR | Compound, Locking | |
| 2 | 0641814 | 2 | Bolt 1/2 x 1-3/4 | |
| 3 | 3790152 | 1 | O-Ring | |
| 4 | 4891600 | 2 | Washer 3/8 | |
| 5 | 4891800 | 2 | Washer 1/2 | |
| 6 | 83191040 | 2 | Capscrew M10 x 30 | |
| 7 | 1001101331 | 1 | Piston Pump Assembly (See Separate Breakdown in this Section) | |
| 8 | 1001181393 | 1 | Gear Pump Assembly | |
| 8 | 7023929 | 1 | Seal Kit - 1001181393 Pump (Note: Seal Kit is only service component available) | |
| 9 | 1001238777 | 1 | Engine Assembly - Kubota Diesel T4F (See Separate Breakdown in this Section) | |

SECTION 3 - ENGINE



ART_1001231714_20F2

SECTION 3 - ENGINE

FIGURE 3-16. ENGINE ASSEMBLY - KUBOTA DIESEL T4F WITH GENERATOR (SN E200000676 through E200000722)

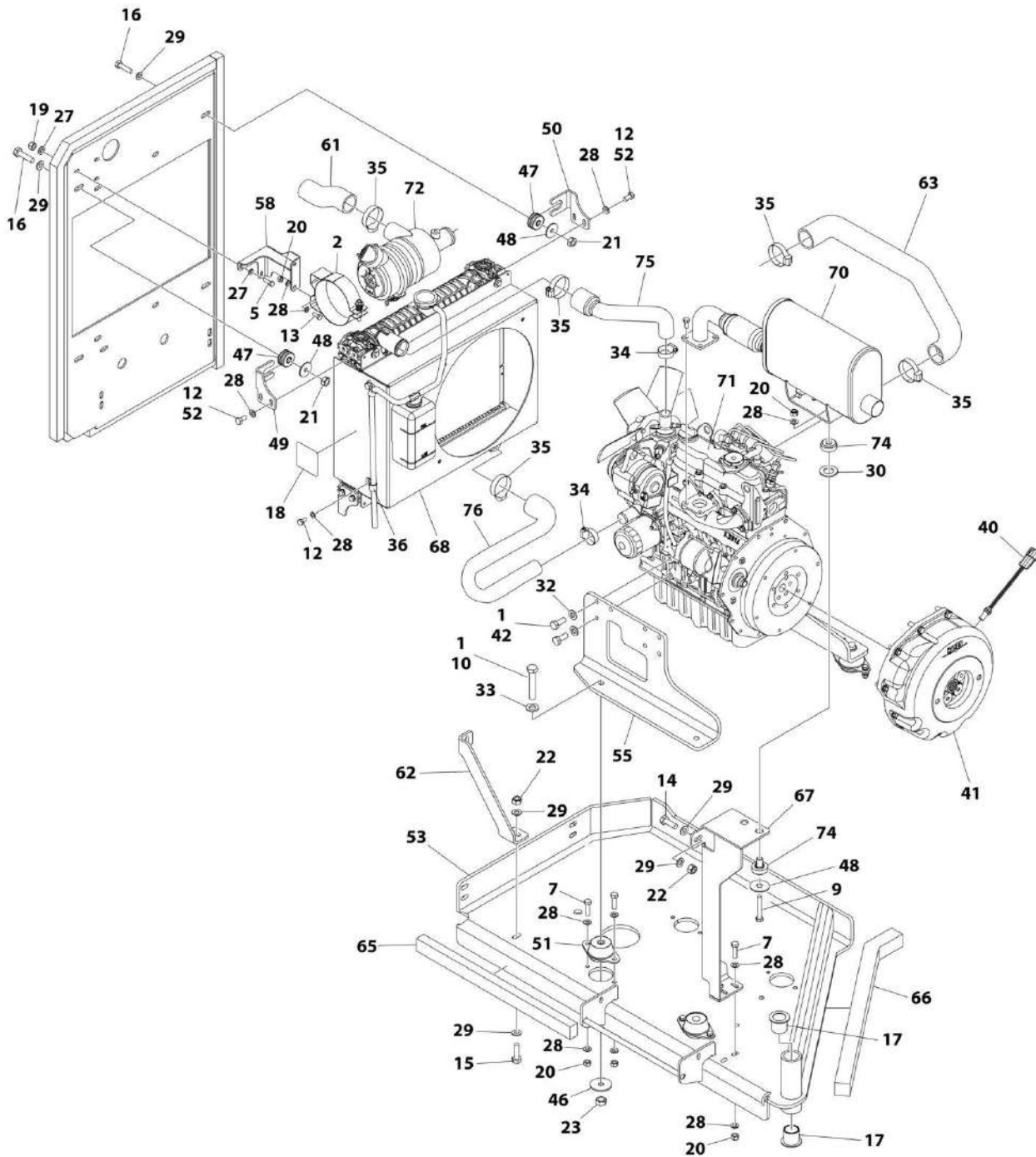
| ITEM | PART NUMBER | QTY | DESCRIPTION | REV |
|------|-------------|-----|---|-----|
| | 1001231714 | Ref | ENGINE ASSEMBLY - KUBOTA DIESEL T4F | C |
| 1 | 0100011 | AR | Compound, Locking | |
| 2 | 0340045 | 1 | Band, Mounting | |
| 3 | 0440334 | 1 | Bearing | |
| 4 | 0641408 | 2 | Bolt 1/4 x 1 | |
| 5 | 0700610 | 5 | Bolt M6 x 20 | |
| 6 | 0700620 | 4 | Bolt M6 x 60 | |
| 7 | 0700814 | 10 | Bolt M8 | |
| 8 | 0700815 | 2 | Bolt M8 x 35 | |
| 9 | 0700819 | 2 | Bolt, M8 x 55 | |
| 10 | 0701222 | 4 | Bolt M12 x 70 | |
| 11 | 0760607 | 2 | Bolt M6 x 14 | |
| 12 | 0760810 | 2 | Bolt M8 x 20 | |
| 14 | 0760808 | 10 | Bolt M8 x 16 | |
| 15 | 0761014 | 1 | Bolt M10 x 30 | |
| 16 | 0761015 | 4 | Bolt M10 x 35 | |
| 17 | 0761016 | 6 | Bolt M10 x 40 | |
| 18 | 0961986 | 2 | Bearing, Flange | |
| 19 | 1703162 | 2 | Decal - Fan Blade | |
| 21 | 3290605 | 5 | Nut M6 | |
| 22 | 3290805 | 14 | Nut M8 | |
| 23 | 3291001 | 4 | Nut M10 | |
| 24 | 3291005 | 7 | Nut M10 | |
| 25 | 3291201 | 4 | Nut M12 | |
| 26 | 3311405 | 2 | Nut 1/4 | |
| 27 | 3321402 | 2 | Nut 1/4 | |
| 28 | 4761400 | 2 | Washer 1/4 | |
| 29 | 4811700 | 13 | Washer M6 | |
| 30 | 4811900 | 38 | Washer M8 | |
| 31 | 4812000 | 18 | Washer M10 | |
| 32 | 4812500 | 2 | Washer M20 | |
| 33 | 5240600 | 4 | Washer M6 | |
| 34 | 5241000 | 8 | Washer M10 | |
| 35 | 5241200 | 4 | Washer M12 | |
| 36 | 8405101 | 2 | Clamp | |
| 37 | 8405104 | 5 | Clamp | |
| 38 | 85941016 | 2 | Clamp | |
| 39 | 90021705 | 1 | Clamp, Support | |
| 40 | 1001118538 | 1 | Fan | |
| 41 | 1001118539 | 1 | Spacer, Fan | |
| 42 | 1001118580 | 1 | Sensor, Speed | |
| 43 | 1001118675 | 1 | Coupling Kit (See Separate Breakdown in this Section) | |
| 44 | 1001118746 | 8 | Bolt M10 x 25 | |
| 45 | 1001118881 | 1 | Clevis, Linkage | |
| 46 | 1001118925 | 1 | Bearing | |
| 47 | 1001128888 | 1 | Washer | |
| 48 | 1001168018 | 4 | Washer | |
| 49 | 1001169054 | 4 | Isolator, Radiator | |
| 50 | 1001169138 | 6 | Pad | |

SECTION 3 - ENGINE

| ITEM | PART NUMBER | QTY | DESCRIPTION | REV |
|------|-------------|-----|--|-----|
| 51 | 1001169967 | 2 | Bracket, Radiator | |
| 52 | 1001170035 | 2 | Bracket, Radiator | |
| 53 | 1001175509 | 4 | Mount, Motor | |
| 54 | 1001180620 | AR | Compound, Locking | |
| 55 | 1001181649 | 1 | Tray, Engine | |
| 56 | 1001181658 | 1 | Plate, Radiator Mounting | |
| 57 | 1001227285 | 1 | Seal | |
| 58 | 1001182976 | 1 | Mount, Engine (LH) | |
| 59 | 1001182977 | 1 | Mount, Engine (RH) | |
| 60 | 1001182978 | 1 | Tube, Inlet | |
| 61 | 1001182979 | 1 | Bracket, Throttle Cylinder | |
| 62 | 1001182980 | 1 | Bracket, Air Cleaner | |
| 63 | 1001182981 | 1 | Bracket, Tray | |
| 64 | 1001182982 | 1 | Mount | |
| 65 | 1001182983 | 1 | Tube, Intake | |
| 66 | 1001182984 | 1 | Bracket, Support | |
| 67 | 1001182985 | 1 | Tube, Outlet | |
| 68 | 1001182987 | 1 | Tube, Air Intake | |
| 69 | 1001183420 | 1 | Foam, Baffle | |
| 70 | 1001183424 | 1 | Foam, Baffle | |
| 71 | 1001184066 | 1 | Foam, Baffle | |
| 72 | 1001234950 | 1 | Muffler | |
| 73 | 1001195600 | 1 | Bracket, Muffler | |
| 74 | 1001220957 | 1 | Radiator | |
| 75 | 1001224430 | NLA | Engine Components - Kubota Diesel T4F (Use p/n 1001238770) (See Separate Breakdown in this Section) | |
| 75 | 1001238770 | 1 | Engine Components - Kubota Diesel T4F (See Separate Breakdown in this Section) | |
| 76 | 1001118280 | 1 | Air Filter Assembly | |
| 76 | 7015004 | 2 | Element | |
| 76 | 7015005 | 1 | Cover Assembly | |
| 76 | 1340069 | 1 | Valve, Vacuator | |
| 77 | 1001118582 | 1 | Actuator, Throttle | |
| 78 | 1001125248 | 2 | Mount, Engine | |

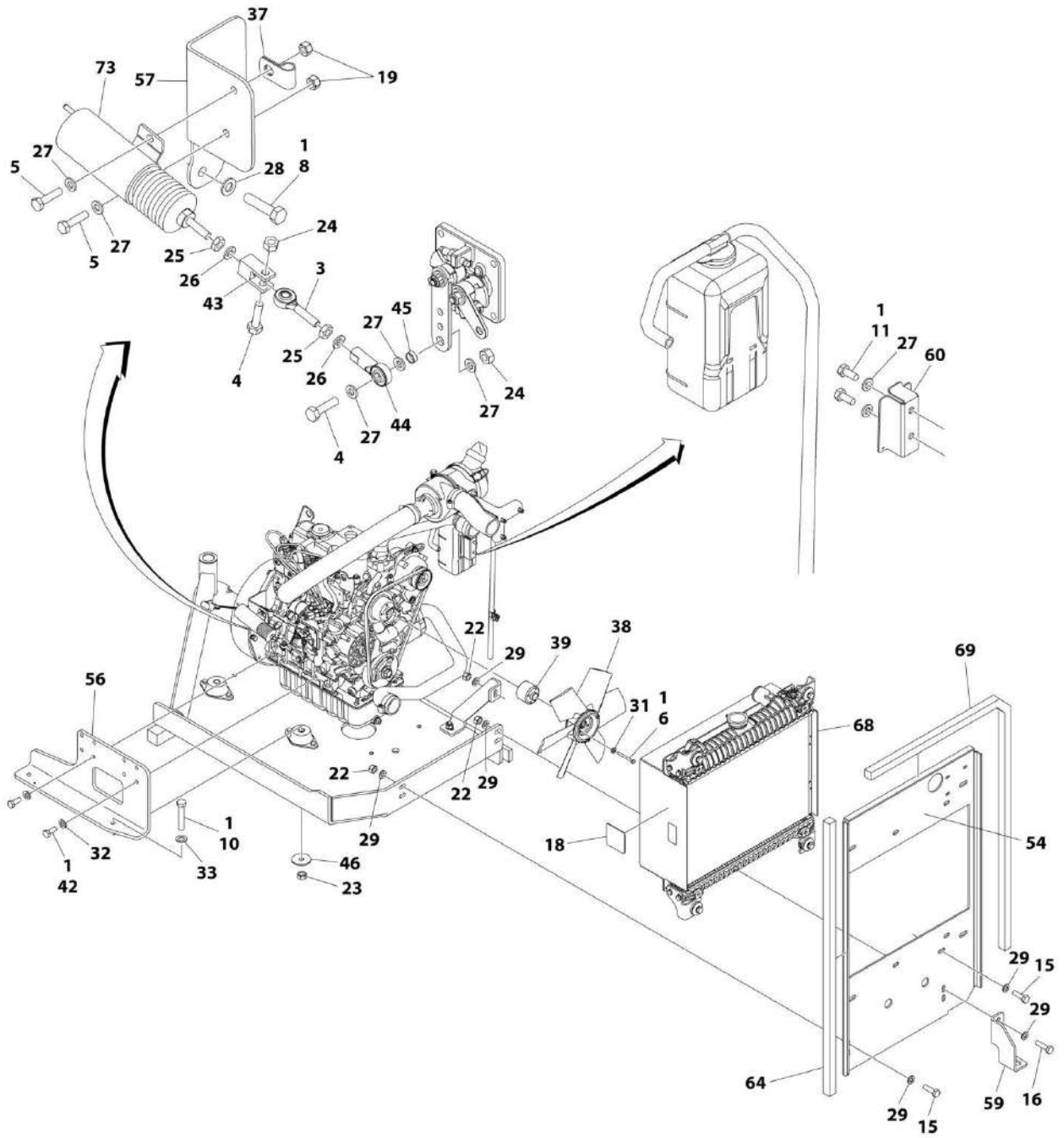
SECTION 3 - ENGINE

FIGURE 3-17. ENGINE ASSEMBLY - KUBOTA DIESEL T4F WITH GENERATOR (SN E20000723 to Present)



ART_1001238777_10F2

SECTION 3 - ENGINE



ART_1001238777_20F2

SECTION 3 - ENGINE

FIGURE 3-17. ENGINE ASSEMBLY - KUBOTA DIESEL T4F WITH GENERATOR (SN E200000723 to Present)

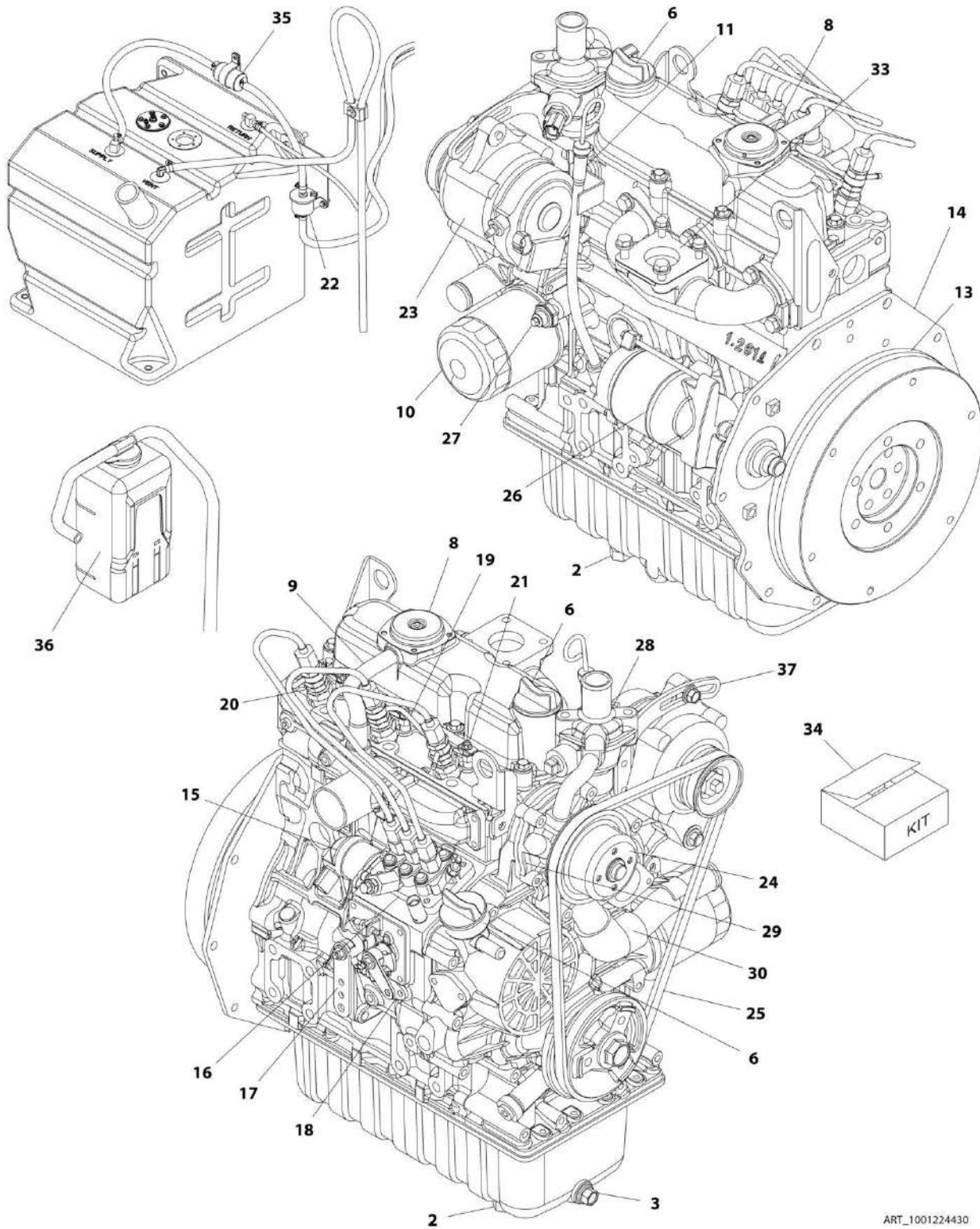
| ITEM | PART NUMBER | QTY | DESCRIPTION | REV |
|------|-------------|-----|---|-----|
| | 1001238777 | Ref | ENGINE ASSEMBLY - KUBOTA DIESEL T4F | A |
| 1 | 0100011 | AR | Compound, Locking | |
| 2 | 0340045 | 1 | Band, Mounting | |
| 3 | 0440334 | 1 | Bearing | |
| 4 | 0641408 | 2 | Bolt 1/4 x 1 | |
| 5 | 0700610 | 5 | Bolt M6 x 20 | |
| 6 | 0700620 | 4 | Bolt M6 x 60 | |
| 7 | 0700814 | 10 | Bolt M8 | |
| 8 | 0700815 | 2 | Bolt M8 x 35 | |
| 9 | 0700819 | 2 | Bolt M8 x 55 | |
| 10 | 0701222 | 4 | Bolt M12 x 70 | |
| 11 | 0760607 | 2 | Bolt M6 x 14 | |
| 12 | 0760808 | 10 | Bolt M8 x 16 | |
| 13 | 0760810 | 2 | Bolt M8 x 20 | |
| 14 | 0761014 | 1 | Bolt M10 x 30 | |
| 15 | 0761015 | 4 | Bolt M10 x 35 | |
| 16 | 0761016 | 6 | Bolt M10 x 40 | |
| 17 | 0961986 | 2 | Bearing, Flange | |
| 18 | 1703162 | 2 | Decal - Fan Blade | |
| 19 | 3290605 | 5 | Nut M6 | |
| 20 | 3290805 | 14 | Nut M8 | |
| 21 | 3291001 | 4 | Nut M10 | |
| 22 | 3291005 | 7 | Nut M10 | |
| 23 | 3291201 | 4 | Nut M12 | |
| 24 | 3311405 | 2 | Nut 1/4 | |
| 25 | 3321402 | 2 | Nut 1/4 | |
| 26 | 4761400 | 2 | Washer 1/4 | |
| 27 | 4811700 | 13 | Washer M6 | |
| 28 | 4811900 | 38 | Washer M8 | |
| 29 | 4812000 | 18 | Washer M10 | |
| 30 | 4812500 | 2 | Washer M20 | |
| 31 | 5240600 | 4 | Washer M6 | |
| 32 | 5241000 | 8 | Washer M10 | |
| 33 | 5241200 | 4 | Washer M12 | |
| 34 | 8405101 | 2 | Clamp | |
| 35 | 8405104 | 5 | Clamp | |
| 36 | 85941016 | 2 | Clamp | |
| 37 | 90021705 | 1 | Clamp, Support | |
| 38 | 1001118538 | 1 | Fan | |
| 39 | 1001118539 | 1 | Spacer, Fan | |
| 40 | 1001118580 | 1 | Sensor, Speed | |
| 41 | 1001118675 | 1 | Coupling Kit (See Separate Breakdown in this Section) | |
| 42 | 1001118746 | 8 | Bolt M10 x 25 | |
| 43 | 1001118881 | 1 | Clevis, Linkage | |
| 44 | 1001118925 | 1 | Bearing | |
| 45 | 1001128888 | 1 | Washer | |
| 46 | 1001168018 | 4 | Washer | |
| 47 | 1001169054 | 4 | Isolator, Radiator | |
| 48 | 1001169138 | 6 | Pad | |

SECTION 3 - ENGINE

| ITEM | PART NUMBER | QTY | DESCRIPTION | REV |
|------|-------------|-----|--|-----|
| 49 | 1001169967 | 2 | Bracket, Radiator | |
| 50 | 1001170035 | 2 | Bracket, Radiator | |
| 51 | 1001175509 | 4 | Mount, Motor | |
| 52 | 1001180620 | AR | Compound, Locking | |
| 53 | 1001181649 | 1 | Tray, Engine | |
| 54 | 1001181658 | 1 | Plate, Radiator Mounting | |
| 55 | 1001182976 | 1 | Mount, Engine (LH) | |
| 56 | 1001182977 | 1 | Mount, Engine (RH) | |
| 57 | 1001182979 | 1 | Bracket, Throttle Cylinder | |
| 58 | 1001182980 | 1 | Bracket, Air Cleaner | |
| 59 | 1001182981 | 1 | Bracket, Tray | |
| 60 | 1001182982 | 1 | Mount | |
| 61 | 1001182983 | 1 | Tube, Intake | |
| 62 | 1001182984 | 1 | Bracket, Support | |
| 63 | 1001182987 | 1 | Tube, Air Intake | |
| 64 | 1001183420 | 1 | Foam, Baffle | |
| 65 | 1001183424 | 1 | Foam, Baffle | |
| 66 | 1001184066 | 1 | Foam, Baffle | |
| 67 | 1001195600 | 1 | Bracket, Muffler | |
| 68 | 1001220957 | 1 | Radiator | |
| 69 | 1001227285 | 1 | Seal | |
| 70 | 1001234950 | 1 | Muffler | |
| 71 | 1001238770 | 1 | Engine Components - Kubota Diesel T4F (See Separate Breakdown in this Section) | |
| 72 | 1001118280 | 1 | Air Filter Assembly | |
| 72 | 7015004 | 2 | Element | |
| 73 | 1001118582 | 1 | Actuator, Throttle | |
| 74 | 1001125248 | 2 | Mount, Engine | |
| 75 | 1001182978 | 1 | Tube, Inlet | |
| 76 | 1001182985 | 1 | Tube, Outlet | |

SECTION 3 - ENGINE

FIGURE 3-18. ENGINE COMPONENTS - KUBOTA DIESEL T4F (SN E200000676 through E200000722)



ART_1001224430

SECTION 3 - ENGINE

FIGURE 3-18. ENGINE COMPONENTS - KUBOTA DIESEL T4F (SN E200000676 through E200000722)

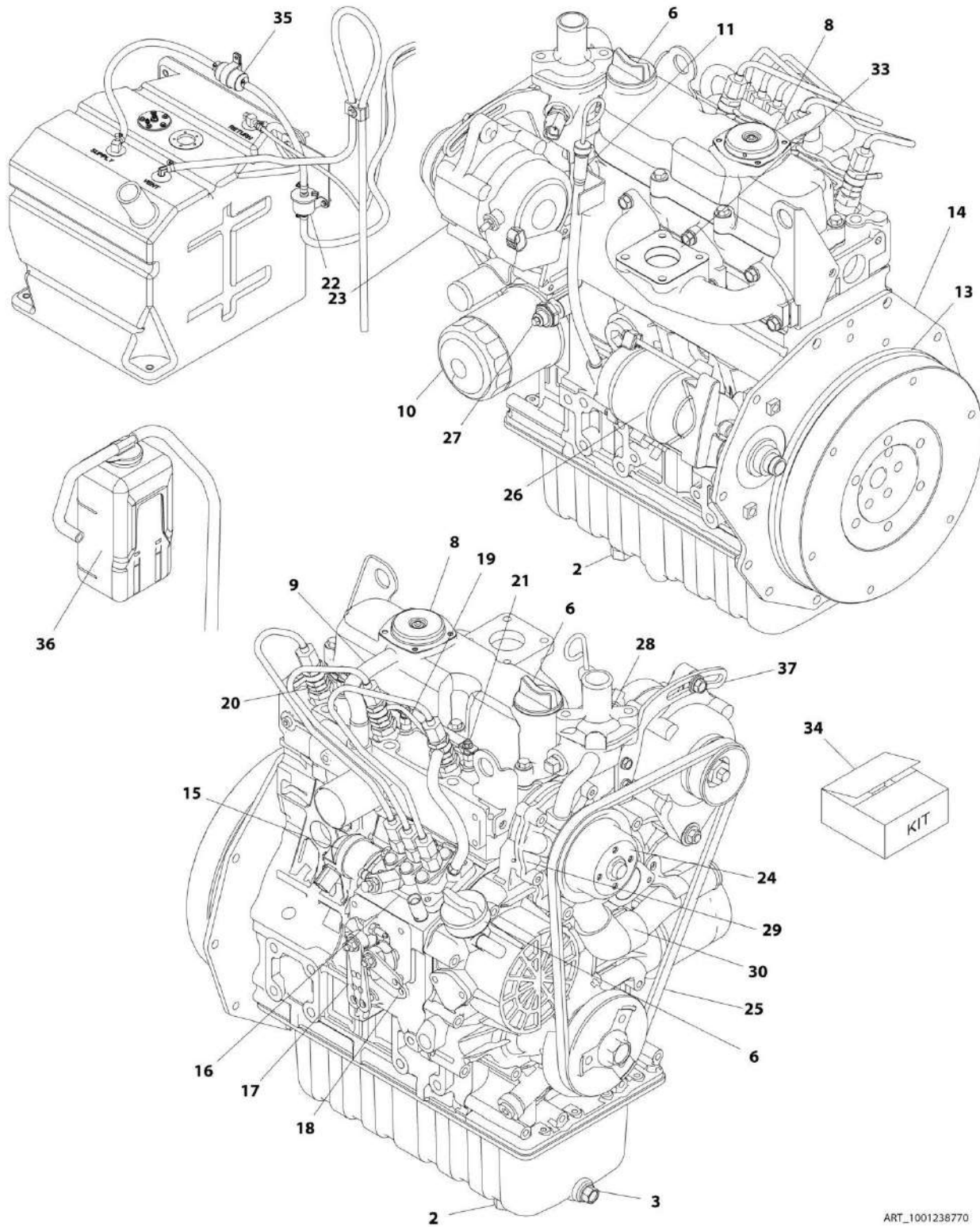
| ITEM | PART NUMBER | QTY | DESCRIPTION | REV |
|------|-------------|-----|---------------------------------------|-----|
| | 1001224430 | Ref | ENGINE COMPONENTS - KUBOTA DIESEL T4F | D |
| 1 | 70004524 | 1 | Drain (Not Shown) | |
| 2 | 7023154 | 1 | Plug, Drain | |
| 2 | 70002315 | 1 | Seal, Plug | |
| 3 | 70004525 | 1 | Plug, Drain | |
| 3 | 70004526 | 1 | Gasket | |
| 4 | 70005220 | 1 | Gasket, Cylinder Head (Not Shown) | |
| 5 | 7017922 | 1 | Seal, Front Main (Not Shown) | |
| 6 | 70002318 | 2 | Cap, Oil Fill | |
| 6 | 70004311 | 2 | O-Ring | |
| 7 | 70005221 | 1 | Gasket, Valve Cover (Not Shown) | |
| 8 | 70003060 | 1 | Comp Valve, Breather | |
| 8 | 70003061 | 1 | Cover, Breather | |
| 8 | 7017934 | 4 | Screw | |
| 9 | 70002316 | 1 | Pipe, Water Return | |
| 9 | 70002317 | 1 | Tube, Breather | |
| 9 | 70004530 | 1 | Clamp, Hose | |
| 9 | 70004531 | 1 | Band, Pipe | |
| 10 | 70004395 | 1 | Filter, Oil | |
| 11 | 70005222 | 1 | Dipstick | |
| 11 | 70005223 | 1 | Tube, Dipstick | |
| 12 | 7017928 | 1 | Seal, Rear Main (Not Shown) | |
| 13 | 70005224 | 1 | Gear, Ring | |
| 14 | 70002419 | 1 | Plate, Rear End | |
| 15 | 7025479 | 1 | Solenoid, Stop | |
| 16 | 7023164 | 1 | Pump, Injection | |
| 16 | 70002319 | 1 | Shim, Injection | |
| 16 | 70002320 | 1 | Shim, Injection | |
| 16 | 70002321 | 1 | Shim, Injection Pump | |
| 16 | 70002322 | 1 | Shim, Injection Pump | |
| 16 | 70002323 | 1 | Shim, Injection Pump | |
| 16 | 7017945 | 1 | Joint, Eye | |
| 17 | 70004396 | 1 | Control, Speed | |
| 17 | 70004397 | 1 | Gasket | |
| 18 | 7023165 | 1 | Gasket | |
| 19 | 70004536 | 1 | Pipe, Over Flow | |
| 19 | 70004537 | 1 | Screw, Air Bleeder | |
| 19 | 70004538 | 1 | Gasket | |
| 19 | 70004539 | 1 | Pipe, Over Flow | |
| 20 | 70004399 | 3 | Holder, Nozzle | |
| 20 | 70004540 | 3 | Nut | |
| 20 | 7023167 | 3 | Gasket | |
| 20 | 7023168 | 3 | Seal, Heat | |
| 21 | 70004398 | 3 | Plug, Glow | |
| 21 | 70004544 | 1 | Cord, Glow Plug | |
| 22 | 70005228 | 1 | Electric Fuel Feed Pump | |
| 23 | 70006661 | 1 | Alternator - 60Amp | |
| 24 | 7023140 | 1 | Pulley, Fan | |
| 25 | 70006665 | 1 | V-Belt | |
| 26 | 7023144 | 1 | Starter | |

SECTION 3 - ENGINE

| ITEM | PART NUMBER | QTY | DESCRIPTION | REV |
|------|-------------|-----|--------------------------------------|-----|
| 27 | 7017901 | 1 | Switch, Oil | |
| 28 | 70004829 | 1 | Pipe, Water Return | |
| 28 | 7023145 | 1 | Gasket, Flange | |
| 28 | 7017958 | 1 | Hose, Water Return | |
| 28 | 7023170 | 1 | Thermostat | |
| 28 | 70002326 | 1 | Gasket, Thermostat | |
| 28 | 70003064 | 1 | Sensor, Water Temperature | |
| 28 | 70003063 | 1 | Washer, Seal | |
| 29 | 70002327 | 1 | Pump, Water | |
| 29 | 70002328 | 1 | Gasket, Water Pump | |
| 30 | 7017963 | 1 | Pipe, Water | |
| 30 | 70002330 | 1 | Pipe, Water | |
| 31 | 7023149 | 1 | Gasket, Inlet Manifold (Not Shown) | |
| 32 | 7023148 | 1 | Gasket, Exhaust Manifold (Not Shown) | |
| 33 | 7023124 | 1 | Gasket (Muffler) | |
| 33 | 70004415 | 4 | Bolt, Sems | |
| 34 | 70005226 | 1 | Upper Gasket Kit | |
| 34 | 70005227 | 1 | Lower Gasket Kit | |
| 35 | 7017992 | 1 | Fuel Filter | |
| 36 | 70005229 | 1 | Tank, Coolant Reserve | |
| 37 | 70006664 | 1 | Arm, Adjustment | |

SECTION 3 - ENGINE

FIGURE 3-19. ENGINE COMPONENTS - KUBOTA DIESEL T4F (SN E20000723 to Present)



ART_1001238770

SECTION 3 - ENGINE

FIGURE 3-19. ENGINE COMPONENTS - KUBOTA DIESEL T4F (SN E200000723 to Present)

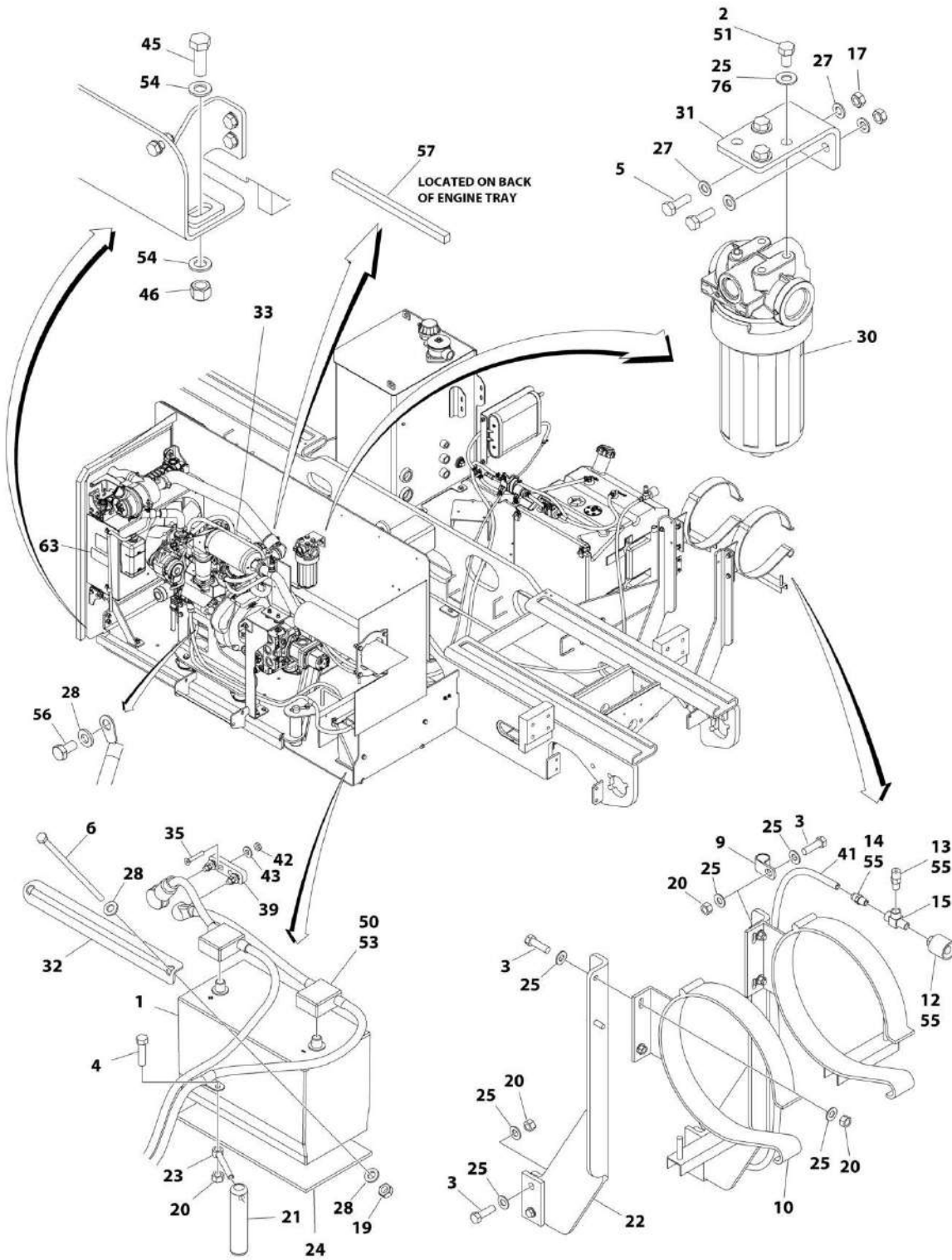
| ITEM | PART NUMBER | QTY | DESCRIPTION | REV |
|------|-------------|-----|---------------------------------------|-----|
| | 1001238770 | Ref | ENGINE COMPONENTS - KUBOTA DIESEL T4F | A |
| 1 | 70004524 | 1 | Drain (Not Shown) | |
| 2 | 7023154 | 1 | Plug, Drain | |
| 2 | 70002315 | 1 | Seal, Plug | |
| 3 | 70004525 | 1 | Plug, Drain | |
| 3 | 70004526 | 1 | Gasket | |
| 4 | 70005220 | 1 | Gasket, Cylinder Head (Not Shown) | |
| 5 | 7017922 | 1 | Seal, Front Main (Not Shown) | |
| 6 | 70002318 | 2 | Cap, Oil Fill | |
| 6 | 70004311 | 2 | O-Ring | |
| 7 | 70005221 | 1 | Gasket, Valve Cover (Not Shown) | |
| 8 | 70003060 | 1 | Comp Valve, Breather | |
| 8 | 70003061 | 1 | Cover, Breather | |
| 8 | 7017934 | 4 | Screw | |
| 9 | 70002316 | 1 | Pipe, Water Return | |
| 9 | 70002317 | 1 | Tube, Breather | |
| 9 | 70004530 | 1 | Clamp, Hose | |
| 9 | 70004531 | 1 | Band, Pipe | |
| 10 | 70004395 | 1 | Filter, Oil | |
| 11 | 70005222 | 1 | Dipstick | |
| 11 | 70005223 | 1 | Tube, Dipstick | |
| 12 | 7017928 | 1 | Seal, Rear Main (Not Shown) | |
| 13 | 70005224 | 1 | Gear, Ring | |
| 14 | 70002419 | 1 | Plate, Rear End | |
| 15 | 7025479 | 1 | Solenoid, Stop | |
| 16 | 7023164 | 1 | Pump, Injection | |
| 16 | 70002319 | 1 | Shim, Injection | |
| 16 | 70002320 | 1 | Shim, Injection | |
| 16 | 70002321 | 1 | Shim, Injection Pump | |
| 16 | 70002322 | 1 | Shim, Injection Pump | |
| 16 | 70002323 | 1 | Shim, Injection Pump | |
| 16 | 7017945 | 1 | Joint, Eye | |
| 17 | 70004396 | 1 | Control, Speed | |
| 17 | 70004397 | 1 | Gasket | |
| 18 | 7023165 | 1 | Gasket | |
| 19 | 70004536 | 1 | Pipe, Over Flow | |
| 19 | 70004537 | 1 | Screw, Air Bleeder | |
| 19 | 70004538 | 1 | Gasket | |
| 19 | 70004539 | 1 | Pipe, Over Flow | |
| 20 | 70004399 | 3 | Holder, Nozzle | |
| 20 | 70004540 | 3 | Nut | |
| 20 | 7023167 | 3 | Gasket | |
| 20 | 7023168 | 3 | Seal, Heat | |
| 21 | 70004398 | 3 | Plug, Glow | |
| 21 | 70004544 | 1 | Cord, Glow Plug | |
| 22 | 70005228 | 1 | Electric Fuel Feed Pump | |
| 23 | 70006661 | 1 | Alternator - 60Amp | |
| 24 | 7023140 | 1 | Pulley, Fan | |
| 25 | 70006665 | 1 | V-Belt | |
| 26 | 7023144 | 1 | Starter | |

SECTION 3 - ENGINE

| ITEM | PART NUMBER | QTY | DESCRIPTION | REV |
|------|-------------|-----|--------------------------------------|-----|
| 27 | 7017901 | 1 | Switch, Oil | |
| 28 | 70004829 | 1 | Pipe, Water Return | |
| 28 | 7023145 | 1 | Gasket, Flange | |
| 28 | 7017958 | 1 | Hose, Water Return | |
| 28 | 7023170 | 1 | Thermostat | |
| 28 | 70002326 | 1 | Gasket, Thermostat | |
| 28 | 70003064 | 1 | Sensor, Water Temperature | |
| 28 | 70003063 | 1 | Washer, Seal | |
| 29 | 70002327 | 1 | Pump, Water | |
| 29 | 70002328 | 1 | Gasket, Water Pump | |
| 30 | 7017963 | 1 | Pipe, Water | |
| 30 | 70002330 | 1 | Pipe, Water | |
| 31 | 7023149 | 1 | Gasket, Inlet Manifold (Not Shown) | |
| 32 | 7023148 | 1 | Gasket, Exhaust Manifold (Not Shown) | |
| 33 | 7023124 | 1 | Gasket (Muffler) | |
| 33 | 70004415 | 4 | Bolt, Sems | |
| 34 | 70005226 | 1 | Upper Gasket Kit | |
| 34 | 70005227 | 1 | Lower Gasket Kit | |
| 35 | 7017992 | 1 | Fuel Filter | |
| 36 | 70005229 | 1 | Tank, Coolant Reserve | |
| 37 | 70006664 | 1 | Arm, Adjustment | |

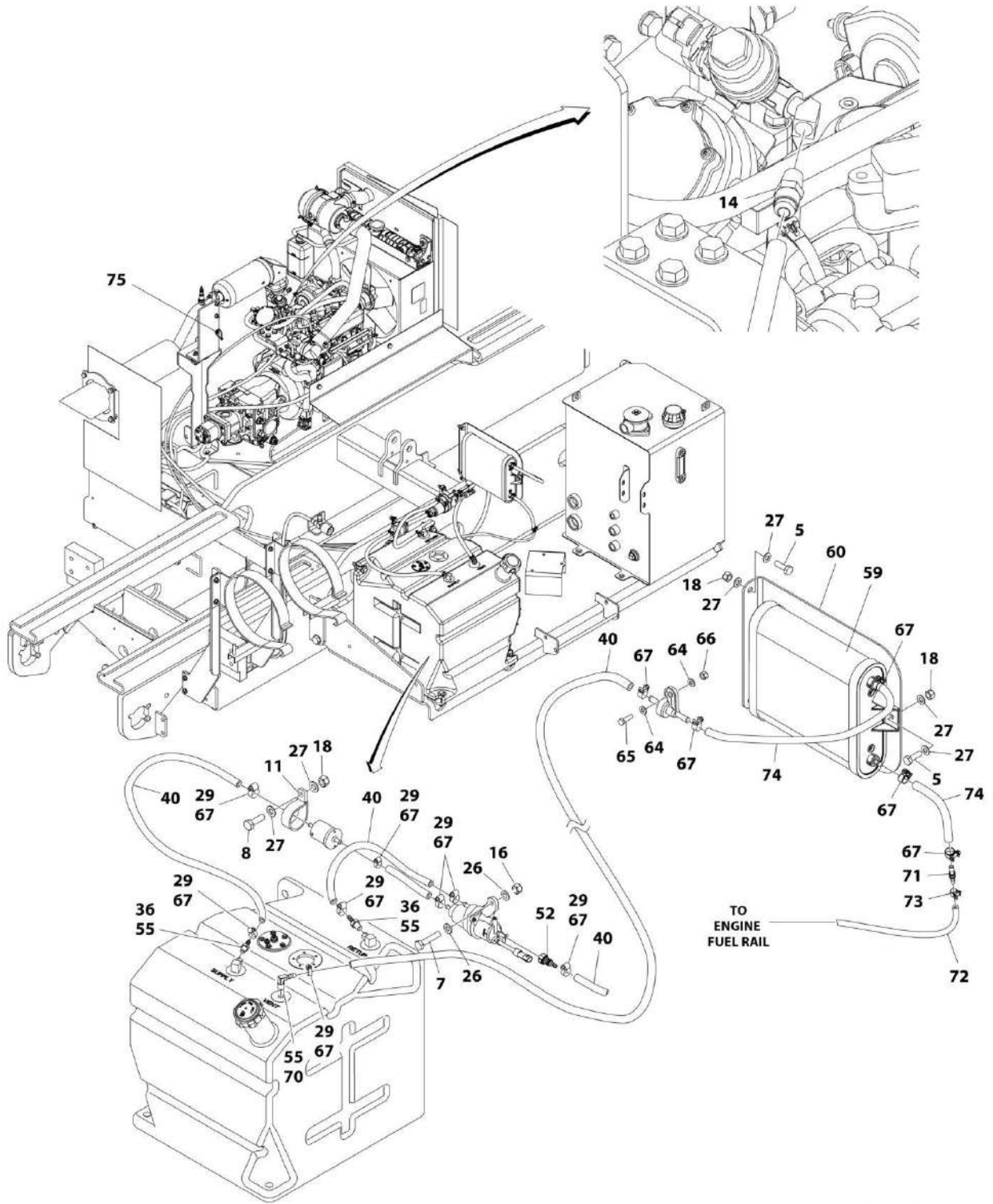
SECTION 3 - ENGINE

FIGURE 3-20. ENGINE INSTALLATION - KUBOTA GASOLINE



ART_100117785_10F2

SECTION 3 - ENGINE



ART_100117785_2OF2

SECTION 3 - ENGINE

FIGURE 3-20. ENGINE INSTALLATION - KUBOTA GASOLINE

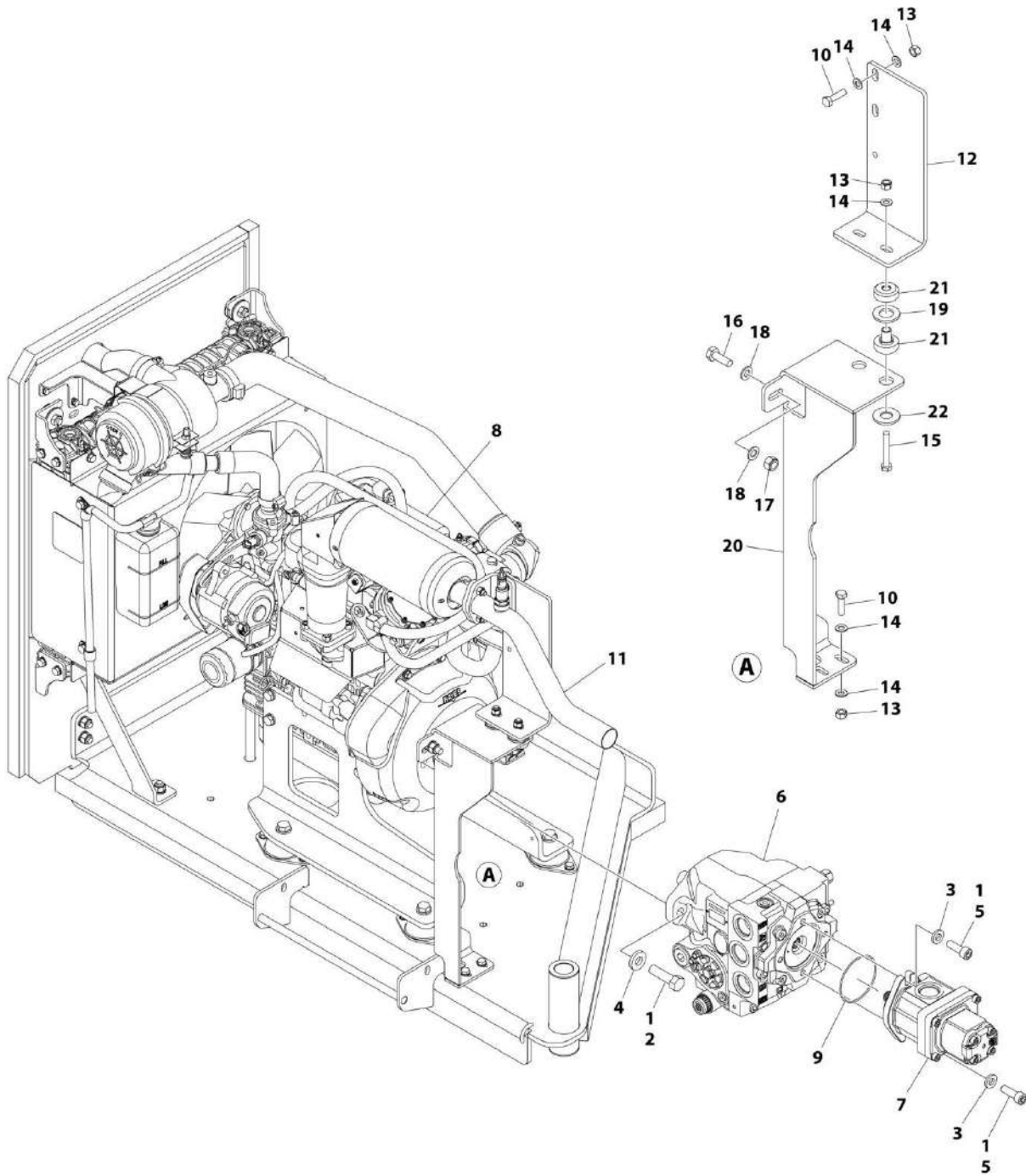
| ITEM | PART NUMBER | QTY | DESCRIPTION | REV |
|------|-------------|------------------|---|-----|
| | 1001177785 | Ref | ENGINE INSTALLATION - KUBOTA GASOLINE | O |
| 1 | 0400075 | 1 | Battery | |
| 2 | 0761010 | AR | Bolt M10 x 20 | |
| 3 | 0641610 | 9 | Bolt 3/8 x 1-1/4 | |
| 4 | 0641612 | 1 | Bolt 3/8 x 1-1/2 | |
| 5 | 0700812 | AR | Bolt M8 x 25 | |
| 6 | 0701047 | 2 | Bolt M10 x 300 | |
| 7 | 0760614 | 3 | Bolt M6 x 30 | |
| 8 | 0760812 | AR | Bolt M8 x 25 | |
| 9 | 1320061 | 1 | Clamp | |
| 10 | 1320220 | 1 | LP Clamp Kit | |
| 11 | 1320265 | 1 | Clamp | |
| 12 | 2180387 | 1 | Fitting, Tank Connector | |
| 13 | 2180389 | 1 | Fitting, Relief Valve - LP | |
| 14 | 2180418 | 2 | Fitting | |
| 15 | 2220290 | 1 | Fitting, Tee | |
| 16 | 3290605 | 3 | Nut M6 | |
| 17 | 3290801 | 2 | Nut M8 | |
| 18 | 3290805 | AR | Nut M8 | |
| 19 | 3291001 | 2 | Nut M10 | |
| 20 | 3311605 | 10 | Nut 3/8 | |
| 21 | 3422669 | 1 | Pin | |
| 22 | 3573440 | 2 | Plate, Mounting | |
| 23 | 3841143 | 1 | Keeper Pin | |
| 24 | 3980007 | 1 | Seat, Battery | |
| 25 | 4711600 | AR | Washer 3/8 | |
| 26 | 4811700 | 6 | Washer M6 | |
| 27 | 4811900 | AR | Washer M8 | |
| 28 | 5241000 | 5 | Washer M10 | |
| 29 | 8405009 | AR | Clamp | |
| 30 | 1001208874 | 1 | Filter, Charge Pump | |
| 30 | 70010383 | 1 | Element, Filter | |
| 31 | 1001194836 | 1 | Bracket | |
| 32 | 1001184065 | 1 | Bracket, Hold Down | |
| 33 | 1001184653 | 1 | Engine and Pump Sub-Assembly (See Separate Breakdown in this Section) | |
| 35 | 0741010 | 2 | Screw #10 x 1-1/4 | |
| 36 | 2180348 | 2 | Fitting, NPT/Barbed | |
| 38 | 2300004 | AR | Coolant (Not Shown) | |
| 39 | 2400044 | 1 | Block, Fuse Mounting | |
| 40 | 1001156819 | 15.7 ft/ 4.8m | Hose | |
| 41 | 2720611 | 1 | Hose | |
| 42 | 3300408 | 2 | Nut | |
| 43 | 4711400 | 2 | Washer 1/4 | |
| 45 | 0761617 | 1 | Bolt M16 x 45 | |
| 46 | 3291605 | 1 | Nut M16 | |
| 48 | 1001190775 | AR | Oil, Engine (Not Shown) | |
| 50 | 0100051 | AR | Grease, Battery Terminal | |
| 51 | 0100011 | 1 | Compound, Locking | |

SECTION 3 - ENGINE

| ITEM | PART NUMBER | QTY | DESCRIPTION | REV |
|------|-------------|-----------------|--|-----|
| 52 | 1001174093 | AR | Coupling, Quick Connect | |
| 53 | 1001186429 | 1 | Battery Cable Kit (See Separate Breakdown in ELECTRICAL SECTION) | |
| 54 | 4812300 | 2 | Washer M16 | |
| 55 | 0100020 | AR | Sealant | |
| 56 | 8303511 | 1 | Capscrew M10 x 20 | |
| 57 | 1001183421 | 1 | Foam, Baffle | |
| 59 | 1001225420 | 1 | Canister, Carbon | |
| 60 | 1001225421 | 1 | Bracket | |
| 63 | 1001236559 | 1 | Decal - EPA Evaporation Standards | |
| 64 | 4811600 | AR | Washer M5 | |
| 65 | 0760512 | AR | Bolt M5 x 25 | |
| 66 | 3290505 | AR | Nut M5 | |
| 67 | 1001174486 | 14 | Clamp | |
| 70 | 2221176 | 1 | Fitting, 90 | |
| 71 | 1001131391 | 1 | Coupling, Fuel Line | |
| 72 | 1001129256 | 9.3 ft/ 2.8m | Hose | |
| 73 | 1001185585 | 2 | Clamp, Hose | |
| 74 | 1001129255 | 2.5 ft/ .8m | Hose | |
| 75 | 1001146588 | AR | Tie-Strap | |
| 76 | 4812000 | AR | Washer M10 | |

SECTION 3 - ENGINE

FIGURE 3-21. ENGINE AND PUMP SUB-ASSEMBLY - KUBOTA GASOLINE



ART_1001184653

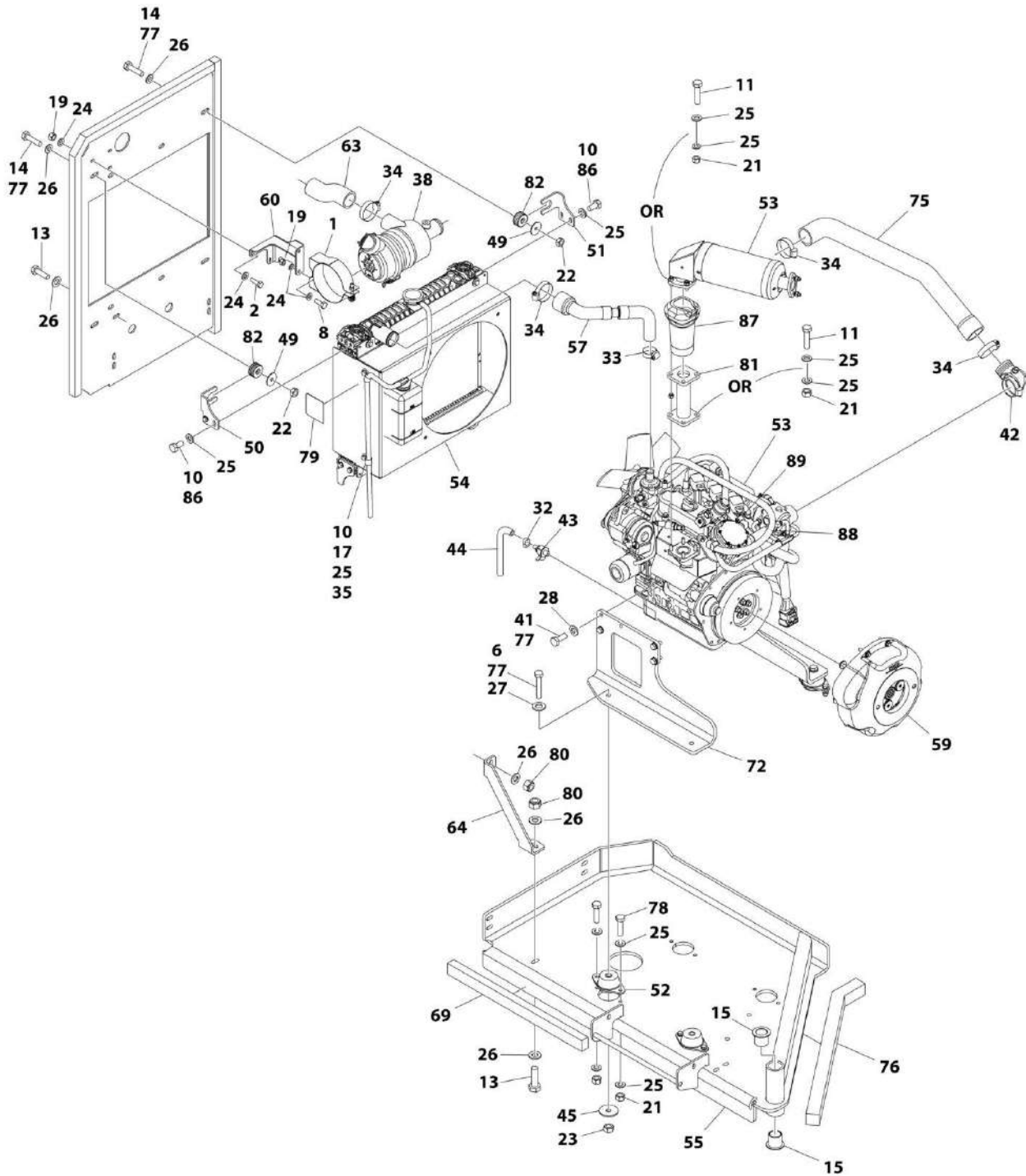
SECTION 3 - ENGINE

FIGURE 3-21. ENGINE AND PUMP SUB-ASSEMBLY - KUBOTA GASOLINE

| ITEM | PART NUMBER | QTY | DESCRIPTION | REV |
|------|-------------|-----|---|-----|
| | 1001184653 | Ref | ENGINE AND PUMP SUB-ASSEMBLY - KUBOTA GASOLINE | F |
| 1 | 0100011 | AR | Compound, Locking | |
| 2 | 0641814 | 2 | Bolt 1/2 x 1-3/4 | |
| 3 | 4891600 | AR | Washer 3/8 | |
| 4 | 4891800 | 2 | Washer 1/2 | |
| 5 | 83191040 | 2 | Capscrew M10 x 30 | |
| 6 | 1001101331 | 1 | Piston Pump Assembly (See Separate Breakdown in this Section) | |
| 7 | 1001217291 | 1 | Gear Pump Assembly | |
| 7 | 70002861 | 1 | Seal Kit - 1001217291 Pump (Note: Seal Kit is only service component available) | |
| 8 | 1001184654 | 1 | Engine Assembly - Kubota Gasoline (See Separate Breakdown in this Section) | |
| 9 | 3790152 | 1 | O-Ring | |
| 10 | 0700814 | AR | Bolt M8 x 30 | |
| 11 | 1001186833 | 1 | Tube, Exhaust | |
| 12 | 1001226420 | 1 | Bracket, Exhaust | |
| 13 | 3290805 | AR | Nut M8 | |
| 14 | 4811900 | AR | Washer M8 | |
| 15 | 0700819 | AR | Bolt M8 x 55 | |
| 16 | 0761014 | AR | Bolt M10 x 30 | |
| 17 | 3291005 | AR | Nut M10 | |
| 18 | 4812000 | AR | Washer M10 | |
| 19 | 4812500 | AR | Washer M20 | |
| 20 | 1001195600 | 1 | Bracket | |
| 21 | 1001125248 | 1 | Mount | |
| 22 | 1001169138 | 2 | Pad | |

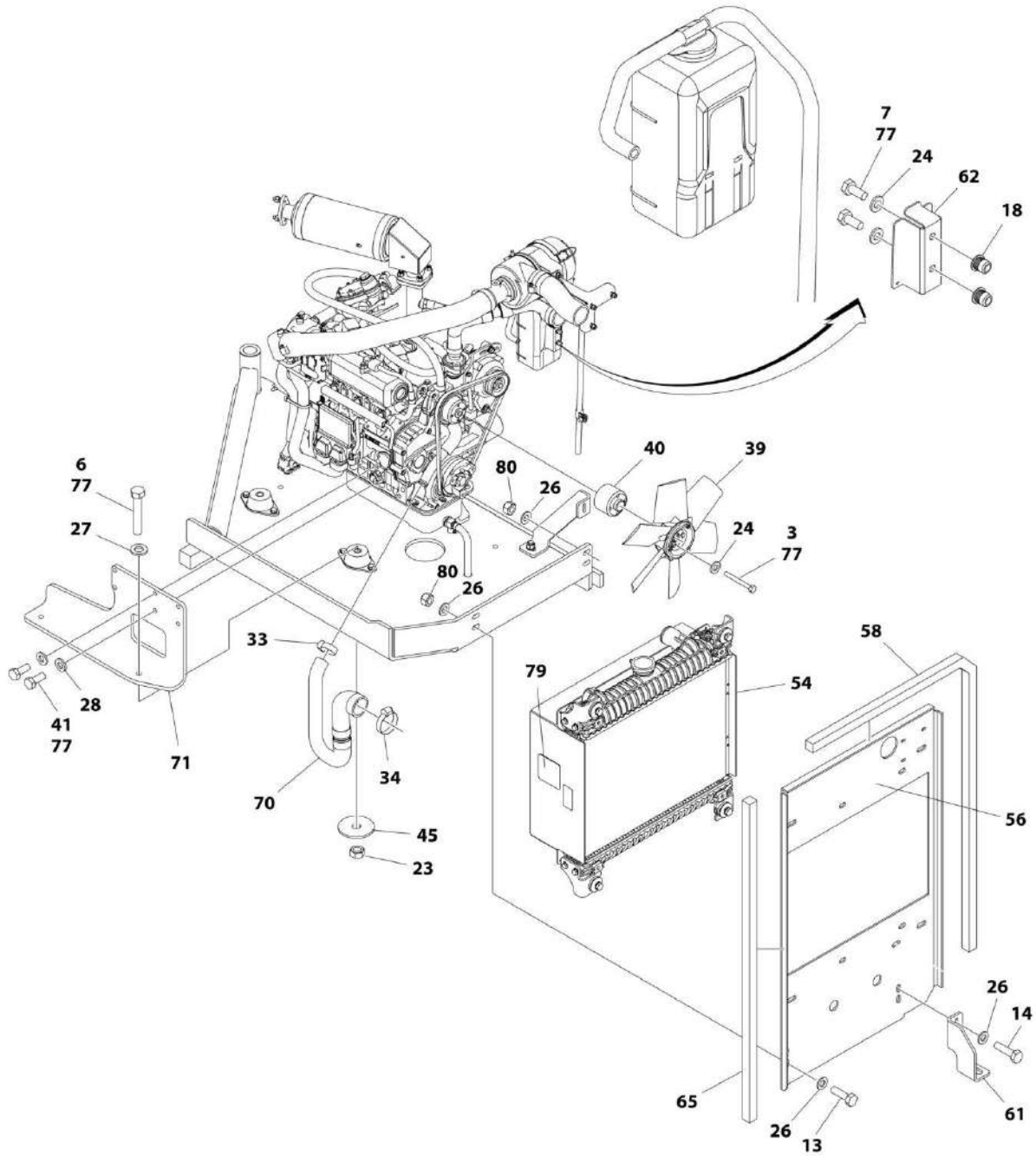
SECTION 3 - ENGINE

FIGURE 3-22. ENGINE ASSEMBLY - KUBOTA GASOLINE



ART_1001184654_10F2

SECTION 3 - ENGINE



ART_1001184654_2OF2

SECTION 3 - ENGINE

FIGURE 3-22. ENGINE ASSEMBLY - KUBOTA GASOLINE

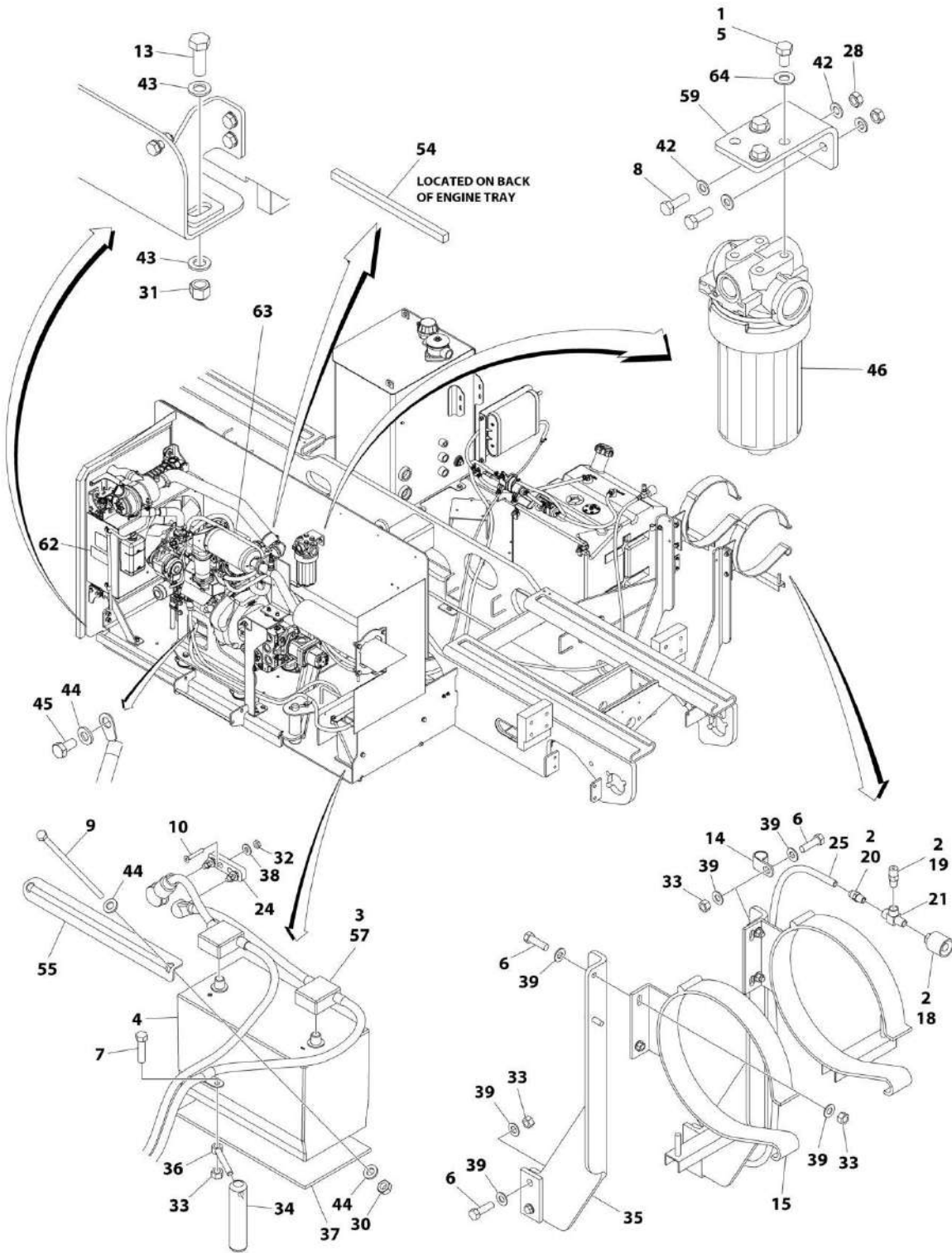
| ITEM | PART NUMBER | QTY | DESCRIPTION | REV |
|------|-------------|-----|--|-----|
| | 1001184654 | Ref | ENGINE ASSEMBLY - KUBOTA GASOLINE | L |
| 1 | 0340045 | 1 | Band, Mounting | |
| 2 | 0700610 | 3 | Bolt M6 x 20 | |
| 3 | 0700619 | 4 | Bolt M6 x 55 | |
| 6 | 0701222 | 4 | Bolt M12 x 70 | |
| 7 | 0760607 | 2 | Bolt M6 x 14 | |
| 8 | 0760608 | AR | Bolt M6 x 16 | |
| 10 | 0760808 | 10 | Bolt M8 x 16 | |
| 11 | 0760815 | AR | Bolt M8 x 35 | |
| 13 | 0761015 | 4 | Bolt M10 x 35 | |
| 14 | 0761016 | 6 | Bolt M10 x 40 | |
| 15 | 0961986 | 2 | Bearing, Flange | |
| 17 | 1001191832 | AR | Nut M8 | |
| 18 | 1001178636 | AR | Nut M6 | |
| 19 | 3290605 | AR | Nut M6 | |
| 21 | 3290805 | AR | Nut M8 | |
| 22 | 3291001 | 4 | Nut M10 | |
| 23 | 3291201 | 4 | Nut M12 | |
| 24 | 4811700 | AR | Washer M6 | |
| 25 | 4811900 | AR | Washer M8 | |
| 26 | 4812000 | 16 | Washer M10 | |
| 27 | 5241200 | 4 | Washer M12 | |
| 28 | 5241000 | 8 | Washer M10 | |
| 32 | 8405009 | 1 | Clamp | |
| 33 | 8405101 | 2 | Clamp | |
| 34 | 8405104 | 5 | Clamp | |
| 35 | 85941016 | 2 | Clamp | |
| 38 | 1001118280 | 1 | Air Filter Assembly | |
| 38 | 7015004 | 2 | Element | |
| 38 | 7015005 | 1 | Cover Assembly | |
| 38 | 1340069 | 1 | Valve, Vacuator | |
| 39 | 1001118538 | 1 | Fan | |
| 40 | 1001118539 | 1 | Fan, Spacer | |
| 41 | 1001118746 | 8 | Bolt M10 x 25 | |
| 42 | 1001146043 | 1 | Elbow | |
| 43 | 1001161497 | 1 | Valve Oil Drain | |
| 44 | 1001165035 | 1 | Hose | |
| 45 | 1001168018 | 4 | Washer | |
| 49 | 1001169138 | 4 | Pad | |
| 50 | 1001169967 | 2 | Bracket, Radiator | |
| 51 | 1001170035 | 2 | Bracket, Radiator | |
| 52 | 1001187235 | 4 | Mount, Motor | |
| 53 | 1001224493 | 1 | Engine Components - Kubota Gasoline (See Separate Breakdown in this Section) | |
| 54 | 1001220957 | 1 | Radiator | |
| 55 | 1001181649 | 1 | Tray, Engine | |
| 56 | 1001181658 | 1 | Plate, Radiator Mounting | |
| 57 | 1001181659 | 1 | Hose, Radiator (Upper) | |
| 58 | 1001181739 | 1 | Seal | |
| 59 | 1001181829 | 1 | Coupling Kit - Gasoline Engines (See Separate Breakdown in this | |

SECTION 3 - ENGINE

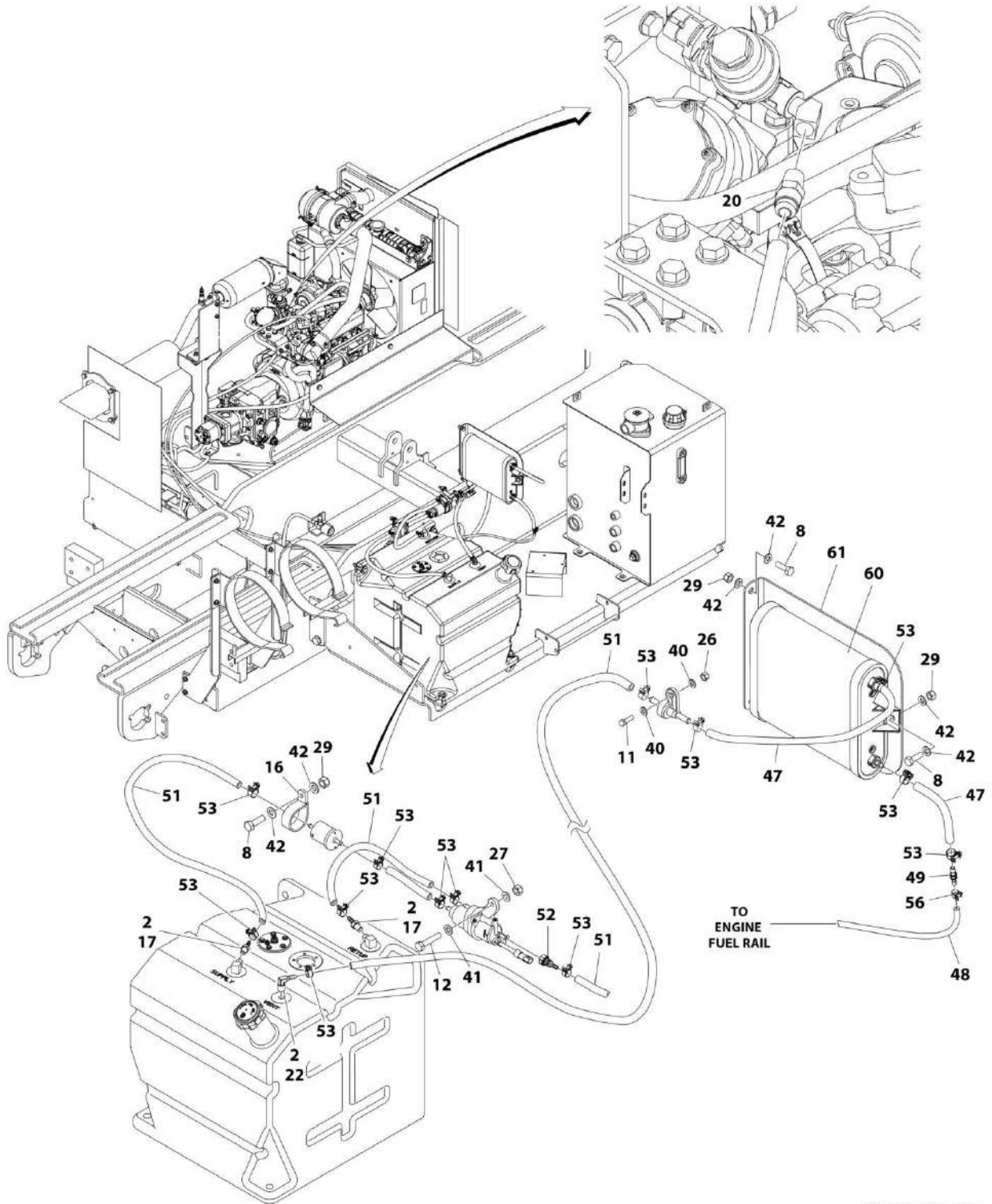
| ITEM | PART NUMBER | QTY | DESCRIPTION | REV |
|------|-------------|-----------------|----------------------|-----|
| | | | Section) | |
| 60 | 1001182980 | 1 | Bracket, Air Cleaner | |
| 61 | 1001182981 | 1 | Bracket, Tray | |
| 62 | 1001182982 | 1 | Mount | |
| 63 | 1001182983 | 1 | Tube, Intake | |
| 64 | 1001182984 | 1 | Bracket, Support | |
| 65 | 1001183420 | 1 | Foam, Baffle | |
| 69 | 1001183424 | 1 | Foam, Baffle | |
| 70 | 1001183427 | 1 | Tube, Coolant | |
| 71 | 1001183428 | 1 | Mount, Engine (RH) | |
| 72 | 1001183429 | 1 | Mount, Engine (LH) | |
| 75 | 1001184064 | 1 | Tube, Intake | |
| 76 | 1001184066 | 1 | Foam, Baffle | |
| 77 | 0100011 | AR | Compound, Locking | |
| 78 | 0700814 | 8 | Bolt, M8 x 30 | |
| 79 | 1703162 | 2 | Decal - Fan Blade | |
| 80 | 3291005 | 6 | Nut M10 | |
| 81 | 1001213847 | 1 | Tube, Exhaust | |
| 82 | 1001169054 | 4 | Isolator, Radiator | |
| 86 | 1001180620 | AR | Compound, Locking | |
| 87 | 1001210708 | 1 | Sleeve, Insulation | |
| 88 | 1001181625 | 50 in/ 127cm | Hose | |
| 89 | 8410013 | 4 | Clamp | |

SECTION 3 - ENGINE

FIGURE 3-23. ENGINE INSTALLATION - KUBOTA GASOLINE WITH GENERATOR



SECTION 3 - ENGINE



ART_1001231715_20F2

SECTION 3 - ENGINE

FIGURE 3-23. ENGINE INSTALLATION - KUBOTA GASOLINE WITH GENERATOR

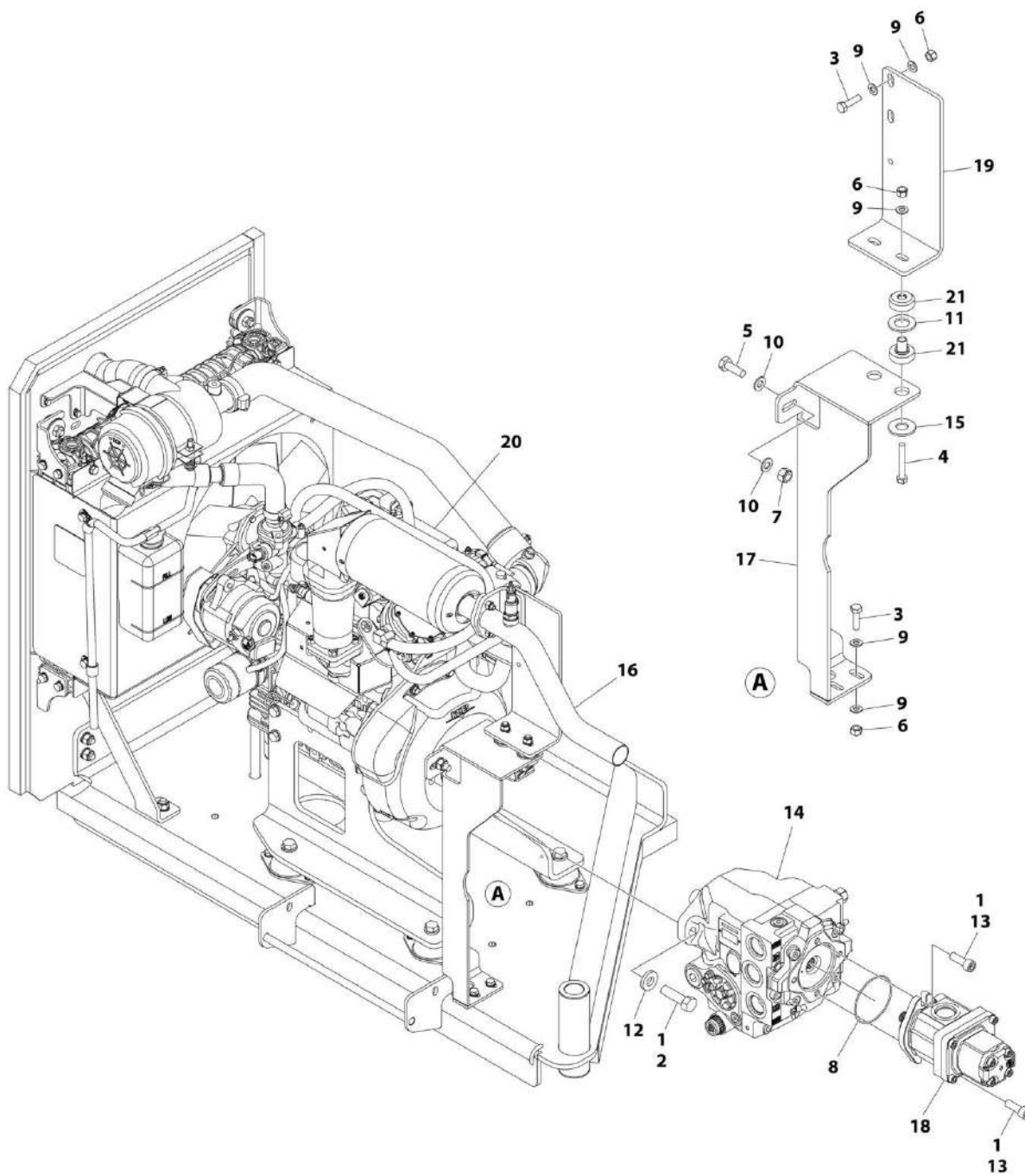
| ITEM | PART NUMBER | QTY | DESCRIPTION | REV |
|------|-------------|-----------------|---------------------------------------|-----|
| | 1001231715 | Ref | ENGINE INSTALLATION - KUBOTA GASOLINE | B |
| 1 | 0100011 | AR | Compound, Locking | |
| 2 | 0100020 | AR | Sealant | |
| 3 | 0100051 | AR | Grease, Battery Terminal | |
| 4 | 0400075 | 1 | Battery | |
| 5 | 0761010 | 3 | Bolt M10 x 20 | |
| 6 | 0641610 | 9 | Bolt 3/8 x 1-1/4 | |
| 7 | 0641612 | 1 | Bolt 3/8 x 1-1/2 | |
| 8 | 0700812 | 7 | Bolt M8 x 25 | |
| 9 | 0701047 | 2 | Bolt M10 x 300 | |
| 10 | 0741010 | 2 | Screw 10 x 1-1/4 | |
| 11 | 0760512 | 1 | Bolt M5 x 25 | |
| 12 | 0760614 | 3 | Bolt M6 x 30 | |
| 13 | 0761617 | 1 | Bolt M16 x 45 | |
| 14 | 1320061 | 1 | Clamp | |
| 15 | 1320220 | 1 | LP Clamp Kit | |
| 16 | 1320265 | 1 | Clamp | |
| 17 | 2180348 | 2 | Fitting, NPT/Barbed | |
| 18 | 2180387 | 1 | Fitting, Tank Connector | |
| 19 | 2180389 | 1 | Fitting, Relief Valve - LP | |
| 20 | 2180418 | 2 | Fitting | |
| 21 | 2220290 | 1 | Fitting, Tee | |
| 22 | 2221176 | 1 | Fitting, 90 | |
| 23 | 2300004 | AR | Coolant (Not Shown) | |
| 24 | 2400044 | 1 | Block, Fuse Mounting | |
| 25 | 2720611 | 1 | Hose | |
| 26 | 3290505 | 1 | Nut M5 | |
| 27 | 3290605 | 3 | Nut M6 | |
| 28 | 3290801 | 2 | Nut M8 | |
| 29 | 3290805 | 5 | Nut M8 | |
| 30 | 3291001 | 2 | Nut M10 | |
| 31 | 3291605 | 1 | Nut M16 | |
| 32 | 3300408 | 2 | Nut | |
| 33 | 3311605 | 10 | Nut 3/8 | |
| 34 | 3422669 | 1 | Pin | |
| 35 | 3573440 | 2 | Plate, Mounting | |
| 36 | 3841143 | 1 | Keeper Pin | |
| 37 | 3980007 | 1 | Seat, Battery | |
| 38 | 4711400 | 2 | Washer 1/4 | |
| 39 | 4711600 | AR | Washer 3/8 | |
| 40 | 4811600 | 2 | Washer M5 | |
| 41 | 4811700 | 6 | Washer M6 | |
| 42 | 4811900 | 14 | Washer M8 | |
| 43 | 4812300 | 2 | Washer M16 | |
| 44 | 5241000 | 5 | Washer M10 | |
| 45 | 8303511 | 1 | Capscrew M10 x 20 | |
| 46 | 1001208874 | 1 | Filter, Charge Pump | |
| 46 | 70010383 | 1 | Element (Includes O-Ring) | |
| 47 | 1001129255 | 30 in/ 75 cm | Hose | |

SECTION 3 - ENGINE

| ITEM | PART NUMBER | QTY | DESCRIPTION | REV |
|------|-------------|-----------------|---|-----|
| 48 | 1001129256 | 9.5 ft/ 2.8m | Hose | |
| 49 | 1001131391 | 1 | Coupling, Fuel Line | |
| 50 | 1001146588 | 1 | Tie-Strap | |
| 51 | 1001156819 | 16 ft/ 4.8m | Hose | |
| 52 | 1001174093 | 1 | Coupling, Quick Connect | |
| 53 | 1001174486 | 14 | Clamp | |
| 54 | 1001183421 | 1 | Foam, Baffle | |
| 55 | 1001184065 | 1 | Bracket, Hold Down | |
| 56 | 1001185585 | 2 | Clamp, Hose | |
| 57 | 1001186429 | 1 | Battery Cable Kit (See Separate Breakdown in ELECTRICAL SECTION) | |
| 58 | 1001190775 | AR | Oil, Engine (Not Shown) | |
| 59 | 1001194836 | 1 | Bracket | |
| 60 | 1001225420 | 1 | Canister, Carbon | |
| 61 | 1001225421 | 1 | Bracket | |
| 62 | 1001236559 | 1 | Decal - EPA Evaporation Standards | |
| 63 | 1001231716 | 1 | Engine and Pump Sub-Assembly (See Separate Breakdown in this Section) | |
| 64 | 4812000 | 3 | Washer M10 | |

SECTION 3 - ENGINE

FIGURE 3-24. ENGINE AND PUMP SUB-ASSEMBLY - KUBOTA GASOLINE WITH GENERATOR



ART_1001231716

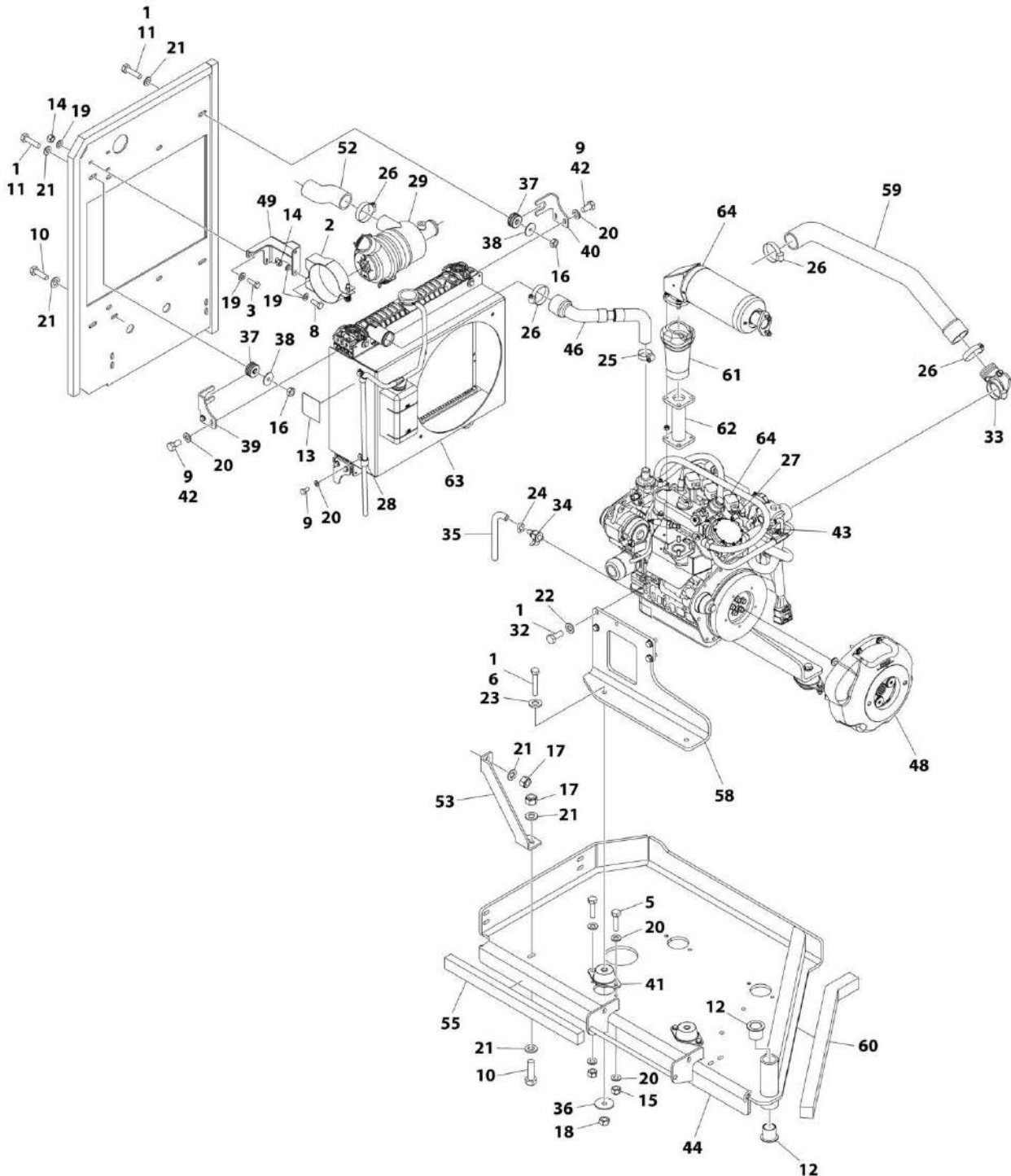
SECTION 3 - ENGINE

FIGURE 3-24. ENGINE AND PUMP SUB-ASSEMBLY - KUBOTA GASOLINE WITH GENERATOR

| ITEM | PART NUMBER | QTY | DESCRIPTION | REV |
|------|-------------|-----|---|-----|
| | 1001231716 | Ref | ENGINE AND PUMP SUB-ASSEMBLY - KUBOTA GASOLINE | A |
| 1 | 0100011 | AR | Compound, Locking | |
| 2 | 0641814 | 2 | Bolt 1/2 x 1-3/4 | |
| 3 | 0700814 | 4 | Bolt M8 x 30 | |
| 4 | 0700819 | 2 | Bolt M8 x 55 | |
| 5 | 0761014 | 1 | Bolt M10 x 30 | |
| 6 | 3290805 | 6 | Nut M8 | |
| 7 | 3291005 | 1 | Nut M10 | |
| 8 | 3790152 | 1 | O-Ring | |
| 9 | 4811900 | 10 | Washer M8 | |
| 10 | 4812000 | 2 | Washer M10 | |
| 11 | 4812500 | 2 | Washer M20 | |
| 12 | 4891800 | 2 | Washer 1/2 | |
| 13 | 83191040 | 2 | Capscrew M10 x 30 | |
| 14 | 1001101331 | 1 | Piston Pump Assembly (See Separate Breakdown in this Section) | |
| 15 | 1001169138 | 2 | Pad | |
| 16 | 1001186833 | 1 | Tube, Exhaust | |
| 17 | 1001195600 | 1 | Bracket | |
| 18 | 1001217291 | 1 | Gear Pump Assembly | |
| 18 | 70002861 | 1 | Seal Kit - 1001217291 Pump (Note: Seal Kit is only service component available) | |
| 19 | 1001226420 | 1 | Bracket, Exhaust | |
| 20 | 1001231717 | 1 | Engine Assembly - Kubota Gasoline (See Separate Breakdown in this Section) | |
| 21 | 1001125248 | 2 | Mount | |

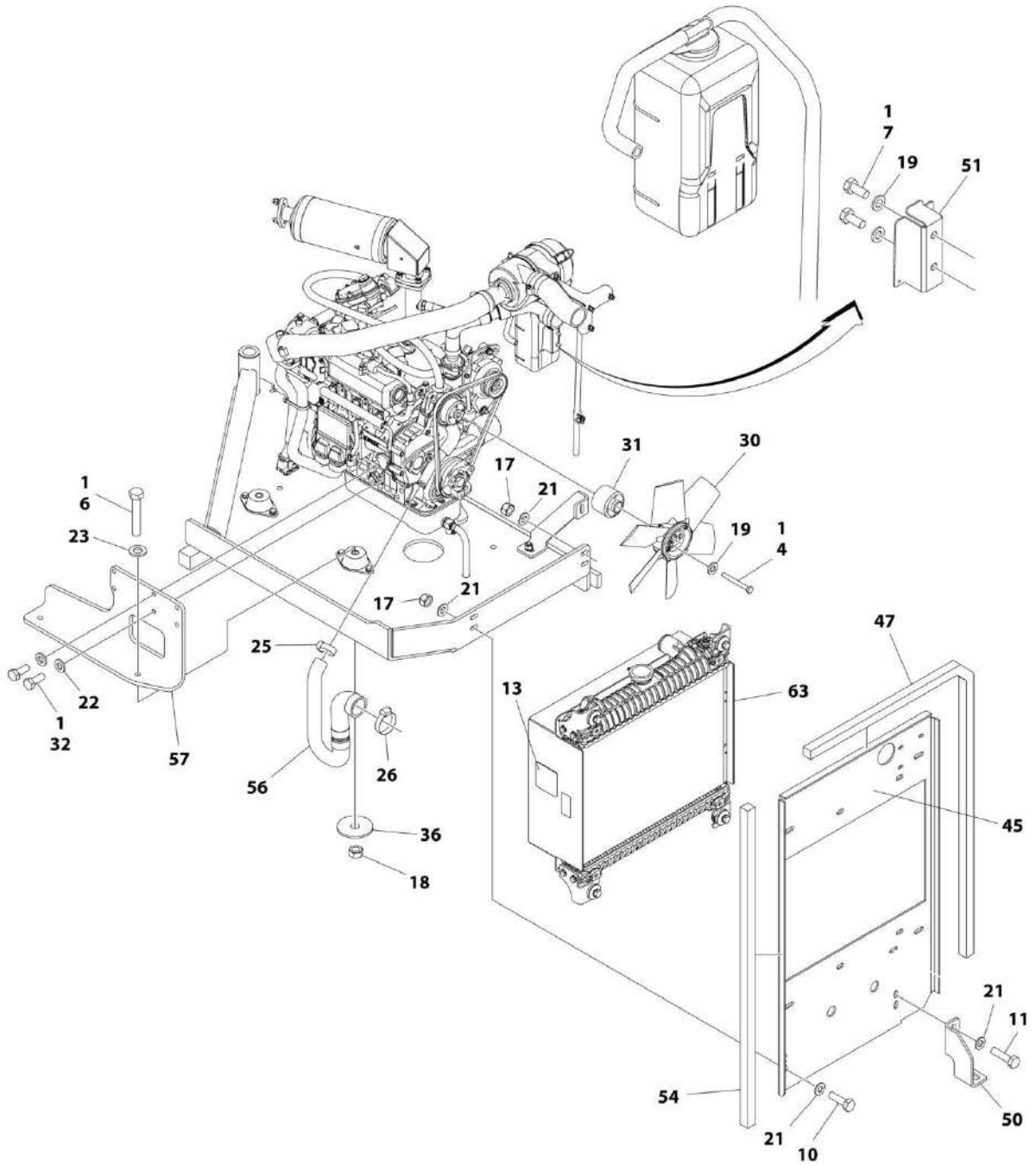
SECTION 3 - ENGINE

FIGURE 3-25. ENGINE ASSEMBLY - KUBOTA GASOLINE WITH GENERATOR



ART_1001231717_10F2

SECTION 3 - ENGINE



ART_1001231717_20F2

SECTION 3 - ENGINE

FIGURE 3-25. ENGINE ASSEMBLY - KUBOTA GASOLINE WITH GENERATOR

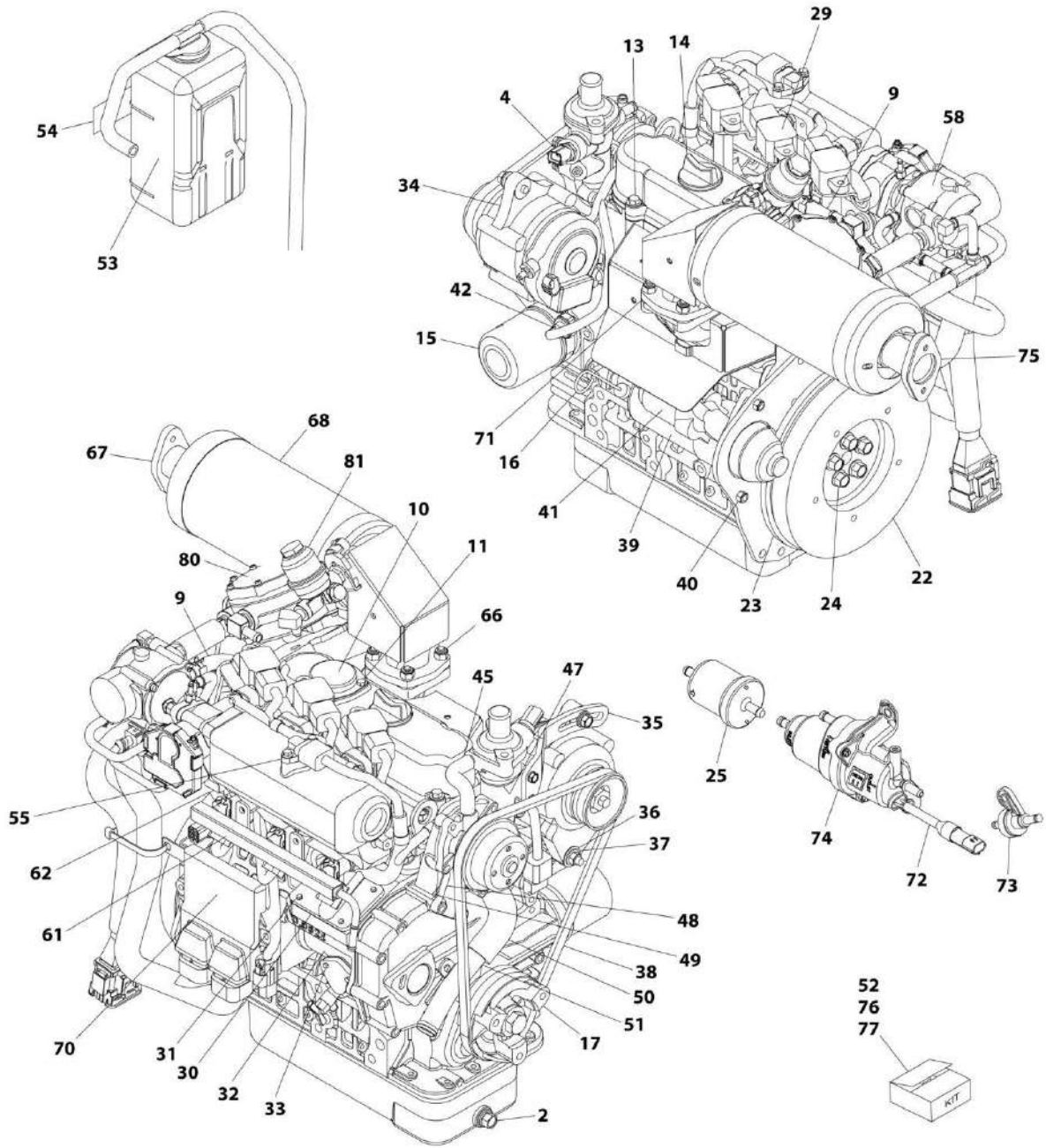
| ITEM | PART NUMBER | QTY | DESCRIPTION | REV |
|------|-------------|-----------------|-----------------------------------|-----|
| | 1001231717 | Ref | ENGINE ASSEMBLY - KUBOTA GASOLINE | A |
| 1 | 0100011 | AR | Compound, Locking | |
| 2 | 0340045 | 1 | Band, Mounting | |
| 3 | 0700610 | 3 | Bolt M6 x 20 | |
| 4 | 0700619 | 4 | Bolt M6 x 55 | |
| 5 | 0700814 | 8 | Bolt M8 x 30 | |
| 6 | 0701222 | 4 | Bolt M12 x 70 | |
| 7 | 0760607 | 2 | Bolt M6 x 14 | |
| 8 | 0760608 | 2 | Bolt M6 x 16 | |
| 9 | 0760808 | 10 | Bolt M8 x 16 | |
| 10 | 0761015 | 4 | Bolt M10 x 35 | |
| 11 | 0761016 | 6 | Bolt M10 x 40 | |
| 12 | 0961986 | 2 | Bearing, Flange | |
| 13 | 1703162 | 2 | Decal - Fan Blade | |
| 14 | 3290605 | 5 | Nut M6 | |
| 15 | 3290805 | 8 | Nut M8 | |
| 16 | 3291001 | 4 | Nut M10 | |
| 17 | 3291005 | 6 | Nut M10 | |
| 18 | 3291201 | 4 | Nut M12 | |
| 19 | 4811700 | 16 | Washer M6 | |
| 20 | 4811900 | 26 | Washer M8 | |
| 21 | 4812000 | 16 | Washer M10 | |
| 22 | 5241000 | 8 | Washer M10 | |
| 23 | 5241200 | 4 | Washer M12 | |
| 24 | 8405009 | 1 | Clamp | |
| 25 | 8405101 | 2 | Clamp | |
| 26 | 8405104 | 5 | Clamp | |
| 27 | 8410013 | 4 | Clamp | |
| 28 | 85941016 | 2 | Clamp | |
| 29 | 1001118280 | 1 | Air Filter Assembly | |
| 29 | 7015004 | 2 | Element | |
| 29 | 7015005 | 1 | Cover Assembly | |
| 29 | 1340069 | 1 | Valve, Vacuator | |
| 30 | 1001118538 | 1 | Fan | |
| 31 | 1001118539 | 1 | Fan, Spacer | |
| 32 | 1001118746 | 8 | Bolt M10 x 25 | |
| 33 | 1001146043 | 1 | Elbow | |
| 34 | 1001161497 | 1 | Valve Oil Drain | |
| 35 | 1001165035 | 1 | Hose | |
| 36 | 1001168018 | 4 | Washer | |
| 37 | 1001169054 | 4 | Isolator, Radiator | |
| 38 | 1001169138 | 4 | Pad | |
| 39 | 1001169967 | 2 | Bracket, Radiator | |
| 40 | 1001170035 | 2 | Bracket, Radiator | |
| 41 | 1001175509 | 4 | Mount, Motor | |
| 42 | 1001180620 | AR | Compound, Locking | |
| 43 | 1001181625 | 50 in/ 127cm | Hose | |
| 44 | 1001181649 | 1 | Tray, Engine | |
| 45 | 1001181658 | 1 | Plate, Radiator Mounting | |

SECTION 3 - ENGINE

| ITEM | PART NUMBER | QTY | DESCRIPTION | REV |
|------|-------------|-----|--|-----|
| 46 | 1001181659 | 1 | Hose, Radiator (Upper) | |
| 47 | 1001181739 | 1 | Seal | |
| 48 | 1001181829 | 1 | Coupling Kit - Gasoline Engines (See Separate Breakdown in this Section) | |
| 49 | 1001182980 | 1 | Bracket, Air Cleaner | |
| 50 | 1001182981 | 1 | Bracket, Tray | |
| 51 | 1001182982 | 1 | Mount | |
| 52 | 1001182983 | 1 | Tube, Intake | |
| 53 | 1001182984 | 1 | Bracket, Support | |
| 54 | 1001183420 | 1 | Foam, Baffle | |
| 55 | 1001183424 | 1 | Foam, Baffle | |
| 56 | 1001183427 | 1 | Tube, Coolant | |
| 57 | 1001183428 | 1 | Mount, Engine (RH) | |
| 58 | 1001183429 | 1 | Mount, Engine (LH) | |
| 59 | 1001184064 | 1 | Tube, Intake | |
| 60 | 1001184066 | 1 | Foam, Baffle | |
| 61 | 1001210708 | 1 | Sleeve, Insulation | |
| 62 | 1001213847 | 1 | Tube, Exhaust | |
| 63 | 1001220957 | 1 | Radiator | |
| 64 | 1001224493 | 1 | Engine Components - Kubota Gasoline (See Separate Breakdown in this Section) | |

SECTION 3 - ENGINE

FIGURE 3-26. ENGINE COMPONENTS - KUBOTA GASOLINE



ART_1001224493

SECTION 3 - ENGINE

FIGURE 3-26. ENGINE COMPONENTS - KUBOTA GASOLINE

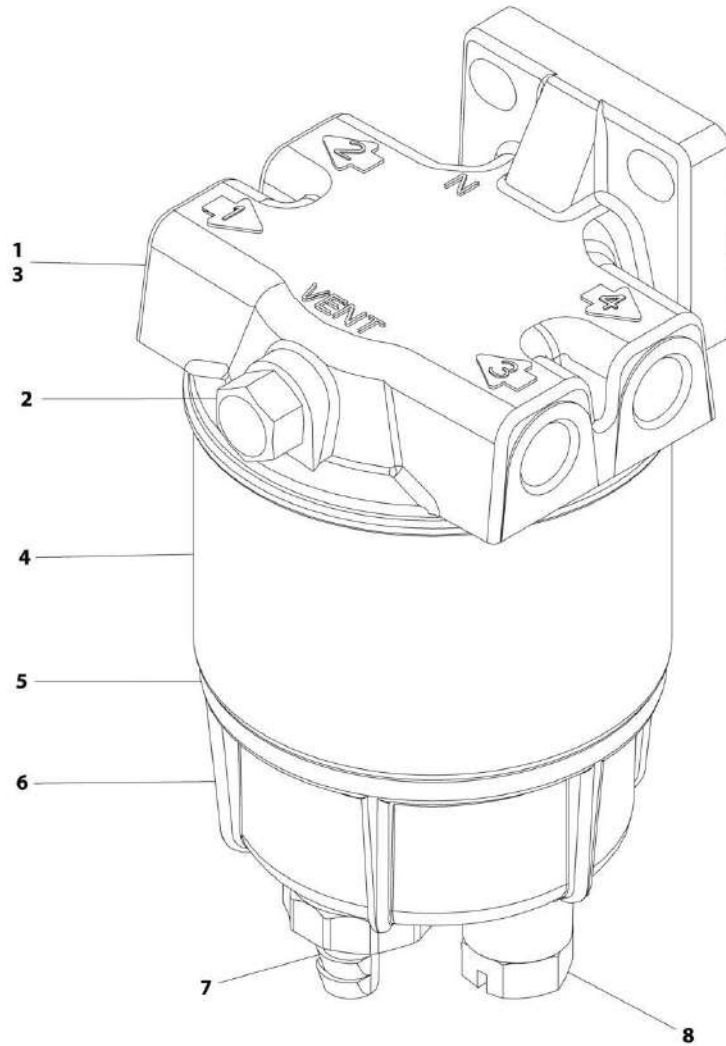
| ITEM | PART NUMBER | QTY | DESCRIPTION | REV |
|------|-------------|-----|-------------------------------------|-----|
| | 1001224493 | Ref | ENGINE COMPONENTS - KUBOTA GASOLINE | C |
| 1 | 70004524 | 1 | Drain (Not Shown) | |
| 2 | 70004525 | 1 | Plug, Drain | |
| 2 | 70004526 | 1 | Gasket | |
| 3 | 7017906 | 2 | Bolt (Not Shown) | |
| 4 | 70005726 | 1 | Sensor, Water Temperature | |
| 4 | 70005727 | 1 | Gasket | |
| 5 | 70005728 | 1 | Gasket, Head (Not Shown) | |
| 6 | 7017914 | 1 | Joint, Pipe (Not Shown) | |
| 7 | 70005729 | 1 | Seal, Oil (Not Shown) | |
| 8 | 70005730 | 1 | Sensor, Revolution (Not Shown) | |
| 9 | 7017959 | 2 | Band, Pipe | |
| 10 | 70005731 | 1 | O-Ring, Breather | |
| 10 | 70005732 | 1 | Cover, Breather | |
| 11 | 7017934 | 4 | Screw | |
| 12 | 70005733 | 1 | Gasket, Head Cover (Not Shown) | |
| 13 | 70004831 | 4 | Bolt | |
| 14 | 70002318 | 1 | Plug, Oil Filler | |
| 14 | 70004311 | 1 | O-Ring | |
| 15 | 7017980 | 1 | Filter, Oil | |
| 16 | 70005734 | 1 | Gauge, Oil | |
| 17 | 70004294 | 1 | Pump, Oil | |
| 17 | 70004295 | 1 | Gasket, Oil | |
| 18 | 70004296 | 1 | Key, Feather (Not Shown) | |
| 19 | 7017982 | 1 | Gasket, Bearing Case (Not Shown) | |
| 20 | 7017983 | 1 | Seal, Oil (Not Shown) | |
| 21 | 7017984 | 1 | Gasket, Case Cover (Not Shown) | |
| 22 | 70005735 | 1 | Gear, Ring | |
| 23 | 70005736 | 1 | Rotor | |
| 24 | 70004834 | 5 | Bolt | |
| 25 | 7017992 | 1 | Fuel, Filter | |
| 26 | 70005737 | 1 | Sensor, Stick (Not Shown) | |
| 27 | 70005738 | 1 | Holder, Sensor (Not Shown) | |
| 28 | 70005739 | 3 | Spark Plug (Not Shown) | |
| 29 | 70005740 | 3 | Coil, Ignition | |
| 30 | 7017986 | 1 | Gasket | |
| 31 | 70004538 | 2 | Packing | |
| 32 | 7017995 | 1 | Gasket, Fuel Pump | |
| 33 | 70004848 | 2 | Bolt | |
| 34 | 70006661 | 1 | Alternator - 60Amp | |
| 35 | 70006662 | 1 | Bracket, Adjustment | |
| 36 | 70004557 | 1 | Washer | |
| 37 | 70004558 | 1 | Washer, Spring Lock | |
| 38 | 7023107 | 1 | V-Belt | |
| 39 | 70005743 | 1 | Starter | |
| 40 | 70005329 | 5 | Nut | |
| 41 | 70005744 | 1 | Magnetic, Switch | |
| 42 | 70005745 | 1 | Switch, Oil Pressure | |
| 43 | 70004829 | 1 | Pipe, Water Return (Not Shown) | |
| 44 | 70004306 | 1 | Gasket, Water Flange (Not Shown) | |

SECTION 3 - ENGINE

| ITEM | PART NUMBER | QTY | DESCRIPTION | REV |
|------|-------------|-----|--------------------------------------|-----|
| 45 | 70004851 | 1 | Pipe, Water Return | |
| 46 | 7023170 | 1 | Thermostat (Not Shown) | |
| 47 | 70002326 | 1 | Gasket, Thermostat | |
| 48 | 70004853 | 1 | Pump, Water | |
| 49 | 70004854 | 1 | Gasket, Water Pump | |
| 50 | 70004912 | 1 | Hose, Water | |
| 51 | 70004913 | 2 | Band, Pipe | |
| 52 | 70005229 | 1 | Coolant Tank Kit | |
| 53 | 4400498 | 1 | Tank, Coolant | |
| 54 | 70004401 | 1 | Decal - Instruction | |
| 55 | 70005746 | 1 | Sensor (TMAP) | |
| 56 | 70005747 | 1 | O-Ring (Not Shown) | |
| 57 | 7017994 | 2 | Gasket, Air Cleaner (Not Shown) | |
| 58 | 70005748 | 1 | Mixer | |
| 59 | 70004537 | 1 | Screw, Air Bleeder (Not Shown) | |
| 60 | 70005749 | 1 | Gasket, In-Manifold (Not Shown) | |
| 61 | 70005750 | 1 | Rail, Fuel Ignition | |
| 62 | 70005751 | 3 | Injector | |
| 63 | 70005752 | 1 | Gasket, Exhaust Manifold (Not Shown) | |
| 64 | 70005753 | 3 | Bolt, Stud (Not Shown) | |
| 65 | 70005327 | 6 | Nut (Not Shown) | |
| 66 | 70005754 | 4 | Bolt, Stud | |
| 67 | 70005755 | 1 | Muffler | |
| 68 | 70005756 | 1 | Cover, Muffler | |
| 69 | 70005757 | 1 | Harness, Wire (ECU) (Not Shown) | |
| 70 | 70005758 | 1 | Module, Engine Control (ECU) | |
| 71 | 70005759 | 2 | Gasket, Muffler | |
| 72 | 70005760 | 2 | Sensor, O2 | |
| 73 | 70005762 | 1 | Valve, 2 Way | |
| 74 | 70005761 | 1 | Pump, Fuel | |
| 75 | 70005763 | 1 | Gasket, Muffler | |
| 76 | 70005764 | 1 | Upper Gasket Kit | |
| 77 | 70005765 | 1 | Lower Gasket Kit | |
| 78 | 70005766 | 1 | Cable Assembly (ECOM) (Not Shown) | |
| 79 | 70005767 | 1 | Adapter (ECOM) (Not Shown) | |
| 80 | 70005768 | 1 | Regulator | |
| 81 | 70005769 | 1 | Valve, Lockoff | |

SECTION 3 - ENGINE

FIGURE 3-27. FUEL/WATER SEPARATOR ASSEMBLY - DIESEL ENGINES



ART_1001190609

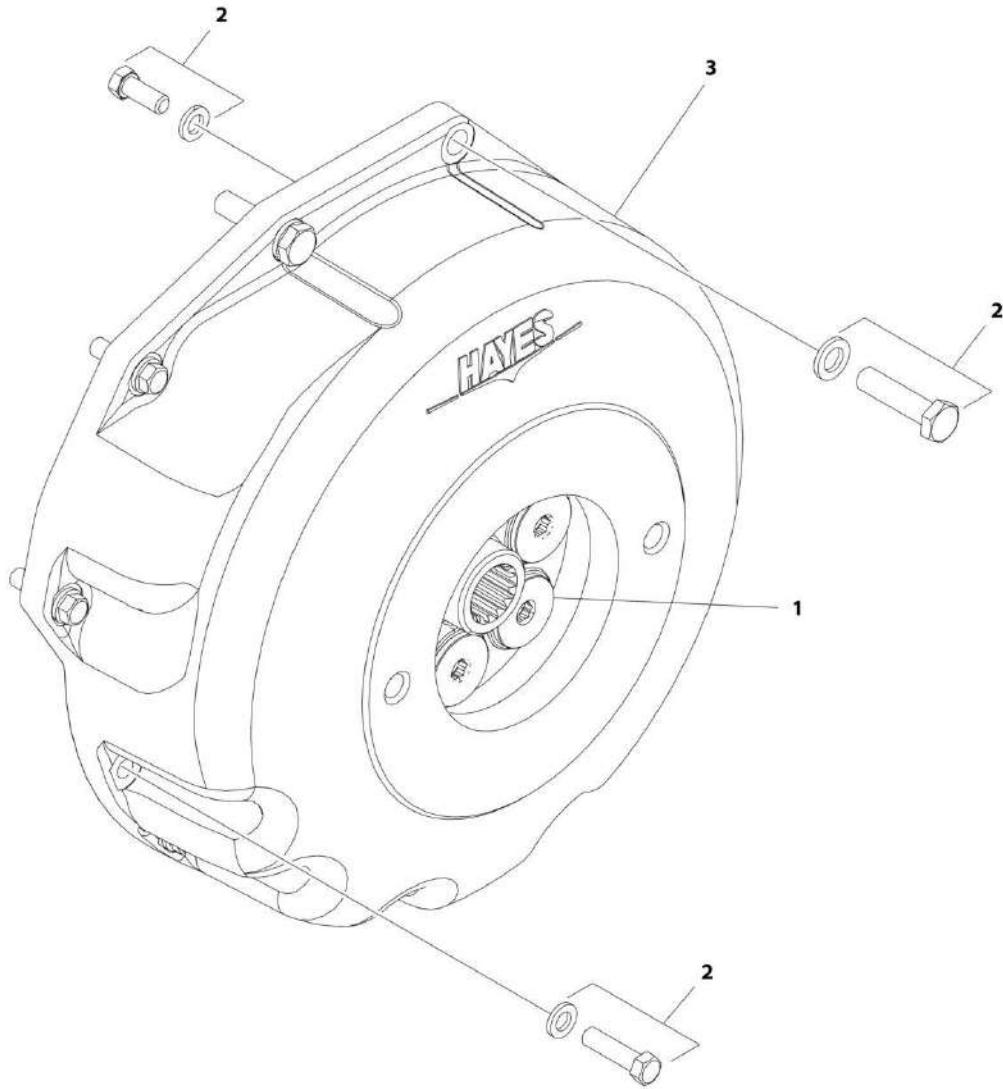
SECTION 3 - ENGINE

FIGURE 3-27. FUEL/WATER SEPARATOR ASSEMBLY - DIESEL ENGINES

| ITEM | PART NUMBER | QTY | DESCRIPTION | REV |
|------|-------------|-----|--|-----|
| | 1001190609 | Ref | FUEL/WATER SEPARATOR ASSEMBLY - DIESEL ENGINES | A |
| 1 | 70005293 | 1 | Head, Mounting | |
| 2 | 70005294 | 1 | Plug | |
| 3 | 70005295 | 1 | Gasket, Head | |
| 4 | 70005296 | 1 | Element | |
| 5 | 70005297 | 1 | O-Ring | |
| 6 | 70002901 | 1 | Bowl | |
| 7 | 70004070 | 1 | Drain, Self Venting | |
| 8 | 70004069 | 1 | Plug | |

SECTION 3 - ENGINE

FIGURE 3-28. COUPLING KIT - DIESEL ENGINES



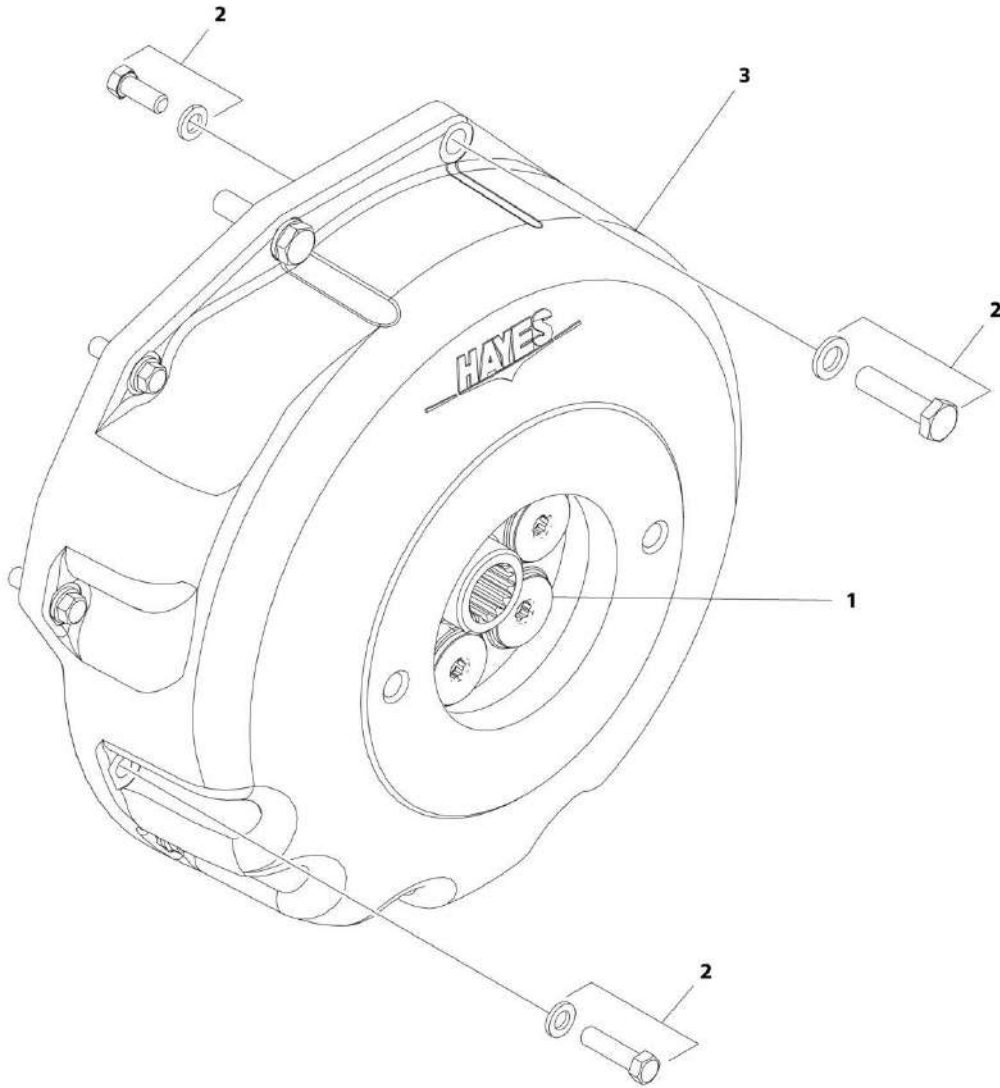
ART_1001118675

FIGURE 3-28. COUPLING KIT - DIESEL ENGINES

| ITEM | PART NUMBER | QTY | DESCRIPTION | REV |
|-------------|--------------------|------------|------------------------------------|------------|
| | 1001118675 | Ref | COUPLING KIT - DIESEL ENGINES | A |
| 1 | 70001933 | 1 | Coupling Assembly | |
| 2 | 70005453 | 1 | Bolt Kit | |
| 3 | See Note | NSS | Housing (Note: Use p/n 1001118675) | |

SECTION 3 - ENGINE

FIGURE 3-29. COUPLING KIT - GASOLINE ENGINES



ART_1001181829

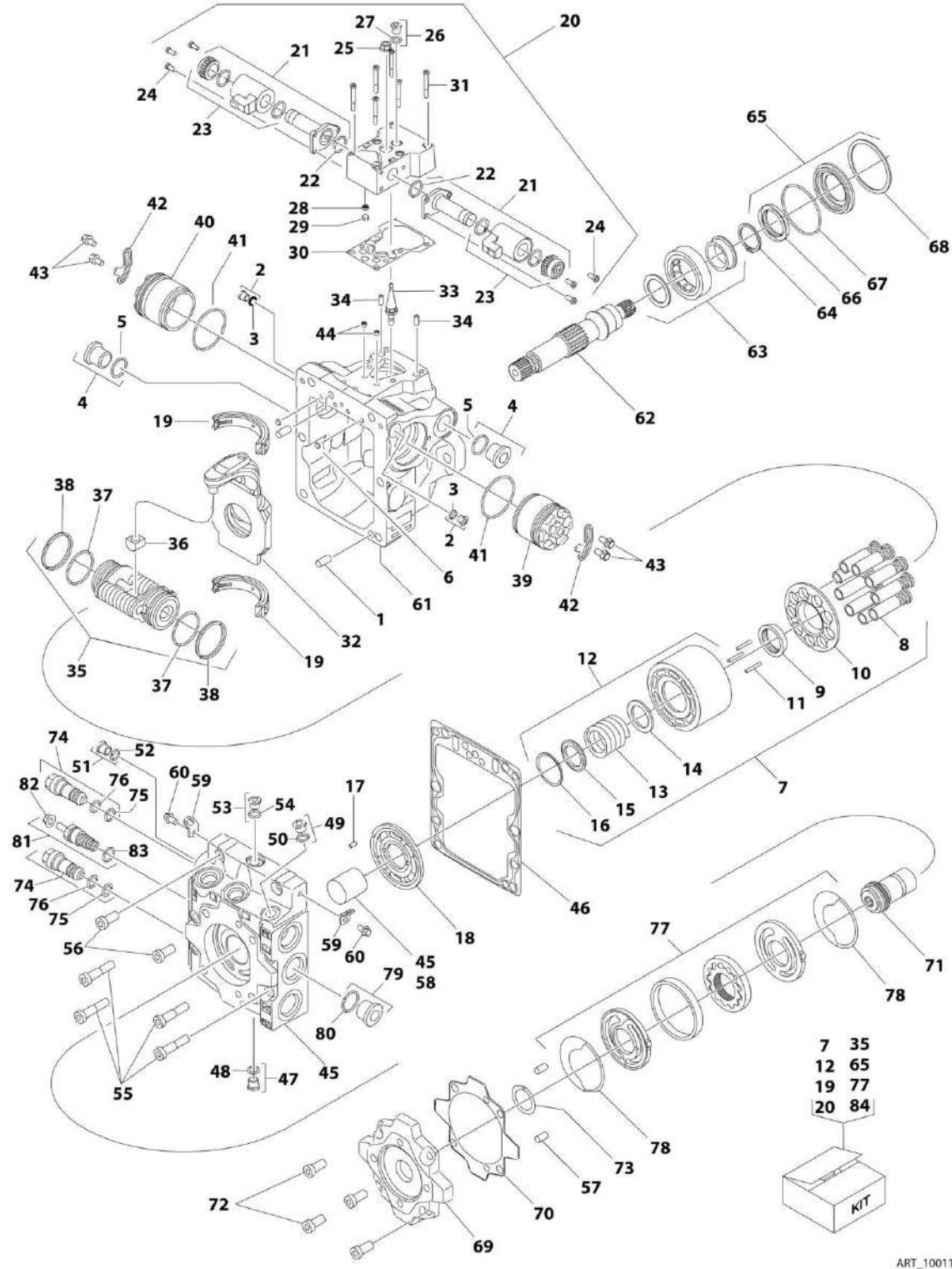
SECTION 3 - ENGINE

FIGURE 3-29. COUPLING KIT - GASOLINE ENGINES

| ITEM | PART NUMBER | QTY | DESCRIPTION | REV |
|------|-------------|-----|------------------------------------|-----|
| | 1001181829 | Ref | COUPLING KIT - GASOLINE ENGINES | B |
| 1 | 70005455 | 1 | Coupling Assembly | |
| 2 | 70005454 | 1 | Bolt Kit | |
| 1 | See Note | NSS | Housing (Note: Use p/n 1001181829) | |

SECTION 3 - ENGINE

FIGURE 3-30. PISTON PUMP ASSEMBLY



ART_1001101331

SECTION 3 - ENGINE

FIGURE 3-30. PISTON PUMP ASSEMBLY

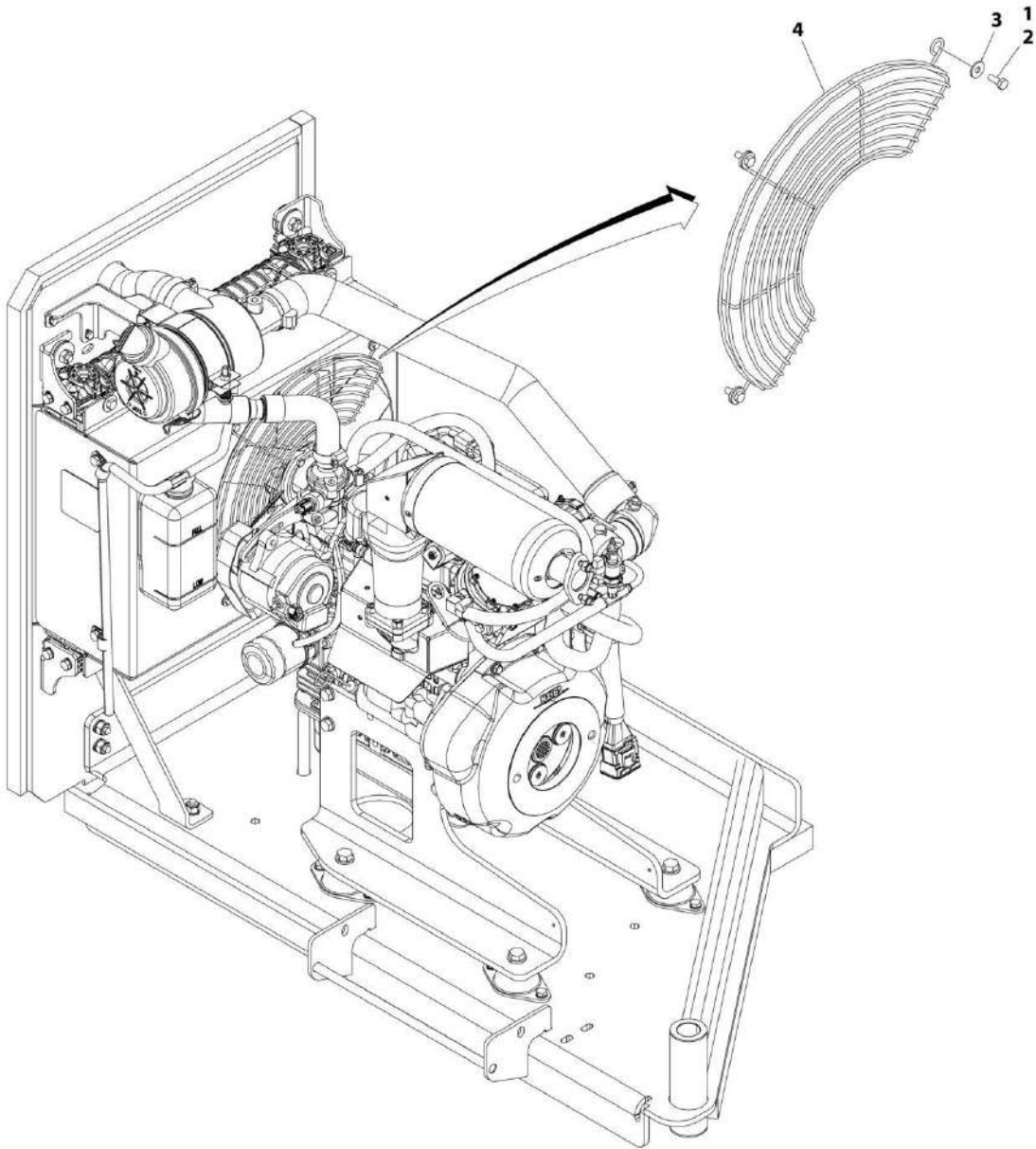
| ITEM | PART NUMBER | QTY | DESCRIPTION | REV |
|------|-------------|-----|---|-----|
| | 1001101331 | Ref | PISTON PUMP ASSEMBLY | E |
| 1 | 70002132 | 2 | Pin | |
| 2 | 70002133 | 2 | Plug Assembly (Includes Item 3) | |
| 3 | 7007207 | 2 | O-Ring (Part of Item 2) | |
| 4 | 7007419 | 2 | Plug Assembly (Includes Item 5) | |
| 5 | 7007418 | 2 | O-Ring (Part of Item 4) | |
| 6 | 70002134 | 2 | Screen | |
| 7 | 70002135 | 1 | Cylinder Block Kit (Includes Items 8-16) | |
| 8 | 70002136 | 1 | Piston Assembly Kit (Includes Qty 9 Piston Assemblies) (Part of Item 7) | |
| 9 | 70002137 | 1 | Guide, Slipper Retainer (Part of Item 7) | |
| 10 | 70002138 | 1 | Retainer, Slipper (Part of Item 7) | |
| 11 | 7021275 | 3 | Pin, Slipper Retainer Hold Down (Part of Item 7) | |
| 12 | 70002143 | 1 | Cylinder Block Assembly (Includes Items 13-16) (Part of Item 7) | |
| 13 | 70002139 | 1 | Spring (Part of Item 12) | |
| 14 | 70002140 | 1 | Washer (Part of Item 12) | |
| 15 | 70002141 | 1 | Washer (Part of Item 12) | |
| 16 | 70002142 | 1 | Ring, Retaining (Part of Item 12) | |
| 17 | 7007446 | 1 | Pin | |
| 18 | 70002144 | 1 | Plate, CW Valve | |
| 19 | 70002145 | 1 | Swash Plate Bearing Kit (Includes Qty 2 Bearings) | |
| 20 | 70002146 | 1 | EDC Kit (Includes Items 21-31) | |
| 21 | 70002147 | 2 | Solenoid Valve Assembly (Includes Item 22 & 23) (Part of Item 20) | |
| 22 | 70002148 | 2 | O-Ring (1 Per Valve Assembly) (Part of Item 21) | |
| 23 | 70002149 | 2 | Coil, Nut and Seals Kit (1 Per Valve Assembly) (Part of Item 21) | |
| 24 | 70002150 | 6 | Screw (Part of Item 20) | |
| 25 | 7022301 | 1 | Nut, Seal (Part of Item 20) | |
| 26 | 70002151 | 1 | Plug Assembly (Part of Item 20) (Includes Item 27) | |
| 27 | 7007207 | 1 | O-Ring (Part of Item 26) | |
| 28 | 70002134 | 1 | Screen (Part of Item 20) | |
| 29 | 70002153 | 1 | Ring, Locking (Part of Item 20) | |
| 30 | 70002154 | 1 | Gasket, Control (Part of Item 20) | |
| 31 | 70002156 | 6 | Capscrew (Part of Item 20) | |
| 32 | 70002152 | 1 | Swash Plate | |
| 33 | 70002155 | 1 | Link, Swash Plate | |
| 34 | 70002157 | 2 | Pin, Dowel | |
| 35 | 70002158 | 1 | Servo Piston Assembly (Includes Items 36-38) | |
| 36 | 70002159 | 1 | Block, Slider (Part of Item 35) | |
| 37 | 70002160 | 2 | O-Ring (Part of Item 35) | |
| 38 | 70002161 | 2 | Ring, Piston (Part of Item 35) | |
| 39 | 70002162 | 1 | Cylinder, Servo | |
| 40 | 70002162 | 1 | Cylinder, Servo | |
| 41 | 70002163 | 2 | O-Ring | |
| 42 | 70002164 | 2 | Plate, Locking | |
| 43 | 70002165 | 4 | Screw | |
| 44 | 70002166 | 2 | Orifice | |
| 45 | 70002167 | 1 | Cap, End (Includes Item 58) | |
| 46 | 70002168 | 1 | Gasket, End Cap | |
| 47 | 70002158 | 1 | Plug Assembly (Includes Item 48) | |

SECTION 3 - ENGINE

| ITEM | PART NUMBER | QTY | DESCRIPTION | REV |
|------|-------------|-----|--|-----|
| 48 | 7021256 | 1 | O-Ring (Part of Item 47) | |
| 49 | 70001958 | 1 | Plug Assembly (Includes Item 50) | |
| 50 | 7021256 | 1 | O-Ring (Part of Item 49) | |
| 51 | 70001958 | 1 | Plug Assembly (Includes Item 52) | |
| 52 | 7021256 | 1 | O-Ring (Part of Item 51) | |
| 53 | 70001958 | 1 | Plug Assembly (Includes Item 54) | |
| 54 | 7021256 | 1 | O-Ring (Part of Item 53) | |
| 55 | 70002169 | 4 | Capscrew | |
| 56 | 70002170 | 2 | Capscrew | |
| 57 | 70002132 | 2 | Pin | |
| 58 | 70002172 | 1 | Bearing, Journal (Part of Item 45) | |
| 59 | 7022340 | 2 | Bracket, Lifting | |
| 60 | 70002165 | 2 | Screw | |
| 61 | See Note | 1 | Housing (Note: Purchase p/n 1001101331) | |
| 62 | 70002175 | 1 | Shaft | |
| 63 | 70002176 | 1 | Ball Bearing Kit | |
| 64 | 70007439 | 1 | Ring, Retaining | |
| 65 | 70002174 | 1 | Shaft Seal Kit (Includes Items 66-68) (Note: This is a universal kit and will contain extra pieces that are not used on this pump assembly.) | |
| 66 | 70002177 | 1 | Seal, Lip | |
| 67 | 70002178 | 1 | O-Ring | |
| 68 | 70002179 | 1 | Ring, Retaining | |
| 69 | 70002180 | 1 | Adapter | |
| 70 | 70002181 | 1 | Seal, Adapter | |
| 71 | 70002182 | 1 | Coupling | |
| 72 | 70002185 | 4 | Capscrew | |
| 73 | 70002186 | 1 | Plate, Thrust | |
| 74 | 70002188 | 2 | High Pressure Relief Valve Cartridge Assembly (Includes Item 75 & 76) | |
| 75 | 70002187 | 2 | O-Ring (1 Per Cartridge) (Part of Item 74) | |
| 76 | 7007415 | 2 | O-Ring (1 Per Cartridge) (Part of Item 74) | |
| 77 | 70002189 | 1 | Charge Pump Kit (Includes Item 78) | |
| 78 | 70002190 | 2 | Ring, Seal (Part of Item 77) | |
| 79 | 7023964 | 1 | Plug Assembly (Includes Item 80) | |
| 80 | 7007415 | 1 | O-Ring (Part of Item 79) | |
| 81 | 70002188 | 1 | Charge Relief Valve Cartridge Assembly (Includes Item 82 & 83) | |
| 82 | 70002187 | 1 | Nut, Seal (Part of Item 81) | |
| 83 | 7007415 | 1 | O-Ring (Part of Item 81) | |
| 84 | 70002192 | 1 | Overhaul Seal Kit (Includes Items 3, 5, 22, 27, 30, 37, 38, 41, 48, 50, 52, 54, 66, 67, 70, 75, 76, 78, 82 & 83) | |

SECTION 3 - ENGINE

FIGURE 3-31. FAN GUARD INSTALLATION - KUBOTA



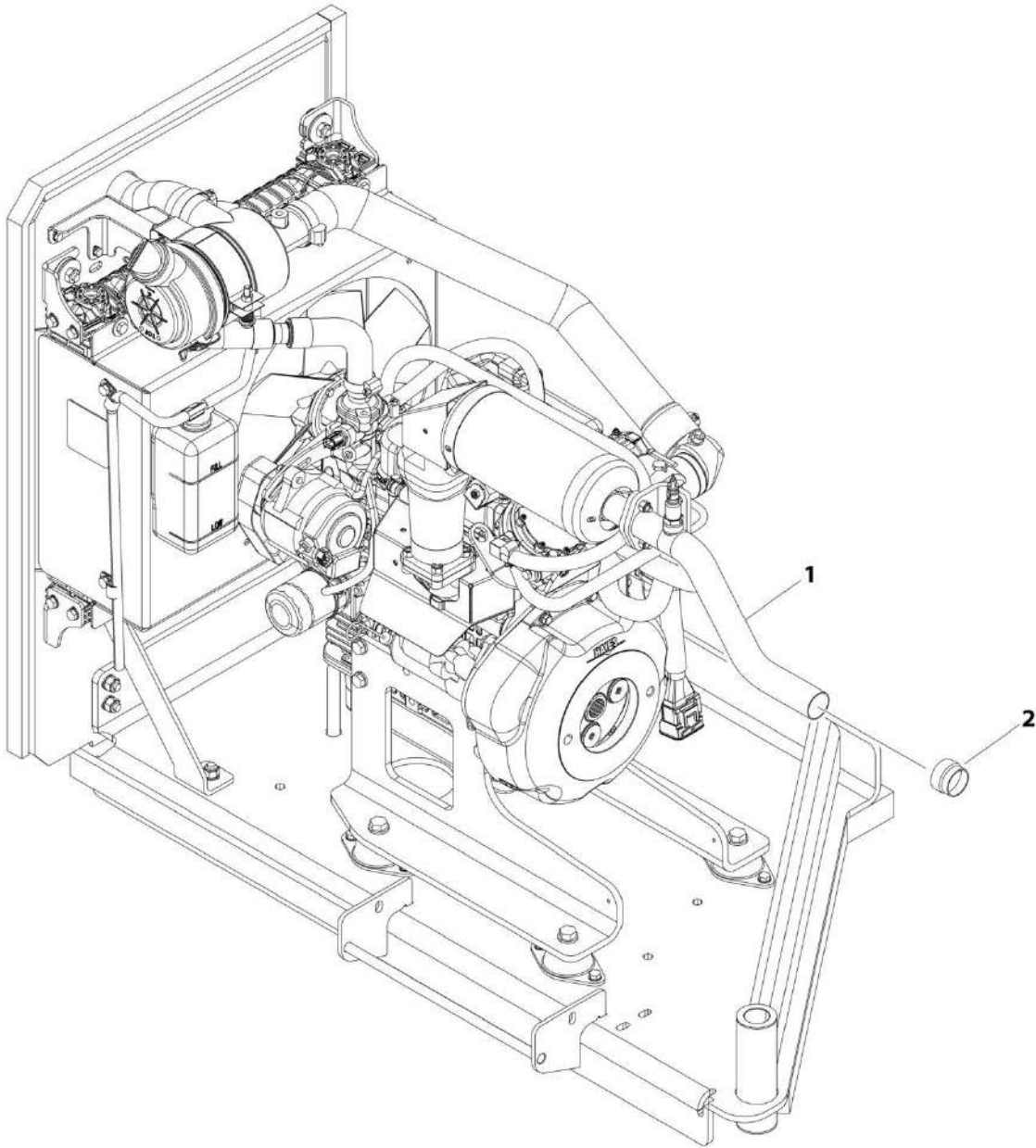
ART_1001220614

FIGURE 3-31. FAN GUARD INSTALLATION - KUBOTA

| ITEM | PART NUMBER | QTY | DESCRIPTION | REV |
|-------------|--------------------|------------|---------------------------------|------------|
| | 1001220614 | Ref | FAN GUARD INSTALLATION - KUBOTA | A |
| 1 | 0100011 | AR | Compound, Locking | |
| 2 | 0760608 | 3 | Bolt M6 x 16 | |
| 3 | 4811702 | 3 | Washer M6 | |
| 4 | 1001220613 | 1 | Shroud, Fan Guard | |

SECTION 3 - ENGINE

FIGURE 3-32. SPARK ARRESTOR MUFFLER - OPTIONAL (GASOLINE ENGINES)



ART_1001187703

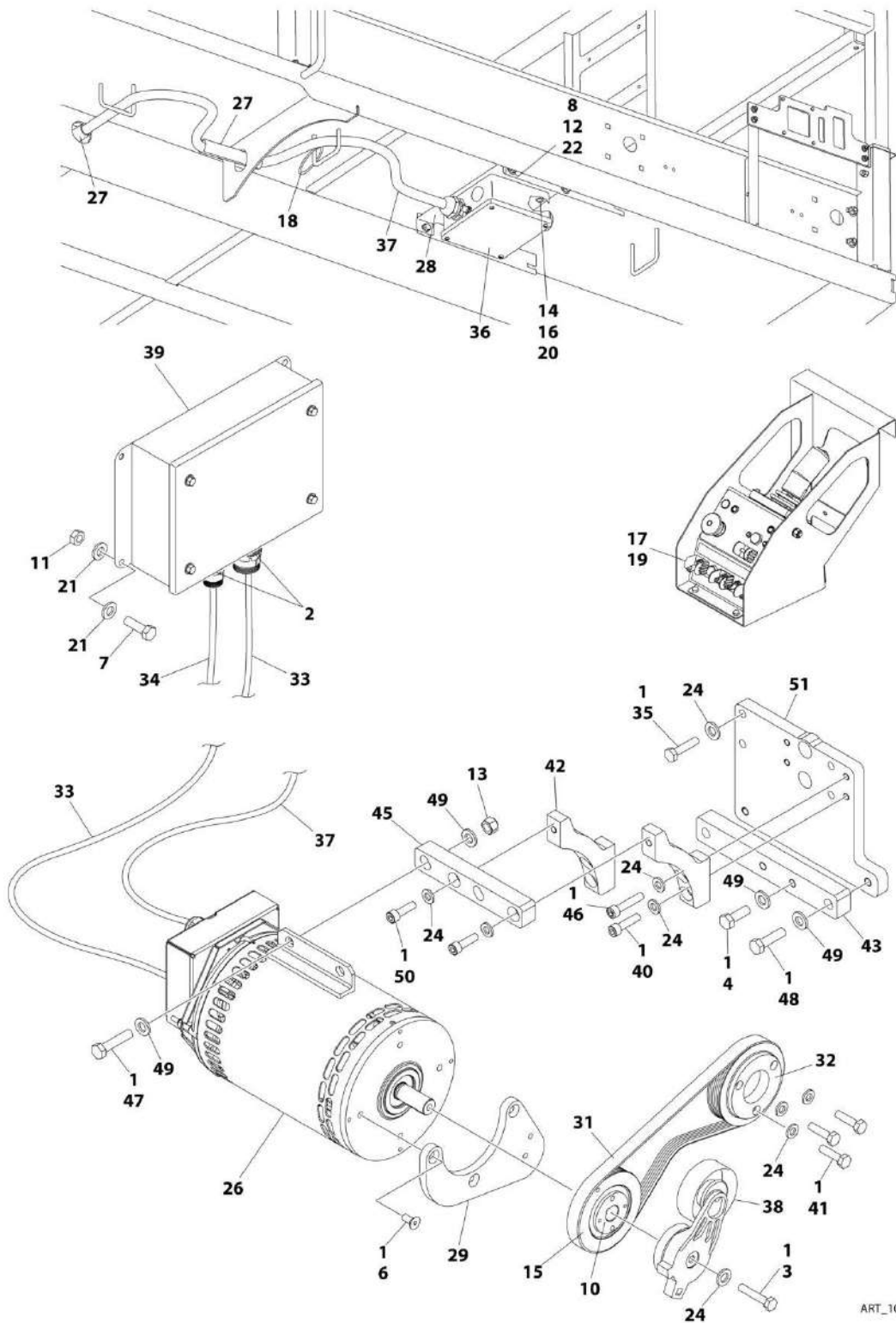
SECTION 3 - ENGINE

FIGURE 3-32. SPARK ARRESTOR MUFFLER - OPTIONAL (GASOLINE ENGINES)

| ITEM | PART NUMBER | QTY | DESCRIPTION | REV |
|------|-------------|-----|--|-----|
| | 1001187703 | Ref | SPARK ARRESTOR MUFFLER - OPTIONAL (GASOLINE ENGINES) | A |
| 1 | 1001219775 | 1 | Arrestor, Spark | |
| 2 | 1001219826 | 1 | Pipe, Exhaust | |

SECTION 3 - ENGINE

FIGURE 3-33. GENERATOR INSTALLATION - 4000W (KUBOTA DIESEL STAGE III)



ART_1001181217

SECTION 3 - ENGINE

FIGURE 3-33. GENERATOR INSTALLATION - 4000W (KUBOTA DIESEL STAGE III)

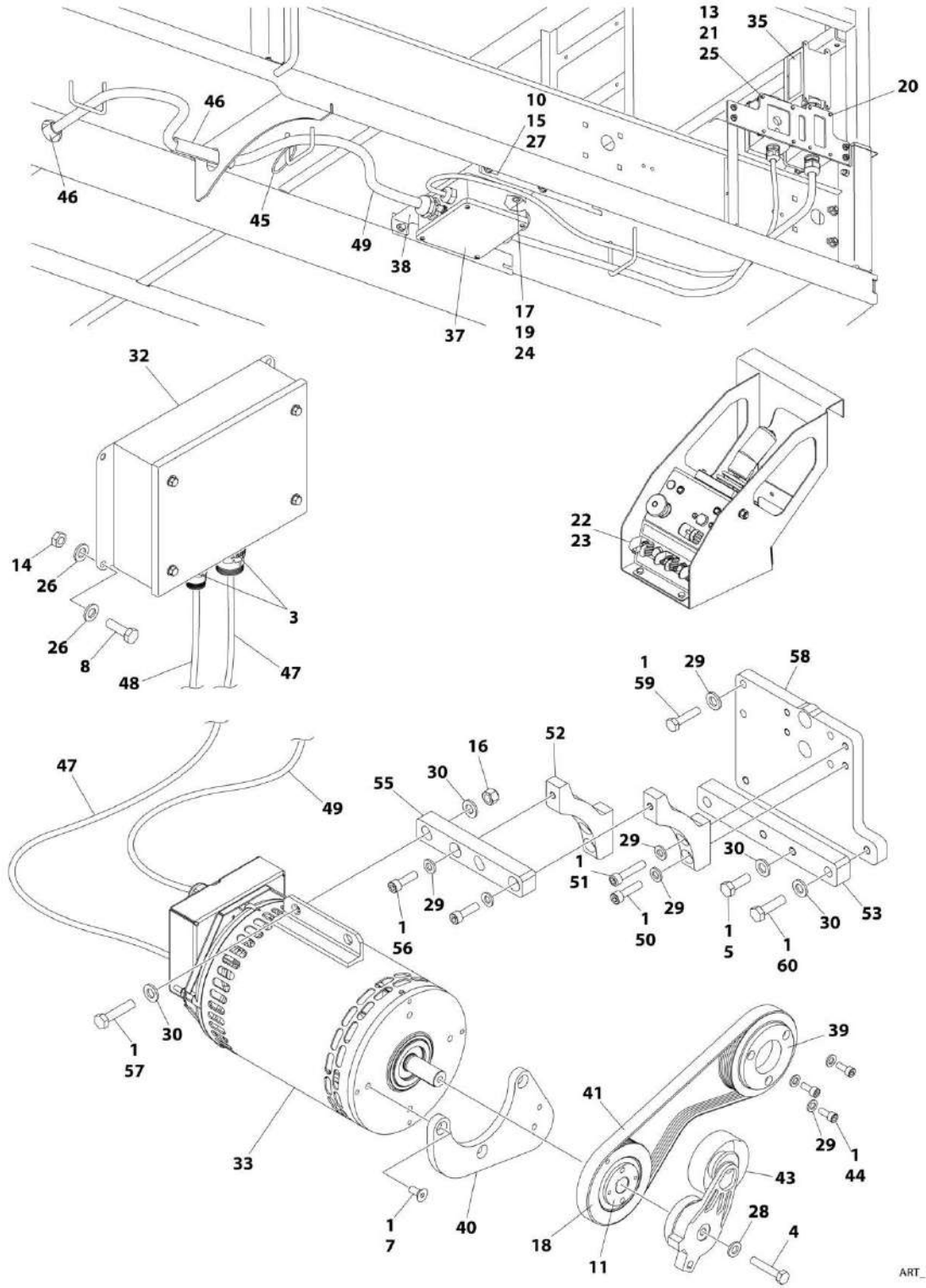
| ITEM | PART NUMBER | QTY | DESCRIPTION | REV |
|------|-------------|-----|--|-----|
| | 1001181217 | Ref | GENERATOR INSTALLATION - 4000W (KUBOTA DIESEL STAGE III) | E |
| 1 | 0100011 | AR | Compound, Locking | |
| 2 | 0100048 | AR | Grease, Silicone (Apply to Contactor Connector) | |
| 3 | 0701019 | 1 | Bolt M10 x 55 | |
| 4 | 0701215 | 2 | Bolt M12 x 35 | |
| 6 | 0741607 | 3 | Bolt 3/8-16 x .88 | |
| 7 | 0760610 | 4 | Bolt M6 x 20 | |
| 8 | 0780810 | 4 | Bolt M8 x 20 | |
| 10 | 0962520 | 1 | Bushing, Taper | |
| 11 | 3290605 | 4 | Nut M6 | |
| 12 | 3290805 | 4 | Nut M8 | |
| 13 | 3291201 | 2 | Nut M12 | |
| 14 | 3311005 | 4 | Nut #10 | |
| 15 | 3580318 | 1 | Pulley, Generator | |
| 16 | 3931016 | 4 | Screw #10 x 1 | |
| 17 | 4060802 | 1 | Guard, Switch | |
| 18 | 4240017 | 2 | Tie Strap | |
| 19 | 4360482 | 1 | Switch, Toggle | |
| 20 | 4751000 | 4 | Washer #10 | |
| 21 | 4811700 | 8 | Washer M6 | |
| 22 | 4811900 | 4 | Washer M8 | |
| 24 | 5241000 | AR | Washer M10 | |
| 26 | 1001140347 | 1 | Generator Assembly | |
| 26 | 70003709 | 1 | Ring, Retaining (External) | |
| 26 | 70003708 | 1 | Ring, Retaining (Internal) | |
| 26 | 70001966 | 1 | Bearing | |
| 26 | 70004092 | 1 | Endbell (Shaft End) | |
| 26 | 70004099 | 1 | Key | |
| 26 | 70004676 | 1 | Rotor | |
| 26 | 70004686 | 1 | Stator | |
| 26 | 70004678 | 1 | Endbell (Rear) | |
| 26 | 70004679 | 1 | Cover, Endbell (Rear) | |
| 26 | 70004680 | 1 | Enclosure, Wiring | |
| 26 | 70004681 | 1 | Cover, Enclosure | |
| 26 | 70004682 | 1 | Switch, Reset (Located on Enclosure Cover) | |
| 26 | 70004683 | 1 | Connector, Strain Relief (Located on Enclosure Cover) | |
| 26 | 4460224 | 1 | Receptacle, Female - 6 Position (Connects to Harness) | |
| 26 | 4460268 | 1 | Pin, Male (Connects to Harness) | |
| 26 | 4460807 | 6 | Seal, Pin (Connects to Harness) | |
| 26 | 4460808 | 1 | Seal, Interface (Connects to Harness) | |
| 27 | 1001151080 | 2 | Conduit, Split Poly | |
| 28 | 1001166732 | 1 | Support | |
| 29 | 1001184162 | 1 | Bracket | |
| 31 | 1001184163 | 1 | Belt | |
| 32 | 1001185510 | 1 | Pulley | |
| 33 | 1001236444 | 1 | Harness, 4000W Generator Control - Generator to Control Box (See Separate Breakdown in ELECTRICAL SECTION) | |
| 34 | 1001186826 | 1 | Harness, 4000W Generator Control - Control Box to Generator Control (See Separate Breakdown in ELECTRICAL SECTION) | |

SECTION 3 - ENGINE

| ITEM | PART NUMBER | QTY | DESCRIPTION | REV |
|------|-------------|-----|---|-----|
| 35 | 1001207285 | AR | Bolt M10 x 45 | |
| 36 | 1001187197 | 1 | Junction Box Assembly - 4000W Generator(Australian and CE Specs) (See Separate Breakdown in this Section) | |
| 37 | 1001236445 | 1 | Cable, Electrical 10/4 | |
| 38 | 3580317 | 1 | Pulley, Belt Tensioner | |
| 39 | 1001138566 | 1 | Box, Generator Control 4000W Generator 50Hz | |
| 39 | 70006552 | 1 | Capacitor | |
| 39 | 70006553 | 1 | Relay | |
| 40 | 5272012 | AR | Bolt M10 x 40 | |
| 41 | 1001119929 | AR | Bolt M10 x 35 | |
| 42 | 1001202532 | 2 | Generator Arm Mount Bracket | |
| 43 | 1001208340 | 1 | Generator Bracket | |
| 45 | 1001202536 | 1 | Plate | |
| 46 | 4032014 | AR | Bolt M10 x 50 | |
| 47 | 0701219 | AR | Bolt M12 x 55 | |
| 48 | 0701217 | AR | Bolt M12 x 45 | |
| 49 | 5241200 | AR | Washer M12 | |
| 50 | 5272011 | AR | Bolt M10 x 35 | |
| 51 | 1001208339 | 1 | Generator Mount Bracket | |

SECTION 3 - ENGINE

FIGURE 3-34. GENERATOR INSTALLATION - 4000W (KUBOTA DIESEL T4F)



ART_100117770

SECTION 3 - ENGINE

FIGURE 3-34. GENERATOR INSTALLATION - 4000W (KUBOTA DIESEL T4F)

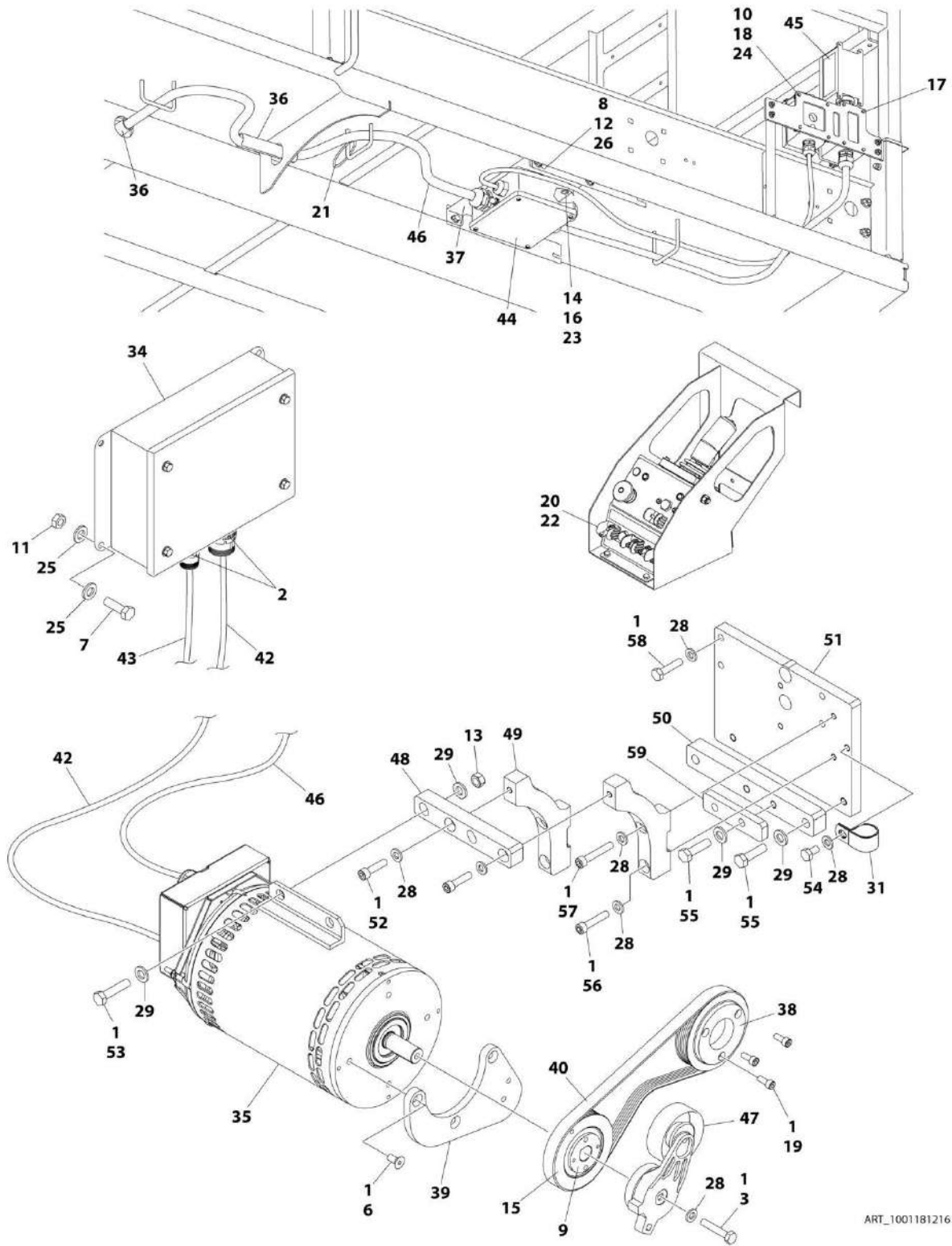
| ITEM | PART NUMBER | QTY | DESCRIPTION | REV |
|------|-------------|-----|---|-----|
| | 1001177770 | Ref | GENERATOR INSTALLATION - 4000W (KUBOTA DIESEL T4F) | H |
| 1 | 0100011 | AR | Compound, Locking | |
| 3 | 0100048 | AR | Grease, Silicone (Apply to Contactor Connector) | |
| 4 | 0701019 | 1 | Bolt M10 x 55 | |
| 5 | 0701215 | 2 | Bolt M12 x 35 | |
| 7 | 0741607 | 3 | Bolt 3/8 x .88 | |
| 8 | 0760610 | 4 | Bolt M6 x 20 | |
| 10 | 0780810 | 4 | Bolt M8 x 20 | |
| 11 | 0962520 | 1 | Bushing, Taper | |
| 13 | 3290405 | 4 | Nut M4 | |
| 14 | 3290605 | 4 | Nut M6 | |
| 15 | 3290805 | 4 | Nut M8 | |
| 16 | 3291201 | 2 | Nut M12 | |
| 17 | 3311005 | 4 | Nut #10 | |
| 18 | 3580318 | 1 | Pulley, Generator | |
| 19 | 3931016 | 4 | Screw #10 x 1 | |
| 20 | 3940804 | 4 | Self, Tapping | |
| 21 | 4010408 | 4 | Screw M4 x 16 | |
| 22 | 4060802 | 1 | Guard, Switch | |
| 23 | 4360482 | 1 | Switch, Toggle | |
| 24 | 4751000 | 4 | Washer #10 | |
| 25 | 4811400 | 4 | Washer M4 | |
| 26 | 4811700 | 8 | Washer M6 | |
| 27 | 4811900 | 4 | Washer M8 | |
| 28 | 4812000 | 1 | Washer M10 | |
| 29 | 5241000 | AR | Washer M10 | |
| 30 | 5241200 | AR | Washer M12 | |
| 32 | 1001138566 | 1 | Box, Generator Control (4000W Generator - 60Hz) | |
| 32 | 70006552 | 1 | Capacitor | |
| 32 | 70006553 | 1 | Relay | |
| 33 | 1001140346 | 1 | Generator Assembly | |
| 33 | 70003709 | 1 | Ring, Retaining (External) | |
| 33 | 70003708 | 1 | Ring, Retaining (Internal) | |
| 33 | 70001966 | 1 | Bearing | |
| 33 | 70004092 | 1 | Endbell (Shaft End) | |
| 33 | 70004099 | 1 | Key | |
| 33 | 70004676 | 1 | Rotor | |
| 33 | 70004687 | 1 | Stator | |
| 33 | 70004678 | 1 | Endbell (Rear) | |
| 33 | 70004679 | 1 | Cover, Endbell (Rear) | |
| 33 | 70004680 | 1 | Enclosure, Wiring | |
| 33 | 70004685 | 1 | Cover, Enclosure | |
| 33 | 70004682 | 1 | Switch, Reset (Located on Enclosure Cover) | |
| 33 | 70004098 | 1 | Connector, Strain Relief (Located on Enclosure Cover) | |
| 33 | 4460224 | 1 | Receptacle, Female - 6 Position (Connects to Harness | |
| 33 | 4460268 | 1 | Pin, Male (Connects to Harness) | |
| 33 | 4460807 | 6 | Seal, Pin (Connects to Harness) | |
| 33 | 4460808 | 1 | Seal, Interface (Connects to Harness) | |
| 35 | 1001187092 | 1 | Platform Receptacle Assembly (See Separate Breakdown in ELECTRICAL SECTION) | |

SECTION 3 - ENGINE

| ITEM | PART NUMBER | QTY | DESCRIPTION | REV |
|------|-------------|-----|---|-----|
| 37 | 1001186828 | 1 | Junction Box Assembly - 4000W Generator (All Specs Except Australian and CE Specs) (See Separate Breakdown in this Section) | |
| 38 | 1001166732 | 1 | Support | |
| 39 | 1001183726 | 1 | Pulley | |
| 40 | 1001184162 | 1 | Bracket | |
| 41 | 1001184235 | 1 | Belt | |
| 43 | 3580317 | 1 | Pulley, Belt Tensioner | |
| 44 | 1001186919 | 3 | Bolt M10 x 40 | |
| 45 | 4240017 | 2 | Tie Strap | |
| 46 | 1001151080 | 2 | Conduit, Split Poly | |
| 47 | 1001236444 | 1 | Harness, 4000W Generator Control - Generator to Control Box (See Separate Breakdown in ELECTRICAL SECTION) | |
| 48 | 1001186826 | 1 | Harness, 4000W Generator Control - Control Box to Generator Control (See Separate Breakdown in ELECTRICAL SECTION) | |
| 49 | 1001236445 | 1 | Cable, Electrical 10/4 | |
| 50 | 5272012 | AR | Bolt M10 x 40 | |
| 51 | 4032014 | AR | Bolt M10 x 50 | |
| 52 | 1001202532 | 2 | Generator Arm Mount Bracket | |
| 53 | 1001208340 | 1 | Generator Bracket | |
| 55 | 1001202536 | 1 | Plate | |
| 56 | 5272011 | AR | Bolt M10 x 35 | |
| 57 | 0701219 | AR | Bolt M12 x 55 | |
| 58 | 1001208339 | 1 | Generator Mount Bracket | |
| 59 | 1001207285 | AR | Bolt M10 x 45 Grade 10.9 | |
| 60 | 0701217 | AR | Bolt M12 x 45 | |

SECTION 3 - ENGINE

FIGURE 3-35. GENERATOR INSTALLATION - 4000W (KUBOTA GASOLINE) (DUAL FUEL)



ART_1001181216

SECTION 3 - ENGINE

FIGURE 3-35. GENERATOR INSTALLATION - 4000W (KUBOTA GASOLINE) (DUAL FUEL)

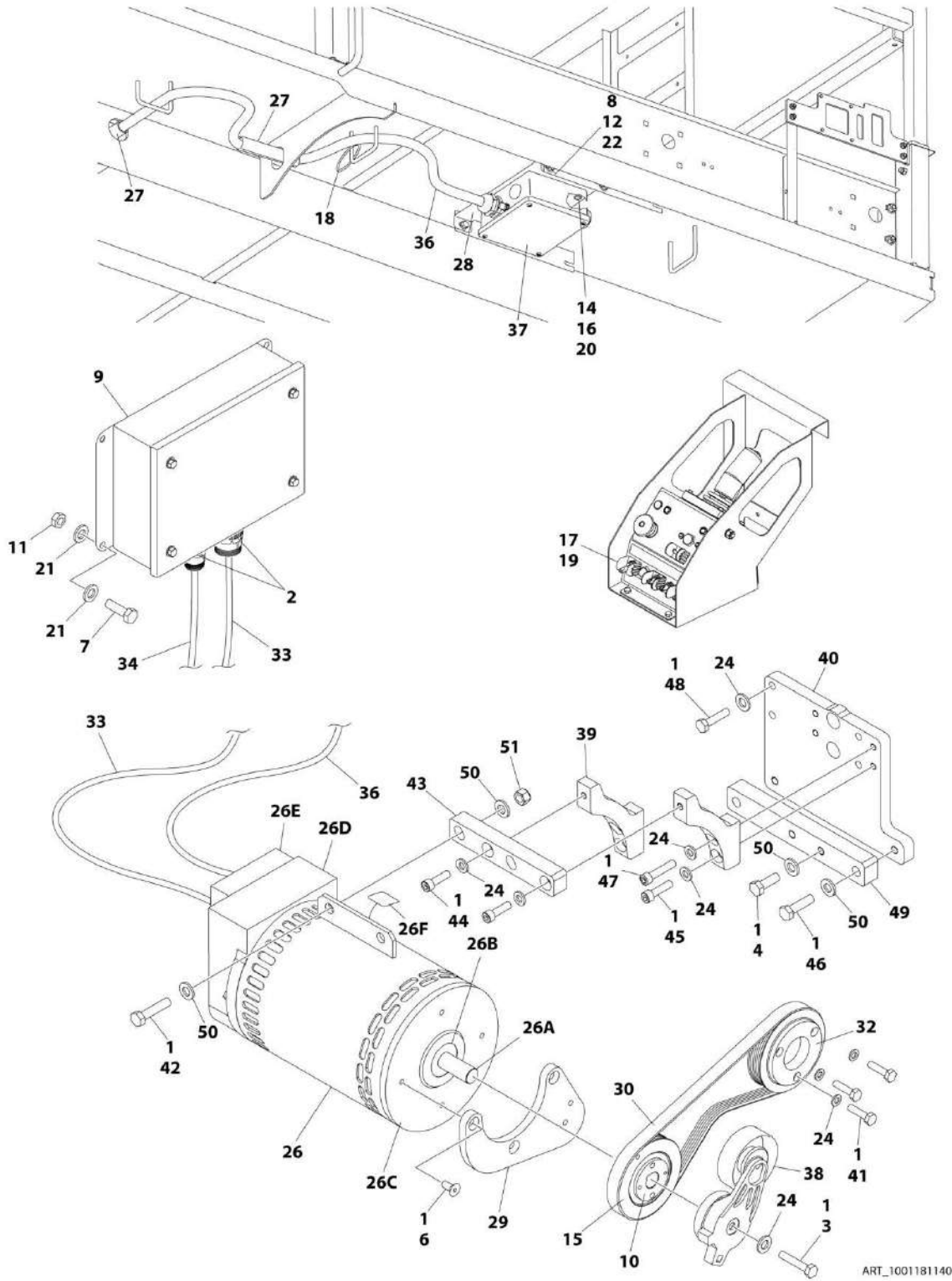
| ITEM | PART NUMBER | QTY | DESCRIPTION | REV |
|------|-------------|-----|---|-----|
| | 1001181216 | Ref | GENERATOR INSTALLATION - 4000W (KUBOTA GASOLINE) (DUAL FUEL) | G |
| 1 | 0100011 | AR | Compound, Locking | |
| 2 | 0100048 | AR | Grease, Silicone (Apply to Contactor Connector) | |
| 3 | 0701019 | 1 | Bolt M10 x 55 | |
| 6 | 0741607 | 3 | Bolt 3/8 x .88 | |
| 7 | 0760610 | 4 | Bolt M6 x 20 | |
| 8 | 0780810 | 4 | Bolt M8 x 20 | |
| 9 | 0962520 | 1 | Bushing, Taper | |
| 10 | 3290405 | 4 | Nut M4 | |
| 11 | 3290605 | 4 | Nut M6 | |
| 12 | 3290805 | 4 | Nut M8 | |
| 13 | 3291201 | AR | Nut M12 | |
| 14 | 3311005 | 4 | Nut #10 | |
| 15 | 3580318 | 1 | Pulley, Generator | |
| 16 | 3931016 | 4 | Screw #10 x 1 | |
| 17 | 3940804 | 4 | Self, Tapping | |
| 18 | 4010408 | 4 | Screw M4 x 16 | |
| 19 | 4031908 | 3 | Bolt M8 x 20 | |
| 20 | 4060802 | 1 | Guard, Switch | |
| 21 | 4240017 | 2 | Tie Strap | |
| 22 | 4360482 | 1 | Switch, Toggle | |
| 23 | 4751000 | 4 | Washer #10 | |
| 24 | 4811400 | 4 | Washer M4 | |
| 25 | 4811700 | 8 | Washer M6 | |
| 26 | 4811900 | 4 | Washer M8 | |
| 28 | 5241000 | AR | Washer M10 | |
| 29 | 5241200 | AR | Washer M12 | |
| 31 | 8406302 | 1 | Clamp | |
| 34 | 1001138566 | 1 | Box, Generator Control (4000W Generator - 60Hz) | |
| 34 | 70006552 | 1 | Capacitor | |
| 34 | 70006553 | 1 | Relay | |
| 35 | 1001140346 | 1 | Generator Assembly | |
| 35 | 70003709 | 1 | Ring, Retaining (External) | |
| 35 | 70003708 | 1 | Ring, Retaining (Internal) | |
| 35 | 70001966 | 1 | Bearing | |
| 35 | 70004092 | 1 | Endbell (Shaft End) | |
| 35 | 70004099 | 1 | Key | |
| 35 | 70004676 | 1 | Rotor | |
| 35 | 70004687 | 1 | Stator | |
| 35 | 70004678 | 1 | Endbell (Rear) | |
| 35 | 70004679 | 1 | Cover, Endbell (Rear) | |
| 35 | 70004680 | 1 | Enclosure, Wiring | |
| 35 | 70004685 | 1 | Cover, Enclosure | |
| 35 | 70004682 | 1 | Switch, Reset (Located on Enclosure Cover) | |
| 35 | 70004098 | 1 | Connector, Strain Relief (Located on Enclosure Cover) | |
| 35 | 4460224 | 1 | Receptacle, Female - 6 Position (Connects to Harness) | |
| 35 | 4460268 | 1 | Pin, Male (Connects to Harness) | |
| 35 | 4460807 | 6 | Seal, Pin (Connects to Harness) | |
| 35 | 4460808 | 1 | Seal, Interface (Connects to Harness) | |

SECTION 3 - ENGINE

| ITEM | PART NUMBER | QTY | DESCRIPTION | REV |
|------|-------------|-----|---|-----|
| 36 | 1001151080 | 2 | Conduit, Split Poly | |
| 37 | 1001166732 | 1 | Support | |
| 38 | 1001181211 | 1 | Pulley | |
| 39 | 1001184162 | 1 | Bracket | |
| 40 | 1001184163 | 1 | Belt | |
| 42 | 1001236444 | 1 | Harness, 4000W Generator Control - Generator to Control Box (See Separate Breakdown in ELECTRICAL SECTION) | |
| 43 | 1001186826 | 1 | Harness, 4000W Generator Control - Control Box to Generator Control (See Separate Breakdown in ELECTRICAL SECTION) | |
| 44 | 1001186828 | 1 | Junction Box Assembly - 4000W Generator (All Specs Except Australian and CE Specs) (See Separate Breakdown in this Section) | |
| 45 | 1001187092 | 1 | Platform Receptacle Assembly (See Separate Breakdown in ELECTRICAL SECTION) | |
| 46 | 1001236445 | 1 | Cable, Electrical 10/4 | |
| 47 | 3580317 | 1 | Belt | |
| 48 | 1001202759 | 1 | Plate | |
| 49 | 1001202760 | 2 | Generator Arm Mount Bracket | |
| 50 | 1001208340 | 1 | Generator Bracket | |
| 51 | 1001202764 | 1 | Plate | |
| 52 | 5272012 | AR | Bolt M10 x 40 | |
| 53 | 0701219 | AR | Bolt M12 x 55 | |
| 54 | 0761009 | AR | Bolt M10 x 18 | |
| 55 | 0701217 | AR | Bolt M12 x 45 | |
| 56 | 4032014 | AR | Bolt M10 x 50 | |
| 57 | 4032016 | AR | Bolt M10 x 60 | |
| 58 | 1001207285 | AR | Bolt M10 x 45 Grade 10.9 | |
| 59 | 1001210645 | 1 | Plate | |

SECTION 3 - ENGINE

FIGURE 3-36. GENERATOR INSTALLATION - 7500W (KUBOTA DIESEL STAGE III)



SECTION 3 - ENGINE

FIGURE 3-36. GENERATOR INSTALLATION - 7500W (KUBOTA DIESEL STAGE III)

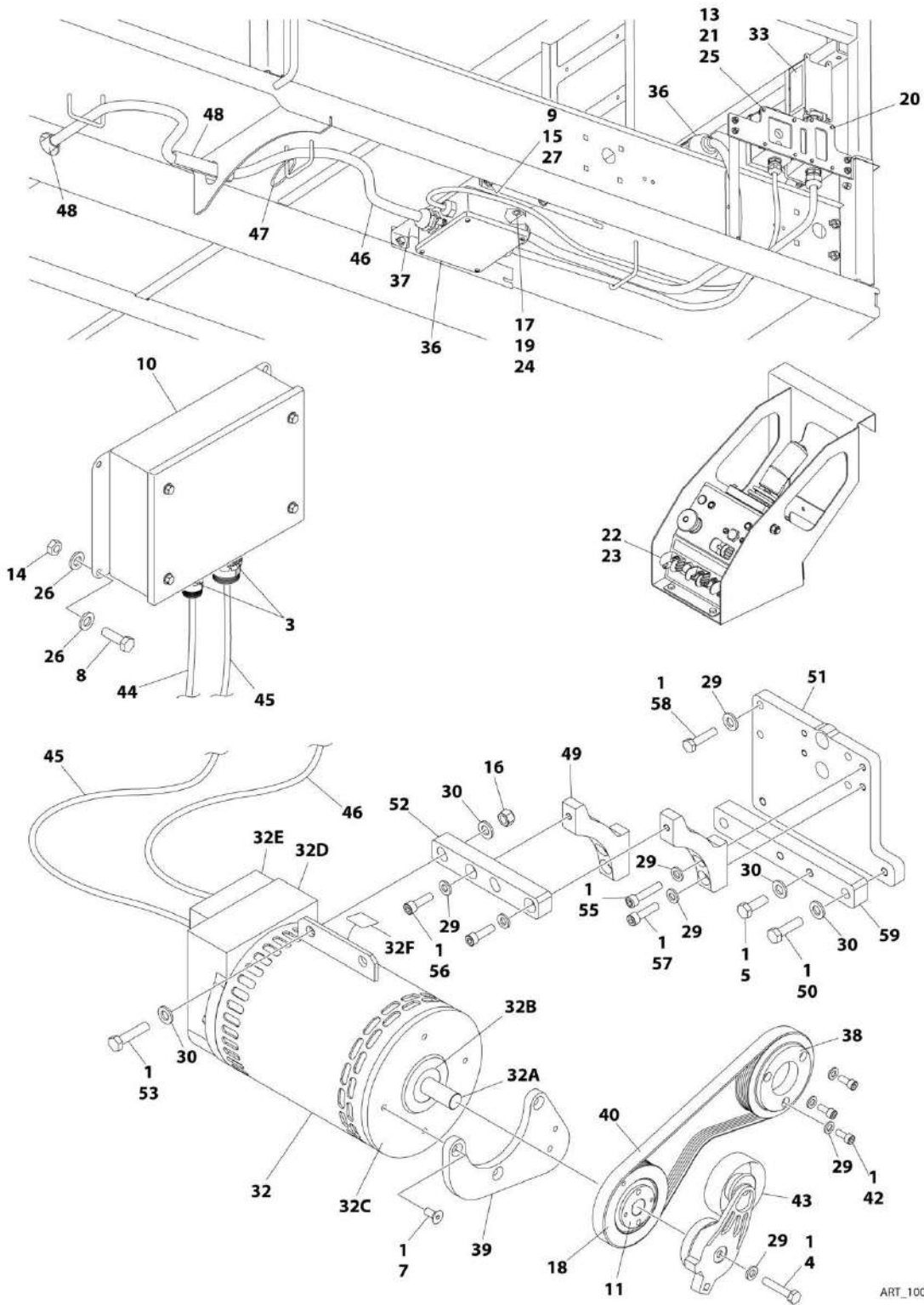
| ITEM | PART NUMBER | QTY | DESCRIPTION | REV |
|------|-------------|-----|--|-----|
| | 1001181140 | Ref | GENERATOR INSTALLATION - 7500W (KUBOTA DIESEL STAGE III) | F |
| 1 | 0100011 | AR | Compound, Locking | |
| 2 | 0100048 | AR | Grease, Silicone (Apply to Contactor Connector) | |
| 3 | 0701019 | 1 | Bolt M10 x 55 | |
| 4 | 0701215 | 2 | Bolt M12 x 35 | |
| 6 | 0741607 | 3 | Bolt 3/8 x .88 | |
| 7 | 0760610 | 4 | Bolt M6 x 20 | |
| 8 | 0780810 | 4 | Bolt M8 x 20 | |
| 9 | 0861572 | 1 | Box, Generator Control 7500W Generator 50Hz | |
| 10 | 0962520 | 1 | Bushing, Taper | |
| 11 | 3290605 | 4 | Nut M6 | |
| 12 | 3290805 | 4 | Nut M8 | |
| 14 | 3311005 | 4 | Nut #10 | |
| 15 | 3580318 | 1 | Pulley, Generator | |
| 16 | 3931016 | 4 | Screw #10 x 1 | |
| 17 | 4060802 | 1 | Guard, Switch | |
| 18 | 4240017 | 2 | Tie Strap | |
| 19 | 4360482 | 1 | Switch, Toggle | |
| 20 | 4751000 | 4 | Washer #10 | |
| 21 | 4811700 | 8 | Washer M6 | |
| 22 | 4811900 | 4 | Washer M8 | |
| 24 | 5241000 | AR | Washer M10 | |
| 26 | 1001212223 | 1 | Generator Assembly | A |
| 26 | 70001100 | 1 | Rotor (Includes p/n 70001384 & 70000863) (Not Shown) | |
| 26 | 70001384 | 1 | Bearing, Ball Radial (Not Shown) | |
| 26 | 70000863 | 1 | Fan (Not Shown) | |
| 26 | 70006093 | 1 | Stator (Not Shown) | |
| 26 | 70002297 | 1 | Stud | |
| 26 | 70003631 | 1 | Brushholder Assembly (Not Shown) (was p/n 7024484) | |
| 26A | 70004099 | 1 | Key | |
| 26B | 70001966 | 1 | Bearing, Ball Radial (Located in Belt Tensioner Endbell) | |
| 26B | 70003708 | 1 | Ring, Internal Retaining (Located in Belt Tensioner Endbell) | |
| 26B | 70003709 | 1 | Ring, External Retaining (Located in Belt Tensioner Endbell) | |
| 26C | 70004092 | 1 | Endbell, Belt Tensioner | |
| 26D | 70004094 | 1 | Endbell, Brush Block | |
| 26E | 70006094 | 1 | Shroud | |
| 26E | 70002291 | 1 | Insulator, Endbell | |
| 26E | 7027799 | 1 | Block, Connector 6 Position (Not Shown) | |
| 26E | 70002460 | 1 | Nut, Brass (Attaches p/n 7027799 to Cover) (Not Shown) | |
| 26E | 70006095 | 1 | Breaker, Circuit 30Amp | |
| 26E | 70006096 | 1 | Boot, Breaker | |
| 26E | 7026626 | 1 | Connector, 6 Position (Includes Seal) (Not Shown) | |
| 26E | 7026597 | 1 | Connector, with Leads (Not Shown) | |
| 26E | 70004098 | 1 | Clamp, Cable | |
| 26E | 70006097 | 1 | Plate, End Panel | |
| 26E | 70001974 | 1 | Decal - Terminal Connections | |
| 26F | 70001973 | 1 | Decal - Warning Moving Parts | |
| 27 | 1001151080 | 2 | Conduit, Split Poly | |
| 28 | 1001166732 | 1 | Support | |

SECTION 3 - ENGINE

| ITEM | PART NUMBER | QTY | DESCRIPTION | REV |
|------|-------------|-----|--|-----|
| 29 | 1001184162 | 1 | Bracket | |
| 30 | 1001184163 | 1 | Belt | |
| 32 | 1001185510 | 1 | Pulley | |
| 33 | 1001236442 | 1 | Harness, 7500W Generator Control - Generator to Generator Control Box (See Separate Breakdown in ELECTRICAL SECTION) | |
| 34 | 1001186822 | 1 | Harness, 7500W Generator Control - Generator Control Box to Generator Control (See Separate Breakdown in ELECTRICAL SECTION) | |
| 36 | 1001236443 | 1 | Cable, Electrical 8/5 | |
| 37 | 1001187197 | 1 | Junction Box Assembly - 7500W Generator (Australian and CE Specs) (See Separate Breakdown in this Section) | |
| 38 | 3580317 | 1 | Pulley, Belt Tensioner | |
| 39 | 1001202532 | 2 | Generator Arm Mount Bracket | |
| 40 | 1001208339 | 1 | Generator Mount Bracket | |
| 41 | 1001119929 | AR | Bolt M10 x 35 | |
| 42 | 0701219 | AR | Bolt M12 x 55 | |
| 43 | 1001202536 | 1 | Plate | |
| 44 | 5272011 | AR | Bolt M10 x 35 | |
| 45 | 5272012 | AR | Bolt M10 x 40 | |
| 46 | 0701217 | AR | Bolt M12 x 45 | |
| 47 | 4032014 | AR | Bolt M10 x 50 | |
| 48 | 1001207285 | AR | Bolt M10 x 45 Grade 10.9 | |
| 49 | 1001208340 | 1 | Generator Bracket | |
| 50 | 5241200 | 8 | Washer M12 | |
| 51 | 3291201 | 2 | Nut M12 | |
| 52 | 0760606 | AR | Bolt M6 x 12 (Not Shown) | |
| 53 | 4871700 | AR | Washer M6 (Not Shown) | |

SECTION 3 - ENGINE

FIGURE 3-37. GENERATOR INSTALLATION - 7500W (KUBOTA DIESEL T4F)



ART_1001177767

SECTION 3 - ENGINE

FIGURE 3-37. GENERATOR INSTALLATION - 7500W (KUBOTA DIESEL T4F)

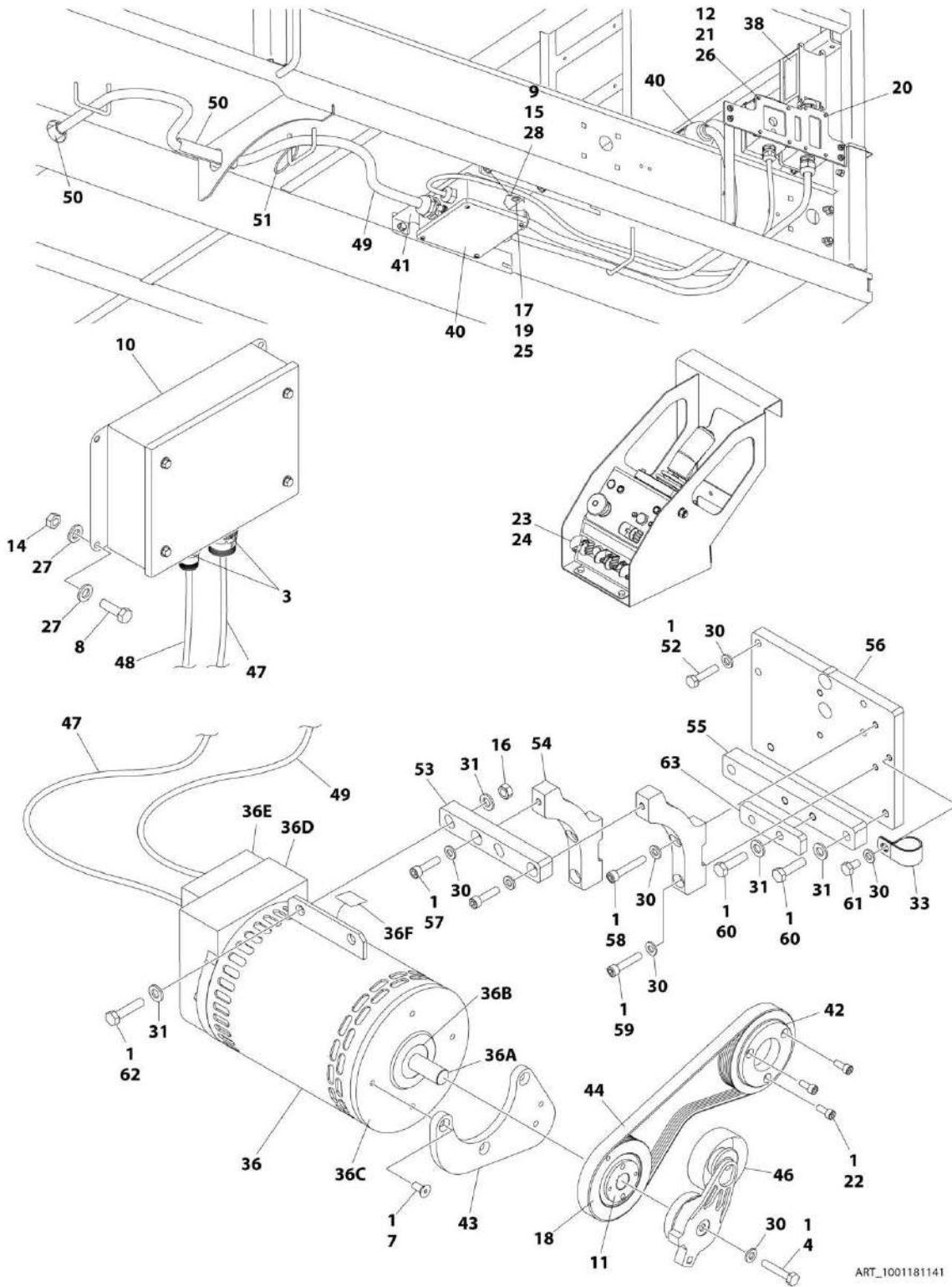
| ITEM | PART NUMBER | QTY | DESCRIPTION | REV |
|------|-------------|-----|--|-----|
| | 1001177767 | Ref | GENERATOR INSTALLATION - 7500W (KUBOTA DIESEL T4F) | H |
| 1 | 0100011 | AR | Compound, Locking | |
| 3 | 0100048 | AR | Grease, Silicone (Apply to Contactor Connector) | |
| 4 | 0701019 | 1 | Bolt M10 x 55 | |
| 5 | 0701215 | 2 | Bolt M12 x 35 | |
| 7 | 0741607 | 3 | Bolt 3/8 x .88 | |
| 8 | 0760610 | 4 | Bolt M6 x 20 | |
| 9 | 0780810 | 4 | Bolt M8 x 20 | |
| 10 | 0861538 | 1 | Box, Generator Control (7500W Generator - 60Hz) | |
| 11 | 0962520 | 1 | Bushing, Taper | |
| 13 | 3290405 | 4 | Nut M4 | |
| 14 | 3290605 | 4 | Nut M6 | |
| 15 | 3290805 | 4 | Nut M8 | |
| 16 | 3291201 | AR | Nut M12 | |
| 17 | 3311005 | 4 | Nut #10 | |
| 18 | 3580318 | 1 | Pulley, Generator | |
| 19 | 3931016 | 4 | Screw #10 x 1 | |
| 20 | 3940804 | 4 | Self, Tapping | |
| 21 | 4010408 | 4 | Screw M4 x 16 | |
| 22 | 4060802 | 1 | Guard, Switch | |
| 23 | 4360482 | 1 | Switch, Toggle | |
| 24 | 4751000 | 4 | Washer #10 | |
| 25 | 4811400 | 4 | Washer M4 | |
| 26 | 4811700 | 8 | Washer M6 | |
| 27 | 4811900 | 4 | Washer M8 | |
| 29 | 5241000 | AR | Washer M10 | |
| 30 | 5241200 | AR | Washer M12 | |
| 32 | 1001212223 | 1 | Generator Assembly | A |
| 32 | 70001100 | 1 | Rotor (Includes p/n 70001384 & 70000863) (Not Shown) | |
| 32 | 70001384 | 1 | Bearing, Ball Radial (Not Shown) | |
| 32 | 70000863 | 1 | Fan (Not Shown) | |
| 32 | 70006093 | 1 | Stator (Not Shown) | |
| 32 | 70002297 | 1 | Stud | |
| 32 | 70003631 | 1 | Brushholder Assembly (Not Shown) (was p/n 7024484) | |
| 32A | 70004099 | 1 | Key | |
| 32B | 70001966 | 1 | Bearing, Ball Radial (Located in Belt Tensioner Endbell) | |
| 32B | 70003708 | 1 | Ring, Internal Retaining (Located in Belt Tensioner Endbell) | |
| 32B | 70003709 | 1 | Ring, External Retaining (Located in Belt Tensioner Endbell) | |
| 32C | 70004092 | 1 | Endbell, Belt Tensioner | |
| 32D | 70004094 | 1 | Endbell, Brush Block | |
| 32E | 70006094 | 1 | Shroud | |
| 32E | 70002291 | 1 | Insulator, Endbell | |
| 32E | 7027799 | 1 | Block, Connector 6 Position (Not Shown) | |
| 32E | 70002460 | 1 | Nut, Brass (Attaches p/n 7027799 to Cover) (Not Shown) | |
| 32E | 70006095 | 1 | Breaker, Circuit 30Amp | |
| 32E | 70006096 | 1 | Boot, Breaker (Not Shown) | |
| 32E | 7026626 | 1 | Connector, 6 Position (Includes Seal) (Not Shown) | |
| 32E | 7026597 | 1 | Connector, with Leads (Not Shown) | |
| 32E | 70004098 | 1 | Clamp, Cable | |
| 32E | 70006097 | 1 | Plate, End Panel | |

SECTION 3 - ENGINE

| ITEM | PART NUMBER | QTY | DESCRIPTION | REV |
|------|-------------|-----|--|-----|
| 32E | 70001974 | 1 | Decal - Terminal Connections | |
| 32F | 70001973 | 1 | Decal - Warning Moving Parts | |
| 33 | 1001187092 | 1 | Platform Receptacle Assembly (See Separate Breakdown in ELECTRICAL SECTION) | |
| 36 | 1001187228 | 1 | Junction Box Assembly - 7500W Generator (All Specs Except Australian and CE Specs) (See Separate Breakdown in this Section) | |
| 37 | 1001166732 | 1 | Support | |
| 38 | 1001183726 | 1 | Pulley | |
| 39 | 1001184162 | 1 | Bracket | |
| 40 | 1001184235 | 1 | Belt | |
| 42 | 1001186919 | 3 | Bolt M10 x 40 | |
| 43 | 3580317 | 1 | Pulley, Belt Tensioner | |
| 44 | 1001186822 | 1 | Harness, 7500W Generator Control - Generator Control Box to Generator Control (See Separate Breakdown in ELECTRICAL SECTION) | |
| 45 | 1001236442 | 1 | Harness, 7500W Generator Control - Generator to Generator Control Box (See Separate Breakdown in ELECTRICAL SECTION) | |
| 46 | 1001236443 | 1 | Cable, Electrical 8/5 | |
| 47 | 4240017 | 2 | Tie Strap | |
| 48 | 1001151080 | 2 | Conduit, Split Poly | |
| 49 | 1001202532 | 2 | Generator Arm Mount Bracket | |
| 50 | 0701217 | AR | Bolt M12 x 45 | |
| 51 | 1001208339 | 1 | Generator Mount Bracket | |
| 52 | 1001202536 | 1 | Plate | |
| 53 | 0701219 | AR | Bolt M12 x 55 | |
| 55 | 4032014 | AR | Bolt M10 x 50 | |
| 56 | 5272011 | AR | Bolt M10 x 35 | |
| 57 | 5272012 | AR | Bolt M10 x 40 | |
| 58 | 1001207285 | AR | Bolt M10 x 45 Grade 10.9 | |
| 59 | 1001208340 | 1 | Generator Bracket | |
| 60 | 0760606 | AR | Bolt M6 x 12 (Not Shown) | |
| 61 | 4871700 | AR | Washer M6 (Not Shown) | |

SECTION 3 - ENGINE

FIGURE 3-38. GENERATOR INSTALLATION - 7500W (KUBOTA GASOLINE) (DUAL FUEL)



SECTION 3 - ENGINE

FIGURE 3-38. GENERATOR INSTALLATION - 7500W (KUBOTA GASOLINE) (DUAL FUEL)

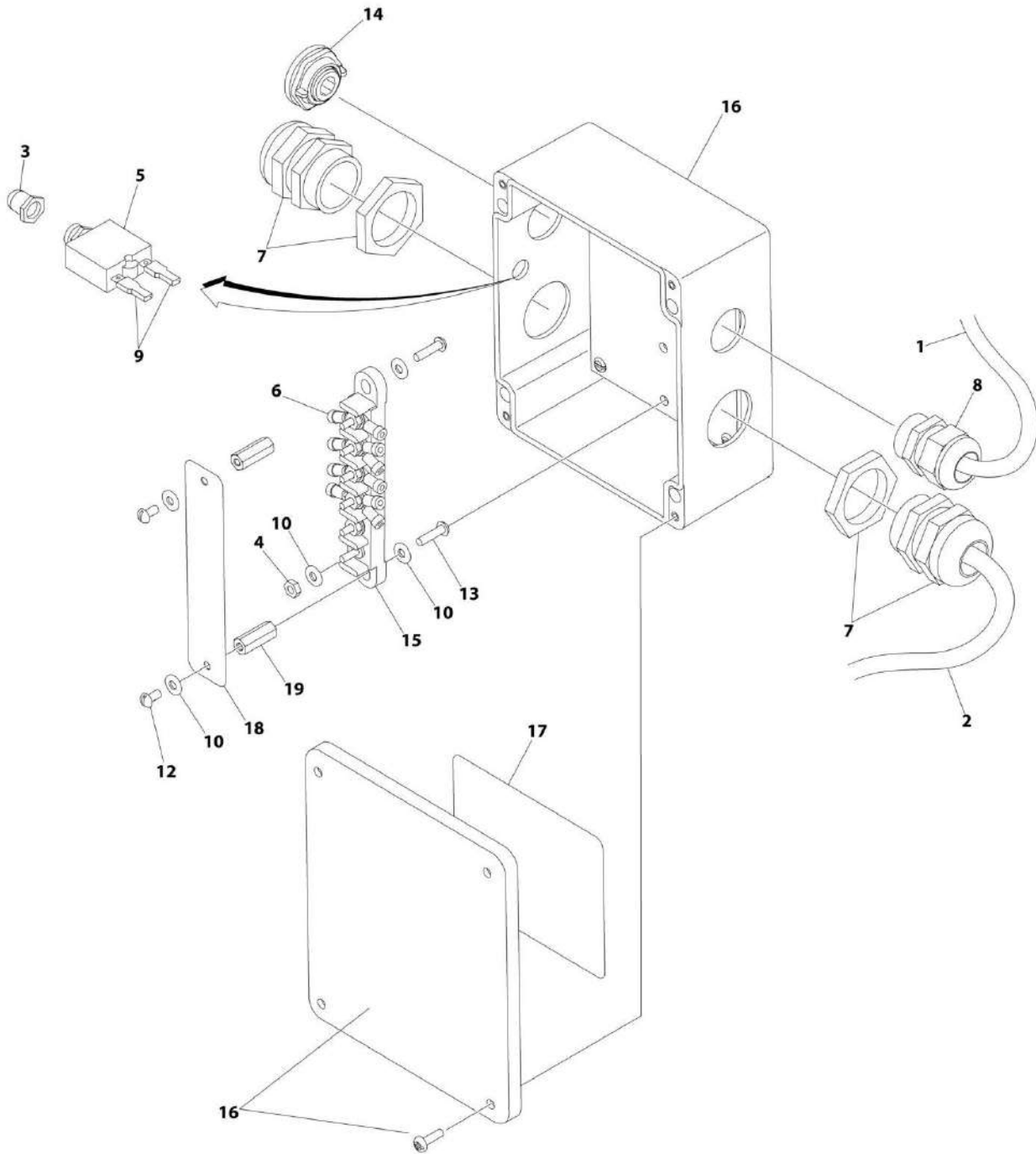
| ITEM | PART NUMBER | QTY | DESCRIPTION | REV |
|------|-------------|-----|---|-----|
| | 1001181141 | Ref | GENERATOR INSTALLATION - 7500W (KUBOTA GASOLINE) (DUAL FUEL) | I |
| 1 | 0100011 | AR | Compound, Locking | |
| 3 | 0100048 | AR | Grease, Silicone (Apply to Contactor Connector) | |
| 4 | 0701019 | 1 | Bolt M10 x 55 | |
| 7 | 0741607 | 3 | Bolt 3/8 x .88 | |
| 8 | 0760610 | 4 | Bolt M6 x 20 | |
| 9 | 0780810 | 4 | Bolt M8 x 20 | |
| 10 | 0861538 | 1 | Box, Generator Control (7500W Generator - 60Hz) | |
| 11 | 0962520 | 1 | Bushing, Taper | |
| 13 | 3290405 | 4 | Nut M4 | |
| 14 | 3290605 | 4 | Nut M6 | |
| 15 | 3290805 | 4 | Nut M8 | |
| 16 | 3291201 | AR | Nut M12 | |
| 17 | 3311005 | 4 | Nut #10 | |
| 18 | 3580318 | 1 | Pulley, Generator | |
| 19 | 3931016 | 4 | Screw #10 x 1 | |
| 20 | 3940804 | 4 | Self, Tapping | |
| 21 | 4010408 | 4 | Screw M4 x 16 | |
| 22 | 4031908 | 3 | Bolt M8 x 20 | |
| 23 | 4060802 | 1 | Guard, Switch | |
| 24 | 4360482 | 1 | Switch, Toggle | |
| 25 | 4751000 | 4 | Washer #10 | |
| 26 | 4811400 | 4 | Washer M4 | |
| 27 | 4811700 | 8 | Washer M6 | |
| 28 | 4811900 | 4 | Washer M8 | |
| 30 | 5241000 | AR | Washer M10 | |
| 31 | 5241200 | AR | Washer M12 | |
| 33 | 8406302 | 1 | Clamp | |
| 36 | 1001212223 | 1 | Generator Assembly | A |
| 36 | 70001100 | 1 | Rotor (Includes p/n 70001384 & 70000863) (Not Shown) | |
| 36 | 70001384 | 1 | Bearing, Ball Radial (Not Shown) | |
| 36 | 70000863 | 1 | Fan (Not Shown) | |
| 36 | 70006093 | 1 | Stator (Not Shown) | |
| 36 | 70002297 | 1 | Stud | |
| 36 | 70003631 | 1 | Brushholder Assembly (Not Shown) (was p/n 7024484) | |
| 36A | 70004099 | 1 | Key | |
| 36B | 70001966 | 1 | Bearing, Ball Radial (Located in Belt Tensioner Endbell) | |
| 36B | 70003708 | 1 | Ring, Internal Retaining (Located in Belt Tensioner Endbell) | |
| 36B | 70003709 | 1 | Ring, External Retaining (Located in Belt Tensioner Endbell) | |
| 36C | 70004092 | 1 | Endbell, Belt Tensioner | |
| 36D | 70004094 | 1 | Endbell, Brush Block | |
| 36E | 70006094 | 1 | Shroud | |
| 36E | 70002291 | 1 | Insulator, Endbell | |
| 36E | 7027799 | 1 | Block, Connector 6 Position (Not Shown) | |
| 36E | 70002460 | 1 | Nut, Brass (Attaches p/n 7027799 to Cover) (Not Shown) | |
| 36E | 70006095 | 1 | Breaker, Circuit 30Amp | |
| 36E | 70006096 | 1 | Boot, Breaker (Not Shown) | |
| 36E | 7026626 | 1 | Connector, 6 Position (Includes Seal) (Not Shown) | |
| 36E | 7026597 | 1 | Connector, with Leads (Not Shown) | |

SECTION 3 - ENGINE

| ITEM | PART NUMBER | QTY | DESCRIPTION | REV |
|------|-------------|-----|--|-----|
| 36E | 70004098 | 1 | Clamp, Cable | |
| 36E | 70006097 | 1 | Plate, End Panel | |
| 36E | 70001974 | 1 | Decal - Terminal Connections | |
| 36F | 70001973 | 1 | Decal - Warning Moving Parts | |
| 38 | 1001187092 | 1 | Platform Receptacle Assembly (See Separate Breakdown in ELECTRICAL SECTION) | |
| 40 | 1001187228 | 1 | Junction Box Assembly - 7500W Generator (All Specs Except Australian and CE Specs) (See Separate Breakdown in this Section) | |
| 41 | 1001166732 | 1 | Support | |
| 42 | 1001181211 | 1 | Pulley | |
| 43 | 1001184162 | 1 | Bracket | |
| 44 | 1001184163 | 1 | Belt | |
| 46 | 3580317 | 1 | Pulley, Belt Tensioner | |
| 47 | 1001236442 | 1 | Harness, 7500W Generator Control - Generator to Generator Control Box (See Separate Breakdown in ELECTRICAL SECTION) | |
| 48 | 1001186822 | 1 | Harness, 7500W Generator Control - Generator Control Box to Generator Control (See Separate Breakdown in ELECTRICAL SECTION) | |
| 49 | 1001236443 | 1 | Cable, Electrical 8/5 | |
| 50 | 1001151080 | 2 | Conduit, Split Poly | |
| 51 | 4240017 | 2 | Tie Strap | |
| 52 | 1001207285 | AR | Bolt M10 x 45 Grade 10.9 | |
| 53 | 1001202759 | 1 | Plate | |
| 54 | 1001202760 | 2 | Generator Arm Mount Bracket | |
| 55 | 1001208340 | 1 | Generator Bracket | |
| 56 | 1001202764 | 1 | Plate | |
| 57 | 5272012 | AR | Bolt M10 x 40 | |
| 58 | 4032016 | AR | Bolt M10 x 60 | |
| 59 | 4032014 | AR | Bolt M10 x 50 | |
| 60 | 0701217 | AR | Bolt M12 x 45 | |
| 61 | 0761009 | AR | Bolt M10 x 18 | |
| 62 | 0701219 | AR | Bolt M12 x 55 | |
| 63 | 1001210645 | 1 | Plate | |
| 64 | 0760606 | AR | Bolt M6 x 12 (Not Shown) | |
| 65 | 4871700 | AR | Washer M6 (Not Shown) | |

SECTION 3 - ENGINE

FIGURE 3-39. JUNCTION BOX ASSEMBLY - 4000W GENERATOR (ALL SPECS EXCEPT AUSTRALIAN AND CE SPECS)



ART_1001186828

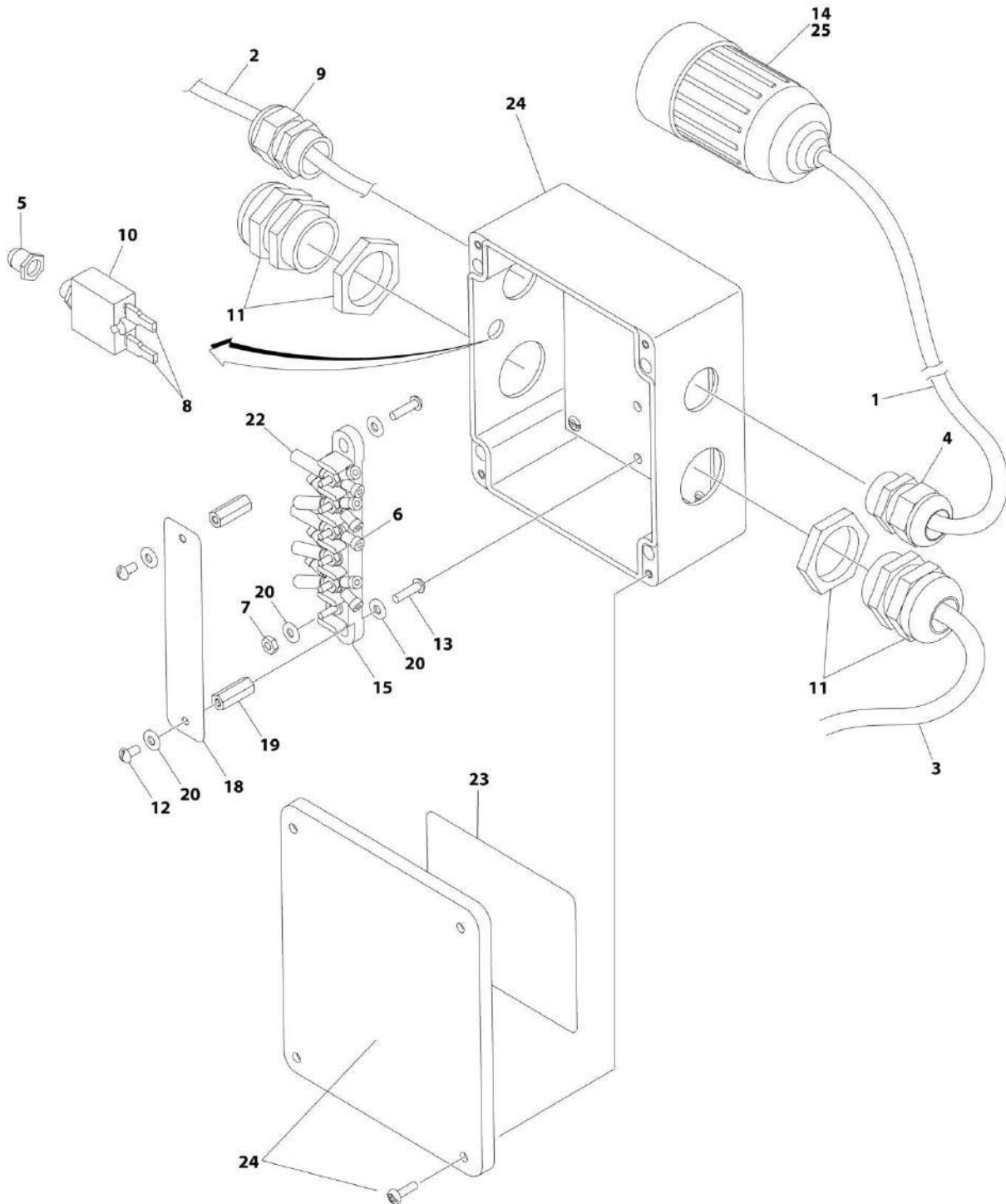
SECTION 3 - ENGINE

FIGURE 3-39. JUNCTION BOX ASSEMBLY - 4000W GENERATOR (ALL SPECS EXCEPT AUSTRALIAN AND CE SPECS)

| ITEM | PART NUMBER | QTY | DESCRIPTION | REV |
|------|-------------|------------|--|-----|
| | 1001186828 | Ref | JUNCTION BOX ASSEMBLY - 4000W GENERATOR (ALL SPECS EXCEPT AUSTRALIAN AND CE SPECS) | B |
| 1 | 1060494 | 6.8 ft/ 2m | Cable, Electrical - 12/3 | |
| 2 | 1060708 | 6.8 ft/ 2m | Cable, Electrical - 10/3 | |
| 3 | 3300396 | 1 | Cover, Fuse | |
| 4 | 3311001 | 6 | Nut, #10-24 | |
| 5 | 4360070 | 1 | Circuit Breaker - 15Amp | |
| 6 | 4460068 | 10 | Terminal | |
| 7 | 4460426 | 2 | Connector, Strain Relief | |
| 8 | 4460425 | 1 | Strain Relief, Terminal | |
| 9 | 4460483 | 2 | Terminal | |
| 10 | 4711000 | 10 | Washer, #10 | |
| 12 | 10702077 | 2 | Screw, #10-32 X 3/8 | |
| 13 | 10702082 | 2 | Screw, #10-32 X 3/4 | |
| 14 | 1001152525 | 1 | Plug | |
| 15 | 1001157520 | 1 | Block, Terminal - 6 Pole | |
| 16 | 1001157521 | 1 | Box, Junction | |
| 17 | 1001195517 | 1 | Decal - Wiring Schematic | |
| 18 | 1001158007 | 1 | Cover | |
| 19 | 1001158008 | 2 | Stand-Off | |

SECTION 3 - ENGINE

FIGURE 3-40. JUNCTION BOX ASSEMBLY - 7500W GENERATOR (ALL SPECS EXCEPT AUSTRALIAN AND CE SPECS)



ART_1001187228

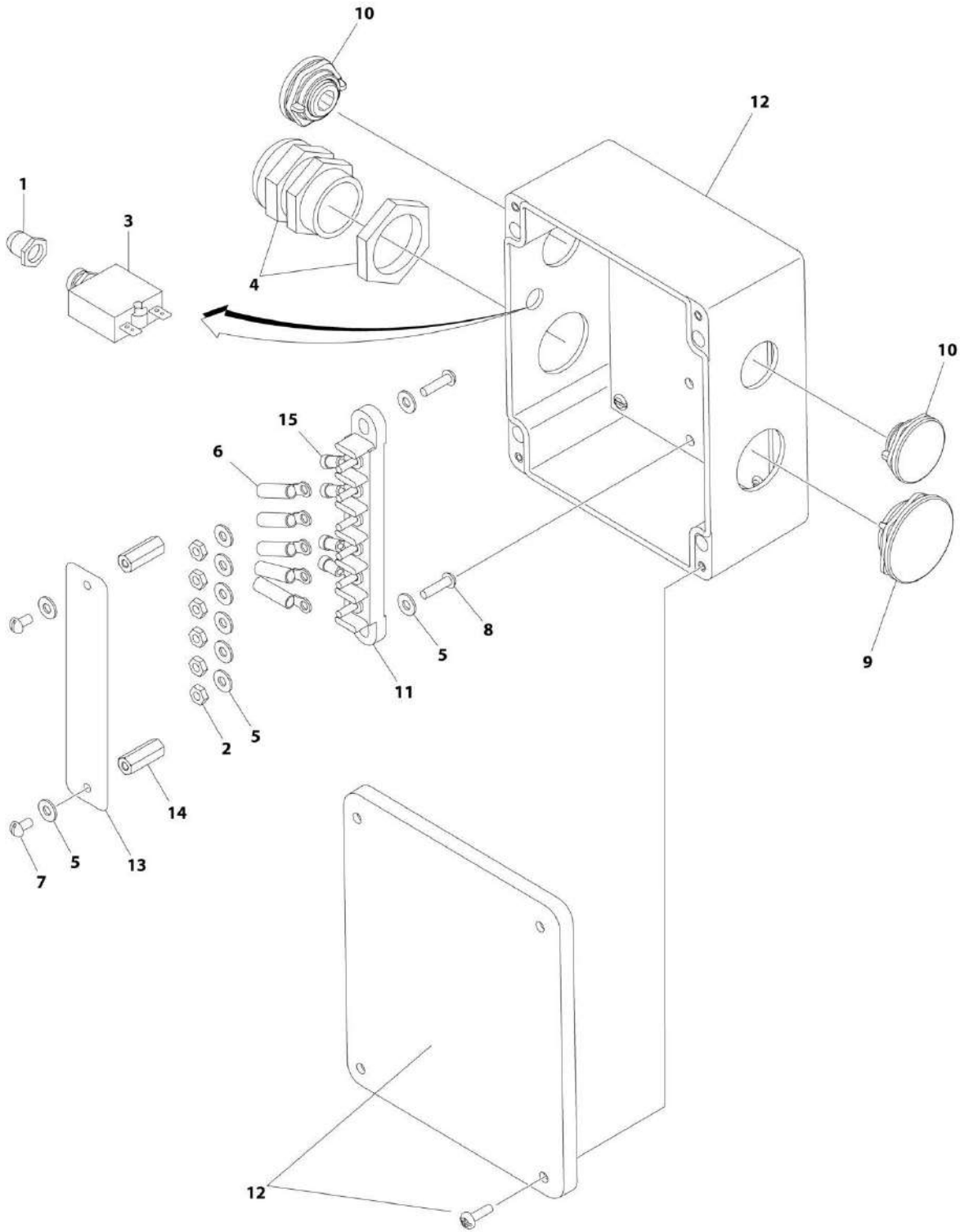
SECTION 3 - ENGINE

FIGURE 3-40. JUNCTION BOX ASSEMBLY - 7500W GENERATOR (ALL SPECS EXCEPT AUSTRALIAN AND CE SPECS)

| ITEM | PART NUMBER | QTY | DESCRIPTION | REV |
|------|-------------|------------|--|-----|
| | 1001187228 | Ref | JUNCTION BOX ASSEMBLY - 7500W GENERATOR (ALL SPECS EXCEPT AUSTRALIAN AND CE SPECS) | A |
| 1 | 1060343 | 6.8 ft/ 2m | Cable, Electrical - 10/4 | |
| 2 | 1060494 | 6.8 ft/ 2m | Cable, Electrical - 12/3 | |
| 3 | 1060708 | 6.8 ft/ 2m | Cable, Electrical - 10/3 | |
| 4 | 1321692 | 1 | Strain Relief, Terminal | |
| 5 | 3300396 | 1 | Cover, Fuse | |
| 6 | 4460068 | 10 | Terminal | |
| 7 | 3311001 | 6 | Nut, #10-24 | |
| 8 | 4460483 | 2 | Terminal | |
| 9 | 4460425 | 1 | Strain Relief, Terminal | |
| 10 | 4360070 | 1 | Circuit Breaker - 15Amp | |
| 11 | 4460426 | 2 | Connector, Strain Relief | |
| 12 | 10702077 | 2 | Screw, #10-32 X 3/8 | |
| 13 | 10702082 | 2 | Screw, #10-32 X 3/4 | |
| 14 | 4460963 | 1 | Connector, Turnlock | |
| 15 | 1001157520 | 1 | Block, Terminal - 6 Pole | |
| 18 | 1001158007 | 1 | Cover | |
| 19 | 1001158008 | 2 | Stand-Off | |
| 20 | 4711000 | 10 | Washer, #10 | |
| 22 | 8220022 | 5 | Terminal, #10 Stud | |
| 23 | 1001157528 | 1 | Decal - Wiring Schematic | |
| 24 | 1001187232 | 1 | Box, Junction | |
| 25 | 1671092 | 1 | Cover, Connector | |

SECTION 3 - ENGINE

FIGURE 3-41. JUNCTION BOX ASSEMBLY - 4000W/7500W GENERATOR (AUSTRALIAN AND CE SPECS)



ART_1001187197

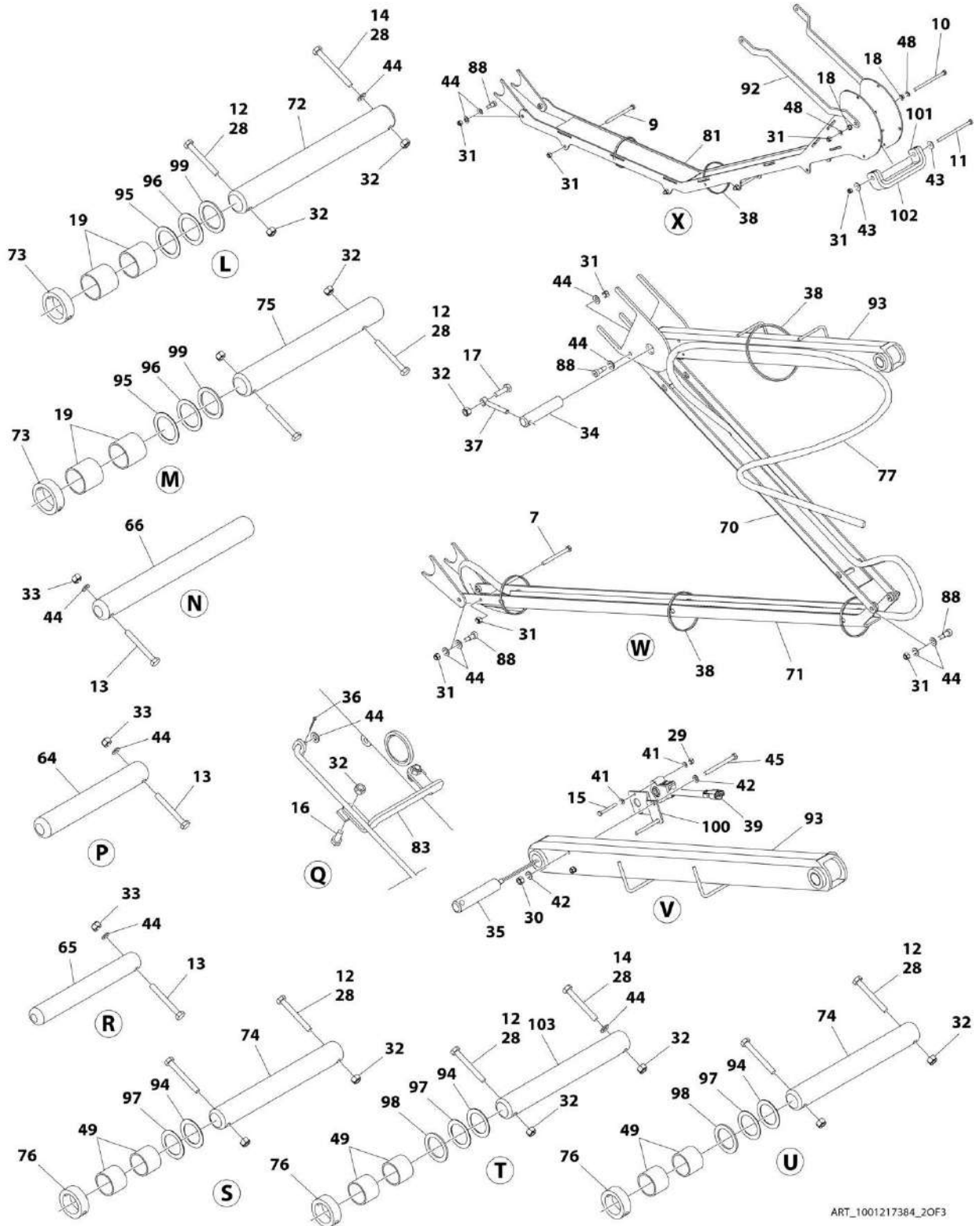
SECTION 3 - ENGINE

FIGURE 3-41. JUNCTION BOX ASSEMBLY - 4000W/7500W GENERATOR (AUSTRALIAN AND CE SPECS)

| ITEM | PART NUMBER | QTY | DESCRIPTION | REV |
|------|-------------|-----|---|-----|
| | 1001187197 | Ref | JUNCTION BOX ASSEMBLY - 4000W/7500W GENERATOR (AUSTRALIAN AND CE SPECS) | A |
| 1 | 3300396 | 1 | Cover, Fuse | |
| 2 | 3311001 | 6 | Nut, #10-24 | |
| 3 | 4360070 | 1 | Circuit Breaker - 15Amp | |
| 4 | 4460426 | 1 | Connector, Strain Relief | |
| 5 | 4711000 | 10 | Washer, #10 | |
| 6 | 8220022 | 5 | Terminal, #10 Stud | |
| 7 | 10702077 | 2 | Screw, #10-32 X 3/8 | |
| 8 | 10702082 | 2 | Screw, #10-32 X 3/4 | |
| 9 | 1001148648 | 1 | Plug | |
| 10 | 1001152525 | 2 | Plug | |
| 11 | 1001157520 | 1 | Block, Terminal - 6 Pole | |
| 12 | 1001157521 | 1 | Box, Junction | |
| 13 | 1001158007 | 1 | Cover | |
| 14 | 1001158008 | 2 | Stand-Off | |
| 15 | 4460068 | 4 | Terminal | |

SECTION 4 - SCISSORS ARMS

SECTION 4 - SCISSORS ARMS



ART_1001217384_2OF3

SECTION 4 - SCISSORS ARMS

FIGURE 4-1. SCISSORS ARMS ASSEMBLY

| ITEM | PART NUMBER | QTY | DESCRIPTION | REV |
|------|-------------|-----|--|-----|
| | 1001217384 | Ref | SCISSORS ARMS ASSEMBLY | H |
| 1 | 0100011 | AR | Compound, Locking | |
| 2 | 0440250 | 4 | Bearing | |
| 3 | 0700814 | 1 | Bolt M8 x 30 | |
| 4 | 0700817 | 2 | Bolt M8 x 45 | |
| 5 | 0700820 | 2 | Bolt M8 x 60 | |
| 6 | 0700824 | 1 | Bolt M8 x 80 | |
| 7 | 0700826 | 2 | Bolt M8 x 90 | |
| 8 | 0700827 | 1 | Bolt M8 x 100 | |
| 9 | 0700828 | 6 | Bolt M8 x 110 | |
| 10 | 0700830 | 1 | Bolt M8 x 130 | |
| 11 | 0700831 | 1 | Bolt M8 x 140 | |
| 12 | 0711025 | 44 | Bolt M10 x 85 | |
| 13 | 0711026 | 3 | Bolt M10 x 90 | |
| 14 | 0711027 | 8 | Bolt M10 x 100 | |
| 15 | 0760415 | 2 | Bolt M4 x 35 | |
| 16 | 0761012 | 2 | Bolt M10 x 25 | |
| 17 | 0771015 | 2 | Bolt M10 x 35 | |
| 18 | 0962031 | 2 | Bushing, Flange | |
| 19 | 0962036 | 16 | Bushing | |
| 20 | 1309435 | 7 | Cover, Clamp | |
| 28 | 3020039 | AR | Lubricant | |
| 29 | 3290405 | 2 | Nut M4 | |
| 30 | 3290605 | 2 | Nut M6 | |
| 31 | 3290805 | 23 | Nut M8 | |
| 32 | 3291005 | 56 | Nut M10 | |
| 33 | 3331017 | 4 | Nut M10 | |
| 34 | 3422943 | 2 | Pin, Link Pivot | |
| 35 | 3422963 | 1 | Pin, Link Attach | |
| 36 | 3450304 | 1 | Pin, Cotter 3/32 x 1 | |
| 37 | 3841143 | 2 | Keeper, Pin | |
| 38 | 4240018 | 39 | Tie-Strap | |
| 39 | 4360500 | 1 | Switch, Rotary Angle Sensor | |
| 40 | 4740455 | 2 | Washer | |
| 41 | 4811400 | 4 | Washer M4 | |
| 42 | 4811700 | 4 | Washer M6 | |
| 43 | 4811902 | 2 | Washer M8 | |
| 44 | 4812000 | 31 | Washer M10 | |
| 45 | 1001096653 | 2 | Bolt M6 x 70 | |
| 46 | 1001102433 | 32 | Nut M8 | |
| 47 | 1001148972 | 1 | Valve, Solenoid Cartridge | |
| 47 | 70002401 | 1 | Cartridge Less Coil | |
| 47 | 7017496 | 1 | Seal Kit - 70002401 & 1001148972 Valve | |
| 47 | 70003788 | 1 | Coil | |
| 48 | 1001108588 | 36 | Washer M8 | |
| 49 | 1001118665 | 36 | Bearing | |
| 50 | 1001143645 | 2 | Strap, Cinch | |
| 51 | 1001181375 | 1 | Arm, Inner 2 | |
| 52 | 1001181384 | 1 | Arm, Outer 2 (RH) | |
| 53 | 1001181385 | 1 | Arm, Outer 2 (LH) | |

SECTION 4 - SCISSORS ARMS

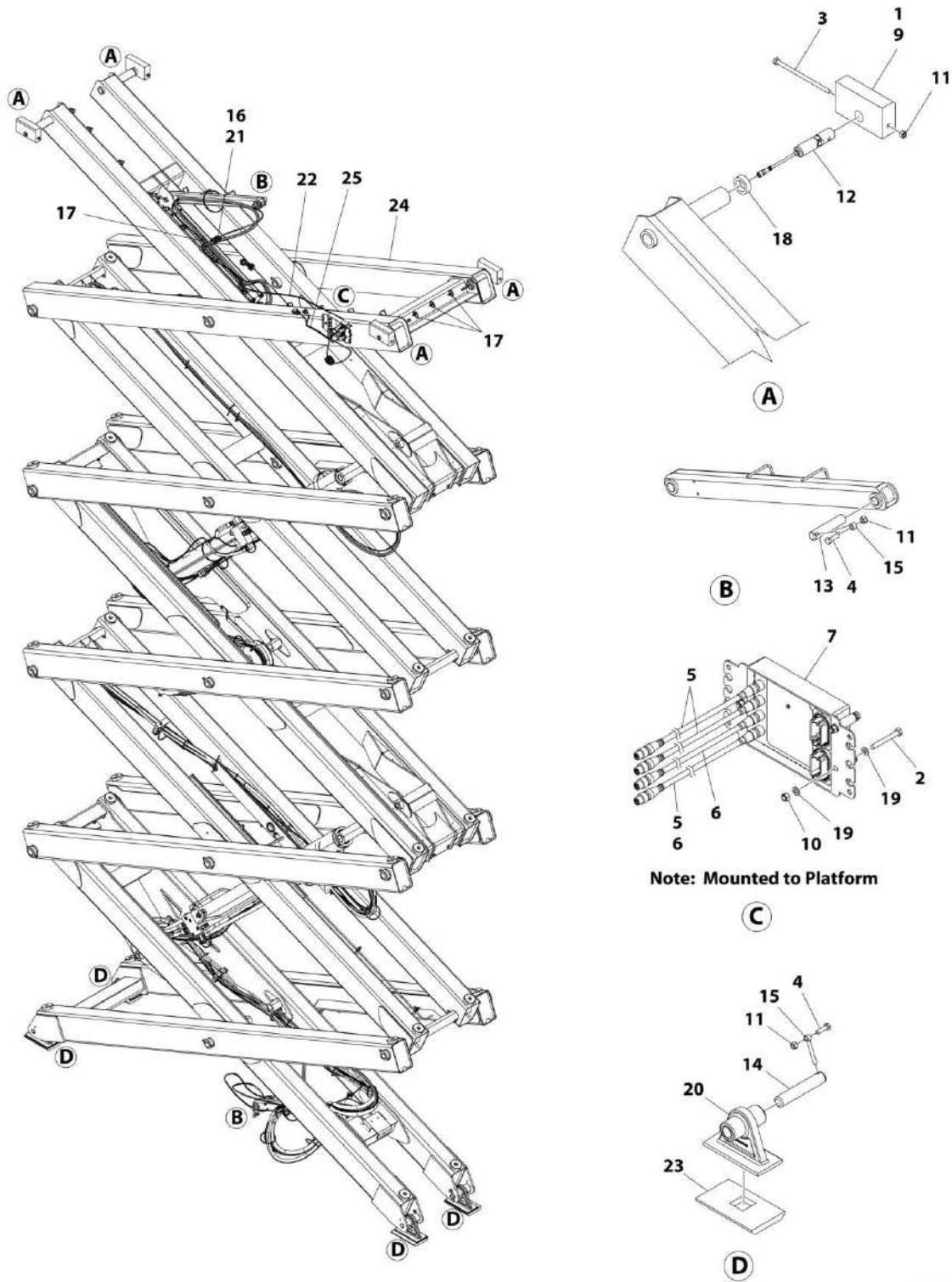
| ITEM | PART NUMBER | QTY | DESCRIPTION | REV |
|------|-------------|-----|--|-----|
| 54 | 1001181436 | 32 | Bumper | |
| 55 | 1001181476 | 1 | Arm, Outer 3 (RH) | |
| 56 | 1001181477 | 1 | Arm, Outer 3 (LH) | |
| 57 | 1001181479 | 1 | Arm, Inner 4 | |
| 58 | 1001181481 | 1 | Arm, Outer 4 (RH) | |
| 59 | 1001181482 | 1 | Arm, Outer 4 (LH) | |
| 60 | 1001181485 | 1 | Arm, Inner 5 | |
| 61 | 1001181486 | 1 | Arm, Outer 5 | |
| 62 | 1001184019 | 1 | Pin | |
| 63 | 1001185315 | 2 | Prop, Safety | |
| 63 | 0962224 | 2 | Bearing (1 per Prop) | |
| 64 | 1001185704 | 1 | Pin | |
| 65 | 1001185705 | 1 | Pin | |
| 66 | 1001185706 | 1 | Pin | |
| 67 | 1001186235 | 32 | Bolt M8 x 20 | |
| 68 | 1001186551 | 1 | Bolt M10 x 50 | |
| 69 | 1001186900 | 1 | Plate, Rod Keeper | |
| 70 | 1001187185 | 1 | Carrier, Cable | |
| 71 | 1001187186 | 1 | Channel, Cable Carrier | |
| 72 | 1001188000 | 6 | Pin | |
| 73 | 1001188001 | 8 | Collar | |
| 74 | 1001188345 | 16 | Pin | |
| 75 | 1001188348 | 2 | Pin | |
| 76 | 1001188351 | 18 | Collar | |
| 77 | 1001236865 | 1 | Ground to Platform Harness (See Separate Breakdown in ELECTRICAL SECTION) | |
| 78 | 1001190522 | 1 | Ground to Lower Lift Cylinder Harness (See Separate Breakdown in ELECTRICAL SECTION) | |
| 79 | 1001190524 | 1 | Ground to Upper Lift Cylinder Harness (See Separate Breakdown in ELECTRICAL SECTION) | |
| 80 | 1001191629 | 7 | Clamp | |
| 81 | 1001191722 | 1 | Plate, Cable Tray | |
| 82 | 1001191838 | 1 | Clamp | |
| 83 | 1001193040 | 1 | Bracket | |
| 88 | 1001193296 | 10 | Bolt M8 x 14 | |
| 89 | 1001193386 | 1 | Rod, Prop Actuator | |
| 90 | 1001225369 | 1 | Lift Cylinder Assembly - Upper (See Separate Breakdown in CYLINDER SECTION) | |
| 91 | 1001234703 | 1 | Lift Cylinder Assembly - Lower (See Separate Breakdown in CYLINDER SECTION) | |
| 92 | 1001194393 | 2 | Plate, Cable Tray | |
| 93 | 1001195209 | 2 | Link | |
| 93 | 0962474 | 4 | Bushing | |
| 94 | 1001197395 | AR | Washer | |
| 95 | 1001197396 | AR | Washer | |
| 96 | 1001197397 | AR | Washer | |
| 97 | 1001197398 | AR | Washer | |
| 98 | 1001197404 | AR | Washer | |
| 99 | 1001197405 | AR | Washer | |
| 100 | 1001202520 | 1 | Bracket, Switch | |
| 101 | 1001209406 | 1 | Plate | |
| 102 | 1001209407 | 1 | Bumper | |

SECTION 4 - SCISSORS ARMS

| ITEM | PART NUMBER | QTY | DESCRIPTION | REV |
|------|-------------|-----|---|-----|
| 103 | 1001217300 | 2 | Pin | |
| 104 | 1001217381 | 1 | Arm, Outer 1 | |
| 105 | 1001217382 | 1 | Arm, Inner 1 | |
| 106 | 1001217888 | 1 | Valve, Cartridge | |
| 106 | 7024808 | 1 | Seal Kit - 1001217888 Valve | |
| 107 | 1001218504 | 1 | Arm, Inner 3 | |
| 108 | 1001222343 | 1 | Ground to Auxilary Lower Holding Valve Harness (See Separate Breakdown in ELECTRICAL SECTION) | |
| 109 | 1001222344 | 1 | Ground to Auxilary Upper Holding Valve Harness (See Separate Breakdown in ELECTRICAL SECTION) | |
| 110 | 1001103761 | 2 | Valve, Solenoid Cartridge | |
| 110 | 7024497 | 1 | Cartridge Less Coil | |
| 110 | 7024502 | 1 | Seal Kit - 1001103761 & 7024497 Valve | |
| 110 | 70001965 | 1 | Coil | |
| 110 | 7024506 | 1 | Nut Kit - Coil | |
| 111 | 1001206625 | 1 | Valve, Solenoid Cartridge | |
| 111 | 70006104 | 1 | Cartridge Less Coil | |
| 111 | 70006105 | 1 | Seal Kit - 1001206625 & 70006104 Valve | |
| 111 | 70005788 | 1 | Coil | |
| 111 | 7022390 | 1 | Nut Coil | |
| 113 | 80933216 | 2 | Clamp | |

SECTION 4 - SCISSORS ARMS

FIGURE 4-2. SCISSORS ARMS INSTALLATION WITH AC CABLE



ART_1001237516

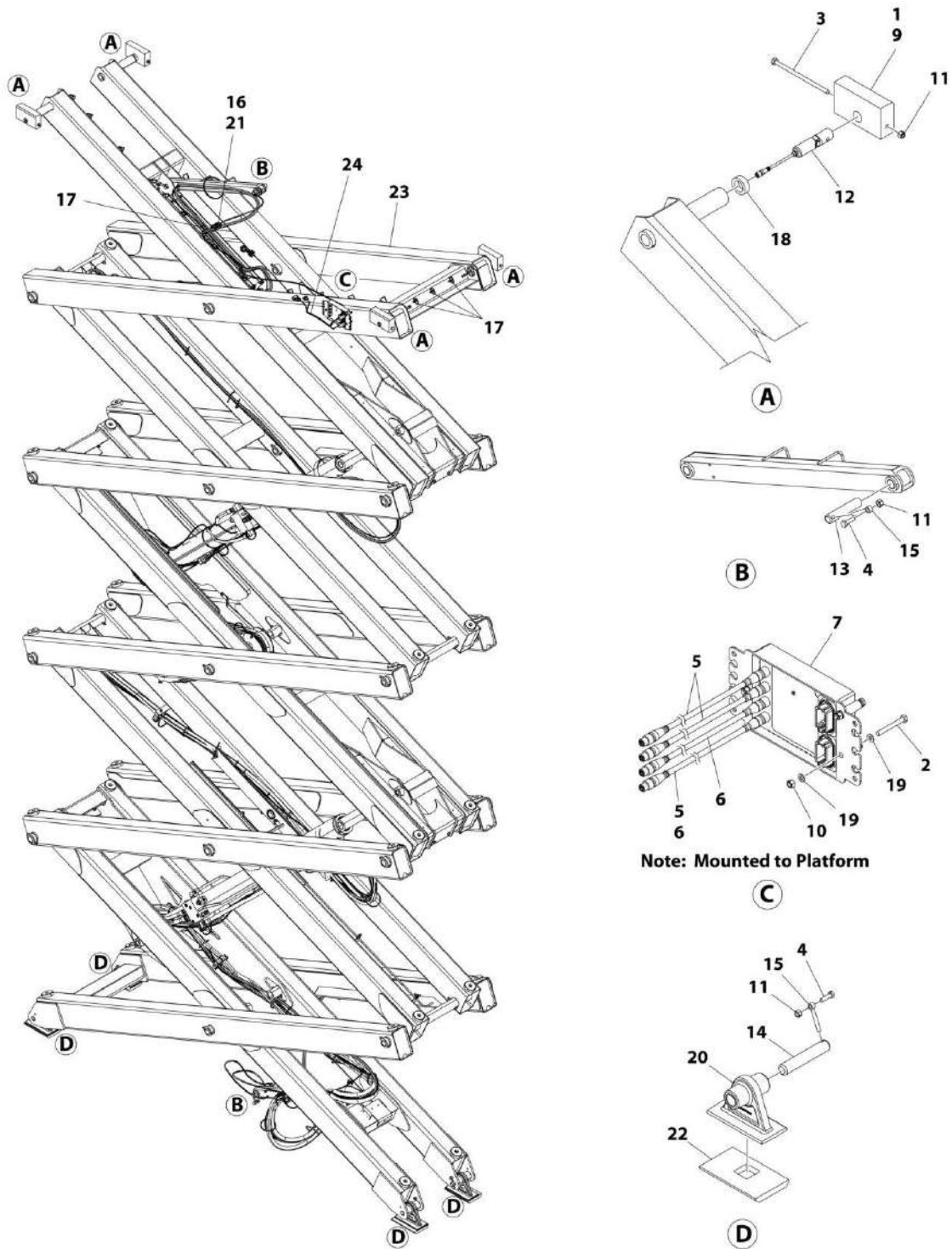
SECTION 4 - SCISSORS ARMS

FIGURE 4-2. SCISSORS ARMS INSTALLATION WITH AC CABLE

| ITEM | PART NUMBER | QTY | DESCRIPTION | REV |
|------|-------------|-----|---|-----|
| | 1001237516 | Ref | SCISSORS ARMS INSTALLATION | C |
| 1 | 0561489 | 4 | Block, Slide | |
| 2 | 0700618 | 3 | Bolt M6 x 50 | |
| 3 | 0701037 | 4 | Bolt M10 x 200 | |
| 4 | 0771015 | 6 | Bolt M10 x 35 | |
| 5 | 1061020 | 3 | Cable (5 FT/1.5 M Length) | |
| 6 | 1061021 | 2 | Cable (10 FT/3 M Length) | |
| 7 | 1600387 | 1 | Module, Control - LSS | |
| 9 | 3020022 | AR | Grease, Lithium | |
| 10 | 3290605 | 3 | Nut M6 | |
| 11 | 3291005 | 10 | Nut M10 | |
| 12 | 3422938 | 4 | Pin | |
| 13 | 3422943 | 1 | Pin | |
| 14 | 3422961 | 4 | Pin | |
| 15 | 3841143 | 6 | Keeper, Pin | |
| 16 | 4240018 | 14 | Tie-Strap | |
| 17 | 4240033 | 19 | Tie-Strap | |
| 18 | 4568295 | 4 | Tube, Spacer | |
| 19 | 4811700 | 6 | Washer M6 | |
| 20 | 1001099623 | 4 | Slider | |
| 20 | 0440234 | 8 | Bearing (2 per Slider) | |
| 21 | 1001130781 | 3 | Conduit | |
| 22 | 1001178759 | 1 | Cable, AC | |
| 23 | 1001181501 | 4 | Pad, Slide | |
| 24 | 1001217384 | 1 | Scissors Arms Assembly (See Separate Breakdown in this Section) | |
| 25 | 1001226830 | 1 | LSS Harness (See Separate Breakdown in ELECTRICAL SECTION) | |
| 26 | 4460234 | 16 | Mount, Tie-Strap (Not Shown) | |

SECTION 4 - SCISSORS ARMS

FIGURE 4-3. SCISSORS ARMS INSTALLATION WITH GENERATOR



ART_1001237515

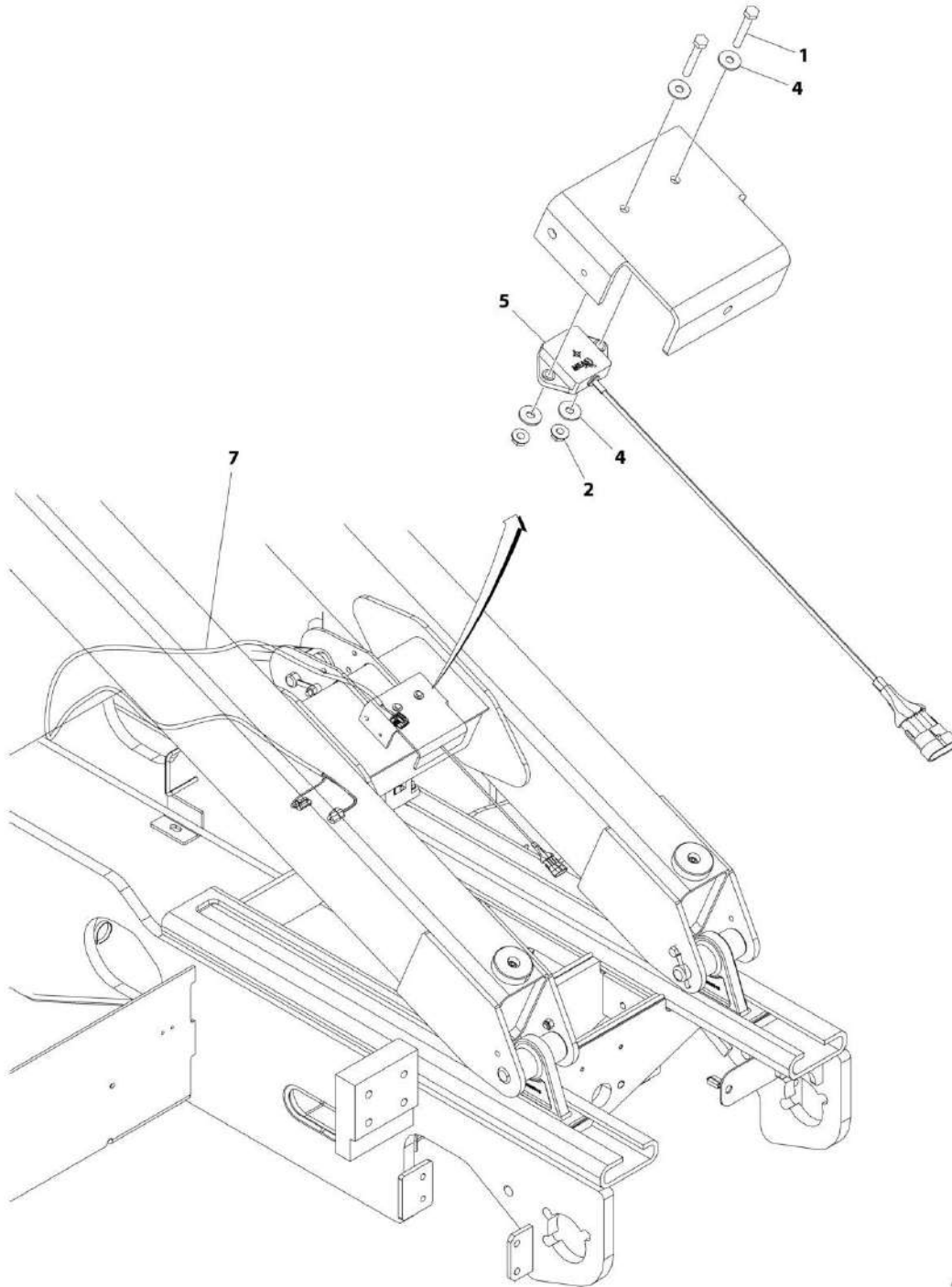
SECTION 4 - SCISSORS ARMS

FIGURE 4-3. SCISSORS ARMS INSTALLATION WITH GENERATOR

| ITEM | PART NUMBER | QTY | DESCRIPTION | REV |
|------|-------------|-----|---|-----|
| | 1001237515 | Ref | SCISSORS ARMS INSTALLATION | C |
| 1 | 0561489 | 4 | Block, Slide | |
| 2 | 0700618 | 3 | Bolt M6 x 50 | |
| 3 | 0701037 | 4 | Bolt M10 x 200 | |
| 4 | 0771015 | 6 | Bolt M10 x 35 | |
| 5 | 1061020 | 2 | Cable (5 FT/1.5 M Length) | |
| 6 | 1061021 | 2 | Cable (10 FT/3 M Length) | |
| 7 | 1600387 | 1 | Module, Control - LSS | |
| 9 | 3020022 | AR | Grease, Lithium | |
| 10 | 3290605 | 3 | Nut M6 | |
| 11 | 3291005 | 10 | Nut M10 | |
| 12 | 3422938 | 4 | Pin | |
| 13 | 3422943 | 1 | Pin | |
| 14 | 3422961 | 4 | Pin | |
| 15 | 3841143 | 6 | Keeper, Pin | |
| 16 | 4240018 | 14 | Tie-Strap | |
| 17 | 4240033 | 19 | Tie-Strap | |
| 18 | 4568295 | 4 | Tube, Spacer | |
| 19 | 4811700 | 6 | Washer M6 | |
| 20 | 1001099623 | 4 | Slider | |
| 20 | 0440234 | 8 | Bearing (2 per Slider) | |
| 21 | 1001130781 | 2 | Conduit | |
| 22 | 1001181501 | 4 | Pad, Slide | |
| 23 | 1001217384 | 1 | Scissors Arms Assembly (See Separate Breakdown in this Section) | |
| 24 | 1001226830 | 1 | LSS Harness (See Separate Breakdown in ELECTRICAL SECTION) | |
| 25 | 4460234 | 16 | Mount, Tie-Strap (Not Shown) | |

SECTION 4 - SCISSORS ARMS

FIGURE 4-4. ARM GUARDS INSTALLATION



ART_1001231784

SECTION 4 - SCISSORS ARMS

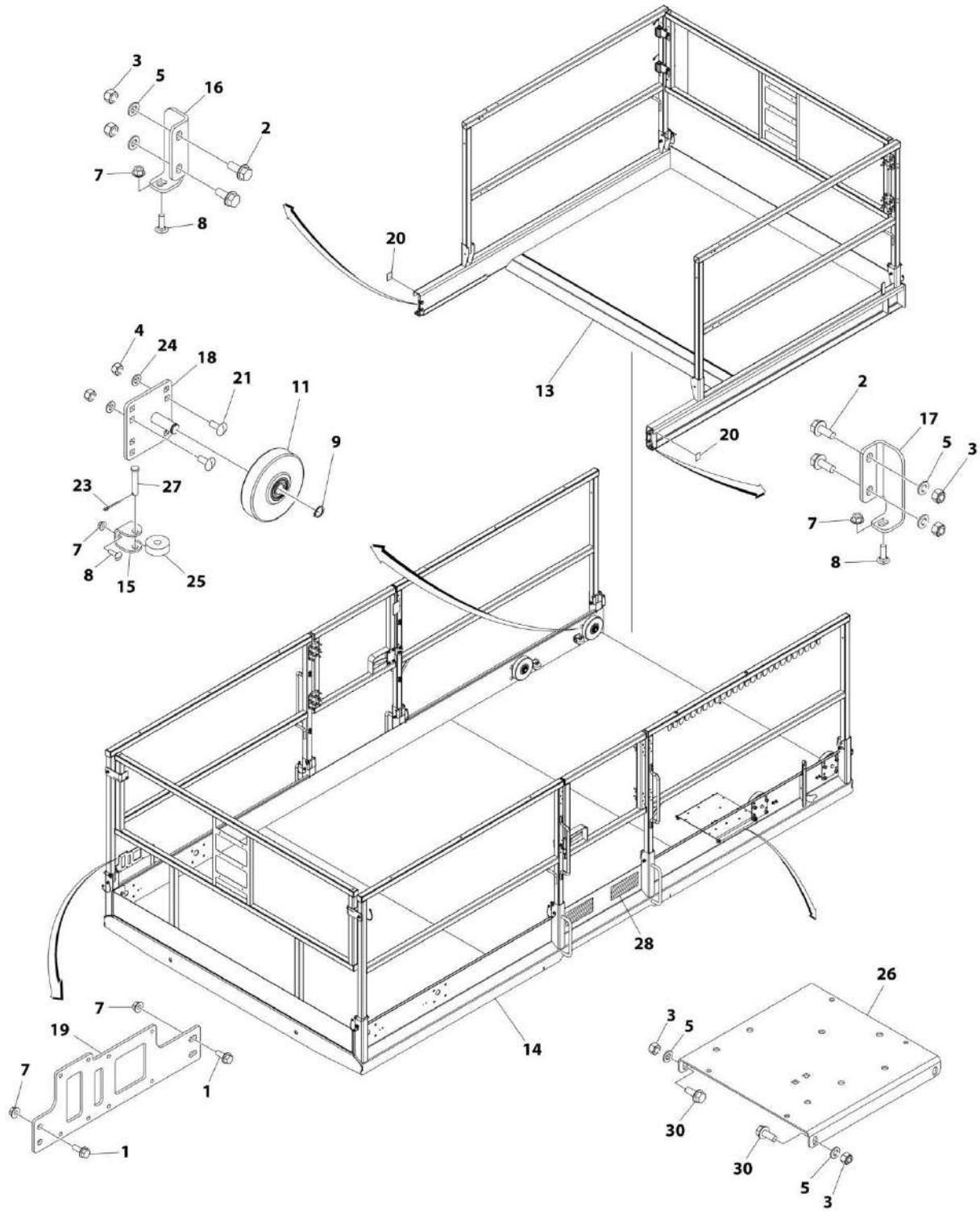
FIGURE 4-4. ARM GUARDS INSTALLATION

| ITEM | PART NUMBER | QTY | DESCRIPTION | REV |
|------|-------------|-----|--|-----|
| | 1001231784 | Ref | ARM GUARDS INSTALLATION | D |
| 1 | 0700616 | 2 | Bolt M6 x 40 | |
| 2 | 3290605 | 2 | Nut M6 | |
| 3 | 4240018 | 12 | Tie-Strap (Not Shown) | |
| 4 | 4811702 | 4 | Washer M6 | |
| 5 | 1001187857 | 1 | Sensor, Dual Axis | |
| 7 | 1001244347 | 1 | Scissors Arms Guard Harness (See Separate Breakdown in ELECTRICAL SECTION) | |

SECTION 5 - PLATFORM

SECTION 5 - PLATFORM

FIGURE 5-1. PLATFORM AND SINGLE EXTENSION INSTALLATION - STANDARD



ART_1001177756

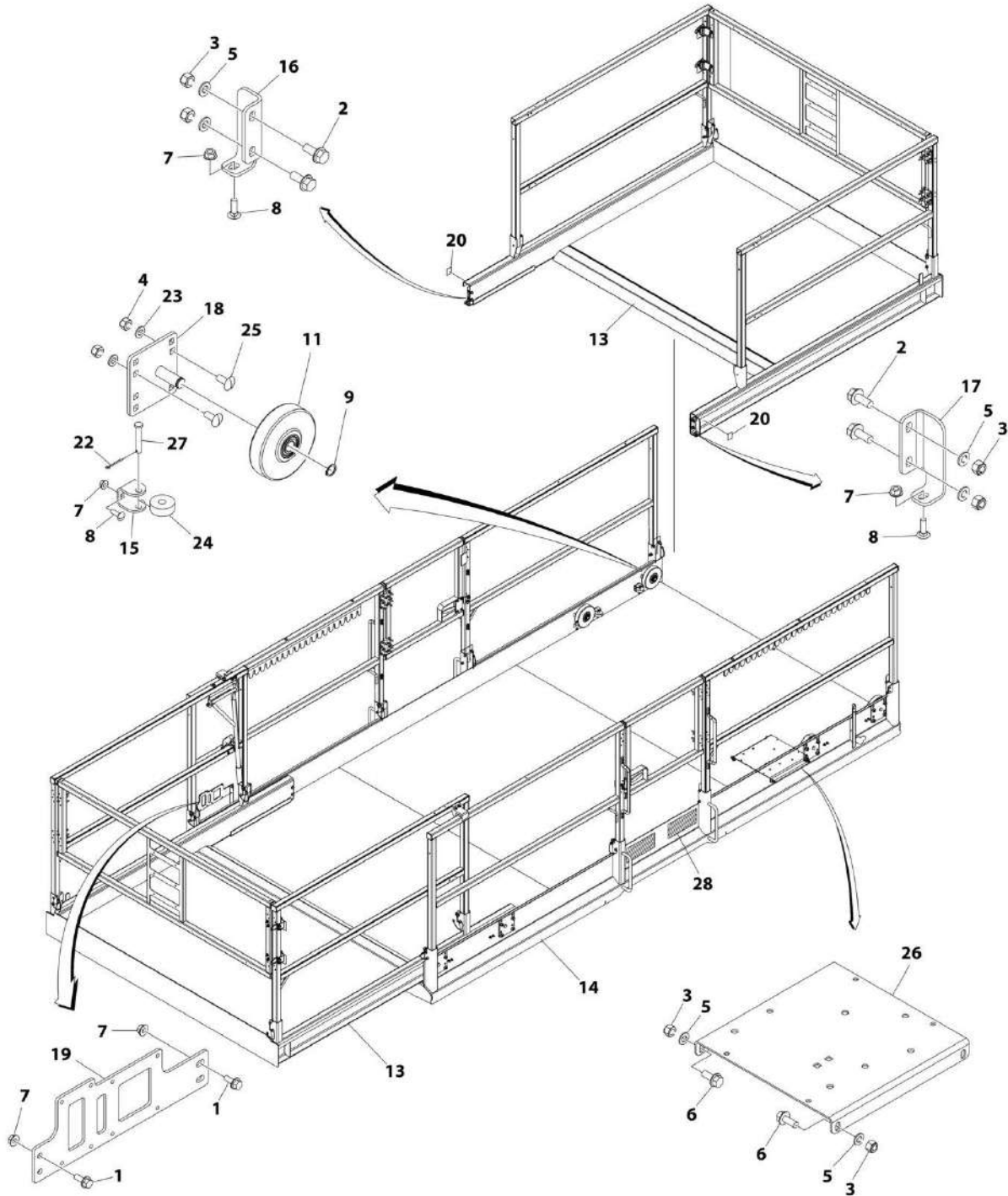
SECTION 5 - PLATFORM

FIGURE 5-1. PLATFORM AND SINGLE EXTENSION INSTALLATION - STANDARD

| ITEM | PART NUMBER | QTY | DESCRIPTION | REV |
|------|-------------|-----------------|---|-----|
| | 1001177756 | Ref | PLATFORM AND SINGLE EXTENSION INSTALLATION - STANDARD | H |
| 1 | 0780608 | 4 | Bolt M6 x 16 | |
| 2 | 0780810 | AR | Bolt M8 x 20 | |
| 3 | 3290805 | AR | Nut M8 | |
| 4 | 3291005 | 16 | Nut M10 | |
| 5 | 4811900 | AR | Washer M8 | |
| 7 | 5260600 | 14 | Nut M6, Grade10 | |
| 8 | 1001100451 | 10 | Bolt M6 x 20 | |
| 9 | 1001149581 | 4 | Ring, Retaining | |
| 11 | 1001167274 | 4 | Roller | |
| 13 | 1001179691 | 1 | Extension, Platform | |
| 14 | 1001179693 | 1 | Platform | |
| 15 | 1001179856 | 4 | Bracket, Roller | |
| 16 | 1001180981 | 1 | Bracket, Stop (LH) | |
| 17 | 1001180983 | 1 | Bracket, Stop (RH) | |
| 18 | 1001180990 | 4 | Bracket, Roller | |
| 19 | 1001182294 | 1 | Bracket | |
| 20 | 4420062 | 1.9 in/ 50mm | Tape | |
| 21 | 0630564 | 16 | Bolt M10 x 25 | |
| 23 | 3450304 | 4 | Pin, Cotter 3/32 x 1 | |
| 24 | 4812000 | 16 | Washer M10 | |
| 25 | 1001143898 | 4 | Roller | |
| 26 | 1001194115 | 1 | Bracket, Module | |
| 27 | 3430616 | 4 | Pin, Clevis | |
| 28 | 4420051 | AR | Tape, Safety | |
| 29 | 1001205831 | 4 | Spacer | |
| 30 | 0780812 | AR | Bolt M8 x 25 | |

SECTION 5 - PLATFORM

FIGURE 5-2. PLATFORM AND DUAL EXTENSION INSTALLATION - STANDARD



ART_1001177755

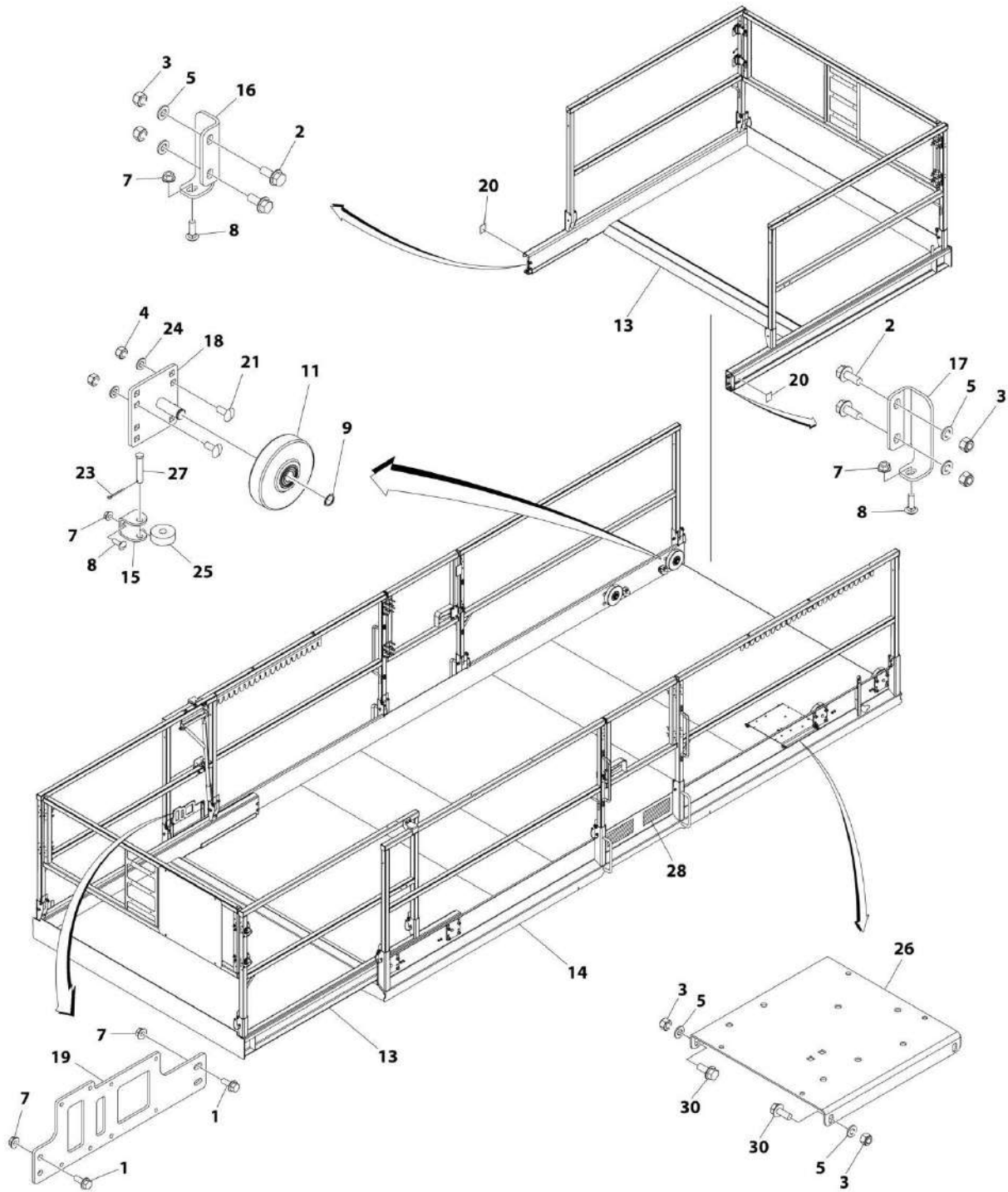
SECTION 5 - PLATFORM

FIGURE 5-2. PLATFORM AND DUAL EXTENSION INSTALLATION - STANDARD

| ITEM | PART NUMBER | QTY | DESCRIPTION | REV |
|------|-------------|------------------|---|-----|
| | 1001177755 | Ref | PLATFORM AND DUAL EXTENSION INSTALLATION - STANDARD | H |
| 1 | 0780608 | 4 | Bolt M6 x 16 | |
| 2 | 0780810 | AR | Bolt M8 x 20 | |
| 3 | 3290805 | AR | Nut M8 | |
| 4 | 3291005 | 32 | Nut M10 | |
| 5 | 4811900 | AR | Washer M8 | |
| 6 | 0780812 | AR | Bolt M8 x 25 | |
| 7 | 5260600 | 24 | Nut M6, Grade 10 | |
| 8 | 1001100451 | 20 | Bolt M6 x 20 | |
| 9 | 1001149581 | 8 | Ring, Retaining | |
| 11 | 1001167274 | 8 | Roller | |
| 13 | 1001179691 | 2 | Extension, Platform | |
| 14 | 1001179693 | 1 | Platform | |
| 15 | 1001179856 | 8 | Bracket, Roller | |
| 16 | 1001180981 | 2 | Bracket, Stop (LH) | |
| 17 | 1001180983 | 2 | Bracket, Stop (RH) | |
| 18 | 1001180990 | 8 | Bracket, Roller | |
| 19 | 1001182294 | 1 | Bracket | |
| 20 | 4420062 | 3.9 in/ 100mm | Tape | |
| 22 | 3450304 | 8 | Pin, Cotter 3/32 x 1 | |
| 23 | 4812000 | 32 | Washer M10 | |
| 24 | 1001143898 | 8 | Roller | |
| 25 | 0630564 | 32 | Bolt M10 x 25 | |
| 26 | 1001194115 | 1 | Bracket, Module | |
| 27 | 3430616 | 8 | Pin, Clevis | |
| 28 | 4420051 | AR | Tape, Safety | |
| 29 | 1001205831 | 8 | Spacer | |

SECTION 5 - PLATFORM

FIGURE 5-3. PLATFORM AND DUAL EXTENSION INSTALLATION - MEGADECK



ART_1001177757

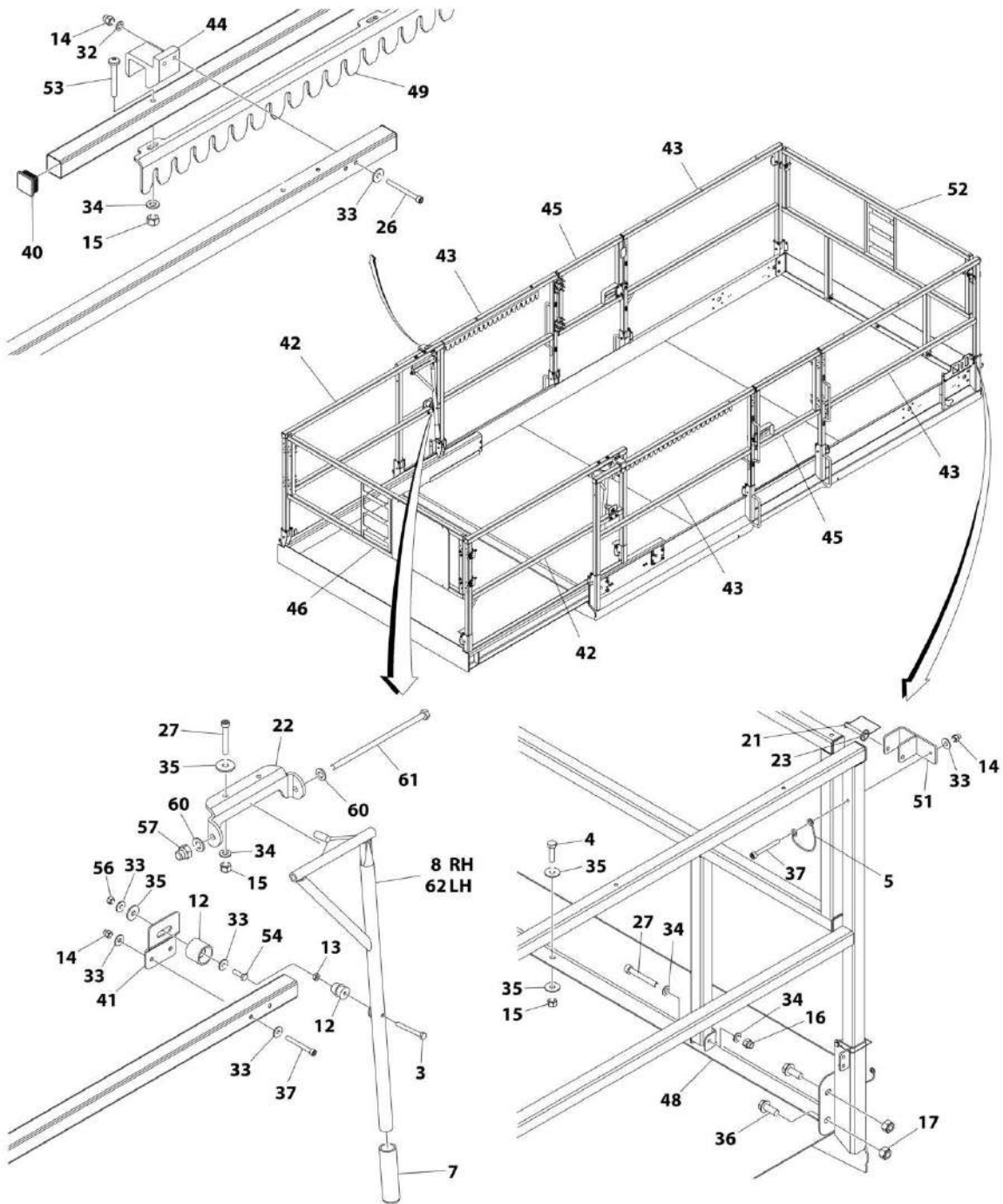
SECTION 5 - PLATFORM

FIGURE 5-3. PLATFORM AND DUAL EXTENSION INSTALLATION - MEGADECK

| ITEM | PART NUMBER | QTY | DESCRIPTION | REV |
|------|-------------|------------------|---|-----|
| | 1001177757 | Ref | PLATFORM AND DUAL EXTENSION INSTALLATION - MEGADECK | H |
| 1 | 0780608 | 4 | Bolt M6 x 16 | |
| 2 | 0780810 | AR | Bolt M8 x 20 | |
| 3 | 3290805 | AR | Nut M8 | |
| 4 | 3291005 | 32 | Nut M10 | |
| 5 | 4811900 | AR | Washer M8 | |
| 7 | 5260600 | 24 | Nut M6, Grade 10 | |
| 8 | 1001100451 | 20 | Bolt M6 x 20 | |
| 9 | 1001149581 | 8 | Ring, Retaining | |
| 11 | 1001167274 | 8 | Roller | |
| 13 | 1001179691 | 2 | Extension, Platform | |
| 14 | 1001179696 | 1 | Platform | |
| 15 | 1001179856 | 8 | Bracket, Roller | |
| 16 | 1001180981 | 2 | Bracket, Stop (LH) | |
| 17 | 1001180983 | 2 | Bracket, Stop (RH) | |
| 18 | 1001180990 | 8 | Bracket, Roller | |
| 19 | 1001182294 | 1 | Bracket | |
| 20 | 4420062 | 3.9 in/ 100mm | Tape | |
| 21 | 0630564 | 32 | Bolt M10 x 25 | |
| 23 | 3450304 | 8 | Pin, Cotter 3/32 x 1 | |
| 24 | 4812000 | 32 | Washer M10 | |
| 25 | 1001143898 | 8 | Roller | |
| 26 | 1001194115 | 1 | Bracket, Module | |
| 27 | 3430616 | 8 | Pin, Clevis | |
| 28 | 4420051 | AR | Tape, Safety | |
| 29 | 1001205831 | 8 | Spacer | |
| 30 | 0780812 | AR | Bolt M8 x 25 | |

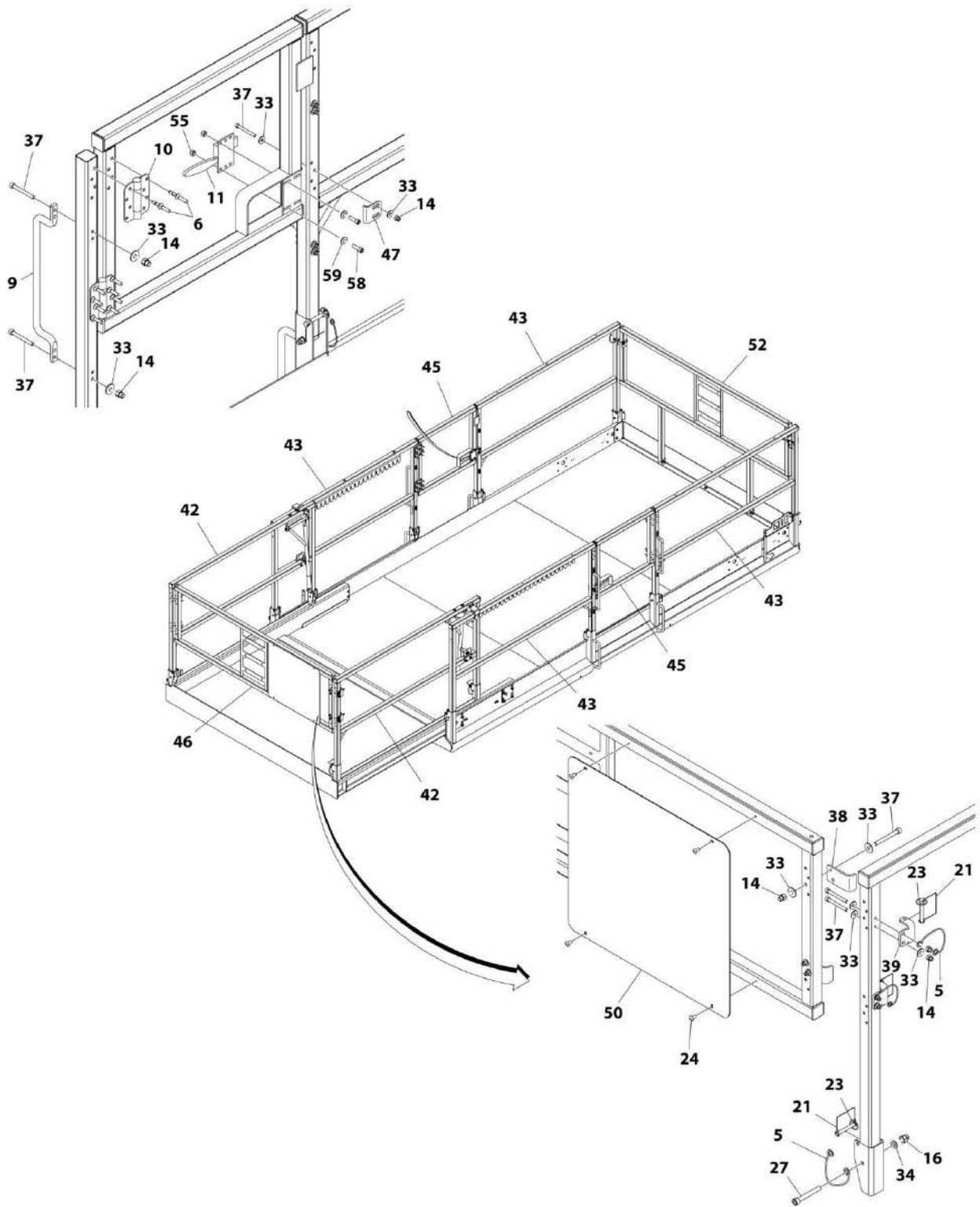
SECTION 5 - PLATFORM

FIGURE 5-4. RAILS INSTALLATION - STANDARD PLATFORM WITH SINGLE EXTENSION



ART_1001177758_10F2

SECTION 5 - PLATFORM



ART_100117758_20F2

SECTION 5 - PLATFORM

FIGURE 5-4. RAILS INSTALLATION - STANDARD PLATFORM WITH SINGLE EXTENSION

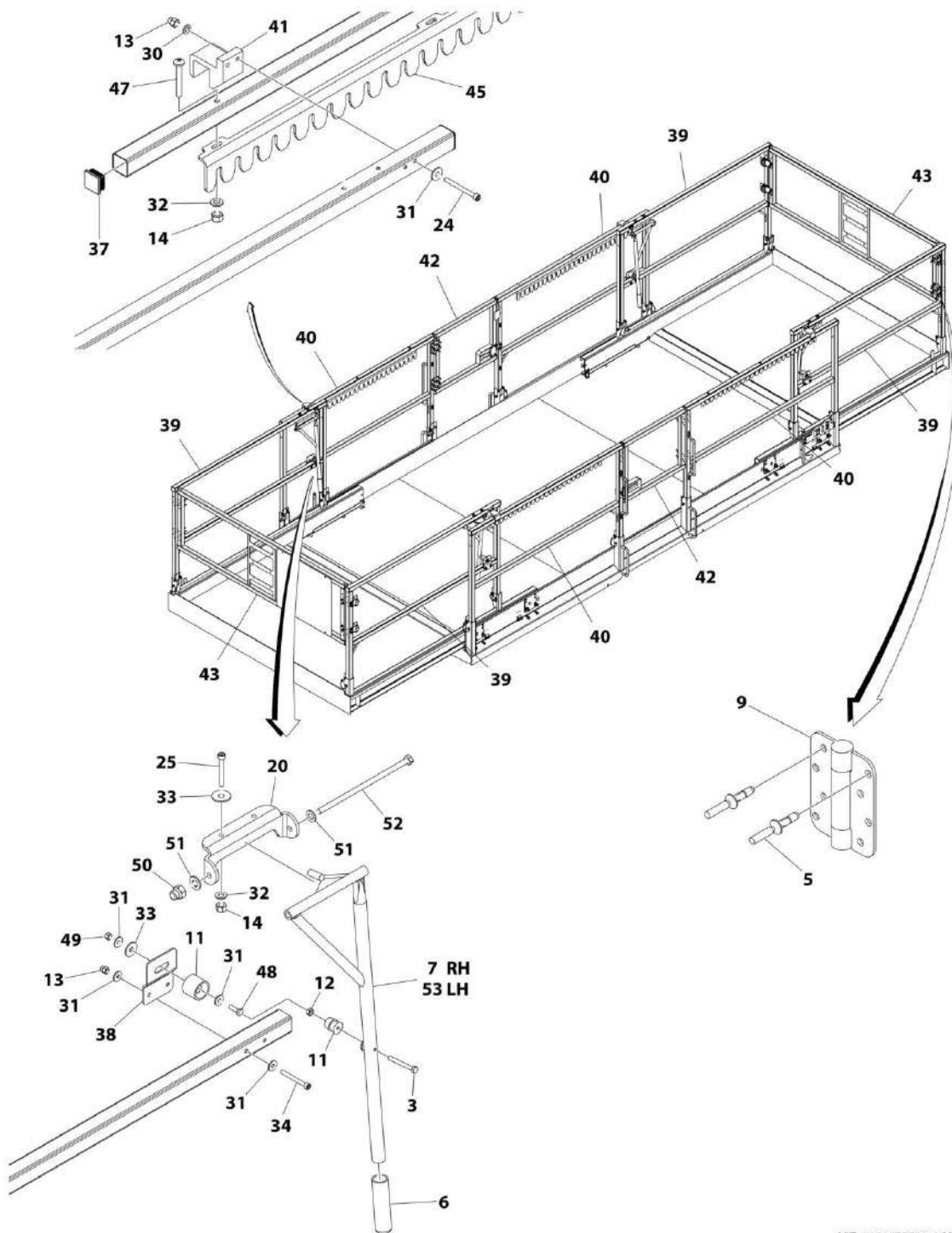
| ITEM | PART NUMBER | QTY | DESCRIPTION | REV |
|------|-------------|-----|--|-----|
| | 1001177758 | Ref | RAILS INSTALLATION - STANDARD PLATFORM WITH SINGLE EXTENSION | G |
| 3 | 0700619 | AR | Bolt M6 x 55 | |
| 4 | 0760814 | 1 | Bolt M8 x 30 | |
| 5 | 1060808 | 16 | Lanyard | |
| 6 | 2080040 | 48 | Fastener, Blind | |
| 7 | 2560088 | AR | Grip, Handle | |
| 8 | 2560172 | 1 | Handle | |
| 9 | 2560176 | 4 | Handle, Grab | |
| 10 | 2600285 | 6 | Hinge, Self Closing | |
| 11 | 2940074 | 2 | Latch | |
| 12 | 2940127 | AR | Latch, Rubber Insert | |
| 13 | 3290601 | AR | Nut M6 | |
| 14 | 3290606 | AR | Nut M6 | |
| 15 | 3290805 | AR | Nut M8 | |
| 16 | 3290806 | 14 | Nut M8 | |
| 17 | 3291005 | 4 | Nut M10 | |
| 21 | 3421565 | 16 | Pin | |
| 22 | 3537609 | AR | Plate, Pivot | |
| 23 | 3760170 | 16 | Ring, Split | |
| 24 | 3820020 | 4 | Rivet | |
| 26 | 4031717 | 4 | Capscrew M6 x 65 | |
| 27 | 4031916 | AR | Capscrew M8 x 60 | |
| 32 | 4811700 | 4 | Washer M6 | |
| 33 | 4811702 | AR | Washer M6 | |
| 34 | 4811900 | AR | Washer M8 | |
| 35 | 4811902 | AR | Washer M8 | |
| 36 | 5251012 | 4 | Bolt M10 x 25 | |
| 37 | 1001118878 | AR | Capscrew M6 x 55 | |
| 38 | 1001179558 | 2 | Bracket | |
| 39 | 1001179559 | 2 | Bracket | |
| 40 | 1001179639 | 28 | Plug | |
| 41 | 1001179644 | AR | Plate, Mounting | |
| 42 | 1001179676 | 2 | Rail, Extension Side | |
| 43 | 1001179677 | 4 | Rail, Platform Side | |
| 44 | 1001179678 | 2 | Pad | |
| 45 | 1001179694 | 2 | Gate | |
| 46 | 1001179695 | 1 | Rail, Extension end | |
| 47 | 1001198325 | 2 | Plate, Latch | |
| 48 | 1001180986 | 1 | Kickplate | |
| 49 | 1001180987 | AR | Bracket, Extension Stop | |
| 50 | 1001180994 | 1 | Plate, Billboard | |
| 51 | 1001181001 | 2 | Bracket, Latch | |
| 52 | 1001181003 | 1 | Rail, Platform End | |
| 53 | 1001192382 | AR | Screw | |
| 54 | 0760610 | AR | Bolt M6 x 20 | |
| 55 | 3290505 | 8 | Nut M5 | |
| 56 | 3290605 | AR | Nut M6 | |
| 57 | 3291006 | AR | Nut M10 | |
| 58 | 4031607 | 8 | Capscrew M5 x 16 | |

SECTION 5 - PLATFORM

| ITEM | PART NUMBER | QTY | DESCRIPTION | REV |
|------|-------------|-----|----------------|-----|
| 59 | 4811602 | 8 | Washer M5 | |
| 60 | 4812000 | AR | Washer M10 | |
| 61 | 1001195137 | AR | Bolt M10 x 240 | |
| 62 | 2560171 | 1 | Handle | |

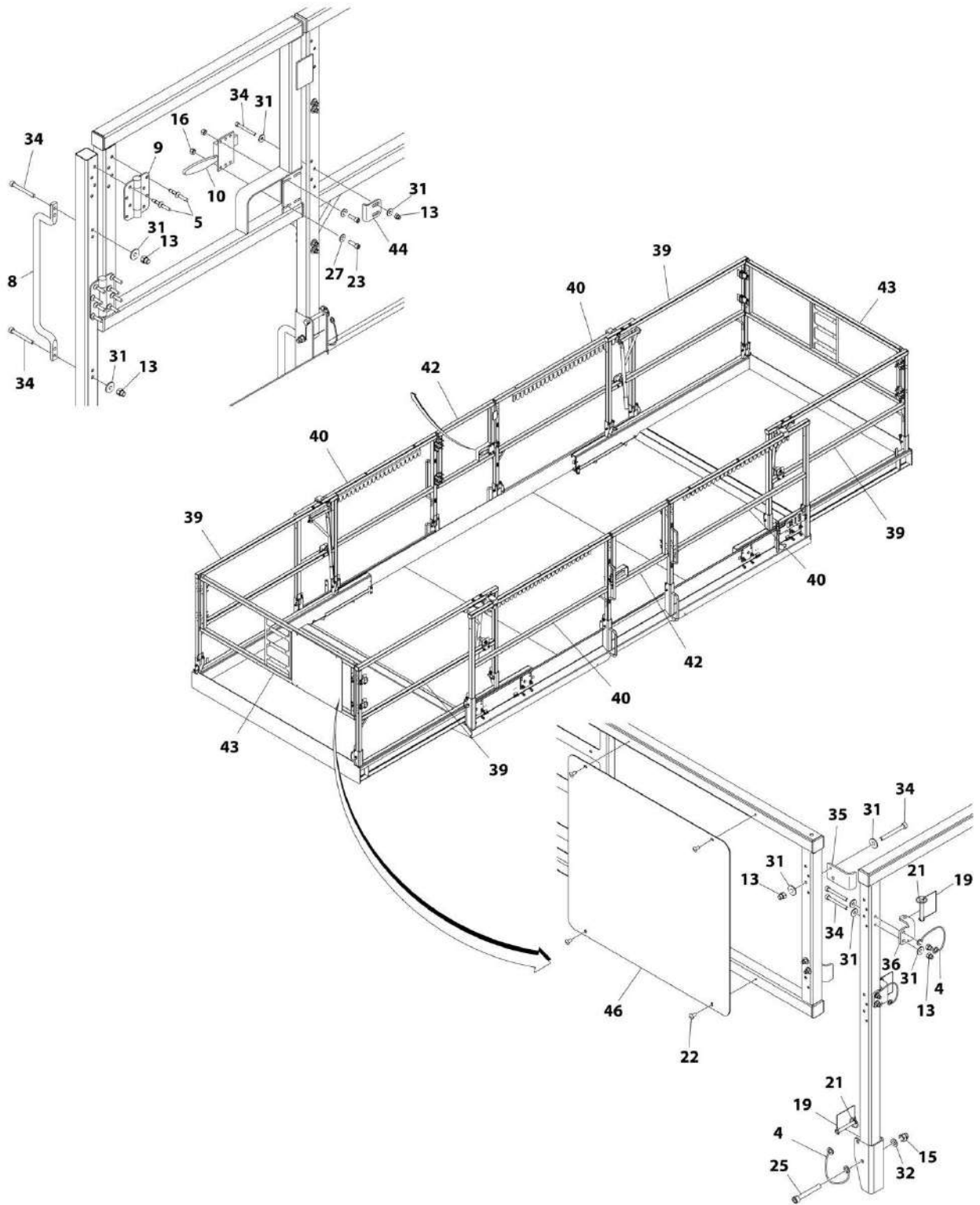
SECTION 5 - PLATFORM

FIGURE 5-5. RAILS INSTALLATION - STANDARD PLATFORM WITH DUAL EXTENSION



ART_100117759_10F2

SECTION 5 - PLATFORM



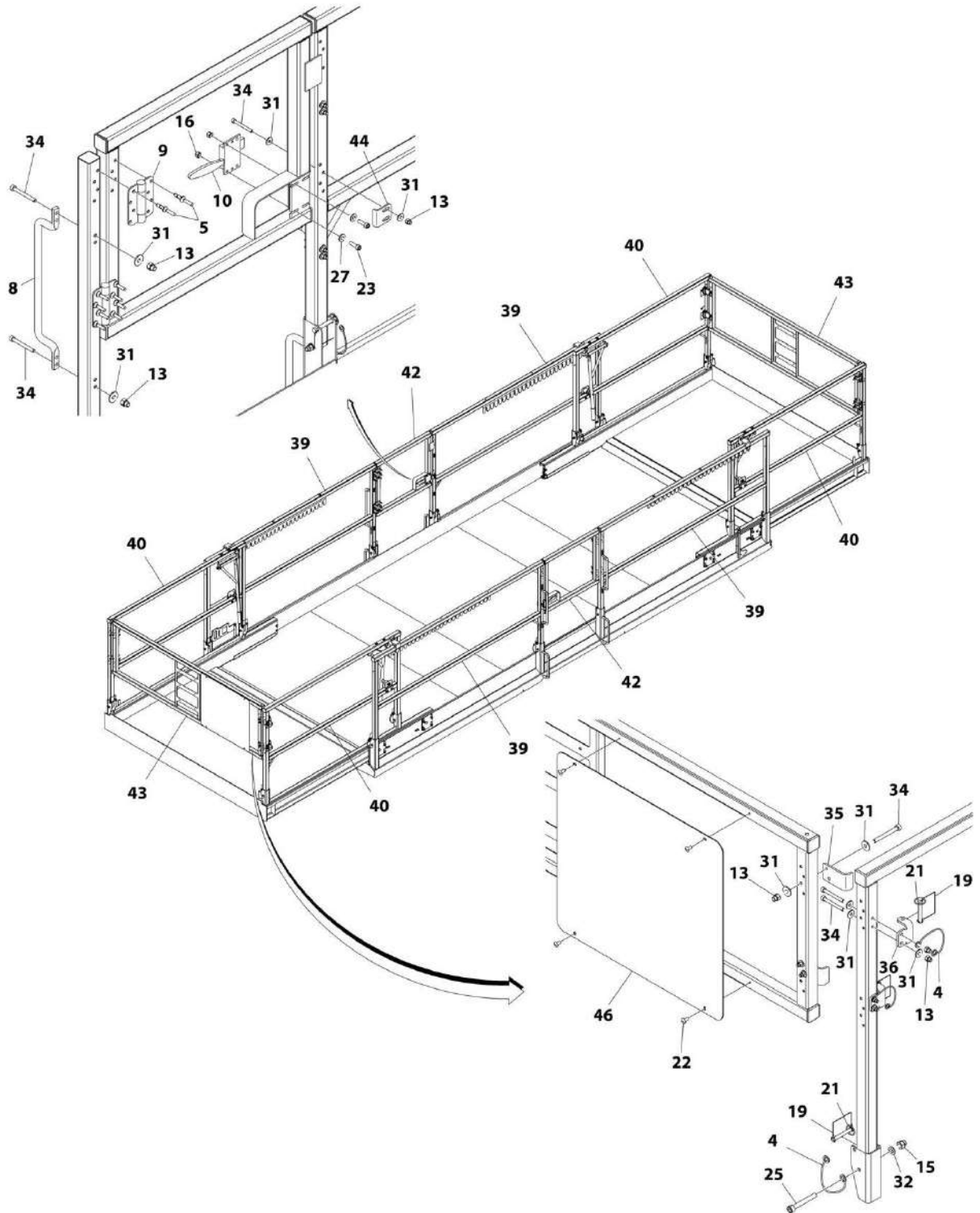
ART_100117759_2OF2

SECTION 5 - PLATFORM

FIGURE 5-5. RAILS INSTALLATION - STANDARD PLATFORM WITH DUAL EXTENSION

| ITEM | PART NUMBER | QTY | DESCRIPTION | REV |
|------|-------------|-----|--|-----|
| | 1001177759 | Ref | RAILS INSTALLATION - STANDARD PLATFORM WITH DUAL EXTENSION | F |
| 3 | 0700619 | AR | Bolt M6 x 55 | |
| 4 | 1060808 | 20 | Lanyard | |
| 5 | 2080040 | 64 | Fastener, Blind | |
| 6 | 2560088 | AR | Grip, Handle | |
| 7 | 2560172 | 2 | Handle | |
| 8 | 2560176 | 4 | Handle, Grab | |
| 9 | 2600285 | 8 | Hinge, Self Closing | |
| 10 | 2940074 | 2 | Latch | |
| 11 | 2940127 | AR | Latch, Rubber Insert | |
| 12 | 3290601 | AR | Nut M6 | |
| 13 | 3290606 | AR | Nut M6 | |
| 14 | 3290805 | AR | Nut M8 | |
| 15 | 3290806 | 16 | Nut M8 | |
| 16 | 3300432 | 8 | Nut #10 | |
| 19 | 3421565 | 20 | Pin | |
| 20 | 3537609 | AR | Plate, Pivot | |
| 21 | 3760170 | 20 | Ring, Split | |
| 22 | 3820020 | 4 | Rivet | |
| 23 | 3931010 | 8 | Capscrew #10 x 5/8 | |
| 24 | 4031717 | 8 | Capscrew M6 x 65 | |
| 25 | 4031916 | AR | Capscrew M8 x 60 | |
| 27 | 4751000 | 8 | Washer #10 | |
| 30 | 4811700 | 8 | Washer M6 | |
| 31 | 4811702 | AR | Washer M6 | |
| 32 | 4811900 | AR | Washer M8 | |
| 33 | 4811902 | AR | Washer M8 | |
| 34 | 1001118878 | AR | Capscrew M6 x 55 | |
| 35 | 1001179558 | 4 | Bracket | |
| 36 | 1001179559 | 4 | Bracket | |
| 37 | 1001179639 | 32 | Plug | |
| 38 | 1001179644 | AR | Plate, Mounting | |
| 39 | 1001179676 | 4 | Rail, Extension Side | |
| 40 | 1001179677 | 4 | Rail, Platform Side | |
| 41 | 1001179678 | 4 | Pad | |
| 42 | 1001179694 | 2 | Gate | |
| 43 | 1001179695 | 2 | Rail, Extension End | |
| 44 | 1001198325 | 2 | Plate, Latch | |
| 45 | 1001180987 | AR | Bracket, Extension Stop | |
| 46 | 1001180994 | 1 | Plate, Billboard | |
| 47 | 1001192382 | AR | Screw | |
| 48 | 0760610 | AR | Bolt M6 x 20 | |
| 49 | 3290605 | AR | Nut M6 | |
| 50 | 3291006 | AR | Nut M10 | |
| 51 | 4812000 | AR | Washer M10 | |
| 52 | 1001195137 | AR | Bolt M10 x 240 | |
| 53 | 2560171 | 2 | Handle | |

SECTION 5 - PLATFORM



ART_100117760_20F2

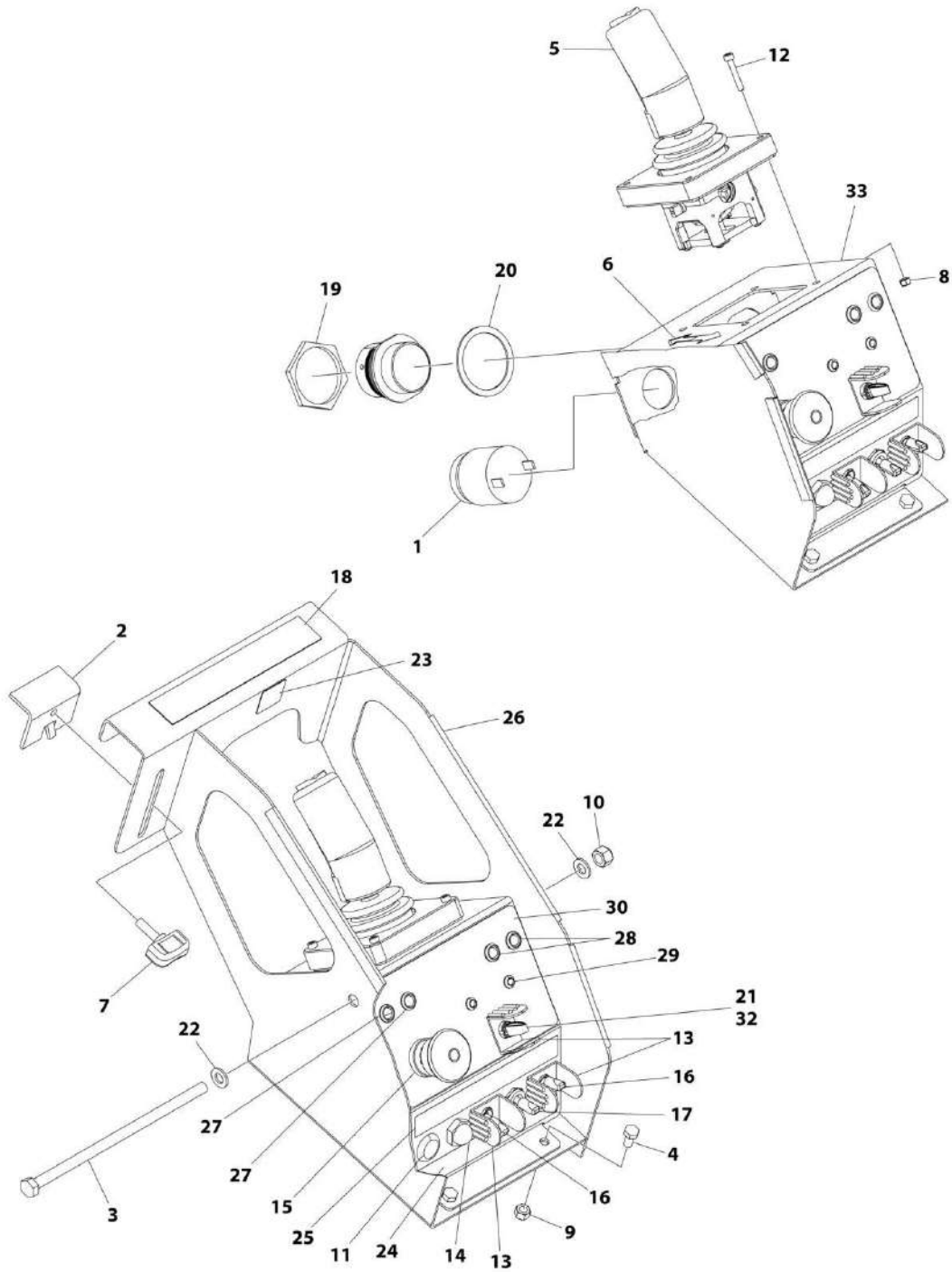
SECTION 5 - PLATFORM

FIGURE 5-6. RAILS INSTALLATION - MEGADECK PLATFORM WITH DUAL EXTENSION

| ITEM | PART NUMBER | QTY | DESCRIPTION | REV |
|------|-------------|-----|--|-----|
| | 1001177760 | Ref | RAILS INSTALLATION - MEGADECK PLATFORM WITH DUAL EXTENSION | F |
| 3 | 0700619 | AR | Bolt M6 x 55 | |
| 4 | 1060808 | 20 | Lanyard | |
| 5 | 2080040 | 64 | Fastener, Blind | |
| 6 | 2560088 | AR | Grip, Handle | |
| 7 | 2560172 | 2 | Handle | |
| 8 | 2560176 | 4 | Handle, Grab | |
| 9 | 2600285 | 8 | Hinge, Self Closing | |
| 10 | 2940074 | 2 | Latch | |
| 11 | 2940127 | AR | Latch, Rubber Insert | |
| 12 | 3290601 | AR | Nut M6 | |
| 13 | 3290606 | AR | Nut M6 | |
| 14 | 3290805 | AR | Nut M8 | |
| 15 | 3290806 | 16 | Nut M8 | |
| 16 | 3300432 | 8 | Nut #10-24 | |
| 19 | 3421565 | 20 | Pin | |
| 20 | 3537609 | AR | Plate, Pivot | |
| 21 | 3760170 | 20 | Ring, Split | |
| 22 | 3820020 | 4 | Rivet | |
| 23 | 3931010 | 8 | Capscrew #10 x 5/8 | |
| 24 | 4031717 | 8 | Capscrew M6 x 65 | |
| 25 | 4031916 | AR | Capscrew M8 x 60 | |
| 27 | 4751000 | 8 | Washer #10 | |
| 30 | 4811700 | 8 | Washer M6 | |
| 31 | 4811702 | AR | Washer M6 | |
| 32 | 4811900 | AR | Washer M8 | |
| 33 | 4811902 | AR | Washer M8 | |
| 34 | 1001118878 | AR | Capscrew M6 x 55 | |
| 35 | 1001179558 | 4 | Bracket | |
| 36 | 1001179559 | 4 | Bracket | |
| 37 | 1001179639 | 32 | Plug | |
| 38 | 1001179644 | AR | Plate, Mounting | |
| 39 | 1001179658 | 4 | Rail, Platform Side | |
| 40 | 1001179676 | 4 | Rail, Extension Side | |
| 41 | 0760610 | 2 | Bolt M6 x 20 | |
| 42 | 1001179694 | 2 | Gate | |
| 43 | 1001179695 | 2 | Rail, Extension End | |
| 44 | 1001198325 | 2 | Plate, Latch | |
| 45 | 1001180987 | AR | Bracket, Extension Stop | |
| 46 | 1001180994 | 1 | Plate, Billboard | |
| 47 | 1001192382 | AR | Screw | |
| 48 | 3290605 | AR | Nut M6 | |
| 49 | 3291006 | AR | Nut M10 | |
| 50 | 4812000 | AR | Washer M10 | |
| 51 | 1001179678 | 4 | Pad | |
| 52 | 1001195137 | AR | Bolt M10 x 240 | |
| 53 | 2560171 | 2 | Handle | |

SECTION 5 - PLATFORM

FIGURE 5-7. PLATFORM CONSOLE BOX INSTALLATION - DIESEL MACHINES



ART_1001236264

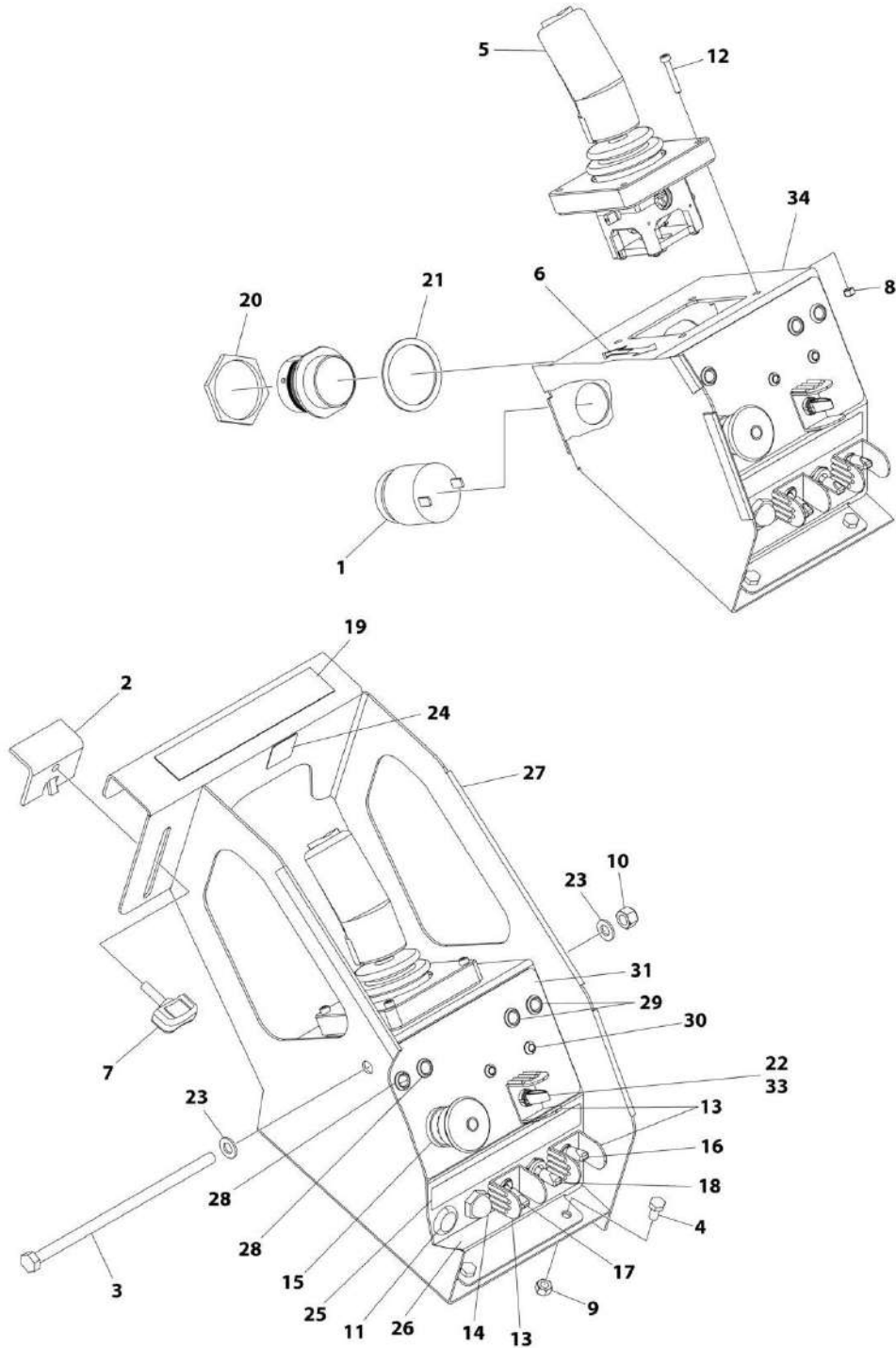
SECTION 5 - PLATFORM

FIGURE 5-7. PLATFORM CONSOLE BOX INSTALLATION - DIESEL MACHINES

| ITEM | PART NUMBER | QTY | DESCRIPTION | REV |
|------|-------------|-----|---|-----|
| | 1001236264 | Ref | PLATFORM CONSOLE BOX INSTALLATION - DIESEL MACHINES | D |
| 1 | 0140030 | 1 | Alarm | |
| 2 | 0181847 | 1 | Angle, Clamp | |
| 3 | 0700835 | 1 | Bolt M8 x 180 | |
| 4 | 0760606 | 3 | Bolt M6 x 12 | |
| 5 | 1600402 | 1 | Drive/Steer Controller Assembly (See Separate Breakdown in this Section) | |
| 6 | 1703819 | 1 | Decal - Direction Arrow | |
| 7 | 2560141 | 1 | Thumbscrew | |
| 8 | 3290405 | 4 | Nut M4 | |
| 9 | 3290605 | 3 | Nut M6 | |
| 10 | 3290805 | 1 | Nut M8 | |
| 11 | 1001226421 | 1 | Plug | |
| 12 | 4031509 | 4 | Capscrew M4 x 25 | |
| 13 | 4060802 | 3 | Guard, Switch | |
| 14 | 4360387 | 1 | Switch, Push Button | |
| 15 | 4360475 | 1 | Switch, Emergency Stop | |
| 15 | 7020175 | 1 | Cap | |
| 15 | 7020176 | 1 | Block, Contact | |
| 16 | 4360483 | 2 | Switch, Toggle | |
| 17 | 4360525 | 1 | Switch, Toggle | |
| 18 | 4420076 | 3 | Tape | |
| 19 | 4460470 | 1 | Nut, Terminal | |
| 20 | 4460471 | 1 | Washer, Terminal | |
| 21 | 4711700 | 2 | Washer 7/16 | |
| 22 | 4811900 | 2 | Washer M8 | |
| 23 | 1001132358 | 1 | Decal - Steer | |
| 24 | 1001181622 | 1 | Decal - Platform Diesel | |
| 25 | 1001181623 | 1 | Decal - Platform Diesel | |
| 26 | 1001190270 | 1 | Bracket | |
| 27 | 1001190472 | 2 | Lamp, LED with Harness | |
| 28 | 1001190473 | 2 | Lamp, LED with Harness | |
| 29 | 1001190474 | 2 | Lamp, LED with Harness | |
| 30 | 1001236199 | 1 | Decal - Platform Function | |
| 31 | 1001236230 | 1 | Platform Box Harness (Not Shown - See Separate Breakdown in ELECTRICAL SECTION) | |
| 32 | 1001236560 | 1 | Switch, Toggle | |
| 33 | 1001235922 | 1 | Plate | |

SECTION 5 - PLATFORM

FIGURE 5-8. PLATFORM CONSOLE BOX INSTALLATION - GASOLINE MACHINES



ART_1001236265

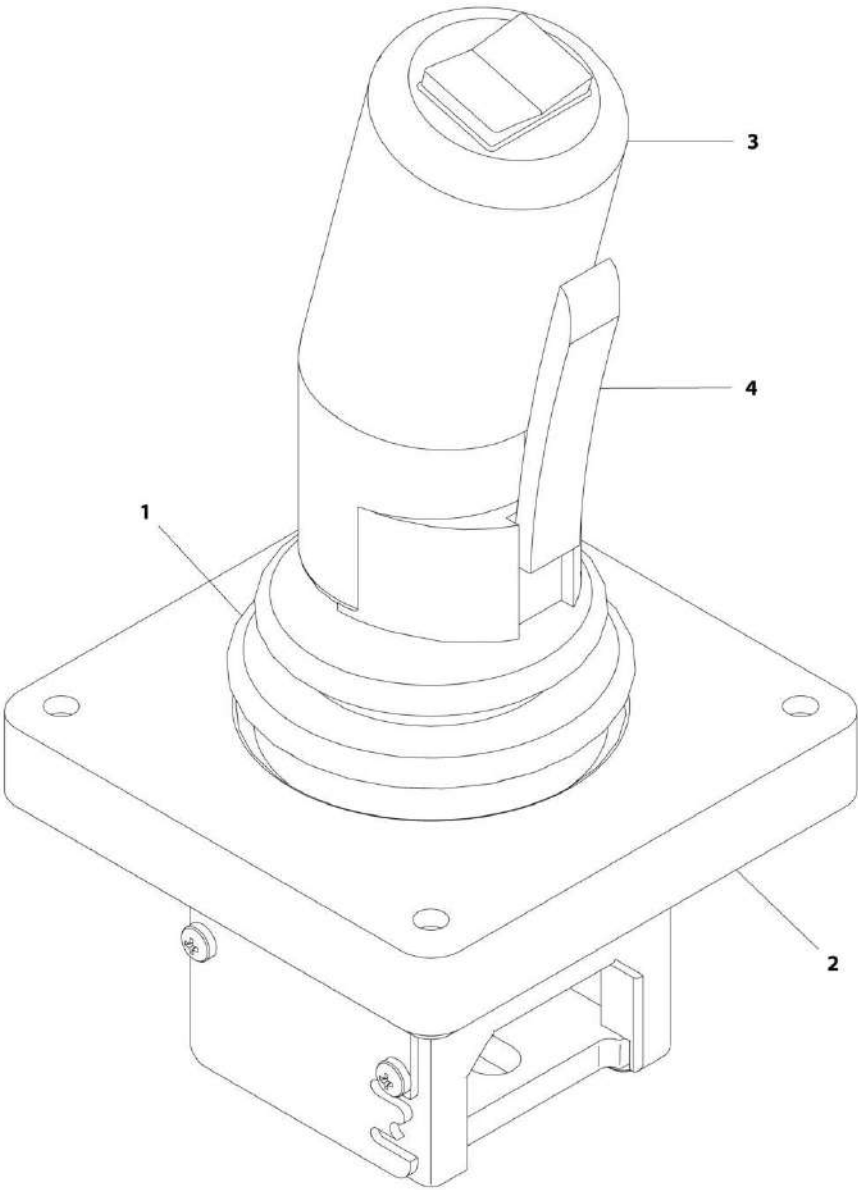
SECTION 5 - PLATFORM

FIGURE 5-8. PLATFORM CONSOLE BOX INSTALLATION - GASOLINE MACHINES

| ITEM | PART NUMBER | QTY | DESCRIPTION | REV |
|------|-------------|-----|---|-----|
| | 1001236265 | Ref | PLATFORM CONSOLE BOX INSTALLATION - GASOLINE MACHINES | D |
| 1 | 0140030 | 1 | Alarm | |
| 2 | 0181847 | 1 | Angle, Clamp | |
| 3 | 0700835 | 1 | Bolt M8 x 180 | |
| 4 | 0760606 | 3 | Bolt M6 x 12 | |
| 5 | 1600402 | 1 | Drive/Steer Controller Assembly (See Separate Breakdown in this Section) | |
| 6 | 1703819 | 1 | Decal - Direction Arrow | |
| 7 | 2560141 | 1 | Thumbscrew | |
| 8 | 3290405 | 4 | Nut M4 | |
| 9 | 3290605 | 3 | Nut M6 | |
| 10 | 3290805 | 1 | Nut M8 | |
| 11 | 1001226421 | 1 | Plug | |
| 12 | 4031509 | 4 | Capscrew M4 x 25 | |
| 13 | 4060802 | 3 | Guard, Switch | |
| 14 | 4360387 | 1 | Switch, Push Button | |
| 15 | 4360475 | 1 | Switch, Emergency Stop | |
| 15 | 7020175 | 1 | Cap | |
| 15 | 7020176 | 1 | Block, Contact | |
| 16 | 4360482 | 1 | Switch, Toggle | |
| 17 | 4360483 | 1 | Switch, Toggle | |
| 18 | 4360525 | 1 | Switch, Toggle | |
| 19 | 4420076 | 3 | Tape | |
| 20 | 4460470 | 1 | Nut, Terminal | |
| 21 | 4460471 | 1 | Washer, Terminal | |
| 22 | 4711700 | 2 | Washer 7/16 | |
| 23 | 4811900 | 2 | Washer M8 | |
| 24 | 1001132358 | 1 | Decal - Steer | |
| 25 | 1001181626 | 1 | Decal - Platform Dual Fuel | |
| 26 | 1001181627 | 1 | Decal - Platform Dual Fuel | |
| 27 | 1001190270 | 1 | Bracket | |
| 28 | 1001190472 | 2 | Lamp, LED with Harness | |
| 29 | 1001190473 | 2 | Lamp, LED with Harness | |
| 30 | 1001190474 | 2 | Lamp, LED with Harness | |
| 31 | 1001236199 | 1 | Decal - Platform Function | |
| 32 | 1001236230 | 1 | Platform Box Harness (Not Shown - See Separate Breakdown in ELECTRICAL SECTION) | |
| 33 | 1001236560 | 1 | Switch, Toggle | |
| 34 | 1001235922 | 1 | Plate | |

SECTION 5 - PLATFORM

FIGURE 5-9. CONTROLLER ASSEMBLY



ART_1600402

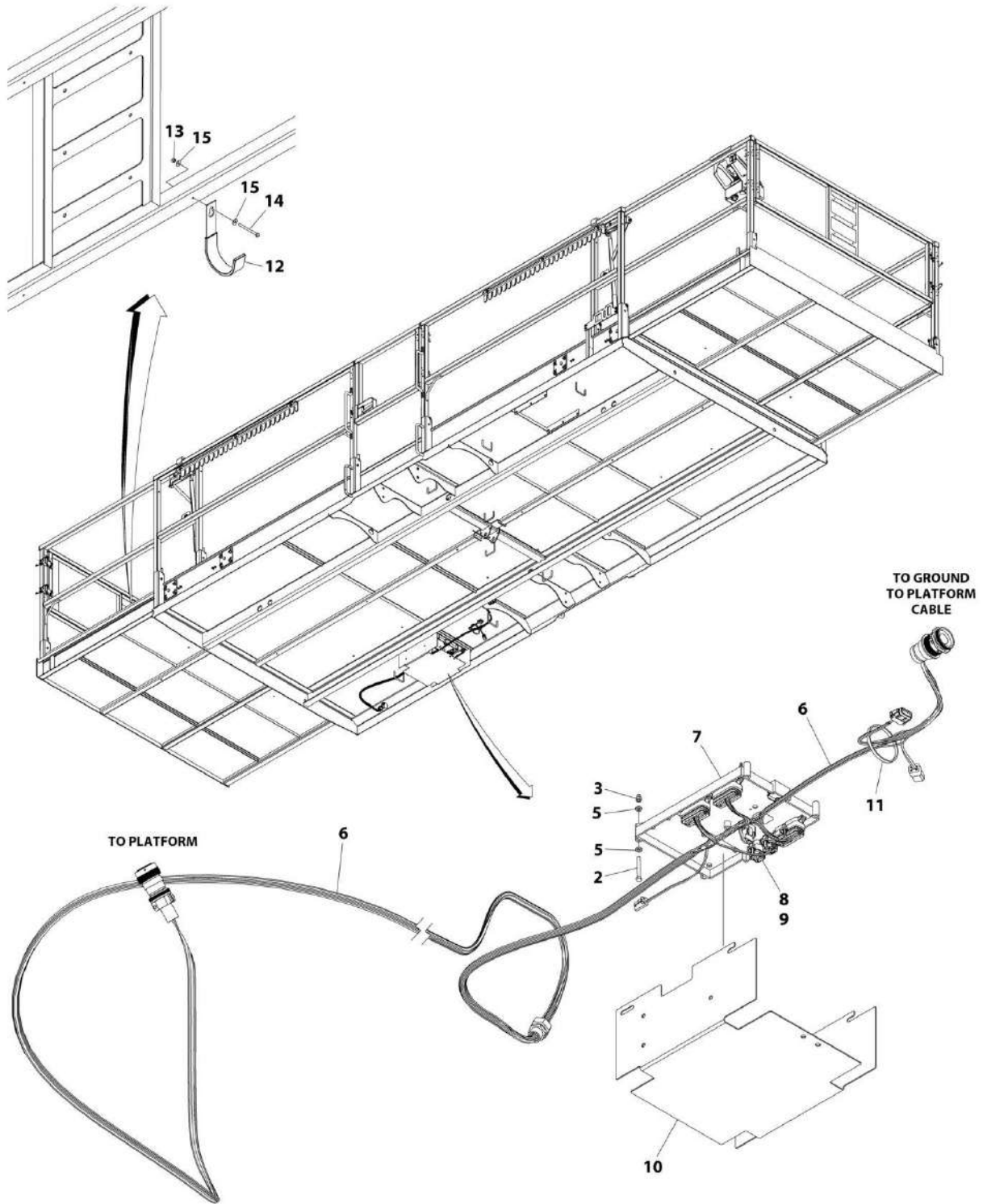
SECTION 5 - PLATFORM

FIGURE 5-9. CONTROLLER ASSEMBLY

| ITEM | PART NUMBER | QTY | DESCRIPTION | REV |
|------|-------------|-----|---|-----|
| | 1600402 | Ref | CONTROLLER ASSEMBLY | A |
| 1 | 70001250 | 1 | Boot, Panel | |
| 2 | 70001252 | 1 | Gasket, Mounting | |
| 2 | 70001251 | 1 | Bezel, Mounting | |
| 3 | 70003650 | 1 | Handle Repair Kit (Includes handle gasket, item#4 push button and item #4 lever installed in front handle half, back handle half, top actuator, boot and hardware.) | |
| 3 | 70000084 | 1 | Cap, Rubber | |
| 3 | 70000082 | 1 | Microswitch | |
| 3 | 7027766 | 1 | Ring, Retaining | |
| 3 | 7027365 | 1 | Actuator, Handle | |
| 3 | 70001253 | 1 | Gasket, Handle | |
| 3 | 70000683 | 4 | Washer, Neoprene | |
| 3 | 70000685 | 2 | Spacer, Plastic | |
| 3 | 70000686 | 2 | Screw (Top) | |
| 3 | 70000684 | 2 | Screw (Bottom) | |
| 4 | 7027367 | 1 | Switch, Push Button) | |
| 4 | 7027765 | 1 | Lever, Enable | |

SECTION 5 - PLATFORM

FIGURE 5-10. PLATFORM MODULE INSTALLATION



ART_1001177754

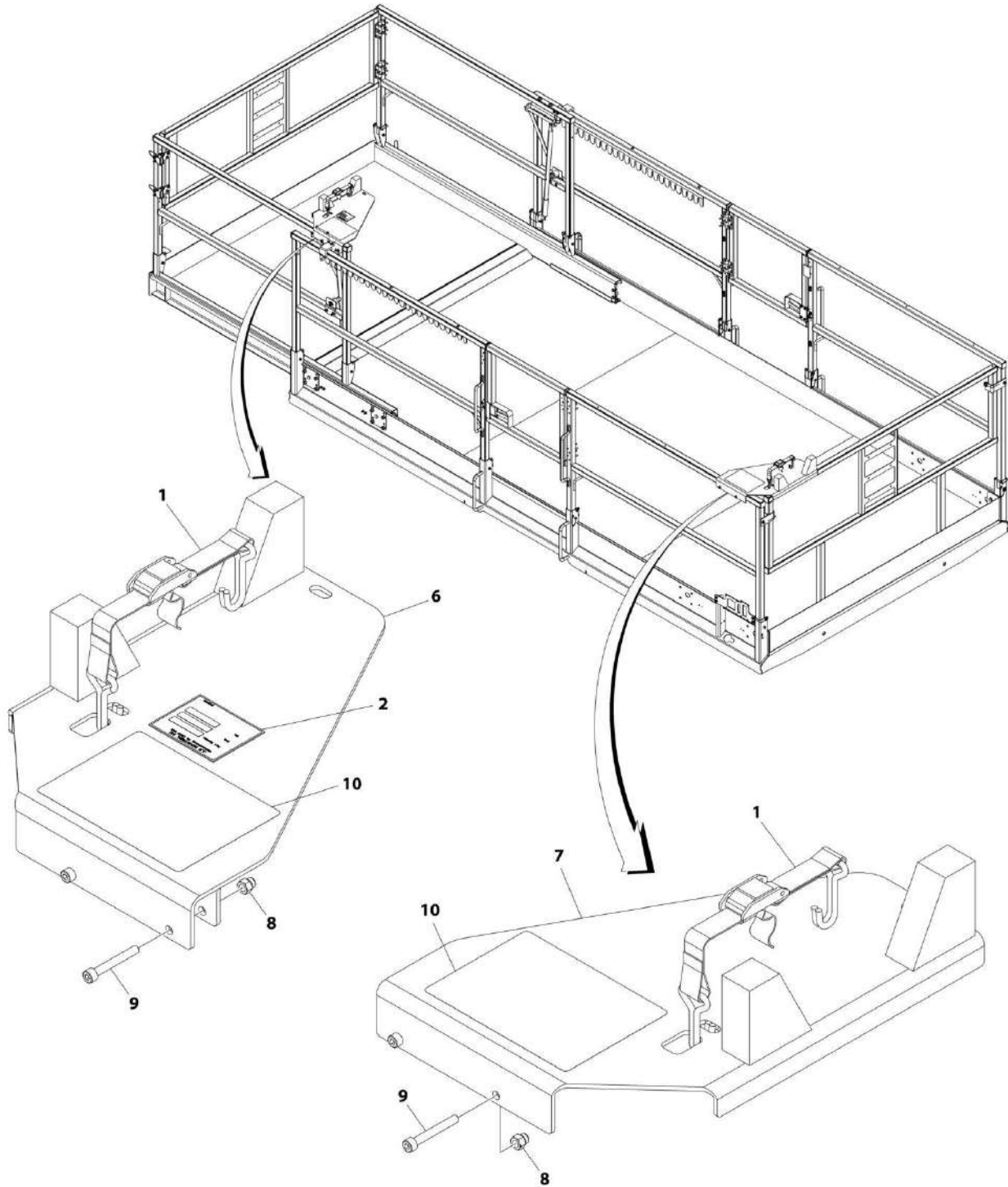
SECTION 5 - PLATFORM

FIGURE 5-10. PLATFORM MODULE INSTALLATION

| ITEM | PART NUMBER | QTY | DESCRIPTION | REV |
|------|-------------|-----|---|-----|
| | 1001177754 | Ref | PLATFORM MODULE INSTALLATION | E |
| 1 | 0100011 | AR | Compound, Locking (Not Shown) | |
| 2 | 0760618 | 4 | Bolt M6 x 50 | |
| 3 | 3290606 | 4 | Nut M6 | |
| 4 | 4240033 | 10 | Tie-Strap (Not Shown) | |
| 5 | 5240600 | 8 | Washer M6 | |
| 6 | 1001236162 | 1 | Platform Module to Console Box Harness (See Separate Breakdown in ELECTRICAL SECTION) | |
| 7 | 1001235098 | 1 | Module, Platform (Note: Re-calibration Required when Replaced) | |
| 8 | 4460905 | 8 | Plug, Terminal | |
| 9 | 1001116946 | 1 | Connector - 8 Position | |
| 10 | 1001237058 | 1 | Bracket | |
| 11 | 4240018 | AR | Tie-Strap | |
| 12 | 2700100 | 1 | Hook | |
| 13 | 3290405 | AR | Nut M4 | |
| 14 | 4010418 | AR | Bolt M4 x 50 | |
| 15 | 1001091102 | AR | Washer M4 | |

SECTION 5 - PLATFORM

FIGURE 5-11. PIPE RACK INSTALLATION



ART_1001185492

SECTION 5 - PLATFORM

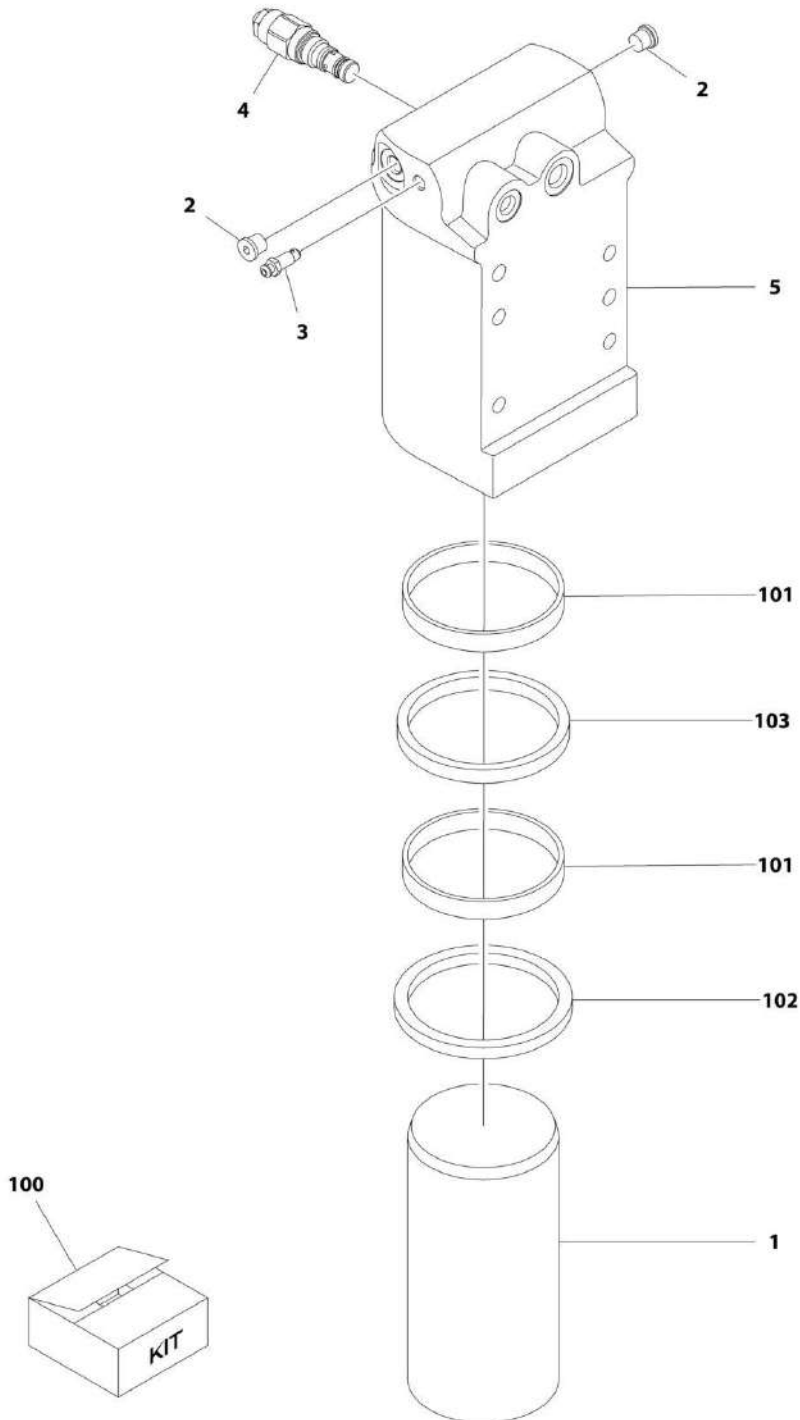
FIGURE 5-11. PIPE RACK INSTALLATION

| ITEM | PART NUMBER | QTY | DESCRIPTION | REV |
|------|-------------|-----|--|-----|
| | 1001185492 | Ref | PIPE RACK INSTALLATION | A |
| 1 | 0480100 | 2 | Belt, Tie Down | |
| 2 | See Note | 1 | Nameplate - Serial Number (Note: Not Available for Purchase) | |
| 6 | 1001185503 | 1 | Support, Pipe Rack | |
| 7 | 1001185504 | 1 | Support, Pipe Rack | |
| 8 | 3290806 | 4 | Nut M8 | |
| 9 | 4031916 | 4 | Capscrew M8 x 60 | |
| 10 | 1001186127 | 2 | Decal - Pipe Rack Capacity | |

SECTION 6 - CYLINDER

SECTION 6 - CYLINDER

FIGURE 6-1. AXLE LOCKOUT CYLINDER ASSEMBLY



ART_1001163580

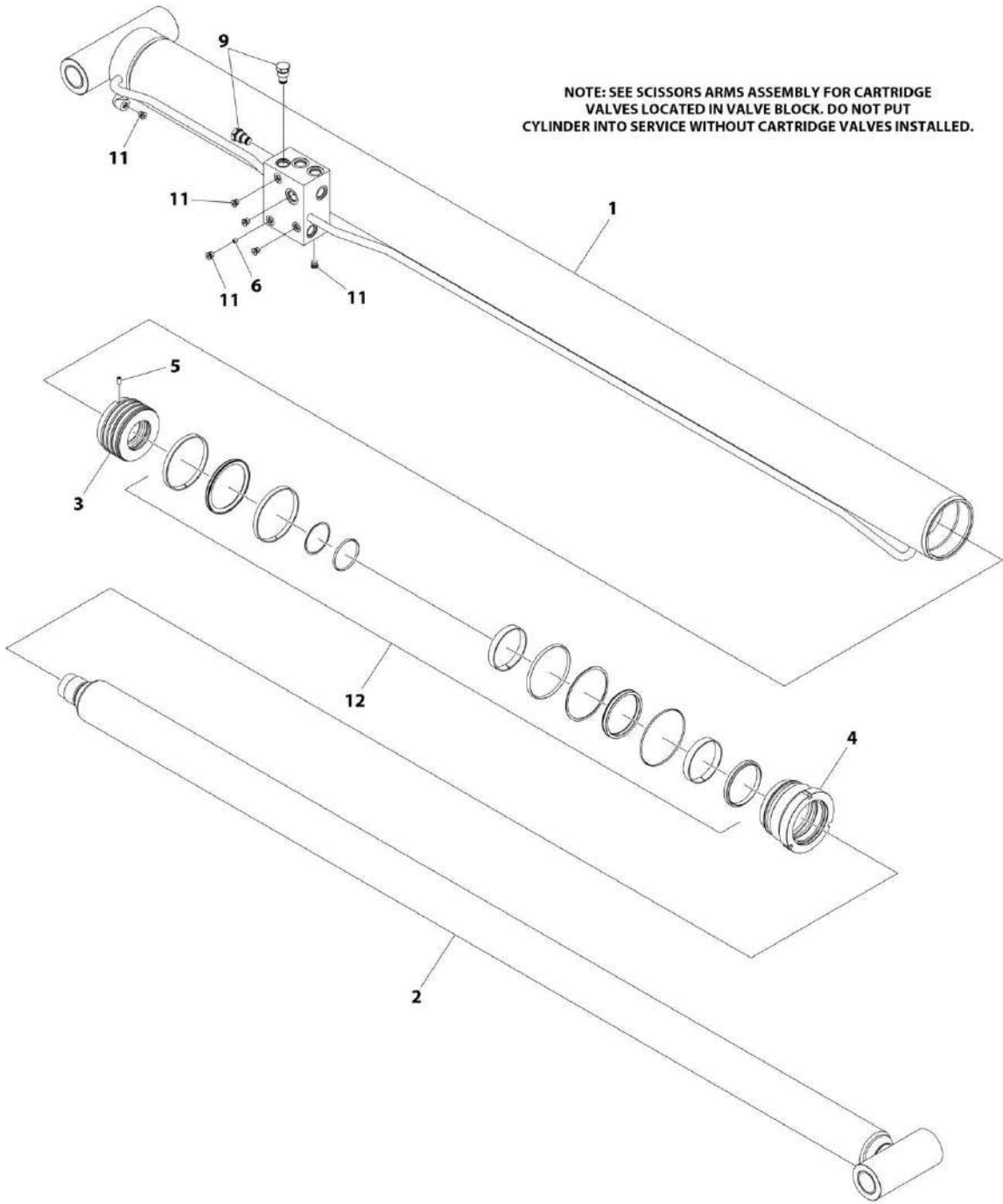
SECTION 6 - CYLINDER

FIGURE 6-1. AXLE LOCKOUT CYLINDER ASSEMBLY

| ITEM | PART NUMBER | QTY | DESCRIPTION | REV |
|------|-------------|-----|---|-----|
| | 1001163580 | Ref | AXLE LOCKOUT CYLINDER ASSEMBLY | G |
| | | Ref | Note: Original Cylinder May Have Been Replaced with Service Replacement. Identify PN Stamped on Cylinder Before Ordering Parts. | |
| 1 | 1684290 | 1 | Rod | |
| 2 | 2220883 | 2 | Plug #4 | |
| 3 | 4640858 | 1 | Valve, Bleeder | |
| 4 | 1001117372 | 1 | Cartridge, Valve | |
| 4 | 70002842 | 1 | Seal Kit - 1001117372 Valve | |
| 5 | 1001164817 | 1 | Barrel | |
| 100 | 2902266 | 1 | Seal Kit - 1001163590 Cylinder (Includes Items 101-103) | |
| 101 | See Note | NSS | Ring, Wear (Note: Use Item 100) | |
| 102 | See Note | NSS | Seal (Note: Use Item 100) | |
| 103 | See Note | NSS | Wiper (Note: Use Item 100) | |

SECTION 6 - CYLINDER

FIGURE 6-2. LOWER LIFT CYLINDER



ART_1001234703

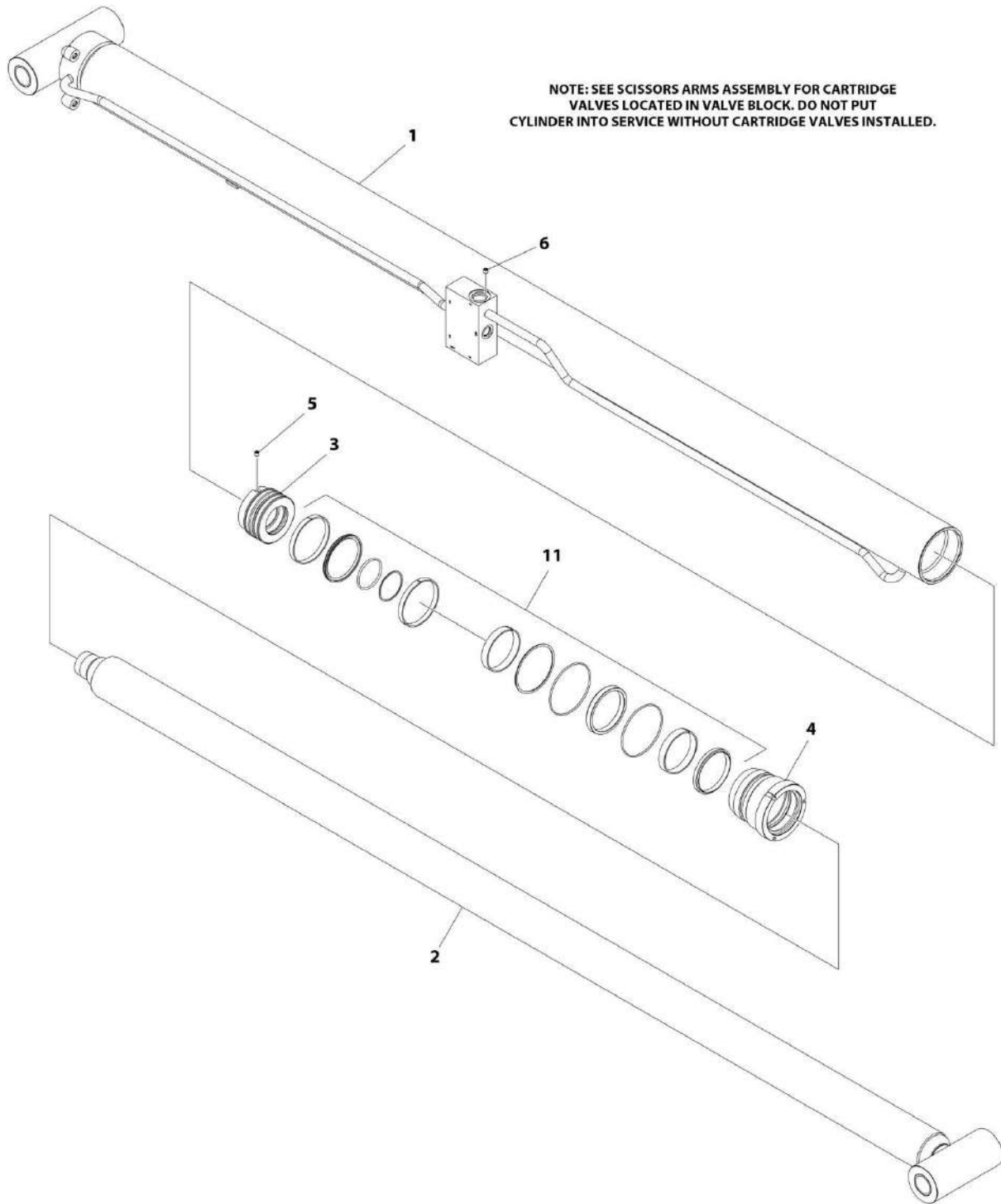
SECTION 6 - CYLINDER

FIGURE 6-2. LOWER LIFT CYLINDER

| ITEM | PART NUMBER | QTY | DESCRIPTION | REV |
|------|-------------|-----|---|-----|
| | 1001234703 | Ref | LOWER LIFT CYLINDER | E |
| | | Ref | Note: Original Cylinder May Have Been Replaced with Service Replacement. Identify PN Stamped on Cylinder Before Ordering Parts. | |
| 1 | See Note | NSS | Barrel (Note: Use p/n 1001234703) | |
| 2 | 70005383 | 1 | Rod | |
| 3 | 70005381 | 1 | Piston | |
| 4 | 70005382 | 1 | Head | |
| 5 | 70020438 | 1 | Screw | |
| 6 | 70006844 | 1 | Orifice | |
| 9 | 1001132208 | 2 | Valve, Check | |
| 9 | 7017496 | 2 | Seal Kit - 1001132208 Valve (1 per Cartridge) | |
| 11 | 2220883 | 6 | Plug | |
| 12 | 70005380 | 1 | Seal Kit - 1001234703 Cylinder | |

SECTION 6 - CYLINDER

FIGURE 6-3. UPPER LIFT CYLINDER



NOTE: SEE SCISSORS ARMS ASSEMBLY FOR CARTRIDGE VALVES LOCATED IN VALVE BLOCK. DO NOT PUT CYLINDER INTO SERVICE WITHOUT CARTRIDGE VALVES INSTALLED.

ART_1001225369

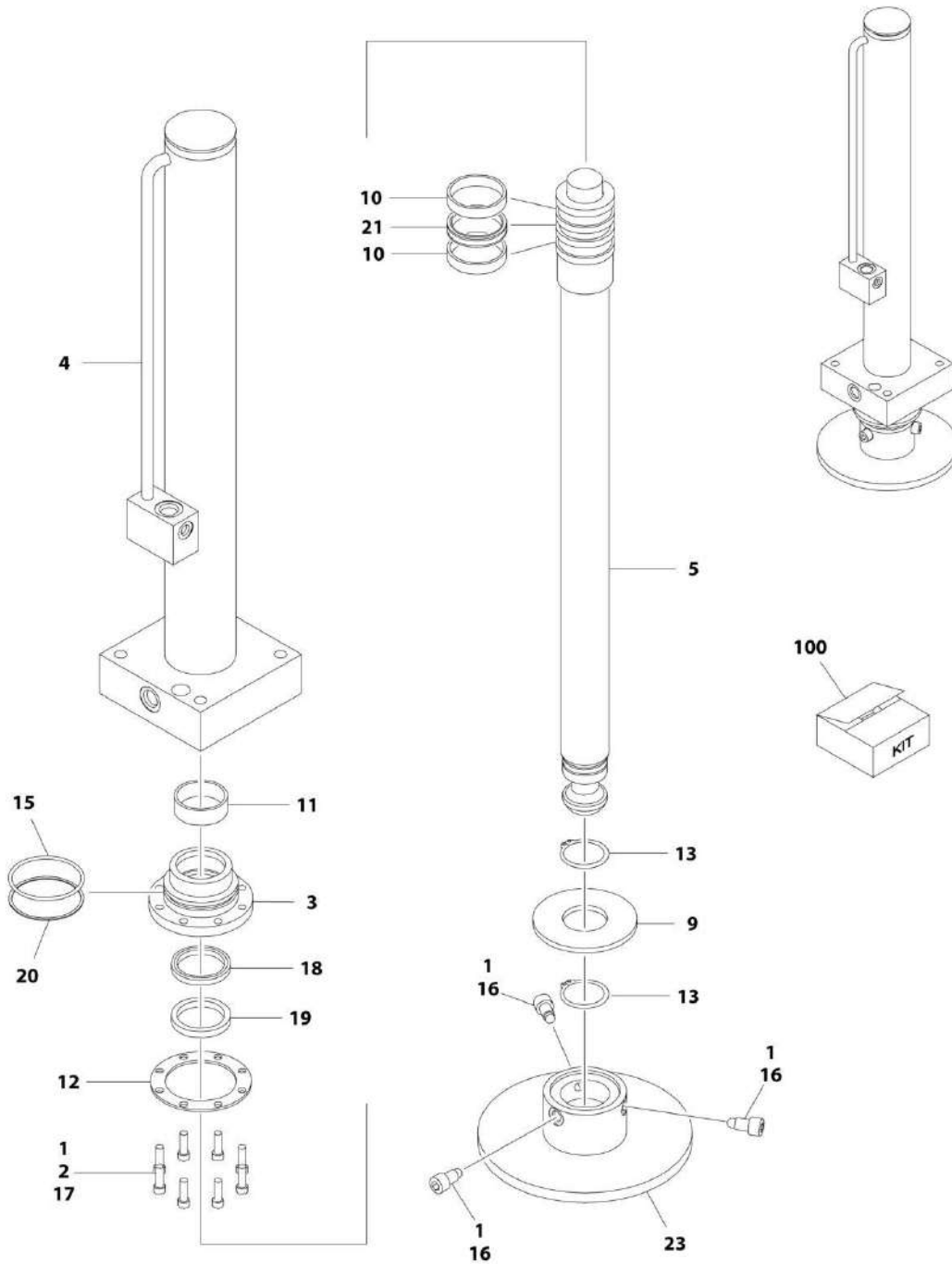
SECTION 6 - CYLINDER

FIGURE 6-3. UPPER LIFT CYLINDER

| ITEM | PART NUMBER | QTY | DESCRIPTION | REV |
|------|-------------|-----|---|-----|
| | 1001225369 | Ref | UPPER LIFT CYLINDER | B |
| | | Ref | Note: Original Cylinder May Have Been Replaced with Service Replacement. Identify PN Stamped on Cylinder Before Ordering Parts. | |
| 1 | See Note | NSS | Barrel (Note: Use p/n 1001225369) | |
| 2 | 70005378 | 1 | Rod | |
| 3 | 70005376 | 1 | Piston | |
| 4 | 70005377 | 1 | Head | |
| 5 | 70023915 | 1 | Screw | |
| 6 | 70006843 | 1 | Orifice | |
| 11 | 70005375 | 1 | Seal Kit - 1001225369 Cylinder | |

SECTION 6 - CYLINDER

FIGURE 6-4. LEVELING JACK CYLINDER ASSEMBLY (SN E20000676 through E20000705)



ART_1684406

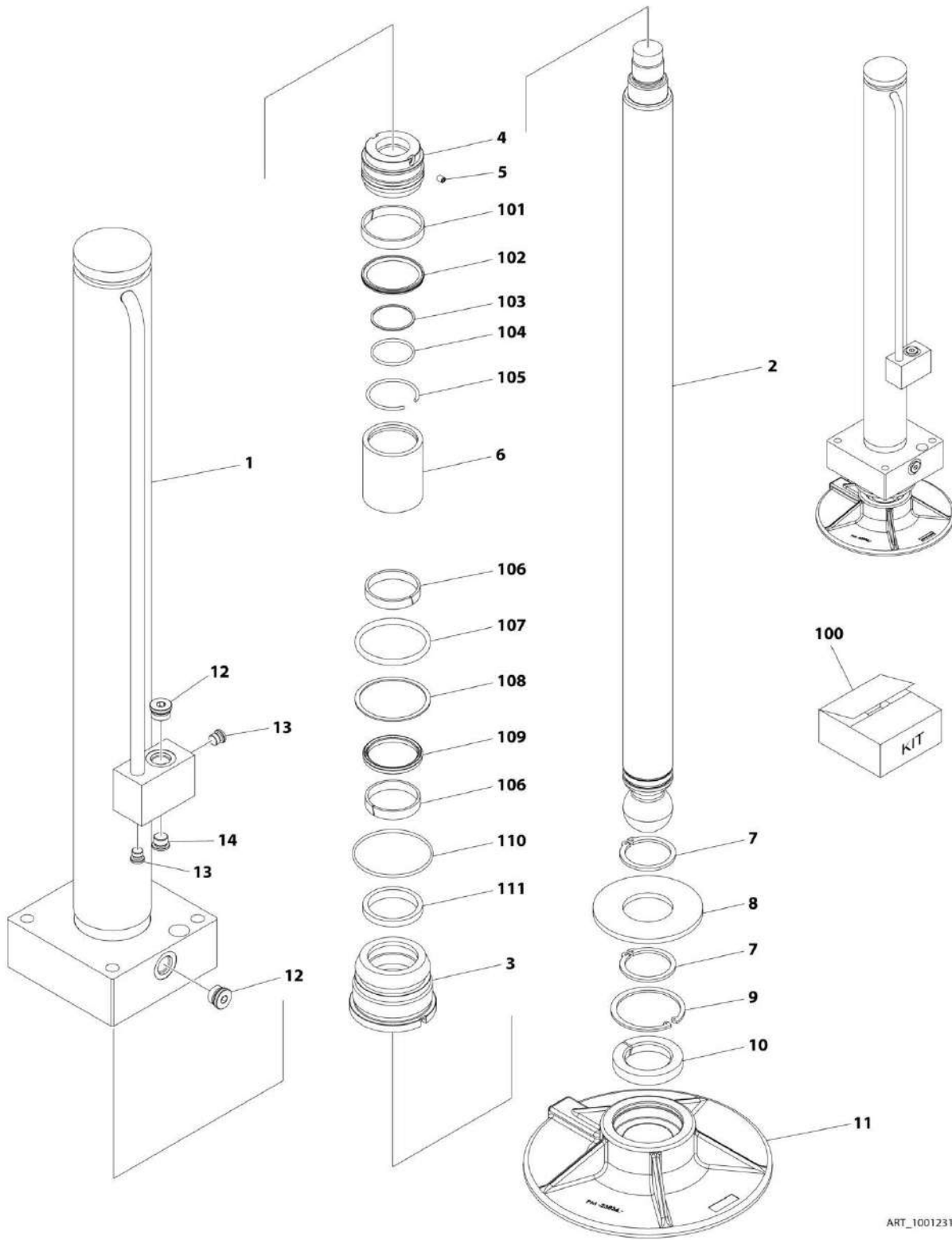
SECTION 6 - CYLINDER

FIGURE 6-4. LEVELING JACK CYLINDER ASSEMBLY (SN E20000676 through E20000705)

| ITEM | PART NUMBER | QTY | DESCRIPTION | REV |
|------|-------------|-----|---|-----|
| | 1684406 | Ref | LEVELING JACK CYLINDER ASSEMBLY | D |
| | | Ref | Note: Original Cylinder May Have Been Replaced with Service Replacement. Identify PN Stamped on Cylinder Before Ordering Parts. | |
| 1 | 0100011 | AR | Compound, Locking | |
| 2 | 0100038 | AR | Primer, Locking | |
| 3 | 1683054 | 1 | Head | |
| 4 | 0370018 | 1 | Barrel | |
| 5 | 3850013 | 1 | Rod | |
| 9 | 3573513 | 1 | Plate, Jack | |
| 10 | See Note | NSS | Ring, Lock (Note: Use Item 100) | |
| 11 | See Note | NSS | Ring, Wear (Note: Use Item 100) | |
| 12 | 3760368 | 1 | Ring, Washer | |
| 13 | 3760460 | 2 | Ring, Retaining | |
| 15 | See Note | NSS | O-Ring (Note: Use Item 100) | |
| 16 | 3900321 | 3 | Screw, 1/2 x 1-1/4 | |
| 17 | 3931516 | 8 | Capscrew, 5/16 x 1 | |
| 18 | See Note | NSS | Seal (Note: Use Item 100) | |
| 19 | See Note | NSS | Wiper (Note: Use Item 100) | |
| 20 | See Note | NSS | Ring, Back-up (Note: Use Item 100) | |
| 21 | See Note | NSS | T-Seal (Note: Use Item 100) | |
| 23 | 4846584 | 1 | Pad, Jack | |
| 100 | 2902182 | 1 | Seal Kit - 1684406 Cylinder (Includes Items 10, 11, 15 & 18-21) | |

SECTION 6 - CYLINDER

FIGURE 6-5. LEVELING JACK CYLINDER ASSEMBLY (SN E20000706 to Present)



ART_1001231261

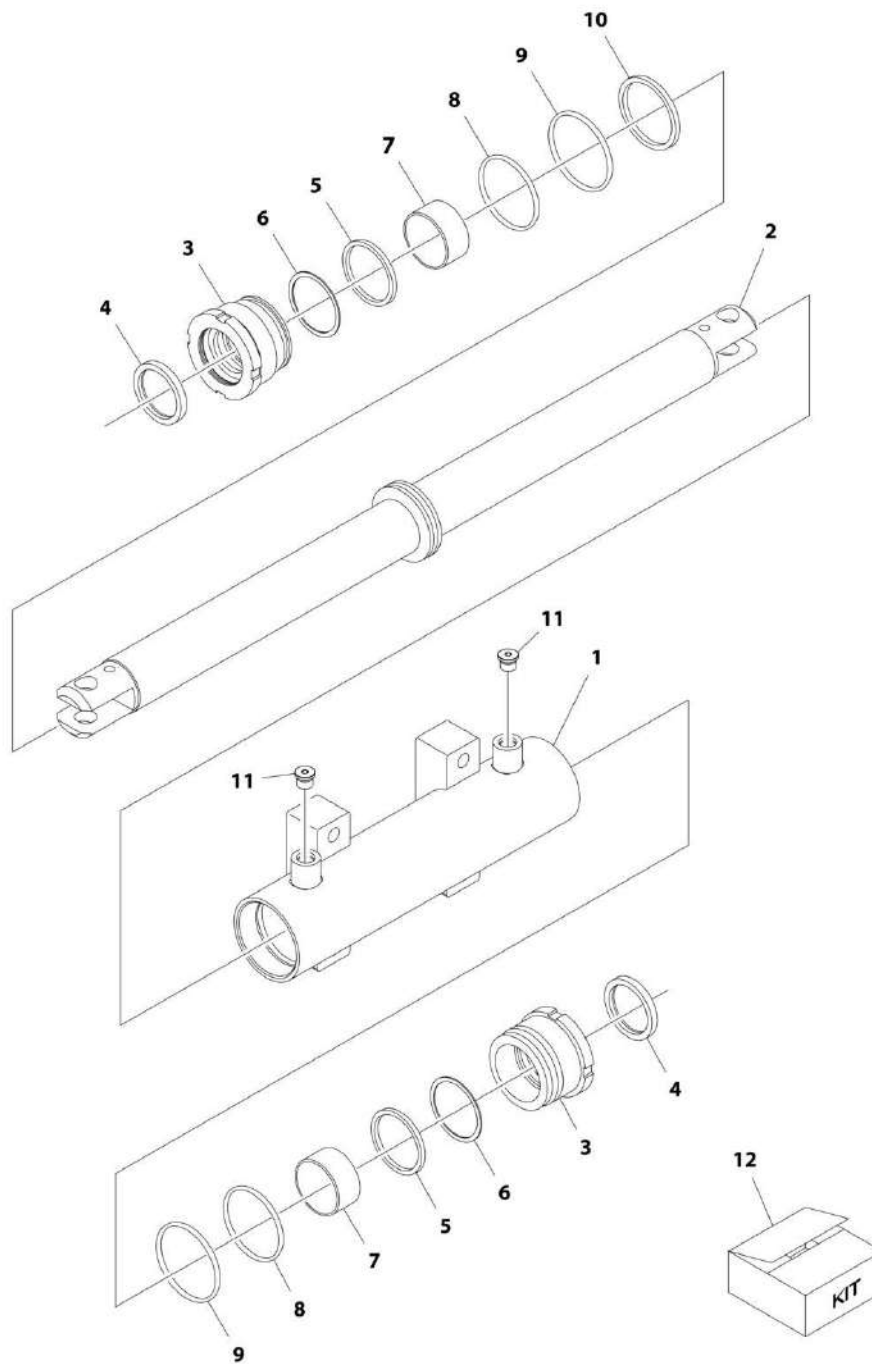
SECTION 6 - CYLINDER

FIGURE 6-5. LEVELING JACK CYLINDER ASSEMBLY (SN E20000706 to Present)

| ITEM | PART NUMBER | QTY | DESCRIPTION | REV |
|------|-------------|-----|---|-----|
| | 1001231261 | Ref | LEVELING JACK CYLINDER ASSEMBLY | B |
| | | Ref | Note: Original Cylinder May Have Been Replaced with Service Replacement. Identify PN Stamped on Cylinder Before Ordering Parts. | |
| 1 | See Note | NSS | Barrel (Note: Use p/n 1001231261) | |
| 2 | 70007045 | 1 | Rod | |
| 3 | 70026417 | 1 | Head | |
| 4 | 70007044 | 1 | Piston | |
| 5 | 70023915 | 1 | Screw | |
| 6 | 70007043 | 1 | Spacer | |
| 7 | 70007042 | 2 | Ring, Retaining | |
| 8 | 70007041 | 1 | Plate, Jack | |
| 9 | 70007040 | 1 | Ring, Retaining | |
| 10 | 70007039 | 1 | Half Shell | |
| 11 | 70007038 | 1 | Pad, Jack | |
| 12 | 2220886 | 2 | Plug | |
| 13 | 2220887 | 2 | Plug | |
| 14 | 2220885 | 1 | Plug | |
| 100 | 70007037 | 1 | Seal Kit - 1001231261 Cylinder (Includes Items 101-111) | |
| 101 | See Note | NSS | Ring, Wear (Note: Use Item 100) | |
| 102 | See Note | NSS | Seal (Note: Use Item 100) | |
| 103 | See Note | NSS | Ring, Back-up (Note: Use Item 100) | |
| 104 | See Note | NSS | O-Ring (Note: Use Item 100) | |
| 105 | See Note | NSS | Ring, Snap (Note: Use Item 100) | |
| 106 | See Note | NSS | Ring, Wear (Note: Use Item 100) | |
| 107 | See Note | NSS | O-Ring (Note: Use Item 100) | |
| 108 | See Note | NSS | Ring, Back-up (Note: Use Item 100) | |
| 109 | See Note | NSS | Seal (Note: Use Item 100) | |
| 110 | See Note | NSS | O-Ring (Note: Use Item 100) | |
| 111 | See Note | NSS | Wiper (Note: Use Item 100) | |

SECTION 6 - CYLINDER

FIGURE 6-6. STEER CYLINDER ASSEMBLY



ART_1001163178

SECTION 6 - CYLINDER

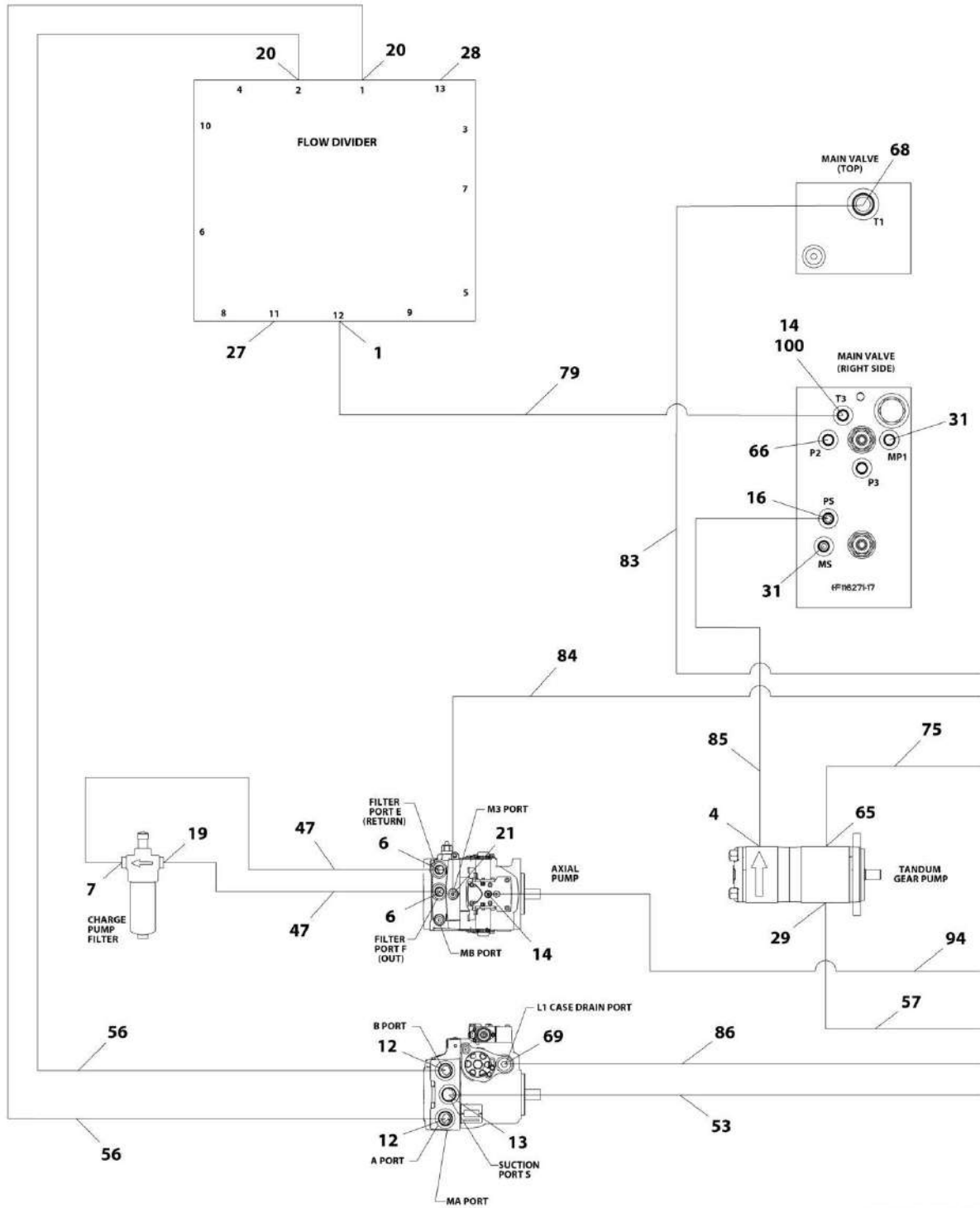
FIGURE 6-6. STEER CYLINDER ASSEMBLY

| ITEM | PART NUMBER | QTY | DESCRIPTION | REV |
|------|-------------|-----|---|-----|
| | 1001163178 | Ref | STEER CYLINDER ASSEMBLY | D |
| | | Ref | Note: Original Cylinder May Have Been Replaced with Service Replacement. Identify PN Stamped on Cylinder Before Ordering Parts. | |
| 1 | 70005150 | 1 | Barrel | |
| 2 | 70005151 | 1 | Rod | |
| 3 | 70005152 | 2 | Head | |
| 4 | See Note | NSS | Wiper (Note: Use Item 12) | |
| 5 | See Note | NSS | Seal, Rod (Note: Use Item 12) | |
| 6 | See Note | NSS | Ring, Back-up (Note: Use Item 12) | |
| 7 | 70005153 | 2 | Bearing, Dry | |
| 8 | See Note | NSS | O-Ring (Note: Use Item 12) | |
| 9 | See Note | NSS | O-Ring (Note: Use Item 12) | |
| 10 | See Note | NSS | Seal, Piston (Note: Use Item 12) | |
| 11 | See Note | 2 | Plug 9/16 (Note: Not Available for Purchase) | |
| 12 | 70005154 | 1 | Seal Kit - 1001163178 Cylinder (Includes Items 4-6 & 8-10) | |

SECTION 7 - HYDRAULIC

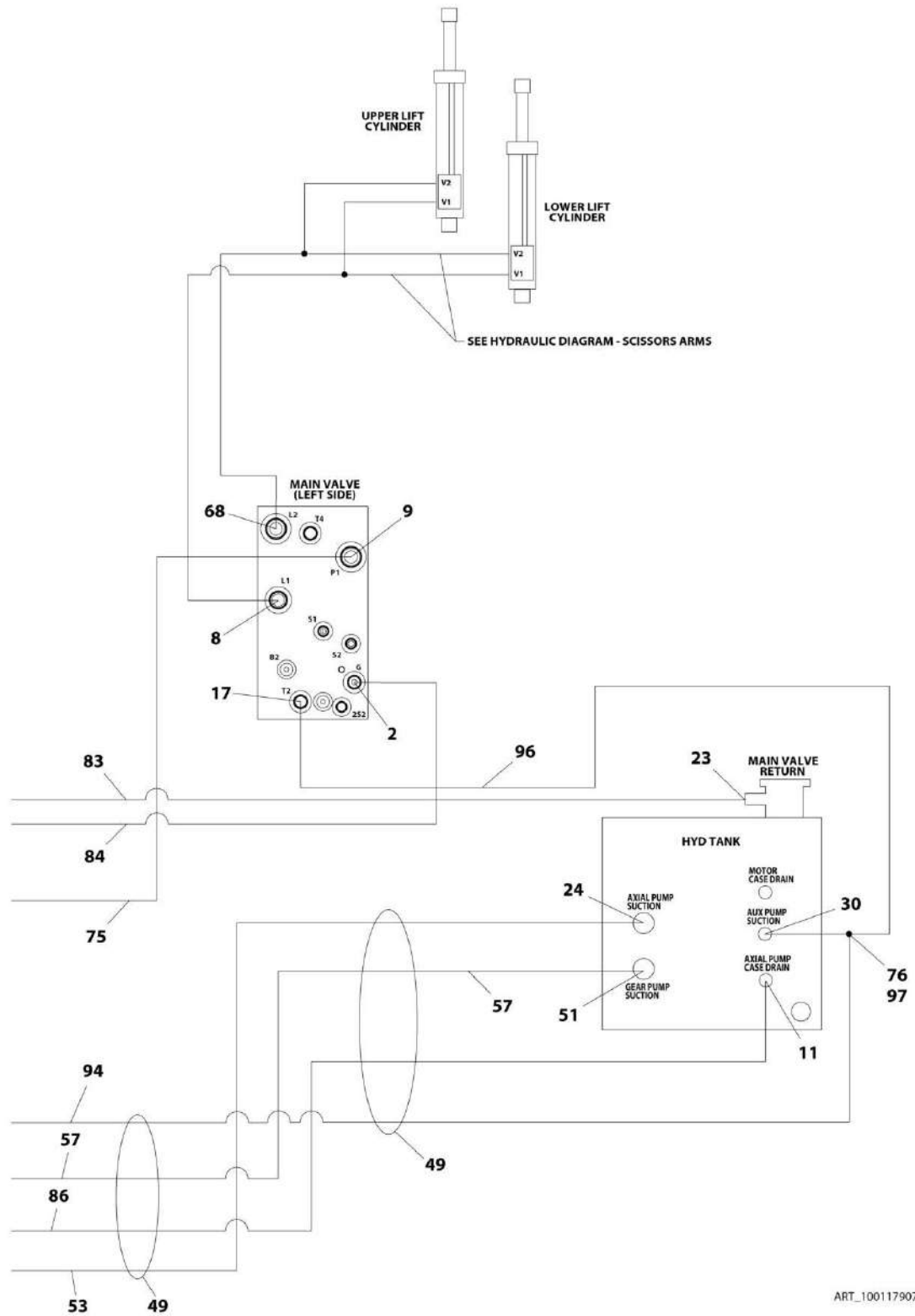
SECTION 7 - HYDRAULIC

FIGURE 7-1. HYDRAULIC DIAGRAM - FIXED AXLE

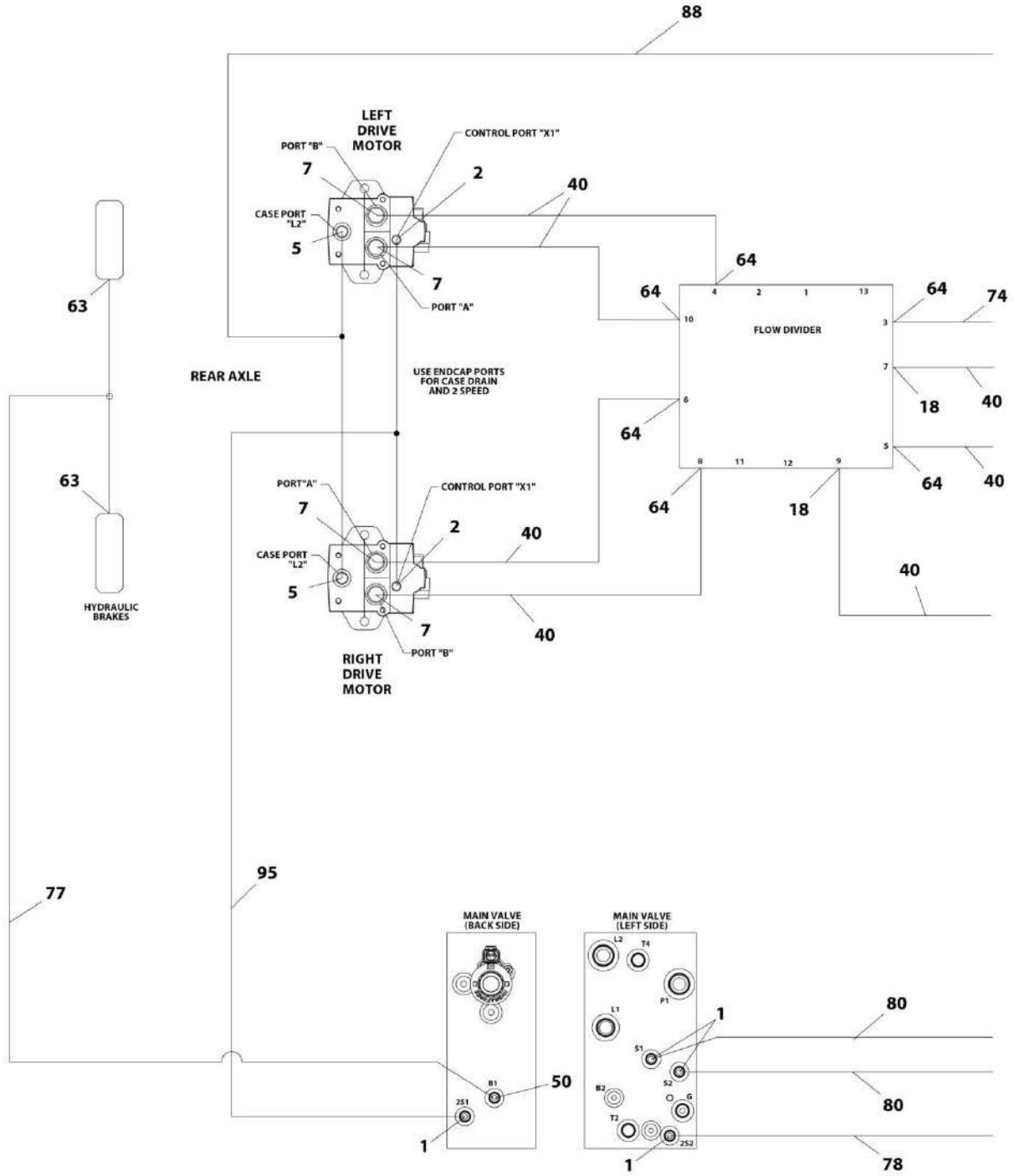


ART_1001179071_10F5

SECTION 7 - HYDRAULIC

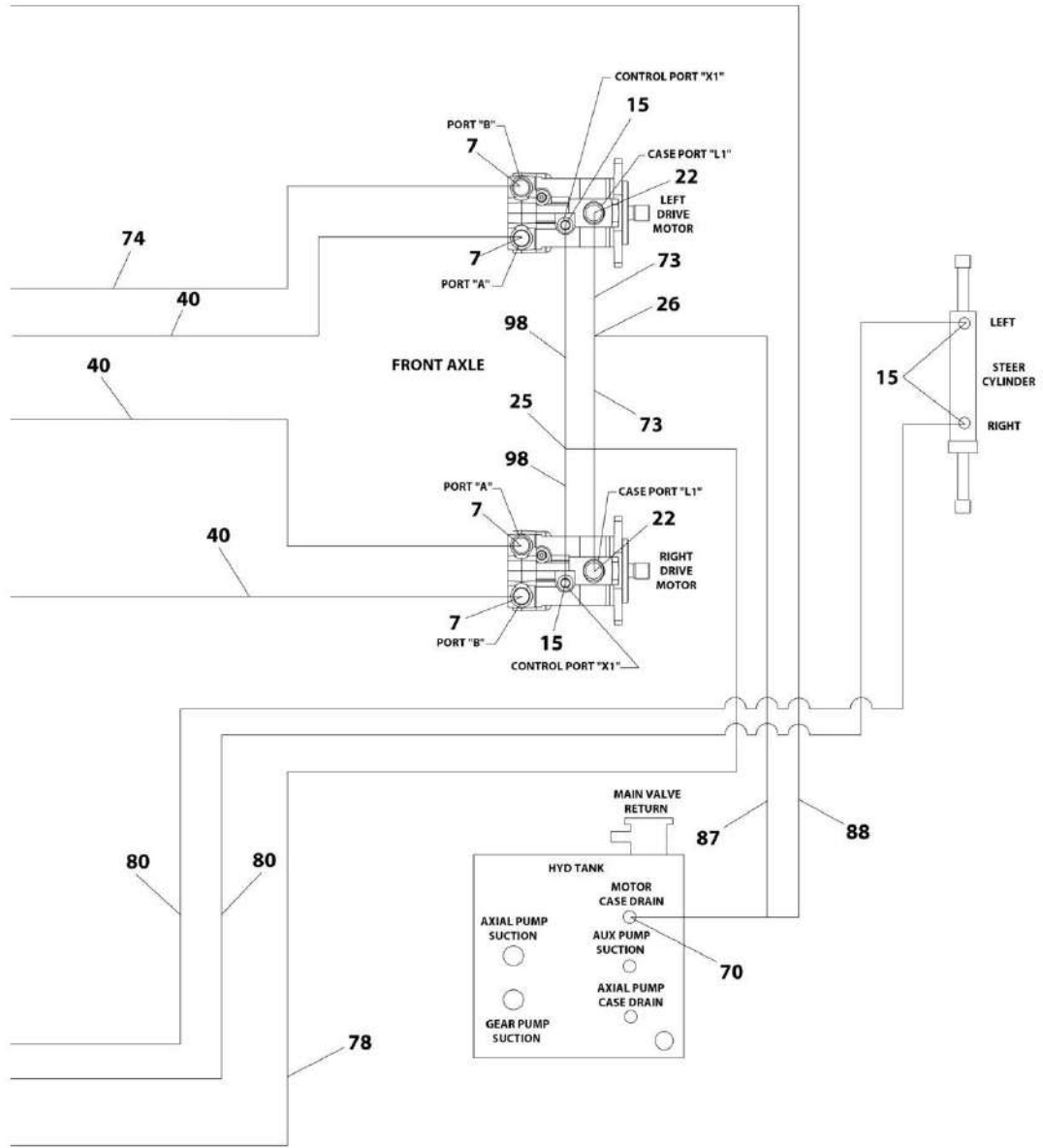


SECTION 7 - HYDRAULIC



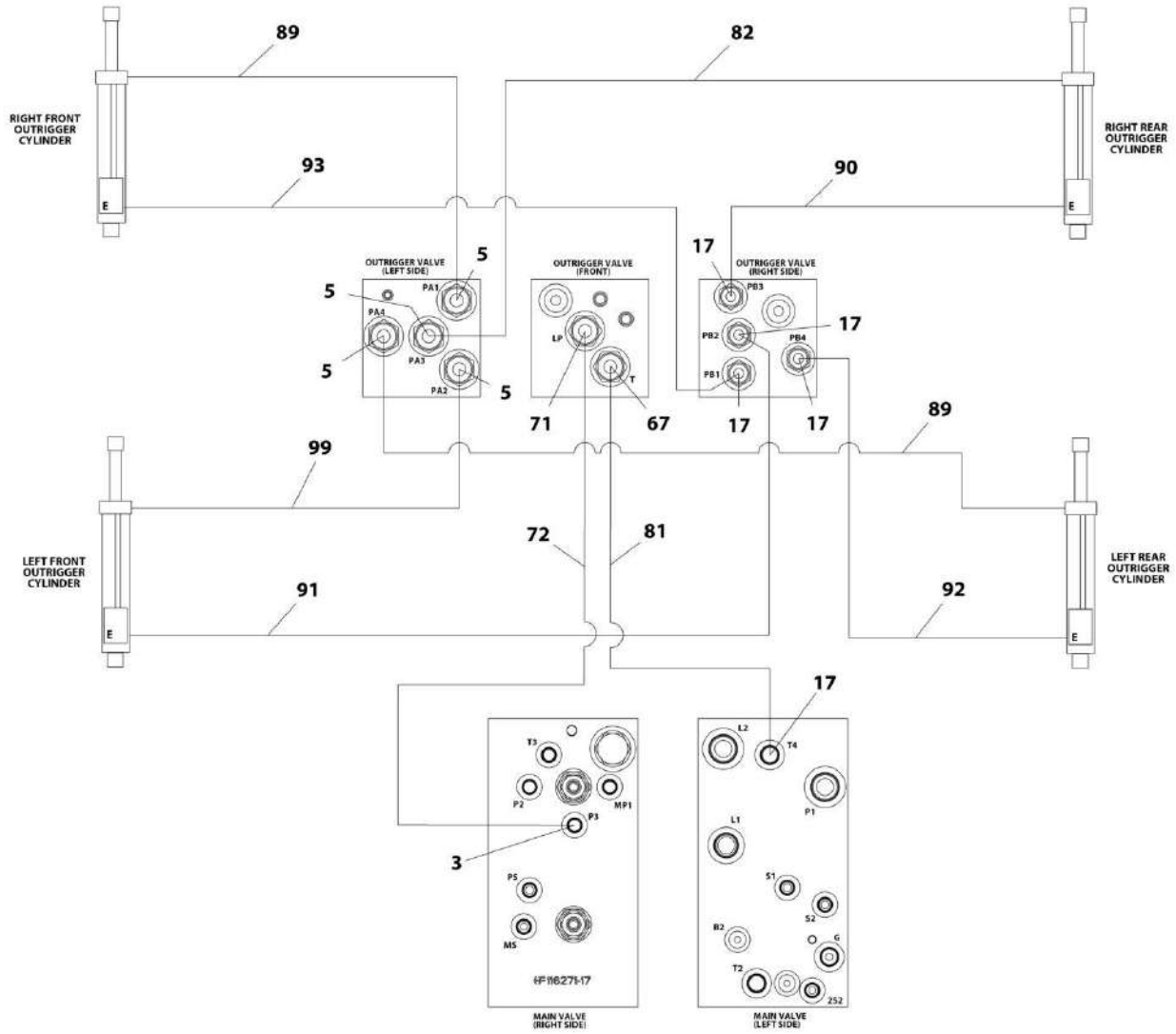
ART_1001179071_30F5

SECTION 7 - HYDRAULIC



ART_1001179071_40F5

SECTION 7 - HYDRAULIC



ART_1001179071_SOF5

SECTION 7 - HYDRAULIC

FIGURE 7-1. HYDRAULIC DIAGRAM - FIXED AXLE

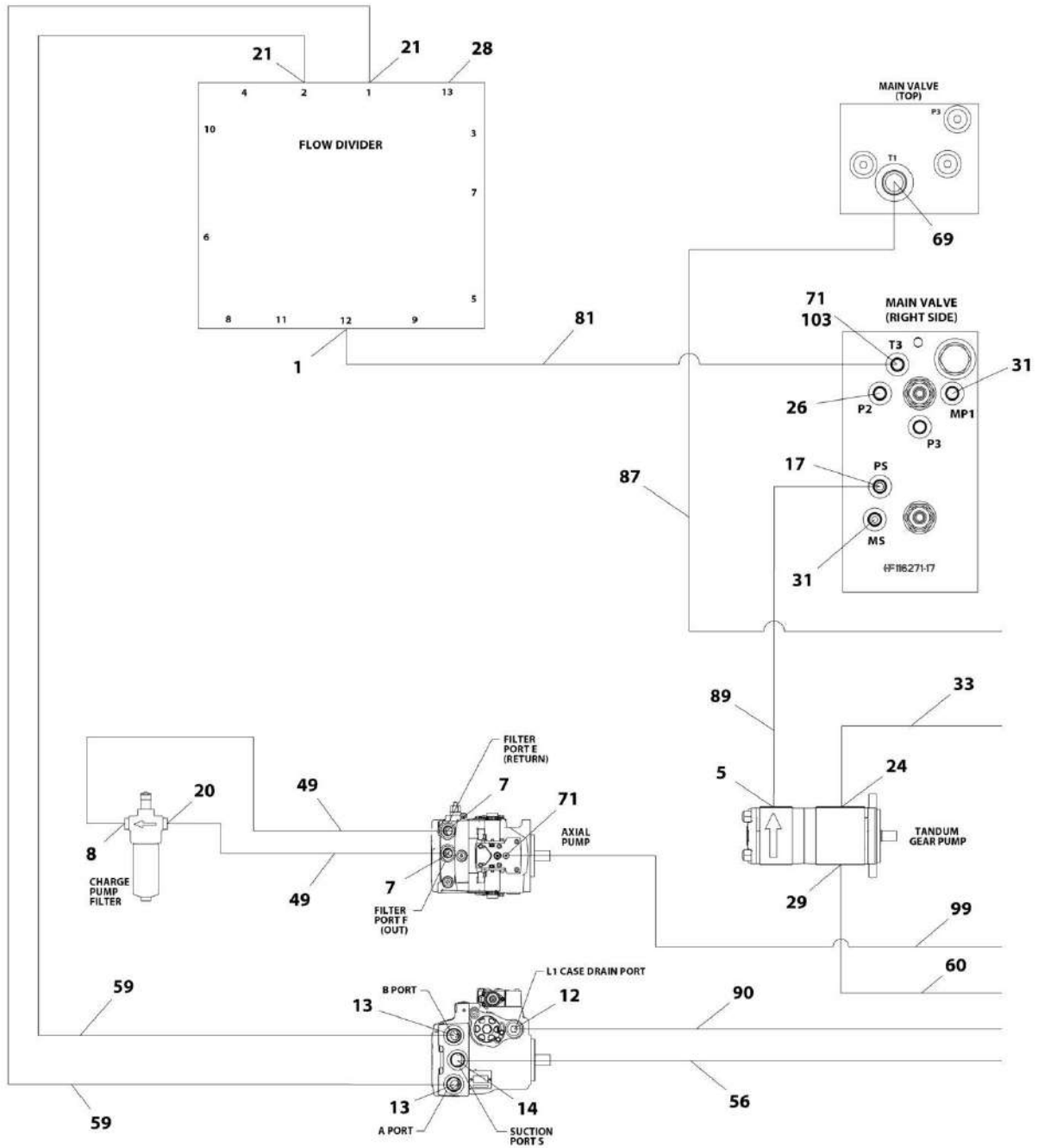
| ITEM | PART NUMBER | QTY | DESCRIPTION | REV |
|------|-------------|-----|--------------------------------|-----|
| | 1001179071 | Ref | HYDRAULIC DIAGRAM - FIXED AXLE | H |
| 1 | 2220415 | 5 | Fitting, Straight JIC/ORB | |
| 2 | 2220582 | 3 | Fitting, Straight JIC/ORB | |
| 3 | 2220603 | 1 | Fitting, Straight JIC/ORB | |
| 4 | 2220497 | 1 | Fitting, Straight JIC/ORB | |
| 5 | 2220373 | 6 | Fitting, Straight JIC/ORB | |
| 6 | 2110810 | 2 | Fitting, Straight ORFS/ORB | |
| 7 | 2110812 | 9 | Fitting, Straight ORFS/ORB | |
| 8 | 2220852 | 1 | Fitting, Straight JIC/ORB | |
| 9 | 2111010 | 1 | Fitting, Straight ORFS/ORB | |
| 11 | 2220578 | 1 | Fitting, 90 JIC/ORB | |
| 12 | 2111216 | 2 | Fitting, Straight ORFS/ORB | |
| 13 | 2112016 | 1 | Fitting, Straight ORFS/ORB | |
| 14 | 2220466 | AR | Fitting, 90 JIC/ORB | |
| 15 | 2221040 | 4 | Fitting, 45 JIC/ORB | |
| 16 | 2220775 | 1 | Fitting, 90 JIC/ORB | |
| 17 | 2220371 | 6 | Fitting, Straight JIC/ORB | |
| 18 | 2110808 | 2 | Fitting, Straight ORFS/ORB | |
| 19 | 2130812 | 1 | Fitting, 90 ORFS/ORB | |
| 20 | 2131216 | 2 | Fitting, 90 ORFS/ORB | |
| 21 | 2220472 | 1 | Fitting, 90 JIC/ORB | |
| 22 | 2220500 | 2 | Fitting, 45 JIC/ORB | |
| 23 | 2220435 | 1 | Fitting, Straight JIC/ORB | |
| 24 | 2152020 | 1 | Fitting, 45 ORFS/ORB | |
| 25 | 2220504 | 1 | Fitting, Tee JIC/JIC/JIC | |
| 26 | 2220362 | 1 | Fitting, Tee FL/FL/FL | |
| 27 | 2220237 | 1 | Plug ORB | |
| 28 | 2220238 | 1 | Plug ORB | |
| 29 | 2220479 | 1 | Fitting, Straight JIC/ORB | |
| 30 | 2220577 | 1 | Fitting, Straight JIC/ORB | |
| 31 | 2221086 | 2 | Fitting, Test | |
| 40 | 2753791 | 7 | Hose | |
| 47 | 2754244 | 2 | Hose | |
| 49 | 4061032 | AR | Shield | |
| 50 | 2110404 | 1 | Fitting, Straight ORFS/ORB | |
| 51 | 8760351 | 1 | Fitting, 45 JIC/ORB | |
| 53 | 1001104581 | 1 | Hose | |
| 56 | 1001107924 | 2 | Hose | |
| 57 | 1001108128 | 1 | Hose | |
| 63 | 2130404 | 2 | Fitting, 90 ORFS/ORB | |
| 64 | 2130808 | 6 | Fitting, 90 ORFS/ORB | |
| 65 | 2131010 | 1 | Fitting, 90 ORFS/ORB | |
| 66 | 2220235 | 1 | Fitting | |
| 67 | 2220372 | 1 | Fitting, Straight JIC/ORB | |
| 68 | 2220408 | 2 | Fitting, Straight JIC/ORB | |
| 69 | 2220451 | 1 | Fitting, Straight JIC/ORB | |
| 70 | 2220602 | 1 | Fitting, Tee JIC/ORB/JIC | |
| 71 | 2220628 | 1 | Fitting, 90 JIC/ORB | |
| 72 | 2716703 | 1 | Hose | |
| 73 | 2716705 | 2 | Hose | |

SECTION 7 - HYDRAULIC

| ITEM | PART NUMBER | QTY | DESCRIPTION | REV |
|------|-------------|-----|--------------------------|-----|
| 74 | 2753970 | 1 | Hose | |
| 75 | 2753798 | 1 | Hose | |
| 76 | 8760268 | 1 | Fitting, 90 JIC/FSJIC | |
| 77 | 1001104589 | 1 | Hose | |
| 78 | 1001108477 | 1 | Hose | |
| 79 | 1001151351 | 1 | Hose | |
| 80 | 1001158199 | 2 | Hose | |
| 81 | 1001158246 | 1 | Hose | |
| 82 | 1001182051 | 1 | Hose | |
| 83 | 1001194378 | 1 | Hose | |
| 84 | 1001194379 | 1 | Hose | |
| 85 | 1001194380 | 1 | Hose | |
| 86 | 1001194381 | 1 | Hose | |
| 87 | 1001194382 | 1 | Hose | |
| 88 | 1001194383 | 1 | Hose | |
| 89 | 1001194384 | 2 | Hose | |
| 90 | 1001194385 | 1 | Hose | |
| 91 | 1001194386 | 1 | Hose | |
| 92 | 1001194387 | 1 | Hose | |
| 93 | 1001194388 | 1 | Hose | |
| 94 | 1001194390 | 1 | Hose | |
| 95 | 1001194391 | 1 | Hose | |
| 96 | 2752485 | 1 | Hose | |
| 97 | 2220635 | 1 | Fitting, Tee JIC/JIC/JIC | |
| 98 | 1001151354 | 2 | Hose | |
| 99 | 1001205920 | 1 | Hose | |
| 100 | 2220502 | AR | Fitting, 45 JIC/ORB | |

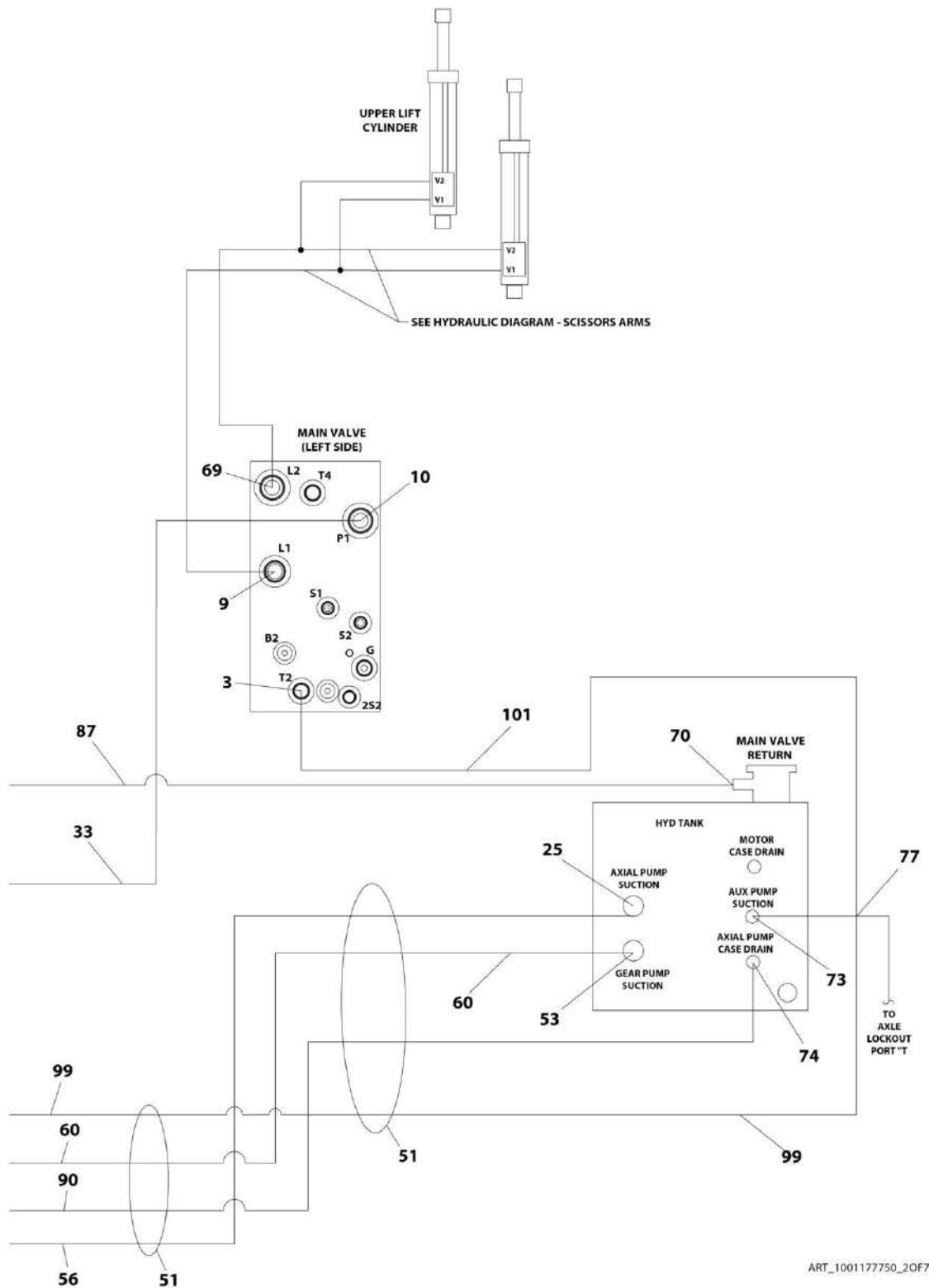
SECTION 7 - HYDRAULIC

FIGURE 7-2. HYDRAULIC DIAGRAM - OSCILLATING AXLE



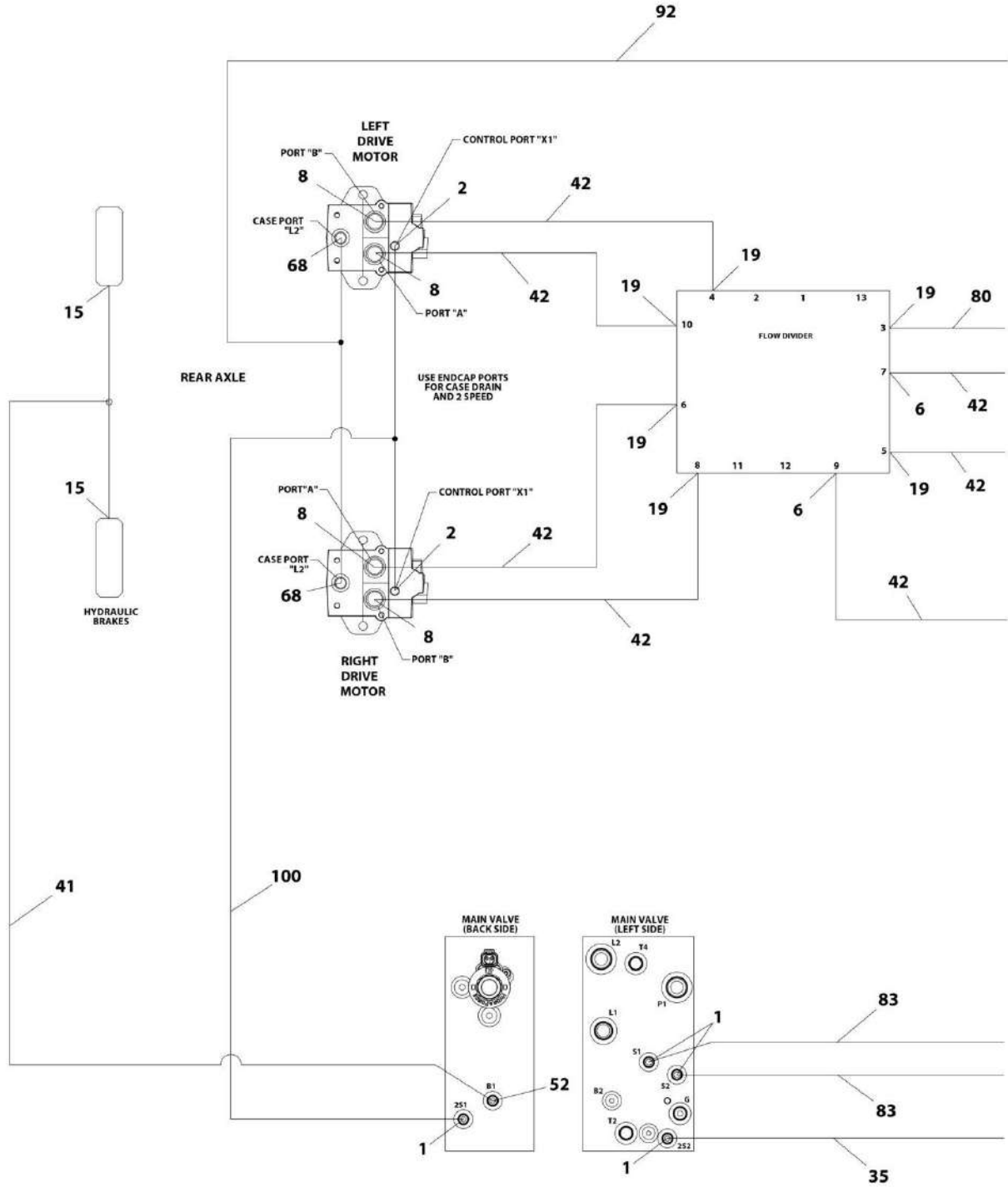
ART_1001177750_10F7

SECTION 7 - HYDRAULIC



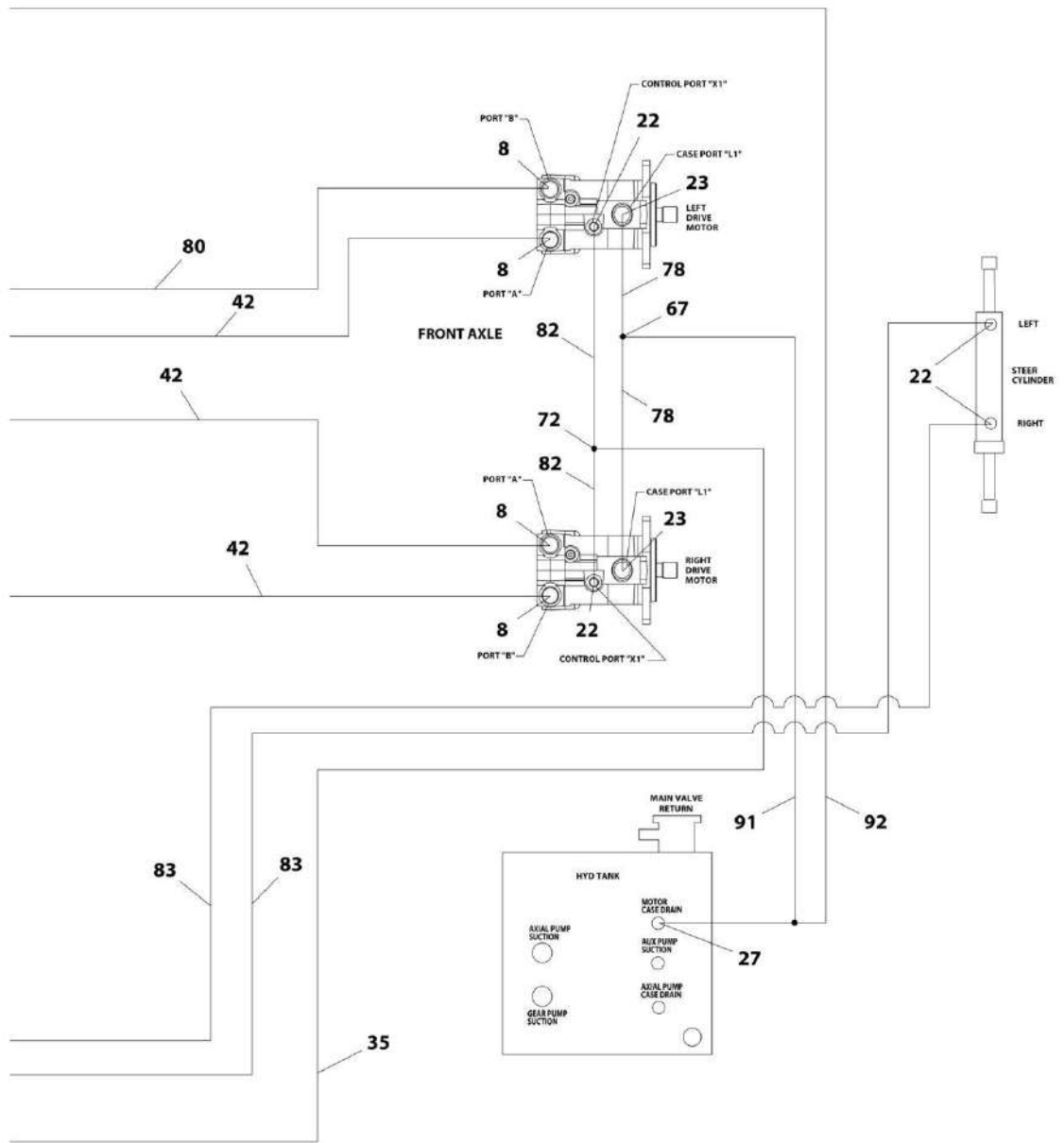
ART_1001177750_2OF7

SECTION 7 - HYDRAULIC



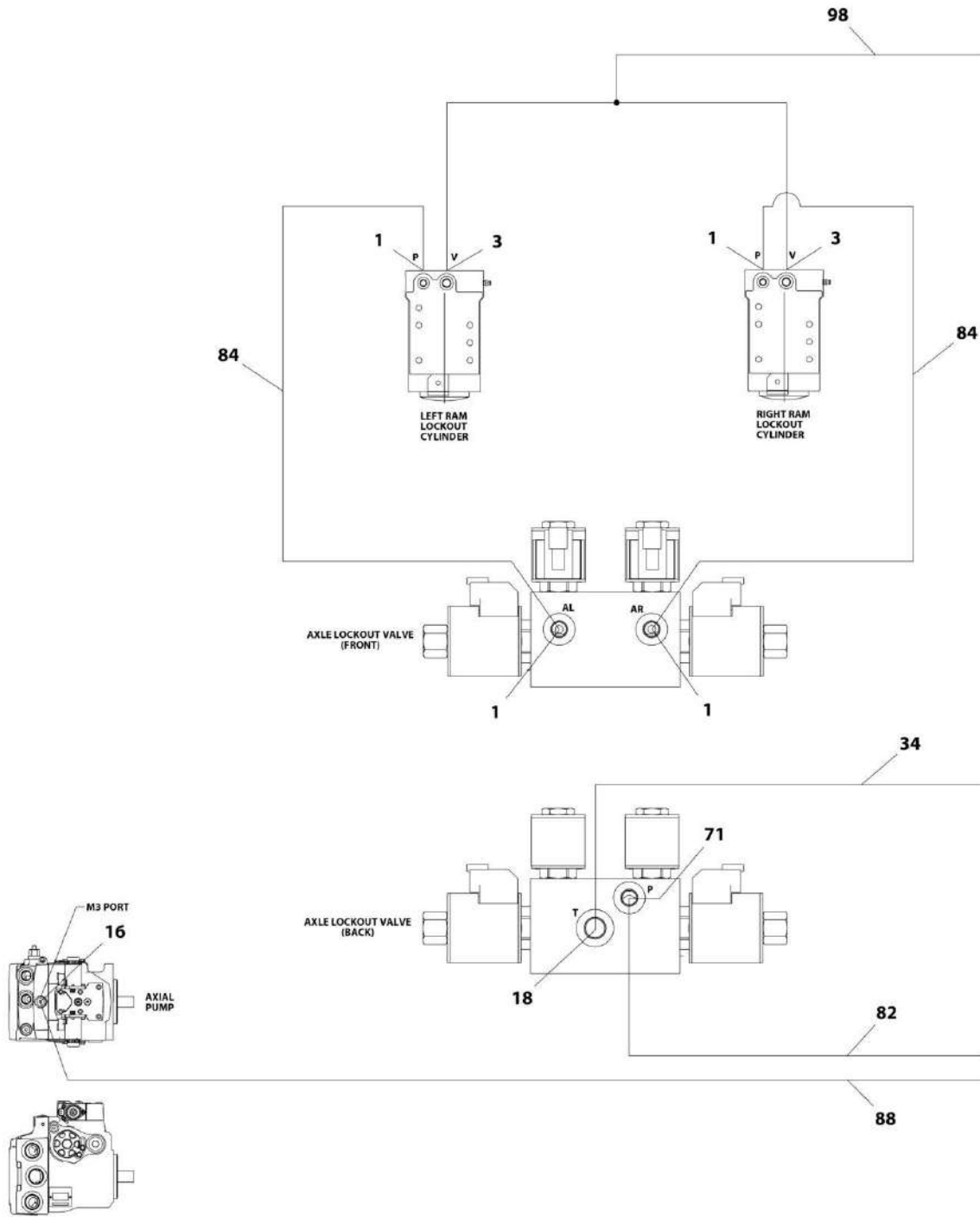
ART_1001177750_30F7

SECTION 7 - HYDRAULIC



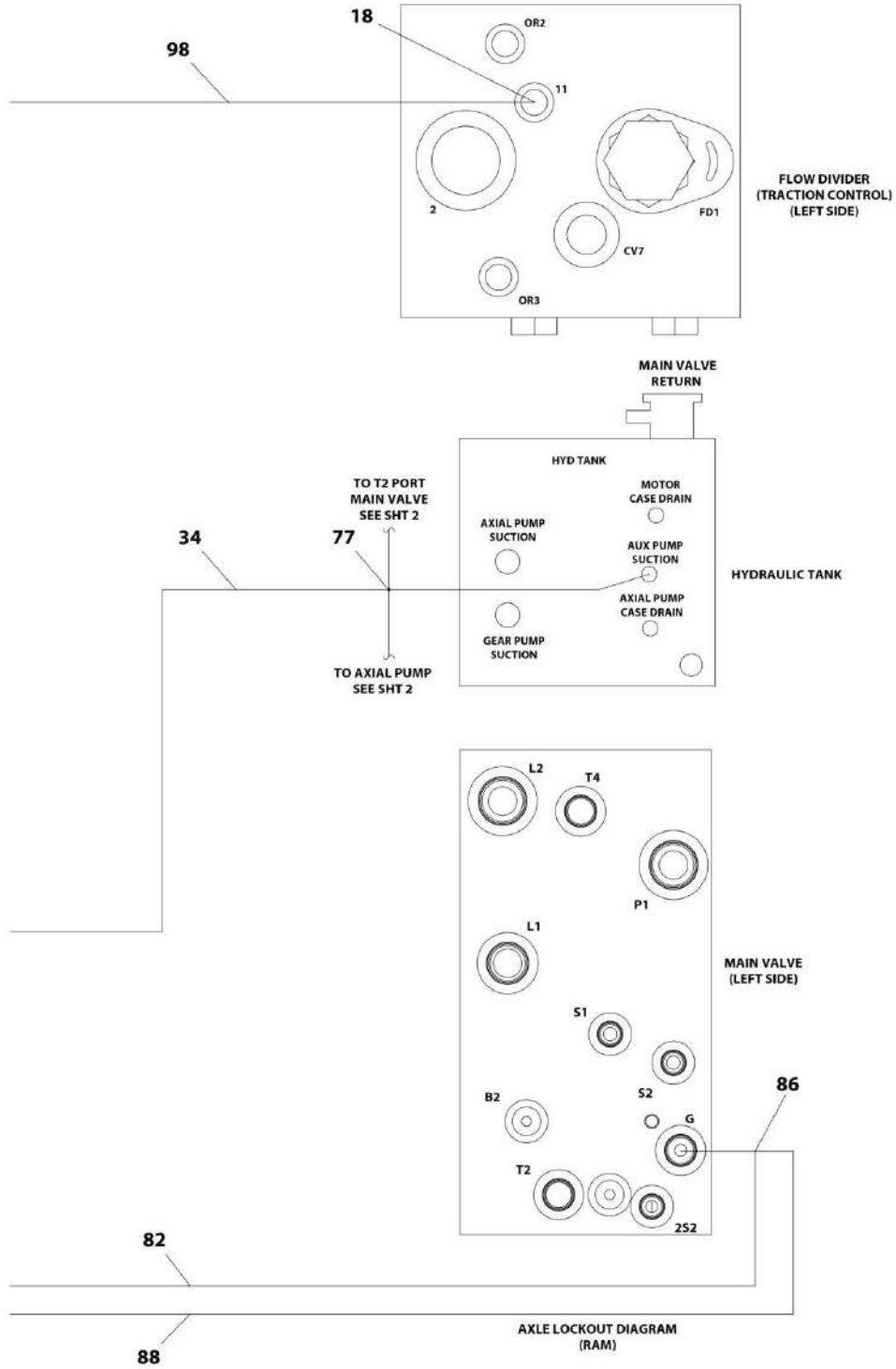
ART_100117750_4OF7

SECTION 7 - HYDRAULIC



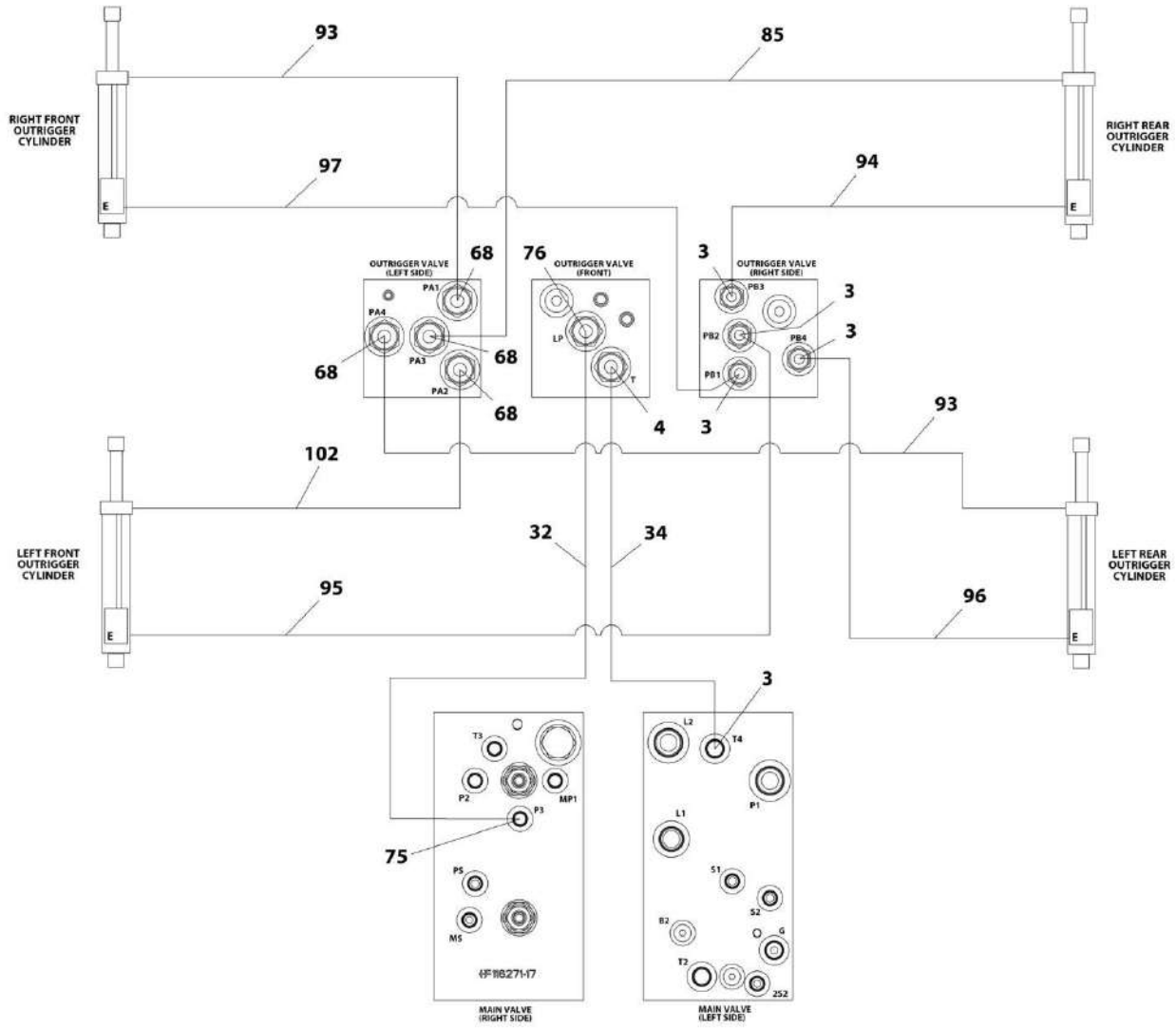
ART_100117750_SOF7

SECTION 7 - HYDRAULIC



ART_1001177750_GOF7

SECTION 7 - HYDRAULIC



ART_1001177750_7OF7

SECTION 7 - HYDRAULIC

FIGURE 7-2. HYDRAULIC DIAGRAM - OSCILATING AXLE

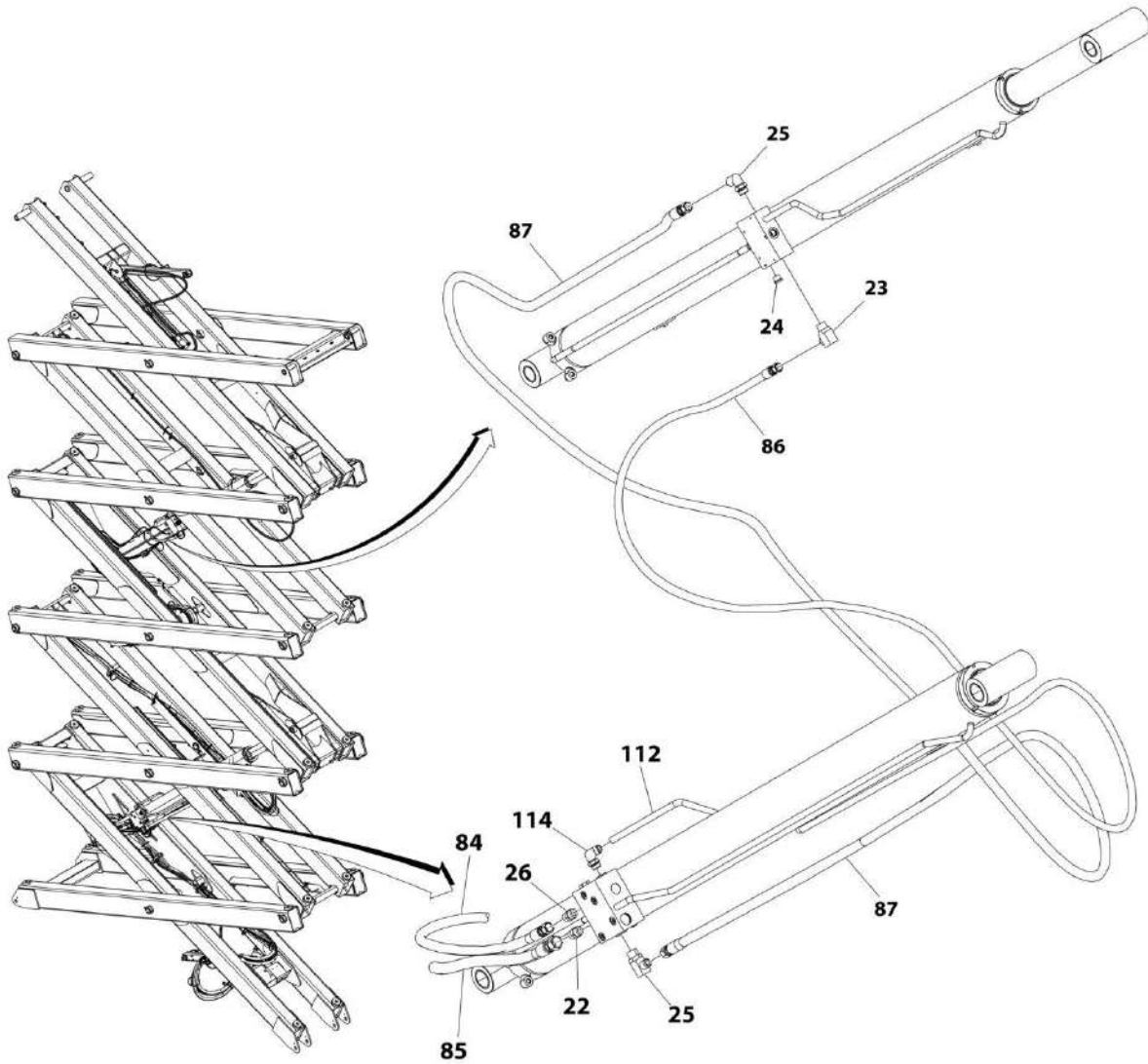
| ITEM | PART NUMBER | QTY | DESCRIPTION | REV |
|------|-------------|-----|--------------------------------------|-----|
| | 1001177750 | Ref | HYDRAULIC DIAGRAM - OSCILLATING AXLE | H |
| 1 | 2220415 | 9 | Fitting, Straight JIC/ORB | |
| 2 | 2220582 | 2 | Fitting, Straight JIC/ORB | |
| 3 | 2220371 | 8 | Fitting, Straight JIC/ORB | |
| 4 | 2220372 | 1 | Fitting, Straight JIC/ORB | |
| 5 | 2220497 | 1 | Fitting, Straight JIC/ORB | |
| 6 | 2110808 | 2 | Fitting, Straight ORFS/ORB | |
| 7 | 2110810 | 2 | Fitting, Straight ORFS/ORB | |
| 8 | 2110812 | 9 | Fitting, Straight ORFS/ORB | |
| 9 | 2220852 | 1 | Fitting, Straight JIC/ORB | |
| 10 | 2111010 | 1 | Fitting, Straight ORFS/ORB | |
| 12 | 2220451 | 1 | Fitting, Straight JIC/ORB | |
| 13 | 2111216 | 2 | Fitting, Straight ORFS/ORB | |
| 14 | 2112016 | 1 | Fitting, Straight ORFS/ORB | |
| 15 | 2130404 | 2 | Fitting, 90 ORFS/ORB | |
| 16 | 2220472 | 1 | Fitting, 90 JIC/ORB | |
| 17 | 2220775 | 1 | Fitting, 90 JIC/ORB | |
| 18 | 2220473 | 2 | Fitting, 90 JIC/ORB | |
| 19 | 2130808 | 6 | Fitting, 90 ORFS/ORB | |
| 20 | 2130812 | 1 | Fitting, 90 ORFS/ORB | |
| 21 | 2131216 | 2 | Fitting, 90 ORFS/ORB | |
| 22 | 2221040 | 4 | Fitting, 45 JIC/ORB | |
| 23 | 2220500 | 2 | Fitting, 45 JIC/ORB | |
| 24 | 2131010 | 1 | Fitting, 90 ORFS/ORB | |
| 25 | 2152020 | 1 | Fitting, 45 ORFS/ORB | |
| 26 | 2220235 | 1 | Fitting | |
| 27 | 2220602 | 1 | Fitting, Tee JIC/ORB/JIC | |
| 28 | 2220238 | 1 | Plug ORB | |
| 29 | 2220479 | 1 | Fitting, Straight JIC/ORB | |
| 31 | 2221086 | 2 | Fitting, Test | |
| 32 | 2716703 | 1 | Hose | |
| 33 | 2753798 | 1 | Hose | |
| 34 | 1001158246 | 2 | Hose | |
| 35 | 1001108477 | 1 | Hose | |
| 41 | 1001104589 | 1 | Hose | |
| 42 | 2753791 | 7 | Hose | |
| 49 | 2754244 | 2 | Hose | |
| 51 | 4061032 | AR | Shield | |
| 52 | 2110404 | 1 | Fitting, Straight ORFS/ORB | |
| 53 | 8760351 | 1 | Fitting, 45 ORFS/ORB | |
| 56 | 1001104581 | 1 | Hose | |
| 59 | 1001107924 | 2 | Hose | |
| 60 | 1001108128 | 1 | Hose | |
| 67 | 2220362 | 1 | Fitting, Tee FL/FL/FL | |
| 68 | 2220373 | 6 | Fitting, Straight JIC/ORB | |
| 69 | 2220408 | 2 | Fitting, Straight JIC/ORB | |
| 70 | 2220435 | 1 | Fitting, Straight JIC/ORB | |
| 71 | 2220466 | AR | Fitting, 90 JIC/ORB | |
| 72 | 2220504 | 1 | Fitting, Tee JIC/JIC/JIC | |
| 73 | 2220577 | 1 | Fitting, Straight JIC/ORB | |

SECTION 7 - HYDRAULIC

| ITEM | PART NUMBER | QTY | DESCRIPTION | REV |
|------|-------------|-----|---------------------------|-----|
| 74 | 2220578 | 1 | Fitting, 90 JIC/ORB | |
| 75 | 2220603 | 1 | Fitting, Straight JIC/ORB | |
| 76 | 2220628 | 1 | Fitting, 90 JIC/ORB | |
| 77 | 2220635 | 2 | Fitting, Tee JIC/JIC/JIC | |
| 78 | 2716705 | 2 | Hose | |
| 80 | 2753970 | 1 | Hose | |
| 81 | 1001151351 | 1 | Hose | |
| 82 | 1001151354 | 3 | Hose | |
| 83 | 1001158199 | 2 | Hose | |
| 84 | 1001173043 | 2 | Hose | |
| 85 | 1001182051 | 1 | Hose | |
| 86 | 1001193988 | 1 | Fitting, Tee JIC/ORB/JIC | |
| 87 | 1001194378 | 1 | Hose | |
| 88 | 1001194379 | 1 | Hose | |
| 89 | 1001194380 | 1 | Hose | |
| 90 | 1001194381 | 1 | Hose | |
| 91 | 1001194382 | 1 | Hose | |
| 92 | 1001194383 | 1 | Hose | |
| 93 | 1001194384 | 2 | Hose | |
| 94 | 1001194385 | 1 | Hose | |
| 95 | 1001194386 | 1 | Hose | |
| 96 | 1001194387 | 1 | Hose | |
| 97 | 1001194388 | 1 | Hose | |
| 98 | 1001194389 | 1 | Hose | |
| 99 | 1001194390 | 1 | Hose | |
| 100 | 1001194391 | 1 | Hose | |
| 101 | 2752485 | 1 | Hose | |
| 102 | 1001205920 | 1 | Hose | |
| 103 | 2220502 | AR | Fitting, 45 JIC/ORB | |

SECTION 7 - HYDRAULIC

FIGURE 7-3. HYDRAULIC DIAGRAM - SCISSOR ARMS



ART_1001217384_30F3

SECTION 7 - HYDRAULIC

FIGURE 7-3. HYDRAULIC DIAGRAM - SCISSOR ARMS

| ITEM | PART NUMBER | QTY | DESCRIPTION | REV |
|------|-------------|-----|-----------------------------------|-----|
| | 1001217384 | Ref | SCISSOR ARMS ASSEMBLY - HYDRAULIC | G |
| 22 | 2220408 | 1 | Fitting, Straight JIC/ORB | |
| 23 | 2220671 | 1 | Fitting, 90 JIC/ORB | |
| 24 | 2220883 | 1 | Plug | |
| 25 | 2220906 | 2 | Fitting, 90 JIC/ORB | |
| 26 | 2220947 | 1 | Fitting, Straight JIC/ORB | |
| 84 | 1001193174 | 1 | Hose | |
| 85 | 1001193179 | 1 | Hose | |
| 86 | 1001236307 | 1 | Hose | |
| 87 | 1001236306 | 1 | Hose | |
| 112 | 1001237837 | 1 | Tube | |
| 114 | 2221036 | 1 | Fitting, 90 JIC/ORB | |

SECTION 7 - HYDRAULIC

FIGURE 7-4. HYDRAULIC DIAGRAM LIST

| ITEM | PART NUMBER | QTY | DESCRIPTION | REV |
|------|-------------|-----|---|-----|
| | | Ref | Note: Diagrams are available from JLG Service/Parts Department. | |
| | | Ref | HYDRAULIC DIAGRAM LIST | |
| | 1001179071 | Ref | HYDRAULIC DIAGRAM - FIXED AXLE | |
| | 1001177750 | Ref | HYDRAULIC DIAGRAM - OSCILLATING AXLE | |
| | 1001217384 | Ref | HYDRAULIC DIAGRAM - SCISSOR ARMS | |
| | 1001232921 | Ref | HYDRAULIC SCHEMATIC (Not Shown - See Service Manual) | |

SECTION 8 - ELECTRICAL

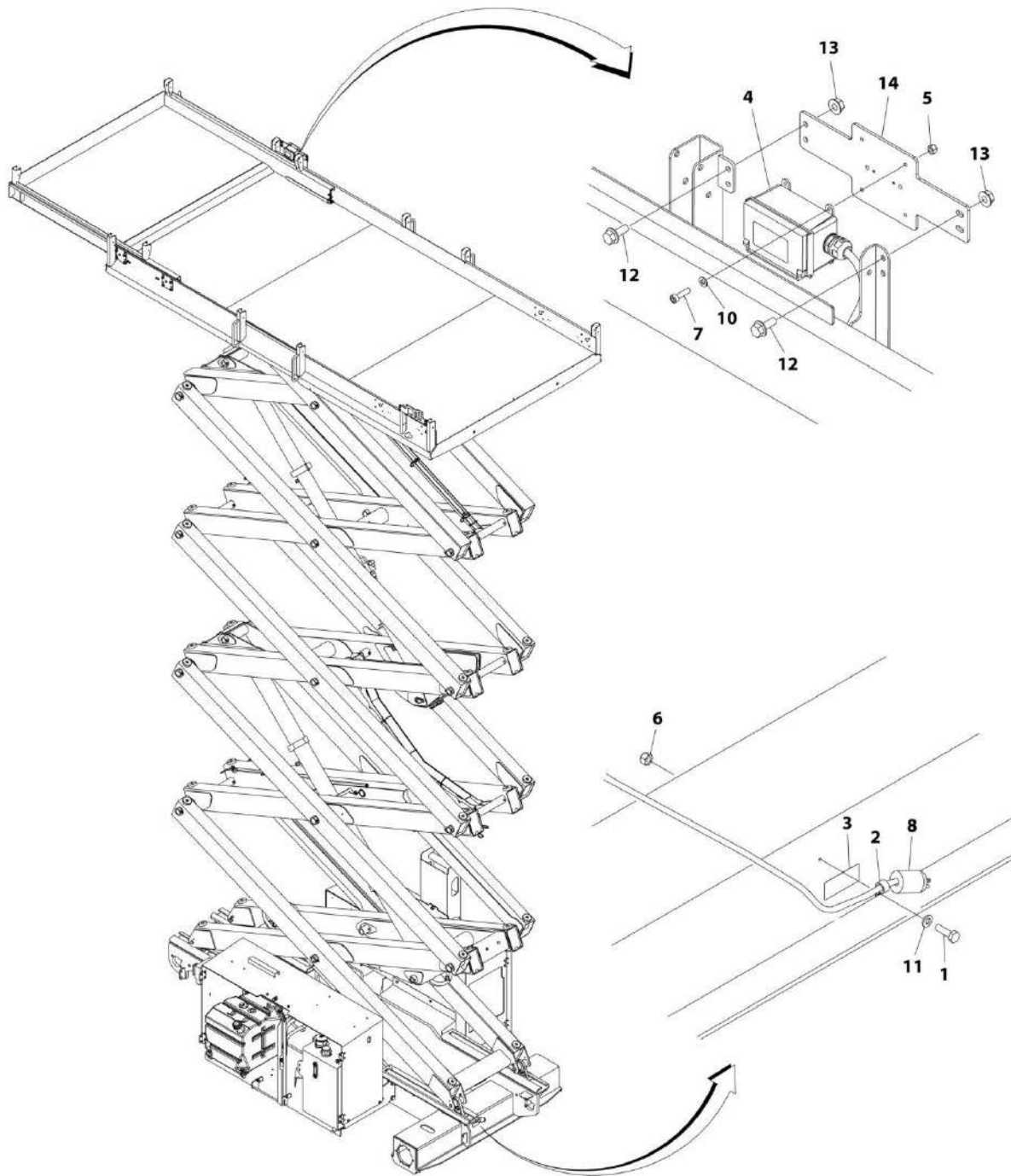
SECTION 8 - ELECTRICAL

FIGURE 8-1. ELECTRICAL DIAGRAM LIST

| ITEM | PART NUMBER | QTY | DESCRIPTION | REV |
|------|-------------|-----|--|-----|
| | | Ref | Note: For information, refer to Service Manual or contact JLG Customer Service Department. | |
| | | Ref | ELECTRICAL DIAGRAM LIST | |
| | 1001236134 | Ref | Electrical Schematic (Not Shown - See Service Manual) | |
| | 1001239852 | Ref | Electrical Schematic - LSS Supplement (Not Shown - See Service Manual) | |
| | 1001181217 | Ref | 4000W Generator Electrical Diagram - Kubota Diesel Stage III | |
| | 1001177770 | Ref | 4000W Generator Electrical Diagram - Kubota Diesel T4F | |
| | 1001181216 | Ref | 4000W Generator Electrical Diagram - Kubota Gasoline | |
| | 1001181140 | Ref | 7500W Generator Electrical Diagram - Kubota Diesel Stage III | |
| | 1001177767 | Ref | 7500W Generator Electrical Diagram - Kubota Diesel T4F | |
| | 1001181141 | Ref | 7500W Generator Electrical Diagram - Kubota Gasoline | |

SECTION 8 - ELECTRICAL

FIGURE 8-2. AC BOX AT PLATFORM INSTALLATION - 110V GFI (ANSI AND ANSI EXPORT SPECS)



ART_1001207511

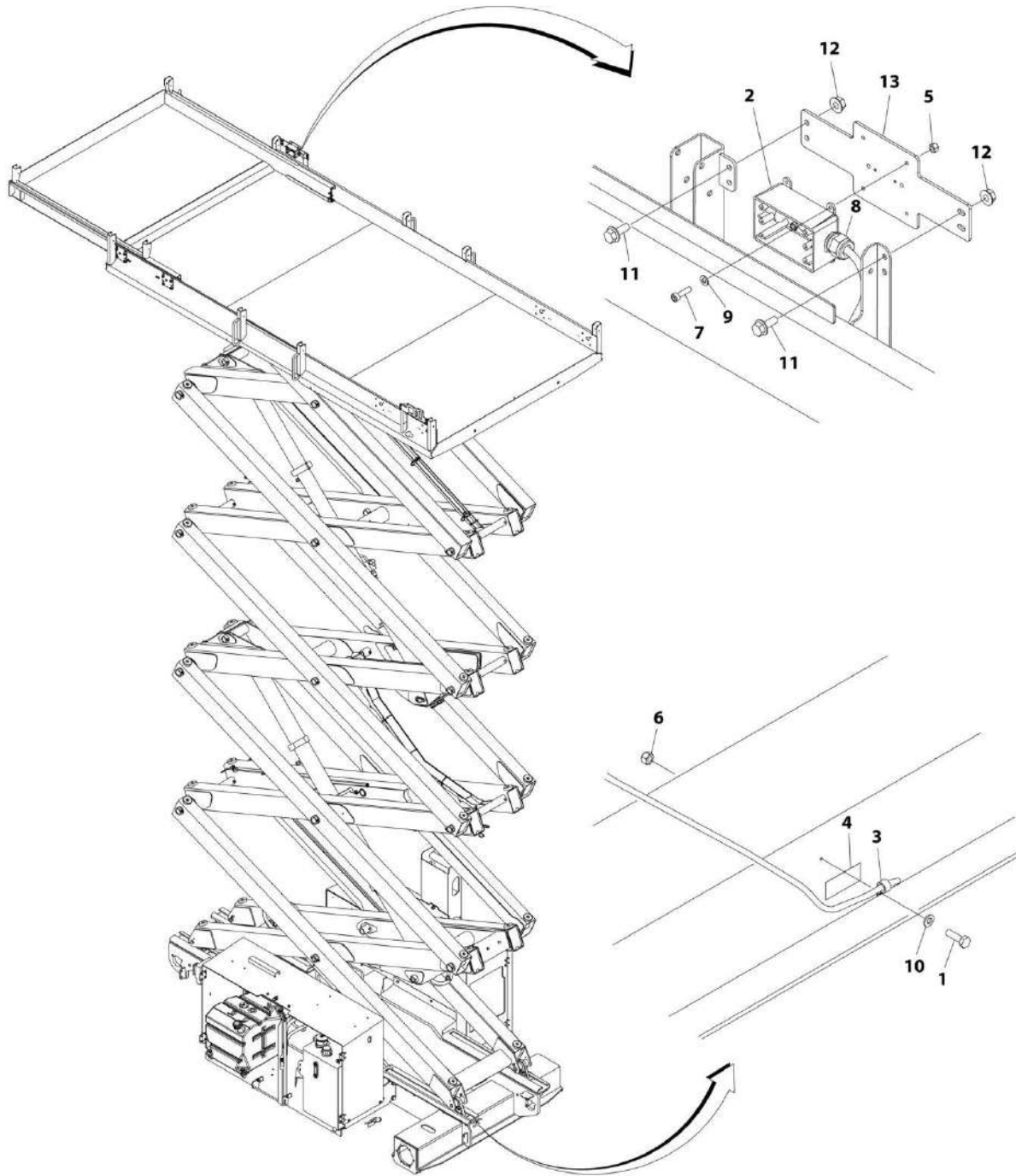
SECTION 8 - ELECTRICAL

FIGURE 8-2. AC BOX AT PLATFORM INSTALLATION - 110V GFI (ANSI AND ANSI EXPORT SPECS)

| ITEM | PART NUMBER | QTY | DESCRIPTION | REV |
|------|-------------|-----|---|-----|
| | 1001207511 | Ref | AC BOX AT PLATFORM INSTALLATION - 110V GFI (ANSI AND ANSI EXPORT SPECS) | A |
| 1 | 0760610 | 1 | Bolt M6 x 20 | |
| 2 | 1320224 | 1 | Clamp | |
| 3 | 1703464 | 1 | Decal - AC Power | |
| 4 | 2902431 | 1 | Receptacle Box Kit (See Separate Breakdown in this Section) | |
| 5 | 3290405 | 4 | Nut M4 | |
| 6 | 3290605 | 1 | Nut M6 | |
| 7 | 4031507 | 4 | Bolt M4 x 16 | |
| 8 | 4460138 | 1 | Plug | |
| 9 | 4460315 | 3 | Terminal (Not Shown) | |
| 10 | 4811400 | 4 | Washer M4 | |
| 11 | 4811700 | 1 | Washer M6 | |
| 12 | 0780608 | 4 | Bolt M6 x 16 | |
| 13 | 5260600 | 4 | Nut M6 | |
| 14 | 1001207520 | 1 | Bracket | |

SECTION 8 - ELECTRICAL

FIGURE 8-3. AC BOX AT PLATFORM INSTALLATION - 220V (ANSI AND ANSI EXPORT SPECS)



ART_1001207512

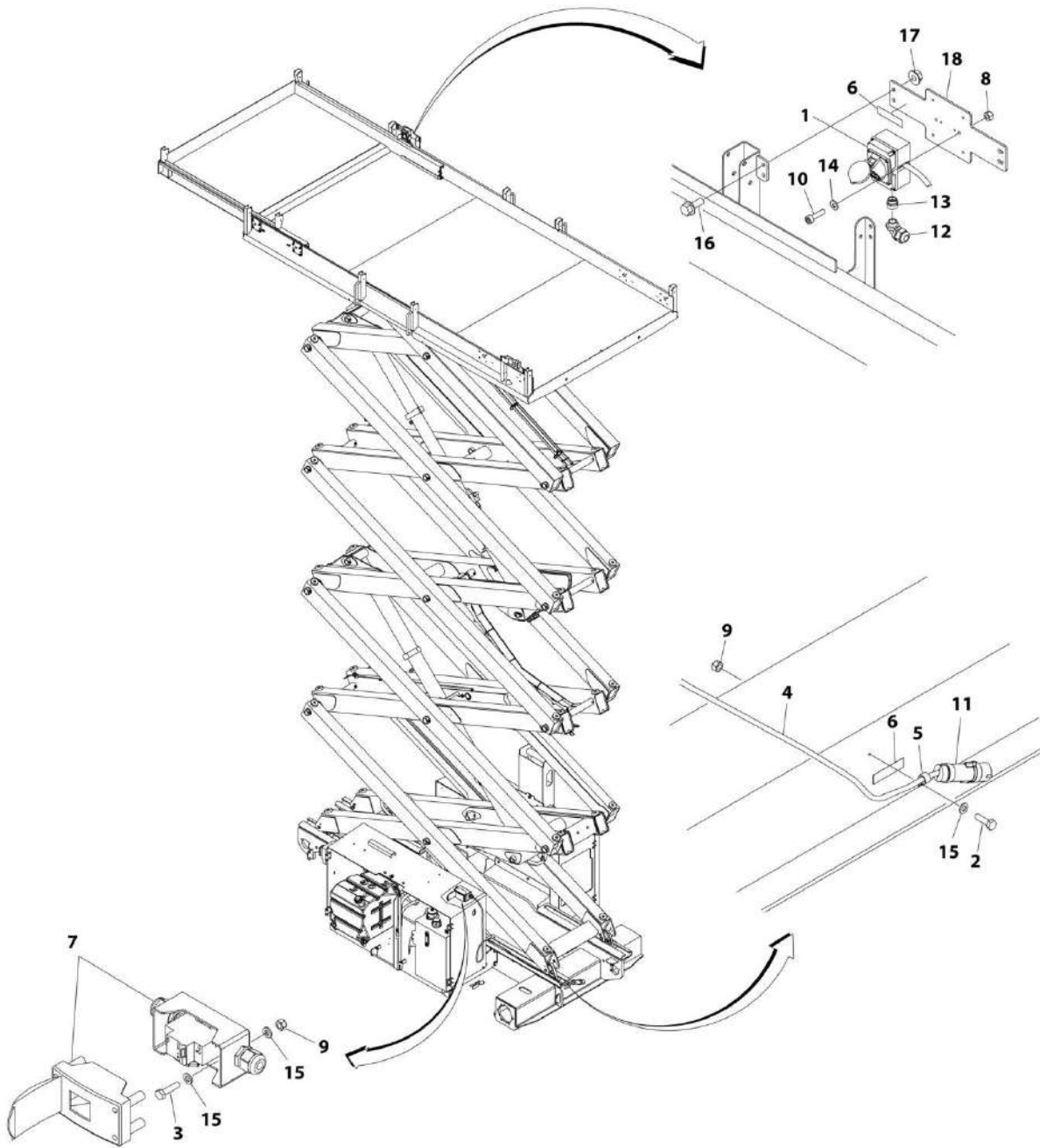
SECTION 8 - ELECTRICAL

FIGURE 8-3. AC BOX AT PLATFORM INSTALLATION - 220V (ANSI AND ANSI EXPORT SPECS)

| ITEM | PART NUMBER | QTY | DESCRIPTION | REV |
|------|-------------|-----|---|-----|
| | 1001207512 | Ref | AC BOX AT PLATFORM INSTALLATION - 220V (ANSI AND ANSI EXPORT SPECS) | A |
| 1 | 0760610 | 1 | Bolt M6 x 20 | |
| 2 | 0861731 | 1 | Box, Receptacle | |
| 3 | 1320224 | 1 | Clamp | |
| 4 | 3252507 | 1 | Decal - 220 Volt | |
| 5 | 3290405 | 4 | Nut M4 | |
| 6 | 3290605 | 1 | Nut M6 | |
| 7 | 4031507 | 4 | Bolt M4 x 16 | |
| 8 | 4460071 | 1 | Connector, Strain Relief | |
| 9 | 4811400 | 4 | Washer M4 | |
| 10 | 4811700 | 1 | Washer M6 | |
| 11 | 0780608 | 4 | Bolt M6 x 16 | |
| 12 | 5260600 | 4 | Nut M6 | |
| 13 | 1001207520 | 1 | Bracket | |

SECTION 8 - ELECTRICAL

FIGURE 8-4. AC BOX AT PLATFORM INSTALLATION - 110V IEC YELLOW (CE SPEC)



ART_1001207516

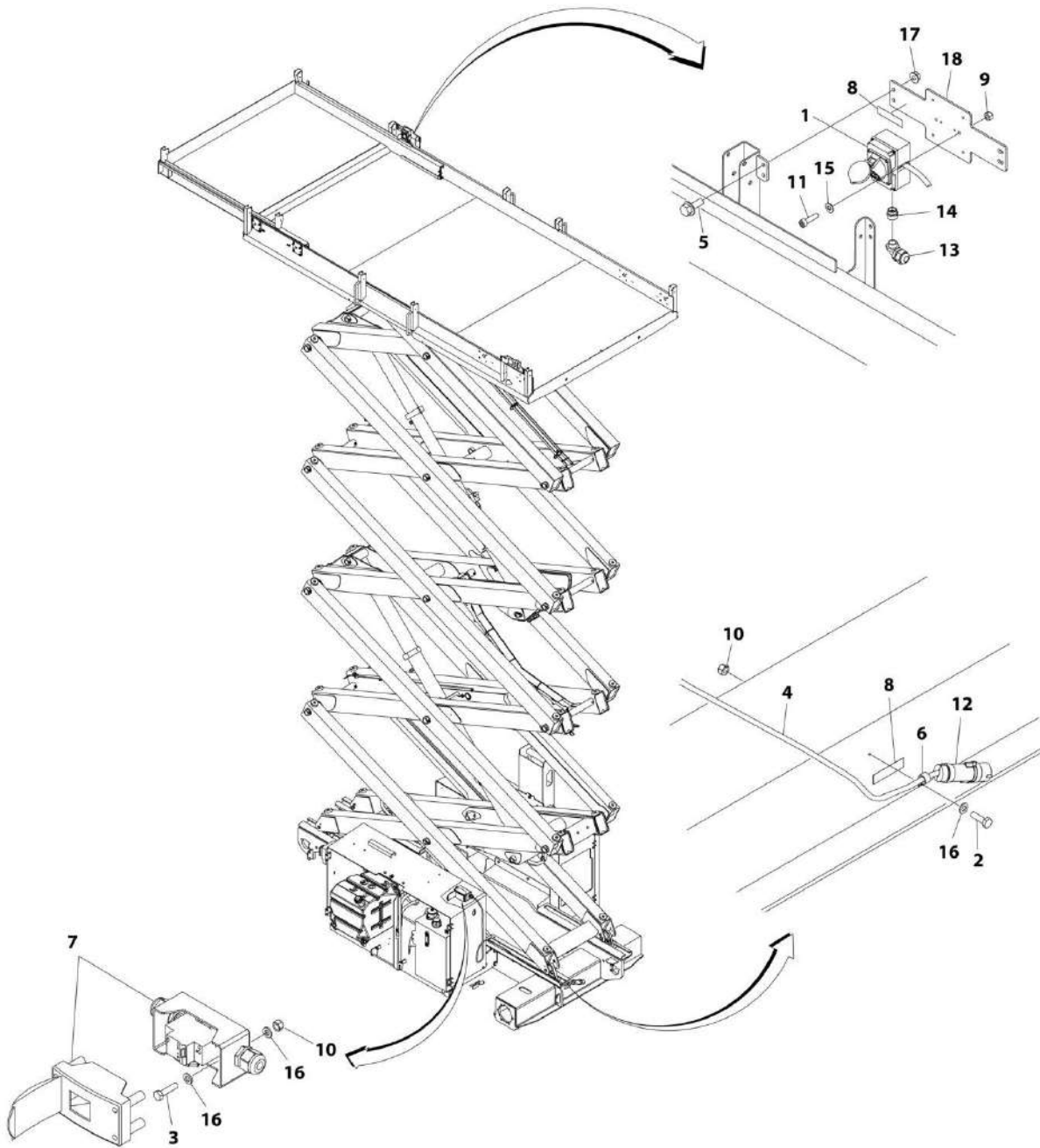
SECTION 8 - ELECTRICAL

FIGURE 8-4. AC BOX AT PLATFORM INSTALLATION - 110V IEC YELLOW (CE SPEC)

| ITEM | PART NUMBER | QTY | DESCRIPTION | REV |
|------|-------------|-----------------|---|-----|
| | 1001207516 | Ref | AC BOX AT PLATFORM INSTALLATION - 110V IEC YELLOW (CE SPEC) | A |
| 1 | 0275216 | 1 | Receptacle Box Kit (See Separate Breakdown in this Section) | |
| 2 | 0760610 | 1 | Bolt M6 x 20 | |
| 3 | 0760612 | 2 | Bolt M6 x 25 | |
| 4 | 1060908 | 9.2 ft/ 2.8m | Cable, 12/3 | |
| 5 | 1320224 | 1 | Clamp | |
| 6 | 1705325 | 2 | Decal - 110 Volt | |
| 7 | 2902549 | 1 | Breaker Box Kit (See Separate Breakdown in this Section) | |
| 8 | 3290405 | 2 | Nut M4 | |
| 9 | 3290605 | 3 | Nut M6 | |
| 10 | 4031507 | 2 | Bolt M4 x 16 | |
| 11 | 4461196 | 1 | Terminal | |
| 12 | 4461257 | 1 | Connector, Strain Relief | |
| 13 | 4461258 | 1 | Connector, Adapter | |
| 14 | 4811400 | 2 | Washer M4 | |
| 15 | 4811700 | 5 | Washer M6 | |
| 16 | 0780608 | 4 | Bolt M6 x 16 | |
| 17 | 5260600 | 4 | Nut M6 | |
| 18 | 1001207520 | 1 | Bracket | |

SECTION 8 - ELECTRICAL

FIGURE 8-5. AC BOX AT PLATFORM INSTALLATION - 220V IEC BLUE (CE SPEC)



ART_1001209298

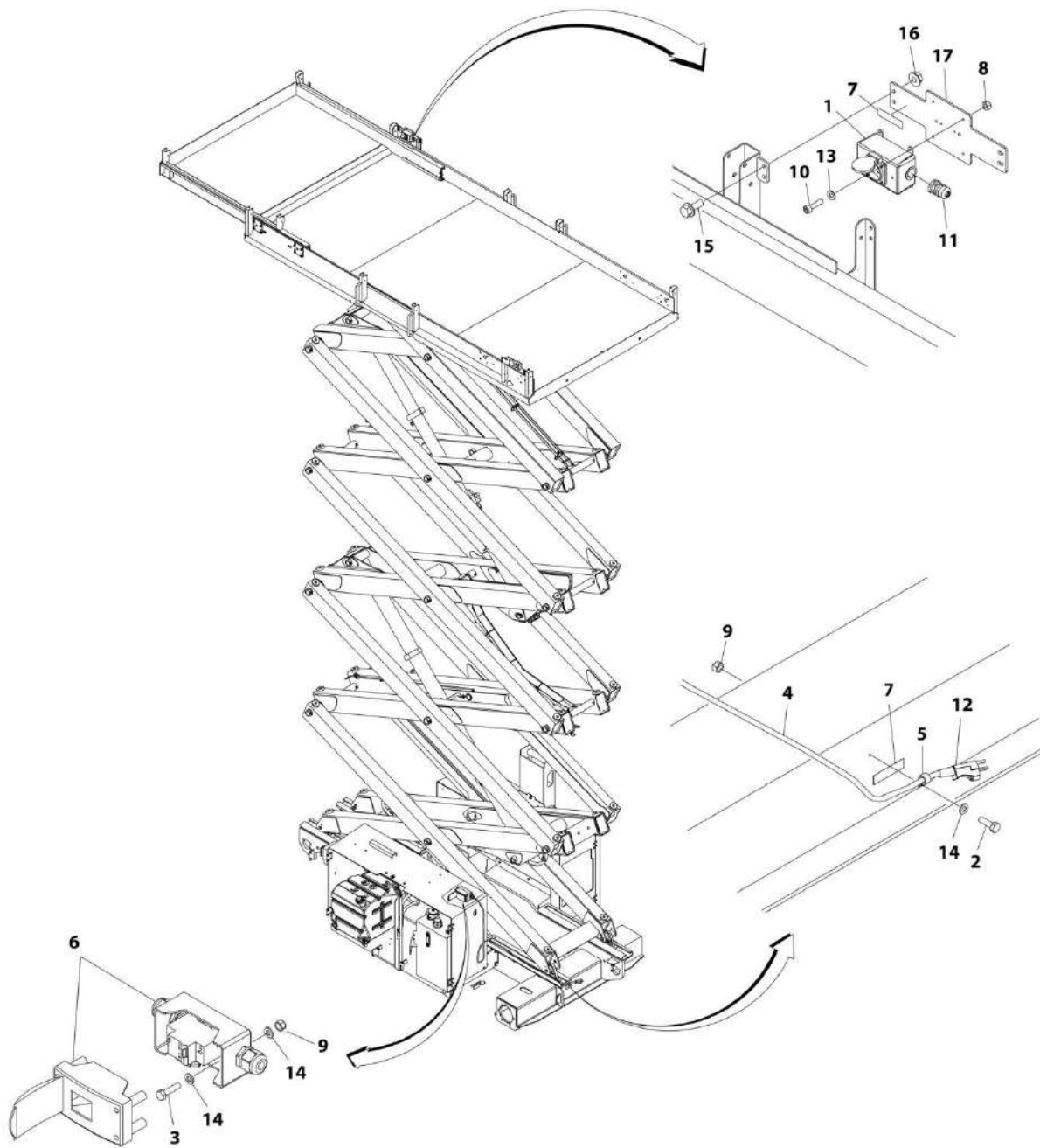
SECTION 8 - ELECTRICAL

FIGURE 8-5. AC BOX AT PLATFORM INSTALLATION - 220V IEC BLUE (CE SPEC)

| ITEM | PART NUMBER | QTY | DESCRIPTION | REV |
|------|-------------|-----------------|---|-----|
| | 1001209298 | Ref | AC BOX AT PLATFORM INSTALLATION - 220V IEC BLUE (CE SPEC) | A |
| 1 | 0275217 | 1 | Receptacle Box Kit (See Separate Breakdown in this Section) | |
| 2 | 0760610 | 1 | Bolt M6 x 20 | |
| 3 | 0760612 | 2 | Bolt M6 x 25 | |
| 4 | 1060908 | 9.2 ft/ 2.8m | Cable, 12/3 | |
| 5 | 0780608 | 4 | Bolt M6 x 16 | |
| 6 | 1320224 | 1 | Clamp | |
| 7 | 2902549 | 1 | Breaker Box Kit (See Separate Breakdown in this Section) | |
| 8 | 3252507 | 2 | Decal - 220 Volt | |
| 9 | 3290405 | 2 | Nut M4 | |
| 10 | 3290605 | 3 | Nut M6 | |
| 11 | 4031507 | 2 | Bolt M4 x 16 | |
| 12 | 4461199 | 1 | Terminal | |
| 13 | 4461257 | 1 | Connector, Strain Relief | |
| 14 | 4461258 | 1 | Connector, Adapter | |
| 15 | 4811400 | 2 | Washer M4 | |
| 16 | 4811700 | 5 | Washer M6 | |
| 17 | 5260600 | 4 | Nut M6 | |
| 18 | 1001207520 | 1 | Bracket | |

SECTION 8 - ELECTRICAL

FIGURE 8-6. AC BOX AT PLATFORM INSTALLATION - 220V AFSINT107 (CE SPEC)



ART_1001207521

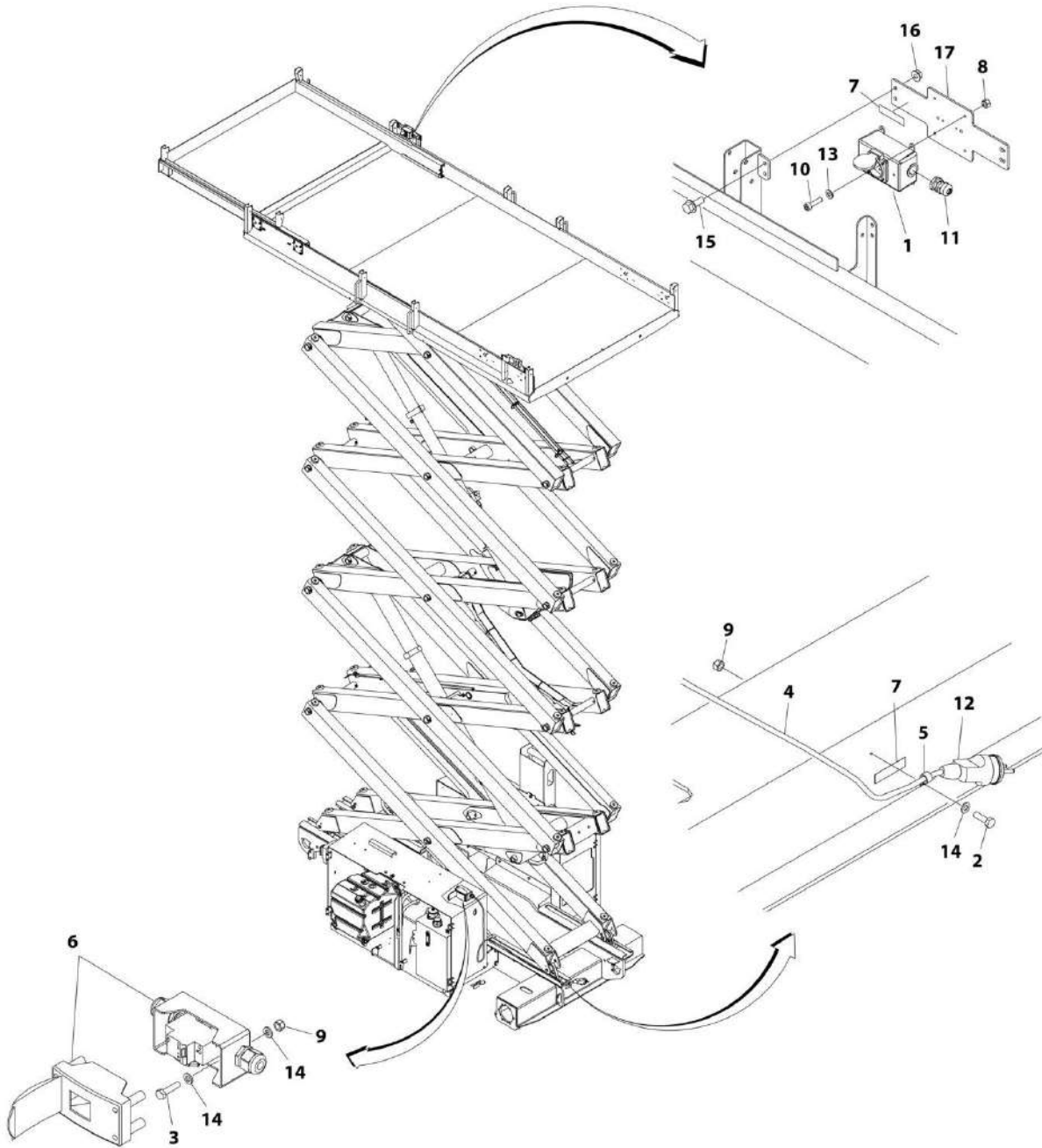
SECTION 8 - ELECTRICAL

FIGURE 8-6. AC BOX AT PLATFORM INSTALLATION - 220V AFSINT107 (CE SPEC)

| ITEM | PART NUMBER | QTY | DESCRIPTION | REV |
|------|-------------|-----------------|---|-----|
| | 1001207521 | Ref | AC BOX AT PLATFORM INSTALLATION - 220V AFSINT107 (CE SPEC) | A |
| 1 | 0275454 | 1 | Receptacle Box Kit (See Separate Breakdown in this Section) | |
| 2 | 0760610 | 1 | Bolt M6 x 20 | |
| 3 | 0760612 | 2 | Bolt M6 x 25 | |
| 4 | 1060908 | 9.2 ft/ 2.8m | Cable, 12/3 | |
| 5 | 1320224 | 1 | Clamp | |
| 6 | 2902549 | 1 | Breaker Box Kit (See Separate Breakdown in this Section) | |
| 7 | 3252507 | 2 | Decal - 220 Volt | |
| 8 | 3290405 | 4 | Nut M4 | |
| 9 | 3290605 | 3 | Nut M6 | |
| 10 | 4031507 | 4 | Bolt M4 x 16 | |
| 11 | 4460968 | 1 | Connector, Strain Relief | |
| 12 | 4461249 | 1 | Terminal | |
| 13 | 4811400 | 4 | Washer M4 | |
| 14 | 4811700 | 5 | Washer M6 | |
| 15 | 0780608 | 4 | Bolt M6 x 16 | |
| 16 | 5260600 | 4 | Nut M6 | |
| 17 | 1001207520 | 1 | Bracket | |

SECTION 8 - ELECTRICAL

FIGURE 8-7. AC BOX AT PLATFORM INSTALLATION - 220V CEE7 POST GROUND WITH 2X4 BOX (CE SPEC)



ART_1001207514

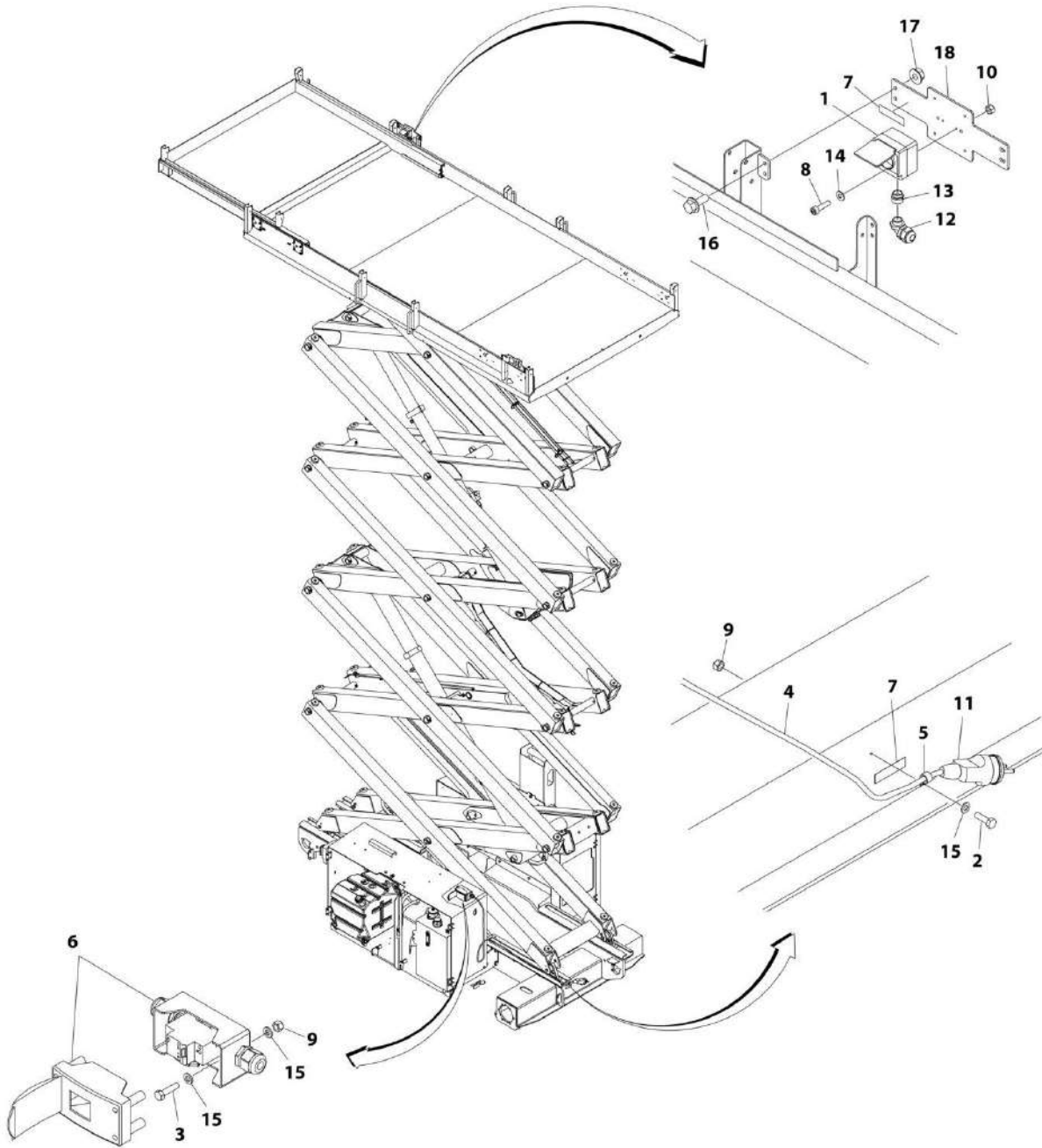
SECTION 8 - ELECTRICAL

FIGURE 8-7. AC BOX AT PLATFORM INSTALLATION - 220V CEE7 POST GROUND WITH 2X4 BOX (CE SPEC)

| ITEM | PART NUMBER | QTY | DESCRIPTION | REV |
|------|-------------|-----------------|--|-----|
| | 1001207514 | Ref | AC BOX AT PLATFORM INSTALLATION - 220V CEE7 POST GROUND WITH 2X4 BOX (CE SPEC) | B |
| 1 | 0275452 | 1 | Receptacle Box Kit (See Separate Breakdown in this Section) | |
| 2 | 0760610 | 1 | Bolt M6 x 20 | |
| 3 | 0760612 | 2 | Bolt M6 x 25 | |
| 4 | 1060908 | 9.2 ft/ 2.8m | Cable, 12/3 | |
| 5 | 1320224 | 1 | Clamp | |
| 6 | 2902549 | 1 | Breaker Box Kit (See Separate Breakdown in this Section) | |
| 7 | 3252507 | 2 | Decal - 220 Volt | |
| 8 | 3290405 | 4 | Nut M4 | |
| 9 | 3290605 | 3 | Nut M6 | |
| 10 | 4031507 | 4 | Bolt M4 x 16 | |
| 11 | 4460968 | 1 | Connector, Strain Relief | |
| 12 | 4461205 | 1 | Terminal | |
| 13 | 4811400 | 4 | Washer M4 | |
| 14 | 4811700 | 5 | Washer M6 | |
| 15 | 0780608 | 4 | Bolt M6 x 16 | |
| 16 | 5260600 | 4 | Nut M6 | |
| 17 | 1001207520 | 1 | Bracket | |

SECTION 8 - ELECTRICAL

FIGURE 8-8. AC BOX AT PLATFORM INSTALLATION - 220V CEE7 POST GROUND WITH 70X70 BOX
(CE SPEC)



ART_1001207518

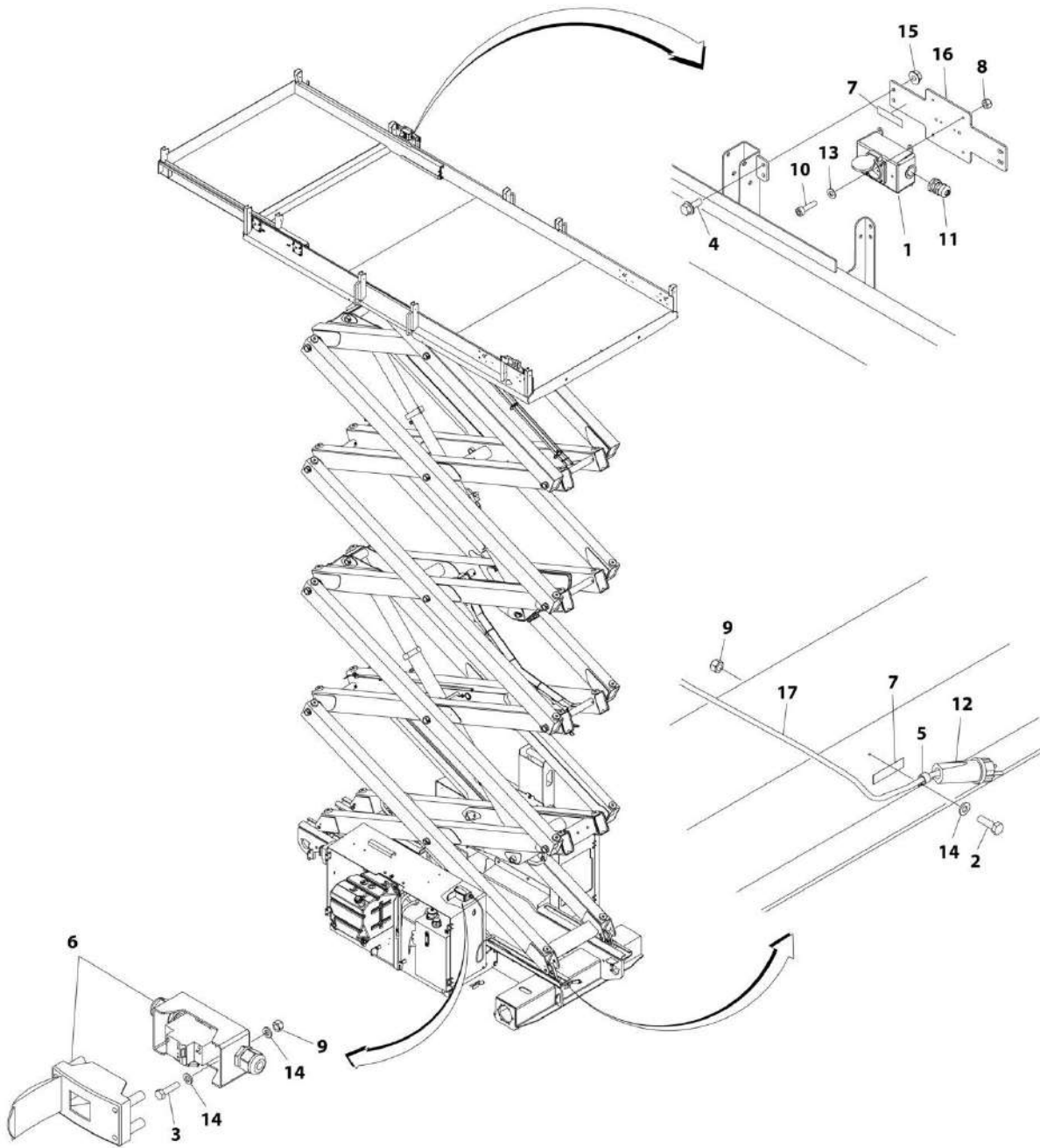
SECTION 8 - ELECTRICAL

FIGURE 8-8. AC BOX AT PLATFORM INSTALLATION - 220V CEE7 POST GROUND WITH 70X70 BOX (CE SPEC)

| ITEM | PART NUMBER | QTY | DESCRIPTION | REV |
|------|-------------|-----------------|--|-----|
| | 1001207518 | Ref | AC BOX AT PLATFORM INSTALLATION - 220V CEE7 POST GROUND WITH 70X70 BOX (CE SPEC) | B |
| 1 | 0275218 | 1 | Receptacle Box Kit (See Separate Breakdown in this Section) | |
| 2 | 0760610 | 1 | Bolt M6 x 20 | |
| 3 | 0760612 | 2 | Bolt M6 x 25 | |
| 4 | 1060908 | 9.2 ft/ 2.8m | Cable, 12/3 | |
| 5 | 1320224 | 1 | Clamp | |
| 6 | 2902549 | 1 | Breaker Box Kit (See Separate Breakdown in this Section) | |
| 7 | 3252507 | 2 | Decal - 220 Volt | |
| 8 | 3290405 | 2 | Nut M4 | |
| 9 | 3290605 | 3 | Nut M6 | |
| 10 | 4031507 | 2 | Bolt M4 x 16 | |
| 11 | 4461205 | 1 | Terminal | |
| 12 | 4461257 | 1 | Connector, Strain Relief | |
| 13 | 4461258 | 1 | Connector, Adapter | |
| 14 | 4811400 | 2 | Washer M4 | |
| 15 | 4811700 | 5 | Washer M6 | |
| 16 | 0780608 | 4 | Bolt M6 x 16 | |
| 17 | 5260600 | 4 | Nut M6 | |
| 18 | 1001207520 | 1 | Bracket | |

SECTION 8 - ELECTRICAL

FIGURE 8-9. AC BOX AT PLATFORM INSTALLATION - 220V CEE7 SIDE GROUND WITH 2X4 BOX (CE SPEC)



ART_1001207515

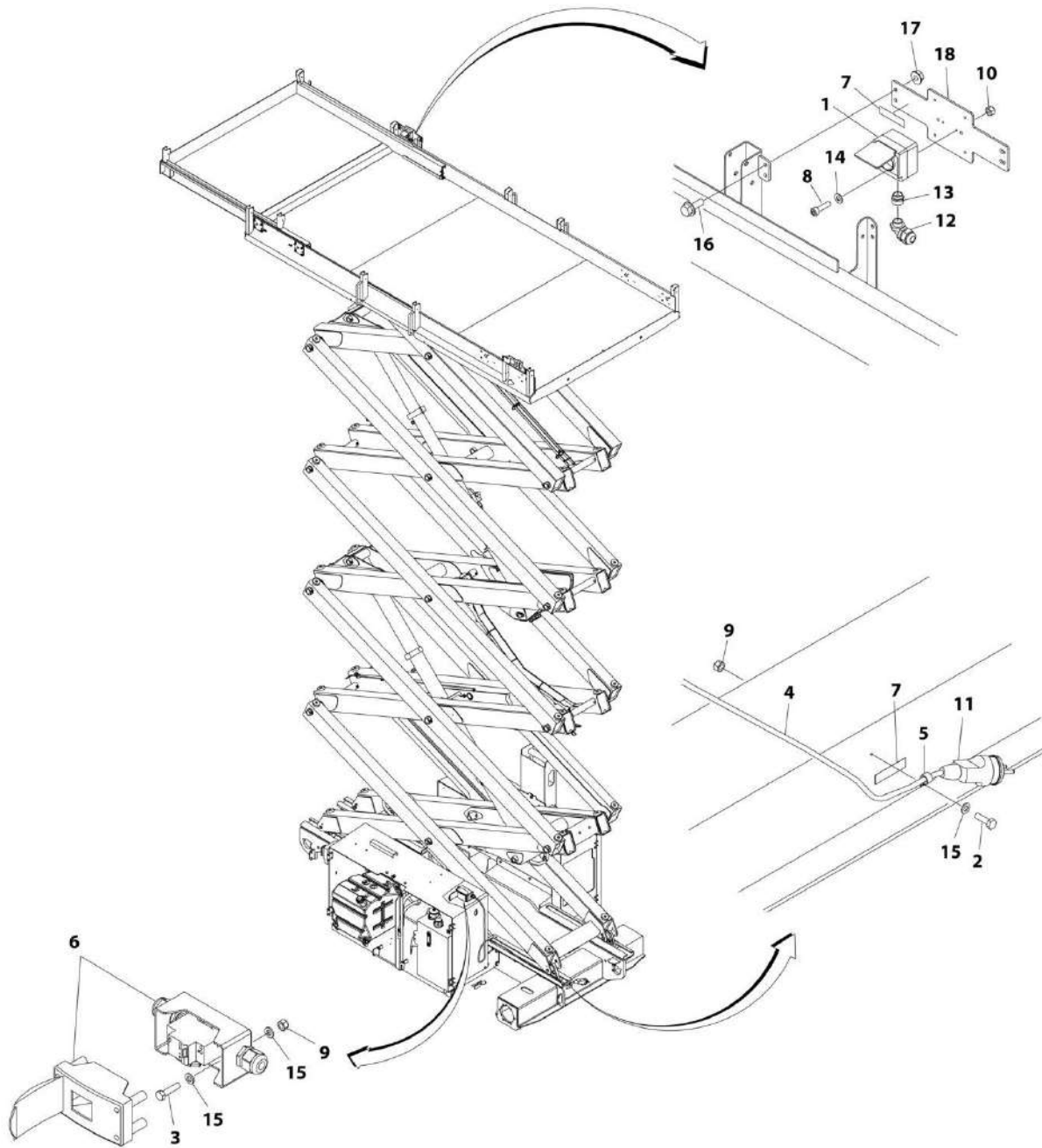
SECTION 8 - ELECTRICAL

FIGURE 8-9. AC BOX AT PLATFORM INSTALLATION - 220V CEE7 SIDE GROUND WITH 2X4 BOX (CE SPEC)

| ITEM | PART NUMBER | QTY | DESCRIPTION | REV |
|------|-------------|-----------------|--|-----|
| | 1001207515 | Ref | AC BOX AT PLATFORM INSTALLATION - 220V CEE7 SIDE GROUND WITH 2X4 BOX (CE SPEC) | A |
| 1 | 0275453 | 1 | Receptacle Box Kit (See Separate Breakdown in this Section) | |
| 2 | 0760610 | 1 | Bolt M6 x 20 | |
| 3 | 0760612 | 2 | Bolt M6 x 25 | |
| 4 | 0780608 | 4 | Bolt M6 x 16 | |
| 5 | 1320224 | 1 | Clamp | |
| 6 | 2902549 | 1 | Breaker Box Kit (See Separate Breakdown in this Section) | |
| 7 | 3252507 | 2 | Decal - 220 Volt | |
| 8 | 3290405 | 4 | Nut M4 | |
| 9 | 3290605 | 3 | Nut M6 | |
| 10 | 4031507 | 4 | Bolt M4 x 16 | |
| 11 | 4460968 | 1 | Connector, Strain Relief | |
| 12 | 4461205 | 1 | Terminal | |
| 13 | 4811400 | 4 | Washer M4 | |
| 14 | 4811700 | 5 | Washer M6 | |
| 15 | 5260600 | 4 | Nut M6 | |
| 16 | 1001207520 | 1 | Bracket | |
| 17 | 1060908 | 9.2 ft/ 2.8m | Cable, 12/3 | |

SECTION 8 - ELECTRICAL

FIGURE 8-10. AC BOX AT PLATFORM INSTALLATION - 220V CEE7 SIDE GROUND WITH 70X70 BOX (CE SPEC)



ART_1001207519

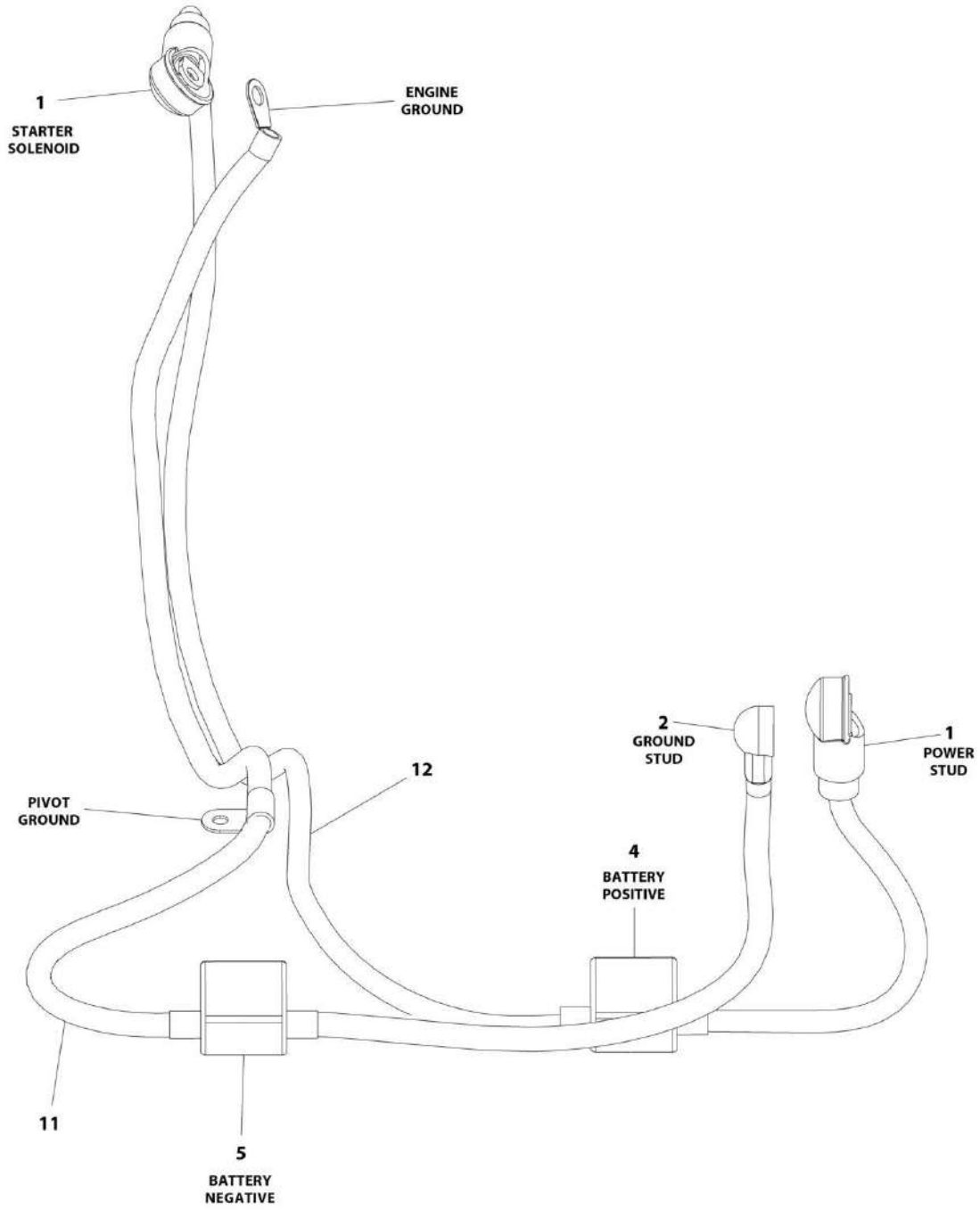
SECTION 8 - ELECTRICAL

FIGURE 8-10. AC BOX AT PLATFORM INSTALLATION - 220V CEE7 SIDE GROUND WITH 70X70 BOX (CE SPEC)

| ITEM | PART NUMBER | QTY | DESCRIPTION | REV |
|------|-------------|-----------------|--|-----|
| | 1001207519 | Ref | AC BOX AT PLATFORM INSTALLATION - 220V CEE7 SIDE GROUND WITH 70X70 BOX (CE SPEC) | A |
| 1 | 0275219 | 1 | Receptacle Box Kit (See Separate Breakdown in this Section) | |
| 2 | 0760610 | 1 | Bolt M6 x 20 | |
| 3 | 0760612 | 2 | Bolt M6 x 25 | |
| 4 | 1060908 | 9.2 ft/ 2.8m | Cable, 12/3 | |
| 5 | 1320224 | 1 | Clamp | |
| 6 | 2902549 | 1 | Breaker Box Kit (See Separate Breakdown in this Section) | |
| 7 | 3252507 | 2 | Decal - 220 Volt | |
| 8 | 3290405 | 2 | Nut M4 | |
| 9 | 3290605 | 3 | Nut M6 | |
| 10 | 4031507 | 2 | Bolt M4 x 16 | |
| 11 | 4461205 | 1 | Terminal | |
| 12 | 4461257 | 1 | Connector, Strain Relief | |
| 13 | 4461258 | 1 | Connector, Adapter | |
| 14 | 4811400 | 2 | Washer M4 | |
| 15 | 4811700 | 5 | Washer M6 | |
| 16 | 0780608 | 4 | Bolt M6 x 16 | |
| 17 | 5260600 | 4 | Nut M6 | |
| 18 | 1001207520 | 1 | Bracket | |

SECTION 8 - ELECTRICAL

FIGURE 8-11. BATTERY CABLE KIT - DIESEL ENGINES



ART_1001186428

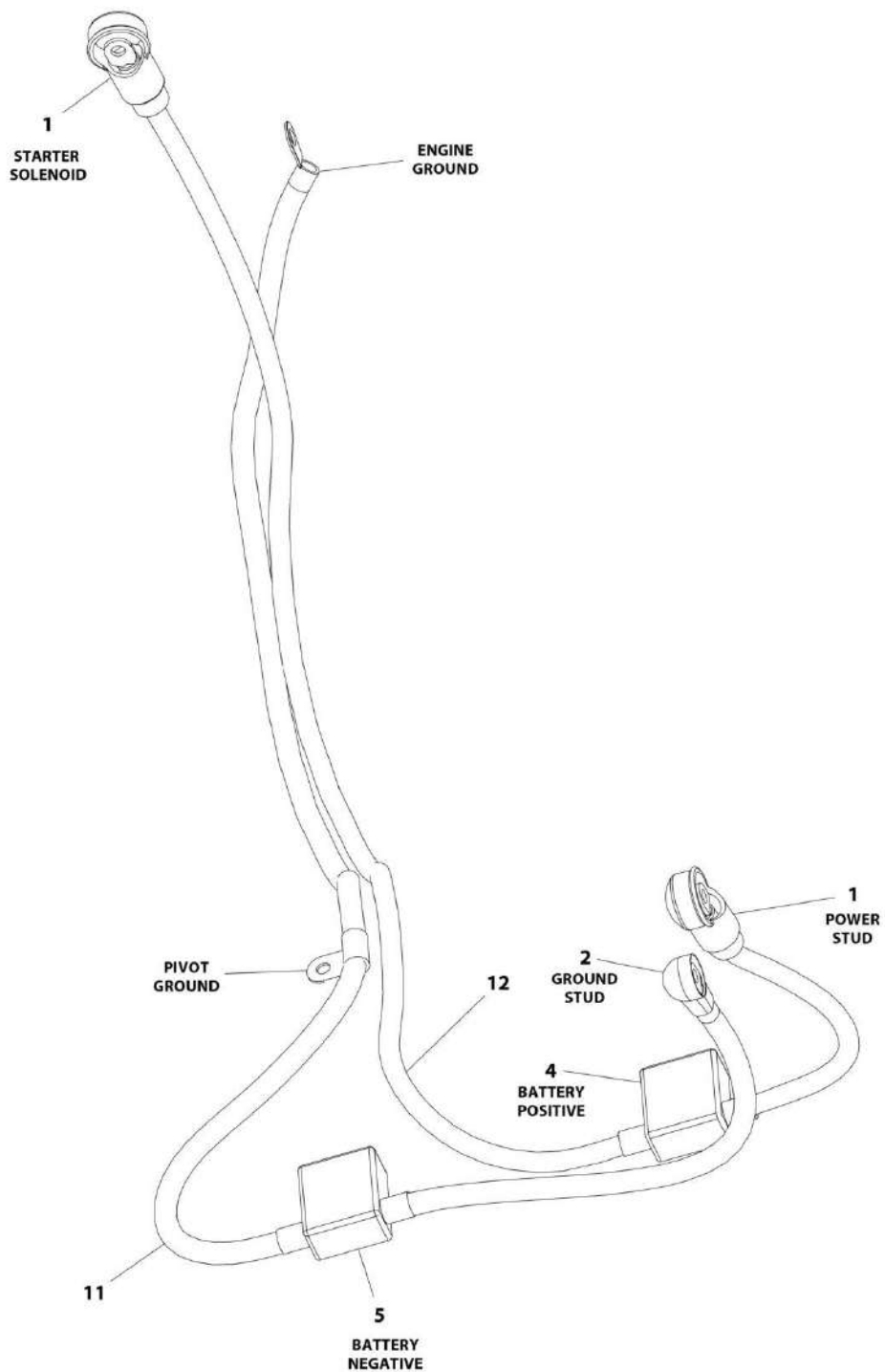
SECTION 8 - ELECTRICAL

FIGURE 8-11. BATTERY CABLE KIT - DIESEL ENGINES

| ITEM | PART NUMBER | QTY | DESCRIPTION | REV |
|------|-------------|-----|------------------------------------|-----|
| | 1001186428 | Ref | BATTERY CABLE KIT - DIESEL ENGINES | D |
| 1 | 0840052 | 2 | Boot | |
| 2 | 1001098765 | 1 | Boot | |
| 4 | 1001186483 | 1 | Boot | |
| 5 | 1001186484 | 1 | Boot | |
| 11 | 70009008 | 1 | Cable, Negative | |
| 12 | 70009009 | 1 | Cable, Positive | |

SECTION 8 - ELECTRICAL

FIGURE 8-12. BATTERY CABLE KIT - GASOLINE ENGINES



ART_1001186429

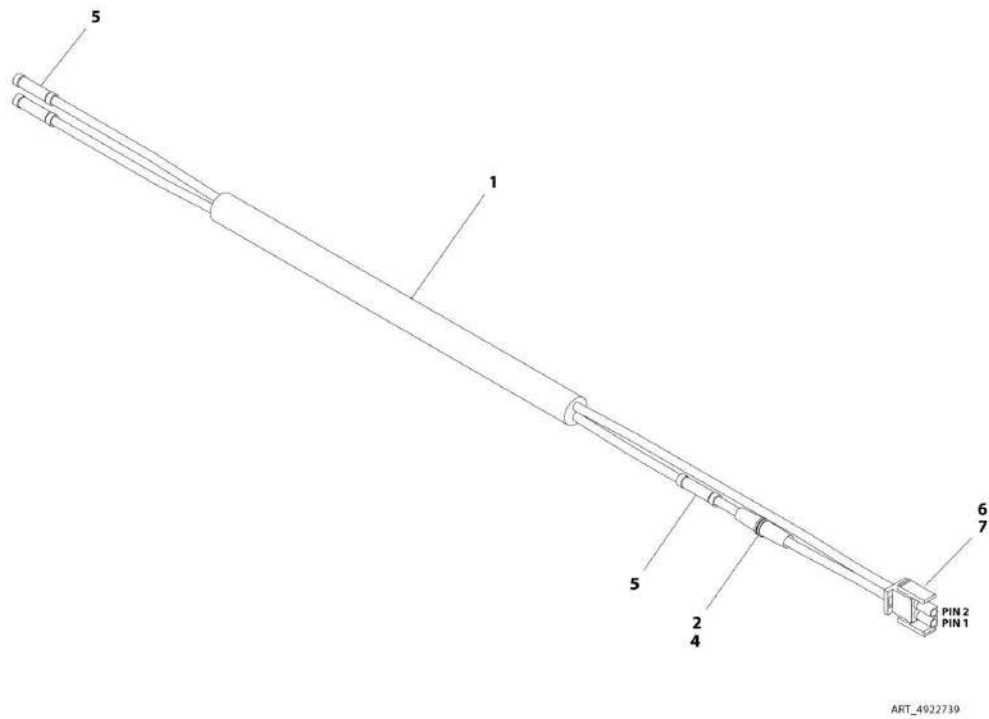
SECTION 8 - ELECTRICAL

FIGURE 8-12. BATTERY CABLE KIT - GASOLINE ENGINES

| ITEM | PART NUMBER | QTY | DESCRIPTION | REV |
|------|-------------|-----|--------------------------------------|-----|
| | 1001186429 | Ref | BATTERY CABLE KIT - GASOLINE ENGINES | B |
| 1 | 0840052 | 2 | Boot | |
| 2 | 1001098765 | 1 | Boot | |
| 4 | 1001186483 | 1 | Boot | |
| 5 | 1001186484 | 1 | Boot | |
| 11 | 70009010 | 1 | Cable, Negative | |
| 12 | 70009011 | 1 | Cable, Positive | |

SECTION 8 - ELECTRICAL

FIGURE 8-13. BEACON HARNESS ASSEMBLY (OPTIONAL)



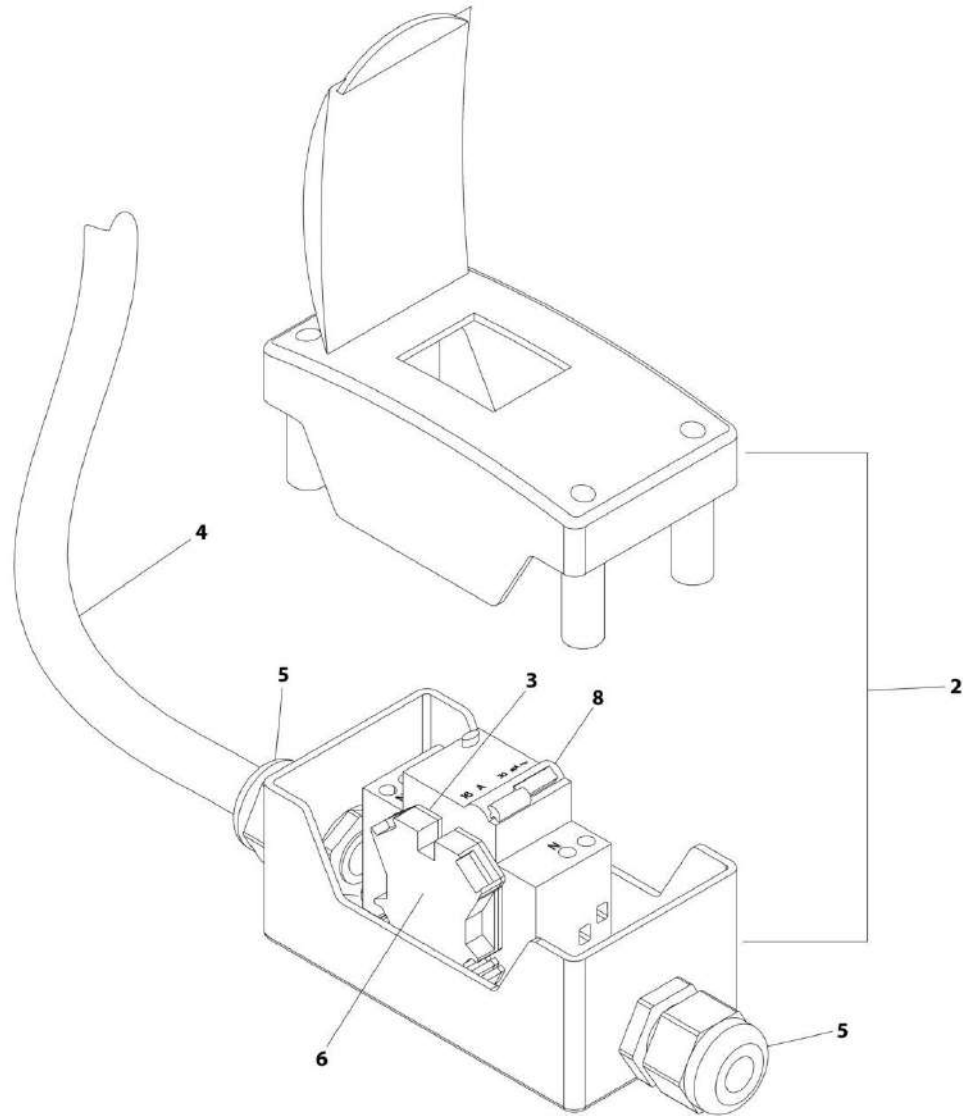
SECTION 8 - ELECTRICAL

FIGURE 8-13. BEACON HARNESS ASSEMBLY (OPTIONAL)

| ITEM | PART NUMBER | QTY | DESCRIPTION | REV |
|------|-------------|------------|--|-----|
| | 4922739 | Ref | BEACON LIGHT HARNESS ASSEMBLY (OPTIONAL) | A |
| 1 | 1060680 | 5 ft/ 1.5m | Cable, Electrical - 18/2 | |
| 2 | 2400056 | 1 | Fuse - 5 Amp | |
| 4 | 4460044 | 1 | Fuseholder | |
| 5 | 4460248 | 3 | Terminal, Butt | |
| 6 | 4460267 | 2 | Pin, Male | |
| 7 | 4460320 | 1 | Connector - 2 Position | |

SECTION 8 - ELECTRICAL

FIGURE 8-14. BREAKER BOX KIT - SINGLE DOUBLE POLE BREAKER



ART_2902549

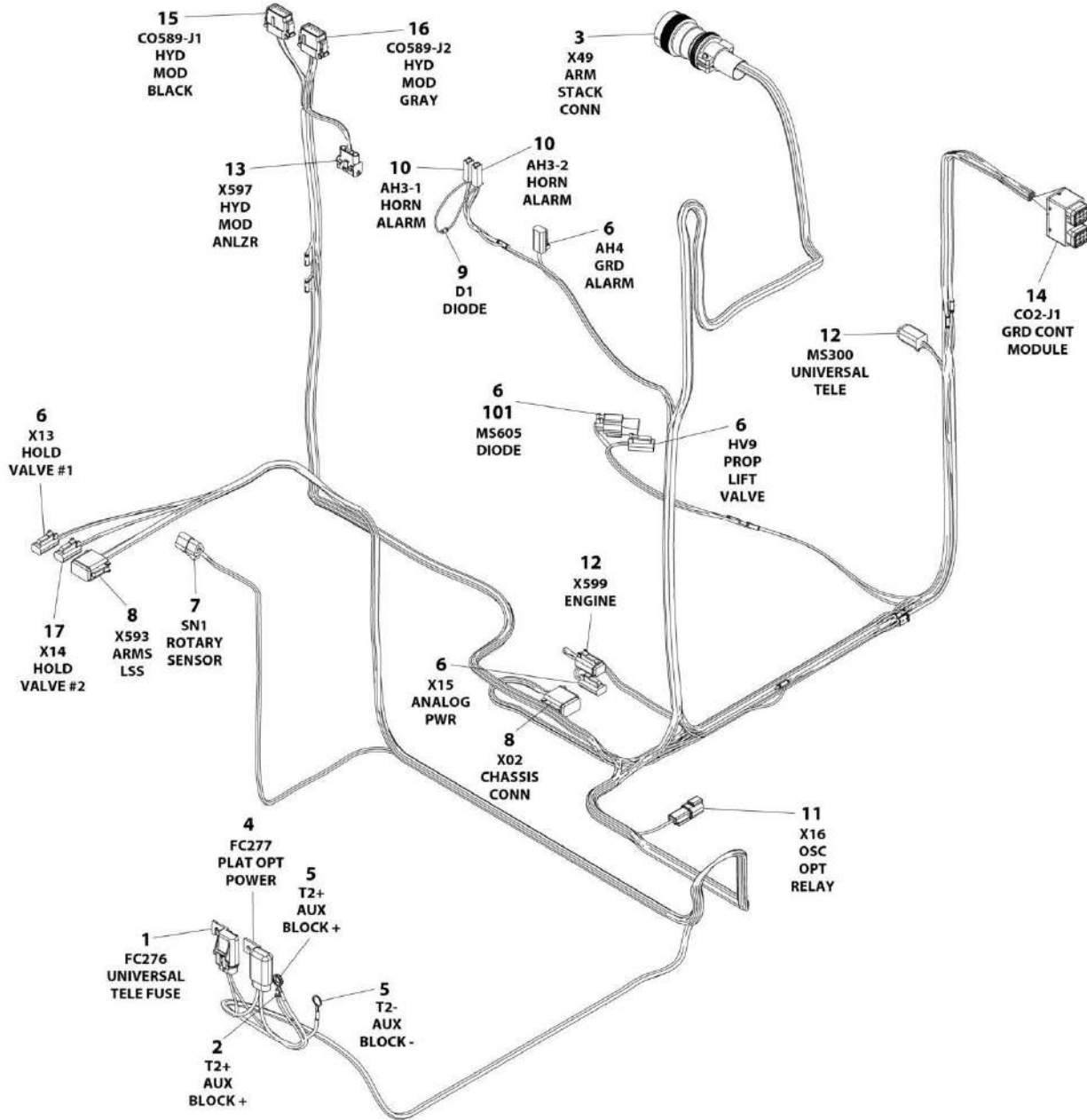
SECTION 8 - ELECTRICAL

FIGURE 8-14. BREAKER BOX KIT - SINGLE DOUBLE POLE BREAKER

| ITEM | PART NUMBER | QTY | DESCRIPTION | REV |
|------|-------------|------------|--------------------------|-----|
| | 2902549 | Ref | BREAKER BOX KIT | F |
| 2 | 0861880 | 1 | Box | |
| 3 | 4460956 | 1 | Barrier, Terminal | |
| 4 | 1060908 | 6 ft/ 1.8m | Cable, 12/3 | |
| 5 | 1001097150 | 2 | Connector, Strain Relief | |
| 6 | 4460957 | 1 | Block, Terminal | |
| 8 | 1001181045 | 1 | Breaker, 16Amp | |

SECTION 8 - ELECTRICAL

FIGURE 8-15. CHASSIS HARNESS



ART_1001236270

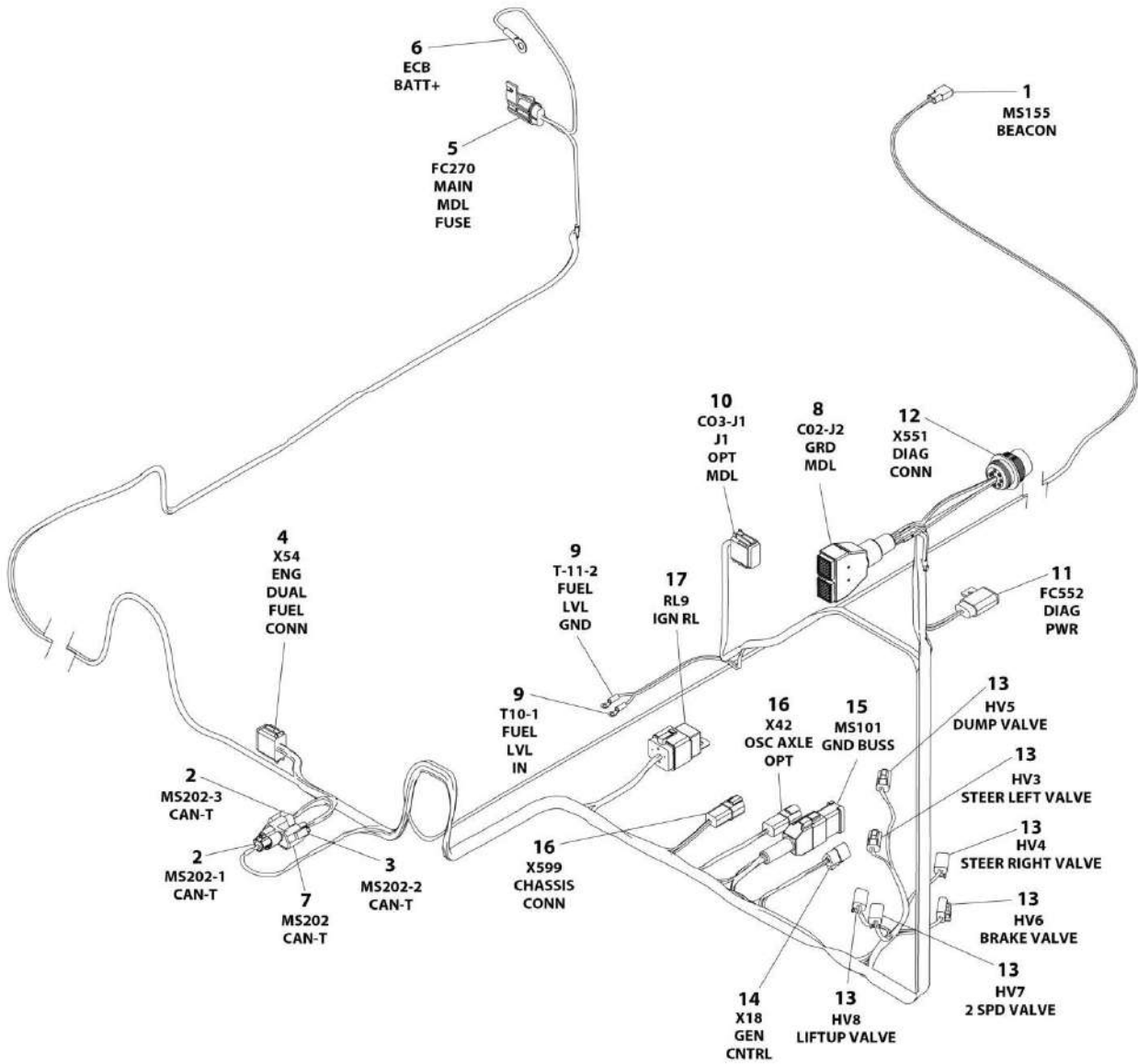
SECTION 8 - ELECTRICAL

FIGURE 8-15. CHASSIS HARNESS

| ITEM | PART NUMBER | QTY | DESCRIPTION | REV |
|------|-------------|-----|---|-----|
| | 1001236270 | Ref | CHASSIS HARNESS | C |
| 1 | 1001117078 | 1 | Fuseholder with 5 Amp Fuse | |
| 1 | See Note | NSS | Fuse - 5 Amp (Note: Purchase Locally) | |
| 1 | 1001116733 | 2 | Terminal | |
| 2 | 4460670 | 1 | Terminal, Ring | |
| 3 | 1001116926 | 1 | Connector - 24 Position | |
| 3 | 4460465 | 4 | Socket, Female | |
| 3 | 4460509 | 4 | Socket, Female | |
| 3 | 4460944 | 3 | Socket, Female | |
| 3 | 4460466 | 10 | Plug, Terminal | |
| 4 | 1001117023 | 1 | Fuseholder with 10 Amp Fuse | |
| 4 | See Note | NSS | Fuse - 10 Amp (Note: Purchase Locally) | |
| 4 | 1001116752 | 2 | Terminal | |
| 5 | 4460019 | 2 | Terminal, Ring | |
| 6 | 4460891 | 5 | Plug, Male - 2 Position | |
| 6 | 4460465 | 10 | Socket, Female | |
| 7 | 4460539 | 1 | Plug, Male - 3 Position | |
| 7 | 4460465 | 3 | Socket, Female | |
| 8 | 4460930 | 2 | Connector - 8 Position | |
| 8 | 4460465 | 13 | Socket, Female | |
| 8 | 4460466 | 3 | Plug, Terminal | |
| 9 | 3990010 | 1 | Diode | |
| 10 | 4460260 | 2 | Cover, Terminal | |
| 10 | 4460259 | 4 | Terminal | |
| 11 | 4460897 | 1 | Receptacle, Female - 2 Position | |
| 11 | 4460464 | 1 | Pin, Male | |
| 11 | 4460466 | 1 | Plug, Terminal | |
| 12 | 4460884 | 2 | Plug, Male - 4 Position | |
| 12 | 4460465 | 8 | Socket, Female | |
| 12 | 1001192401 | 1 | Cover, Dust | |
| 13 | 4460761 | 1 | Receptacle, Female - 4 Position | |
| 13 | 4460267 | 1 | Pin, Male | |
| 14 | 4460812 | 1 | Connector - 24 Position | |
| 14 | 4460465 | 14 | Socket, Female | |
| 14 | 4460942 | 2 | Socket, Female | |
| 14 | 4460944 | 3 | Socket, Female | |
| 14 | 4460466 | 5 | Plug, Terminal | |
| 14 | 0840056 | 1 | Boot | |
| 15 | 1001116808 | 1 | Connector - 12 Position | |
| 15 | 4460928 | 6 | Terminal | |
| 15 | 4460518 | 6 | Plug, Terminal | |
| 16 | 1001116774 | 1 | Connector - 12 Position | |
| 16 | 4460928 | 9 | Terminal | |
| 16 | 4460518 | 3 | Plug, Terminal | |
| 17 | 4460891 | 1 | Plug, Male - 2 Position (SN E200000676 through E200000722) | |
| 17 | 4460465 | 2 | Socket, Female | |
| 17 | 4460897 | 1 | Plug, Male - 2 Position (SN E200000723 to Present) | |
| 17 | 4460464 | 2 | Socket, Female | |
| 101 | 1001116816 | 1 | Connector, Diode | |

SECTION 8 - ELECTRICAL

FIGURE 8-16. DUAL FUEL HARNESS



ART_1001236380

SECTION 8 - ELECTRICAL

FIGURE 8-16. DUAL FUEL HARNESS

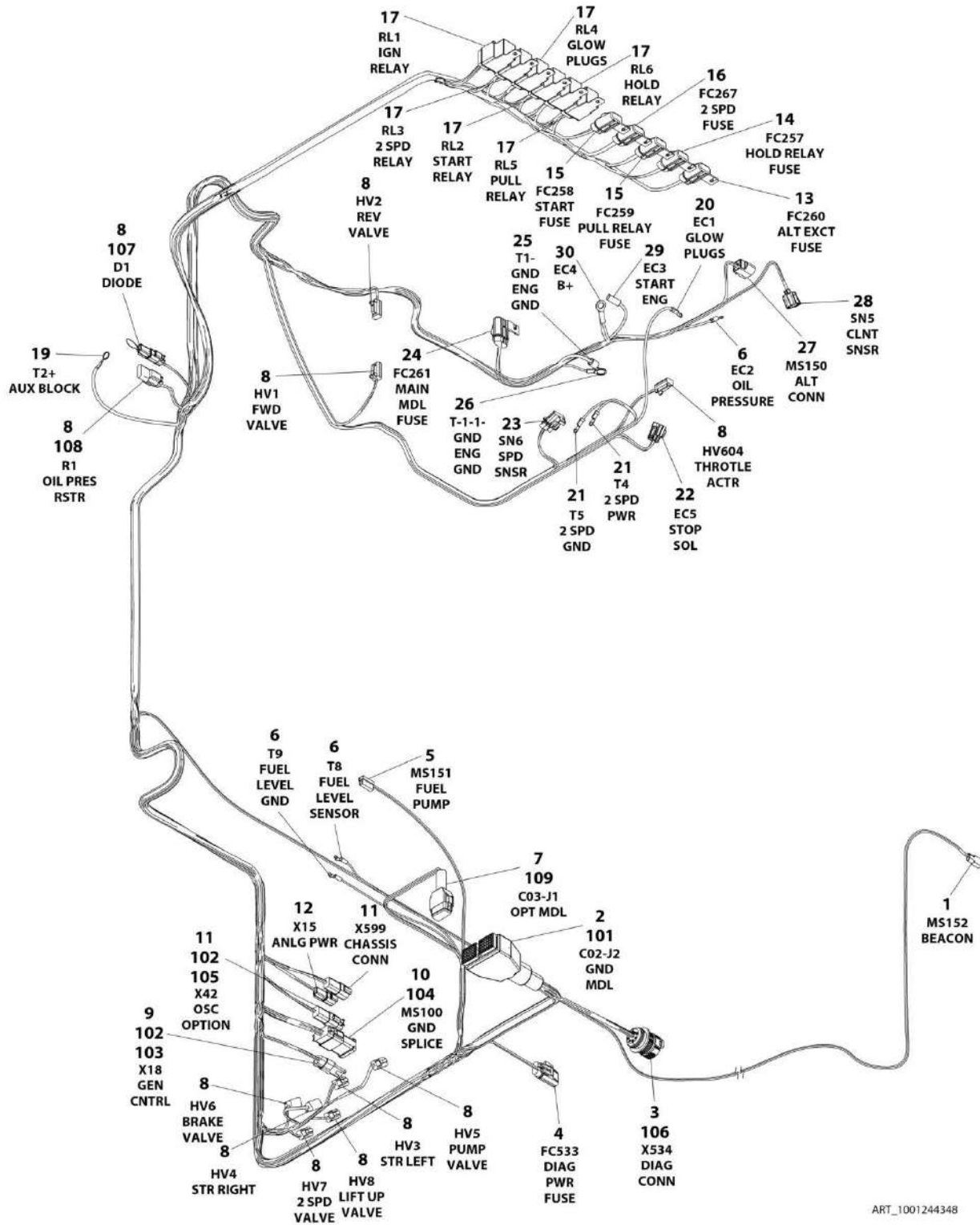
| ITEM | PART NUMBER | QTY | DESCRIPTION | REV |
|------|-------------|-----|--|-----|
| | 1001236380 | Ref | DUAL FUEL HARNESS | A |
| 1 | 4460424 | 1 | Plug, Male - 2 Position | |
| 1 | 4460268 | 2 | Socket, Female | |
| 2 | 1001116812 | 2 | Plug, Male - 3 Position | |
| 2 | 4460944 | 6 | Socket, Female | |
| 3 | 4460539 | 1 | Plug, Male - 3 Position | |
| 3 | 4460944 | 3 | Socket, Female | |
| 4 | 4460933 | 1 | Connector - 12 Position | |
| 4 | 4460465 | 8 | Socket, Female | |
| 4 | 4460944 | 3 | Socket, Female | |
| 4 | 4460942 | 1 | Socket, Female | |
| 5 | 1001117069 | 1 | Fuseholder with 20 Amp Fuse | |
| 5 | See Note | 1 | Fuse - 20 Amp (Note: Purchase Locally) | |
| 5 | 1001116752 | 2 | Terminal | |
| 6 | 8220045 | 1 | Terminal, Ring | |
| 7 | 4460945 | 1 | Receptacle - 3 Way | |
| 8 | 4460814 | 1 | Connector - 40 Position | |
| 8 | 4460466 | 15 | Plug, Terminal | |
| 8 | 4460944 | 3 | Socket, Female | |
| 8 | 4460465 | 22 | Socket, Female | |
| 8 | 0840057 | 1 | Boot | |
| 9 | 8220007 | 2 | Terminal, Ring | |
| 10 | 4460933 | 1 | Plug, Male - 12 Position | |
| 10 | 4460465 | 2 | Socket, Female | |
| 10 | 4460944 | 3 | Socket, Female | |
| 10 | 4460466 | 7 | Plug, Terminal | |
| 10 | 1001174455 | 1 | Boot | |
| 11 | 1001117023 | 1 | Fuseholder with 10 Amp Fuse | |
| 11 | See Note | 1 | Fuse - 10 Amp (Note: Purchase Locally) | |
| 11 | 1001116733 | 2 | Terminal | |
| 12 | 1001112612 | 1 | Connector - 9 Position | |
| 12 | 4460464 | 3 | Pin, Male | |
| 12 | 4460943 | 3 | Pin, Male | |
| 12 | 4460466 | 3 | Plug, Terminal | |
| 13 | 4460891 | 6 | Plug, Male | |
| 13 | 4460465 | 12 | Socket, Female | |
| 14 | 4460539 | 1 | Plug, Male - 3 Position | |
| 14 | 4460465 | 3 | Socket, Female | |
| 14 | 4460536 | 1 | Receptacle, Female - 3 Position | |
| 14 | 4460466 | 3 | Plug, Terminal | |
| 15 | 4460836 | 1 | Plug, Male - 12 Position | |
| 15 | 4460465 | 10 | Socket, Female | |
| 15 | 4460466 | 2 | Plug, Terminal | |
| 15 | 4460837 | 1 | Receptacle, Female - 12 Position | |
| 16 | 4460932 | 2 | Receptacle, Female - 4 Position | |
| 16 | 4460464 | 7 | Socket, Female | |
| 16 | 4460466 | 1 | Plug, Terminal | |
| 16 | 4460884 | 1 | Plug, Male - 4 Position | |
| 16 | 4460466 | 4 | Plug, Terminal | |
| 17 | 1001117025 | 1 | Relay and Receptacle | |

SECTION 8 - ELECTRICAL

| ITEM | PART NUMBER | QTY | DESCRIPTION | REV |
|------|-------------|-----|-------------|-----|
| 17 | 3740080 | 1 | Relay | |
| 17 | 1001116732 | 2 | Terminal | |
| 17 | 1001116734 | 2 | Terminal | |

SECTION 8 - ELECTRICAL

FIGURE 8-17. ENGINE HARNESS - KUBOTA DIESEL



ART_1001244348

SECTION 8 - ELECTRICAL

FIGURE 8-17. ENGINE HARNESS - KUBOTA DIESEL

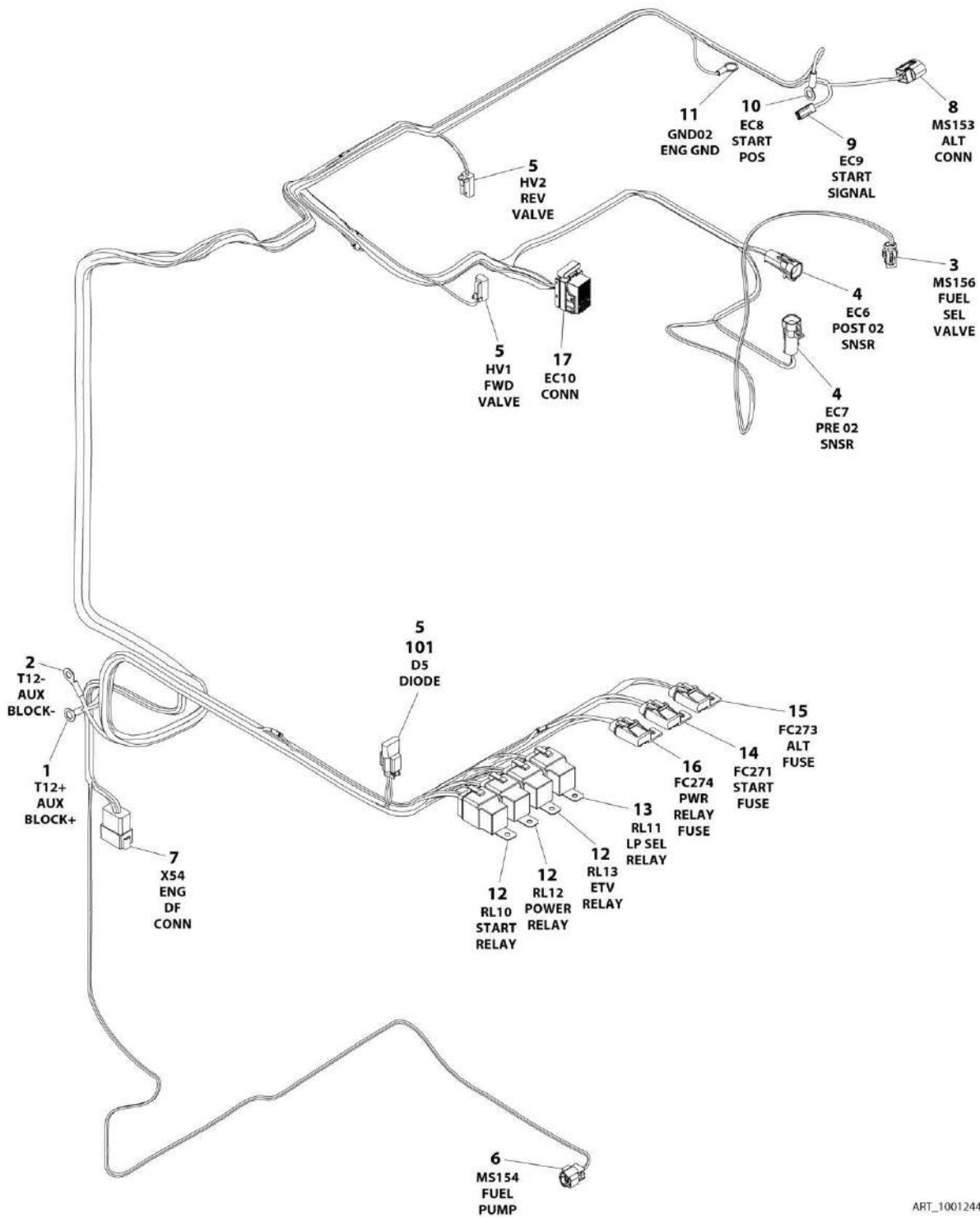
| ITEM | PART NUMBER | QTY | DESCRIPTION | REV |
|------|-------------|-----|--|-----|
| | 1001244348 | Ref | ENGINE HARNESS - KUBOTA DIESEL | B |
| 1 | 4460424 | 1 | Plug, Male - 2 Position | |
| 1 | 4460268 | 2 | Socket, Female | |
| 2 | 4460814 | 1 | Connector - 40 Position | |
| 2 | 4460465 | 28 | Socket, Female | |
| 2 | 4460942 | 1 | Socket, Female | |
| 2 | 4460944 | 3 | Socket, Female | |
| 2 | 4460466 | 8 | Plug, Terminal | |
| 3 | 1001112612 | 1 | Connector - 9 Position | |
| 3 | 4460464 | 3 | Pin, Male | |
| 3 | 4460943 | 3 | Pin, Male | |
| 3 | 4460466 | 3 | Plug, Terminal | |
| 4 | 1001117078 | 1 | Fuseholder with 5 Amp Fuse | |
| 4 | See Note | 1 | Fuse - 5 Amp (Note: Purchase Locally) | |
| 4 | 1001116733 | 2 | Terminal | |
| 5 | 1001118744 | 1 | Connector - 2 Position | |
| 5 | 1001118745 | 2 | Terminal | |
| 6 | 4460247 | 2 | Terminal, Ring | |
| 7 | 4460933 | 1 | Plug, Male - 12 Position | |
| 7 | 4460465 | 2 | Socket, Female | |
| 7 | 4460944 | 3 | Socket, Female | |
| 7 | 4460466 | 7 | Plug Terminal | |
| 8 | 4460891 | 11 | Plug, Male - 2 Position | |
| 8 | 4460465 | 22 | Socket, Female | |
| 9 | 4460539 | 1 | Plug, Male - 3 Position | |
| 9 | 4460465 | 3 | Socket, Female | |
| 10 | 4460836 | 1 | Plug, Male - 12 Position | |
| 10 | 4460465 | 12 | Socket, Female | |
| 11 | 4460932 | 2 | Receptacle, Female - 4 Position | |
| 11 | 4460464 | 7 | Pin, Male | |
| 11 | 4460466 | 1 | Plug, Terminal | |
| 12 | 4460897 | 1 | Receptacle, Female - 2 Position | |
| 12 | 4460464 | 2 | Pin, Male | |
| 13 | 1001117069 | 1 | Fuseholder with 20 Amp Fuse and Mounting Bracket | |
| 13 | See Note | 1 | Fuse - 20 Amp (Note: Purchase Locally) | |
| 13 | 1001116733 | 2 | Terminal | |
| 14 | 1001117077 | 1 | Fuseholder with 4 Amp Fuse and Mounting Bracket | |
| 14 | See Note | 1 | Fuse - 4 Amp (Note: Purchase Locally) | |
| 14 | 1001116733 | 1 | Terminal | |
| 14 | 1001116752 | 1 | Terminal | |
| 15 | 1001118938 | 2 | Fuseholder with 40 Amp Fuse and Mounting Bracket | |
| 15 | See Note | 2 | Fuse - 40 Amp (Note: Purchase Locally) | |
| 15 | 1001116752 | 4 | Terminal | |
| 16 | 1001117070 | 1 | Fuseholder with 30 Amp Fuse and Mounting Bracket | |
| 16 | See Note | 1 | Fuse - 30 Amp (Note: Purchase Locally) | |
| 16 | 1001116752 | 2 | Terminal | |
| 17 | 1001118282 | 6 | Relay with Connector | |
| 17 | 3740080 | 6 | Relay | |
| 17 | 1001116734 | 11 | Terminal | |
| 17 | 1001116732 | 12 | Terminal | |

SECTION 8 - ELECTRICAL

| ITEM | PART NUMBER | QTY | DESCRIPTION | REV |
|------|-------------|-----|---|-----|
| 17 | 1001116733 | 1 | Terminal | |
| 17 | 1001128128 | 1 | Plug, Terminal | |
| 19 | 4460019 | 2 | Terminal, Ring | |
| 20 | 4460142 | 1 | Terminal, Ring | |
| 21 | 4460042 | 2 | Terminal, Ring | |
| 22 | 1001223432 | 1 | Connector - 2 Position | |
| 22 | 1001223795 | 2 | Terminal | |
| 22 | 1001223796 | 2 | Seal, Terminal | |
| 23 | 1001117055 | 1 | Plug, Male - 3 Position | |
| 23 | 4460746 | 2 | Terminal | |
| 24 | 1001117069 | 1 | Fuseholder with 10 Amp Fuse and Mounting Bracket | |
| 24 | See Note | 1 | Fuse - 10 Amp (Note: Purchase Locally) | |
| 24 | 1001116752 | 2 | Terminal | |
| 25 | 8220029 | 1 | Terminal | |
| 26 | 8220111 | 1 | Terminal, Ring | |
| 27 | 1001125748 | 1 | Connector - 3 Position | |
| 27 | 1001125773 | 2 | Terminal | |
| 27 | 1001129773 | 1 | Terminal | |
| 27 | 1001129772 | 2 | Seal, Terminal | |
| 28 | 1001118657 | 1 | Connector - 2 Position | |
| 28 | 1001118658 | 2 | Terminal | |
| 29 | 1001118743 | 1 | Housing, Terminal | |
| 29 | 1001230488 | 1 | Terminal | |
| 30 | 8220164 | 1 | Terminal, Ring | |
| 101 | 0840057 | 1 | Boot | |
| 102 | 4460466 | 7 | Plug, Terminal | |
| 103 | 4460536 | 1 | Receptacle, Female - 3 Position | |
| 104 | 4460837 | 1 | Connector, Bussbar | |
| 105 | 4460884 | 1 | Plug, Male | |
| 106 | 1001106736 | 1 | Dust Cap | |
| 107 | 1001116816 | 3 | Receptacle, Female - 2 Position with Diode (at D1, D2 & D3) | |
| 108 | 1001195684 | 1 | Receptacle, Female - 2 Position with Resistor (at R1) | |
| 109 | 1001174455 | 1 | Boot | |

SECTION 8 - ELECTRICAL

FIGURE 8-18. ENGINE HARNESS - KUBOTA GASOLINE



ART_1001244349

SECTION 8 - ELECTRICAL

FIGURE 8-18. ENGINE HARNESS - KUBOTA GASOLINE

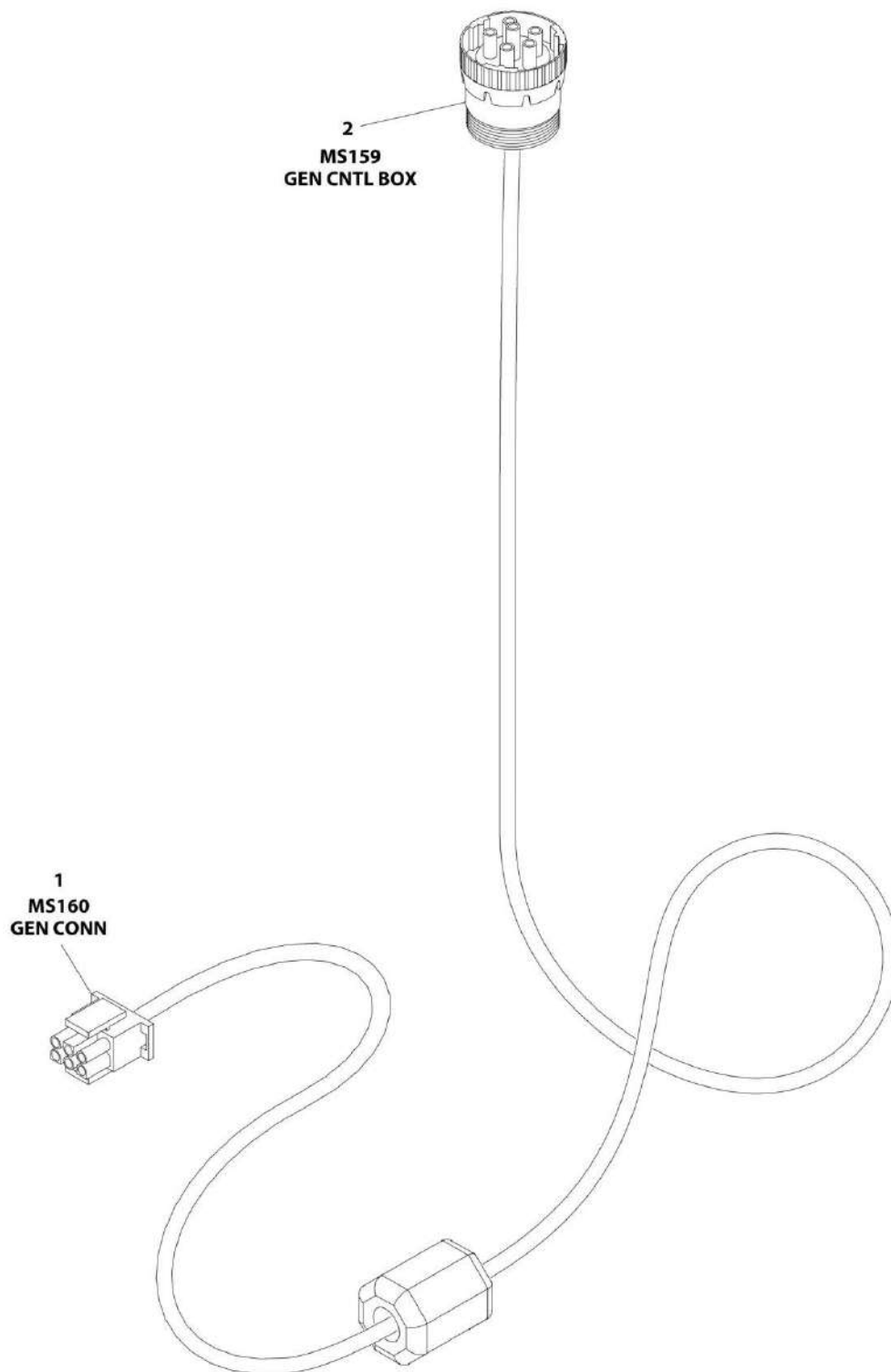
| ITEM | PART NUMBER | QTY | DESCRIPTION | REV |
|------|-------------|-----|--|-----|
| | 1001244349 | Ref | ENGINE HARNESS - KUBOTA GASOLINE | B |
| 1 | 8220164 | 1 | Terminal, Ring | |
| 2 | 8220045 | 1 | Terminal, Ring | |
| 3 | 4461118 | 1 | Plug, Male - 2 Position | |
| 3 | 1001107854 | 2 | Terminal | |
| 3 | 1001116763 | 2 | Seal | |
| 4 | 1001184722 | 2 | Receptacle, Female - 4 Position | |
| 4 | 1001116749 | 8 | Terminal | |
| 4 | 4460608 | 8 | Seal | |
| 5 | 4460891 | 3 | Plug, Male - 2 Position | |
| 5 | 4460465 | 6 | Socket, Female | |
| 6 | 1001184832 | 1 | Connector - 2 Position | |
| 6 | 1001118658 | 2 | Terminal | |
| 6 | 1001205250 | 2 | Seal | |
| 7 | 4460970 | 1 | Connector - 12 Position | |
| 7 | 4460464 | 8 | Pin, Male | |
| 7 | 4460943 | 3 | Pin, Male | |
| 7 | 4460941 | 1 | Pin, Male | |
| 8 | 1001125748 | 1 | Connector - 3 Position | |
| 8 | 1001125773 | 3 | Terminal | |
| 8 | 1001129772 | 2 | Seal | |
| 9 | 1001184768 | 1 | Housing, Terminal | |
| 9 | 1001184769 | 1 | Terminal | |
| 10 | 1001117110 | 1 | Terminal, Ring | |
| 11 | 8220111 | 1 | Terminal, Ring | |
| 12 | 1001117025 | 3 | Relay with Connector | |
| 12 | 3740080 | 3 | Relay | |
| 12 | 1001116734 | 4 | Terminal | |
| 12 | 1001116732 | 6 | Terminal | |
| 12 | 1001116733 | 2 | Terminal | |
| 13 | 1001118282 | 1 | Relay with Connector | |
| 13 | 3740080 | 1 | Relay | |
| 13 | 1001116733 | 2 | Terminal | |
| 13 | 1001116732 | 2 | Terminal | |
| 13 | 1001128128 | 1 | Plug, Terminal | |
| 14 | 1001118938 | 1 | Fuseholder with 40 Amp Fuse and Mounting Bracket | |
| 14 | See Note | 1 | Fuse - 40 Amp (Note: Purchase Locally) | |
| 14 | 1001116752 | 2 | Terminal | |
| 15 | 1001117078 | 1 | Fuseholder with 5 Amp Fuse and Mounting Bracket | |
| 15 | See Note | 1 | Fuse - 5 Amp (Note: Purchase Locally) | |
| 15 | 1001116732 | AR | Terminal | |
| 16 | 1001117070 | 1 | Fuseholder with 30 Amp Fuse and Mounting Bracket | |
| 16 | See Note | 1 | Fuse - 30 Amp (Note: Purchase Locally) | |
| 16 | 1001116752 | 2 | Terminal | |
| 17 | 1001184705 | 1 | Connector - 42 Position | |
| 17 | 1001187455 | 4 | Terminal | |
| 17 | 1001184718 | 4 | Terminal | |
| 17 | 1001166702 | 1 | Terminal | |
| 17 | 1001184716 | 10 | Terminal | |
| 17 | 1001184717 | 2 | Terminal | |

SECTION 8 - ELECTRICAL

| ITEM | PART NUMBER | QTY | DESCRIPTION | REV |
|------|-------------|-----|-------------------------------|-----|
| 17 | 4461054 | 4 | Seal | |
| 17 | 1001167690 | 5 | Seal | |
| 17 | 1001126393 | 12 | Seal | |
| 101 | 1001118616 | 1 | Receptacle, Female with Diode | |

SECTION 8 - ELECTRICAL

FIGURE 8-19. GENERATOR CONTROL HARNESS - 4000W GENERATOR (GENERATOR TO CONTROL BOX)



ART_1001236444

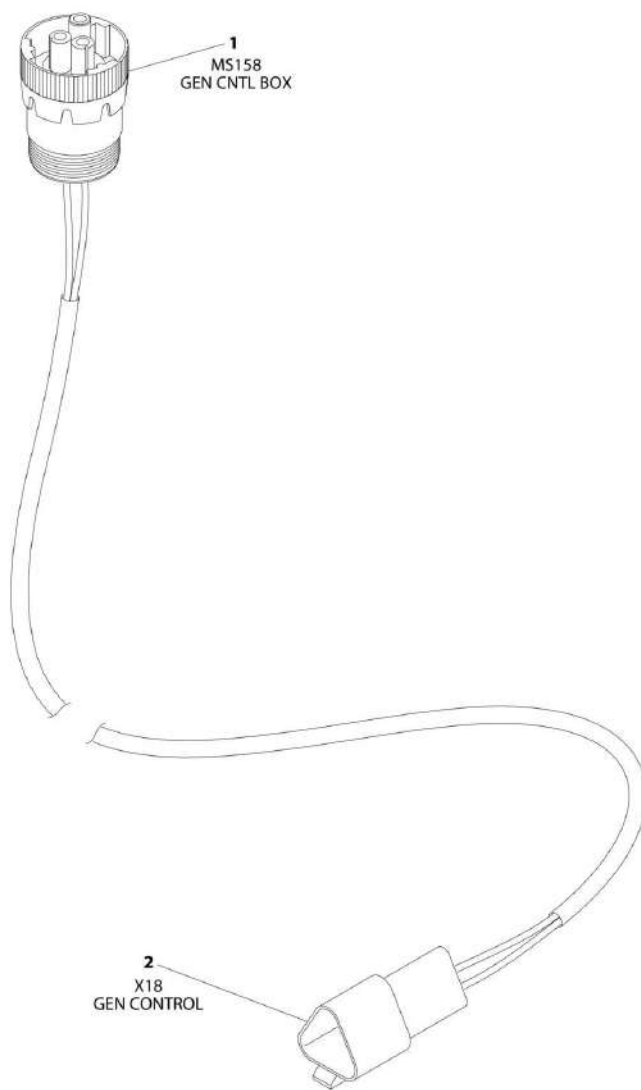
SECTION 8 - ELECTRICAL

FIGURE 8-19. GENERATOR CONTROL HARNESS - 4000W GENERATOR (GENERATOR TO CONTROL BOX)

| ITEM | PART NUMBER | QTY | DESCRIPTION | REV |
|------|-------------|-----|---|-----|
| | 1001236444 | Ref | GENERATOR CONTROL HARNESS - 4000W GENERATOR (GENERATOR TO CONTROL BOX) | A |
| 1 | 4460225 | 1 | Plug, Male - 6 Position | |
| 1 | 4460268 | 2 | Socket, Female | |
| 1 | 4460808 | 1 | Seal, Connector | |
| 1 | 4460807 | 1 | Seal, Terminal | |
| 2 | 77363233 | 1 | Connector - 6 Position | |
| 2 | 4460465 | 2 | Socket, Female | |
| 2 | 4460466 | 4 | Plug, Terminal | |

SECTION 8 - ELECTRICAL

FIGURE 8-20. GENERATOR CONTROL HARNESS - 4000W GENERATOR (CONTROL BOX TO GENERATOR CONTROL)



ART_1001186826

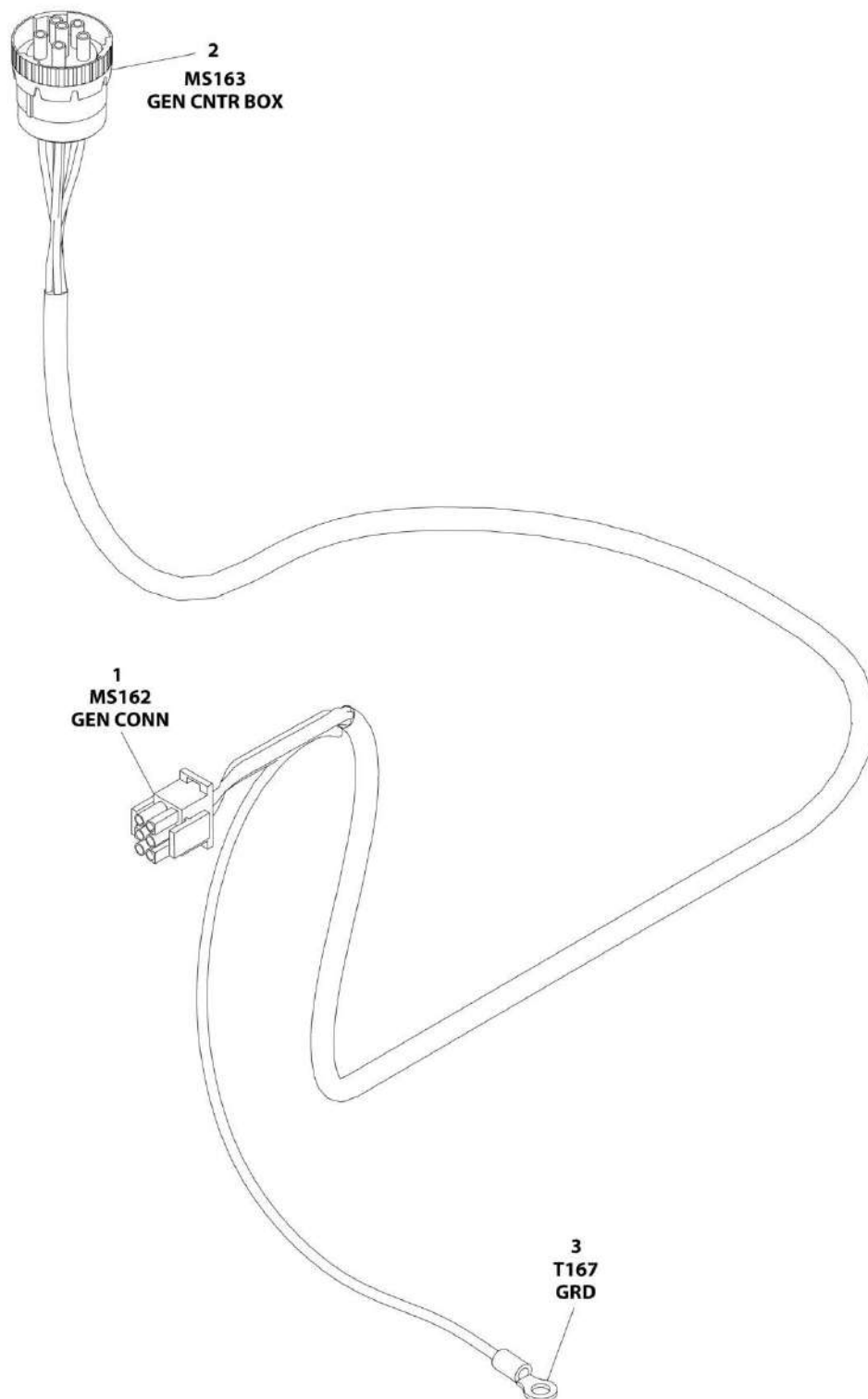
SECTION 8 - ELECTRICAL

FIGURE 8-20. GENERATOR CONTROL HARNESS - 4000W GENERATOR (CONTROL BOX TO GENERATOR CONTROL)

| ITEM | PART NUMBER | QTY | DESCRIPTION | REV |
|------|-------------|-----|---|-----|
| | 1001186826 | Ref | GENERATOR CONTROL HARNESS - 4000W GENERATOR (CONTROL BOX TO GENERATOR CONTROL) | C |
| 1 | 4460967 | 1 | Connector - 3 Position | |
| 1 | 4460465 | 2 | Socket, Female | |
| 1 | 4460466 | 1 | Plug, Terminal | |
| 2 | 4460536 | 1 | Receptacle, Female - 3 Position | |
| 2 | 4460464 | 2 | Pin, Male | |
| 2 | 4460466 | 1 | Plug, Terminal | |

SECTION 8 - ELECTRICAL

FIGURE 8-21. GENERATOR CONTROL HARNESS - 7500W GENERATOR (GENERATOR TO CONTROL BOX)



ART_1001236442

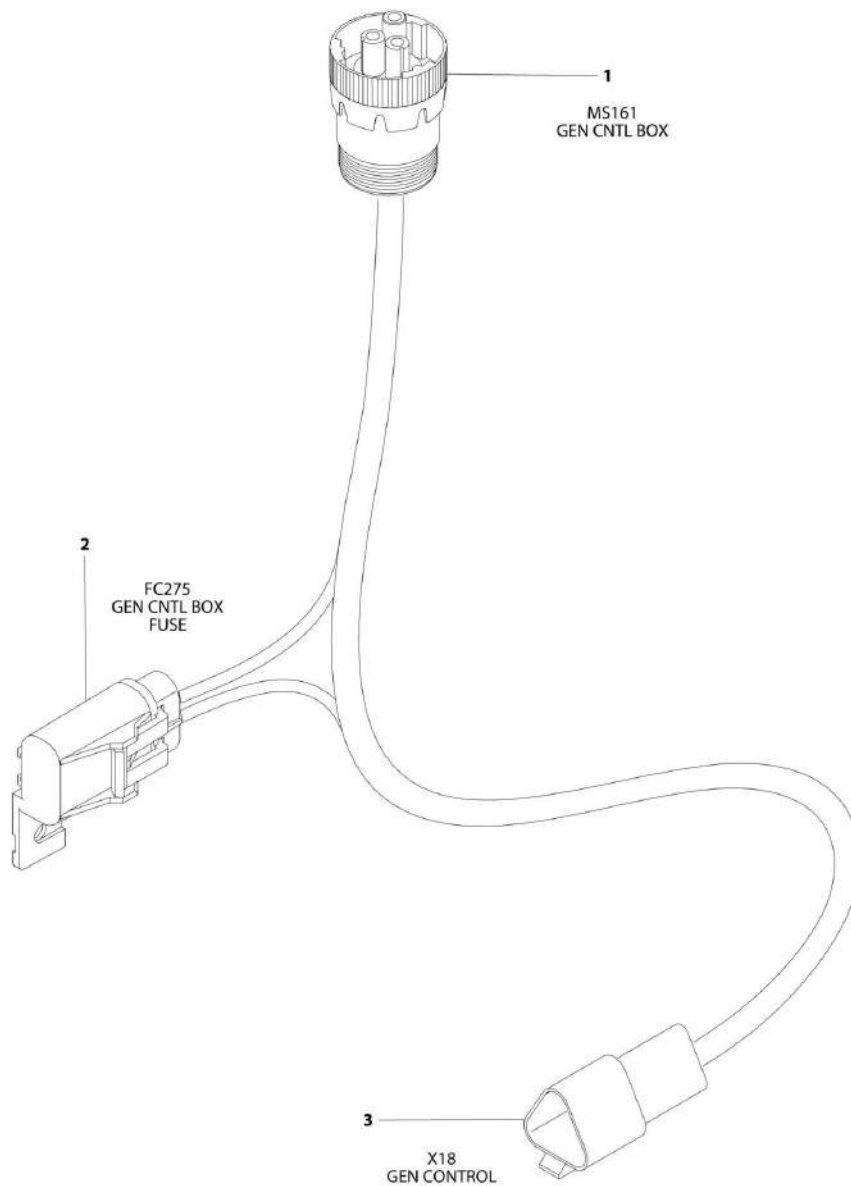
SECTION 8 - ELECTRICAL

FIGURE 8-21. GENERATOR CONTROL HARNESS - 7500W GENERATOR (GENERATOR TO CONTROL BOX)

| ITEM | PART NUMBER | QTY | DESCRIPTION | REV |
|------|-------------|-----|---|-----|
| | 1001236442 | Ref | GENERATOR CONTROL HARNESS - 7500W GENERATOR (GENERATOR TO CONTROL BOX) | A |
| 1 | 4460225 | 1 | Plug, Male - 6 Position | |
| 1 | 4460268 | 6 | Socket, Female | |
| 1 | 4460807 | 1 | Seal, Terminal | |
| 2 | 77363233 | 1 | Connector - 6 Position | |
| 2 | 4460465 | 6 | Socket, Female | |
| 3 | 4460043 | 1 | Terminal, Ring | |

SECTION 8 - ELECTRICAL

FIGURE 8-22. GENERATOR CONTROL HARNESS - 7500W GENERATOR (CONTROL BOX TO GENERATOR CONTROL)



ART_1001166822

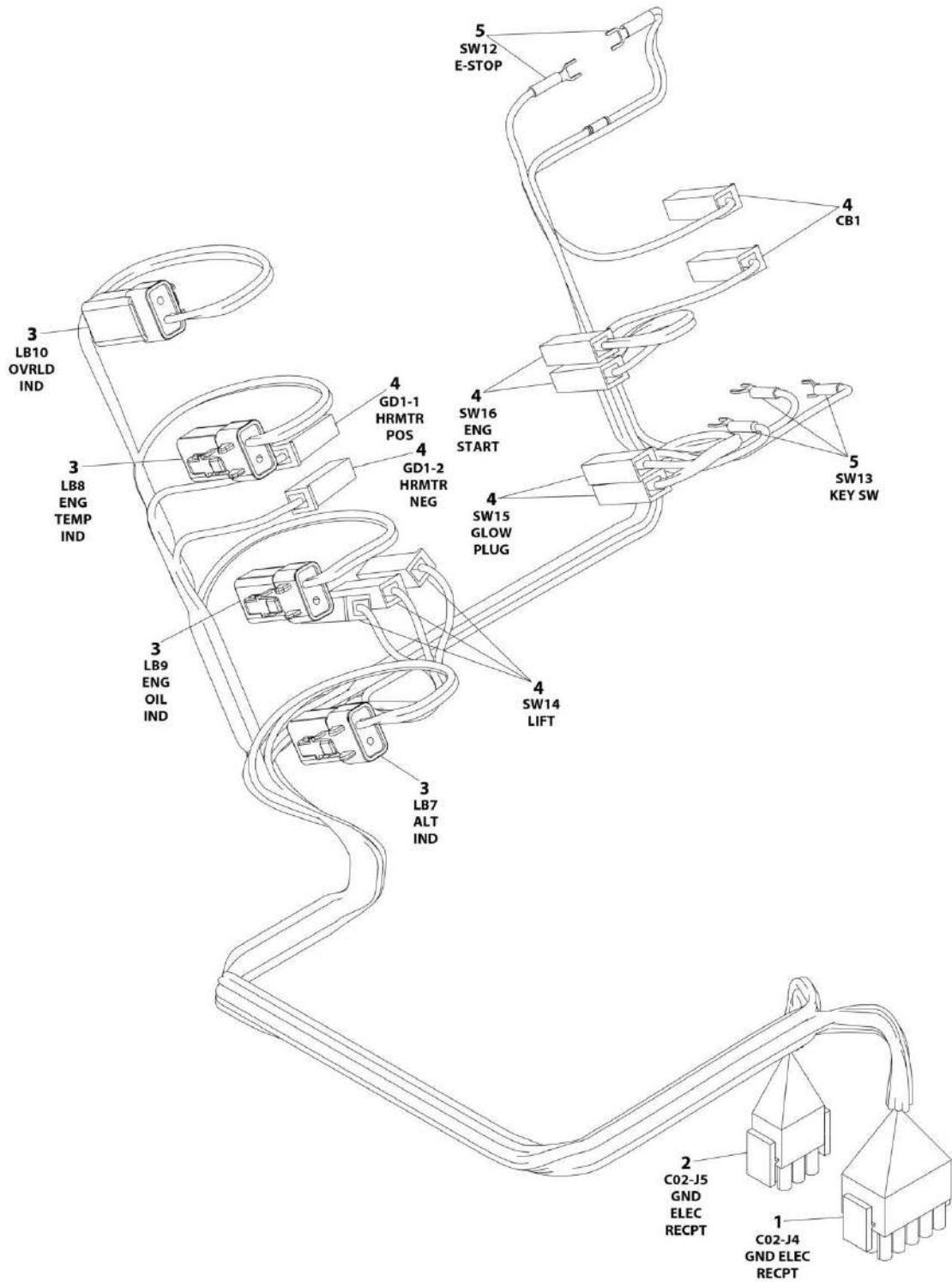
SECTION 8 - ELECTRICAL

FIGURE 8-22. GENERATOR CONTROL HARNESS - 7500W GENERATOR (CONTROL BOX TO GENERATOR CONTROL)

| ITEM | PART NUMBER | QTY | DESCRIPTION | REV |
|------|-------------|-----|---|-----|
| 1 | 1001186822 | Ref | GENERATOR CONTROL HARNESS - 7500W GENERATOR (CONTROL BOX TO GENERATOR CONTROL) | D |
| 1 | 4460967 | 1 | Connector | |
| 1 | 4460465 | 3 | Socket, Female | |
| 2 | 1001117078 | 1 | Connector - 2 Position | |
| 2 | 1001116733 | 2 | Terminal, Female | |
| 3 | 4460536 | 1 | Receptacle, Female - 3 Position | |
| 3 | 4460464 | 3 | Pin, Male | |

SECTION 8 - ELECTRICAL

FIGURE 8-23. GROUND CONTROL BOX HARNESS - LOWER



ART_1001236153

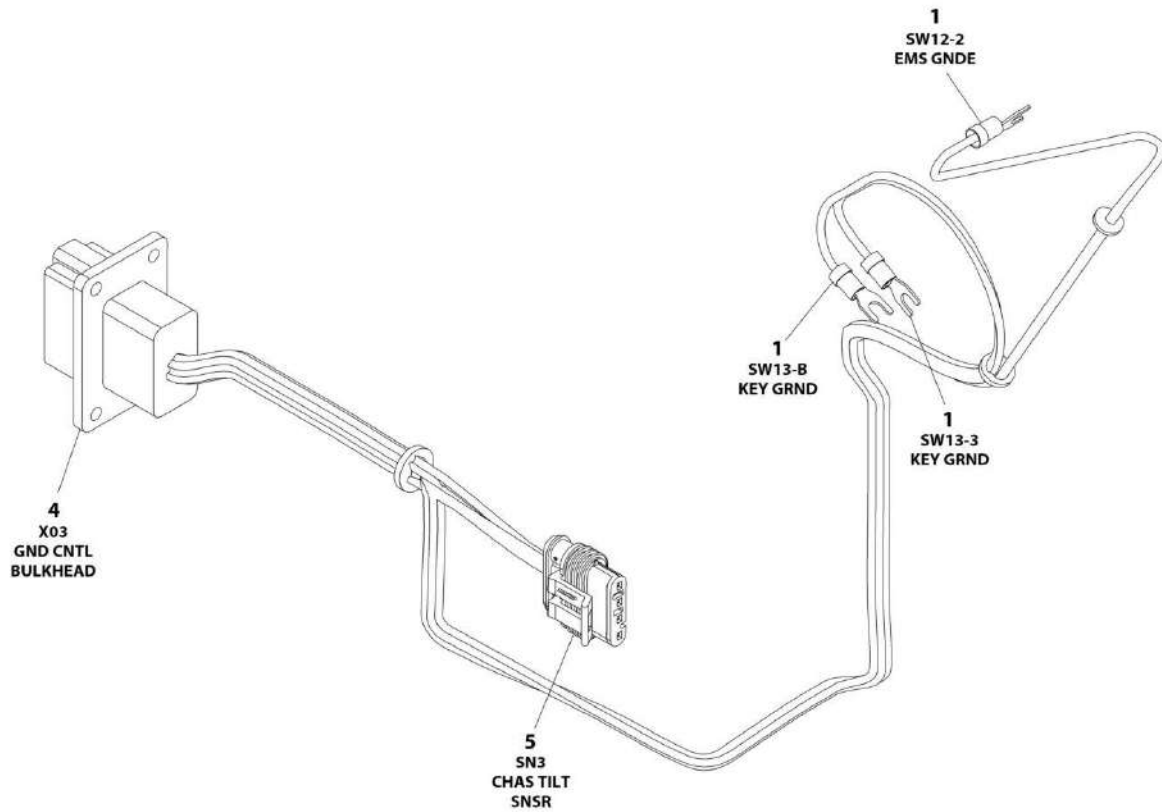
SECTION 8 - ELECTRICAL

FIGURE 8-23. GROUND CONTROL BOX HARNESS - LOWER

| ITEM | PART NUMBER | QTY | DESCRIPTION | REV |
|------|-------------|-----|------------------------------------|-----|
| | 1001236153 | Ref | GROUND CONTROL BOX HARNESS - LOWER | A |
| 1 | 4460434 | 1 | Connector - 15 Position | |
| 1 | 4460268 | 11 | Socket, Female | |
| 2 | 4460225 | 1 | Connector - 6 Position | |
| 2 | 4460268 | 6 | Socket, Female | |
| 3 | 1001126245 | 4 | Receptacle, Female - 2 Position | |
| 3 | 4460928 | 8 | Socket, Female | |
| 4 | 4460260 | 11 | Cover, Terminal | |
| 4 | 4460259 | 11 | Terminal | |
| 5 | 4460183 | 4 | Terminal, Fork | |
| 5 | 4460115 | 2 | Terminal, Fork | |

SECTION 8 - ELECTRICAL

FIGURE 8-24. GROUND CONTROL BOX HARNESS - UPPER



ART_1001227353

SECTION 8 - ELECTRICAL

FIGURE 8-24. GROUND CONTROL BOX HARNESS - UPPER

| ITEM | PART NUMBER | QTY | DESCRIPTION | REV |
|------|-------------|-----|------------------------------------|-----|
| | 1001227353 | Ref | GROUND CONTROL BOX HARNESS - UPPER | A |
| 1 | 4460183 | 3 | Terminal, Fork | |
| 4 | 4460939 | 1 | Connector - 12 Position | |
| 4 | 4460464 | 5 | Pin, Male | |
| 4 | 4460943 | 2 | Pin, Male | |
| 4 | 4460466 | 5 | Plug, Terminal | |
| 5 | 1001103012 | 1 | Plug, Male - 4 Position | |
| 5 | 1001107854 | 4 | Terminal | |
| 5 | 1001104498 | 4 | Seal | |

SECTION 8 - ELECTRICAL

FIGURE 8-25. GROUND TO LOWER AUXILIARY HOLDING VALVE HARNESS



ART_1001222343

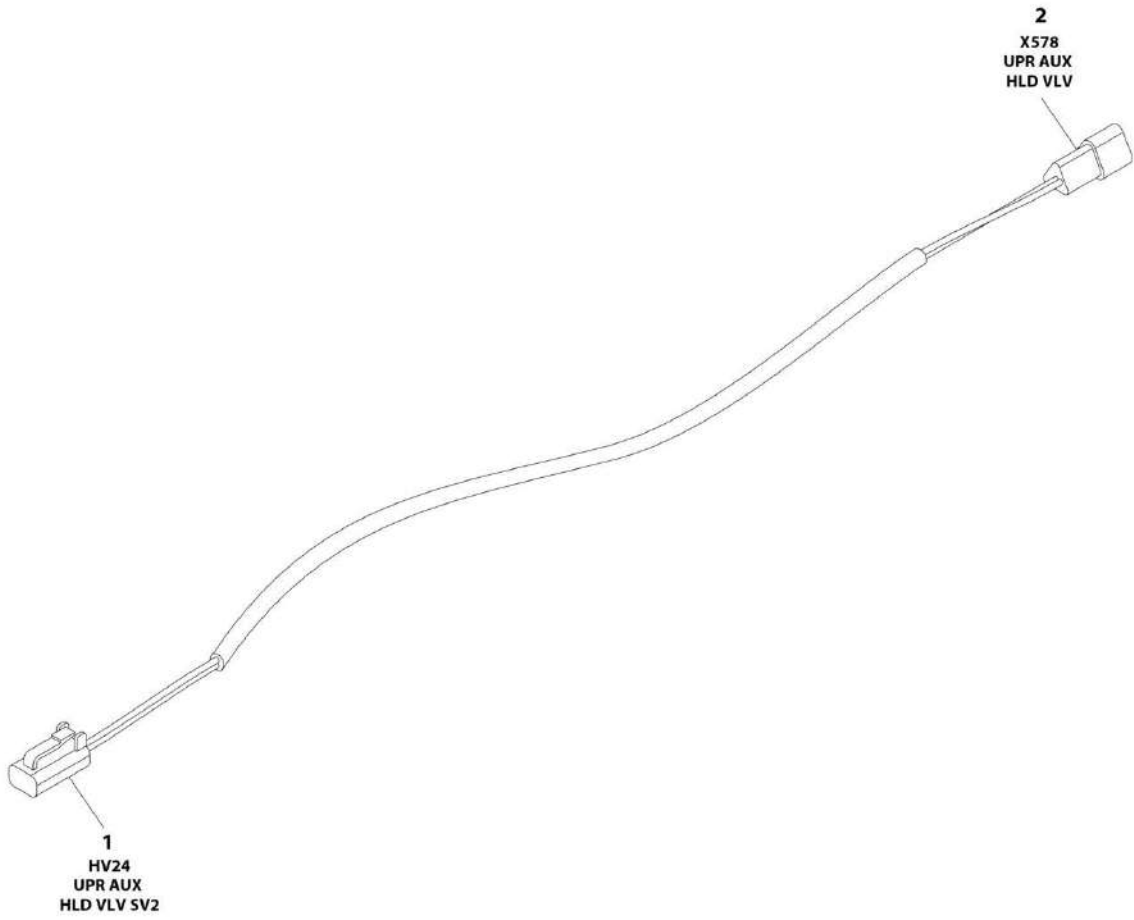
SECTION 8 - ELECTRICAL

FIGURE 8-25. GROUND TO LOWER AUXILIARY HOLDING VALVE HARNESS

| ITEM | PART NUMBER | QTY | DESCRIPTION | REV |
|------|-------------|-----|---|-----|
| | 1001222343 | Ref | GROUND TO LOWER AUXILIARY HOLDING VALVE HARNESS | B |
| 1 | 4460891 | 1 | Plug, Male - 2 Position | |
| 1 | 4460465 | 2 | Socket, Female | |
| 2 | 4460536 | 1 | Receptacle, Female - 3 Position | |
| 2 | 4460464 | 2 | Pin, Male | |
| 2 | 4460466 | 1 | Plug, Terminal | |

SECTION 8 - ELECTRICAL

FIGURE 8-26. GROUND TO UPPER AUXILIARY HOLDING VALVE HARNESS



ART_1001222344

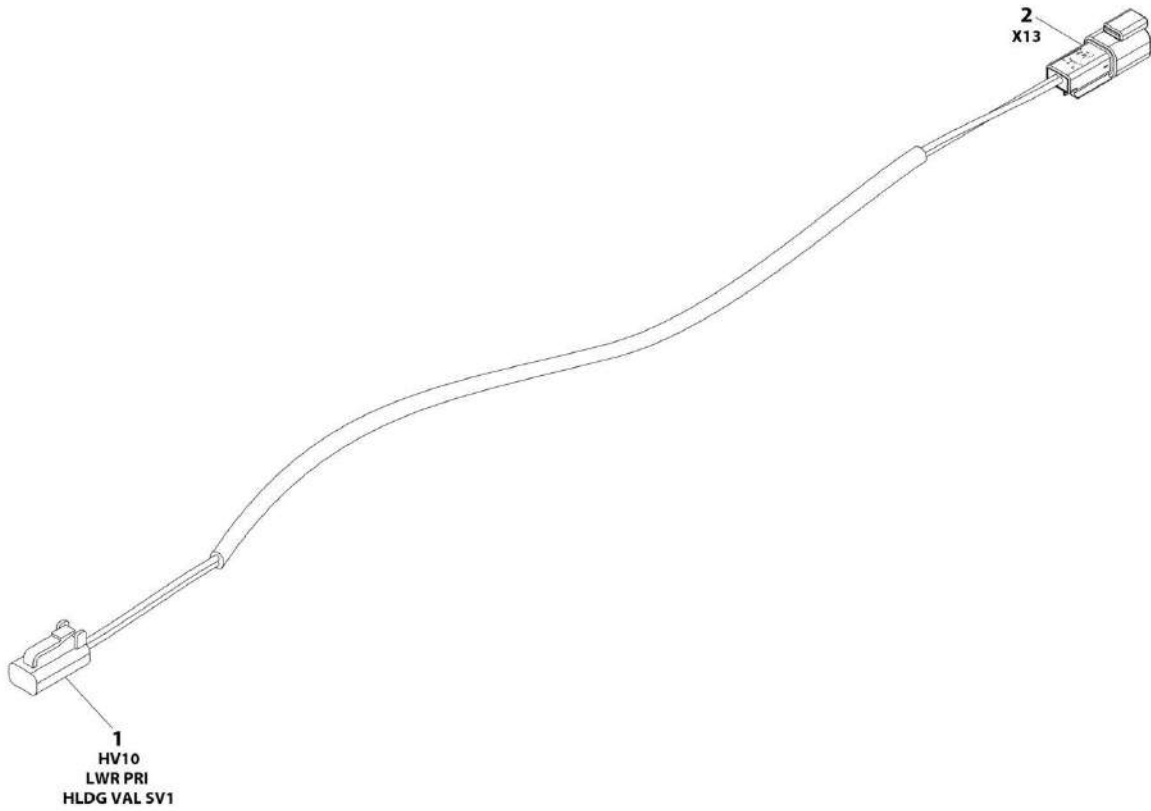
SECTION 8 - ELECTRICAL

FIGURE 8-26. GROUND TO UPPER AUXILIARY HOLDING VALVE HARNESS

| ITEM | PART NUMBER | QTY | DESCRIPTION | REV |
|------|-------------|-----|---|-----|
| | 1001222344 | Ref | GROUND TO UPPER AUXILIARY HOLDING VALVE HARNESS | B |
| 1 | 4460891 | 1 | Plug, Male - 2 Position | |
| 1 | 4460465 | 2 | Socket, Female | |
| 2 | 4460539 | 1 | Plug, Male - 3 Position | |
| 2 | 4460465 | 2 | Socket, Female | |
| 2 | 4460466 | 1 | Plug, Terminal | |

SECTION 8 - ELECTRICAL

FIGURE 8-27. GROUND TO LOWER LIFT CYLINDER HARNESS



ART_1001190522

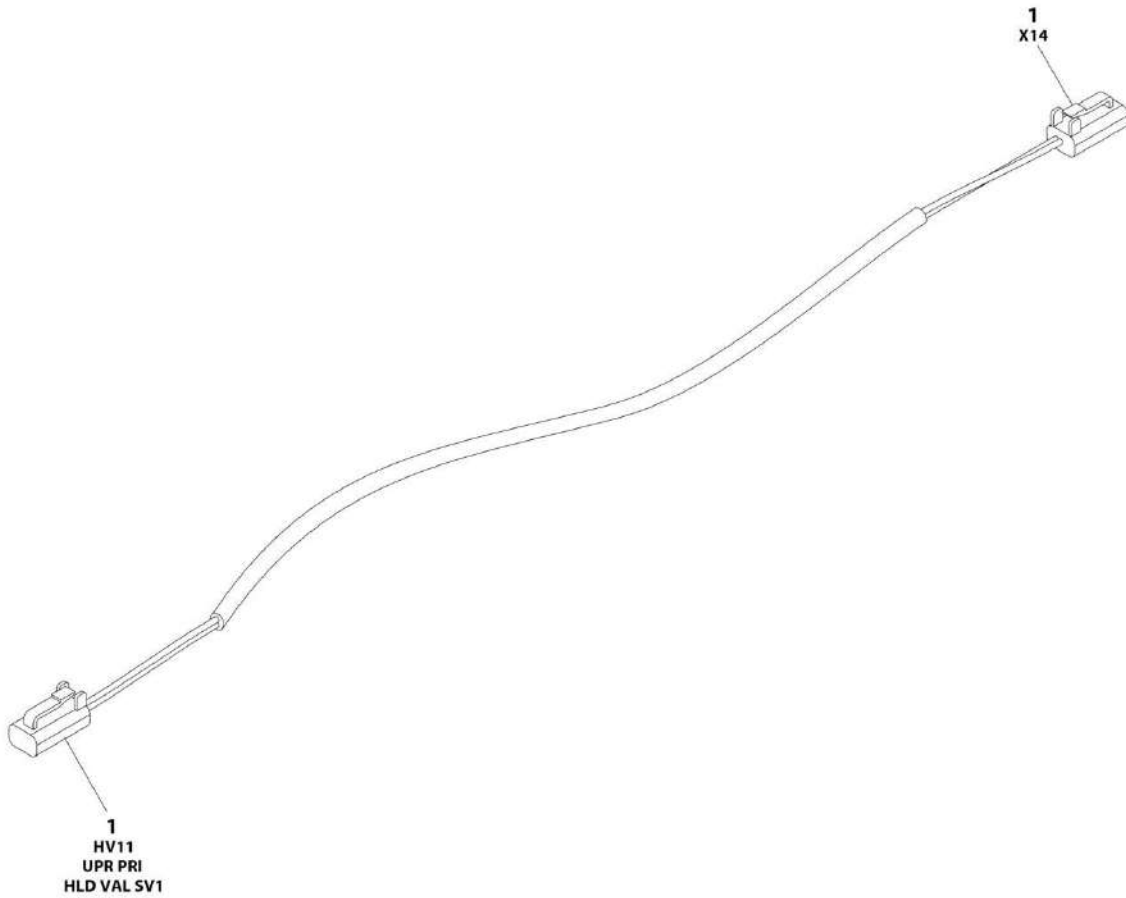
SECTION 8 - ELECTRICAL

FIGURE 8-27. GROUND TO LOWER LIFT CYLINDER HARNESS

| ITEM | PART NUMBER | QTY | DESCRIPTION | REV |
|------|-------------|-----|---------------------------------------|-----|
| | 1001190522 | Ref | GROUND TO LOWER LIFT CYLINDER HARNESS | C |
| 1 | 4460891 | 1 | Plug, Male - 2 Position | |
| 1 | 4460465 | 2 | Socket, Female | |
| 2 | 4460897 | 1 | Receptacle, Female - 2 Position | |
| 2 | 4460464 | 2 | Pin, Male | |

SECTION 8 - ELECTRICAL

FIGURE 8-28. GROUND TO UPPER LIFT CYLINDER HARNESS



ART_1001190524

SECTION 8 - ELECTRICAL

FIGURE 8-28. GROUND TO UPPER LIFT CYLINDER HARNESS

| ITEM | PART NUMBER | QTY | DESCRIPTION | REV |
|------|-------------|-----|---------------------------------------|-----|
| | 1001190524 | Ref | GROUND TO UPPER LIFT CYLINDER HARNESS | C |
| 1 | 4460891 | 2 | Plug, Male - 2 Position | |
| 1 | 4460465 | 4 | Socket, Female | |

SECTION 8 - ELECTRICAL

FIGURE 8-29. GROUND TO PLATFORM HARNESS



ART_1001236865

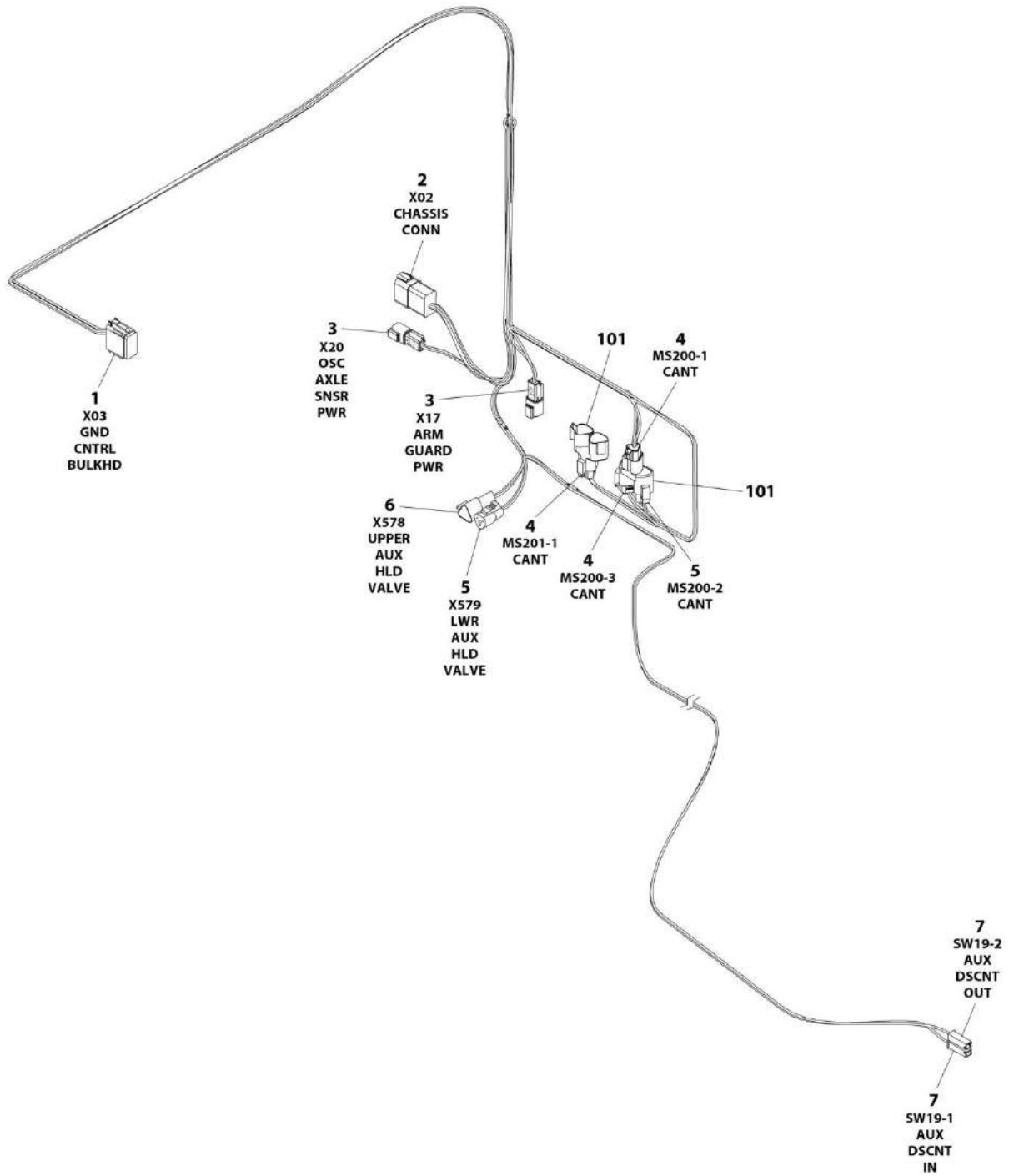
SECTION 8 - ELECTRICAL

FIGURE 8-29. GROUND TO PLATFORM HARNESS

| ITEM | PART NUMBER | QTY | DESCRIPTION | REV |
|------|-------------|-----|----------------------------|-----|
| | 1001236865 | Ref | GROUND TO PLATFORM HARNESS | A |
| 1 | 1001116926 | 1 | Connector - 21 Position | |
| 1 | 4460465 | 8 | Socket, Female | |
| 1 | 4460509 | 4 | Socket, Female | |
| 1 | 4460944 | 2 | Socket, Female | |
| 1 | 4460466 | 7 | Plug, Terminal | |
| 2 | 1001116930 | 1 | Connector - 21 Position | |
| 2 | 4460464 | 8 | Pin, Male | |
| 2 | 4460508 | 4 | Pin, Male | |
| 2 | 4460943 | 2 | Pin, Male | |
| 2 | 4460466 | 7 | Plug, Terminal | |

SECTION 8 - ELECTRICAL

FIGURE 8-30. HYDRAULIC COMPARTMENT HARNESS



ART_1001222025

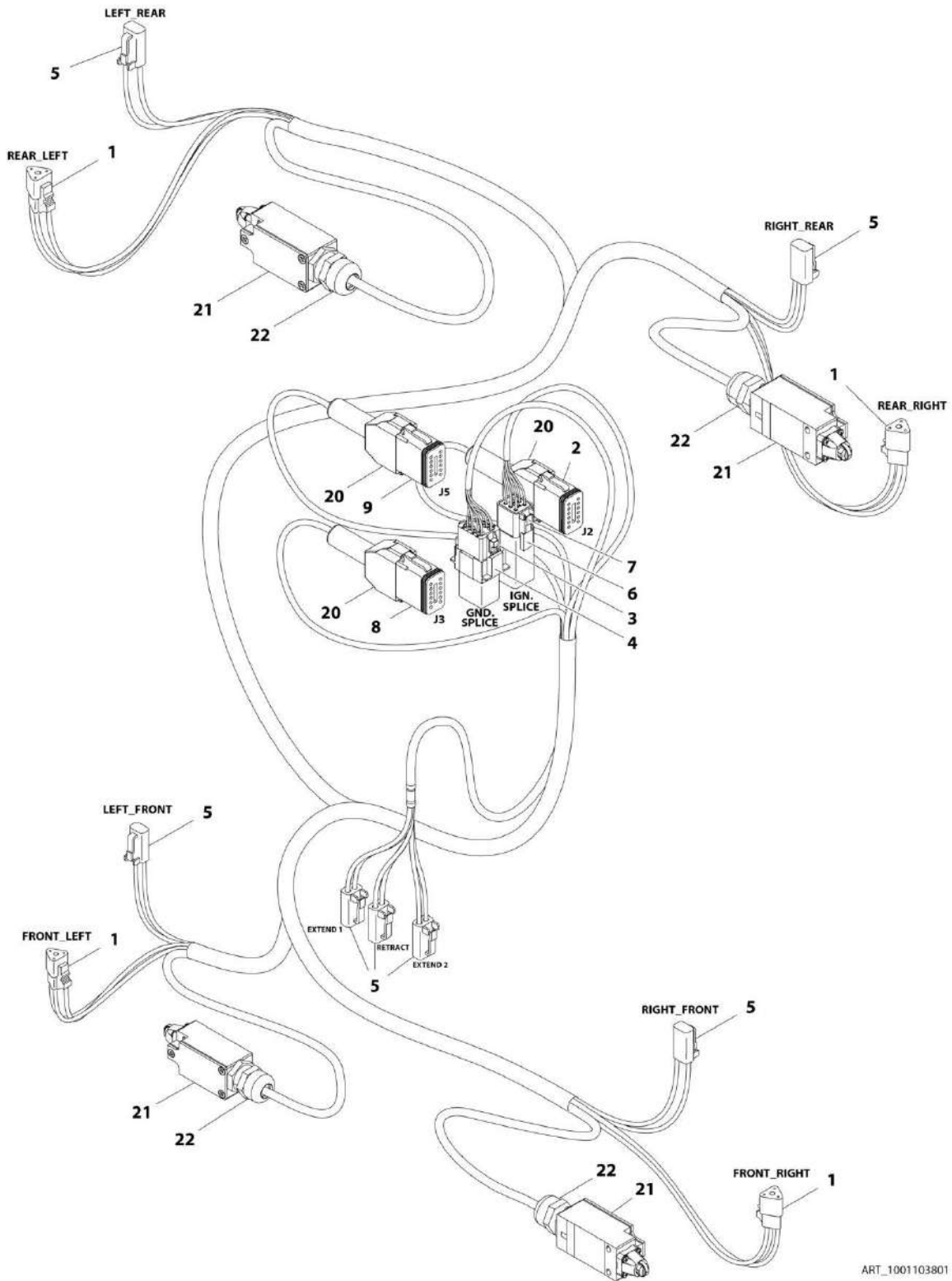
SECTION 8 - ELECTRICAL

FIGURE 8-30. HYDRAULIC COMPARTMENT HARNESS

| ITEM | PART NUMBER | QTY | DESCRIPTION | REV |
|------|-------------|-----|---------------------------------|-----|
| | 1001222025 | Ref | HYDRAULIC COMPARTMENT HARNESS | A |
| 1 | 4460933 | 1 | Plug, Male - 12 Position | |
| 1 | 4460465 | 4 | Socket, Female | |
| 1 | 4460944 | 2 | Socket, Female | |
| 1 | 4460466 | 6 | Plug, Terminal | |
| 2 | 4460931 | 1 | Receptacle, Female - 8 Position | |
| 2 | 4460464 | 3 | Pin, Male | |
| 2 | 4460943 | 3 | Pin, Male | |
| 2 | 4460466 | 2 | Plug, Terminal | |
| 3 | 4460897 | 2 | Receptacle, Female - 2 Position | |
| 3 | 4460464 | 4 | Pin, Male | |
| 4 | 1001116812 | 3 | Plug, Male - 3 Position | |
| 4 | 4460944 | 9 | Socket, Female | |
| 5 | 4460539 | 2 | Plug, Male - 3 Position | |
| 5 | 4460944 | 6 | Terminal | |
| 6 | 4460536 | 1 | Receptacle, Female - 3 Position | |
| 6 | 4460464 | 2 | Pin, Male | |
| 6 | 4460466 | 1 | Plug, Terminal | |
| 7 | 4460260 | 2 | Holder, Terminal | |
| 7 | 4460259 | 2 | Terminal | |
| 101 | 4460945 | 2 | Receptacle - 3 Way | |

SECTION 8 - ELECTRICAL

FIGURE 8-31. LEVELING JACK HARNESS



ART_1001103801

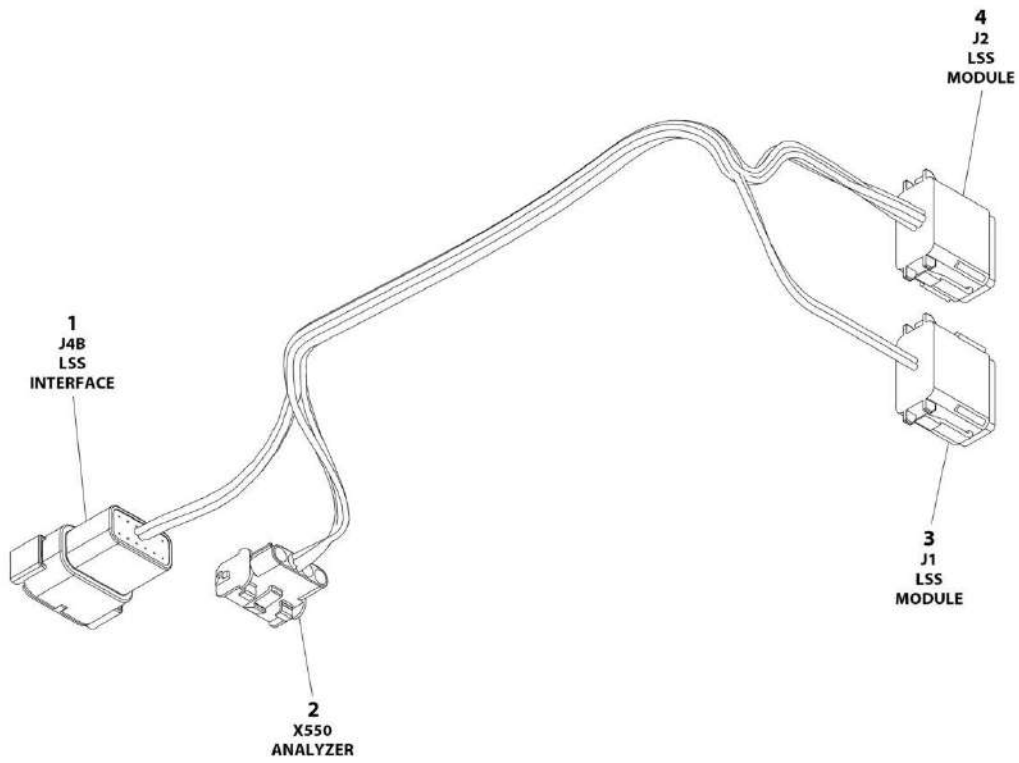
SECTION 8 - ELECTRICAL

FIGURE 8-31. LEVELING JACK HARNESS

| ITEM | PART NUMBER | QTY | DESCRIPTION | REV |
|------|-------------|-----|----------------------------------|-----|
| | 1001103801 | Ref | LEVELING JACK HARNESS | D |
| 1 | 4460539 | 4 | Connector - 3 Position | |
| 1 | 4460465 | 12 | Socket, Female | |
| 2 | 4460836 | 1 | Connector - 12 Position | |
| 2 | 4460465 | 7 | Socket, Female | |
| 2 | 4460466 | 5 | Plug | |
| 3 | 4460851 | 1 | Connector - 8 Position | |
| 3 | 4460465 | 8 | Socket, Female | |
| 4 | 4460852 | 1 | Connector, Buss Bar - 8 Position | |
| 5 | 4460891 | 7 | Connector - 2 Position | |
| 5 | 4460465 | 14 | Socket, Female | |
| 6 | 4460892 | 1 | Terminal, Buss Bar - 6 Position | |
| 7 | 4460894 | 1 | Connector - 6 Position | |
| 7 | 4460465 | 6 | Socket, Female | |
| 8 | 4460934 | 1 | Connector - 12 Position | |
| 8 | 4460465 | 12 | Socket, Female | |
| 9 | 4460935 | 1 | Connector - 12 Position | |
| 9 | 4460465 | 5 | Socket, Female | |
| 9 | 4460466 | 7 | Plug | |
| 20 | 0840055 | 3 | Boot | |
| 21 | 4360548 | 4 | Switch, Limit | |
| 22 | 4460968 | 4 | Connector, Strain Relief | |

SECTION 8 - ELECTRICAL

FIGURE 8-32. LSS HARNESS



ART_1001226830

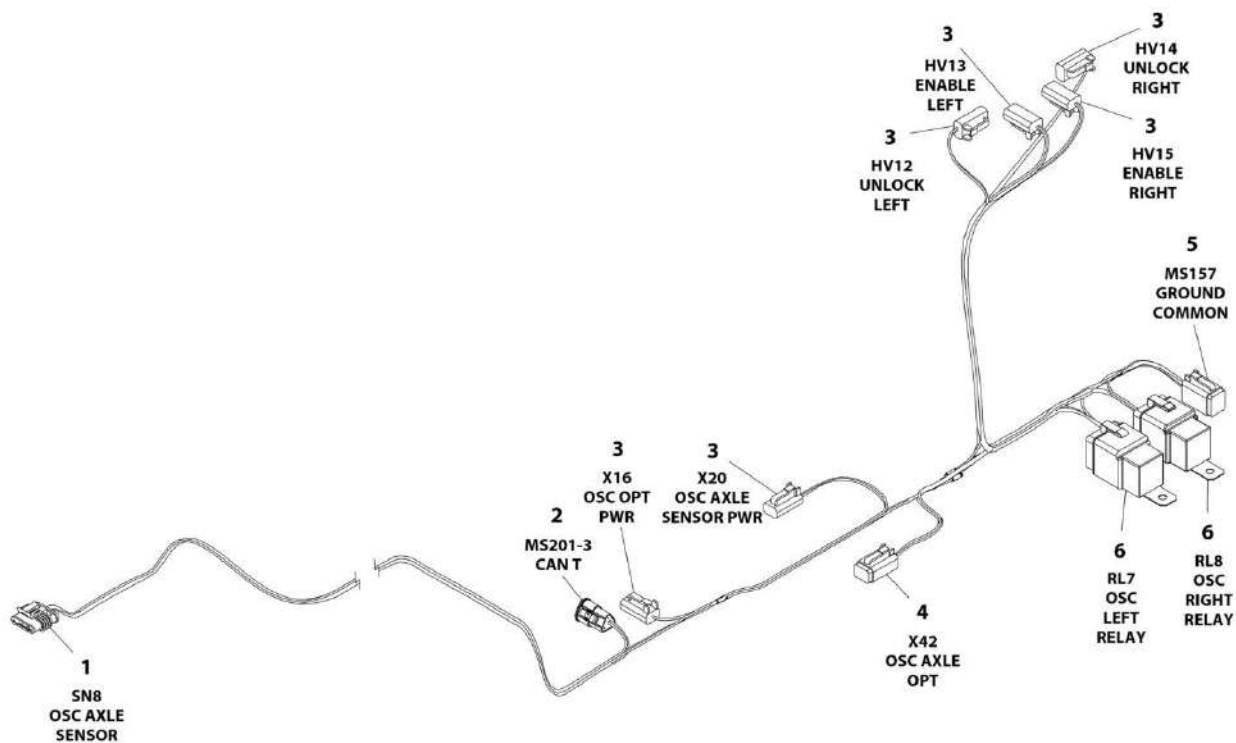
SECTION 8 - ELECTRICAL

FIGURE 8-32. LSS HARNESS

| ITEM | PART NUMBER | QTY | DESCRIPTION | REV |
|------|-------------|-----|---------------------------------|-----|
| | 1001226830 | Ref | LSS HARNESS | A |
| 1 | 1001132170 | 1 | Connector - 12 Position | |
| 1 | 4460929 | 2 | Pin, Male | |
| 1 | 4460917 | 2 | Pin, Male | |
| 1 | 4460518 | 8 | Plug, Terminal | |
| 2 | 4460761 | 1 | Receptacle, Female - 4 Position | |
| 2 | 4460294 | 4 | Pin, Male | |
| 3 | 4460933 | 1 | Connector - 12 Position | |
| 3 | 4460465 | 2 | Socket, Female | |
| 3 | 4460466 | 10 | Plug, Terminal | |
| 4 | 4460836 | 1 | Connector - 12 Position | |
| 4 | 4460465 | 5 | Socket, Female | |
| 4 | 4460944 | 2 | Socket, Female | |
| 4 | 4460466 | 5 | Plug, Terminal | |

SECTION 8 - ELECTRICAL

FIGURE 8-33. OSCILLATING AXLE HARNESS



ART_1001187601

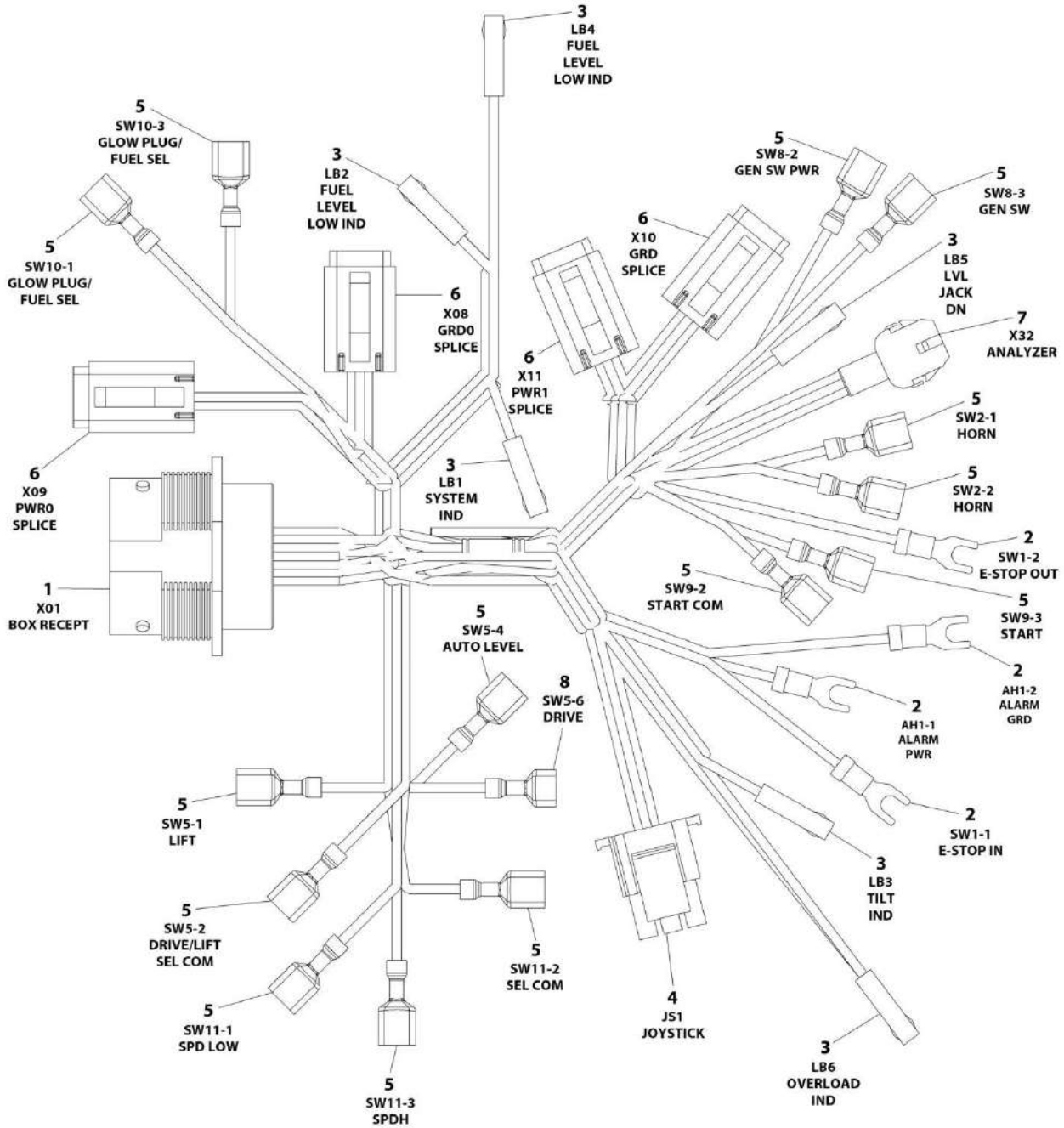
SECTION 8 - ELECTRICAL

FIGURE 8-33. OSCILLATING AXLE HARNESS

| ITEM | PART NUMBER | QTY | DESCRIPTION | REV |
|------|-------------|-----|--------------------------|-----|
| | 1001187601 | Ref | OSCILLATING AXLE HARNESS | C |
| 1 | 1001103012 | 1 | Connector - 4 Position | |
| 1 | 1001107854 | 4 | Socket, Female | |
| 1 | 1001104498 | 4 | Seal | |
| 2 | 1001116812 | 1 | Connector - 3 Position | |
| 2 | 4460944 | 3 | Socket, Female | |
| 3 | 4460891 | 6 | Connector - 2 Position | |
| 3 | 4460465 | 11 | Socket, Female | |
| 3 | 4460466 | 1 | Plug, Terminal | |
| 4 | 4460884 | 1 | Connector - 4 Position | |
| 4 | 4460465 | 3 | Socket, Female | |
| 4 | 4460466 | 1 | Plug, Terminal | |
| 5 | 4460894 | 1 | Connector - 6 Position | |
| 5 | 4460465 | 6 | Socket, Female | |
| 6 | 1001117025 | 2 | Connector, Relay | |
| 6 | 4460375 | 8 | Terminal | |

SECTION 8 - ELECTRICAL

FIGURE 8-34. PLATFORM CONTROL BOX HARNESS



ART_1001236230

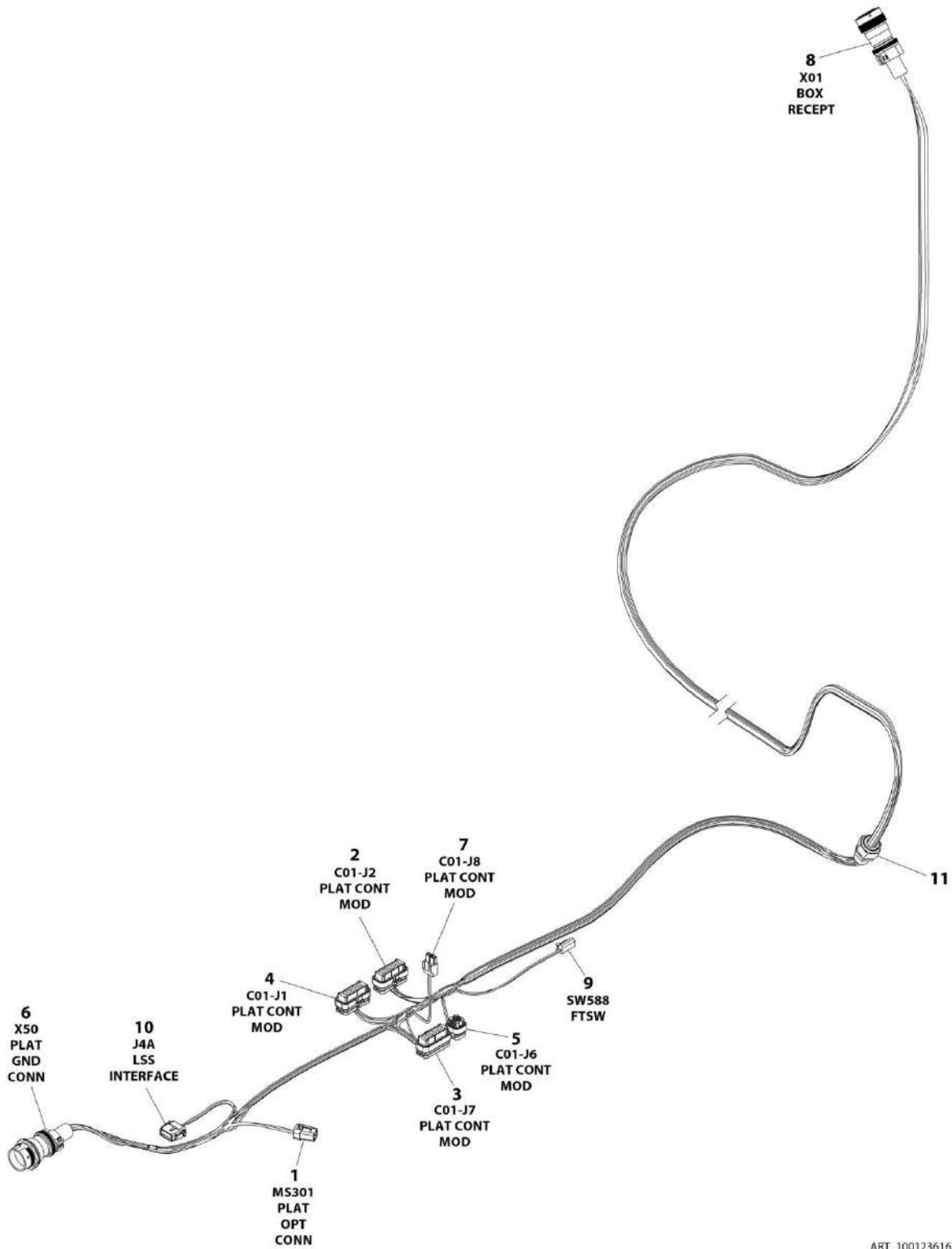
SECTION 8 - ELECTRICAL

FIGURE 8-34. PLATFORM CONTROL BOX HARNESS

| ITEM | PART NUMBER | QTY | DESCRIPTION | REV |
|------|-------------|-----|------------------------------|-----|
| | 1001236230 | Ref | PLATFORM CONSOLE BOX HARNESS | B |
| 1 | 1001116934 | 1 | Connector - 31 Position | |
| 1 | 4460464 | 31 | Pin, Male | |
| 2 | 4460183 | 4 | Terminal, Fork | |
| 3 | 1001190469 | 6 | Connector - 2 Position | |
| 3 | 1001190471 | 12 | Terminal | |
| 4 | 4460265 | 1 | Plug, Male - 9 Position | |
| 4 | 4460267 | 7 | Terminal | |
| 5 | 1001194421 | 13 | Terminal | |
| 6 | 4460894 | 4 | Plug, Male - 6 Position | |
| 6 | 4460465 | 20 | Socket, Female | |
| 6 | 4460466 | 4 | Plug, Terminal | |
| 6 | 4460892 | 4 | Bussbar | |
| 7 | 4460761 | 1 | Plug, Male - 4 Position | |
| 7 | 4460267 | 4 | Terminal | |
| 8 | 1001194221 | 1 | Terminal | |

SECTION 8 - ELECTRICAL

FIGURE 8-35. PLATFORM MODULE TO CONSOLE BOX HARNESS



ART_1001236162

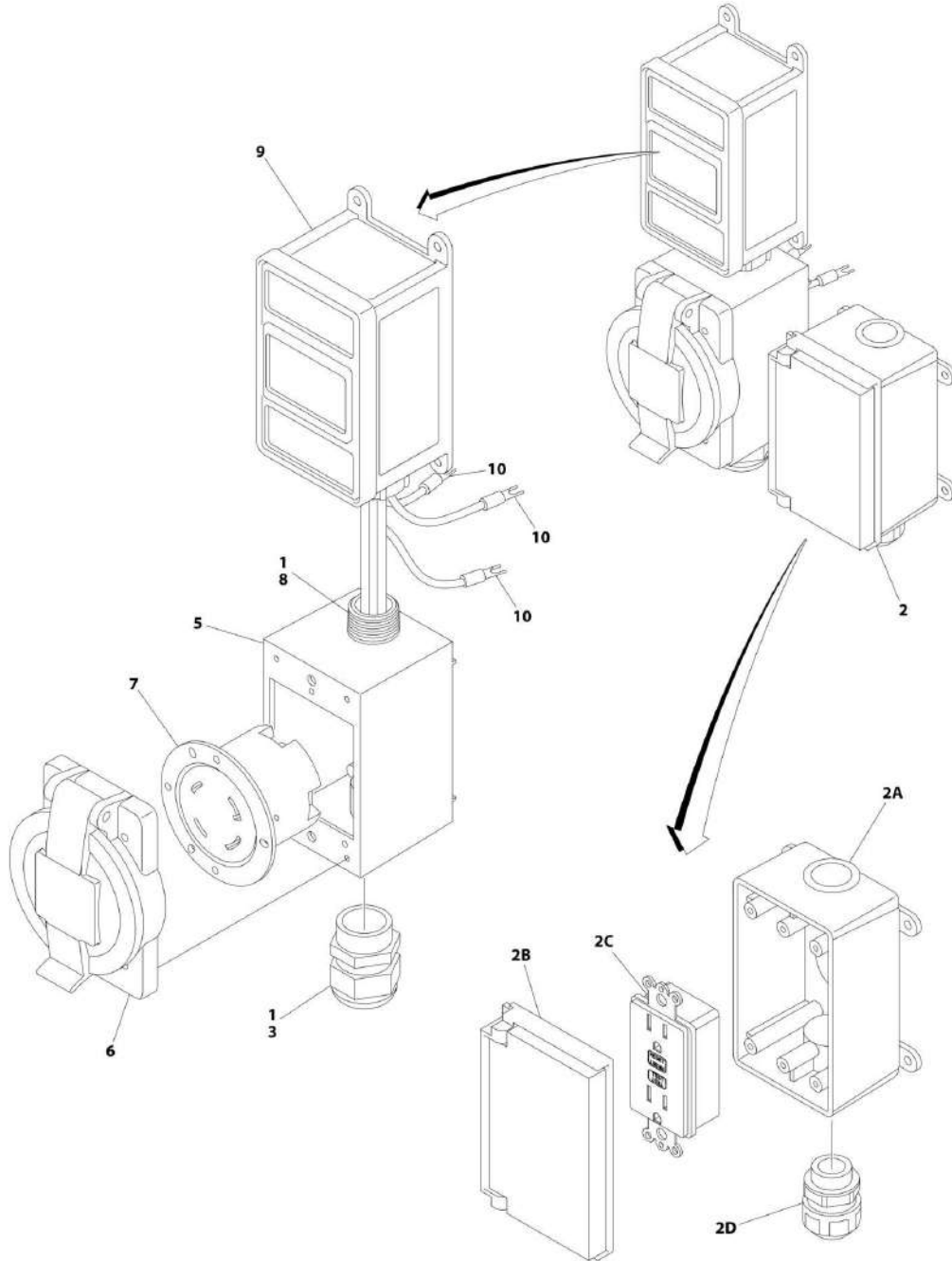
SECTION 8 - ELECTRICAL

FIGURE 8-35. PLATFORM MODULE TO CONSOLE BOX HARNESS

| ITEM | PART NUMBER | QTY | DESCRIPTION | REV |
|------|-------------|-----|--|-----|
| | 1001236162 | Ref | PLATFORM MODULE TO CONSOLE BOX HARNESS | C |
| 1 | 1001116810 | 1 | Plug, Male - 4 Position | |
| 1 | 4460509 | 2 | Socket, Female | |
| 1 | 4460466 | 6 | Plug, Terminal | |
| 1 | 1001116811 | 1 | Receptacle, Female - 4 Position | |
| 2 | 4460876 | 1 | Connector - 35 Position | |
| 2 | 4460905 | 20 | Plug, Terminal | |
| 2 | 4460871 | 15 | Socket, Female | |
| 3 | 4460873 | 1 | Connector - 35 Position | |
| 3 | 4460871 | 11 | Socket, Female | |
| 3 | 4460905 | 24 | Plug, Terminal | |
| 4 | 4460874 | 1 | Connector - 35 Position | |
| 4 | 4460871 | 12 | Socket, Female | |
| 4 | 4460905 | 23 | Plug, Terminal | |
| 5 | 1001113961 | 1 | Connector - 8 Position | |
| 5 | 4460871 | 2 | Socket, Female | |
| 5 | 4460905 | 6 | Plug, Terminal | |
| 6 | 1001116930 | 1 | Connector - 21 Position | |
| 6 | 4460464 | 4 | Pin, Male | |
| 6 | 4460508 | 4 | Pin, Male | |
| 6 | 4460943 | 3 | Pin, Male | |
| 6 | 4460466 | 10 | Plug, Terminal | |
| 7 | 4460879 | 1 | Connector - 2 Position | |
| 7 | 4461271 | 2 | Terminal | |
| 8 | 1001195123 | 1 | Connector - 31 Position | |
| 8 | 4460465 | 31 | Socket, Female | |
| 9 | 4460891 | 1 | Plug, Male - 2 Position | |
| 9 | 4460465 | 2 | Socket, Female | |
| 9 | 1001144295 | 1 | Receptacle, Female | |
| 10 | 1001116808 | 1 | Connector - 12 Position | |
| 10 | 4460518 | 8 | Plug, Terminal | |
| 10 | 4460928 | 2 | Socket, Female | |
| 10 | 4460918 | 2 | Terminal | |
| 11 | 4460051 | 1 | Connector, Strain Relief | |

SECTION 8 - ELECTRICAL

FIGURE 8-36. RECEPTACLE ASSEMBLY (MACHINES WITH GENERATORS) (ALL SPECS EXCEPT AUSTRALIAN AND CE SPEC)



ART_1001187092

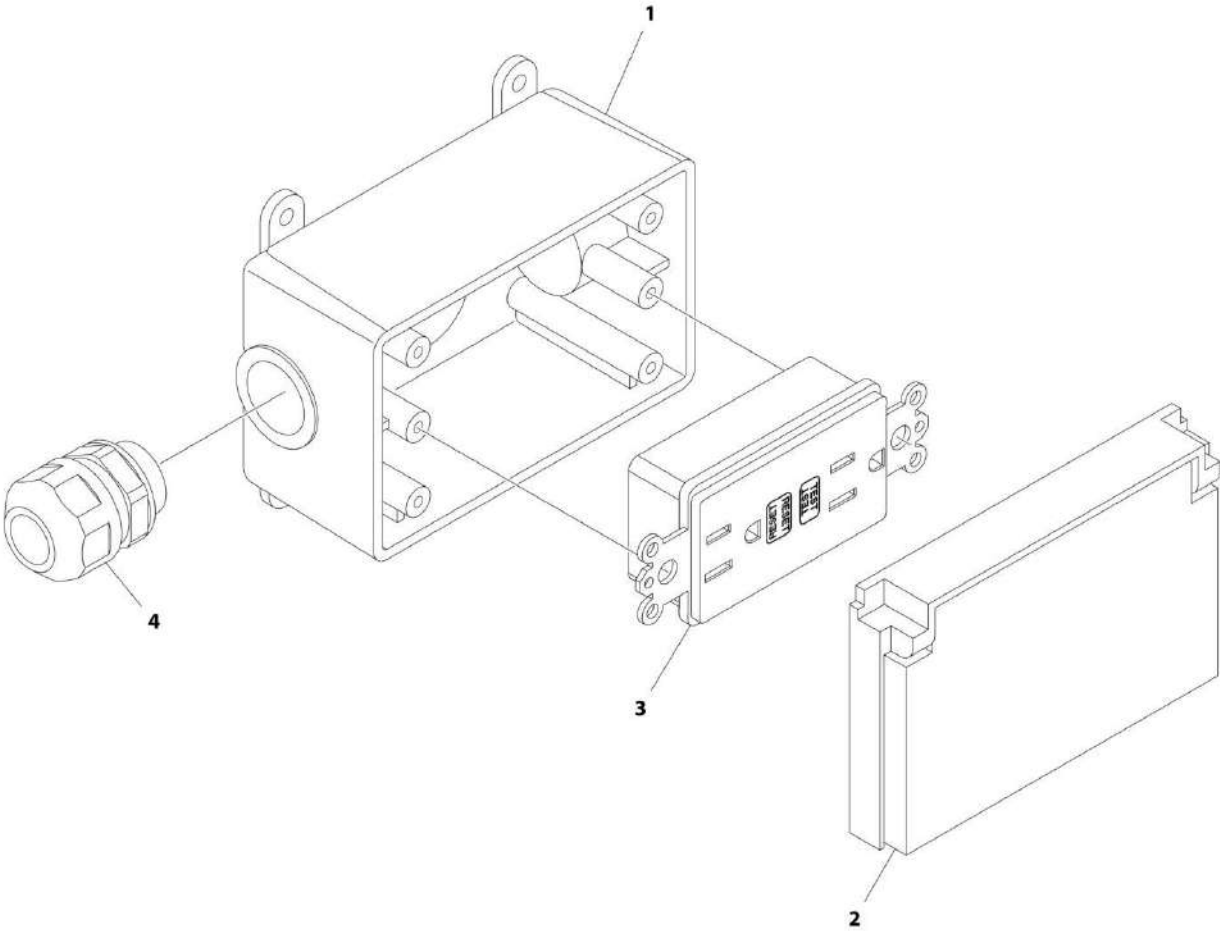
SECTION 8 - ELECTRICAL

FIGURE 8-36. RECEPTACLE ASSEMBLY (MACHINES WITH GENERATORS) (ALL SPECS EXCEPT AUSTRALIAN AND CE SPEC)

| ITEM | PART NUMBER | QTY | DESCRIPTION | REV |
|------|-------------|-----|---|-----|
| | 1001187092 | Ref | RECEPTACLE ASSEMBLY (ALL SPECS EXCEPT AUSTRALIAN AND CE SPEC) | B |
| 1 | 0100020 | AR | Sealant, Pipe | |
| 2 | 2902431 | 1 | Receptacle Box Kit | |
| 2A | 0861731 | 1 | Box | |
| 2B | 1671207 | 1 | Cover | |
| 2C | 4460346 | 1 | Receptacle | |
| 2D | 4460662 | 1 | Connector, Strain Relief | |
| 3 | 4460612 | 1 | Connector, Strain Relief | |
| 4 | 1001099670 | 3 | Terminal (Not Shown) | |
| 5 | 1001148675 | 1 | Box | |
| 6 | 1001148676 | 1 | Cover, Receptacle | |
| 7 | 1001148907 | 1 | Connector, Receptacle - 240V | |
| 8 | 1001159119 | 1 | Conduit | |
| 9 | 1001159118 | 1 | Breaker, GFCI 30A - 240V | |
| 10 | 4460315 | 3 | Terminal | |

SECTION 8 - ELECTRICAL

FIGURE 8-37. RECEPTACLE BOX KIT - 110V GFI



ART_2902431

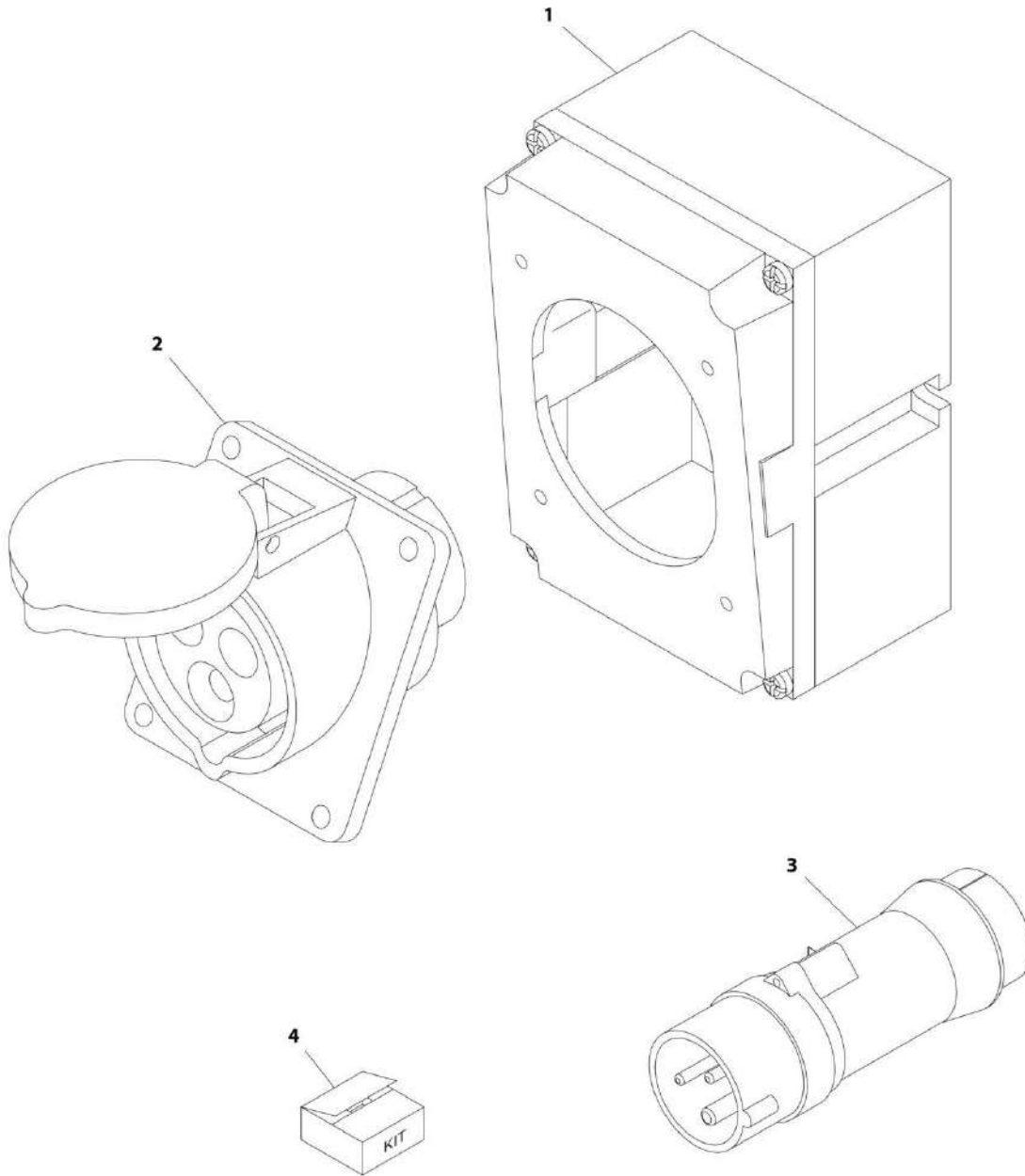
SECTION 8 - ELECTRICAL

FIGURE 8-37. RECEPTACLE BOX KIT - 110V GFI

| ITEM | PART NUMBER | QTY | DESCRIPTION | REV |
|------|-------------|-----|-------------------------------|-----|
| | 2902431 | Ref | RECEPTACLE BOX KIT - 110V GFI | D |
| 1 | 0861731 | 1 | Box, Receptacle | |
| 2 | 1671207 | 1 | Cover, Receptacle | |
| 3 | 4460346 | 1 | Receptacle | |
| 4 | 4460662 | 1 | Connector, Strain Relief | |

SECTION 8 - ELECTRICAL

FIGURE 8-38. RECEPTACLE BOX KIT - 110V IEC YELLOW (CE SPEC)



ART_0275216

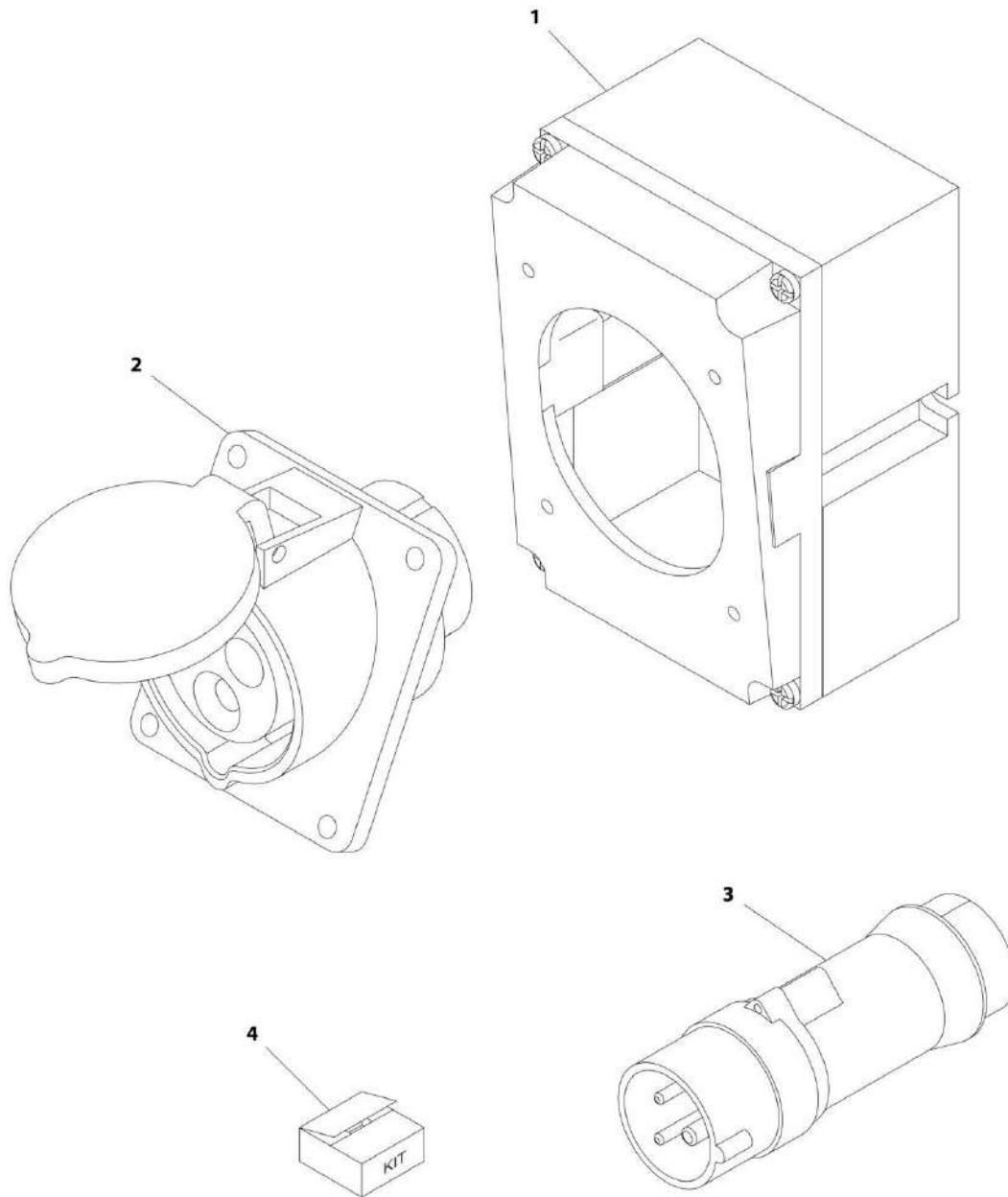
SECTION 8 - ELECTRICAL

FIGURE 8-38. RECEPTACLE BOX KIT - 110V IEC YELLOW (CE SPEC)

| ITEM | PART NUMBER | QTY | DESCRIPTION | REV |
|------|-------------|-----|--|-----|
| | 0275216 | Ref | RECEPTACLE BOX KIT - 110V IEC YELLOW (CE SPEC) | B |
| 1 | 0861781 | 1 | Box, Switch | |
| 2 | 4461198 | 1 | Receptacle | |
| 3 | 4461196 | 1 | Plug, Male | |
| 4 | 1001100341 | 1 | Plug and Socket Kit (Includes Items 1-3 and Female Plug p/n 4461197) | |

SECTION 8 - ELECTRICAL

FIGURE 8-39. RECEPTACLE BOX KIT - 220V IEC BLUE (CE SPEC)



ART_0275217

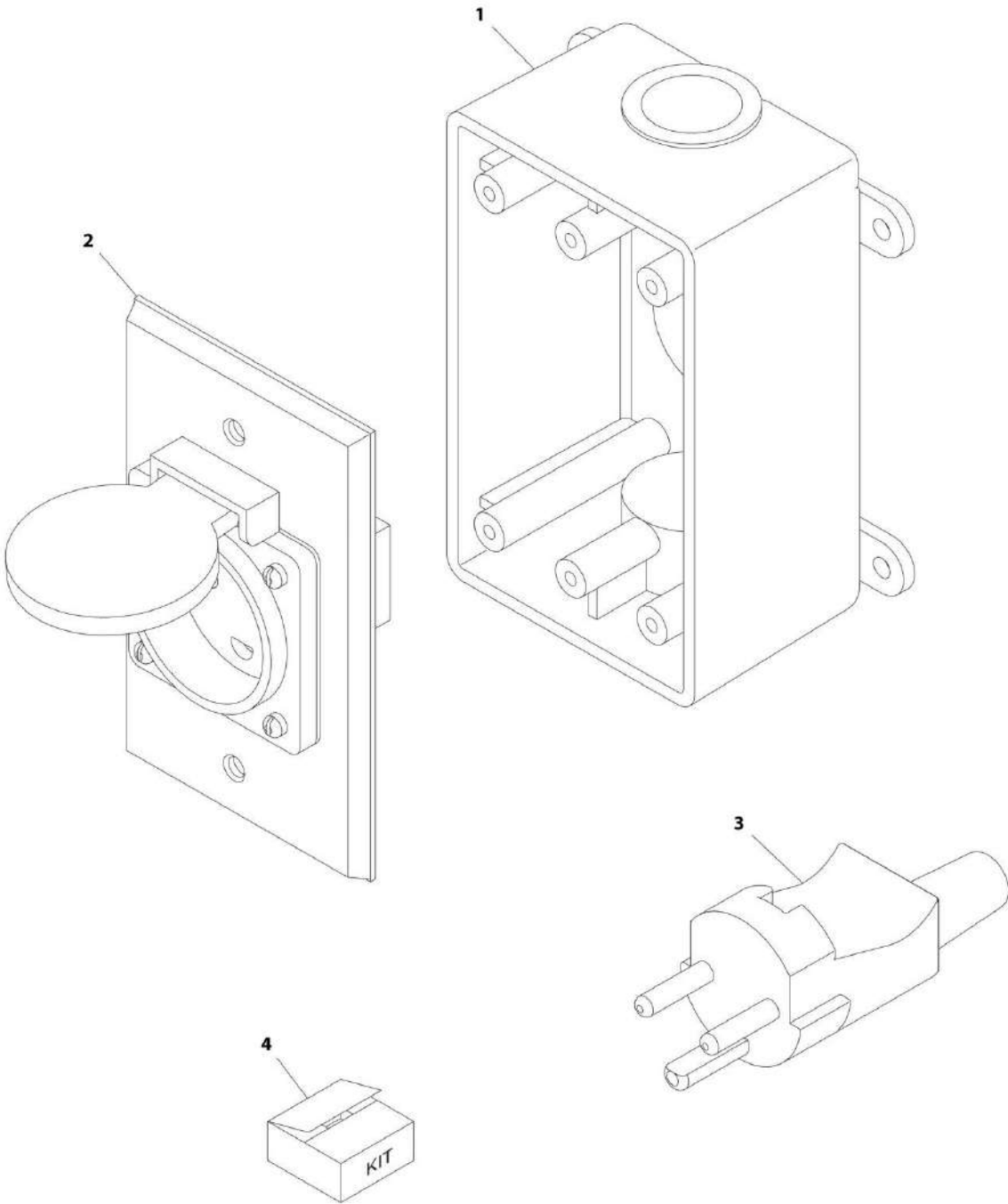
SECTION 8 - ELECTRICAL

FIGURE 8-39. RECEPTACLE BOX KIT - 220V IEC BLUE (CE SPEC)

| ITEM | PART NUMBER | QTY | DESCRIPTION | REV |
|------|-------------|-----|--|-----|
| | 0275217 | Ref | RECEPTACLE BOX KIT - 220V IEC BLUE (CE SPEC) | B |
| 1 | 0861781 | 1 | Box, Switch | |
| 2 | 4461201 | 1 | Receptacle | |
| 3 | 4461199 | 1 | Plug, Male | |
| 4 | 1001100342 | 1 | Plug and Socket Kit (Includes Items 1-3 and Female Plug p/n 4461200) | |

SECTION 8 - ELECTRICAL

FIGURE 8-40. RECEPTACLE BOX KIT - 220V AFSINT 107 (CE SPEC)



ART_0275454

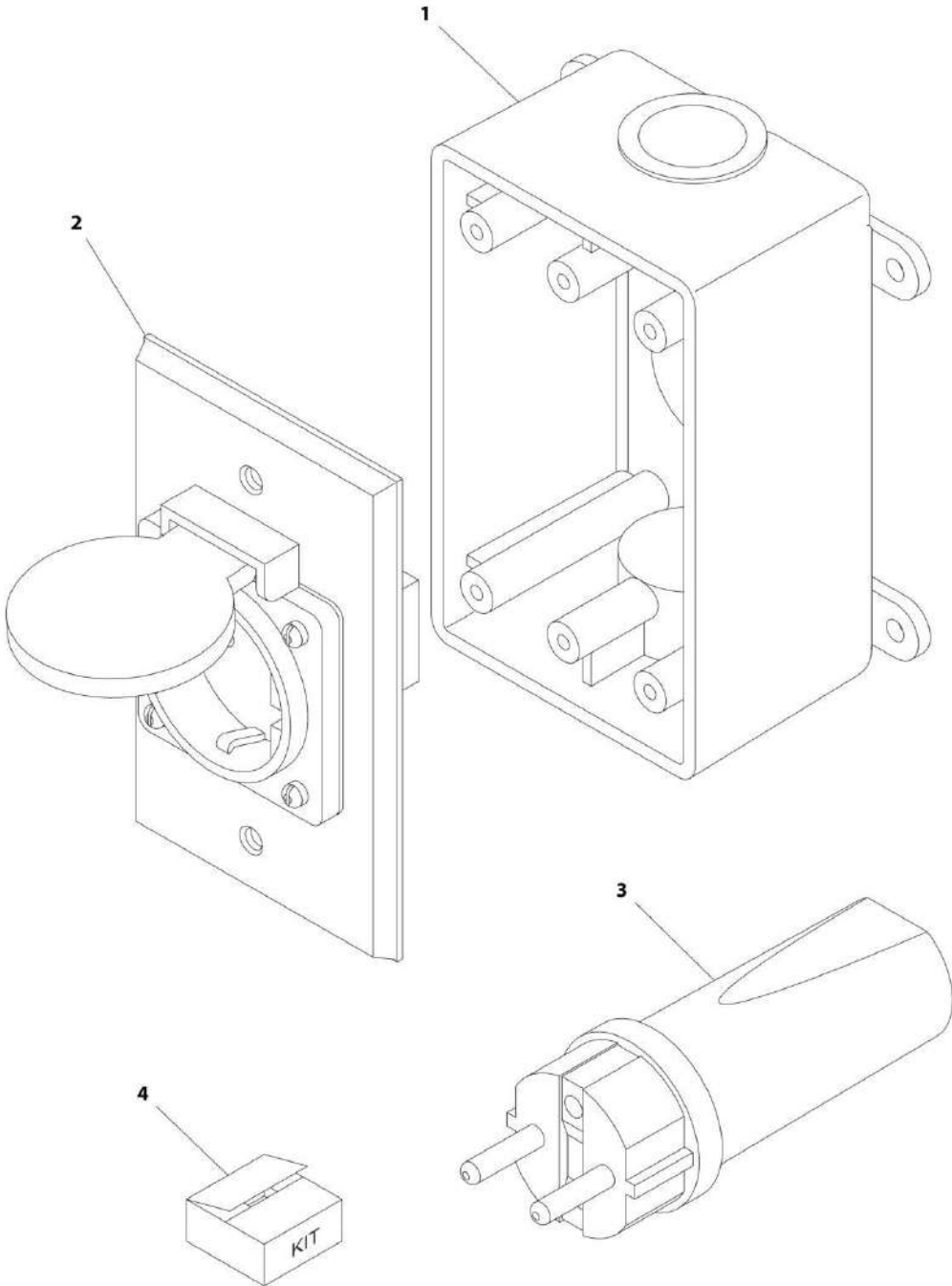
SECTION 8 - ELECTRICAL

FIGURE 8-40. RECEPTACLE BOX KIT - 220V AFSINT 107 (CE SPEC)

| ITEM | PART NUMBER | QTY | DESCRIPTION | REV |
|------|-------------|-----|--|-----|
| | 0275454 | Ref | RECEPTACLE BOX KIT - 220V AFSINT 107 (CE SPEC) | B |
| 1 | 0861731 | 1 | Box, Switch | |
| 2 | 4461246 | 1 | Receptacle | |
| 3 | 4461249 | 1 | Plug, Male | |
| 4 | 1001100346 | 1 | Plug and Socket Kit (Includes Items 1-3 and Female Plug p/n 4461250) | |

SECTION 8 - ELECTRICAL

FIGURE 8-41. RECEPTACLE BOX KIT - 220V CEE7 SIDE GROUND (CE SPEC)



ART_0275453

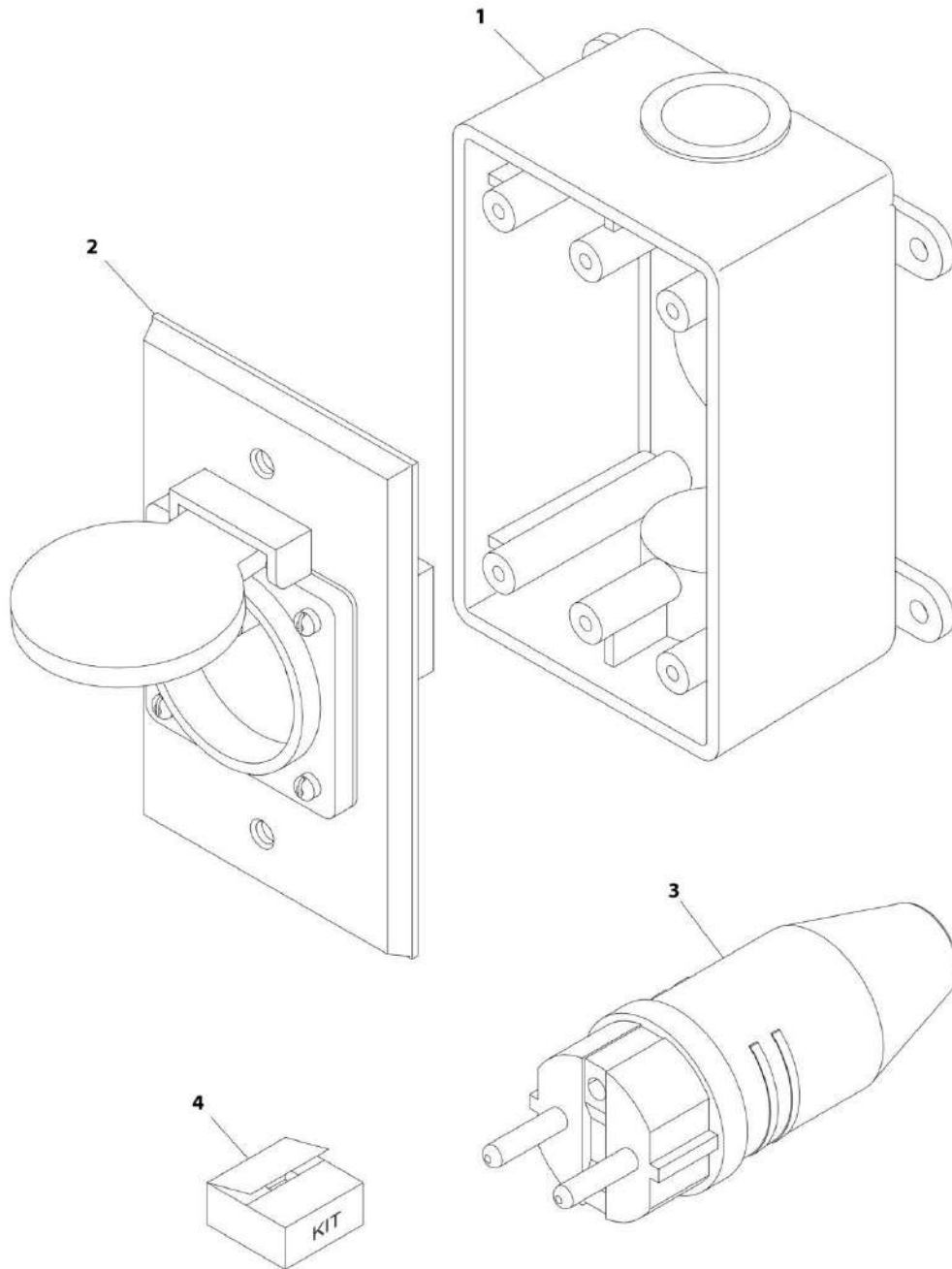
SECTION 8 - ELECTRICAL

FIGURE 8-41. RECEPTACLE BOX KIT - 220V CEE7 SIDE GROUND (CE SPEC)

| ITEM | PART NUMBER | QTY | DESCRIPTION | REV |
|------|-------------|-----|--|-----|
| | 0275453 | Ref | RECEPTACLE BOX KIT - 220V CEE7 SIDE GROUND (CE SPEC) | B |
| 1 | 0861731 | 1 | Box, Switch | |
| 2 | 4461245 | 1 | Receptacle | |
| 3 | 4461205 | 1 | Plug, Male | |
| 4 | 1001100347 | 1 | Plug and Socket Kit (Includes Items 1-3 and Female Plug p/n 4461206) | |

SECTION 8 - ELECTRICAL

FIGURE 8-42. RECEPTACLE BOX KIT - 220V CEE7 POST GROUND (CE SPEC)



ART_0275452

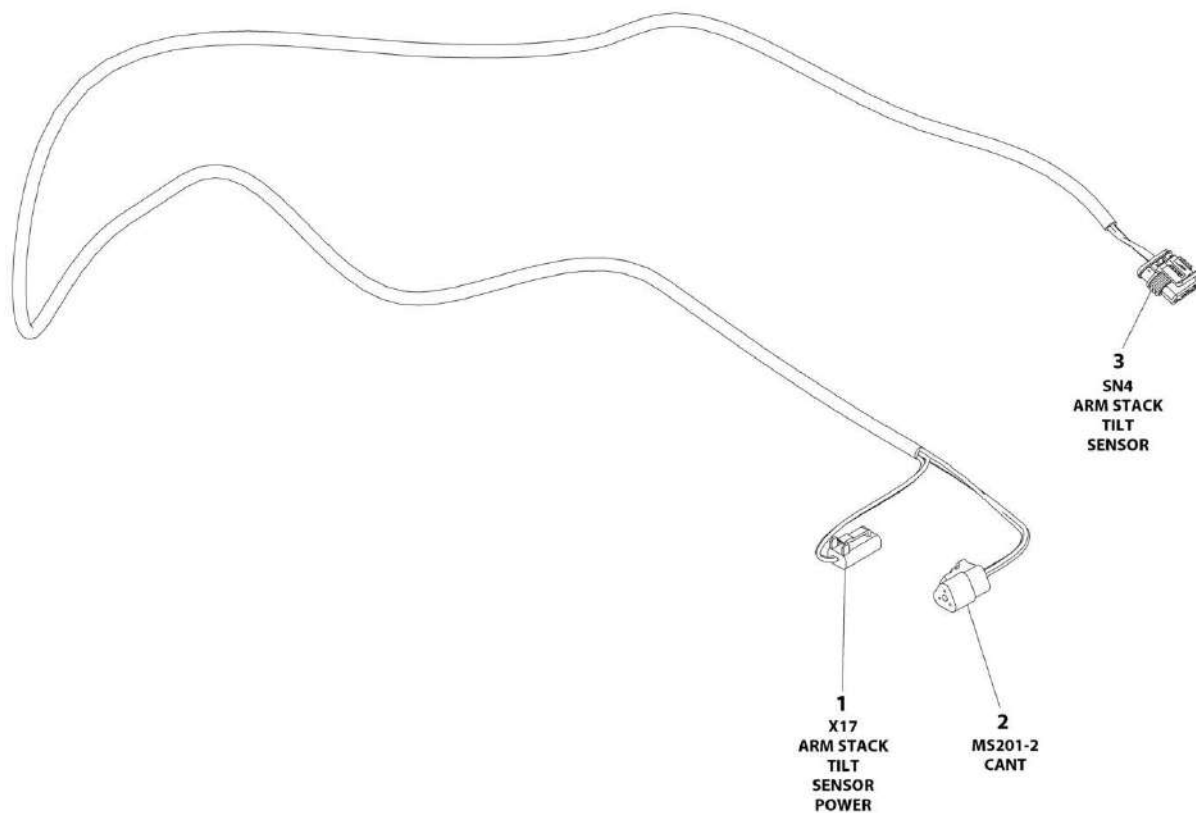
SECTION 8 - ELECTRICAL

FIGURE 8-42. RECEPTACLE BOX KIT - 220V CEE7 POST GROUND (CE SPEC)

| ITEM | PART NUMBER | QTY | DESCRIPTION | REV |
|------|-------------|-----|--|-----|
| | 0275452 | Ref | RECEPTACLE BOX KIT - 220V CEE7 POST GROUND (CE SPEC) | C |
| 1 | 0861731 | 1 | Box, Switch | |
| 2 | 4461244 | 1 | Receptacle | |
| 3 | 4461205 | 1 | Plug, Male | |
| 4 | 1001100345 | 1 | Plug and Socket Kit (Includes Items 1-3 and Female Plug p/n 4461206) | |

SECTION 8 - ELECTRICAL

FIGURE 8-43. SCISSORS ARMS GUARD HARNESS



ART_1001244347

SECTION 8 - ELECTRICAL

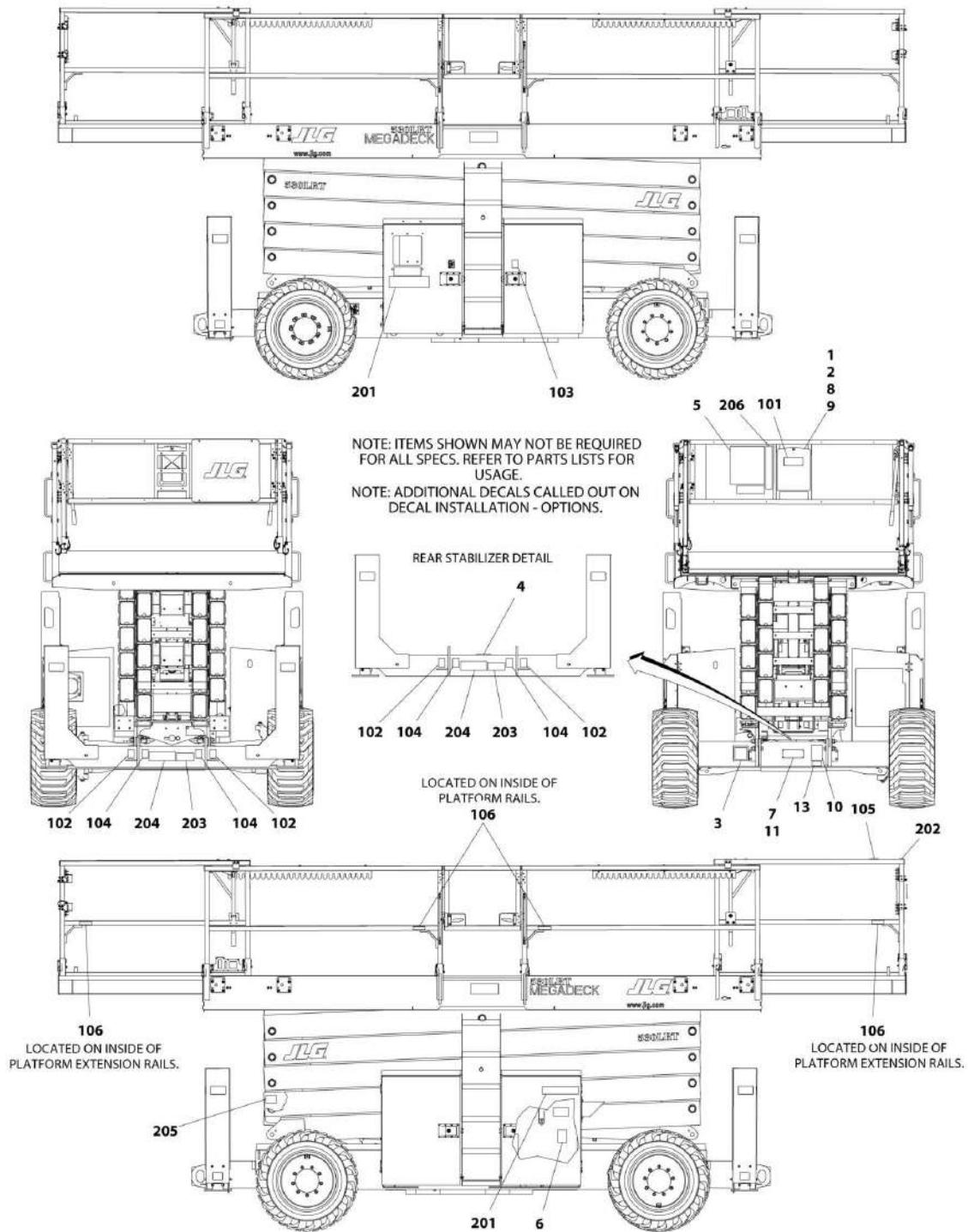
FIGURE 8-43. SCISSORS ARMS GUARD HARNESS

| ITEM | PART NUMBER | QTY | DESCRIPTION | REV |
|------|-------------|-----|-----------------------------|-----|
| | 1001244347 | Ref | SCISSORS ARMS GUARD HARNESS | B |
| 1 | 4460891 | 1 | Plug, Male - 2 Position | |
| 1 | 4460465 | 2 | Socket, Female | |
| 2 | 4460539 | 1 | Plug, Male - 3 Position | |
| 2 | 4460944 | 3 | Socket, Female | |
| 3 | 1001103012 | 1 | Connector - 4 Position | |
| 3 | 1001107854 | 4 | Socket, Female | |

SECTION 9 - DECALS

SECTION 9 - DECALS

FIGURE 9-1. DECAL INSTALLATION - ANSI AND ANSI EXPORT SPECS (ENGLISH)



ART_1001187668

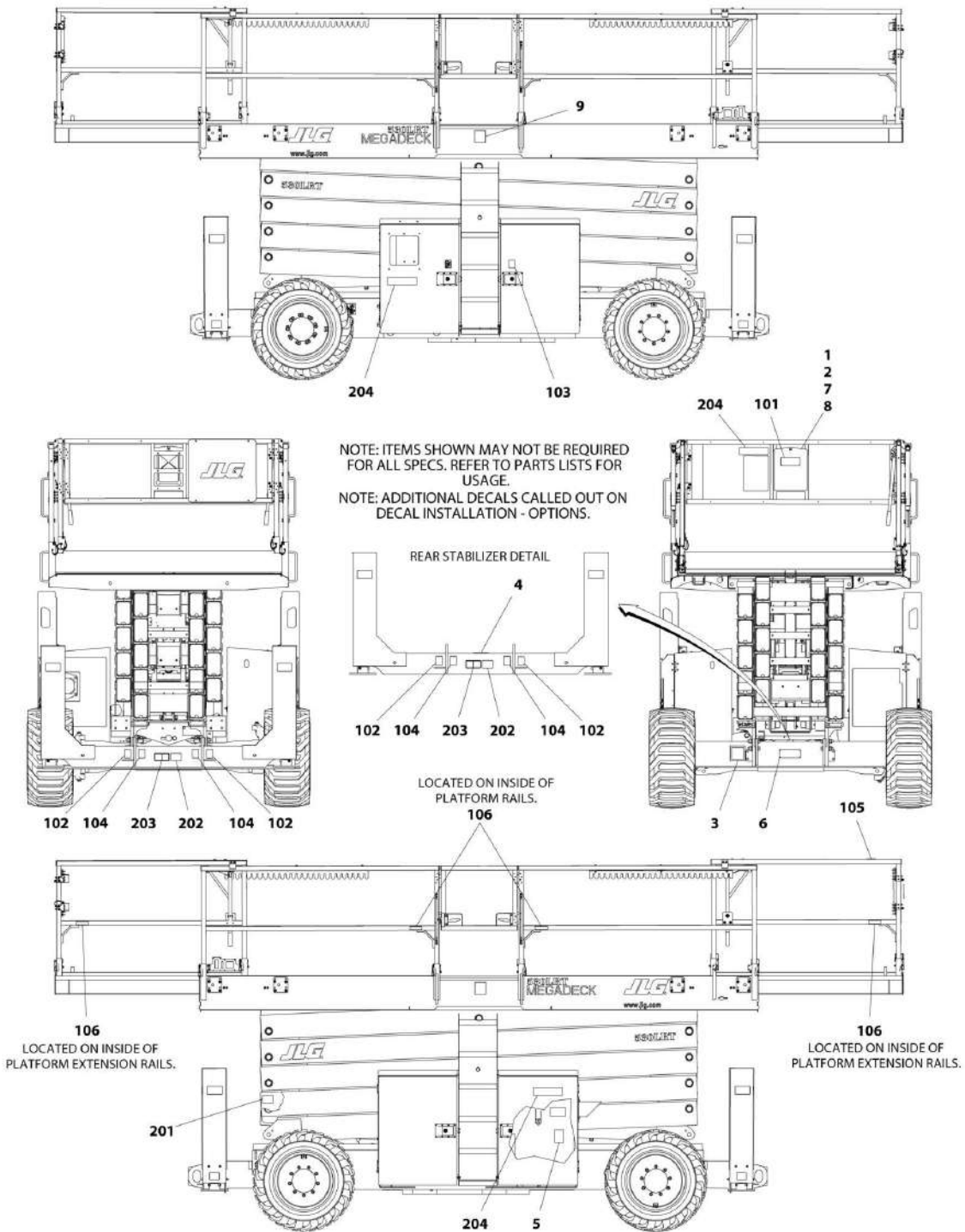
SECTION 9 - DECALS

FIGURE 9-1. DECAL INSTALLATION - ANSI AND ANSI EXPORT SPECS (ENGLISH)

| ITEM | PART NUMBER | QTY | DESCRIPTION | REV |
|------|-------------|-----|--|-----|
| | 1001187668 | Ref | DECAL INSTALLATION - ANSI AND ANSI EXPORT SPECS (ENGLISH) | C |
| | | Ref | Note: See DECAL INSTALLATION - OPTIONS for additional decals. | |
| 1 | 0760610 | 4 | Bolt, M6 X 20 | |
| 2 | 0860520 | 1 | Box, Manual Storage | |
| 3 | See Note | NSS | Decal - Bar Code (Note: Not Available for Purchase) | |
| 4 | 1703687 | 2 | Decal - Directional Arrow | |
| 5 | 1703816 | 1 | Decal - Danger/Warning | |
| 6 | 1704412 | 1 | Decal - Hydraulic Oil | |
| 7 | 2080057 | 4 | Fastener | |
| 8 | 3290605 | 4 | Nut, Lock M6 | |
| 9 | 4811700 | 8 | Washer, M6 | |
| 10 | 1001131270 | 1 | Decal - Patent | |
| 11 | See Note | NSS | Decal - Manufacturers Serial Number (Note: Not Available for Purchase) | |
| 13 | 1001223453 | 1 | Decal - ICES | |
| 101 | 1701509 | 1 | Decal - Manual | |
| 102 | 1703811 | 1 | Decal - Lifting Lug | |
| 103 | 1703812 | 1 | Decal - Hydraulic Oil | |
| 104 | 1703814 | 1 | Decal - Tie Down | |
| 105 | 1703819 | 1 | Decal - Directional Arrow | |
| 106 | 1704277 | 1 | Decal - Lanyard Attach | |
| 201 | 1703818 | 1 | Decal - Danger Electrocution/Warning Crushing | |
| 202 | 1703821 | 1 | Decal - Control Box Location | |
| 203 | 1703823 | 1 | Decal - Danger/Electrocution Hazard | |
| 204 | 1704432 | 1 | Decal - Warning Crushing | |
| 205 | 1705019 | 1 | Decal - Safety Prop | |
| 206 | 1001192853 | 1 | Decal - Legend | |

SECTION 9 - DECALS

FIGURE 9-2. DECAL INSTALLATION - AUSTRALIAN AND JAPANESE SPECS



ART_1001203770

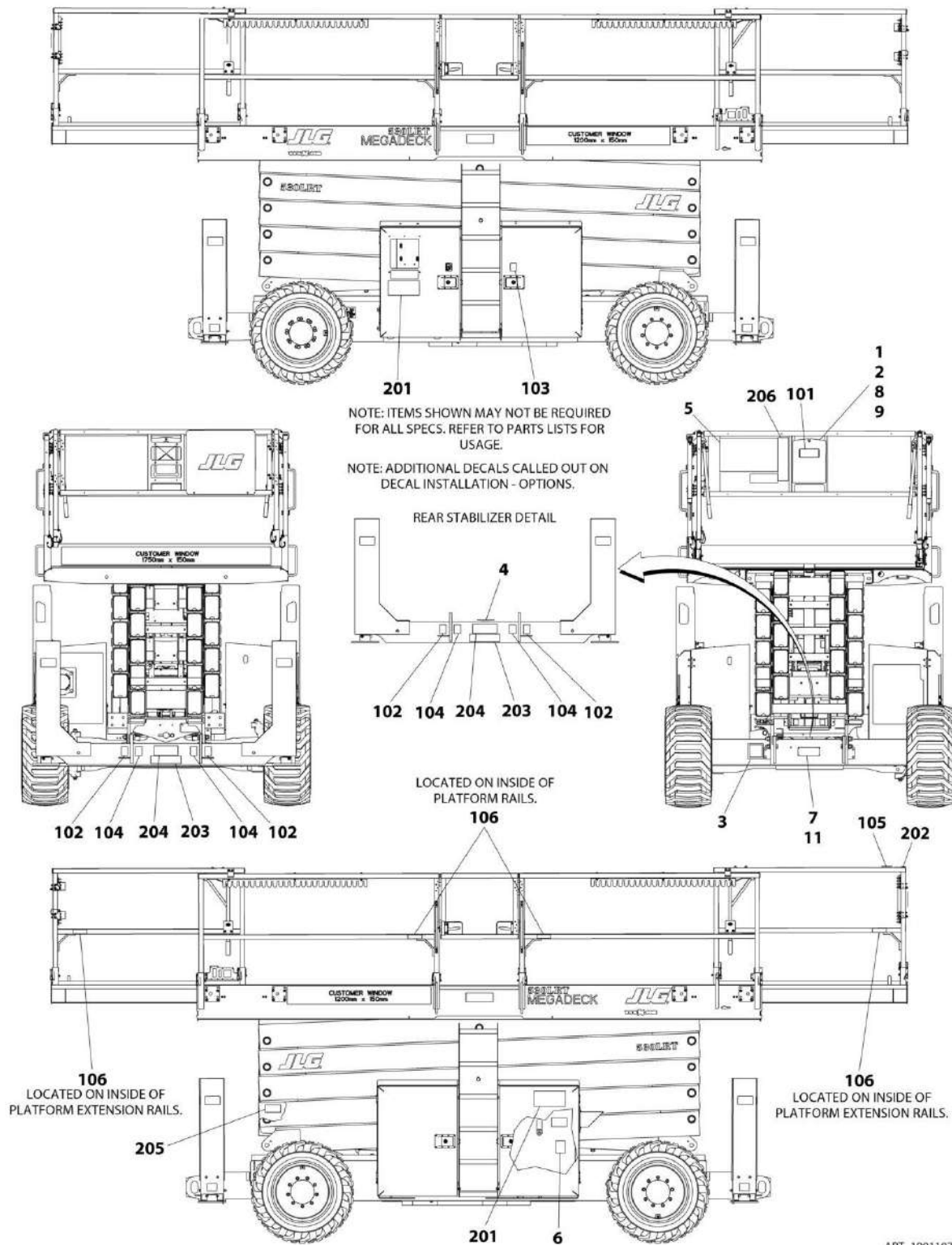
SECTION 9 - DECALS

FIGURE 9-2. DECAL INSTALLATION - AUSTRALIAN AND JAPANESE SPECS

| ITEM | PART NUMBER | QTY | DESCRIPTION | REV |
|------|-------------|-----|---|-----|
| | 1001203770 | Ref | DECAL INSTALLATION - AUSTRALIAN AND JAPANESE SPECS | C |
| | | Ref | Note: See DECAL INSTALLATION - OPTIONS for additional decals. | |
| 1 | 0760610 | 4 | Bolt, M6 X 20 | |
| 2 | 0860520 | 1 | Box, Manual Storage | |
| 3 | See Note | NSS | Decal - Bar Code (Note: Not Available for Purchase) | |
| 4 | 1703687 | 2 | Decal - Directional Arrow | |
| 5 | 1704412 | 1 | Decal - Hydraulic Oil | |
| 6 | 2080057 | 4 | Fastener | |
| 7 | 3290605 | 4 | Nut, Lock M6 | |
| 8 | 4811700 | 8 | Washer, M6 | |
| 9 | 1001191526 | 2 | Decal - Sound Power Level | |
| 101 | 1701509 | 1 | Decal - Manual | |
| 102 | 1703811 | 1 | Decal - Lifting Lug | |
| 103 | 1703812 | 1 | Decal - Hydraulic Oil | |
| 104 | 1703814 | 1 | Decal - Tie Down | |
| 105 | 1703819 | 1 | Decal - Directional Arrow | |
| 106 | 1704277 | 1 | Decal - Lanyard Attach | |
| 201 | 1705019 | 1 | Decal - Safety Prop | |
| 202 | 1705372 | 1 | Decal - Head Crushing | |
| 203 | 1705671 | 1 | Decal - Electrocution | |
| 204 | 1706338 | 1 | Decal - Electrocution/Crushing | |

SECTION 9 - DECALS

FIGURE 9-3. DECAL INSTALLATION - BRAZIL SPECS (SPANISH/PORTUGUESE)



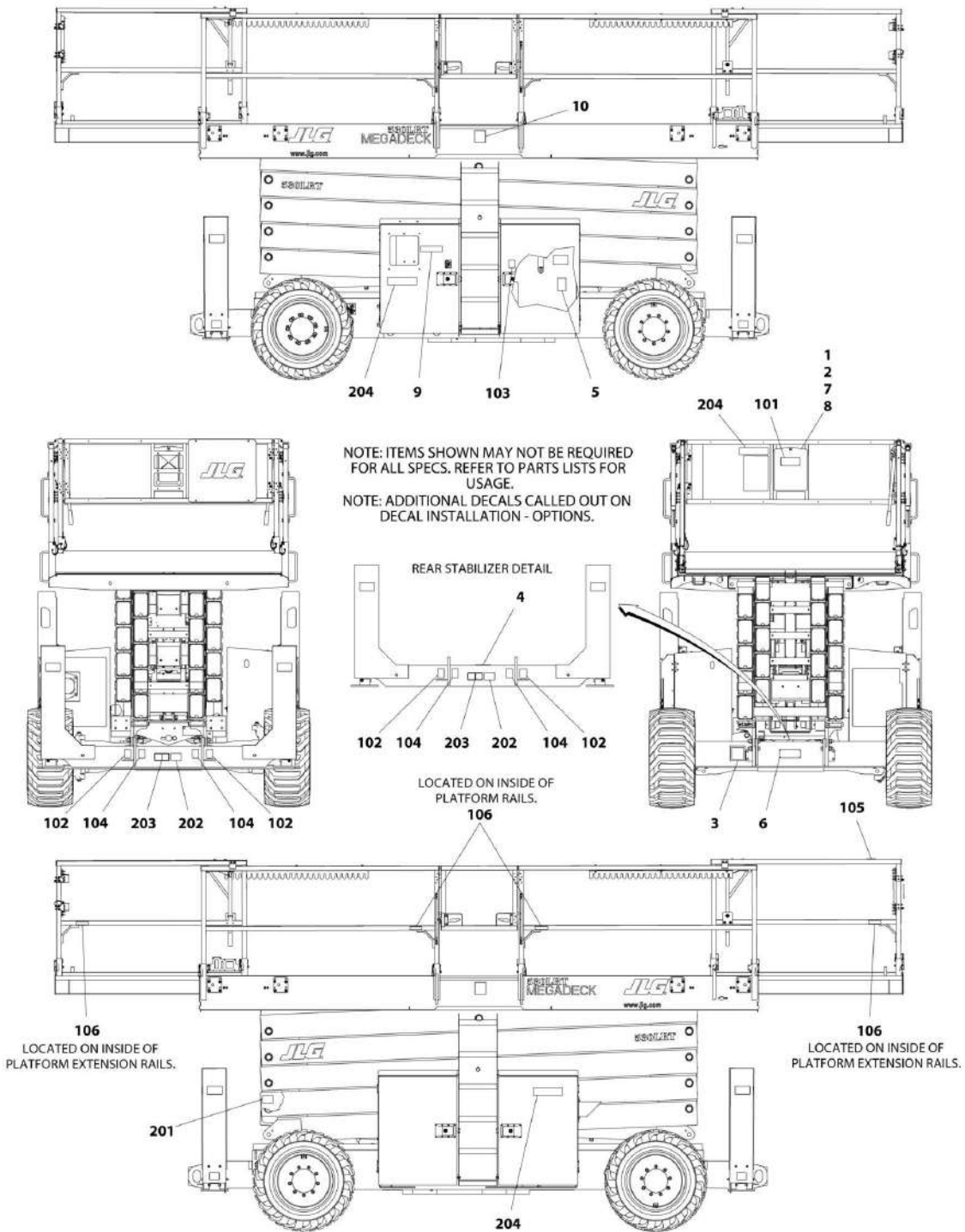
SECTION 9 - DECALS

FIGURE 9-3. DECAL INSTALLATION - BRAZIL SPECS (SPANISH/PORTUGUESE)

| ITEM | PART NUMBER | QTY | DESCRIPTION | REV |
|------|-------------|-----|---|-----|
| | 1001187673 | Ref | DECAL INSTALLATION - BRAZIL SPECS (SPANISH/PORTUGUESE) | A |
| | | Ref | Note: See DECAL INSTALLATION - OPTIONS for additional decals. | |
| 1 | 0760610 | 4 | Bolt M6 x 20 | |
| 2 | 0860520 | 1 | Box, Manual Storage | |
| 3 | See Note | NSS | Decal - Bar Code (Note: Not Available for Purchase) | |
| 4 | 1703687 | 2 | Decal - Directional Arrow | |
| 5 | 1704699 | 1 | Decal - Danger/Warning | |
| 6 | 1704412 | 1 | Decal - Hydraulic Oil | |
| 7 | 2080057 | 4 | Fastener | |
| 8 | 3290605 | 4 | Nut M6 | |
| 9 | 4811700 | 8 | Washer M6 | |
| 11 | See Note | NSS | Decal - Manufacturers Serial Number (Note: Not Available for Purchase) | |
| 101 | 1701509 | 1 | Decal - Manual | |
| 102 | 1703811 | 1 | Decal - Lifting Lug | |
| 103 | 1703812 | 1 | Decal - Hydraulic Oil | |
| 104 | 1703814 | 1 | Decal - Tie Down | |
| 105 | 1703819 | 1 | Decal - Directional Arrow | |
| 106 | 1704277 | 1 | Decal - Lanyard Attach | |
| 201 | 1704701 | 1 | Decal - Danger Electrocution/Warning Crushing | |
| 202 | 1704702 | 1 | Decal - Control Box Location | |
| 203 | 1705043 | 1 | Decal - Danger/Electrocution Hazard | |
| 204 | 1705318 | 1 | Decal - Warning Crushing | |
| 205 | 1705019 | 1 | Decal - Safety Prop | |
| 206 | 1001203077 | 1 | Decal - Legend | |

SECTION 9 - DECALS

FIGURE 9-4. DECAL INSTALLATION - CE SPEC



ART_1001187670

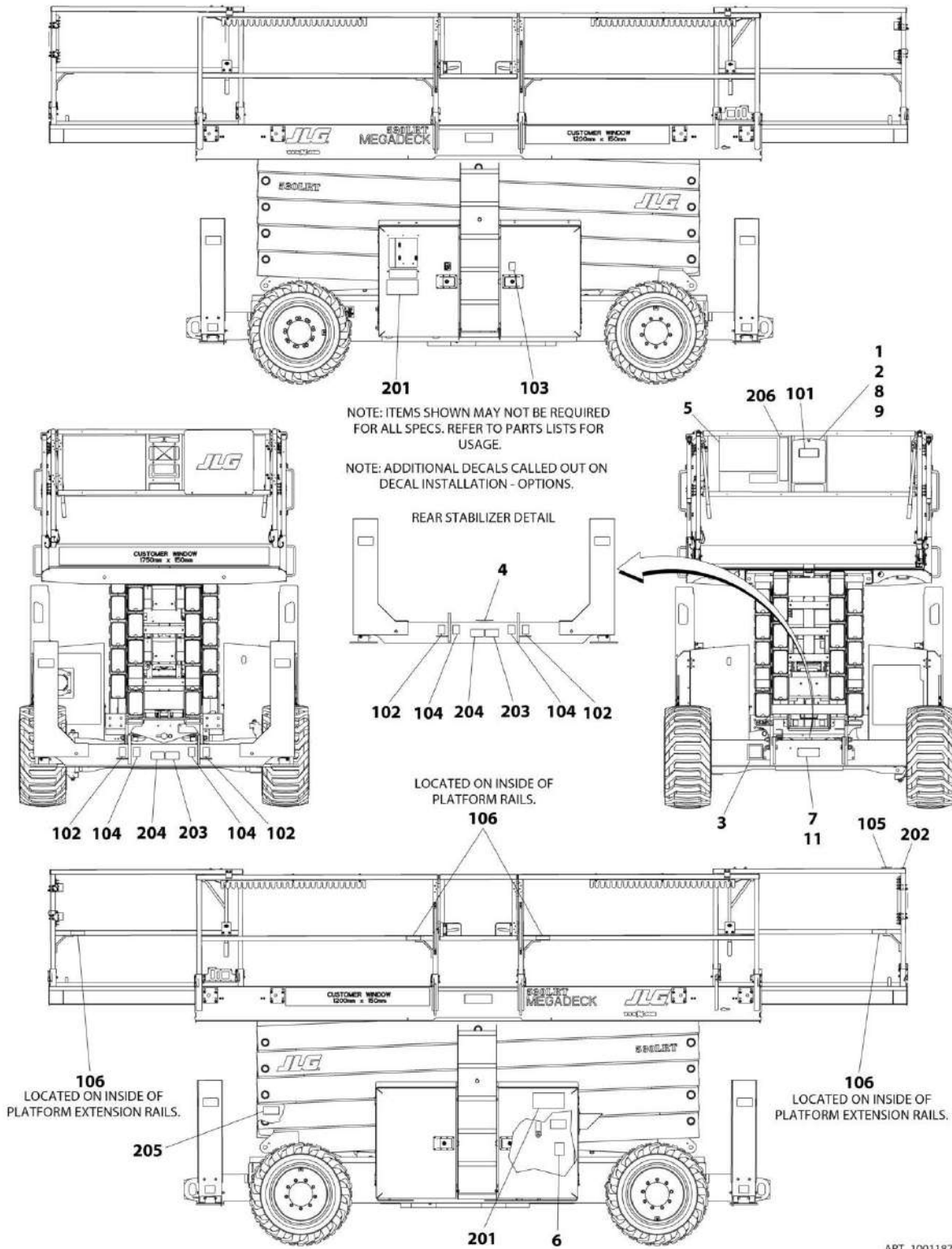
SECTION 9 - DECALS

FIGURE 9-4. DECAL INSTALLATION - CE SPEC

| ITEM | PART NUMBER | QTY | DESCRIPTION | REV |
|------|-------------|-----|---|-----|
| | 1001187670 | Ref | DECAL INSTALLATION - CE SPEC | E |
| | | Ref | Note: See DECAL INSTALLATION - OPTIONS for additional decals. | |
| 1 | 0760610 | 4 | Bolt, M6 X 20 | |
| 2 | 0860520 | 1 | Box, Manual Storage | |
| 3 | See Note | 1 | Decal - Bar Code (Note: Not Available for Purchase) | |
| 4 | 1703687 | 2 | Decal - Directional Arrow | |
| 5 | 1704412 | 1 | Decal - Hydraulic Oil | |
| 6 | 2080057 | 4 | Fastener | |
| 7 | 3290605 | 4 | Nut, Lock M6 | |
| 8 | 4811700 | 8 | Washer, M6 | |
| 9 | 1001197634 | 1 | Decal - MSSO Operation | |
| 10 | 80463053 | 2 | Decal - Sound Power Level | |
| 101 | 1701509 | 1 | Decal - Manual | |
| 102 | 1703811 | 1 | Decal - Lifting Lugs | |
| 103 | 1703812 | 1 | Decal - Hydraulic Oil | |
| 104 | 1703814 | 1 | Decal - Tie Down | |
| 105 | 1703819 | 1 | Decal - Directional Arrow | |
| 106 | 1704277 | 1 | Decal - Lanyard Attach | |
| 201 | 1705019 | 1 | Decal - Safety Prop | |
| 202 | 1705372 | 1 | Decal - Head Crushing | |
| 203 | 1705671 | 1 | Decal - Electrocution | |
| 204 | 1706338 | 1 | Decal - Electrocution/Crushing | |

SECTION 9 - DECALS

FIGURE 9-5. DECAL INSTALLATION - CHINESE SPECS (ENGLISH/CHINESE)



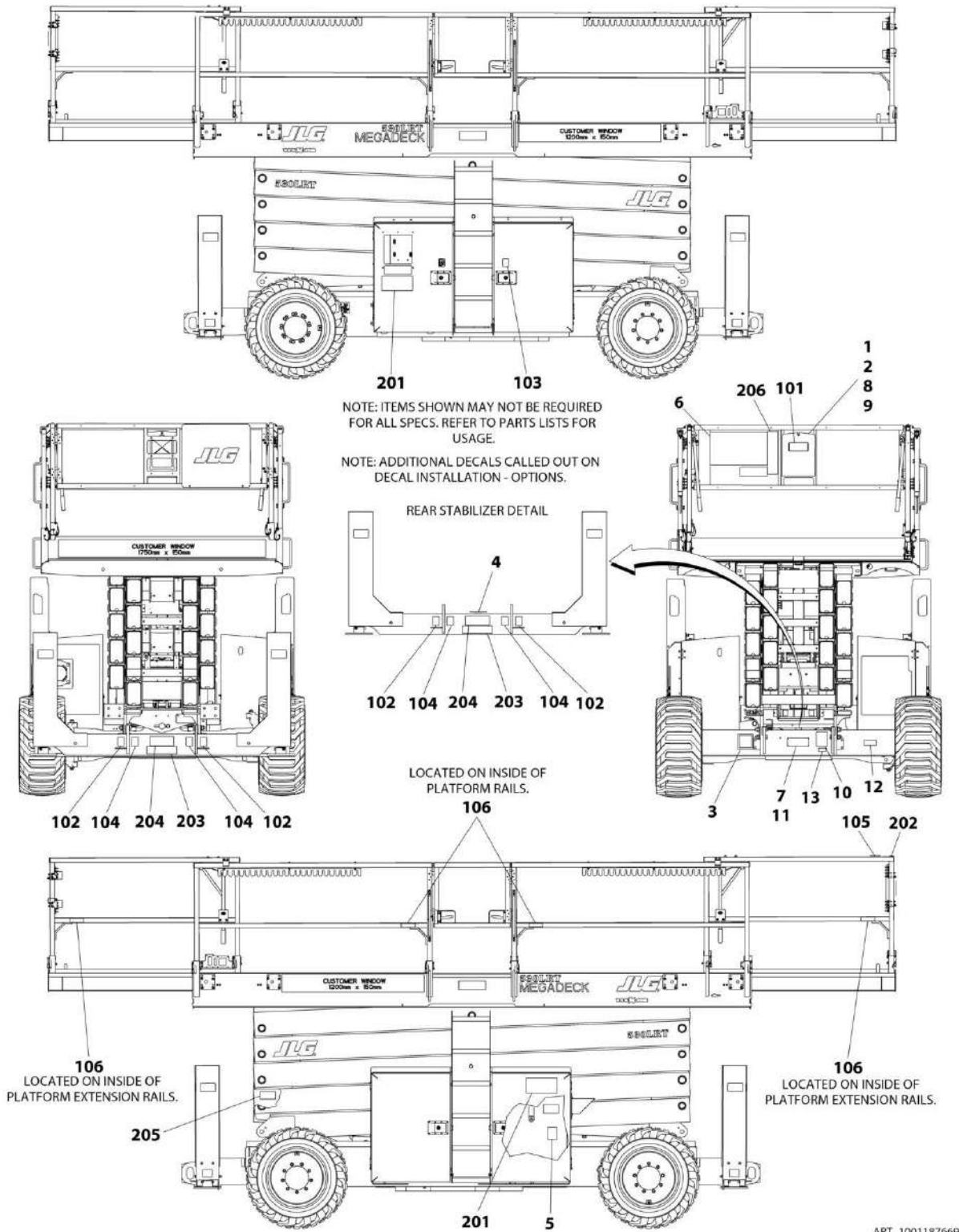
SECTION 9 - DECALS

FIGURE 9-5. DECAL INSTALLATION - CHINESE SPECS (ENGLISH/CHINESE)

| ITEM | PART NUMBER | QTY | DESCRIPTION | REV |
|------|-------------|-----|--|-----|
| | 1001187671 | Ref | DECAL INSTALLATION - CHINESE SPECS (ENGLISH/CHINESE) | A |
| | | Ref | Note: See DECAL INSTALLATION - OPTIONS for additional decals. | |
| 1 | 0760610 | 4 | Bolt M6 x 20 | |
| 2 | 0860520 | 1 | Box, Manual Storage | |
| 3 | See Note | NSS | Decal - Bar Code (Note: Not Available for Purchase) | |
| 4 | 1703687 | 2 | Decal - Directional Arrow | |
| 5 | 1705195 | 1 | Decal - Danger/Warning | |
| 6 | 1704412 | 1 | Decal - Hydraulic Oil | |
| 7 | 2080057 | 4 | Fastener | |
| 8 | 3290605 | 4 | Nut M6 | |
| 9 | 4811700 | 8 | Washer M6 | |
| 11 | See Note | NSS | Decal - Manufacturers Serial Number (Note: Not Available for Purchase) | |
| 101 | 1701509 | 1 | Decal - Manual | |
| 102 | 1703811 | 1 | Decal - Lifting Lug | |
| 103 | 1703812 | 1 | Decal - Hydraulic Oil | |
| 104 | 1703814 | 1 | Decal - Tie Down | |
| 105 | 1703819 | 1 | Decal - Directional Arrow | |
| 106 | 1704277 | 1 | Decal - Lanyard Attach | |
| 201 | 1705193 | 1 | Decal - Danger Electrocution/Warning Crushing | |
| 202 | 1705194 | 1 | Decal - Control Box Location | |
| 203 | 1705944 | 1 | Decal - Danger/Electrocution Hazard | |
| 204 | 1705943 | 1 | Decal - Warning Crushing | |
| 205 | 1705019 | 1 | Decal - Safety Prop | |
| 206 | 1001192853 | 1 | Decal - Legend | |

SECTION 9 - DECALS

FIGURE 9-6. DECAL INSTALLATION - CSA (ENGLISH/FRENCH)



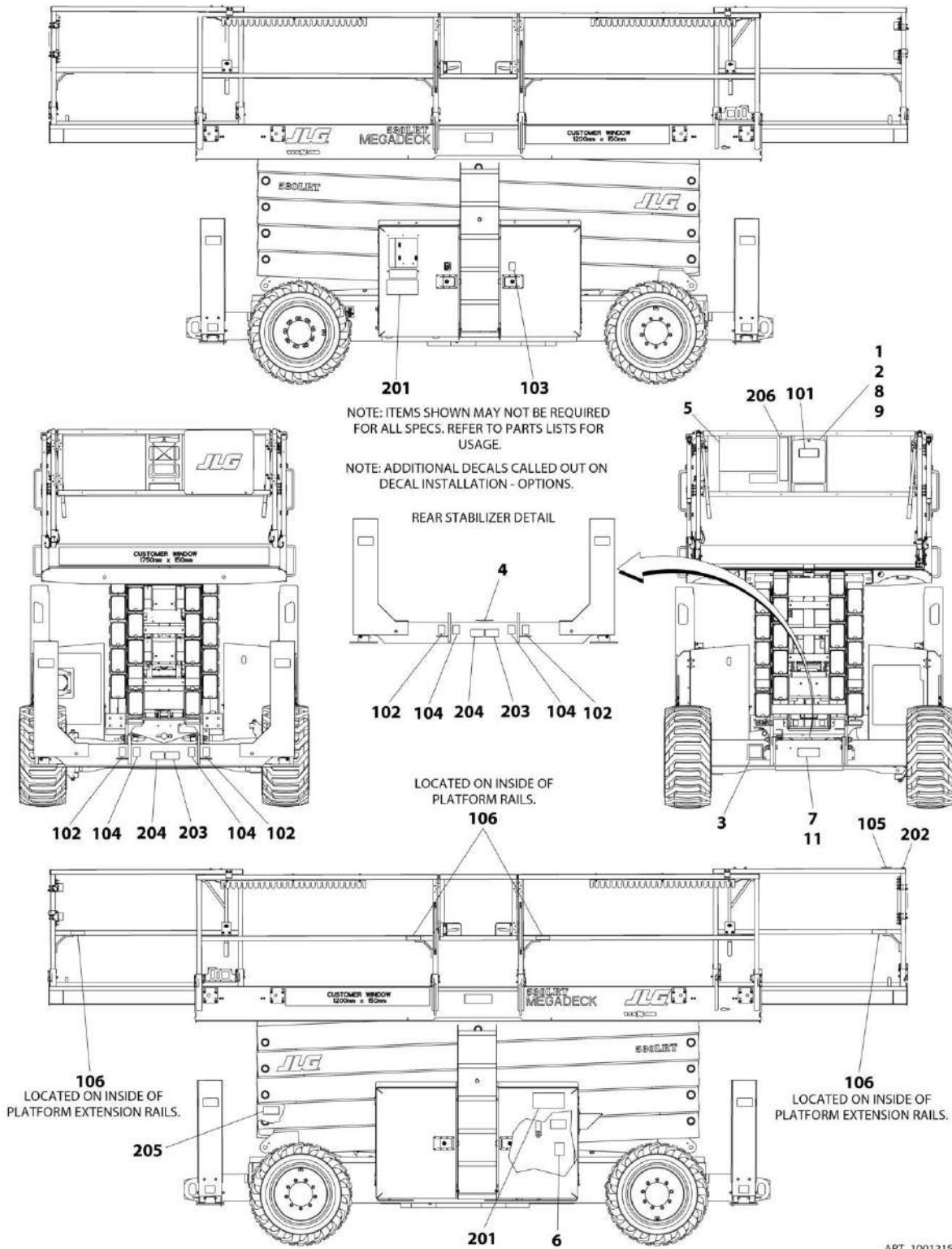
SECTION 9 - DECALS

FIGURE 9-6. DECAL INSTALLATION - CSA (ENGLISH/FRENCH)

| ITEM | PART NUMBER | QTY | DESCRIPTION | REV |
|------|-------------|-----|--|-----|
| | 1001187669 | Ref | DECAL INSTALLATION - CSA (ENGLISH/FRENCH) | C |
| | | Ref | Note: See DECAL INSTALLATION - OPTIONS for additional decals. | |
| 1 | 0760610 | 4 | Bolt M6 x 20 | |
| 2 | 0860520 | 1 | Box, Manual Storage | |
| 3 | See Note | NSS | Decal - Bar Code (Note: Not Available for Purchase) | |
| 4 | 1703687 | 2 | Decal - Directional Arrow | |
| 5 | 1704412 | 1 | Decal - Hydraulic Oil | |
| 6 | 1704684 | 1 | Decal - Danger/Warning | |
| 7 | 2080057 | 4 | Fastener | |
| 8 | 3290605 | 4 | Nut M6 | |
| 9 | 4811700 | 8 | Washer M6 | |
| 10 | 1001131270 | 1 | Decal - Patent | |
| 11 | See Note | NSS | Decal - Manufacturers Serial Number (Note: Not Available for Purchase) | |
| 12 | 1705303 | 1 | Decal - CSA | |
| 13 | 1001223453 | 1 | Decal - ICES | |
| 101 | 1701509 | 1 | Decal - Manual | |
| 102 | 1703811 | 1 | Decal - Lifting Lug | |
| 103 | 1703812 | 1 | Decal - Hydraulic Oil | |
| 104 | 1703814 | 1 | Decal - Tie Down | |
| 105 | 1703819 | 1 | Decal - Directional Arrow | |
| 106 | 1704277 | 1 | Decal - Lanyard Attach | |
| 201 | 1704686 | 1 | Decal - Danger Electrocution/Warning Crushing | |
| 202 | 1704687 | 1 | Decal - Control Box Location | |
| 203 | 1705040 | 1 | Decal - Danger/Electrocution Hazard | |
| 204 | 1705311 | 1 | Decal - Warning Crushing | |
| 205 | 1705019 | 1 | Decal - Safety Prop | |
| 206 | 1001203075 | 1 | Decal - Legend | |

SECTION 9 - DECALS

FIGURE 9-7. DECAL INSTALLATION - KOREAN SPECS (ENGLISH/KOREAN)



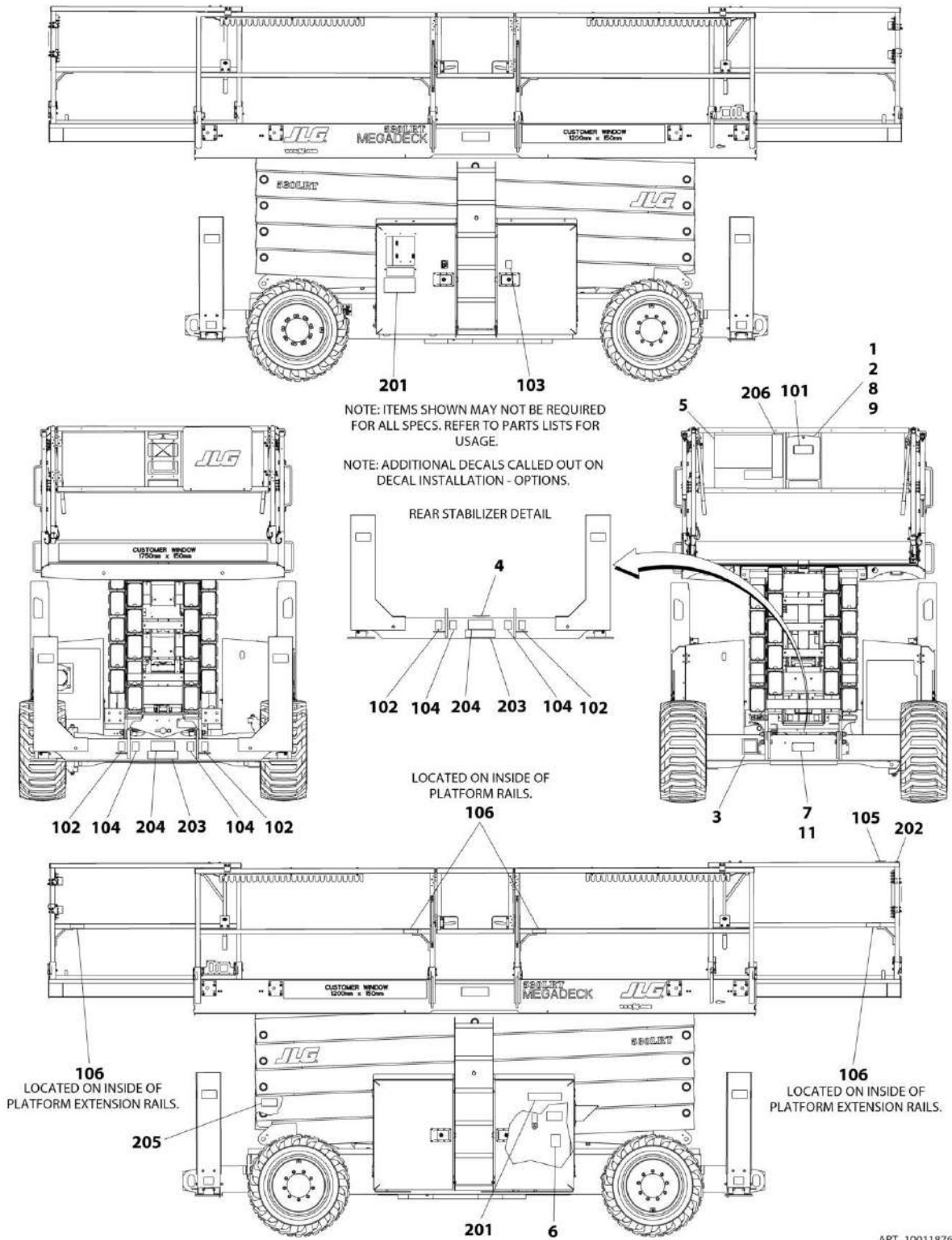
SECTION 9 - DECALS

FIGURE 9-7. DECAL INSTALLATION - KOREAN SPECS (ENGLISH/KOREAN)

| ITEM | PART NUMBER | QTY | DESCRIPTION | REV |
|------|-------------|-----|--|-----|
| | 1001215449 | Ref | DECAL INSTALLATION - KOREAN SPECS (ENGLISH/KOREAN) | A |
| | | Ref | Note: See DECAL INSTALLATION - OPTIONS for additional decals. | |
| 1 | 0760610 | 4 | Bolt, M6 X 20 | |
| 2 | 0860520 | 1 | Box, Manual Storage | |
| 3 | See Note | NSS | Decal - Bar Code (Note: Not Available for Purchase) | |
| 4 | 1703687 | 2 | Decal - Directional Arrow | |
| 5 | 1001162115 | 1 | Decal - Danger/Warning | |
| 6 | 1704412 | 1 | Decal - Hydraulic Oil | |
| 7 | 2080057 | 4 | Fastener | |
| 8 | 3290605 | 4 | Nut, Lock M6 | |
| 9 | 4811700 | 8 | Washer, M6 | |
| 11 | See Note | NSS | Decal - Manufacturers Serial Number (Note: Not Available for Purchase) | |
| 101 | 1701509 | 1 | Decal - Manual | |
| 102 | 1703811 | 1 | Decal - Lifting Lug | |
| 103 | 1703812 | 1 | Decal - Hydraulic Oil | |
| 104 | 1703814 | 1 | Decal - Tie Down | |
| 105 | 1703819 | 1 | Decal - Directional Arrow | |
| 106 | 1704277 | 1 | Decal - Lanyard Attach | |
| 201 | 1001162111 | 1 | Decal - Danger Electrocution/Warning Crushing | |
| 202 | 1001162112 | 1 | Decal - Control Box Location | |
| 203 | 1001162114 | 1 | Decal - Danger/Electrocution Hazard | |
| 204 | 1001162113 | 1 | Decal - Warning Crushing | |
| 205 | 1705019 | 1 | Decal - Safety Prop | |
| 206 | 1001162110 | 1 | Decal - Legend | |

SECTION 9 - DECALS

FIGURE 9-8. ECAL INSTALLATION - LATIN AMERICAN SPECS (ENGLISH/SPANISH)



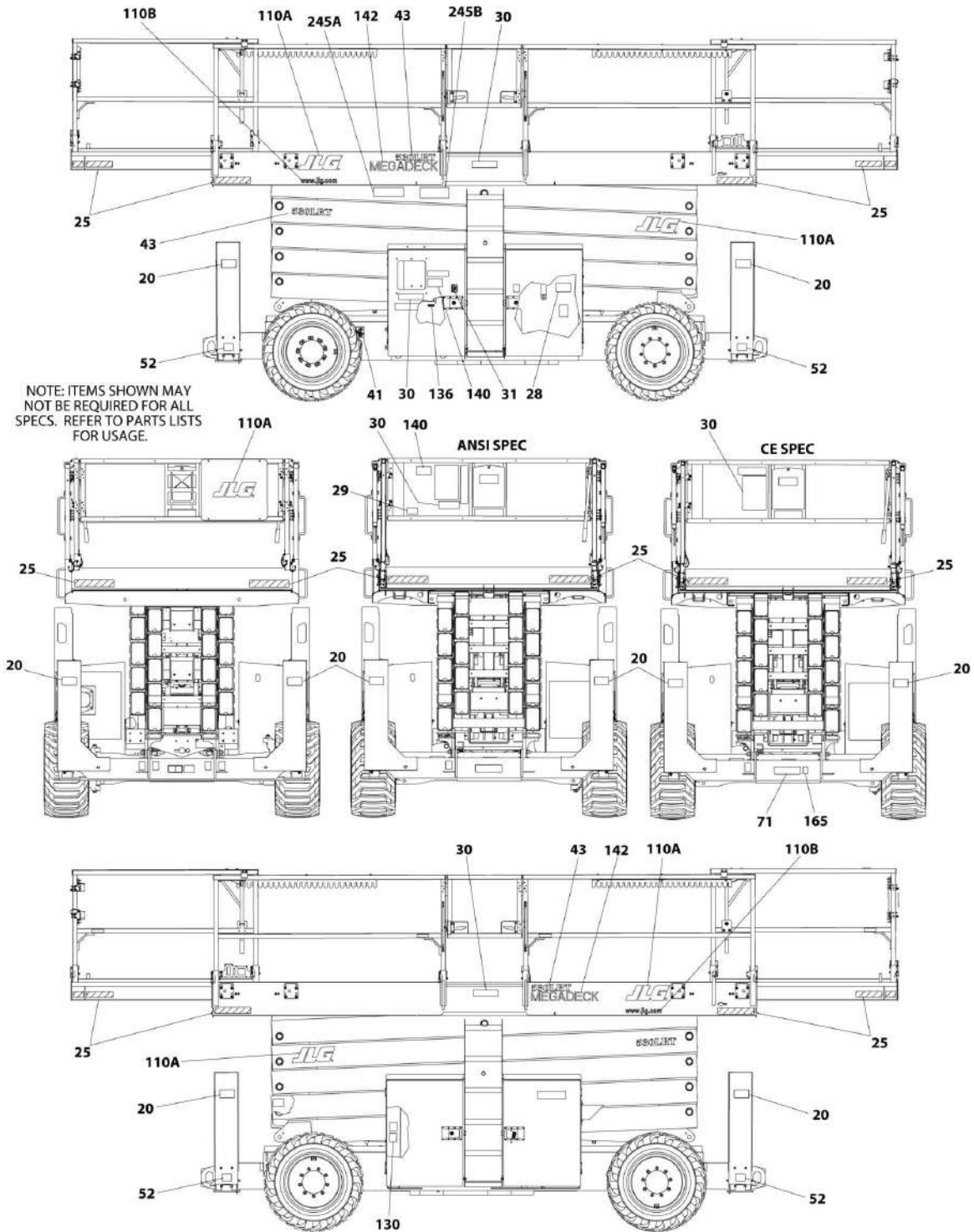
SECTION 9 - DECALS

FIGURE 9-8. ECAL INSTALLATION - LATIN AMERICAN SPECS (ENGLISH/SPANISH)

| ITEM | PART NUMBER | QTY | DESCRIPTION | REV |
|------|-------------|-----|---|-----|
| | 1001187672 | Ref | DECAL INSTALLATION - LATIN AMERICAN SPECS (ENGLISH/SPANISH) | A |
| | | Ref | Note: See DECAL INSTALLATION - OPTIONS for additional decals. | |
| 1 | 0760610 | 4 | Bolt M6 x 20 | |
| 2 | 0860520 | 1 | Box, Manual Storage | |
| 3 | See Note | NSS | Decal - Bar Code (Note: Not Available for Purchase) | |
| 4 | 1703687 | 2 | Decal - Directional Arrow | |
| 5 | 1704691 | 1 | Decal - Danger/Warning | |
| 6 | 1704412 | 1 | Decal - Hydraulic Oil | |
| 7 | 2080057 | 4 | Fastener | |
| 8 | 3290605 | 4 | Nut M6 | |
| 9 | 4811700 | 8 | Washer M6 | |
| 11 | See Note | NSS | Decal - Manufacturers Serial Number (Note: Not Available for Purchase) | |
| 101 | 1701509 | 1 | Decal - Manual | |
| 102 | 1703811 | 1 | Decal - Lifting Lug | |
| 103 | 1703812 | 1 | Decal - Hydraulic Oil | |
| 104 | 1703814 | 1 | Decal - Tie Down | |
| 105 | 1703819 | 1 | Decal - Directional Arrow | |
| 106 | 1704277 | 1 | Decal - Lanyard Attach | |
| 201 | 1704693 | 1 | Decal - Danger Electrocutation/Warning Crushing | |
| 202 | 1704694 | 1 | Decal - Control Box Location | |
| 203 | 1705041 | 1 | Decal - Danger/Electrocutation Hazard | |
| 204 | 1705316 | 1 | Decal - Warning Crushing | |
| 205 | 1705019 | 1 | Decal - Safety Prop | |
| 206 | 1001203076 | 1 | Decal - Legend | |

SECTION 9 - DECALS

FIGURE 9-9. DECAL INSTALLATION - OPTIONS



ART_DECALOPTIONS

SECTION 9 - DECALS

FIGURE 9-9. DECAL INSTALLATION - OPTIONS

| ITEM | PART NUMBER | QTY | DESCRIPTION | REV |
|------|-------------|----------------|---|-----|
| | | Ref | DECAL INSTALLATION - REFERENCE CHART | |
| | 1001182000 | Ref | DECAL INSTALLATION - OPTIONS | |
| 20 | 1701214 | 8 | Decal - Outrigger Warning (ANSI, ANSI Export and CSA Specs) (English) | |
| 20 | 1701785 | 8 | Decal - Outrigger Warning (Australian and CE Specs) (English) | |
| 20 | 1704698 | 8 | Decal - Outrigger Warning (Brazilian Spec) (Spanish/Portuguese) | |
| 20 | 1704690 | 8 | Decal - Outrigger Warning (CSA Specs) (English/French) | |
| 20 | 1001215447 | 8 | Decal - Outrigger Warning (Korean Specs) (English/Korean) | |
| 20 | 1704697 | 8 | Decal - Outrigger Warning (Latin American Spec) (English/Spanish) | |
| 25 | 1001187701 | Ref | Decal - Warning Stripes Installation (Single Deck Extension) | A |
| 25 | 1001192381 | Ref | Decal - Warning Stripes Installation (Dual Deck Extension) | A |
| 25 | 4420051 | 10 ft/ 3.1m | Tape, Safety (Single Deck Extension) | |
| 25 | 4420051 | 12 ft/ 3.7m | Tape, Safety (Dual Deck Extension) | |
| 28 | 1702788 | 1 | Decal - Biodegradable Hydraulic Fluid (All Specs Except ANSI Export and Japanese Specs) | |
| 28 | 1704174 | 1 | Decal - Synthetic Biodegradable Hydraulic Fluid (All Specs Except ANSI Export and Japanese Specs) | |
| 28 | 1703479 | 1 | Decal - Biodegradable Hydraulic Fluid (German Specs) | |
| 28 | 1704175 | 1 | Decal - Synthetic Biodegradable Hydraulic Fluid (German Specs) | |
| 29 | 1001231801 | 1 | Decal - Warning Prop 65 (ANSI Specs) | |
| 29 | 1001236338 | NLA | Decal - Warning Prop 65 (Gas) (ANSI Specs) (Use p/n 1001231801) | |
| 30 | 1001202973 | 4 | Decal - Capacity 1500lbs/680kg (With Single Deck Extension) (All Specs Except Australian and CE Specs) | |
| 30 | 1001202974 | 1 | Decal - Capacity 680kg (With Single Deck Extension) (Australian and CE Specs) | |
| 30 | 1001191732 | 4 | Decal - Capacity 1500lbs/680kg (With Dual Deck Extension) (All Specs Except Australian and CE Specs) | |
| 30 | 1001191733 | 1 | Decal - Capacity 680kg (With Dual Deck Extension) (Australian and CE Specs) | |
| 31 | 1701505 | 1 | Decal - Fuel (Diesel) | |
| 31 | 1701542 | 1 | Decal - Fuel (Dual Fuel) | |
| 41 | 1700818 | 1 | Decal - LP Gas (ANSI, ANSI Export and CSA Specs) (English) | |
| 41 | 1702720 | 1 | Decal - LP Gas (ANSI Export Specs) (Spanish) | |
| 41 | 1704271 | 1 | Decal - LP Gas (CSA Spec) (English/French) | |
| 43 | 1001200543 | 4 | Decal - Model 530LRT | |
| 52 | 1001191735 | 4 | Decal - Max Tire load | |
| 71 | See Note | NSS | Nameplate - Manufacturer Serial Number (Australian, CE and Japanese Specs) (Note: Not Available for Purchase) | |
| 110 | 1001220567 | Ref | JLG Logo Decal Installation | A |
| 110A | 1702773 | 5 | Decal - JLG | |
| 110B | 1704885 | 2 | Decal - Website | |
| 130 | 1704972 | 1 | Decal - Warning Explosion/Fire (English) (ANSI Specs) | |
| 130 | 1706098 | 1 | Decal - Warning Explosion/Fire (Pictogram) (Australian, CE and Japanese Spec) | |
| 130 | 1706059 | 1 | Decal - Warning Explosion/Fire (English/Portuguese) (Brazil Specs) | |
| 130 | 1706060 | 1 | Decal - Warning Explosion/Fire (English/Chinese) (China Specs) | |
| 130 | 1706064 | 1 | Decal - Warning Explosion/Fire (English/French) (CSA Specs) | |
| 130 | 1706063 | 1 | Decal - Warning Explosion/Fire (English/Spanish) (Latin | |

SECTION 9 - DECALS

| ITEM | PART NUMBER | QTY | DESCRIPTION | REV |
|------|-------------|-----|--|-----|
| 136 | 1001125387 | 1 | American Specs) Decal - Ultra Low Sulfur Fuel (ANSI, CSA and Japanese Specs) (Kubota T4F Only) | |
| 136 | 1001139654 | 1 | Decal - Ultra Low Sulfur Fuel (CE Specs) (ISO) | |
| 140 | 1001112548 | Ref | Hearing Loss Decal Installation (ANSI Specs) | B |
| 140 | 1706837 | 2 | Decal- Hearing Loss | |
| 142 | 1001142595 | 2 | Decal - Megadeck | |
| 156 | 1001214029 | Ref | EAC Decal Installation (Russian/CIS Specs) | A |
| 156 | 1001173703 | 1 | Decal - EAC | |
| 245 | 1001229700 | Ref | Decal - ClearSky Telematics Installation | |
| 245A | 1001116208 | 1 | Decal - ClearSky | |
| 245B | 1001120989 | 1 | Decal - Radio Frequency Device | |

SECTION 10 - RECOMMENDED SERVICE PARTS STOCK

SECTION 10 - RECOMMENDED SERVICE PARTS STOCK

SECTION 10 - RECOMMENDED SERVICE PARTS STOCK

FIGURE 10-1. RECOMMENDED SERVICE PARTS STOCK

| ITEM | PART NUMBER | QTY | DESCRIPTION | REV |
|------|-------------|-----|---|-----|
| | | Ref | Note: The following list will service one machine (built to current production per date on the front cover) with emergency repair parts which can be installed in the field. Parts from the list should be replaced when inventory is depleted to keep service parts stock supplied. For further information, contact your JLG dealer or the JLG Industries Parts Department. | |
| | | Ref | STANDARD PARTS | |
| | 4360070 | 1 | Breaker, Circuit 15Amp | |
| | 70002113 | 1 | Breather, Hydraulic Tank | |
| | 70050516 | 1 | Coil | |
| | 70002963 | 1 | Coil | |
| | 70001965 | 1 | Coil | |
| | 70001967 | 1 | Coil | |
| | 70001977 | 1 | Coil | |
| | 1600402 | 1 | Controller Assembly | |
| | 70010383 | 1 | Element, Charge Filter | |
| | 70001960 | 4 | Element, Return Filter | |
| | 2860030 | 1 | Key, Replacement | |
| | 3740080 | 1 | Relay | |
| | 4360475 | 1 | Switch, Emergency Stop | |
| | 4360387 | 1 | Switch, Push Button | |
| | 4360328 | 1 | Switch, Toggle | |
| | | Ref | VARIABLE PARTS | |
| | 1001181045 | 1 | Breaker, 30mA/16Amp (CE Spec Machines) | |
| | 1001159118 | 1 | Breaker, GFCI 30A - 240V (Machines with Receptacle Assembly) | |
| | 4360070 | 1 | Breaker, Circuit - 15Amp (Machines with Generator) | |
| | 7015004 | 12 | Element, Air Cleaner (Kubota Engines) | |
| | 70005296 | 1 | Element, Fuel/Water Separator | |
| | 1001119276 | 1 | Fuse, 60 Amp (Kubota Gasoline Machines) | |
| | 2940074 | 1 | Latch | |
| | 1001182481 | 1 | Module, Control (Kubota Engines) | |
| | 1001234735 | 1 | Module, Ground Control | |
| | 1001235098 | 1 | Module, Platform Control | |
| | 1001187857 | 1 | Sensor, Dual Axis (Arm Guards) | |
| | 4360469 | 1 | Switch, Key | |
| | 4360548 | 1 | Switch, Limit (Leveling Jacks) | |
| | 4360502 | 1 | Switch, Proximity Sensor | |
| | 4360500 | 1 | Switch, Rotary Angle Sensor | |
| | 4360482 | 1 | Switch, Toggle (Machines with Generator) | |
| | 1001234736 | 1 | Module, Control - Hydraulics | |
| | 1600387 | 1 | Module, Control - LSS | |

SECTION 11 - SPECIAL OPTIONS

SECTION 11 - SPECIAL OPTIONS

FIGURE 11-1. SPECIAL OPTIONS

| ITEM | PART NUMBER | QTY | DESCRIPTION | REV |
|------|-------------|-----|---|-----|
| | | Ref | Note: This list is to accommodate machines ordered with special equipment. Options may not be applicable to all models. For more specific parts information contact JLG Parts Department. | |
| | | Ref | MISCELLANEOUS SPECIAL OPTIONS | |
| | 1001181468 | Ref | Airline Installation | |
| | 1001215967 | Ref | Airline Add-on Kit | |
| | 1001234565 | Ref | Cable Routing Kit | |
| | | Ref | ClearSky Telematic Installation (Factory Installed) Options: | |
| | 1001236021 | Ref | ClearSky Canbus Connection (ANSI & CSA Specs) | |
| | 1001236869 | Ref | ClearSky Canbus Connection (ANSI Export & CE Specs) | |
| | 1001229107 | Ref | ClearSky 3 Wire Connection (ANSI and CSA Specs) | |
| | 1001233237 | Ref | ClearSky 3 Wire Connection (ANSI Export and CE Specs) | |
| | | Ref | ClearSky Telematic Add-on Kit (Dealer Installed) Options: | |
| | 1001237254 | Ref | ClearSky Canbus Connection (ANSI & CSA Specs) | |
| | 1001237255 | Ref | ClearSky Canbus Connection (ANSI Export & CE Specs) | |
| | 1001230504 | Ref | ClearSky 3 Wire Connection (ANSI and CSA Specs) | |
| | 1001234102 | Ref | ClearSky 3 Wire Connection (ANSI Export and CE Specs) | |
| | 1001177763 | Ref | Cold Weather Package - 120V (Diesel Engine) | |
| | 1001215968 | Ref | Cold Weather Package Add-on Kit - 120V (Diesel Engine) | |
| | 1001206739 | Ref | Cold Weather Package - 120V (Gas Engine) | |
| | 1001216866 | Ref | Cold Weather Package Add-on Kit - 120V (Gas Engine) | |
| | 1001188785 | Ref | Cold Weather Package - 240V (Diesel Engine) | |
| | 1001215969 | Ref | Cold Weather Package Add-on Kit - 240V (Diesel Engine) | |
| | 1001191737 | Ref | Container Shipment Preparation | |
| | | Ref | Decal Options: | |
| | 1001229700 | Ref | Decal - Clear Sky Installation | |
| | | Ref | Decal Kits: | |
| | 1001194829 | Ref | Decal Kit - Country Spec (ANSI Spec) | |
| | 1001194831 | Ref | Decal Kit - Country Spec (Australian, CE and Japanese Specs) | |
| | 1001194834 | Ref | Decal Kit - Country Spec (Brazil Specs) | |
| | 1001214131 | Ref | Decal Kit - Country Spec (Chinese Specs) | |
| | 1001194830 | Ref | Decal Kit - Country Spec (CSA Specs) | |
| | 1001162116 | Ref | Decal Kit - Country Spec (Korean Specs) | |
| | 1001203076 | Ref | Decal Kit - Country Spec (Latin American Specs) | |
| | 1001193323 | Ref | Decal Kit - Master (Standard Decal) | |
| | 1001233631 | Ref | Door Bumpers Kit | |
| | 1001233818 | Ref | Door Retention Kit | |
| | | Ref | Electrical Connector Kits | |
| | 1001148902 | Ref | Electrical Connector Kit - Amp/Tyco Electrical Connectors | |
| | 1001148903 | Ref | Electrical Connector Kit - Deutsch DT Electrical Connectors | |
| | 1001148904 | Ref | Electrical Connector Kit - Deutsch HD Electrical Connectors | |
| | 1001148905 | Ref | Electrical Connector Kit - Packard Electrical Connectors | |
| | 1001148906 | Ref | Electrical Connector Kit - Various Electrical Connectors | |
| | 1001218620 | Ref | Fliter Kit (Diesel Engines) | |
| | 1001186539 | Ref | Fire Extinguisher Installation | |
| | 1001233321 | Ref | Footswitch Installation (Korean Specs Only) | |
| | 1001234575 | Ref | Footswitch Add-on Kit (Korean Specs Only) | |
| | 1001202749 | Ref | Fuel Cap Cover Installation (Black) (Note: Lock p/n 1001102157 must be Purchased Separately) | |

SECTION 11 - SPECIAL OPTIONS

| ITEM | PART NUMBER | QTY | DESCRIPTION | REV |
|------|-------------|-----|--|-----|
| | 1001191395 | Ref | Fuel Cap Cover Installation (Green) (Diesel Machines) (Note: Lock p/n 1001102157 must be Purchased Separately) | |
| | 1001191394 | Ref | Fuel Cap Cover Installation (Red) (Gas Machines) (Note: Lock p/n 1001102157 must be Purchased Separately) | |
| | 1001234904 | Ref | Fuselink Kit | |
| | | Ref | Generator Add-on Kit Options: | |
| | 1001215964 | Ref | Generator Kit - 4000W 50Hz (Diesel Engines) | |
| | 1001215962 | Ref | Generator Kit - 4000W 60Hz (Diesel Engines) | |
| | 1001215963 | Ref | Generator Kit - 4000W 60Hz (Gas Engines) | |
| | 1001215961 | Ref | Generator Kit - 7500W SkyPower 50Hz (Diesel Engines) | |
| | 1001215959 | Ref | Generator Kit - 7500W SkyPower 60Hz (Diesel Engines) | |
| | 1001215960 | Ref | Generator Kit - 7500W SkyPower 60Hz (Gas Engines) | |
| | 1001110509 | Ref | Ground Control Box Cover Installation | |
| | 1001187700 | Ref | Headlights and Taillights Installation | |
| | 1001215971 | Ref | Headlights and Taillights Add-on Kit | |
| | See Note | Ref | Hydraulic Fluid Options: | |
| | 2300039 | Ref | Hydraulic Fluid - Exxon Univis HVI 26 | |
| | 2300014 | Ref | Hydraulic Fluid - Mobil #424 | |
| | 2300016 | Ref | Hydraulic Fluid - Mobil DTE 10 Excel 32 (was DTE 13) | |
| | 2300027 | Ref | Hydraulic Fluid - Mobil EAL 224H Bio | |
| | 2300029 | Ref | Hydraulic Fluid - Mobil EAL EnviroSyn H46 Bio | |
| | 1001238484 | Ref | Material Tray Kit – Single Deck Extension | |
| | 1001231858 | Ref | Material Tray Kit – Dual and Mega Deck Extension | |
| | 2300021 | Ref | Hydraulic Fluid - Union Carbide Ucon Hydrolube HP-5046D (Fire Resistant) | |
| | 1001199441 | Ref | Oil Cooler Installation | |
| | 1001215972 | Ref | Oil Cooler Add-on Kits | |
| | 1001234258 | Ref | Platform Bearing Spacers Kit | |
| | 1001241633 | Ref | Platform Console Box Cover Kit | |
| | 1001197983 | Ref | Platform Lanyard Attach Installation | |
| | 1001187699 | Ref | Platform Lights Installation - Flood Lights (Nite - Bright) | |
| | 1001215966 | Ref | Platform Lights Add-on Kit - Flood Lights | |
| | 1001187698 | Ref | Platform Lights Installation - Worklights | |
| | 1001215965 | Ref | Platform Lights Add-on Kit - Worklights | |
| | 1001215970 | Ref | Pipe Racks Add-on Kit | |
| | 0274260 | Ref | Platform Workstation Installation | |
| | | Ref | Tools for Service | |
| | 7002821 | 1 | Crimper, Wire | |
| | 7002823 | 1 | Pin Extractor - Universal (For Electrical Connectors with Pins and Sockets) | |
| | 4460510 | 1 | Pin Extractor - 12-14 Gauge (For Removal of Pin/Sockets from Deutsch Connectors) | |
| | 4460467 | 1 | Pin Extractor - 16-18 Gauge (For Removal of Pin/Sockets from Deutsch Connectors) | |
| | 7016654 | 1 | Screwdriver, Magnetic | |
| | 7002822 | 1 | Screwdriver, Potentiometer | |
| | 7004275 | 1 | Seal Tool 1in (For Cylinders) | |
| | 7004276 | 1 | Seal Tool 1-1/2in (For Cylinders) | |
| | 7002828 | 1 | Stripper, Wire | |

PART NUMBER INDEX

PART NUMBER INDEX

| | | | |
|---|---|--|---|
| 0100009.....63, 65 | 0700812. 75, 85, 99, 115, 140, 150 | 387, 389, 391, 393, 395, 397 | 0962520.... 177, 181, 185, 189, 193, 197 |
| 0100011.... 13, 15, 17, 19, 39, 41, 47, 59, 61, 72, 75, 79, 83, 85, 89, 92, 100, 103, 105, 109, 112, 115, 119, 121, 124, 128, 140, 143, 147, 150, 153, 156, 173, 177, 181, 185, 189, 193, 197, 210, 247, 259 | 070081483, 92, 109, 112, 124, 128, 143, 147, 153, 156, 210 | 0760612 69, 82, 109, 295, 297, 299, 301, 303, 305, 307 | 1001091102.....247 |
| 0100019.....19 | 070081583, 92, 109, 112, 124, 128 | 0760614 140, 150 | 1001093383.....72 |
| 0100020 76, 85, 100, 115, 141, 150, 365 | 0700817. 75, 85, 99, 115, 210 | 0760618 247 | 1001096653.....210 |
| 0100038.....259 | 070081983, 92, 109, 112, 124, 128, 143, 153 | 0760808 82, 92, 108, 124, 128, 146, 156 | 1001097150.....315 |
| 0100048.... 177, 181, 185, 189, 193, 197 | 0700820 210 | 0760810 92, 112, 124, 128 | 1001098765.....309, 311 |
| 0100051..75, 85, 99, 115, 140, 150 | 0700824 210 | 0760810001 59, 61 | 1001099623.....215, 217 |
| 0140001.....53, 55 | 0700826 210 | 0760812 140 | 1001099670.....365 |
| 0140030.....241, 243 | 0700827 210 | 0760814 ... 53, 55, 75, 85, 99, 115, 230 | 1001100319.....59, 61 |
| 0140032.....67 | 0700828 210 | 0760815 146 | 1001100341.....369 |
| 0181847.....241, 243 | 0700830 210 | 0761009 186, 198 | 1001100342.....371 |
| 0270092.....29 | 0700831 210 | 0761010 . 75, 85, 99, 115, 140, 150 | 1001100345.....377 |
| 0270653.....31 | 0700835 241, 243 | 0761011 17 | 1001100346.....373 |
| 0274260.....405 | 0700836 47 | 0761012 72, 210 | 1001100347.....375 |
| 0275216.....295, 369 | 0701012 15 | 0761012 72, 83, 92, 109, 112, 124, 128, 143, 153 | 1001100451.....223, 225, 227 |
| 0275217.....297, 371 | 0701014 13 | 0761015 82, 92, 108, 112, 124, 128, 146, 156 | 1001101331..79, 89, 103, 105, 119, 121, 143, 153, 169 |
| 0275218.....303 | 0701015 72 | 0761016 82, 92, 108, 112, 124, 128, 146, 156 | 1001102433.....61, 210 |
| 0275219.....307 | 0701019 ... 177, 181, 185, 189, 193, 197 | 0761216 72 | 1001102804.....19 |
| 0275452.....301, 377 | 0701020 53, 55 | 0761227 41 | 1001102805.....19, 27 |
| 0275453.....305, 375 | 0701037 215, 217 | 0761416 72 | 1001102823.....53, 55, 57 |
| 0275454.....299, 373 | 0701039 39 | 0761615 13, 15, 72 | 1001102987.....115 |
| 0340045 82, 92, 108, 112, 124, 128, 146, 156 | 0701047. 75, 85, 99, 115, 140, 150 | 0761617 . 75, 85, 99, 115, 140, 150 | 1001103012.....341, 359, 379 |
| 0370018.....259 | 0701215 ... 177, 181, 189, 193 | 0762019 53, 55 | 1001103761.....41, 212 |
| 0400075..75, 85, 99, 115, 140, 150 | 0701217 ... 178, 182, 186, 190, 194, 198 | 0770812 67 | 1001103801.....39, 355 |
| 0440234.....215, 217 | 0701218 13 | 0771014 47 | 1001104498.....341, 359 |
| 0440250.....210 | 0701222. 15, 82, 92, 108, 112, 124, 128, 146, 156 | 0771015 210, 215, 217 | 1001104581.....271, 281 |
| 0440334 82, 92, 108, 112, 124, 128 | 0711025 210 | 0780608 ... 223, 225, 227, 291, 293, 295, 297, 299, 301, 303, 305, 307 | 1001104589.....272, 281 |
| 0480100.....249 | 0711026 210 | 0780810 ... 177, 181, 185, 189, 193, 197, 223, 225, 227 | 1001106736.....324 |
| 0561489.....215, 217 | 0711027 210 | 0780812 223, 225, 227 | 1001107854.....327, 341, 359, 379 |
| 0630564.... 223, 225, 227 | 0711221 17 | 0840052 309, 311 | 1001107924.....271, 281 |
| 0641408 82, 92, 108, 112, 124, 128 | 0712026 39 | 0840055 355 | 1001108128.....271, 281 |
| 0641508.....39 | 0731005 53, 55 | 0840056 317 | 1001108477.....272, 281 |
| 0641605.....115 | 0741010. 75, 85, 99, 115, 140, 150 | 0840057 319, 324 | 1001108588.....210 |
| 0641610.....140, 150 | 0741607 ... 177, 181, 185, 189, 193, 197 | 0860520 ... 383, 385, 387, 389, 391, 393, 395, 397 | 1001110509.....405 |
| 0641612..75, 85, 99, 115, 140, 150 | 0760415 210 | 0861538 193, 197 | 1001112548.....400 |
| 0641814 79, 89, 103, 105, 119, 121, 143, 153 | 0760508 37 | 0861572 189 | 1001112612.....319, 323 |
| 0681810.....19 | 0760512 141, 150 | 0861731 ... 293, 365, 367, 373, 375, 377 | 1001113961.....363 |
| 0682014.....19 | 0760606 ... 190, 194, 198, 241, 243 | 0861781 369, 371 | 1001116208.....400 |
| 0700610.... 39, 53, 55, 82, 92, 108, 112, 124, 128, 146, 156 | 0760607 82, 92, 108, 112, 124, 128, 146, 156 | 0861880 315 | 1001116732.....320, 323, 327 |
| 0700616.....15, 219 | 0760608 . 59, 61, 82, 108, 112, 146, 156, 173 | 0940049 72 | 1001116733.....317, 319, 323, 324, 327, 337 |
| 0700618.....215, 217 | 0760610 ... 59, 61, 72, 75, 82, 85, 99, 108, 115, 177, 181, 185, 189, 193, 197, 230, 234, 238, 291, 293, 295, 297, 299, 301, 303, 305, 307, 383, 385, | 0961948 17 | 1001116734.....320, 323, 327 |
| 0700619.... 146, 156, 230, 234, 238 | | 0961950 13, 15 | 1001116749.....327 |
| 0700620 82, 92, 108, 112, 124, 128 | | 0961986 82, 92, 108, 112, 124, 128, 146, 156 | 1001116752.....317, 319, 323, 324, 327 |
| | | 0962031 210 | 1001116763.....327 |
| | | 0962036 210 | 1001116774.....317 |
| | | 0962224 211 | 1001116808.....317, 363 |
| | | 0962474 211 | 1001116810.....363 |
| | | | 1001116811.....363 |
| | | | 1001116812.....319, 353, 359 |
| | | | 1001116816.....317, 324 |
| | | | 1001116926.....317, 351 |
| | | | 1001116930.....351, 363 |
| | | | 1001116934.....361 |
| | | | 1001116946.....247 |
| | | | 1001117023.....317, 319 |

PART NUMBER INDEX

| | | | |
|---|--|--|---|
| 1001117025 319, 327, 359 | 1001132358.....241, 243 | 1001164209.....17 | 1001179558 230, 234, 238 |
| 1001117055 324 | 1001138566.....178, 181, 185 | 1001164817.....253 | 1001179559 230, 234, 238 |
| 1001117069 319, 323, 324 | 1001139654.....400 | 1001165035..75, 85, 100, 116, 146, 156 | 1001179639 230, 234, 238 |
| 1001117070 323, 327 | 1001140346.....181, 185 | 1001165791.....63, 65 | 1001179644 230, 234, 238 |
| 1001117077 323 | 1001140347.....177 | 1001166257.....63, 65 | 1001179658 238 |
| 1001117078 317, 323, 327, 337 | 1001142595.....400 | 1001166702.....327 | 1001179676 230, 234, 238 |
| 1001117110 327 | 1001143645.....210 | 1001166732.....177, 182, 186, 189, 194, 198 | 1001179677 230, 234 |
| 1001117372 253 | 1001143898.....223, 225, 227 | 1001167274.....223, 225, 227 | 1001179678 230, 234, 238 |
| 1001118280 .83, 93, 109, 113, 125, 129, 146, 156 | 1001144295.....363 | 1001167690.....328 | 1001179691 223, 225, 227 |
| 1001118282 323, 327 | 1001146043.....146, 156 | 1001168018..82, 92, 108, 112, 124, 128, 146, 156 | 1001179693 223, 225 |
| 1001118511 13, 15 | 1001146588.....141, 151 | 1001169054..83, 92, 109, 112, 124, 128, 147, 156 | 1001179694 230, 234, 238 |
| 1001118518 13, 15 | 1001147274.....29, 31 | 1001169138..82, 93, 108, 112, 124, 128, 143, 146, 153, 156 | 1001179695 230, 234, 238 |
| 1001118519 13, 15 | 1001148648.....205 | 1001169967..82, 93, 108, 112, 125, 129, 146, 156 | 1001179696 227 |
| 1001118538 .82, 92, 108, 112, 124, 128, 146, 156 | 1001148675.....365 | 1001170035..82, 93, 108, 113, 125, 129, 146, 156 | 1001179856 223, 225, 227 |
| 1001118539 .82, 92, 108, 112, 124, 128, 146, 156 | 1001148676.....365 | 1001173043282 | 1001179911 41 |
| 1001118580 .82, 92, 108, 112, 124, 128 | 1001148865.....29 | 1001173703.....400 | 1001179956 35 |
| 1001118582 .82, 92, 109, 113, 125, 129 | 1001148866.....29 | 1001174093.....141, 151 | 1001179957 35 |
| 1001118616 328 | 1001148869.....31 | 1001174455.....319, 324 | 1001179958 35 |
| 1001118657 324 | 1001148870.....31 | 1001174486.....141, 151 | 1001179959 35 |
| 1001118658 324, 327 | 1001148902.....404 | 1001175012.....67 | 1001180307 13 |
| 1001118665 210 | 1001148903.....404 | 100117550993, 125, 129, 156 | 1001180309 13 |
| 1001118675 .82, 92, 108, 112, 124, 128, 165 | 1001148904.....404 | 1001176469.....59, 61 | 1001180315 13 |
| 1001118743 324 | 1001148905.....404 | 1001176636.....82, 108 | 1001180316 13 |
| 1001118744 323 | 1001148906.....404 | 1001176848.....17 | 1001180620 .83, 93, 109, 113, 125, 129, 147, 156 |
| 1001118745 323 | 1001148907.....365 | 1001177745.....13 | 1001180981 223, 225, 227 |
| 1001118746 .82, 92, 108, 112, 124, 128, 146, 156 | 1001148972.....210 | 1001177747.....17 | 1001180983 223, 225, 227 |
| 1001118878 230, 234, 238 | 1001149581.....223, 225, 227 | 1001177749.....15 | 1001180986 230 |
| 1001118881 .82, 92, 108, 112, 124, 128 | 1001149953.....29, 31, 33, 35 | 1001177750.....281, 286 | 1001180987 230, 234, 238 |
| 1001118925 .82, 92, 108, 112, 124, 128 | 1001151080.....177, 182, 186, 189, 194, 198 | 1001177751.....53 | 1001180990 223, 225, 227 |
| 1001118938 323, 327 | 1001151351.....272, 282 | 1001177752.....55 | 1001180994 230, 234, 238 |
| 1001118972 53, 55, 72 | 1001151354.....272, 282 | 1001177754.....247 | 1001181001 230 |
| 1001119276 402 | 1001152525.....201, 205 | 1001177755.....225 | 1001181003 230 |
| 1001119929 178, 190 | 1001156819.....140, 151 | 1001177756.....223 | 1001181045 315, 402 |
| 1001120989 400 | 1001157520.....201, 203, 205 | 1001177757.....227 | 1001181116 72 |
| 1001125248 .83, 93, 109, 113, 125, 129, 143, 153 | 1001157521.....201, 205 | 1001177758.....230 | 1001181140 189, 288 |
| 1001125387 400 | 1001157528.....203 | 1001177759.....234 | 1001181141 197, 288 |
| 1001125748 324, 327 | 1001158007.....201, 203, 205 | 1001177760.....238 | 1001181211 186, 198 |
| 1001125773 324, 327 | 1001158008.....201, 203, 205 | 1001177763.....404 | 1001181216 185, 288 |
| 1001126245 339 | 1001158199.....272, 282 | 1001177767.....193, 288 | 1001181217 177, 288 |
| 1001126393 328 | 1001158246.....272, 281 | 1001177770.....181, 288 | 1001181330 63, 65 |
| 1001128128 324, 327 | 1001159118.....365, 402 | 1001177775.....61 | 1001181375 210 |
| 1001128888 .83, 92, 109, 112, 124, 128 | 1001159119.....365 | 1001177778.....140 | 1001181384 210 |
| 1001129255 141, 150 | 1001159301.... 75, 85, 99, 115 | 1001177785.....99 | 1001181385 210 |
| 1001129256 141, 151 | 1001161497.....146, 156 | 1001177786.....47 | 1001181393 .79, 89, 103, 105, 119, 121 |
| 1001129772 324, 327 | 1001162110.....395 | 1001178489.....146 | 1001181436 211 |
| 1001129773 324 | 1001162111.....395 | 1001178636.....75 | 1001181468 404 |
| 1001130220 39 | 1001162112.....395 | 1001178695.....215 | 1001181476 211 |
| 1001130781 215, 217 | 1001162113.....395 | 1001178866.....39 | 1001181477 211 |
| 1001131270 383, 393 | 1001162114.....395 | 1001179071.....271, 286 | 1001181479 211 |
| 1001131391 141, 151 | 1001162115.....395 | 1001179171.....33 | 1001181481 211 |
| 1001132170 357 | 1001162116.....404 | 1001179172.....33 | |
| 1001132208 255 | 1001162995.....13, 15 | 1001179173.....33 | |
| | 1001163178.....17, 263 | 1001179174.....33, 35 | |
| | 1001163405.....17 | 1001179175.....33 | |
| | 1001163418.....53 | 1001179200.....39 | |
| | 1001163580.....15, 253 | 1001179256.....17 | |
| | 1001163715.....17 | | |
| | 1001163716.....17 | | |

PART NUMBER INDEX

| | | | |
|---|---|-----------------------------------|---|
| 1001181482.....211 | 1001184066 .83, 93, 109, 113, 125, 129, 147, 157 | 1001187670 389 | 1001194379.....272, 282 |
| 1001181485.....211 | 1001184162 177, 182, 186, 190, 194, 198 | 1001187671 391 | 1001194380.....272, 282 |
| 1001181486.....211 | 1001184163 177, 186, 190, 198 | 1001187672 397 | 1001194381.....272, 282 |
| 1001181501.....215, 217 | 1001184235 182, 194 | 1001187673 387 | 1001194382.....272, 282 |
| 1001181554.....53, 55 | 1001184392 103, 108 | 1001187695 15 | 1001194383.....272, 282 |
| 1001181622.....241 | 1001184498 99, 103 | 1001187698 405 | 1001194384.....272, 282 |
| 1001181623.....241 | 1001184653 140, 143 | 1001187699 405 | 1001194385.....272, 282 |
| 1001181625.....147, 156 | 1001184654 143, 146 | 1001187700 405 | 1001194386.....272, 282 |
| 1001181626.....243 | 1001184705 327 | 1001187701 399 | 1001194387.....272, 282 |
| 1001181627.....243 | 1001184716 327 | 1001187703 175 | 1001194388.....272, 282 |
| 1001181649..82, 93, 108, 113, 125, 129, 146, 156 | 1001184717 327 | 1001187857 219, 402 | 1001194389.....282 |
| 1001181658 .83, 93, 108, 113, 125, 129, 146, 156 | 1001184718 327 | 1001188000 211 | 1001194390.....272, 282 |
| 1001181659.....146, 157 | 1001184722 327 | 1001188001 211 | 1001194391.....272, 282 |
| 1001181711.....63, 65 | 1001184730 63, 65 | 1001188345 211 | 1001194393.....211 |
| 1001181739.....146, 157 | 1001184768 327 | 1001188348 211 | 1001194421.....361 |
| 1001181829.....146, 157, 167 | 1001184769 327 | 1001188351 211 | 1001194829.....404 |
| 1001182000.....399 | 1001184832 327 | 1001188785 404 | 1001194830.....404 |
| 1001182051.....272, 282 | 1001185041 75, 79 | 1001189773 63, 65 | 1001194831.....404 |
| 1001182294.....223, 225, 227 | 1001185042 79, 82 | 1001190002 63, 65 | 1001194834.....404 |
| 1001182481...59, 61, 402 | 1001185125 59, 61 | 1001190270 241, 243 | 1001194836...75, 86, 99, 116, 140, 151 |
| 1001182680.....63, 65 | 1001185315 211 | 1001190368 17 | 1001195123.....363 |
| 1001182681.....63, 65 | 1001185492 249 | 1001190469 361 | 1001195137.....231, 234, 238 |
| 1001182806.....69 | 1001185503 249 | 1001190471 361 | 1001195209.....211 |
| 1001182971.....39, 41 | 1001185504 249 | 1001190472 241, 243 | 1001195517.....201 |
| 1001182976..83, 93, 109, 113, 125, 129 | 1001185510 177, 190 | 1001190473 241, 243 | 1001195600..83, 93, 109, 113, 125, 129, 143, 153 |
| 1001182977..83, 93, 109, 113, 125, 129 | 1001185585 141, 151 | 1001190474 241, 243 | 1001195684.....324 |
| 1001182978..83, 93, 109, 113, 125, 129 | 1001185704 211 | 1001190522 211, 347 | 1001197395.....211 |
| 1001182979..83, 93, 109, 113, 125, 129 | 1001185705 211 | 1001190524 211, 349 | 1001197396.....211 |
| 1001182980..83, 93, 109, 113, 125, 129, 147, 157 | 1001185706 211 | 1001190545 .76, 86, 100, 115 | 1001197397.....211 |
| 1001182981..83, 93, 109, 113, 125, 129, 147, 157 | 1001186127 249 | 1001190609 .75, 86, 115, 163 | 1001197398.....211 |
| 1001182982..83, 93, 109, 113, 125, 129, 147, 157 | 1001186235 211 | 1001190775 140, 151 | 1001197399.....211 |
| 1001182983..83, 93, 109, 113, 125, 129, 147, 157 | 1001186428 .76, 86, 100, 116, 309 | 1001190809 99 | 1001197404.....211 |
| 1001182984..83, 93, 109, 113, 125, 129, 147, 157 | 1001186429 141, 151, 311 | 1001191146 .76, 86, 100, 116 | 1001197405.....211 |
| 1001182985..83, 93, 109, 113, 125, 129 | 1001186467 15 | 1001191201 15 | 1001197634.....389 |
| 1001182987..83, 93, 109, 113, 125, 129 | 1001186483 309, 311 | 1001191325 41 | 1001197983.....405 |
| 1001183328.....39 | 1001186484 309, 311 | 1001191394 405 | 1001198325.....230, 234, 238 |
| 1001183416.....72 | 1001186539 404 | 1001191395 405 | 1001199441.....405 |
| 1001183420 .83, 93, 109, 113, 125, 129, 147, 157 | 1001186551 211 | 1001191526 385 | 1001200543.....399 |
| 1001183421..76, 85, 100, 115, 141, 151 | 1001186822 190, 194, 198, 337 | 1001191629 211 | 1001202520.....211 |
| 1001183424..83, 93, 109, 113, 125, 129, 147, 157 | 1001186826 177, 182, 186, 333 | 1001191641 67 | 1001202532.....178, 182, 190, 194 |
| 1001183427.....147, 157 | 1001186828 182, 186, 201 | 1001191722 211 | 1001202536.....178, 182, 190, 194 |
| 1001183428.....147, 157 | 1001186833 143, 153 | 1001191732 399 | 1001202749.....404 |
| 1001183429.....147, 157 | 1001186900 211 | 1001191733 399 | 1001202759.....186, 198 |
| 1001183726.....182, 194 | 1001186919 182, 194 | 1001191735 399 | 1001202760.....186, 198 |
| 1001183727.....72 | 1001187092 181, 186, 194, 198, 365 | 1001191737 404 | 1001202764.....186, 198 |
| 1001184019.....211 | 1001187185 211 | 1001191832 82, 108, 146 | 1001202764.....186, 198 |
| 1001184064.....147, 157 | 1001187186 211 | 1001191838 211 | 1001202973.....399 |
| 1001184065.....75, 86, 99, 115, 140, 151 | 1001187197 178, 190, 205 | 1001192381 399 | 1001202974.....399 |
| | 1001187228 194, 198, 203 | 1001192382 230, 234, 238 | 1001203075.....393 |
| | 1001187232 203 | 1001192401 317 | 1001203076.....397, 404 |
| | 1001187235 82, 108, 113, 146 | 1001192853 383, 391 | 1001203077.....387 |
| | 1001187455 327 | 1001193040 211 | 1001203770.....385 |
| | 1001187601 15, 359 | 1001193174 285 | 1001204140.....72 |
| | 1001187668 383 | 1001193179 285 | 1001204145.....72 |
| | 1001187669 393 | 1001193296 211 | 1001204146.....72 |
| | | 1001193323 404 | 1001204147.....72 |
| | | 1001193336 53 | 1001205250.....327 |
| | | 1001193386 211 | 1001205340.....37 |
| | | 1001193988 282 | 1001205343.....37 |
| | | 1001194115 223, 225, 227 | 1001205831.....223, 225, 227 |
| | | 1001194221 361 | 1001205920.....272, 282 |
| | | 1001194378 272, 282 | 1001206625.....212 |

PART NUMBER INDEX

| | | | |
|--|---|--|---|
| 1704699.....387 | 2220479 271, 281 | 2940074 ... 230, 234, 238, 402 | 3311001.....201, 203, 205 |
| 1704701.....387 | 2220497 271, 281 | 2940127 230, 234, 238 | 3311005....177, 181, 185, 189, 193, 197 |
| 1704702.....387 | 2220500 271, 281 | 3020008 19 | 3311405 82, 92, 108, 112, 124, 128 |
| 1704885.....399 | 2220502 272, 282 | 3020022 215, 217 | 3311501.....72 |
| 1704972.....399 | 2220504 271, 281 | 3020039 210 | 3311502.....72 |
| 1705019....383, 385, 387, 389, 391, 393, 395, 397 | 2220577 271, 281 | 3252507 ... 293, 297, 299, 301, 303, 305, 307 | 3311605..75, 85, 99, 115, 140, 150 |
| 1705040.....393 | 2220582 271, 281 | 3290401 39 | 3311801.....19 |
| 1705041.....397 | 2220602 271, 281 | 3290405 63, 65, 181, 185, 193, 197, 210, 241, 243, 247, 291, 293, 295, 297, 299, 301, 303, 305, 307 | 3321402 82, 92, 108, 112, 124, 128 |
| 1705043.....387 | 2220603 271, 282 | 3290501 59, 61 | 3331017.....210 |
| 1705193.....391 | 2220628 271, 282 | 3290505 ... 37, 59, 61, 72, 141, 150, 230 | 3331211.....41 |
| 1705194.....391 | 2220635 272, 282 | 3290601 15, 83, 109, 230, 234, 238 | 3332017.....39 |
| 1705195.....391 | 2220671 285 | 3290605 ... 53, 55, 59, 61, 69, 72, 75, 82, 85, 92, 99, 108, 112, 115, 124, 128, 140, 146, 150, 156, 177, 181, 185, 189, 193, 197, 210, 215, 217, 219, 230, 234, 238, 241, 243, 291, 293, 295, 297, 299, 301, 303, 305, 307, 383, 385, 387, 389, 391, 393, 395, 397 | 3421565.....230, 234, 238 |
| 1705303.....393 | 2220775 271, 281 | 3290606 ... 230, 234, 238, 247 | 3422592.....13, 15 |
| 1705311.....393 | 2220852 271, 281 | 3290801 47, 140, 150 | 3422669..75, 85, 99, 115, 140, 150 |
| 1705316.....397 | 2220883. 27, 41, 49, 253, 255, 285 | 3290805 ... 53, 55, 59, 67, 75, 82, 85, 92, 99, 108, 112, 115, 124, 128, 140, 143, 146, 150, 153, 156, 177, 181, 185, 189, 193, 197, 210, 223, 225, 227, 230, 234, 238, 241, 243 | 3422938.....215, 217 |
| 1705318.....387 | 2220885 49, 261 | 3290806 ... 230, 234, 238, 249 | 3422943....210, 215, 217 |
| 1705325.....295 | 2220886 27, 261 | 3291001 ... 75, 82, 85, 92, 99, 108, 112, 115, 124, 128, 140, 146, 150, 156 | 3422961.....215, 217 |
| 1705372.....385, 389 | 2220887 261 | 3291005 ... 39, 53, 55, 72, 83, 92, 109, 112, 124, 128, 143, 147, 153, 156, 210, 215, 217, 223, 225, 227, 230 | 3422963.....210 |
| 1705671.....385, 389 | 2220906 285 | 3291006 230, 234, 238 | 3423304.....17 |
| 1705943.....391 | 2220947 285 | 3291201 .72, 82, 92, 108, 112, 124, 128, 146, 156, 177, 181, 185, 190, 193, 197 | 3430616....223, 225, 227 |
| 1705944.....391 | 2221036 285 | 3291205 13 | 3450304....210, 223, 225, 227 |
| 1706059.....399 | 2221036 285 | 3291407 72 | 3520026.....63, 65 |
| 1706060.....399 | 2221040 271, 281 | 3291605 ... 72, 75, 85, 99, 115, 140, 150 | 3520028.....63, 65 |
| 1706063.....399 | 2221086 271, 281 | 3292005 53, 55 | 3520060.....72 |
| 1706064.....399 | 2221176 141, 150 | 3300106 19 | 3537609....230, 234, 238 |
| 1706098.....399 | 2300004. 75, 85, 99, 115, 140, 150 | 3300396 201, 203, 205 | 3573440.....140, 150 |
| 1706338.....385, 389 | 2300014 405 | 3300408 .75, 85, 99, 115, 140, 150 | 3573513.....259 |
| 1706837.....400 | 2300016 19, 405 | 3300432 234, 238 | 3580317....178, 182, 186, 190, 194, 198 |
| 2080040....230, 234, 238 | 2300021 405 | | 3580318....177, 181, 185, 189, 193, 197 |
| 2080057....383, 385, 387, 389, 391, 393, 395, 397 | 2300027 405 | | 3740080....320, 323, 327, 402 |
| 2110404.....271, 281 | 2300029 405 | | 3760170....230, 234, 238 |
| 2110808.....271, 281 | 2300039 405 | | 3760348.....41 |
| 2110810.....271, 281 | 2400044. 75, 85, 99, 115, 140, 150 | | 3760368.....259 |
| 2110812.....271, 281 | 2400056 313 | | 3760460.....259 |
| 2111010.....271, 281 | 2420172 63, 65 | | 3790152 79, 89, 103, 105, 119, 121, 143, 153 |
| 2111216.....271, 281 | 2560088 230, 234, 238 | | 3820020....230, 234, 238 |
| 2112016.....271, 281 | 2560141 241, 243 | | 3841143....17, 75, 85, 99, 115, 140, 150, 210, 215, 217 |
| 2130404.....271, 281 | 2560171 ... 231, 234, 238 | | 3841258.....13, 15 |
| 2130808.....271, 281 | 2560172 ... 230, 234, 238 | | 3841564.....41 |
| 2130812.....271, 281 | 2560176 ... 230, 234, 238 | | 3850013.....259 |
| 2131010.....271, 281 | 2600216 72 | | 3900300.....63, 65 |
| 2131216.....271, 281 | 2600285 ... 230, 234, 238 | | 3900321.....259 |
| 2152020.....271, 281 | 2700100 247 | | 3931010.....234, 238 |
| 2180348..75, 85, 99, 115, 140, 150 | 2716703 271, 281 | | 3931016....177, 181, 185, 189, 193, 197 |
| 2180387.....140, 150 | 2716705 271, 282 | | 3931516.....259 |
| 2180389.....140, 150 | 2720058 ..75, 85, 99, 116 | | 3940804....181, 185, 193, 197 |
| 2180418.....140, 150 | 2720271 ...75, 85, 99, 116 | | 3960526.....19 |
| 2180666...75, 85, 99, 115 | 2720611 140, 150 | | 3980007..75, 85, 99, 115, 140, 150 |
| 2220235.....271, 281 | 2752485 272, 282 | | 3990010.....317 |
| 2220237.....271 | 2753791 271, 281 | | 4010403.....63, 65 |
| 2220238.....271, 281 | 2753798 272, 281 | | 4010405.....63, 65 |
| 2220290.....140, 150 | 2753970 272, 282 | | |
| 2220313...75, 85, 99, 115 | 2754244 271, 281 | | |
| 2220362.....271, 281 | 2780267 19, 23 | | |
| 2220371.....41, 271, 281 | 2780268 19, 21 | | |
| 2220372.....271, 281 | 2860030 63, 65, 402 | | |
| 2220373.....41, 271, 281 | 2900708 15 | | |
| 2220408....271, 281, 285 | 2900756 51 | | |
| 2220415.....271, 281 | 2902182 259 | | |
| 2220435.....271, 281 | 2902266 253 | | |
| 2220451.....271, 281 | 2902431 291, 365, 367 | | |
| 2220466.....271, 281 | 2902549 ... 295, 297, 299, 301, 303, 305, 307, 315 | | |
| 2220472.....271, 281 | 2920146 37 | | |
| 2220473.....281 | | | |

PART NUMBER INDEX

| | | | |
|---|--|---|---|
| 4010408 ... 181, 185, 193, 197 | 4460234 63, 65, 215, 217 | 4460884....317, 319, 324, 359 | 4740455 210 |
| 4010412 63, 65 | 4460247 323 | 4460891....317, 319, 323, 327, 343, 345, 347, 349, 355, 359, 363, 379 | 4751000 53, 55, 177, 181, 185, 189, 193, 197, 234, 238 |
| 4010418 247 | 4460259 317, 339, 353 | 4460892.....355, 361 | 4761400 82, 92, 108, 112, 124, 128 |
| 4031505 65 | 4460260 317, 339, 353 | 4460894.....355, 359, 361 | 4811400 . 39, 63, 65, 181, 185, 193, 197, 210, 291, 293, 295, 297, 299, 301, 303, 305, 307 |
| 4031507 63, 291, 293, 295, 297, 299, 301, 303, 305, 307 | 4460267 37, 313, 317, 361 | 4460897 67, 69, 317, 323, 347, 353 | 4811600 ... 59, 61, 63, 65, 141, 150 |
| 4031509 241, 243 | 4460268 ... 177, 181, 185, 319, 323, 331, 335, 339 | 4460905.....247, 363 | 4811602 231 |
| 4031510 39 | 4460294 357 | 4460917.....357 | 4811700 ... 15, 53, 55, 59, 61, 72, 75, 82, 85, 92, 99, 108, 112, 115, 124, 128, 140, 146, 150, 156, 177, 181, 185, 189, 193, 197, 210, 215, 217, 230, 234, 238, 291, 293, 295, 297, 299, 301, 303, 305, 307, 383, 385, 387, 389, 391, 393, 395, 397 |
| 4031607 230 | 4460315 291, 365 | 4460918.....363 | 4811702... 39, 59, 61, 69, 72, 173, 219, 230, 234, 238 |
| 4031608 59, 61 | 4460320 37, 313 | 4460928.....317, 339, 363 | 4811900 ... 39, 59, 61, 67, 75, 82, 85, 92, 99, 108, 112, 115, 124, 128, 140, 143, 146, 150, 153, 156, 177, 181, 185, 189, 193, 197, 223, 225, 227, 230, 234, 238, 241, 243 |
| 4031708 59, 61 | 4460346 365, 367 | 4460929.....357 | 4811902... 53, 55, 75, 85, 99, 115, 210, 230, 234, 238 |
| 4031711 59, 61 | 4460375 359 | 4460930.....317 | 4812000 ... 39, 47, 72, 75, 82, 85, 92, 99, 108, 112, 115, 124, 128, 141, 143, 146, 151, 153, 156, 181, 210, 223, 225, 227, 231, 234, 238 |
| 4031717 ... 230, 234, 238 | 4460424 319, 323 | 4460931.....353 | 4812002 53, 55, 72 |
| 4031908 185, 197 | 4460425 201, 203 | 4460932.....319, 323 | 4812100 41, 72 |
| 4031916 ... 230, 234, 238, 249 | 4460426 ... 201, 203, 205 | 4460933....319, 323, 353, 357 | 4812200 72 |
| 4032014 ... 178, 182, 186, 190, 194, 198 | 4460434 339 | 4460934.....355 | 4812300 . 72, 76, 85, 100, 115, 141, 150 |
| 4032016 186, 198 | 4460464 67, 69, 317, 319, 323, 327, 333, 337, 341, 343, 347, 351, 353, 361, 363 | 4460935.....355 | 4812500 83, 92, 109, 112, 124, 128, 143, 153 |
| 4060802 63, 65, 177, 181, 185, 189, 193, 197, 241, 243 | 4460465 ... 317, 319, 323, 327, 331, 333, 335, 337, 343, 345, 347, 349, 351, 353, 355, 357, 359, 361, 363, 379 | 4460939.....341 | 4831700 59, 61 |
| 4061032 271, 281 | 4460466 ... 317, 319, 323, 324, 331, 333, 341, 343, 345, 351, 353, 355, 357, 359, 361, 363 | 4460941.....327 | 4831900 47 |
| 4070987 63, 65 | 4460467 405 | 4460942.....317, 319, 323 | 4846584 259 |
| 4160116 41 | 4460470 241, 243 | 4460943....319, 323, 327, 341, 351, 353, 363 | 4871700 190, 194, 198 |
| 4240017 ... 177, 182, 185, 189, 194, 198 | 4460471 241, 243 | 4460944....317, 319, 323, 351, 353, 357, 359, 379 | 4891600 79, 89, 103, 105, 119, 121, 143 |
| 4240018 . 15, 59, 61, 210, 215, 217, 219, 247 | 4460483 201, 203 | 4460945.....319, 353 | 4891800 . 19, 79, 89, 103, 105, 119, 121, 143, 153 |
| 4240033 215, 217, 247 | 4460508 351, 363 | 4460956.....315 | 4892000 19 |
| 4360070 63, 65, 201, 203, 205, 402 | 4460509 ... 317, 351, 363 | 4460957.....315 | 4922739 313 |
| 4360328 402 | 4460510 405 | 4460963.....203 | 5240600 82, 92, 108, 112, 124, 128, 247 |
| 4360387 ... 59, 61, 63, 65, 241, 243, 402 | 4460518 ... 317, 357, 363 | 4460967.....333, 337 | 5241000 ... 13, 15, 75, 82, 85, 92, 99, 108, 112, |
| 4360469 63, 65, 402 | 4460536 ... 319, 324, 333, 337, 343, 353 | 4460968....299, 301, 305, 355 | |
| 4360475 63, 65, 241, 243, 402 | 4460539 ... 317, 319, 323, 345, 353, 355, 379 | 4460970.....327 | |
| 4360482 ... 177, 181, 185, 189, 193, 197, 243, 402 | 4460608 327 | 4461054.....328 | |
| 4360483 241, 243 | 4460612 365 | 4461118.....327 | |
| 4360500 210, 402 | 4460662 365, 367 | 4461196.....295, 369 | |
| 4360502 402 | 4460670 317 | 4461198.....369 | |
| 4360518 41 | 4460746 324 | 4461199.....297, 371 | |
| 4360524 63, 65 | 4460761 ... 317, 357, 361 | 4461201.....371 | |
| 4360525 241, 243 | 4460807 ... 177, 181, 185, 331, 335 | 4461205....301, 303, 305, 307, 375, 377 | |
| 4360548 355, 402 | 4460808 ... 177, 181, 185, 331 | 4461244.....377 | |
| 4400498 160 | 4460812 317 | 4461245.....375 | |
| 4420051 ... 223, 225, 227, 399 | 4460814 319, 323 | 4461246.....373 | |
| 4420062 223, 225, 227 | 4460836 ... 319, 323, 355, 357 | 4461249.....299, 373 | |
| 4420076 241, 243 | 4460837 319, 324 | 4461257 295, 297, 303, 307 | |
| 4460019 317, 324 | 4460851 355 | 4461258....295, 297, 303, 307 | |
| 4460042 324 | 4460852 355 | 4461271.....363 | |
| 4460043 335 | 4460871 363 | 4520216.....29 | |
| 4460044 313 | 4460873 363 | 4520240.....31 | |
| 4460051 363 | 4460874 363 | 4568295.....215, 217 | |
| 4460068 ... 201, 203, 205 | 4460876 363 | 4640858.....253 | |
| 4460071 293 | 4460879 363 | 4641122....29, 31, 33, 35 | |
| 4460115 339 | | 4641303.....47, 51 | |
| 4460138 291 | | 4711000....201, 203, 205 | |
| 4460142 324 | | 4711400 . 75, 85, 99, 115, 140, 150 | |
| 4460183 339, 341, 361 | | 4711500.....39, 72 | |
| 4460224 177, 181, 185 | | 4711600....115, 140, 150 | |
| 4460225 331, 335, 339 | | 4711700.....241, 243 | |
| | | 4740086.....17 | |
| | | 4740158.....13, 15 | |

PART NUMBER INDEX

| | | | |
|--|-----------------------------------|--|------------------------------------|
| 115, 124, 128, 140, 146, 150, 156, 177, 181, 185, 189, 193, 197 | 70002152 169 | 7000263 21, 23 | 70004681 177 |
| 5241200 13, 15, 17, 82, 92, 108, 112, 124, 128, 146, 156, 178, 181, 185, 190, 193, 197 | 70002153 169 | 70002768 57 | 70004682... 177, 181, 185 |
| 5242000 39, 53, 55 | 70002154 169 | 70002842 253 | 70004683 177 |
| 5251012 13, 15, 230 | 70002155 169 | 70002861 143, 153 | 70004685 181, 185 |
| 5260600 223, 225, 227, 291, 293, 295, 297, 299, 301, 303, 305, 307 | 70002156 169 | 70002901 163 | 70004686 177 |
| 5272011 178, 182, 190, 194 | 70002157 169 | 70002963 15, 402 | 70004687 181, 185 |
| 5272012 178, 182, 186, 190, 194, 198 | 70002158 169 | 70003024 49 | 70004794 53, 55 |
| 70000082 245 | 70002159 169 | 70003060 95, 131, 135 | 70004829 96, 132, 136, 159 |
| 70000084 245 | 70002160 169 | 70003061 95, 131, 135 | 70004831 159 |
| 70000683 245 | 70002161 169 | 70003063 96, 132, 136 | 70004834 159 |
| 70000684 245 | 70002162 169 | 70003064 96, 132, 136 | 70004848 159 |
| 70000685 245 | 70002163 169 | 70003631 .. 189, 193, 197 | 70004851 160 |
| 70000686 245 | 70002164 169 | 70003650 245 | 70004853 160 |
| 70000797 27 | 70002165 169, 170 | 70003708 . 177, 181, 185, 189, 193, 197 | 70004854 160 |
| 70000863... 189, 193, 197 | 70002166 169 | 70003709 . 177, 181, 185, 189, 193, 197 | 70004883 49 |
| 70001100... 189, 193, 197 | 70002167 169 | 70003788 210 | 70004912 160 |
| 70001250 245 | 70002168 169 | 70003789 49 | 70004913 160 |
| 70001251 245 | 70002169 170 | 70003935 51 | 70005069 49 |
| 70001252 245 | 70002170 170 | 70003936 51 | 70005073 49 |
| 70001253 245 | 70002172 170 | 70003977 15, 49 | 70005100 49 |
| 70001349 21, 23 | 70002174 170 | 70004069 163 | 70005150 263 |
| 70001384... 189, 193, 197 | 70002175 170 | 70004070 163 | 70005151 263 |
| 70001932 27 | 70002176 170 | 70004092 . 177, 181, 185, 189, 193, 197 | 70005152 263 |
| 70001933 165 | 70002177 170 | 70004094 .. 189, 193, 197 | 70005153 263 |
| 70001958 170 | 70002178 170 | 70004098 . 181, 185, 189, 193, 198 | 70005154 263 |
| 70001959 57 | 70002179 170 | 70004099 . 177, 181, 185, 189, 193, 197 | 70005163 15 |
| 70001960 57, 402 | 70002180 170 | 70004294 159 | 70005164 15 |
| 70001965 41, 43, 212, 402 | 70002181 170 | 70004295 159 | 70005165 49 |
| 70001966.. 177, 181, 185, 189, 193, 197 | 70002182 170 | 70004296 159 | 70005167 49 |
| 70001967 49, 402 | 70002185 170 | 70004306 159 | 70005220 95, 131, 135 |
| 70001973... 189, 194, 198 | 70002186 170 | 70004311 ... 95, 131, 135, 159 | 70005221 95, 131, 135 |
| 70001974... 189, 194, 198 | 70002187 170 | 70004395 95, 131, 135 | 70005222 95, 131, 135 |
| 70001977 49, 402 | 70002188 170 | 70004396 95, 131, 135 | 70005223 95, 131, 135 |
| 7000206 21, 23 | 70002189 170 | 70004397 95, 131, 135 | 70005224 95, 131, 135 |
| 70002112 57 | 70002190 170 | 70004398 131, 135 | 70005226 96, 132, 136 |
| 70002113 57, 402 | 70002192 170 | 70004399 95, 131, 135 | 70005227 96, 132, 136 |
| 70002132 169, 170 | 70002199 21, 23 | 70004401 160 | 70005228 95, 131, 135 |
| 70002133 169 | 70002291 .. 189, 193, 197 | 70004415 96, 132, 136 | 70005229 96, 132, 136, 160 |
| 70002134 169 | 70002297 .. 189, 193, 197 | 70004524 ... 95, 131, 135, 159 | 70005293 163 |
| 70002135 169 | 7000230 21, 23 | 70004525 ... 95, 131, 135, 159 | 70005294 163 |
| 70002136 169 | 70002315 95, 131, 135 | 70004526 ... 95, 131, 135, 159 | 70005295 163 |
| 70002137 169 | 70002316 95, 131, 135 | 70004530 95, 131, 135 | 70005296 163, 402 |
| 70002138 169 | 70002317 ... 95, 131, 135 | 70004531 95, 131, 135 | 70005297 163 |
| 70002139 169 | 70002318 ... 95, 131, 135, 159 | 70004536 95, 131, 135 | 70005327 160 |
| 70002140 169 | 70002319 ... 95, 131, 135 | 70004537 ... 95, 131, 135, 160 | 70005329 159 |
| 70002141 169 | 7000232 21, 23 | 70004538 ... 95, 131, 135, 159 | 70005375 257 |
| 70002142 169 | 70002320 95, 131, 135 | 70004539 95, 131, 135 | 70005376 257 |
| 70002143 169 | 70002321 95, 131, 135 | 70004540 95, 131, 135 | 70005377 257 |
| 70002144 169 | 70002322 ... 95, 131, 135 | 70004541 95, 131, 135 | 70005378 257 |
| 70002145 169 | 70002323 ... 95, 131, 135 | 70004542 95, 131, 135 | 70005380 255 |
| 70002146 169 | 70002324 95 | 70004543 ... 95, 131, 135, 160 | 70005381 255 |
| 70002147 169 | 70002326 ... 96, 132, 136, 160 | 700045457 159 | 70005382 255 |
| 70002148 169 | 70002327 ... 96, 132, 136 | 700045458 159 | 70005383 255 |
| 70002149 169 | 70002328 ... 96, 132, 136 | 70004580 49 | 70005448 49 |
| 70002150 169 | 70002330 ... 96, 132, 136 | 70004676 .. 177, 181, 185 | 70005449 49 |
| 70002151 169 | 70002401 210 | 70004678 .. 177, 181, 185 | 70005452 49 |
| | 70002419 95, 131, 135 | 70004679 .. 177, 181, 185 | 70005453 165 |
| | 7000246 21, 23 | 70004680 .. 177, 181, 185 | 70005454 167 |
| | 70002460 .. 189, 193, 197 | | 70005455 167 |
| | 7000248 21, 23 | | 70005724 49 |
| | 7000253 21, 23 | | 70005725 49 |
| | 7000257 21, 23 | | 70005726 159 |
| | 7000258 21, 23 | | 70005727 159 |
| | 7000261 21, 23 | | 70005728 159 |
| | 7000262 21, 23 | | 70005729 159 |

PART NUMBER INDEX

| | | | | | | | |
|----------------|----------------------|---|----------------------|--------------------------------------|----------------------|--|---|
| 70005730 | 159 | 70007043 | 261 | 7017994 | 160 | 7024441 | 57 |
| 70005731 | 159 | 70007044 | 261 | 7017995 | 159 | 7024446 | 57 |
| 70005732 | 159 | 70007045 | 261 | 7020175.63, 65, 241, 243 | | 7024497 | 43, 212 |
| 70005733 | 159 | 7000731 | 24 | 7020176.63, 65, 241, 243 | | 7024498 | 43 |
| 70005734 | 159 | 70007439 | 170 | 7021249 | 27 | 7024500 | 43 |
| 70005735 | 159 | 70009008 | 309 | 7021256 | 170 | 7024502 | 41, 43, 212 |
| 70005736 | 159 | 70009009 | 309 | 7021275 | 27, 169 | 7024503 | 43 |
| 70005737 | 159 | 70009010 | 311 | 7021276 | 27 | 7024504 | 43 |
| 70005738 | 159 | 70009011 | 311 | 7021277 | 27 | 7024505 | 43 |
| 70005739 | 159 | 7001038375, 85, 99, 115, 140, 150, 402 | | 7021625 | 51 | 7024506 | 41, 43, 212 |
| 70005740 | 159 | 7001998 | 21, 23 | 7021639 | 51 | 7024507 | 43 |
| 70005743 | 159 | 70020438 | 255 | 7022301 | 169 | 7024705 | 23 |
| 70005744 | 159 | 70023915 | 257, 261 | 7022302 | 27 | 7024712 | 21, 23 |
| 70005745 | 159 | 70026417 | 261 | 7022305 | 27 | 7024713 | 21, 23 |
| 70005746 | 160 | 7002821 | 405 | 7022310 | 27 | 7024714 | 21, 23 |
| 70005747 | 160 | 7002822 | 405 | 7022311 | 27 | 7024715 | 21, 23 |
| 70005748 | 160 | 7002823 | 405 | 7022312 | 27 | 7024716 | 21, 23 |
| 70005749 | 160 | 7002828 | 405 | 7022314 | 27 | 7024717 | 23 |
| 70005750 | 160 | 7004275 | 405 | 7022326 | 27 | 7024718 | 24 |
| 70005751 | 160 | 7004276 | 405 | 7022328 | 27 | 7024808 | 212 |
| 70005752 | 160 | 70050516 | 15, 402 | 7022340 | 170 | 7024854 | 27 |
| 70005753 | 160 | 7007207 | 169 | 7022368 | 27 | 7024862 | 27 |
| 70005754 | 160 | 7007415 | 170 | 7022369 | 27 | 7024868 | 27 |
| 70005755 | 160 | 7007418 | 169 | 7022371 | 27 | 7024881 | 51 |
| 70005756 | 160 | 7007419 | 169 | 7022390 | 15, 49, 212 | 7025479 | 95, 131, 135 |
| 70005757 | 160 | 7007437 | 27 | 7022397 | 51 | 7026597 | 189, 193, 197 |
| 70005758 | 160 | 7007438 | 27 | 7022398 | 49 | 7026626 | 189, 193, 197 |
| 70005759 | 160 | 7007439 | 27 | 7022399 | 49, 51 | 7027059 | 21, 23 |
| 70005760 | 160 | 7007446 | 27, 169 | 7023107 | 159 | 7027365 | 245 |
| 70005761 | 160 | 7007601 | 21, 23 | 7023124 | 96, 132, 136 | 7027367 | 245 |
| 70005762 | 160 | 7007640 | 21, 23 | 7023136 | 95 | 7027419 | 27 |
| 70005763 | 160 | 7010429 | 21, 23 | 7023140 | 95, 131, 135 | 7027765 | 245 |
| 70005764 | 160 | 7012910 | 15 | 7023144 | 96, 131, 135 | 7027766 | 245 |
| 70005765 | 160 | 7012925 | 49 | 7023145 | 96, 132, 136 | 7027799 | 189, 193, 197 |
| 70005766 | 160 | 701500483, 93, 109, 113, 125, 129, 146, 156, 402 | | 7023148 | 96, 132, 136 | 77363233 | 331, 335 |
| 70005767 | 160 | 701500583, 93, 109, 125, 146, 156 | | 7023149 | 96, 132, 136 | 80463053 | 389 |
| 70005768 | 160 | 7016319 | 37 | 7023154 | 95, 131, 135 | 80933216 | 212 |
| 70005769 | 160 | 7016372 | 37 | 7023157 | 95 | 8220007 | 319 |
| 70005788 | 212 | 7016654 | 405 | 7023164 | 95, 131, 135 | 8220022 | 203, 205 |
| 70006093 | 189, 193, 197 | 7017067 | 21, 23 | 7023165 | 95, 131, 135 | 8220029 | 324 |
| 70006094 | 189, 193, 197 | 7017070 | 21, 23 | 7023167 | 95, 131, 135 | 8220045 | 319, 327 |
| 70006095 | 189, 193, 197 | 7017080 | 21, 23 | 7023168 | 95, 131, 135 | 8220111 | 324, 327 |
| 70006096 | 189, 193, 197 | 7017496 | 210, 255 | 7023170 | 96, 132, 136, 160 | 8220164 | 324, 327 |
| 70006097 | 189, 193, 198 | 7017901 | 96, 132, 136 | 7023306 | 57 | 830351176, 85, 100, 115, 141, 150 | |
| 70006104 | 212 | 7017906 | 159 | 7023347 | 57 | 83191040 | 79, 89, 103, 105, 119, 121, 143, 153 |
| 70006105 | 212 | 7017914 | 159 | 7023900 | 49 | 8405009.75, 85, 99, 115, 140, 146, 156 | |
| 70006292 | 43 | 7017922 | 131, 135 | 7023907 | 27 | 840510183, 92, 109, 112, 124, 128, 146, 156 | |
| 70006552 | 178, 181, 185 | 7017928 | 95, 131, 135 | 7023910 | 27 | 840510482, 92, 108, 112, 124, 128, 146, 156 | |
| 70006553 | 178, 181, 185 | 7017934 | 95, 131, 135, 159 | 7023917 | 51 | 8406302 | 185, 197 |
| 70006661 | 95, 131, 135, 159 | 7017945 | 95, 131, 135 | 702392979, 89, 103, 105, 119, 121 | | 8410013 | 147, 156 |
| 70006662 | 159 | 7017958 | 96, 132, 136 | 7023933 | 51 | 85941016 | 82, 92, 108, 112, 124, 128, 146, 156 |
| 70006664 | 96, 132, 136 | 7017959 | 159 | 7023936 | 49 | 8750014 | 76, 85, 99, 115 |
| 70006665 | 95, 131, 135 | 7017963 | 96, 132, 136 | 7023964 | 170 | 8760268 | 272 |
| 70006786 | 49 | 7017980 | 159 | 7024182 | 23, 24 | 8760351 | 271, 281 |
| 70006843 | 257 | 7017982 | 159 | 7024189 | 24 | 90021705 | 83, 92, 109, 112, 124, 128 |
| 70006844 | 255 | 7017983 | 159 | 7024190 | 24 | | |
| 70007036 | 49 | 7017984 | 159 | 7024191 | 24 | | |
| 70007037 | 261 | 7017986 | 159 | 7024192 | 24 | | |
| 70007038 | 261 | 7017992 | 96, 132, 136, 159 | 7024193 | 24 | | |
| 70007039 | 261 | | | 7024194 | 24 | | |
| 70007040 | 261 | | | 7024196 | 24 | | |
| 70007041 | 261 | | | 7024197 | 24 | | |
| 70007042 | 261 | | | | | | |



3121782



An Oshkosh Corporation Company

Corporate Office
JLG Industries, Inc.
1 JLG Drive
McConnellsburg, PA 17233-9533 USA
☎ **(717) 485-5161 (Corporate)**
☎ **(877) 554-5438 (Customer Support)**
☎ **(717) 485-6417**

Visit our website for JLG Worldwide Locations.
www.jlg.com