



Illustrated Parts Manual

Models **800A** **800AJ**

SN 0300069000
through 0300140000

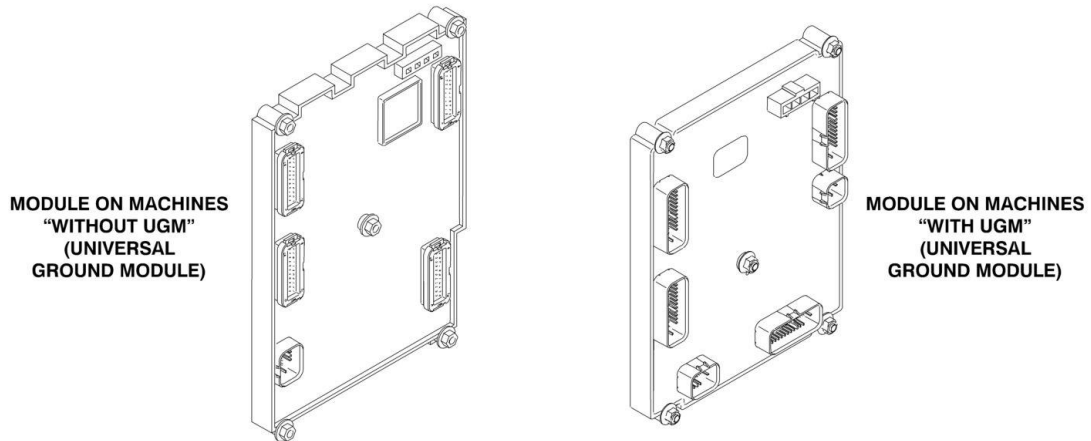
P/N
3121854

August 31, 2018 - Rev AJ



REVISION LOG

GROUND MODULE MODULE IDENTIFICATION

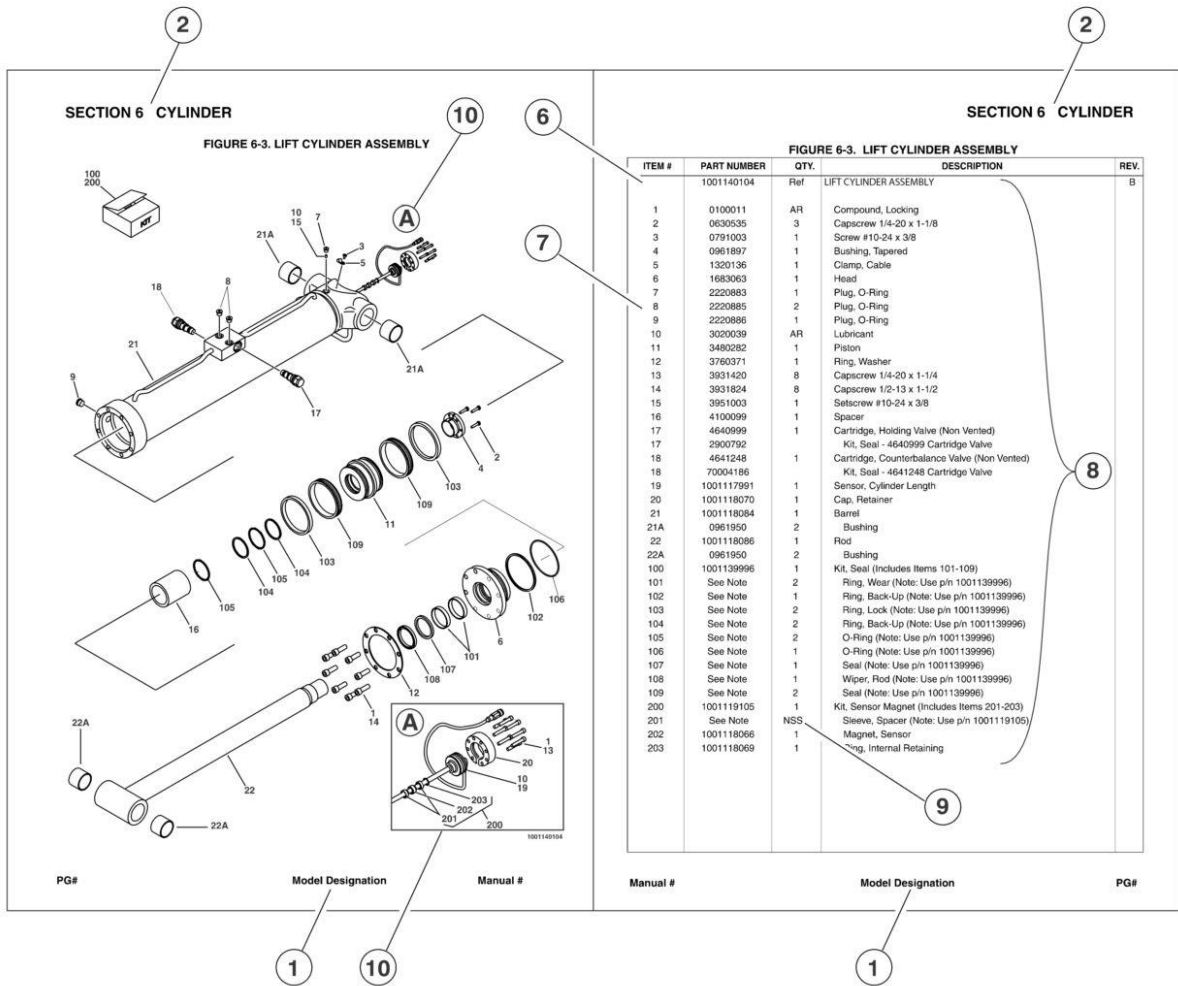


- September 30, 2002 - A - Original Issue Of Manual (Manual edited to 0010580 Revision 21)
- February 7, 2003 - B - Revised (Manual edited to 0010580 Revision 30)
- June 30, 2003 - C - Revised (Manual edited to 0010580 Revision 45)
- October 14, 2003 - D - Revised (Manual edited to 0010580 Revision 49)
- February 10, 2004 - E - Revised (Manual edited to 0010580 Revision 49)
- June 8, 2004 - F - Revised (Manual edited to 0010580 Revision 58)
- October 19, 2004 - G - Revised (Manual edited to 0010580 Revision 64)
- March 14, 2005 - H - Revised (Manual edited to 0010580 Revision 71)
- July 15, 2005 - I - Revised (Manual edited to 0010580 Revision 74)
- January 31, 2006 - J - Revised (Manual edited to 0010580 Revision 81)
- May 31, 2006 - K - Revised (Manual edited to 0010580 Revision 88)
- September 25, 2006 - L - Revised (Manual edited to 0010580 Revision 92)
- April 17, 2007 - M - Revised (Manual edited to 0010580 Revision 101)
- July 30, 2007 - N - Revised (Manual edited to 0010580 Revision 103)
- December 7, 2007 - O - Revised (Manual edited to 0010580 Revision 105)
- March 15, 2008 - P - Revised (Manual edited to 0010580 Revision 106)
- November 28, 2008 - Q - Revised (Manual edited to 0010580 Revision 115)
- May 15, 2009 - R - Revised (Manual edited to 0010580 Revision 117)
- October 15, 2009 - S - Revised Manual (Manual edited to 0010580 Revision 135)
- April 15, 2010 - T - Revised Manual (Manual edited to 0010580 Revision 143)
- December 30, 2010 - U - Revised Manual (Manual edited to 0010580 Revision 153)
- April 27, 2011 - V - Revised Manual
- July 29, 2011 - W - Revised Manual
- October 21, 2011 - X - Revised Manual
- January 10, 2012 - Y - Revised Manual
- May 31, 2012 - Z - Revised Manual

REVISION LOG

July 31, 2012 - AA - Revised Manual
December 14, 2012 - AB - Revised Manual
March 26, 2013 - AC - Revised Manual
June 20, 2013 - AD - Revised Manual
September 16, 2013 - AE - Revised Manual
December 30, 2013 - AF - Revised Manual
April 30, 2014 - AG - Revised Manual
July 15, 2015 - AH - Revised Manual
December 14, 2015 - AI - Revised Manual
August 31, 2018 - AJ - Revised Manual (Revision 1)

GENERAL INFORMATION



1) MACHINE IDENTIFICATION

Machines are identified by model and in some cases a combination of models, serial number (SN) or regional standard (i.e ANSI, CE, CSA). Components may also be identified by SN or manufacturer. Common components that may be identified by these characteristics are engines and hydraulic components.

2) PARTS MANUAL ORGANIZATION

Product information in this manual is organized under section titles. Frame, Cylinder, Hydraulic and Electrical are a few examples. Each section is organized by figure and page number. The information within the Figure is then organized by item number, part number, description and corresponding illustration (s).

3) TABLE OF CONTENTS

A table of contents is found toward the beginning of the manual. Figure number, description and page number are provided for quick reference to the page containing the related information.

4) RECOMMENDED SPARE PARTS

The Recommended Spare Parts, located near the end of the manual, reference most frequently used maintenance parts.

5) PART NUMBER INDEX

A numerical index listing all part numbers and the corresponding page number(s) appears at the back of the manual.

GENERAL INFORMATION

6) NON-SERVICED PARTS

In some instances, it is necessary to display non-serviced parts, assemblies or installations. In the case of assemblies and installations there will be a Ref in the Qty column. In case of parts that are not available for service within assemblies or components, there will be a NSS (Not Sold Separately) or NLA (No Longer Available) listed in the Qty. column of the manual.

7) PARTS LIST ITEM NUMBERS

Numbers shown in the item# column correspond to numbers used in the associated illustration (s). Item numbers which are missing from the sequence in the parts list are not used on that page

8) INDENTED PARTS DESCRIPTION

An indented part description is included in the item under which it is indented.

9) ABB REVIATION AND SYMBOLS

AC.....	.. Alternating Current	LCD Liquid Crystal Display
ADE.Advanced Design Electronics	LED Light Emitting Diodes
ANSIAmerican National Standards Institute	LH... Left Hand
AR.As Required	LSSLoad Sensing System
ASSY Assembly	M(m)...	.. Metric/Meter
AUX...A uxiliary	MM (mm)Milimeter
AWGAmerican Wire Gauge	mA.....	.. Milliamps
B/M.....	.. Bill of Material	NLA.....No Longer Available
CE..European Conformity	NPT National Pipe Threads
CCWCounter Clockwise	NSSNot Sold Separately
cm.....	.. Centimeter	OD.....	..Outside Diameter
CWClockwise	OR B.....	.. O-Ring Bos s
CSA.Canadian Standards Association	ORFS.....	.. O-Ring Face Seal
CYL...Cylinder	OZ (oz).Ounces
DIA.Diameter	PGPage
DCDirect Current	P/N.....	..Part Number
EMS Emergency Stop	qt.....	..Quarts
ENGEngine	QTY.....	..Quantity
FT (ft).....	.. Feet	REFReference
GA(Ga).. Gauge	REVRevision Level
HYDHydraulic	RH... Right Hand
Hz.Her tz	SAE.....	.. Society of Automotive E ngineers
ID.....	..Inside Diameter	SN.Serial Number
in.....	.. inches	SPEC(S).....Specifications
ISO.....	..I nternational Organ ization for Stand ards	T/T.....	..T urntable
JIC.....	..Joint Indust ry Council	UGMUniv ersal G round Module
KGKilogram	V.....	.. Volts
L.....	..Liter	W.....	.. Watts
LBP ounds	#.....	.. Number

10) ILLUSTRATION REFERENCE LETTERS

When necessary, illustrations may contain reference letters that are intended to track information (i. e. hoses, harnesses) from one point to another or to track visual enlargement of components to show details that may be located in another area on the illustration.

Note: Due to continuous product improvements, JLG Industries, Inc. reserves the right to make specification changes without prior notification. Contact JLG Industries, Inc. for updated information.

TABLE OF CONTENTS

SECTION 1 - FRAME.....	9
FIGURE 1-1. AXLE AND STEERING INSTALLATION.....	10
FIGURE 1-2. TIRE AND WHEEL INSTALLATIONS.....	16
FIGURE 1-3. DRIVE HUB ASSEMBLIES (SN 0300069000 through 0300083331).....	20
FIGURE 1-4. DRIVE HUB ASSEMBLY (SN 0300083332 through 0300140000).....	24
FIGURE 1-5. DRIVE MOTOR ASSEMBLY (SN 0300069000 through 0300083331).....	28
FIGURE 1-6. DRIVE MOTOR ASSEMBLY (ORIGINAL EQUIPMENT) (4 BOLT ASSEMBLY) (SN 0300083332 through 0300140000).....	30
FIGURE 1-7. DRIVE MOTOR ASSEMBLY (SERVICE REPLACEMENT) (5 BOLT ASSEMBLY) (SN 0300083332 through 0300140000).....	34
FIGURE 1-8. DRIVE VALVES AND SHIELDS INSTALLATIONS (SN 0300069000 through 0300083331).....	38
FIGURE 1-9. DRIVE VALVES AND SHIELDS INSTALLATIONS (SN 0300083332 through 0300140000).....	40
FIGURE 1-10. TOW PACKAGE INSTALLATION (2WS ONLY).....	42
SECTION 2 - TURNTABLE.....	45
FIGURE 2-1. CONTROL VALVES AND HORN INSTALLATIONS.....	46
FIGURE 2-2. MAIN CONTROL VALVE ASSEMBLY.....	50
FIGURE 2-3. ACCESSORY VALVE ASSEMBLY.....	54
FIGURE 2-4. AUXILIARY PUMP ASSEMBLY.....	56
FIGURE 2-5. TURNTABLE BEARING AND SWING DRIVE INSTALLATION.....	60
FIGURE 2-6. SWING MOTOR/HUB ASSEMBLY (SN 0300069000 through 0300134352).....	62
FIGURE 2-7. SWING MOTOR/HUB ASSEMBLY (SN 0300134353 through 0300140000).....	68
FIGURE 2-8. CATERPILLAR ENGINE INSTALLATION (SN 0300069000 through 0300139399).....	72
FIGURE 2-9. CATERPILLAR ENGINE INSTALLATION (SN 0300139400 through 0300140000).....	82
FIGURE 2-10. 2500W GENERATOR INSTALLATION - CATERPILLAR MACHINES (OPTIONAL).....	90
FIGURE 2-11. DEUTZ ENGINE INSTALLATION (SN 0300069000 through 0300077499).....	94
FIGURE 2-12. DEUTZ ENGINE INSTALLATION (SN 0300077500 through 0300140000).....	100
FIGURE 2-13. 2500W GENERATOR INSTALLATION - DEUTZ MACHINES (OPTIONAL).....	110
FIGURE 2-14. PISTON PUMP ASSEMBLY.....	114
FIGURE 2-15. TANK INSTALLATIONS.....	118
FIGURE 2-16. ROTARY COUPLING INSTALLATION (SN 0300069000 through 0300083331).....	120
FIGURE 2-17. ROTARY COUPLING INSTALLATION (SN 0300083332 through 0300137974).....	122
FIGURE 2-18. ROTARY COUPLING INSTALLATION (SN 0300137975 through 0300140000).....	126
FIGURE 2-19. GROUND CONTROL BOX ASSEMBLY (WITHOUT UGM).....	130
FIGURE 2-20. GROUND CONTROL BOX ASSEMBLY (WITH UGM).....	136
FIGURE 2-21. ELECTRICAL OPTIONS INSTALLATION (TURNTABLE MOUNTED).....	140
FIGURE 2-22. HOODS INSTALLATION (SN 0300069000 through 0300089981).....	144
FIGURE 2-23. HOODS INSTALLATION (SN 0300089982 through 0300140000).....	148
FIGURE 2-24. ENGINE TRAY JACK INSTALLATION (OPTIONAL).....	154
SECTION 3 - BOOM.....	157
FIGURE 3-1. BOOM AND CYLINDER INSTALLATION - 800A.....	158
FIGURE 3-2. BOOM AND CYLINDER INSTALLATION - 800AJ.....	162
FIGURE 3-3. TOWER BOOM ASSEMBLY.....	166
FIGURE 3-4. MAIN BOOM ASSEMBLIES.....	170
FIGURE 3-5. ROTATOR ASSEMBLY (FRONT ENTRY PLATFORM).....	174
FIGURE 3-6. ROTATOR ASSEMBLY (SIDE ENTRY PLATFORM).....	178
FIGURE 3-7. VALVE AND LIMIT SWITCH INSTALLATIONS (BOOM MOUNTED).....	180
SECTION 4 - PLATFORM.....	185
FIGURE 4-1. PLATFORM COMPONENTS INSTALLATION (FRONT ENTRY PLATFORM).....	186
FIGURE 4-2. PLATFORM COMPONENTS INSTALLATION (SIDE ENTRY PLATFORM).....	190
FIGURE 4-3. PLATFORM COMPONENTS INSTALLATION (FALL ARREST PLATFORM).....	194
FIGURE 4-4. PLATFORM CONSOLE ASSEMBLY (SN 0300069000 through 0300137974).....	196
FIGURE 4-5. PLATFORM CONSOLE ASSEMBLY (SN 0300137975 through 0300140000).....	200
FIGURE 4-6. CONTROLLER ASSEMBLY (LIFT AND SWING).....	204
FIGURE 4-7. CONTROLLER ASSEMBLY (LIFT AND SWING).....	206
FIGURE 4-8. CONTROLLER ASSEMBLY (LIFT AND SWING).....	208
FIGURE 4-9. CONTROLLER ASSEMBLY (DRIVE AND STEER).....	212
FIGURE 4-10. CONTROLLER ASSEMBLY (DRIVE AND STEER).....	214
FIGURE 4-11. CONTROLLER ASSEMBLY (DRIVE AND STEER).....	216
FIGURE 4-12. SOFT TOUCH SYSTEM INSTALLATION (OPTIONAL).....	218

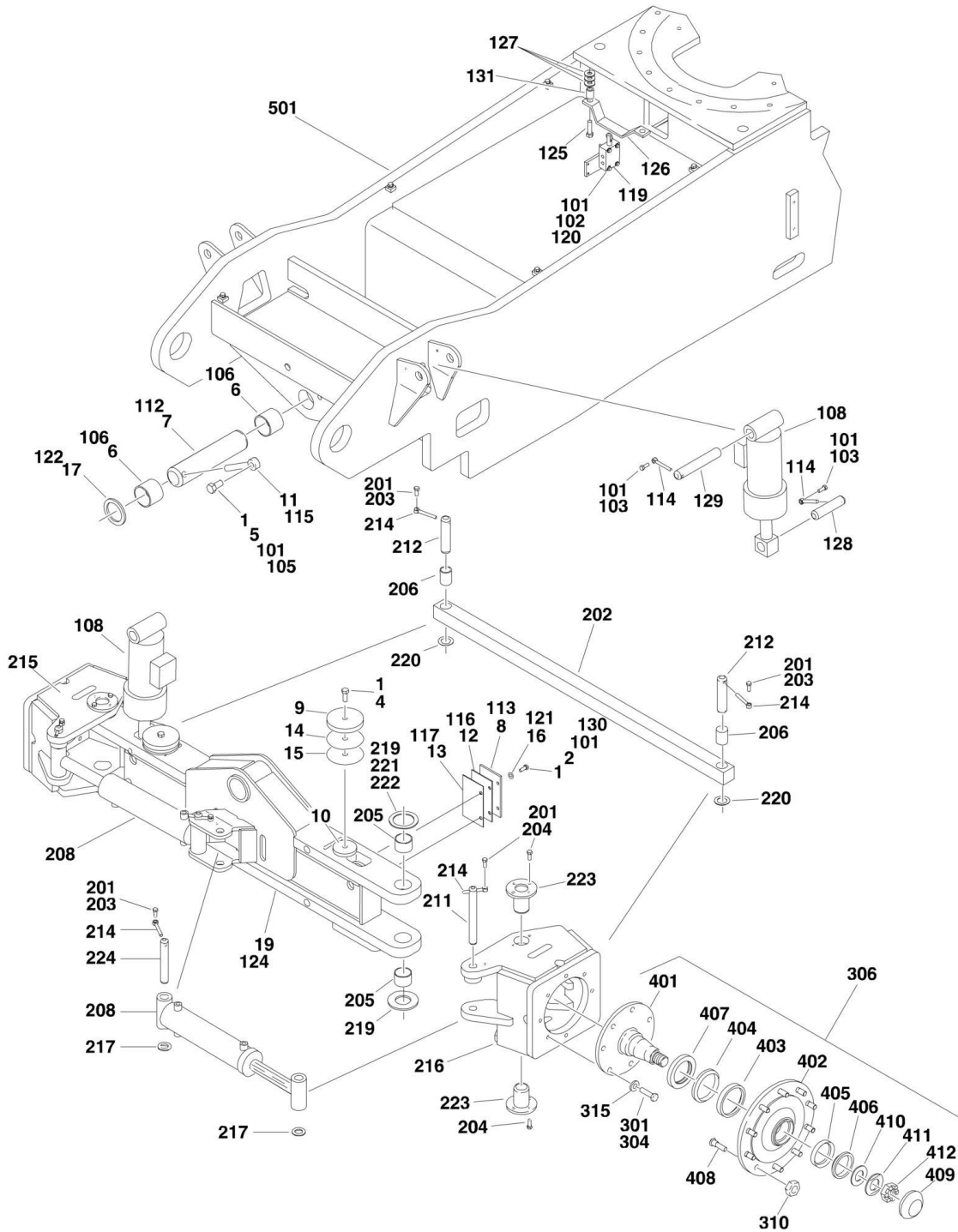
TABLE OF CONTENTS

SECTION 5 - CYLINDER.....	221
FIGURE 5-1. AXLE LOCKOUT CYLINDER ASSEMBLY.....	222
FIGURE 5-2. LEVEL CYLINDER ASSEMBLY - PLATFORM SLAVE.....	224
FIGURE 5-3. LEVEL CYLINDER ASSEMBLY - PLATFORM SLAVE (800A ONLY) (SERVICE REPLACEMENT).....	228
FIGURE 5-4. LEVEL CYLINDER ASSEMBLY - PLATFORM SLAVE (800AJ ONLY) (SERVICE REPLACEMENT).....	230
FIGURE 5-5. LEVEL CYLINDER ASSEMBLY - UPRIGHT.....	232
FIGURE 5-6. LEVEL CYLINDER ASSEMBLY - UPRIGHT (SERVICE REPLACEMENT).....	234
FIGURE 5-7. LIFT CYLINDER ASSEMBLY - JIB (800AJ ONLY) (ORIGINAL EQUIPMENT).....	236
FIGURE 5-8. LIFT CYLINDER ASSEMBLY - JIB (800AJ ONLY) (USAGE MAY VARY) (SERVICE REPLACEMENT).....	238
FIGURE 5-9. LIFT CYLINDER ASSEMBLY - JIB (800AJ ONLY) (USAGE MAY VARY) (SERVICE REPLACEMENT).....	240
FIGURE 5-10. LIFT CYLINDER ASSEMBLY - MAIN BOOM (ORIGINAL EQUIPMENT).....	242
FIGURE 5-11. LIFT CYLINDER ASSEMBLY - MAIN BOOM (SERVICE REPLACEMENT).....	244
FIGURE 5-12. LIFT CYLINDER ASSEMBLY - TOWER BOOM (ORIGINAL EQUIPMENT).....	246
FIGURE 5-13. LIFT CYLINDER ASSEMBLY - TOWER BOOM (SERVICE REPLACEMENT).....	248
FIGURE 5-14. MASTER CYLINDER ASSEMBLY - 800A (ORIGINAL EQUIPMENT).....	250
FIGURE 5-15. MASTER CYLINDER ASSEMBLY (800A) (SERVICE REPLACEMENT).....	252
FIGURE 5-16. MASTER CYLINDER ASSEMBLY - 800AJ (ORIGINAL EQUIPMENT).....	254
FIGURE 5-17. MASTER CYLINDER ASSEMBLY (800AJ) (SERVICE REPLACEMENT).....	256
FIGURE 5-18. STEER CYLINDER ASSEMBLY.....	258
FIGURE 5-19. TELESCOPE CYLINDER ASSEMBLY - MAIN BOOM.....	260
FIGURE 5-20. TELESCOPE CYLINDER ASSEMBLY - MAIN BOOM (800A) (SERVICE REPLACEMENT).....	262
FIGURE 5-21. TELESCOPE CYLINDER ASSEMBLY - MAIN BOOM (800AJ) (SERVICE REPLACEMENT).....	264
FIGURE 5-22. TELESCOPE CYLINDER ASSEMBLY - TOWER BOOM.....	266
FIGURE 5-23. TELESCOPE CYLINDER ASSEMBLY - TOWER BOOM (SERVICE REPLACEMENT).....	268
SECTION 6 - HYDRAULIC.....	271
FIGURE 6-1. AXLE LOCKOUT HYDRAULIC DIAGRAM.....	272
FIGURE 6-2. DRIVE HYDRAULIC DIAGRAM - 2WD (SN 0300069000 through 0300083331).....	274
FIGURE 6-3. DRIVE HYDRAULIC DIAGRAM - 2WD (SN 0300083332 through 0300140000).....	278
FIGURE 6-4. DRIVE HYDRAULIC DIAGRAM - 4WD/2WS (SN 0300069000 through 0300083331).....	284
FIGURE 6-5. DRIVE HYDRAULIC DIAGRAM - 4WD/2WS (SN 0300083332 through 0300140000).....	288
FIGURE 6-6. STANDARD HYDRAULIC DIAGRAM (WITH FENNER AND HALDEX BRAND AUXILIARY PUMP).....	294
FIGURE 6-7. STANDARD HYDRAULIC DIAGRAM (WITH BUCHER BRAND AUXILIARY PUMP).....	298
FIGURE 6-8. HYDRAULIC DIAGRAM LIST.....	302
SECTION 7 - ELECTRICAL.....	303
FIGURE 7-1. ELECTRICAL DIAGRAM LIST.....	304
FIGURE 7-2. HARNESS COMPONENTS INSTALLATION WITHOUT UGM.....	306
FIGURE 7-3. HARNESS COMPONENTS INSTALLATION WITH UGM.....	324
SECTION 8 - DECALS.....	339
FIGURE 8-1. DECAL INSTALLATION (SN 0300069000 through 0300078345).....	340
FIGURE 8-2. DECAL INSTALLATION (SN 0300078346 through 0300089982).....	344
FIGURE 8-3. DECAL INSTALLATION (SN 0300089982 through 0300140000).....	348
SECTION 9 - RECOMMENDED SERVICE PARTS STOCK.....	351
FIGURE 9-1. MODEL 800A/800AJ STANDARD PARTS.....	352
FIGURE 9-2. MODEL 800A/800AJ VARIABLE PARTS.....	354
SECTION 10 - SPECIAL OPTIONS.....	355
FIGURE 10-1. SPECIAL OPTIONS.....	356
PART NUMBER INDEX.....	361

SECTION 1 - FRAME

SECTION 1 - FRAME

FIGURE 1-1. AXLE AND STEERING INSTALLATION



SECTION 1 - FRAME

FIGURE 1-1. AXLE AND STEERING INSTALLATION

ITEM	PART NUMBER	QTY	DESCRIPTION	REV
	0258286	Ref	FIXED AXLE INSTALLATION	C
1	0100011	AR	Compound, Locking	
2	0681608	4	Bolt 3/8in-16NC x 1in (Grade 8)	
4	0641820	2	Bolt 1/2in-13NC x 2-1/2in	
5	0642212	1	Bolt 3/4in-10NC x 1-1/2in	
6	0962102	2	Bushing	
7	3422703	1	Pin, Axle Pivot	
8	3538047	2	Shim, Wear	
9	3539877	2	Plate, Stop	
10	3539878	2	Plate, Stop	
11	3841287	1	Keeper, Pin	
12	4070878	AR	Shim 1/16in	
13	4070879	AR	Shim 1/8in	
14	4070944	AR	Shim 1/16in	
15	4070945	AR	Shim 1/4in	
16	4711600	4	Flatwasher 3/8in Narrow	
17	4740472	1	Washer, Special	
19	4845658	1	Axle Weldment	
		Ref	OSCILLATING AXLE INSTALLATIONS	
		Ref	Oscillating Axle without Tow Package	
	0272269	Ref	Oscillating Axle without Tow Package (SN 0300069000 through 0300083331)	A
	0274264	Ref	Oscillating Axle without Tow Package (SN 0300083332 through 0300140000)	B
		Ref	Oscillating Axle with Tow Package	
	0272655	Ref	Oscillating Axle without Tow Package (SN 0300069000 through 0300083331)	A
	0274265	Ref	Oscillating Axle without Tow Package (Note: No Longer Available SN 0300138599 to Present) (SN 0300083332 through 0300138599)	B
101	0100011	AR	Compound, Locking	
102	0641414	4	Bolt 1/4in-20NC x 1-3/4in Only (SN 0300069000 through 0300083332)	
103	0641608	4	Bolt 3/8in-16NC x1in	
105	0642212	1	Bolt 3/4in-10NC x 1-1/2in	
106	0962102	2	Bushing	
108	1683078	2	Lockout Cylinder Assembly (See CYLINDER SECTION for Breakdown)	
112	3422703	1	Pin, Main Pivot	
113	3538047	2	Shim, Axle Wear	
114	3841143	4	Shaft, Keeper 3/8in Dia x 3in	
115	3841287	1	Shaft, Keeper 3/8in Dia x 6in	
116	4070878	2	Shim, Axle Wear	
117	4070879	2	Shim, Axle Wear	
119	4640871	1	Valve, Lockout Only (SN 0300069000 through 0300083332)	
119	7012693	1	Seal Kit - 4640871 Valve	
119	7002840	1	Pin Removal Tool	
120	4711400	4	Flatwasher 1/4in Narrow Only (SN 0300069000 through 0300083332)	
121	4711600	4	Flatwasher 3/8in Narrow	
122	4740472	1	Washer, Special	

SECTION 1 - FRAME

ITEM	PART NUMBER	QTY	DESCRIPTION	REV
124		Ref	Axle Weldment Options:	
124	4845658	1	Axle without Tow Package	
124	4846413	1	Axle with Tow Pacakage	
125	0641816	2	Bolt 1/2in-13NC x 2in Only (SN 0300069000 through 0300083332)	
126	1100086	1	Plate, Cam Lockout Only (SN 0300069000 through 0300083332)	
127	4751800	4	Flatwasher 1/2in Only (SN 0300069000 through 0300083332)	
128	3422702	2	Pin	
129	3422755	2	Pin	
130	0681608	4	Bolt 3/8in-16NC x1in (Grade 8)	
131	4568514	2	Spacer, Tube (SN 0300069000 through 0300083332)	
		Ref	STEERING INSTALLATIONS	
		Ref	Steering Installations 2WS	
	0258287	Ref	Steering Installations 2WS (SN 0300069000 through 0300069774)	F
	0272003	Ref	Steering Installations 2WS (SN 0300069775 through 0300140000)	B
		Ref	Steering Installations 4WS (Rear Steering Typical / Double Qty Listed for 4WS)	
	0258909	Ref	Steering Installations 4WS (SN 0300069000 through 0300132175)	C
	1001100156	Ref	Steering Installations 4WS (SN 0300132176 through 0300140000)	B
	1001137261	Ref	King Pin Kit	A
		Ref	Note: Before ordering king pin kit, verify that machines is equipped with the original components (king pin with 4 bolt holes) or service kit components (king pin with 8 bolt holes)	
		Ref	If the king pin hole in the axle measurement exceeds 2.252in OD or is elongated, use King Pin Kit p/n 1001137261.	
		Ref	Note: See Tow Package Installation for Steering Components on Machines with Tow Option.	
201	0100011	AR	Compound, Locking	
202	0362726	1	Tie-Rod	
203	0641608	6	Bolt 3/8in-16NC x 1in	
204		Ref	Bolt Options:	
204		Ref	Bolt 2WS	
204	0641608	8	2WS (3/8in-16NC x 1in) (SN 0300069000 through 0300069774)	
204	0641810	16	2WS (1/2in-13NC x 1-1/4in) (SN 0300069775 through 0300140000)	
204		Ref	Bolt 4WS	
204	0641608	8	4WS (3/8in-16NC x 1in) (SN 0300069000 through 0300132175)	
204	0641810	16	4WS (1/2in-13NC x 1-1/4in) (SN 0300132176 through 0300140000)	
205		Ref	Bearing Options:	
205		Ref	Bearing 2WS	
205	0962224	4	Bearing 2WS (SN 0300069000 through 0300069774)	
205	0962448	4	Bearing 2WS (SN 0300069775 through 0300140000)	
205		Ref	Bearing 4WS	
205	0962224	4	Bearing 4WS (SN 0300069000 through 0300132175)	
205	0962448	4	Bearing 4WS (SN 0300132176 through 0300140000)	
206	0962152	2	Bearing	
208	1683740	2	Steer Cylinder Assembly (See CYLINDER SECTION for	

SECTION 1 - FRAME

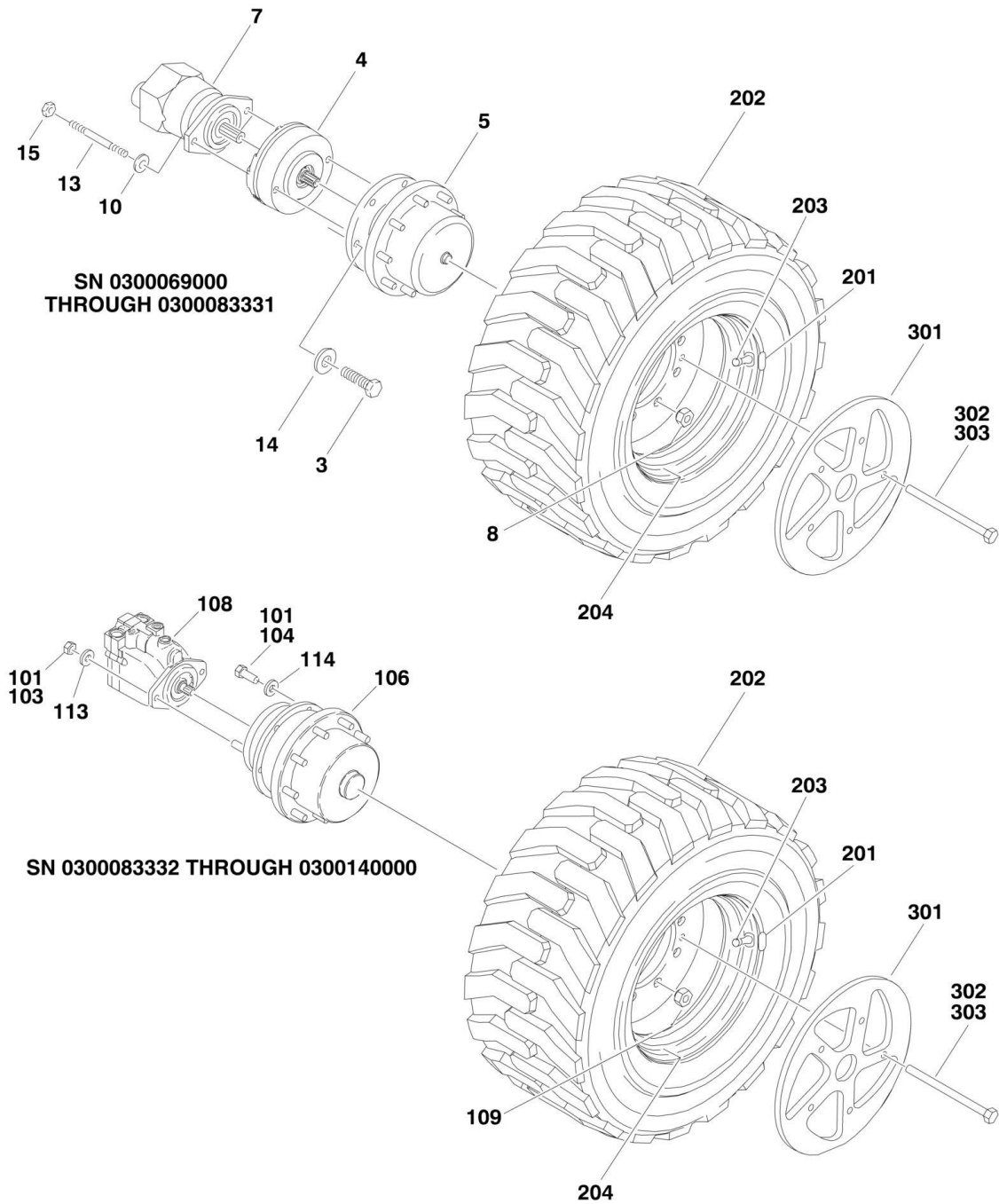
ITEM	PART NUMBER	QTY	DESCRIPTION	REV
			Breakdown)	
211	3422701	2	Pin, Steer, Spindle Attach	
212	3422702	2	Pin, Tie-Rod	
214	3841143	6	Shaft, Keeper 3/8in x 3in	
215		Ref	Spindle Weldment (Right Side) Options:	
215		Ref	Spindle Weldment (Right Side) 2WS	
215	4130357	1	Spindle Weldment (Right Side) 2WS (SN 0300069000 through 0300069774)	
215	4130389	1	Spindle Weldment (Right Side) 2WS (SN 0300069775 through 0300140000)	
215		Ref	Spindle Weldment (Right Side) 4WS	
215	4130357	1	Spindle Weldment (Right Side) 4WS (SN 0300069000 through 0300132175)	
215	4130389	1	Spindle Weldment (Right Side) 4WS (SN 0300132176 through 0300140000)	
216		Ref	Spindle Weldment (Left Side) Options:	
216		Ref	Spindle Weldment (Left Side) 2WS	
216	4130358	1	Spindle Weldment (Left Side) 2WS (SN 0300069000 through 0300069774)	
216	4130390	1	Spindle Weldment (Left Side) 2WS (SN 0300069775 through 0300140000)	
216		Ref	Spindle Weldment (Left Side) 4WS	
216	4130358	1	Spindle Weldment (Left Side) 4WS (SN 0300069000 through 0300132175)	
216	4130390	1	Spindle Weldment (Left Side) 4WS (SN 0300132176 through 0300140000)	
217	4740111	4	Washer, Special	
219	4740463	AR	Washer, Thrust (.250in)	
220	4740473	2	Washer, Special	
221	1001103810	AR	Washer, Thrust (.187in)	
222	4740256	AR	Washer, Thrust (.125in)	
223		Ref	Kingpin Options:	
223		Ref	Kingpin 2WS	
223	3422753	4	Kingpin 2WS (SN 0300069000 through 0300069774)	
223	3422972	4	Kingpin 2WS (SN 0300069775 through 0300140000)	
223		Ref	Kingpin 4WS	
223	3422753	4	Kingpin 4WS (SN 0300069000 through 0300132175)	
223	3422972	4	Kingpin 4WS (SN 0300132176 through 0300140000)	
224	3422754	2	Pin, Attach	
		Ref	HUB INSTALLATION (2WD ONLY)	
	0270209	Ref	Hub Installation (2WD ONLY) (SN 0300069000 through 0300083331)	B
	0273378	Ref	Hub Installation (2WD ONLY) (SN 0300083332 through 0300140000)	D
301	0100011	AR	Compound, Locking	
304	0682016	16	Bolt 5/8in-16NC x 2in (Grade 8)	
306	2780229	2	Hub Assembly (See Items 401-412 for Breakdown)	
310	3300007	20	Lugnut	
315	4892000	16	Flatwasher 5/8in Hardened	
	2780229	Ref	HUB ASSEMBLY (2WD ONLY)	A
401	7017052	2	Spindle (1 per Assembly)	
402	7017053	2	Housing (1 per Assembly)	
403	7010404	2	Cup, Bearing - Inner (1 per Assembly)	
404	7010405	2	Cone, Bearing - Inner (1 per Assembly)	

SECTION 1 - FRAME

ITEM	PART NUMBER	QTY	DESCRIPTION	REV
405	7017056	2	Cup, Bearing - Outer (1 per Assembly)	
406	7017055	2	Cone, Bearing - Outer (1 per Assembly)	
407	7010406	2	Seal, Lip (1 per Assembly)	
408	7000265	20	Stud (10 per Assembly)	
409	7017054	2	Dust Cap (1 per Assembly)	
410	7017051	2	Washer, Special (1 per Assembly)	
411	7017057	2	Washer, Tanged (1 per Assembly)	
412	7017058	2	Nut, Bearing (1 per Assembly)	
501		Ref	FRAME WELDMENT OPTIONS:	
501		Ref	Frame Weldment (SN 0300069000 through 0300083331)	
501	2360601	Ref	2WD/2WS with Foam-Filled Tires	
501	2360603	Ref	4WD/2WS with Foam-Filled Tires	
501	2360591	Ref	4WD/4WS with Foam-Filled Tires	
501		Ref	Frame Weldment (SN 0300083332 through 0300140000)	
501	2360639	NLA	2WD/2WS with Foam-Filled Tires (Use p/n 2360645)	
501	2360641	NLA	4WD/2WS with Foam-Filled Tires (Use p/n 2360647)	
501	2360643	NLA	4WD/4WS with Foam-Filled Tires (Use p/n 2360709)	

SECTION 1 - FRAME

FIGURE 1-2. TIRE AND WHEEL INSTALLATIONS



SECTION 1 - FRAME

FIGURE 1-2. TIRE AND WHEEL INSTALLATIONS

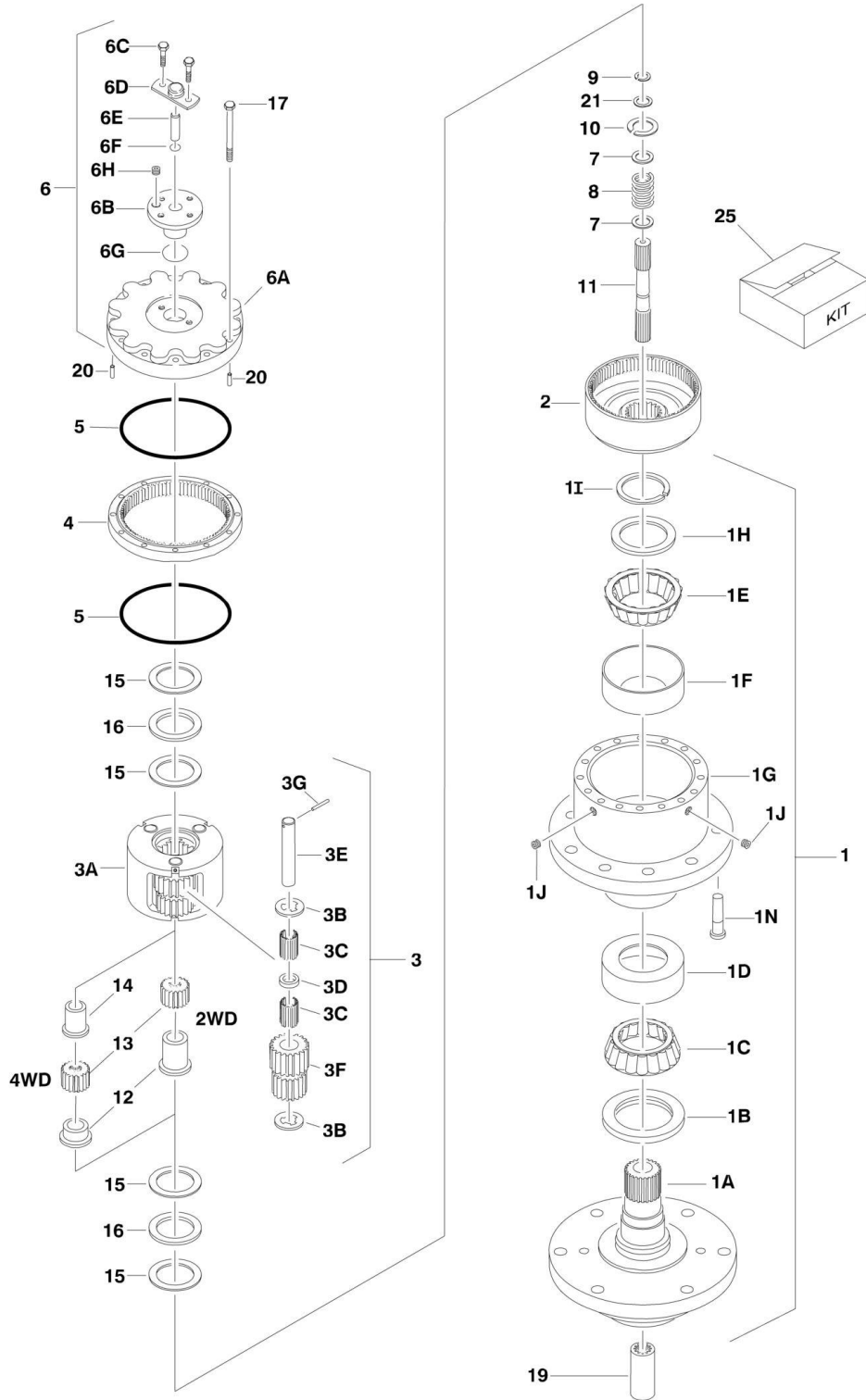
ITEM	PART NUMBER	QTY	DESCRIPTION	REV
		Ref	WHEEL DRIVE INSTALLATIONS (SN 0300069000 through 0300083331)	
	0270209	Ref	Wheel Drive Installations 2WD/2WS	B
	0270210	Ref	Wheel Drive Installations 4WD/2WS	B
	0270211	Ref	Wheel Drive Installations 4WD/4WS	B
		Ref	Note: 2WD Qty Shown For 4WD, Double Qty Shown.	
3	0682016	16	Bolt 5/8in-11NC x 2in (Grade 8)	
4	0920117	NLA	Drive Brake Assembly (Use p/n 0920119)	
4	7018612	1	Repair Kit (Includes Case Seal, Piston Inner and Outer O-Rings and Back-up Rings, Stator Disc, Rotor Disc, Return Plate, Springs, Oil Seal, Bearing, 2 Retaining Rings and 2 Mounting Face Gaskets) (1 Per Assembly)	
4	7000731	2	Gasket, Mounting Face (2 Per Assembly)	
4	7007990	1	O-Ring, Mounting (1 Per Assembly) (0920119 Brake)	
		Ref	Note: No Other Parts Available.	
5		Ref	Drive Hub Assembly Options: (See DRIVE HUB ASSEMBLIES for Breakdown)	
5	2780227	2	Drive Hub Assembly 2WD	
5	2780228	2	Drive Hub Assembly 4WD	
7	3160204	2	Drive Motor Assembly (See DRIVE MOTOR ASSEMBLY for Breakdown)	
8	3300007	20	Nut, Wheel	
10	4300097	4	Stud	
13	4891800	4	Flatwasher 1/2in	
14	4892000	16	Flatwasher, 5/8in Hardened	
15	3311801	4	Nut 1/2in-13 NC	
		Ref	WHEEL DRIVE INSTALLATION (SN 0300083332 through 0300140000)	
	0273378	Ref	Wheel Drive Installation 2WD/2WS	E
	0273704	Ref	Wheel Drive Installation 4WD/2WS	D
	0274232	Ref	Wheel Drive Installation 4WD/4WS	D
		Ref	Note: 2WD Qty Shown. For 4WD, Double Qty Shown.	
101	0100011	AR	Compound, Locking	
103	3311801	4	Nut 1/2in-13 NC	
104	0682016	16	Bolt 5/8in-11NC x 2in (Grade 8)	
105	2300016	AR	Fluid, Hydraulic (Not Shown)	
106	2780272	2	Drive Hub Assembly (See DRIVE HUB ASSEMBLY for Breakdown)	
107	3020008	AR	Lubricant (Not Shown)	
108		Ref	Drive Motor Assembly Options:	
108	3160347	2	2WD Rear p/n was 3160308 - See DRIVE MOTOR ASSEMBLY (4 BOLT ASSEMBLY) for Breakdown (SN 0300083332 through 0300098924)	
108	3160347	2	2WD Rear p/n 3160347 - See DRIVE MOTOR ASSEMBLY (5 BOLT ASSEMBLY) for Breakdown (SN 0300098925 through 0300140000)	
108	3160348	4	4WD Front and Rear p/n was 3160266 - See DRIVE MOTOR ASSEMBLY (4 BOLT ASSEMBLY) for Breakdown (SN 0300083332 through 0300098643)	
108	3160348	4	4WD Front and Rear p/n 3160348 - See DRIVE MOTOR ASSEMBLY (5 BOLT ASSEMBLY) for Breakdown (SN 0300098644 through 0300140000)	
109	3300007	20	Nut, Wheel	

SECTION 1 - FRAME

ITEM	PART NUMBER	QTY	DESCRIPTION	REV
113	4891800	4	Flatwasher, 1/2in Hardened	
114	4892000	16	Flatwasher, 5/8in Hardened	
		Ref	TIRE AND WHEEL INSTALLATIONS	
	0270886	Ref	15-625 Foam-Filled	A
	0270888	Ref	18-625 Foam-Filled	A
	0258399	Ref	IN445/55D19.5 Foam-Filled	B
	0274177	Ref	IN385/65D19.5 Foam-Filled	A
	0271085	2	15-625 Foam-Filled Left Side	
	0271086	2	15-625 Foam-Filled Right Side	
	0271090	2	18-625 Foam-Filled Left Side	
	0271091	2	18-625 Foam-Filled Right Side	
	0258333	2	IN445/55D19.5 Foam-Filled Left Side	
	0258334	2	IN445/55D19.5 Foam-Filled Right Side	
	4520348	2	IN385/65D19.5 Non-Marking Foam-Filled Left Side	
	4520347	2	IN385/65D19.5 Non-Marking Foam-Filled Right Side	
		Ref	Note: Assemblies may require ballast/foam filling to manufacturer's specifications prior to installing on a machine. Refer to Operation and Safety or Service and Maintenance Manuals. Purchase individual tire and/or rim only if able to foam fill tire and wheel assembly, otherwise, purchase complete assembly.	
201	Not Required	0	Decal	
202		Ref	Tire Options:	
202	4520252	1	15-625	
202	4520253	1	18.625	
202	4520205	1	IN445/55D19.5	
202	4520242	1	IN385/65D19.5 Non-Marking (15 x 19.5)	
203	Not Required	0	Valve, Air	
204		Ref	Rim, Wheel Options:	
204	4860224	1	13 x 24.5	
204	4860225	1	15 x 24.5	
204	4860188	1	14 x 19.5	
	0256196	Ref	WHEEL COVER INSTALLATION (OPTIONAL)	2-A
301	1670776	4	Cover, Wheel	
302	0641550	20	Bolt 5/16in - 18NC x 6-1/4in	
303	0100011	AR	Compound, Locking	

SECTION 1 - FRAME

FIGURE 1-3. DRIVE HUB ASSEMBLIES (SN 0300069000 through 0300083331)



SECTION 1 - FRAME

FIGURE 1-3. DRIVE HUB ASSEMBLIES (SN 0300069000 through 0300083331)

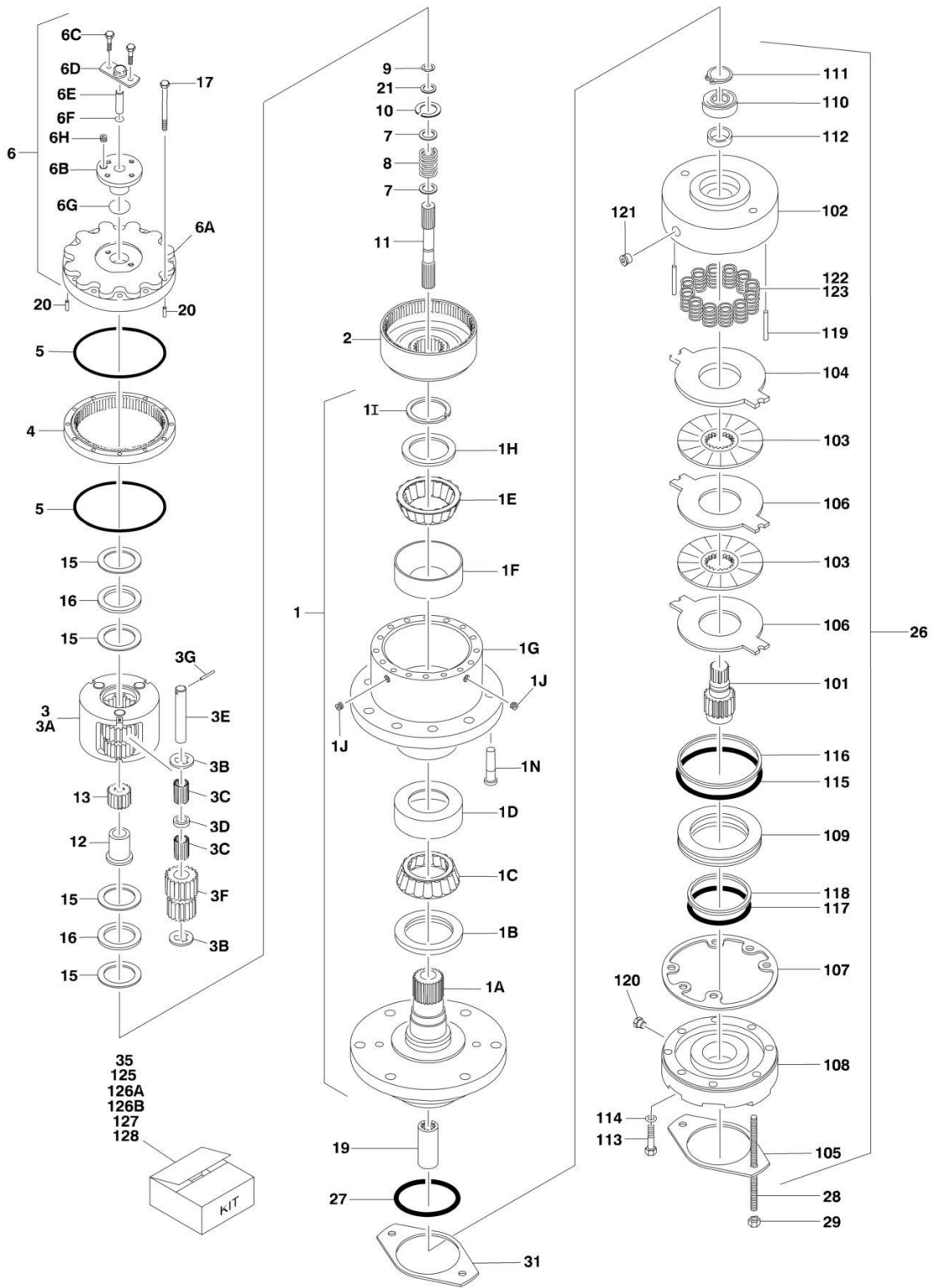
ITEM	PART NUMBER	QTY	DESCRIPTION	REV
	2780227	Ref	DRIVE HUB ASSEMBLY (2WD)	A
	2780228	Ref	DRIVE HUB ASSEMBLY (4WD)	D
1	See Note	NSS	Spindle/Housing Assembly (Note: Not Available - Purchase Individual Components)	
1A	7010464	1	Spindle	
1B	7000236	1	Seal	
1C	7000273	1	Cone, Bearing	
1D	7000272	1	Cup, Bearing	
1E	7000275	1	Cone, Bearing	
1F	7000274	1	Cup, Bearing	
1G	7017033	1	Housing	
1H	7000239	1	Washer, Thrust	
1I	7000240	1	Ring, Retaining	
1J	7001928	1	Plug, Pipe	
1N	7000265	10	Stud, Wheel	
2	7017034	1	Gear, Ring	
3	See Note	NLA	Carrier Assembly (Note: Not Available - Use p/n 7024145)	
3A	7017036	NLA	Carrier (use p/n 7024145)	
3B	7001901	6	Thrustwasher, Tanged	
3C	7001902	96	Bearing, Needle	
3D	7001903	3	Spacer, Thrust	
3E	7017040	3	Shaft, Planet	
3F	7017037	3	Gear, Cluster	
3G	7001906	3	Roll Pin	
4	7017035	1	Gear, Internal	
5	7000224	2	O-Ring	
6	See Note	NSS	Cover Assembly (Note: Not Available - Purchase Individual Components)	
6A	7024155	1	Cover	
6B	7017042	1	Cap	
6C	7000220	4	Bolt 1/4in-20NC x 3/4in	
6D	7000231	1	Cap, Disengage	
6E	7000235	1	Rod, Disengage	
6F	7000213	1	O-Ring	
6G	7000238	1	O-Ring	
6H	7017048	1	Plug, Pipe	
7	7000282	2	Thrustwasher	
8	7000283	1	O-Ring	
9	7000284	1	Ring, Retaining	
10	7017027	1	Ring, Retaining	
11		Ref	Shaft, Input Options:	
11	7017039	1	Shaft, Input 2WD	
11	7017044	1	Shaft, Input 4WD	
12		Ref	Spacer, Input Options:	
12	7017041	1	Spacer, Input 2WD	
12	7017045	1	Spacer, Input 4WD	
13		Ref	Gear, Sun Options:	
13	7017038	1	Gear, Sun 2WD	
13	7017043	1	Gear, Sun 4WD	
14		Ref	Spacer, Input Options:	

SECTION 1 - FRAME

ITEM	PART NUMBER	QTY	DESCRIPTION	REV
14	Not Required	0	Spacer, Input 2WD	
14	7017046	1	Spacer, Input 4WD	
15	7000287	4	Thrustwasher	
16	7000288	2	Thrustwasher	
17	7000289	12	Bolt 3/8in-16NC x 2-1/2in (Grade 8)	
19	7000290	1	Coupling	
20	7017047	2	Pin, Dowel	
21		Ref	Thrustwasher Options:	
	7017050	1	Thrustwasher 2WD	
	Not Required	0	Thrustwasher 4WD	
25	7017068	1	Seal Kit (Includes Items 1B, 1I, 5, 6F, 6G, 15 & 16)	

SECTION 1 - FRAME

FIGURE 1-4. DRIVE HUB ASSEMBLY (SN 0300083332 through 0300140000)



SECTION 1 - FRAME

FIGURE 1-4. DRIVE HUB ASSEMBLY (SN 0300083332 through 0300140000)

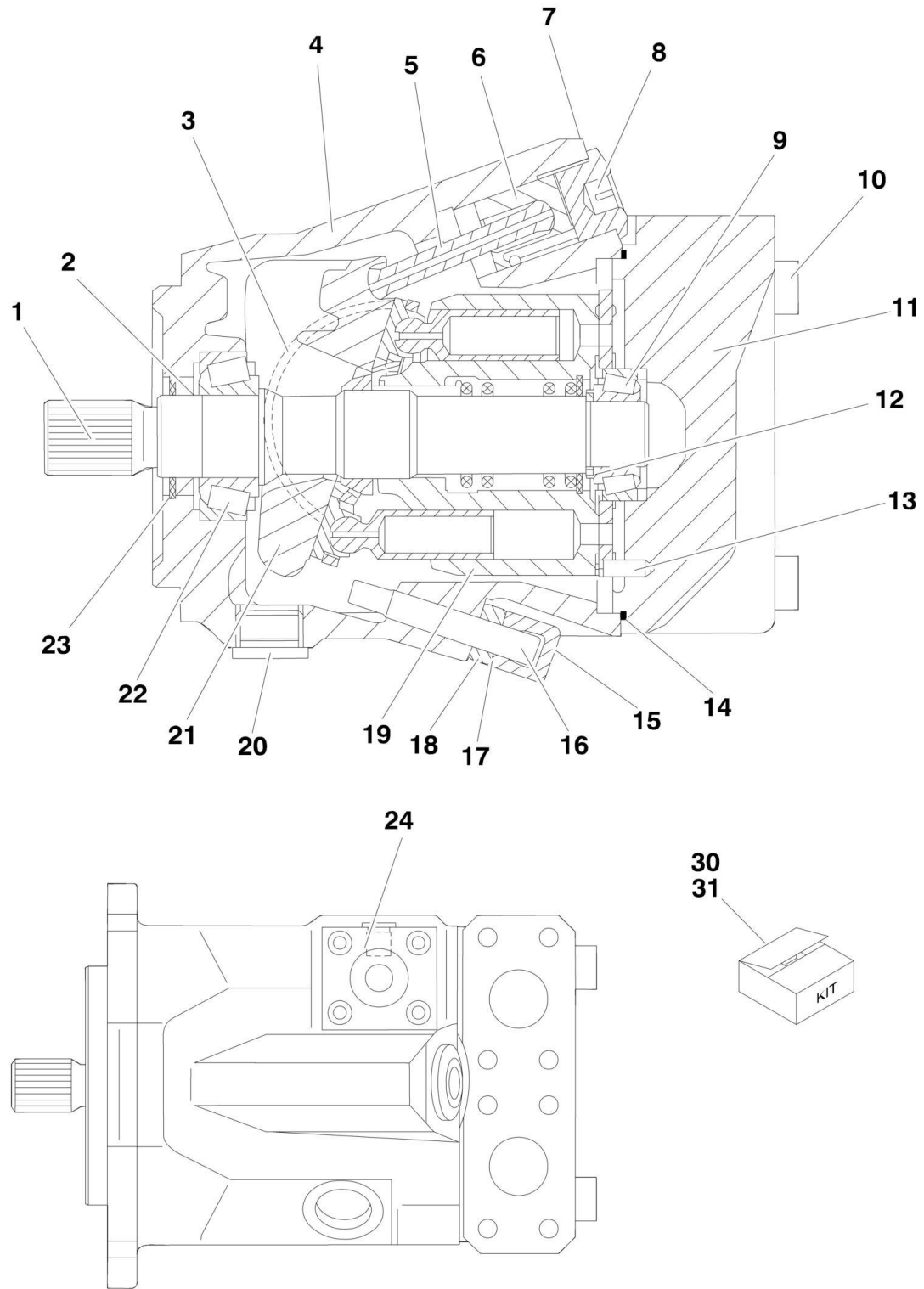
ITEM	PART NUMBER	QTY	DESCRIPTION	REV
	2780272	Ref	DRIVE HUB/BRAKE ASSEMBLY	B
	2780227	Ref	Hub Assembly	A
1	See Note	NSS	Spindle/Housing Assembly (Note: Not Available - Purchase Individual Components)	
1A	7010464	1	Spindle	
1B	7000236	1	Seal	
1C	7000273	1	Cone, Bearing	
1D	7000272	1	Cup, Bearing	
1E	7000275	1	Cone, Bearing	
1F	7000274	1	Cup, Bearing	
1G	7017033	1	Housing	
1H	7000239	1	Washer, Thrust	
1I	7000240	1	Ring, Retaining	
1J	7001928	1	Plug, Pipe	
1N	7000265	10	Stud, Wheel	
2	7024782	1	Gear, Ring	
3	7024145	1	Carrier Assembly	
3A	7024147	NLA	Carrier (use p/n 7024145)	
3B	7001901	6	Thrustwasher, Tanged	
3C	7001902	96	Bearing, Needle	
3D	7001903	3	Spacer, Thrust	
3E	7024146	3	Shaft, Planet	
3F	7024148	3	Gear, Cluster	
3G	7001906	3	Roll Pin	
4	7024151	1	Gear, Internal	
5	7000224	1	O-Ring	
6	See Note	NSS	Cover Assembly (Note: Not Available - Purchase Individual Components)	
6A	7024155	1	Cover	
6B	7024783	1	Cap	
6C	7000220	4	Bolt 1/4in-20NC x 3/4in	
6D	7000231	1	Cap, Disengage	
6E	7000235	1	Rod, Disengage	
6F	7000213	1	O-Ring	
6G	7000238	1	O-Ring	
6H	7017048	1	Plug, Pipe	
7	7000282	2	Thrustwasher	
8	7000283	1	Spring	
9	7000284	1	Ring, Retaining	
10	7017027	1	Ring, Retaining	
11	7024781	1	Shaft, Input	
12	7024154	1	Spacer, Input	
13	7024149	1	Gear, Sun	
15	7000287	4	Thrustwasher	
16	7000288	2	Thrustwasher	
17	7000289	12	Bolt 3/8in-16NC x 2-1/2in (Grade 8)	
19	7000290	1	Coupling	
20	7017047	2	Pin, Dowel	
21	7017050	1	Thrustwasher	
26	7024182	1	Brake Assembly (Includes Items 101-123)	

SECTION 1 - FRAME

ITEM	PART NUMBER	QTY	DESCRIPTION	REV
27	7024763	2	O-Ring	
28	7024717	2	Stud 1/2in-13NC x 4-5/8in	
29	7024718	2	Nut 1/2in-13NC	
31	70005483	1	Gasket	
35	7017068	1	Seal Kit - Hub (Includes Items 1B, 5, 6F, 6G & 8)	
	7024182	Ref	BRAKE ASSEMBLY	
101	7024189	1	Shaft	
102	7024182	1	Housing (Note: Not Available - Purchase Complete Assembly)	
103	See Note	NSS	Plate, Friction (Note: Use Item 127)	
104	See Note	NSS	Plate, Pressure (Note: Use Item 127)	
105	7000731	1	Gasket	
106	See Note	NSS	Plate, Outer (Note: Use Item 127)	
107	See Note	NSS	Gasket (Note: Use Item 125, 127 or 128)	
108	7024191	1	Cylinder	
109	7024192	1	Piston	
110	See Note	NSS	Bearing, Ball (Note: Use Item 128)	
111	See Note	NSS	Ring, Retaining (Note: Use Item 128)	
112	See Note	NSS	Seal, Shaft (Note: Use Item 128)	
113	See Note	6	Capscrew (Note: Not Available for Purchase)	
114	See Note	6	Lockwasher (Note: Not Available for Purchase)	
115	See Note	NSS	O-Ring (Note: Use Item 125)	
116	See Note	NSS	Ring, Back-up (Note: Use Item 125)	
117	See Note	NSS	O-Ring (Note: Use Item 125)	
118	See Note	NSS	Ring, Back-up (Note: Use Item 125)	
119	7024190	2	Pin, Dowel	
120	See Note	1	Plug (Note: Not Available - Purchase Locally)	
121	See Note	2	Plug (Note: Not Available - Purchase Locally)	
122	See Note	NSS	Spring (Natural) (Note: Use Item 126B)	
123	See Note	NSS	Spring (Blue) (Note: Use Item 126B)	
125	7024194	1	Seal Kit - Brake (Includes Items 105, 107 & 115-118)	
126		Ref	Spring Kit - Brake Options:	
126A	7024195	ÑLA	Kit - Includes 12 Natural Colored Springs Item 122 (Use Kit p/n 7024196)	
126B	7024196	1	Kit - Includes 12 Natural and 2 Blue Colored Springs Items 122 & 123	
127	7024193	1	Friction Disc Kit - Brake (Includes Items 103, 104, 106 & 107)	
128	7024197	1	Bearing Kit - Brake (Includes Items 107 & 110-112)	

SECTION 1 - FRAME

FIGURE 1-5. DRIVE MOTOR ASSEMBLY (SN 0300069000 through 0300083331)



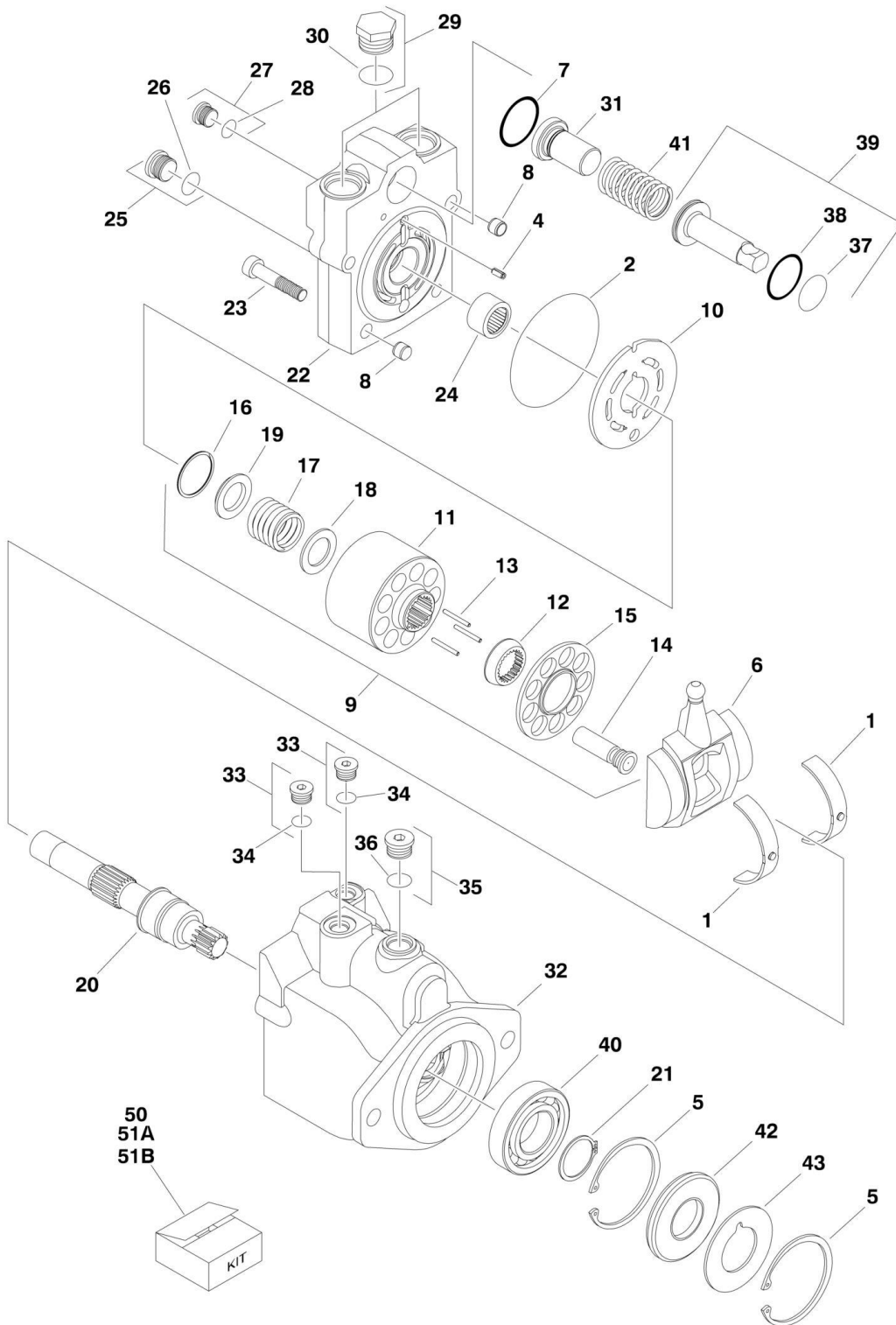
SECTION 1 - FRAME

FIGURE 1-5. DRIVE MOTOR ASSEMBLY (SN 0300069000 through 0300083331)

ITEM	PART NUMBER	QTY	DESCRIPTION	REV
	3160204	Ref	DRIVE MOTOR ASSEMBLY	A
1	7012701	1	Shaft - 13 Teeth	
2	See Note	NSS	Seal, Shaft (Note: Use Item 30)	
3	7012702	2	Bearing, Cradle	
4	See Note	1	Housing (Note: Not Available - Purchase Complete Assembly)	
5	7012703	1	Rod, Piston	
6	7012704	1	Piston, Stroking	
7	See Note	NSS	O-Ring (Note: Use Item 30)	
8	7012705	1	Nut, Adapter	
9	7012706	1	Bearing, Roller	
10	7012707	4	Bolt, Metric Socket Head M12 x 65	
11	7012708	1	Block, Port	
12	7012709	1	Shim	
13	7012710	1	Pin, Dowel M6 x 18	
14	See Note	NSS	O-Ring (Note: Use Item 30)	
15	7012711	1	Nut, Cap M10 x 1in	
16	7012712	1	Screw, Adjusting	
17	See Note	NSS	O-Ring (Note: Use Item 30)	
18	7012713	1	Nut, Jam M10 x 1in	
19	See Note	NSS	Rotary Group Assembly (Note: Use Item 31)	
20	See Note	1	Plug (Note: Not Available - Purchase Locally)	
21	See Note	NSS	Plate, Swash (Note: Use Item 31)	
22	7012714	1	Bearing, Roller	
23	7012715	1	V-Ring	
24	7012700	1	Control Plate Assembly	
30	2900788	1	Seal Kit (Includes Items 2, 7, 14, 17 and O-Rings under Item 24)	
31	7012716	1	Rotary Group Kit (Includes Items 19 & 21)	

SECTION 1 - FRAME

FIGURE 1-6. DRIVE MOTOR ASSEMBLY (ORIGINAL EQUIPMENT) (4 BOLT ASSEMBLY) (SN 0300083332 through 0300140000)



SECTION 1 - FRAME

FIGURE 1-6. DRIVE MOTOR ASSEMBLY (ORIGINAL EQUIPMENT) (4 BOLT ASSEMBLY) (SN 0300083332 through 0300140000)

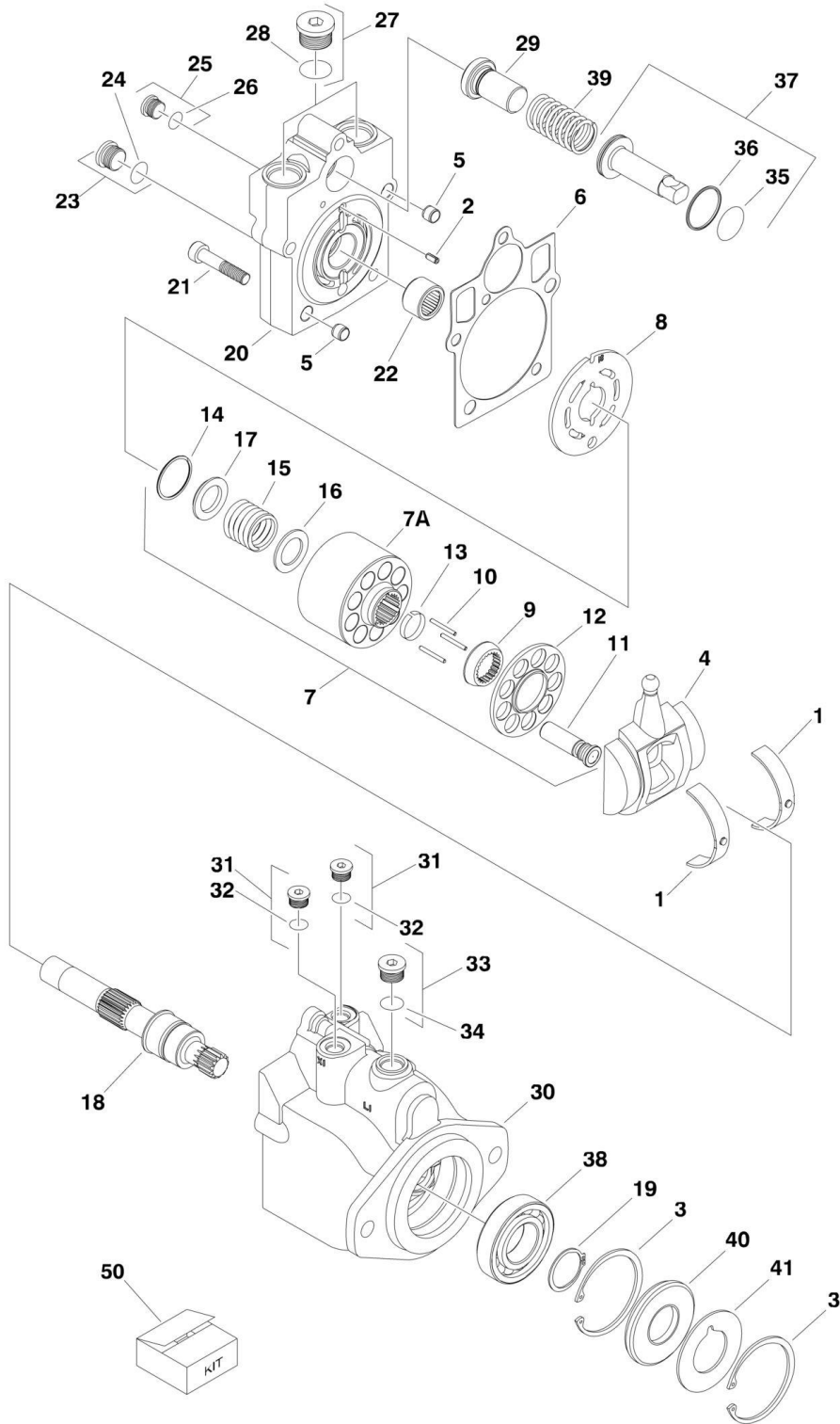
ITEM	PART NUMBER	QTY	DESCRIPTION	REV
		Ref	DRIVE MOTOR ASSEMBLY	
	3160308	Ref	Drive Motor Assembly 2WD	C
	3160266	Ref	Drive Motor Assembly 4WD	C
		Ref	Note: Original Equipment Motor p/n 3160308 & p/n 3160266 uses 4 bolts to assemble the motor. Service Replacement Motor p/n 3160347 & p/n 3160348 motors use 5 bolts to assemble the motor. Visually identify component before ordering parts. If equipped with p/n 3160347 or p/n 3160348 refer to next illustration.	
1	7022302	2	Bearing, Journal	
2	See Note	NSS	O-Ring (Note: Use Item 50)	
3	See Note	NSS	O-Ring (Note: Use Item 50)	
4	7007446	1	Pin	
5	7007438	2	Ring, Retaining	
6		Ref	Swash Plate Options:	
6	7024861	1	Swash Plate 2WD	
6	7022305	1	Swash Plate 4WD	
7	See Note	NSS	O-Ring (Note: Use Item 50)	
8		Ref	Pin Options:	
8	7027435	2	Pin 2WD	
8	Not Required	0	Pin 4WD	
9		Ref	Cylinder Block Kit (Includes Items 11-19) Options:	
9	See Note	NSS	Cylinder Block Kit 2WD (Note: Use Item 51A)	
9	See Note	NSS	Cylinder Block Kit 4WD (Note: Use Item 51B)	
10		Ref	Plate, Valve Options:	
10	7024862	1	Plate, Valve 2WD	
10	7023908	1	Plate, Valve 4WD	
11	See Note	NSS	Block, Cylinder (Note: Use Item 51A or 51B)	
12		Ref	Guide, Slipper Retainer Options:	
12	See Note	NSS	Guide, Slipper Retainer 2WD (Note: Use Item 51A)	
12	7021277	1	Guide, Slipper Retainer 4WD	
13	7021275	3	Pin, Slipper Hold Down	
14		Ref	Piston Assembly Options:	
14	7024865	9	Piston Assembly 2WD	
14	See Note	NSS	Piston Assembly 4WD (Note: Use Item 51B)	
15		Ref	Retainer, Slipper Options:	
15	See Note	NSS	Retainer, Slipper 2WD (Note: Use Item 51A)	
15	7022310	1	Retainer, Slipper 4WD	
16	7022311	1	Ring, Retaining	
17		Ref	Spring Options:	
17	7024867	1	Spring 2WD	
17	7022312	1	Spring 4WD	
18		Ref	Washer	
18	7022313	1	Washer 2WD	
18	See Note	NSS	Washer 4WD (Note: Use Item 51B)	
19	7022314	1	Retainer, Spring	
20	7023910	1	Shaft	
21	7007439	1	Ring, Retaining	
22		Ref	Cap, End - Axial Options:	
22	See Note	1	Cap, End - Axial 2WD (Note: Not Available - Purchase	

SECTION 1 - FRAME

ITEM	PART NUMBER	QTY	DESCRIPTION	REV
			Complete Assembly)	
22	7022367	1	Cap, End - Axial 4WD	
23	7022368	4	Screw	
24	7021249	1	Bearing, Needle	
25	7022321	1	Plug (Includes Item 26)	
26	See Note	NSS	O-Ring (Note: Use Item 25 or 50)	
27	7007420	1	Plug (Includes Item 28)	
28	See Note	NSS	O-Ring (Note: Use Item 27 or 50)	
29	7007419	2	Plug (Includes Item 30)	
30	See Note	NSS	O-Ring (Note: Use Item 29 or 50)	
31		Ref	Seat, Spring Options:	
31	7027741	1	Seat, Spring 2WD	
31	7022372	1	Seat, Spring 4WD	
32		Ref	Housing Options:	
32	7024870	1	Housing 2WD	
32	7022370	1	Housing 4WD	
33	7007419	2	Plug (Includes Item 34)	
34	See Note	NSS	O-Ring (Note: Use Item 33 or 50)	
35	7022321	1	Plug (Includes Item 36)	
36	See Note	NSS	O-Ring (Note: Use Item 35 or 50)	
37	See Note	NSS	O-Ring (Note: Use Item 50)	
38	See Note	NSS	Ring, Seal (Note: Use Item 50)	
39		Ref	Piston, Servo Options:	
39	7024871	1	Piston, Servo 2WD (Includes Items 37 & 38)	
39	7022323	1	Piston, Servo 4WD (Piston Only - Does not include items 37 & 38)	
40	7007437	1	Bearing	
41	7022326	1	Spring	
42	See Note	1	Seal, Lip (Note: Use Item 50)	
43	7022371	1	Washer, Support	
50	7022328	1	Seal Kit (Includes Items 2, 3, 7, 26, 28, 30, 34, 36, 37, 38 & 42)	
51		Ref	Cylinder Block Kit (Includes Items 11-19) Options:	
51A	7027740	1	Cylinder Block Kit 2WD	
51B	7023907	1	Cylinder Block Kit 4WD	

SECTION 1 - FRAME

FIGURE 1-7. DRIVE MOTOR ASSEMBLY (SERVICE REPLACEMENT) (5 BOLT ASSEMBLY) (SN 0300083332 through 0300140000)



SECTION 1 - FRAME

FIGURE 1-7. DRIVE MOTOR ASSEMBLY (SERVICE REPLACEMENT) (5 BOLT ASSEMBLY) (SN 0300083332 through 0300140000)

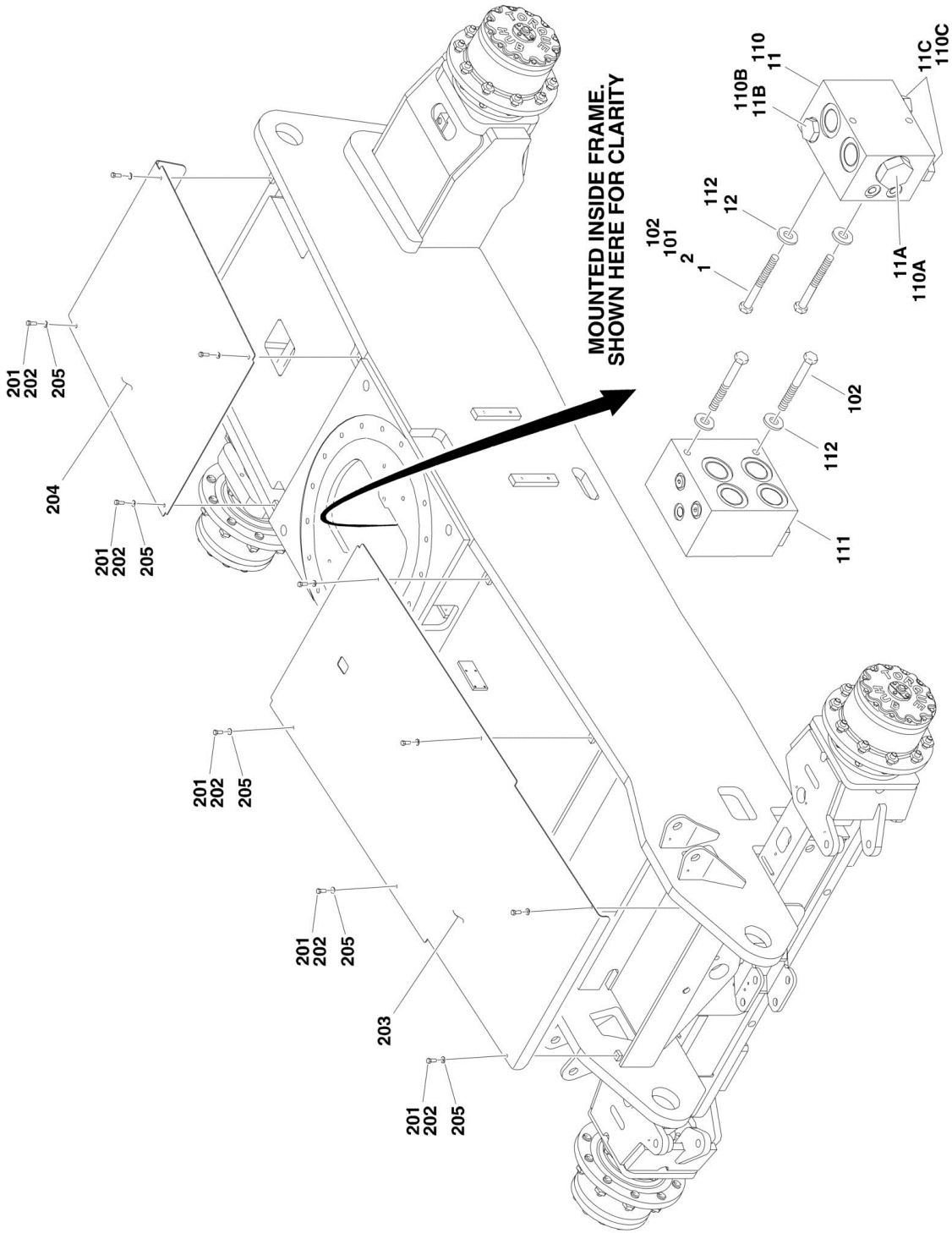
ITEM	PART NUMBER	QTY	DESCRIPTION	REV
		Ref	DRIVE MOTOR ASSEMBLIES:	
	3160347	Ref	Service Replacement Motor for p/n 3120308	B
	3160348	Ref	Service Replacement Motor for p/n 3120266	B
1	7022302	2	Bearing, Journal	
2	7007446	1	Pin	
3	7007438	2	Ring, Retaining	
4		Ref	Swash Plate Options:	
4	70000794	1	Swash Plate 2WD	
4	7022305	1	Swash Plate 4WD	
5	See Note	2	Pin (Note: Not Available for Purchase)	
6	See Note	NSS	Gasket (Note: Use Item 50)	
7		Ref	Cylinder Block Kit (Includes Items 7A & 9-17)	
7	7027740	1	Cylinder Block Kit 2WD	
7	7023907	1	Cylinder Block Kit 4WD	
7A	See Note	NSS	Block, Cylinder (Note: Use Item 7)	
8		Ref	Plate, Valve Options:	
8	7024862	1	Plate, Valve 2WD	
8	7023908	1	Plate, Valve 4WD	
9		Ref	Guide, Slipper Retainer Options:	
9	See Note	NSS	Guide, Slipper Retainer 2WD (Note: Use Item 7)	
9	7021277	1	Guide, Slipper Retainer 4WD	
10	7021275	3	Pin, Slipper Hold Down	
11	See Note	NSS	Piston Assembly (Note: Use Item 7)	
12		Ref	Retainer, Slipper Options:	
12	See Note	NSS	Retainer, Slipper 2WD (Note: Use Item 7)	
12	7022310	1	Retainer, Slipper 4WD	
13		Ref	Retainer, Hold Down Pin Options:	
13	Not Required	0	Retainer, Hold Down Pin 2WD	
13	7021276	1	Retainer, Hold Down Pin 4WD	
14	7022311	1	Ring, Retaining	
15		Ref	Spring Options:	
15	7024867	1	Spring 2WD	
15	7022312	1	Spring 4WD	
16		Ref	Washer Options:	
16	7022313	1	Washer 2WD	
16	7024868	1	Washer 4WD	
17	7022314	1	Retainer, Spring	
18	7023910	1	Shaft	
19	7007439	1	Ring, Retaining	
20		Ref	Cap, End - Axial Options:	
20	70000795	1	Cap, End - Axial 2WD	
20	70000797	1	Cap, End - Axial 4WD	
21	7022368	5	Screw	
22	7021249	1	Bearing, Needle	
23	2220886	1	Plug (Includes Item 24)	
24	See Note	NSS	O-Ring (Note: Use Item 23 or 50)	
25	2220883	1	Plug (Includes Item 26)	
26	See Note	NSS	O-Ring (Note: Use Item 25 or 50)	
27	2220888	2	Plug (Includes Item 28)	

SECTION 1 - FRAME

ITEM	PART NUMBER	QTY	DESCRIPTION	REV
28	See Note	NSS	O-Ring (Note: Use Item 27 or 50)	
29		Ref	Seat, Spring Options:	
29	7027741	1	Seat, Spring 2WD	
29	7022372	1	Seat, Spring 4WD	
30	See Note	NSS	Housing (Note: Not Available - Purchase Complete Assembly)	
31	2220883	2	Plug (Includes Item 32)	
32	See Note	NSS	O-Ring (Note: Use Item 31 or 50)	
33	2220886	1	Plug (Includes Item 34)	
34	See Note	NSS	O-Ring (Note: Use Item 33 or 50)	
35	See Note	NSS	O-Ring (Note: Use Item 50)	
36	See Note	NSS	Ring, Seal (Note: Use Item 50)	
37		Ref	Piston, Servo Options (Includes Items 35 & 36):	
37	7024871	1	Piston, Servo 2WD	
37	7024854	1	Piston, Servo 4WD	
38	7007437	1	Bearing	
39	7022326	1	Spring	
40	See Note	NSS	Seal, Lip (Note: Use Item 50)	
41	7022371	1	Washer, Support	
50	7022328	1	Seal Kit (Includes Items 6, 24, 26, 28, 32, 34, 35, 36 & 40)	

SECTION 1 - FRAME

FIGURE 1-8. DRIVE VALVES AND SHIELDS INSTALLATIONS (SN 0300069000 through 0300083331)



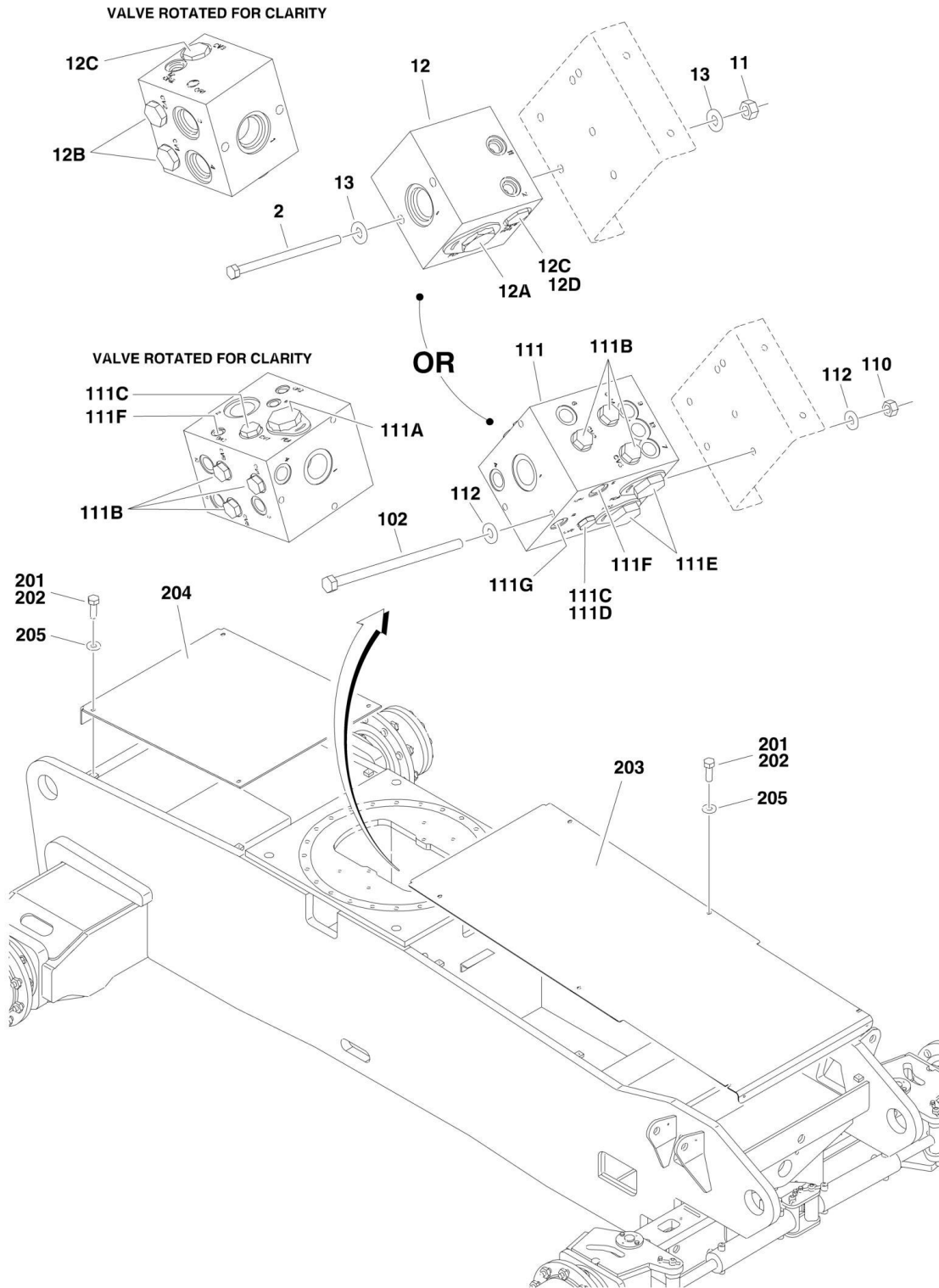
SECTION 1 - FRAME

FIGURE 1-8. DRIVE VALVES AND SHIELDS INSTALLATIONS (SN 0300069000 through 0300083331)

ITEM	PART NUMBER	QTY	DESCRIPTION	REV
	0270209	Ref	DRIVE VALVES INSTALLATION - 2WD/2WS	B
1	0100011	AR	Compound, Locking	
2	0641628	2	Bolt 3/8in-16NC x 3-1/2in	
11	4641041	1	Flow Divider Valve Assembly	
11A	7022396	1	Cartridge, Flow Divider	
11A	7021625	1	Seal Kit - 7022396 Cartridge	
11B	7022398	1	Cartridge, Load Shuttle	
11B	7023900	1	Seal Kit - 7022398 Cartridge	
11C	7022397	2	Cartridge, Check Valves	
11C	7022399	2	Seal Kit - 7022397 Cartridge	
12	4751600	2	Flatwasher, 3/8in	
		Ref	DRIVE VALVES INSTALLATION	
	0270210	Ref	Drive Valves Installation 4WD/2WS	B
	0270211	Ref	Drive Valves Installation 4WD/4WS	C
101	0100011	AR	Compound, Locking	
102	0641628	4	Bolt 5/8in-11NC x 3-1/2in	
110	4641041	1	Flow Divider Valve Assembly	
110A	7022396	1	Cartridge, Flow Divider	
110A	7021625	1	Seal Kit - 7022396 Cartridge	
110B	7022398	1	Cartridge, Load Shuttle	
110B	7023900	1	Seal Kit - 7022398 Cartridge	
110C	7022397	2	Cartridge, Check Valves	
110C	7022399	2	Seal Kit - 7022397 Cartridge	
111	4641042	1	Flow Divider Valve Assembly	
111	7021656	2	Cartridge, Flow Divider	
111	7021625	2	Seal Kit - 7021656 Cartridge	
112	4751600	4	Flatwasher 3/8in	
		Ref	FRAME SHIELDS INSTALLATIONS	
	0271316	Ref	Frame Shields Installations 2WD	A
	0258343	Ref	Frame Shields Installations 4WD	C
201	0100011	AR	Compound, Locking	
202	0641608	AR	Bolt, 3/8in - 16NC x 1in	
203	3570686	1	Plate, Cover Front	
204		Ref	Plate, Cover Rear Options:	
204	Not Required	0	Plate, Cover Rear 2WD	
204	3570690	1	Plate, Cover Rear 4WD	
205	4751600	AR	Flatwasher, 3/8in	

SECTION 1 - FRAME

FIGURE 1-9. DRIVE VALVES AND SHIELDS INSTALLATIONS (SN 0300083332 through 0300140000)



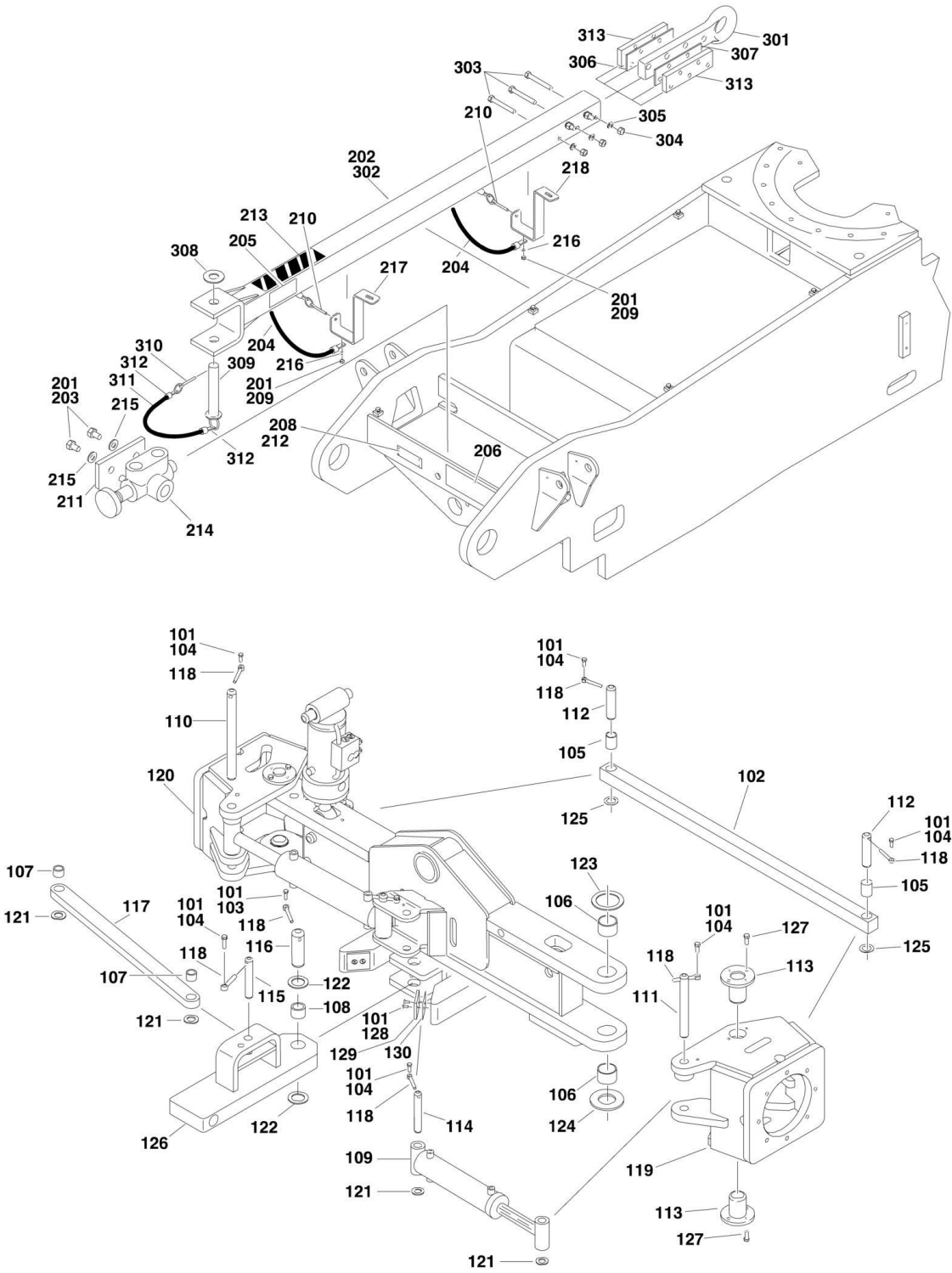
SECTION 1 - FRAME

FIGURE 1-9. DRIVE VALVES AND SHIELDS INSTALLATIONS (SN 0300083332 through 0300140000)

ITEM	PART NUMBER	QTY	DESCRIPTION	REV
	0273378	Ref	DRIVE VALVES INSTALLATION - 2WD	E
2	0641542	2	Bolt 5/16in-18NC x 5-1/4in	
11	3311505	2	Locknut 5/16in-18NC	
12		Ref	Flow Divider Valve Assembly Options:	A
12	4641300	NLA	Valve (Use p/n 1001099870) (SN 0300069000 through 0300139497)	
12	1001099870	1	Valve (SN 0300139498 through 0300140000)	
12A	7023933	1	Cartridge, Flow Divider	
12A	7021625	1	Seal Kit - 7023933 Cartridge	
12A	70000781	1	Lockdown Kit	
12B	7022397	2	Cartridge, Check	
12B	7022399	2	Seal Kit - 7022397 Cartridge	
12C		Ref	Cartridge, Check Options:	
12C	7021639	2	Cartridge in 4641300 Valve	
12C	2900756	2	Seal Kit - 7022398 Cartridge	
12C	70002390	2	Cartridge in 1001099870 Valve	
12C	7022399	2	Seal Kit - 70002390 Cartridge	
12D	7024881	1	Piston, Pilot	
13	4711500	4	Flatwasher 5/16in Narrow	
		Ref	DRIVE VALVES INSTALLATION	
	0273704	Ref	Drive Valves Installation 4WD/2WS	D
	0274232	Ref	Drive Valves Installation 4WD/4WS	D
102	0641560	3	Bolt 5/16in-18NC x 7-1/2in	
110	3311505	3	Locknut 5/16in-18NC	
111	4641303	1	Flow Divider Valve Assembly	B
111A	7023933	1	Cartridge, Flow Divider	
111A	7021625	1	Seal Kit - 7023933 Cartridge	
111B	7022397	6	Cartridge, Check	
111B	7022399	6	Seal Kit - 7022397 Cartridge	
111C	7021639	2	Cartridge, Check Valves	
111C	2900756	2	Seal Kit - 7022398 Cartridge	
111D	7024881	1	Piston, Pilot	
111E	7023917	2	Cartridge, Flow Divider	
111E	7021625	2	Seal Kit - 7023917 Cartridge	
111F	70003935	2	Orifice	
111G	70003936	1	Orifice	
112	4711500	6	Flatwasher 5/16in Narrow	
		Ref	FRAME SHIELDS INSTALLATIONS	
	0274267	Ref	Frame Shields Installations 2WS	A
	0274266	Ref	Frame Shields Installations 4WS	A
201	0100011	AR	Compound, Locking	
202	0641608	AR	Bolt, 3/8in - 16NC x 1in	
203	3575718	1	Plate, Cover Front	
204		Ref	Plate, Cover Rear Options:	
204	Not Required	0	Plate, Cover Rear 2WS	
204	3570690	1	Plate, Cover Rear 4WS	
205	4751600	AR	Flatwasher, 3/8in	

SECTION 1 - FRAME

FIGURE 1-10. TOW PACKAGE INSTALLATION (2WS ONLY)



SECTION 1 - FRAME

FIGURE 1-10. TOW PACKAGE INSTALLATION (2WS ONLY)

ITEM	PART NUMBER	QTY	DESCRIPTION	REV
		Ref	Note: Tow Package no longer available SN 0300138599 to Present	
	0271352	Ref	STEERING INSTALLATION	E
101	0100011	AR	Compound, Locking	
102	0362726	1	Tie-Rod	
103	0641508	1	Bolt 5/16in-18NC x 1in	
104	0641608	7	Bolt 3/8in-16NC x 1in	
105	0962152	2	Bearing	
106	0962448	4	Bearing	
107	0962292	2	Bearing	
108	0962348	1	Bearing	
109	1683740	2	Steer Cylinder Assembly (See CYLINDER SECTION for Breakdown)	
110	3422567	1	Pin	
111	3422701	1	Pin, Steer, Spindle Attach	
112	3422702	2	Pin, Tie-Rod	
113	3422972	4	Kingpin Options:	
114	3422754	2	Pin, Attach	
115	3422813	1	Pin	
116	3422848	1	Pin, Hitch	
117	3573001	1	Plate, Connecting Link	
118	3841143	8	Shaft, Keeper 3/8in x 3in	
119	4130390	1	Spindle Weldment (Left Side)	
120	4130388	1	Spindle Weldment (Right Side)	
121	4740111	6	Washer, Special	
122	4740155	2	Washer, Thrust	
123	4740256	4	Washer, Thrust	
124	4740463	2	Washer, Thrust	
125	4740473	2	Washer, Special	
126		Ref	Bar, Pivot Options:	
126	4846414	1	Bar, Pivot (SN 0300069000 through 0300074135)	
126	4846935	1	Bar, Pivot (SN 0300074136 through 0300140000)	
127	0641810	16	Bolt 1/2in-13NC x 1-1/4in	
128		Ref	Bolt Options:	
128	0741607	4	Bolt 3/8in-16NC x 7/8in (SN 0300069000 through 0300074135)	
128	0741609	4	Bolt 3/8in-16NC x 1-1/8in (SN 0300074136 through 0300140000)	
129	3340966	2	Pad, Stop	
130	4071059	AR	Shim	
		Ref	TOW BAR INSTALLATION	
	0272654	Ref	Tow Bar Installation (SN 0300069000 through 0300083331)	D
	0274252	Ref	Tow Bar Installation (SN 0300083332 through 0300138599)	A
201	0100011	AR	Compound, Locking	
202	0232121	1	Tow Bar Assembly (See Items 301 to 313 For Breakdown)	
203	0641504	2	Bolt 5/16in-18NC x 1/2in	
204	1260017	2 ft/0.3m	Chain	
205	1704578	2	Decal - Crushing	
206	1705090	1	Decal - Towing Instructions	
208	3250872	1	Nameplate - Steer/Tow Valve	
209	3311401	2	Nut 1/4in-20NC	

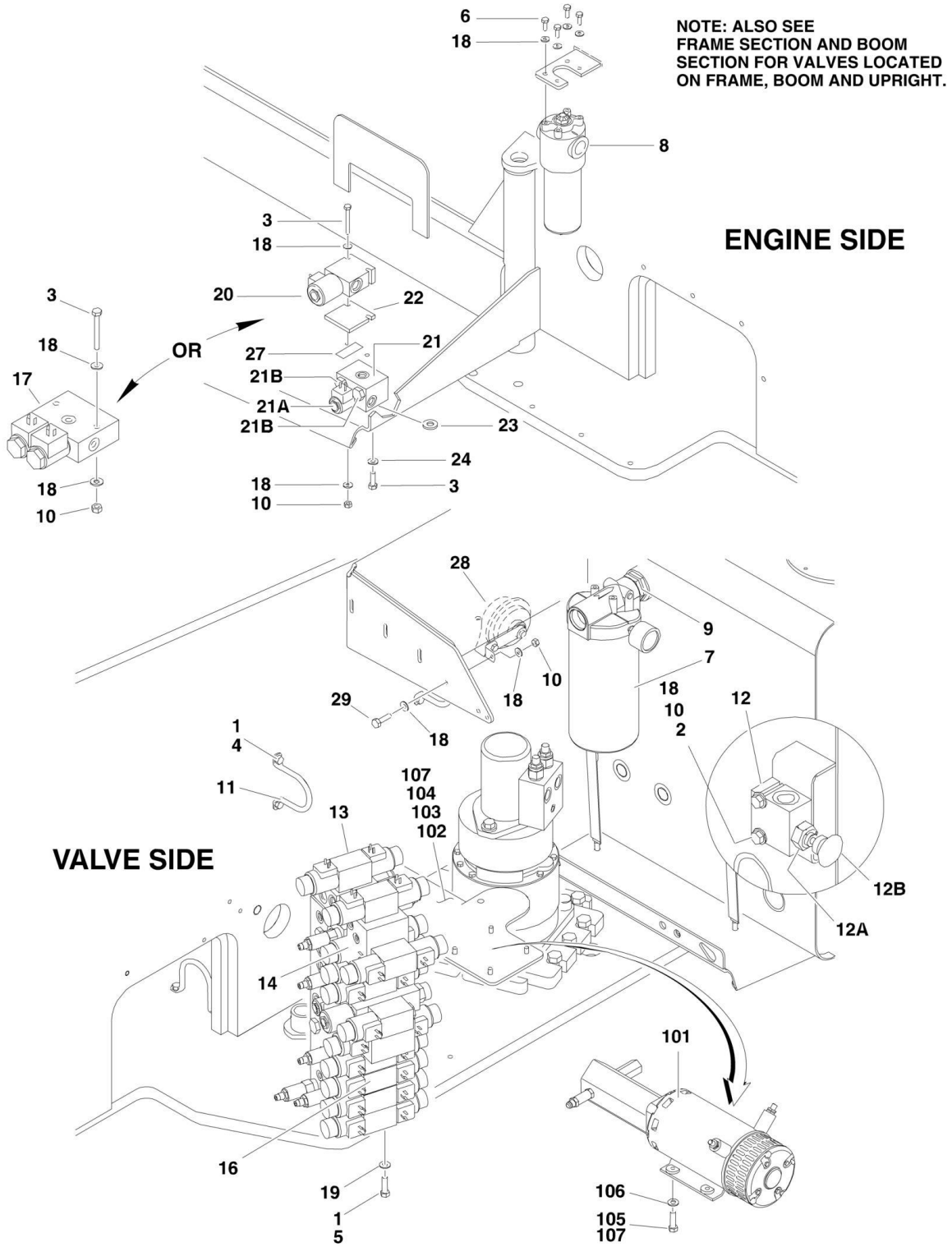
SECTION 1 - FRAME

ITEM	PART NUMBER	QTY	DESCRIPTION	REV
210	3420292	2	Pin	7-G
211	3539662	1	Plate, Valve Mounting	
212	3820001	4	Rivet, Pop	
213	4420051	2 ft/0.3m	Tape	
214	4640261	1	Valve, Float Position	
215	4711500	2	Flatwasher 5/16in (Narrow)	
216	4751400	2	Flatwasher 1/4in (Wide)	
217	4846507	1	Bracket	
218	4846508	1	Bracket	
219	3570686	1	Plate, Cover (Not Shown)	
	0232121	Ref	TOW BAR ASSEMBLY	
301	0360406	1	Bar, Draw	
302	4843777	1	Bar, Tow	
303	0642038	5	Bolt 5/8in-11NC x 4-3/4in	
304	3312001	5	Nut 5/8in-11NC	
305	4762000	5	Lockwasher 5/8in	
306	4070450	AR	Shim, Spacer	
307	4070561	AR	Shim, Spacer	
308	4740036	1	Flatwasher 1-1/2in	
309	3420447	1	Pin	
310	3420372	1	Pin	
311	1260135	1	Chain	
312	3760170	2	Ring	
313	4070560	2	Shim	

SECTION 2 - TURNTABLE

SECTION 2 - TURNTABLE

FIGURE 2-1. CONTROL VALVES AND HORN INSTALLATIONS



SECTION 2 - TURNTABLE

FIGURE 2-1. CONTROL VALVES AND HORN INSTALLATIONS

ITEM	PART NUMBER	QTY	DESCRIPTION	REV
		Ref	VALVES INSTALLATIONS	
		Ref	Valves Installations 800A	
	0258454	Ref	Valves Installations 800A 2WS (SN 0300069000 through 0300083331)	C
	0273789	Ref	Valves Installations 800A 2WS (SN 0300083332 through 0300087265)	B
	0274640	Ref	Valves Installations 800A 2WS (SN 0300087266 through 0300140000)	D
	0258455	Ref	Valves Installations 800A 4WS (SN 0300069000 through 0300083331)	C
	0273790	Ref	Valves Installations 800A 4WS (SN 0300083332 through 0300087265)	B
	0274641	Ref	Valves Installations 800A 4WS (SN 0300087266 through 0300140000)	E
		Ref	Valves Installations 800AJ	
	0258456	Ref	Valves Installations 800AJ 2WS (SN 0300069000 through 0300083331)	C
	0273791	Ref	Valves Installations 800AJ 2WS (SN 0300083332 through 0300087265)	C
	0274642	Ref	Valves Installations 800AJ 2WS (SN 0300087266 through 0300140000)	E
	0258457	Ref	Valves Installations 800AJ 4WS (SN 0300069000 through 0300083331)	C
	0273792	Ref	Valves Installations 800AJ 4WS (SN 0300083332 through 0300087265)	C
	0274643	Ref	Valves Installations 800AJ 4WS (SN 0300087266 through 0300140000)	E
1	0100011	AR	Compound, Locking	
2		Ref	Bolt Options:	
2	0641414	2	Bolt 1/4in-20NC x 1-3/4in (SN 0300069000 through 0300083331)	
2	0641416	2	Bolt 1/4in-20NC x 2in (SN 0300083332 through 0300140000)	
3		Ref	Bolt Options:	
3	0641508	2	Bolt 5/16in-18NC x 1in (SN 0300069000 through 0300083332)	
3	0641418	2	Bolt 1/4in-20NC x 2-1/4in (SN 0300069000 through 0300083331)	
3	0641418	2	Bolt 1/4in-20NC x 2-1/4in (SN 0300083332 through 0300140000)	
4	0641606	8	Bolt 3/8in-16NC x 3/4in	
5	0641614	3	Bolt 3/8in-16NC x 1-3/4in	
6	0651406	4	Bolt 1/4in-28NF x 3/4in	
7	2120167	1	Return Filter Assembly	
7	2120168	1	Element, Filter	
7	7020021	1	Indicator, Clogged	
8		Ref	Pressure Filter Assembly Options:	
8	2120163	1	Pressure Filter Assembly (SN 0300069000 through 0300087265)	
8	2120150	1	Element, Filter	
8	7023206	1	O-Ring, Filter Bowl	
8	7023207	1	Ring, Filter Bowl Backup	
8	7020020	1	Indicator, Clog	
8	2120209	1	Pressure Filter Assembly (SN 0300087266 through	

SECTION 2 - TURNTABLE

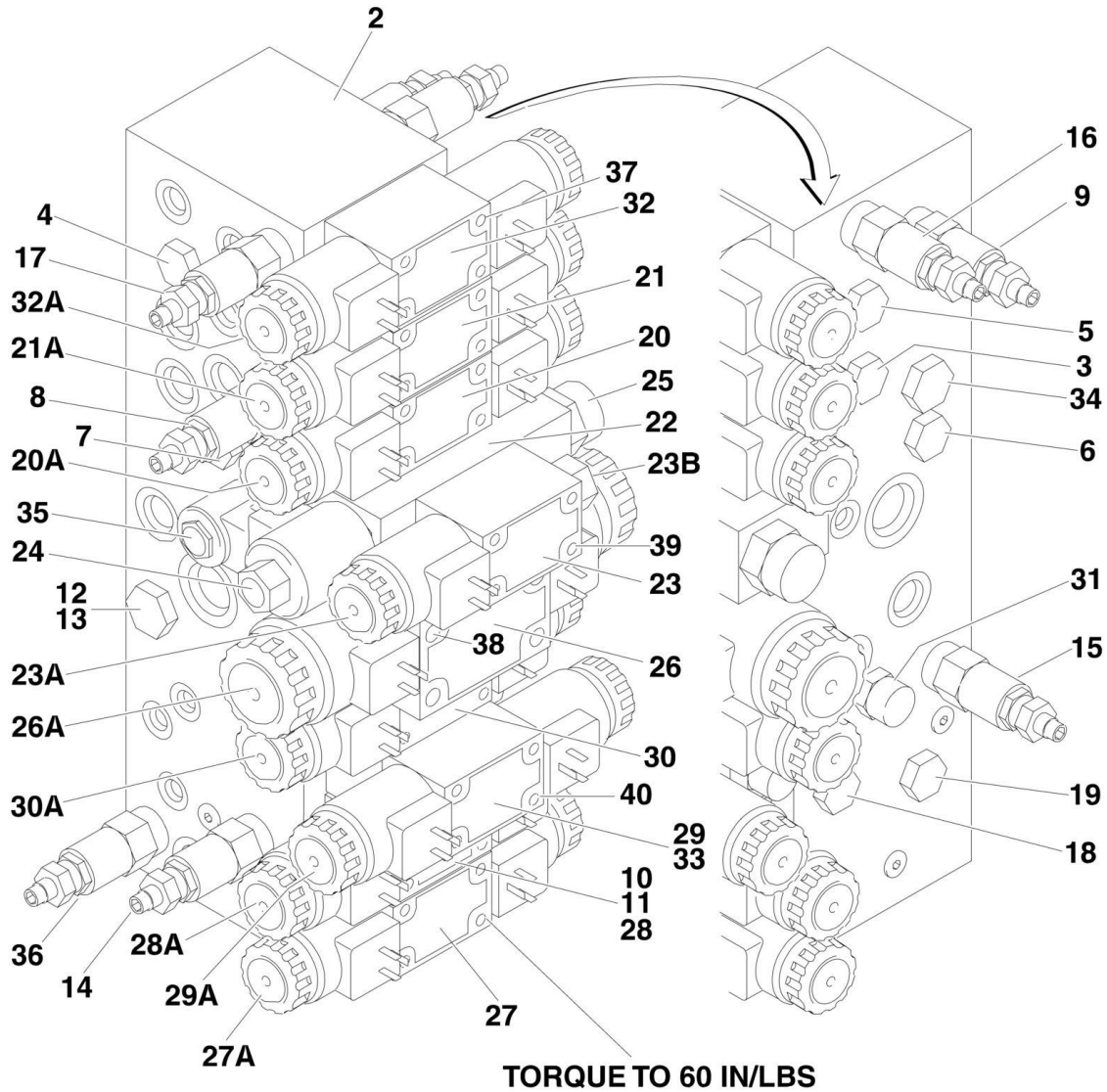
ITEM	PART NUMBER	QTY	DESCRIPTION	REV
			0300140000)	
8	2120210	1	Element, Filter	
8	70000934	1	O-Ring, Filter Bowl	
8	7020020	1	Indicator, Clog	
9	2220893	1	Fitting, Adapter	
10	3311405	4	Locknut 1/4in-20NC	
11	3841340	4	Loop, Hose	
12	4640866	1	Valve Assembly (Level)	
12A	7017466	1	Cartridge	
12A	2900708	1	Seal Kit - Cartridge	
12B	7012959	1	Knob	
13		Ref	Valve Assembly (Jib Control) Options: (See ACCESSORY VALVE ASSEMBLY for Breakdown)	
13	Not Required	0	Valve Assembly (Jib Control) 800A	
13	4640921	1	Valve Assembly (Jib Control) 800AJ	
14		Ref	Valve Assembly (4WS Control) Options:	
14	Not Required	0	Valve Assembly 2WS	
14	4640922	1	Valve Assembly 4WS (See ACCESSORY VALVE ASSEMBLY for Breakdown)	
16		Ref	Main Control Valve Assembly Options (See MAIN CONTROL VALVE ASSEMBLY for Breakdown):	
16	4641099	NLA	Main Control Valve Assembly (Use p/n 4641453) (SN 0300069000 through 0300092872))	
16	4641453	1	Main Control Valve Assembly (SN 0300092873 through 0300140000))	
17		Ref	Combination Valve Assembly (Brake and 2 Speed) Options Only: (SN 0300083332 through 0300140000))	
17	4640906	1	Valve Assembly Used (SN 0300083332 through 0300087265))	
17	4641317	1	Valve Assembly Used (SN 0300087266 through 0300140000))	
17	7012944	2	Coil	
17	7012941	2	Cartridge without Coil	
17	7010543	2	Seal Kit - 7012941 Cartridge (1 Per Cartridge)	
18	4711400	AR	Flatwasher 1/4in Narrow	
19	4711600	AR	Flatwasher 3/8in Narrow	
20	4641061	1	Solenoid Valve Assembly (Brake Only) (SN 0300069000 through 0300083332))	
20	7012943	1	Coil	
20	7017479	1	Cartridge without Coil	
20	7012518	1	Seal Kit - 7017479 Cartridge	
21	4640906	1	Solenoid Valve Assembly (2 Speed Only) (SN 0300069000 through 0300083332))	
21A	7012944	1	Coil	
21A	7023981	1	Cartridge without Coil	
21A	7012905	1	Seal Kit - 7023981 Cartridge	
21B	7017481	2	Cartridge, Check	
21B	7012972	2	Seal Kit - 7017481 Cartridge	
22	3570979	1	Plate, Spacer Only (SN 0300069000 through 0300083332))	
23	4891500	2	Flatwasher 5/16in Hardened Only (SN 0300069000 through 0300083332))	
24	4711500	2	Flatwasher 5/16in Narrow Only (SN 0300069000 through 0300083332))	
25		Ref	Harness Assembly (Jib Control) Options (Not Shown - See	

SECTION 2 - TURNTABLE

ITEM	PART NUMBER	QTY	DESCRIPTION	REV
25	Not Required	0	ELECTRICAL SECTION for Breakdown): Harness Assembly (Jib Control) 800A	
25	4921927	1	Harness Assembly (Jib Control) 800AJ	
26		Ref	Harness Assembly (4WS Control) Options (Not Shown - See ELECTRICAL SECTION for Breakdown):	
26	Not Required	0	Harness Assembly 2WS	
26	4921928	1	Harness Assembly 4WS	
27	4420060	2 in/5cm	Tape, Double Sided Only (SN 0300069000 through 0300083332)	
28	0140001	1	Horn (SN 0300103765 through 0300140000)	
29	0641408	1	Bolt 1/4in-20NC x 1in (SN 0300103765 through 0300140000)	
	0258670	Ref	AUXILIARY PUMP INSTALLATION	C
		Ref	Note: Original Equipment pump may have been replaced with Service Replacement pump. Identify component before ordering parts.	
101		Ref	Auxiliary Pump Assembly Options (See AUXILIARY PUMP ASSEMBLY for Breakdown):	
101	3600287	NLA	Fenner Pump (Original Equipment) (Use p/n 1001143191) (SN 0300069000 through 0300109066)	
101	1001091424	NLA	Kit with Haldex Pump (Service Replacement) (Use p/n 1001143191) (SN 0300069000 through 0300109066)	
101	3600458	NLA	Haldex Pump (Original Equipment) (Use p/n 1001143191) (SN 0300109067 through 0300140000)	
101	1001143191	1	Kit with Bucher Pump (Service Replacement)	
101	1001137460	1	Bucher Pump (Service Replacement)	
102	0902415	1	Bracket, Pump Mounting	
103	0641610	3	Bolt 3/8in-16NC x 1-1/4in	
104	4751600	3	Flatwasher 3/8in	
105	0641506	4	Bolt 5/16in-18NC x 3/4in	
106	4711500	4	Flatwasher 5/16in Narrow	
107	0100011	AR	Compound, Locking	
200	2901207	1	Band Kit, Auxiliary Power Motor (UL Machines Only) (Not Shown)	

SECTION 2 - TURNTABLE

FIGURE 2-2. MAIN CONTROL VALVE ASSEMBLY



SECTION 2 - TURNTABLE

FIGURE 2-2. MAIN CONTROL VALVE ASSEMBLY

ITEM	PART NUMBER	QTY	DESCRIPTION	REV
		Ref	MAIN CONTROL VALVE ASSEMBLY	
	4641099	Ref	Original Equipment	B
	4641453	Ref	Service Replacement	B
		Ref	Note: Original Equipment valve may have been replaced with Service Replacement valve. Visually identify the p/n stamped on valve before ordering parts.	
2	See Note	1	Block (Note: Not Available - Purchase Complete Assembly)	
3	7010542	1	Cartridge, Load Sensing (Main Lift)	
3	7010543	1	Seal Kit - 7010542 Cartridge	
4	7010542	1	Cartridge, Load Sensing	
4	7010543	1	Seal Kit - 7010542 Cartridge	
5	7010542	1	Cartridge, Load Sensing (Swing)	
5	7010543	1	Seal Kit - 7010542 Cartridge	
6	7010542	1	Cartridge, Load Sensing	
6	7010543	1	Seal Kit - 7010542 Cartridge	
7	7010542	1	Cartridge, Load Sensing (Main)	
7	7010543	1	Seal Kit - 7010542 Cartridge	
8	7017420	1	Cartridge, Relief Valve (Main Lift)	
8	7012998	1	Seal Kit - 7017420 Cartridge	
9	7017423	1	Cartridge, Relief Valve (Swing)	
9	7012998	1	Seal Kit - 7017420 Cartridge	
10	7018941	1	Orifice	
11	7018941	1	Orifice	
12	4641192	1	Cartridge, Check Valve (Tower Lift) (was p/n 7017474)	
12	2900708	1	Seal Kit - 4641192 Cartridge	
13	7021602	1	Piston, Pilot	
14	7017428	1	Cartridge, Relief Valve (Platform Level Down)	
14	7012998	1	Seal Kit - 7017428 Cartridge	
15	7017427	1	Cartridge, Relief Valve (Platform Level Up)	
15	7012998	1	Seal Kit - 7017427 Cartridge	
16	7017428	1	Cartridge, Relief Valve (Front Steer)	
16	7012998	1	Seal Kit - 7017428 Cartridge	
17	7017428	1	Cartridge, Relief Valve (Front Steer)	
17	7012998	1	Seal Kit - 7017428 Cartridge	
18	7012914	1	Cartridge, Pilot Check (Platform Level)	
18	7012918	1	Seal Kit - 7012914 Cartridge	
19	7012914	1	Cartridge, Pilot Check (Platform Level)	
19	7012918	1	Seal Kit - 7012914 Cartridge	
20	7018992	1	Control Valve Assembly (Main Lift)	
20	7012773	1	Seal Kit - 7018992 Valve	
20A	7018991	2	Coil	
20A	7018912	2	Nut	
21	7012775	1	Control Valve Assembly (Swing)	
21	7012773	1	Seal Kit - 7012775 Valve	
21A	7012772	2	Coil	
21A	7018912	2	Nut	
22	70002946	1	Flow Control Manifold Assembly (Main) (Includes Items 24 & 25)	
23	7018994	1	Control Valve Assembly (Main)	
23	7012773	1	Seal Kit - 7018994 Valve	

SECTION 2 - TURNTABLE

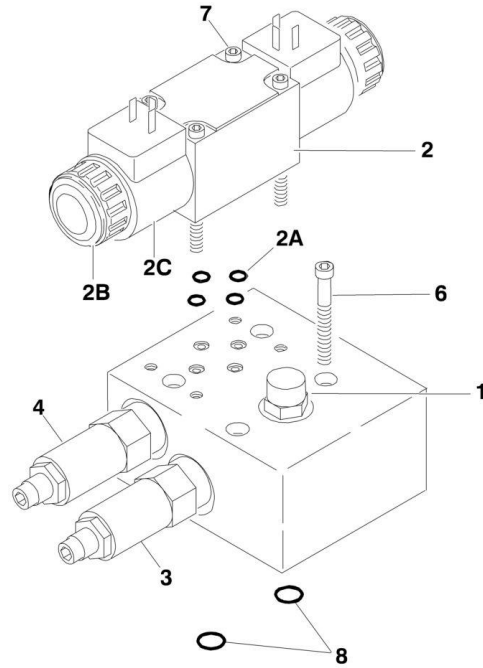
ITEM	PART NUMBER	QTY	DESCRIPTION	REV
23A	7012772	1	Coil	
23A	7018912	1	Nut	
23B	7018993	1	Plug	
24	7017475	1	Cartridge without Coil	
24	7010545	1	Seal Kit - 7017475 Cartridge	
24	7000645	1	Coil	
25	7021601	1	Cartridge, Flow Regulator (Main)	
25	7017477	1	Seal Kit - 7021601 Cartridge	
26		Ref	Control Valve Assembly Options (Main Tele):	
26	70000579	1	Original Equipment (was p/n 7012766)	
26	70000579	1	Service Replacement	
		Ref	Note: Refer to Vendor P/N on Valve Nameplate before ordering Parts. P/N 7012766 is RR00567495 or R900567495. P/N 70000579 is R900930080.	
26		Ref	Seal Kit Options:	
26	7012769	1	7012766 Valve	
26	70000583	1	70000579 Valve	
26A		Ref	Coil Options:	
26A	7012772	1	7012766 Valve (was p/n 7012768)	
26A	70000582	1	70000579 Valve	
26A		Ref	Nut, Coil Options:	
26A	7018912	1	7012766 Valve	
26A	70000580	1	70000579 Valve	
27	70001976	1	Control Valve Assembly (Tower Tele) (was p/n 7012770)	
27	7012773	1	Seal Kit - 7012770 Valve	
27A	7012772	2	Coil	
27A	7018912	2	Nut	
28	70001976	1	Control Valve Assembly (Platform Level) (was p/n 7012770)	
28	7012773	1	Seal Kit - 7012770 Valve	
28A	7012772	2	Coil	
28A	7018912	2	Nut	
29	70001976	1	Control Valve Assembly (Platform Rotate) (was p/n 7012770)	
29	7012773	1	Seal Kit - 7012770 Valve	
29A	7012772	2	Coil	
29A	7018912	2	Nut	
30	70001976	1	Control Valve Assembly (Tower Lift)	
30	7012773	1	Seal Kit - 7012770 Valve (was p/n 7012770)	
30A	7012772	2	Coil	
30A	7018912	2	Nut	
31	7012989	1	Cartridge, Flow Regulator (Platform Rotate)	
31	7012953	1	Seal Kit - 7012989 Cartridge	
32	7012774	1	Control Valve Assembly (Front Steer)	
32	7012773	1	Seal Kit - 7012774 Valve	
32A	7012772	2	Coil	
32A	7018912	2	Nut	
33	7021310	AR	Valve, Sandwich (Platform Rotate)	
33	7018945	2	O-Rings, Replacement - 7021310 Valve	
34	7017478	1	Cartridge, Check Valve (Main Pressure)	
34	7017477	1	Seal Kit - 7017478 Cartridge	
35	7012941	1	Cartridge without Coil (Main Dump)	
35	7010543	1	Seal Kit - 7017452 Cartridge	
35	7012944	1	Coil	

SECTION 2 - TURNTABLE

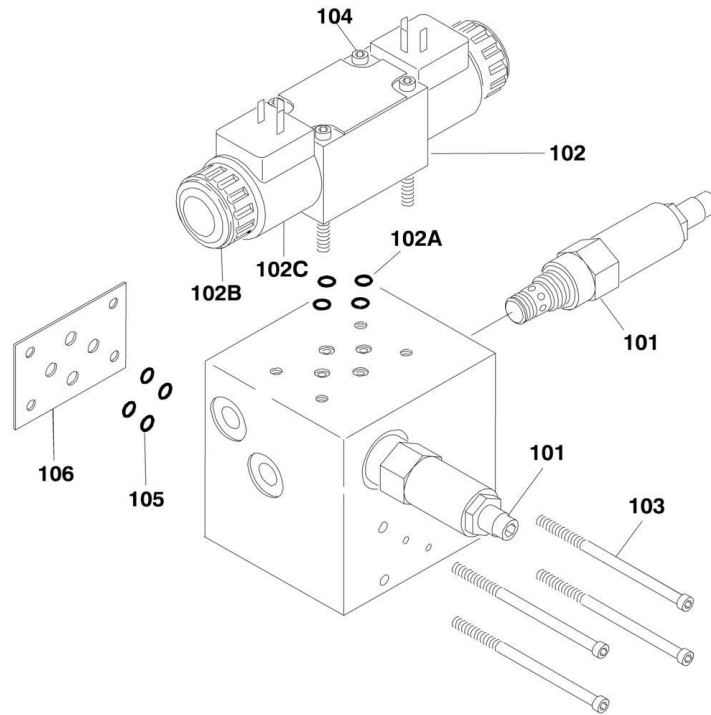
ITEM	PART NUMBER	QTY	DESCRIPTION	REV
36	7017428	1	Cartridge, Relief Valve (Tower Tele)	
36	7012998	1	Seal Kit - 7017428 Cartridge	
37	7018942	28	Capscrew #10-24NC x 2in	
38	7018951	4	Capscrew 1/4in-20NC x 1-1/2in	
39	7021311	4	Capscrew #10-24NC x 4-1/2in	
40	3931048	4	Capscrew #10-24NC x 3in	

SECTION 2 - TURNTABLE

FIGURE 2-3. ACCESSORY VALVE ASSEMBLY



NOTE: TORQUE ITEMS 6, 7, 103 & 104 TO 60 IN/LBS.



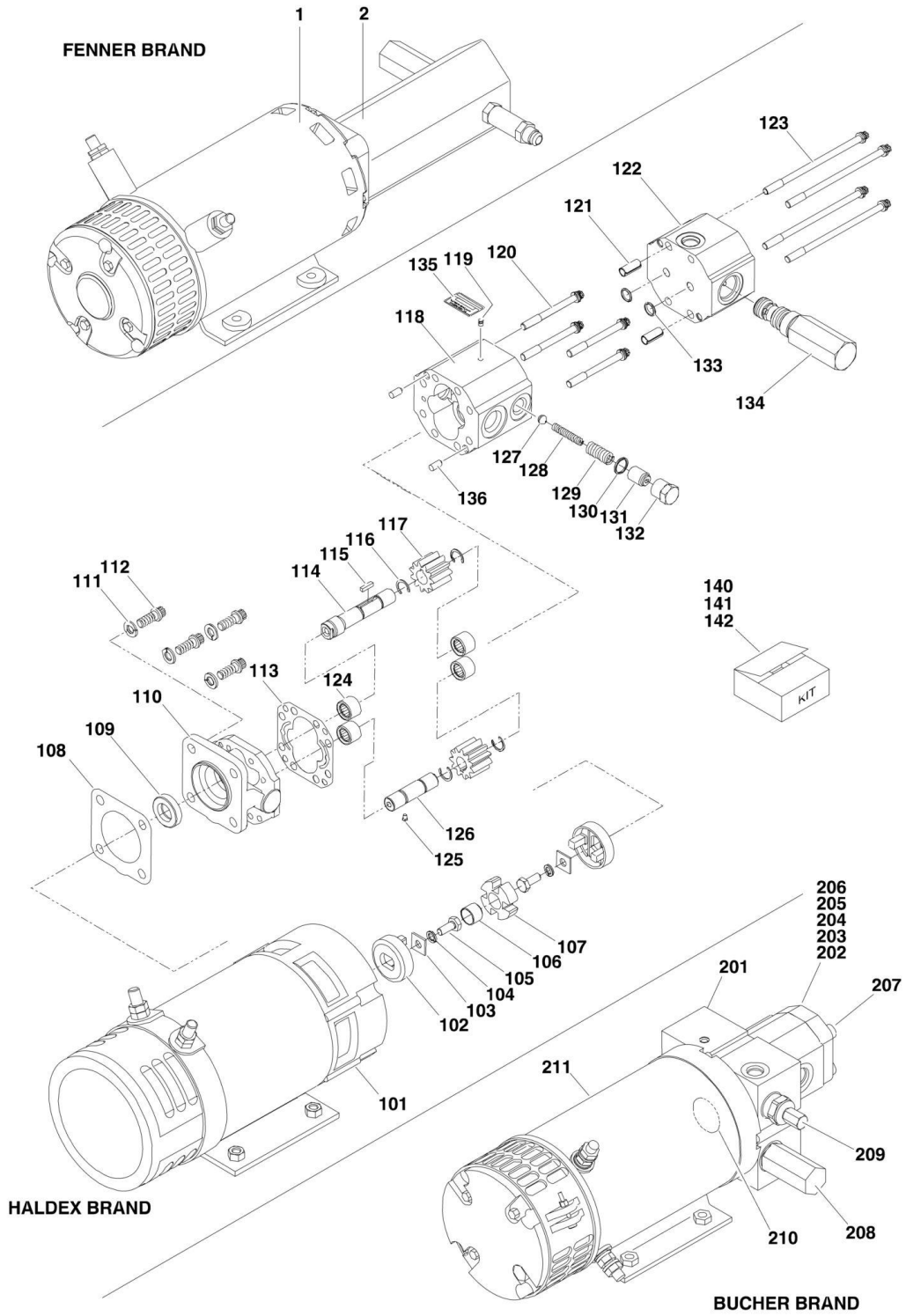
SECTION 2 - TURNTABLE

FIGURE 2-3. ACCESSORY VALVE ASSEMBLY

ITEM	PART NUMBER	QTY	DESCRIPTION	REV
		Ref	ACCESSORY VALVE ASSEMBLIES	
	4640921	Ref	ARTICULATING JIB VALVE ASSEMBLY	D
1	7012965	1	Cartridge, Flow Control	
1	7012953	1	Seal Kit - 7012965 Cartridge	
2	70001976	1	Directional Control Valve Assembly (was p/n 7012770)	
2	7012773	1	Seal Kit	
2A	7018945	4	O-Ring	
2B	7018912	2	Nut	
2C	7012772	2	Coil	
3	7017421	1	Cartridge, Relief	
3	7012998	1	Seal Kit - 7017421 Cartridge	
4	7017422	1	Cartridge, Relief	
4	7012998	1	Seal Kit - 7017422 Cartridge	
5	4460499	2	Connector, DIN with Diode (Not Shown - Part of Valve Harness)	
6	7012777	4	Capscrew, Socket Head 5/16in-18NC x 2-1/4in (Used to Mount Valve Assembly)	
7	7018942	4	Capscrew, Socket Head #10-24NC x 2in	
8	7012776	2	O-Ring (Used to Mount Main Valve)	
	4640922	Ref	4WS VALVE ASSEMBLY	B
101	7017420	1	Cartridge, Relief	
101	7012998	1	Seal Kit - 7017420 Cartridge	
102	7012774	1	Directional Control Valve Assembly	
102	7012773	1	Seal Kit	
102A	7018945	4	O-Ring	
102B	7018912	2	Nut	
102C	7012772	2	Coil	
103	7018946	4	Capscrew, Socket Head #10-24NC x 5in (Used to Mount Main Valve)	
104	7018942	4	Capscrew, Socket Head #10-24NC x 2in	
105	7018948	4	O-Ring (Used to Mount Main Valve)	
106	7018947	1	Plate, O-Ring	

SECTION 2 - TURNTABLE

FIGURE 2-4. AUXILIARY PUMP ASSEMBLY



SECTION 2 - TURNTABLE

FIGURE 2-4. AUXILIARY PUMP ASSEMBLY

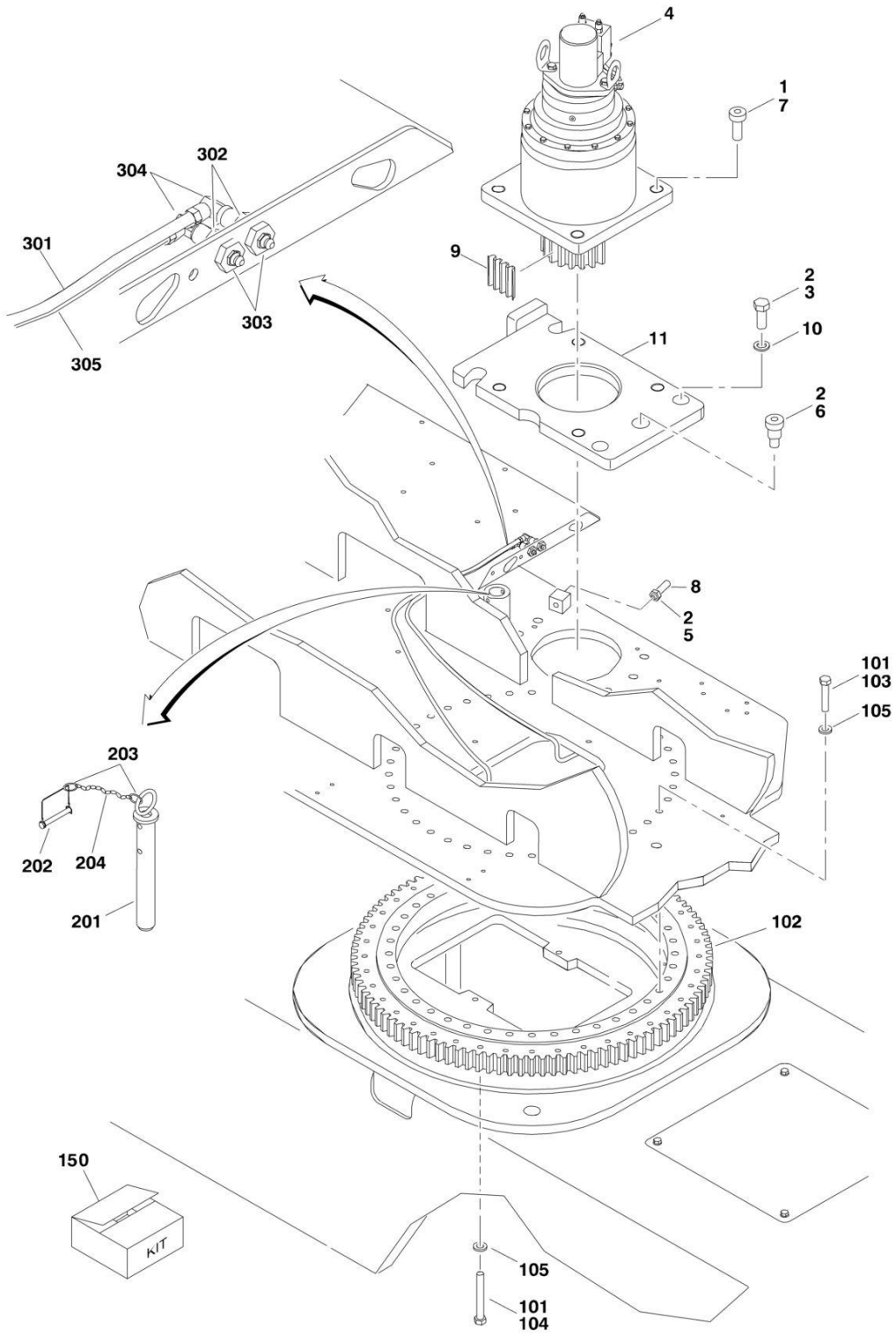
ITEM	PART NUMBER	QTY	DESCRIPTION	REV
	3600287	Ref	AUXILIARY PUMP ASSEMBLY (FENNER BRAND) (ORIGINAL EQUIPMENT)	E
1	7016779	1	Motor Assembly	
1	7016781	1	Brush Kit - 7016779 Motor	
2	7016780	1	Pump Assembly	
2	7016785	1	Seal Kit - 7016780 Pump	
2	7016782	1	Coupling, Pump/Motor	
2	7016783	1	Pump Mounting Kit	
2	7016784	1	Relief Valve Assembly	
	3600458	Ref	AUXILIARY PUMP ASSEMBLY (HALDEX BRAND) (ORIGINAL EQUIPMENT)	B
101	70001059	1	Motor, DC	
102	See Note	NSS	Coupling, Half (Note: Use Item 141 or 142)	
103	See Note	NSS	Washer (Note: Use Item 141 or 142)	
104	See Note	NSS	Lockwasher (Note: Use Item 141 or 142)	
105	See Note	NSS	Screw (Note: Use Item 141 or 142)	
106	See Note	NSS	Bushing (Note: Use Item 141 or 142)	
107	See Note	NSS	Spider (Note: Use Item 141 or 142)	
108	7011044	1	Gasket, Mounting	
109	7010903	1	Seal, Shaft	
110	See Note	NSS	Stator (Note: Purchase Complete Assembly)	
111	7011048	4	Washer	
112	70001060	4	Screw	
113	70001061	1	Kit Gasket	
114	70001062	1	Shaft, Drive	
115	70001063	1	Key	
116	70000970	4	Ring, Retaining	
117	70001064	2	Gear	
118	See Note	NSS	Housing, Gear (Note: Purchase Complete Assembly)	
119	See Note	NSS	Plug (Note: Purchase Locally)	
120	See Note	NSS	Screw (Note: Purchase Locally)	
121	See Note	NSS	Bushing, Dowel (Note: Not Available for Purchase)	
122	See Note	NSS	Block, Valve (Note: Purchase Complete Assembly)	
123	7011043	4	Screw	
124	70000976	4	Bearing, Needle	
125	70001065	1	Pin	
126	70001066	1	Shaft, Idler	
127	See Note	NSS	Ball (Note: Not Available for Purchase)	
128	See Note	NSS	Spring (Note: Not Available for Purchase)	
129	7011008	1	Spring	
130	See Note	NSS	Gasket (Note: Use Item 140)	
131	See Note	NSS	Screw Adjustment (Note: Not Available for Purchase)	
132	See Note	NSS	Bolt (Note: Not Available for Purchase)	
133	7011022	2	O-Ring	
134	70001067	1	Valve, Logic	
135	See Note	1	Label (Note: Not Available for Purchase)	
136	See Note	2	Pin, Shear (Note: Not Available for Purchase)	
140	70001069	1	Seal Kit, Pump (Includes Items 108, 109, 130 & 133)	
141	70001068	1	Motor and Coupling Kit, Replacement (Includes Items 101-108, 111 & 112)	

SECTION 2 - TURNTABLE

ITEM	PART NUMBER	QTY	DESCRIPTION	REV
142	7010944	1	Coupling Kit (Includes Items 102-107)	
	1001137460	Ref	AUXILIARY PUMP ASSEMBLY (BUCHER BRAND) (SERVICE REPLACEMENT)	A
201	70003983	1	Base Assembly	
201	70003993	1	Seal, Shaft	
202	70003984	4	Pin, Dowel	
203	70003985	1	O-Ring	
204	See Note	1	Pump (Note: Not Available for Purchase)	
205	70003986	1	O-Ring	
206	70003994	1	Cover, Rear	
207	70003988	4	Screw	
208	70003989	1	Valve, Logic	
209	70003990	1	Valve, Relief	
210	70003991	1	Shaft, Intermediate	
211	70003992	1	Motor	

SECTION 2 - TURNTABLE

FIGURE 2-5. TURNTABLE BEARING AND SWING DRIVE INSTALLATION



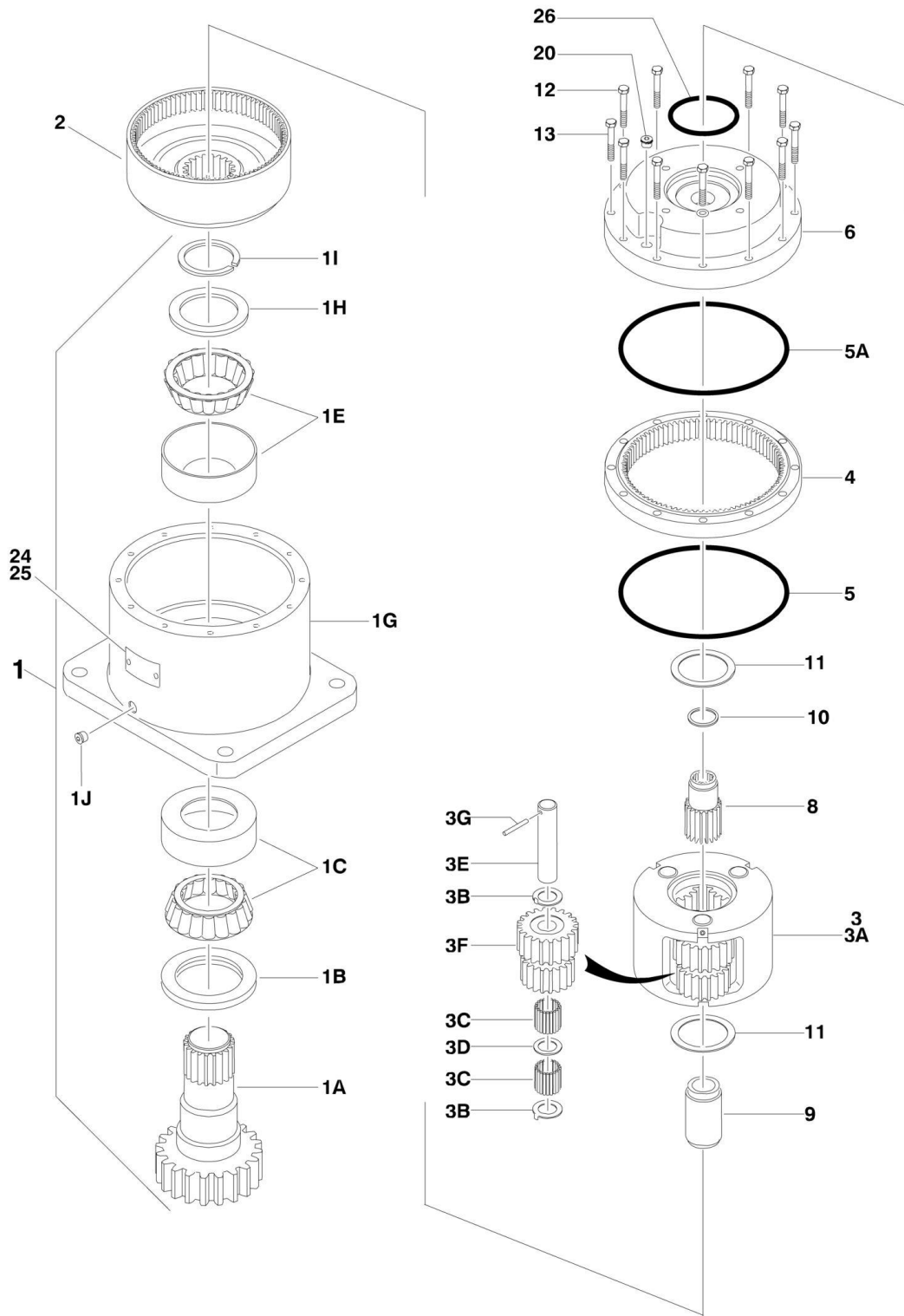
SECTION 2 - TURNTABLE

FIGURE 2-5. TURNTABLE BEARING AND SWING DRIVE INSTALLATION

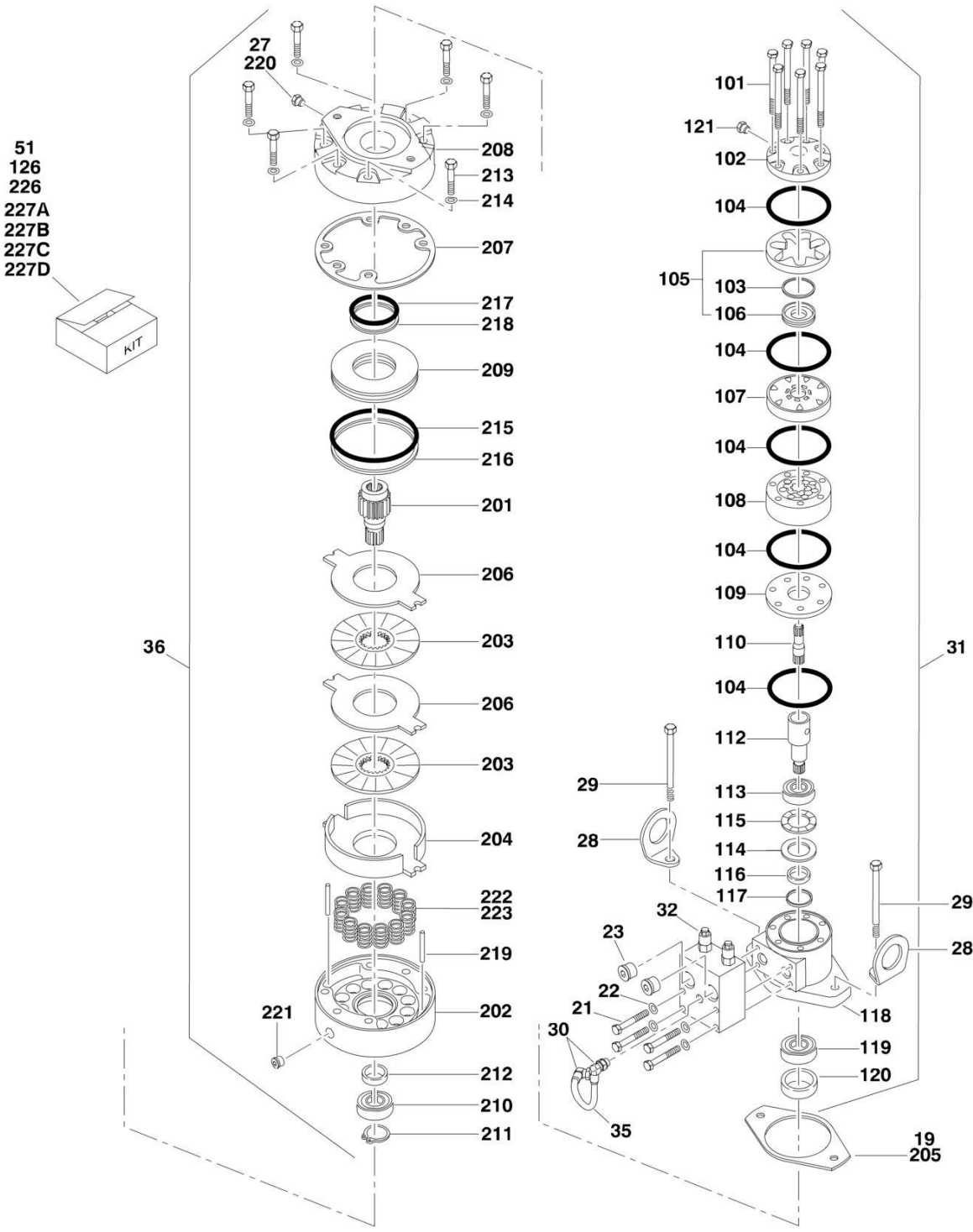
ITEM	PART NUMBER	QTY	DESCRIPTION	REV
		Ref	TURNTABLE WELDMENT	
	4620135	Ref	Standard Machines	
		Ref	SWING DRIVE INSTALLATION	
	0272189	Ref	Swing Drive Installation (SN 0300069000 through 0300134352)	D
	1001094889	Ref	Swing Drive Installation (SN 0300134353 through 0300140000)	B
1	0100011	AR	Compound, Locking (SN 0300069000 through 0300074383)	
2	0100019	AR	Compound, Locking	
3	0682216	4	Bolt 3/4in - 10NC x 2in (Grade 8)	
4		Ref	Motor, Swing Assembly Options:	
4	3160286	1	Motor, Swing Assembly (See SWING MOTOR/ HUB ASSEMBLY for Breakdown) (SN 0300069000 through 0300074382)	
4	3160294	NLA	Motor, Swing Assembly (Use p/n 1001101060) (See SWING MOTOR/HUB ASSEMBLY for Breakdown) (SN 0300074383 through 0300134352)	
4	1001101060	1	Motor, Swing Assembly (See SWING MOTOR/ HUB ASSEMBLY for Breakdown) (SN 0300134353 through 0300140000)	
5	3312002	1	Nut Jam 5/8in - 11NC	
6	3900293	1	Screw, Shoulder	
7	3932224	4	Screw 3/4in - 10NC x 1-1/2in (SN 0300069000 through 0300074383)	
8	3952020	1	Setscrew 5/8in x 2in	
9	4071009	1	Shim	
10	4740057	4	Washer, Hardened	
11	4846430	1	Plate, Swing Drive (SN 0300069000 through 0300074383)	
	0271002	Ref	TURNTABLE BEARING INSTALLATION	E
101	0100019	AR	Compound, Locking	
102	0440244	1	Bearing, Turntable	
103	0682023	24	Bolt 5/8in - 11NC X 2-7/8in (Grade 8)	
104	0682032	24	Bolt 5/8in - 11NC x 4in (Grade 8)	
105	4892000	48	Flatwasher, Hardened	
150	2915094	1	TURNTABLE BEARING KIT	
	0259147	Ref	TURNTABLE LOCK INSTALLATION	B
201	4844958	1	Weldment, Pin	
202	3421565	1	Pin, Snap	
203	3760170	2	Ring, Quick Release	
204	1260017	9 in/23cm	Chain	
	0255316	Ref	REMOTE BEARING LUBE INSTALLATION	3
301	2751095	1	Hose, Grease (SN 0300069000 through 0300070975)	
302	2180344	2	Fitting, Bulkhead	
303	2160003	2	Fitting, Grease Elbow	
304	2220063	2	Fitting, Elbow	
305	2751032	1	Hose, Grease	

SECTION 2 - TURNTABLE

FIGURE 2-6. SWING MOTOR/HUB ASSEMBLY (SN 0300069000 through 0300134352)



SECTION 2 - TURNTABLE



SECTION 2 - TURNTABLE

FIGURE 2-6. SWING MOTOR/HUB ASSEMBLY (SN 0300069000 through 0300134352)

ITEM	PART NUMBER	QTY	DESCRIPTION	REV
		Ref	SWING MOTOR/HUB ASSEMBLIES	
	3160286	Ref	Swing Motor/Hub Assemblies (SN 0300069000 through 0300074382)	B
	3160294	Ref	Swing Motor/Hub Assemblies (SN 0300074383 through 0300134353)	C
		Ref	Note: Original Equipment Motor p/n 3600294 may have been replaced with p/n 1001101060 as a Service Replacement. Identify component before ordering parts. If equipped with p/n 1001101060 refer to next illustration.	
1	See Note	1	Housing/Shaft Assembly (Note: Not Available - Purchase Individual Components)	
1A	7010492	1	Shaft, Output	
1B	7000228	1	Seal, Lip	
1C	7000255	1	Bearing Kit (Includes Cup and Cone)	
1E	7000257	1	Bearing Kit (Includes Cup and Cone)	
1G		Ref	Housing Options:	
1G	7017089	1	Housing (SN 0300069000 through 0300074382)	
1G	7024762	1	Housing (SN 0300074383 through 0300134353)	
1H	7007633	1	Washer, Thrust	
1I	7000229	1	Ring, Retaining	
1J	7001928	1	Plug, Pipe	
2	7000246	1	Gear, Internal	
3	See Note	1	Carrier Assembly (Note: Not Available - Purchase Individual Components)	
3A	7001931	1	Carrier	
3B	7001985	6	Washer, Tanged	
3C	7001909	96	Bearing, Needle	
3D	7000263	3	Washer, Thrust	
3E	7001911	3	Shaft, Planet	
3F	7001912	3	Gear, Cluster	
3G	7010474	3	Roll Pin	
4	7000248	1	Gear, Ring	
5	7000230	1	O-Ring	
5A	7017070	1	O-Ring	
6	7000209	1	Cover, Input	
8	7010461	1	Gear, Sun	
9	7000269	1	Spacer, Input	
10	7000270	1	Washer, Thrust	
11	7000253	2	Washer, Thrust	
12	7000217	8	Bolt 5/16in-18NC x 2-1/4in (Grade 8)	
13	7000214	4	Bolt, Shoulder 5/16in-18NC x 1-7/8in (Grade 8)	
19	7024703	1	Gasket	
20	2200222	1	Plug, Pipe	
21	7024704	4	Bolt 5/16in-18NC x 2in (Grade 8)	
22	See Note	4	Lockwasher (Note: Not Available for Purchase)	
23	7017023	2	Plug, Pipe	
24	See Note	1	Plate, ID (Note: Not Available for Purchase)	
25	7000281	2	Screw, Drive	
26	7024705	1	O-Ring	
27	7017082	1	Plug, Pipe	
28	See Note	2	Lug, Lifting (Note: Not Available for Purchase)	

SECTION 2 - TURNTABLE

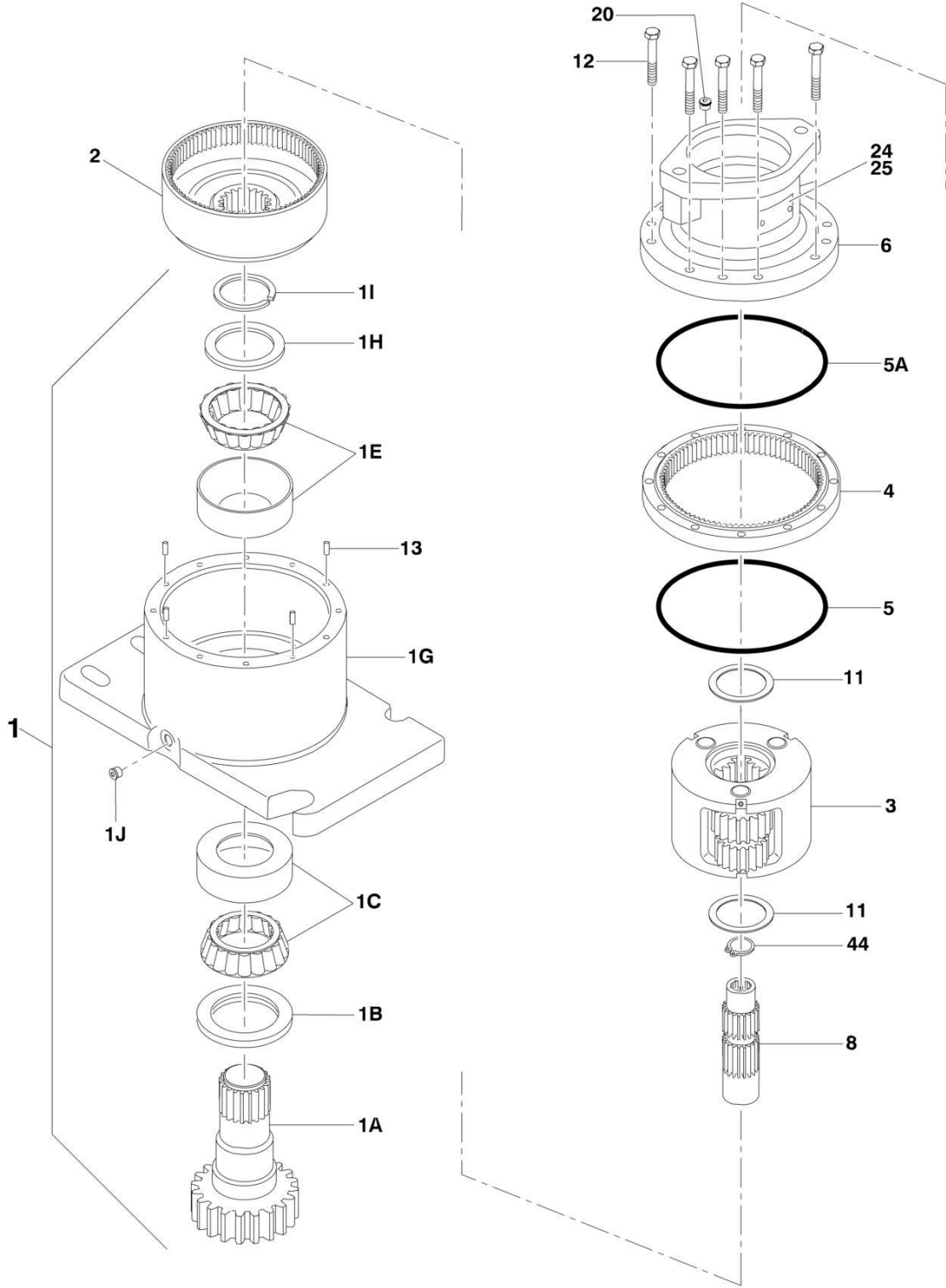
ITEM	PART NUMBER	QTY	DESCRIPTION	REV
29	7024185	2	Bolt 1/2in-13NC x 5in (Grade 8)	
30	7017085	2	Elbow	
31	7024707	1	Motor Assembly (See Items 101-121 for Breakdown)	
32	7024784	1	Valve (No Serviceable Parts)	
35	7024706	1	Tube	
36	7024702	1	Brake Assembly (See Items 201-223 for Breakdown)	
51	7024100	1	Seal Kit - Swing Hub (Includes Items 1B, 1I, 5, 5A & 11)	
	7024707	Ref	MOTOR ASSEMBLY	
101	7024454	6	Bolt	
102	7024459	1	Cover, End	
103	See Note	NSS	Seal, Commutator (Note: Use Item 126)	
104	See Note	NSS	Seal, Ring (Note: Use Item 126)	
105	7024453	1	Commutator and Ring Assembly	
106	7024453	1	Ring	
107	7024379	1	Manifold	
108	7024455	1	Rotor Set	
109	7024380	1	Plate, Wear	
110	7024456	1	Link, Drive	
112	7024458	1	Shaft, Coupling	
113	7004042	1	Bushing, Bronze	
114	7004043	1	Washer, Thrust	
115	7004044	1	Bearing, Thrust	
116	See Note	NSS	Seal Inner (Note: Use Item 126)	
117	See Note	NSS	Washer, Back-up (Note: Use Item 126)	
118	7024457	1	Housing	
119	7004046	1	Bearing	
120	See Note	NSS	Seal (Note: Use Item 126)	
121	7010795	1	Plug, O-Ring	
126	7024396	1	Seal Kit, Motor (Includes Items 103, 104, 116, 117 & 120)	
	7024702	Ref	BRAKE ASSEMBLY	
201	7024189	1	Shaft	
202	See Note	NSS	Housing (Note: Use Item 36)	
203	See Note	NSS	Plate, Friction (Note: Use Item 227C)	
204	See Note	NSS	Plate, Pressure (Note: Use Item 227C)	
205	7000731	1	Gasket	
206	See Note	NSS	Plate, Outer (Note: Use Item 227C)	
207	See Note	NSS	Gasket (Note: Use Item 226, 227C or 227D)	
208	7024191	1	Cylinder	
209	7024192	1	Piston	
210	See Note	NSS	Bearing, Ball (Note: Use Item 227D)	
211	See Note	NSS	Ring, Retaining (Note: Use Item 227D)	
212	See Note	NSS	Seal, Shaft (Note: Use Item 227D)	
213	See Note	6	Capscrew (Note: Not Available for Purchase)	
214	See Note	6	Lockwasher (Note: Not Available for Purchase)	
215	See Note	NSS	O-Ring (Note: Use Item 226)	
216	See Note	NSS	Ring, Back-up (Note: Use Item 226)	
217	See Note	NSS	O-Ring (Note: Use Item 226)	
218	See Note	NSS	Ring, Back-up (Note: Use Item 226)	
219	7024190	2	Pin, Dowel	
220	See Note	1	Plug (Note: Not Available - Purchase Locally)	
221	See Note	1	Plug (Note: Not Available - Purchase Locally)	

SECTION 2 - TURNTABLE

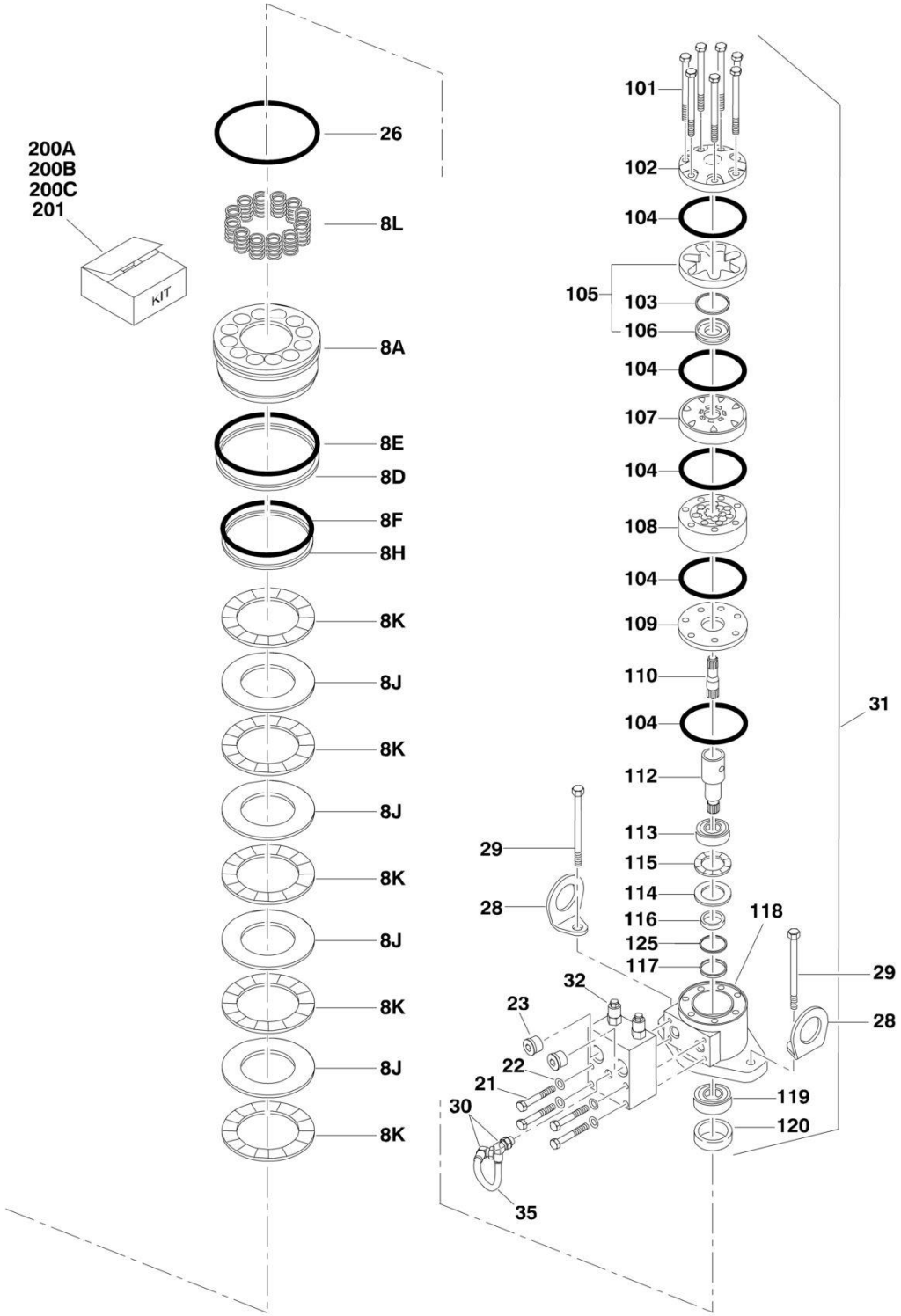
ITEM	PART NUMBER	QTY	DESCRIPTION	REV
222	See Note	NSS	Spring (Natural) (Note: Use Item 227B)	
223	See Note	NSS	Spring (Blue) (Note: Use Item 227B)	
226	7024194	1	Seal Kit, Brake (Includes Items 205, 207 & 215-218)	
227		Ref	Repair Kit, Brake Options:	
227A	7024195	NLA	Spring Kit (Includes 12 Natural Colored Springs)	
227B	7024196	1	Spring Kit (Includes 12 Blue and 12 Natural Colored Springs)	
227C	7024193	1	Friction Disc Kit (Includes Items 203, 204, 206 & 207)	
227D	7024197	1	Bearing Kit (Includes Items 207 & 210-212)	

SECTION 2 - TURNTABLE

FIGURE 2-7. SWING MOTOR/HUB ASSEMBLY (SN 0300134353 through 0300140000)



SECTION 2 - TURNTABLE



SECTION 2 - TURNTABLE

FIGURE 2-7. SWING MOTOR/HUB ASSEMBLY (SN 0300134353 through 0300140000)

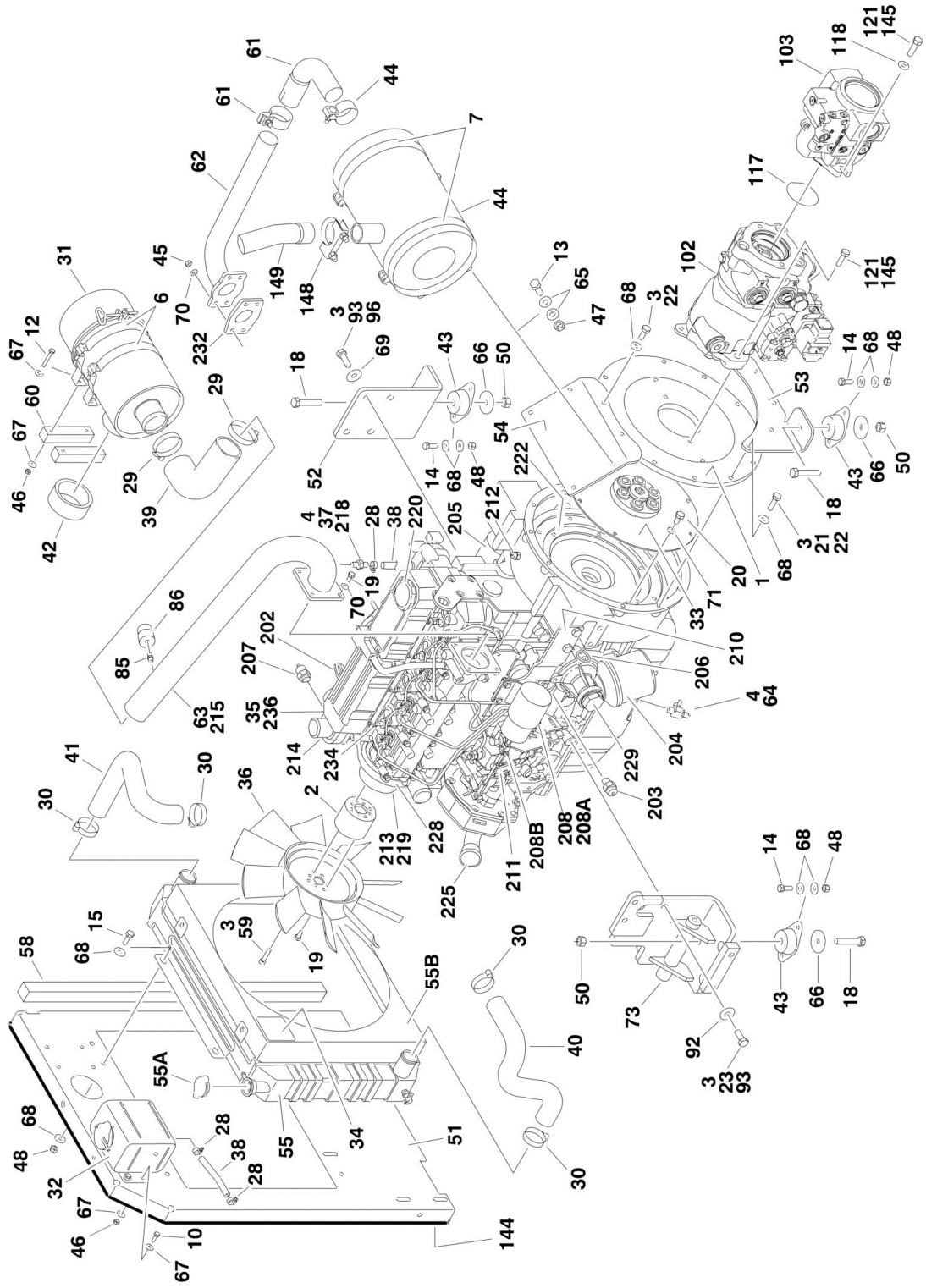
ITEM	PART NUMBER	QTY	DESCRIPTION	REV
	1001101060	Ref	SWING MOTOR/HUB ASSEMBLY (SERVICE REPLACEMENT FOR SWING MOTOR P/N 3160294)	A
1	See Note	1	Housing/Shaft Assembly (Note: Not Available - Purchase Individual Components)	
1A	7010492	1	Shaft, Output	
1B	7000228	1	Seal, Lip	
1C	7000255	1	Bearing Kit (Includes Cup and Cone)	
1E	7000257	1	Bearing Kit (Includes Cup and Cone)	
1G	7024762	1	Housing	
1H	7007633	1	Washer, Thrust	
1I	7000229	1	Ring, Retaining	
1J	7017072	1	Plug, Pipe	
2	7000246	1	Gear, Internal	
3	80424002	1	Carrier Assembly	
4	7000248	1	Gear, Ring	
5	7000230	1	O-Ring	
5A	7017070	1	O-Ring	
6	1001101060	NSS	Housing, Brake (Note: Purchase Complete Assembly)	
8	70002065	1	Gear, Sun	
8A	70000782	1	Piston	
8D	70002070	1	O-Ring	
8E	70002071	1	Ring, Back-up	
8F	70002073	1	O-Ring	
8H	70002072	1	Ring, Back-up	
8J	70002067	4	Disc, Rotor	
8K	70002068	5	Disc, Stator	
8L	70002066	14	Spring	
11	7000253	2	Washer, Thrust	
12	7000217	12	Bolt 3/8in-16NC x 2-1/4in (Grade 8)	
13	7017080	4	Pin, Dowel	
20	7017072	1	Plug, Pipe	
21	7024704	4	Bolt 5/16in-18NC x 2in (Grade 8)	
22	See Note	4	Lockwasher (Note: Not Available for Purchase)	
23	7017023	2	Plug, Pipe	
24	See Note	1	Plate, ID (Note: Not Available for Purchase)	
25	7000281	2	Screw, Drive	
26	7024763	1	O-Ring	
28	See Note	2	Lug, Lifting (Note: Not Available for Purchase)	
29	70002069	2	Bolt 1/2in-13NC x 2in (Grade 8)	
30	7017085	2	Elbow	
31	70002075	1	Motor Assembly (See Items 101-125 for Breakdown)	
32	7024784	1	Valve Assembly - Complete (No Serviceable Parts)	
35	70002074	1	Tube	
44	7017028	1	Ring, Internal Retaining	
	70002075	Ref	MOTOR ASSEMBLY	
101	7024454	5	Bolt	
102	7004035	1	Cover, End	
103	7023318	1	Seal, Commutator	
104	7004036	5	Seal, Ring	
105	7024453	1	Commutator and Ring Assembly	

SECTION 2 - TURNTABLE

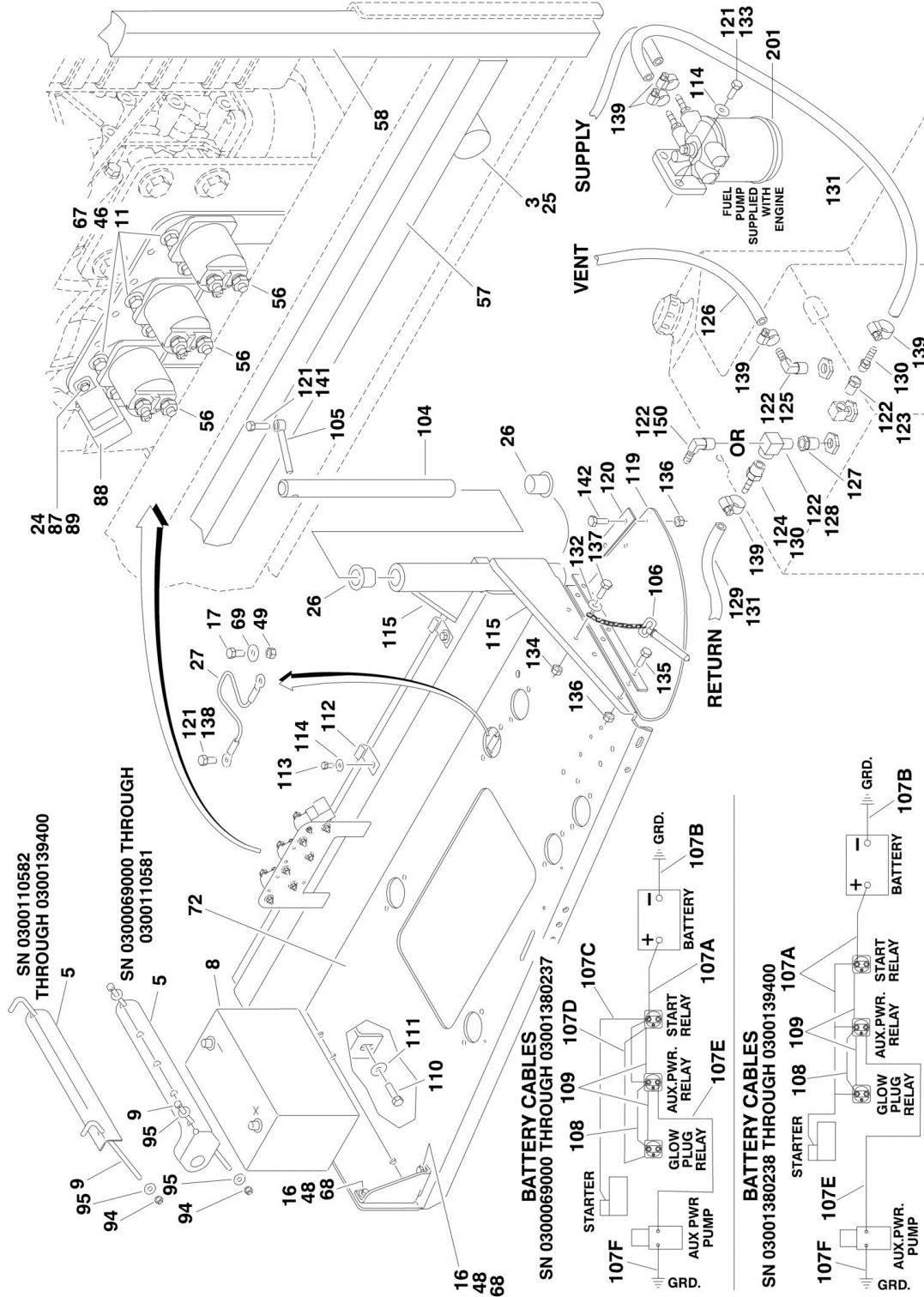
ITEM	PART NUMBER	QTY	DESCRIPTION	REV
106	7024453	1	Ring	
107	7024379	1	Manifold	
108	7024455	1	Rotor Set	
109	7024380	1	Plate, Wear	
110	7024456	1	Link, Drive	
112	7024458	1	Shaft, Coupling	
113	7024381	1	Bearing, Inner	
114	7004043	1	Washer, Thrust	
115	7004044	1	Bearing, Thrust	
116	7004049	1	Seal, Inner	
117	7004045	1	Washer, Back-up	
118	7024457	1	Housing	
119	7024390	1	Bearing, Outer	
120	7004047	1	Seal	
125	80424043	1	Washer, Back-up	
		Ref	Kit Options:	
200		Ref	Seal Kit Options:	
200A	7024100	1	Swing Hub (Includes Items 1B, 1I, 5, 5A & 11)	
200B	70002086	1	Swing Brake (Includes Items 8D, 8E, 8F, 8H & 26)	
200C	7024396	1	Swing Motor (Includes Items 103, 104, 116, 117, 120 & 125)	
201	70002085	1	Disc Kit - Swing Brake (Includes Items 8J & 8K)	

SECTION 2 - TURNTABLE

FIGURE 2-8. CATERPILLAR ENGINE INSTALLATION (SN 0300069000 through 0300139399)



SECTION 2 - TURNTABLE



SECTION 2 - TURNTABLE

FIGURE 2-8. CATERPILLAR ENGINE INSTALLATION (SN 0300069000 through 0300139399)

ITEM	PART NUMBER	QTY	DESCRIPTION	REV
		Ref	CATERPILLAR ENGINE ASSEMBLY	
	0272796	Ref	Caterpillar Engine Assembly (SN 0300069000 through 0300087265)	F
	0274491	Ref	Caterpillar Engine Assembly (SN 0300087266 through 0300134758)	L
	1001105993	Ref	Caterpillar Engine Assembly (SN 0300134759 through 0300139400)	D
1	0080181	1	Adapter, Pump Mounting Plate	
2	0080243	1	Adapter, Fan Spacer	
3	0100011	AR	Compound, Locking	
4	0100020	AR	Sealant, Thread	
5		Ref	Hold-Down, Battery Options:	
5	0181727	1	Hold-down, Battery (SN 0300069000 through 0300110581)	
5	91401281	1	Hold-down, Battery (SN 0300110582 through 0300139400)	
6	0340041	2	Band, Mounting	
7	0340046	2	Band, Muffler	
8	0400075	1	Battery	
9		Ref	Bolt, Battery Hold-down Options:	
9	0630498	2	Bolt, Battery Hold-down (SN 0300069000 through 0300110581)	
9	1001093382	2	Bolt, Battery Hold-down (SN 0300110582 through 0300139400)	
10	0641406	4	Bolt 1/4in-20NC x 3/4in	
11	0641407	6	Bolt 1/4in-20NC x 7/8in	
12	0701414	4	Bolt 1/4in-20NC x 3/4in	
13	0641507	4	Bolt 5/16in-18NC x 7/8in	
14	0641608	8	Bolt 3/8in-16NC x 1in	
15	0641609	4	Bolt 3/8in-16NC x 1-1/8in	
16	0641610	4	Bolt 3/8in-16NC x 1-1/4in	
17	0641808	1	Bolt 1/2in-13NC x 1in	
18	0641828	4	Bolt 1/2in-13NC x 2-1/2in	
19	0700808	AR	Bolt M8 x 16mm	
20	0701010	8	Bolt M10 x 20mm	
21	0701012	4	Bolt M10 x 25mm	
22	0701015	8	Bolt M10 x 35mm	
23		Ref	Bolt M12 x 30mm Options:	
23	0701214	8	Bolt, Battery Hold-down (SN 0300069000 through 0300098894)	
23	0711214	4	Bolt, Battery Hold-down (SN 0300098895 through 0300139400)	
24	0721006	AR	Bolt #10-24NC x 3/4in	
25	0940070	1	Bumper, Rubber	
26	0961986	2	Bearing, Flange	
27	1060637	1	Lanyard	
28		Ref	Clamp, Hose Options:	
28	1320022	3	Clamp, Hose (SN 0300069000 through 0300087265)	
28	8405009	2	Clamp, Hose (SN 0300087266 through 0300139400)	
29	1320016	2	Clamp, Hose	
30		Ref	Clamp, Hose Options:	
30	1320012	4	Clamp, Hose (SN 0300069000 through 0300087265)	
30	8405104	4	Clamp, Hose (SN 0300087266 through 0300139400)	

SECTION 2 - TURNTABLE

ITEM	PART NUMBER	QTY	DESCRIPTION	REV
31	1340060	1	Air Cleaner Assembly	
31	7012664	1	Element, Air Cleaner	
32	1580011	1	Container, Coolant Overflow	
33	1660239	1	Coupling, Pump	
34	1703162	2	Decal - Fan Blade	
35		Ref	Caterpillar Engine Assembly Options:	
35	2000194	NLA	Caterpillar Engine Assembly (Use p/n 1001109762) (SN 0300069000 through 0300104773)	
35	2000386	NLA	Caterpillar Engine Assembly (Use p/n 1001109762) (SN 0300104774 through 0300134758)	
35	1001100313	1	Caterpillar Engine Assembly (SN 0300134759 through 0300139400)	
36	2060025	1	Fan	
37	2220767	1	Fitting (SN 0300075602 through 0300104774)	
38	2720058	4 in/10cm	Hose	
39	2720434	1	Elbow, Rubber	
40	2720509	1	Hose, Radiator (Bottom)	
41		Ref	Hose, Radiator (Top) Options:	
41	2720510	1	Hose, Radiator (Top) (SN 0300069000 through 0300134758)	
41	1001107705	1	Hose, Radiator (Top) (SN 0300134759 through 0300139400)	
42	2720515	1	Seal, Air Cleaner	
43	3200406	4	Mount, Engine	
44		Ref	Muffler Options:	
44	3220113	1	Spark Arresting Muffler	
44	70001017	1	Clamp	
44	1001107116	1	Catalytic Muffler	
44	70002705	1	Clamp	
44	70002706	1	Plug, Brass	
45	3290801	4	Nut m8 x 1.25	
46	3311405	14	Locknut 1/4in-20NC	
47	3311505	4	Locknut 5/16in-18NC	
48	3311605	AR	Locknut 3/8in-16NC	
49	3311801	1	Nut 1/2in-13NC	
50	3311805	4	Locknut 1/2in-13NC	
51	3539872	1	Plate, Radiator Mounting	
52	3574206	1	Plate, Motor Mount	
53	3574207	1	Plate, Engine Mount (Rear)	
54	3574208	1	Bracket, Muffler	
55	3620047	1	Radiator	
55A	7027412	1	Cap, Radiator	
55B	70004182	1	Shroud, Fan	
56	3740067	3	Relay, Solenoid Assembly	
57	3960468	1	Seal, Foam Gasket	
58	3960469	1	Seal, Foam Gasket	
59	4031911	4	Bolt M8 x 35mm	
60	4220191	2	Block, Spacer	
61	4567073	1	Tube, Exhaust	
61	70001017	1	Clamp	
62	4568721	1	Exhaust Tube Weldment	
63		Ref	Tube, Air Intake Weldment Options:	
63	4568788	1	Tube, Air Intake Weldment (SN 0300069000 through 0300087265)	

SECTION 2 - TURNTABLE

ITEM	PART NUMBER	QTY	DESCRIPTION	REV
63	4569177	1	Tube, Air Intake Weldment (SN 0300087266 through 0300104774)	
64	1001105833	NLA	Valve, Oil Drain (Use p/n 4640750)	
65	4711500	8	Flatwasher 5/16in (Narrow)	
66	4740274	4	Washer, Snubbing	
67	4751400	28	Flatwasher 1/4in	
68	4751600	AR	Flatwasher 3/8in	
69	4751800	1	Flatwasher 1/2in	
70	4811900	AR	Flatwasher M8	
71	4832000	8	Lockwasher M10	
72	4846790	1	Tray Engine	
73	4846805	1	Mount, Engine/Generator - Left	
74	4922737	1	Harness, Relay Ground (Not Shown Only) (SN 0300069000 through 0300134759)	
85	2180798	1	Fitting Only (SN 0300069000 through 0300087266)	
86	4360392	1	Switch, Restrictor Indicator Only (SN 0300069000 through 0300087266)	
87	3311005	AR	Locknut #10-24NC	
88	3740080	1	Relay (Machines with Generator Option)	
89	4751000	AR	Flatwasher #10	
90	3020016	2.5 gl /9.5L	Oil, Motor 15W-40 (Not Shown)	
91	2300004	2.63 gl /9.95L	Fluid, Anti-Freeze (Not Shown)	
92		Ref	Flatwasher Options:	
92	4751800	8	Flatwasher 1/2in (SN 0300069000 through 0300098894)	
92	4812100	8	Flatwasher M12 (SN 0300098895 through 0300139400)	
93	0100019	AR	Compound, Locking (SN 0300098895 through 0300111030)	
94		Ref	Locknut Options:	
94	3311605	2	Locknut 3/8in-16NC (SN 0300069000 through 030011081)	
94	3311505	2	Locknut 5/16in-18NC (SN 0300110582 through 0300121642)	
94	88521205	2	Locknut 5/16in-18NC (SN 0300121643 through 0300139400)	
95		Ref	Flatwasher Options:	
95	4751600	4	Flatwasher 3/8in Wide (SN 0300069000 through 0300110581)	
95	4751500	2	Flatwasher 5/16in Wide (SN 0300110582 through 0300139400)	
96		Ref	Bolt Options:	
96	0711214	4	Bolt M12 x 30mm (SN 0300069000 through 0300111029)	
96	0771212	4	Bolt M12 x 25mm (SN 0300111030 through 0300139400)	
		Ref	CATERPILLAR ENGINE INSTALLATION	
	0273526	Ref	Caterpillar Engine Installation (SN 0300069000 through 0300087265)	5-D
	0274625	Ref	Caterpillar Engine Installation (SN 0300087266 through 0300121642)	4-D
	1001095508	Ref	Caterpillar Engine Installation (SN 0300121643 through 0300134758)	2-B
	1001106701	Ref	Caterpillar Engine Installation (SN 0300134759 through 0300139400)	3-B
102		Ref	Piston Pump Assembly Options (See PISTON PUMP ASSEMBLY for Breakdown):	
102	3600295	1	Piston Pump Assembly (SN 0300069000 through 0300135831)	
102	3600400	1	Piston Pump Assembly (SN 0300135832 through 0300139400)	

SECTION 2 - TURNTABLE

ITEM	PART NUMBER	QTY	DESCRIPTION	REV
103		Ref	Variable Displacement Pump Assembly Options:	
103	3600278	1	Variable Displacement Pump (Rexroth) (SN 0300069000 through 0300121642)	C
103	7018995	1	Seal Kit - 3600278 Pump	
103	7024918	1	Seal, Shaft	
103	7024930	1	Valve Assembly Kit - 3600278 Pump	
103	1001095354	1	Variable Displacement Pump Assembly with Fittings (Sauer Danfoss) (SN 0300121643 through 0300139400)	A
103	2220415	1	Fitting	
103	1001094595	1	Pump, Variable Displacement	
103	7023967	1	Seal Kit - 1001094595 Pump	
103	7023956	1	Valve Assembly Kit - 1001094595 Pump	
104	3422446	1	Pin, Pivot	
105	3841143	1	Keeper, Pin	
106	3422532	1	Pin, Hitch	
107	2901609	1	Battery Cable Kit Options:	
107	2901609	1	Battery Cable Kit (SN 0300069000 through 0300078363)	
107	2902401	1	Battery Cable Kit (SN 0300078364 through 0300138238)	A
		Ref	(Note: 2902401 Rev A version is no longer available. Verify whether machine is equipped with 2 or 3 relays on the engine tray. If there are 3 relays, purchase latest revision of 2902401 kit. If there are 2 relays, purchase individual items as replacement)	
107	2902401	1	Battery Cable Kit (SN 0300138238 through 0300139400)	B
107A	7016800	1	Cable, Battery (Red) (SN 0300069000 through 0300078363)	
107A	7016813	1	Cable, Battery (Red) (SN 0300078364 through 0300138237)	
107A	1001116288	1	Cable, Battery (Red) (Machines with 2 Relays on Engine Tray) (was p/n 7027027) (SN 0300138238 through 0300139400)	
107A	1001116287	1	Cable, Battery (Red) (Machines with 3 Relays on Engine Tray) (was p/n 7027027) (SN 0300138238 through 0300139400)	
107B	7016809	1	Cable, Battery (Black) (SN 0300069000 through 0300078363)	
107B	7027012	1	Cable, Battery (Black) (SN 0300078364 through 0300138237)	
107B	7027004	1	Cable, Battery (Black) (SN 0300138238 through 0300139400)	
107C	7016802	1	Cable (Red) (SN 0300069000 through 0300078363)	
107C	Not Required	0	Cable (Red) (Part of Item 107A) (SN 0300078364 through 0300139400)	
107D	7016803	1	Cable (Red) (SN 0300069000 through 0300138237)	
107D	Not Required	0	Cable (Red) (SN 0300138238 through 0300139400)	
107E	7016824	1	Cable (Red)	
107F	7016825	1	Cable (Black)	
108	1060904	1	Cable, Battery	
109	4922737	1	Harness, Relay Ground	
110	0642010	1	Bolt 5/8in-11NC x 1-1/4in	
111	4752000	1	Flatwasher 5/8in	
112	1320223	2	J-Clip 1/2in	
113	0641606	2	Bolt 3/8in-16NC x 3/4in	
114	4711600	4	Flatwasher 3/8in Narrow	
115	4060805	2 ft /0.7mm	Flex-Trim 1/4in	
117	3790044	1	O-Ring	
118	4891800	2	Washer, Hardened 1/2in	

SECTION 2 - TURNTABLE

ITEM	PART NUMBER	QTY	DESCRIPTION	REV
119	3380429	1	Panel, Rubber	
120	3539957	2	Plate, Support	
121	0100011	AR	Compound, Locking	
122	0100020	AR	Sealant, Thread	
123	2220273	2	Fitting, Reducer (SN 0300069000 through 0300107595)	
124	2180536	2	Fitting, Straight (SN 0300069000 through 0300075345)	
125	2220313	1	Fitting, Elbow	
126	2750532	6 ft/1.8m	Hose 3/8in	
127	2220250	1	Fitting, Reducer (SN 0300069000 through 0300107595)	
128	2220459	1	Fitting, Elbow (SN 0300069000 through 0300107595)	
129	2720271	15 ft/4.6m	Hose 3/16in (SN 0300069000 through 0300075345)	
130		Ref	Fitting, Barbed Options:	
130	2220794	2	Fitting, Barbed (SN 0300069000 through 0300107594)	
130	2180348	1	Fitting, Barbed (SN 0300107595 through 0300139400)	
131	2720058	30 ft/9.1m	Hose	
132	4751400	AR	Flatwasher 1/4in	
133	0641608	8	Bolt 3/8-16NC x 1in	
134	3311405	1	Locknut 1/4in-20NC	
135	0641507	AR	Bolt 5/16in-18NC x 1-1/4in	
136	3311505	6	Locknut 5/16in-18NC	
137	0641407	1	Bolt 1/4in-20NC x 7/8in	
138	0641808	1	Bolt 1/2in-13NC x 1in	
139	1320022	7	Clamp, Hose	
140	1701505	1	Decal - Diesel (Not Shown - Located on Hood)	
141	0641610	1	Bolt 3/8in-16NC x 1-1/4in	
142	0641514	3	Bolt 5/16in-18NC x 1-3/4in	
143	4751500	3	Flatwasher 5/16in (SN 0300069000 through 0300075345)	
144	3960389	5 ft/1.5m	Seal, Hood	
145	0641812	4	Bolt 1/2in-13NC x 1-1/2in	
146	3841340	3	Loop, Hose (Not Shown - Located Inside Turntable)	
147	0641608	3	Bolt 3/8in-16NC x 1in (SN 0300069000 through 0300075345)	
148	1320176	1	Clamp (SN 0300093810 through 0300139400)	
149	3460544	1	Pipe, Exhaust (SN 0300093810 through 0300139400)	
150	2221176	1	Fitting (SN 0300107595 through 0300139400)	
		Ref	ENGINE COMPONENTS	
	2000194	Ref	Engine Components (SN 0300069000 through 0300104773)	E
	2000386	Ref	Engine Components (SN 0300104774 through 0300134758)	A
	1001100313	Ref	Engine Components (SN 0300134759 through 0300139400)	C
201	7026839	1	Pump, Fuel Supply	
201	7026830	1	Filter, Fuel	
201	70002833	1	Ring, Retaining	
201	70002834	1	Bowl, Water Collection	
201	70002835	1	Kit, Seal	
202	7026831	1	Alternator	
203	7026814	1	Relief Valve, Oil Pressure	
203	7026815	1	Gasket, Relief Valve	
203	1001097554	1	Sensor, Oil Pressure (Not Shown)	
203	1001097555	1	Fitting, Straight (Caterpillar Engine p/n 2000386) (Not Shown)	
203	70004148	1	Fitting, Elbow (Caterpillar Engine p/n 2000386) (Not Shown)	
204	7026811	1	Filter, Oil	
		Ref	Note: Machines with SkyPower use Remote Mounted Oil Filter - See SPECIAL OPTIONS SECTION. The same oil filter	

SECTION 2 - TURNTABLE

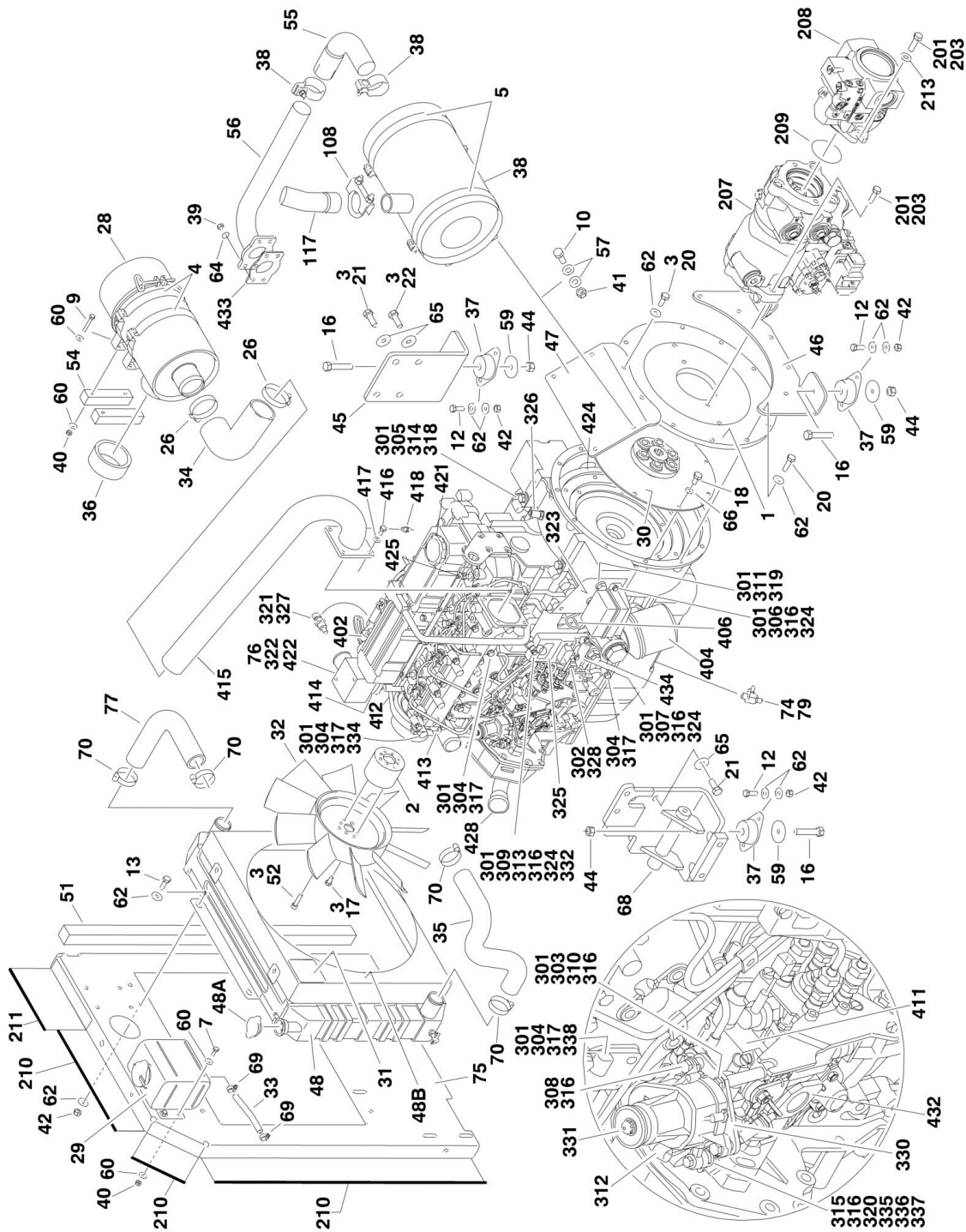
ITEM	PART NUMBER	QTY	DESCRIPTION	REV
			is used for all applications.	
205	7026833	1	Starter	
206		Ref	Dipstick Oil Level Options:	
206	7026834	1	Dipstick Oil Level (SN 0300087000 through 0300105047)	
206	7026888	1	Dipstick Oil Level (SN 0300105048 through 0300134758)	
206	70002844	1	Dipstick Oil Level (SN 0300134759 through 0300139400)	
206	70002843	1	Seal, Guide Tube (SN 0300134759 through 0300139400)	
207	7026840	1	Sensor, Water Temperature	
207	7026882	1	Seal, Sensor	
208	1600361	1	Actuator/Linkage Assembly - Throttle	
208A	1600361	1	Actuator and Electrical Connector Kit (was p/n 7026842)	
208A	7026835	1	Connector, Actuator	
208B	7026843	1	Linkage Kit	
210	0902910	NLA	Mounting Bracket, Actuator (Use p/n 7026887)	
210	0903220	NLA	Mounting Bracket, Actuator (Use p/n 7026887)	
211	70002849	1	Pump, Fuel Supply (SN 0300134759 through 0300139400)	
211	70002850	1	Solenoid, Fuel Shutoff (SN 0300134759 through 0300139400)	
211	70002848	1	Gasket, Fuel Pump (Between Flange and Pump)	
212	7026841	1	Speed Sensor Kit	
212	7026836	1	Connector, Speed Sensor	
213		Ref	Pump, Water Options:	
213		Ref	Caterpillar Engine p/n 2000194	
213	7026823	1	Caterpillar Engines Prior to SN 3440833 (Not Machine SN)	
213	70001120	1	Caterpillar Engines SN 3440833 to Present (Not Machine SN)	
213	7026824	1	Gasket, Water Pump Cover	
213	7026825	1	Gasket, Water Pump	
214	7026822	1	Thermostat	
214	7026820	1	Gasket, Thermostat Housing	
214	7026821	1	Gasket, Coolant	
214	70002765	1	Hose, Bypass	
215		Ref	Tube, Air Intake Options:	
215	4569177	1	Tube, Air Intake (SN 0300087000 through 0300105047)	
215	4569371	1	Tube, Air Intake (SN 0300105048 through 0300139342)	
218	2220767	1	Fitting (SN 0300069000 through 0300134758)	
218	70001051	1	Valve, Shutoff (SN 0300134759 through 0300139400)	
219	70001742	1	Pulley, Water Pump	
220	7026800	1	Cap, Filler	
221	7026801	1	Gasket, Valve Cover (Not Shown)	
222	7026802	1	Flywheel Assembly (With Ring Gear)	
222	7026803	1	Gear, Flywheel	
223	7026804	1	Gasket (Not Shown - Located Between Engine Block and Bell housing)	
224	7026805	1	Seal, Rear Main (Not Shown - Located on Rear of Engine Block)	
225	7026806	1	Cap, Filler	
225	70002845	1	Pump, Oil (SN 0300134759 through 0300139400)	
225	70002846	1	Seal, Oil Pump (SN 0300134759 through 0300139400)	
225	70002847	1	Seal, Gear Cover (SN 0300134759 through 0300139400)	
226	7026807	1	Seal, Front Main (Not Shown - Located on Front of Engine Block)	
228	7026810	1	Belt	
229	7026813	1	Seal, Oil Filter Head (Between Oil Filter Head and Engine Block)	
229	7026812	1	Seal, Oil Filter Head Bolt	
230	7026819	1	Cooler, Oil (Not Shown)	

SECTION 2 - TURNTABLE

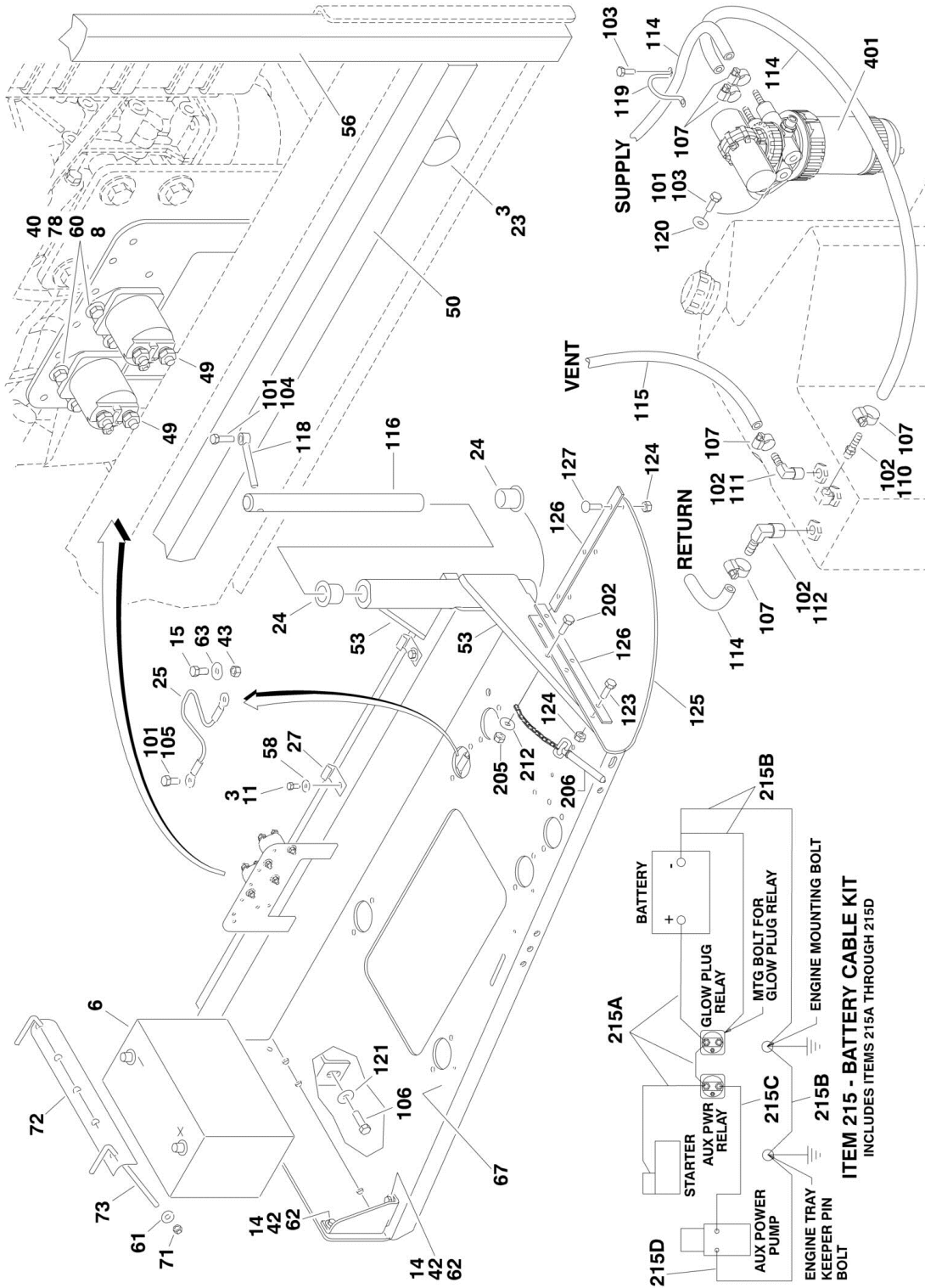
ITEM	PART NUMBER	QTY	DESCRIPTION	REV
230	7026816	2	O-Ring (Not Shown - Located Between Oil Cooler and Cover)	
230	7026817	4	O-Ring (Not Shown - Located Between Oil Cooler and Cover)	
230	7026818	1	Gasket (Not Shown - Located Between Oil Cooler Cover and Engine Block)	
231	7026826	1	Gasket, Exhaust Manifold to Engine Block (Not Shown)	
232	7026827	1	Gasket, Exhaust Manifold to Exhaust Pipe	
232	70002852	4	Stud, Exhaust (Not Shown)	
233	7026829	1	Gasket, Intake Manifold to Engine Block (Not Shown)	
233	7026828	1	Gasket, Intake Manifold to Air Intake Tube	
234	7026832	4	Plug, Glow	
235	2580055	1	Block Heater Kit (Includes Cord and Gasket) (Not Shown) (was p/n 7026845)	
235	70002841	1	Cord (Not Shown)	
235	7026838	1	Gasket, Block Heater (Not Shown)	
236	7026801	1	Gasket, (Valve Cover) (SN 0300134759 through 0300139400)	
236	70002761	17	Bolt, (Cylinder Head) (SN 0300134759 through 0300139400)	
236	70002762	7	Seal, (Valve Stem) (SN 0300134759 through 0300139400)	
236	7022721	1	Washer, Hard 2.5mm (SN 0300134759 through 0300139400)	
236	70002479	2	Bolt M10 x 1.5 x 20mm	
236	70002764	1	Gasket (Between Lifting Eye and Engine Head)	
236	70002766	1	Head, Cylinder (SN 0300104774 through 0300134759)	
236	70002767	1	Gasket, Head (SN 0300104774 through 0300134759)	
237	70002763	4	Gasket, Fuel Line (Not Shown) (SN 0300134759 through 0300139400)	
238	7026808	1	Plug, Drain Oil Pan (Not Shown) (SN 0300134759 through 0300139400)	
238	7026809	1	Gasket, Drain Plug Oil Pan (Not Shown) (SN 0300134759 through 0300139400)	
239	70002851	1	Kit - Gasket (Not Shown) (SN 0300134759 through 0300139400)	

SECTION 2 - TURNTABLE

FIGURE 2-9. CATERPILLAR ENGINE INSTALLATION (SN 0300139400 through 0300140000)



SECTION 2 - TURNTABLE



SECTION 2 - TURNTABLE

FIGURE 2-9. CATERPILLAR ENGINE INSTALLATION (SN 0300139400 through 0300140000)

ITEM	PART NUMBER	QTY	DESCRIPTION	REV
	1001109065	Ref	CATERPILLAR TIER IVi ENGINE ASSEMBLY	D
1	0080181	1	Adapter, Pump Mounting Plate	
2	0080243	1	Adapter, Fan Spacer	
3	0100011	AR	Compound, Locking	
4	0340041	2	Band, Mounting	
5	0340046	2	Band, Muffler	
6	0400075	1	Battery	
7	0641406	4	Bolt 1/4in-20NC x 3/4in	
8	0641407	4	Bolt 1/4in-20NC x 7/8in	
9	0701414	4	Bolt 1/4in-20NC x 3/4in	
10	0641507	4	Bolt 5/16in-18NC x 7/8in	
11	0641606	2	Bolt 3/8in-16NC x 3/4in	
12	0641608	8	Bolt 3/8in-16NC x 1in	
13	0641609	4	Bolt 3/8in-16NC x 1-1/8in	
14	0641610	4	Bolt 3/8in-16NC x 1-1/4in	
15	0641808	1	Bolt 1/2in-13NC x 1in	
16	0641820	4	Bolt 1/2in-13NC x 2-1/2in	
17	0700808	4	Bolt M8 x 16mm	
18	0701010	8	Bolt M10 x 20mm	
19	0701012	4	Bolt M10 x 25mm	
20	0701015	8	Bolt M10 x 35mm	
21	0711214	5	Bolt M12 x 30mm	
22	0771212	3	Bolt M12 x 25mm	
23	0940070	1	Bumper, Rubber	
24	0961986	2	Bearing, Flange	
25	1060637	1	Lanyard	
26	1320016	2	Clamp, Hose	
27	1320223	4	Clamp	
28	1340060	1	Air Cleaner Assembly	
28	7012664	1	Element, Air Cleaner	
29	1580011	1	Container, Coolant Overflow	
30	1660239	1	Coupling, Pump	
31	1703162	2	Decal - Fan Blade	
32	2060025	1	Fan	
33	2720058	0.33 ft /0.1m	Hose	
34	2720434	1	Elbow, Rubber	
35	2720509	1	Hose, Radiator (Bottom)	
36	2720515	1	Seal, Air Cleaner	
37	3200406	4	Mount, Engine	
38		Ref	Muffler Options:	
38	3220113	1	Muffler, Spark Arresting (Standard)	
38	70001017	1	Clamp (Used on p/n 3220113)	
38	1001107116	1	Muffler, Catalytic (Optional)	
38	70002705	1	Clamp	
38	70002706	1	Plug	
39	3290801	4	Nut M8	
40	3311405	12	Locknut 1/4in-20NC	
41	3311505	4	Locknut 5/16in-18NC	
42	3311605	16	Locknut 3/8in-16NC	

SECTION 2 - TURNTABLE

ITEM	PART NUMBER	QTY	DESCRIPTION	REV
43	3311801	1	Nut 1/2in-13NC	
44	3311805	4	Locknut 1/2in-13NC	
45	3574206	1	Plate, Motor Mount	
46	3574207	1	Plate, Engine Mount (Rear)	
47	3574208	1	Bracket, Muffler	
48	3620047	1	Radiator	
48A	7027412	1	Cap, Radiator	
48B	70004182	1	Shroud, Fan	
49	3740067	2	Relay, Solenoid Assembly	
50	3960468	1	Seal, Foam Gasket	
51	3960469	1	Seal, Foam Gasket	
52	4031911	4	Bolt M8 x 35mm	
53	4060805	2 ft /0.7mm	Flex-Trim 1/4in	
54	4220191	2	Block, Spacer	
55	4567073	1	Tube, Exhaust	
56	4568721	1	Exhaust Tube Weldment	
57	4711500	8	Flatwasher 5/16in (Narrow)	
58	4711600	2	Flatwasher 3/8in Narrow	
59	4740274	4	Washer, Snubbing	
60	4751400	24	Flatwasher 1/4in	
61	4751500	2	Flatwasher 5/16in	
62	4751600	44	Flatwasher 3/8in	
63	4751800	1	Flatwasher 1/2in	
64	4811900	4	Flatwasher 8mm	
65	4812100	8	Flatwasher 12mm	
66	4832000	8	Lockwasher 10mm	
67	4846790	1	Tray Engine	
68	4846805	1	Mount, Engine/Generator - Left	
69	8405009	2	Clamp, Hose	
70	8405104	4	Clamp, Hose	
71	88521205	2	Locknut 5/16in-18NC	
72	91401281	1	Hold-down, Battery	
73	1001093382	2	Rod, Hold-Down	
74	1001105833	NLA	Valve, Oil Drain (Use p/n 4640750)	
75	1001109595	1	Plate, Radiator Mounting	
76	1001112077	1	Caterpillar Tier IVi Engine Assembly	
77	1001107705	1	Hose, Radiator (Top)	
78	4791400	4	Starwasher 1/4in	
79	0100020	AR	Sealant, Thread	
	1001110215	Ref	CATERPILLAR TIER IVi ENGINE INSTALLATIONS	D
101	0100011	AR	Compound, Locking	
102	0100020	AR	Sealant, Thread	
103	0641608	8	Bolt 3/8in-16NC x 1in	
104	0641610	1	Bolt 3/8in-16NC x 1-1/4in	
105	0641808	1	Bolt 1/2in-13NC x 1in	
106	0642010	1	Bolt 5/8in-11NC x 1-1/4in	
107	1320022	7	Clamp, Hose	
108	1320176	1	Clamp, Saddle	
109	1701505	1	Decal - Diesel (Not Shown - Located on Hood)	
110	2180348	1	Fitting	
111	2220313	1	Fitting, Elbow	

SECTION 2 - TURNTABLE

ITEM	PART NUMBER	QTY	DESCRIPTION	REV
112	2221176	1	Fitting	
113	2300004	2.6 gl /9.8L	Fluid, Anti-Freeze (Not Shown)	
114	2720058	30 ft/9.1m	Hose	
115	2750532	6 ft/1.8m	Hose 3/8in	
116	3422446	1	Pin, Pivot	
117	3460544	1	Pipe, Exhaust	
118	3841143	1	Keeper, Pin	
119	3841340	1	Loop, Hose	
120	4711600	2	Flatwasher 3/8in Narrow	
121	4752000	1	Flatwasher 5/8in	
123	0641508	3	Bolt 5/16in-18NC x 1in	
124	3311505	6	Locknut 5/16in-18NC	
125	3380429	1	Panel, Rubber	
126	3539957	2	Plate, Holddown	
127	3900272	3	Screw 5/16in-18NC x 1-3/4in	
	1001110207	Ref	CATERPILLAR TIER IVi ENGINE WITH PUMPS ASSEMBLY	B
201	0100011	AR	Compound, Locking	
202	0641407	1	Bolt 1/4in-20NC x 7/8in	
203	0641812	4	Bolt 1/2in-18NC x 1-3/4in	
204	3020016	2.5 gl /9.5L	Oil, Motor (Not Shown)	
205	3311405	12	Locknut 1/4in-20NC	
206	3422532	1	Pin, Hitch	
207	3600400	1	Piston Pump Assembly (See PISTON PUMP ASSEMBLY for Breakdown)	
208	1001095354	1	Variable Displacement Pump Assembly with Fittings	
208	2220415	1	Fitting	
208	1001094595	1	Pump, Variable Displacement Less Fittings	
208	7023967	1	Seal Kit - 1001094595 Pump	
208	7023956	1	Valve Assembly Kit - 1001094595 Pump	
209	3790044	1	O-Ring	
210	3960548	44 in/1.2m	Seal, Hood	
211	3960549	11 in /28cm	Seal, Hood	
212	4751400	1	Flatwasher 1/4in	
213	4891600	2	Flatwasher 3/8in Hardened	
215	1001112762	1	Battery Cable Kit	B
215A	7027028	1	Cable, Battery (Red)	
215B	7027029	1	Cable, Battery (Black)	
215C	7027030	1	Cable (Red)	
215D	7027031	1	Cable (Black)	
	1001112077	Ref	CATERPILLAR TIER IVi ENGINE WITH ECM ASSEMBLY	D
301	0100011	AR	Compound, Locking	
302	0100020	AR	Sealant, Thread	
303	0700620	1	Bolt M6 x 60mm	
304	0700808	5	Bolt M8 x 16mm	
305	0701010	2	Bolt M10 x 20mm	
306	0760606	2	Bolt M6 x 12mm	
307	0760610	2	Bolt M6 x 20mm	
308	0760612	3	Bolt M6 x 25mm	
309	8303541	1	Screw M6 x 35mm	

SECTION 2 - TURNTABLE

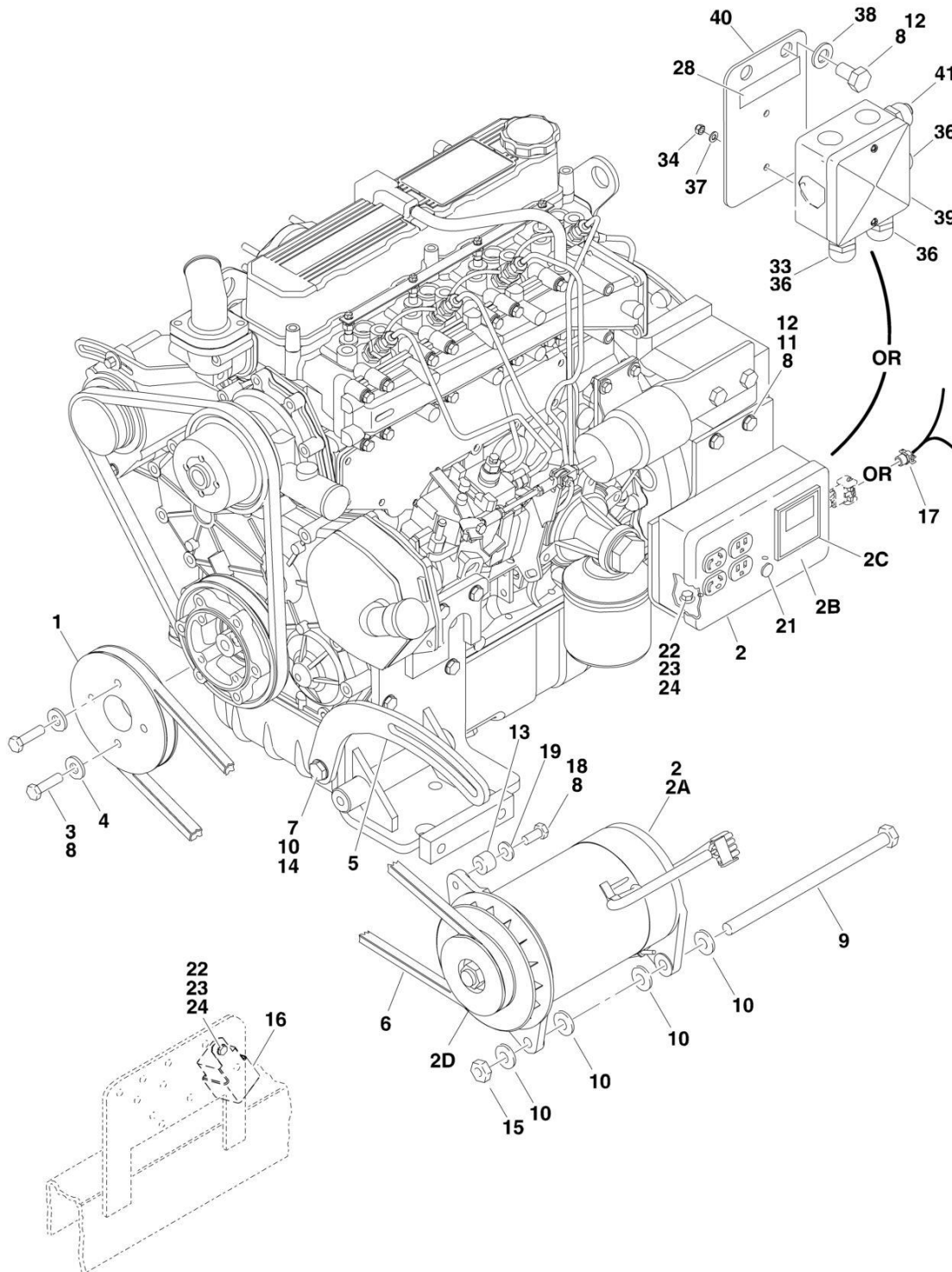
ITEM	PART NUMBER	QTY	DESCRIPTION	REV
310	0700616	2	Bolt M6 x 40mm	
311	0761210	2	Bolt M12 x 20mm	
312	8406009	1	Clamp, Cable	
313	1320224	1	Clamp, Cable	
314	8406105	2	Clip, Tube	
315	3290507	1	Locknut M5	
316	4811700	12	Flatwasher 6mm	
317	4811900	5	Flatwasher 8mm	
318	4812000	2	Flatwasher 10mm	
319	4812100	2	Flatwasher 12mm	
320	4811600	1	Flatwasher 5mm	
321	1001097553	1	Washer, Coolant Sensor	
322	1001109064	1	Caterpillar Tier IVi Engine Assembly	
323	1001112057	1	Bracket	
324	1001112059	5	Bumper	
325	1001112067	1	Module, ECM	
326	1001112068	1	Sensor, Speed	
327	1001112069	1	Sensor, Temperature	
328	1001112070	1	Switch, Oil Pressure	
329	1001112071	1	Harness, Engine (Not Shown - See ELECTRICAL SECTION for Breakdown)	
330	1001112072	1	Bracket	
331	1001112073	1	Actuator	
331	1001112849	1	Linkage Assembly	
332	1001112570	1	Spacer	
334	1320263	1	Clamp, Cable	
335	1001112075	1	Bolt	
336	1001112592	1	Bearing	
337	1001116595	1	Spacer	
338	8406109	1	Clip, Tube	
	1001109064	Ref	ENGINE COMPONENTS	B
401	7026839	1	Pump, Fuel Supply	
401	7026830	1	Filter, Fuel	
401	70002833	1	Ring, Retaining	
401	70002834	1	Bowl, Water Collection	
401	70002835	1	Kit, Seal	
402	7026831	1	Alternator	
404	7026811	1	Filter, Oil	
404	7026812	1	Seal, Oil Filter Head Bolt	
404	7026813	1	Seal, Oil Filter Head (Between Oil Filter Head and Engine Block)	
405	7026833	1	Starter (Not Shown - Located on other side of engine)	
406	70002844	1	Dipstick Oil Level	
406	70002843	1	Seal, Guide Tube	
411	See Note	1	Pump, Fuel Supply (Note: Not Available for Purchase)	
412	7026810	1	Belt	
413	70001120	1	Pump, Water	
413	70001742	1	Pulley, Water Pump	
414	7026822	1	Thermostat	
414	7026820	1	Gasket, Thermostat Housing (Between Housing and Head)	
414	7026821	1	Gasket, Coolant (Between Housing and Cover)	
414	70002765	1	Hose, Bypass	
415	4569371	1	Tube, Air Intake Weldment	

SECTION 2 - TURNTABLE

ITEM	PART NUMBER	QTY	DESCRIPTION	REV
416	See Note	4	Bolt M8 x 16mm (Note: Not Available for Purchase)	
417	See Note	4	Flatwasher M8 (Note: Not Available for Purchase)	
418	70001051	1	Valve, Shutoff	
419	7026826	1	Gasket, Exhaust Manifold to Engine Block (Not Shown)	
419	70002852	4	Stud, Exhaust (Not Shown)	
420	7026819	1	Cooler, Oil (Not Shown)	
420	7026816	2	O-Ring (Not Shown - Located Between Oil Cooler and Cover)	
420	7026817	4	O-Ring (Not Shown - Located Between Oil Cooler and Cover)	
420	7026818	1	Gasket (Not Shown - Located Between Oil Cooler Cover and Engine Block)	
421	7026800	1	Cap, (Oil Filler)	
422	7026801	1	Gasket, (Valve Cover)	
422	70002761	17	Bolt, (Cylinder Head)	
422	70002762	7	Seal, (Valve Stem)	
422	7022721	1	Washer, Hard 2.5mm	
422	70002479	1	Bolt M10 x 1.5 x 20mm	
422	70002764	1	Gasket (Between Lifting Eye and Engine Head)	
423	7026829	1	Gasket, Intake Manifold to Engine Block (Not Shown)	
423	7026828	1	Gasket, Intake Manifold to Air Intake Tube	
424	7026802	1	Flywheel Assembly (With Ring Gear)	
424	7026803	1	Gear, Flywheel	
425	7026832	4	Plug, Glow	
426	7026804	1	Gasket (Not Shown - Located Between Engine Block and Bellhousing)	
427	7026805	1	Seal, Rear Main (Not Shown - Located on Rear of Engine Block)	
428	7026806	1	Cap, Filler	
428	70002847	1	Seal, Gear Cover	
428	70002845	1	Pump, Oil	
428	70002846	1	Seal, Oil Pump	
429	7026807	1	Seal, Front Main (Not Shown - Located on Front of Engine Block)	
430	70002763	4	Gasket, Fuel Line (Not Shown)	
431	7026808	1	Plug, Drain Oil Pan (Not Shown)	
431	7026809	1	Gasket, Drain Plug Oil Pan (Not Shown)	
432	70002849	1	Pump, Fuel Supply	
432	70002850	1	Solenoid, Fuel Shutoff	
432	70002848	1	Gasket, Fuel Pump (Between Flange and Pump)	
433	7026827	1	Gasket, Exhaust Manifold to Exhaust Pipe	
434	7026814	1	Relief Valve, Oil Pressure	
434	7026815	1	Gasket, Relief Valve	
435	70002851	1	Kit - Gasket (Not Shown)	

SECTION 2 - TURNTABLE

FIGURE 2-10. 2500W GENERATOR INSTALLATION - CATERPILLAR MACHINES (OPTIONAL)



SECTION 2 - TURNTABLE

FIGURE 2-10. 2500W GENERATOR INSTALLATION - CATERPILLAR MACHINES (OPTIONAL)

ITEM	PART NUMBER	QTY	DESCRIPTION	REV
		Ref	GENERATOR INSTALLATION OPTIONS:	
	0273518	Ref	110V/60Hz (SN 0300069000 through 0300082503)	3-C
	0274081	Ref	110V/60Hz (SN 0300082504 through 0300132890)	1-A
	No Longer Avail.	Ref	110V/60Hz (SN 0300132891 through 0300140000)	
	0273538	Ref	110V/50Hz (SN 0300069000 through 0300082503)	3-C
	0274091	Ref	110V/50Hz (SN 0300082504 through 0300132890)	3-B
	1001102547	Ref	110V/50Hz (SN 0300132891 through 0300139399)	B
	1001115413	Ref	110V/50Hz (SN 0300139400 through 0300140000)	A
	0273539	Ref	220V/50Hz (SN 0300069000 through 0300082503)	3-C
	0274087	Ref	220V/50Hz (SN 0300082504 through 0300132890)	3-B
	1001102548	Ref	220V/50Hz (SN 0300132891 through 0300139399)	B
	1001115414	Ref	220V/50Hz (SN 0300139400 through 0300140000)	A
1	3580322	1	Pulley	
2		Ref	Generator and Control Box Assembly Options:	
2	2460032	1	110V/60Hz (SN 0300069000 through 0300082503)	
2	2460055	1	110V/60Hz (SN 0300082504 through 0300140000)	
2	2460039	1	110V/50Hz (SN 0300069000 through 0300082503)	
2	2460057	1	110V/50Hz (SN 0300082504 through 0300132890)	
2	2460049	1	110V/50Hz (SN 0300132891 through 0300140000)	
2	2460013	1	220V/50Hz (SN 0300069000 through 0300082503)	
2	2460056	1	220V/50Hz (SN 0300082504 through 0300132890)	
2	1001100321	1	220V/50Hz (SN 0300132891 through 0300140000)	
2A		Ref	Generator Options:	
2A	7012558	1	110V/60Hz Replacement Generator	
2A	2460049	1	110V/50Hz Replacement Generator	
2A	1001100321	1	220V/50Hz Replacement Generator	
		Ref	Note: Replacement Generators come standard with p/n 3580134 pulley. This pulley may not be correct for all applications. Refer to pulley options below.	
2A	7026199	1	110V/60Hz Armature with Slip Rings	
2A	70000122	1	110V/50Hz Armature with Slip Rings	
2A	70000123	1	220V/50Hz Armature with Slip Rings	
2A	7012513	4	Cap, Brush Holder	
2A	7020108	4	Brush	
2A	7020109	4	Holder, Brush	
2A	7012514	1	Fan	
2A	7020190	2	Bearing	
2A	7020110	1	End Bell, Front	
2A	7020111	1	End Bell, Rear	
2B		Ref	Box, Control Options:	
2B		Ref	110V Replacement Box (SN 0300069000 through 0300082503)	
2B	7003657	1	110V/60Hz	
2B	70002239	1	110V/50Hz	
2B		Ref	110V Replacement Box (SN 0300082504 through 0300140000)	
2B	7019680	1	110V/60Hz	
2B	7019680	1	110V/50Hz (SN 0300082504 through 0300132890)	
2B	Not Required	0	110V/50Hz (SN 0300132891 through 0300140000)	
2B	70002235	1	220V Replacement Box (SN 0300069000 through 0300082503)	

SECTION 2 - TURNTABLE

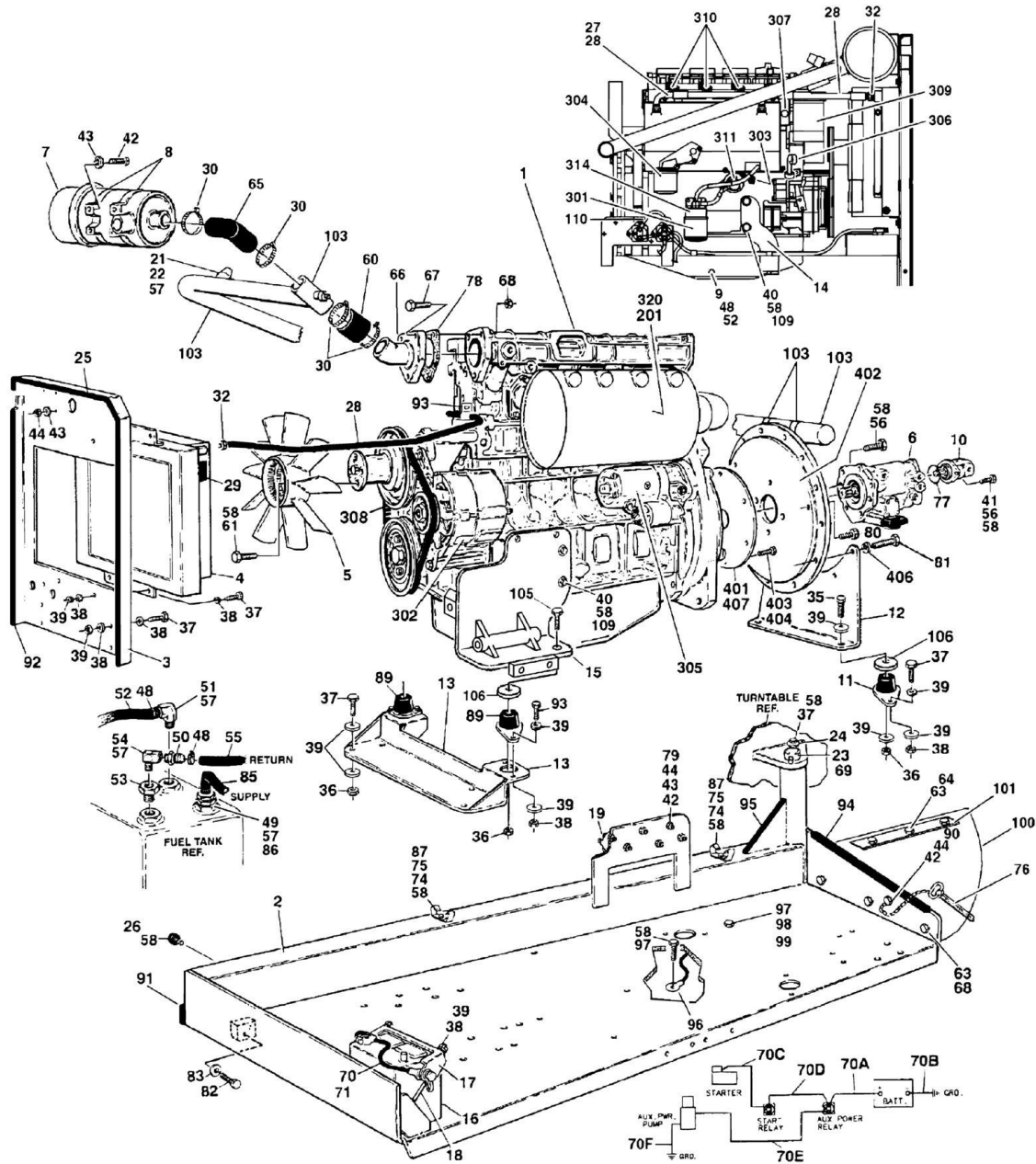
ITEM	PART NUMBER	QTY	DESCRIPTION	REV
2B	70000127	1	220V Replacement Box (SN 0300082504 through 0300132891)	
2B		Ref	Breaker, Circuit Options:	
2B	4360542	1	110V Breaker, Circuit - Control Box p/n 7003657 & 7019680	
2B	70002240	1	110V Breaker, Circuit - Control Box p/n 70002239	
2B	70000126	1	220V Breaker, Circuit	
2B	4460190	AR	Receptacle, Double (110V Box)	
2B	4460027	AR	Receptacle, Double Twist Lock (110V Box)	
2B	70000124	1	Receptacle, Double (220V Box)	
2B	70000125	1	Receptacle, Single Twist Lock (220V Box)	
2B	2920162	1	Lamp Assembly (SN 0300069000 through 0300082504)	
2B	7020191	1	Switch, Toggle (SN 0300069000 through 0300082504)	
2C		Ref	Voltmeter Options:	
2C	2420203	1	110V	
2C	7020192	1	220V	
2D	3580134	1	Pulley - Generator p/n 2460013, 2460039, 2460056 & 2460057	
2D	3580276	1	Pulley - Generator p/n 2460032 & 2460055	
2D	7027887	1	Key, Woodruff	
3	0700816	4	Bolt M8 x 40mm	
4		Ref	Flatwasher Options:	
4	4751900	4	9/16in Flatwasher	
4	4811900	4	M8 Flatwasher	
5	0200742	NLA	Arm, Adjusting (Use p/n 0200819)	
6		Ref	V-Belt Options:	
6	0480121	1	110V/60Hz	
6	0480120	1	110V/50Hz	
6	0480120	1	220V/50Hz	
7	0641610	1	Bolt 3/8in-16NC x 1-1/4in	
8	0100011	AR	Compound, Locking	
9	0641772	1	Bolt 7/16in-14NC x 9in	
10	4751600	6	Flatwasher 3/8in	
11	3574684	1	Plate, Box Mounting	
12	0761210	2	Bolt M12 x 20mm	
13	0962563	1	Bushing, Spacer	
14	3311605	1	Locknut 3/8in-16NC	
15	3311705	1	Locknut 7/16in-14NC	
16	3740080	1	Relay	
17	4460023	1	Connector, Strain Relief (SN 0300069000 through 0300082504)	
18	0641508	1	Bolt 5/16in-18NC x 1in	
19	4751500	1	Flatwasher 5/16in	
21	3520028	1	Plug, Hole	
22	0721006	AR	Bolt #10-24NC x 3/4in	
23	3311005	AR	Locknut #10-24NC	
24	4751000	AR	Flatwasher #10	
25	4360336	1	Switch, Toggle (Not Shown - Located at Platform)	
27	4060802	1	Guard, Switch (Not Shown - Located at Platform)	
28		Ref	Decal - Voltage Options (Not Shown - Located at Platform and On Junction Box Bracket):	
28	Not Required	0	110V/60Hz	
28	1705325	AR	110V/50Hz	

SECTION 2 - TURNTABLE

ITEM	PART NUMBER	QTY	DESCRIPTION	REV
28	3252507	AR	220V/50Hz	
29	2820031	0.4 in /10cm	Heat Shrink (Not Shown - Located at Platform)	
30	3251102	1	Decal (Not Shown - Located at Platform)	
31	4740397	1	Shim (Not Shown - Used on Toggle Switch at Platform)	
32	4240018	AR	Tie Strap (Not Shown)	
33	0962449	1	Bushing, Silicone	
34	3290505	2	Locknut M5	
35	4031608	2	Screw M5 x 20mm	
36	4460968	3	Relief, Strain	
37	4811600	2	Flatwasher M5	
38	4812100	2	Flatwasher M12	
39	1001099869	1	Box, Junction	
40	1001102644	1	Plate, Box Mounting	
41		Ref	Lamp, Red Options:	
41	1001100233	1	110V/50Hz	
41	1001100234	1	220V/50Hz	

SECTION 2 - TURNTABLE

FIGURE 2-11. DEUTZ ENGINE INSTALLATION (SN 0300069000 through 0300077499)



SECTION 2 - TURNTABLE

FIGURE 2-11. DEUTZ ENGINE INSTALLATION (SN 0300069000 through 0300077499)

ITEM	PART NUMBER	QTY	DESCRIPTION	REV
	0271371	Ref	DEUTZ ENGINE INSTALLATION	9-F
1	2000189	1	Engine - Deutz F4M1011F Diesel	
2	4845404	1	Tray Engine	
3	3539872	1	Plate, Radiator Mounting	
4	3620033	1	Cooler, Oil	
5	2060025	1	Fan	
6	3600295	1	Piston Pump Assembly (See PISTON PUMP ASSEMBLY for Breakdown)	
7	1340060	1	Air Cleaner Assembly	
7A	7012664	1	Element, Air Cleaner (Not Shown)	
8	0340041	2	Band, Mounting	
9	4640751	1	Valve, Oil Drain	
10	3600278	1	Variable Displacement Pump Assembly	
10	7018995	1	Seal Kit - 3600278 Pump	
10	7024918	1	Seal, Shaft	
10	7024930	1	Valve Assembly - 3600278 Pump	
11	3200406	2	Mount, Rubber Engine (Rear)	
12	3537420	1	Bracket, Engine Mounting - Rear	
13	3539971	1	Bracket, Engine Mounting - Front	
14	3537416	1	Support, Engine - Right	
15	4846566	1	Support, Engine - Left	
16	0400075	1	Battery	
17	0181727	1	Hold-Down, Battery	
18	0630498	2	Rod, Hold-Down	
19	3740067	2	Relay	
21	4360392	1	Switch, Restrictor Indicator	
22	2180798	1	Fitting	
23	3422446	1	Pin, Pivot	
24	3841143	1	Keeper, Pin	
25	3960389	5 ft/1.5m	Seal	
26	0940070	1	Bumper, Rubber	
27	3841340	AR	Loop, Hose	
28	2720398	2	Hose, Oil Cooler	
29	1703162	2	Nameplate - Fan Caution	
30	1320016	4	Clamp, Hose	
32	2220451	2	Fitting, Straight	
35	0641818	AR	Bolt 1/2in-13NC x 2-1/4in	
36	3311805	4	Locknut 1/2in-13NC	
37	0641610	AR	Bolt 3/8in-16NC x 1-1/4in	
38	3311605	22	Locknut 3/8in-16NC x 1-1/4in	
39	4751600	44	Flatwasher 3/8in	
40	0701414	6	Bolt 1/4in-20NC x 3/4in	
41	4891800	2	Washer, Hardened 1/2in	
42	0641407	AR	Bolt 1/4in-20NC x 7/8in	
43	4751400	AR	Flatwasher 1/4in	
44	3311405	AR	Locknut 1/4in-20NC	
48	1320022	6	Clamp, Hose	
49	2220273	2	Fitting, Reducer	
50	2180536	1	Fitting, Straight	
51	2220313	1	Fitting, Elbow	

SECTION 2 - TURNTABLE

ITEM	PART NUMBER	QTY	DESCRIPTION	REV
52	2750532	6 ft/1.83m	Hose 3/8in	
53	2220250	1	Fitting, Reducer	
54	2220459	1	Fitting, Elbow	
55	2720271	15 ft/4.6m	Hose 3/16in	
56	0641812	4	Bolt 1/2in-13NC x 1-1/2in	
57	0100020	AR	Sealant, Thread	
58	0100011	AR	Compound, Locking	
60	2720449	1	Coupling, Rubber Intake	
61	0700808	4	Bolt M8 x 16mm	
63	0641508	3	Bolt 5/16in-18NC x 1-1/4in	
64	3900272	3	Capscrew, Button Head 5/16in-18NC x 1-3/4in	
65	2720434	1	Elbow, Rubber	
66	4845395	1	Air Intake Adapter Weldment	
67	0641510	3	Bolt 5/16in-18NC x 1-1/4in	
68	3311505	AR	Locknut 5/16in-18NC	
69	0961986	2	Bushing, Flanged	
70	2901609	1	Battery Cable Kit	
70A	7016800	1	Cable, Battery (Red)	
70B	7016809	1	Cable, Battery (Black)	
70C	7016802	1	Cable (Red)	
70D	7016803	1	Cable (Red)	
70E	7016824	1	Cable (Red)	
70F	7016825	1	Cable (Black)	
71	4460611	1	Terminal, Battery Jumper Post	
73	1320222	1	J-Clip 3/8in (Not Shown)	
74	1320223	3	J-Clip 1/2in	
75	0641606	3	Bolt 3/8in-16NC x 3/4in	
76	3422532	1	Pin, Hitch	
77	3790044	1	O-Ring	
78	3960407	1	Gasket	
79	4791400	4	Starwasher 1/4in	
80	0701012	4	Bolt M10 x 25mm	
81	0701015	4	Bolt M10 x 35mm	
82	0642010	1	Bolt 5/8in-11NC x 1-1/4in	
83	4752000	1	Flatwasher 5/8in	
84	1701505	1	Decal - Diesel (Not Shown - Located on Hood)	
85	2720058	16 ft/4.9m	Hose	
86	2220794	1	Fitting, Barbed	
87	4711600	3	Flatwasher 3/8in Narrow	
89	3200362	2	Mount, Rubber Engine (Front)	
90	4711400	1	Flatwasher 1/4in Narrow	
91	3960468	1	Seal, Foam Gasket	
92	3960469	1	Seal, Foam Gasket	
93	0641608	14	Bolt 3/8in-16NC x 1in	
94	4060805	7 in/18cm	Flex-Trim 1/4in	
95	4060804	16 in /40cm	Flex-Trim 3/16in	
96	1060637	1	Lanyard	
97	0641808	2	Bolt 1/2in-13NC x 1in	
98	3311801	1	Nut 1/2in-13NC	
99	4751800	1	Flatwasher 1/2in	
100	3380429	1	Panel, Rubber	

SECTION 2 - TURNTABLE

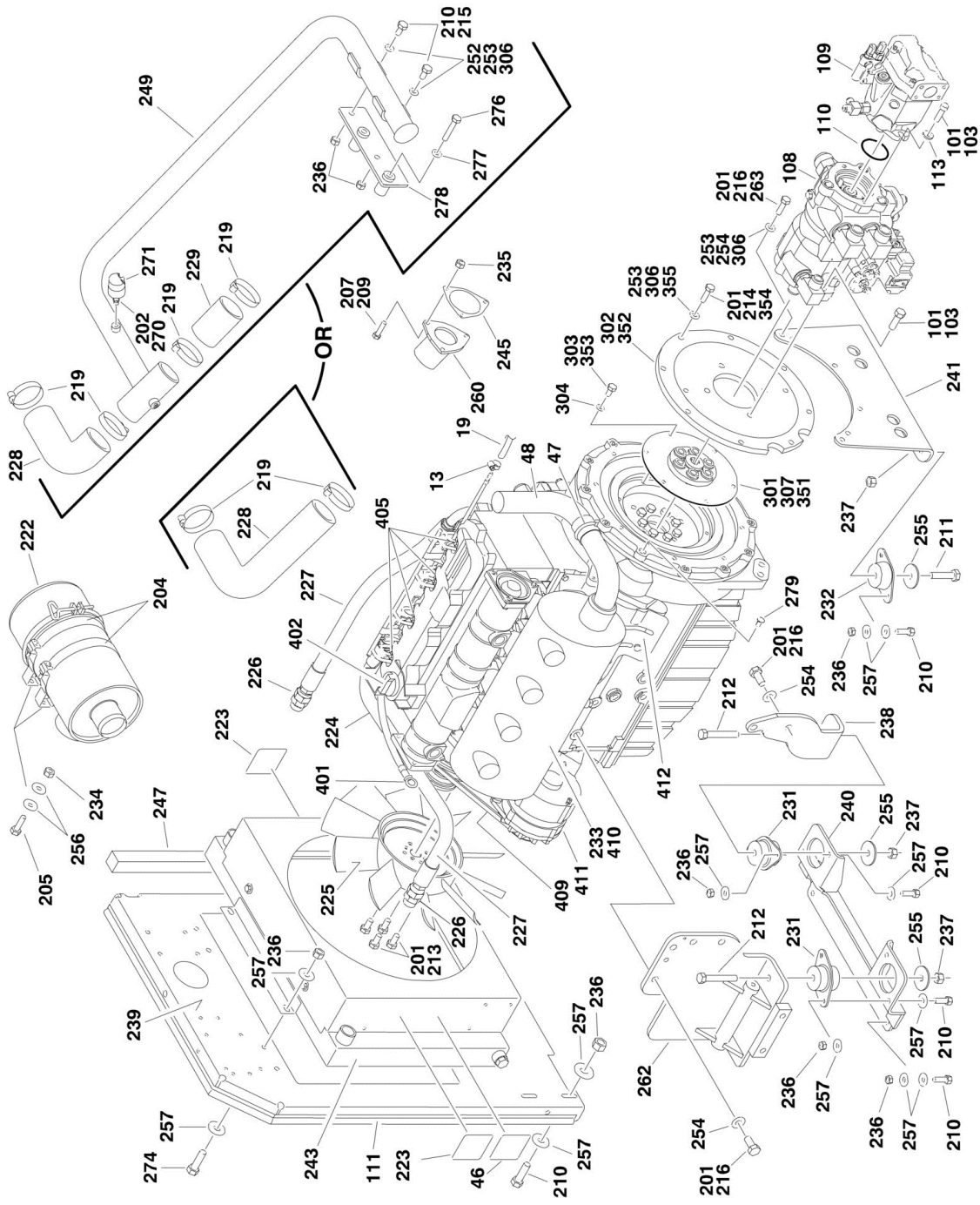
ITEM	PART NUMBER	QTY	DESCRIPTION	REV
101	3539957	2	Plate, Hold Down	
103	4567815	1	Tuning Tube Weldment	
105	0641826	2	Bolt 1/2in-13NC x 3-1/4in	
106	4740274	4	Washer, Snubbing	
109	4711900	6	Flatwasher 9/16in	
110	4922737	1	Harness, Engine Grounding	
		Ref	MUFFLER INSTALLATIONS	
	0256689	Ref	Standard Equipment (Spark Arresting)	-
	0256690	Ref	Optional Equipment (Catalytic)	-
201		Ref	Muffler Options:	
201	3220103	1	Spark Arresting	
201	3220104	1	Catalytic	
201		Ref	Muffler Components:	
201		Ref	Clamp Options:	
201	1320176	1	Saddle Clamp Used on Spark Arresting	
201	70001017	1	Band Clamp Used on Catalytic	
201	7024398	1	Tube, Exhaust	
201	7024560	1	Plug, Brass	
201	7020471	4	Gasket	
201	70003476	8	Nut, Muffler Attaching	
	2000189	Ref	ENGINE COMPONENTS	B
301	7016328	1	Filter, Fuel	
302	7000663	1	Alternator (was p/n 7020410)	
302	7020464	1	Regulator	
302	70002234	1	Bracket, Adjustable	
302	70003556	1	Pulley	
303	7020461	1	Switch, Oil Pressure (Not Shown)	
304	7016331	1	Filter, Oil	
305	7020479	1	Starter	
305	See Note	1	Relay (Note: Not Available for Purchase)	
305	7026608	2	Bolt, Starter Mounting	
305	70001498	1	Shield, Starter Heat (Not Shown)	
306	7026631	1	Dipstick, Oil Level	
306	70001002	1	Tube, Dipstick	
307	7020168	1	Switch, Engine Temperature	
307	7020480	1	Seal, Temperature Switch	
308	7020408	1	V-Belt	
309	7020458	1	Actuator	
309	7026607	1	Spring, Actuator (was p/n 7027276)	
310	7020462	4	Pump, Fuel Injection (was p/n 7024318)	
310	7026522	4	Injector, Fuel (Includes Nozzle Element) (Not Shown)	
311	7024413	1	Pump, Fuel Supply Options:	
311	7020411	1	Seal, Pump (Not Shown)	
312	See Note	1	Flywheel Options (Not Shown): (Note: Not Available for Purchase)	
312	7024579	1	Ring Gear	
313	7024565	1	Sensor, Tach (Not Shown - Located on Flywheel Housing) (was p/n 7020481)	
314	70001423	1	Fuel Filter Head	
315	7020431	1	Gasket, Valve Cover (Not Shown)	
315		Ref	Gasket, Cylinder Head Options: (Not Shown)	
315	70001681	1	1 Notch	

SECTION 2 - TURNTABLE

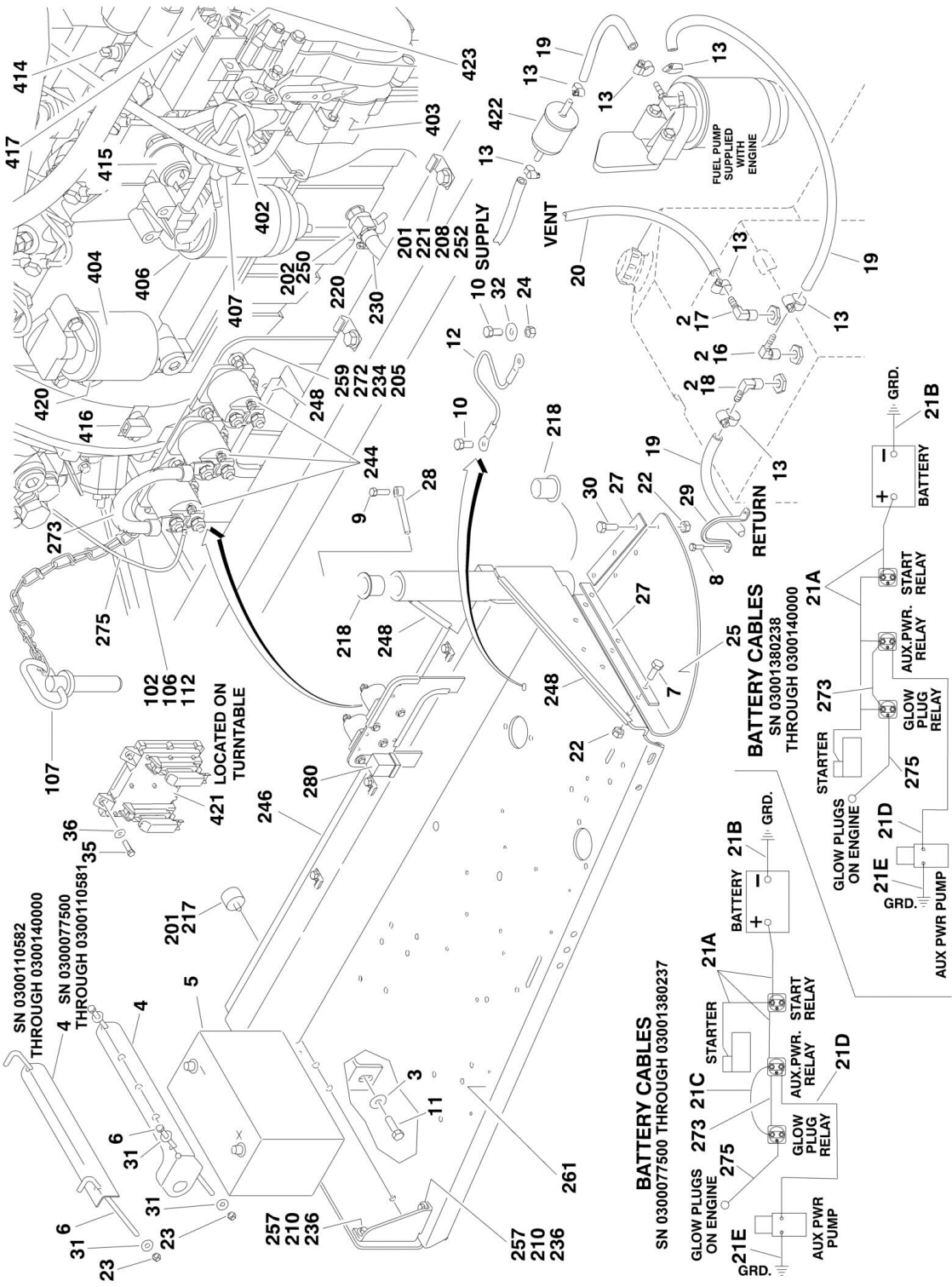
ITEM	PART NUMBER	QTY	DESCRIPTION	REV
315	70002411	1	2 Notches	
315	70002530	1	3 Notches	
316	7020459	1	Thermostat (Includes Spring) (Not Shown)	
316	7020460	1	Spring, Thermostat (Not Shown)	
317	7020465	1	Cap, Oil Fill (Not Shown)	
318	7020474	1	Pump Oil Lubrication (Not Shown)	
318	7020468	1	Ring, Pump Sealing (Not Shown)	
319	7020449	4	Gasket, Intake Manifold to Head (Not Shown)	
320	7020471	4	Gasket, Exhaust Manifold to Head	
320	70002200	8	Stud, Muffler Attaching	
320	70003476	8	Nut, Muffler Attaching	
	0256847	Ref	PUMP COUPLING INSTALLATION	-
401	1660234	1	Coupling, Hayes	
402	0080163	1	Plate, Pump Adapter	
403	0700810	63	Bolt M8 x 20mm	
404	4831900	6	Lockwasher M8	
406	4832000	8	Lockwasher M10	
407	3020021	AR	Grease, Coupling	

SECTION 2 - TURNTABLE

FIGURE 2-12. DEUTZ ENGINE INSTALLATION (SN 0300077500 through 0300140000)



SECTION 2 - TURNTABLE



SECTION 2 - TURNTABLE

FIGURE 2-12. DEUTZ ENGINE INSTALLATION (SN 0300077500 through 0300140000)

ITEM	PART NUMBER	QTY	DESCRIPTION	REV
		Ref	DEUTZ ENGINE INSTALLATIONS	
	0273709	Ref	Deutz Engine Installations (SN 0300077500 through 0300085330)	4-B
	0274301	Ref	Deutz Engine Installations (SN 0300085331 through 0300121642)	F
	1001095348	Ref	Deutz Engine Installations (SN 0300121643 through 0300129455)	C
	1001098506	Ref	Deutz Engine Installations (SN 0300129456 through 0300140000)	A
1	0100011	AR	Compound, Locking	
2	0100020	AR	Sealant, Pipe	
4		Ref	Hold-Down, Battery Options:	
4	0181727	1	Hold-down, Battery (SN 0300077500 through 0300110581)	
4	91401281	1	Hold-down, Battery (SN 0300110582 through 0300140000)	
5	0400075	1	Battery	
6		Ref	Bolt, Battery Hold-down Options:	
6	0630498	2	Bolt, Battery Hold-down (SN 0300077500 through 0300110581)	
6	1001093382	2	Bolt, Battery Hold-down (SN 0300110582 through 0300140000)	
7	0641508	3	Bolt 5/16in-18NC x 1in	
8	0641608	6	Bolt 3/8in-16NC x 1in	
9	0641610	1	Bolt 3/8in-16NC x 1-1/4in	
10	0641808	2	Bolt 1/2in-13NC x 1in	
11	0642010	1	Bolt 5/8in-11NC x 1-1/4in	
12	1060637	1	Cable, Lanyard	
13	1320022	5	Clamp, Hose	
14	1701505	1	Decal - Diesel (Not Shown - Located on Hood)	
16	2180348	1	Fitting, Straight Barbed	
17	2220313	1	Fitting, Elbow	
18	2221176	1	Fitting, Elbow Barbed	
19	2720058	30 ft/9.2m	Hose	
20	2750532	6 ft/1.8m	Hose	
21		Ref	Battery Cable Kit Options:	
21	2902401	1	Battery Cable Kit (SN 0300077500 through 0300138237)	A
		Ref	(Note: 2902401 Rev A version is no longer available. Verify whether machine is equipped with 2 or 3 relays on the engine tray. If there are 3 relays, purchase latest revision of 2902401 kit. If there are 2 relays, purchase individual items as replacement)	
21	2902401	1	Battery Cable Kit (SN 0300138238 through 0300140000)	B
21A	7016813	1	Cable, Battery (Red) (SN 0300077500 through 0300138237)	
21A	1001116288	1	Cable, Battery (Red) (Machines SN 0300138238 through SN 0300140000 with 2 Relays on Engine Tray) (was p/n 7027027)	
21A	1001116287	1	Cable, Battery (Red) (Machines SN 0300138238 through SN 0300140000 with 3 Relays on Engine Tray) (was p/n 7027027)	
21B	7027012	1	Cable, Battery (Black) (SN 0300077500 through 0300138237)	
21B	7027004	1	Cable, Battery (Black) (SN 0300138238 through 0300140000)	
21C	7016803	1	Cable, Battery (Red) (SN 0300077500 through 0300138237)	

SECTION 2 - TURNTABLE

ITEM	PART NUMBER	QTY	DESCRIPTION	REV
21C	Not Required	0	Cable, Battery (Red) (SN 0300138238 through SN 0300140000 - Part of 21A)	
21D	7016824	1	Cable (Red)	
21E	7016825	1	Cable (Black)	
22	3311505	6	Locknut 5/16in-18NC	
23		Ref	Locknut Options:	
23	3311605	2	Locknut 3/8in-16NC (SN 0300077500 through 0300110581)	
23	3311505	2	Locknut 5/16in-18NC (SN 0300110582 through 0300121642)	
23	88521205	2	Locknut 5/16in-18NC (SN 0300121643 through 0300140000)	
24	3311801	1	Nut 1/2in-13NC	
25	3380429	1	Panel, Rubber	
26	3422446	1	Pin, Pivot	
27	3539957	2	Plate, Hold-Down	
28	3841143	1	Pin, Keeper	
29	3841340	3	Loop, Hose	
30	3900272	3	Bolt 5/16in-18NC x 1-3/4in	
31		Ref	Flatwasher Options:	
31	4751600	4	Flatwasher 3/8in Wide (SN 0300077500 through 0300110581)	
31	4751500	2	Flatwasher 5/16in Wide (SN 0300110582 through 0300140000)	
32	4751800	1	Flatwasher 1/2in Wide	
33	4752000	1	Flatwasher 5/8in Wide	
34	4922737	1	Harness, Engine Grounding (Not Shown)	
35	0641410	4	Bolt 1/4in-20NC x 1-1/8in	
36	4711400	3	Flatwasher 1/4in Narrow	
45	4922978	1	Harness, Start Assist Solenoid (SN 0300077500 through 0300085331)	
46	1706098	1	Decal - Warning Explosion/Fire (SN 0300077500 through 0300129456)	
47	1320176	1	Clamp, Exhaust	
48		Ref	Tube, Exhaust Options:	
48	See Note	1	Tube, Exhaust (Note: Not Available Separately. Purchase Muffler Assembly) (SN 0300077500 through 0300129455)	
48	1001101600	1	Tube, Exhaust (SN 0300129456 through 0300140000)	
		Ref	ENGINE AND PUMP ASSEMBLIES	
	2000225	Ref	Engine and Pump Assemblies (SN 0300077500 through 0300085330)	B
	2000284	Ref	Engine and Pump Assemblies (SN 0300085331 through 0300121642)	C
	1001095347	Ref	Engine and Pump Assemblies (SN 0300121643 through 0300129455)	B
	1001098507	Ref	Engine and Pump Assemblies (SN 0300129456 through 0300140000)	A
	1001162546	Ref	PUMP COUPLING REPLACEMENT KIT	C
101	0100011	AR	Compound, Locking	
102	0641407	1	Bolt 1/4in-20NC x 7/8in	
103	0641812	4	Bolt 1/2in-13NC x 1-1/2in	
103	0711025	2	Bolt M10 x 85 Grade 10.9	
106	3311405	1	Locknut 1/4in-20NC	
107	3422532	1	Pin, Hitch	
108	3600400	1	Piston Pump Assembly with Fittings (See PISTON PUMP ASSEMBLY for Breakdown):	
109		Ref	Variable Displacement Pump Assembly with Fittings Options:	
109	3600401	1	Variable Displacement Pump (Rexroth) (SN 0300069000)	C

SECTION 2 - TURNTABLE

ITEM	PART NUMBER	QTY	DESCRIPTION	REV
			through 0300121642)	
109	2220415	1	Fitting	
109	2220374	1	Fitting	
109	3600278	1	Pump, Variable Displacement	
109	7018995	1	Seal Kit - 3600278 Pump	
109	7024918	1	Seal, Shaft	
109	7024930	1	Valve Assembly Kit - 3600278 Pump	
109	1001095354	1	Variable Displacement Pump (Sauer Danfoss) (SN 0300121643 through 0300140000)	A
109	2220415	1	Fitting	
109	1001094595	1	Pump, Variable Displacement	
109	7023967	1	Seal Kit - 1001094595 Pump	
109	7023956	1	Valve Assembly Kit - 1001094595 Pump	
110	3790044	1	O-Ring	
111	3960389	5 ft/1.5m	Seal	
112	4751400	1	Flatwasher 1/4in Wide	
112	4891600	2	Flatwasher, 3/8 Hardened	
113	4891800	2	Flatwasher, Hardened	
		Ref	ENGINE AND PUMP ASSEMBLIES	
	2000219	Ref	Engine and Pump Assemblies (SN 0300077500 through 0300085330)	D
	2000279	Ref	Engine and Pump Assemblies (SN 0300085331 through 0300092717)	E
	2000342	Ref	Engine and Pump Assemblies (SN 0300092718 through 0300129455)	B
	1001098508	Ref	Engine and Pump Assemblies (SN 0300129456 through 0300140000)	C
	0256689	Ref	MUFFLER INSTALLATION - SPARK ARRESTING (STANDARD)	-
	0256690	Ref	MUFFLER INSTALLATION - CATALYTIC - OPTIONAL (SN 0300077500 through 0300129456)	-
201	0100011	AR	Compound, Locking	
202	0100020	AR	Sealant, Pipe	
204	0340041	2	Band, Air Cleaner	
205	0641407	AR	Bolt 1/4in-20NC x 7/8in	
207	0641510	AR	Bolt 5/16in-18NC x 1-1/4in	
208	0641606	3	Bolt 3/8in-16NC x 3/4in	
209	0641512	1	Bolt 5/16in-18 x 1-1/2in	
210	0641610	AR	Bolt 3/8in-16NC x 1-1/4in	
211	0641818	2	Bolt 1/2in-13NC x 2-1/4in	
212	0641826	2	Bolt 1/2in-13NC x 3-1/4in	
213	0700808	4	Bolt M8 x 16mm	
214	0701012	2	Bolt M10 x 25mm	
215	0701015	AR	Bolt M10 x 35mm	
216	0771414	AR	Bolt M14 x 30mm	
217	0940070	1	Bumper	
218	0961986	2	Bushing, Flanged	
219	1320016	AR	Clamp	
220	8410013	1	Clamp, Hose (SN 0300077500 through 0300136497)	
221	1320223	4	J-Clip	
222	1340060	1	Air Cleaner Assembly Filter Element	
222	7012664	1	Element, Filter (Not Shown)	
223	1703162	2	Decal - Caution Fan Blade	
224		Ref	Engine, Deutz Options:	

SECTION 2 - TURNTABLE

ITEM	PART NUMBER	QTY	DESCRIPTION	REV
224	2000216	1	Engine, Deutz (SN 0300077500 through 0300085330)	
224	2000274	1	Engine, Deutz (SN 0300085331 through 0300092717)	
224	2000339	1	Engine, Deutz (SN 0300092718 through 0300129455)	
224	1001094101	1	Engine, Deutz (SN 0300129456 through 0300140000)	
225	2060025	1	Fan	
226	2220451	2	Fitting, Straight	
227	2720398	2	Hose, Oil Cooler	
228		Ref	Elbow, Rubber Options:	
228	2720434	1	Elbow, Rubber (SN 0300077500 through 0300136496)	
228	1001091179	1	Elbow, Rubber (SN 0300136497 through 0300140000)	
229	2720449	1	Hose, Air Cleaner (SN 0300077500 through 0300136497)	
230		Ref	Hose, Oil Drain Options:	
230	2750532	1 ft/30cm	Hose, Oil Drain (SN 0300077500 through 0300136496)	
230	1001091892	1 ft/30cm	Hose, Oil Drain (SN 0300136497 through 0300140000)	
231	3200362	2	Mount, Motor	
232	3200406	2	Mount, Motor	
233		Ref	Muffler Options:	
233		Ref	Spark Arresting (Standard)	
233	3220103	1	Spark Arresting (Standard) (SN 0300077500 through 0300129455)	
233	1001099051	1	Spark Arresting (Standard) (SN 0300129456 through 0300140000)	
233		Ref	Catalytic (Optional)	
233	3220104	1	Catalytic (Optional) (SN 0300077500 through 0300129455)	
233	1001101241	1	Catalytic (Optional) (SN 0300129456 through 0300140000)	
233		Ref	Muffler Components:	
233		Ref	Clamp Options (SN 0300077500 through 0300129456)	
233	1320176	1	Saddle Clamp Used on Spark Arresting	
233	70001017	1	Band Clamp Used on Catalytic	
233	7024398	1	Tube, Exhaust (SN 0300077500 through 0300129456)	
233	7024560	1	Plug, Brass	
234	3311405	AR	Locknut 1/4in-20NC	
235	3311505	3	Locknut 5/16in-18NC	
236	3311605	AR	Locknut 3/8in-16NC	
237	3311805	4	Locknut 1/2in-13NC	
238	3537416	1	Plate, Engine Mounting (Front Right Side)	
239	3539872	1	Plate, Radiator Mounting	
240	3539971	1	Plate, Engine Mounting (Front Bottom)	
241		Ref	Plate, Engine Mounting (Rear) Options:	
241	3574978	1	Plate, Engine Mounting (Rear) (SN 0300077500 through 0300129455)	
241	1001093943	1	Plate, Engine Mounting (Rear) (SN 0300129456 through 0300140000)	
243	3620033	1	Cooler, Oil	
244	3740067	AR	Relay	
245	3960407	1	Gasket, Air Intake	
246	3960468	1	Seal	
247	3960469	1	Seal	
248	4060805	37 in/1m	Flex-Trim	
249		Ref	Tube, Tuning Options:	
249	4567815	1	Tube, Tuning (SN 0300077500 through 0300085330)	
249	4569171	1	Tube, Tuning (SN 0300085331 through 0300129455)	

SECTION 2 - TURNTABLE

ITEM	PART NUMBER	QTY	DESCRIPTION	REV
249	1001099686	1	Tube, Tuning (SN 0300129456 through 0300136496)	
249	Not Required	0	Tube, Tuning (SN 0300136497 through 0300140000)	
250		Ref	Valve, Oil Drain Options:	
250	4640751	1	Valve, Oil Drain (SN 0300077500 through 0300136496)	
250	1001104308	1	Valve, Oil Drain (SN 0300136497 through 0300140000)	
252	4711600	AR	Flatwasher 3/8in Narrow	
253	4711700	6	Flatwasher 7/16in Narrow	
254		Ref	Flatwasher Options:	
254	4711900	6	Flatwasher 9/16in Narrow (SN 0300077500 through 0300092717)	
254	4812200	AR	Flatwasher 14mm (SN 0300092718 through 0300140000)	
255	4740274	4	Washer, Snubbing	
256	4751400	AR	Flatwasher 1/4in Wide	
257	4751600	AR	Flatwasher 3/8in Wide	
258	4751700	2	Flatwasher 7/16in Wide	
259	4791400	AR	Starwasher 1/4in	
260	4845395	1	Adapter, Air Intake	
261		Ref	Tray, Engine Options:	
261	4845404	1	Tray, Engine (SN 0300077500 through 0300129455)	
261	1001094321	1	Tray, Engine (SN 0300129456 through 0300140000)	
262	4846566	1	Plate, Engine Mounting (Front Left Side)	
263	0701014	4	Bolt M10 x 30mm	
270	2180798	1	Fitting (SN 0300077500 through 0300085331)	
271	4360392	1	Indicator, Restriction (SN 0300077500 through 0300085331)	
272		Ref	Flatwasher Options:	
272	4751400	6	Flatwasher 1/4in Wide (SN 0300077500 through 0300092717)	
272	4711400	6	Flatwasher 1/4in Narrow (SN 0300092718 through 0300140000)	
273	1060904	1	Cable, Jumper (SN 0300092718 through 0300140000)	
274		Ref	Bolt Options:	
274	0641610	6	Bolt 3/8in-16NC x 1-1/4in (SN 0300077500 through 0300092717)	
274	0641609	6	Bolt 3/8in-16NC x 1-1/8in (SN 0300092718 through 0300140000)	
275	4923379	1	Harness, Glow Plugs (SN 0300092718 through 0300140000)	
276	0711025	2	Bolt M10 x 85mm (SN 0300129456 through 0300136497)	
277	4891600	2	Flatwasher, Hardened 3/8in (SN 0300129456 through 0300136497)	
278	1001098916	1	Support, Tuning Tube (SN 0300129456 through 0300136497)	
279	3520054	1	Plug, Hole (SN 0300129456 through 0300140000)	
280	3740080	1	Relay, EGR (SN 0300129456 through 0300140000)	
	0256847	Ref	PUMP COUPLING INSTALLATION (SN 0300077500 through 0300129456)	B
301	1660234	1	Coupling, Hayes	
302	0080163	1	Plate, Pump Adapter	
303	0700810	6	Bolt M8 x 20mm	
304	4831900	6	Lockwasher M8	
306	4832000	8	Lockwasher M10 (SN 0300077500 through 0300085331)	
307	3020021	AR	Grease, Coupling	
	2902065	NLA	PUMP COUPLING INSTALLATION (USE P/N 1001162546 KIT) (SN 0300129456 through 0300140000)	H
	1001153282	NLA	SERVICE REPLACEMENT KIT FOR PUMP COUPLING AND MOUNTING PLATE (USE P/N 1001162546) (NOT SHOWN) (SN	C

SECTION 2 - TURNTABLE

ITEM	PART NUMBER	QTY	DESCRIPTION	REV
			0300174937 through 0300185827)	
351	70000793	1	Coupling, Hayes (For Coupling Kit 2902065)	
351	70004183	1	Coupling, Guardian (For Coupling Kits p/ns 1001162546 & 1001153282)	
352	See Note	NSS	Plate, Pump Adapter (Note: Use p/n 1001162546)	
353	See Note	18	Capscrew M10 (Note: Not Available - Purchase Locally)	
354	See Note	12	Bolt M10 x 25mm Grade 10.9 (Note: Not Available - Purchase Locally)	
355	See Note	12	Flatwasher M10 (Note: Not Available - Purchase Locally)	
		Ref	ENGINE COMPONENTS	
	2000216	Ref	Engine Components (SN 0300077500 through 0300085330)	C
	2000274	Ref	Engine Components (SN 0300085331 through 0300092717)	B
	2000339	Ref	Engine Components (SN 0300092718 through 0300129455)	B
	1001094101	Ref	Engine Components (SN 0300129456 through 0300140000)	B
401	7026631	1	Dipstick	
401	7020487	1	O-Ring, Dipstick	
401	70001002	1	Dipstick	
402	7020465	1	Cap, Filler	
403	70001850	1	Pump, Oil Lube (was p/ns 7020484 & 70000045)	
403	7020468	1	Seal Between Oil Pump and Engine Block (Not Shown)	
404	7016331	1	Filter, Oil (was p/n 7016641)	
404	70001423	1	Bracket, Oil Filter	
404	70001848	1	Sensor at Oil Filter (1001094101 Engine Only)	
404	70001132	1	Seal, Sensor at Oil Filter (1001094101 Engine Only)	
405		Ref	Pump, Injector Options:	
405		Ref	Pump, Injector (SN 0300077500 through 0300129455)	
405	7027246	4	Series A Injector (was p/n 7027242)	
405	7027608	4	Series B Injector (was p/n 7027611)	
405	7027609	4	Series C Injector (was p/n 7027612)	
405	7027610	4	Series D Injector (was p/n 7027613)	
405		Ref	Pump, Injector (SN 0300129456 through 0300140000)	
405	70000912	4	Series A Injector	
405	70000913	4	Series B Injector	
405	70000914	4	Series C Injector	
405	70000915	4	Series D Injector	
405		Ref	Gasket Options (1 Per Injector):	
405	7020447	4	Gasket Options (1 per Injector) (SN 0300077500 through 0300129455)	
405	See Note	4	Gasket Options (1 per Injector) (Note: Not Available for Purchase) (SN 0300129456 through 0300140000)	
406	8320270	1	Filter, Fuel (was p/n 7016328)	
407	70000916	1	Pump, Fuel Supply (was p/n 7027238)	
407	70001435	1	Repair Kit for 70000916 Pump	
407	70000919	1	Hand Pump for 70000916 Pump	
407	70000918	1	Seal, Hand Pump for 70000916 Pump	
407		Ref	O-Seal Between Fuel Pump and Engine Block Options (Not Shown):	
407	7020411	1	7027238 Pump (SN 0300077500 through 0300129455)	
407	70000917	1	70000916 Pump (SN 0300129456 through 0300140000)	
408	7020449	4	Gasket, Intake Manifold (Not Shown)	
409	7020408	1	V-Belt	
410	7020471	4	Gasket, Exhaust (Manifold to Engine Block) (Not Shown) (SN 0300077500 through 0300129456)	

SECTION 2 - TURNTABLE

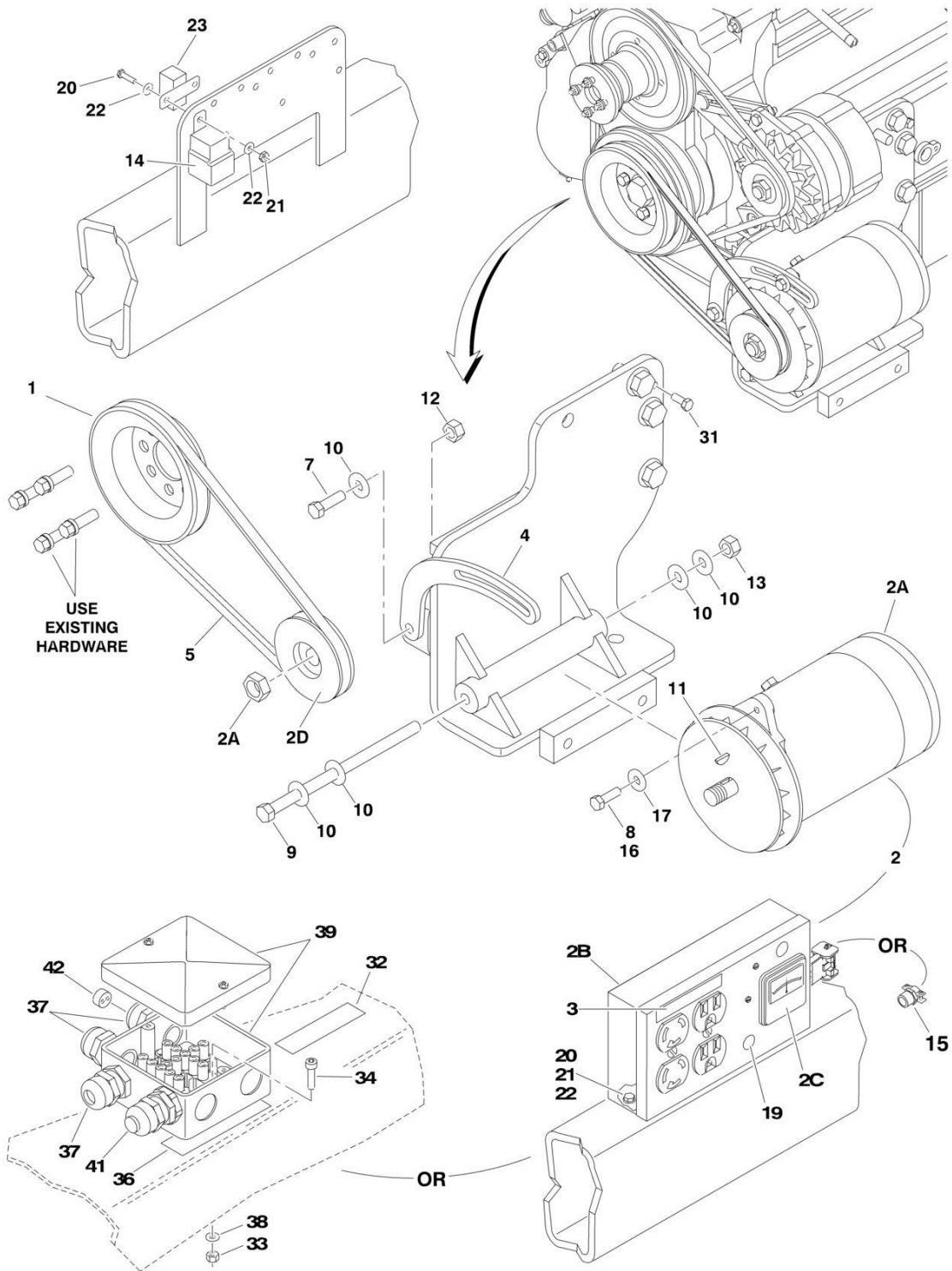
ITEM	PART NUMBER	QTY	DESCRIPTION	REV
410	70002200	8	Stud, Muffler Attaching (Not Shown) (SN 0300077500 through 0300129456)	
410	70003476	8	Nut, Muffler Attaching (Not Shown) (SN 0300077500 through 0300129455)	
410	70001836	1	Gasket, Exhaust (Engine Head to Header) (Not Shown) (SN 0300129456 through 0300140000)	
410	70001835	1	Gasket, Exhaust (Header to EGR Valve Block) (Not Shown) (SN 0300129456 through 0300140000)	
410	70001841	1	Valve, EGR (Not Shown) (SN 0300129456 through 0300140000)	
410	70001838	2	Gasket, Exhaust (EGR Valve Block to Exhaust Tube) (Not Shown) (SN 0300129456 through 0300140000)	
410	70001874	1	Plate Choke (Between 70001838 Gaskets) (Not Shown) (SN 0300129456 through 0300140000)	
410	70001837	1	Gasket, Exhaust (Exhaust Tube to Muffler) (Not Shown) (SN 0300129456 through 0300140000)	
410	70001839	1	Flange, Sealing (Near Front of Header) (includes Seal and Pin) (Not Shown) (SN 0300129456 through 0300140000)	
411	7000663	1	Alternator (was p/n 7020410 & 7016329)	
411		Ref	Regulator, Voltage Options (Not Shown):	
411	7020464	1	Regulator, Voltage Options (Not Shown) (SN 0300077500 through 0300129455)	
411	70001868	1	Regulator, Voltage Options (Not Shown) (SN 0300129456 through 0300140000)	
411	70001866	1	Gasket, Regulator (Not Shown) (SN 0300129456 through 0300140000)	
411	70002234	1	Bracket, Adjusting (Not Shown)	
412	7020479	1	Starter	
412	7026608	1	Solenoid	
412	70001498	1	Shield, Starter Heat	
413	70000345	4	Plug, Glow (SN 0300092718 through 0300140000)	
414		Ref	Sender, Temperature Options:	
414	7027241	1	Sender, Temperature (SN 0300077500 through 0300085330)	
414	7027791	1	Sender, Temperature (SN 0300085331 through 0300140000)	
414	See Note	1	Ring, Sealing (Note: Not Available for Purchase)	
415		Ref	Sensor, Oil Pressure Options:	
415	7020461	1	Sensor, Oil Pressure (SN 0300077500 through 0300085330)	
415	7027790	1	Sensor, Oil Pressure (SN 0300085331 through 0300140000)	
416	7024565	1	Sensor, Speed	
417		Ref	Actuator, Throttle	
417	7020458	1	Actuator, Throttle (SN 0300077500 through 0300085330)	
417	7027792	1	Actuator, Throttle (SN 0300085331 through 0300140000)	
417	7026607	2	Spring, Actuator (was p/n 7027276)	
418	7020459	1	Thermostat (Located at rear of engine block - Not Shown)	
418	7020460	1	Spring, Compression	
419		Ref	Flywheel Options (Not Shown):	
419	70000264	1	Flywheel Options (Not Shown) (SN 0300077500 through 0300129455)	
419	70001870	1	Flywheel Options (Not Shown) (SN 0300129456 through 0300140000)	
419	7024579	1	Ring Gear (Located on Flywheel - Not Shown)	
420		Ref	Sender, Temperature Options:	
420	7027236	1	Sender, Temperature (SN 0300077500 through 0300129455)	
420	See Note	1	Sender, Temperature (Note: Not Available for Purchase) (SN 0300129456 through 0300140000)	

SECTION 2 - TURNTABLE

ITEM	PART NUMBER	QTY	DESCRIPTION	REV
421	7027795	1	Module, EMR2 Controller (SN 0300085331 through 0300140000)	
421	7027796	1	Harness. EMR2 Module (SN 0300085331 through 0300140000)	
422	7027245	1	Filter, Fuel In-line (2000216 Engine Only)	
423		Ref	Solenoid, Throttle Options:	
423	7027239	1	Solenoid, Throttle (SN 0300077500 through 0300129455)	
423	See Note	1	Solenoid, Throttle (Note: Not Available for Purchase) (SN 0300129456 through 0300140000)	
424	See Note	1	Gasket, Valve Cover (Not Shown) (Note: Not Available for Purchase)	
425		Ref	Gasket, Cylinder Head Options (Not Shown):	
425	See Note	1	Gasket (Note: Not Available for Purchase) (SN 0300077500 through 0300085330)	
425		Ref	Gasket (SN 0300085331 through 0300129455)	
425	70003001	1	1 Notch	
425	70003002	1	2 Notches	
425	70003003	1	3 Notches	
425		Ref	Gasket: (SN 0300129456 through 0300140000)	
425	70002415	1	1 Notch	
425	70002416	1	2 Notches	
425	70002417	1	3 Notches	
426		Ref	Timing Belt/Idler Kit Options (Not Shown):	
426	70000800	1	Timing Belt/Idler Kit Options (Not Shown) (SN 0300077500 through 0300085330)	
426	See Note	1	Timing Belt/Idler Kit Options (Not Shown) (Note: Not Available for Purchase) (SN 0300085331 through 0300140000)	
427		Ref	Harness, Engine Options (Not Shown):	
427	Not Available		Harness. Engine Options (Not Shown) (SN 0300077500 through 0300085330)	
427	7027794	1	Harness. Engine Options (Not Shown) (SN 0300085331 through 0300129455)	
427	7001872	1	Harness. Engine Options (Not Shown) (SN 0300129456 through 0300140000)	
427	7027793	1	Plug, Connector	
428	70001847	1	Breather, Valve (Not Shown - Located On Front Cover) (SN 0300129456 through 0300140000)	
428	70001126	1	Seal, Breather (SN 0300129456 through 0300140000)	

SECTION 2 - TURNTABLE

FIGURE 2-13. 2500W GENERATOR INSTALLATION - DEUTZ MACHINES (OPTIONAL)



SECTION 2 - TURNTABLE

FIGURE 2-13. 2500W GENERATOR INSTALLATION - DEUTZ MACHINES (OPTIONAL)

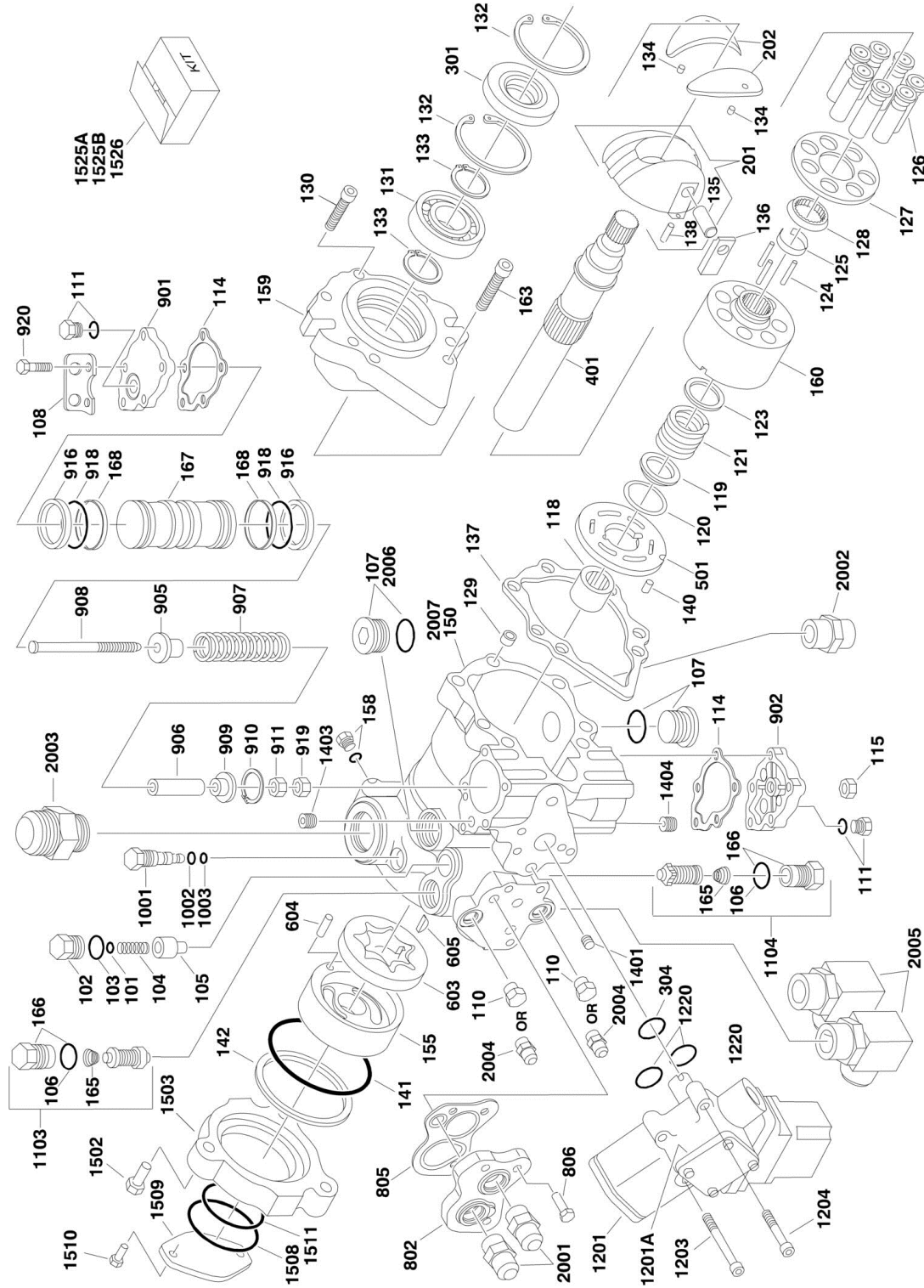
ITEM	PART NUMBER	QTY	DESCRIPTION	REV
		Ref	GENERATOR INSTALLATIONS	
		Ref	110V/50Hz Generator	
	0272482	Ref	Generator Installations (SN 0300069000 through 0300082503)	3-B
	0274090	Ref	Generator Installations (SN 0300082504 through 0300122229)	1-A
	1001100308	Ref	Generator Installations (SN 0300122230 through 0300139399)	C
	1001115410	Ref	Generator Installations (SN 0300139400 through 0300140000)	A
		Ref	220V/50HZ Generator	
	0272481	Ref	Generator Installations (SN 0300069000 through 0300082503)	3-B
	0274086	Ref	Generator Installations (SN 0300082504 through 0300122229)	1-A
	1001099868	Ref	Generator Installations (SN 0300122230 through 0300139399)	C
	1001115409	Ref	Generator Installations (SN 0300139400 through 0300140000)	A
		Ref	Note: Refer to SkyPower Accessories Manual p/n 3124242 for the Miller 7500W Generator.	
1	3580158	1	Pulley	
2		Ref	Generator and Control Box Assembly Options:	
2	2460039	1	110V/50Hz Assembly (SN 0300069000 through 0300082503)	C
2	2460057	1	110V/50Hz Assembly (SN 0300082504 through 0300122229)	A
2	2460049	1	110V/50Hz Assembly (SN 0300122230 through 0300140000)	A
2	2460013	1	220V/50Hz Assembly (SN 0300069000 through 0300082503)	B
2	2460056	1	220V/50Hz Assembly (SN 0300082504 through 0300122229)	A
2	1001100321	1	220V/50Hz Assembly (SN 0300122230 through 0300140000)	A
2A		Ref	Generator Options:	
2A	2460049	1	110V/50Hz Replacement Generator	
2A	1001100321	1	220V/50Hz Replacement Generator	
2A	70000122	1	110V/50Hz Armature with Slip Rings	
2A	70000123	1	220V/50Hz Armature with Slip Rings	
2A	7012513	4	Cap, Brush Holder	
2A	7020108	4	Brush	
2A	7020109	4	Holder, Brush	
2A	7012514	1	Fan	
2A	7020190	2	Bearing	
2A	7020110	1	End Bell, Front	
2A	7020111	1	End Bell, Rear	
2B		Ref	Box, Control Options: (SN 0300069000 through 0300122230)	
2B	70002239	1	110V Replacement Box (SN 0300069000 through 0300082503)	
2B	7019680	1	110V Replacement Box (SN 0300082504 through 0300122230)	
2B	70002235	1	220V Replacement Box (SN 0300069000 through 0300082503)	
2B	70000127	1	220V Replacement Box (SN 0300082504 through 0300122230)	
2B		Ref	Breaker, Circuit Options:	
2B	70002240	1	110V (SN 0300069000 through 0300082503)	
2B	4360542	1	110V (SN 0300082504 through 0300122230)	
2B	70000126	1	220V	
2B	4460190	AR	Receptacle, Double (110V Box)	
2B	4460027	AR	Receptacle, Double Twist Lock (110V Box)	
2B	70000124	1	Receptacle, Double (220V Box)	
2B	70000125	1	Receptacle, Single Twist Lock (220V Box)	
2B	2920162	1	Lamp Assembly (SN 0300069000 through 0300082504)	

SECTION 2 - TURNTABLE

ITEM	PART NUMBER	QTY	DESCRIPTION	REV
2B	7020191	1	Switch, Toggle (SN 0300069000 through 0300082504)	
2C		Ref	Voltmeter Options:	
2C	2420203	1	110V	
2C	7020192	1	220V	
2D	3580134	1	Pulley	
2D	7027887	1	Key, Woodruff	
3		Ref	Decal Options:	
3	1705325	2	Decal - 110V - 50Hz	
3	3252507	2	Decal - 220V - 50Hz	
4	0200742	1	Arm, Adjusting	
5	0480121	1	V-Belt	
7	0641610	1	Bolt 3/8in-16NC x 1-1/4in	
8	0100011	AR	Compound, Locking	
9	0641772	1	Bolt 7/16in-14NC x 9in	
10	4751600	6	Flatwasher 3/8in	
11	2860012	1	Key, Woodruff	
12	3311605	1	Locknut 3/8in-16NC	
13	3311705	1	Locknut 7/16in-14NC	
14	3740080	1	Relay	
15	4460023	1	Connector, Strain Relief (SN 0300069000 through 0300082504)	
16	0641508	1	Bolt 5/16in-18NC x 1in	
17	4751500	AR	Flatwasher 5/16in	
19	3520028	1	Plug, Hole	
20	0721006	AR	Bolt #10-24NC x 3/4in	
21	3311005	AR	Locknut #10-24NC	
22	4751000	AR	Flatwasher #10	
23	4360294	1	Breaker, Circuit - 30 Amp (SN 0300069000 through 0300082504)	
25	4360336	1	Switch, Toggle (Not Shown - Located at Platform)	
26	4740397	1	Bushing (Not Shown - Located at Platform)	
27	4060802	1	Guard, Switch (Not Shown - Located at Platform)	
29	2820031	4 in/10cm	Heat Shrink (Not Shown - Located at Platform)	
30	3251102	1	Decal (Not Shown - Located at Platform)	
		Ref	Note: Items 31-42 Used on SN 0300122230 through SN 0300140000.	
31	0641404	1	Bolt 1/4in-20NC x 1/2	
32		Ref	Decal Options:	
32	1705325	2	Decal - 110V - 50Hz	
32	3252507	2	Decal - 220V - 50Hz	
		Ref	Note: Qty One of the Decal Not Shown - Located on the Inside of Platform Rail.	
33	3290505	1	Locknut M5 x 0.8mm	
34	4031608	1	Bolt M5 x 20mm	
35	4240018	1	Tie Strap (Not Shown)	
36	4420060	1	Tape, Double Coated Acrylic Foam	
37	4460968	4	Connector, Strain Relief	
38	4811600	1	Flatwasher 5mm	
39	1001099869	1	Box, Junction	
41		Ref	Light Red Options:	
41	1001100233	1	125 Vac	
41	1001100234	1	250 Vac	
42	0962449	1	Bushing	

SECTION 2 - TURNTABLE

FIGURE 2-14. PISTON PUMP ASSEMBLY



SECTION 2 - TURNTABLE

FIGURE 2-14. PISTON PUMP ASSEMBLY

ITEM	PART NUMBER	QTY	DESCRIPTION	REV
	3600295	Ref	PISTON PUMP ASSEMBLY	A
101	7007413	1	Shim Kit	
102	7007414	1	Plug	
103	See Note	NSS	O-Ring (Note: Use Item 1525A)	
104	7021200	1	Spring, Relief Valve	
105	7007417	1	Valve, Relief	
106	See Note	NSS	O-Ring (Note: Use Item 1525A)	
107	7007419	2	Plug	
108	7021201	1	Bracket, Lifting	
110	7007470	2	Plug	
111	7007470	2	Plug	
114	See Note	NSS	Gasket, Servo Cover (Note: Use Item 1525A)	
115	7007423	1	Nut, Special	
118	7007425	1	Bearing, Needle	
119	See Note	NSS	Ring, Retaining (Note: Use Item 1526)	
120	See Note	NSS	Washer (Note: Use Item 1526)	
121	See Note	NSS	Spring (Note: Use Item 1526)	
123	See Note	NSS	Washer (Note: Use Item 1526)	
124	See Note	NSS	Retainer (Note: Use Item 1526)	
125	See Note	NSS	Pin, Slipper Holddown (Note: Use Item 1526)	
126	See Note	NSS	Piston Assembly (Note: Use Item 1526)	
127	See Note	NSS	Retainer, Slipper (Note: Use Item 1526)	
128	See Note	NSS	Guide, Retainer (Note: Use Item 1526)	
129	7007435	1	Pin, Spring	
130	7021202	1	Screw, 12 Point Head	
131	7007437	1	Bearing, Ball	
132	7007438	2	Ring, Retainer	
133	7007439	2	Ring	
134	7021203	2	Pin, Spring	
135	7007441	1	Handle, Pin	
136	7007442	1	Sleeve, Bearing	
137	See Note	NSS	Gasket, Front Cover (Note: Use Item 1525A)	
138	7021205	1	Pin	
140	7007446	1	Pin	
141	See Note	NSS	O-Ring (Note: Use Item 1525A)	
142	See Note	NSS	Ring, Load Temper (Note: Use Item 1525A)	
150	7023977	1	Housing, Pump	
155	7007452	1	Cover, Gerotor	
158	7007208	1	Plug	
159	7007454	1	Cover, Front	
160	See Note	NSS	Block, Cylinder (Note: Use Item 1526)	
163	7021207	6	Screw	
165	7021208	2	Spring	
166	7021209	2	Plug, SCR	
167	7007494	1	Piston, Servo	
168	See Note	NSS	Bearing (Note: Use Item 1525A)	
201	7007457	1	Swash Plate Assembly (Includes Items 135 & 138)	
202	7021212	2	Journal, Bearing	
301	See Note	NSS	Seal, Lip (Note: Use Item 1525A)	

SECTION 2 - TURNTABLE

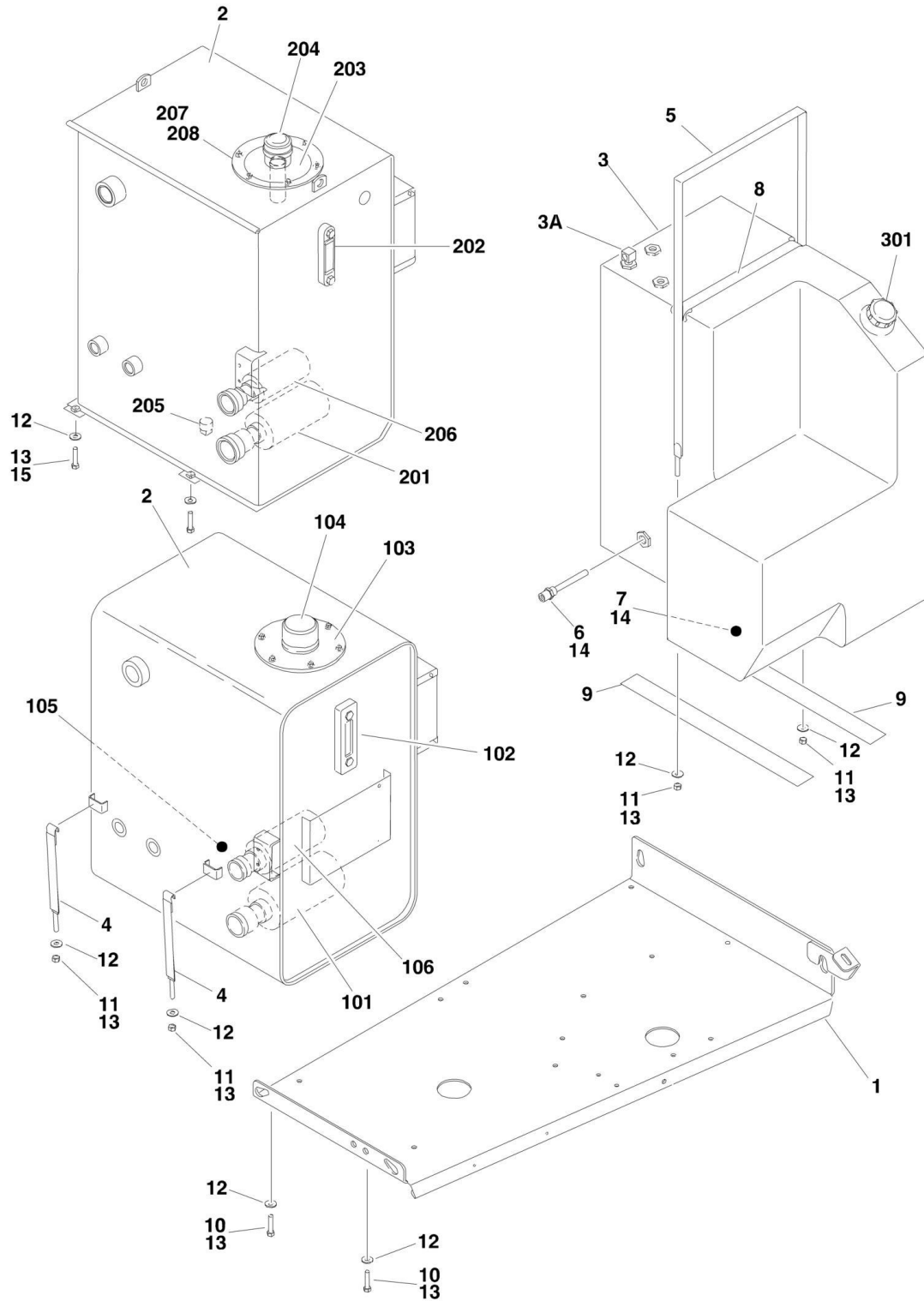
ITEM	PART NUMBER	QTY	DESCRIPTION	REV
304	See Note	NSS	O-Ring (Note: Use Item 1525A)	
401	7021213	1	Shaft, Main Pump	
501	7021214	1	Plate, Valve	
603	7007463	1	Gerotor Assembly	
604	7007464	1	Pin	
605	7007465	1	Key, Woodruff	
802	7007466	1	Adaptor, Remote Filtration	
805	See Note	NSS	Seal, Filter Adapter (Note: Use Item 1525A)	
806	7021218	3	Screw	
901	7021219	1	Cover, Servo	
902	7021220	1	Cover, Servo	
905	7007483	1	Guide, Spring	
906	7007484	1	Stop, Servo	
907	7007485	1	Spring	
908	7021221	1	Screw	
909	7007487	1	Guide, Spring	
910	7007488	1	Ring, Retaining	
911	7021222	1	Nut	
916	See Note	NSS	Ring, Piston (Note: Use Item 1525A or 1525B)	
918	See Note	NSS	O-Ring (Note: Use Item 1525A or 1525B)	
919	7021206	1	Nut	
920	7021223	10	Screw	
1001	7007472	1	Valve, Bypass	
1002	See Note	NSS	Ring, Back-up (Note: Use Item 1525A)	
1003	See Note	NSS	O-Ring (Note: Use Item 1525A)	
1103	7010122	1	SCR Kit (Includes items 166, 106 & 165)	
1104	7010122	1	SCR Kit (Includes items 166, 106 & 165)	
1201	7007474	1	Control, Dual Oil-Filled	
1201	7007496	1	Coil Assembly (Pilot)	
1201	7007497	1	Plug (Pump)	
1201	7007498	1	Plug (Valve Harness)	
1201A	7024828	1	Gasket, Cover	
1203	7007478	2	Screw	
1204	7001498	2	Screw	
1220	See Note	NSS	O-Ring (Note: Use Item 1525A)	
1401	7007475	1	Plug, Orifice/Screen (156)	
1403	7021226	1	Plug, Orifice	
1404	7021226	1	Plug, Orifice	
1502	7007453	3	Screw	
1503	7021227	1	Adapter, Flange	
1508	7021228	1	O-Ring	
1509	7021229	1	Plate, Cover	
1510	7021230	2	Screw	
1511	7021231	1	O-Ring	
1525		Ref	Seal Kit Options:	
1525A	7021232	1	Seal Kit, Complete (Includes Items 103, 106, 114, 137, 141, 142, 168, 301, 304, 805, 916, 918, 1002, 1003 & 1220)	
1525B	7007412	1	Seal Kit, Servo Piston (Includes Items 916 & 918)	
1526	7010116	1	Cylinder Block Kit (Includes Items 119-128 & 160)	
	3600400	Ref	PISTON PUMP AND FITTING ASSEMBLY	C
2001	2220374	2	Fitting, Straight	
2002	2220451	1	Fitting, Straight	

SECTION 2 - TURNTABLE

ITEM	PART NUMBER	QTY	DESCRIPTION	REV
2003	2220479	1	Fitting, Straight	
2004	2220582	1	Fitting, Straight (SN 0300069000 through 0300084618)	
2005	2220646	1	Fitting, Elbow	
2006		Ref	Fitting, Reducer Options:	
2006	2220811	1	Fitting, Reducer (Uses 1 Fitting) (SN 0300069000 through 0300138513)	
2006	2220221	1	Fitting, Reducer (Requires Both Fittings) (SN 0300138514 through 0300140000)	
2006	2220582	1	Fitting, Reducer (Requires Both Fittings) (SN 0300138514 through 0300140000)	
2007	3600295	1	Pump Assembly (Includes Items 1-1511)	

SECTION 2 - TURNTABLE

FIGURE 2-15. TANK INSTALLATIONS



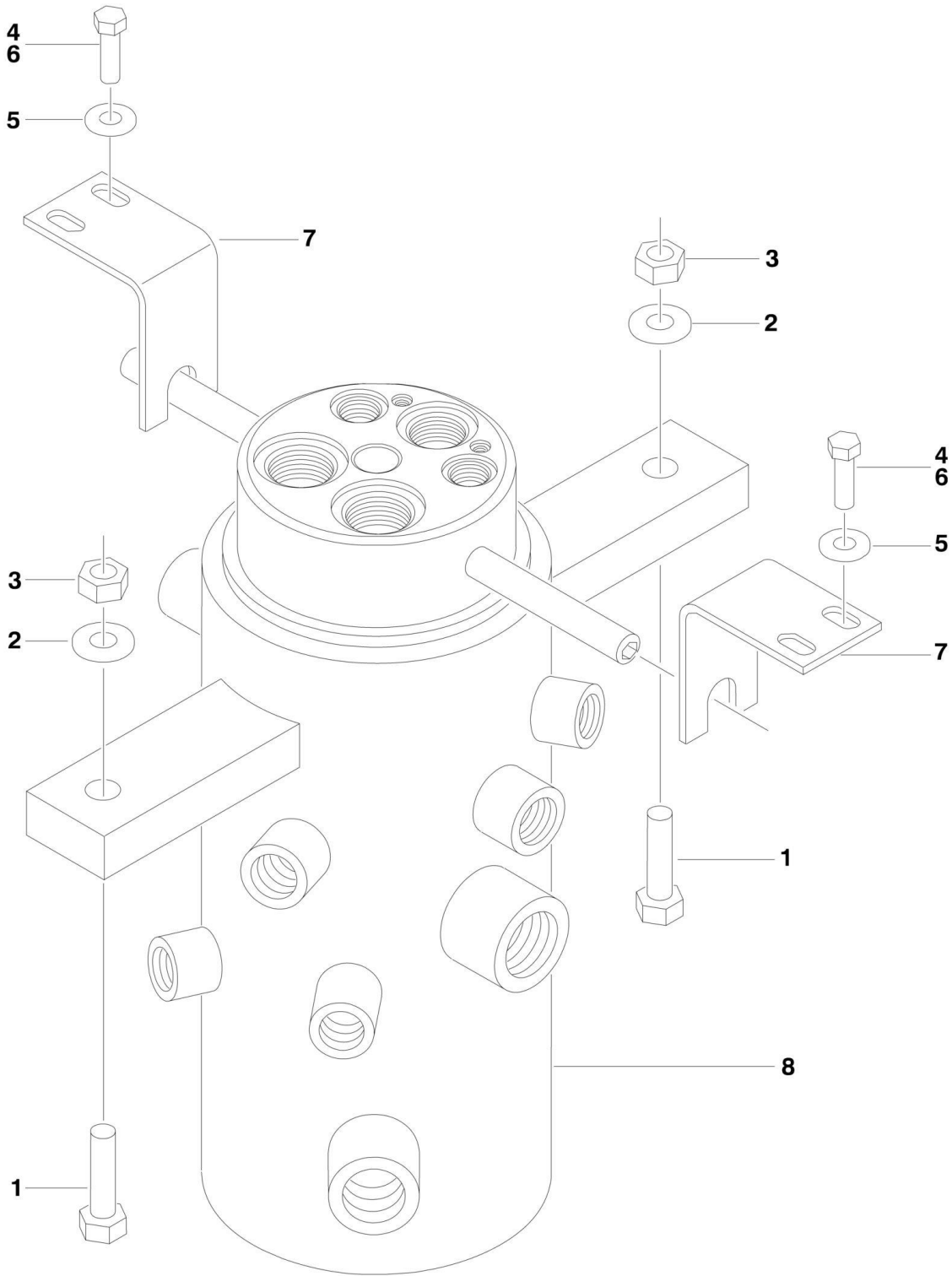
SECTION 2 - TURNTABLE

FIGURE 2-15. TANK INSTALLATIONS

ITEM	PART NUMBER	QTY	DESCRIPTION	REV
	0258382	Ref	TANKS INSTALLATION	E
1		Ref	Tray Weldment Options:	
1	4845928	1	Tray Weldment (SN 0300069000 through 0300118452)	
1	1001091928	1	Tray Weldment (SN 0300118453 through 0300140000)	
2		Ref	Hydraulic Tank Assembly Options:	
2	4400410	1	Hydraulic Tank Assembly (See Items 101-106 for Breakdown) (SN 0300069000 through 0300071310)	
2	4400452	1	Hydraulic Tank Assembly (See Items 201-208 for Breakdown) (SN 0300071311 through 0300140000)	
3	4400400	1	Tank, Fuel (Includes Non-Locking Cap)	
3A	7019658	1	Fitting and Pick-up Tube	
4	4240112	4	Strap, Tank (SN 0300069000 through 0300071311)	
5	4240113	1	Strap, Tank	
6	4360436	1	Switch, Fuel Level	
7	2200222	1	Fitting	
8	4280295	25 in /44cm	Strip, Protective	
9	4420038	70 in /1.78m	Tape, Rubber	
10	0641614	6	Bolt 3/8in-16NC x 1 3/4in	
11	3311601	AR	Nut 3/8in-16NC	
12	4751600	AR	Flatwasher 3/8in	
13	0100011	AR	Compound, Locking	
14	0100079	AR	Sealant	
15	0641607	4	Bolt 3/8in-16NC x 7/8in (SN 0300071311 through 0300140000)	
	4400410	Ref	HYDRAULIC TANK ASSEMBLY (SN 0300069000 through 0300071310)	G
101	7014818	1	Strainer 1-1/2in NPT	
102	7014802	1	Gauge, Sight	
103	7014810	1	Neck, Fill	
103	7014816	1	Screen	
104	7014817	1	Breather/Fill Cap	
105	7014813	1	Plug, Magnetic	
106	7014801	1	Strainer 1-1/4in NPT	
	4400452	Ref	HYDRAULIC TANK ASSEMBLY (SN 0300071311 through 0300140000)	E
201	7024481	1	Strainer 1-1/2in NPT	
202	7024441	1	Gauge, Sight	
203	7024443	1	Neck, Fill	
203	7024445	1	Screen	
204	7024444	1	Breather/Fill Cap	
205	7024446	1	Plug, Magnetic	
206	7024442	1	Strainer 1-1/4in NPT	
207	7024439	1	Cover	
208	7024440	1	Gasket	
		Ref	FUEL TANK CAP INSTALLATION	
301		Ref	Cap Options:	
301	7016314	1	Standard Non-Locking (Part of Item 3)	
301	1120487	1	Optional Lockable	

SECTION 2 - TURNTABLE

FIGURE 2-16. ROTARY COUPLING INSTALLATION (SN 0300069000 through 0300083331)



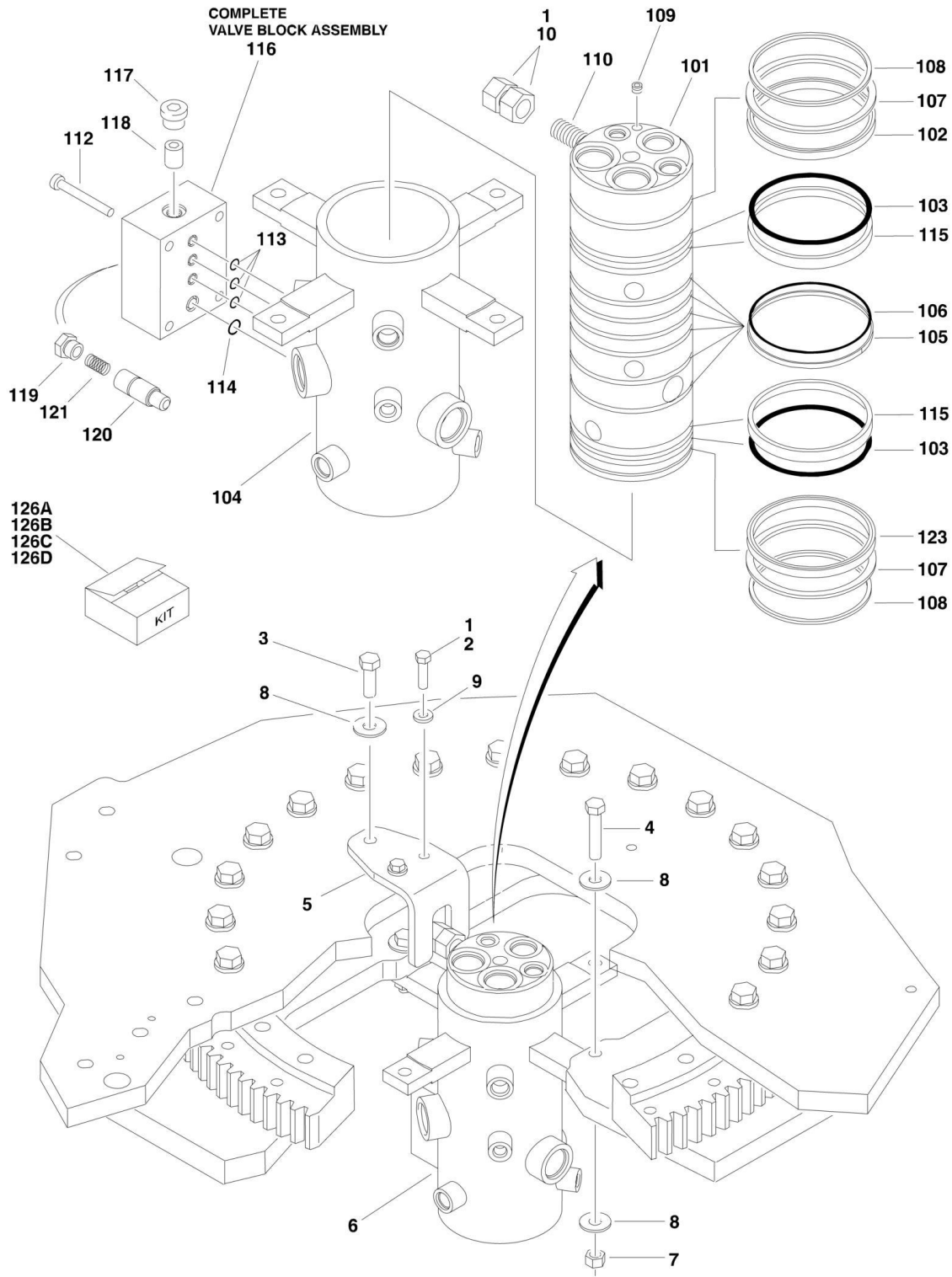
SECTION 2 - TURNTABLE

FIGURE 2-16. ROTARY COUPLING INSTALLATION (SN 0300069000 through 0300083331)

ITEM	PART NUMBER	QTY	DESCRIPTION	REV
		Ref	ROTARY COUPLING INSTALLATIONS	
	0272354	Ref	Rotary Coupling Installations 2WS	A
	0272355	Ref	Rotary Coupling Installations 4WS	A
1	0641820	2	Bolt 1/2in-13NC x 2-1/2in	
2	4751800	4	Flatwasher 1/2in	
3	3311805	2	Locknut 1/2in-13NC	
4	0641611	4	Bolt 3/8in-16NC x 1-3/8in	
5	4751600	4	Flatwasher 3/8in	
6	0100011	AR	Compound, Locking	
7	0902846	2	Bracket	
8		Ref	Coupling, Rotary Options:	
8		Ref	2WS Coupling Options:	
8	1660219	1	New OEM Replacement (2WS)	
8	7013187	1	Seal Kit - 1660219 Coupling (2WS)	
8	1660219RR	1	Rebuilt Replacement (2WS) (Note: Contact JLG Parts Dept for information)	
8		Ref	4WS Coupling Options:	
8	1660223	1	New OEM Replacement (4WS)	
8	7016342	1	Seal Kit - 1660223 Coupling (4WS)	
8	1660223RR	1	Rebuilt Replacement (4WS) (Note: Contact JLG Parts Dept for information)	

SECTION 2 - TURNTABLE

FIGURE 2-17. ROTARY COUPLING INSTALLATION (SN 0300083332 through 0300137974)



SECTION 2 - TURNTABLE

FIGURE 2-17. ROTARY COUPLING INSTALLATION (SN 0300083332 through 0300137974)

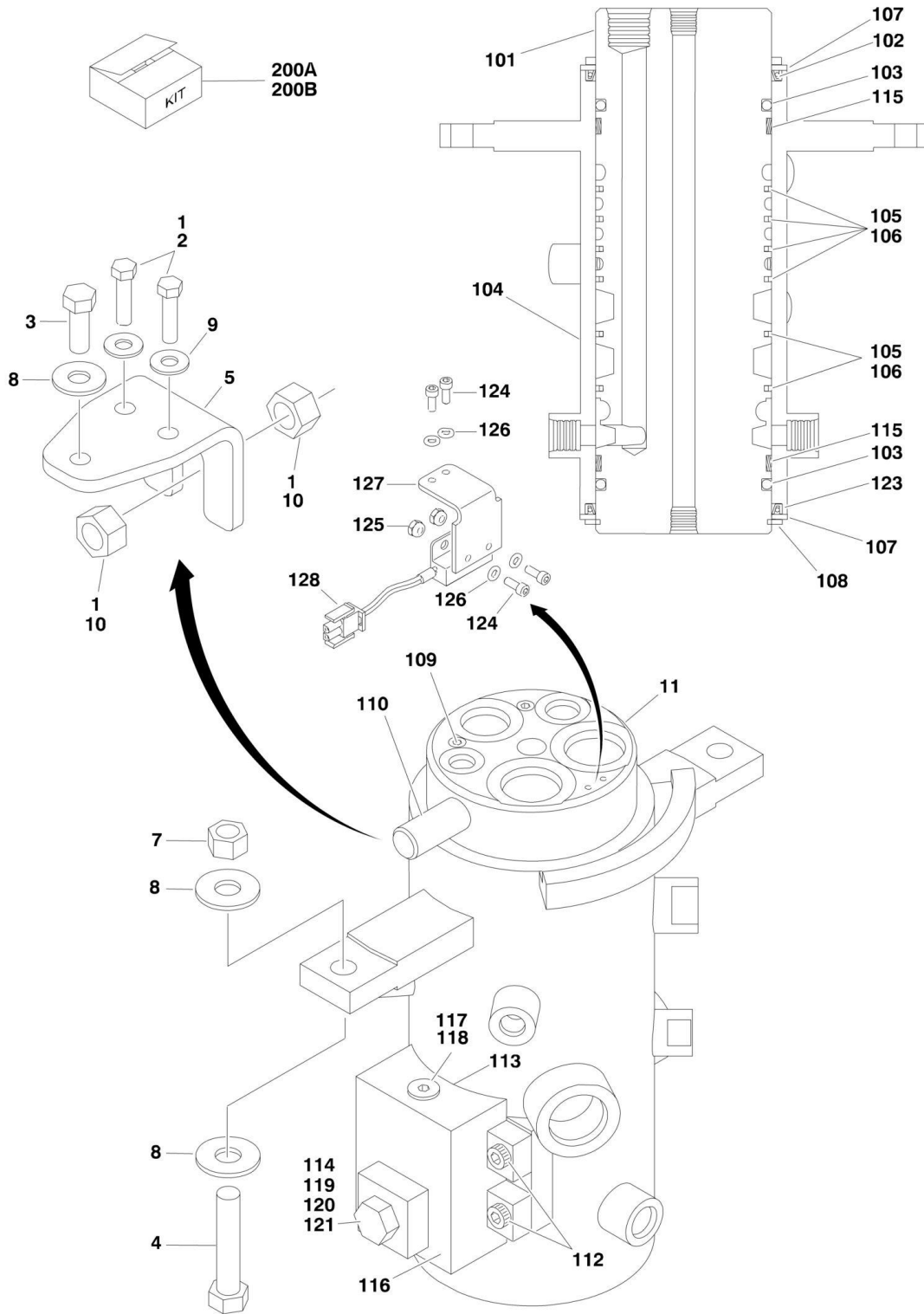
ITEM	PART NUMBER	QTY	DESCRIPTION	REV
		Ref	ROTARY COUPLING INSTALLATION	
	0273393	Ref	Rotary Coupling Installation 2WS	C
	0273402	Ref	Rotary Coupling Installation 4WS	C
1	0100011	AR	Compound, Locking	
2	0641611	2	Bolt 3/8in-16NC x 1-3/8in	
3	0641812	1	Bolt 1/2in-13NC x 1-1/2in	
4	0641820	2	Bolt 1/2in-13NC x 2-1/2in	
5	0903056	1	Bracket	
6		Ref	Coupling, Rotary Options:	
6		Ref	2WS Coupling Options:	
6	1660257	NLA	New OEM Replacement (2WS) (Use p/n 1660303) (See Items 101-121 for Breakdown) (SN 0300083332 through 0300114016)	
6	1660257RR	1	Rebuilt Replacement (2WS) (Note: Contact JLG Parts Dept for information to Purchase) (SN 0300083332 through 0300114016)	
6	1660303	1	New OEM Replacement (2WS) (See Items 101-121 for Breakdown) (SN 0300114017 through 0300137975)	
6	1660303RR	1	Rebuilt Replacement (2WS) (Note: Contact JLG Parts Dept for information to Purchase) (SN 0300114017 through 0300137975)	
6		Ref	4WS Coupling Options:	
6	1660258	NLA	New OEM Replacement (4WS) (Use p/n 1660304) (See Items 101-121 for Breakdown) (SN 0300083332 through 0300114016)	
6	1660258RR	1	Rebuilt Replacement (4WS) (Note: Contact JLG Parts Dept for information to Purchase) (SN 0300083332 through 0300114016)	
6	1660304	1	New OEM Replacement (4WS) (See Items 101-121 for Breakdown) (SN 0300114017 through 0300137975)	
6	1660304RR	1	Rebuilt Replacement (4WS) (Note: Contact JLG Parts Dept for information to Purchase) (SN 0300114017 through 0300137975)	
7	3271805	2	Locknut 1/2in-13NC	
8	4751800	5	Flatwasher 1/2in	
9	4891600	4	Flatwasher 3/8in Hardened	
10	3322201	2	Locknut 3/4in x 16NF	
		Ref	ROTARY COUPLING ASSEMBLY	
	1660257	Ref	Rotary Coupling Assembly 2WS (SN 0300083332 through 0300114016)	D
	1660303	Ref	Rotary Coupling Assembly 2WS (SN 0300114017 through 0300137975)	B
	1660258	Ref	Rotary Coupling Assembly 4WS (SN 0300083332 through 0300114016)	D
	1660304	Ref	Rotary Coupling Assembly 4WS (SN 0300114017 through 0300137975)	B
101	See Note	1	Body (Note: Not Available - Purchase Complete Assembly)	
102		Ref	Seal Options:	
102	7026189	1	Seal 2WS (SN 0300083332 through 0300114016)	
102	70001248	1	Seal 2WS (SN 0300114017 through 0300137975)	
102	See Note	NSS	Seal 4WS (Note: Use Item 126B or 126D) (SN 0300083332 through 0300137975)	
103	See Note	NSS	O-Ring/Seal (Note: Use Item 126A, 126B, 126C or 126D)	
104	See Note	NSS	Housing (Note: Not Available - Purchase Complete Assembly)	

SECTION 2 - TURNTABLE

ITEM	PART NUMBER	QTY	DESCRIPTION	REV
105	See Note	NSS	Seal, Cap (Note: Use Item 126A, 126B, 126C or 126D)	
106	See Note	NSS	O-Ring (Note: Use Item 126A, 126B, 126C or 126D)	
107		Ref	Ring Options:	
107	7026503	2	Ring 2WS	
107	7026511	2	Ring 4WS	
108		Ref	Ring, Retaining	
108	7026504	2	Ring, Retaining 2WS	
108	7013189	2	Ring, Retaining 4WS	
109		Ref	Plug Options:	
109	See Note	NSS	Plug 2WS (Note: Not Available - Purchase Locally) (SN 0300083332 through 0300114016)	
109	See Note	NSS	Plug 4WS (Note: Not Available - Purchase Locally) (SN 0300083332 through 0300114016)	
109	80934561	2	Plug 2WS (SN 0300114017 through 0300137975)	
109	80934561	4	Plug 4WS (SN 0300114017 through 0300137975)	
110	See Note	1	Lug, Torque (Note: Not Available for Purchase)	
112	7026197	4	Capscrew	
113	See Note	NSS	O-Ring (Note: Use Item 126A, 126B, 126C or 126D)	
114	See Note	NSS	O-Ring (Note: Use Item 126A, 126B, 126C or 126D)	
115	See Note	NSS	Bearing (Note: Use Item 126A, 126B, 126C or 126D)	
116	7024404	1	Block Valve Assembly	
117	7026505	1	Plug	
118	7026506	1	Valve, Check	
119	7026507	1	Plug	
120		Ref	Plunger, Valve	
120	7026508	1	Plunger, Valve (SN 0300083332 through 0300114016)	
120	See Note	NSS	Plunger, Valve (Note: Use Item 116) (SN 0300114017 through 0300137975)	
121	7026509	1	Spring	
122	See Note	AR	Protective Netting (Not Shown) (Rotary Coupling p/n 1660303 & p/n 1660304) (Note: Not Available for Purchase)	
123		Ref	Seal Options:	
123	7026189	1	Seal 2WS (SN 0300083332 through 0300114016)	
123	7026512	1	Seal 4WS (SN 0300083332 through 0300114016)	
123	See Note	NSS	Seal 2WS/4WS (Note: Use Item 126C or 126D) (SN 0300114017 through 0300137975)	
126		Ref	Seal Kit Options:	
126		Ref	Seal Kit (SN 0300083332 through 0300114016)	
126A	7026510	1	Seal Kit 2WS (Includes Items 103, 105, 106, 113, 114 & 115)	
126B	7026512	1	Seal Kit 4WS (Includes Items 102, 103, 105, 106, 113, 114, 115 & 123)	
		Ref	Seal Kit (Includes Items 102, 103, 105, 106, 113, 114, 115 & 123) (SN 0300114017 through 0300137975)	
126C	70001248	1	Seal Kit 2WS	
126D	70001249	1	Seal Kit 4WS	

SECTION 2 - TURNTABLE

FIGURE 2-18. ROTARY COUPLING INSTALLATION (SN 0300137975 through 0300140000)



SECTION 2 - TURNTABLE

FIGURE 2-18. ROTARY COUPLING INSTALLATION (SN 0300137975 through 0300140000)

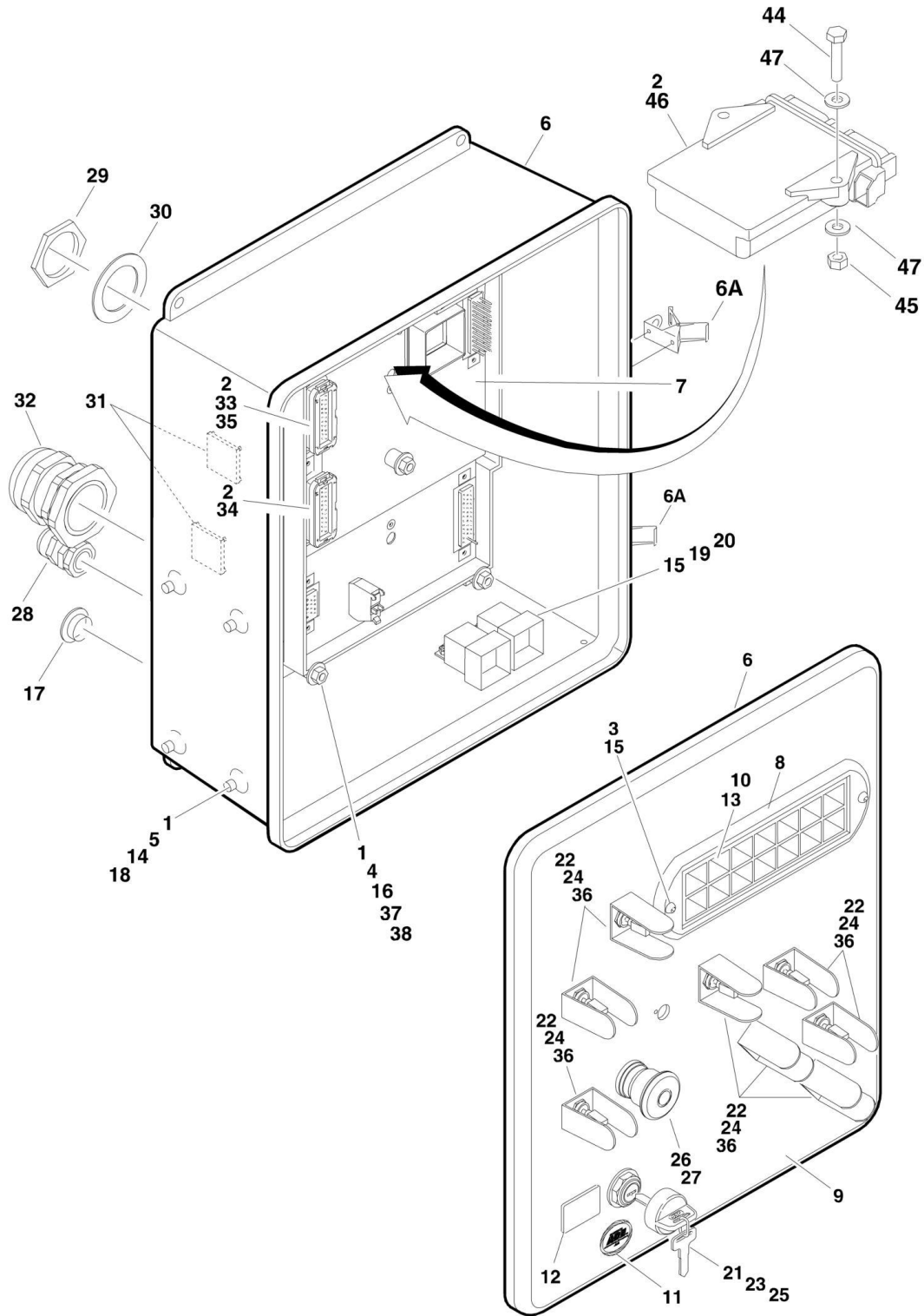
ITEM	PART NUMBER	QTY	DESCRIPTION	REV
		Ref	ROTARY COUPLING INSTALLATION	
	1001107529	Ref	Rotary Coupling Installation 2WS	A
	1001107530	Ref	Rotary Coupling Installation 4WS	A
1	0100011	AR	Compound, Locking	
2	0641611	2	Bolt 3/8in-16NC x 1-3/8in	
3	0641812	1	Bolt 1/2in-13NC x 1-1/2in	
4	0641820	2	Bolt 1/2in-13NC x 2-1/2in	
5	0903056	1	Bracket	
7	3271805	2	Locknut 1/2in-13NC	
8	4751800	5	Flatwasher 1/2in	
9	4891600	2	Flatwasher 3/8in Hardened	
10	3322201	2	Locknut 3/4in x 16NF	
11		Ref	Coupling, Rotary Options (See Items 101-128 for Breakdown):	
11	1001106974	1	Coupling, Rotary 2WS	
11	1001106975	1	Coupling, Rotary 4WS	
		Ref	ROTARY COUPLING ASSEMBLY	
	1001106974	Ref	Rotary Coupling Installation 2WS	B
	1001106975	Ref	Rotary Coupling Installation 4WS	B
101	See Note	1	Body (Note: Not Available - Purchase Complete Assembly)	
102		Ref	Seal Options:	
102	70001248	1	Seal 2WS	
102	70002212	1	Seal 4WS	
103	See Note	NSS	O-Ring (Note: Use Item 200A or 200B)	
104	See Note	NSS	Housing (Note: Purchase Complete Assembly)	
105		Ref	Seal, Cap	
105	70001248	6	Seal, Cap 2WS	
105	70002212	9	Seal, Cap 4WS	
106		Ref	O-Ring	
106	70001248	6	O-Ring 2WS	
106	70002212	9	O-Ring 4WS	
107		Ref	Ring Options:	
107	7026503	2	Ring 2WS	
107	7026511	2	Ring 4WS	
108		Ref	Ring, Retaining Options:	
108	7026504	1	Ring, Retaining 2WS	
108	7013189	1	Ring, Retaining 4WS	
109		Ref	Plug Options:	
109	80934561	2	Plug 2WS	
109	80934561	4	Plug 4WS	
110	See Note	1	Lug, Torque (Note: Not Available for Purchase)	
112	7026197	4	Bolt 5/16in-18NC x 1-1/4in	
113	See Note	NSS	O-Ring (Note: Use Item 200A or 200B)	
114	See Note	NSS	O-Ring (Note: Use Item 200A or 200B)	
115	See Note	NSS	Bearing (Note: Use Item 200A or 200B)	
116	7024404	1	Block Valve Assembly	
117	7026505	1	Plug	
118	7026506	1	Valve, Check	
119	7026507	1	Plug	
120	See Note	NSS	Plunger, Valve (Note: Use p/n 7024404)	
121	7026509	1	Spring, Compression	

SECTION 2 - TURNTABLE

ITEM	PART NUMBER	QTY	DESCRIPTION	REV
122	See Note	AR	Protective Netting (Not Shown) (Note: Not Available for Purchase)	
123		Ref	Seal Options:	
123	70001248	1	Seal 2WS	
123	70002212	1	Seal 4WS	
124	See Note	4	Screw, Socket Head #10-24NC x 1/2in (Note: Not Available for Purchase)	
125	See Note	2	Locknut #10-24NC (Note: Not Available for Purchase)	
126	See Note	4	Flatwasher #10 (Note: Not Available for Purchase)	
127	70003454	1	Bracket, Switch Mounting	
128	4360517	1	Switch, Proximity	
200		Ref	Seal Kit Options:	
200A	70001248	1	Seal Kit 2WS (Includes Items 102, 103, 105, 106, 113, 114, 115 & 123)	
200B	70002212	1	Seal Kit 4WS (Includes Items 102, 103, 105, 106, 113, 114, 115 & 123)	

SECTION 2 - TURNTABLE

FIGURE 2-19. GROUND CONTROL BOX ASSEMBLY (WITHOUT UGM)



SECTION 2 - TURNTABLE

FIGURE 2-19. GROUND CONTROL BOX ASSEMBLY (WITHOUT UGM)

ITEM	PART NUMBER	QTY	DESCRIPTION	REV
		Ref	GROUND CONTROL BOX ASSEMBLIES	
		Ref	Caterpillar Engine	
	0861623	Ref	Caterpillar Engine 800A (SN 0300069000 through 0300087265)	C
	0861758	Ref	Caterpillar Engine 800A (SN 0300087266 through 0300099883)	B
	1810092	Ref	Caterpillar Engine 800A (SN 0300099884 through 0300140000)	D
	0861624	Ref	Caterpillar Engine 800AJ (SN 0300069000 through 0300087265)	C
	0861757	Ref	Caterpillar Engine 800AJ (SN 0300087266 through 0300099883)	B
	1810097	Ref	Caterpillar Engine 800AJ (SN 0300099884 through 0300140000)	D
		Ref	Deutz Engine	
	0861504	Ref	Deutz Engine 800A (SN 0300069000 through 0300085330)	K
	0861714	Ref	Deutz Engine 800A (SN 0300085331 through 0300099883)	B
	1810090	Ref	Deutz Engine 800A (SN 0300099884 through 0300129455)	C
	1001102238	Ref	Deutz Engine 800A (SN 0300129456 through 0300140000)	C
	0861505	Ref	Deutz Engine 800AJ (SN 0300069000 through 0300085330)	J
	0861715	Ref	Deutz Engine 800AJ (SN 0300085331 through 0300099883)	B
	1810095	Ref	Deutz Engine 800AJ (SN 0300099884 through 0300129455)	C
	1001102239	Ref	Deutz Engine 800AJ (SN 0300129456 through 0300140000)	C
1	0100011	AR	Compound, Locking	
2	0100048	AR	Grease, Dielectric	
3	0630518	2	Capscrew, Button Head	
4	0630548	5	Bolt, 2-1/2in Tap	
5	0641506	4	Bolt 5/16in-18NC x 3/4in	
6		Ref	Box, Fiberglass Options:	
6	0861407	1	Box, Fiberglass (SN 0300069000 through 0300112884)	
6	1001097164	1	Box, Fiberglass (SN 0300112885 through 0300140000)	
6A	7020246	2	Latch	
7		Ref	Module, Ground Control Options:	
		Ref	Note: Recalibration Required When Replaced.	
7	1600327	NLA	Module, Ground Control (Use p/n 2915014) (SN 0300069000 through 0300077250)	
7	1600364	1	Module, Ground Control (SN 0300077251 through 0300085330)	
7	1600364	1	Module, Ground Control (Caterpillar Engine Machines) (SN 0300085331 through 0300099883)	
7	1600411	1	Module, Ground Control (Caterpillar Engine Machines) (SN 0300099884 through 0300140000)	
7	1600411	1	Module, Ground Control (Deutz Engine Machines) (SN 0300085331 through 0300140000)	
8	1670829	1	Bezel	
9		Ref	Decal - Faceplate Options:	
9	1703467	1	Decal - Faceplate 800A (SN 0300069000 through 0300099883)	
9	1706912	1	Decal - Faceplate 800A (SN 0300099884 through 0300135086)	
9	1001102599	1	Decal - Faceplate 800A (SN 0300135087 through 0300140000)	
9	1703468	1	Decal - Faceplate 800AJ (SN 0300069000 through	

SECTION 2 - TURNTABLE

ITEM	PART NUMBER	QTY	DESCRIPTION	REV
9	1706913	1	0300099883) Decal - Faceplate 800AJ (SN 0300099884 through 0300135086)	
9	1001102600	1	Decal - Faceplate 800AJ (SN 0300135087 through 0300140000)	
10		Ref	Decal - Ground Control Display Options:	
10		Ref	Caterpillar Engine Machines	
10	1704833	1	Caterpillar Engine Machines (SN 0300069000 through 0300087265)	
10	1705753	1	Caterpillar Engine Machines (SN 0300087266 through 0300099884)	
10		Ref	Deutz Engine Machines	
10	1704833	1	Deutz Engine Machines (SN 0300069000 through 0300085330)	
10	1705753	1	Deutz Engine Machines (SN 0300085331 through 0300099884)	
10	1706712	1	Caterpillar and Deutz Engine Machines (SN 0300099884 through 0300140000)	
11	1705132	1	Decal - Control ADE (SN 0300069000 through 0300099884)	
12	2420172	1	Gauge, Hourmeter	
13	2760105	1	Housing, Display Light	
14	3300205	4	Nut, Retainer	
15	3300408	AR	Locknut, Plastic Insert	
16	3311401	10	Nut 1/4in-20NC	
17	3520035	1	Plug, Cap	
18	3539219	1	Plate, Reinforcement	
19	3740049	Ref	Relay Options:	
19	3740049	3	Caterpillar Engine Machines	
19	3740049	2	Deutz Engine Machines	
20	3900268	2	Screw, Flange #10 x 1/2in	
21	3910804	6	Screw #8-32NC x 1/4in	
22	4060906	Ref	Shield, Toggle Switch	
22	4060906	AR	Shield, Toggle Switch 800A	
22	4060906	8	Shield, Toggle Switch 800A (SN 0300069000 through 0300135086)	
22	4060906	1	Shield, Toggle Switch 800A (SN 0300135087 through 0300140000)	
22	4060906	AR	Shield, Toggle Switch 800AJ	
22	4060906	9	Shield, Toggle Switch 800AJ (SN 0300069000 through 0300135086)	
22	4060906	1	Shield, Toggle Switch 800AJ (SN 0300135087 through 0300140000)	
23	4070987	1	Shim (.015in)	
24	4360328	Ref	Switch, Toggle	
24	4360328	8	Switch, Toggle 800A	
24	4360328	9	Switch, Toggle 800AJ	
25	4360470	1	Switch, Key	
25	2860030	1	Key Replacement	
26	4360475	1	Switch, Emergency Stop	
26	7020175	1	Cap, Mushroom	
26	7020176	1	Block, Contact	
27	4360476	1	Switch, Contact Block	
28	4460426	AR	Connector, Strain Relief	
29	4460470	1	Nut, Terminal	

SECTION 2 - TURNTABLE

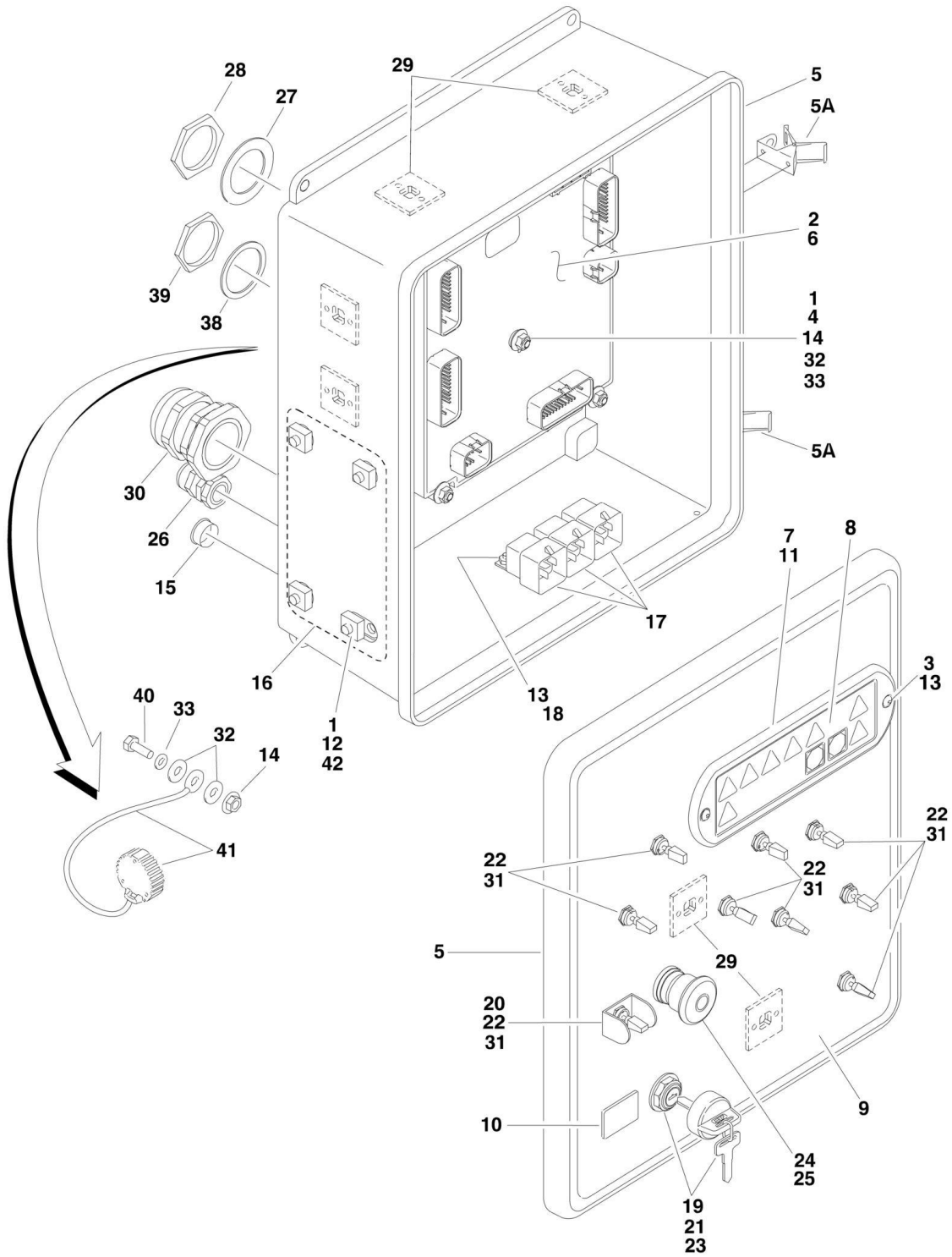
ITEM	PART NUMBER	QTY	DESCRIPTION	REV
30	4460471	1	Lockwasher, Terminal	
31	4460488	AR	Mounting Base, Terminal	
32	4460526	1	Connector, Strain Relief	
33	4460874	1	Connector, Natural	
34	4460875	1	Connector, Gray	
35	4460905	AR	Connector, Amp Seal	
36	4740444	AR	Washer, Special	
37	4751400	20	Flatwasher 1/4in	
38	4761400	15	Lockwasher 1/4in	
39	4922557	1	Harness, Valve (Not Shown - See ELECTRICAL SECTION for Breakdown)	
40	4922666	1	Harness, Analyzer Cable (Not Shown - See ELECTRICAL SECTION for Breakdown Only) (SN 0300069000 through 0300085331)	
41		Ref	Harness, Ground Control Box Options (Not Shown - See ELECTRICAL SECTION for Breakdown):	
41		Ref	Caterpillar Engine Machines	
41	4922675	1	Caterpillar Engine Machines (SN 0300069000 through 0300087265)	
41	4923282	1	Caterpillar Engine Machines (SN 0300087266 through 0300099884)	
41		Ref	Deutz Engine Machines	
41	4922675	1	Deutz Engine Machines (SN 0300069000 through 0300085330)	
41	4923223	1	Deutz Engine Machines (SN 0300085331 through 0300099884)	
41		Ref	Caterpillar and Deutz Engine Machines	
41	4923575	1	Caterpillar and Deutz Engine Machines (SN 0300099884 through 0300112884)	
41	1001096458	1	Caterpillar and Deutz Engine Machines (SN 0300112885 through 0300140000)	
42		Ref	Harness, Engine Options (Not Shown - See ELECTRICAL SECTION for Breakdown):	
42		Ref	Caterpillar Engine Machines	
42	4922933	1	Caterpillar Engine Machines (SN 0300069000 through 0300087265)	
42	4923280	1	Caterpillar Engine Machines (SN 0300087266 through 0300099883)	
42	4923585	1	Caterpillar Engine Machines (SN 0300099884 through 0300140000)	
42		Ref	Deutz Engine Machines	
42	4922549	1	Deutz Engine Machines (SN 0300069000 through 0300085330)	
42	4923238	1	Deutz Engine Machines (SN 0300085331 through 0300129455)	
42	1001102150	1	Deutz Engine Machines (SN 0300129456 through 0300140000)	
43		Ref	Ground Control Box Wiring Diagram (Not Shown - See ELECTRICAL SECTION for Breakdown)	
43		Ref	Caterpillar Engine Machines	
43	4923296	1	Caterpillar Engine Machines (SN 0300069000 through 0300087265)	
43	4923338	1	Caterpillar Engine Machines (SN 0300087266 through 0300099883)	
43	4933373	1	Caterpillar Engine Machines (SN 0300099884 through 0300140000)	

SECTION 2 - TURNTABLE

ITEM	PART NUMBER	QTY	DESCRIPTION	REV
43		Ref	Deutz Engine Machines	
43	4933232	1	Deutz Engine Machines (SN 0300069000 through 0300085330)	
43	4933321	1	Deutz Engine Machines (SN 0300085331 through 0300099883)	
43	4933372	1	Deutz Engine Machines (SN 0300099884 through 0300140000)	
44	0641410	2	Bolt 1/4in-20NC x 1-1/4in	
45	3311405	2	Locknut 1/4in-20NC	
46	1001094484	1	Controller, UMS Module	
47	4711400	4	Flatwasher 1/4in	

SECTION 2 - TURNTABLE

FIGURE 2-20. GROUND CONTROL BOX ASSEMBLY (WITH UGM)



SECTION 2 - TURNTABLE

FIGURE 2-20. GROUND CONTROL BOX ASSEMBLY (WITH UGM)

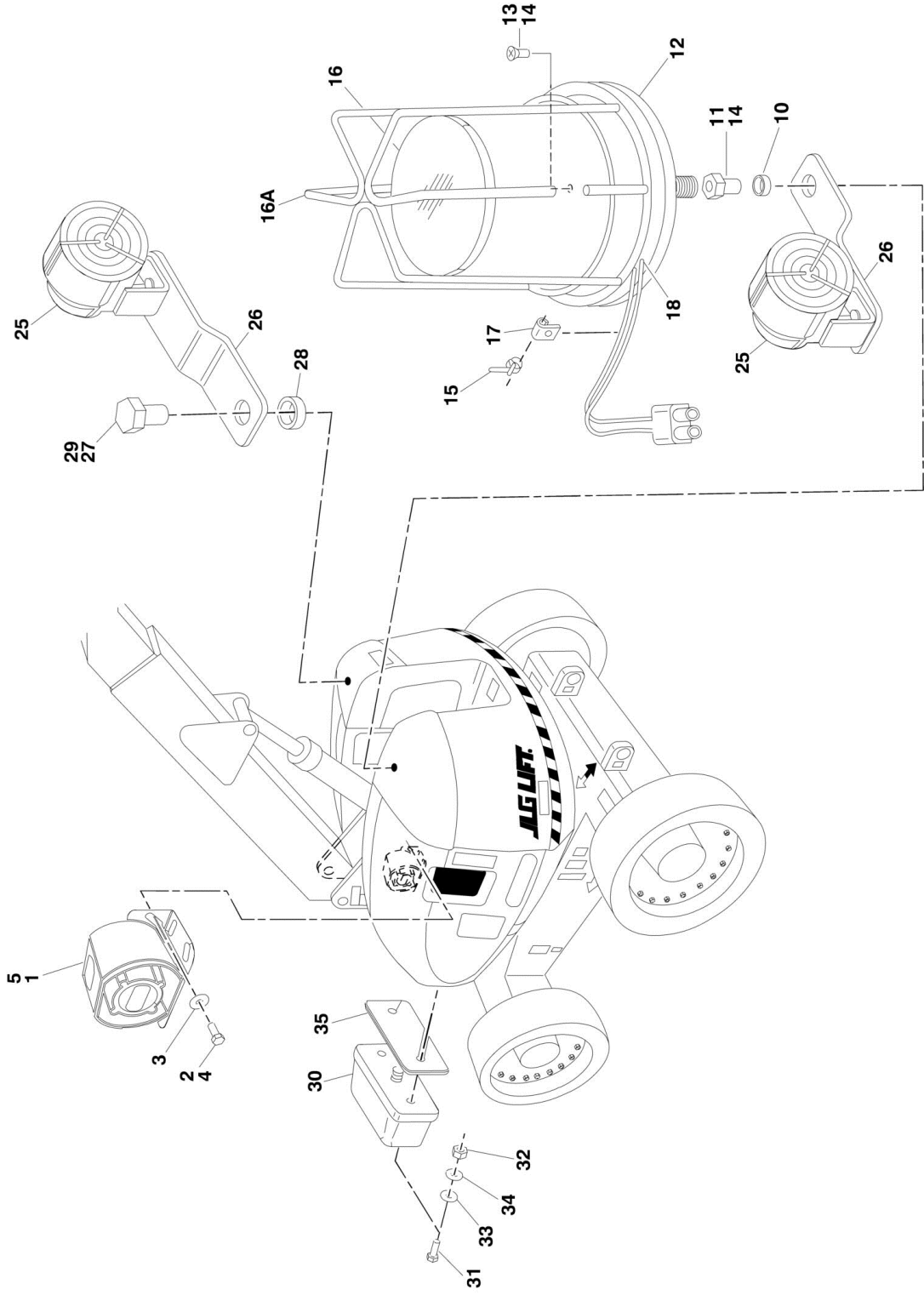
ITEM	PART NUMBER	QTY	DESCRIPTION	REV
		Ref	GROUND CONTROL BOX ASSEMBLIES	
	1001110319	Ref	Ground Control Box Assemblies 800A with Caterpillar Engine	B
	1001110315	Ref	Ground Control Box Assemblies 800A with Deutz Engine	B
	1001110320	Ref	Ground Control Box Assemblies 800AJ with Caterpillar Engine	B
	1001110316	Ref	Ground Control Box Assemblies 800AJ with Deutz Engine	B
1	0100011	AR	Compound, Locking	
2	0100048	AR	Grease, Dielectric	
3	0630518	2	Capscrew, Button Head	
4	0630548	5	Bolt, 2-1/2in Tap	
5	1001110199	1	Box, Fiberglass	
5A	7020246	2	Latch	
6	1001103667	1	Module, Ground Control (Note: Recalibration Required When Replaced.)	
7	1670829	1	Bezel	
8	1706712	1	Decal - Ground Control Display	
9		Ref	Decal - Faceplate Options:	
9	1001102599	1	Decal - Faceplate 800A	
9	1001102600	1	Decal - Faceplate 800AJ	
10	2420172	1	Gauge, Hourmeter	
11	2760105	1	Housing, Display Light	
12	3300205	4	Nut, Retainer	
13	3300408	AR	Locknut, Plastic Insert	
14	77143013	11	Nut 1/4in-20NC	
15	3520035	1	Plug, Cap	
16	3539219	1	Plate, Reinforcement	
17	3740049	Ref	Relay Options:	
17	3740049	3	Caterpillar Engine Machines	
17	3740049	2	Deutz Engine Machines	
18	3900268	AR	Screw, Flange #10 x 1/2in	
19	3910804	6	Screw #8-32NC x 1/4in	
20	4060906	1	Shield, Toggle Switch	
21	4070987	1	Shim (.015in)	
22	4360328	Ref	Switch, Toggle	
22	4360328	8	Switch, Toggle 800A	
22	4360328	9	Switch, Toggle 800AJ	
23	4360470	1	Switch, Key	
23	2860030	1	Key Replacement	
24	4360475	1	Switch, Emergency Stop	
24	7020175	1	Cap, Mushroom	
24	7020176	1	Block, Contact	
25	4360476	1	Switch, Contact Block	
26	4460426	1	Connector, Strain Relief	
27	4460470	1	Nut, Terminal	
28	4460471	1	Lockwasher, Terminal	
29	4460488	6	Mounting Base, Terminal	
30	4460526	1	Connector, Strain Relief	
31	4740444	AR	Washer, Special	
32	4751400	12	Flatwasher 1/4in	
33	4761400	6	Lockwasher 1/4in	

SECTION 2 - TURNTABLE

ITEM	PART NUMBER	QTY	DESCRIPTION	REV
34	4922557	1	Harness, Valve (Not Shown - See ELECTRICAL SECTION for Breakdown)	
35		Ref	Harness, Engine Options (Not Shown - See ELECTRICAL SECTION for Breakdown):	
35	1001110324	1	Caterpillar Engine Machines	
35	1001110222	1	Deutz Engine Machines	
36	1001110225	1	Harness, Ground Control Box Options (Not Shown - See ELECTRICAL SECTION for Breakdown):	
37		Ref	Ground Control Box Wiring Diagram (Not Shown - See ELECTRICAL SECTION for Breakdown)	
37	1001110323	1	Caterpillar Engine Machines	
37	1001110322	1	Deutz Engine Machines	
38	4460496	1	Lockwasher, Terminal	
39	4460497	1	Nut, Terminal	
40	0641407	1	Bolt 1/4in-20NC x 7/8in	
41	1001106736	1	Cap, Dust	
42	0641506	4	Bolt 5/16in-18NC x 3/4in	

SECTION 2 - TURNTABLE

FIGURE 2-21. ELECTRICAL OPTIONS INSTALLATION (TURNTABLE MOUNTED)



SECTION 2 - TURNTABLE

FIGURE 2-21. ELECTRICAL OPTIONS INSTALLATION (TURNTABLE MOUNTED)

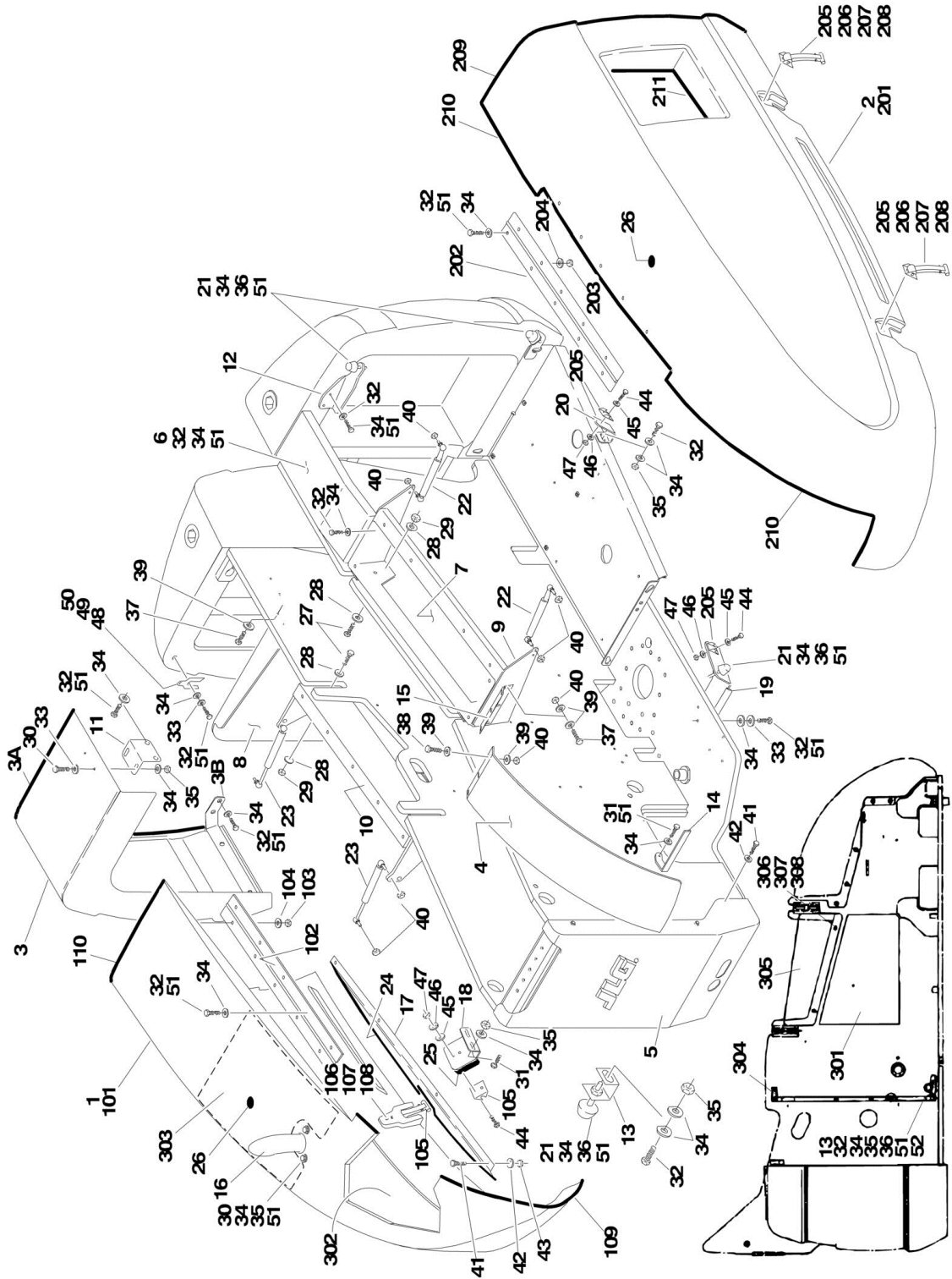
ITEM	PART NUMBER	QTY	DESCRIPTION	REV
		Ref	ELECTRICAL OPTIONS INSTALLATIONS (TURNTABLE MOUNTED)	
	0258674	Ref	ALARMS INSTALLATIONS	C
1	0257887	1	Alarm/Harness Assembly	
1	0140032	1	Alarm	
1	2820035	6 in/15cm	Loom	
1	4460424	1	Plug	
1	4460268	2	Socket	
2	0641508	2	Bolt 5/16in-18NC x 1in	
3	4711500	2	Flatwasher 5/16in Narrow	
4	0100011	AR	Compound, Locking	
5	0100048	AR	Sealant, Silicone	
	0271422	Ref	STROBE LIGHT INSTALLATIONS (AMBER) (OPTIONAL)	C
		Ref	Note: If machine is equipped with BLUE Strobe Light, See SPECIAL OPTIONS SECTION SkyGuard Kit.	
10	4220162	1	Spacer, Stop (Used with ECCO Model 6640 Only)	
11		Ref	Adapter Options:	
11	0630491	1	Adapter - Used with ECCO Model 6640 Only	
11	0080241	1	Adapter - Used with ECCO Model 6650 Only	
12	3539281	1	Plate, Mounting (Used with ECCO Model 6640 Only)	
13	0741606	1	Screw, Flathead Countersunk 3/8in-16NC x 3/4in (Used with ECCO Model 6640 Only)	
14	0100011	AR	Compound, Locking	
15	4240032	1	Wire-Tile	
16	0255917	NLA	Strobe Light/Guard/Harness Assembly (Use p/n 0272507)	
16		Ref	Bulb, Replacement Options:	
16	7016380	1	Bulb for ECCO Model 6640	
16	70001941	1	Bulb for ECCO Model 6650	
16A		Ref	Guard Options:	
16A	4060907	1	Guard - Used with ECCO Model 6640	
16A	2920215	1	Guard - Used with ECCO Model 6650	
17	4460234	1	Clamp	
18	0100048	AR	Sealant, Silicone	
	0271768	Ref	LIGHTS INSTALLATIONS (OPTIONAL)	C
25	2920110	2	Headlight	
26	0902206	2	Bracket, Mounting	
27	0642612	1	Bolt 1in-8NC x 1-1/2in	
28	4220162	2	Spacer	
29	0100011	AR	Compound, Locking	
30	2920113	2	Taillight	
31	3911040	4	Screw, Machine #10-24NC x 2-1/2in	
32	3311005	4	Nut #10-24NC	
33	4751000	4	Flatwasher #10	
34	4740362	4	Washer, Fender	
35	3960461	2	Gasket	
37	4240032	12	Tie-Strap (Not Shown)	
38	4460234	12	Mount, Tie-Strap (Not Shown)	
39		Ref	Switch, Toggle Options (Not Shown - Located on Console):	
39	4360336	1	Switch, Toggle (SN 0300069000 through 0300136487)	
39	4360522	1	Switch, Toggle (SN 0300136488 through 0300140000)	

SECTION 2 - TURNTABLE

ITEM	PART NUMBER	QTY	DESCRIPTION	REV
40	3790012	1	O-Ring (Not Shown - Located on Console) (SN 0300069000 through 0300136487)	
41	1705170	1	Decal, Lights (Not Shown) (SN 0300136488 through 0300140000)	

SECTION 2 - TURNTABLE

FIGURE 2-22. HOODS INSTALLATION (SN 0300069000 through 0300089981)



SECTION 2 - TURNTABLE

FIGURE 2-22. HOODS INSTALLATION (SN 0300069000 through 0300089981)

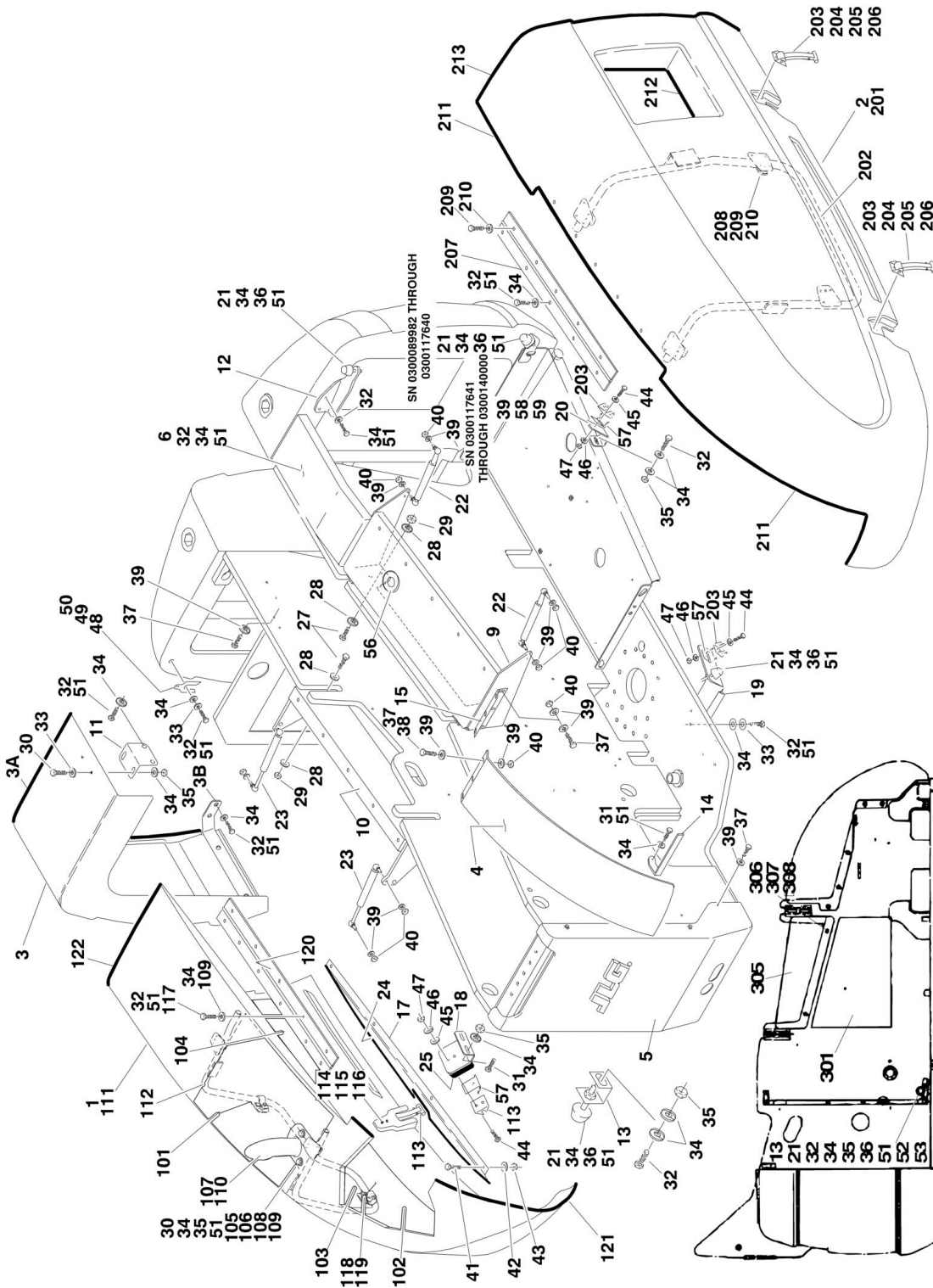
ITEM	PART NUMBER	QTY	DESCRIPTION	REV
	0258609	Ref	HOODS INSTALLATIONS	6-F
1	2680451	1	Hood Assembly - Engine Side (See Items 101-110 for Breakdown)	
		Ref	Note: Replacement Decals Must be Ordered Separately - See DECAL SECTION.	
2	2680448	1	Hood Assembly - Tank Side (See Items 201-211 for Breakdown)	
		Ref	Note: Replacement Decals Must be Ordered Separately - See DECAL SECTION.	
3	2680450	1	Spacer Assembly	
3A	3960453	68 in /1.73m	Seal	
3B	7023366	1	Bracket	
4	3380444	1	Panel, Adapter	
5	1670842	1	Cover, Turntable End	
6	3380442	1	Cover, Top (Tank Side)	
7	3380443	1	Cover, Bracket (Tank Side) (SN 0300069000 through 0300087266)	
		Ref	Note: Item 7 covered hole in Item 9 hood bracket prior to the revision that eliminated the hole.	
8	3539979	1	Plate, Baffle (SN 0300069000 through 0300076283)	
9	0902412	1	Bracket, Hood Mounting (Tank Side) (See Note under Item 7)	
10	0902351	1	Bracket, Hood Mounting (Engine Side)	
11	0902161	1	Bracket, Hood Spacer Mounting (Engine Side)	
12	0902426	1	Bracket, Bumper - Counterweight Mounted	
13	0902219	2	Bracket, Bumper	
14	0362770	1	Bar, Panel Mounting	
15	2600244	1	Adapter, Panel Hinge	
16	4845411	1	Exhaust Tube Weldment	
17	3539934	1	Plate, Seal	
18	0902491	1	Bracket, Latch (Engine Side)	
19	0902223	1	Bracket, Latch (Tank Side)	
20	0902143	1	Bracket, Latch Tank Side	
21	0940071	AR	Bumper	
22	4160139	1	Spring, Gas (Tank Side)	
23	4160143	1	Spring, Gas (Engine Side)	
24	3960389	3.5 ft/1m	Seal	
25	3960470	1	Seal, Latch	
26	3520033	2	Plug, Hole	
27	0630507	AR	Bolt, Carriage 1/2in-13NC x 1-1/4in	
28	4740171	AR	Washer, Hardened	
29	3311805	AR	Locknut 1/2in-13NC	
30	3900232	AR	Screw, Button Head 3/8in-16NC x 1-1/4in	
31	0641609	5	Bolt 3/8in-16NC x 1-1/8in	
32	0641608	22	Bolt 3/8in-16NC x 1in	
33	4740076	5	Washer, Fender	
34	4751600	AR	Flatwasher 3/8in	
35	3311605	AR	Locknut 3/8in-16NC	
36	3311601	AR	Nut 3/8in-16NC	
37	0641508	AR	Bolt 5/16in-18NC x 1in	
38	3900210	3	Screw, Button Head 5/16in-18NC x 3/4in	
39	4751500	AR	Flatwasher 5/16in	
40	3311505	AR	Locknut 5/16in-18NC	

SECTION 2 - TURNTABLE

ITEM	PART NUMBER	QTY	DESCRIPTION	REV
41	0641406	12	Bolt 1/4in-20NC x 3/4in	
42	4751400	AR	Flatwasher 1/4in	
43	3311405	AR	Locknut 1/4in-20NC	
44	0721006	6	Screw #10-24NC x 3/4in	
45	4751000	6	Flatwasher #10	
46	4761000	6	Lockwasher #10	
47	3311001	6	Nut #10-24NC	
48	4070410	AR	Shim 1/16in	
49	4070411	AR	Shim 1/8in	
50	4070412	AR	Shim 3/16in	
51	0100011	AR	Compound, Locking	
52	0940071	1	Bumper	
	2680451	Ref	HOOD ASSEMBLY (ENGINE SIDE)	B
101	2680436	NLA	Hood (Use p/n 2680451)	
102	2600209	1	Hinge	
103	3311605	4	Locknut 3/8in-16NC	
104	4751600	4	Flatwasher 3/8in	
105	2940088	1	Latch	
106	0721008	2	Screw, Machine #10-24NC x 1in	
107	4751000	2	Flatwasher #10	
108	3311005	2	Locknut #10-24NC	
109	3960464	65 in /1.67m	Seal	
110	3960462	61 in /1.55m	Seal	
	2680448	Ref	HOOD ASSEMBLY (TANK SIDE)	B
201	2680437	1	Hood	
202	2600233	1	Hinge	
203	3311605	5	Locknut 3/8in-16NC	
204	4711600	5	Flatwasher 3/8in Narrow	
205	2940088	2	Latch	
206	0721008	4	Screw, Machine #10-24NC x 1in	
207	4751000	4	Flatwasher #10	
208	3311005	4	Locknut #10-24NC	
209	3960462	53 in /1.35m	Seal	
210	3960464	83 in /2.11m	Seal	
211	3960438	55 in/1.4m	Seal	
	0256823	Ref	NOISE REDUCTION INSTALLATION (DEUTZ/CATERPILLAR ENGINE MACHINES)	3-C
301	2820078	1	Foam, Acoustical (Turntable Side)	
302	2820079	1	Foam, Acoustical (Hood Side)	
303	2820080	1	Foam, Acoustical (Hood Top)	
304	2820081	1	Foam, Acoustical (Located on #8) (SN 0300069000 through 0300076785)	
305	3539955	1	Plate, Baffle	
306	0641506	2	Bolt 5/16in-18NC x 3/4in	
307	4751500	2	Flatwasher 5/16in	
308	0100011	AR	Compound, Locking	

SECTION 2 - TURNTABLE

FIGURE 2-23. HOODS INSTALLATION (SN 0300089982 through 0300140000)



SECTION 2 - TURNTABLE

FIGURE 2-23. HOODS INSTALLATION (SN 0300089982 through 0300140000)

ITEM	PART NUMBER	QTY	DESCRIPTION	REV
		Ref	HOODS INSTALLATIONS	
	0274759	Ref	Caterpillar Engine Machines	F
		Ref	Deutz Engine Machines	
	0274759	Ref	Deutz Engine Machines (SN 0300089982 through 0300129455)	F
	1001099137	Ref	Deutz Engine Machines (SN 0300129456 through 0300140000)	B
1		Ref	Hood Assembly - Engine Side Options (See Items 101-122 for Breakdown):	
		Ref	Note: Replacement Decals Must be Ordered Separately - See DECAL SECTION.	
1	1671249	1	Caterpillar Engine Machines (SN 0300089982 through 0300140000)	
1	1671249	1	Deutz Engine Machines (SN 0300089982 through 0300129455)	
1	1001099138	1	Deutz Engine Machines (SN 0300129456 through 0300140000)	
2	1671228	1	Hood Assembly - Tank Side (see Items 201-213 for Breakdown)	
		Ref	Note: Replacement Decals Must be Ordered Separately - See DECAL SECTION.	
3	1671233	1	Spacer Assembly	
3A	3960453	68 in /1.73m	Seal	
3B	0903308	1	Bracket	
4	3380444	1	Panel, Adapter	
5	1670842	1	Cover, Turntable End	
6	3380442	1	Cover, Top (Tank Side)	
9	0902412	1	Bracket, Hood Mounting (Tank Side)	
10	0902351	1	Bracket, Hood Mounting (Engine Side)	
11	0902161	1	Bracket, Hood Spacer Mounting (Engine Side)	
12	0902426	1	Bracket, Bumper - Counterweight Mounted	
13	0902219	2	Bracket, Bumper	
14	0362770	1	Bar, Panel Mounting	
15	2600244	1	Adapter, Panel Hinge	
17	3571712	1	Plate, Seal	
18	0902491	1	Bracket, Latch (Engine Side)	
19	0902223	1	Bracket, Latch (Tank Side)	
20	0902143	1	Bracket, Latch (Tank Side)	
21	0940071	AR	Bumper	
22	4160139	2	Spring, Gas (Tank Side)	
23	4160143	1	Spring, Gas (Engine Side)	
24	3960389	3.5 ft/1m	Seal	
25	3960470	1	Seal, Latch	
27	0630507	AR	Bolt, Carriage 1/2in-13NC x 1-1/4in	
28	4740171	AR	Washer, Hardened	
29	3311805	AR	Locknut 1/2in-13NC	
30	3900232	AR	Screw, Button Head 3/8in-16NC x 1-1/4in	
31	0641609	5	Bolt 3/8in-16NC x 1-1/8in	
32	0641608	22	Bolt 3/8in-16NC x 1in	
33	4740076	5	Washer, Fender	
34	4751600	AR	Flatwasher 3/8in	

SECTION 2 - TURNTABLE

ITEM	PART NUMBER	QTY	DESCRIPTION	REV
35	3311605	AR	Locknut 3/8in-16NC	
36	3311601	AR	Nut 3/8in-16NC	
37	0641508	AR	Bolt 5/16in-18NC x 1in	
38	3900210	3	Screw, Button Head 5/16in-18NC x 3/4in (SN 0300089982 through 0300118453)	
39	4751500	AR	Flatwasher 5/16in	
40	3311505	AR	Locknut 5/16in-18NC	
41	0641406	4	Bolt 1/4in-20NC x 3/4in	
42	4751400	AR	Flatwasher 1/4in	
43	3311405	AR	Locknut 1/4in-20NC	
44	0721006	6	Screw #10-24NC x 3/4in	
45	4751000	6	Flatwasher #10	
46	4761000	6	Lockwasher #10	
47	3311001	6	Nut #10-24NC	
48	4070410	AR	Shim 1/16in	
49	4070411	AR	Shim 1/8in	
50	4070412	AR	Shim 3/16in	
51	0100011	AR	Compound, Locking	
52		Ref	Bumper Options:	
52	0940088	1	Bumper (SN 0300089982 through 0300118452)	
52	0940071	1	Bumper (SN 0300118453 through 0300140000)	
53	3321501	2	Nut 5/16in-24NF	
56	1120601	1	Cap, Plug (SN 0300098644 through 0300140000)	
57	2940188	3	Latch, Spring Clip (SN 0300098644 through 0300140000)	
58		Ref	Hardware Options:	
58	0940071	1	Bumper (SN 0300089982 through 0300118452)	
58	0940049	1	Stopper, Hood (SN 0300118453 through 0300140000)	
59	3311501	2	Nut 5/16in-18NC (SN 0300118453 through 0300140000)	
		Ref	HOOD ASSEMBLIES (ENGINE SIDE)	
	1671249	Ref	Caterpillar Engine Machines	D
		Ref	Deutz Engine Machines	
	1671249	Ref	Deutz Engine Machines (SN 0300089982 through 0300129455)	D
	1001099138	Ref	Deutz Engine Machines (SN 0300129456 through 0300140000)	B
101		Ref	Foam Options:	
101	2820080	1	Foam (SN 0300089982 through 0300124624)	
101	1001101391	1	Foam (SN 0300124625 through 0300129455)	
101		Ref	Foam (SN 0300129456 through 0300140000)	
101	1001101391	1	Caterpillar Engine Machines	
101	1001101673	1	Deutz Engine Machines	
102	2820233	1	Insulation, Rear Sound	
103	2820234	1	Insulation, Center Sound	
104	2820235	1	Insulation, Rear Sound	
105	3311605	AR	Locknut 3/8inx16NC	
106	3900232	AR	Screw, Button Head 3/8in-16NC x 1-1/4in	
107		Ref	Shield, Heat Gasket Options:	
107	4061010	1	Shield, Heat Gasket (SN 0300089982 through 0300124624)	
107	1001101392	1	Shield, Heat Gasket (SN 0300124625 through 0300129455)	
107		Ref	Shield, Heat Gasket (SN 0300129456 through 0300140000)	
107	1001101392	1	Caterpillar Engine Machines	
107	1001101623	1	Deutz Engine Machines	

SECTION 2 - TURNTABLE

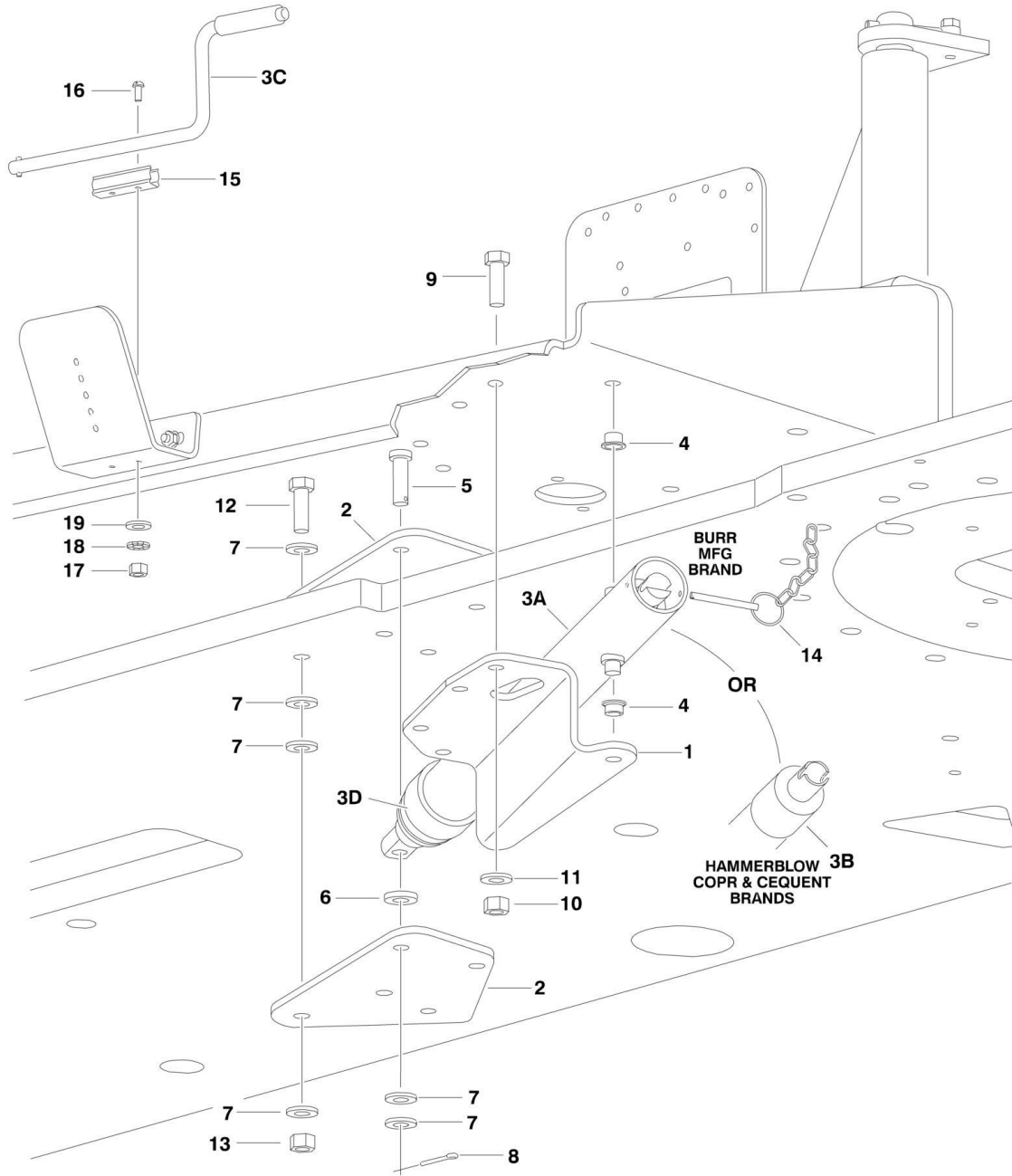
ITEM	PART NUMBER	QTY	DESCRIPTION	REV
108	4740500	AR	Washer (Special)	
109	4751600	AR	Flatwasher 3/8in	
110		Ref	Exhaust Tube Weldment Options:	
110	4845411	1	Exhaust Tube Weldment (SN 0300089982 through 0300129455)	
110		Ref	Exhaust Tube Weldment (SN 0300129456 through 0300140000)	
110	4845411	1	Caterpillar Engine Machines	
110	1001099121	1	Deutz Engine Machines	
111		Ref	Hood Kit Options:	
		Ref	Note: Replacement Decals Must be Ordered Separately - See DECAL SECTION.	
111	1001097965	1	Hood Kit (Includes Items 151, 152, 153, 154, 157 & 158) (SN 0300089982 through 0300129455)	
111		Ref	Hood Kit (SN 0300129456 through 0300140000)	
111	1001097965	1	Caterpillar Engine Machines (Includes Items 151, 152, 153, 154, 157 & 158)	
111	1001099139	1	Deutz Engine Machines (Must also purchase Items 101, 102, 103, 104, 107 & 108)	
112	1671230	1	Frame, Tubular	
113	2940088	1	Latch	
114	0721008	2	Screw, Machine #10-24NC x 1in	
115	4751000	2	Flatwasher #10	
116	3311005	2	Locknut #10-24NC	
117	0641608	AR	Bolt 3/8in-16NC x 1in	
118	1321384	4	Hold Down	
119	0641606	4	Bolt 3/8in-16NC x 3/4in	
120	2600209	1	Hinge	
121	3960464	65 in /1.67m	Seal	
122	3960462	61 in /1.55m	Seal	
	1671228	Ref	HOOD ASSEMBLY (TANK SIDE)	A
201	1671231	1	Hood	
202	1671232	1	Frame, Tubular	
203	2940088	2	Latch	
204	0721008	4	Screw, Machine #10-24NC x 1in	
205	4751000	4	Flatwasher #10	
206	3311005	4	Locknut #10-24NC	
207	2600233	1	Hinge	
208	1321384	4	Hold Down	
209	0641606	9	Bolt 3/8in-16NC x 3/4in	
210	4711600	9	Flatwasher 3/8in Narrow	
211	3960464	83 in /2.11m	Seal	
212	3960438	55 in/1.4m	Seal	
213	3960462	53 in /1.35m	Seal	
	0256823	Ref	NOISE REDUCTION INSTALLATION (CATERPILLAR/DEUTZ ENGINE MACHINES)	3-C
301	2820078	1	Foam, Acoustical (Turntable Side)	
305	3539955	1	Plate, Baffle	
306	0641506	2	Bolt 5/16in-18NC x 3/4in	
307	4751500	2	Flatwasher 5/16in	

SECTION 2 - TURNTABLE

ITEM	PART NUMBER	QTY	DESCRIPTION	REV
308	0100011	AR	Compound, Locking	

SECTION 2 - TURNTABLE

FIGURE 2-24. ENGINE TRAY JACK INSTALLATION (OPTIONAL)



SECTION 2 - TURNTABLE

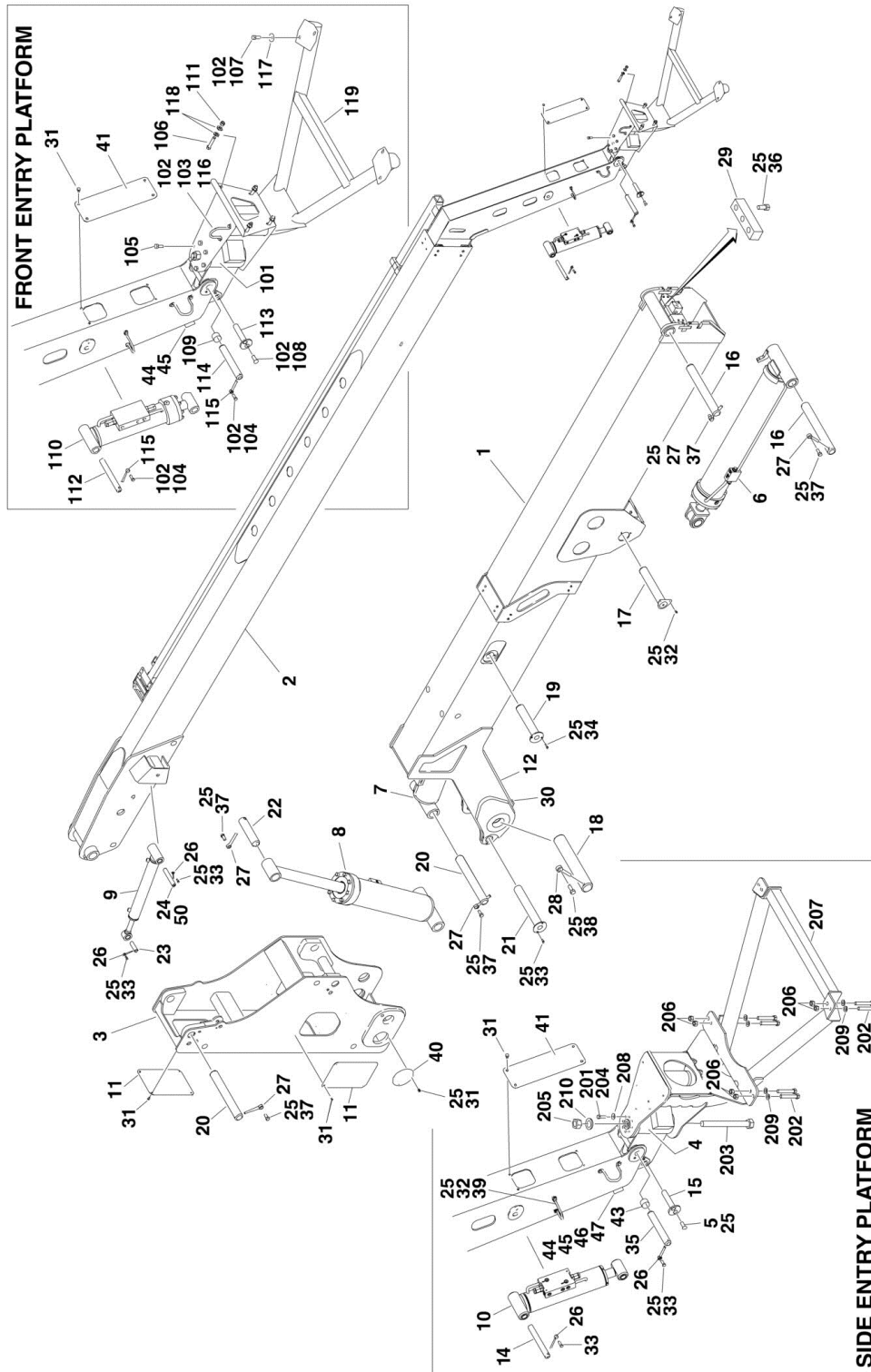
FIGURE 2-24. ENGINE TRAY JACK INSTALLATION (OPTIONAL)

ITEM	PART NUMBER	QTY	DESCRIPTION	REV
	0258728	Ref	ENGINE TRAY JACK INSTALLATION	2-C
1	3537445	1	Bracket	
2	3537446	2	Bracket	
3	2840016	1	Jack and Handle Assembly Options:	F
3A		Ref	Burr Manufacturing Brand	
3B		Ref	Hammerblow/Cequent Corp Brand	
3C		Ref	Handle Options:	
3C	7016374	1	Burr Manufacturing Brand	
3C	7024598	1	Hammerblow/Cequent Corp Brand	
3D	7016322	1	Wiper (Burr Manufacturing Brand Only)	
4	0962051	2	Bearing, Flange	
5	3430816	1	Pin, Clevis	
6	4891800	1	Washer, Hardened	
7	4711800	6	Flatwasher 1/2in Narrow	
8	3450404	1	Pin, Cotter 1/8in x 1in	
9	0641609	4	Bolt 3/8in-16NC x 1-1/8in	
10	3311605	4	Locknut 3/8in-16NC	
11	4891600	4	Washer, Hardened	
12	0641818	4	Bolt 1/2in-13NC x 2-1/4in	
13	3311805	4	Locknut 1/2in-13NC	
14	3422530	1	Pin, Hitch (SN 0300069000 through 0300070638)	
15	1380147	1	Clip, Spring	
16	3910608	2	Screw, Round Head #6-32NC x 1in	
17	3310601	2	Nut #6-32NC	
18	4770600	2	Starwasher #6	
19	4740119	2	Washer, Aluminum	

SECTION 3 - BOOM

SECTION 3 - BOOM

FIGURE 3-1. BOOM AND CYLINDER INSTALLATION - 800A



SECTION 3 - BOOM

FIGURE 3-1. BOOM AND CYLINDER INSTALLATION - 800A

ITEM	PART NUMBER	QTY	DESCRIPTION	REV
		Ref	BOOMS AND CYLINDERS INSTALLATIONS - 800A	
	0257760	Ref	FRONT ENTRY PLATFORM	E
	0272381	Ref	SIDE ENTRY PLATFORM	E
1	0801132	1	Boom Assembly - Tower (See TOWER BOOM ASSEMBLY for Breakdown)	
2	0801135	1	Boom Assembly - Main (See MAIN BOOM ASSEMBLY for Breakdown)	
3	4845593	1	Upright Weldment	
4		Ref	Rotator Actuator Assembly Options:	
4	See Note	1	Front Entry Platform (Note: See Item 101)	
4	0060069	1	Side Entry Platform (See ROTATOR ASSEMBLY (SIDE ENTRY PLATFORM for Breakdown)	
5	0741607	1	Screw, Countersunk 3/8in-16NC x 7/8in	
6	1683537	NLA	Lift Cylinder Assembly - Tower Boom (Use p/n 1001228009) (See CYLINDER SECTION for Breakdown) (Original Equipment)	
6	1001228009	1	Lift Cylinder Assembly - Tower Boom (See CYLINDER SECTION for Breakdown) (Service Replacement)	
7	1683546	NLA	Level Cylinder Assembly - Upright (Use p/n 1001228041) (See CYLINDER SECTION for Breakdown) (Original Equipment)	
7	1684497	NLA	Level Cylinder Assembly - Upright (Use p/n 1001228041) (See CYLINDER SECTION for Breakdown) (Service Replacement)	
7	1001228041	1	Level Cylinder Assembly - Upright (See CYLINDER SECTION for Breakdown) (Service Replacement)	
8	1683547	NLA	Lift Cylinder Assembly - Main Boom (Use p/n 1001228010) (See CYLINDER SECTION for Breakdown) (Original Equipment)	
8	1001228010	1	Lift Cylinder Assembly - Main Boom (See CYLINDER SECTION for Breakdown) (Service Replacement)	
9	1683608	NLA	Master Cylinder Assembly (Use p/n 1001228011) (See CYLINDER SECTION for Breakdown) (Original Equipment)	
9	1001228011	1	Master Cylinder Assembly (See CYLINDER SECTION for Breakdown) (Service Replacement)	
10	1683610	NLA	Slave Cylinder Assembly (Use p/n 1001228033) (See CYLINDER SECTION for Breakdown)	
10	1684408	NLA	Slave Cylinder Assembly (Use p/n 1001228033) (See CYLINDER SECTION for Breakdown) (Service Replacement)	
10	1001228033	1	Slave Cylinder Assembly (See CYLINDER SECTION for Breakdown) (Service Replacement)	
11	1670844	4	Cover, Upright	
12	1670850	1	Cover, Tower Fly	
14	3422578	1	Pin	
15	3422580	1	Pin	
16	3422681	2	Pin	
17	3422729	1	Pin	
18	3422683	1	Pin	
19	3422684	1	Pin	
20	3422685	2	Pin	
21	3422686	1	Pin	
22	3422687	1	Pin	
23	3422688	1	Pin	
24	3422689	1	Pin	
25	0100011	AR	Compound, Locking	
26	3841143	2	Keeper, Pin	
27	3841287	5	Keeper, Pin	

SECTION 3 - BOOM

ITEM	PART NUMBER	QTY	DESCRIPTION	REV
28	3841356	1	Keeper, Pin	
29	3340835	1	Pad, Rest	
30	0641404	4	Bolt 1/4in-20NC x 1/2in	
31	0641604	28	Bolt 3/8in-16NC x 1/2in	
32	0641606	6	Bolt 3/8in-16NC x 3/4in	
33	0641608	6	Bolt 3/8in-16NC x 1in	
34	0641611	2	Bolt 3/8in-16NC x 1-3/8in	
35	3422582	1	Pin	
36	0641820	3	Bolt 1/2in-13NC x 2-1/2in	
37	0642214	5	Bolt 3/4in-10NC x 1-3/4in	
38	0642620	1	Bolt 1in-8NC x 2-1/2in	
39	3841340	AR	Rod, Hose Loop	
40	1120510	1	Cover, Upright	
41	1670864	1	Cover, Fly Hose	
43	0961951	2	Bearing	
44		Ref	Bolt Options:	
44	0641514	1	Bolt 5/16in-18NC x 1-3/4in (SN 0300069000 through 0300110180)	
44	0641516	1	Bolt 5/16in-18NC x 2in (SN 0300110181 through 0300140000)	
45	1320159	1	Clamp	
46	4711500	1	Flatwasher 5/16in Narrow (SN 0300110181 through 0300140000)	
47	3311505	1	Locknut 5/16in x 18NC (SN 0300110181 through 0300140000)	
50	3900239	1	Setscrew 3/8in-16NC x 1/2in	
	0258765	Ref	ROTATOR AND SUPPORT INSTALLATION (FRONT ENTRY PLATFORM)	D
101	0060041	NLA	Rotator Actuator Assembly (Use p/n 0060077) (See ROTATOR ASSEMBLY (FRONT ENTRY PLATFORM for Breakdown) (Note: Use p/n 0060069 for machines equipped with Fall Arrest Platforms)	
102	0100011	AR	Compound, Locking	
103	0641606	2	Bolt 3/8in-16NC x 3/4in	
104	0641608	2	Bolt 3/8in-16NC x 1in	
105	0641810	6	Bolt 1/2in-13NC x 1-1/4in	
106	0641820	4	Bolt 1/2in-13NC x 2-1/2in	
107	0681610	4	Bolt 3/8in-16NC x 1-1/4in (Grade 8)	
108	0741607	1	Screw, Countersunk 3/8in-16NC x 7/8in	
109	0961951	2	Bearing	
110		Ref	Slave Cylinder Assembly Options (See CYLINDER SECTION for Breakdown):	
110	1683610	1	Slave Cylinder Assembly (SN 0300069000 through 0300080871)	
110	1684408	1	Slave Cylinder Assembly (SN 0300080872 through 0300140000)	
111	3311805	4	Locknut 1/2in-13NC	
112	3422578	1	Pin	
113	3422580	1	Pin	
114	3422582	1	Pin	
115	3841143	2	Keeper, Pin	
116	3841340	1	Rod, Hose Loop	
117	4711600	4	Flatwasher 3/8in Narrow	
118	4711800	8	Flatwasher 1/2in Narrow	
119	4845703	1	Support Weldment	

SECTION 3 - BOOM

ITEM	PART NUMBER	QTY	DESCRIPTION	REV
		Ref	PLATFORM SUPPORT INSTALLATION (SIDE ENTRY PLATFORM)	
	0272070	Ref	Machines without Load Sensing and without SkyGlazier	D
	See Note	Ref	Machines without Load Sensing and with SkyGlazier (Note: For Replacement Parts, Contact JLG Customer Service and Request Manual p/n 3124242)	
	See Note	Ref	Machines with Load Sensing and without SkyGlazier (Note: For Replacement Parts, Contact JLG Customer Service and Request Manual p/n 3124287)	
	See Note	Ref	Machines with Load Sensing and with SkyGlazier (Note: For Replacement Parts, Contact JLG Customer Service and Request Manual p/n 3124287)	
201	0100011	AR	Compound, Locking	
202	0641812	8	Bolt 1/2in-13NC x 1-1/2in	
203	0642684	1	Bolt 1in-8NC x 10-1/2in	
204	0681608	8	Bolt 3/8in-16NC x 1in	
205	3272605	1	Locknut 1in-8NC	
206	3311805	8	Locknut 1/2in-13NC	
207	4846573	1	Support Weldment	
208	4891600	8	Flatwasher 3/8in (Hardened)	
209	4891800	8	Flatwasher 1/2in (Hardened)	
210	4892600	1	Flatwasher 1in (Hardened)	

SECTION 3 - BOOM

FIGURE 3-2. BOOM AND CYLINDER INSTALLATION - 800AJ

ITEM	PART NUMBER	QTY	DESCRIPTION	REV
		Ref	BOOMS AND CYLINDERS INSTALLATION - 800AJ	
	0257761	Ref	FRONT ENTRY PLATFORM	D
	0272131	Ref	SIDE ENTRY PLATFORM	H
1	0801132	1	Boom Assembly - Tower (See TOWER BOOM ASSEMBLY for Breakdown)	
2	0801136	1	Boom Assembly - Main (See MAIN BOOM ASSEMBLY for Breakdown)	
3	4845593	1	Upright Weldment	
4		Ref	Rotator Actuator Assembly Options:	
4	0060031	NLA	Front Entry Platform (Use p/n 1001103095) (See ROTATOR ASSEMBLY (FRONT ENTRY PLATFORM for Breakdown)	
		Ref	(Note: Use p/n 0060066 for machines equipped with Fall Arrest Platforms)	
4	0060066	1	Side Entry Platform (See ROTATOR ASSEMBLY (SIDE ENTRY PLATFORM for Breakdown)	
6	4844816	1	Tube Weldment - Jib Top	
6A	0962335	4	Bearing	
7	4844817	2	Tube Weldment - Jib Bottom	
8	4845716	1	Pivot Weldment	
9	1683537	NLA	Lift Cylinder Assembly - Tower Boom (Use p/n 1001228009) (See CYLINDER SECTION for Breakdown) (Original Equipment)	
9	1001228009	1	Lift Cylinder Assembly - Tower Boom (See CYLINDER SECTION for Breakdown) (Service Replacement)	
10	1683546	NLA	Level Cylinder Assembly - Upright (Use p/n 1001228041) (See CYLINDER SECTION for Breakdown) (Original Equipment)	
10	1684497	NLA	Level Cylinder Assembly - Upright (Use p/n 1001228041) (See CYLINDER SECTION for Breakdown) (Service Replacement)	
10	1001228041	1	Level Cylinder Assembly - Upright (See CYLINDER SECTION for Breakdown) (Service Replacement)	
11	1683547	NLA	Lift Cylinder Assembly - Main Boom (Use p/n 1001228010) (See CYLINDER SECTION for Breakdown) (Original Equipment)	
11	1001228010	1	Lift Cylinder Assembly - Main Boom (See CYLINDER SECTION for Breakdown) (Service Replacement)	
12	1683609	NLA	Lift Cylinder Assembly - Jib (Use p/n 1001248012) (See CYLINDER SECTION for Breakdown) (Original Equipment)	
12	1001228012	NLA	Lift Cylinder Assembly - Jib (Use p/n 1001248012) (See CYLINDER SECTION for Breakdown) (Service Replacement)	
12	1001248012	1	Lift Cylinder Assembly - Jib (See CYLINDER SECTION for Breakdown) (Service Replacement)	
13	1683677	NLA	Slave Cylinder Assembly (Use p/n 1001228030) (See CYLINDER SECTION for Breakdown) (Original Equipment)	
13	1684228	NLA	Slave Cylinder Assembly (Use p/n 1001228030) (See CYLINDER SECTION for Breakdown) (Service Replacement)	
13	1001228030	1	Slave Cylinder Assembly (See CYLINDER SECTION for Breakdown) (Service Replacement)	
14	1683682	NLA	Master Cylinder Assembly (Use p/n 1001228050) (See CYLINDER SECTION for Breakdown) (Original Equipment)	
14	1001228050	1	Master Cylinder Assembly (See CYLINDER SECTION for Breakdown) (Service Replacement)	
15	1120510	4	Cover, Upright	
16	1670769	1	Cover, Cable	
17	1670844	4	Cover, Upright	
18	1670850	1	Cover, Tower Fly	
19	0961947	AR	Bearing	

SECTION 3 - BOOM

ITEM	PART NUMBER	QTY	DESCRIPTION	REV
20	3422860	AR	Pin (SN 0300069000 through 0300140000)	
21	3422861	2	Pin (SN 0300069000 through 0300140000)	
22	3422867	1	Pin (SN 0300069000 through 0300140000)	
23	3422561	2	Pin	
25	3422583	1	Pin	
26	3422681	2	Pin	
27	3422683	1	Pin	
28	3422684	1	Pin	
29	3422685	2	Pin	
30	3422686	1	Pin	
31	3422687	1	Pin	
32	3422688	1	Pin	
33	3422689	1	Pin	
34	3422729	1	Pin	
35	3340835	1	Pad, Rest	
36	0561237	2	Clamp, Block	
37	0100011	AR	Compound, Locking	
38	3841143	7	Keeper, Pin	
39	3841287	5	Keeper, Pin	
40	3841340	1	Rod, Hose Loop	
41	3841356	1	Keeper, Pin	
42	0641404	4	Bolt 1/4in-20NC x 1/2in	
43	0641416	4	Bolt 1/4in-20NC x 2in	
44	0641604	24	Bolt 3/8in-16NC x 1/2in	
45	0641606	4	Bolt 3/8in-16NC x 3/4in	
46	0641607	3	Bolt 3/8in-16NC x 7/8in	
47	0641608	AR	Bolt 3/8in-16NC x 1in	
48	0641611	1	Bolt 3/8in-16NC x 1-3/8in	
49		Ref	Bolt Options:	
49	0641612	2	Bolt 3/8in-16NC x 1-1/2in (SN 0300069000 through 0300099628)	
49	0641611	2	Bolt 3/8in-16NC x 1-3/8in (SN 0300099629 through 0300140000)	
50	0641614	1	Bolt 3/8in-16NC x 1-3/4in (Front Entry Platform Only)	
51	0641618	4	Bolt 3/8in-16NC x 2-1/4in	
53	0641820	3	Bolt 1/2in-13NC x 2-1/2in	
54	0642214	5	Bolt 3/4in-10NC x 1-3/4in	
55	0642620	1	Bolt 1in-8NC x 2-1/2in	
57	0741607	1	Screw, Countersunk 3/8in-16NC x 7/8in	
58	2080044	4	Rivnut 1/4in-20NC	
59	3311605	5	Locknut 3/8in-16NC	
61	3900239	1	Setscrew 3/8in-16NC x 1/2in	
64	4740439	2	Washer, Thrust	
65	0962335	4	Bearing (SN 0300069000 through 0300096488)	
	0258766	Ref	ROTATOR AND SUPPORT INSTALLATION (FRONT ENTRY PLATFORM)	E
101	See Item 4	1	Rotator Actuator Assembly (See ROTATOR ASSEMBLY (FRONT ENTRY PLATFORM) for Breakdown)	
102	0100011	AR	Compound, Locking	
103	0641606	2	Bolt 3/8in-16NC x 3/4in	
104	0641810	6	Bolt 1/2in-13NC x 1-1/4in	
105	0681610	4	Bolt 3/8in-16NC x 1-1/4in (Grade 8)	

SECTION 3 - BOOM

ITEM	PART NUMBER	QTY	DESCRIPTION	REV
106	0641820	4	Bolt 1/2in-13NC x 2-1/2in	
107	3311805	4	Locknut 1/2in-13NC	
108	3841340	1	Rod, Hose Loop	
109	4711600	4	Flatwasher 3/8in Narrow	
110	4711800	8	Flatwasher 1/2in Narrow	
111	4844790	1	Support Weldment	
		Ref	PLATFORM SUPPORT INSTALLATION (SIDE ENTRY PLATFORM)	
	0272070	Ref	Machines without Load Sensing and without SkyGlazier	D
	See Note	Ref	Machines without Load Sensing and with SkyGlazier (Note: Refer to JLG Supplement p/n 3124242 for Components)	
	See Note	Ref	Machines with Load Sensing and without SkyGlazier (Note: Refer to JLG Supplement p/n 3124287 for Components)	
	See Note	Ref	Machines with Load Sensing and with SkyGlazier (Note: Refer to JLG Supplement p/n 3124287 for Components)	
201	0100011	AR	Compound, Locking	
202	0641812	8	Bolt 1/2in-13NC x 1-1/2in	
203	0642684	1	Bolt 1in-8NC x 10-1/2in	
204	0681608	8	Bolt 3/8in-16NC x 1in	
205	3272605	1	Locknut 1in-8NC	
206	3311805	8	Locknut 1/2in-13NC	
207	4846573	1	Support Weldment	
208	4891600	8	Flatwasher 3/8in (Hardened)	
209	4891800	8	Flatwasher 1/2in (Hardened)	
210	4892600	1	Flatwasher 1in (Hardened)	

SECTION 3 - BOOM

FIGURE 3-3. TOWER BOOM ASSEMBLY

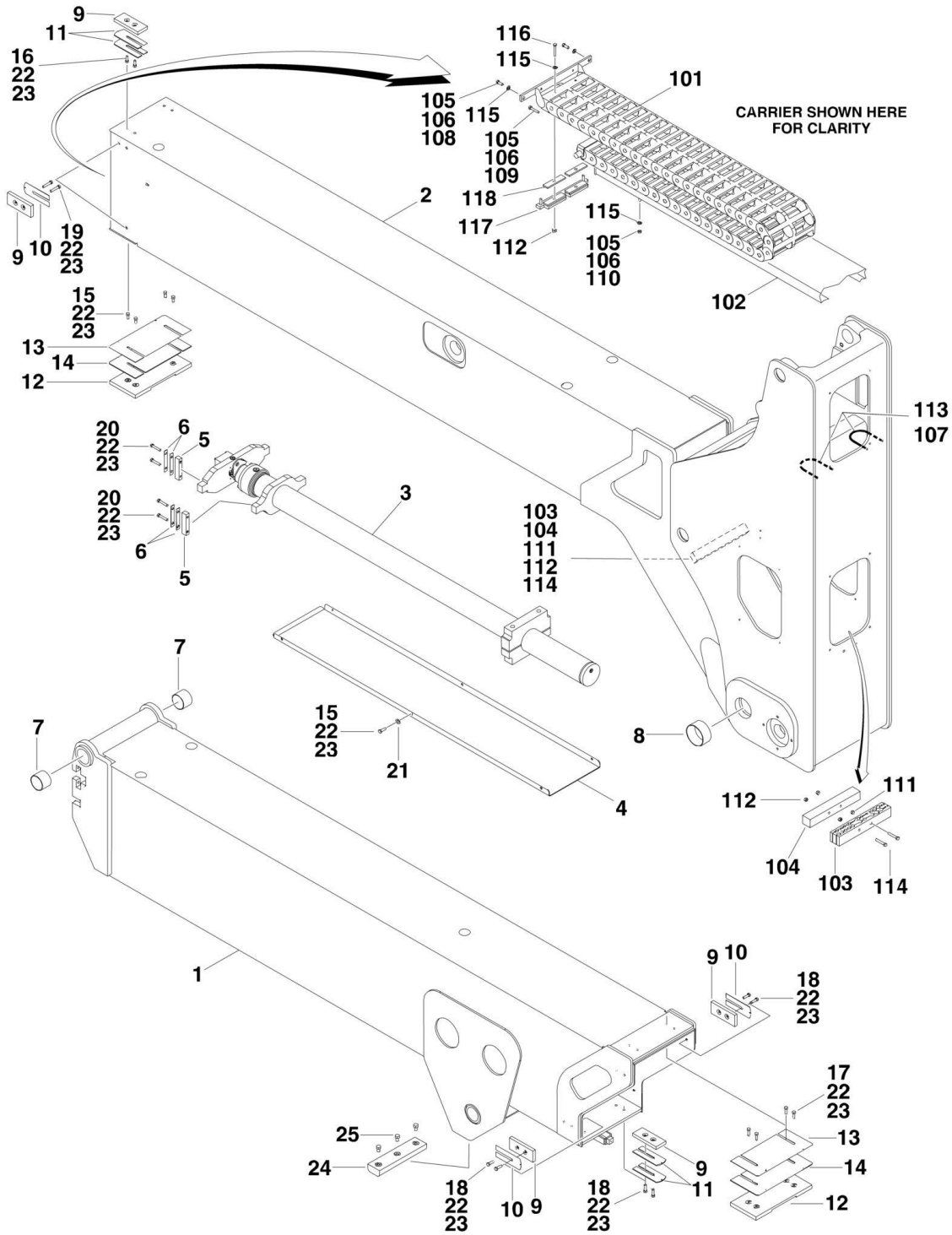


FIGURE 3-3. TOWER BOOM ASSEMBLY

ITEM	PART NUMBER	QTY	DESCRIPTION	REV
	0801132	Ref	TOWER BOOM ASSEMBLY	E
1		Ref	Base Weldment Options:	
1	0801133	NLA	Base Weldment (Use p/n 0801594) (SN 0300069000 through 0300103804)	
1	0801594	1	Base Weldment (SN 0300103805 through 0300140000)	
2		Ref	Fly Weldment Options:	
2	0801134	NLA	Fly Weldment (was p/n 0801496) (SN 0300069000 through 0300106000)	
2	0801496	1	Fly Weldment (SN 0300106001 through 0300140000)	
3	1683606	NLA	Cylinder Assembly - Tower Telescope (Use p/n 1001228086) (See CYLINDER SECTION for Breakdown) (Original Equipment)	
3	1001188840	NLA	Cylinder Assembly - Tower Telescope (Use p/n 1001228086) (See CYLINDER SECTION for Breakdown) (Service Replacement)	
3	1001228086	1	Cylinder Assembly - Tower Telescope (See CYLINDER SECTION for Breakdown) (Service Replacement)	
4	4340706	1	Support	
5	0561185	4	Block, Attach	
6	4070929	8	Shim 1/16in	
7	0962102	2	Bushing	
8	0962122	2	Bushing	
9	3340881	12	Pad, Wear	
10	4070897	8	Shim .05	
11	4070898	8	Shim .12	
12	3340828	2	Pad, Wear	
13	4070967	2	Shim .05	
14	4070968	2	Shim .12	
15	0641607	10	Bolt 3/8in-16NC x 7/8in	
16	0641608	4	Bolt 3/8in-16NC x 1in	
17	0641609	4	Bolt 3/8in-16NC x 1-1/8in	
18	0641610	12	Bolt 3/8in-16NC x 1-1/4in	
19	0641615	8	Bolt 3/8in-16NC x 1-7/8in	
20	0641616	8	Bolt 3/8in-16NC x 2in	
21	4711600	6	Flatwasher 3/8in Narrow	
22	0100011	AR	Compound, Locking	
23	0100038	AR	Primer, Locking	
24	3340835	1	Pad, Boom Rest	
25	0641806	3	Bolt 1/2in-13NC x 3/4in	
	0257764	Ref	POWER TRACK INSTALLATION	H
101	1180346	1	Carrier	
101	7020064	1	Bracket, End (Moving)	
101	7020065	1	Bracket, End (Fixed)	
101	7020066	1	Section, Repair	
101	7020067	1	Link, Repair	
102	4845680	1	Hose Tube Weldment	
103	1320251	2	Clamp, Block	
104	1320250	2	Bar, Clamp	
105	0100011	AR	Compound, Locking	
106	0100038	AR	Primer, Locking	
107	0641605	4	Bolt 3/8in-16NC x 5/8in	
108	0641606	2	Bolt 3/8in-16NC x 3/4in	
109	0641622	2	Bolt 3/8in-16NC x 2-3/4in	

SECTION 3 - BOOM

ITEM	PART NUMBER	QTY	DESCRIPTION	REV
110	3311601	4	Nut 3/8in-16NC	
111	3311602	2	Nut, Jam 3/8in-16NC	
112	3311605	4	Locknut 3/8in-16NC	
113	3841340	2	Rod, Hose Loop	
114	3900262	4	Bolt 3/8in-16NC x 4-3/4in	
115	4711600	AR	Flatwasher 3/8in Narrow	
116	0641624	2	Bolt 3/8in-16NC x 3in	
117	0259420	1	Clamp Assembly	
117	3340859	2	Pad, Rubber	
118	3340859	2	Pad, Rubber	

SECTION 3 - BOOM

FIGURE 3-4. MAIN BOOM ASSEMBLIES

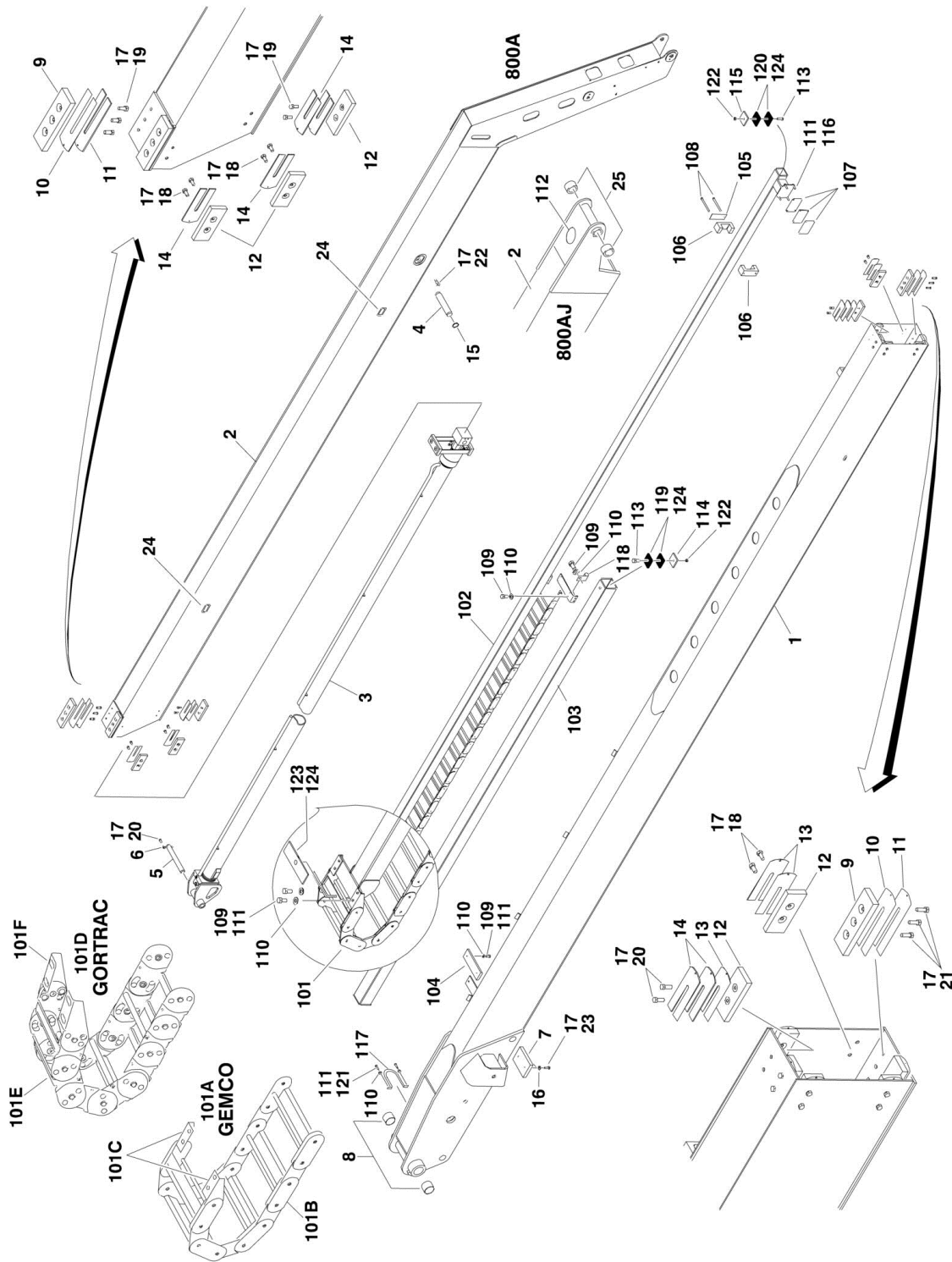


FIGURE 3-4. MAIN BOOM ASSEMBLIES

ITEM	PART NUMBER	QTY	DESCRIPTION	REV
		Ref	MAIN BOOM ASSEMBLY OPTIONS:	
	0801135	Ref	Main Boom Assembly 800A	H
	0801136	Ref	Main Boom Assembly 800AJ	I
1		Ref	Base Weldment Options:	
1	0801185	NLA	Base Weldment 800A (Use p/n 0801585) (SN 0300069000 through 0300103804)	
1	0801585	1	Base Weldment 800A (SN 0300103805 through 0300140000)	
1	0801191	NLA	Base Weldment 800AJ (Use p/n 0801591) (SN 0300069000 through 0300103804)	
1	0801591	1	Base Weldment 800AJ (SN 0300103805 through 0300140000)	
2		Ref	Fly Weldment Options:	
2	0801138	1	Fly Weldment 800A	
2	0801140	NLA	Fly Weldment 800AJ (Use p/n 0801573) (SN 0300069000 through 0300098643)	
2	0801573	1	Fly Weldment 800AJ (SN 0300098644 through 0300140000)	
3		Ref	Telescope Cylinder Assembly Options:	
3	1683607	NLA	Telescope Cylinder Assembly (Use p/n 1001228088) (800A) (Original Equipment)	
3	1001188968	NLA	Telescope Cylinder Assembly (Use p/n 1001228088) (800A) (Service Replacement)	
3	1001228088	1	Telescope Cylinder Assembly (800A) (Service Replacement)	
3	1683672	NLA	Telescope Cylinder Assembly (Use p/n 1001228087) (800AJ) (Original Equipment)	
3	1001188841	NLA	Telescope Cylinder Assembly (Use p/n 1001228087) (800AJ) (Service Replacement)	
3	1001228087	1	Telescope Cylinder Assembly (800AJ) (Service Replacement)	
4	3422457	1	Pin	
5	3422690	1	Pin	
6	3841143	1	Keeper, Pin	
7	0561295	1	Block, Boom Rest	
8	0962102	2	Bushing	
9	3340871	4	Pad, Wear	
10	4070863	4	Shim 1/8in	
11	4070864	4	Shim .05	
12	3340881	12	Pad, Wear	
13	4070897	10	Shim .05	
14	4070898	12	Shim 1/8in	
15	3760133	2	Ring, Retaining	
16	4711600	2	Flatwasher 3/8in Narrow	
17	0100011	AR	Compound, Locking	
18	0641606	16	Bolt 3/8in-16NC x 3/4in	
19	0641607	10	Bolt 3/8in-16NC x 7/8in	
20	0641608	5	Bolt 3/8in-16NC x 1in	
21	0641609	6	Bolt 3/8in-16NC x 1-1/8in	
22	3900259	4	Bolt, Shoulder	
23	0641612	2	Bolt 3/8in-16NC x 1-1/2in	
24	1670836	6	Cover, Boom (SN 0300069000 through 0300120845)	
25		Ref	Bushing	
25	Not Required	0	Bushing, 800A	
25	0961951	2	Bushing, 800AJ	
		Ref	POWER TRACK INSTALLATION OPTIONS:	

SECTION 3 - BOOM

ITEM	PART NUMBER	QTY	DESCRIPTION	REV
	0258076	Ref	Power Track Installation 800A	J
	0258077	Ref	Power Track Installation 800AJ	H
101		Ref	Carrier Options:	
101A		Ref	Gemco Brand Power Track (Original Equipment)	
101A	1180347	NLA	Gemco Brand Power Track 800A (Use p/n 1001099840)	
101A	1180349	NLA	Gemco Brand Power Track 800AJ (Use p/n 1001099837)	
101B	7016522	AR	Carrier Repair Section (Includes 1 Pin for each end)	
101B	7016523	AR	Rod Assembly (Includes 1 rod and hardware)	
101B	7016529	AR	Roller, Plastic Rod	
101B	7006137	AR	Link Pin Assembly	
101C	7016524	2	Foot, Mounting (1 Pair)	
101D		Ref	Gortrac Brand Power Track (Service Replacement)	
101D	1180347	NLA	Gortrac Brand Power Track 800A (Use p/n 1001099840)	
101D	1180349	NLA	Gortrac Brand Power Track 800AJ (Use p/n 1001099837)	
101E	70002013	AR	Carrier Repair Section (Includes 1 Pin Assembly for each end)	
101F	70002014	AR	Mounting Foot Kit (Includes Both Pair of Feet)	
102		Ref	Push Tube Weldment	
102	4845701	1	Push Tube Weldment 800A	
102	4845729	1	Push Tube Weldment 800AJ	
103		Ref	Support	
103	4845702	1	Support 800A	
103	4845730	1	Support 800AJ	
104	3340840	1	Pad	
105	3538758	1	Plate, Backing	
106	3340764	2	Pad	
107	4070969	3	Shim	
108	0641640	2	Bolt 3/8in-16NC x 5in	
109	0641606	18	Bolt 3/8in-16NC x 3/4in	
110	4711600	22	Flatwasher 3/8in Narrow	
111	0100011	AR	Compound, Locking	
112		Ref	Flex-Trim	
112	Not Required	0	Flex-Trim 800A	
112	4060805	8 in/20cm	Flex-Trim 800AJ	
113	0641622	2	Bolt 3/8in-16NC x 2-3/4in	
114	1320248	1	Clamp, Hose	
115	1320249	1	Clamp, Hose	
116		Ref	Bolt Options:	
116	0641607	4	Bolt 800A (Bolt 3/8in-16NC x 7/8in)	
116	0641612	4	Bolt 800AJ (Bolt 3/8in-16NC x 1-1/2in)	
117	3841406	1	Loop, Hose	
118	1320263	1	Clamp, Loop	
119	3340860	2	Pad, Rubber	
120	3340861	2	Pad, Rubber	
121		Ref	Screw, Button Head Options:	
121	3900232	2	Screw, Button Head 3/8in-16NC x 1-1/4in (SN 0300069000 through 0300080131)	
121	3900283	2	Screw, Button Head 3/8in-16NC x 3/4in (SN 0300080132 through 0300140000)	
122	3311605	2	Locknut 3/8in-16NC	
123	4071052	2	Shim	
124	0100081	AR	Adhesive	

FIGURE 3-5. ROTATOR ASSEMBLY (FRONT ENTRY PLATFORM)

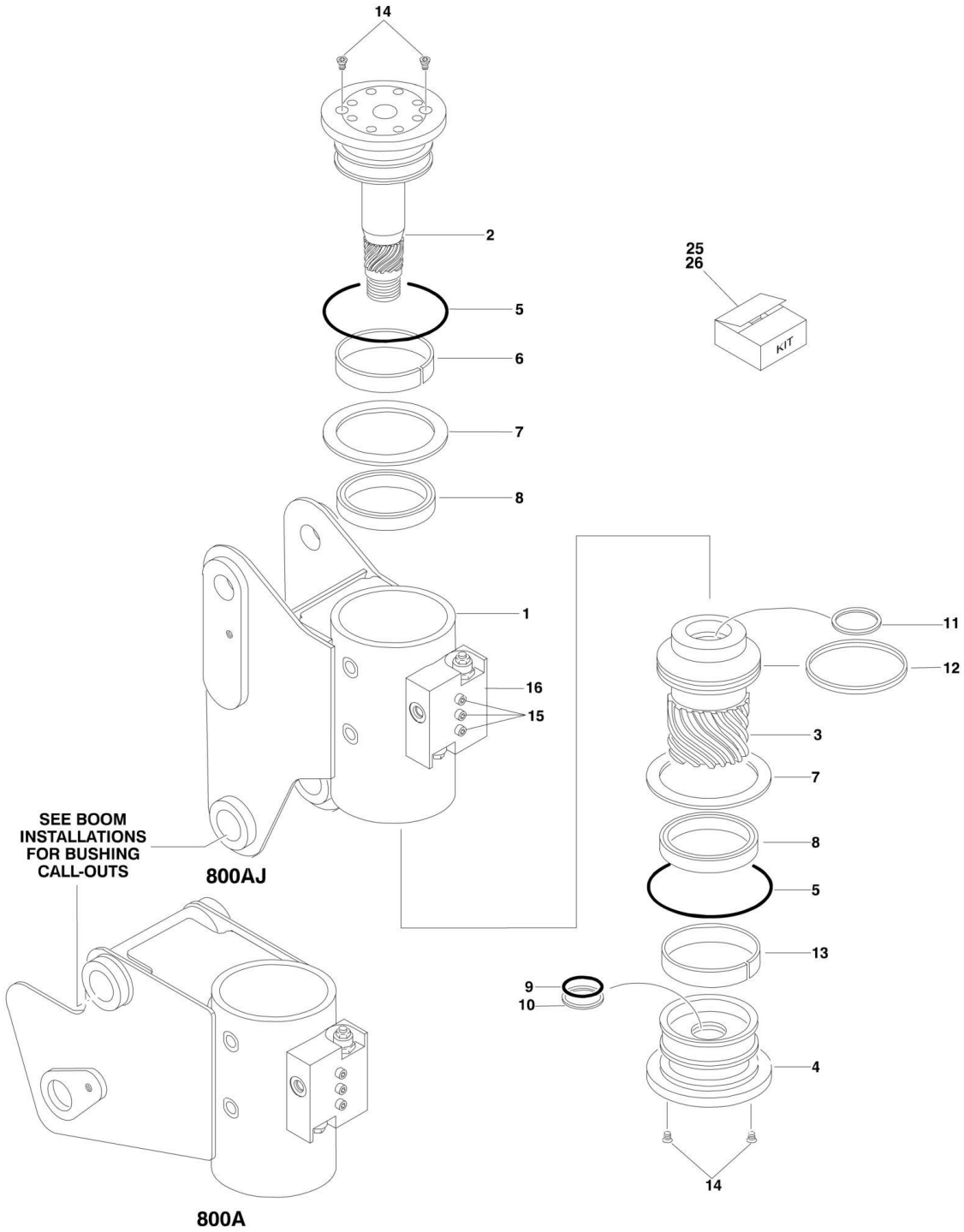
ITEM	PART NUMBER	QTY	DESCRIPTION	REV
		Ref	ROTATOR ASSEMBLIES	
		Ref	Note: See ROTATOR ASSEMBLY (SIDE ENTRY PLATFORM) for Machines equipped with Fall Arrest Platforms.	
		Ref	Rotator Assemblies 800A	
	0060041	Ref	Original Equipment	G
	0060077	Ref	Service Replacement	B
		Ref	Rotator Assemblies 800AJ	
	0060031	Ref	Original Equipment	H
	1001103095	Ref	Service Replacement Kit (contains 0060074 rotator, upper pin, keeper shaft, keeper shaft bolt and instruction sheet)	1
		Ref	Note: Before ordering parts, identify whether original equipment rotator has been replaced with service replacement. Service replacement rotator uses spacer plate bolted on the top with 8 capscrews (Not shown - located at item 2). Original equipment rotator does not use spacer plate.	
1	See Note	NSS	Housing/Ring Gear Assembly (Note: Purchase Complete Assembly)	
2		Ref	Shaft Weldment Options:	
2	7017177	1	0060041 & 0060031 Rotators (was p/n 7017117)	
2	7017162	1	0060077 & 0060074 Rotators	
2	See Note	1	Plate, Spacer (Not Shown) (0060077 & 0060074 Rotators Only) (Note: Not Available for Purchase)	
3		Ref	Piston/Sleeve Options:	
3	7017115	1	0060041 & 0060031 Rotators	
3	7017163	1	0060077 & 0060074 Rotators	
4		Ref	Cap, End Options:	
4	7017174	1	0060041 & 0060031 Rotators (was p/n 7017116)	
4	7017164	1	0060077 & 0060074 Rotators	
5	See Note	NSS	Plug, Port (Note: Not Available for Purchase)	
6	7017142	2	Plug	
7	7017119	1	Tie-Rod/Locknut Assembly (was p/n 7017102)	
7	7017119	1	Bolt 1in-8NC x 11in	
7	3272605	AR	Locknut 1in-8NC	
9	See Note	NSS	Seal, Cap (Note: Use Item 25)	
10	See Note	NSS	Ring, Back-up (Cap) (Note: Use Item 25)	
11	See Note	NSS	Seal, Rod (Note: Use Item 25)	
12	See Note	NSS	Seal, Piston (Note: Use Item 25)	
13	See Note	NSS	Packing, Bearing (Note: Use Item 25)	
14	See Note	NSS	Bearing, Cap (Note: Use Item 26)	
15	See Note	NSS	Bearing, Shaft (Note: Use Item 26)	
16	See Note	NSS	Washer, Thrust (Note: Use Item 26)	
17		Ref	Valve Assembly Options:	
17	7017101	1	0060041 & 0060031 Rotators (Use p/n 7017183)	
17	7017183	1	0060077 & 0060074 Rotators	
17A		Ref	Cartridge, Valve Options:	
17A	7011331	2	0060041 & 0060031 Rotators	
17A	7017193	2	0060077 & 0060074 Rotators	
17A	2900770	2	Seal Kit - 7011331 Valve	
17A	See Note	NSS	Seal Kit - 7017193 Valve (Note: Use Item 17)	
17B		Ref	Cartridge, Valve Options:	
17B	7011332	2	0060041 & 0060031 Rotators	

SECTION 3 - BOOM

ITEM	PART NUMBER	QTY	DESCRIPTION	REV
17B	See Note	NSS	0060077 & 0060074 Rotators (Not Shown - Located on Side of Valve Block) (Note: Use Item 17)	
17B	7011311	2	Seal Kit - 7011332 Valve	
17B	See Note	NSS	Seal Kit - Valve Located on Side of Block (Note: Use Item 17)	
18	7017118	2	Setscrew (0060041 & 0060031 Rotators Only)	
19	See Note	3	Bolt 1/4 x 1-1/2 (Grade 8) (Note: Not Available - Purchase Locally)	
20	3790110	3	O-Ring (Not Shown - Located between Valve and Actuator Housing)	
25		Ref	Seal Kit Options:	
25	7017157	1	0060041 & 0060031 Rotators (Includes Items 9-13)	
25		Ref	0060077 & 0060074 Rotators Options (Includes Items 9-13 & 27):	
25	7017158	1	Standard	
25	70000342	1	Low Temperature	
26		Ref	Bearing Kit Options (Includes Items 14-16):	
26	7017156	1	0060041 & 0060031 Rotators	
26	7017159	1	0060077 & 0060074 Rotators	
27	7017142	1	Hardware Kit (Includes End Cap Dowel Pins and Items 6 & 27A - 0060041 & 0060031 Rotators)	
27	See Note	NSS	Hardware Kit (Note: Use Item 25) (0060077 & 0060074 Rotators)	
27A	70001697	6	Screw, Countersunk 1/4in-20NC x 3/8in Grade 8	

SECTION 3 - BOOM

FIGURE 3-6. ROTATOR ASSEMBLY (SIDE ENTRY PLATFORM)



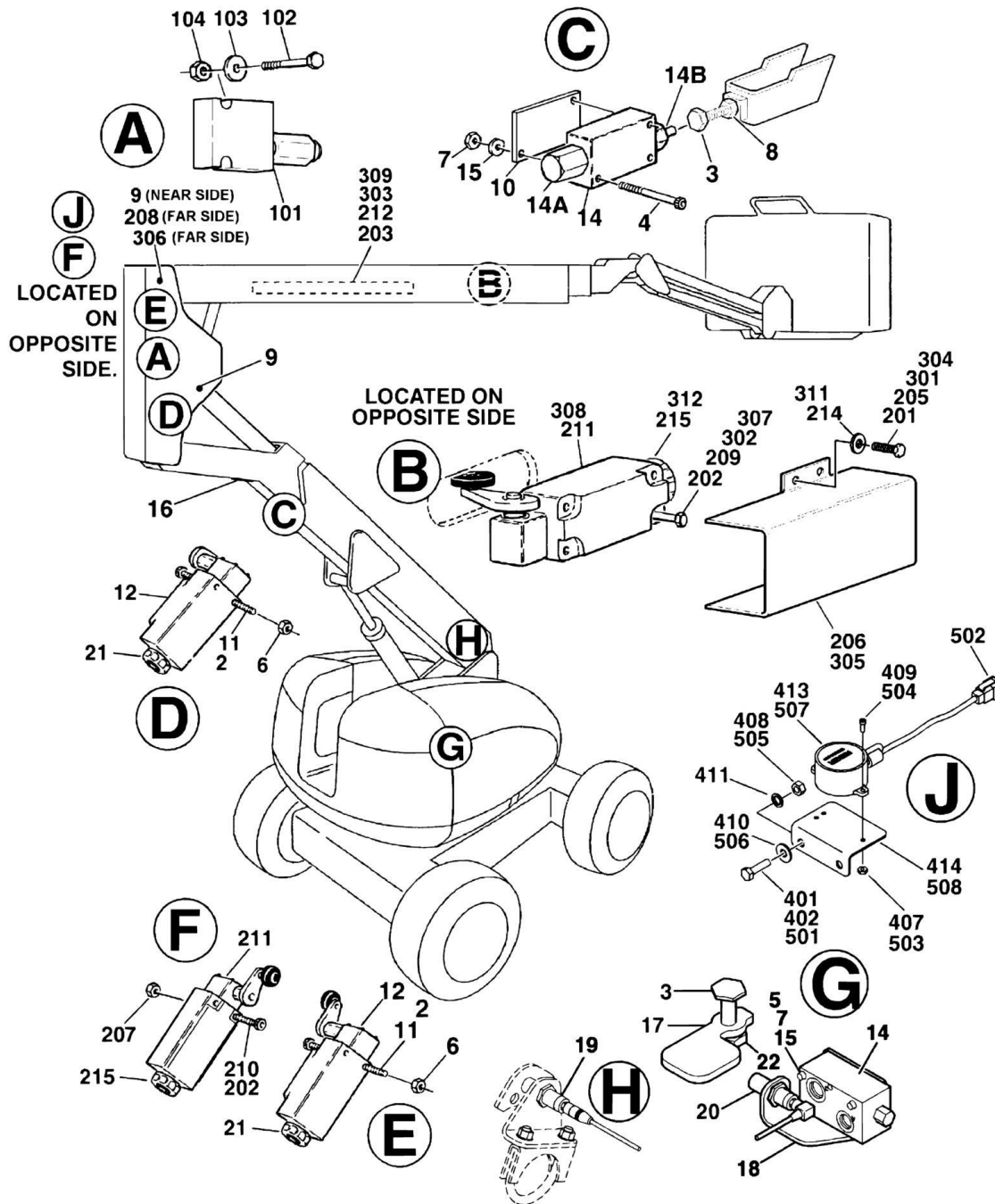
SECTION 3 - BOOM

FIGURE 3-6. ROTATOR ASSEMBLY (SIDE ENTRY PLATFORM)

ITEM	PART NUMBER	QTY	DESCRIPTION	REV
		Ref	ROTATOR ASSEMBLIES	
	0060069	Ref	Rotator Assemblies 800A	A
	0060066	Ref	Rotator Assemblies 800AJ	C
1	See Note	NSS	Housing/Ring Gear Assembly (Note: Purchase Complete Assembly)	
2	7017162	1	Shaft	
3	7017163	1	Piston/Sleeve Assembly	
4	7017164	1	Cap, End	
5	See Note	NSS	O-Ring (Note: Use Item 25)	
6	See Note	NSS	Bearing, Shaft (Note: Use Item 26)	
7	See Note	NSS	Washer, Thrust (Note: Use Item 26)	
8	See Note	NSS	Packing, Bearing (Note: Use Item 25)	
9	See Note	NSS	Seal, Cap (Note: Use Item 25)	
10	See Note	NSS	Ring, Back-up Cap (Note: Use Item 25)	
11	See Note	NSS	Seal, Rod (Note: Use Item 25)	
12	See Note	NSS	Seal, Piston (Note: Use Item 25)	
13	See Note	NSS	Bearing, Cap (Note: Use Item 26)	
14	70001697	6	Capscrew 1/4in-20NC x 3/8in (Grade 8)	
15	See Note	3	Bolt 1/4in-20NC (Grade 8) (Note: Not Available for Purchase)	
16	7017183	1	Valve Assembly	
16	7017193	2	Cartridge, Valve	
16	See Note	NSS	Seal Kit - 7017193 Valve (Note: Not Available - Use p/n 7017193)	
16	See Note	NSS	Cartridge, Valve (Not Shown - Located on Side of Block) (Note: Use p/n 7017183)	
16	See Note	NSS	Seal Kit - Valve Located on Side of Block (Note: Use p/n 7017183)	
25		Ref	Seal Kit Options (Includes Items 5, 8- 12):	
25	7017158	1	Standard	
25	70000342	1	Low Temperature	
26	7017159	1	Bearing Kit (Includes Items 6, 7 & 13)	

SECTION 3 - BOOM

FIGURE 3-7. VALVE AND LIMIT SWITCH INSTALLATIONS (BOOM MOUNTED)



SECTION 3 - BOOM

FIGURE 3-7. VALVE AND LIMIT SWITCH INSTALLATIONS (BOOM MOUNTED)

ITEM	PART NUMBER	QTY	DESCRIPTION	REV
	0258217	Ref	BOOM VALVES AND LIMIT SWITCHES INSTALLATION	O
1	0100011	AR	Compound, Locking	
2	0100035	AR	Compound, Locking	
3	0630427	2	Bolt, Special	
4	3931436	3	Bolt 1/4in-20NC x 2-1/4in	
5	3931464	3	Bolt 1/4in-20NC x 4in	
6	3310805	4	Locknut #8-32NC	
7	3311405	6	Locknut 1/4in-20NC	
8	3311801	1	Nut 1/2in-13NC	
9	3520035	2	Plug, Cap	
10	3570928	2	Plate, Spacer	
11	3930824	4	Capscrew, Socket Head #8-32NC x 1-1/2in	
12		Ref	Switch, Limit Options: (Note: P/N 4360549 & P/N 4360578 does not include #21 Connector - Purchase Separately)	
12	4360322	NLA	Switch, Limit (Use p/n 4360578) (SN 0300069000 through 0300074426)	
12	4360549	NLA	Switch, Limit (Use p/n 4360578) (SN 0300074427 through 0300080871)	
12	4360578	2	Switch, Limit (SN 0300080872 through 0300140000)	
14		Ref	Valve, Switch Options:	
14	4641136	2	Valve, Switch (SN 0300069000 through 0300092014)	
14	4641435	2	Valve, Switch (SN 0300092015 through 0300140000)	
14A	7011342	2	Valve, Check (1 per Assembly)	
14A	7011333	2	Seal Kit - Check Valve (1 per Assembly)	
14B	7020172	2	Valve, Plunger (1 per Assembly) (SN 0300069000 through 0300092014)	
14B	7020173	2	Seal Kit - 7020172 Valve (1 per Assembly)	
14B	See Note	2	Valve, Plunger (1 per Assembly) (Note: Not Available for Purchase) (SN 0300092015 through 0300140000)	
14B	See Note	2	Seal Kit (1 Per Assembly) (Note: Not Available for Purchase)	
15	4751400	6	Flatwasher 1/4in	
16	4060805	7 in/25cm	Trim, Edge	
17	3572606	1	Plate, Lower Boom Proximity Switch Target	
18	3572607	1	Plate, Lower Boom Proximity Switch Mount	
19	4360498	1	Switch Proximity	
20	4360499	1	Switch Proximity	
21		Ref	Connector, Strain Relief Options:	
21	4460428	2	Use with p/n 4360322 Switch	
21	4460968	2	Use with p/n 4360549 & 4360578 Switches	
22	88521008	2	Locknut 1/2in-13NC	
	0274640	Ref	VALVES INSTALLATION	D
101	4640929	1	Valve Assembly (Relief)	
101	7012970	1	Cartridge	
101	7012953	1	Seal Kit - 7012970 Cartridge	
102	0641416	2	Bolt 1/4in-20NC x 2in	
103	4711400	4	Flatwasher 1/4in Narrow	
104	3311405	2	Locknut 1/4in-20NC	
	0258338	Ref	LIMIT SWITCHES INSTALLATION - 800A DUAL CAPACITY	H
		Ref	Note: Australian Spec Machines Only. (SN 0300069000 through 0300138514)	
201	0100011	AR	Compound, Locking	

SECTION 3 - BOOM

ITEM	PART NUMBER	QTY	DESCRIPTION	REV
202	0100035	AR	Compound, Locking	
203	0362610	NLA	Bar, Fiberglass (Use p/n 1001106482)	
205	0641403	4	Bolt 1/4in-20NC x 3/8in	
206		Ref	Cover Options:	
206	1670824	1	Cover (SN 0300069000 through 0300078804)	
206	3380535	1	Cover (SN 0300078805 through 0300140000)	
207	3310801	2	Locknut #8-32NC	
208	3520035	1	Plug, Cap	
209	3930816	2	Capscrew, Socket Head #8-32NC x 1in	
210	3930824	2	Capscrew, Socket Head #8-32NC x 1-1/2in	
211		Ref	Switch, Limit Options: (Note: P/N 4360549 & P/N 4360578 does not include #215 Connector - Purchase Separately)	
211	4360322	NLA	Switch, Limit (Use p/n 4360578) (SN 0300069000 through 0300074426)	
211	4360549	NLA	Switch, Limit (Use p/n 4360578) (SN 0300074427 through 0300080871)	
211	4360578	2	Switch, Limit (SN 0300080872 through 0300140000)	
212	4420060	2	Tape, Double Sided	
214	4751400	4	Flatwasher 1/4in	
215		Ref	Connector, Strain Relief Options:	
215	4460428	2	Use with p/n 4360322 Switch	
215	4460968	2	Use with p/n 4360549 & 4360578 Switches	
		Ref	TRANSPORT POSITION SWITCH INSTALLATIONS (CE SPEC)	
	0258384	Ref	Transport Position Switch Installations 800A	F
	0258567	Ref	Transport Position Switch Installations 800AJ	F
301	0100011	AR	Compound, Locking	
302	0100035	AR	Compound, Locking	
303		Ref	Bar, Fiberglass Options:	
303	0362772	NLA	Bar, Fiberglass 800A (Use p/n 1001106477) (SN 0300069000 through 0300138517)	
303	1001106477	1	Bar, Fiberglass 800A (SN 0300138518 through 0300140000)	
303	0362609	NLA	Bar, Fiberglass 800AJ (Use p/n 1001106481) (SN 0300069000 through 0300138517)	
303	1001106481	1	Bar, Fiberglass 800AJ (SN 0300138518 through 0300140000)	
304	0641403	4	Bolt 1/4in-20NC x 3/8in	
305		Ref	Cover, Switch Options:	
305	1670824	1	Cover, Switch (SN 0300069000 through 0300078804)	
305	3380535	1	Cover, Switch (SN 0300078805 through 0300140000)	
306	3520035	1	Plug, Cap	
307	3930816	2	Capscrew, Socket Head #8-32NC x 1in	
308		Ref	Switch, Limit Options: (Note: P/N 4360549 & P/N 4360578 does not include #312 Connector - Purchase Separately)	
308	4360322	NLA	Switch, Limit (Use p/n 4360578) (SN 0300069000 through 0300074426)	
308	4360549	NLA	Switch, Limit (Use p/n 4360578) (SN 0300074427 through 0300080871)	
308	4360578	1	Switch, Limit (SN 0300080872 through 0300140000)	
309	4420060	AR	Tape, Double Sided Foam	
311	4751400	1	Flatwasher 1/4in	
312		Ref	Connector, Strain Relief Options:	
312	4460428	1	Use with p/n 4360322 Switch	
312	4460968	1	Use with p/n 4360549 & 4360578 Switches	
	1001093187	Ref	TILT SENSOR INSTALLATION (SN 0300069000 through	C

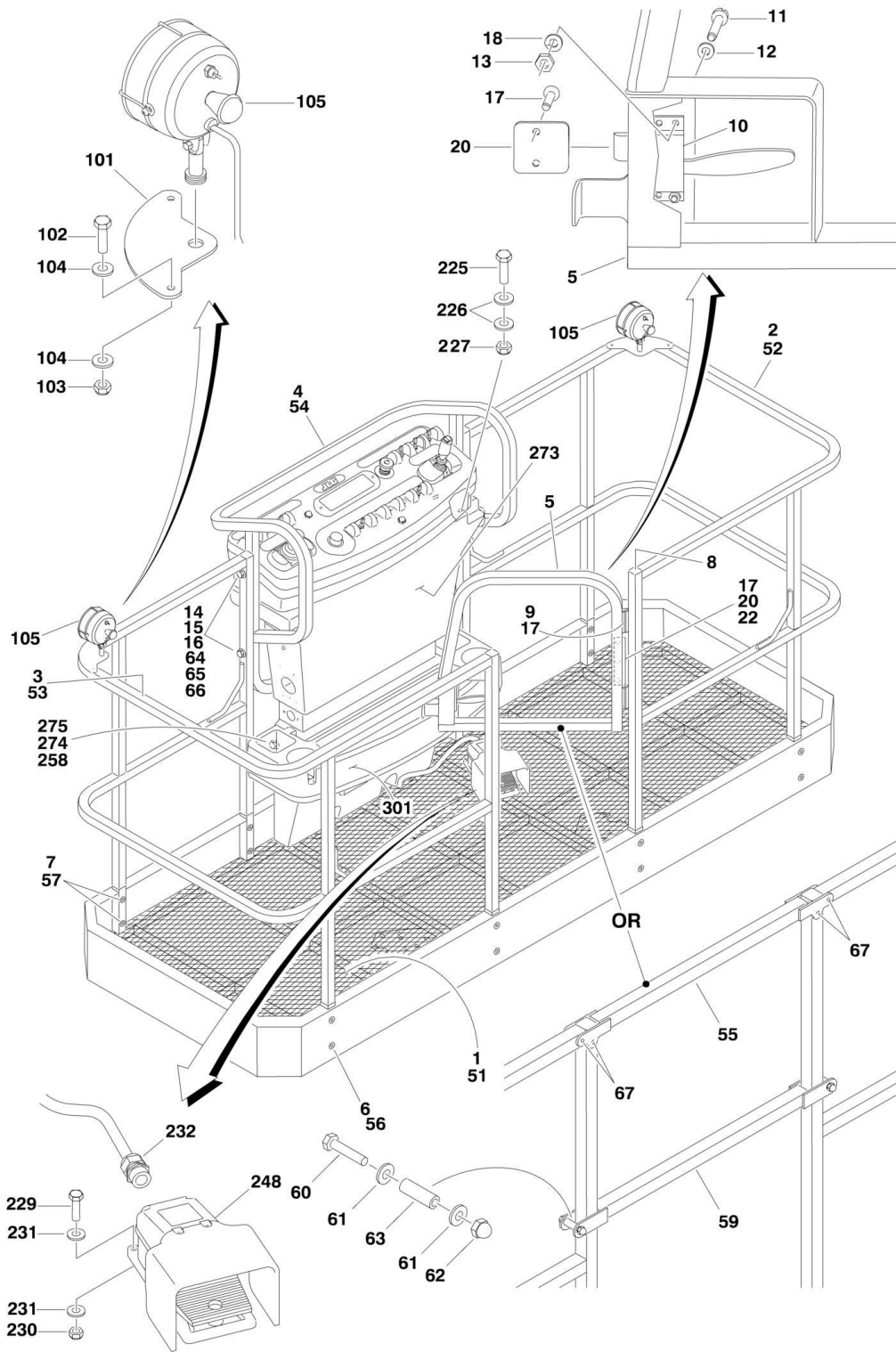
SECTION 3 - BOOM

ITEM	PART NUMBER	QTY	DESCRIPTION	REV
			0300112884)	
401	0100011	AR	Compound, Locking	
402	0641610	2	Bolt 3/8in-16NC x 1-1/4in	
407	3310605	3	Locknut #6-32 NC	
408	3311601	2	Locknut 3/8in-16NC	
409	3930606	3	Screw #6-32 NC	
410	4751600	2	Flatwasher 3/8in	
411	4761600	2	Lockwasher 3/8in	
413	1001094400	1	Sensor, Dual Axis	
414	1001094401	1	Bracket, Tilt Sensor	
	0275733	Ref	TILT SENSOR INSTALLATION (SN 0300112885 through 0300140000)	A
501	0641408	2	Bolt 1/4in-20NC x 1in	
502	0100048	AR	Grease, Dielectric	
503	3310605	3	Locknut #6-32 NC	
504	3930606	3	Screw #6-32 NC	
505	3311405	2	Locknut 1/4in-20NC	
506	4751400	2	Flatwasher 1/4in	
507	1001094400	1	Sensor, Dual Axis	
508	1001096736	1	Bracket, Tilt Sensor	

SECTION 4 - PLATFORM

SECTION 4 - PLATFORM

FIGURE 4-1. PLATFORM COMPONENTS INSTALLATION (FRONT ENTRY PLATFORM)



SECTION 4 - PLATFORM

FIGURE 4-1. PLATFORM COMPONENTS INSTALLATION (FRONT ENTRY PLATFORM)

ITEM	PART NUMBER	QTY	DESCRIPTION	REV
		Ref	AUSTRALIAN SPEC PLATFORM ASSEMBLIES:	
	3510760	Ref	4ft (1.22m) with Self-Closing Gate	3
	3510728	Ref	5ft (1.52m) Self-Closing Gate (Without Mesh)	3
	3510542	Ref	6ft (1.83m) Self-Closing Gate (Without Mesh)	3
	3510565	Ref	6ft (1.83m) with Mesh to Top Rail	3
	3510543	Ref	8ft (2.44m) Self-Closing Gate (Without Mesh)	3
	3510566	Ref	8ft (2.44m) with Mesh to Top Rail	4
		Ref	Note: Replacement Decals Must be purchased separately - See DECAL SECTION.	
1		Ref	Floor Weldment Options:	
1	4846253	1	4ft Platform	
1	4846101	1	5ft Platform	
1	4844954	1	6ft Platform	
1	4844928	1	8ft Platform	
2		Ref	Rail Weldment - Right Side Options:	
2	4846254	1	4ft Platform without Mesh	
2	4846102	1	5ft Platform without Mesh	
2	4844955	1	6ft Platform without Mesh	
2	4845408	1	6ft Platform with Mesh Top Rail	
2	4844924	1	8ft Platform without Mesh	
2	4845412	1	8ft Platform with Mesh Top Rail	
3		Ref	Rail Weldment - Left Side Options:	
3	4846255	1	4ft Platform without Mesh	
3	4846103	1	5ft Platform without Mesh	
3	4844956	1	6ft Platform without Mesh	
3	4845409	1	6ft Platform with Mesh Top Rail	
3	4844925	1	8ft Platform without Mesh	
3	4845413	1	8ft Platform with Mesh Top Rail	
4	4845328	1	Rail Weldment - Back	
5		Ref	Gate Weldment Options:	
5	4845426	1	Self-Closing Gate without Mesh	
5	4845469	1	Self-Closing Gate with Mesh Top Rail	
6	3900207	AR	Fastener	
		Ref	(Note: P/N 3900207 Fastener may be replaced with p/n 0641416 Bolt, p/n 4751400 Flatwasher, p/n 3311405 Locknut and p/n 3300151 Acorn Type Nut. Acorn type nut is required to meet industry safety requirements)	
7	3300393	AR	Collar	
8	3520072	4	Plug, Cap	
9		Ref	Hinge Options:	
9	2600219	2	Hinge (SN 0300069000 through 0300068575)	
9	2600287	2	Hinge (SN 0300068576 through 0300140000)	
10	2940074	1	Latch	
11	3911008	4	Screw #10-24NC x 1in	
12	4751000	4	Flatwasher #10	
13	3311005	4	Locknut #10-24NC	
14	0641524	4	Bolt 5/16in-18NC x 3in	
15	3311505	4	Locknut 5/16in-18NC	
16	4751500	4	Flatwasher 5/16in	
17	2080040	13	Fastener	

SECTION 4 - PLATFORM

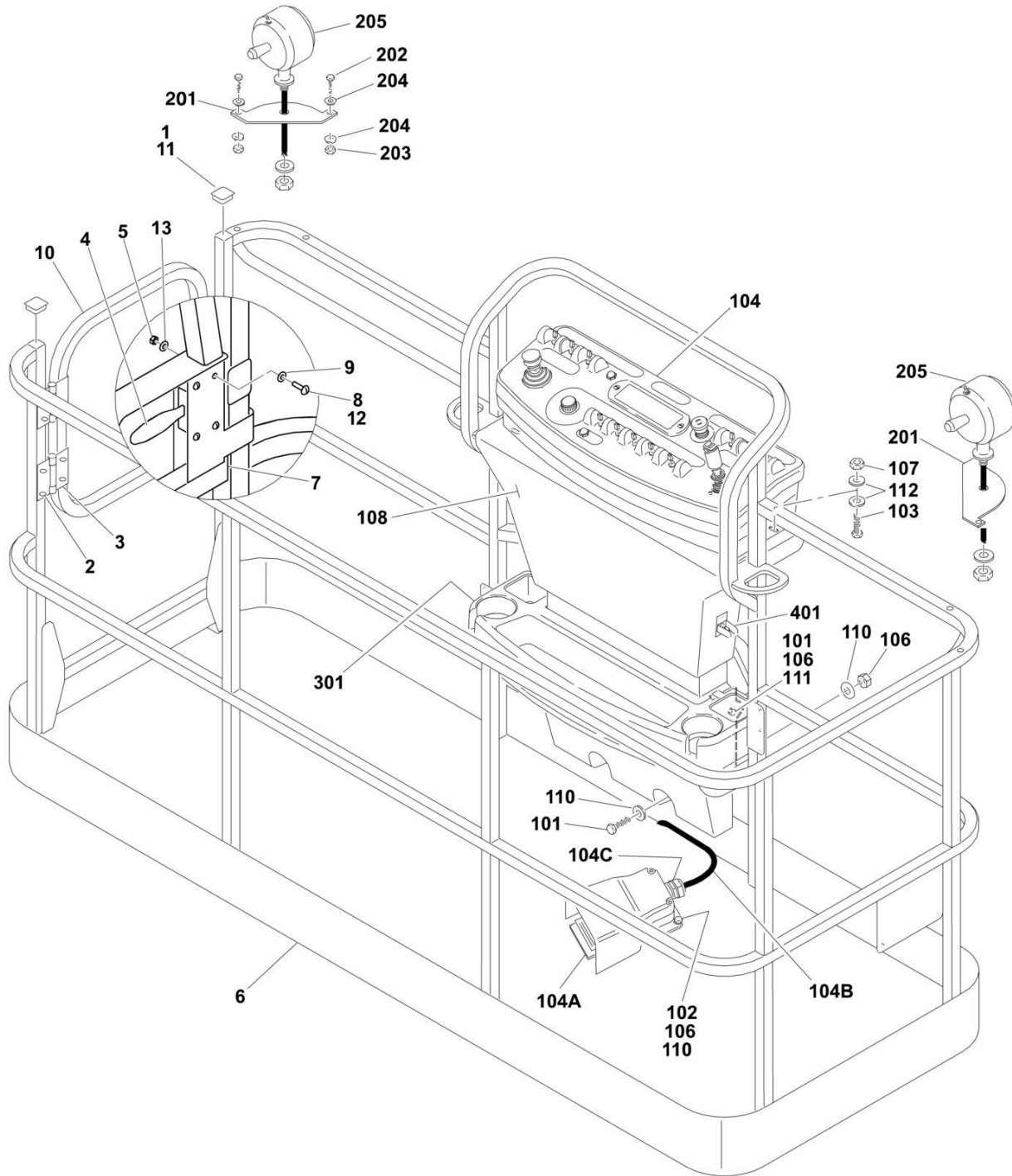
ITEM	PART NUMBER	QTY	DESCRIPTION	REV
18	4761000	4	Lockwasher 3/8in (SN 0300069000 through 0300068576)	
20	3539685	1	Plate, Latch	
21	4220165	1	Stop, Gate	
22	4060803	6 ft/1.8m	Trim	
		Ref	CE SPEC PLATFORM ASSEMBLIES:	
	3510751	Ref	5ft (1.52m) (Without Mesh)	2-A
	3510499	Ref	6ft (1.83m) (Without Mesh)	3-A
	3510763	Ref	6ft (1.83m) (With Mesh to Mid Rail)	1-A
	3510500	Ref	8ft (2.44m) (Without Mesh)	2-A
	3510764	Ref	8ft (2.44m) (With Mesh to Mid Rail)	1-A
51		Ref	Floor Weldment Options:	
51	4846184	1	5ft Platform	
51	4845290	1	6ft Platform	
51	4845289	1	8ft Platform	
52		Ref	Rail Weldment - Right Side Options:	
52	4846194	1	5ft Platform without Mesh	
52	4844955	1	6ft Platform without Mesh	
52	4846228	1	6ft Platform with Mesh to Mid Rail	
52	4844924	1	8ft Platform without Mesh	
52	4846240	1	8ft Platform with Mesh Mid Rail	
53		Ref	Rail Weldment - Left Side Options:	
53	4846195	1	5ft Platform without Mesh	
53	4844956	1	6ft Platform without Mesh	
53	4846229	1	6ft Platform with Mesh to Mid Rail	
53	4844925	1	8ft Platform without Mesh	
53	4846241	1	8ft Platform with Mesh Mid Rail	
54	4845328	1	Rail Weldment - Back	
55	4845287	1	Rail, Top	
56	3900207	AR	Fastener	
		Ref	(Note: P/N 3900207 Fastener may be replaced with p/n 0641416 Bolt, p/n 4751400 Flatwasher, p/n 3311405 Locknut and p/n 3300151 Acorn Type Nut. Acorn type nut is required to meet industry safety requirements)	
57	3300393	AR	Collar	
58	3520072	4	Plug, Cap	
59	4845288	2	Gate, Lift	
60	0641418	2	Bolt 1/4in-20NC x 2-1/4in	
61	4740411	4	Washer, Nylon	
62	3300151	2	Nut, Acorn 1/4in-20NC	
63	0961845	2	Bushing	
64	0641524	4	Bolt 5/16in-18NC x 3in	
65	3311505	4	Locknut 5/16in-18NC	
66	4751500	4	Flatwasher 5/16in	
67	2080040	13	Fastener	
68	4420055	7 in/18cm	Tape, UHMW	
		Ref	WORKLIGHTS INSTALLATION (OPTIONAL)	
	0258048	Ref	Worklights Installation (Optional) (SN 0300069000 through 0300062044)	2-E
	0270814	Ref	Worklights Installation (Optional) (ADE System) (SN 0300062045 through 0300140000)	3-E
101	3536089	2	Plate, Mounting	
102	0641414	4	Bolt 1/4in-20NC x 1-3/4in	

SECTION 4 - PLATFORM

ITEM	PART NUMBER	QTY	DESCRIPTION	REV
103	3311405	4	Locknut 1/4in-20NC	
104	4711400	8	Flatwasher 1/4in Narrow	
105	2920140	2	Worklight	
105	7016399	2	Bulb, Replacement (1 Per Worklight)	
106	4240099	10	Tie-Strap (Not Shown)	
107	2820035	9	Loom, Vinyl (Not Shown)	
109	4460598	1	Connector, Strain Relief (Not Shown - Located at Console Box)	
110	4920018	AR	Wire, Black 16 Ga (Not Shown)	
		Ref	FOOTSWITCH AND COVERS INSTALLATIONS	
	0861237	Ref	Australian Spec (SN 0300069000 through 0300062044)	5-D
	0861236	Ref	CE Spec (SN 0300069000 through 0300062044)	5-D
	0861415	Ref	Australian Spec/CE Spec (ADE System) (SN 0300062045 through 0300064006)	C
	0861474	Ref	Australian Spec/CE Spec (ADE System) (SN 0300064007 through 0300140000)	B
225	0641610	4	Bolt 3/8in-16NC x 1-1/4in	
226	4751600	8	Flatwasher 3/8in (Wide)	
227	3311605	4	Locknut 3/8in-16NC	
229	0641408	3	Bolt 1/4in-20NC x 1in	
230	3311405	3	Locknut 1/4in-20NC	
231	4740362	3	Washer, Fender	
232	4460071	1	Terminal, Strain Relief	
248	See Note	1	Footswitch (Note: See PLATFORM COMPONENTS INSTALLATION (SIDE ENTRY PLATFORM) for Service Parts)	
258	4751400	4	Flatwasher 1/4in	
273	3380434	1	Panel, Poly	
274	0641414	2	Bolt 1/4in-20NC x 1-3/4in	
275	3311405	2	Locknut 1/4in-20NC	
		Ref	TRAY INSTALLATIONS (OPTIONAL)	
301	1580012	1	Tray, Storage (Center)	
302	1580013	1	Tray, Storage (Rail Mounted - Not Shown)	

SECTION 4 - PLATFORM

FIGURE 4-2. PLATFORM COMPONENTS INSTALLATION (SIDE ENTRY PLATFORM)



SECTION 4 - PLATFORM

FIGURE 4-2. PLATFORM COMPONENTS INSTALLATION (SIDE ENTRY PLATFORM)

ITEM	PART NUMBER	QTY	DESCRIPTION	REV
		Ref	PLATFORM ASSEMBLIES:	
	3510822	Ref	8ft (2.44m) with No Mesh	B-H
	3510833	Ref	6ft (1.83m) with No Mesh	B-G
	3510830	Ref	4ft (1.22m) with No Mesh	B-K
		Ref	Note: Original Equipment platform may have been replaced with Service Replacement platform. Identify platform before ordering parts.	
		Ref	Note: Replacement Decals Must be purchased separately - See DECAL SECTION.	
		Ref	Note: When replacing 8ft/2.44m platform with Soft Touch option, new Soft Touch Rail p/n 4846673 must be purchased to accommodate limit switch locations.	
		Ref	Note: When replacing platform on machines with SkyCutter option, new bracket p/n 1001145405 must be purchased to accommodate SkyCutter components.	
1	0100040	AR	Sealant, Adhesive (SN 0300069000 through 0300073454)	
2	2080040	16	Fastener, Huck	
3	2600281	2	Hinge, Self-Closing	
4	2940074	1	Latch	
5	3311001	4	Nut #10-24NC (SN 0300069000 through 0300077328)	
6	See Note	1	Platform Weldment (Note: Not Available - Purchase Complete Platform Assembly)	
7	3520072	1	Cap-Plug	
8		Ref	Screw Options:	
8	3911008	4	Screw #10-24NC x 1in (SN 0300069000 through 0300076403)	
8	3900205	4	Screw #10-24NC x 5/8in (SN 0300076404 through 0300077360)	
8	3820020	4	Rivet, Pop (SN 0300077361 through 0300140000)	
9	4751000	8	Flatwasher #10 (SN 0300069000 through 0300077328)	
10		Ref	Gate Weldment Options:	
10	4846452	1	Gate for Platform p/ns 3510822, 3120830 & 3510833	
10	1001144629	1	Gate for Platform p/ns 1001144023, 1001144024 & 1001144027	
11	3520198	2	Cap-Plug	
12	0100011	AR	Compound, Locking (SN 0300073454 through 0300077328)	
13	4761000	4	Lockwasher #10 (SN 0300073454 through 0300077328)	
		Ref	CONSOLE BOX INSTALLATION	
	0271941	Ref	Console Box Installation (SN 0300069000 through 0300137974)	B
	1001108736	Ref	Console Box Installation (SN 0300137975 through 0300139069)	B
	1001114446	Ref	Console Box Installation (SN 0300139070 through 0300140000)	C
101	0641406	4	Bolt 1/4in-20NC x 3/4in	
102	0641408	3	Bolt 1/4in-20NC x 1in	
103	0641610	4	Bolt 3/8in-16NC x 1-1/4in	
104		Ref	PLATFORM CONSOLE BOX ASSEMBLY OPTIONS:	
104	0861517	1	Platform Console Box Assembly (See PLATFORM CONSOLE ASSEMBLY for Breakdown) (SN 0300069000 through 0300137974)	
104	1001108735	1	Platform Console Box Assembly (See PLATFORM CONSOLE ASSEMBLY for Breakdown) (SN 0300137975 through	

SECTION 4 - PLATFORM

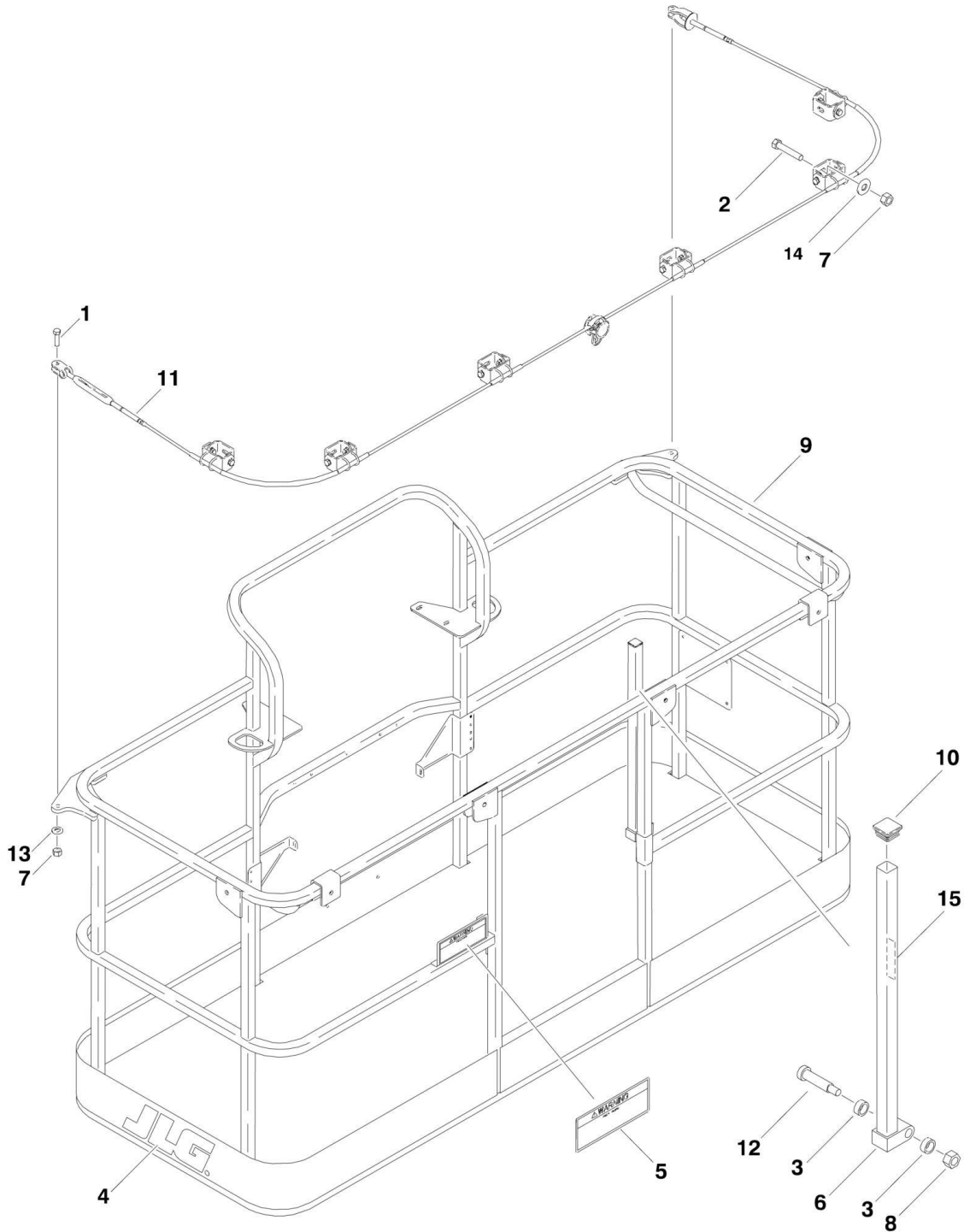
ITEM	PART NUMBER	QTY	DESCRIPTION	REV
104	1001114448	1	0300139069) Platform Console Box Assembly (See PLATFORM CONSOLE ASSEMBLY for Breakdown) (SN 0300139070 through 0300140000)	
104A	4360031	NLA	Footswitch Assembly (Includes Footswitch and Items 104B & 104C) (Use p/n 0272970)	
		Ref	Note: Assembly p/n 0272970 may use either p/n 4360031 or p/n 1001117320. If Original Equipment was replaced as an "assembly," p/n 1001117320 may have been used as part of the Service Replacement. Identify component before ordering parts.	
104A		Ref	Footswitch Less Cable Options:	
104A	4360031	1	Original Equipment	
104A	1001117320	1	Service Replacement	
104A		Ref	Block, Contact Options (see Note Above):	
104A	7000625	2	Contact Block for 4360031 Footswitch	
104A	70003483	1	Contact Block for 1001117320 Footswitch	
104B	1060918	7 ft/2.14m	Cable, Electrical - 18/3	
104C	4460071	1	Connector, Strain Relief	
106	3311405	7	Locknut 1/4in-20NC	
107	3311605	4	Locknut 3/8in-16NC	
108	3380434	1	Panel, Decal Mount	
110	4740362	7	Washer, Fender 1/4in	
111	4751400	4	Flatwasher 1/4in (Wide)	
112	4751600	8	Flatwasher 3/8in (Wide)	
		Ref	WORKLIGHTS INSTALLATIONS (OPTIONAL)	
	0270814	Ref	Worklights Installations (Optional) 800A/800AJ (SN 0300069000 through 0300074426)	3-E
	0273484	Ref	Worklights Installations (Optional) 800A (SN 0300074427 through 0300140000)	D
	0273485	Ref	Worklights Installations (Optional) 800AJ (SN 0300074427 through 0300140000)	D
201	3536089	2	Plate, Mounting	
202		Ref	Hardware Options:	
202	0641414	4	Bolt 1/4in-20NC x 1-3/4in (SN 0300069000 through 0300112474)	
202	2080040	4	Blind Fastener, Huck (SN 0300112475 through 0300140000)	
203	3311405	4	Locknut 1/4in-20NC (SN 0300069000 through 0300112475)	
204	4711400	8	Flatwasher 1/4in Narrow (SN 0300069000 through 0300112475)	
205	2920140	2	Worklight	
205	7016399	2	Bulb, Replacement (1 Per Worklight)	
206	4240099	10	Tie-Strap (Not Shown)	
207	2820035	9	Loom, Vinyl (Not Shown)	
209		Ref	Connector, Strain Relief Options (Not Shown - Located at Console Box):	
209	4460598	1	Connector, Strain Relief (SN 0300069000 through 0300074426)	
209	4460426	1	Connector, Strain Relief (SN 0300074427 through 0300140000)	
		Ref	TRAY INSTALLATIONS (OPTIONAL)	
301	1580012	1	Tray, Storage (Center)	
302	1580013	1	Tray, Storage (Rail Mounted - Not Shown)	
		Ref	GENERATOR INSTALLATION (OPTIONAL)	
		Ref	Caterpillar Engine	

SECTION 4 - PLATFORM

ITEM	PART NUMBER	QTY	DESCRIPTION	REV
	0273538	Ref	110V (SN 0300069000 through 0300082503)	3
	0274091	Ref	110V (SN 0300082504 through 0300140000)	1
	0273539	Ref	220V (SN 0300069000 through 0300082503)	3
	0274087	Ref	220V (SN 0300082504 through 0300140000)	1
		Ref	Deutz Engine	
	0272482	Ref	110V (SN 0300069000 through 0300082503)	3
	0274090	Ref	110V (SN 0300082504 through 0300140000)	1
	0272481	Ref	220V (SN 0300069000 through 0300082503)	3
	0274086	Ref	220V (SN 0300082504 through 0300140000)	1
401	4360336	1	Switch, Toggle	
401	4740397	1	Bushing	
401	4060802	1	Guard, Switch	
401	3251102	1	Decal - Generator ON/OFF	

SECTION 4 - PLATFORM

FIGURE 4-3. PLATFORM COMPONENTS INSTALLATION (FALL ARREST PLATFORM)



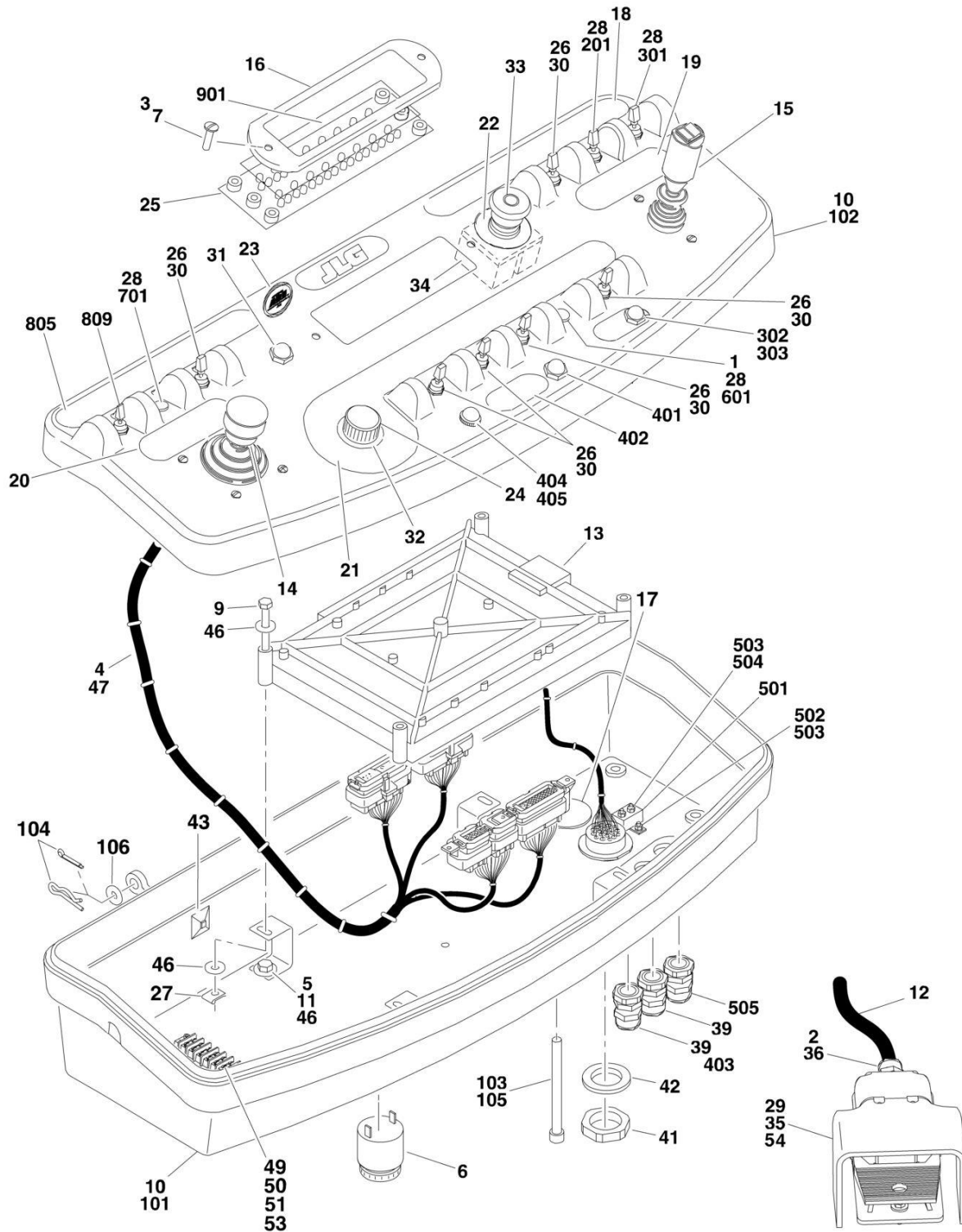
SECTION 4 - PLATFORM

FIGURE 4-3. PLATFORM COMPONENTS INSTALLATION (FALL ARREST PLATFORM)

ITEM	PART NUMBER	QTY	DESCRIPTION	REV
	3510877	Ref	PLATFORM ASSEMBLY (FALL ARREST)	A
		Ref	Note: Replacement Decals Must be purchased separately - See DECAL SECTION.	
1	0681814	2	Bolt 1/2in-13NC x 1-3/4in (Grade 8)	
2	0681822	6	Bolt 1/2in-13NC x 2-3/4in (Grade 8)	
3	0962270	2	Bearing, Oilite	
4	1702773	1	Decal - JLG	
5	1706501	1	Decal - Safety	
6	2410014	1	Gate Weldment	
7	3271805	8	Locknut 1/2in-13NC (Grade 8)	
8	3311605	1	Locknut 3/8in-16NC	
9	See Note	1	Platform Weldment (Note: Purchase Complete Platform Assembly)	
10	3520072	1	Cap-Plug	
11	3890040	1	Cable, Fall Arrest	
12	3900054	1	Bolt 1/2in-13NC x 1-3/4in	
13	4711800	2	Flatwasher 1/2in (Narrow)	
14	4751800	6	Flatwasher 1/2in (Wide)	
15	1706493	1	Decal - Drop Bar	

SECTION 4 - PLATFORM

FIGURE 4-4. PLATFORM CONSOLE ASSEMBLY (SN 0300069000 through 0300137974)



SECTION 4 - PLATFORM

FIGURE 4-4. PLATFORM CONSOLE ASSEMBLY (SN 0300069000 through 0300137974)

ITEM	PART NUMBER	QTY	DESCRIPTION	REV
	0861517	Ref	CONSOLE BOX AND FOOTSWITCH ASSEMBLY	K
1	0100009	AR	Sealant	
2	0100020	AR	Sealant	
3	0100035	AR	Compound, Locking	
4	0100048	AR	Grease, Dielectric	
5	0100081	AR	Adhesive	
6	0140011	1	Alarm	
7	0630464	2	Screw, Button Head #10-24NC x 1/2in	
8	0641406	4	Bolt 1/4in-20NC x 3/4in	
9		Ref	Bolt Options:	
9	0641416	4	Bolt 1/4in-20NC x 2in (SN 0300069000 through 0300077499)	
9	0641414	4	Bolt 1/4in-20NC x 1-3/4in (SN 0300077500 through 0300140000)	
10	0861537	1	Box, Console (See Items 110-106 for Breakdown)	
11	0902751	4	Bracket, Card Support	
12	1060918	7 ft/2.1m	Cable, 18/3 (See PLATFORM COMPONENTS INSTALLATION (FRONT ENTRY PLATFORM) for Location)	
13		Ref	Controller, Module Options:	
13	1600313	1	Controller, Module (SN 0300069000 through 0300077499)	
13	1600375	1	Controller, Module (SN 0300077500 through 0300140000)	
14	1600317	NLA	Controller Assembly (Swing and Lift) (See CONTROLLER ASSEMBLY (SWING AND LIFT) for Breakdown) (Use p/n 1001129555)	
15	1600318	NLA	Controller Assembly (Drive and Steer) (See CONTROLLER ASSEMBLY (DRIVE AND STEER) for Breakdown) (Use p/n 1001212415)	
16	1670829	1	Bezel	
17	1671037	1	Cover	
18		Ref	Decal (Stop) Options:	
18	1702564	1	Decal (Stop) (SN 0300069000 through 0300073036)	
18	1704997	1	Decal (Stop) (SN 0300073037 through 0300136487)	
18	1001107527	1	Decal (Stop) (SN 0300136488 through 0300140000)	
19	1702565	1	Decal (Drive and Steer)	
20	1702566	1	Decal (Lift and Swing)	
21	1702567	1	Decal (Function Speed)	
22	1704260	1	Decal - EMS	
23	1705132	1	Decal - ADE	
24	2560136	1	Handle, Knob	
25	2760105	1	Housing, Display Light	
26	3790012	6	O-Ring	
27	3300353	4	Nut, Tinnerman	
28	3520054	4	Plug, Hole	
29	See Note	1	Footswitch (Note: See PLATFORM COMPONENTS INSTALLATION (SIDE ENTRY PLATFORM) for Service Parts)	
30	4360328	6	Switch, Toggle	
31	4360387	1	Switch, Pushbutton	
32	4360407	1	Controller, Speed	
32	See Note	1	Gasket "Top Hat" (Included with Switch) (Note: Not Available for Purchase)	
32	70003784	1	Seal	
33	4360475	1	Switch, Emergency Stop	

SECTION 4 - PLATFORM

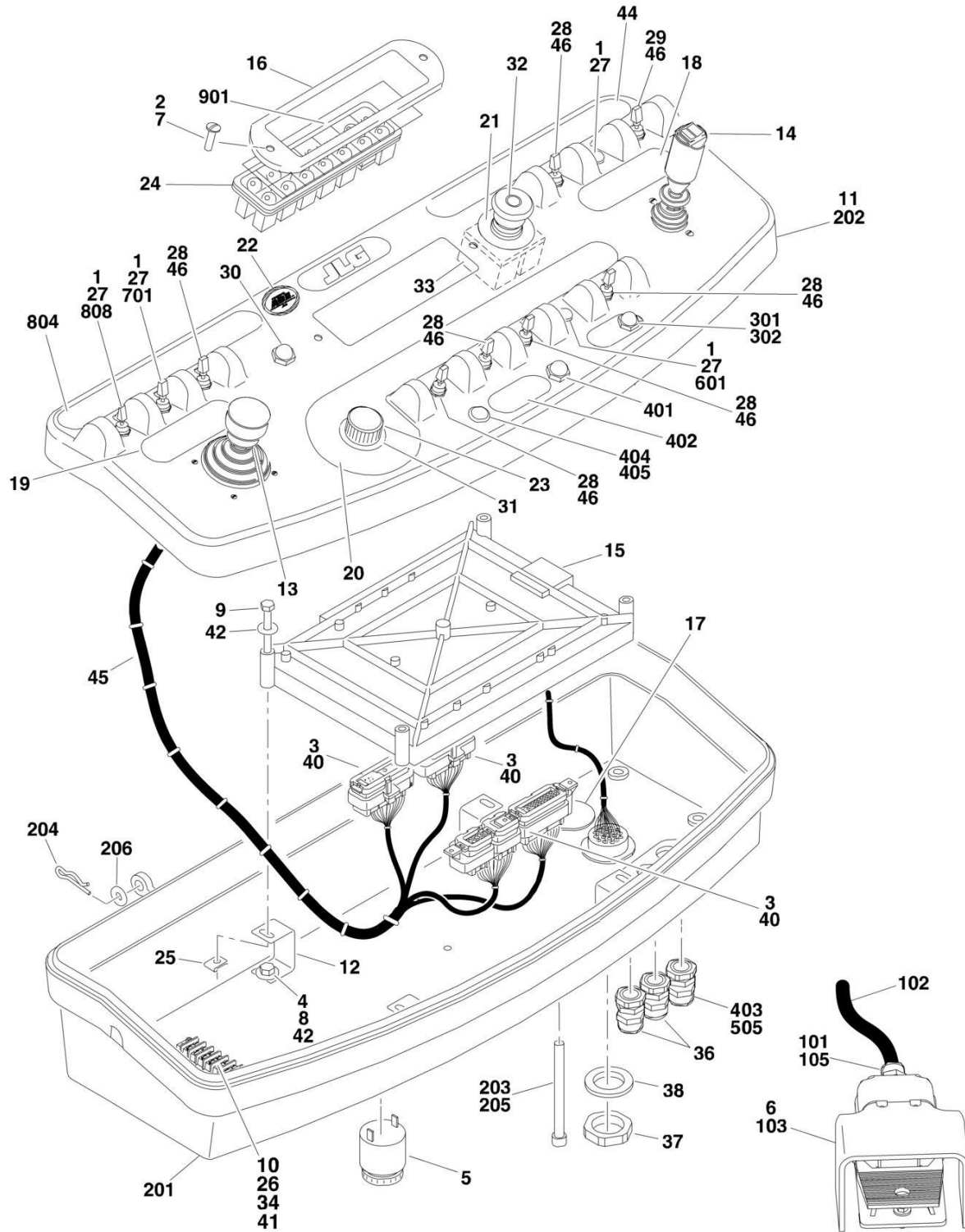
ITEM	PART NUMBER	QTY	DESCRIPTION	REV
33	7020175	1	Cap, Red	
33	7020176	1	Contact Block	
34	4360476	1	Block, Contact	
35	4460042	3	Ring, Terminal	
36	4460071	1	Connector, Strain Relief	
37	4460226	2	Contact, Socket (See ELECTRICAL SECTION for Location)	
38	4460234	2	Tie-Strap (Not Shown)	
39	4460428	2	Connector, Strain Relief	
40	4460464	1	Terminal, Deutsch (See ELECTRICAL SECTION for Location)	
41	4460470	1	Nut, Terminal	
42	4460471	1	Lockwasher, Terminal	
43	4460488	1	Base, Mounting (SN 0300069000 through 0300134720)	
44	4460708	2	Terminal, 15 Pin (See ELECTRICAL SECTION for Location)	
45	4460905	5	Plug, Seal (See ELECTRICAL SECTION for Location)	
46	4751400	8	Flatwasher 1/4in	
47		Ref	Harness, Platform Box Options:	
47	4922639	1	Harness, Platform Box (SN 0300069000 through 0300136487)	
47	1001107753	1	Harness, Platform Box (SN 0300136488 through 0300140000)	
48	4922666	1	Harness, Analyzer Cable (See ELECTRICAL SECTION for Location)	
49		Ref	Bolt Options:	
49	0721008	1	Bolt #10-24NC x 1in (SN 0300071157 through 0300113581)	
49	0721006	2	Bolt #10-24NC x 3/4in (SN 0300113582 through 0300140000)	
50		Ref	Nut Options:	
50	3311001	1	Nut #10-24NC (SN 0300071157 through 0300113581)	
50	3311005	2	Locknut #10-24NC (SN 0300113582 through 0300140000)	
51	4460007	1	Bar, Buss (SN 0300071157 through 0300140000)	
53	4751000	2	Flatwasher #10 (SN 0300113582 through 0300140000)	
54	0272970	1	Preassembled Footswitch Kit (Includes Items 2, 12, 29, 35, 36 & 40)	
	0861537	Ref	CONSOLE BOX ASSEMBLY	E
101	0861537	1	Console Bottom (Note: Not Available for Purchase)	
102	0861537	1	Console Top (Note: Not Available for Purchase)	
103	3311601	1	Nut 3/8in-16NC	
104		Ref	Pin Options:	
104	3420156	2	Pin, Cotter (SN 0300069000 through 0300088135)	
104	3470003	2	Pin, Hair (SN 0300088136 through 0300140000)	
105	0630568	1	Screw 3/8in-16NC x 4-1/2in	
106	4711500	2	Flatwasher 5/16in	
201	Not Required	0	Not Required	
		Ref	HEAD AND TAIL LIGHTS INSTALLATION (OPTIONAL)	
	0271768	Ref	Head and Tail Lights Installation (Optional) (SN 0300069000 through 0300136487)	2
301	4360336	1	Switch, Toggle	
301	3790012	1	O-Ring	
	0271768	Ref	Head and Tail Lights Installation (Optional) (SN 0300136488 through 0300137974)	C
302	4360522	1	Switch, Pushbutton	
303	1705170	1	Decal - Lights	
		Ref	SOFT TOUCH SYSTEM INSTALLATION (OPTIONAL)	
	0273824	Ref	6ft/1.8m Platforms	B
	0272427	Ref	8ft/2.4m Platforms	D

SECTION 4 - PLATFORM

ITEM	PART NUMBER	QTY	DESCRIPTION	REV
	0273706	Ref	8ft/2.4m Platforms with Fall Arrest	B
401	4360387	1	Switch, Pushbutton	
402	1702938	1	Decal - Soft Touch Override	
403	4460425	1	Connector, Strain Relief	
404	2920028	1	Lamp, Indicator (SN 0300136488 through 0300140000)	
405	2920029	1	Bulb (SN 0300136488 through 0300140000)	
		Ref	PLATFORM WORKLIGHT INSTALLATION (OPTIONAL)	
	0270814	Ref	Platform Worklight Installation (Optional) 800A/800AJ (SN 0300069000 through 0300074426)	3-E
	0273484	Ref	Platform Worklight Installation (Optional) 800A (SN 0300074427 through 0300140000)	D
	0273485	Ref	Platform Worklight Installation (Optional) 800AJ (SN 0300074427 through 0300140000)	D
501	4360232	1	Breaker, Circuit - 15Amp (SN 0300069000 through 0300074427)	
502	0721003	2	Bolt #10-24NC x 3/8in (SN 0300069000 through 0300074427)	
503	4761000	4	Lockwasher #10 (SN 0300069000 through 0300074427)	
504	3311001	2	Nut #10-24NC (SN 0300069000 through 0300074427)	
505		Ref	Connector, Strain Relief Options:	
505	4460598	1	Connector, Strain Relief (SN 0300069000 through 0300074426)	
505	4460426	1	Connector, Strain Relief (SN 0300074427 through 0300140000)	
	0271340	Ref	JIB SWITCH INSTALLATION (OPTIONAL)	1
601	4360328	1	Switch, Toggle	
601	3790012	1	O-Ring	
	0258945	Ref	STEER SWITCH (4WS) INSTALLATION (OPTIONAL)	1
701	4360331	1	Switch, Toggle	
701	3790012	1	O-Ring	
	0271941	Ref	CONSOLE BOX INSTALLATION (4WD)	B
805	1702676	1	Decal - Horn	
809	4360331	1	Switch, Toggle (4WD)	
809	3790012	1	O-Ring	
		Ref	LIGHT PANEL DECAL INSTALLATION OPTIONS:	
	0275805	Ref	CE Spec	B
	0275804	Ref	Australian Spec	B
901		Ref	Decal - Light Panel Display Options:	
901	1707113	1	CE Spec	
901	1707111	1	Australian Spec	
		Ref	Note: Machines should have been updated to this light panel installation.	

SECTION 4 - PLATFORM

FIGURE 4-5. PLATFORM CONSOLE ASSEMBLY (SN 0300137975 through 0300140000)



SECTION 4 - PLATFORM

FIGURE 4-5. PLATFORM CONSOLE ASSEMBLY (SN 0300137975 through 0300140000)

ITEM	PART NUMBER	QTY	DESCRIPTION	REV
		Ref	CONSOLE BOX AND FOOTSWITCH ASSEMBLY	
	1001108735	Ref	Console (SN 0300138447 through 0300139069)	B
	1001114448	Ref	Console (SN 0300139070 through 0300140000)	C
1	0100009	AR	Sealant	
2	0100035	AR	Compound, Locking	
3	0100048	AR	Grease, Dielectric	
4	0100081	AR	Adhesive	
5	0140011	1	Alarm	
6	0272970	1	Footswitch Assembly (See Items 101-107 for Breakdown)	
7	0630464	2	Screw, Button Head #10-24NC x 1/2in	
8	0641404	4	Bolt 1/4in-20NC x 1/2in	
9	0641414	4	Bolt 1/4in-20NC x 1-3/4in	
10	0721006	2	Bolt #10-24NC x 3/4in	
11	0861537	1	Box, Console (See Items 201-206 for Breakdown)	
12	0902751	4	Bracket, Card Support	
13	1600317	NLA	Controller Assembly (Swing and Lift) (See CONTROLLER ASSEMBLY (SWING AND LIFT) for Breakdown) (Use p/n 1001129555)	
14	1600318	NLA	Controller Assembly (Drive and Steer) (See CONTROLLER ASSEMBLY (DRIVE AND STEER) for Breakdown) (Use p/n 1001212415)	
15		Ref	Controller, Module Options (Re-calibration Required when Replaced):	
15	1600375	1	Controller, Module (SN 0300138447 through 0300139069)	
15	1001106355	1	Controller, Module (SN 0300139070 through 0300140000)	
16	1670829	1	Bezel	
17	1671037	NLA	Plug (Use p/n 1001110434)	
18	1702565	1	Decal (Drive and Steer)	
19	1702566	1	Decal (Lift and Swing)	
20	1702567	1	Decal (Function Speed)	
21	1704260	1	Decal - EMS	
22	1705132	1	Decal - ADE	
23	2560136	1	Handle, Knob	
24	2760105	1	Housing, Display Light	
25	3300353	4	Nut, Tinnerman	
26	3311005	2	Locknut #10-24NC	
27	3520054	AR	Plug, Hole	
28	4360328	6	Switch, Toggle	
29	4360330	1	Switch, Toggle	
30	4360387	1	Switch, Pushbutton	
31	4360407	1	Controller, Speed	
31	See Note	1	Gasket "Top Hat" (Included with Switch) (Note: Not Available for Purchase)	
31	70003784	1	Seal	
32	4360475	1	Switch, Emergency Stop	
32	7020175	1	Cap, Red	
32	7020176	1	Contact Block	
33	4360476	1	Block, Contact	
34	4460007	1	Bar, Buss	
35	4460234	3	Mount, Tie-Strap (Not Shown)	
36	4460428	2	Connector, Strain Relief	

SECTION 4 - PLATFORM

ITEM	PART NUMBER	QTY	DESCRIPTION	REV
37	4460470	1	Nut, Terminal	
38	4460471	1	Lockwasher, Terminal	
39	4460708	2	Terminal, 15 Pin (See ELECTRICAL SECTION for Location)	
40	4460905	5	Plug, Seal (See ELECTRICAL SECTION for Location)	
41	4751000	2	Flatwasher #10	
42	4751400	8	Flatwasher 1/4in	
43	4922666	1	Harness, Analyzer Cable (See ELECTRICAL SECTION for Location)	
44	1001107677	1	Decal (Stop)	
45	1001107753	1	Harness, Platform Box	
46	3790012	7	O-Ring	
	1001119563	1	Decal Kit (Includes Items 18-22, 44, 804 & 901)	
	0272970	Ref	FOOT SWITCH ASSEMBLY	A
101	0100020	AR	Pipe Sealant	
102	1060918	7 ft/2.1m	Cable, 18/3	
103	See Note	1	Footswitch (Note: See PLATFORM COMPONENTS INSTALLATION (SIDE ENTRY PLATFORM) for Service Parts)	
105	4460071	1	Connector, Strain Relief	
106	4460226	2	Socket, Female (Not Shown - Used with Footswitch) (See ELECTRICAL SECTION for Breakdown)	
107	4460464	1	Terminal, Deutsch (Not Shown - Used with Footswitch) (See ELECTRICAL SECTION for Breakdown)	
	0861537	Ref	CONSOLE BOX ASSEMBLY	E
201	0861537	1	Console Bottom (Note: Not Available for Purchase)	
202	0861537	1	Console Top (Note: Not Available for Purchase)	
203	3311601	1	Nut 3/8in-16NC	
204	3470003	2	Pin, Hair	
205	0630568	1	Screw 3/8in-16NC x 4-1/2in	
206	4711500	2	Flatwasher 5/16	
	0271768	Ref	HEAD AND TAIL LIGHTS INSTALLATION (OPTIONAL)	C
301	4360522	1	Switch, Pushbutton	
302	1705170	1	Decal - Lights	
		Ref	SOFT TOUCH SYSTEM INSTALLATION (OPTIONAL)	
	0273824	Ref	6ft/1.8m Platforms	B
	0272427	Ref	8ft/2.4m Platforms	D
	0273706	Ref	8ft/2.4m Platforms with Fall Arrest	B
401	4360387	1	Switch, Pushbutton	
402	1702938	1	Decal - Soft Touch Override	
403	4460425	1	Connector, Strain Relief	
404	2920028	1	Lamp, Indicator	
405	2920029	1	Bulb	
		Ref	PLATFORM WORKLIGHT INSTALLATION (OPTIONAL)	
	0273484	Ref	Platform Worklight Installation 800A	D
	0273485	Ref	Platform Worklight Installation 800AJ	D
505	4460426	1	Connector, Strain Relief	
	0271340	Ref	JIB SWITCH INSTALLATION (OPTIONAL)	1
601	4360328	1	Switch, Toggle	
601	3790012	1	O-Ring	
	0258945	Ref	STEER SWITCH (4WS) INSTALLATION (OPTIONAL)	A
701	4360331	1	Switch, Toggle	
701	3790012	1	O-Ring	
	1001108736	Ref	CONSOLE BOX INSTALLATION	A

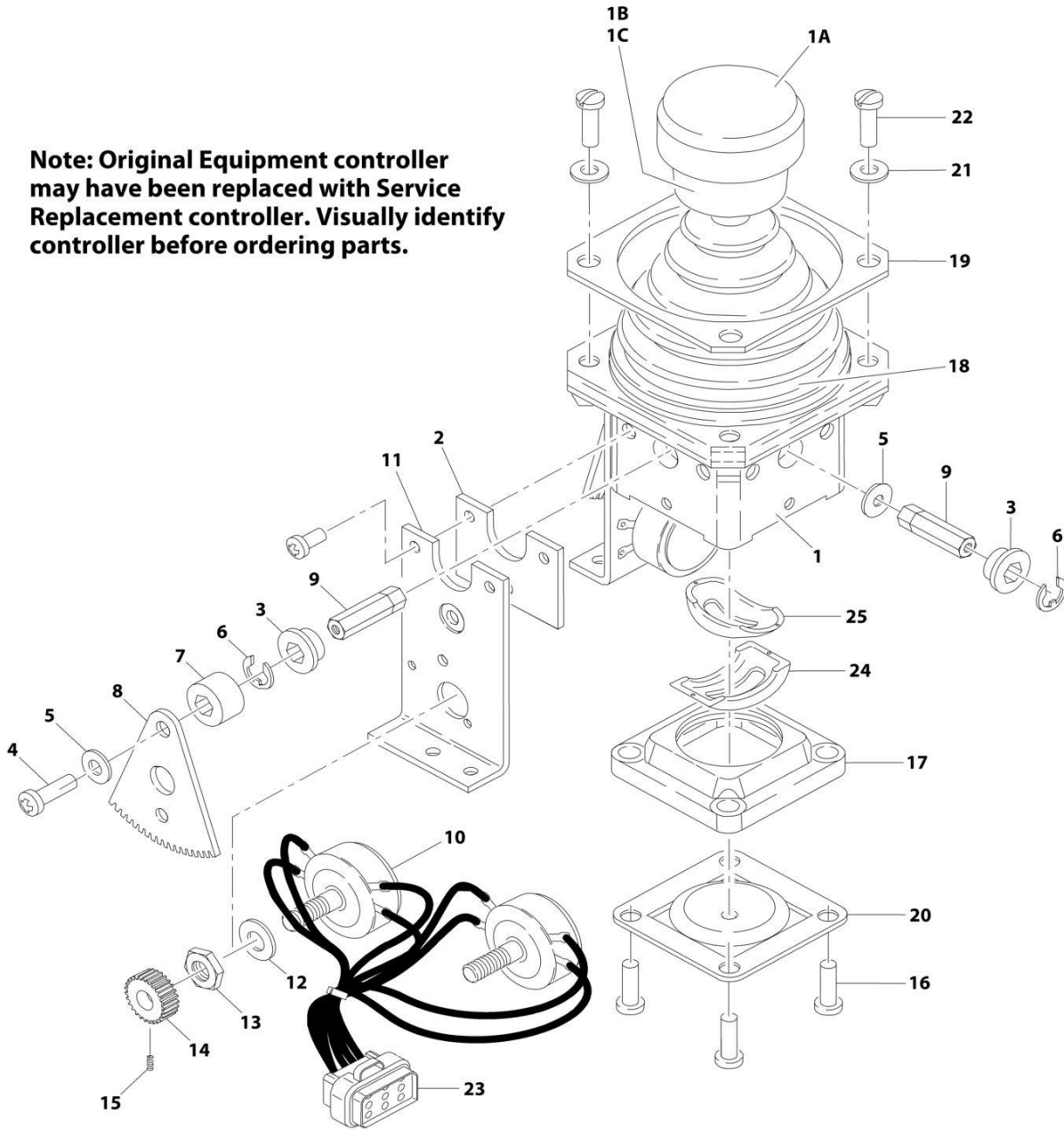
SECTION 4 - PLATFORM

ITEM	PART NUMBER	QTY	DESCRIPTION	REV
804	1702676	1	Decal - Horn	
808	4360331	1	Switch, Toggle (4WD)	
808	3790012	1	O-Ring	
	1001108764	Ref	LIGHT PANEL DECAL INSTALLATION	A
901	1001107926	1	Decal - Light Panel Display	

SECTION 4 - PLATFORM

FIGURE 4-6. CONTROLLER ASSEMBLY (LIFT AND SWING)

Note: Original Equipment controller may have been replaced with Service Replacement controller. Visually identify controller before ordering parts.



ART_1600317

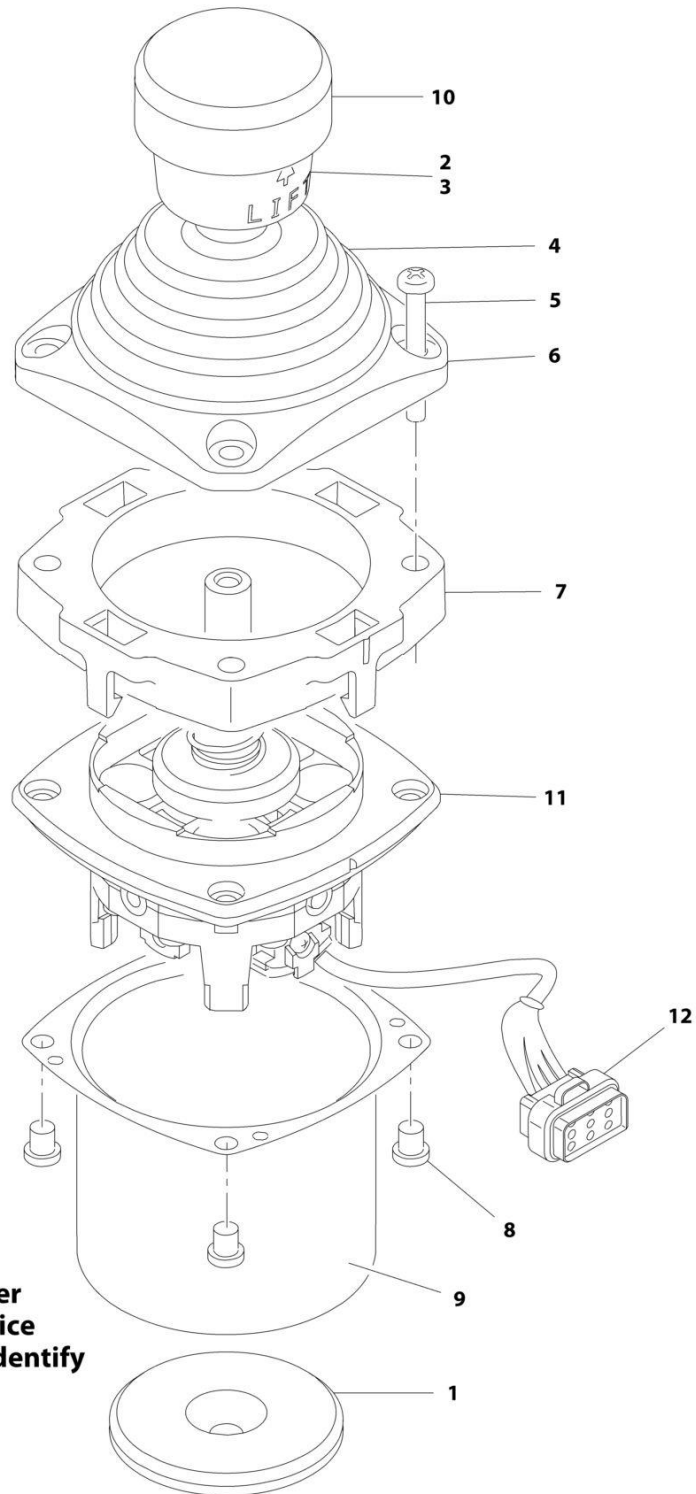
SECTION 4 - PLATFORM

FIGURE 4-6. CONTROLLER ASSEMBLY (LIFT AND SWING)

ITEM	PART NUMBER	QTY	DESCRIPTION	REV
		Ref	Note: Original Equipment controller may have been replaced with Service Replacement controller. Visually identify controller before ordering parts.	
	1600317	Ref	CONTROLLER ASSEMBLY	C
		Ref	Note: Use p/n 1001129555 Kit as Replacement.	
1	7019141	1	Mechanical Assembly (Includes Base, Handle Stem and Items 1A, 1B, 1C & 18)	
1A	7019197	1	Handle Cap and Rod	
1B	7003928	1	Spring	
1C	7022808	1	Cap, Lift	
2	7019171	2	Plate	
3	7019111	4	Bearing, Gear	
4	7019143	2	Screw	
5	7019144	2	Spacer, Cam	
6	7019145	4	E-Clip	
7	7019174	2	Spacer	
8	7003977	2	Gear, Drive	
9		Ref	Shaft Options:	
9	7019147	2	Shaft, Short	
9	7019177	2	Shaft, Long	
10	7022818	2	Potentiometer	
11	7019142	2	Plate	
12	7003992	2	Washer	
13	7003993	2	Nut	
14	7003976	2	Gear, Slave	
15	7019149	2	Setscrew	
16	7022816	4	Screw	
17	7019150	1	Gate	
18	7022814	1	Boot	
19	7022815	1	Bezel	
20	See Note	NSS	Center, Detent (Note: Use p/n 1001129555)	
21	7003953	4	Washer	
22	7022817	4	Screw	
23	7022819	1	Plug, Male - 8 Position (Natural)	
23	4460871	8	Socket, Female	
24	7019122	1	Gimble, Outer	
25	7019123	1	Gimble, Inner	

SECTION 4 - PLATFORM

FIGURE 4-7. CONTROLLER ASSEMBLY (LIFT AND SWING)



Note: Original Equipment controller may have been replaced with Service Replacement controller. Visually identify controller before ordering parts.

ART_100118417

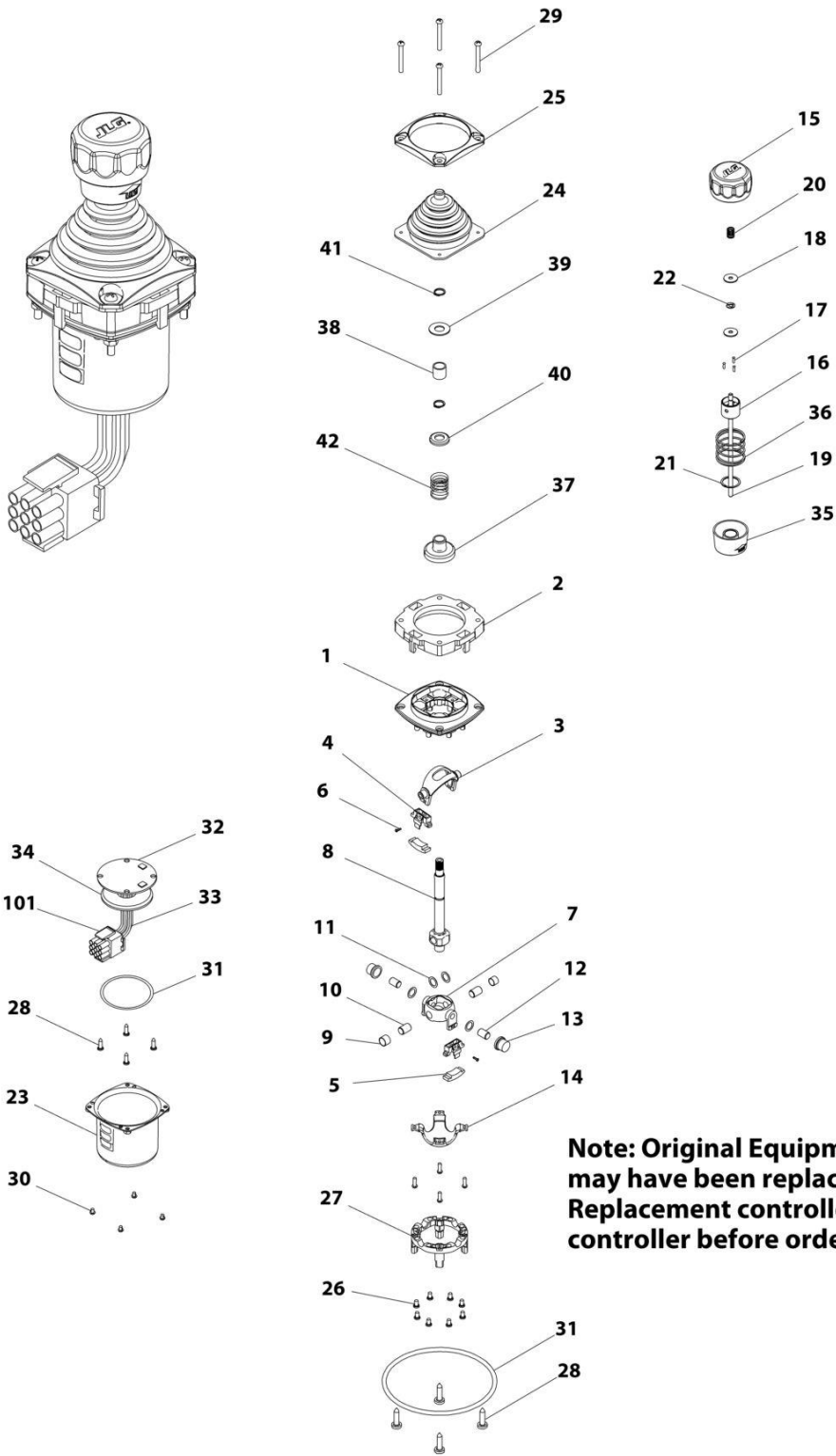
SECTION 4 - PLATFORM

FIGURE 4-7. CONTROLLER ASSEMBLY (LIFT AND SWING)

ITEM	PART NUMBER	QTY	DESCRIPTION	REV
		Ref	Note: Original Equipment controller may have been replaced with Service Replacement controller. Visually identify controller before ordering parts.	
	1001118417	Ref	CONTROLLER ASSEMBLY	E
		Ref	Note: Use p/n 1001129555 as Replacement.	
1	70002730	1	Gasket	
2	7003928	1	Spring	
3	7022808	1	Cap, Lift	
4	70002731	1	Boot	
5	70002732	4	Screw	
6	7022815	1	Bezel	
7	70002733	1	Adapter	
8	70002734	4	Screw	
9	70002735	1	Can, Enclosure	
10	70002906	1	Cap	
11	See Note	NSS	Mechanical Assembly (Note: Use p/n 1001129555)	
12	7022819	1	Connector - 8 Position	
12	4460871	6	Socket, Female	

SECTION 4 - PLATFORM

FIGURE 4-8. CONTROLLER ASSEMBLY (LIFT AND SWING)



Note: Original Equipment controller may have been replaced with Service Replacement controller. Visually identify controller before ordering parts.

ART_1001166539

SECTION 4 - PLATFORM

FIGURE 4-8. CONTROLLER ASSEMBLY (LIFT AND SWING)

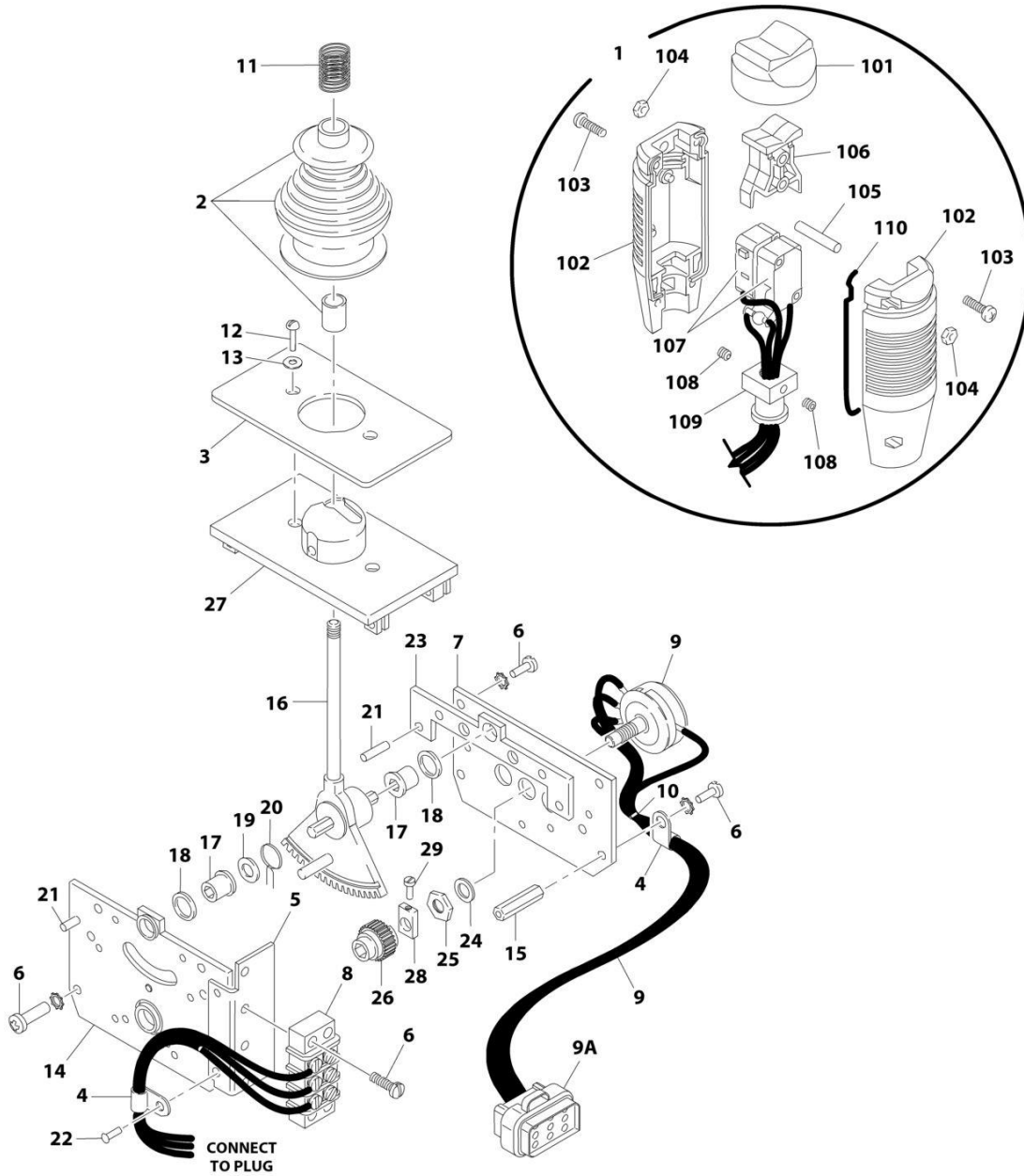
ITEM	PART NUMBER	QTY	DESCRIPTION	REV
		Ref	Note: Original Equipment controller may have been replaced with Service Replacement controller. Visually identify controller before ordering parts.	
	1001166539	Ref	CONTROLLER ASSEMBLY	D
		Ref	Note: Use p/n 1001129555 as Replacement.	
1	See Note	NSS	Main Cast Body (Note: Not Available - Purchase Complete Assembly)	
2	70004752	1	Adapter	
3	See Note	NSS	Pivot Arm, Plastic (Note: Not Available - Purchase Complete Assembly)	
4	See Note	NSS	Holder, Magnet (Note: Not Available - Purchase Complete Assembly)	
5	See Note	NSS	Arc, Magnet (Note: Not Available - Purchase Complete Assembly)	
6	See Note	NSS	Screw (Note: Not Available for Purchase)	
7	See Note	NSS	Pivot Arm, Cast (Note: Not Available - Purchase Complete Assembly)	
8	See Note	NSS	Shaft, Main (Note: Not Available - Purchase Complete Assembly)	
9	See Note	NSS	Bearing (Note: Not Available - Purchase Complete Assembly)	
10	See Note	NSS	Pin (Note: Not Available - Purchase Complete Assembly)	
11	See Note	NSS	Shim (Note: Not Available - Purchase Complete Assembly)	
12	See Note	NSS	Pin (Note: Not Available - Purchase Complete Assembly)	
13	See Note	NSS	Bearing (Note: Not Available - Purchase Complete Assembly)	
14	See Note	NSS	Dome, Centering (Note: Not Available - Purchase Complete Assembly)	
15	70004753	1	Cap	
16	70004754	1	Insert, Cap	
17	70004755	3	Pin	
18	70004756	2	Washer	
19	70004757	1	Pin, Centering	
20	70004758	1	Spring	
21	70004759	1	Ring, Retaining	
22	70004760	1	E-Ring	
23	70004761	1	Can, Enclosure	
24	70004762	1	Boot	
25	70004763	1	Bezel	
26	See Note	NSS	Screw (Note: Not Available for Purchase)	
27	See Note	NSS	Base, Mounting (Note: Not Available - Purchase Complete Assembly)	
28	See Note	NSS	Screw (Note: Not Available for Purchase)	
29	70004764	4	Screw	
30	70004765	4	Screw	
31	70004766	1	O-Ring	
32	See Note	NSS	Plate (Note: Not Available - Purchase Complete Assembly)	
33	See Note	NSS	Harness (Note: Not Available - Purchase Complete Assembly)	
34	70004767	1	Grommet, Rubber	
35	70004768	1	Housing	
36	70004769	1	Spring	
37	70004770	1	Stopper	
38	70004771	1	Spacer	
39	70004772	1	Washer	
40	70004773	1	Disc	

SECTION 4 - PLATFORM

ITEM	PART NUMBER	QTY	DESCRIPTION	REV
41	70004774	2	Ring, Retaining	
42	70004775	1	Spring	
101	4460265	1	Connector - 9 Position	
101	4460226	6	Socket, Female	

SECTION 4 - PLATFORM

FIGURE 4-9. CONTROLLER ASSEMBLY (DRIVE AND STEER)



Note: Original Equipment controller may have been replaced with Service Replacement controller. Visually identify controller before ordering parts.

ART_1600318

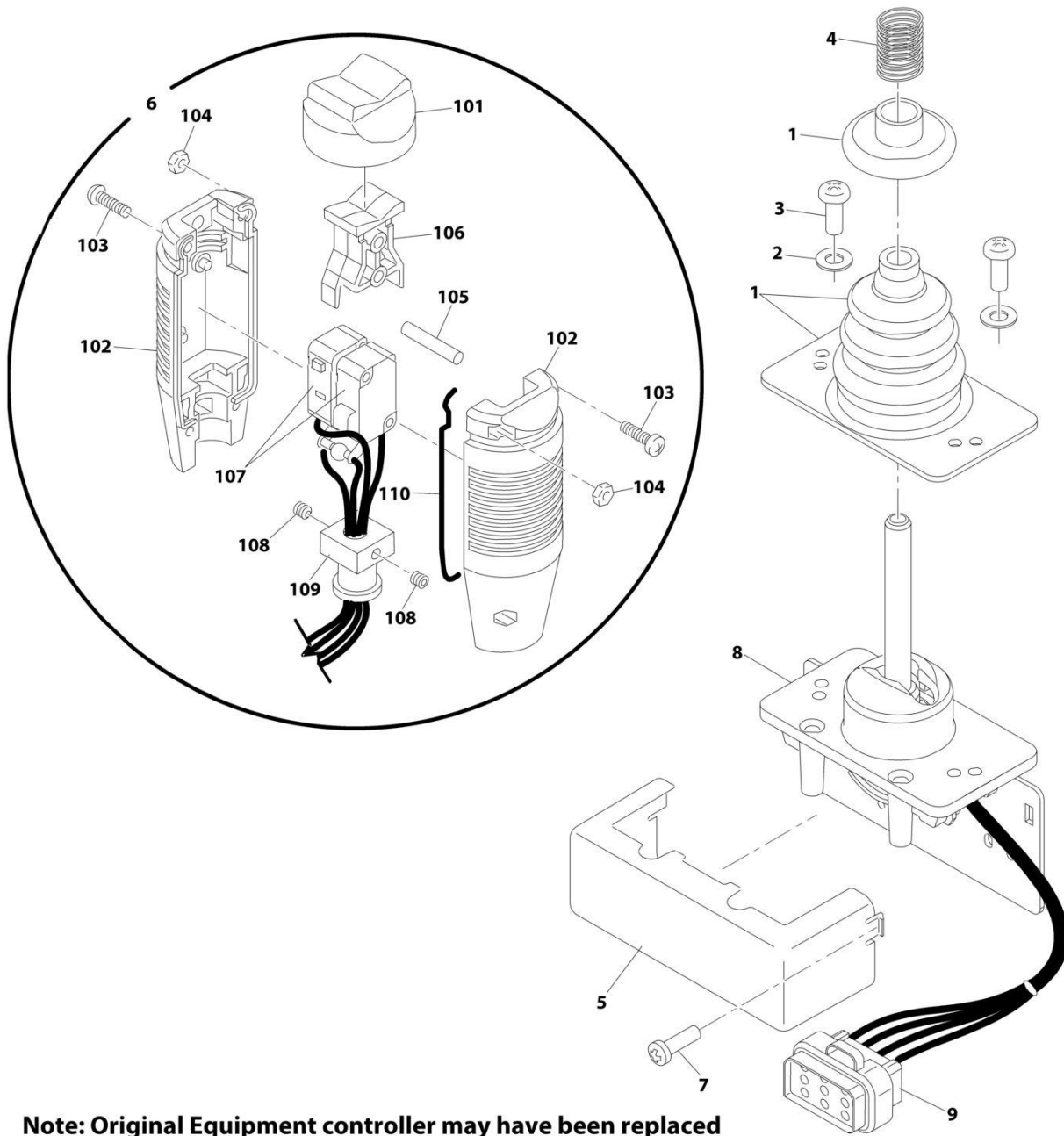
SECTION 4 - PLATFORM

FIGURE 4-9. CONTROLLER ASSEMBLY (DRIVE AND STEER)

ITEM	PART NUMBER	QTY	DESCRIPTION	REV
		Ref	Note: Original Equipment controller may have been replaced with Service Replacement controller. Visually identify controller before ordering parts.	
	1600318	Ref	CONTROLLER ASSEMBLY	C
		Ref	Note: Use p/n 1001212415 as Replacement.	
1	7022812	1	Handle Assembly (See Items 101-110 for Breakdown)	
2	7019161	1	Boot and Sleeve	
3	7003933	1	Gasket	
4	7019154	2	Clamp, Wire	
5	7022823	1	Bracket, Mounting	
6	7003994	1	Screw	
7	7022822	1	Plate, Pot Mounting	
8	7003986	1	Strip, Terminal - 3 Position	
9	7022824	1	Electric Assembly	
9A	1001113961	1	Plug, Male - 8 Position (Black) (was p/n 7022825)	
9A	4460871	7	Socket, Female	
10	7019151	AR	Tie-Strap	
11	7019162	1	Spring	
12	7003969	2	Screw	
13	7003941	2	Washer	
14	See Note	NSS	Plate, Mounting (Left Side) (Note: Not Available for Purchase)	
15	7019115	2	Stand-off	
16	7019155	1	Shaft 8mm	
17	7019111	2	Bearing	
18	7019110	2	Spacer, Head Gear	
19	7019112	1	Washer	
20	7003946	1	Spring, Return	
21	7019103	4	Pin	
22	See Note	NSS	Rivet (Note: Not Available - Purchase Locally)	
23	7019168	1	Plate, Mounting (Right Side)	
24	7003992	1	Washer	
25	7003993	1	Nut	
26	7003935	1	Gear, Slave	
27	7019160	1	Plate, Base	
28	7019114	1	Coupling, Potentiometer	
29	See Note	NSS	Cup Point Screw (Note: Not Available for Purchase)	
	7022812	Ref	HANDLE ASSEMBLY	
101	7003972	1	Boot, Switch	
102	7003973	2	Half, Handle	
103	7003980	4	Screw	
104	7019167	4	Nut	
105	7019164	1	Axle	
106	7019165	1	Rocker	
107	See Note	NSS	Wiring for Controller Assembly p/n 1600318 (Note: Use p/n 1001166538)	
107	7019166	2	Switch, Micro	
108	7003983	2	Setscrew	
109	7019194	1	Coupling	
110	7003989	2	Gasket	

SECTION 4 - PLATFORM

FIGURE 4-10. CONTROLLER ASSEMBLY (DRIVE AND STEER)



Note: Original Equipment controller may have been replaced with Service Replacement controller. Visually identify controller before ordering parts.

ART_100118416

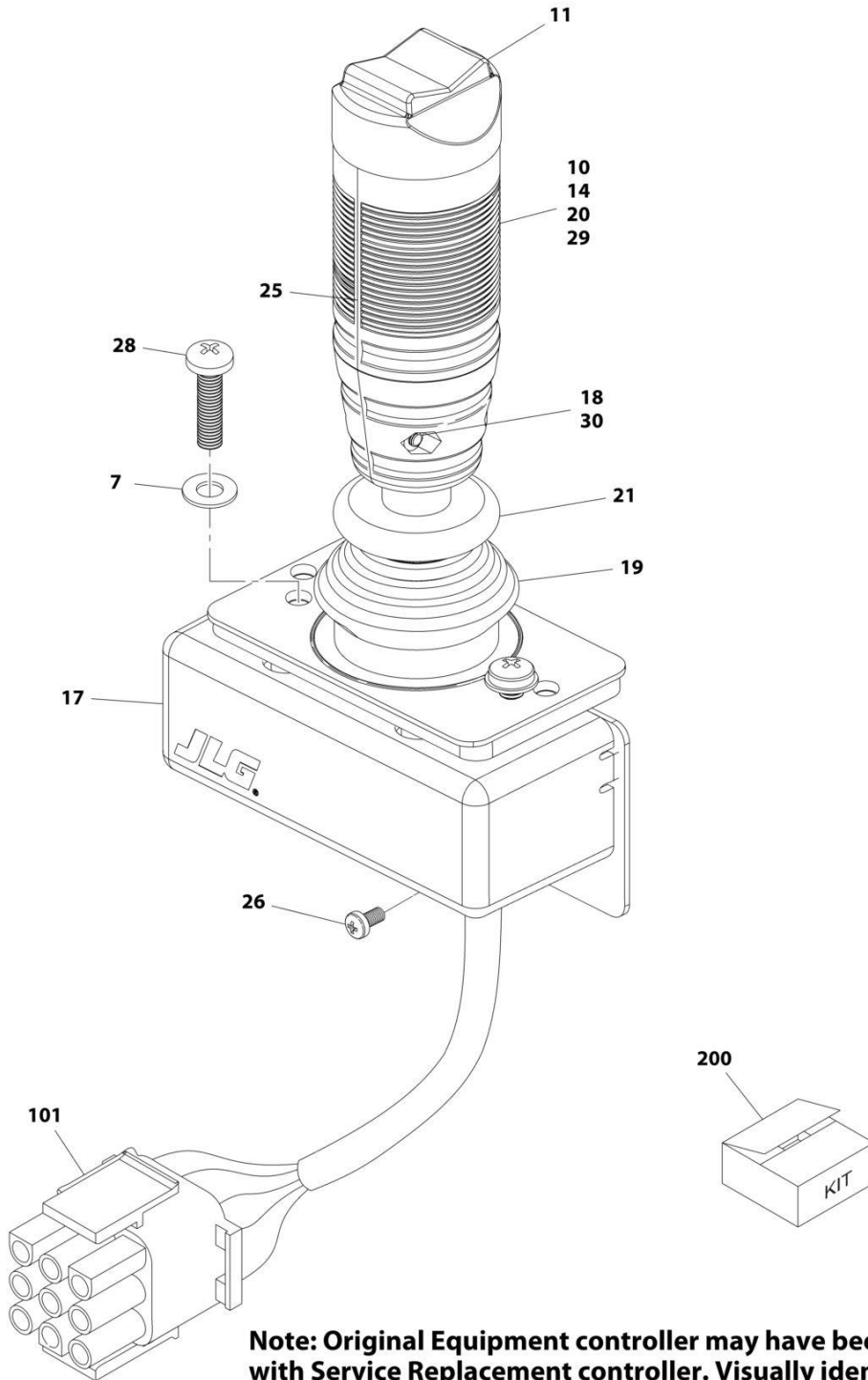
SECTION 4 - PLATFORM

FIGURE 4-10. CONTROLLER ASSEMBLY (DRIVE AND STEER)

ITEM	PART NUMBER	QTY	DESCRIPTION	REV
		Ref	Note: Original Equipment controller may have been replaced with Service Replacement controller. Visually identify controller before ordering parts.	
	1001118416	Ref	CONTROLLER ASSEMBLY	D
		Ref	Note: Use p/n 1001212415 as Replacement.	
1	70002724	1	Boot and Control Lock Assembly	
2	7003941	2	Washer	
3	70002725	2	Screw	
4	7019162	1	Spring	
5	70002726	1	Enclosure	
6	70002727	1	Handle Assembly (See Items 101-110 for Breakdown)	
7	70002728	1	Screw	
8	See Note	NSS	Mechanical Assembly (Note: Use p/n 1001166538)	
9	1001113961	1	Plug, Male - 8 Position (Black) (was p/n 7022825)	
9	4460871	7	Socket, Female	
	70002727	Ref	HANDLE ASSEMBLY	
101	7003972	1	Boot, Switch	
102	7003973	2	Half, Handle	
103	7003980	4	Screw	
104	7019167	4	Nut	
105	7019164	1	Axle	
106	7019165	1	Rocker	
107	70002729	1	Wiring Assembly	
107	7003982	2	Switch, Micro	
108	7003983	2	Set Screw	
109	7019194	1	Coupling	
110	7003989	2	Gasket	

SECTION 4 - PLATFORM

FIGURE 4-11. CONTROLLER ASSEMBLY (DRIVE AND STEER)



Note: Original Equipment controller may have been replaced with Service Replacement controller. Visually identify controller before ordering parts.

ART_1001166538

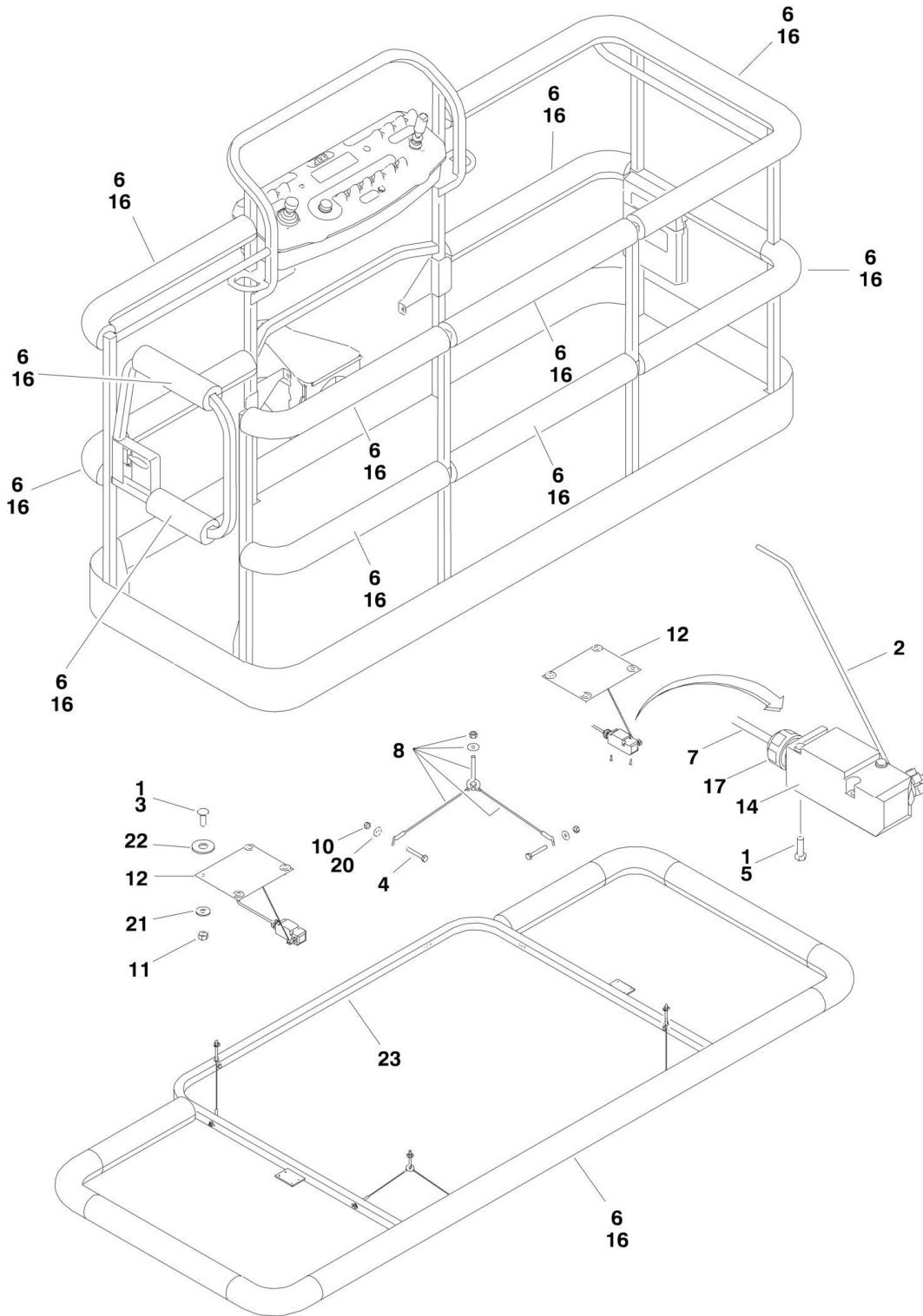
SECTION 4 - PLATFORM

FIGURE 4-11. CONTROLLER ASSEMBLY (DRIVE AND STEER)

ITEM	PART NUMBER	QTY	DESCRIPTION	REV
		Ref	Note: Original Equipment controller may have been replaced with Service Replacement controller. Visually identify controller before ordering parts.	
	1001166538	Ref	CONTROLLER ASSEMBLY	E
		Ref	Note: Use p/n 1001212415 as Replacement.	
7	70004738	2	Washer	
10	70004739	1	Roller	
11	70004740	1	Boot, Switch	
14	70004741	2	Half, Handle	
17	70004742	1	Enclosure	
18	70004743	4	Nut	
19	70004744	NLA	Boot, Controller (Note: Use Item 200)	
20	70004745	NLA	Tube, Locking (Note: Use Item 200)	
21	70004746	NLA	Disc, Locking (Note: Use Item 200)	
25	70004747	2	Seal, Rope	
26	70004748	1	Screw, M3 x 6	
28	70004749	2	Screw, M5 x 20	
29	70004750	1	Pin, Dowel	
30	70004751	4	Screw, M3 x 16	
101	4460265	1	Connector - 9 Position	
101	4460226	7	Socket, Female	
200	70005230	1	Boot Kit (Includes Items 19-21)	

SECTION 4 - PLATFORM

FIGURE 4-12. SOFT TOUCH SYSTEM INSTALLATION (OPTIONAL)



SECTION 4 - PLATFORM

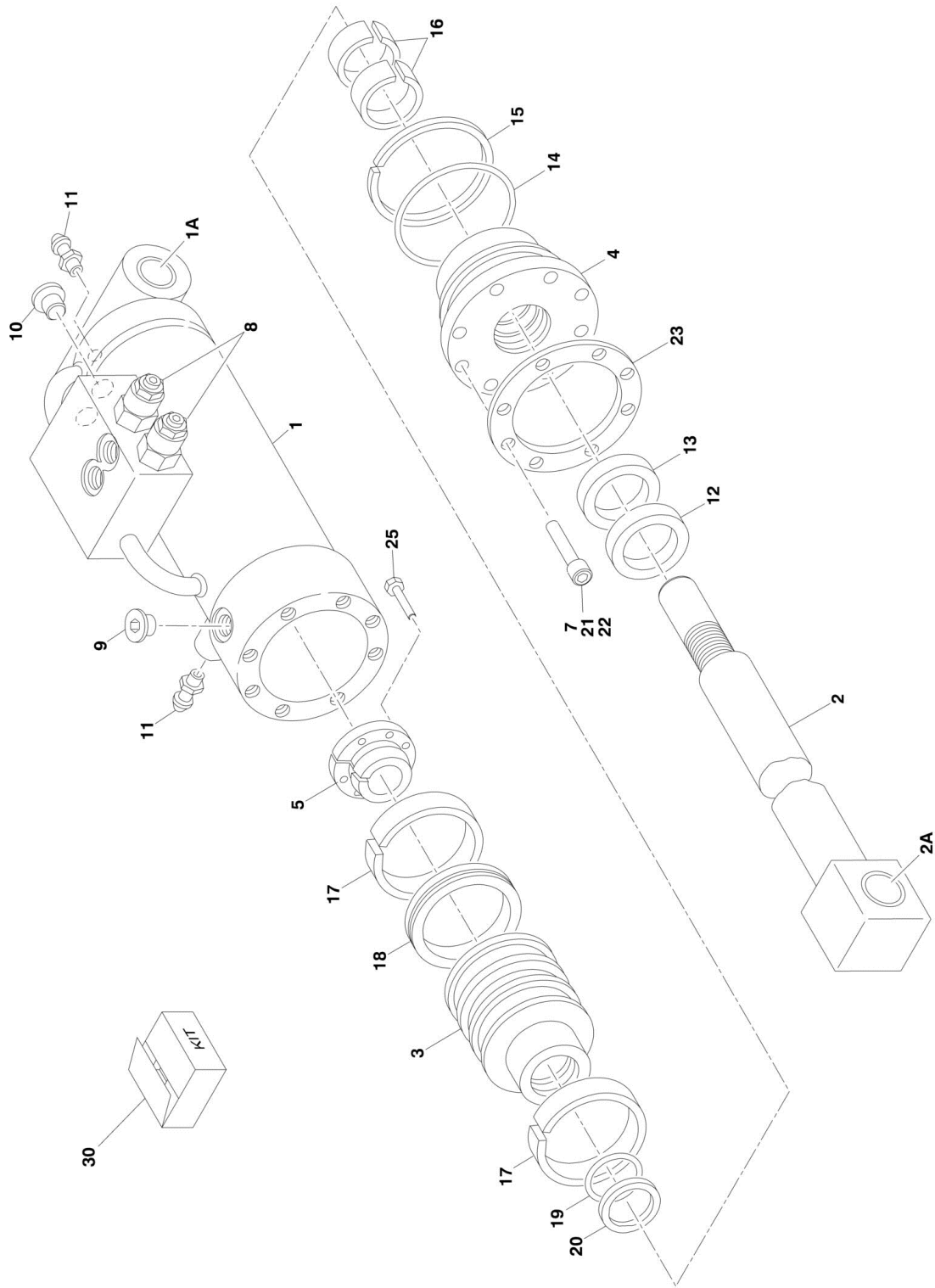
FIGURE 4-12. SOFT TOUCH SYSTEM INSTALLATION (OPTIONAL)

ITEM	PART NUMBER	QTY	DESCRIPTION	REV
		Ref	SOFT TOUCH SYSTEM INSTALLATIONS OPTIONS:	
	0273824	Ref	6Ft/1.8m Platforms	B
	0272427	Ref	8Ft/2.4m Platforms	D
	0273706	Ref	8Ft/2.4m Platforms w/Fall Arrest	B
1	0100011	AR	Compound, Locking	
2	0200048	2	Arm, Switch Activator	
3	0630462	8	Bolt, Carriage	
4	0641414	8	Bolt 1/4in-20NC x 1-3/4in	
5	0731005	4	Screw, Machine #10-32 x 5/8in	
6		Ref	Bumper Kit Options:	
6	0940134	1	6Ft/1.8m Platforms	
6	0940103	1	8Ft/2.4m Platforms	
6	0940133	1	8Ft/2.4m Platforms w/Fall Arrest	
7	1060341	AR	Cable, Electrical - 16/2	
8	1060903	4	Wire Rope and Eyebolt Assembly	
10	3311401	8	Nut 1/4in-20NC	
11	3311501	8	Nut 5/16in-18NC	
12		Ref	Plate, Striker Options:	
12	3575359	2	6Ft/1.8m Platforms	
12	3574091	2	8Ft/2.4m Platforms	
13	4240099	7	Tie-Strap (Not Shown)	
14	4360057	2	Switch, Limit	
16	4420068	1	Tape, Yellow Adhesive	
17		Ref	Connector, Strain Relief Options:	
17	4460425	2	6Ft/1.8m Platforms	
17	4460049	2	8Ft/2.4m Platforms	
18	4460234	7	Base, Tie-Strap Mounting (Not Shown)	
20	4751400	8	Flatwasher 1/4in Wide	
21	4751500	12	Flatwasher 5/16in Wide	
22	4751800	8	Flatwasher 1/2in Wide	
23		Ref	Rail, Soft Touch Options:	
23	3641569	1	6Ft/1.8m Platforms	
23	4846673	1	8Ft/2.4m Platforms	
	0272444	Ref	SOFT TOUCH COUNTERWEIGHT INSTALLATION (NOT SHOWN) (SN 0300068374 through 0300140000)	C
	4821397	1	Counterweight (Located in Frame)	

SECTION 5 - CYLINDER

SECTION 5 - CYLINDER

FIGURE 5-1. AXLE LOCKOUT CYLINDER ASSEMBLY



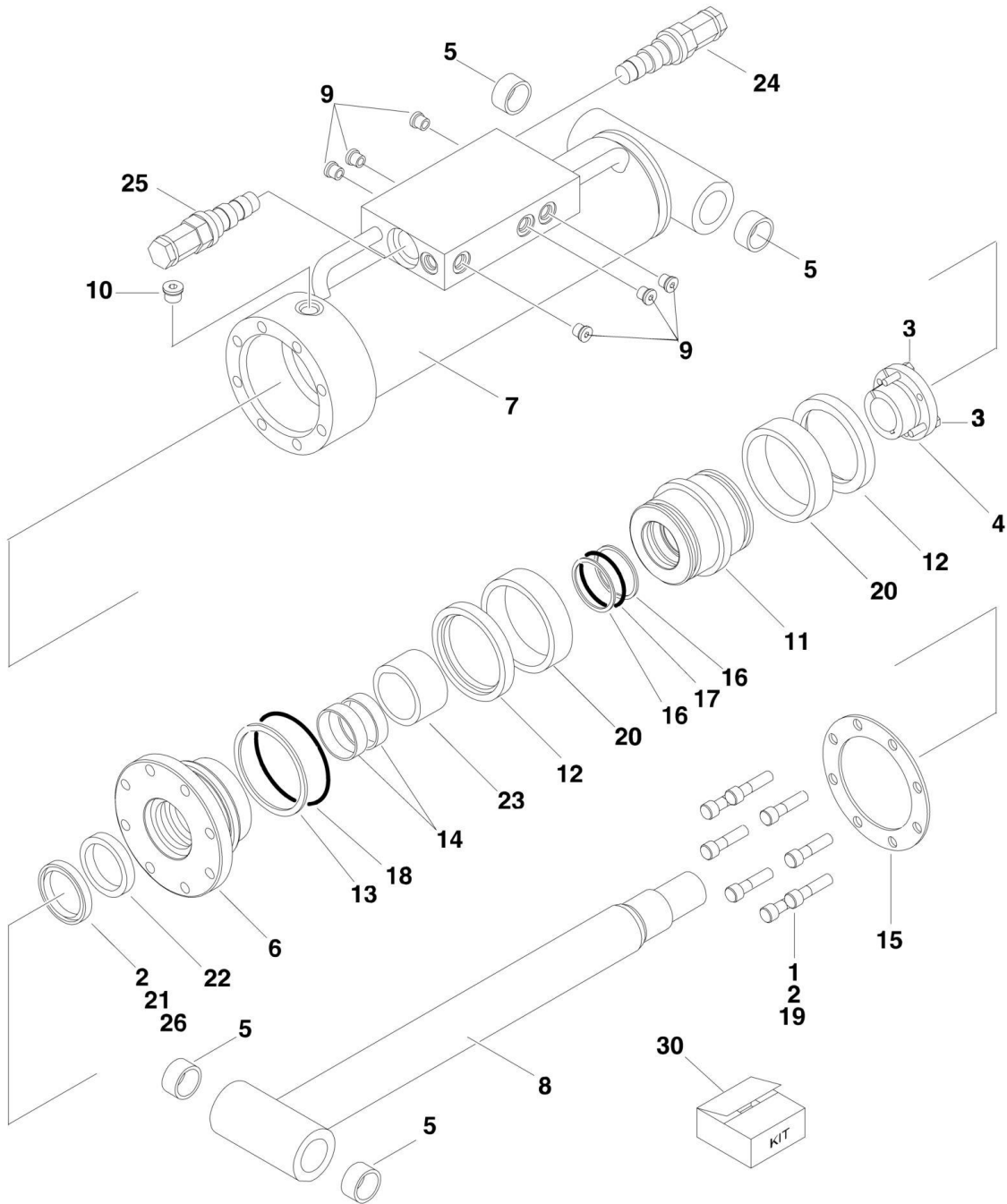
SECTION 5 - CYLINDER

FIGURE 5-1. AXLE LOCKOUT CYLINDER ASSEMBLY

ITEM	PART NUMBER	QTY	DESCRIPTION	REV
	1683078	Ref	AXLE LOCKOUT CYLINDER ASSEMBLY	L
1	1684191	1	Barrel Weldment (Note: Includes Item 1A)	
1A		Ref	Bushing Options:	
1A	0961816	2	Bushing (SN 0300069000 through 0300070074)	
1A	0962496	2	Bushing (SN 0300070075 through 0300140000)	
2	1683986	1	Rod Weldment (Note: Includes Item 2A)	
2A		Ref	Bushing Options:	
2A	0961816	2	Bushing (SN 0300069000 through 0300070074)	
2A	0962496	2	Bushing (SN 0300070075 through 0300140000)	
3	3480176	1	Piston	
4	1683059	1	Head	
5	0961895	1	Bushing	
7	3931720	8	Bolt, Socket Head 7/16in-14NC x 1-1/4in	
8	4641162	2	Cartridge, Valve (Counterbalance)	
8	2900770	2	Seal Kit - 4641162 Valve (1 Per Assembly)	
9	2220886	1	Plug, O-Ring	
10	2220885	2	Plug, O-Ring	
11	4640858	3	Valve, Bleeder	
12	See Note	NSS	Wiper (Note: Use Item 30)	
13	See Note	NSS	Seal, Rod (Note: Use Item 30)	
14	See Note	NSS	O-Ring (Note: Use Item 30)	
15	See Note	NSS	Ring, Back-up (Note: Use Item 30)	
16	See Note	NSS	Ring, Wear (Note: Use Item 30)	
17	See Note	NSS	Ring, Wear (Note: Use Item 30)	
18	See Note	NSS	T-Seal (Note: Use Item 30)	
19	See Note	NSS	O-Ring (Note: Use Item 30)	
20	See Note	NSS	Ring, Back-up (Note: Use Item 30)	
21	0100011	AR	Compound, Locking	
22	0100038	AR	Primer, Locking	
23	3760370	1	Ring, Washer	
25	0630535	3	Bolt 1/4in-20NC x 1-1/8in	
30	2901271	1	Seal Kit (Includes Items 12-20)	

SECTION 5 - CYLINDER

FIGURE 5-2. LEVEL CYLINDER ASSEMBLY - PLATFORM SLAVE



SECTION 5 - CYLINDER

FIGURE 5-2. LEVEL CYLINDER ASSEMBLY - PLATFORM SLAVE

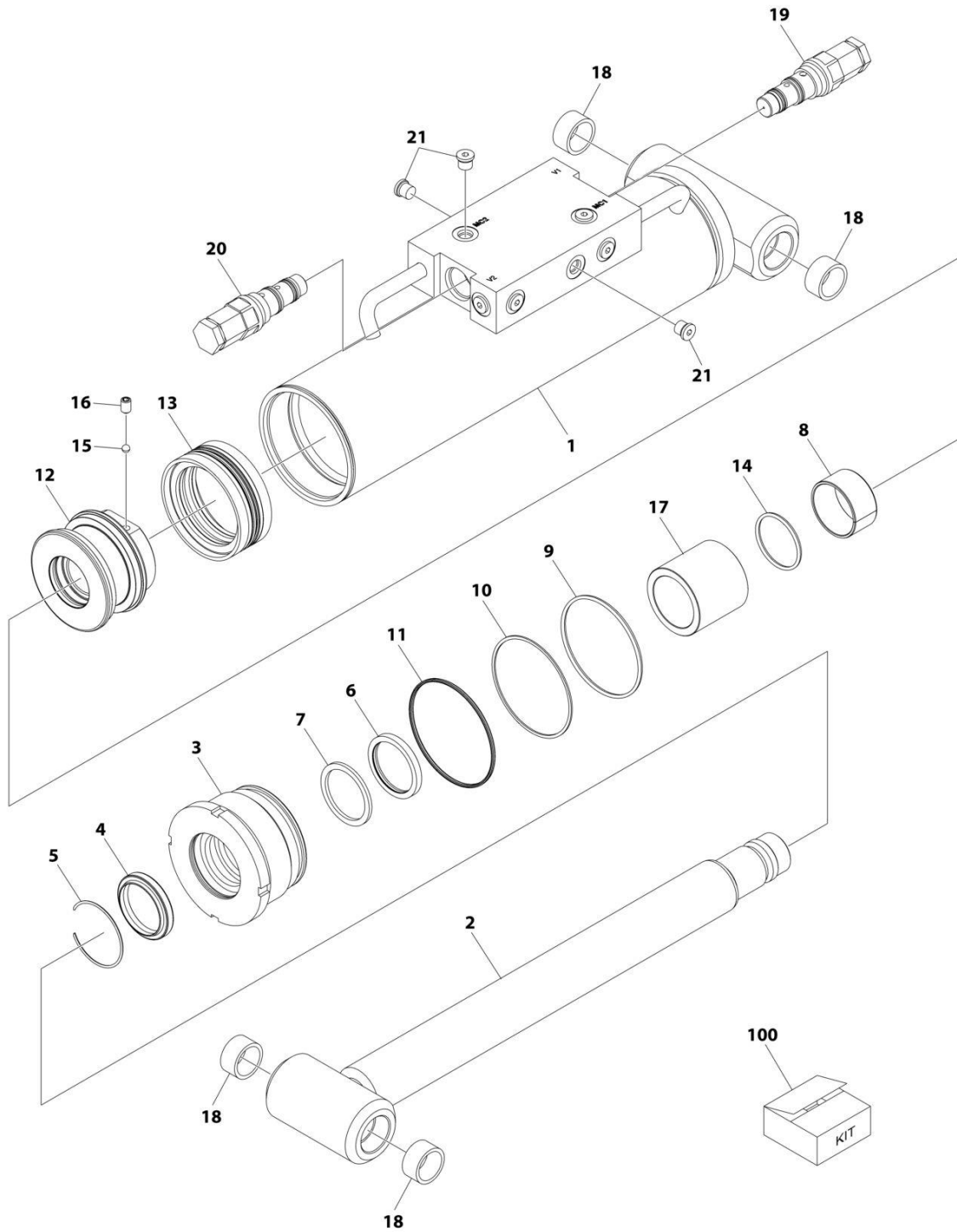
ITEM	PART NUMBER	QTY	DESCRIPTION	REV
		Ref	Note: Original Equipment Cylinder may have been replaced with Service Replacement Cylinder. Identify p/n stamped on cylinder before ordering parts.	
		Ref	LEVEL CYLINDER ASSEMBLY - PLATFORM SLAVE	
		Ref	Slave Cylinder Assemblies 800A	
	1683610	Ref	Original Equipment	E
	1684408	Ref	Service Replacement	C
		Ref	Slave Cylinder Assemblies 800AJ	
	1683677	Ref	Original Equipment	B
	1684228	Ref	Service Replacement	C
1	0100011	AR	Compound, Locking	
2	0100038	AR	Primer, Locking	
3	0630535	3	Capscrew, Socket Head 1/4in-20NC x 1in	
4		Ref	Bushing, Tapered Options:	
4	0961902	1	Bushing, Tapered 800A	
4	0961894	1	Bushing, Tapered 800AJ	
5		Ref	Bushing Options:	
5	0961947	4	Bushing 800A	
5	0961951	4	Bushing 800AJ	
6		Ref	Head Options:	
6	1683074	1	Head 800A	
6	1683055	1	Head 800AJ	
7		Ref	Barrel Options: (Note: Item 5 not Included - Purchase Separately)	
7	1683642	1	Used with p/n 1683610	
7	0370022	1	Used with p/n 1684408	
7	1683678	1	Used with p/n 1683677	
7	1684230	1	Used with p/n 1684228	
8		Ref	Rod Options: (Note: Item 5 not Included - Purchase Separately)	
8	1683643	1	Used with p/n 1683610	
8	3850018	1	Used with p/n 1684408	
8	1683680	1	Used with p/n 1683677	
8	1684232	1	Used with p/n 1684228	
8		Ref	Rod 800A	
8		Ref	Rod 800AJ	
9	2220883	6	Plug	
10	2220885	1	Plug	
11		Ref	Piston Options:	
11	3480233	1	Piston 800A	
11	3480188	1	Piston 800AJ	
12	See Note	NSS	Ring, Lock (Note: Use Item 30)	
13	See Note	NSS	Ring, Back-up (Note: Use Item 30)	
14	See Note	NSS	Ring, Wear (Note: Use Item 30)	
15	3760369	1	Ring, Washer	
16	See Note	NSS	Ring, Back-up (Note: Use Item 30)	
17	See Note	NSS	O-Ring (Note: Use Item 30)	
18	See Note	NSS	O-Ring (Note: Use Item 30)	
19	3931620	8	Capscrew 3/8in-16NC x 1-1/4in	
20	See Note	NSS	Seal (Note: Use Item 30)	
21	See Note	NSS	Wiper (Note: Use Item 30)	

SECTION 5 - CYLINDER

ITEM	PART NUMBER	QTY	DESCRIPTION	REV
22	See Note	NSS	Seal (Note: Use Item 30)	
23		Ref	Spacer, Tube Options:	
23	4567434	1	Spacer, Tube 800A	
23	4566468	1	Spacer, Tube 800AJ	
24	4640605	1	Valve, Cartridge	
24	2900792	1	Seal Kit - 4640605 Valve	
25	4640932	1	Valve, Cartridge	
25	7011112	1	Seal Kit - 4640932 Valve	
26	0100063	AR	Loctite #RC609	
30		Ref	Seal Kit Options (Includes Items 12-14, 16-18 & 20-22)	
30	2901556	1	Seal Kit 800A	
30	2901301	1	Seal Kit 800AJ	

SECTION 5 - CYLINDER

FIGURE 5-3. LEVEL CYLINDER ASSEMBLY - PLATFORM SLAVE (800A ONLY) (SERVICE REPLACEMENT)



ART_1001228033

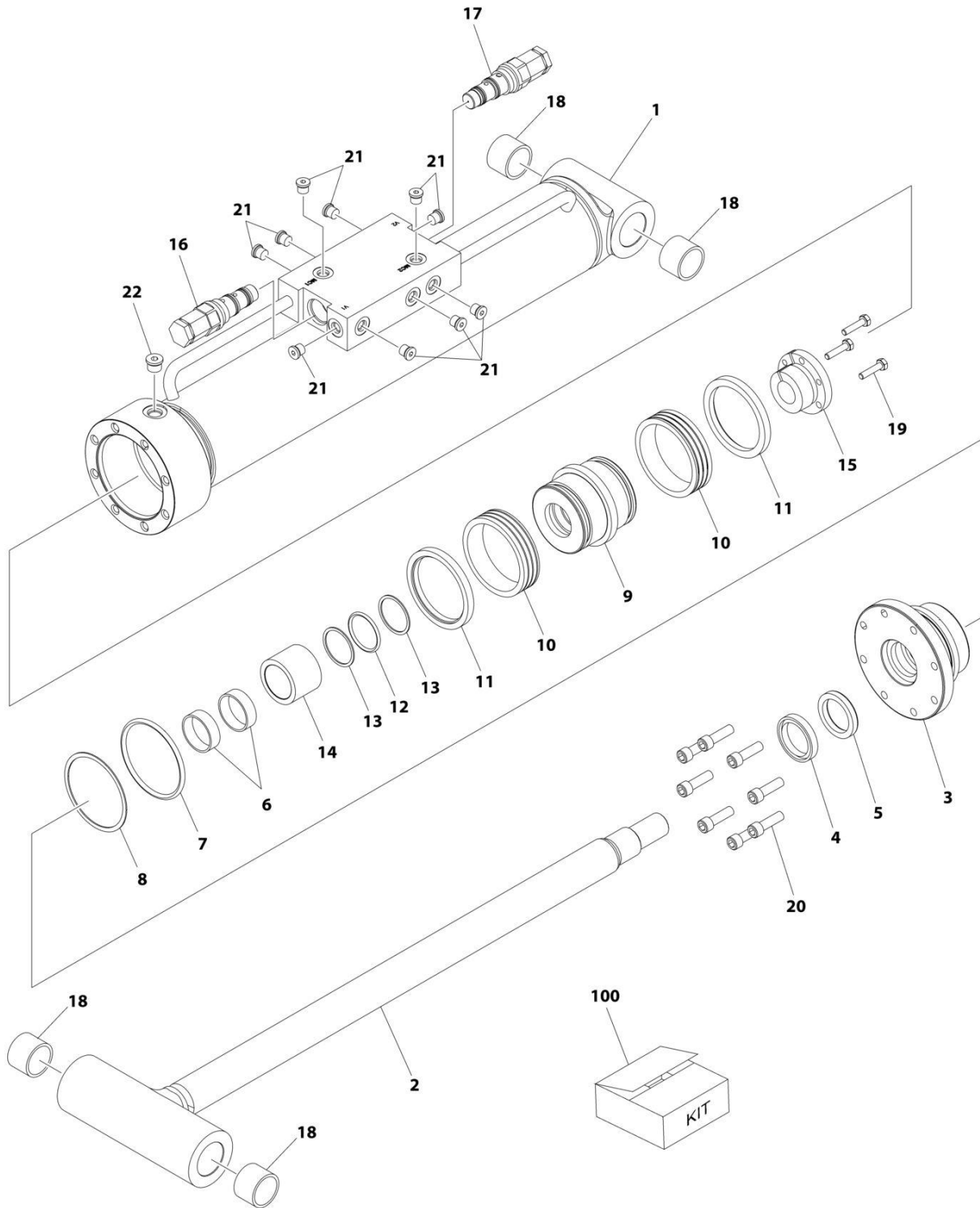
SECTION 5 - CYLINDER

FIGURE 5-3. LEVEL CYLINDER ASSEMBLY - PLATFORM SLAVE (800A ONLY) (SERVICE REPLACEMENT)

ITEM	PART NUMBER	QTY	DESCRIPTION	REV
	1001228033	Ref	LEVEL (SLAVE) CYLINDER ASSEMBLY - PLATFORM	A
		Ref	Note: Original Cylinder may have been replaced with Service Replacement. Identify PN Stamped on Cylinder Before Ordering Parts.	
1	See Note	NSS	Barrel (Note: Not Available for Purchase)	
2	70006782	1	Rod	
3	70006783	1	Head	
4	See Note	NSS	Wiper (Note: Use Item 100)	
5	70002410	1	Ring, Retaining	
6	See Note	NSS	Seal, Rod (Note: Use Item 100)	
7	See Note	NSS	Ring, Back-up (Note: Use Item 100)	
8	70005793	1	Spacer	
9	See Note	NSS	O-Ring (Note: Use Item 100)	
10	See Note	NSS	Ring, Back-up (Note: Use Item 100)	
11	See Note	NSS	O-Ring (Note: Use Item 100)	
12	70006590	1	Piston	
13	See Note	NSS	Seal (Note: Use Item 100)	
14	See Note	NSS	O-Ring (Note: Use Item 100)	
15	70022564	1	Ball (Steel)	
16	70006601	1	Setscrew	
17	70006784	1	Spacer, Tube	
18	0961947	4	Bushing	
19	4640605	1	Valve, Cartridge	
19	2900792	1	Seal Kit - 4640605 Valve	
20	4640932	1	Valve, Cartridge	
20	7011112	1	Seal Kit - 4640932 Valve	
21	2220883	10	Plug	
100	2901526	1	Seal Kit (Includes Items 4, 6, 7, 9-11, 13 & 14)	

SECTION 5 - CYLINDER

FIGURE 5-4. LEVEL CYLINDER ASSEMBLY - PLATFORM SLAVE (800AJ ONLY) (SERVICE REPLACEMENT)



ART_1001228030

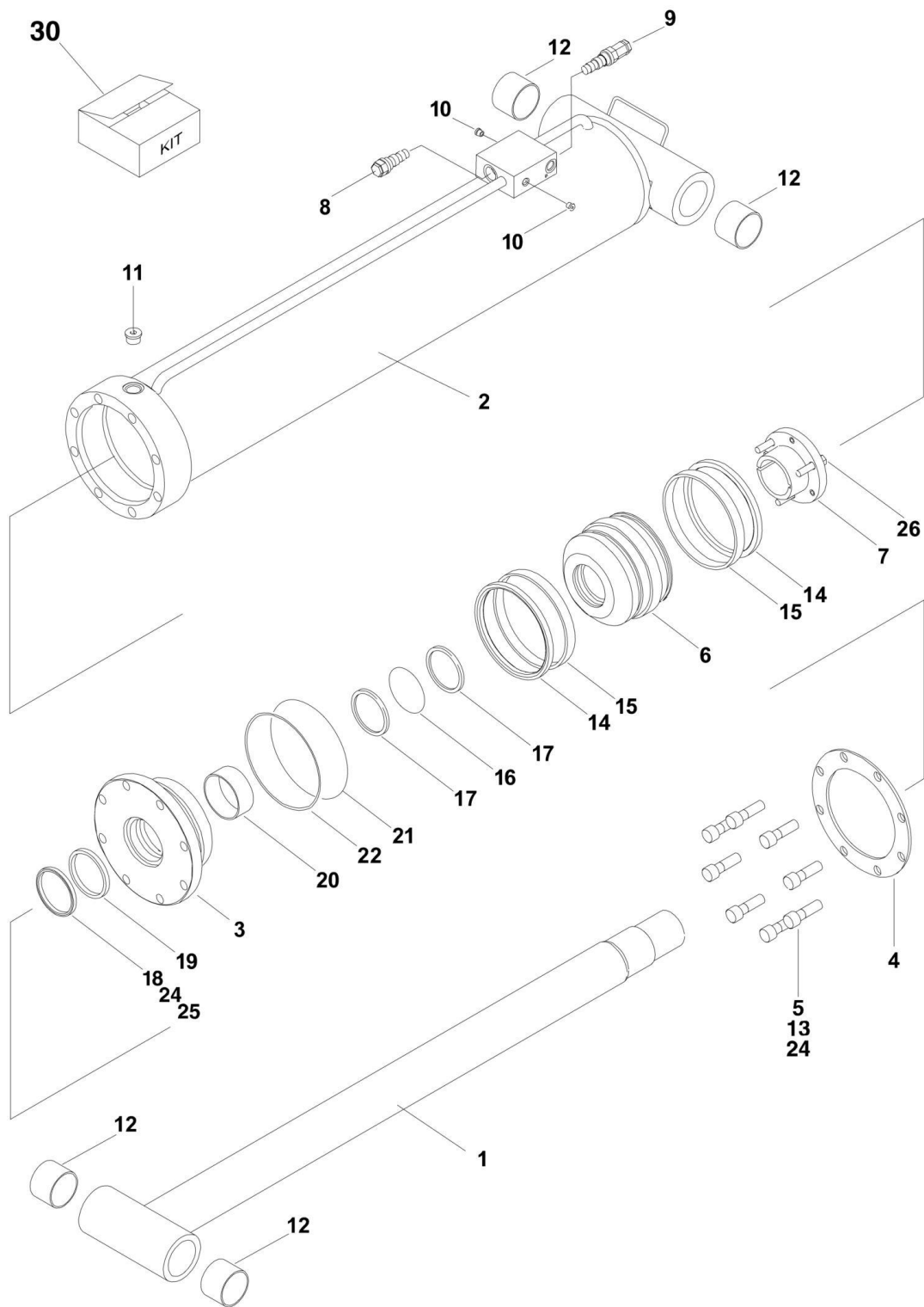
SECTION 5 - CYLINDER

FIGURE 5-4. LEVEL CYLINDER ASSEMBLY - PLATFORM SLAVE (800AJ ONLY) (SERVICE REPLACEMENT)

ITEM	PART NUMBER	QTY	DESCRIPTION	REV
	1001228030	Ref	LEVEL (SLAVE) CYLINDER ASSEMBLY	B
		Ref	Note: Original Cylinder may have been replaced with Service Replacement. Identify PN Stamped on Cylinder Before Ordering Parts.	
1	See Note	NSS	Barrel (Note: Not Available for Purchase)	
2	70006642	1	Rod	
3	70006643	1	Head	
4	See Note	NSS	Wiper (Note: Use Item 100)	
5	See Note	NSS	Seal (Note: Use Item 100)	
6	See Note	NSS	Ring, Wear (Note: Use Item 100)	
7	See Note	NSS	O-Ring (Note: Use Item 100)	
8	See Note	NSS	Ring, Back-up (Note: Use Item 100)	
9	70006644	1	Piston	
10	See Note	NSS	Seal (Note: Use Item 100)	
11	See Note	NSS	Ring, Lock (Note: Use Item 100)	
12	See Note	NSS	O-Ring (Note: Use Item 100)	
13	See Note	NSS	Ring, Back-up (Note: Use Item 100)	
14	70006645	1	Spacer, Tube	
15	0961894	1	Bushing, Tapered	
16	4640932	1	Valve, Cartridge	
16	7011112	1	Seal Kit - 4640932 Valve	
17	4640605	1	Valve, Cartridge	
17	2900792	1	Seal Kit - 4640605 Valve	
18	0961951	4	Bushing	
19	0630535	3	Bolt	
20	3931620	8	Capscrew 3/8-16 x 1-1/4	
21	2220883	10	Plug, O-Ring	
22	2220885	1	Plug, O-Ring	
100	1001138796	1	Seal Kit (Includes Items 4-8 & 10-13)	

SECTION 5 - CYLINDER

FIGURE 5-5. LEVEL CYLINDER ASSEMBLY - UPRIGHT



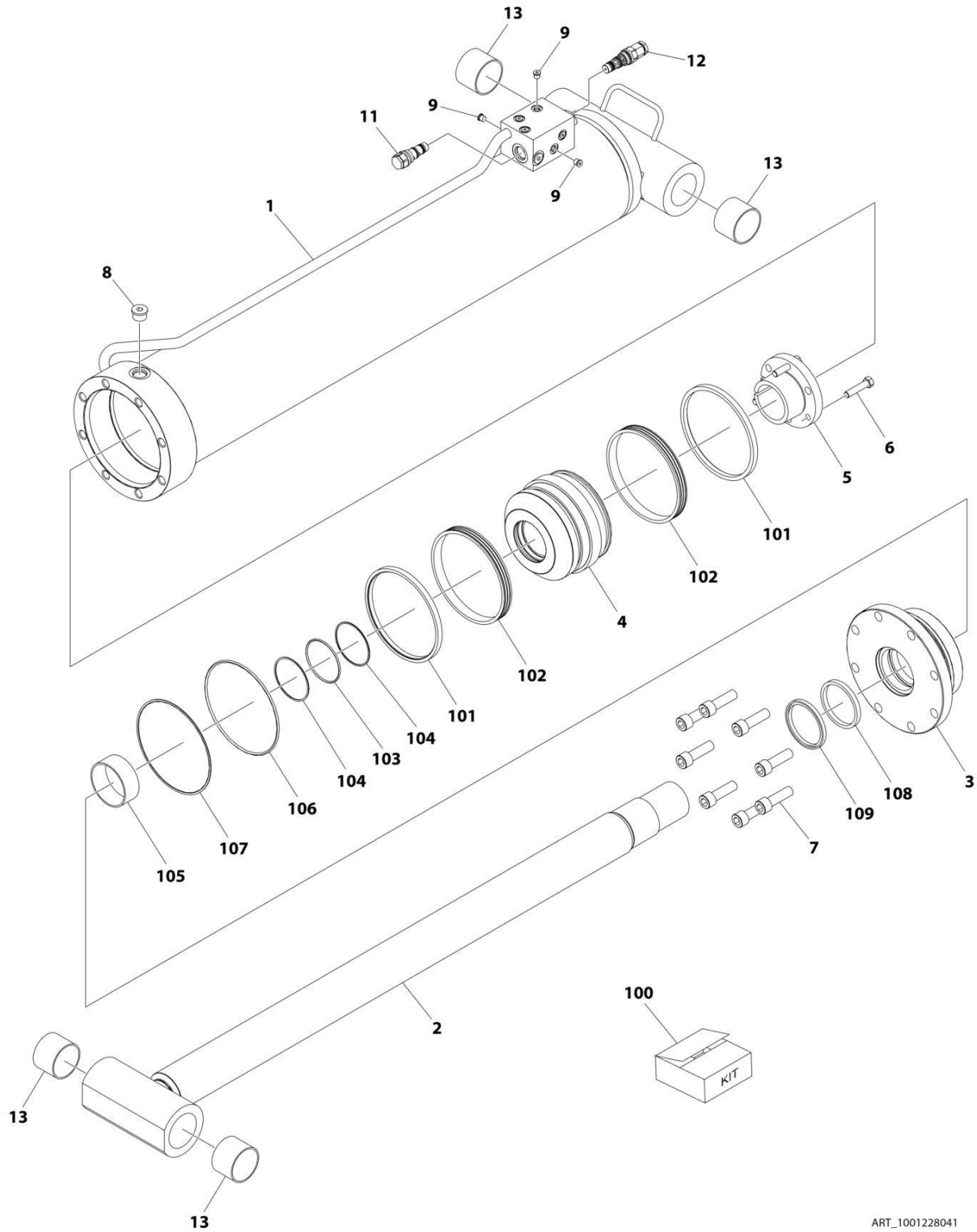
SECTION 5 - CYLINDER

FIGURE 5-5. LEVEL CYLINDER ASSEMBLY - UPRIGHT

ITEM	PART NUMBER	QTY	DESCRIPTION	REV
		Ref	Note: Original Equipment Cylinder may have been replaced with Service Replacement Cylinder. Identify p/n stamped on cylinder before ordering parts.	
		Ref	LEVEL CYLINDER ASSEMBLY - UPRIGHT	
	1683546	Ref	Original Equipment	H
	1684497	Ref	Service Replacement	C
1	1683544	1	Rod Weldment	
2	1683819	NLA	Barrel Weldment (Use p/n 0370034)	
3	1683071	1	Head	
4	3760374	1	Ring, Washer	
5	3932240	8	Bolt, Socket Head 3/4in x 2-1/2in	
6	3480237	1	Piston	
7	0961901	1	Bushing, Tapered	
8	4640509	1	Cartridge, Valve	
8	2900792	1	Seal Kit - 4640509 Valve	
9	4640605	1	Cartridge, Valve	
9	2900792	1	Seal Kit - 4640605 Valve	
10	2220883	2	Plug, O-Ring	
11	2220888	1	Plug, O-Ring	
12	0962102	4	Bushing	
14	See Note	NSS	Ring, Lock (Note: Use Item 30)	
15	See Note	NSS	Seal (Note: Use Item 30)	
16	See Note	NSS	Ring, Washer (Note: Use Item 30)	
17	See Note	NSS	Ring, Back-up (Note: Use Item 30)	
18	See Note	NSS	Wiper (Note: Use Item 30)	
19	See Note	NSS	Seal, Rod (Note: Use Item 30)	
20	See Note	NSS	Ring, Wear (Note: Use Item 30)	
21	See Note	NSS	O-Ring (Note: Use Item 30)	
22	See Note	NSS	Ring, Back-up (Note: Use Item 30)	
23	0100011	AR	Compound, Locking	
24	0100038	AR	Primer, Locking	
25	0100063	AR	Loctite #RC609 (SN 0300069000 through 0300133544)	
26	0630537	3	Bolt	
30	2901526	1	Seal Kit (Includes Items 14-22)	

SECTION 5 - CYLINDER

FIGURE 5-6. LEVEL CYLINDER ASSEMBLY - UPRIGHT (SERVICE REPLACEMENT)



ART_1001228041

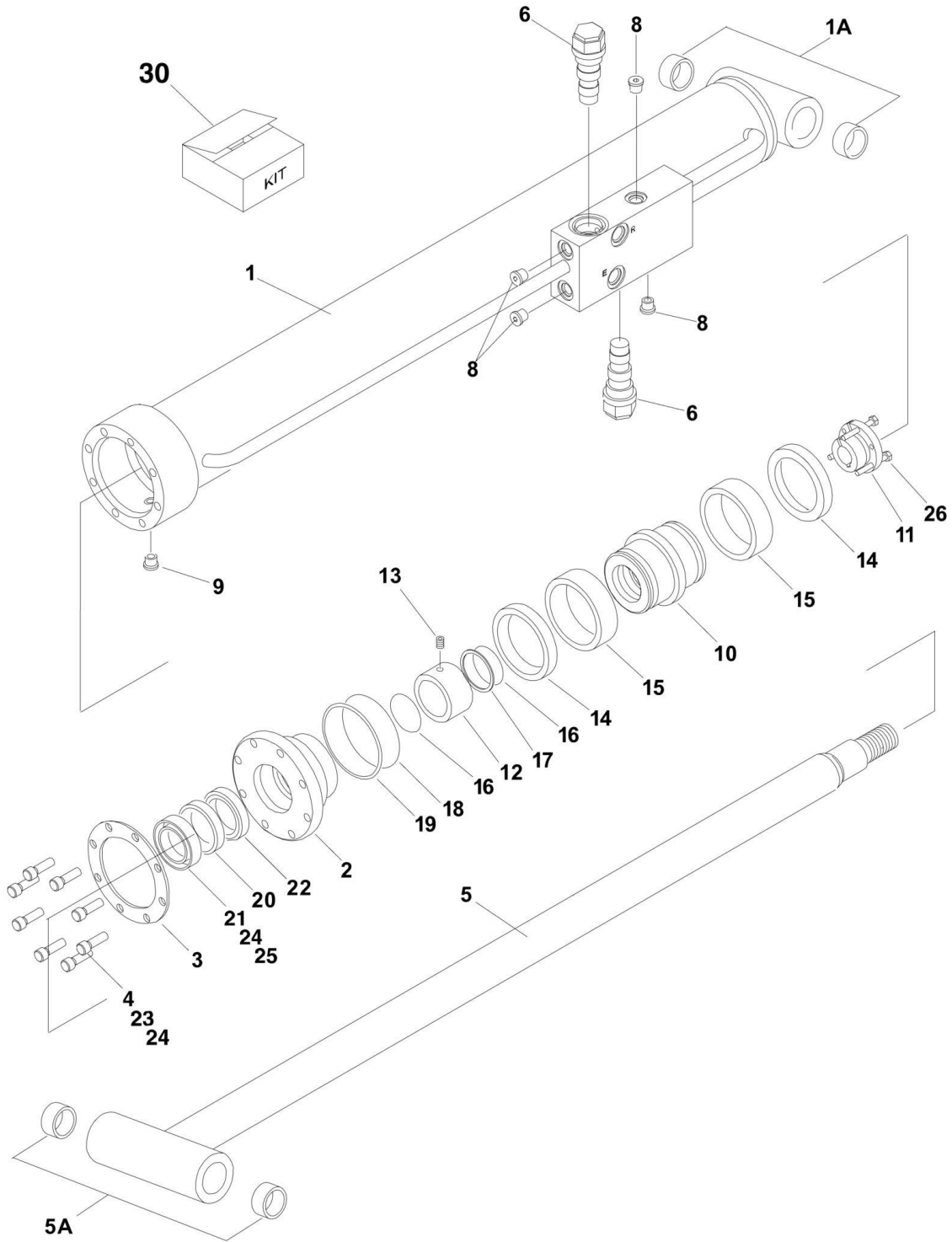
SECTION 5 - CYLINDER

FIGURE 5-6. LEVEL CYLINDER ASSEMBLY - UPRIGHT (SERVICE REPLACEMENT)

ITEM	PART NUMBER	QTY	DESCRIPTION	REV
	1001228041	Ref	LEVEL CYLINDER ASSEMBLY	B
		Ref	Note: Original Cylinder may have been replaced with Service Replacement. Identify PN Stamped on Cylinder Before Ordering Parts.	
1	See Note	NSS	Barrel (Note: Not Available for Purchase)	
2	70006391	1	Rod	
3	70006390	1	Head	
4	70006389	1	Piston	
5	70006385	1	Bushing, Tapered	
6	0630537	3	Bolt	
7	3932240	8	Capscrew 3/4 x 2-1/2	
8	2220888	1	Plug, O-Ring	
9	2220883	6	Plug, O-Ring	
11	4640509	1	Cartridge, Valve	
11	2900792	1	Seal Kit - 4640509 Valve	
12	4640605	1	Cartridge, Valve	
12	2900792	1	Seal Kit - 4640605 Valve	
13	0962102	4	Bushing	
100	2901526	1	Seal Kit (Includes Items 101-109)	
101	See Note	NSS	Ring, Lock (Note: Use Item 100)	
102	See Note	NSS	Seal (Note: Use Item 100)	
103	See Note	NSS	Ring, Washer (Note: Use Item 100)	
104	See Note	NSS	Ring, Back-up (Note: Use Item 100)	
105	See Note	NSS	Ring, Wear (Note: Use Item 100)	
106	See Note	NSS	O-Ring (Note: Use Item 100)	
107	See Note	NSS	Ring, Back-up (Note: Use Item 100)	
108	See Note	NSS	Seal, Rod (Note: Use Item 100)	
109	See Note	NSS	Wiper (Note: Use Item 100)	

SECTION 5 - CYLINDER

FIGURE 5-7. LIFT CYLINDER ASSEMBLY - JIB (800AJ ONLY) (ORIGINAL EQUIPMENT)



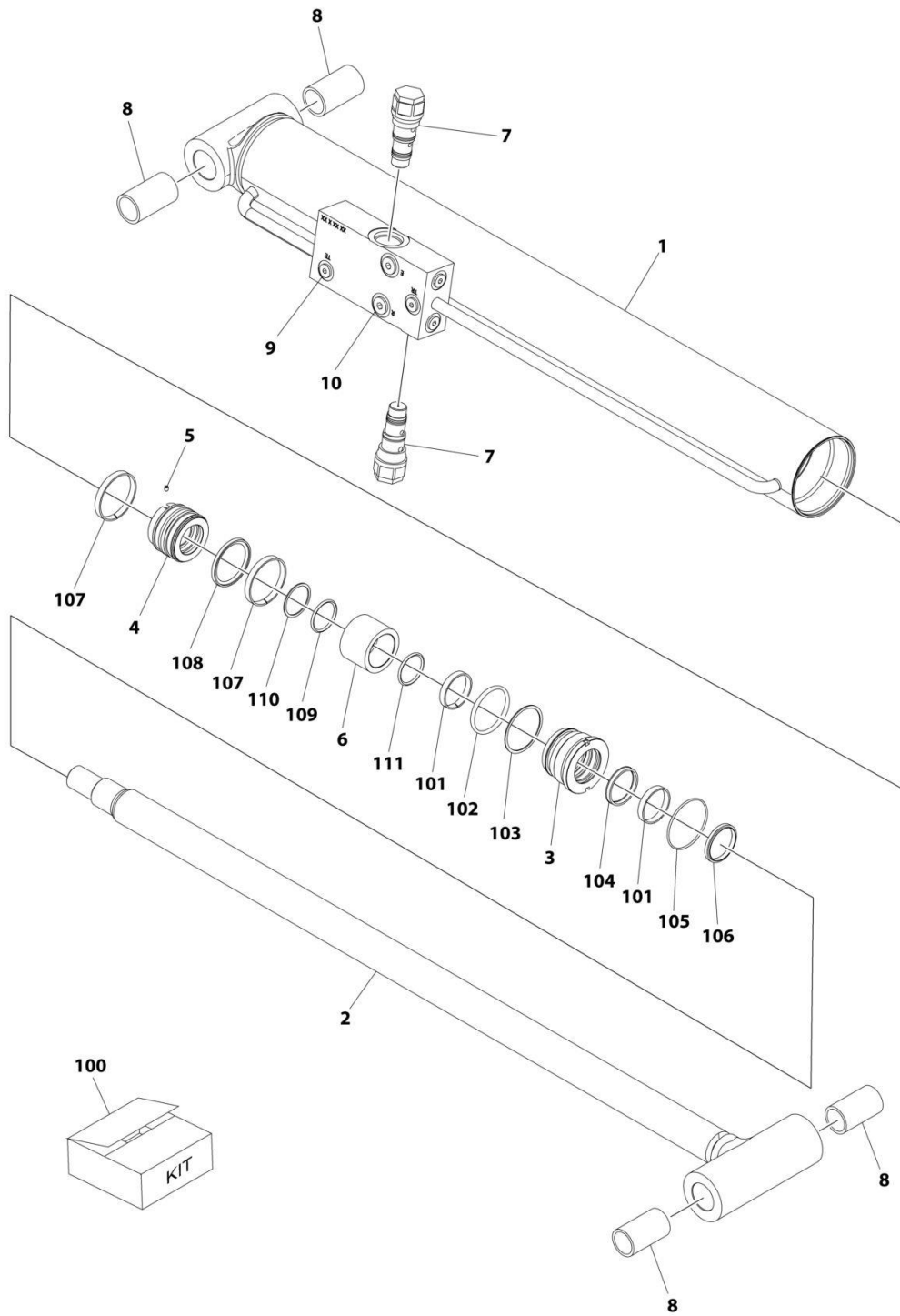
SECTION 5 - CYLINDER

FIGURE 5-7. LIFT CYLINDER ASSEMBLY - JIB (800AJ ONLY) (ORIGINAL EQUIPMENT)

ITEM	PART NUMBER	QTY	DESCRIPTION	REV
	1683609	Ref	LIFT CYLINDER ASSEMBLY - JIB (800AJ ONLY) Note: Original Cylinder may have been replaced with Service Replacement. Identify PN Stamped on Cylinder Before Ordering Parts.	1
		Ref		
1	1684089	1	Barrel Weldment (Note: Includes Item 1A)	
1A	0962336	2	Bushing	
2	1683053	1	Head	
3	3760368	1	Washer, Ring	
4	3931516	8	Bolt, Socket Head 5/16in-18NC x 2in	
5	1684090	1	Rod Weldment (Note: Includes Item 5A)	
5A	0962336	2	Bushing	
6	4640509	2	Cartridge, Valve (Counterbalance Non-Vented)	
6	2900792	2	Seal Kit - 4640509 Valve	
8	2220883	4	Plug, O-Ring	
9	2220885	1	Plug, O-Ring	
10	3480210	1	Piston	
11	0961893	1	Bushing, Tapered	
12		Ref	Spacer, Tube Options:	
12	4566471	1	Spacer, Tube (SN 0300069000 through 0300079612)	
12	4100100	1	Spacer, Tube (SN 0300079613 through 0300140000)	
13	3900141	1	Setscrew 1/4in-20NC x 1/4in (SN 0300069000 through 0300079613)	
14	See Note	NSS	Ring, Lock (Note: Use Item 30)	
15	See Note	NSS	Seal, Piston (Note: Use Item 30)	
16	See Note	NSS	O-Ring (Note: Use Item 30)	
17	See Note	NSS	Ring, Back-up (Note: Use Item 30)	
18	See Note	NSS	O-Ring (Note: Use Item 30)	
19	See Note	NSS	Ring, Back-up (Note: Use Item 30)	
20	See Note	NSS	Seal (Note: Use Item 30)	
21	See Note	NSS	Wiper (Note: Use Item 30)	
22	See Note	NSS	Ring, Wear (Note: Use Item 30)	
23	0100011	AR	Compound, Locking	
24	0100038	AR	Primer, Locking	
25	0100063	AR	Loctite #RC609	
26	0630534	3	Capscrew, Socket Head #10-24NC x 1in	
30	2901303	1	Seal Kit (Includes Items 14-22)	

SECTION 5 - CYLINDER

FIGURE 5-8. LIFT CYLINDER ASSEMBLY - JIB (800AJ ONLY) (USAGE MAY VARY) (SERVICE REPLACEMENT)



ART_1001228012

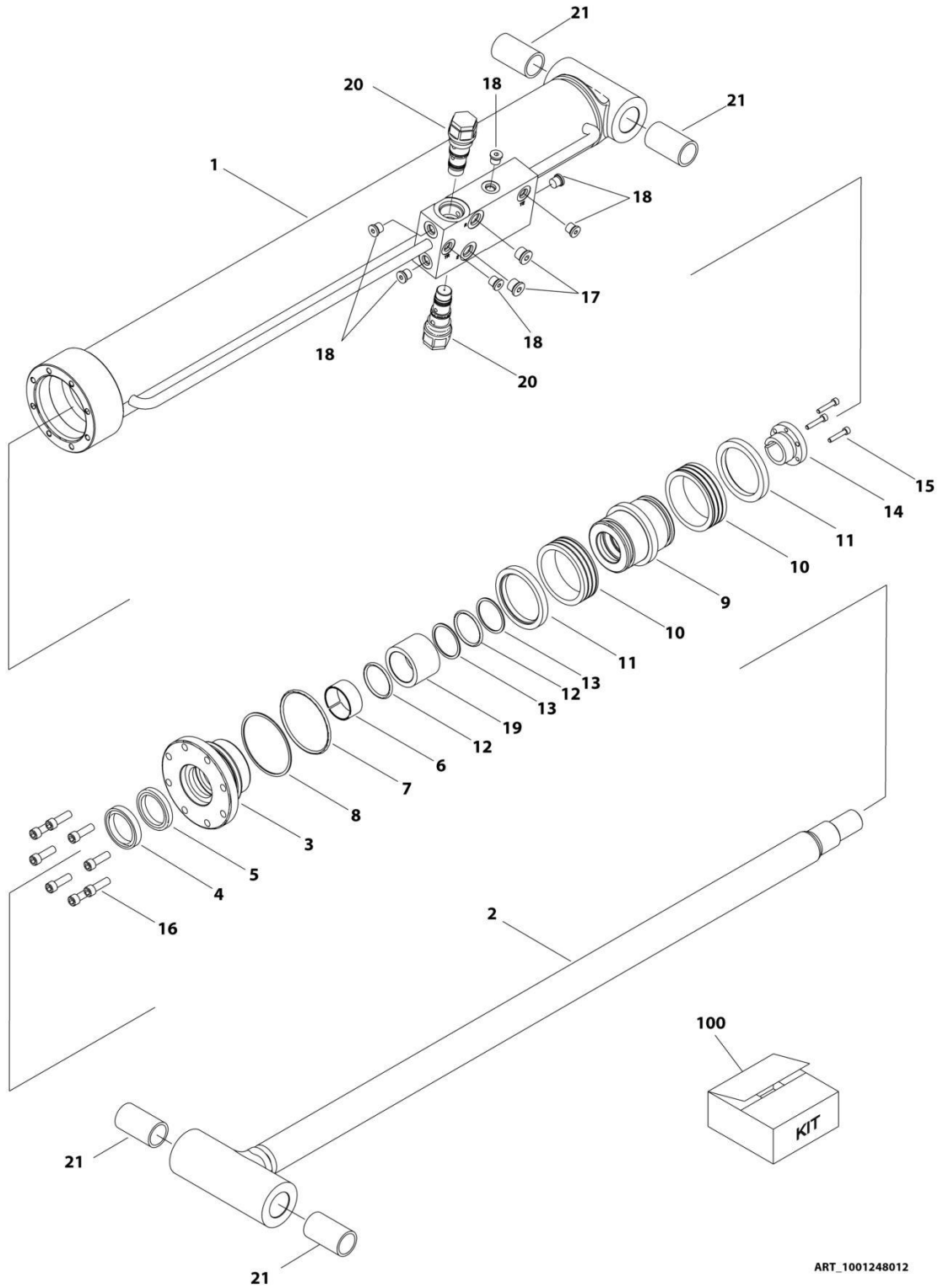
SECTION 5 - CYLINDER

FIGURE 5-8. LIFT CYLINDER ASSEMBLY - JIB (800AJ ONLY) (USAGE MAY VARY) (SERVICE REPLACEMENT)

ITEM	PART NUMBER	QTY	DESCRIPTION	REV
	1001228012	Ref	LIFT CYLINDER ASSEMBLY - JIB	C
		Ref	Note: Original Cylinder May Have Been Replaced with Service Replacement. Identify PN Stamped on Cylinder Before Ordering Parts.	
1	See Note	NSS	Barrel (Note: Not Available for Purchase)	
2	70006572	1	Rod	
3	70006571	1	Head	
4	70006570	1	Piston	
5	70023915	1	Screw	
6	70006569	1	Spacer	
7	4640509	2	Cartridge, Valve	
7	2900792	2	Seal Kit - 4640509 Valve	
8	0962336	4	Bushing	
9	2220883	6	Plug, O-Ring	
10	2220885	2	Plug, O-Ring	
100	70006568	1	Seal Kit (Includes Items 101-111)	
101	See Note	NSS	Ring, Wear (Note: Use Item 100)	
102	See Note	NSS	O-Ring (Note: Use Item 100)	
103	See Note	NSS	Ring, Back-up (Note: Use Item 100)	
104	See Note	NSS	Seal, Rod (Note: Use Item 100)	
105	See Note	NSS	O-Ring (Note: Use Item 100)	
106	See Note	NSS	Wiper (Note: Use Item 100)	
107	See Note	NSS	Ring, Wear (Note: Use Item 100)	
108	See Note	NSS	Seal (Note: Use Item 100)	
109	See Note	NSS	O-Ring (Note: Use Item 100)	
110	See Note	NSS	Ring, Back-up (Note: Use Item 100)	
111	See Note	NSS	O-Ring (Note: Use Item 100)	

SECTION 5 - CYLINDER

FIGURE 5-9. LIFT CYLINDER ASSEMBLY - JIB (800AJ ONLY) (USAGE MAY VARY) (SERVICE REPLACEMENT)



ART_1001248012

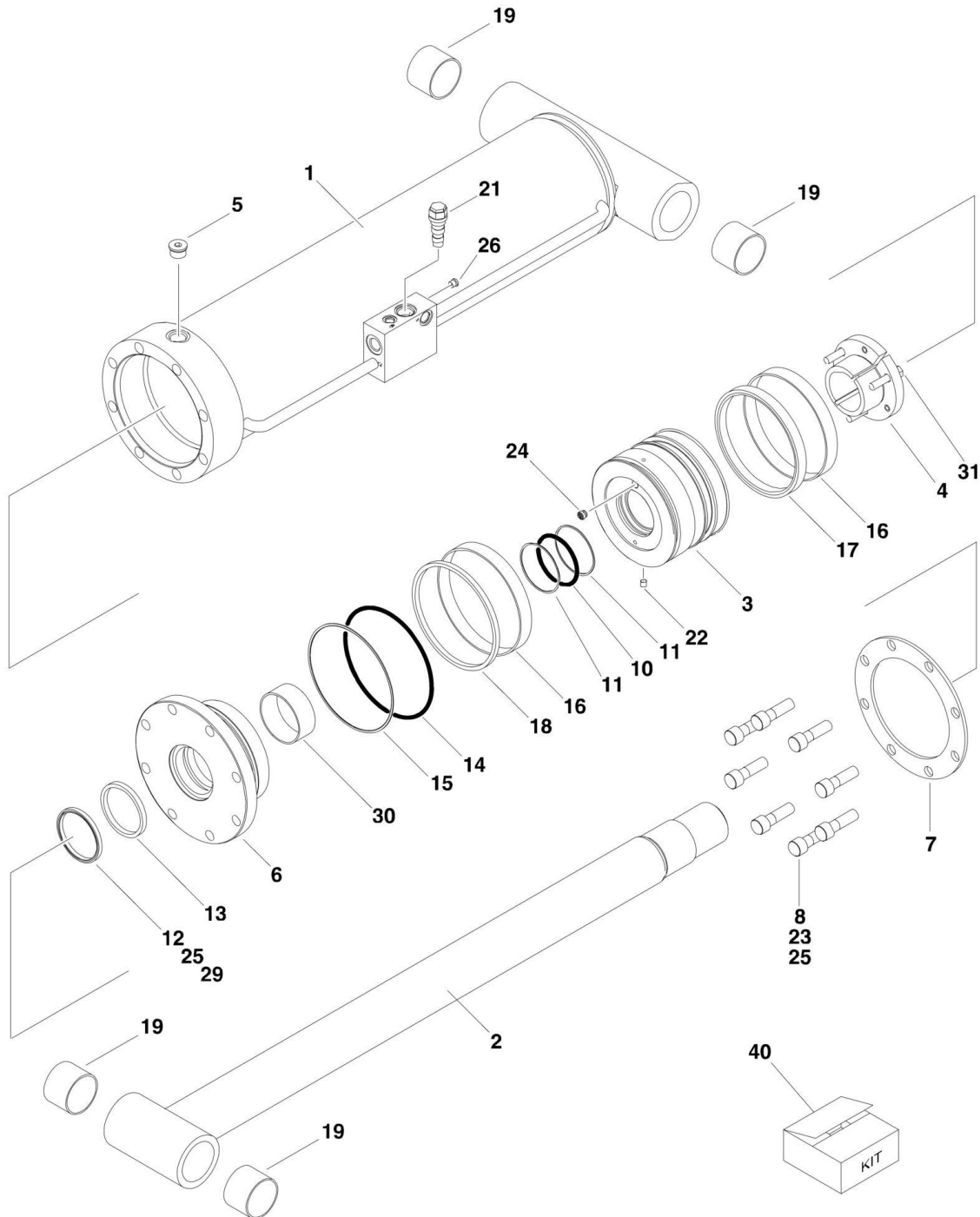
SECTION 5 - CYLINDER

FIGURE 5-9. LIFT CYLINDER ASSEMBLY - JIB (800AJ ONLY) (USAGE MAY VARY) (SERVICE REPLACEMENT)

ITEM	PART NUMBER	QTY	DESCRIPTION	REV
	1001248012	Ref	LIFT CYLINDER ASSEMBLY - JIB	A
		Ref	Note: Original Cylinder May Have Been Replaced with Service Replacement. Identify PN Stamped on Cylinder Before Ordering Parts.	
1	See Note	NSS	Barrel (Note: Not Available for Purchase)	
2	70006734	1	Rod	
3	70006649	1	Head	
4	See Note	NSS	Wiper (Note: Use Item 100)	
5	See Note	NSS	Seal, Rod (Note: Use Item 100)	
6	See Note	NSS	Ring, Wear (Note: Use Item 100)	
7	See Note	NSS	O-Ring (Note: Use Item 100)	
8	See Note	NSS	Ring, Back-up (Note: Use Item 100)	
9	70006650	1	Piston	
10	See Note	NSS	Seal (Note: Use Item 100)	
11	See Note	NSS	Ring, Lock (Note: Use Item 100)	
12	See Note	NSS	O-Ring (Note: Use Item 100)	
13	See Note	NSS	Ring, Back-up (Note: Use Item 100)	
14	0961893	1	Bushing, Tapered	
15	0630534	3	Capscrew, Socket Head #10 x 1	
16	70006735	8	Capscrew 5/16	
17	2220885	2	Plug, O-Ring	
18	2220883	6	Plug, O-Ring	
19	70006736	1	Spacer	
20	4640509	2	Cartridge, Valve	
20	2900792	2	Seal Kit - 4640509 Valve	
21	0962336	4	Bushing	
100	1001138795	1	Seal Kit (Includes Items 4-8 & 10-13)	

SECTION 5 - CYLINDER

FIGURE 5-10. LIFT CYLINDER ASSEMBLY - MAIN BOOM (ORIGINAL EQUIPMENT)



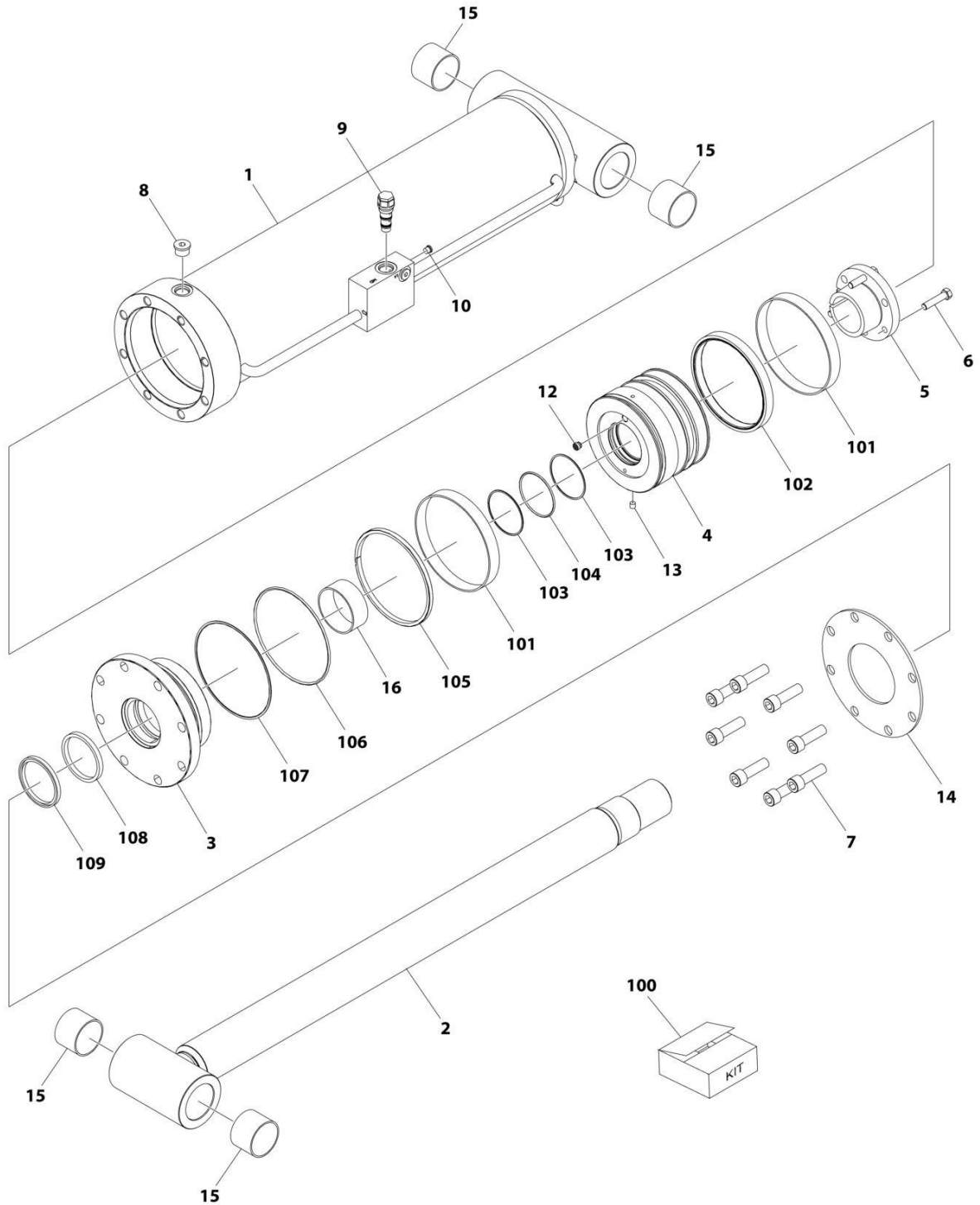
SECTION 5 - CYLINDER

FIGURE 5-10. LIFT CYLINDER ASSEMBLY - MAIN BOOM (ORIGINAL EQUIPMENT)

ITEM	PART NUMBER	QTY	DESCRIPTION	REV
	1683547	Ref	LIFT CYLINDER ASSEMBLY - MAIN BOOM Note: Original Cylinder may have been replaced with Service Replacement. Identify PN Stamped on Cylinder Before Ordering Parts.	L
		Ref		
1	1683821	1	Barrel Weldment	
2	1683549	1	Rod Weldment	
3	3480238	1	Piston	
4	0961901	1	Bushing, Tapered	
5	2220888	1	Plug, O-Ring	
6	1683071	1	Head	
7	3760374	1	Washer, Ring	
8	3932240	8	Bolt, Socket Head 3/4in x 2-1/2in	
10	See Note	NSS	O-Ring (Note: Use Item 40)	
11	See Note	NSS	Ring, Back-up (Note: Use Item 40)	
12	See Note	NSS	Wiper (Note: Use Item 40)	
13	See Note	NSS	Seal, Rod (Note: Use Item 40)	
14	See Note	NSS	O-Ring (Note: Use Item 40)	
15	See Note	NSS	Ring, Back-up (Note: Use Item 40)	
16	See Note	NSS	Ring, Wear (Note: Use Item 40)	
17	See Note	NSS	T-Seal (Note: Use Item 40)	
18	See Note	NSS	Seal (Note: Use Item 40)	
19	0962102	4	Bushing	
21	4640509	1	Cartridge, Valve	
21	2900792	1	Seal Kit - 4640509 Valve	
22	2180615	1	Orifice	
23	0100011	AR	Compound, Locking	
24	4641027	1	Plug, Check Valve	
25	0100038	AR	Primer, Locking	
26	2220883	1	Plug	
29	0100063	AR	Loctite RC609 (SN 0300069000 through 0300134352)	
30	See Note	NSS	Ring, Wear (Note: Use Item 40)	
31	0630537	3	Bolt	
40	2901514	1	Seal Kit (Includes Items 10-18 & 30)	

SECTION 5 - CYLINDER

FIGURE 5-11. LIFT CYLINDER ASSEMBLY - MAIN BOOM (SERVICE REPLACEMENT)



ART_1001228010

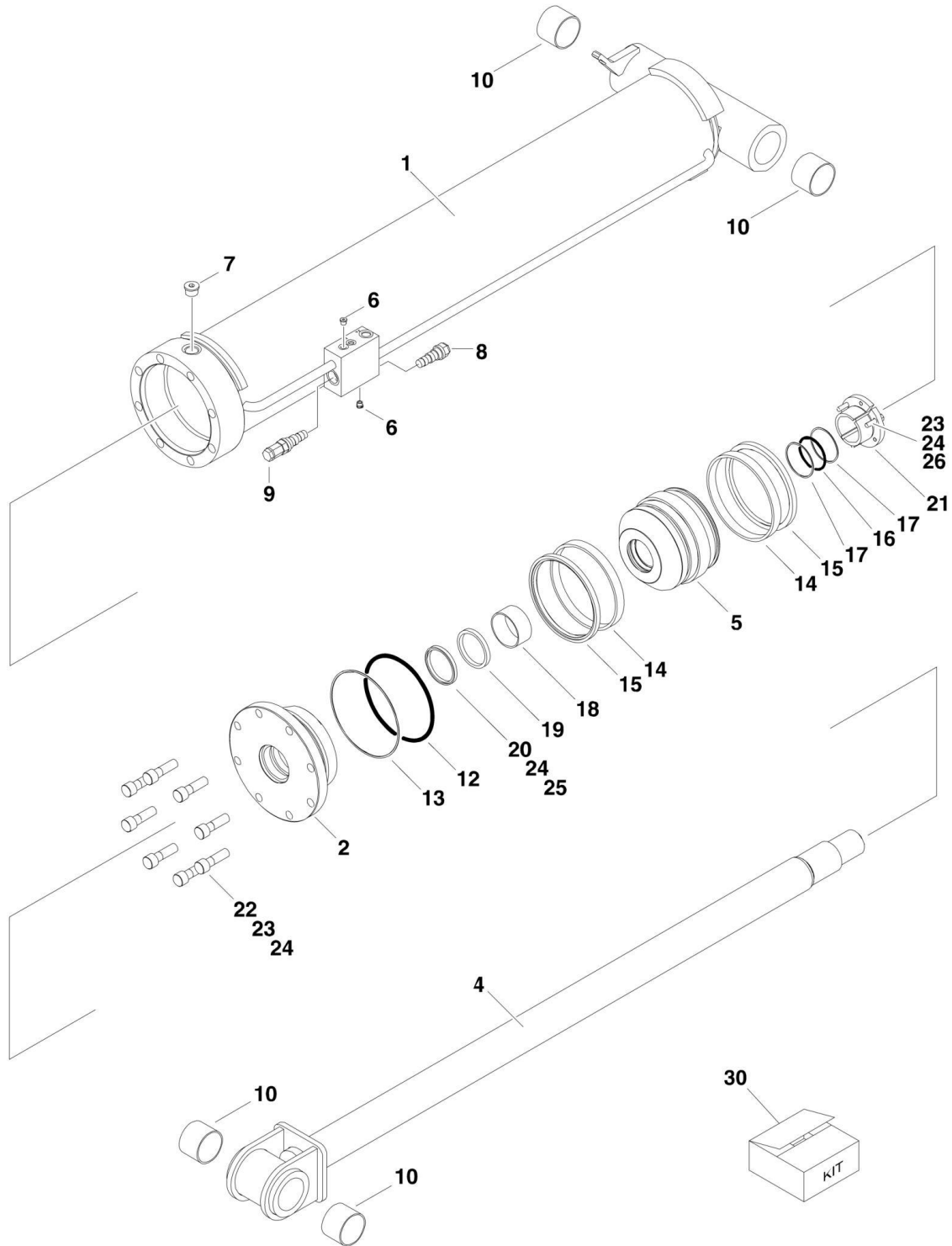
SECTION 5 - CYLINDER

FIGURE 5-11. LIFT CYLINDER ASSEMBLY - MAIN BOOM (SERVICE REPLACEMENT)

ITEM	PART NUMBER	QTY	DESCRIPTION	REV
	1001228010	Ref	LIFT CYLINDER ASSEMBLY	B
		Ref	Note: Original Cylinder may have been replaced with Service Replacement. Identify PN Stamped on Cylinder Before Ordering Parts.	
1	See Note	NSS	Barrel (Note: Not Available for Purchase)	
2	70006388	1	Rod	
3	70006387	1	Head	
4	70006386	1	Piston	
5	70006385	1	Bushing, Tapered	
6	0630537	3	Bolt	
7	3932240	8	Capscrew 3/4 x 2-1/2	
7	See Note	AR	Compound, Locking (Note: Use Loctite 263)	
8	2220888	1	Plug	
9	4640509	1	Cartridge, Valve	
9	2900792	1	Seal Kit - 4640509 Valve	
10	2220883	1	Plug	
12	4641027	1	Plug, Check Valve	
13	2180615	1	Orifice	
14	70006384	1	Washer, Ring	
15	0962102	4	Bushing	
16	See Note	NSS	Ring, Wear (Note: Use Item 100)	
100	2901514	1	Seal Kit (Includes Items 16 and 101-109)	
101	See Note	NSS	Ring, Wear (Note: Use Item 100)	
102	See Note	NSS	T-Seal (Note: Use Item 100)	
103	See Note	NSS	Ring, Back-up (Note: Use Item 100)	
104	See Note	NSS	O-Ring (Note: Use Item 100)	
105	See Note	NSS	Seal (Note: Use Item 100)	
106	See Note	NSS	O-Ring (Note: Use Item 100)	
107	See Note	NSS	Ring Back-up (Note: Use Item 100)	
108	See Note	NSS	Seal, Rod (Note: Use Item 100)	
109	See Note	NSS	Wiper (Note: Use Item 100)	

SECTION 5 - CYLINDER

FIGURE 5-12. LIFT CYLINDER ASSEMBLY - TOWER BOOM (ORIGINAL EQUIPMENT)



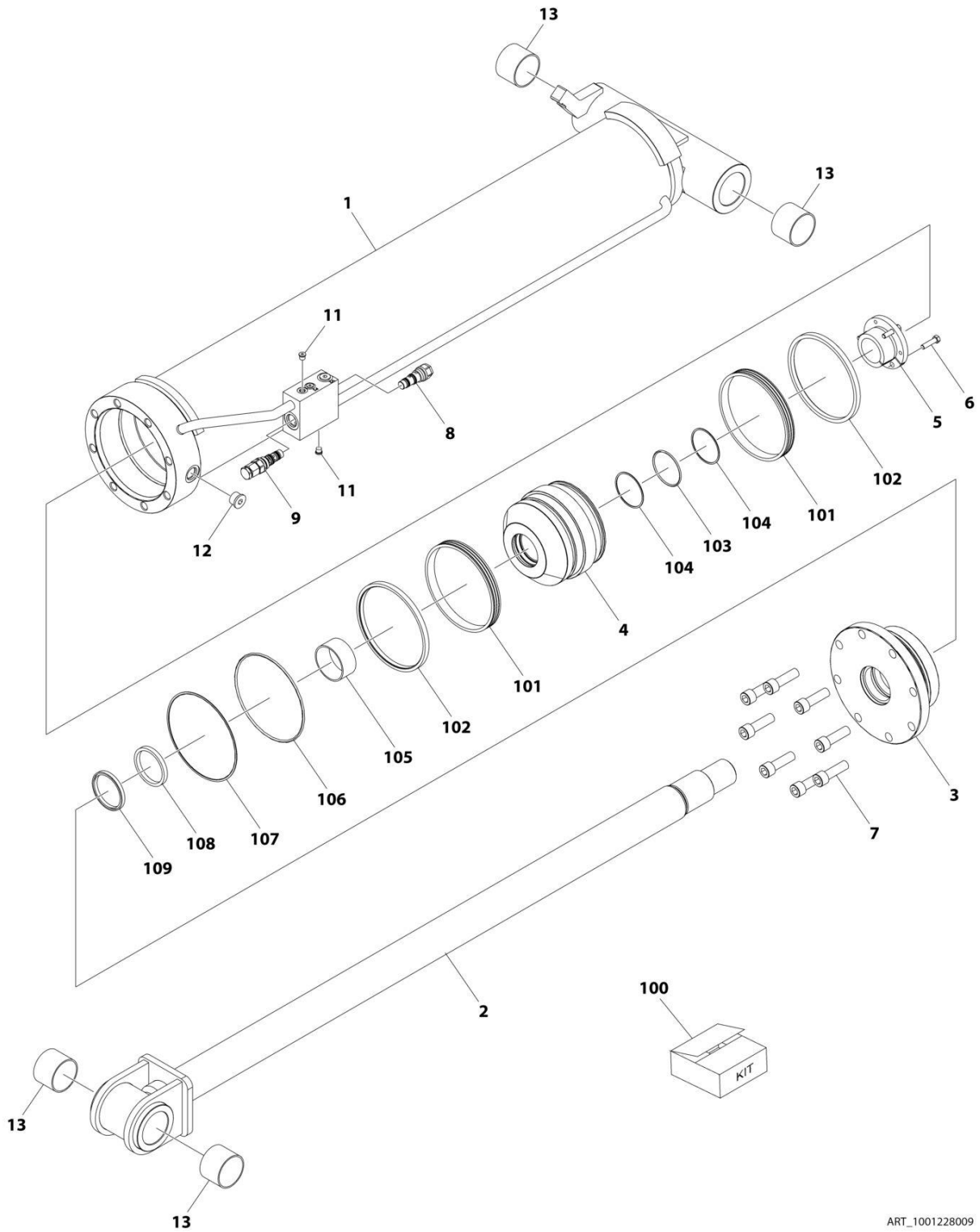
SECTION 5 - CYLINDER

FIGURE 5-12. LIFT CYLINDER ASSEMBLY - TOWER BOOM (ORIGINAL EQUIPMENT)

ITEM	PART NUMBER	QTY	DESCRIPTION	REV
	1683537	Ref	LIFT CYLINDER ASSEMBLY - TOWER BOOM Note: Original Cylinder may have been replaced with Service Replacement. Identify PN Stamped on Cylinder Before Ordering Parts.	1
		Ref		
1	1683823	1	Barrel Weldment	
2	1683818	1	Head	
4	1683539	1	Rod Weldment	
5	3480236	1	Piston	
6	2220883	2	Plug, O-Ring	
7	2220888	1	Plug, O-Ring	
8	4640509	1	Cartridge, Valve	
8	2900792	1	Seal Kit - 4640999 Valve	
9	4640605	1	Cartridge, Valve	
9	2900792	1	Seal Kit - 4640605 Valve	
10	0962102	4	Bushing	
12	See Note	NSS	O-Ring (Note: Use Item 30)	
13	See Note	NSS	Ring, Lock (Note: Use Item 30)	
14	See Note	NSS	Seal (Note: Use Item 30)	
15	See Note	NSS	Ring, Lock (Note: Use Item 30)	
16	See Note	NSS	O-Ring (Note: Use Item 30)	
17	See Note	NSS	Ring, Back-up (Note: Use Item 30)	
18	See Note	NSS	Ring, Wear (Note: Use Item 30)	
19	See Note	NSS	Seal (Note: Use Item 30)	
20	See Note	NSS	Wiper (Note: Use Item 30)	
21	0961903	1	Bushing, Tapered	
22	3932240	8	Capscrew, Socket Head 3/4in x 2-1/2in	
23	0100011	AR	Compound, Locking	
24	0100038	AR	Primer, Locking	
25	0100063	AR	Loctite #RC609 (SN 0300069000 through 0300133544)	
26	0630536	3	Bolt	
30	2901537	1	Seal Kit (Includes Items 12-20)	

SECTION 5 - CYLINDER

FIGURE 5-13. LIFT CYLINDER ASSEMBLY - TOWER BOOM (SERVICE REPLACEMENT)



ART_1001228009

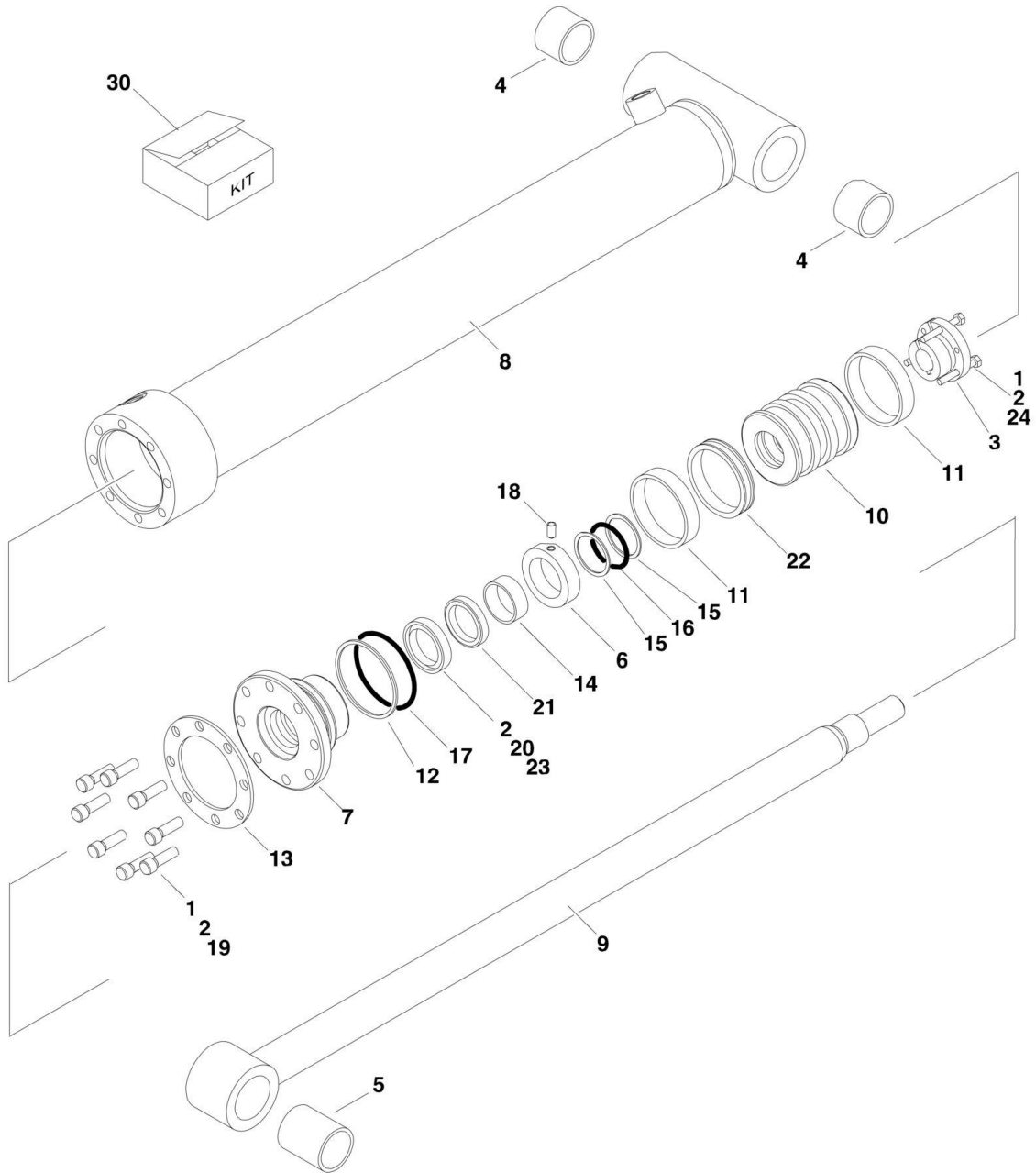
SECTION 5 - CYLINDER

FIGURE 5-13. LIFT CYLINDER ASSEMBLY - TOWER BOOM (SERVICE REPLACEMENT)

ITEM	PART NUMBER	QTY	DESCRIPTION	REV
	1001228009	Ref	LIFT CYLINDER ASSEMBLY	B
		Ref	Note: Original Cylinder may have been replaced with Service Replacement. Identify PN Stamped on Cylinder Before Ordering Parts.	
1	See Note	NSS	Barrel (Note: Not Available for Purchase)	
2	70006378	1	Rod	
3	70006377	1	Head	
4	70006376	1	Piston	
5	70006375	1	Bushing, Tapered	
6	0630536	3	Bolt	
7	3932240	8	Capscrew 3/4 x 2-1/2	
8	4640509	1	Cartridge, Valve	
8	2900792	1	Seal Kit - 4640999 Valve	
9	4640605	1	Cartridge, Valve	
9	2900792	1	Seal Kit - 4640605 Valve	
11	2220883	4	Plug, O-Ring	
12	2220888	1	Plug, O-Ring	
13	0962102	4	Bushing	
100	2901537	1	Seal Kit (Includes Items 101-109)	
101	See Note	NSS	Seal (Note: Use Item 100)	
102	See Note	NSS	Ring, Lock (Note: Use Item 100)	
103	See Note	NSS	O-Ring (Note: Use Item 100)	
104	See Note	NSS	Ring, Back-up (Note: Use Item 100)	
105	See Note	NSS	Ring, Wear (Note: Use Item 100)	
106	See Note	NSS	O-Ring (Note: Use Item 100)	
107	See Note	NSS	Ring, Back-up (Note: Use Item 100)	
108	See Note	NSS	Seal (Note: Use Item 100)	
109	See Note	NSS	Wiper (Note: Use Item 100)	

SECTION 5 - CYLINDER

FIGURE 5-14. MASTER CYLINDER ASSEMBLY - 800A (ORIGINAL EQUIPMENT)



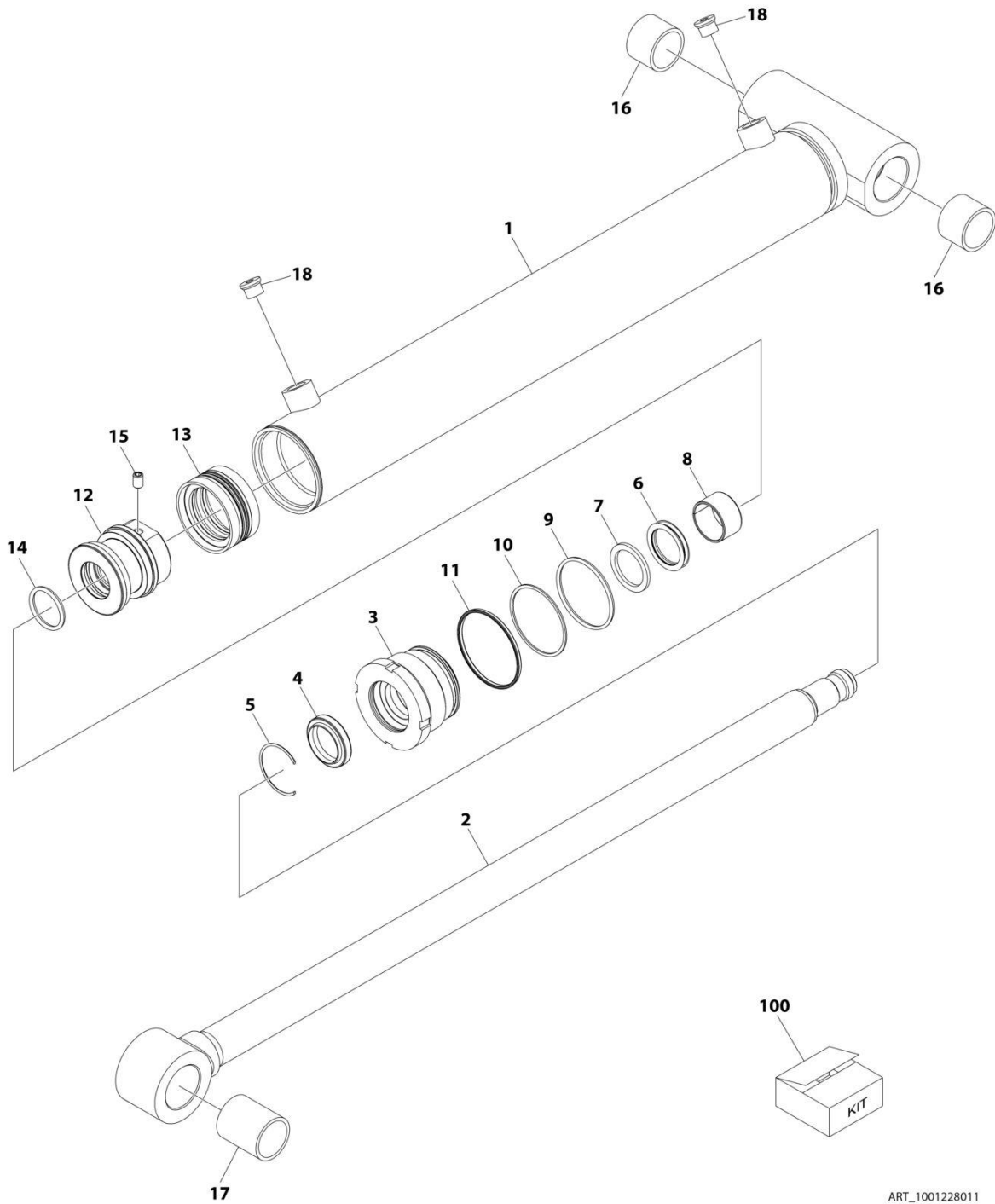
SECTION 5 - CYLINDER

FIGURE 5-14. MASTER CYLINDER ASSEMBLY - 800A (ORIGINAL EQUIPMENT)

ITEM	PART NUMBER	QTY	DESCRIPTION	REV
	1683608	Ref	MASTER CYLINDER ASSEMBLY - 800A Note: Original Cylinder may have been replaced with Service Replacement. Identify PN Stamped on Cylinder Before Ordering Parts.	G
		Ref		
1	0100011	AR	Compound, Locking	
2	0100038	AR	Primer, Locking	
3	0962185	1	Bushing, Tapered	
4	0961951	2	Bushing	
5	0962155	1	Bushing	
6	0962156	1	Spacer, Tube	
7	1683050	1	Head	
8	1684114	1	Barrel	
9	1684115	1	Rod	
10	3480232	1	Piston	
11	See Note	NSS	Ring, Wear (Note: Use Item 30)	
12	See Note	NSS	Ring, Back-up (Note: Use Item 30)	
13	3760367	1	Ring, Washer	
14	See Note	NSS	Ring, Wear (Note: Use Item 30)	
15	See Note	NSS	Ring, Back-up (Note: Use Item 30)	
16	See Note	NSS	O-Ring (Note: Use Item 30)	
17	See Note	NSS	O-Ring (Note: Use Item 30)	
18	3900139	1	Setscrew 1/4in-20NC x 1/2in	
19	3931516	8	Capscrew 5/16in-18NC x 1in	
20	See Note	NSS	Wiper (Note: Use Item 30)	
21	See Note	NSS	Seal (Note: Use Item 30)	
22	See Note	NSS	T-Seal (Note: Use Item 30)	
23	0100063	AR	Loctite #RC 609	
24	0630534	3	Capscrew, Socket Head #10-24NC x 1in	
30	2901549	1	Seal Kit - 1683608 Cylinder (Includes Items 11,12, 14-17 & 20-22)	

SECTION 5 - CYLINDER

FIGURE 5-15. MASTER CYLINDER ASSEMBLY (800A) (SERVICE REPLACEMENT)



ART_1001228011

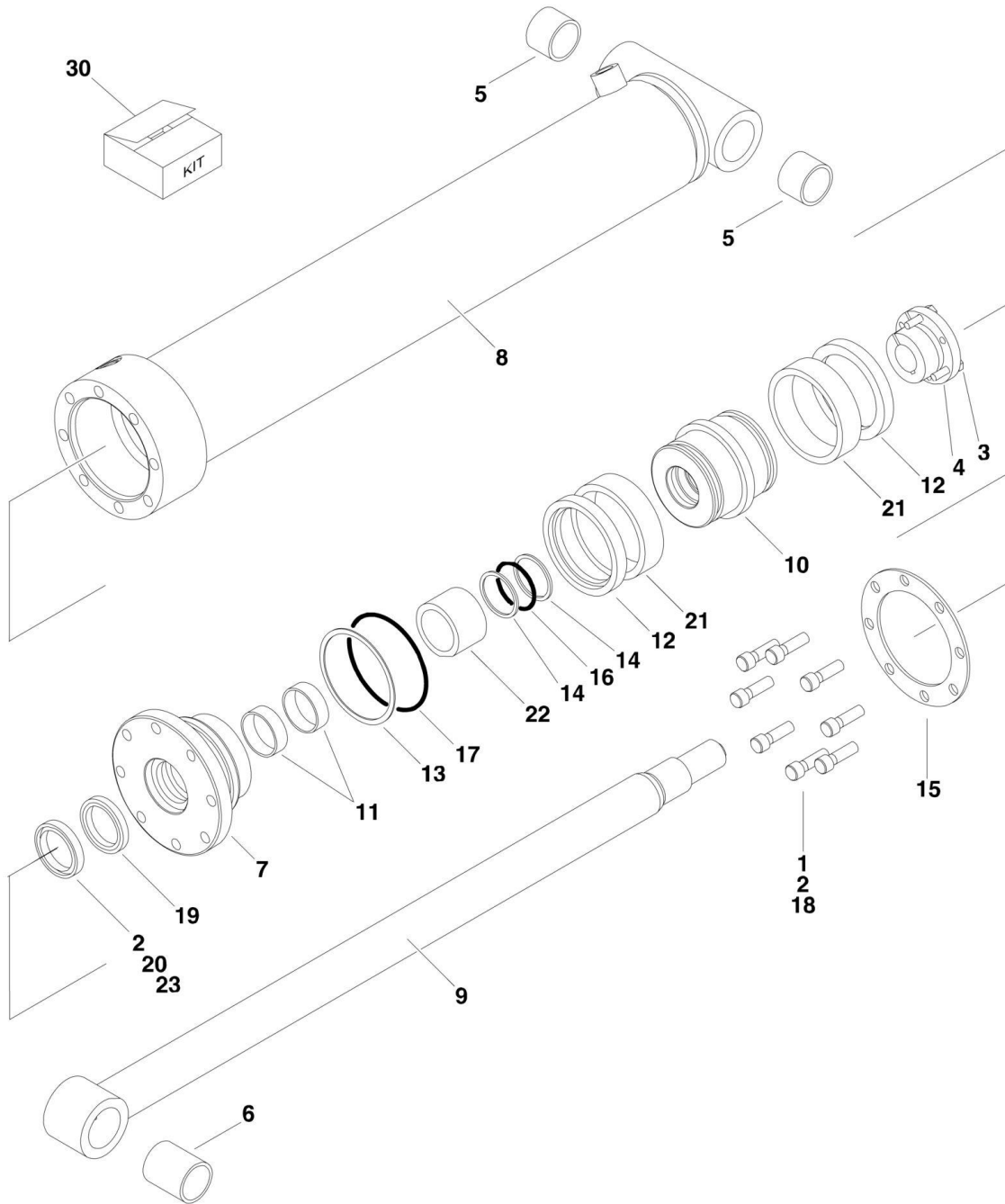
SECTION 5 - CYLINDER

FIGURE 5-15. MASTER CYLINDER ASSEMBLY (800A) (SERVICE REPLACEMENT)

ITEM	PART NUMBER	QTY	DESCRIPTION	REV
	1001228011	Ref	MASTER CYLINDER ASSEMBLY (800A)	B
		Ref	Note: Original Cylinder may have been replaced with Service Replacement. Identify PN Stamped on Cylinder Before Ordering Parts.	
1	See Note	NSS	Barrel (Note: Not Available for Purchase)	
2	70006777	1	Rod	
3	70006778	1	Head	
4	See Note	NSS	Wiper (Note: Use Item 100)	
5	70002366	1	Ring, Retaining	
6	See Note	NSS	Seal, Rod (Note: Use Item 100)	
7	See Note	NSS	Ring, Back-up (Note: Use Item 100)	
8	70006779	1	Ring, Wear	
9	See Note	NSS	O-Ring (Note: Use Item 100)	
10	See Note	NSS	Ring, Back-up (Note: Use Item 100)	
11	70050801	NSS	O-Ring (Note: Use Item 100)	
12	70006780	1	Piston	
13	See Note	NSS	Seal (Note: Use Item 100)	
14	See Note	NSS	O-Ring (Note: Use Item 100)	
15	70006596	1	Setscrew	
16	0961951	2	Bushing	
17	0962155	1	Bushing	
18	2220885	2	Plug	
100	70006781	1	Seal Kit (Includes Items 4, 6, 7, 9-11, 13 & 14)	

SECTION 5 - CYLINDER

FIGURE 5-16. MASTER CYLINDER ASSEMBLY - 800AJ (ORIGINAL EQUIPMENT)



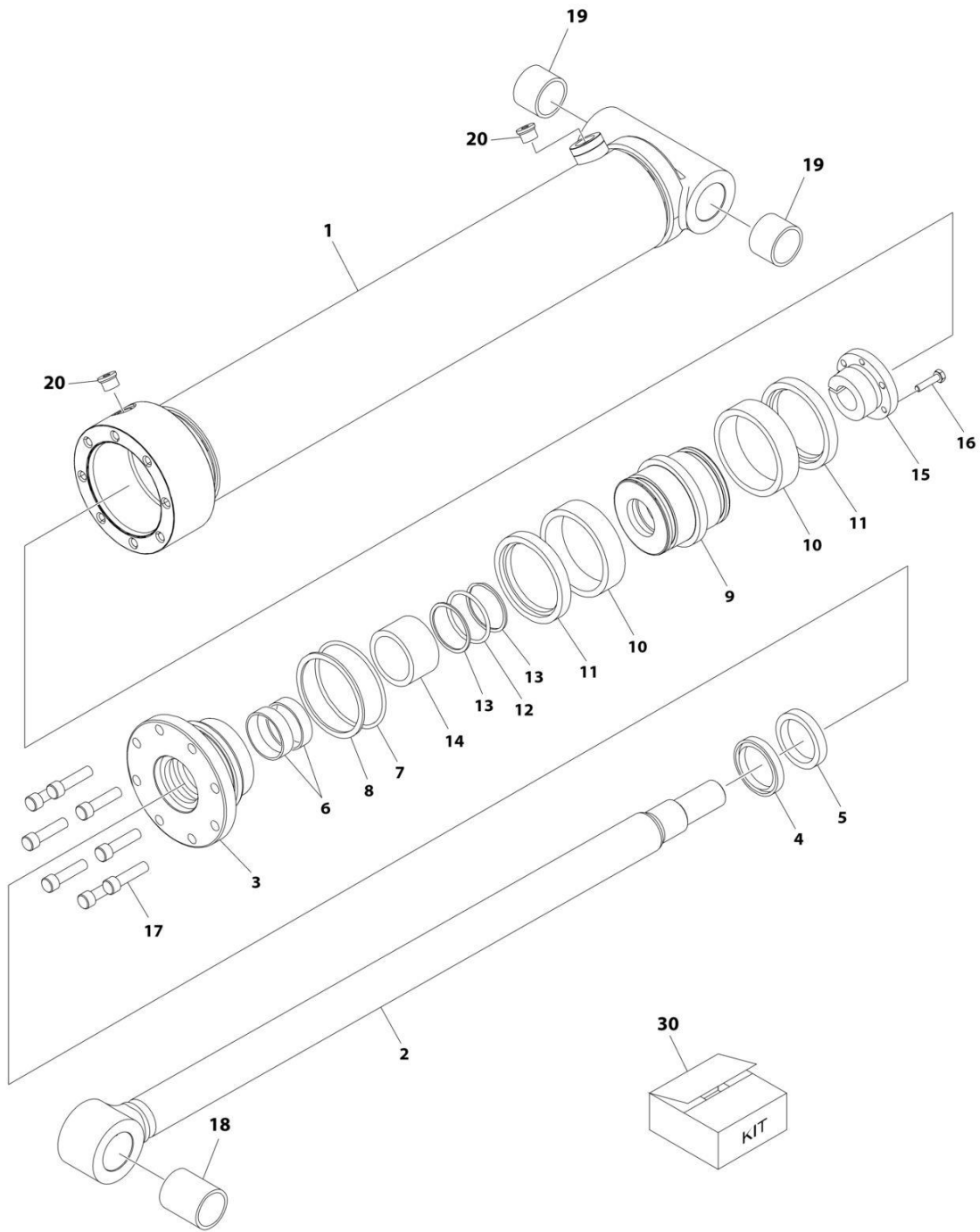
SECTION 5 - CYLINDER

FIGURE 5-16. MASTER CYLINDER ASSEMBLY - 800AJ (ORIGINAL EQUIPMENT)

ITEM	PART NUMBER	QTY	DESCRIPTION	REV
	1683682	Ref	MASTER CYLINDER ASSEMBLY - 800AJ	E
		Ref		
1	0100011	AR	Compound, Locking	
2	0100038	AR	Primer, Locking	
3	0630535	3	Capscrew, Socket Head 1/4in-20NC x 1in	
4	0961894	1	Bushing, Tapered	
5	0961951	2	Bushing	
6	0962155	1	Bushing	
7	1683055	1	Head	
8	1684125	1	Barrel	
9	1684126	1	Rod	
10	3480188	1	Piston	
11	See Note	NSS	Ring, Wear (Note: Use Item 30)	
12	See Note	NSS	Ring, Lock (Note: Use Item 30)	
13	See Note	NSS	Ring, Back-up (Note: Use Item 30)	
14	See Note	NSS	Ring, Back-up (Note: Use Item 30)	
15	3760369	1	Ring, Washer	
16	See Note	NSS	O-Ring (Note: Use Item 30)	
17	See Note	NSS	O-Ring (Note: Use Item 30)	
18	3931620	8	Capscrew 3/8in-16NC x 1-1/4in	
19	See Note	NSS	Seal, Rod (Note: Use Item 30)	
20	See Note	NSS	Wiper (Note: Use Item 30)	
21	See Note	NSS	Seal (Note: Use Item 30)	
22	4566468	1	Spacer, Tube	
23	0100063	AR	Loctite #RC 609 (SN 0300069000 through 0300133482)	
30	2901301	1	Seal Kit - 1683682 Cylinder (Includes Items 11-14, 16, 17 & 19-21)	

SECTION 5 - CYLINDER

FIGURE 5-17. MASTER CYLINDER ASSEMBLY (800AJ) (SERVICE REPLACEMENT)



ART_1001228050

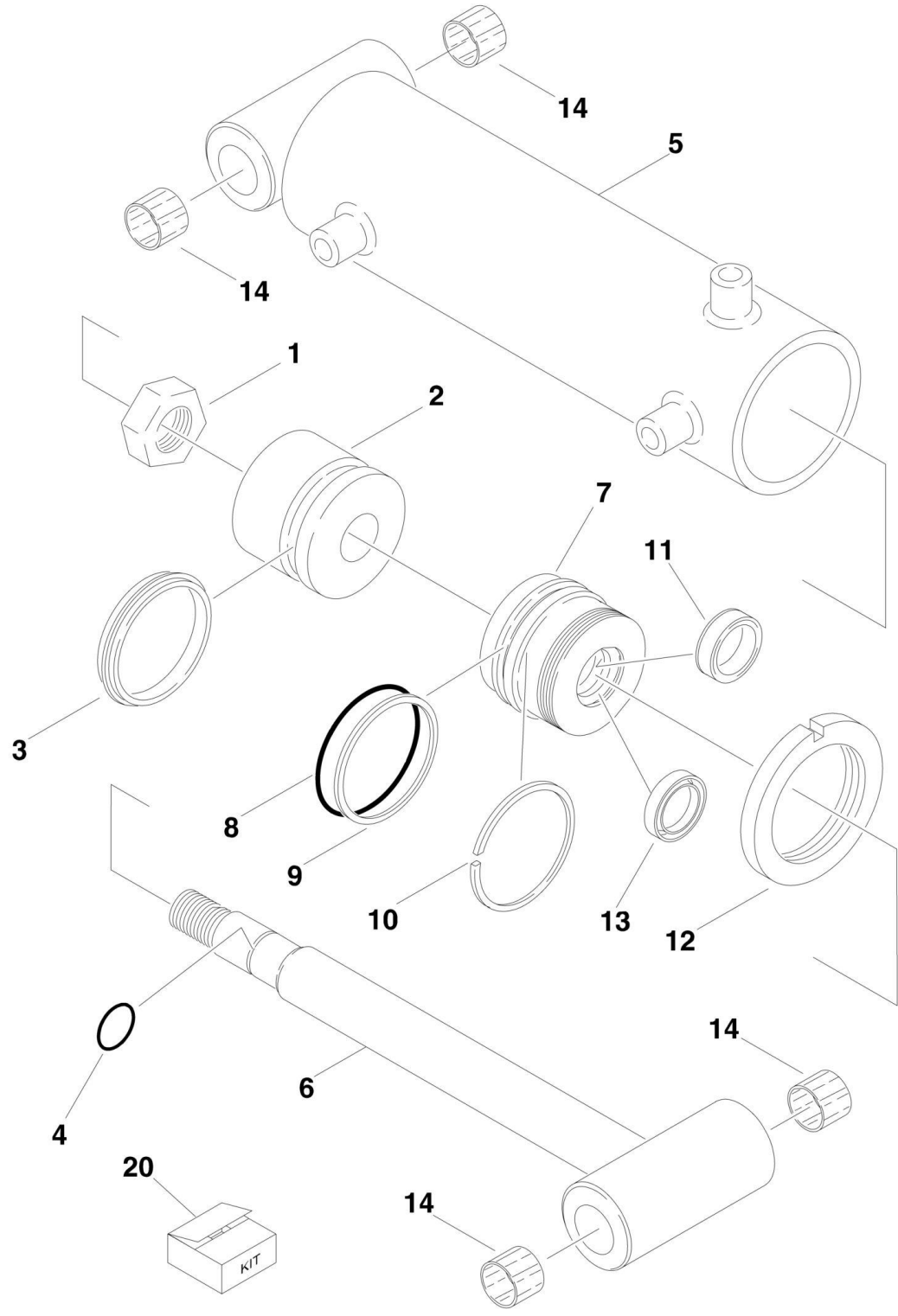
SECTION 5 - CYLINDER

FIGURE 5-17. MASTER CYLINDER ASSEMBLY (800AJ) (SERVICE REPLACEMENT)

ITEM	PART NUMBER	QTY	DESCRIPTION	REV
	1001228050	Ref	MASTER CYLINDER ASSEMBLY	A
		Ref	Note: Original Cylinder may have been replaced with Service Replacement. Identify PN Stamped on Cylinder Before Ordering Parts.	
1	See Note	NSS	Barrel (Note: Not Available for Purchase)	
2	70006668	1	Rod	
3	70006643	1	Head	
4	See Note	NSS	Wiper (Note: Use Item 30)	
5	See Note	NSS	Seal, Rod (Note: Use Item 30)	
6	See Note	NSS	Ring, Wear (Note: Use Item 30)	
7	See Note	NSS	O-Ring (Note: Use Item 30)	
8	See Note	NSS	Ring, Back-up (Note: Use Item 30)	
9	70006644	1	Piston	
10	See Note	NSS	Ring, Wear (Note: Use Item 30)	
11	See Note	NSS	Ring, Lock (Note: Use Item 30)	
12	See Note	NSS	O-Ring (Note: Use Item 30)	
13	See Note	NSS	Ring, Back-up (Note: Use Item 30)	
14	70006651	1	Spacer, Tube	
15	0961894	1	Bushing, Tapered	
16	0630535	3	Capscrew 1/4 x 1-1/8	
17	3931620	8	Capscrew 3/8 x 1-1/4	
18	0962155	1	Bushing	
19	0961951	2	Bushing	
20	2220885	2	Plug, O-Ring	
30	1001138796	1	Seal Kit (Machines with Arctic Package) (Includes Items 4-8 & 10-13)	

SECTION 5 - CYLINDER

FIGURE 5-18. STEER CYLINDER ASSEMBLY



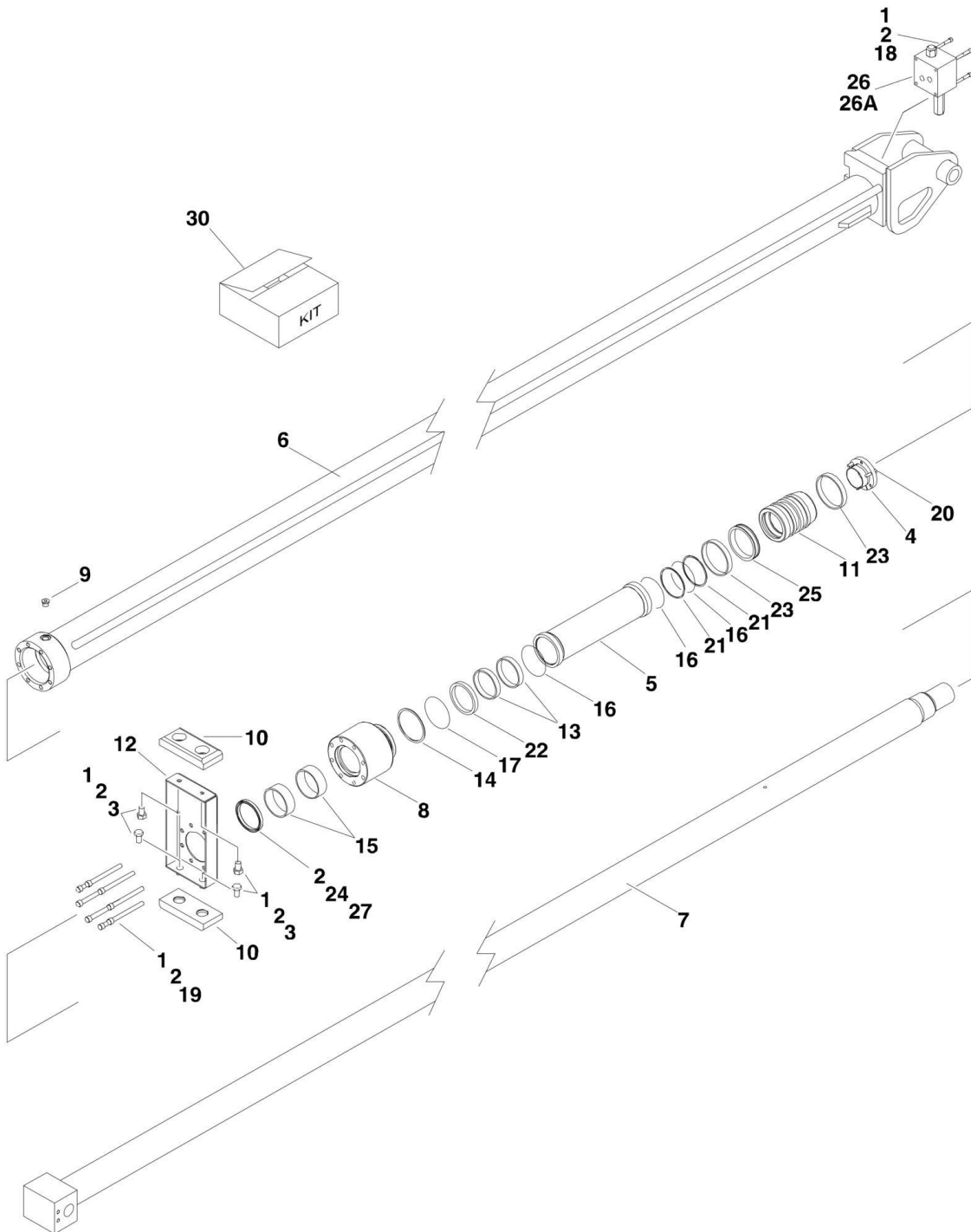
SECTION 5 - CYLINDER

FIGURE 5-18. STEER CYLINDER ASSEMBLY

ITEM	PART NUMBER	QTY	DESCRIPTION	REV
	1683740	Ref	STEER CYLINDER ASSEMBLY	B
1	7017210	1	Locknut	
2	7017211	1	Piston	
3	See Note	NSS	Seal (Note: Use Item 20)	
4	See Note	NSS	O-Ring (Note: Use Item 20)	
5	7023023	1	Barrel Weldment	
6	7017236	1	Rod Weldment	
7	7017213	1	Head	
8	See Note	NSS	O-Ring (Note: Use Item 20)	
9	See Note	NSS	Ring, Back-up (Note: Use Item 20)	
10	See Note	NSS	Ring, Retainer (Note: Use Item 20)	
11	See Note	NSS	Seal (Note: Use Item 20)	
12	7017214	1	Nut, Spanner	
13	See Note	NSS	Wiper (Note: Use Item 20)	
14	0961977	4	Bushings	
20	7017215	1	Seal Kit (Includes Items 3, 4, 8-11 & 13)	

SECTION 5 - CYLINDER

FIGURE 5-19. TELESCOPE CYLINDER ASSEMBLY - MAIN BOOM



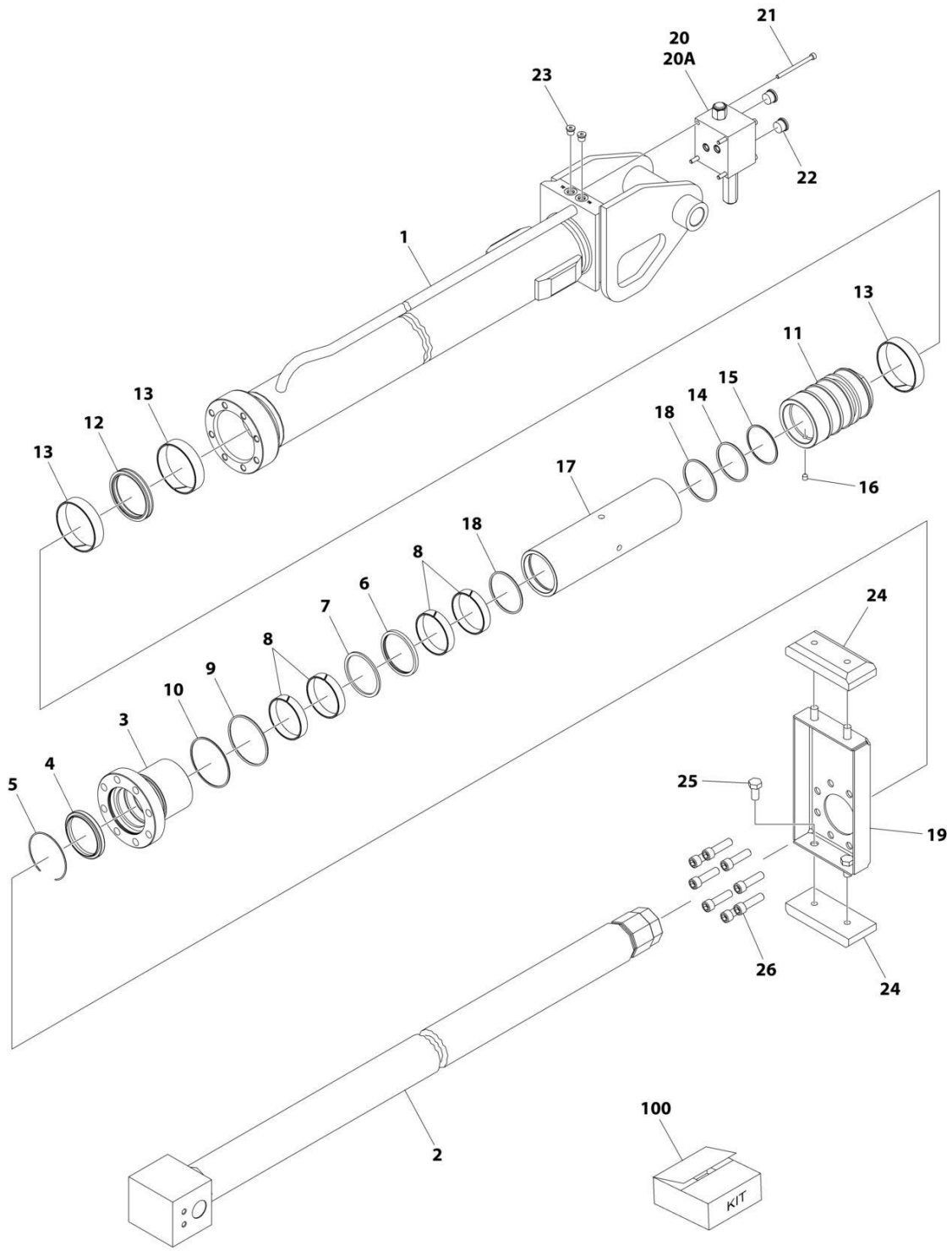
SECTION 5 - CYLINDER

FIGURE 5-19. TELESCOPE CYLINDER ASSEMBLY - MAIN BOOM

ITEM	PART NUMBER	QTY	DESCRIPTION	REV
		Ref	TELESCOPE CYLINDER ASSEMBLY - MAIN BOOM	
	1683607	Ref	Telescope Cylinder Assembly 800A (Original Equipment)	H
	1001188968	Ref	Telescope Cylinder Assembly 800A (Service Replacement)	B
	1683672	Ref	Telescope Cylinder Assembly 800AJ (Original Equipment)	H
	1001188841	Ref	Telescope Cylinder Assembly 800AJ (Service Replacement)	B
		Ref	Note: Original Cylinder may have been replaced with Service Replacement. Identify PN Stamped on Cylinder Before Ordering Parts.	
1	0100011	AR	Compound, Locking	
2	0100038	AR	Primer, Locking	
3	0641806	4	Bolt 1/2in-13NC x 3/4in	
4	0961897	1	Bushing, Tapered	
5		Ref	Spacer, Tube Options:	
5	0962219	1	Spacer, Tube (SN 0300069000 through 0300071951)	
5	0962524	1	Spacer, Tube (SN 0300071952 through 0300140000)	
6		Ref	Barrel Options:	
6	1683647	1	Barrel 800A	
6	1683673	1	Barrel 800AJ	
7		Ref	Rod Options:	
7	1683648	1	Rod 800A	
7	1683675	1	Rod 800AJ	
8	1683663	1	Head	
9	2220885	1	Plug, O-Ring	
10	3340838	2	Pad, Wear	
11	3480234	1	Piston	
12	3570775	1	Plate	
13	See Note	NSS	Ring, Wear (Note: Use Item 30)	
14	See Note	NSS	Ring, Back-up (Note: Use Item 30)	
15	See Note	NSS	Ring, Wear (Note: Use Item 30)	
16	See Note	NSS	O-Ring (Note: Use Item 30)	
17	See Note	NSS	O-Ring (Note: Use Item 30)	
18	3931448	4	Capscrew 1/4in-20NC x 3in	
19	3931664	8	Capscrew 3/8in-16NC x 4in	
20	0630535	3	Bolt 1/4in-20NC x 1-1/8in	
21	See Note	NSS	Ring, Back-up (Note: Use Item 30)	
22	See Note	NSS	Seal, Rod (Note: Use Item 30)	
23	See Note	NSS	Ring, Wear (Note: Use Item 30)	
24	See Note	NSS	Wiper (Note: Use Item 30)	
25	See Note	NSS	T-Seal (Note: Use Item 30)	
26	4641033	1	Valve Assembly (No serviceable parts - sold as assembly only)	
26A	7024508	2	O-Ring (Between Valve and Cylinder Barrel)	
27	0100063	AR	Loctite #RC 609	
30	2901712	NLA	Seal Kit (Includes Items 13-17 & 21-25) (Use p/n 1001188843) (Use on p/n 1683607 & 1683672)	
30	1001188843	1	Seal Kit (Includes Items 13-17 & 21-25) (Use p/n 1001188843) (Use on p/n 1001188968 & 1001188841)	

SECTION 5 - CYLINDER

FIGURE 5-20. TELESCOPE CYLINDER ASSEMBLY - MAIN BOOM (800A) (SERVICE REPLACEMENT)



ART_1001228088

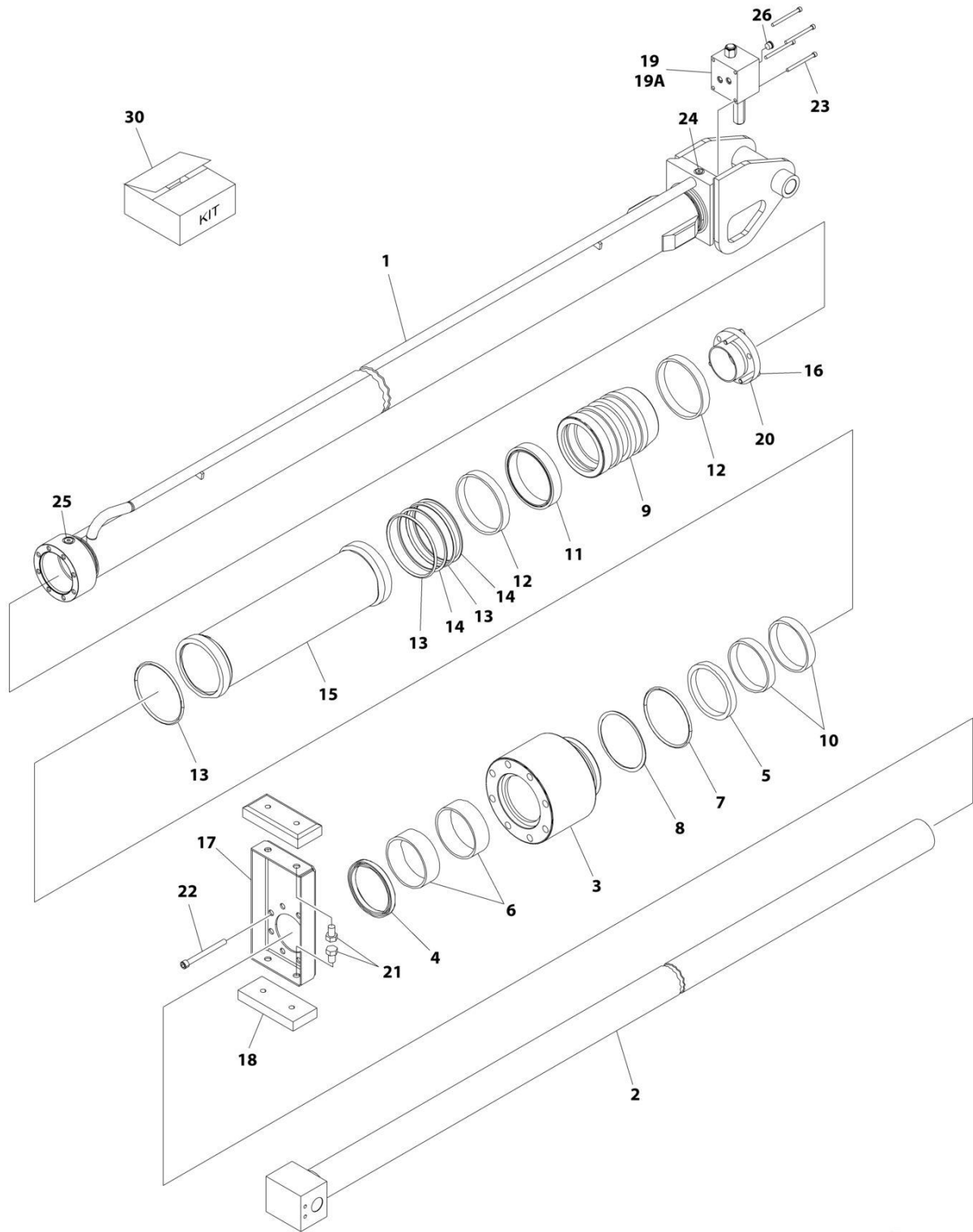
SECTION 5 - CYLINDER

FIGURE 5-20. TELESCOPE CYLINDER ASSEMBLY - MAIN BOOM (800A) (SERVICE REPLACEMENT)

ITEM	PART NUMBER	QTY	DESCRIPTION	REV
	1001228088	Ref	TELESCOPE CYLINDER ASSEMBLY - MAIN BOOM	B
		Ref	Note: Original Cylinder may have been replaced with Service Replacement. Identify PN Stamped on Cylinder Before Ordering Parts.	
1	See Note	NSS	Barrel (Note: Not Available for Purchase)	
2	70006796	1	Rod	
3	70006797	1	Head	
4	See Note	NSS	Wiper (Note: Use Item 100)	
5	70027259	1	Ring, Retaining	
6	See Note	NSS	Seal, Rod (Note: Use Item 100)	
7	See Note	NSS	Ring, Back-up (Note: Use Item 100)	
8	See Note	NSS	Ring, Wear (Note: Use Item 100)	
9	See Note	NSS	O-Ring (Note: Use Item 100)	
10	See Note	NSS	Ring, Back-up (Note: Use Item 100)	
11	70006798	1	Piston	
12	See Note	NSS	Seal (Note: Use Item 100)	
13	See Note	NSS	Ring, Wear (Note: Use Item 100)	
14	See Note	NSS	O-Ring (Note: Use Item 100)	
15	See Note	NSS	Ring, Back-up (Note: Use Item 100)	
16	70006799	1	Setscrew	
17	70006800	1	Spacer, Tube	
18	See Note	NSS	O-Ring (Note: Use Item 100)	
19	70006801	1	Plate	
20	4641033	1	Valve Assembly (No serviceable parts - sold as assembly only)	
20A	7024508	2	O-Ring (Between Valve and Cylinder Barrel)	
21	70006802	4	Capscrew M6	
22	2220886	2	Plug, O-Ring	
23	2220883	2	Plug, O-Ring	
24	3340838	2	Pad, Wear	
25	0641806	4	Bolt 1/2 x 3/4	
26	70006803	8	Capscrew M12	
100	70006804	1	Seal Kit - 1001228088 Cylinder (Includes Items 4, 6-10, 12-15 & 18)	

SECTION 5 - CYLINDER

FIGURE 5-21. TELESCOPE CYLINDER ASSEMBLY - MAIN BOOM (800AJ) (SERVICE REPLACEMENT)



ART_1001228087

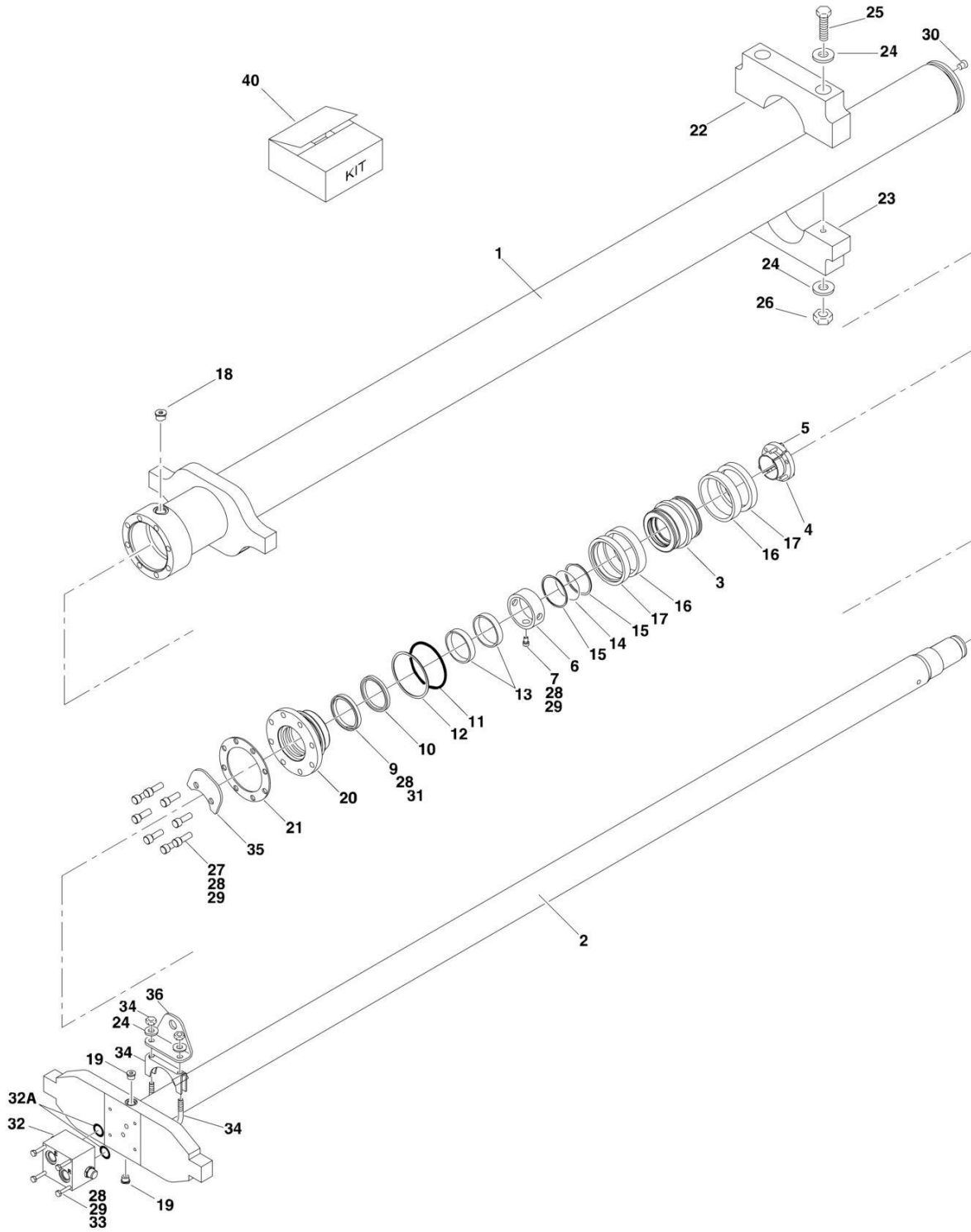
SECTION 5 - CYLINDER

FIGURE 5-21. TELESCOPE CYLINDER ASSEMBLY - MAIN BOOM (800AJ) (SERVICE REPLACEMENT)

ITEM	PART NUMBER	QTY	DESCRIPTION	REV
	1001228087	Ref	TELESCOPE CYLINDER ASSEMBLY	A
		Ref	Note: Original Cylinder may have been replaced with Service Replacement. Identify PN Stamped on Cylinder Before Ordering Parts.	
1	See Note	NSS	Barrel (Note: Not Available for Purchase)	
2	70006669	1	Rod	
3	70006670	1	Head	
4	See Note	NSS	Wiper (Note: Use Item 30)	
5	See Note	NSS	Seal, Rod (Note: Use Item 30)	
6	See Note	NSS	Ring, Wear (Note: Use Item 30)	
7	See Note	NSS	O-Ring (Note: Use Item 30)	
8	See Note	NSS	Ring, Back-up (Note: Use Item 30)	
9	70006671	1	Piston	
10	See Note	NSS	Ring, Wear (Note: Use Item 30)	
11	See Note	NSS	Seal, Piston (Note: Use Item 30)	
12	See Note	NSS	Ring, Wear (Note: Use Item 30)	
13	See Note	NSS	O-Ring (Note: Use Item 30)	
14	See Note	NSS	Ring, Back-up (Note: Use Item 30)	
15	70006672	1	Spacer	
16	0961897	1	Bushing, Tapered	
17	3570775	1	Plate	
18	3340838	2	Pad, Wear	
19	4641033	1	Valve Assembly (No serviceable parts - sold as assembly only)	
19A	7024508	2	O-Ring (Between Valve and Cylinder Barrel)	
20	0630535	3	Bolt 1/4 x 1-1/8	
21	0641806	4	Bolt 1/2 x 3/4	
22	3931664	8	Capscrew 3/8 x 4	
23	3931448	4	Capscrew 1/4 x 3	
24	2220883	1	Plug, O-Ring	
25	2220885	1	Plug, O-Ring	
26	2220886	1	Plug, O-Ring	
30	1001149391	1	Seal Kit (Includes Items 4-8 & 10-14)	

SECTION 5 - CYLINDER

FIGURE 5-22. TELESCOPE CYLINDER ASSEMBLY - TOWER BOOM



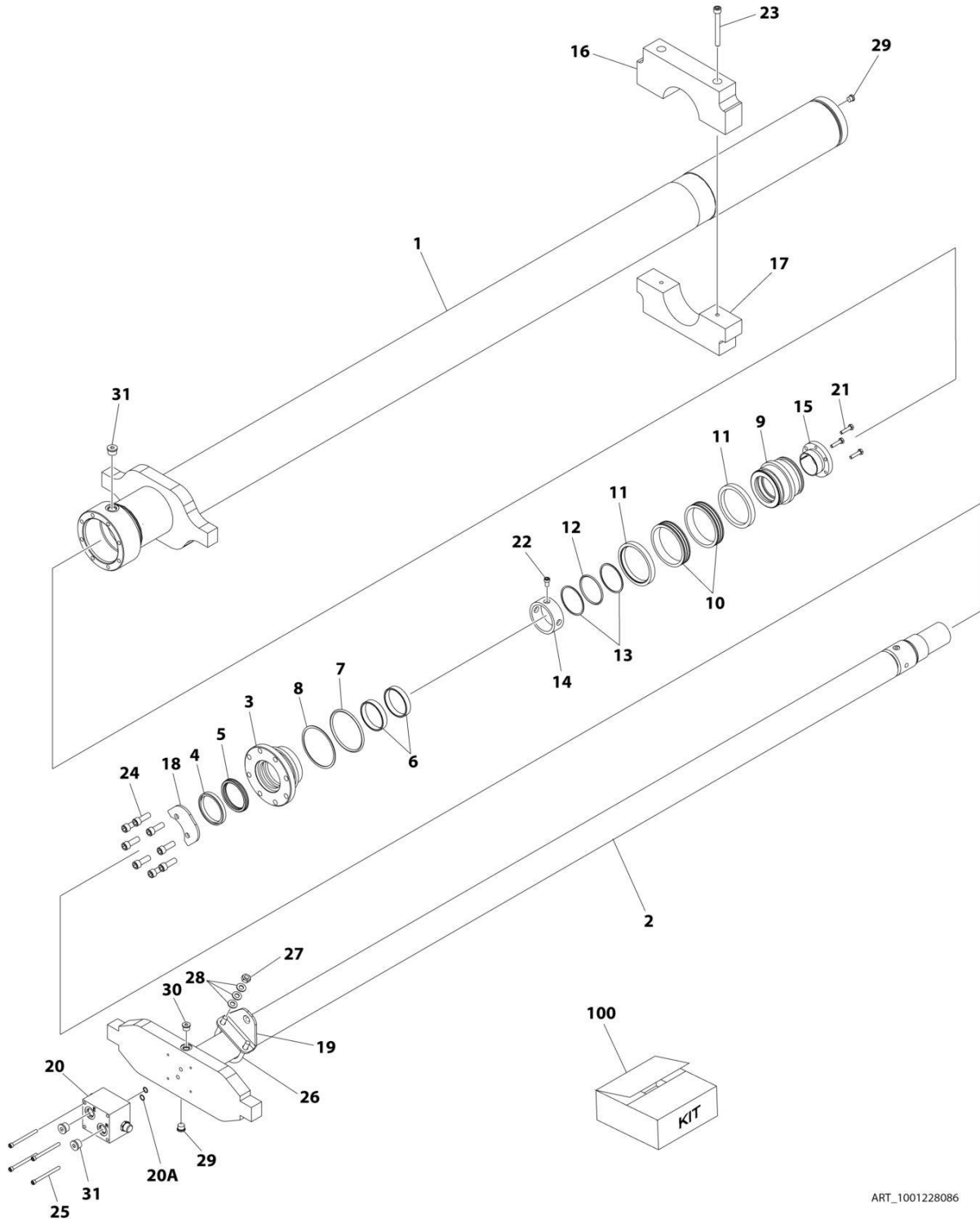
SECTION 5 - CYLINDER

FIGURE 5-22. TELESCOPE CYLINDER ASSEMBLY - TOWER BOOM

ITEM	PART NUMBER	QTY	DESCRIPTION	REV
		Ref	TELESCOPE CYLINDER ASSEMBLY - TOWER BOOM	
	1683606	Ref	Telescope Cylinder Assembly - TOWER BOOM (Original Equipment)	K
	1001188840	Ref	Telescope Cylinder Assembly - TOWER BOOM (Service Replacement)	C
		Ref	Note: Original Cylinder may have been replaced with Service Replacement. Identify PN Stamped on Cylinder Before Ordering Parts.	
1	1683632	1	Barrel Weldment	
2	1683629	1	Rod Weldment	
3	3480211	1	Piston	
4	0961897	1	Bushing, Tapered	
5	0630535	3	Bolt 1/4in-20NC x 1-1/8in	
6	4567413	1	Spacer, Tube	
7	3931508	1	Bolt, Socket Head 5/16in-18NC x 1/2in	
9	See Note	NSS	Wiper (Note: Use Item 40)	
10	See Note	NSS	Seal (Note: Use Item 40)	
11	See Note	NSS	O-Ring (Note: Use Item 40)	
12	See Note	NSS	Ring, Back-up (Note: Use Item 40)	
13	See Note	NSS	Ring, Wear (Note: Use Item 40)	
14	See Note	NSS	O-Ring (Note: Use Item 40)	
15	See Note	NSS	Ring, Back-up (Note: Use Item 40)	
16	See Note	NSS	Seal (Note: Use Item 40)	
17	See Note	NSS	Ring, Lock (Note: Use Item 40)	
18	2220886	1	Plug, O-Ring	
19	2220885	2	Plug, O-Ring	
20	1683061	1	Head	
21	3760370	1	Ring, Washer	
22	3340834	1	Pad, Support	
23	3340833	1	Pad, Support	
24	4711600	10	Flatwasher 3/8in Narrow	
25	0641652	2	Bolt 3/8in-16NC x 6-1/2in	
26	3271605	2	Locknut 3/8in-16NC	
27	3931720	2	Capscrew 7/16in-14NC x 1-1/4in	
28	0100038	AR	Primer, Locking	
29	0100011	AR	Compound, Locking	
30	2220883	1	Plug, O-Ring	
31	0100063	AR	Loctite #RC609	
32	4641032	1	Valve Assembly (No serviceable parts - sold as assembly only)	
32A	7024397	2	O-Ring	
33	3931448	4	Capscrew 1/4in-20NC	
34	1320011	1	Clamp	
34	1001228506	1	Bolt, U-Bolt (Use on p/n 1001188840)	
35	3572604	1	Plate, Proximity Switch Target	
36	3572605	1	Plate, Proximity Switch Mount	
40	2901273	1	Seal Kit (Includes Items 9-17)	

SECTION 5 - CYLINDER

FIGURE 5-23. TELESCOPE CYLINDER ASSEMBLY - TOWER BOOM (SERVICE REPLACEMENT)



ART_1001228086

SECTION 5 - CYLINDER

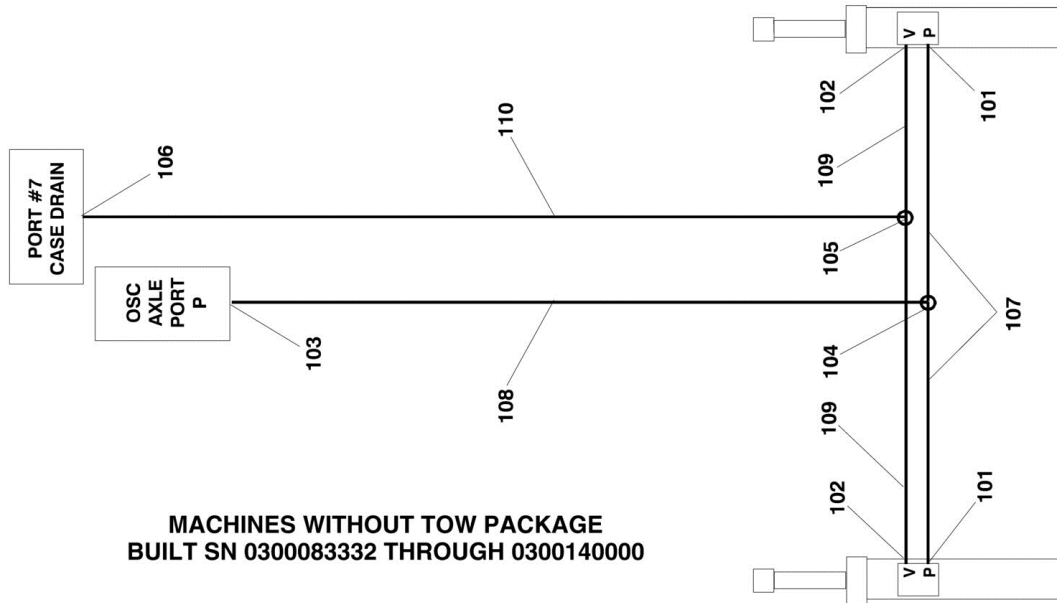
FIGURE 5-23. TELESCOPE CYLINDER ASSEMBLY - TOWER BOOM (SERVICE REPLACEMENT)

ITEM	PART NUMBER	QTY	DESCRIPTION	REV
	1001228086	Ref	TELESCOPE CYLINDER ASSEMBLY	B
		Ref	Note: Original Cylinder may have been replaced with Service Replacement. Identify PN Stamped on Cylinder Before Ordering Parts.	
1	See Note	NSS	Barrel (Note: Not Available for Purchase)	
2	70006921	1	Rod	
3	70006480	1	Head	
4	See Note	NSS	Wiper (Note: Use Item 100)	
5	See Note	NSS	Seal, Rod (Note: Use Item 100)	
6	See Note	NSS	Ring, Wear (Note: Use Item 100)	
7	See Note	NSS	O-Ring (Note: Use Item 100)	
8	See Note	NSS	Ring, Back-up (Note: Use Item 100)	
9	70006479	1	Piston	
10	See Note	NSS	Seal, Piston (Note: Use Item 100)	
11	See Note	NSS	Ring, Lock (Note: use Item 100)	
12	See Note	NSS	O-Ring (Note: Use Item 100)	
13	See Note	NSS	Ring, Back-up (Note: Use Item 100)	
14	70006922	1	Spacer	
15	0961897	1	Bushing, Tapered	
16	70006923	1	Pad, Wear	
17	70006924	1	Pad, Wear	
18	70006925	1	Plate	
19	70006926	1	Plate	
20	4641032	1	Valve Assembly (No serviceable parts - sold as assembly only)	
20A	7024397	2	O-Ring (Between Valve and Cylinder Barrel)	
21	0630535	3	Bolt 1/4 x 1-1/8	
22	70006731	1	Bolt	
23	70006927	2	Bolt M10	
24	70006728	8	Bolt 7/16	
25	70006733	4	Bolt M8	
26	70006928	1	U-Bolt M10	
27	70005594	2	Nut M10	
28	70006344	6	Washer M10	
29	2220883	2	Plug, O-Ring	
30	2220885	1	Plug, O-Ring	
31	2220886	3	Plug, O-Ring	
100	1001188842	1	Seal Kit - 1001228086 Cylinder (Includes Items 4-8 & 10-13)	

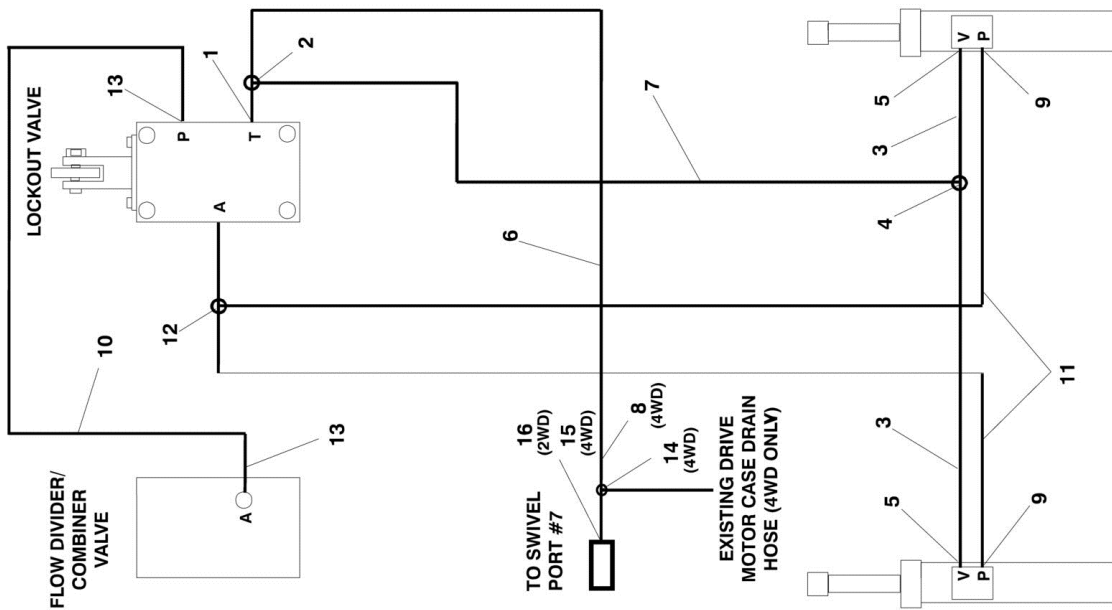
SECTION 6 - HYDRAULIC

SECTION 6 - HYDRAULIC

FIGURE 6-1. AXLE LOCKOUT HYDRAULIC DIAGRAM



**ALL MACHINES BUILT SN 0300069000 THROUGH 0300083331 AND
MACHINES WITH TOW PACKAGE BUILT SN 0300083332 THROUGH 0300140000**



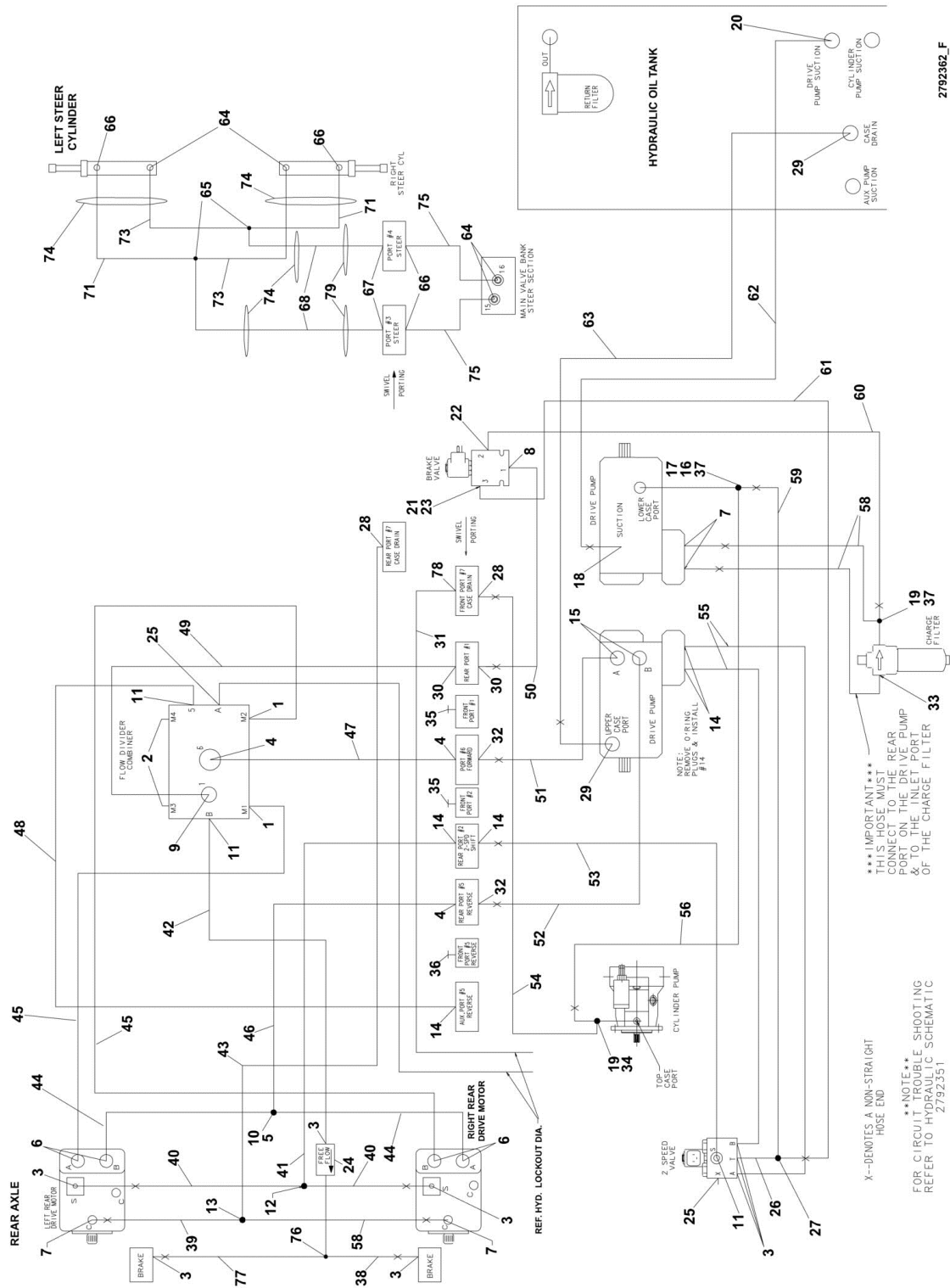
SECTION 6 - HYDRAULIC

FIGURE 6-1. AXLE LOCKOUT HYDRAULIC DIAGRAM

ITEM	PART NUMBER	QTY	DESCRIPTION	REV
	2792367	Ref	AXLE LOCKOUT HYDRAULIC DIAGRAM	2-B
		Ref	Note: Use for All Machines Built SN 0300069000 to SN 0300083331 and Machines with Tow Package Built SN 0300083332 to SN 0300140000	
1	2220603	1	Fitting, Straight	
2	2220635	1	Fitting, Tee	
3	2750920	2	Hose	
4	2220490	1	Fitting, Tee	
5	2220371	2	Fitting, Straight	
6	2752648	1	Hose	
7	2752611	1	Hose	
8	2220619	1	Fitting, Reducer	
9	2220582	2	Fitting, Straight	
10	2750760	1	Hose	
11	2751906	2	Hose	
12	2220711	1	Fitting, Tee	
13	2220415	2	Fitting, Straight	
14	2220602	1	Fitting, Tee	
15	2220811	1	Fitting, Reducer	
16	2220577	1	Fitting, Straight	
	2792648	Ref	AXLE LOCKOUT HYDRAULIC DIAGRAM	3
		Ref	Note: Machines without Tow Package Built SN 0300083332 to SN 0300140000	
101	2110406	2	Fitting, Straight	
102	2110606	2	Fitting, Straight	
103	2110408	1	Fitting, Straight	
104	2170504	1	Fitting, Tee	
105	2170506	1	Fitting, Tee	
106	2170406	1	Fitting, Tee (SN 0300069000 through 0300097962)	
107	2753629	2	Hose	
108	2753630	1	Hose	
109	2753624	2	Hose	
110	2753627	1	Hose	

SECTION 6 - HYDRAULIC

FIGURE 6-2. DRIVE HYDRAULIC DIAGRAM - 2WD (SN 0300069000 through 0300083331)



2792362_F

SECTION 6 - HYDRAULIC

FIGURE 6-2. DRIVE HYDRAULIC DIAGRAM - 2WD (SN 0300069000 through 0300083331)

ITEM	PART NUMBER	QTY	DESCRIPTION	REV
	2792362	Ref	DRIVE HYDRAULIC DIAGRAM - 2WD	8-F
1	2220498	2	Fitting, Elbow	
2	2220240	2	Fitting, Plug	
3	2220415	8	Fitting, Straight	
4	2220365	3	Fitting, Elbow	
5	2220710	1	Fitting, Reducer	
6	2220465	4	Fitting, Elbow	
7	2220374	4	Fitting, Straight	
8	2220373	1	Fitting, Straight	
9	2220500	1	Fitting, Elbow	
10	2220363	1	Fitting, Tee	
11	2220466	3	Fitting, Elbow	
12	2220504	1	Fitting, Tee	
13	2220362	1	Fitting, Tee	
14	2220582	5	Fitting, Straight	
15	2220646	2	Fitting, Elbow	
16	2220999	1	Fitting, Tee	
17	2220618	1	Fitting, Reducer	
18	2220479	1	Fitting, Straight	
19	2220602	2	Fitting, Tee	
20	2220380	1	Fitting, Straight	
21	2220609	1	Fitting, Reducer	
22	2220596	1	Fitting, Elbow	
23	2220628	1	Fitting, Elbow	
24	4641076	1	Valve, Restrictor (.021)	
25	2220235	2	Fitting, Plug	
26	2221029	1	Fitting, Orifice (.031)	
27	2220605	1	Fitting, Tee	
28	2220375	2	Fitting, Straight	
29	2220451	2	Fitting, Straight	
30	2220600	2	Fitting, Straight	
31	2220516	1	Fitting, Cap	
32	2220377	2	Fitting, Straight	
33	2220366	1	Fitting, Elbow	
34	2220810	1	Fitting, Straight	
35	2220237	2	Fitting, Plug	
36	2220242	1	Fitting, Plug	
37	2220811	2	Fitting, Straight	
38	2752575	1	Hose	
39	2752514	1	Hose	
40	2753036	2	Hose	
41	2751011	1	Hose	
42	2752977	1	Hose	
43	2752518	1	Hose	
44	2752265	2	Hose	
45	2752266	2	Hose	
46	2752345	1	Hose	
47	2752363	1	Hose	
48	2751017	1	Hose	
49	2752498	1	Hose	

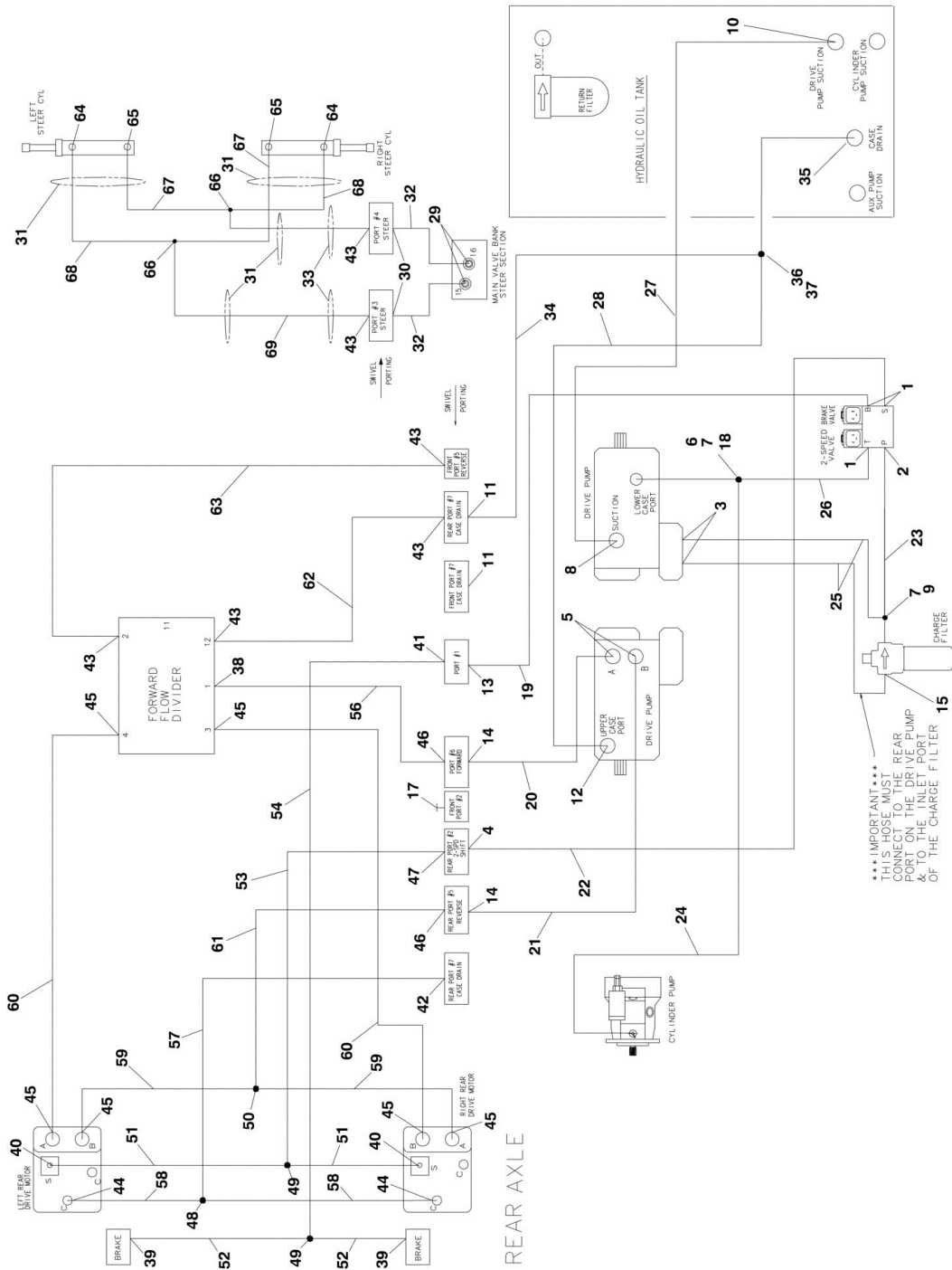
SECTION 6 - HYDRAULIC

ITEM	PART NUMBER	QTY	DESCRIPTION	REV
50	2751500	1	Hose	
51	2752365	1	Hose	
52	2752366	1	Hose	
53	2751399	1	Hose	
54	2753417	1	Hose	
55	2751397	2	Hose	
56	2752942	1	Hose	
58	2752494	3	Hose	
59	2752453	1	Hose	
60	2752514	1	Hose	
61	2752573	1	Hose	
62	2752754	1	Hose	
63	2752673	1	Hose	
64	2220501	4	Fitting, Elbow	
65	2220490	2	Fitting, Tee	
66	2220473	2	Fitting, Elbow	
67	2220371	2	Fitting, Straight	
68	2753117	2	Hose	
71	2753087	2	Hose	
73	2752648	2	Hose	
74	4100058	4	Sleeve, Nylon (12in/30.5cm Pieces)	
75	2752489	2	Hose	
76	2220711	1	Fitting, Tee	
77	2752581	1	Hose	
78	2220577	1	Fitting, Straight	
79	4100059	2	Sleeve, Nylon (8in/20cm Pieces)	

SECTION 6 - HYDRAULIC

FIGURE 6-3. DRIVE HYDRAULIC DIAGRAM - 2WD (SN 0300083332 through 0300140000)

(SN 0300083332 THROUGH 0300121642 W/REXROTH LOAD SENSING PUMP)



SECTION 6 - HYDRAULIC

FIGURE 6-3. DRIVE HYDRAULIC DIAGRAM - 2WD (SN 0300083332 through 0300140000)

ITEM	PART NUMBER	QTY	DESCRIPTION	REV
		Ref	DRIVE HYDRAULIC DIAGRAM - 2WD	
	2792693	Ref	Drive Hydraulic Diagram - 2wd (SN 0300083332 through 0300087265)	4-D
	2792712	Ref	Drive Hydraulic Diagram - 2wd (SN 0300087266 through 0300140000)	8-G
1	2220466	3	Fitting, Elbow	
2	2220940	1	Fitting, Elbow	
3		Ref	Fitting, Straight Options:	
3	2220374	2	Fitting, Straight (SN 0300083332 through 0300103804)	
3	See Note	2	Fitting, Straight (Note: See TURNTABLE SECTION for fitting) (SN 0300103805 through 0300140000)	
4	2220582	AR	Fitting, Straight	
5		Ref	Fitting, Elbow Options:	
5	2220646	2	Fitting, Elbow (SN 0300083332 through 0300103804)	
5	See Note	2	Fitting, Elbow (Note: See TURNTABLE SECTION for fitting) (SN 0300103805 through 0300140000)	
6	2220999	1	Fitting, Tee (SN 0300083332 through 0300121643)	
7	2220618	Ref	Fitting, Straight Options:	
7	2220618	1	Fitting, Straight (SN 0300083332 through 0300085468)	
7	2220618	2	Fitting, Straight (SN 0300085469 through 0300121642)	
7	2220618	1	Fitting, Straight (SN 0300121643 through 0300140000)	
8		Ref	Fitting, Straight Options:	
8	2220479	1	Fitting, Straight (SN 0300083332 through 0300103804)	
8	See Note	1	Fitting, Straight (Note: See TURNTABLE SECTION for fitting) (SN 0300103805 through 0300140000)	
9	2220602	Ref	Fitting, Tee Options:	
9	2220602	2	Fitting, Tee (SN 0300083332 through 0300085468)	
9	2220602	1	Fitting, Tee (SN 0300085469 through 0300140000)	
10	2220380	1	Fitting, Straight	
11	2220375	Ref	Fitting, Straight Options:	
11	2220375	1	Fitting, Straight (SN 0300083332 through 0300085468)	
11	2220375	1	Fitting, Straight (SN 0300085469 through 0300140000)	
12		Ref	Fitting, Straight Options:	
12	2220451	1	Fitting, Straight (SN 0300083332 through 0300103804)	
12	See Note	1	Fitting, Straight (Note: See TURNTABLE SECTION for fitting) (SN 0300103805 through 0300140000)	
13	2220468	1	Fitting, Straight	
14	2220377	2	Fitting, Straight	
15		Ref	Fitting, Elbow Options:	
15	2220366	1	Fitting, Elbow (SN 0300083332 through 0300085468)	
15	2220596	1	Fitting, Elbow (SN 0300085469 through 0300140000)	
16	2220810	1	Fitting, Straight (SN 0300083332 through 0300085469)	
17	2220237	2	Fitting, Plug	
18	2220811	Ref	Fitting, Straight Options:	
18	2220811	2	Fitting, Straight (SN 0300083332 through 0300085468)	
18	2220811	1	Fitting, Straight (SN 0300085469 through 0300103805)	
19	2752997	1	Hose	
20		Ref	Hose Options:	
20	2752365	1	Hose (SN 0300083332 through 0300137325)	
20	1001110032	1	Hose (SN 0300137326 through 0300140000)	
21		Ref	Hose Options:	

SECTION 6 - HYDRAULIC

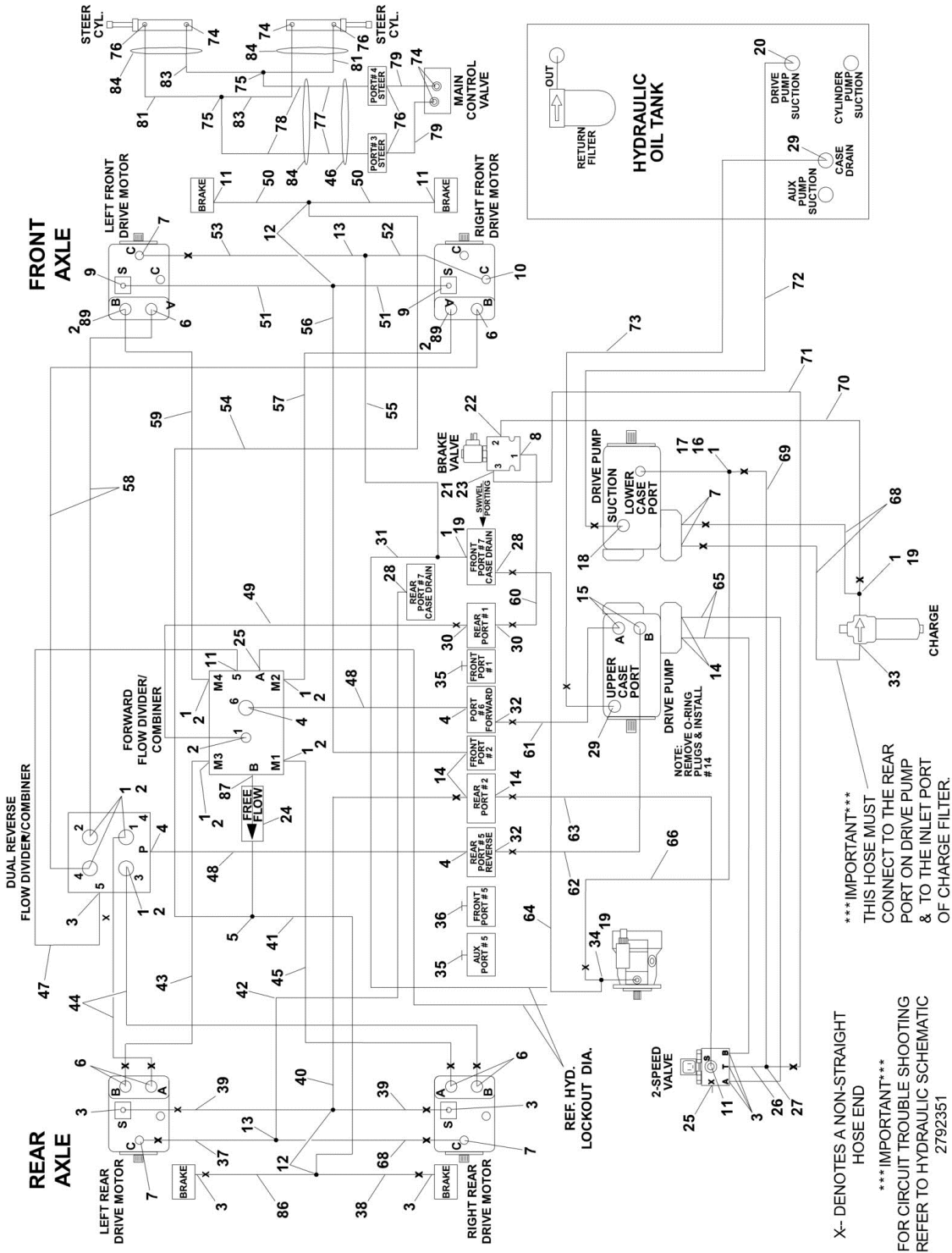
ITEM	PART NUMBER	QTY	DESCRIPTION	REV
21	2752366	1	Hose (SN 0300083332 through 0300137325)	
21	1001110033	1	Hose (SN 0300137326 through 0300140000)	
22	2751399	1	Hose	
23		Ref	Hose Options:	
23	2753417	1	Hose (SN 0300083332 through 0300085469)	
23	2752434	1	Hose (SN 0300088934 through 0300140000)	
24	2752942	1	Hose (SN 0300069000 through 0300121643)	
25	2752494	2	Hose	
26	2752453	1	Hose	
27	2752754	1	Hose	
28	2752673	1	Hose	
29	2220501	2	Fitting, Elbow	
30	2220473	2	Fitting, Elbow	
31	4100058	4	Sleeve, Nylon (12 in) (SN 0300083332 through 0300099884)	
32	2752489	2	Hose	
33	4100059	2	Sleeve, Nylon (8 in) (SN 0300083332 through 0300099884)	
34	2751500	1	Hose	
35	2220738	1	Fitting, Straight	
36	2220386	1	Fitting, Elbow	
37	2220622	1	Fitting, Reducer	
38		Ref	Fitting Options:	
38	2111616	1	Fitting (Straight) (SN 0300083332 through 0300085468)	
38	2151616	1	Fitting (Elbow) (SN 0300085469 through 0300140000)	
39	2110404	2	Fitting, Straight	
40	2110406	2	Fitting, Straight	
41	2110408	1	Fitting, Straight	
42	2130808	1	Fitting, Elbow	
43	2110606	6	Fitting, Straight	
44	2110808	2	Fitting, Straight	
45	2111212	6	Fitting, Straight	
46	2111616	2	Fitting, Straight	
47	2150406	1	Fitting, Elbow	
48	2170508	1	Fitting, Tee	
49	2170504	2	Fitting, Tee	
50	2170516	1	Fitting, Tee	
51	2754401	2	Hose	
52	2753725	2	Hose	
53	2753550	1	Hose	
54	2753622	1	Hose	
56	2753635	1	Hose	
57	2753685	1	Hose	
58	2754240	2	Hose	
59	2754238	2	Hose	
60	2753688	2	Hose	
61	2754402	1	Hose	
62	2754242	1	Hose	
63	2754243	1	Hose	
64	2130606	5	Fitting, Elbow	
65	2150606	2	Fitting, Elbow	
66	2170506	2	Fitting, Tee	
67	2753625	2	Hose	

SECTION 6 - HYDRAULIC

ITEM	PART NUMBER	QTY	DESCRIPTION	REV
68	2753626	2	Hose	
69	2753627	2	Hose	
70	2220221	1	Fitting, Reducer (SN 0300121643 through 0300138514)	
71	2220385	1	Fitting, Tee (SN 0300121643 through 0300140000)	
72	2752934	1	Hose (SN 0300121643 through 0300140000)	

SECTION 6 - HYDRAULIC

FIGURE 6-4. DRIVE HYDRAULIC DIAGRAM - 4WD/2WS (SN 0300069000 through 0300083331)



X- DENOTES A NON-STRAIGHT HOSE END

IMPORTANT FOR CIRCUIT TROUBLE SHOOTING REFER TO HYDRAULIC SCHEMATIC 2792351

IMPORTANT THIS HOSE MUST CONNECT TO THE REAR PORT ON DRIVE PUMP & TO THE INLET PORT OF CHARGE FILTER.

SECTION 6 - HYDRAULIC

FIGURE 6-4. DRIVE HYDRAULIC DIAGRAM - 4WD/2WS (SN 0300069000 through 0300083331)

ITEM	PART NUMBER	QTY	DESCRIPTION	REV
	2792363	Ref	DRIVE HYDRAULIC DIAGRAM - 4WD	12-J
1	2220811	11	Fitting, Reducer	
2	2220500	11	Fitting, Elbow	
3	2220415	8	Fitting, Straight	
4	2220365	4	Fitting, Elbow	
5	2220711	1	Fitting, Tee	
6	2220800	6	Fitting, Straight	
7	2220374	5	Fitting, Straight	
8	2220373	1	Fitting, Straight	
9	2220502	2	Fitting, Elbow	
10	2220499	1	Fitting, Elbow	
11	2220466	4	Fitting, Elbow	
12	2220504	4	Fitting, Tee	
13	2220362	2	Fitting, Tee	
14	2220582	5	Fitting, Straight	
15	2220646	2	Fitting, Elbow	
16	2220999	1	Fitting, Tee	
17	2220618	1	Fitting, Reducer	
18	2220479	1	Fitting, Straight	
19	2220602	3	Fitting, Tee	
20	2220380	1	Fitting, Straight	
21	2220609	1	Fitting, Reducer	
22	2220596	1	Fitting, Elbow	
23	2220628	1	Fitting, Elbow	
24	4640778	1	Valve, Restrictor (.030)	
25	2220235	2	Fitting, Plug	
26	2221029	1	Fitting, Orifice (.031)	
27	2220605	1	Fitting, Tee	
28	2220375	2	Fitting, Straight	
29	2220451	2	Fitting, Straight	
30	2220600	2	Fitting, Straight	
31	2220517	1	Fitting, Cap	
32	2220377	2	Fitting, Straight	
33	2220366	1	Fitting, Elbow	
34	2220810	1	Fitting, Reducer	
35	2220237	2	Fitting, Plug	
36	2220242	1	Fitting, Plug	
37	2752514	1	Hose	
38	2752575	1	Hose	
39	2753036	2	Hose	
40	2751011	1	Hose	
41	2752977	1	Hose	
42	2752518	1	Hose	
43	2753155	1	Hose	
44	2753161	2	Hose	
45	2753162	1	Hose	
46	4100059	2	Sleeve, Nylon (8in/20cm Pieces)	
47	2751017	1	Hose	
48	2752363	2	Hose	
49	2752498	1	Hose	

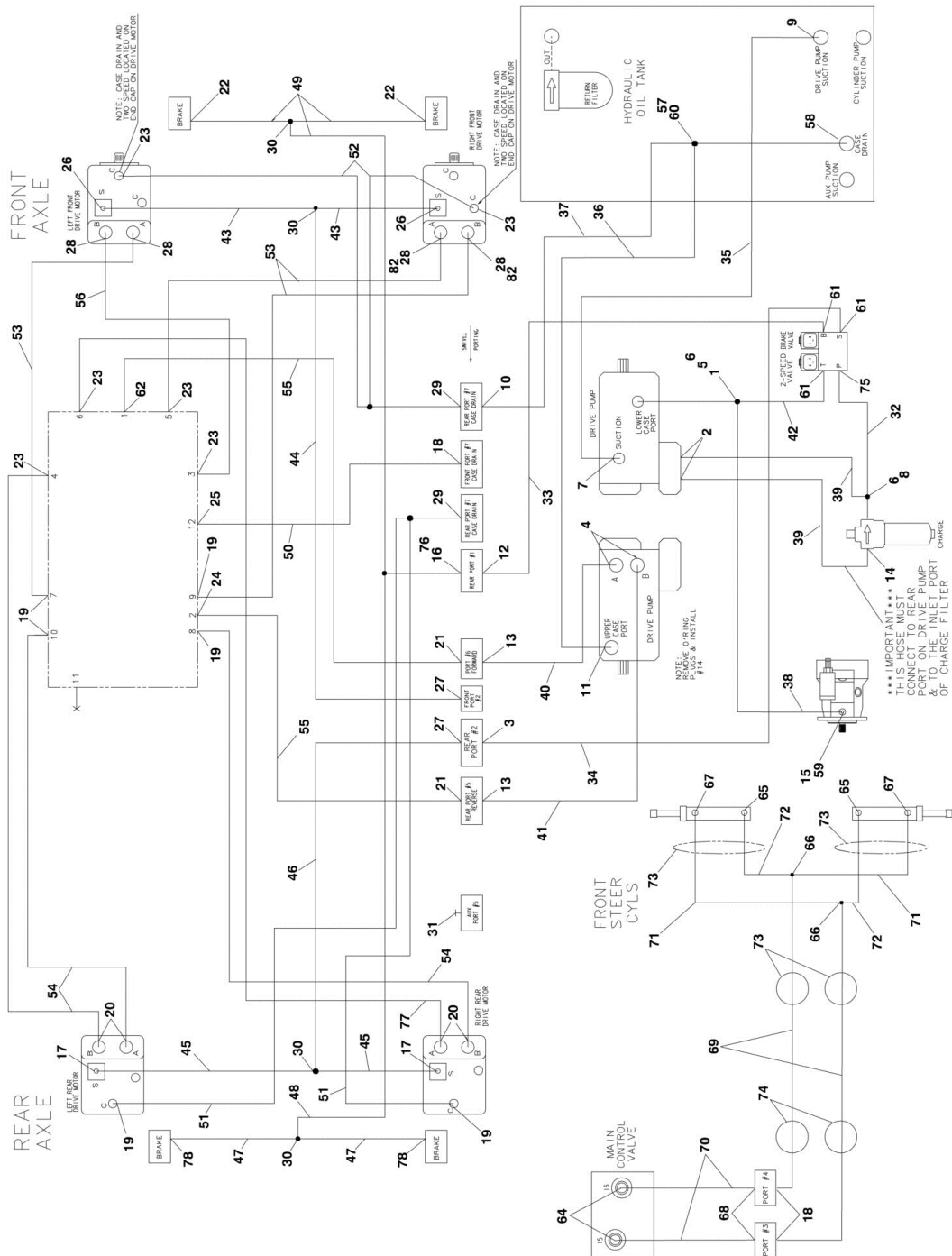
SECTION 6 - HYDRAULIC

ITEM	PART NUMBER	QTY	DESCRIPTION	REV
50	2752592	2	Hose	
51	2753035	2	Hose	
52	2752516	1	Hose	
53	2752514	1	Hose	
54	2752591	1	Hose	
55	2752949	1	Hose	
56	2751906	1	Hose	
57	2753157	1	Hose	
58	2753158	2	Hose	
59	2753159	1	Hose	
60	2751500	1	Hose	
61	2752365	1	Hose	
62	2752366	1	Hose	
63	2751399	1	Hose	
64	2753417	1	Hose	
65	2751397	2	Hose	
66	2752942	1	Hose	
68	2752494	3	Hose	
69	2752453	1	Hose	
70	2752514	1	Hose	
71	2752573	1	Hose	
72	2752754	1	Hose	
73	2752673	1	Hose	
74	2220501	4	Fitting, Elbow	
75	2220490	2	Fitting, Tee	
76	2220473	4	Fitting, Elbow	
77	2220371	2	Fitting, Straight	
78	2753117	2	Hose	
79	2752489	2	Hose	
81	2753087	2	Hose	
83	2752648	2	Hose	
84	4100058	4	Sleeve, Nylon (12in/30.5cm Pieces)	
86	2752581	1	Hose	
87	2221030	1	Fitting, Nipple	
89	2220833	2	Fitting, Reducer	
90	4100051	1	Sleeve, Nylon (SN 0300069000 through 0300071678)	

SECTION 6 - HYDRAULIC

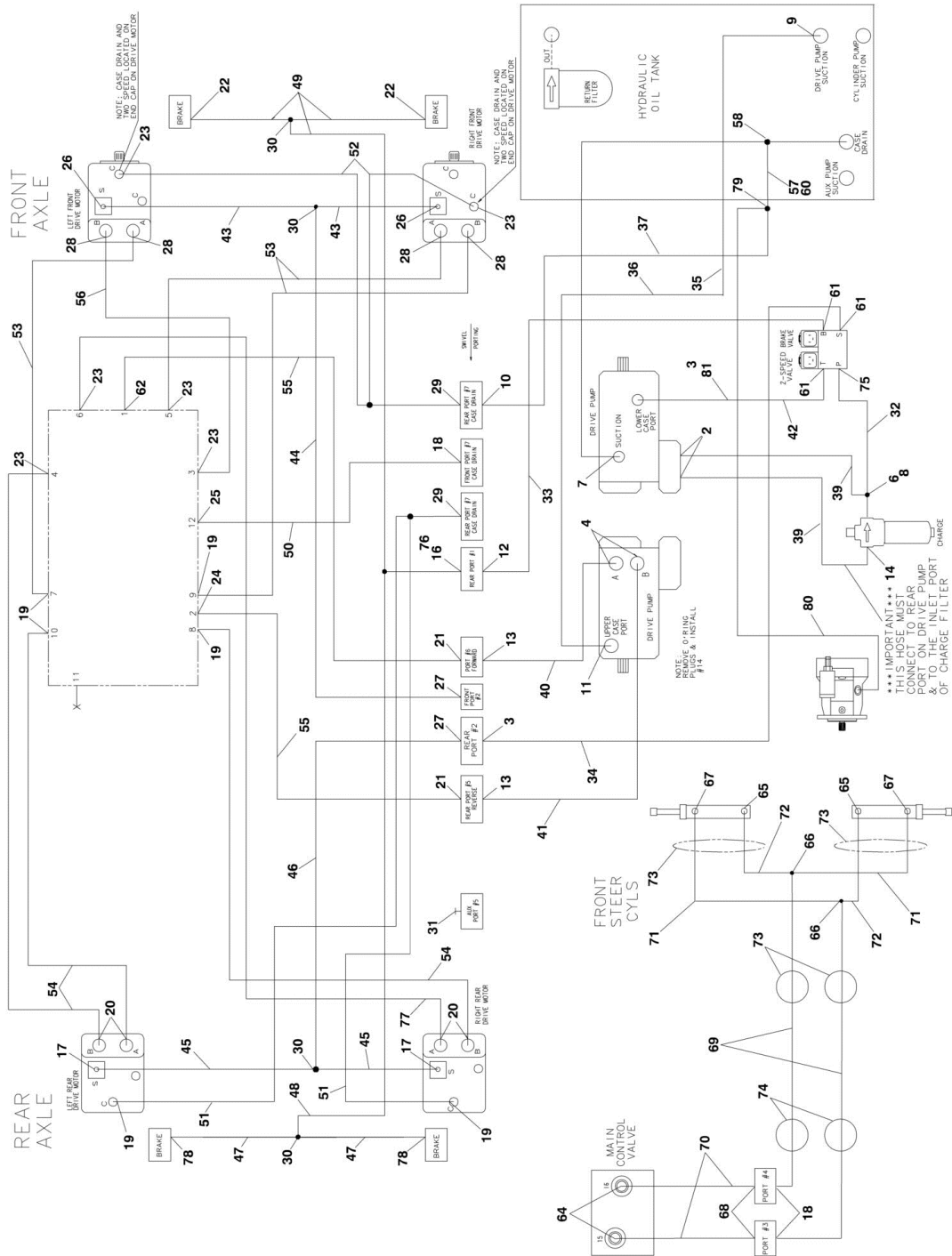
FIGURE 6-5. DRIVE HYDRAULIC DIAGRAM - 4WD/2WS (SN 0300083332 through 0300140000)

(SN 0300083332 THROUGH 0300121642 W/REXROTH LOAD SENSING PUMP)



SECTION 6 - HYDRAULIC

(SN 0300121643 THROUGH 0300140000 W/SAUER DANFOSS LOAD SENSING PUMP)



SECTION 6 - HYDRAULIC

FIGURE 6-5. DRIVE HYDRAULIC DIAGRAM - 4WD/2WS (SN 0300083332 through 0300140000)

ITEM	PART NUMBER	QTY	DESCRIPTION	REV
		Ref	DRIVE HYDRAULIC DIAGRAM - 4WD	
	2792637	Ref	Drive Hydraulic Diagram - 4wd (SN 0300083332 through 0300087265)	4-D
	2792711	Ref	Drive Hydraulic Diagram - 4wd (SN 0300087266 through 0300140000)	8-F
1	2220811	1	Fitting, Straight (SN 0300083332 through 0300103805)	
2		Ref	Fitting, Straight Options:	
2	2220374	2	Fitting, Straight (SN 0300083332 through 0300103804)	
2	See Note	2	Fitting, Straight (Note: See TURNTABLE SECTION for fitting) (SN 0300103805 through 0300140000)	
3	2220582	Ref	Fitting, Straight Options:	
3	2220582	1	Fitting, Straight (SN 0300083332 through 0300121642)	
3	2220582	2	Fitting, Straight (SN 0300121643 through 0300138513)	
3	2220582	1	Fitting, Straight (SN 0300138514 through 0300140000)	
4		Ref	Fitting, Elbow Options:	
4	2220646	2	Fitting, Elbow (SN 0300083332 through 0300103804)	
4	See Note	2	Fitting, Elbow (Note: See TURNTABLE SECTION for fitting) (SN 0300103805 through 0300140000)	
5	2220999	1	Fitting, Tee (SN 0300083332 through 0300121643)	
6	2220618	Ref	Fitting, Straight Options:	
6	2220618	2	Fitting, Straight (SN 0300083332 through 0300121642)	
6	2220618	1	Fitting, Straight (SN 0300121643 through 0300140000)	
7		Ref	Fitting, Straight Options:	
7	2220479	1	Fitting, Straight (SN 0300083332 through 0300103804)	
7	See Note	1	Fitting, Straight (Note: See TURNTABLE SECTION for fitting) (SN 0300103805 through 0300140000)	
8	2220602	1	Fitting, Tee	
9	2220380	1	Fitting, Straight	
10	2220375	1	Fitting, Straight	
11		Ref	Fitting, Straight Options:	
11	2220451	1	Fitting, Straight (SN 0300083332 through 0300103804)	
11	See Note	1	Fitting, Straight (Note: See TURNTABLE SECTION for fitting) (SN 0300103805 through 0300140000)	
12	2220468	1	Fitting, Straight	
13	2220377	2	Fitting, Straight	
14		Ref	Fitting, Elbow Options:	
14	2220366	1	Fitting, Elbow (SN 0300083332 through 0300085468)	
14	2220596	1	Fitting, Elbow (SN 0300085469 through 0300140000)	
15		Ref	Fitting, Straight Options:	
15	2220810	1	Fitting, Straight (SN 0300083332 through 0300103804)	
15	See Note	1	Fitting, Straight (Note: See TURNTABLE SECTION for fitting) (SN 0300103805 through 0300140000)	
16	2170350	1	Fitting, Tee	
17	2110406	2	Fitting, Straight	
18	2110606	3	Fitting, Straight	
19	2110808	6	Fitting, Straight	
20	2110812	4	Fitting, Straight	
21	2111616	2	Fitting, Straight	
22	2130404	4	Fitting, Elbow	
23	2130808	6	Fitting, Elbow	
24	2131616	1	Fitting, Elbow	

SECTION 6 - HYDRAULIC

ITEM	PART NUMBER	QTY	DESCRIPTION	REV
25	2130604	1	Fitting, Elbow	
26	2130406	2	Fitting, Elbow	
27	2150406	2	Fitting, Elbow	
28		Ref	Fitting, Elbow Options:	
28	2150812	4	Fitting, Elbow (SN 0300083332 through 0300138513)	
28	2150808	4	Fitting, Elbow (SN 0300138514 through 0300140000)	
29	2170408	2	Fitting, Tee	
30	2170504	4	Fitting, Tee	
31	2220237	1	Fitting, Plug	
32	2752434	1	Hose	
33	2752997	1	Hose	
34	2751399	1	Hose	
35	2752754	1	Hose	
36	2752673	1	Hose	
37	2751500	1	Hose	
38	2752942	1	Hose (SN 0300083332 through 0300121643)	
39	2752494	2	Hose	
40		Ref	Hose Options:	
40	2752365	1	Hose (SN 0300083332 through 0300137325)	
40	1001110032	1	Hose (SN 0300137326 through 0300140000)	
41		Ref	Hose Options:	
41	2752366	1	Hose (SN 0300083332 through 0300137325)	
41	1001110033	1	Hose (SN 0300137326 through 0300140000)	
42	2752453	1	Hose	
43	2753549	2	Hose	
44	2753540	1	Hose	
45		Ref	Hose Options:	
45	2753537	2	Hose (SN 0300083332 through 0300099883)	
45	2754401	2	Hose (SN 0300099884 through 0300140000)	
46	2753550	1	Hose	
47	2754337	2	Hose	
48	2754044	1	Hose	
49	2753622	3	Hose	
50	2753626	1	Hose	
51	2753686	2	Hose	
52	2753628	2	Hose	
53	2753970	3	Hose	
54	2753971	3	Hose	
55	2753634	2	Hose	
56		Ref	Hose Options:	
56	2753633	1	Hose (SN 0300083332 through 0300121642)	
56	2754040	1	Hose (SN 0300121643 through 0300140000)	
57	2220386	1	Fitting, Elbow	
58	2220738	1	Fitting, Straight	
59	2220373	1	Fitting, Straight	
60	2220622	1	Fitting, Reducer	
61	2220466	3	Fitting, Elbow	
62	2151616	1	Fitting, Elbow	
64	2220501	2	Fitting, Elbow	
65	2150606	2	Fitting, Elbow	
66	2170506	2	Fitting, Tee	

SECTION 6 - HYDRAULIC

ITEM	PART NUMBER	QTY	DESCRIPTION	REV
67	2130606	4	Fitting, Elbow	
68	2220473	2	Fitting, Elbow	
69	2753627	2	Hose	
70	2752489	2	Hose	
71	2753626	2	Hose	
72	2753625	2	Hose	
73	4100058	4	Sleeve, Nylon (12 in) (SN 0300083332 through 0300099884)	
74	4100059	2	Sleeve, Nylon (8 in) (SN 0300083332 through 0300099884)	
75	2220940	1	Fitting, Elbow	
76	2220591	1	Fitting, Reducer	
77	2754338	1	Hose	
78	2110404	1	Fitting, Straight	
79	2220385	1	Fitting, Tee (SN 0300121643 through 0300140000)	
80	2752934	1	Hose (SN 0300121643 through 0300140000)	
81	2220221	1	Fitting, Reducer (SN 0300121643 through 0300138513)	
82	2220811	1	Fitting, Reducer (SN 0300138514 through 0300140000)	

SECTION 6 - HYDRAULIC

FIGURE 6-6. STANDARD HYDRAULIC DIAGRAM (WITH FENNER AND HALDEX BRAND AUXILIARY PUMP)

ITEM	PART NUMBER	QTY	DESCRIPTION	REV
		Ref	STANDARD HYDRAULIC DIAGRAM	
	2792365	Ref	Standard Hydraulic Diagram 800A	13-K
	2792366	Ref	Standard Hydraulic Diagram 800AJ	16-O
1	2220381	2	Fitting, Straight	
2	2220415	AR	Fitting, Straight	
3	2753199	1	Hose	
4	2220373	6	Fitting, Straight	
5	2220500	3	Fitting, Elbow	
6	2220947	1	Fitting, Straight	
7	2220376	1	Fitting, Straight	
8	2220593	2	Fitting, Straight	
9	2220371	AR	Fitting, Straight	
10	2220873	4	Fitting, Straight	
11	2220428	AR	Fitting, Quick Disconnect	
12	2220429	AR	Fitting, Dust Cap	
13	2220502	1	Fitting, Elbow	
14	2220737	1	Split Flange Kit #24	
15	2220478	1	Split Flange Kit #16	
16	2220451	1	Fitting, Straight	
17	2752453	1	Hose	
18	2753200	1	Hose	
19	2220466	AR	Fitting, Elbow	
20	2220582	AR	Fitting, Straight	
21	2220473	AR	Fitting, Elbow	
22	2220602	1	Fitting, Tee	
23	2220999	2	Fitting, Tee	
24	2220619	1	Fitting, Reducer	
25	2220605	2	Fitting, Tee	
27	2220765	1	Fitting, Straight	
28	2220379	1	Fitting, Straight	
29	2220574	1	Fitting, Straight	
30	2220596	AR	Fitting, Elbow	
31	2220385	1	Fitting, Tee	
32	2220618	1	Fitting, Reducer	
34	2220852	2	Fitting, Straight	
35	2753197	1	Hose	
36	2753196	1	Hose	
37	2220490	2	Fitting, Tee	
38	4567139	1	Tube	
39	0100020	AR	Sealant, Pipe	
40	2753216	1	Hose	
41	2753195	1	Hose	
42	2753231	1	Hose	
43	2753010	2	Hose	
44	2752468	1	Hose	
45	2752721	1	Hose	
46	2752438	1	Hose	
47	2753192	1	Hose	
48	2752494	1	Hose	

SECTION 6 - HYDRAULIC

ITEM	PART NUMBER	QTY	DESCRIPTION	REV
49	2753008	1	Hose	
50		Ref	Hose Options:	
50	2752674	1	Hose (SN 0300069000 through 0300109066)	
50	2752671	1	Hose (SN 0300109067 through 0300140000)	
51	4640780	1	Fitting, Check Valve	
52	2753118	1	Hose	
53	2220775	1	Fitting, Elbow	
54	2220635	1	Fitting, Tee	
55	2220609	2	Fitting, Reducer	
56	2752463	1	Hose	
57	2220577	1	Fitting, Straight	
58		Ref	Hose Options:	
58	2753122	1	Hose (SN 0300069000 through 0300109066)	
58	2753118	1	Hose (SN 0300109067 through 0300140000)	
59	2752768	1	Hose	
60	2752930	1	Hose	
62	2752462	2	Hose	
65	2753189	2	Hose	
66	2752767	1	Hose	
67	2752766	1	Hose	
68	2753190	1	Hose	
69	2753191	1	Hose	
70	2752978	1	Hose	
71	2752585	2	Hose	
72		Ref	Hose Options:	
72	2753009	3	Hose 800A	
72	2753006	3	Hose 800AJ	
73	2753007	3	Hose	
74	2753124	1	Hose	
75	2753125	1	Hose	
76		Ref	Hose Options:	
76	2753129	2	Hose 800A	
76	2753126	2	Hose 800AJ	
77	2220501	AR	Fitting, Elbow	
78	4567757	1	Tube	
79		Ref	Fitting, Reducer Options:	
79	Not Required	0	Fitting, Reducer 800A	
79	2220591	2	Fitting, Reducer 800AJ	
80		Ref	Hose Options:	
80	Not Required	0	Hose 800A	
80	2753123	2	Hose 800AJ	
81		Ref	Hose Options:	
81	Not Required	0	Hose 800A	
81	2753128	2	Hose 800AJ	
82	4100062	4	Protection, Nylon Hose (24in/61cm per piece)	
83	2220873	1	Fitting (800AJ Only)	
84	2220947	1	Fitting, Straight	
85	2221036	1	Fitting, Elbow	
86	2220950	1	Fitting, Elbow	
87		Ref	Fitting, Straight Options:	
87	2220371	2	Fitting, Straight (SN 0300069000 through 0300109066)	

SECTION 6 - HYDRAULIC

ITEM	PART NUMBER	QTY	DESCRIPTION	REV
87	2220603	2	Fitting, Straight (SN 0300109067 through 0300140000)	
88		Ref	Fitting Options:	
88	2220371	1	Fitting, Straight (SN 0300069000 through 0300109066)	
88	2220501	1	Fitting, Elbow (SN 0300109067 through 0300140000)	
89	2220655	1	Fitting, Elbow (SN 0300109067 through 0300140000)	
92	2180724	1	Fitting, Modified	
93	2180380	1	Fitting, Orifice	
94	0100019	AR	Compound, Locking	
		Ref	Hose Kit Options:	
		Ref	Hose Kit 800A	
	2902456	1	Hose Kit (Includes Items 72 & 76) (SN 0300088387 through 0300140000)	
	2902457	1	Hose Kit (Includes Items 3, 35, 36, 41, 44, 49, 60, 65, 67, 69, 70, 71 & 73) (SN 0300088387 through 0300140000)	
		Ref	Hose Kit 800AJ	
	2902459	1	Hose Kit (Includes Items 72, 76 & 81) (SN 0300088387 through 0300140000)	
	2902457	1	Hose Kit (Includes Items 3, 35, 36, 41, 44, 49, 60, 65, 67, 69, 70, 71 & 73) (SN 0300088387 through 0300140000)	

SECTION 6 - HYDRAULIC

FIGURE 6-7. STANDARD HYDRAULIC DIAGRAM (WITH BUCHER BRAND AUXILIARY PUMP)

ITEM	PART NUMBER	QTY	DESCRIPTION	REV
		Ref	STANDARD HYDRAULIC DIAGRAM	
	1001143187	Ref	Standard Hydraulic Diagram 800A	A
	1001143188	Ref	Standard Hydraulic Diagram 800AJ	A
1	2220381	2	Fitting, Straight	
2	2220415	8	Fitting, Straight	
3	2753199	1	Hose	
4	2220373	6	Fitting, Straight	
5	2220500	3	Fitting, Elbow	
6	2220947	1	Fitting, Straight	
7	2220376	1	Fitting, Straight	
8	2220593	2	Fitting, Straight	
9	2220371	4	Fitting, Straight	
10	2220873	5	Fitting, Straight	
11	2220428	AR	Fitting, Quick Disconnect	
12	2220429	AR	Fitting, Dust Cap	
13	2220502	1	Fitting, Elbow	
14	2220737	1	Split Flange Kit #24	
15	2220478	1	Split Flange Kit #16	
16	2220451	1	Fitting, Straight	
18	2753200	1	Hose	
19	2220466	4	Fitting, Elbow	
20	2220582	1	Fitting, Straight	
21	2220473	AR	Fitting, Elbow	
22	2220602	1	Fitting, Tee	
23	2220999	2	Fitting, Tee	
24	2220619	1	Fitting, Reducer	
25	2220605	2	Fitting, Tee	
27	2220765	1	Fitting, Straight	
28	2220379	1	Fitting, Straight	
29	2220574	1	Fitting, Straight	
30	2220596	4	Fitting, Elbow	
31	2220385	1	Fitting, Tee	
32	2220618	1	Fitting, Reducer	
34	2220852	2	Fitting, Straight	
35	2753197	1	Hose	
36	2753196	1	Hose	
37	2220490	2	Fitting, Tee	
38	4567139	1	Tube	
39	0100020	AR	Sealant, Pipe	
40	2753216	1	Hose	
41	2753195	1	Hose	
42	2753231	1	Hose	
43	2753010	2	Hose	
44	2752468	1	Hose	
45	2752721	1	Hose	
46	2752438	1	Hose	
47	2753192	1	Hose	
48	2752494	1	Hose	
49	2753008	1	Hose	
50	2752671	1	Hose	

SECTION 6 - HYDRAULIC

ITEM	PART NUMBER	QTY	DESCRIPTION	REV
51	4640780	1	Fitting, Check Valve	
52	2753118	1	Hose	
55	2220609	2	Fitting, Reducer	
56	2752463	1	Hose	
57	2220577	1	Fitting, Straight	
59	2752768	1	Hose	
60	2752930	1	Hose	
62	2752462	2	Hose	
65	2753189	2	Hose	
66	2752767	1	Hose	
67	2752766	1	Hose	
68	2753190	1	Hose	
69	2753191	1	Hose	
70	2752978	1	Hose	
71	2752585	2	Hose	
72		Ref	Hose Options:	
72	2753009	3	Hose 800A	
72	2753006	3	Hose 800AJ	
73	2753007	3	Hose	
74	2753124	1	Hose	
75	2753125	1	Hose	
76		Ref	Hose Options:	
76	2753129	2	Hose 800A	
76	2753126	2	Hose 800AJ	
77	2220501	1	Fitting, Elbow	
78	4567757	1	Tube	
79		Ref	Fitting, Reducer Options:	
79	Not Required	0	Fitting, Reducer 800A	
79	2220591	2	Fitting, Reducer 800AJ	
80		Ref	Hose Options:	
80	Not Required	0	Hose 800A	
80	2753123	2	Hose 800AJ	
81		Ref	Hose Options:	
81	Not Required	0	Hose 800A	
81	2753128	2	Hose 800AJ	
82	4100062	4	Protection, Nylon Hose (24in/61cm per piece)	
83	2220873	1	Fitting (800AJ Only)	
84	2220947	1	Fitting, Straight	
85	2221036	1	Fitting, Elbow	
86	2220950	1	Fitting, Elbow	
89	2220655	1	Fitting, Elbow	
90	2220501	1	Fitting	
91	2220603	3	Fitting, Straight	
92		Ref	Fitting, Modified Options:	
92	Not Required	0	Fitting, Modified 800A	
92	2180724	1	Fitting, Modified 800AJ	
93		Ref	Fitting, Orifice Options:	
93	Not Required	0	Fitting, Orifice 800A	
93	2180380	1	Fitting, Orifice 800AJ	
94	0100019	AR	Compound, Locking	
95	1001109690	1	Hose	

SECTION 6 - HYDRAULIC

ITEM	PART NUMBER	QTY	DESCRIPTION	REV
96	2220606	1	Fitting, Tee	
97	2220923	1	Fitting, Straight	
98	1001143192	1	Hose	
		Ref	Hose Kit Options:	
		Ref	Hose Kit 800A	
	2902456	1	Hose Kit (Includes Items 72 & 76)	
	2902457	1	Hose Kit (Includes Items 3, 35, 36, 41, 44, 49, 60, 65, 67, 69, 70, 71 & 73)	
		Ref	Hose Kit 800AJ	
	2902459	1	Hose Kit (Includes Items 72, 76 & 81)	
	2902457	1	Hose Kit (Includes Items 3, 35, 36, 41, 44, 49, 60, 65, 67, 69, 70, 71 & 73)	

SECTION 6 - HYDRAULIC

FIGURE 6-8. HYDRAULIC DIAGRAM LIST

ITEM	PART NUMBER	QTY	DESCRIPTION	REV
		Ref	Note: Diagrams not shown is available from JLG Service/Parts Departments.	
		Ref	Axle Lockout Hydraulic Diagram (Machines with Oscillating Axle)	
	2792367	Ref	All Machines Built (SN 0300069000 through 0300083331)	
	2792648	Ref	Machine without Tow Package (SN 0300083332 through 0300140000)	
	1283387	Ref	Machine without Tow Package (SN 0300083332 through 0300140000)	
	2792367	Ref	Machine with Tow Package (SN 0300083332 through 0300140000)	
		Ref	Drive Hydraulic Diagrams:	
	2792362	Ref	2WD/2WS Machines (SN 0300069000 through 0300083331)	
	2792693	Ref	2WD/2WS Machines (SN 0300083332 through 0300087265)	
	2792712	Ref	2WD/2WS Machines (SN 0300087266 through 0300140000)	
	2792363	Ref	4WD/2WS Machines (SN 0300069000 through 0300083331)	
	2792637	Ref	4WD/2WS Machines (SN 0300083332 through 0300087265)	
	2792711	Ref	4WD/2WS Machines (SN 0300087266 through 0300140000)	
	2792364	Ref	4WD/4WS Machines (SN 0300069000 through 0300083331)	
	2792699	Ref	4WD/4WS Machines (SN 0300083332 through 0300087265)	
	2792710	Ref	4WD/4WS Machines (SN 0300087266 through 0300140000)	
		Ref	Oil Cooler Hydraulic Schematic	
	1282665	Ref	Oil Cooler Hydraulic Schematic (SN 0300069000 through 0300137667)	
	Not Required	0	Oil Cooler Hydraulic Schematic (SN 0300137668 through 0300140000)	
		Ref	Standard Hydraulic Diagrams:	
	2792365	Ref	Standard Hydraulic Diagrams 800A (Fenner and Haldex Brand Auxiliary Pump)	
	1001143187	Ref	Standard Hydraulic Diagrams 800A (Bucher Brand Auxiliary Pump)	
	2792366	Ref	Standard Hydraulic Diagrams 800AJ (Fenner and Haldex Brand Auxiliary Pump)	
	1001143188	Ref	Standard Hydraulic Diagrams 800AJ (Bucher Brand Auxiliary Pump)	
		Ref	Standard Hydraulic Schematic	
	2792351	Ref	Standard Hydraulic Schematic (SN 0300069000 through 0300083331)	
	2792629	Ref	Standard Hydraulic Schematic (SN 0300083332 through 0300140000)	
		Ref	Tow Bar Hydraulic Diagram	
	2792591	Ref	Tow Bar Hydraulic Diagram (SN 0300069000 through 0300083331)	
	2792700	Ref	Tow Bar Hydraulic Diagram (SN 0300083332 through 0300140000)	
	1283387	Ref	Tow Bar Hydraulic Diagram (SN 0300083332 through 0300140000)	
		Ref	Tilt Sensor Installation Options:	
	1001093187	Ref	Tilt Sensor Installation (SN 0300069000 through 0300112884)	
	1001094557	Ref	Adapter, Pressure Tap	

SECTION 7 - ELECTRICAL

SECTION 7 - ELECTRICAL

FIGURE 7-1. ELECTRICAL DIAGRAM LIST

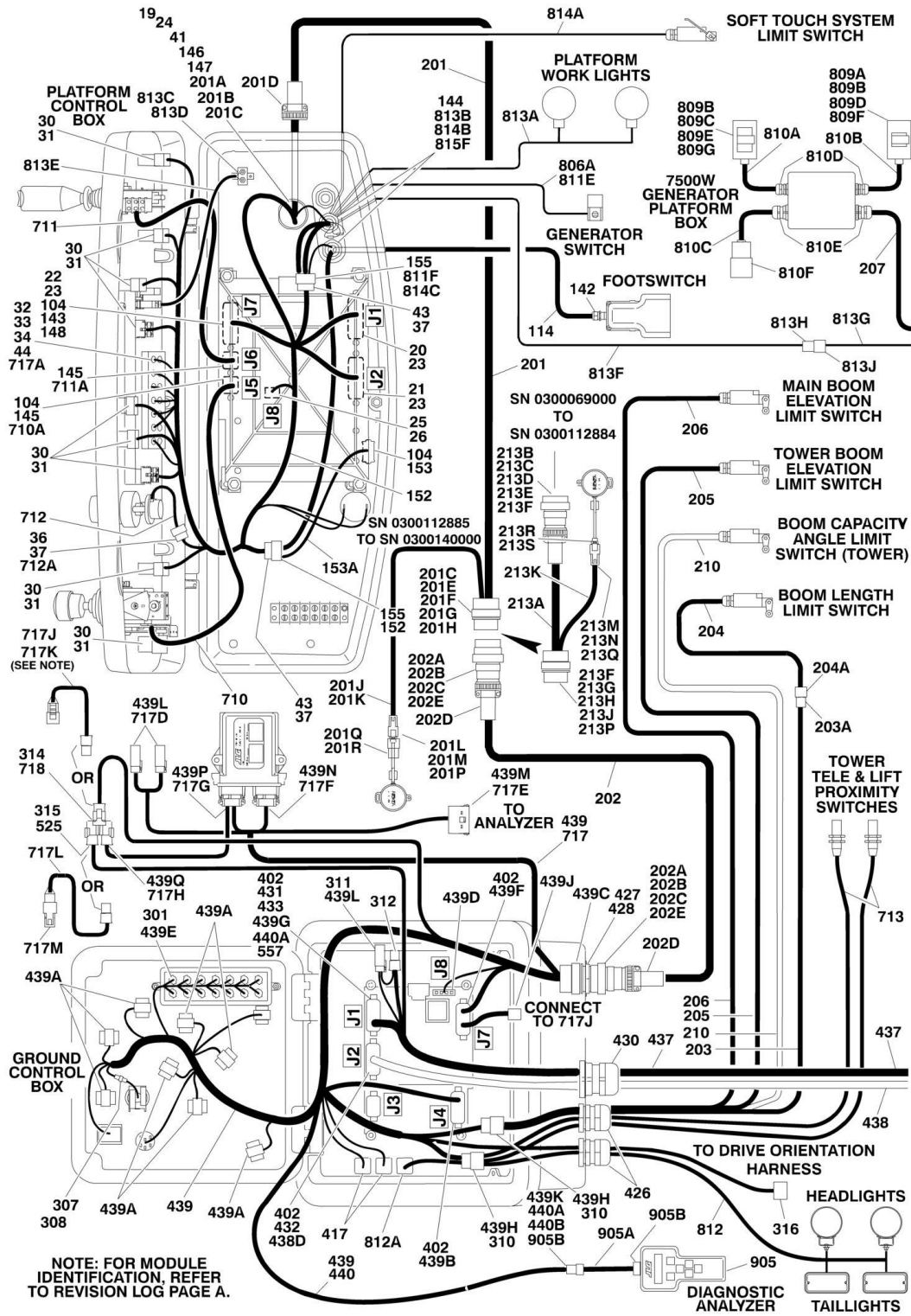
ITEM	PART NUMBER	QTY	DESCRIPTION	REV
		Ref	Note: Diagrams not shown are available from the JLG Service Department. Schematics shown in the Service and Maintenance Manual.	
	4933307	Ref	DRIVE/STEER CUT-OUT ELECTRICAL DIAGRAMS	
	0257157	Ref	ETHER START ELECTRICAL DIAGRAM	
	1282571	Ref	ETHER START ELECTRICAL DIAGRAM	
	4932986	Ref	ENGINE SHUTDOWN ELECTRICAL DIAGRAM (DEUTZ ENGINE MACHINES OPTION)	
		Ref	GENERATOR ELECTRICAL DIAGRAMS	
		Ref	2500W Options:	
	4933215	Ref	110Volt (SN 0300069000 through 0300082503)	
	4933216	Ref	220 Volt (SN 0300069000 through 0300082503)	
	4933300	Ref	Caterpillar Engines - 110/220 Volt (SN 0300082504 through 0300139400)	
	4933300	Ref	Deutz Engines - 110/220 Volt (SN 0300082504 through 0300122230)	
	100110027	Ref	Deutz Engines - 110/220 Volt (SN 0300122230 through 0300139399)	
	1001112743	Ref	110/220 Volt (SN 0300139400 through 0300140000)	
		Ref	7500W Options:	
	4933264	Ref	Caterpillar and Deutz Engines (SN 0300069000 through 0300139399)	
	1001112586	Ref	Caterpillar and Deutz Engines (SN 0300139400 through 0300140000)	
		Ref	GLOW PLUG DIAGRAM OPTIONS:	
	4933189	Ref	Glow Plug Diagram (SN 0300069000 through 0300073048)	
	4933217	Ref	Glow Plug Diagram (SN 0300073049 through 0300140000)	
	4933231	Ref	LIGHTS ELECTRICAL DIAGRAMS	
	4922643	1	Harness (Located in Ground Console Box)	
	3740049	1	Relay	
	4933218	Ref	PLATFORM SOFT TOUCH SYSTEM ELECTRICAL DIAGRAM	
		Ref	PLATFORM WORKLIGHTS ELECTRICAL DIAGRAMS	
	0270814	Ref	Platform Worklights Electrical Diagrams 800A/800AJ (SN 0300069000 through 0300074426)	
	0273484	Ref	Platform Worklights Electrical Diagrams 800A (SN 0300074427 through 0300140000)	
	0273485	Ref	Platform Worklights Electrical Diagrams 800AJ (SN 0300074427 through 0300140000)	
	0274207	Ref	SLOPE SENSOR ELECTRICAL DIAGRAM	
		Ref	STANDARD ELECTRICAL DIAGRAMS:	
		Ref	Caterpillar Engine without UGM	
	4933296	Ref	Caterpillar Engine without UGM (SN 0300069000 through 0300087265)	
	4933338	Ref	Caterpillar Engine without UGM (SN 0300087266 through 0300099883)	
	4933373	Ref	Caterpillar Engine without UGM (SN 0300099884 through 0300140000)	
	1001110322	Ref	Caterpillar Engine with UGM	
		Ref	Deutz Engine without UGM	
	4933232	Ref	Deutz Engine without UGM (SN 0300069000 through 0300085330)	
	4933321	Ref	Deutz Engine without UGM (SN 0300085331 through	

SECTION 7 - ELECTRICAL

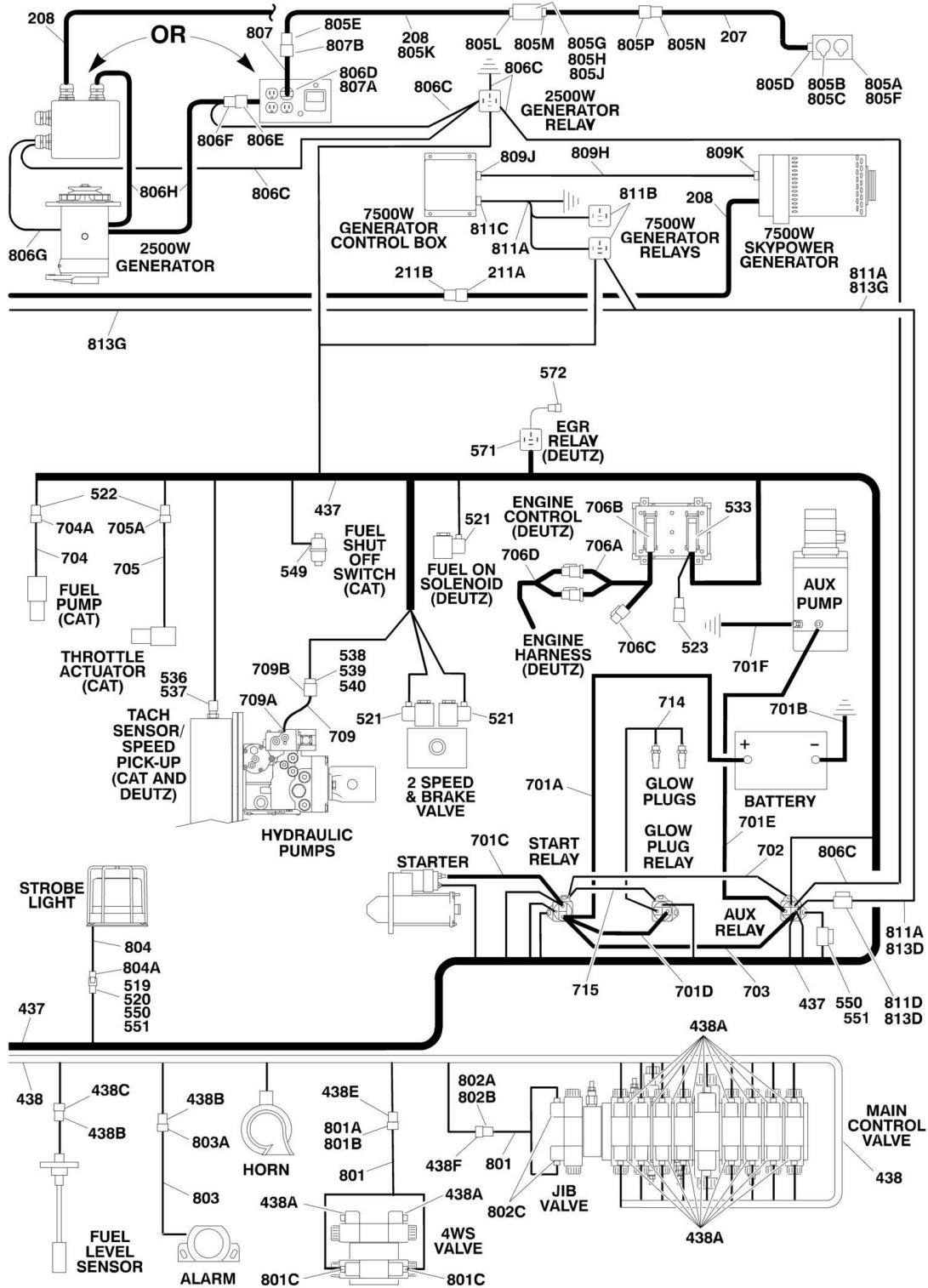
ITEM	PART NUMBER	QTY	DESCRIPTION	REV
	4933372	Ref	0300099883) Deutz Engine without UGM (SN 0300099884 through 0300140000)	
	1001110322	Ref	Deutz Engine with UGM	
		Ref	NOTE: FOR MODULE IDENTIFICATION, REFER TO REVISION LOG PAGE A.	
	1870132	Ref	STANDARD ELECTRICAL SCHEMATICS	
		Ref	Machines with Internal Tilt and without UGM (Deutz Engines SN 0300069000 through SN 0300085330 and All Caterpillar and Ford Engines SN 0300069000 through SN 0300099883)	
	1870191	Ref	Machines with Internal Tilt and without UGM (Deutz Engines) (SN 0300085331 through 0300099883)	
	1001096461	Ref	Machines with Internal Tilt and without UGM (Caterpillar and Deutz Engines) (SN 0300099884 through 0300140000)	
	1001110310	Ref	Machines with Internal Tilt and with UGM	
	1001131992	Ref	GM Engine Schematic (Engine Schematic Only. P/N 1001110310 is schematic for complete machine)	
		Ref	NOTE: FOR MODULE IDENTIFICATION, REFER TO REVISION LOG PAGE A.	
		Ref	Note: For Schematic p/n's 1870132 & 1870191 see schematic 1001096491 and field bulletin FSB107C2 for platform and MTB wiring.	

SECTION 7 - ELECTRICAL

FIGURE 7-2. HARNESS COMPONENTS INSTALLATION WITHOUT UGM



SECTION 7 - ELECTRICAL



SECTION 7 - ELECTRICAL

FIGURE 7-2. HARNESS COMPONENTS INSTALLATION WITHOUT UGM

ITEM	PART NUMBER	QTY	DESCRIPTION	REV
		Ref	PLATFORM BOX HARNESS ASSEMBLY	
	4922639	Ref	Platform Box Harness Assembly (SN 0300069000 through 0300136487)	8-I
	1001107753	Ref	Platform Box Harness Assembly (SN 0300136488 through 0300140000)	B
19	4460866	1	Connector - 19 Position	
20	4460874	1	Plug, Male 35 Position (Natural)	
21	4460875	1	Plug, Male 35 Position (Gray)	
22	4460873	1	Plug, Male 35 Position (Black)	
23	4460871	AR	Socket, Female	
24	4460464	7	Pin, Male (16 Gauge)	
25	4460879	1	Plug, Male 2 Position	
26	4460887	2	Terminal (12 Gauge)	
30	4460418	9	Connector - 6 Position	
31	4460419	27	Terminal, Female	
32	4120035	AR	Base, Light	
33	4460634	AR	Terminal, (16 Gauge)	
34	4460635	AR	Terminal, (12 Gauge)	
36	4460225	1	Plug, Male 6 Position	
37	4460227	AR	Pin	
41	4460508	3	Pin, Male (12 Gauge)	
43	4460434	2	Plug, Male 15 Position	
44	2920129	AR	Lamp, Indicator	
		Ref	PLATFORM BOX ASSEMBLY COMPONENTS	
104	0100048	AR	Grease, Dielectric	
114	1060918	8 ft/2.4m	Cable, Electrical - 18/3	
142	4460071	1	Connector, Strain Relief	
143	4460226	2	Socket, Female	
144	4460428	2	Connector, Strain Relief	
145	4460464	1	Pin, Male (16 Gauge)	
146	4460470	1	Nut, Terminal	
147	4460471	1	Lockwasher, Terminal	
148	4460905	5	Seal, Plug	
152		Ref	Harness, Console Box Options (See Items 1-44 for Breakdown):	
152	4922639	1	Harness, Console Box (SN 0300069000 through 0300136487)	
152	1001107753	1	Harness, Console Box (SN 0300136488 through 0300140000)	
153	4922666	1	Harness, Analyzer Cable	2-B
153	4460226	4	Socket, Female (Not Shown - Located at J2)	
153A	4460761	1	Connector, Female - 4 Position	
153A	4460227	4	Pin, Male	
155	4460708	2	Connector, Female 15 Position	
		Ref	BOOM CABLES INSTALLATION	
		Ref	Boom Cables Installation 800A	
	0273433	Ref	Australian Spec	A
	0271375	Ref	CE Spec	E
		Ref	Boom Cables Installation 800AJ	
	0273434	Ref	Australian Spec	1
	0271377	Ref	CE Spec	4
		Ref	Boom Cables Installation 800A (With 7500W Generator) (SkyPower)	

SECTION 7 - ELECTRICAL

ITEM	PART NUMBER	QTY	DESCRIPTION	REV
	0273431	Ref	Australian Spec	A
	0272430	Ref	CE Spec	D
		Ref	Boom Cables Installation 800AJ (With 7500W Generator) (SkyPower)	
	0273432	Ref	Australian Spec	1
	0272432	Ref	CE Spec	3
201		Ref	Harness Assembly - Main Boom (12/4 -18/8) Options:	
201	4922575	1	Harness Assembly - Main Boom (12/4 -18/8) 800A	5-E
201	4922582	1	Harness Assembly - Main Boom (12/4 -18/8) 800AJ	F
201	1060896	AR	Cable, Electrical - 4 #12 AWG, 8 #18 AWG and 1 STP #18 AWG	
201	0100009	AR	Sealant	
201A	4460465	11	Socket, Female	
201B	4460865	1	Connector - 19 Position	
201C	4460509	4	Socket, Female	
201D	4460473	1	Clamp. Cable	
201E	4460466	8	Seal, Plug	
201F	4460464	11	Pin, Male (16 Gauge)	
201G	4460866	1	Connector - 19 Position	
201H	4460508	4	Pin, Male (12 Gauge)	
201J	4923613	1	Harness, Tilt Switch (SN 0300112885 through 0300140000)	C
201K	1060978	2 ft/0.6m	Cable, Electrical - 18/3	
201L	1001097051	1	Connector - 4 Position	
201M	1001097082	3	Pin, Male (Gold)	
201N	4460464	3	Pin, Male (16 Gauge)	
201P	4460466	1	Seal, Plug	
201Q	4461077	1	Terminal, Plug - 4 Position	
201R	See Note	3	Socket, Female (Note: Not Available for Purchase)	
202	4922576	1	Harness Assembly - Tower Boom (12/4 - 18/8)	
202	1060896	44 ft /13.4m	Cable, Electrical - 4 #12 AWG, 8 #18 AWG and 1 STP #18 AWG	
202A	4460465	22	Socket, Female	
202B	4460865	2	Connector - 19 Position	
202C	4460509	8	Socket, Female	
202D	4460473	2	Clamp. Cable	
202E	4460466	8	Seal, Plug	
203		Ref	Harness Assembly - Tower Boom (18/2) (800A Only) Options:	
203	Not Required	0	Australian Spec	
203	4922579	1	CE Spec	
203	1060902	39 ft /11.9m	Cable, Electrical - 18/2	
203A	4460465	2	Socket, Female	
203A	4460891	1	Connector, Terminal - 2 Position	
204		Ref	Harness Assembly - Main Boom (18/2) Options (800A Only):	
204	Not Required	0	Australian Spec	
204	4922580	1	CE Spec (SN 0300069000 through 0300071062)	
204	4922868	1	CE Spec (SN 0300071063 through 0300140000)	
204	1060902	Ref	Cable, Electrical - 18/2	
204	1060902	27 ft/8.2m	CE Spec (SN 0300069000 through 0300071062)	
204	1060902	30 ft/9.1m	CE Spec (SN 0300071063 through 0300140000)	
204A	4460464	2	Pin, Male	
204A	4460897	1	Plug, Terminal - 2 Position	

SECTION 7 - ELECTRICAL

ITEM	PART NUMBER	QTY	DESCRIPTION	REV
205		Ref	Harness Assembly - Tower Boom (18/2) Options:	
205	4922577	NLA	Harness Assembly - Tower Boom (18/2) (Use p/n 4922578) (SN 0300069000 through 0300098643)	
205	4922578	1	Harness Assembly - Tower Boom (18/2) (SN 0300098644 through 0300140000)	
206	4922578	1	Harness Assembly - Main Boom (18/2)	
207		Ref	Harness Assembly - Main Boom Options:	
207	4922218	1	Harness Assembly - Main Boom 800A (10/3)	
207	4922219	1	Harness Assembly - Main Boom 800AJ (10/3)	
207	4922773	1	Harness Assembly - Main Boom 800A (8/5) (With 7500W Generator) (SkyPower)	
207	4922775	1	Harness Assembly - Main Boom 800AJ (8/5) (With 7500W Generator) (SkyPower)	
208		Ref	Harness Assembly - Tower Boom Options:	
208	4922220	1	(10/3)	
208	4922774	1	(8/5) (With 7500W Generator) (SkyPower)	
209	1320256	1	Clamp, Block (Not Shown-Located on back of T/T)	
210	4922581	1	Harness Assembly (18/2) (800A Only)	
211	0272433	1	Cable Connector Installation (With 7500W Generator) (SkyPower)	B
211A	4460959	1	Connector, Male (With 7500W Generator) (SkyPower)	
211A	1671093	1	Cover, Male Connector (Optional)	
211B	4460960	1	Connector, Female (With 7500W Generator) (SkyPower)	
211B	1671092	1	Cover, Female Connector (Optional)	
213	1001094470	1	Harness, Boom Cable Jumper (SN 0300069000 through 0300112885)	C
213A	1060896	1 ft/0.3m	Cable, Electrical - 4 #12 AWG, 8 #18 and 1 STP #18 AWG	
213B	4460465	11	Socket, Female	
213C	4460865	1	Connector - 19 Position	
213D	4460509	4	Socket, Female	
213E	4460473	1	Clamp Cable	
213F	4460466	8	Seal, Plug	
213G	4460464	8	Pin, Male (16 Gauge)	
213H	4460866	1	Connector - 19 Position	
213J	4460508	4	Pin, Male (12 Gauge)	
213K	4923613	1	Harness, Tilt Switch	
213L	1060978	2 ft/0.6m	Cable, Electrical - 18/3	
213M	1001097051	1	Connector - 4 Position	
213N	1001097082	3	Pin, Male (Gold)	
213P	4460464	3	Pin, Male (16 Gauge)	
213Q	4460466	1	Seal, Plug	
213R	1001094400	1	Tilt Sensor Harness (Boom) (Includes Sensor)	C
213S	4461077	1	Terminal, Plug - 4 Position	
213S	See Note	3	Socket, Female (Note: Not Available for Purchase)	
		Ref	GROUND CONTROL BOX WIRING DIAGRAMS	
		Ref	Caterpillar Engine Machines	
	4933296	Ref	Caterpillar Engine Machines (SN 0300069000 through 0300087265)	2-C
	4933338	Ref	Caterpillar Engine Machines (SN 0300087266 through 0300099883)	3-C
	4933373	Ref	Caterpillar Engine Machines (SN 0300099884 through 0300140000)	F
		Ref	Deutz Engine Machines	

SECTION 7 - ELECTRICAL

ITEM	PART NUMBER	QTY	DESCRIPTION	REV
	4933232	Ref	Deutz Engine Machines (SN 0300069000 through 0300085330)	5-G
	4933321	Ref	Deutz Engine Machines (SN 0300085331 through 0300099883)	F
	4933372	Ref	Deutz Engine Machines (SN 0300099884 through 0300140000)	F
301	2920129	AR	Bulb, Light	
307	2400065	1	Fuse, 30Amp	
308	2400066	1	Fuse, Holder	
310	4460708	2	Receptacle, Female - 15 Position	
310	4460226	16	Socket, Female	
310	4922637	1	Harness, Jumper (Not Shown)	
310		Ref	Harness, Jumper Options (Not Shown):	
310	Not Required	0	Caterpillar Engine	
310	4922636	1	Deutz Engines	
311	4460894	1	Plug, Male - 6 Position (Deutz Only) (SN 0300085331 through 0300112885)	
311	4460892	1	Receptacle, Female - 6 Position (Deutz Only) (SN 0300085331 through 0300112885)	
312	2902443	1	Receptacle Kit (Deutz Only) (SN 0300085331 through 0300140000)	
312	4461071	8	Socket, Female	
312	4461072	1	Receptacle	
312	4461073	1	Cap, Dust	
312	4461074	1	Shell, Black	
313	4923591	1	Harness, Jumper (Not Shown - Located on Module J7-6 to J7-17 Caterpillar Only)	
314	4460945	1	Connector (3 Way Tee)	
315	4460539	1	Plug, Male - 3 Position (Caterpillar Only) (SN 0300099884 through 0300140000)	
316	4460424	1	Receptacle, Female - 2 Position	
316	4460226	2	Socket, Female	
		Ref	GROUND CONTROL BOX COMPONENTS	
402	0100048	AR	Grease, Dielectric	
417	3740049	Ref	Relay Options:	
417	3740049	3	Caterpillar Engine	
417	3740049	2	Deutz Engines	
426	4460426	2	Connector, Strain Relief	
427	4460470	1	Nut, Terminal	
428	4460471	1	Lockwasher, Terminal	
430	4460526	1	Connector, Strain Relief	
431	4460874	1	Connector - 35 Position (Natural)	
432	4460875	1	Connector - 35 Position (Gray)	
433	4460905	4	Connector, Amp Seal Plug	
437		Ref	Engine Harness Assembly (See 501 to 570 for Breakdown)	
437		Ref	Caterpillar Engine Machines	
437	4922933	1	Caterpillar Engine Machines (SN 0300069000 through 0300087265)	
437	4923280	1	Caterpillar Engine Machines (SN 0300087266 through 0300099883)	
437	4923585	1	Caterpillar Engine Machines (SN 0300099884 through 0300140000)	
437	3990001	1	Diode (SN 0300090372 through 0300140000)	
437		Ref	Deutz Engine Machines	

SECTION 7 - ELECTRICAL

ITEM	PART NUMBER	QTY	DESCRIPTION	REV
437	4922549	1	Deutz Engine Machines (SN 0300069000 through 0300085330)	
437	4923238	1	Deutz Engine Machines (SN 0300085331 through 0300140000)	
438	4922557	1	Valve Harness Assembly	1-A
438A	4460880	19	Connector, DIN	
438B	4460320	2	Connector, Female- 2 Position	
438B	4460267	7	Pin, Male	
438C	4460424	1	Connector, Male- 2 Position	
438C	4460268	5	Pin, Female	
438D	4460871	AR	Socket, Female	
438E	4460326	1	Connector, Male - 3 Position	
438E	4460267	7	Pin, Male	
438F	4460445	1	Connector, Female - 3 Position	
438F	4460268	5	Pin, Female	
439		Ref	Ground Control Box Harness Assemblies	
439		Ref	Caterpillar Engine Machines	
439	4922675	1	Caterpillar Engine Machines (SN 0300069000 through 0300087265)	5-F
439	4923282	1	Caterpillar Engine Machines (SN 0300087266 through 0300099884)	2-B
439		Ref	Deutz Engine Machines	
439	4922675	1	Deutz Engine Machines (SN 0300069000 through 0300085330)	5-F
439	4923223	1	Deutz Engine Machines (SN 0300085331 through 0300099884)	G
439		Ref	Caterpillar, Deutz and GM Engine Machines	
439	4923575	1	Caterpillar, Deutz and GM Engine Machines (SN 0300099884 through 0300112884)	C
439	1001096458	1	Caterpillar, Deutz and GM Engine Machines (SN 0300112885 through 0300140000)	E
439A	4460418	9	Connector, Female- 6 Position	
439A	4460419	27	Socket, Female	
439B	4460876	1	Connector, 35- Position (Blue)	
439B	4460871	AR	Socket, Female	
439B	4460905	1	Seal, Plug	
439C	4460866	1	Connector - 19 Position	
439C	4460464	AR	Pin, Male Deutsch (16 Gauge)	
439C	4460508	3	Pin, Male Deutsch (12 Gauge)	
439D	4460878	1	Housing, Terminal- 4 Position	
439D	4460887	3	Terminal (12 Gauge)	
439E	4120035	AR	Base, Light	
439E	4460634	AR	Terminal (16 Gauge)	
439F	4460873	1	Connector, 35- Position (Black)	
439F	4460871	AR	Socket, Female	
439F	4460905	1	Seal, Plug	
439G	4460871	AR	Socket, Female	
439H	4460434	2	Plug, Male 15- Position	
439H	4460227	AR	Pin	
439I	3990010	2	Diode - 6 Amp (Not Shown)	
439J		Ref	Receptacle, Female Options:	
439J	4460536	1	Receptacle, Female - 3 Position (Deutz Engine) (SN 0300085331 through 0300112883)	

SECTION 7 - ELECTRICAL

ITEM	PART NUMBER	QTY	DESCRIPTION	REV
439J	4460536	1	Receptacle, Female - 3 Position (Caterpillar Engine) (SN 0300099884 through 0300112884)	
439J	4460943	3	Pin	
439J	4460965	1	Receptacle, Female - 3 Position (SN 0300112885 through 0300140000)	
439J	4460944	3	Pin	
439K	4460761	1	Connector, Female 4- Position	
439K	4460227	4	Pin, Male	
		Ref	Note: Items 439L - 439Q From SN 0300112885 through SN 0300140000.	
439L	4460894	3	Plug, Male - 6 Position	
439L	4460465	AR	Socket, Female	
439L	4460892	3	Terminal, Buss Connector - 6 Position	
439M	4460761	1	Connector, Female 4- Position	
439M	4460227	4	Pin, Male	
439N	4460909	1	Connector - 12 Position (Black)	
439N	4460915	1	Wedge Lock - 12 Position	
439N	4460928	6	Socket, Female	
439P	4460908	1	Connector - 12 Position (Gray)	
439P	4460915	1	Wedge Lock - 12 Position	
439P	4460928	5	Socket, Female	
439Q	4460965	1	Connector, Male - 3 Position	
439Q	4460944	3	Socket, Female (Gold)	
440	4922666	1	Cable, Analyzer (Previously came out of J1. On Caterpillar Machines SN 0300087266 to Present and on Deutz Machines SN 0300085331 to Present part of Item 439)	2-B
440A	4460226	4	Socket, Female	
440B	4460761	1	Connector, Female 4- Position	
440B	4460227	4	Pin, Male	
441		Ref	Ground Control Box Wiring Diagram (Not Shown - See Items 301 to 310 for Breakdown)	
441		Ref	Caterpillar Engine Machines	
441	4923296	1	Caterpillar Engine Machines (SN 0300069000 through 0300087265)	
441	4933338	1	Caterpillar Engine Machines (SN 0300087266 through 0300140000)	
441		Ref	Deutz Engine Machines	
441	4933232	1	Deutz Engine Machines (SN 0300069000 through 0300085330)	
441	4933321	1	Deutz Engine Machines (SN 0300085331 through 0300099883)	
441	4933372	1	Deutz Engine Machines (SN 0300099884 through 0300140000)	
		Ref	ENGINE HARNESS ASSEMBLY	
		Ref	Caterpillar Engine Machines	
	4922933	Ref	Caterpillar Engine Machines (SN 0300069000 through 0300087265)	2-B
	4923280	Ref	Caterpillar Engine Machines (SN 0300087266 through 0300099883)	3-C
	4923585	Ref	Caterpillar Engine Machines (SN 0300099884 through 0300140000)	D
		Ref	Deutz Engine Machines	
	4922549	Ref	Deutz Engine Machines (SN 0300069000 through 0300085330)	5-F
	4923238	Ref	Deutz Engine Machines (SN 0300085331 through	E

SECTION 7 - ELECTRICAL

ITEM	PART NUMBER	QTY	DESCRIPTION	REV
	1001102150	Ref	0300129455) Deutz Engine Machines (SN 0300129456 through 0300140000)	B
519	4460424	1	Receptacle, Female - 2 Position	
520	4460268	AR	Socket, Female	
521	4460880	AR	DIN Connector without Diode	
522	4460891	2	Connector, Male - 2 Position (Caterpillar Engine Only)	
522	4460465	4	Socket, Female	
523	4461070	1	Receptacle, Female with Resistor (3 Position) (Deutz Engine Only) (SN 0300085331 through 0300140000)	
523	4461095	1	Plug, Male - 3 Position (Deutz Engine Only) (SN 0300085331 through 0300140000)	
523	4460944	3	Socket, Female (Deutz Engine Only) (SN 0300085331 through 0300140000)	
525	4460539	1	Connector, Male - 3 Position (Deutz Engine Only) (SN 0300085331 through 0300140000)	
525	4460944	3	Socket, Female (Deutz Engine Only) (SN 0300085331 through 0300140000)	
528 to 530	Not Required	0	Not Required	
533	4461052	1	Connector, Receptacle - 25 Position (Deutz Engine Only) (SN 0300085331 through 0300140000)	
533	4461005	5	Terminal (Gold) (Deutz Engine Only) (SN 0300085331 through 0300140000)	
533	4461006	5	Seal, Terminal (Deutz Engine Only) (SN 0300085331 through 0300140000)	
533	4461060	2	Terminal (Tin) (Deutz Engine Only) (SN 0300085331 through 0300140000)	
533	4461054	2	Seal, Terminal (Deutz Engine Only) (SN 0300085331 through 0300140000)	
533	4461053	1	Cover, Plug (Deutz Engine Only) (SN 0300085331 through 0300140000)	
533	4461008	18	Plug, Hole (Deutz Engine Only) (SN 0300085331 through 0300140000)	
536		Ref	Housing - 2 Position Options:	
536	4460539	1	Caterpillar Engine	
536	4460890	1	Deutz Engine (SN 0300069000 through 0300085330)	
536	Not Required	0	Deutz Engine (SN 0300085331 through 0300140000)	
537		Ref	Terminal Options:	
537	4460465	2	Caterpillar Engine	
537	4460889	2	Deutz Engine (SN 0300069000 through 0300085330)	
537	Not Required	0	Deutz Engine (SN 0300085331 through 0300140000)	
538	4460460	1	Connector, Male - 4 Position	
539	4460457	AR	Terminal, Female	
540	4460458	AR	Seal, Terminal	
541 to 545	Not Required	0	Not Required	
548	Not Required	0	Not Required	
549	4460792	1	Housing, Terminal (Caterpillar Engines Only)	
549	4460339	AR	Terminal, Spade (Caterpillar Engines Only)	
550 to 551	Not Required	0	Not Required	
554	Not Required	0	Not Required	
556	Not Required	0	Not Required	
557	4460871	AR	Socket, Female	
558	Not Required	0	Not Required	
563	Not Required	0	Not Required	

SECTION 7 - ELECTRICAL

ITEM	PART NUMBER	QTY	DESCRIPTION	REV
568 to 570	Not Required	0	Not Required	
571	4460374	1	Connector, Relay (Deutz Engine Only) (SN 0300129456 through 0300140000)	
571	4460375	4	Terminal, Female (Deutz Engine Only) (SN 0300129456 through 0300140000)	
572	1001102290	1	Receptacle, Female - 2 Position (Deutz Engine Only) (SN 0300129456 through 0300140000)	
572	1001102291	2	Pin, Female (Deutz Engine Only) (SN 0300129456 through 0300140000)	
572	1001102304	2	Seal, Terminal (Deutz Engine Only) (SN 0300129456 through 0300140000)	
		Ref	STANDARD HARNESS COMPONENTS	
701		Ref	Battery Cable Kit Options:	
701	2901609	1	Caterpillar and Deutz Engines (SN 0300069000 through 0300078363)	
701	2902401	1	Caterpillar and Deutz Engines (SN 0300078364 through 0300140000)	
701A	7016800	1	Cable, Battery (Red) (Kit p/n 2901609)	
701A	7016813	1	Cable, Battery (Red) (Kit p/n 2902401)	
701B	7016809	1	Cable, Battery (Black) (Kit p/n 2901609)	
701B	7027012	1	Cable, Battery (Black) (Kit p/n 2902401)	
701C	7016802	1	Cable To Starter (Red) (Kit p/n 2901609)	
701C	Not Required	0	Cable To Starter (Part of 701A) (Red) (Kit p/n 2902401)	
701D	7016803	1	Cable To Glow Plug Relay (Red) (Kit p/n 2901609)	
701D	7016803	1	Cable To Glow Plug Relay (Red) (Kit p/n 2902401)	
701E	7016824	1	Cable (Red)	
701F	7016825	1	Cable (Black)	
702	1060904	1	Cable, Battery (Caterpillar and Deutz Engines Only)	
703	4922737	1	Harness, Relay Ground (Caterpillar and Deutz Engines Only)	
704	See Note	1	Fuel Pump Harness (Caterpillar Engines Only) (Note: Not Available for Purchase)	
704A	4460897	1	Receptacle, Female -2 Position (Caterpillar Engines Only)	
704A	4460464	2	Pin, Male (Caterpillar Engines Only)	
705	See Note	1	Throttle Actuator Harness (Caterpillar Engines Only) (Note: Not Available for Purchase)	
705A	4460897	1	Receptacle, Female -2 Position (Caterpillar Engines Only)	
705A	4460464	2	Pin, Male (Caterpillar Engines Only)	
706	See Note	AR	Deutz Engine Harness Components (Deutz Engine Machines Only) (Note: Not Available for Purchase)	
706A		Ref	Deutz Engine Harness Options:	
706A	See Note	1	Deutz Engine Harness (Note: Not Available for Purchase) (SN 0300069000 through 0300085330)	
706A	7027796	1	Deutz Engine Harness (SN 0300085331 through 0300140000)	
706B	See Note	1	Receptacle, Female - 25 Position Only (Note: Not Available for Purchase) (SN 0300085331 through 0300140000)	
706C	7027793	1	Plug-In, Connector Only (SN 0300085331 through 0300140000)	
706D	7027794	1	Deutz Engine Harness (For other replacement parts refer to Deutz Engine dealer Only) (SN 0300085331 through 0300140000)	
707 to 708	Not Required	0	Not Required	
709	See Note	1	Pump Harness (Note: Not Available for Purchase)	
709A	7007497	1	Plug (Pump End)	
709B	7007498	1	Plug (Engine Harness End)	
710	See Note	1	Controller Harness Assembly (Lift and Swing) (Note: Not Available for Purchase)	

SECTION 7 - ELECTRICAL

ITEM	PART NUMBER	QTY	DESCRIPTION	REV
710A	7022819	1	Plug, Male - 8 Position (Natural)	
710A	4460871	8	Socket, Female	
711	See Note	1	Controller Harness/Circuit Board Assembly (Drive and Steer) (Note: Not Available for Purchase)	
711A	7022825	1	Plug, Male - 8 Position (Black)	
711A	7022820	7	Socket, Female	
712	See Note	1	Controller Harness (Speed Control) (Note: Not Available for Purchase)	
712A	4460224	1	Receptacle, Female - 6 Position	
	4460226	6	Socket, Female	
713	4360499	2	Proximity Switch Harness (Includes Switch)	
714	4923379	1	Harness, Glow Plugs (Deutz Engine Machines Only) (SN 0300092718 through 0300140000)	
715	1060904	1	Cable, Jumper (Deutz Engine Machines Only) (SN 0300092718 through 0300140000)	
717	1001093256	Ref	Harness, Tilt	F
717A	2920129	1	Bulb	
717A	4120035	1	Socket, Light	
717B	4460464	4	Pin, Male Deutsch (16 Gauge)	
717C	4460871	4	Socket, Female	
717D	4460894	2	Plug, Male - 6 Position	
717D	4460465	8	Socket, Female	
717D	4460892	2	Terminal, Buss Connector - 6 Position	
717E	4460761	1	Connector, Female - 4 Position	
717E	4460227	4	Pin, Male	
717F	4460909	1	Connector - 12 Position (Black)	
717F	4460915	1	Wedge Lock - 12 Position	
717F	4460928	6	Socket, Female	
717G	4460908	1	Connector - 12 Position (Gray)	
717G	4460915	1	Wedge Lock - 12 Position	
717G	4460928	5	Socket, Female	
717H	4460965	1	Connector, Male - 3 Position	
717H	4460944	3	Socket, Female (Gold)	
717J	4922099	AR	Cable, Can-Buss (Machines with Can Buss Engine Controllers and Caterpillar Engine without Can Buss Engine Controllers)	
717J	4460965	1	Connector, Male - 3 Position	
717J	4460944	6	Socket, Female (Gold)	
717J	4460539	1	Terminal, Plug - 3 Position	
		Ref	Note: Machines with Can Buss Item #717J Connect to MTB Harness Can Buss.	
717K	4922099	AR	Cable, Can-Buss (Machines without Can Buss Engine Controllers)	
717K	4460965	1	Connector, Male - 3 Position	
717K	4460944	6	Socket, Female (Gold)	
717K	4460464	3	Pin, Male Deutsch (16 Gauge)	
		Ref	Note: Machines without Can Buss Item #717K Connect to Deutsch Boom Cable Connector.	
717L	4922099	AR	Cable, Can-Buss (Machines without Can Buss Engine Controllers)	
717L	4460539	2	Terminal, Plug - 3 Position	
717L	4460944	6	Socket, Female (Gold)	
717M	4460536	1	Terminal, Receptacle - 3 Position (Machines without Can Buss Engine Controllers)	
718	1001093187	Ref	Tilt Sensor Installation	C

SECTION 7 - ELECTRICAL

ITEM	PART NUMBER	QTY	DESCRIPTION	REV
718	4460945	1	Receptacle - 3 Position (3 way Tee)	
		Ref	OPTIONAL HARNESS COMPONENTS	
801	4921928	1	4WS Valve Harness	E
801A	4460268	3	Socket, Female	
801B	4460445	1	Connector, Female - 3 Position	
801C	4460499	2	Connector, DIN with Diode	
802	4921927	1	Jib Valve Harness (800AJ Only)	F
802A	4460326	1	Plug, Male - 3 Position	
802B	4460267	3	Pin, Male	
802C	4460499	2	Connector, DIN with Diode	
803	0257887	1	Alarm Harness (Includes Alarm)	
803A	4460424	1	Plug, Male - 2 Position	
803A	4460268	2	Socket, Female	
804		Ref	Strobe Light Harness (Includes Strobe Light) Options:	
804	0255917	1	Strobe Light Harness (Includes Strobe Light) (SN 0300069000 through 0300069324)	
804	0272507	1	Strobe Light Harness (Includes Strobe Light) (SN 0300069325 through 0300140000)	
804A	4460320	1	Connector, Female - 2 Position	
804A	4460267	2	Pin, Male	
805		Ref	AC to Platform Receptacle Components Options:	
805		Ref	Without Generator:	
805	0256202	Ref	110/220V Receptacle (Locally Supplied Box and Receptacle)	5
805	1001091969	Ref	110V with IEC Yellow Receptacle and Plug and Circuit Breaker	B
805	1001091970	Ref	220V with IEC Blue Receptacle and Plug and Circuit Breaker	B
805	1001091971	Ref	220V with CEE 7 Post Ground Receptacle and Plug and Circuit Breaker (70mm x 70mm Box)	B
805	1001091972	Ref	220V with CEE 7 Side Ground Receptacle and Plug and Circuit Breaker (70mm x 70mm Box)	B
805	1001091973	Ref	220V with CEE 7 Post Ground Receptacle and Plug and Circuit Breaker (2x4 Box)	C
805	1001091974	Ref	220V with CEE 7 Side Ground Receptacle and Plug and Circuit Breaker (2x4 Box)	C
805	1001091975	Ref	220V with AFSINT 107 Keyed Ground Receptacle and Plug and Circuit Breaker (2x4 Box)	C
805	1001092145	Ref	AC Cable With Breaker	D
805		Ref	With Generator:	
805	1001100326	Ref	110V with IEC Yellow Receptacle and Plug and Circuit Breaker	B
805	1001092145	Ref	110V AC Cable with Breaker	D
805	1001100327	Ref	220V with IEC Blue Receptacle and Plug and Circuit Breaker	B
805	1001100328	Ref	220V with CEE 7 Post Ground Receptacle and Plug and Circuit Breaker (70mm x 70mm Box)	B
805	1001100329	Ref	220V with CEE 7 Side Ground Receptacle and Plug and Circuit Breaker (70mm x 70mm Box)	B
805	1001100331	Ref	220V with CEE 7 Post Ground Receptacle and Plug and Circuit Breaker (2x4 Box)	B
805	1001100333	Ref	220V with CEE 7 Side Ground Receptacle and Plug and Circuit Breaker (2x4 Box)	B
805	1001100337	Ref	220V with AFSINT 107 Keyed Ground Receptacle and Plug and Circuit Breaker (2x4 Box)	B
805	1001109558	Ref	220V AC Cable with Breaker	A
805A		Ref	Box, Switch Options:	

SECTION 7 - ELECTRICAL

ITEM	PART NUMBER	QTY	DESCRIPTION	REV
805A	0860038	1	0256202 Installation	
805A	0861781	1	1001091969, 1001091970, 1001100326 & 1001100327 Installations	
805A	See Note	1	1001091971, 1001091972, 1001100328 & 1001100329 Installations (Note: Was p/n 0861782 which is no longer available. Use p/n 1001100344 CEE 7 Side Ground Service Kit or p/n 1001100343 CEE 7 Post Ground Service Kit. Kit include Box p/n 1001141967 and items 805B, 805C & 805E)	
805A	0861731	1	1001091973, 1001091972, 1001091974, 1001091975, 1001100331, 1001100333 & 1001100337 Installations	
805A	1001141967	1	1001100343, 1001100344, 1001141970 & 1001141971 Kits	
805B		Ref	Receptacle Options:	
805B	See Note	1	0256202 Installation (Note: Not Available - Purchase Locally)	
805B	4461198	1	1001091969 & 1001100326 Installations	
805B	4461201	1	1001091970 & 1001100327 Installations	
805B	4461204	NLA	1001091971 & 1001100328 Installations (Use p/n 1001100343)	
805B	4461207	NLA	1001091972 & 1001100329 Installations (Use p/n 1001100344)	
805B	4461244	1	1001091973 & 1001100331 Installations	
805B	4461245	1	1001091974 & 1001100333 Installations	
805B	4461246	1	1001091975 & 1001100337 Installations	
805B	1001141968	1	1001100343 & 1001141971 Kits	
805B	1001141969	1	1001100344 & 1001141970 Kits	
805C		Ref	Shield, Cover Options:	
805C	See Note	1	0256202 Installation (Note: Not Available - Purchase Locally)	
805C	4461198	1	1001091969 & 1001100326 Installations	
805C	4461201	1	1001091970 & 1001100327 Installations	
805C	4461204	NLA	1001091971 & 1001100328 Installations (Use p/n 1001100343)	
805C	4461207	NLA	1001091972 & 1001100329 Installations (Use p/n 1001100344)	
805C	4461244	1	1001091973 & 1001100331 Installations	
805C	4461245	1	1001091974 & 1001100333 Installations	
805C	4461246	1	1001091975 & 1001100337 Installations	
805C	1001141968	1	1001100343 & 1001141971 Kits	
805C	1001141969	1	1001100344 & 1001141970 Kits	
805D		Ref	Connector, Strain Relief Options:	
805D	4460051	1	0256202 Installation	
805D	4460968	1	1001091969, 1001091970, 1001091971, 1001091972, 1001100326, 1001100327, 1001100328 & 1001100329 Installations (SN 0300069000 through 0300127291)	
805D	1001101191	1	1001091969, 1001091970, 1001091971, 1001091972, 1001100326, 1001100327, 1001100328 & 1001100329 Installations (SN 0300069000 through 0300127291)	
805D	4460968	1	1001091973, 1001091974 & 1001091975 Installations (SN 0300069000 through 0300108684)	
805D	4460662	1	1001091973, 1001091974, 1001091975, 1001100331, 1001100333 & 1001100337 Installations (SN 0300108685 through 0300127290)	
805D	1001101191	1	1001091973, 1001091974, 1001091975, 1001100331, 1001100333 & 1001100337 Installations (SN 0300127291 through 0300140000)	
805D		Ref	Adapter, Strain Relief Connector Options:	
805D	Not Required	0	1001091969, 1001091970, 1001091971, 1001091972, 1001100326, 1001100327, 1001100328 & 1001100329	

SECTION 7 - ELECTRICAL

ITEM	PART NUMBER	QTY	DESCRIPTION	REV
805D	1001101196	1	Installations (SN 0300069000 through 0300127290) 1001091969, 1001091970, 1001091971, 1001091972, 1001100326, 1001100327, 1001100328 & 1001100329	
805D	Not Required	0	Installations (SN 0300127291 through 0300140000) 1001091973, 1001091974, 1001091975, 1001100331, 1001100333 & 1001100337 Installations (SN 0300069000 through 0300127290)	
805D	1001101197	1	1001091973, 1001091974, 1001091975, 1001100331, 1001100333 & 1001100337 Installations (SN 0300127291 through 0300140000)	
805E		Ref	Plug, Male Options:	
805E	See Note	1	0256202 Installation (Note: Not Available for Purchase)	
805E	4461196	1	1001091969 Installation	
805E	4461199	1	1001091970 Installation	
805E	4461202	1	1001091971, 1001091973 Installations and 1001100343 & 1001141971 Kits	
805E	4461205	1	1001091972, 1001091974 Installations and 1001100344 & 1001141970 Kits	
805E	4461249	1	1001091975 Installation	
805E	Not Required	0	1001100326, 1001100327, 1001100328, 1001100329, 1001100331, 1001100333 & 1001100337 Installations	
805F	0903484	1	Bracket, Receptacle Box Mounting (Required Only on CE Spec Installations except 0256202 Installation)	
805G	0903697	1	Bracket, Circuit Breaker Mounting (Required Only on CE Spec Installations except 0256202 Installation)	
805H		Ref	Kit, Box and Breaker (Includes Items Indented Below and Items 805J, 805K & 805L) (Required on All CE Spec Installations except 0256202 Installation):	
805H	1001109654	AR	Without Generator	A
805H	1001109654	AR	With 110V Generator	A
805H	1001109648	AR	With 220V Generator	A
805H		Ref	Circuit Breaker Options:	
805H	See Note	1	Without Generator (Note: For machines equipped with a single circuit breaker use both p/ns 1001109475 & 1001109482 as replacement)	
805H	1001109475	1	Circuit Breaker, 16A	
805H	1001109482	1	Circuit Breaker, 30MA RCD	
805H		Ref	With 110V Generator	
805H	1001109475	1	Circuit Breaker, 16A	
805H	1001109482	1	Circuit Breaker, 30MA RCD	
805H		Ref	With 220V Generator	
805H	1001109477	1	Circuit Breaker, 10A	
805H	1001109482	1	Circuit Breaker, 30MA RCD	
805H	0861880	1	Breaker Box	
805H	4460956	1	Barrier, Terminal Block End	
805J	4460957	1	Block, Terminal	
805K	1060908	12 ft/3.6m	Cable, 12/3 Extension	
805L	1001097150	1	Connector, Strain Relief	
805M	1001101191	1	Connector, Strain Relief	
805N	4460709	1	Plug, Male	
805P	4460710	1	Connector, Female	
805N		Ref	Plug and Socket Kit Options (Not Shown):	
805N		Ref	Without Generator:	
805N	0275216	1	Receptacle Box Kit (110V IEC Yellow) (Includes Items 805A, 805B, 805C & 805E) (1001091969 Installation)	1

SECTION 7 - ELECTRICAL

ITEM	PART NUMBER	QTY	DESCRIPTION	REV
805N	0275217	1	Receptacle Box Kit (220V IEC Blue) (Includes Items 805A, 805B, 805C & 805E) (1001091970 Installation)	1
805N	0275218	NLA	Receptacle Box Kit (220V CEE 7 Post Ground) (Includes Items 805A, 805B, 805C & 805E) (1001091971 Installation) (Use p/n 1001100343)	B-1
805N	0275219	NLA	Receptacle Box Kit (220V CEE 7 Side Ground) (Includes Items 805A, 805B, 805C & 805E) (1001091972 Installation) (Use p/n 1001100344)	B-1
805N	0275452	1	Receptacle Box Kit (220V CEE 7 Post Ground) (Includes Items 805A, 805B, 805C & 805E) (1001091973 Installation)	1
805N	0275453	1	Receptacle Box Kit (220V CEE 7 Side Ground) (Includes Items 805A, 805B, 805C & 805E) (1001091974 Installation)	1
805N	0275454		Receptacle Box Kit (220V AFSINT 107 Keyed Ground) (Includes Items 805A, 805B, 805C & 805E) (1001091975 Installation)	1
		Ref	With Generator:	
805N	1001100341	1	Receptacle Box Kit (110V IEC Yellow) (Includes Items 805A, 805B, 805C & 805E) (1001100326 Installation)	2
805N	1001100342	1	Receptacle Box Kit (220V IEC Blue) (Includes Items 805A, 805B, 805C & 805E) (1001100327 Installation)	2
805N	1001091971	NLA	Receptacle Box Kit (220V CEE 7 Post Ground) (Includes Items 805A, 805B, 805C & 805E) (1001100328 Installation) (Use p/n 1001100343 Kit)	B
805N	1001091970	NLA	Receptacle Box Kit (220V CEE 7 Side Ground) (Includes Items 805A, 805B, 805C & 805E) (1001100329 Installation) (Use p/n 1001100344 Kit)	B
805N	1001100345	1	Receptacle Box Kit (220V CEE 7 Post Ground) (Includes Items 805A, 805B, 805C & 805E) (1001100331 Installation)	2
805N	1001100347	1	Receptacle Box Kit (220V CEE 7 Side Ground) (Includes Items 805A, 805B, 805C & 805E) (1001100333 Installation)	3
805N	1001100346		Receptacle Box Kit (220V AFSINT 107 Keyed Ground) (Includes Items 805A, 805B, 805C & 805E) (1001100337 Installation)	2
806		Ref	Generator Electrical Components	
806	4933215	AR	110V (SN 0300069000 through 0300082503)	2-C
806	4933216	AR	220V (SN 0300069000 through 0300082503)	2-C
806	4933300	AR	Caterpillar Engines - 110V/220V (SN 0300082504 through 0300140000)	2-A
806	4933300	AR	Deutz Engines - 110V/220V (SN 0300082504 through 0300122229)	2-A
806	1001100027	AR	Deutz Engines - 110V/220V (SN 0300122230 through 0300140000)	4-D
806	3990010	1	Diode - 6 Amp (Not Shown)	
806A	4922641	1	Harness - On/Off Switch	
806B	4460226	2	Socket, Female	
806C		Ref	Powermite Control Box to Relay Options:	
806C	4922482	1	Powermite Control Box to Relay (SN 0300069000 through 0300077499)	
806C	4922970	1	Powermite Control Box to Relay (SN 0300077500 through 0300140000)	
806D	4460027	1	Receptacle, Twist Lock (110V Only) (Deutz Engine) (SN 0300069000 through 030012916)	
806E	4460961	1	Connector, Female - 4 Position (Caterpillar Engine) (SN 0300082504 through 0300140000)	
806E	4460961	1	Connector, Female - 4 Position (Deutz Engine) (SN 0300082504 through 0300122229)	
806E	4460705	4	Pin, Male	

SECTION 7 - ELECTRICAL

ITEM	PART NUMBER	QTY	DESCRIPTION	REV
806F	4460321	1	Connector, Male - 4 Position (Caterpillar Engine) (SN 0300082504 through 0300140000)	
806F	4460321	1	Connector, Male - 4 Position (Deutz Engine) (SN 0300082504 through 0300122229)	
806F	4460906	4	Socket, Female	
806G	1001100305	1	Harness, Ground For Generator (Deutz Engines Only) (SN 0300122230 through 0300136124)	
806H	7020193	1	Harness, Generator Power	
807	4921957	1	Generator to Rear of Boom Harness (SN 0300069000 through 0300132891)	
		Ref	Note: Harness used to connect AC at platform harness to generator control box receptacle.	
807	1060461	6 ft/1.8m	Cable, Electrical - 12/3	
807A	Not Required	0	Plug, Male	
807B	Not Required	0	Receptacle, Female	
809		Ref	7500W SKYPOWER GENERATOR INSTALLATION	
809	0273541	Ref	50Hz Spec and Caterpillar Engine	H
809	0272492	Ref	50Hz Spec and Deutz Engine	I
809A	See Note	1	Receptacle, Female Twist-Lock (Note: Not Available - Purchase Locally)	
809B	See Note	2	Gasket (Note: Not Available - Purchase Locally)	
809C	See Note	1	Cover, Receptacle (Note: Not Available - Purchase Locally)	
809D	See Note	1	Cover, Receptacle (Note: Not Available - Purchase Locally)	
809E	See Note	1	Receptacle (Note: Not Available - Purchase Locally)	
809F	4460051	1	Connector, Strain Relief	
809G	4460071	1	Connector, Strain Relief	
809H	4922925	1	Harness, Generator	
809J	See Note	1	Plug, Male - 6 Position (Note: Not Available for Purchase)	
809J	See Note	6	Socket, Female (Note: Not Available for Purchase)	
809K	4460225	1	Plug, Male - 6 Position	
809K	4460226	6	Socket, Female	
810	0861567	Ref	7500W SkyPower Generator Junction Box Components	B
810A	See Note	2 ft/.6m	Cable, Electrical 12/3 (Note: Not Available - Purchase Locally)	
810B	See Note	2.5 ft / .76m	Cable, Electrical 10/3 (Note: Not Available - Purchase Locally)	
810C	Not Required	0	Not Required	
810D	4460425	2	Connector, Strain Relief	
810E		Ref	Component Options:	
810E	4460426	1	Connector, Strain Relief	
810E	3520189	1	Plug	
810F	Not Required	0	Not Required	
811		Ref	7500W Generator Electrical Diagram Components	
811	4933264	Ref	Caterpillar and Deutz Engine Machines	C
811A		Ref	Generator Harness Options:	
811A	4922757		Caterpillar and Deutz Engine Machines	3-C
811B	4460374	2	Plug, Sealed Relay	
811B	4460375	7	Terminal	
811C	4460967	1	Plug, Male - 3 Position	
811C	4460465	3	Socket, Female	
811D	2400060	1	Fuseholder	
811D	2400064	1	Fuse - 5 Amp	
811E	4922641	1	Switch Harness	
811F	4460226	2	Socket, Female	

SECTION 7 - ELECTRICAL

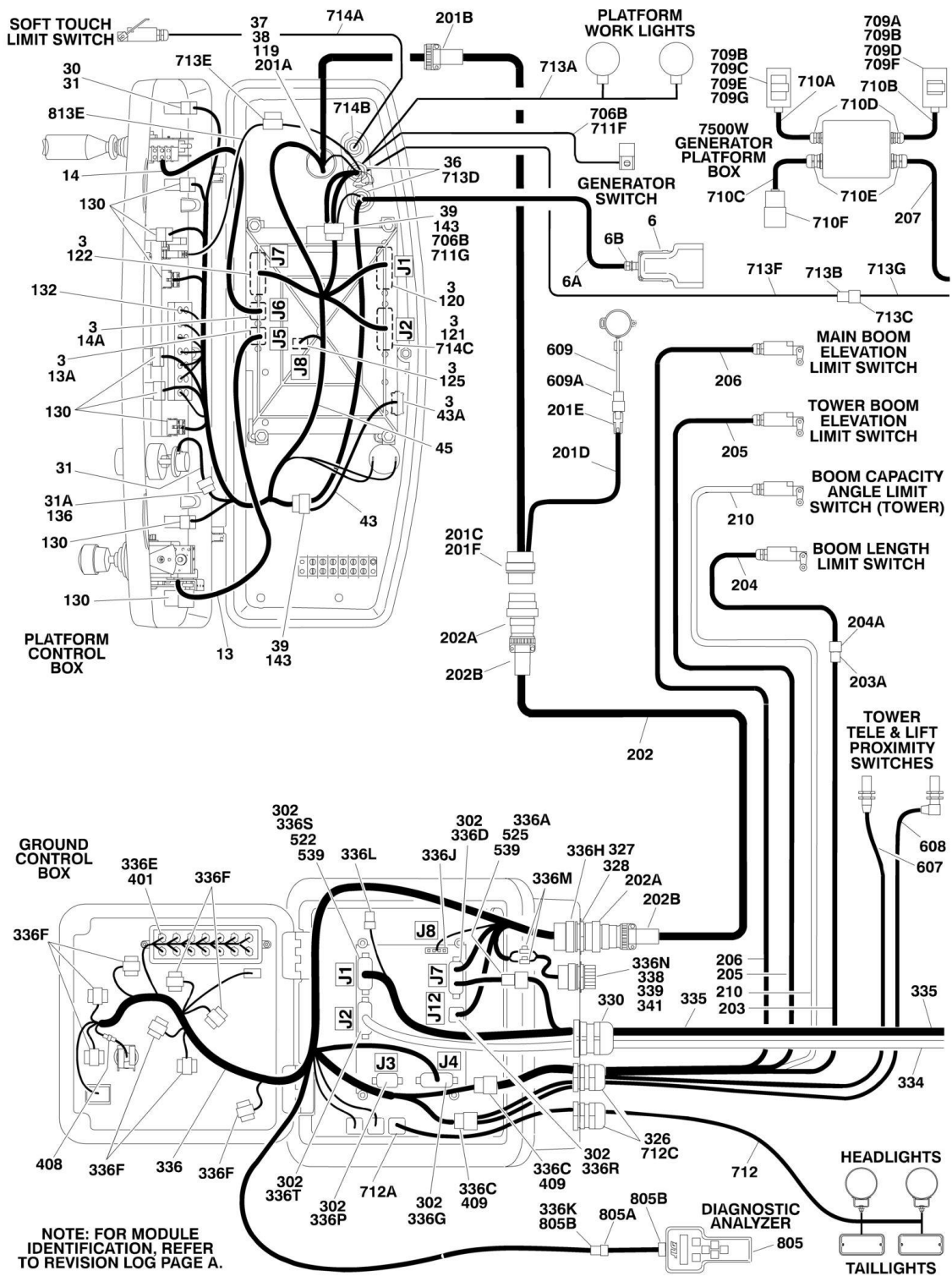
ITEM	PART NUMBER	QTY	DESCRIPTION	REV
812	See Note	1	Lights Harness (Note: Not Available - Purchase Locally)	
812	1060341	48 ft /14.6m	Cable, Electrical - 16/2	
812A	3740049	1	Relay	
812B	4922643	1	Harness, Bagged (Located at Ground Control Box) (Not Shown)	
813		Ref	Platform Worklights Components	
813A	2920140	2	Platform Worklights Harness (External) (Includes Light and Wire Only)	
813B		Ref	Connector, Strain Relief Options:	
813B	4460598	1	Connector, Strain Relief (SN 0300069000 through 0300074426)	
813B	4460426	1	Connector, Strain Relief (SN 0300074427 through 0300140000)	
813C	4360232	1	Circuit Breaker, 15Amp Only (SN 0300069000 through 0300074426)	
813D	2400068	AR	Fuseholder (SN 0300074427 through 0300140000)	
813D	2400070	AR	Fuse - 10 Amp (SN 0300074427 through 0300140000)	
813E	4922498	1	Platform Worklights Harness (Internal Only) (SN 0300069000 through 0300074426)	
813E	4460871	3	Socket, Female	
		Ref	Note: Items 813F - 813J SN 0300074427 through SN 0300140000.	
813F		Ref	Platform Worklights Main Boom Harness Options:	
813F	4922215	1	Platform Worklights Main Boom Harness 800A	
813F	4922216	1	Platform Worklights Main Boom Harness 800AJ	
813F	1060708	Ref	Cable, Electrical - 10/3 Options:	
813F	1060708	67 ft /20.4m	Cable, Electrical - 10/3 800A	
813F	1060708	64 ft /19.5m	Cable, Electrical - 10/3 800AJ	
813G	4922217	1	Platform Worklights Tower Boom Harness	
813G	1060708	39 ft /11.9m	Cable, Electrical - 10/3	
813H		Ref	Connector, Female - 3 Position Options (Platform Worklights)	
813H	4460459	1	Connector (SN 0300069000 through 0300117586)	
813H	4460789	3	Terminal, Seal (SN 0300069000 through 0300117587)	
813H	4460790	3	Socket, Female (SN 0300069000 through 0300117587)	
813H	1001098234	1	Connector (SN 0300117587 through 0300140000)	
813J		Ref	Connector, Male - 3 Position Options (Platform Worklights Only)	
813J	4460476	1	Connector (SN 0300069000 through 0300117586)	
813J	4460789	3	Terminal, Seal (SN 0300069000 through 0300117587)	
813J	4460790	3	Socket, Female (SN 0300069000 through 0300117587)	
813J	1001098349	1	Connector (SN 0300117587 through 0300140000)	
814	See Note	1	Soft Touch System Harness (Note: Not Available - Purchase Locally)	
814A	1060341	23 ft/7.1m	Cable, Electrical - 16/2	
814B		Ref	Connector, Strain Relief Options:	
814B	4460425	1	6ft Platforms	
814B	4460049	1	8ft Platforms	
814C	4460226	2	Socket, Female	
		Ref	TOOLS	
901	7002821	1	Crimper (For Wire to Pin/Socket Connections) (Not Shown)	
902	7002823	1	Extractor (For Removal of Pin/Socket from Connectors) (Not Shown)	

SECTION 7 - ELECTRICAL

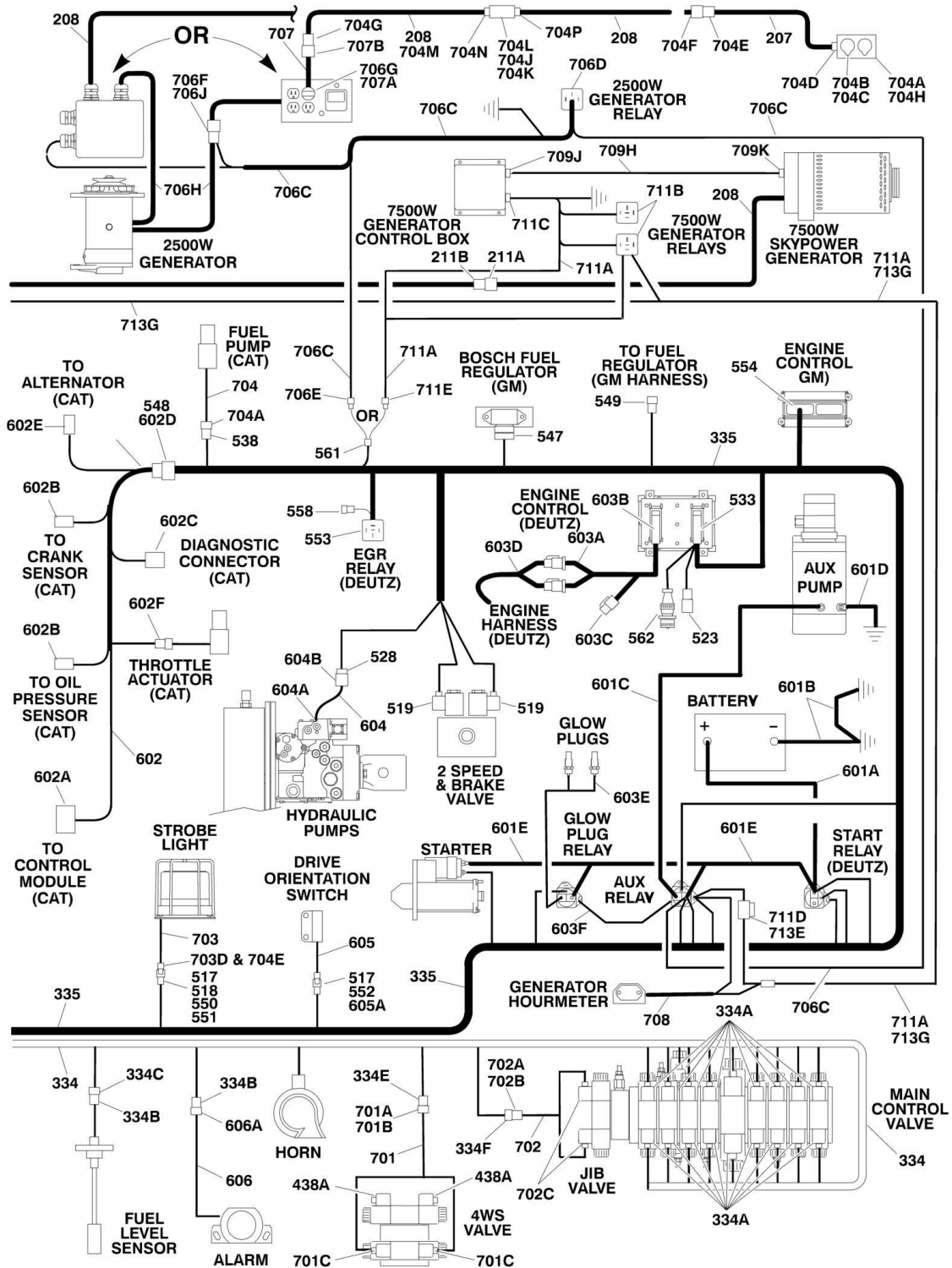
ITEM	PART NUMBER	QTY	DESCRIPTION	REV
903	4460467	1	Extractor, Pin (Blue 16-18 Gauge) (For Removal of Pin/Socket from Connectors) (Not Shown)	
903	4460510	1	Extractor, Pin (Yellow 12-14 Gauge) (For Removal of Pin/Socket from Connectors) (Not Shown)	
904	7002828	1	Stripper, Wire (Not Shown)	
905	1600244	1	Analyzer	
905A	1060633	1	Cable, Analyzer	1-A
905B	4460321	2	Plug, Male	
905B	4460226	8	Socket, Female	

SECTION 7 - ELECTRICAL

FIGURE 7-3. HARNESS COMPONENTS INSTALLATION WITH UGM



SECTION 7 - ELECTRICAL



SECTION 7 - ELECTRICAL

FIGURE 7-3. HARNESS COMPONENTS INSTALLATION WITH UGM

ITEM	PART NUMBER	QTY	DESCRIPTION	REV
	1001114448	Ref	PLATFORM BOX ASSEMBLY COMPONENTS	C
3	0100048	AR	Grease, Dielectric	
6		Ref	Footswitch Components:	
6A	1060918	7 ft/2.13m	Cable, Electrical - 18/3	
6A	4460042	3	Terminal, Ring	
6B	4460226	2	Socket, Female	
6B	4460464	1	Pin, Male (16 Gauge)	
6C	4460071	2	Connector, Strain Relief	
13	See Note	1	Controller Harness Assembly (Lift and Swing) (Note: Not Available - Purchase Locally)	
13A	7022819	1	Plug, Male - 8 Position (Natural)	
13A	4460871	8	Socket, Female	
14	See Note	1	Controller Harness/Circuit Board Assembly (Drive and Steer) (Note: Not Available - Purchase Locally)	
14A	7022825	1	Plug, Male - 8 Position (Black)	
14A	4460871	7	Socket, Female	
31	See Note	1	Controller Harness (Speed Control) (Note: Not Available - Purchase Locally)	
31A	4460224	1	Receptacle, Female - 6 Position	
31A	4460226	6	Socket, Female	
36	4460428	2	Connector, Strain Relief	
37	4460470	1	Nut, Terminal	
38	4460471	1	Lockwasher, Terminal	
39	4460708	2	Connector, Female 15 Position	
40	4460905	5	Seal, Plug	
43	4922666	1	Harness, Analyzer Cable	2-B
43	4460226	4	Socket, Female (Not Shown - Located at J2)	
43A	4460761	1	Connector, Female - 4 Position	
43A	4460227	4	Pin, Male	
45	1001107753	1	Harness, Console Box (See Items 101-144 for Breakdown)	
	1001107753	Ref	PLATFORM BOX HARNESS ASSEMBLY	C
119	4460866	1	Connector 19 Position	
119	4460464	7	Pin, Male (16 Gauge)	
119	4460508	3	Pin, Male (12 Gauge)	
120	4460874	1	Plug, Male 35 Position (Natural)	
120	4460871	29	Socket, Female	
121	4460875	1	Plug, Male 35 Position (Gray)	
121	4460871	24	Socket, Female	
122	4460873	1	Plug, Male 35 Position (Black)	
122	4460871	26	Socket, Female	
125	4460879	1	Plug, Male 2 Position	
125	4460887	2	Terminal (12 Gauge)	
130	4460418	9	Connector 6 Position	
130	4460419	27	Terminal, Female	
132	4120035	13	Base, Light	
132	4460634	13	Terminal, (16 Gauge)	
132	4460635	13	Terminal, (12 Gauge)	
132	2920129	13	Lamp, Indicator	
136	4460225	1	Plug, Male 6 Position	
136	4460227	5	Pin, Male	

SECTION 7 - ELECTRICAL

ITEM	PART NUMBER	QTY	DESCRIPTION	REV
143	4460434	2	Plug, Male 15 Position	
143	4460227	25	Pin, Male	
		Ref	BOOM CABLES INSTALLATION	
		Ref	Boom Cables Installation 800A	
	0273433	Ref	Australian Spec	A
	0271375	Ref	CE Spec	E
		Ref	Boom Cables Installation 800A (With 7500W Generator) (SkyPower)	
	0273431	Ref	Australian Spec	A
	0272430	Ref	CE Spec	D
		Ref	Boom Cables Installation 800AJ	
	0273434	Ref	Australian Spec	1
	0271377	Ref	CE Spec	4
		Ref	Boom Cables Installation 800AJ (With 7500W Generator) (SkyPower)	
	0273432	Ref	Australian Spec	1
	0272432	Ref	CE Spec	3
201		Ref	Harness Assembly - Main Boom (12/4 -18/8) Options:	
201	4922575	1	Harness Assembly - Main Boom (12/4 -18/8) 800A	5-E
201	4922582	1	Harness Assembly - Main Boom (12/4 -18/8) 800AJ	F
201	1060896	AR	Cable, Electrical - 4 #12 AWG, 8 #18 AWG and 1 STP #18 AWG	
201	0100009	AR	Sealant	
201A	4460865	1	Connector - 19 Position	
201A	4460465	11	Socket, Female	
201A	4460509	4	Socket, Female	
201A	4460466	4	Seal, Plug	
201B	4460473	1	Clamp Cable	
201C	4460866	1	Connector - 19 Position	
201C	4460464	11	Pin, Male (16 Gauge)	
201C	4460508	4	Pin, Male (12 Gauge)	
201C	4460466	4	Seal, Plug	
201D	4923613	1	Harness, Tilt Switch	C
201D	1060978	2 ft/0.6m	Cable, Electrical - 18/3	
201E	1001097051	1	Connector - 4 Position	
201E	1001097082	3	Pin, Male (Gold)	
201E	4460466	1	Seal, Plug	
201F	4460464	3	Pin, Male (16 Gauge)	
202	4922576	1	Harness Assembly - Tower Boom (12/4 - 18/8)	4-D
202	1060896	44 ft /13.4m	Cable, Electrical - 4 #12 AWG, 8 #18 AWG and 1 STP #18 AWG	
202A	4460865	2	Connector - 19 Position	
202A	4460465	22	Socket, Female	
202A	4460509	8	Socket, Female	
202A	4460466	8	Seal, Plug	
202B	4460473	2	Clamp, Cable	
203		Ref	Harness Assembly - Tower Boom (18/2) (800A Only) Options:	
203	Not Required	0	Australian Spec	
203	4922579	1	CE Spec	
203	1060902	39 ft /11.9m	Cable, Electrical - 18/2	
203A	4460465	2	Socket, Female	

SECTION 7 - ELECTRICAL

ITEM	PART NUMBER	QTY	DESCRIPTION	REV
203A	4460891	1	Connector, Terminal - 2 Position	
204		Ref	Harness Assembly - Main Boom (18/2) Options (800A Only):	
204	Not Required	0	Australian Spec	
204	4922868	1	CE Spec	
204	1060902	30 ft/9.1m	Cable, Electrical - 18/2	
204A	4460464	2	Pin, Male	
204A	4460897	1	Plug, Terminal - 2 Position	
205	4922578	1	Harness Assembly - Tower Boom (18/2)	
206	4922578	1	Harness Assembly - Main Boom (18/2)	
207		Ref	Harness Assembly - Main Boom Options:	
207	4922218	1	Harness Assembly - Main Boom 800A (10/3)	
207	4922219	1	Harness Assembly - Main Boom 800AJ (10/3)	
207	4922773	1	Harness Assembly - Main Boom 800A (8/5) (With 7500W Generator) (SkyPower)	
207	4922775	1	Harness Assembly - Main Boom 800AJ (8/5) (With 7500W Generator) (SkyPower)	
208		Ref	Harness Assembly - Tower Boom Options:	
208	4922220	1	(10/3)	
208	4922774	1	(8/5) (With 7500W Generator) (SkyPower)	
209	1320256	1	Clamp, Block (Not Shown-Located on back of T/T)	
210	4922581	1	Harness Assembly (18/2) (800A Only)	
211	0272433	1	Cable Connector Installation (With 7500W Generator) (SkyPower)	B
211A	4460959	1	Connector, Male (With 7500W Generator) (SkyPower)	
211A	1671093	1	Cover, Male Connector (Optional)	
211B	4460960	1	Connector, Female (With 7500W Generator) (SkyPower)	
211B	1671092	1	Cover, Female Connector (Optional)	
		Ref	GROUND CONTROL BOX COMPONENTS	
302	0100048	AR	Grease, Dielectric	
326	4460426	1	Connector, Strain Relief	
327	4460470	1	Nut, Terminal	
328	4460471	1	Lockwasher, Terminal	
330	4460526	1	Connector, Strain Relief	
334	4922557	1	Valve Harness Assembly	1-A
334A	4460880	19	Connector, DIN	
334B	4460320	2	Connector, Female- 2 Position	
334B	4460267	7	Pin, Male	
334C	4460424	1	Connector, Male- 2 Position	
334C	4460268	5	Pin, Female	
334D	4460871	11	Socket, Female	
334E	4460326	1	Connector, Male - 3 Position	
334E	4460267	7	Pin, Male	
334F	4460445	1	Connector, Female - 3 Position	
334F	4460268	5	Pin, Female	
335		Ref	Engine Harness Assembly (See 501 to 562 for Breakdown)	
335	1001110324		Caterpillar Engine Machines	
335	1001110222		Deutz Engine Machines	
336	1001110225	1	Ground Control Box Harness Assembly	C
336A	4460536	1	Connector, Female 3 Position	
336A	4460943	3	Pin, Male	
336B	3990010	2	Diode - 6 Amp (Not Shown)	
336C	4460434	2	Plug, Male 15- Position	

SECTION 7 - ELECTRICAL

ITEM	PART NUMBER	QTY	DESCRIPTION	REV
336C	4460227	22	Pin	
336D	4460873	1	Connector, 35 Position (Black)	
336D	4460871	21	Socket, Female	
336D	4460905	AR	Seal, Plug	
336E	4120035	7	Base, Light	
336E	4460634	7	Terminal (16 Gauge)	
336E	4460635	6	Terminal (12 Gauge)	
336F	4460418	9	Connector, Female- 6 Position	
336F	4460419	27	Socket, Female	
336G	4460876	1	Connector, 35 Position (Blue)	
336G	4460871	29	Socket, Female	
336G	4460905	AR	Seal, Plug	
336H	4460866	1	Connector - 19 Position	
336H	4460464	7	Pin, Male (16 Gauge)	
336H	4460508	3	Pin, Male (12 Gauge)	
336J	4460878	1	Housing, Terminal - 4 Position	
336J	4460887	3	Terminal (12 Gauge)	
336K	4460761	1	Connector, Female 4- Position	
336K	4460227	4	Pin, Male	
336L	4460894	3	Plug, Male - 6 Position	
336L	4460465	AR	Socket, Female	
336L	4460892	3	Terminal, Buss Connector - 6 Position	
336M	8229242	2	Fuse 5A	
336M	2400060	2	Holder, Fuse	
336N	1001112612	1	Connector - 9 Position	
336N	4460943	4	Pin, Male	
336P	1001106339	1	Connector, Male - 14 Position	
336P	4460871	2	Socket, Female	
336P	4460905	AR	Plug, Seal	
336R	1001106340	1	Connector, Male - 14 Position	
336R	4460871	5	Socket, Female	
336S	4460874	1	Connector, Natural	
336S	4460871	10	Socket, Female	
336S	4460905	AR	Plug, Seal	
336T	4460875	1	Connector, Gray	
336T	4460871	2	Socket, Female	
336T	4460905	AR	Plug, Seal	
337		Ref	Ground Control Box Wiring Diagram (Not Shown - See Items 401 to 409 for Breakdown)	
337	1001110323	Ref	Caterpillar Engine	
337	1001110322	Ref	Deutz Engine	
338	4460471	1	Lockwasher, Terminal	
339	4460470	1	Nut, Terminal	
341	1001106736	1	Cap, Dust	
		Ref	GROUND CONTROL BOX WIRING DIAGRAMS	
	1001110323	Ref	Caterpillar Engine	A
	1001110322	Ref	Deutz Engine	A
401	2920129	AR	Bulb, Light	
408	2400065	1	Fuse, 30Amp	
408	2400066	1	Fuse, Holder	
409	4460708	2	Receptacle, Female - 15 Position	
409	4460226	AR	Socket, Female	

SECTION 7 - ELECTRICAL

ITEM	PART NUMBER	QTY	DESCRIPTION	REV
409	4460905	AR	Plug, Seal	
409	4922637	1	Harness, Jumper (Not Shown)	
		Ref	ENGINE HARNESS ASSEMBLY	
	1001110324	Ref	Caterpillar Engine Machines	B
	1001110222	Ref	Deutz Engine Machines	B
517	4460424	1	Receptacle, Female - 2 Position	
518	4460268	AR	Socket, Female	
519	4460880	AR	DIN Connector without Diode	
522	3990001	1	Diode (Caterpillar Engines Only)	
523	4461070	1	Receptacle, Female with Resistor (3 Position) (Deutz Engine Only)	
523	4461095	1	Plug, Male - 3 Position (Deutz Engine Only)	
523	4460944	3	Socket, Female (Deutz Engine Only)	
525	4460539	1	Connector, Male - 3 Position	
525	4460944	3	Socket, Female	
528	4460460	1	Plug, Male - 4 Position	
528	4460457	4	Terminal, Female	
528	4460458	4	Seal, Terminal	
533	4461052	1	Connector, Receptacle - 25 Position (Deutz Engine Only)	
533	4461005	5	Terminal (Gold) (Deutz Engine Only)	
533	4461006	5	Seal, Terminal (Deutz Engine Only)	
533	4461060	2	Terminal (Tin) (Deutz Engine Only)	
533	4461054	2	Seal, Terminal (Deutz Engine Only)	
533	4461053	1	Cover, Plug (Deutz Engine Only)	
533	4461008	18	Plug, Hole (Deutz Engine Only)	
538	4460891	2	Connector, Male - 2 Position (Caterpillar Engine Only)	
538	4460465	4	Socket, Female	
539	4460871	AR	Socket, Female	
539	4460226	AR	Socket, Female	
547	Not Required	0	Not Required	
548	4460899	1	Receptacle, Female - 6 Position (Caterpillar Engine Only)	
548	4460464	6	Pin, Male (Caterpillar Engine Only)	
548	4460466	1	Seal, Plug (Caterpillar Engine Only)	
552	4460268	2	Socket, Female	
553	4460374	1	Connector, Relay (Deutz Engine Only)	
553	4460375	4	Terminal, Female (Deutz Engine Only)	
554	Not Required	0	Not Required	
558	1001102290	1	Receptacle, Female - 2 Position (Deutz Engine Only)	
558	1001102291	2	Pin, Female (Deutz Engine Only)	
558	1001102304	2	Seal, Terminal (Deutz Engine Only)	
561	4461157	1	Receptacle, Female - 2 Position	
561	4460979	2	Pin, Male	
561	4460458	2	Seal, Terminal	
562	2902443	1	Receptacle Kit (Deutz Engine Only)	
562	4461071	8	Socket, Female (Gold)	
562	4461072	1	Receptacle 8 Position with Mounting Flange	
562	4461073	1	Cap, Dust	
562	4461074	1	Shell	
		Ref	STANDARD HARNESS COMPONENTS	
601		Ref	Battery Cable Kit Options:	
601	1001112762	1	Caterpillar Engines	
601	2902401	1	Deutz Engines	

SECTION 7 - ELECTRICAL

ITEM	PART NUMBER	QTY	DESCRIPTION	REV
601A		Ref	Cable, Battery (Red) Options (Includes Item 601E):	
601A	7027028	1	Caterpillar Engines (Kit p/n 1001112762)	
601A	1001116288	1	Deutz Engines (2 Relays) (Kit p/n 2902401) (was p/n 7027027)	
601A	1001116287	1	Deutz Engines (3 Relays) (Kit p/n 2902401) (was p/n 7027027)	
601B		Ref	Cable, Battery (Black) Options:	
601B	7027029	1	Caterpillar Engines (Kit p/n 1001112762)	
601B	7027004	1	Deutz Engines (Kit p/n 2902401)	
601B	7027018	1	GM Engines (Kit p/n 2902533)	
601C		Ref	Cable, Battery (Red) Options:	
601C	7027030	1	Caterpillar Engines (Kit p/n 1001112762)	
601C	7016824	1	Deutz Engines (Kit p/n 2902401)	
601D		Ref	Cable, Battery (Black) Options:	
601D	7027031	1	Caterpillar Engines (Kit p/n 1001112762)	
601D	7016825	1	Deutz Engines (Kit p/n 2902401)	
601E	See Note	1	Cable, Battery (Red) (Note: Use Item 601A)	
602	1001112071	1	Harness, Caterpillar Engine	B
602	70004318	1	Fuse 5 Amp (at Fuse Box F1)	
602	70004319	3	Fuse 10Amp (at Fuse Box F2, F3 and F4)	
602	70004316	1	Relay, Starter (at Fuse Box)	
602	70004317	2	Relay, Shut-Off and Glow Plug Control 25Amp (at Fuse Box)	
602A	70020808	1	Plug, Male 23 Position	
602A	4460871	16	Socket, Female	
602B	4460891	2	Plug, Male 2 Position	
602B	4460465	4	Socket, Female	
602C	See Note	1	Connector 8 Position (Note: Not Available for Purchase)	
602C	See Note	2	Terminal (Note: Not Available for Purchase)	
602C	See Note	1	Lock (Note: Not Available for Purchase)	
602C	See Note	1	Cap (Note: Not Available for Purchase)	
602C	4460916	6	Seal, Plug	
602D	4460894	1	Plug, Male 6 Position	
602D	4460465	5	Socket, Female	
602D	4460466	1	Plug, Seal	
602E	See Note	1	Connector 3 Position (Note: Not Available for Purchase)	
602E	See Note	3	Terminal (Note: Not Available for Purchase)	
602F	See Note	1	Connector 5 Position (Note: Not Available for Purchase)	
602F	See Note	5	Terminal (Note: Not Available for Purchase)	
602F	See Note	AR	Seal (Note: Not Available for Purchase)	
603	See Note	AR	Deutz Engine Harness Components (Deutz Engine Machines Only) (Note: Not Available for Purchase)	
603A	7027796	1	Deutz Engine Harness	
603B	See Note	1	Receptacle, Female - 25 Position (Note: Not Available for Purchase)	
603C	7027793	1	Plug-In, Connector	
603D	70001872	1	Deutz Engine Harness (For other replacement parts refer to Deutz engine dealer)	
603E	4923379	1	Deutz Glow Plugs Harness	
603F	1060904	1	Deutz Jumper Harness	
604	See Note	1	Pump Harness (Note: Not Available for Purchase)	
604A	7007497	1	Plug (Pump End)	
604B	7007498	1	Plug (Engine Harness End)	

SECTION 7 - ELECTRICAL

ITEM	PART NUMBER	QTY	DESCRIPTION	REV
605	4360517	1	Proximity Switch Harness (Includes Switch)	
605A	4460320	1	Plug, Male 2 Position	
605A	4460227	2	Pin, Male	
606	0257887	1	Alarm Harness (Includes Alarm)	
606A	4460424	1	Plug, Male - 2 Position	
606A	4460268	2	Socket, Female	
607	4360498	2	Proximity Switch Harness (Includes Switch)	
608	4360499	2	Proximity Switch Harness (Includes Switch)	
609	1001094400	Ref	Tilt Sensor Harness (Includes Sensor)	C
609A	4461077	1	Plug, Male 4 Position	
609A	4460918	6	Socket, Female (Gold)	
		Ref	OPTIONAL HARNESS COMPONENTS	
701	4921928	1	4WS Valve Harness	E
701A	4460268	3	Socket, Female	
701B	4460445	1	Connector, Female - 3 Position	
701C	4460499	2	Connector, DIN with Diode	
702	4921927	1	Jib Valve Harness (800AJ Only)	F
702A	4460326	1	Plug, Male - 3 Position	
702B	4460267	3	Pin, Male	
702C	4460499	2	Connector, DIN with Diode	
703	0272507	1	Strobe Light Harness (Includes Strobe Light)	
703A	4460320	1	Connector, Female - 2 Position	
703A	4460267	2	Pin, Male	
704		Ref	AC to Platform Receptacle Components Options:	
704		Ref	Without Generator:	
704	0256202	Ref	110/220V Receptacle (Locally Supplied Box and Receptacle)	5
704	1001091969	Ref	110V with IEC Yellow Receptacle and Plug and Circuit Breaker	B
704	1001091970	Ref	220V with IEC Blue Receptacle and Plug and Circuit Breaker	B
704	1001091971	Ref	220V with CEE 7 Post Ground Receptacle and Plug and Circuit Breaker (70mm x 70mm Box)	B
704	1001091972	Ref	220V with CEE 7 Side Ground Receptacle and Plug and Circuit Breaker (70mm x 70mm Box)	B
704	1001091973	Ref	220V with CEE 7 Post Ground Receptacle and Plug and Circuit Breaker (2x4 Box)	C
704	1001091974	Ref	220V with CEE 7 Side Ground Receptacle and Plug and Circuit Breaker (2x4 Box)	C
704	1001091975	Ref	220V with AFSINT 107 Keyed Ground Receptacle and Plug and Circuit Breaker (2x4 Box)	C
704	1001092145	Ref	AC Cable with Breaker	D
704		Ref	With Generator:	
704	1001100326	Ref	110V with IEC Yellow Receptacle and Plug and Circuit Breaker	B
704	1001092145	Ref	110V AC Cable with Breaker	D
704	1001100327	Ref	220V with IEC Blue Receptacle and Plug and Circuit Breaker	B
704	1001100328	Ref	220V with CEE 7 Post Ground Receptacle and Plug and Circuit Breaker (70mm x 70mm Box)	B
704	1001100329	Ref	220V with CEE 7 Side Ground Receptacle and Plug and Circuit Breaker (70mm x 70mm Box)	B
704	1001100331	Ref	220V with CEE 7 Post Ground Receptacle and Plug and Circuit Breaker (2x4 Box)	B
704	1001100333	Ref	220V with CEE 7 Side Ground Receptacle and Plug and Circuit Breaker (2x4 Box)	B
704	1001100337	Ref	220V with AFSINT 107 Keyed Ground Receptacle and Plug and Circuit Breaker (2x4 Box)	B
704	1001109558	Ref	220V AC Cable With Breaker	A

SECTION 7 - ELECTRICAL

ITEM	PART NUMBER	QTY	DESCRIPTION	REV
704A		Ref	Box, Switch Options:	
704A	0860038	1	0256202 Installation	
704A	0861781	1	1001091969, 1001091970, 1001100326 & 1001100327 Installations	
704A	See Note	1	1001091971, 1001091972, 1001100328 & 1001100329 Installations (Note: Was p/n 0861782 which is no longer available. Use p/n 1001100344 CEE 7 Side Ground Service Kit or p/n 1001100343 CEE 7 Post Ground Service Kit. Kit include Box p/n 1001141967 and items 704B, 704C & 704G)	
704A	0861731	1	1001091973, 1001091972, 1001091974, 1001091975, 1001100331, 1001100333 & 1001100337 Installations	
704A	1001141967	1	1001100343, 1001100344, 1001141970 & 1001141971 Kits	
704B		Ref	Receptacle Options:	
704B	See Note	1	0256202 Installation (Note: Not Available - Purchase Locally)	
704B	4461198	1	1001091969 & 1001100326 Installations	
704B	4461201	1	1001091970 & 1001100327 Installations	
704B	4461204	NLA	1001091971 & 1001100328 Installations (Use p/n 1001100343)	
704B	4461207	NLA	1001091972 & 1001100329 Installations (Use p/n 1001100344)	
704B	4461244	1	1001091973 & 1001100331 Installations	
704B	4461245	1	1001091974 & 1001100333 Installations	
704B	4461246	1	1001091975 & 1001100337 Installations	
704B	1001141968	1	1001100343 & 1001141971 Kits	
704B	1001141969	1	1001100344 & 1001141970 Kits	
704C		Ref	Shield, Cover Options:	
704C	See Note	1	0256202 Installation (Note: Not Available - Purchase Locally)	
704C	4461198	1	1001091969 & 1001100326 Installations	
704C	4461201	1	1001091970 & 1001100327 Installations	
704C	4461204	NLA	1001091971 & 1001100328 Installations (Use p/n 1001100343)	
704C	4461207	NLA	1001091972 & 1001100329 Installations (Use p/n 1001100344)	
704C	4461244	1	1001091973 & 1001100331 Installations	
704C	4461245	1	1001091974 & 1001100333 Installations	
704C	4461246	1	1001091975 & 1001100337 Installations	
704C	1001141968	1	1001100343 & 1001141971 Kits	
704C	1001141969	1	1001100344 & 1001141970 Kits	
704D		Ref	Connector, Strain Relief Options:	
704D	4460051	1	0256202 Installation	
704D	4460968	1	1001091969, 1001091970, 1001091971, 1001091972, 1001100326, 1001100327, 1001100328 & 1001100329 Installations (SN 0300069000 through 0300127291)	
704D	1001101191	1	1001091969, 1001091970, 1001091971, 1001091972, 1001100326, 1001100327, 1001100328 & 1001100329 Installations (SN 0300069000 through 0300127291)	
704D	4460968	1	1001091973, 1001091974 & 1001091975 Installations (SN 0300069000 through 0300108684)	
704D	4460662	1	1001091973, 1001091974, 1001091975, 1001100331, 1001100333 & 1001100337 Installations (SN 0300108685 through 0300127290)	
704D	1001101191	1	1001091973, 1001091974, 1001091975, 1001100331, 1001100333 & 1001100337 Installations (SN 0300127291 through 0300140000)	
704D		Ref	Adapter, Strain Relief Connector Options:	

SECTION 7 - ELECTRICAL

ITEM	PART NUMBER	QTY	DESCRIPTION	REV
704D	Not Required	0	1001091969, 1001091970, 1001091971, 1001091972, 1001100326, 1001100327, 1001100328 & 1001100329 Installations (SN 0300069000 through 0300127290)	
704D	1001101196	1	1001091969, 1001091970, 1001091971, 1001091972, 1001100326, 1001100327, 1001100328 & 1001100329 Installations (SN 0300127291 through 0300140000)	
704D	Not Required	0	1001091973, 1001091974, 1001091975, 1001100331, 1001100333 & 1001100337 Installations (SN 0300069000 through 0300127290)	
704D	1001101197	1	1001091973, 1001091974, 1001091975, 1001100331, 1001100333 & 1001100337 Installations (SN 0300127291 through 0300140000)	
704E	4460709	1	Plug, Male	
704F	4460710	1	Connector, Female	
704G		Ref	Plug, Male Options:	
704G	See Note	1	0256202 Installation (Note: Not Available for Purchase)	
704G	4461196	1	1001091969 Installation	
704G	4461199	1	1001091970 Installation	
704G	4461202	1	1001091971, 1001091973 Installations & 1001100343 & 1001141971 Kits	
704G	4461205	1	1001091972, 1001091974 Installations & 1001100344 & 1001141970 Kits	
704G	4461249	1	1001091975 Installation	
704G	Not Required	0	1001100326, 1001100327, 1001100328, 1001100329, 1001100331, 1001100333 & 1001100337 Installations	
704H	0903484	1	Bracket, Receptacle Box Mounting (Required Only on CE Spec Installations except 0256202 Installation)	
704J	0903697	1	Bracket, Circuit Breaker Mounting (Required Only on CE Spec Installations except 0256202 Installation)	
704K		Ref	Kit, Box and Breaker (Includes Items Indented Below and Items 704L, 704M, 704N & 704P) (Required on All CE Spec Installations except 0256202 Installation):	
704K	1001109654	AR	Without Generator	A
704K	1001109654	AR	With 110V Generator	A
704K	1001109648	AR	With 220V Generator	A
704K		Ref	Circuit Breaker Options:	
704K	See Note	1	Without Generator (Note: For machines equipped with a single circuit breaker use both p/ns 1001109475 & 1001109482 as replacement)	
704K	1001109475	1	Circuit Breaker, 16A	
704K	1001109482	1	Circuit Breaker, 30MA RCD	
704K		Ref	With 110V Generator	
704K	1001109475	1	Circuit Breaker, 16A	
704K	1001109482	1	Circuit Breaker, 30MA RCD	
704K		Ref	With 220V Generator	
704K	1001109477	1	Circuit Breaker, 10A	
704K	1001109482	1	Circuit Breaker, 30MA RCD	
704K	0861880	1	Breaker Box	
704K	4460956	1	Barrier, Terminal Block End	
704L	4460957	1	Block, Terminal	
704M	1060908	12 ft/3.6m	Cable, 12/3 Extension	
704N	1001097150	1	Connector, Strain Relief	
704P	1001101191	1	Connector, Strain Relief	
		Ref	Plug and Socket Kit Options (Not Shown):	
		Ref	Without Generator:	

SECTION 7 - ELECTRICAL

ITEM	PART NUMBER	QTY	DESCRIPTION	REV
	0275216	1	Receptacle Box Kit (110V IEC Yellow) (Includes Items 704A, 704B, 704C & 704G) (1001091969 Installation)	1
	0275217	1	Receptacle Box Kit (220V IEC Blue) (Includes Items 704A, 704B, 704C & 704G) (1001091970 Installation)	1
	0275218	NLA	Receptacle Box Kit (220V CEE 7 Post Ground) (Includes Items 704A, 704B, 704C & 704G) (1001091971 Installation) (Use p/n 1001100343)	1
	0275219	NLA	Receptacle Box Kit (220V CEE 7 Side Ground) (Includes Items 704A, 704B, 704C & 704G) (1001091972 Installation) (Use p/n 1001100344)	1
	0275452	1	Receptacle Box Kit (220V CEE 7 Post Ground) (Includes Items 704A, 704B, 704C & 704G) (1001091973 Installation)	1
	0275453	1	Receptacle Box Kit (220V CEE 7 Side Ground) (Includes Items 704A, 704B, 704C & 704G) (1001091974 Installation)	1
	0275454	1	Receptacle Box Kit (220V AFSINT 107 Keyed Ground) (Includes Items 704A, 704B, 704C & 704G) (1001091975 Installation)	1
		Ref	With Generator:	
	1001100341	1	Receptacle Box Kit (110V IEC Yellow) (Includes Items 704A, 704B, 704C & 704G) (1001100326 Installation)	2
	1001100342	1	Receptacle Box Kit (220V IEC Blue) (Includes Items 704A, 704B, 704C & 704G) (1001100327 Installation)	2
	1001091971	NLA	Receptacle Box Kit (220V CEE 7 Post Ground) (Includes Items 704A, 704B, 704C & 704G) (1001100328 Installation) (Use p/n 1001100343 Kit)	B
	1001091970	NLA	Receptacle Box Kit (220V CEE 7 Side Ground) (Includes Items 704A, 704B, 704C & 704G) (1001100329 Installation) (Use p/n 1001100344 Kit)	B
	1001100345	1	Receptacle Box Kit (220V CEE 7 Post Ground) (Includes Items 704A, 704B, 704C & 704G) (1001100331 Installation)	2
	1001100347	1	Receptacle Box Kit (220V CEE 7 Side Ground) (Includes Items 704A, 704B, 704C & 704G) (1001100333 Installation)	3
	1001100346	1	Receptacle Box Kit (220V AFSINT 107 Keyed Ground) (Includes Items 704A, 704B, 704C & 704G) (1001100337 Installation)	2
706		Ref	Generator Electrical Components	
706	1001112743		50Hz Wiring Diagram	A
706A	4922641	1	Harness - On/Off Switch	A
706B	4460226	2	Socket, Female	
706C	1001112589	1	Harness, Powermite Control Box to Relay Options:	A
706D	4460374	1	Connector, Seal Relay	
706D	4460705	4	Terminal	
706E	4460742	1	Connector, Male - 2 Position	
706E	4460743	2	Socket, Female	
706E	4460458	2	Seal	
706 Fto 707	Not Required	0	Not Required	
708	1001094509	1	Generator Hourmeter Harness	A
709		Ref	7500W SKYPOWER GENERATOR INSTALLATION	
709	1001115400	Ref	50Hz Spec and Caterpillar Engine	A
709	1001115389	Ref	50Hz Spec and Deutz Engine	A
		Ref	Note: SkyPower Generator is Standard On ANSI and CSA Specs. Optional on All Other Specs.	
709A	See Note	1	Receptacle (Note: Not Available - Purchase Locally)	
709B	See Note	2	Gasket (Note: Not Available - Purchase Locally)	
709C	See Note	1	Cover, Receptacle (Note: Not Available - Purchase Locally)	
709D	See Note	1	Cover, Receptacle (Note: Not Available - Purchase Locally)	

SECTION 7 - ELECTRICAL

ITEM	PART NUMBER	QTY	DESCRIPTION	REV
709E	See Note	1	Receptacle (Note: Not Available for Purchase)	
709F	4460051	1	Connector, Strain Relief	
709G	4460071	1	Connector, Strain Relief	
709H	4922925	1	Harness, Generator	A
709J	4460225	1	Plug, Male - 6 Position	
709J	4460226	6	Socket, Female	
709K	See Note	1	Plug, Male - 6 Position (Note: Not Available for Purchase)	
709K	See Note	6	Socket, Female (Note: Not Available for Purchase)	
710	0861567	Ref	7500W SkyPower Generator Junction Box Components	B
710A	See Note	2 ft/.6m	Cable, Electrical 12/3 (Note: Not Available for Purchase)	
710B	See Note	2.5 ft /.76m	Cable, Electrical 10/3 (Note: Not Available for Purchase)	
710C	Not Required	0	Not Required	
710D	4460425	2	Connector, Strain Relief	
710E		Ref	Component Options:	
710E	4460426	1	Connector, Strain Relief	
710E	3520189	1	Plug	
710F	Not Required	0	Not Required	
711		Ref	7500W Generator Electrical Diagram Components	
711	1001112586	Ref	Caterpillar and Deutz Engine Machines	C
711	4933349	Ref	GM Engine Machines	1-A
711A		Ref	Generator Harness Options:	
711A	1001112587	1	Caterpillar and Deutz Engine Machines	A
711B	4460374	2	Plug, Sealed Relay	
711B	4460375	AR	Terminal	
711C	4460967	1	Plug, Male - 3 Position	
711C	4460465	3	Socket, Female	
711D	2400060	1	Fuseholder	
711D	2400064	1	Fuse - 5 Amp	
711E	4460742	1	Connector, Male - 2 Position	
711E	4460743	2	Socket, Female	
711E	4460458	2	Seal	
711F	4922641	1	Switch Harness	A
711G	4460226	2	Socket, Female	
712	See Note	1	Lights Harness (Note: Not Available for Purchase)	
712	1060341	48 ft /14.6m	Cable, Electrical - 16/2	
712A	3740049	1	Relay	
712B	4922643	1	Harness, Bagged (Located at Ground Control Box) (Not Shown)	
712C	4460426	1	Connector, Strain Relief	
713		Ref	Platform Worklights Components	
713A		Ref	Platform Worklights Harness (External) Options (Includes Light and Wire Only):	
713A	2920140	2	Non-UL Spec Machines	
713A	2920095	2	UL Machines	
713B	1001098234	AR	Connector, Female - 3 Position	
713C	1001098349	1	Connector, Male - 3 Position (Platform Worklights Only)	
713D		Ref	Connector, Strain Relief Options:	
713D	4460426	1	Non-UL Spec Machines	
713D	4460598	1	UL Machines	
713E	2400070	AR	Fuse - 20 Amp	
713F		Ref	Platform Worklights Main Boom Harness Options:	

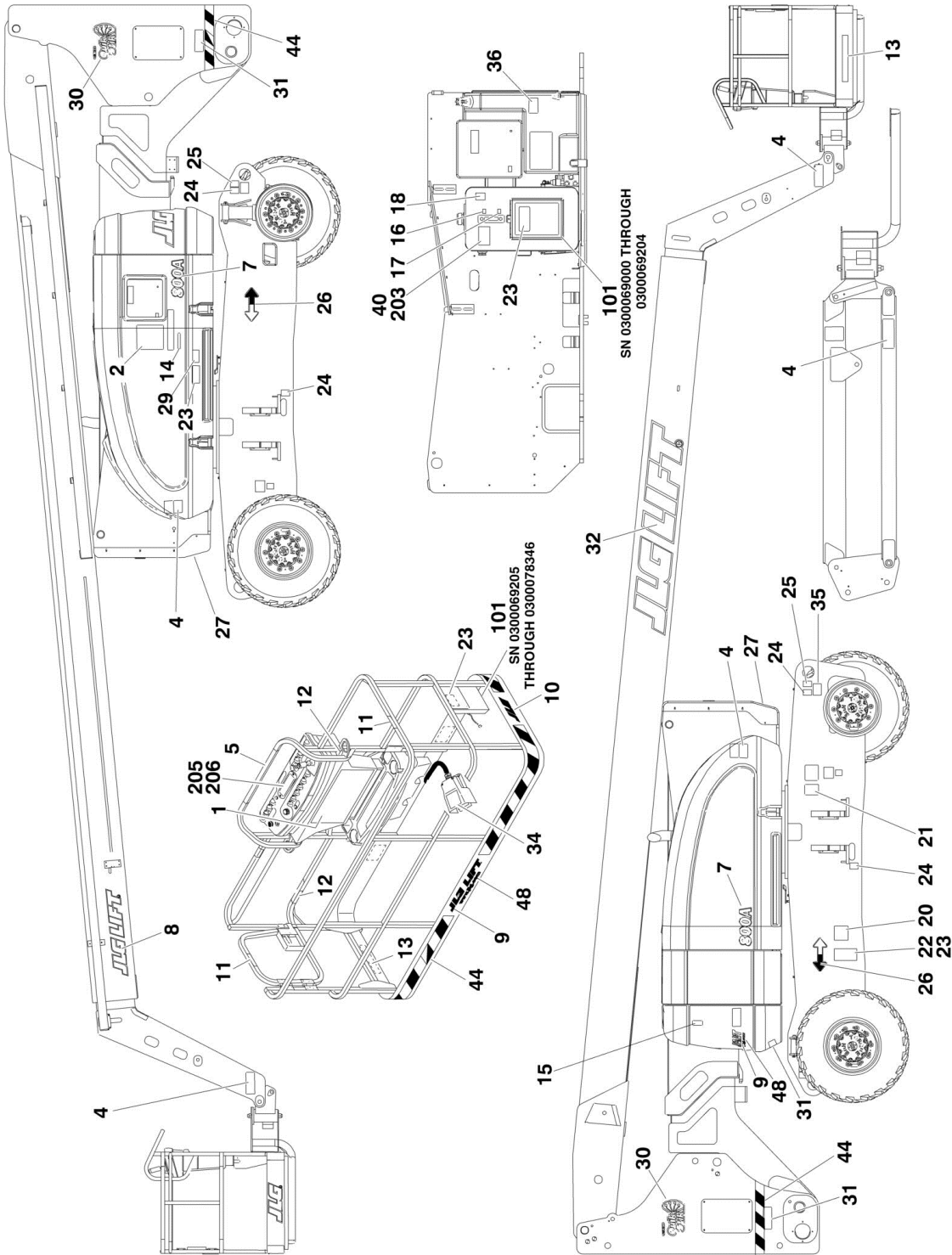
SECTION 7 - ELECTRICAL

ITEM	PART NUMBER	QTY	DESCRIPTION	REV
713F	4922215	1	Platform Worklights Main Boom Harness 800A	
713F	4922216	1	Platform Worklights Main Boom Harness 800AJ	
713F	1060708	Ref	Cable, Electrical - 10/3 Options:	
713F	1060708	67 ft /20.4m	Cable, Electrical - 10/3 800A	
713F	1060708	64 ft /19.5m	Cable, Electrical - 10/3 800AJ	
713G	4922217	1	Platform Worklights Tower Boom Harness	
713G	1060708	39 ft /11.9m	Cable, Electrical - 10/3	
714	See Note	1	Soft Touch System Harness (Note: Not Available for Purchase)	
714A	1060341	23 ft/7.1m	Cable, Electrical - 16/2	
714B		Ref	Connector, Strain Relief Options:	
714B	4460425	1	6ft Platforms	
714B	4460049	1	8ft Platforms	
714C	4460226	2	Socket, Female	
		Ref	TOOLS	
801	7002821	1	Crimper (For Wire to Pin/Socket Connections) (Not Shown)	
802	7002823	1	Extractor (For Removal of Pin/Socket from Connectors) (Not Shown)	
803	4460467	1	Extractor, Pin (Blue 16-18 Gauge) (For Removal of Pin/Socket from Connectors) (Not Shown)	
803	4460510	1	Extractor, Pin (Yellow 12-14 Gauge) (For Removal of Pin/Socket from Connectors) (Not Shown)	
804	7002828	1	Stripper, Wire (Not Shown)	
805	1600244	1	Analyzer	
805A	1060633	1	Cable, Analyzer	1-A
805B	4460321	2	Plug, Male	
805B	4460226	8	Socket, Female	

SECTION 8 - DECALS

SECTION 8 - DECALS

FIGURE 8-1. DECAL INSTALLATION (SN 0300069000 through 0300078345)



SECTION 8 - DECALS

FIGURE 8-1. DECAL INSTALLATION (SN 0300069000 through 0300078345)

ITEM	PART NUMBER	QTY	DESCRIPTION	REV
		Ref	STANDARD DECAL INSTALLATIONS	
	0271038	Ref	JLG Logo	3
	0258515	Ref	Australian Spec 800A	7
	0258516	Ref	Australian Spec 800AJ	7
	0258521	Ref	Dutch Spec 800A	8
	0258522	Ref	Dutch Spec 800AJ	7
	0258525	Ref	French Spec 800A	8
	0258526	Ref	French Spec 800AJ	7
	0258519	Ref	German Spec 800A	7
	0258520	Ref	German Spec 800AJ	8
	0258523	Ref	Italian Spec 800A	7
	0258524	Ref	Italian Spec 800AJ	8
	0273179	Ref	Norwegian Spec 800A	3
	0273180	Ref	Norwegian Spec 800AJ	3
	0258527	Ref	Spanish Spec 800A	7
	0258528	Ref	Spanish Spec 800AJ	7
	0258517	Ref	UK Spec 800A	7
	0258518	Ref	UK Spec 800AJ	7
1		Ref	Decal - Danger/Warning Options:	
1	1703992	1	Australian Spec	
1	1703913	1	Dutch Spec	
1	1703917	1	French Spec	
1	1703799	1	German Spec	
1	1703915	1	Italian Spec	
1	1705254	1	Norwegian Spec	
1	1703919	1	Spanish Spec	
1	1703806	1	UK Spec	
2		Ref	Decal - Danger/Warning Options:	
2	1703807	1	Australian Spec	
2	1703914	1	Dutch Spec	
2	1703918	1	French Spec	
2	1703800	1	German Spec	
2	1703916	1	Italian Spec	
2	1705255	1	Norwegian Spec	
2	1703920	1	Spanish Spec	
2	1703807	1	UK Spec	
4	1701518	4	Decal - Warning/Crushing	
7		Ref	Decal - Model Options:	
7	1703772	2	Decal - Model 800A	
7	1703773	2	Decal - Model 800AJ	
8		Ref	Decal - JLG Lift Options:	
8	1702860	1	Decal - JLG Lift (5in) (SN 0300069000 through 0300070118)	
8	1702861	1	Decal - JLG Lift (8in) (SN 0300070119 through 0300078346)	
9	1702774	2	Decal - JLG Lift (3-1/2in)	
10	1702773	2	Decal - JLG (5in)	
12	1704277	AR	Decal - Attach Lanyard Here	
13		Ref	Decal - 500LBS Max Capacity Options:	
13	1704097	1	Australian Spec 800A	
13	Not Required	0	Australian Spec 800AJ	
13	Not Required	0	Dutch/French/German/Italian/Norwegian/Spanish/UK Spec	

SECTION 8 - DECALS

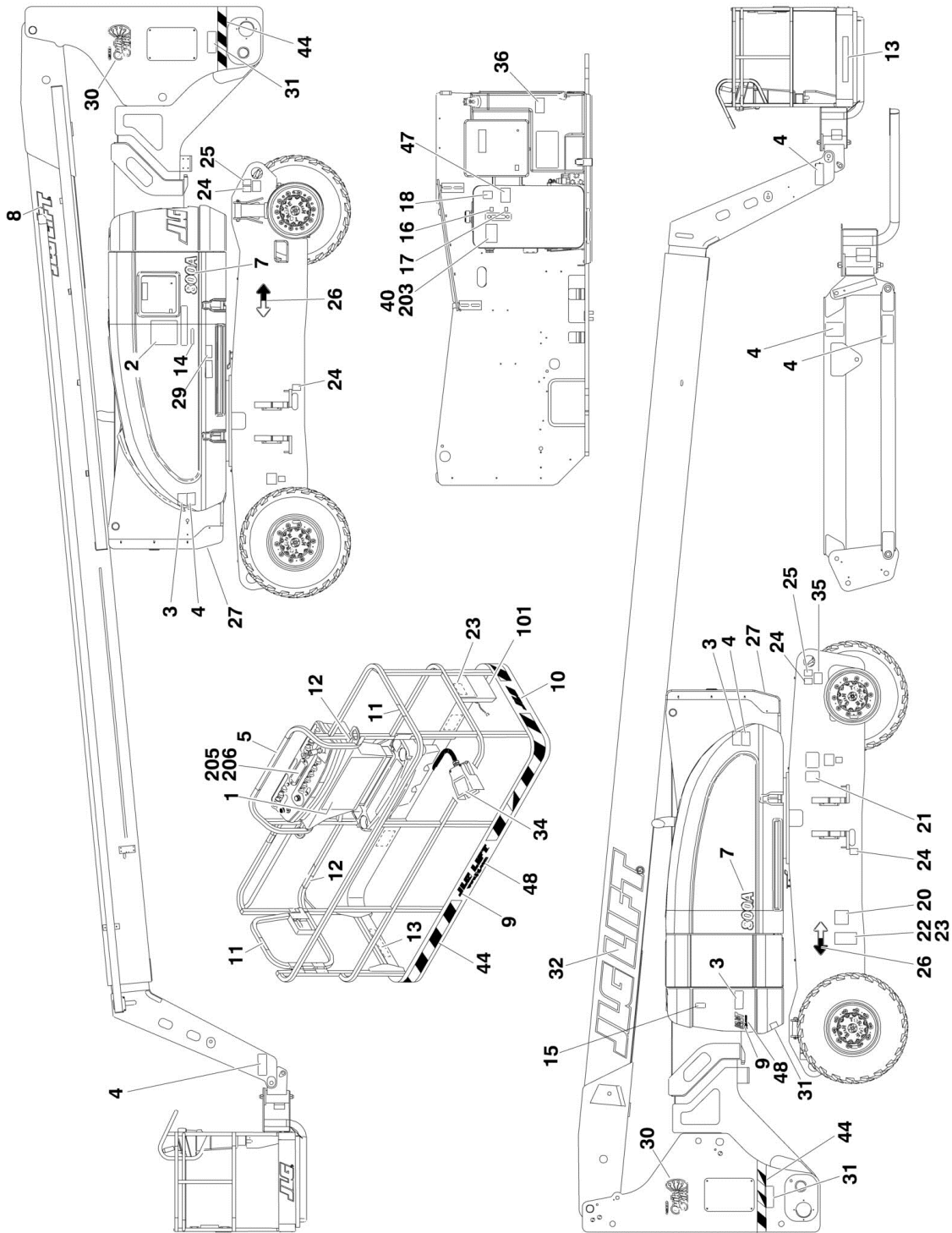
ITEM	PART NUMBER	QTY	DESCRIPTION	REV
14		Ref	Decal - 500LBS Max Capacity Options:	
14	1704105	1	Australian Spec 800A	
14	Not Required	0	Australian Spec 800AJ	
14	Not Required	0	Dutch/French/German/Italian/Norwegian/Spanish/UK Spec	
15		Ref	Decal Options:	
15	Not Required	0	Australian Spec	
15	1705084	1	Decal - Sound Power Level (Dutch/French/German/Italian/Norwegian/Spanish/UK Spec	
16	1701502	1	Decal - High Oil Level	
17	1701503	1	Decal - Low Oil Level	
18	1701504	1	Decal - Hydraulic Oil	
20	See Note	1	Decal - Bar Code (Note: Not Available for Purchase)	
21	1700584	1	Decal - Patent	
22	See Note	1	Nameplate - Serial Number (Note: Not Available for Purchase)	
23	1701509	1	Decal - Manual	
24	1702300	4	Decal - Tie Down/Lift	
25	1701500	4	Decal - Tie Down/Lift	
26	1701501	4	Decal- Arrow	
27		Ref	Nameplate - Voltage Options:	
27	1705325	1	110V	
27	3252507	1	220V	
30	1703959	2	Decal - Qucik Stick	
31	1701518	3	Decal - Warning/Crushing	
32	1702862	1	Decal - JLG Lift	
33	3820001	4	Rivet	
34		Ref	Decal - Footswitch	
34	3252347	1	Australian/UK Spec (Part of 4360031 Footswitch)	
34	1703518	1	Dutch Spec	
34	1693292	1	French Spec	
34	1693294	1	Dutch Spec	
34	1701600	1	Italian Spec	
34	1705275	1	Norwegian Spec	
34	1701791	1	Spanish Spec	
35	1703960	4	Decal - Max Tire Load	
36	1701505	1	Decal - Fuel	
40		Ref	Decal - Upright Level Override	
40	1702265	NLA	Australian/UK Spec (Use p/n 1705977)	
40	1702268	NLA	Dutch Spec (Use p/n 1705977)	
40	1702270	NLA	French Spec (Use p/n 1705977)	
40	1702267	NLA	Dutch Spec (Use p/n 1705977)	
40	1702269	NLA	Italian Spec (Use p/n 1705977)	
40	1705240	1	Norwegian Spec	
40	1702266	NLA	Spanish Spec (Use p/n 1705977)	
44	4420051	23.1 ft/7m	Decal - Warning Stripes	
48	1704885	2	Decal - Website	
	0258671	Ref	MANUAL STORAGE BOX INSTALLATION	B
101	0860520	1	Box, Manual Storage	
101	1060279	1	Cable, Lanyard	
101	0641408	1	Bolt 1/4in-20NC x 1in	
101	0641406	1	Bolt 1/4in-20NC x 3/4in	
101	4751400	6	Flatwasher 1/4in	
101	3311405	5	Locknut 1/4in-20NC	

SECTION 8 - DECALS

ITEM	PART NUMBER	QTY	DESCRIPTION	REV
	1001093187	Ref	TILT SENSOR INSTALLATION	C
203	1705977	1	Decal - Upright Level Over Ride	
205	1707111	1	Decal - Platform Display (Australian Spec Only)	
206	1707113	1	Decal - Platform Display (CE Spec Only)	

SECTION 8 - DECALS

FIGURE 8-2. DECAL INSTALLATION (SN 0300078346 through 0300089982)



SECTION 8 - DECALS

FIGURE 8-2. DECAL INSTALLATION (SN 0300078346 through 0300089982)

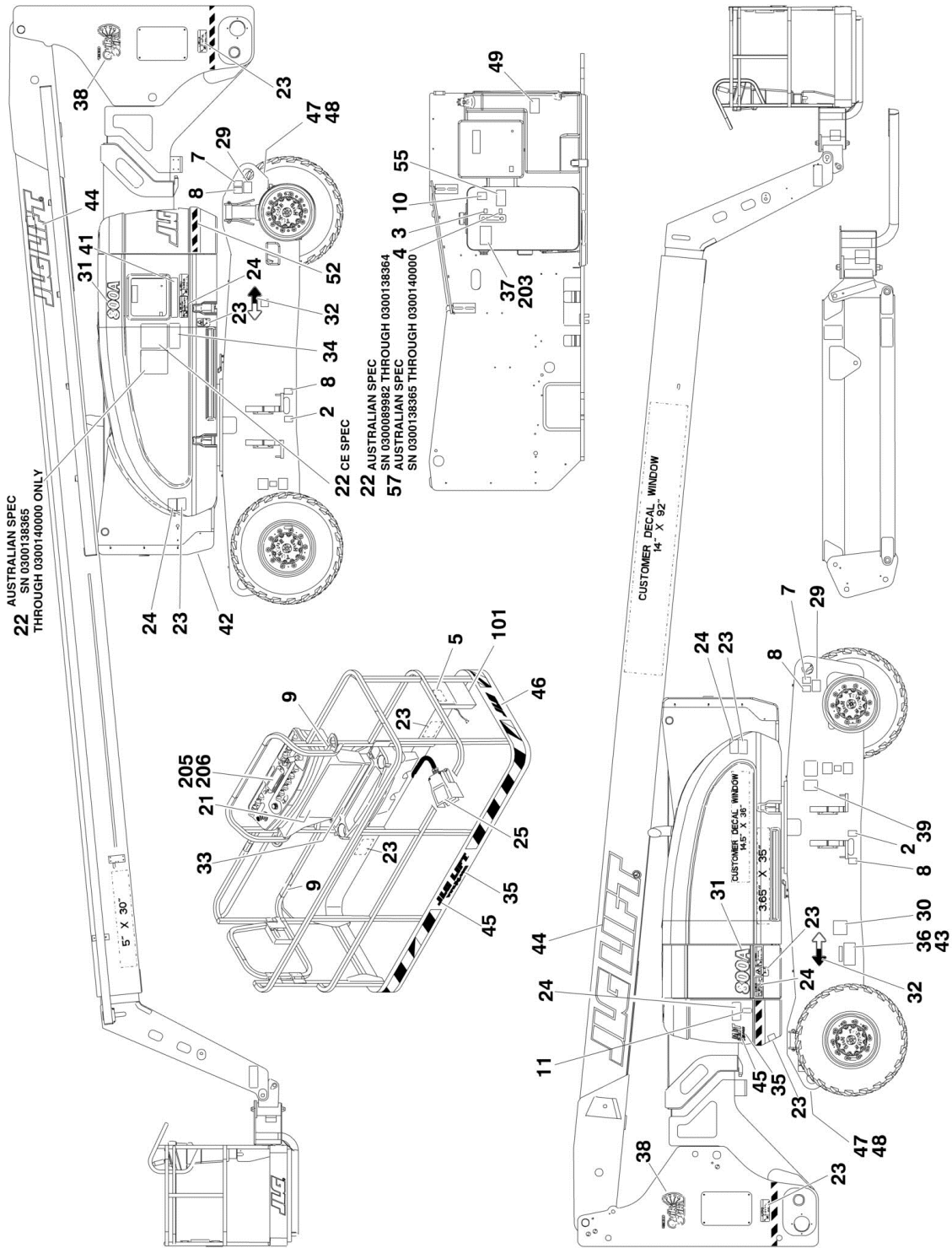
ITEM	PART NUMBER	QTY	DESCRIPTION	REV
		Ref	STANDARD DECAL INSTALLATIONS	
	0271038	Ref	JLG Logo	3
	0273924	Ref	Australian Spec 800A	2
	0273925	Ref	Australian Spec 800AJ	2
	0273920	Ref	CE Spec 800A	2
	0273921	Ref	CE Spec 800AJ	2
1	1705921	1	Decal - Danger/Caution (Platform)	
2	1705822	1	Decal - Danger/Caution (Ground) Options:	
3	1705961	3	Decal - Electrocution	
4	1701518	4	Decal - Warning/Crushing	
7		Ref	Decal - Model Options:	
7	1703772	2	Decal - Model 800A	
7	1703773	2	Decal - Model 800AJ	
8	1702861	1	Decal - JLG Lift (8in)	
9	1702774	2	Decal - JLG Lift (3 1/2in)	
10	1702773	2	Decal - JLG (5in)	
12	1704277	3	Decal - Attach Lanyard Here	
13		Ref	Decal - 500LBS Max Capacity Options:	
13	1704097	1	Australian Spec 800A	
13	1705978	1	Australian Spec 800AJ	
13	1705978	1	CE Spec 800A/800AJ	
15		Ref	Decal Options:	
15	Not Required	0	Australian Spec	
15	1705084	1	Decal - Sound Power Level (CE Spec)	
16	1701502	1	Decal - High Oil Level	
17	1701503	1	Decal - Low Oil Level	
18	1701504	1	Decal - Hydraulic Oil	
20	See Note	1	Decal - Bar Code (Note: Not Available for Purchase)	
21	1700584	1	Decal - Patent	
22	See Note	1	Nameplate - Serial Number (Note: Not Available for Purchase)	
23	1701509	1	Decal - Manual	
24	1702300	6	Decal - Tie Down /Lift	
25	1701500	4	Decal - Tie Down /Lift	
26	1701501	4	Decal- Arrow	
27		Ref	Nameplate - Voltage Options:	
27	3251242	1	220V-50Hz (Australian Spec)	
27	Not Required	0	CE Spec	
30	1703959	2	Decal - Quick Stick	
31	1701518	3	Decal - Warning/Crushing	
32	1702862	1	Decal - JLG Lift	
33	3820001	4	Rivet	
34	1705828	1	Decal - Footswitch	
35	1703960	4	Decal - Max Tire Load	
36	1701505	1	Decal - Fuel	
40	1705977	1	Decal - Upright Level Override	
44	4420051	23.1 ft/7m	Decal - Warning Stripes	
45	1703175	1	Decal - Lanyard Attach (GM K-1 Spec)	
46	1702962	1	Decal - Warning Prop 65 (Diesel)	
47		Ref	Decal - Bio Hydraulic Fluid Options:	
47	1702788	1	Australian Spec/CE Spec	

SECTION 8 - DECALS

ITEM	PART NUMBER	QTY	DESCRIPTION	REV
47	1703479	1	German Spec	
48	1704885	2	Decal - Website	
	0258671	Ref	MANUAL STORAGE BOX INSTALLATION	B
101	0860520	1	Box, Manual Storage	
101	1060279	1	Cable, Lanyard	
101	0641408	1	Bolt 1/4in-20NC x 1in	
101	0641406	1	Bolt 1/4in-20NC x 3/4in	
101	4751400	6	Flatwasher 1/4in	
101	3311405	5	Locknut 1/4in-20NC	
	1001093187	Ref	TILT SENSOR INSTALLATION	C
203	1705977	1	Decal - Upright Level Over Ride	
205	1707111	1	Decal - Platform Display (Australian Spec Only)	
206	1707113	1	Decal - Platform Display (CE Spec Only)	

SECTION 8 - DECALS

FIGURE 8-3. DECAL INSTALLATION (SN 0300089982 through 0300140000)



SECTION 8 - DECALS

FIGURE 8-3. DECAL INSTALLATION (SN 0300089982 through 0300140000)

ITEM	PART NUMBER	QTY	DESCRIPTION	REV
		Ref	STANDARD DECAL INSTALLATIONS	
	0274519	Ref	JLG Logo	2
	0274474	Ref	Australian Spec 800A (SN 0300089982 through 0300138364)	3
	1001114373	Ref	Australian Spec 800A (SN 0300138365 through 0300140000)	1
	0274475	Ref	Australian Spec 800AJ (SN 0300089982 through 0300138364)	3
	1001114374	Ref	Australian Spec 800AJ (SN 0300138365 through 0300140000)	1
	0274474	Ref	CE Spec 800A	3
	0274475	Ref	CE Spec 800AJ	3
		Ref	Note: All Machines should have been updated to new Tilt Sensor Upright Installation p/n 0275733.	
2	1701499	2	Decal - No Tie Down/Lift	
3	1701502	1	Decal - High Oil Level (SN 0300089982 through 0300134564)	
4	1701503	1	Decal - Low Oil Level (SN 0300089982 through 0300134564)	
5	1701509	1	Decal - Manual	
7	1703811	4	Decal - Tie Down/Lift	
8	1703814	6	Decal - Tie Down	
9	1704277	3	Decal - Attach Lanyard Here	
10	1704412	1	Decal - Hydraulic Oil Chart	
11	1705084	1	Decal - Sound Power Level	
21	1705921	1	Decal - Tipping/Electrical (PLF)	
22	1705822	1	Decal - Electrical/Safety Manual	
23	1701518	10	Decal - Warning Crushing	
24	1705961	5	Decal - Danger Electrocution	
25	1705828	1	Decal - Footswitch	
29	1703960	4	Decal - Max Tire Load	
30	See Note	1	Decal - Bar Code (Note: Not Available for Purchase)	
31		Ref	Decal Options:	
31	1703772	2	Decal - 800A	
31	1703773	2	Decal - 800AJ	
32	1701501	4	Decal - Arrow	
33	1705978	2	Decal Capacity	
34	1705978	1	Decal Capacity	
35	1704885	2	Decal - Website	
36	See Note	1	Nameplate, Manufactures (Note: Not Available for Purchase)	
37	1705977	1	Decal - Upright Level Override	
38	1703959	2	Decal - Qucik Stick	
39	1700584	1	Decal - Patent	
42	3251242	1	Nameplate 240V-50Hz	
43	3820001	2	Rivet	
44	1702861	2	Decal - JLG Lift (8in Height)	
45	1702774	1	Decal - JLG Lift (3-1/2in Height)	
46	1702773	1	Decal - JLG (5in Height)	
47	3250872	1	Nameplate - Steer/Tow Selector	
48	1705090	1	Decal - Towing Instructions	
49	1701505	1	Decal - Fuel	
52	4420051	1	Decal - Safety Striping	
55		Ref	Decal - Bio Hydraulic Fluid Options:	
55	1702788	1	CE/Australian Spec	
55	1703479	1	German Spec	
57		Ref	Decal - Emergency Controls Options:	

SECTION 8 - DECALS

ITEM	PART NUMBER	QTY	DESCRIPTION	REV
57	Not Required	0	Australian Spec (SN 0300089982 through 0300138364)	
57	1001112551	AR	Australian Spec (SN 0300138365 through 0300140000)	
57	Not Required	0	CE Spec	
	0258671	Ref	MANUAL STORAGE BOX INSTALLATION	B
101	0860520	1	Box, Manual Storage	
101	1060279	1	Cable, Lanyard	
101	0641408	1	Bolt 1/4in-20NC x 1in	
101	0641406	1	Bolt 1/4in-20NC x 3/4in	
101	4751400	6	Flatwasher 1/4in	
101	3311405	5	Locknut 1/4in-20NC	
	1001093187	Ref	TILT SENSOR INSTALLATION (SN 0300089982 through 0300112885)	C
203	1705977	1	Decal - Upright Level Over Ride	
205	1707111	1	Decal - Platform Display (Australian Spec Only)	
206	1707113	1	Decal - Platform Display (CE Spec Only)	

SECTION 9 - RECOMMENDED SERVICE PARTS STOCK

SECTION 9 - RECOMMENDED SERVICE PARTS STOCK

SECTION 9 - RECOMMENDED SERVICE PARTS STOCK

FIGURE 9-1. MODEL 800A/800AJ STANDARD PARTS

ITEM	PART NUMBER	QTY	DESCRIPTION	REV
	Note	Ref	Note: The following list will service one machine (built to current production per date on the front cover) with emergency repair parts which can be installed in the field. Parts from the list should be replaced when inventory is depleted to keep service parts stock supplied. For further information, contact your JLG dealer or the JLG Industries Parts Department.	
		Ref	STANDARD PARTS	
	2120168	4	Element, Filter	
	2120210	4	Element Filter	
	7012944	1	Coil	
	7018991	1	Coil	
	7012772	1	Coil	
	7000645	1	Coil	
	70000582	1	Coil	
	7012664	1 Dozen	Element, Air Cleaner	
	3740067	1	Relay	
	7024444	1	Breather, Hydraulic Tank	
	4360475	1	Switch, Mushroom	
	4360470	1	Switch, Key	
	2860030	1	Key, Replacement	
	4360476	1	Contact, Switch Block	
	4360328	1	Switch, Toggle	
	3740049	1	Relay	
	2940074	1	Latch	
	4360387	1	Switch, Push Button	
	1001129555	1	Controller (Lift and Swing)	
	1001212415	1	Controller (Drive and Steer)	
	4360330	1	Switch, Toggle	
	4360407	1	Controller, Speed	
	2400065	2	Fuse - 30 Amp	
	3990010	2	Diode	

SECTION 9 - RECOMMENDED SERVICE PARTS STOCK

FIGURE 9-2. MODEL 800A/800AJ VARIABLE PARTS

ITEM	PART NUMBER	QTY	DESCRIPTION	REV
	Note	Ref	Note: The following list will service one machine (built to current production per date on the front cover) with emergency repair parts which can be installed in the field. Parts from the list should be replaced when inventory is depleted to keep service parts stock supplied. For further information, contact your JLG dealer or the JLG Industries Parts Department.	
		Ref	VARIABLE PARTS	
	7026811	1 Dozen	Filter, Oil (Caterpillar Engine Machines)	
	7026830	1 Dozen	Filter, Fuel (Caterpillar Engine Machines)	
	1001112067	1	Module, Engine Control (Caterpillar Engine Machines)	
	7016331	1 Dozen	Filter, Oil (Deutz Engine Machines)	
	7016328	1 Dozen	Filter, Fuel (Deutz Engine Machines)	
	7027795	1	Module, Engine Control (Deutz Engine Machines)	
	1001103667	1	Module, Ground Control	
	4360522	1	Switch, Toggle (Machines with Lights Option)	
	3740080	1	Relay (Machines with Generator Option)	
	4360336	1	Switch, Toggle (Machines with Generator Option)	
	4360517	1	Switch, Proximity	
	70002013	1	Powertrack Repair Section (Gortrac Brand)	
	7016522	2	Powertrack Repair Section (Gemco Brand)	
	7006137	24	Powertrack Pin Kit (Gemco Brand)	
	4360578	1	Switch, Limit	
	4360498	1	Switch, Proximity	
	4360499	1	Switch, Proximity	
	1001094400	1	Sensor, Dual Axle	
	1001106355	1	Controller, Module Platform	
	4360232	1	Breaker, Circuit (Machines with Platform Worklights)	
	4360331	1	Switch, Toggle (Machines with 4WD or 4WS Options)	
	4360057	1	Switch, Limit (Machines with Soft Touch Option)	
	2400070	2	Fuse (Machines with Platform Worklights)	

SECTION 10 - SPECIAL OPTIONS

SECTION 10 - SPECIAL OPTIONS

FIGURE 10-1. SPECIAL OPTIONS

ITEM	PART NUMBER	QTY	DESCRIPTION	REV
	Note	Ref	Note: This list is to accommodate machines ordered with special equipment. Options may not be applicable to all models. For more specific parts information contact JLG Parts Department.	
		Ref	MISCELLANEOUS SPECIAL OPTIONS	
	1340061	Ref	Air Cleaner Pre-Cleaner	
		Ref	Airline to Platform Installation Options:	
	0258802	Ref	1/2in 800A	
	0258805	Ref	1/2in 800AJ	
		Ref	Bellows Installation Options:	
	0258734	Ref	Boom 800A	
	0258737	Ref	Boom 800AJ	
	0258757	Ref	Chassis (Fixed Axle 2WS)	
	0258759	Ref	Chassis (Fixed Axle 4WS)	
	0258387	Ref	Chassis (Oscillating Axle 2WS)	
	0258758	Ref	Chassis (Oscillating Axle 4WS)	
	2910887	Ref	Boom Wear Pad Kit	
	0258654	Ref	Boom Wipers Installation	
	0256789	Ref	Camera Mount Assembly	
		Ref	ClearSky Telematics Kit (Dealer Installed)	
	1001139132	Ref	Australian Spec	
	1001102842	Ref	CE Spec	
		Ref	Note: Refer to ClearSky (Telematics) Manual p/n 3128499 for Service Parts.	
		Ref	Cold Weather Package Installation Options:	
	0273575	Ref	Caterpillar Engine	
	0256060	Ref	Deutz without Glow Plugs (Deutz Engine Machines Only) (SN 0300069000 through 0300085331)	
	0258927	Ref	Deutz with Glow Plugs (SN 0300069000 through 0300073048)	
	0271912	Ref	Deutz with Glow Plugs (SN 0300073049 through 0300140000)	
	0274883	Ref	Cold Weather Transformer Installation	
		Ref	Note: Cold Weather Transformer Installation used on Deutz Engines with Cold Weather Package.	
	1001093389	Ref	Cover, Fan	
		Ref	Decal Installations Options:	
	1702788	1	Decal - Biodegradable Hydraulic Fluid (All except German Spec)	
	1703479	1	Decal - Biodegradable Hydraulic Fluid (German Spec Only)	
	0272418	Ref	Decal - SkyGlazier (ANSI/ANSI Export/CSA/UL Specs)	
	0272589	Ref	Decal - SkyPower	
	See Note	Ref	Decal - SkyCutter (was p/n 0272607) (Note: No Longer Available for Purchase)	
	0272588	Ref	Decal - SkyWelder	
	See Note	Ref	Decal Kits	
	2902329	Ref	Decal Kit - Country Spec (Australian/CE Spec) (SN 0300089982 through 0300140000)	
	2902303	Ref	Decal Kit - Master (SN 0300089982 through 0300140000)	
	1001108720	Ref	Decal Kit - Platform (800A)	
	1001108721	Ref	Decal Kit - Platform (800AJ)	
	2910872	Ref	Decal Kit - Platform Console (SN 0300069000 through 0300137974)	

SECTION 10 - SPECIAL OPTIONS

ITEM	PART NUMBER	QTY	DESCRIPTION	REV
	1001119563	Ref	Decal Kit - Platform Console (SN 0300137975 through 0300140000)	
	2902353	Ref	Decal Kit - Tire Load	
	2300040	Ref	Diesel Fuel - Anti-Gel	
	2902396	Ref	Drive/Steer Cutout Kit	
		Ref	Electrical Connector Kits	
	1001148902	Ref	Amp/Tyco Electrical Connector Kit	
	1001148903	Ref	Deutsch DT Electrical Connector Kit	
	1001148904	Ref	Deutsch HD Electrical Connector Kit	
	1001148905	Ref	Packard Electrical Connector Kit	
	1001148906	Ref	Various Electrical Connectors Kit	
	0257157	Ref	Ether Start Installation (Deutz Engine Machines Only) (SN 0300069000 through 0300085331)	
		Ref	Exhaust Rain Cap Installation	
	0274598	Ref	Exhaust Rain Cap Installation (SN 0300069000 through 0300136458)	
	1001108962	Ref	Exhaust Rain Cap Installation (SN 0300136459 through 0300140000)	
		Ref	Filter Kits:	
		Ref	Combined Filter Kit Options (Hydraulic/Air and Fuel/Engine Oil):	
		Ref	Deutz Engine Machines	
	2910467	1	Deutz Engine Machines (SN 0300069000 through 0300077499)	
	1001110996	1	Deutz Engine Machines (SN 0300077500 through 0300087265)	
	1001111014	1	Deutz Engine Machines (SN 0300087266 through 0300140000)	
		Ref	Caterpillar Engine Machines	
	2915139	1	Caterpillar Engine Machines (SN 0300069000 through 0300087265)	
	1001111015	1	Caterpillar Engine Machines (SN 0300087266 through 0300140000)	
		Ref	Hydraulic/Air Filter Options:	
		Ref	Deutz Engine Machines	
	1001109693	1	Deutz Engine Machines (SN 0300069000 through 0300087265)	
	1001109717	1	Deutz Engine Machines (SN 0300087266 through 0300140000)	
		Ref	Caterpillar Engine Machines	
	1001109717	1	Caterpillar Engine Machines (SN 0300087266 through 0300140000)	
		Ref	Engine - Fuel/Engine Oil Filter Options:	
		Ref	Deutz Engine Machines	
	1001110133	1	Deutz Engine Machines (SN 0300069000 through 0300140000)	
		Ref	Caterpillar Engine Machines	
	1001110137	1	Caterpillar Engine Machines (SN 0300087266 through 0300140000)	
		Ref	Footswitch Shield Options (Note: Move Decal to Shield):	
	4060959	Ref	Footswitch Shield (SN 0300069000 through 0300092145)	
	3380652	Ref	Footswitch Shield (SN 0300092146 through 0300140000)	
		Ref	Glow Plugs Installations (Deutz Engine Machines):	
	0271326	Ref	Glow Plugs Installations (Deutz Engine Machines) (SN 0300069000 through 0300073048)	

SECTION 10 - SPECIAL OPTIONS

ITEM	PART NUMBER	QTY	DESCRIPTION	REV
	0271548	Ref	Glow Plugs Installations (Deutz Engine Machines) (SN 0300073049 through 0300140000)	
	1001121736	Ref	Hood Conversion Kit - Caterpillar (ABS to Steel)	
	1001121735	Ref	Hood Conversion Kit - Deutz (ABS to Steel)	
		Ref	Hose Kits:	
	2902457	Ref	Hose Kit - Powertrack (Lower) (800A)	
	2902456	Ref	Hose Kit - Powertrack (Upper) (800A)	
	1001204901	Ref	Hose Kit - Powertrack (Lower) (800AJ)	
	2902459	Ref	Hose Kit - Powertrack (Upper) (800AJ)	
	1001210685	Ref	Hose Kit - Boom (Upper) (800A)	
	1001210687	Ref	Hose Kit - Boom (Upper) (800AJ)	
	1001241410	Ref	Hostile Environment Add-on Kit (2WS with Fixed Axle) (800A)	
	1001241411	Ref	Hostile Environment Add-on Kit (2WS with Oscillating Axle) (800A)	
	1001241412	Ref	Hostile Environment Add-on Kit (4WS with Fixed Axle) (800A)	
	1001204927	Ref	Hostile Environment Add-on Kit (4WS with Oscillating Axle) (800A)	
	1001241413	Ref	Hostile Environment Add-on Kit (2WS with Fixed Axle) (800AJ)	
	1001241414	Ref	Hostile Environment Add-on Kit (2WS with Oscillating Axle) (800AJ)	
	1001241415	Ref	Hostile Environment Add-on Kit (4WS with Fixed Axle) (800AJ)	
	1001204928	Ref	Hostile Environment Add-on Kit (4WS with Oscillating Axle) (800AJ)	
		Ref	Hydraulic Fluids	
	2300014	Ref	Mobil 424	
	2300027	Ref	Mobil 224H Bio	
	2300016	Ref	Mobil DTE 13M	
	2300029	Ref	Mobil EAL ISO 46 Bio	
	2300021	Ref	Union Carbide Ucon HP5046 Fire Resistant	
	1001148971	Ref	Lanyard (Bolt-on) Kit Installation	
		Ref	Oil Cooler Installations (Deutz Engine Machines)	
	0256762	Ref	Oil Cooler Installations (Deutz Engine Machines) (SN 0300069000 through 0300137667)	
	1282665	Ref	Oil Cooler Installations (Deutz Engine Machines) (SN 0300069000 through 0300137667)	
	1001108701	Ref	Oil Cooler Installations (Deutz Engine Machines) (SN 0300137668 through 0300140000)	
	0274661	Ref	Pipe Racks Installation (Australian Spec - 800AJ Only)	
	0258703	Ref	Platform Console Cover Installation	
	2915228	Ref	Platform Conversion Kit (Front to Side Entry)	
	2902232	Ref	Platform Conversion Kit (Front to Side Entry) (For SkyGlazier)	
		Ref	Platform Entry Kits	
	1001142504	Ref	Drop Bar (Replacing Swing Gate with Drop Bar)	
	1001142505	Ref	Swing Gate (Replacing Drop Bar with Swing Gate)	
		Ref	Platform Top Rail Extension (With Side Entry Platform)	
	0272733	Ref	3ft x 6ft Platforms (Standard Design)	
	1001110058	Ref	3ft x 6ft Platforms (Raised Height Design)	
	0272725	Ref	3ft x 8ft Platforms (Standard Design)	
	0861682	Ref	Platform Remote Control Box	
	1001139944	NLA	Pump Mounting Bracket Kit (Sauer Danfoss) (Use p/n 1001162546)	
	2902300	Ref	Remote Oil Filter Kit - Required on Caterpillar Engine to Allow	

SECTION 10 - SPECIAL OPTIONS

ITEM	PART NUMBER	QTY	DESCRIPTION	REV
			SkyPower 7500 Watt Generator to Fit (SN 0300069000 through 0300078179)	
	3574696	1	Bracket, Mounting Remote Filter	
	0274207	Ref	Slope Sensor Installation	
		Ref	Sky Accessory:	
		Ref	Note: For Breakdown of Sky Accessories Refer to Accessory Manual p/n 312422	
	0272395	NLA	SkyGlazier - Australian Spec without LSS (Use p/n 1001101422)	
	1001099376	NLA	SkyGlazier - Australian Spec without LSS (Use p/n 1001101422)	
	1001102647	Ref	SkyGlazier - Australian Spec with LSS	
	0273541	Ref	SkyPower - 7500W 50Hz (Caterpillar Engine) (SN 0300069000 through 0300139399)	
	1001115400	Ref	SkyPower - 7500W 50Hz (Caterpillar Engine) (SN 0300139400 through 0300140000)	
	0272492	Ref	SkyPower - 7500W 50Hz (Deutz Engine) (SN 0300069000 through 0300139399)	
	1001115389	Ref	SkyPower - 7500W 50Hz (Deutz Engine) (SN 0300139400 through 0300140000)	
	No Longer Available	Ref	SkyCutter Plasma Cutter (was p/n 0272606)	
	0272521	Ref	SkyWelder	
		Ref	SkyGuard Component Options:	
	1001149560	NLA	SkyGuard Complete Add-on Kit (Non-UGM Machines) (Use p/n 1001206478)	
	1001206478	Ref	SkyGuard Complete Add-on Kit (Non-UGM Machines)	
	1001143669	Ref	SkyGuard Complete Add-on Kit (UGM Machines) (Use p/n 1001206477)	
	1001206477	Ref	SkyGuard Complete Add-On Kit (Blue Beacon) (UGM Machines) (Note: Requires 7500W SkyPower Generator)	
	1001210026	Ref	SkyGuard Complete Add-On Kit (Red Beacon) (UGM Machines) (Note: Requires 7500W SkyPower Generator)	
	1001137672	Ref	SkyGuard Platform Sensor Kit (UGM Machines)	
	1001186431	2	Relay	
	1001206311	Ref	SkyGuard Strobe Light Kit - Hood Mounted (Blue Beacon)	
	1001143256	Ref	SkyGuard Blue Beacon Kit	
	1001210025	Ref	SkyGuard Strobe Light Kit - Hood Mounted (Red Beacon)	
		Ref	Tools for Service	
	1600244	1	Analyzer, Machine System	
	7002840	1	Antirotation Pin Removal Tool	
	8896941	1	Wire Stripper	
	7002821	1	Wire Crimper (To install wire ends to wires)	
	7002823	1	Pin/Socket Extractor - Universal (To Remove Pins/ Sockets from Connectors)	
	4460467	1	Extractor - 16-18 Gauge (For Removal of Pin/Sockets from Deutsch Connectors)	
	4460510	1	Extractor - 12-14 Gauge (For Removal of Pin/Sockets from Deutsch Connectors)	
	7002822	1	Screwdriver, Potentiometer (To Adjust Drive Controllers)	
	7016654	1	Screwdriver, Magnetic	
	7004275	1	Seal Installation Tool - 1in	
	7004276	1	Seal Installation Tool - 1-1/2in	
	7002826	1	Seal Installation Tool - 2in	
	7016655	1	Wire Rope Sheave Gauge	
	7016652	1	Huck Bolt Fastener (For Small Huck Bolts Only)	

SECTION 10 - SPECIAL OPTIONS

ITEM	PART NUMBER	QTY	DESCRIPTION	REV
	2900838	1	U.S. Standards Fastener (Hardware) Kit	
	7014676	1	U.S. Standards Tool Kit	
	7000017	1	ADE Software CD	
	1001137005	1	Software Cable Kit	
	0254661	Ref	Tube Racks Installation (800AJ Only)	
	0258918	Ref	Utility Rack Installation	
	1001149676	Ref	UGM Conversion Kit	
		Ref	Weld Leads to Platform Installation Options:	
	0258826	Ref	Weld Leads to Platform Installation 800A	
	0258827	Ref	Weld Leads to Platform Installation 800AJ	

PART NUMBER INDEX

PART NUMBER INDEX

0060031.....163, 175	0258048.....188	0271085.....18	0273789.....47
0060041.....160, 175	0258076.....172	0271086.....18	0273790.....47
0060066.....163, 179	0258077.....172	0271090.....18	0273791.....47
0060069.....159, 179	0258217.....181	0271091.....18	0273792.....47
0060077.....175	0258286.....11	0271316.....39	0273824....198, 202, 219
0080163.....98, 106	0258287.....12	0271326.....357	0273920.....345
0080181.....74, 84	0258333.....18	0271340.....199, 202	0273921.....345
0080241.....141	0258334.....18	0271352.....43	0273924.....345
0080243.....74, 84	0258338.....181	0271371.....95	0273925.....345
0100009....197, 201, 309, 327	0258343.....39	0271375.....308, 327	0274081.....91
0100011....11, 12, 13, 17, 18, 39, 41, 43, 47, 49, 61, 74, 78, 84, 85, 86, 92, 96, 102, 103, 104, 112, 119, 121, 123, 127, 131, 137, 141, 146, 150, 152, 159, 160, 161, 164, 165, 167, 171, 172, 181, 182, 183, 191, 219, 223, 225, 233, 237, 243, 247, 251, 255, 261, 267	0258382.....119	0271377.....308, 327	0274086.....111, 193
0100019.61, 76, 297, 300	0258384.....182	0271422.....141	0274087.....91, 193
0100020....74, 78, 85, 86, 96, 102, 104, 197, 202, 295, 299	0258387.....356	0271548.....358	0274090.....111, 193
0100035....181, 182, 197, 201	0258399.....18	0271768....141, 198, 202	0274091.....91, 193
0100038....167, 223, 225, 233, 237, 243, 247, 251, 255, 261, 267	0258454.....47	0271912.....191, 199	0274177.....18
0100040.....191	0258455.....47	0272003.....12	0274207.....304, 359
0100048....131, 137, 141, 183, 197, 201, 308, 311, 326, 328	0258456.....47	0272070.....161, 165	0274232.....17, 41
0100063....226, 233, 237, 243, 247, 251, 255, 261, 267	0258457.....47	0272131.....163	0274252.....43
0100079.....119	0258515.....341	0272189.....61	0274264.....11
0100081....172, 197, 201	0258516.....341	0272269.....11	0274265.....11
0140001.....49	0258517.....341	0272354.....121	0274266.....41
0140011.....197, 201	0258518.....341	0272355.....121	0274267.....41
0140032.....141	0258519.....341	0272381.....159	0274301.....102
0181727.....74, 95, 102	0258520.....341	0272381.....159	0274474.....349
0200048.....219	0258521.....341	0272395.....359	0274475.....349
0200742.....92, 112	0258522.....341	0272418.....356	0274491.....74
0232121.....43, 44	0258523.....341	0272427....198, 202, 219	0274519.....349
0254661.....360	0258524.....341	0272430.....309, 327	0274598.....357
0255316.....61	0258525.....341	0272432.....309, 327	0274625.....76
0255917.....141, 317	0258526.....341	0272433.....310, 328	0274640.....47, 181
0256060.....356	0258527.....341	0272444.....219	0274641.....47
0256196.....18	0258528.....341	0272481.....111, 193	0274642.....47
0256202.....317, 332	0258567.....182	0272482.....111, 193	0274643.....47
0256689.....97, 104	0258609.....145	0272492.....321, 359	0274661.....358
0256690.....97, 104	0258654.....356	0272507.....317, 332	0274759.....149
0256762.....358	0258670.....49	0272521.....359	0274883.....356
0256789.....356	0258671...342, 346, 350	0272588.....356	0275216.....319, 335
0256823.....146, 151	0258674.....141	0272589.....356	0275217.....320, 335
0256847.....98, 106	0258703.....358	0272654.....43	0275218.....320, 335
0257157.....304, 357	0258728.....155	0272655.....11	0275219.....320, 335
0257760.....159	0258734.....356	0272725.....358	0275452.....320, 335
0257761.....163	0258737.....356	0272733.....358	0275453.....320, 335
0257764.....167	0258757.....356	0272796.....74	0275454.....320, 335
0257887....141, 317, 332	0258758.....356	0272970...198, 201, 202	0275733.....183
	0258759.....356	0273179.....341	0275804.....199
	0258765.....160	0273180.....341	0275805.....199
	0258766.....164	0273378.....13, 17, 41	0340041...74, 84, 95, 104
	0258802.....356	0273393.....123	0340046.....74, 84
	0258805.....356	0273402.....123	0360406.....44
	0258826.....360	0273431.....309, 327	0362609.....182
	0258827.....360	0273432.....309, 327	0362610.....182
	0258909.....12	0273433.....308, 327	0362726.....12, 43
	0258918.....360	0273434.....308, 327	0362770.....145, 149
	0258927.....356	0273484...192, 199, 202, 304	0362772.....182
	0258945.....199, 202	0273485...192, 199, 202, 304	0370022.....225
	0259147.....61	0273518.....91	0400075...74, 84, 95, 102
	0259420.....168	0273526.....76	0440244.....61
	0270209.....13, 17, 39	0273538.....91, 193	0480120.....92
	0270210.....17, 39	0273539.....91, 193	0480121.....92, 112
	0270211.....17, 39	0273541.....321, 359	0561185.....167
	0270814...188, 192, 199, 304	0273575.....356	0561237.....164
	0270886.....18	0273704.....17, 41	0561295.....171
	0270888.....18	0273706....199, 202, 219	0630427.....181
	0271002.....61	0273709.....102	0630462.....219
	0271038.....341, 345		0630464.....197, 201
			0630491.....141

PART NUMBER INDEX

0630498 74, 95, 102	0641624 168	0801136..... 163, 171	0961897 ... 261, 265, 267, 269
0630507 145, 149	0641628 39	0801138..... 171	0961901 233, 243
0630518 131, 137	0641640 172	0801140..... 171	0961902 225
0630534 237, 241, 251	0641652 267	0801185..... 171	0961903 247
0630535 ... 223, 225, 231, 255, 257, 261, 265, 267, 269	0641772 92, 112	0801191..... 171	0961947 163, 225, 229
0630536 247, 249	0641806 ... 167, 261, 263, 265	0801496..... 167	0961951 ... 160, 171, 225, 231, 251, 253, 255, 257
0630537 ... 233, 235, 243, 245	0641808 ... 74, 78, 84, 85, 96, 102	0801573..... 171	0961977 259
0630548 131, 137	0641810 12, 43, 160, 164	0801585..... 171	0961986 ... 74, 84, 96, 104
0630568 198, 202	0641812 . 78, 86, 96, 103, 123, 127, 161, 165	0801594..... 167	0962051 155
0641403 182	0641816 12	0860038..... 318, 333	0962102 11, 167, 171, 233, 235, 243, 245, 247, 249
0641404 ... 112, 160, 164, 201	0641818 95, 104, 155	0860520.... 342, 346, 350	0962122 167
0641406 74, 84, 146, 150, 191, 197, 342, 346, 350	0641820 11, 84, 121, 123, 127, 160, 164, 165	0861236..... 189	0962152 12, 43
0641407 ... 74, 78, 84, 86, 95, 103, 104, 138	0641826 97, 104	0861237 189	0962155 ... 251, 253, 255, 257
0641408 49, 183, 189, 191, 342, 346, 350	0641828 74	0861407 131	0962156 251
0641410 103, 134	0642010 .. 77, 85, 96, 102	0861415 189	0962185 251
0641414 11, 47, 188, 189, 192, 197, 201, 219	0642038 44	0861474..... 189	0962219 261
0641416 47, 164, 181, 197	0642212 11	0861504..... 131	0962224 12
0641418 47, 188	0642214 160, 164	0861505..... 131	0962270 195
0641504 43	0642612 141	0861517 191, 197	0962292 43
0641506 49, 131, 138, 146, 151	0642620 160, 164	0861537 197, 198, 201, 202	0962335 163, 164
0641507 74, 78, 84	0642684 161, 165	0861567 321, 336	0962336 237, 239, 241
0641508 ... 43, 47, 86, 92, 96, 102, 112, 141, 145, 150	0651406 47	0861623..... 131	0962348 43
0641510 96, 104	0681608 11, 12, 161, 165	0861624..... 131	0962448 12, 43
0641512 104	0681610 160, 164	0861682..... 358	0962449 93, 112
0641514 78, 160	0681814 195	0861714..... 131	0962496 223
0641516 160	0681822 195	0861715..... 131	0962524 261
0641524 187, 188	0682016 13, 17	0861731 318, 333	0962563 92
0641542 41	0682023 61	0861781 318, 333	1001091179 105
0641550 18	0682032 61	0861880..... 319, 334	1001091424 49
0641560 41	0682216 61	0902143..... 145, 149	1001091892 105
0641604 160, 164	0700616 87	0902161..... 145, 149	1001091928 119
0641605 167	0700620 86	0902206..... 141	1001091969 317, 332
0641606 ... 47, 77, 84, 96, 104, 151, 160, 164, 167, 171, 172	0700808 ... 74, 84, 86, 96, 104	0902219..... 145, 149	1001091970 317, 320, 332, 335
0641607 ... 119, 164, 167, 171, 172	0700810 98, 106	0902223..... 145, 149	1001091971 317, 320, 332, 335
0641608 ... 11, 12, 39, 41, 43, 74, 78, 84, 85, 96, 102, 145, 149, 151, 160, 164, 167, 171	0700816 92	0902351..... 145, 149	1001091972 317, 332
0641609 74, 84, 106, 145, 149, 155, 167, 171	0701010 74, 84, 86	0902412..... 145, 149	1001091973 317, 332
0641610 ... 49, 74, 78, 84, 85, 92, 95, 102, 104, 106, 112, 167, 183, 189, 191	0701012 .. 74, 84, 96, 104	0902415..... 49	1001091974 317, 332
0641611 ... 121, 123, 127, 160, 164	0701014 106	0902426..... 145, 149	1001091975 317, 332
0641612 164, 171, 172	0701015 .. 74, 84, 96, 104	0902491 145, 149	1001092145 317, 332
0641614 47, 119, 164	0701214 74	0902751 197, 201	1001093187 182, 302, 316, 343, 346, 350
0641615 167	0701414 74, 84, 95	0902846..... 121	1001093256 316
0641616 167	0711025 103, 106	0902910..... 79	1001093382 .. 74, 85, 102
0641618 164	0711214 74, 76, 84	0903056..... 123, 127	1001093389 356
0641622 167, 172	0721003 199	0903220..... 79	1001093943 105
	0721006 74, 92, 112, 146, 150, 198, 201	0903308..... 149	1001094101 105, 107
	0721008 146, 151, 198	0903484..... 319, 334	1001094321 106
	0731005 219	0903697..... 319, 334	1001094400 183, 310, 332, 354
	0741606 141	0920117..... 17	1001094401 183
	0741607 43, 159, 160, 164	0940049..... 150	1001094470 310
	0741609 43	0940070... 74, 84, 95, 104	1001094484 134
	0760606 86	0940071.... 145, 146, 149, 150	1001094509 335
	0760610 86	0940088..... 150	1001094557 302
	0760612 86	0940103..... 219	1001094595 .. 77, 86, 104
	0761210 87, 92	0940133..... 219	1001094889 61
	0771212 76, 84	0940134..... 219	1001095347 103
	0771414 104	0961816..... 223	1001095348 102
	0801132 159, 163, 167	0961845..... 188	1001095354 .. 77, 86, 104
	0801133 167	0961893..... 237, 241	1001095508 76
	0801134 167	0961894.... 225, 231, 255, 257	
	0801135 159, 171	0961895..... 223	

PART NUMBER INDEX

1001096458.....133, 312	1001102548..... 91	1001110323 138, 329	1001143256.....359
1001096461.....305	1001102599..... 131, 137	1001110324 138, 328, 330	1001143669.....359
1001096736.....183	1001102600..... 132, 137	1001110996 357	1001144629.....191
1001097051.....309, 310, 327	1001102644..... 93	1001111014 357	1001148902.....357
1001097082.....309, 310, 327	1001102647..... 359	1001111015 357	1001148903.....357
1001097150.....319, 334	1001102842..... 356	1001112057 87	1001148904.....357
1001097164.....131	1001103095..... 175	1001112059 87	1001148905.....357
1001097553.....87	1001103667..... 137, 354	1001112067 87, 354	1001148906.....357
1001097554.....78	1001103810..... 13	1001112068 87	1001148971.....358
1001097555.....78	1001104308..... 106	1001112069 87	1001149391.....265
1001097965.....151	1001105833..... 76, 85	1001112070 87	1001149560.....359
1001098234.....322, 336	1001105993..... 74	1001112071 87, 331	1001149676.....360
1001098349.....322, 336	1001106339..... 329	1001112072 87	1001153282.....106
1001098506.....102	1001106340..... 329	1001112073 87	1001162546.....103
1001098507.....103	1001106355..... 201, 354	1001112075 87	1001166538.....217
1001098508.....104	1001106477..... 182	1001112077 85, 86	1001166539.....209
1001098916.....106	1001106481..... 182	1001112551 350	1001186431.....359
1001099051.....105	1001106701..... 76	1001112570 87	1001188840..... 167, 267
1001099121.....151	1001106736..... 138, 329	1001112586 304, 336	1001188841..... 171, 261
1001099137.....149	1001106974..... 127	1001112587 336	1001188842.....269
1001099138.....149, 150	1001106975..... 127	1001112589 335	1001188843.....261
1001099139.....151	1001107116..... 75, 84	1001112592 87	1001188968..... 171, 261
1001099376.....359	1001107527..... 197	1001112612 329	1001204901.....358
1001099686.....106	1001107529..... 127	1001112743 304, 335	1001204927.....358
1001099868.....111	1001107530..... 127	1001112762 86, 330	1001204928.....358
1001099869..... 93, 112	1001107677..... 202	1001112849 87	1001206311.....359
1001099870.....41	1001107705..... 75, 85	1001113961 213, 215	1001206477.....359
1001100027.....304, 320	1001107753..... 198, 202, 308, 326	1001114373 349	1001206478.....359
1001100156.....12	1001107926..... 203	1001114374 349	1001210025.....359
1001100233..... 93, 112	1001108701..... 358	1001114446 191	1001210026.....359
1001100234..... 93, 112	1001108720..... 356	1001114448 192, 201, 326	1001210685.....358
1001100305.....321	1001108721..... 356	1001115389 335, 359	1001210687.....358
1001100308.....111	1001108735..... 191, 201	1001115400 335, 359	1001212415.....352
1001100313.....75, 78	1001108736..... 191, 202	1001115409 111	1001228009..... 159, 163, 249
1001100321.....91, 111	1001108764..... 203	1001115410 111	1001228010..... 159, 163, 245
1001100326.....317, 332	1001108962..... 357	1001115413 91	1001228011..... 159, 253
1001100327.....317, 332	1001109064..... 87	1001115414 91	1001228012..... 163, 239
1001100328.....317, 332	1001109065..... 84	1001116287 77, 102, 331	1001228030..... 163, 231
1001100329.....317, 332	1001109475..... 319, 334	1001116288 77, 102, 331	1001228033..... 159, 229
1001100331.....317, 332	1001109477..... 319, 334	1001116595 87	1001228041..... 159, 163, 235
1001100333.....317, 332	1001109482..... 319, 334	1001117320 192	1001228050..... 163, 257
1001100337.....317, 332	1001109558..... 317, 332	1001118416 215	1001228086..... 167, 269
1001100341.....320, 335	1001109595..... 85	1001118417 207	1001228087..... 171, 265
1001100342.....320, 335	1001109648..... 319, 334	1001119563 202, 357	1001228088..... 171, 263
1001100345.....320, 335	1001109654..... 319, 334	1001121735 358	1001228506.....267
1001100346.....320, 335	1001109690..... 300	1001121736 358	1001241410.....358
1001100347.....320, 335	1001109693..... 357	1001129555 352	1001241411.....358
1001101060.....61, 70	1001109717..... 357	1001131992 305	1001241412.....358
1001101191.....318, 319, 333, 334	1001110032..... 280, 291	1001137005 360	1001241413.....358
1001101196.....319, 334	1001110033..... 281, 291	1001137261 12	1001241414.....358
1001101197.....319, 334	1001110058..... 358	1001137460 49, 58	1001241415.....358
1001101241.....105	1001110133..... 357	1001137672 359	1001248012..... 163, 241
1001101391.....150	1001110137..... 357	1001138795 241	1060279.....342, 346, 350
1001101392.....150	1001110199..... 137	1001138796 231, 257	1060341.....219, 322, 336, 337
1001101600.....103	1001110207..... 86	1001139132 356	1060461.....321
1001101623.....150	1001110215..... 85	1001139944 358	1060633.....323, 337
1001101673.....150	1001110222..... 138, 328, 330	1001141967 318, 333	1060637...74, 84, 96, 102
1001102150..... 133, 314	1001110225..... 138, 328	1001141968 318, 333	1060708.....322, 337
1001102238.....131	1001110310..... 305	1001141969 318, 333	1060896.....309, 310, 327
1001102239.....131	1001110315..... 137	1001142504 358	1060902.....309, 327, 328
1001102290.....315, 330	1001110316..... 137	1001142505 358	1060903.....219
1001102291.....315, 330	1001110319..... 137	1001143187 299, 302	1060904.....77, 106, 315, 316, 331
1001102304.....315, 330	1001110320..... 137	1001143188 299, 302	
1001102547.....91	1001110322..... 138, 304, 305, 329	1001143191 49	
		1001143192 301	

PART NUMBER INDEX

1060908	319, 334	1670829 ...	131, 137, 197, 201	1693292.....	342	1704578	43
1060918 ...	192, 197, 202, 308, 326	1670836	171	1693294.....	342	1704833	132
1060978	309, 310, 327	1670842	145, 149	1700584.....	342, 345, 349	1704885	342, 346, 349
1100086	12	1670844	159, 163	1701499.....	349	1704997	197
1120487	119	1670850	159, 163	1701500.....	342, 345	1705084	342, 345, 349
1120510	160, 163	1670864	160	1701501.....	342, 345, 349	1705090	43, 349
1120601	150	1671037	197, 201	1701502.....	342, 345, 349	1705132	132, 197, 201
1180346	167	1671092	310, 328	1701503.....	342, 345, 349	1705170	142, 198, 202
1180347	172	1671093	310, 328	1701504.....	342, 345	1705240	342
1180349	172	1671228	149, 151	1701505.....	78, 85, 96, 102, 342, 345, 349	1705254	341
1260017	43, 61	1671230	151	1701509.....	342, 345, 349	1705255	341
1260135	44	1671231	151	1701518.....	341, 342, 345, 349	1705275	342
1282571	304	1671232	151	1701600.....	342	1705325	92, 112, 342
1282665	302, 358	1671233	149	1701791.....	342	1705753	132
1283387	302	1671249	149, 150	1702265.....	342	1705822	345, 349
1320011	267	1683050	251	1702266.....	342	1705828	345, 349
1320012	74	1683053	237	1702267.....	342	1705921	345, 349
1320016 ..	74, 84, 95, 104	1683055	225, 255	1702268.....	342	1705961	345, 349
1320022 ...	74, 78, 85, 95, 102	1683059	223	1702269.....	342	1705977 ...	343, 345, 346, 349, 350
1320159	160	1683061	267	1702270.....	342	1705978	345, 349
1320176 .	78, 85, 97, 103, 105	1683071	233, 243	1702300.....	342, 345	1706098	103
1320222	96	1683078	11, 223	1702564.....	197	1706493	195
1320223 ..	77, 84, 96, 104	1683537	159, 163, 247	1702565.....	197, 201	1706501	195
1320224	87	1683539	247	1702566.....	197, 201	1706712	132, 137
1320248	172	1683544	233	1702567.....	197, 201	1706912	131
1320249	172	1683546	159, 163, 233	1702567.....	197, 201	1706913	132
1320249	172	1683547	159, 163, 243	1702676.....	199, 203	1707111 ...	199, 343, 346, 350
1320250	167	1683549	243	1702773.....	195, 341, 345, 349	1707113 ...	199, 343, 346, 350
1320251	167	1683606	167, 267	1702774.....	341, 345, 349	1810090	131
1320256	310, 328	1683607	171, 261	1702788.....	345, 349, 356	1810092	131
1320263	87, 172	1683608	159, 251	1702860.....	341	1810095	131
1321384	151	1683609	163, 237	1702861.....	341, 345, 349	1810097	131
1340060 ..	75, 84, 95, 104	1683610	159, 160, 225	1702862.....	342, 345	1870132	305
1340061	356	1683629	267	1702938.....	199, 202	1870191	305
1380147	155	1683632	267	1702962.....	345	2000189	95, 97
1580011	75, 84	1683642	225	1703162...75, 84, 95, 104		2000194	75, 78
1580012	189, 192	1683643	225	1703175.....	345	2000216	105, 107
1580013	189, 192	1683647	261	1703467.....	131	2000219	104
1600244	323, 337, 359	1683648	261	1703468.....	131	2000225	103
1600313	197	1683663	261	1703479.....	346, 349, 356	2000274	105, 107
1600317	197, 201, 205	1683672	171, 261	1703518.....	342	2000279	104
1600318	197, 201, 213	1683673	261	1703772.....	341, 345, 349	2000284	103
1600327	131	1683675	261	1703773.....	341, 345, 349	2000339	105, 107
1600361	79	1683677	163, 225	1703799.....	341	2000342	104
1600364	131	1683678	225	1703800.....	341	2000386	75, 78
1600375	197, 201	1683680	225	1703806.....	341	2060025 ...75, 84, 95, 105	
1600411	131	1683682	163, 255	1703807.....	341	2080040 ...	187, 188, 191, 192
1660219	121	1683740	12, 43, 259	1703811.....	349	2080044	164
1660219RR	121	1683818	247	1703814.....	349	2110404	281, 292
1660223	121	1683819	233	1703913.....	341	2110406	273, 281, 290
1660223RR	121	1683821	243	1703914.....	341	2110408	273, 281
1660234	98, 106	1683823	247	1703915.....	341	2110606	273, 281, 290
1660239	75, 84	1683986	223	1703916.....	341	2110808	281, 290
1660257	123	1684089	237	1703917.....	341	2110812	290
1660257RR	123	1684090	237	1703918.....	341	2111212	281
1660258	123	1684114	251	1703919.....	341	2111616	281, 290
1660258RR	123	1684115	251	1703920.....	341	2120150	47
1660303	123	1684125	255	1703959.....	342, 345, 349	2120163	47
1660303RR	123	1684126	255	1703960.....	342, 345, 349	2120167	47
1660304	123	1684191	223	1703992.....	341	2120168	47, 352
1660304RR	123	1684228	163, 225	1704097.....	341, 345	2120209	47
1670769	163	1684230	225	1704105.....	342	2120210	48, 352
1670776	18	1684232	225	1704260.....	197, 201	2130404	290
1670824	182	1684408	159, 160, 225	1704277.....	341, 345, 349		
		1684497	159, 163, 233	1704412.....	349		

PART NUMBER INDEX

2130406.....291	2220465 275	239, 241, 243, 245,	2720398.....95, 105
2130604.....291	2220466 ... 275, 280, 285,	247, 249, 263, 265,	2720434...75, 84, 96, 105
2130606.....281, 292	291, 295, 299	267, 269	2720449.....96, 105
2130808.....281, 290	2220468 280, 290	2220885 ... 223, 225, 231,	2720509.....75, 84
2131616.....290	2220473 ... 276, 281, 286,	237, 239, 241, 253,	2720510.....75
2150406.....281, 291	292, 295, 299	257, 261, 265, 267, 269	2720515.....75, 84
2150606.....281, 291	2220478 295, 299	2220886 35, 36, 223, 263,	2750532...78, 86, 96, 102,
2150808.....291	2220479 ... 117, 275, 280,	265, 267, 269	105
2150812.....291	285, 290	2220888 35, 233, 235,	2750760.....273
2151616.....281, 291	2220490 ... 273, 276, 286,	243, 245, 247, 249	2750920.....273
2160003.....61	295, 299	2220893 48	2751011.....275, 285
2170350.....290	2220498 275	2220923 301	2751017.....275, 285
2170406.....273	2220499 285	2220940 280, 292	2751032.....61
2170408.....291	2220500 ... 275, 285, 295,	2220947 ... 295, 296, 299,	2751095.....61
2170504....273, 281, 291	299	300	2751397.....276, 286
2170506....273, 281, 291	2220501 ... 276, 281, 286,	2220950 296, 300	2751399....276, 281, 286,
2170508.....281	291, 296, 297, 300	2220999 ... 275, 280, 285,	291
2170516.....281	2220502 ... 285, 295, 299	290, 295, 299	2751500....276, 281, 286,
2180344.....61	2220504 275, 285	2221029 275, 285	291
2180348.....78, 85, 102	2220516 275	2221030 286	2751906.....273, 286
2180380.....297, 300	2220517 285	2221036 296, 300	2752265.....275
2180536.....78, 95	2220574 295, 299	2221176 78, 86, 102	2752266.....275
2180615.....243, 245	2220577 ... 273, 276, 296,	2300004 76, 86	2752345.....275
2180724.....297, 300	300	2300014 358	2752363.....275, 285
2180798.....76, 95, 106	2220582 ... 117, 273, 275,	2300016 17, 358	2752365....276, 280, 286,
2200222.....64, 119	280, 285, 290, 295, 299	2300021 358	291
2220063.....61	2220591 ... 292, 296, 300	2300027 358	2752366....276, 281, 286,
2220221 117, 282, 292	2220593 295, 299	2300029 358	291
2220235.....275, 285	2220596 ... 275, 280, 285,	2300040 357	2752434.....281, 291
2220237 275, 280, 285,	290, 295, 299	2360591 14	2752438.....295, 299
291	2220600 275, 285	2360601 14	2752453....276, 281, 286,
2220240.....275	2220602 ... 273, 275, 280,	2360603 14	291, 295
2220242.....275, 285	285, 290, 295, 299	2360639 14	2752462.....296, 300
2220250.....78, 96	2220603 ... 273, 297, 300	2360641 14	2752463.....296, 300
2220273.....78, 95	2220605 ... 275, 285, 295,	2360643 14	2752468.....295, 299
2220313...78, 85, 95, 102	299	2400060 321, 329, 336	2752489....276, 281, 286,
2220362.....275, 285	2220606 301	2400064 321, 336	292
2220363.....275	2220609 ... 275, 285, 296,	2400065 311, 329, 352	2752494....276, 281, 286,
2220365.....275, 285	300	2400066 311, 329	291, 295, 299
2220366....275, 280, 285,	2220618 ... 275, 280, 285,	2400068 322	2752498.....275, 285
290	290, 295, 299	2400070 322, 336, 354	2752514....275, 276, 285,
2220371 273, 276, 286,	2220619 ... 273, 295, 299	2410014 195	286
295, 296, 297, 299	2220622 281, 291	2420172 132, 137	2752516.....286
2220373....275, 285, 291,	2220628 275, 285	2420203 92, 112	2752518.....275, 285
295, 299	2220635 273, 296	2460013 91, 111	2752573.....276, 286
2220374....104, 116, 275,	2220646... 117, 275, 280,	2460032 91	2752575.....275, 285
280, 285, 290	285, 290	2460039 91, 111	2752581.....276, 286
2220375....275, 280, 285,	2220655 297, 300	2460049 91, 111	2752585.....296, 300
290	2220710 275	2460055 91	2752591.....286
2220376.....295, 299	2220711 273, 276, 285	2460056 91, 111	2752592.....286
2220377 275, 280, 285,	2220737 295, 299	2460057 91, 111	2752611.....273
290	2220738 281, 291	2560136 197, 201	2752648....273, 276, 286
2220379.....295, 299	2220765 295, 299	2580055 80	2752671.....296, 299
2220380....275, 280, 285,	2220767 75, 79	2600209 146, 151	2752673....276, 281, 286,
290	2220775 296	2600219 187	291
2220381.....295, 299	2220794 78, 96	2600233 146, 151	2752674.....296
2220385....282, 292, 295,	2220800 285	2600244 145, 149	2752721.....295, 299
299	2220810 ... 275, 280, 285,	2600281 191	2752754....276, 281, 286,
2220386.....281, 291	290	2600287 187	291
2220415 77, 86, 104, 273,	2220811 ... 117, 273, 275,	2680436 146	2752766.....296, 300
275, 285, 295, 299	280, 285, 290, 292	2680437 146	2752767.....296, 300
2220428.....295, 299	2220833 286	2680448 145, 146	2752768.....296, 300
2220429.....295, 299	2220852 295, 299	2680450 145	2752930.....296, 300
2220451 95, 105, 116,	2220873 ... 295, 296, 299,	2680451 145, 146	2752934.....282, 292
275, 280, 285, 290,	300	2720058 ... 75, 78, 84, 86,	2752942....276, 281, 286,
295, 299	2220883 35, 36, 225, 229,	96, 102	291
2220459.....78, 96	231, 233, 235, 237,	2720271 78, 96	2752949.....286

PART NUMBER INDEX

2752977 275, 285	2754401 281, 291	2902456.....297, 301, 358	146, 150, 181, 183,
2752978 296, 300	2754402 281	2902457.....297, 301, 358	189, 192, 342, 346, 350
2752997 280, 291	2760105 ... 132, 137, 197,	2902459.....297, 301, 358	3311501 150, 219
2753006 296, 300	201	2910467 357	3311505 ... 41, 75, 76, 78,
2753007 296, 300	2780227 17, 21, 25	2910872 356	84, 86, 96, 103, 105,
2753008 296, 299	2780228 17, 21	2910887 356	145, 150, 160, 187, 188
2753009 296, 300	2780229 13	2915094 61	3311601 ... 119, 145, 150,
2753010 295, 299	2780272 17, 25	2915139 357	168, 183, 198, 202
2753035 286	2792351 302	2915228 358	3311602 168
2753036 275, 285	2792362 275, 302	2920028 199, 202	3311605 ... 75, 76, 84, 92,
2753087 276, 286	2792363 285, 302	2920029 199, 202	95, 103, 105, 112, 145,
2753117 276, 286	2792364 302	2920095 336	146, 150, 155, 164,
2753118 296, 300	2792365 295, 302	2920110 141	168, 172, 189, 192, 195
2753122 296	2792366 295, 302	2920113 141	3311705 92, 112
2753123 296, 300	2792367 273, 302	2920129 ... 308, 311, 316,	3311801 ... 17, 75, 85, 96,
2753124 296, 300	2792591 302	326, 329	103, 181
2753125 296, 300	2792629 302	2920140 189, 192, 322,	3311805 . 75, 85, 95, 105,
2753126 296, 300	2792637 290, 302	336	121, 145, 149, 155,
2753128 296, 300	2792648 273, 302	2920162 92, 111	160, 161, 165
2753129 296, 300	2792693 280, 302	2920215 141	3312001 44
2753155 285	2792699 302	2940074 187, 191, 352	3312002 61
2753157 286	2792700 302	2940088 146, 151	3321501 150
2753158 286	2792710 302	2940188 150	3322201 123, 127
2753159 286	2792711 290, 302	3020008 17	3340764 172
2753161 285	2792712 280, 302	3020016 76, 86	3340828 167
2753162 285	2820031 93, 112	3020021 98, 106	3340833 267
2753189 296, 300	2820035 ... 141, 189, 192	3160204 17, 29	3340834 267
2753190 296, 300	2820078 146, 151	3160266 31	3340835 ... 160, 164, 167
2753191 296, 300	2820079 146	3160286 61, 64	3340838 ... 261, 263, 265
2753192 295, 299	2820080 146, 150	3160294 61, 64	3340840 172
2753195 295, 299	2820081 146	3160308 31	3340859 168
2753196 295, 299	2820233 150	3160347 17, 35	3340860 172
2753197 295, 299	2820234 150	3160348 17, 35	3340861 172
2753199 295, 299	2820235 150	3200362 96, 105	3340871 171
2753200 295, 299	2840016 155	3200406 ... 75, 84, 95, 105	3340881 167, 171
2753216 295, 299	2860012 112	3220103 97, 105	3340966 43
2753231 295, 299	2860030 ... 132, 137, 352	3220104 97, 105	3380429 ... 78, 86, 96, 103
2753417 ... 276, 281, 286	2900708 48, 51	3220113 75, 84	3380434 189, 192
2753537 291	2900756 41	3250872 43, 349	3380442 145, 149
2753540 291	2900770 175, 223	3251102 93, 112, 193	3380443 145
2753549 291	2900788 29	3251242 345, 349	3380444 145, 149
2753550 281, 291	2900792 ... 226, 229, 231,	3252347 342	3380535 182
2753622 281, 291	233, 235, 237, 239,	3252507 93, 112, 342	3380652 357
2753624 273	241, 243, 245, 247, 249	3271605 267	3420156 198
2753625 281, 292	2900838 360	3271805 123, 127, 195	3420292 44
2753626 ... 282, 291, 292	2901207 49	3272605 161, 165, 175	3420372 44
2753627 ... 273, 282, 292	2901271 223	3290505 93, 112	3420447 44
2753628 291	2901273 267	3290507 87	3421565 61
2753629 273	2901301 226, 255	3290801 75, 84	3422446 ... 77, 86, 95, 103
2753630 273	2901303 237	3300007 13, 17	3422457 171
2753633 291	2901514 243, 245	3300151 188	3422530 155
2753634 291	2901526 ... 229, 233, 235	3300205 132, 137	3422532 ... 77, 86, 96, 103
2753635 281	2901537 247, 249	3300353 197, 201	3422561 164
2753685 281	2901549 251	3300393 187, 188	3422567 43
2753686 291	2901556 226	3300408 132, 137	3422578 159, 160
2753688 281	2901609 77, 96, 315	3310601 155	3422580 159, 160
2753725 281	2901712 261	3310605 183	3422582 160
2753970 291	2902065 106	3310801 182	3422583 164
2753971 291	2902232 358	3310805 181	3422681 159, 164
2754040 291	2902300 358	3311001 ... 146, 150, 191,	3422683 159, 164
2754044 291	2902303 356	198, 199	3422684 159, 164
2754238 281	2902329 356	3311005 76, 92, 112, 141,	3422685 159, 164
2754240 281	2902353 357	146, 151, 187, 198, 201	3422686 159, 164
2754242 281	2902396 357	3311401 43, 132, 219	3422687 159, 164
2754243 281	2902401 ... 77, 102, 315,	3311405 ... 48, 75, 78, 84,	3422688 159, 164
2754337 291	330	86, 95, 103, 105, 134,	3422689 159, 164
2754338 292	2902443 311, 330		3422690 171

PART NUMBER INDEX

3422701.....	13, 43	3539957...78, 86, 97, 103	3900139.....	251	4070561.....	44
3422702.....	12, 13, 43	3539971.....	3900141.....	237	4070863.....	171
3422703.....	11	3539979.....	3900205.....	191	4070864.....	171
3422729.....	159, 164	3570686.....	3900207.....	187, 188	4070878.....	11
3422753.....	13	3570690.....	3900210.....	145, 150	4070879.....	11
3422754.....	13, 43	3570775.....	3900232 ...	145, 149, 150, 172	4070897.....	167, 171
3422755.....	12	3570928.....	3900239.....	160, 164	4070898.....	167, 171
3422813.....	43	3570979.....	3900259.....	171	4070929.....	167
3422848.....	43	3571712.....	3900262.....	168	4070944.....	11
3422860.....	164	3572604.....	3900268.....	132, 137	4070945.....	11
3422861.....	164	3572605.....	3900272.....	86, 96, 103	4070967.....	167
3422867.....	164	3572606.....	3900272.....	86, 96, 103	4070968.....	167
3422972.....	13, 43	3572607.....	3900283.....	172	4070969.....	172
3430816.....	155	3573001.....	3900293.....	61	4070987.....	132, 137
3450404.....	155	3574091.....	3910608.....	155	4071009.....	61
3460544.....	78, 86	3574206.....	3910804.....	132, 137	4071052.....	172
3470003.....	198, 202	3574207.....	3911008.....	187, 191	4071059.....	43
3480176.....	223	3574208.....	3911040.....	141	4100051.....	286
3480188.....	225, 255	3574684.....	3930606.....	183	4100058....	276, 281, 286, 292
3480210.....	237	3574696.....	3930816.....	182	4100059....	276, 281, 285, 292
3480211.....	267	3574978.....	3930824.....	181, 182	4100062.....	296, 300
3480232.....	251	3575359.....	3931048.....	53	4100100.....	237
3480233.....	225	3575718.....	3931436.....	181	4120035....	308, 312, 316, 326, 329
3480234.....	261	3580134.....	3931448 ...	261, 265, 267	4130357.....	13
3480236.....	247	3580158.....	3931464.....	181	4130358.....	13
3480237.....	233	3580276.....	3931508.....	267	4130388.....	43
3480238.....	243	3580322.....	3931516.....	237, 251	4130389.....	13
3510499.....	188	3600278.....	3931620 ...	225, 231, 255, 257	4130390.....	13, 43
3510500.....	188	3600287.....	3931664.....	261, 265	4160139.....	145, 149
3510542.....	187	3600295.76, 95, 115, 117	3931720.....	223, 267	4160143.....	145, 149
3510543.....	187	3600400.76, 86, 103, 116	3932224.....	61	4220162.....	141
3510565.....	187	3600401.....	3932240 ...	233, 235, 243, 245, 247, 249	4220165.....	188
3510566.....	187	3600458.....	3932240 ...	233, 235, 243, 245, 247, 249	4220191.....	75, 85
3510728.....	187	3620033.....	3952020.....	61	4240018.....	93, 112
3510751.....	188	3620047.....	396038978, 95, 104, 145, 149	61	4240032.....	141
3510760.....	187	3641569.....	3960407.....	96, 105	4240099....	189, 192, 219
3510763.....	188	3740049 ...	3960438.....	146, 151	4240112.....	119
3510764.....	188	311, 322, 336, 352	3960453.....	145, 149	4240113.....	119
3510822.....	191	3740067.75, 85, 95, 105, 352	3960461.....	141	4280295.....	119
3510830.....	191	374008076, 92, 106, 112, 354	3960462.....	146, 151	4300097.....	17
3510833.....	191	3760133.....	3960464.....	146, 151	4340706.....	167
3510877.....	195	3760170.....	3960468 ..	75, 85, 96, 105	4360031.....	192
3520028.....	92, 112	3760367.....	3960469 ..	75, 85, 96, 105	4360057.....	219, 354
3520033.....	145	3760368.....	3960470.....	145, 149	4360232....	199, 322, 354
3520035....	132, 137, 181, 182	3760369.....	3960548.....	86	4360294.....	112
3520054....	106, 197, 201	3760370.....	3960549.....	86	4360322.....	181, 182
3520072....	187, 188, 191, 195	3760374.....	3990001.....	311, 330	4360328....	132, 137, 197, 199, 201, 202, 352
3520189.....	321, 336	3790012 ...	3990010 ...	312, 320, 328, 352	4360330.....	201, 352
3520198.....	191	142, 197, 198, 199, 202, 203	4031608.....	93, 112	4360331....	199, 202, 203, 354
3536089.....	188, 192	3790044 ...77, 86, 96, 104	4031911.....	75, 85	4360336....	92, 112, 141, 193, 198, 354
3537416.....	95, 105	3790110.....	4060802.....	92, 112, 193	4360387....	197, 199, 201, 202, 352
3537420.....	95	3820001.....	4060803.....	188	4360392.....	76, 95, 106
3537445.....	155	44, 342, 345, 349	4060804.....	96	4360407....	197, 201, 352
3537446.....	155	3820020.....	4060805 .77, 85, 96, 105, 172, 181	132, 137	4360436.....	119
3538047.....	11	3841143 ...	4060906.....	132, 137	4360470....	132, 137, 352
3538758.....	172	11, 13, 43, 77, 86, 95, 103, 159, 160, 164, 171	4060907.....	141	4360475....	132, 137, 197, 201, 352
3539219.....	132, 137	3841287	4060959.....	357	4360476....	132, 137, 198, 201, 352
3539281.....	141	11, 159, 164	4061010.....	150	4360498....	181, 332, 354
3539662.....	44	3841340 ...	4070410.....	146, 150		
3539685.....	188	48, 78, 86, 95, 103, 160, 164, 165, 168	4070411.....	146, 150		
3539872.....	75, 95, 105	3841356.....	4070412.....	146, 150		
3539877.....	11	160, 164	4070450.....	44		
3539878.....	11	3841406.....	4070560.....	44		
3539934.....	145	172				
3539955.....	146, 151	3850018.....				
		225				
		3890040.....				
		195				
		3900054.....				
		195				

PART NUMBER INDEX

4360499 ... 181, 316, 332, 354	4460434 ... 308, 312, 327, 328	4460873....308, 312, 326, 329	4461204..... 318, 333
4360517 128, 332, 354	4460445 ... 312, 317, 328, 332	4460874.... 133, 308, 311, 326, 329	4461205 319, 334
4360522 ... 141, 198, 202, 354	4460457 314, 330	4460875.... 133, 308, 311, 326, 329	4461207 318, 333
4360542 92, 111	4460458 ... 314, 330, 335, 336	4460876..... 312, 329	4461244 318, 333
4360549 181, 182	4460459 322	4460878..... 312, 329	4461245 318, 333
4360578 181, 182, 354	4460460 314, 330	4460879..... 308, 326	4461246 318, 333
4400400 119	4460464 ... 198, 202, 308, 309, 310, 312, 315, 316, 326, 327, 328, 329, 330	4460880.... 312, 314, 328, 330	4461249 319, 334
4400410 119	4460465 ... 309, 310, 313, 314, 316, 321, 327, 329, 330, 331, 336	4460887.... 308, 312, 326, 329	4520205 18
4400452 119	4460466 ... 309, 310, 327, 330, 331	4460889..... 314	4520242 18
4420038 119	4460467 323, 337, 359	4460890..... 314	4520252 18
4420051 44, 342, 345, 349	4460470 ... 132, 137, 198, 202, 308, 311, 326, 328, 329	4460891.... 309, 314, 328, 330, 331	4520253 18
4420055 188	4460471 ... 133, 137, 198, 202, 308, 311, 326, 328, 329	4460892.... 311, 313, 316, 329	4520347 18
4420060 49, 112, 182	4460473 309, 310, 327	4460894.... 311, 313, 316, 329, 331	4520348 18
4420068 219	4460476 322	4460897.... 309, 315, 328	4566468 226, 255
4460007 198, 201	4460488 133, 137, 198	4460899..... 330	4566471 237
4460023 92, 112	4460496 138	4460905.... 133, 198, 202, 308, 311, 312, 326, 329, 330	4567073 75, 85
4460027 92, 111, 320	4460497 138	4460906..... 321	4567139 295, 299
4460042 198, 326	4460499 55, 317, 332	4460908..... 313, 316	4567413 267
4460049 219, 322, 337	4460508 ... 308, 309, 310, 312, 326, 327, 329	4460909..... 313, 316	4567434 226
4460051 ... 318, 321, 333, 336	4460509 309, 310, 327	4460915..... 313, 316	4567757 296, 300
4460071 ... 189, 192, 198, 202, 308, 321, 326, 336	4460510 323, 337, 359	4460916..... 331	4567815 97, 105
4460190 92, 111	4460526 ... 133, 137, 311, 328	4460918..... 332	4568514 12
4460224 316, 326	4460536 ... 312, 313, 316, 328	4460928..... 313, 316	4568721 75, 85
4460225 ... 308, 321, 326, 336	4460539 ... 311, 314, 316, 330	4460943.... 313, 328, 329	4568788 75
4460226 ... 198, 202, 210, 217, 308, 311, 313, 316, 320, 321, 322, 323, 326, 329, 330, 335, 336, 337	4460598 ... 189, 192, 199, 322, 336	4460944.... 313, 314, 316, 330	4569171 105
4460227 ... 308, 312, 313, 316, 326, 327, 329, 332	4460611 96	4460945..... 311, 317	4569177 76, 79
4460234 ... 141, 198, 201, 219	4460634 ... 308, 312, 326, 329	4460956..... 319, 334	4569371 79, 87
4460265 210, 217	4460635 308, 326, 329	4460957..... 319, 334	4620135 61
4460267 ... 312, 317, 328, 332	4460662 318, 333	4460959..... 310, 328	4640261 44
4460268 ... 141, 312, 314, 317, 328, 330, 332	4460705 320, 335	4460960..... 310, 328	4640509 ... 233, 235, 237, 239, 241, 243, 245, 247, 249
4460320 ... 312, 317, 328, 332	4460708 ... 198, 202, 308, 311, 326, 329	4460961..... 320	4640605 ... 226, 229, 231, 233, 235, 247, 249
4460321 321, 323, 337	4460709 319, 334	4460965..... 313, 316	4640751 95, 106
4460326 ... 312, 317, 328, 332	4460710 319, 334	4460967..... 321, 336	4640778 285
4460339 314	4460742 335, 336	4460968.... 93, 112, 181, 182, 318, 333	4640780 296, 300
4460374 ... 315, 321, 330, 335, 336	4460743 335, 336	4460979..... 330	4640858 223
4460375 ... 315, 321, 330, 336	4460761 ... 308, 313, 316, 326, 329	4461005..... 314, 330	4640866 48
4460418 ... 308, 312, 326, 329	4460789 322	4461006..... 314, 330	4640871 11
4460419 ... 308, 312, 326, 329	4460790 322	4461008..... 314, 330	4640906 48
4460424 ... 141, 311, 312, 314, 317, 328, 330, 332	4460792 314	4461052..... 314, 330	4640906 48
4460425 ... 199, 202, 219, 321, 322, 336, 337	4460865 309, 310, 327	4461053..... 314, 330	4640921 48, 55
4460426 ... 132, 137, 192, 199, 202, 311, 321, 322, 328, 336	4460866 ... 308, 309, 310, 312, 326, 327, 329	4461054..... 314, 330	4640922 48, 55
4460428 ... 181, 182, 198, 201, 308, 326	4460871 ... 205, 207, 213, 215, 308, 312, 314, 316, 322, 326, 328, 329, 330, 331	4461060..... 314, 330	4640929 181
		4461070..... 314, 330	4640932 ... 226, 229, 231
		4461071..... 311, 330	4641027 243, 245
		4461072..... 311, 330	4641032 267, 269
		4461073..... 311, 330	4641033 ... 261, 263, 265
		4461074..... 311, 330	4641041 39
		4461077.... 309, 310, 332	4641042 39
		4461095..... 314, 330	4641061 48
		4461157..... 330	4641076 275
		4461196..... 319, 334	4641099 48, 51
		4461198..... 318, 333	4641136 181
		4461199..... 319, 334	4641162 223
		4461201..... 318, 333	4641192 51
		4461202..... 319, 334	4641300 41
			4641303 41
			4641317 48
			4641435 181
			4641453 48, 51
			4711400. 11, 48, 96, 103, 106, 134, 181, 189, 192
			4711500 ... 41, 44, 48, 49, 76, 85, 141, 160, 198, 202

PART NUMBER INDEX

4711600.....11, 48, 77, 85, 86, 96, 106, 146, 151, 160, 165, 167, 168, 171, 172, 267	4844816 163	4892600 161, 165	4933300.....304, 320
4711700.....106	4844817 163	4920018 189	4933307.....304
4711800....155, 160, 165, 195	4844924 187, 188	4921927 49, 317, 332	4933321....134, 304, 311, 313
4711900.....97, 106	4844925 187, 188	4921928 49, 317, 332	4933338.....304, 310, 313
4740036.....44	4844928 187	4921957 321	4933349.....336
4740057.....61	4844954 187	4922099 316	4933372....134, 305, 311, 313
4740076.....145, 149	4844955 187, 188	4922215 322, 337	4933373....133, 304, 310
474011113, 43	4844956 187, 188	4922216 322, 337	70000017.....360
4740119.....155	4844958 61	4922217 322, 337	70000122.....91, 111
4740155.....43	4845287 188	4922218 310, 328	70000123.....91, 111
4740171.....145, 149	4845288 188	4922219 310, 328	70000124.....92, 111
4740256.....13, 43	4845289 188	4922220 310, 328	70000125.....92, 111
4740274...76, 85, 97, 106	4845290 188	4922482 320	70000126.....92, 111
4740362....141, 189, 192	4845328 187, 188	4922498 322	70000127.....92, 111
474039793, 112, 193	4845395 96, 106	4922549133, 312, 313	70000264.....108
4740411188	4845404 95, 106	4922557 ...133, 138, 312, 328	70000342.....176, 179
4740439.....164	4845408 187	4922575 309, 327	70000345.....108
4740444.....133, 137	4845409 187	4922576 309, 327	70000579.....52
4740463.....13, 43	4845411 145, 151	4922577 310	70000580.....52
4740472.....11	4845412 187	4922578 310, 328	70000582.....52, 352
4740473.....13, 43	4845413 187	4922579 309, 327	70000583.....52
4740500.....151	4845426 187	4922580 309	70000781.....41
475100076, 92, 112, 141, 146, 150, 151, 187, 191, 198, 202	4845469 187	4922581 310, 328	70000782.....70
4751400....44, 76, 78, 85, 86, 95, 104, 106, 133, 137, 146, 150, 181, 182, 183, 189, 192, 198, 202, 219, 342, 346, 350	4845593 159, 163	4922582 309, 327	70000793.....107
4751500....76, 78, 85, 92, 103, 112, 145, 146, 150, 151, 187, 188, 219	4845658 11, 12	4922636 311	70000794.....35
4751600....39, 41, 49, 76, 85, 92, 95, 103, 106, 112, 119, 121, 145, 146, 149, 151, 183, 189, 192	4845680 167	4922637 311, 330	70000795.....35
4751700.....106	4845701 172	4922639 198, 308	70000797.....35
4751800....12, 76, 85, 96, 103, 121, 123, 127, 195, 219	4845702 172	4922641 ...320, 321, 335, 336	70000800.....109
4751900.....92	4845703 160	4922643304, 322, 336	70000912.....107
4752000...77, 86, 96, 103	4845716 163	4922666 ...133, 198, 202, 308, 313, 326	70000913.....107
4761000....146, 150, 188, 191, 199	4845729 172	4922675 133, 312	70000914.....107
4761400.....133, 137	4845730 172	4922737 .76, 77, 97, 103, 315	70000915.....107
4761600.....183	4845928 119	4922757 321	70000916.....107
4762000.....44	4846101 187	4922773 310, 328	70000918.....107
4770600.....155	4846102 187	4922774 310, 328	70000919.....107
4791400.....85, 96, 106	4846103 187	4922775 310, 328	70000934.....48
4811600.....87, 93, 112	4846184 188	4922776 310, 328	70000970.....57
4811700.....87	4846184 188	4922868 309, 328	70000976.....57
4811900....76, 85, 87, 92	4846194 188	4922925 321, 336	70001002.....97, 107
4812000.....87	4846195 188	4922933133, 311, 313	70001017.75, 84, 97, 105
4812100....76, 85, 87, 93	4846228 188	4922970 320	70001051.....79, 88
4812200.....106	4846229 188	4922978 103	70001059.....57
4821397219	4846240 188	4923223 133, 312	70001060.....57
4831900.....98, 106	4846241 188	4923238133, 312, 313	70001061.....57
4832000...76, 85, 98, 106	4846253 187	4923280133, 311, 313	70001062.....57
484377744	4846254 187	4923282 133, 312	70001063.....57
4844790.....165	4846255 187	4923296 133, 313	70001064.....57
	4846413 12	4923338 133	70001065.....57
	4846414 43	4923379106, 316, 331	70001066.....57
	4846430 61	4923575 133, 312	70001067.....57
	4846452 191	4923585133, 311, 313	70001068.....57
	4846507 44	4923591 311	70001069.....57
	4846508 44	4923613309, 310, 327	70001120.....79, 87
	4846566 95, 106	4932986 304	70001126.....109
	4846573 161, 165	4933189 304	70001132.....107
	4846673 219	4933215 304, 320	70001248..123, 124, 127, 128
	4846790 76, 85	4933216 304, 320	70001249.....124
	4846805 76, 85	4933217 304	70001423.....97, 107
	4846935 43	4933218 304	70001435.....107
	4860188 18	4933231 304	70001498.....97, 108
	4860224 18	4933232 ...134, 304, 311, 313	70001681.....97
	4860225 18	4933264 304, 321	70001697.....176, 179
	4891500 48	4933296 304, 310	70001742.....79, 87
	489160086, 104, 106, 123, 127, 155, 161, 165		
	4891800 ...17, 18, 77, 95, 104, 155, 161, 165		
	489200013, 17, 18, 61		

PART NUMBER INDEX

70001835 108	7000265 14, 21, 25	70003989 58	70006390 235
70001836 108	7000269 64	70003990 58	70006391 235
70001837 108	7000270 64	70003991 58	7000645 52, 352
70001838 108	70002705 75, 84	70003992 58	70006479 269
70001839 108	70002706 75, 84	70003993 58	70006480 269
70001841 108	7000272 21, 25	70003994 58	70006568 239
70001847 109	70002724 215	70004148 78	70006569 239
70001848 107	70002725 215	70004182 75, 85	70006570 239
70001850 107	70002726 215	70004183 107	70006571 239
70001866 108	70002727 215	70004316 331	70006572 239
70001868 108	70002728 215	70004317 331	70006590 229
70001870 108	70002729 215	70004318 331	70006596 253
70001872 331	7000273 21, 25	70004319 331	70006601 229
70001874 108	70002730 207	70004738 217	7000663 97, 108
70001941 141	70002731 207	70004739 217	70006642 231
70001976 52, 55	70002732 207	70004740 217	70006643 231, 257
70002013 172, 354	70002733 207	70004741 217	70006644 231, 257
70002014 172	70002734 207	70004742 217	70006645 231
70002065 70	70002735 207	70004743 217	70006649 241
70002066 70	7000274 21, 25	70004744 217	70006650 241
70002067 70	7000275 21, 25	70004745 217	70006651 257
70002068 70	70002761 80, 88	70004746 217	70006668 257
70002069 70	70002762 80, 88	70004747 217	70006669 265
70002070 70	70002763 80, 88	70004748 217	70006670 265
70002071 70	70002764 80, 88	70004749 217	70006671 265
70002072 70	70002765 79, 87	70004750 217	70006672 265
70002073 70	70002766 80	70004751 217	70006728 269
70002074 70	70002767 80	70004752 209	70006731 269
70002075 70	7000281 64, 70	70004753 209	70006733 269
70002085 71	7000282 21, 25	70004754 209	70006734 241
70002086 71	7000283 21, 25	70004755 209	70006735 241
7000209 64	70002833 78, 87	70004756 209	70006736 241
7000213 21, 25	70002834 78, 87	70004757 209	70006777 253
7000214 64	70002835 78, 87	70004758 209	70006778 253
7000217 64, 70	7000284 21, 25	70004759 209	70006779 253
7000220 21, 25	70002841 80	70004760 209	70006780 253
70002200 98, 108	70002843 79, 87	70004761 209	70006781 253
70002212 127, 128	70002844 79, 87	70004762 209	70006782 229
70002234 97, 108	70002845 79, 88	70004763 209	70006783 229
70002235 91, 111	70002846 79, 88	70004764 209	70006784 229
70002239 91, 111	70002847 79, 88	70004765 209	70006796 263
7000224 21, 25	70002848 79, 88	70004766 209	70006797 263
70002240 92, 111	70002849 79, 88	70004767 209	70006798 263
7000228 64, 70	70002850 79, 88	70004768 209	70006799 263
7000229 64, 70	70002851 80, 88	70004769 209	70006800 263
7000230 64, 70	70002852 80, 88	70004770 209	70006801 263
7000231 21, 25	7000287 22, 25	70004771 209	70006802 263
7000235 21, 25	7000288 22, 25	70004772 209	70006803 263
7000236 21, 25	7000289 22, 25	70004773 209	70006804 263
70002366 253	7000290 22, 25	70004774 210	70006921 269
7000238 21, 25	70002906 207	70004775 210	70006922 269
7000239 21, 25	70002946 51	70005230 217	70006923 269
70002390 41	70003001 109	70005483 26	70006924 269
7000240 21, 25	70003002 109	70005594 269	70006925 269
70002410 229	70003003 109	70005793 229	70006926 269
70002411 98	70003454 128	7000625 192	70006927 269
70002415 109	70003476 97, 98, 108	70006344 269	70006928 269
70002416 109	70003483 192	70006375 249	7000731 17, 26, 65
70002417 109	70003556 97	70006376 249	7001498 116
7000246 64, 70	70003784 197, 201	70006377 249	7001872 109
70002479 80, 88	70003935 41	70006378 249	7001901 21, 25
7000248 64, 70	70003936 41	70006384 245	7001902 21, 25
7000253 64, 70	70003983 58	70006385 235, 245	7001903 21, 25
70002530 98	70003984 58	70006386 245	7001906 21, 25
7000255 64, 70	70003985 58	70006387 245	7001909 64
7000257 64, 70	70003986 58	70006388 245	7001911 64
7000263 64	70003988 58	70006389 235	7001912 64

PART NUMBER INDEX

7001928.....	21, 25, 64	7007464.....	116	7012715.....	29	7017034.....	21
7001931.....	64	7007465.....	116	7012716.....	29	7017035.....	21
7001985.....	64	7007466.....	116	7012769.....	52	7017036.....	21
70020808.....	331	7007470.....	115	7012772 ..	51, 52, 55, 352	7017037.....	21
70022564.....	229	7007472.....	116	7012773.....	51, 52, 55	7017038.....	21
70023915.....	239	7007474.....	116	7012774.....	52, 55	7017039.....	21
70027259.....	263	7007475.....	116	7012775.....	51	7017040.....	21
7002821.....	322, 337, 359	7007478.....	116	7012776.....	55	7017041.....	21
7002822.....	359	7007483.....	116	7012777.....	55	7017042.....	21
7002823.....	322, 337, 359	7007484.....	116	7012905.....	48	7017043.....	21
7002826.....	359	7007485.....	116	7012914.....	51	7017044.....	21
7002828.....	323, 337	7007487.....	116	7012918.....	51	7017045.....	21
7002840.....	11, 359	7007488.....	116	7012941.....	48, 52	7017046.....	22
7003657.....	91	7007494.....	115	7012943.....	48	7017047.....	22, 25
7003928.....	205, 207	7007496.....	116	7012944.....	48, 52, 352	7017048.....	21, 25
7003933.....	213	7007497	116, 315, 331	7012953.....	52, 55, 181	7017050.....	22, 25
7003935.....	213	7007498.....	116, 315, 331	7012959.....	48	7017051.....	14
7003941.....	213, 215	7007633.....	64, 70	7012965.....	55	7017052.....	13
7003946.....	213	7007990.....	17	7012970.....	181	7017053.....	13
7003953.....	205	7010116.....	116	7012972.....	48	7017054.....	14
7003969.....	213	7010122.....	116	7012989.....	52	7017055.....	14
7003972.....	213, 215	7010404.....	13	7012998.....	51, 53, 55	7017056.....	14
7003973.....	213, 215	7010405.....	13	7013187.....	121	7017057.....	14
7003976.....	205	7010406.....	14	7013189.....	124, 127	7017058.....	14
7003977.....	205	7010461.....	64	7014676.....	360	7017068.....	22, 26
7003980.....	213, 215	7010464.....	21, 25	7014801.....	119	7017070.....	64, 70
7003982.....	215	7010474.....	64	7014802.....	119	7017072.....	70
7003983.....	213, 215	7010492.....	64, 70	7014810.....	119	7017080.....	70
7003986.....	213	7010542.....	51	7014813.....	119	7017082.....	64
7003989.....	213, 215	7010543.....	48, 51, 52	7014816.....	119	7017085.....	65, 70
7003992.....	205, 213	7010545.....	52	7014817.....	119	7017089.....	64
7003993.....	205, 213	7010795.....	65	7014818.....	119	7017101.....	175
7003994.....	213	7010903.....	57	7016314.....	119	7017115.....	175
7004035.....	70	7010944.....	58	7016322.....	155	7017118.....	176
7004036.....	70	7011008.....	57	7016328.....	97, 354	7017119.....	175
7004042.....	65	7011022.....	57	7016331.....	97, 107, 354	7017142.....	175, 176
7004043.....	65, 71	7011043.....	57	7016342.....	121	7017156.....	176
7004044.....	65, 71	7011044.....	57	7016374.....	155	7017157.....	176
7004045.....	71	7011048.....	57	7016380.....	141	7017158.....	176, 179
7004046.....	65	7011112	226, 229, 231	7016399.....	189, 192	7017159.....	176, 179
7004047.....	71	7011311.....	176	7016522.....	172, 354	7017162.....	175, 179
7004049.....	71	7011331.....	175	7016523.....	172	7017163.....	175, 179
7004275.....	359	7011332.....	175	7016524.....	172	7017164.....	175, 179
7004276.....	359	7011333.....	181	7016529.....	172	7017174.....	175
70050801.....	253	7011342.....	181	7016652.....	359	7017177.....	175
7006137.....	172, 354	7012513.....	91, 111	7016654.....	359	7017183.....	175, 179
7007208.....	115	7012514.....	91, 111	7016655.....	359	7017193.....	175, 179
7007412.....	116	7012518.....	48	7016779.....	57	7017210.....	259
7007413.....	115	7012558.....	91	7016780.....	57	7017211.....	259
7007414.....	115	7012664 .	75, 84, 95, 104, 352	7016781.....	57	7017213.....	259
7007417.....	115	7012693.....	11	7016782.....	57	7017214.....	259
7007419.....	32, 115	7012700.....	29	7016783.....	57	7017215.....	259
7007420.....	32	7012701.....	29	7016784.....	57	7017236.....	259
7007423.....	115	7012702.....	29	7016785.....	57	7017420.....	51, 55
7007425.....	115	7012703.....	29	7016800.....	77, 96, 315	7017421.....	55
7007435.....	115	7012704.....	29	7016802.....	77, 96, 315	7017422.....	55
7007437.....	32, 36, 115	7012705.....	29	7016803.....	77, 96, 102, 315	7017423.....	51
7007438.....	31, 35, 115	7012706.....	29	7016809.....	77, 96, 315	7017427.....	51
7007439.....	31, 35, 115	7012707.....	29	7016813.....	77, 102, 315	7017428.....	51, 53
7007441.....	115	7012708.....	29	7016824.....	77, 96, 103, 315, 331	7017466.....	48
7007442.....	115	7012709.....	29	7016825.....	77, 96, 103, 315, 331	7017475.....	52
7007446.....	31, 35, 115	7012710.....	29	7017023.....	64, 70	7017477.....	52
7007452.....	115	7012711.....	29	7017027.....	21, 25	7017478.....	52
7007453.....	116	7012712.....	29	7017028.....	70	7017479.....	48
7007454.....	115	7012713.....	29	7017033.....	21, 25	7017481.....	48
7007457.....	115	7012714.....	29			7018612.....	17
7007463.....	116					7018912.....	51, 52, 55

PART NUMBER INDEX

7018941	51	7020246	131, 137	7022368.....	32, 35	7024439	119
7018942	53, 55	7020408	97, 107	7022370.....	32	7024440	119
7018945	52, 55	7020411	97, 107	7022371.....	32, 36	7024441	119
7018946	55	7020431	97	7022372.....	32, 36	7024442	119
7018947	55	7020447	107	7022396.....	39	7024443	119
7018948	55	7020449	98, 107	7022397.....	39, 41	7024444	119, 352
7018951	53	7020458	97, 108	7022398.....	39	7024445	119
7018991	51, 352	7020459	98, 108	7022399.....	39, 41	7024446	119
7018992	51	7020460	98, 108	7022721.....	80, 88	7024453	65, 70, 71
7018993	52	7020461	97, 108	7022808.....	205, 207	7024454	65, 70
7018994	51	7020462	97	7022812.....	213	7024455	65, 71
7018995	77, 95, 104	7020464	97, 108	7022814.....	205	7024456	65, 71
7019103	213	7020465	98, 107	7022815.....	205, 207	7024457	65, 71
7019110	213	7020468	98, 107	7022816.....	205	7024458	65, 71
7019111	205, 213	7020471	97, 98, 107	7022817.....	205	7024459	65
7019112	213	7020474	98	7022818.....	205	7024481	119
7019114	213	7020479	97, 108	7022819.....	205, 207, 316,	7024508	261, 263, 265
7019115	213	7020480	97		326	7024560	97, 105
7019122	205	7020487	107	7022820.....	316	7024565	97, 108
7019123	205	7021200	115	7022822.....	213	7024579	97, 108
7019141	205	7021201	115	7022823.....	213	7024598	155
7019142	205	7021202	115	7022824.....	213	7024702	65
7019143	205	7021203	115	7022825.....	316, 326	7024703	64
7019144	205	7021205	115	7023023.....	259	7024704	64, 70
7019145	205	7021206	116	7023206.....	47	7024705	64
7019147	205	7021207	115	7023207.....	47	7024706	65
7019149	205	7021208	115	7023318.....	70	7024707	65
7019150	205	7021209	115	7023366.....	145	7024717	26
7019151	213	7021212	115	7023900.....	39	7024718	26
7019154	213	7021213	116	7023907.....	32, 35	7024762	64, 70
7019155	213	7021214	116	7023908.....	31, 35	7024763	26, 70
7019160	213	7021218	116	7023910.....	31, 35	7024781	25
7019161	213	7021219	116	7023917.....	41	7024782	25
7019162	213, 215	7021220	116	7023933.....	41	7024783	25
7019164	213, 215	7021221	116	7023956.....	77, 86, 104	7024784	65, 70
7019165	213, 215	7021222	116	7023967.....	77, 86, 104	7024828	116
7019166	213	7021223	116	7023977.....	115	7024854	36
7019167	213, 215	7021226	116	7023981.....	48	7024861	31
7019168	213	7021227	116	7024100.....	65, 71	7024862	31, 35
7019171	205	7021228	116	7024145.....	25	7024865	31
7019174	205	7021229	116	7024146.....	25	7024867	31, 35
7019177	205	7021230	116	7024147.....	25	7024868	35
7019194	213, 215	7021231	116	7024148.....	25	7024870	32
7019197	205	7021232	116	7024149.....	25	7024871	32, 36
7019658	119	7021249	32, 35	7024151.....	25	7024881	41
7019680	91, 111	7021275	31, 35	7024154.....	25	7024918	77, 95, 104
7020020	47, 48	7021276	35	7024155.....	21, 25	7024930	77, 95, 104
7020021	47	7021277	31, 35	7024182.....	25, 26	7026189	123, 124
7020064	167	7021310	52	7024185.....	65	7026197	124, 127
7020065	167	7021311	53	7024189.....	26, 65	7026199	91
7020066	167	7021601	52	7024190.....	26, 65	7026503	124, 127
7020067	167	7021602	51	7024191.....	26, 65	7026504	124, 127
7020108	91, 111	7021625	39, 41	7024192.....	26, 65	7026505	124, 127
7020109	91, 111	7021639	41	7024193.....	26, 66	7026506	124, 127
7020110	91, 111	7021656	39	7024194.....	26, 66	7026507	124, 127
7020111	91, 111	7022302	31, 35	7024195.....	26, 66	7026508	124
7020168	97	7022305	31, 35	7024196.....	26, 66	7026509	124, 127
7020172	181	7022310	31, 35	7024197.....	26, 66	7026510	124
7020173	181	7022311	31, 35	7024379.....	65, 71	7026511	124, 127
7020175 ...	132, 137, 198,	7022312	31, 35	7024380.....	65, 71	7026512	124
201		7022313	31, 35	7024381.....	71	7026522	97
7020176 ...	132, 137, 198,	7022314	31, 35	7024390.....	71	7026607	97, 108
201		7022321	32	7024396.....	65, 71	7026608	97, 108
7020190	91, 111	7022323	32	7024397.....	267, 269	7026631	97, 107
7020191	92, 112	7022326	32, 36	7024398.....	97, 105	7026800	79, 88
7020192	92, 112	7022328	32, 36	7024404.....	124, 127	7026801	79, 80, 88
7020193	321	7022367	32	7024413.....	97	7026802	79, 88

PART NUMBER INDEX

7026803.....	79, 88	7026825	79	7027028	86, 331	7027796.....	109, 315, 331
7026804.....	79, 88	7026826	80, 88	7027029	86, 331	7027887.....	92, 112
7026805.....	79, 88	7026827	80, 88	7027030	86, 331	77143013.....	137
7026806.....	79, 88	7026828	80, 88	7027031	86, 331	80424002.....	70
7026807.....	79, 88	7026829	80, 88	7027236	108	80424043.....	71
7026808.....	80, 88	7026830	78, 87, 354	7027239	109	80934561.....	124, 127
7026809.....	80, 88	7026831	78, 87	7027241	108	8229242.....	329
7026810.....	79, 87	7026832	80, 88	7027245	109	8303541.....	86
7026811.....	78, 87, 354	7026833	79, 87	7027246	107	8320270.....	107
7026812.....	79, 87	7026834	79	7027412	75, 85	8405009.....	74, 85
7026813.....	79, 87	7026835	79	7027435	31	8405104.....	74, 85
7026814.....	78, 88	7026836	79	7027608	107	8406009.....	87
7026815.....	78, 88	7026838	80	7027609	107	8406105.....	87
7026816.....	80, 88	7026839	78, 87	7027610	107	8406109.....	87
7026817.....	80, 88	7026840	79	7027740	32, 35	8410013.....	104
7026818.....	80, 88	7026841	79	7027741	32, 36	88521008.....	181
7026819.....	79, 88	7026843	79	7027790	108	88521205.....	76, 85, 103
7026820.....	79, 87	7026882	79	7027791	108	8896941.....	359
7026821.....	79, 87	7026888	79	7027792	108	91401281.....	74, 85, 102
7026822.....	79, 87	7027004	77, 102, 331	7027793	109, 315, 331		
7026823.....	79	7027012	77, 102, 315	7027794	109, 315		
7026824.....	79	7027018	331	7027795	109, 354		



3121854



An Oshkosh Corporation Company

Corporate Office
JLG Industries, Inc.
1 JLG Drive
McConnellsburg, PA 17233-9533 USA
☎ **(717) 485-5161 (Corporate)**
☎ **(877) 554-5438 (Customer Support)**
📠 **(717) 485-6417**

Visit our website for JLG Worldwide Locations.
www.jlg.com