



# ***Illustrated Parts Manual***

## ***Models***

***3508PS, 3509PS***

***3512PS, 3513PS***

***4008PS, 4009PS***

***4012PS, 4013PS***

***4017PS***

## ***Agrovector***

***40.8, 40.9***

***Prior to SN 1160006866 excluding  
1160006594, 1160006604, 1160006748,  
1160006752, 1160006755, 1160006756***

***31200204***

***September 7, 2017***





## **EFFECTIVITY PAGE**

September 14, 2007 - A - Original Issue Of Manual  
April 16, 2007 - B - Revised Manual  
November 3, 2008 - C - Revised Manual  
July 24, 2009 - D - Revised Manual  
July 28, 2010 - E - Revised Manual  
September 21, 2010 - F - Revised Manual; added models 40.8 & 40.9  
June 8, 2011 - G - Revised Manual  
October 21, 2011 - H - Revised Manual  
June 8, 2012 - I - Revised Manual  
January 8, 2013 - J - Revised Manual  
April 3, 2014 - K - Revised Manual  
November 25, 2014 - L - Revised Manual  
August 27, 2015 - M - Revised Manual  
September 7, 2017 - N - Revised Manual



# TABLE OF CONTENTS

SECTION 1 - FRAME AND ATTACHING PARTS.....	9
FIGURE 1-1. FRAME SHROUDING AND ATTACHING PARTS, RIGHT SIDE.....	10
FIGURE 1-2. FRAME SHROUDING AND ATTACHING PARTS, LEFT SIDE.....	16
FIGURE 1-3. AXLE AND FENDER INSTALLATION.....	20
FIGURE 1-4. OUTRIGGER INSTALLATION (12M & 13M).....	24
FIGURE 1-5. OUTRIGGER INSTALLATION (17M).....	26
FIGURE 1-6. DRAW BAR COUPLING INSTALLATION.....	28
FIGURE 1-7. SITE HITCH INSTALLATION.....	30
FIGURE 1-8. TRAILER HITCH INSTALLATION (Prior to SN 116005199).....	32
FIGURE 1-9. AUTO HITCH, PIN HITCH AND PITON FRAME-AUTO HITCH (SN 1160003924 to Present).....	34
FIGURE 1-10. PIN HITCH - CUNA C AND CUNA D2 (SN 1160003924 to Present).....	36
FIGURE 1-11. HYDRAULIC HITCH INSTALLATION (8M & 9M) (Prior to SN 1160003924).....	38
FIGURE 1-12. HYDRAULIC HITCH INSTALLATION (8M & 9M) (SN 1160003924 to Present).....	40
FIGURE 1-13. TRAILER PLUG.....	42
SECTION 2 - BOOM.....	45
FIGURE 2-1. BOOM INSTALLATION (8M & 9M).....	46
FIGURE 2-2. BOOM INSTALLATION (12M & 13M).....	48
FIGURE 2-3. BOOM INSTALLATION (17M).....	50
FIGURE 2-4. BOOM PIN INSTALLATION.....	52
FIGURE 2-5. FIRST BOOM SECTION ASSEMBLY (8M & 9M).....	54
FIGURE 2-6. FIRST BOOM SECTION ASSEMBLY (12M & 13M).....	56
FIGURE 2-7. FIRST BOOM SECTION ASSEMBLY (17M).....	58
FIGURE 2-8. SECOND BOOM SECTION ASSEMBLY (8M & 9M).....	60
FIGURE 2-9. SECOND BOOM SECTION ASSEMBLY (12M & 13M).....	62
FIGURE 2-10. SECOND BOOM SECTION ASSEMBLY (17M).....	64
FIGURE 2-11. THIRD BOOM SECTION ASSEMBLY (12M & 13M).....	68
FIGURE 2-12. THIRD BOOM SECTION ASSEMBLY (17M).....	70
FIGURE 2-13. FOURTH BOOM SECTION ASSEMBLY (17M).....	74
FIGURE 2-14. QUICK ATTACH ASSEMBLY, MECHANICAL AND HYDRAULIC QUICK ATTACH.....	78
FIGURE 2-15. MANITOU QUICK ATTACH (13M & 17M).....	82
FIGURE 2-16. BOOM ASSEMBLY, IF EQUIPPED FOR PLATFORM (13M).....	84
FIGURE 2-17. BOOM ASSEMBLY, IF EQUIPPED FOR PLATFORM (17M).....	86
FIGURE 2-18. PLATFORM SENSOR INSTALLATION (13M).....	88
SECTION 3 - ATTACHMENTS.....	91
FIGURE 3-1. MANURE BUCKET (8M & 9M).....	92
FIGURE 3-2. MULTI-PURPOSE BUCKET.....	94
FIGURE 3-3. BUCKETS (12M, 13M & 17M).....	96
FIGURE 3-4. FORK MOUNTED HOOK.....	98
FIGURE 3-5. CRANE HOOK (13M & 17M).....	100
FIGURE 3-6. CONCRETE BUCKET.....	102
FIGURE 3-7. CARRIAGE ASSEMBLY.....	104
FIGURE 3-8. SIDE SHIFT CARRIAGE ASSEMBLY.....	106
FIGURE 3-9. FORK TINES.....	108
FIGURE 3-10. TRUSS BOOM.....	110
FIGURE 3-11. FORK POSITIONING CARRIAGE W/FORKS (13M & 17M).....	112
FIGURE 3-12. FIXED PLATFORM INSTALLATION (13M & 17M).....	114
FIGURE 3-13. EXTENDABLE PLATFORM INSTALLATION (13M & 17M).....	118
FIGURE 3-14. EXTENDABLE PLATFORM ASSEMBLY (13M & 17M).....	122
FIGURE 3-15. CONSOLE BOX ASSEMBLY (13M & 17M).....	124
FIGURE 3-16. MANITOU CARRIAGE (13M & 17M).....	128
SECTION 4 - ENGINE AND ATTACHING PARTS.....	131
FIGURE 4-1. ENGINE INSTALLATION.....	132
FIGURE 4-2. ENGINE ASSEMBLY (Prior to SN 1160003927).....	134
FIGURE 4-3. ENGINE ASSEMBLY (SN 1160003927 to Present).....	136
FIGURE 4-4. FUEL TANK AND LINES (Prior to SN 1160003927).....	140
FIGURE 4-5. FUEL TANK AND LINES (SN 1160003927 to Present).....	142
FIGURE 4-6. COOLING SYSTEM INSTALLATION.....	144
FIGURE 4-7. AIR FILTER INSTALLATION.....	148
FIGURE 4-8. MUFFLER INSTALLATION.....	150

# TABLE OF CONTENTS

FIGURE 4-9. AC PUMP INSTALLATION .....	152
FIGURE 4-10. TRANSMISSION ASSEMBLY .....	154
FIGURE 4-11. TRANSMISSION ASSEMBLY - CONVERTER HOUSING .....	156
FIGURE 4-12. TRANSMISSION ASSEMBLY - CASE AND PLATE .....	158
FIGURE 4-13. TRANSMISSION ASSEMBLY - TORQUE CONVERTER .....	160
FIGURE 4-14. TRANSMISSION ASSEMBLY - GEAR GROUP 3 SPEED .....	162
FIGURE 4-15. TRANSMISSION ASSEMBLY - GEAR GROUP 4 SPEED .....	164
FIGURE 4-16. TRANSMISSION ASSEMBLY - PUMP DRIVE GROUP .....	166
FIGURE 4-17. TRANSMISSION ASSEMBLY - CHARGE PUMP .....	168
FIGURE 4-18. TRANSMISSION ASSEMBLY - REVERSE IDLER .....	170
FIGURE 4-19. TRANSMISSION ASSEMBLY - FORWARD AND REVERSE SHAFT .....	172
FIGURE 4-20. TRANSMISSION ASSEMBLY - 3RD SHAFT .....	174
FIGURE 4-21. TRANSMISSION ASSEMBLY - 3RD AND HIGH (4TH) SHAFT .....	176
FIGURE 4-22. TRANSMISSION ASSEMBLY - 1ST AND 2ND SHAFT .....	178
FIGURE 4-23. TRANSMISSION ASSEMBLY - OUTPUT SHAFT .....	180
FIGURE 4-24. TRANSMISSION ASSEMBLY - CONTROL AND MODULATION VALVE ASSEMBLY .....	182
FIGURE 4-25. TRANSMISSION ASSEMBLY - DRIVE PLATE .....	184
FIGURE 4-26. TRANSMISSION ASSEMBLY - DROP BOX .....	186
SECTION 5 - DRIVE TRAIN .....	189
FIGURE 5-1. FRONT AXLE ASSEMBLY (8M, 9M, 12M & 13M) .....	190
FIGURE 5-2. FRONT AXLE ASSEMBLY (17M) .....	192
FIGURE 5-3. FRONT AXLE ASSEMBLY - CENTRAL HOUSING AND STEERING .....	194
FIGURE 5-4. FRONT AXLE ASSEMBLY - DIFFERENTIAL .....	196
FIGURE 5-5. FRONT AXLE ASSEMBLY - HUB REDUCTION (8M, 9M, 12M & 13M) .....	198
FIGURE 5-6. FRONT AXLE ASSEMBLY - HUB REDUCTION (17M) .....	202
FIGURE 5-7. FRONT AXLE ASSEMBLY - BRAKE COMPONENTS (8M, 9M, 12M & 13M) .....	206
FIGURE 5-8. FRONT AXLE ASSEMBLY - BRAKE COMPONENTS (17M) .....	208
FIGURE 5-9. REAR AXLE ASSEMBLY .....	210
FIGURE 5-10. REAR AXLE ASSEMBLY - CENTRAL HOUSING AND STEERING .....	212
FIGURE 5-11. REAR AXLE ASSEMBLY - DIFFERENTIAL .....	214
FIGURE 5-12. REAR AXLE ASSEMBLY - EXTERNAL AXLE COMPONENTS .....	216
FIGURE 5-13. REAR AXLE ASSEMBLY - BRAKE COMPONENTS .....	220
FIGURE 5-14. DRIVE TRAIN INSTALLATION .....	222
FIGURE 5-15. TIRE AND WHEEL ASSEMBLY .....	224
SECTION 6 - CAB .....	227
FIGURE 6-1. CAB INSTALLATION .....	228
FIGURE 6-2. CAB ASSEMBLY .....	232
FIGURE 6-3. INTERIOR INSTALLATION .....	238
FIGURE 6-4. CAB DOOR AND WINDOW INSTALLATION .....	240
FIGURE 6-5. WIPER SYSTEM INSTALLATION .....	244
FIGURE 6-6. SEAT INSTALLATION .....	246
FIGURE 6-7. HEATER INSTALLATION AND CIRCULATION .....	248
FIGURE 6-8. AIR CONDITIONING UNIT INSTALLATION .....	250
FIGURE 6-9. FRONT CAB GLASS SHIELD .....	254
SECTION 7 - CONTROLS .....	257
FIGURE 7-1. STEERING CONTROL INSTALLATION .....	258
FIGURE 7-2. BRAKE INSTALLATION .....	260
FIGURE 7-3. THROTTLE INSTALLATION .....	262
FIGURE 7-4. PARKING BRAKE INSTALLATION (8M, 9M, 12M & 13M) .....	264
FIGURE 7-5. MECHANICAL HAND BRAKE ASSEMBLY .....	268
FIGURE 7-6. JOYSTICK CONTROLLER .....	270
SECTION 8 - HYDRAULIC CIRCUITS .....	273
FIGURE 8-1. SUPPLY CIRCUIT .....	274
FIGURE 8-2. STEERING SUPPLY .....	278
FIGURE 8-3. SERVICE/PARK BRAKE .....	280
FIGURE 8-4. LIFT CYLINDER (8M, 9M, 12M & 13M) .....	286
FIGURE 8-5. LIFT CYLINDER (9M & 13M) .....	288
FIGURE 8-6. LIFT CYLINDER (17M) .....	290
FIGURE 8-7. LIFT CYLINDER (17M) .....	292

# TABLE OF CONTENTS

FIGURE 8-8. EXTEND/RETRACT CYLINDER (8M & 9M).....	294
FIGURE 8-9. EXTEND/RETRACT CYLINDER (12M & 13M).....	296
FIGURE 8-10. EXTEND/RETRACT CYLINDER (17M).....	298
FIGURE 8-11. TILT AND TILT COMPENSATION (8M & 9M).....	300
FIGURE 8-12. TILT AND TILT COMPENSATION (12M & 13M).....	304
FIGURE 8-13. TILT AND TILT COMPENSATION (17M).....	308
FIGURE 8-14. AUXILIARY FUNCTION (8M & 9M).....	310
FIGURE 8-15. AUXILIARY FUNCTION (12M & 13M).....	312
FIGURE 8-16. AUXILIARY FUNCTION (17M).....	314
FIGURE 8-17. HOSE AND CABLE CARRIER INSTALLATION (17M).....	316
FIGURE 8-18. FRAME LEVEL AND NON-FRAME LEVEL HYDRAULICS (8M & 9M).....	318
FIGURE 8-19. FRAME LEVEL AND OUTRIGGER (12M, 13M & 17M).....	320
FIGURE 8-20. BOOM REAR AUXILIARY (8M & 9M).....	324
FIGURE 8-21. TRAILER BRAKE INSTALLATION (8M & 9M).....	326
FIGURE 8-22. BRAKE ACCUMULATOR INSTALLATION (17M).....	328
SECTION 9 - HYDRAULIC COMPONENTS.....	331
FIGURE 9-1. LIFT CYLINDER (8M) (Prior to SN 1160005745).....	332
FIGURE 9-2. LIFT CYLINDER (8M) (SN 1160005745 to Present).....	334
FIGURE 9-3. LIFT CYLINDER (9M & 13M) (Prior to SN 1160005648).....	336
FIGURE 9-4. LIFT CYLINDER (9M & 13M) (SN 1160005648 to Present).....	338
FIGURE 9-5. LIFT CYLINDER (12M).....	340
FIGURE 9-6. LIFT CYLINDER (17M) (Prior to SN 1160005738).....	342
FIGURE 9-7. LIFT CYLINDER (17M) (SN 1160005738 to Present).....	344
FIGURE 9-8. EXTEND/RETRACT CYLINDER (8M).....	346
FIGURE 9-9. EXTEND/RETRACT CYLINDER (9M).....	348
FIGURE 9-10. EXTEND/RETRACT CYLINDER (12M).....	350
FIGURE 9-11. EXTEND/RETRACT CYLINDER (13M).....	352
FIGURE 9-12. EXTEND/RETRACT CYLINDER (17M).....	354
FIGURE 9-13. EXTEND/RETRACT CYLINDER (17M).....	356
FIGURE 9-14. TILT CYLINDER.....	358
FIGURE 9-15. TILT CYLINDER.....	360
FIGURE 9-16. COMPENSATION CYLINDER.....	362
FIGURE 9-17. COMPENSATION CYLINDER.....	364
FIGURE 9-18. FRAME LEVEL CYLINDER.....	366
FIGURE 9-19. FRAME LEVEL CYLINDER.....	368
FIGURE 9-20. OUTRIGGER CYLINDER ASSEMBLY (12M & 13M).....	370
FIGURE 9-21. OUTRIGGER CYLINDER ASSEMBLY (17M).....	372
FIGURE 9-22. OUTRIGGER CYLINDER ASSEMBLY (17M).....	374
FIGURE 9-23. FORK LOCKING CYLINDER ASSEMBLY.....	376
FIGURE 9-24. FORK LOCKING CYLINDER ASSEMBLY.....	378
FIGURE 9-25. MAIN CONTROL VALVE ASSEMBLY.....	380
FIGURE 9-26. HYDRAULIC TANK INSTALLATION.....	384
FIGURE 9-27. BRAKE CYLINDER (Prior to SN 1160005851).....	386
FIGURE 9-28. BRAKE CYLINDER (SN 1160005851 to Present).....	388
FIGURE 9-29. DIVERTER VALVE (Prior to SN 1160005127).....	390
FIGURE 9-30. DIVERTER VALVE (SN 1160005127 to Present).....	392
FIGURE 9-31. PISTON PUMP.....	394
FIGURE 9-32. FRAME LEVEL VALVE.....	396
FIGURE 9-33. OUTRIGGER AND FRAME LEVEL VALVE (12M, 13M & 17M).....	398
FIGURE 9-34. STEERING SELECT VALVE.....	400
FIGURE 9-35. AUXILIARY DIVERTER VALVE.....	402
FIGURE 9-36. ACTUATOR ASSEMBLY.....	404
SECTION 10 - ELECTRICAL.....	407
FIGURE 10-1. ENGINE ELECTRICAL INSTALLATION.....	408
FIGURE 10-2. CAB ELECTRICAL INSTALLATION.....	410
FIGURE 10-3. ELECTRICAL INSTALLATION, CAB SWITCHES.....	414
FIGURE 10-4. BOOM AND FRAME ELECTRICAL INSTALLATIONS.....	416
FIGURE 10-5. ELECTRICAL INSTALLATION, BOOM AUXILIARY ELECTRIC (8M, 9M, 12M & 13M).....	420
FIGURE 10-6. ELECTRICAL INSTALLATION, BOOM AUXILIARY ELECTRIC (17M).....	422
FIGURE 10-7. ELECTRICAL INSTALLATION, LIGHTS.....	424
FIGURE 10-8. MAIN CAB HARNESS.....	428
FIGURE 10-9. BOOM HARNESS AUXILIARY ELECTRICAL ADAPTER.....	434
FIGURE 10-10. BOOM LIGHTS HARNESS.....	436

# TABLE OF CONTENTS

FIGURE 10-11. BOOM RETRACT HARNESS .....	438
FIGURE 10-12. QUICK CONNECT HARNESS .....	440
FIGURE 10-13. CABLE HARNESS.....	442
FIGURE 10-14. FRONT CHASSIS HARNESS .....	444
FIGURE 10-15. REAR CHASSIS HARNESS.....	446
FIGURE 10-16. CAB ROOF HARNESS.....	448
FIGURE 10-17. POWERSHIFT ENGINE HARNESS.....	452
FIGURE 10-18. ELECTRICAL INSTALLATION, PLATFORM.....	456
FIGURE 10-19. LMIS INSTALLATION (9M, 13M & 17M) .....	458
FIGURE 10-20. LMIS AUDIBLE TOWER/BEACON INSTALLATION .....	462
FIGURE 10-21. OUTRIGGER HARNESS (17M) .....	464
FIGURE 10-22. OUTRIGGER HARNESS (13M & 17M).....	466
FIGURE 10-23. LSI HARNESS (8M;9M;12M;13M SN 1160005993 to Present, Including 1160005949 and 1160005950; 17M SN 1160005937 to Present, Excluding 1160005952, 1160005960, 1160005963, 1160005966 and 1160005978) .....	468
FIGURE 10-24. PLATFORM HARNESS.....	470
FIGURE 10-25. PLATFORM CAB HARNESS .....	472
FIGURE 10-26. SMARTBASKET HARNESS.....	474
SECTION 11 - DECALS .....	477
FIGURE 11-1. FRAME AND BOOM DECALS .....	478
FIGURE 11-2. DECALS - CAB.....	484
FIGURE 11-3. CAB AND FRAME DECALS, (40.8 & 40.9) .....	492
FIGURE 11-4. BOOM DECALS, (40.8 & 40.9).....	496
SECTION 12 - RECOMMENDED SPARE PARTS.....	499
FIGURE 12-1. RECOMMENDED SPARE PARTS.....	500
PART NUMBER INDEX.....	503

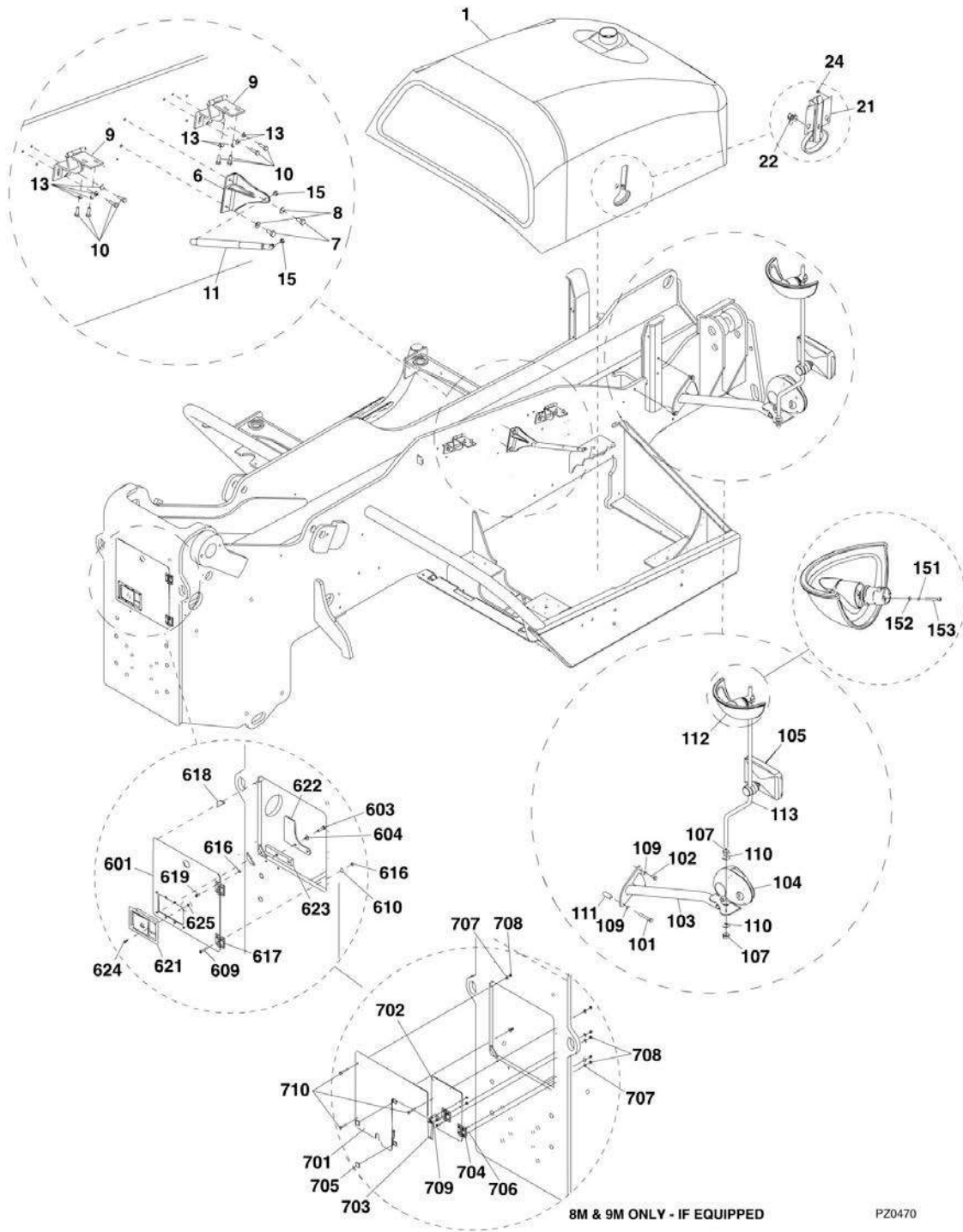


# SECTION 1 - FRAME AND ATTACHING PARTS

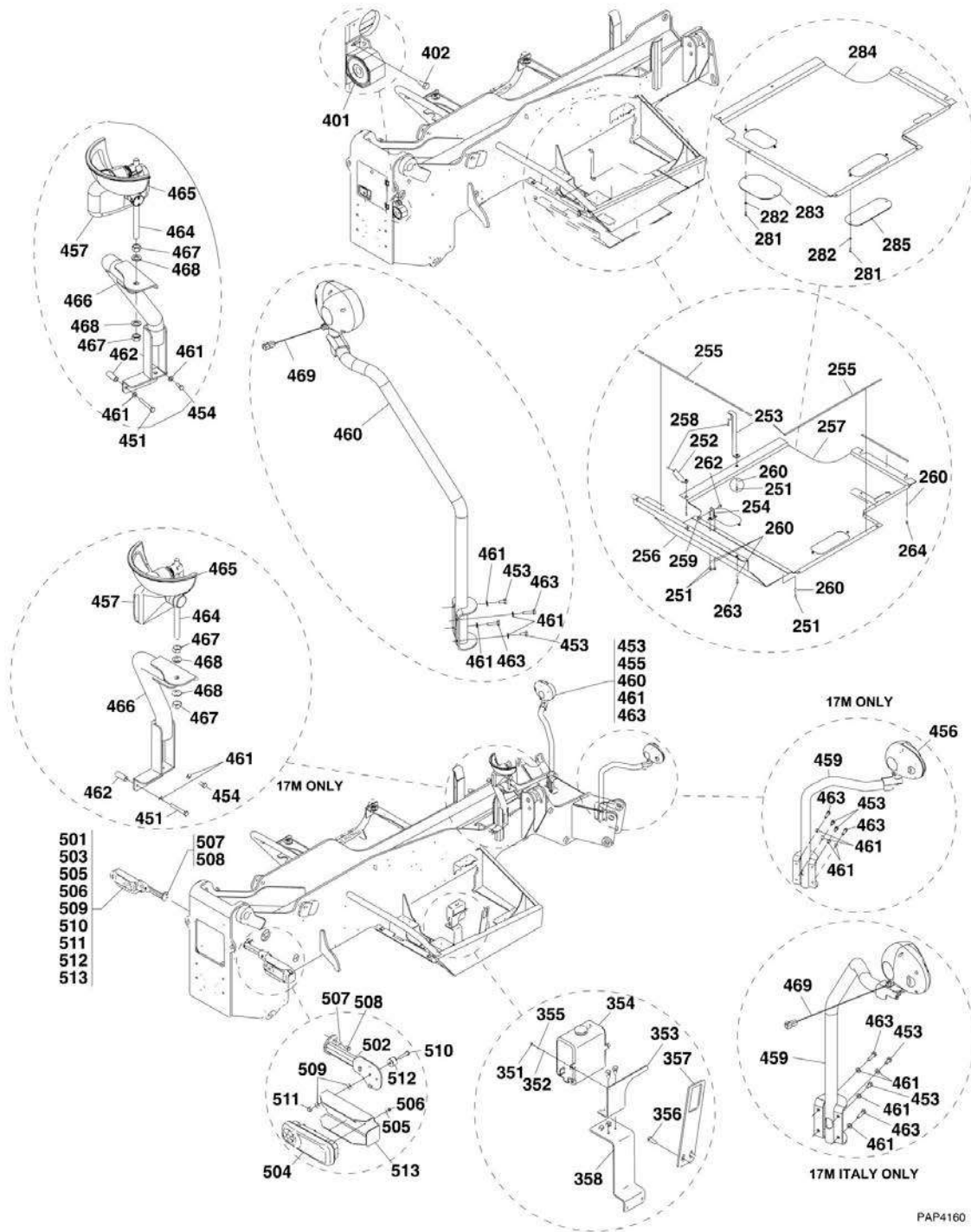
## SECTION 1 - FRAME AND ATTACHING PARTS

# SECTION 1 - FRAME AND ATTACHING PARTS

## FIGURE 1-1. FRAME SHROUDING AND ATTACHING PARTS, RIGHT SIDE



# SECTION 1 - FRAME AND ATTACHING PARTS



PAP4160

# SECTION 1 - FRAME AND ATTACHING PARTS

## FIGURE 1-1. FRAME SHROUDING AND ATTACHING PARTS, RIGHT SIDE

ITEM	PART NUMBER	QTY	DESCRIPTION	REV
	0275243	Ref	ENGINE COVER INSTALLATION, (not available to order, see items 1 thru 15 for service)	E
1	1001092126	1	HOOD COVER ASSY, (3508PS, 3509PS, 3512PS, 3513PS, 4008PS, 4009PS, 4012PS, 4013PS & 4017PS), (includes items 21 thru 24)	C
1	1001092126G	1	HOOD COVER ASSY, (40.8 & 40.9), (includes items 21 thru 24)	C
6	4341228	1	BRACKET	
7	0761010	2	HEX HD CAPSCREW, M10X20, GR8.8	
8	4812000	2	WASHER, 10mm	
9	4806433	2	HOOD HINGE	
10	0760812	8	HEX HD CAPSCREW, M8X25, GR8.8	
11	8000420	1	GAS SPRING	
13	4811900	8	WASHER, 8mm	
15	3290807	2	HEX LOCKNUT, M8X1.25	
21	8000382	1	HOOD LATCH	
22	8000801	1	HOOD LOCK	
23	2014226	AR	TRIM, (not shown)	
24	3290607	3	HEX LOCKNUT, M6X1	
	0903586	Ref	RH LIGHT AND MIRROR INSTALLATION, (8M, 9M, 12M & 13M), (not available to order, see items 101 thru 113 for service)	B
101	0701024	1	HEX HD CAPSCREW, M10X80, GR8.8	
102	0761012	2	HEX HD CAPSCREW, M10X25, GR8.8	
103	0903584	1	RIGHT SIDE MIRROR BRACKET, (3508PS, 3509PS, 3512PS, 3513PS, 4008PS, 4009PS, 4012PS & 4013PS)	
103	0903584B	1	RIGHT SIDE MIRROR BRACKET, (40.8 & 40.9)	
104		Ref	RH DRIVING LIGHT, (includes mounting hardware), (See ELECTRICAL SECTION for Breakdown)	
105	3140007	1	RECTANGULAR MIRROR	
107	3292001	2	HEX NUT, M20X2.5	
109	4812000	3	WASHER, 10mm	
110	4812500	2	WASHER, 20mm	
111	8000704	1	STEEL PIPE	
112	1001008436	1	MIRROR ASSY, (includes items 151 thru 153)	
113	1001097298	1	MIRROR SUPPORT	
151	1001008475	2	LOCKWASHER, #12	
152	1001009062	2	WASHER	
153	1001010838	2	HEX BOLT	
	0275061	Ref	MOTOR SHIELD INSTALLATION, (not available to order, see items 251 thru 264 for service)	D
251	0760608	7	HEX HD CAPSCREW, M6X16, GR8.8	
252	0903422	1	ENGINE COVER BRACKET	
253	0903424	1	ENGINE COVER BRACKET	
254	0903426	1	ENGINE SUPPORT	
255	1898686	AR	TRIM	
256	1001101018	1	RADIATOR PANEL ASSY, (3508PS, 3509PS, 3512PS, 3513PS, 4008PS, 4009PS, 4012PS & 4013PS)	
256	1001101018B	1	RADIATOR PANEL ASSY, (40.8 & 40.9)	
257	1001099379	1	PROTECTING PANEL	
258	5200608	2	RIPP BOLT, M6X16	
259	5200812	1	RIPP BOLT, M8X25	
260	5211702	12	RIPP WASHER, 6mm	

## SECTION 1 - FRAME AND ATTACHING PARTS

ITEM	PART NUMBER	QTY	DESCRIPTION	REV
262	5220800	1	NUT, 8mm	
263	0760610	3	HEX HD CAPSCREW, M6X20mm, GR8.8	
264	0760612	2	HEX HD CAPSCREW, M6X25mm, GR8.8	
281	070057	4	HEX HD CAPSCREW, M5X14, GR8.8	
282	4811600	4	WASHER, 5mm	
283	1001099225	1	OIL DRAIN ACCESS COVER, (3508PS, 3509PS, 3512PS, 3513PS, 4008PS, 4009PS, 4012PS & 4013PS)	
283	1001099225B	1	OIL DRAIN ACCESS COVER, (40.8 & 40.9)	
284	1001099294	1	BELLY PAN, (3508PS, 3509PS, 3512PS, 3513PS, 4008PS, 4009PS, 4012PS & 4013PS)	
284	1001099294B	1	BELLY PAN, (40.8 & 40.9)	
285	1001099300	1	MAIN CONTROL VALVE ACCESS COVER, (3508PS, 3509PS, 3512PS, 3513PS, 4008PS, 4009PS, 4012PS & 4013PS)	
285	1001099300B	1	MAIN CONTROL VALVE ACCESS COVER, (40.8 & 40.9)	
351	0760407	2	HEX HD CAPSCREW, M4X14, GR8.8	
352	3290401	2	HEX NUT, M4X0.7	
353	3576678	1	PLATE, (3508PS, 3509PS, 3512PS, 3513PS, 4008PS, 4009PS, 4012PS, 4013PS & 4017PS)	
353	3576678B	1	PLATE, (40.8 & 40.9)	
354	4400493	1	WASHER TANK	
354	70022874	1	PUMP MOTOR	
355	4811400	2	WASHER, 4mm	
356	5201012	2	BOLT, M10X25	
357	8001626	1	PLATE	
358		Ref	HYDRAULIC FILTER BRACKET, (See HYDRAULIC CIRCUITS SECTION for Breakdown)	
401		Ref	BACK-UP ALARM, (See ELECTRICAL SECTION for Breakdown)	
402		Ref	RIPP BOLT, M6X16, (See ELECTRICAL SECTION for Breakdown)	
	0275942	Ref	HEADLIGHT AND MIRROR INSTALLATION, (17M), (not available to order, see items 451 thru 468 for service)	D
	1001107965	Ref	HEADLIGHT AND MIRROR INSTALLATION, (17M), (ITALY), (If equipped), (not available to order, see items 451 thru 469)	B
451	0701024	1	HEX HD CAPSCREW, M10X80, GR8.8	
453	0761010	4	HEX HD CAPSCREW, M10X20, GR8.8	
454	0761012	2	HEX HD CAPSCREW, M10X25, GR8.8	
455		Ref	LH DRIVING LIGHT, (includes mounting hardware), (See ELECTRICAL SECTION for Breakdown)	
456		Ref	RH DRIVING LIGHT, (includes mounting hardware), (See ELECTRICAL SECTION for Breakdown)	
457	3140007	1	RECTANGULAR MIRROR	
457	1001005981	1	RECTANGULAR MIRROR, (ITALY), (If equipped)	
459	4341434	1	RH HEADLIGHT BRACKET	
459	1001107552	1	RH HEADLIGHT BRACKET, (ITALY), (If equipped)	
460	4341435	1	LH HEADLIGH BRACKET	
460	1001107553	1	LH HEADLIGHT BRACKET, (ITALY), (If equipped)	
461	4812000	11	WASHER, 10mm	
462	8000704	1	STEEL PIPE	
463	0761016	4	HEX HD CAPSCREW, M10X40, GR8.8	
464	1001096588	1	ROD	
465	1001008436	1	MIRROR ASSY, (includes items 151 thru 153)	
466	1001097618	1	RH MIRROR BRACKET	
467	3292001	2	HEX NUT, M20X2.5	
468	4812500	2	WASHER, 20mm	

## SECTION 1 - FRAME AND ATTACHING PARTS

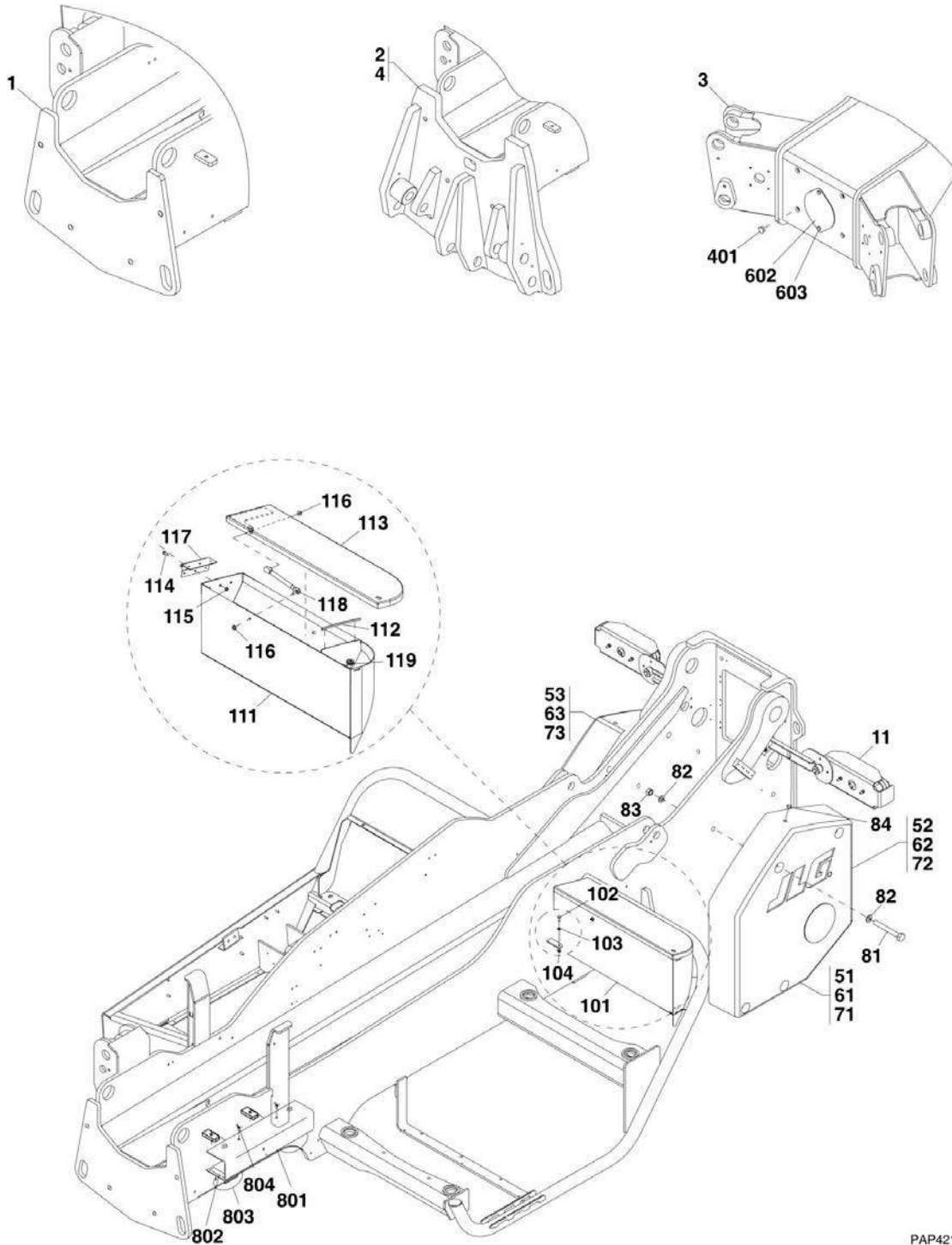
ITEM	PART NUMBER	QTY	DESCRIPTION	REV
469	1001109474	1	HARNESS, LIGHT EXT, (ITALY), (If equipped)	
	2920210	Ref	REAR LIGHT INSTALLATION, (not available to order, see items 501 thru 513 for service)	B
501	0903501	1	LH REAR LIGHT BRACKET, (3508PS, 3509PS, 3512PS, 3513PS, 4008PS, 4009PS, 4012PS, 4013PS & 4017PS)	
501	0903501B	1	LH REAR LIGHT BRACKET, (40.8 & 40.9)	
502	0903502	1	RH REAR LIGHT BRACKET, (3508PS, 3509PS, 3512PS, 3513PS, 4008PS, 4009PS, 4012PS, 4013PS & 4017PS)	
502	0903502B	1	RH REAR LIGHT BRACKET, (40.8 & 40.9)	
503		Ref	LH TAIL LIGHT, (See ELECTRICAL SECTION for Breakdown)	
504		Ref	RH TAIL LIGHT, (See ELECTRICAL SECTION for Breakdown)	
505	4811900	4	WASHER, 8mm	
506	3290807	4	HEX LOCKNUT, M8X1.25	
507	5212000	4	RIPP WASHER, 10mm	
508	0761012	4	HEX HD CAPSCREW, M10X25, GR8.8	
509	1356294	4	WASHER, 13mm	
510	0701219	2	HEX HD CAPSCREW, M12X55, GR8.8	
511	3291207	2	HEX LOCKNUT, M12X1.75	
512	8009517	2	BUFFER	
513	8009226	2	PLATE, (3508PS, 3509PS, 3512PS, 3513PS, 4008PS, 4009PS, 4012PS, 4013PS & 4017PS)	
513	8009226B	2	PLATE, (40.8 & 40.9)	
	3380744	Ref	REAR COVER PANEL INSTALLATION, (12M, 13M & 17M), (8M & 9M, if equipped), (not available to order, see items 601 thru 626 for service)	H
601	1001094692	1	REAR PANEL, (3508PS, 3509PS, 3512PS, 3513PS, 4008PS, 4009PS, 4012PS, 4013PS & 4017PS)	
601	1001094692B	1	REAR PANEL, (40.8 & 40.9)	
603	0760814	2	HEX HD CAPSCREW, M8X30, GR8.8	
604	5211902	2	RIPP WASHER, 8mm	
609	8006242	4	SCREW, M6X40	
610	5211702	4	RIPP WASHER, 6mm	
616	3290605	8	HEX LOCKNUT, 6mm	
617	8006105	2	JOINT HINGE	
618	909304	AR	TRIM	
619	0630576	4	SCREW, M6X20mm	
621	1001093383	1	LOCKING LATCH	
622	1001093372	1	LATCH BRACKET	
623	1001093373	1	LATCH SPACER	
624	1001099125	8	HEX HD CAPSCREW, M5X10	
625	3290505	8	HEX LOCKNUT, M5X0.8	
626		Ref	LICENSE PLATE LIGHT AND HARDWARE, (not shown), (See ELECTRICAL SECTION for Breakdown)	
	2902295	Ref	REAR ACCESS COVER INSTALLATION, (8M & 9M, IF EQUIPPED), (not available to order, see items 701 thru 710 for service)	C
701	3380506	1	PANEL ASSY, (3508PS, 3509PS, 4008PS & 4009PS)	
701	3380506B	1	PANEL ASSY, (40.8 & 40.9)	
702	3380509	1	ACCESS DOOR, (3508PS, 3509PS, 4008PS & 4009PS ) <b>(Prior to SN 1160005648)</b>	
702	3380509B	1	ACCESS DOOR, (40.8 & 40.9)	
702	1001112723	1	ACCESS DOOR, (3508PS, 3509PS, 4008PS & 4009PS ) <b>(SN 1160005648 to Present)</b>	
703	2940155	1	L-HANDLE	

## SECTION 1 - FRAME AND ATTACHING PARTS

ITEM	PART NUMBER	QTY	DESCRIPTION	REV
704	8006105	2	JOINT HINGE	
705	909304	AR	TRIM	
706	8006242	4	SCREW, M6X40	
707	5211702	7	RIPP WASHER, 6mm	
708	3290605	11	HEX LOCKNUT, 6mm	
709	0630576	4	SCREW, M6X20	
710	0700616	3	HEX HD CAPSCREW, M6X44, GR8.8	

# SECTION 1 - FRAME AND ATTACHING PARTS

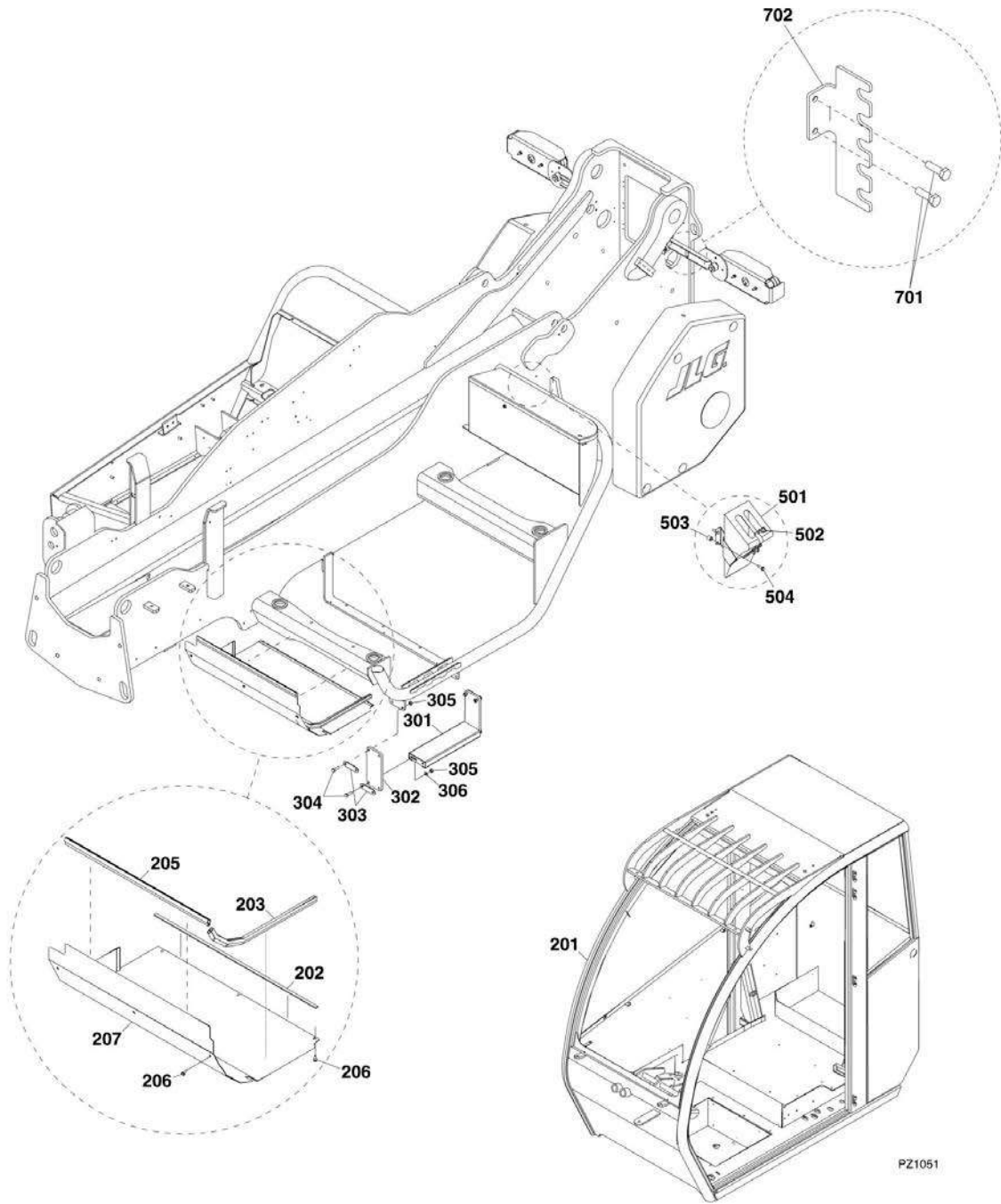
FIGURE 1-2. FRAME SHROUDING AND ATTACHING PARTS, LEFT SIDE



PAP4210



# SECTION 1 - FRAME AND ATTACHING PARTS



# SECTION 1 - FRAME AND ATTACHING PARTS

FIGURE 1-2. FRAME SHROUDING AND ATTACHING PARTS, LEFT SIDE

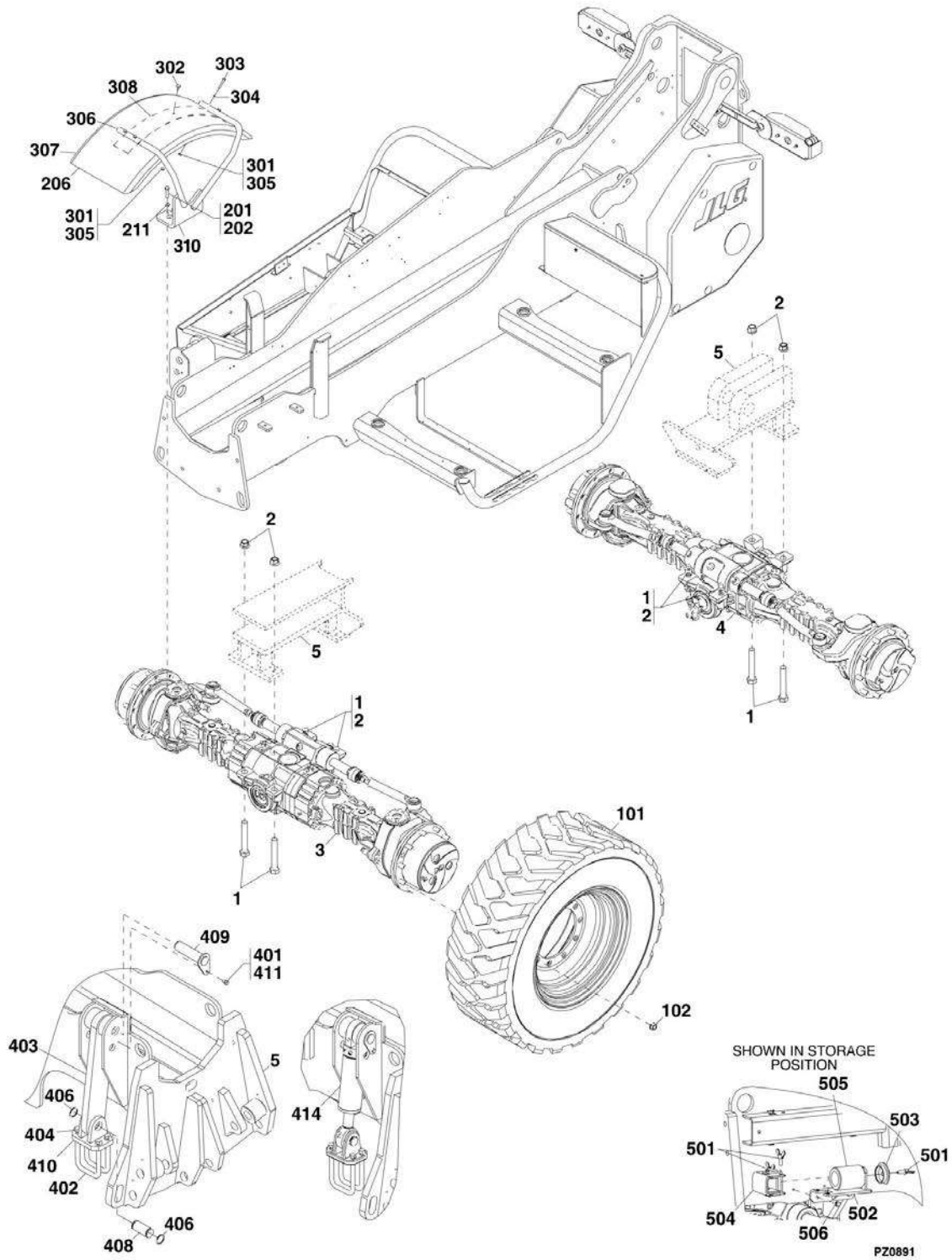
ITEM	PART NUMBER	QTY	DESCRIPTION	REV
1	2360740	1	FRAME ASSY, (3508PS, 3509PS, 4008PS & 4009PS)	L
1	2360740B	1	FRAME ASSY, (40.8 & 40.9)	
2	2360735	1	FRAME ASSY, (12M & 13M)	M
3	2360787	1	FRAME ASSY, (17M)	M
4	1001092934	1	FRAME ASSY, (13M, if equipped for LMIS or platform)	K
11		Ref	REAR TAIL LIGHT ASSY, (See ELECTRICAL SECTION for Breakdown)	
51	8008971	Ref	COUNTERWEIGHT INSTALLATION, (3509PS, 3512PS, 4008PS & 40.8), (not available to order, see items 52, 53 & 81 thru 84 for service)	
52	8005317	1	COUNTERWEIGHT, 365kg, (Left), (3509PS, 3512PS & 4008PS)	
52	8005317B	1	COUNTERWEIGHT, 365kg, (Left), (40.8)	
53	8005318	1	COUNTERWEIGHT, 365kg, (right), (3509PS, 3512PS & 4008PS)	
53	8005318B	1	COUNTERWEIGHT, 365kg, (right), (40.8)	
61	8008969	Ref	COUNTERWEIGHT INSTALLATION, (3513PS, 4009PS, 4012PS, 4017PS & 40.9), (not available to order, see items 62, 63 & 81 thru 84 for service)	
62	8005315	1	COUNTERWEIGHT, 750kg, (Left), (3513PS, 4009PS, 4012PS & 4017PS)	
62	8005315B	1	COUNTERWEIGHT, 750kg, (Left), (40.9)	
63	8005316	1	COUNTERWEIGHT, 750kg, (right), (3513PS, 4009PS, 4012PS & 4017PS)	
63	8005316B	1	COUNTERWEIGHT, 750kg, (right), (40.9)	
71	8009078	Ref	COUNTERWEIGHT INSTALLATION, (4013PS), (not available to order, see items 72, 73 & 81 thru 84 for service)	
72	8009124	1	COUNTERWEIGHT, 1170kg, (left), (4013PS)	
73	8009125	1	COUNTERWEIGHT, 1170kg, (right), (4013PS)	
81	0702037	8	HEX HD CAPSCREW, 20-2.50X200mm	
82	4812500	16	FLAT WASHER, 20mm	
83	3292007	8	HEX LOCKNUT, M20	
84	8009883	2	PROTECTING CAP	
	0275260	Ref	TOOL BOX INSTALLATION, (if equipped) (not available to order, see items 101 thru 104 for service)	A
101	0240147	1	TOOL BOX ASSY, (3508PS, 3509PS, 3512PS, 3513PS, 4008PS, 4009PS, 4012PS, 4013PS & 4017PS), (includes items 111 thru 119)	B
101	0240147B	1	TOOL BOX ASSY, (40.8 & 40.9), (includes items 111 thru 119)	
102	0760810	3	HEX HD CAPSCREW, 8-1.25X20mm	
103	5211900	3	RIPP WASHER, 8mm	
104	5220800	3	RIPP NUT, 8mm	
111	0240148	1	TOOL BOX, (3508PS, 3509PS, 3512PS, 3513PS, 4008PS, 4009PS, 4012PS, 4013PS & 4017PS)	
111	0240148B	1	TOOL BOX, (40.8 & 40.9)	
112	3180016	1	RUBBER SEAL	
113	3380559	1	TOOL BOX COVER, (3508PS, 3509PS, 3512PS, 3513PS, 4008PS, 4009PS, 4012PS, 4013PS & 4017PS)	
113	3380559B	1	TOOL BOX COVER, (40.8 & 40.9)	
114	5200608	3	RIPP BOLT, 6-36X16mm	
115	5220600	6	RIPP NUT, 6mm	
116	5220800	2	RIPP NUT, 8mm	
117	8002332	1	HINGE	
118	8006011	NLA	GAS SPRING, (no longer available, use 1001097296 for replacement)	

## SECTION 1 - FRAME AND ATTACHING PARTS

ITEM	PART NUMBER	QTY	DESCRIPTION	REV
118	1001097296	1	GAS SPRING	
119	8008701	1	LOCK	
201		Ref	CAB INSTALLATION, (not available to order, see items 202 thru 207 for service), (See CAB SECTION for Breakdown)	
202	1898686	AR	TRIM	
203	8001565	Ref	WEATHER STRIP	
205	3960927	AR	TRIM	
206	5200608	6	RIPP BOLT, 6-36X16mm	
207	3380567	1	CAB BOTTOM SHIELD	
	0273866	Ref	CAB STEP INSTALLATION, (17M), (not available to order, see items 301 thru 306 for service)	A
301	80383311	1	STAIR TREAD	
302	4240168	2	STEP STRAP	
303	3575424	4	STRAP COVER PLATE	
304	0701015	8	HEX HD CAPSCREW, 10-1.75X35mm	
305	3291007	8	HEX LOCKNUT, M10X1.5	
306	4812000	4	WASHER, 10mm	
401	8008721	12	PLASTIC CAP, (8M, 9M, 12M & 13M)	
401	8008721	8	PLASTIC CAP, (17M)	
	1001098946	Ref	WHEEL CHUCK INSTALLATION, (if equipped), (required in Germany), (not available to order, see items 501 thru 504 for service)	A
501	806253	1	WEDGE	
502	806264	1	WEDGE HOLDER	
503	2976912	4	PIPE	
504	5200814	4	RIPP BOLT, M8X30	
602	3575579	1	COVER PLATE, (17M)	
603	0761008	2	HEX HD CAPSCREW, M10X16, (17M)	
	1001109070	Ref	REAR HYDRAULIC BRACKET INSTALLATION, (8M & 9M, if equipped), (not available to order, see items 701 & 702 for service)	A
701	0761010	2	HEX HD CAPSCREW, M10X20, GR8.8	
702	1001109069	1	REAR HYDRAULIC BRACKET	
	8004888	1	LIFTING SUPPORT SYSTEM, (includes items 801 thru 804)	B
801	1001110099	1	BOOM SUPPORT CHANNEL ASSY	
802	909304	AR	TRIM	
803	1784861	2	GASKET	
804	443630	2	WING SCREW	

# SECTION 1 - FRAME AND ATTACHING PARTS

## FIGURE 1-3. AXLE AND FENDER INSTALLATION



# SECTION 1 - FRAME AND ATTACHING PARTS

## FIGURE 1-3. AXLE AND FENDER INSTALLATION

ITEM	PART NUMBER	QTY	DESCRIPTION	REV
	0274983	Ref	AXLE INSTALLATION, (8M, 9M,12M & 13M), (not available to order, see items 1 thru 4 for service)	B
	0275000	Ref	AXLE INSTALLATION, (17M), (not available to order, see items 1 thru 4 for service)	A
1	0630574	8	HEX HD CAPSCREW, 20-1.5X130mm	
2	3300478	8	WHEEL NUT, M20X1.5, (front axle torque to 550-600 Nm; rear axle torque to 550-660 Nm)	
3		Ref	FRONT AXLE, (See DRIVE TRAIN SECTION for Breakdown)	
4		Ref	REAR AXLE, (See DRIVE TRAIN SECTION for Breakdown)	
5		Ref	FRAME INSTALLATION, (See FRAME SHROUDING AND ATTACHING PARTS, RIGHT SIDE for Breakdown)	
101		Ref	TIRE AND WHEEL ASSY, (See DRIVE TRAIN SECTION for Breakdown)	
102		Ref	LUG NUT, (See DRIVE TRAIN SECTION for Breakdown)	
	0274857	Ref	FENDER INSTALLATION, (not available to order, see items 201 thru 211 for service)	B
201	0100011	AR	LOCTITE 242	
202	0630571	16	HEX HD CAPSCREW, 12-1.25X50mm	
205	2090065	2	FENDER ASSY, (left), (includes items 301 thru 309), (not shown)	
206	2090066	2	FENDER ASSY, (right), (includes items 301 thru 308 & 310)	
211	4740532	16	FLAT WASHER, M12	
301	0100011	AR	LOCTITE 242	
302	328027	1	MUSHROOM HD BOLT, 8-1.25X20mm	
303	0700818	4	HEX HD CAPSCREW, 8-1.25X50mm	
304	4811900	4	WASHER, 8mm	
305	5220800	5	RIPP NUT, 8mm	
306	8006580	2	PLUG	
307	8010519	1	FENDER	
308	8010524	1	SUPPORT PLATE, (3508PS, 3509PS, 3512PS, 3513PS, 4008PS, 4009PS, 4012PS, 4013PS & 4017PS)	
308	8010524B	1	SUPPORT PLATE, (40.8 & 40.9)	
309	8010525	1	FENDER SUPPORT, (left), (3508PS, 3509PS, 3512PS, 3513PS, 4008PS, 4009PS, 4012PS, 4013PS & 4017PS), (not shown)	
309	8010525B	1	FENDER SUPPORT, (left), (40.8 & 40.9), (not shown)	
310	8010526	1	FENDER SUPPORT, (right), (3508PS, 3509PS, 3512PS, 3513PS, 4008PS, 4009PS, 4012PS, 4013PS & 4017PS)	
310	8010526B	1	FENDER SUPPORT, (right), (40.8 & 40.9)	
310	0275605	Ref	FRAME LEVEL COMPONENTS INSTALLATION, (if equipped), (not available to order, see items 401 thru 402 & 404 thru 414 for service)	E
	0274852	Ref	NON-FRAME LEVEL COMPONENTS INSTALLATION, (8 & 12M - if equipped), (not available to order, see items 401 thru 411 for service)	C
401	0100011	AR	LOCTITE 242	
402		Ref	"U" BOLT, (See DRIVE TRAIN SECTION for Breakdown)	
403	0903159	1	NON-FRAME LEVEL BRACKET, (3508PS, 3509PS, 3512PS, 3513PS, 4008PS, 4009PS, 4012PS, 4013PS & 4017PS)	
403	0903159B	1	NON-FRAME LEVEL BRACKET, (40.8 & 40.9)	
404		Ref	WHEEL NUT, (See DRIVE TRAIN SECTION for Breakdown)	
406	3760493	2	RETAINING RING	
408	4802008	1	PIN	
409	4802122	1	PIN	
410		Ref	BRACKET, (See DRIVE TRAIN SECTION for Breakdown)	

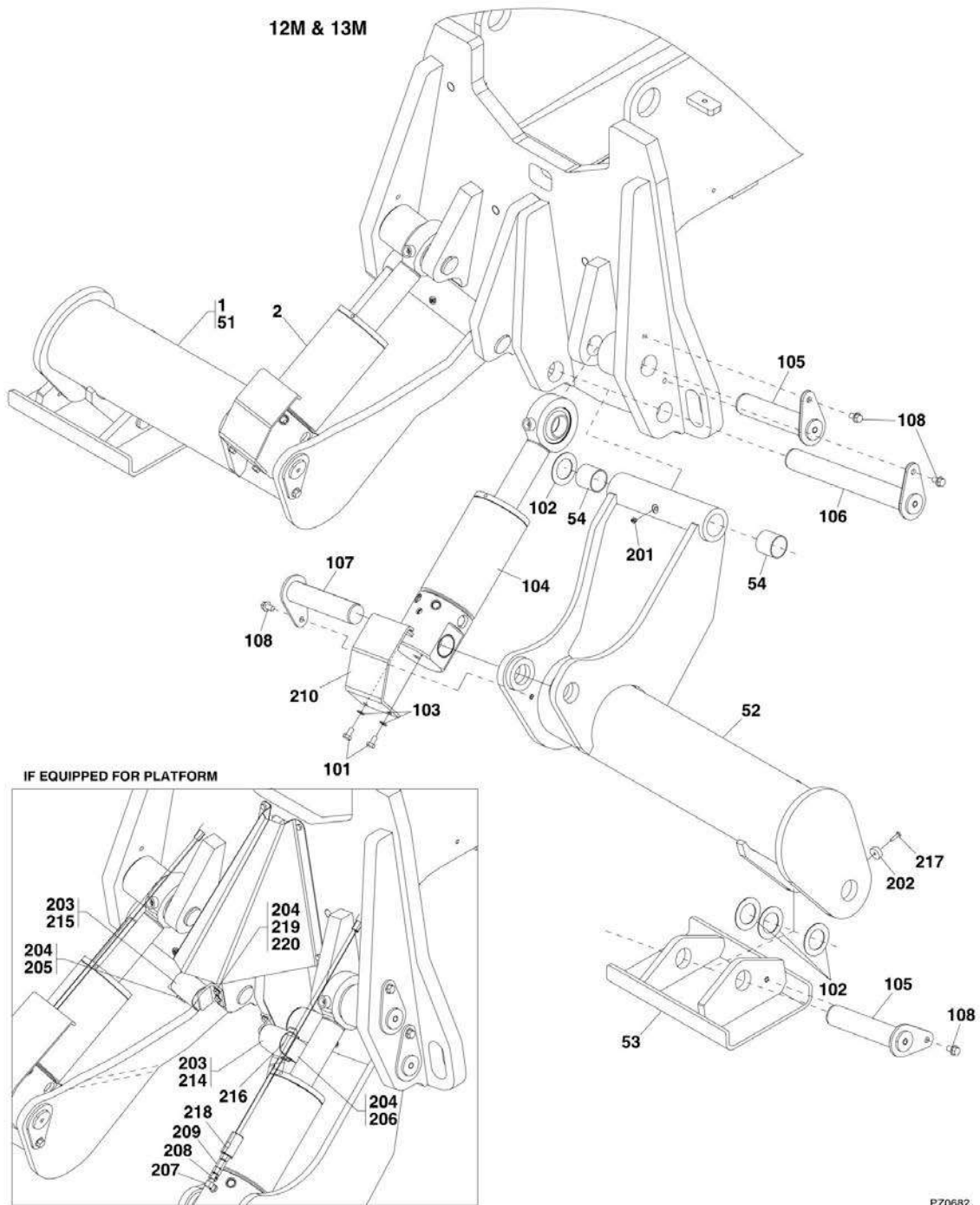
## SECTION 1 - FRAME AND ATTACHING PARTS

ITEM	PART NUMBER	QTY	DESCRIPTION	REV
411	5201210	1	RIPP BOLT, 12-20mm, (torque to 125 Nm)	
412		Ref	SWITCH BODY, (not shown), (See ELECTRICAL SECTION for Breakdown)	
413		Ref	SWITCH KEY, (not shown), (See ELECTRICAL SECTION for Breakdown)	
414		Ref	FRAME LEVEL CYLINDER, (See HYDRAULIC COMPONENTS SECTION for Breakdown)	
	0274498	Ref	FRAME LEVEL STOP AND BOOM STOP INSTALLATION, (if equipped), (required in Italy), (not available to order, see items 501 thru 506 for service)	A
501	443630	3	WING SCREW, M12X30	
502	0903232	1	BRACKET	
503	1321370	1	CLAMP	
504	2902424	1	FRAME LEVEL CYLINDER STOP KIT	
505	4220251	1	BOOM LEVEL STOP	
506	5201010	2	RIPP BOLT, M10X20	



# SECTION 1 - FRAME AND ATTACHING PARTS

## FIGURE 1-4. OUTRIGGER INSTALLATION (12M & 13M)





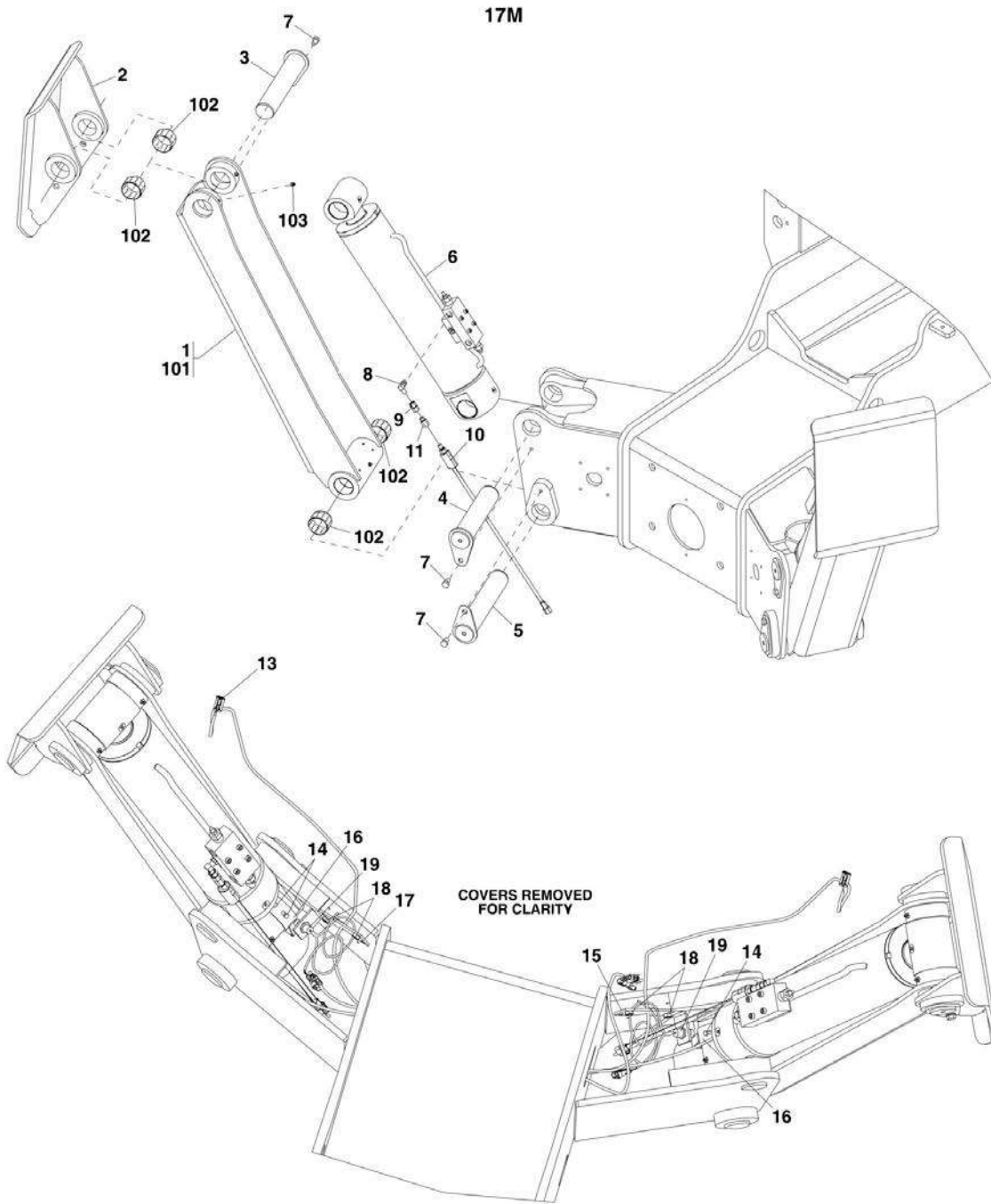
# SECTION 1 - FRAME AND ATTACHING PARTS

## FIGURE 1-4. OUTRIGGER INSTALLATION (12M & 13M)

ITEM	PART NUMBER	QTY	DESCRIPTION	REV
	1001092002	Ref	OUTRIGGER INSTALLATION, (12M & 13M), (not available to order, see items 1 thru 3 for service)	A
	1001092003	Ref	OUTRIGGER INSTALLATION, (12M & 13M, if equipped for platform or LMIS), (not available to order, see items 1 thru 4 for service)	C
1	1001091980	Ref	OUTRIGGER WELDMENT INSTALLATION, (not available to order, see items 51 thru 53 for service)	A
1	1001091981	Ref	OUTRIGGER WELDMENT INSTALLATION, (if equipped for platform), (not available to order, see items 51 thru 53 for service)	A
2	1001091963	Ref	OUTRIGGER CYLINDER AND PIN INSTALLATION, (not available to order, see items 101 thru 108 for service)	A
3	1001092000	Ref	ADDITIONAL OUTRIGGER COMPONENTS INSTALLATION, (not available to order, see items 201, 202, 210, 217 for service)	A
3	1001092001	Ref	ADDITIONAL OUTRIGGER COMPONENTS INSTALLATION, (if equipped for platform) (not available to order, see items 201 thru 220 for service)	D
4		Ref	HARNESS, (not shown), (if equipped for platform), (See ELECTRICAL SECTION for Breakdown)	
51	4210040	1	RIGHT OUTRIGGER ARM, (includes item 54)	
51	1001091979	1	RIGHT OUTRIGGER ARM, (if equipped for platform), (includes item 54)	
52	4210038	1	LEFT OUTRIGGER ARM, (includes item 54)	
52	1001091978	1	LEFT OUTRIGGER ARM, (if equipped for platform), (includes item 54)	
53	8009087	2	OUTRIGGER PLATE	
54	8008051	2	BUSHING	
101	0761010	4	HEX HD CAPSCREW, M10X20	
102	3760652	8	DISK	
103	4832000	4	LOCKWASHER, 10mm	
104		Ref	OUTRIGGER CYLINDER, (See CAB SECTION for Breakdown)	
105	4800482	4	PIN	
106	4800493	2	PIN	
107	4800562	2	PIN	
108	5201210	8	RIPP BOLT, M12X20mm	
201	324590	2	GREASE FITTING	
202	466364	2	BUFFER	
203	0760605	4	HEX HD CAP SCREW, M6X10, GR 8.8	
204	0760810	8	HEX HD CAP SCREW, M8X20, GR 8.8	
205	0903295	1	RIGHT PROXIMITY BRACKET	
206	0903296	1	LEFT PROXIMITY BRACKET	
207	2141102	2	CONNECTOR, 90	
208	2143602	2	CONNECTOR	
209	1001092224	2	CONNECTOR	
210	4800879	2	PRESSURE SWITCH GUARD	
210	3380608	2	PRESSURE SWITCH GUARD, (if equipped for platform)	
214	3576193	1	LEFT PROXIMITY GUARD	
215	3576194	1	RIGHT PROXIMITY GUARD	
216	4000017	2	PROXIMITY SENSOR	
217	4010612	2	POZIDRIV PAN HD SCREW, M6X25mm	
218	4360606	2	PRESSURE SWITCH	
219	1001094268	2	STRIKER PLATE	
220	5211900	4	WASHER, 8mm	

# SECTION 1 - FRAME AND ATTACHING PARTS

## FIGURE 1-5. OUTRIGGER INSTALLATION (17M)



PZ0301

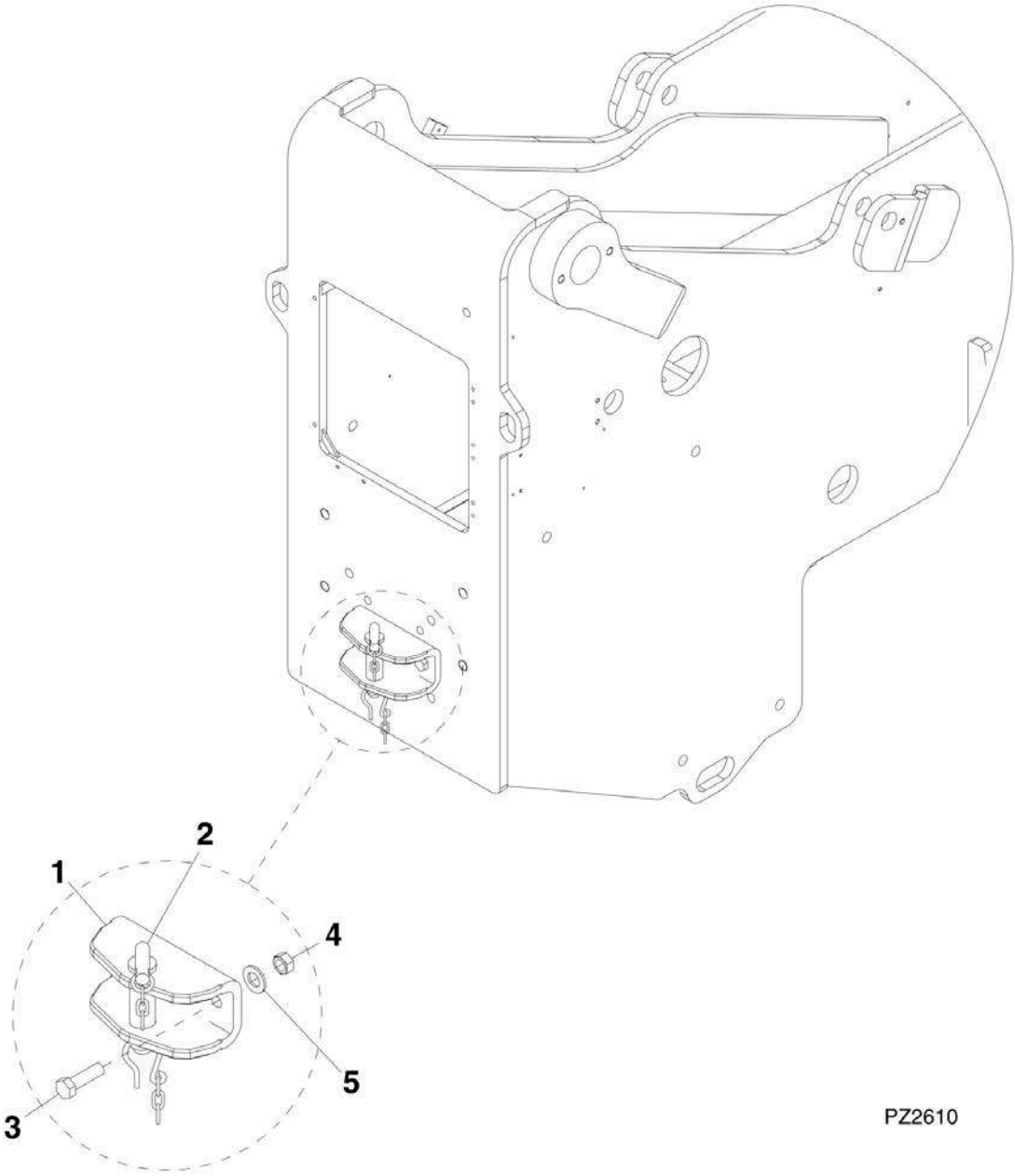
# SECTION 1 - FRAME AND ATTACHING PARTS

## FIGURE 1-5. OUTRIGGER INSTALLATION (17M)

ITEM	PART NUMBER	QTY	DESCRIPTION	REV
	0275736	Ref	OUTRIGGER INSTALLATION, (17M), (not available to order, see items 1 thru 19 for service)	H
	1001099646	Ref	OUTRIGGER INSTALLATION, (CE - 17M, if equipped for platform), (not available to order, see items 1 thru 11, 13 thru 19 for service)	D
1	4210014	2	OUTRIGGER MOUNT ASSY, (includes items 101 thru 103)	C
2	4210010	2	OUTRIGGER PAD	
3	3423129	2	PIN	
4	3423127	2	PIN	
5	3423125	2	PIN	
6		Ref	OUTRIGGER CYLINDER, (See HYDRAULIC COMPONENTS SECTION for Breakdown)	
7	5201210	6	RIPP BOLT, M12X20	
8	2141102	2	ELBOW, 90	
9	2143602	2	SWIVEL FITTING	
10	4360661	2	PRESSURE SWITCH	
11	1001092224	2	TUBE FITTING	
12	4240017	3	TIE STRAP, (not shown), (attach Outrigger Harness to Front Chassis Harness 4923444)	
13		Ref	OUTRIGGER HARNESS, (See ELECTRICAL SECTION for Breakdown)	
14	0760606	4	HEX HD CAP SCREW, M6X12, GR 8.8	
15	0903341	1	LEFT PROXIMITY BRACKET	
16	0903342	2	STRIKER BRACKET	
17	0903368	1	RIGHT PROXIMITY BRACKET	
18	3291001	4	HEX NUT, M10X1.5	
19	4000017	2	PROXIMITY SENSOR	
101	4210009	1	OUTRIGGER ARM	
102	0440309	4	BEARING	
103	2160016	3	GREASE FITTING	

**SECTION 1 - FRAME AND ATTACHING PARTS**

**FIGURE 1-6. DRAW BAR COUPLING INSTALLATION**



PZ2610

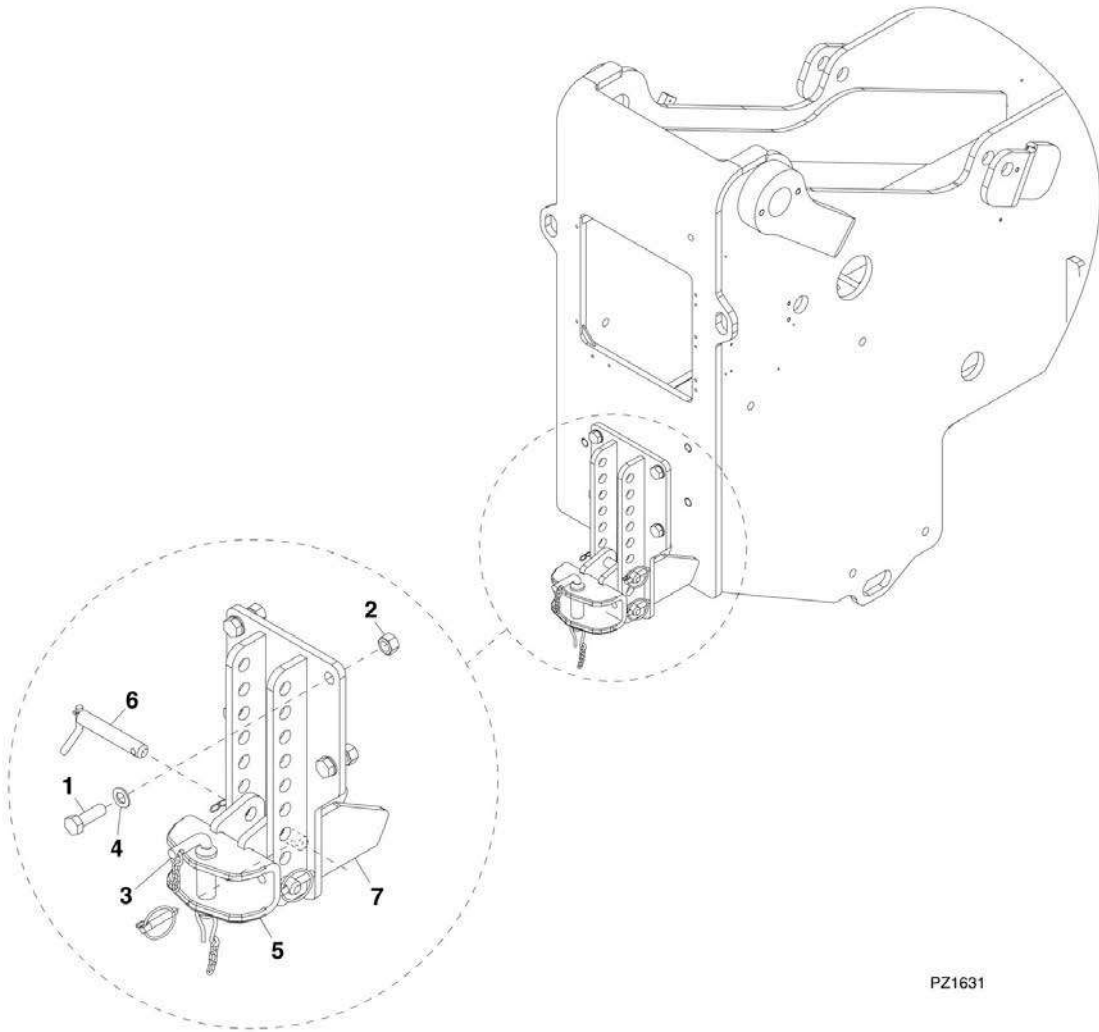
# SECTION 1 - FRAME AND ATTACHING PARTS

## FIGURE 1-6. DRAW BAR COUPLING INSTALLATION

ITEM	PART NUMBER	QTY	DESCRIPTION	REV
	4805932	Ref	DRAW BAR COUPLING INSTALLATION, (if equipped), (not available to order, see items 1 thru 5 for service)	B
1	4804533	1	TOWING ATTACHMENT, (3508PS, 3509PS, 3512PS, 3513PS, 4008PS, 4009PS, 4012PS, 4013PS & 4017PS)	
1	4804533B	1	TOWING ATTACHMENT, (40.8 & 40.9)	
2	3944574	1	PIN	
3	0771619	2	HEX HD CAPSCREW, 10.5-16X55mm	
4	4805921	2	NUT, 16mm	
5	4812300	2	WASHER, 16mm	

# SECTION 1 - FRAME AND ATTACHING PARTS

## FIGURE 1-7. SITE HITCH INSTALLATION



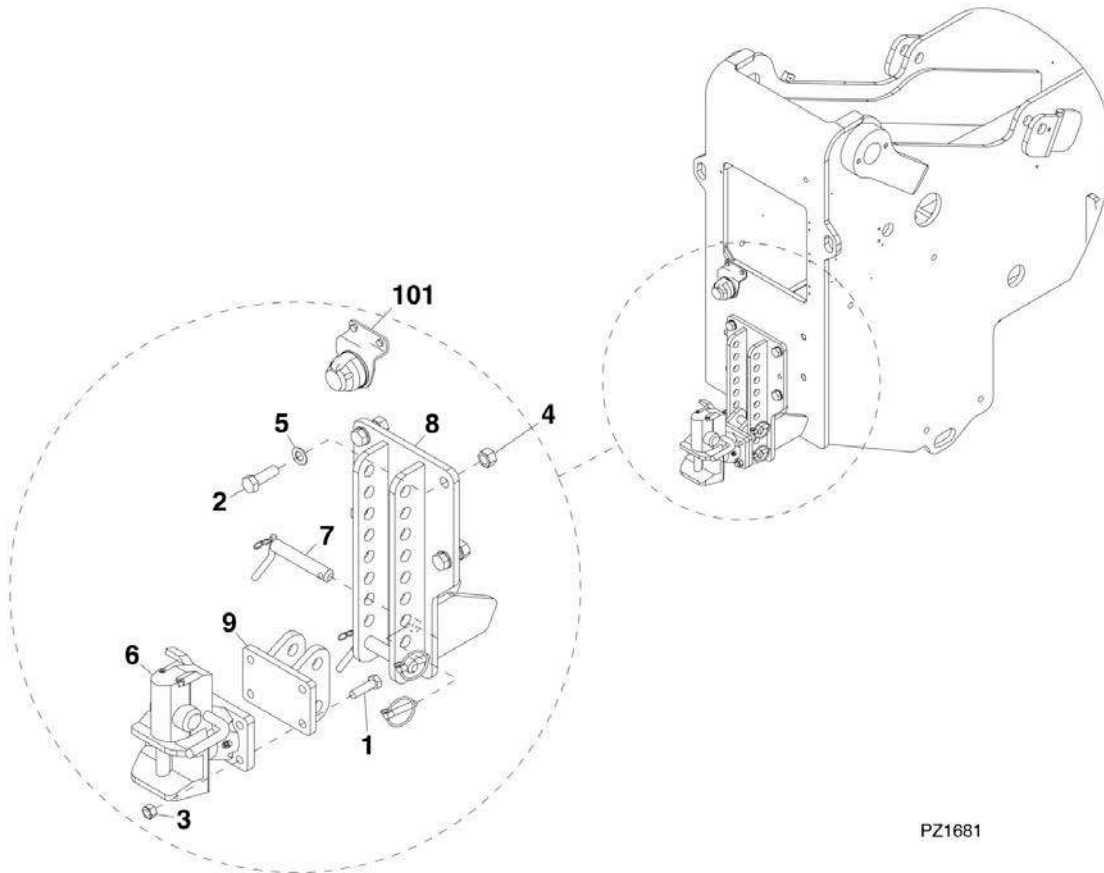
# SECTION 1 - FRAME AND ATTACHING PARTS

## FIGURE 1-7. SITE HITCH INSTALLATION

ITEM	PART NUMBER	QTY	DESCRIPTION	REV
	1001096088	Ref	SITE HITCH ASSY, (if equipped), (not available to order, see items 1 thru 7 for service)	B
1	0712020	4	HEX HD CAPSCREW, 20-2.5X60mm, (torque to 580 Nm)	
2	3332017	4	HEX NUT, M20X2.5	
3	3944574	1	PIN, HITCH	
4	4812500	4	WASHER, 20mm	
5	8010200	1	HITCH, (3508PS, 3509PS, 3512PS, 3513PS, 4008PS, 4009PS, 4012PS, 4013PS & 4017PS)	
5	8010200B	1	HITCH, (40.8 & 40.9)	
6	8010204	2	HITCH MOUNTING PIN	
7	8010228	1	BRACKET, (3508PS, 3509PS, 3512PS, 3513PS, 4008PS, 4009PS, 4012PS, 4013PS & 4017PS)	
7	8010228B	1	BRACKET, (40.8 & 40.9)	

# SECTION 1 - FRAME AND ATTACHING PARTS

FIGURE 1-8. TRAILER HITCH INSTALLATION (Prior to SN 116005199)



PZ1681



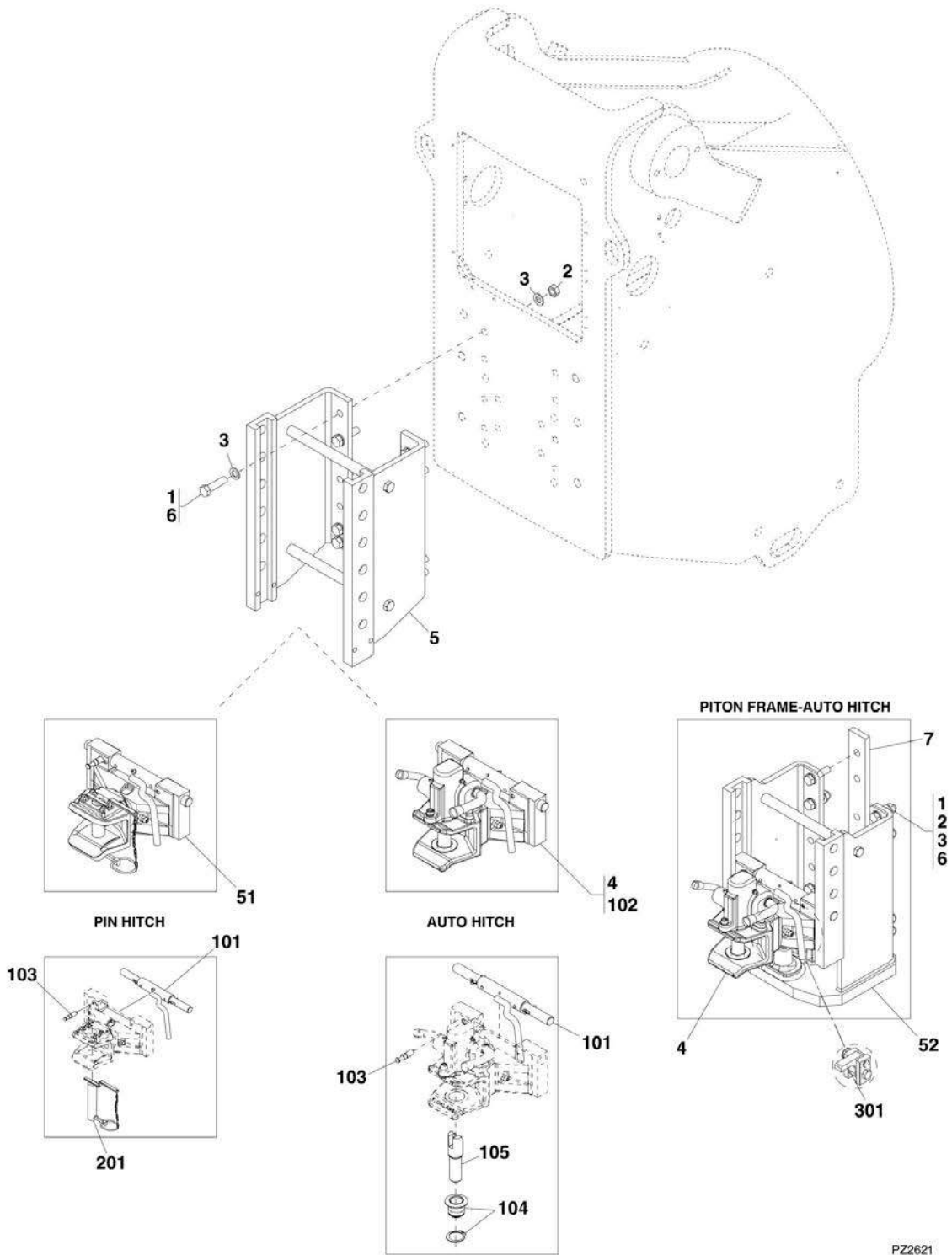
## SECTION 1 - FRAME AND ATTACHING PARTS

**FIGURE 1-8. TRAILER HITCH INSTALLATION (Prior to SN 116005199)**

ITEM	PART NUMBER	QTY	DESCRIPTION	REV
	1001096052	Ref	TRAILER HITCH INSTALLATION, (if equipped), (not available to order, see items 1 thru 9 for service)	C
1	0711619	4	HEX HD CAPSCREW, 16-2X55mm	
2	0712020	4	HEX HD CAPSCREW, 20-2.5X60mm, (torque to 580 Nm)	
3	3331607	4	HEX NUT, M16X2, (torque to 295 Nm)	
4	3332017	4	HEX NUT, M20X2.5	
5	4812500	4	WASHER, 20mm	
6	8002789	1	TRAILER COUPLING	
7	8010204	2	HITCH MOUNTING PIN	
8	8010228	1	HITCH	
9	8010234	1	HITCH ADAPTER	
101		Ref	TRAILER PLUG, (See TRAILER PLUG for Breakdown)	

# SECTION 1 - FRAME AND ATTACHING PARTS

FIGURE 1-9. AUTO HITCH, PIN HITCH AND PITON FRAME-AUTO HITCH (SN 1160003924 to Present)



PZ2621

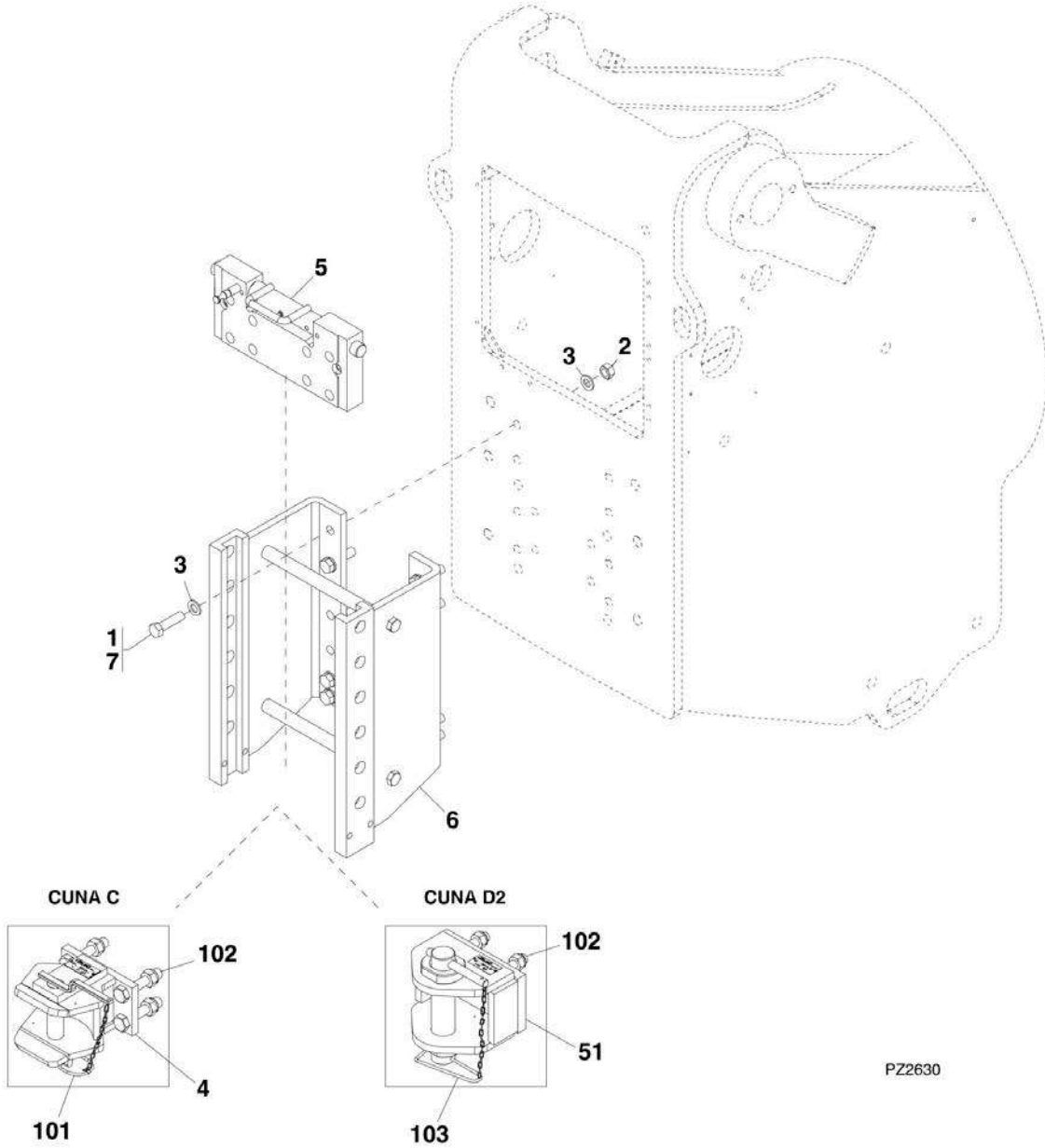
## SECTION 1 - FRAME AND ATTACHING PARTS

**FIGURE 1-9. AUTO HITCH, PIN HITCH AND PITON FRAME-AUTO HITCH (SN 1160003924 to Present)**

ITEM	PART NUMBER	QTY	DESCRIPTION	REV
	1001103680	Ref	AUTO HITCH INSTALLATION, (if equipped), (not available to order, see items 1 thru 6 for service)	B
	1001103951	Ref	PIN HITCH INSTALLATION, (if equipped), (not available to order, see items 1 thru 3, 5, 6 & 51 for service)	B
	1001104440	Ref	PITON FRAME-AUTO HITCH, (if equipped), (not available to order, see items 1 thru 4, 6, 7 & 52 for service)	C
1	0701619	10	HEX HD CAPSCREW, M16X55, GR8.8, (AUTO HITCH AND PIN HITCH)	
1	0701622	10	HEX HD CAPSCREW, M16X70, GR8.8, (PITON FRAME-AUTO HITCH)	
2	3291601	10	HEX NUT, M16X2	
3	4812300	20	WASHER, 16mm	
4	1001098629	1	HITCH ASSY, (AUTO HITCH AND PITON FRAME-AUTO HITCH), (includes items 101 thru 105)	A
5	1001103597	1	HITCH FRAME, (AUTO HITCH AND PIN HITCH)	
6	1001095650	AR	LOCTITE 243	
7	1001113624	2	SPACER, (PITON FRAME-AUTO HITCH)	
51	1001098630	1	HITCH ASSY, (PIN HITCH), (includes items 101, 103 & 201)	A
52	1001104302	1	HITCH FRAME, (PITON FRAME-AUTO HITCH), (includes item 301)	
101	70022821	1	OPENING LEVER	
102	70022822	1	BOX MECHANISM	
103	70022823	1	SECURITY PIVOT	
104	70022824	1	BUSHING	
105	70022825	1	PIN	
201	70022826	1	PIN	
301	70023348	1	KEEPER KIT, (includes keeper, screw, nut, pin and ring pin)	

# SECTION 1 - FRAME AND ATTACHING PARTS

FIGURE 1-10. PIN HITCH - CUNA C AND CUNA D2 (SN 1160003924 to Present)



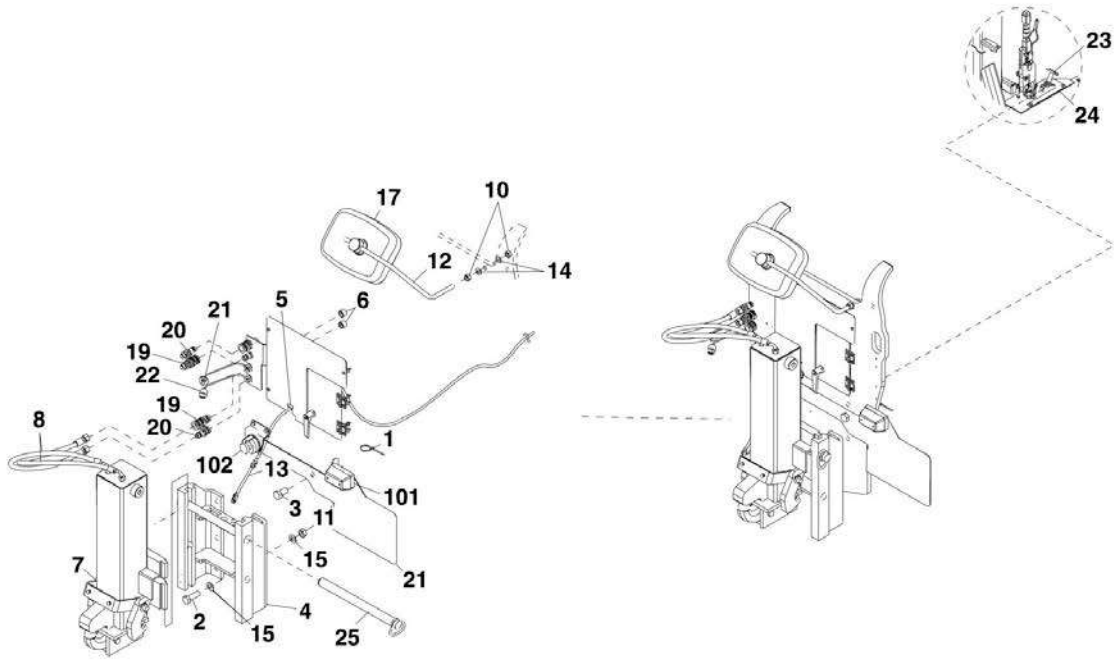
## SECTION 1 - FRAME AND ATTACHING PARTS

**FIGURE 1-10. PIN HITCH - CUNA C AND CUNA D2 (SN 1160003924 to Present)**

ITEM	PART NUMBER	QTY	DESCRIPTION	REV
	1001103963	Ref	PIN HITCH - CUNA C INSTALLATION, (CE), (if equipped), (not available to order, see items 1 thru 7 for service)	B
	1001103964	Ref	PIN HITCH - CUNA D2 INSTALLATION, (CE), (if equipped), (not available to order, see items 1 thru 3, 5 thru 7 & 51 for service)	B
1	0701619	10	HEX HD CAPSCREW, M16X55, GR8.8	
2	3291601	10	HEX NUT, M16X2	
3	4812300	20	WASHER, 16mm	
4	1001098631	1	HITCH ASSY, (PIN HITCH - CUNA C), (includes items 101 & 102)	A
5	1001098636	1	PLATE ADAPTER	
6	1001103597	1	HITCH FRAME	
7	1001095650	AR	LOCTITE 243	
51	1001108632	1	HITCH ASSY, (PIN HITCH - CUNA D2), (includes items 102 & 103)	A
101	70022818	1	PIN	
102	70022819	4	MOUNTING HARDWARE	
103	70022820	1	PIN	

# SECTION 1 - FRAME AND ATTACHING PARTS

FIGURE 1-11. HYDRAULIC HITCH INSTALLATION (8M & 9M) (Prior to SN 1160003924)



PZ4071

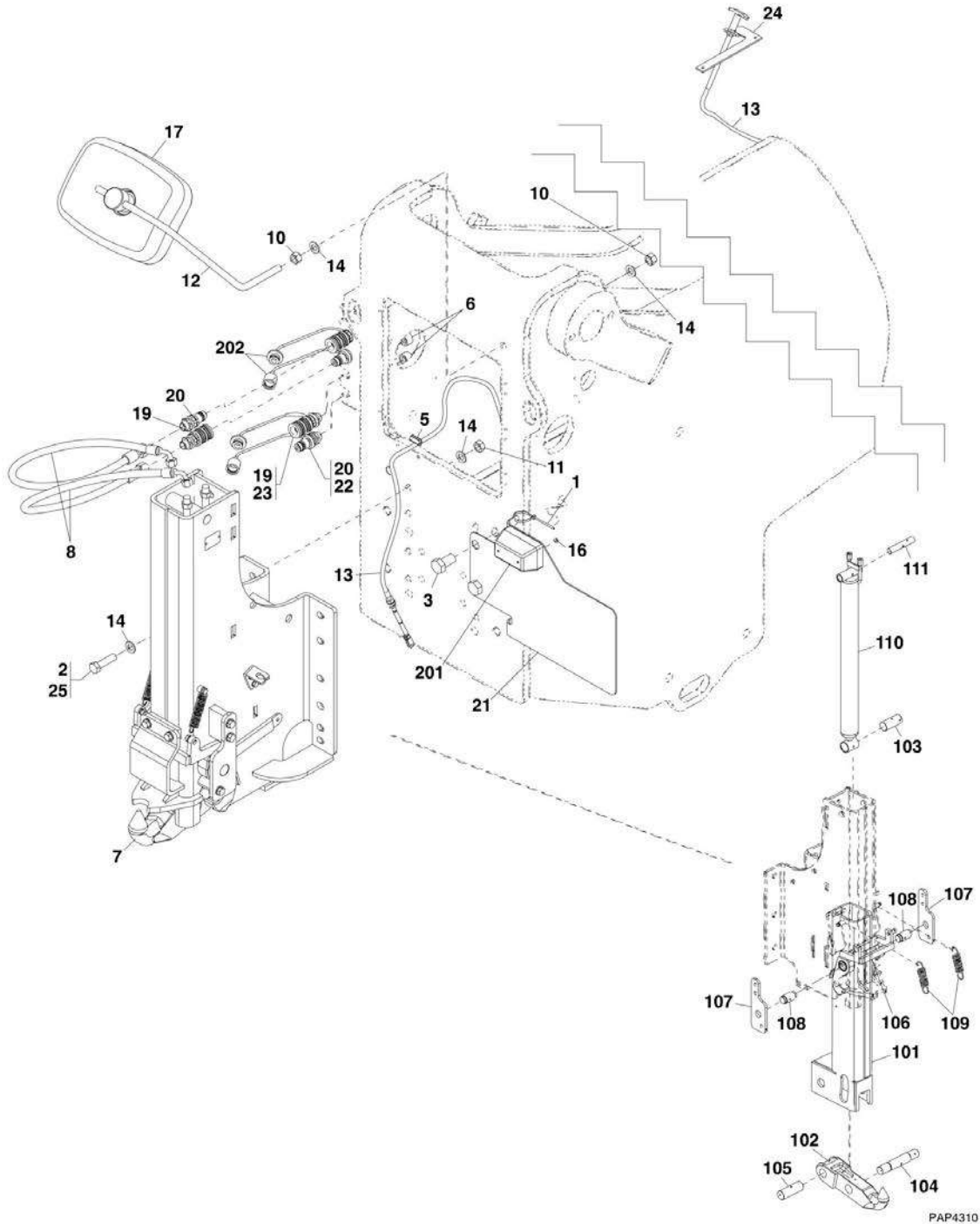
## SECTION 1 - FRAME AND ATTACHING PARTS

**FIGURE 1-11. HYDRAULIC HITCH INSTALLATION (8M & 9M) (Prior to SN 1160003924)**

ITEM	PART NUMBER	QTY	DESCRIPTION	REV
		Ref	HYDRAULIC HITCH INSTALLATION, (8M & 9M, if equipped), (not available to order, see items 1 thru 25 for service)	E
1	471678	1	CABLE BAND	
2	0712020	4	HEX HD CAPSCREW, M20X60, GR10.9	
3	0762216	2	HEX HD CAPSCREW, M22X40, GR8.8	
4	0902987	1	BRACKET	
5	935113	1	RUBBER TRIM	
6	2142505	2	CAP	
7	2620048	1	HYDRAULIC HITCH, (includes item 25)	
8	2754009	2	HOSE ASSY	
10	3291607	2	HEX LOCKNUT, M16X2	
11	3332017	4	HEX NUT, M20X2.5	
12	3841634	1	ROD	
13	3890067	1	LOCK CABLE <b>(Prior to SN 1160005648)</b>	
13	1001109240		LOCK CABLE <b>(SN 1160005648 to Present)</b>	
14	4812300	2	WASHER, 16mm	
15	4812500	4	WASHER, 20mm	
16	5220500	2	RIPP NUT, 5mm	
17	80363195	1	MIRROR	
19	1001094555	2	FEMALE QUICK DISCONNECT COUPLING	
20	1001094556	2	MALE QUICK DISCONNECT COUPLING	
21	1001098607	1	LICENSE PLATE BRACKET	
22	1001093826	1	DUST CAP	
23	1001093827	1	DUST PLUG	
24	1001098705	1	BRACKET, (3508PS, 3509PS, 4008PS & 4009PS)	
24	1001098705B	1	BRACKET, (40.8 & 40.9)	
25	1001005240	1	PIN ASSY	
101		Ref	LICENSE PLATE LIGHT, (See ELECTRICAL SECTION for Breakdown)	
102		Ref	TRAILER PLUG, (See TRAILER PLUG for Breakdown)	

# SECTION 1 - FRAME AND ATTACHING PARTS

FIGURE 1-12. HYDRAULIC HITCH INSTALLATION (8M & 9M) (SN 1160003924 to Present)





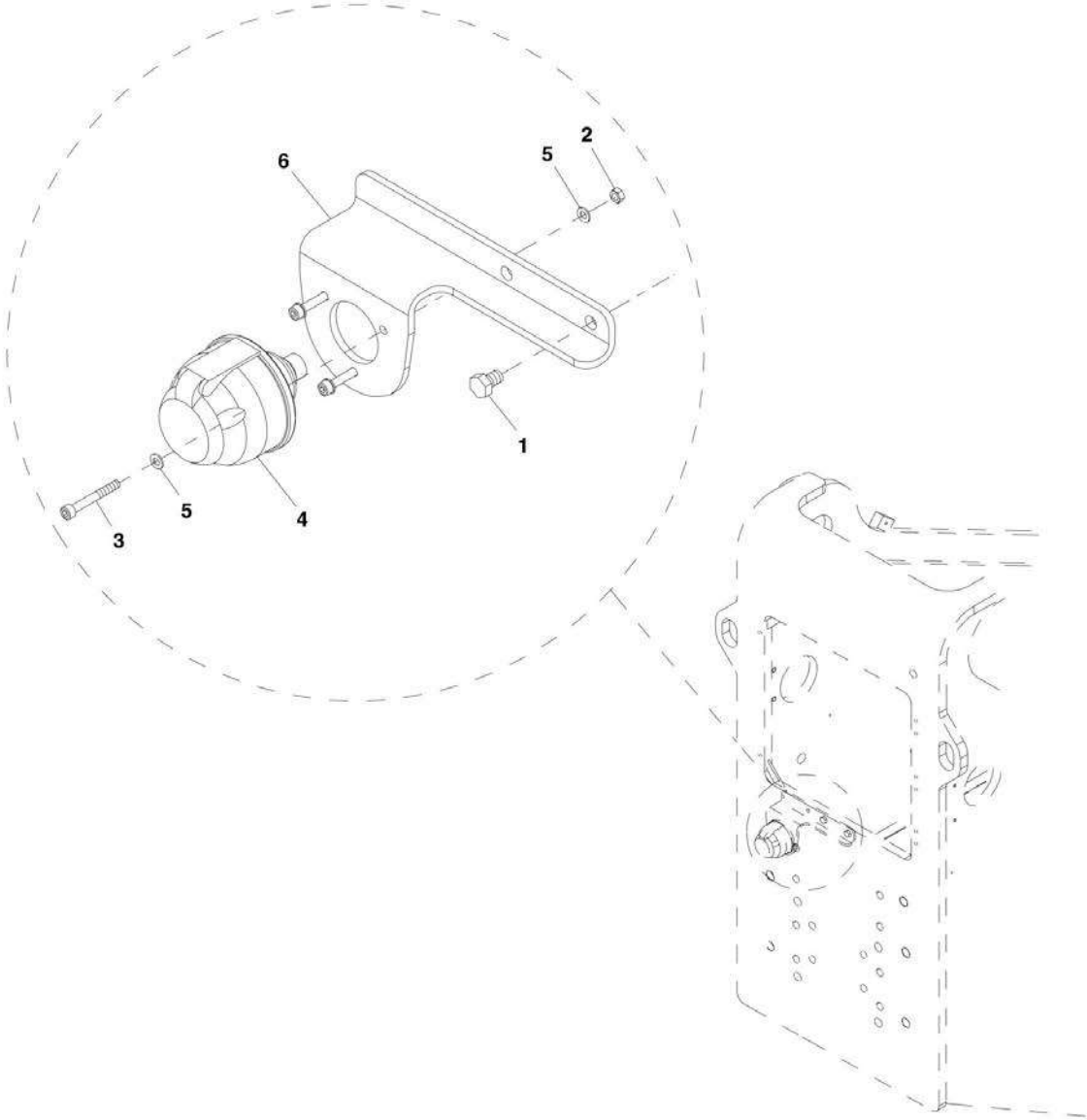
## SECTION 1 - FRAME AND ATTACHING PARTS

**FIGURE 1-12. HYDRAULIC HITCH INSTALLATION (8M & 9M) (SN 1160003924 to Present)**

ITEM	PART NUMBER	QTY	DESCRIPTION	REV
	1001098604	Ref	HYDRAULIC HITCH INSTALLATION, (8M & 9M, if equipped) (not available to order, see items 1 thru 25 for service)	G
1	471678	1	CABLE BAND	
2	0701620	10	HEX HD CAPSCREW, M16X60, GR8.8, (torque to 219 Nm)	
3	0762216	2	HEX HD CAPSCREW, M22X40, GR8.8	
5	935113	1	RUBBER STRIP	
6	2142505	2	CAP	
7	1001103014	1	HYDRAULIC HITCH ASSY, (includes items 101 thru 111 ) <b>(Prior to SN 1160005835, Including 1160005819)</b>	C
7	1001118096	1	HYDRAULIC HITCH ASSY <b>(SN 1160005835 to Present, Excluding 1160005819)</b>	
8	1001112952	2	HOSE ASSY	
10	3291607	2	HEX LOCKNUT, M16X2	
11	3291601	10	HEX NUT, M16X2	
12	3841634	1	MIRROR ROD	
13	1001109240	1	HITCH LOCK CABLE	
14	4812300	22	WASHER, 16mm	
16	5220500	2	RIPP NUT, 5mm	
17	80363195	1	MIRROR	
19	1001094555	2	FEMALE QUICK DISCONNECT	
20	1001094556	2	MALE QUICK DISCONNECT	
21	1001109319	1	BRACKET, (3508PS, 3509PS, 4008PS & 4009PS)	
21	1001109319B	1	BRACKET, (40.8 & 40.9)	
22	1001093826	1	DUST CAP	
23	1001093827	1	PLUG	
24	1001098705	1	BRACKET, (3508PS, 3509PS, 4008PS & 4009PS)	
24	1001098705B	1	BRACKET, (40.8 & 40.9)	
25	1001095650	AR	LOCTITE 243	
101	70022752	1	SLIDER	
102	70022753	1	HOOK	
103	70022754	1	CYLINDER PIN	
104	70022755	1	HOOK PIN	
105	70022756	1	CENTRAL PIN	
106	70022757	1	LINK SYSTEM	
107	70022758	2	LINK PLATE	
108	70022759	2	LINK PIN	
109	70022760	2	SPRING	
110	70022761	1	CYLINDER	
111	70022762	1	CYLINDER PIN	
201		Ref	LICENSE PLATE LIGHT, (See ELECTRICAL SECTION for Breakdown)	
202		Ref	REAR BOOM AUXILIARY HYDRAULICS, (not shown), (See HYDRAULIC CIRCUITS SECTION for Breakdown)	

**SECTION 1 - FRAME AND ATTACHING PARTS**

**FIGURE 1-13. TRAILER PLUG**



PAP3061

# SECTION 1 - FRAME AND ATTACHING PARTS

## FIGURE 1-13. TRAILER PLUG

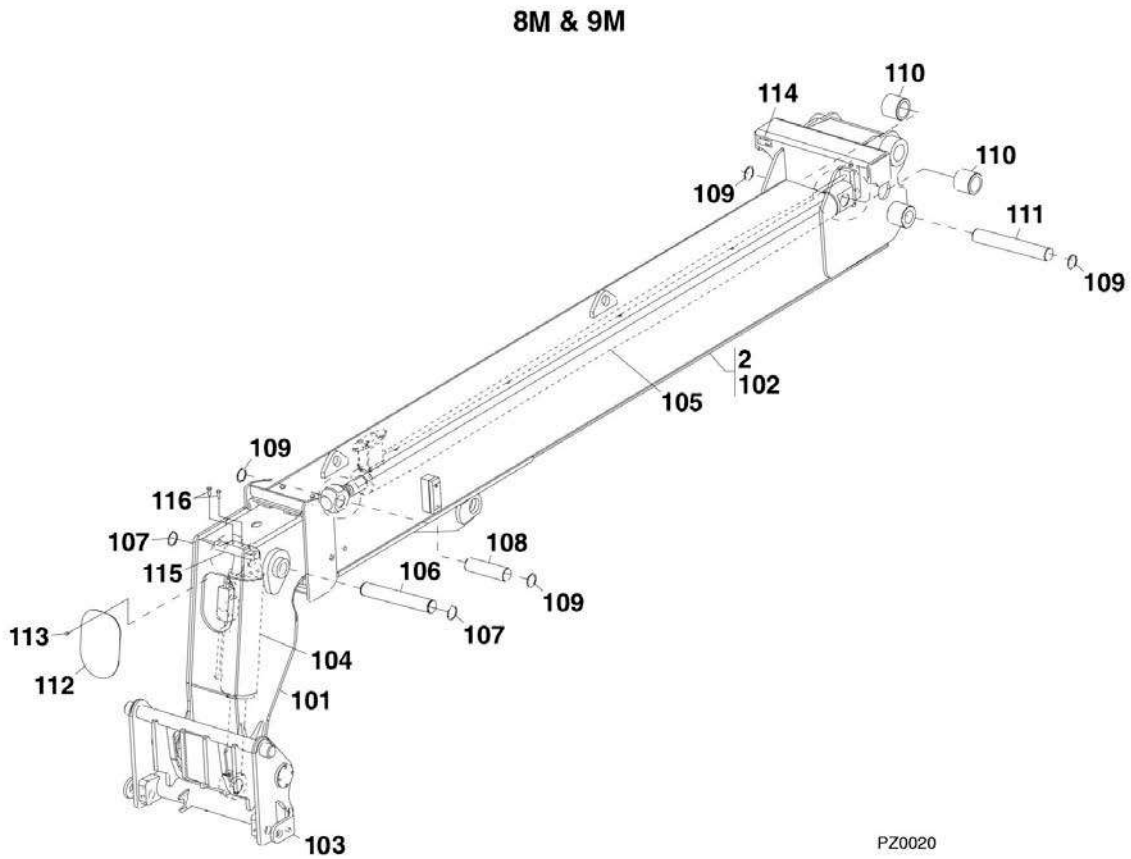
ITEM	PART NUMBER	QTY	DESCRIPTION	REV
	1001096533	Ref	TRAILER PLUG AND ELECTRIC ASSY, (if equipped), (not available to order, see items 1 thru 6 for service)	B
1	0760806	2	HEX HD CAPSCREW, 8-1.25X12mm	
2	3290501	3	HEX NUT, M5X0.8	
3	4031612	3	HEX SOCKET HD CAPSCREW, M5X40	
4	4461170	1	CONNECTOR, 7-PIN	
5	4811600	6	WASHER, 6mm	
6	0903094	1	BRACKET	



**SECTION 2 - BOOM**

# SECTION 2 - BOOM

## FIGURE 2-1. BOOM INSTALLATION (8M & 9M)



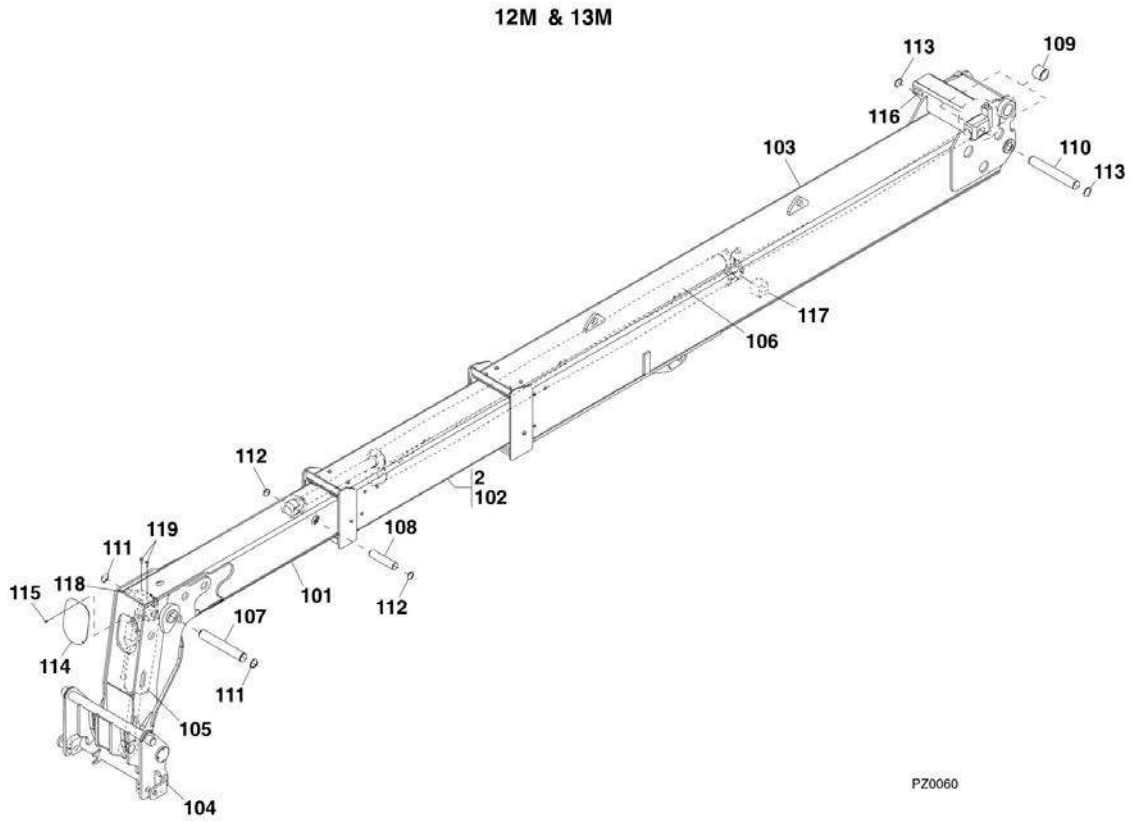
## SECTION 2 - BOOM

**FIGURE 2-1. BOOM INSTALLATION (8M & 9M)**

ITEM	PART NUMBER	QTY	DESCRIPTION	REV
	1001092817	Ref	BOOM INSTALLATION, (8M), (not available to order, see items 1 thru 4 for service)	E
	1001092810	Ref	BOOM INSTALLATION, (9M), (not available to order, see items 1 thru 4 for service)	D
1		Ref	BOOM HYDRAULICS, (not shown)	
2	1001092818	1	BOOM ASSEMBLY, (8M), (includes items 101 thru 116)	G
2	1001092812	1	BOOM ASSEMBLY, (9M), (includes items 101 thru 116)	G
3		Ref	BOOM AUXILIARY HYDRAULICS, (not shown), (See HYDRAULIC CIRCUITS SECTION for Breakdown)	
4		Ref	BOOM EXTENSION DECAL, (not shown), (See DECALS SECTION for Breakdown)	
101		Ref	SECOND BOOM SECTION ASSY, (See SECOND BOOM SECTION ASSEMBLY for Breakdown)	
102		Ref	FIRST BOOM SECTION ASSY, (See FIRST BOOM SECTION ASSEMBLY for Breakdown)	
103		Ref	QUICK RELEASE ASSY, (See QUICK ATTACH ASSEMBLY, MECHANICAL AND HYDRAULIC QUICK ATTACH for Breakdown)	
104		Ref	TILT CYLINDER ASSY, (See HYDRAULIC COMPONENTS SECTION for Breakdown)	
105		Ref	CROWD CYLINDER ASSY, (See HYDRAULIC COMPONENTS SECTION for Breakdown)	
106	8002640	1	PIN	
107	3760463	2	CIRCLIP	
108	4805590	1	PIN	
109	8006258	4	CIRCLIP	
110	8002320	2	SPACER	
111	8002331	1	PIN	
112	8002641	1	COVER PLATE, (3508PS, 3509PS, 4008PS & 4009PS)	
112	8002641B	1	COVER PLATE, (40.8, 40.9)	
113	0760807	3	HEX HD CAPSCREW, M8-1.25X14mm, (8M)	
113	464022	3	HEX HD CAPSCREW, M8X14, (9M)	
114	8009939	1	S/N PLATE	
115	1001112689	1	HYDRAULIC CLAMP	
116	0761018	2	HEX HD CAPSCREW, M10X50, GR8.8	

# SECTION 2 - BOOM

## FIGURE 2-2. BOOM INSTALLATION (12M & 13M)





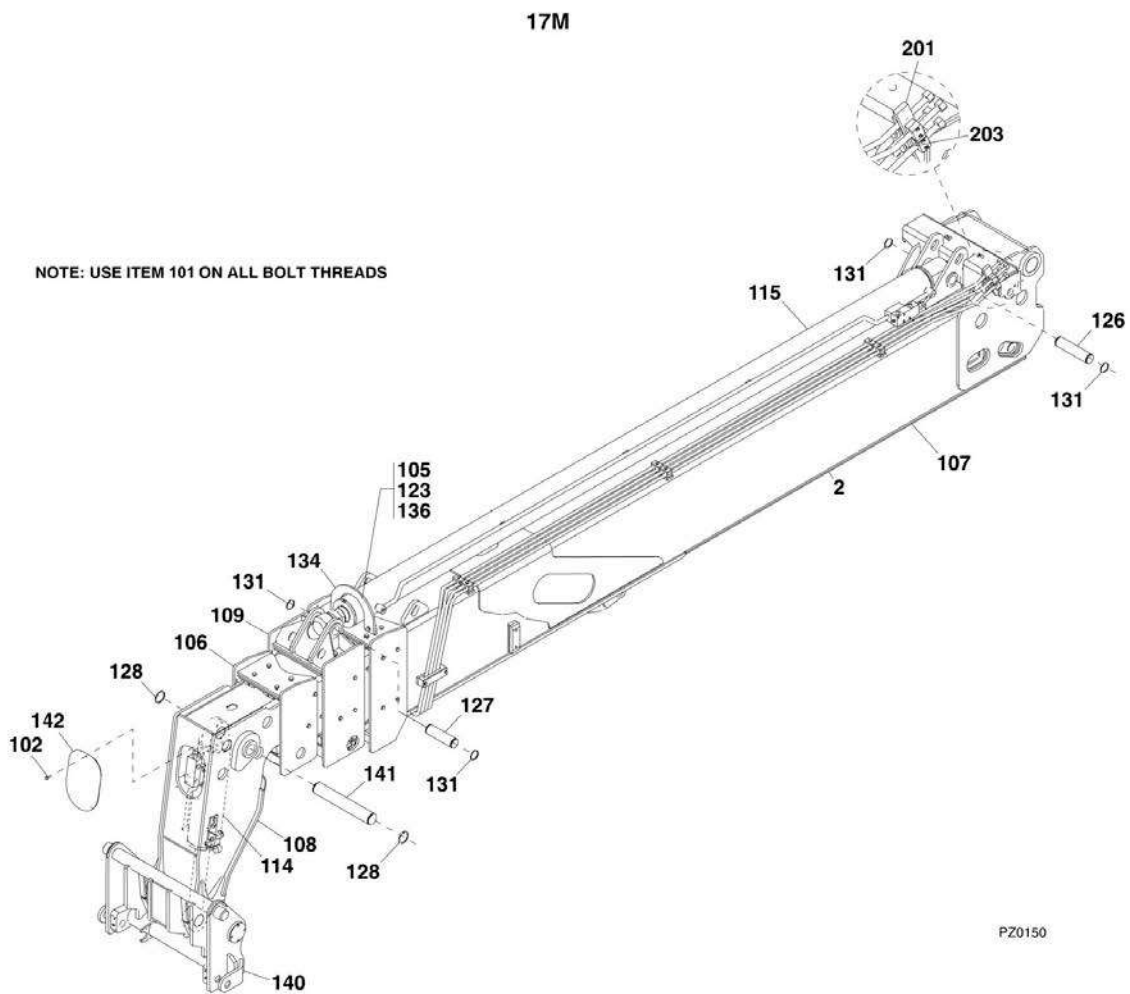
## SECTION 2 - BOOM

**FIGURE 2-2. BOOM INSTALLATION (12M & 13M)**

ITEM	PART NUMBER	QTY	DESCRIPTION	REV
	1001092772	Ref	BOOM INSTALLATION, (12M), (not available to order, see items 1 thru 4 for service)	F
	1001092386	Ref	BOOM INSTALLATION, (13M), (not available to order, see items 1 thru 4 for service)	I
1		Ref	BOOM HYDRAULICS, (not shown)	
2	1001092774	1	BOOM ASSEMBLY, (12M), (includes items 101 thru 119)	G
2	1001092394	1	BOOM ASSEMBLY, (13M), (includes items 101 thru 117)	E
3		Ref	BOOM AUXILIARY HYDRAULICS, (not shown), (See HYDRAULIC CIRCUITS SECTION for Breakdown)	
4		Ref	BOOM EXTENSION DECAL, (not shown), (See DECALS SECTION for Breakdown)	
101		Ref	THIRD BOOM SECTION ASSY, (See THIRD BOOM SECTION ASSEMBLY for Breakdown)	
102		Ref	SECOND BOOM SECTION ASSY, (See SECOND BOOM SECTION ASSEMBLY for Breakdown)	
103		Ref	FIRST BOOM SECTION ASSY, (See FIRST BOOM SECTION ASSEMBLY for Breakdown)	
104		Ref	QUICK RELEASE ASSY, (See QUICK ATTACH ASSEMBLY, MECHANICAL AND HYDRAULIC QUICK ATTACH for Breakdown)	
105		Ref	TILT CYLINDER ASSY, (See HYDRAULIC COMPONENTS SECTION for Breakdown)	
106		Ref	CROWD CYLINDER ASSY, (See HYDRAULIC COMPONENTS SECTION for Breakdown)	
107	8002640	1	PIN	
108	8002639	1	PIN	
109	8002320	2	SPACER	
110	8002331	1	PIN	
111	3760463	2	CIRCLIP	
112	314689	2	CIRCLIP	
113	8006258	2	CIRCLIP	
114	8002641	1	COVER PLATE	
115	0760807	3	HEX HD CAPSCREW, M8-1.25X14mm	
116	8009939	1	S/N PLATE	
117	4220272	2	BAR, CYLINDER GUIDE	
118	1321681	1	HYDRAULIC CLAMP	
119	0761018	2	HEX HD CAPSCREW, M10X50, GR8.8	

# SECTION 2 - BOOM

## FIGURE 2-3. BOOM INSTALLATION (17M)



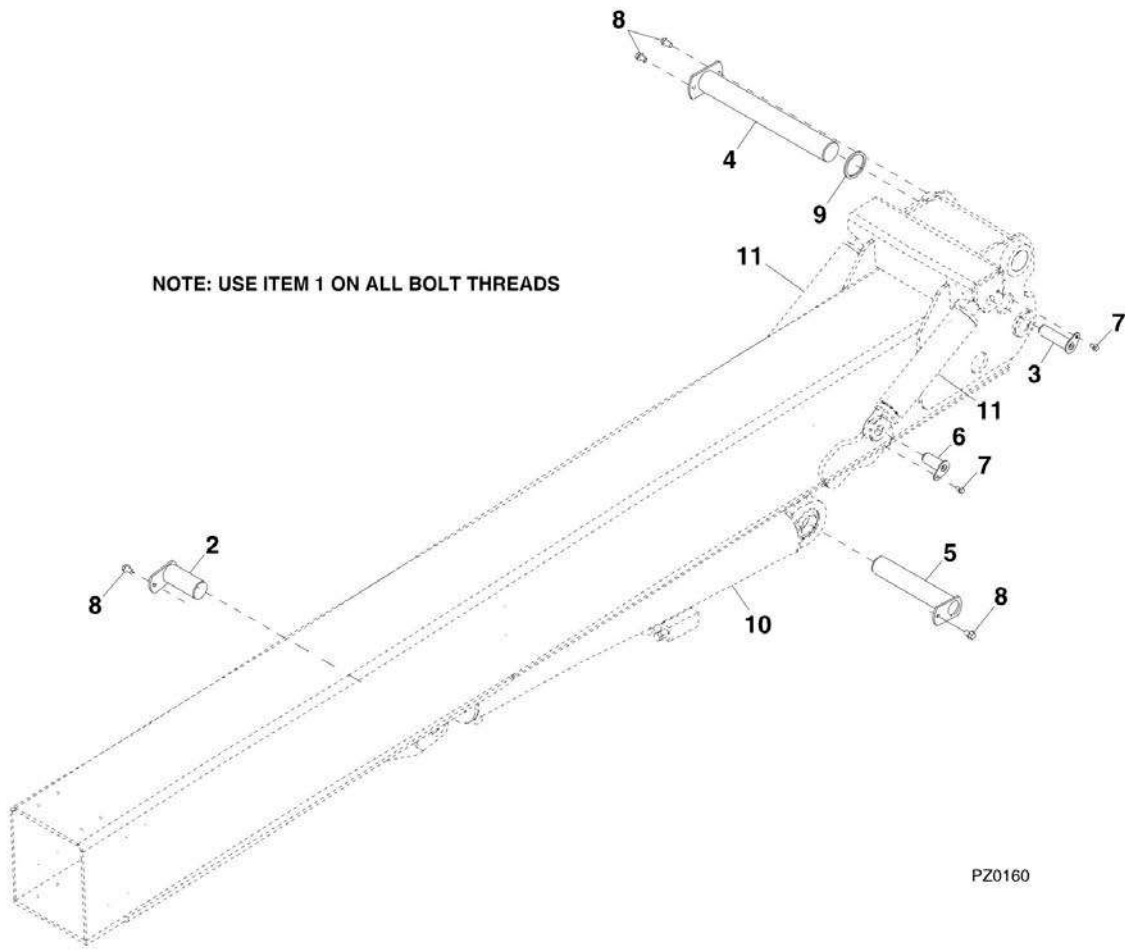
## SECTION 2 - BOOM

**FIGURE 2-3. BOOM INSTALLATION (17M)**

ITEM	PART NUMBER	QTY	DESCRIPTION	REV
	0275824	Ref	BOOM INSTALLATION, (17M), (not available to order, see items 1 & 2 for service)	P
1		Ref	BOOM EXTENSION DECAL, (not shown), (See DECALS SECTION for Breakdown)	
2	0801567	1	BOOM ASSEMBLY, (includes items 101 thru 146)	R
101	0100011	AR	LOCTITE 242, (not shown)	
102	0760810	3	HEX HD CAPSCREW, M8X20, GR8.8	
105	0761218	2	HEX HD CAPSCREW, M12X50, GR8.8	
106		Ref	THIRD BOOM SECTION ASSY, (See THIRD BOOM SECTION ASSEMBLY for Breakdown)	
107		Ref	FIRST BOOM SECTION ASSY, (See FIRST BOOM SECTION ASSEMBLY for Breakdown)	
108		Ref	FOURTH BOOM SECTION ASSY, (See FOURTH BOOM SECTION ASSEMBLY for Breakdown)	
109		Ref	SECOND BOOM SECTION ASSY, (See SECOND BOOM SECTION ASSEMBLY for Breakdown)	
114		Ref	TILT CYLINDER ASSY, (See HYDRAULIC COMPONENTS SECTION for Breakdown)	
115		Ref	EXTEND/RETRACT CYLINDER, (See HYDRAULIC COMPONENTS SECTION for Breakdown)	
123	3291207	2	HEX LOCK NUT, M12X1.75, (torque to 135 Nm)	
126	3423140	1	PIN	
127	3423141	1	PIN	
128	3760463	2	CIRCLIP	
131	3760493	4	CIRCLIP	
134	4220216	1	STOP BRACKET	
136	4740532	4	WASHER	
140		Ref	QUICK RELEASE ASSY, (See QUICK ATTACH ASSEMBLY, MECHANICAL AND HYDRAULIC QUICK ATTACH for Breakdown)	
141	8002640	1	PIN	
142	8002641	1	COVER PLATE	
145	1001098146	AR	WASHER SHIM, 72X110X0.5, (not shown)	
146	1001098147	AR	WASHER SHIM, 72X110X1.0, (not shown)	
201	8005792	1	TUBE HOLDER ASSY	
203	0761010	3	HEX HD CAPSCREW, M10X20, GR8.8	

# SECTION 2 - BOOM

## FIGURE 2-4. BOOM PIN INSTALLATION



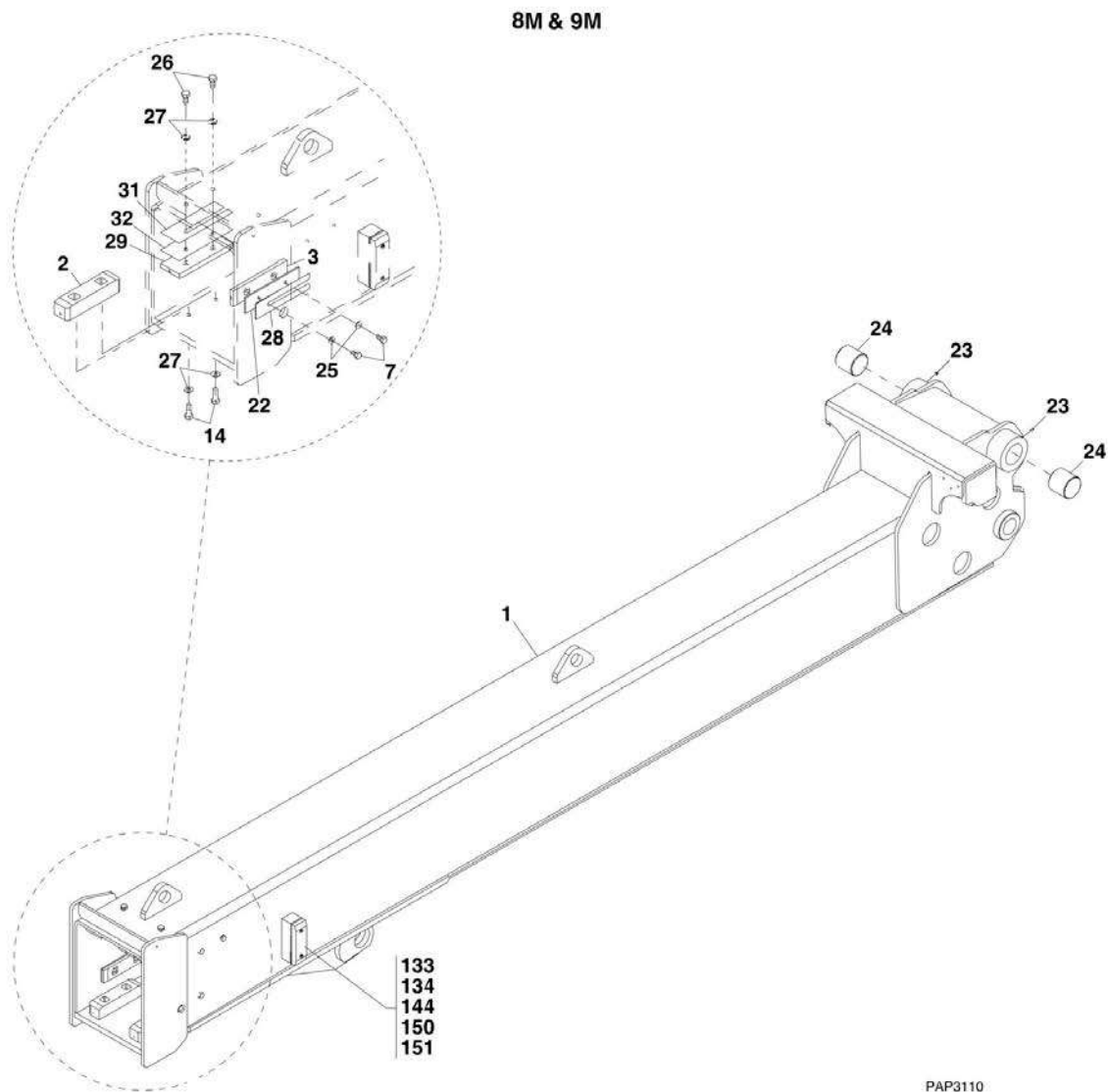
PZ0160

FIGURE 2-4. BOOM PIN INSTALLATION

ITEM	PART NUMBER	QTY	DESCRIPTION	REV
	0275594	Ref	BOOM PIN INSTALLATION, (8M, 9M, 12M & 13M) (not available to order, see items 1 thru 8 for service)	B
	1001098953	Ref	BOOM PIN INSTALLATION, (17M) (not available to order, see items 1 thru 9 for service)	B
1	0100011	AR	LOCTITE 242, (not shown)	
2	4801654	1	LIFT CYLINDER PIN	
3	4803076	2	COMPENSATION CYLINDER PIN ( <b>Prior to SN 1160005367</b> )	
4	4803929	1	BOOM ATTACHMENT PIN, (8M, 9M, 12M & 13M)	
4	3423139	1	BOOM ATTACHMENT PIN, (17M)	
5	4803941	1	LIFT CYLINDER PIN	
6	4804566	2	COMPENSATION CYLINDER PIN ( <b>Prior to SN 1160005367</b> )	
6	4804566	4	COMPENSATION CYLINDER PIN ( <b>SN 1160005367 to Present</b> )	
7	5201210	4	RIPP BOLT, 12X20mm, (torque to 120 Nm)	
8	5201612	4	RIPP BOLT, 16X25mm, (torque to 300 Nm)	
9	4071103	AR	BOOM SHIM	
10		Ref	LIFT CYLINDER, (See HYDRAULIC COMPONENTS SECTION for Breakdown)	
11		Ref	COMPENSATION CYLINDER, (See HYDRAULIC COMPONENTS SECTION for Breakdown)	

# SECTION 2 - BOOM

## FIGURE 2-5. FIRST BOOM SECTION ASSEMBLY (8M & 9M)



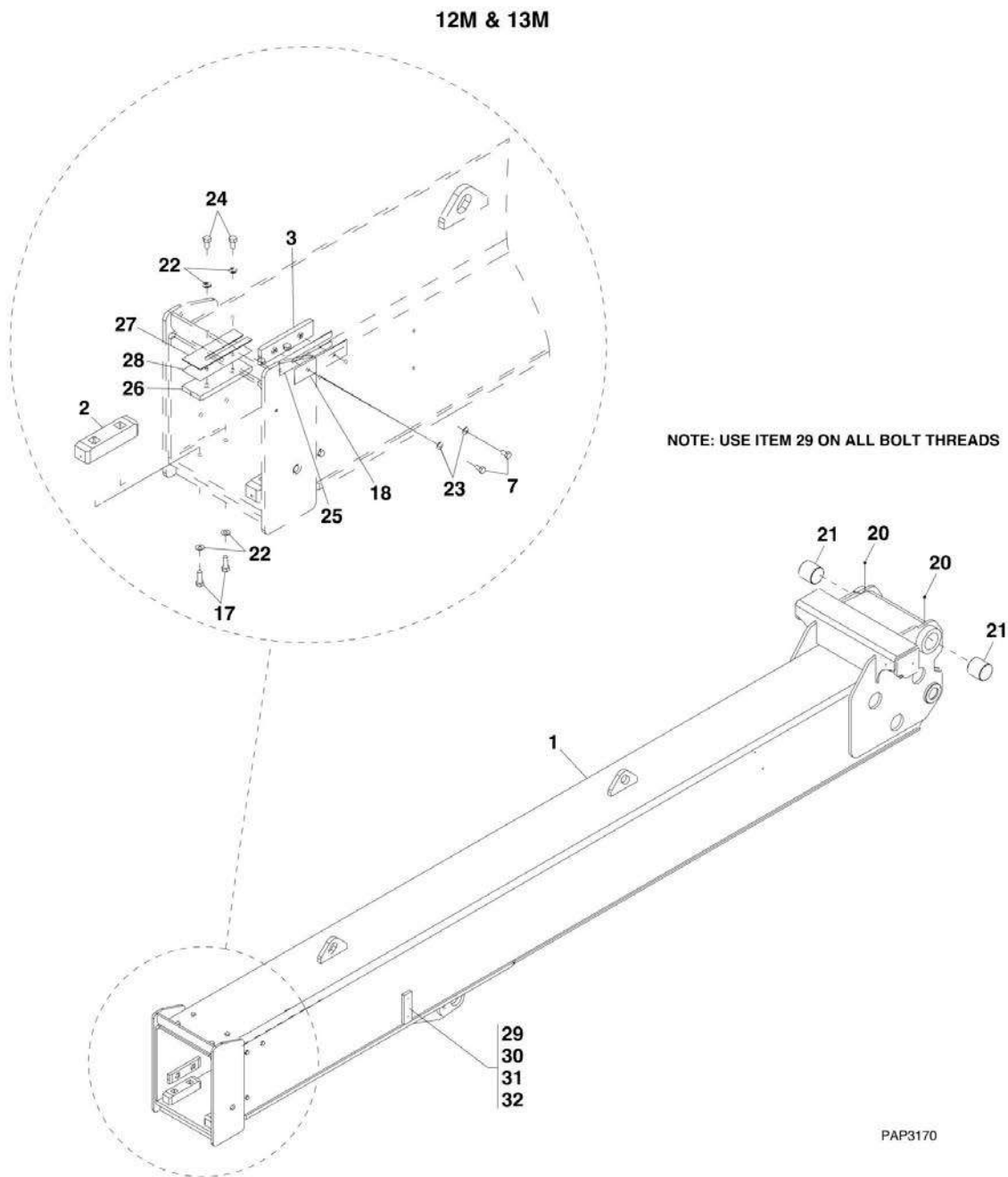
## SECTION 2 - BOOM

**FIGURE 2-5. FIRST BOOM SECTION ASSEMBLY (8M & 9M)**

ITEM	PART NUMBER	QTY	DESCRIPTION	REV
	0273115	1	BOOM SECTION ASSY, (8M), (includes items 1 thru 31)	C
	8007260	1	BOOM SECTION ASSY, (9M), (includes items 1 thru 32)	B
1	8009103	1	FIRST BOOM SECTION, (3508PS & 4008PS)	
1	8009103G	1	FIRST BOOM SECTION, (40.8)	
1	8007283	1	FIRST BOOM SECTION, (3509PS & 4009PS)	
1	8007283G	1	FIRST BOOM SECTION, (40.9)	
2	8002201	2	PAD	
3	8002200	4	PAD	
7	0761010	8	HEX HD CAPSCREW, M10X20, (as required), (torque to 50 Nm)	
7	0761012	8	HEX HD CAPSCREW, M10X25, (as required), (torque to 50 Nm)	
14	0761215	4	HEX HD CAPSCREW, M12-35, GR8.8, (torque to 90 Nm)	
22	8002907	4	SHIM	
23	324590	2	GREASE FITTING	
24	8008047	2	BUSHING	
25	4812000	8	FLAT WASHER, 10mm	
26	0761212	4	HEX HD CAPSCREW, M12X25, (as required), (torque to 90 Nm)	
26	0761210	4	HEX HD CAPSCREW, M12X20, (as required), (torque to 90 Nm)	
27	4740532	8	WASHER, 12mm	
28	8008070	8	SHIM, 2X50X200mm	
28	8008640	AR	SHIM, 0.5X50X200mm	
28	8008641	AR	SHIM, 1X50X200mm	
28	8008642	AR	SHIM, 1.5X50X200mm	
29	8002199	2	PAD	
31	8003242	2	SHIM, 1X70X200mm, (8M)	
31	8008069	AR	SHIM, 2X70X200mm, (9M)	
31	8008634	AR	SHIM, 0.5X70X200mm	
31	8008644	AR	SHIM, 1X70X200mm	
31	8008645	AR	SHIM, 1.5X70X200mm	
32	8002637	2	DISTANCE SHEET, (9M machines)	
133	8010148	2	PAD	
134	4031911	4	HEX HD CAPSCREW, M8X35 LG	
144	8002972	AR	SHIM, 5X50X160mm	
150	8009987	AR	SHIM, 2X50X160mm	
151	8009988	AR	SHIM, 3X50X160mm	
N1	Note	Ref	<b>ITEMS 133 THRU 151, QUANTITIES ARE FOR BOTH SIDES OF THE BOOM.</b>	

# SECTION 2 - BOOM

## FIGURE 2-6. FIRST BOOM SECTION ASSEMBLY (12M & 13M)





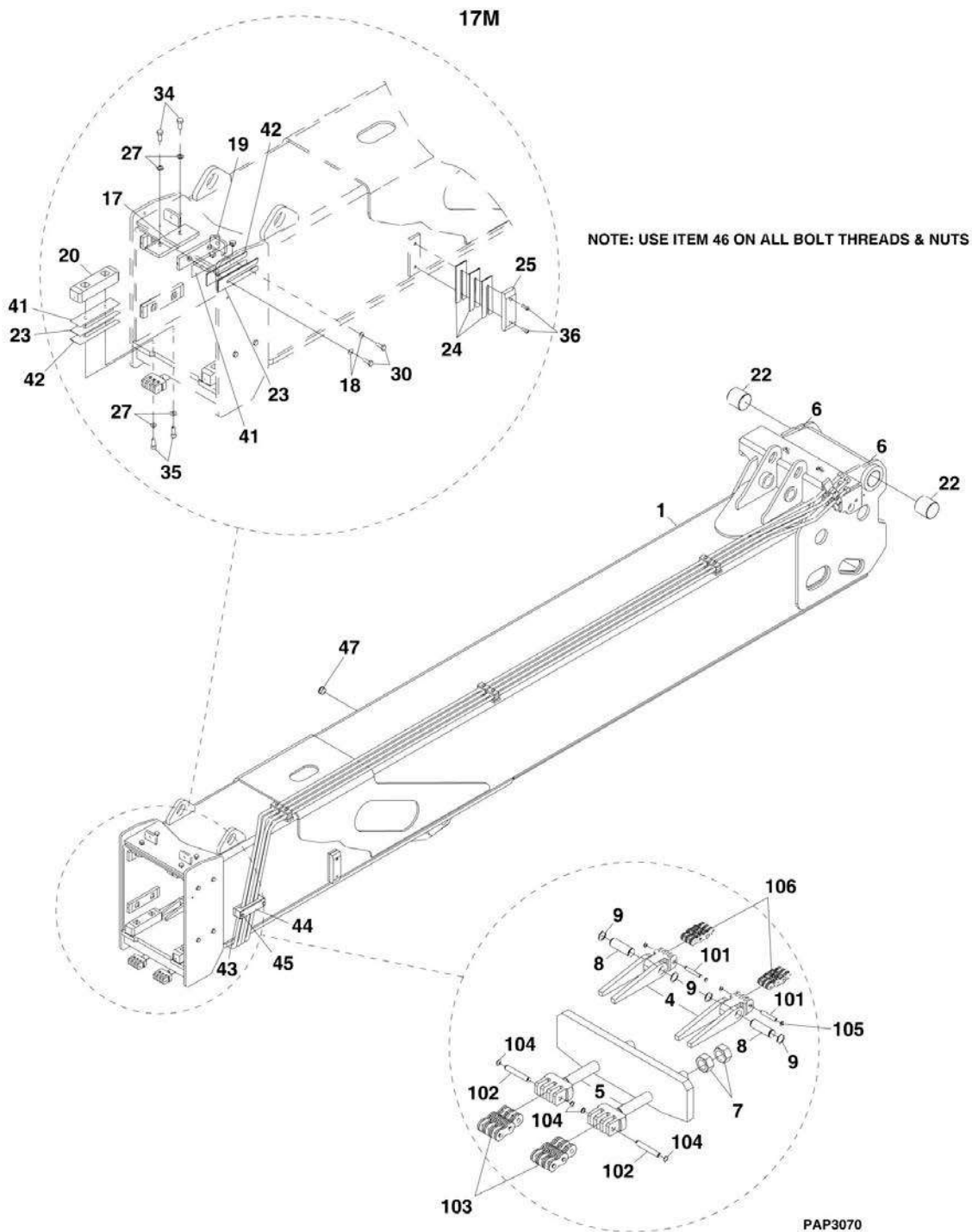
## SECTION 2 - BOOM

**FIGURE 2-6. FIRST BOOM SECTION ASSEMBLY (12M & 13M)**

ITEM	PART NUMBER	QTY	DESCRIPTION	REV
	0273120	1	BOOM SECTION ASSY, (12M), (includes items 1 thru 28 & 101)	C
	8007269	1	BOOM SECTION ASSY, (13M), (includes items 1 thru 28 & 101)	C
1	8009099	1	FIRST BOOM SECTION, (12M)	
1	8007159	1	FIRST BOOM SECTION, (13M)	
2	8002201	2	PAD	
3	8002200	4	PAD	
7	0761010	8	HEX HD CAPSCREW, M10X20, (as required), (torque to 50 Nm)	
7	0761012	8	HEX HD CAPSCREW, M10X25, (as required), (torque to 50 Nm)	
17	0761215	4	HEX HD CAPSCREW, M12-35, GR8.8, (torque to 90 Nm)	
18	8002914	4	SHIM, 2X50X200mm	
18	8008640	AR	SHIM, 0.5X50X200mm, (as required)	
18	8008641	AR	SHIM, 1X50X200mm, (as required)	
18	8008642	AR	SHIM, 1.5X50X200mm, (as required)	
20	324590	2	GREASE FITTING	
21	8008047	2	BUSHING	
22	4740532	8	WASHER, 12mm	
23	4812000	8	FLAT WASHER, 10mm	
24	0761212	4	HEX HD CAPSCREW, M12X25, (as required), (torque to 90 Nm)	
24	0761210	4	HEX HD CAPSCREW, M12X20, (as required), (torque to 90 Nm)	
25	8008070	2	SHIM	
26	8002199	2	PAD	
27	8008069	4	SHIM, 2X70X200mm	
27	8008634	AR	SHIM, 0.5X70X200mm, (as required)	
27	8008644	AR	SHIM, 1X70X200mm, (as required)	
27	8008645	AR	SHIM, 1.5X70X200mm, (as required)	
28	8003242	2	SHIM, (12M)	
28	8003242	AR	SHIM, (13M)	
29	1001095650	AR	LOCTITE 243, (12M)	
29	0100011	AR	LOCTITE 242, (13M)	
30	8010148	2	SLIDE, 20X50X160mm	
31	8010123	2	HEX HD CAPSCREW, M8X30, GR 10.9	
31	5271809	AR	HEX HD CAPSCREW, M8X25, GR 12.9, (12M), (as required)	
31	4031909	AR	HEX HD CAPSCREW, M8X25, GR 8.8, (13M), (as required)	
32	8002972	2	SHIM, 5X50X160	
32	8009987	AR	SHIM, 2X50X160, (as required)	
32	8009988	AR	SHIM, 3X50X160, (as required)	
N1	Note	Ref	<b>ITEMS 30 THRU 32, QUANTITIES ARE FOR BOTH SIDES OF THE BOOM.</b>	

# SECTION 2 - BOOM

## FIGURE 2-7. FIRST BOOM SECTION ASSEMBLY (17M)



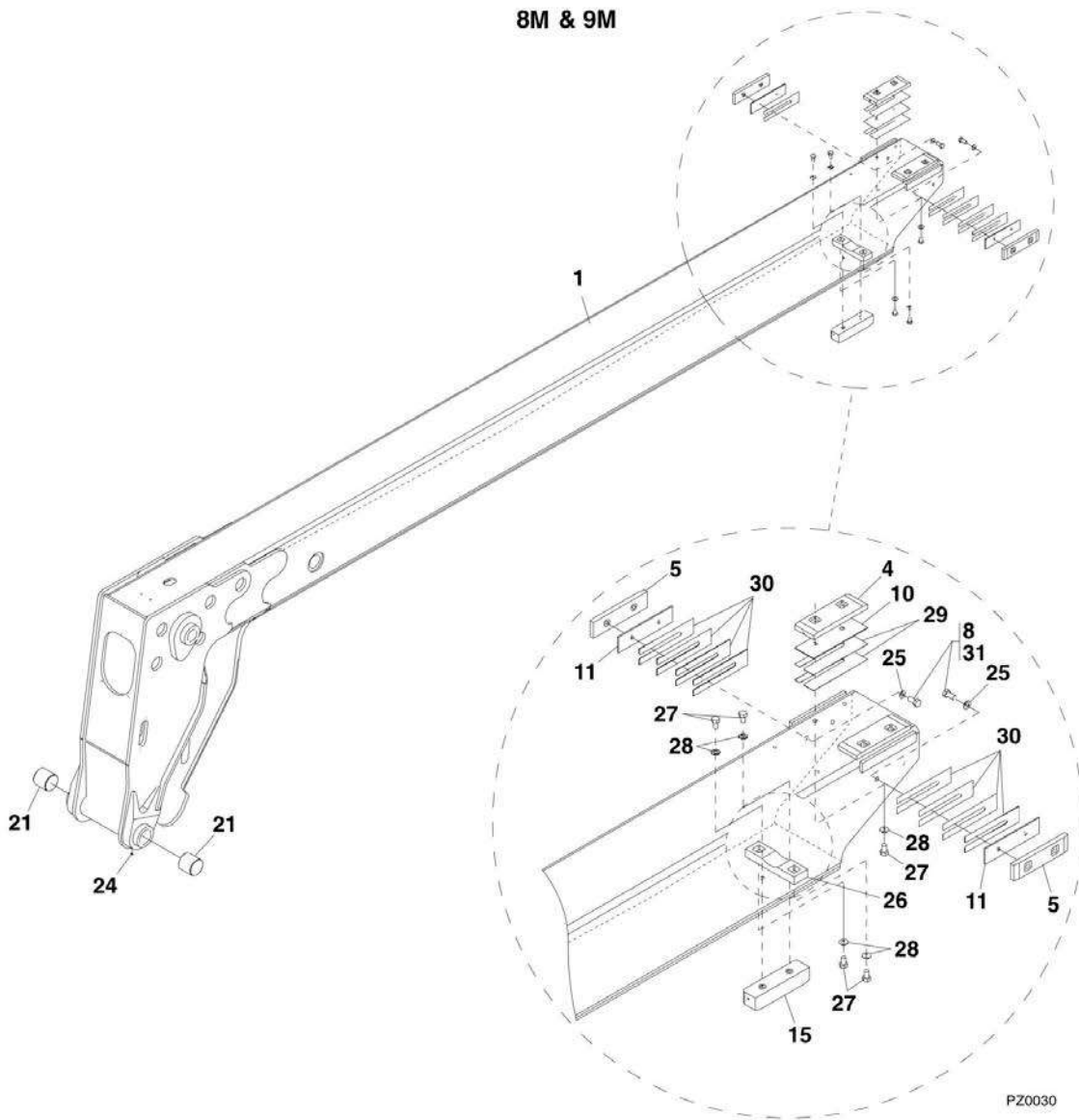
## SECTION 2 - BOOM

### FIGURE 2-7. FIRST BOOM SECTION ASSEMBLY (17M)

ITEM	PART NUMBER	QTY	DESCRIPTION	REV
	0801452	1	BOOM SECTION ASSY, (17M), (includes items 1 thru 47)	M
1	0801453	1	FIRST BOOM SECTION	
4	1360276	2	CLEVIS, BL666	
5	1360279	2	CLEVIS, BL1066	
6	2160016	2	GREASE FITTING	
7	3292401	4	HEX NUT, M24X3, (torque to 135 Nm)	
8	3423110	2	ANCHOR PIN	
9	3760488	4	RETAINING RING	
17	4700021	2	PAD	
18	4812000	8	FLAT WASHER, 10mm	
19	8002200	4	PAD	
20	8002201	2	PAD	
22	8008047	2	BUSHING	
23	8008070	8	SHIM	
24	8009987	AR	SHIM	
25	8010148	2	SLIDE	
27	4740532	8	FLAT WASHER, M12	
30	0761015	8	HEX HD CAPSCREW, 10-1.5X35mm, (as required), (torque to 50 Nm)	
30	0761014	8	HEX HD CAPSCREW, 10-1.5X30mm, (as required), (torque to 50 Nm)	
34	0761214	4	HEX HD CAPSCREW, 12-1.75X30mm, (torque to 90 Nm)	
35	4032110	4	SOCKET HD CAPSCREW, M12X30, (as required), (torque to 90 Nm)	
35	4032111	4	SOCKET HD CAPSCREW, M12X35, (as required), (torque to 90 Nm)	
35	4032112	4	SOCKET HD CAPSCREW, M12X40, (as required), (torque to 90 Nm)	
36	4031908	4	SOCKET HD CAPSCREW, M8X20, (as required)	
36	4031909	4	SOCKET HD CAPSCREW, M8X25, (as required)	
41	8002904	6	SHIM	
42	4071110	8	SHIM	
43	1321570	1	TUBE SPACER CLAMP	
44	1321590	1	COVER BAR CLAMP	
45	0700817	2	HEX HD CAPSCREW, M8X45 LG	
46	0100011	AR	LOCTITE 242, (not shown)	
47	1001116294	1	TRANSPARENT PLUG, 25mm	
101	3423116	2	CHAIN PIN	
102	3423119	2	CHAIN PIN	
103		Ref	EXTEND CHAIN, BL1066, (See THIRD BOOM SECTION ASSEMBLY for Breakdown)	
104	3760490	4	RETAINING RING	
105	3760489	4	RETAINING RING	
106		Ref	RETRACT CHAIN, BL666, (See THIRD BOOM SECTION ASSEMBLY for Breakdown)	

# SECTION 2 - BOOM

## FIGURE 2-8. SECOND BOOM SECTION ASSEMBLY (8M & 9M)



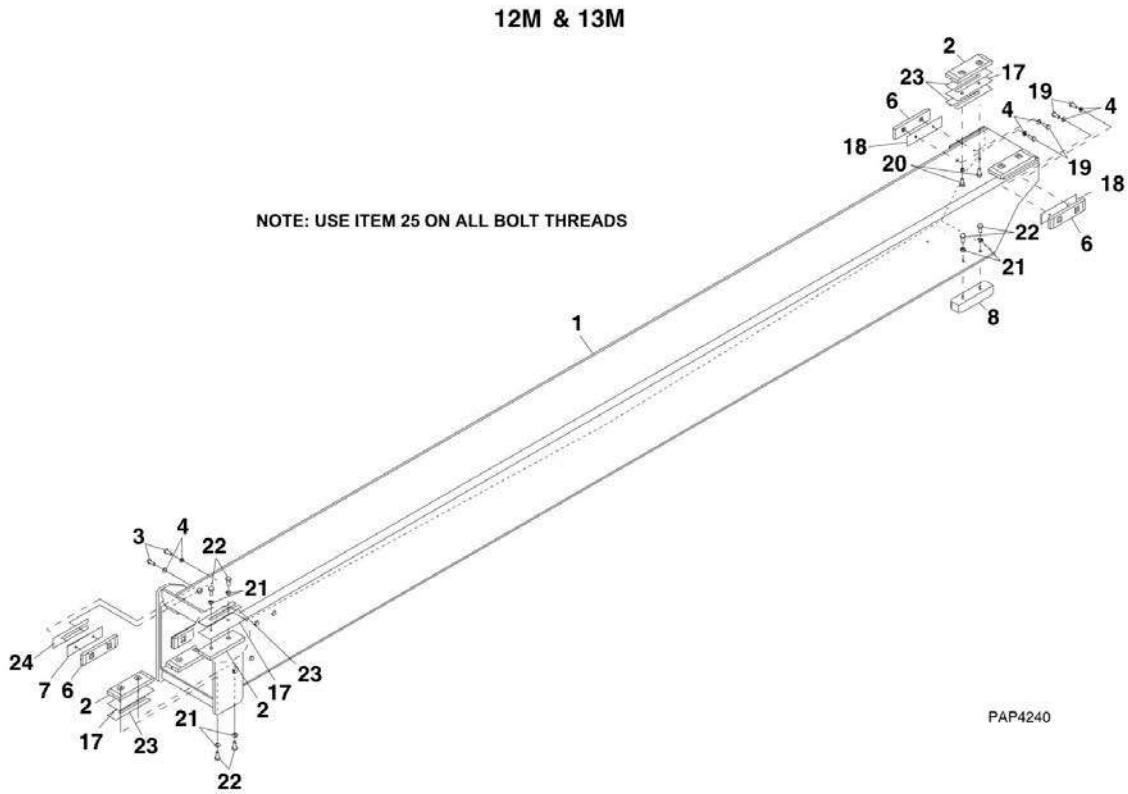
## SECTION 2 - BOOM

**FIGURE 2-8. SECOND BOOM SECTION ASSEMBLY (8M & 9M)**

ITEM	PART NUMBER	QTY	DESCRIPTION	REV
	1001096695	1	BOOM SECTION ASSY, (8M), (includes all items)	B
	1001096733	1	BOOM SECTION ASSY, (9M), (includes all items)	B
1	1001096694	1	BOOM HEAD SECTION, (3508PS & 4008PS)	
1	1001096694B	1	BOOM HEAD SECTION, (40.8)	
1	1001096732	1	BOOM HEAD SECTION, (3509PS & 4009PS)	
1	1001096732B	1	BOOM HEAD SECTION, (40.9)	
4	8002199	2	PAD	
5	8002200	2	PAD	
8	8004285	4	LENS HD SCREW, M10X20, (as required), (loctite and torque to 50 Nm)	
8	8008054	4	LENS HD SCREW, M10X25, (as required), (loctite and torque to 50 Nm)	
10	8002637	2	SHIM	
11	8002907	2	SHIM	
15	8002201	1	PAD	
21	8008046	2	BUSHING	
24	324590	1	GREASE FITTING	
25	4812000	4	FLAT WASHER, 10mm	
26	8004444	1	STABILIZER	
27	0761212	4	HEX HD CAPSCREW, 12-1.75X25mm, (as required), (torque to 90 Nm)	
27	0761210	4	HEX HD CAPSCREW, 12-1.75X20mm, (as required), (torque to 90 Nm)	
28	4740532	8	WASHER, M12	
29	8008069	2	SHIM, 2.0X70X200mm	
29	8008634	AR	SHIM, 0.5X70X200mm	
29	8008644	AR	SHIM, 1.0X70X200mm	
29	8008645	AR	SHIM, 1.5X70X200mm	
30	8008070	2	SHIM, 2.0X50X200mm	
30	8008640	AR	SHIM, 0.5X50X200mm	
30	8008641	AR	SHIM, 1.0X50X200mm	
30	8008642	AR	SHIM, 1.5X50X200mm	
31	8008009	4	LENS HD SCREW, M12X25, (as required), (loctite and torque to 90 Nm)	
31	8008055	4	LENS HD SCREW, M12X20, (as required), (loctite and torque to 90 Nm)	

# SECTION 2 - BOOM

## FIGURE 2-9. SECOND BOOM SECTION ASSEMBLY (12M & 13M)



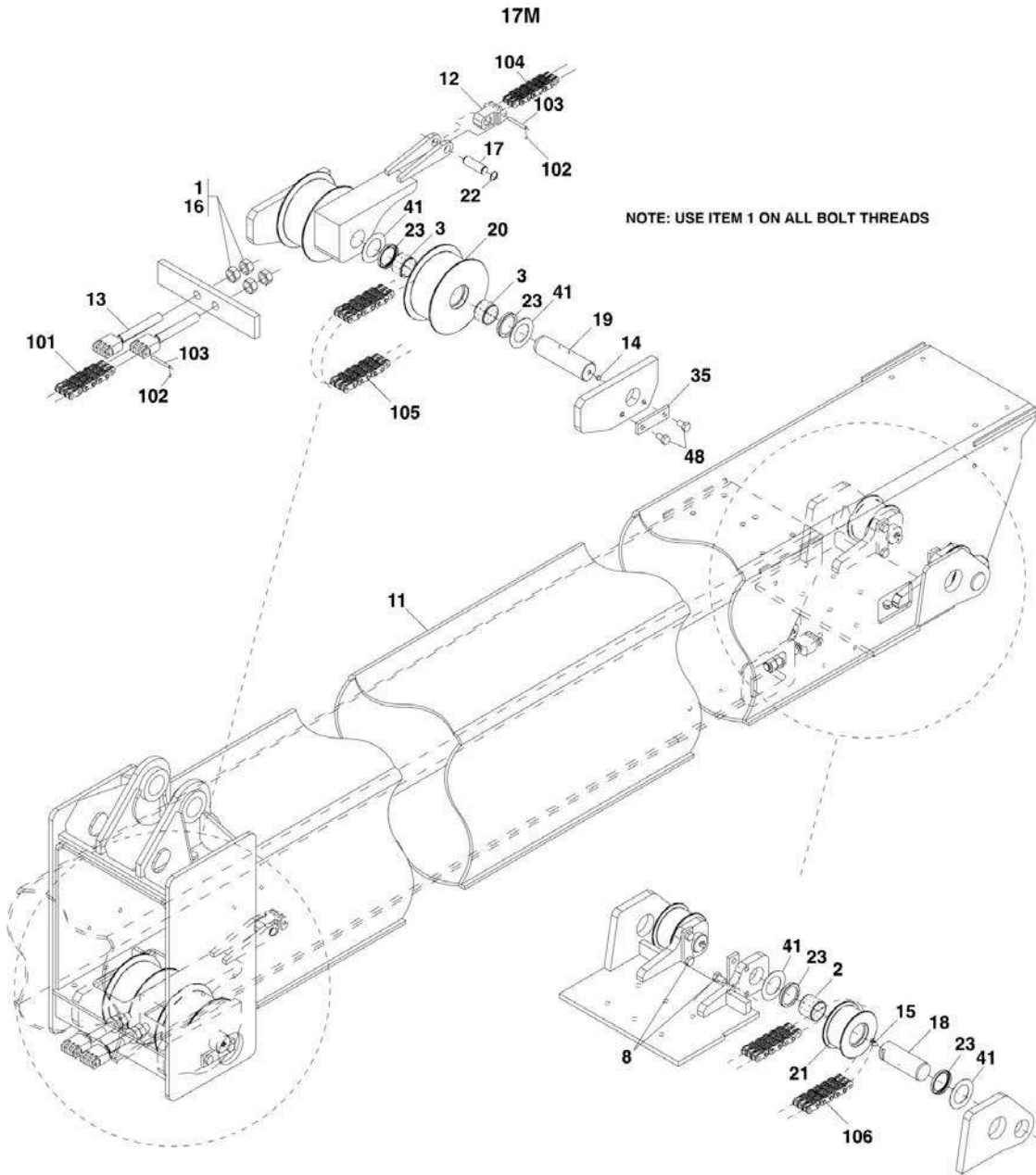
## SECTION 2 - BOOM

**FIGURE 2-9. SECOND BOOM SECTION ASSEMBLY (12M & 13M)**

ITEM	PART NUMBER	QTY	DESCRIPTION	REV
	0273119	1	SECOND BOOM SECTION ASSY, (12M), (includes all items)	B
	8007268	1	SECOND BOOM SECTION ASSY, (13M), (includes all items)	B
1	8009097	1	SECOND BOOM SECTION, (12M)	
1	8007152	1	SECOND BOOM SECTION, (13M)	
2	8002199	6	PAD	
3	0761010	8	HEX HD CAPSCREW, 10-1.50X20mm, (as required)	
3	0761012	8	HEX HD CAPSCREW, 10-1.50X25mm, (as required)	
4	4812000	12	FLAT WASHER, 10mm	
6	8002200	6	PAD	
7	8002907	4	SHIM	
8	8002201	2	PAD	
17	8002637	6	SHIM	
18	8002914	2	SHIM	
19	8004285	4	LENS HD SCREW, M10X20, (as required), (loctite and torque to 50 Nm)	
19	8008054	4	LENS HD SCREW, M10X25, (as required), (loctite and torque to 50 Nm)	
20	8008009	4	LENS HD SCREW, M12X25, (as required), (loctite and torque to 90 Nm)	
20	8008055	4	LENS HD SCREW, M12X20, (as required), (loctite and torque to 90 Nm)	
21	4740532	16	WASHER, 12mm	
22	0761212	12	HEX HD CAPSCREW, M12X25, (as required), (loctite and torque to 90 Nm)	
22	0761210	12	HEX HD CAPSCREW, M12X20, (as required), (loctite and torque to 90 Nm)	
23	8008069	4	SHIM, 2X70X200mm	
23	8008634	AR	SHIM, 0.5X70X200mm	
23	8008644	AR	SHIM, 1X70X200mm	
23	8008645	AR	SHIM, 1.5X70X200mm	
24	8008070	4	SHIM, 2X50X200mm	
24	8008640	AR	SHIM, 0.5X50X200mm	
24	8008641	AR	SHIM, 1X50X200mm	
24	8008642	AR	SHIM, 1.5X50X200mm	
25	0100011	AR	LOCTITE 242, (not shown)	

# SECTION 2 - BOOM

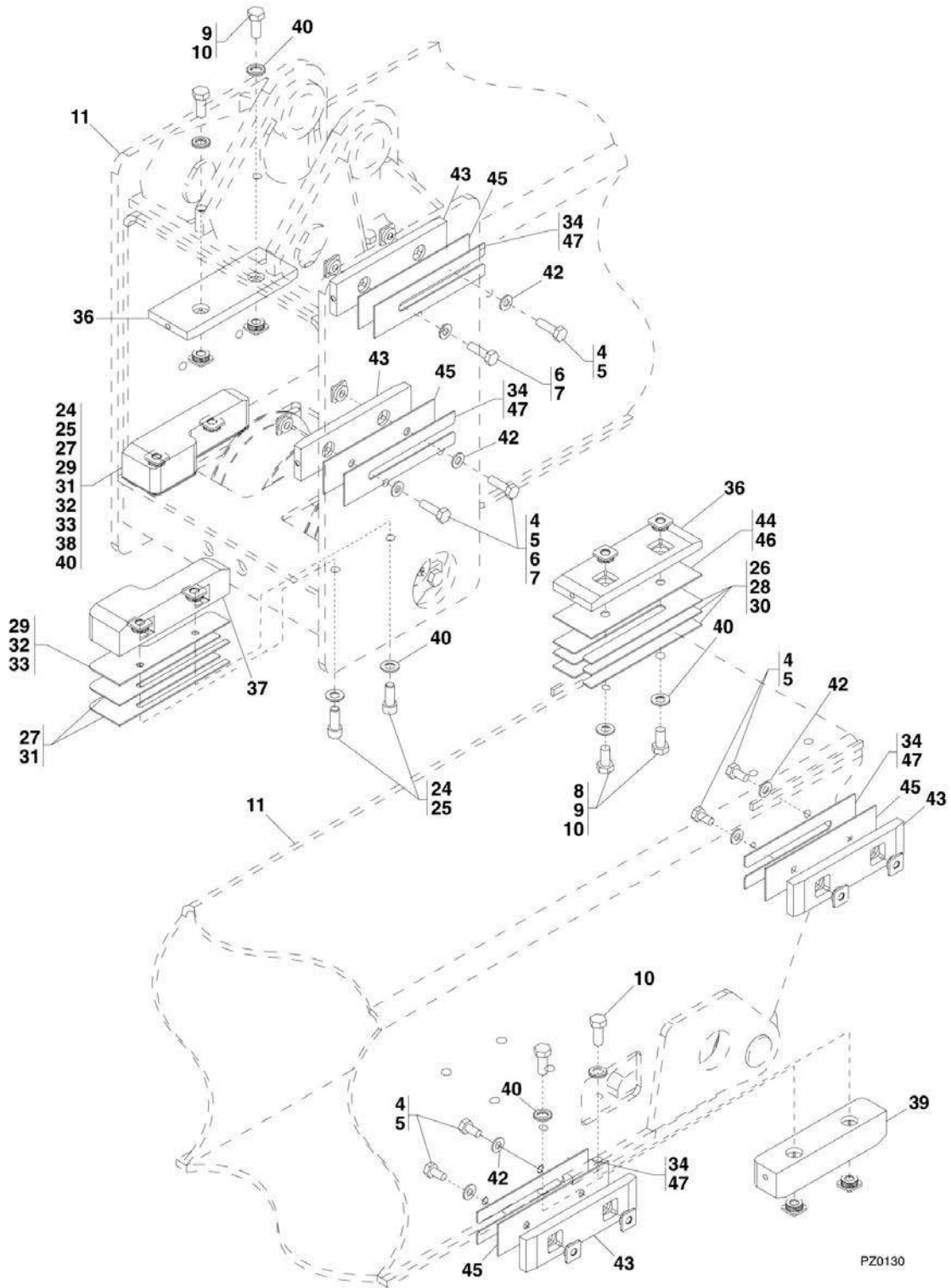
## FIGURE 2-10. SECOND BOOM SECTION ASSEMBLY (17M)



PAP3080



# SECTION 2 - BOOM



PZ0130

## SECTION 2 - BOOM

FIGURE 2-10. SECOND BOOM SECTION ASSEMBLY (17M)

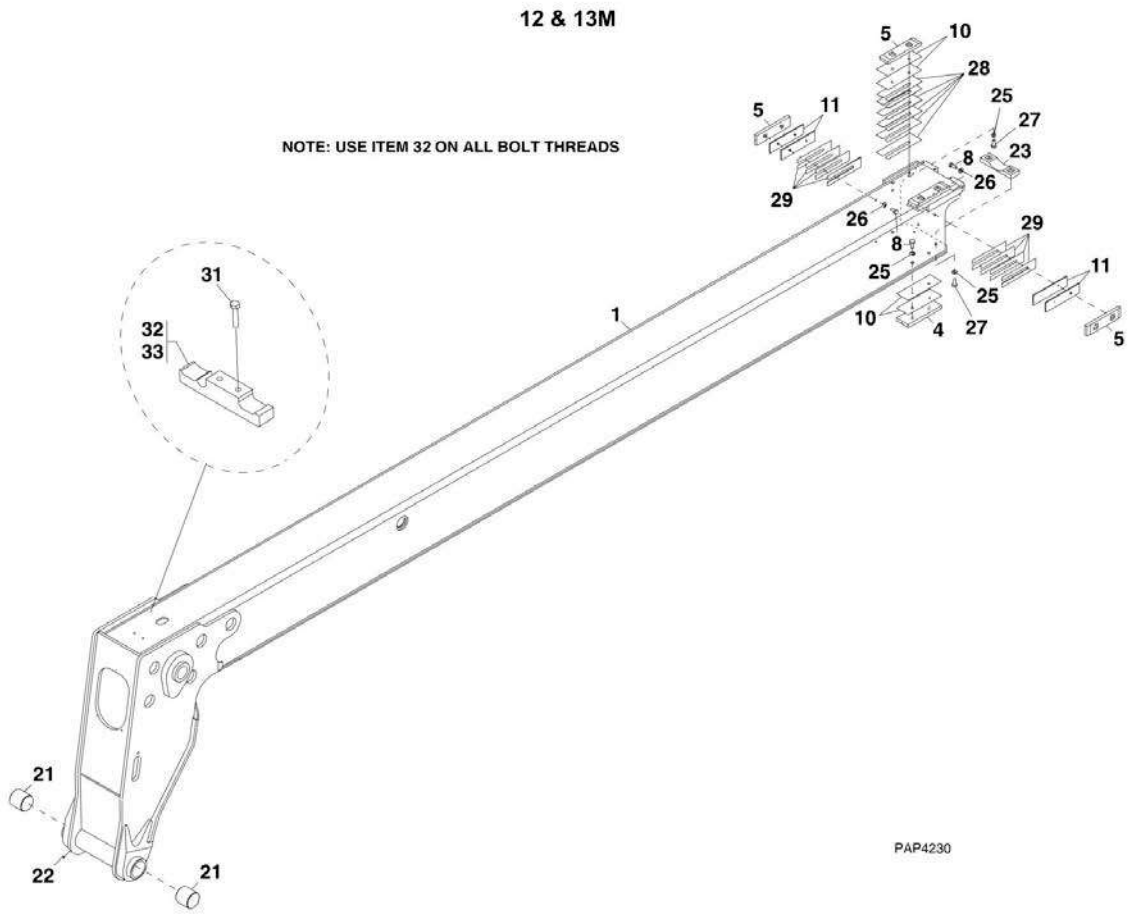
ITEM	PART NUMBER	QTY	DESCRIPTION	REV
	0801578	1	SECOND BOOM SECTION ASSY, (17M), (includes items 1 thru 48)	D
1	0100011	AR	LOCTITE 242, (not shown)	
2	0440296	2	BEARING	
3	0440298	4	BEARING	
4	0761010	AR	HEX HD CAPSCREW, M10X20, GR8.8, (torque to 50 Nm)	
5	0761012	AR	HEX HD CAPSCREW, M10X25, GR8.8, (torque to 50 Nm)	
6	0761014	AR	HEX HD CAPSCREW, M10X30, GR8.8, (torque to 50 Nm)	
7	0761015	AR	HEX HD CAPSCREW, M10X35, GR8.8, (torque to 50 Nm)	
8	0761210	AR	HEX HD CAPSCREW, M12X20, GR8.8, (torque to 90 Nm)	
9	0761212	AR	HEX HD CAPSCREW, M12X25, GR8.8, (torque to 90 Nm)	
10	0761214	AR	HEX HD CAPSCREW, M12X30, GR8.8, (torque to 90 Nm)	
11	0801579	1	SECOND BOOM SECTION WELDMENT	
12	1360276	1	CHAIN CLEVIS, BL666	
13	1360282	2	CHAIN CLEVIS, BL666	
14	2160016	2	GREASE FITTING	
15	2160018	2	GREASE FITTING, 90	
16	3292001	4	HEX NUT, M20X2.5, (torque to 135 Nm)	
17	3423110	1	CHAIN PIN	
18	3423117	2	RETRACT SHEAVE PIN	
19	3423118	2	EXTENSION SHEAVE PIN	
20	3580330	2	SHEAVE PULLEY	
21	3580336	2	RETRACT PULLEY	
22	3760488	2	RETAINING RING	
23	3960585	8	WIPER SEAL	
24	4032110	AR	HEX HD CAPSCREW, M12X30, (torque to 90 Nm)	
25	4032111	AR	HEX HD CAPSCREW, M12X35, (torque to 90 Nm)	
26	4071085	AR	SHIM, 2X70X200mm	
27	4071093	AR	SHIM, 2X60X200mm	
28	4071098	AR	SHIM, 3X70X200mm	
29	4071099	AR	SHIM, 2X60X200mm	
30	4071104	AR	SHIM, 4X70X200mm	
31	4071107	AR	SHIM, 1X60X200mm	
32	4071108	AR	SHIM, 3X60X200mm	
33	4071109	AR	SHIM, 4X60X200mm	
34	4071110	AR	SHIM, 3X50X200mm	
35	4220215	4	PIN STOP PLATE	
36	4700021	4	WEAR PAD	
37	4700030	1	WEAR PAD	
38	4700031	1	WEAR PAD	
39	4700047	2	WEAR PAD	
40	4740532	16	FLAT WASHER, 12mm	
41	4740535	8	SPECIAL WASHER	
42	4812000	16	FLAT WASHER, 10mm	
43	8002200	8	WEAR PAD	
44	8002637	AR	SHIM, 2X70X200mm	
45	8002904	AR	SHIM, 1X50X200mm	
46	8003242	AR	SHIM, 1X70X200mm	
47	8008070	AR	SHIM, 2X50X200mm	
48	8008055	4	LENS HEAD SCREW, M12X20mm LG	
101		Ref	EXTEND CHAIN, BL666, (See FOURTH BOOM SECTION	

## SECTION 2 - BOOM

ITEM	PART NUMBER	QTY	DESCRIPTION	REV
102	3760489	6	ASSEMBLY item 104 for Breakdown) RETAINING RING	
103	3423116	3	PIN	
104		Ref	RETRACT CHAIN, BL666, (See FOURTH BOOM SECTION ASSEMBLY item 101 for Breakdown)	
105		Ref	EXTEND CHAIN, BL1066, (See THIRD BOOM SECTION ASSEMBLY 103 for Breakdown)	
106		Ref	RETRACT CHAIN, BL666, (See THIRD BOOM SECTION ASSEMBLY item 106 for Breakdown)	

# SECTION 2 - BOOM

## FIGURE 2-11. THIRD BOOM SECTION ASSEMBLY (12M & 13M)



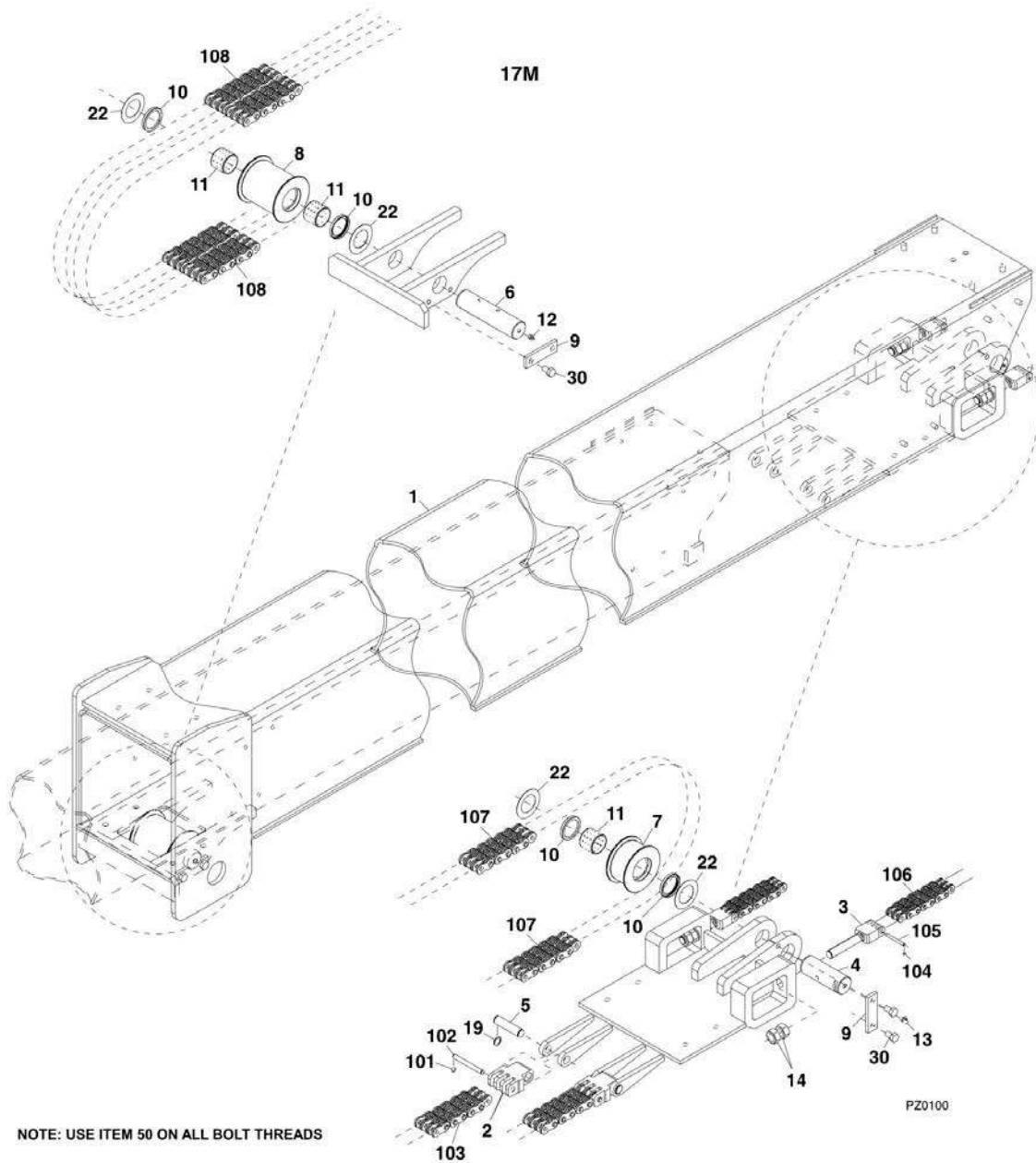
## SECTION 2 - BOOM

**FIGURE 2-11. THIRD BOOM SECTION ASSEMBLY (12M & 13M)**

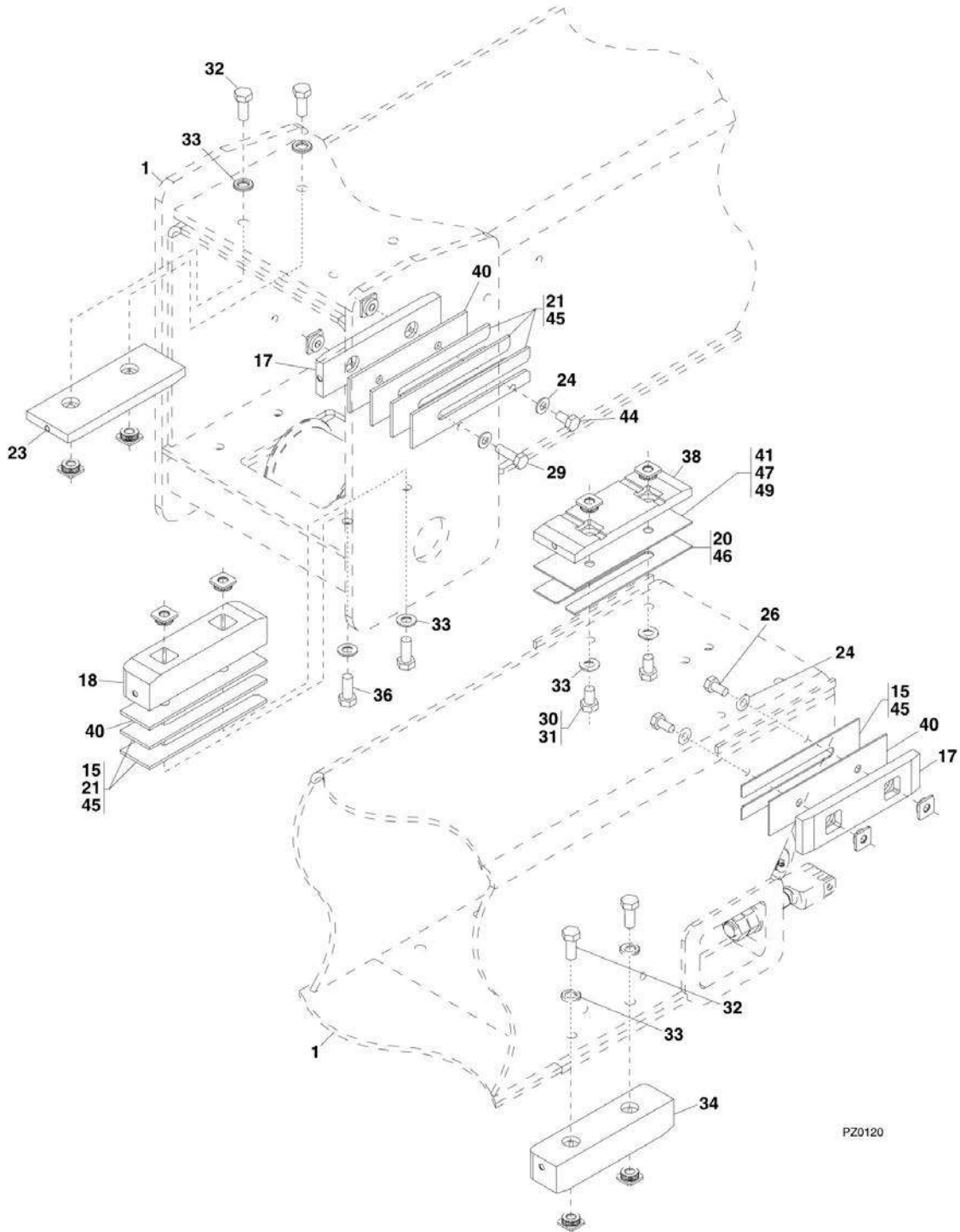
ITEM	PART NUMBER	QTY	DESCRIPTION	REV
	1001096648	1	THIRD BOOM SECTION ASSY, (12M), (includes items 1 thru 29)	B
	8007267	1	THIRD BOOM SECTION ASSY, (13M), (includes all items)	C
1	1001096640	1	BOOM HEAD SECTION, (12M)	
1	0801465	1	BOOM HEAD SECTION, (13M)	
4	8002199	2	PAD, (12M)	
4	8002199	4	PAD, (13M)	
5	8002200	4	PAD, (12M)	
5	8002200	2	PAD, (13M)	
8	0761010	4	HEX HD CAPSCREW, M10X20, (as required), (loctite and torque to 50 Nm)	
8	0761012	4	HEX HD CAPSCREW, M10X25, (as required), (loctite and torque to 50 Nm)	
10	8002637	4	SHIM, 2X70X200mm, (12M)	
10	8002637	2	SHIM, 2X70X200mm, (13M)	
10	8008633	AR	SHIM, 0.5X70X200mm	
10	8003242	AR	SHIM, 1X70X200mm	
10	8003243	AR	SHIM, 1.5X70X200mm	
11	8002907	4	SHIM, 4X50X200mm, (12M)	
11	8002907	2	SHIM, 4X50X200mm, (13M)	
21	8008046	2	BUSHING	
22	324590	1	GREASE FITTING	
23	8002197	1	STABILIZER BLOCK	
25	4740532	10	WASHER, 12mm	
26	4812000	4	FLAT WASHER, 10mm	
27	0761212	10	HEX HD CAPSCREW, M12X25, (as required), (loctite and torque to 90 Nm)	
27	0761210	10	HEX HD CAPSCREW, M12X20, (as required), (loctite and torque to 90 Nm)	
28	8008069	4	SHIM, 2X70X200mm	
28	8008634	AR	SHIM, 0.5X70X200mm	
28	8008644	AR	SHIM, 1X70X200mm	
28	8008645	AR	SHIM, 1.5X70X200mm	
29	8008070	2	SHIM, 2X50X200mm	
29	8008640	AR	SHIM, 0.5X50X200mm	
29	8008641	AR	SHIM, 1X50X200mm	
29	8008642	AR	SHIM, 1.5X50X200mm	
31	1321681	1	HYDRAULIC HOSE CLAMP	
32	0100011	AR	LOCTITE 242	
33	0761018	2	HEX HD CAPSCREW, M10X50, GR 8.8	

# SECTION 2 - BOOM

## FIGURE 2-12. THIRD BOOM SECTION ASSEMBLY (17M)



# SECTION 2 - BOOM



## SECTION 2 - BOOM

FIGURE 2-12. THIRD BOOM SECTION ASSEMBLY (17M)

ITEM	PART NUMBER	QTY	DESCRIPTION	REV
	0801448	1	THIRD BOOM SECTION ASSY, (17M), (includes items 1 thru 50)	M
1	0801449	1	THIRD BOOM SECTION WELDMENT	
2	1360277	2	CHAIN CLEVIS, BL1066	
3	1360278	2	CHAIN CLEVIS, BL666	
4	3423117	1	RETRACT SHEAVE PIN	
5	3423120	2	ANCHOR PIN	
6	3423121	1	EXTENSION SHEAVE PIN	
7	3580336	1	RETRACT PULLEY	
8	3580332	1	SHEAVE PULLEY	
9	4220215	2	PIN STOP PLATE	
10	3960585	4	WIPER SEAL	
11	0440296	3	BEARING	
12	2160016	1	GREASE FITTING	
13	2160018	1	GREASE FITTING, 90	
14	3292001	4	HEX NUT, M20X2.5, (torque to 135 Nm)	
15	8008070	AR	SHIM, 2X50X200mm	
17	8002200	8	WEAR PAD	
18	8002201	2	WEAR PAD	
19	3760488	4	RETAINING RING	
20	4071085	AR	SHIM, 2X70X200mm	
21	4071087	AR	SHIM, 4X50X200mm	
22	4740535	4	SPECIAL WASHER	
23	4700021	2	WEAR PAD	
24	4812000	16	WASHER, 10mm	
26	0761010	8	HEX HD CAPSCREW, M10X20, GR8.8, (torque to 50 Nm)	
26	0761012	AR	HEX HD CAPSCREW, M10X25, GR8.8, (torque to 50 Nm)	
29	0761015	4	HEX HD CAPSCREW, M10X35, GR8.8, (torque to 50 Nm)	
29	0761016	AR	HEX HD CAPSCREW, M10X40, GR8.8, (torque to 50 Nm)	
30	0761210	8	HEX HD CAPSCREW, M12X20, GR8.8, (torque to 90 Nm)	
31	0761212	AR	HEX HD CAPSCREW, M12X25, GR8.8, (torque to 90 Nm)	
31	0761214	AR	HEX HD CAPSCREW, M12X30, GR8.8, (torque to 90 Nm)	
32	0761214	4	HEX HD CAPSCREW, M12X30, GR8.8, (torque to 90 Nm)	
33	4740532	16	WASHER, 12mm	
34	4700032	2	WEAR PAD	
36	0761215	4	HEX HD CAPSCREW, M12X35, GR8.8, (torque to 90 Nm)	
36	0761214	AR	HEX HD CAPSCREW, M12X30, GR8.8, (torque to 90 Nm)	
38	1001093784	2	WEAR PAD	
40	8002904	AR	SHIM, 1X50X200mm	
41	8003242	AR	SHIM, 1X70X200mm	
44	0761011	AR	HEX HD CAPSCREW, M10X22, GR8.8, (torque to 50 Nm)	
44	0761012	AR	HEX HD CAPSCREW, M10X25, GR8.8, (torque to 50 Nm)	
45	4071110	AR	SHIM, 3X50X200mm	
46	4071104	AR	SHIM, 4X70X200mm	
47	4071105	AR	SHIM, 3X70X200mm	
47	4071106	AR	SHIM, 4X70X200mm	
49	8002637	2	SHIM, 2X70X200mm	
50	0100011	AR	LOCTITE 242, (not shown)	
101	3423119	2	PIN	
102	3760490	4	RETAINING RING	
103	1260391	2	EXTEND CHAIN, BL1066	

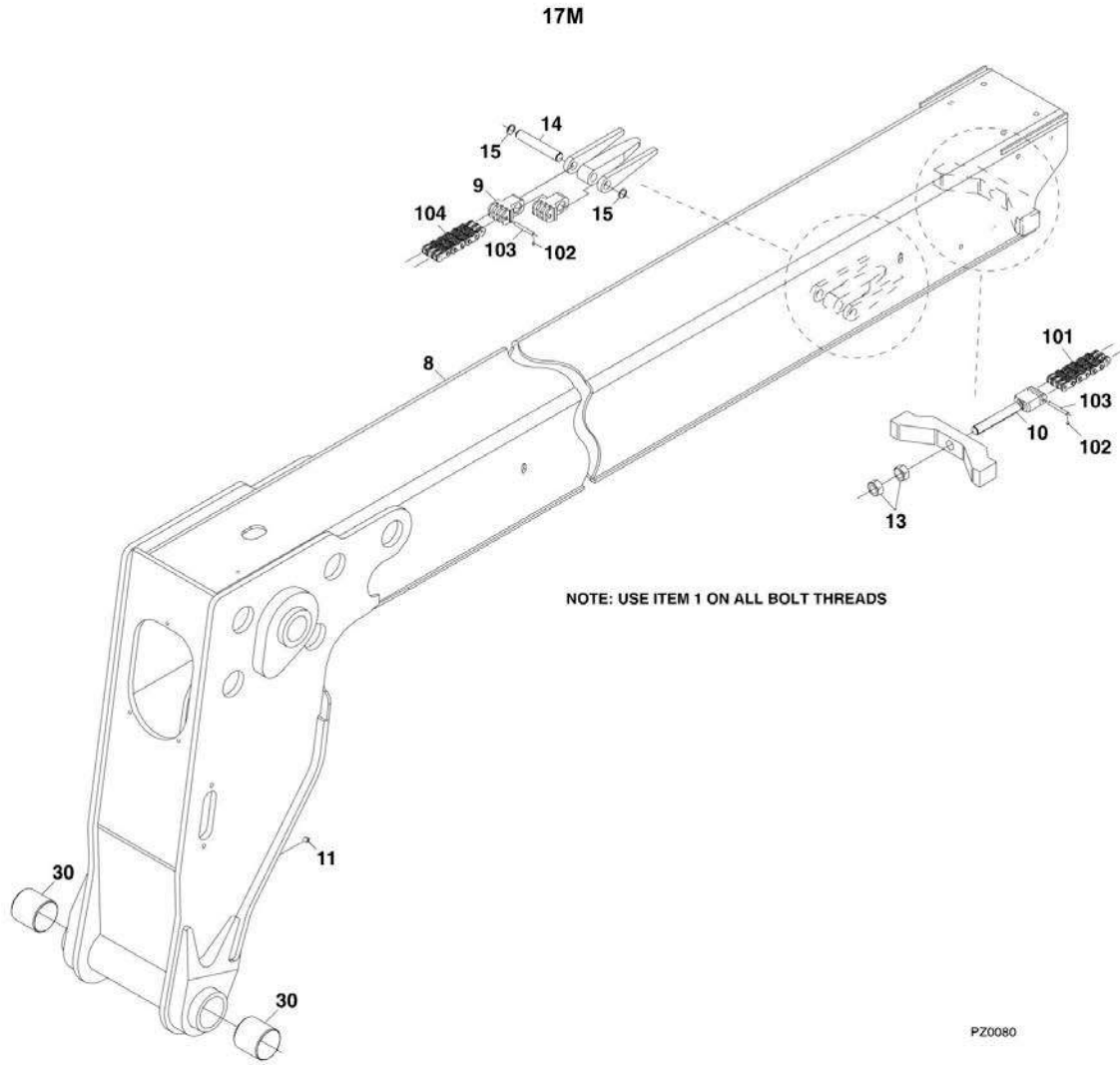


## SECTION 2 - BOOM

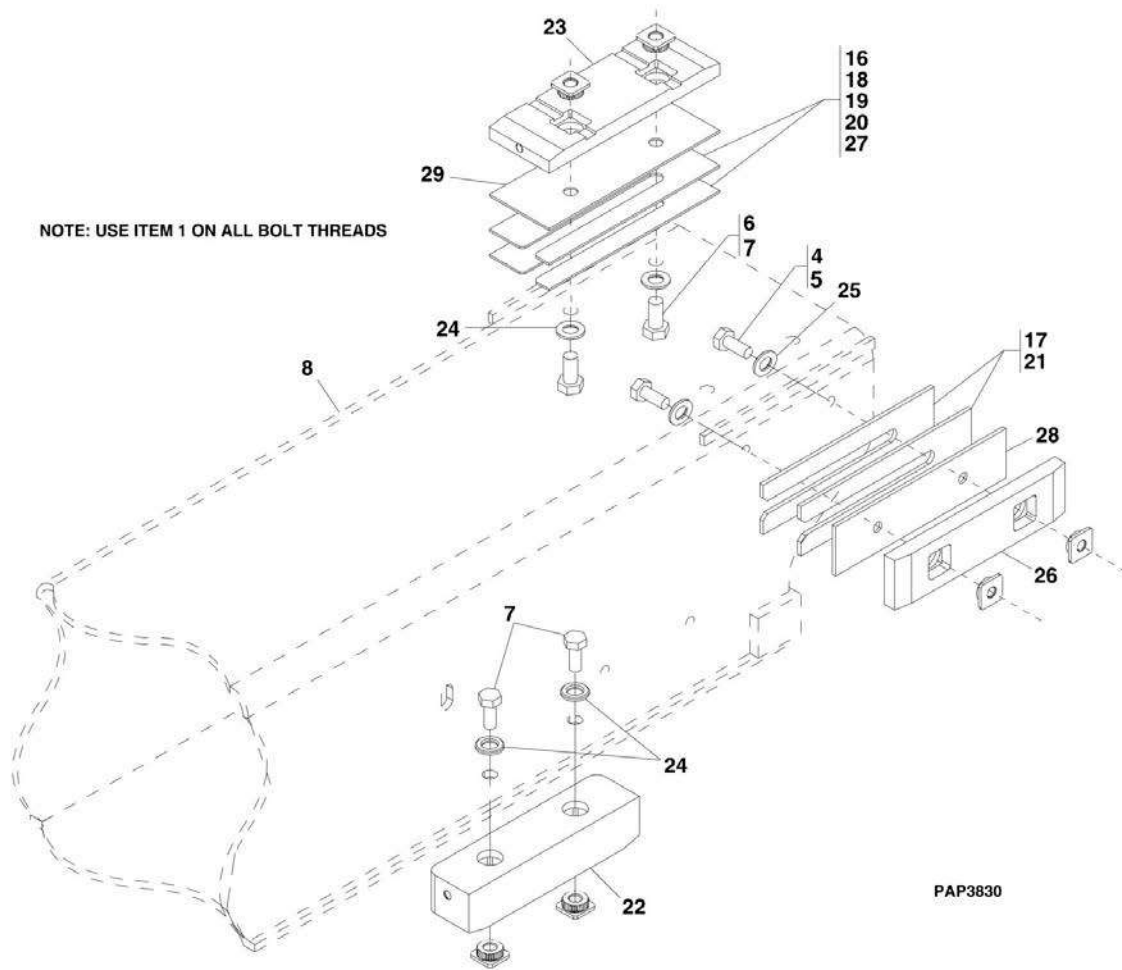
ITEM	PART NUMBER	QTY	DESCRIPTION	REV
104	3760489	4	RETAINING RING	
105	3423116	2	PIN	
106	1260392	2	RETRACT CHAIN, BL666	
107		Ref	RETRACT CHAIN, BL666, (See FOURTH BOOM SECTION ASSEMBLY item 101 for Breakdown)	
108		Ref	EXTEND CHAIN, BL666, (See FOURTH BOOM SECTION ASSEMBLY item 104 for Breakdown)	

# SECTION 2 - BOOM

## FIGURE 2-13. FOURTH BOOM SECTION ASSEMBLY (17M)



# SECTION 2 - BOOM



## SECTION 2 - BOOM

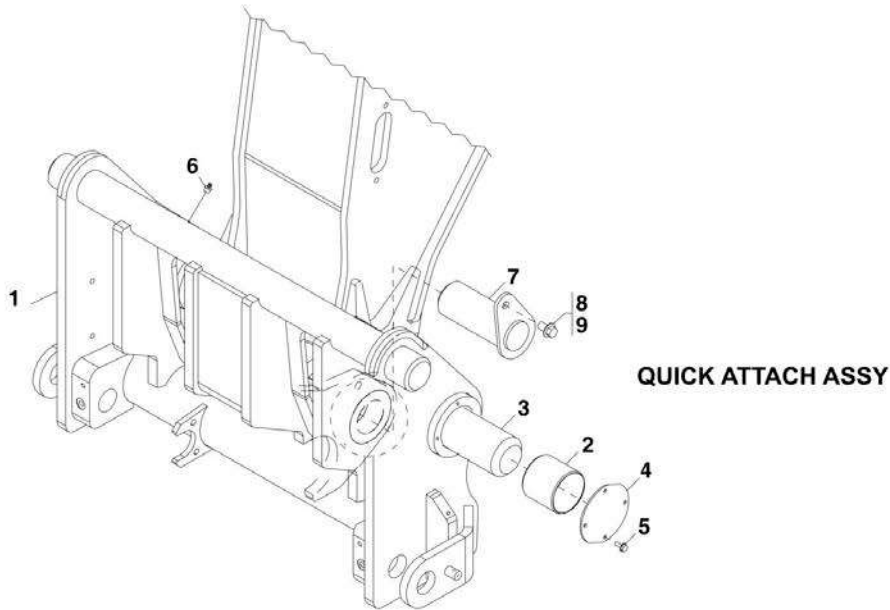
FIGURE 2-13. FOURTH BOOM SECTION ASSEMBLY (17M)

ITEM	PART NUMBER	QTY	DESCRIPTION	REV
	0801568	1	FOURTH BOOM SECTION ASSY, (17M), (includes items 1 thru 30)	B
1	0100011	AR	LOCTITE 242, (not shown)	
4	0761010	8	HEX HD CAPSCREW, 10-1.50X20mm, (as required), (torque to 50 Nm)	
5	0761012	8	HEX HD CAPSCREW, 10-1.50X25mm, (as required), (torque to 50 Nm)	
6	0761210	4	HEX HD CAPSCREW, 12-1.75X20mm, (as required), (torque to 90 Nm)	
7	0761212	4	HEX HD CAPSCREW, 12-1.75X25mm, (as required), (torque to 90 Nm)	
8	0801569	1	FOURTH BOOM SECTION WELDMENT	
9	1360276	2	CLEVIS, BL666	
10	1360282	1	CLEVIS, BL666	
11	2160016	1	GREASE FITTING	
13	3292001	2	HEX NUT, M20X2.5, (torque to 135 Nm)	
14	3423123	1	PIN	
15	3760488	2	RETAINING RING	
16	4071085	4	SHIM, 2X70X200mm, (as required)	
17	4071087	8	SHIM, 4X50X200mm, (as required)	
18	4071104	4	SHIM, 4X70X200mm, (as required)	
19	4071105	2	SHIM, 3X70X200mm, (as required)	
20	4071106	2	SHIM, 4X70X200mm, (as required)	
21	4071110	8	SHIM, 3X50X200mm, (as required)	
22	4700032	2	PAD	
23	1001093784	2	PAD	
24	4740532	8	WASHER, M12	
25	4812000	8	FLAT WASHER, M10	
26	8002200	4	PAD	
27	8002637	2	SHIM, 2X70X200mm, (as required)	
28	8002904	4	SHIM, 1X50X200mm, (as required)	
29	8003242	2	SHIM, 1X70X200mm, (as required)	
30	8008046	2	BUSHING	
101	1260394	1	RETRACT CHAIN, BL666	
102	3760489	6	RETAINING RING	
103	3423116	3	PIN	
104	1260393	2	EXTEND CHAIN, BL666	

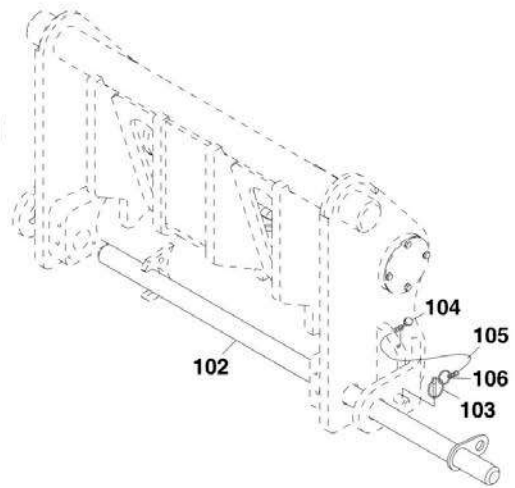


## SECTION 2 - BOOM

FIGURE 2-14. QUICK ATTACH ASSEMBLY, MECHANICAL AND HYDRAULIC QUICK ATTACH



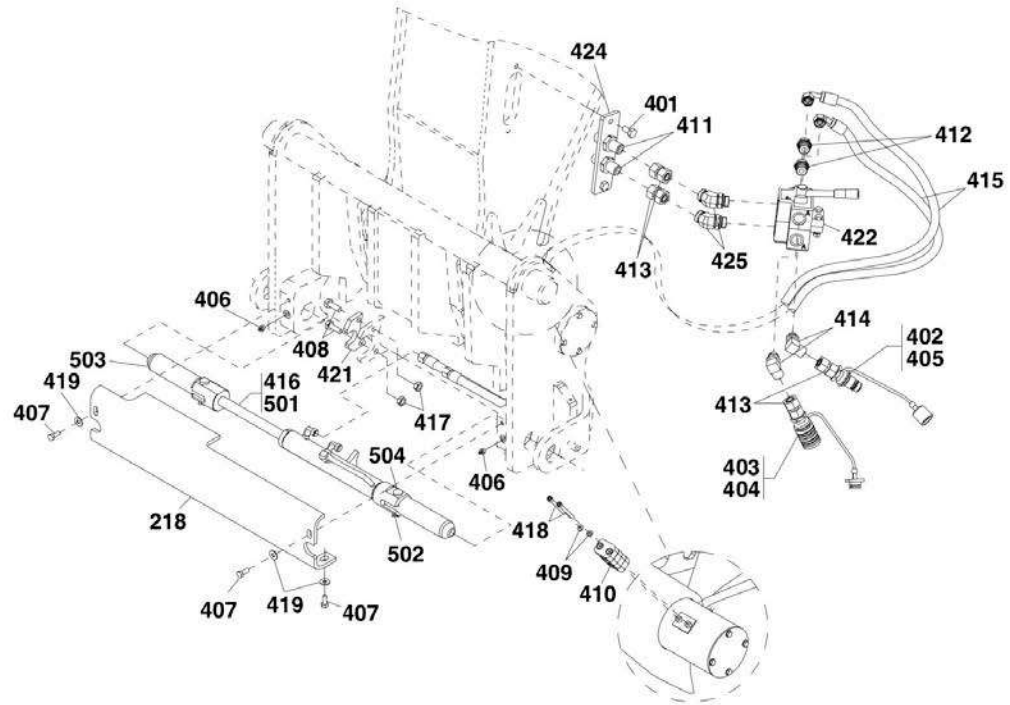
**MECHANICAL QUICK ATTACH**



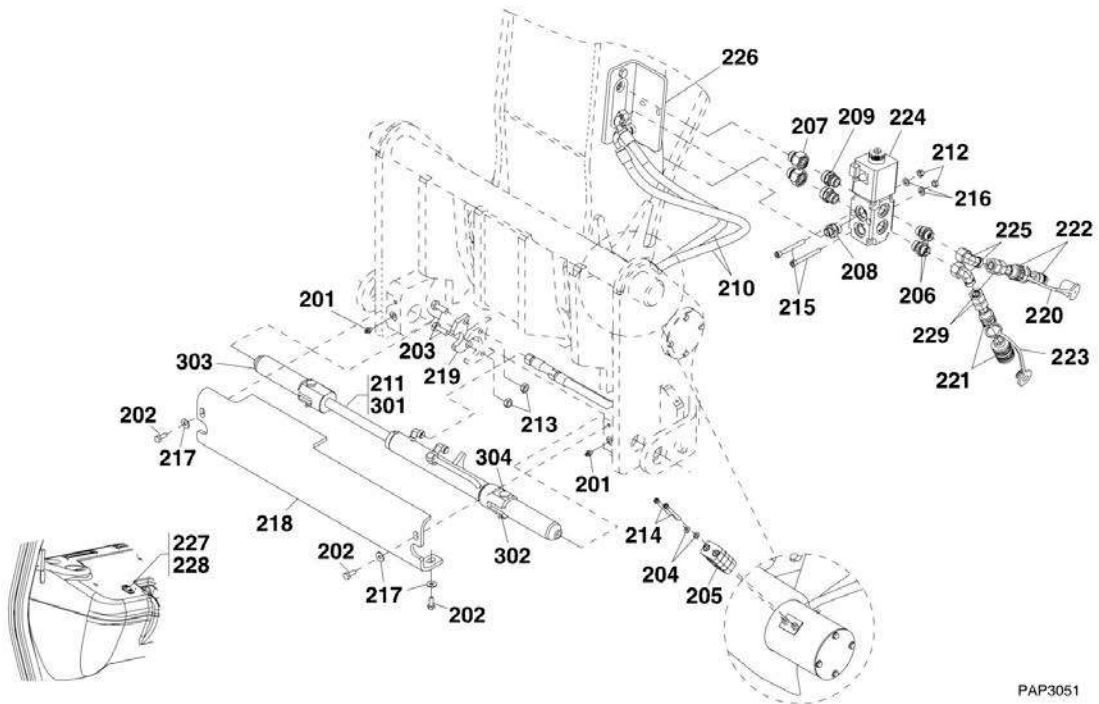
PAP3010

# SECTION 2 - BOOM

## HYDRAULIC QUICK ATTACH W/ MANUAL VALVE



## HYDRAULIC QUICK ATTACH W/ ELECTRIC VALVE



PAP3051

## SECTION 2 - BOOM

**FIGURE 2-14. QUICK ATTACH ASSEMBLY, MECHANICAL AND HYDRAULIC QUICK ATTACH**

ITEM	PART NUMBER	QTY	DESCRIPTION	REV
	8002145	1	QUICK ATTACH ASSY, (includes items 1 thru 9)	N
1	8002005	1	QUICK RELEASE WELDMENT	
2	8008046	4	BUSHING	
3	4800948	1	PIN	
4	4800959	2	PLATE	
5	2982603	8	BOLT, SELF-LOCKING, 6X16mm	
6	324590	2	GREASE FITTING	
7	4800788	1	PIN	
8	5201210	1	BOLT, 12X20mm	
9	0100011	AR	LOCTITE 242	
	8002072	1	MECHANICAL QUICK ATTACH, (if equipped), (includes items 102 thru 106)	D
102	8002027	1	ROD	
103	3964987	1	PIN	
104	5200605	1	BOLT, 6X10mm	
105	933940	AR	CHAIN	
106	463929	1	KEY RING	
	1001091903	1	HYDRAULIC QUICK ATTACH W/ ELECTRIC VALVE, (if equipped), (includes items 201 thru 229)	G
201	324590	2	GREASE FITTING	
202	0760810	4	HEX HD CAPSCREW, 8-1.25X20mm	
203	0761014	2	HEX HD CAPSCREW, 10-1.50X30mm	
204	1302325	2	WASHER	
205	1321141	2	CLAMP SET	
206	2144807	2	ADAPTER	
207	2143516	2	ADAPTER	
208	2144805	2	ADAPTER	
209	2144809	2	ADAPTER	
210	2754151	2	HOSE ASSY	
211	2902438	1	FORK LOCKING CYLINDER KIT, (includes items 301 thru 304)	
212	3290801	2	HEX NUT, M8X1.25	
213	3291001	2	HEX NUT, M10X1.50	
214	4031716	2	SOCKET HD CAPSCREW, M6X60mm	
215	4031919	2	SOCKET HD CAPSCREW, M8X75mm	
216	4811900	2	WASHER, 8mm	
217	4811902	4	LARGE WASHER, 8mm	
218	8001918	1	PLATE	
219	8002045	1	PLATE	
220	1001093826	1	DUST CAP	
221	1001094555	1	FEMALE QUICK DISCONNECT COUPLING	
222	1001094556	1	MALE QUICK DISCONNECT COUPLING	
223	1001093827	1	DUST PLUG	
224		Ref	DIVERTER VALVE, (See HYDRAULIC COMPONENTS SECTION for Breakdown)	
225	2143405	2	ELBOW, 90	
226	1001092270	1	BRACKET	
227		Ref	SWITCH, (See ELECTRICAL SECTION for Breakdown)	
228		Ref	SWITCH KEY, (See ELECTRICAL SECTION for Breakdown)	
229	2143605	2	ADAPTER	
301		Ref	FORK LOCKING CYLINDER, (See HYDRAULIC COMPONENTS	

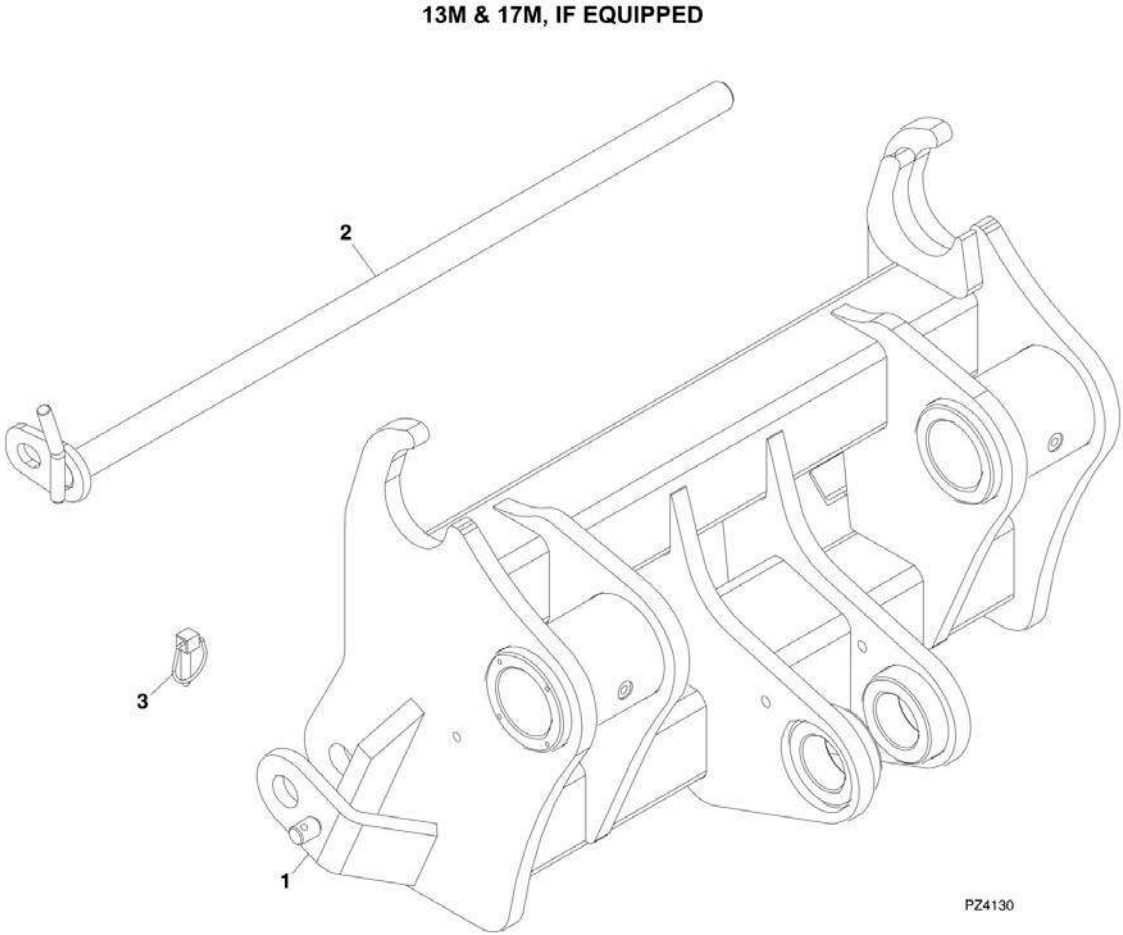


## SECTION 2 - BOOM

ITEM	PART NUMBER	QTY	DESCRIPTION	REV
			SECTION for Breakdown)	
302	3391410	2	SPLIT PIN	
303	8001888	2	PIN	
304	8002110	2	CLEVIS PIN	
	1001103517	1	HYDRAULIC QUICK ATTACH W/ MANUAL VALVE (if equipped), (includes items 218, 401 thru 425)	A
401	0761010	2	HEX HD SCREW, 10-1.50X20mm, GR8.8	
402	1001093826	1	DUST CAP	
403	1001093827	1	DUST CAP	
404	1001094555	1	COUPLING	
405	1001094556	1	COUPLING	
406	324590	2	GREASE FITTING	
407	0760810	4	HEX HD CAPSCREW, M8X20, GR8.8	
408	0761014	2	HEX HD CAPSCREW, M10X30, GR8.8	
409	1302325	2	WASHER	
410	1321141	2	CLAMP SET	
411	2141505	2	ADAPTER	
412	2144805	2	ADAPTER	
413	2143605	4	ADAPTER	
414	1001105717	2	ELBOW, 90	
415	2754151	2	HOSE ASSY	
416	2902438	1	FORK LOCKING CYLINDER KIT, (includes items 501 thru 504)	
417	3291001	2	HEX NUT, M10	
418	4031716	2	SOCKET HD CAPSCREW, M6X60	
419	4811902	4	LARGE WASHER, 8mm	
421	8002045	1	PLATE	
422	1001102724	1	MANUAL DIVERTER VALVE	
424	1001103550	1	BRACKET	
425	1001105804	2	ELBOW, 45	
501		Ref	FORK LOCKING CYLINDER, (See HYDRAULIC COMPONENTS SECTION for Breakdown)	
502	3391410	2	SPLIT PIN	
503	8001888	2	PIN	
504	8002110	2	CLEVIS PIN	

**SECTION 2 - BOOM**

**FIGURE 2-15. MANITOU QUICK ATTACH (13M & 17M)**

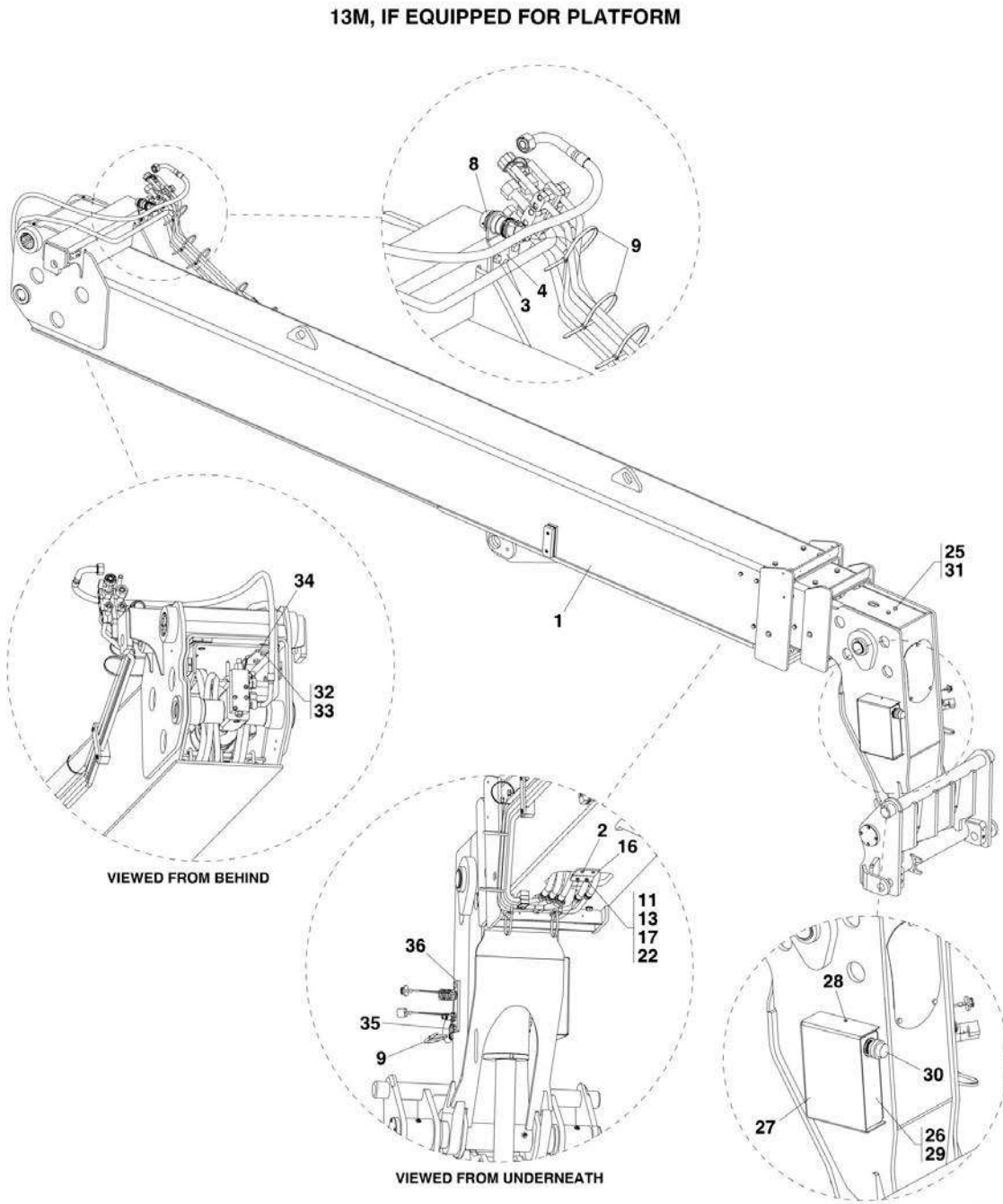


**FIGURE 2-15. MANITOU QUICK ATTACH (13M & 17M)**

ITEM	PART NUMBER	QTY	DESCRIPTION	REV
	1001102552	1	MANITOU QUICK ATTACH, (13M & 17M, if equipped), (includes items 1 thru 3)	B
1	N.S.S.	1	WELDMENT	
2	1001104349	1	PIN	
3	1001104350	1	LATCH PIN	

# SECTION 2 - BOOM

## FIGURE 2-16. BOOM ASSEMBLY, IF EQUIPPED FOR PLATFORM (13M)



PZ2130

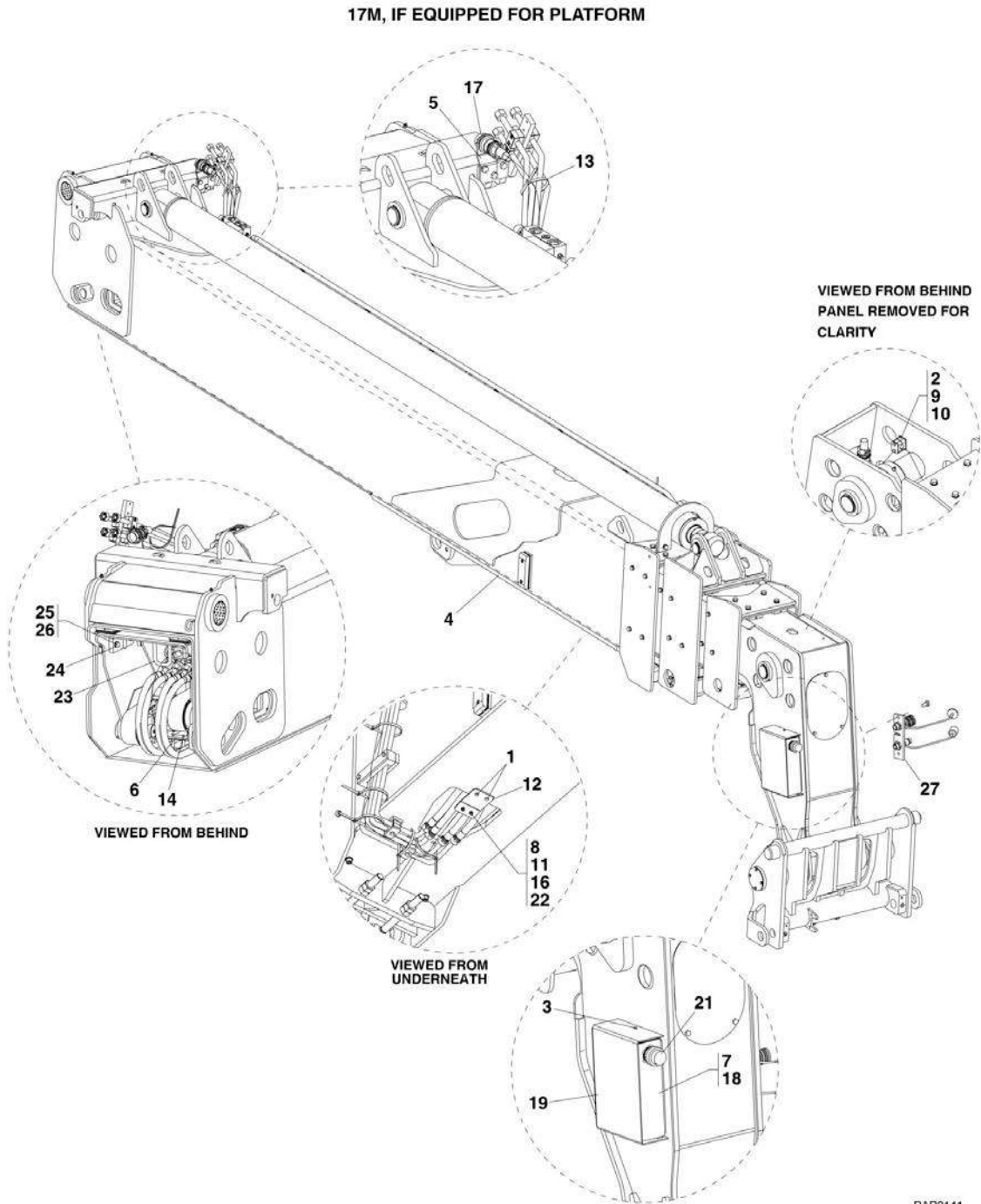
## SECTION 2 - BOOM

**FIGURE 2-16. BOOM ASSEMBLY, IF EQUIPPED FOR PLATFORM (13M)**

ITEM	PART NUMBER	QTY	DESCRIPTION	REV
1	0801596	1	BOOM ASSY, (13M, if equipped for platform), (includes all items)	M
1		Ref	BOOM INSTALLATION, (See BOOM INSTALLATION for Breakdown)	
2	0700612	2	HEX HD CAPSCREW, M6X25, GR8.8	
3	0761012	2	HEX HD CAPSCREW, M10X25, GR8.8	
4	0903411	1	HARNESS BRACKET	
8		Ref	CABLE HARNESS, (See ELECTRICAL SECTION for Breakdown)	
9	1062255	32	STRAP TIE	
11	1001091581	1	CLAMP	
13	3290601	2	HEX NUT, M6X1	
16	3576791	1	CLAMP HOLDER	
17	4031713	2	HEX HD CAPSCREW, M6X45	
22	4831700	2	LOCKWASHER, 6mm	
25	1001091331	1	CABLE PLUG BRACKET	
26	1001091337	1	PLUG BRACKET	
27	1001091338	1	PLUG COVER BRACKET	
28	0760405	4	HEX HD CAPSCREW, M4X10, GR8.8	
29	0761010	2	HEX HD CAPSCREW, M10X20, GR8.8	
30		Ref	SMARTBASKET HARNESS, (See ELECTRICAL SECTION for Breakdown)	
31	0760816	2	HEX HD CAPSCREW, M8X40, GR8.8	
32	0761212	2	HEX HD CAPSCREW, M12X25, GR8.8, (as required)	
33	0761214	2	HEX HD CAPSCREW, M12X30, GR8.8, (as required)	
34	1001092133	1	CABLE GUIDE BRACKET	
35		Ref	ADAPTER HARNESS, (See ELECTRICAL SECTION for Breakdown)	
36	1001091904	1	COVER PLATE	

# SECTION 2 - BOOM

## FIGURE 2-17. BOOM ASSEMBLY, IF EQUIPPED FOR PLATFORM (17M)



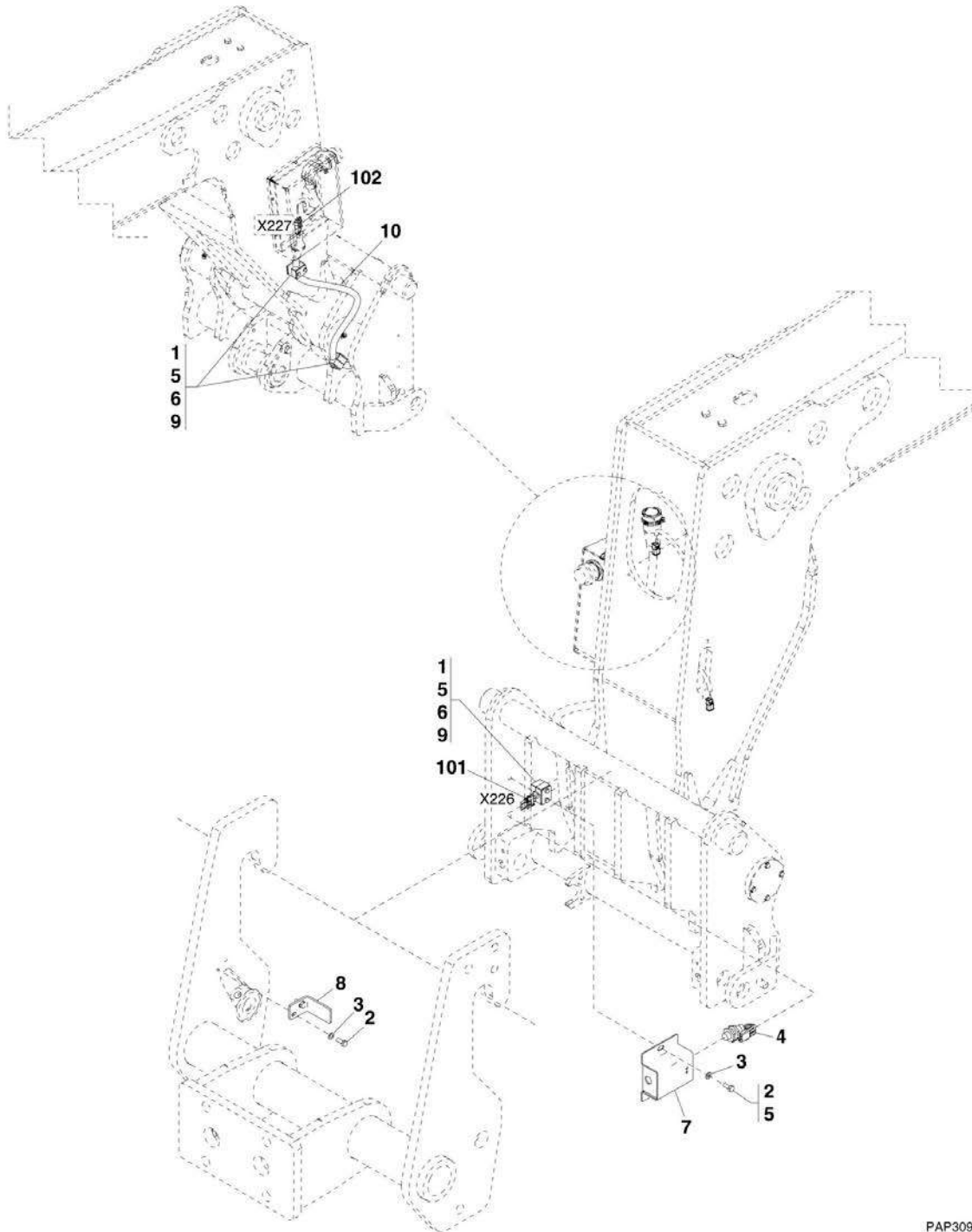
## SECTION 2 - BOOM

**FIGURE 2-17. BOOM ASSEMBLY, IF EQUIPPED FOR PLATFORM (17M)**

ITEM	PART NUMBER	QTY	DESCRIPTION	REV
	0801566	1	BOOM ASSY, (17M, if equipped for platform), (includes all items)	T
1	0700612	2	HEX HD CAPSCREW, M6X25, GR8.8	
2	0700615	2	HEX HD CAPSCREW, M6X35, GR8.8	
3	0760405	4	HEX HD CAPSCREW, M4X10, GR8.8	
4		Ref	BOOM INSTALLATION, (See BOOM INSTALLATION for Breakdown)	
5	0903411	1	HARNESS BRACKET	
6	1001113749	1	CABLE GUIDE BRACKET	
7	0761010	2	HEX HD CAPSCREW, M10X20, GR8.8	
8	1001091581	2	CLAMP	
9	1321669	1	CLAMP	
10	1321675	1	CLAMP TOP PLATE	
11	3290601	4	HEX NUT, M6X1	
12	3576791	1	CLAMP HOLDER	
13	1062255	23	STRAP TIE	
14	3900357	4	BUTTON HD CAPSCREW, M6X16	
16	4831700	4	LOCKWASHER, 6mm	
17		Ref	CABLE HARNESS, (See ELECTRICAL SECTION for Breakdown)	
18	1001091337	1	PLUG BRACKET	
19	1001091338	1	PLUG COVER BRACKET	
21	1001114876	1	HARNESS	
22	4031713	4	HEX HD CAPSCREW, M6X45	
23	1001092069	1	CABLE GUIDE BRACKET	
24	4812000	2	WASHER, 10mm	
25	0761015	2	HEX HD CAPSCREW, M10X35, GR8.8	
26	0761016	2	HEX HD CAPSCREW, M10X40, GR8.8	
27	1001091904	1	COVER PLATE	

# SECTION 2 - BOOM

FIGURE 2-18. PLATFORM SENSOR INSTALLATION (13M)



PAP3090



FIGURE 2-18. PLATFORM SENSOR INSTALLATION (13M)

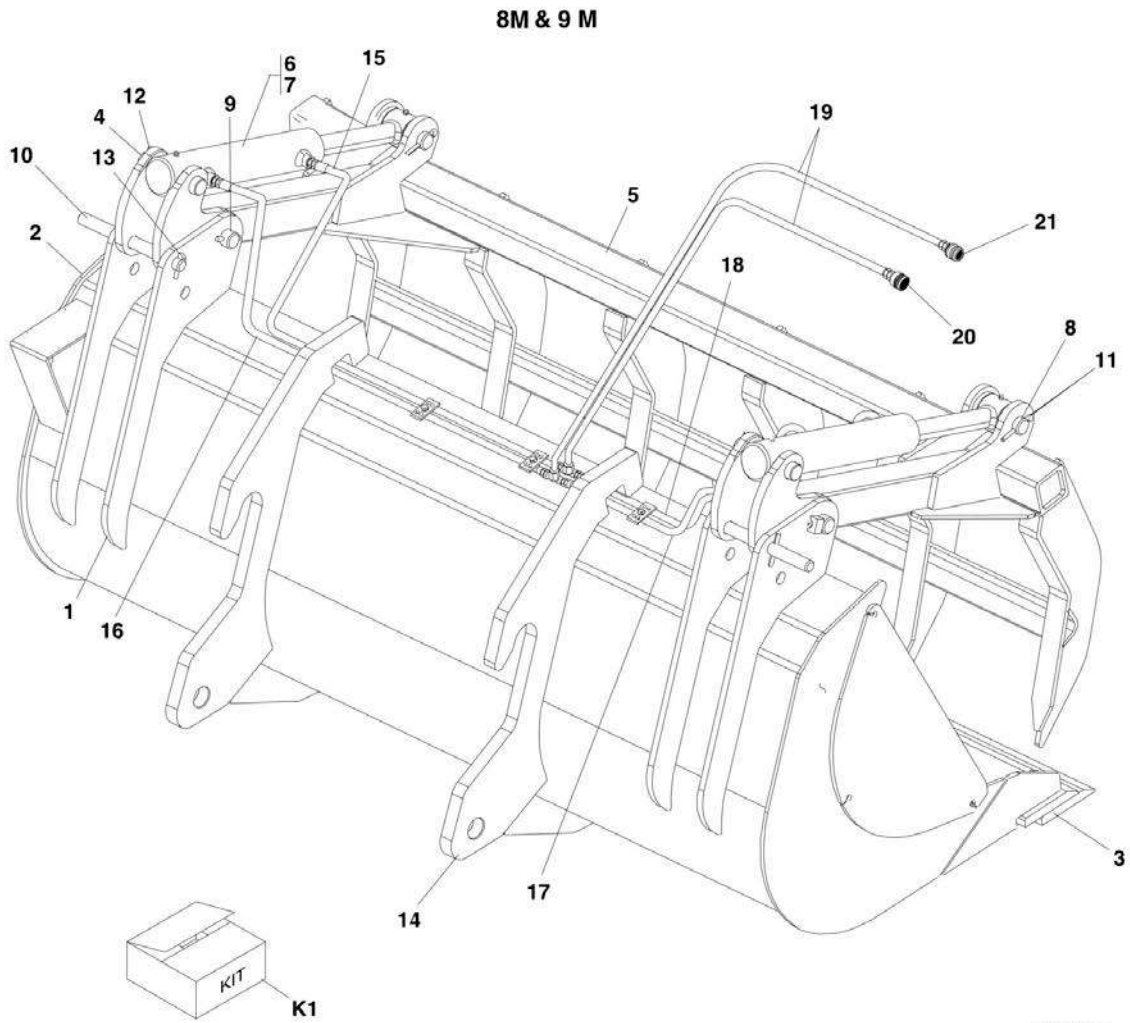
ITEM	PART NUMBER	QTY	DESCRIPTION	REV
	1001114181	Ref	PLATFORM SENSOR INSTALLATION, (AUS - 13M, if equipped for platform), (not available to order, see items 1 thru 10 for service)	B
1	0700615	6	HEX HD CAPSCREW, M6X35, GR8.8	
2	0760810	4	HEX HD CAPSCREW, M8X20, GR8.8	
3	4811900	4	WASHER, 8mm	
4	80363166	1	PROXIMITY SENSOR	
5	1001095650	AR	LOCTITE 243	
6	1001105093	3	COVER PLATE	
7	1001114167	1	SENSOR BRACKET	
8	1001114436	1	STOP BRACKET	
9	1001114577	3	HOSE CLAMP	
10	1001114647	1	SENSOR HARNESS, (includes items 101 & 102)	A
101	80963059	1	CONNECTOR	
102	4461119	1	CONNECTOR	
102	1001104499	1	PLUG	



**SECTION 3 - ATTACHMENTS**

# SECTION 3 - ATTACHMENTS

## FIGURE 3-1. MANURE BUCKET (8M & 9M)



PAP13900

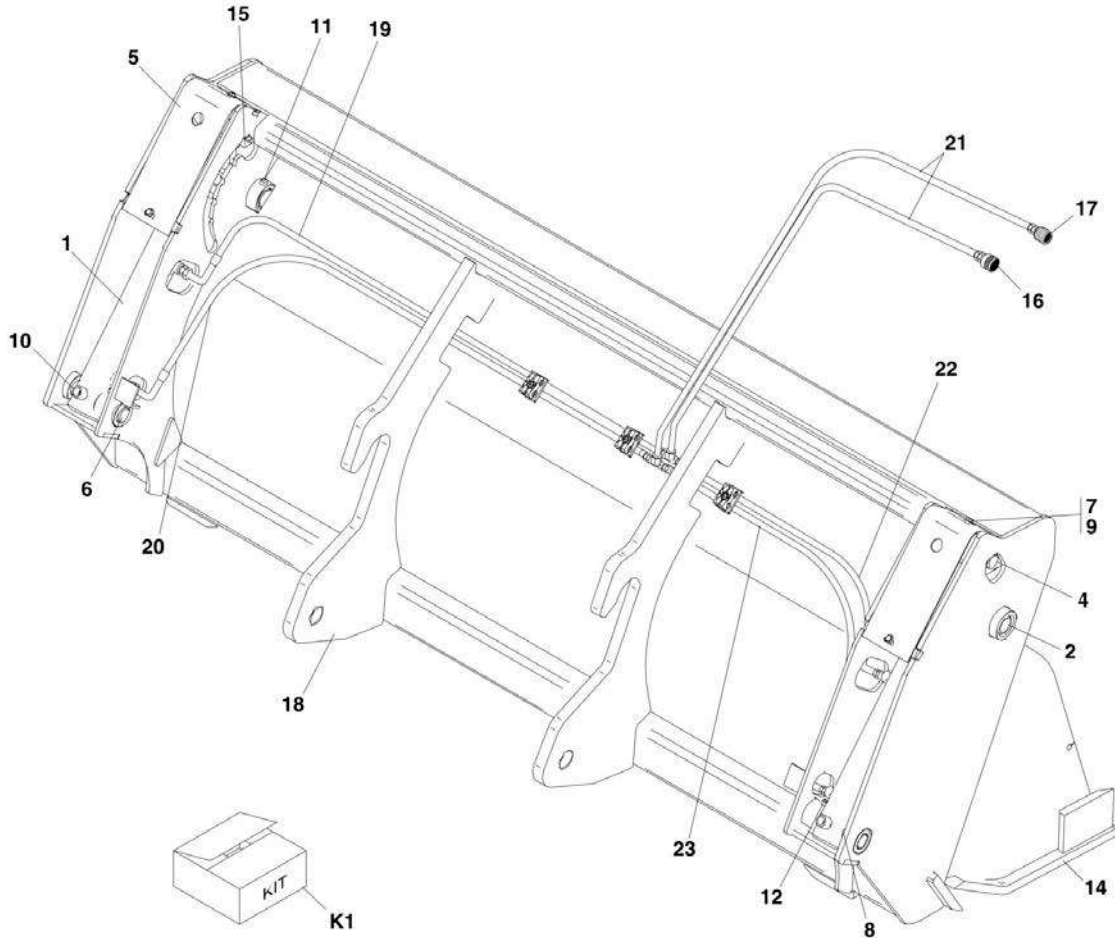
## SECTION 3 - ATTACHMENTS

**FIGURE 3-1. MANURE BUCKET (8M & 9M)**

ITEM	PART NUMBER	QTY	DESCRIPTION	REV
	0930004	1	1.0m <sup>3</sup> MANURE BUCKET, (CE and AUS - 8M & 9M), (includes all items)	C
1	N.S.S.	1	BUCKET ASSY	
2	7028133	1	SIDE PLATE ASSY	
3	7028132	1	BLADE ASSY, (includes blade and the following hardware)	
3	7029356	8	HEX LOCKNUT, M16-8	
3	70023484	8	BOLT, M16X60, GR10.9	
4	7028126	2	ADJUSTING BRACKET	
5	7028125	1	GRAPPLE	
6	7028127	2	TILT CYLINDER	
6	7028910	AR	CYLINDER SEAL KIT	
7	7028131	6	BUSHING	
8	7028128	2	PIN	
9	7028129	2	LOCKING PIN	
10	7028130	2	PIN	
11	7028135	4	ROLL PIN	
12	7028134	8	ROLL PIN	
13	7028124	2	CIRCLIP	
14	7029749	1	CONNECTING ASSY	
15	7028986	1	HOSE ASSY	
16	7028987	1	HOSE ASSY	
17	7028988	1	HOSE ASSY	
18	7028989	1	HOSE ASSY	
19	7028984	2	HOSE ASSY	
20	Kit	NLA	FEMALE SCREW COUPLER, (no longer available, order 1001097287 kit)	
20	1001094555	1	FEMALE QUICK DISCONNECT COUPLING	
21	Kit	NLA	MALE SCREW COUPLER, (no longer available, order 1001097287 kit)	
21	1001094556	1	MALE QUICK DISCONNECT COUPLING	
K1	1001097287	1	QUICK DISCONNECT COUPLING KIT, (includes items 20, 21, dust cap and dust plug)	

# SECTION 3 - ATTACHMENTS

## FIGURE 3-2. MULTI-PURPOSE BUCKET



PAP13930

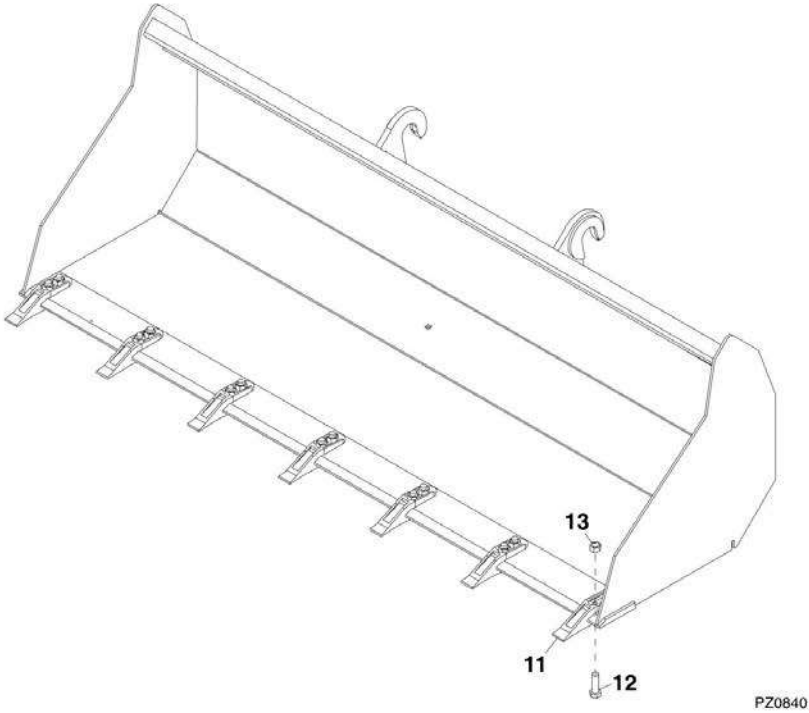
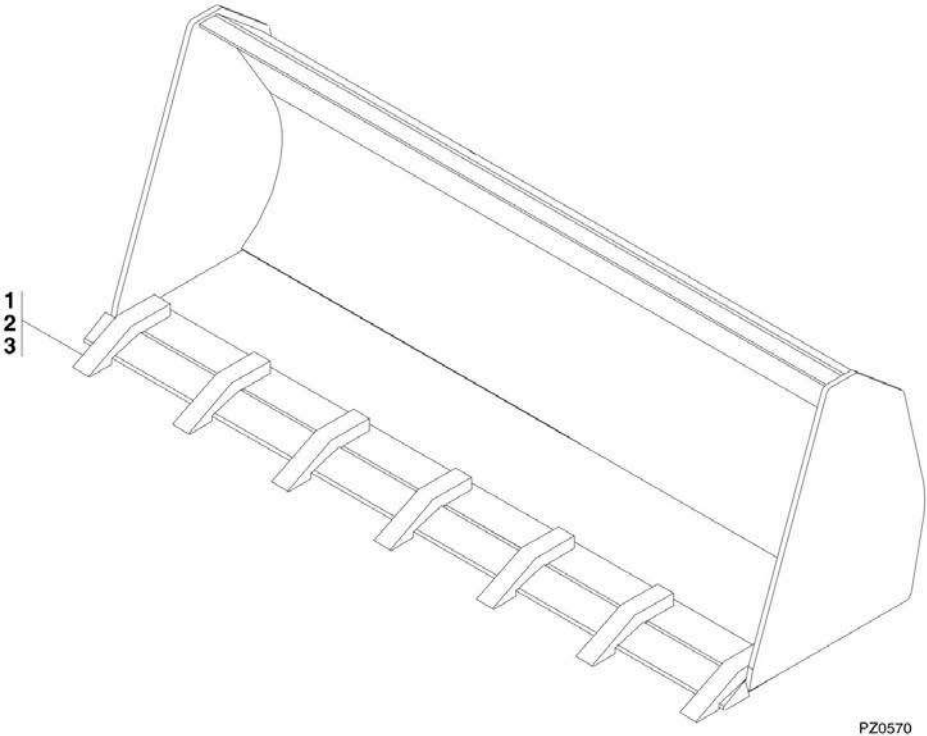
## SECTION 3 - ATTACHMENTS

### FIGURE 3-2. MULTI-PURPOSE BUCKET

ITEM	PART NUMBER	QTY	DESCRIPTION	REV
	0930003	1	MULTI-PURPOSE BUCKET, (CE and AUS), (includes items 1 thru 23)	C
1	7028990	2	TILT CYLINDER	
1	7028910	AR	CYLINDER SEAL KIT	
2	7028911	2	PIN	
3	7028912	6	NUT, (not shown)	
4	7028913	2	PIN	
5	7028914	2	PROTECTIVE PLATE	
6	7028915	2	PIN	
7	7028916	4	HEX HD SCREW	
8	7028131	6	BUSHING	
9	7028917	4	WASHER	
10	7028918	6	GREASE NIPPLE	
11	7028920	2	SCREW	
12	7028919	4	SCREW	
14	N.S.S.	1	WELDMENT	
15	7028923	1	GAUGE	
16	Kit	NLA	FEMALE SCREW COUPLER, (no longer available, order 1001097287 kit)	
16	1001094555	1	FEMALE QUICK DISCONNECT COUPLING	
17	Kit	NLA	MALE SCREW COUPLER, (no longer available, order 1001097287 kit)	
17	1001094556	1	MALE QUICK DISCONNECT COUPLING	
18		Ref	WELDMENT	
19	7028982	1	HOSE ASSY	
20	7028983	1	HOSE ASSY	
21	7028984	2	HOSE ASSY	
22	7028985	1	HOSE ASSY	
23	7028991	1	HOSE ASSY	
K1	1001097287	1	QUICK DISCONNECT COUPLING KIT, (includes items 16, 17, dust cap and dust plug)	

**SECTION 3 - ATTACHMENTS**

**FIGURE 3-3. BUCKETS (12M, 13M & 17M)**





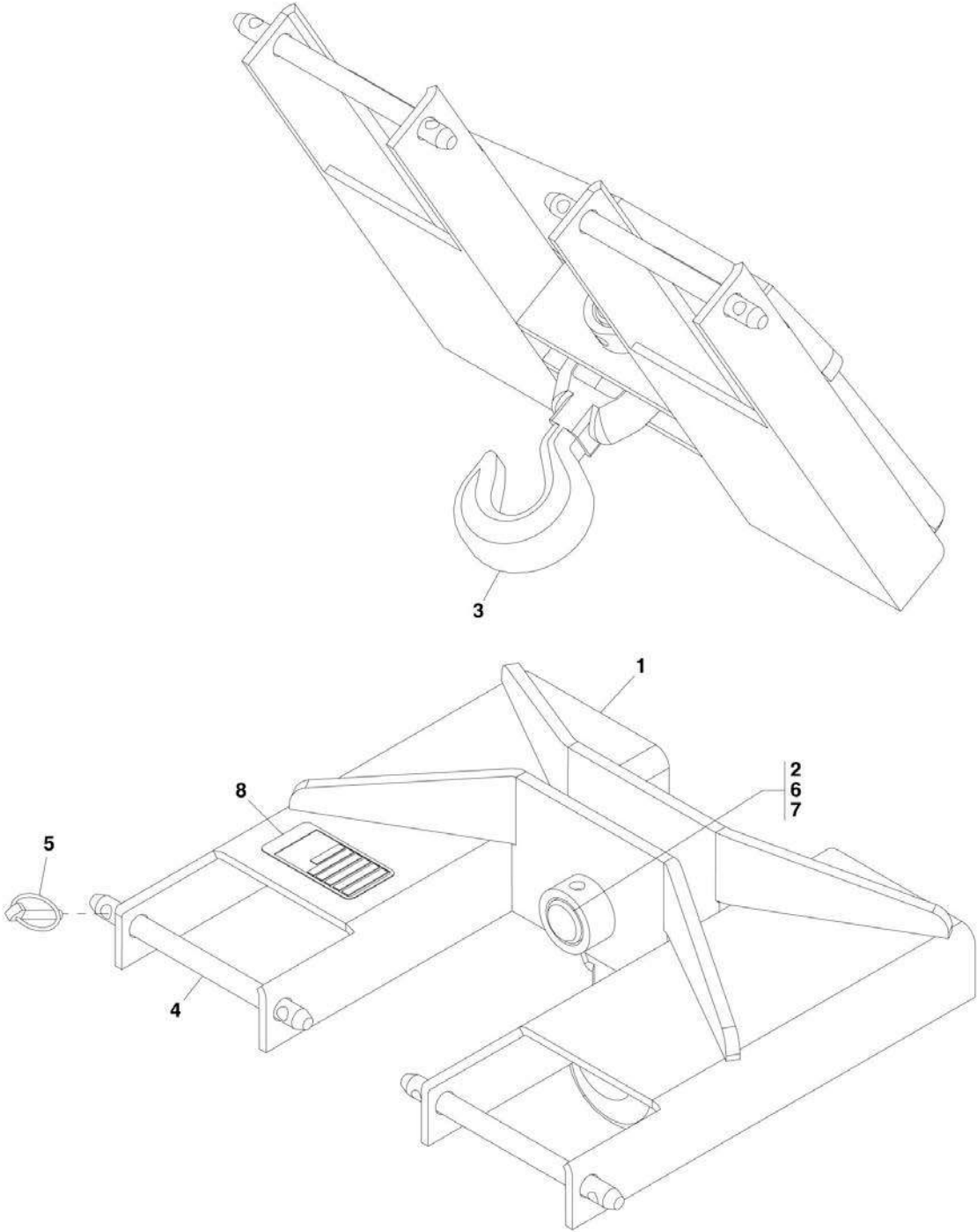
## SECTION 3 - ATTACHMENTS

**FIGURE 3-3. BUCKETS (12M, 13M & 17M)**

ITEM	PART NUMBER	QTY	DESCRIPTION	REV
	4805670	1	0.8m <sup>3</sup> DIG BUCKET, W/TEETH, (CE - 12M, 13M & 17M)	B
	4802100	1	1.0m <sup>3</sup> DIG BUCKET, W/TEETH, (CE and AUS), (includes items 1 thru 3)	B
1	7028092	7	TOOTH	
2	7028093	7	SECURING PIN	
3	7028094	7	TOOTH MOUNT	
3	8008424	1	TOOTH PROTECTION FOR 1,0m <sup>3</sup>	
	0930015	1	0,9m <sup>3</sup> DIG BUCKET, (CE and AUS)	
	70020392	1	BLADE KIT, (includes qty 7 each of items 12 & 13)	
	0930016	1	1,8M <sup>3</sup> DIG BUCKET, (CE and AUS)	
	70020392	1	BLADE KIT, (includes qty 7 each of items 12 and 13)	
	1001094612	1	BUCKET TEETH KIT, (if equipped), (includes items 11 thru 13), (requires bucket 0930015 or bucket 0930016)	A
11	1001094611	7	BUCKET TEETH	
12	1001094615	14	HEX HD CAPSCREW, M20X72	
13	1001094616	14	HEX NUT, M20X2.5	

**SECTION 3 - ATTACHMENTS**

**FIGURE 3-4. FORK MOUNTED HOOK**



PAP3270

## SECTION 3 - ATTACHMENTS

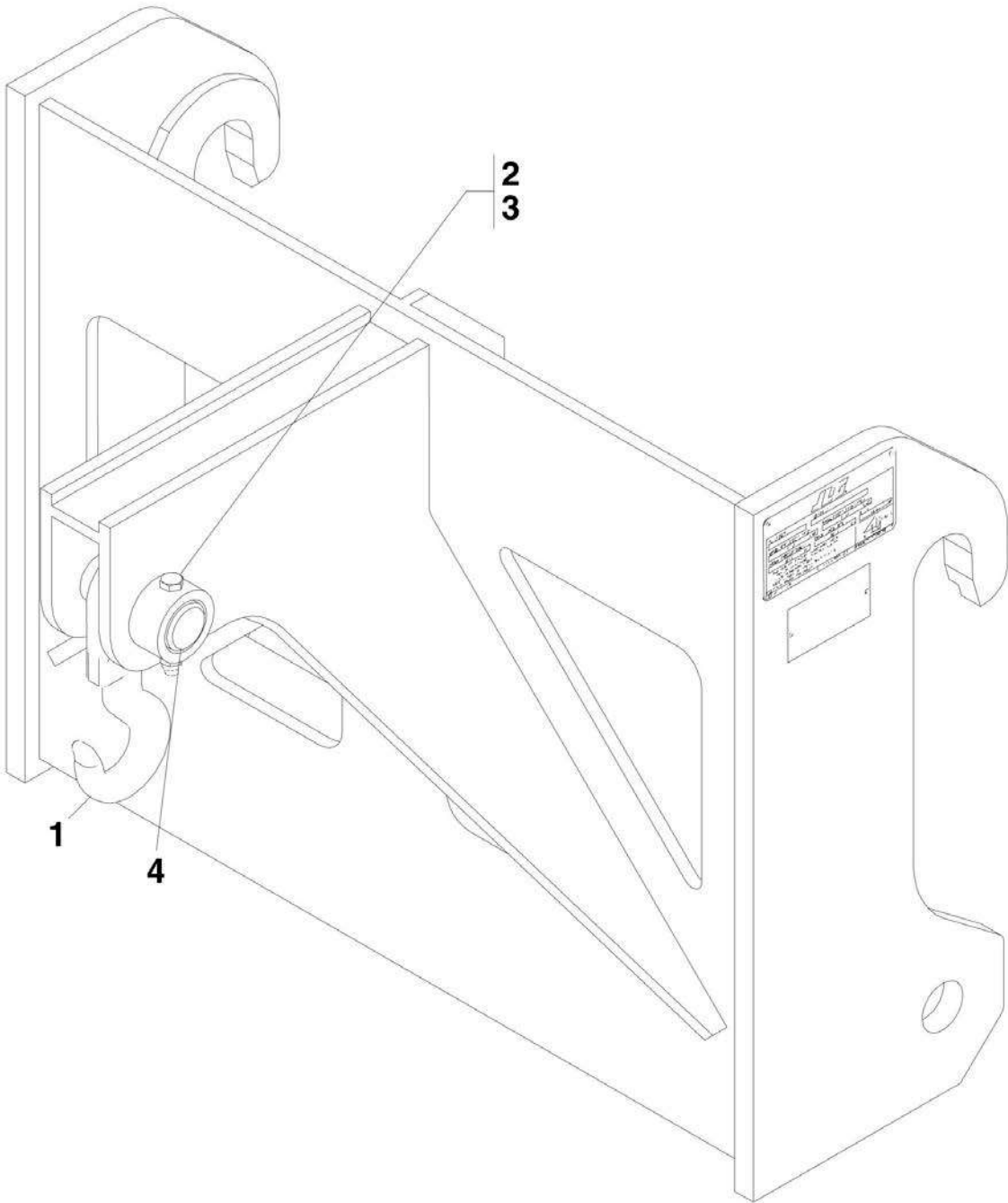
### FIGURE 3-4. FORK MOUNTED HOOK

ITEM	PART NUMBER	QTY	DESCRIPTION	REV
	2700118	1	FORK MOUNTED HOOK, (CE), (includes items 1 thru 8)	B
1	N.S.S.	1	WELDMENT	
2	70020201	1	PIN	
3	70020202	1	HOOK	
4	70020203	2	PIN	
5	70020204	4	RETAINING PIN	
6	70020205	1	BOLT	
7	70020206	1	SELF LOCKING NUT	
8	N.S.S.	1	S/N PLATE	

**SECTION 3 - ATTACHMENTS**

**FIGURE 3-5. CRANE HOOK (13M & 17M)**

**13M & 17M**



PZ0380

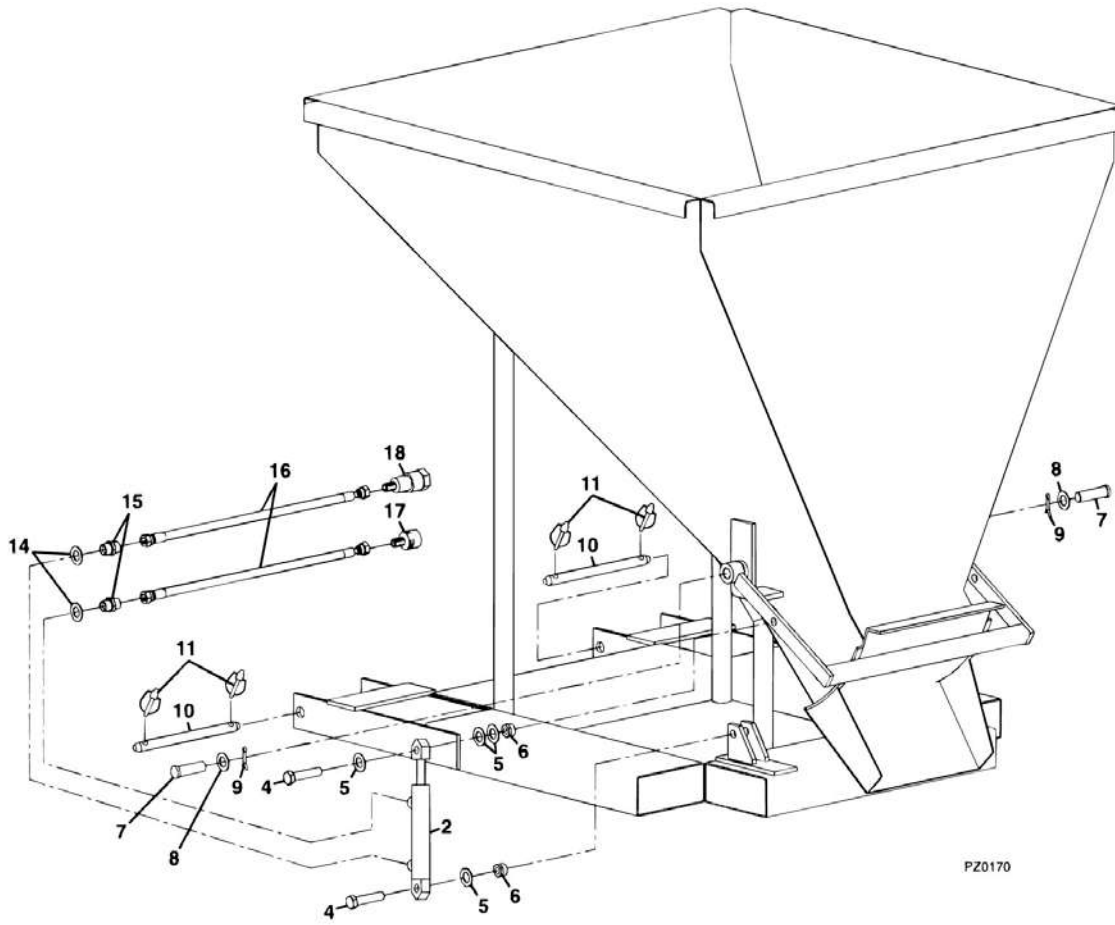
## SECTION 3 - ATTACHMENTS

**FIGURE 3-5. CRANE HOOK (13M & 17M)**

ITEM	PART NUMBER	QTY	DESCRIPTION	REV
	1170058	1	CRANE HOOK, (CE - 13M & 17M), (includes all items)	A
1	70020417	1	HOOK	
2	70020205	1	BOLT	
3	70020206	1	NUT	
4	70020201	1	PIN	

# SECTION 3 - ATTACHMENTS

## FIGURE 3-6. CONCRETE BUCKET



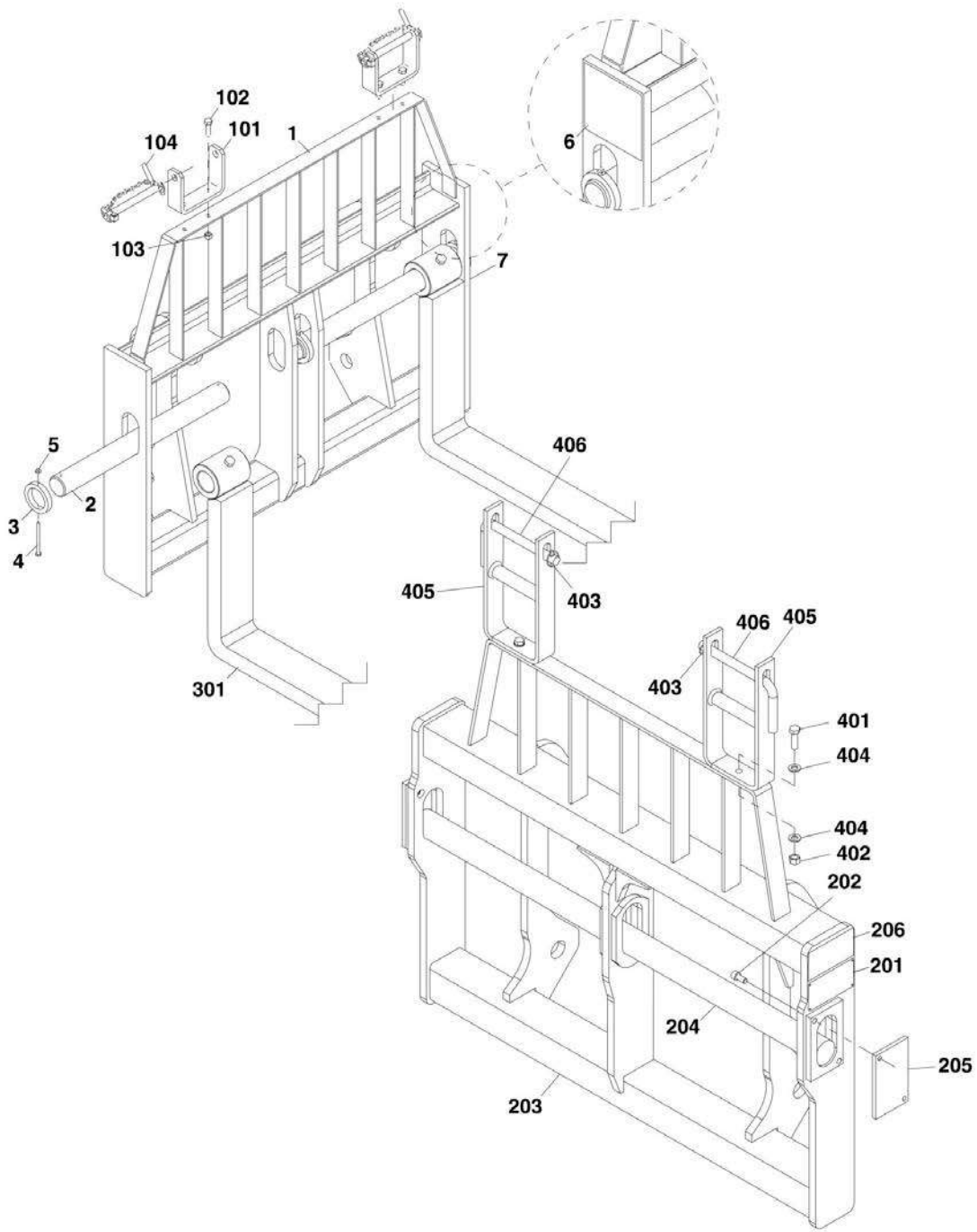
## SECTION 3 - ATTACHMENTS

### FIGURE 3-6. CONCRETE BUCKET

ITEM	PART NUMBER	QTY	DESCRIPTION	REV
	0240158	1	CONCRETE BUCKET, (CE), (includes all items)	C
2	70020723	1	HYDRAULIC CYLINDER	
4	70020724	2	BOLT	
5	70020725	4	WASHER	
6	70020726	2	NUT	
7	70020727	2	PIN	
8	70020728	2	WASHER	
9	70020729	2	PIN	
10	70020203	2	SAFETY PIN	
11	70020204	4	RETAINING RING	
14	70020730	2	GASKET	
15	70020731	2	LINK	
16	70020732	2	PIPE	
17	1001094556	1	MALE QUICK DISCONNECT COUPLING	
18	1001094555	1	FEMALE QUICK DISCONNECT COUPLING	

# SECTION 3 - ATTACHMENTS

## FIGURE 3-7. CARRIAGE ASSEMBLY



PAP4321



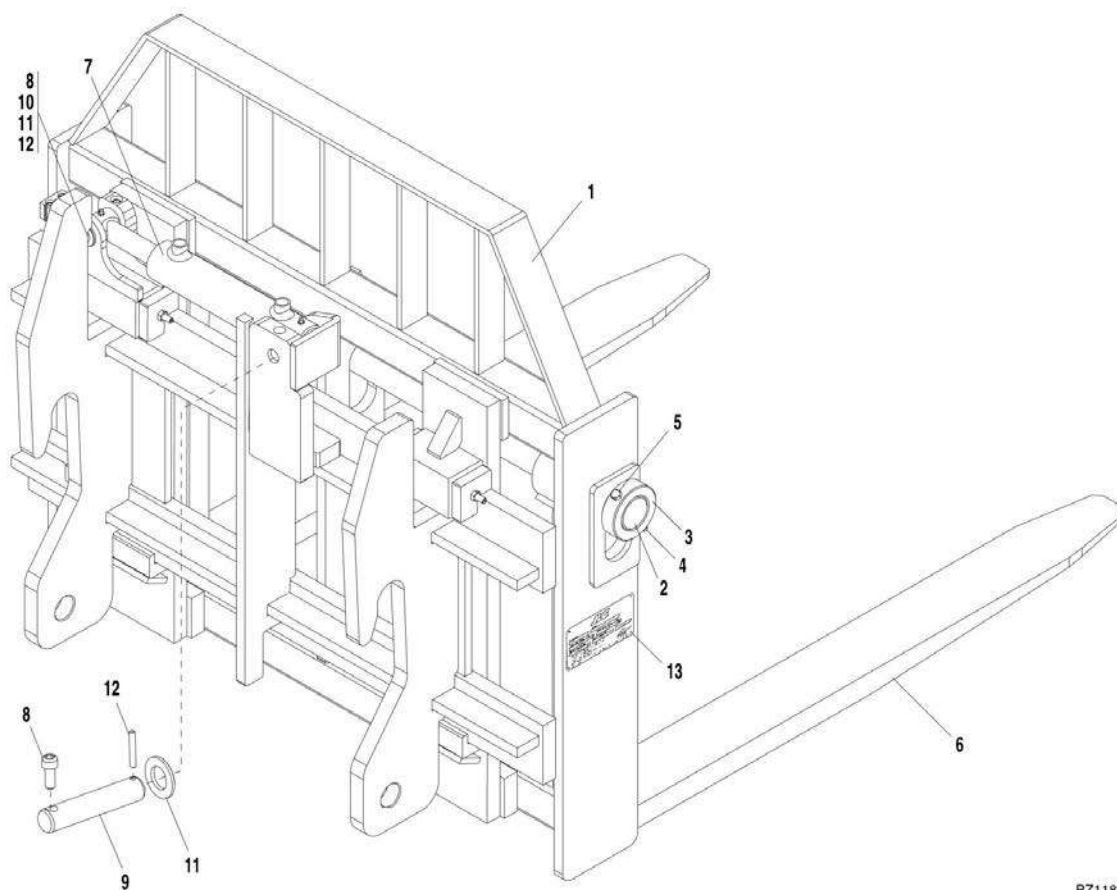
## SECTION 3 - ATTACHMENTS

### FIGURE 3-7. CARRIAGE ASSEMBLY

ITEM	PART NUMBER	QTY	DESCRIPTION	REV
	1170028	1	CARRIAGE ASSY, (CE and AUS), (Benne), (includes items 1 thru 7)	D
1	N.S.S.	1	CARRIAGE WELDMENT	
2	4040283	2	CARRIAGE SHAFT	
3	3760508	4	SHAFT COLLAR	
4	0700827	4	HEX HD CAPSCREW, 8-1.25X100mm, GR 8.8	
5	3290805	4	HEX LOCKNUT, 8mm	
6	N.S.S.	1	NAME PLATE	
7	N.S.S.	1	S/N PLATE	
	0240143	1	FORK TRANSPORT LATCH, (CE and AUS), (includes items 101 thru 104)	A
101	0903366	2	LOCKING BRACKET	
102	0761216	4	HEX HD CAPSCREW, 12X40	
103	3291205	4	HEX LOCKNUT, 12mm	
104	3423258	2	LOCKING PIN	
	1001107333	1	CARRIAGE ASSY, (500mm), (CE), (VETTER), (includes items 201 thru 206)	A
	1001107581	1	CARRIAGE ASSY, (600mm), (AUS), (VETTER), (includes items 201 thru 206)	A
201	N.S.S.	1	S/N PLATE	
202	4032109	4	SOCKET HD CAPSCREW, M12X25	
203	N.S.S.	1	CARRIAGE WELDMENT	
204	1001107336	1	CARRIAGE SHAFT	
205	1001107338	2	SHAFT COVER	
206	N.S.S.	1	NAME PLATE	
301		Ref	FORKS, (See FORK TINES for Breakdown)	
	1001120182	1	FORK TRANSPORT LATCH, (CE and AUS), (VETTER), (includes items 401 thru 406)	B
401	0701216	2	HEXHD SCR CLS 8.8	
402	3291205	2	PREV TORQ HEX LOCK NUT	
403	3964987	2	SPLIT PIN	
404	4812100	4	WASHER, 12mm	
405	1001006141	NLA	FORK LOCK BACK BRACKET, (no longer available, use 1001130822 for replacement)	
405	1001130822	2	FORK LOCK BACK BRACKET	
406	1001100262	2	PIN,CARRIAGE FORK RETAINER	

# SECTION 3 - ATTACHMENTS

## FIGURE 3-8. SIDE SHIFT CARRIAGE ASSEMBLY



PZ1181

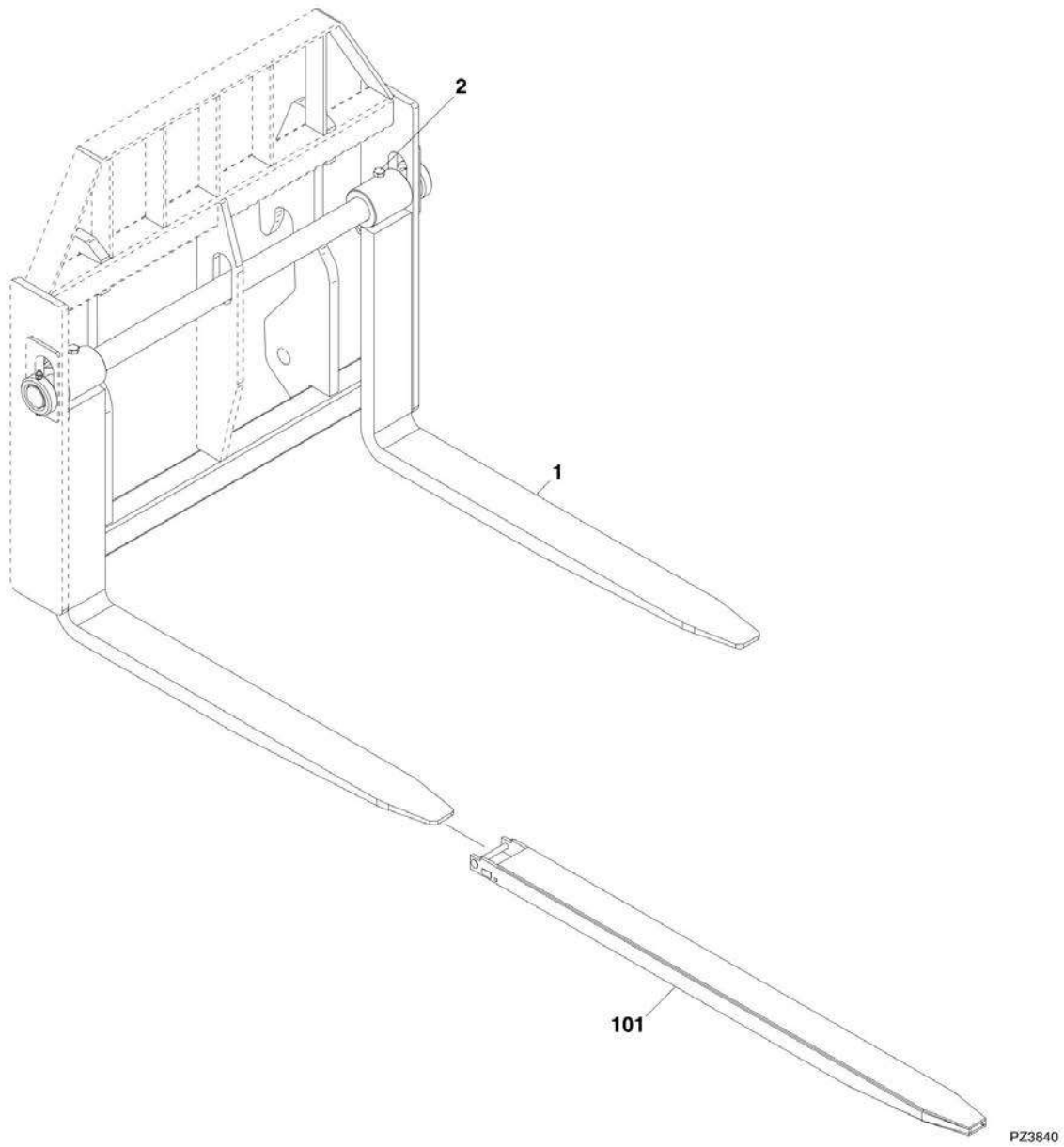
## SECTION 3 - ATTACHMENTS

**FIGURE 3-8. SIDE SHIFT CARRIAGE ASSEMBLY**

ITEM	PART NUMBER	QTY	DESCRIPTION	REV
	1170002	1	SIDE SHIFT CARRIAGE ASSY, (CE), (Lamy), (includes items 1 thru 5 & 7 thru 13)	E
1	N.S.S.	1	WELDMENT	
2	7028136	1	BAR, FORK CARRIER	
3	7028137	2	COLLAR	
4	3291005	2	NUT	
5	0701029	2	CAPSCREW	
6		Ref	FORK TINE, (See FORK TINES for Breakdown)	
7	70021558	1	CYLINDER	
8	70021559	2	BOLT	
9	70021560	1	PIN	
10	70021561	1	PIN	
11	70021562	2	WASHER	
12	70021563	2	ROLL PIN	
13	N.S.S.	1	S/N PLATE	

# SECTION 3 - ATTACHMENTS

## FIGURE 3-9. FORK TINES



PZ3840

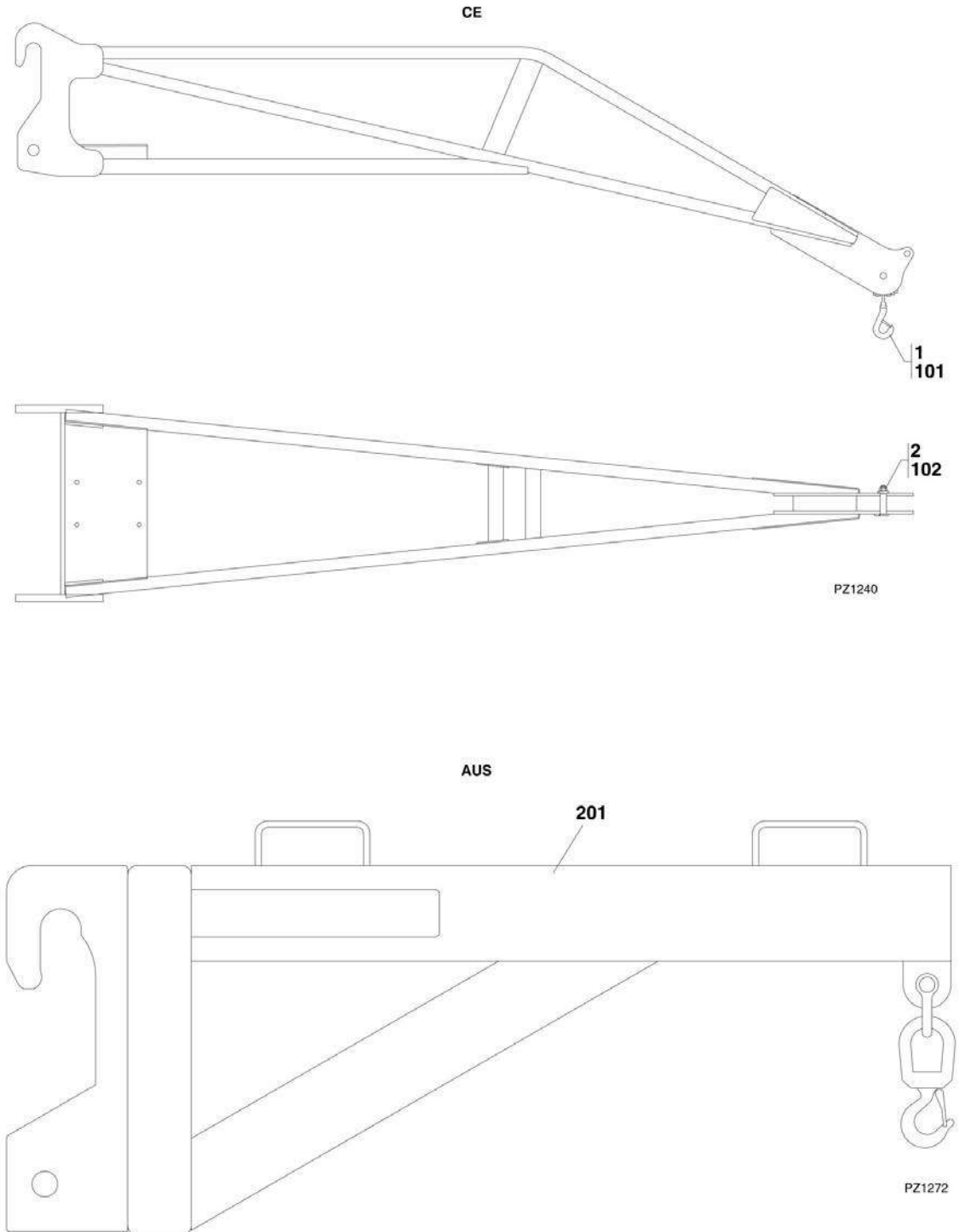
## SECTION 3 - ATTACHMENTS

### FIGURE 3-9. FORK TINES

ITEM	PART NUMBER	QTY	DESCRIPTION	REV
1	2340030	1	FORK TINE ASSY, (CE), (Lamy), (100X50X1200mm), (4000kg per pair), (sold as a pair)	D
2	7028628	2	CAPSCREW	
1	2340041	1	PALLET FORK ASSY, (CE and AUS), (Benne), (4000kg per pair), (100X50X1200mm), (sold as a pair)	B
2	0761612	2	HEX HD CAPSCREW, M16X25, GR8.8	
1	1001100911	1	FORK TINE ASSY, (CE), (Vetter), (4000 kg per pair), (100X50X1200mm) (sold as a pair)	C
2	0761214	2	HEX HD CAPSCREW, M12X30, GR8.8	
1	1001107586	1	FORK TINE ASSY, (AUS), (Vetter), (4000 kg per pair), (100X60X1200mm) (sold as a pair)	B
2	0761214	2	HEX HD CAPSCREW, M12X30, GR8.8	
101	1001112559	2	FORK EXTENSION, (110X55X1800), (CE)	B
101	70022831	2	BOLT KIT, (includes washer and clip)	
101	1001112560	2	FORK EXTENSION, (110X65X1800), (AUS)	B
101	70022831	2	BOLT KIT, (includes washer and clip)	
N1	Note	Ref	FORKS RATED LESS THAN THE ATTACHMENT OR MACHINE'S CAPACITY DECREASES CAPACITY OF THE ATTACHMENT OR MACHINE TO THAT OF THE FORKS. FORKS RATED MORE THAN THE ATTACHMENT OR MACHINE'S CAPACITY DO NOT INCREASE ATTACHMENT OR MACHINE'S CAPACITY.	
N2	Note	Ref	PLEASE CONSULT JLG PARTS DEPARTMENT TO DETERMINE THE CORRECT FORKS APPLICABLE TO YOUR SPECIFIC CARRIAGE ASSEMBLY AND APPLICATION.	

# SECTION 3 - ATTACHMENTS

## FIGURE 3-10. TRUSS BOOM



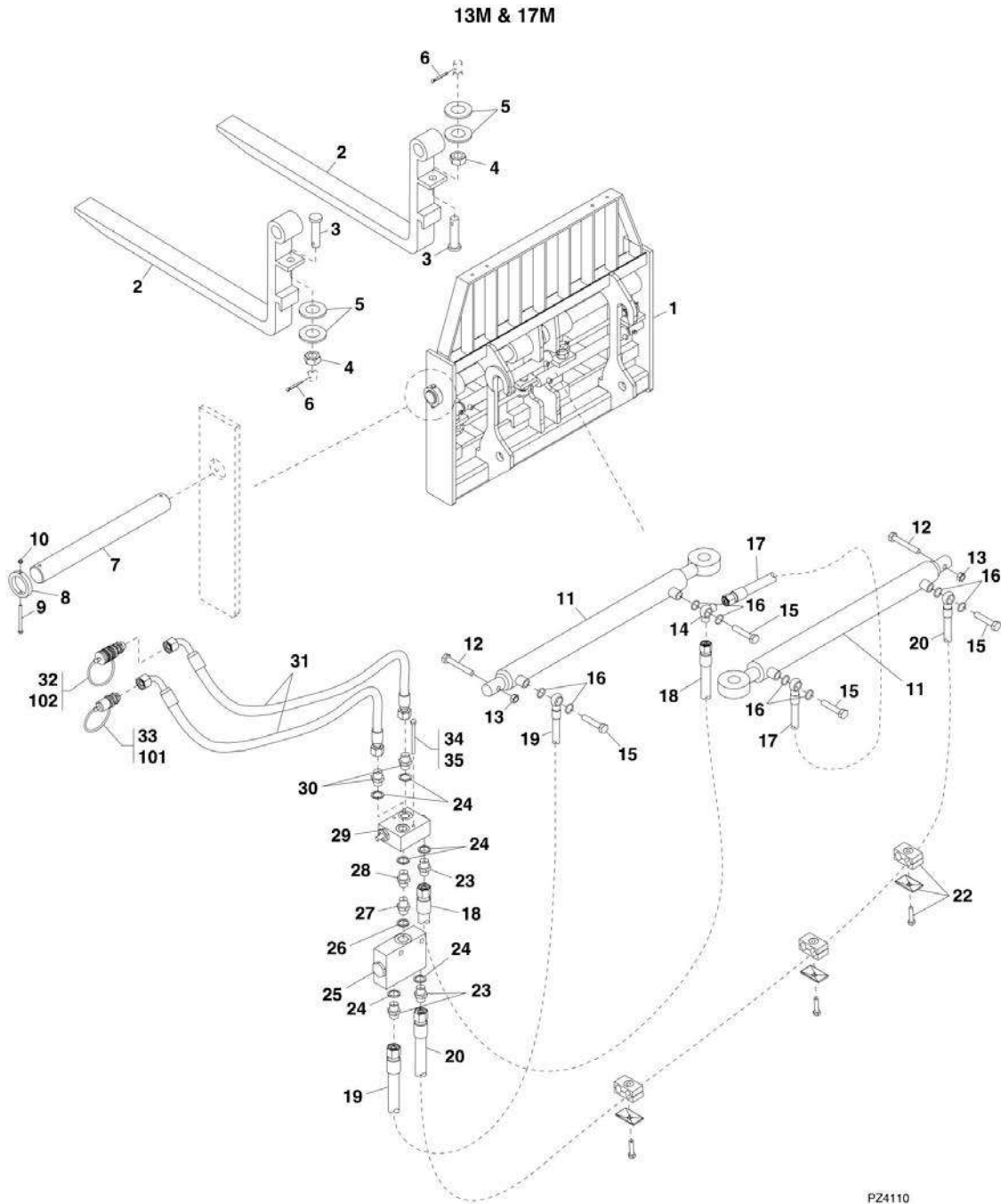
## SECTION 3 - ATTACHMENTS

### FIGURE 3-10. TRUSS BOOM

ITEM	PART NUMBER	QTY	DESCRIPTION	REV
	0240063	1	3.4m TRUSS BOOM, (CE), (1000kg), (includes items 1 & 2)	C
1	70020421	1	HOOK	
2	70020422	1	BOLT	
	0240110	1	3.6m TRUSS BOOM, (CE), (650kg), (includes items 101 & 102)	D
101	70020423	1	HOOK	
102	70020424	1	BOLT	
201	1001101442	1	2.0m TRUSS BOOM, (AUS), (4000kg)	C

# SECTION 3 - ATTACHMENTS

## FIGURE 3-11. FORK POSITIONING CARRIAGE W/FORKS (13M & 17M)





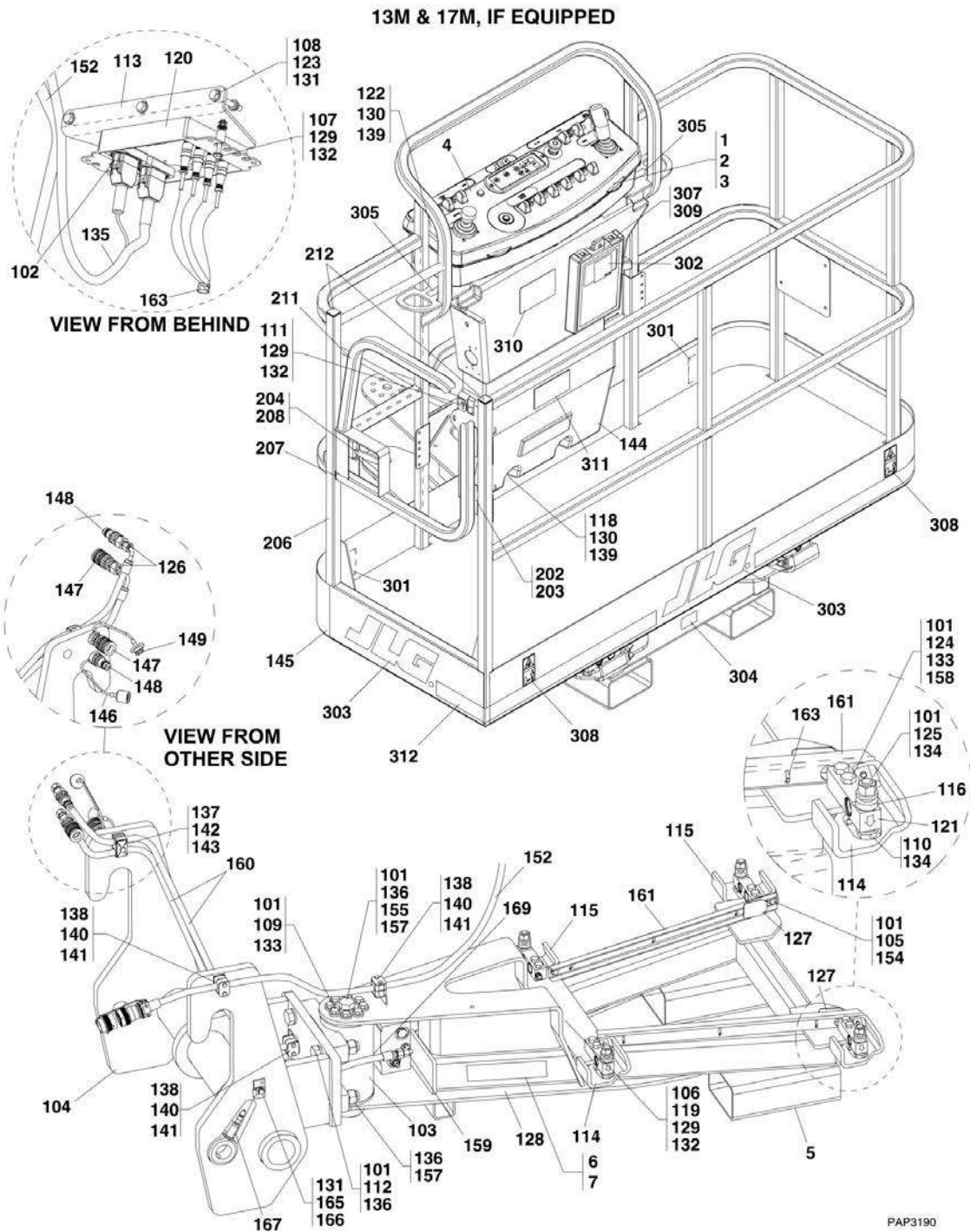
## SECTION 3 - ATTACHMENTS

**FIGURE 3-11. FORK POSITIONING CARRIAGE W/FORKS (13M & 17M)**

ITEM	PART NUMBER	QTY	DESCRIPTION	REV
	1001091313	1	FORK POSITIONING CARRIAGE W/FORKS, (CE - 13M & 17M), (includes items 1 thru 35)	A
1	N.S.S.	1	WELDMENT	
2	70022922	2	FORKS, (100X50X1200), (2000kg per fork)	
3	70021835	2	ROD PIN	
4	70026018	4	NUT, M30X3.5	
5		Ref	WASHER	
6	70021836	2	SPLIT PIN	
7	70022923	2	CARRIAGE SHAFT	
8	70022924	4	SHAFT COLLAR	
9		Ref	BOLT, M12X110	
10	70021241	4	HEX LOCKNUT, M12	
11	70023276	2	CYLINDER	
11	70023278	AR	SEAL KIT, (use with cylinders marked 1.3351.01C.02.01)	
11	70023277	AR	SEAL KIT, (use with cylinders marked 1.3351.01C.02.02)	
12		Ref	BOLT, M10X70	
13		Ref	LOCKNUT, M10	
14	70022925	1	ELBOW, 90	
15	1001103530	4	BOLT	
16	70020730	8	O-RING	
17	70021838	1	HOSE ASSY	
18	70021839	1	HOSE ASSY	
19	70021840	1	HOSE ASSY	
20	70021841	1	HOSE ASSY	
22	1001103533	3	CLAMP SET, (includes screw and plate)	
23	70020731	3	FITTING	
24	70022907	6	O-RING	
25	70021842	1	COUNTER VALVE	
26	70022927	1	O-RING	
27	70022928	1	FITTING	
28	70022929	1	FITTING	
29	70021843	1	PRESSURE VALVE	
30	70022906	2	ADAPTER	
31	70022930	2	PIPE ASSY	
32	1001094555	1	FEMALE QUICK DISCONNECT COUPLING	
33	1001094556	1	MALE QUICK DISCONNECT COUPLING	
34		Ref	BOLT	
35		Ref	HEX NUT, M6	
101	1001093826	1	DUST CAP	
102	1001093827	1	DUST PLUG	

# SECTION 3 - ATTACHMENTS

## FIGURE 3-12. FIXED PLATFORM INSTALLATION (13M & 17M)



## SECTION 3 - ATTACHMENTS

**FIGURE 3-12. FIXED PLATFORM INSTALLATION (13M & 17M)**

ITEM	PART NUMBER	QTY	DESCRIPTION	REV
	1001112107	Ref	FIXED PLATFORM INSTALLATION, (CE - 13M & 17M, if equipped), (not available to order, see items 1 thru 7 for service)	F
	1001114460	Ref	FIXED PLATFORM INSTALLATION, (AUS - 13M & 17M, if equipped), (not available to order, see items 1 thru 7 for service)	B
1	0761015	2	HEX HD CAPSCREW, M10X35, GR8.8	
2	3291005	2	HEX LOCKNUT, M10X1.5	
3	4812002	4	WASHER, 10mm	
4		Ref	CONSOLE ASSY, (See CONSOLE BOX ASSEMBLY for Breakdown)	
5	1001097353	Ref	FIXED PLATFORM INSTALLATION, (not available to order, see items 101 thru 169 for service)	N
6	N.S.S.	1	NAME PLATE	
7	N.S.S.	4	METAL FASTENER	
101	0100011	AR	LOCTITE 242	
102	0100048	AR	DIELECTRIC GREASE	
103		Ref	ACTUATOR, (See HYDRAULIC COMPONENTS SECTION for Breakdown)	
104	1001096059	1	PLATFORM ADAPTOR	
105	0641606	4	HEX HD CAPSCREW, 3/8-16X3/4	
106	0700610	1	HEX HD CAPSCREW, M6X20, GR 8.8	
107	0700619	3	HEX HD CAPSCREW, M6X55, GR 8.8	
108	0700819	3	HEX HD CAPSCREW, M8X55, GR 8.8	
109	0711214	8	HEX HD CAPSCREW, M12X30, GR 10.9	
110	0711624	4	HEX HD CAPSCREW, M16X80, GR 10.9	
111	0760608	2	HEX HD CAPSCREW, M6X16, GR 8.8	
112	1001095136	4	HEX HD CAPSCREW, M24X110, GR 10.9	
113	0902894	1	MOUNTING BRACKET	
114	0902919	2	LOAD SENSE GUARD BRACKET LH	
115	0902920	2	LOAD SENSE GUARD BRACKET RH	
116	0962450	4	SPACER BUSHING	
118	0761012	2	HEX HD CAPSCREW, M10X25, GR 8.8	
119	1320224	1	CABLE CLAMP	
120	1600387	1	LOAD SENSE CONTROLLER	
121	2420202	4	LOAD SENSE GAUGE	
122	0761015	2	HEX HD CAPSCREW, M10X35, GR 8.8	
123	3290805	3	HEX LOCKNUT, M8X1.25	
124	3331211	8	HEX NUT, M12X1.75	
125	3291607	4	HEX LOCKNUT, M16X2	
126	2143511	2	CONNECTOR	
127	4061054	2	LOAD SENSE STRAIN RELIEF SHIELD	
128	1001097734	1	PLATFORM SUPPORT	
129	4811702	11	WASHER, 6mm	
130	4812002	8	WASHER, 10mm	
131	4811900	7	WASHER, 8mm	
132	3290605	6	HEX LOCKNUT, M6X1	
133	4891800	16	WASHER, 1/2	
134	4892000	8	WASHER, 5/8	
135	4923573	1	HARNESS	
136	4892600	10	WASHER, 1 IN	
137	0700814	1	HEX HD CAPSCREW, M8X30, GR 8.8	
138	0700615	8	HEX HD CAPSCREW, M6X35, GR 8.8	

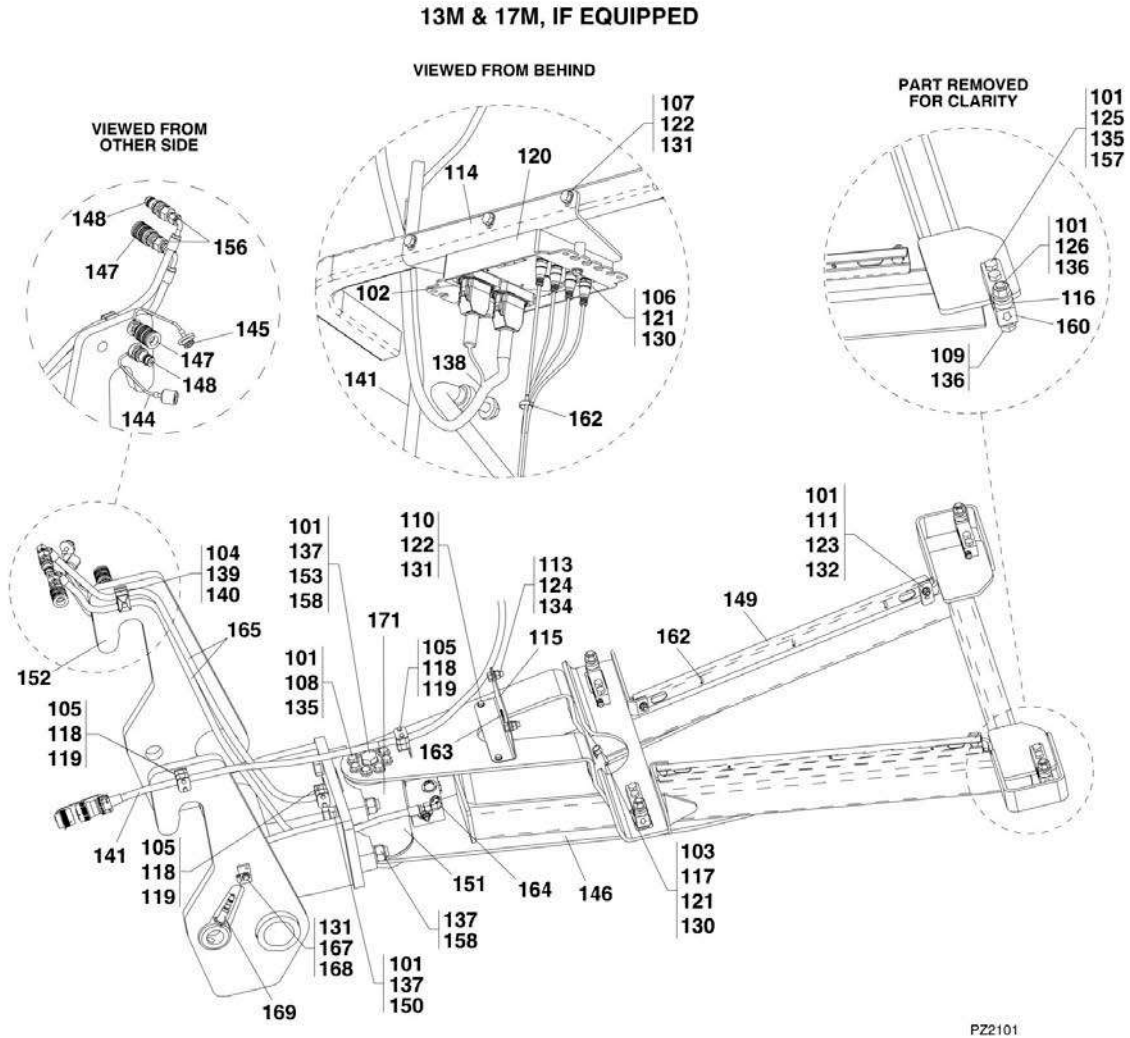
## SECTION 3 - ATTACHMENTS

ITEM	PART NUMBER	QTY	DESCRIPTION	REV
139	3291005	4	HEX LOCKNUT, M10X1.5	
140	1321141	4	CLAMP	
141	1321675	4	CLAMP TOP PLATE	
142	8769140	1	CLAMP SET	
143	8769123	1	COVER PLATE	
144	1001105735	1	DECAL MOUNT PANEL	
145	3510832	1	PLATFORM ASSY, (includes items 202 thru 212)	J
146	1001093826	1	DUST CAP	
147	1001094555	2	FEMALE COUPLING, QUICK DISCONNECT	
148	1001094556	2	MALE COUPLING, QUICK DISCONNECT	
149	1001093827	1	DUST PLUG	
152	1001091189	1	HARNESS	
154	4812000	4	WASHER, 10mm	
155	1001097481	1	HEX HD CAPSCREW, M24X310, GR 8.8	
157	1001098827	5	HEX LOCKNUT, M24, GR 10	
158	1001098828	8	HEX HD CAPSCREW, M12X70, GR 10.9	
159	1001099751	2	CONNECTOR, 90	
160	1001099800	2	HOSE ASSY	
161	1001099866	2	LOAD SENSE WIRE CHANNEL	
163	4240033	15	WIRE TIE	
164	1001098837	Ref	DECALS INSTALLATION, (not shown) (not available to order, see items 301 thru 312 for service)	F
165	0760807	1	HEX HD CAPSCREW, M8X14, GR 8.8	
166	1320301	1	CABLE CLAMP	
167	3020039	AR	LOCTITE MOLY PASTE	
169	4812300	AR	WASHER, 16mm	
202	2080040	16	FASTENER	
203	2600281	2	HINGE	
204	2940074	1	LATCH	
206	3510827	1	PLATFORM WELDMENT	
207	3520072	1	CAP	
208	3820020	4	RIVET	
211	4846452	1	GATE WELDMENT	
212	3520198	2	PLUG	
301	1701518	2	CRUSHING DECAL	
302	1701640	1	MANUAL DECAL	
303	1702773	3	JLG DECAL	
304	1704016	1	FORK LIFT DECAL	
305	1704277	3	LANYARD ATTACH GRAPHIC DECAL	
307	3820032	4	RIVET	
308	8006612	2	WARNING DECAL, STAY CLEAR	
309	8990147	1	MANUAL HOLDER	
310	1001099562	1	WARNING DECAL, CAPACITY	
311	1001099876	1	OUTRIGGER LOAD DECAL	
312	4420051	1.8 m	SAFETY TAPE	



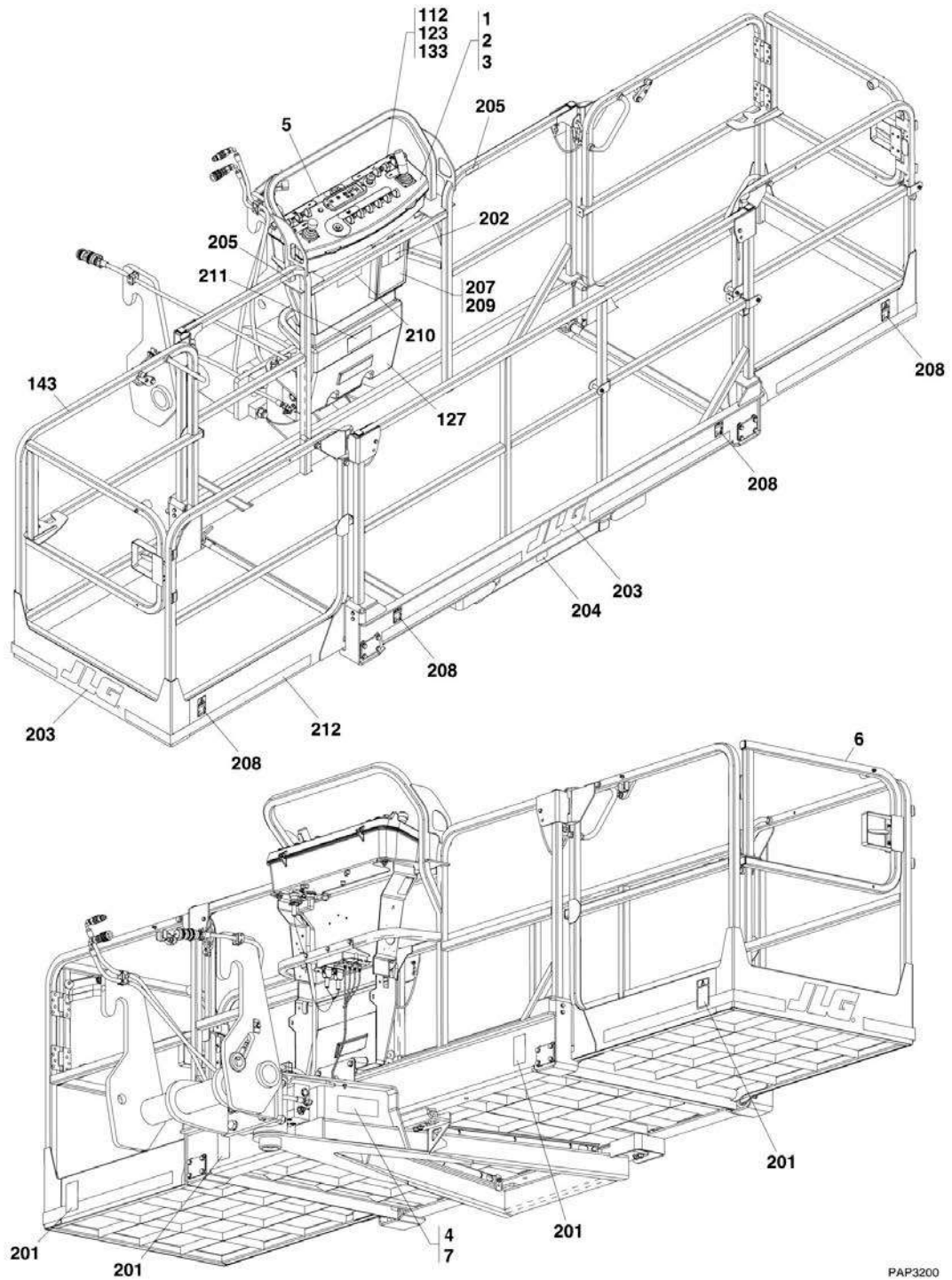
# SECTION 3 - ATTACHMENTS

## FIGURE 3-13. EXTENDABLE PLATFORM INSTALLATION (13M & 17M)



# SECTION 3 - ATTACHMENTS

13M & 17M, IF EQUIPPED



PAP3200

## SECTION 3 - ATTACHMENTS

**FIGURE 3-13. EXTENDABLE PLATFORM INSTALLATION (13M & 17M)**

ITEM	PART NUMBER	QTY	DESCRIPTION	REV
	1001112108	Ref	EXTENDABLE PLATFORM INSTALLATION, (CE - 13M & 17M, if equipped with platform), (not available to order, see items 1 thru 7 for service)	F
	1001114462	Ref	EXTENDABLE PLATFORM INSTALLATION, (AUS - 13M & 17M, if equipped with platform), (not available to order, see items 1 thru 7 for service)	B
1	0761015	2	HEX HD CAPSCREW, M10X35, GR8.8	
2	3291005	2	HEX LOCKNUT, M10X1.5	
3	4812002	4	WASHER, 10mm	
4	N.S.S.	4	METAL FASTENER	
5		Ref	CONSOLE ASSY, (See CONSOLE BOX ASSEMBLY for Breakdown)	
6	1001097355	1	EXTENDABLE PLATFORM INSTALLATION, (if equipped) (not available to order, see items 101 thru 171)	N
7	N.S.S.	1	NAMEPLATE, (CE)	
7	N.S.S.	1	NAMEPLATE, (AUS)	
101	0100011	AR	LOCTITE 242	
102	0100048	AR	DIELECTRIC GREASE	
103	0700610	1	HEX HD CAPSCREW, M6X20, GR 8.8	
104	0700814	1	HEX HD CAPSCREW, M8X30, GR 8.8	
105	0700615	8	HEX HD CAPSCREW, M6X35, GR 8.8	
106	0700619	3	HEX HD CAPSCREW, M6X55, GR 8.8	
107	0700819	3	HEX HD CAPSCREW, M8X55, GR 8.8	
108	0711214	8	HEX HD CAPSCREW, M12X30, GR 10.9	
109	0711624	4	HEX HD CAPSCREW, M16X80, GR 10.9	
110	0760814	2	HEX HD CAPSCREW, M8X30, GR 8.8	
111	0761012	4	HEX HD CAPSCREW, M10X25, GR 8.8	
112	0761015	2	HEX HD CAPSCREW, M10X35, GR 8.8	
113	0761214	2	HEX HD CAPSCREW, M12X30, GR 8.8	
114	0902894	1	MOUNTING BRACKET	
115	0903412	1	MOUNTING BRACKET	
116	0962450	4	SPACER BUSHING	
117	1320224	1	CABLE CLAMP	
118	1321141	4	CLAMP	
119	1321675	4	CLAMP TOP PLATE	
120	1600387	1	LOAD SENSE CONTROLLER	
121	3290605	4	HEX LOCKNUT, M6X1	
122	3290805	5	HEX LOCKNUT, M8X1.25	
123	3291005	6	HEX LOCKNUT, M10X1.5	
124	3291205	2	HEX LOCKNUT, M12X1.75	
125	3331211	8	HEX NUT, M12X1.75	
126	3291607	4	HEX LOCKNUT, M16X2	
127	1001105735	1	DECAL MOUNT PANEL	
130	4811702	7	WASHER, 6mm	
131	4811900	11	WASHER, 8mm	
132	4812000	8	Washer, 10mm	
133	4812002	4	WASHER, 10mm	
134	4812100	4	WASHER, 12mm	
135	4891800	16	WASHER, 1/2	
136	4892000	8	WASHER, 5/8	
137	4892600	10	WASHER, 1 IN	

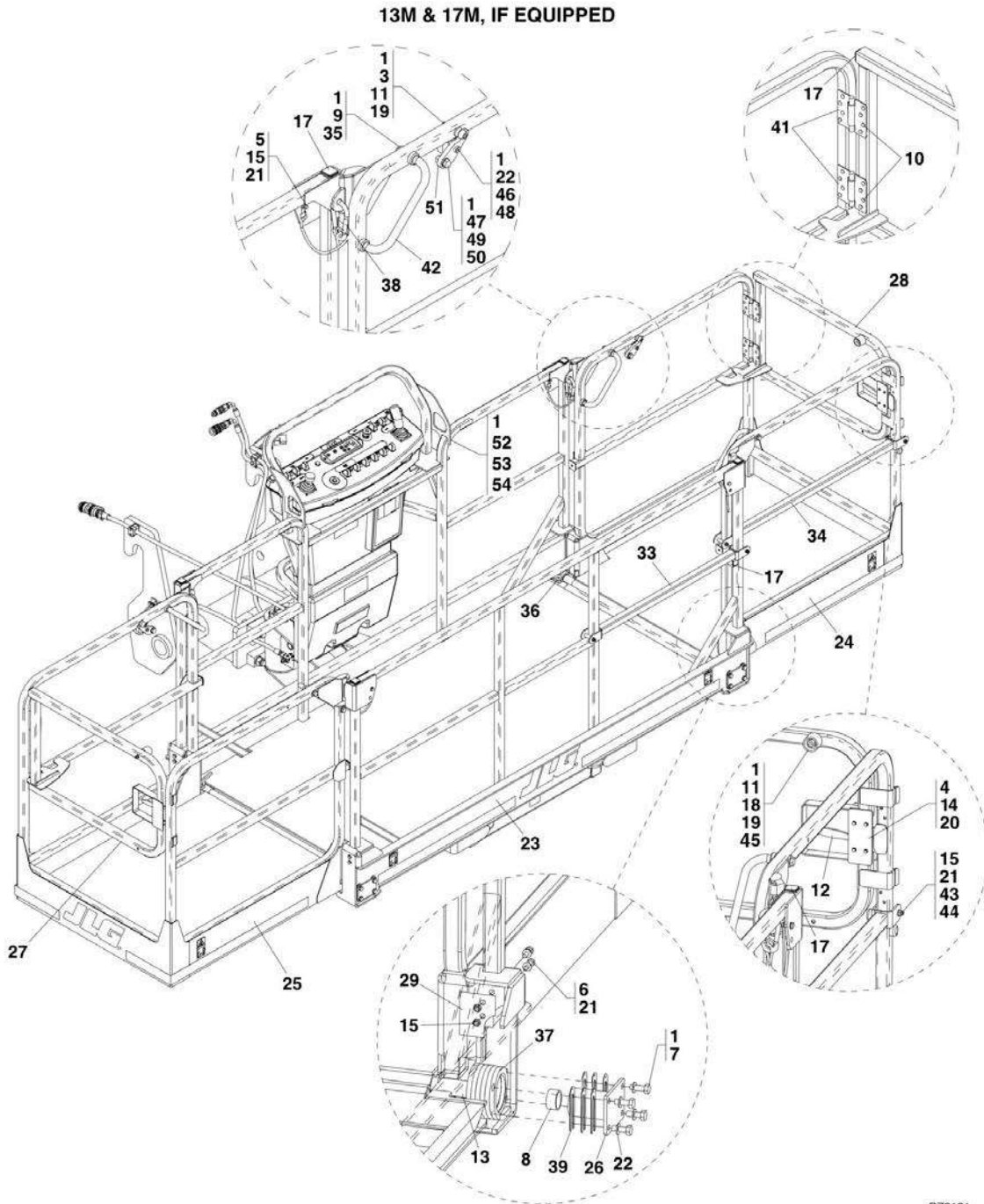


## SECTION 3 - ATTACHMENTS

ITEM	PART NUMBER	QTY	DESCRIPTION	REV
138	4923573	1	HARNES	
139	8769123	1	COVER PLATE	
140	8769140	1	CLAMP SET	
141	1001091189	1	HARNES	
143		Ref	EXPANDABLE PLATFORM ASSY, (See EXTENDABLE PLATFORM ASSEMBLY for Breakdown)	C
144	1001093826	1	DUST CAP	
145	1001093827	1	DUST PLUG	
146	1001094198	1	PLATFORM SUPPORT	
147	1001094555	2	FEMALE COUPLING, QUICK DISCONNECT	
148	1001094556	2	MALE COUPLING, QUICK DISCONNECT	
149	1001094577	2	LOAD SENSE WIRE CHANNEL	
150	1001095136	4	HEX HD CAPSCREW, M24X110, GR 10.9	
151		Ref	ACTUATOR, (See HYDRAULIC COMPONENTS SECTION for Breakdown)	
152	1001096059	1	PLATFORM ADAPTOR	
153	1001097481	1	HEX HD CAPSCREW, M24X310, GR 8.8	
156	2143511	2	CONNECTOR	
157	0711220	8	HEX HD CAPSCREW, M12X60, GR 10.9	
158	1001098827	5	HEX LOCKNUT, M24, GR 10	
160	2420202	4	SHEAR BEAM STRAIN GAUGE	
162	4240033	15	WIRE TIE	
163	2540049	1	GROMMET	
164	1001099751	2	CONNECTOR, 90	
165	1001099800	2	HOSE ASSY	
166	1001098838	Ref	DECALS INSTALLATION, (not shown) (not available to order, see items 201 thru 212 for service)	E
167	0760807	1	HEX HD CAPSCREW, M8X14, GR 8.8	
168	1320301	1	CABLE CLAMP	
169	3020039	AR	LOCTITE MOLY PASTE #51049	
171	4812300	AR	WASHER, 16mm	
201	1701518	4	CRUSHING DECAL	
202	1701640	1	MANUAL DECAL	
203	1702773	3	JLG DECAL	
204	1704016	1	FORK LIFT DECAL	
205	1704277	2	LANYARD ATTACH GRAPHIC DECAL	
207	3820032	4	RIVET	
208	8006612	4	WARNING DECAL, STAY CLEAR	
209	8990147	1	MANUAL HOLDER	
210	1001099563	1	WARNING DECAL, CAPACITY	
211	1001099876	1	OUTRIGGER LOAD DECAL	
212	4420051	6.2 m	SAFETY TAPE	

# SECTION 3 - ATTACHMENTS

## FIGURE 3-14. EXTENDABLE PLATFORM ASSEMBLY (13M & 17M)



PZ2121

## SECTION 3 - ATTACHMENTS

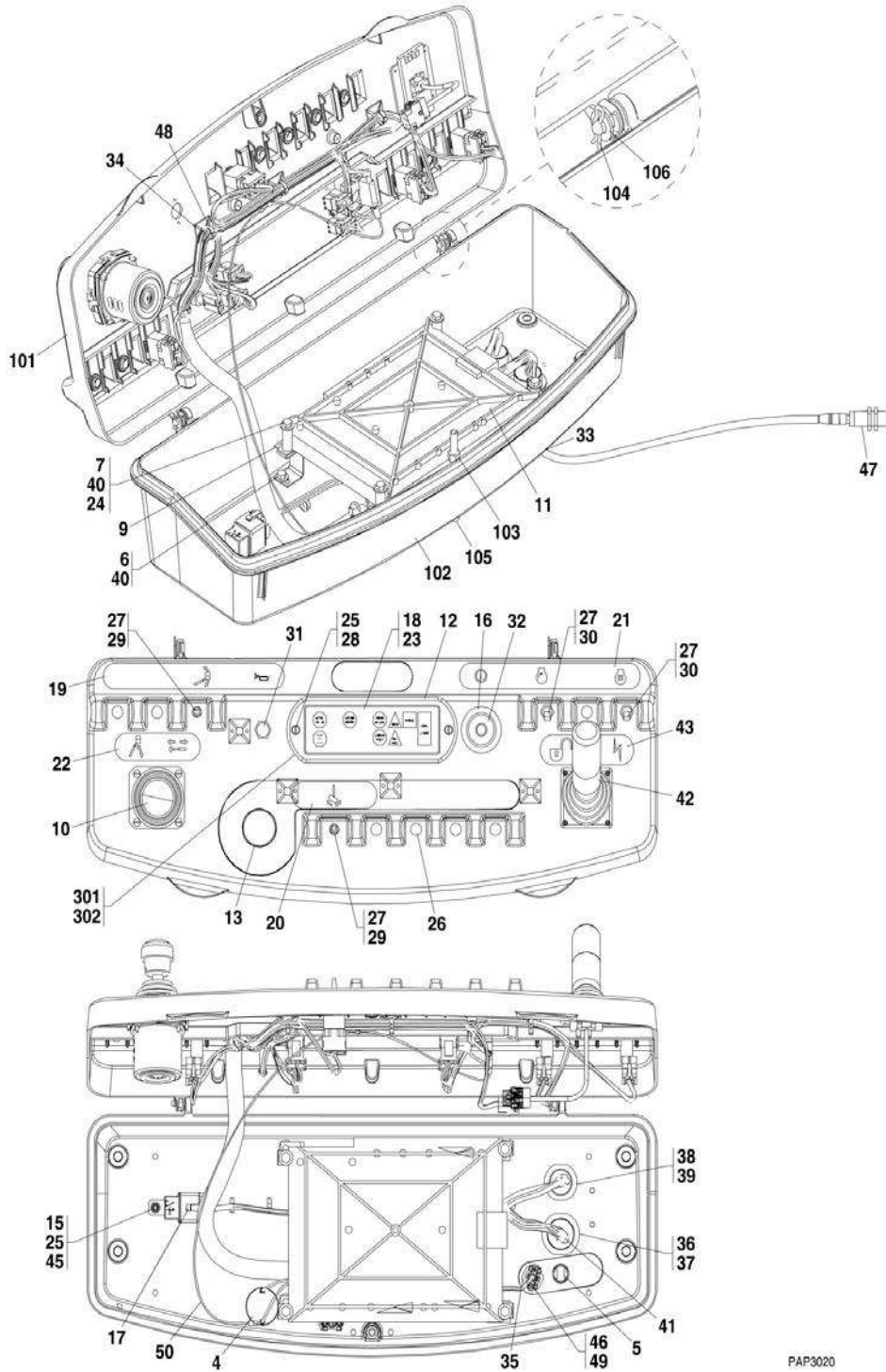
**FIGURE 3-14. EXTENDABLE PLATFORM ASSEMBLY (13M & 17M)**

ITEM	PART NUMBER	QTY	DESCRIPTION	REV
	1001093278	1	EXTENDABLE PLATFORM ASSY, (CE & AUS - 13M & 17M), (includes all items)	C
1	0100011	AR	LOCTITE 242	
3	0700620	2	HEX HD CAPSCREW, M6X60, GR 8.8	
4	0760508	8	HEX HD CAPSCREW, M5X16, GR 8.8	
5	0760812	4	HEX HD CAPSCREW, M8X25, GR 8.8	
6	0760814	8	HEX HD CAPSCREW, M8X30, GR 8.8	
7	0761014	16	HEX HD CAPSCREW, M10X30, GR 8.8	
8	0962257	4	BUSHING	
9	0701219	8	HEX HD CAPSCREW, M12X55, GR 8.8	
10	2080040	32	FASTENER	
11	3290606	4	HEX NUT, M6X1	
12	2940074	2	LATCH	
13	3020039	AR	LOCTITE MOLY PASTE #51049	
14	3290505	8	HEX LOCKNUT, M5X0.8	
15	3290805	16	HEX LOCKNUT, M8X1.25	
17	3520072	10	CAP PLUG	
18	4010617	2	PAN HD SCREW, M6X45mm	
19	4811702	4	WASHER, 6mm	
20	4811600	8	WASHER, 5mm	
21	4811900	24	WASHER, 8mm	
22	4812000	18	WASHER, 10mm	
23	1001093267	1	PLATFORM WELDMENT	
24	1001093328	1	RIGHT RAIL WELDMENT	
25	1001093329	1	LEFT RAIL WELDMENT	
26	1001093774	4	HINGE WELDMENT	
27	1001093819	1	LEFT GATE EXT WELDMENT	
28	1001093820	1	RIGHT GATE EXT WELDMENT	
29	1001093948	8	SHIM	
33	1001094450	1	GATE RAIL WELDMENT	
34	1001094451	1	GATE RAIL WELDMENT	
35	4891800	8	WASHER, 1/2	
36	1001094853	2	LEFT TORSION SPRING	
37	1001094854	2	RIGHT TORSION SPRING	
38	1001094867	4	LATCH HOOK	
39	1001096209	24	SHIM	
41	2600281	4	SELF CLOSING HINGE	
42	1001099540	4	HANDLE EXTENSION	
43	1001099641	4	GATE ROLLER	
44	1001099685	4	BUTTON HD CAPSCREW, M8X1.25X70	
45	1001099577	2	GATE HOLDER	
46	0630585	2	SHOULDER BOLT (METRIC)	
47	0761214	2	HEX HD CAPSCREW, M12X30, GR 8.8	
48	3290801	2	HEX NUT, M8X1.25	
49	3291201	2	HEX NUT, M12X1.75	
50	4812100	4	WASHER, 12mm	
51	1001101121	2	LATCH	
52	0761010	4	HEX HD CAPSCREW, M10X20, GR8.8	
53	4891600	4	WASHER, 3/8	
54	1001103217	2	STOP GUIDE	

# SECTION 3 - ATTACHMENTS

## FIGURE 3-15. CONSOLE BOX ASSEMBLY (13M & 17M)

13M & 17M, IF EQUIPPED



## SECTION 3 - ATTACHMENTS

**FIGURE 3-15. CONSOLE BOX ASSEMBLY (13M & 17M)**

ITEM	PART NUMBER	QTY	DESCRIPTION	REV
	1001096359	1	CONSOLE BOX ASSY, (13M & 17M, if equipped), (includes items 1 thru 50)	K
1	0100009	AR	SEALANT, (not shown)	
2	0100048	AR	DIELECTRIC GREASE, (not shown)	
3	0100081	AR	LOCTITE 454, (not shown)	
4	0140011	1	ALARM	
5	3520030	1	PLUG	
6	0641404	4	HEX HD CAPSCREW, 1/4-20X1/2, GR5	
7	0641414	4	HEX HD CAPSCREW, 1/4-20X1-3/4, GR5	
8	1001096358	1	CONSOLE BOX ASSY, (includes items 101 thru 106), (not shown)	B
9	0902751	4	BRACKET	
10	1001118417	1	CONTROLLER ASSY	
11	1001097076	1	PLATFORM MODULE	H
12	1671176	1	LIGHT COVER, (includes items 301 & 302)	A
13	1001112646	1	COVER	
15	0721006	1	INDENTED HEX HD CAPSCREW	
16	1704260	1	EMS DECAL	
17	3740080	1	RELAY	
18	1001117889	1	PLATFORM DISPLAY DECAL	
19	1706885	1	HORN DECAL	
20	1702565	1	ROTATE DECAL	
21	1706887	1	STOP DECAL	
22	1702566	1	LIFT/TELESCOPE DECAL	
23	2920154	1	LED PANEL GAUGE	
24	3300353	4	NUT	
25	3300408	3	NYLON LOCKNUT	
26	3520054	7	PLUG	
27	3790012	3	RING	
28	3911018	2	SCREW, 10-24X1-1/8	
29	4360328	2	TOGGLE SWITCH	
30	4360330	2	TOGGLE SWITCH	
31	4360387	1	BUTTON SWITCH	
32	4360475	1	EMERGENCY STOP SWITCH	
33	2820018	0.08 m	HEAT SHRINK TUBING	
34	4460234	4	CABLE TIE	
35	4460428	1	STRAIN RELIEF CONNECTOR	
36	4460470	1	NUT	
37	4460471	1	LOCKWASHER	
38	4460496	1	LOCKWASHER	
39	4460497	1	NUT	
40	4751400	8	WASHER, 1/4	
41	1001096360	1	CONSOLE HARNESS	
42	1001096361	1	JOYSTICK CONTROLLER	
43	1001096629	1	ENABLE DECAL	
45	4751000	5	WASHER	
46	4460761	1	TERMINAL	
47	1001100711	1	PROXIMITY SWITCH	
48	4240033	AR	WIRE TIE	
49	4460227	3	PIN	
50	1001115140	1	WIRE PLATFORM DIODE	

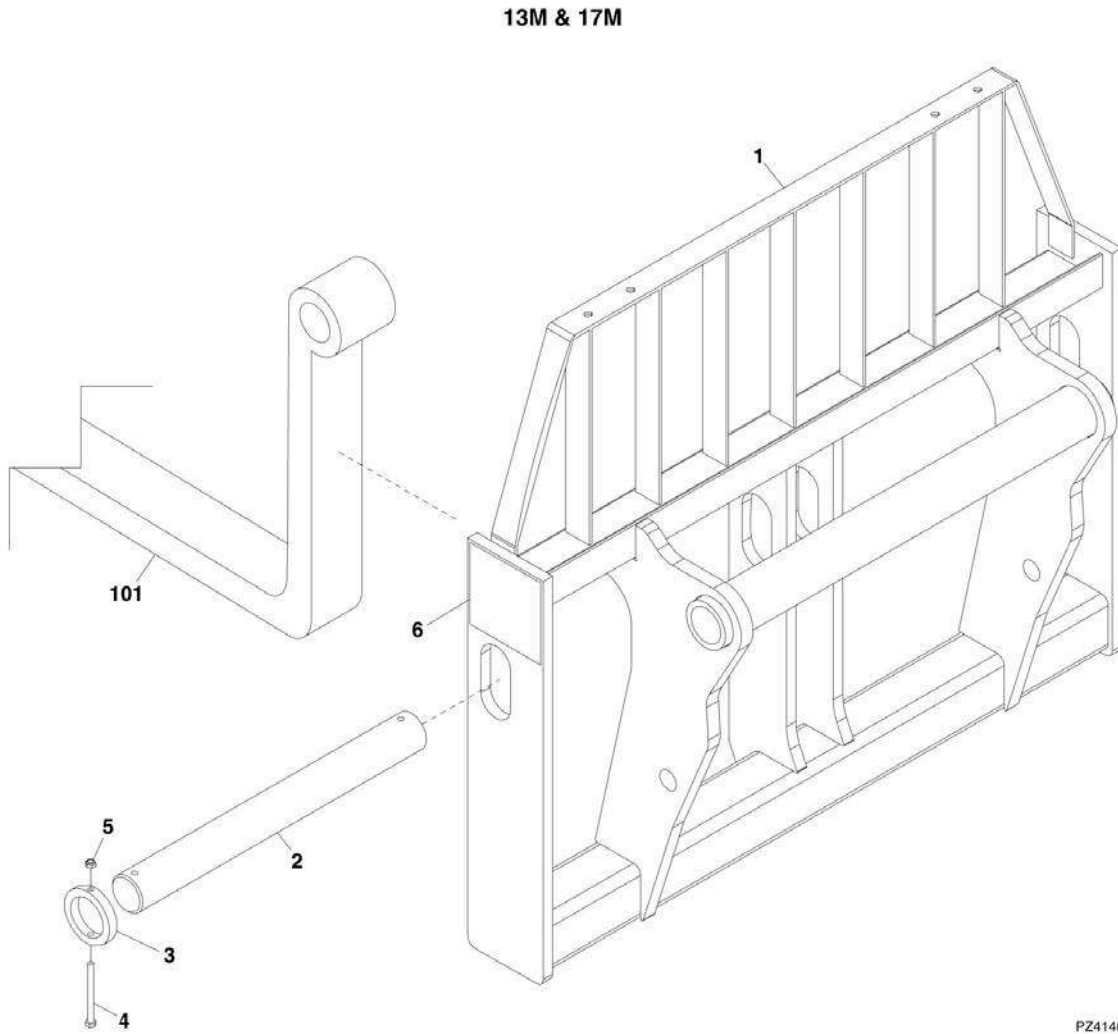
### SECTION 3 - ATTACHMENTS

ITEM	PART NUMBER	QTY	DESCRIPTION	REV
101	1001096357	1	CONSOLE TOP CASTING	
102	1220096	1	CONSOLE BOTTOM CASTING	
103	3311601	1	HEX NUT, 3/8-16, GR2	
104	3470003	2	COTTER PIN	
105	0630568	1	SQ HD CAPSCEW, 3/8-16X4-1/2	
106	4711500	2	WASHER, 5/16	
301	1670829	1	HOUSING	
302	3960601	1	SEAL	



# SECTION 3 - ATTACHMENTS

## FIGURE 3-16. MANITOU CARRIAGE (13M & 17M)



P24140



## SECTION 3 - ATTACHMENTS

**FIGURE 3-16. MANITOU CARRIAGE (13M & 17M)**

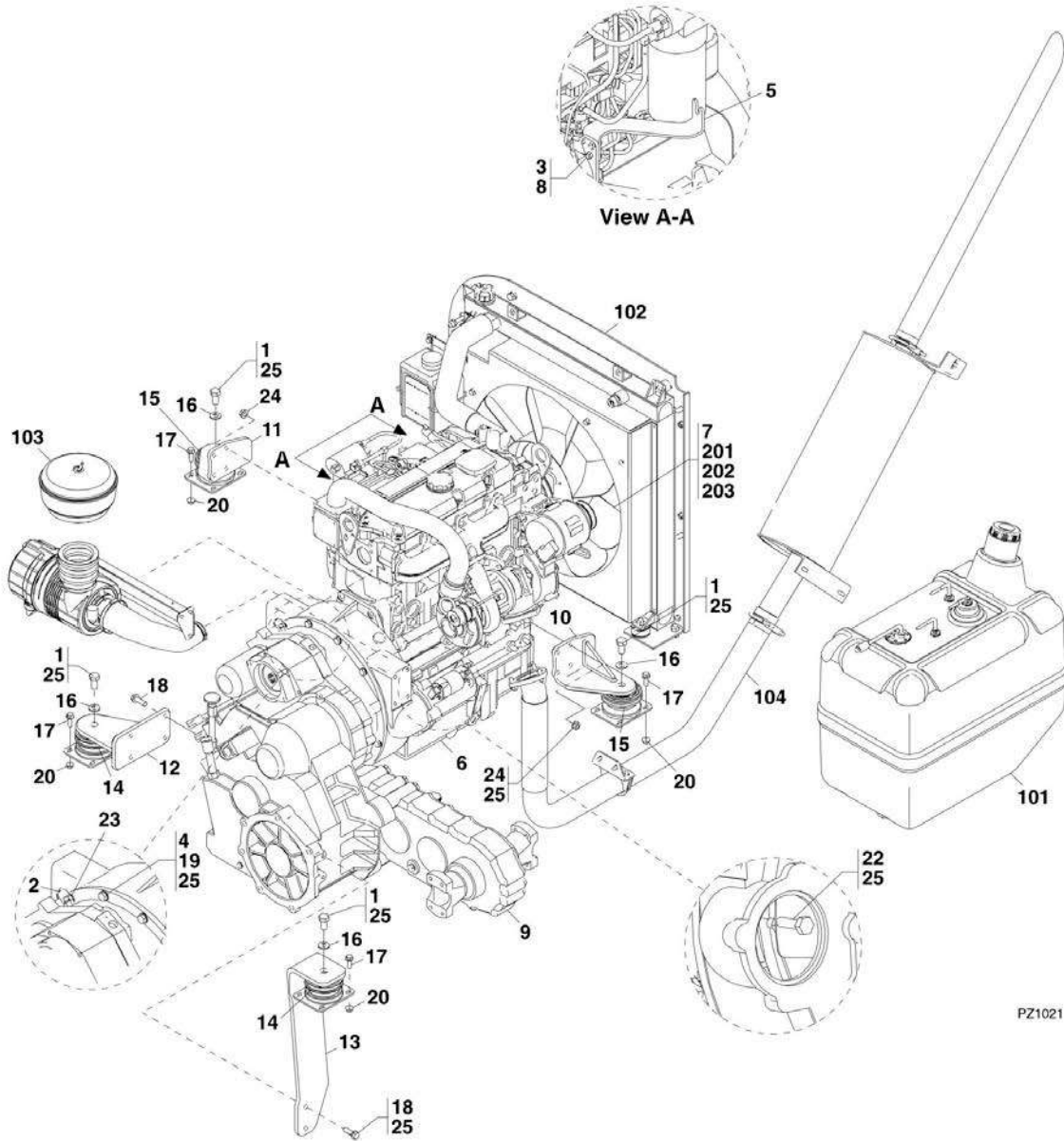
ITEM	PART NUMBER	QTY	DESCRIPTION	REV
	1001102553	1	MANITOU CARRIAGE, (CE - 13M & 17M, if equipped), (includes items 1 thru 6), (use with Manitou Quick Attach, See BOOM SECTION for Breakdown)	A
1	N.S.S.	1	CARRIAGE WELDMENT	
2	4040283	2	CARRIAGE SHAFT	
3	3760508	4	SHAFT COLLAR	
4	0700827	4	HEX HD CAPSCREW, M8X100	
5	3290805	4	HEX LOCKNUT, M8	
6	N.S.S.	1	S/N PLATE	
101		Ref	FORKS, (See FORK TINES for Breakdown)	



**SECTION 4 - ENGINE AND ATTACHING PARTS**

# SECTION 4 - ENGINE AND ATTACHING PARTS

## FIGURE 4-1. ENGINE INSTALLATION



PZ1021

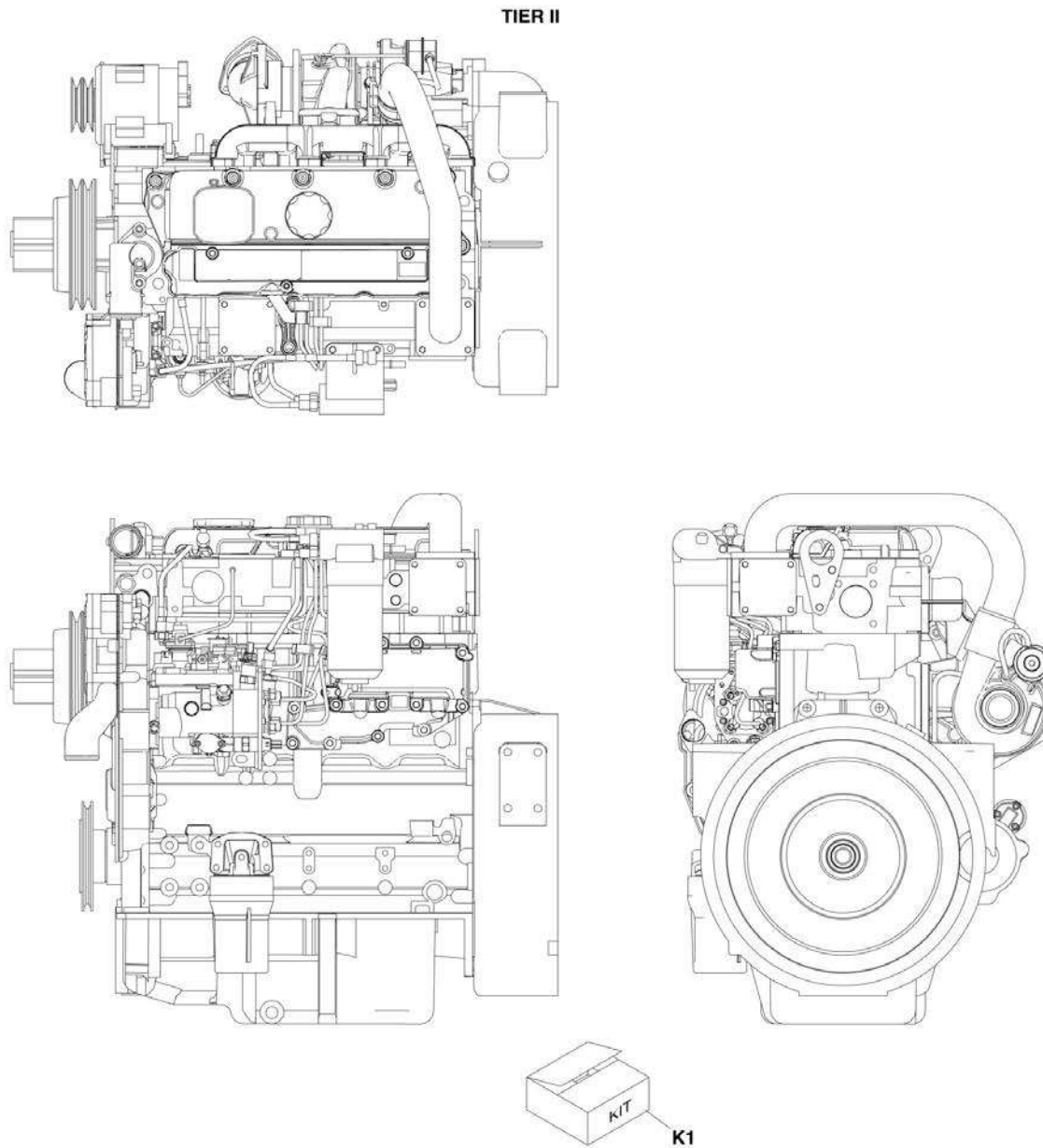
## SECTION 4 - ENGINE AND ATTACHING PARTS

### FIGURE 4-1. ENGINE INSTALLATION

ITEM	PART NUMBER	QTY	DESCRIPTION	REV
	0274823	Ref	ENGINE INSTALLATION TURBO, (3 SPEED), TIER II, (not available to order, see items 1 thru 25 for service)	F
	0274858	Ref	ENGINE INSTALLATION TURBO, (4 SPEED), TIER II, (not available to order, see items 1 thru 25 for service)	E
	1001098271	Ref	ENGINE INSTALLATION TURBO, (3 SPEED), TIER III, (not available to order, see items 1 thru 25 for service)	A
	1001098270	Ref	ENGINE INSTALLATION TURBO, (4 SPEED), TIER III, (not available to order, see items 1 thru 25 for service)	A
1	398929	4	BOLT, (torque to 210 Nm)	
2	8004982	1	COUPLING	
3	0760608	3	HEX HD CAPSCREW, 6-1.00X16mm	
4	0771014	10	HEX HD CAPSCREW, 10-1.50X30mm, (torque to 63 Nm)	
5	0902954	1	THROTTLE BRACKET	
6		Ref	PERKINS ENGINE, (See ENGINE ASSEMBLY for Breakdown)	
7	2060040	1	FAN	
8	3290605	3	LOCKNUT, 6mm	
9		Ref	TRANSMISSION ASSY, (See TRANSMISSION ASSEMBLY for Breakdown)	
10	4341229	1	LEFT REAR MOUNTING BRACKET	
11	4801176	1	RIGHT REAR MOUNTING BRACKET	
12	4341222	1	HOLDER BRACKET	
13	1001093124	1	POWER SHIFT BRACKET	
14	4806386	2	FRONT MOUNT	
15	4806397	2	REAR MOUNT	
16	4812300	4	FLAT WASHER, 16mm	
17	5201014	16	BOLT, (torque to 120 Nm)	
18	5201215	6	BOLT, (torque to 120 Nm)	
19	5212000	9	RIPP WASHER, M10	
20	5221000	16	RIPP NUT, 10mm	
22	8003320	8	HEX HD CAPSCREW, 10-1.25X50mm, (torque to 37 Nm)	
23	4812000	1	FLAT WASHER, 10mm	
24	5221200	8	RIPP NUT, 12mm, (torque to 78 Nm)	
25	0100011	AR	LOCTITE 242	
101		Ref	FUEL TANK INSTALLATION, (See FUEL TANK AND LINES for Breakdown)	
102		Ref	COOLING SYSTEM INSTALLATION, (See COOLING SYSTEM INSTALLATION for Breakdown)	
103		Ref	AIR FILTER INSTALLATION, (See AIR FILTER INSTALLATION for Breakdown)	
104		Ref	EXHAUST INSTALLATION, (See MUFFLER INSTALLATION for Breakdown)	
201		Ref	SPACER, FAN, (See ENGINE ASSEMBLY for Breakdown)	
202		Ref	STUD, FAN MOUNTIN, (See ENGINE ASSEMBLY for Breakdown)	
203		Ref	NUT, FAN MOUNTING, (See ENGINE ASSEMBLY for Breakdown)	

# SECTION 4 - ENGINE AND ATTACHING PARTS

FIGURE 4-2. ENGINE ASSEMBLY (Prior to SN 1160003927)



PAP13920

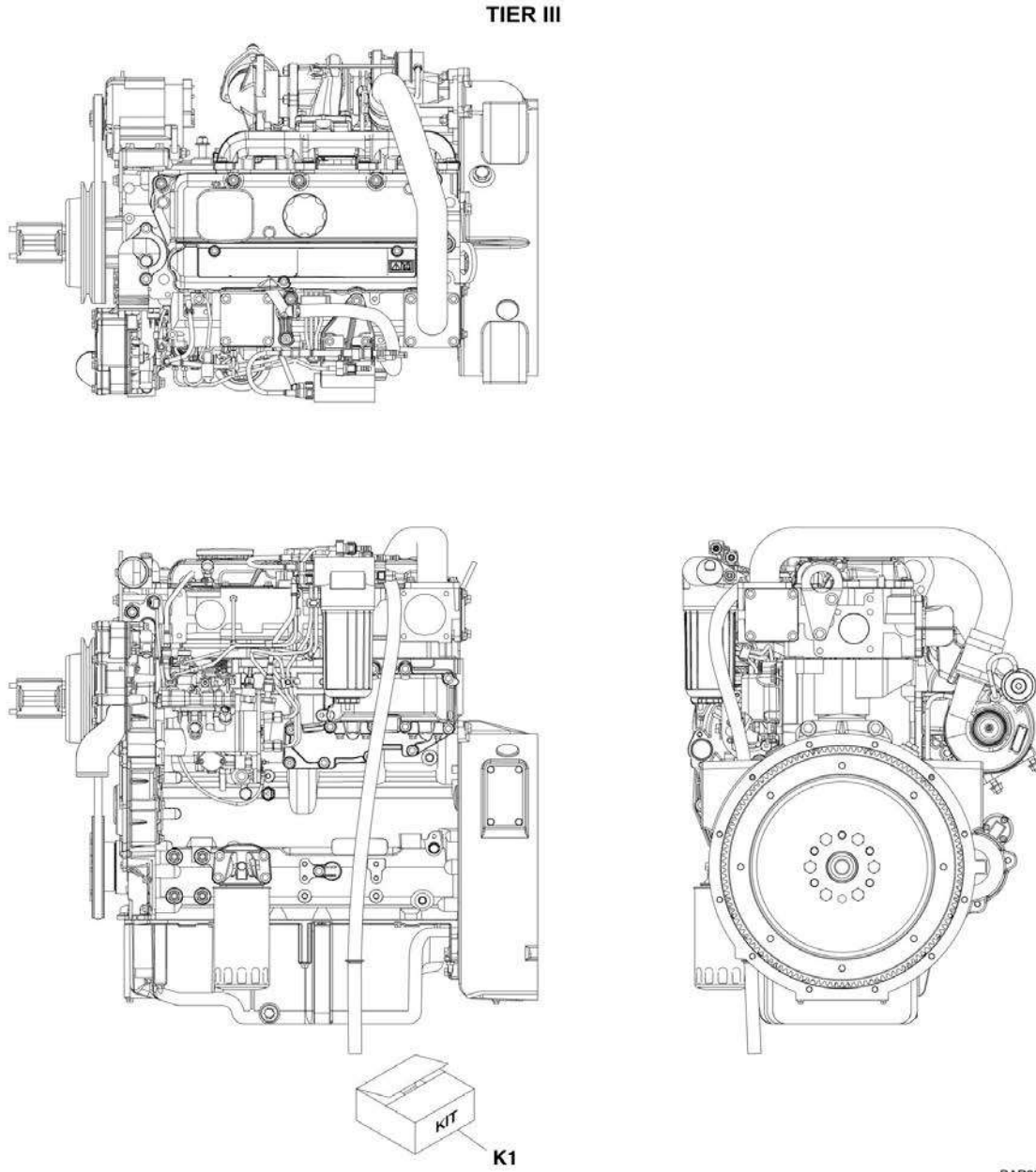
## SECTION 4 - ENGINE AND ATTACHING PARTS

**FIGURE 4-2. ENGINE ASSEMBLY (Prior to SN 1160003927)**

ITEM	PART NUMBER	QTY	DESCRIPTION	REV
	2000353	1	PERKINS ENGINE, 99.5 BHP, TIER II, (includes all items)	D
	7028687	1	FUEL INJECTION PUMP	
	7028688	1	O-RING, FUEL INJECTION PUMP	
	7028689	1	SOLENOID, FUEL SHUT-OFF	
	7028677	1	COLD START TEMPERATURE SENSOR	
	7028679	1	FLYWHEEL ASSY	
	7028680	1	STARTER RING GEAR	
	70021786	1	STARTER MOTOR	
	70021581	1	PULLEY, FAN DRIVE	
	70022353	1	FAN DRIVE HOUSING	
	70022793	4	SCREW, FAN DRIVE HOUSING	
	8035095	1	FAN BELT	
	70023479	1	SPACER, FAN	
	70023480	4	STUD, FAN MOUNTING	
	70023127	4	NUT, FAN MOUNTING	
	7028669	1	OIL PAN GASKET	
	7028659	2	OIL DRAIN PLUG	
	7028660	2	O-RING, OIL DRAIN PLUG	
	7028672	1	DIPSTICK	
	7029895	1	DIPSTICK TUBE	
	7028681	1	OIL CAP	
	7028682	1	O-RING, OIL CAP	
	70020571	1	OIL COOLER	
	7028684	2	GASKET, OIL COOLER	
	70020572	1	GASKET, OIL COOLER HOUSING	
	8006013	1	OIL FILTER	
	7028654	1	OIL FILTER GASKET	
	7028663	1	WATER PUMP ASSY	
	7028666	1	WATER PUMP GASKET	
	7028664	1	WATER PUMP REPAIR KIT	
	7028665	1	GASKET	
	7028667	1	THERMOSTAT, (o-ring not included)	
	7028668	1	O-RING, THERMOSTAT	
	1001090078	1	ALTERNATOR, 85A	
	70021487	1	ALTERNATOR BRACKET	
	70021488	1	ALTERNATOR ADJUSTING BAR	
	70021489	1	ALTERNATOR PULLEY	
	7028673	1	OIL PUMP	
	7028691	1	GASKET, TURBOCHARGER	
	7028690	1	TURBOCHARGER	
	7028674	1	EXHAUST MANIFOLD GASKET	
	7028676	4	GLOW PLUG	
	70020573	1	OIL PRESSURE SWITCH	
	70020574	1	FUEL LIFT PUMP	
	7028655	1	FUEL FILTER	
	70021501	1	FUEL FEED PIPE	
	70022792	1	CYL HEAD COVER ASSY	
K1	1001108812	1	FUEL/ENGINE OIL FILTER KIT	

# SECTION 4 - ENGINE AND ATTACHING PARTS

FIGURE 4-3. ENGINE ASSEMBLY (SN 1160003927 to Present)



PAP3280



## SECTION 4 - ENGINE AND ATTACHING PARTS

**FIGURE 4-3. ENGINE ASSEMBLY (SN 1160003927 to Present)**

ITEM	PART NUMBER	QTY	DESCRIPTION	REV
	1001094640	1	PERKINS ENGINE, 99.5 BHP, TIER III, (includes all items)	E
	70021788	1	FUEL INJECTION PUMP	
	7028688	1	O-RING, FUEL INJECTION PUMP	
	7028689	1	SOLENOID, FUEL SHUT-OFF	
	7028677	1	COLD START TEMPERATURE SENSOR	
	7028678	1	COLD START CABLE	
	7028679	1	FLYWHEEL ASSY	
	7028680	1	STARTER RING GEAR	
	70021786	1	STARTER MOTOR	
	70021581	1	PULLEY, FAN DRIVE	
	70022353	1	FAN DRIVE HOUSING	
	70022793	4	SCREW, FAN DRIVE HOUSING	
	8035095	1	FAN BELT	
	70023478	1	SPACER, FAN	
	70023477	4	STUD, FAN MOUNTING	
	70023127	4	NUT, FAN MOUNTING	
	7028669	1	OIL PAN GASKET	
	7028659	2	OIL DRAIN PLUG	
	7028660	2	O-RING, OIL DRAIN PLUG	
	7028672	1	DIPSTICK	
	7029895	1	DIPSTICK TUBE	
	7028681	1	OIL CAP	
	7028682	1	O-RING, OIL CAP	
	70020571	1	OIL COOLER ASSY	
	7028684	2	GASKET, OIL COOLER	
	70020572	1	GASKET, OIL COOLER HOUSING	
	8006013	1	OIL FILTER	
	7028654	1	OIL FILTER GASKET	
	70021194	1	WATER PUMP ASSY	
	7028665	1	WATER PUMP GASKET	
	7028666	1	GASKET	
	70020209	1	THERMOSTAT, (includes o-ring)	
	70021193	1	O-RING	
	1001090078	1	ALTERNATOR, 85A	
	70021487	1	ALTERNATOR BRACKET	
	70021488	1	ALTERNATOR ADJUSTING BAR	
	70021489	1	ALTERNATOR PULLEY	
	7028673	1	OIL PUMP	
	7028691	1	GASKET, TURBOCHARGER	
	70021787	1	TURBOCHARGER	
	7028674	1	EXHAUST MANIFOLD GASKET	
	7028676	4	GLOW PLUG	
	70020573	1	OIL PRESSURE SWITCH	
	70020574	1	FUEL LIFT PUMP	
	7028655	1	FUEL FILTER	
	70021190	1	FUEL/WATER SEPARATOR ASSY	
	70021191	1	PRE-FUEL FILTER KIT	
	70021785	1	PRE-FUEL FILTER BOWL	
	70022027	1	FUEL FEED PIPE	
	70022792	1	CYL HEAD COVER ASSY	

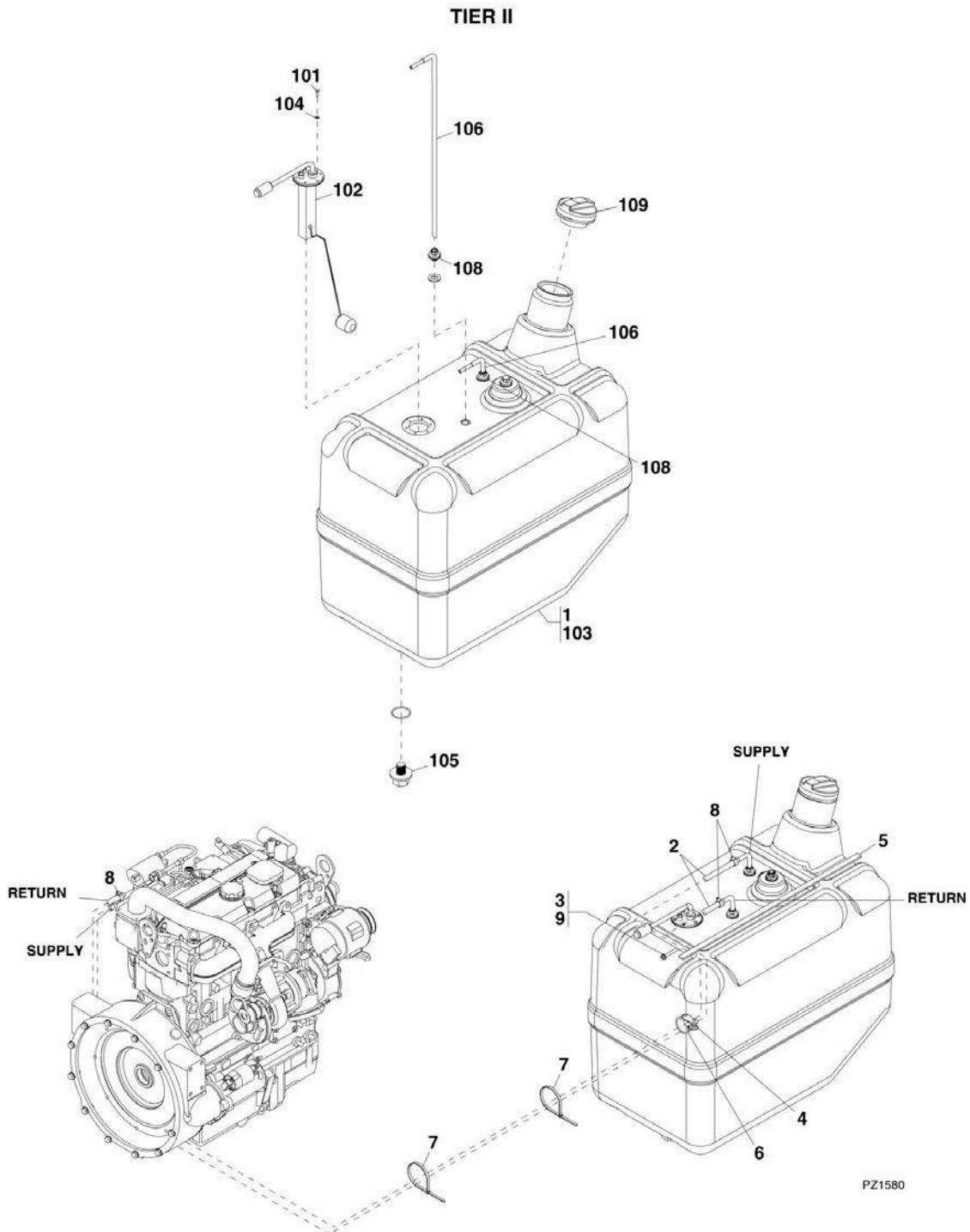
## SECTION 4 - ENGINE AND ATTACHING PARTS

ITEM	PART NUMBER	QTY	DESCRIPTION	REV
	70023613	1	SEAL, FRONT OIL	
	8030353	6	BOLT	
K1	1001108812	1	FUEL/ENGINE OIL FILTER KIT	



# SECTION 4 - ENGINE AND ATTACHING PARTS

FIGURE 4-4. FUEL TANK AND LINES (Prior to SN 1160003927)



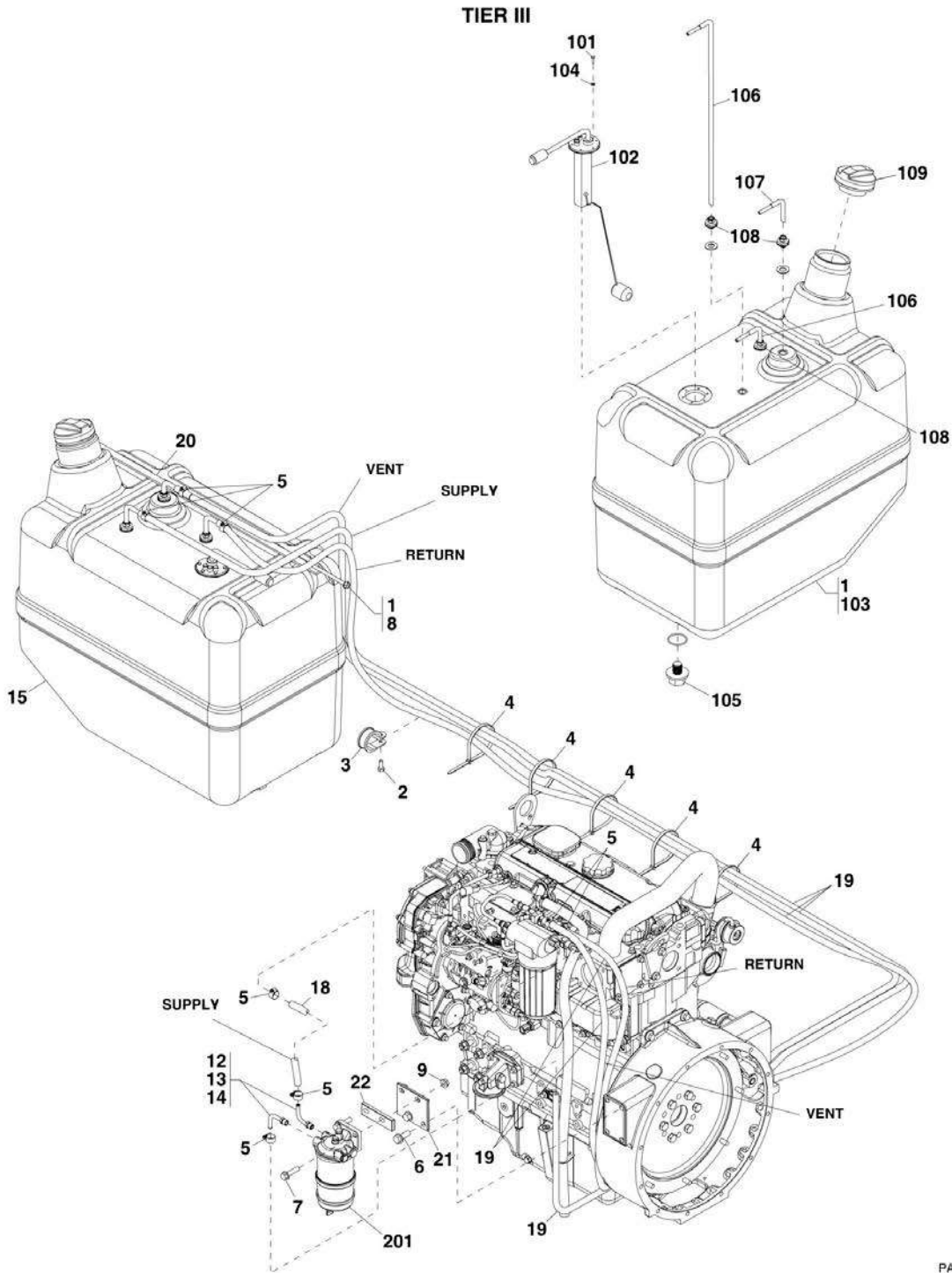
## SECTION 4 - ENGINE AND ATTACHING PARTS

**FIGURE 4-4. FUEL TANK AND LINES (Prior to SN 1160003927)**

ITEM	PART NUMBER	QTY	DESCRIPTION	REV
	0274853	Ref	FUEL SUPPLY INSTALLATION, (not available to order, see items 1 thru 9 for service)	D
1	4400488	1	FUEL TANK ASSY, (includes items 101 thru 109)	D
2	2720519	2	HOSE ASSY	
3	0700829	1	HEX HD CAPSCREW, 8X120, GR 8.8	
4	0760810	1	HEX HD CAPSCREW, 8-1.25X20mm, GR 8.8	
5	909304	1.05 m	TRIM	
6	1003721	1	CLIP	
7	1062255	10	CABLE BAND	
8	1321301	4	MINI-CLAMP	
9	5220800	1	RIPP NUT, 8mm	
101	0760408	6	HEX HD CAPSCREW, M4X16	
102	2420224	1	SENSOR, FUEL LEVEL	
103	4400489	1	PLASTIC TANK	
104	4811400	6	FLAT WASHER	
105	70020488	1	PLUG, (includes o-ring)	
106	70020489	2	PIPE, (supply and return)	
108	70020491	2	COMPRESSION FITTING	
109	70020492	1	VENTED FUEL CAP	

# SECTION 4 - ENGINE AND ATTACHING PARTS

FIGURE 4-5. FUEL TANK AND LINES (SN 1160003927 to Present)



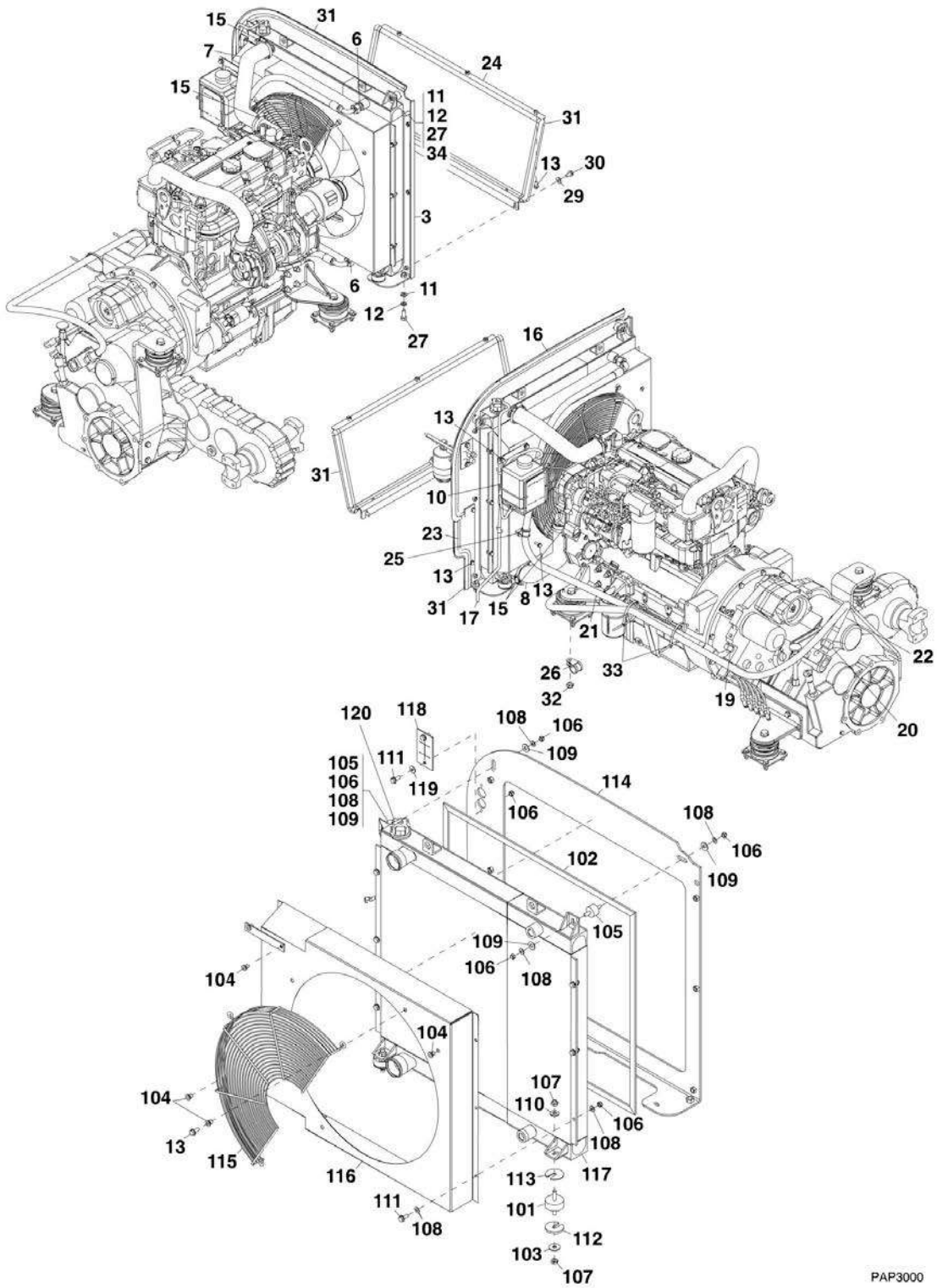
## SECTION 4 - ENGINE AND ATTACHING PARTS

**FIGURE 4-5. FUEL TANK AND LINES (SN 1160003927 to Present)**

ITEM	PART NUMBER	QTY	DESCRIPTION	REV
	1001101621	Ref	FUEL SUPPLY INSTALLATION, (not available to order, see items 1 thru 22 for service)	E
1	0700829	1	HEX HD CAPSCREW, M8X120, GR8.8	
2	0760810	1	HEX HD CAPSCREW, M8X20, GR8.8	
3	1003721	1	CLIP	
4	11062255	5	TIE STRAP	
5	1321301	8	CLAMP	
6	5201214	2	RIPP BOLT, M12X30	
7	5201016	2	RIPP BOLT, M10X40	
8	5220800	1	RIPP NUT, 8mm	
9	5221000	2	RIPP NUT, 10mm	
12	1001095787	2	FUEL PIPE	
13	1001095788	2	PIPE FITTING	
14	1001095789	2	PIPE FITTING	
15	1001098381	1	FUEL TANK ASSY, (includes items 101 thru 109)	B
18	1001101737	1	HOSE ASSY	
19	2720519	3	HOSE ASSY	
20	909304	1.05 m	SEAL	
21	1001102418	1	BRACKET	
22	1001102419	1	BRACKET	
101	0760408	6	HEX HD CAPSCREW, M4X16	
102	2420224	1	SENSOR, FUEL LEVEL	
103	1001098380	1	PLASTIC TANK	B
104	4811400	6	FLAT WASHER	
105	70020488	1	PLUG, (includes o-ring)	
106	70020489	2	PIPE, (supply and return)	
107	70020490	1	PIPE, (Tier III vent)	
108	70020491	3	COMPRESSION FITTING	
109	70020492	1	VENTED FUEL CAP	
201		Ref	FUEL/WATER SEPARATOR , (See ENGINE ASSEMBLY for Breakdown)	

# SECTION 4 - ENGINE AND ATTACHING PARTS

## FIGURE 4-6. COOLING SYSTEM INSTALLATION



PAP3000



## SECTION 4 - ENGINE AND ATTACHING PARTS

**FIGURE 4-6. COOLING SYSTEM INSTALLATION**

ITEM	PART NUMBER	QTY	DESCRIPTION	REV
	1001092780	Ref	COOLING SYSTEM INSTALLATION, (not available to order, see items 3 thru 34, 115 for service)	G
3	909304	0.8 m	TRIM	
6	2140809	2	FITTING, 90	
7	2720608	1	UPPER RADIATOR HOSE	
8	2720609	1	LOWER RADIATOR HOSE	
10	4400483	1	RESERVOIR, COOLANT RETURN	
11	4812100	4	WASHER, 12mm	
12	4832100	3	SPRING LOCKWASHER, 12mm	
13	5200810	11	RIPP BOLT, M8X20	
15	8005376	4	HOSE CLAMP	
16	1001092141	1	RADIATOR ASSY, (includes items 101 thru 114, 116 thru 119)	H
17	8009666	0.9 m	TRIM	
19	2221280	1	FITTING, 7/8-14 UNF	
20	2221281	1	FITTING, 1-1/16-12 UNF	
21	2755017	1	HOSE	
22	2755018	1	HOSE	
23	1001096009	1	RADIATOR PLATE, (3508PS, 3509PS, 3512PS, 3513PS, 4008PS, 4009PS, 4012PS, 4013PS & 4017PS)	
23	1001096009B	1	RADIATOR PLATE, (40.8 & 40.9)	
24	1001096363	1	RADIATOR GUARD PANEL, (3508PS, 3509PS, 3512PS, 3513PS, 4008PS, 4009PS, 4012PS, 4013PS & 4017PS)	
24	1001096363B	1	RADIATOR GUARD PANEL, (40.8 & 40.9)	
25	1321316	1	CLAMP	
26	816186	1	CLAMP, HOSE	
27	0761214	3	HEX HD CAPSCREW, 12-1.75X30mm	
29	4812002	2	WASHER, 10mm	
30	5201010	2	RIPP BOLT, M10X20	
31	3960927	2.5 m	SEAL	
32	5220800	1	RIPP NUT, 8mm	
33	1062255	2	TIE STRAP	
34	5221200	1	RIPP NUT, 12mm	
101	429063	2	RADIATOR MOUNT	
102	1001100970	AR	TRIM, RUBBER	
103	1629567	2	WASHER, 10mm	
104	2080088	7	RIVNUT, M8X1.25	
105	2969548	2	RADIATOR MOUNT	
106	3290805	12	HEX LOCKNUT, 8mm-1.25	
107	3291005	4	HEX LOCKNUT, 10mm-1.5	
108	4811900	16	WASHER, 8mm	
109	4812002	4	WASHER, 10mm	
110	4812100	2	WASHER, 12mm	
111	5200810	8	RIPP BOLT, 8-48X20mm	
112	8005741	2	WASHER SPACER, (5mm thick)	
113	8005743	2	WASHER SPACER, (2mm thick)	
114	1001092121	1	SUPPORT, RADIATOR WALL, (3508PS, 3509PS, 3512PS, 3513PS, 4008PS, 4009PS, 4012PS, 4013PS & 4017PS)	
114	1001092121B	1	SUPPORT, RADIATOR WALL, (40.8 & 40.9)	
115	1001092214	1	GUARD, RADIATOR FAN	
116	1001092268	1	SLEEVE, RADIATOR SHROUD	

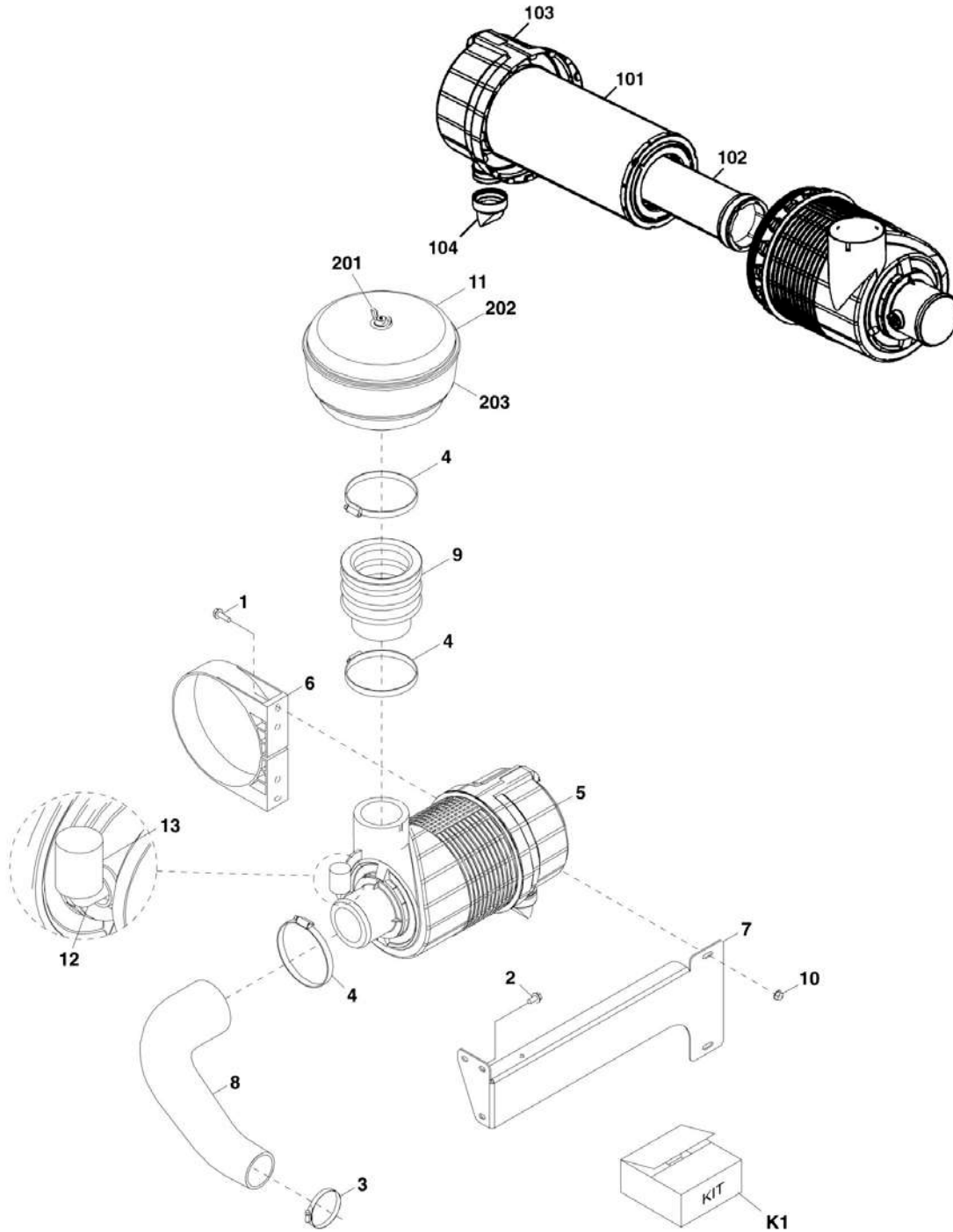
## SECTION 4 - ENGINE AND ATTACHING PARTS

ITEM	PART NUMBER	QTY	DESCRIPTION	REV
117	1001092284	1	RADIATOR, (includes item 120)	
118	1001096207	1	SEAL	
119	4811902	2	WASHER, 8mm	
120	7029722	1	RADIATOR CAP, PLASTIC THREADED, 1 BAR	



# SECTION 4 - ENGINE AND ATTACHING PARTS

## FIGURE 4-7. AIR FILTER INSTALLATION



PAP13910

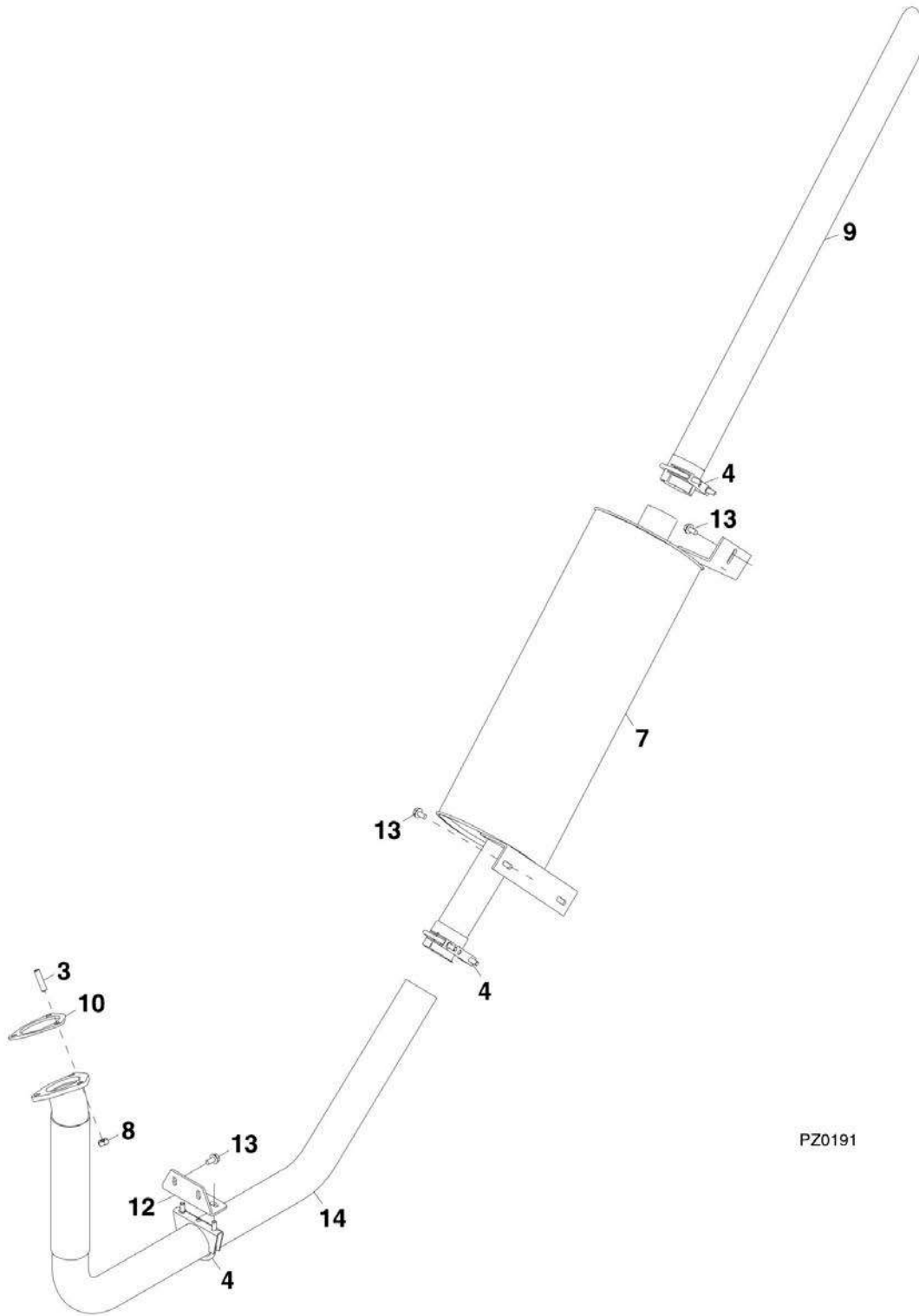
## SECTION 4 - ENGINE AND ATTACHING PARTS

### FIGURE 4-7. AIR FILTER INSTALLATION

ITEM	PART NUMBER	QTY	DESCRIPTION	REV
	0275045	Ref	AIR CLEANER INSTALLATION, (not available to order, see items 1 thru 13 for service)	D
1	5200812	2	RIPP BOLT, 8X25mm	
2	5200808	3	RIPP BOLT, 8-48X16mm	
3	1001091939	1	HOSE CLAMP	
4	1380161	3	TUBE CLAMP	
5	2120212	1	AIR FILTER, (includes items 101 thru 104)	
6	3929780	1	MOUNTING BAND	
7	4341417	1	AIR FILTER MOUNT	
8	4569357	1	HOSE	
9	0840066	1	AIR FILTER INTAKE BOOT	
10	5220800	2	RIPP NUT	
11	8002927	1	PRECLEANER, (includes items 201 thru 203)	
12	2988212	1	ELBOW, NIPPLE	
13	8004981	1	LOW PRESSURE INDICATOR	
101	80273010	1	MAIN FILTER ELEMENT	
102	80273042	1	SECONDARY FILTER ELEMENT	
103	7028118	1	PROTECTION CAP	
104	10733183	1	VACUATOR VALVE	
201	7028097	1	WING NUT	
202	7028095	1	COVER	
203	7028096	1	BOWL	
K1	1001108802	1	HYDRAULIC/AIR FILTER KIT, (includes items 101, 102 plus the return and transmission filters)	

# SECTION 4 - ENGINE AND ATTACHING PARTS

## FIGURE 4-8. MUFFLER INSTALLATION



PZ0191

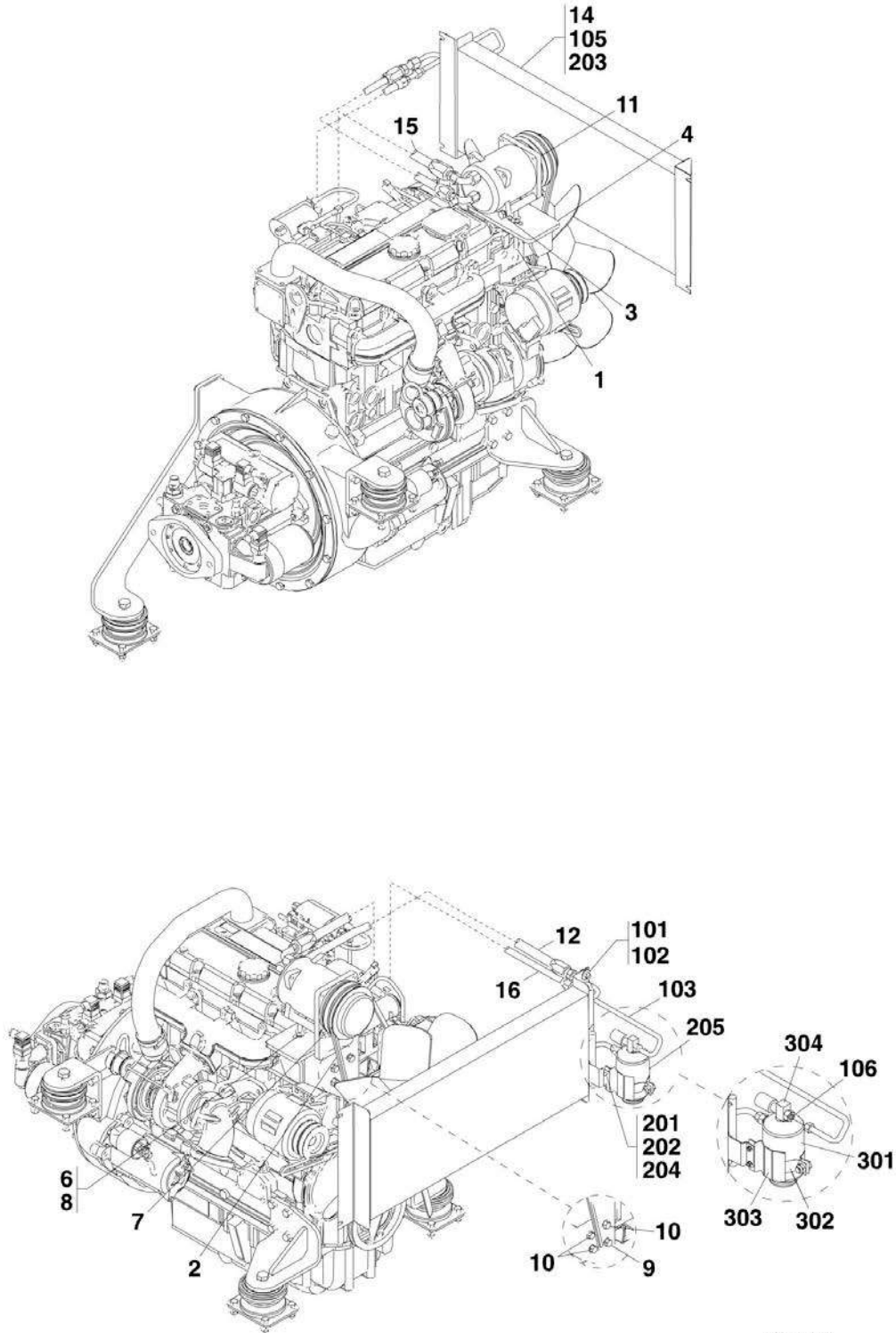
## SECTION 4 - ENGINE AND ATTACHING PARTS

### FIGURE 4-8. MUFFLER INSTALLATION

ITEM	PART NUMBER	QTY	DESCRIPTION	REV
	0274857	Ref	MUFFLER INSTALLATION, (not available to order, see items 3 thru 14 for service)	B
3	0630582	3	BOLT	
4	1686997	3	MUFFLER CLAMP	
7	3220137	1	MUFFLER	
8	3300486	3	HEX NUT, M10X1.5	
9	3460346	1	TAIL PIPE	
10	3960586	1	ENGINE EXHAUST SEAL	
12	4806580	1	BRACKET	
13	5200808	5	RIPP BOLT, 8X48X16mm	
14	8007734	1	EXHAUST PIPE	

# SECTION 4 - ENGINE AND ATTACHING PARTS

## FIGURE 4-9. AC PUMP INSTALLATION



PAP3250



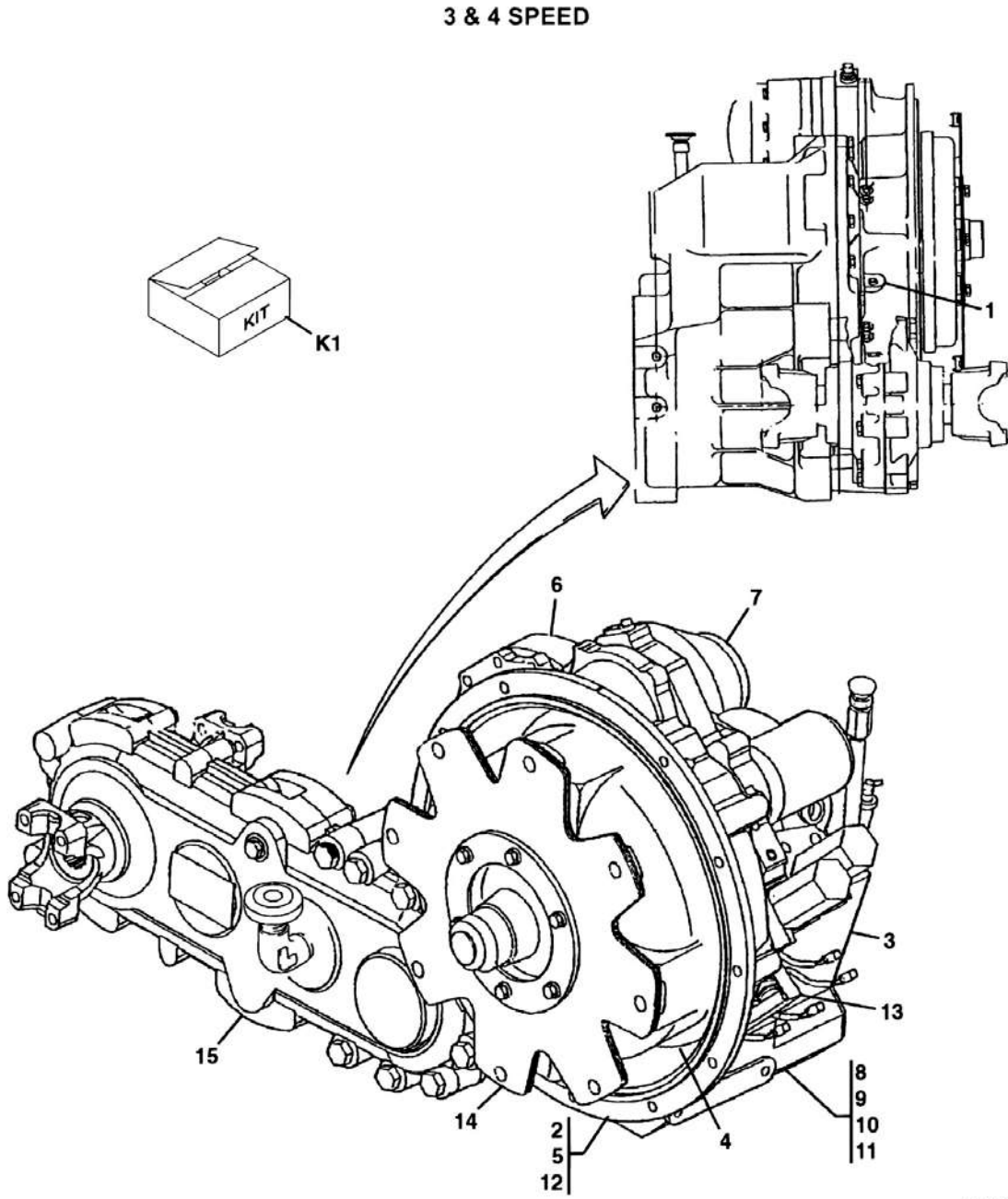
## SECTION 4 - ENGINE AND ATTACHING PARTS

### FIGURE 4-9. AC PUMP INSTALLATION

ITEM	PART NUMBER	QTY	DESCRIPTION	REV
	0275234	Ref	AIR CONDITIONING CONDENSOR, COLLECTOR AND RADIATOR INSTALLATION, (not available to order, see items 1 thru 14 for service)	I
1	0120008	1	AIR CONDITIONER ADJUSTOR	
2	0480138	1	COMPRESSOR BELT	
3	0701030	2	HEX HD CAPSCREW, 10-1.5X130mm	
4	0902966	1	AIR CONDITIONING BRACKET	
6	3291001	2	HEX NUT, 10-1.5mm	
7	3291005	2	SELF LOCKING NUT	
8	4812000	8	WASHER, 10mm	
9	5201010	1	RIPP BOLT, 10-48X20mm	
10	5201012	3	RIPP BOLT, 10-48X25mm	
11	8003167	1	COMPRESSOR	
12	8005786	1	HOSE ASSY	
14	1001091335	1	MECHANICAL CONDENSOR ASSY, (includes items 101 thru 106)	E
15		Ref	HOSE, (See CAB SECTION for Breakdown)	
16		Ref	HOSE, (See CAB SECTION for Breakdown)	
101	0760810	2	HEX HD CAPSCREW, 8-1.25X20 GR8.8	
102	1356341	2	WASHER, 8mm	
103	2754993	1	AC PIPE	
105	1001093363	1	CONDENSOR COOLING PACKAGE ASSY, (includes items 201 thru 205)	
106	1001093371	1	O-RING	
201	0760505	2	HEX HD CAPSCREW, 5-80X10mm	
202	3290501	2	HEX NUT, 5-0.8mm	
203	3620076	1	CONDENSOR	
204	4831600	2	LOCKWASHER	
205	4000022	1	AC DRYER ASSY, (includes items 301 thru 304)	
301	70021482	1	DRYER	
302	70021483	1	CLAMP	
303	70022545	1	BRACKET	
304	70020721	1	PRESSURE SWITCH	

# SECTION 4 - ENGINE AND ATTACHING PARTS

## FIGURE 4-10. TRANSMISSION ASSEMBLY



PAP13700

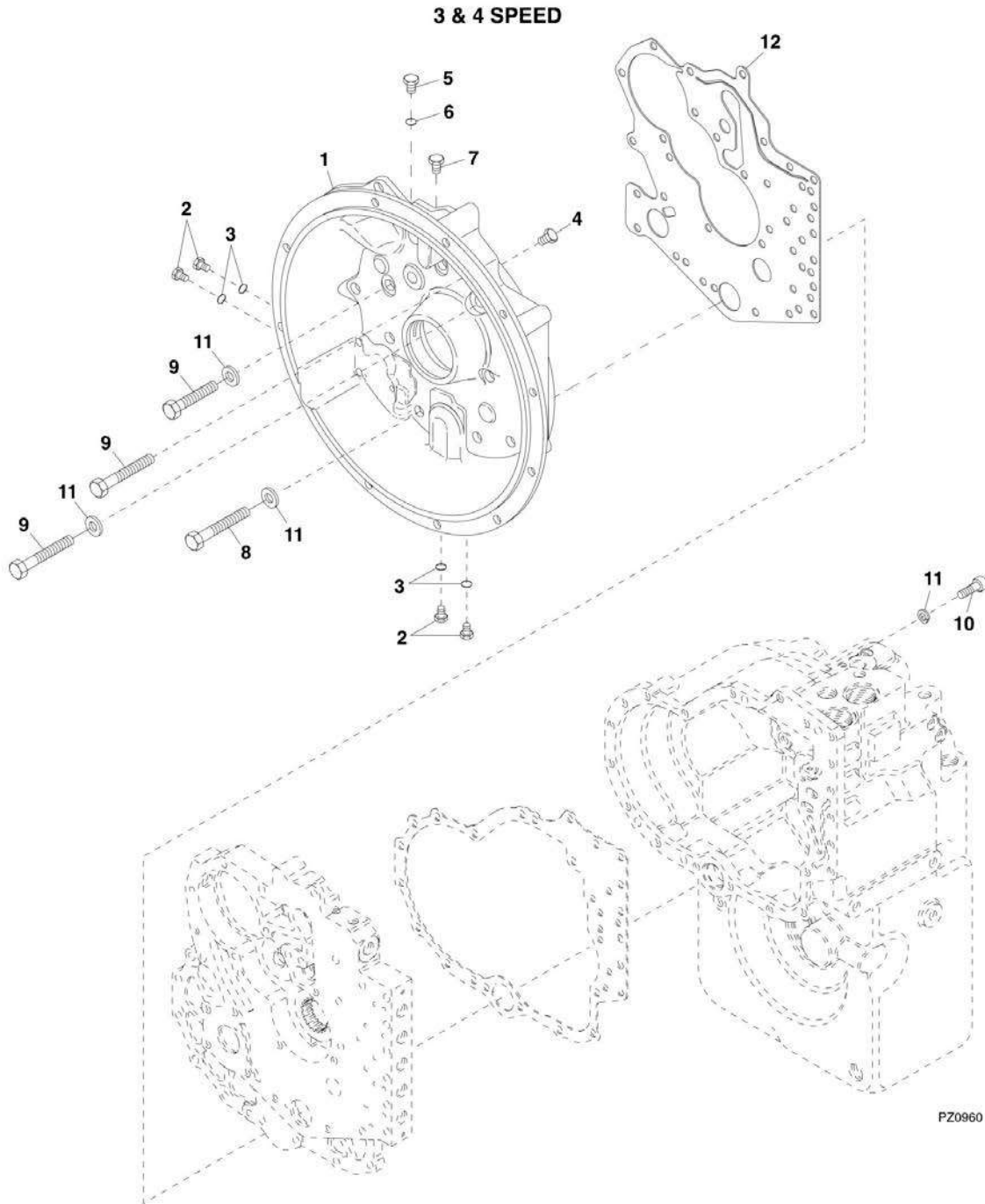
## SECTION 4 - ENGINE AND ATTACHING PARTS

### FIGURE 4-10. TRANSMISSION ASSEMBLY

ITEM	PART NUMBER	QTY	DESCRIPTION	REV
	4540015	1	TRANSMISSION ASSY, (3 SPEED), (includes items 1 thru 15)	A
	4540016	1	TRANSMISSION ASSY, (4 SPEED), (includes items 1 thru 15)	A
1	8006318	1	TEMPERATURE SWITCH	
2		Ref	CONVERTER HOUSING, (See TRANSMISSION ASSEMBLY-CONVERTER HOUSING for Breakdown)	
3		Ref	CASE AND PLATE, (See TRANSMISSION ASSEMBLY-CASE AND PLATE for Breakdown)	
4		Ref	TORQUE CONVERTER, (See TRANSMISSION ASSEMBLY-TORQUE CONVERTER for Breakdown)	
5		Ref	GEAR GROUP, (See TRANSMISSION ASSEMBLY-GEAR GROUP for Breakdown)	
6		Ref	PUMP DRIVE GROUP, (See TRANSMISSION ASSEMBLY-PUMP DRIVE GROUP for Breakdown)	
7		Ref	CHARGE PUMP, (See TRANSMISSION ASSEMBLY-CHARGE PUMP for Breakdown)	
8		Ref	REVERSE IDLER, (See TRANSMISSION ASSEMBLY-REVERSE IDLER for Breakdown)	
9		Ref	FORWARD AND REVERSE SHAFT, (See TRANSMISSION ASSEMBLY-FORWARD AND REVERSE SHAFT for Breakdown)	
10		Ref	3RD AND HIGH(4TH) SHAFT, (See TRANSMISSION ASSEMBLY-3RD SHAFT for Breakdown)	
11		Ref	1ST & 2ND SHAFT, (See TRANSMISSION ASSEMBLY-1ST & 2ND SHAFT for Breakdown)	
12		Ref	OUTPUT SHAFT, (See TRANSMISSION ASSEMBLY-OUTPUT SHAFT for Breakdown)	
13		Ref	CONTROL AND MODULATION VALVE ASSY, (See TRANSMISSION ASSEMBLY-CONTROL AND MODULATION VALVE ASSEMBLY for Breakdown)	
14		Ref	DRIVE PLATE, (See TRANSMISSION ASSEMBLY-DRIVE PLATE for Breakdown)	
15		Ref	DROP BOX, (See TRANSMISSION ASSEMBLY-DROP BOX for Breakdown)	
K1	7028110	1	GASKET AND SEAL KIT, (contains gaskets and seals for entire transmission with the exception of the 4-shaft drop box)	
K1		Ref	4-SHAFT DROP BOX GASKET AND SEAL KIT, (See TRANSMISSION ASSEMBLY-DROP BOX for Breakdown)	

# SECTION 4 - ENGINE AND ATTACHING PARTS

## FIGURE 4-11. TRANSMISSION ASSEMBLY - CONVERTER HOUSING



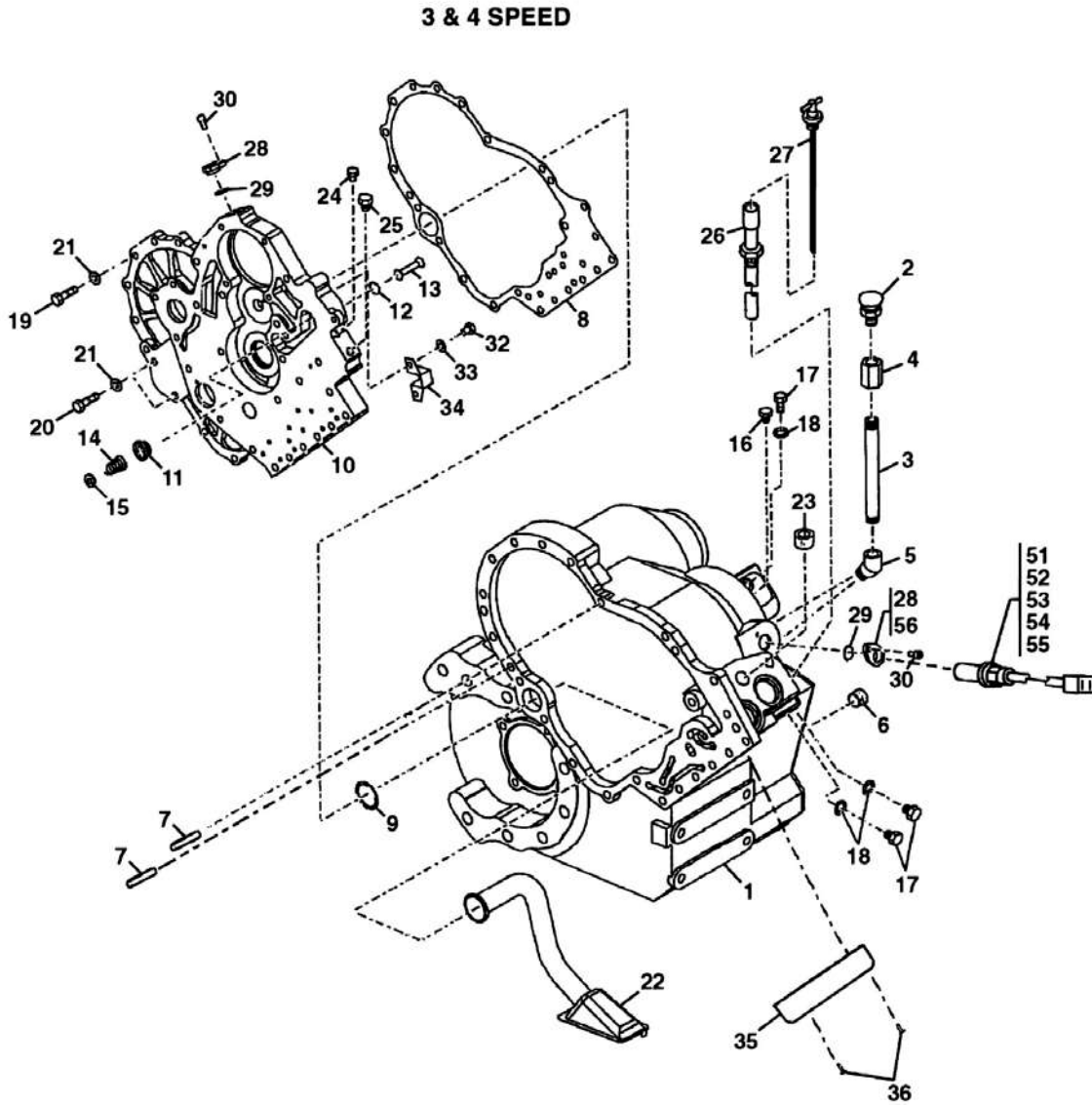
## SECTION 4 - ENGINE AND ATTACHING PARTS

FIGURE 4-11. TRANSMISSION ASSEMBLY - CONVERTER HOUSING

ITEM	PART NUMBER	QTY	DESCRIPTION	REV
1	91474186	1	HOUSING, CONVERTER	
2	8032526	4	PLUG, (includes item 3)	
3	91474188	4	O-RING	
4	91474189	1	PLUG, REGULATOR PRESSURE SIDE	
5	8032526	1	PLUG, (includes item 6)	
6	91474188	1	O-RING	
7	91474192	1	CHECK VALVE PLUG	
8	91474193	6	SCREW	
9	91474194	16	SCREW	
10	91474195	1	SCREW	
11	91474265	23	LOCKWASHER	
12	91474191	1	GASKET	

# SECTION 4 - ENGINE AND ATTACHING PARTS

## FIGURE 4-12. TRANSMISSION ASSEMBLY - CASE AND PLATE



PZ0930

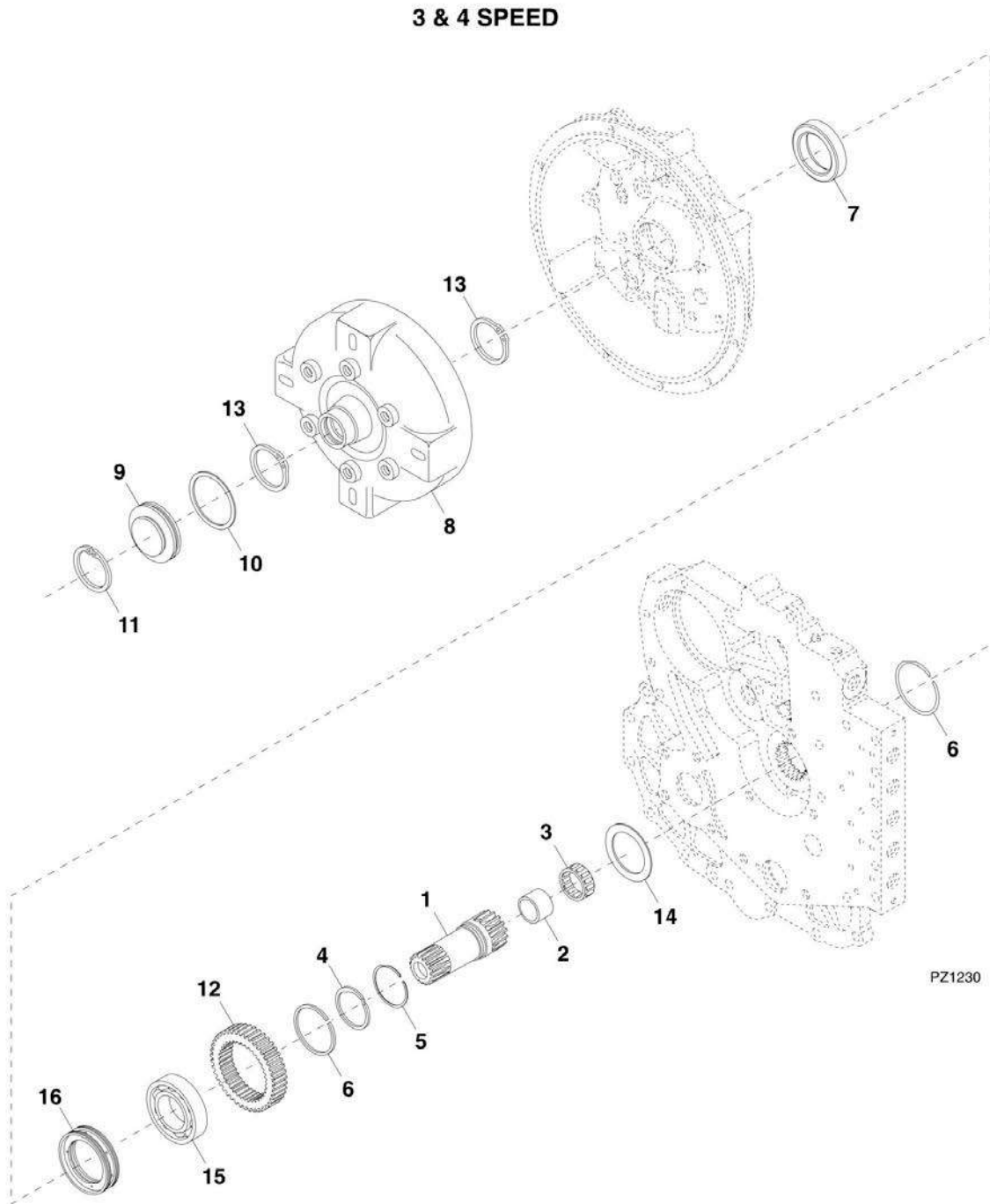
## SECTION 4 - ENGINE AND ATTACHING PARTS

### FIGURE 4-12. TRANSMISSION ASSEMBLY - CASE AND PLATE

ITEM	PART NUMBER	QTY	DESCRIPTION	REV
		Ref	CASE AND PLATE, (includes items 1 thru 36)	
1	70020402	1	TRANSMISSION CASE	
2	8032509	1	BREATHER	
3	7028058	1	NIPPLE, PIPE	
4	91474198	1	COUPLING, PIPE	
5	91474199	1	FITTING, ELBOW	
6	8032528	2	PLUG, MAGNETIC DRAIN	
7	91474200	2	DOWEL PIN	
8	91474201	1	GASKET PLATE	
9	10837074	1	RING, OIL SUPPLY TUBE SEAL	
10	7029822	1	PLATE	
11	8034963	1	SEAT, SAFETY VALVE	
12	91474205	1	SNAP RING, SEAT	
13	91474206	1	POPPET, CONVERTER SAFETY VALVE	
14	8034962	1	SPRING, CONVERTER SAFETY VALVE	
15	8034961	1	WASHER, POPPET RETAINING	
16	91474189	1	PLUG	
17	8032526	3	PLUG, (includes item 18)	
18	91474188	3	O-RING	
19	91474208	7	SCREW	
20	91474209	2	SCREW	
21	91474265	9	LOCKWASHER	
22	91474210	1	SUCTION TUBE ASSY	
23	91474211	1	PLUG, FILLER	
24	91474189	1	PLUG	
25	91474192	1	PLUG	
26	90204823	1	DIPSTICK TUBE ASSY	
27	70020403	1	DIPSTICK	
28	91474213	2	PLUG, SPEED SENSOR	
29	91474214	2	O-RING, SPEED SENSOR	
30	8034940	2	SCREW, SPEED SENSOR	
32	91474617	2	CAPSCREW	
33	91474618	2	WASHER	
34	NA	1	BAFFLE, SAFETY VALVE	
35	70020405	1	PLATE	
36	70020406	2	HEX HD CAPSCREW W/ FLANGE	
	0275674	1	SPEED SENSOR INSTALLATION, (includes items 51 & 57), (if equipped)	
51	8007875	1	SPEED SENSOR ASSY, (includes one of items 29 & 30 and items 52 thru 56)	
52	4461118	1	CONNECTOR	
53	1001107854	2	CONTACT	
54	1001104498	1	SEAL	
55		Ref	SENSOR	
56	7028927	1	CLIP	
57	0100011	AR	LOCTITE 242	

# SECTION 4 - ENGINE AND ATTACHING PARTS

## FIGURE 4-13. TRANSMISSION ASSEMBLY - TORQUE CONVERTER





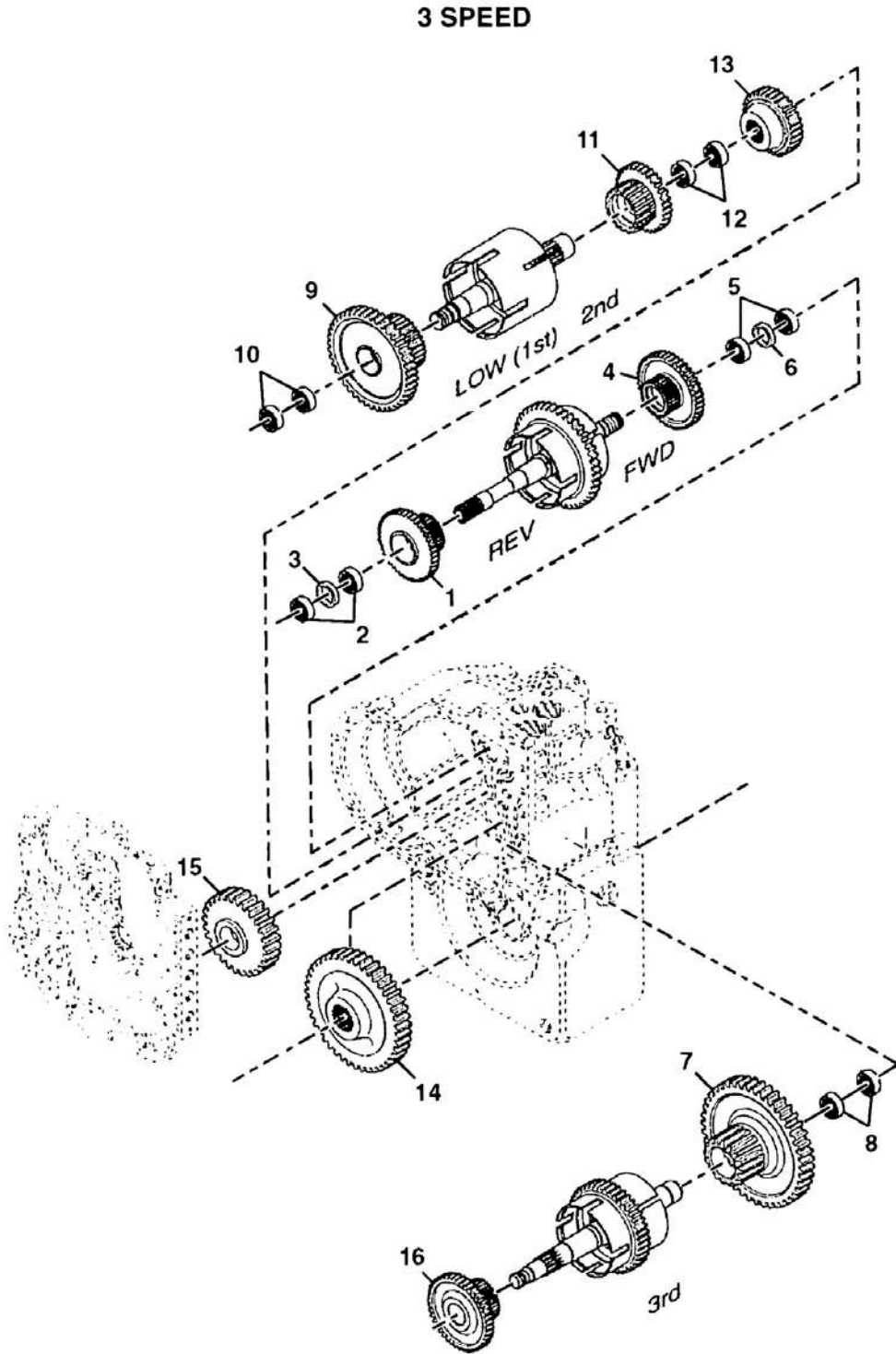
## SECTION 4 - ENGINE AND ATTACHING PARTS

**FIGURE 4-13. TRANSMISSION ASSEMBLY - TORQUE CONVERTER**

ITEM	PART NUMBER	QTY	DESCRIPTION	REV
1	91474216	1	STATOR SUPPORT ASSY, (includes items 2 & 3)	
2	91474217	1	BUSHING	
3	91474218	1	BEARING	
4	91474219	1	RING, STATOR SUPPORT PISTON	
5	91474220	1	EXPANDER, STATOR SUPPORT PISTON RING	
6	91474221	2	SNAP RING, STATOR SUPPORT	
7	10837072	1	SEAL	
8	7028055	1	TORQUE CONVERTER ASSY	
9	90204781	1	PLUG, TORQUE CONVERTER	
10	77104039	1	O-RING, TORQUE CONVERTER PLUG	
11	77104041	1	SNAP RING, TORQUE CONVERTER PLUG	
12	91474224	1	GEAR, IMPELLER HUB	
13	8034968	2	SNAP RING, IMPELLER HUB	
14	91474226	1	WASHER, IMPELLER HUB GEAR	
15	10868235	1	BEARING, TORQUE CONVERTER	
16	91474228	1	RING, OIL DISTRIBUTOR	

# SECTION 4 - ENGINE AND ATTACHING PARTS

## FIGURE 4-14. TRANSMISSION ASSEMBLY - GEAR GROUP 3 SPEED



PZ1110

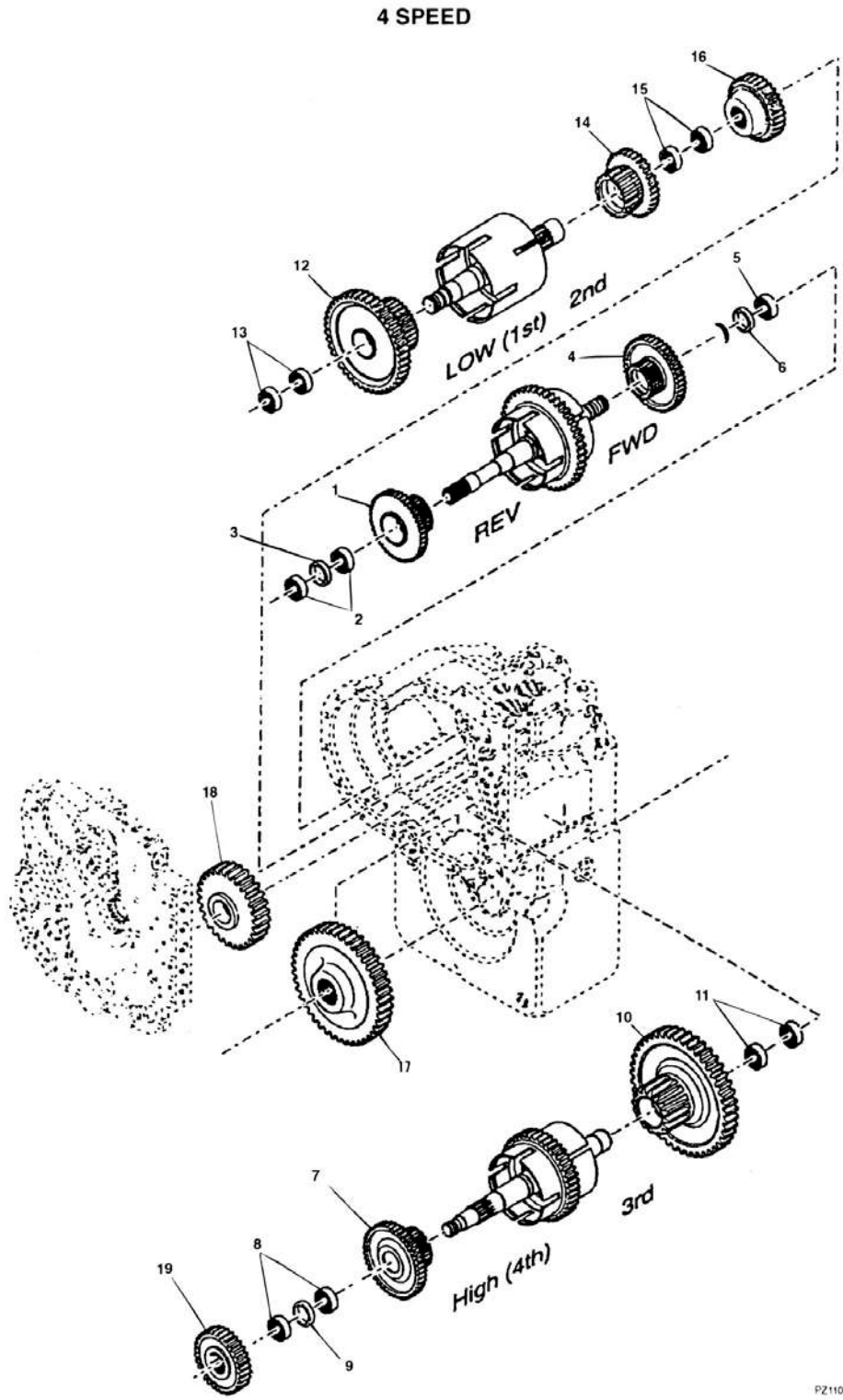
## SECTION 4 - ENGINE AND ATTACHING PARTS

**FIGURE 4-14. TRANSMISSION ASSEMBLY - GEAR GROUP 3 SPEED**

ITEM	PART NUMBER	QTY	DESCRIPTION	REV
1	7028060	1	REVERSE GEAR AND BEARING ASSY, (includes items 2 & 3)	
2	91474230	2	BEARING, REVERSE CLUTCH GEAR	
3	91474231	1	SPACER, REVERSE CLUTCH GEAR BEARING	
4	91474232	1	FORWARD CLUTCH GEAR AND BEARING ASSY, (includes items 5 & 6)	
5	91474230	2	BEARING, FORWARD CLUTCH GEAR	
6	91474231	1	SPACER, FORWARD CLUTCH GEAR BEARING	
7	91474389	1	3RD CLUTCH GEAR AND BEARING ASSY, (includes item 8)	
8	91474236	2	BEARING, NEEDLE	
9	91474390	1	1ST CLUTCH GEAR AND BEARING ASSY, (includes item 10)	
10	91474230	2	BEARING, 1ST GEAR	
11	91474239	1	2ND CLUTCH GEAR AND BEARING ASSY, (includes item 12)	
12	91474230	2	BEARING, 2ND GEAR	
13	91474393	1	GEAR, 3RD DRIVE	
14	91474394	1	GEAR, OUTPUT SHAFT	
15	91474395	1	GEAR, REVERSE IDLER	
16	91474396	1	GEAR, FIRST DRIVE	

# SECTION 4 - ENGINE AND ATTACHING PARTS

## FIGURE 4-15. TRANSMISSION ASSEMBLY - GEAR GROUP 4 SPEED



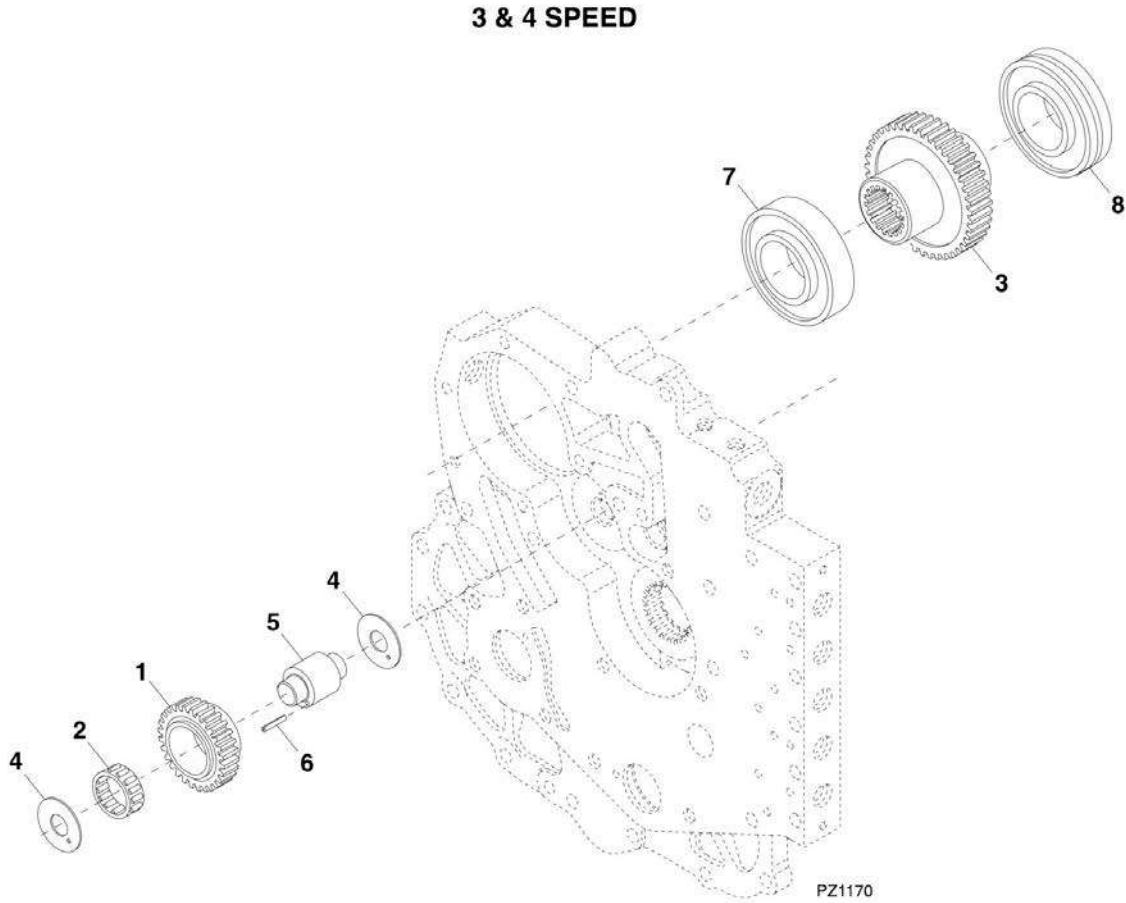
## SECTION 4 - ENGINE AND ATTACHING PARTS

**FIGURE 4-15. TRANSMISSION ASSEMBLY - GEAR GROUP 4 SPEED**

ITEM	PART NUMBER	QTY	DESCRIPTION	REV
1	7028060	1	REVERSE GEAR AND BEARING ASSY, (includes items 2 & 3)	
2	91474230	2	BEARING, REVERSE CLUTCH GEAR	
3	91474231	1	SPACER, REVERSE CLUTCH GEAR BEARING	
4	91474232	1	FORWARD CLUTCH GEAR AND BEARING ASSY, (includes items 5 & 6)	
5	91474230	2	BEARING, FORWARD CLUTCH GEAR	
6	91474231	1	SPACER, FORWARD CLUTCH GEAR BEARING	
7	7028061	1	4TH CLUTCH GEAR AND BEARING ASSY, (includes items 8 & 9)	
8	91474387	2	BEARING, NEEDLE	
9	91474388	1	SPACER, HIGH CLUTCH GEAR BEARING	
10	91474389	1	3RD CLUTCH GEAR AND BEARING ASSY, (includes item 11)	
11	91474236	2	BEARING, NEEDLE	
12	91474390	1	1ST CLUTCH GEAR AND BEARING ASSY, (includes item 13)	
13	91474230	2	BEARING, 1ST GEAR	
14	91474239	1	2ND CLUTCH GEAR AND BEARING ASSY, (includes item 15)	
15	91474230	2	BEARING, 2ND GEAR	
16	91474393	1	GEAR, 3RD DRIVE	
17	91474394	1	GEAR, OUTPUT SHAFT	
18	91474395	1	GEAR, REVERSE IDLER	
19	91474396	1	GEAR, FIRST DRIVE	

# SECTION 4 - ENGINE AND ATTACHING PARTS

FIGURE 4-16. TRANSMISSION ASSEMBLY - PUMP DRIVE GROUP



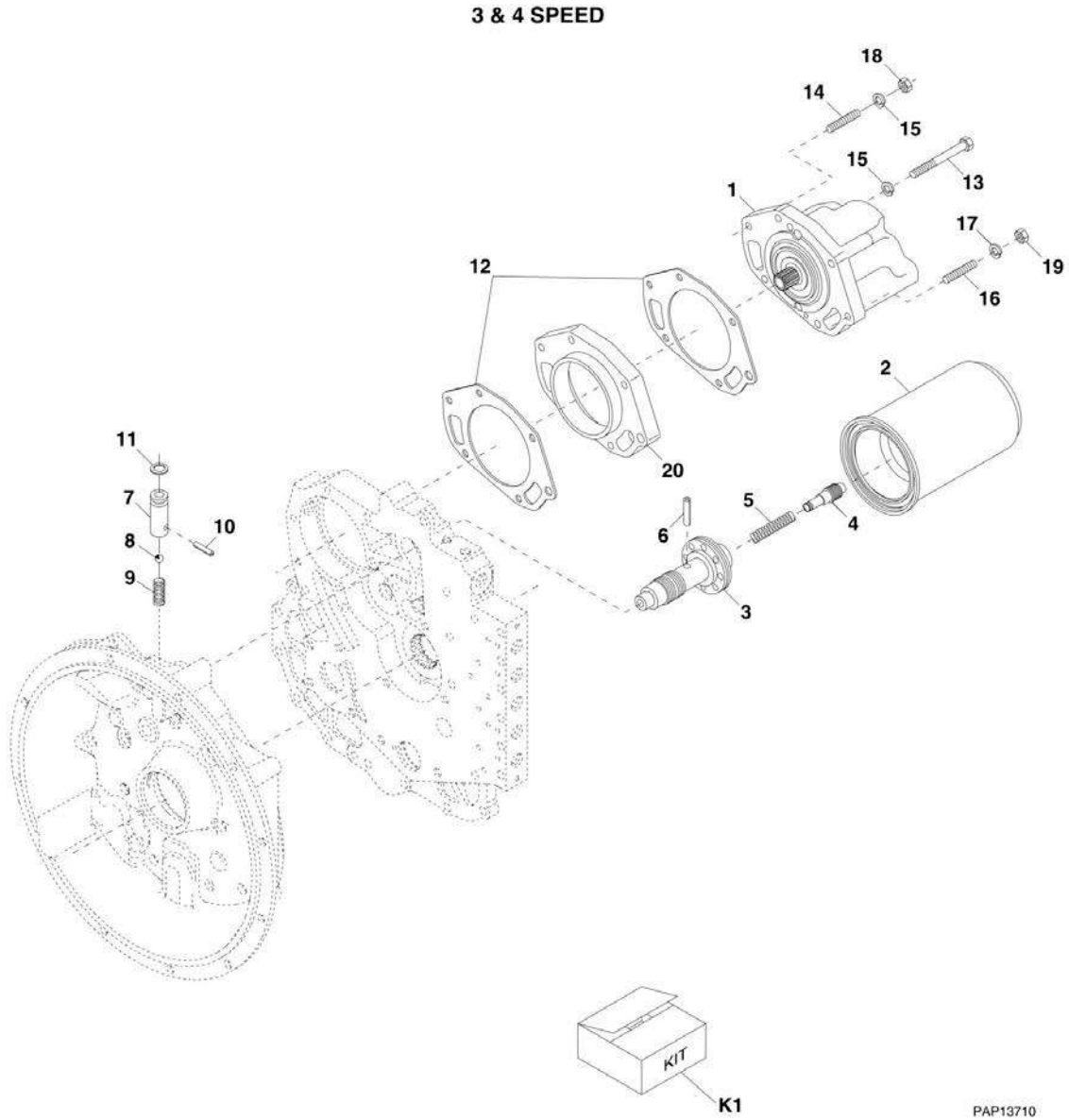
## SECTION 4 - ENGINE AND ATTACHING PARTS

FIGURE 4-16. TRANSMISSION ASSEMBLY - PUMP DRIVE GROUP

ITEM	PART NUMBER	QTY	DESCRIPTION	REV
1	91474241	1	GEAR, PUMP DRIVE IDLER	
2	91474242	1	BEARING, IDLER GEAR	
3	91474243	1	GEAR, PUMP DRIVE	
4	10868243	2	WASHER, PUMP DRIVE IDLER THRUST	
5	91474245	1	PUMP DRIVE SHAFT AND PIN ASSY, (includes item 6)	
6	10868248	1	PIN, ROLL	
7	91474247	1	BEARING, PUMP DRIVE GEAR	
8	91474248	1	BEARING, PUMP DRIVE GEAR	

# SECTION 4 - ENGINE AND ATTACHING PARTS

## FIGURE 4-17. TRANSMISSION ASSEMBLY - CHARGE PUMP





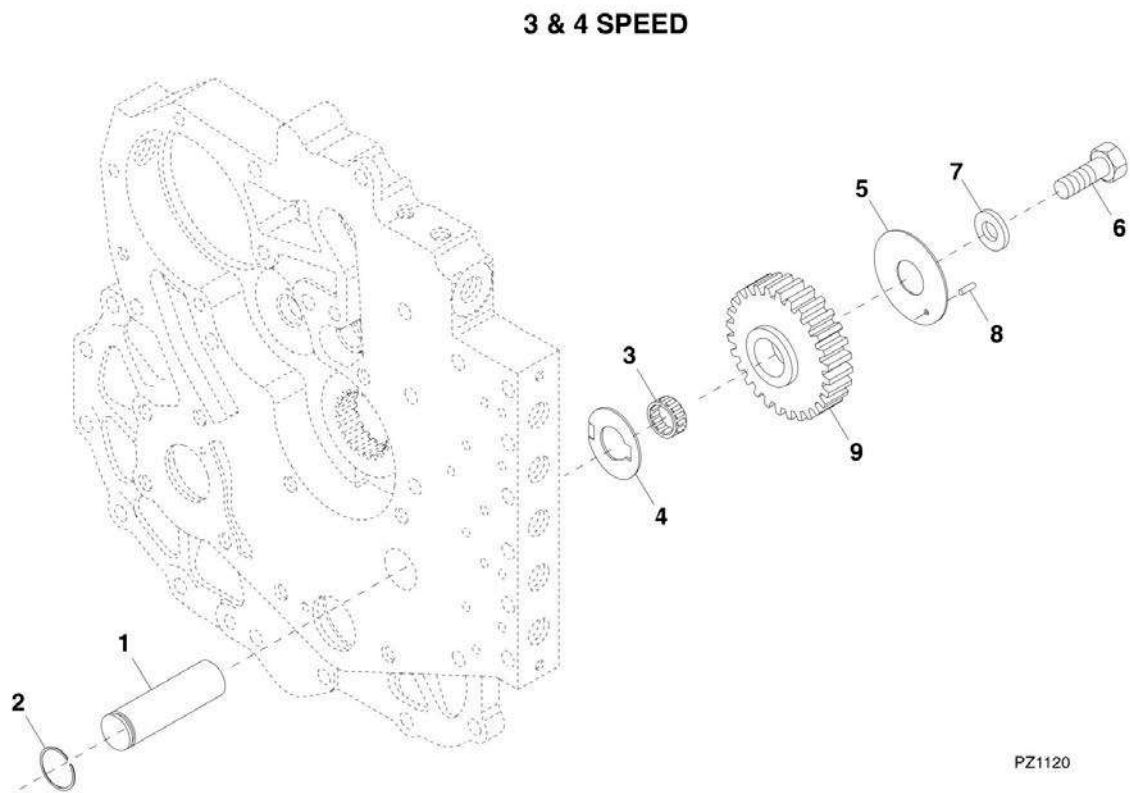
## SECTION 4 - ENGINE AND ATTACHING PARTS

**FIGURE 4-17. TRANSMISSION ASSEMBLY - CHARGE PUMP**

ITEM	PART NUMBER	QTY	DESCRIPTION	REV
1	70020407	1	CHARGE PUMP ASSY	
1	70021830	1	O-RING, (located between two halves of charge pump)	
2	8008101	1	HYDRAULIC SPIN FILTER ASSY	
3	91474251	1	SLEEVE, REGULATOR VALVE	
4	91474252	1	PISTON, REGULATOR VALVE	
5	91474253	1	SPRING, REGULATOR VALVE	
6	91474254	1	PIN	
7	91474255	1	BALL CHECK VALVE ASSY, (includes items 8 thru 11)	
8	91474256	1	BALL	
9	91474257	1	SPRING, CHECK VALVE	
10	91474258	1	PIN, CHECK VALVE	
11	91474259	1	O-RING	
12	10868254	2	GASKET, PUMP AND ADAPTER	
13	7028063	4	SCREW	
14	91474262	1	STUD	
15	91474263	5	LOCKWASHER	
16	91474264	1	STUD	
17	91474265	1	LOCKWASHER	
18	91474266	1	NUT	
19	91474274	1	NUT	
20	91474268	1	ADAPTER	
21	91474273	1	REGULATOR VALVE ASSY, (includes items 3 thru 6)	
K1	1001108802	1	HYDRAULIC/AIR FILTER KIT, (includes item 2 plus the return, air and secondary air filters)	

# SECTION 4 - ENGINE AND ATTACHING PARTS

## FIGURE 4-18. TRANSMISSION ASSEMBLY - REVERSE IDLER



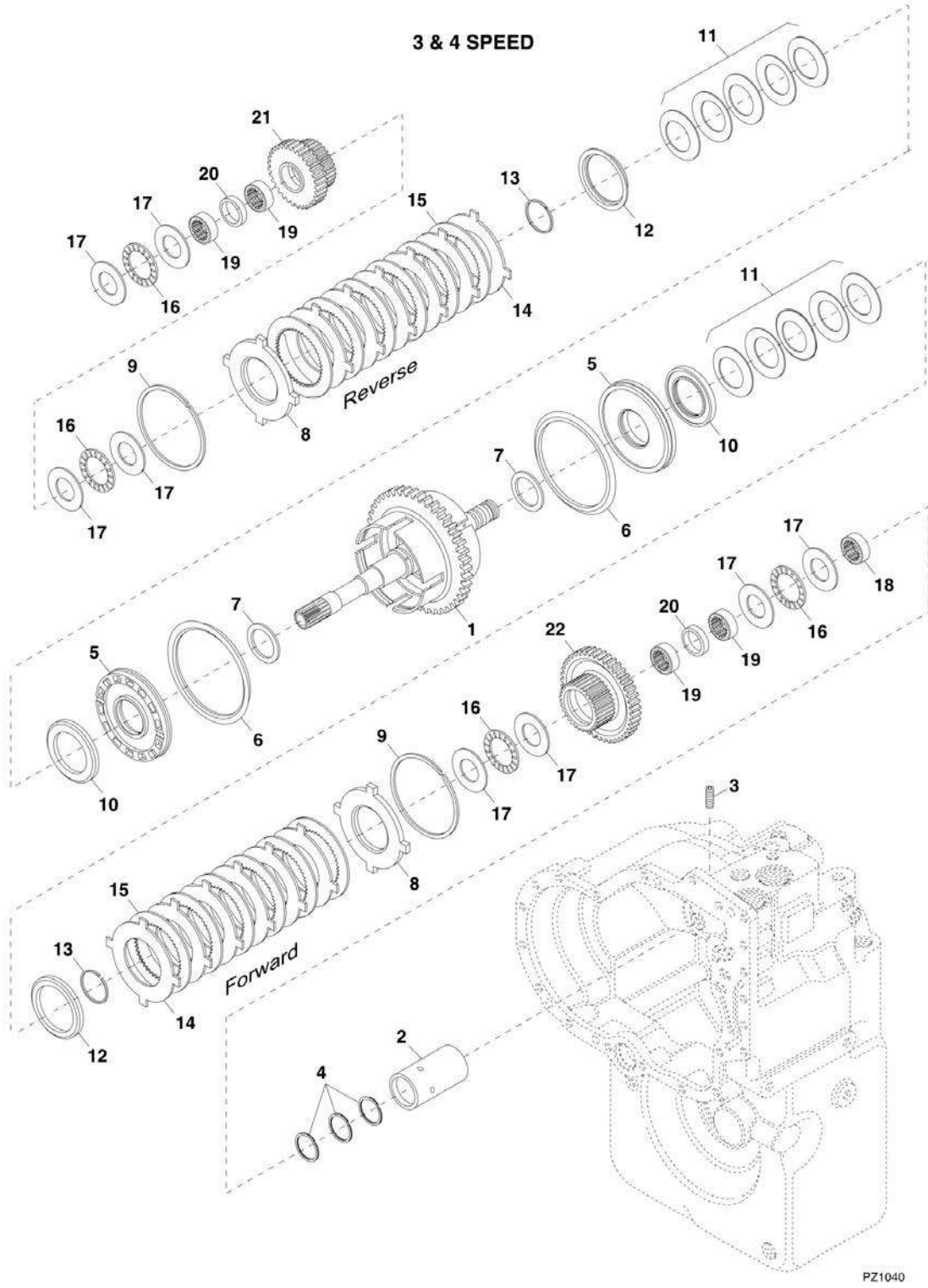
## SECTION 4 - ENGINE AND ATTACHING PARTS

FIGURE 4-18. TRANSMISSION ASSEMBLY - REVERSE IDLER

ITEM	PART NUMBER	QTY	DESCRIPTION	REV
1	91474275	1	SHAFT, IDLER AND PILOT	
2	91474276	1	SNAP RING, IDLER SHAFT	
3	91474277	1	BEARING, REVERSE IDLER GEAR	
4	91474278	1	WASHER, THRUST	
5	91474279	1	PLATE, END	
6	91474280	1	CAPSCREW	
7	91474281	1	WASHER	
8	91474282	1	ROLL PIN	
9		Ref	REVERSE IDLER GEAR, (See TRANSMISSION ASSEMBLY - GEAR GROUP for Breakdown)	

# SECTION 4 - ENGINE AND ATTACHING PARTS

## FIGURE 4-19. TRANSMISSION ASSEMBLY - FORWARD AND REVERSE SHAFT



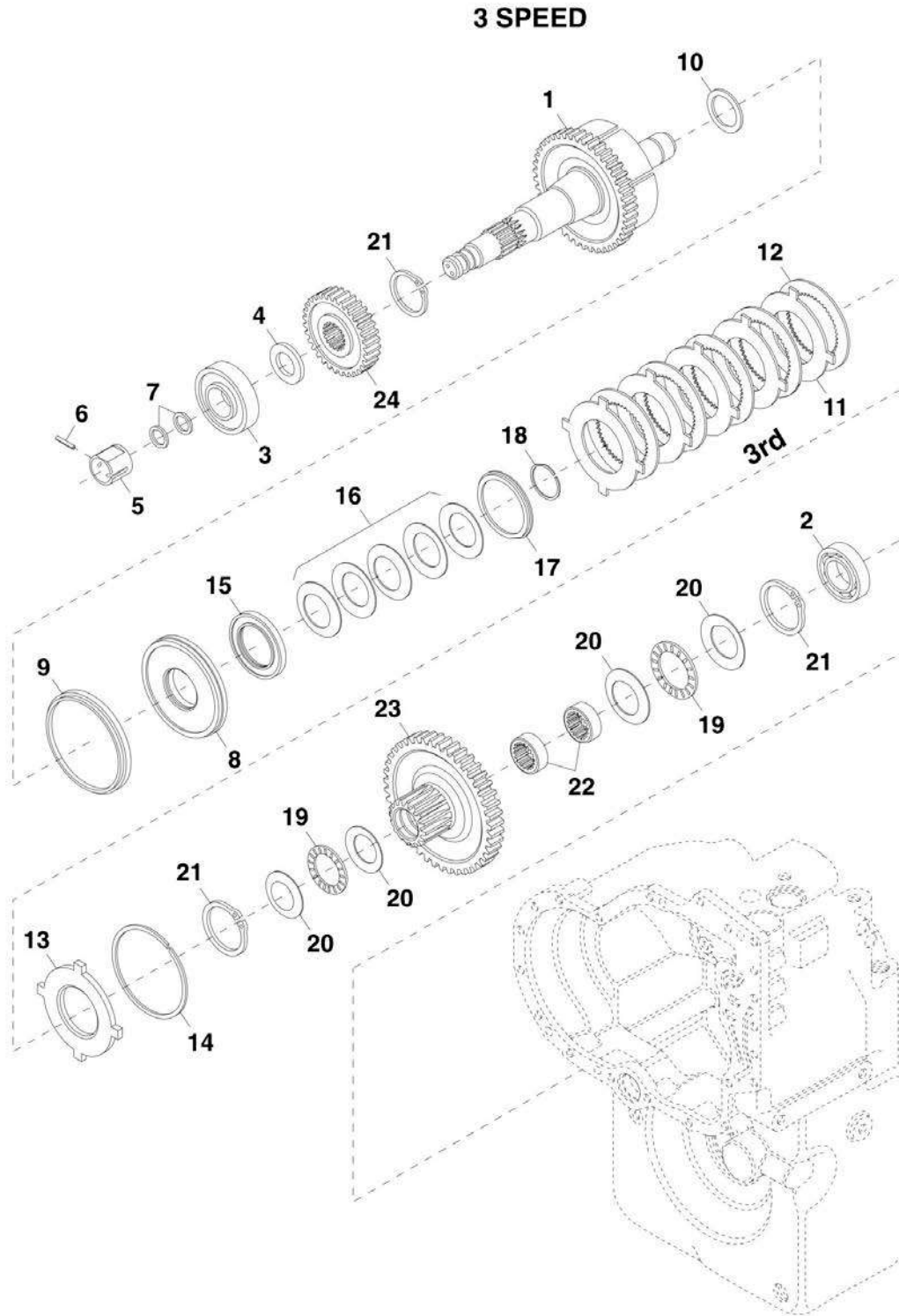
## SECTION 4 - ENGINE AND ATTACHING PARTS

**FIGURE 4-19. TRANSMISSION ASSEMBLY - FORWARD AND REVERSE SHAFT**

ITEM	PART NUMBER	QTY	DESCRIPTION	REV
1		Ref	TURBINE SHAFT, DRUM AND PLUG ASSY	
1	91474283	1	3 SPEED	
1	8035031	1	4 SPEED	
2	91474284	1	SLEEVE, OIL DISTRIBUTOR	
3	8035035	1	SCREW, RETAINER	
4	91474286	3	RING, PISTON	
5	91474287	2	PISTON AND SEALS ASSY, (includes items 6 & 7)	
6	91474288	2	SEAL, CLUTCH PISTON, (outer)	
7	91474289	2	SEAL, CLUTCH PISTON, (inner)	
8	91474290	2	PLATE, END	
9	91474309	2	SNAP RING	
10	91474292	2	PLATE, CLUTCH PISTON WEAR	
11	91474310	2	DISC SPRING ASSY, (includes 5 washers)	
12	91474294	2	RETAINER, SNAP RING	
13	91474295	2	SNAP RING, RETAINER	
14	91474296	12	DISC, OUTER, (6 forward, 6 reverse)	
15	91474297	12	DISC, INNER, (6 forward, 6 reverse)	
16	91474298	4	BEARING, CLUTCH GEAR THRUST	
17	91474299	8	WASHER, CLUTCH GEAR THRUST	
18	91474300	1	BEARING, TURBINE SHAFT REAR	
19		Ref	BEARING, CLUTCH GEAR, (See TRANSMISSION ASSEMBLY - GEAR GROUP for Breakdown)	
20		Ref	SPACER, CLUTCH GEAR, (See TRANSMISSION ASSEMBLY - GEAR GROUP for Breakdown)	
21		Ref	GEAR, REVERSE CLUTCH, (See TRANSMISSION ASSEMBLY - GEAR GROUP for Breakdown)	
22		Ref	GEAR, FORWARD CLUTCH, (See TRANSMISSION ASSEMBLY - GEAR GROUP for Breakdown)	

# SECTION 4 - ENGINE AND ATTACHING PARTS

FIGURE 4-20. TRANSMISSION ASSEMBLY - 3RD SHAFT



PZ1210

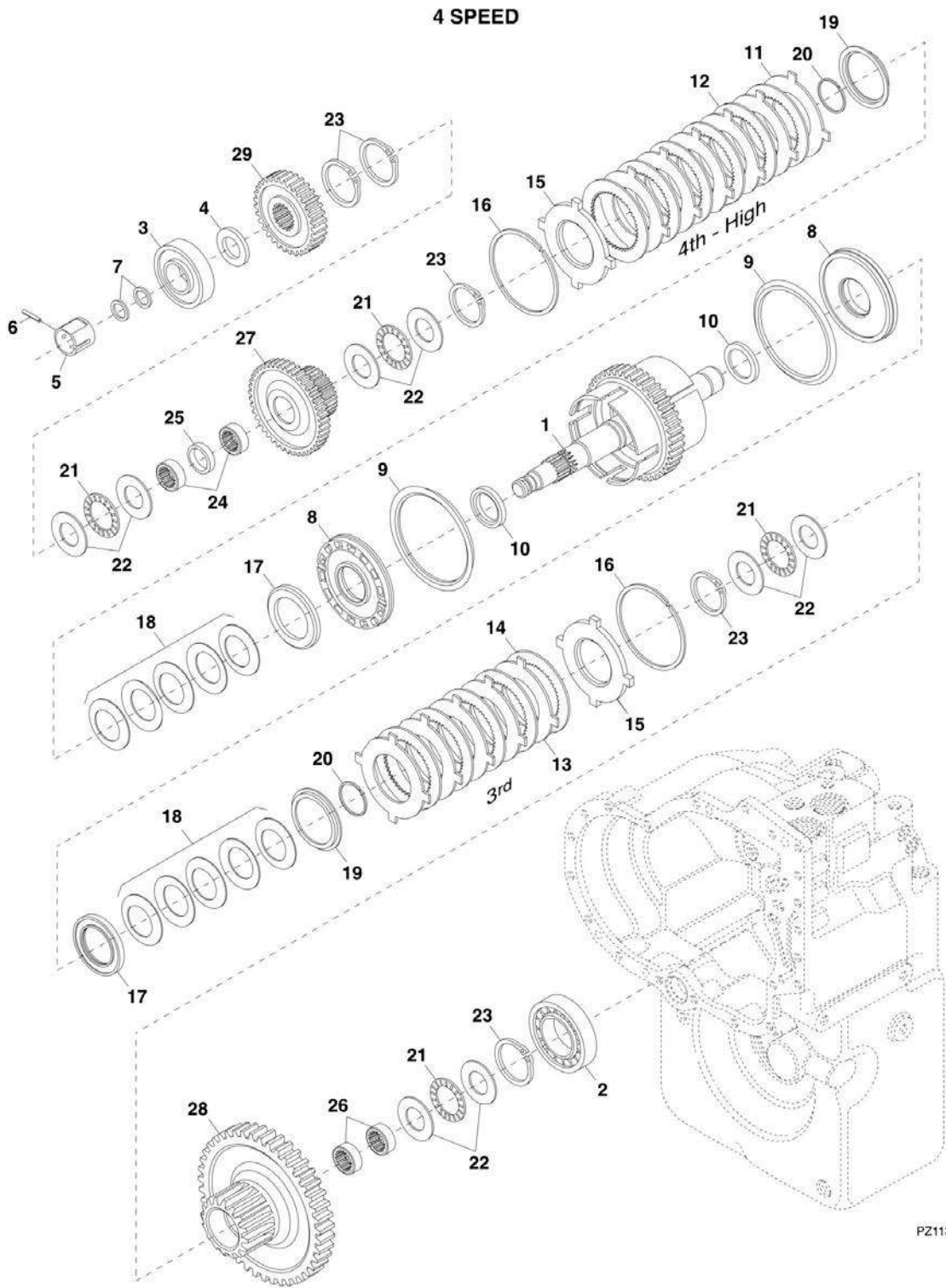
## SECTION 4 - ENGINE AND ATTACHING PARTS

**FIGURE 4-20. TRANSMISSION ASSEMBLY - 3RD SHAFT**

ITEM	PART NUMBER	QTY	DESCRIPTION	REV
1	91474301	1	3RD SHAFT ASSY	
2	91474302	1	BEARING, ROLLER	
3	91474303	1	BEARING AND SEAL ASSY	
4	91474304	1	WASHER, BEARING SUPPORT	
5	10868284	1	SLEEVE, OIL DISTRIBUTOR	
6	91474306	1	SCREW, SLEEVE RETAINING	
7	91474286	2	RING, PISTON	
8	91474307	1	PISTON AND SEALS ASSY, (includes items 9 & 10)	
9	91474288	1	SEAL, CLUTCH PISTON, (outer)	
10	91474289	1	SEAL, CLUTCH PISTON, (inner)	
11	91474296	5	DISC, OUTER, (3rd)	
12	91474297	5	DISC, INNER, (3rd)	
13	91474290	1	PLATE, END	
14	91474309	1	SNAP RING, END PLATE	
15	91474292	1	PLATE, CLUTCH PISTON WEAR	
16	91474310	1	DISC SPRING ASSY, (3rd)	
17	91474294	1	RETAINER, SNAP RING	
18	91474295	1	SNAP RING, RETAINER	
19	91474311	2	BEARING, THRUST NEEDLE ROLLER	
20	91474312	4	WASHER, CLUTCH GEAR THRUST	
21	91474313	3	SNAP RING, GEAR HUB	
22		Ref	BEARING, 3RD CLUTCH GEAR, (See TRANSMISSION ASSEMBLY - GEAR GROUP for Breakdown)	
23		Ref	GEAR, 3RD CLUTCH, (See TRANSMISSION ASSEMBLY - GEAR GROUP for Breakdown)	
24		Ref	GEAR, 1ST DRIVE, (See TRANSMISSION ASSEMBLY - GEAR GROUP for Breakdown)	

# SECTION 4 - ENGINE AND ATTACHING PARTS

## FIGURE 4-21. TRANSMISSION ASSEMBLY - 3RD AND HIGH (4TH) SHAFT



PZ1130



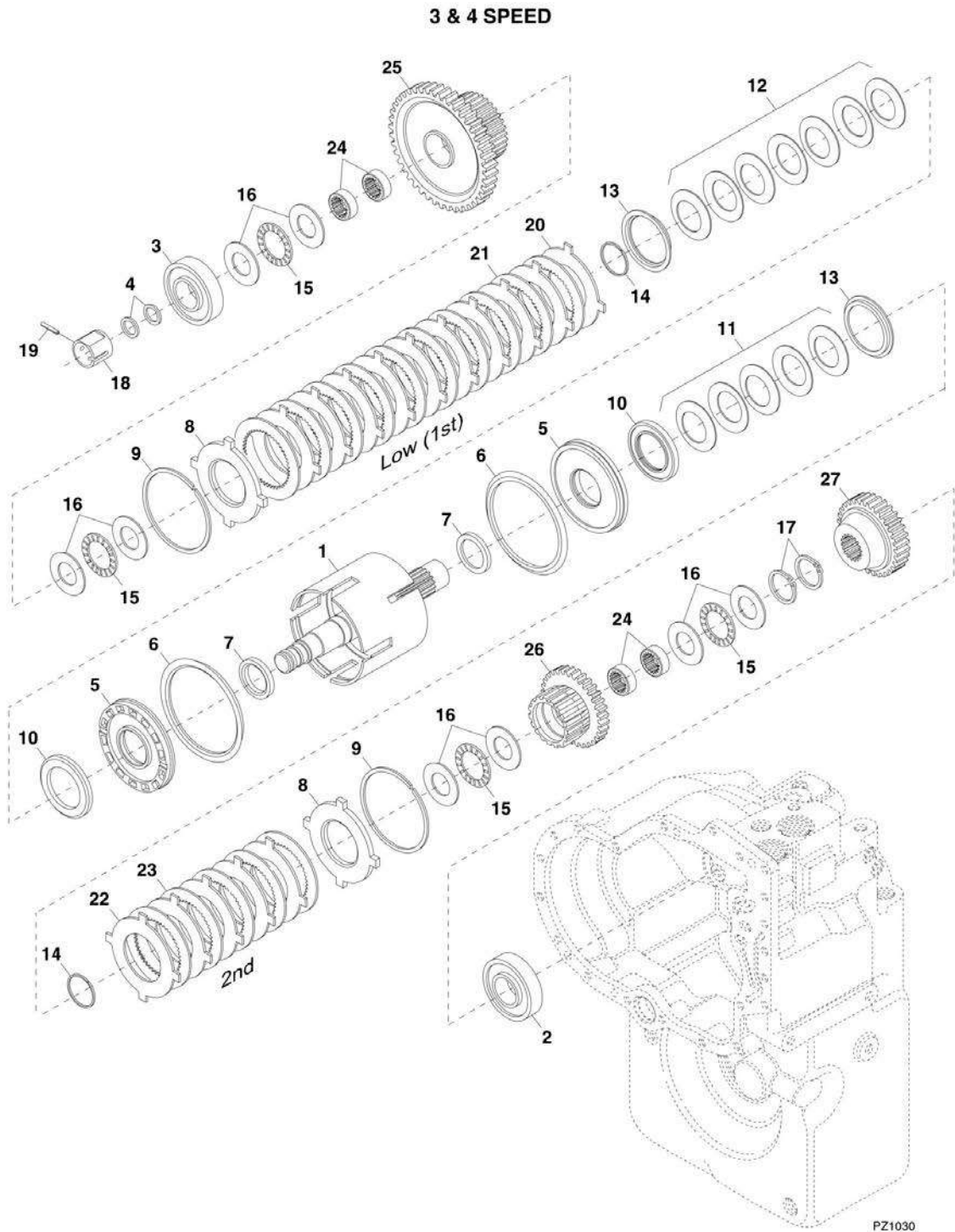
## SECTION 4 - ENGINE AND ATTACHING PARTS

**FIGURE 4-21. TRANSMISSION ASSEMBLY - 3RD AND HIGH (4TH) SHAFT**

ITEM	PART NUMBER	QTY	DESCRIPTION	REV
1	91474399	1	HIGH & 3RD SHAFT ASSY	
2	91474302	1	BEARING, ROLLER	
3	91474303	1	BEARING AND SEAL ASSY	
4	91474304	1	WASHER, BEARING SUPPORT	
5	10868284	1	SLEEVE, OIL DISTRIBUTOR	
6	91474306	1	SCREW, SLEEVE RETAINING	
7	91474286	2	RING, PISTON	
8	91474307	2	PISTON AND SEALS ASSY, (includes items 9 & 10)	
9	91474288	2	SEAL, CLUTCH PISTON, (outer)	
10	91474289	2	SEAL, CLUTCH PISTON, (inner)	
11	91474296	6	DISC, OUTER, (high)	
12	91474297	6	DISC, INNER, (high)	
13	91474296	5	DISC, OUTER, (3rd)	
14	91474297	5	DISC, INNER, (3rd)	
15	91474290	2	PLATE, END	
16	91474309	2	SNAP RING, END PLATE	
17	91474292	2	PLATE, CLUTCH PISTON WEAR	
18	91474310	2	DISC SPRING ASSY, (3rd and high), (includes 5 washers)	
19	91474294	2	RETAINER, SNAP RING	
20	91474295	2	SNAP RING, RETAINER	
21	91474311	4	BEARING, THRUST NEEDLE ROLLER	
22	91474312	8	WASHER, CLUTCH GEAR THRUST	
23	91474313	5	SNAP RING, GEAR HUB	
24		Ref	BEARING, 4TH CLUTCH GEAR, (See TRANSMISSION ASSEMBLY - GEAR GROUP for Breakdown)	
25		Ref	SPACER, CLUTCH GEAR BEARING, (See TRANSMISSION ASSEMBLY - GEAR GROUP for Breakdown)	
26		Ref	BEARING, 3RD CLUTCH GEAR, (See TRANSMISSION ASSEMBLY - GEAR GROUP for Breakdown)	
27		Ref	GEAR, 4TH CLUTCH, (See TRANSMISSION ASSEMBLY - GEAR GROUP for Breakdown)	
28		Ref	GEAR, 3RD CLUTCH, (See TRANSMISSION ASSEMBLY - GEAR GROUP for Breakdown)	
29		Ref	GEAR, 1ST DRIVE, (See TRANSMISSION ASSEMBLY - GEAR GROUP for Breakdown)	

# SECTION 4 - ENGINE AND ATTACHING PARTS

## FIGURE 4-22. TRANSMISSION ASSEMBLY - 1ST AND 2ND SHAFT



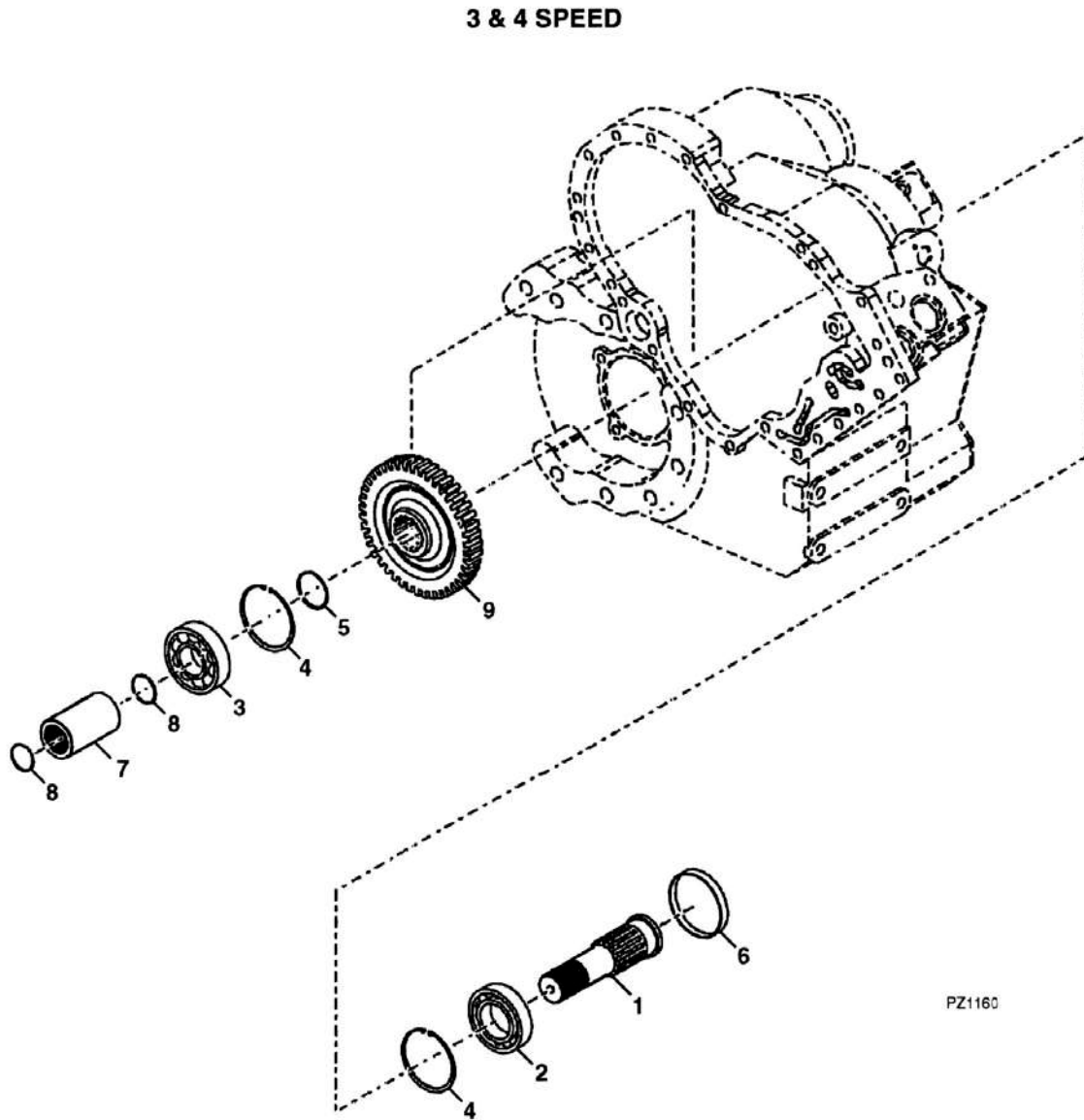
## SECTION 4 - ENGINE AND ATTACHING PARTS

**FIGURE 4-22. TRANSMISSION ASSEMBLY - 1ST AND 2ND SHAFT**

ITEM	PART NUMBER	QTY	DESCRIPTION	REV
1	91474314	1	1ST & 2ND SHAFT ASSY	
2	91474315	1	BEARING, ROLLER	
3	91474303	1	BEARING AND SEAL ASSY	
4	91474286	2	RING, PISTON	
5	91474316	2	PISTON AND SEALS ASSY, (includes items 6 & 7)	
6	91474288	2	SEAL, CLUTCH PISTON, (outer)	
7	91474289	2	SEAL, CLUTCH PISTON, (inner)	
8	91474290	2	PLATE, END	
9	91474309	2	SNAP RING, END PLATE	
10	91474292	2	PLATE, CLUTCH PISTON WEAR	
11	91474310	1	DISC SPRING ASSY, (2nd), (includes 5 washers)	
12	91474317	1	DISC SPRING ASSY, (1st), (includes 7 washers)	
13	91474294	2	RETAINER, SNAP RING	
14	91474295	2	SNAP RING, RETAINER	
15	91474298	4	BEARING, CLUTCH GEAR THRUST	
16	91474299	8	WASHER, CLUTCH GEAR THRUST	
17	91474318	2	SNAP RING, 2ND CLUTCH GEAR HUB	
18	91474319	1	SLEEVE, OIL DISTRIBUTOR	
19	91474306	1	SCREW, SLEEVE RETAINING	
20	91474296	10	DISC, OUTER, (1st)	
21	91474297	10	DISC, INNER, (1st)	
22	91474296	5	DISC, OUTER, (2nd)	
23	91474297	5	DISC, INNER, (2nd)	
24		Ref	BEARING, CLUTCH, (See TRANSMISSION ASSEMBLY - GEAR GROUP for Breakdown)	
25		Ref	GEAR, 1ST CLUTCH, (See TRANSMISSION ASSEMBLY - GEAR GROUP for Breakdown)	
26		Ref	GEAR, 2ND CLUTCH, (See TRANSMISSION ASSEMBLY - GEAR GROUP for Breakdown)	
27		Ref	GEAR, 3RD DRIVEN, (See TRANSMISSION ASSEMBLY - GEAR GROUP for Breakdown)	

# SECTION 4 - ENGINE AND ATTACHING PARTS

FIGURE 4-23. TRANSMISSION ASSEMBLY - OUTPUT SHAFT



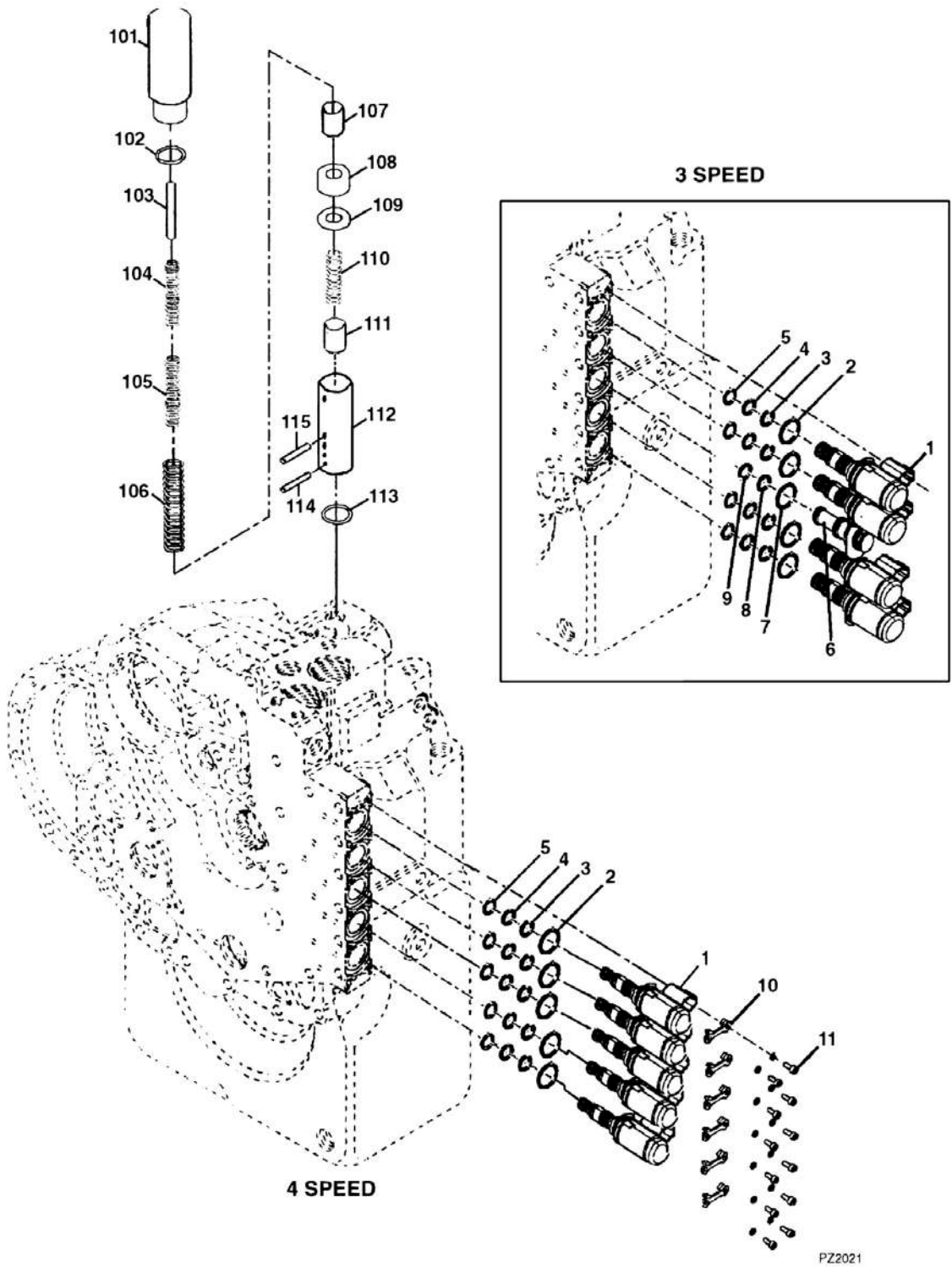
## SECTION 4 - ENGINE AND ATTACHING PARTS

FIGURE 4-23. TRANSMISSION ASSEMBLY - OUTPUT SHAFT

ITEM	PART NUMBER	QTY	DESCRIPTION	REV
1	91474320	1	SHAFT, OUTPUT	
2	10723509	1	BALL BEARING	
3	77104081	1	BEARING	
4	91474321	2	RING, SNAP	
5	91474322	1	SNAP RING	
6	91474323	1	PLUG, END	
7	91474324	1	COUPLING, DRIVE	
8	91474313	2	SNAP RING, EXTERNAL	
9		Ref	GEAR, OUTPUT SHAFT, (See TRANSMISSION ASSEMBLY - GEAR GROUP for Breakdown)	

# SECTION 4 - ENGINE AND ATTACHING PARTS

FIGURE 4-24. TRANSMISSION ASSEMBLY - CONTROL AND MODULATION VALVE ASSEMBLY



PZ2021

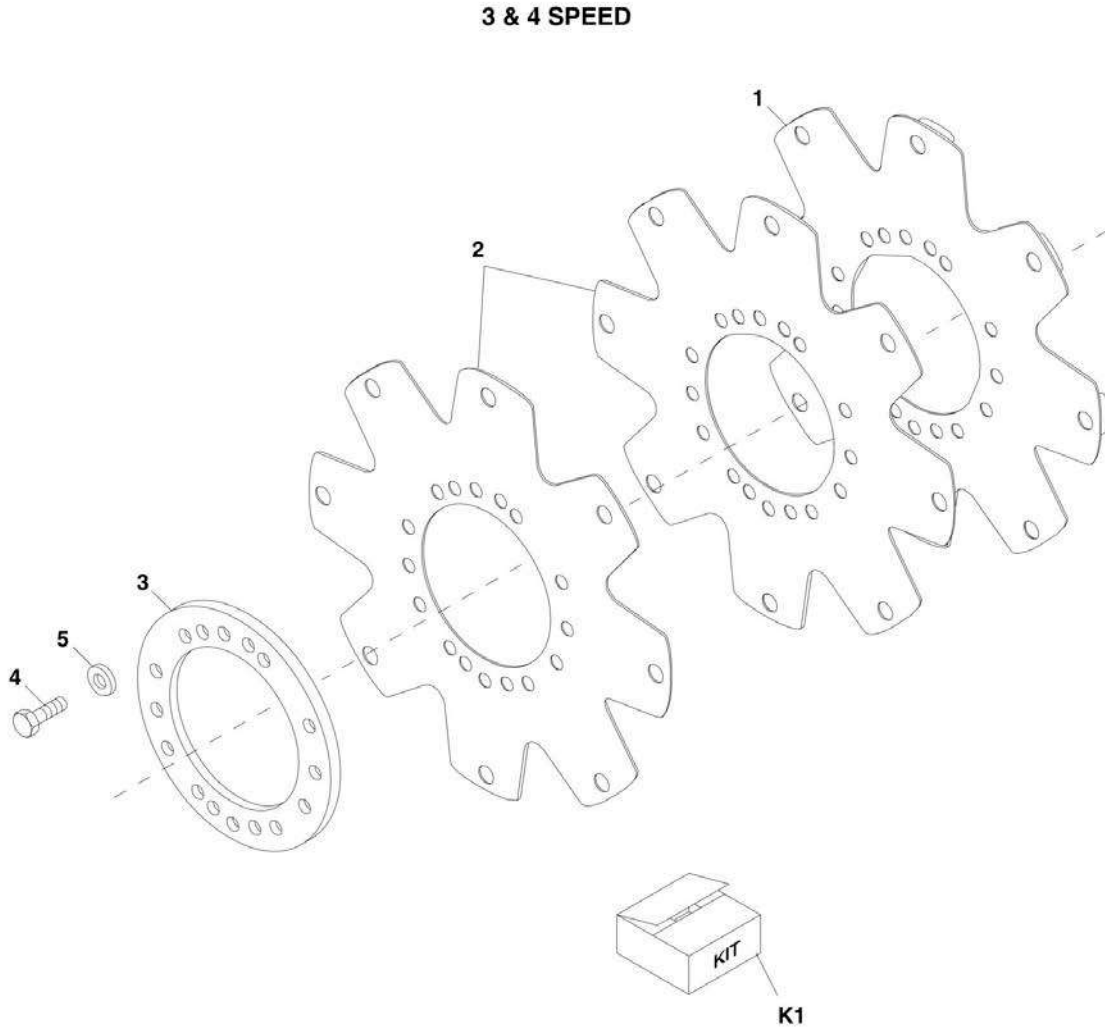
## SECTION 4 - ENGINE AND ATTACHING PARTS

**FIGURE 4-24. TRANSMISSION ASSEMBLY - CONTROL AND MODULATION VALVE ASSEMBLY**

ITEM	PART NUMBER	QTY	DESCRIPTION	REV
		Ref	TRANSMISSION CONTROL AND MODULATION VALVE GROUP, (not available to order, see below for service items)	
1	91514287	4	SOLENOID, (includes items 2 thru 5), (3 SPEED)	
1	91514287	5	SOLENOID, (includes items 2 thru 5), (4 SPEED)	
2	91514288	4	O-RING, 21.5X1.5mm, (3 SPEED)	
2	91514288	5	O-RING, 21.5X1.5mm, (4 SPEED)	
3	91514289	4	O-RING, 15.1X1.6mm, (3 SPEED)	
3	91514289	5	O-RING, 15.1X1.6mm, (4 SPEED)	
4	91514290	4	O-RING, 14.1X1.6mm, (3 SPEED)	
4	91514289	5	O-RING, 15.1X1.6mm, (4 SPEED)	
5	91514291	4	O-RING, 12.1X1.6mm, (3 SPEED)	
5	91514291	5	O-RING, 12.1X1.6mm, (4 SPEED)	
6	7029459	1	SOLENOID PLUG, (includes items 7 thru 9), (3 SPEED)	
7	70020410	1	O-RING, 18.0X2.2mm, (3 SPEED)	
8	91514289	1	O-RING, 15.1X1.6mm, (3 SPEED)	
9	91514291	1	O-RING, 12.1X1.6mm, (3 SPEED)	
10	91514292	6	CLAMP, SOLENOIDS	
11	70020411	12	SCREW, M4X10	
101	91474338	1	HOUSING, MODULATION VALVE	
102	91474339	1	O-RING, MODULATION HOUSING	
103	91474345	1	PIN-STOP	
104	91474340	1	SPRING, (inner)	
105	91474341	1	SPRING, (middle)	
106	91474342	1	SPRING, (outer)	
107	91474346	1	ACCUMULATOR SPOOL	
108	91474349	1	SPRING, (retainer)	
109	91474350	1	SPACER, SPRING	
110	91474348	1	SPRING, MODULATION VALVE	
111	91474347	1	REGULATOR SPOOL	
112	91474343	1	SLEEVE, MODULATION VALVE	
113	91474344	1	O-RING, SLEEVE	
114	91474352	1	PIN, (lower)	
115	91474351	1	PIN, (upper)	

# SECTION 4 - ENGINE AND ATTACHING PARTS

## FIGURE 4-25. TRANSMISSION ASSEMBLY - DRIVE PLATE



PAP13720



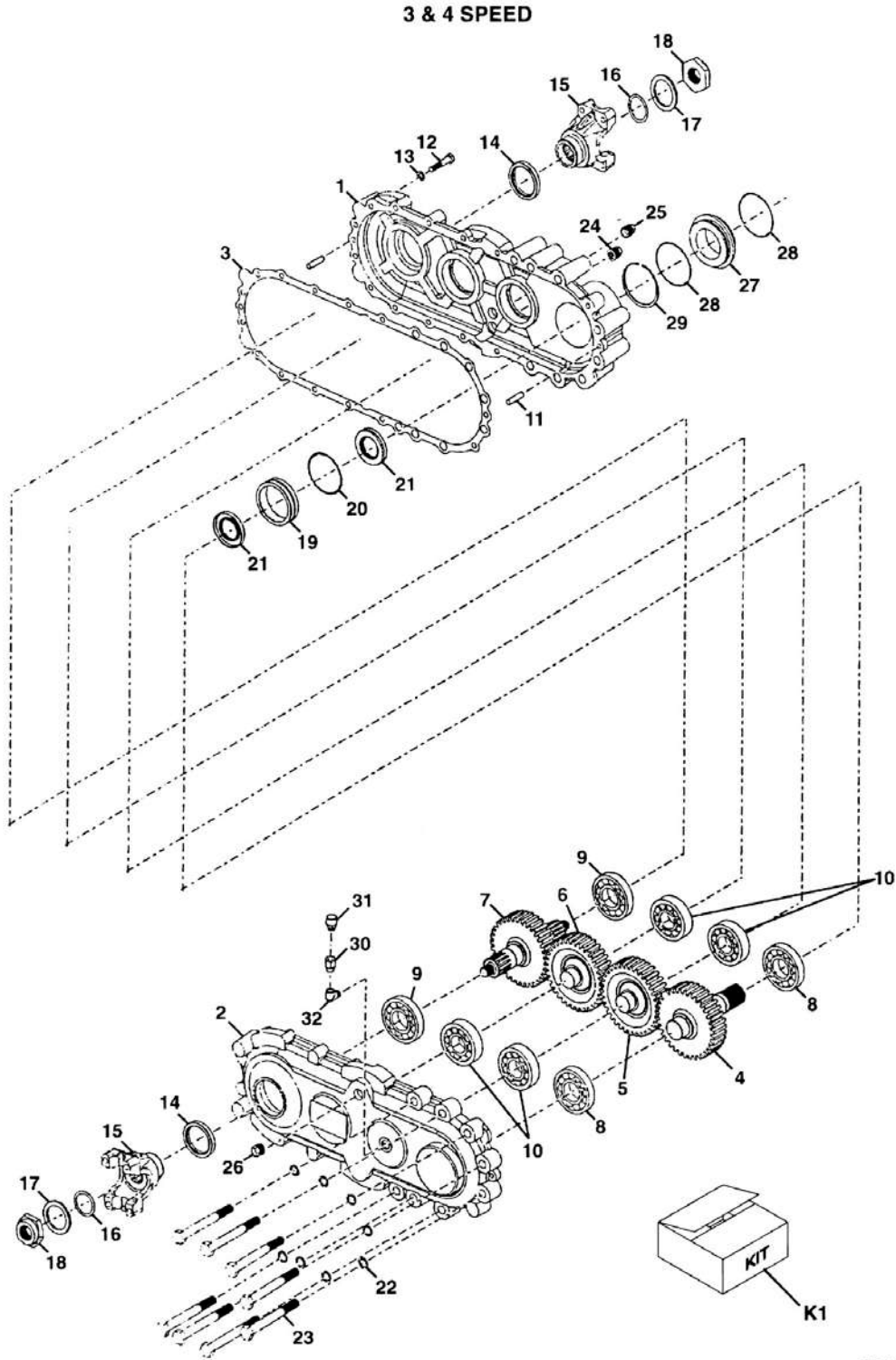
## SECTION 4 - ENGINE AND ATTACHING PARTS

FIGURE 4-25. TRANSMISSION ASSEMBLY - DRIVE PLATE

ITEM	PART NUMBER	QTY	DESCRIPTION	REV
1	Kit	1	DRIVE PLATE ASSY	
2	Kit	1	PLATE, DRIVE	
3	77104044	1	RING, BACKING	
4	91474356	6	CAPSCREW	
5	77104007	6	LOCKWASHER	
K1	7028057	1	DRIVE PLATE KIT, (includes items 1 thru 5)	

# SECTION 4 - ENGINE AND ATTACHING PARTS

## FIGURE 4-26. TRANSMISSION ASSEMBLY - DROP BOX



PAP13730

## SECTION 4 - ENGINE AND ATTACHING PARTS

**FIGURE 4-26. TRANSMISSION ASSEMBLY - DROP BOX**

ITEM	PART NUMBER	QTY	DESCRIPTION	REV
	70020869	1	DROP BOX ASSY, (includes all items)	
1	70023065	1	COVER, REAR	
2	70023066	1	COVER, FRONT	
3	7028069	1	GASKET	
4	7028070	1	SHAFT, INPUT	
5	7028071	1	GEAR, IDLER	
6	91474362	1	GEAR, IDLER	
7	7028085	1	SHAFT, OUTPUT	
8	91474364	2	BEARING	
9	91474365	2	REAR BEARING	
10	91474366	4	BEARING, ROLLER	
11	91474200	2	PIN, ROLL	
12	91474209	13	CAPSCREW	
13	91474265	13	LOCKWASHER	
14	91474367	2	OIL SEAL	
15	7028086	2	FLANGE, YOKE	
16	91474369	2	O-RING	
17	91474370	2	WASHER	
18	91474371	2	NUT, IDLER SHAFT	
19	91474372	1	SLEEVE, OIL SEAL	
20	91474373	1	O-RING	
21	91474374	2	SEAL, OIL	
22	91474375	8	LOCKWASHER	
23	91474376	8	SCREW	
24	8007824	1	PLUG, MAGNETIC DRAIN	
25	91474377	1	OIL LEVEL GLASS	
26	8007822	1	PLUG	
27	91474381	1	SLEEVE PILOT	
28	91474382	2	O-RING	
29	91474321	1	RING, SNAP	
30	91474600	1	ADAPTER	
31	91474601	1	BREATHER	
32	91474383	1	FITTING, ELBOW 90, STREET	
K1	70020412	1	SEAL KIT, (includes items 3, 14, 16, 20, 21 & 28)	

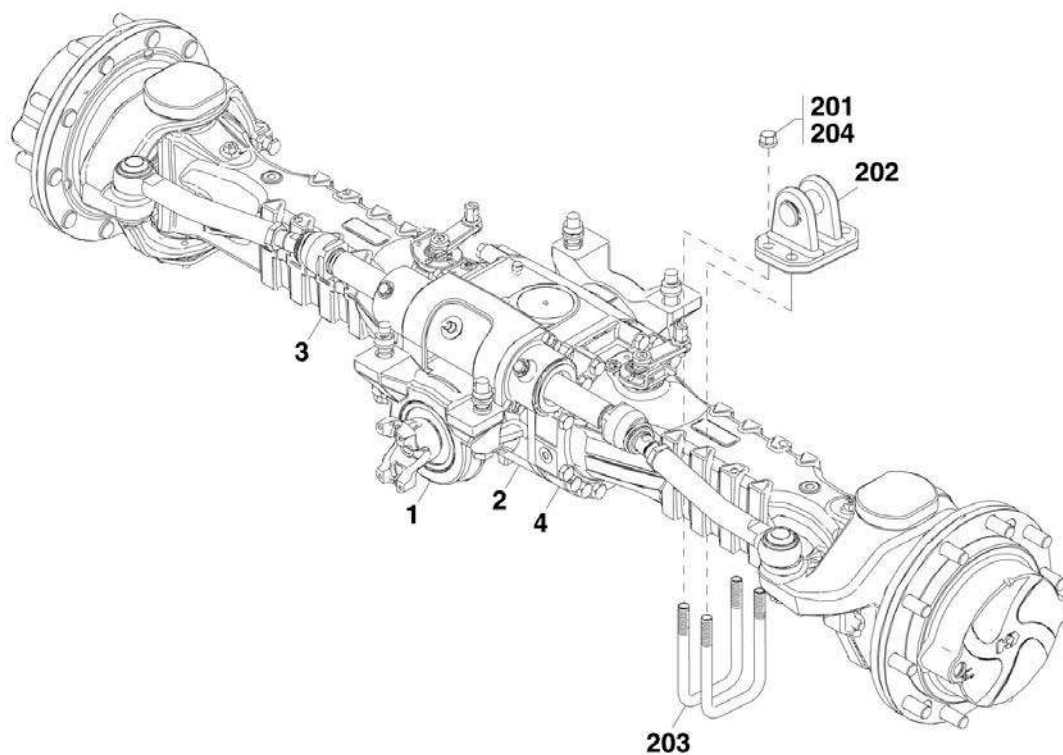


**SECTION 5 - DRIVE TRAIN**

# SECTION 5 - DRIVE TRAIN

## FIGURE 5-1. FRONT AXLE ASSEMBLY (8M, 9M, 12M & 13M)

8M, 9M, 12M & 13M



PZ0582

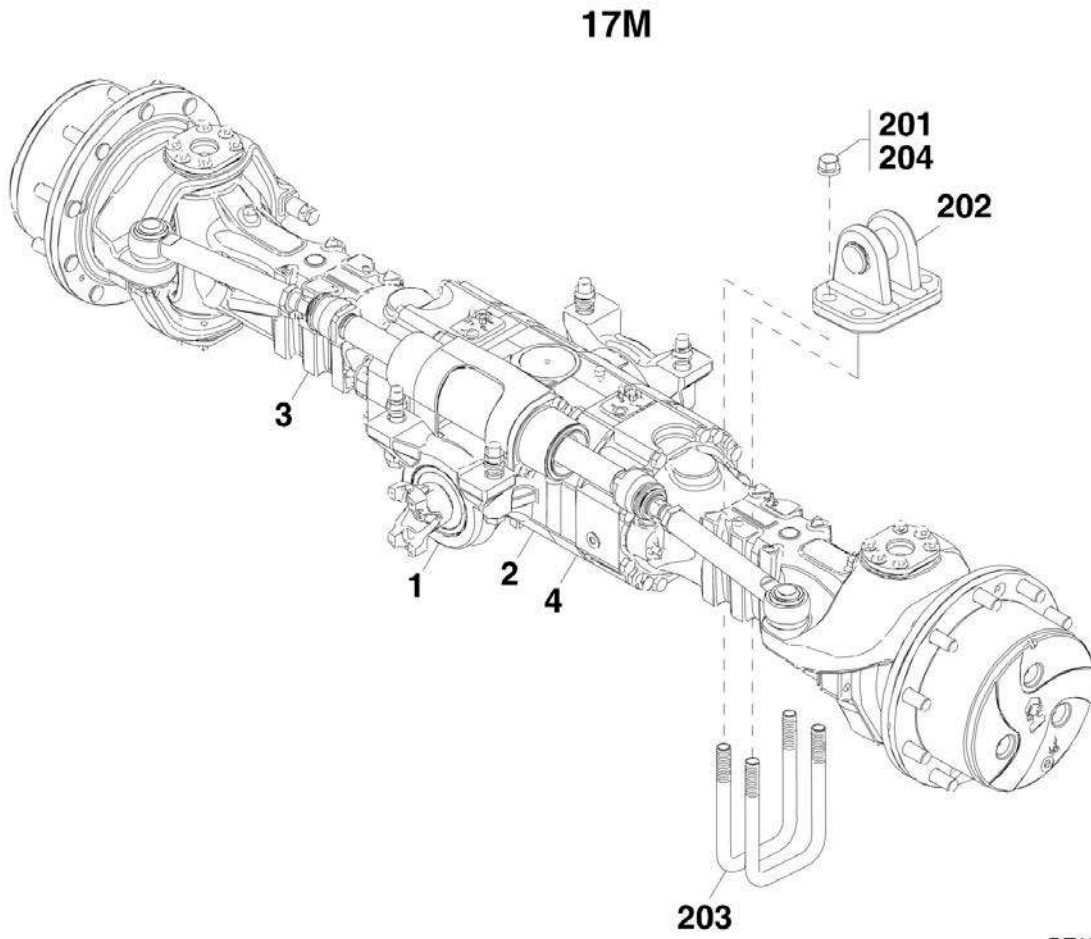
## SECTION 5 - DRIVE TRAIN

**FIGURE 5-1. FRONT AXLE ASSEMBLY (8M, 9M, 12M & 13M)**

ITEM	PART NUMBER	QTY	DESCRIPTION	REV
1	4803372	1	FRONT AXLE, (8M, 9M, 12M & 13M), (includes items 1 thru 4)	B
		Ref	FRONT AXLE - CENTRAL HOUSING AND STEERING, (See FRONT AXLE ASSEMBLY - CENTRAL HOUSING AND STEERING for Breakdown)	
2		Ref	FRONT AXLE - DIFFERENTIAL, (See FRONT AXLE ASSEMBLY - DIFFERENTIAL for Breakdown)	
3		Ref	FRONT AXLE - HUB REDUCTION, (See FRONT AXLE ASSEMBLY - HUB REDUCTION for Breakdown)	
4		Ref	FRONT AXLE - BRAKES, (See FRONT AXLE ASSEMBLY - BRAKE COMPONENTS for Breakdown)	
201	3300479	4	WHEEL NUT, (torque to 639 Nm)	
202	4341221	1	AXLE BRACKET, (3508PS, 3509PS, 3512PS, 3513PS, 4008PS, 4009PS, 4012PS & 4013PS)	
202	4341221B	1	AXLE BRACKET, (40.8 & 40.9)	
203	0630589	2	"U" BOLT	
204	0100011	AR	LOCTITE 242	

# SECTION 5 - DRIVE TRAIN

## FIGURE 5-2. FRONT AXLE ASSEMBLY (17M)



PZ0742



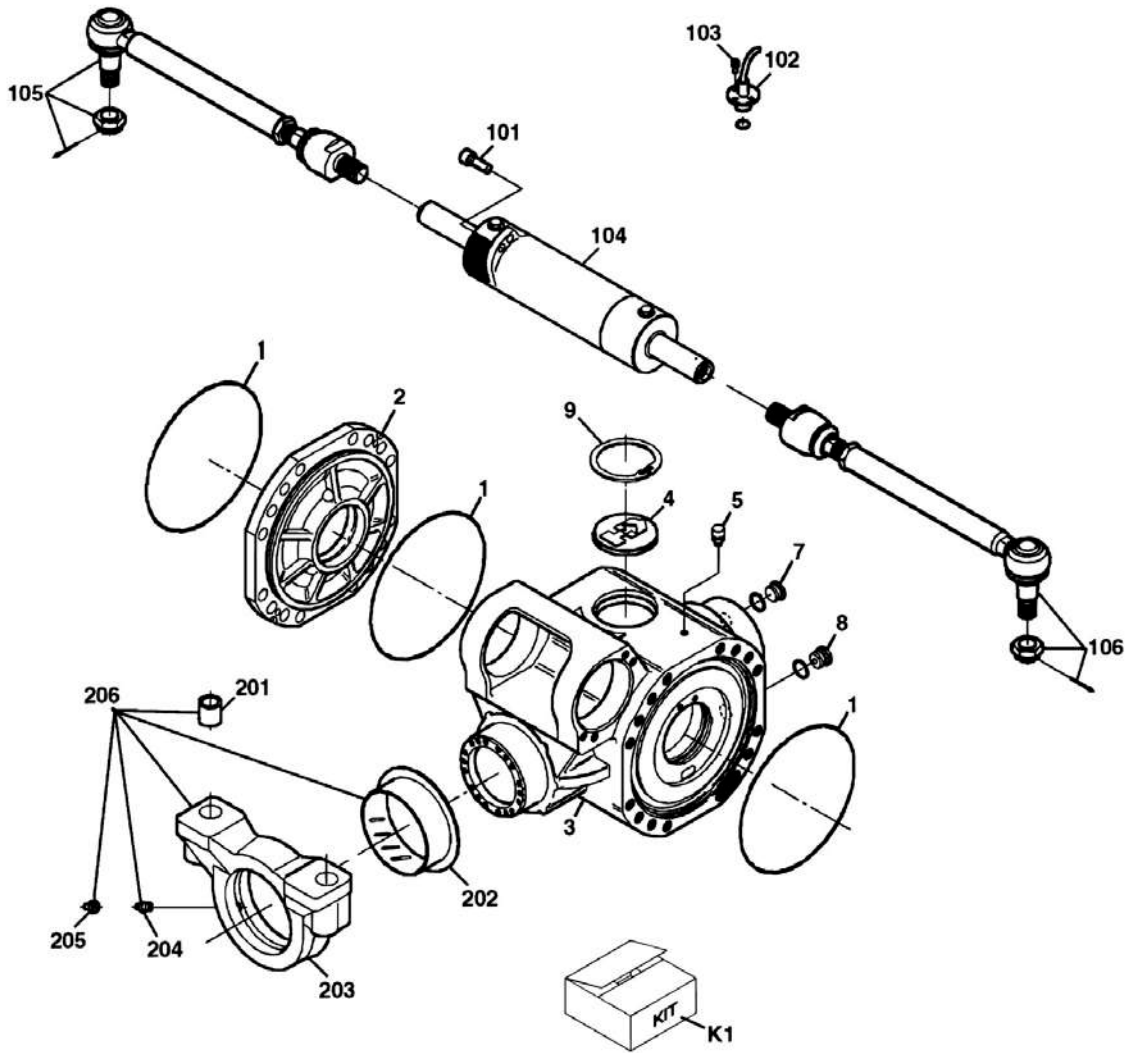
## SECTION 5 - DRIVE TRAIN

**FIGURE 5-2. FRONT AXLE ASSEMBLY (17M)**

ITEM	PART NUMBER	QTY	DESCRIPTION	REV
1	0280173	1	FRONT AXLE, (17M), (includes items 1 thru 4)	B
		Ref	FRONT AXLE - CENTRAL HOUSING AND STEERING, (See FRONT AXLE ASSEMBLY - CENTRAL HOUSING AND STEERING for Breakdown)	
2		Ref	FRONT AXLE - DIFFERENTIAL, (See FRONT AXLE ASSEMBLY - DIFFERENTIAL for Breakdown)	
3		Ref	FRONT AXLE - HUB REDUCTION, (See FRONT AXLE ASSEMBLY - HUB REDUCTION for Breakdown)	
4		Ref	FRONT AXLE - BRAKES, (See FRONT AXLE ASSEMBLY - BRAKE COMPONENTS for Breakdown)	
201	3300479	4	WHEEL NUT, (torque to 639Nm)	
202	4341221	1	AXLE BRACKET	
203	0630589	2	"U" BOLT	
204	0100011	AR	LOCTITE 242	

# SECTION 5 - DRIVE TRAIN

## FIGURE 5-3. FRONT AXLE ASSEMBLY - CENTRAL HOUSING AND STEERING



PAP13740

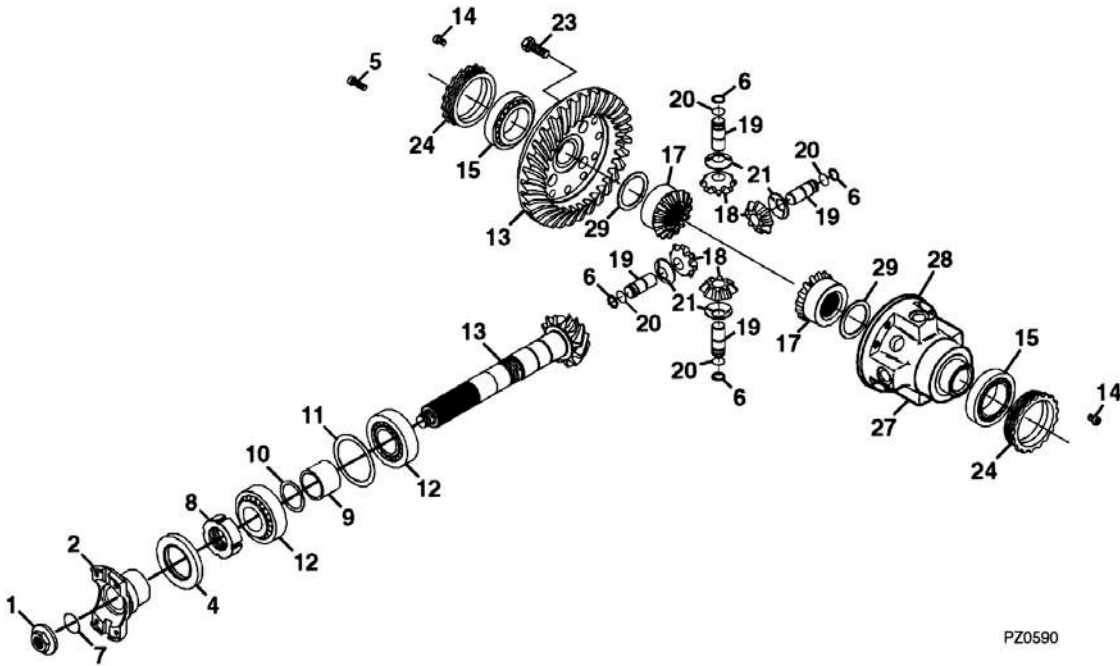
## SECTION 5 - DRIVE TRAIN

**FIGURE 5-3. FRONT AXLE ASSEMBLY - CENTRAL HOUSING AND STEERING**

ITEM	PART NUMBER	QTY	DESCRIPTION	REV
1	91474507	3	O-RING	
2	91474509	1	INTERMEDIATE COVER	
3	7029426	1	HOUSING	
3	8007744	NLA	HOUSING, (no longer available; order 7029426 housing, 91514098 plug & 80204005 circlip)	
4	91514098	1	PLUG	
5	91474512	1	AIR VENT	
7	91514188	1	PLUG	
8	91474513	1	MAGNET PLUG, (includes seal)	
9	80204005	1	CIRCLIP	
101	91474522	4	CYLINDER BOLT	
102	7028707	1	SENSOR	
103	8008175	3	BOLT	
104	7028708	1	CYLINDER	
104	7029920	1	SEAL KIT	
105	8007803	1	TIE ROD, (left)	
106	8007804	1	TIE ROD, (right)	
201	91474516	4	REDUCTION BUSHING	
202	91474515	2	THRUST BUSHING	
203	7028083	2	SUPPORT	
204	91514099	2	GREASE FITTING	
205	80204117	2	PLUG	
206	7028084	2	SUPPORT, (includes items 201 thru 205)	
K1	91514275	1	NUT AND COTTER PIN KIT	

# SECTION 5 - DRIVE TRAIN

## FIGURE 5-4. FRONT AXLE ASSEMBLY - DIFFERENTIAL



PZ0590

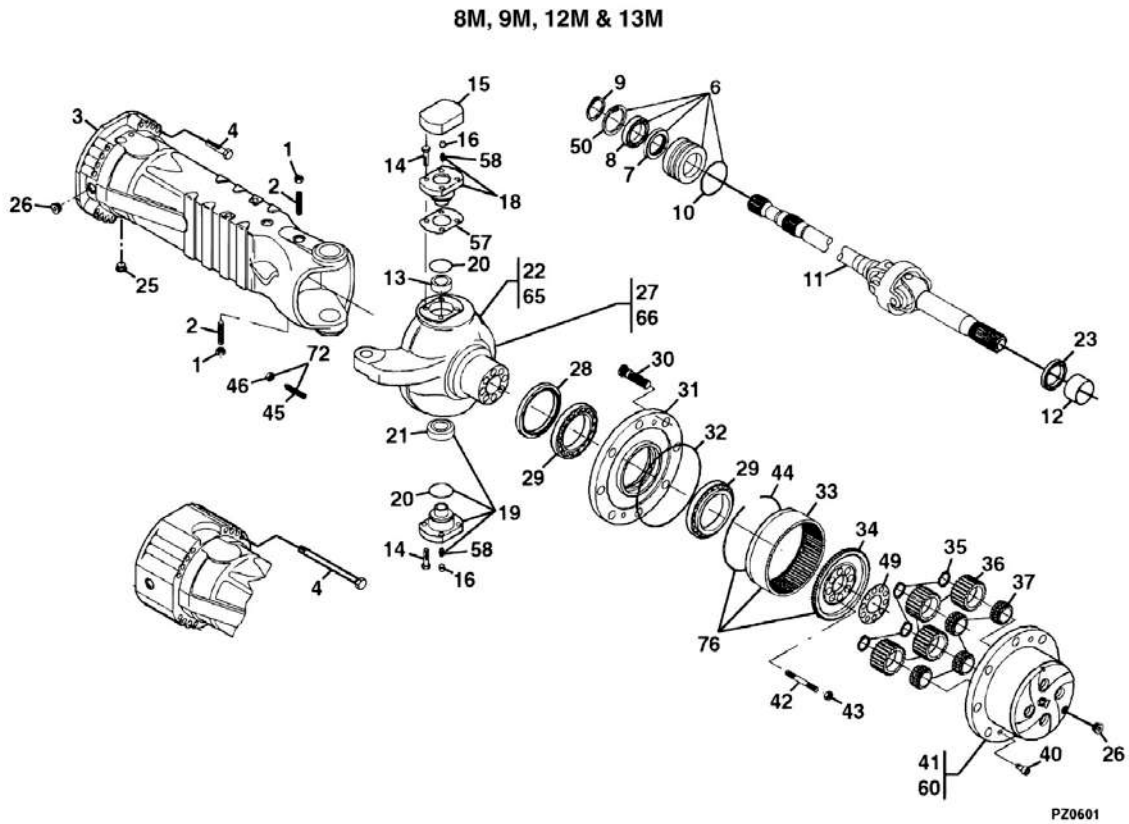
## SECTION 5 - DRIVE TRAIN

**FIGURE 5-4. FRONT AXLE ASSEMBLY - DIFFERENTIAL**

ITEM	PART NUMBER	QTY	DESCRIPTION	REV
1	91474528	1	NUT	
2	7029427	1	FLANGE	
4	91474532	1	SEAL	
5	91474591	4	CYLINDER BOLD	
6	91474550	4	CIRCLECLIP	
7	91474529	1	O-RING	
8	91474533	1	RING NUT	
9	91474539	1	SPACER	
10	91474535	1	SHIM	
10	91474536	1	SHIM	
10	91474537	1	SHIM	
10	91474538	1	SHIM	
11	91474541	1	SHIM	
11	91474541	1	SHIM	
11	91474542	1	SHIM	
11	91474543	1	SHIM	
12	3968141	2	BEARING, ROLLER	
13	8007749	1	BEVEL GEAR SET	
14	91514134	2	CYLINDER BOLT	
15	91474548	2	ROLLER BEARING	
17	91474549	2	GEAR, SIDE SHAFT	
18	7029129	4	DIFFERENTIAL PINION	
19	7029131	4	PIN	
20	91474551	4	CIRCLECLIP	
21	91474553	4	FRICTION WASHER	
23	91514123	12	BOLT	
24	91474547	2	RING NUT	
27	8007751	1	HOUSING, DIFFERENTIAL	
28	7028710	1	LIMITED SLIP DIFFERENTIAL KIT, (includes items 6, 17 thru 21, 28 & 29)	
29	8007755	2	DISC KIT	

# SECTION 5 - DRIVE TRAIN

## FIGURE 5-5. FRONT AXLE ASSEMBLY - HUB REDUCTION (8M, 9M, 12M & 13M)



## SECTION 5 - DRIVE TRAIN

**FIGURE 5-5. FRONT AXLE ASSEMBLY - HUB REDUCTION (8M, 9M, 12M & 13M)**

ITEM	PART NUMBER	QTY	DESCRIPTION	REV
1	91514082	2	NUT	
2	2400600	2	BOLT	
3	8007758	2	AXLE CASE	
4	7029428	32	BOLT	
6	91514149	2	REDUCTION BUSHING, (includes items 7 thru 10 & 50)	
7	91514147	2	SEAL	
8	91514146	2	BALL BEARING	
9	80204071	2	CIRCLECLIP	
10	91514148	2	O-RING	
11	8007770	2	JOINT, (Prior to axle SN KITA786982)	
11	7029811	AR	CROSS KIT, (includes cross for double joint, circlips and needle bearings), (Prior to axle SN KITA786982)	
11	70023105	2	JOINT, (Axle SN KITA786982 to Present)	
11	70021898	AR	CROSS KIT, (includes cross for double joint, circlips, bearings and grease seal), (Axle SN KITA786982 to Present)	
12	8004468	1	THRUST BRUSHING	
13	70020173	2	BUSHING	
14	8006604	20	BOLT	
15	91474524	2	COVER	
16	80204117	4	PLUG	
18	8006603	2	PIVOT PIN	
19	8006605	2	PIVOT PIN	
20	2401043	2	SEAL	
21	2401258	2	ARTICULATION	
22	8007775	1	STEERING CASE, (right)	
23	8007771	2	SEAL	
25	91474513	2	MAGNET PLUG	
26	91514188	4	PLUG	
27	7029429	1	STEERING CASE, (left)	
28	7029430	2	OIL SEAL	
29	3984301	4	BALL BEARING	
30	8000877	20	WHEEL STUD	
31	8005801	2	WHEEL HUB	
32	80204002	2	O-RING	
33	91474580	2	RING GEAR	
34	3983720	2	RING GEAR SUPPORT	
35	91474585	8	CIRCLIP	
36	91474586	8	PLANETARY GEAR	
37	91474587	8	BEARING	
40	91514189	4	COUNGERSUNK BOLT	
41	7029286	2	PLANETARY GEAR CARRIER	
42	91474583	16	STUD	
43	91474584	16	NUT	
44	91474579	2	CIRCLIP	
45	91514117	4	BOLT	
46	80204065	4	NUT	
49	3983731	2	PLATE, LOCKING	
50	80204005	2	CIRCLIP	
57	8007779	2	SHIM	
57	8007780	2	SHIM	

## SECTION 5 - DRIVE TRAIN

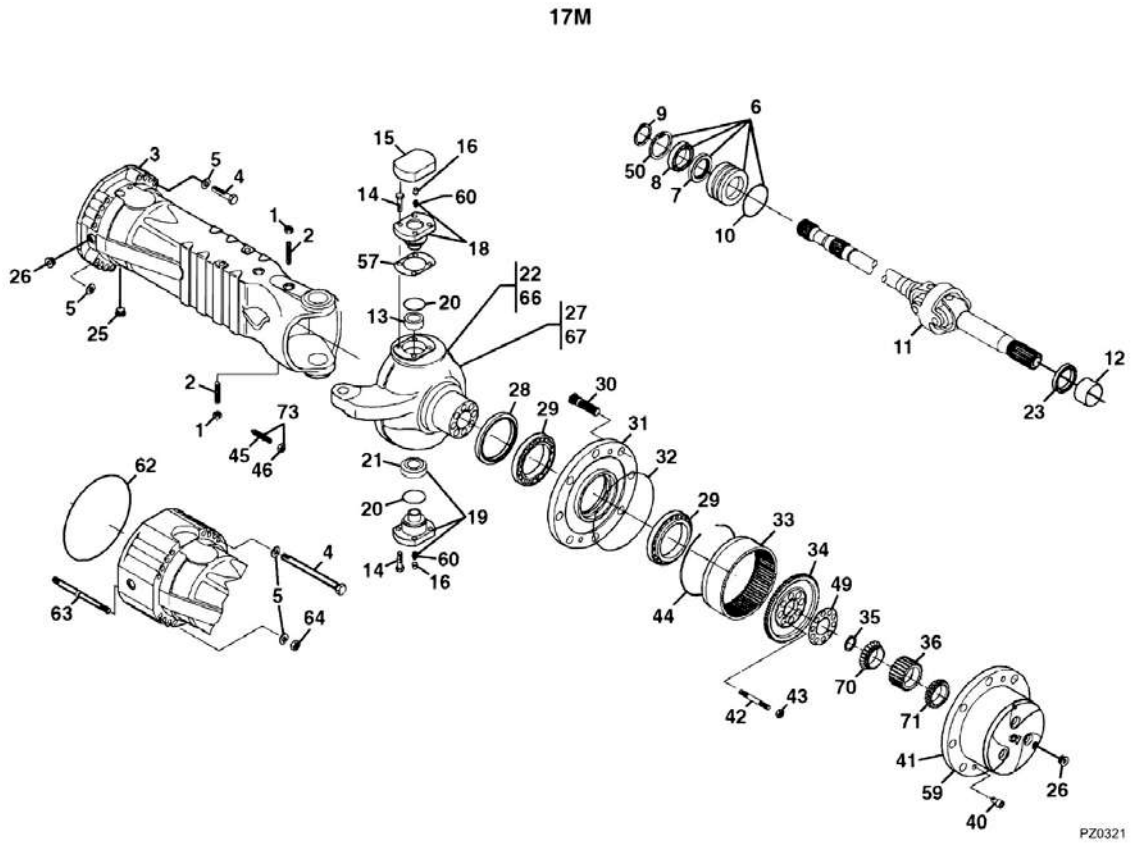
ITEM	PART NUMBER	QTY	DESCRIPTION	REV
57	8007782	2	SHIM	
58	7028115	2	GREASE FITTING	
60	7029431	2	PLANETARY HOUSING ASSY, (includes items 35, 36, 37 & 41)	
65	8007774	1	SPINDLE ASSY, (right), (includes items 12 & 22)	
66	8007777	1	SPINDLE ASSY, (left), (includes items 12 & 27)	
72	7028733	4	STEERING ADJUST BOLT, (includes items 45 & 46)	
76	7029432	2	RING GEAR SUPPORT KIT, (includes items 33, 34 & 44)	





# SECTION 5 - DRIVE TRAIN

## FIGURE 5-6. FRONT AXLE ASSEMBLY - HUB REDUCTION (17M)



## SECTION 5 - DRIVE TRAIN

**FIGURE 5-6. FRONT AXLE ASSEMBLY - HUB REDUCTION (17M)**

ITEM	PART NUMBER	QTY	DESCRIPTION	REV
1	91514082	2	NUT	
2	91514081	2	BOLT	
3	7028711	2	AXLE CASE	
4	7028712	24	STUD	
5	91514084	32	WASHER	
6	91514149	2	REDUCTION BUSHING, (includes items 7 thru 8, 10 & 50)	
7	91514147	2	SEAL	
8	91514146	2	BALL BEARING	
9	80204071	2	CIRCLIP	
10	91514148	2	O-RING	
11	7028713	2	JOINT	
12	91514111	1	THRUST BEARING	
13	7028714	2	BUSHING	
14	91514123	24	BOLT	
15	91474524	2	COVER	
16	80204117	2	PLUG	
18	91514112	2	PIVOT PIN	
19	7028715	2	PIVOT PIN	
20	7028716	2	DUST EXCLUDER	
21	91514095	2	BEARING	
22	7028717	1	STEERING CASE, (right)	
23	7028718	1	SEAL	
25	91474513	2	MAGNET PLUG	
26	91514188	4	PLUG	
27	7028720	1	STEERING CASE, (left)	
28	7028721	2	SEAL	
29	91474576	4	BEARING	
30	8000877	20	WHEEL STUD	
31	7028722	2	WHEEL HUB	
32	91514181	2	O-RING	
33	91514176	2	RING GEAR	
34	7028723	2	RING GEAR SUPPORT	
35	7028724	6	CIRCLIP	
36	7028725	6	DIFFERENTIAL PINION	
40	91514189	4	COUNTERSUNK BOLT	
41	7028726	2	PLANETARY GEAR CARRIER	
42	91474583	20	STUD	
43	91474584	20	NUT	
44	91514175	2	CIRCLIP	
45	91514117	4	BOLT	
46	80204065	4	NUT	
49	91474582	2	LOCKING PLATE	
50	80204005	2	CIRCLIP	
57	91514113	2	SHIM	
57	91514114	2	SHIM	
57	91514115	2	SHIM	
59	7028727	2	PLANETARY GEAR CARRIER KIT, (includes items 33 thru 37, 41, 44 & 70 thru 71)	
60	7028115	2	GREASE FITTING	
62	91474507	2	O-RING	

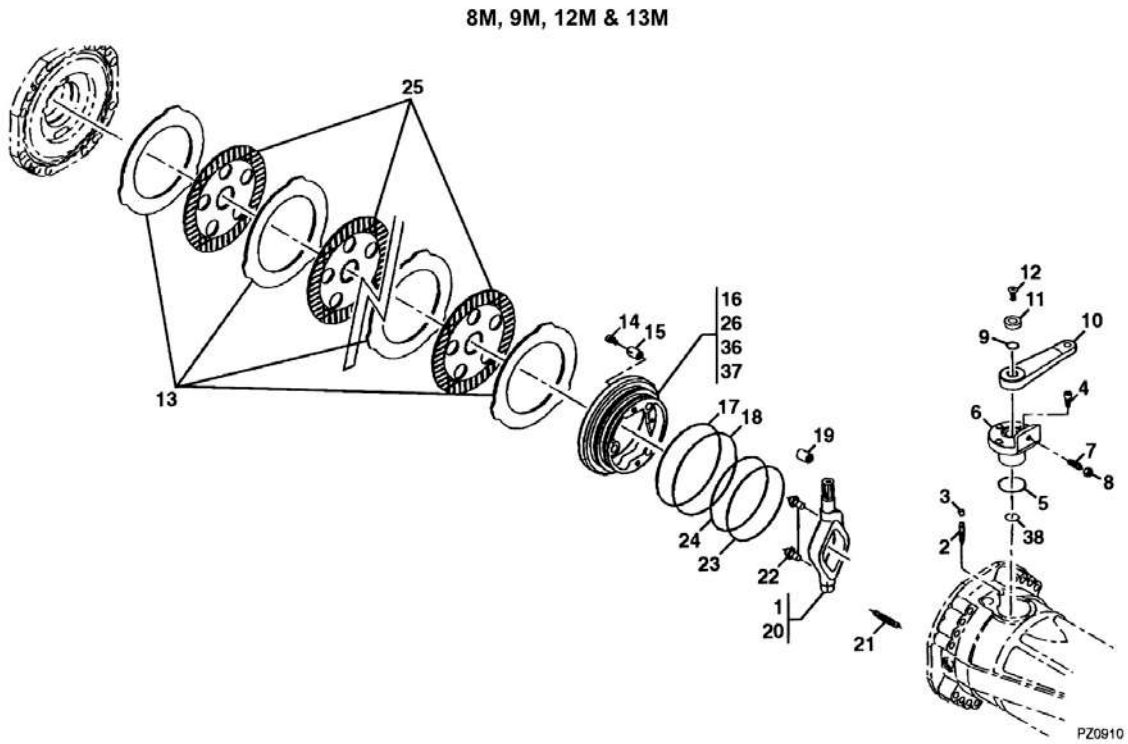
## SECTION 5 - DRIVE TRAIN

ITEM	PART NUMBER	QTY	DESCRIPTION	REV
63	7028728	8	STUD	
64	91514083	32	NUT	
66	7028729	1	STEERING POSITIONING KIT, (right), (includes items 12 & 22)	
67	7028730	1	STEERING POSITIONING KIT, (left), (includes items 12 & 27)	
70	7028731	6	BEARING	
71	7028732	6	BEARING	
73	7028733	4	STEERING ADJUST BOLT KIT, (includes items 45 thru 46)	



# SECTION 5 - DRIVE TRAIN

FIGURE 5-7. FRONT AXLE ASSEMBLY - BRAKE COMPONENTS (8M, 9M, 12M & 13M)



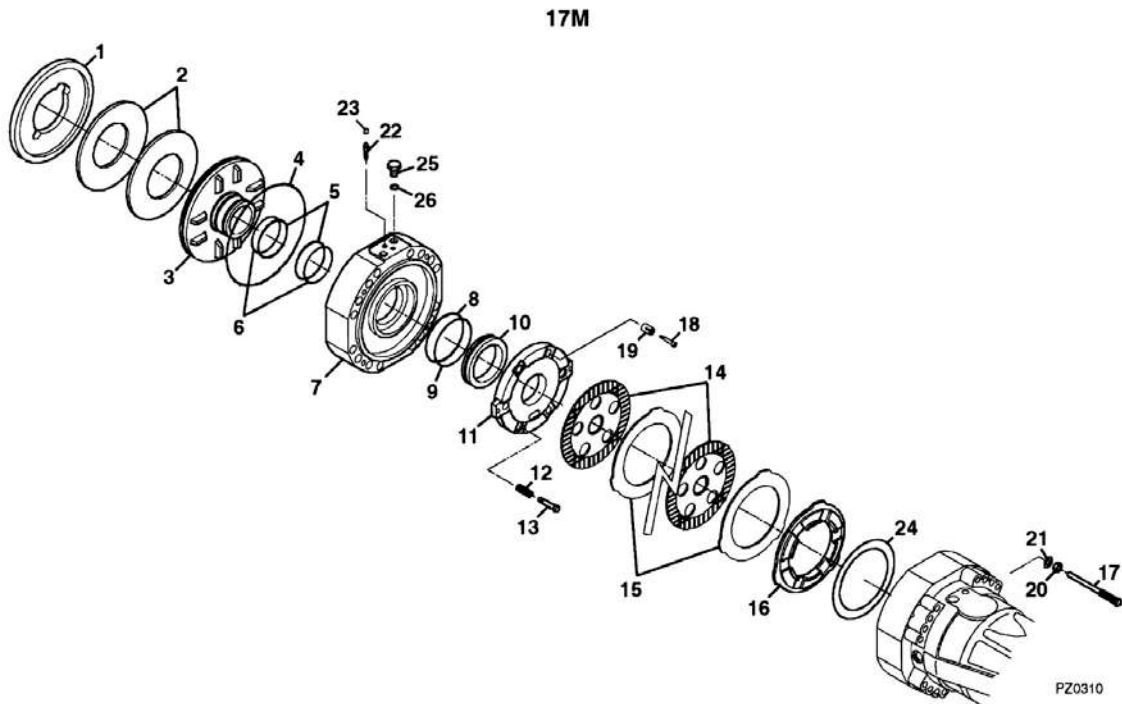
## SECTION 5 - DRIVE TRAIN

**FIGURE 5-7. FRONT AXLE ASSEMBLY - BRAKE COMPONENTS (8M, 9M, 12M & 13M)**

ITEM	PART NUMBER	QTY	DESCRIPTION	REV
1	8007785	1	LEVER, (left)	
2	80204281	2	BLEEDING BOLT	
3	80204117	2	PLUG	
4	2401736	6	BOLT	
5	3986405	2	O-RING	
6	8007788	2	REDUCTION BUSHING	
7	8002798	2	GRUB BOLT	
8	8008168	2	NUT	
9	7028038	2	O-RING	
10	8006699	2	LEVER	
11	7028039	2	WASHER	
12	8008169	2	COUNTERSUNK BOLT	
13	91474569	10	INTERMEDIATE BRAKE DISC	
14	8008171	6	ADJUSTING BOLT	
15	91514165	3	SPRING	
16	8007794	1	PISTON, (right)	
17	3984436	1	BACK-UP RING	
18	3984458	1	O-RING	
19	7029433	2	DOWEL	
20	8007786	1	LEVER, (right)	
21	3984425	6	SPRING	
22	2903197	2	PUSHER	
23	3984447	1	BACK-UP RING	
24	3984469	1	O-RING	
25	91474568	8	BRAKE DISC	
26	8007798	1	PISTON, (left)	
36	8007800	1	PISTON KIT, (right), (includes items 15 thru 18, 22 thru 23 & 24)	
37	8007801	1	PISTON KIT, (left), (includes items 15, 17, 18, 22 thru 23, 24 & 26)	
38	8007802	2	O-RING	

# SECTION 5 - DRIVE TRAIN

## FIGURE 5-8. FRONT AXLE ASSEMBLY - BRAKE COMPONENTS (17M)





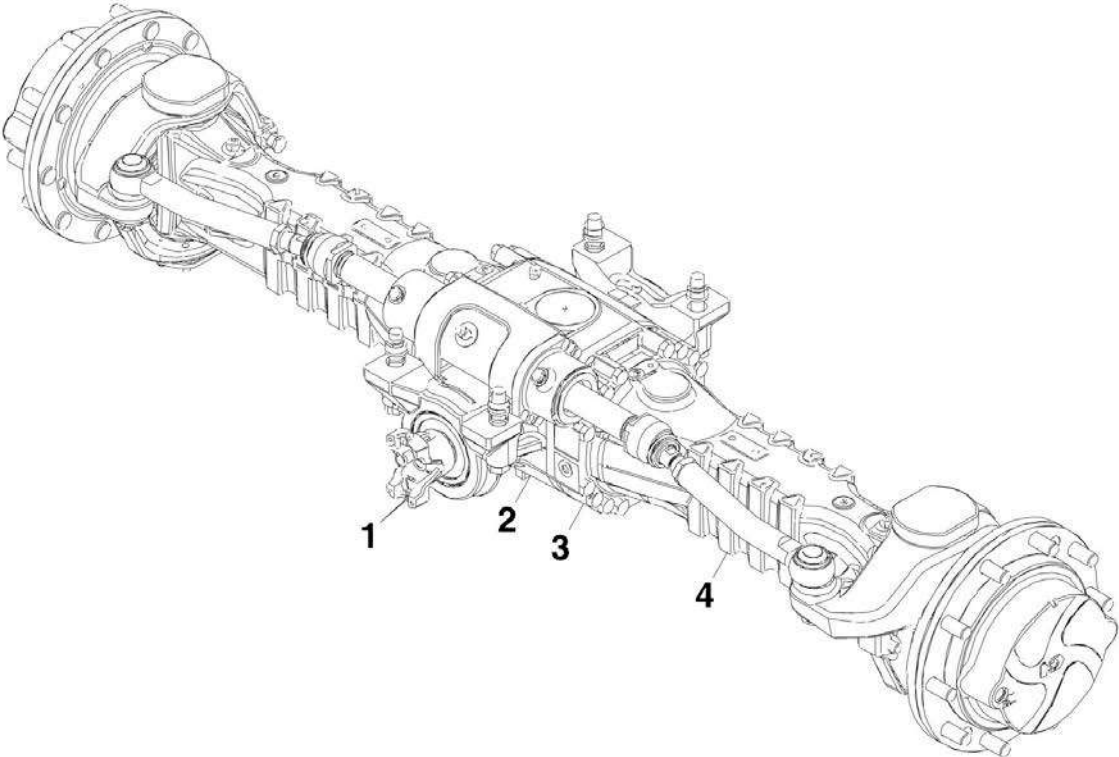
## SECTION 5 - DRIVE TRAIN

**FIGURE 5-8. FRONT AXLE ASSEMBLY - BRAKE COMPONENTS (17M)**

ITEM	PART NUMBER	QTY	DESCRIPTION	REV
1	7028734	2	SPACER	
2	91474559	4	SPRING	
3	91474560	2	PISTON	
4	91474561	2	O-RING	
5	91514167	4	O-RING	
6	91514153	4	BACK - UP RING	
7	7028735	2	COVER	
8	91474562	2	O-RING	
9	91474563	2	BACK - UP RING	
10	91474564	2	PISTON	
11	91474565	2	INTERMEDIATE BRAKE DISC	
12	91514159	6	SPRING	
13	91514160	6	ADJUSTING BOLT	
14	91474568	8	BRAKE DISC	
15	91474569	8	INTERMEDIATE BRAKE DISC	
16	91474570	2	SPACER	
17	7028736	4	BOLT	
18	7029787	6	ADJUSTING BOLT	
19	91514165	6	SPRING	
20	80204060	4	NUT	
21	80204108	4	LOCK WASHER	
22	80204281	4	BLEEDING BOLT	
23	80204117	4	PLUG	
24	91474571	2	SHIM	
24	91474572	2	SHIM	
24	91474573	2	SHIM	
25	91514154	4	BOLT	
26	91514155	4	SEAL WASHER	

**SECTION 5 - DRIVE TRAIN**

**FIGURE 5-9. REAR AXLE ASSEMBLY**



PZ0651

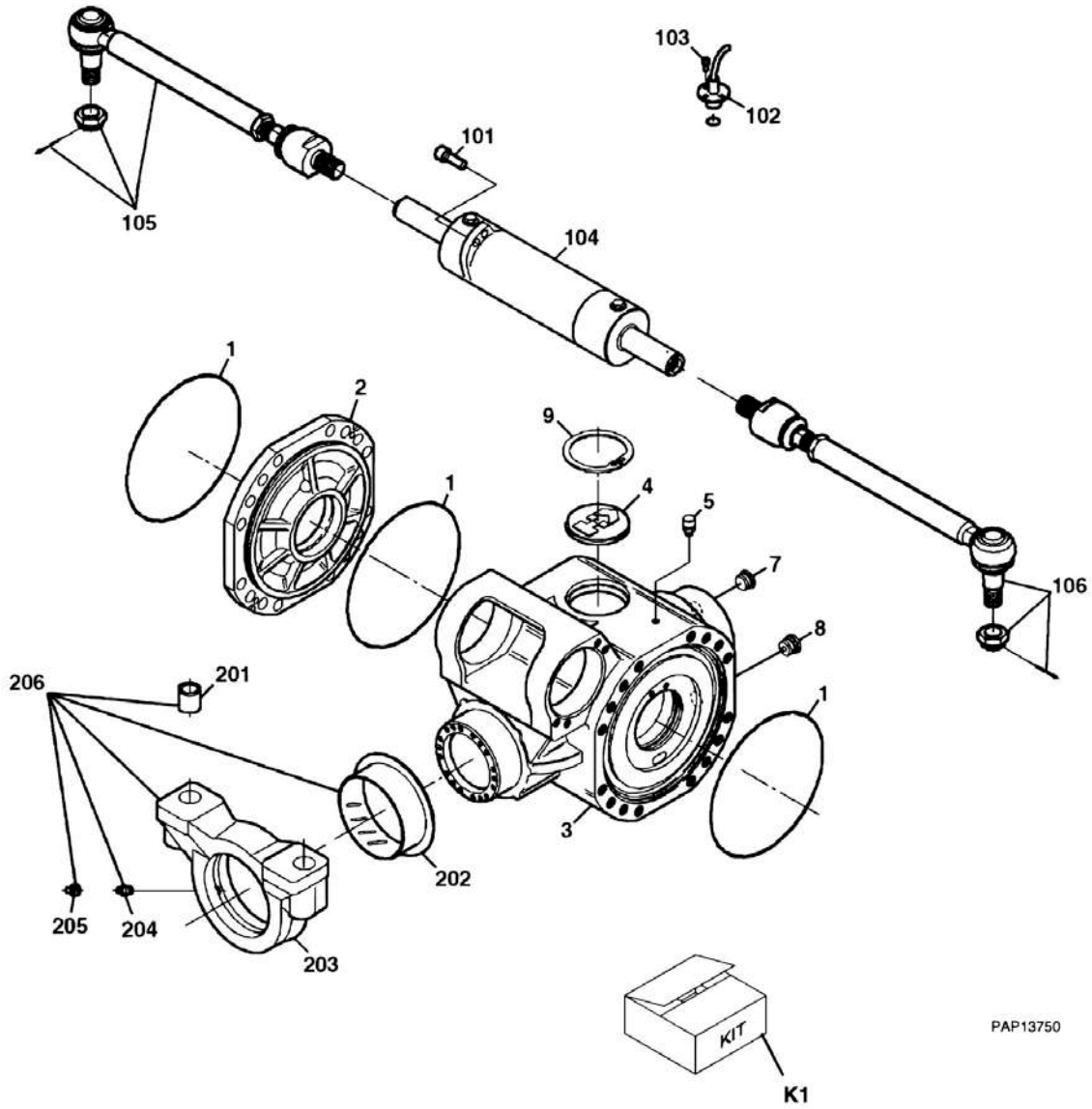
## SECTION 5 - DRIVE TRAIN

**FIGURE 5-9. REAR AXLE ASSEMBLY**

ITEM	PART NUMBER	QTY	DESCRIPTION	REV
1	4803383	1	REAR AXLE ASSY, (includes items 1 thru 4)	C
1		Ref	FRONT AXLE - CENTRAL HOUSING AND STEERING, (See REAR AXLE ASSEMBLY - CENTRAL HOUSING AND STEERING for Breakdown)	
2		Ref	FRONT AXLE - DIFFERENTIAL, (See REAR AXLE ASSEMBLY - DIFFERENTIAL for Breakdown)	
3		Ref	FRONT AXLE - HUB REDUCTION, (See REAR AXLE ASSEMBLY - EXTERNAL AXLE COMPONENTS for Breakdown)	
4		Ref	FRONT AXLE - BRAKES, (See REAR AXLE ASSEMBLY - BRAKE COMPONENTS for Breakdown)	

# SECTION 5 - DRIVE TRAIN

## FIGURE 5-10. REAR AXLE ASSEMBLY - CENTRAL HOUSING AND STEERING



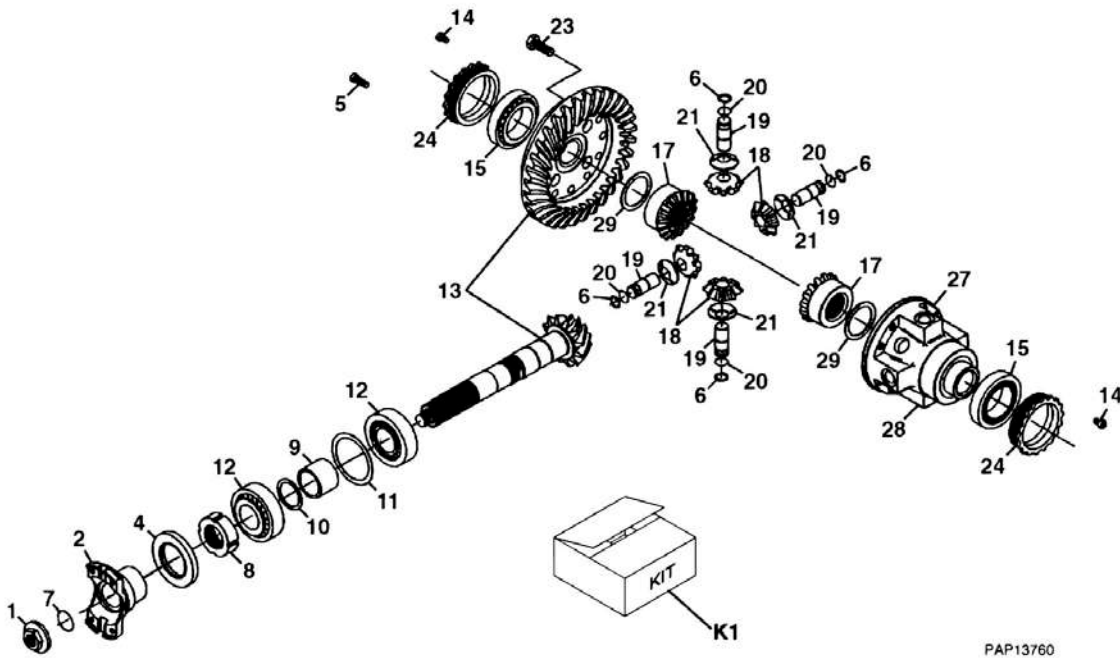
## SECTION 5 - DRIVE TRAIN

**FIGURE 5-10. REAR AXLE ASSEMBLY - CENTRAL HOUSING AND STEERING**

ITEM	PART NUMBER	QTY	DESCRIPTION	REV
1	91474507	3	O-RING	
2	91474509	1	INTERMEDIATE COVER	
3	7029426	1	HOUSING	
4	91514098	1	PLUG	
5	91474512	1	VENT	
7	91514188	1	PLUG	
8	91474513	1	MAGNET PLUG, (includes seal)	
9	80204005	1	CIRCLIP	
101	91474522	4	CYLINDER BOLT	
102	7028707	1	ELECTRONIC SENSOR	
103	8008175	3	BOLT	
104	7028708	1	CYLINDER	
104	7029920	1	SEAL KIT	
105	8007803	1	ARTICULATED TIE ROD, (right)	
106	8007804	1	ARTICULATED TIE ROD, (left)	
201	91474516	4	REDUCTION BUSHING	
202	91474515	2	THRUST BUSHINGF	
203	7028083	2	SUPPORT	
204	91514099	2	GREASE FITTING	
205	80204117	2	PLUG	
206	7028084	2	SUPPORT, (includes items 201 thru 205)	
K1	91514275	1	NUT AND COTTER PIN KIT	

# SECTION 5 - DRIVE TRAIN

## FIGURE 5-11. REAR AXLE ASSEMBLY - DIFFERENTIAL



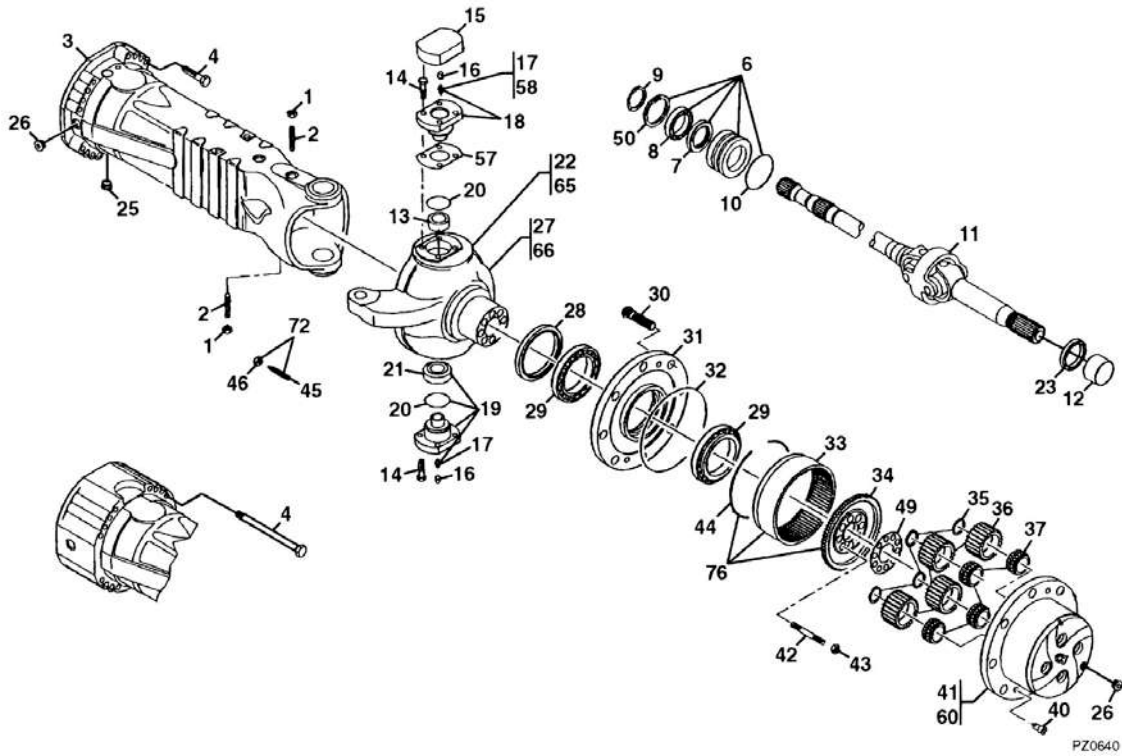
## SECTION 5 - DRIVE TRAIN

**FIGURE 5-11. REAR AXLE ASSEMBLY - DIFFERENTIAL**

ITEM	PART NUMBER	QTY	DESCRIPTION	REV
1	91474528	1	NUT	
2	7029427	1	FLANGE	
4	91474532	1	SEAL	
5	91474591	4	CYLINDER BOLT	
6	Kit K1	4	CIRCLIP	
7	91474529	1	O-RING	
8	91474533	1	RING NUT	
9	91474539	1	SPACER	
10	91474535	1	SHIM	
10	91474536	1	SHIM	
10	91474537	1	SHIM	
10	91474538	1	SHIM	
11	91474540	1	SHIM	
11	91474541	1	SHIM	
11	91474542	1	SHIM	
11	91474543	1	SHIM	
12	3968141	2	TAPER ROLLER BEARING	
13	7028043	1	BEVEL GEAR SET	
14	91514134	2	CYLINDER BOLT	
15	91474548	2	TAPER ROLLING BEARING	
17	Kit K1	2	DIFFERENTIAL SIDE GEAR	
18	Kit K1	4	DIFFERENTIAL PINION	
19	Kit K1	4	PIN	
20	91474551	4	CIRCLIP	
21	Kit K1	4	FRICTION WASHER	
23	91474123	12	BOLT	
24	91474547	2	RING NUT	
27	Kit K1	1	DIFFERENTIAL CARRIER	
28	91474596	1	DIFFERENTIAL, (includes items 6, 17 thru 21, 27 & 29)	
29	Kit K1	2	FRICTION WASHER	
K1	70021140	1	DIFFERENTIAL ASSY, (includes items 6, 17, 18, 19, 21, 27 & 29)	

# SECTION 5 - DRIVE TRAIN

## FIGURE 5-12. REAR AXLE ASSEMBLY - EXTERNAL AXLE COMPONENTS





## SECTION 5 - DRIVE TRAIN

**FIGURE 5-12. REAR AXLE ASSEMBLY - EXTERNAL AXLE COMPONENTS**

ITEM	PART NUMBER	QTY	DESCRIPTION	REV
1	91514082	2	NUT	
2	2400600	2	BOLT	
3	7028048	2	AXLE CASE	
4	7029428	32	BOLT	
6	91514149	2	REDUCTION BUSHING, (includes items 7 thru 10 & 50)	
7	91514147	2	SEAL	
8	91514146	2	BALL BEARING	
9	80204071	2	CIRCLIP	
10	91514148	2	O-RING	
11	8007770	2	JOINT, (Prior to axle SN KITA783471)	
11	7029811	AR	CROSS KIT, (includes cross for double joint, circlips and needle bearings), (Prior to axle SN KITA783471)	
11	70023105	2	JOINT, (Axle SN KITA783471 to Present)	
11	70021898	AR	CROSS KIT, (includes cross for double joint, circlips, bearings and grease seal), (Axle SN KITA783471 to Present)	
12	8004468	1	THRUST BUSHING	
13	70020173	2	BUSHING	
14	8006604	20	BOLT	
15	91474524	2	COVER	
16	80204117	4	PLUG	
17	91514099	2	GREASE FITTING	
18	8006603	2	PIVOT PIN	
19	8006605	2	PIVOT PIN	
20	2401043	2	SEAL	
21	2401258	2	ARTICULATION	
22	8007775	1	STEERING CASE, (left)	
23	8007771	2	SEAL	
25	91474513	2	MAGNET PLUG	
26	91514188	4	PLUG	
27	7029429	1	STEERING CASE, (right)	
28	7029430	2	SEAL	
29	3984301	4	BEARING	
30	8000877	20	WHEEL STUD	
31	8005801	2	WHEEL HUB	
32	80204002	2	O-RING	
33	91474580	2	RING GEAR	
34	3983720	2	RING GEAR SUPPORT	
35	91474585	8	CIRCLIP	
36	91474586	8	PLANETARY GEAR	
37	91474587	8	BEARING	
40	91514189	4	COUNTERSUNK BOLT	
41	7029286	2	PLANETARY GEAR CARRIER	
42	91474583	16	STUD	
43	91474584	16	NUT	
44	91474579	2	CIRCLIP	
45	91514117	4	BOLT	
46	80204065	4	NUT	
49	3983731	2	LOCKING PLATE	
50	80204005	2	CIRCLIP	
57	8007779	2	SHIM	

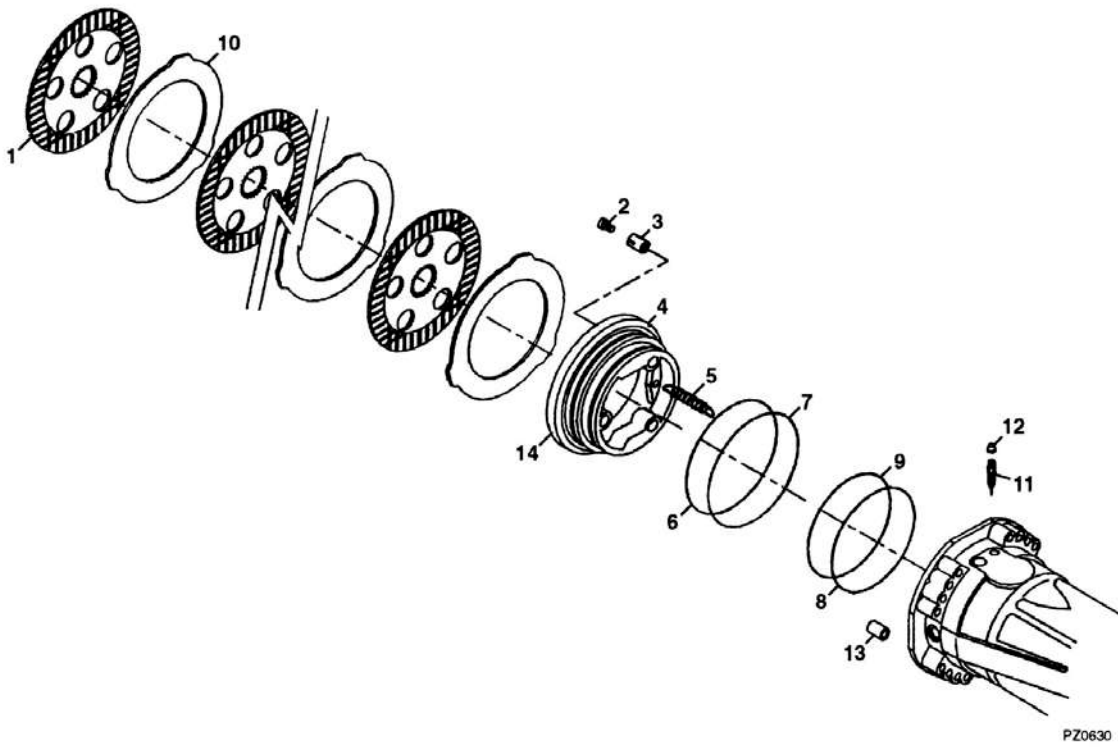
## SECTION 5 - DRIVE TRAIN

ITEM	PART NUMBER	QTY	DESCRIPTION	REV
57	8007780	2	SHIM	
57	8007782	2	SHIM	
58	7028115	2	GREASE FITTING, (includes item 17)	
60	7029431	2	PLANETARY GEAR CARRIER, (includes items 35 thru 37 & 41)	
65	8007774	1	STEERING CASE, (left), (includes items 12 & 22)	
66	8007777	1	STEERING CASE, (right), (includes items 12 & 27)	
72	7028733	4	STEERING ADJUST BOLT, (includes items 45 thru 46)	
76	7029432	2	RING GEAR SUPPORT, (includes items 33 thru 34 & 44)	



# SECTION 5 - DRIVE TRAIN

## FIGURE 5-13. REAR AXLE ASSEMBLY - BRAKE COMPONENTS



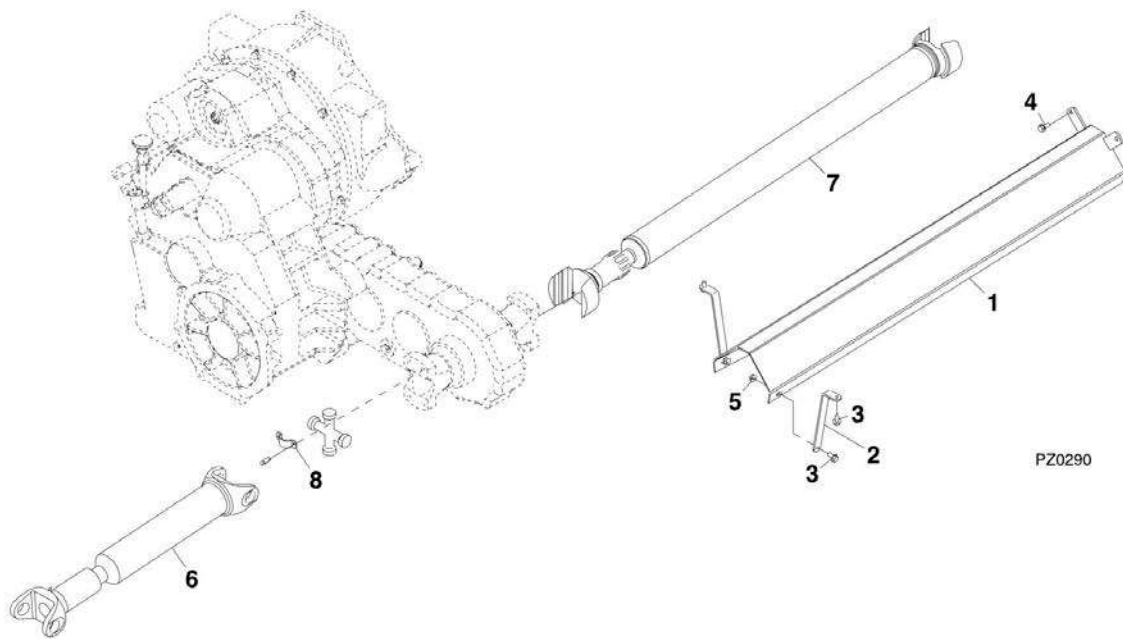
## SECTION 5 - DRIVE TRAIN

### FIGURE 5-13. REAR AXLE ASSEMBLY - BRAKE COMPONENTS

ITEM	PART NUMBER	QTY	DESCRIPTION	REV
1	91474568	6	BRAKE DISC	
2	7029786	6	ADJUSTING BOLT	
3	91514165	6	SPRING	
4	7028052	2	PISTON	
5	3984425	6	SPRING	
6	3984436	2	BACK-UP RING	
7	3984458	2	O-RING	
8	3984447	2	BACK-UP RING	
9	3984469	2	O-RING	
10	91474569	8	INTERMEDIATE BRAKE DISC	
11	80204281	2	BLEEDING BOLT	
12	80204117	2	PLUG	
13	7029433	2	DOWEL	
14	7028053	2	PISTON KIT, (includes items 4 thru 9)	

# SECTION 5 - DRIVE TRAIN

## FIGURE 5-14. DRIVE TRAIN INSTALLATION



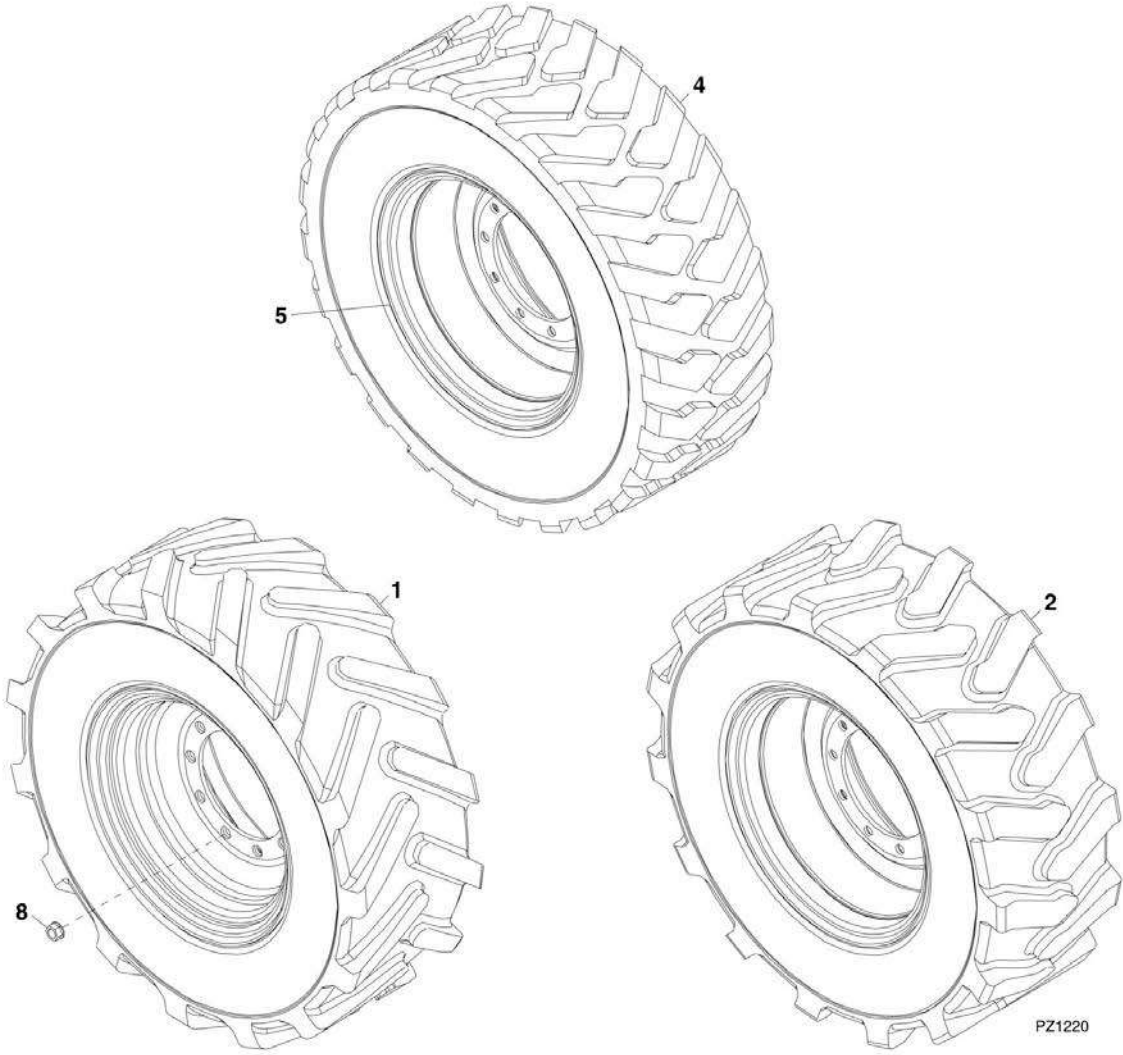
## SECTION 5 - DRIVE TRAIN

**FIGURE 5-14. DRIVE TRAIN INSTALLATION**

ITEM	PART NUMBER	QTY	DESCRIPTION	REV
	0275545	1	DRIVE TRAIN INSTALLATION, (includes all items)	A
1	1671331	1	DRIVE TRAIN COVER, (3508PS, 3509PS, 3512PS, 3513PS, 4008PS, 4009PS, 4012PS, 4013PS & 4017PS)	
1	1671331B	1	DRIVE TRAIN COVER, (40.8 & 40.9)	
2	4341332	2	MOUNT, DRIVE TRAIN COVER, (3508PS, 3509PS, 3512PS, 3513PS, 4008PS, 4009PS, 4012PS, 4013PS & 4017PS)	
2	4341332B	2	MOUNT, DRIVE TRAIN COVER, (40.8 & 40.9)	
3	5200808	4	RIPP BOLT, 8-48X16mm	
4	5200810	2	RIPP BOLT, 8-48X20mm	
5	5220800	2	RIPP NUT, 8mm	
6	8004069	1	DRIVESHAFT	
6	7028929	2	UNIVERSAL JOINT	
7	8004070	1	DRIVESHAFT	
7	7028929	2	UNIVERSAL JOINT	
8	8005079	8	DRIVESHAFT ATTACHMENT KIT, (includes strap and bolts), (torque to 38Nm)	

**SECTION 5 - DRIVE TRAIN**

**FIGURE 5-15. TIRE AND WHEEL ASSEMBLY**





## SECTION 5 - DRIVE TRAIN

### FIGURE 5-15. TIRE AND WHEEL ASSEMBLY

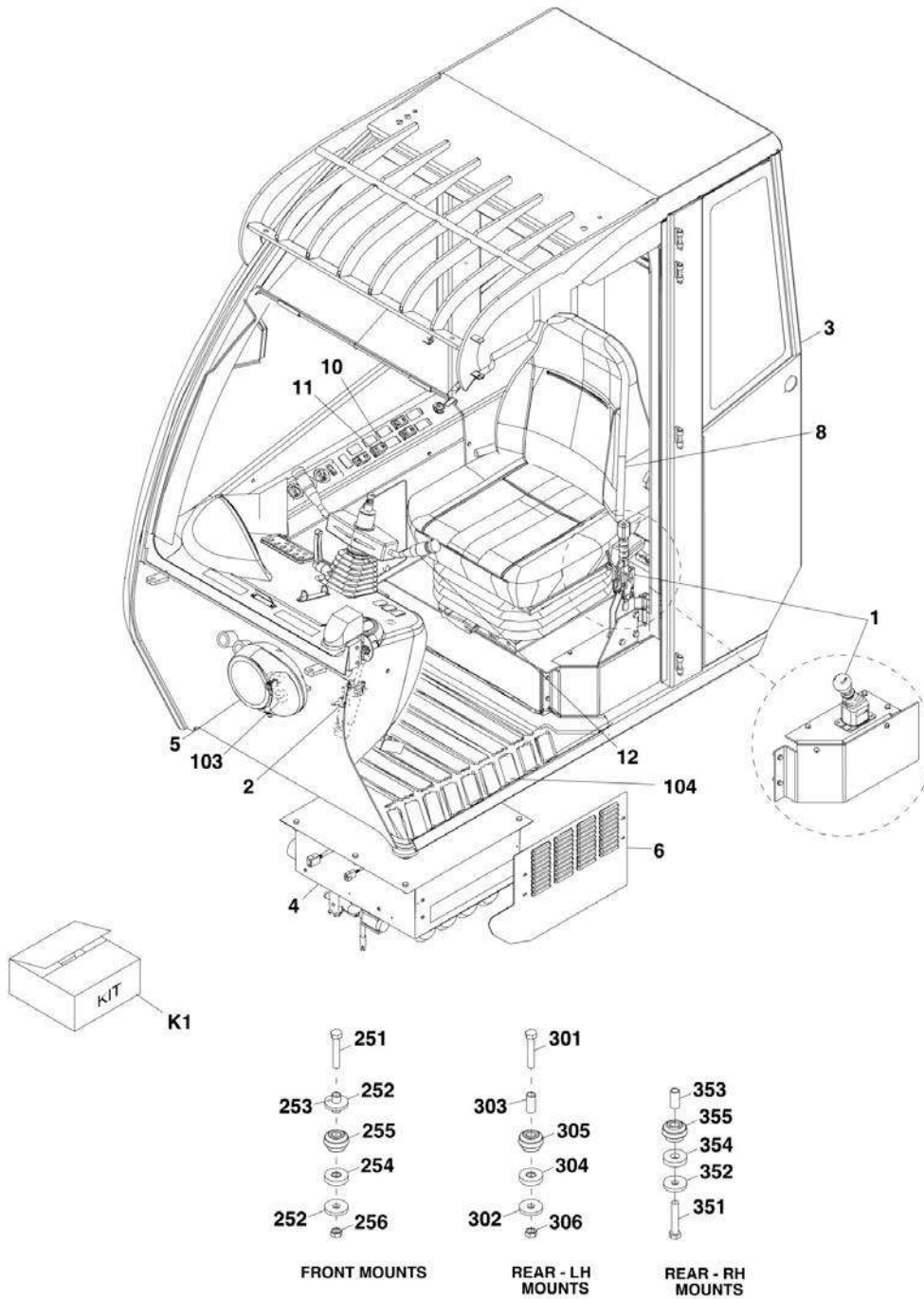
ITEM	PART NUMBER	QTY	DESCRIPTION	REV
	4520389	1	TIRE ASSY, 405/70-24, (17M only), (MPT-01 agricultural), (includes item 7)	
	4520388	2	RH TIRE AND WHEEL ASSY, 405/70-24, MPT-01, (includes items 3, 5 & item 6)	2
	4520387	2	LH TIRE AND WHEEL ASSY, 405/70-24, MPT-04, (includes items 3, 5 & item 6)	2
	4520393	1	TIRE ASSY, 405/70-24, (17M only), (MPT-04 construction), (includes item 7)	3
	4520392	2	RH TIRE AND WHEEL ASSY, 405/70-24, MPT-01, (includes items 4 thru 6)	2
	4520391	2	LH TIRE AND WHEEL ASSY, 405/70-24, MPT-04, (includes items 4 thru 6)	2
	8002772	1	TIRE ASSY, 405/70-24, (8M, 9M, 12M & 13M), (MPT-01 agricultural), (includes item 7)	4
	4520335	2	RH TIRE AND WHEEL ASSY, 405/70-24, MPT-01, (includes items 1, 5 & item 6)	2
	4520334	2	LH TIRE AND WHEEL ASSY, 405/70-24, MPT-01, (includes items 1, 5 & item 6)	2
	8002777	1	TIRE ASSY, 405/70-24, (8M, 9M, 12M & 13M), (MPT-04 construction), (includes item 7)	4
	4520337	2	RH TIRE AND WHEEL ASSY, 405/70-24, MPT-04, (includes items 2, 5 & item 6)	2
	4520336	2	LH TIRE AND WHEEL ASSY, 405/70-24, MPT-04, (includes items 2, 5 & item 6)	2
1	3767864	1	TIRE, (agricultural), (8M, 9M, 12M & 13M)	
2	8002778	1	TIRE, (construction), (8M, 9M, 12M & 13M)	
3	4520386	1	TIRE, (agricultural), (17M only), (not shown)	
4	4520390	1	TIRE, (construction), (17M only)	
5	8001143	1	RIM	
6	8008675	1	VALVE, (not shown)	
7	1706373	1	DECAL, 4.5 BAR, (17M only), (not shown)	
7	8005827	1	DECAL, 4.0 BAR, (8M, 9M, 12M & 13M), (not shown)	
8	2478782	10	LUG NUT, (torque to 575 Nm)	



**SECTION 6 - CAB**

# SECTION 6 - CAB

## FIGURE 6-1. CAB INSTALLATION



PAP13860

FIGURE 6-1. CAB INSTALLATION

ITEM	PART NUMBER	QTY	DESCRIPTION	REV
	1040061	Ref	CAB INSTALLATION, (with A/C), (not available to order, see items 1 thru 12 for service) <b>(3508PS;3509PS;3512PS;3513PS;4008PS;4009PS;4012PS;4013 PS Prior to SN 1160005993, Excluding 1160005949 and 1160005950)</b>	AC
	1001122236	Ref	CAB INSTALLATION, (with A/C), (not available to order, see items 1 thru 12 for service) <b>(3508PS;3509PS;3512PS;3513PS;4008PS;4009PS;4012PS;4013 PS SN 1160005993 to Present; Including 1160005949 and 1160005950)</b>	E
	1040062	Ref	CAB INSTALLATION, (without A/C), (not available to order, see items 1 thru 12 for service) <b>(3508PS;3509PS;3512PS;3513PS;4008PS;4009PS;4012PS;4013 PS Prior to SN 1160005993; Excluding 1160005949 and 1160005950)</b>	AC
	1001122237	Ref	CAB INSTALLATION, (without A/C), (not available to order, see items 1 thru 12 for service) <b>(3508PS;3509PS;3512PS;3513PS;4008PS;4009PS;4012PS;4013 PS SN 1160005993 to Present; Including 1160005949 and 1160005950)</b>	E
	1040065	Ref	CAB INSTALLATION, (with A/C), (not available to order, see items 1 thru 12 & 103 for service) <b>(4017PS Prior to SN 1160005937; Including 1160005952, 11160005960, 1160005963, 116000966 and 1160005978)</b>	AC
	1001122238	Ref	CAB INSTALLATION, (with A/C), (not available to order, see items 1 thru 4, 6 thru 103 for service) <b>(4017PS SN 1160005937 to Present; Excluding 1160005952, 11160005960, 1160005963, 116000966 and 1160005978)</b>	E
	1040066	Ref	CAB INSTALLATION, (without A/C), (not available to order, see items 1 thru 12 & 103 for service) <b>(4017PS Prior to SN 1160005937; Including 1160005952, 11160005960, 1160005963, 116000966 and 1160005978)</b>	AC
	1001122239	Ref	CAB INSTALLATION, (without A/C), (not available to order, see items 1 thru 4, 6 thru 103 for service) <b>(4017PS SN 1160005937 to Present; Excluding 1160005952, 11160005960, 1160005963, 116000966 and 1160005978)</b>	D
	1001106529	Ref	CAB INSTALLATION, (with A/C), (not available to order, see items 1 thru 12 for service) <b>(40.8;40.9 Prior to SN 1160005993; Excluding 1160005949 and 1160005950)</b>	J
	1001122240	Ref	CAB INSTALLATION, (with A/C), (not available to order, see items 1 thru 12 for service) <b>(40.8;40.9 SN 1160005993 to Present; Including 1160005949 and 1160005950)</b>	E
	1001106530	Ref	CAB INSTALLATION, (without A/C), (not available to order, see items 1 thru 12 for service) <b>(40.8;40.9 Prior to SN 1160005993; Excluding 1160005949 and 1160005950)</b>	J
	1001122241	Ref	CAB INSTALLATION, (without A/C), (not available to order, see items 1 thru 12 for service) <b>(40.8;40.9 SN 1160005993 to Present; Including 1160005949 and 1160005950)</b>	E
1		Ref	HANDBRAKE, (See CONTROLS SECTION for Breakdown)	
2		Ref	SERVICE BRAKE INSTALLATION, (See HYDRAULIC CIRCUITS SECTION for Breakdown)	
3		Ref	CAB ASSY, (See CAB ASSEMBLY for Breakdown)	
4		Ref	HVAC SYSTEM ASSY, (with A/C), (See AIR CONDITIONING UNIT INSTALLATION for Breakdown)	
4		Ref	HVAC SYSTEM ASSY, (without A/C), (See HEATER INSTALLATION AND CIRCULATION for Breakdown)	
5		Ref	LH DRIVING LIGHT, (See ELECTRICAL SECTION for Breakdown)	

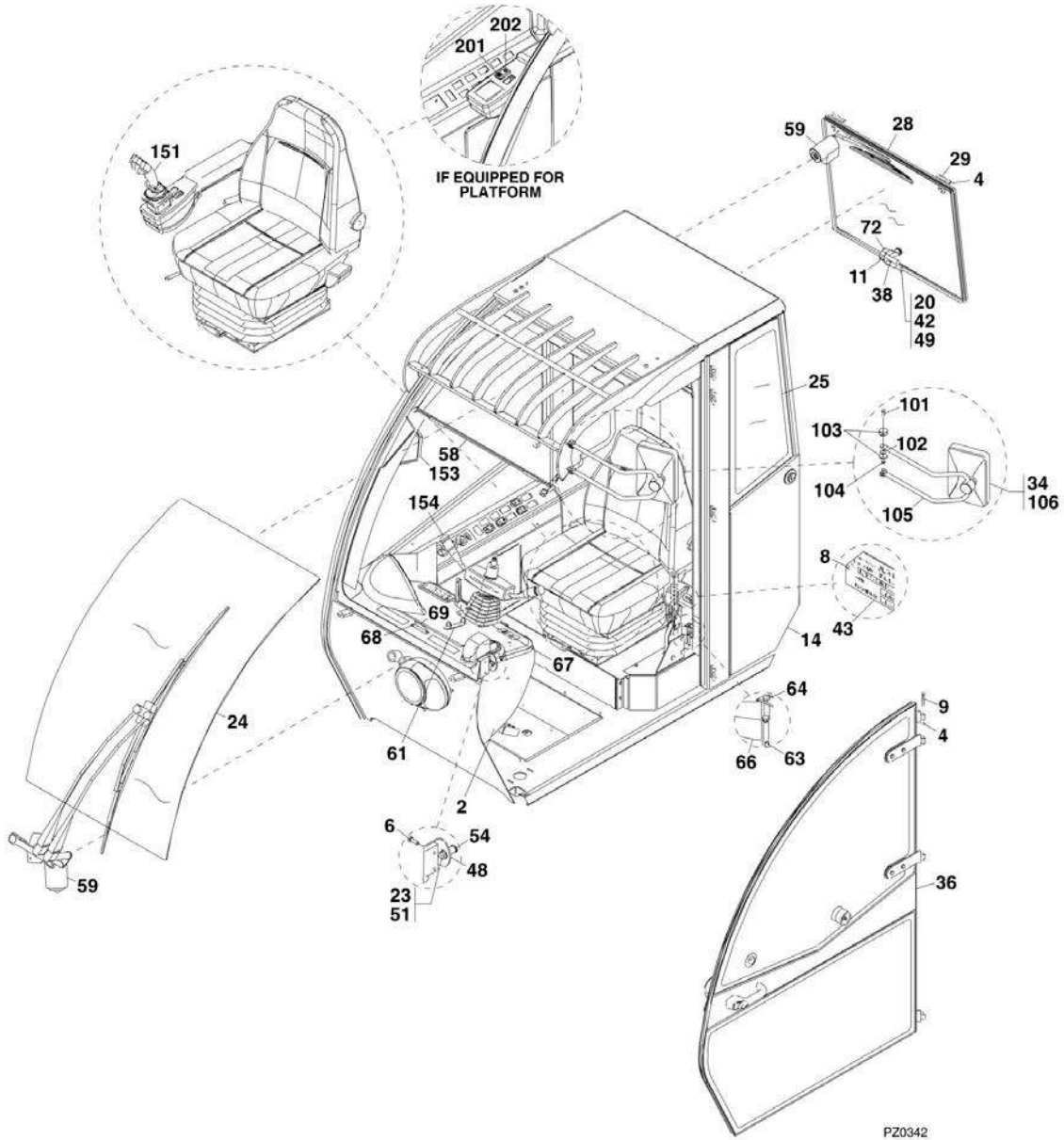
## SECTION 6 - CAB

ITEM	PART NUMBER	QTY	DESCRIPTION	REV
6		Ref	HVAC PLATE ASSY, (with A/C), (See AIR CONDITIONING UNIT INSTALLATION for Breakdown)	
6		Ref	HVAC PLATE, (without A/C), (See HEATER INSTALLATION AND CIRCULATION for Breakdown)	
8		Ref	SEAT INSTALLATION, (See SEAT INSTALLATION for Breakdown)	
10		Ref	BOOM LIGHTS SWITCH BODY, (IF EQUIPPED), (See ELECTRICAL SECTION for Breakdown)	
11		Ref	POWERSHIFT CLUTCH LOCK SWITCH KEY, (See ELECTRICAL SECTION for Breakdown)	
12		Ref	ELECTRIC SWITCH, forward/reverse, (See CONTROLS SECTION for Breakdown)	
103		Ref	GROMMET, (See ELECTRICAL SECTION for Breakdown)	
104	2820255	1	FLOOR MAT	
	4341252	1	FRONT CAB MOUNTS, (includes items 251 thru 256)	D
251	0712028	1	HEX HD CAPSCREW, 20-2.5X110mm, (torque to 150 Nm)	
252	1781813	2	DISK	
253	4806626	NLA	BUSHING, (no longer available, use 8000567 for replacement)	
254	8000565	1	RUBBER WASHER	
255	8000567	1	RUBBER ELEMENT	
256	3292001	1	HEX NUT, 20X2.5	
	4341253	1	LH REAR CAB MOUNTS, (includes items 301 thru 306)	D
301	0712028	1	HEX HD CAPSCREW, 20-2.5X110mm, (torque to 150 Nm)	
302	1781813	1	DISK	
303	4806626	NLA	BUSHING, (no longer available, use 8000567 for replacement)	
304	8000565	1	RUBBER WASHER	
305	8000567	1	RUBBER ELEMENT	
306	3292001	1	HEX NUT, 20X2.5	
	4341254	1	RH REAR CAB MOUNTS, (includes items 351 thru 355)	C
351	0712028	1	HEX HD CAPSCREW, 20-2.5X110mm, (torque to 150 Nm)	
352	1781813	1	DISK	
353	4806626	NLA	BUSHING, (no longer available, use 8000567 for replacement)	
354	8000565	1	RUBBER WASHER	
355	8000567	1	RUBBER ELEMENT	
K1	70022073B	1	REPLACEMENT CAB, (40.8 & 40.9), (includes cab weldment, door and windows)	



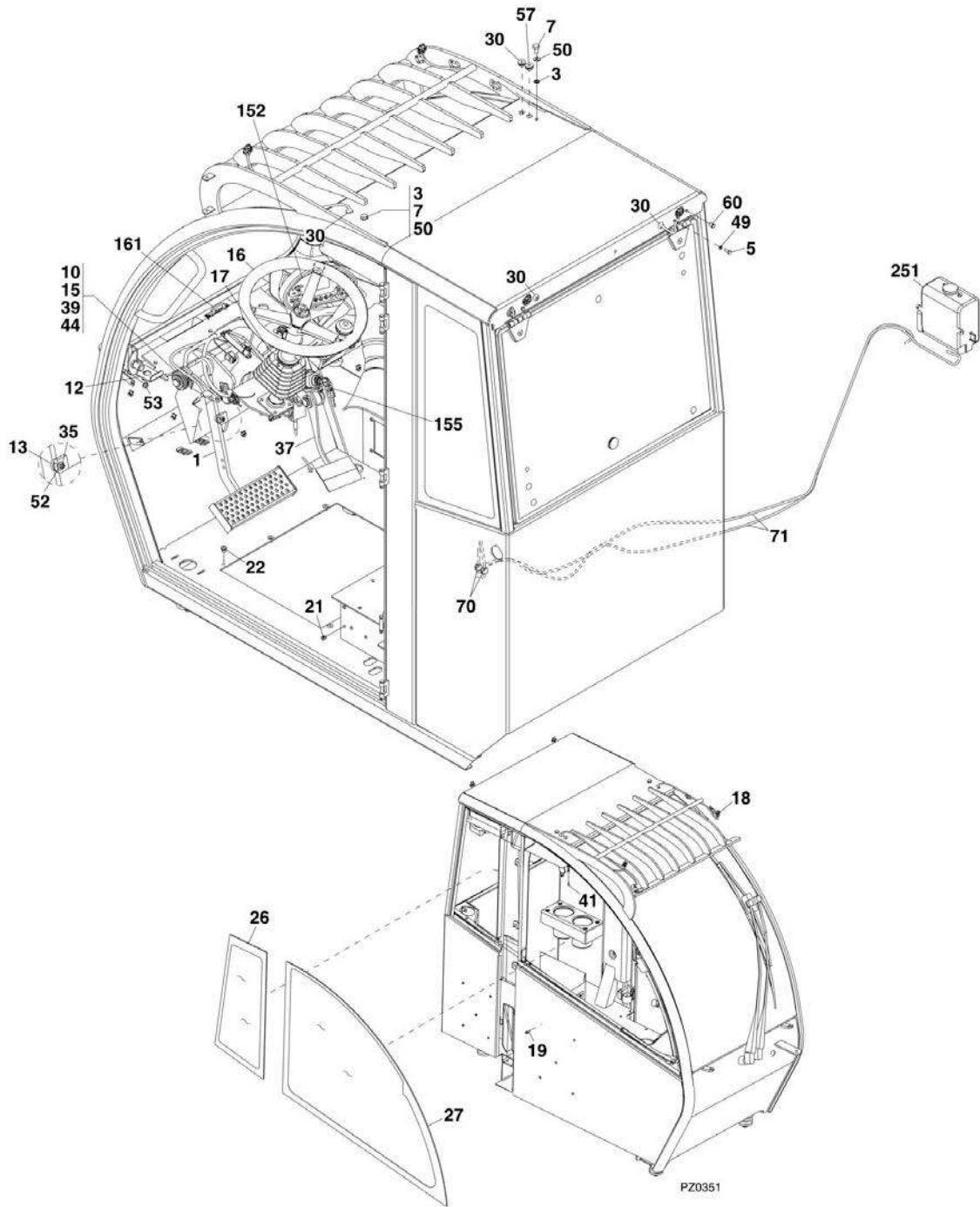
# SECTION 6 - CAB

## FIGURE 6-2. CAB ASSEMBLY





# SECTION 6 - CAB



# SECTION 6 - CAB

## FIGURE 6-2. CAB ASSEMBLY

ITEM	PART NUMBER	QTY	DESCRIPTION	REV
	1040060	1	CAB ASSEMBLY, (includes items 1 thru 11, 13 thru 44, 48 thru 52 & 54 thru 72) <b>(3508PS;3509PS;3512PS;3513PS;4008PS;4009PS;4012PS;4013 PS Prior to SN 1160005993, Excluding 1160005949 and 1160005950; 4017PS Prior to SN 1160005937, Including 1160005952, 11160005960, 1160005963, 116000966 and 1160005978)</b>	P
	1001128136	1	CAB ASSEMBLY, (includes items 1 thru 11, 13 thru 44, 48 thru 52 & 54 thru 72) <b>(3508PS;3509PS;3512PS;3513PS;4008PS;4009PS;4012PS;4013 PS SN 1160005993 to Present, Including 160005949 and 1160005950; 4017PS SN 1160005937 to Present, Excluding 1160005952, 11160005960, 1160005963, 116000966 and 1160005978)</b>	C
	1001106538	1	CAB ASSEMBLY, (includes items 1 thru 11, 13 thru 44, 48 thru 52 & 54 thru 71) <b>(40.8;40.9 Prior to SN 1160005993; Excluding 1160005949 and 1160005950)</b>	K
	1001139511	1	CAB ASSEMBLY, (includes items 1 thru 11, 13 thru 44, 48 thru 52 & 54 thru 71) <b>(40.8;40.9 SN 1160005993 to Present; Including 1160005949 and 1160005950)</b>	A
1		Ref	BRAKE PEDAL, (See CONTROLS SECTION for Breakdown)	
2		Ref	CAB INTERIOR INSTALLATION, (See INTERIOR INSTALLATION for Breakdown)	
3	321779	2	RING	
4	0498748	6	LOCKWASHER, 7mm	
5	0760608	2	HEX HD CAPSCREW, 6-1.0X16mm	
6	0760812	2	HEX HD CAPSCREW, 8-1.25X25mm	
7	0761008	2	HEX HD CAPSCREW, 10-1.50X16mm	
8	845749	2	RIVET	
9	0879192	4	PIN	
10		Ref	WASHER, 25mm, (See CONTROLS SECTION for Breakdown)	
11		Ref	REAR WINDOW BRACKET, (See CAB DOOR AND WINDOW INSTALLATION for Breakdown)	
12	0903674	1	BRACKET <b>(Prior to SN 1160005851)</b>	
13	1000331	1	RUBBER STOP	
14	1040055	1	CAB	
15		Ref	CIRCLIP, (See CONTROLS SECTION for Breakdown)	
16		Ref	STEERING WHEEL ASSY, (See CONTROLS SECTION for Breakdown)	
17		Ref	STEERING COLUMN, (See CONTROLS SECTION for Breakdown)	
18		Ref	ELECTRICAL INSTALLATION, (See CONTROLS SECTION for Breakdown)	
19	2080080	5	HEX RIVNUT, 6X1.0	
20		Ref	ROUND RIVNUT, 6X1.25, (See CAB DOOR AND WINDOW INSTALLATION for Breakdown)	
21	2080087	9	ROUND RIVNUT, 6X1.25	
22	2080088	6	ROUND RIVNUT, 8X1.25	
23	2440675	1	RIPP NUT, 12mm	
24		Ref	FRONT WINDOW, (See CAB DOOR AND WINDOW INSTALLATION for Breakdown)	
25		Ref	LH REAR WINDOW, (See CAB DOOR AND WINDOW INSTALLATION for Breakdown)	
26		Ref	RH REAR WINDOW, (See CAB DOOR AND WINDOW INSTALLATION for Breakdown)	

## SECTION 6 - CAB

ITEM	PART NUMBER	QTY	DESCRIPTION	REV
27		Ref	RH SIDE WINDOW, (See CAB DOOR AND WINDOW INSTALLATION for Breakdown)	
28		Ref	REAR WINDOW ASSY, (See CAB DOOR AND WINDOW INSTALLATION for Breakdown)	
29	2480082	2	WINDOW PIN	
30	2540051	4	GROMMET	
34	2902506	1	REAR VIEW MIRROR KIT, (includes items 101 thru 106)	A
35	3290605	1	HEX LOCKNUT, M6X1	
36		Ref	CAB DOOR ASSY, (See CAB DOOR AND WINDOW INSTALLATION for Breakdown)	
37		Ref	THROTTLE INSTALLATION, (See CONTROLS SECTION for Breakdown)	
38		Ref	REAR WINDOW LATCH PIN, (See CAB DOOR AND WINDOW INSTALLATION for Breakdown)	
39		Ref	BUSHING, (See CONTROLS SECTION for Breakdown)	
41	4010408	2	LENS HD SCREW, 4X16mm	
42		Ref	SOCKET HD CAPSCREW, 6-1.0X20mm, (See CAB DOOR AND WINDOW INSTALLATION for Breakdown)	
43	N.S.S.	1	SN PLATE	
44		Ref	RESTORING SPRING, (See CONTROLS SECTION for Breakdown)	
48	4807616	1	PLATE	
49	4811700	4	WASHER, 6mm	
50	4812000	2	WASHER, 10mm	
51	4812100	1	WASHER, 12mm	
52	5211702	1	RIPP WASHER, 6mm	
53	5220800	2	RIPP NUT, 8mm <b>(Prior to SN 1160005851)</b>	
54	8000803	1	DOOR STRIKER PIN	
57	8002985	1	GROMMET	
58	8003009	1	SUNVISOR	
59		Ref	WIPER ASSY, (See WIPER SYSTEM INSTALLATION for Breakdown)	
60	8009464	1	CAP	
61	1001005960	1	LOADCHART HOLDER	
63	3290607	2	HEX NUT, 6mm	
64	0700619	2	HEX HD CAPSCREW, 6-1.0X55mm	
66	1001097263	1	FABRIC DOOR STOP STRAP	
67	1001096669	1	PLATE	
68	3934378	2	LENS HD CAPSCREW, 4.8X16mm	
69	1001093344	1	LEVELING INDICATOR BRACKET	
70		Ref	NON RETURN VALVE, (See WIPER SYSTEM INSTALLATION for Breakdown)	
71	3746405	5 m	HOSE	
72		Ref	LATCH CABLE, (See CAB DOOR AND WINDOW INSTALLATION for Breakdown)	
101	0760812	2	HEX HD CAPSCREW, 8-1.25X25mm	
102	848120	2	WASHER, 10mm	
103	885849	8	SPRING	
104	3290805	2	HEX LOCKNUT, 8X1.25	
105	3945575	1	MIRROR ROD	
106	3949091	1	MIRROR	
151		Ref	JOYSTICK CONTROLLER, (See CONTROLS SECTION for Breakdown)	
152		Ref	GAUGE CLUSTER, (See ELECTRICAL SECTION for Breakdown)	

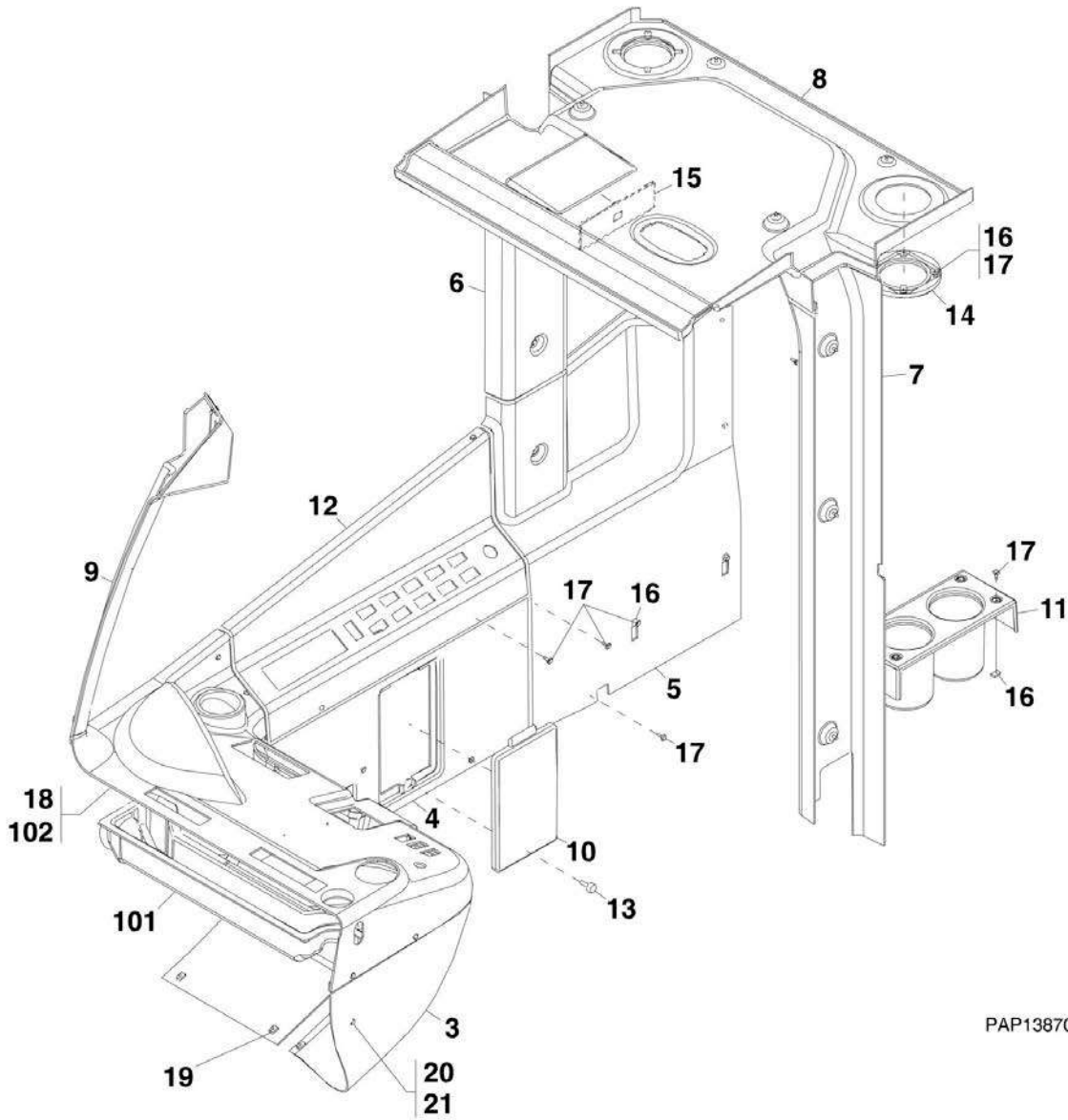
## SECTION 6 - CAB

ITEM	PART NUMBER	QTY	DESCRIPTION	REV
153		Ref	LSI DISPLAY, (See ELECTRICAL SECTION for Breakdown)	
154		Ref	ELECTRIC SWITCH, lights and wipers, (See CONTROLS SECTION for Breakdown)	
155		Ref	IGNITION SWITCH, (See ELECTRICAL SECTION for Breakdown)	
161	8466306	1	LEVEL INDICATOR GAUGE	
	1001100873	Ref	BOOM AUX ELECTRICAL INSTALLATION,(if equipped for platform), (not available to order, see items 201 & 202 for service)	A
201	4360664	1	SWITCH BODY	
202	1001092862	1	SWITCH KEY	
251		Ref	WASHER TANK, (See FRAME AND ATTACHING PARTS SECTION for Breakdown)	



# SECTION 6 - CAB

## FIGURE 6-3. INTERIOR INSTALLATION



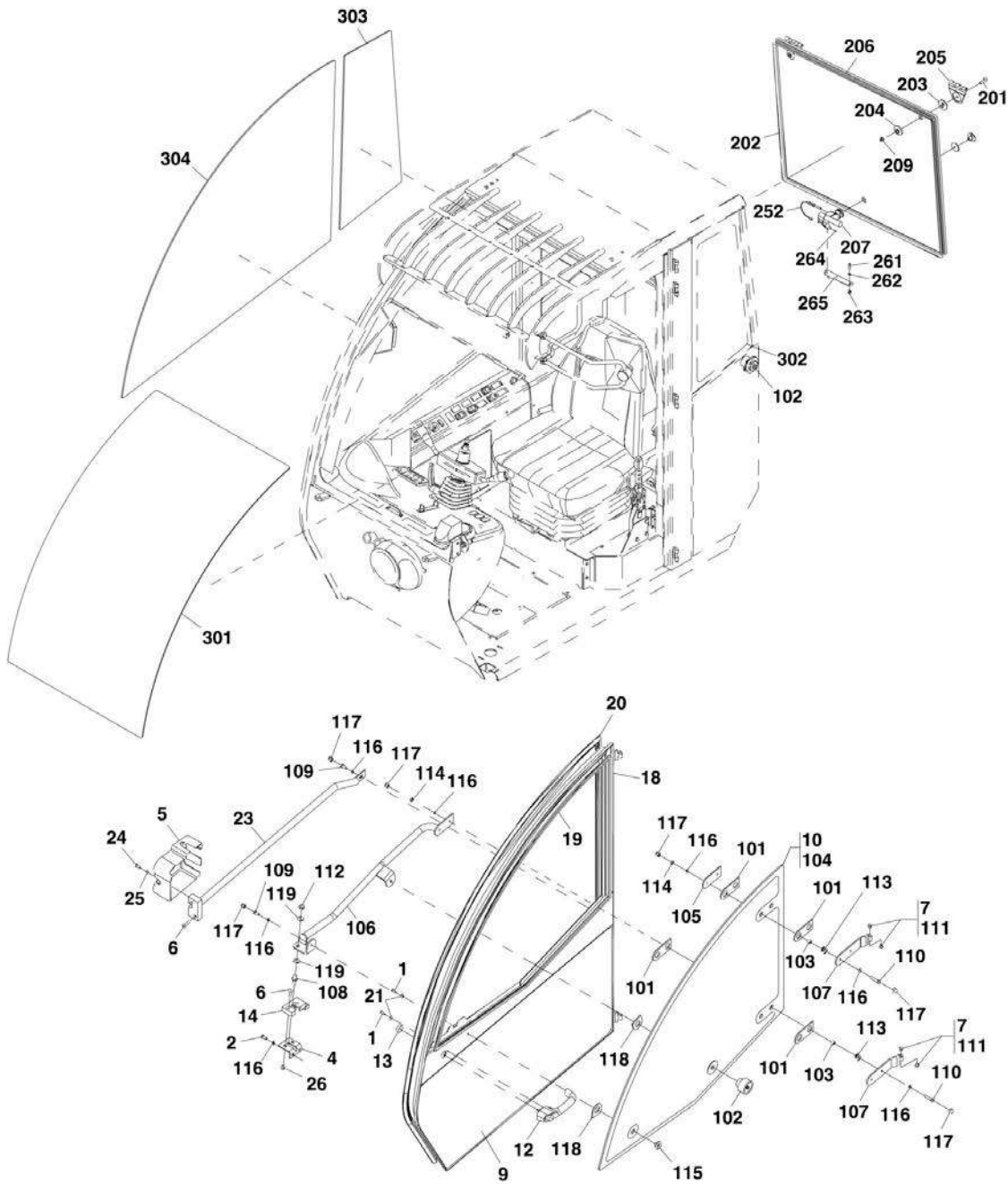
PAP13870

FIGURE 6-3. INTERIOR INSTALLATION

ITEM	PART NUMBER	QTY	DESCRIPTION	REV
	0275115	Ref	CAB INTERIOR INSTALLATION, (8M PS, 9M PS, 12M PS, 13M PS & 17M PS), (not available to order, see items 3 thru 21 for service)	I
	1001128139	Ref	CAB INTERIOR INSTALLATION, (40.8 & 40.9), (includes items 3 thru 21)	B
3	1671273	1	FRONT DASH LOWER CONSOLE	
4	1671275	1	SIDE PANEL COVER	
5	1671276	1	REAR CONSOLE CAB PANEL	
6	1671277	1	RH POST COVER	
7	1671278	1	LH POST COVER	
8	1671279	1	CAB CEILING LINER	
9	1671280	1	LSI HOLDER, (8M PS, 9M PS, 12M PS, 13M PS & 17M PS)	
9	1001128137	1	LSI HOLDER, (40.8 & 40.9)	
10	1671282	1	CIRCUIT DOOR	
11	1671300	1	CUP HOLDER ASSY	
12	1671344	1	SIDE CONSOLE	
13	2080092	1	THUMB SCREW, 6X16mm	
14	1671326	2	SPEAKER GRILL	
15	1671327	1	RADIO COVER	
16	3933468	8	STAMPED CLIP	
17	3934378	8	LENS HD CAPSCREW, 4.8X16mm	
18	1001100722	1	UPPER DASH COVER ASSY, (includes items 101 & 102)	A
19	8305919	38	RETAINER NUT, M6X1	
20	1001098150	49	NYLON WASHER, M6	
21	1001132564	49	SCREW, M6X20	
101	1560038	1	HVAC FRONT DUCT	
102	1671272	1	FRONT DASH UPPER CONSOLE	

# SECTION 6 - CAB

## FIGURE 6-4. CAB DOOR AND WINDOW INSTALLATION



PAP3101



## SECTION 6 - CAB

### FIGURE 6-4. CAB DOOR AND WINDOW INSTALLATION

ITEM	PART NUMBER	QTY	DESCRIPTION	REV
	3380772	1	CAB DOOR ASSY, (includes items 1 thru 26)	G
	1001110934	1	CAB DOOR ASSY, (steel bottom), (includes items 1 thru 7, 10 thru 23 & 26)	C
1	4010608	2	HEX HD CAPSCREW, 6-1.0X16mm	
2	0760808	3	HEX HD CAPSCREW, 8-1.25X16mm	
4	8001833	1	STRIKER	
5	0903653	1	DOOR BRACKET	
6	1398374	4	FLAT HD SOCKET SCREW, 8X35mm	
7	1749733	4	BUSHING	
9	2480066	1	LOWER DOOR GLASS	
10	2480067	1	TOP SWING DOOR GLASS, (includes items 101 thru 119)	D
12	1001108830	1	DOOR HANDLE, (includes screw, washer and item 13)	A
13	3946123	1	DOOR HANDLE SPACER	
14	8001144	1	STRIKER MECHANISM	
16	1001096365	1	COVER NUT	
18	3380640	1	DOOR FRAME, (3508PS, 3509PS, 3512PS, 3513PS, 4008PS, 4009PS, 4012PS, 4013PS & 4017PS)	
18	3380640B	1	DOOR FRAME, (40.8 & 40.9)	
18	1001115093	1	DOOR FRAME, (steel bottom), (3508PS, 3509PS, 3512PS, 3513PS, 4008PS, 4009PS, 4012PS, 4013PS & 4017PS)	
18	1001115093B	1	DOOR FRAME, (steel bottom), (40.8 & 40.9)	
19	3960608	1	UPPER WINDOW SEAL	
20	3960609	1	DOOR SEAL	
21	4811700	2	WASHER, 6mm	
22	4811900	3	WASHER, 8mm	
23	1001096790	1	LATCH HANDLE, (includes items 24 & 25)	
24	1001110874	1	POSIDRIVE PAN HD SCREW, 8 X 16mm	
25	1001110875	1	WASHER, 8mm	
26	5220800	2	RIPP BOLT	
101	0903395	4	SPACER	
102	0903396	1	DOOR HOLD ASSY	
103	0903397	4	HINGE SPACER	
104	2480068	1	UPPER DOOR GLASS	
105	2480069	1	HINGE PLATE	
106	2560199	1	UPPER DOOR GLASS HANDLE	
107	1001117206	2	UPPER DOOR STRAP HINGE	
108	1001134159	1	STRIKER PIN	
109	0760808	1	HEX HD CAPSCREW, 8-1.25X16mm	
110	0760815	4	HEX HD CAPSCREW, 8X35mm	
111	1749733	4	HINGE SPACER BUSHING	
112	2440675	1	RIPP NUT, 12X1mm	
113	2540050	4	GROMMET, METRIC	
114	3290801	3	HEX NUT, 8X1.25mm	
115	3300504	1	GLASS PENetration NUT	
116	4811900	8	WASHER, 8mm	
117	1001096365	8	COVER NUT, M8	
118	1001110798	2	DOOR HANDLE BRACKET	
119	4812100	2	WASHER, 12mm	
	2480074	1	REAR WINDOW ASSY, (includes items 201 thru 209)	C
201	2080078	2	FLAT HEX HD SCREW, 8X1.25mm	

## SECTION 6 - CAB

ITEM	PART NUMBER	QTY	DESCRIPTION	REV
202	2480075	1	WINDOW, REAR	C
203	8004398	2	SPACER	
204	8000759	2	SPACER	
205	8000344	2	HINGE	
206	2480079	1	REAR WINDOW SEAL	
207	2480080	1	LATCH ASSY, (includes screw shackle)	
209	3290806	2	HEX CAP NUT, 8X1.25mm	
252	1001112579	1	LATCH CABLE	
261	4031708	2	SOCKET HD CAPSCREW, 6X20mm	
262	4811700	2	WASHER, 6mm	
263	2080086	2	ROUND RIVNUT, 6X1.25mm	
264	3423262	1	LATCH PIN	
265	0903398	1	WINDOW BRACKET	
301	2480070	1	FRONT WINDOW	
302	2480071	1	LH REAR WINDOW	
303	2480072	1	RH REAR WINDOW	
304	2480073	1	RH SIDE WINDOW	



# SECTION 6 - CAB

## FIGURE 6-5. WIPER SYSTEM INSTALLATION

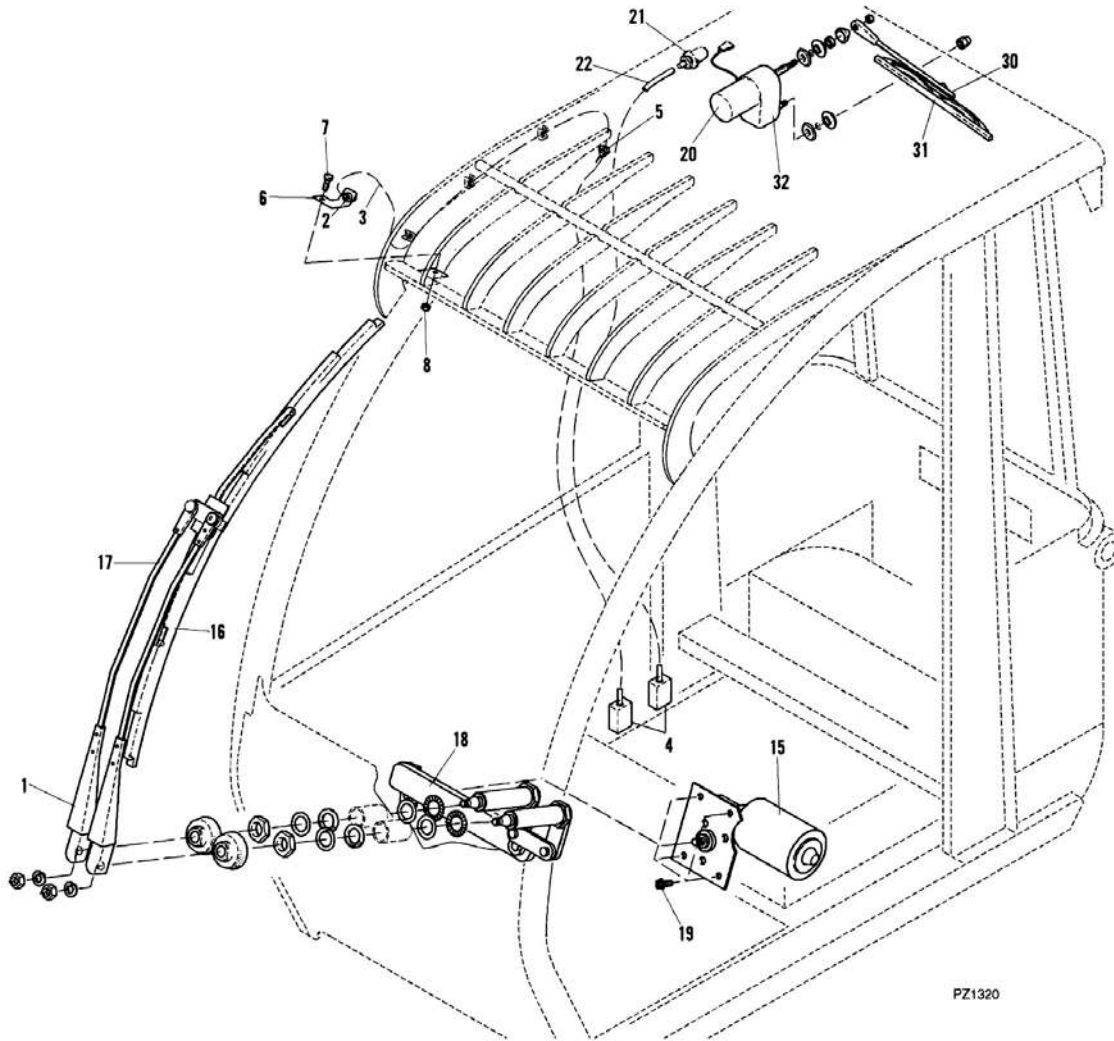
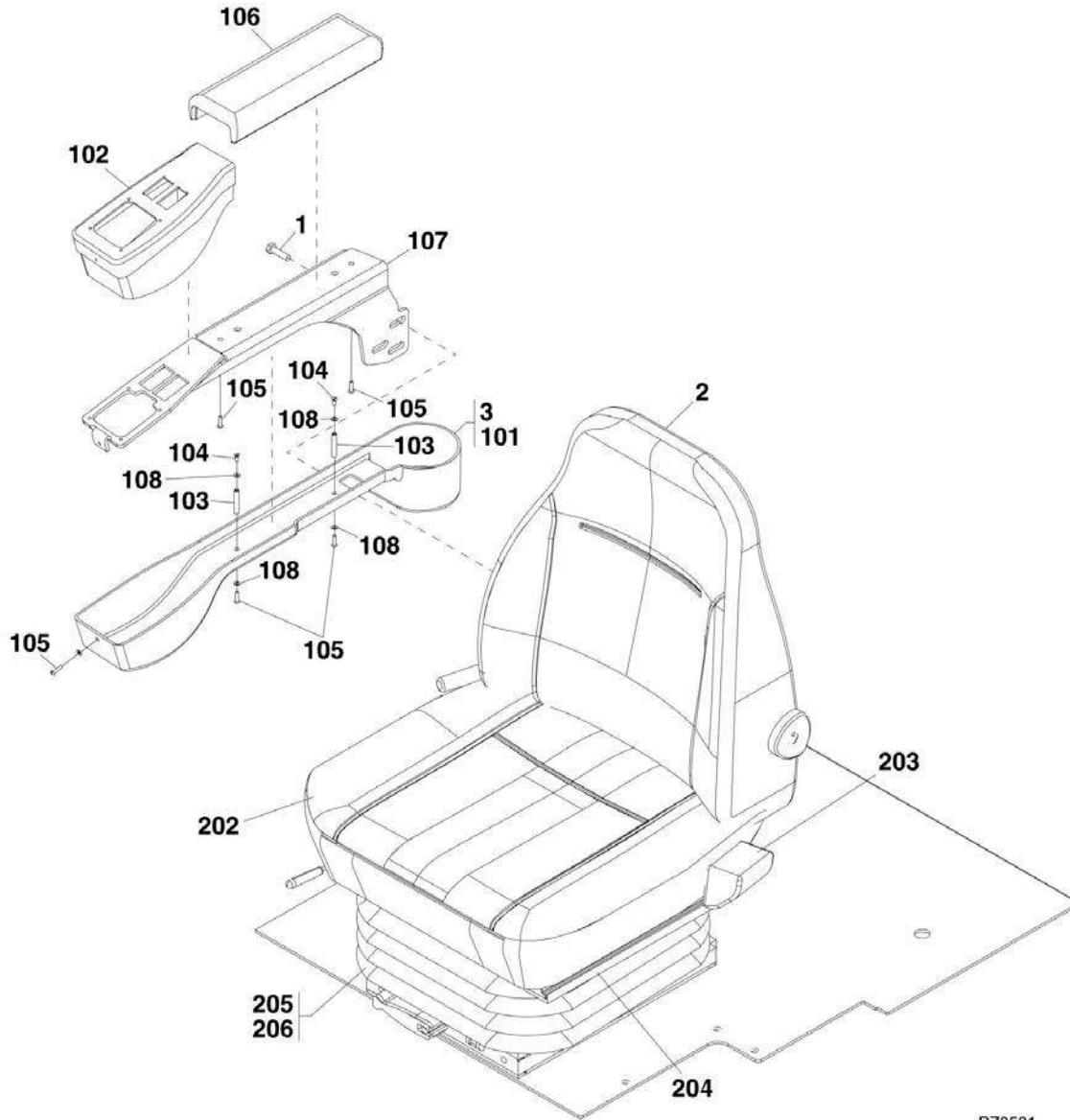


FIGURE 6-5. WIPER SYSTEM INSTALLATION

ITEM	PART NUMBER	QTY	DESCRIPTION	REV
	8007808	Ref	WIPER SYSTEM INSTALLATIONS, (not available to order, see items 1 thru 32 for service)	C
	8000340	Ref	FRONT WIPER SYSTEM, (includes items 1, 2, 3, one of item 4 & 5 thru 8)	B
	8000341	Ref	REAR WIPER SYSTEM, (includes one of item 4 & items 20 thru 22)	B
1	4807707	1	FRONT WIPER ASSY, (includes items 15 thru 19)	B
2	3746392	1	DOUBLE NOZZLE	
3	3746405	6	HOSE	
4	1366865	2	NON RETURN VALVE	
5	8002985	1	DUCT SOCKET	
6	8005447	1	ANGLE	
7	5200810	1	BOLT, 8X20mm	
8	5220800	1	NUT, 8mm	
15	4807752	1	WIPER MOTOR	
16	4807729	2	WIPER BLADE	
17	4807730	1	WIPER ARM	
18	4807741	1	WIPER DRIVE ARM ASSY	
19	5200608	4	BOLT, 6X16mm	
20	4807661	1	REAR WIPER ASSY, (includes items 30 thru 32)	B
21	3746392	1	DOUBLE NOZZLE	
22	3746405	6	HOSE	
30	4807694	1	WIPER ARM	
31	4807718	1	WIPER BLADE	
32	4807763	1	WIPER MOTOR	

# SECTION 6 - CAB

## FIGURE 6-6. SEAT INSTALLATION



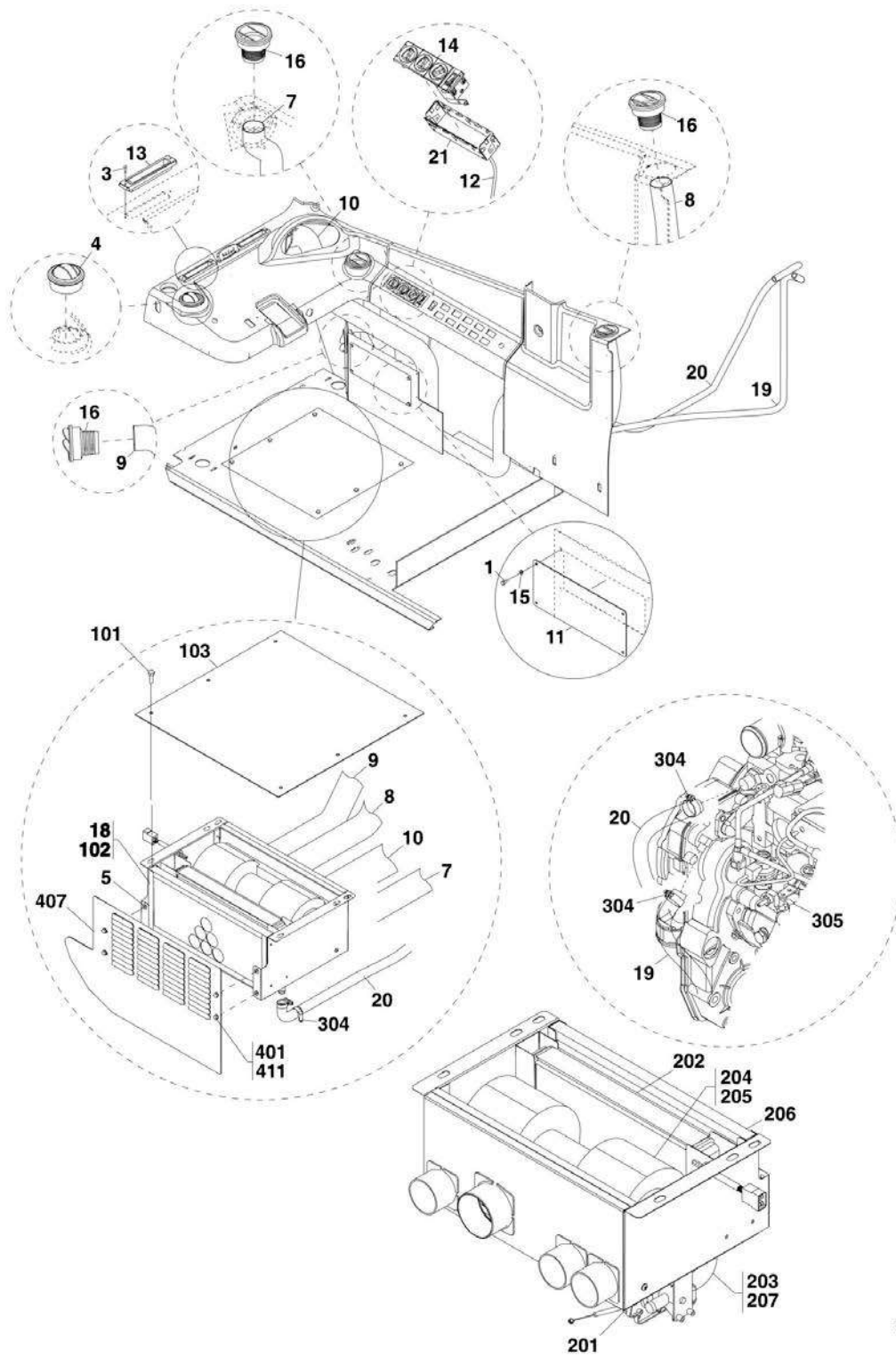
PZ0531

FIGURE 6-6. SEAT INSTALLATION

ITEM	PART NUMBER	QTY	DESCRIPTION	REV
	3980046	Ref	MECHANICAL DRIVER SEAT INSTALLATION, (3508PS, 3509PS, 3512PS, 3513PS, 4008PS, 4009PS, 4012PS, 4013PS & 4017PS), (not available to order, see items 1 thru 4 for service)	C
	1001099551	Ref	AIR SUSPENSION DRIVER SEAT INSTALLATION, (3508PS, 3509PS, 3512PS, 3513PS, 4008PS, 4009PS, 4012PS, 4013PS & 4017PS - if equipped), (not available to order, see items 2 AND 4 for service)	B
	1001106672	1	AIR SUSPENSION DRIVER SEAT ASSY, (40.8 & 40.9), (includes items 1 thru 4)	B
1	0760814	3	HEX HD CAPSCREW, 8-1.25X30mm	
2	3980043	NLA	MECHANICAL SEAT, (no longer available, use 1001119461 for replacement), (3508PS, 3509PS, 3512PS, 3513PS, 4008PS, 4009PS, 4012PS, 4013PS & 4017PS), (includes items 202 thru 206)	
2	1001119461	1	MECHANICAL SEAT, (3508PS, 3509PS, 3512PS, 3513PS, 4008PS, 4009PS, 4012PS, 4013PS & 4017PS), (includes items 202 thru 206)	
2	1001119462	1	MECHANICAL SEAT, (3508PS, 3509PS, 3512PS, 3513PS, 4008PS, 4009PS, 4012PS, 4013PS & 4017PS - if equipped), (includes items 202 thru 206)	
2	1001099530	NLA	AIR SUSPENSION SEAT, (no longer available, use 1001119462 for replacement), (3508PS, 3509PS, 3512PS, 3513PS, 4008PS, 4009PS, 4012PS, 4013PS & 4017PS - if equipped), (includes items 202 thru 206)	
2	1001106668	NLA	AIR SUSPENSION SEAT, (no longer available, use 1001119462 for replacement), (40.8 & 40.9), (includes items 202 thru 206)	
3	4341193	1	ARMREST ASSY, (includes items 101 thru 108)	
4	1001119467	1	HEAD REST, (3508PS, 3509PS, 3512PS, 3513PS, 4008PS, 4009PS, 4012PS, 4013PS & 4017PS), (not shown)	
4	1001119468	1	HEAD REST, CLOTH, (40.8 & 40.9), (not shown)	
101	1671270	1	LOWER ARMREST COVER	
102	1671271	1	UPPER ARMREST COVER	
103	2080081	2	FASTENER	
104	2080089	2	SCREW, 4-0.7X10mm	
105	2080091	5	SCREW, 4-0.7X16mm	
106	4220292	1	ARMREST PAD	
107	4341192	1	ARMREST BRACKET	
108	4811400	7	WASHER, 4mm	
201	70022032	NLA	HEADREST, (no longer available, use 1001119467 for service), (3508PS, 3509PS, 3512PS, 3513PS, 4008PS, 4009PS, 4012PS, 4013PS & 4017PS), (not shown)	
201	70022516	NLA	HEADREST, (no longer available, use 1001119468 for service), (40.8 & 40.9), (not shown)	
202	70022033	1	UPPER SEAT, (3508PS, 3509PS, 3512PS, 3513PS, 4008PS, 4009PS, 4012PS, 4013PS & 4017PS)	
202	70022517	1	UPPER SEAT, (40.8 & 40.9)	
203	7029767	1	SEAT BELT KIT	
204	70021252	1	SLIDE RAIL KIT	
205	70021251	1	MECHANICAL SEAT SUSPENSION KIT	
205	70020687	NLA	AIR SUSPENSION SUSPENSION KIT, (no longer available, use 70023468 for replacement)	
205	70023468	1	AIR SUSPENSION SUSPENSION KIT	
206	70022034	1	SUSPENSION COVER KIT	

# SECTION 6 - CAB

## FIGURE 6-7. HEATER INSTALLATION AND CIRCULATION



PZ0493

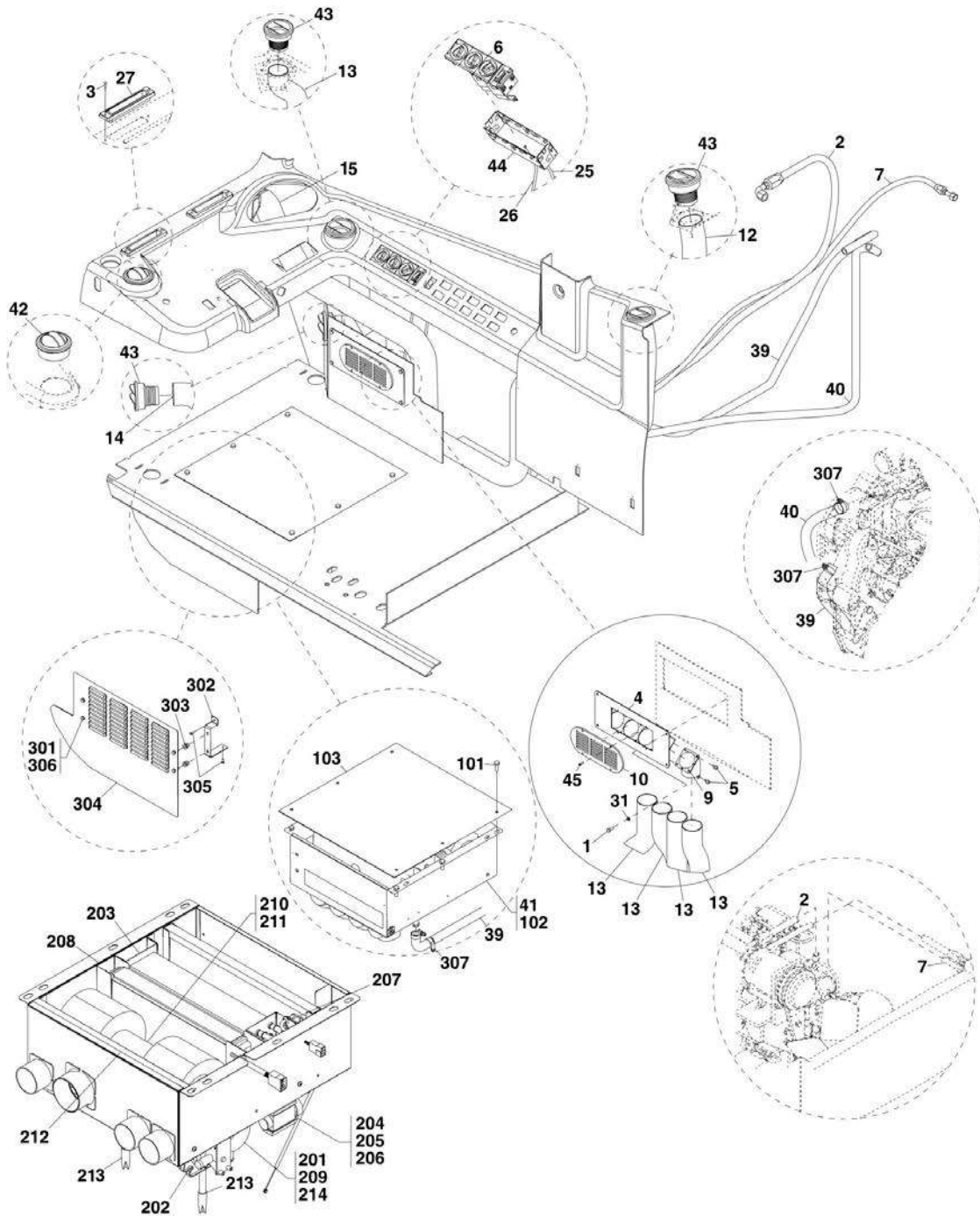


FIGURE 6-7. HEATER INSTALLATION AND CIRCULATION

ITEM	PART NUMBER	QTY	DESCRIPTION	REV
	2580066	Ref	HEATING UNIT INSTALLATION, (not available to order, see items 1 thru 21 for service)	E
1	3900357	4	BUTTON HD CAPSCREW, 6.0X16mm	
3	885236	4	SCREW, 3.5X16mm	
4	1001096170	1	ROUND NOZZLE	
5	2080086	4	RIVNUT, 6X1.25mm	
7	1001094923	1	HOSE	
8	1001094922	1	HOSE	
9	1001094918	1	HOSE	
10	1001094924	1	HOSE	
11	3576512	1	PLATE, (3508PS, 3509PS, 3512PS, 3513PS, 4008PS, 4009PS, 4012PS, 4013PS & 4017PS)	
11	3576512B	1	PLATE, (40.8 & 40.9)	
12	3890060	1	WATER VALVE CABLE	
13	3953973	2	LINEAR NOZZLE	
14	4360708	1	CONTROL SWITCH, HEAT AND AIR	
15	4831700	4	SPRING LOCKWASHER, 6mm	
16	1001096169	3	ROUND NOZZLE	
18	1001091140	Ref	HEATER INSTALLATION, (not available to order, see items 101 thru 103 for service)	B
19	2720601	1	HOSE	
20	2720602	1	HOSE	
21	1001091871	1	BRACKET	
101	0760812	6	HEX HD CAPSCREW, 8-1.25X25mm	
102	2580071	1	HEATER CORE UNIT, (includes items 201 thru 207)	F
103	3576596	1	PLATE	
201	70021122	1	WATER VALVE	
202	70021127	1	HEAT EXCHANGER	
203	70021124	1	CLAMP	
204	8008218	1	VENTILATOR	
205	70021125	1	RESISTOR	
206	1001118439	1	FILTER	
207	70021967	1	ELBOW	
304	3759535	6	CLAMP	
305		Ref	ENGINE, (See ENGINE AND ATTACHING PARTS SECTION for Breakdown)	
401	0760608	4	HEX HD CAPSCREW, M6X16	
407	3380737	1	HVAC PLATE, (3508PS, 3509PS, 3512PS, 3513PS, 4008PS, 4009PS, 4012PS, 4013PS & 4017PS)	
407	3380737B	1	HVAC PLATE, (40.8 & 40.9)	
411	4831700	4	SPRING LOCKWASHER, 6mm	

# SECTION 6 - CAB

## FIGURE 6-8. AIR CONDITIONING UNIT INSTALLATION



PZ0503

**SECTION 6 - CAB**

**FIGURE 6-8. AIR CONDITIONING UNIT INSTALLATION**

ITEM	PART NUMBER	QTY	DESCRIPTION	REV
	2580067	Ref	AIR CONDITIONING UNIT INSTALLATION, (not available to order, see items 1 thru 45 for service)	G
1	3900357	4	BUTTON HD CAPSCREW, 6.0X16mm	
2	2754879	1	HOSE	
3	885236	4	SCREW, 3.5X16mm	
4	0903508	1	BRACKET, (3508PS, 3509PS, 3512PS, 3513PS, 4008PS, 4009PS, 4012PS, 4013PS & 4017PS)	
4	0903508B	1	BRACKET, (40.8 & 40.9)	
5	4191706	8	THREADED SCREW, 6-1.0X12mm	
6	4360704	1	HEAT/AIR/AIR CONDITIONING CONTROL SWITCH	
7	1001095750	1	HOSE	
9	2180869	4	ELBOW, 45	
10	2520145	1	GRILL, (3508PS, 3509PS, 3512PS, 3513PS, 4008PS, 4009PS, 4012PS, 4013PS & 4017PS)	
10	2520145B	1	GRILL, (40.8 & 40.9)	
12	2720590	1	HOSE	
13	2720591	5	HOSE	
14	2720592	1	HOSE	
15	2720593	1	HOSE	
25	3890060	1	WATER VALVE CONTROL CABLE	
26	3890061	1	AC FLAP CONTROL CABLE	
27	3953973	2	RECTANGULAR NOZZLE	
31	4831700	4	SPRING LOCKWASHER, 6mm	
39	2720602	1	HOSE	
40	2720601	1	HOSE	
41	1001091139	Ref	HEATER UNIT WITH AC INSTALLATION, (not available to order, see items 101 thru 103 for service)	A
42	1001096170	1	ROUND NOZZLE	
43	1001096169	3	ROUND NOZZLE	
44	1001091871	1	BRACKET	
45	4191406	4	SCREW, 4-0.7X12mm	
101	0760812	6	HEX HD CAPSCREW, 8-1.25X25mm	
102	2580070	1	HEATER w/ AC, (includes 4 elbows and items 103 & 201 thru 213)	E
103	3576596	1	PLATE, (3508PS, 3509PS, 3512PS, 3513PS, 4008PS, 4009PS, 4012PS, 4013PS & 4017PS)	
103	3576596B	1	PLATE, (40.8 & 40.9)	
201	70021116	1	CLAMP	
202	8003164	1	WATER VALVE	
203	70021139	1	EVAPORATOR	
204	70021128	1	EXPANSION VALVE	
205	1001118308	1	O-RING	
206	70021130	1	O-RING	
207	70021137	1	THERMOSTAT	
208	70021127	1	HEAT EXCHANGER	
209	70021124	1	CLAMP	
210	8008218	1	VENILATOR	
211	70021125	1	RESISTOR	
212	1001118439	1	FILTER	
213	70021138	1	DRAIN	
214	70021967	1	ELBOW	
	3380769	Ref	HVAC COVER PLATE INSTALLATION, (not available to order, see	A

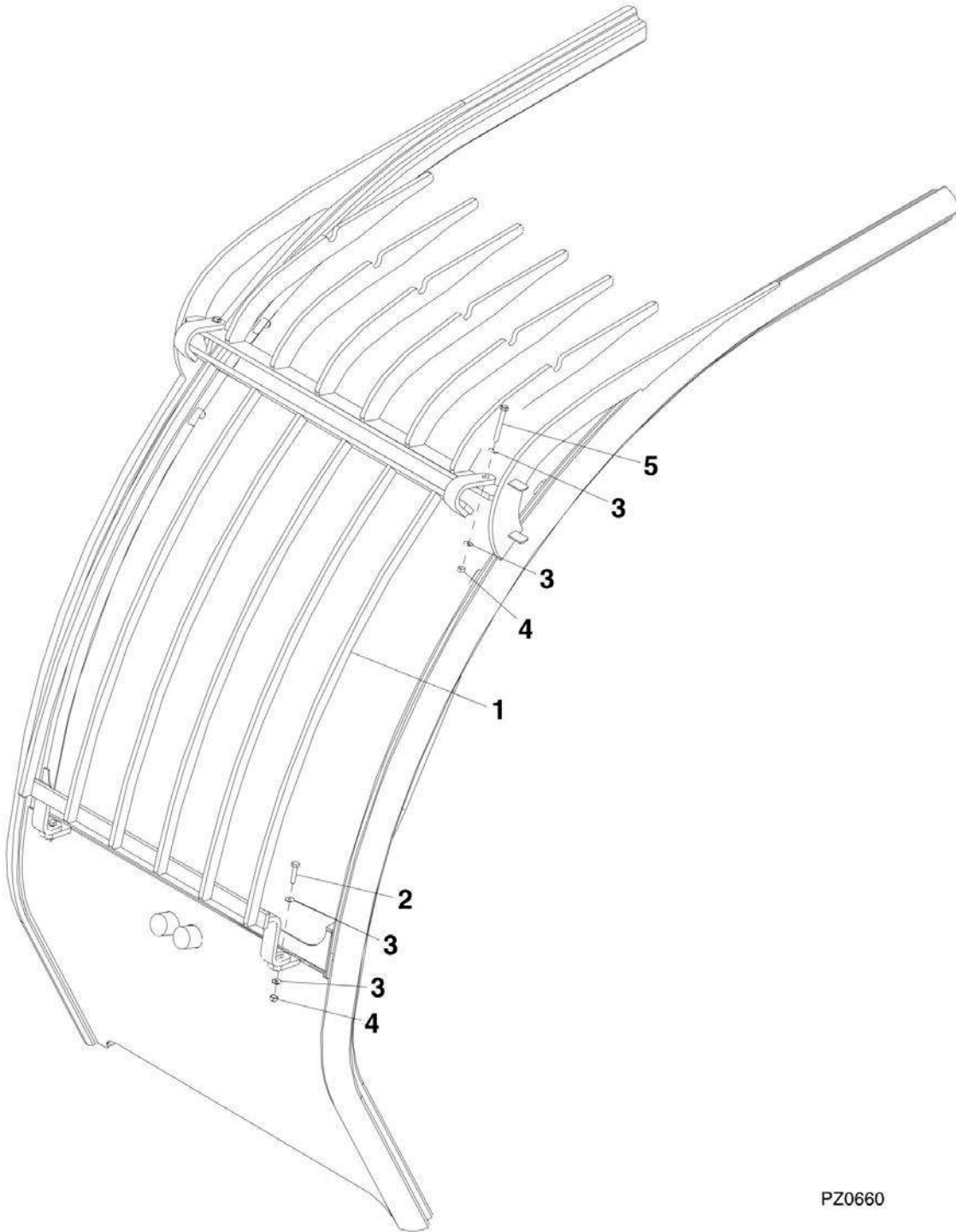
## SECTION 6 - CAB

ITEM	PART NUMBER	QTY	DESCRIPTION	REV
			items 301 thru 306 for service)	
301	0760608	4	HEX HD CAPSCREW, 6X16mm	
302	0903627	2	BRACKET, (3508PS, 3509PS, 3512PS, 3513PS, 4008PS, 4009PS, 4012PS, 4013PS & 4017PS)	
302	0903627B	2	BRACKET, (40.8 & 40.9)	
303	2080086	4	RIVNUT, 6X1.25mm	
304	3380737	1	HVAC PLATE	
305	4191406	4	SCREW, 4X12mm	
306	4831700	4	SPRING LOCKWASHER, 6mm	
307	3759535	6	CLAMP	



**SECTION 6 - CAB**

**FIGURE 6-9. FRONT CAB GLASS SHIELD**



PZ0660

FIGURE 6-9. FRONT CAB GLASS SHIELD

ITEM	PART NUMBER	QTY	DESCRIPTION	REV
	8009532	Ref	FRONT CAB GLASS SHIELD, (if equipped), (not available to order, see items 1 thru 5 for service)	B
1	8009533	1	SCREEN GRID, (3508PS, 3509PS, 3512PS, 3513PS, 4008PS, 4009PS, 4012PS, 4013PS & 4017PS)	
1	8009533B	1	SCREEN GRID, (40.8 & 40.9)	
2	0700815	2	HEX HD CAPSCREW, 8-1.25X35mm	
3	4811900	8	WASHER, 8mm	
4	3290807	4	HEX LOCK NUT, 8X1.25	
5	1391297	2	HEX HD CAPSCREW, 8X65mm	

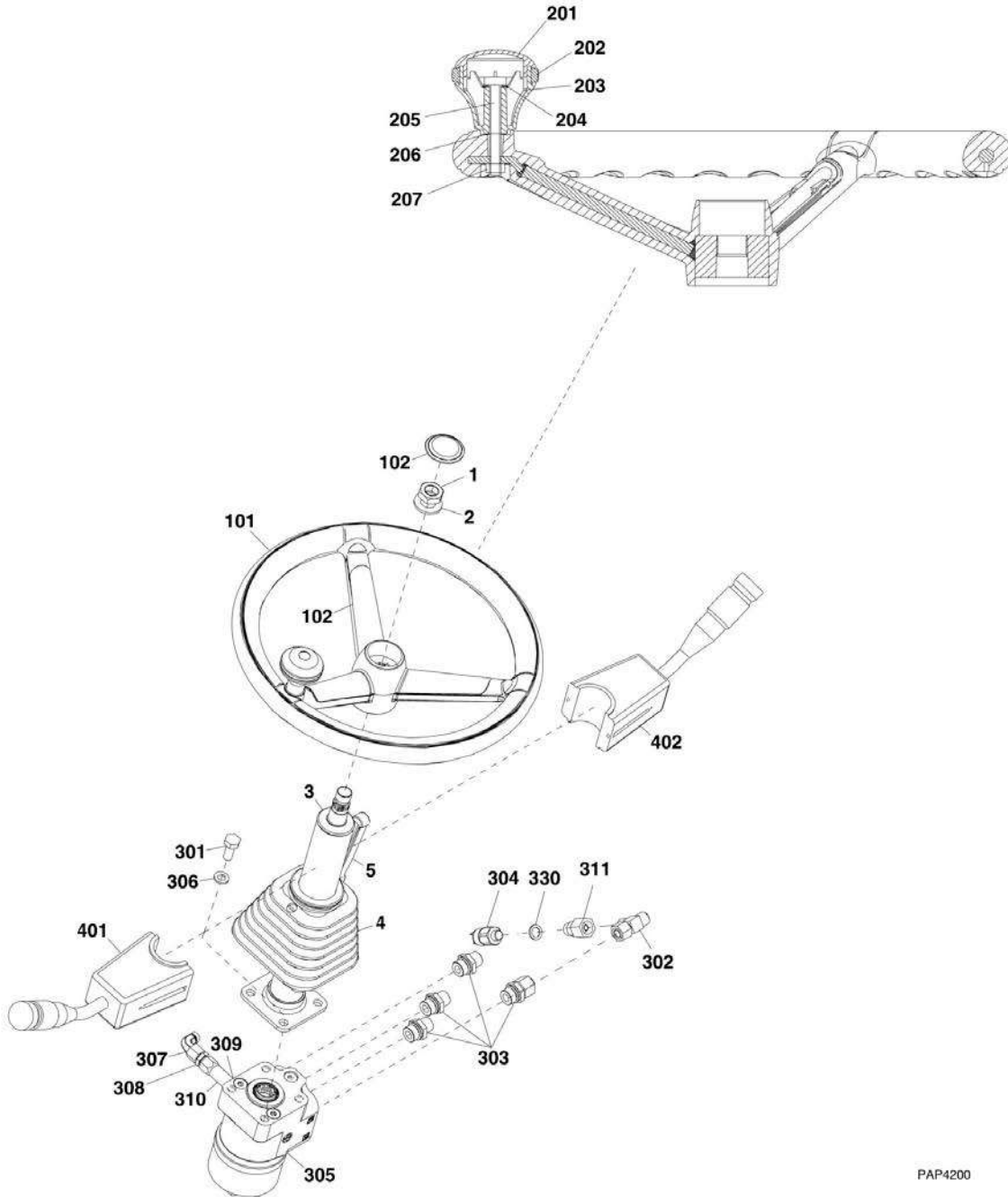




**SECTION 7 - CONTROLS**

# SECTION 7 - CONTROLS

## FIGURE 7-1. STEERING CONTROL INSTALLATION



PAP4200

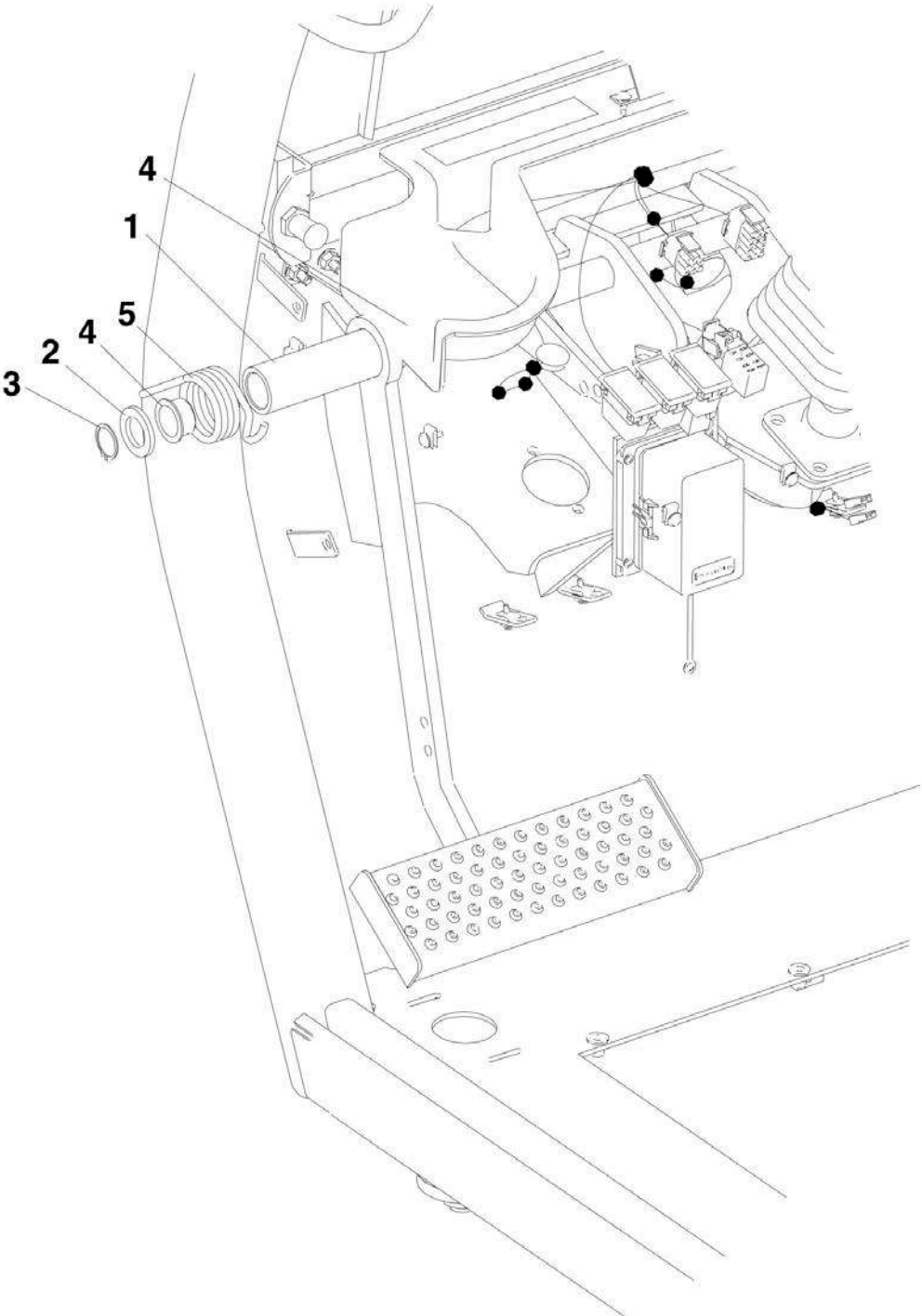
## SECTION 7 - CONTROLS

### FIGURE 7-1. STEERING CONTROL INSTALLATION

ITEM	PART NUMBER	QTY	DESCRIPTION	REV
	1001112160	1	STEERING COLUMN ASSY, (includes items 1 thru 5)	B
1	70020923	1	NUT, 18X1.5mm	
2	70020791	1	FLAT WASHER, 19X34X3	
3	70020792	1	RUBBER CAP	
4	70020793	1	BELLOWS	
5	70020794	1	LOCKING HANDLE	
	1460013	1	STEERING WHEEL ASSY, (3508PS, 3509PS, 3512PS, 3513PS, 4008PS, 4009PS, 4012PS, 4013PS & 4017PS), (includes items 101 & 102)	C
	1001106621	1	STEERING WHEEL ASSY, (40.8 & 40.9), (includes items 101 & 102)	B
101	1001091033	1	STEERING WHEEL, (includes items 201 thru 207)	A
102	1001096877	1	STEERING WHEEL CENTER, (3508PS, 3509PS, 3512PS, 3513PS, 4008PS, 4009PS, 4012PS, 4013PS & 4017PS)	B
102	1001114608	1	STEERING WHEEL CENTER, (40.8 & 40.9)	A
201	70020783	1	CAP	
202	70020784	1	GRIP	
203	70020785	1	BASE	
204	70020786	1	FLAT WASHER	
205	70020787	1	SCREW, 8X65mm	
206	70020788	1	FLAT WASHER	
207	70020789	3	NUT, 8mm	
301	0761012	4	HEX HD CAPSCREW, 10-1.50X25mm	
302	2142204	1	TEE FITTING	
303	2144804	4	FITTING, MALE 3/4-16 UNF	
304	4360585	1	PRESSURE SWITCH	
305	4641521	1	ORBITAL STEERING VALVE	
306	4832000	4	LOCKWASHER, 10mm	
307	2143402	1	FITTING, SWIVEL ELBOW, 90	
308	2144801	1	FITTING, MALE 7/16-20 UNF	
309	1001097510	1	MALE CONNECTOR	
310	1001097511	1	CHECK VALVE	
311	2180864	1	ADAPTER, SWIVEL GAUGE	
330	1074306	1	SEAL, RING	
401	1001097681	1	FORWARD/REVERSE SWITCH	A
402	4360631	1	TURN/WIPER/HORN SWITCH, (includes mounting hardware)	B

**SECTION 7 - CONTROLS**

**FIGURE 7-2. BRAKE INSTALLATION**



PZ1260

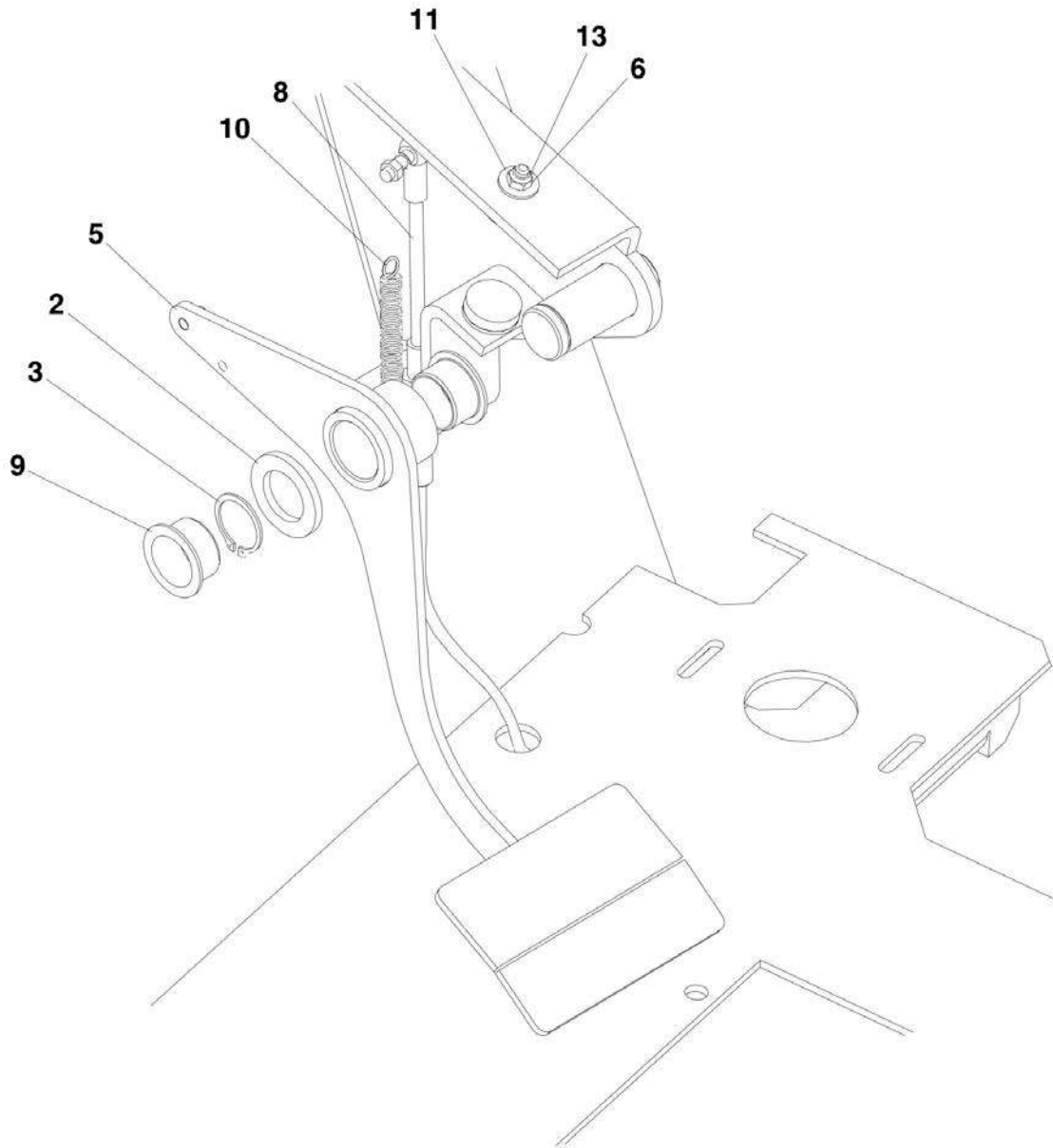
## SECTION 7 - CONTROLS

### FIGURE 7-2. BRAKE INSTALLATION

ITEM	PART NUMBER	QTY	DESCRIPTION	REV
		Ref	BRAKE INSTALLATION, (not available to order, see items 1 thru 5 for service)	
1	0200837	1	BRAKE PEDAL WELDMENT	
2	899276	1	FLAT WASHER, 25mm	
3	1398443	1	SNAP RING	
4	3976436	1	BUSHING	
5	4160212	1	SPRING	

# SECTION 7 - CONTROLS

## FIGURE 7-3. THROTTLE INSTALLATION



PZ1350

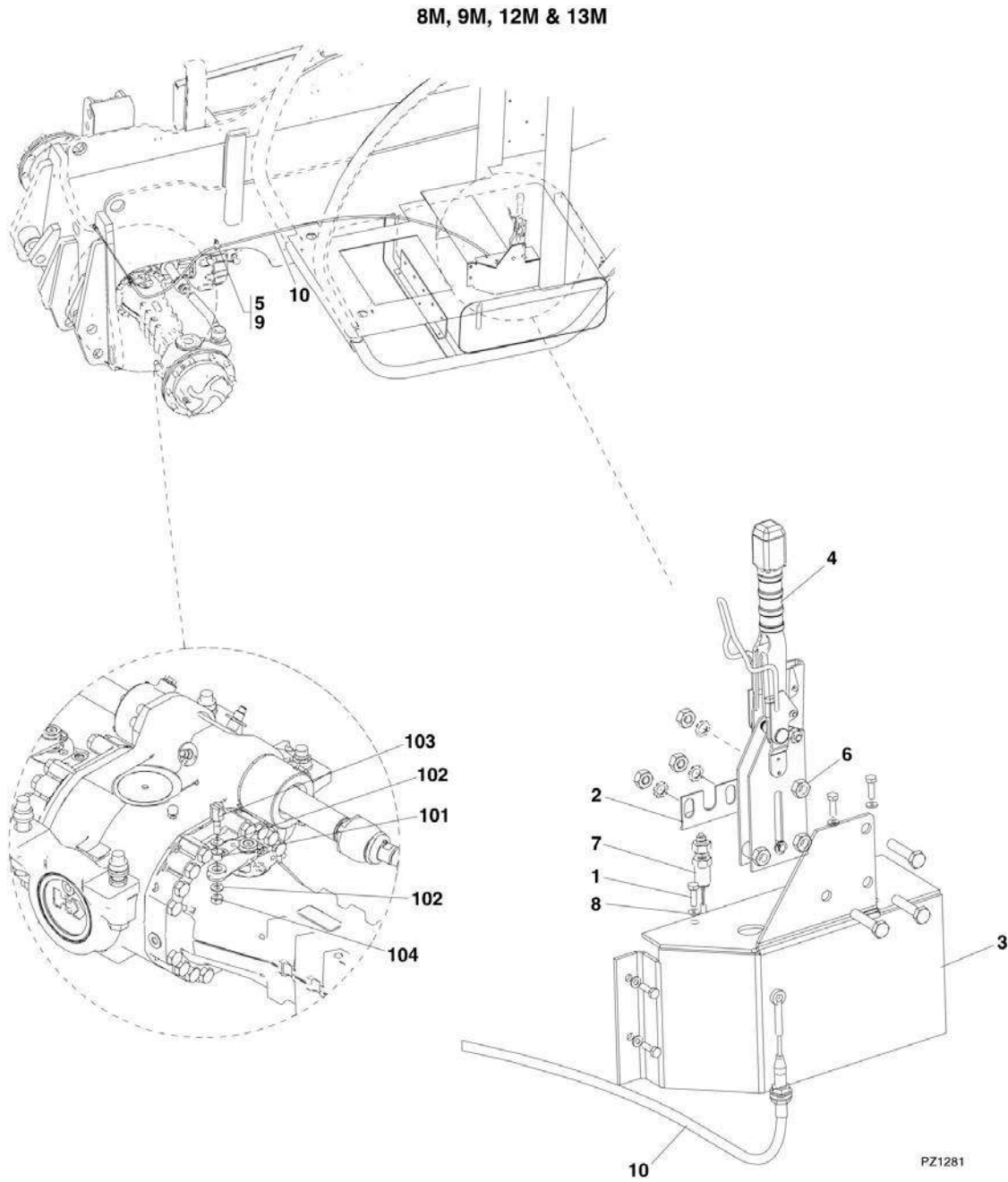
## SECTION 7 - CONTROLS

### FIGURE 7-3. THROTTLE INSTALLATION

ITEM	PART NUMBER	QTY	DESCRIPTION	REV
	3400029	Ref	THROTTLE INSTALLATION, (not available to order, see items 2 thru 13 for service)	C
2	899276	1	FLAT WASHER, 25mm	
3	1398443	1	SNAP RING	
5	3010163	1	THROTTLE LINK LEVER WELDMENT	
6	3290605	2	HEX LOCKNUT, 6X1mm	
8	3890064	1	THROTTLE CONTROL CABLE	
9	3976436	2	BUSHING	
10	4160221	1	SPRING	
11	5211702	2	FLAT WASHER, 6mm	
13	1000331	2	RUBBER STOP	

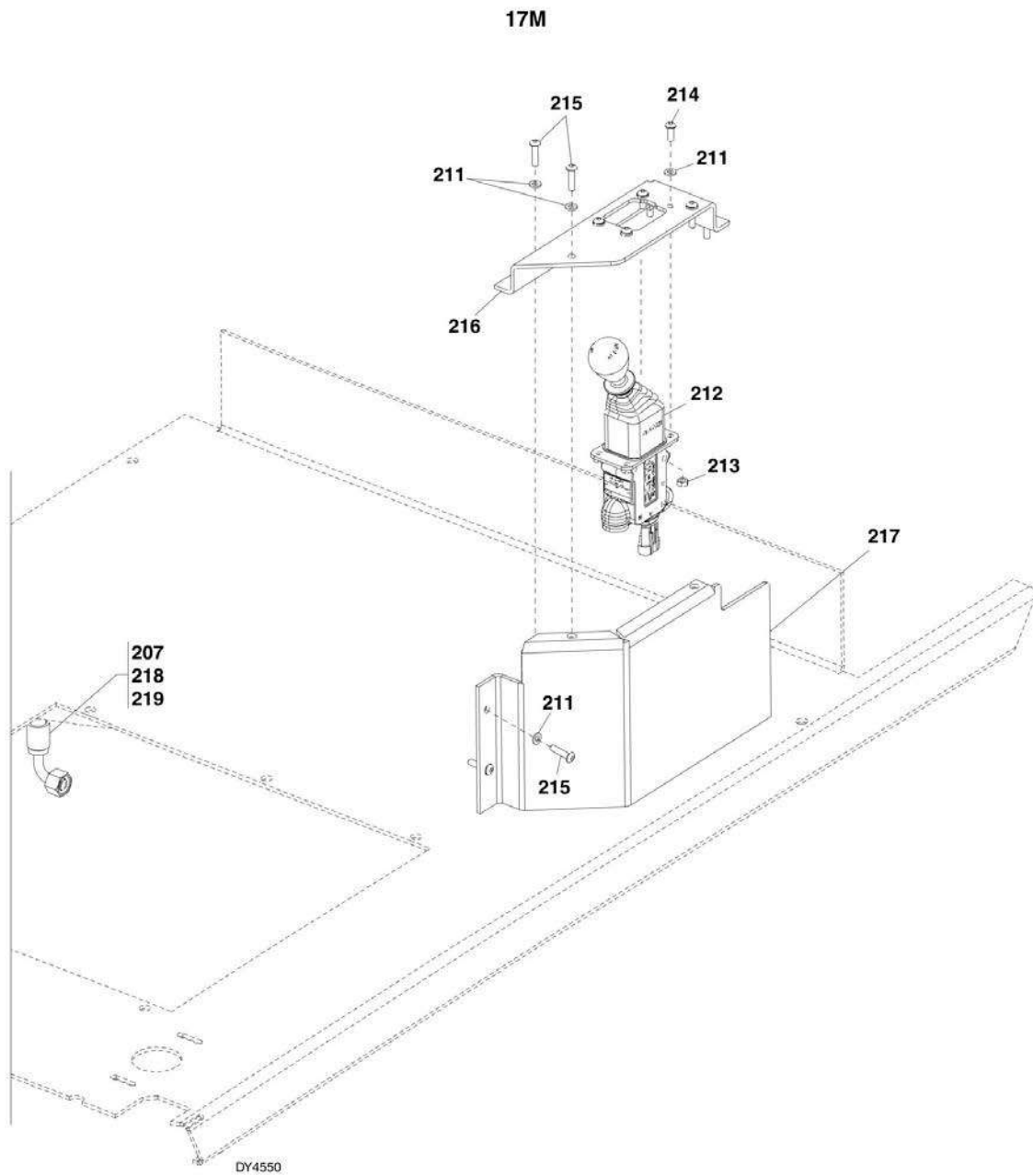
# SECTION 7 - CONTROLS

## FIGURE 7-4. PARKING BRAKE INSTALLATION (8M, 9M, 12M & 13M)





# SECTION 7 - CONTROLS



## SECTION 7 - CONTROLS

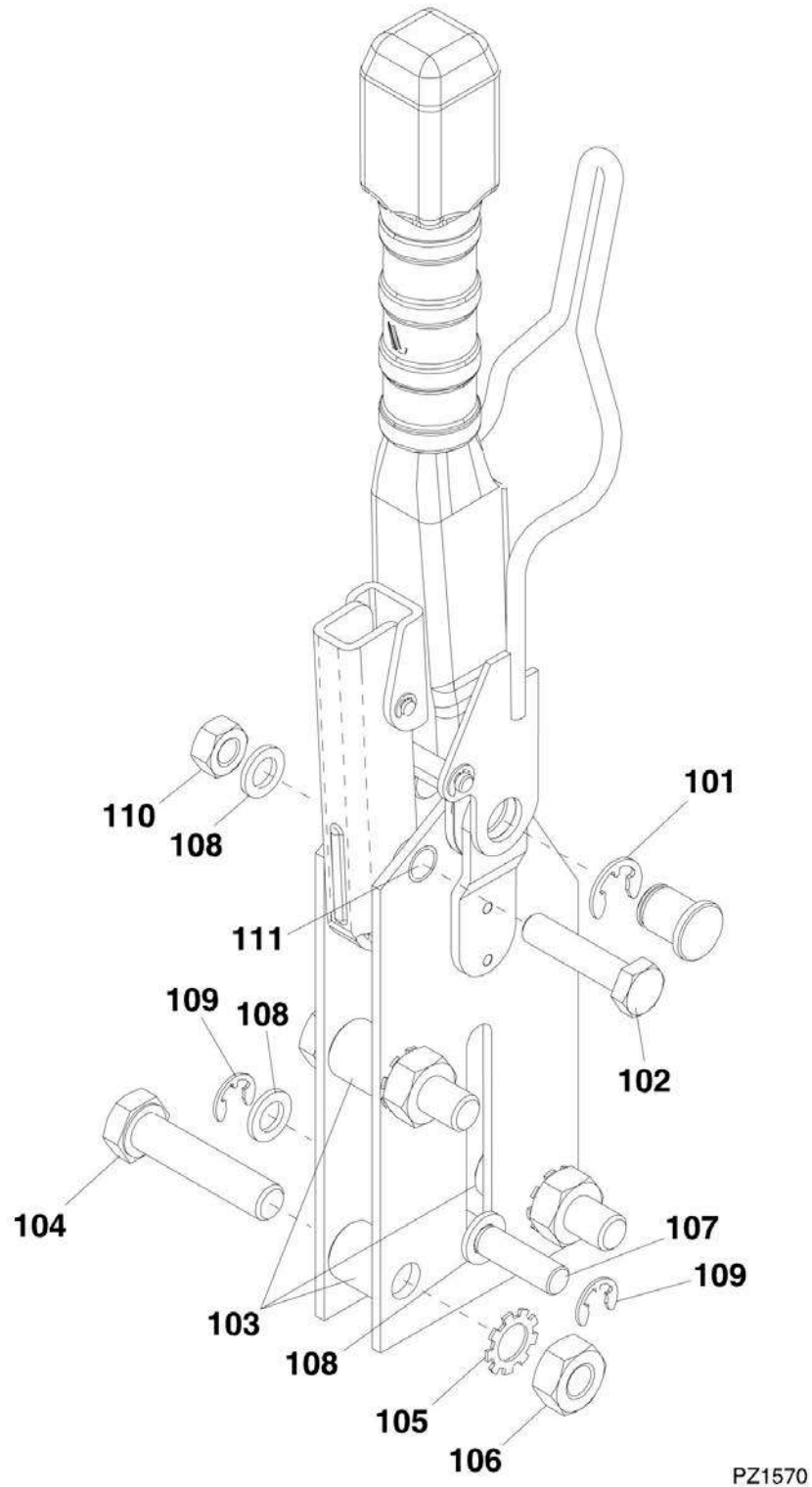
**FIGURE 7-4. PARKING BRAKE INSTALLATION (17M)**

ITEM	PART NUMBER	QTY	DESCRIPTION	REV
	0920123	Ref	PARKING BRAKE INSTALLATION, (8M, 9M, 12M & 13M), (not available to order, see items 1 thru 10 for service)	E
1	0760610	5	HEX HD CAPSCREW, 6X20	
2	0903365	1	SENSOR SWITCH BRACKET	
3	0903686	1	HAND BRAKE BRACKET, (3508PS, 3509PS, 3512PS, 3513PS, 4008PS, 4009PS, 4012PS & 4013PS)	
3	0903686B	1	HAND BRAKE BRACKET, (40.8 & 40.9)	
4		Ref	MECHANICAL HAND BRAKE ASSY, (See MECHANICAL HAND BRAKE ASSEMBLY for Breakdown)	
5	2443576	1	HOSE CLAMP	
6	3291001	3	HEX NUT, 10X1.5mm	
7	4360580	1	WATERPROOF SWITCH	
8	4831700	5	SPRING LOCKWASHER, 6mm	
9	5200808	1	BOLT, 8X16mm	
10	8000347	NLA	HAND BRAKE CABLE, (no longer available, use 8008251 for replacement)	
10	8008251	1	HAND BRAKE CABLE	
101	2905871	2	BUSHING	
102	4812000	4	FLAT WASHER, 10mm	
103	2454999	2	BOLT, 10X55mm	
104	3291007	2	HEX LOCKNUT, 10X1.5mm	
	0920136	Ref	HYDRAULIC HAND BRAKE INSTALLATION, (17M), (not available to order, see items 204 thru 219 for service)	F
204		Ref	STRAIGHT FITTING, (NOW SHOWN), (See HYDRAULIC CIRCUITS SECTION for Breakdown)	
207		Ref	HOSE ASSY, (See HYDRAULIC CIRCUITS SECTION for Breakdown)	
211	8307024	11	SPRING LOCKWASHER, 6mm	
212	1001098153	1	HANDBRAKE VALVE	A
212	70020922	1	SEAL KIT	
212	70022847	1	MICROSWITCH KIT	
213	3290601	4	HEX NUT, 6MM-1.0	
214	3900357	4	BUTTON HD CAPSCREW, 6X16mm	
215	3900363	7	BUTTON HD SCREW, 6X25mm	
216	1001098184	1	HAND BREAK HYDRAULIC COVER	
217	1001098272	1	HAND BRAKE PLATE COVER	
218		Ref	HOSE ASSY, (See HYDRAULIC CIRCUITS SECTION for Breakdown)	
219		Ref	HOSE ASSY, (See HYDRAULIC CIRCUITS SECTION for Breakdown)	



# SECTION 7 - CONTROLS

## FIGURE 7-5. MECHANICAL HAND BRAKE ASSEMBLY



PZ1570

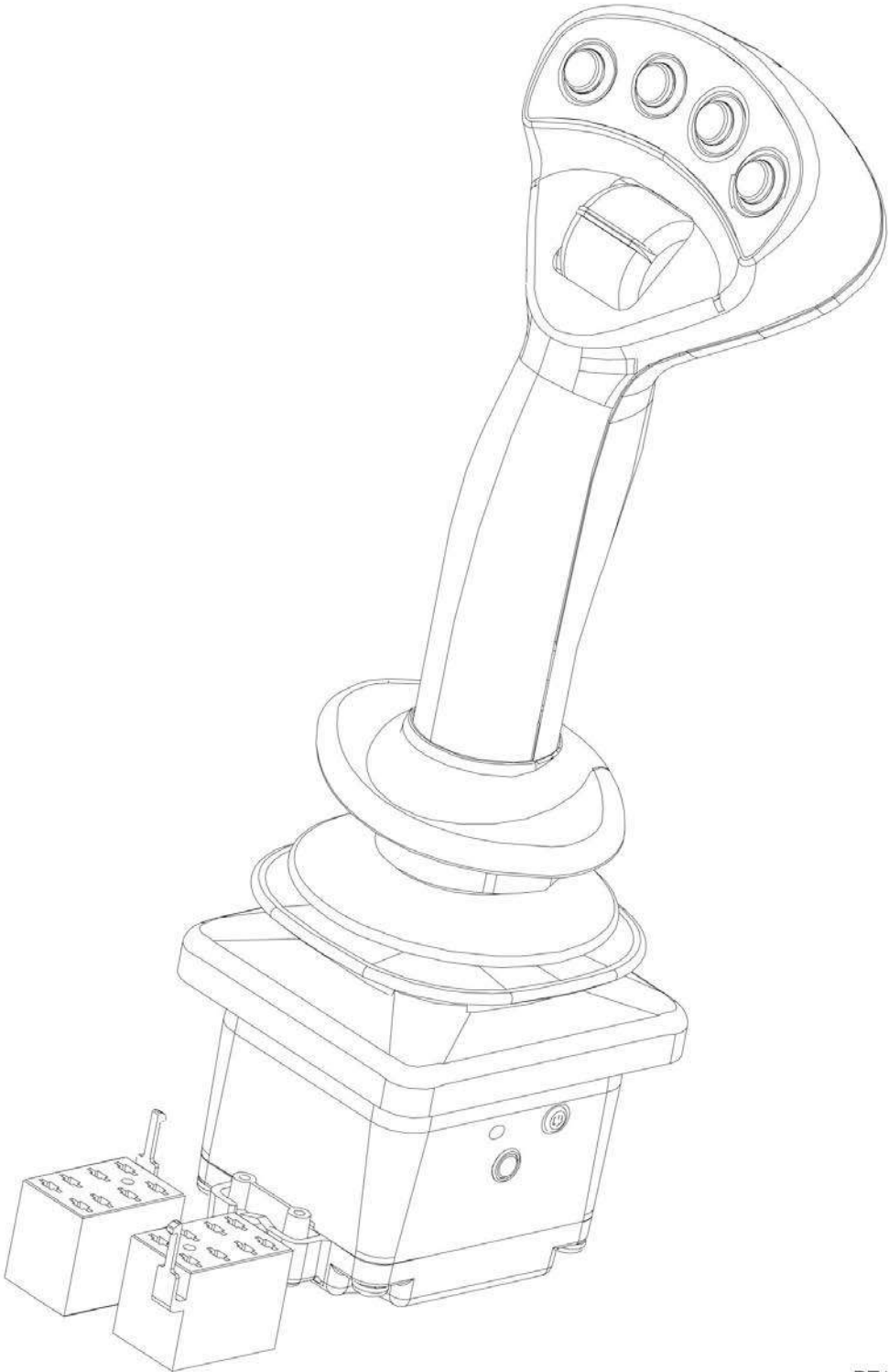
## SECTION 7 - CONTROLS

### FIGURE 7-5. MECHANICAL HAND BRAKE ASSEMBLY

ITEM	PART NUMBER	QTY	DESCRIPTION	REV
	0920126	1	MECHANICAL HAND BRAKE ASSY, (includes all items)	D
101	70020848	2	CIRCLIP	
102	70020849	1	HEX HD CAPSCREW, 8X35mm	
103	70020850	3	SPACER	
104	70020851	3	HEX HD CAPSCREW, 10X45mm	
105	70020852	3	BEARING LOCKWASHER	
106	70020853	3	HEX NUT, 10mm	
107	70020854	1	HINGE	
108	70020855	3	FLAT WASHER	
109	70020856	2	CIRCLIP	
110	70020857	1	HEX NUT, 8mm	
111	70020858	1	SPACER	

**SECTION 7 - CONTROLS**

**FIGURE 7-6. JOYSTICK CONTROLLER**



PZ1410

## SECTION 7 - CONTROLS

FIGURE 7-6. JOYSTICK CONTROLLER

ITEM	PART NUMBER	QTY	DESCRIPTION	REV
	1001097750	1	JOYSTICK CONTROLLER	C

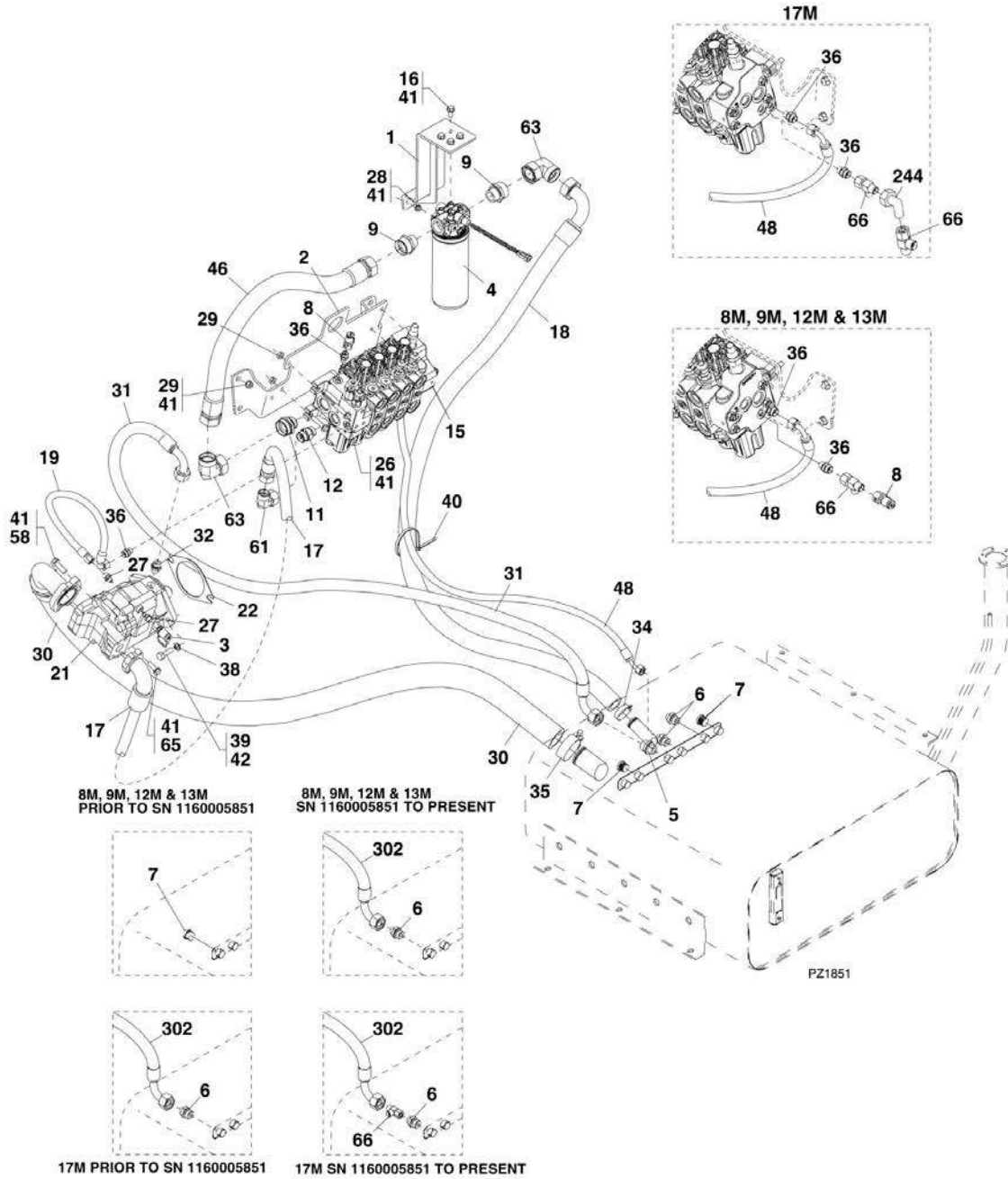




**SECTION 8 - HYDRAULIC CIRCUITS**

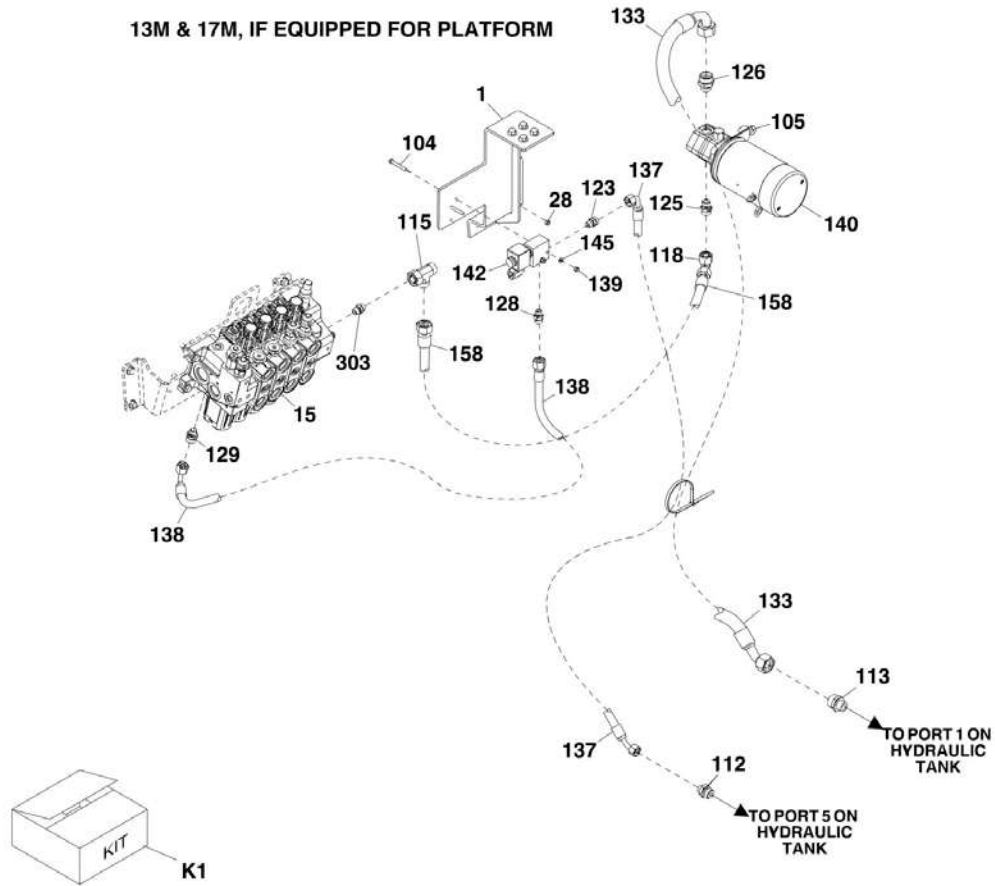
# SECTION 8 - HYDRAULIC CIRCUITS

## FIGURE 8-1. SUPPLY CIRCUIT

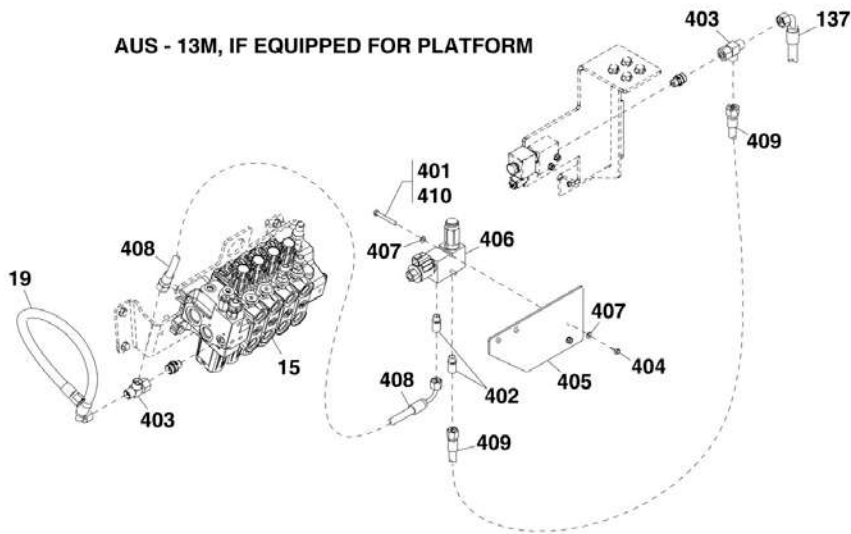


# SECTION 8 - HYDRAULIC CIRCUITS

13M & 17M, IF EQUIPPED FOR PLATFORM



AUS - 13M, IF EQUIPPED FOR PLATFORM



PAP13940

# SECTION 8 - HYDRAULIC CIRCUITS

## FIGURE 8-1. SUPPLY CIRCUIT

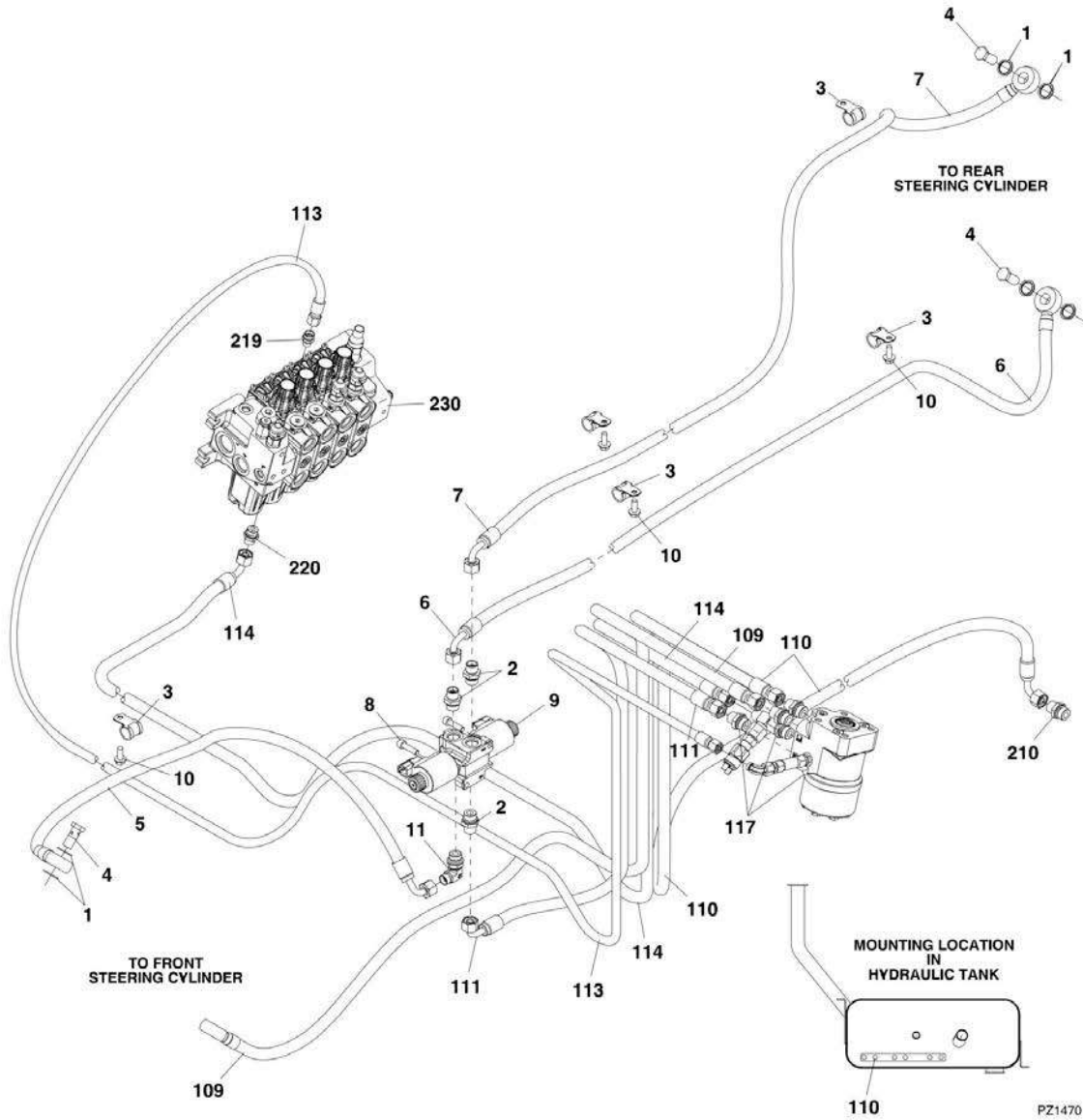
ITEM	PART NUMBER	QTY	DESCRIPTION	REV
1	0903493	1	HYDRAULIC FILTER BRACKET	
1	0903693	1	HYDRAULIC FILTER BRACKET, (13M & 17M, if equipped for platform)	
2	0903666	1	MAIN CONTROL VALVE BRACKET	
3	1616551	1	TEST PORT	
4	1001099873	1	RETURN FILTER ASSY	
4	1001099798	1	FILTER, SPIN-ON CARTRIDGE	
4	1001099874	1	FILTER, HEAD MOUNT	
4	1001099875	1	INDICATOR ASSY SWITCH, DIFFERENTIAL PRESSURE	
5	2140827	1	STRAIGHT FITTING	
6	2140806	2	STRAIGHT FITTING, (8M, 9M, 12M & 13M) <b>(Prior to SN 1160005851)</b>	
6	2140806	3	STRAIGHT FITTING, (8M, 9M, 12M & 13M) <b>(SN 1160005851 to Present)</b>	
6	2140806	3	STRAIGHT FITTING, (17M)	
7	2143827	3	PLUG, (8M, 9M, 12M & 13M) <b>(Prior to SN 1160005851)</b>	
7	2143827	2	PLUG, (8M, 9M, 12M & 13M) <b>(SN 1160005851 to Present)</b>	
7	2143827	2	PLUG, (17M)	
8	2144104	2	TEST PORT, (8M, 9M, 12M & 13M)	
8	2144104	1	TEST PORT, (17M)	
9	2142741	2	STRAIGHT FITTING	
11	2144815	1	STRAIGHT FITTING, (includes o-ring)	
12	2144826	1	STRAIGHT FITTING, (includes o-ring)	
15		Ref	MAIN CONTROL VALVE, (See HYDRAULIC COMPONENTS SECTION for Breakdown)	
16	5201010	4	RIPP BOLT, 10X20mm	
17	2754626	1	HOSE ASSY	
18	2754855	1	HOSE ASSY	
19	2754892	1	HOSE ASSY	
21		Ref	PISTON PUMP, (See HYDRAULIC COMPONENTS SECTION for Breakdown)	
22	4804306	1	DISTANCE SHEET	
26	5201017	3	RIPP BOLT, 10X45mm	
27	2144802	2	STRAIGHT FITTING, (includes o-ring)	
28	5220800	2	RIPP NUT, 8mm	
29	5221000	7	RIPP NUT, 10mm	
30	8001635	1	HOSE ASSY	
31	8001642	1	HOSE ASSY	
32	2144810	1	STRAIGHT FITTING	
34	1001098928	1	CLAMP	
35	3625158	1	CLAMP	
36	2144803	4	STRAIGHT FITTING, (includes o-ring)	
38	4740532	2	WASHER	
39	0681812	2	HEX HD CAPSCREW, 1/2-13X1-1/2, GR8	
40	1062255	AR	TIE STRAP	
41	0100011	AR	LOCTITE 242	
42	0100019	AR	LOCTITE 271	
46	2754934	1	HOSE ASSY	
48	2755038	1	HOSE ASSY	
58	5201215	4	RIPP BOLT, 12X35mm	
61	2143417	1	ELBOW, 90	

## SECTION 8 - HYDRAULIC CIRCUITS

ITEM	PART NUMBER	QTY	DESCRIPTION	REV
63	2143409	2	ELBOW, 90	
65	5201014	4	RIPP BOLT, 10X30mm	
66	2142204	1	TEE FITTING, (8M, 9M, 12M & 13M) <b>(SN 1160005851 to Present)</b>	
66	2142204	1	TEE FITTING, (17M) <b>(Prior to SN 1160005851)</b>	
66	2142204	3	TEE FITTING, (17M) <b>(SN 1160005851 to Present)</b>	
104	0700617	2	HEX HD CAPSCREW, M6X45, GR8.8, (13M & 17M, if equipped for platform)	
105	0791609	2	SCREW, 3/8-16X1-1/8, (13M & 17M, if equipped for platform)	
112	2140806	1	STRAIGHT FITTING, (13M & 17M, if equipped for platform)	
113	2140827	1	STRAIGHT FITTING, (13M & 17M, if equipped for platform)	
115	2142206	1	TEE FITTING, (13M & 17M, if equipped for platform)	
118	2143405	1	ELBOW, 90, (13M & 17M, if equipped for platform)	
123	2144803	1	STRAIGHT FITTING, (includes o-ring), (13M & 17M, if equipped for platform)	
125	2144806	1	STRAIGHT FITTING, (13M & 17M, if equipped for platform)	
126	2144810	1	STRAIGHT FITTING, (13M & 17M, if equipped for platform)	
128	2144819	1	STRAIGHT FITTING, (13M & 17M, if equipped for platform)	
129	2144820	1	STRAIGHT FITTING, (13M & 17M, if equipped for platform)	
133	2754871	1	HOSE ASSY, (13M & 17M, if equipped for platform)	
137	2755095	1	HOSE ASSY, (13M & 17M, if equipped for platform)	
138	2755096	1	HOSE ASSY, (13M & 17M, if equipped for platform)	
139	3290607	2	HEX LOCKNUT, M6X1, (13M & 17M, if equipped for platform)	
140	3600422	1	AUXILIARY POWER PUMP, (13M & 17M, if equipped for platform)	
142	4641524	1	DIVERTER VALVE, (13M & 17M, if equipped for platform)	
142	70021930	1	COIL, (13M & 17M, if equipped for platform)	
142	70021931	1	SOLENOID CARTRIDGE, (13M & 17M, if equipped for platform)	
142	70021932	1	VALVE BODY, (13M & 17M, if equipped for platform)	
145	4811700	2	WASHER, 6mm, (13M & 17M, if equipped for platform)	
158	1001093394	1	HOSE ASSY, (13M & 17M, if equipped for platform)	
244	2143404	1	ELBOW, 90, (17M)	
302		Ref	HOSE ASSY, (See SERVICE/PARK BRAKE for Breakdown)	
303		Ref	STRAIGHT FITTING, (See FRAME LEVEL AND OUTRIGGER for Breakdown)	
	1001099056	Ref	HYDRAULIC COMPONENT INSTALLATION, (AUS - 13M, if equipped for platform), (not available to order, see items 401 thru 410 for service)	D
401	0700618	2	HEX HD CAPSCREW, M6X50, GR8.8	
402	2140825	2	STRAIGHT FITTING	
403	2142204	2	TEE FITTING	
404	3290601	2	HEX NUT, M6X1	
405	3576270	1	SOLENOID VALVE PLATE	
406	1001108578	1	RELIEF VALVE	
407	4811700	4	WASHER, 6mm	
408	1001099116	1	HOSE ASSY	
409	1001099117	1	HOSE ASSY	
410	0100011	AR	LOCTITE 242	
K1	1001108802	1	HYDRAULIC/AIR FILTER KIT, (includes return filter plus the transmission, air and secondary air filters)	

# SECTION 8 - HYDRAULIC CIRCUITS

## FIGURE 8-2. STEERING SUPPLY



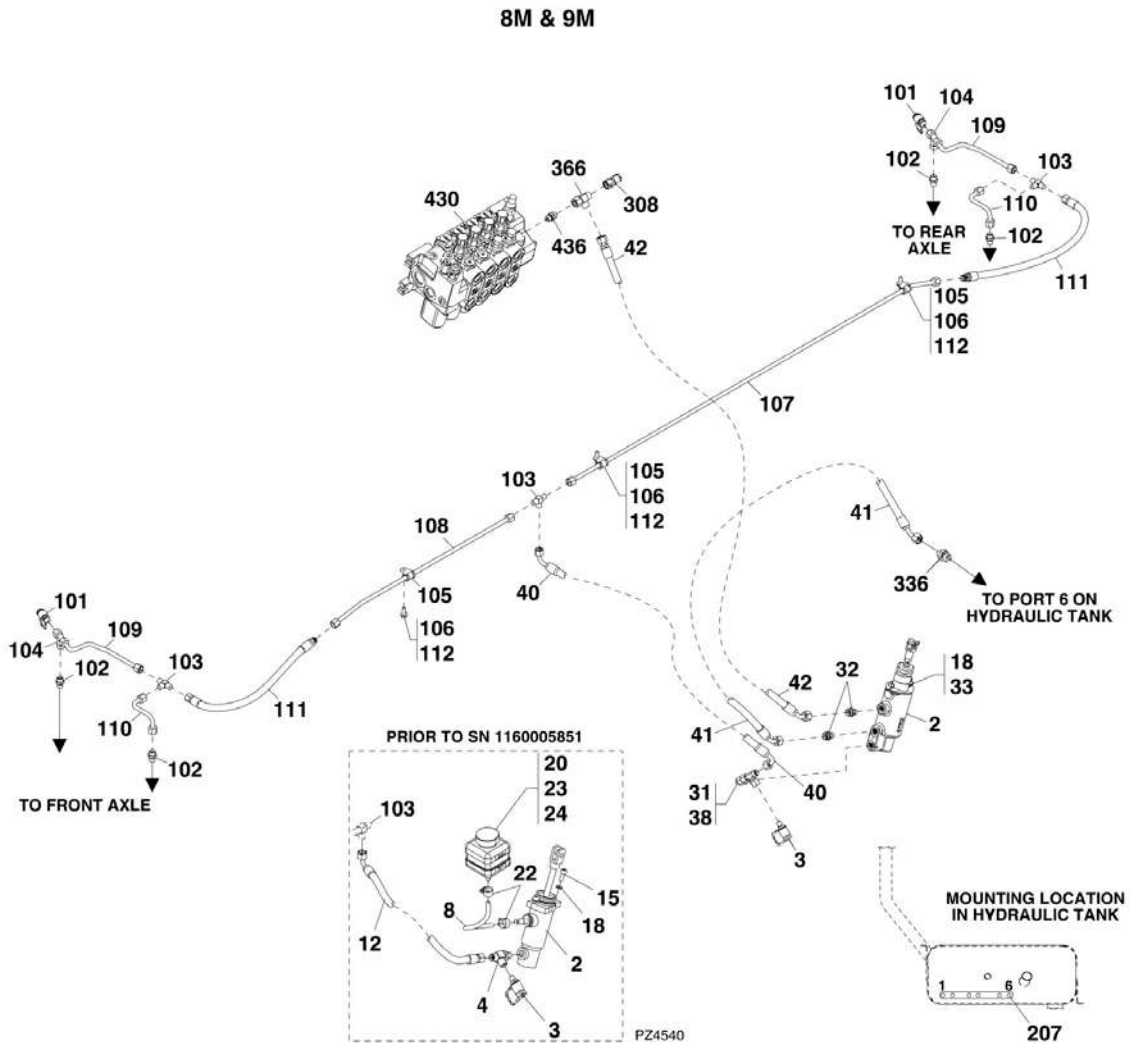
## SECTION 8 - HYDRAULIC CIRCUITS

### FIGURE 8-2. STEERING SUPPLY

ITEM	PART NUMBER	QTY	DESCRIPTION	REV
	0275921	1	STEERING SYSTEM INSTALLATION, (includes items 1 thru 11)	D
1	462780	6	RING	
2	2144804	3	STRAIGHT FITTING, MALE 3/4-16 UNF, (includes o-ring)	
3	2443576	5	HOSE CLAMP	
4	2471354	3	FEMALE SCREW, 18-1.50X32mm	
5	2754987	1	HOSE ASSY	
6	2754988	1	HOSE ASSY	
7	2754989	1	HOSE ASSY	
8	4031910	2	SOCKET HD CAPSCREW, 8X30mm	
9		Ref	STEERING SELECT VALVE, (See HYDRAULIC COMPONENTS SECTION for Breakdown)	
10	5200810	4	RIPP BOLT, M8X20mm	
11	1001099124	1	ELBOW, 90	
109	2754811	1	HOSE ASSY	
110	2754813	1	HOSE ASSY	
111	2754814	1	HOSE ASSY	
113	2755062	1	HOSE ASSY	
114	2755063	1	HOSE ASSY	
117		Ref	STEERING CONTROL ASSY, (See CONTROLS SECTION for Breakdown)	
210	2140806	1	STRAIGHT FITTING	
219	2144803	1	STRAIGHT FITTING, (includes o-ring)	
220	2144804	1	STRAIGHT FITTING, MALE 3/4-16 UNF, (includes o-ring)	
230		Ref	MAIN CONTROL VALVE, (See HYDRAULIC COMPONENTS SECTION for Breakdown)	

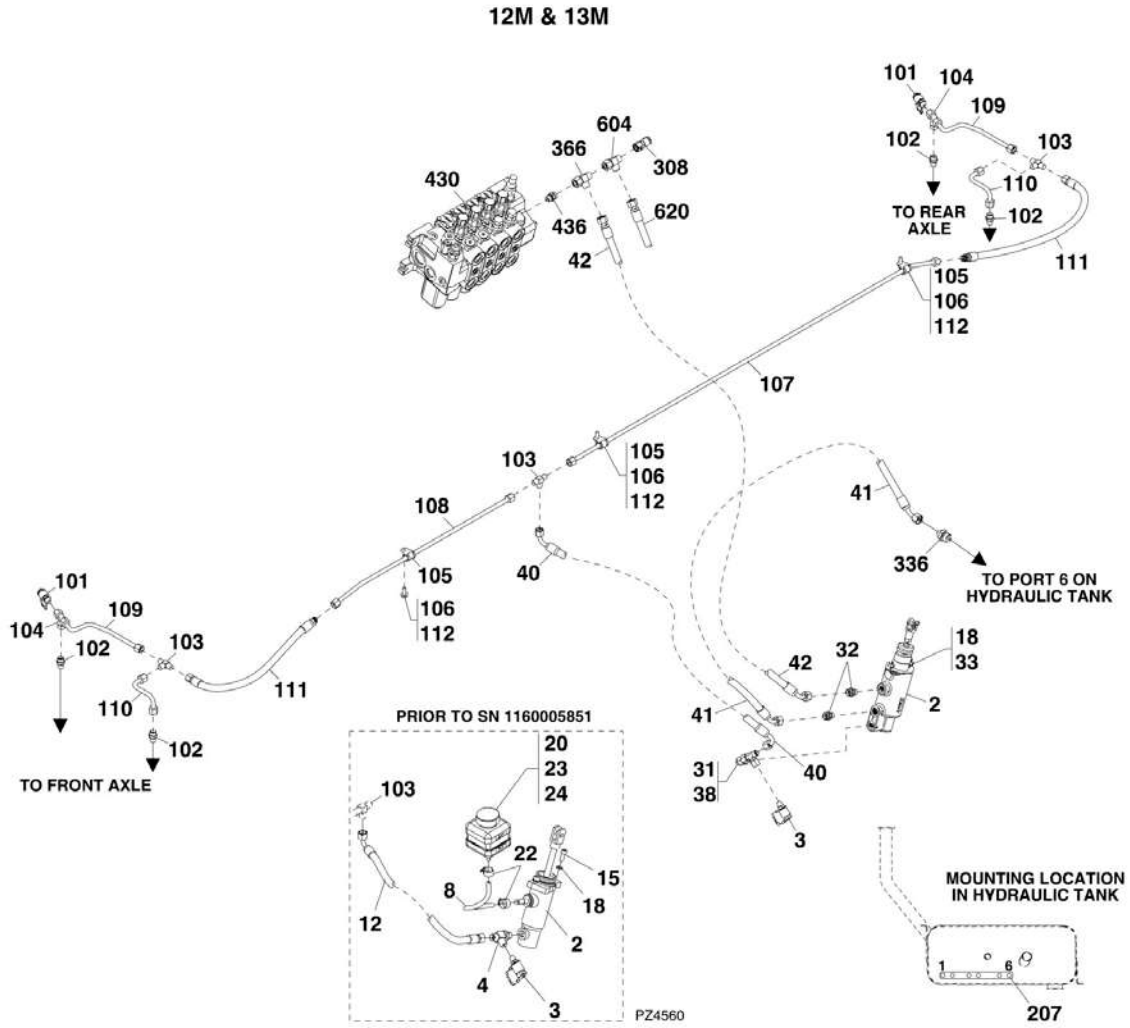
# SECTION 8 - HYDRAULIC CIRCUITS

## FIGURE 8-3. SERVICE/PARK BRAKE

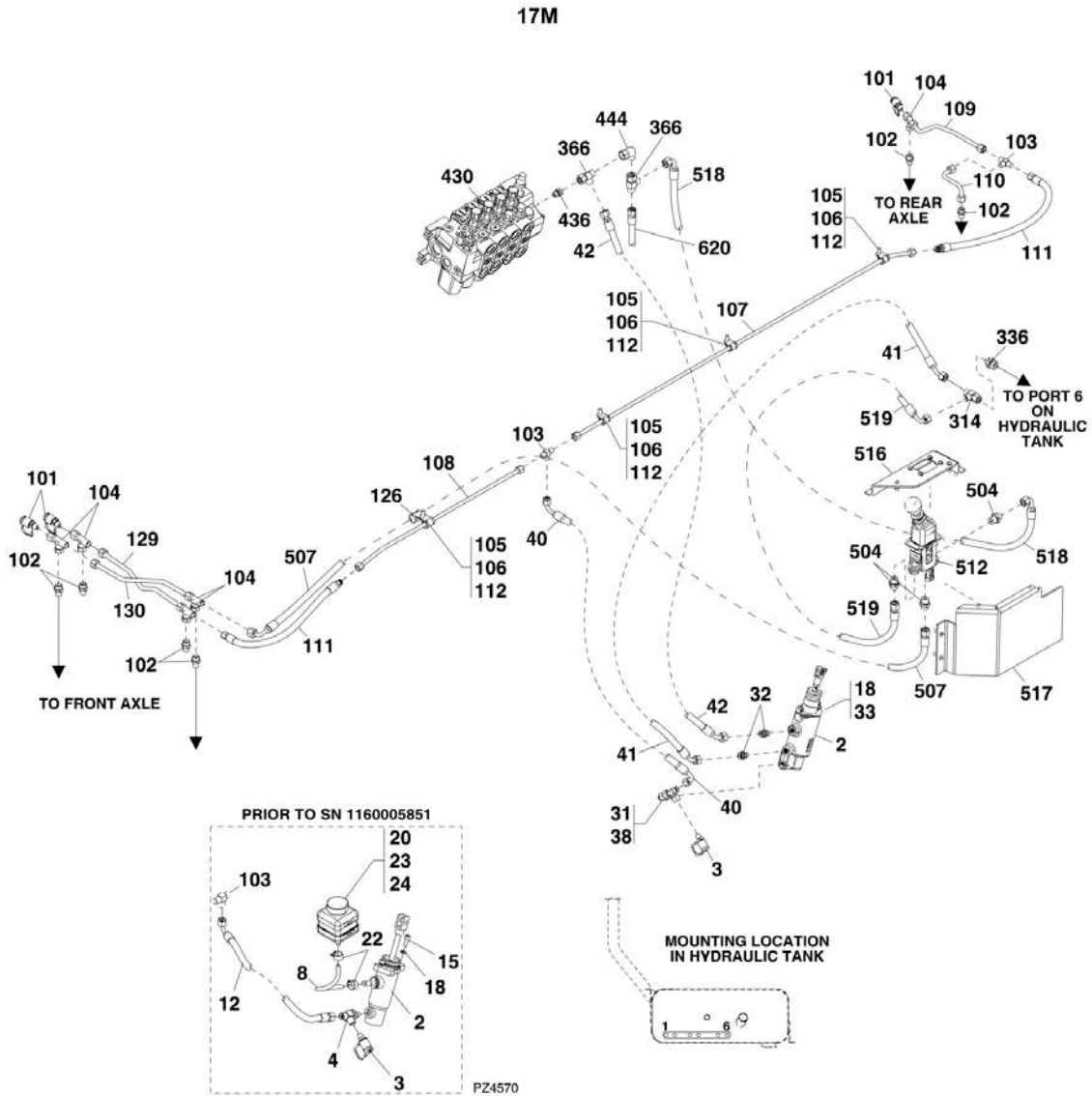




# SECTION 8 - HYDRAULIC CIRCUITS



# SECTION 8 - HYDRAULIC CIRCUITS



## SECTION 8 - HYDRAULIC CIRCUITS

### FIGURE 8-3. SERVICE/PARK BRAKE

ITEM	PART NUMBER	QTY	DESCRIPTION	REV
2		Ref	BRAKE CYLINDER, (See HYDRAULIC COMPONENTS SECTION for Breakdown)	
3	1616551	1	TEST PORT	
4	2141303	1	TEE FITTING (Prior to SN 1160005851)	
8	2754739	1	HOSE ASSY (Prior to SN 1160005851)	
12	2754859	1	HOSE ASSY (Prior to SN 1160005851)	
15	4031909	2	SOCKET HD CAPSCREW, 8X25mm (Prior to SN 1160005851)	
18	4831900	2	SPRING LOCKWASHER, 8mm	
20	8002321	NLA	BRAKE RESERVOIR, (no longer available, use 4400472 for replacement) (Prior to SN 1160005851)	
20	4400472	1	BRAKE RESERVOIR (Prior to SN 1160005851)	
22	8009974	2	HOSE CLAMP (Prior to SN 1160005851)	
23	8006515	1	FLUID LEVEL DECAL, (min) (Prior to SN 1160005851)	
24	8006516	1	FLUID LEVEL DECAL, (max) (Prior to SN 1160005851)	
31	2142203	1	TEE FITTING (SN 1160005851 to Present)	
32	2144803	2	STRAIGHT FITTING, (includes o-ring) (SN 1160005851 to Present)	
33		Ref	BRAKE CYLINDER COMPONENTS, (See HYDRAULIC COMPONENTS SECTION for Breakdown) (SN 1160005851 to Present)	
38	1001092584	1	ELBOW, 90 (SN 1160005851 to Present)	
40	1001107597	1	HOSE ASSY (SN 1160005851 to Present)	
41	1001107616	1	HOSE ASSY (SN 1160005851 to Present)	
42	1001107630	1	HOSE ASSY (SN 1160005851 to Present)	
	0275852	Ref	BRAKE LINES INSTALLATION, (8M, 9M, 12M & 13M), (not available to order, see items 101 thru 112 for service)	B
	1001092507	Ref	BRAKE LINES INSTALLATION, (17M), (not available to order, see items 101 thru 130 for service)	B
101	1616551	2	TEST PORT, (8M, 9M, 12M & 13M)	
101	1616551	3	TEST PORT, (17M)	
102	2140803	4	STRAIGHT FITTING, (8M, 9M, 12M & 13M)	
102	2140803	6	STRAIGHT FITTING, (17M)	
103	2141908	3	TEE FITTING, (8M, 9M, 12M & 13M)	
103	2141908	2	TEE FITTING, (17M)	
104	2142103	2	TEE FITTING, (8M, 9M, 12M & 13M)	
104	2142103	5	TEE FITTING, (17M)	
105	2966454	3	HOSE CLAMP, (8M, 9M, 12M & 13M)	
105	2966454	4	HOSE CLAMP, (17M)	
106	5200810	3	RIPP BOLT, 8X20mm, (8M, 9M, 12M & 13M)	
106	5200810	4	RIPP BOLT, 8X20mm, (17M)	
107	8002096	1	TUBE ASSY	
108	8002097	1	TUBE ASSY	
109	8002323	2	TUBE ASSY, (8M, 9M, 12M & 13M)	
109	8002323	1	TUBE ASSY, (17M)	
110	8002324	2	TUBE ASSY, (8M, 9M, 12M & 13M)	
110	8002324	1	TUBE ASSY, (17M)	
111	2477156	2	HOSE ASSY	
112	0100011	AR	LOCTITE 242	
126	2443576	1	HOSE CLAMP, (17M)	
129	3460374	1	TUBE ASSY, (17M)	
130	3460380	1	TUBE ASSY, (17M)	
207		Ref	PLUG, (8M, 9M, 12M & 13M), (See SUPPLY CIRCUIT for	

## SECTION 8 - HYDRAULIC CIRCUITS

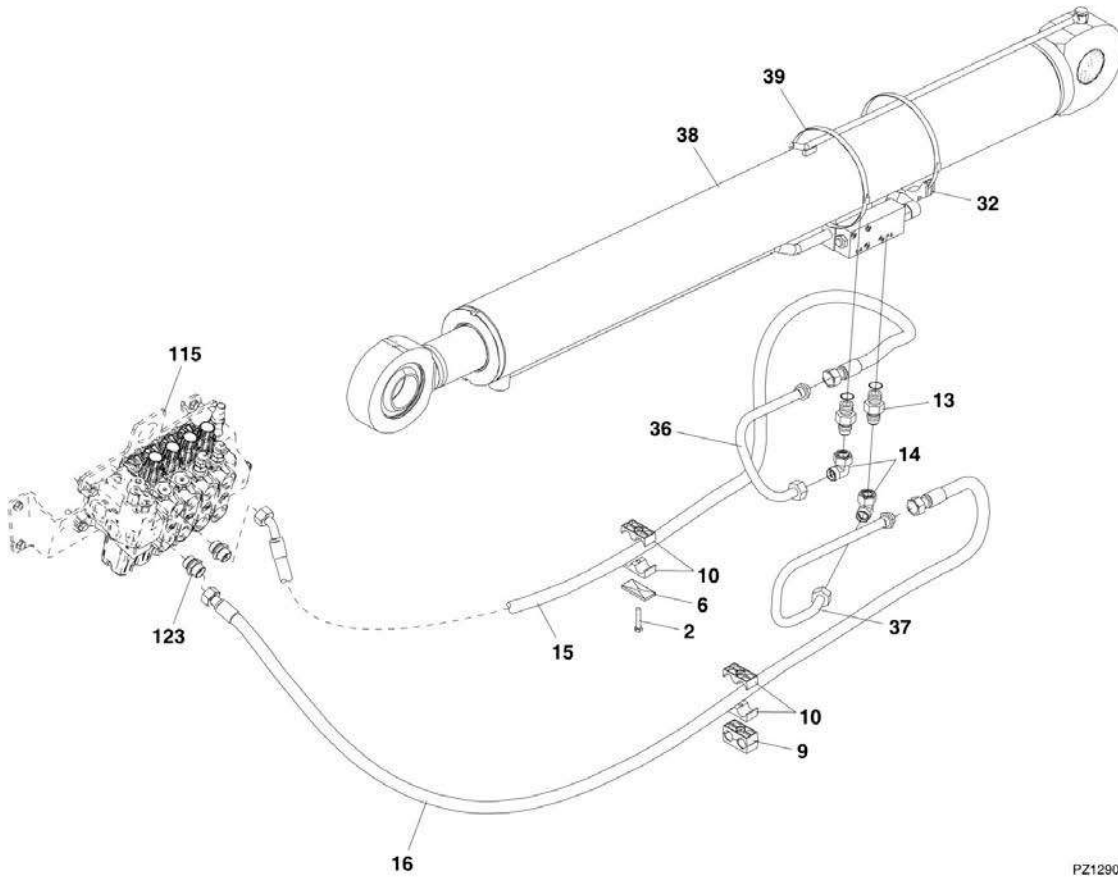
ITEM	PART NUMBER	QTY	DESCRIPTION	REV
			Breakdown) (Prior to SN 1160005851)	
308		Ref	TEST PORT, (See SUPPLY CIRCUIT for Breakdown)	
314		Ref	TEE FITTING, (17M), (See SUPPLY CIRCUIT for Breakdown)	
336		Ref	STRAIGHT FITTING, (See SUPPLY CIRCUIT for Breakdown)	
366		Ref	TEE FITTING, (See SUPPLY CIRCUIT for Breakdown)	
430		Ref	MAIN CONTROL VALVE, (See HYDRAULIC COMPONENTS SECTION for Breakdown)	
436		Ref	CONNECTOR, (See SUPPLY CIRCUIT for Breakdown)	
444		Ref	ELBOW, 90, (17M), (See SUPPLY CIRCUIT for Breakdown)	
504	2142709	3	STRAIGHT FITTING, (17M)	
507	2754863	1	HOSE ASSY, (17M)	
512		Ref	HYDRAULIC HAND BRAKE VALVE, (17M), (See CONTROLS SECTION for Breakdown)	
516		Ref	HAND BRAKE PLATE COVER AND HARDWARE, (17M), (See CONTROLS SECTION for Breakdown)	
517		Ref	HAND BRAKE PLATE COVER AND HARDWARE, (17M), (See CONTROLS SECTION for Breakdown)	
518	1001098817	1	HOSE ASSY, (17M)	
519	1001098818	1	HOSE ASSY, (17M)	
604		Ref	TEE FITTING, (12M & 13M), (See FRAME LEVEL AND OUTRIGGER for Breakdown)	
620		Ref	HOSE ASSY, (12M & 13M), (See FRAME LEVEL AND OUTRIGGER for Breakdown)	



# SECTION 8 - HYDRAULIC CIRCUITS

## FIGURE 8-4. LIFT CYLINDER (8M, 9M, 12M & 13M)

8M, 9M, 12M & 13M



PZ1290

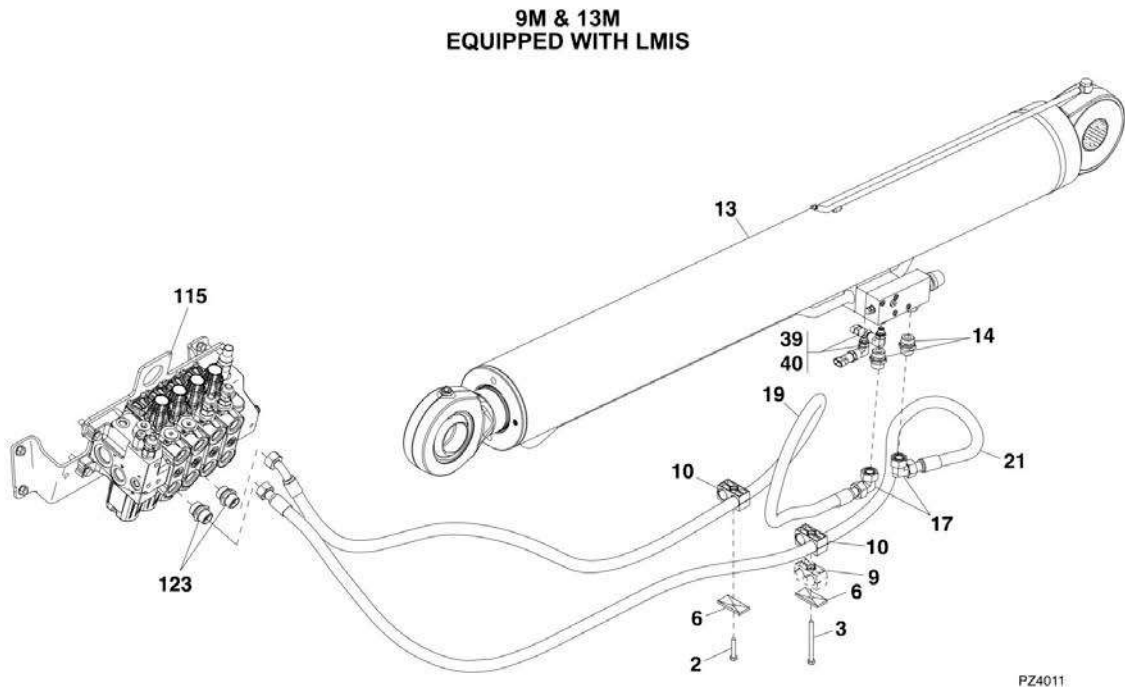
## SECTION 8 - HYDRAULIC CIRCUITS

**FIGURE 8-4. LIFT CYLINDER (8M, 9M, 12M & 13M)**

ITEM	PART NUMBER	QTY	DESCRIPTION	REV
2	0700817	1	HEX HD CAPSCREW, 8X45mm, GR8.8	
6	1309435	1	COVER PLATE	
9		Ref	CLAMP SET, (See TILT AND TILT COMPENSATION for Breakdown)	
10	1321329	2	CLAMP SET	
13	1001092511	2	STRAIGHT FITTING, (includes o-ring)	
14	2143406	2	ELBOW, 90	
15	2754619	1	HOSE ASSY	
16	2754620	1	HOSE ASSY	
32	3924730	2	CLIP	
36	8002716	1	TUBE ASSY	
37	8002718	1	TUBE ASSY	
38		Ref	LIFT CYLINDER, (See HYDRAULIC COMPONENTS SECTION for Breakdown)	
39	8009759	2	CLIP	
115		Ref	MAIN CONTROL VALVE, (See HYDRAULIC COMPONENTS SECTION for Breakdown)	
123	1001092511	2	STRAIGHT FITTING, (includes o-ring)	

# SECTION 8 - HYDRAULIC CIRCUITS

## FIGURE 8-5. LIFT CYLINDER (9M & 13M)





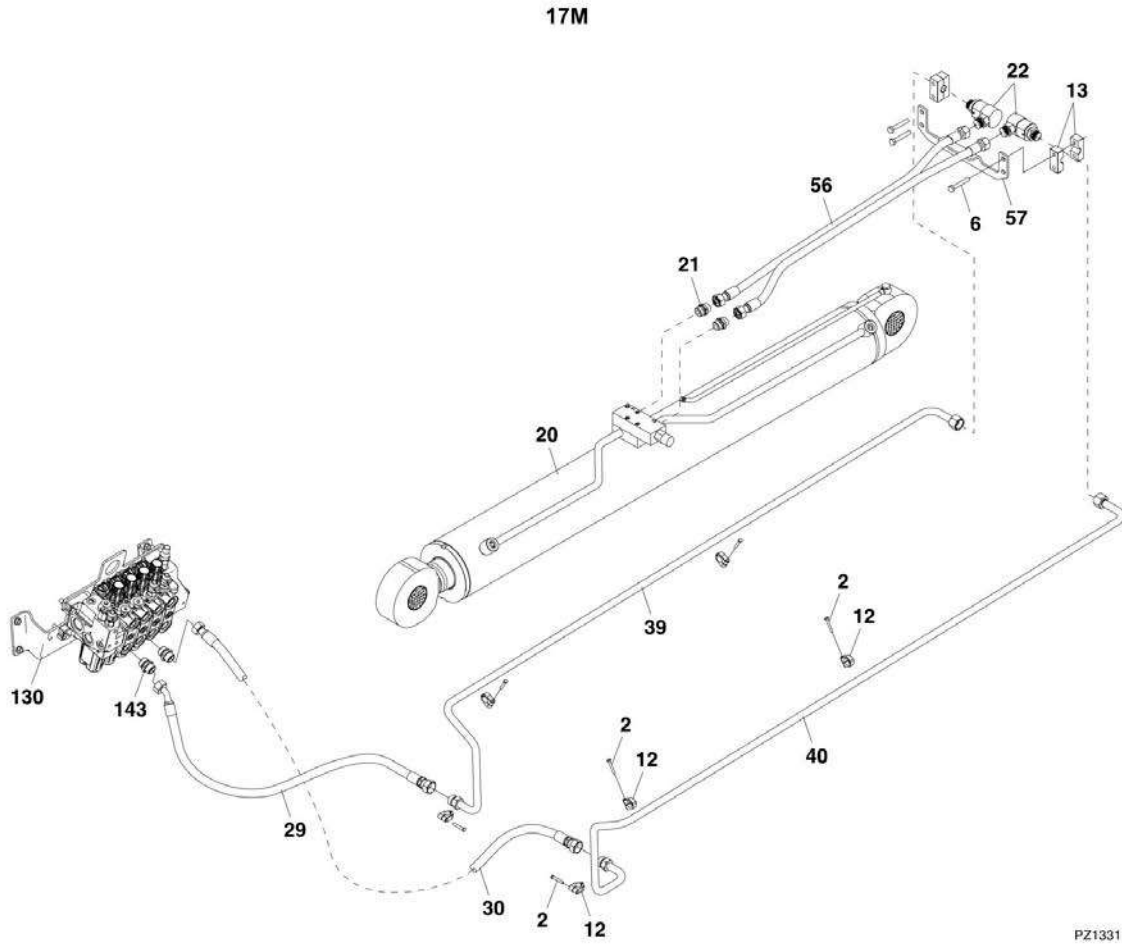
## SECTION 8 - HYDRAULIC CIRCUITS

**FIGURE 8-5. LIFT CYLINDER (9M & 13M)**

ITEM	PART NUMBER	QTY	DESCRIPTION	REV
2	0700817	1	HEX HD CAPSCREW, M8X45, GR8.8	
3	0700827	1	HEX HD CAPSCREW, M8X100, GR8.8	
6	1309435	2	COVER PLATE	
9	1321324	1	DOUBLE CLAMP	
10	1321329	1	CLAMP SET	
13		Ref	LIFT CYLINDER, (See HYDRAULIC COMPONENTS SECTION for Breakdown)	
14	1001092511	2	STRAIGHT FITTING, (includes o-ring)	
17	2143406	2	ELBOW, 90	
19	2754619	1	HOSE ASSY	
21	2754620	1	HOSE ASSY	
39	1001101855	2	ELBOW, 90	
40	1001101954	2	PRESSURE SENSOR	
115		Ref	MAIN CONTROL VALVE, (See HYDRAULIC COMPONENTS SECTION for Breakdown)	
123	1001092511	2	STRAIGHT FITTING, (includes o-ring)	

# SECTION 8 - HYDRAULIC CIRCUITS

## FIGURE 8-6. LIFT CYLINDER (17M)



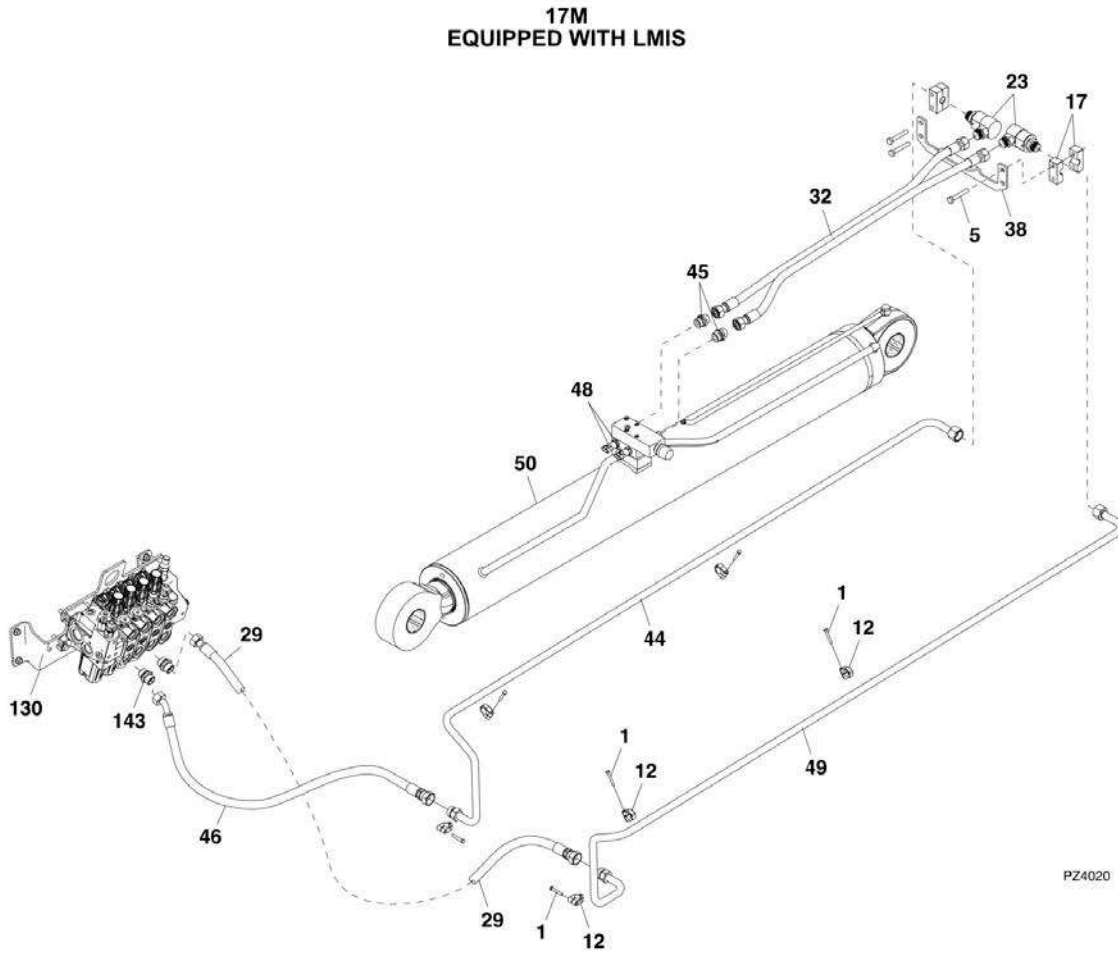
## SECTION 8 - HYDRAULIC CIRCUITS

### FIGURE 8-6. LIFT CYLINDER (17M)

ITEM	PART NUMBER	QTY	DESCRIPTION	REV
2	0700616	6	HEX HD CAPSCREW, 6X40mm, GR8.8	
6	0701021	4	HEX HD CAPSCREW, 10X65mm, GR8.8	
12	1321264	6	TUBE CLAMP	
13	1321704	2	CLAMP SET	
20		Ref	LIFT CYLINDER, (See HYDRAULIC COMPONENTS SECTION for Breakdown)	
21	1001092511	2	STRAIGHT FITTING, (includes o-ring)	
22	2221085	2	ELBOW, 90	
29	1001093397	1	HOSE ASSY	
30	2754276	1	HOSE ASSY	
39	1001104018	1	PIPE ASSY	
40	1001091870	1	PIPE ASSY	
56	2755053	1	HOSE ASSY	
57	4341384	1	HOSE SUPPORT	
130		Ref	MAIN CONTROL VALVE, (See HYDRAULIC COMPONENTS SECTION for Breakdown)	
143	1001092511	2	STRAIGHT FITTING, (includes o-ring)	

# SECTION 8 - HYDRAULIC CIRCUITS

## FIGURE 8-7. LIFT CYLINDER (17M)



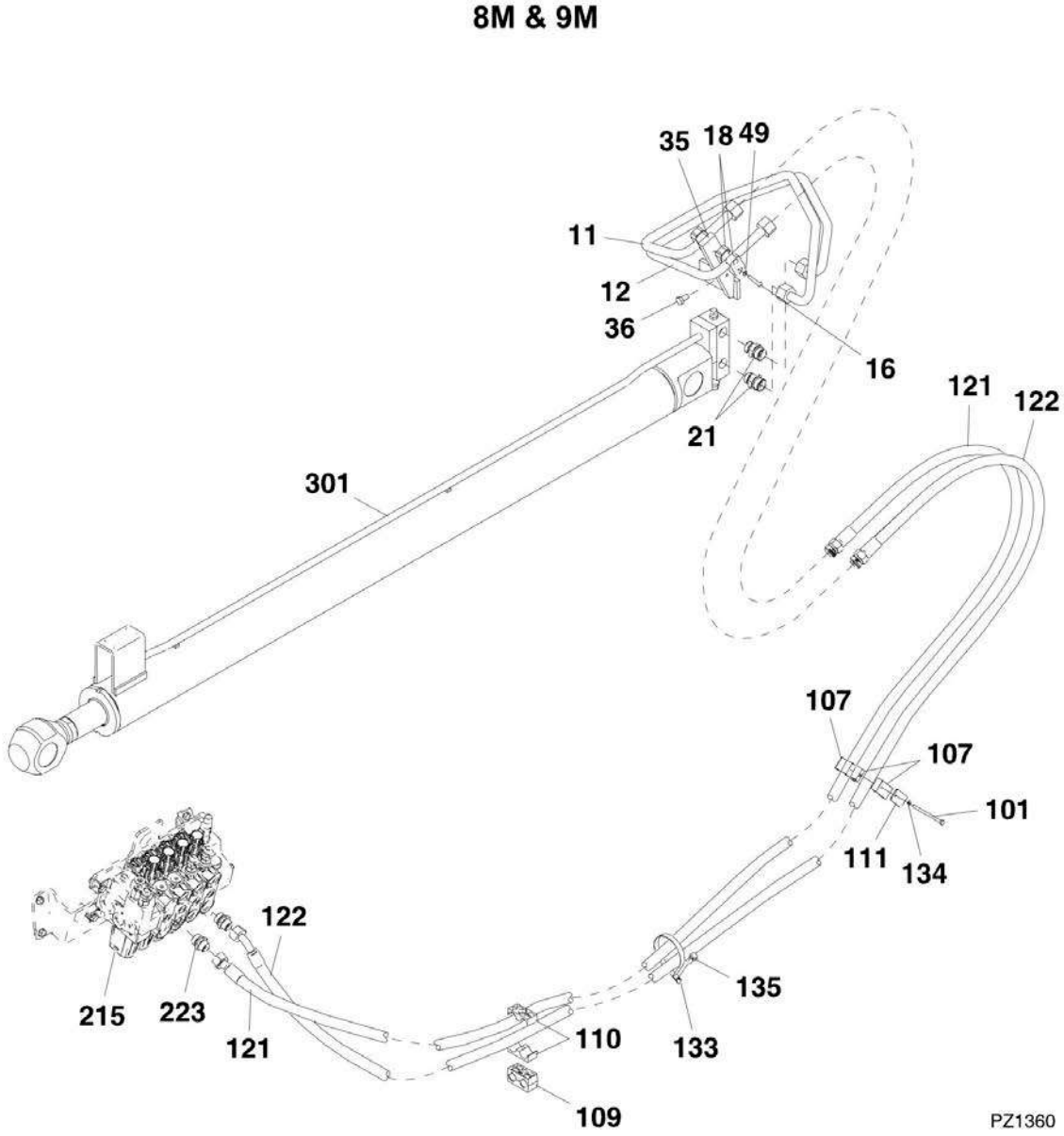
## SECTION 8 - HYDRAULIC CIRCUITS

### FIGURE 8-7. LIFT CYLINDER (17M)

ITEM	PART NUMBER	QTY	DESCRIPTION	REV
1	0700616	6	HEX HD CAPSCREW, M6X40, GR8.8	
5	0701021	4	HEX HD CAPSCREW, M10X65, GR8.8	
12	1321264	6	TUBE CLAMP	
17	1321704	2	TUBE CLAMP	
23	2221085	2	ELBOW, 90	
29	2754276	1	HOSE ASSY	
32	2755053	1	HOSE ASSY	
38	4341384	1	HOSE SUPPORT	
44	1001091870	1	PIPE ASSY	
45	1001092511	4	STRAIGHT FITTING, (includes o-ring)	
46	1001093397	1	HOSE ASSY	
48	1001101954	2	PRESSURE SENSOR	
49	1001104018	1	PIPE ASSY	
50		Ref	LIFT CYLINDER, (See HYDRAULIC COMPONENTS SECTION for Breakdown)	
130		Ref	MAIN CONTROL VALVE, (See HYDRAULIC COMPONENTS SECTION for Breakdown)	
143	1001092511	2	STRAIGHT FITTING, (includes o-ring)	

# SECTION 8 - HYDRAULIC CIRCUITS

FIGURE 8-8. EXTEND/RETRACT CYLINDER (8M & 9M)



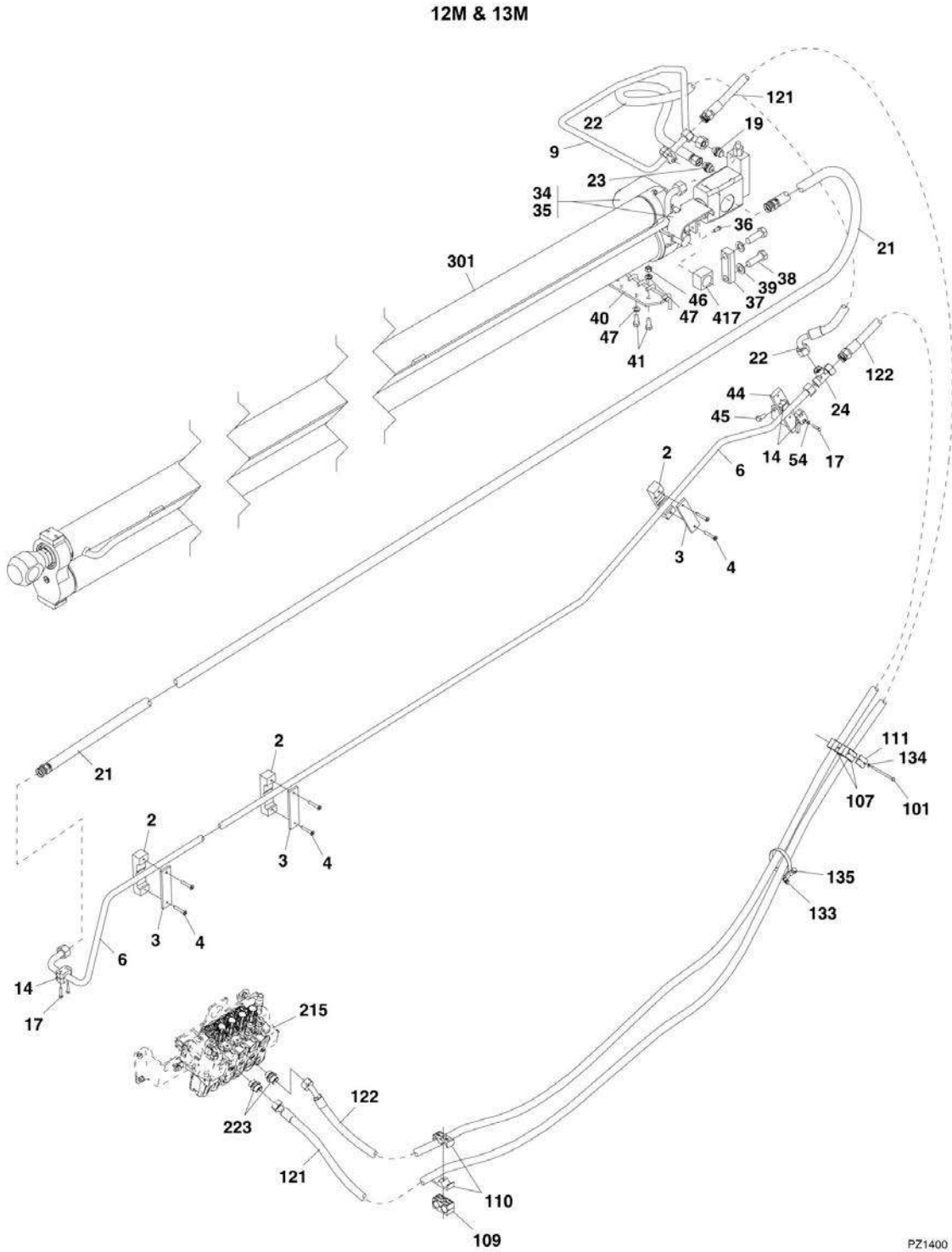
## SECTION 8 - HYDRAULIC CIRCUITS

**FIGURE 8-8. EXTEND/RETRACT CYLINDER (8M & 9M)**

ITEM	PART NUMBER	QTY	DESCRIPTION	REV
11	8007353	1	TUBE ASSY	
12	8007354	1	TUBE ASSY	
16	4010615	4	MACHINE SCREW, 6X35mm	
18	1024044	2	CLAMP SET	
21	2144826	2	STRAIGHT FITTING, (includes o-ring)	
35	8005792	1	HOLDER	
36	0761010	3	HEX HD CAPSCREW, 10X20mm, GR8.8	
49	1302325	4	FLAT WASHER	
101	0700626	2	HEX HD CAPSCREW, 6X90mm, GR8.8	
107	1321285	2	CLAMP SET	
109		Ref	CLAMP SET, (See AUXILIARY FUNCTION for Breakdown)	
110	1321329	1	CLAMP SET	
111	1377299	1	COVER PLATE	
121	2754833	1	HOSE ASSY	
122	2754834	1	HOSE ASSY	
133	3962930	1	CLAMP	
134	4811700	2	FLAT WASHER, 6mm	
135	5200812	1	RIPP BOLT, 8X25mm	
215		Ref	MAIN CONTROL VALVE, (See HYDRAULIC COMPONENTS SECTION for Breakdown)	
223	1001092511	2	STRAIGHT FITTING, (includes o-ring)	
301		Ref	EXTEND/RETRACT CYLINDER, (See HYDRAULIC COMPONENTS SECTION for Breakdown)	

# SECTION 8 - HYDRAULIC CIRCUITS

## FIGURE 8-9. EXTEND/RETRACT CYLINDER (12M & 13M)



PZ1400



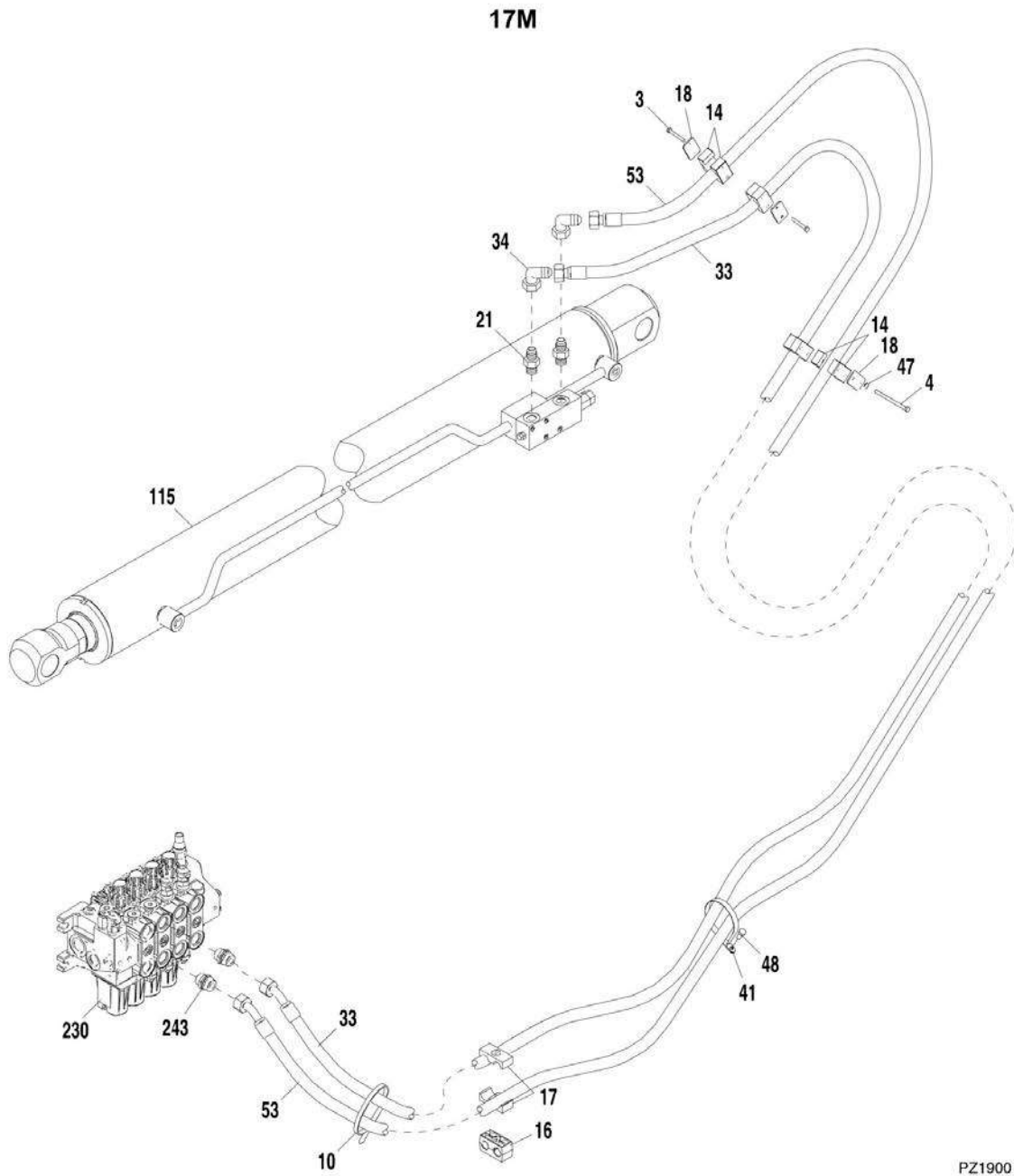
## SECTION 8 - HYDRAULIC CIRCUITS

**FIGURE 8-9. EXTEND/RETRACT CYLINDER (12M & 13M)**

ITEM	PART NUMBER	QTY	DESCRIPTION	REV
2	8002581	3	BLOCK	
3	8002794	3	PRESSURE PLATE	
4	8005252	6	COUNTERSUNK SCREW, 8X50mm, GR8.8	
6	8009353	1	TUBE ASSY, (12M)	
6	8007162	1	TUBE ASSY, (13M)	
9	8007165	1	TUBE ASSY	
14	1024044	3	CLAMP SET	
17	4010615	6	MACHINE SCREW, 6X35mm	
19	2144826	1	STRAIGHT FITTING, (includes o-ring)	
21	8005850	1	HOSE ASSY, (12M)	
21	8007990	1	HOSE ASSY, (13M)	
22	8003001	1	HOSE ASSY	
23	1001092483	1	STRAIGHT FITTING, (includes o-ring)	
24	2904472	1	RUN TEE	
34	4804806	1	FENDER, RH	
35	4804760	1	FENDER, LH	
36	0760810	4	BOLT, 8X20mm	
37	8002627	2	PRESSURE PLATE	
38	0712020	4	HEX HD CAPSCREW, 20-60mm, GR10.9	
39	4812500	4	FLAT WASHER, 20mm	
40	0903602	1	HOSE GUIDE	
41	0761214	4	HEX HD CAPSCREW, 12X30mm, GR8.8	
44	8002570	1	HOLDER	
45	0761010	3	HEX HD CAPSCREW, 10-20mm, GR8.8	
46	3291201	4	HEX NUT, 12X1.75mm	
47	4740532	8	WASHER	
54	1302325	4	FLAT WASHER, 6X1mm	
101	0700626	2	HEX HD CAPSCREW, 6X90mm, GR8.8	
107	1321285	2	CLAMP SET	
109		Ref	CLAMP SET, (See AUXILIARY FUNCTION for Breakdown)	
110	1321329	1	CLAMP SET	
111	1377299	1	COVER PLATE	
121	2754833	1	HOSE ASSY	
122	2754834	1	HOSE ASSY	
133	3962930	1	CLAMP	
134	4811700	2	FLAT WASHER, 6mm	
135	5200812	1	RIPP BOLT, 8X25mm	
215		Ref	MAIN CONTROL VALVE, (See HYDRAULIC COMPONENTS SECTION for Breakdown)	
223	1001092511	2	STRAIGHT FITTING, (includes o-ring)	
301		Ref	EXTEND/RETRACT CYLINDER, (See HYDRAULIC COMPONENTS SECTION for Breakdown)	
417		Ref	CYLINDER GUIDE BAR, (See BOOM SECTION for Breakdown)	

# SECTION 8 - HYDRAULIC CIRCUITS

## FIGURE 8-10. EXTEND/RETRACT CYLINDER (17M)



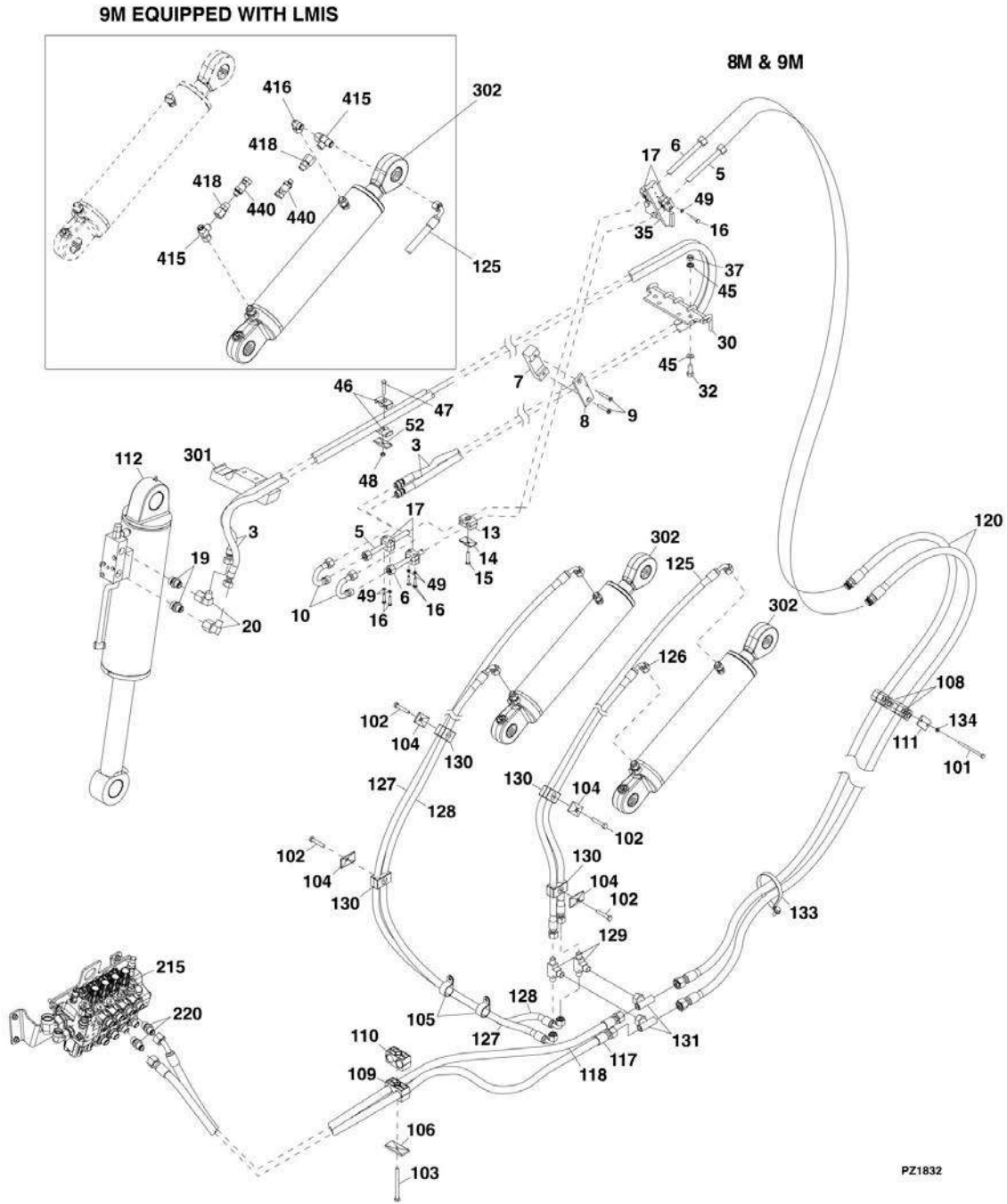
## SECTION 8 - HYDRAULIC CIRCUITS

**FIGURE 8-10. EXTEND/RETRACT CYLINDER (17M)**

ITEM	PART NUMBER	QTY	DESCRIPTION	REV
3	0700617	4	HEX HD CAPSCREW, 6-1.00X45mm	
4	0700626	3	HEX HD CAPSCREW, 6-1.00X90mm	
10	1062255	2	TIE STRAP	
14	1321285	4	CLAMP SET	
16		Ref	CLAMP SET, (See AUXILIARY FUNCTION for Breakdown)	
17	1321324	1	CLAMP SET	
18	1377299	3	COVER PLATE	
21	1001092511	2	STRAIGHT FITTING, (includes o-ring)	
33	2755043	1	HOSE ASSY	
34	2143406	2	ELBOW, 90	
41	3962930	1	CLAMP	
47	4811700	3	FLAT WASHER, 6mm	
48	5200812	1	RIPP BOLT, 8X25mm	
53	1001091050	1	HOSE ASSY	
115		Ref	EXTEND/RETRACT CYLINDER, (See HYDRAULIC COMPONENTS SECTION for Breakdown)	
230		Ref	MAIN CONTROL VALVE, (See HYDRAULIC COMPONENTS SECTION for Breakdown)	
243	1001092511	2	STRAIGHT FITTING, (includes o-ring)	

# SECTION 8 - HYDRAULIC CIRCUITS

## FIGURE 8-11. TILT AND TILT COMPENSATION (8M & 9M)



## SECTION 8 - HYDRAULIC CIRCUITS

**FIGURE 8-11. TILT AND TILT COMPENSATION (8M & 9M)**

ITEM	PART NUMBER	QTY	DESCRIPTION	REV
3	1001111730	1	TWINLINE HOSE ASSY, (8M)	
3	1001111731	1	TWINLINE HOSE ASSY, (9M)	
5	8009358	1	TUBE ASSY, (8M)	
5	8007355	1	TUBE ASSY, (9M)	
6	8009359	1	TUBE ASSY, (8M)	
6	8007352	1	TUBE ASSY, (9M)	
7	8005639	1	BLOCK	
8	8005640	1	PRESSURE PLATE	
9	8005252	2	COUNTERSUNK SCREW, 8X50mm	
10	8000778	2	U-PIPE	
13	874993	1	BODY CLIP	
14	874960	1	COVER PLATE	
15	0700816	1	HEX HD CAPSCREW, 8-1.25X40mm, (8M)	
15	0700816	2	HEX HD CAPSCREW, 8-1.25X40mm, (9M)	
16	4010614	8	MACHINE SCREW, M6X30	
17	877203	4	BODY CLIP	
19	1001092483	2	STRAIGHT FITTING, (includes o-ring)	
20	2903062	2	ELBOW, 90	
30	0903601	1	BRACKET	
32	0761214	4	HEX HD CAPSCREW, M12X30, GR8.8	
35		Ref	HOLDER, (See EXTEND/RETRACT CYLINDER for Breakdown)	
37	3291201	4	HEX NUT, M12X1.75	
45	4740532	8	WASHER, 13mm	
46	1321324	1	DOUBLE CLAMP	
47	0700820	1	HEX HD CAPSCREW, 8-1.25X60mm	
48	3290807	1	LOCKNUT, 8mm	
49	1302325	8	FLAT WASHER	
52	1309345	1	COVER PLATE	
101	0700626	2	HEX HD CAPSCREW, 6-1.0X90mm	
102	0700817	4	HEX HD CAPSCREW, 8-1.25X45mm	
103	0700827	1	HEX HD CAPSCREW, 8-1.25X100mm	
104	874960	4	CLAMP SET	
105	1009352	2	CLIP	
106	1309435	1	COVER PLATE	
108	1321323	2	CLAMP SET	
109	1321324	1	CLAMP SET	
110		Ref	CLAMP SET, (See LIFT CYLINDER for Breakdown)	
111	1377299	1	COVER PLATE	
112		Ref	TILT CYLINDER, (See HYDRAULIC COMPONENTS SECTION for Breakdown)	
117	2754829	1	HOSE ASSY	
118	2754831	1	HOSE ASSY	
120	2754832	2	HOSE ASSY	
125	2754837	1	HOSE ASSY	
126	2754838	1	HOSE ASSY	
127	2754839	1	HOSE ASSY	
128	2754840	1	HOSE ASSY	
129	2904789	2	RUN TEE	
130	2912085	4	CLAMP SET	
131	2980565	2	TEE FITTING	

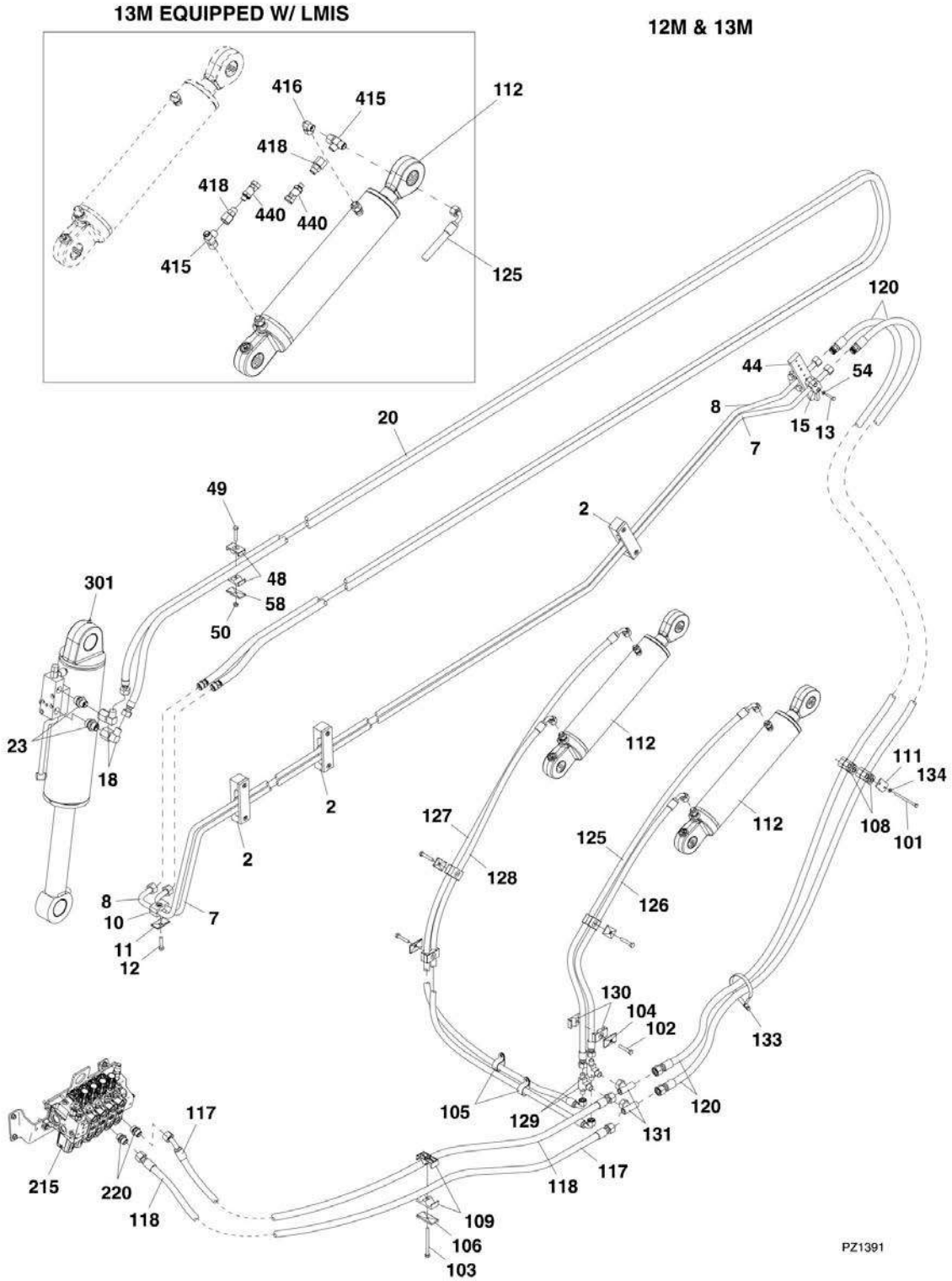
## SECTION 8 - HYDRAULIC CIRCUITS

ITEM	PART NUMBER	QTY	DESCRIPTION	REV
133		Ref	CLAMP, (See EXTEND/RETRACT CYLINDER for Breakdown)	
134	4811700	2	FLAT WASHER, 6mm	
215		Ref	MAIN CONTROL VALVE, (See HYDRAULIC COMPONENTS SECTION for Breakdown)	
220	1001092483	2	STRAIGHT FITTING, (includes o-ring)	
301		Ref	HYDRAULIC CLAMP, (See BOOM SECTION for Breakdown)	
302		Ref	TILT COMPENSATION CYLINDERS, (See HYDRAULIC COMPONENTS SECTION for Breakdown)	
415	2142204	2	TEE FITTING, (9M, if equipped with LMIS)	
416	2143404	1	ELBOW, 90, (9M, if equipped with LMIS)	
418	2180864	2	SWIVEL GAUGE ADAPTER, (9M, if equipped with LMIS)	
440	1001101954	2	PRESSURE SENSOR, (9M, if equipped with LMIS)	



# SECTION 8 - HYDRAULIC CIRCUITS

FIGURE 8-12. TILT AND TILT COMPENSATION (12M & 13M)





## SECTION 8 - HYDRAULIC CIRCUITS

**FIGURE 8-12. TILT AND TILT COMPENSATION (12M & 13M)**

ITEM	PART NUMBER	QTY	DESCRIPTION	REV
2		Ref	BLOCK, (See EXTEND/RETRACT CYLINDER for Breakdown)	
7	8009355	1	TUBE ASSY, (12M)	
7	8007164	1	TUBE ASSY, (13M)	
8	8009354	1	TUBE ASSY, (12M)	
8	8007163	1	TUBE ASSY, (13M)	
10	874993	1	CLAMP SET	
11	874960	1	COVER PLATE	
12	0700816	1	HEX HD CAPSCREW, 8X40mm, GR8.8	
13	4010614	4	MACHINE SCREW, 6X30mm	
15	877203	2	CLAMP SET	
18	2903062	2	ELBOW, 90	
20	2754700	1	HOSE ASSY, (12M)	
20	2754342	1	HOSE ASSY, (13M)	
23	1001092483	2	STRAIGHT FITTING, (includes o-ring)	
44		Ref	HOLDER, (See EXTEND/RETRACT CYLINDER for Breakdown)	
48	1321324	1	CLAMP SET, (12M)	
49	0700820	1	HEX HD CAPSCREW, 8X60mm, (12M)	
50	3290807	1	LOCKNUT, 8mm, (12M)	
54	1302325	4	FLAT WASHER, 6X1mm	
58	1309435	1	COVER PLATE, (12M)	
101	0700626	2	HEX HD CAPSCREW, 6X90mm, GR8.8	
102	0700817	4	HEX HD CAPSCREW, 8X45mm, GR8.8	
103	0700827	1	HEX HD CAPSCREW, 8X100mm, GR8.8	
104	874960	4	COVER PLATE	
105	1009352	2	CLIP	
106	1309435	1	COVER PLATE	
108	1321323	2	CLAMP SET	
109	1321324	1	CLAMP SET	
111	1377299	1	COVER PLATE	
112		Ref	COMPENSATION CYLINDER, (See HYDRAULIC COMPONENTS SECTION for Breakdown)	
117	2754829	1	HOSE ASSY	
118	2754831	1	HOSE ASSY	
120	2754832	1	HOSE ASSY	
125	2754837	1	HOSE ASSY	
126	2754838	1	HOSE ASSY	
127	2754839	1	HOSE ASSY	
128	2754840	1	HOSE ASSY	
129	2904789	2	TEE FITTING	
130	2912085	4	CLAMP SET	
131	2980565	2	TEE FITTING	
133		Ref	CLAMP, (See EXTEND/RETRACT CYLINDER for Breakdown)	
134	4811700	2	FLAT WASHER, 6mm	
215		Ref	MAIN CONTROL VALVE, (See HYDRAULIC COMPONENTS SECTION for Breakdown)	
220	1001092483	2	STRAIGHT FITTING, (includes o-ring)	
301		Ref	TILT CYLINDER, (See HYDRAULIC COMPONENTS SECTION for Breakdown)	
415	2142204	2	TEE FITTING, (13M, if equipped with LMIS)	
416	2143404	1	ELBOW, 90, (13M, if equipped with LMIS)	

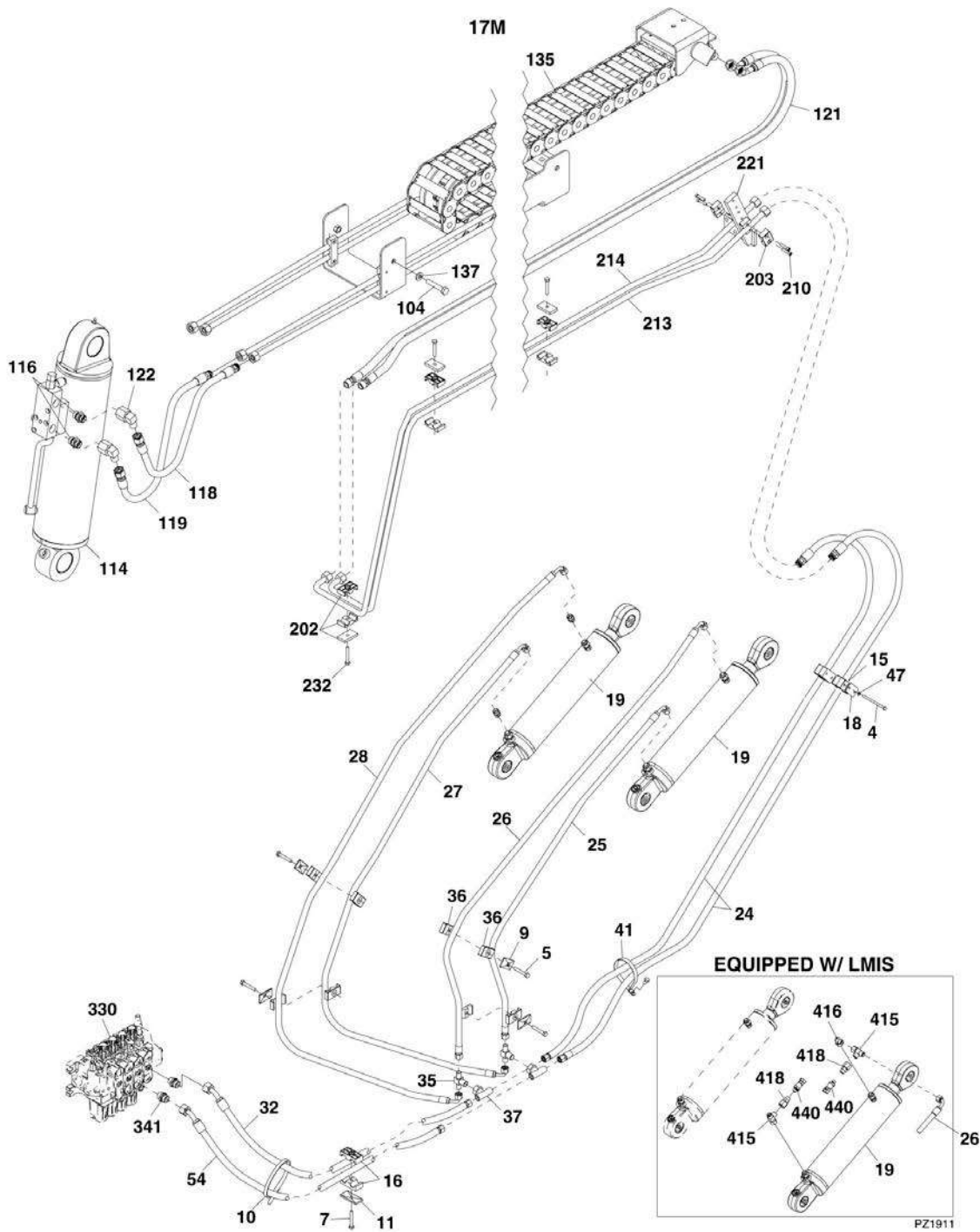
## SECTION 8 - HYDRAULIC CIRCUITS

ITEM	PART NUMBER	QTY	DESCRIPTION	REV
418	2180864	2	SWIVEL GAUGE ADAPTER, (13M, if equipped with LMIS)	
440	1001101954	2	PRESSURE SENSOR, (13M, if equipped with LMIS)	



# SECTION 8 - HYDRAULIC CIRCUITS

## FIGURE 8-13. TILT AND TILT COMPENSATION (17M)



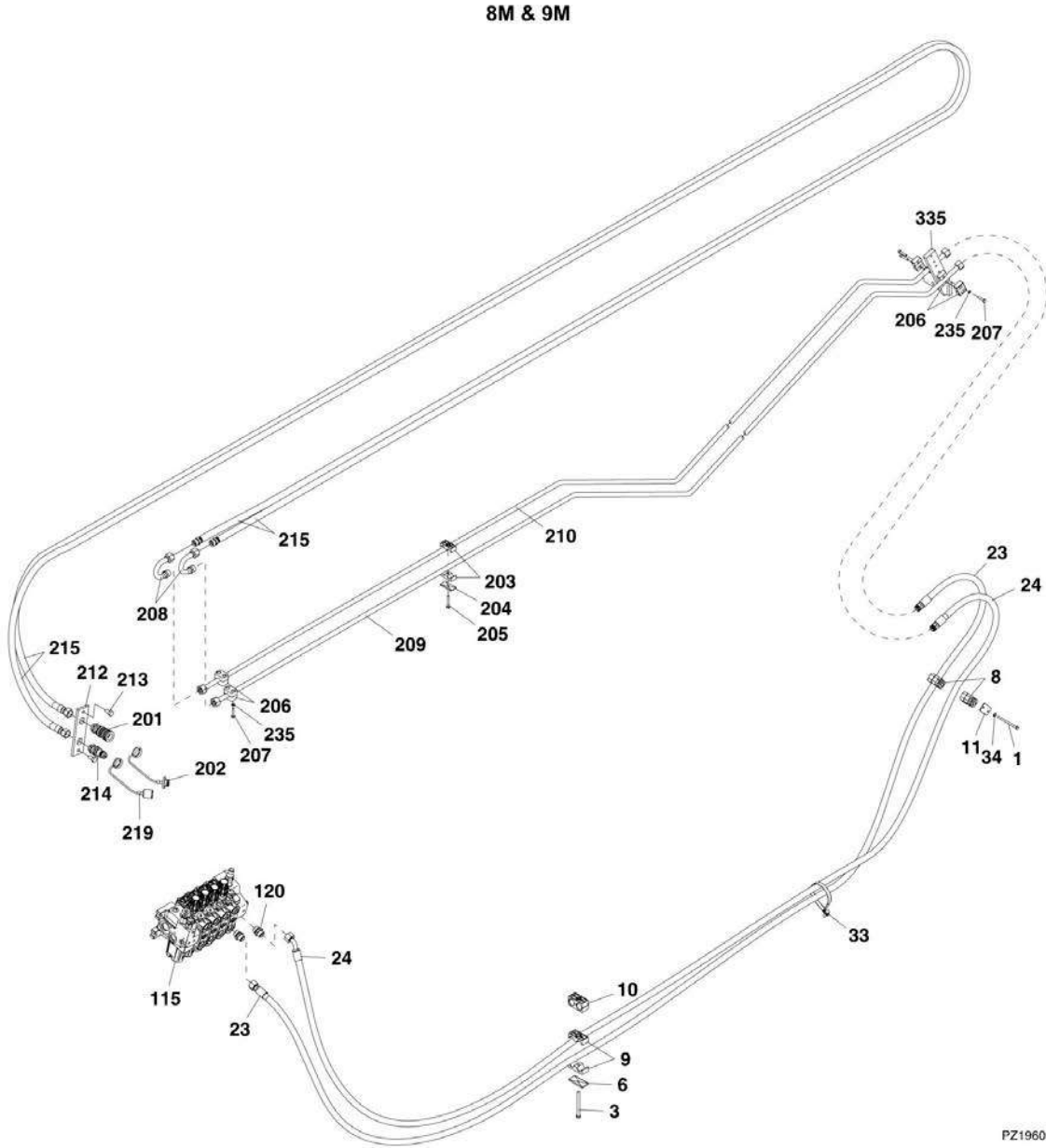
## SECTION 8 - HYDRAULIC CIRCUITS

**FIGURE 8-13. TILT AND TILT COMPENSATION (17M)**

ITEM	PART NUMBER	QTY	DESCRIPTION	REV
4	0700626	2	HEX HD CAPSCREW, 6X90mm	
5	0700817	4	HEX HD CAPSCREW, 8X45mm	
7	0760819	1	HEX HD CAPSCREW, 8X55mm	
9	874960	4	COVER PLATE	
10	1062255	2	TIE STRAP	
11	1309435	1	COVER PLATE	
15	1321323	2	CLAMP	
16	1321324	1	CLAMP	
18	1377299	1	COVER PLATE	
19		Ref	COMPENSATION CYLINDER, (See HYDRAULIC COMPONENTS SECTION for Breakdown)	
24	2754090	2	HOSE ASSY	
25	2754142	1	HOSE ASSY	
26	2754143	1	HOSE ASSY	
27	2754144	1	HOSE ASSY	
28	2754145	1	HOSE ASSY	
32	2755042	1	HOSE ASSY	
35	2904789	2	TEE REDUCER FITTING	
36	2912085	4	CLAMP	
37	2980565	2	TEE FITTING	
41		Ref	CLAMP, (See EXTEND/RETRACT CYLINDER for Breakdown)	
47	4811700	2	FLAT WASHER, 6mm	
54	1001091051	1	HOSE ASSY	
55	1009352	2	CLIP	
104	0761214	8	HEX HD CAPSCREW, 12X30mm, GR8.8	
114		Ref	TILT CYLINDER, (See HYDRAULIC COMPONENTS SECTION for Breakdown)	
116	1001092483	2	STRAIGHT FITTING, (includes o-ring)	
118	2754157	1	HOSE ASSY	
119	2754158	1	HOSE ASSY	
121	2754236	1	HOSE ASSY	
122	2903062	2	ELBOW, 90	
135		Ref	BOOM HYDRAULICS ASSY, (See HOSE AND CABLE CARRIER INSTALLATION for Breakdown)	
137	4812100	6	FLAT WASHER, 12mm	
202	1320626	4	CLAMP ASSY	
203	1321073	2	CLAMP ASSY	
210	4031710	4	SOCKET HD CAPSCREW, 6X30mm	
213	4568998	1	TUBE ASSY	
214	4568999	1	TUBE ASSY	
221		Ref	HOLDER, (See BOOM SECTION for Breakdown)	
232	0700816	4	HEX HD CAPSCREW, 8-1.25X40mm	
330		Ref	MAIN CONTROL VALVE, (See HYDRAULIC COMPONENTS SECTION for Breakdown)	
341	1001092483	2	STRAIGHT FITTING, (includes o-ring)	
415	2142204	2	TEE FITTING, (if equipped with LMIS)	
416	2143404	1	ELBOW, 90, (if equipped with LMIS)	
418	2180864	2	SWIVEL GAUGE ADAPTER, (if equipped with LMIS)	
440	1001101954	2	PRESSURE SENSOR, (if equipped with LMIS)	

# SECTION 8 - HYDRAULIC CIRCUITS

## FIGURE 8-14. AUXILIARY FUNCTION (8M & 9M)



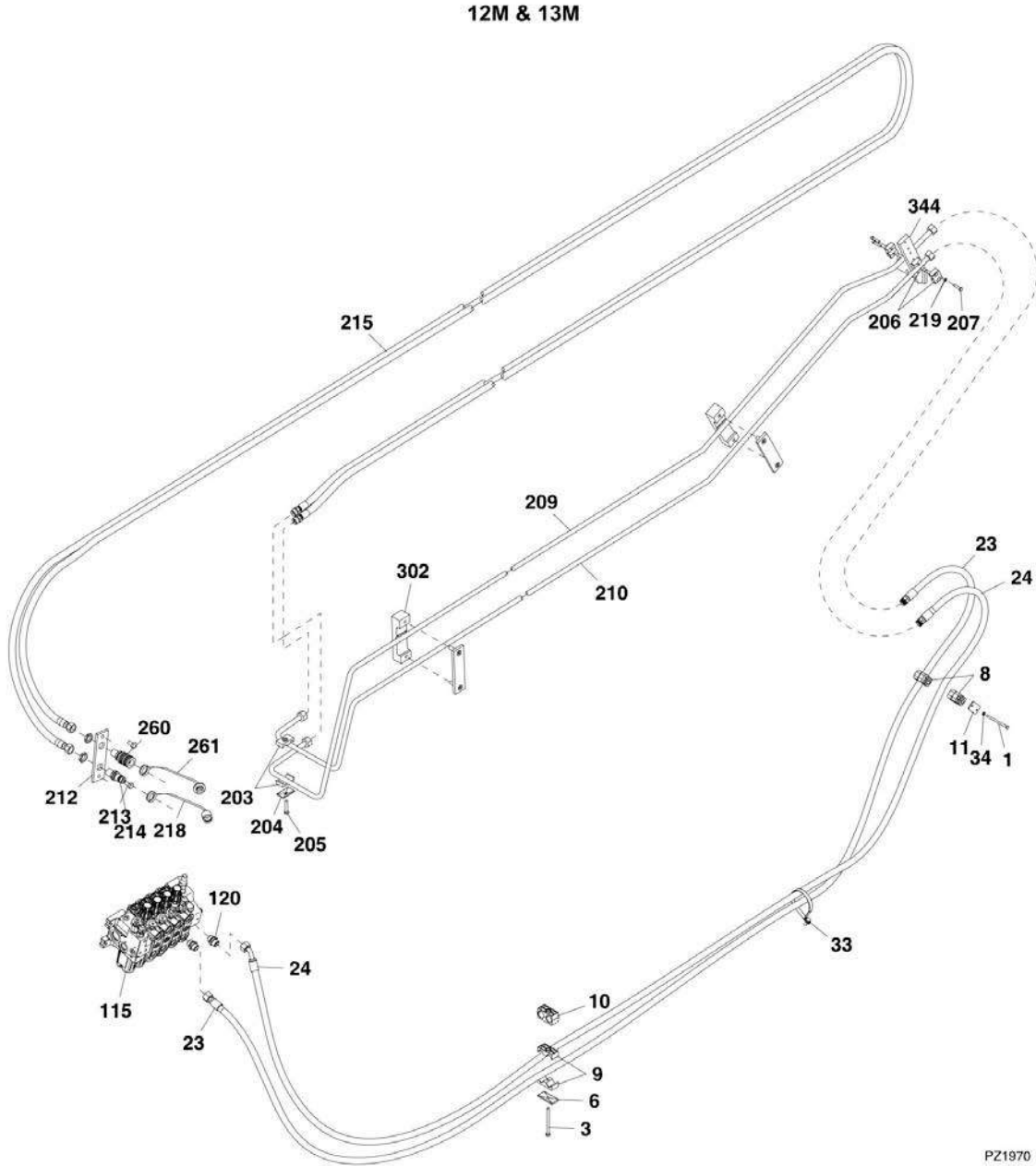
## SECTION 8 - HYDRAULIC CIRCUITS

**FIGURE 8-14. AUXILIARY FUNCTION (8M & 9M)**

ITEM	PART NUMBER	QTY	DESCRIPTION	REV
1	0700626	2	HEX HD CAPSCREW, 6X90mm, GR8.8	
3	0700827	1	HEX HD CAPSCREW, 8X100mm, GR8.8	
6	1309435	1	COVER PLATE	
8	1321323	2	CLAMP SET	
9	1321324	1	CLAMP SET	
10		Ref	CLAMP SET, (See EXTEND/RETRACT CYLINDER for Breakdown)	
11	1377299	1	COVER PLATE	
23	1001099190	1	HOSE ASSY	
24	1001099192	1	HOSE ASSY	
33		Ref	CLAMP, (See EXTEND/RETRACT CYLINDER for Breakdown)	
34	4811700	2	FLAT WASHER, 6mm	
115		Ref	MAIN CONTROL VALVE, (See HYDRAULIC COMPONENTS SECTION for Breakdown)	
120	1001092483	2	STRAIGHT FITTING, (includes o-ring)	
201	1001094555	1	FEMALE QUICK DISCONNECT COUPLING	
202	1001093827	1	DUST PLUG	
203	874993	1	CLAMP SET	
204	874960	1	COVER PLATE	
205	0700817	1	BOLT	
206	877203	4	CLAMP SET	
207	4010614	8	MACHINE SCREW, 6X30mm, GR4.8	
208	8000778	2	PIPE BEND	
209	8009360	1	PIPE ASSY, (8M)	
209	8007351	1	PIPE ASSY, (9M)	
210	8009361	1	PIPE ASSY, (8M)	
210	8007350	1	PIPE ASSY, (9M)	
212	8001275	1	COVER PLATE	
213	0761010	2	BOLT	
214	1001094556	1	MALE QUICK DISCONNECT COUPLING	
215	2754348	1	TWIN HOSE ASSY, (8M)	
215	2754346	1	TWIN HOSE ASSY, (9M)	
219	1001093826	1	DUST CAP	
235	1302325	8	WASHER	
335		Ref	HOLDER, (See EXTEND/RETRACT CYLINDER for Breakdown)	

# SECTION 8 - HYDRAULIC CIRCUITS

## FIGURE 8-15. AUXILIARY FUNCTION (12M & 13M)





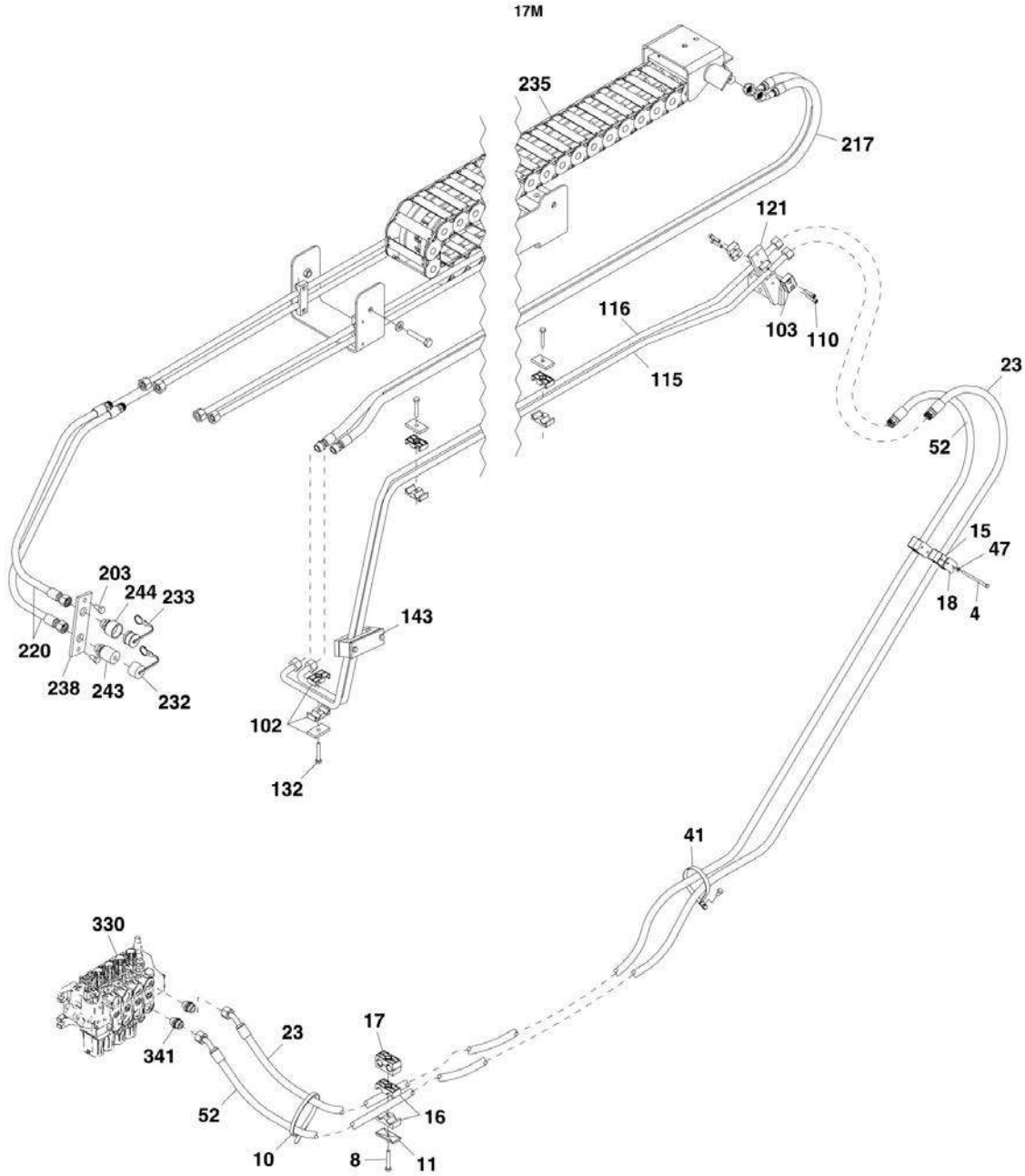
## SECTION 8 - HYDRAULIC CIRCUITS

**FIGURE 8-15. AUXILIARY FUNCTION (12M & 13M)**

ITEM	PART NUMBER	QTY	DESCRIPTION	REV
1	0700626	2	HEX HD CAPSCREW, 6X90mm, GR8.8	
3	0700827	1	HEX HD CAPSCREW, 8X100mm, GR8.8	
6	1309435	1	COVER PLATE	
8	1321323	2	CLAMP SET	
9	1321324	1	CLAMP SET	
10		Ref	CLAMP SET, (See EXTEND/RETRACT CYLINDER for Breakdown)	
11	1377299	1	COVER PLATE	
23	2754835	1	HOSE ASSY	
24	2754836	1	HOSE ASSY	
33		Ref	CLAMP, (See EXTEND/RETRACT CYLINDER for Breakdown)	
34	4811700	2	FLAT WASHER, 6mm	
115		Ref	MAIN CONTROL VALVE, (See HYDRAULIC COMPONENTS SECTION for Breakdown)	
120	1001092483	2	STRAIGHT FITTING, (includes o-ring)	
203	874993	1	CLAMP SET	
204	874960	1	COVER PLATE	
205	0700817	1	BOLT	
206	877203	4	CLAMP SET	
207	4010614	8	MACHINE SCREW, 6X30mm, GR4.8	
209	8009356	1	PIPE ASSY, (12M)	
209	8007160	1	PIPE ASSY, (13M)	
210	8009357	1	PIPE ASSY, (12M)	
210	8007161	1	PIPE ASSY, (13M)	
212	8001275	1	COVER PLATE	
213	0761010	2	BOLT	
214	1001094555	1	FEMALE QUICK DISCONNECT COUPLING	
215	2754701	1	TWIN HOSE ASSY, (12M)	
215	2754343	1	TWIN HOSE ASSY, (13M)	
218	1001093827	1	DUST PLUG	
219	1302325	8	WASHER	
260	1001094556	1	MALE QUICK DISCONNECT COUPLING	
261	1001093826	1	DUST CAP	
302		Ref	BLOCK, (See EXTEND/RETRACT CYLINDER for Breakdown)	
344		Ref	HOLDER, (See EXTEND/RETRACT CYLINDER for Breakdown)	

# SECTION 8 - HYDRAULIC CIRCUITS

## FIGURE 8-16. AUXILIARY FUNCTION (17M)



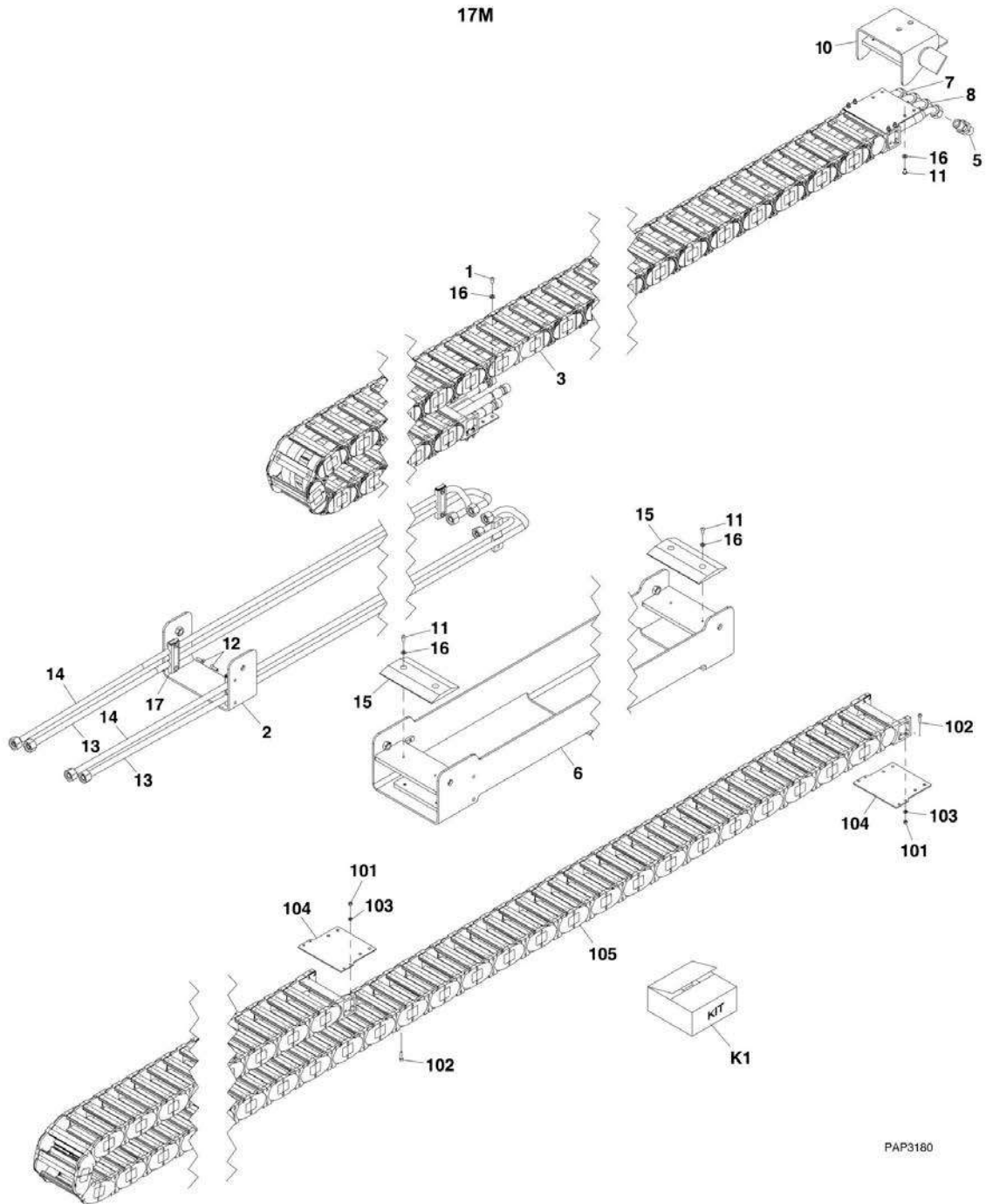
## SECTION 8 - HYDRAULIC CIRCUITS

**FIGURE 8-16. AUXILIARY FUNCTION (17M)**

ITEM	PART NUMBER	QTY	DESCRIPTION	REV
4	0700626	2	HEX HD CAPSCREW, 6X90mm, GR8.8	
8	0760827	1	HEX HD CAPSCREW, 8X100mm, GR8.8	
10	1062255	2	TIE STRAP	
11	1309435	1	COVER PLATE	
15	1321323	2	CLAMP SET	
16	1321324	1	CLAMP SET	
17		Ref	CLAMP SET, (See EXTEND/RETRACT CYLINDER for Breakdown)	
18	1377299	1	COVER PLATE	
23	1001099233	1	HOSE ASSY	
41		Ref	CLAMP, (See EXTEND/RETRACT CYLINDER for Breakdown)	
47	4811700	2	WASHER, 6mm	
52	1001091049	1	HOSE ASSY	
102	1320626	4	CLAMP ASSY	
103	1321073	2	CLAMP ASSY	
110	4031710	4	SOCKET HD CAPSCREW, 6X30mm	
115	4569000	1	TUBE ASSY	
116	4569001	1	TUBE ASSY	
121		Ref	HOLDER, (See BOOM SECTION for Breakdown)	
132	0700816	4	HEX HD CAPSCREW, 8-1.25X40mm	
143		Ref	TUBE SPACER, (See TILT AND TILT COMPENSATION for Breakdown)	
203	0761010	2	HEX HD CAPSCREW, 10-1.50X20mm, GR8.8	
217	2754140	1	TWIN HOSE ASSY	
220	2754159	2	HOSE ASSY	
232	1001093826	1	DUST CAP	
233	1001093827	1	DUST PLUG	
235		Ref	BOOM HYDRAULICS ASSY, (See HOSE AND CABLE CARRIER INSTALLATION for Breakdown)	
238	8001275	1	COVER PLATE	
243	1001094556	1	MALE QUICK DISCONNECT COUPLING	
244	1001094555	1	FEMALE QUICK DISCONNECT COUPLING	
330		Ref	MAIN CONTROL VALVE, (See HYDRAULIC COMPONENTS SECTION for Breakdown)	
341	1001092483	2	STRAIGHT FITTING, (includes o-ring)	

# SECTION 8 - HYDRAULIC CIRCUITS

## FIGURE 8-17. HOSE AND CABLE CARRIER INSTALLATION (17M)



PAP3180

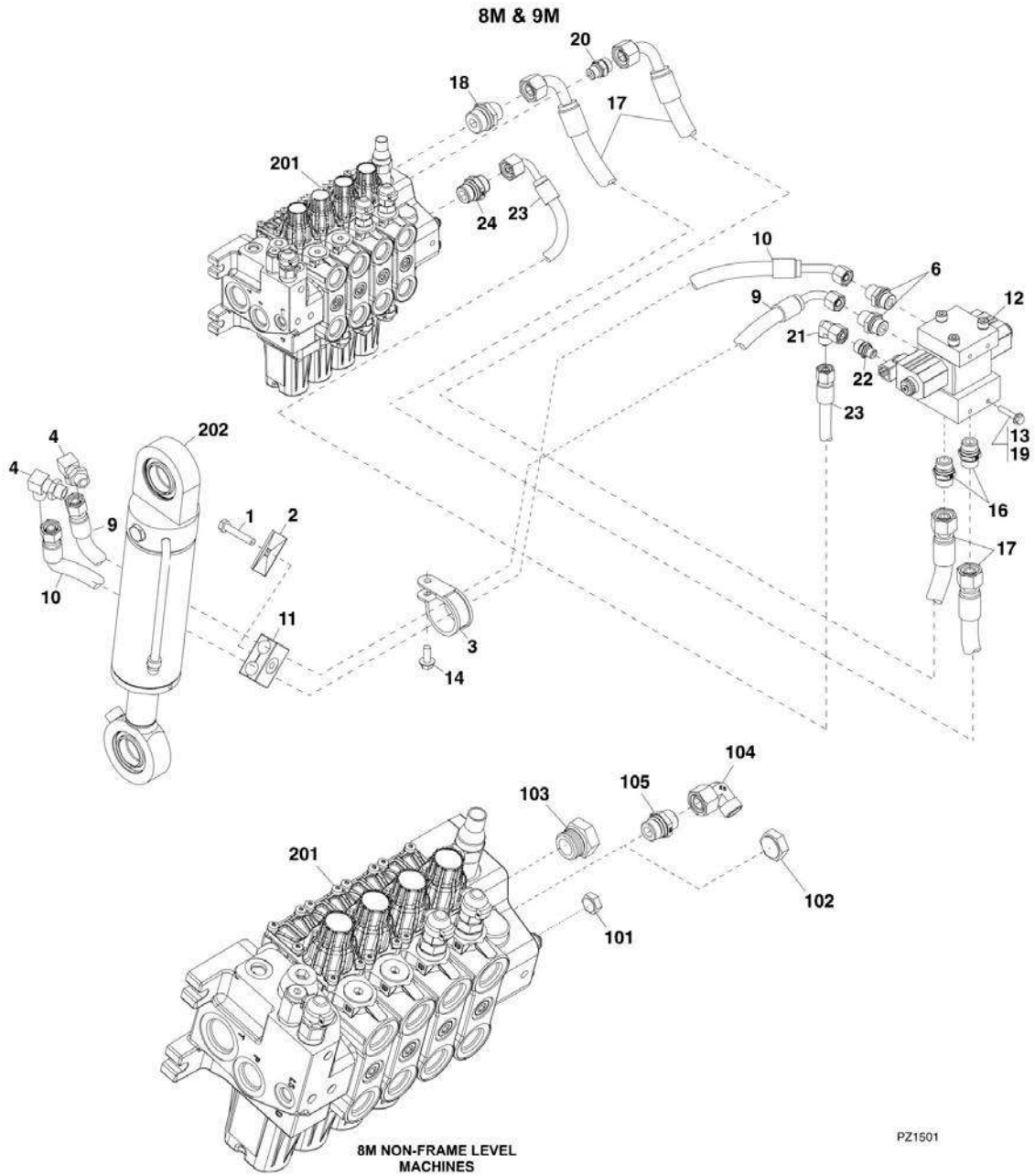
## SECTION 8 - HYDRAULIC CIRCUITS

**FIGURE 8-17. HOSE AND CABLE CARRIER INSTALLATION (17M)**

ITEM	PART NUMBER	QTY	DESCRIPTION	REV
	4341152	Ref	HOSE AND CABLE CARRIER INSTALLATION, (not available to order, see items 1 thru 17 for service)	H
1	1001095650	AR	LOCTITE 243	
2	0903405	2	MOUNTING BRACKET WELDMENT	
3	1260409	NLA	HOSE/CABLE CARRIER , (no longer available, order Kit K1 for replacement) <b>(Prior to SN 1160006063, Excluding 1160005937, 1160005942, 110005945, 110005947, 110005954 and 110005956)</b>	
3	1001120416	1	HOSE/CARRIER ASSY , (includes items 101 thru 105) <b>(SN 1160006063 to Present, Including 1160005937, 110005942, 110005945, 110005947, 110005954 and 110005956)</b>	
5	2141505	4	BULKHEAD FITTING, 15X15	
6	1001093238	1	REAR MOUNT ASSY BRACKET	
7	2754141	1	HOSE BAYONET, RH	
8	2754150	1	HOSE BAYONET, LH	
10	3576314	1	HOSE CARRIER WELDMENT	
11	3900362	12	BUTTON HD CAPSCREW, 6-1X12mm	
12	3900380	12	SOCKET HD CAPSCREW, 6-1.00X20mm	
13	1001091758	2	TUBE ASSY	
14	1001091759	2	TUBE ASSY	
15	4700044	2	SLIDE	
16	4811700	12	FLAT WASHER, 6mm	
17	1001100075	6	TUBING CLAMP	
101	3290505	8	PREV TORQ HEX LOCK NUT	
102	4031608	8	HEX HD SCR	
103	4811600	8	WASHER, 5mm	
104	1001120191	2	PLATE	
105	1001120254	1	HOSE CARRIER, (includes the following items)	
105	70023938	54	INNER LINK, TYPE 1	
105	70023942	54	OUTER LINK, TYPE 2	
105	70023976	1	LOCKING END BRACKET SET	
K1	1001128976	1	HOSE CARRIER ASSY KIT , (includes item 1, 3, 12 & 17) <b>(Prior to SN 1160006063, Excluding 1160005937, 110005942, 110005945, 110005947, 110005954 and 110005956)</b>	

# SECTION 8 - HYDRAULIC CIRCUITS

## FIGURE 8-18. FRAME LEVEL AND NON-FRAME LEVEL HYDRAULICS (8M & 9M)



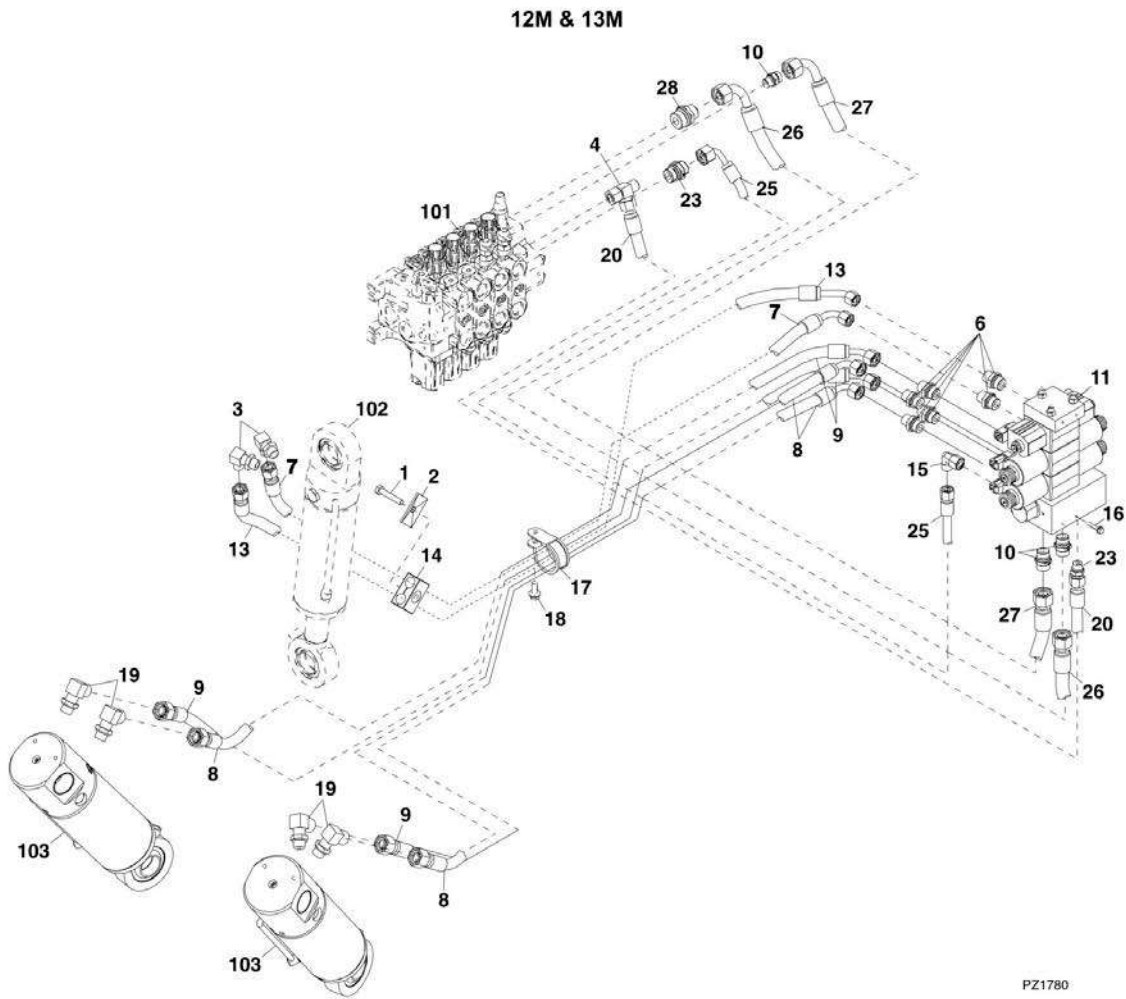
## SECTION 8 - HYDRAULIC CIRCUITS

**FIGURE 8-18. FRAME LEVEL AND NON-FRAME LEVEL HYDRAULICS (8M & 9M)**

ITEM	PART NUMBER	QTY	DESCRIPTION	REV
	1001093026	Ref	FRAME LEVEL HYDRAULIC INSTALLATION, (8M, if equipped), (9M), (not available to order, see items 1 thru 24 for service)	C
1	0700817	1	HEX HD CAPSCREW, 8-1.25X45mm	
2	874960	1	COVER PLATE	
3	1003721	1	CLIP	
4	2141104	2	ELBOW, 90	
6	2144804	2	STRAIGHT FITTING, MALE 3/4-16 UNF, (includes o-ring)	
9	2754819	1	HOSE ASSY	
10	2754936	1	HOSE ASSY	
11	2912085	1	CLAMP SET	
12		Ref	FRAME LEVEL VALVE, (See HYDRAULIC COMPONENTS SECTION for Breakdown)	
13	5200614	4	RIPP BOLT, M6X30	
14	5200810	1	RIPP BOLT, M8X20	
16	2144806	2	STRAIGHT FITTING	
17	1001091795	2	HOSE ASSY	
18	1001092483	1	STRAIGHT FITTING, (includes o-ring)	
19	0100011	AR	LOCTITE 242	
20	2144807	1	STRAIGHT FITTING	
21	2143403	1	ELBOW, 90	
22	2144802	1	STRAIGHT FITTING, (includes o-ring)	
23	2754847	1	HOSE ASSY	
24	2144803	1	STRAIGHT FITTING, (includes o-ring)	
	1001094581	Ref	NON-FRAME LEVEL HYDRAULIC INSTALLATION, (8M), (not available to order, see items 101 thru 103 for service)	A
	1001109283	Ref	NON-FRAME LEVEL HYDRAULIC INSTALLATION, (8M, if equipped for trailer brakes), (not available to order, see items 101, 103, 104 & 105 for service)	A
101	2220237	1	PLUG	
102	2220239	1	PLUG, (8M)	
103	2220240	1	PLUG	
104	2143405	1	ELBOW, 90, (8M, if equipped for trailer brakes)	
105	2144807	1	STRAIGHT FITTING, (8M, if equipped for trailer brakes)	
201		Ref	MAIN CONTROL VALVE, (See HYDRAULIC COMPONENTS SECTION for Breakdown)	
202		Ref	FRAME LEVEL CYLINDER, (See HYDRAULIC COMPONENTS SECTION for Breakdown)	

# SECTION 8 - HYDRAULIC CIRCUITS

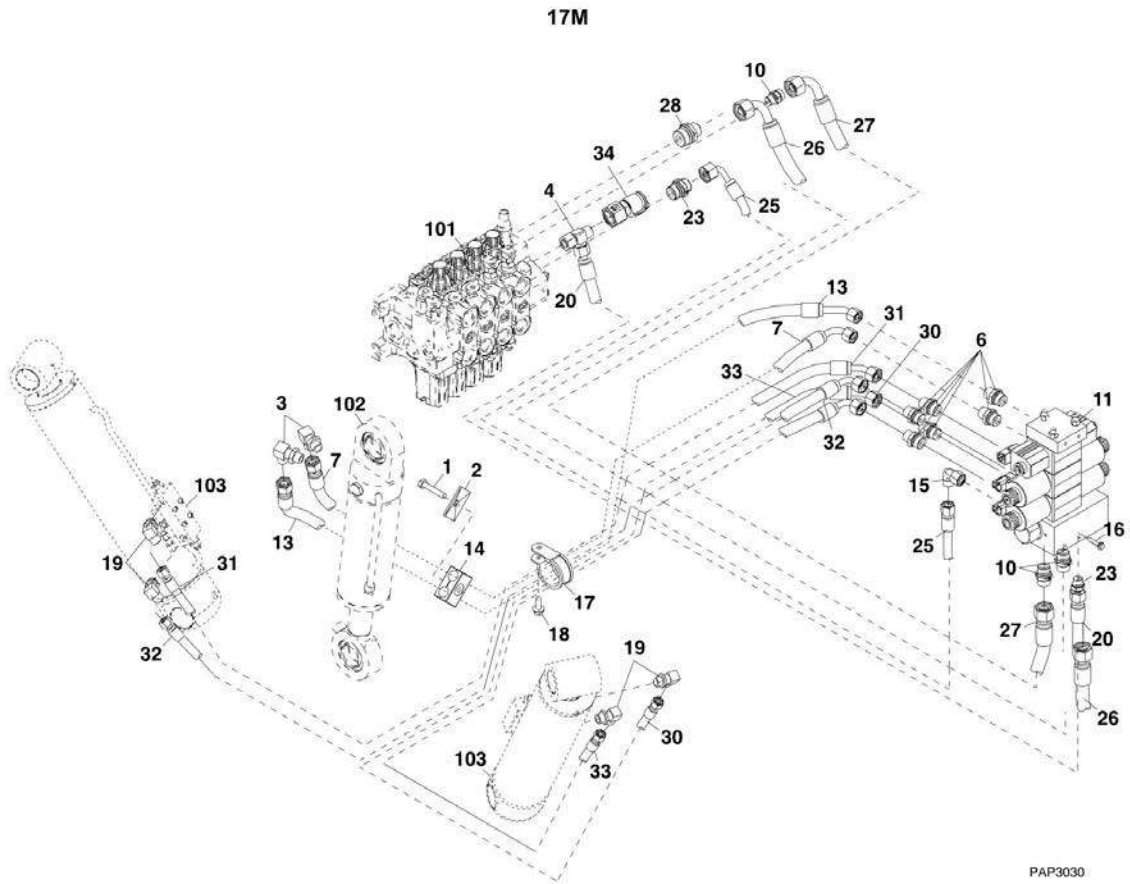
FIGURE 8-19. FRAME LEVEL AND OUTRIGGER (12M, 13M & 17M)



PZ1780



# SECTION 8 - HYDRAULIC CIRCUITS



## SECTION 8 - HYDRAULIC CIRCUITS

**FIGURE 8-19. FRAME LEVEL AND OUTRIGGER (12M, 13M & 17M)**

ITEM	PART NUMBER	QTY	DESCRIPTION	REV
	1001092869	Ref	FRAME LEVEL AND OUTRIGGER HYDRAULIC INSTALLATION, (12M, if equipped with frame level), (13M), (not available to order, see items 1 thru 28 for service)	D
	1001093047	Ref	OUTRIGGER HYDRAULIC INSTALLATION, (12M, non frame level), (not available to order, see items 4, 6, 8 thru 11, 15 thru 20, 22 thru 23, 25 thru 28 for service)	D
	1001093058	Ref	FRAME LEVEL AND OUTRIGGER HYDRAULIC INSTALLATION, (17M), (not available to order, see items 1 thru 7 & 10 thru 34 for service)	D
1	0700817	1	HEX HD CAPSCREW, 8-1.25X45mm	
2	874960	1	CLAMP	
3	2141104	2	ELBOW, 90	
4	2142204	1	TEE FITTING	
6	2144804	6	STRAIGHT FITTING, MALE 3/4-16 UNF, (includes o-ring), (12M, if equipped with frame level), (13M), (17M)	
6	2144804	4	STRAIGHT FITTING, MALE 3/4-16 UNF, (includes o-ring), (12M, non frame level)	
7	2754819	1	HOSE ASSY	
8	2754820	2	HOSE ASSY	
9	2754821	2	HOSE ASSY	
10	2144809	3	STRAIGHT FITTING, (includes o-ring)	
11		Ref	OUTRIGGER AND FRAME LEVEL VALVE, (See HYDRAULIC COMPONENTS SECTION for Breakdown)	
13	2754936	1	HOSE ASSY	
14	2912085	1	CLAMP	
15	1001092584	1	ELBOW, 90	
16	5200614	4	RIPP BOLT, M6X30	
17	1003721	1	CLIP	
18	5200810	1	RIPP BOLT, M8X20	
19	2141105	4	ELBOW, 90, (12M & 13M)	
19	2143007	4	ELBOW, 90, (17M)	
20	1001092844	1	HOSE ASSY	
22	0100011	AR	LOCTITE 242	
23	2144803	2	STRAIGHT FITTING, (includes o-ring)	
25	2754847	1	HOSE ASSY	
26	1001093395	1	HOSE ASSY	
27	1001093396	1	HOSE ASSY	
28	1001092511	1	STRAIGHT FITTING, (includes o-ring)	
30	1001091365	1	HOSE ASSY	
31	1001091366	1	HOSE ASSY	
32	1001091391	1	HOSE ASSY	
33	1001091392	1	HOSE ASSY	
34	2144104	1	TEST PORT FITTING	
101		Ref	MAIN CONTROL VALVE, (See HYDRAULIC COMPONENTS SECTION for Breakdown)	
102		Ref	FRAME LEVEL CYLINDER, (See HYDRAULIC COMPONENTS SECTION for Breakdown)	
103		Ref	OUTRIGGER CYLINDER, (See HYDRAULIC COMPONENTS SECTION for Breakdown)	





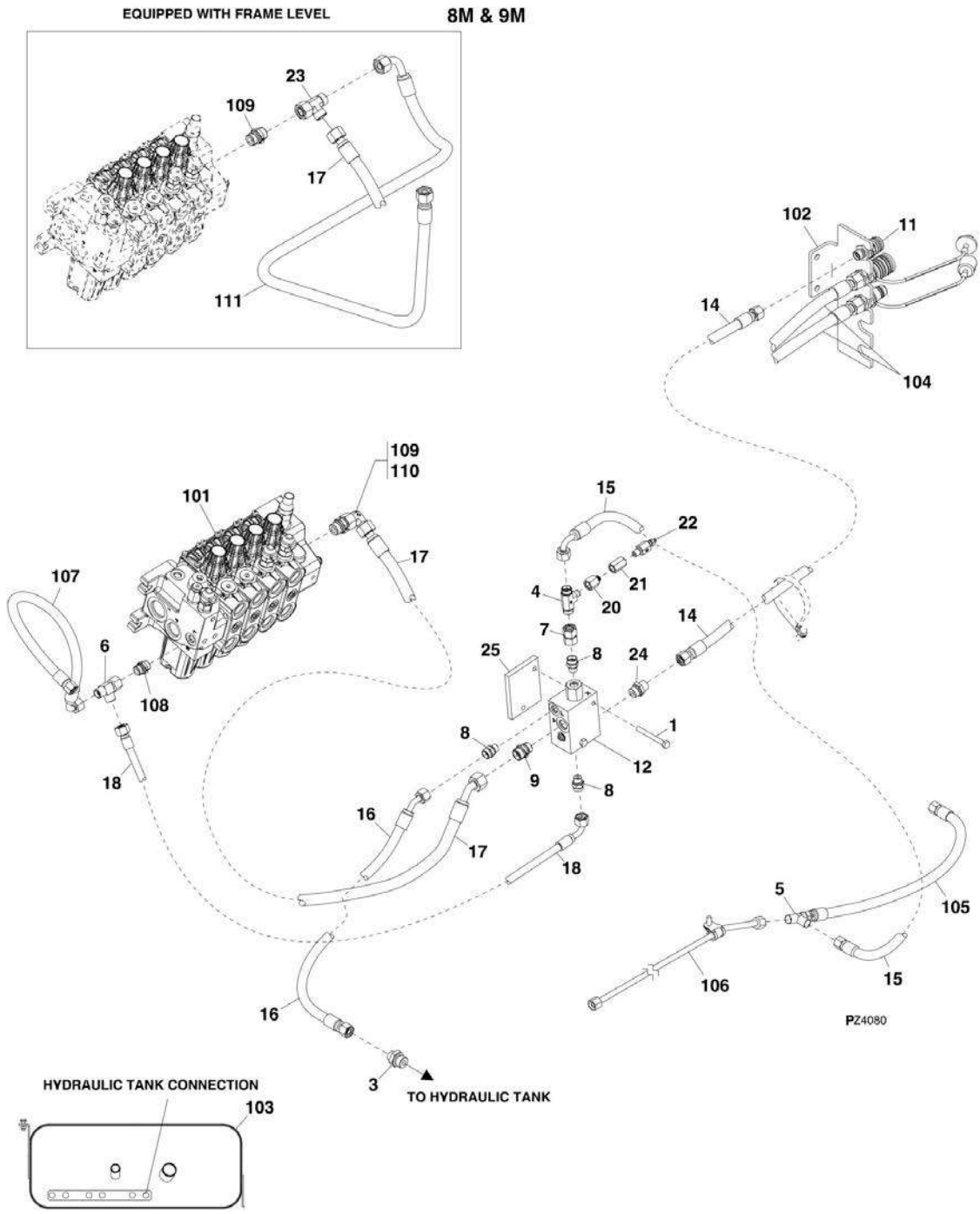
## SECTION 8 - HYDRAULIC CIRCUITS

**FIGURE 8-20. BOOM REAR AUXILIARY (8M & 9M)**

ITEM	PART NUMBER	QTY	DESCRIPTION	REV
1	0700626	2	HEX HD CAPSCREW, 6-1.0X90mm	
3	0700827	1	HEX HD CAPSCREW, 8-1.25X100mm	
6	1309435	1	COVER PLATE	
8	1321323	2	CLAMP	
9	1321324	1	CLAMP	
10		Ref	CLAMP, (See EXTEND/RETRACT CYLINDER for Breakdown)	
11	1377299	1	COVER PLATE	
22	1001098141	1	HOSE ASSY	
23	1001098142	1	HOSE ASSY	
24	1001098143	1	HOSE ASSY	
25	1001098144	1	HOSE ASSY	
34	3962930	1	CLAMP	
35	4811700	2	WASHER, 6mm	
36	5200812	1	RIPP BOLT, M8X25	
41		Ref	HEX HD CAPSCREW, (See FRAME AND ATTACHING PARTS SECTION for Breakdown)	
42	2142715	6	STRAIGHT FITTING	
43		Ref	PLATE, (See FRAME AND ATTACHING PARTS SECTION for Breakdown)	
44	4031919	2	SOCKET HD CAPSCREW, M8X75	
45		Ref	SWITCH, BODY, (not shown), (See ELECTRICAL SECTION for Breakdown)	
46		Ref	SWITCH, KEY, (not shown), (See ELECTRICAL SECTION for Breakdown)	
47		Ref	AUXILIARY DIVERTER VALVE, (See HYDRAULIC COMPONENTS SECTION for Breakdown)	
48	1001093826	1	DUST CAP	
49	1001093827	1	DUST CAP	
50	1001094555	1	FEMALE COUPLING	
51	1001094556	1	MALE COUPLING	
52	1001098189	1	HOSE ASSY	
53	1001098190	1	HOSE ASSY	
101		Ref	MAIN CONTROL VALVE, (See HYDRAULIC COMPONENTS SECTION for Breakdown)	

# SECTION 8 - HYDRAULIC CIRCUITS

## FIGURE 8-21. TRAILER BRAKE INSTALLATION (8M & 9M)



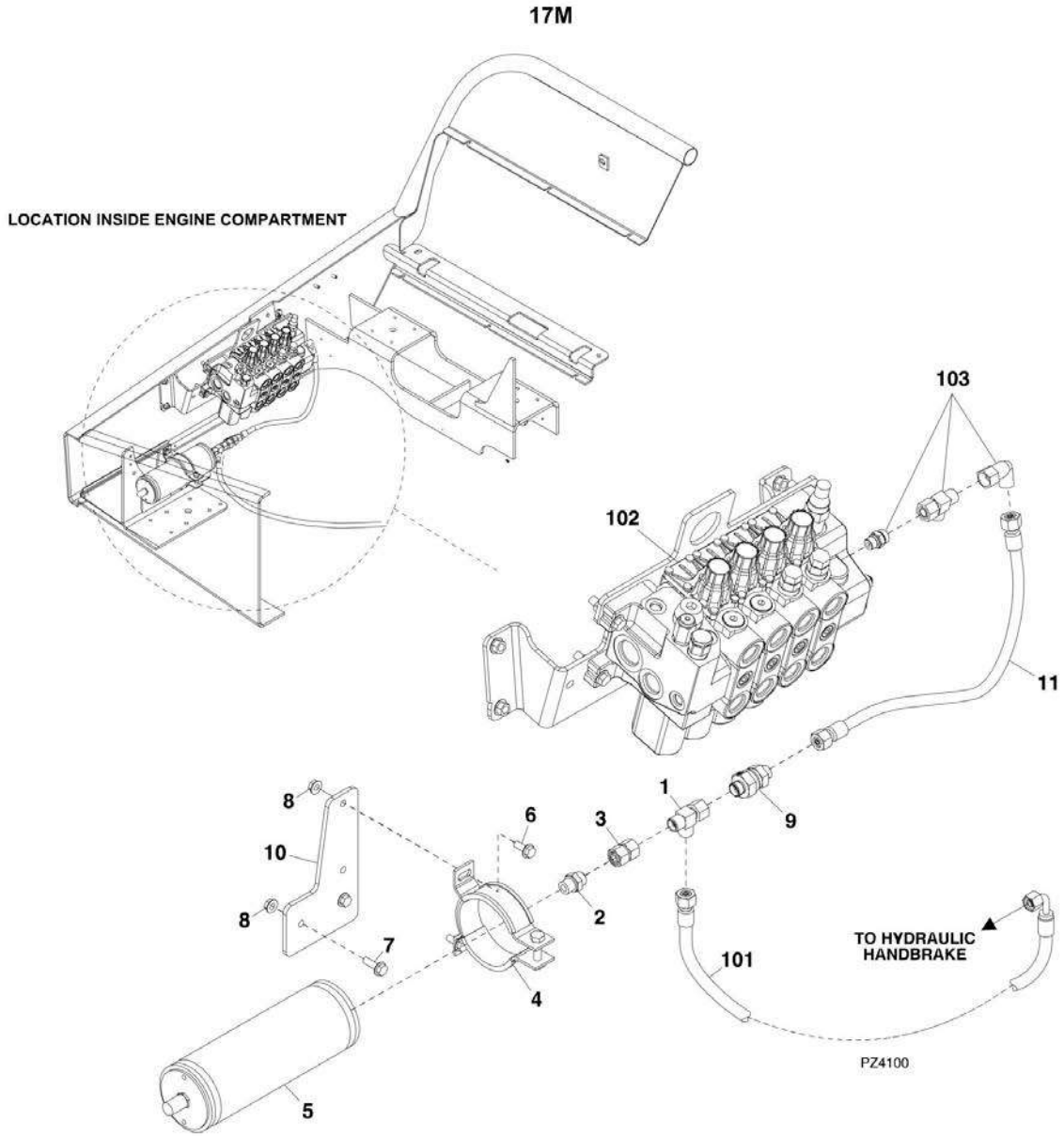
## SECTION 8 - HYDRAULIC CIRCUITS

**FIGURE 8-21. TRAILER BRAKE INSTALLATION (8M & 9M)**

ITEM	PART NUMBER	QTY	DESCRIPTION	REV
	1001103224	Ref	TRAILER BRAKE INSTALLATION, (CE - 8M & 9M, if equipped), (not available to order, see items 1 thru 25 for service)	D
1	0700822	2	HEX HD CAPSCREW, M8X70, GR8.8	
3	2140806	1	STRAIGHT FITTING	
4	2142011	1	TEE FITTING	
5	2142203	1	TEE FITTING	
6	2142204	1	TEE FITTING	
7	2143604	1	FITTING	
8	2144803	3	STRAIGHT FITTING, (includes o-ring)	
9	2144806	1	STRAIGHT FITTING	
11	2221193	1	QUICK DISCONNECT CONNECTOR	
12	1001112197	1	TRAILER BRAKE VALVE	
14	1001111825	1	HOSE ASSY	
15	1001103253	1	HOSE ASSY	
16	1001103254	1	HOSE ASSY	
17	1001103255	1	HOSE ASSY	
18	1001103256	1	HOSE ASSY	
20	1001104019	1	ADAPTER	
21	1001104027	1	ADAPTER	
22	1001104083	1	BLEED SCREW	
23	2142205	1	TEE FITTING	
24	2144804	1	STRAIGHT FITTING, MALE 3/4-16 UNF, (includes o-ring)	
25	1001112385	1	SPACER	
101		Ref	MAIN CONTROL VALVE, (See HYDRAULIC COMPONENTS SECTION for Breakdown)	
102		Ref	REAR HYDRAULIC BRACKET, (See FRAME AND ATTACHING PARTS SECTION for Breakdown)	
103		Ref	HYDRAULIC TANK ASSY, (See HYDRAULIC COMPONENTS SECTION for Breakdown)	
104		Ref	BOOM REAR AUXILIARY , (See BOOM REAR AUXILIARY for Breakdown)	
105		Ref	HOSE ASSY, (See SERVICE/PARK BRAKE for Breakdown)	
106		Ref	TUBE ASSY, (See SERVICE/PARK BRAKE for Breakdown)	
107		Ref	HOSE ASSY, (See SUPPLY CIRCUIT for Breakdown)	
108		Ref	CONNECTOR, (See SUPPLY CIRCUIT for Breakdown)	
109		Ref	CONNECTOR, (See FRAME LEVEL AND NON-FRAME LEVEL HYDRAULICS for Breakdown)	
110		Ref	ELBOW, 90, (See FRAME LEVEL AND NON-FRAME LEVEL HYDRAULICS for Breakdown)	
111		Ref	HOSE ASSY, (See FRAME LEVEL AND NON-FRAME LEVEL HYDRAULICS for Breakdown)	

# SECTION 8 - HYDRAULIC CIRCUITS

## FIGURE 8-22. BRAKE ACCUMULATOR INSTALLATION (17M)





## SECTION 8 - HYDRAULIC CIRCUITS

**FIGURE 8-22. BRAKE ACCUMULATOR INSTALLATION (17M)**

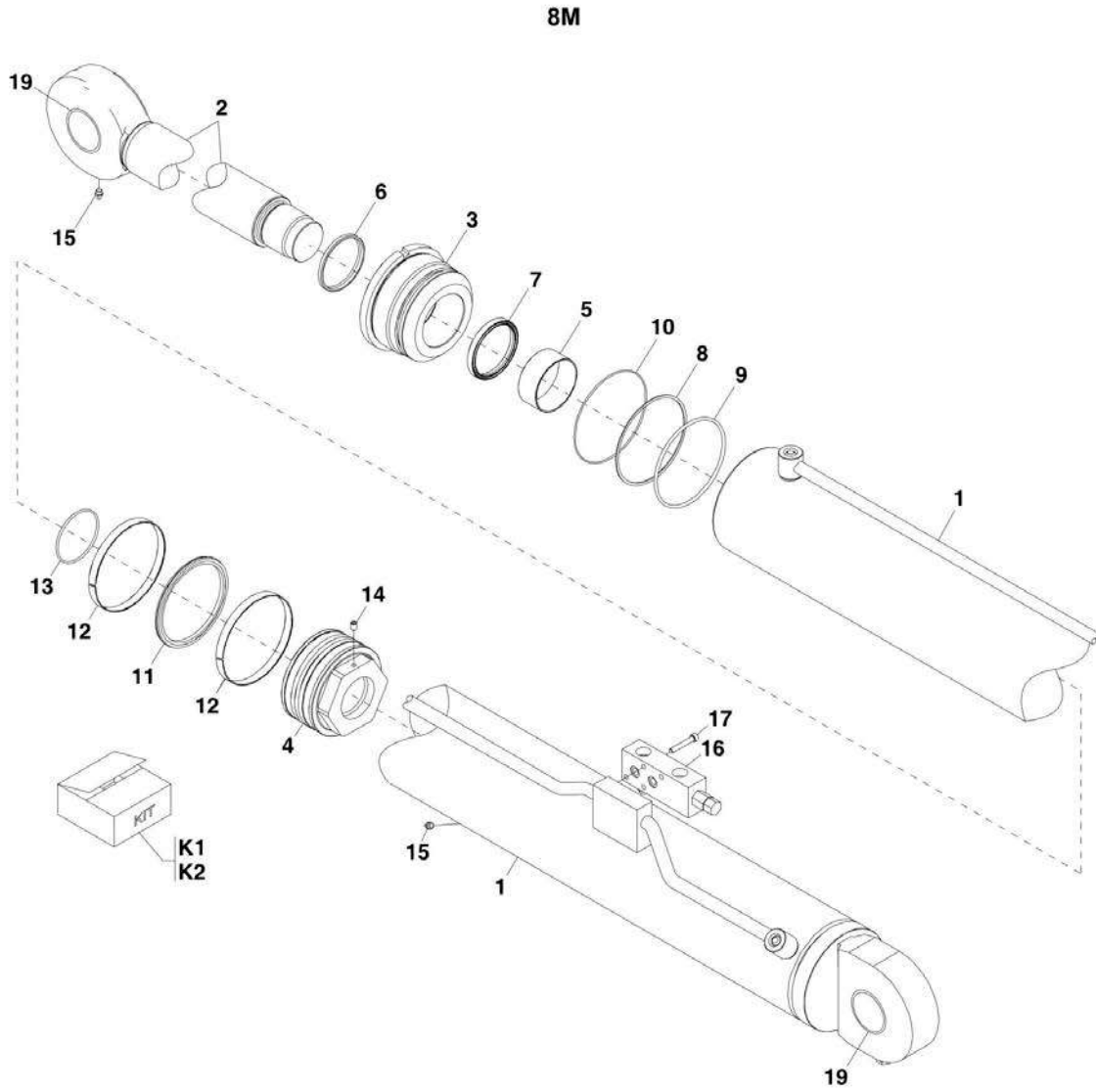
ITEM	PART NUMBER	QTY	DESCRIPTION	REV
	1001103108	Ref	BRAKE ACCUMULATOR INSTALLATION, (CE - 17M, if equipped), (not available to order, see items 1 thru 11 for service)	A
1	2142204	1	TEE FITTING	
2	2142712	1	STRAIGHT FITTING	
3	2143604	1	FITTING	
4	4341078	1	CLAMP, (includes bolt and nut)	
5	4400474	1	HYDRAULIC ACCUMULATOR TANK	
6	5200810	2	RIPP BOLT, M8X20mm	
7	5200812	2	RIPP BOLT, M8X25	
8	5220800	4	RIPP NUT, 8mm	
9	1001103129	1	CHECK VALVE	
10	1001103130	1	BRACKET	
11	1001103181	1	HOSE ASSY	
101		Ref	HOSE ASSY, (See SERVICE/PARK BRAKE for Breakdown)	
102		Ref	MAIN CONTROL VALVE, (See HYDRAULIC COMPONENTS SECTION for Breakdown)	
103		Ref	HYDRAULIC FITTINGS, (See SUPPLY CIRCUIT for Breakdown)	



**SECTION 9 - HYDRAULIC COMPONENTS**

# SECTION 9 - HYDRAULIC COMPONENTS

FIGURE 9-1. LIFT CYLINDER (8M) (Prior to SN 1160005745)



PAP4300

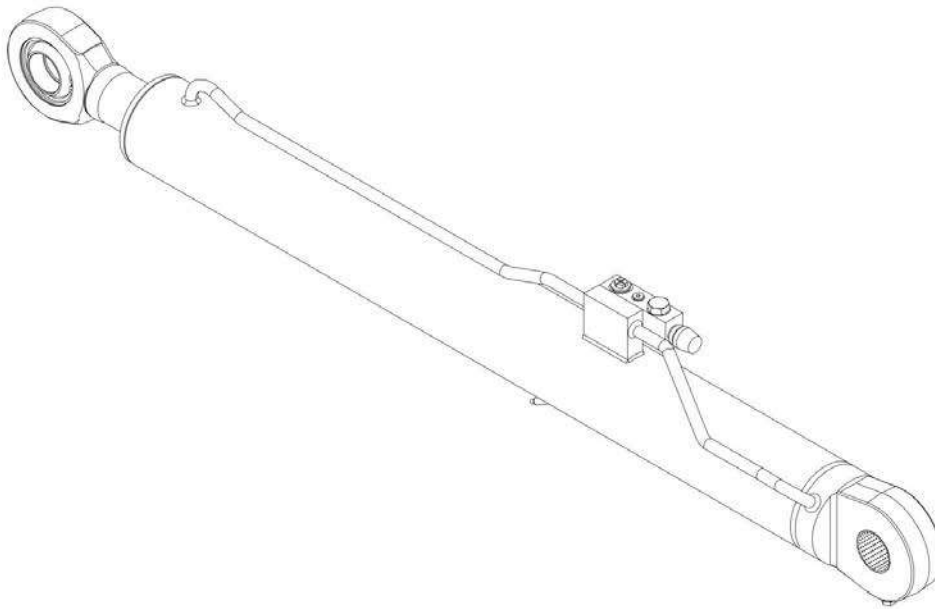
## SECTION 9 - HYDRAULIC COMPONENTS

**FIGURE 9-1. LIFT CYLINDER (8M) (Prior to SN 1160005745)**

ITEM	PART NUMBER	QTY	DESCRIPTION	REV
	1001092822	1	LIFT CYLINDER, (3508 & 4008), (includes all items)	C
	1001092822B	1	LIFT CYLINDER, (40.8), (includes all items)	C
1	7029434	1	CYLINDER HOUSING	
2	7028547	1	PISTON ROD ASSY	
3	Kit K2	1	BEARING	
4	7029435	1	PISTON	
5	Kit K2	1	BEARING	
6	Kit K1	1	WIPER	
7	Kit K1	1	ROD SEAL	
8	Kit K1	1	BACKUP RING	
9	Kit K1	1	O-RING	
10	Kit K1	1	O-RING	
11	Kit K1	1	PISTON SEAL	
12	Kit K1	2	PISTON GUIDE RING	
13	Kit K1	1	O-RING	
14	Kit K1	1	SET SCREW	
15	7028314	2	GREASE NIPPLE	
16	70020633	1	LOAD CONTROL VALVE, (3508 & 4008)	
16	70020633B	1	LOAD CONTROL VALVE, (40.8)	
17	7028584	4	HEX SOCKET HD SCREW	
19	7029231	2	BUSHING	
K1	7029437	1	SEAL KIT, (includes items 6 thru 14)	
K2	7029438	1	GLAND ASSY, (includes items 3 & 5)	

## SECTION 9 - HYDRAULIC COMPONENTS

FIGURE 9-2. LIFT CYLINDER (8M) (SN 1160005745 to Present)



PAP4290

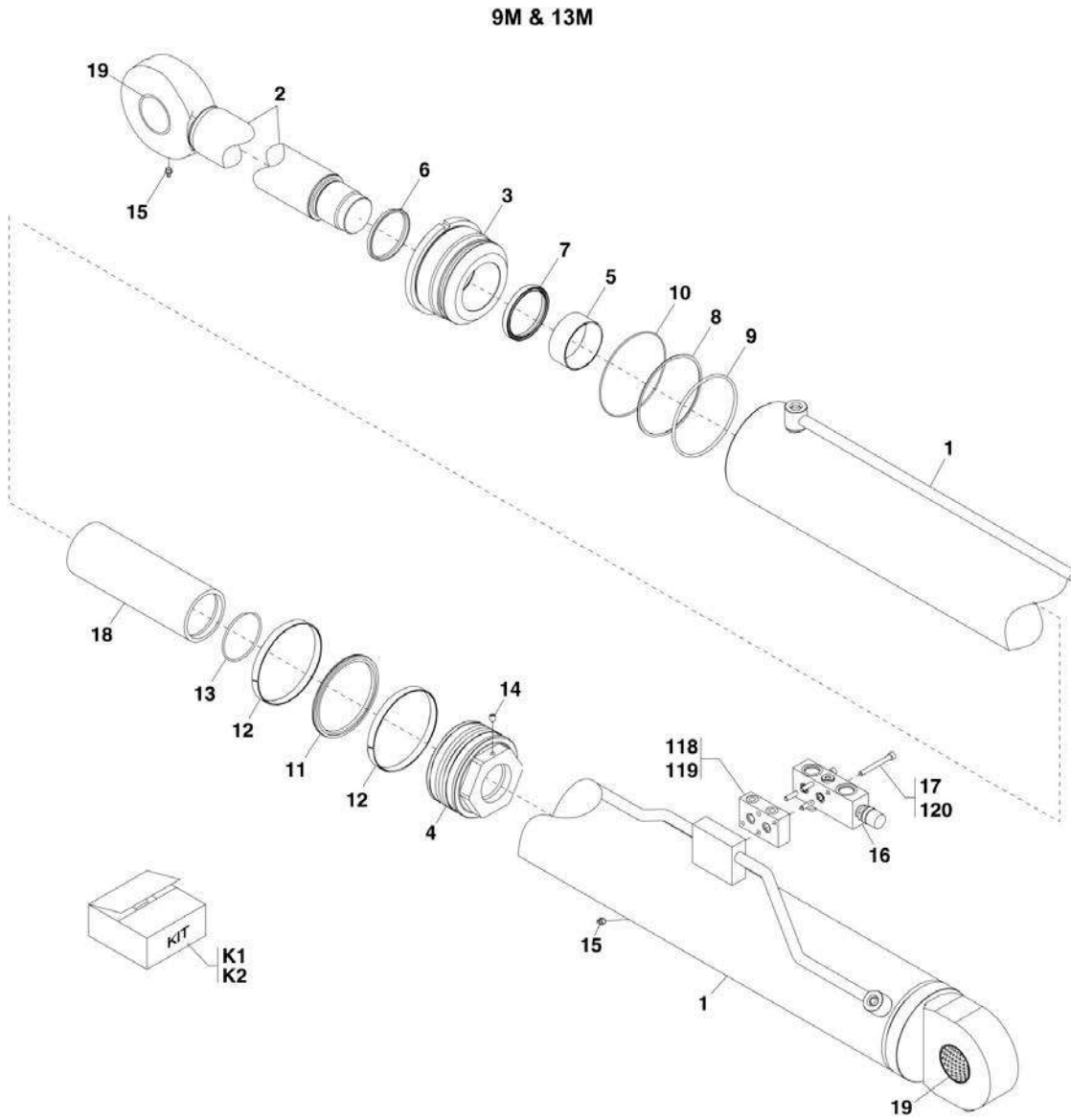
## SECTION 9 - HYDRAULIC COMPONENTS

FIGURE 9-2. LIFT CYLINDER (8M) (SN 1160005745 to Present)

ITEM	PART NUMBER	QTY	DESCRIPTION	REV
	1001107520	1	LIFT CYLINDER, (3508PS & 4008PS)	A

# SECTION 9 - HYDRAULIC COMPONENTS

FIGURE 9-3. LIFT CYLINDER (9M & 13M) (Prior to SN 1160005648)



PAP4140



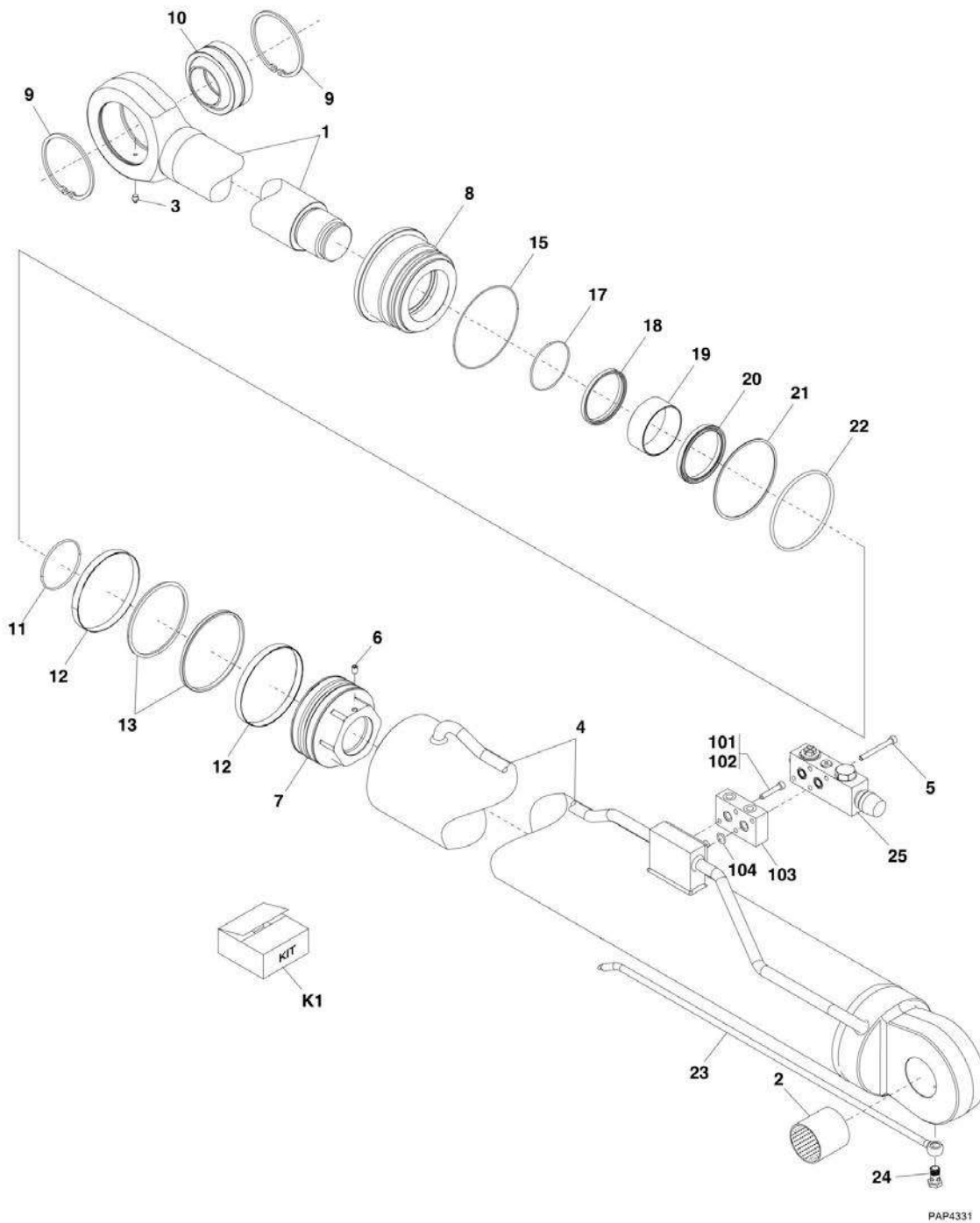
## SECTION 9 - HYDRAULIC COMPONENTS

**FIGURE 9-3. LIFT CYLINDER (9M & 13M) (Prior to SN 1160005648)**

ITEM	PART NUMBER	QTY	DESCRIPTION	REV
	1001092763	1	LIFT CYLINDER, (3509PS, 3513PS, 4009PS & 4013PS), (includes 1 thru 19)	C
	1001092763B	1	LIFT CYLINDER, (40.9), (includes all items)	C
	1001106760	1	LIFT CYLINDER, (3509PS, 3513PS, 4009PS & 4013PS, if equipped with LMIS), (includes all items)	B
1	7029442	1	CYLINDER HOUSING	
2	7028547	1	PISTON ROD	
3	Kit K2	1	BEARING	
4	7028549	1	PISTON	
5	Kit K2	1	BEARING	
6	Kit K1	1	WIPER	
7	Kit K1	1	ROD SEAL	
8	Kit K1	1	BACKUP RING	
9	Kit K1	1	O-RING	
10	Kit K1	1	O-RING	
11	Kit K1	1	PISTON SEAL	
12	Kit K1	2	WEAR RING	
13	Kit K1	1	O-RING	
14	Kit K1	1	SET SCREW	
15	7028314	2	GREASE FITTING	
16	70020633	1	LOAD CONTROL VALVE, (3509PS, 3513PS, 4009PS & 4013PS)	
16	70020633B	1	LOAD CONTROL VALVE, (40.9)	
17	7028584	4	HEX SOCKET HD SCREW	
19	7029231	2	BUSHING	
118	1001101830	1	LMIS MANIFOLD VALVE, (if equipped with LMIS)	
119	1001102080	2	O-RING, (if equipped with LMIS)	
120	1001095650	AR	LOCTITE 243, (if equipped with LMIS)	
K1	7028545	1	SEAL KIT, (includes items 6 thru 14)	
K2	7029443	1	GLAND ASSY, (includes items 3 & 5)	

# SECTION 9 - HYDRAULIC COMPONENTS

FIGURE 9-4. LIFT CYLINDER (9M & 13M) (SN 1160005648 to Present)



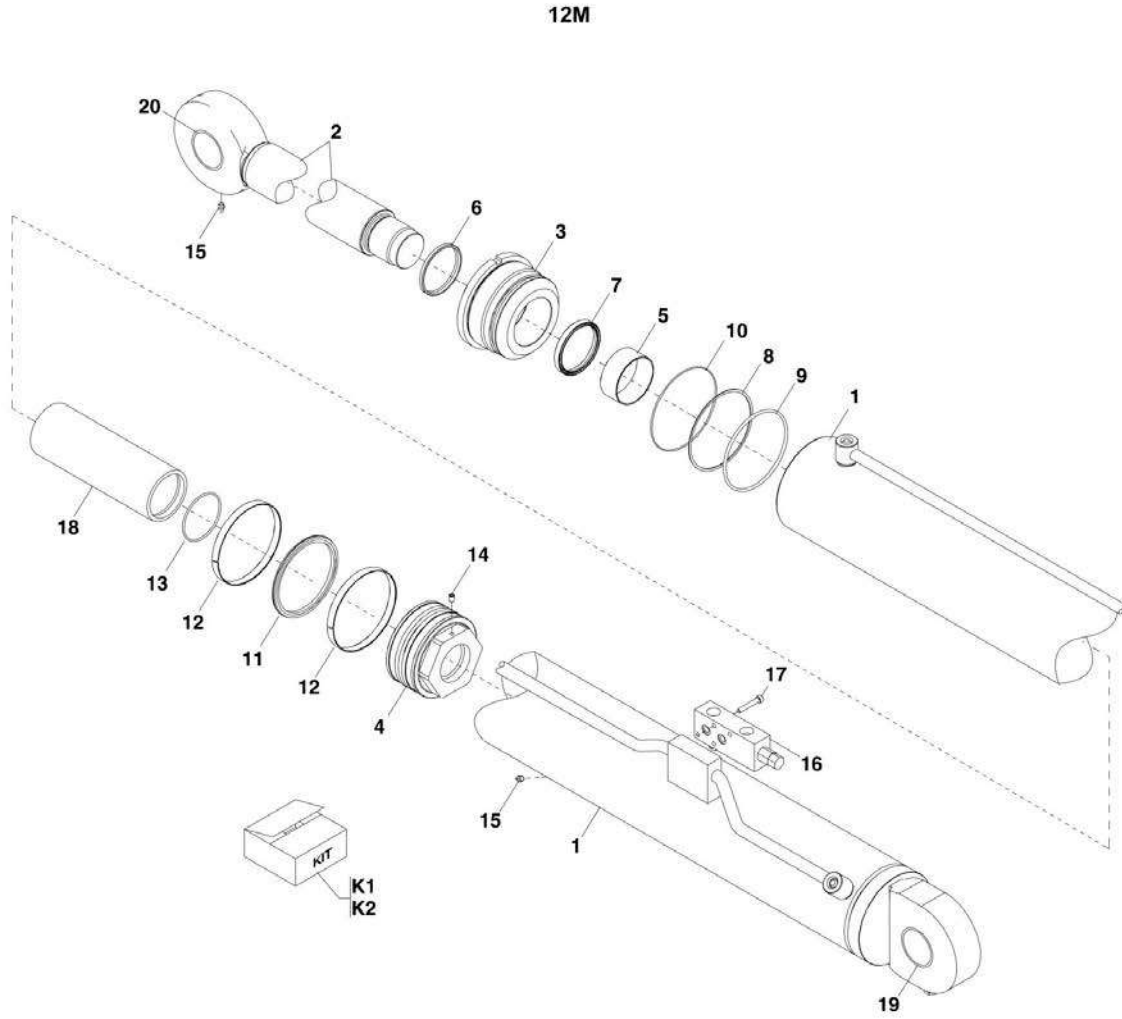
## SECTION 9 - HYDRAULIC COMPONENTS

**FIGURE 9-4. LIFT CYLINDER (9M & 13M) (SN 1160005648 to Present)**

ITEM	PART NUMBER	QTY	DESCRIPTION	REV
	1001107514	1	LIFT CYLINDER, (includes items 1 thru 25)	A, E
	1001109933	1	LIFT CYLINDER, (3509PS, 3513PS, 4009PS & 4013PS, if equipped with LMIS), (includes all items)	A
1	70024027	1	ROD ASSY	
2	70024028	1	BUSHING	
3	70024020	1	GREASE FITTING	
4	70024029	1	BARREL ASSY	
5	70029966	4	HEX HD CAPSCREW	
6	70029940	1	SET SCREW	
7	70024030	1	PISTON	
8	70024031	1	GLAND	
9	70024032	2	CIRCLIP	
10	70024033	1	SPHERICAL BALL BEARING	
11	Kit K1	1	O-RING SEAL	
12	Kit K1	1	BEARING RING	
13	Kit K1	1	SEAL	
15	Kit K1	1	O-RING SEAL	
17	Kit K1	1	O-RING	
18	Kit K1	1	WIPER SEAL	
19	Kit K1	1	BEARING RING	
20	Kit K1	1	SEAL GLAND	
21	Kit K1	1	O-RING SEAL	
22	Kit K1	1	O-RING SEAL	
23	70024034	1	OIL PIPE	
24	70024035	1	HOLLOW SCREW	
25	70020633	1	LOAD CONTROL VALVE	
101	4031919	4	SOCKET HD CAPSCREW, M8X75	
102	1001095650	AR	LOCTITE 243	
103	1001101830	1	CYLINDER MANIFOLD PLATE	
104	1001102080	2	O-RING	
K1	70024036	1	SEAL KIT, (includes items 11 thru 22)	

# SECTION 9 - HYDRAULIC COMPONENTS

## FIGURE 9-5. LIFT CYLINDER (12M)



PAP4280

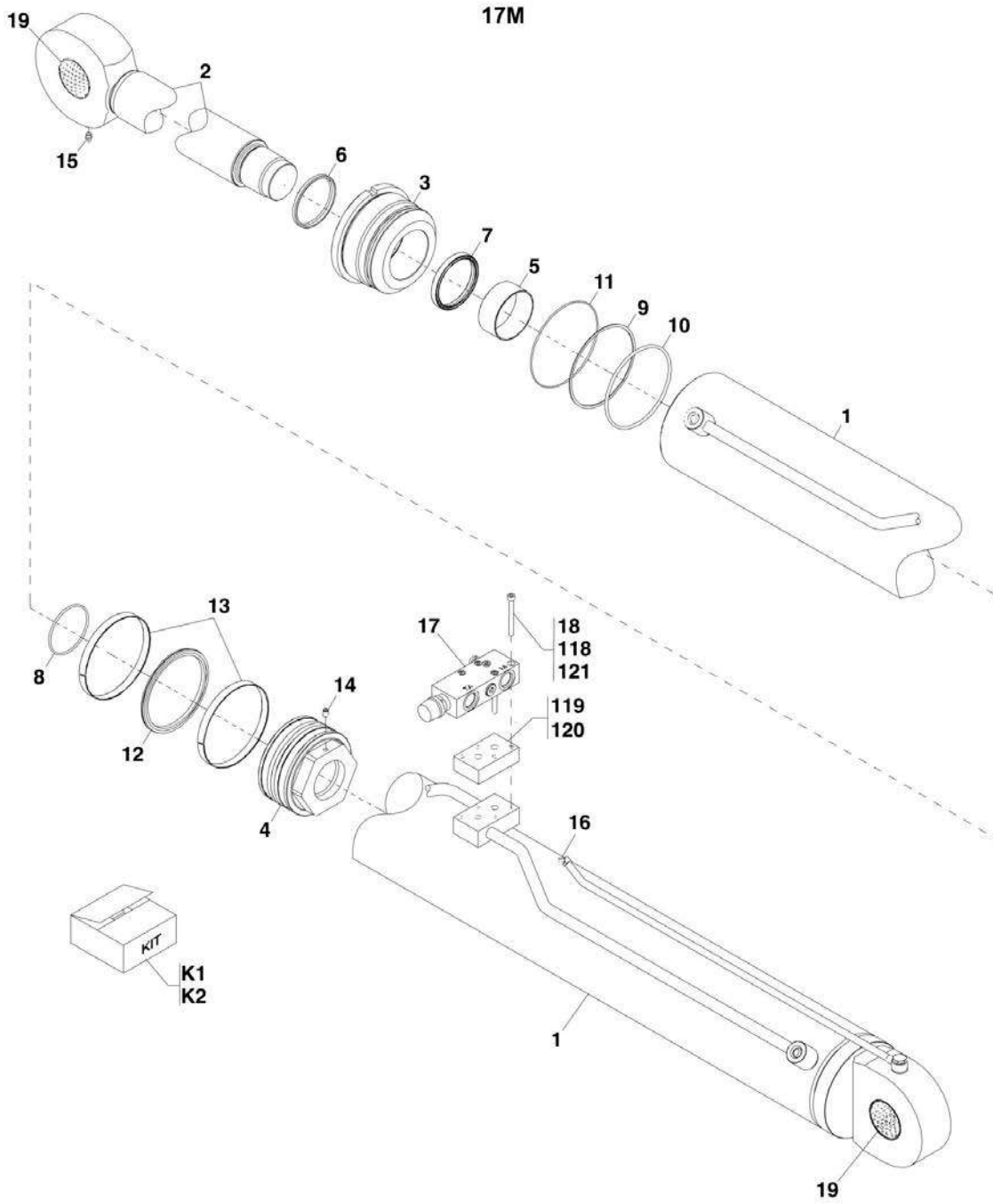
## SECTION 9 - HYDRAULIC COMPONENTS

**FIGURE 9-5. LIFT CYLINDER (12M)**

ITEM	PART NUMBER	QTY	DESCRIPTION	REV
	1001092779	1	LIFT CYLINDER, (12M), (includes all items)	C
1	7029442	1	CYLINDER HOUSING	
2	7028547	1	PISTON ROD	
3	Kit K2	1	BEARING	
4	7028549	1	PISTON	
5	Kit K2	1	BEARING	
6	Kit K1	1	WIPER	
7	Kit K1	1	ROD SEAL	
8	Kit K1	1	BACKUP RING	
9	Kit K1	1	O-RING	
10	Kit K1	1	O-RING	
11	Kit K1	1	PISTON SEAL	
12	Kit K1	2	WEAR RING	
13	Kit K1	2	O-RING	
14	Kit K1	1	SET SCREW	
15	7028314	2	GREASE NIPPLE	
16	70020633	1	LOAD CONTROL VALVE	
17	7028584	4	HEX SOCKET SCREW	
18	7029444	1	SPACER	
19	7029231	1	BUSHING	
20	7029439	1	BUSHING	
K1	7028545	1	SEAL KIT, (includes items 6 thru 14)	
K2	7029443	1	GLAND SEAL, (includes items 3 & 5)	

# SECTION 9 - HYDRAULIC COMPONENTS

FIGURE 9-6. LIFT CYLINDER (17M) (Prior to SN 1160005738)



PAP4270

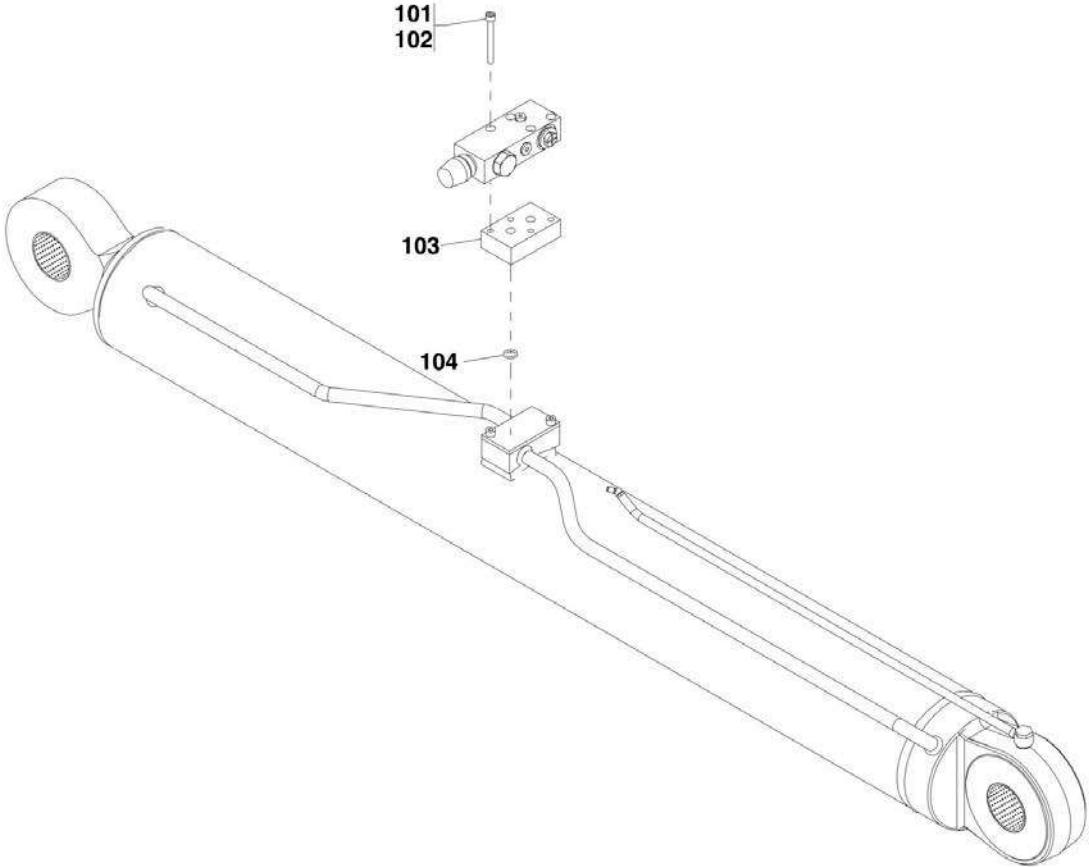
## SECTION 9 - HYDRAULIC COMPONENTS

**FIGURE 9-6. LIFT CYLINDER (17M) (Prior to SN 1160005738)**

ITEM	PART NUMBER	QTY	DESCRIPTION	REV
	1001092504	1	LIFT CYLINDER, (17M), (includes items 1 thru 19)	C
	1001106978	1	LIFT CYLINDER, (17M, if equipped with LMIS), (includes all items)	B
1	7029454	1	CYLINDER HOUSING	
2	7028851	1	PISTON ROD	
3	Kit K2	1	BEARING	
4	7028549	1	PISTON	
5	Kit K2	1	BEARING	
6	Kit K1	1	WIPER	
7	Kit K1	1	ROD SEAL	
8	Kit K1	1	O-RING	
9	Kit K1	1	BACKUP RING	
10	Kit K1	1	O-RING	
11	Kit K1	1	O-RING	
12	Kit K1	1	PISTON SEAL	
13	Kit K1	2	WEAR RING	
14	Kit K1	1	SET SCREW	
15	7028314	1	GREASE FITTING	
16	7029455	1	GREASE FITTING	
17	1001114162	1	LOAD CONTROL VALVE	
18	7028584	4	HEX SOCKET HD CAPSCREW	
19	7029231	2	BUSHING	
118	4031919	4	SOCKET HD CAPSCREW, M8X75, (if equipped with LMIS)	
119	1001101830	1	LMIS MANIFOLD VALVE, (if equipped with LMIS)	
120	1001102080	2	O-RING, (if equipped with LMIS)	
121	1001095650	AR	LOCTITE 243, (if equipped with LMIS)	
K1	7028545	1	SEAL KIT, (includes items 6 thru 14)	
K2	7029443	1	GLAND ASSY, (includes items 3 & 5)	

# SECTION 9 - HYDRAULIC COMPONENTS

FIGURE 9-7. LIFT CYLINDER (17M) (SN 1160005738 to Present)



PAP4260



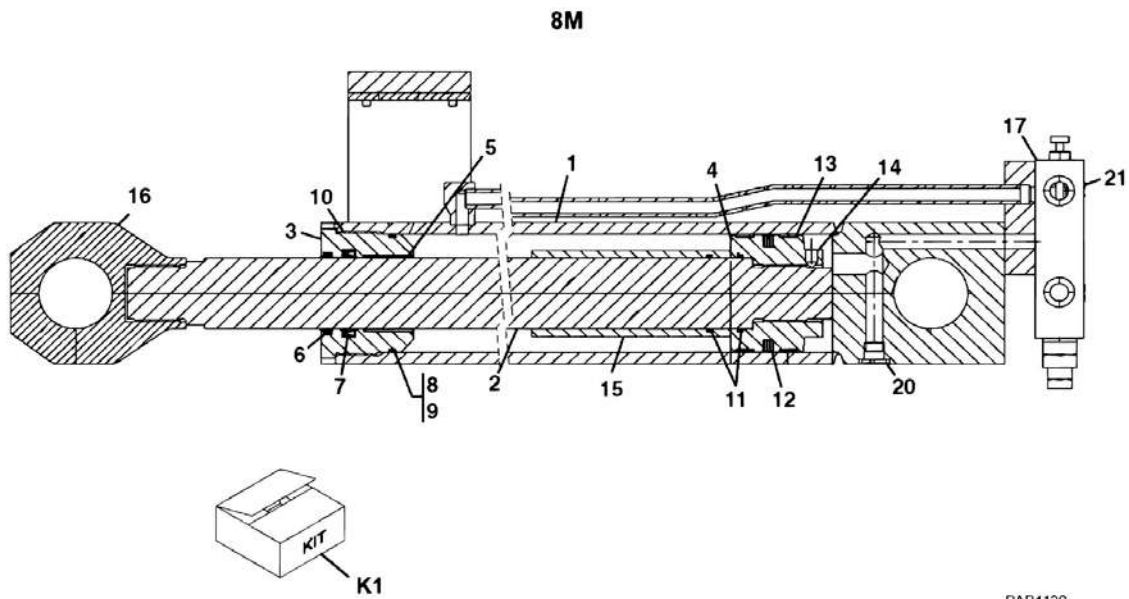
## SECTION 9 - HYDRAULIC COMPONENTS

FIGURE 9-7. LIFT CYLINDER (17M) (SN 1160005738 to Present)

ITEM	PART NUMBER	QTY	DESCRIPTION	REV
	1001107507	1	LIFT CYLINDER, (17M)	A
	1001109935	1	LIFT CYLINDER, (17M, if equipped with LMIS), (includes items 101 thru 104)	A
101	4031919	4	SOCKET HD CAPSCREW, M8X75	
102	1001095650	AR	LOCTITE 243	
103	1001101830	1	CYLINDER MANIFOLD PLATE	
104	1001102080	2	O-RING	
105	1001114162	1	LOAD CONTROL VALVE	

# SECTION 9 - HYDRAULIC COMPONENTS

FIGURE 9-8. EXTEND/RETRACT CYLINDER (8M)



PAP4120

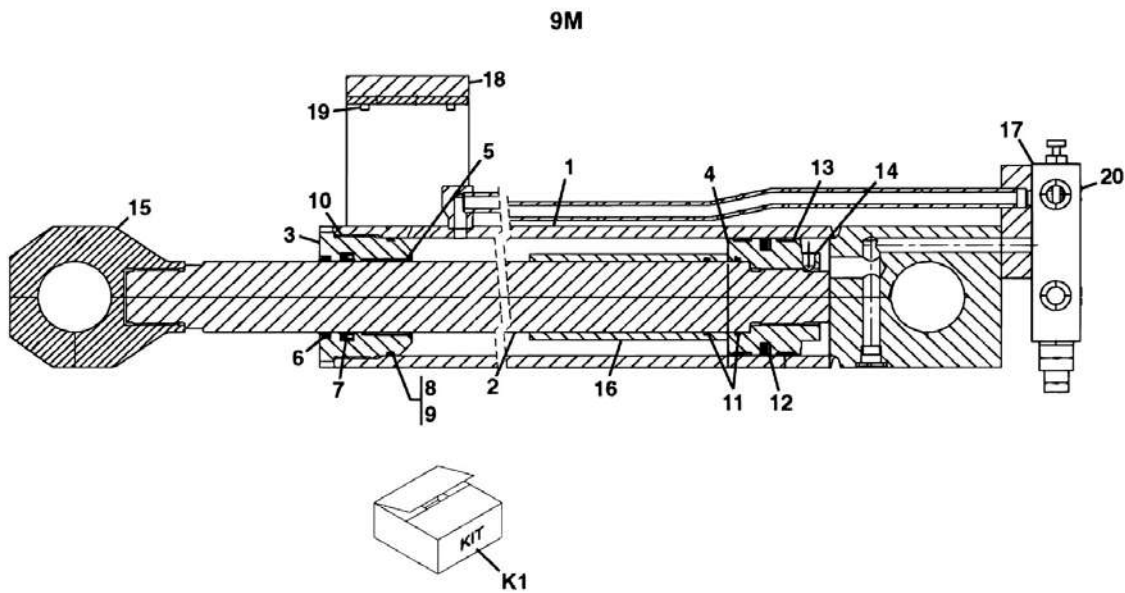
## SECTION 9 - HYDRAULIC COMPONENTS

**FIGURE 9-8. EXTEND/RETRACT CYLINDER (8M)**

ITEM	PART NUMBER	QTY	DESCRIPTION	REV
	1001092819	1	EXTEND/RETRACT CYLINDER, (8M), (includes all items)	E
1	7029729	1	CYLINDER HOUSING	
2	7029730	1	PISTON ROD	
3	7028355	1	BEARING	
4	7028356	1	PISTON	
5	7028357	1	BEARING	
6	Kit K1	1	WIPER	
7	Kit K1	1	ROD SEAL	
8	Kit K1	1	O-RING	
9	Kit K1	1	BACKUP RING	
10	Kit K1	1	O-RING	
11	Kit K1	2	O-RING	
12	Kit K1	1	PISTON SEAL	
13	Kit K1	2	WEAR RING	
14	Kit K1	1	SET SCREW	
15	Kit K1	1	SPACER	
16	Kit K1	1	ROD HEAD	
17	70020633	1	LOAD CONTROL VALVE	
20	7029624	1	PLUG	
21	7028584	4	HEX SOCKET HD SCREW	
K1	7028352	1	SEAL KIT, (includes items 6 thru 16)	

# SECTION 9 - HYDRAULIC COMPONENTS

FIGURE 9-9. EXTEND/RETRACT CYLINDER (9M)



PAP4180

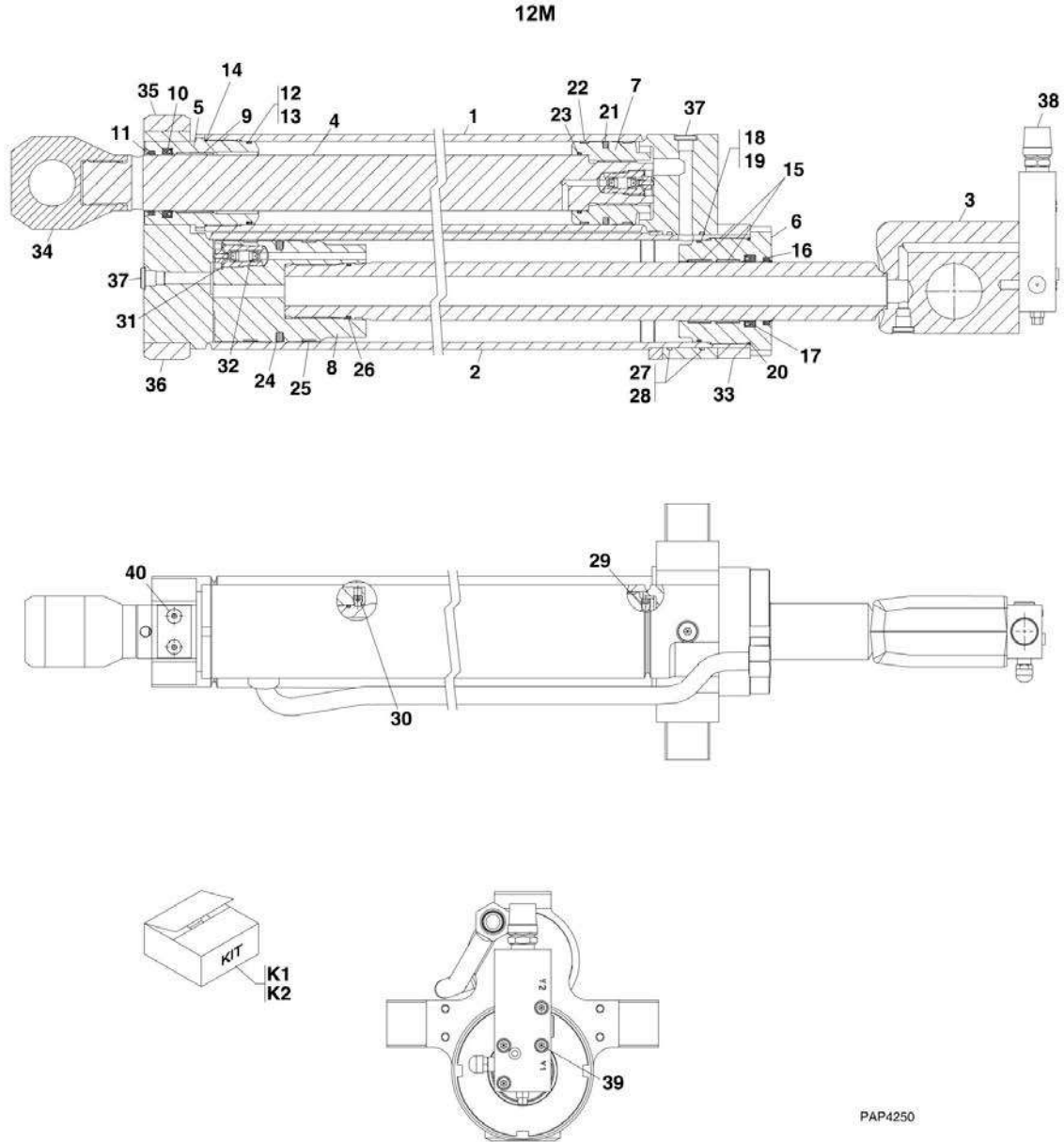
## SECTION 9 - HYDRAULIC COMPONENTS

**FIGURE 9-9. EXTEND/RETRACT CYLINDER (9M)**

ITEM	PART NUMBER	QTY	DESCRIPTION	REV
	1001092813	1	EXTEND/RETRACT CYLINDER, (9M), (includes all items)	C
1	7029725	1	CYLINDER HOUSING	
2	7029726	1	PISTON ROD	
3	7028355	1	BEARING	
4	7028356	1	PISTON	
5	7028357	1	BEARING	
6	Kit K1	1	WIPER	
7	Kit K1	1	ROD SEAL	
8	Kit K1	1	O-RING	
9	Kit K1	1	BACKUP RING	
10	Kit K1	1	O-RING	
11	Kit K1	2	O-RING	
12	Kit K1	1	PISTON SEAL	
13	Kit K1	2	WEAR RING	
14	Kit K1	1	SET SCREW	
15	70024026	1	ROD HEAD	
16	7029727	1	SPACER	
17	70020633	1	LOAD CONTROL VALVE	
18	7029728	1	BUFFER DISC	
19	7029626	4	COUNTERSUNK SCREW	
20	7028584	4	HEX SOCKET HD SCREW	
K1	7028352	1	SEAL KIT, (includes items 6 thru 14)	

# SECTION 9 - HYDRAULIC COMPONENTS

## FIGURE 9-10. EXTEND/RETRACT CYLINDER (12M)



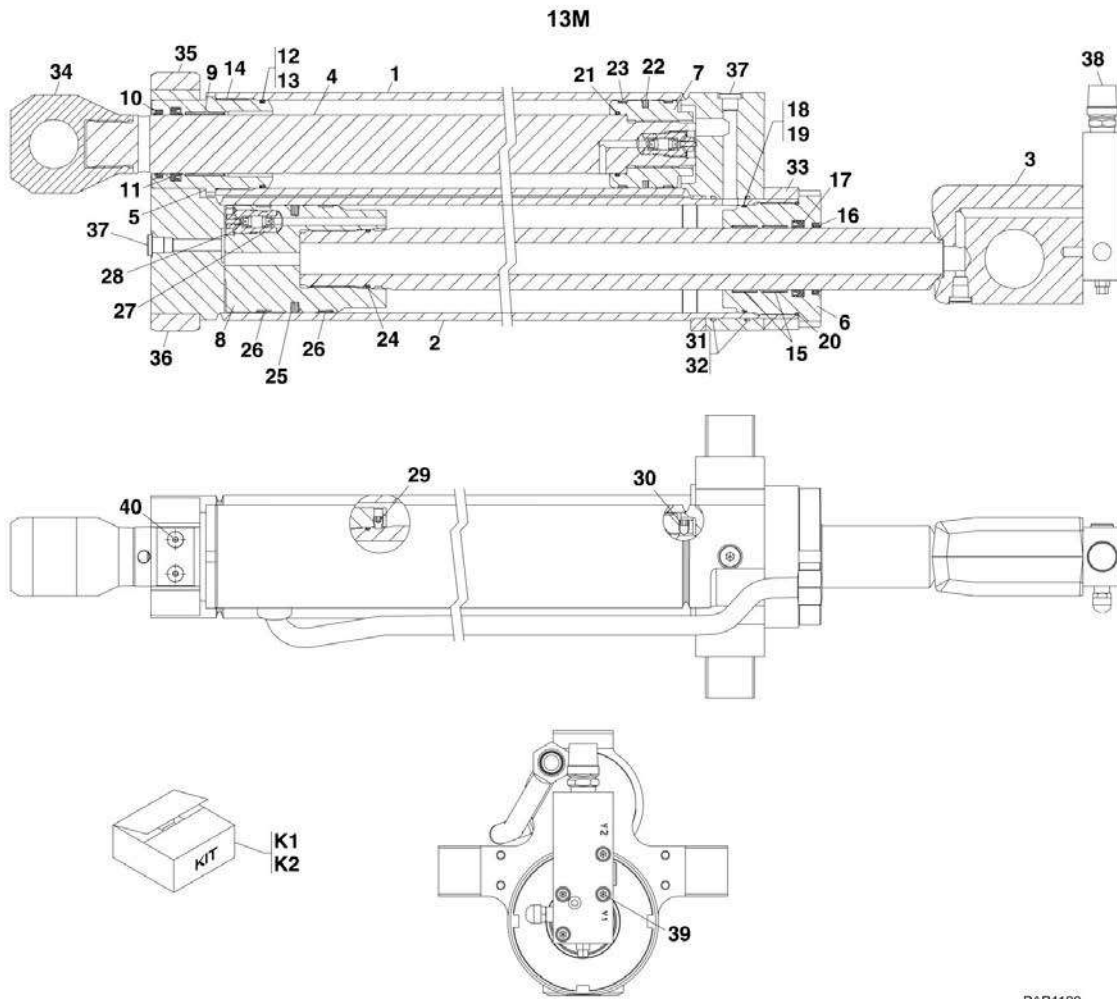
## SECTION 9 - HYDRAULIC COMPONENTS

**FIGURE 9-10. EXTEND/RETRACT CYLINDER (12M)**

ITEM	PART NUMBER	QTY	DESCRIPTION	REV
	1001092783	1	EXTEND/RETRACT CYLINDER, (12M), (includes all items)	C
1	7029628	1	CYLINDER HOUSING ASSY	
2	7029629	1	CYLINDER HOUSING ASSY	
3	7029630	1	PISTON ROD	
4	7029631	1	PISTON ROD	
5	Kit K2	1	BEARING	
6	7029615	1	GLAND	
7	7029616	1	PISTON	
8	7029617	1	PISTON	
9	Kit K2	1	BEARING	
10	Kit K1	1	ROD SEAL	
11	Kit K1	1	WIPER	
12	Kit K1	1	O-RING	
13	Kit K1	1	BACKUP RING	
14	Kit K1	1	O-RING	
15	Kit K1	2	ROD GUIDE RING	
16	Kit K1	1	WIPER RING	
17	Kit K1	1	ROD SEAL	
18	Kit K1	1	O-RING	
19	Kit K1	1	BACKUP RING	
20	Kit K1	1	O-RING	
21	Kit K1	1	PISTON SEAL	
22	Kit K1	2	WEAR RING	
23	Kit K1	1	O-RING	
24	Kit K1	1	PISTON SEAL	
25	Kit K1	2	WEAR RING	
26	Kit K1	1	O-RING	
27	Kit K1	2	O-RING	
28	Kit K1	2	BACKUP RING	
29	Kit K1	1	SET SCREW	
30	Kit K1	1	SET SCREW	
31	7029619	1	SNAP RING	
32	7029618	1	CHECK VALVE	
33	7029620	1	SPACER	
34	7029621	1	ROD EYE	
35	7029622	1	BUFFER DISC	
36	7029623	1	BUFFER DISC	
37	7029624	2	PLUG	
38	70020633	1	LOAD CONTROL VALVE	
39	7028584	4	HEX SOCKET HD SCREW	
40	7029626	4	COUNTERSUNK SCREW	
K1	7029632	1	SEAL KIT, (includes items 10 thru 30)	
K2	7029614	1	GLAND ASSY, (includes items 5 & 9)	

# SECTION 9 - HYDRAULIC COMPONENTS

## FIGURE 9-11. EXTEND/RETRACT CYLINDER (13M)



PAP4190



## SECTION 9 - HYDRAULIC COMPONENTS

**FIGURE 9-11. EXTEND/RETRACT CYLINDER (13M)**

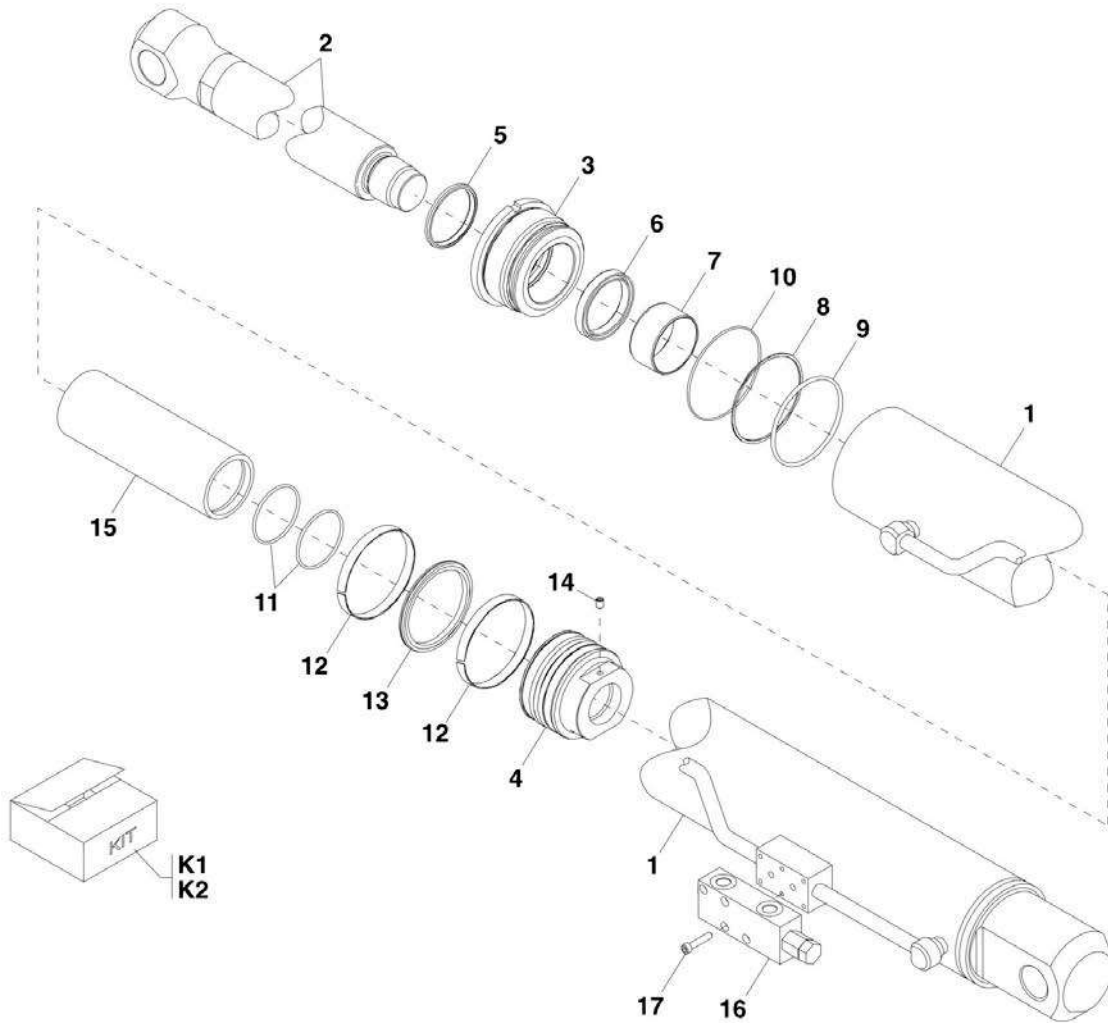
ITEM	PART NUMBER	QTY	DESCRIPTION	REV
	1001092395	1	EXTEND/RETRACT CYLINDER, (13M), (includes all items)	D
1	7029610	1	CYLINDER HOUSING	
2	7029611	1	CYLINDER HOUSING	
3	7029612	1	PISTON ROD	
4	7029613	1	PISTON ROD	
5	Kit K2	1	BEARING	
6	7029615	1	GLAND	
7	7029616	1	PISTON	
8	7029617	1	PISTON	
9	Kit K2	1	BEARING	
10	Kit K1	1	WIPER	
11	Kit K1	1	ROD SEAL	
12	Kit K1	1	O-RING	
13	Kit K1	1	BACK-UP RING	
14	Kit K1	1	O-RING	
15	Kit K1	2	ROD GUIDE RING	
16	Kit K1	1	WIPER RING	
17	Kit K1	1	ROD SEAL	
18	Kit K1	1	O-RING	
19	Kit K1	1	BACKUP RING	
20	Kit K1	1	O-RING	
21	Kit K1	1	O-RING	
22	Kit K1	1	PISTON SEAL	
23	Kit K1	2	WEAR RING	
24	Kit K1	1	O-RING	
25	Kit K1	1	PISTON SEAL	
26	Kit K1	2	WEAR RING	
27	7029618	1	CHECK VALVE	
28	7029619	1	SNAP RING	
29	Kit K1	1	SET SCREW	
30	Kit K1	1	SET SCREW	
31	Kit K1	2	O-RING	
32	Kit K1	2	BACK-UP RING	
33	7029620	1	SPACER	
34	7029621	1	ROD EYE	
35	7029622	1	BUFFER DISC	
36	7029623	1	BUFFER DISC	
37	7029624	2	PLUG	
38	70020633	1	LOAD CONTROL VALVE	
39	7028584	4	HEX SOCKET HD SCREW	
40	7029626	4	COUNTERSUNK SCREW	
K1	7029632	1	SEAL KIT, (includes items 10 thru 26 & 29 thru 32)	
K2	7029614	1	GLAND ASSY, (includes items 5 & 9)	

# SECTION 9 - HYDRAULIC COMPONENTS

## FIGURE 9-12. EXTEND/RETRACT CYLINDER (17M)

17M

NOTE: CHECK CYLINDER FOR PART NUMBER PRIOR TO ORDERING REPLACEMENT PARTS



PAP3850

## SECTION 9 - HYDRAULIC COMPONENTS

**FIGURE 9-12. EXTEND/RETRACT CYLINDER (17M)**

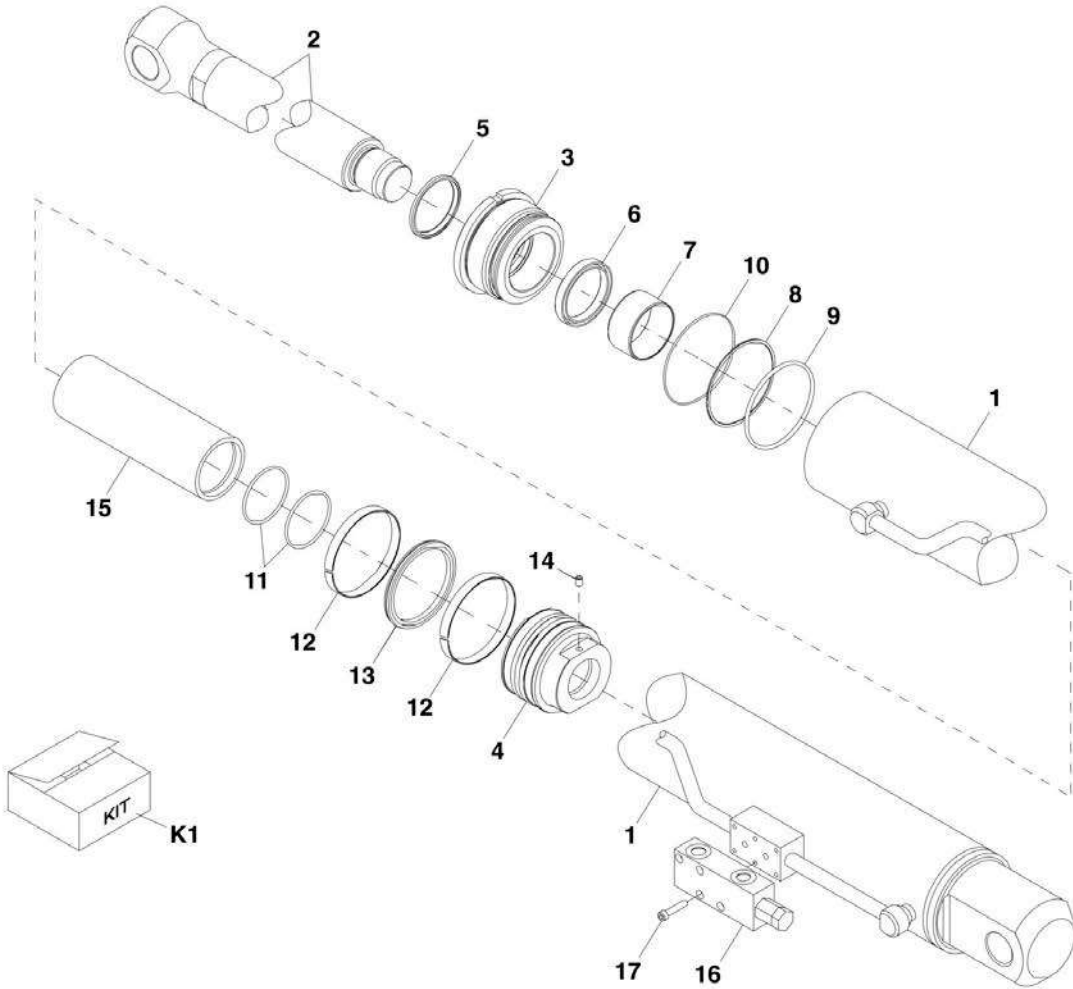
ITEM	PART NUMBER	QTY	DESCRIPTION	REV
	1001092364	NLA	EXTEND/RETRACT CYLINDER, (17M), (no longer available, order 1001107509 for replacement), (includes all items)	B
1	7028559	1	BARREL ASSY	
2	7028560	1	PISTON ASSY	
3	Kit K2	1	GLAND	
4	Kit K1	1	PISTON	
5	Kit K1	1	WIPER	
6	Kit K1	1	ROD SEAL	
7	Kit K2	1	BEARING	
8	Kit K1	1	BACK-UP RING	
9	Kit K1	1	O-RING	
10	Kit K1	1	O-RING	
11	Kit K1	2	O-RING	
12	Kit K1	1	PISTON GUIDE RING	
13	Kit K1	1	PISTON SEAL	
14	7028315	1	SET SCREW	
15	7028569	1	SPACER	
16	1001114162	1	LOAD CONTROL VALVE	
17	7028584	4	HEX SOCKET HD CAPSCREW	
K1	7029232	1	SEAL KIT, (includes items 4 thru 6 & 8 thru 13)	
K2	7029449	1	GLAND ASSY, (includes items 3 & 7)	

# SECTION 9 - HYDRAULIC COMPONENTS

## FIGURE 9-13. EXTEND/RETRACT CYLINDER (17M)

17M

NOTE: CHECK CYLINDER FOR PART NUMBER PRIOR TO ORDERING REPLACEMENT PARTS



PAP3851

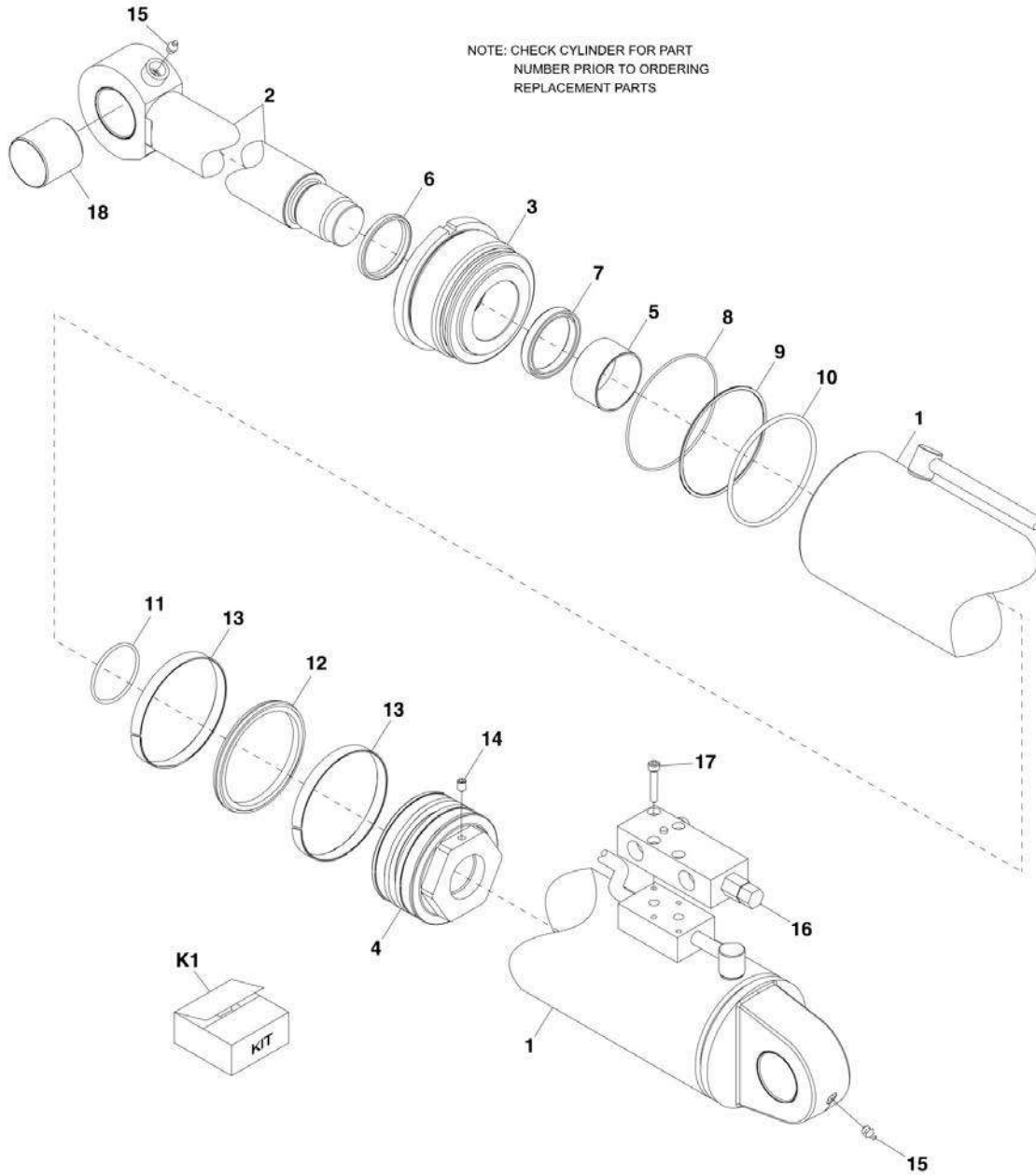
## SECTION 9 - HYDRAULIC COMPONENTS

**FIGURE 9-13. EXTEND/RETRACT CYLINDER (17M)**

ITEM	PART NUMBER	QTY	DESCRIPTION	REV
	1001107509	1	EXTEND/RETRACT CYLINDER, (17M), (includes all items)	D
1	70023088	1	BARREL ASSY	
2	70023091	1	PISTON ASSY	
3	70023090	1	GLAND	
4	70023091	1	PISTON	
5	Kit K1	1	WIPER	
6	Kit K1	1	ROD SEAL	
7	Kit K1	1	BEARING	
8	Kit K1	1	BACK-UP RING	
9	Kit K1	1	O-RING	
10	Kit K1	1	O-RING	
11	Kit K1	2	O-RING	
12	Kit K1	1	PISTON GUIDE RING	
13	Kit K1	1	PISTON SEAL	
14	70029940	1	SET SCREW	
15	70023092	1	SPACER	
16	1001114162	1	LOAD CONTROL VALVE	
17	70029966	4	HEX SOCKET HD CAPSCREW	
K1	70023095	1	SEAL KIT, (includes items 5 thru 13)	

# SECTION 9 - HYDRAULIC COMPONENTS

## FIGURE 9-14. TILT CYLINDER



PAP3840

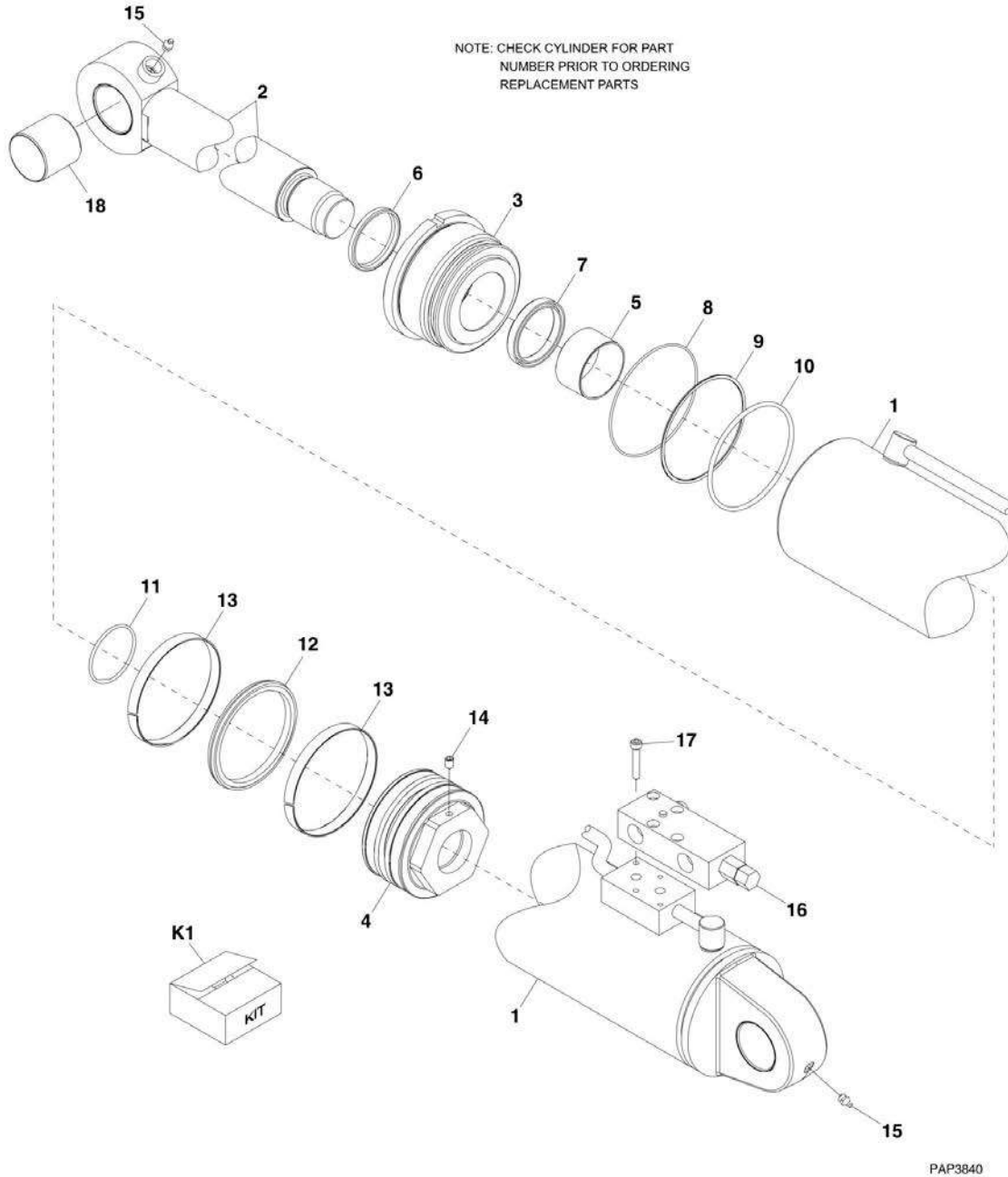
## SECTION 9 - HYDRAULIC COMPONENTS

**FIGURE 9-14. TILT CYLINDER**

ITEM	PART NUMBER	QTY	DESCRIPTION	REV
	1001092404	NLA	TILT CYLINDER, (3508PS, 3509PS, 3512PS, 3513PS, 4008PS, 4009PS, 4012PS, 4013PS & 4017PS), (no longer available, order 1001107510 for replacement), (includes all items)	D
	1001092404B	NLA	TILT CYLINDER, (40.8 & 40.9), (no longer available, order 1001107510 for replacement), (includes all items)	D
1	7028573	1	BARREL ASSY	
2	7028574	1	ROD ASSY	
3	7028575	1	GLAND	
4	7028576	1	PISTON	
5	7028856	1	BEARING	
6	Kit K1	1	WIPER RING	
7	Kit K1	1	ROD SEAL	
8	Kit K1	1	O-RING	
9	Kit K1	1	BACK-UP RING	
10	Kit K1	1	O-RING	
11	Kit K1	1	O-RING	
12	Kit K1	1	PISTON SEAL	
13	Kit K1	2	PISTON GUIDE RING	
14	Kit K1	1	SET SCREW	
15	7028314	2	GREASE FITTING	
16	70020633	1	LOAD CONTROL VALVE, (3508PS, 3509PS, 3512PS, 3513PS, 4008PS, 4009PS, 4012PS, 4013PS & 4017PS)	
16	70020633B	1	LOAD CONTROL VALVE, (40.8 & 40.9)	
17	7028584	4	HEX SOCKET HD CAPSCREW	
18	7028840	2	BUSHING	
K1	7028572	1	SEAL KIT, (includes items 6 thru 14)	

# SECTION 9 - HYDRAULIC COMPONENTS

## FIGURE 9-15. TILT CYLINDER





## SECTION 9 - HYDRAULIC COMPONENTS

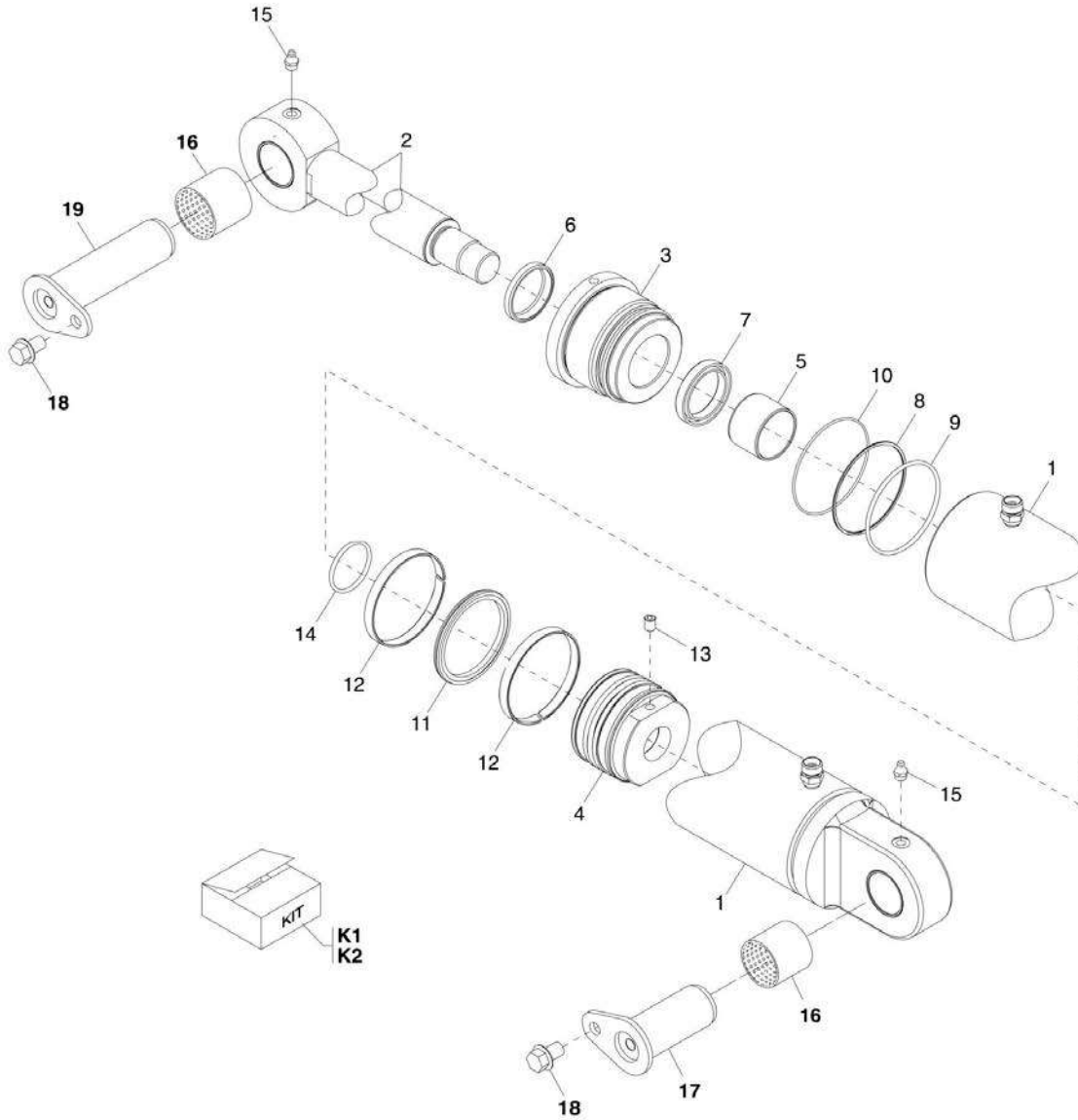
### FIGURE 9-15. TILT CYLINDER

ITEM	PART NUMBER	QTY	DESCRIPTION	REV
	1001107510	1	TILT CYLINDER, (includes all items)	A
1	70024022	1	BARREL ASSY	
2	70024018	1	ROD ASSY	
3	70024023	1	GLAND	
4	70024021	1	PISTON	
5	Kit K1	1	BEARING	
6	Kit K1	1	WIPER RING	
7	Kit K1	1	ROD SEAL	
8	Kit K1	1	O-RING	
9	Kit K1	1	BACK-UP RING	
10	Kit K1	1	O-RING	
11	Kit K1	1	O-RING	
12	Kit K1	1	PISTON SEAL	
13	Kit K1	2	PISTON GUIDE RING	
14	Kit K1	1	SET SCREW	
15	70024020	2	GREASE FITTING	
16	1001114162	1	LOAD CONTROL VALVE	
17	70029966	4	HEX SOCKET HD CAPSCREW	
18	70024019	2	BUSHING	
K1	7028572	1	SEAL KIT, (includes items 5 thru 14)	

# SECTION 9 - HYDRAULIC COMPONENTS

## FIGURE 9-16. COMPENSATION CYLINDER

NOTE: CHECK CYLINDER FOR PART NUMBER PRIOR TO ORDERING REPLACEMENT PARTS



PAP4130

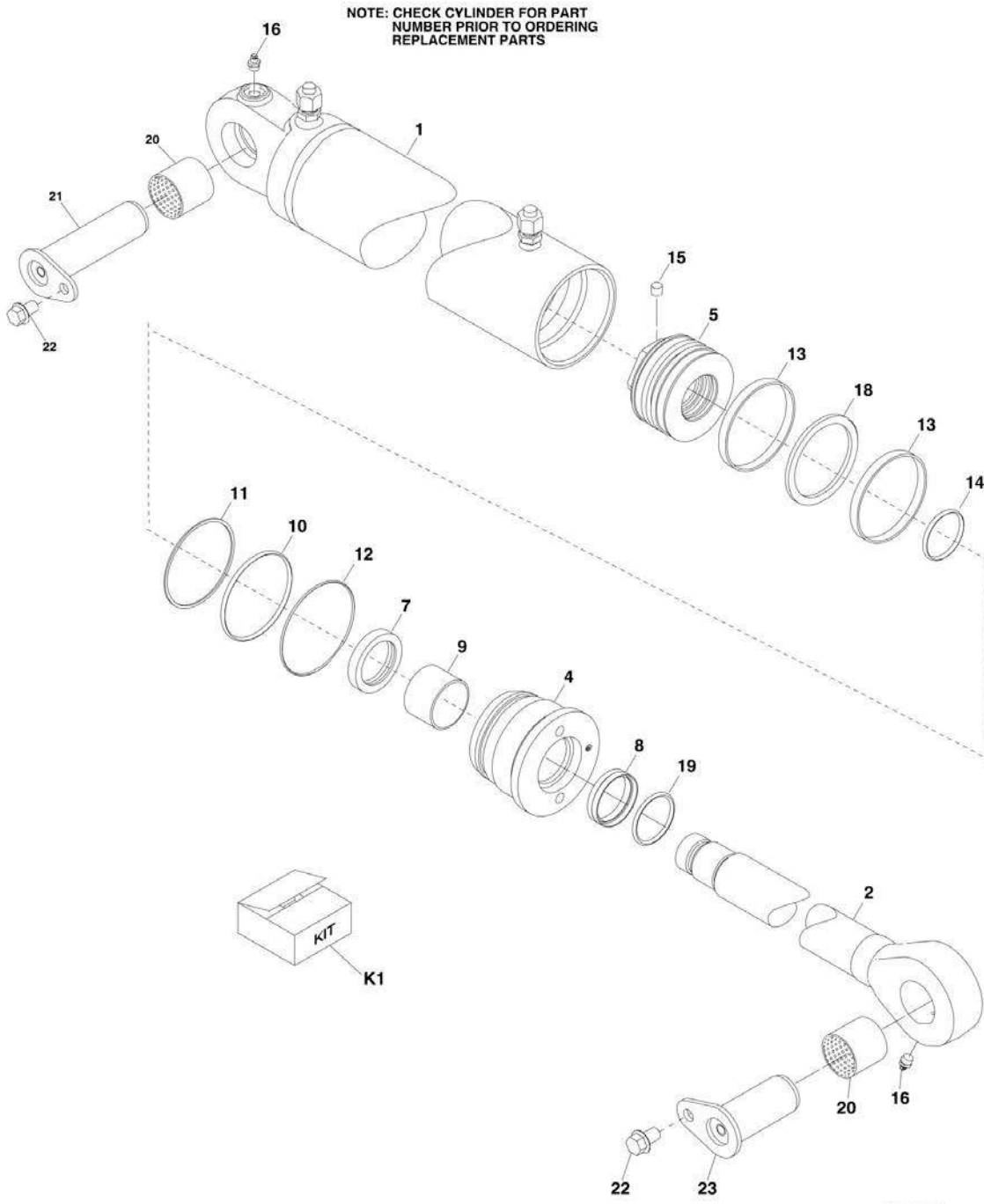
## SECTION 9 - HYDRAULIC COMPONENTS

**FIGURE 9-16. COMPENSATION CYLINDER**

ITEM	PART NUMBER	QTY	DESCRIPTION	REV
	1684383	NLA	COMPENSATION CYLINDER, (3508PS, 3509PS, 3512PS, 3513PS, 4008PS, 4009PS, 4012PS, 4013PS & 4017PS), (no longer available, order 1001107508 for replacement), (includes items 1 thru 16)	D
	1684383B	NLA	COMPENSATION CYLINDER, (40.8 & 40.9), (no longer available, order 1001107508 for replacement), (includes items 1 thru 16)	D
1	7028586	1	CYLINDER HOUSING	
2	7029445	1	PISTON ROD	
3	Kit K2	1	GLAND	
4	7028589	1	PISTON	
5	Kit K2	1	BEARING	
6	Kit K1	1	WIPER RING	
7	Kit K1	1	ROD SEAL	
8	Kit K1	1	BACKUP RING	
9	Kit K1	1	O-RING	
10	Kit K1	1	O-RING	
11	Kit K1	1	PISTON SEAL	
12	Kit K1	2	PISTON GUIDE RING	
13	Kit K1	1	SET SCREW	
14	Kit K1	1	O-RING	
15	7028314	2	GREASE NIPPLE	
16	7028857	2	BUSHING	
17		Ref	PIN, (See BOOM SECTION for Breakdown)	
18		Ref	RIPP BOLT, 12X20mm, (See BOOM SECTION for Breakdown)	
19		Ref	PIN, (See BOOM SECTION for Breakdown)	
20	0100011	AR	LOCTITE 242	
K1	7028585	1	SEAL KIT, (includes items 6 thru 14)	
K2	7029446	1	GLAND ASSY, (includes items 3 & 5)	

# SECTION 9 - HYDRAULIC COMPONENTS

## FIGURE 9-17. COMPENSATION CYLINDER



PAP13770

## SECTION 9 - HYDRAULIC COMPONENTS

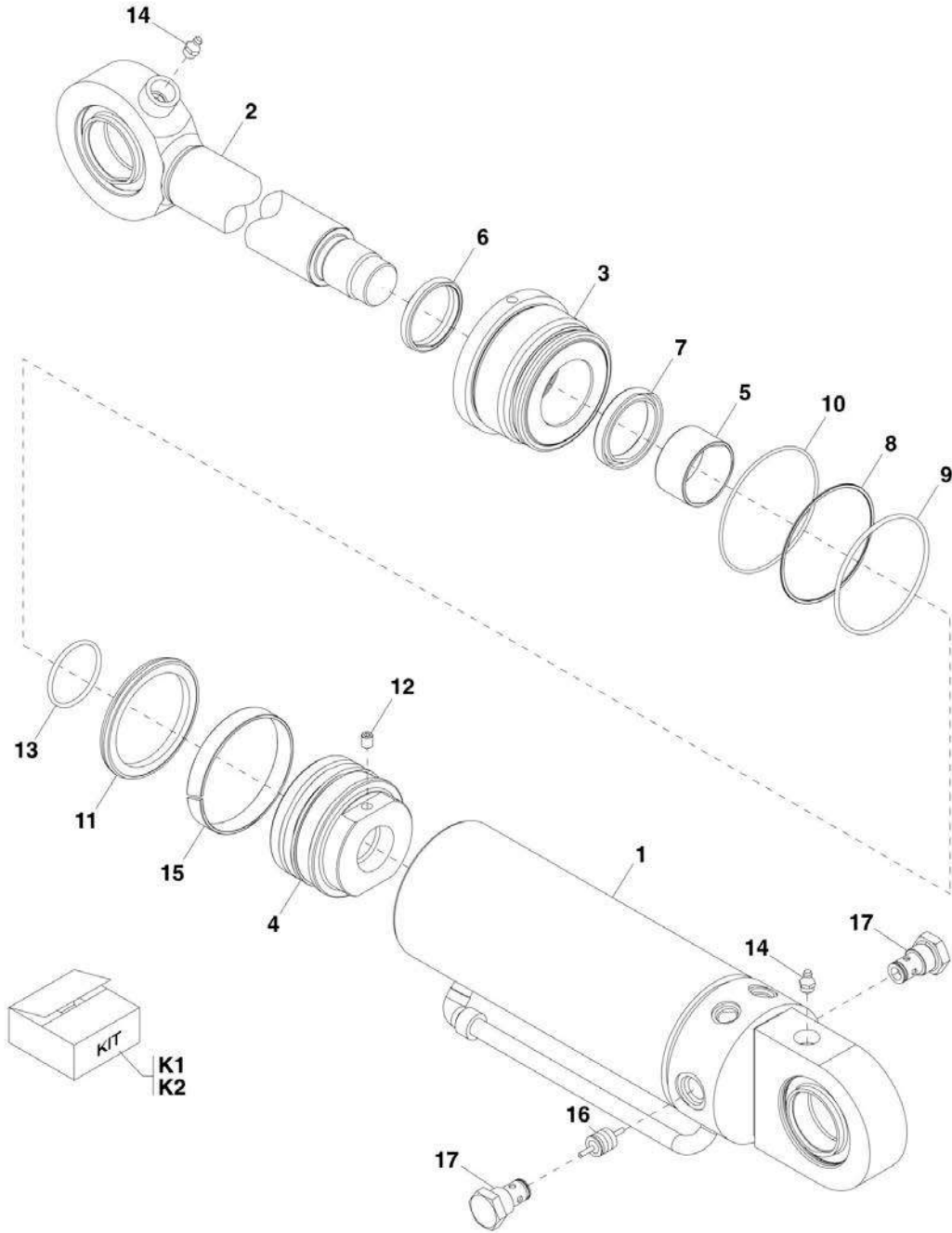
### FIGURE 9-17. COMPENSATION CYLINDER

ITEM	PART NUMBER	QTY	DESCRIPTION	REV
	1001107508	2	COMPENSATION CYLINDER, (includes items 1 thru 20)	A
1	70029943	1	CYLINDER HOUSING	
2	70029944	1	PISTON ROD ASSY	
4	70029937	1	GLAND	
5	70029938	1	PISTON	
7	Kit K1	1	ROD SEAL	
8	Kit K1	1	WIPER SEAL	
9	Kit K1	1	BEARING	
10	Kit K1	1	BACK-UP RING	
11	Kit K1	1	O-RING	
12	Kit K1	1	O-RING	
13	Kit K1	2	PISTON GUIDE	
14	Kit K1	1	O-RING	
15	70029940	1	SET SCREW	
16	70029941	2	GREASE NIPPLE	
18	Kit K1	1	PISTON SEAL	
19	Kit K1	1	O-RING	
20	70029942	2	BUSHING	
21		Ref	PIN, (See BOOM SECTION for Breakdown)	
22		Ref	RIPP BOLT, 12X20mm, (See BOOM SECTION for Breakdown)	
23		Ref	PIN, (See BOOM SECTION for Breakdown)	
K1	70029972	1	SEAL KIT, (includes items 7 thru 14, 18 & 19)	

# SECTION 9 - HYDRAULIC COMPONENTS

## FIGURE 9-18. FRAME LEVEL CYLINDER

NOTE: CHECK CYLINDER FOR PART NUMBER PRIOR TO ORDERING REPLACEMENT PARTS



PAP4150

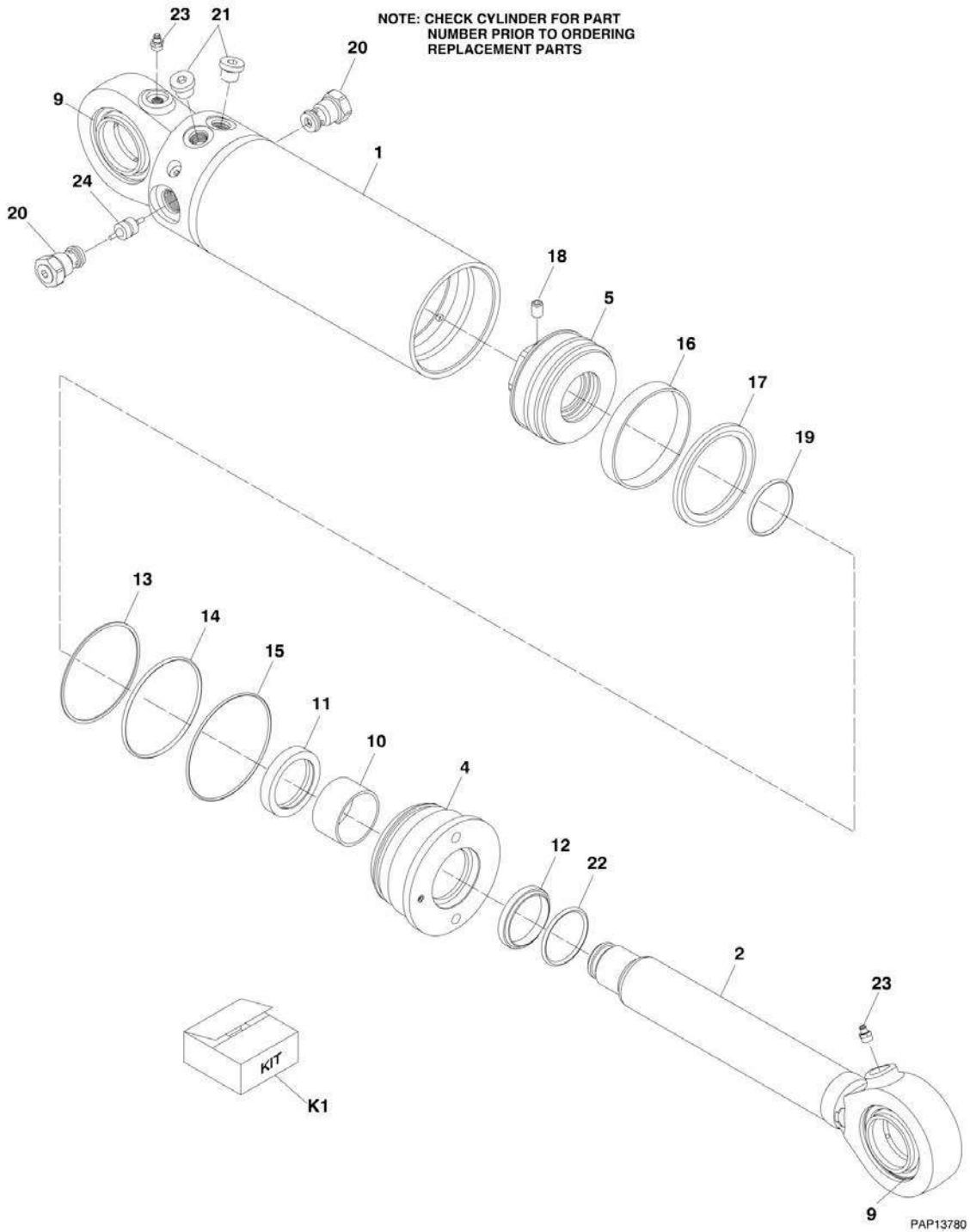
## SECTION 9 - HYDRAULIC COMPONENTS

**FIGURE 9-18. FRAME LEVEL CYLINDER**

ITEM	PART NUMBER	QTY	DESCRIPTION	REV
	1684405	NLA	FRAME LEVEL CYLINDER, (3508PS, 3509PS, 3512PS, 3513PS, 4008PS, 4009PS, 4012PS, 4013PS & 4017PS), (no longer available, order 1001107511 for service replacement), (includes all items)	F
	1684405B	NLA	FRAME LEVEL CYLINDER, (40.8 & 40.9), (no longer available, order 1001107511B for service replacement), (includes all items)	F
1	7028600	1	CYLINDER HOUSING	
2	7028601	1	PISTON ROD	
3	Kit K2	1	BEARING	
4	7028858	1	PISTON	
5	Kit K2	1	BEARING	
6	Kit K1	1	WIPER RING	
7	Kit K1	1	ROD SEAL	
8	Kit K1	1	BACKUP RING	
9	Kit K1	1	O-RING	
10	Kit K1	1	O-RING	
11	Kit K1	1	PISTON SEAL	
12	Kit K1	1	SET SCREW	
13	Kit K1	1	O-RING	
14	7028314	2	GREASE NIPPLE	
15	Kit K1	1	WEAR RING	
16	7029847	1	VALVE PISTON	
17	7029845	2	CHECK VALVE	
K1	7028599	1	SEAL KIT, (includes items 6 thru 13 & 15)	
K2	7028602	1	GLAND ASSY, (includes items 3 & 5)	

# SECTION 9 - HYDRAULIC COMPONENTS

## FIGURE 9-19. FRAME LEVEL CYLINDER





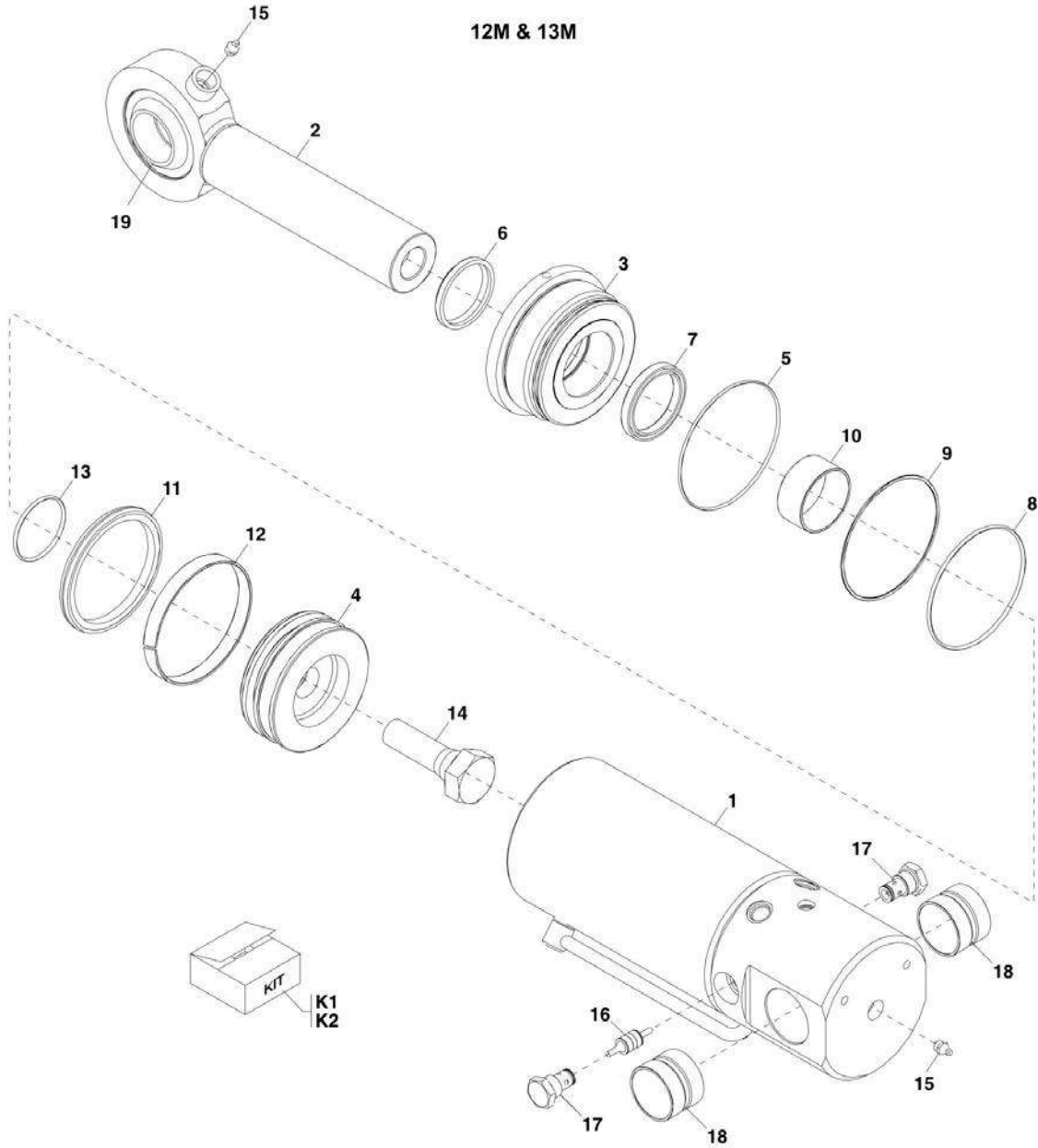
## SECTION 9 - HYDRAULIC COMPONENTS

### FIGURE 9-19. FRAME LEVEL CYLINDER

ITEM	PART NUMBER	QTY	DESCRIPTION	REV
	1001107511	1	FRAME LEVEL CYLINDER, (3508PS, 3509PS, 3512PS, 3513PS, 4008PS, 4009PS, 4012PS, 4013PS & 4017PS), (includes items 1 thru 17)	A
	1001107511B	1	FRAME LEVEL CYLINDER, (40.8 & 40.9), (includes items 1 thru 17)	A
1	70029960	1	CYLINDER HOUSING ASSY	
2	70029961	1	PISTON ROD ASSY	
4	70029956	1	GLAND	
5	70029957	1	PISTON	
8	70025314	2	BUSHING	
9	70002222	4	SNAP RING	
10	70029958	1	BEARING	
11	Kit K1	1	ROD SEAL	
12	Kit K1	1	WIPER RING	
13	Kit K1	1	O-RING	
14	Kit K1	1	BACK-UP RING	
15	Kit K1	1	O-RING	
16	Kit K1	1	WEAR RING	
17	Kit K1	1	PISTON SEAL	
18	70029940	1	SET SCREW	
19	Kit K1	1	O-RING	
20	70029948	2	CHECK VALVE	
21	Not Available	2	PLUG	
22	Kit K1	1	O-RING	
23	70029941	2	GREASE NIPPLE	
24	70029949	1	VALVE PISTON	
K1	70029959	1	SEAL KIT, (includes items 11 thru 17, 19 & 22)	

# SECTION 9 - HYDRAULIC COMPONENTS

## FIGURE 9-20. OUTRIGGER CYLINDER ASSEMBLY (12M & 13M)



PAP4110

## SECTION 9 - HYDRAULIC COMPONENTS

**FIGURE 9-20. OUTRIGGER CYLINDER ASSEMBLY (12M & 13M)**

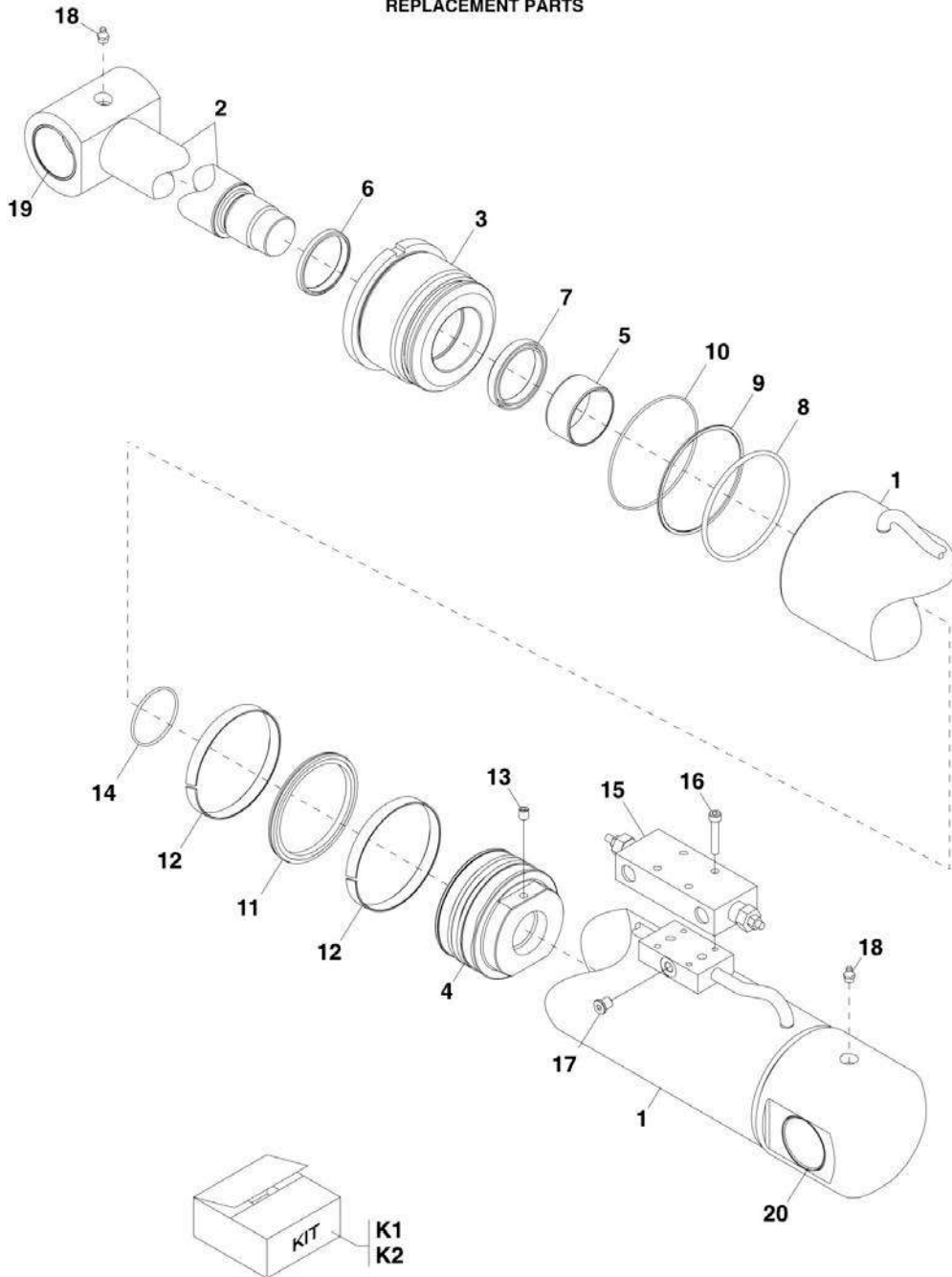
ITEM	PART NUMBER	QTY	DESCRIPTION	REV
	1684411	1	OUTRIGGER CYLINDER, (12M & 13M), (includes all items)	C
1	7028895	1	CYLINDER HOUSING	
2	7028896	1	PISTON ROD	
3	Kit K2	1	BEARING	
4	7028898	1	PISTON	
5	Kit K2	1	BEARING	
6	Kit K1	1	WIPER	
7	Kit K1	1	ROD SEAL	
8	Kit K1	1	O-RING	
9	Kit K1	1	BACK-UP RING	
10	Kit K1	1	O-RING	
11	Kit K1	1	PISTON SEAL	
12	Kit K1	1	PISTON GUIDE SEAL	
13	Kit K1	1	O-RING	
14	7028902	1	HEXAGON SCREW	
15	7028314	2	GREASE NIPPLE	
16	7029847	1	VALVE PISTON	
17	7029845	2	CHECK VALVE	
18	7028899	2	BUSHING	
19	7028900	1	SPHERICAL BEARING	
K1	7028901	1	SEAL KIT, (includes items 6 thru 13)	
K2	7028897	1	GLAND ASSY, (includes items 3 & 5)	

# SECTION 9 - HYDRAULIC COMPONENTS

## FIGURE 9-21. OUTRIGGER CYLINDER ASSEMBLY (17M)

17M

NOTE: CHECK CYLINDER FOR PART NUMBER PRIOR TO ORDERING REPLACEMENT PARTS



PAP13790

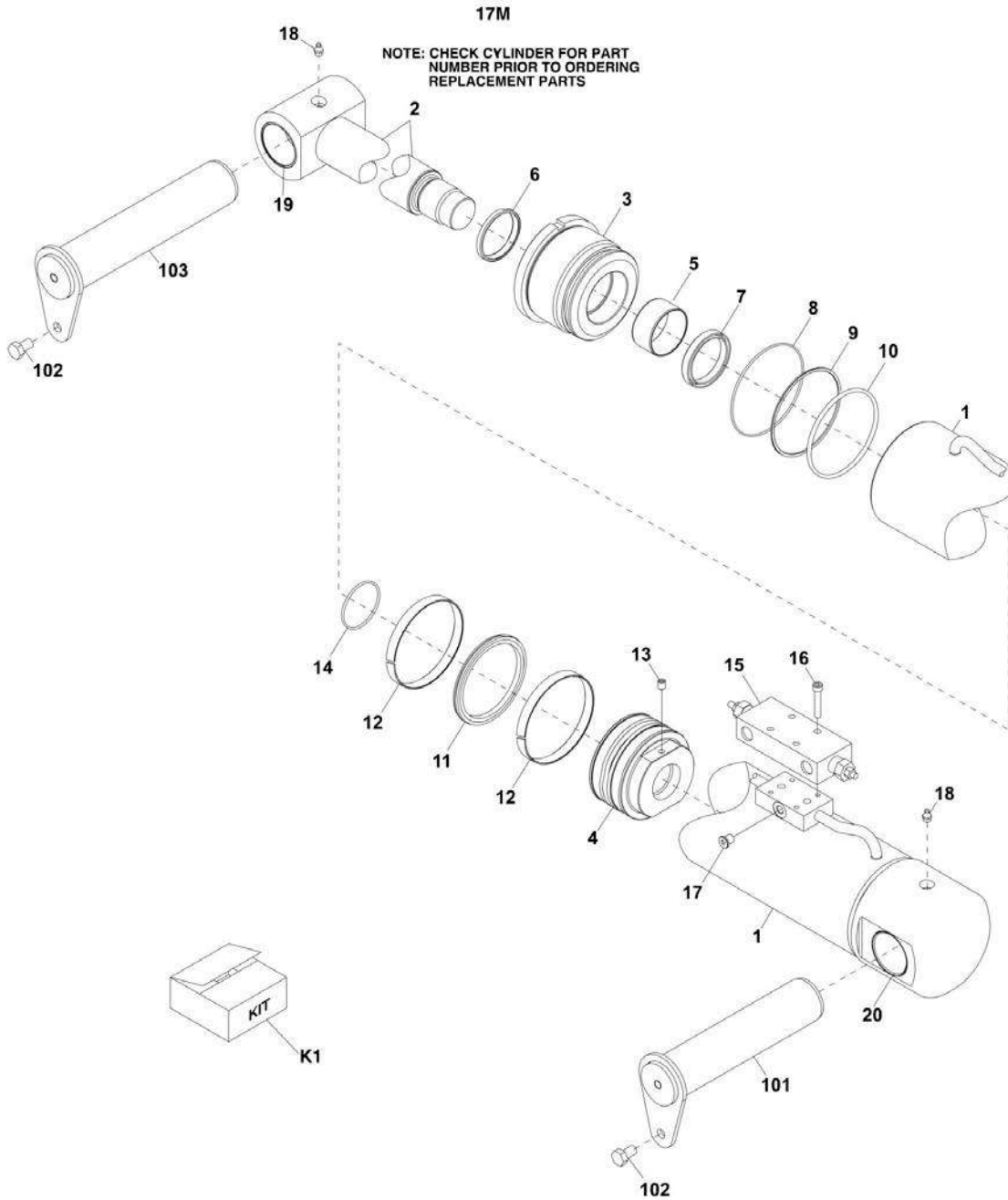
## SECTION 9 - HYDRAULIC COMPONENTS

**FIGURE 9-21. OUTRIGGER CYLINDER ASSEMBLY (17M)**

ITEM	PART NUMBER	QTY	DESCRIPTION	REV
	1001098161	NLA	OUTRIGGER CYLINDER, (17M), (includes all items), (no longer available, see 1001107512 for replacement)	B
1	70020654	1	CYLINDER HOUSING	
2	7028609	1	PISTON ROD	
3	Kit K2	1	BEARING	
4	7028611	1	PISTON	
5	Kit K2	1	BEARING	
6	Kit K1	1	WIPER RING	
7	Kit K1	1	ROD SEAL	
8	Kit K1	1	O-RING	
9	Kit K1	1	BACK-UP RING	
10	Kit K1	1	O-RING	
11	Kit K1	1	PISTON SEAL	
12	Kit K1	2	PISTON GUIDE RING	
13	Kit K1	1	SET SCREW	
14	Kit K1	1	O-RING	
15	70021494	1	LOAD CONTROL VALVE	
16	7028584	4	HEX SOCKET HD CAPSCREW	
17	70020655	1	SCREW PLUG	
18	7028314	2	GREASE NIPPLE	
19	7028841	2	BUSHING	
20	7028840	2	BUSHING	
K1	7028607	1	SEAL KIT, (includes items 6 thru 14)	
K2	70020657	1	GLAND ASSY, (includes items 3 & 5)	

# SECTION 9 - HYDRAULIC COMPONENTS

## FIGURE 9-22. OUTRIGGER CYLINDER ASSEMBLY (17M)



PAP13800

## SECTION 9 - HYDRAULIC COMPONENTS

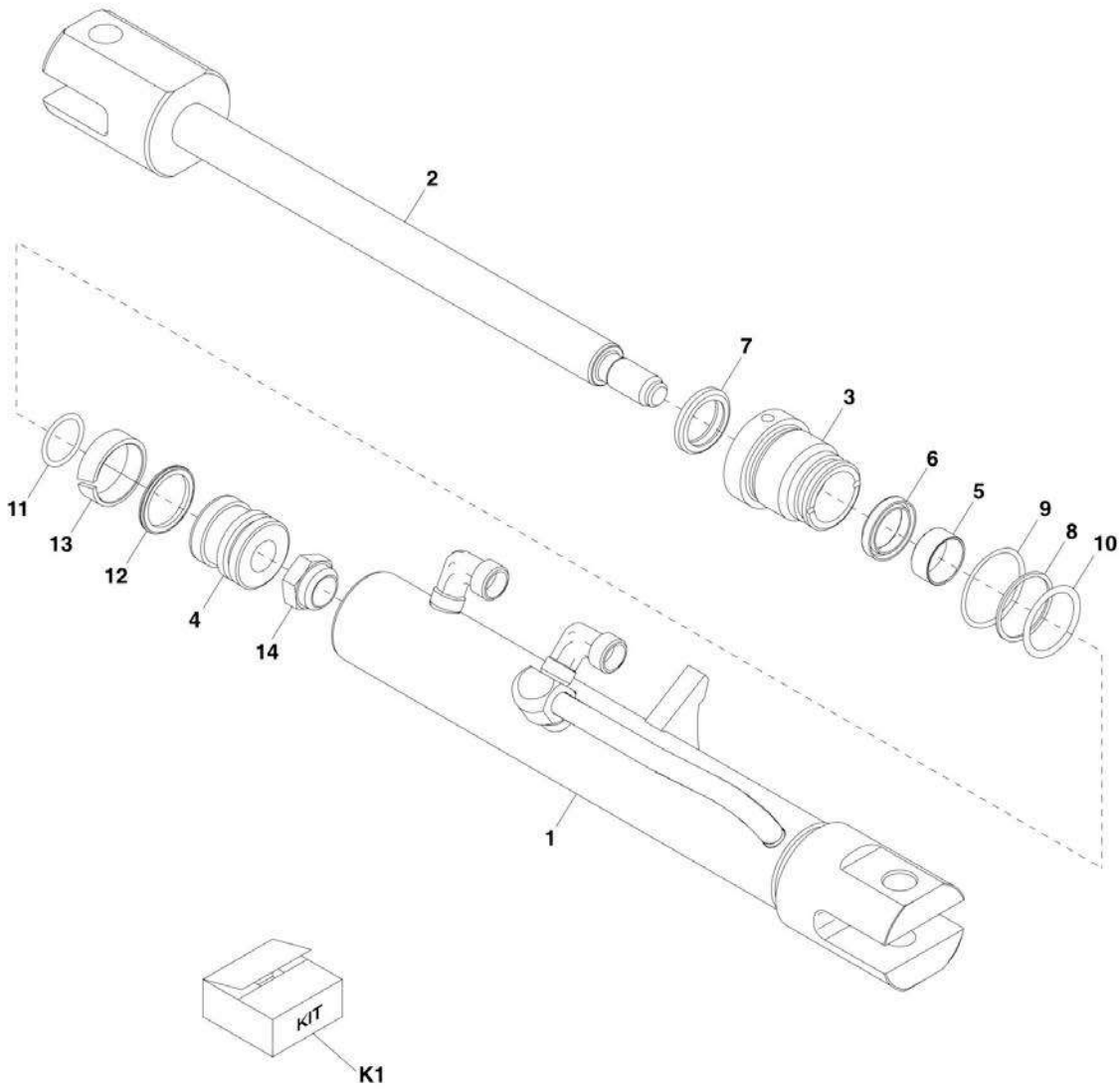
**FIGURE 9-22. OUTRIGGER CYLINDER ASSEMBLY (17M)**

ITEM	PART NUMBER	QTY	DESCRIPTION	REV
	1001107512	1	STABILIZER CYLINDER, (17M), (includes items 1 thru 20)	A
1	70029970	1	CYLINDER HOUSING	
2	70029971	1	PISTON ROD	
3	70029962	1	BEARING	
4	70029963	1	PISTON	
5	70029965	1	BEARING	
6	Kit K1	1	WIPER RING	
7	Kit K1	1	ROD SEAL	
8	Kit K1	1	O-RING	
9	Kit K1	1	BACK-UP RING	
10	Kit K1	1	O-RING	
11	Kit K1	1	PISTON SEAL	
12	Kit K1	2	PISTON GUIDE RING	
13	70029940	1	SET SCREW	
14	Kit K1	1	O-RING	
15	70021494	1	LOAD CONTROL VALVE	
16	70029966	4	HEX SOCKET HD CAPSCREW	
17	Not Available	1	SCREW PLUG	
18	70029941	2	GREASE NIPPLE	
19	70029968	2	BUSHING	
20	70029967	2	BUSHING	
101	3423127	1	STABILIZER PIN	
102	0761210	4	HEX HD CAPSCREW, 12-1.75X20mm	
103	3423129	1	STABILIZER PIN	
K1	70029969	1	SEAL KIT, (includes items 6 thru 12 & 14)	

# SECTION 9 - HYDRAULIC COMPONENTS

## FIGURE 9-23. FORK LOCKING CYLINDER ASSEMBLY

NOTE: CHECK CYLINDER FOR PART NUMBER PRIOR TO ORDERING REPLACEMENT PARTS



PAP13810



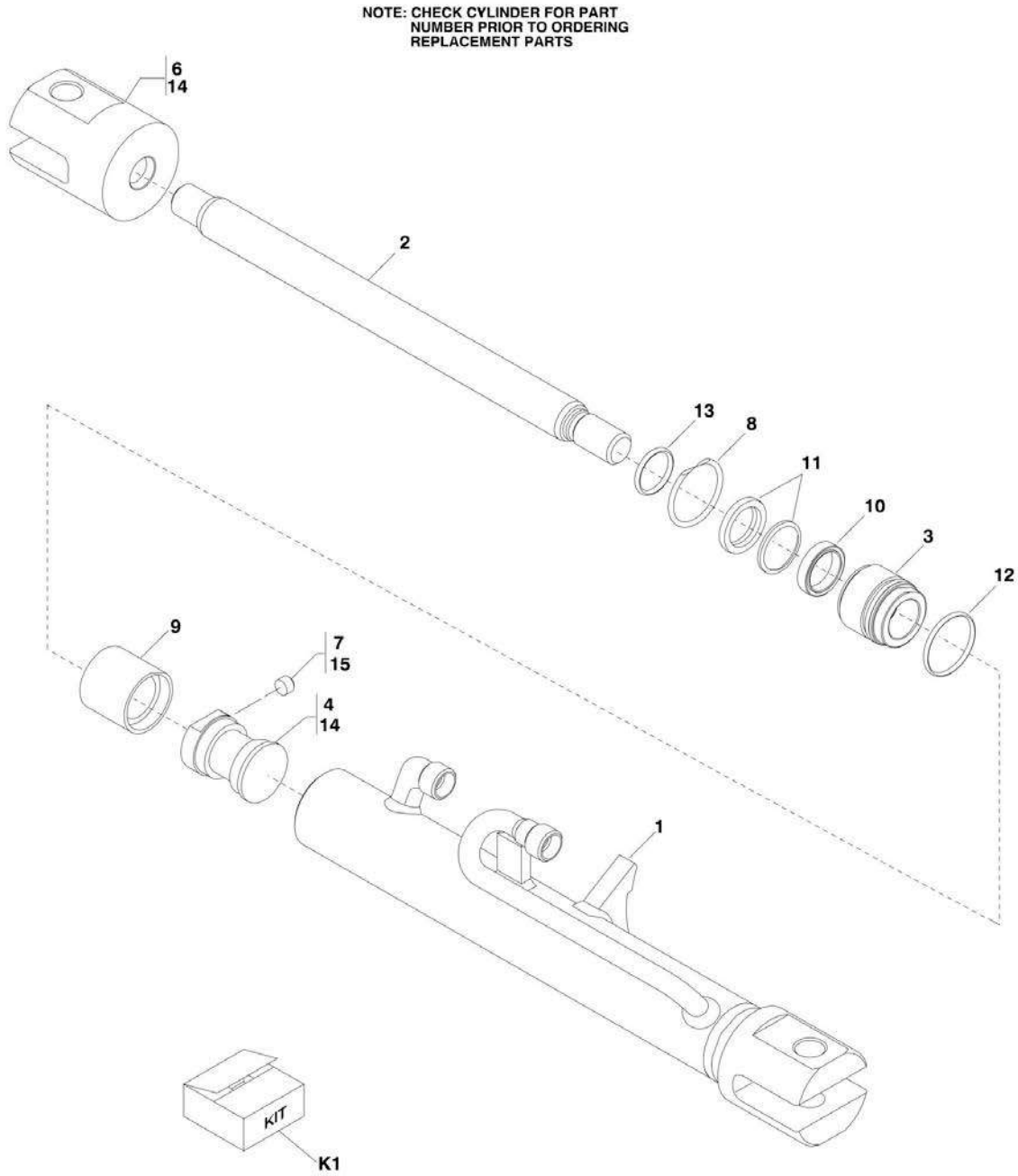
## SECTION 9 - HYDRAULIC COMPONENTS

**FIGURE 9-23. FORK LOCKING CYLINDER ASSEMBLY**

ITEM	PART NUMBER	QTY	DESCRIPTION	REV
	1684404	NLA	FORK LOCKING CYLINDER, (includes all items), (no longer available, order 1001107513 for service replacement)	E
1	7028792	1	CYLINDER HOUSING	
2	7028784	1	PISTON ROD	
3	7028786	1	BEARING	
4	7028794	1	PISTON	
5	7028787	1	BEARING	
6	Kit K1	1	ROD SEAL	
7	Kit K1	1	WIPER	
8	Kit K1	1	BACK-UP RING	
9	Kit K1	1	O-RING	
10	Kit K1	1	O-RING	
11	Kit K1	1	O-RING	
12	Kit K1	1	PISTON SEAL	
13	Kit K1	1	WEAR RING	
14	Kit K1	1	LOCKNUT	
K1	7029225	1	SEAL KIT, (includes items 6 thru 14)	

# SECTION 9 - HYDRAULIC COMPONENTS

## FIGURE 9-24. FORK LOCKING CYLINDER ASSEMBLY



PAP13820

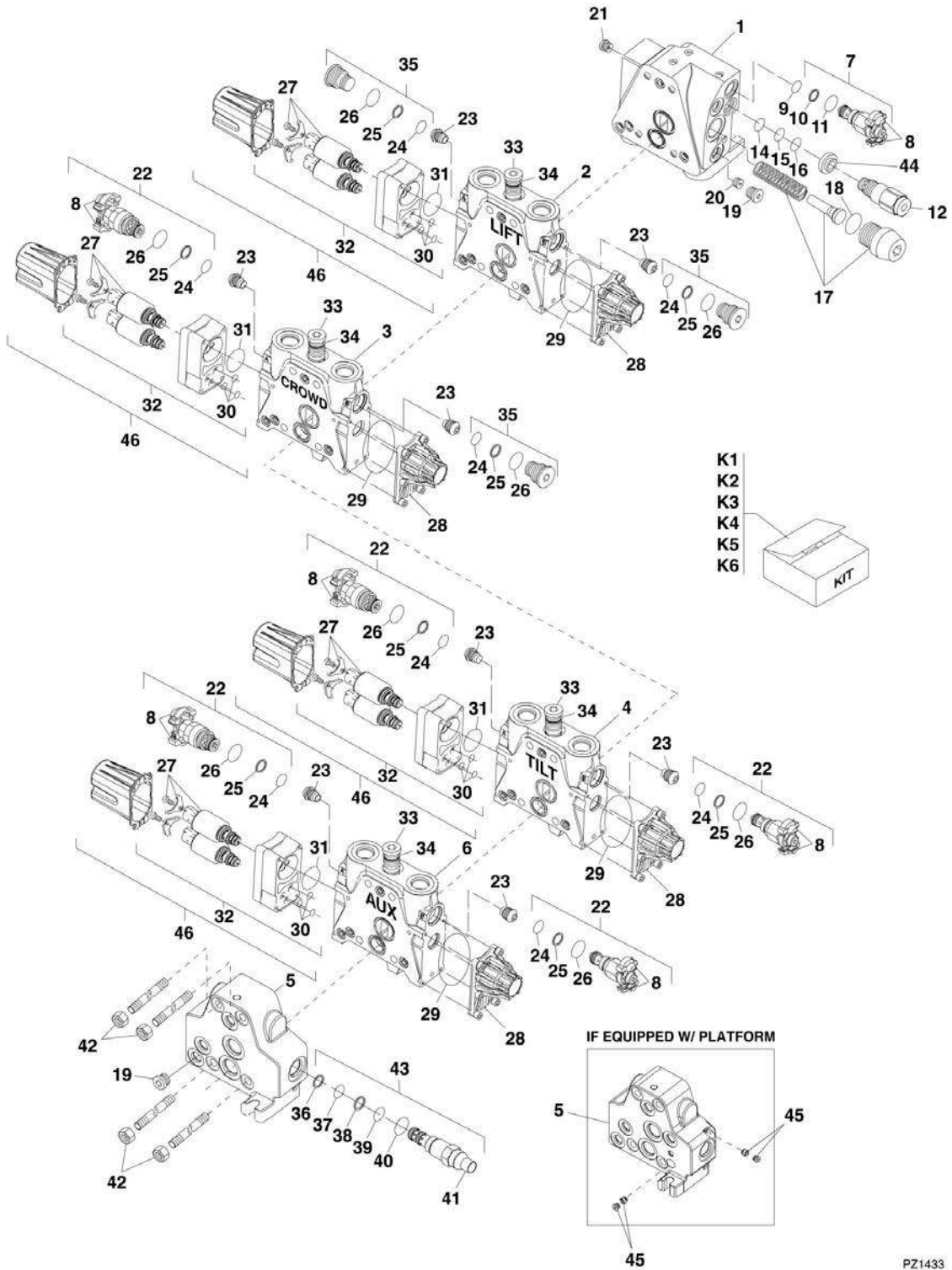
## SECTION 9 - HYDRAULIC COMPONENTS

**FIGURE 9-24. FORK LOCKING CYLINDER ASSEMBLY**

ITEM	PART NUMBER	QTY	DESCRIPTION	REV
	1001107513	1	FORK LOCKING CYLINDER, (includes items 1 thru 13)	A
1	70022698	1	CYLINDER HOUSING	
2	70022699	1	PISTON ROD	
3	70022704	1	GLAND	
4	70022703	1	PISTON, (torque to 36 Nm)	
6	70022701	1	CLEVIS, (torque to 36 Nm)	
7	70022702	1	SET SCREW, (torque to 20 Nm)	
8	70022700	1	RETAINER RING	
9	Kit K1	1	PISTON SEAL	
10	Kit K1	1	ROD SEAL	
11	Kit K1	1	2 PIECE SEAL	
12	Kit K1	1	O-RING	
13	Kit K1	1	O-RING	
14	0100011	AR	LOCTITE 242, (apply to items 4 & 6)	
15	0100035	AR	LOCTITE 222, (apply to item 7)	
K1	70022705	1	SEAL KIT, (includes items 9 thru 13)	

# SECTION 9 - HYDRAULIC COMPONENTS

## FIGURE 9-25. MAIN CONTROL VALVE ASSEMBLY



PZ1433

## SECTION 9 - HYDRAULIC COMPONENTS

**FIGURE 9-25. MAIN CONTROL VALVE ASSEMBLY**

ITEM	PART NUMBER	QTY	DESCRIPTION	REV
	4641514	NLA	MAIN CONTROL VALVE, (no longer available, use 1001114769 for replacement or items 1 thru 44 & 46 for service)	D
	1001091692	NLA	MAIN CONTROL VALVE, (if equipped w/ platform), (no longer available, use 1001114768 for replacement or items 1 thru 44 & 46 for service)	D
	1001114769	1	MAIN CONTROL VALVE, (includes items 1 thru 46)	A
	1001114768	1	MAIN CONTROL VALVE, (if equipped w/ platform), (includes items 1 thru 46)	A
1	70020688	1	SECTION ASSY, (inlet), (includes items 7 thru 21 & 44)	
1	70021868	1	SECTION ASSY, (inlet), (if equipped w/ platform), (includes items 7 thru 21 & 44)	
2	70020689	1	SECTION ASSY, (lift), (includes items 23 thru 35 & 46)	
3	70020690	1	SECTION ASSY, (telescope), (includes items 8, 22 thru 35 & 46)	
4	70020691	1	SECTION ASSY, (tilt), (includes items 8, 22 thru 35 & 46)	
5	70020692	1	SECTION ASSY, (outlet), (includes items 19 & 36 thru 41)	
5	70021869	1	SECTION ASSY, (outlet), (if equipped w/ platform), (includes items 19, 36 thru 41 & 45)	
6	70022829	1	SECTION ASSY, (auxiliary), (includes items 8, 22 thru 35 & 46)	
7	70020693	1	PRESSURE RELIEF VALVE	
8	70020694	6	LOCKING COVER	
9	Kit K5	1	O-RING	
10	Kit K5	1	THRUST RING	
11	Kit K5	1	O-RING	
12	70020695	1	FLOW REGULATOR, (includes items 14 thru 16 & 44)	
14	Kit K4	1	O-RING	
15	Kit K4	1	THRUST WASHER	
16	Kit K4	1	O-RING	
17	70021870	1	REGULATOR KIT, (includes item 18 and shims not shown)	
18	Kit K1	1	O-RING	
19	70020697	2	PLUG	
20	70020698	1	FILTER	
21	70020699	1	SHUTTLE VALVE	
22	70020700	5	PRESSURE RELIEF VALVE	
23	70020701	8	CHECK VALVE	
24	Kit K2	8	O-RING	
25	Kit K2	8	THRUST WASHER	
26	Kit K2	8	O-RING	
27	70020702	4	SOLENOID	
28	70020714	4	INTERFACE AND SOLENOID KIT	
29	Kit K3	4	O-RING	
30	Kit K3	4	O-RING	
31	Kit K3	4	O-RING	
32	70020703	4	INTERFACE AND SOLENOID	
33	70020704	4	PRESSURE COMPENSATOR	
34	N.S.S.	4	O-RING	
35	70020705	3	PLUG	
36	Kit K6	1	THRUST RING	
37	Kit K6	1	O-RING	
38	Kit K6	1	O-RING	
39	Kit K6	1	THRUST RING	
40	Kit K6	1	O-RING	

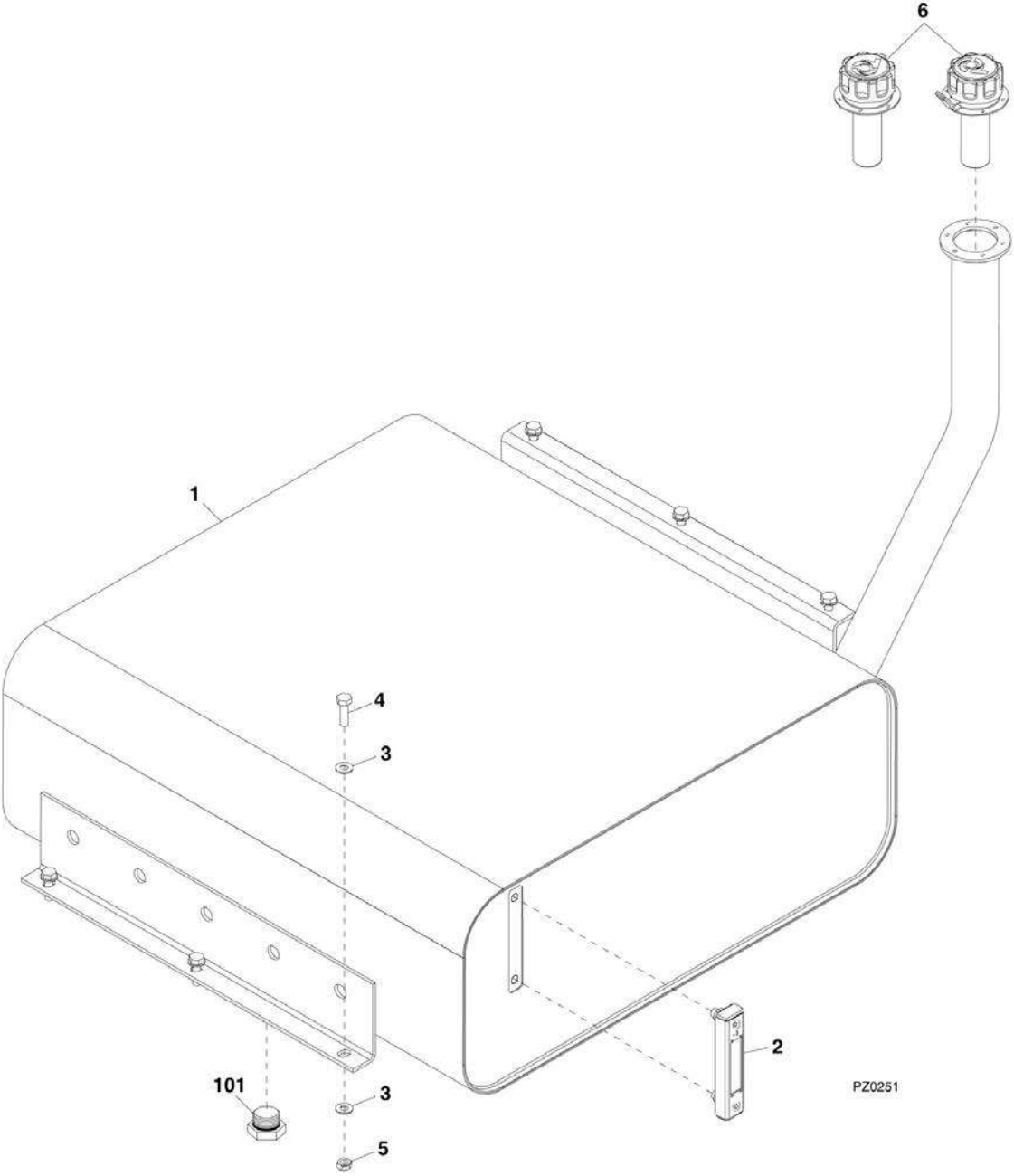
## SECTION 9 - HYDRAULIC COMPONENTS

ITEM	PART NUMBER	QTY	DESCRIPTION	REV
41	70020706	1	VALVE COVER ASSY	
42	70020707	1	TIE RODS	
43	70021223	1	PRESSURE REDUCING VALVE	
44	70021874	1	FLOW REGULATOR FILTER	
45	70021872	2	ACCUMULATOR LOAD CHECK VALVE KIT, (if equipped w/ platform)	
46	70023735	4	INTERFACE AND SOLENOID W/COVER	
K1	70020708	1	REGULATOR SEAL KIT, (includes item 18 and others not shown)	
K2	70020709	4	PRESSURE RELIEF SEAL KIT, (includes items 24 thru 26)	
K3	70020710	4	SOLENOID AND VALVE SECTION SEAL KIT, (includes items 29 thru 31 and others not shown)	
K4	70020711	1	FLOW REGULATOR SEAL KIT, (includes items 14 thru 16)	
K5	70020712	1	PRESSURE RELIEF SEAL KIT, (includes items 9 thru 11)	
K6	70020713	1	PRESSURE REDUCING SEAL KIT, (includes items 36 thru 40)	



# SECTION 9 - HYDRAULIC COMPONENTS

FIGURE 9-26. HYDRAULIC TANK INSTALLATION





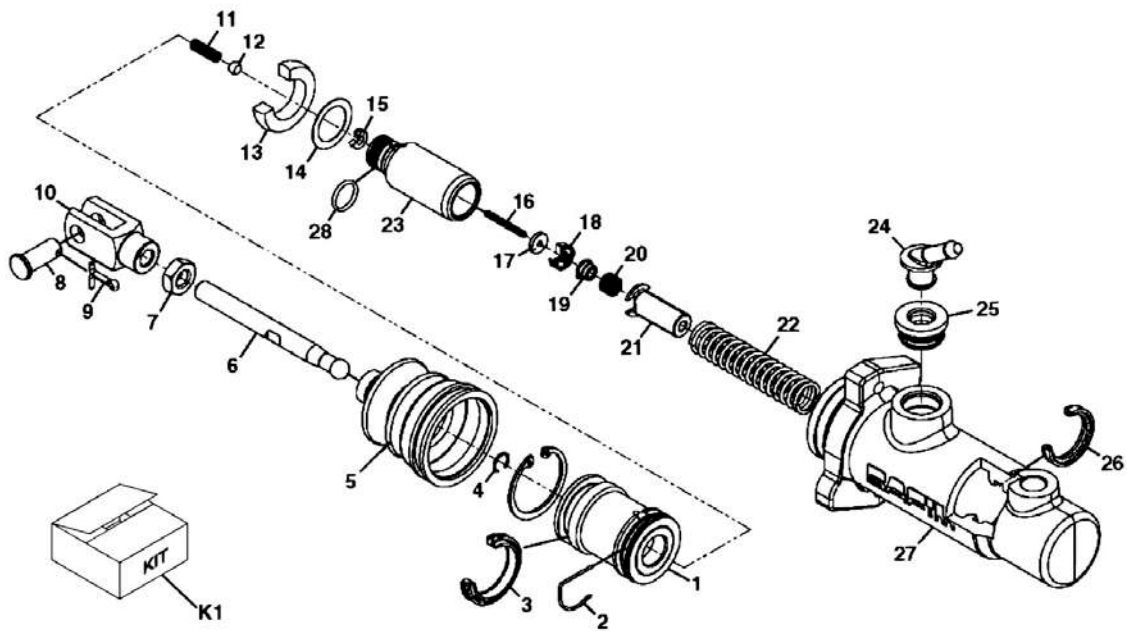
## SECTION 9 - HYDRAULIC COMPONENTS

**FIGURE 9-26. HYDRAULIC TANK INSTALLATION**

ITEM	PART NUMBER	QTY	DESCRIPTION	REV
	0275192	Ref	HYDRAULIC TANK INSTALLATION, (not available to order, see items 1 thru 6 for service)	A
	0275193	Ref	HYDRAULIC TANK INSTALLATION, (if equipped w/ toolbox), (not available to order, see items 1 thru 6 for service)	A
1	4400495	1	HYDRAULIC TANK, (3508PS, 3509PS, 3512PS, 3513PS, 4008PS, 4009PS, 4012PS, 4013PS & 4017PS), (includes item 101)	
1	4400495B	1	HYDRAULIC TANK, (40.8 & 40.9), (includes item 101)	
2	2420226	1	LEVEL INDICATOR GAUGE	
3	5212000	12	RIPP WASHER, 10mm	
4	0761015	6	HEX HD CAPSCREW, 10-1.50X35mm	
5	3291005	6	HEX LOCKNUT, M10X1.5	
6	1120598	1	FILL CAP W/LOCK	
6	70022100	1	CAP, SCREW ON	
6	1120597	1	FILL CAP, (if equipped w/ toolbox)	
6	70022099	1	CAP, SCREW ON	
101	70025078	1	DRAIN PLUG, (includes seal)	

# SECTION 9 - HYDRAULIC COMPONENTS

FIGURE 9-27. BRAKE CYLINDER (Prior to SN 1160005851)



PAP13830

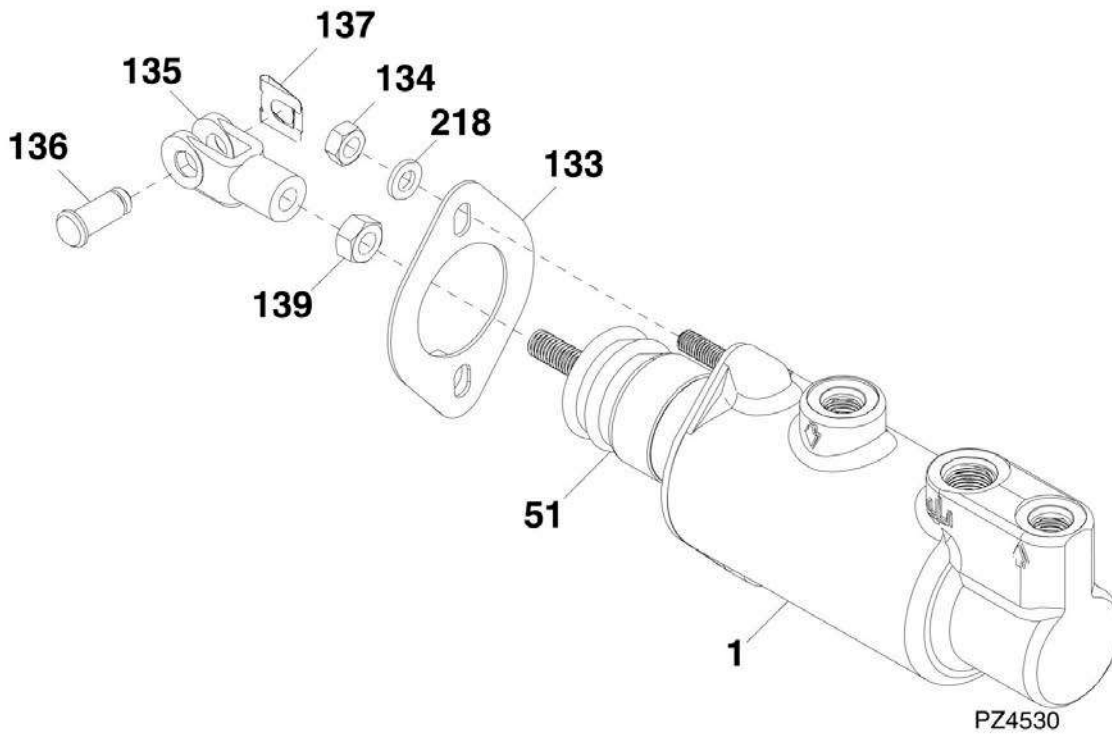
## SECTION 9 - HYDRAULIC COMPONENTS

**FIGURE 9-27. BRAKE CYLINDER (Prior to SN 1160005851)**

ITEM	PART NUMBER	QTY	DESCRIPTION	REV
	0920133	1	BRAKE CYLINDER ASSY, (includes items 1 thru 28)	C
1	70020736	1	PISTON	
2	70020737	1	STOP RING	
3	Kit K1	1	SEAL	
4	70020739	1	STOP RING	
5	70020740	1	SEAL	
6	70020741	1	PUSH ROD	
7	70020742	1	NUT	
8	70020743	1	YOKE PIN	
9	70020745	1	YOKE RING	
10	70020744	1	YOKE	
11	70020746	1	SPRING	
12	70020747	1	BALL	
13	Kit K1	1	SEAL	
14	70020749	1	WASHER	
15	Kit K1	1	SEAL	
16	70020751	1	SPOOL	
17	70020752	1	WASHER	
18	Kit K1	1	SEAL	
19	70020754	1	SPRING GUIDE	
20	70020755	1	SPRING	
21	70020756	1	SPRING GUIDE	
22	70020757	1	SPRING	
23	70020758	1	PISTON	
24	70020759	1	RESERVOIR JOINT	
25	Kit K1	1	JOINT SEAL	
26	Kit K1	1	SEAL	
27	70020762	1	CYLINDER HOUSING	
28	Kit K1	1	SEAL	
K1	70020763	1	SEAL KIT, (includes items 3, 13, 15, 18, 25, 26 & 28)	

# SECTION 9 - HYDRAULIC COMPONENTS

FIGURE 9-28. BRAKE CYLINDER (SN 1160005851 to Present)



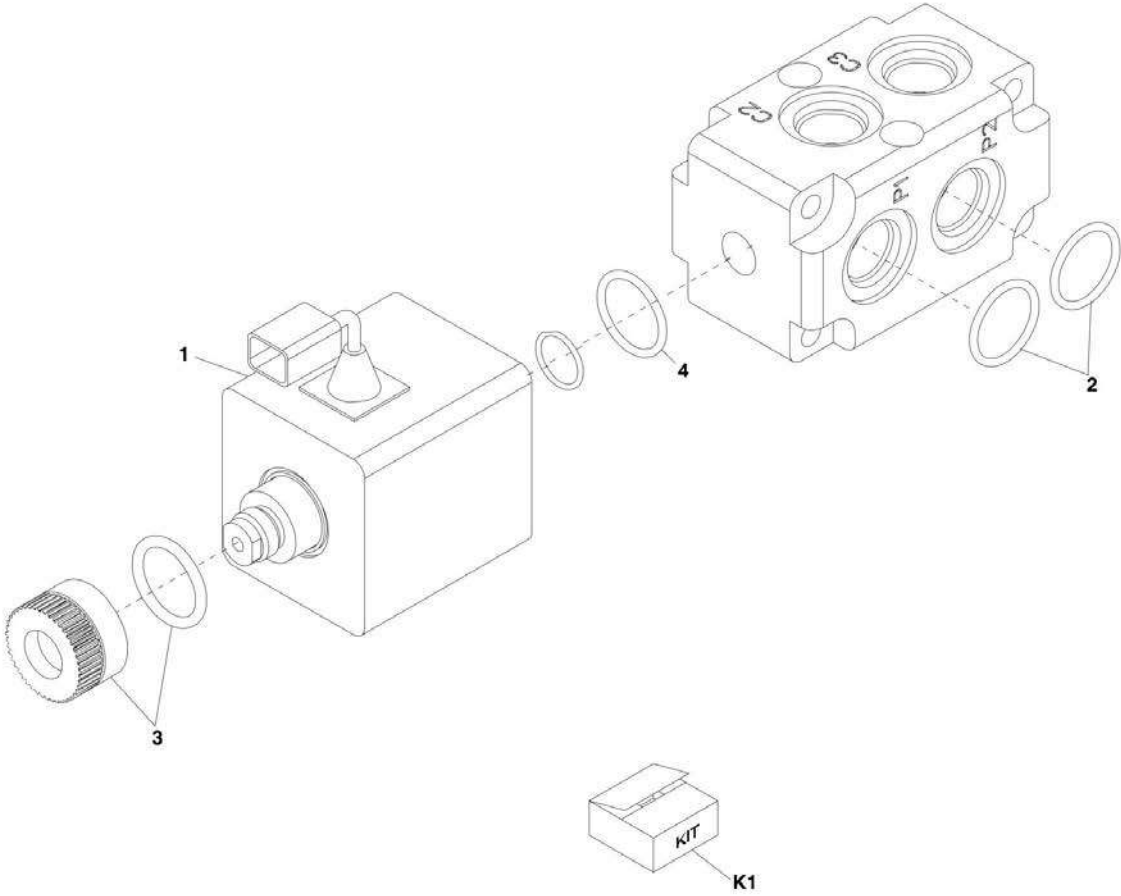
## SECTION 9 - HYDRAULIC COMPONENTS

**FIGURE 9-28. BRAKE CYLINDER (SN 1160005851 to Present)**

ITEM	PART NUMBER	QTY	DESCRIPTION	REV
1	1001105987	1	BRAKE CYLINDER, (includes item 51)	A
51	70023460	1	DUST COVER	
133	1001003797	1	GASKET	
134	3290801	2	HEX NUT, M8X1.25	
135	1001009133	1	ROD	
136	1001009219	1	PIN	
137	1001009220	1	CLIP	
139	1001104280	1	HEX NUT, M10X1.5	
218		Ref	SPRING LOCKWASHER, 8mm, (See HYDRAULIC CIRCUITS SECTION for Breakdown)	

**SECTION 9 - HYDRAULIC COMPONENTS**

**FIGURE 9-29. DIVERTER VALVE (Prior to SN 1160005127)**



PAP13840

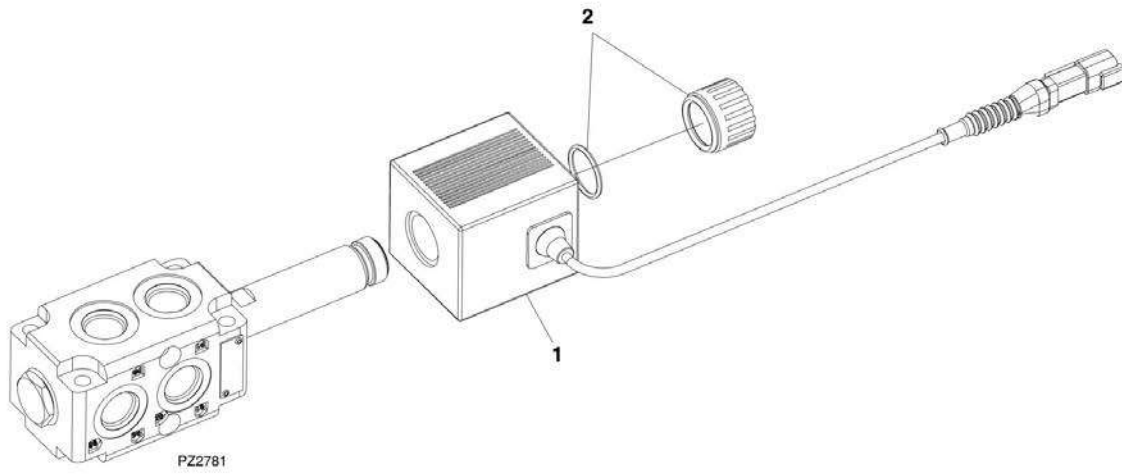
## SECTION 9 - HYDRAULIC COMPONENTS

FIGURE 9-29. DIVERTER VALVE (Prior to SN 1160005127)

ITEM	PART NUMBER	QTY	DESCRIPTION	REV
	1001006487	1	DIVERTER VALVE, (includes items 1 thru 4)	E
1	70020764	1	COIL	
2	Kit K1	2	O-RING	
3	70020766	1	RETAINER KIT, (includes o-rings and nut)	
4	Kit K1	1	O-RING	
K1	70020765	1	SEAL KIT, (includes item 2 & 4)	

## SECTION 9 - HYDRAULIC COMPONENTS

FIGURE 9-30. DIVERTER VALVE (SN 1160005127 to Present)





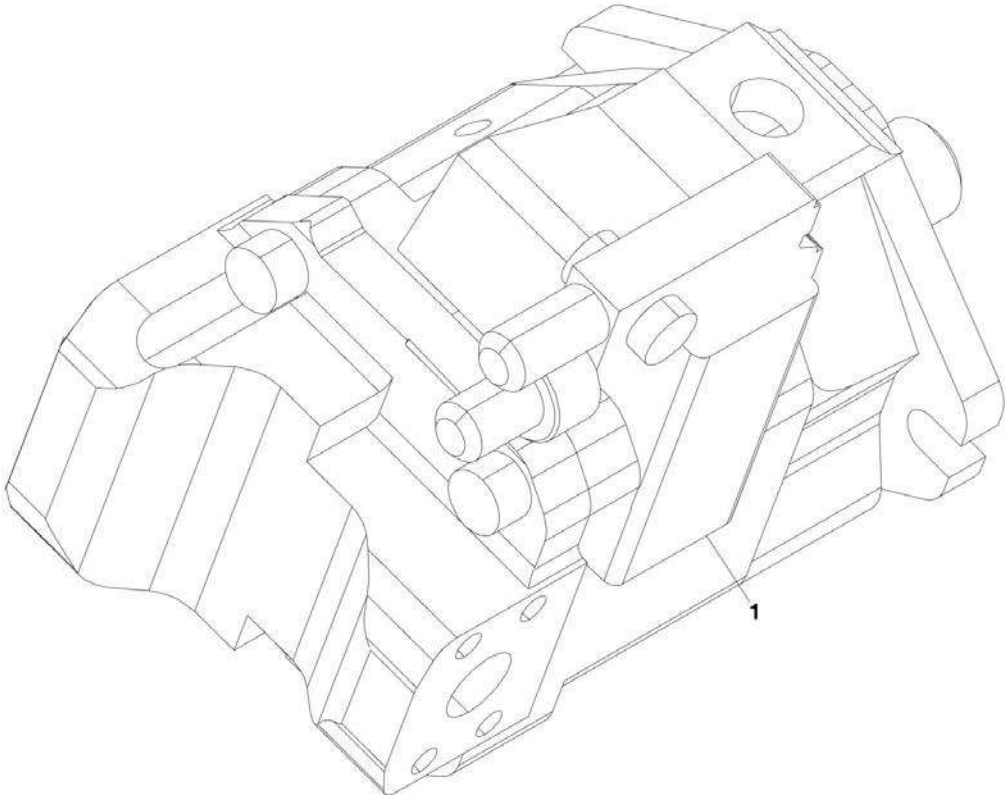
## SECTION 9 - HYDRAULIC COMPONENTS

**FIGURE 9-30. DIVERTER VALVE (SN 1160005127 to Present)**

ITEM	PART NUMBER	QTY	DESCRIPTION	REV
	1001104477	1	DIVERTER VALVE, (includes all items)	B
1	70020764	1	COIL	
2	70021531	1	RETAINER KIT, (includes o-rings and nut)	

**SECTION 9 - HYDRAULIC COMPONENTS**

**FIGURE 9-31. PISTON PUMP**



PZ1420

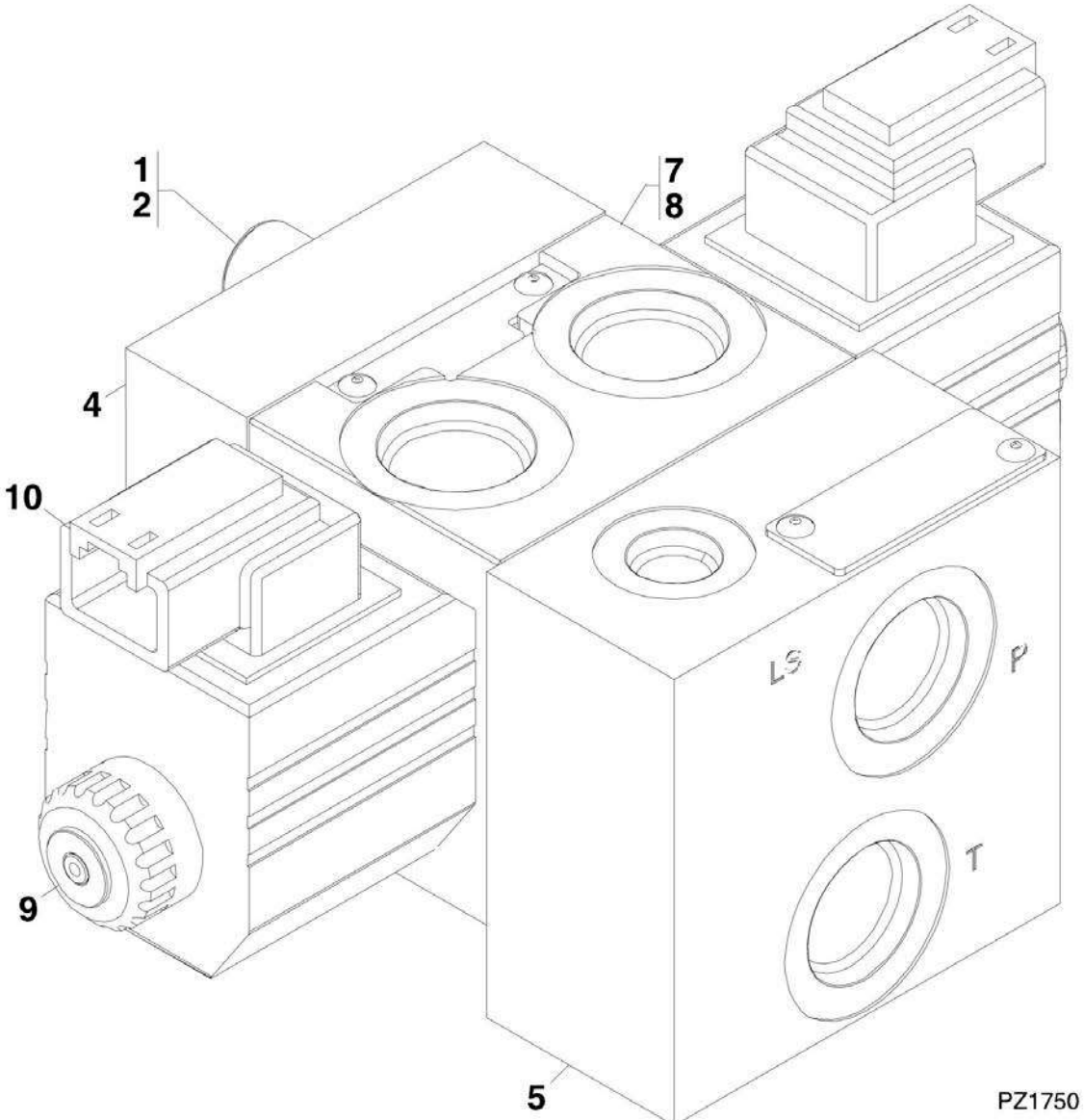
## SECTION 9 - HYDRAULIC COMPONENTS

### FIGURE 9-31. PISTON PUMP

ITEM	PART NUMBER	QTY	DESCRIPTION	REV
	1001092487	1	PISTON PUMP, (includes all items)	B
1	70020797	1	CONTROL PUMP	
2	7024947	1	SHAFT SEAL RING, (not shown)	

**SECTION 9 - HYDRAULIC COMPONENTS**

**FIGURE 9-32. FRAME LEVEL VALVE**



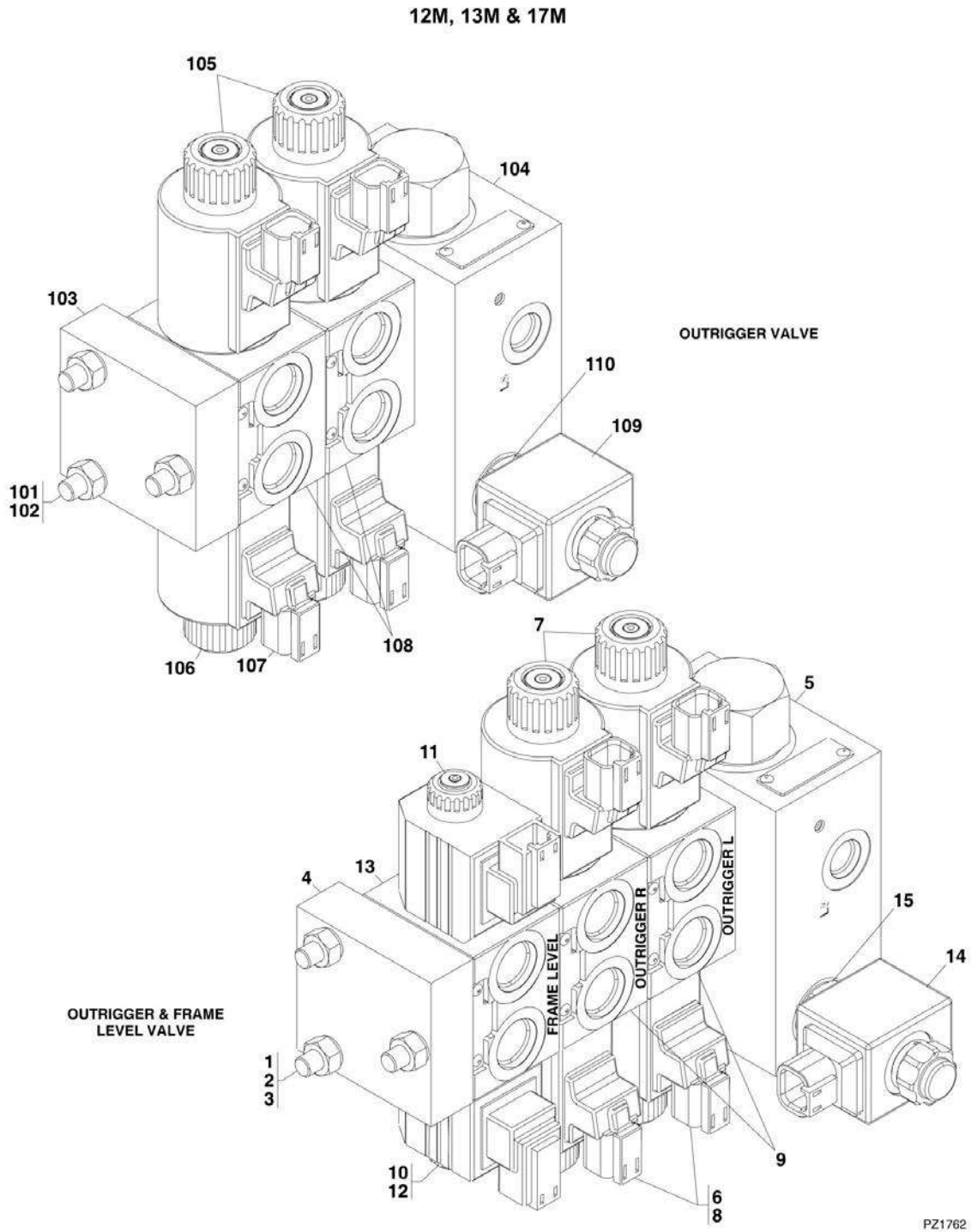
## SECTION 9 - HYDRAULIC COMPONENTS

### FIGURE 9-32. FRAME LEVEL VALVE

ITEM	PART NUMBER	QTY	DESCRIPTION	REV
	4641518	1	FRAME LEVEL VALVE, (includes all items)	D
1	Not Available	3	WASHER, M8	
2	70021202	1	BOLT KIT, M8X80, (includes 3 bolts and item 1)	
3	70021203	1	L.S. ORIFICE, 0.7mm, (not shown)	
4	70021204	1	INLET BODY	
5	70021205	1	COVER	
7	70021210	1	SECTION ASSY, (includes items 8 thru 10)	
8	70021207	1	VALVE SECTION	
9	70021208	2	COIL	
10	70021209	2	RETAINER KIT W/ SEALS	

# SECTION 9 - HYDRAULIC COMPONENTS

## FIGURE 9-33. OUTRIGGER AND FRAME LEVEL VALVE (12M, 13M & 17M)



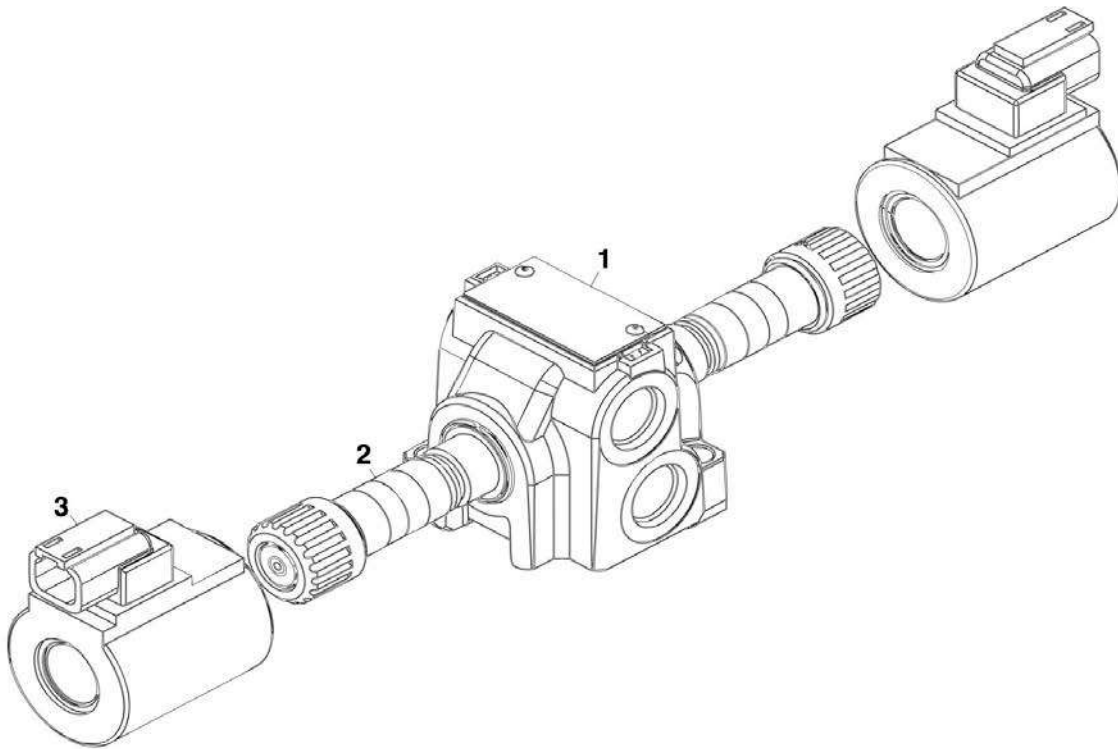
## SECTION 9 - HYDRAULIC COMPONENTS

**FIGURE 9-33. OUTRIGGER AND FRAME LEVEL VALVE (12M, 13M & 17M)**

ITEM	PART NUMBER	QTY	DESCRIPTION	REV
	4641516	1	OUTRIGGER AND FRAME LEVEL VALVE, (12M, if equipped), (13M & 17M), (includes items 1 thru 16)	B
1	70021211	3	BOLT, M8X185	
2	70021212	3	NUT, M8	
3	70021201	3	WASHER, M8	
4	70021205	1	COVER	
5	70021215	1	INLET BODY	
6	70021214	2	SECTION ASSY, (includes items 7 thru 9)	
7	70020868	2	COIL	
8	70021217	2	RETAINER KIT W/ SEALS	
9	70021218	1	VALVE SECTION	
10	70021213	1	SECTION ASSY, (includes items 11 thru 13)	
11	70021208	2	COIL	
12	70021209	2	RETAINER KIT W/ SEALS	
13	70021219	1	VALVE SECTION	
14	70022147	1	COIL	
15	70023327	1	SOLENOID	
16	70023326	1	ORIFICE, 1mm, (not shown, located internally between frame level and outrigger section)	
	1001093049	1	OUTRIGGER VALVE, (12M, if not equipped with frame level), (includes items 101 thru 110)	C
101	70021201	3	WASHER, M8	
102	70021222	3	BOLT, M8X125	
103	70021205	1	COVER	
104	70021215	1	INLET BODY	
105	70021214	2	SECTION ASSY, (includes items 106 thru 108)	
106	70020868	2	COIL	
107	70021217	2	RETAINER KIT W/ SEALS	
108	70021218	1	VALVE SECTION	
109	70022147	1	COIL	
110	70023327	1	SOLENOID	

## SECTION 9 - HYDRAULIC COMPONENTS

FIGURE 9-34. STEERING SELECT VALVE



PZ1771



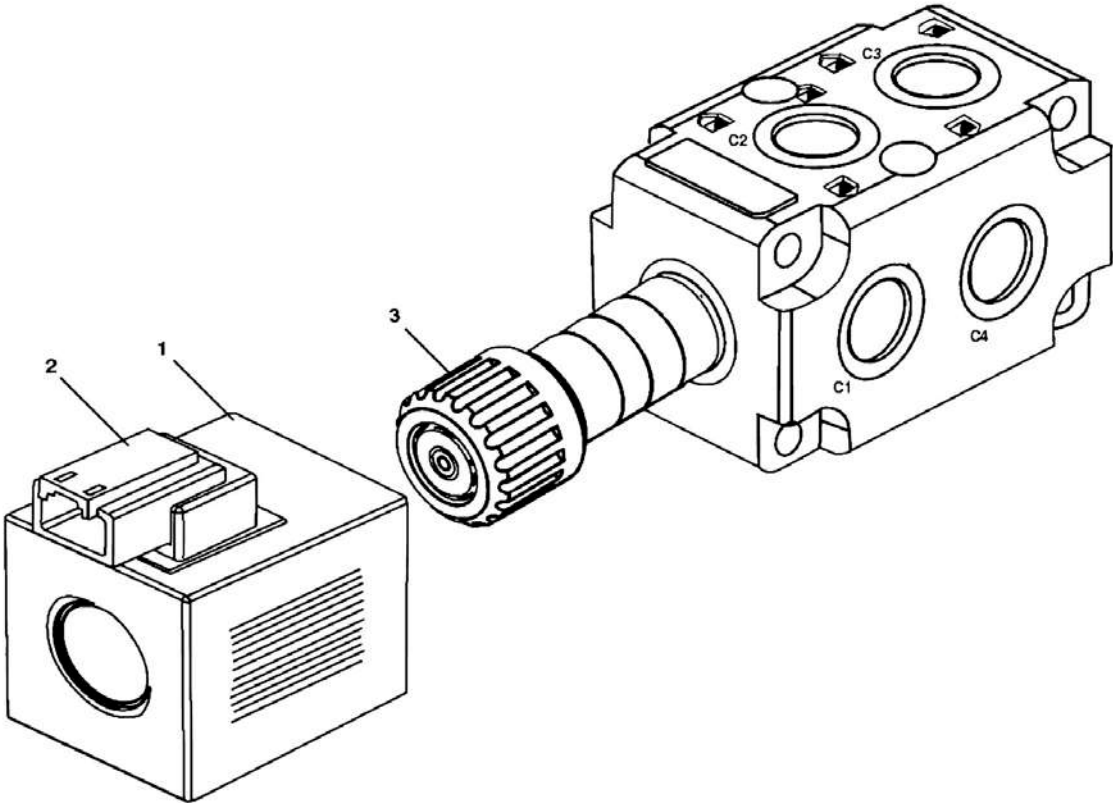
## SECTION 9 - HYDRAULIC COMPONENTS

FIGURE 9-34. STEERING SELECT VALVE

ITEM	PART NUMBER	QTY	DESCRIPTION	REV
	4641519	1	STEERING SELECT VALVE, (includes all items)	A
1	70020866	1	VALVE BODY	
2	70020867	1	SEAL KIT	
3	70020868	1	COIL	

**SECTION 9 - HYDRAULIC COMPONENTS**

**FIGURE 9-35. AUXILIARY DIVERTER VALVE**



PZ1861

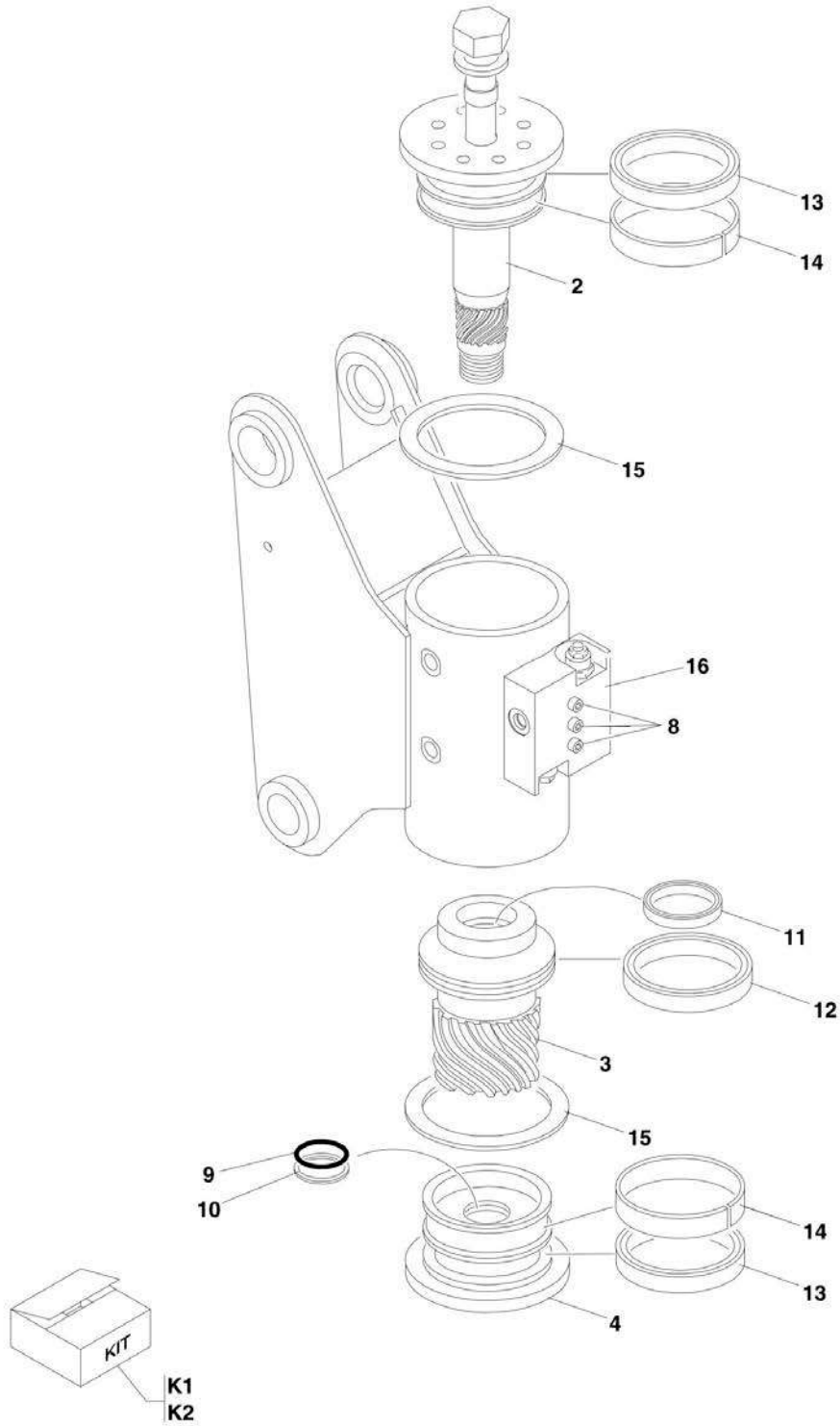
## SECTION 9 - HYDRAULIC COMPONENTS

FIGURE 9-35. AUXILIARY DIVERter VALVE

ITEM	PART NUMBER	QTY	DESCRIPTION	REV
	4641404	1	AUXILIARY DIVERter VALVE, (includes all items)	A
1	70021530	1	COIL, (includes item 2)	
2	7028909	1	CONNECTOR	
3	70021531	1	RETAINER KIT, (includes o-rings and nut)	

# SECTION 9 - HYDRAULIC COMPONENTS

## FIGURE 9-36. ACTUATOR ASSEMBLY



PAP13850

## SECTION 9 - HYDRAULIC COMPONENTS

**FIGURE 9-36. ACTUATOR ASSEMBLY**

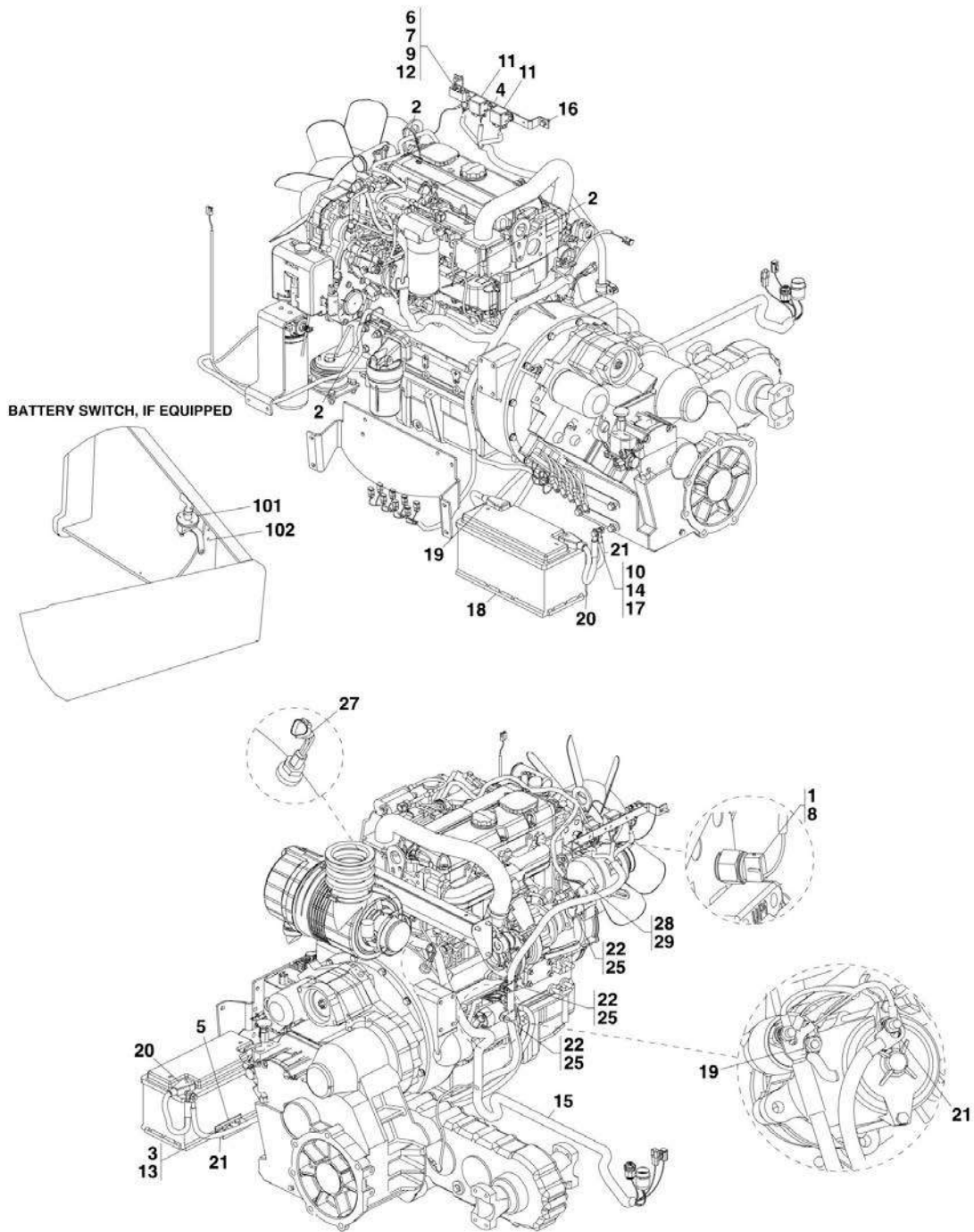
ITEM	PART NUMBER	QTY	DESCRIPTION	REV
	1001095681	1	ACTUATOR ASSY, (includes all items)	E
2	70021727	1	SHAFT	
3	7017168	1	PISTON SLEEVE	
4	7017169	1	END CAP	
8	70021729	1	HARDWARE KIT	
9	Kit K1	1	O-RING	
10	Kit K1	1	BACK-UP RING	
11	Kit K1	1	ROD SEAL	
12	Kit K1	1	PISTON SEAL	
13	Kit K1	2	CUP SEAL	
14	Kit K2	2	WEAR GUIDE	
15	Kit K2	2	THRUST WASHER	
16	70021730	1	COUNTERBALANCE VALVE ASSY	
16	70021731	2	O-RING	
K1	70021728	1	SEAL KIT, (includes items 9 thru 13)	
K2	7017178	1	BEARING KIT, (includes items 14 & 15)	



**SECTION 10 - ELECTRICAL**

# SECTION 10 - ELECTRICAL

## FIGURE 10-1. ENGINE ELECTRICAL INSTALLATION





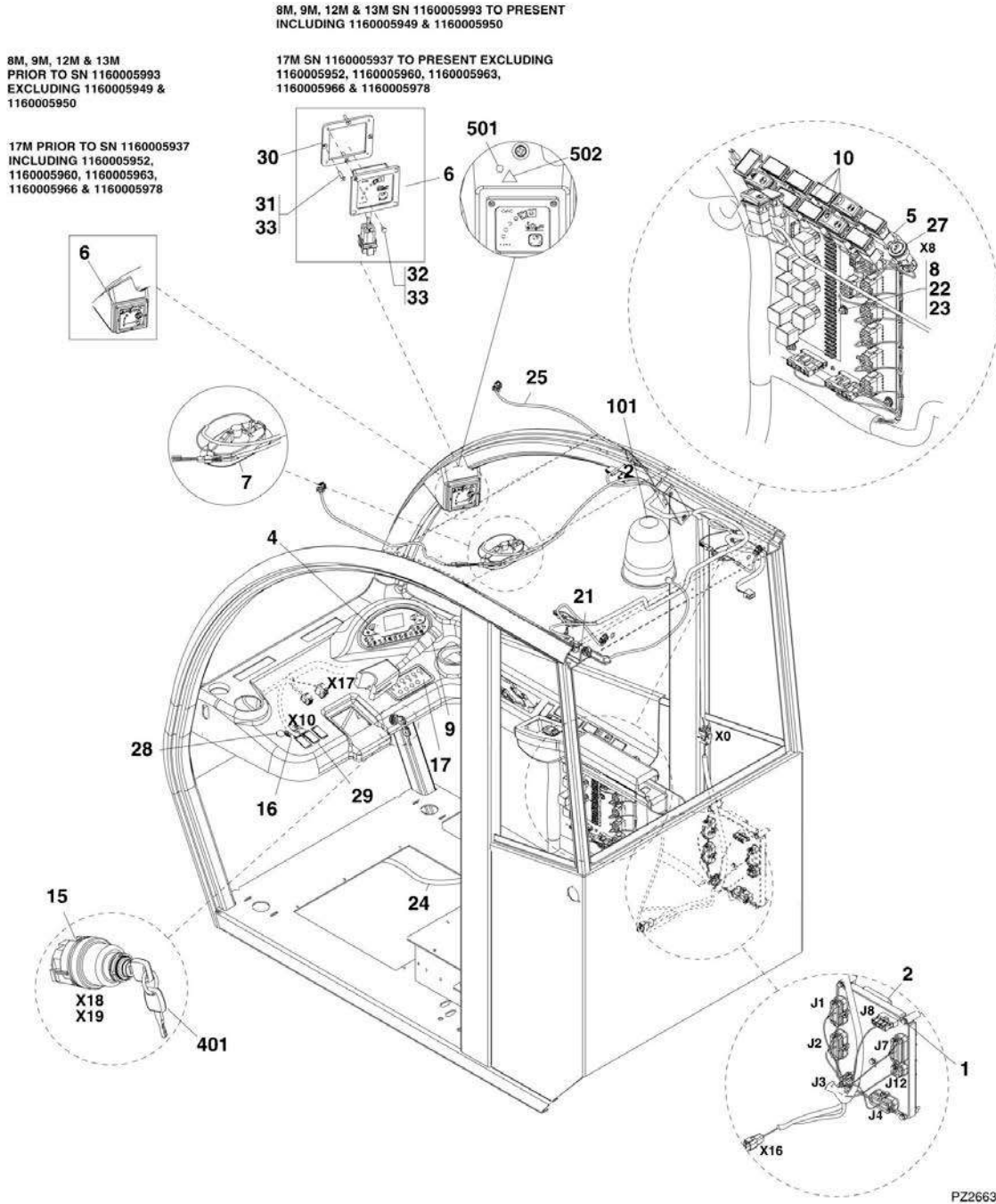
## SECTION 10 - ELECTRICAL

**FIGURE 10-1. ENGINE ELECTRICAL INSTALLATION**

ITEM	PART NUMBER	QTY	DESCRIPTION	REV
	1001097165	Ref	ENGINE ELECTRICAL INSTALLATION, (not available to order, see items 1 thru 29 for service)	J
	1001099630	Ref	ENGINE ELECTRICAL INSTALLATION, (if equipped for platform), (not available to order, see items 1 thru 29 for service)	C
1	1001097335	AR	LOCTITE 567	
2	4240017	36	TIE STRAP	
3	0760814	2	HEX HD CAPSCREW, M8X30	
4	0902991	1	ELECTRIC RELAY BRACKET	
5	1787217	1	CLAMP	
6	2400073	1	FUSE HOLDER	
7	2400074	1	50 AMP FUSE	
8	2420229	1	TEMPERATURE SENSOR	
9	3290305	2	HEX LOCK NUT, M3X0.5	
10	3291001	1	HEX NUT, M10X1.5	
11	3740112	2	75 AMP RELAY	
12	4010308	2	PAN HD CAPSCREW, M3X16	
13	4811900	2	WASHER, 8mm	
14	4812000	1	WASHER, 10mm	
15		Ref	POWERSHIFT ENGINE HARNESS, (See POWERSHIFT ENGINE HARNESS for Breakdown)	
16	5200810	2	RIPP BOLT, M8X20	
17	5201014	1	RIPP BOLT, M10X30	
18	8008750	1	12V BATTERY	
19	4923515	1	POSITIVE BATTERY HARNESS	
19	1001091615	1	POSITIVE BATTERY HARNESS, (if equipped for platform)	
20	4923516	1	NEGATIVE BATTERY HARNESS	
21	4923517	1	HARNESS, STARTER GROUND	
22	816186	3	HOSE CLAMP	
25	5200605	7	RIPP BOLT, M6X10	
27	1001103638	1	ENGINE SPEED SENSOR	
28	3300480	1	HEX NUT, M5X0.8mm	
29	3300481	1	HEX NUT, M6X1mm	
	8002791	Ref	BATTERY SWITCH INSTALLATION, (if equipped) (not available to order, see items 101 & 102 for service)	D
101	1786385	1	BATTERY SWITCH	
102	8006680	1	PLATE	

# SECTION 10 - ELECTRICAL

## FIGURE 10-2. CAB ELECTRICAL INSTALLATION



## SECTION 10 - ELECTRICAL

### FIGURE 10-2. CAB ELECTRICAL INSTALLATION

ITEM	PART NUMBER	QTY	DESCRIPTION	REV
	1810033	Ref	CAB ELECTRICAL INSTALLATION, (not available to order, see items 1 thru 33 for service) <b>(3508PS;3509PS;3512PS;3513PS;4008PS;4009PS;4012PS;4013PS Prior to SN 1160005993, Excluding 1160005949 and 1160005950; 4017PS Prior to SN 1160005937; Including 1160005952, 1160005960, 1160005963, 1160005966 and 1160005978)</b>	M
	1001128149	Ref	CAB ELECTRICAL INSTALLATION, (not available to order, see items 1 thru 33 & 501 for service) <b>(3508PS;3509PS;3512PS;3513PS;4008PS;4009PS;4012PS;4013PS SN 1160005993 to Present, Including 1160005949 and 1160005950; 4017PS SN 1160005937 to Present, Excluding 1160005952, 1160005960, 1160005963, 1160005966 and 1160005978)</b>	H
	1001106619	Ref	CAB ELECTRICAL INSTALLATION, (not available to order, see items 1 thru 33 & 501 for service) <b>(40.8;40.9 Prior to SN 1160006512, Excluding 1160006505 and 1160006507)</b>	H
	1001139510	Ref	CAB ELECTRICAL INSTALLATION, (not available to order, see items 1 thru 29, 32, 33 & 501 for service) <b>(40.8;40.9 SN 1160006512 to Present; Including 1160006505 and 1160006507)</b>	C
1	0760618	5	HEX HD CAPSCREW, M6X50, GR8.8	
2	1600447	1	GROUND CONTROLLER	
3		Ref	JOYSTICK CONTROLLER, (not shown), (See CONTROLS SECTION for Breakdown)	
4	1600449	1	GAUGE CLUSTER ASSY CONTROLLER, (3508PS, 3509PS, 3512PS, 3513PS, 4008PS, 4009PS, 4012PS, 4013PS & 4017PS)	
4	1001106611	1	GAUGE CLUSTER ASSY CONTROLLER, (40.8 & 40.9)	
5	1001134580	1	POWER DISTRIBUTION ASSY	
6	1810046	1	LSI DISPLAY <b>(8M;9M;12M;13M Prior to SN 1160005993, Excluding 1160005949 and 1160005950; 17M Prior to SN 1160005937; Including 1160005952, 1160005960, 1160005963, 1160005966 and 1160005978)</b>	
6	1001121516	NLA	LSI DISPLAY, (no longer available, use 1001127308 for replacement) <b>(8M;9M;12M;13M SN 1160005993 to Present, Including 1160005949 and 1160005950; 17M SN 1160005937 to Present, Excluding 1160005952, 1160005960, 1160005963, 1160005966 and 1160005978)</b>	
6	1001127308	1	LSI DISPLAY, (40.8 & 40.9) <b>(8M;9M;12M;13M SN 1160005993 to Present, Including 1160005949 and 1160005950; 17M SN 1160005937 to Present, Excluding 1160005952, 1160005960, 1160005963, 1160005966 and 1160005978)</b>	
7	2920209	1	DOME LIGHT	
7	70020795	1	REPLACEMENT BULB	
8	3290605	5	HEX LOCK NUT, M6X1	
9		Ref	TURN/WIPER/HORN SWITCH, (See CONTROLS SECTION for Breakdown)	
10		Ref	CAB SWITCHES, (See ELECTRICAL INSTALLATION, CAB SWITCHES for Breakdown)	
15	4360657	1	IGNITION SWITCH, (includes item 401)	
16	4360658	1	BRAKE LIGHT SWITCH	
17	4360660	1	KEYPAD SWITCH, (3508PS, 3509PS, 3512PS, 3513PS, 4008PS, 4009PS, 4012PS, 4013PS & 4017PS)	
17	1001106590	1	KEYPAD SWITCH, (40.8 & 40.9)	
21	4461174	1	12V POWER SUPPLY TERMINAL	
22	4740563	5	WASHER	
23	4811700	10	WASHER, 10mm	

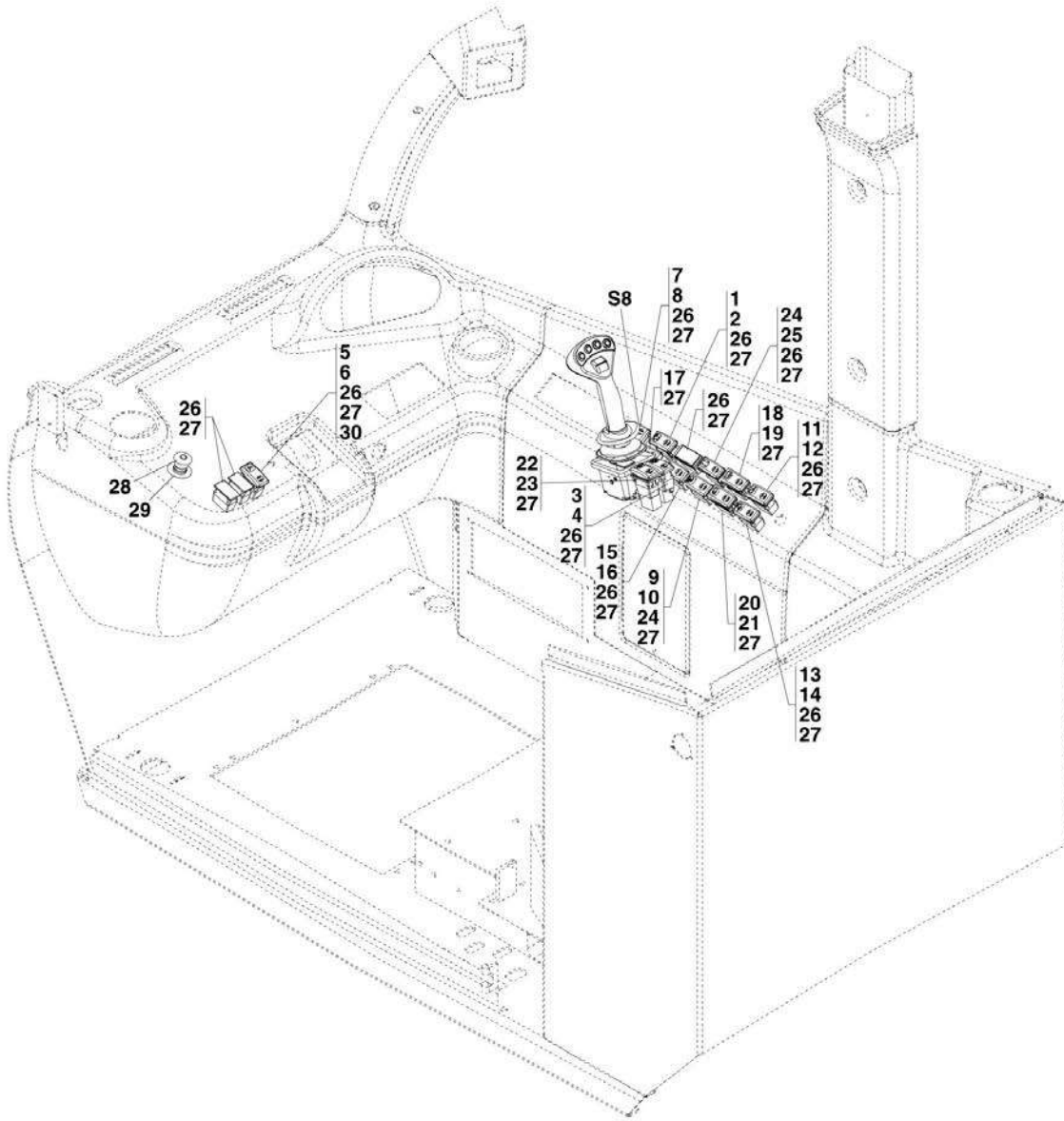
## SECTION 10 - ELECTRICAL

ITEM	PART NUMBER	QTY	DESCRIPTION	REV
24		Ref	MAIN CAB HARNESS, (See MAIN CAB HARNESS for Breakdown)	
25		Ref	CAB ROOF HARNESS, (See CAB ROOF HARNESS for Breakdown)	
27	1001095804	1	CONNECTOR, 12V POWER SOCKET	
28	1001102866	1	HOLE PLUG	
29	4360688	16	SWITCH RING ADAPTER	
30	1001113167	1	LSI ADAPTER, (40.8 & 40.9) <b>(3508PS;4008PS;3509PS;4009PS;3512PS;4012PS;3513PS;4013PS SN 1160005993 through 1160006652, Including 1160005949 and 1160005950; 4017PS SN 1160005937 through 1160006652, Excluding 1160005952, 1160005960, 1160005963, 1160005966 and 1160005978)</b>	
31	8310612	4	SOCKET HD CAPSCREW, M4X20, GR8.8, (40.8 & 40.9) <b>(3508PS;4008PS;3509PS;4009PS;3512PS;4012PS;3513PS;4013PS SN 1160005993 through 1160006652, Including 1160005949 and 1160005950; 4017PS SN 1160005937 to Present, Excluding 1160005952, 1160005960, 1160005963, 1160005966 and 1160005978)</b>	
32	4010403	4	PAN HD CAPSCREW, M4X6, (40.8 & 40.9) <b>(8M;9M;12M;13M SN 1160005993 to Present, Including 1160005949 and 1160005950; 17M SN 1160005937 to Present, Excluding 1160005952, 1160005960, 1160005963, 1160005966 and 1160005978)</b>	
33	1001095650	AR	LOCTITE 243, (40.8 & 40.9) <b>(8M;9M;12M;13M SN 1160005993 to Present, Including 1160005949 and 1160005950; 17M SN 1160005937 to Present, Excluding 1160005952, 1160005960, 1160005963, 1160005966 and 1160005978)</b>	
	0275575	Ref	BEACON LIGHT INSTALLATION, (not available to order, see items 101 thru 103 for service)	B
101	1001091573	1	BEACON WARNING LIGHT	
101	70020186	1	REPLACEMENT BULB	
102		Ref	BEACON SWITCH BODY, (not shown), (See ELECTRICAL INSTALLATION, CAB SWITCHES for Breakdown)	
103		Ref	BEACON SWITCH KEY, (not shown), (See ELECTRICAL INSTALLATION, CAB SWITCHES for Breakdown)	
	8100058	Ref	RADIO PREP INSTALLATION, (includes items 202 thru 205)	
	8100059	Ref	RADIO INSTALLATION, (if equipped), (not available to order, see items 201 thru 204 for service)	
201	2913406	1	RADIO, STEREO, (not shown)	
202	3938394	2	LOUDSPEAKER, (not shown)	
203	3938407	1	CABLE SET, (not shown)	
204	8005901	1	ANTENNA, (not shown)	
401	70021220	1	REPLACEMENT KEY KIT, (includes ring)	
501	1001128537	1	LSI CUT-OUT LAMP HARNESS, (40.8 & 40.9) <b>(8M;9M;12M;13M SN 1160005993 to Present, Including 1160005949 and 1160005950; 17M SN 1160005937 to Present, Excluding 1160005952, 1160005960, 1160005963, 1160005966 and 1160005978)</b>	
502	1001127546	1	LSI CUT-OUT LAMP DECAL <b>(8M;9M;12M;13M SN 1160005993 to Present, Including 1160005949 and 1160005950; 17M SN 1160005937 to Present, Excluding 1160005952, 1160005960, 1160005963, 1160005966 and 1160005978)</b>	



# SECTION 10 - ELECTRICAL

## FIGURE 10-3. ELECTRICAL INSTALLATION, CAB SWITCHES



PZ1441

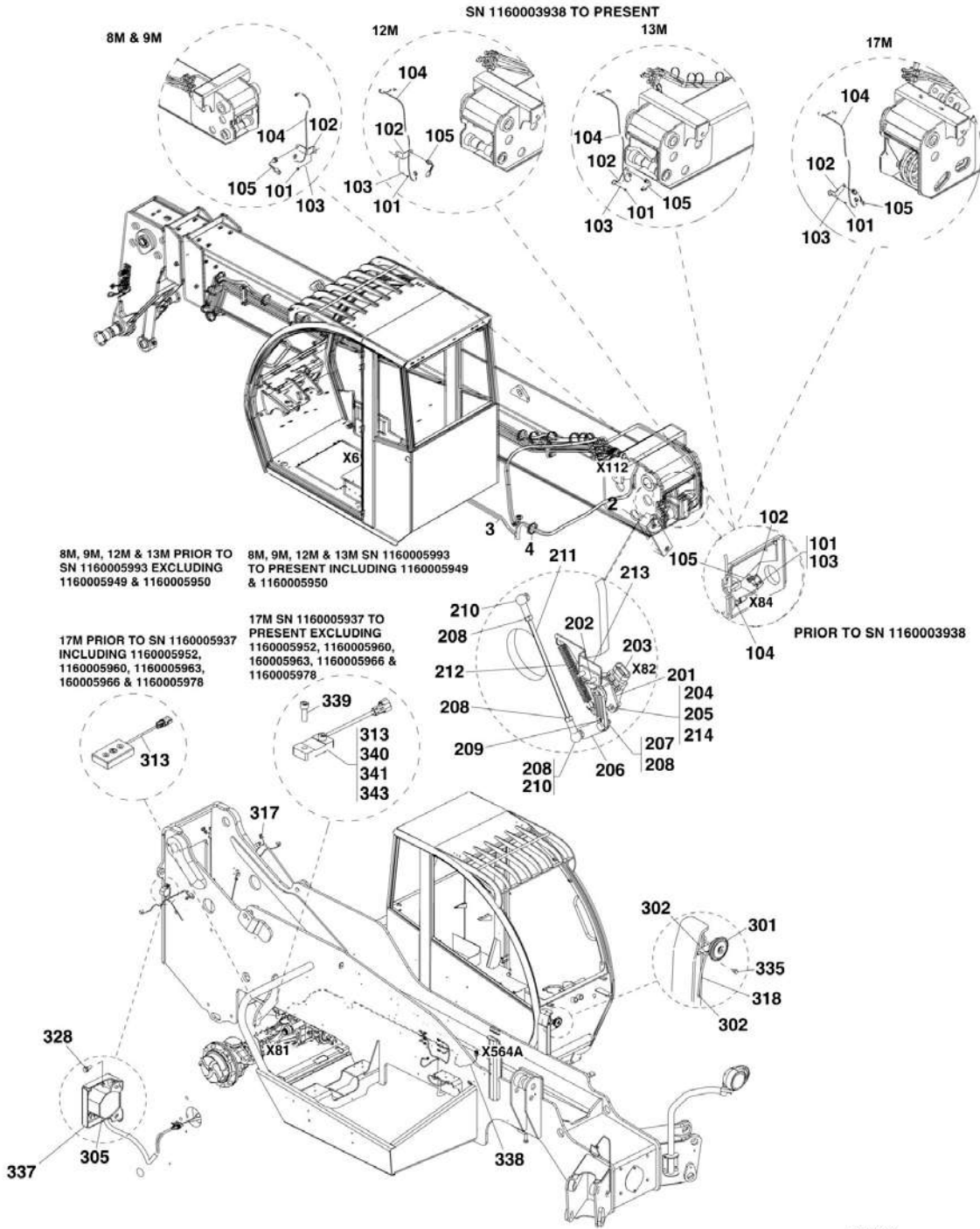
## SECTION 10 - ELECTRICAL

**FIGURE 10-3. ELECTRICAL INSTALLATION, CAB SWITCHES**

ITEM	PART NUMBER	QTY	DESCRIPTION	REV
1	4360644	1	SWITCH BODY, BEACON LIGHT, (if equipped)	
2	4360649	1	SWITCH KEY, BEACON LIGHT, (if equipped)	
3	4360664	1	SWITCH BODY, AUXILIARY ELECTRIC, (if equipped)	
4	1001092862	1	SWITCH KEY, AUXILIARY ELECTRIC, (if equipped)	
5	1001092861	1	SWITCH BODY, QUICK DISCONNECT, (if equipped)	
6	1001092863	1	SWITCH KEY, QUICK DISCONNECT, (if equipped)	
7	4360647	1	SWITCH BODY, FRAME LEVEL, (9M, 13M & 17M), (8M & 12M, if equipped)	
8	4360648	1	SWITCH KEY, FRAME LEVEL, (9M, 13M & 17M), (8M & 12M, if equipped)	
9	4360644	1	SWITCH BODY, BOOM LIGHTS, (if equipped)	
10	4360650	1	SWITCH KEY, BOOM LIGHTS, (if equipped)	
11	4360644	1	SWITCH BODY, REAR WORK LIGHTS, (if equipped)	
12	4360652	1	SWITCH KEY, REAR WORK LIGHTS, (if equipped)	
13	4360644	1	SWITCH BODY, FRONT WORK LIGHTS, (if equipped)	
14	4360651	1	SWITCH KEY, FRONT WORK LIGHTS, (if equipped)	
15	4360644	1	SWITCH BODY, POWERSHIFT CLUTCH LOCK	
16	4360645	1	SWITCH KEY, POWERSHIFT CLUTCH LOCK	
17	4360640	1	SWITCH ASSY, HAZZARD	
18	4360642	1	SWITCH BODY, REAR WIPER	
19	4360643	1	SWITCH KEY, REAR WIPER	
20	4360653	1	SWITCH BODY, DRIVING LIGHTS	
21	4360654	1	SWITCH KEY, DRIVING LIGHTS	
22	4360665	1	SWITCH BODY, AUXILIARY HYDRAULICS	
23	4360666	1	SWITCH BODY, AUXILIARY HYDRAULICS	
24	4360644	1	SWITCH BODY, FRONT/REAR AUXILIARY HYDRAULICS	
25	4360646	1	SWITCH BODY, FRONT/REAR AUXILIARY HYDRAULICS	
26	4360669	13	SWITCH ASSY, BLANK	
27	4360688	16	SWITCH, ADAPTOR	
28	4360475	1	SWITCH, E-STOP, PLATFORM, (if equipped)	
29	1704260	1	EMS DECAL, PLATFORM, (if equipped)	
30	1001096680	1	SWITCH KEY, AUX POWER UNIT ENABLE, PLATFORM, (if equipped)	

# SECTION 10 - ELECTRICAL

## FIGURE 10-4. BOOM AND FRAME ELECTRICAL INSTALLATIONS



PAP3260



## SECTION 10 - ELECTRICAL

### FIGURE 10-4. BOOM AND FRAME ELECTRICAL INSTALLATIONS

ITEM	PART NUMBER	QTY	DESCRIPTION	REV
	1001097274	Ref	AUXILIARY ELECTRIC INSTALLATION, (if equipped), (not available to order, see items 1 thru 4 for service)	B
1		Ref	AUXILIARY ELECTRICS SWITCH BODY, (not shown), (See ELECTRICAL INSTALLATION, CAB SWITCHES for Breakdown)	
2		Ref	AUXILIARY ELECTRICS SWITCH KEY, (not shown), (See ELECTRICAL INSTALLATION, CAB SWITCHES for Breakdown)	
3		Ref	PLATFORM HARNESS, (See ELECTRICAL INSTALLATION, PLATFORM for Breakdown)	
4	4240017	8	TIE STRAP	
	0275838	Ref	BOOM RETRACT SENSOR, (if equipped) (not available to order, see items 101 thru 106 for service) <b>(Prior to SN 1160003938)</b>	E
	1001107285	Ref	BOOM RETRACT SENSOR, (if equipped), (8M & 9M), (includes 101 thru 106) <b>(SN 1160003938 to Present)</b>	A
	1001108193	Ref	BOOM RETRACT SENSOR, (if equipped), (12M), (includes 101 thru 106) <b>(SN 1160003938 to Present)</b>	A
	1001108190	Ref	BOOM RETRACT SENSOR, (if equipped), (13M), (includes 101 thru 106) <b>(SN 1160003938 to Present)</b>	A
	1001108176	Ref	BOOM RETRACT SENSOR, (if equipped), (17M), (includes 101 thru 106) <b>(SN 1160003938 to Present)</b>	A
101	0760808	2	HEX HD CAPSCREW, 8-1.25X16mm	
102	0903563	1	BRACKET <b>(Prior to SN 1160003938)</b>	
102	1001103728	1	BOOM RETRACT SENSOR BRACKET, (8M, 9M, 12M & 17M) <b>(SN 1160003938 to Present)</b>	
102	1001108275	1	BOOM RETRACT SENSOR BRACKET, (13M) <b>(SN 1160003938 to Present)</b>	
103	4811900	2	WASHER, 8mm	
104		Ref	BOOM RETRACT HARNESS, (See BOOM RETRACT HARNESS for Breakdown)	
105	80363166	1	PROXIMITY SENSOR	
105	80963060	4	SHROUD	
105	80963069	12	MALE PIN TERMINAL	
105	91143187	12	GREEN CABLE SEAL	
106	4240017	4	TIE STRAP, (not shown)	
	0275620	Ref	BOOM ANGLE SENSOR, (8M, 9M, 12M & 13M), (not available to order, see items 201 thru 211 for service)	A
	0275621	Ref	BOOM ANGLE SENSOR, (17M), (not available to order, see items 201 thru 213 for service)	B
	1001099018	Ref	BOOM ANGLE SENSOR, (13M, if equipped for platform), (not available to order, see items 201 thru 214 for service)	A
	1001099723	Ref	BOOM ANGLE SENSOR, (CE - 17M, if equipped for platform), (not available to order, see items 201 thru 214 for service)	A
201	0903610	1	BRACKET	
202	5200608	2	RIPP BOLT, M6X16	
203	4000015	1	90, ANGLE SENSOR	
203	1001099717	1	90, ANGLE SENSOR, (if equipped for platform)	
204	4010408	2	HEX HD CAPSCREW, M4X16	
204	4010416	2	HEX HD CAPSCREW, M4X40, (if equipped for platform)	
205	3290405	2	HEX LOCK NUT, M4X0.7	
206	1001098041	1	BOOM ANGLE SENSOR PLATE	
207	4010608	1	HEX HD CAPSCREW, M6X16	
208	3290607	4	HEX LOCK NUT, M6X1	
209	3371705	1	PIN	
210	466104	2	ANGLE JOINT	

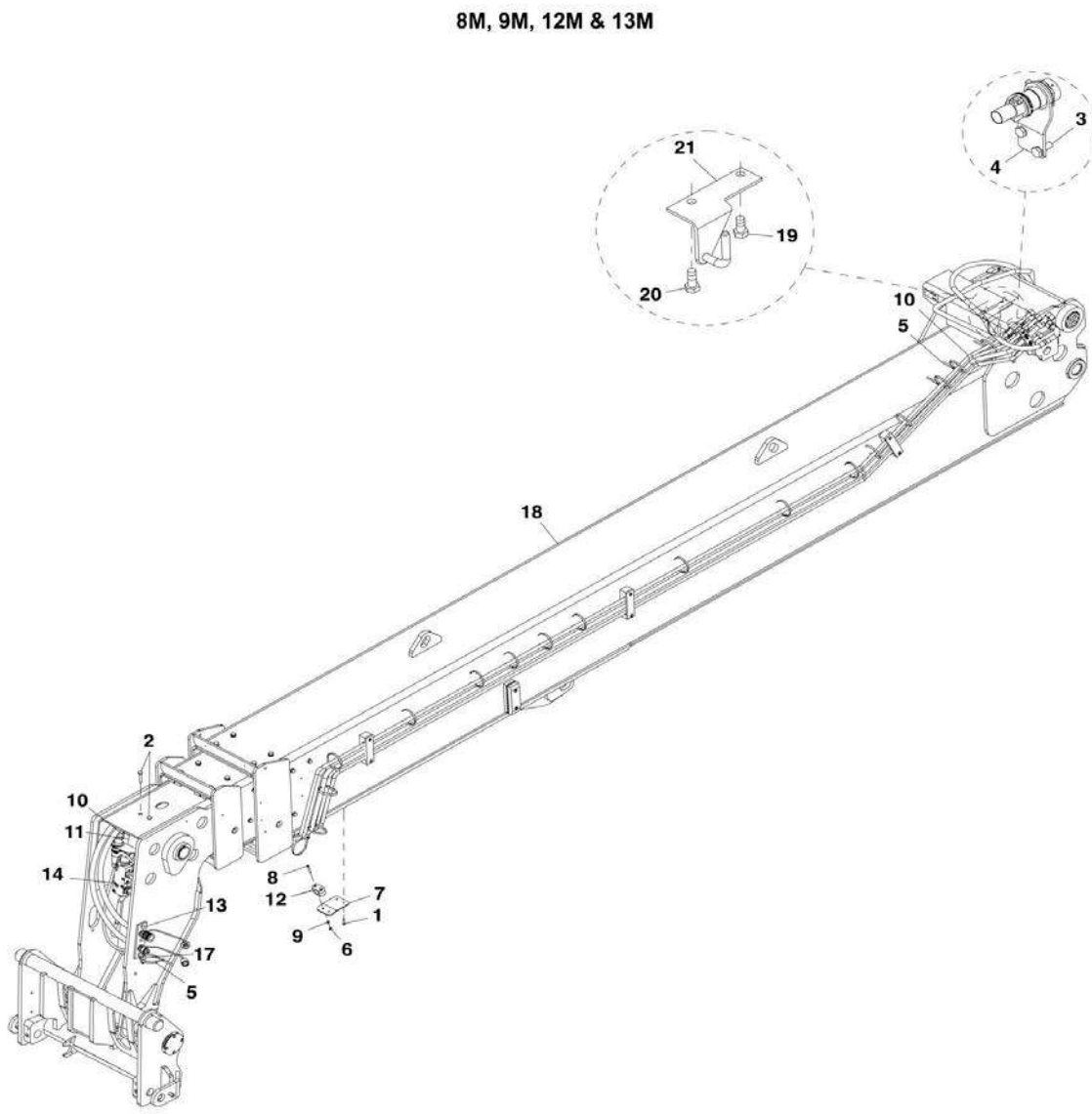
## SECTION 10 - ELECTRICAL

ITEM	PART NUMBER	QTY	DESCRIPTION	REV
211	3841763	1	ROD, M6X1.0	
212	1001093875	1	SPRING	
213	1001098059	1	BRACKET	
214	4811400	2	WASHER, 4mm	
301	0140046	1	HORN	
302	4240017	AR	TIE STRAP	
305	0140047	1	BACK-UP ALARM (Prior to SN 1160004670)	
305	1001099810	1	BACK-UP ALARM W/ GRILL (SN 1160004670 to Present)	
313	4000011	1	REAR AXLE LSI SENSOR (8M;9M;12M;13M Prior to SN 1160005993, Excluding 1160005949 and 1160005950; 17M Prior to SN 1160005937; Including 1160005952, 1160005960, 1160005963, 1160005966 and 1160005978)	
313	1001129370	1	REAR AXLE LSI SENSOR (3508PS;4008PS;3509PS;4009PS;3512PS;4012PS;3513PS SN 1160005993 to Present; Including 1160005949 and 1160005950)	
313	1001129371	1	REAR AXLE LSI SENSOR (4013PS SN 1160005993 to Present, Including 1160005949 and 1160005950; 4017PS SN 1160005937 to Present, Excluding 1160005952, 1160005960, 1160005963, 1160005966 and 1160005978)	
317		Ref	REAR FRAME HARNESS, (See REAR CHASSIS HARNESS for Breakdown)	
318		Ref	FRONT FRAME HARNESS, (See FRONT CHASSIS HARNESS for Breakdown)	
328	5200608	2	RIPP BOLT, M6X16	
335	0760805	1	HEX HD CAPSCREW, 8-1.25X10mm	
337	1001098600	1	BACKUP ALARM GRILL (Prior to SN 1160004670)	
338		Ref	LSI HARNESS, (See LSI HARNESS for Breakdown) (8M;9M;12M;13M SN 1160005993 to Present, Including 1160005949 and 1160005950; 17M SN 1160005937 to Present, Excluding 1160005952, 1160005960, 1160005963, 1160005966 and 1160005978)	
339	5272010	2	SOCKET HD CAPSCREW, M10X30 (3508PS;4008PS;3509PS;4009PS;3512PS;4012PS;3513PS SN 1160005993 to Present; Including 1160005949 and 1160005950)	
339	5272011	2	SOCKET HD CAPSCREW, M10X35 (4013PS SN 1160005993 to Present, Including 1160005949 and 1160005950; 4017PS SN 1160005937 to Present, Excluding 1160005952, 1160005960, 1160005963, 1160005966 and 1160005978)	
340	1001125465	AR	LOCTITE 7063 CLEANER	
341	1001129425	1	LOCTITE 7063 AND INI NO 5 ACTIVATOR	
341	1001135162	1	INI NO 5 ACTIVATOR	
343	1001009092	2	HARDENED WASHER	



# SECTION 10 - ELECTRICAL

FIGURE 10-5. ELECTRICAL INSTALLATION, BOOM AUXILIARY ELECTRIC (8M, 9M, 12M & 13M)



PAP3040

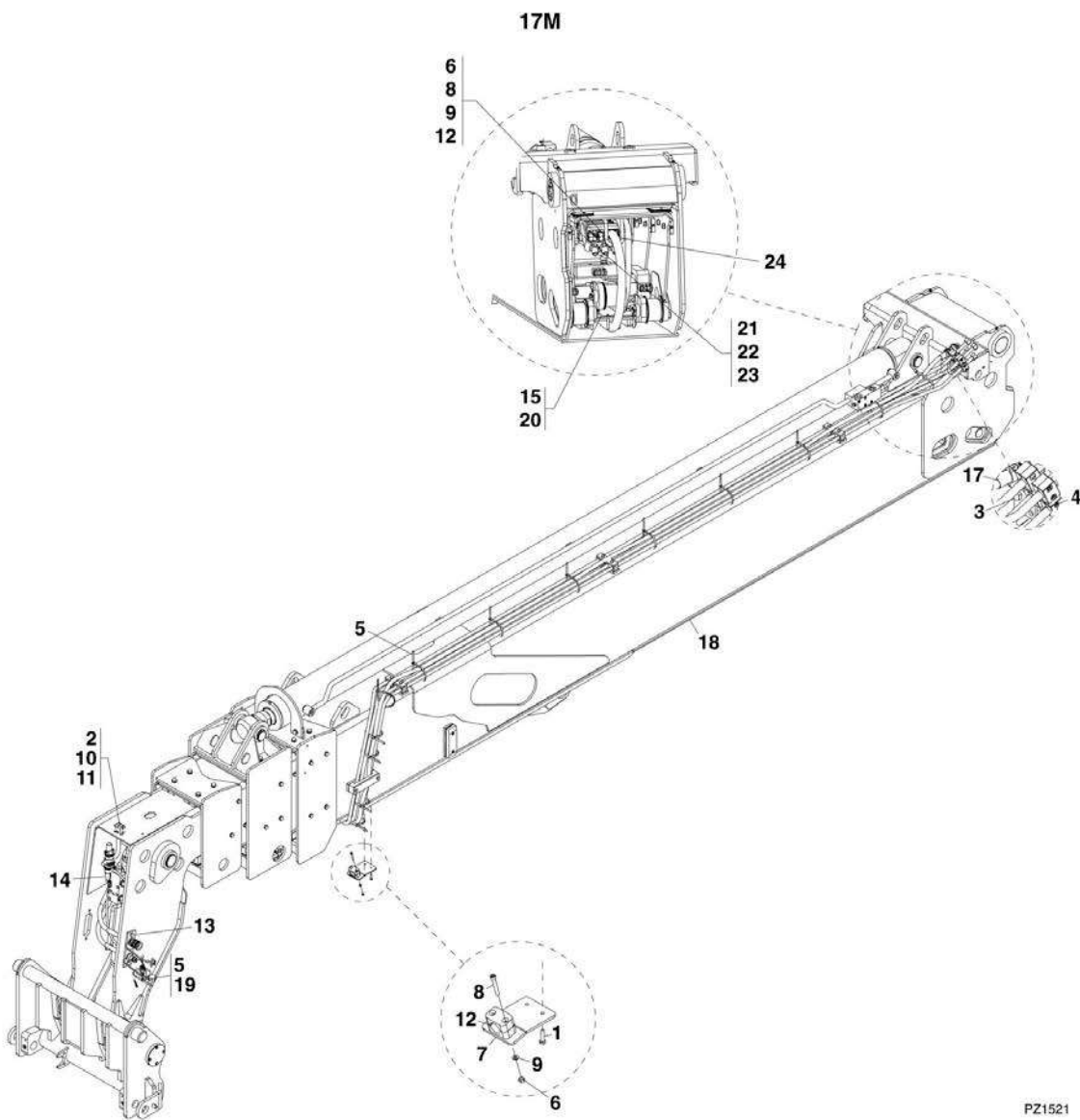
## SECTION 10 - ELECTRICAL

**FIGURE 10-5. ELECTRICAL INSTALLATION, BOOM AUXILIARY ELECTRIC (8M, 9M, 12M & 13M)**

ITEM	PART NUMBER	QTY	DESCRIPTION	REV
	1001094191	1	AUX ELECTRIC BOOM ASSY, (8M), (includes items 1 thru 18)	K
	1001094190	1	AUX ELECTRIC BOOM ASSY, (9M), (includes items 1 thru 18)	J
	1001094189	1	AUX ELECTRIC BOOM ASSY, (12M), (includes all items)	K
	1001091902	1	AUX ELECTRIC BOOM ASSY, (13M), (includes all items)	L
1	0700612	2	HEX HD CAPSCREW, 6-1.0X25mm	
2	0761015	2	HEX HD CAPSCREW, M10X35, GR 8.8, (8M & 9M)	
2	0760816	2	HEX HD CAPSCREW, M8X40, GR 8.8, (12M & 13M)	
3	0761012	2	HEX HD CAPSCREW, 10-1.50X25mm	
4	0903411	1	BRACKET	
5	1062255	32	TIE STRAP	
6	3290601	2	HEX NUT, M6X1	
7	3576791	1	PLATE	
8	4031713	2	HEX SOCKET HD CAPSCREW, M6X45	
9	4831700	2	SPRING LOCKWASHER, 6mm	
10		Ref	CABLE HARNESS, (See CABLE HARNESS for Breakdown)	
11	1001091331	1	BRACKET	
12	1001091581	1	CLAMP	
13	1001091904	1	COVER PLATE	
14		Ref	QUICK CONNECT ADAPTER HARNESS, (See QUICK CONNECT HARNESS for Breakdown)	
17		Ref	BOOM AUX ELECTRIC ADAPTER HARNESS, (See BOOM RETRACT HARNESS for Breakdown)	
18		Ref	BOOM ASSEMBLY, (See BOOM SECTION for Breakdown)	
19	0761212	2	HEX HD CAPSCREW, M12X25, GR 8.8, (12M & 13M)	
20	0761214	2	HEX HD CAPSCREW, M12X30, GR 8.8, (12M & 13M)	
21	1001100671	1	CABLE GUIDE BRACKET, (12M)	
21	1001092133	1	CABLE GUIDE BRACKET, (13M)	

# SECTION 10 - ELECTRICAL

## FIGURE 10-6. ELECTRICAL INSTALLATION, BOOM AUXILIARY ELECTRIC (17M)



PZ1521

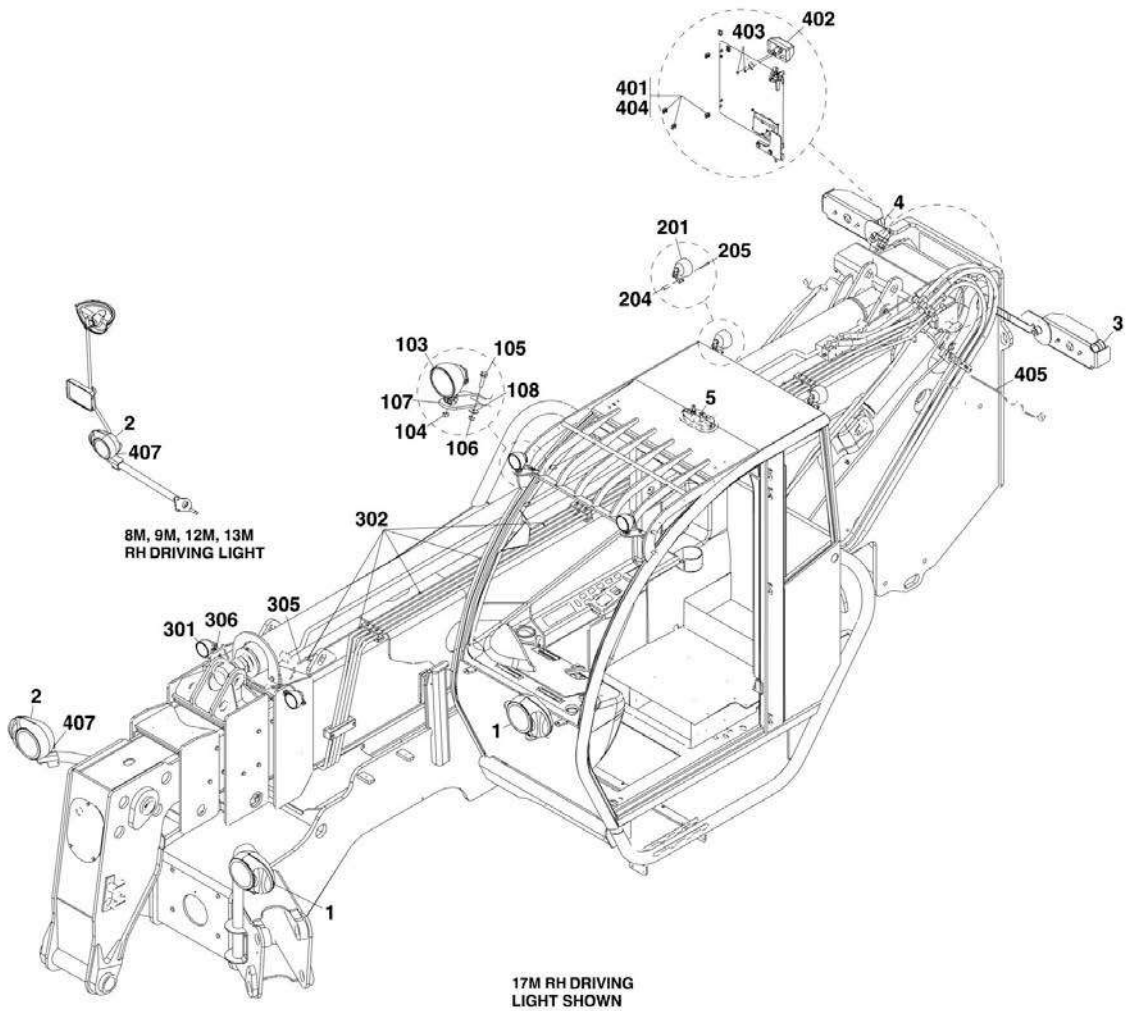
## SECTION 10 - ELECTRICAL

**FIGURE 10-6. ELECTRICAL INSTALLATION, BOOM AUXILIARY ELECTRIC (17M)**

ITEM	PART NUMBER	QTY	DESCRIPTION	REV
	1001094188	1	BOOM ASSY WITH AUXILIARY ELECTRIC, (17M), (includes all items)	O
1	0700612	2	HEX HD CAPSCREW, M6X25, GR8.8	
2	0700615	2	HEX HD CAPSCREW, M6X35, GR8.8	
3	0761012	2	HEX HD CAPSCREW, M10X25, GR8.8	
4	0903411	1	BRACKET	
5	1062255	24	TIE STRAP	
6	3290601	4	HEX NUT, M6X1	
7	3576791	1	PLATE	
8	4031713	4	HEX HD CAPSCREW, M6X45	
9	4831700	4	SPRING LOCKWASHER, 6mm	
10	1321669	1	CLAMP	
11	1321675	1	CLAMP	
12	1001091581	2	CLAMP	
13	1001091904	1	COVER	
14		Ref	QUICK CONNECT HARNESS, (See QUICK CONNECT HARNESS for Breakdown)	
15	3900357	4	BUTTON HD CAPSCREW, M6X16	
17		Ref	CABLE HARNESS, (See CABLE HARNESS for Breakdown)	
18		Ref	BOOM INSTALLATION, (See BOOM SECTION for Breakdown)	
19		Ref	AUXILIARY ELECTRIC ADAPTER HARNESS, (See BOOM HARNESS AUXILIARY ELECTRICAL ADAPTER for Breakdown)	
20	101113749	1	BRACKET	
21	0761016	2	HEX HD CAPSCREW, M10X40, GR8.8	
22	4812000	2	WASHER, 10mm	
23	0761015	2	HEX HD CAPSCREW, M10X35, GR8.8	
24	1001092069	1	BRACKET	

# SECTION 10 - ELECTRICAL

## FIGURE 10-7. ELECTRICAL INSTALLATION, LIGHTS



PZ1370



## SECTION 10 - ELECTRICAL

**FIGURE 10-7. ELECTRICAL INSTALLATION, LIGHTS**

ITEM	PART NUMBER	QTY	DESCRIPTION	REV
1	2920207	1	LH DRIVING LIGHT, (includes mounting hardware)	C
1	7029969	1	REPLACEMENT BULB, 12V	
1	7029970	1	REPLACEMENT BULB, 12V-55W	
1	7029971	1	REPLACEMENT BULB, 12V-21W	
2	2920208	1	RH DRIVING LIGHT, (includes mounting hardware)	
2	7029969	1	REPLACEMENT BULB, 12V	
2	7029970	1	REPLACEMENT BULB, 12V-55W	
2	7029971	1	REPLACEMENT BULB, 12V-21W	
3	8001991	1	LH TAIL LIGHT	
3	0313279	2	REPLACEMENT BULB, 12V-10W	
3	0388450	4	REPLACEMENT BULB, 12V-21W	
4	8001989	1	RH TAIL LIGHT	
4	0313279	2	REPLACEMENT BULB, 12V-10W	
4	0388450	4	REPLACEMENT BULB, 12V-21W	
5	2920209	1	DOME LIGHT	
5	70020795	1	REPLACEMENT BULB, 12V-10W	
	0275581	Ref	FRONT WORKLIGHT INSTALLATION, (if equipped), (not available to order, see items 101 thru 108 for service)	C
101		Ref	SWITCH BODY, FRONT WORK LIGHTS, (not shown), (See ELECTRICAL INSTALLATION, CAB SWITCHES for Breakdown)	
102		Ref	SWITCH KEY, FRONT WORK LIGHTS, (not shown), (See ELECTRICAL INSTALLATION, CAB SWITCHES for Breakdown)	
103	2920206	2	WORKLIGHT	
103	70020796	1	REPLACEMENT BULB, 12V-50W	
104	5220600	2	RIPP NUT, 6mm	
105	5200814	2	RIPP BOLT, M8X30	
106	3290801	2	HEX NUT, M8X1.25	
107	3577226	2	PLATE, (3508PS, 3509PS, 3512PS, 3513PS, 4008PS, 4009PS, 4012PS, 4013PS & 4017PS)	
107	3577226B	2	PLATE, (40.8 & 40.9)	
108	5211902	2	RIPP WASHER, 8mm	
	0275579	Ref	REAR WORKLIGHT INSTALLATION, (if equipped), (not available to order, see items 201 thru 205 for service)	B
201	2920206	2	WORKLIGHT	
201	70020796	1	REPLACEMENT BULB, 12V-50W	
202		Ref	SWITCH BODY, REAR WORK LIGHTS, (not shown), (See ELECTRICAL INSTALLATION, CAB SWITCHES for Breakdown)	
203		Ref	SWITCH KEY, REAR WORK LIGHTS, (not shown), (See ELECTRICAL INSTALLATION, CAB SWITCHES for Breakdown)	
204	4569509	2	MOUNTING TUBE, (3508PS, 3509PS, 3512PS, 3513PS, 4008PS, 4009PS, 4012PS, 4013PS & 4017PS)	
204	4569509B	2	MOUNTING TUBE, (40.8 & 40.9)	
205	0760619	2	HEX HD CAPSCREW, 6-1X55mm	
	0275814	Ref	BOOM WORKLIGHT INSTALLATION, (if equipped), (not available to order, see items 301 thru 306 for service)	A
301	2920206	2	WORKLIGHT	
301	70020796	1	REPLACEMENT BULB, 12V-50W	
302	4240017	13	TIE STRAP	
303		Ref	SWITCH BODY, BOOM WORKLIGHT, (not shown), (See ELECTRICAL INSTALLATION, CAB SWITCHES for Breakdown)	
304		Ref	SWITCH KEY, BOOM WORKLIGHT, (not shown), (See ELECTRICAL INSTALLATION, CAB SWITCHES for Breakdown)	

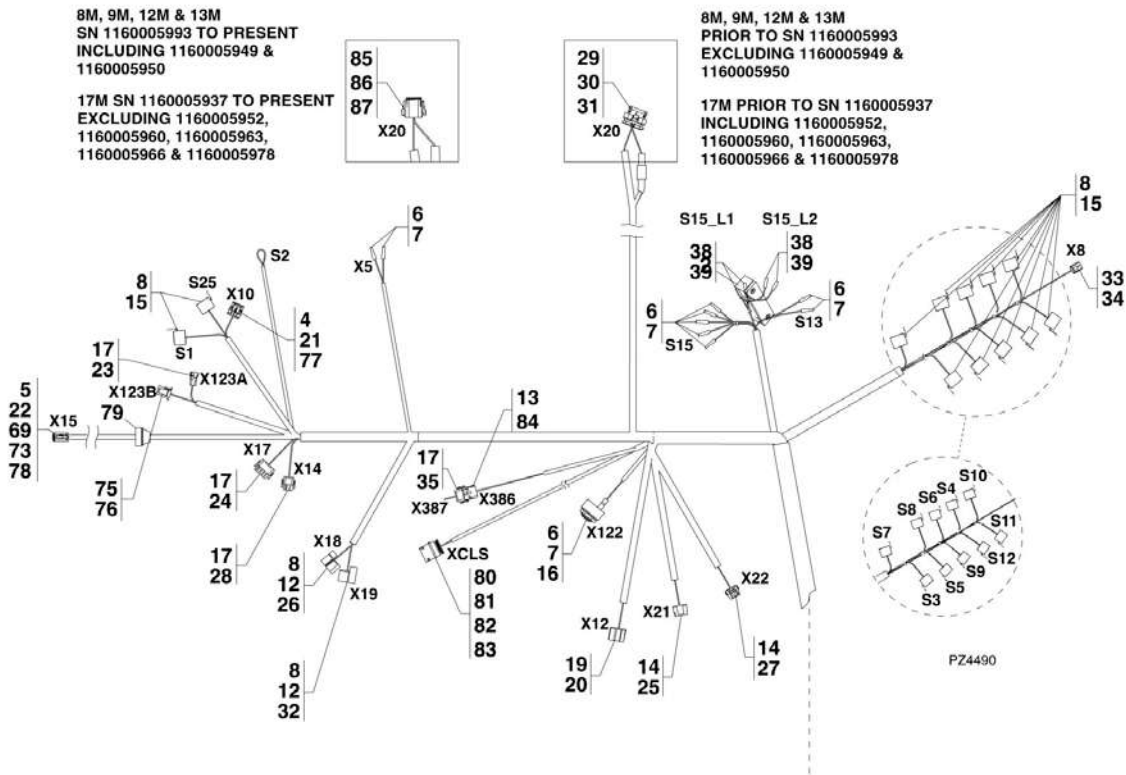
## SECTION 10 - ELECTRICAL

ITEM	PART NUMBER	QTY	DESCRIPTION	REV
305		Ref	HARNESS, BOOM LIGHTS, (See BOOM LIGHTS HARNESS for Breakdown)	
306	5220600	2	RIPP NUT, 6mm	
401	8007986	5	CLIP	
402	2920204	1	LICENSE PLATE LIGHT	
402	70021341	1	REPLACEMENT BULB, 12V-5W	
403	5220500	2	RIPP NUT, 5mm	
404	845749	4	RIVET	
405		Ref	REAR CHASSIS HARNESS, (See REAR CHASSIS HARNESS for Breakdown)	
407	4240017	3	TIE STRAP	

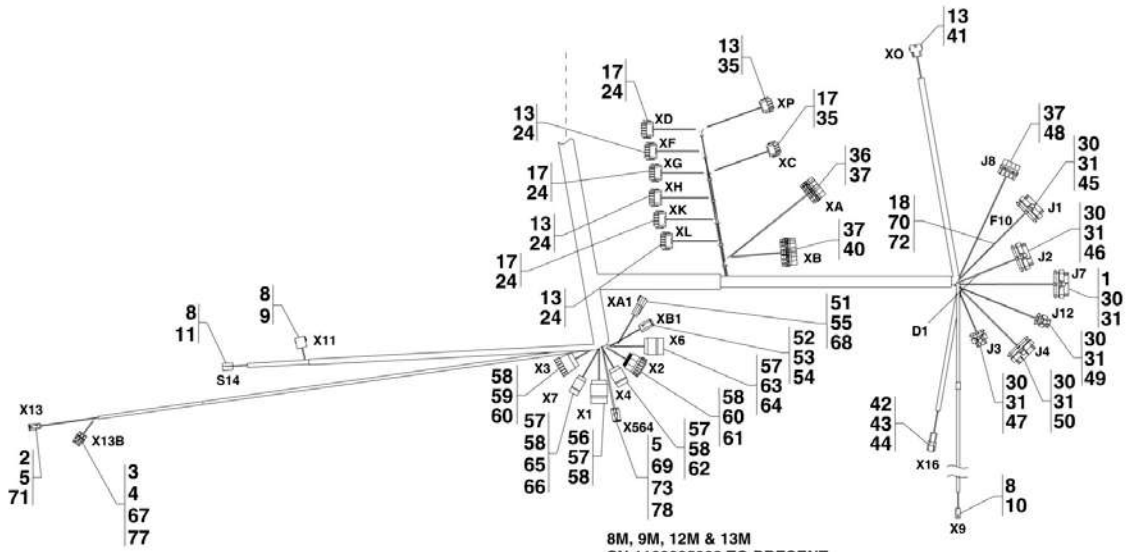


# SECTION 10 - ELECTRICAL

## FIGURE 10-8. MAIN CAB HARNESS



# SECTION 10 - ELECTRICAL



8M, 9M, 12M & 13M  
 SN 1160005993 TO PRESENT  
 INCLUDING 1160005949 & 1160005950

17M SN 1160005937 TO PRESENT  
 EXCLUDING 1160005952, 1160005960,  
 11600005963, 1160005966 & 1160005978

PAP3290

# SECTION 10 - ELECTRICAL

## FIGURE 10-8. MAIN CAB HARNESS

ITEM	PART NUMBER	QTY	DESCRIPTION	REV
	4923432	1	MAIN CAB HARNESS, (includes items 1 thru 84) (8M;9M;12M;13M Prior to SN 1160005993, Excluding 1160005949 and 1160005950; 17M Prior to SN 1160005937; Including 1160005952, 1160005960, 1160005963, 1160005966 and 1160005978)	S
	1001121517	1	MAIN CAB HARNESS, (40.8 & 40.9), (includes all items) (8M;9M;12M;13M SN 1160005993 to Present, Including 1160005949 and 1160005950; 17M SN 1160005937 to Present, Excluding 1160005952, 1160005960, 1160005963, 1160005966 and 1160005978)	C
1	4460873	1	CONNECTOR	
2	7026408	1	CONNECTOR	
3	4461262	1	CONNECTOR	
4	1001107854	6	CONTACT	
5	1001116692	11	TERMINAL	
6	1001118379	6	FEMALE CONNECTOR	
7	1001116995	4	FEMALE CONNECTOR	
8	1001104519	27	FEMALE CONNECTOR	
9	1001116986	1	4-WAY CONNECTOR	
10	1001116991	1	2-WAY CONNECTOR	
11	4460994	1	2-WAY CONNECTOR, 90	
12	1001118383	10	FEMALE CONNECTOR	
13	1001118378	76	MALE CONNECTOR	
14	1001118382	33	TERMINAL, SOCKET	
15	4461164	2	CONNECTOR	
16	1001091751	1	BUZZER	
17	4460268	75	FEMALE TERMINAL	
18	7029771	1	COVER	
19	1001116753	4	TERMINAL	
20	4461172	1	5-WAY CONNECTOR	
21	1001103012	1	4-WAY CONNECTOR	
22	70020801	1	BOOT	
23	4460224	1	CONNECTOR	
24	4460434	7	CONNECTOR	
25	1001116993	2	CONNECTOR	
26	1001118685	1	CONNECTOR	
27	1001116992	1	CONNECTOR	
28	4460265	1	CONNECTOR	
29	1001116994	1	CONNECTOR	
30	4460871	110	TERMINAL, SOCKET, (8M;9M;12M;13M Prior to SN 1160005993, Excluding 1160005949 and 1160005950; 17M Prior to SN 1160005937; Including 1160005952, 1160005960, 1160005963, 1160005966 and 1160005978)	
30	4460871	112	TERMINAL, SOCKET (8M;9M;12M;13M SN 1160005993 to Present, Including 1160005949 and 1160005950; 17M SN 1160005937 to Present, Excluding 1160005952, 1160005960, 1160005963, 1160005966 and 1160005978)	
31	4460905	67	PLUG (8M;9M;12M;13M Prior to SN 1160005993, Excluding 1160005949 and 1160005950; 17M Including 1160005937; Including 1160005937, 1160005960, 1160005963, 1160005966 and 1160005978)	
31	4460905	50	PLUG (8M;9M;12M;13M SN 1160005993 to Present, Including 1160005949 and 1160005950; 17M SN 1160005937 to Present, Excluding 1160005952, 1160005960, 1160005963, 1160005966	

## SECTION 10 - ELECTRICAL

ITEM	PART NUMBER	QTY	DESCRIPTION	REV
			<b>and 1160005978)</b>	
32	1001117121	1	CONNECTOR	
33	1001118684	1	CONNECTOR	
34	1001116754	2	TERMINAL	
35	4460343	3	CONNECTOR	
36	1001117012	1	CONNECTOR	
37	70020816	12	TERMINAL	
38	1001116998	2	CONNECTOR	
39	1001116715	4	TERMINAL	
40	1001117013	1	CONNECTOR	
41	4460708	1	CONNECTOR	
42	4461217	1	CONNECTOR	
43	1001116695	5	TERMINAL	
44	70020823	1	WEDGE LOCK	
45	4460874	1	CONNECTOR	
46	4460875	1	CONNECTOR	
47	4460872	1	CONNECTOR	
48	4460878	1	CONNECTOR	
49	1001113961	1	CONNECTOR	
50	4460876	1	CONNECTOR	
51	70020831	1	CONNECTOR	
52	70020834	4	SOCKET TERMINAL	
53	70021826	1	WEDGE LOCK	
54	1001096188	1	CONNECTOR	
55	1001116811	1	TERMINAL ASSY, (includes item 68)	
56	1001116976	1	CONNECTOR	
57	1001118380	63	PIN TERMINAL	
58	1001118391	26	PLUG	
59	1001116978	1	CONNECTOR	
60	1001118381	50	SOCKET TERMINAL (8M;9M;12M;13M Prior to SN 1160005993, Excluding 1160005949 and 1160005950; 17M Prior to SN 1160005937; Including 1160005952, 1160005960, 1160005963, 1160005966 and 1160005978)	
60	1001118381	53	SOCKET TERMINAL (8M;9M;12M;13M SN 1160005993 to Present, Including 1160005949 and 1160005950; 17M SN 1160005937 to Present, Excluding 1160005952, 1160005960, 1160005963, 1160005966 and 1160005978)	
61	1001117134	1	CONNECTOR	
62	1001116990	1	CONNECTOR	
63	1001116987	1	CONNECTOR	
64	70020843	1	DUST CAP	
65	1001116988	1	CONNECTOR	
66	70020845	1	DUST CAP	
67	1001104499	1	CAVITY PLUG	
68	1001116811	1	WEDGE LOCK	
69	4460466	6	PLUG	
70	4460419	2	TERMINAL	
71	80604018	1	LOCK CONNECTOR	
72	1001117023	1	CONNECTOR ASSY, (includes 10 amp fuse)	
72	1001117019	1	CONNECTOR	
73	4460894	2	CONNECTOR	
75	4460267	1	PIN TERMINAL	
76	4460225	1	CONNECTOR	

## SECTION 10 - ELECTRICAL

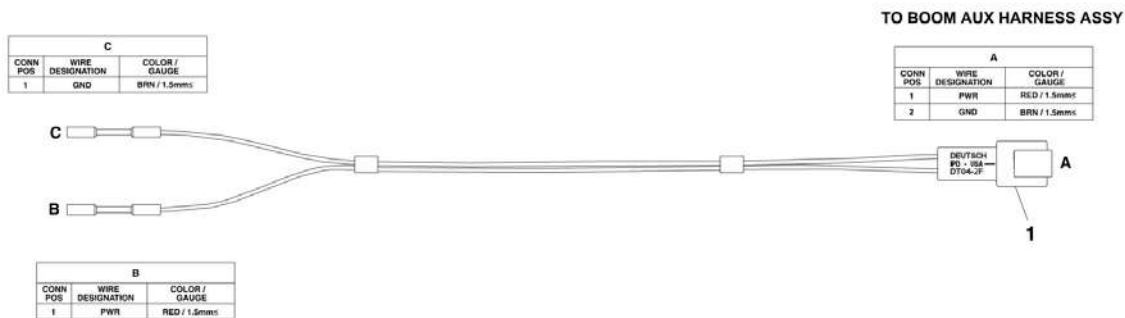
ITEM	PART NUMBER	QTY	DESCRIPTION	REV
77	1001116763	2	SEAL	
78	91504107	2	LOCK CONNECTOR	
79	1001096089	1	GROMMET	
80	4461043	1	HOUSING	
81	1001116693	14	TERMINAL	
82	4460466	1	PLUG	
83	1001106736	1	CAP	
84	4460367	1	HOUSING	
85	4460930	1	CONNECTOR (8M;9M;12M;13M SN 1160005993 to Present, Including 1160005949 and 1160005950; 17M SN 1160005937 to Present, Excluding 1160005952, 1160005960, 1160005963, 1160005966 and 1160005978)	
86	8220525	1	WEDGE LOCK (8M;9M;12M;13M SN 1160005993 to Present, Including 1160005949 and 1160005950; 17M SN 1160005937 to Present, Excluding 1160005952, 1160005960, 1160005963, 1160005966 and 1160005978)	
87	1001116692	1	TERMINAL (8M;9M;12M;13M SN 1160005993 to Present, Including 1160005949 and 1160005950; 17M SN 1160005937 to Present, Excluding 1160005952, 1160005960, 1160005963, 1160005966 and 1160005978)	





# SECTION 10 - ELECTRICAL

## FIGURE 10-9. BOOM HARNESS AUXILIARY ELECTRICAL ADAPTER



PAP3230

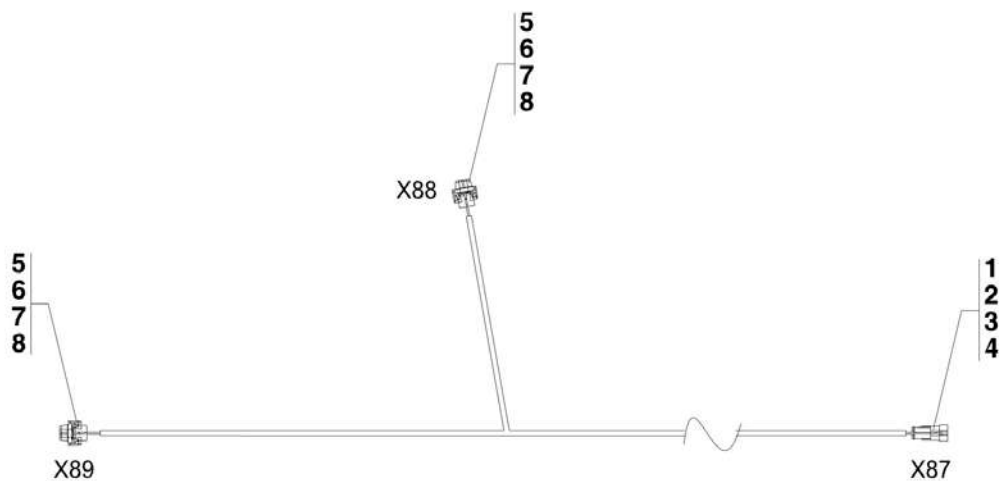
## SECTION 10 - ELECTRICAL

### FIGURE 10-9. BOOM HARNESS AUXILIARY ELECTRICAL ADAPTER

ITEM	PART NUMBER	QTY	DESCRIPTION	REV
	4923633	1	BOOM HARNESS AUX ELECTRICAL ADAPTER, (includes all items)	B
1	4460897	1	CONNECTOR	
2	4460941	2	TERMINAL	
3	80604017	1	LOCK	

# SECTION 10 - ELECTRICAL

## FIGURE 10-10. BOOM LIGHTS HARNESS



X89		
CONN POS	WIRE DESIGNATION	COLOR / GAUGE
A	BM LTS	W / 1.0mm <sup>2</sup>
B	GND	B / 1.0mm <sup>2</sup>

X88		
CONN POS	WIRE DESIGNATION	COLOR / GAUGE
A	BM LTS	W / 1.0mm <sup>2</sup>
B	GND	B / 1.0mm <sup>2</sup>

X87		
CONN POS	WIRE DESIGNATION	COLOR / GAUGE
1	BM LTS	W / 1.5mm <sup>2</sup>
2	GND	B / 1.5mm <sup>2</sup>

PZ1670

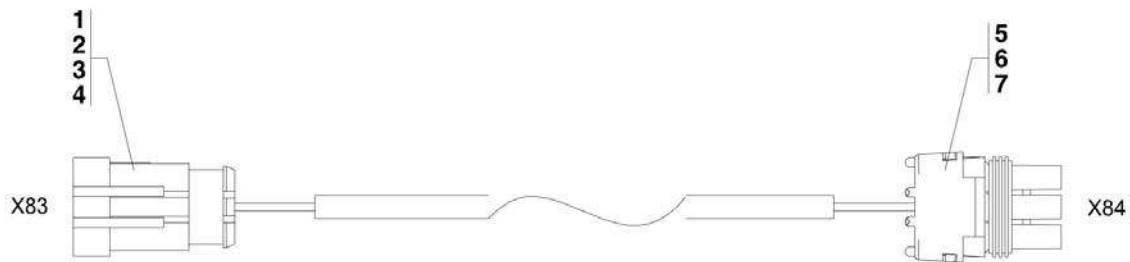
## SECTION 10 - ELECTRICAL

### FIGURE 10-10. BOOM LIGHTS HARNESS

ITEM	PART NUMBER	QTY	DESCRIPTION	REV
	4923491	1	BOOM LIGHTS HARNESS, (includes all items)	B
1	4461227	1	CONNECTOR	
2	1001104497	1	TERMINAL	
3	1001104498	1	SEAL	
4	70020885	1	BOOT	
5	91554026	2	CONNECTOR	
6	4460746	2	TERMINAL	
7	91143187	2	SEAL	
8	91554028	2	BOOT	

# SECTION 10 - ELECTRICAL

## FIGURE 10-11. BOOM RETRACT HARNESS



X83		
CONN POS	WIRE DESIGNATION	COLOR / GAUGE
1	PWR	W / 1.9mm <sup>2</sup>
2	GND	B / 1.0mm <sup>2</sup>
3	BM RETRACT	W / 1.0mm <sup>2</sup>

X84		
CONN POS	WIRE DESIGNATION	COLOR / GAUGE
A	PWR	W / 1.0mm <sup>2</sup>
B	GND	B / 1.0mm <sup>2</sup>
C	BM RETRACT	W / 1.0mm <sup>2</sup>

PZ1660

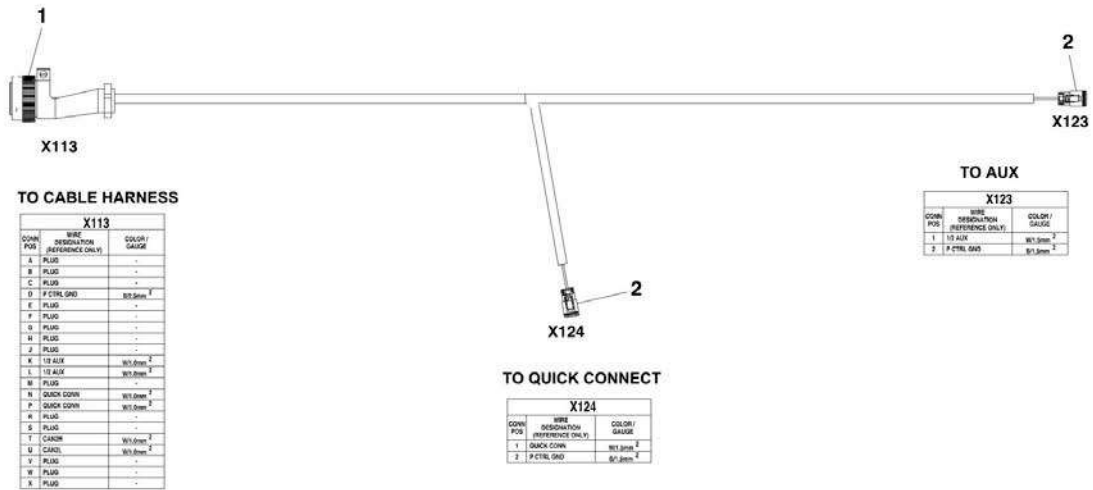
## SECTION 10 - ELECTRICAL

### FIGURE 10-11. BOOM RETRACT HARNESS

ITEM	PART NUMBER	QTY	DESCRIPTION	REV
	4923493	1	BOOM RETRACT HARNESS, (includes all items)	A
1	80374114	1	CONNECTOR	
2	1001104497	1	TERMINAL	
3	1001104498	1	SEAL	
4	70020892	1	BOOT	
5	4460459	1	CONNECTOR	
6	4460743	1	TERMINAL	
7	7029679	1	SEAL	

# SECTION 10 - ELECTRICAL

## FIGURE 10-12. QUICK CONNECT HARNESS



PAP3220



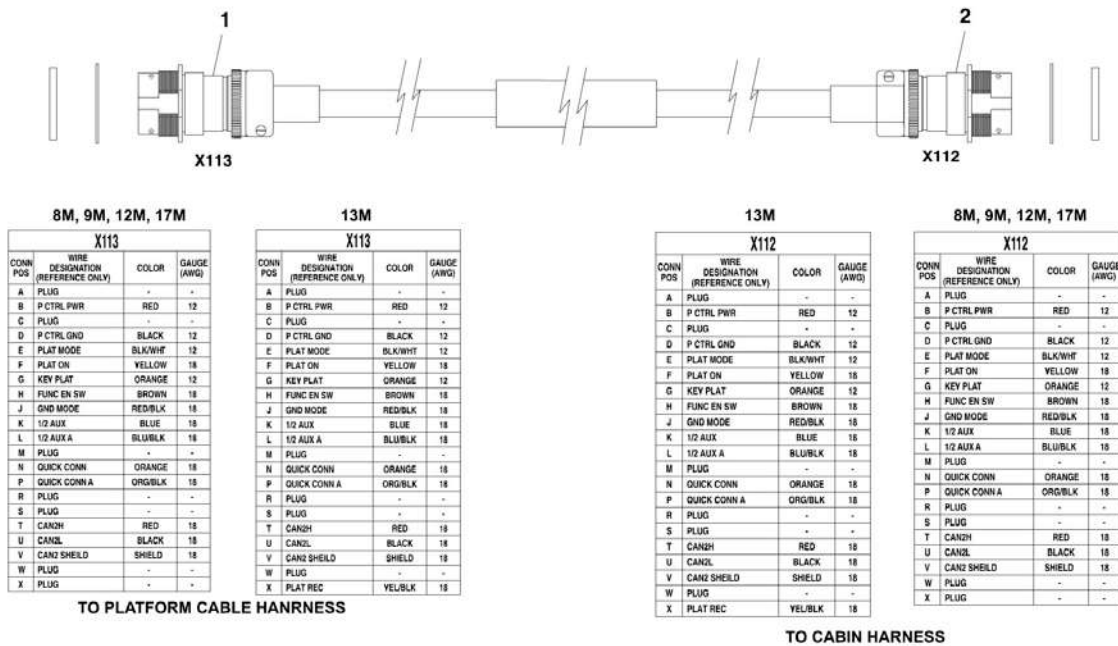
## SECTION 10 - ELECTRICAL

### FIGURE 10-12. QUICK CONNECT HARNESS

ITEM	PART NUMBER	QTY	DESCRIPTION	REV
	1001092137	1	QUICK CONNECT HARNESS, (includes all items)	F
1	1001116927	1	CONNECTOR	
1	91474467	1	STRAIN RELIEF	
1	1001116693	6	TERMINAL	
1	70020887	1	TERMINAL	
1	4460466	14	PLUG	
2	7026408	2	CONNECTOR	
2	70020888	2	TERMINAL, (qty per connector)	
2	80604018	1	LOCK, (qty per connector)	

# SECTION 10 - ELECTRICAL

## FIGURE 10-13. CABLE HARNESS



PAP3210

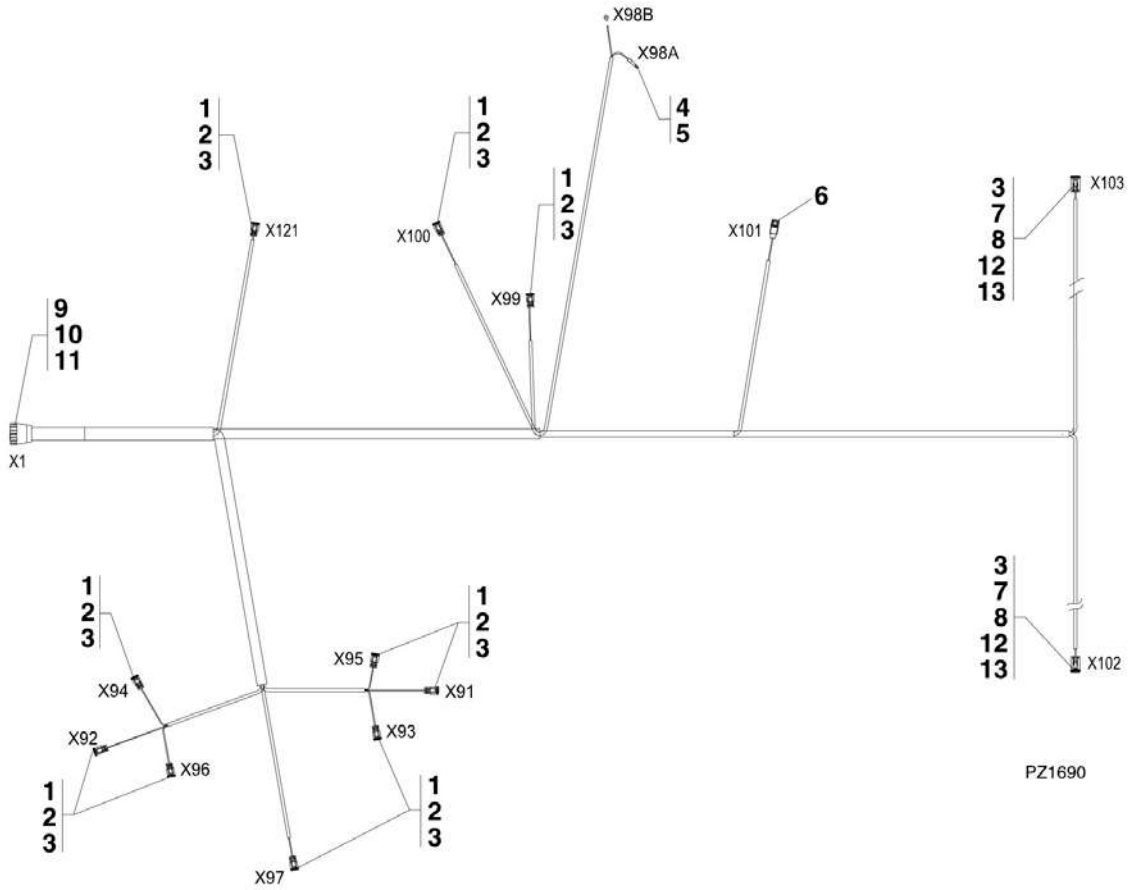
## SECTION 10 - ELECTRICAL

### FIGURE 10-13. CABLE HARNESS

ITEM	PART NUMBER	QTY	DESCRIPTION	REV
	1001092013	1	CABLE HARNESS, (8M), (includes all items)	C
	1001092014	1	CABLE HARNESS, (9M), (includes all items)	B
	1001092015	1	CABLE HARNESS, (12M), (includes all items)	B
	4923646	1	CABLE HARNESS, (13M), (includes all items)	D
	4923529	1	CABLE HARNESS, (17M), (includes all items)	E
1	4461243	1	HOUSING	
1	91504109	1	STRAIN RELIEF	
1	1001116692	7	TERMINAL, (8M, 9M, 12M & 17M)	
1	1001116692	8	TERMINAL, (13M)	
1	70020890	4	TERMINAL SOCKET	
1	70020891	3	TERMINAL	
1	4460466	7	PLUG, (8M, 9M, 12M & 17M)	
1	4460466	6	PLUG, (13M)	
1	83481286	1	NUT, (8M, 9M, 12M & 13M)	
1	83481285	1	LOCKWASHER, (8M, 9M, 12M & 13M)	
2	4461242	1	HOUSING	
2	91504109	1	STRAIN RELIEF	
2	1001116692	7	TERMINAL, (8M, 9M, 12M & 17M)	
2	1001116692	8	TERMINAL, (13M)	
2	70020890	4	TERMINAL SOCKET	
2	70022736	3	TERMINAL	
2	4460466	7	PLUG, (8M, 9M, 12M & 17M)	
2	4460466	6	PLUG, (13M)	
2	83481286	1	NUT, (8M, 9M, 12M & 13M)	
2	83481285	1	LOCKWASHER, (8M, 9M, 12M & 13M)	

# SECTION 10 - ELECTRICAL

## FIGURE 10-14. FRONT CHASSIS HARNESS



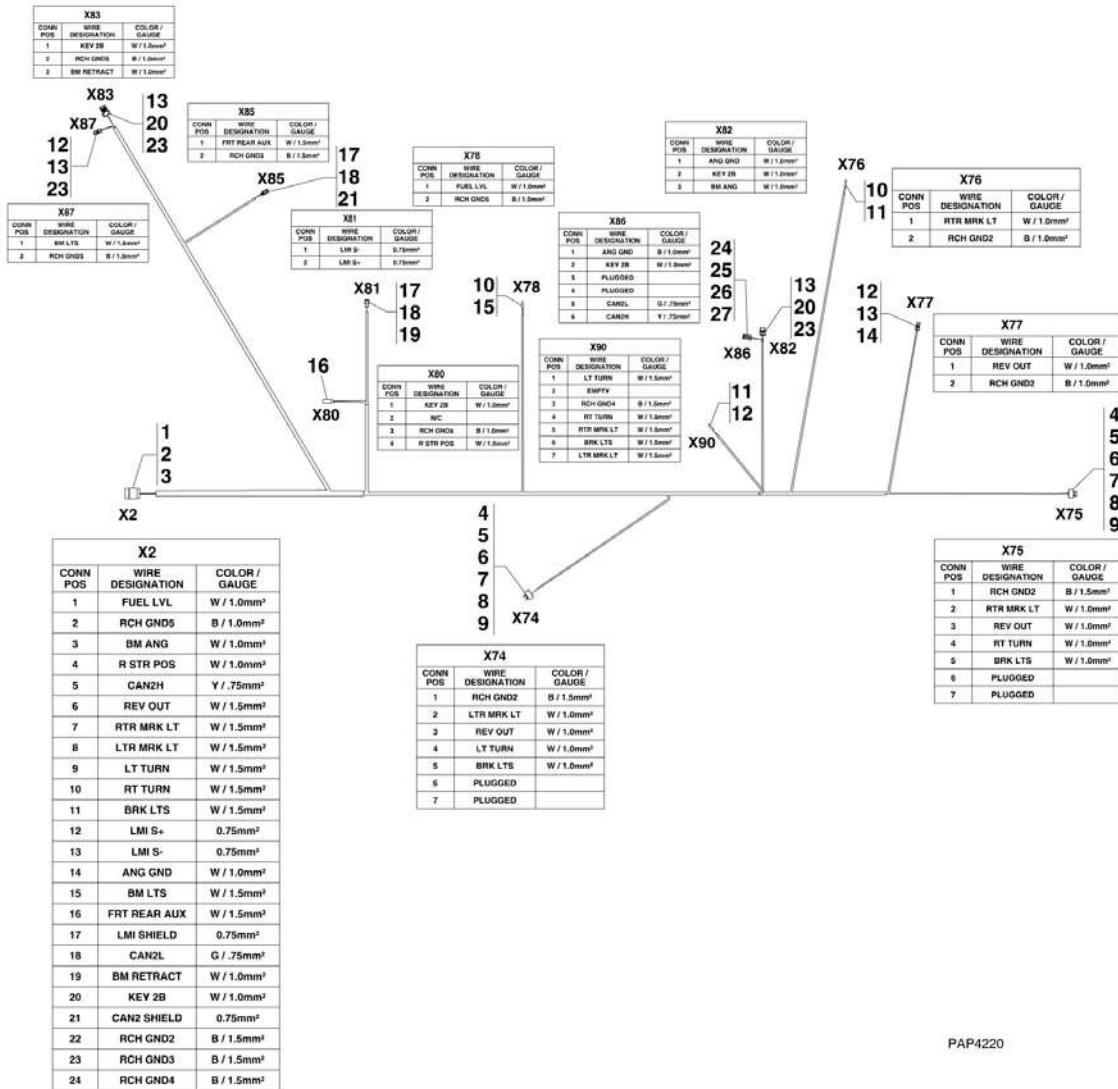
## SECTION 10 - ELECTRICAL

**FIGURE 10-14. FRONT CHASSIS HARNESS**

ITEM	PART NUMBER	QTY	DESCRIPTION	REV
	4923444	1	FRONT CHASSIS HARNESS, (includes all items)	G
1	7026408	10	CONNECTOR	
2	80604018	10	LOCK	
3	1001116692	12	TERMINAL	
4	1001116995	1	CONNECTOR	
5	1001118379	1	TERMINAL	
6	70020897	1	CONNECTOR	
7	70020801	2	BOOT	
8	4460466	2	PLUG	
9	1001116978	1	CONNECTOR	
10	1001118381	1	TERMINAL	
11	1001118391	1	PLUG	
12	91504088	2	CONNECTOR	
13	91504107	2	LOCK	

# SECTION 10 - ELECTRICAL

## FIGURE 10-15. REAR CHASSIS HARNESS



PAP4220

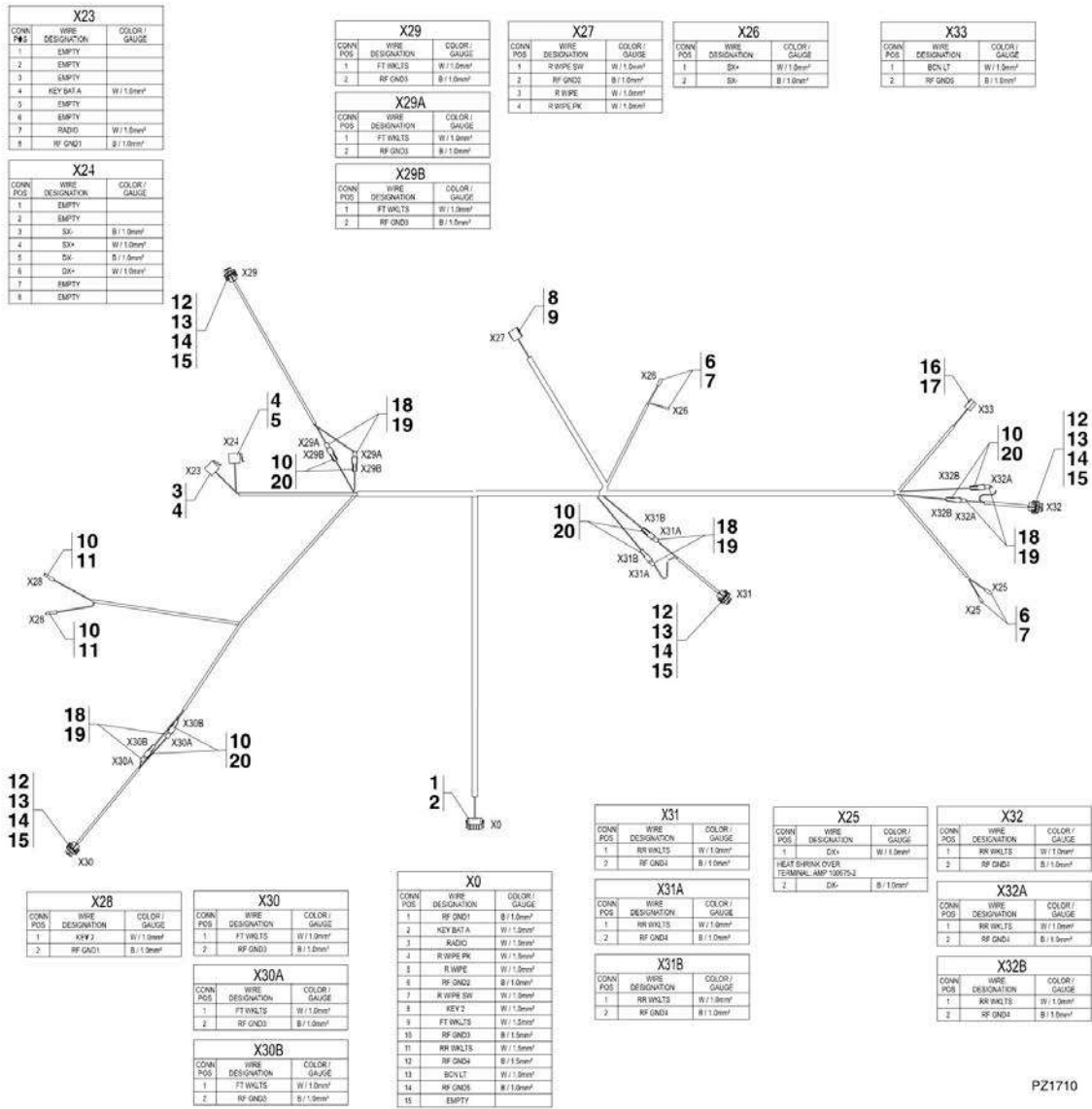
## SECTION 10 - ELECTRICAL

### FIGURE 10-15. REAR CHASSIS HARNESS

ITEM	PART NUMBER	QTY	DESCRIPTION	REV
	4923441	1	REAR CHASSIS HARNESS (includes all items)	F
1	4461131	1	CONNECTOR	
2	1001118380	1	TERMINAL PIN	
3	1001118391	1	PLUG	
4	4461134	2	CONNECTOR	
5	1001118392	2	TERMINAL	
6	1001118393	2	TERMINAL	
7	1001137578	2	SEAL	
8	7028639	2	BOOT	
9	4461008	2	PLUG	
10	1001117133	2	CONNECTOR	
11	1001118379	2	TERMINAL	
12	4461118	2	CONNECTOR	
13	1001107854	4	TERMINAL	
14	1001116763	1	SEAL	
15	1001104519	1	TERMINAL	
16	70020897	1	CONNECTOR	
17	7026408	2	CONNECTOR (8M;9M;12M;13M Prior to SN 1160005993, Excluding 1160005949 and 1160005950; 17M Prior to SN 1160005937; Including 1160005952, 1160005960, 1160005963, 1160005966 and 1160005978)	
17	7026408	1	CONNECTOR (8M;9M;12M;13M SN 1160005993 to Present, Including 1160005949 and 1160005950; 17M SN 1160005937 to Present, Excluding 1160005952, 1160005960, 1160005963, 1160005966 and 1160005978)	
18	80604018	2	LOCK (8M;9M;12M;13M Prior to SN 1160005993, Excluding 1160005949 and 1160005950; 17M Prior to SN 1160005937; Including 1160005952, 1160005960, 1160005963, 1160005966 and 1160005978)	
18	80604018	1	LOCK (8M;9M;12M;13M SN 1160005993 to Present, Including 1160005949 and 1160005950; 17M SN 1160005937 to Present, Excluding 1160005952, 1160005960, 1160005963, 1160005966 and 1160005978)	
19	1001116692	1	TERMINAL (8M;9M;12M;13M Prior to SN 1160005993, Excluding 1160005949 and 1160005950; 17M Prior to SN 1160005937; Including 1160005952, 1160005960, 1160005963, 1160005966 and 1160005978)	
20	4461262	2	CONNECTOR	
21	70020888	1	TERMINAL	
22	1001116995	1	CONNECTOR	
23	1001104498	3	SEAL	
24	91504088	1	CONNECTOR	
25	1001116692	1	TERMINAL	
26	91504107	2	LOCK	
27	4460466	1	PLUG	

# SECTION 10 - ELECTRICAL

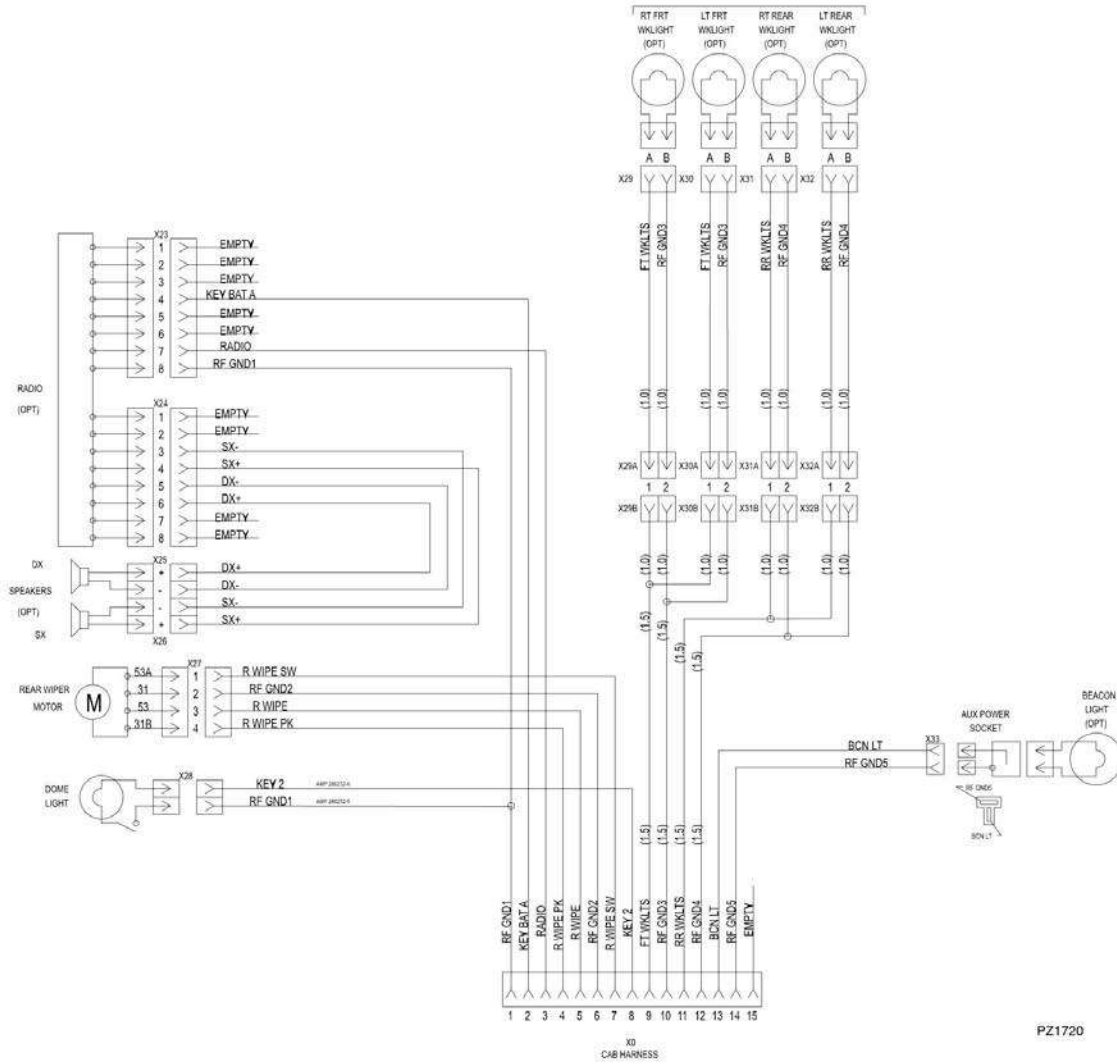
## FIGURE 10-16. CAB ROOF HARNESS



PZ1710



# SECTION 10 - ELECTRICAL



## SECTION 10 - ELECTRICAL

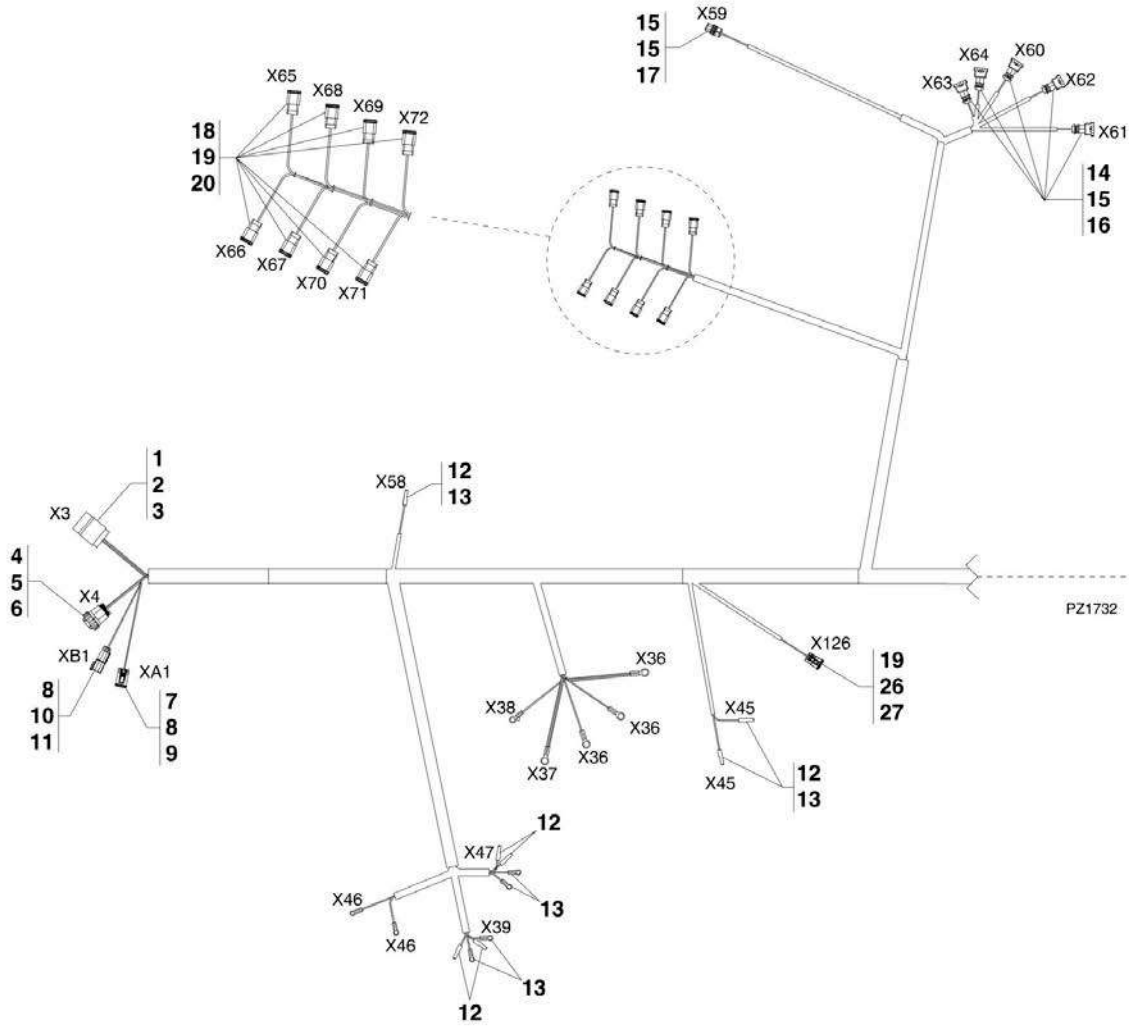
**FIGURE 10-16. CAB ROOF HARNESS**

ITEM	PART NUMBER	QTY	DESCRIPTION	REV
	4923479	1	CAB ROOF HARNESS, (includes all items)	D
1	4460434	1	CONNECTOR	
2	4460268	1	TERMINAL	
3	1001116985	1	CONNECTOR	
4	1001118386	2	TERMINAL	
5	1001116984	1	CONNECTOR	
6	1001116998	2	CONNECTOR	
7	1001118387	2	TERMINAL	
8	1001116986	1	CONNECTOR	
9	1001118384	1	TERMINAL	
10	1001116995	5	CONNECTOR	
11	70020905	1	TERMINAL	
12	91554026	4	CONNECTOR	
13	4460746	4	TERMINAL	
14	91143187	4	SEAL	
15	1001103564	4	LOCK	
16	4460994	1	CONNECTOR	
17	1001104519	1	TERMINAL	
18	1001117004	4	CONNECTOR	
19	1001116700	4	TERMINAL	
20	7026423	4	TERMINAL	

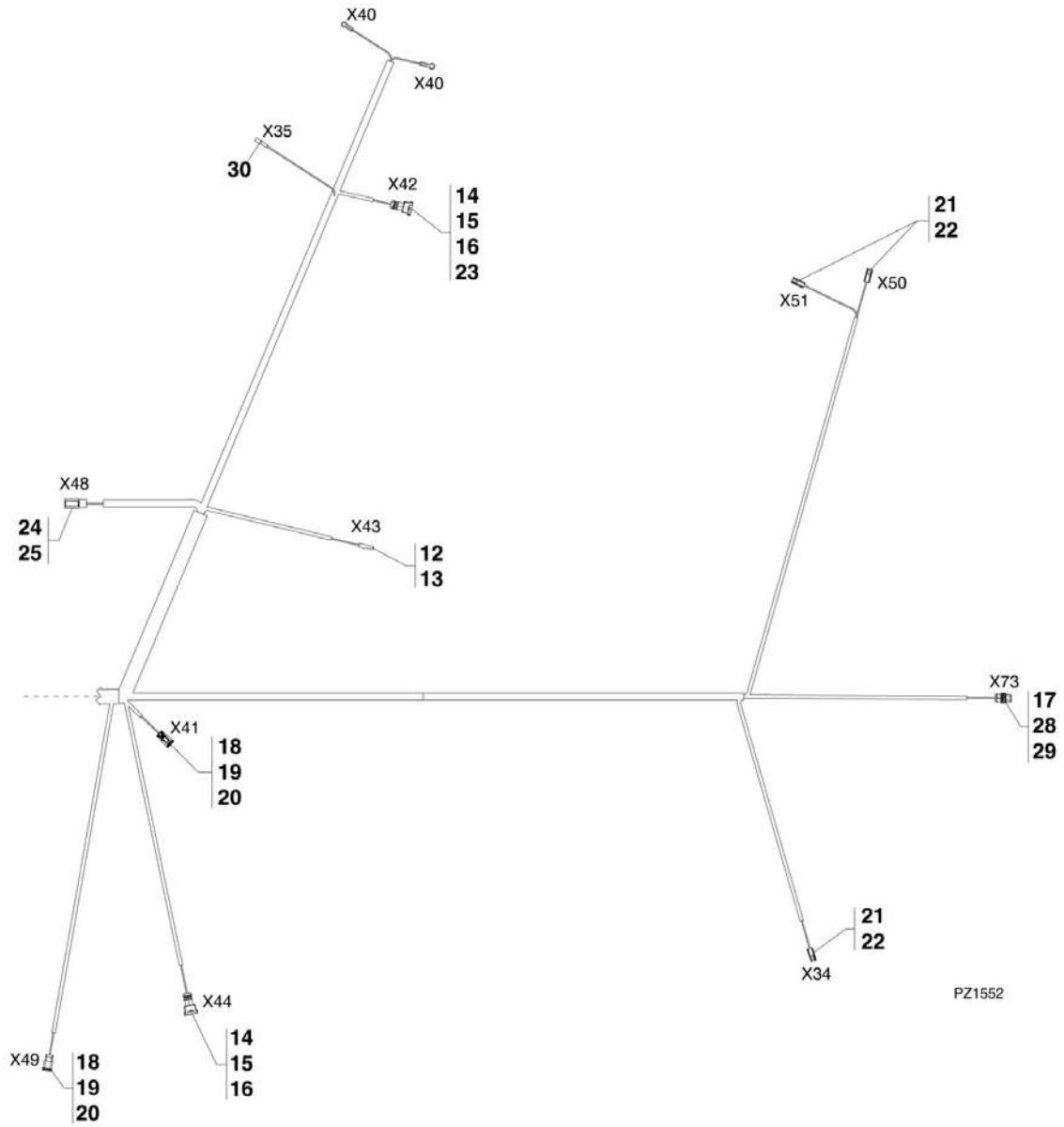


# SECTION 10 - ELECTRICAL

## FIGURE 10-17. POWERSHIFT ENGINE HARNESS



# SECTION 10 - ELECTRICAL



## SECTION 10 - ELECTRICAL

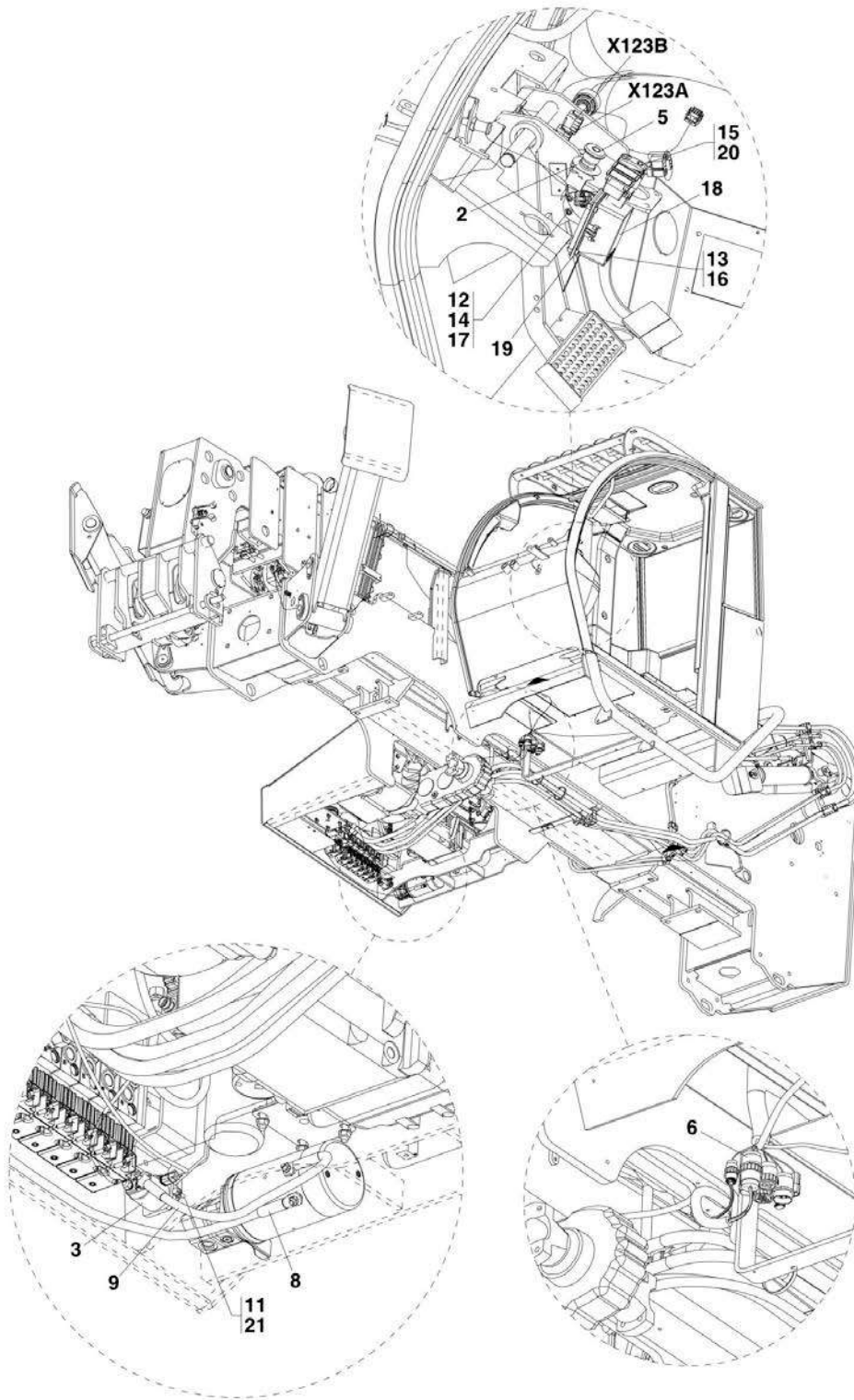
FIGURE 10-17. POWERSHIFT ENGINE HARNESS

ITEM	PART NUMBER	QTY	DESCRIPTION	REV
	1001092786	1	POWERSHIFT ENGINE HARNESS, (includes all items)	F
1	1001116976	1	CONNECTOR	
2	1001118380	1	TERMINAL	
3	1001118391	1	PLUG	
4	1001116977	1	CONNECTOR	
5	1001118381	1	TERMINAL	
6	1001118391	1	PLUG	
7	1001096188	1	CONNECTOR	
8	1001116811	2	TERMINAL ASSY, (includes item 11)	
9	70021826	1	LOCK	
10	70020830	1	CONNECTOR	
11	N.S.S.	1	LOCK	
12	1001116995	7	CONNECTOR	
13	1001118379	7	TERMINAL	
14	1001116983	7	CONNECTOR	
15	1001116706	8	TERMINAL	
16	4461006	8	SEAL	
17	4461118	2	CONNECTOR	
18	7026408	10	CONNECTOR	
19	80604018	10	LOCK	
20	1001116692	10	TERMINAL	
21	4460994	3	CONNECTOR	
22	1001104519	3	TERMINAL	
23	70020910	1	PLUG	
24	1001116707	1	CONNECTOR	
25	91143340	1	TERMINAL	
26	77363242	1	CONNECTOR	
27	77363244	1	LOCK	
28	1001107854	1	TERMINAL	
29	1001116763	1	SEAL	
30	1001116722	1	CONNECTOR	



# SECTION 10 - ELECTRICAL

## FIGURE 10-18. ELECTRICAL INSTALLATION, PLATFORM



PZ2160



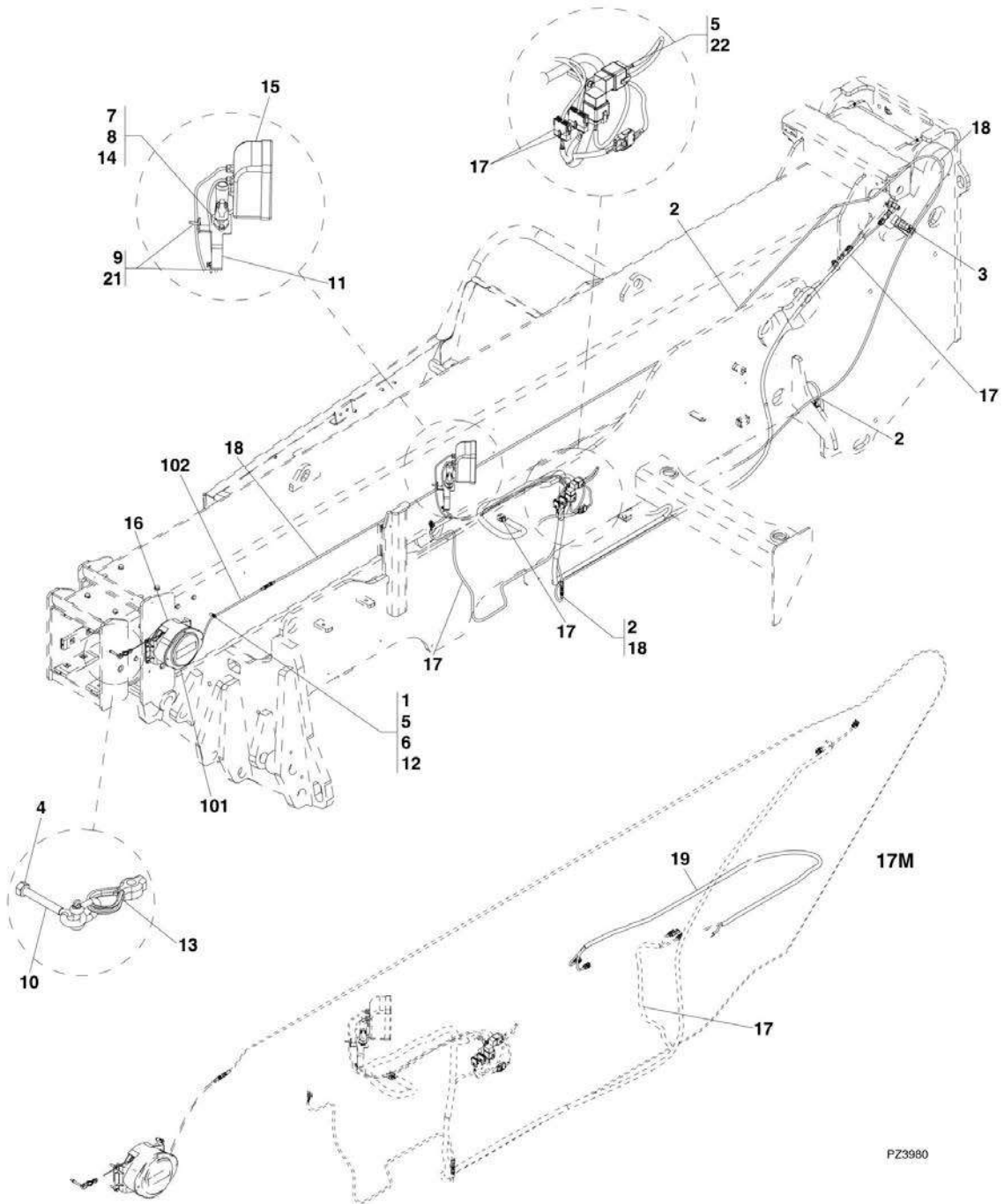
## SECTION 10 - ELECTRICAL

**FIGURE 10-18. ELECTRICAL INSTALLATION, PLATFORM**

ITEM	PART NUMBER	QTY	DESCRIPTION	REV
	0275917	Ref	ELECTRICAL INSTALLATION, (if equipped for platform), (not available to order, see items 2 thru 21 for service)	D
2		Ref	EMS DECAL, (See ELECTRICAL INSTALLATION, CAB SWITCHES for Breakdown)	
3	3740067	1	RELAY	
5		Ref	E-STOP SWITCH, (See ELECTRICAL INSTALLATION, CAB SWITCHES for Breakdown)	
6		Ref	PLATFORM HARNESS, (See PLATFORM HARNESS for Breakdown)	
8	4923517	1	GROUND STARTER HARNESS	
9	4923519	1	HARNESS	
11	5200608	2	RIPP BOLT, M6X16mm	
12	3290601	2	HEX NUT, M6X1	
13	4031607	4	SOCKET HD CAPSCREW, M5X16	
14	4031709	2	SOCKET HD CAPSCREW, M6X25	
15		Ref	SWITCH BODY, QUICK DISCONNECT, (if equipped), (See ELECTRICAL INSTALLATION, CAB SWITCHES for Breakdown)	
16	4831600	4	LOCKWASHER, 5mm	
17	4831700	2	LOCKWASHER, 6mm	
18		Ref	PLATFORM CAB HARNESS, (See PLATFORM CAB HARNESS for Breakdown)	
19	1001098017	1	RELAY BOX BRACKET	
20		Ref	SWITCH KEY, APU ENABLE, (See ELECTRICAL INSTALLATION, CAB SWITCHES for Breakdown)	
21	4791400	2	WASHER, 1/4	

# SECTION 10 - ELECTRICAL

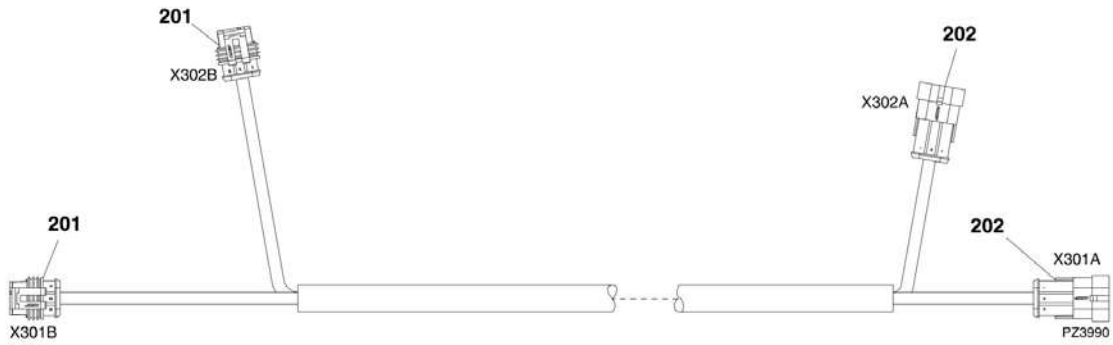
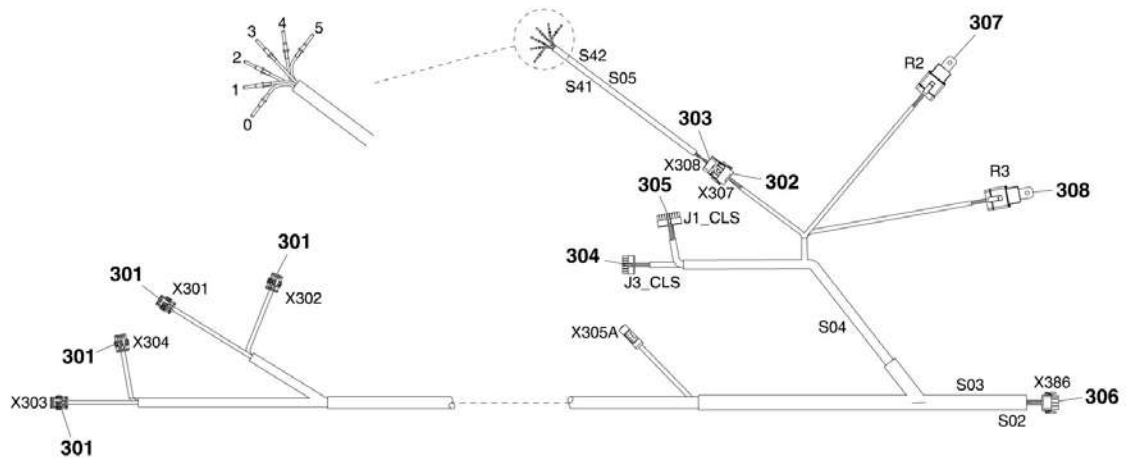
## FIGURE 10-19. LMIS INSTALLATION (9M, 13M & 17M)



PZ3960

NOTE: PORTIONS OF THE FRAME & CAB HIDDEN OR REMOVED FOR CLAIRITY

# SECTION 10 - ELECTRICAL



17M

## SECTION 10 - ELECTRICAL

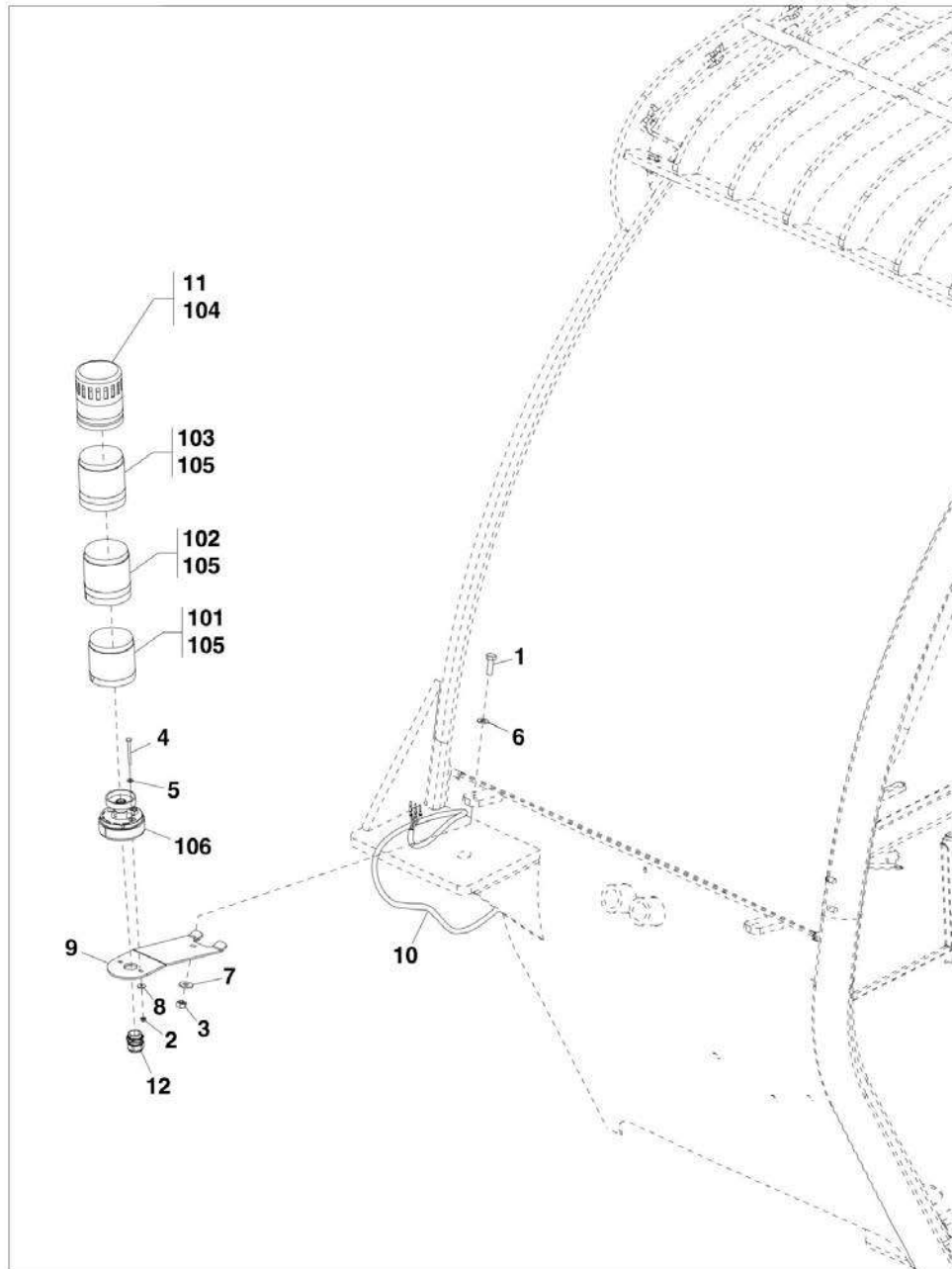
**FIGURE 10-19. LMIS INSTALLATION (9M, 13M & 17M)**

ITEM	PART NUMBER	QTY	DESCRIPTION	REV
	1001106599	Ref	LMIS INSTALLATION, (3509PS, 3513PS, 4009PS & 4013PS if equipped), (not available to order, see items 1 thru 18, 21 & 22 for service)	B
	1001108359	Ref	LMIS INSTALLATION, (17M, if equipped), (not available to order, see items 1 thru 22 for service)	1
1	0760615	4	HEX HD CAPSCREW, M6X35, GR8.8	
2	1062255	AR	TIE STRAP	
3	2966454	1	HOSE CLAMP	
4	3290601	1	HEX NUT, M6X1	
5	4811700	5	WASHER, 6mm	
6	4831700	4	LOCKWASHER, 6mm	
7	5200608	2	BOLT, M6X16	
8	5220600	2	NUT, 6mm	
9	1001095650	AR	LOCTITE 243	
10	1001102633	1	SPECIAL SCREW, M6X60	
11	1001103180	1	BRACKET	
12	1001103807	2	SPACER	
13	1001104341	1	LMIS CABLE REEL KIT	
14	1001104344	1	PIVOT ARM SUPPORT	
15	1001104415	1	LMIS DISPLAY GUAGE	
16	1001106385	1	LMIS CABLE REEL ASSY, (includes items 101 & 102)	A
17	1001106805	1	LMIS TRANSDUCER HARNESS, (includes items 301 thru 308)	D
18	1001107622	1	LMIS EXTENSION HARNESS	B
19	1001107749	1	LMIS LIFT EXTENSION HARNESS, (17M), (includes items 201 & 202)	A
21	1001107982	2	SCREW, 4.8X25	
22	1001113432	1	STANDOFF, M6	
101	1001104342	1	LMIS BOOM CABLE REEL	
102	1001106386	1	LMIS REEL PIGTAIL HARNESS	
201	4461262	2	CONNECTOR	
202	4461119	2	CONNECTOR	
202	1001104499	2	CAVITY PLUG	
301	4461262	4	CONNECTOR	
302	4460321	1	CONNECTOR	
303	4460761	1	CONNECTOR	
304	4460920	1	CONNECTOR	
305	250216	1	CONNECTOR	
306	4460343	1	CONNECTOR	
307	1001117057	1	CONNECTOR	
308	4460374	1	CONNECTOR	
308	3740080	1	RELAY	
401		Ref	LMIS HYDRAULICS, (not shown), (See HYDRAULIC CIRCUITS SECTION for Breakdown)	
402		Ref	LMIS AUDIBLE TOWER BEACON, (not shown), (See LMIS AUDIBLE TOWER/BEACON INSTALLATION for Breakdown)	



# SECTION 10 - ELECTRICAL

## FIGURE 10-20. LMIS AUDIBLE TOWER/BEACON INSTALLATION



PZ4000



BEACON ALARM WIRING CONFIGURATION

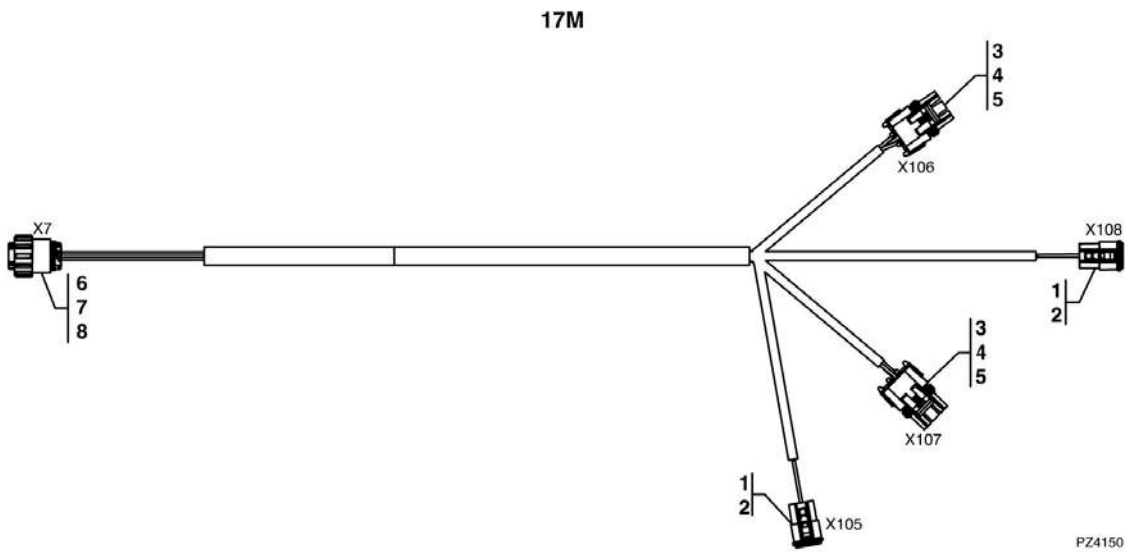
## SECTION 10 - ELECTRICAL

**FIGURE 10-20. LMIS AUDIBLE TOWER/BEACON INSTALLATION**

ITEM	PART NUMBER	QTY	DESCRIPTION	REV
	1001108700	Ref	LMIS AUDIBLE TOWER/BEACON INSTALLATION, (if equipped), (not available to order, see items 1 thru 12 for service)	B
1	0760812	1	HEX HD CAPSCREW, M8X25, GR8.8	
2	3290405	2	HEX LOCKNUT, M4X0.7	
3	3290807	1	HEX LOCKNUT, M8X1.25	
4	4010416	2	PAN HD CAPSCREW, M4X40	
5	4811400	2	WASHER, 4mm	
6	4811900	1	WASHER, 8mm	
7	4811902	1	WASHER, 8mm	
8	1001091102	2	WASHER, 4mm	
9	1001106464	1	BEACON BRACKET	
10		Ref	LMIS TRANSDUCER HARNESS, (See LMIS INSTALLATION for Breakdown)	
11	1001108661	1	LMIS WARNING BEACON ASSY, (includes items 101 thru 106)	A
12	E000269	1	CABLE GLAND, M20X1.5	
101	1001108683	1	GREEN LIGHT GLOBE SECTION, (includes o-ring)	
102	1001108684	1	YELLOW LIGHT GLOBE SECTION, (includes o-ring)	
103	1001108685	1	REG LIGHT GLOBE SECTION, (includes o-ring)	
104	1001108686	1	BUZZER ALARM	
105	1001108687	3	LIGHT BULB, 5W-12V	
106	1001108689	1	BUZZER ALARM BASE	

# SECTION 10 - ELECTRICAL

## FIGURE 10-21. OUTRIGGER HARNESS (17M)





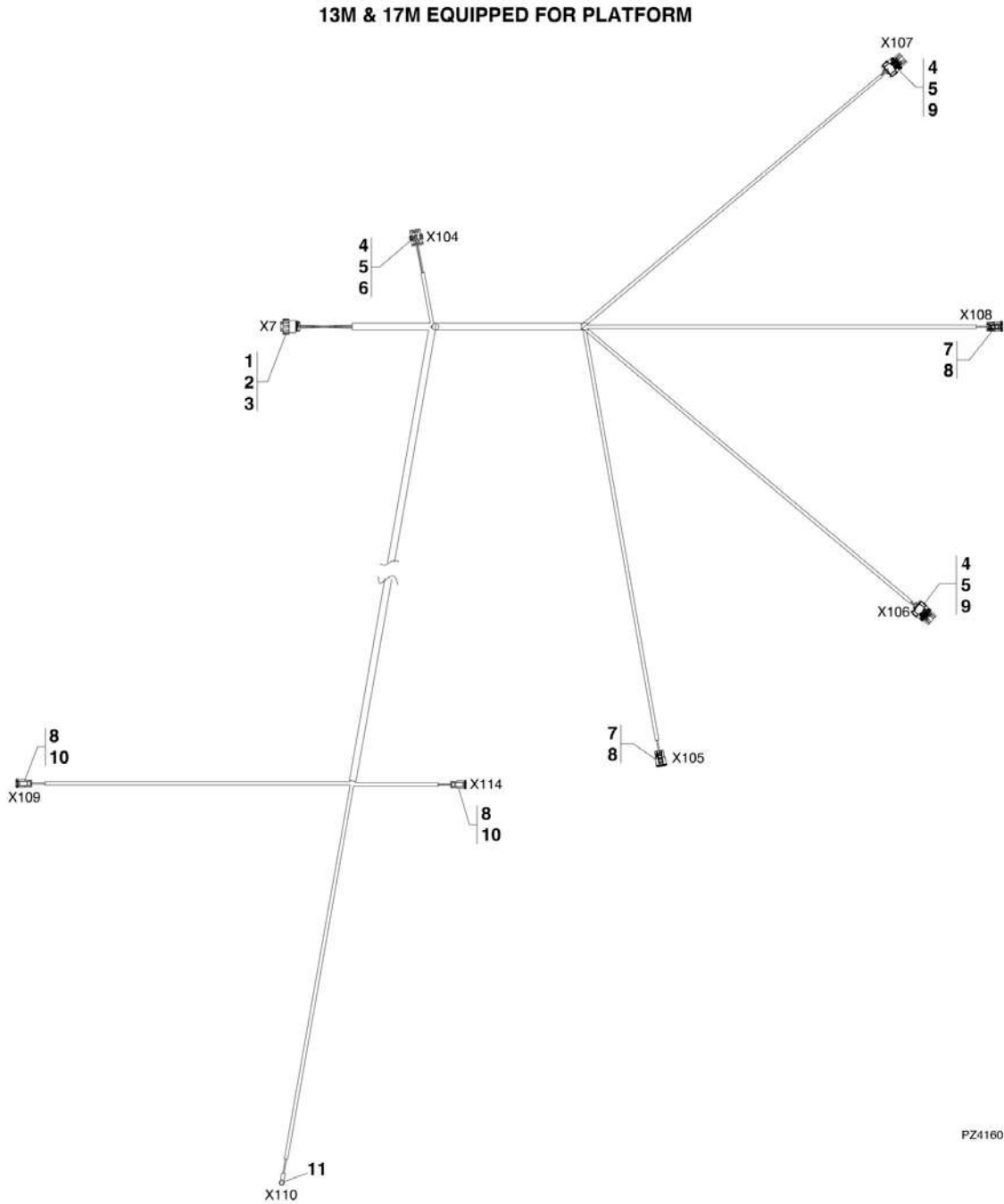
## SECTION 10 - ELECTRICAL

### FIGURE 10-21. OUTRIGGER HARNESS (17M)

ITEM	PART NUMBER	QTY	DESCRIPTION	REV
	1001098084	1	OUTRIGGER HARNESS, (17M if equipped), (includes all items)	C
1	4460539	2	CONNECTOR	
1	77363244	2	WEDGE LOCK	
2	1001116692	2	TERMINAL	
3	4461262	2	CONNECTOR	
4	1001107854	2	TERMINAL	
5	7029647	2	SEAL	
6	1001116980	1	HOUSING	
7	1001118381	1	TERMINAL	
8	1001118391	1	PLUG	

# SECTION 10 - ELECTRICAL

## FIGURE 10-22. OUTRIGGER HARNESS (13M & 17M)



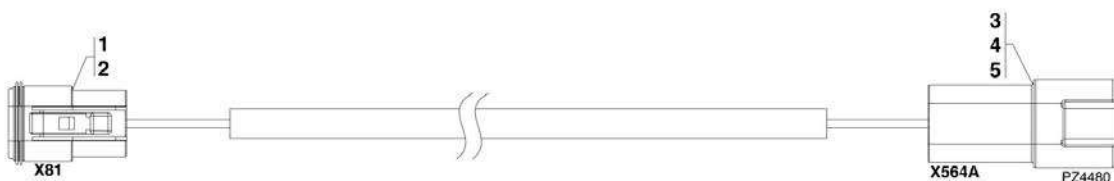
## SECTION 10 - ELECTRICAL

**FIGURE 10-22. OUTRIGGER HARNESS (13M & 17M)**

ITEM	PART NUMBER	QTY	DESCRIPTION	REV
	4923443	1	OUTRIGGER HARENSS, (13M & 17M), (if equipped for platform), (includes all items)	F
1	1001116980	1	HOUSING	
2	1001118381	1	TERMINAL	
3	1001118391	1	PLUG	
4	4461262	3	CONNECTOR	
5	1001107854	3	TERMINAL	
6	1001104498	1	SEAL	
7	4460539	2	CONNECTOR	
7	77363244	2	WEDGE LOCK	
8	1001116692	4	TERMINAL	
9	7029647	2	SEAL	
10	4460891	2	CONNECTOR KIT	
10	7026408	2	CONNECTOR	
10	80604018	2	WEDGE LOCK	
11		Ref	RING, 5mm	

## SECTION 10 - ELECTRICAL

**FIGURE 10-23. LSI HARNESS (8M;9M;12M;13M SN 1160005993 to Present, Including 1160005949 and 1160005950; 17M SN 1160005937 to Present, Excluding 1160005952, 1160005960, 1160005963, 1160005966 and 1160005978)**



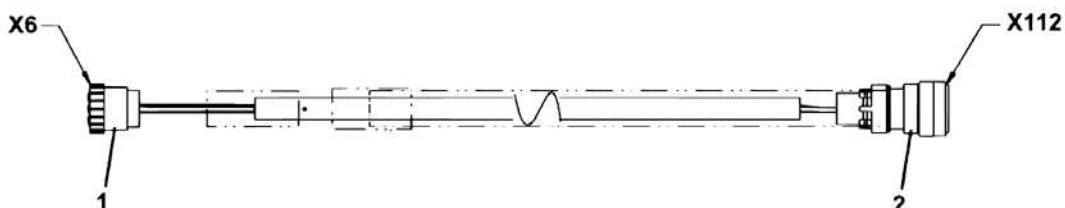
## SECTION 10 - ELECTRICAL

**FIGURE 10-23. LSI HARNESS (8M;9M;12M;13M SN 1160005993 to Present, Including 1160005949 and 1160005950; 17M SN 1160005937 to Present, Excluding 1160005952, 1160005960, 1160005963, 1160005966 and 1160005978)**

ITEM	PART NUMBER	QTY	DESCRIPTION	REV
	1001121398	1	LSI HARNESS, (includes all items)	
1	4460539	1	CONNECTOR	
1	77363244	1	WEDGE LOCK	
2	1001116692	1	TERMINAL	
3	4460899	1	CONNECTOR	
3	91503104	1	WEDGE LOCK	
4	1001116693	1	TERMINAL	
5	4460466	1	PLUG	

# SECTION 10 - ELECTRICAL

## FIGURE 10-24. PLATFORM HARNESS



TO CAB HARNESS

X6		
CONN POS	WIRE (REF) DESIGNATION	COLOR / GAUGE
1	P CTRL PWR	RED / 12 GA
2	PLAT ON	YELLOW / 18 GA
3	FUNC EN SW	BROWN / 18 GA
4	GND MODE	RED/BLACK / 18 GA
5	1/2 AUX	BLUE / 18 GA
6	1/2 AUX A	BLUE/BLACK / 18 GA
7	P CTRL GND	BLACK / 12 GA
8	QUICK CONN	ORANGE / 18 GA
9	QUICK CONN A	ORANGE/BLACK / 18 GA
10	PLAT MODE	BLACK/WHITE 12 GA
11	PLUGGED	
12	CAN2H	RED / 18 GA
13	CAN2L	BLACK / 18 GA
14	CAN2 SHIELD	SHIELD / 18 GA
15	KEY PLAT	ORANGE / 12 GA
16	PLAT REC	YEL/BLK / 18 GA

TO AUX ELECTRICS

X112		
CONN POS	WIRE (REF) DESIGNATION	COLOR / GAUGE
A	PLUGGED	
B	P CTRL PWR	RED / 12 GA
C	PLUGGED	
D	P CTRL GND	BLACK / 12 GA
E	PLAT MODE	BLACK/WHITE 12 GA
F	PLAT ON	YELLOW / 18 GA
G	KEY PLAT	ORANGE / 12 GA
H	FUNC EN SW	BROWN / 18 GA
J	GND MODE	RED/BLACK / 18 GA
K	1/2 AUX	BLUE / 18 GA
L	1/2 AUX A	BLUE/BLACK / 18 GA
M	PLUGGED	
N	QUICK CONN	ORANGE / 18 GA
P	QUICK CONN A	ORANGE/BLACK / 18 GA
R	PLUGGED	
S	PLUGGED	
T	CAN2H	RED / 18 GA
U	CAN2L	BLACK / 18 GA
V	CAN2 SHIELD	SHIELD / 18 GA
W	PLUGGED	
X	PLAT REC	YEL/BLK / 18 GA

PAP3120

## SECTION 10 - ELECTRICAL

### FIGURE 10-24. PLATFORM HARNESS

ITEM	PART NUMBER	QTY	DESCRIPTION	REV
	4923442	1	PLATFORM HARNESS, (includes all items)	E
1	1001116979	1	CONNECTOR	
1	1001118381	11	TERMINAL	
1	1001116718	4	TERMINAL	
1	1001118391	1	PLUG	
2	4461003	1	CONNECTOR	
2	1001116692	11	TERMINAL	
2	70020890	4	TERMINAL	
2	4460446	6	PLUG	
2	1321647	1	CABLE CLAMP	

# SECTION 10 - ELECTRICAL

## FIGURE 10-25. PLATFORM CAB HARNESS

TO MAIN CAB HARNESS

X123A			
CONN POS	WIRE DESIGNATION	COLOR / GAUGE	TO
1	STAB SPD OUT	W / 1.0mm <sup>2</sup>	FBI (D2)
2	DUMP VLV OUT	W / 1.0mm <sup>2</sup>	SPL#3
3	FUNC EN SW	W / 1.0mm <sup>2</sup>	FBI (D3)
4	KEY IGN	W / 1.0mm <sup>2</sup>	SPL#1
5	EMPTY	-	-
6	EMPTY	-	-

TO MAIN CAB HARNESS

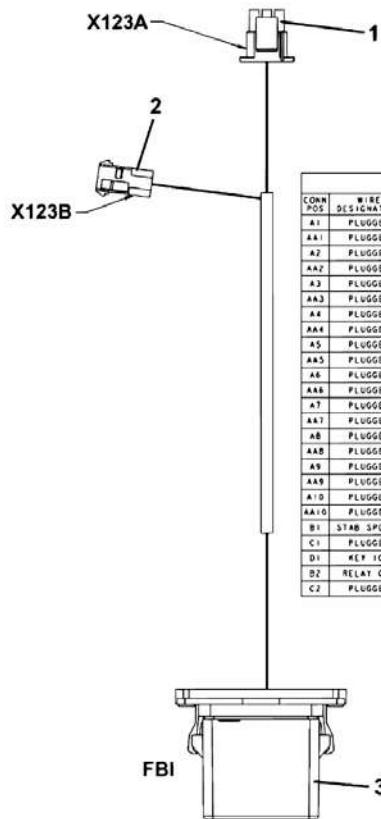
X123B			
CONN POS	WIRE DESIGNATION	COLOR / GAUGE	TO
1	STAB SPD IN	W / 1.0mm <sup>2</sup>	FBI (B1)
2	DUMP VLV IN	W / 1.0mm <sup>2</sup>	SPL#4
3	EMPTY	-	-
4	EMPTY	-	-
5	EMPTY	-	-
6	RELAY GND	B / 1.0mm <sup>2</sup>	SPL#2

SPL#1			
CONN POS	WIRE DESIGNATION	COLOR / GAUGE	TO
	KEY IGN	W / 1.0mm <sup>2</sup>	X123A (4)
	KEY IGN	W / 1.0mm <sup>2</sup>	FBI (D1)
	KEY IGN	W / 1.0mm <sup>2</sup>	FBI (D5)

SPL#2			
CONN POS	WIRE DESIGNATION	COLOR / GAUGE	TO
	RELAY GND	B / 1.0mm <sup>2</sup>	X123B (6)
	RELAY GND	B / 1.0mm <sup>2</sup>	FBI (B2)
	RELAY GND	B / 1.0mm <sup>2</sup>	FBI (B4)
	RELAY GND	B / 1.0mm <sup>2</sup>	FBI (B5)

SPL#3			
CONN POS	WIRE DESIGNATION	COLOR / GAUGE	TO
	DUMP VLV OUT	W / 1.0mm <sup>2</sup>	X123A (2)
	DUMP VLV OUT	W / 1.0mm <sup>2</sup>	FBI (D4)
	DUMP VLV OUT	W / 1.0mm <sup>2</sup>	FBI (D6)

SPL#4			
CONN POS	WIRE DESIGNATION	COLOR / GAUGE	TO
	DUMP VLV IN	W / 1.0mm <sup>2</sup>	X123B (1)
	DUMP VLV IN	W / 1.0mm <sup>2</sup>	FBI (B3)
	DUMP VLV IN	W / 1.0mm <sup>2</sup>	FBI (B5)



TO MAIN CAB HARNESS

FBI				TO MAIN CAB HARNESS			
CONN POS	WIRE DESIGNATION	COLOR / GAUGE	TO	CONN POS	WIRE DESIGNATION	COLOR / GAUGE	TO
A1	PLUGGED	-	-	D2	STAB SPD OUT	W / 1.0mm <sup>2</sup>	X123A (1)
AA1	PLUGGED	-	-	B3	DUMP VLV IN	W / 1.0mm <sup>2</sup>	SPL#4
A2	PLUGGED	-	-	C3	PLUGGED	-	-
AA2	PLUGGED	-	-	D3	FUNC EN SW	W / 1.0mm <sup>2</sup>	X123A (3)
A3	PLUGGED	-	-	B4	RELAY GND	B / 1.0mm <sup>2</sup>	SPL#2
AA3	PLUGGED	-	-	C4	PLUGGED	-	-
A4	PLUGGED	-	-	D4	DUMP VLV OUT	W / 1.0mm <sup>2</sup>	SPL#3
AA4	PLUGGED	-	-	B5	DUMP VLV IN	W / 1.0mm <sup>2</sup>	SPL#4
A5	PLUGGED	-	-	C5	PLUGGED	-	-
AA5	PLUGGED	-	-	D5	KEY IGN	W / 1.0mm <sup>2</sup>	SPL#1
A6	PLUGGED	-	-	B6	RELAY GND	B / 1.0mm <sup>2</sup>	SPL#2
AA6	PLUGGED	-	-	C6	PLUGGED	-	-
A7	PLUGGED	-	-	D6	DUMP VLV OUT	W / 1.0mm <sup>2</sup>	SPL#3
AA7	PLUGGED	-	-	B7	PLUGGED	-	-
A8	PLUGGED	-	-	C7	PLUGGED	-	-
AA8	PLUGGED	-	-	D7	PLUGGED	-	-
A9	PLUGGED	-	-	B8	PLUGGED	-	-
AA9	PLUGGED	-	-	C8	PLUGGED	-	-
A10	PLUGGED	-	-	D8	PLUGGED	-	-
AA10	PLUGGED	-	-	B9	PLUGGED	-	-
B1	STAB SPD IN	W / 1.0mm <sup>2</sup>	X123B (1)	C9	PLUGGED	-	-
C1	PLUGGED	-	-	D9	PLUGGED	-	-
D1	KEY IGN	W / 1.0mm <sup>2</sup>	SPL#1	B10	PLUGGED	-	-
D2	RELAY GND	B / 1.0mm <sup>2</sup>	SPL#2	C10	PLUGGED	-	-
C2	PLUGGED	-	-	D10	PLUGGED	-	-

PAP3130



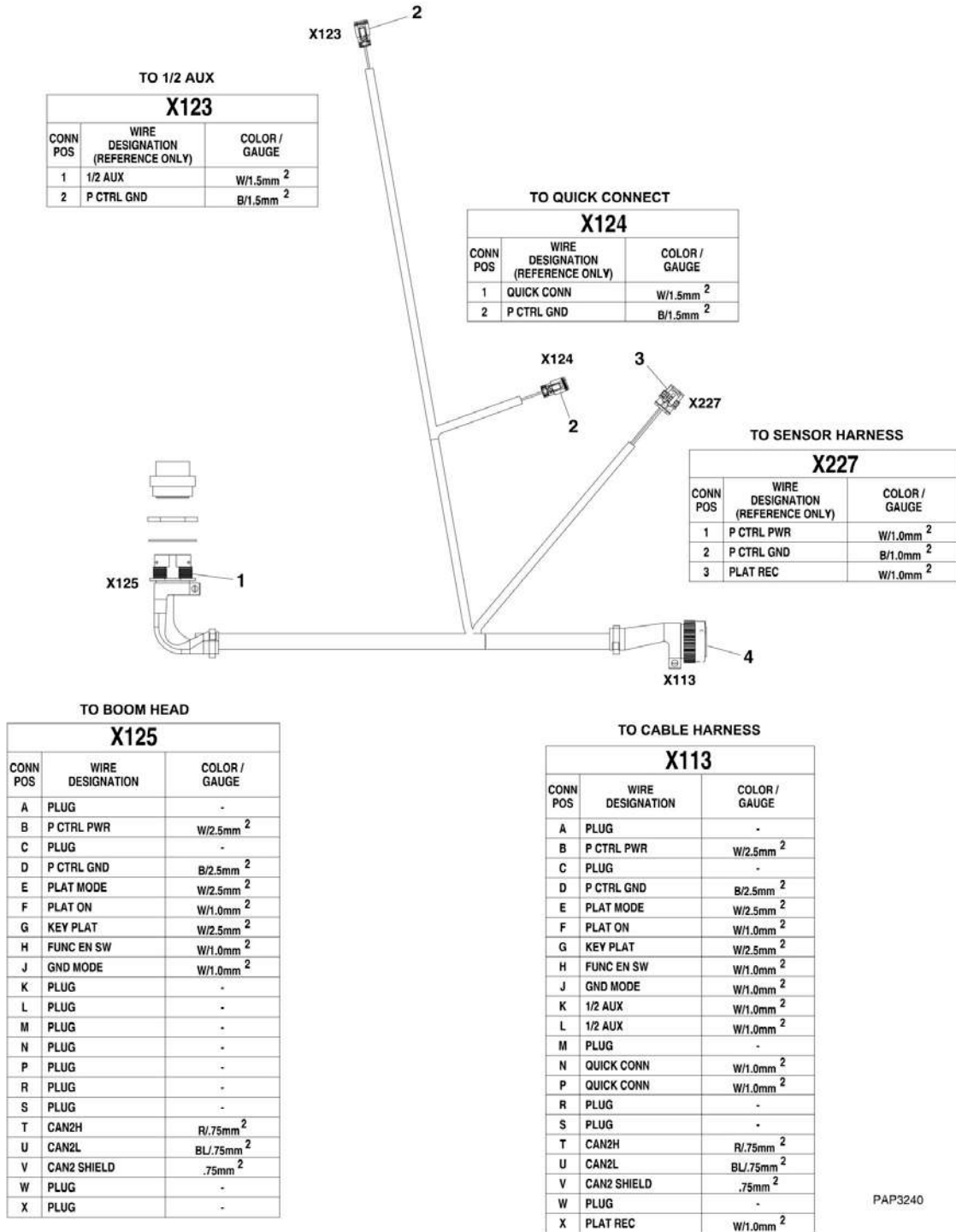
## SECTION 10 - ELECTRICAL

### FIGURE 10-25. PLATFORM CAB HARNESS

ITEM	PART NUMBER	QTY	DESCRIPTION	REV
	1001097702	1	PLATFORM CAB HARNESS, (includes all items)	C
1	4460225	1	CONNECTOR	
1	4460267	4	TERMINAL	
2	4460224	1	CONNECTOR	
2	4460268	3	TERMINAL	
3	1001116726	12	TERMINAL	
3	8220081	12	TERMINAL SEAL	
3	1001116727	38	PLUG	

# SECTION 10 - ELECTRICAL

## FIGURE 10-26. SMARTBASKET HARNESS



PAP3240

## SECTION 10 - ELECTRICAL

### FIGURE 10-26. SMARTBASKET HARNESS

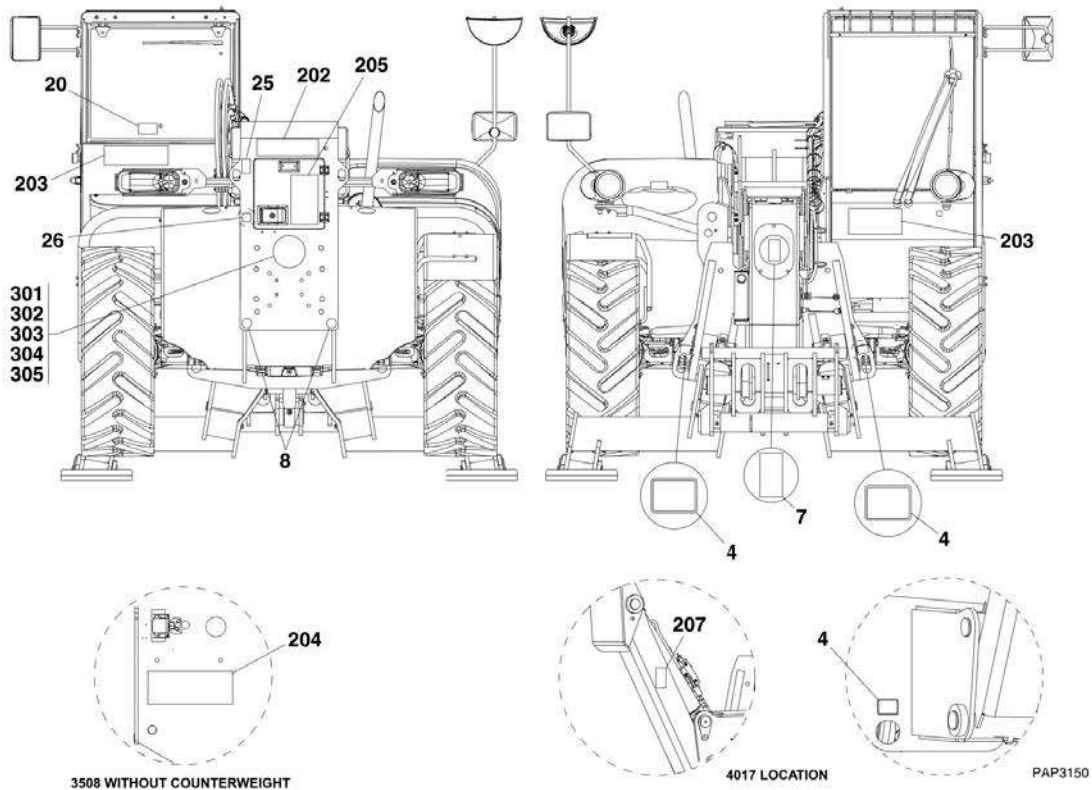
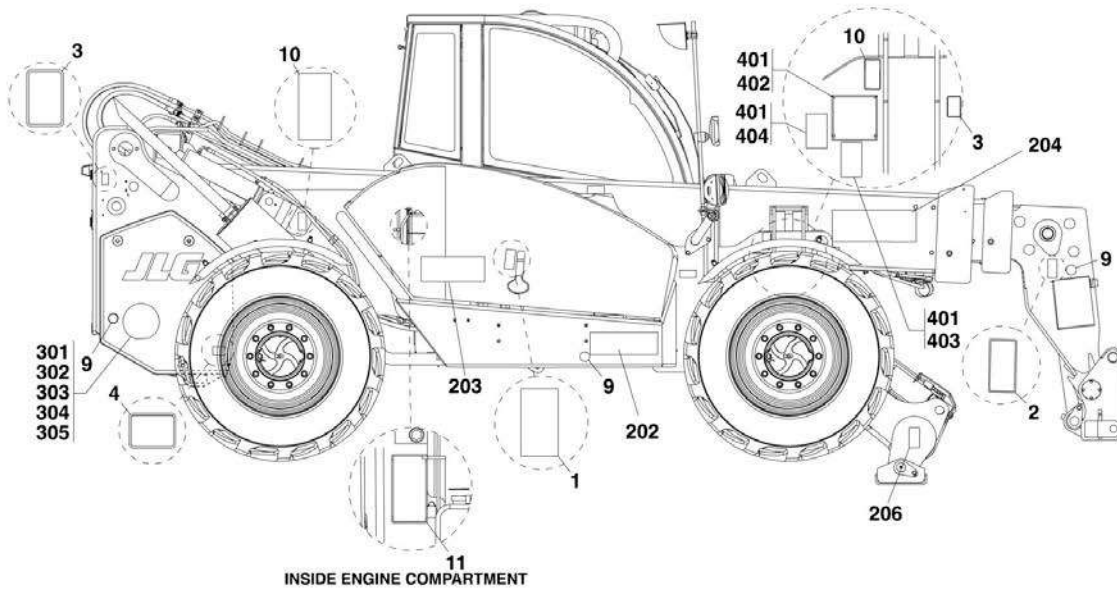
ITEM	PART NUMBER	QTY	DESCRIPTION	REV
	1001092136	NLA	SMARTBASKET HARNESS, (no longer available, see 1001114876 for service)	F
	1001114876	1	SMARTBASKET HARNESS, (includes all items)	A
1	4461243	1	TERMINAL	
1	91474463	1	STRAIN RELIEF	
1	1001116692	3	TERMINAL	
1	70020890	4	TERMINAL SOCKET	
1	70020891	3	TERMINAL	
1	4460466	11	PLUG	
1	83481286	1	NUT	
1	83481285	1	LOCKWASHER	
1	91504110	1	PROTECTIVE COVER	
2	7026408	2	CONNECTOR	
2	70020888	2	TERMINAL SOCKET, (qty per connector)	
2	80604018	1	CONNECTOR LOCK, (qty per connector)	
3	4461262	1	3 PIN CONNECTOR	
3	1001107854	3	CONTACT	
4	1001116927	1	HOUSING	
4	91474467	1	STRAIN RELIEF	
4	1001116693	8	MALE CONTACT	
4	70020887	4	TERMINAL PIN	
4	70022736	3	TERMINAL	
4	4460466	6	PLUG	



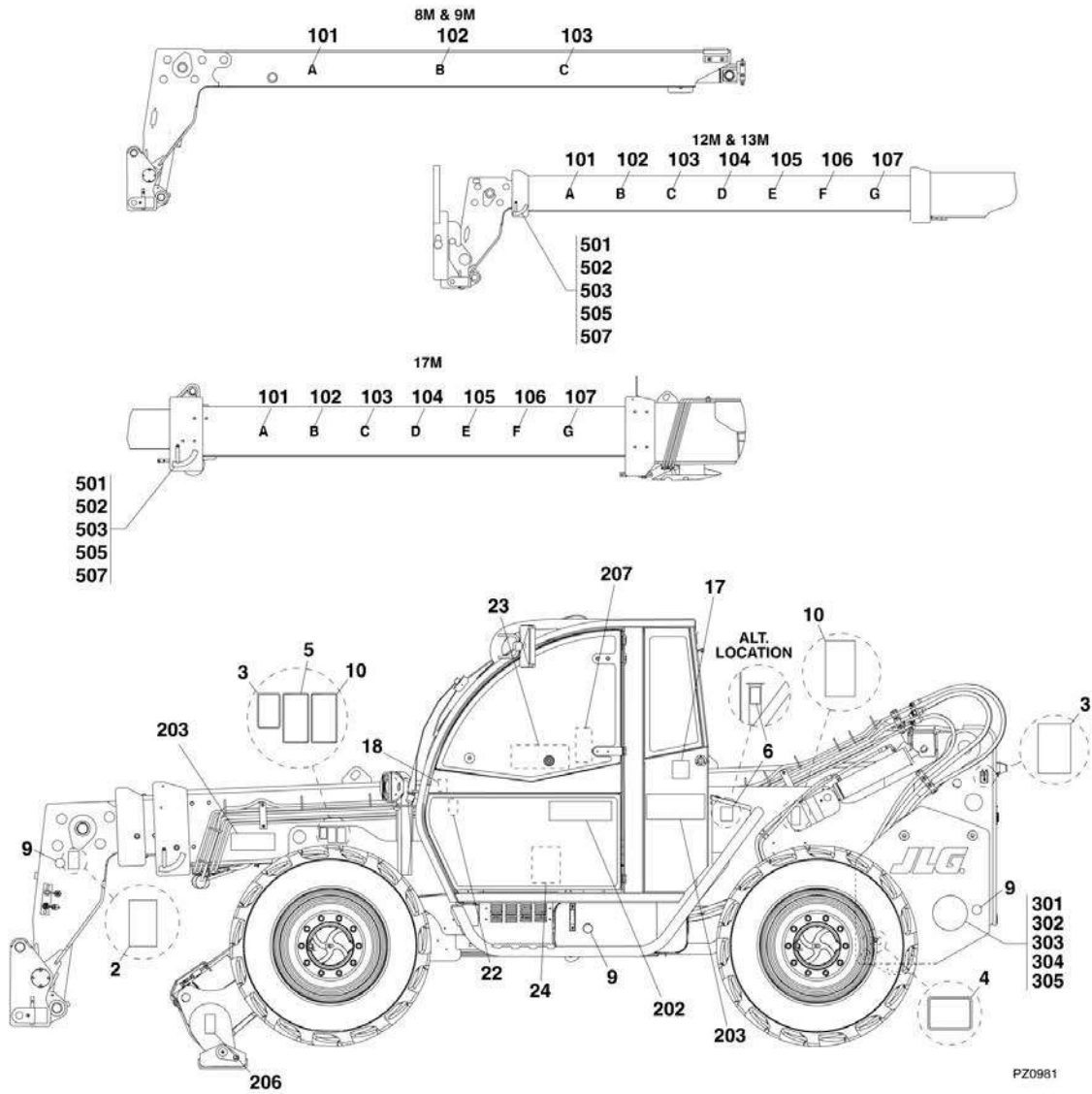
**SECTION 11 - DECALS**

# SECTION 11 - DECALS

## FIGURE 11-1. FRAME AND BOOM DECALS



# SECTION 11 - DECALS



# SECTION 11 - DECALS

## FIGURE 11-1. FRAME AND BOOM DECALS

ITEM	PART NUMBER	QTY	DESCRIPTION	REV
	1001094660	Ref	COMMON DECAL INSTALLATION, (not available to order, see items 1 thru 26 for service)	E
1	8005670	1	INSTRUCTION AND SAFETY DECAL	
2	8005675	2	WARNING DECAL	
3	8005616	4	LIFTING POINT DECAL	
4	8005617	4	TIE DOWN DECAL	
5	8005671	1	WARNING DECAL	
6	1001094708	1	HYDRAULIC OIL DECAL	
7	8006038	1	WARNING DECAL	
8	3700015	2	REFLECTOR	
9	3700016	6	REFLECTOR	
10	8008657	4	WARNING DECAL	
11	8005869	1	WARNING DECAL	
17		Ref	106dB SOUND DECAL, (See DECALS - CAB for Breakdown)	
18		Ref	OIL DECAL, (See DECALS - CAB for Breakdown)	
20		Ref	EMERGENCY EXIT DECAL, (See DECALS - CAB for Breakdown)	
22		Ref	WARNING DECAL, (See DECALS - CAB for Breakdown)	
23		Ref	WARNING DECAL, (See DECALS - CAB for Breakdown)	
24		Ref	FUSE DECAL, (See DECALS - CAB for Breakdown)	
25	8006612	1	WARNING DECAL	
26	8009815	1	DIESEL FUEL DECAL	
	0275145	Ref	BOOM EXTEND DECAL, (8M & 9M), (not available to order, see items 101 thru 103 for service)	A
	0275144	Ref	BOOM EXTEND DECAL, (12M), (not available to order, see items 101 thru 106 for service)	A
	0275143	Ref	BOOM EXTEND DECAL, (13M), (not available to order, see items 101 thru 107 for service)	A
	0275403	Ref	BOOM EXTEND DECAL, (17M), (not available to order, see items 101 thru 107 for service)	A
101	1706753	1	DECAL "A"	
102	1706754	1	DECAL "B"	
103	1706755	1	DECAL "C"	
104	1706756	1	DECAL "D"	
105	1706757	1	DECAL "E"	
106	1706758	1	DECAL "F"	
107	1706759	1	DECAL "G"	
	1001107137	Ref	FRAME LEVEL DECAL INSTALLATION, (AUS - 3509PS), (not available to order, see items 201 thru 205 for service)	1
	1001107138	Ref	FRAME LEVEL DECAL INSTALLATION, (AUS - 4009PS), (not available to order, see items 201 thru 205 for service)	1
	1001107141	Ref	FRAME LEVEL DECAL INSTALLATION, (AUS - 3513PS), (not available to order, see items 201 thru 207 for service)	1
	1001107142	Ref	FRAME LEVEL DECAL INSTALLATION, (AUS - 4013PS), (not available to order, see items 201 thru 207 for service)	1
	1001107144	Ref	FRAME LEVEL DECAL INSTALLATION, (AUS - 4017PS), (not available to order, see items 201 thru 207 for service)	1
	1001107532	Ref	FRAME LEVEL DECAL INSTALLATION, (CE - 3508PS), (not available to order, see items 201 thru 205 for service)	1
	1001107534	Ref	NON-FRAME LEVEL DECAL INSTALLATION, (CE - 3508PS), (not available to order, see items 201 thru 205 for service)	1
	1001107533	Ref	FRAME LEVEL DECAL INSTALLATION, (CE - 4008PS), (not available to order, see items 201 thru 205 for service)	1



## SECTION 11 - DECALS

ITEM	PART NUMBER	QTY	DESCRIPTION	REV
	1001107535	Ref	NON-FRAME LEVEL DECAL INSTALLATION, (CE - 4008PS), (not available to order, see items 201 thru 205 for service)	1
	1001107536	Ref	FRAME LEVEL DECAL INSTALLATION, (CE - 3509PS), (not available to order, see items 201 thru 205 for service)	1
	1001107537	Ref	FRAME LEVEL DECAL INSTALLATION, (CE - 4009PS), (not available to order, see items 201 thru 205 for service)	1
	1001107538	Ref	FRAME LEVEL DECAL INSTALLATION, (CE - 3512PS), (not available to order, see items 201 thru 207 for service)	1
	1001107540	Ref	NON-FRAME LEVEL DECAL INSTALLATION, (CE - 3512PS), (not available to order, see items 201 thru 207 for service)	1
	1001107539	Ref	FRAME LEVEL DECAL INSTALLATION, (CE - 4012PS), (not available to order, see items 201 thru 207 for service)	1
	1001107541	Ref	NON-FRAME LEVEL DECAL INSTALLATION, (CE - 4012PS), (not available to order, see items 201 thru 207 for service)	1
	1001107542	Ref	FRAME LEVEL DECAL INSTALLATION, (CE - 3513PS), (not available to order, see items 201 thru 207 for service)	1
	1001107543	Ref	FRAME LEVEL DECAL INSTALLATION, (CE - 4013PS), (not available to order, see items 201 thru 207 for service)	1
	1001107544	Ref	FRAME LEVEL DECAL INSTALLATION, (CE - 4017PS), (not available to order, see items 201 thru 208 for service)	1
	1001107545	Ref	FRAME LEVEL DECAL INSTALLATION, (CE - 3513PS, if equipped with Manitou Carriage), (not available to order, see items 201 thru 207 for service)	1
	1001107546	Ref	FRAME LEVEL DECAL INSTALLATION, (CE - 4013PS, if equipped with Manitou Carriage), (not available to order, see items 201 thru 207 for service)	1
	1001107547	Ref	FRAME LEVEL DECAL INSTALLATION, (CE - 4017PS, if equipped with Manitou Carriage), (not available to order, see items 201 thru 208 for service)	1
	1001138452	Ref	FRAME LEVEL DECAL INSTALLATION, (CE - 4009PS, if equipped with Manitou Carriage), (not available to order, see items 201 thru 205 for service)	A
	1001109872	Ref	FRAME LEVEL DECAL INSTALLATION, (CE - 3509PS, if equipped with LMIS), (not available to order, see items 201 thru 205, 258 & 259 for service)	2
	1001109867	Ref	FRAME LEVEL DECAL INSTALLATION, (AUS - 3509PS, if equipped with LMIS), (not available to order, see items 201 thru 205 for service)	1
	1001109873	Ref	FRAME LEVEL DECAL INSTALLATION, (CE - 4009PS, if equipped with LMIS), (not available to order, see items 201 thru 207 for service)	2
	1001109868	Ref	FRAME LEVEL DECAL INSTALLATION, (AUS - 4009PS, if equipped with LMIS), (not available to order, see items 201 thru 205 for service)	1
	1001109874	Ref	FRAME LEVEL DECAL INSTALLATION, (CE - 3513PS, if equipped with LMIS), (not available to order, see items 201 thru 209 for service)	2
	1001109869	Ref	FRAME LEVEL DECAL INSTALLATION, (AUS - 3513PS, if equipped with LMIS), (not available to order, see items 201 thru 207 for service)	1
	1001109870	Ref	FRAME LEVEL DECAL INSTALLATION, (AUS - 4013PS, if equipped with LMIS), (not available to order, see items 201 thru 207 for service)	1
	1001109871	Ref	FRAME LEVEL DECAL INSTALLATION, (AUS - 4017PS, if equipped with LMIS), (not available to order, see items 201 thru 208 for service)	1
	1001109875	Ref	FRAME LEVEL DECAL INSTALLATION, (CE - 4013PS, if equipped with LMIS), (not available to order, see items 201 thru 207, 258 & 259 for service)	2

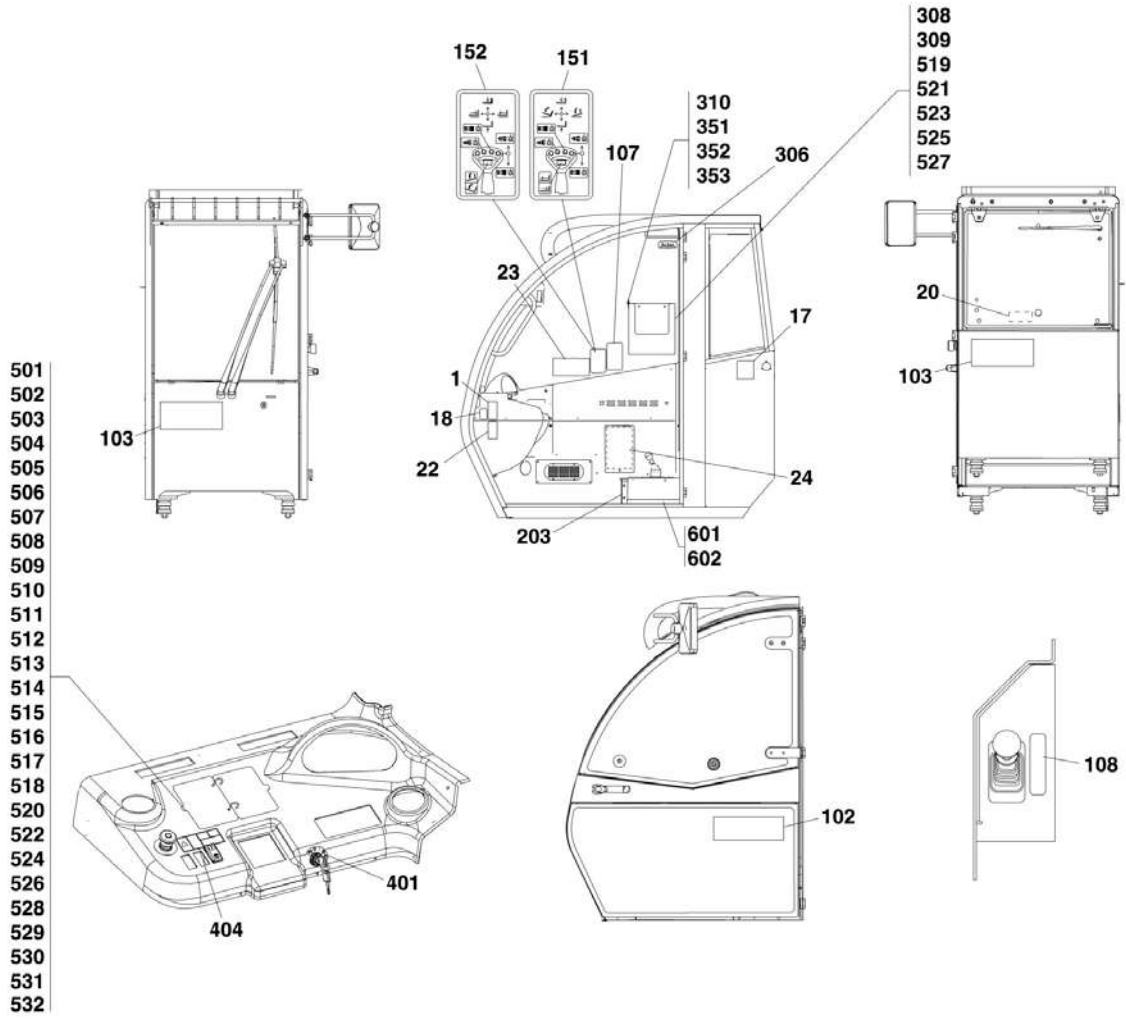
## SECTION 11 - DECALS

ITEM	PART NUMBER	QTY	DESCRIPTION	REV
	1001109876	Ref	FRAME LEVEL DECAL INSTALLATION, (CE - 4017PS, if equipped with LMIS), (not available to order, see items 201 thru 208, 258 & 259 for service)	2
201		Ref	CAPACITY CHART, (not shown), (See DECALS - CAB for Breakdown)	
202	1707082	3	MODEL DECAL, (3508PS)	
202	1707084	3	MODEL DECAL, (4008PS)	
202	1707086	3	MODEL DECAL, (3509PS)	
202	1707088	3	MODEL DECAL, (4009PS)	
202	1707090	3	MODEL DECAL, (3512PS)	
202	1707092	3	MODEL DECAL, (4012PS)	
202	1707094	3	MODEL DECAL, (3513PS)	
202	1707096	3	MODEL DECAL, (4013PS)	
202	1707098	2	MODEL DECAL, (4017PS)	
203	1702773	5	JLG DECAL	
204	8008629	1	JLG DECAL	
205	1001094858	1	LUBE CHART DECAL, (8M, 9M, 12M & 13M)	
205	1001094925	1	LUBE CHART DECAL, (17M)	
206	8008195	2	OUTRIGGER DECAL, (12M, 13M & 17M)	
207		Ref	OUTRIGGER JOYSTICK DECAL, (12M, 13M & 17M), (See DECALS - CAB for Breakdown)	
208		Ref	PARK BRAKE DECAL, (not shown), (12M, 13M & 17M), (See DECALS - CAB for Breakdown)	
258		Ref	CARRIAGE CAPACITY CHART DIAGRAM, (See DECALS - CAB for Breakdown)	
259		Ref	TRUSS BOOM CAPACITY CHART DIAGRAM, (See DECALS - CAB for Breakdown)	
301	8009885	3	SPEED DECAL, (12kph), (8M, 9M, 12M & 13M - if equipped)	
302	2603207	3	SPEED DECAL, (20kph), (8M, 9M, 12M & 13M - if equipped)	
303	8009890	3	SPEED DECAL, (22kph), (12M, 13M & 17M - if equipped)	
304	8009377	3	SPEED DECAL, (35kph), (12M, 13M & 17M - if equipped)	
305	2999964	3	SPEED DECAL, (40kph), (8M & 9M - if equipped)	
401	N.S.S.	AR	AMTAK FASTENER	
402	N.S.S.	Ref	NAME PLATE	
403	N.S.S.	Ref	HOMOLOGATION PLATE, (CE), (If equipped), (req in FRANCE)	
404	N.S.S.	Ref	HOMOLOGATION PLATE, (CE), (If equipped), (req in ITALY, ENGLAND AND GERMANY)	
501	4811900	2	WASHER, 8mm, (AUS)	
502	1001094171	1	BOOM ANGLE INDICATOR DECAL, (AUS)	
503	1001094172	1	BOOM ANGLE PENDULUM, (AUS)	
505	0630585	1	SHOULDER BOLT, M8X16, (AUS)	
507	0100011	AR	LOCTITE 242, (AUS)	



# SECTION 11 - DECALS

## FIGURE 11-2. DECALS - CAB



PAP13880

## SECTION 11 - DECALS

### FIGURE 11-2. DECALS - CAB

ITEM	PART NUMBER	QTY	DESCRIPTION	REV
1	8005670	1	INSTRUCTION AND SAFETY DECAL	
17	1705980	1	106dB SOUND DECAL	
18	2447967	1	OIL DECAL	
20	8005870	1	EMERGENCY EXIT DECAL	
22	8008651	1	WARNING DECAL	
23	1001094713	1	WARNING DECAL	
24	1001094778	1	FUSE DECAL	
102		Ref	MODEL DECAL, (See FRAME AND BOOM DECALS for Breakdown)	
103		Ref	JLG DECAL, (See FRAME AND BOOM DECALS for Breakdown)	
107	1001094902	1	OUTRIGGER JOYSTICK DECAL, (12M, 13M & 17M)	
108	1001098547	1	PARK BRAKE DECAL, (17M)	
151	1001094901	1	LOADER JOYSTICK DECAL, (if equipped)	
152	1001094900	1	LIFT JOYSTICK DECAL, (if equipped)	
203		Ref	CAB SAFETY DECAL, (AUS)	
306	8466306	1	LEVEL INDICATOR GAUGE, (AUS)	
308	1001095303	1	WALL MOUNT CONTAINER, (AUS)	
309	1001104090	0.4 m	TAPE, (AUS)	
310	1001110729	1	LANYARD ASSEMBLY, (AUS), (includes items 351 thru 353)	A
351	1001104090	AR	TAPE, (AUS)	
352	1001104541	1	KEY RING, (AUS)	
353	1001110722	1	WIRE LANYARD, (AUS)	
	1001099230	Ref	PLATFORM DECAL INSTALLATION, (CE - 13M, if equipped with platform) (not available to order, see items 401 thru 404 for service)	B
	1001099232	Ref	PLATFORM DECAL INSTALLATION, (CE - 17M, if equipped with platform) (not available to order, see items 401 thru 404 for service)	B
	1001099231	Ref	PLATFORM DECAL INSTALLATION, (AUS - 13M, if equipped with platform), (not available to order, see items 401 thru 404 for service)	B
401	1001099176	1	PLATFORM IGNITION SWITCH DECAL	
402	1001099238	1	FIXED PLATFORM CAPACITY CHART, (CE - 13M, if equipped with platform)	
402	1001099240	1	FIXED PLATFORM CAPACITY CHART, (CE - 17M, if equipped with platform)	
402	1001099239	1	FIXED PLATFORM CAPACITY CHART, (AUS - 13M, if equipped with platform)	
403	1001099825	1	EXTEND PLATFORM CAPACITY CHART, (CE - 13M, if equipped with platform)	
403	1001099827	1	EXTEND PLATFORM CAPACITY CHART, (CE - 17M, if equipped with platform)	
403	1001099826	1	EXTEND PLATFORM CAPACITY CHART, (AUS - 17M, if equipped with platform)	
404	1001103421	1	MANUAL DESCENT DECAL	
501	1001105145	1	CAPACITY CHART BOOKLET, (AUS - 3509PS)	4
501	1001105105	1	CARRIAGE CAPACITY CHART	
501	1001105157	1	BUCKETS CAPACITY CHART	
501	1001132976	1	FORKS	
501	1001105154	1	CAPACITY CHART BOOKLET, (AUS - 3509PS)	4
501	1001105156	1	4000KG JIB CAPACITY CHART	
501	1001109966	1	CAPACITY CHART COVER	
502	1001107421	1	CAPACITY CHART BOOKLET, (AUS - 4009PS)	2
502	1001107269	1	CARRIAGE CAPACITY CHART	
502	1001107271	1	BUCKETS CAPACITY CHART	

## SECTION 11 - DECALS

ITEM	PART NUMBER	QTY	DESCRIPTION	REV
503	1001107159	1	CAPACITY CHART BOOKLET, (AUS - 3513PS)	2
503	1001106667	1	CARRIAGE CAPACITY CHART	
503	1001106670	1	BUCKETS CAPACITY CHART	
504	1001106947	1	CAPACITY CHART BOOKLET, (AUS - 4013PS)	2
504	1001106436	1	CARRIAGE CAPACITY CHART	
504	1001106437	1	BUCKETS CAPACITY CHART	
505	1001106706	1	CAPACITY CHART BOOKLET, (AUS - 4017PS)	2
505	1001106377	1	CARRIAGE CAPACITY CHART	
505	1001106379	1	BUCKETS CAPACITY CHART	
506	1001095180	1	CAPACITY CHART BOOKLET, (CE - 3508PS, if equipped with frame level)	3
506	1001095366	1	CARRIAGE CAPACITY CHART	
506	1001096216	1	1.0m <sup>3</sup> BUCKET CAPACITY CHART	
506	1001096217	1	2.0m <sup>3</sup> BUCKET CAPACITY CHART	
506	1001105663	1	3.4m TRUSS BOOM CAPACITY CHART	
506	1001105664	1	FORK MOUNTED HOOK CAPACITY CHART	
506	1001096221	1	3.6m TRUSS BOOM CAPACITY CHART	
506	1001096220	1	SIDE SHIFT CARRIAGE CAPACITY CHART	
507	1001095179	1	CAPACITY CHART BOOKLET, (CE - 3508PS, not equipped with frame level)	3
507	1001095365	1	CARRIAGE CAPACITY CHART	
507	1001096210	1	1.0m <sup>3</sup> BUCKET CAPACITY CHART	
507	1001096211	1	2.0m <sup>3</sup> BUCKET CAPACITY CHART	
507	1001105668	1	3.4m TRUSS BOOM CAPACITY CHART	
507	1001105669	1	FORK MOUNTED HOOK CAPACITY CHART	
507	1001096215	1	3.6m TRUSS BOOM CAPACITY CHART	
507	1001096214	1	SIDE SHIFT CARRIAGE CAPACITY CHART	
508	1001095182	1	CAPACITY CHART BOOKLET, (CE - 4008PS, if equipped with frame level)	3
508	1001095368	1	CARRIAGE CAPACITY CHART	
508	1001096228	1	1.0m <sup>3</sup> BUCKET CAPACITY CHART	
508	1001096229	1	2.0m <sup>3</sup> BUCKET CAPACITY CHART	
508	1001105665	1	3.4m TRUSS BOOM CAPACITY CHART	
508	1001105666	1	FORK MOUNTED HOOK CAPACITY CHART	
508	1001096233	1	3.6m TRUSS BOOM CAPACITY CHART	
508	1001096232	1	SIDE SHIFT CARRIAGE CAPACITY CHART	
509	1001095181	1	CAPACITY CHART BOOKLET, (CE - 4008PS, not equipped with frame level)	3
509	1001095367	1	CARRIAGE CAPACITY CHART	
509	1001096222	1	1.0m <sup>3</sup> BUCKET CAPACITY CHART	
509	1001096223	1	2.0m <sup>3</sup> BUCKET CAPACITY CHART	
509	1001105670	1	3.4m TRUSS BOOM CAPACITY CHART	
509	1001105671	1	FORK MOUNTED HOOK CAPACITY CHART	
509	1001096227	1	3.6m TRUSS BOOM CAPACITY CHART	
509	1001096226	1	SIDE SHIFT CARRIAGE CAPACITY CHART	
510	1001095183	1	CAPACITY CHART BOOKLET, (CE - 3509PS)	4
510	1001095369	1	CARRIAGE CAPACITY CHART	
510	1001096234	1	1.0m <sup>3</sup> BUCKET CAPACITY CHART	
510	1001096235	1	2.0m <sup>3</sup> BUCKET CAPACITY CHART	
510	1001105415	1	3.4m TRUSS BOOM CAPACITY CHART	
510	1001105347	1	FORK MOUNTED HOOK CAPACITY CHART	
510	1001096239	1	3.6m TRUSS BOOM CAPACITY CHART	

## SECTION 11 - DECALS

ITEM	PART NUMBER	QTY	DESCRIPTION	REV
510	1001096238	1	SIDE SHIFT CARRIAGE CAPACITY CHART	
511	1001095184	1	CAPACITY CHART BOOKLET, (CE - 4009PS)	4
511	1001095197	1	CARRIAGE CAPACITY CHART	
511	1001096241	1	1.0m <sup>3</sup> BUCKET CAPACITY CHART	
511	1001096242	1	2.0m <sup>3</sup> BUCKET CAPACITY CHART	
511	1001105414	1	3.4m TRUSS BOOM CAPACITY CHART	
511	1001105346	1	FORK MOUNTED HOOK CAPACITY CHART	
511	1001096246	1	3.6m TRUSS BOOM CAPACITY CHART	
511	1001096245	1	SIDE SHIFT CARRIAGE CAPACITY CHART	
512	1001095186	1	CAPACITY CHART BOOKLET, (CE - 3512PS, if equipped with frame level)	3
512	1001095371	1	CARRIAGE CAPACITY CHART	
512	1001096254	1	1.0m <sup>3</sup> BUCKET CAPACITY CHART	
512	1001096255	1	2.0m <sup>3</sup> BUCKET CAPACITY CHART	
512	1001096256	1	0.8m <sup>3</sup> BUCKET CAPACITY CHART	
512	1001096257	1	FORK MOUNTED HOOK CAPACITY CHART	
512	1001096258	1	3.4m TRUSS BOOM CAPACITY CHART	
512	1001096260	1	3.6m TRUSS BOOM CAPACITY CHART	
512	1001096259	1	SIDE SHIFT CARRIAGE CAPACITY CHART	
513	1001095185	1	CAPACITY CHART BOOKLET, (CE - 3512PS, not equipped with frame level)	2
513	1001095370	1	CARRIAGE CAPACITY CHART	
513	1001096247	1	1.0m <sup>3</sup> BUCKET CAPACITY CHART	
513	1001096248	1	2.0m <sup>3</sup> BUCKET CAPACITY CHART	
513	1001096249	1	0.8m <sup>3</sup> BUCKET CAPACITY CHART	
513	1001096250	1	FORK MOUNTED HOOK CAPACITY CHART	
513	1001096251	1	3.4m TRUSS BOOM CAPACITY CHART	
513	1001096253	1	3.6m TRUSS BOOM CAPACITY CHART	
513	1001096252	1	SIDE SHIFT CARRIAGE CAPACITY CHART	
514	1001095188	1	CAPACITY CHART BOOKLET, (CE - 4012PS, if equipped with frame level)	3
514	1001095373	1	CARRIAGE CAPACITY CHART	
514	1001096268	1	1.0m <sup>3</sup> BUCKET CAPACITY CHART	
514	1001096269	1	2.0m <sup>3</sup> BUCKET CAPACITY CHART	
514	1001096270	1	0.8m <sup>3</sup> BUCKET CAPACITY CHART	
514	1001096271	1	FORK MOUNTED HOOK CAPACITY CHART	
514	1001096272	1	3.4m TRUSS BOOM CAPACITY CHART	
514	1001096274	1	3.6m TRUSS BOOM CAPACITY CHART	
514	1001096273	1	SIDE SHIFT CARRIAGE CAPACITY CHART	
515	1001095187	1	CAPACITY CHART BOOKLET, (CE - 4012PS, not equipped with frame level)	2
515	1001095372	1	CARRIAGE CAPACITY CHART	
515	1001096261	1	1.0m <sup>3</sup> BUCKET CAPACITY CHART	
515	1001096262	1	2.0m <sup>3</sup> BUCKET CAPACITY CHART	
515	1001096263	1	0.8m <sup>3</sup> BUCKET CAPACITY CHART	
515	1001096264	1	FORK MOUNTED HOOK CAPACITY CHART	
515	1001096265	1	3.4m TRUSS BOOM CAPACITY CHART	
515	1001096267	1	3.6m TRUSS BOOM CAPACITY CHART	
515	1001096266	1	SIDE SHIFT CARRIAGE CAPACITY CHART	
516	1001095189	1	CAPACITY CHART BOOKLET, (CE - 3513PS)	4
516	1001095374	1	CARRIAGE CAPACITY CHART	
516	1001096275	1	1.0m <sup>3</sup> BUCKET CAPACITY CHART	

## SECTION 11 - DECALS

ITEM	PART NUMBER	QTY	DESCRIPTION	REV
516	1001096276	1	2.0m <sup>3</sup> BUCKET CAPACITY CHART	
516	1001096277	1	0.8m <sup>3</sup> BUCKET CAPACITY CHART	
516	1001096278	1	FORK MOUNTED HOOK CAPACITY CHART	
516	1001096279	1	3.4m TRUSS BOOM CAPACITY CHART	
516	1001096280	1	SIDE SHIFT CARRIAGE CAPACITY CHART	
516	1001096281	1	3.6m TRUSS BOOM CAPACITY CHART	
516	1001096283	1	CRANE HOOK CAPACITY CHART	
516	1001099109	1	FORK POSITIONING CARRIAGE CAPACITY CHART	
517	1001095190	1	CAPACITY CHART BOOKLET, (CE - 4013PS)	4
517	1001095199	1	CARRIAGE CAPACITY CHART	
517	1001096285	1	1.0m <sup>3</sup> BUCKET CAPACITY CHART	
517	1001096286	1	2.0m <sup>3</sup> BUCKET CAPACITY CHART	
517	1001096287	1	0.8m <sup>3</sup> BUCKET CAPACITY CHART	
517	1001096288	1	FORK MOUNTED HOOK CAPACITY CHART	
517	1001096289	1	3.4m TRUSS BOOM CAPACITY CHART	
517	1001096290	1	SIDE SHIFT CARRIAGE CAPACITY CHART	
517	1001096291	1	3.6m TRUSS BOOM CAPACITY CHART	
517	1001096293	1	CRANE HOOK CAPACITY CHART	
517	1001099108	1	FORK POSITIONING CARRIAGE CAPACITY CHART	
518	1001095191	1	CAPACITY CHART BOOKLET, (CE - 4017PS)	5
518	1001095200	1	CARRIAGE CAPACITY CHART	
518	1001096296	1	0.8m <sup>3</sup> BUCKET CAPACITY CHART	
518	1001096295	1	2.0m <sup>3</sup> BUCKET CAPACITY CHART	
518	1001096297	1	FORK MOUNTED HOOK CAPACITY CHART	
518	1001096299	1	SIDE SHIFT CARRIAGE CAPACITY CHART	
518	1001096298	1	3.4m TRUSS BOOM CAPACITY CHART	
518	1001096300	1	3.6m TRUSS BOOM CAPACITY CHART	
518	1001096302	1	CRANE HOOK CAPACITY CHART	
518	1001099107	1	FORK POSITIONING CARRIAGE CAPACITY CHART	
519	1001109877	1	CAPACITY CHART BOOKLET, (AUS - 3509PS, if equipped with LMIS)	4
519	1001109966	1	CAPACITY CHART COVER	
519	1001105105	1	CARRIAGE CAPACITY CHART	
519	1001105157	1	BUCKETS CAPACITY CHART	
519	1001105156	1	2m TRUSS BOOM CAPACITY CHART	
520	1001109516	1	CAPACITY CHART BOOKLET, (CE - 3509PS, if equipped with LMIS)	3
520	1001109967	1	CAPACITY CHART COVER	
520	1001095369	1	CARRIAGE CAPACITY CHART	
520	1001096234	1	1.0m <sup>3</sup> BUCKET CAPACITY CHART	
520	1001096235	1	2.0m <sup>3</sup> BUCKET CAPACITY CHART	
520	1001107741	1	3.4m TRUSS BOOM CAPACITY CHART	
520	1001107740	1	FORK MOUNTED HOOK CAPACITY CHART	
520	1001096238	1	SIDE SHIFT CARRIAGE CAPACITY CHART	
521	1001109878	1	CAPACITY CHART BOOKLET, (AUS - 4009PS, if equipped with LMIS)	4
521	1001109966	1	CAPACITY CHART COVER	
521	1001107269	1	CARRIAGE CAPACITY CHART	
521	1001107271	1	BUCKETS CAPACITY CHART	
521	1001107270	1	2m TRUSS BOOM CAPACITY CHART	
522	1001109515	1	CAPACITY CHART BOOKLET, (CE - 4009, if equipped with LMIS)	3
522	1001109967	1	CAPACITY CHART COVER	



## SECTION 11 - DECALS

ITEM	PART NUMBER	QTY	DESCRIPTION	REV
522	1001095197	1	CARRIAGE CAPACITY CHART	
522	1001096241	1	1.0m <sup>3</sup> BUCKET CAPACITY CHART	
522	1001096242	1	2.0m <sup>3</sup> BUCKET CAPACITY CHART	
522	1001107738	1	3.4m TRUSS BOOM CAPACITY CHART	
522	1001107737	1	FORK MOUNTED HOOK CAPACITY CHART	
522	1001096245	1	SIDE SHIFT CARRIAGE CAPACITY CHART	
523	1001109879	1	CAPACITY CHART BOOKLET, (AUS - 3513PS, if equipped with LMIS)	4
523	1001109966	1	CAPACITY CHART COVER	
523	1001106667	1	CARRIAGE CAPACITY CHART	
523	1001106670	1	BUCKETS CAPACITY CHART	
523	1001106671	1	2.0m TRUSS BOOM CAPACITY CHART	
524	1001109514	1	CAPACITY CHART BOOKLET, (CE - 3513PS, if equipped with LMIS)	3
524	1001109967	1	CAPACITY CHART COVER	
524	1001095374	1	CARRIAGE CAPACITY CHART	
524	1001096275	1	1.0m <sup>3</sup> BUCKET CAPACITY CHART	
524	1001096276	1	2.0m <sup>3</sup> BUCKET CAPACITY CHART	
524	1001096277	1	0.8m <sup>3</sup> BUCKET CAPACITY CHART	
524	1001107734	1	FORK MOUNTED HOOK CAPACITY CHART	
524	1001107735	1	3.4m TRUSS BOOM CAPACITY CHART	
524	1001096280	1	SIDE SHIFT CARRIAGE CAPACITY CHART	
524	1001099109	1	FORK POSITIONING CARRIAGE CAPACITY CHART	
525	1001109880	1	CAPACITY CHART BOOKLET, (AUS - 4013PS, if equipped with LMIS)	4
525	1001109966	1	CAPACITY CHART COVER	
525	1001106436	1	CARRIAGE CAPACITY CHART	
525	1001106437	1	BUCKETS CAPACITY CHART	
525	1001106438	1	2.0m TRUSS BOOM CAPACITY CHART	
526	1001107882	1	CAPACITY CHART BOOKLET, (CE - 4013PS, if equipped with LMIS)	4
526	1001109967	1	CAPACITY CHART COVER	
526	1001095199	1	CARRIAGE CAPACITY CHART	
526	1001096285	1	1.0m <sup>3</sup> , BUCKET CAPACITY CHART	
526	1001096286	1	2.0m <sup>3</sup> BUCKET CAPACITY CHART	
526	1001096287	1	0.8m <sup>3</sup> BUCKET CAPACITY CHART	
526	1001107731	1	FORK MOUNTED HOOK CAPACITY CHART	
526	1001107732	1	3.4m TRUSS BOOM CAPACITY CHART	
526	1001096290	1	SIDE SHIFT CARRIAGE CAPACITY CHART	
526	1001099108	1	FORK POSITIONING CARRIAGE CAPACITY CHART	
527	1001109881	1	CAPACITY CHART BOOKLET, (AUS - 4017PS, if equipped with LMIS)	4
527	1001109966	1	CAPACITY CHART COVER	
527	1001106377	1	CARRIAGE CAPACITY CHART	
527	1001106379	1	BUCKETS CAPACITY CHART	
527	1001106378	1	2.0m TRUSS BOOM CAPACITY CHART	
528	1001107881	1	CAPACITY CHART BOOKLET, (CE - 4017PS, if equipped with LMIS)	4
528	1001109967	1	CAPACITY CHART COVER	
528	1001095200	1	CARRIAGE CAPACITY CHART	
528	1001096296	1	0.8m <sup>3</sup> BUCKET CAPACITY CHART	
528	1001096295	1	2.0m <sup>3</sup> BUCKET CAPACITY CHART	
528	1001107728	1	FORK MOUNTED HOOK CAPACITY CHART	

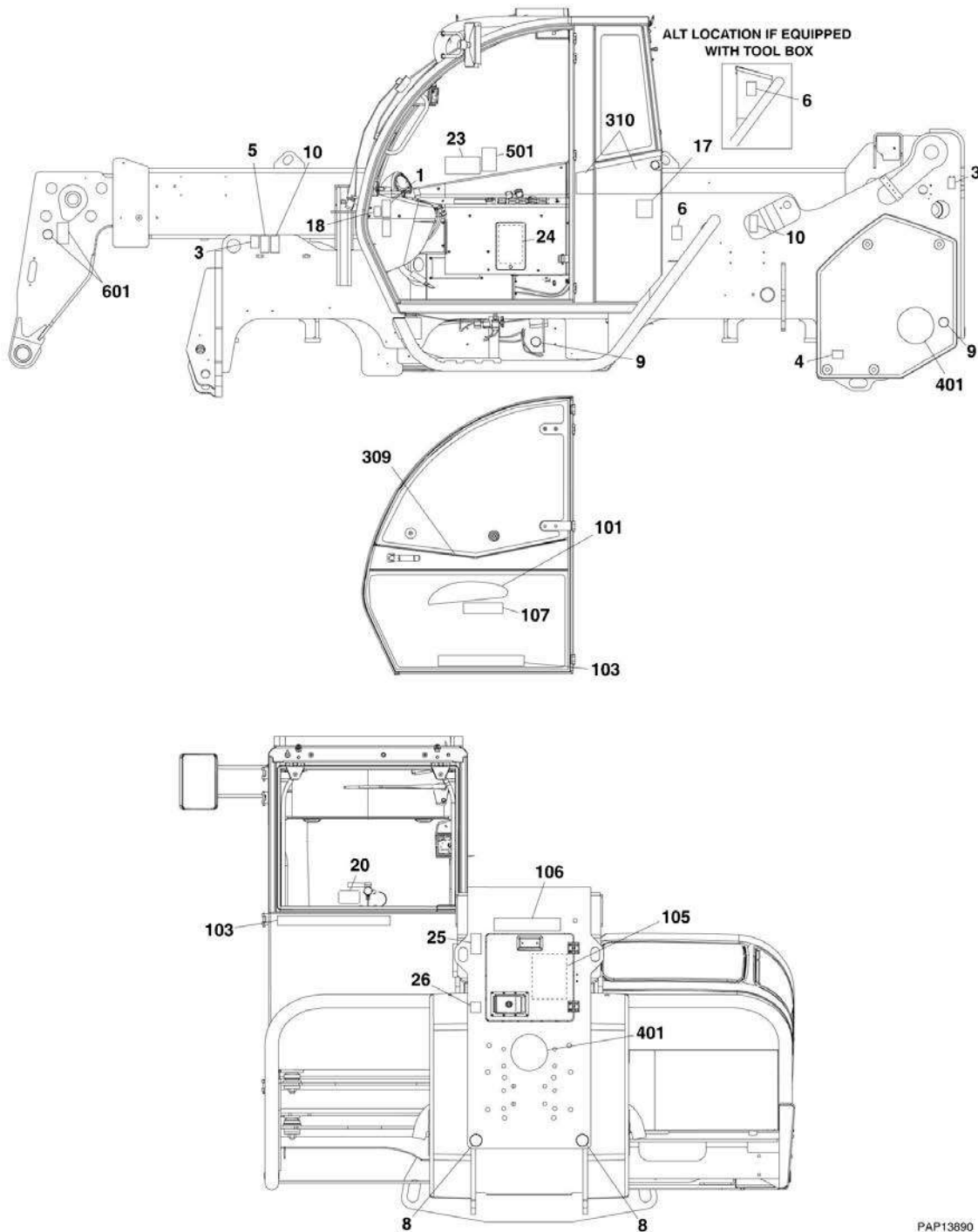
## SECTION 11 - DECALS

ITEM	PART NUMBER	QTY	DESCRIPTION	REV
528	1001096299	1	SIDE SHIFT CARRIAGE CAPACITY CHART	
528	1001107729	1	3.4m TRUSS BOOM CAPACITY CHART	
528	1001099107	1	FORK POSITIONING CARRIAGE CAPACITY CHART	
529	1001103317	1	CAPACITY CHART BOOKLET, (CE - 3513PS, if equipped with Manitou Carriage)	C
529	1001102671	1	CARRIAGE CAPACITY CHART	
529	1001143739	1	CARRIAGE CAPACITY CHART	
529	1001143737	1	CARRIAGE CAPACITY CHART	
529	1001143738	1	CARRIAGE CAPACITY CHART	
530	1001103319	1	CAPACITY CHART BOOKLET, (CE - 4013PS, if equipped with Manitou Carriage)	C
530	1001102672	1	CARRIAGE CAPACITY CHART	
530	1001143740	1	CARRIAGE CAPACITY CHART	
530	1001167999	1	CARRIAGE CAPACITY CHART	
530	1001168000	1	CARRIAGE CAPACITY CHART	
531	1001103322	1	CAPACITY CHART BOOKLET, (CE - 4017PS, if equipped with Manitou Carriage)	C
531	1001102673	1	CARRIAGE CAPACITY CHART	
531	1001143741	1	CARRIAGE CAPACITY CHART	
531	1001168001	1	CARRIAGE CAPACITY CHART	
531	1001168002	1	CARRIAGE CAPACITY CHART	
532	1001138455	1	CAPACITY CHART BOOKLET, (CE - 4009PS, if equipped with Manitou Carriage)	A
532	1001138457	1	CARRIAGE CAPACITY CHART	
601	1001111456	1	CARRIAGE CAPACITY CHART DIAGRAM, (CE - 3509PS, if equipped with LMIS)	
601	1001111454	1	CARRIAGE CAPACITY CHART DIAGRAM, (CE - 4009PS, if equipped with LMIS)	
601	1001111452	1	CARRIAGE CAPACITY CHART DIAGRAM, (CE - 3513PS, if equipped with LMIS)	
601	1001111448	1	CARRIAGE CAPACITY CHART DIAGRAM, (CE - 4013PS, if equipped with LMIS)	
601	1001111450	1	CARRIAGE CAPACITY CHART DIAGRAM, (CE - 4017PS, if equipped with LMIS)	
602	1001111457	1	TRUSS BOOM CAPACITY CHART DIAGRAM, (CE - 3509PS, if equipped with LMIS)	
602	1001111455	1	TRUSS BOOM CAPACITY CHART DIAGRAM, (CE - 4009PS, if equipped with LMIS)	
602	1001111453	1	TRUSS BOOM CAPACITY CHART DIAGRAM, (CE - 3513PS, if equipped with LMIS)	
602	1001111449	1	TRUSS BOOM CAPACITY CHART DIAGRAM, (CE - 4013PS, if equipped with LMIS)	
602	1001111451	1	TRUSS BOOM CAPACITY CHART DIAGRAM, (CE - 4017PS, if equipped with LMIS)	



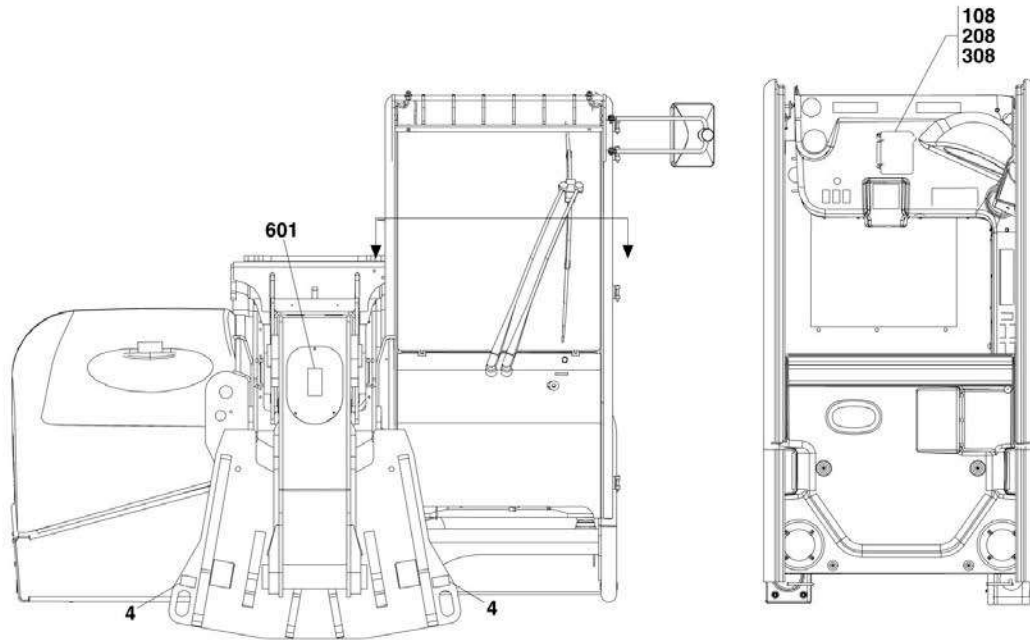
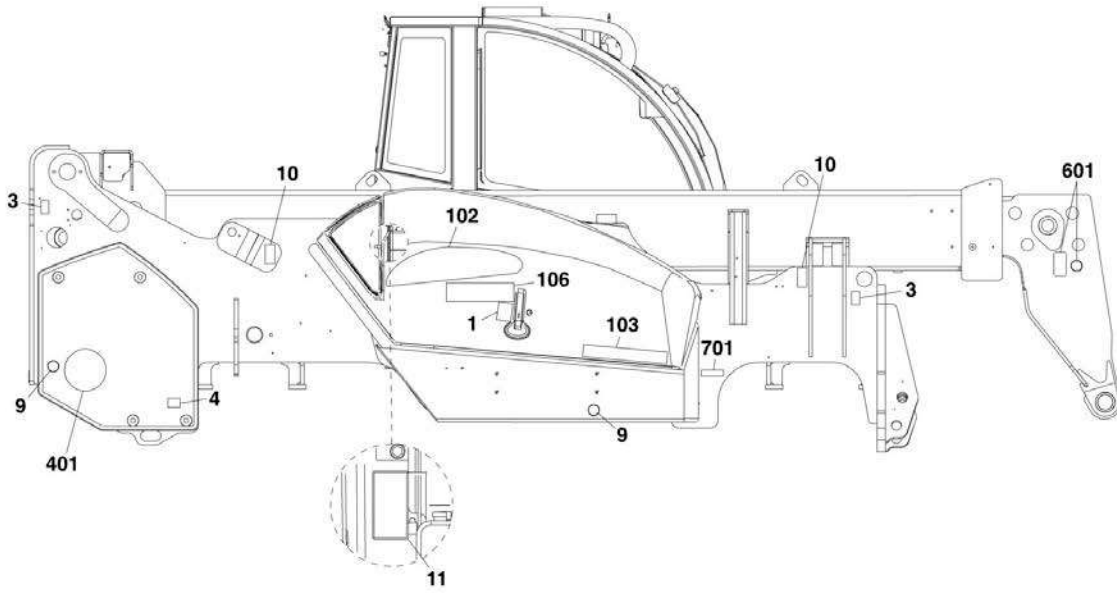
# SECTION 11 - DECALS

## FIGURE 11-3. CAB AND FRAME DECALS, (40.8 & 40.9)



PAP13890

# SECTION 11 - DECALS



P22560

# SECTION 11 - DECALS

**FIGURE 11-3. CAB AND FRAME DECALS, (40.8 & 40.9)**

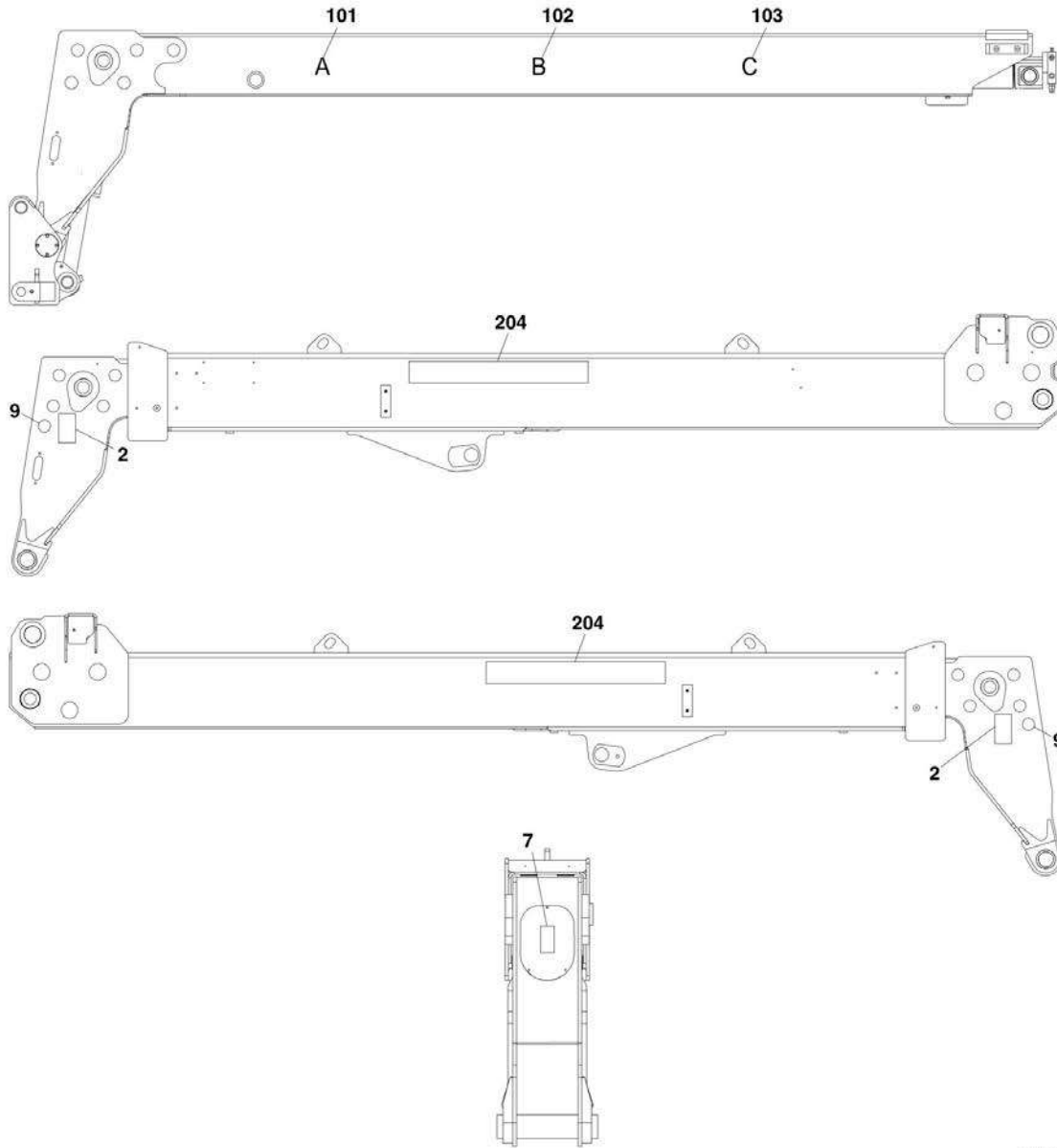
ITEM	PART NUMBER	QTY	DESCRIPTION	REV
1	8005670	2	INSTRUCTION AND SAFETY DECAL	
3	8005616	4	LIFTING POINT DECAL	
4	8005617	4	TIE DOWN DECAL	
5	8005671	1	CYLINDER LOCK WARNING DECAL	
6	1001094708	1	HYDRAULIC OIL DECAL	
8	3700015	2	REFLECTOR	
9	3700016	4	REFLECTOR	
10	8008657	4	BRAKE WARNING DECAL	
11	8005869	1	ENGINE RUNNING WARNING DECAL, (mounted beside engine fan)	
17	1705980	1	106db SOUND DECAL	
18	2447967	1	OIL DECAL	
20	8005870	1	EMERGENCY EXIT DECAL	
23	1001094713	1	WARNING DECALS	
24	1001094778	1	FUSE DECAL	
25	8006612	1	WARNING DECAL	
26	8009815	1	DIESEL FUEL DECAL	
	1001106738	Ref	40.8 DECAL INSTALLATION, (Frame Sway Not Equipped), (not available to order, see items 101 thru 108 for service)	A
	1001106737	Ref	40.8 DECAL INSTALLATION, (Frame Sway Equipped), (not available to order, see items 101 thru 107 & 208 for service)	A
	1001106739	Ref	40.9 DECAL INSTALLATION, (Frame Sway Equipped), (not available to order, see items 101 thru 107 & 308 for service)	A
	1001138451	Ref	40.9 DECAL INSTALLATION, (if equipped with Manitou Carriage), (not available to order, see items 101 thru 107 & 308 thru 310 for service)	A
101	1706441	1	AGROVECTOR DECAL	
102	1706442	1	AGROVECTOR DECAL	
103	1706608	3	BRAND DECAL	
104		Ref	BRAND DECAL, (See DECALS – CAB for Breakdown)	
105	1001094858	1	LUBE CHART DECAL	
106	1001106801	2	MODEL DECAL, (40.8)	
106	1001106802	2	MODEL DECAL, (40.9)	
107	1001106803	1	MODEL DECAL, (40.8)	
107	1001106804	1	MODEL DECAL, (40.9)	
108	1001108165	1	40.8 LOAD CHART, (Frame Sway Not Equipped)	2
108	1001108101	1	FORKS LOAD CHART	
108	1001108102	1	1m <sup>3</sup> BUCKET LOAD CHART	
108	1001108103	1	2m <sup>3</sup> BUCKET LOAD CHART	
108	1001108104	1	3.4m TRUSS BOOM LOAD CHART	
108	1001108105	1	4 TON HOOK LOAD CHART	
108	1001108106	1	3.6m TRUSS BOOM LOAD CHART	
108	1001108107	1	SIDE SHIFT CARRIAGE LOAD CHART	
208	1001108164	1	40.8 LOAD CHARTS, (Frame Sway Equipped)	2
208	1001108094	1	FORKS LOAD CHART	
208	1001108095	1	1m <sup>3</sup> BUCKET LOAD CHART	
208	1001108096	1	2m <sup>3</sup> BUCKET LOAD CHART	
208	1001108097	1	3.4m TRUSS BOOM LOAD CHART	
208	1001108098	1	4 TON HOOK LOAD CHART	
208	1001108099	1	3.6m TRUSS BOOM LOAD CHART	
208	1001108100	1	SIDE SHIFT CARRIAGE LOAD CHART	

## SECTION 11 - DECALS

ITEM	PART NUMBER	QTY	DESCRIPTION	REV
208	1001108166	1	40.9 LOAD CHARTS, (Frame Sway Equipped)	2
208	1001108108	1	FORKS LOAD CHART	
208	1001108109	1	1m <sup>3</sup> BUCKET LOAD CHART	
208	1001108110	1	2m <sup>3</sup> BUCKET LOAD CHART	
208	1001108111	1	3.4m TRUSS BOOM LOAD CHART	
208	1001108112	1	4 TON HOOK LOAD CHART	
208	1001108113	1	3.6m TRUSS BOOM LOAD CHART	
208	1001108114	1	SIDE SHIFT CARRIAGE LOAD CHART	
308	1001138454	1	40.9 LOAD CHARTS, (if equipped with Manitou Carriage)	A
308	1001138456	1	FORKS LOAD CHART	
309	1001110779	1	DOOR CAB STRIPE DECAL, (if equipped with Manitou Carriage)	
310	1001110781	1	REAR CAB STRIPE DECAL, (if equipped with Manitou Carriage)	
401	8009885	3	12KPH SPEED DECAL, (if equipped)	
401	2603207	3	20KPH SPEED DECAL, (if equipped)	
401	2999964	3	40KPH SPEED DECAL, (if equipped)	
501	1001094900	1	LIFT JOYSTICK DECAL, (if equipped)	
501	1001094901	1	LOADER JOYSTICK DECAL, (if equipped)	
601		Ref	BOOM DECALS, (See DECALS – CAB for Breakdown)	
701	N.S.S.	1	SN PLATE	

# SECTION 11 - DECALS

## FIGURE 11-4. BOOM DECALS, (40.8 & 40.9)



PAP13950



## SECTION 11 - DECALS

**FIGURE 11-4. BOOM DECALS, (40.8 & 40.9)**

ITEM	PART NUMBER	QTY	DESCRIPTION	REV
2	8005675	2	BOOM RAISED WARNING DECAL	A
7	8006038	1	NO RIDERS WARNING DECAL	
9	3700016	2	REFLECTOR	
	0275145	1	BOOM EXTEND DECAL, (includes items 101 thru 103)	
101	1706753	1	DECAL "A"	
102	1706754	1	DECAL "B"	
103	1706755	1	DECAL "C"	
204	1706609	2	BRAND DECAL	



**SECTION 12 - RECOMMENDED SPARE PARTS**

# SECTION 12 - RECOMMENDED SPARE PARTS

FIGURE 12-1. RECOMMENDED SPARE PARTS

ITEM	PART NUMBER	QTY	DESCRIPTION	REV
	Note	Ref	<b>Note: The following list will service fleets of machines (built to current production per date on the front cover) with repair parts which can be installed in the field. Parts from the list should be replaced when inventory is depleted to keep service parts stock supplied. For further information, contact your JLG dealer or the JLG Industries Parts Department.</b>	
		Ref	<b>BOOM ASSEMBLY</b>	
	1001111730	1	Twinline Hose Assy, (8M)	
	1001111731	1	Twinline Hose Assy, (9M)	
	2754700	1	Tilt Cylinder Hose, (12M)	
	2754342	1	Tilt Cylinder Hose, (13M)	
	2754157	1	Tilt Cylinder Hose, (17M)	
	2754158	1	Tilt Cylinder Hose, (17M)	
	8002201	4	Pad	
	8002200	24	Pad	
	8002199	12	Pad	
	8010148	2	Pad	
	4700021	8	Pad	
	4700030	1	Pad	
	4700031	1	Pad	
	4740532	4	Pad	
	4700047	2	Pad	
	1001093784	4	Pad	
	8002907	8	Shim	
	8008070	22	Shim, (as required)	
	8003242	6	Shim, (as required)	
	8002637	10	Shim, (as required)	
	8002914	6	Shim	
	8008640	3	Shim, (as required)	
	8008641	3	Shim, (as required)	
	8008642	3	Shim, (as required)	
	8008069	12	Shim	
	8008634	3	Shim, (as required)	
	8008644	3	Shim, (as required)	
	8008645	3	Shim, (as required)	
	8002972	4	Shim, (as required)	
	8009987	6	Shim, (as required)	
	8009988	2	Shim, (as required)	
	8008633	1	Shim, (as required)	
	8003243	1	Shim, (as required)	
	8002904	28	Shim, (as required)	
	4071085	10	Shim, (as required)	
	4071093	6	Shim, (as required)	
	4071098	4	Shim, (as required)	
	4071099	2	Shim, (as required)	
	4071104	10	Shim, (as required)	
	4071107	2	Shim, (as required)	
	4071108	2	Shim, (as required)	
	4071109	2	Shim, (as required)	

## SECTION 12 - RECOMMENDED SPARE PARTS

ITEM	PART NUMBER	QTY	DESCRIPTION	REV
	4071110	38	Shim, (as required)	
	4071106	4	Shim, (as required)	
	4071105	4	Shim, (as required)	
	4071087	18	Shim, (as required)	
	3964987	1	Quick Release Pin	
		Ref	<b>ENGINE</b>	
	1001108812	1	Fuel/Engine Oil Filter Kit	
	8006013	2	Oil Filter	
	7028655	1	Fuel Filter	
	80273010	1	Main Filter Element, (outer)	
	80273042	1	Secondary Filter Element, (inner)	
	7028681	1	Oil Cap	
	70020492	1	Fuel Tank Cap	
	2060040	1	Fan	
	8035095	1	Fan Belt	
	7028672	1	Dipstick	
	70020403	1	Transmission Dipstick	
		Ref	<b>DRIVE TRAIN</b>	
	1001097681	1	FNR Shifter	
	3890064	1	Pull Cable	
	8008101	1	Transmission Filter	
	8004468	2	Bushing	
	7029430	4	Oil Seal	
	91514147	4	Oil Seal	
	8007771	4	Gasket	
	7028110	1	Gasket and Seal Kit	
	70020412	1	Drop Box Seal Kit	
	8005079	8	Driveshaft Attachment Kit	
		Ref	<b>HYDRAULIC SYSTEM</b>	
	1001108802	1	Hydraulic/Air Filter Kit	
	7029437	1	Lift Cylinder Seal Kit, (8M)	
	7028545	1	Lift Cylinder Seal Kit, (9, 12, 13 & 17M)	
	70020633	1	Load Control Valve, (3508PS, 3509PS, 3512PS, 3513PS, 4008PS, 4009PS, 4012PS & 4013PS)	
	70020633B	1	Load Control Valve, (40.8 & 40.9)	
	1001114162	1	Load Control Valve, (17M)	
	7028352	1	Extend/Retract Cylinder Seal Kit, (8 & 9M)	
	7029632	1	Extend/Retract Cylinder Seal Kit, (12 & 13M)	
	7029232	1	Extend/Retract Cylinder Seal Kit, (17M)	
	70023095	1	Extend/Retract Cylinder Seal Kit, (17M, 1001107509 cylinder)	
	7028575	1	Tilt Cylinder Seal Kit	
	70020633	1	Load Control Valve, (1001092404 cylinder), (3508PS, 3509PS, 3512PS, 3513PS, 4008PS, 4009PS, 4012PS, 4013PS & 4017PS)	
	70020633B	1	Load Control Valve, (1001092404 cylinder), (40.8 & 40.9)	
	1001114162	1	Load Control Valve, (1001107510 cylinder)	
	7028585	1	Compensation Cylinder Seal Kit	
	7028599	1	Frame Level Cylinder Seal Kit	
	7028901	1	Outrigger Cylinder Seal Kit, (12 & 13M)	
	7028607	1	Outrigger Cylinder Seal Kit, (17M)	
	70021494	1	Load Control Valve, (17M)	
	7029225	1	Fork Locking Cylinder Seal Kit	
	70020708	1	Regulator Seal Kit	

## SECTION 12 - RECOMMENDED SPARE PARTS

ITEM	PART NUMBER	QTY	DESCRIPTION	REV
	70020709	4	Pressure Relief Valve Seal Kit	
	70020710	4	Solenoid Seal Kit	
	70020711	1	Flow Regulator Seal Kit	
	70020712	1	Pressure Relief Valve Seal Kit	
	70020713	1	Pressure Reducing Valve Seal Kit	
	1001099798	1	Hydraulic Filter Element	
	2420226	1	Level Indicator Gauge	
	70020868	1	Directional Valve Coil	
		Ref	<b>ELECTRICAL</b>	
	1001097750	1	Boom Joystick	
	70020573	1	Oil Pressure Switch	
	2420224	1	Fuel Gauge Sender	
	0140047	1	Backup Alarm <b>(Prior to SN 1160004670)</b>	
	1001099810	1	Backup Alarm with Grill <b>(SN 1160004670 to Present)</b>	
	4360657	1	Ignition switch	
	1001090078	1	Alternator, 85A	
	70021786	1	Starter Motor	
	0140046	1	Signal Horn, 13V	
	8006318	1	Temperature Switch	
	91514287	5	Solenoid Assembly	
	4360631	1	Switch	
	4360651	1	Switch	
	4360649	1	Switch	
	4360643	1	Switch	
	8007875	1	Speed Sensor Assembly	
		Ref	<b>MISC.</b>	
	1001108819	1	Combined Filter Kit, (includes fuel, engine oil, return, transmission, air and secondary air filters)	
	70021220	1	Key	
	31200205	1	Operation and Safety Manual	
	31200206	1	Service Manual	

**PART NUMBER INDEX**

# PART NUMBER INDEX

0100009.....125	0313279.....425	0760505.....153	0801578.....66
0100011....21, 51, 53, 57, 59, 63, 66, 69, 72, 76, 80, 115, 120, 123, 133, 159, 191, 193, 276, 277, 283, 319, 322, 363, 379, 482	0388450.....425	0760508.....123	0801579.....66
0100019.....276	0440296.....66, 72	0760605.....25	0801596.....85
0100035.....379	0440298.....66	0760606.....27	0840066.....149
0100048....115, 120, 125	0440309.....27	0760608....12, 115, 133, 234, 249, 252	0879192.....234
0100081.....125	0480138.....153	0760610.....13, 266	0902751.....125
0120008.....153	0498748.....234	0760612.....13	0902894.....115, 120
0140011.....125	0630568.....126	0760615.....460	0902919.....115
0140046.....418, 502	0630571.....21	0760618.....411	0902920.....115
0140047.....418, 502	0630574.....21	0760619.....425	0902954.....133
0200837.....261	0630576.....14, 15	0760805.....418	0902966.....153
0240063.....111	0630582.....151	0760806.....43	0902987.....39
0240110.....111	0630585.....123, 482	0760807 47, 49, 116, 121	0902991.....409
0240143.....105	0630589.....191, 193	0760808.....241, 417	0903094.....43
0240147.....18	0641404.....125	0760810 ... 18, 25, 51, 80, 81, 89, 141, 143, 153, 297	0903159.....21
0240147B.....18	0641414.....125	0760812 .... 12, 123, 234, 235, 249, 251, 463	0903159B.....21
0240148.....18	0641606.....115	0760814 .... 14, 120, 123, 247, 409	0903232.....22
0240148B.....18	0681812.....276	0760815.....241	0903295.....25
0240158.....103	070057.....13	0760816.....85, 421	0903296.....25
0273115.....55	0700610.....115, 120	0760819.....309	0903341.....27
0273119.....63	0700612 85, 87, 421, 423	0760827.....315	0903342.....27
0273120.....57	0700615 87, 89, 115, 120, 423	0761008.....19, 234	0903365.....266
0273866.....19	0700616 .... 15, 291, 293	0761010 ... 12, 13, 19, 25, 51, 55, 57, 63, 66, 69, 72, 76, 81, 85, 87, 123, 295, 297, 311, 313, 315	0903366.....105
0274498.....22	0700617.....277, 299	0761011.....72	0903368.....27
0274823.....133	0700618.....277	0761012 ... 12, 13, 14, 55, 57, 63, 66, 69, 72, 76, 85, 115, 120, 259, 421, 423	0903395.....241
0274852.....21	0700619....115, 120, 235	0761014 ... 59, 66, 80, 81, 123	0903396.....241
0274853.....141	0700620.....123	0761015 ... 59, 66, 72, 87, 115, 120, 385, 421, 423	0903397.....241
0274857.....21, 151	0700626 ... 295, 297, 299, 301, 305, 309, 311, 313, 315, 325	0761016 .. 13, 72, 87, 423	0903398.....242
0274858.....133	0700814.....115, 120	0761018.....47, 49, 69	0903405.....317
0274983.....21	0700815.....255	0761210 ... 55, 57, 61, 63, 66, 69, 72, 76, 375	0903411 85, 87, 421, 423
0275000.....21	0700816 ... 301, 305, 309, 315	0761212 ... 55, 57, 61, 63, 66, 69, 72, 76, 85, 421	0903412.....120
0275045.....149	0700817 .... 59, 287, 289, 301, 305, 309, 311, 313, 319, 322	0761214 ... 59, 66, 72, 85, 109, 120, 123, 145, 297, 301, 309, 421	0903422.....12
0275061.....12	0700818.....21	0761215.....55, 57, 72	0903424.....12
0275115.....239	0700819.....115, 120	0761216.....105	0903426.....12
0275143.....480	0700820.....301, 305	0761218.....51	0903493.....276
0275144.....480	0700822.....327	0761612.....109	0903501.....14
0275145.....480, 497	0700827 ... 105, 129, 289, 301, 305, 311, 313, 325	0762216.....39, 41	0903501B.....14
0275192.....385	0700829.....141, 143	0771014.....133	0903502.....14
0275193.....385	0701015.....19	0771619.....29	0903502B.....14
0275234.....153	0701021.....291, 293	0791609.....277	0903508.....251
0275243.....12	0701024.....12, 13	0801448.....72	0903508B.....251
0275260.....18	0701029.....107	0801449.....72	0903563.....417
0275403.....480	0701030.....153	0801452.....59	0903584.....12
0275545.....223	0701030.....153	0801453.....59	0903584B.....12
0275575.....412	0701216.....105	0801465.....69	0903586.....12
0275579.....425	0701219.....14, 123	0801566.....87	0903601.....301
0275581.....425	0701619.....35, 37	0801567.....51	0903602.....297
0275594.....53	0701620.....41	0801568.....76	0903610.....417
0275605.....21	0701622.....35	0801569.....76	0903627.....252
0275620.....417	0702037.....18		0903627B.....252
0275621.....417	0711214.....115, 120		0903653.....241
0275674.....159	0711220.....121		0903666.....276
0275736.....27	0711619.....33		0903674.....234
0275814.....425	0711624.....115, 120		0903686.....266
0275824.....51	0712020 ... 31, 33, 39, 297		0903686B.....266
0275838.....417	0712028.....230		0903693.....276
0275852.....283	0721006.....125		0920123.....266
0275917.....457	0760405.....85, 87		0920126.....269
0275921.....279	0760407.....13		0920133.....387
0275942.....13	0760408.....141, 143		0920136.....266
0280173.....193			0930003.....95



# PART NUMBER INDEX

1000331 ..... 234, 263	1001092133..... 85, 421	1001093774..... 123	1001095190 ..... 488
1001003797 ..... 389	1001092136..... 475	1001093784...72, 76, 500	1001095191 ..... 488
1001005240 ..... 39	1001092137..... 441	1001093819..... 123	1001095197 ..... 487, 489
1001005960 ..... 235	1001092141..... 145	1001093820..... 123	1001095199 ..... 488, 489
1001005981 ..... 13	1001092214..... 145	1001093826....39, 41, 80,	1001095200 ..... 488, 489
1001006141 ..... 105	1001092224..... 25, 27	81, 113, 116, 121, 311,	1001095303 ..... 485
1001006487 ..... 391	1001092268..... 145	313, 315, 325	1001095365 ..... 486
1001008436 ..... 12, 13	1001092270..... 80	1001093827....39, 41, 80,	1001095366 ..... 486
1001008475 ..... 12	1001092284..... 146	81, 113, 116, 121, 311,	1001095367 ..... 486
1001009062 ..... 12	1001092364..... 355	313, 315, 325	1001095368 ..... 486
1001009092 ..... 418	1001092386..... 49	1001093875..... 418	1001095369 ..... 486, 488
1001009133 ..... 389	1001092394..... 49	1001093948..... 123	1001095370 ..... 487
1001009219 ..... 389	1001092395..... 353	1001094171 ..... 482	1001095371 ..... 487
1001009220 ..... 389	1001092404..... 359	1001094172..... 482	1001095372 ..... 487
1001010838 ..... 12	1001092404B ..... 359	1001094188..... 423	1001095373 ..... 487
1001090078 ..... 135, 137,	1001092483..... 297, 301,	1001094189..... 421	1001095374 ..... 487, 489
502	302, 305, 309, 311,	1001094190..... 421	1001095650... 35, 37, 41,
1001091033 ..... 259	313, 315, 319	1001094191..... 421	57, 89, 317, 337, 339,
1001091049 ..... 315	1001092487..... 395	1001094198..... 121	343, 345, 412, 460
1001091050 ..... 299	1001092504..... 343	1001094268..... 25	1001095681 ..... 405
1001091051 ..... 309	1001092507..... 283	1001094450..... 123	1001095750 ..... 251
1001091102 ..... 463	1001092511..... 287, 289,	1001094451 ..... 123	1001095787 ..... 143
1001091139 ..... 251	291, 293, 295, 297,	1001094555....39, 41, 80,	1001095788 ..... 143
1001091140 ..... 249	299, 322	81, 93, 95, 103, 113,	1001095789 ..... 143
1001091189 ..... 116, 121	1001092584..... 283, 322	116, 121, 311, 313,	1001095804 ..... 412
1001091313 ..... 113	1001092763..... 337	315, 325	1001096009 ..... 145
1001091331 ..... 85, 421	1001092763B ..... 337	1001094556....39, 41, 80,	1001096009B ..... 145
1001091335 ..... 153	1001092772..... 49	81, 93, 95, 103, 113,	1001096052 ..... 33
1001091337 ..... 85, 87	1001092774..... 49	116, 121, 311, 313,	1001096059 ..... 115, 121
1001091338 ..... 85, 87	1001092779..... 341	315, 325	1001096088 ..... 31
1001091365 ..... 322	1001092780..... 145	1001094577 ..... 121	1001096089 ..... 432
1001091366 ..... 322	1001092783..... 351	1001094581 ..... 319	1001096169 ..... 249, 251
1001091391 ..... 322	1001092786..... 454	1001094611 ..... 97	1001096170 ..... 249, 251
1001091392 ..... 322	1001092810..... 47	1001094612 ..... 97	1001096188 ..... 431, 454
1001091573 ..... 412	1001092812..... 47	1001094615 ..... 97	1001096207 ..... 146
1001091581 . 85, 87, 421,	1001092813..... 349	1001094616..... 97	1001096209 ..... 123
423	1001092817..... 47	1001094640 ..... 137	1001096210 ..... 486
1001091615 ..... 409	1001092818..... 47	1001094660 ..... 480	1001096211 ..... 486
1001091692 ..... 381	1001092819..... 347	1001094692 ..... 14	1001096214 ..... 486
1001091751 ..... 430	1001092822..... 333	1001094692B ..... 14	1001096215 ..... 486
1001091758 ..... 317	1001092822B ..... 333	1001094708..... 480, 494	1001096216 ..... 486
1001091759 ..... 317	1001092844..... 322	1001094713..... 485, 494	1001096217 ..... 486
1001091795 ..... 319	1001092861..... 415	1001094778..... 485, 494	1001096220 ..... 486
1001091870 ..... 291, 293	1001092862..... 236, 415	1001094853..... 123	1001096221 ..... 486
1001091871 ..... 249, 251	1001092863..... 415	1001094854..... 123	1001096222 ..... 486
1001091902 ..... 421	1001092869..... 322	1001094858..... 482, 494	1001096223 ..... 486
1001091903 ..... 80	1001092934..... 18	1001094867 ..... 123	1001096226 ..... 486
1001091904 . 85, 87, 421,	1001093026..... 319	1001094900 ..... 485, 495	1001096227 ..... 486
423	1001093047..... 322	1001094901 ..... 485, 495	1001096228 ..... 486
1001091939 ..... 149	1001093049..... 399	1001094902 ..... 485	1001096229 ..... 486
1001091963 ..... 25	1001093058..... 322	1001094918 ..... 249	1001096232 ..... 486
1001091978 ..... 25	1001093124..... 133	1001094922 ..... 249	1001096233 ..... 486
1001091979 ..... 25	1001093238..... 317	1001094923 ..... 249	1001096234 ..... 486, 488
1001091980 ..... 25	1001093267..... 123	1001094924 ..... 249	1001096235 ..... 486, 488
1001091981 ..... 25	1001093278..... 123	1001094925 ..... 482	1001096238 ..... 487, 488
1001092000 ..... 25	1001093328..... 123	1001095136..... 115, 121	1001096239 ..... 486
1001092001 ..... 25	1001093329..... 123	1001095179..... 486	1001096241 ..... 487, 489
1001092002 ..... 25	1001093344..... 235	1001095180..... 486	1001096242 ..... 487, 489
1001092003 ..... 25	1001093363..... 153	1001095181 ..... 486	1001096245 ..... 487, 489
1001092013 ..... 443	1001093371..... 153	1001095182 ..... 486	1001096246 ..... 487
1001092014 ..... 443	1001093372..... 14	1001095183 ..... 486	1001096247 ..... 487
1001092015 ..... 443	1001093373..... 14	1001095184 ..... 487	1001096248 ..... 487
1001092069 ..... 87, 423	1001093383..... 14	1001095185 ..... 487	1001096249 ..... 487
1001092121 ..... 145	1001093394..... 277	1001095186 ..... 487	1001096250 ..... 487
1001092121B ..... 145	1001093395..... 322	1001095187 ..... 487	1001096251 ..... 487
1001092126 ..... 12	1001093396..... 322	1001095188 ..... 487	1001096252 ..... 487
1001092126G ..... 12	1001093397..... 291, 293	1001095189 ..... 487	1001096253 ..... 487

# PART NUMBER INDEX

1001096254.....487	1001097076..... 125	1001099176 ..... 485	1001102671.....490
1001096255.....487	1001097165..... 409	1001099190 ..... 311	1001102672.....490
1001096256.....487	1001097263..... 235	1001099192 ..... 311	1001102673.....490
1001096257.....487	1001097274..... 417	1001099225 ..... 13	1001102724..... 81
1001096258.....487	1001097287..... 93, 95	1001099225B..... 13	1001102866.....412
1001096259.....487	1001097296..... 19	1001099230 ..... 485	1001103012.....430
1001096260.....487	1001097298..... 12	1001099231 ..... 485	1001103014.....41
1001096261.....487	1001097335..... 409	1001099232 ..... 485	1001103108.....329
1001096262.....487	1001097353..... 115	1001099233 ..... 315	1001103129.....329
1001096263.....487	1001097355..... 120	1001099238 ..... 485	1001103130.....329
1001096264.....487	1001097481..... 116, 121	1001099239 ..... 485	1001103180.....460
1001096265.....487	1001097510..... 259	1001099240 ..... 485	1001103181.....329
1001096266.....487	1001097511..... 259	1001099294 ..... 13	1001103217.....123
1001096267.....487	1001097618..... 13	1001099294B..... 13	1001103224.....327
1001096268.....487	1001097681..... 259, 501	1001099300 ..... 13	1001103253.....327
1001096269.....487	1001097702..... 473	1001099300B..... 13	1001103254.....327
1001096270.....487	1001097734..... 115	1001099379 ..... 12	1001103255.....327
1001096271.....487	1001097750..... 271, 502	1001099530 ..... 247	1001103256.....327
1001096272.....487	1001098017..... 457	1001099540 ..... 123	1001103317.....490
1001096273.....487	1001098041..... 417	1001099551 ..... 247	1001103319.....490
1001096274.....487	1001098059..... 418	1001099562 ..... 116	1001103322.....490
1001096275.....487, 489	1001098084..... 465	1001099563 ..... 121	1001103421.....485
1001096276.....488, 489	1001098141..... 325	1001099577 ..... 123	1001103517.....81
1001096277.....488, 489	1001098142..... 325	1001099630 ..... 409	1001103530.....113
1001096278.....488	1001098143..... 325	1001099641 ..... 123	1001103533.....113
1001096279.....488	1001098144..... 325	1001099646 ..... 27	1001103550.....81
1001096280.....488, 489	1001098146..... 51	1001099685 ..... 123	1001103564.....450
1001096281.....488	1001098147..... 51	1001099717 ..... 417	1001103597.....35, 37
1001096283.....488	1001098150..... 239	1001099723 ..... 417	1001103638.....409
1001096285.....488, 489	1001098153..... 266	1001099751..... 116, 121	1001103680.....35
1001096286.....488, 489	1001098161..... 373	1001099798..... 276, 502	1001103728.....417
1001096287.....488, 489	1001098184..... 266	1001099800..... 116, 121	1001103807.....460
1001096288.....488	1001098189..... 325	1001099810..... 418, 502	1001103951.....35
1001096289.....488	1001098190..... 325	1001099825 ..... 485	1001103963.....37
1001096290.....488, 489	1001098270..... 133	1001099826 ..... 485	1001103964.....37
1001096291.....488	1001098271..... 133	1001099827 ..... 485	1001104018.....291, 293
1001096293.....488	1001098272..... 266	1001099866 ..... 116	1001104019.....327
1001096295.....488, 489	1001098380..... 143	1001099873 ..... 276	1001104027.....327
1001096296.....488, 489	1001098381..... 143	1001099874 ..... 276	1001104083.....327
1001096297.....488	1001098547..... 485	1001099875 ..... 276	1001104090.....485
1001096298.....488	1001098600..... 418	1001099876..... 116, 121	1001104280.....389
1001096299.....488, 490	1001098604..... 41	1001100075 ..... 317	1001104302.....35
1001096300.....488	1001098607..... 39	1001100262 ..... 105	1001104341.....460
1001096302.....488	1001098629..... 35	1001100671 ..... 421	1001104342.....460
1001096357.....126	1001098630..... 35	1001100711 ..... 125	1001104344.....460
1001096358.....125	1001098631..... 37	1001100722 ..... 239	1001104349.....83
1001096359.....125	1001098636..... 37	1001100873 ..... 236	1001104350.....83
1001096360.....125	1001098705..... 39, 41	1001100911 ..... 109	1001104415.....460
1001096361.....125	1001098705B..... 39, 41	1001100970 ..... 145	1001104440.....35
1001096363.....145	1001098817..... 284	1001101018 ..... 12	1001104477.....393
1001096363B.....145	1001098818..... 284	1001101018B..... 12	1001104497.....437, 439
1001096365.....241	1001098827..... 116, 121	1001101121 ..... 123	1001104498.....159, 437, 439, 447, 467
1001096533.....43	1001098828..... 116	1001101442 ..... 111	1001104499.....89, 431, 460
1001096588.....13	1001098837..... 116	1001101621 ..... 143	1001104519.....430, 447, 450, 454
1001096629.....125	1001098838..... 121	1001101737 ..... 143	1001104541.....485
1001096640.....69	1001098928..... 276	1001101830..... 337, 339, 343, 345	1001105093.....89
1001096648.....69	1001098946..... 19	1001101855 ..... 289	1001105105.....485, 488
1001096669.....235	1001098953..... 53	1001101954..... 289, 293, 302, 306, 309	1001105145.....485
1001096680.....415	1001099018..... 417	1001102080..... 337, 339, 343, 345	1001105154.....485
1001096694.....61	1001099056..... 277	1001102418 ..... 143	1001105156.....485, 488
1001096694B.....61	1001099107..... 488, 490	1001102419 ..... 143	1001105157.....485, 488
1001096695.....61	1001099108..... 488, 489	1001102552 ..... 83	1001105346.....487
1001096732.....61	1001099109..... 488, 489	1001102553 ..... 129	1001105347.....486
1001096732B.....61	1001099116..... 277	1001102633 ..... 460	1001105414.....487
1001096733.....61	1001099117..... 277		1001105415.....486
1001096790.....241	1001099124..... 279		
1001096877.....259	1001099125..... 14		

## PART NUMBER INDEX

1001105663.....	486	1001107512.....	375	1001108165.....	494	1001111453.....	490
1001105664.....	486	1001107513.....	379	1001108166.....	495	1001111454.....	490
1001105665.....	486	1001107514.....	339	1001108176.....	417	1001111455.....	490
1001105666.....	486	1001107520.....	335	1001108190.....	417	1001111456.....	490
1001105668.....	486	1001107532.....	480	1001108193.....	417	1001111457.....	490
1001105669.....	486	1001107533.....	480	1001108275.....	417	1001111730.....	301, 500
1001105670.....	486	1001107534.....	480	1001108359.....	460	1001111731.....	301, 500
1001105671.....	486	1001107535.....	481	1001108578.....	277	1001111825.....	327
1001105717.....	81	1001107536.....	481	1001108632.....	37	1001112107.....	115
1001105735.....	116, 120	1001107537.....	481	1001108661.....	463	1001112108.....	120
1001105804.....	81	1001107538.....	481	1001108683.....	463	1001112160.....	259
1001105987.....	389	1001107539.....	481	1001108684.....	463	1001112197.....	327
1001106377.....	486, 489	1001107540.....	481	1001108685.....	463	1001112385.....	327
1001106378.....	489	1001107541.....	481	1001108686.....	463	1001112559.....	109
1001106379.....	486, 489	1001107542.....	481	1001108687.....	463	1001112560.....	109
1001106385.....	460	1001107543.....	481	1001108689.....	463	1001112579.....	242
1001106386.....	460	1001107544.....	481	1001108700.....	463	1001112646.....	125
1001106436.....	486, 489	1001107545.....	481	1001108802.....	149, 169, 277, 501	1001112689.....	47
1001106437.....	486, 489	1001107546.....	481	1001108812.....	135, 138, 501	1001112723.....	14
1001106438.....	489	1001107547.....	481	1001108819.....	502	1001112952.....	41
1001106464.....	463	1001107552.....	13	1001108830.....	241	1001113167.....	412
1001106529.....	229	1001107553.....	13	1001109069.....	19	1001113432.....	460
1001106530.....	229	1001107581.....	105	1001109070.....	19	1001113624.....	35
1001106538.....	234	1001107586.....	109	1001109240.....	39, 41	1001113749.....	87
1001106590.....	411	1001107597.....	283	1001109283.....	319	1001113961.....	431
1001106599.....	460	1001107616.....	283	1001109319.....	41	1001114162.....	343, 345, 355, 357, 361, 501
1001106611.....	411	1001107622.....	460	1001109319B.....	41	1001114167.....	89
1001106619.....	411	1001107630.....	283	1001109474.....	14	1001114181.....	89
1001106621.....	259	1001107728.....	489	1001109514.....	489	1001114436.....	89
1001106667.....	486, 489	1001107729.....	490	1001109515.....	488	1001114460.....	115
1001106668.....	247	1001107731.....	489	1001109516.....	488	1001114462.....	120
1001106670.....	486, 489	1001107732.....	489	1001109867.....	481	1001114577.....	89
1001106671.....	489	1001107734.....	489	1001109868.....	481	1001114608.....	259
1001106672.....	247	1001107735.....	489	1001109877.....	482	1001114647.....	89
1001106706.....	486	1001107737.....	489	1001109878.....	488	1001114768.....	381
1001106736.....	432	1001107738.....	489	1001109879.....	489	1001114769.....	381
1001106737.....	494	1001107740.....	488	1001109880.....	489	1001114876.....	87, 475
1001106738.....	494	1001107741.....	488	1001109881.....	489	1001115093.....	241
1001106739.....	494	1001107749.....	460	1001109881.....	489	1001115093B.....	241
1001106760.....	337	1001107854.....	159, 430, 447, 454, 465, 467, 475	1001109874.....	481	1001115140.....	125
1001106801.....	494	1001107881.....	489	1001109875.....	481	1001116294.....	59
1001106802.....	494	1001107882.....	489	1001109876.....	482	1001116692.....	430, 432, 443, 445, 447, 454, 465, 467, 469, 471, 475
1001106803.....	494	1001107882.....	489	1001109877.....	488	1001116693.....	432, 441, 469, 475
1001106804.....	494	1001107965.....	13	1001109878.....	488	1001116695.....	431
1001106805.....	460	1001107982.....	460	1001109879.....	489	1001116700.....	450
1001106947.....	486	1001108094.....	494	1001109880.....	489	1001116706.....	454
1001106978.....	343	1001108095.....	494	1001109881.....	489	1001116707.....	454
1001107137.....	480	1001108096.....	494	1001109881.....	489	1001116715.....	431
1001107138.....	480	1001108097.....	494	1001109933.....	339	1001116718.....	471
1001107141.....	480	1001108098.....	494	1001109935.....	345	1001116722.....	454
1001107142.....	480	1001108099.....	494	1001109966.....	485, 488, 489	1001116726.....	473
1001107144.....	480	1001108100.....	494	1001109967.....	488, 489	1001116727.....	473
1001107159.....	486	1001108101.....	494	1001110099.....	19	1001116753.....	430
1001107269.....	485, 488	1001108102.....	494	1001110722.....	485	1001116754.....	431
1001107270.....	488	1001108103.....	494	1001110729.....	485	1001116763.....	432, 447, 454
1001107271.....	485, 488	1001108104.....	494	1001110779.....	495	1001116811.....	431, 454
1001107285.....	417	1001108105.....	494	1001110781.....	495	1001116927.....	441, 475
1001107333.....	105	1001108106.....	494	1001110798.....	241	1001116976.....	431, 454
1001107336.....	105	1001108107.....	494	1001110874.....	241	1001116977.....	454
1001107338.....	105	1001108108.....	495	1001110875.....	241	1001116978.....	431, 445
1001107421.....	485	1001108109.....	495	1001110934.....	241	1001116979.....	471
1001107507.....	345	1001108110.....	495	1001111448.....	490	1001116980.....	465, 467
1001107508.....	365	1001108111.....	495	1001111449.....	490		
1001107509.....	357	1001108112.....	495	1001111450.....	490		
1001107510.....	361	1001108113.....	495	1001111451.....	490		
1001107511.....	369	1001108114.....	495	1001111452.....	490		
1001107511B.....	369	1001108164.....	494				

# PART NUMBER INDEX

1001116983.....454	1001128136..... 234	1260394..... 76	1671282.....239
1001116984.....450	1001128137..... 239	1260409..... 317	1671300.....239
1001116985.....450	1001128139..... 239	1302325 80, 81, 295, 297, 301, 305, 311, 313	1671326.....239
1001116986.....430, 450	1001128149..... 411	1309345..... 301	1671327.....239
1001116987.....431	1001128537..... 412	1309435 ... 287, 289, 301, 305, 309, 311, 313, 315, 325	1671331.....223
1001116988.....431	1001128976..... 317	1320224..... 115, 120	1671331B.....223
1001116990.....431	1001129370..... 418	1320301..... 116, 121	1671344.....239
1001116991.....430	1001129371..... 418	1320626..... 309, 315	1684383.....363
1001116992.....430	1001129425..... 418	1321073..... 309, 315	1684383B.....363
1001116993.....430	1001130822..... 105	1321141 80, 81, 116, 120	1684404.....377
1001116994.....430	1001132564..... 239	1321264..... 291, 293	1684405.....367
1001116995.....430, 445, 447, 450, 454	1001132976..... 485	1321285 ... 295, 297, 299	1684405B.....367
1001116998.....431, 450	1001134159..... 241	1321301..... 141, 143	1684411.....371
1001117004.....450	1001134580..... 411	1321316..... 145	1686997.....151
1001117012.....431	1001135162..... 418	1321323 ... 301, 305, 309, 311, 313, 315, 325	1701518..... 116, 121
1001117013.....431	1001137578..... 447	1321324 ... 289, 299, 301, 305, 309, 311, 313, 315, 325	1701640..... 116, 121
1001117019.....431	1001138451..... 494	1321329 ... 287, 289, 295, 297	1702565.....125
1001117023.....431	1001138452..... 481	1321370..... 22	1702566.....125
1001117057.....460	1001138454..... 495	1321570..... 59	1702773..... 116, 121, 482
1001117121.....431	1001138455..... 490	1321590..... 59	1704016..... 116, 121
1001117133.....447	1001138456..... 495	1321647..... 471	1704260..... 125, 415
1001117134.....431	1001138457..... 490	1321669..... 87, 423	1704277..... 116, 121
10011171720.....241	1001139510..... 411	1321675 .... 87, 116, 120, 423	1705980.....485, 494
1001117889..... 125	1001139511..... 234	1321681..... 49, 69	1706373.....225
1001118096.....41	1001143737..... 490	1321704..... 291, 293	1706441.....494
1001118308.....251	1001143738..... 490	1356294..... 14	1706442.....494
1001118378.....430	1001143739..... 490	1356341..... 153	1706608.....494
1001118379.....430, 445, 447, 454	1001143740..... 490	1360276..... 59, 66, 76	1706609.....497
1001118380.....431, 447, 454	1001143741..... 490	1360277..... 72	1706753..... 480, 497
1001118381.....431, 445, 454, 465, 467, 471	1001167999..... 490	1360278..... 72	1706754.....480, 497
1001118382.....430	1001168000..... 490	1360279..... 59	1706755.....480, 497
1001118383.....430	1001168001..... 490	1360282..... 66, 76	1706756.....480
1001118384.....450	1001168002..... 490	1366865..... 245	1706757.....480
1001118386.....450	1003721 ... 141, 143, 319, 322	1377299 ... 295, 297, 299, 301, 305, 309, 311, 313, 315, 325	1706758.....480
1001118387.....450	1009352 ... 301, 305, 309	1380161..... 149	1706759.....480
1001118391.....431, 445, 447, 454, 465, 467, 471	101113749..... 423	1391297..... 255	1706885.....125
1001118392.....447	1024044..... 295, 297	1398374..... 241	1706887.....125
1001118393.....447	1040055..... 234	1398443..... 261, 263	1707082.....482
1001118417.....125	1040060..... 234	1460013..... 259	1707084.....482
1001118439.....249, 251	1040061..... 229	1560038..... 239	1707086.....482
1001118684.....431	1040062..... 229	1600387..... 115, 120	1707088.....482
1001118685.....430	1040065..... 229	1600447..... 411	1707090.....482
1001119461.....247	1040066..... 229	1600449..... 411	1707092.....482
1001119462.....247	1062255 85, 87, 141, 145, 276, 299, 309, 315, 421, 423, 460	1616551..... 276, 283	1707094.....482
1001119467.....247	10723509..... 181	1629567..... 145	1707096.....482
1001119468.....247	10733183..... 149	1670829..... 126	1707098.....482
1001120182.....105	1074306..... 259	1671176..... 125	1749733.....241
1001120191.....317	10837072..... 161	1671270..... 247	1781813.....230
1001120254.....317	10837074..... 159	1671271..... 247	1784861..... 19
1001120416.....317	10868235..... 161	1671272..... 239	1786385.....409
1001121398.....469	10868243..... 167	1671273..... 239	1787217.....409
1001121516.....411	10868248..... 167	1671275..... 239	1810033.....411
1001121517.....430	10868254..... 169	1671276..... 239	1810046.....411
1001122236.....229	10868284..... 175, 177	1671277..... 239	1898686..... 12, 19
1001122237.....229	11062255..... 143	1671278..... 239	2000353.....135
1001122238.....229	1120597..... 385	1671279..... 239	2014226..... 12
1001122239.....229	1120598..... 385	1671280..... 239	2060040..... 133, 501
1001122240.....229	1170002..... 107		2080040..... 116, 123
1001122241.....229	1170028..... 105		2080078.....241
1001125465.....418	1170058..... 101		2080080.....234
1001127308.....411	1220096..... 126		2080081.....247
1001127546.....412	1260391..... 72		2080086.....242, 249, 252
	1260392..... 73		2080087.....234
	1260393..... 76		2080088..... 145, 234
			2080089.....247
			2080091.....247
			2080092.....239

# PART NUMBER INDEX

2090065 ..... 21	2221085 ..... 291, 293	2754141 ..... 317	2902506 ..... 235
2090066 ..... 21	2221193 ..... 327	2754142 ..... 309	2903062 .... 301, 305, 309
2120212 ..... 149	2221280 ..... 145	2754143 ..... 309	2903197 ..... 207
2140803 ..... 283	2221281 ..... 145	2754144 ..... 309	2904472 ..... 297
2140806 ... 276, 277, 279, 327	2340030 ..... 109	2754145 ..... 309	2904789 .... 301, 305, 309
2140809 ..... 145	2340041 ..... 109	2754150 ..... 317	2905871 ..... 266
2140825 ..... 277	2360735 ..... 18	2754151 ..... 80, 81	2912085 ... 301, 305, 309, 319, 322
2140827 ..... 276, 277	2360740 ..... 18	2754157 ..... 309, 500	2913406 ..... 412
2141102 ..... 25, 27	2360740B ..... 18	2754158 ..... 309, 500	2920154 ..... 125
2141104 ..... 319, 322	2360787 ..... 18	2754159 ..... 315	2920204 ..... 426
2141105 ..... 322	2400073 ..... 409	2754236 ..... 309	2920206 ..... 425
2141303 ..... 283	2400074 ..... 409	2754276 ..... 291, 293	2920207 ..... 425
2141505 ..... 81, 317	2400600 ..... 199, 217	2754342 ..... 305, 500	2920208 ..... 425
2141908 ..... 283	2401043 ..... 199, 217	2754343 ..... 313	2920209 ..... 411, 425
2142011 ..... 327	2401258 ..... 199, 217	2754346 ..... 311	2920210 ..... 14
2142103 ..... 283	2401736 ..... 207	2754348 ..... 311	2940074 ..... 116, 123
2142203 ..... 283, 327	2420202 ..... 115, 121	2754619 ..... 287, 289	2940155 ..... 14
2142204 ... 259, 277, 302, 305, 309, 322, 327, 329	2420224 ... 141, 143, 502	2754620 ..... 287, 289	2966454 ..... 283, 460
2142205 ..... 327	2420226 ..... 385, 502	2754626 ..... 276	2969548 ..... 145
2142206 ..... 277	2420229 ..... 409	2754700 ..... 305, 500	2976912 ..... 19
2142505 ..... 39, 41	2440675 ..... 234, 241	2754701 ..... 313	2980565 ... 301, 305, 309
2142709 ..... 284	2443576 ... 266, 279, 283	2754739 ..... 283	2982603 ..... 80
2142712 ..... 329	2447967 ..... 485, 494	2754811 ..... 279	2988212 ..... 149
2142715 ..... 325	2454999 ..... 266	2754813 ..... 279	2999964 ..... 482, 495
2142741 ..... 276	2471354 ..... 279	2754814 ..... 279	3010163 ..... 263
2143007 ..... 322	2477156 ..... 283	2754819 ..... 319, 322	3020039 ... 116, 121, 123
2143402 ..... 259	2478782 ..... 225	2754820 ..... 322	31200205 ..... 502
2143403 ..... 319	2480066 ..... 241	2754821 ..... 322	31200206 ..... 502
2143404 ... 277, 302, 305, 309	2480067 ..... 241	2754829 ..... 301, 305	3140007 ..... 12, 13
2143405 ..... 80, 277, 319	2480068 ..... 241	2754831 ..... 301, 305	314689 ..... 49
2143406 ... 287, 289, 299	2480069 ..... 241	2754832 ..... 301, 305	3180016 ..... 18
2143409 ..... 277	2480070 ..... 242	2754833 ..... 295, 297	321779 ..... 234
2143417 ..... 276	2480071 ..... 242	2754834 ..... 295, 297	3220137 ..... 151
2143511 ..... 115, 121	2480072 ..... 242	2754835 ..... 313	32459025, 55, 57, 61, 69, 80, 81
2143516 ..... 80	2480073 ..... 242	2754836 ..... 313	328027 ..... 21
2143602 ..... 25, 27	2480074 ..... 241	2754837 ..... 301, 305	3290305 ..... 409
2143604 ..... 327, 329	2480075 ..... 242	2754838 ..... 301, 305	3290401 ..... 13
2143605 ..... 80, 81	2480079 ..... 242	2754839 ..... 301, 305	3290405 ..... 417, 463
2143827 ..... 276	2480080 ..... 242	2754840 ..... 301, 305	3290501 ..... 43, 153
2144104 ..... 276, 322	2480082 ..... 235	2754847 ..... 319, 322	3290505 ..... 14, 123, 317
2144801 ..... 259	250216 ..... 460	2754855 ..... 276	329060185, 87, 266, 277, 421, 423, 457, 460
2144802 ..... 276, 319	2520145 ..... 251	2754859 ..... 283	329060514, 15, 115, 120, 133, 235, 263, 411
2144803 ... 276, 277, 279, 283, 319, 322, 327	2520145B ..... 251	2754863 ..... 284	3290606 ..... 123
2144804 ... 259, 279, 319, 322, 327	2540049 ..... 121	2754871 ..... 277	3290607 .... 12, 235, 277, 417
2144805 ..... 80, 81	2540050 ..... 241	2754879 ..... 251	3290801 .... 80, 123, 241, 389, 425
2144806 ... 277, 319, 327	2540051 ..... 235	2754892 ..... 276	3290805 ... 105, 115, 120, 123, 129, 145, 235
2144807 ..... 80, 319	2560199 ..... 241	2754934 ..... 276	3290806 ..... 242
2144809 ..... 80, 322	2580066 ..... 249	2754936 ..... 319, 322	329080712, 14, 255, 301, 305, 463
2144810 ..... 276, 277	2580067 ..... 251	2754987 ..... 279	3291001 . 27, 80, 81, 153, 266, 409
2144815 ..... 276	2580070 ..... 251	2754988 ..... 279	3291005 ... 107, 115, 116, 120, 145, 153, 385
2144819 ..... 277	2580071 ..... 249	2754989 ..... 279	3291007 ..... 19, 266
2144820 ..... 277	2600281 ..... 116, 123	2754993 ..... 153	3291201 ... 123, 297, 301
2144826 ... 276, 295, 297	2603207 ..... 482, 495	2755017 ..... 145	3291205 ..... 105, 120
2160016 ... 27, 59, 66, 72, 76	2620048 ..... 39	2755018 ..... 145	3291207 ..... 14, 51
2160018 ..... 66, 72	2700118 ..... 99	2755038 ..... 276	3291601 ..... 35, 37, 41
2180864 ... 259, 302, 306, 309	2720519 ..... 141, 143	2755042 ..... 309	3291607 .39, 41, 115, 120
2180869 ..... 251	2720590 ..... 251	2755043 ..... 299	
2220237 ..... 319	2720591 ..... 251	2755053 ..... 291, 293	
2220239 ..... 319	2720592 ..... 251	2755062 ..... 279	
2220240 ..... 319	2720593 ..... 251	2755063 ..... 279	
	2720601 ..... 249, 251	2755095 ..... 277	
	2720602 ..... 249, 251	2755096 ..... 277	
	2720608 ..... 145	2820018 ..... 125	
	2720609 ..... 145	2820255 ..... 230	
	2754009 ..... 39	2902295 ..... 14	
	2754090 ..... 309	2902424 ..... 22	
	2754140 ..... 315	2902438 ..... 80, 81	

# PART NUMBER INDEX

3292001.....12, 13, 66, 72, 76, 230	3576512B..... 249	3980043..... 247	4210038.....25
3292007..... 18	3576596..... 249, 251	3980046..... 247	4210040.....25
3292401.....59	3576596B..... 251	3983720..... 199, 217	4220215.....66, 72
3300353.....125	3576678..... 13	3983731..... 199, 217	4220216.....51
3300408.....125	3576678B..... 13	3984301..... 199, 217	4220251.....22
3300478.....21	3576791 .85, 87, 421, 423	3984425..... 207, 221	4220272.....49
3300479..... 191, 193	3577226..... 425	3984436..... 207, 221	4220292.....247
3300480.....409	3577226B..... 425	3984447..... 207, 221	4240017.....27, 409, 417, 418, 425, 426
3300481.....409	3580330..... 66	3984458..... 207, 221	4240033..... 116, 121, 125
3300486..... 151	3580332..... 72	3984469..... 207, 221	4240168..... 19
3300504.....241	3580336..... 66, 72	3986405..... 207	429063.....145
3311601.....126	3600422..... 277	398929..... 133	4341078.....329
3331211..... 115, 120	3620076..... 153	4000011..... 418	4341152.....317
3331607.....33	3625158..... 276	4000015..... 417	4341192.....247
3332017.....31, 33, 39	3700015..... 480, 494	4000017..... 25, 27	4341193.....247
3371705.....417	3700016 ... 480, 494, 497	4000022..... 153	4341221..... 191, 193
3380506..... 14	3740067..... 457	4010308..... 409	4341221B..... 191
3380506B..... 14	3740080..... 125, 460	4010403..... 412	4341222.....133
3380509..... 14	3740112..... 409	4010408..... 235, 417	4341228..... 12
3380509B..... 14	3746392..... 245	4010416..... 417, 463	4341229.....133
3380559..... 18	3746405..... 235, 245	4010608..... 241, 417	4341252.....230
3380559B..... 18	3759535..... 249, 252	4010612..... 25	4341253.....230
3380567..... 19	3760463..... 47, 49, 51	4010614 ... 301, 305, 311, 313	4341254.....230
3380608.....25	3760488 ... 59, 66, 72, 76	4010615..... 295, 297	4341332.....223
3380640.....241	3760489 ... 59, 67, 73, 76	4010617..... 123	4341332B.....223
3380640B..... 241	3760490..... 59, 72	4031607..... 457	4341384.....291, 293
3380737..... 249, 252	3760493..... 21, 51	4031608..... 317	4341417..... 149
3380737B..... 249	3760508..... 105, 129	4031612..... 43	4341434..... 13
3380744..... 14	3760652..... 25	4031708..... 242	4341435..... 13
3380769..... 251	3767864..... 225	4031709..... 457	4360328.....125
3380772.....241	3790012..... 125	4031710..... 309, 315	4360330.....125
3391410..... 81	3820020..... 116	4031713 85, 87, 421, 423	4360387.....125
3400029.....263	3820032..... 116, 121	4031716..... 80, 81	4360475..... 125, 415
3423110.....59, 66	3841634..... 39, 41	4031908..... 59	4360580.....266
3423116.....59, 67, 73, 76	3841763..... 418	4031909..... 57, 59, 283	4360585.....259
3423117.....66, 72	3890060..... 249, 251	4031910..... 279	4360606..... 25
3423118.....66	3890061..... 251	4031911..... 55	4360631.....259, 502
3423119.....59, 72	3890064..... 263, 501	4031919 ... 80, 325, 339, 343, 345	4360640.....415
3423120.....72	3890067..... 39	4032109..... 105	4360642.....415
3423121.....72	3900357 .... 87, 249, 251, 266, 423	4032110..... 59, 66	4360643.....415, 502
3423123.....76	3900362..... 317	4032111..... 59, 66	4360644.....415
3423125.....27	3900363..... 266	4032112..... 59	4360645.....415
3423127.....27, 375	3900380..... 317	4040283..... 105, 129	4360646.....415
3423129.....27, 375	3911018..... 125	4061054..... 115	4360647.....415
3423139.....53	3924730..... 287	4071085 .. 66, 72, 76, 500	4360648.....415
3423140.....51	3929780..... 149	4071087 ..... 72, 76, 501	4360649.....415, 502
3423141.....51	3933468..... 239	4071093..... 66, 500	4360650.....415
3423258.....105	3934378..... 235, 239	4071098..... 66, 500	4360651.....415, 502
3423262.....242	3938394..... 412	4071099..... 66, 500	4360652.....415
3460346..... 151	3938407..... 412	4071103..... 53	4360653.....415
3460374.....283	3944574..... 29, 31	4071104 .. 66, 72, 76, 500	4360654.....415
3460380.....283	3945575..... 235	4071105 ..... 72, 76, 501	4360657.....411, 502
3470003.....126	3946123..... 241	4071106 ..... 72, 76, 501	4360658.....411
3510827.....116	3949091..... 235	4071107 ..... 66, 500	4360660.....411
3510832.....116	3953973..... 249, 251	4071108 ..... 66, 500	4360661.....27
3520030.....125	3960585..... 66, 72	4071109 ..... 66, 500	4360664.....236, 415
3520054.....125	3960586..... 151	4071110 ... 59, 66, 72, 76, 501	4360665.....415
3520072..... 116, 123	3960601..... 126	4160212..... 261	4360666.....415
3520198.....116	3960608..... 241	4160221..... 263	4360688.....412, 415
3575424..... 19	3960609..... 241	4191406..... 251, 252	4360704.....251
3575579..... 19	3960927..... 19, 145	4191706..... 251	4360708.....249
3576193.....25	3962930 ... 295, 297, 299, 325	4210009..... 27	4400472.....283
3576194.....25	3964987 ..... 80, 105, 501	4210010..... 27	4400474.....329
3576270.....277	3968141..... 197, 215	4210014..... 27	4400483.....145
3576314.....317	3976436..... 261, 263		4400488.....141

# PART NUMBER INDEX

4400489.....	141	4520334.....	225	4804533.....	29	4923479.....	450
4400493.....	13	4520335.....	225	4804533B.....	29	4923491.....	437
4400495.....	385	4520336.....	225	4804566.....	53	4923493.....	439
4400495B.....	385	4520337.....	225	4804760.....	297	4923515.....	409
4420051.....	116, 121	4520386.....	225	4804806.....	297	4923516.....	409
443630.....	19, 22	4520387.....	225	4805590.....	47	4923517.....	409, 457
4460224.....	430, 473	4520388.....	225	4805670.....	97	4923519.....	457
4460225.....	431, 473	4520389.....	225	4805921.....	29	4923529.....	443
4460227.....	125	4520390.....	225	4805932.....	29	4923573.....	115, 121
4460234.....	125	4520391.....	225	4806386.....	133	4923633.....	435
4460265.....	430	4520392.....	225	4806397.....	133	4923646.....	443
4460267.....	431, 473	4520393.....	225	4806433.....	12	5200605.....	80, 409
4460268.....	430, 450, 473	4540015.....	155	4806580.....	151	5200608.....	12, 18, 19, 245, 417, 418, 457, 460
4460321.....	460	4540016.....	155	4806626.....	230	5200614.....	319, 322
4460343.....	431, 460	4568998.....	309	4807616.....	235	5200808.....	149, 151, 223, 266
4460367.....	432	4568999.....	309	4807661.....	245	5200810.....	145, 223, 245, 279, 283, 319, 322, 329, 409
4460374.....	460	4569000.....	315	4807694.....	245	5200812.....	12, 149, 295, 297, 299, 325, 329
4460419.....	431	4569001.....	315	4807707.....	245	5200814.....	19, 425
4460428.....	125	4569357.....	149	4807718.....	245	5201010.....	22, 145, 153, 276
4460434.....	430, 450	4569509.....	425	4807729.....	245	5201012.....	13, 153
4460446.....	471	4569509B.....	425	4807730.....	245	5201014.....	133, 277, 409
4460459.....	439	462780.....	279	4807741.....	245	5201016.....	143
4460466.....	431, 432, 441, 443, 445, 447, 469, 475	463929.....	80	4807752.....	245	5201017.....	276
4460470.....	125	464022.....	47	4807763.....	245	5201210.....	22, 25, 27, 53, 80
4460471.....	125	4641404.....	403	4811400.....	13, 141, 143, 247, 418, 463	5201214.....	143
4460496.....	125	4641514.....	381	4811600.....	13, 43, 123, 317	5201215.....	133, 276
4460497.....	125	4641516.....	399	4811700.....	235, 241, 242, 277, 295, 297, 299, 302, 305, 309, 311, 313, 315, 317, 325, 411, 460	5201612.....	53
4460539.....	465, 467, 469	4641518.....	397	4811702.....	115, 120, 123	5211702.....	12, 14, 15, 235, 263
4460708.....	431	4641519.....	401	4811900.....	12, 14, 21, 80, 89, 115, 120, 123, 145, 241, 255, 409, 417, 463, 482	5211900.....	18, 25
4460743.....	439	4641524.....	277	4812000.....	12, 13, 19, 55, 57, 59, 61, 63, 66, 69, 72, 76, 87, 116, 120, 123, 133, 153, 235, 266, 409, 423	5211902.....	14, 425
4460746.....	437, 450	466104.....	417	4812002.....	115, 120, 145	5212000.....	14, 133, 385
4460761.....	125, 460	466364.....	25	4812100.....	105, 120, 123, 145, 235, 241, 309	5220500.....	39, 41, 426
4460871.....	430	4700021.....	59, 66, 72, 500	4812300.....	29, 35, 37, 39, 41, 116, 121, 133	5220600.....	18, 425, 426, 460
4460872.....	431	4700030.....	66, 500	4812500.....	12, 13, 18, 31, 33, 39, 297	5220800.....	13, 18, 21, 141, 143, 145, 149, 223, 235, 241, 245, 276, 329
4460873.....	430	4700031.....	66, 500	4831600.....	153, 457	5221000.....	133, 143, 276
4460874.....	431	4700032.....	72, 76	483170085.....	87, 249, 251, 252, 266, 421, 423, 457, 460	5221200.....	133, 145
4460875.....	431	4700044.....	317	4831900.....	283	5271809.....	57
4460876.....	431	4700047.....	66, 500	4832000.....	25, 259	5272010.....	418
4460878.....	431	4711500.....	126	4832100.....	145	5272011.....	418
4460891.....	467	471678.....	39, 41	4846452.....	116	7000222.....	369
4460894.....	431	4740532.....	21, 51, 55, 57, 59, 61, 63, 66, 69, 72, 76, 276, 297, 301, 500	4891600.....	123	70020173.....	199, 217
4460897.....	435	4740535.....	66, 72	4891800.....	115, 120, 123	70020186.....	412
4460899.....	469	4740563.....	411	4892000.....	115, 120	70020201.....	99, 101
4460905.....	430	4751000.....	125	4892600.....	115, 120	70020202.....	99
4460920.....	460	4751400.....	125	4923432.....	430	70020203.....	99, 103
4460930.....	432	4791400.....	457	4923441.....	447	70020204.....	99, 103
4460941.....	435	4800482.....	25	4923442.....	471	70020205.....	99, 101
4460994.....	430, 450, 454	4800493.....	25	4923443.....	467	70020206.....	99, 101
4461003.....	471	4800562.....	25	4923444.....	445	70020209.....	137
4461006.....	454	4800788.....	80			70020392.....	97
4461008.....	447	4800789.....	25			70020402.....	159
4461043.....	432	4800879.....	25			70020403.....	159, 501
4461118.....	159, 447, 454	4800948.....	80			70020405.....	159
4461119.....	89, 460	4800959.....	80			70020406.....	159
4461131.....	447	4801176.....	133			70020407.....	169
4461134.....	447	4801654.....	53			70020410.....	183
4461164.....	430	4802008.....	21				
4461170.....	43	4802100.....	97				
4461172.....	430	4802122.....	21				
4461174.....	411	4803076.....	53				
4461217.....	431	4803372.....	191				
4461227.....	437	4803383.....	211				
4461242.....	443	4803929.....	53				
4461243.....	443, 475	4803941.....	53				
4461262.....	430, 447, 460, 465, 467, 475	4804306.....	276				

# PART NUMBER INDEX

70020411.....	183	70020742.....	387	70020923.....	259	70021835.....	113
70020412.....	187, 501	70020743.....	387	70021116.....	251	70021836.....	113
70020417.....	101	70020744.....	387	70021122.....	249	70021838.....	113
70020421.....	111	70020745.....	387	70021124.....	249, 251	70021839.....	113
70020422.....	111	70020746.....	387	70021125.....	249, 251	70021840.....	113
70020423.....	111	70020747.....	387	70021127.....	249, 251	70021841.....	113
70020424.....	111	70020749.....	387	70021128.....	251	70021842.....	113
70020488.....	141, 143	70020751.....	387	70021130.....	251	70021843.....	113
70020489.....	141, 143	70020752.....	387	70021137.....	251	70021868.....	381
70020490.....	143	70020754.....	387	70021138.....	251	70021869.....	381
70020491.....	141, 143	70020755.....	387	70021139.....	251	70021870.....	381
70020492... 141, 143, 501		70020756.....	387	70021140.....	215	70021872.....	382
70020571.....	135, 137	70020757.....	387	70021190.....	137	70021874.....	382
70020572.....	135, 137	70020758.....	387	70021191.....	137	70021898.....	199, 217
70020573... 135, 137, 502		70020759.....	387	70021193.....	137	70021930.....	277
70020574.....	135, 137	70020762.....	387	70021194.....	137	70021931.....	277
70020633..333, 337, 339, 341, 347, 349, 351, 353, 359, 501		70020763.....	387	70021201.....	399	70021932.....	277
70020633B333, 337, 359, 501		70020764.....	391, 393	70021202.....	397	70021967.....	249, 251
70020654.....	373	70020765.....	391	70021203.....	397	70022027.....	137
70020655.....	373	70020766.....	391	70021204.....	397	70022032.....	247
70020657.....	373	70020783.....	259	70021205.....	397, 399	70022033.....	247
70020687.....	247	70020784.....	259	70021207.....	397	70022034.....	247
70020688.....	381	70020785.....	259	70021208.....	397, 399	70022073B.....	230
70020689.....	381	70020786.....	259	70021209.....	397, 399	70022099.....	385
70020690.....	381	70020787.....	259	70021210.....	397	70022100.....	385
70020691.....	381	70020788.....	259	70021211.....	399	70022147.....	399
70020692.....	381	70020789.....	259	70021212.....	399	70022353.....	135, 137
70020693.....	381	70020791.....	259	70021213.....	399	70022516.....	247
70020694.....	381	70020792.....	259	70021214.....	399	70022517.....	247
70020695.....	381	70020793.....	259	70021215.....	399	70022545.....	153
70020697.....	381	70020794.....	259	70021217.....	399	70022698.....	379
70020698.....	381	70020795.....	411, 425	70021218.....	399	70022699.....	379
70020699.....	381	70020796.....	425	70021219.....	399	70022700.....	379
70020700.....	381	70020797.....	395	70021220.....	412, 502	70022701.....	379
70020701.....	381	70020801.....	430, 445	70021222.....	399	70022702.....	379
70020702.....	381	70020816.....	431	70021223.....	382	70022703.....	379
70020703.....	381	70020823.....	431	70021241.....	113	70022704.....	379
70020704.....	381	70020830.....	454	70021251.....	247	70022705.....	379
70020705.....	381	70020831.....	431	70021252.....	247	70022736.....	443, 475
70020706.....	382	70020834.....	431	70021341.....	426	70022752.....	41
70020707.....	382	70020843.....	431	70021482.....	153	70022753.....	41
70020708.....	382, 501	70020845.....	431	70021483.....	153	70022754.....	41
70020709.....	382, 502	70020848.....	269	70021487.....	135, 137	70022755.....	41
70020710.....	382, 502	70020849.....	269	70021488.....	135, 137	70022756.....	41
70020711.....	382, 502	70020850.....	269	70021489.....	135, 137	70022757.....	41
70020712.....	382, 502	70020851.....	269	70021494 .. 373, 375, 501		70022758.....	41
70020713.....	382, 502	70020852.....	269	70021501.....	135	70022759.....	41
70020714.....	381	70020853.....	269	70021530.....	403	70022760.....	41
70020721.....	153	70020854.....	269	70021531.....	393, 403	70022761.....	41
70020723.....	103	70020855.....	269	70021558.....	107	70022762.....	41
70020724.....	103	70020856.....	269	70021559.....	107	70022792.....	135, 137
70020725.....	103	70020857.....	269	70021560.....	107	70022793.....	135, 137
70020726.....	103	70020858.....	269	70021561.....	107	70022818.....	37
70020727.....	103	70020866.....	401	70021562.....	107	70022819.....	37
70020728.....	103	70020867.....	401	70021563.....	107	70022820.....	37
70020729.....	103	70020868 .. 399, 401, 502		70021581.....	135, 137	70022821.....	35
70020730.....	103, 113	70020869.....	187	70021727.....	405	70022822.....	35
70020731.....	103, 113	70020885.....	437	70021728.....	405	70022823.....	35
70020732.....	103	70020887.....	441, 475	70021729.....	405	70022824.....	35
70020736.....	387	70020888 .. 441, 447, 475		70021730.....	405	70022825.....	35
70020737.....	387	70020890 .. 443, 471, 475		70021731.....	405	70022826.....	35
70020739.....	387	70020891.....	443, 475	70021785.....	137	70022829.....	381
70020740.....	387	70020892.....	439	70021786 .. 135, 137, 502		70022831.....	109
70020741.....	387	70020897.....	445, 447	70021787.....	137	70022847.....	266
		70020905.....	450	70021788.....	137	70022874.....	13
		70020910.....	454	70021826.....	431, 454	70022906.....	113
		70020922.....	266	70021830.....	169	70022907.....	113



## PART NUMBER INDEX

70022922	113	70029958	369	7028315	355	7028716	203
70022923	113	70029959	369	7028352	347, 349, 501	7028717	203
70022924	113	70029960	369	7028355	347, 349	7028718	203
70022925	113	70029961	369	7028356	347, 349	7028720	203
70022927	113	70029962	375	7028357	347, 349	7028721	203
70022928	113	70029963	375	7028545	337, 341, 343, 501	7028722	203
70022929	113	70029965	375	7028547	333, 337, 341	7028723	203
70022930	113	70029966	339, 357, 361, 375	7028549	337, 341, 343	7028724	203
70023065	187	70029967	375	7028559	355	7028725	203
70023066	187	70029968	375	7028560	355	7028726	203
70023088	357	70029969	375	7028569	355	7028727	203
70023090	357	70029970	375	7028572	359, 361	7028728	204
70023091	357	70029971	375	7028573	359	7028729	204
70023092	357	70029972	365	7028574	359	7028730	204
70023095	357, 501	7017168	405	7028575	359, 501	7028731	204
70023105	199, 217	7017169	405	7028576	359	7028732	204
70023127	135, 137	7017178	405	7028584	333, 337, 341, 343, 347, 349, 351, 353, 355, 359, 373	7028733	200, 204, 218
70023276	113	7024947	395	7028585	363, 501	7028734	209
70023277	113	7026408	430, 441, 445, 447, 454, 467, 475	7028586	363	7028735	209
70023278	113	7026423	450	7028589	363	7028736	209
70023326	399	7028038	207	7028599	367, 501	7028784	377
70023327	399	7028039	207	7028600	367	7028786	377
70023348	35	7028043	215	7028601	367	7028787	377
70023460	389	7028048	217	7028602	367	7028792	377
70023468	247	7028052	221	7028607	373, 501	7028794	377
70023477	137	7028053	221	7028609	373	7028840	359, 373
70023478	137	7028055	161	7028611	373	7028841	373
70023479	135	7028057	185	7028628	109	7028851	343
70023480	135	7028058	159	7028639	447	7028856	359
70023484	93	7028060	163, 165	7028654	135, 137	7028857	363
70023613	138	7028061	165	7028655	135, 137, 501	7028858	367
70023735	382	7028063	169	7028659	135, 137	7028895	371
70023938	317	7028069	187	7028660	135, 137	7028896	371
70023942	317	7028070	187	7028663	135	7028897	371
70023976	317	7028071	187	7028664	135	7028898	371
70024018	361	7028083	195, 213	7028665	135, 137	7028899	371
70024019	361	7028084	195, 213	7028666	135, 137	7028900	371
70024020	339, 361	7028085	187	7028667	135	7028901	371, 501
70024021	361	7028086	187	7028668	135	7028902	371
70024022	361	7028092	97	7028669	135, 137	7028909	403
70024023	361	7028093	97	7028672	135, 137, 501	7028910	93, 95
70024026	349	7028094	97	7028673	135, 137	7028911	95
70024027	339	7028095	149	7028674	135, 137	7028912	95
70024028	339	7028096	149	7028676	135, 137	7028913	95
70024029	339	7028097	149	7028677	135, 137	7028914	95
70024030	339	7028110	155, 501	7028678	137	7028915	95
70024031	339	7028115	200, 203, 218	7028679	135, 137	7028916	95
70024032	339	7028118	149	7028680	135, 137	7028917	95
70024033	339	7028124	93	7028681	135, 137, 501	7028918	95
70024034	339	7028125	93	7028682	135, 137	7028919	95
70024035	339	7028126	93	7028684	135, 137	7028920	95
70024036	339	7028127	93	7028687	135	7028923	95
70025078	385	7028128	93	7028688	135, 137	7028927	159
70025314	369	7028129	93	7028689	135, 137	7028929	223
70026018	113	7028130	93	7028690	135	7028982	95
70029937	365	7028131	93, 95	7028691	135, 137	7028983	95
70029938	365	7028132	93	7028707	195, 213	7028984	93, 95
70029940	339, 357, 365, 369, 375	7028133	93	7028708	195, 213	7028985	95
70029941	365, 369, 375	7028134	93	7028710	197	7028986	93
70029942	365	7028135	93	7028711	203	7028987	93
70029943	365	7028136	107	7028712	203	7028988	93
70029944	365	7028137	107	7028713	203	7028989	93
70029948	369	7028314	333, 337, 341, 343, 359, 363, 367, 371, 373	7028714	203	7028990	95
70029949	369			7028715	203	7028991	95
70029956	369					7029129	197
70029957	369					7029131	197
						7029225	377, 501

# PART NUMBER INDEX

7029231.....333, 337, 341, 343	7029920..... 195, 213	8002641B..... 47	8006105..... 14, 15
7029232.....355, 501	7029969..... 425	8002716..... 287	8006242..... 14, 15
7029286..... 199, 217	7029970..... 425	8002718..... 287	8006258..... 47, 49
7029356.....93	7029971..... 425	8002772..... 225	8006318..... 155, 502
7029426..... 195, 213	77104007..... 185	8002777..... 225	8006515.....283
7029427..... 197, 215	77104039..... 161	8002778..... 225	8006516.....283
7029428..... 199, 217	77104041..... 161	8002789..... 33	8006580.....21
7029429..... 199, 217	77104044..... 185	8002791..... 409	8006603..... 199, 217
7029430..... 199, 217, 501	77104081..... 181	8002794..... 297	8006604..... 199, 217
7029431..... 200, 218	77363242..... 454	8002798..... 207	8006605..... 199, 217
7029432..... 200, 218	77363244. 454, 465, 467, 469	8002904 ... 59, 66, 72, 76, 500	8006612.... 116, 121, 480, 494
7029433..... 207, 221	8000340..... 245	8002907 ... 55, 61, 63, 69, 500	8006680..... 409
7029434..... 333	8000341..... 245	8002914 ..... 57, 63, 500	8006699.....207
7029435..... 333	8000344..... 242	8002927..... 149	8007152..... 63
7029437..... 333, 501	8000347..... 266	8002972 ..... 55, 57, 500	8007159..... 57
7029438..... 333	8000382..... 12	8002985 ..... 235, 245	8007160..... 313
7029439..... 341	8000420..... 12	8003001..... 297	8007161..... 313
7029442..... 337, 341	8000565..... 230	8003009..... 235	8007162..... 297
7029443..... 337, 341, 343	8000567..... 230	8003164..... 251	8007163..... 305
7029444..... 341	8000704..... 12, 13	8003167..... 153	8007164..... 305
7029445..... 363	8000759..... 242	8003242 ... 55, 57, 66, 69, 72, 76, 500	8007165..... 297
7029446..... 363	8000778..... 301, 311	8003243..... 69, 500	8007260..... 55
7029449..... 355	8000801..... 12	8003320..... 133	8007267..... 69
7029454..... 343	8000803..... 235	8004069..... 223	8007268..... 63
7029455..... 343	8000877 ... 199, 203, 217	8004070..... 223	8007269..... 57
7029459..... 183	8001143..... 225	8004285..... 61, 63	8007283..... 55
7029610..... 353	8001144..... 241	8004398..... 242	8007283G..... 55
7029611..... 353	8001275 ... 311, 313, 315	8004444..... 61	8007350..... 311
7029612..... 353	8001565..... 19	8004468 ... 199, 217, 501	8007351..... 311
7029613..... 353	8001626..... 13	8004888..... 19	8007352..... 301
7029614..... 351, 353	8001635..... 276	8004981..... 149	8007353..... 295
7029615..... 351, 353	8001642..... 276	8004982..... 133	8007354..... 295
7029616..... 351, 353	8001833..... 241	8005079..... 223, 501	8007355..... 301
7029617..... 351, 353	8001888..... 81	8005252..... 297, 301	8007734..... 151
7029618..... 351, 353	8001918..... 80	8005315..... 18	8007744..... 195
7029619..... 351, 353	8001989..... 425	8005316..... 18	8007749..... 197
7029620..... 351, 353	8001991..... 425	8005317B..... 18	8007751..... 197
7029621..... 351, 353	8002005..... 80	8005317B..... 18	8007755..... 197
7029622..... 351, 353	8002027..... 80	8005317B..... 18	8007758..... 199
7029623..... 351, 353	8002045..... 80, 81	8005318B..... 18	8007770..... 199, 217
7029624..... 347, 351, 353	8002072..... 80	8005376..... 145	8007771.... 199, 217, 501
7029626..... 349, 351, 353	8002096..... 283	8005447..... 245	8007774..... 200, 218
7029628..... 351	8002097..... 283	8005616..... 480, 494	8007775..... 199, 217
7029629..... 351	8002110..... 81	8005617..... 480, 494	8007780..... 199, 218
7029630..... 351	8002145..... 80	8005639..... 301	8007782..... 200, 218
7029631..... 351	8002197..... 69	8005640..... 301	8007785..... 207
7029632..... 351, 353, 501	8002199 ... 55, 57, 61, 63, 69, 500	8005670 ... 480, 485, 494	8007786..... 207
7029647..... 465, 467	8002200 ... 55, 57, 59, 61, 63, 66, 69, 72, 76, 500	8005671..... 480, 494	8007788..... 207
7029679..... 439	8002201 ... 55, 57, 59, 61, 63, 72, 500	8005675..... 480, 497	8007794..... 207
7029722..... 146	8002320..... 47, 49	8005741..... 145	8007798..... 207
7029725..... 349	8002321..... 283	8005743..... 145	8007800..... 207
7029726..... 349	8002323..... 283	8005786..... 153	8007801..... 207
7029727..... 349	8002324..... 283	8005792..... 51, 295	8007802..... 207
7029728..... 349	8002331..... 47, 49	8005801..... 199, 217	8007803..... 195, 213
7029729..... 347	8002332..... 18	8005827..... 225	8007804..... 195, 213
7029730..... 347	8002570..... 297	8005850..... 297	8007808..... 245
7029749..... 93	8002581..... 297	8005869..... 480, 494	8007822..... 187
7029767..... 247	8002627..... 297	8005870..... 485, 494	8007824..... 187
7029771..... 430	8002637 ... 55, 61, 63, 66, 69, 72, 76, 500	8005901..... 412	8007875..... 159, 502
7029786..... 221	8002639..... 49	8006011..... 18	8007986..... 426
7029787..... 209	8002640..... 47, 49, 51	8006013 .... 135, 137, 501	8007990..... 297
7029811..... 199, 217	8002641..... 47, 49, 51	8006038..... 480, 497	8008009..... 61, 63
7029822..... 159			8008046.... 61, 69, 76, 80
7029845..... 367, 371			8008047..... 55, 57, 59
7029847..... 367, 371			
7029895..... 135, 137			

## PART NUMBER INDEX

8008051 .....	25	8009885 .....	482, 495	845749 .....	234, 426	91474256 .....	169
8008054 .....	61, 63	8009890 .....	482	8466306 .....	236, 485	91474257 .....	169
8008055 .....	61, 63, 66	8009939 .....	47, 49	848120 .....	235	91474258 .....	169
8008069 ...	55, 57, 61, 63, 69, 500	8009974 .....	283	874960 .....	301, 305, 309, 311, 313, 319, 322	91474259 .....	169
8008070 ...	55, 57, 59, 61, 63, 66, 69, 72, 500	8009987 ..	55, 57, 59, 500	874993 .....	301, 305, 311, 313	91474262 .....	169
8008101 .....	169, 501	8009988 .....	55, 57, 500	8769123 .....	116, 121	91474263 .....	169
8008168 .....	207	8010123 .....	57	8769140 .....	116, 121	91474264 .....	169
8008169 .....	207	8010148 ..	55, 57, 59, 500	877203 .....	301, 305, 311, 313	91474265 ..	157, 159, 169, 187
8008171 .....	207	8010200 .....	31	885236 .....	249, 251	91474266 .....	169
8008175 .....	195, 213	8010200B .....	31	885849 .....	235	91474268 .....	169
8008195 .....	482	8010204 .....	31, 33	8990147 .....	116, 121	91474273 .....	169
8008218 .....	249, 251	8010228 .....	31, 33	899276 .....	261, 263	91474274 .....	169
8008251 .....	266	8010228B .....	31	90204781 .....	161	91474275 .....	171
8008424 .....	97	8010234 .....	33	90204823 .....	159	91474276 .....	171
8008629 .....	482	8010519 .....	21	909304 ...	14, 15, 19, 141, 143, 145	91474277 .....	171
8008633 .....	69, 500	8010524 .....	21	91143187 ...	417, 437, 450	91474278 .....	171
8008634 ...	55, 57, 61, 63, 69, 500	8010525 .....	21	91143340 .....	454	91474279 .....	171
8008640 ...	55, 57, 61, 63, 69, 500	8010525B .....	21	91474123 .....	215	91474280 .....	171
8008641 ...	55, 57, 61, 63, 69, 500	8010526 .....	21	91474186 .....	157	91474281 .....	171
8008642 ...	55, 57, 61, 63, 69, 500	8010526B .....	21	91474188 .....	157, 159	91474282 .....	171
8008644 ...	55, 57, 61, 63, 69, 500	80204002 .....	199, 217	91474189 .....	157, 159	91474283 .....	173
8008645 ...	55, 57, 61, 63, 69, 500	80204005 ..	195, 199, 203, 213, 217	91474191 .....	157	91474284 .....	173
8008651 .....	485	80204060 .....	209	91474192 .....	157, 159	91474286 ..	173, 175, 177, 179
8008657 .....	480, 494	80204065 ..	199, 203, 217	91474193 .....	157	91474287 .....	173
8008675 .....	225	80204071 ..	199, 203, 217	91474194 .....	157	91474288 ..	173, 175, 177, 179
8008701 .....	19	80204108 .....	209	91474195 .....	157	91474289 ..	173, 175, 177, 179
8008721 .....	19	80204117 ..	195, 199, 203, 207, 209, 213, 217, 221	91474198 .....	159	91474290 ..	173, 175, 177, 179
8008750 .....	409	80204281 ..	207, 209, 221	91474199 .....	159	91474292 ..	173, 175, 177, 179
8008969 .....	18	80273010 .....	149, 501	91474200 .....	159, 187	91474294 ..	173, 175, 177, 179
8008971 .....	18	80273042 .....	149, 501	91474201 .....	159	91474295 ..	173, 175, 177, 179
8009078 .....	18	8030353 .....	138	91474205 .....	159	91474296 ..	173, 175, 177, 179
8009087 .....	25	8032509 .....	159	91474206 .....	159	91474297 ..	173, 175, 177, 179
8009097 .....	63	8032526 .....	157, 159	91474208 .....	159	91474298 .....	173, 179
8009099 .....	57	8032528 .....	159	91474209 .....	159, 187	91474299 .....	173, 179
8009103 .....	55	8034940 .....	159	91474210 .....	159	91474300 .....	173
8009103G .....	55	8034961 .....	159	91474211 .....	159	91474301 .....	175
8009124 .....	18	8034962 .....	159	91474212 .....	159	91474302 .....	175, 177
8009125 .....	18	8034963 .....	159	91474213 .....	159	91474303 ..	175, 177, 179
8009226 .....	14	8034968 .....	161	91474214 .....	159	91474304 .....	175, 177
8009226B .....	14	8035031 .....	173	91474216 .....	161	91474306 ..	175, 177, 179
8009353 .....	297	8035035 .....	173	91474217 .....	161	91474307 .....	175, 177
8009354 .....	305	8035095 ...	135, 137, 501	91474218 .....	161	91474309 ..	173, 175, 177, 179
8009355 .....	305	80363166 .....	89, 417	91474219 .....	161	91474310 ..	173, 175, 177, 179
8009356 .....	313	80363195 .....	39, 41	91474220 .....	161	91474311 .....	175, 177
8009357 .....	313	80374114 .....	439	91474221 .....	161	91474312 .....	175, 177
8009358 .....	301	80383311 .....	19	91474224 .....	161	91474313 ..	175, 177, 181
8009359 .....	301	80604017 .....	435	91474226 .....	161	91474314 .....	179
8009360 .....	311	80604018 ..	431, 441, 445, 447, 454, 467, 475	91474228 .....	161	91474315 .....	179
8009361 .....	311	806253 .....	19	91474230 .....	163, 165	91474316 .....	179
8009377 .....	482	806254 .....	19	91474231 .....	163, 165	91474317 .....	179
8009464 .....	235	80963059 .....	89	91474232 .....	163, 165	91474318 .....	179
8009517 .....	14	80963060 .....	417	91474236 .....	163, 165	91474319 .....	179
8009532 .....	255	80963069 .....	417	91474239 .....	163, 165	91474320 .....	181
8009533 .....	255	8100058 .....	412	91474241 .....	167	91474321 .....	181, 187
8009533B .....	255	8100059 .....	412	91474242 .....	167	91474322 .....	181
8009666 .....	145	816186 .....	145, 409	91474243 .....	167		
8009759 .....	287	8220081 .....	473	91474245 .....	167		
8009815 .....	480, 494	8220525 .....	432	91474247 .....	167		
8009883 .....	18	8305919 .....	239	91474248 .....	167		
		8307024 .....	266	91474251 .....	169		
		8310612 .....	412	91474252 .....	169		
		83481285 .....	443, 475	91474253 .....	169		
		83481286 .....	443, 475	91474254 .....	169		
				91474255 .....	169		

## PART NUMBER INDEX

91474323.....	181	91474390.....	163, 165	91474561.....	209	91514111.....	203
91474324.....	181	91474393.....	163, 165	91474562.....	209	91514112.....	203
91474338.....	183	91474394.....	163, 165	91474563.....	209	91514113.....	203
91474339.....	183	91474395.....	163, 165	91474564.....	209	91514114.....	203
91474340.....	183	91474396.....	163, 165	91474565.....	209	91514115.....	203
91474341.....	183	91474399.....	177	91474568 ..	207, 209, 221	91514117... 199, 203, 217	
91474342.....	183	91474463.....	475	91474569 ..	207, 209, 221	91514123.....	197, 203
91474343.....	183	91474467.....	441, 475	91474570.....	209	91514134.....	197, 215
91474344.....	183	91474507 ..	195, 203, 213	91474571.....	209	91514146... 199, 203, 217	
91474345.....	183	91474509.....	195, 213	91474572.....	209	91514147.. 199, 203, 217,	
91474346.....	183	91474512.....	195, 213	91474573.....	209	501	
91474347.....	183	91474513. 195, 199, 203,		91474576.....	203	91514148... 199, 203, 217	
91474348.....	183	213, 217		91474579.....	199, 217	91514149... 199, 203, 217	
91474349.....	183	91474515.....	195, 213	91474580.....	199, 217	91514153.....	209
91474350.....	183	91474516.....	195, 213	91474582.....	203	91514154.....	209
91474351.....	183	91474522.....	195, 213	91474583 ..	199, 203, 217	91514155.....	209
91474352.....	183	91474524 ..	199, 203, 217	91474584 ..	199, 203, 217	91514159.....	209
91474356.....	185	91474528.....	197, 215	91474585.....	199, 217	91514160.....	209
91474362.....	187	91474529.....	197, 215	91474586.....	199, 217	91514165... 207, 209, 221	
91474364.....	187	91474532.....	197, 215	91474587.....	199, 217	91514167.....	209
91474365.....	187	91474533.....	197, 215	91474591.....	197, 215	91514175.....	203
91474366.....	187	91474535.....	197, 215	91474596.....	215	91514176.....	203
91474367.....	187	91474536.....	197, 215	91474600.....	187	91514181.....	203
91474369.....	187	91474537.....	197, 215	91474601.....	187	91514188.. 195, 199, 203,	
91474370.....	187	91474538.....	197, 215	91474617.....	159	213, 217	
91474371.....	187	91474539.....	197, 215	91474618.....	159	91514189... 199, 203, 217	
91474372.....	187	91474540.....	215	91503104.....	469	91514275.....	195, 213
91474373.....	187	91474541.....	197, 215	91504088.....	445, 447	91514287.....	183, 502
91474374.....	187	91474542.....	197, 215	91504107 ..	432, 445, 447	91514288.....	183
91474375.....	187	91474543.....	197, 215	91504109.....	443	91514289.....	183
91474376.....	187	91474547.....	197, 215	91504110.....	475	91514290.....	183
91474377.....	187	91474548.....	197, 215	91514081.....	203	91514291.....	183
91474381.....	187	91474549.....	197	91514082 ..	199, 203, 217	91514292.....	183
91474382.....	187	91474550.....	197	91514083.....	204	91554026.....	437, 450
91474383.....	187	91474551.....	197, 215	91514084.....	203	91554028.....	437
91474387.....	165	91474553.....	197	91514095.....	203	933940.....	80
91474388.....	165	91474559.....	209	91514098.....	195, 213	935113.....	39, 41
91474389.....	163, 165	91474560.....	209	91514099 ..	195, 213, 217	E000269.....	463





31200204



An Oshkosh Corporation Company

Corporate Office  
JLG Industries, Inc.  
1 JLG Drive  
McConnellsburg PA. 17233-9533  
USA

☎ (717) 485-5161

📠 (717) 485-6417

## JLG Worldwide Locations

JLG Industries (Australia)  
P.O. Box 5119  
11 Bolwarra Road  
Port Macquarie  
N.S.W. 2444  
Australia  
☎ +61 2 65 811111  
📠 +61 2 65 813058

JLG Latino Americana Ltda.  
Rua Eng. Carlos Stevenson,  
80-Suite 71  
13092-310 Cam inas-SP  
Brazil  
☎ +55 19 3295 0407  
📠 +55 19 3295 1025

JLG Industries (UK) Ltd  
Bentley House  
Bentley Avenue  
Middleton  
Greater Manchester  
M24 2GP - England  
☎ +44 (0)161 654 1000  
📠 +44 (0)161 654 1001

JLG France SAS  
Z.I. de Baulieu  
47400 Fauillet  
France  
☎ +33 (0)5 53 88 31 70  
📠 +33 (0)5 53 88 31 79

JLG Deutschland GmbH  
Max-Planck-Str. 21  
D - 27721 Ritterhude - Ihlpohl  
Germany  
☎ +49 (0)421 69 350 20  
📠 +49 (0)421 69 350 45

JLG Equipment Services Ltd.  
Rm 1107 Landmark North  
39 Lung Sum Avenue  
Sheung Shui N. T.  
Hong Kong  
☎ (852) 2639 5783  
📠 (852) 2639 5797

JLG Industries (Italia) s.r.l.  
Via Po. 22  
20010 Pregnana Milanese - MI  
Italy  
☎ +39 029 359 5210  
📠 +39 029 359 5845

Oshkosh-JLG Singapore  
Technology Equipment Pte Ltd  
29 Tuas Ave 4,  
Jurong Industrial Estate  
Singapore, 639379  
☎ +65-6591 9030  
📠 +65-6591 9031

Oshkosh-JLG (Tianjin) Equipment  
Technology, Ltd  
Pudong Kerry Parkside  
Room 3705  
1155 Fang Dian Road  
Pudong, Shanghai 201204  
China  
☎ +0086 21 60311575  
📠 +0086 21 60311599

Plataformas Elevadoras  
JLG Iberica, S.L.  
Trapadella, 2  
P.I. Castellbisbal Sur  
08755 Castellbisbal, Barcelona  
Spain  
☎ +34 93 772 4700  
📠 +34 93 771 1762

JLG Sverige AB  
Enkopingsvagen 150  
Box 704  
SE - 176 27 Jarfalla  
Sweden  
☎ +46 (0)850 659 500  
📠 +46 (0)850 659 534

[www.jlg.com](http://www.jlg.com)