



Illustrated Parts Manual

Models G10-55A & G12-55A AccuPlace

31200454

*Revised
February 20, 2018*



EFFECTIVITY PAGE

December 18, 2008 - A - Original Issue Of Manual

April 3, 2014 - B - Revised Manual

August 7, 2017 - C - Revised Manual

February 20, 2018 - D - Revised Manual

TABLE OF CONTENTS

SECTION 1 - FRAME AND ATTACHING PARTS.....	9
FIGURE 1-1. FRAME SHROUDING AND TRIM	10
FIGURE 1-2. AXLE AND FENDER MOUNTING	14
FIGURE 1-3. OUTRIGGER MOUNTING.....	16
FIGURE 1-4. PINTLE HOOK INSTALL	18
FIGURE 1-5. COUNTERWEIGHT WITH PINTLE HITCH	20
SECTION 2 - BOOM.....	23
FIGURE 2-1. FIRST BOOM SECTION - G10-55A ACCUPLACE.....	24
FIGURE 2-2. FIRST BOOM SECTION - G12-55A ACCUPLACE.....	28
FIGURE 2-3. WEAR PADS, SPACERS AND SHIMS, (FIRST BOOM SECTION) - G10-55A ACCUPLACE.....	32
FIGURE 2-4. WEAR PADS, SPACERS AND SHIMS, (FIRST BOOM SECTION) - G12-55A ACCUPLACE.....	34
FIGURE 2-5. SECOND BOOM SECTION - G10-55A ACCUPLACE.....	36
FIGURE 2-6. SECOND BOOM SECTION - G12-55A ACCUPLACE.....	40
FIGURE 2-7. WEAR PADS, SPACERS AND SHIMS, (SECOND BOOM SECTION) - G10-55A ACCUPLACE.....	44
FIGURE 2-8. WEAR PADS, SPACERS AND SHIMS, (SECOND BOOM SECTION) - G12-55A ACCUPLACE.....	46
FIGURE 2-9. THIRD BOOM SECTION - G10-55A ACCUPLACE.....	48
FIGURE 2-10. THIRD BOOM SECTION - G12-55A ACCUPLACE.....	50
FIGURE 2-11. WEAR PADS, SPACERS AND SHIMS, (THIRD BOOM SECTION) - G10-55A ACCUPLACE.....	52
FIGURE 2-12. WEAR PADS, SPACERS AND SHIMS, (THIRD BOOM SECTION) - G12-55A ACCUPLACE.....	54
FIGURE 2-13. FOURTH BOOM SECTION - G10-55A ACCUPLACE.....	56
FIGURE 2-14. FOURTH BOOM SECTION - G12-55A ACCUPLACE.....	58
FIGURE 2-15. WEAR PADS, SPACERS AND SHIMS, (FOURTH BOOM SECTION) - G10-55A ACCUPLACE.....	60
FIGURE 2-16. WEAR PADS, SPACERS AND SHIMS, (FOURTH BOOM SECTION) - G12-55A ACCUPLACE.....	62
FIGURE 2-17. QUICK SWITCH ASSEMBLY	64
SECTION 3 - ATTACHMENTS	67
FIGURE 3-1. TILT CARRIAGE.....	68
FIGURE 3-2. BUCKETS.....	70
FIGURE 3-3. 50IN, 60IN & 72IN SIDE TILT CARRIAGE.....	72
FIGURE 3-4. 12IN & 15IN TRUSS BOOM.....	74
FIGURE 3-5. 12IN TRUSS BOOM W/ WINCH.....	76
FIGURE 3-6. SHEET MATERIAL HANDLER ASSEMBLY.....	78
FIGURE 3-7. 72IN, 90, SWING CARRIAGE.....	80
FIGURE 3-8. FORKS.....	82
FIGURE 3-9. FORK MOUNTED LIFTING HOOK.....	84
FIGURE 3-10. 72IN, 180, SWING CARRIAGE.....	86
FIGURE 3-11. FORK MOUNTED PLATFORM.....	90
FIGURE 3-12. GRAPPLE BUCKET.....	92
FIGURE 3-13. FORK PIN LOCK INSTALLATION.....	94
FIGURE 3-14. 50IN DUAL FORK POSITIONING CARRIAGE ASSEMBLY.....	96
FIGURE 3-15. FORK EXTENSION (90 INCH)	98
SECTION 4 - ENGINE AND ATTACHING PARTS	101
FIGURE 4-1. ENGINE ASSEMBLY.....	102
FIGURE 4-2. PERKINS ENGINE.....	106
FIGURE 4-3. FUEL TANK AND LINES	108
FIGURE 4-4. RADIATOR ASSEMBLY	110
FIGURE 4-5. AIR CLEANER INSTALLATION - G10-55A ACCUPLACE.....	114
FIGURE 4-6. AIR CLEANER INSTALLATION - G12-55A ACCUPLACE.....	116
FIGURE 4-7. EXHAUST INSTALLATION.....	118
FIGURE 4-8. ZF TRANSMISSION	120
FIGURE 4-9. ZF TRANSMISSION ASSEMBLY - TORQUE CONVERTER AND INPUT GROUP.....	122
FIGURE 4-10. ZF TRANSMISSION ASSEMBLY - GEARBOX HOUSING GROUP.....	124
FIGURE 4-11. ZF TRANSMISSION ASSEMBLY - FORWARD GEAR GROUP	126
FIGURE 4-12. ZF TRANSMISSION ASSEMBLY - REVERSE GEAR GROUP.....	128
FIGURE 4-13. ZF TRANSMISSION ASSEMBLY - 1ST SHAFT GROUP.....	130
FIGURE 4-14. ZF TRANSMISSION ASSEMBLY - 2ND SHAFT GROUP	132
FIGURE 4-15. ZF TRANSMISSION ASSEMBLY - 3RD SHAFT GROUP.....	134
FIGURE 4-16. ZF TRANSMISSION ASSEMBLY - 4TH SHAFT GROUP.....	136
FIGURE 4-17. ZF TRANSMISSION ASSEMBLY - POWER TAKE-OFF GROUP.....	138
FIGURE 4-18. ZF TRANSMISSION ASSEMBLY - CONTROL UNIT AND PRESSURE REGULATOR GROUP.....	140

TABLE OF CONTENTS

FIGURE 4-19. ZF TRANSMISSION ASSEMBLY - GEARSHIFT SYSTEM GROUP	142
FIGURE 4-20. ZF TRANSMISSION ASSEMBLY - OIL PUMP, FILTER AND DIPSTICK GROUP	144
FIGURE 4-21. ZF TRANSMISSION ASSEMBLY - TRANSFER BOX GROUP	146
SECTION 5 - DRIVE TRAIN	149
FIGURE 5-1. FRONT AXLE ASSEMBLY	150
FIGURE 5-2. FRONT AXLE - CENTRAL HOUSING AND STEERING GROUP	152
FIGURE 5-3. FRONT AXLE - DIFFERENTIAL GROUP	154
FIGURE 5-4. FRONT AXLE - HUB REDUCTION GROUP	156
FIGURE 5-5. FRONT AXLE - BRAKES GROUP	160
FIGURE 5-6. REAR AXLE ASSEMBLY	162
FIGURE 5-7. REAR AXLE - CENTRAL HOUSING AND STEERING	164
FIGURE 5-8. REAR AXLE - DIFFERENTIAL GROUP	166
FIGURE 5-9. REAR AXLE - HUB REDUCTION GROUP	168
FIGURE 5-10. REAR AXLE - BRAKES GROUP	172
FIGURE 5-11. DRIVE SHAFT	174
FIGURE 5-12. TIRES AND RIMS - G10-55A ACCUPLACE	176
FIGURE 5-13. TIRES AND RIMS - G12-55A ACCUPLACE	180
SECTION 6 - CAB	183
FIGURE 6-1. CAB ASSEMBLY	184
FIGURE 6-2. CAB	188
FIGURE 6-3. SUSPENSION SEAT	192
FIGURE 6-4. INSTRUMENT PANEL	194
FIGURE 6-5. HEATING COMPONENTS	196
FIGURE 6-6. AIR CONDITIONING	198
FIGURE 6-7. AIR CONDITIONING COMPONENTS	200
FIGURE 6-8. TOP CAB GLASS SHIELD	204
FIGURE 6-9. FRONT CAB GLASS SHIELD	206
SECTION 7 - CONTROLS	209
FIGURE 7-1. BOOM JOYSTICK	210
FIGURE 7-2. STEERING COLUMN AND ATTACHING PARTS	212
FIGURE 7-3. BRAKE PEDAL ASSEMBLY	214
FIGURE 7-4. ACCELERATOR PEDAL	216
SECTION 8 - HYDRAULIC CIRCUITS	219
FIGURE 8-1. ENGINE HYDRAULICS INSTALL	220
FIGURE 8-2. CAB HYDRAULICS INSTALL	222
FIGURE 8-3. MANIFOLD AND ACCUMULATOR INSTALL	224
FIGURE 8-4. LIFT AND OUTRIGGER HYDRAULICS	228
FIGURE 8-5. TRANSMISSION HYDRAULICS	232
FIGURE 8-6. BOOM HYDRAULICS ASSY	234
FIGURE 8-7. AUXILIARY HYDRAULICS	238
SECTION 9 - HYDRAULIC COMPONENTS	241
FIGURE 9-1. LIFT CYLINDER - G10-55A ACCUPLACE	242
FIGURE 9-2. LIFT CYLINDER - G12-55A ACCUPLACE	244
FIGURE 9-3. EXTEND/RETRACT CYLINDER	246
FIGURE 9-4. TILT CYLINDER	248
FIGURE 9-5. FRAME LEVEL CYLINDER	252
FIGURE 9-6. STABILIZER CYLINDER	254
FIGURE 9-7. OUTRIGGER CYLINDER ASSEMBLY	256
FIGURE 9-8. HYDRAULIC PUMP	258
FIGURE 9-9. HYDRAULIC TANK ASSEMBLY	260
FIGURE 9-10. BRAKE VALVE	262
FIGURE 9-11. HYDRAULIC MANIFOLD VALVE	266
FIGURE 9-12. STEER SELECT VALVE	268
FIGURE 9-13. 180, SWING CARRIAGE CYLINDER	270
FIGURE 9-14. GRAPPLE BUCKET CYLINDER	272
FIGURE 9-15. SIDE TILT CARRIAGE CYLINDER	274
FIGURE 9-16. SIDE TILT CARRIAGE CYLINDER	276

TABLE OF CONTENTS

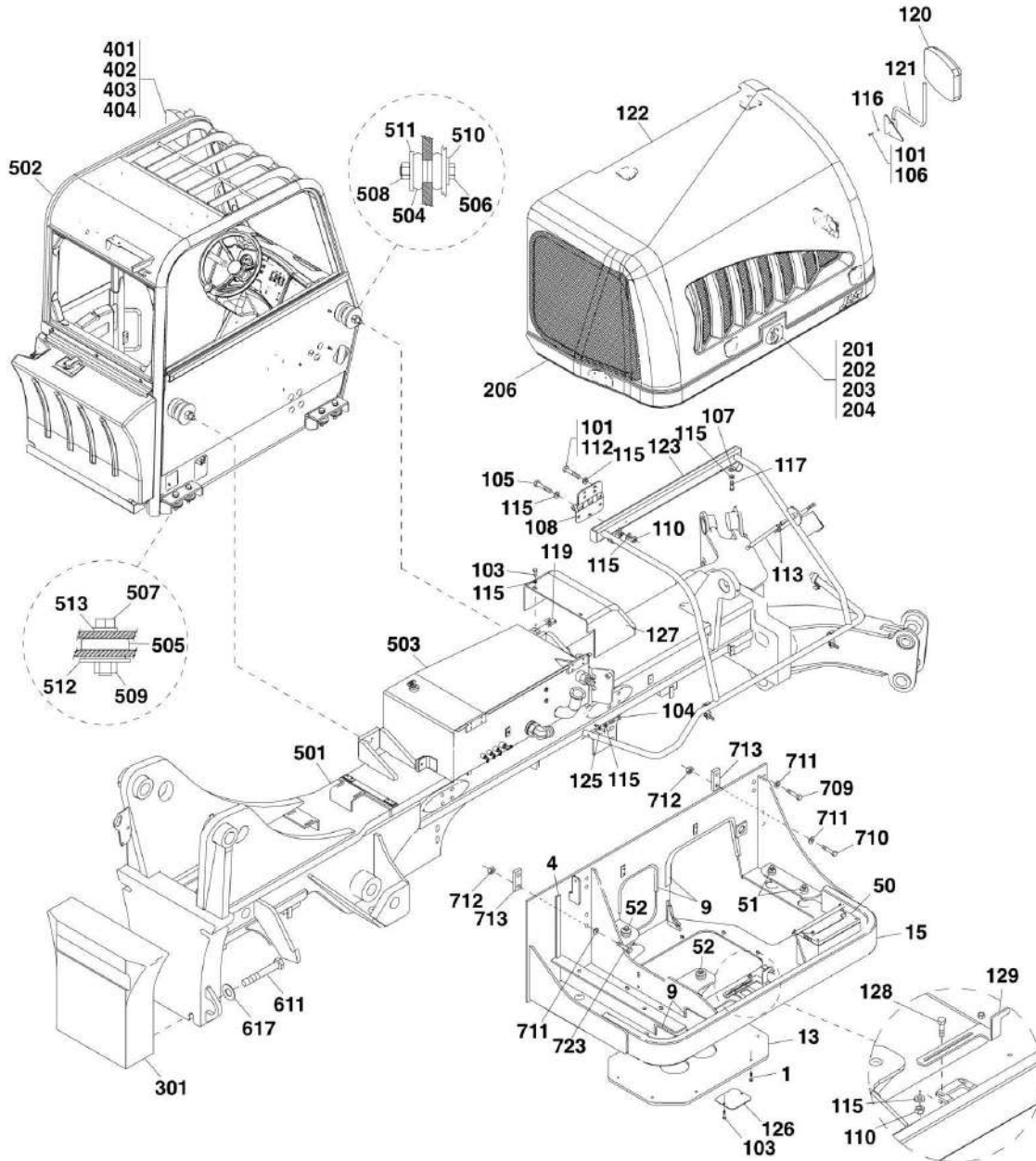
FIGURE 9-17. 72IN, 90, SWING CARRIAGE CYLINDER.....	278
FIGURE 9-18. FRAME LEVEL, OUTRIGGER VALVE INSTALL.....	280
FIGURE 9-19. AUXILIARY VALVE.....	282
SECTION 10 - ELECTRICAL.....	285
FIGURE 10-1. ELECTRICAL INSTALLATION.....	286
FIGURE 10-2. BATTERY AND CABLES.....	288
FIGURE 10-3. WORK LIGHT PACKAGE.....	290
FIGURE 10-4. ENGINE HARNESS.....	294
FIGURE 10-5. CHASSIS HARNESS.....	296
FIGURE 10-6. DASH HARNESS.....	300
FIGURE 10-7. TRANSMISSION RELAY HARNESS.....	302
FIGURE 10-8. ENCLOSED CAB HARNESS.....	304
FIGURE 10-9. VEC OPTIONS HARNESS.....	306
FIGURE 10-10. CAB WORK LIGHT HARNESS.....	308
FIGURE 10-11. BOOM WORK LIGHT HARNESS.....	310
FIGURE 10-12. LIFT VALVE HARNESS.....	312
FIGURE 10-13. EXTEND/RETRACT VALVE HARNESS.....	314
FIGURE 10-14. LOWER BOOM HARNESS.....	316
FIGURE 10-15. BOOM HARNESS.....	318
FIGURE 10-16. CAB CONTROL HARNESS.....	320
FIGURE 10-17. A/C WIRE HARNESS.....	322
FIGURE 10-18. CAB WORK LIGHT HARNESS.....	324
SECTION 11 - DECALS.....	327
FIGURE 11-1. CAB AND FRAME DECALS.....	328
FIGURE 11-2. BOOM DECALS.....	332
SECTION 12 - RECOMMENDED SPARE PARTS.....	335
FIGURE 12-1. RECOMMENDED SPARE PARTS.....	336
PART NUMBER INDEX.....	339

SECTION 1 - FRAME AND ATTACHING PARTS

SECTION 1 - FRAME AND ATTACHING PARTS

SECTION 1 - FRAME AND ATTACHING PARTS

FIGURE 1-1. FRAME SHROUDING AND TRIM



PY1090

SECTION 1 - FRAME AND ATTACHING PARTS

FIGURE 1-1. FRAME SHROUDING AND TRIM

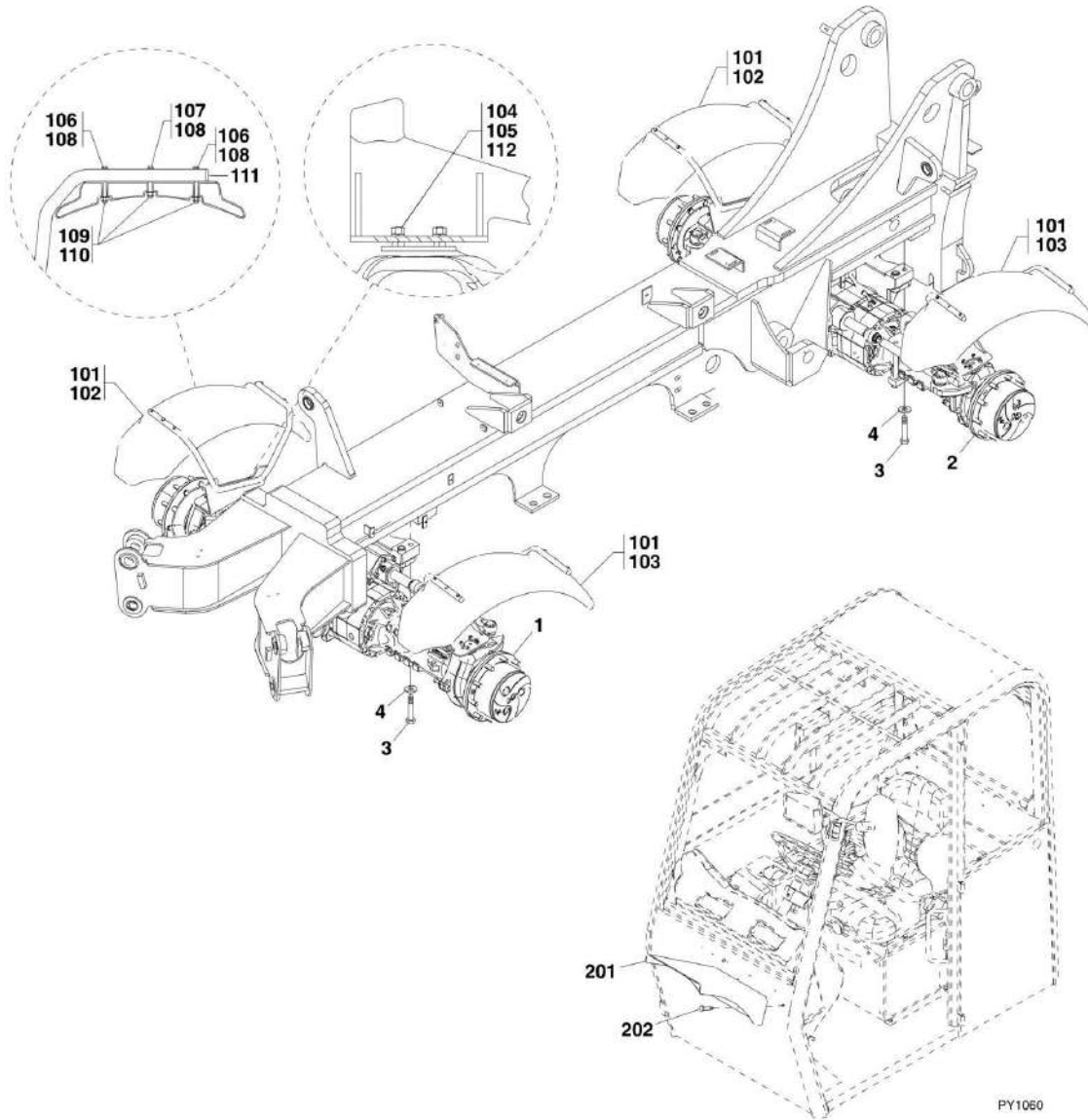
ITEM	PART NUMBER	QTY	DESCRIPTION	REV
	1001001660	1	ENGINE POD, (includes items 1 thru 52)	E
1	0641807	6	HEX HD CAPSCREW, 1/2-13X7/8, GR5	
4	3960477	1	FOAM GASKET SEAL	
9	91143220	7.3 ft	TRIM-LOK	
13	91561242	1	OIL PAN COVER PLATE	
15	91566027	1	ENGINE POD	
50		Ref	BATTERY AND BATTERY HOLD DOWN, (See ELECTRICAL SECTION for Breakdown)	
51		Ref	FRONT ENGINE MOUNT, (See ENGINE AND ATTACHING PARTS SECTION for Breakdown)	
52		Ref	REAR ENGINE MOUNT, (See ENGINE AND ATTACHING PARTS SECTION for Breakdown)	
	91569007	1	ENGINE COVER, (includes items 101 thru 129)	E
101	0100011	AR	LOCTITE 242	
103	0641608	8	HEX HD CAPSCREW, 3/8-16X1, GR5	
104	0641610	1	HEX HD CAPSCREW, 3/8-16X1 1/4, GR5	
105	0641622	6	HEX HD CAPSCREW, 3/8-16X2 3/4, GR5	
106	0700610	2	HEX HD SCREW, M6X20, GR8.8	
107	2080051	5	CLAMP	
108	2600262	2	OFFSET HINGE	
110	3311605	8	HEX LOCK NUT, 3/8-16, GR2	
112	3900280	8	BUTTON HD SCREW, 3/8-16X5/8	
113	4160194	2	GAS SPRING	
115	4711600	34	WASHER, 3/8	
116	4751500	2	WASHER, 5/16	
117	0641607	5	HEX HD CAPSCREW, 3/8-16X7/8, GR5	
119	88662523	6	TINNERMAN NUT	
120	80363195	1	HOOD MOUNTED MIRROR	
121	91513194	1	MIRROR BRACKET	
122	1671219	1	ENGINE COVER, (includes items 201 thru 210)	
123	4341070	1	ENGINE COVER SUPPORT/MOUNT	
125	91561262	1	COVER MOUNT BRACKET	
126	91561246	1	COVER PLATE	
127	91563155	1	FRONT COVER	
128	0791610	2	SCREW, 3/8-16X1 1/4	
129	91561297	1	LATCH CATCH BRACKET	
201	3900395		BUTTON HD CAPSCREW, M4X.7X25	
202	4811400	4	FLATWASHER, M4	
203	3290401	4	HEX NUT, M4X.7	
204	7300364	1	LATCH ASSY	
204	8342813	1	KEY	
205	0902956	1	HOOD BRACKET	
206	3960418	90 in	BULB SEAL	
207	0902955	1	HOOD MOUNTING BRACKET	
208	3340877	5	RUBBER PAD	
209	0100081	AR	LOCTITE 454	
210	0902746	4	MOUNTING BRACKET	
301	91140001	1	COUNTER WEIGHT, (no pintle hook)	
301	91565086	1	COUNTER WEIGHT, (with pintle hook), (See PINTLE HOOK INSTALL for Breakdown)	

SECTION 1 - FRAME AND ATTACHING PARTS

ITEM	PART NUMBER	QTY	DESCRIPTION	REV
	1001097149	1	LH MIRROR ASSY, (includes items 401 thru 404)	A
401	8866530	1	MIRROR MOUNT ARM	
402	8866514	1	MIRROR HEAD	
403	8307024	2	LOCK WASHER, M6	
404	8303799	2	HEX HD CAPSCREW, M6X1X14MM	
501	91566001	1	FRAME WELDMENT	
502		Ref	CAB ASSY, (See CAB SECTION for Breakdown)	
503		Ref	HYDRAULIC TANK ASSY, (See HYDRAULIC COMPONENTS SECTION for Breakdown)	
504	91563061	4	CAB MOUNT ISOLATOR	
505	91403097	4	CENTER BONDED MOUNT	
506	0682652	2	HEX HD CAPSCREW, 1-8X6 1/2, GR8	
507	0682230	4	HEX HD CAPSCREW, 3/4-10X3 3/4, GR8	
508	88501016	2	HEX NUT, 1-8	
509	88501012	4	HEX NUT, 3/4-10	
510	1001106614	2	WASHER	
511	91563062	2	WASHER	
512	91403098	4	TAIL WASHER	
513	90027473	4	WASHER, 3/4	
611	83201147	4	HEX HD CAPSCREW, 1-8X8X-1/2, GR8	
617	80241137	4	SPECIAL WASHER	
709	0682216	8	HEX HD CAPSCREW, 3/4-10X2, GR8	
710	0642232	2	HEX HD CAPSCREW, 3/4-10X4, GR5	
711	4892200	12	WASHER, 3/4	
712	3312206	4	HEX NUT, 3/4-10	
713	91561175	2	BACKING PLATE	
723	0642236	2	HEX HD CAPSCREW, 3/4-10X4 1/2, GR5	

SECTION 1 - FRAME AND ATTACHING PARTS

FIGURE 1-2. AXLE AND FENDER MOUNTING



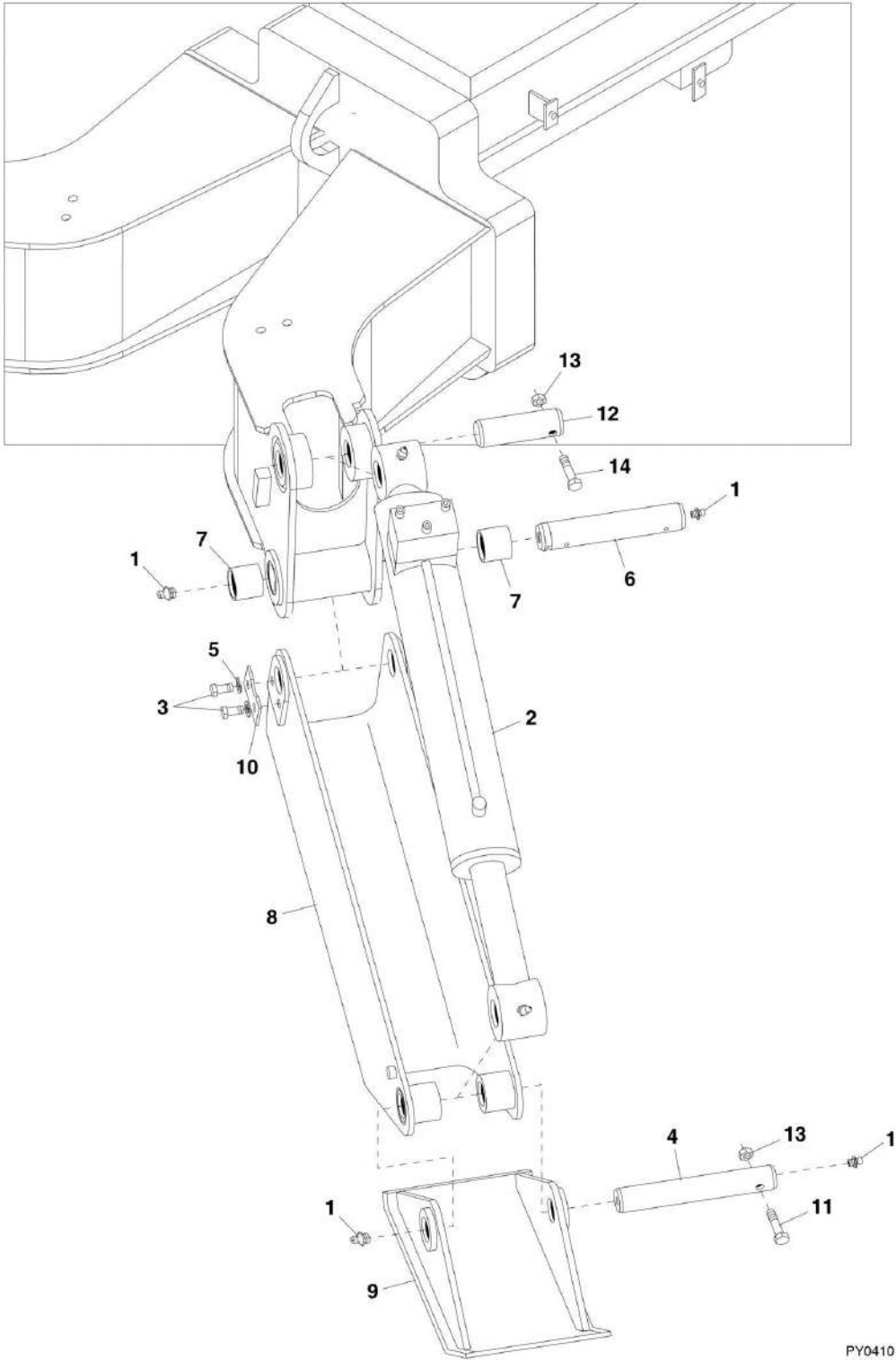
SECTION 1 - FRAME AND ATTACHING PARTS

FIGURE 1-2. AXLE AND FENDER MOUNTING

ITEM	PART NUMBER	QTY	DESCRIPTION	REV
1		Ref	FRONT AXLE ASSY, (See DRIVE TRAIN SECTION for Breakdown)	
2		Ref	REAR AXLE ASSY, (See DRIVE TRAIN SECTION for Breakdown)	
3	0682444	16	HEX HD CAPSCREW, 7/8-9X5-1/2, GR5, (torque to 530-565 ft lbs)	
4	4892400	16	HARDENED FLATWASHER, 7/8	
	91565081	1	FENDER INSTALL, (includes items 101 thru 112)	B
101	91473126	4	ROTOMOLD FENDER	
102	91566062	2	RH FENDER BRACKET	
103	91566063	2	LH FENDER BRACKET	
104	91514118	16	FENDER STUD	
105	91513266	16	HEX NUT, M12X1.25	
106	0641528	16	HEX HD CAPSCREW, 5/16-18X3 1/2, GR5	
107	0641524	8	HEX HD CAPSCREW, 5/16-18X3, GR5	
108	4711500	24	WASHER, 5/16	
109	4751500	24	PLAIN WASHER, 5/16	
110	88521205	24	LOCKNUT, 5/16-18	
111	3520176	8	PLUG	
112	83191010	16	LOCKWASHER, M12	
	91565067	1	CAB FENDER INSTALL, (includes items 201 thru 202)	
201	91401487	1	CAB FENDER	
202	0791608	4	WHIZLOCK BOLT, 3/8-16X1	
301	91403193	40	WHEEL NUT	
		Ref	NOTE: ITEM NUMBERS NOT LISTED ARE NOT USED ON THIS FIGURE	

SECTION 1 - FRAME AND ATTACHING PARTS

FIGURE 1-3. OUTRIGGER MOUNTING



PY0410

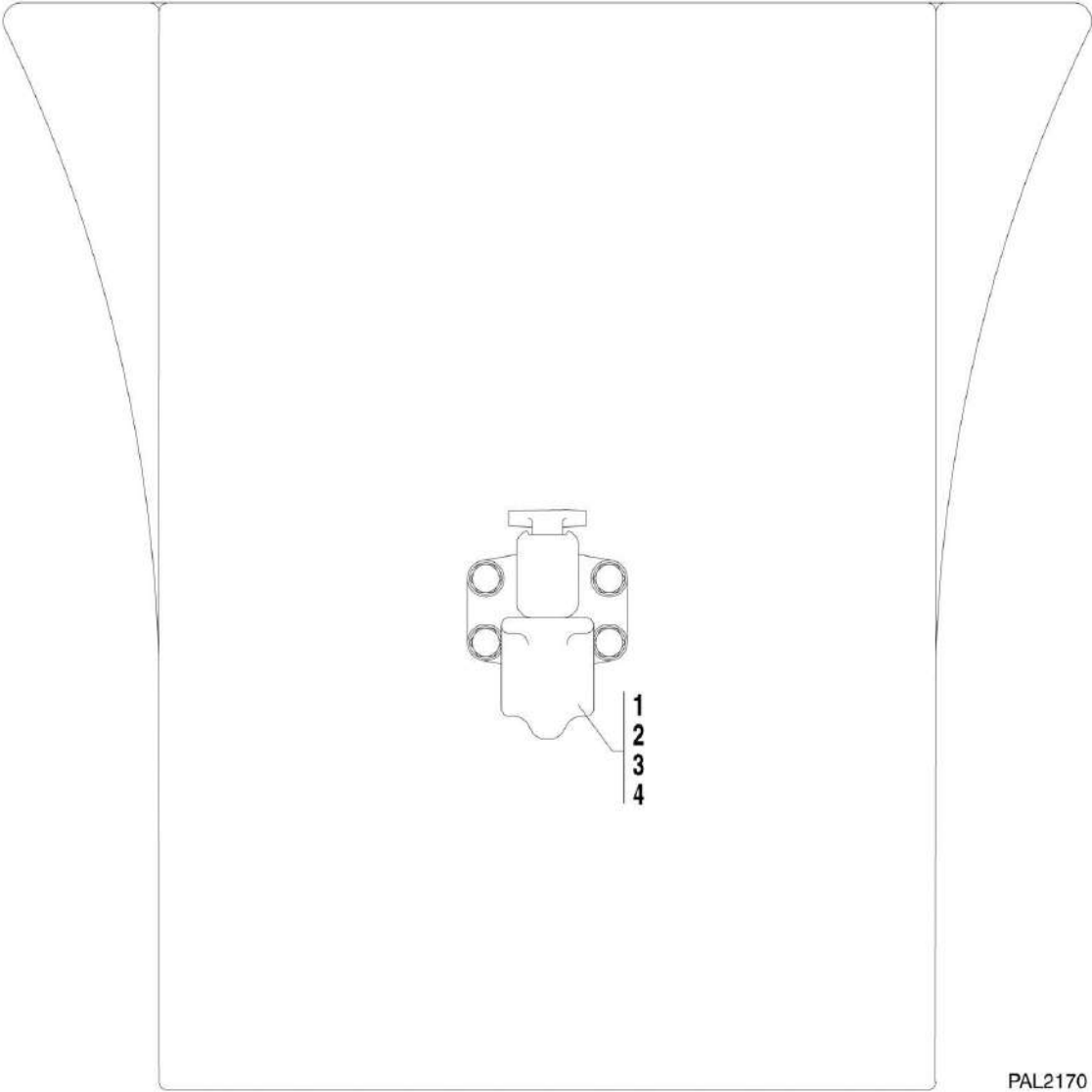
SECTION 1 - FRAME AND ATTACHING PARTS

FIGURE 1-3. OUTRIGGER MOUNTING

ITEM	PART NUMBER	QTY	DESCRIPTION	REV
1	88671001	4	LUBE FITTING, STRAIGHT, 1/8	C, 2
2		Ref	OUTRIGGER CYLINDER AND VALVE, (See HYDRAULIC COMPONENTS SECTION for Breakdown)	
3	0641808	4	HEX HD CAPSCREW, 1/2-13X1, GR5	
4	91563199	2	SHOE PIN	
5	4761800	4	LOCKWASHER, 1/2, (OLD)	
5	4751800	4	FLAT WASHER, 1/2, (NEW)	
6	91563198	2	ARM PIN	
8	91566050	2	ARM WELDMENT	
9	91566051	2	OUTRIGGER SHOE	
10	91081313	2	KEEPER	
11	0641634	2	HEX HD CAPSCREW, 3/8-16X4-1/4, GR5	
12	91563197	2	OUTRIGGER CYLINDER PIN	
13	3300143	4	HEX LOCKNUT, 3/8-16	
14	3931672	2	SOCKET HD CAPSCREW, 3/8-16X4-1/2, GR8	

SECTION 1 - FRAME AND ATTACHING PARTS

FIGURE 1-4. PINTLE HOOK INSTALL



PAL2170

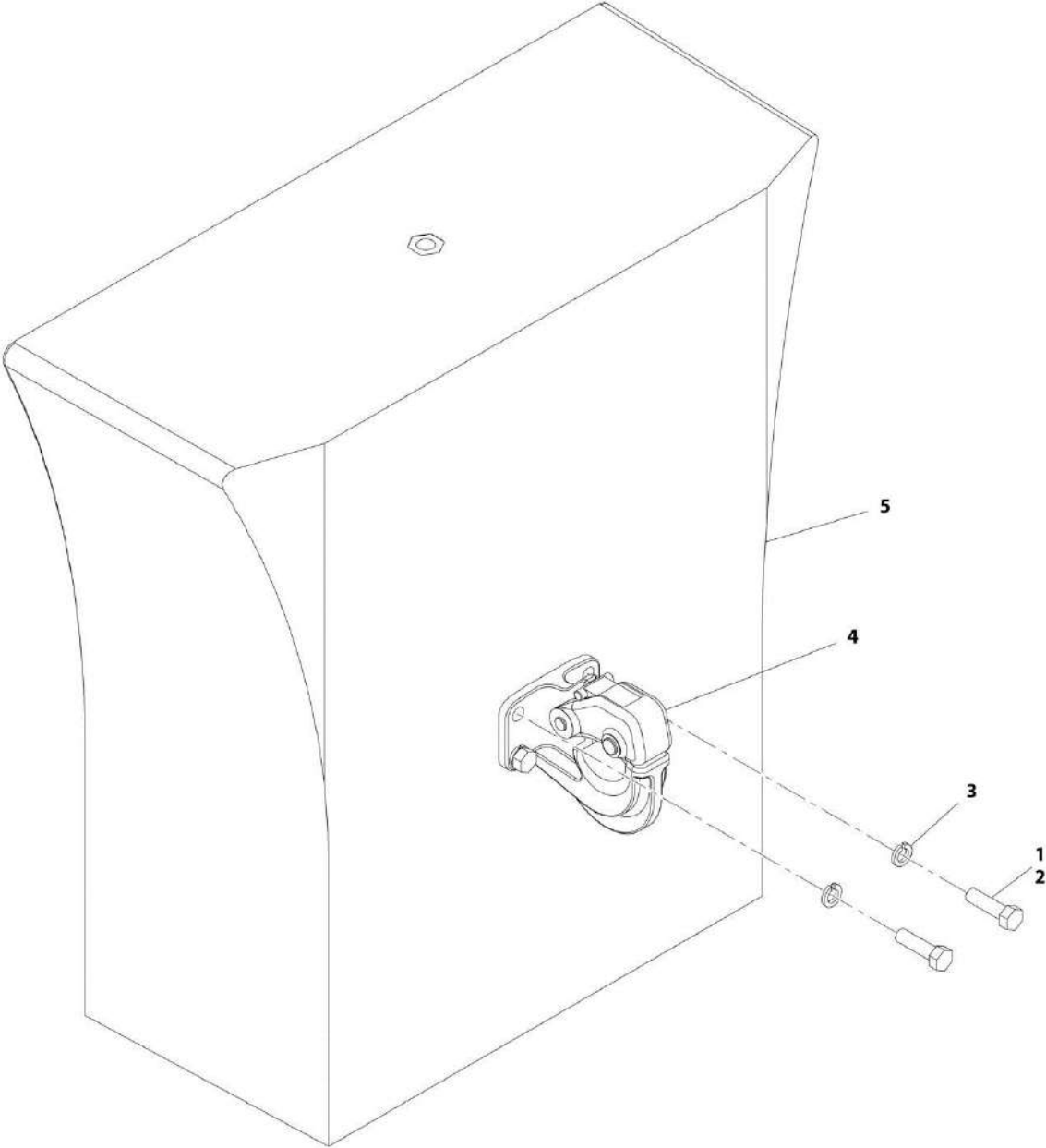
SECTION 1 - FRAME AND ATTACHING PARTS

FIGURE 1-4. PINTLE HOOK INSTALL

ITEM	PART NUMBER	QTY	DESCRIPTION	REV
	91565086	NLA	PINTLE HOOK INSTALL, (no longer available, see items 1 through 4 for service or 1001097095CP for replacement)	C
1		Ref	COUNTERWEIGHT	
2	90200602	1	PINTLE HOOK	
3	83201120	4	HEX HD CAPSCREW, 1/2-13X1 3/4	
4	88551013	4	LOCKWASHER, 1/2	

SECTION 1 - FRAME AND ATTACHING PARTS

FIGURE 1-5. COUNTERWEIGHT WITH PINTLE HITCH



ART_1001097095-C

SECTION 1 - FRAME AND ATTACHING PARTS

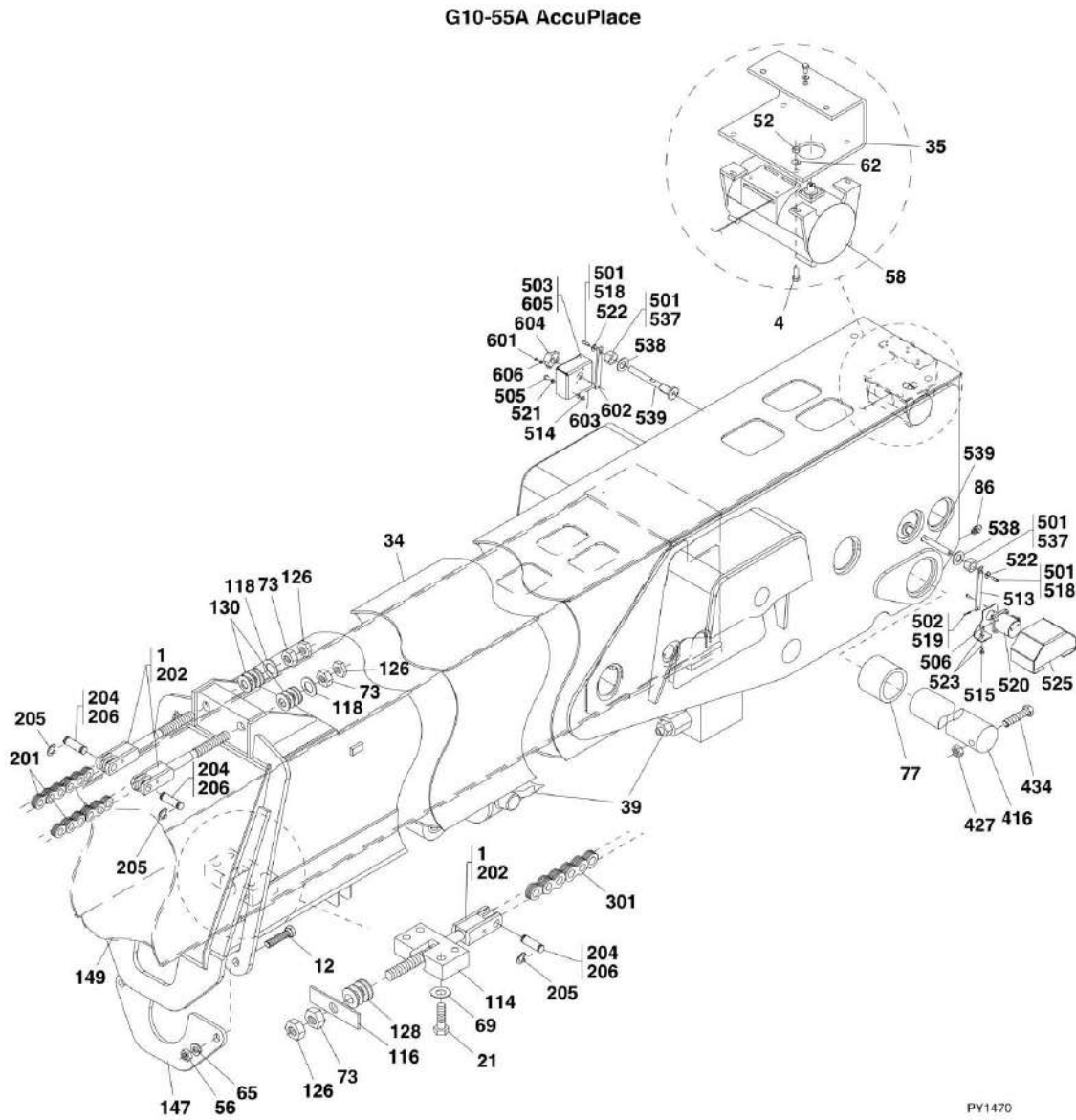
FIGURE 1-5. COUNTERWEIGHT WITH PINTLE HITCH

ITEM	PART NUMBER	QTY	DESCRIPTION	REV
	1001097095CP	1	COUNTERWEIGHT WITH PINTLE HITCH	C
1	0100011	AR	COMPOUND, LOCKING	
2	0681814	4	BOLT, 1/2-13X1 3/4 GRADE 8	
3	88551013	4	WASHER, LOCK 1/2	
4	90200602	1	HOOK	
5	1001091458	1	COUNTERWEIGHT	

SECTION 2 - BOOM

SECTION 2 - BOOM

FIGURE 2-1. FIRST BOOM SECTION - G10-55A ACCUPLACE



SECTION 2 - BOOM

FIGURE 2-1. FIRST BOOM SECTION - G10-55A ACCUPLACE

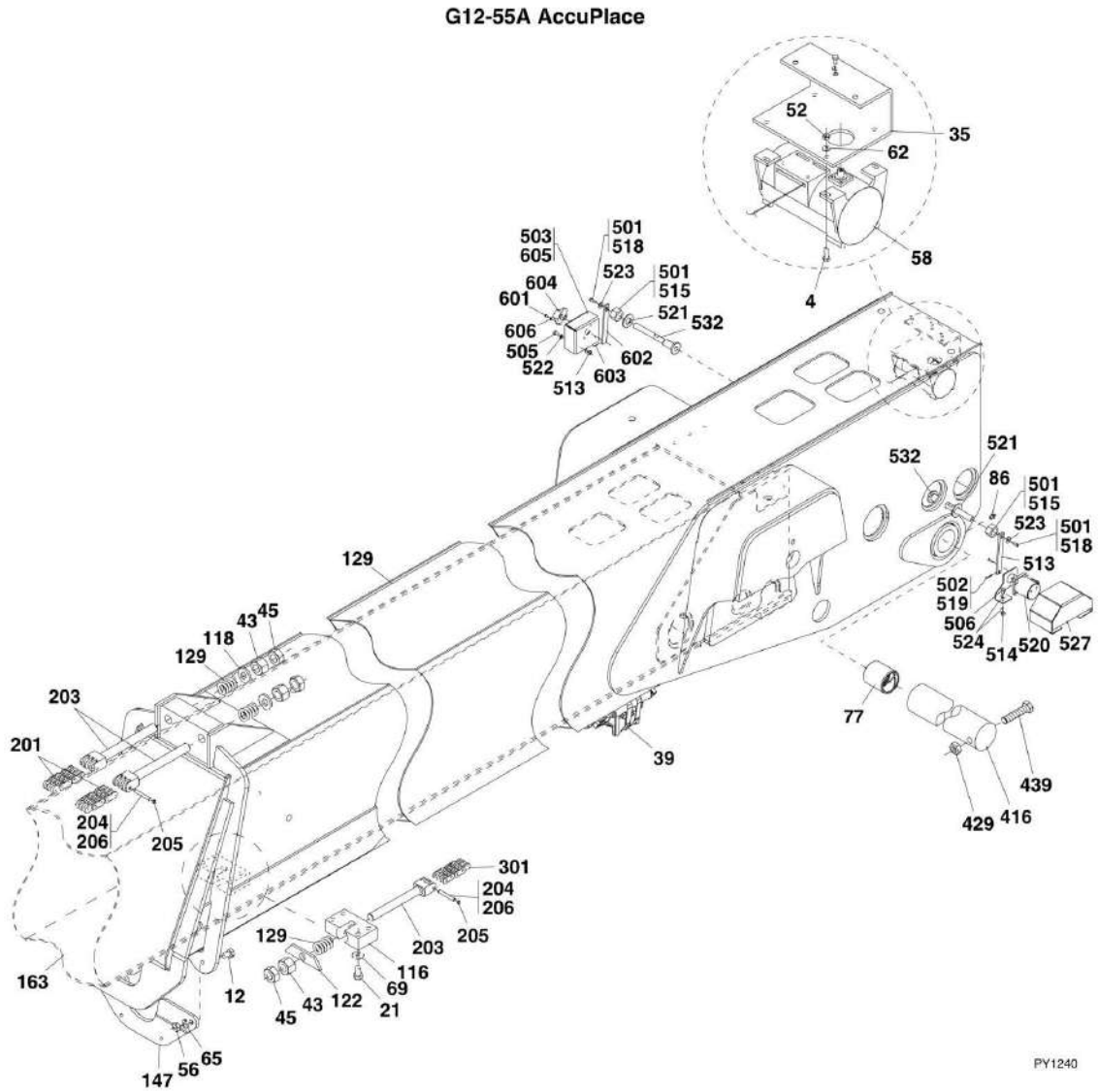
ITEM	PART NUMBER	QTY	DESCRIPTION	REV
1	0100011	AR	LOCTITE, #242	
4	0641408	4	HEX HD CAPSCREW, 1/4-20X1, GR5	
12	0641818	2	HEX HD CAPSCREW, 1/2-13X2-1/4, GR5	
21	0682214	4	HEX HD CAPSCREW, 3/4-10X1-3/4, GR8	
34	0801627	1	FIRST BOOM SECTION	
35	0903464	1	MOUNTING BRACKET	
39		Ref	CROWD CYLINDER, (See HYDRAULIC COMPONENTS SECTION for Breakdown)	
52	3311405	4	HEX LOCKNUT, 1/4-20	
56	3311802	2	HEX JAM NUT, 1/2-13	
58	4000014	1	BOOM LENGTH SWITCH	
62	4751400	4	WASHER, 1/4	
65	4761800	2	LOCKWASHER, 1/2	
69	4892200	4	WASHER, 3/4	
73	88501314	5	HEX NUT, 7/8-14	
77	91141301	2	BRONZE BUSHING	
86	88671001	2	GREASE FITTING, STRAIGHT, 1/8	
114	91161211	1	CHAIN ADJUSTING BLOCK	
116	91161213	1	STOP SPRING	
118	91161218	2	SPECIAL WASHER	
126	88501414	3	HEX JAM NUT, 7/8-14, (torque to 100 lb-ft)	
130	91163163	2	COMPRESSION SPRING	
147	91561156	1	CYLINDER SUPPORT PLATE	
149		Ref	SECOND BOOM SECTION, (See SECOND BOOM SECTION for Breakdown)	
201		Ref	EXTEND CHAIN, (See THIRD BOOM SECTION, item 301 for Breakdown)	
202	1360296	3	CHAIN CLEVIS, BL866	
204	91413122	3	CHAIN PIN	
205	88581112	6	SNAP RING	
206	8522012	AR	ANTI SIEZE LUBE	
301		Ref	RETRACT CHAIN, (See SECOND BOOM SECTION, item 301 for Breakdown)	
416	3423247	1	BOOM PIVOT PIN	
427	88521012	1	HEX LOCKNUT, 3/4-10	
434	88212287	1	SOCKET HD CAPSCREW, 3/4-10X6, GR5	
501	0100011	AR	LOCTITE, #242	
502	0100035	AR	LOCTITE, #222	
503	0275862	1	SENSOR ASSY, (includes items 601 thru 606)	B
505	0641405	3	HEX HD CAPSCREW, 1/4-20X5/8, GR5	
506	0641610	2	HEX HD CAPSCREW, 3/8-16X1-1/4, GR5	
513	3010160	1	CRANK ARM PLATE	
514	3311405	3	HEX LOCKNUT, 1/4-20	
515	3311605	2	HEX LOCKNUT, 3/8-16	
518	3900187	2	SHOULDER SCREW, 5/16X1/2, (torque to 19 lb-ft)	
519	3930616	1	SOCKET HD CAPSCREW, #6-32, (torque to 16 lb-in)	
520	4000013	1	ROTARY SWITCH	
521	4751400	6	WASHER, 1/4	
522	4751500	2	WASHER, 5/16	
523	4751600	4	WASHER, 3/8	

SECTION 2 - BOOM

ITEM	PART NUMBER	QTY	DESCRIPTION	REV
525	9984243	1	BOOM ANGLE SENSOR COVER	
537	3312601	2	HEX NUT, 1-8	
538	4712600	2	WASHER, 1	
539	1001094194	2	BOOM ANGLE STUD	
601	0721003	2	HEX HD MACHINE SCREW, #10-24X.375, (torque to 43 lb-in)	
602	3010161	1	CRANK ARM PLATE	
603	3440313	1	ROLL PIN	
604	4000020	1	ROTARY ANGLE SENSOR	
605	4341266	1	SENSOR MOUNT	
606	4751000	2	WASHER, #10	
		Ref	NOTE: ITEM NUMBERS NOT LISTED ARE NOT USED ON THIS FIGURE.	

SECTION 2 - BOOM

FIGURE 2-2. FIRST BOOM SECTION - G12-55A ACCUPLACE



SECTION 2 - BOOM

FIGURE 2-2. FIRST BOOM SECTION - G12-55A ACCUPLACE

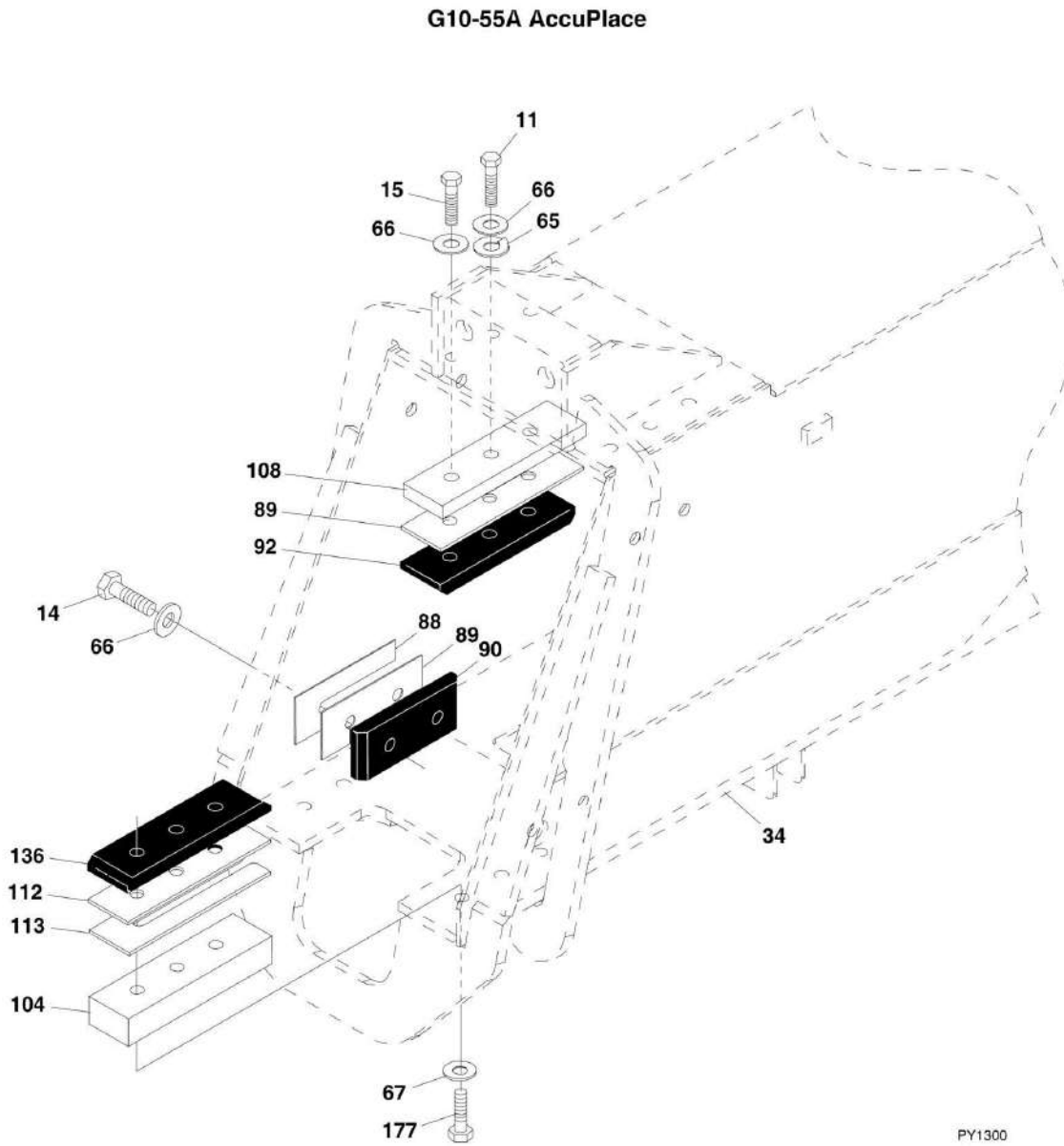
ITEM	PART NUMBER	QTY	DESCRIPTION	REV
1	0100011	AR	LOCTITE, #242	
4	0641408	4	HEX HD CAPSCREW, 1/4-20X1, GR5	
12	0641818	2	HEX HD CAPSCREW, 1/2-13X2-1/4, GR5	
21	0682214	4	HEX HD CAPSCREW, 3/4-10X1-3/4, GR8	
35	0903464	1	BRACKET	
39		Ref	CROWD CYLINDER, (See HYDRAULIC COMPONENTS SECTION for Breakdown)	
43	3313001	3	HEX NUT, 1-1/4-7	
45	3313002	3	HEX JAM NUT, 1-1/4-7, (torque to 100 lb-ft)	
52	3311405	4	HEX LOCKNUT, 1/4-20	
56	3311802	2	HEX JAM NUT, 1/2-13	
58	4000014	1	BOOM LENGTH SWITCH	
62	4751400	4	WASHER, 1/4	
65	4761800	2	LOCKWASHER, 1/2	
69	4892200	4	WASHER, 3/4	
77	91141301	2	BRONZE BUSHING	
86	88671001	2	GREASE FITTING	
116	91561090	1	CHAIN ADJUSTING BLOCK	
118	91561107	2	SPECIAL WASHER	
122	91561250	1	SPRING STOP	
129	91563219	3	SPRING	
147	91561156	1	CYLINDER SUPPORT PLATE	
149	1001101952	1	FIRST BOOM SECTION	
163		Ref	SECOND BOOM SECTION, (See SECOND BOOM SECTION for Breakdown)	
201		Ref	EXTEND CHAIN, BL1066, (See THIRD BOOM SECTION, item 401 for Breakdown)	
203	1360301	3	CHAIN CLEVIS, BL1066	
204	91513176	3	CHAIN PIN	
205	88581115	6	SNAP RING	
206	8522012	AR	ANTI SIEZE LUBE	
301		Ref	RETRACT CHAIN, BL1066, (See SECOND BOOM SECTION, item 601 for Breakdown)	
416	3423247	1	BOOM PIVOT PIN	
429	88521012	1	HEX LOCKNUT, 3/4-10	
439	88212287	1	SOCKET HD CAPSCREW, 3/4-10X6, GR8	
501	0100011	AR	LOCTITE, #242	
502	0100035	AR	LOCTITE, #222	
503	0275862	1	SENSOR ASSY, (includes items 601 thru 606)	B
505	0641405	3	HEX HD CAPSCREW, 1/4-20X5/8, G5	
506	0641610	2	HEX HD CAPSCREW, 3/8-16X1-1/4, GR5	
512	3010160	1	CRANK ARM PLATE	
513	3311405	3	HEX LOCKNUT, 1/4-20	
514	3311605	2	HEX LOCKNUT, 3/8-16	
515	3312601	2	HEX NUT, 1-8	
518	3900187	2	SHOULDER SCREW, 5/16X1/2	
519	3930616	1	SOCKET HD CAPSCREW, #6-32X1	
520	4000013	1	ROTARY SWITCH	
521	4712600	2	WASHER, 1	
522	4751400	6	WASHER, 1/4	

SECTION 2 - BOOM

ITEM	PART NUMBER	QTY	DESCRIPTION	REV
523	4751500	2	WASHER, 5/16	
524	4751600	4	WASHER, 3/8	
527	9984243	1	BOOM SENSOR ANGLE COVER	
532	1001094194	2	BOOM ANGLE STUD	
601	0721003	2	HEX HD MACHINE SCREW, #10-24X.375, (torque to 43 lb-in)	
602	3010161	1	CRANK ARM PLATE	
603	3440313	1	ROLL PIN	
604	4000020	1	ROTARY ANGLE SENSOR	
605	4341266	1	SENSOR MOUNT	
606	4751000	2	WASHER, #10	
		Ref	NOTE: ITEM NUMBERS NOT LISTED ARE NOT USED ON THIS FIGURE.	

SECTION 2 - BOOM

FIGURE 2-3. WEAR PADS, SPACERS AND SHIMS, (FIRST BOOM SECTION) - G10-55A ACCUPLACE



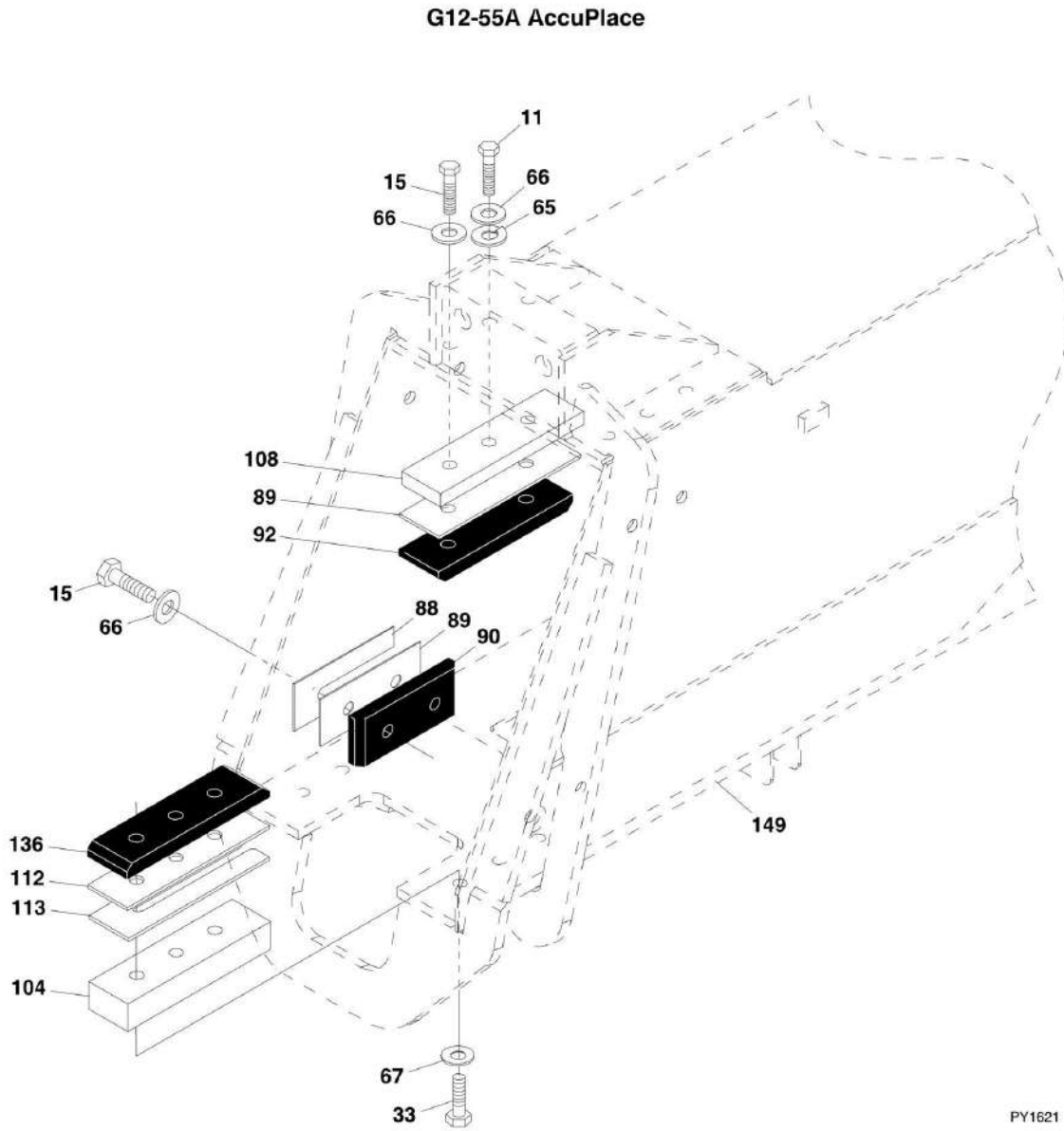
SECTION 2 - BOOM

FIGURE 2-3. WEAR PADS, SPACERS AND SHIMS, (FIRST BOOM SECTION) - G10-55A ACCUPLACE

ITEM	PART NUMBER	QTY	DESCRIPTION	REV
11	0641810	2	HEX HD CAPSCREW, 1/2-13X1-1/4, GR5, (torque to 86 lb-ft)	
14	0651606	8	HEX HD CAPSCREW, 3/8-24X3/4, GR5, (torque to 32 lb-ft)	
15	0651612	4	HEX HD CAPSCREW, 3/8-24X1-1/2, GR5, (as required), (torque to 32 lb-ft)	
15	0651614	4	HEX HD CAPSCREW, 3/8-24X1-3/4, GR5, (as required), (torque to 32 lb-ft)	
34		Ref	FIRST BOOM SECTION, (See FIRST BOOM SECTION for Breakdown)	
65	4761800	2	LOCKWASHER, 1/2	
66	4891600	14	WASHER, 3/8	
67	4891800	6	WASHER, 1/2	
88	90205870	4	SHIM, .0598, (as required)	
89	91031236	6	SPACER, .060	
90	91033186	4	WEAR PAD	
92	91033189	2	WEAR PAD	
104	91161167	2	WEAR PAD SUPPORT	
108	91161171	2	WEAR PAD SUPPORT	
112	91161183	2	SPACER, .060	
113	91161184	2	SHIM, .0598, (as required)	
136	91163187	2	WEAR PAD	
177	0651820	6	HEX HD CAPSCREW, 1/2-13X2, GR5, (torque to 86 lb-ft)	
		Ref	NOTE: ITEM NUMBERS NOT LISTED ARE NOT USED ON THIS FIGURE.	

SECTION 2 - BOOM

FIGURE 2-4. WEAR PADS, SPACERS AND SHIMS, (FIRST BOOM SECTION) - G12-55A ACCUPLACE



PY1621

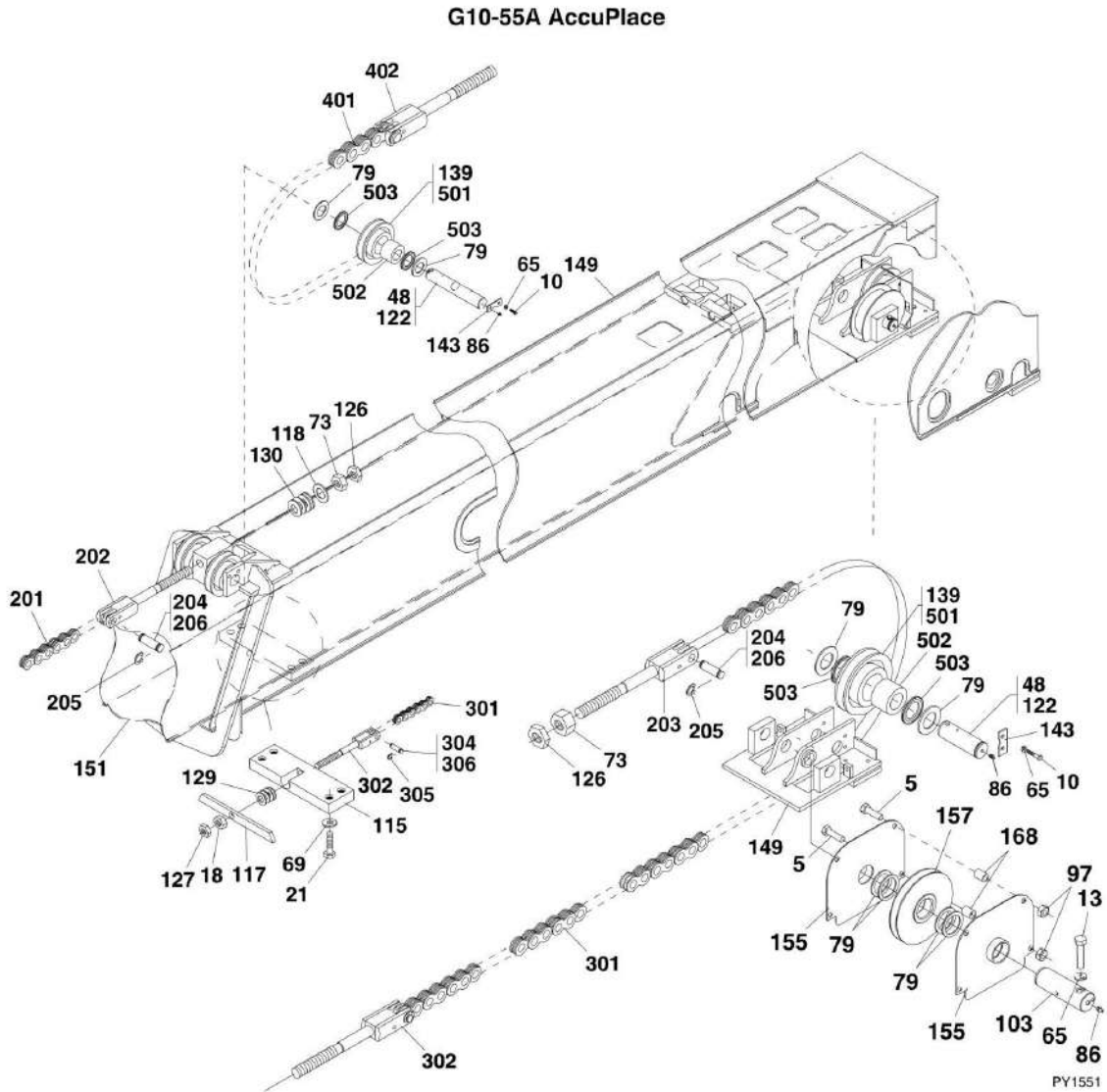
SECTION 2 - BOOM

FIGURE 2-4. WEAR PADS, SPACERS AND SHIMS, (FIRST BOOM SECTION) - G12-55A ACCUPLACE

ITEM	PART NUMBER	QTY	DESCRIPTION	REV
11	0641810	2	HEX HD CAPSCREW, 1/2-13X1-1/4, GR5, (torque to 86 lb-ft)	
15	0651612	4	HEX HD CAPSCREW, 3/8-24X1-1/2, GR5, (as required), (torque to 32 lb-ft)	
15	0651614		HEX HD CAPSCREW, 3/8-24X1-3/4, GR5, (as required), (torque to 32 lb-ft)	
33	0651816	6	HEX HD CAPSCREW, 1/2-20X2, GR5, (torque to 86 lb-ft)	
65	4761800	2	LOCKWASHER, 1/2	
66	4891600	14	WASHER, 3/8	
67	4891800	6	WASHER, 1/2	
88	90205870	4	SHIM, .0598, (as required)	
89	91031236	6	SPACER, .060	
90	91033186	4	WEAR PAD	
92	91033189	2	WEAR PAD	
104	91161167	2	WEAR PAD SUPPORT	
112	91161183	2	SPACER, .060	
113	91161184	2	SHIM, .0598, (as required)	
136	91163187	2	WEAR PAD	
149		Ref	FIRST BOOM SECTION, (See FIRST BOOM SECTION for Breakdown)	
		Ref	NOTE: ITEM NUMBERS NOT LISTED ARE NOT USED ON THIS FIGURE.	

SECTION 2 - BOOM

FIGURE 2-5. SECOND BOOM SECTION - G10-55A ACCUPLACE



SECTION 2 - BOOM

FIGURE 2-5. SECOND BOOM SECTION - G10-55A ACCUPLACE

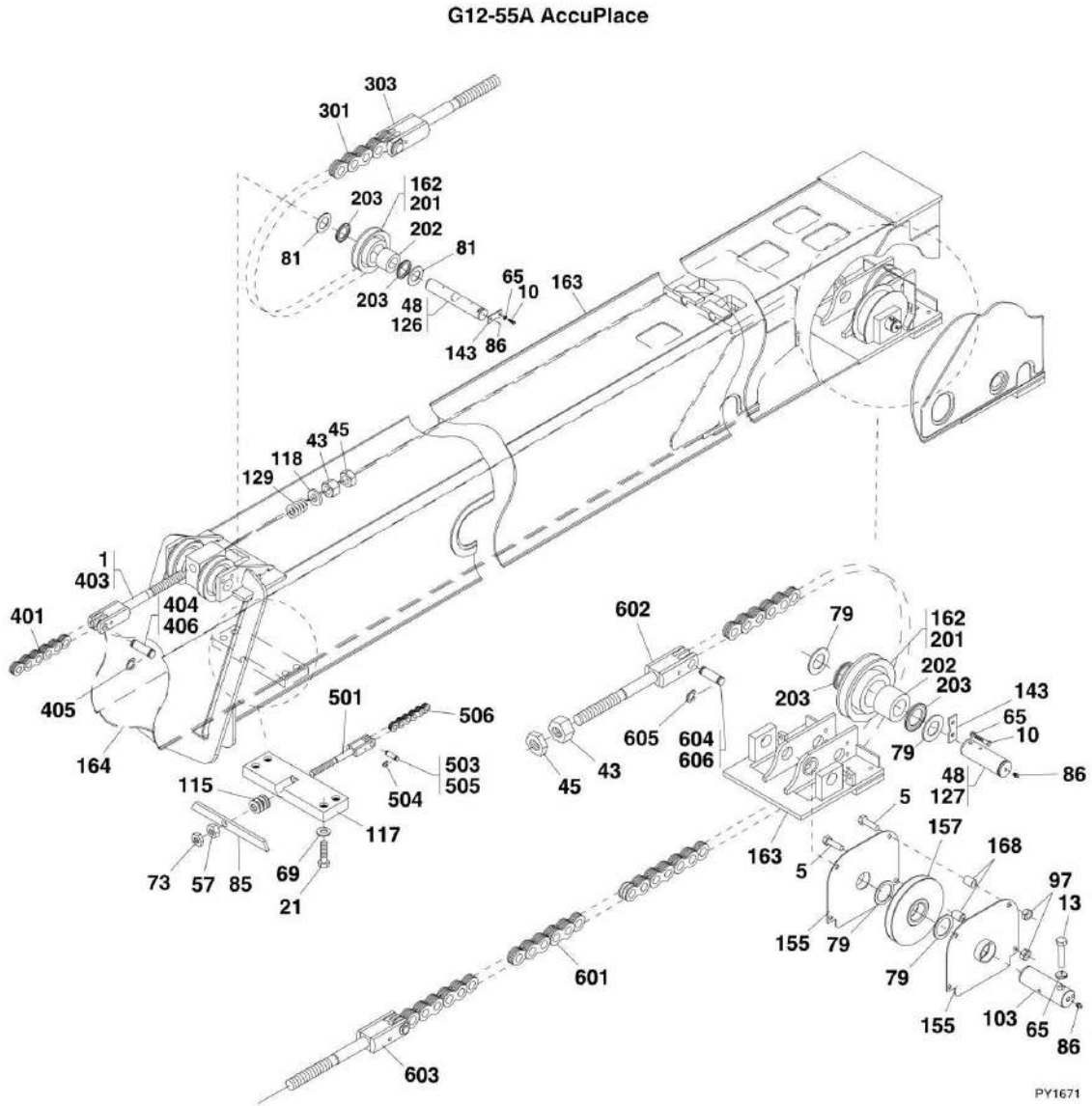
ITEM	PART NUMBER	QTY	DESCRIPTION	REV
1	0100011	AR	LOCTITE, #242	
5	0641815	2	HEX HD CAPSCREW, 1/2-13X1-7/8, GR5	
10	0641808	4	HEX HD CAPSCREW, 1/2-13X1, GR5	
13	0641826	1	HEX HD CAPSCREW, 1/2-13X3-1/4, GR5	
18	88501312	1	HEX NUT, 3/4-16	
21	0682214	4	HEX HD CAPSCREW, 3/4-10X1-3/4, GR8, (torque to 340-365 lb-ft)	
48	3020040	AR	MOLY PASTE	
65	4761800	5	LOCKWASHER, 1/2	
69	4892200	4	WASHER, 3/4	
73	88501314	2	HEX NUT, 7/8-14	
79	91041449	AR	WASHER, (.060in thick)	
79	91041450	AR	WASHER, (.0478in thick)	
79	91041451	AR	WASHER, (.106in thick)	
79	91041596	AR	WASHER, (.0359in thick)	
86	88671001	4	GREASE FITTING	
97	3311805	2	HEX LOCKNUT, 1/2-13	
103	3423301	1	HOSE SHEAVE PIN	
115	91161212	1	CHAIN ADJUSTING BLOCK	
117	91161214	1	SPRING STOP	
118	91161218	1	SPECIAL WASHER	
122	91161266	1	CHAIN SHEAVE PIN	
126	88501414	2	HEX JAM NUT, 7/8-14, (torque to 100 lb-ft)	
127	88501412	1	HEX JAM NUT, 3/4-16, (torque to 100 lb-ft)	
129	91163162	1	COMPRESSION SPRING	
130	91163163	1	COMPRESSION SPRING	
139	91165022	3	CHAIN ROLLER ASSY, (includes items 501 thru 503)	
143	91401189	2	KEEPER PLATE	
149	91576006	1	SECOND BOOM SECTION	
151		Ref	THIRD BOOM SECTION, (See THIRD BOOM SECTION for Breakdown)	
155	3577205	2	PLATE WELDMENT	
157	3580356	1	HOSE SHEAVE	
168	4569508	2	SPACER	
201		Ref	LEAF CHAIN, BL866, (See FOURTH BOOM SECTION, item 201 for Breakdown)	
202	1360296	1	CHAIN CLEVIS, BL866	
204	91413122	1	CHAIN PIN	
205	88581112	2	SNAP RING	
206	8522012	AR	ANTI SIEZE LUBE	
301		Ref	LEAF CHAIN, BL666, (See THIRD BOOM SECTION, item 401 for Breakdown)	
302	1360292	1	CHAIN CLEVIS, BL666	
304	91413129	1	CHAIN PIN	
305	88681344	2	SNAP RING	
306	8522012	AR	ANTI SIEZE LUBE	
401		Ref	LEAF CHAIN, BL866, (See FIRST BOOM SECTION, item 201 for Breakdown)	
402		Ref	CHAIN CLEVIS, BL866, (See FIRST BOOM SECTION, item 202 for Breakdown)	
501	N.S.S.	1	ROLLER	
502	91163204	1	BUSHING	

SECTION 2 - BOOM

ITEM	PART NUMBER	QTY	DESCRIPTION	REV
503	86921268	2	SEAL	
601	91163036	1	LEAF CHAIN, BL866	
602		Ref	CHAIN CLEVIS, BL866, (See FIRST BOOM SECTION, item 202 for Breakdown)	
603	1360297	1	CHAIN CLEVIS, BL866	
604	91413122	1	CHAIN PIN	
605	88581112	2	SNAP RING	
606	8522012	AR	ANTI SIEZE	

SECTION 2 - BOOM

FIGURE 2-6. SECOND BOOM SECTION - G12-55A ACCUPLACE



SECTION 2 - BOOM

FIGURE 2-6. SECOND BOOM SECTION - G12-55A ACCUPLACE

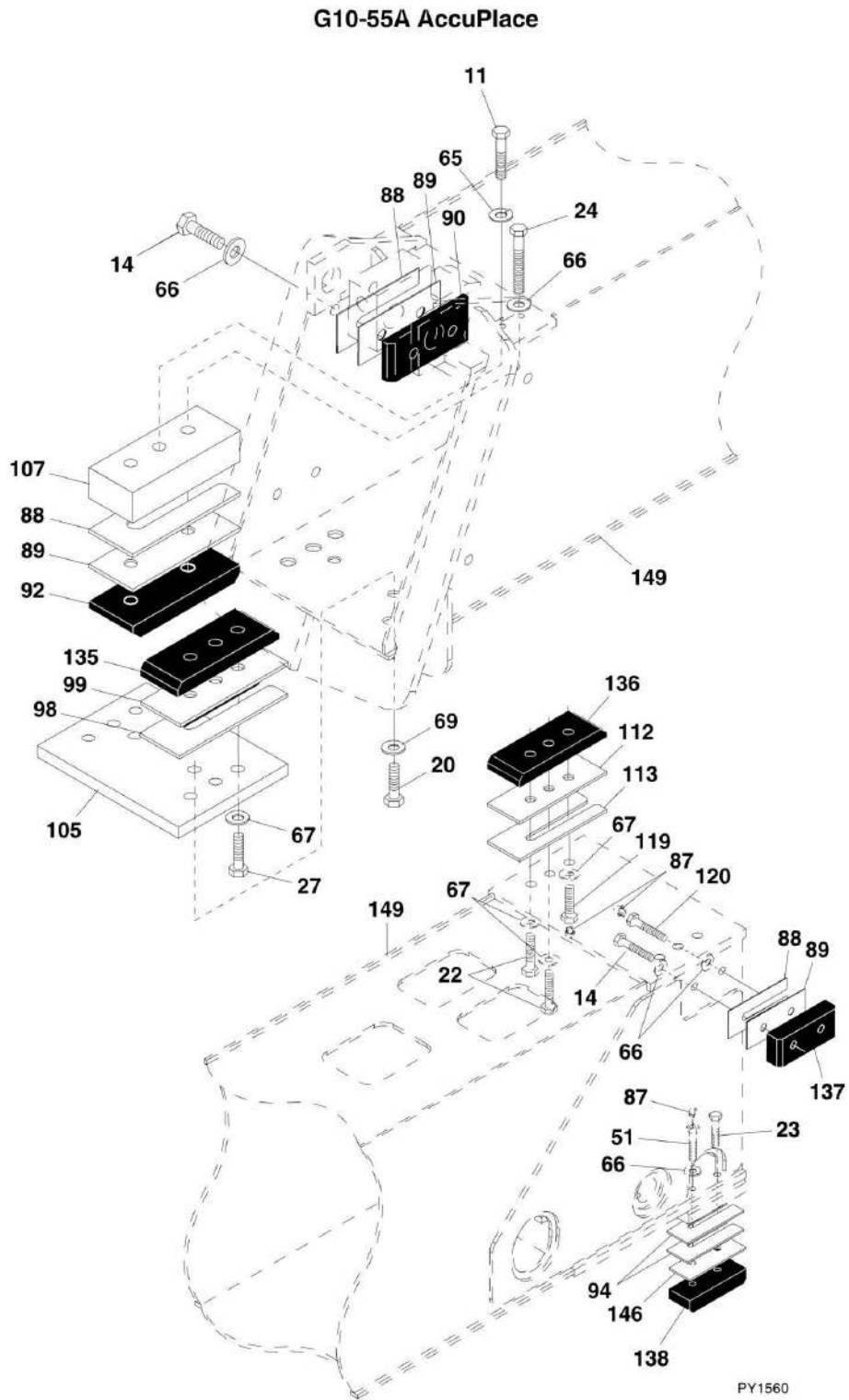
ITEM	PART NUMBER	QTY	DESCRIPTION	REV
1	0100011	AR	LOCTITE, #242	
5	0641815	2	HEX HD CAPSCREW, 1/2-13X1-7/8, GR5	
10	0641808	4	HEX HD CAPSCREW, 1/2-13X1, GR5	
13	0641826	1	HEX HD CAPSCREW, 1/2-13X3-1/4, GR5	
21	0682214	4	HEX HD CAPSCREW, 3/4-10X1-3/4, GR8	
43	3313001	2	HEX NUT, 1-1/4-7	
45	3313002	2	HEX JAM NUT, 1-1/4-7, (torque to 100 lb-ft)	
48	3020040	AR	MOLY PASTE	
57	88501314	1	HEX NUT, 7/8-14	
65	4761800	5	LOCKWASHER, 1/2	
69	4892200	2	WASHER, 3/4	
73	88501414	1	HEX JAM NUT, 7/8-14, (torque to 100 lb-ft)	
79	91041449	AR	WASHER, (.060 thick)	
79	91041451	AR	WASHER, (.106in thick)	
81	91041451	2	WASHER	
85	91161213	1	SPRING STOP	
86	88671001	2	GREASE FITTING	
97	3311805	2	HEX LOCKNUT, 1/2-13	
103	3423301	1	HOSE SHEAVE PIN	
115	91163161	1	SPRING	
117	91561095	1	CHAIN ADJUSTING BLOCK	
118	91561107	1	SPECIAL WASHER	D
126	91563024	1	CHAIN SHEAVE PIN	
127	91563030	1	CHAIN SHEAVE PIN	
129	91563219	1	SPRING	
143	91401189	1	KEEPER PLATE	
155	3577205	2	SHEAVE PLATE	
157	3580356	1	HOSE SHEAVE	
162	91565005	3	ROLLER CHAIN ASSY, (includes items 201 thru 203)	
163	91566007	1	SECOND BOOM SECTION	
164		Ref	THIRD BOOM SECTION, (See THIRD BOOM SECTION for Breakdown)	
168	4569508	2	SPACE DIVIDER	
201	91563026	3	CHAIN ROLLER	
202	91563025	3	BUSHING	
203	91403119	6	SEAL	
301		Ref	LEAF CHAIN, BL1066, (See FIRST BOOM SECTION, item 201 for Breakdown)	
303		Ref	CHAIN CLEVIS, BL1066, (See FIRST BOOM SECTION, item 203 for Breakdown)	
401		Ref	LEAF CHAIN, BL1066, (See FOURTH BOOM SECTION, item 301 for Breakdown)	
403	1360301	1	CHAIN CLEVIS, BL1066	
404	91513176	1	CHAIN PIN	
405	88581115	2	SNAP RING	
406	8522012	AR	ANTI SIEZE LUBE	
501	1360296	1	CHAIN CLEVIS, BL866	
503	8522012	AR	ANTI SIEZE LUBE	
504	88581112	2	SNAP RING	
505	91413122	1	CHAIN PIN	

SECTION 2 - BOOM

ITEM	PART NUMBER	QTY	DESCRIPTION	REV
506		Ref	LEAF CHAIN, BL866, (See THIRD BOOM SECTION, item 506 for Breakdown)	
601	91563035	1	LEAF CHAIN, BL1066	
602	1360300	1	CHAIN CLEVIS, BL1066	
603		Ref	CHAIN CLEVIS, BL1066, (See FIRST BOOM SECTION, item 203 for Breakdown)	
604	91513176	1	CHAIN PIN	
605	88581115	2	SNAP RING	
606	8522012	AR	ANTI SIEZE	
		Ref	NOTE: ITEM NUMBERS NOT LISTED ARE NOT USED ON THIS FIGURE.	

SECTION 2 - BOOM

FIGURE 2-7. WEAR PADS, SPACERS AND SHIMS, (SECOND BOOM SECTION) - G10-55A ACCUPLACE



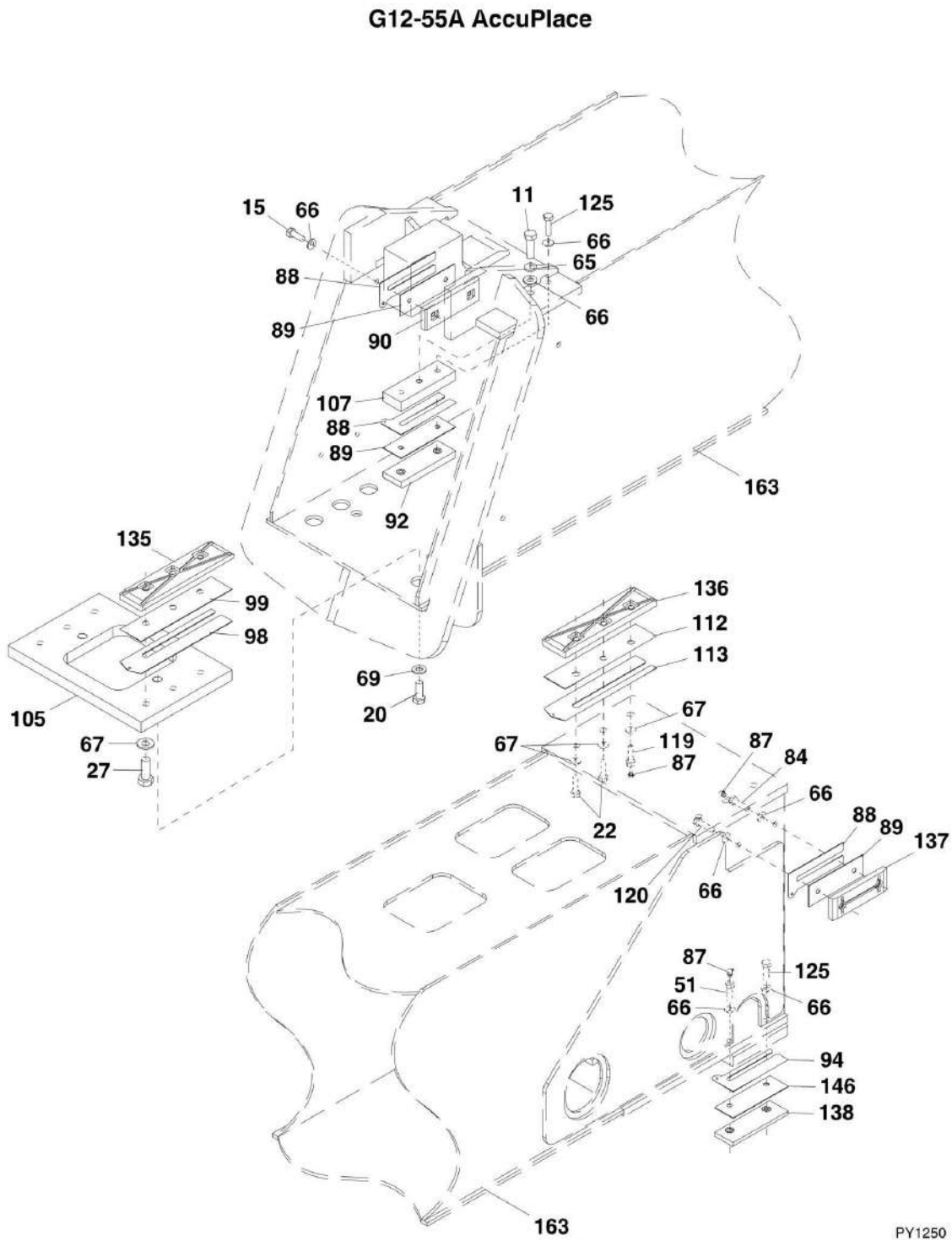
SECTION 2 - BOOM

FIGURE 2-7. WEAR PADS, SPACERS AND SHIMS, (SECOND BOOM SECTION) - G10-55A ACCUPLACE

ITEM	PART NUMBER	QTY	DESCRIPTION	REV
11	0641810	2	HEX HD CAPSCREW, 1/2-13X1-1/4, GR5, (torque to 86 lb-ft)	
14	0651606	10	HEX HD CAPSCREW, 3/8-24X3/4, GR5, (torque to 32 lb-ft)	
20	0642210	2	HEX HD CAPSCREW, 3/4-10X1-1/4, GR5	
22	0651808	4	HEX HD CAPSCREW, 1/2-20X1, GR5, (torque to 86 lb-ft), (as required)	
22	0651812	4	HEX HD CAPSCREW, 1/2-20X1-1/2, GR5, (torque to 86 lb-ft), (as required)	
22	0651814	4	HEX HD CAPSCREW, 1/2-20X1-3/4, GR5, (torque to 86 lb-ft), (as required)	
23	0651616	2	HEX HD CAPSCREW, 3/8-24X2, GR5, (as required), (torque to 32 lb-ft)	
23	0651618	2	HEX HD CAPSCREW, 3/8-24X2-1/4, GR5, (as required), (torque to 32 lb-ft)	
24	0651618	4	HEX HD CAPSCREW, 3/8-24X2-1/4, GR5, (torque to 32 lb-ft)	
27	0651814	6	HEX HD CAPSCREW, 1/2-20X1-3/4, GR5	
51	91161278	2	HEX HD CAPSCREW, 3/8-24X2, (hollow), (as required)	
51	91361046	2	HEX HD CAPSCREW, 3/8-24X2-1/4, (hollow), (as required)	
65	4761800	2	LOCKWASHER, 1/2	
66	4891600	22	WASHER, 3/8	
67	4891800	12	WASHER, 1/2	
69	4892200	2	WASHER, 3/4	
87	88671027	6	GREASE FITTING, 90	
88	90205870	8	SHIM, 0.598, (as required)	
89	91031236	8	SPACER, .060	
90	91033186	4	WEAR PAD	
92	91033189	2	WEAR PAD	
94	91121082	2	SHIM, .0598, (as required)	
98	91141302	2	SHIM, .0598, (as required)	
99	91141303	2	SPACER, .060	
105	91161168	1	WEAR PAD SUPPORT	
107	91161170	2	WEAR PAD SUPPORT	
112	91161183	2	SPACER, .060	
113	91161184	2	SHIM, 0.598, (as required)	
119	91161222	2	HEX HD CAPSCREW, 1/2-20X1-1/2, (hollow), (as required), (torque to 50 lb-ft)	
119	91161221	2	HEX HD CAPSCREW, 1/2-20X1-3/4, (hollow), (as required), (torque to 50 lb-ft)	
120	91161248	2	HEX HD CAPSCREW, 3/8-24X3/4, (hollow), (as required), (torque to 17 lb-ft)	
120	91361045	2	HEX HD CAPSCREW, 3/8-24X7/8, (hollow), (as required), (torque to 17 lb-ft)	
135	91163186	2	WEAR PAD	
136	91163187	2	WEAR PAD	
137	91163188	2	WEAR PAD	
138	91163214	2	WEAR PAD	
146	91511094	2	SPACER, 0.598	
149		Ref	SECOND BOOM SECTION, (See SECOND BOOM SECTION for Breakdown)	
		Ref	NOTE: ITEM NUMBERS NOT LISTED ARE NOT USED ON THIS FIGURE.	

SECTION 2 - BOOM

FIGURE 2-8. WEAR PADS, SPACERS AND SHIMS, (SECOND BOOM SECTION) - G12-55A ACCUPLACE



PY1250

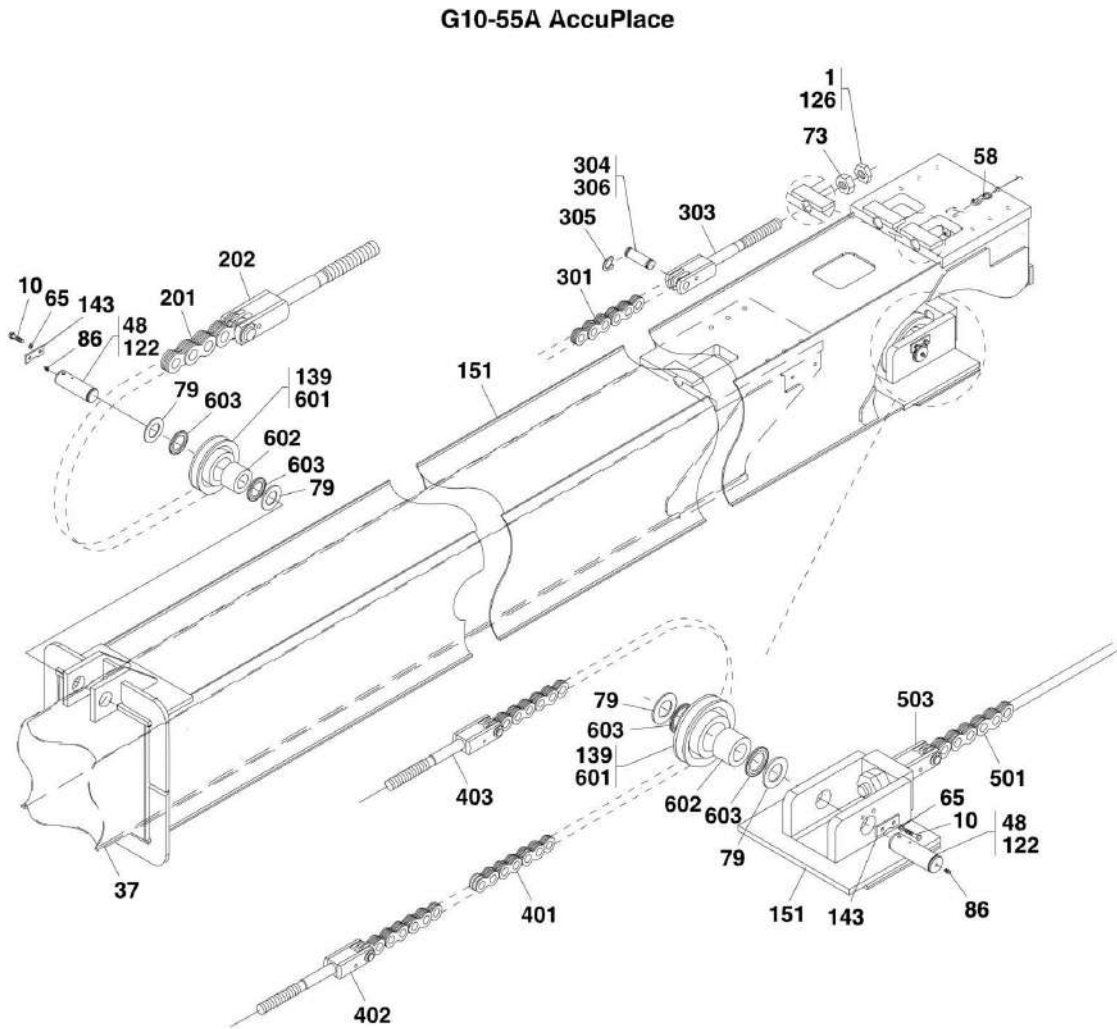
SECTION 2 - BOOM

**FIGURE 2-8. WEAR PADS, SPACERS AND SHIMS, (SECOND BOOM SECTION) - G12-55A
ACCUPLACE**

ITEM	PART NUMBER	QTY	DESCRIPTION	REV
11	0641810	2	HEX HD CAPSCREW, 1/2-13X1-1/4, GR5	
15	0651612	8	HEX HD CAPSCREW, 3/8-24x1-1/2, GR5, (torque to 32 lb-ft)	
20	0642210	2	HEX HD CAPSCREW, 3/4-10X1-1/4, GR5	
22	0651808	4	HEX HD CAPSCREW, 1/2-20X1, GR5, (as required), (torque to 86 lb-ft)	
22	0651812	4	HEX HD CAPSCREW, 1/2-20X1-1/2, GR5, (as required), (torque to 86 lb-ft)	
22	0651814	4	HEX HD CAPSCREW, 1/2-20X1-3/4, GR5, (as required), (torque to 86 lb-ft)	
27	0651814	6	HEX HD CAPSCREW, 1/2-20X1-3/4, GR5, (as required), (torque to 86 lb-ft)	
27	0651816	6	HEX HD CAPSCREW, 1/2-20X2, GR5, (as required), (torque to 86 lb-ft)	
51	91161278	2	HEX HD CAPSCREW, 3/8-24X2, (hollow), (as required), (torque to 17 lb-ft)	
51	91361046	2	HEX HD CAPSCREW, 3/8-24X2-1/4, (hollow), (as required), (torque to 17 lb-ft)	
65	4761800	2	LOCKWASHER, 1/2	
66	4891600	22	WASHER, 3/8	
67	4891800	12	WASHER, 1/2	
69	4892200	2	FLAT WASHER, 3/4	
84	91161248	2	HEX HD CAPSCREW, 3/8-24X3/4, (hollow), (as required), (torque to 17 lb-ft)	
84	91361045	2	HEX HD CAPSCREW, 3/8-24X7/8, (hollow), (as required), (torque to 17 lb-ft)	
87	88671027	6	GREASE FITTING, 90	
88	90205870	AR	SHIM, (.0598 thick)	
89	91031236	8	SPACER, .060	
90	91033186	4	BEARING PAD	
92	91033189	2	BEARING PAD	
94	91121082	AR	SHIM, (.0598 thick)	
98	91141302	AR	SHIM, (.0598 thick)	
99	91141303	2	SPACER, .060	
105	91161168	1	WEAR PAD SUPPORT	
107	91161170	2	WEAR PAD SUPPORT	
112	91161183	2	SPACER, .060	
113	91161184	AR	SHIM, (.0598 thick)	
119	91161222	2	HEX HD CAPSCREW, 1/2-20X1-1/2, (hollow), (as required), (torque to 50 lb-ft)	
119	91161221	2	HEX HD CAPSCREW, 1/2-20X1-3/4, (hollow), (as required), (torque to 50 lb-ft)	
125	91161278	AR	HEX HD CAPSCREW, 3/8-24X2	
135	91163186	2	BEARING PAD	
136	91163187	2	BEARING PAD	
137	91163188	2	BEARING PAD	
138	91163214	2	BEARING PAD	
146	91511094	2	SPACER, .0598	
163		Ref	SECOND BOOM SECTION, (See SECOND BOOM SECTION for Breakdown)	
		Ref	NOTE: ITEM NUMBERS NOT LISTED ARE NOT USED ON THIS FIGURE	

SECTION 2 - BOOM

FIGURE 2-9. THIRD BOOM SECTION - G10-55A ACCUPLACE



PY1450

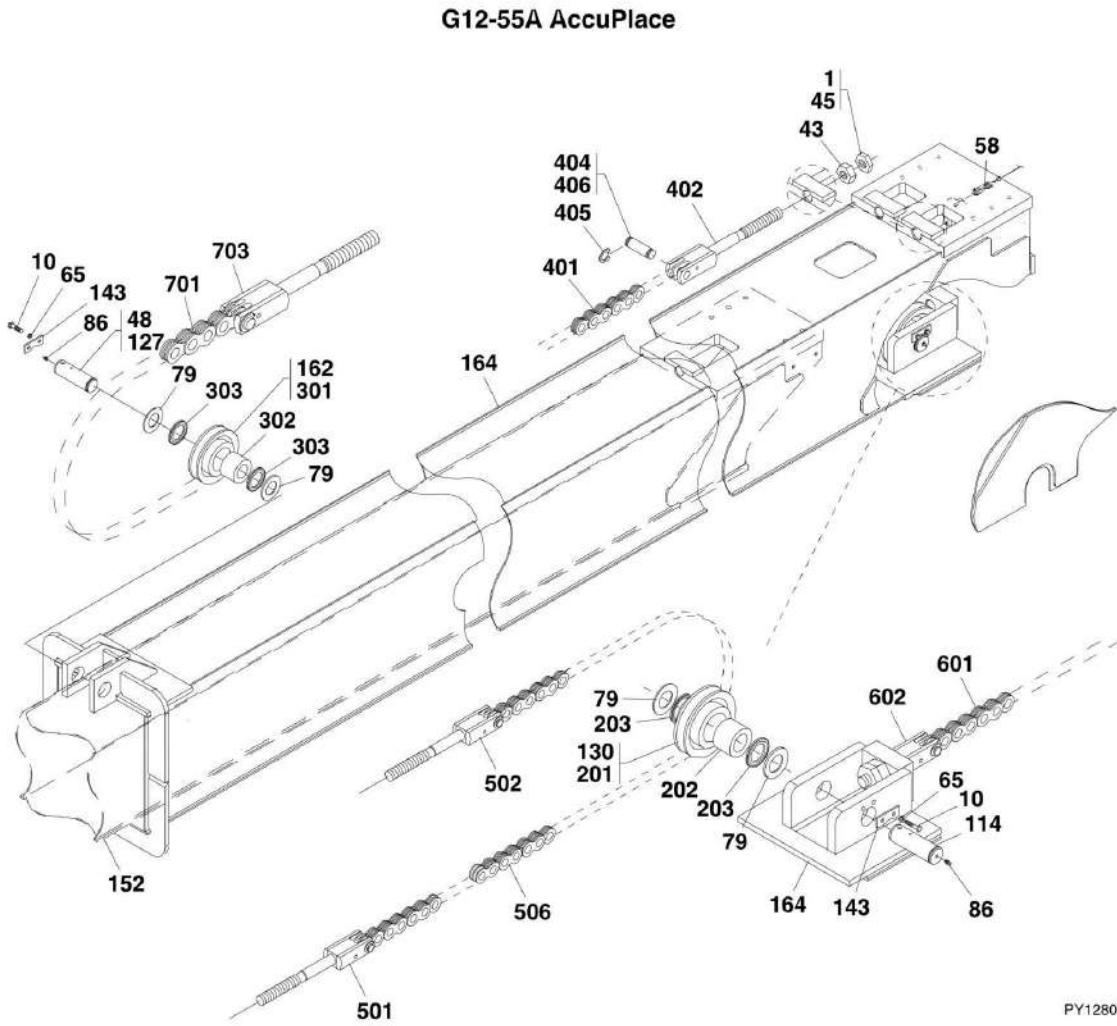
SECTION 2 - BOOM

FIGURE 2-9. THIRD BOOM SECTION - G10-55A ACCUPLACE

ITEM	PART NUMBER	QTY	DESCRIPTION	REV
1	0100011	AR	LOCTITE, #242	
10	0641808	4	HEX HD CAPSCREW, 1/2-13X1, GR5	
37		Ref	FOURTH BOOM SECTION, (See FOURTH BOOM SECTION for Breakdown)	
48	3020040	AR	MOLY PASTE	
58		Ref	BOOM LENGTH SWITCH, (See FIRST BOOM SECTION for Breakdown)	
65	4761800	4	LOCKWASHER, 1/2	
73	88501314	2	HEX NUT, 7/8-14	
79	91041449	AR	WASHER, (.060in thick)	
79	91041450	AR	WASHER, (.0478in thick)	
79	91041451	AR	WASHER, (.106in thick)	
79	91041596	AR	WASHER, (.0359in thick)	
86	88671001	2	GREASE FITTING	
122	91161267	2	CHAIN SHEAVE PIN	
126	88501414	2	HEX JAM NUT, 7/8-14, (torque to 100 lb-ft)	A
139	91165022	2	CHAIN ROLLER ASSEMBLY, (includes items 601 thru 603)	
143	91401189	2	KEEPER PLATE	
151	91576007	1	THIRD BOOM SECTION	
201		Ref	LEAF CHAIN, BL866, (See SECOND BOOM SECTION, item 202 for Breakdown)	
202		Ref	CHAIN CLEVIS, BL866, (See FOURTH BOOM SECTION, item 201 for Breakdown)	
301	91163036	2	EXTEND CHAIN, BL866	
303	1360297	2	CHAIN CLEVIS, BL866	
304	91413122	2	CHAIN PIN	
305	88581112	4	SNAP RING	
306	8522012	AR	ANTI SIEZE LUBE	
401	91163037	1	RETRACT CHAIN, BL666	
402		Ref	CHAIN CLEVIS, BL666, (See SECOND BOOM SECTION, item 302 for Breakdown)	
403		Ref	CHAIN CLEVIS, BL666, (See FOURTH BOOM SECTION, item 303 for Breakdown)	
501		Ref	LEAF CHAIN, BL866, (See SECOND BOOM SECTION, item 301 for Breakdown)	
503		Ref	CHAIN CLEVIS, BL866, (See SECOND BOOM SECTION, item 203 for Breakdown)	
601	N.S.S.	1	ROLLER	
602	91163204	1	BUSHING	
603	86921268	2	SEAL	

SECTION 2 - BOOM

FIGURE 2-10. THIRD BOOM SECTION - G12-55A ACCUPLACE



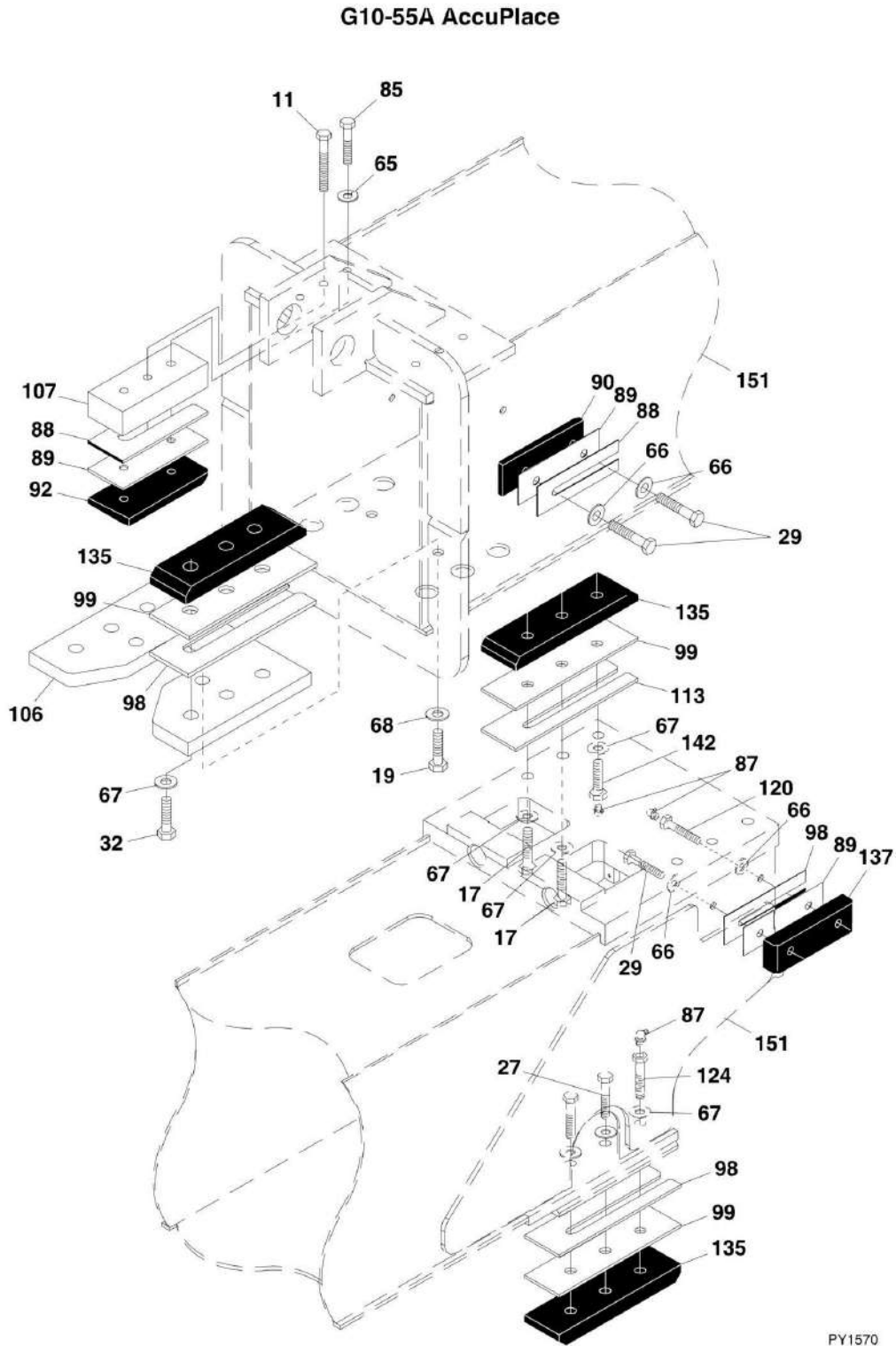
SECTION 2 - BOOM

FIGURE 2-10. THIRD BOOM SECTION - G12-55A ACCUPLACE

ITEM	PART NUMBER	QTY	DESCRIPTION	REV
1	0100011	AR	LOCTITE, #242	
10	0641808	4	HEX HD CAPSCREW, 1/2-13X1, GR5	
43	3313001	2	HEX NUT, 1-1/4-7	
45	3313002	2	HEX JAM NUT, 1-1/4-7, (torque to 100 lb-ft)	
48	3020040	AR	MOLY PASTE	
58	4000013	1	BOOM LENGTH SWITCH	
65	4761800	4	LOCKWASHER, 1/2	
79	91041449	4	WASHER, (as required)	
79	91041451	4	WASHER, (as required)	C
86	88671001	2	GREASE FITTING	
114	91161267	1	CHAIN SHEAVE PIN	
127	91563030	1	CHAIN SHEAVE PIN	
130	91565004	1	CHAIN ROLLER ASSY, (includes items 201 thru 203)	
143	91401189	2	KEEPER PLATE	
152		Ref	FOURTH BOOM SECTION, (See FOURTH BOOM SECTION for Breakdown)	
162	91565005	1	CHAIN ROLLER ASSY, (includes items 301 thru 303)	
201	91563021	1	CHAIN ROLLER	
202	91163204	1	BUSHING	
203	86921268	2	SEAL	
301	91563026	1	CHAIN ROLLER	
302	91563025	1	BUSHING	
303	91403119	2	SEAL	
401	91563035	2	LEAF CHAIN, BL1066	
402	1360300	2	CHAIN CLEVIS, BL1066	
404	91513176	2	CHAIN PIN	
405	88581115	4	SNAP RING	
406	8522012	AR	ANTI SIEZE	
501		Ref	CHAIN CLEVIS, BL866, (See SECOND BOOM SECTION, item 501 for Breakdown)	
502		Ref	CHAIN CLEVIS, BL866, (See FOURTH BOOM SECTION, item 201 for Breakdown)	
506	91563036	1	LEAF CHAIN, BL866	
601		Ref	LEAF CHAIN, BL1066, (See SECOND BOOM SECTION, item 601 for Breakdown)	
602		Ref	CHAIN CLEVIS, BL1066, (See SECOND BOOM SECTION, item 602 for Breakdown)	
701		Ref	LEAF CHAIN, BL1066, (See FOURTH BOOM SECTION, item 301 for Breakdown)	
703		Ref	CHAIN CLEVIS, BL1066, (See SECOND BOOM SECTION, item 403 for Breakdown)	
		Ref	NOTE: ITEM NUMBERS NOT LISTED ARE NOT USED ON THIS FIGURE.	

SECTION 2 - BOOM

FIGURE 2-11. WEAR PADS, SPACERS AND SHIMS, (THIRD BOOM SECTION) - G10-55A ACCUPLACE



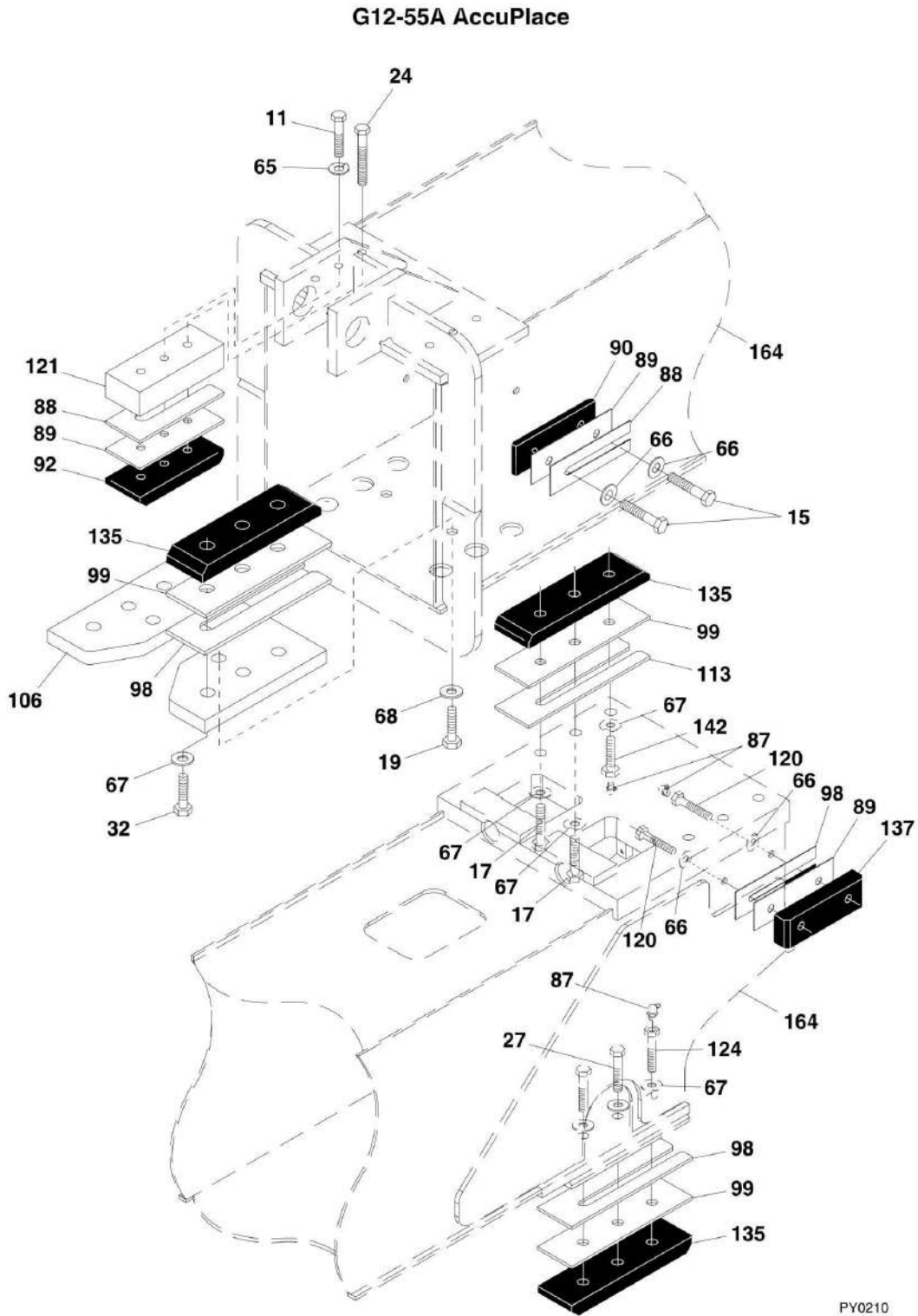
SECTION 2 - BOOM

**FIGURE 2-11. WEAR PADS, SPACERS AND SHIMS, (THIRD BOOM SECTION) - G10-55A
ACCUPLACE**

ITEM	PART NUMBER	QTY	DESCRIPTION	REV
11	0641810	2	HEX HD CAPSCREW, 1/2-13X1-1/4, GR5, (torque to 86 lb-ft)	
17	0651810	4	HEX HD CAPSCREW, 1/2-20X1-1/4, GR5, (as required), (torque to 86 lb-ft)	
17	0651814	4	HEX HD CAPSCREW, 1/2-20X1-3/4, GR5, (as required), (torque to 86 lb-ft)	
19	0642008	2	HEX HD CAPSCREW, 5/8-11X1, GR5	
27	0651814	4	HEX HD CAPSCREW, 1/2-20X1-3/4, GR5, (torque to 86 lb-ft)	
29	0651605	12	HEX HD CAPSCREW, 3/8-24X2, GR5, (torque to 32 lb-ft)	
32	0651808	6	HEX HD CAPSCREW, 1/2-20X1, GR5, (as required), (torque to 86 lb-ft)	
32	0651806	6	HEX HD CAPSCREW, 1/2-20X2, GR5, (as required), (torque to 86 lb-ft)	
65	4761800	2	LOCKWASHER, 1/2	
66	4891600	12	WASHER, 3/8	
67	4891800	18	WASHER, 1/2	
68	4892000	2	WASHER, 5/8	
85	0651616	4	HEX HD CAPSCREW, 3/8-24X2, (as required), (torque to 32 lb-ft)	
85	0651620	4	HEX HD CAPSCREW, 3/8-24X2-1/2, (as required), (torque to 32 lb-ft)	
87	88671027	6	GREASE FITTING, 90, (1/4-28)	
88	90205870	6	SHIM, .0598, (as required)	
89	91031236	8	SPACER, .060	
90	91033186	4	WEAR PAD	
92	91033189	2	WEAR PAD	
98	91141302	6	SHIM, .0598, (as required)	
99	91141303	6	SPACER, .060	
106	91161169	1	WEAR PAD SUPPORT	
107	91161170	2	WEAR PAD SUPPORT	
113	91161184	2	SHIM, .0598, (as required)	
120	91161248	2	HEX HD CAPSCREW, 3/8-24X3/4, (hollow), (torque to 17 lb-ft)	
135	91163186	6	WEAR PAD	
137	91163188	2	WEAR PAD	
142	91361047	2	HEX HD CAPSCREW, 1/2-20X1-1/2, (hollow), (as required), (torque to 50 lb-ft)	
142	91161221	2	HEX HD CAPSCREW, 1/2-20X1-3/4, (hollow), (as required), (torque to 50 lb-ft)	
142	91161277	2	HEX HD CAPSCREW, 1/2-20X2, (hollow), (as required), (torque to 50 lb-ft)	
151		Ref	THIRD BOOM SECTION, (See THIRD BOOM SECTION for Breakdown)	
		Ref	NOTE: ITEM NUMBERS NOT LISTED ARE NOT USED ON THIS FIGURE.	

SECTION 2 - BOOM

FIGURE 2-12. WEAR PADS, SPACERS AND SHIMS, (THIRD BOOM SECTION) - G12-55A ACCUPLACE



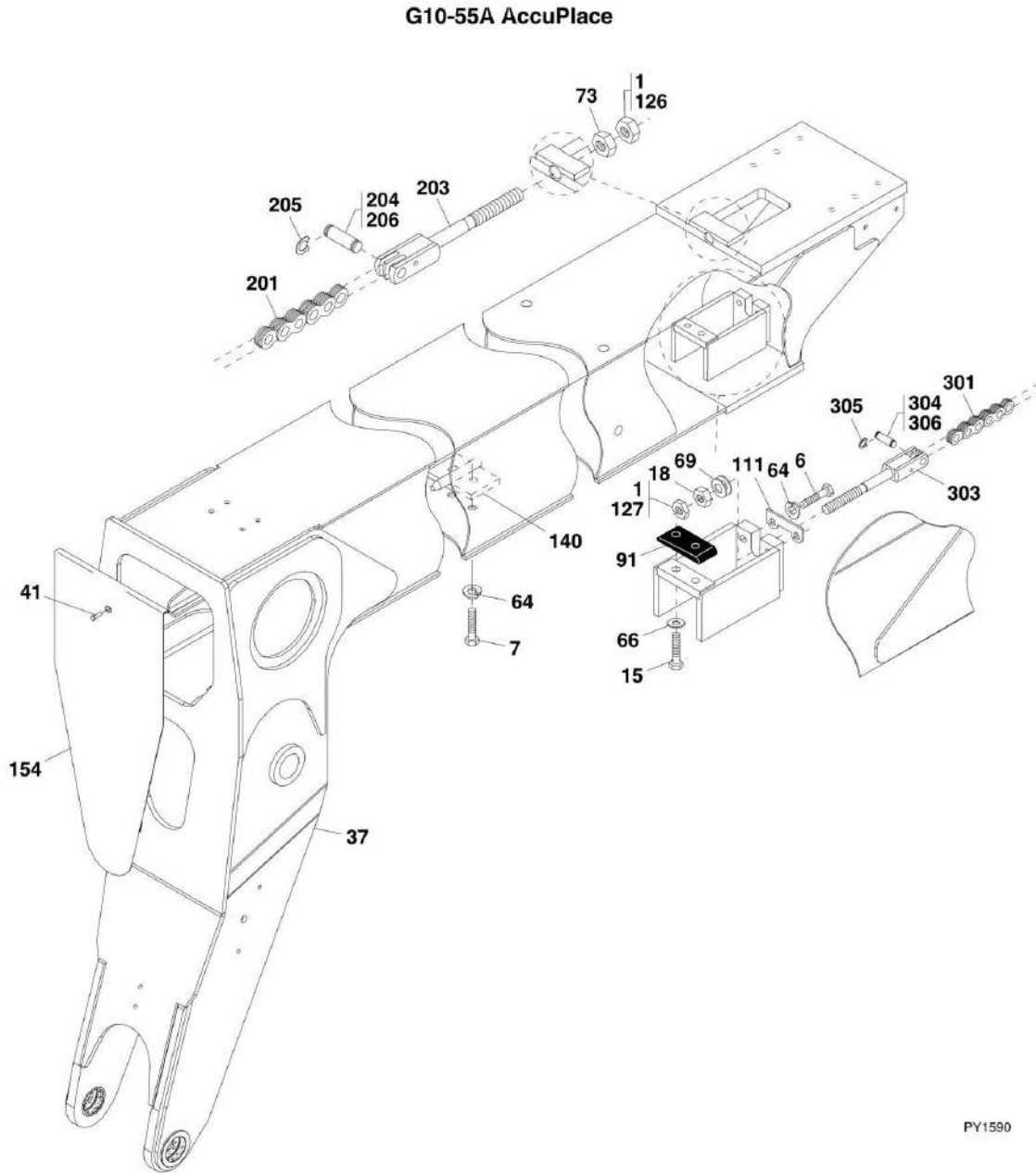
SECTION 2 - BOOM

**FIGURE 2-12. WEAR PADS, SPACERS AND SHIMS, (THIRD BOOM SECTION) - G12-55A
ACCUPLACE**

ITEM	PART NUMBER	QTY	DESCRIPTION	REV
11	0641810	2	HEX HD CAPSCREW, 1/2-13X1-1/4, GR5, (torque to 86 lb-ft)	
17	0651810	4	HEX HD CAPSCREW, 1/2-20X1-1/4, GR5, (as required), (torque to 86 lb-ft)	
17	0651814	4	HEX HD CAPSCREW, 1/2-20X1-1/2, GR5, (as required), (torque to 86 lb-ft)	
19	0642008	2	HEX HD CAPSCREW, 5/8-11X1, GR5	
24	0651618	4	HEX HD CAPSCREW, 3/8-24X2	
27	0651814	4	HEX HD CAPSCREW, 1/2-20X1-3/4, GR5, (torque to 86 lb-ft)	
32	0651808	6	HEX HD CAPSCREW, 1/2-20X1, GR5, (torque to 86 lb-ft)	
65	4761800	2	LOCKWASHER, 1/2	
66	4891600	12	WASHER, 3/8	
67	4891800	18	WASHER, 1/2	
68	4892000	2	WASHER, 5/8	
87	88671027	6	GREASE FITTING	
88	90205870	AR	SHIM, (.0598 thick)	
89	91031236	8	SPACER, .060	
90	91033186	4	WEAR PAD	
92	91033189	2	WEAR PAD	
98	91141302	6	SHIM, .0598	
99	91141303	6	SPACER, .060	
106	91161169	1	WEAR PAD SUPPORT	
113	91161184	AR	SHIM, (.0598 thick)	
120	91161248	2	HEX HD CAPSCREW, 3/8-24X3/4, (hollow), (torque to 17 lb-ft)	
121	91561108	2	SUPPORT PAD	
124	91161277	2	HEX HD CAPSCREW, 1/2-20X2.00, (hollow), (torque to 50 lb-ft)	
135	91163186	6	WEAR PAD	
137	91163188	2	WEAR PAD	
142	91361047	2	HEX HD CAPSCREW, 1/2-20X1.50, (hollow), (as required), (torque to 50 lb-ft)	
142	91161221	2	HEX HD CAPSCREW, 1/2-20X1.75, (hollow), (as required), (torque to 50 lb-ft)	
142	91161277	2	HEX HD CAPSCREW, 1/2-20X2.00, (hollow), (as required), (torque to 50 lb-ft)	
164		Ref	THIRD BOOM SECTION, (See THIRD BOOM SECTION for Breakdown)	
		Ref	NOTE: ITEM NUMBERS NOT LISTED ARE NOT USED ON THIS FIGURE.	

SECTION 2 - BOOM

FIGURE 2-13. FOURTH BOOM SECTION - G10-55A ACCUPLACE



PY1590

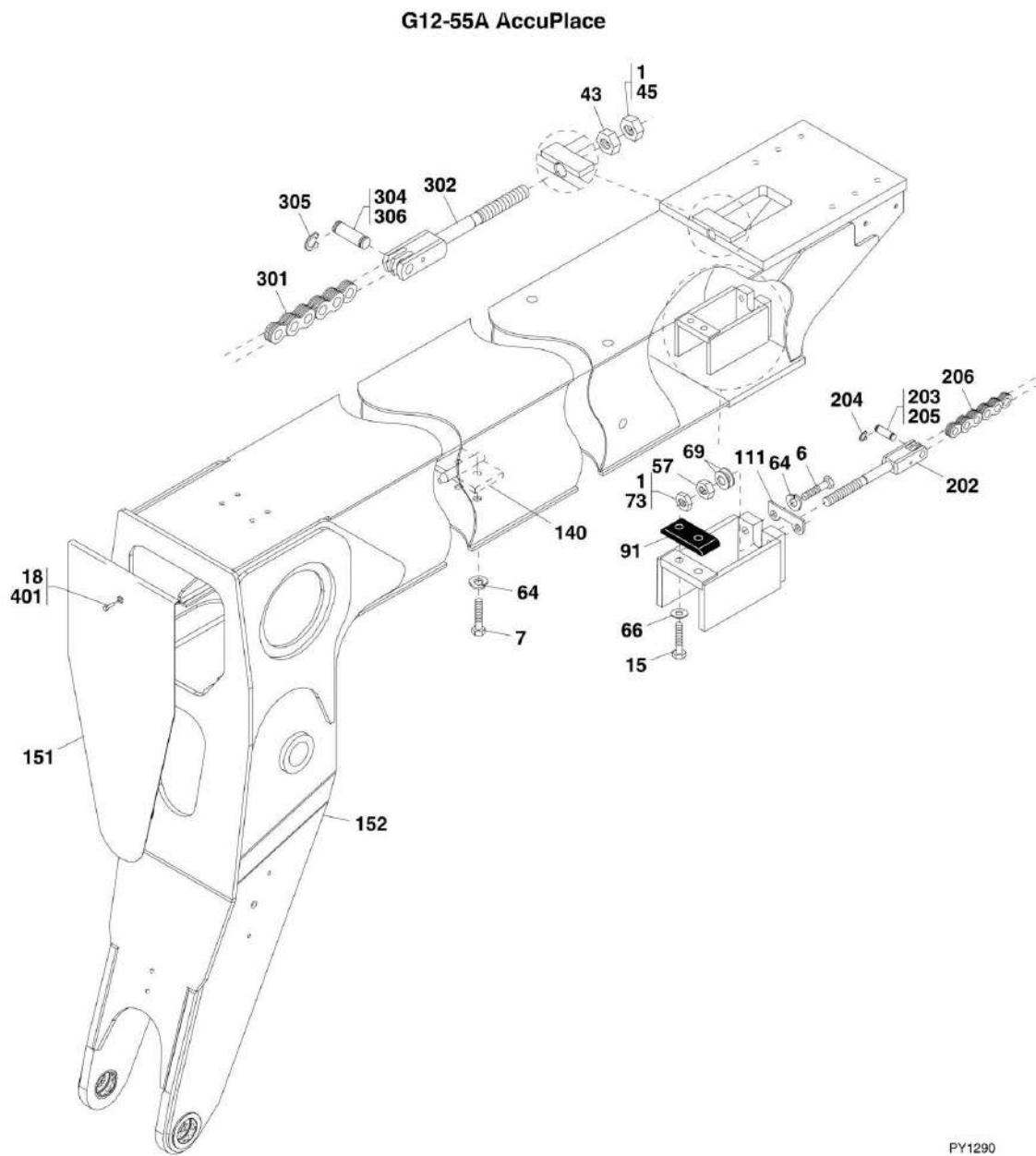
SECTION 2 - BOOM

FIGURE 2-13. FOURTH BOOM SECTION - G10-55A ACCUPLACE

ITEM	PART NUMBER	QTY	DESCRIPTION	REV
1	0100011	AR	LOCTITE, #242	
6	0641606	5	HEX HD CAPSCREW, 3/8-16X3/4, GR5	
7	0641608	2	HEX HD CAPSCREW, 3/8-16X1, GR5	
15	0651612	2	HEX HD CAPSCREW, 3/8-24X1-1/2, GR5	
18	88501312	1	HEX NUT, 3/4-16	
37	1001103339	1	FOURTH BOOM SECTION	
41	0641406	1	HEX HD CAPSCREW, 1/4-20X3/4, GR5	
64	4761600	3	LOCKWASHER, 3/8	
66	4891600	50	WASHER, 3/8	
69	4892200	2	WASHER, 3/4	
73	88501314	1	HEX NUT, 7/8-14	
91	91033187	1	WEAR PAD	
111	91161180	1	KEEPER PLATE	
126	88501414	1	HEX JAM NUT, 7/8-14	
127	88501412	1	HEX JAM NUT, 3/4-16	
140	91166039	1	BRACKET ASSY	
154	1001102728	1	BOOM HEAD COVER	
201	91163036	1	LEAF CHAIN, BL866	
203	1360297	1	CLEVIS, BL866	
204	91413122	1	CHAIN PIN	
205	88581112	2	SNAP RING	
206	8522012	AR	ANTI SIEZE LUBE	
301		Ref	LEAF CHAIN, BL666, (See THIRD BOOM SECTION, item 401 for Breakdown)	
303	1360293	1	CHAIN CLEVIS, BL666	
304	91413129	1	CHAIN PIN	
305	88681344	2	SNAP RING	
306	8522012	AR	ANTI SIEZE LUBE	
		Ref	NOTE: ITEM NUMBERS NOT LISTED ARE NOT USED ON THIS FIGURE.	

SECTION 2 - BOOM

FIGURE 2-14. FOURTH BOOM SECTION - G12-55A ACCUPLACE



PY1290

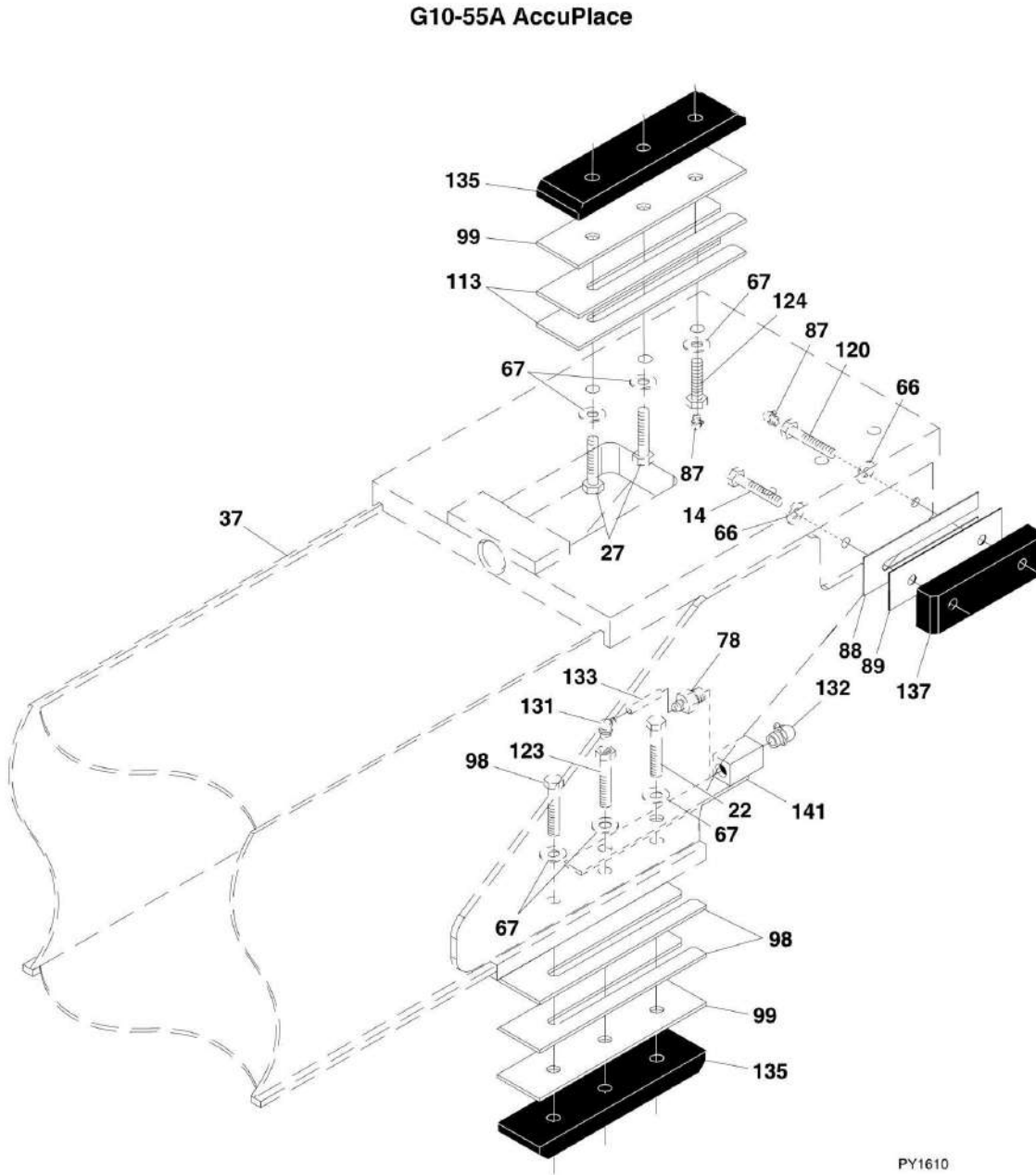
SECTION 2 - BOOM

FIGURE 2-14. FOURTH BOOM SECTION - G12-55A ACCUPLACE

ITEM	PART NUMBER	QTY	DESCRIPTION	REV
1	0100011	AR	LOCTITE, #242	
6	0641606	5	HEX HD CAPSCREW, 3/8-16X3/4, GR5	
7	0641608	2	HEX HD CAPSCREW, 3/8-16X1, GR5	
15	0651612	2	HEX HD CAPSCREW, GR5	
18	0641406	1	HEX HD CAPSCREW, 1/4-20X3/4, GR5	
43	3313001	1	HEX NUT, 1-1/4-7	
45	3313002	1	HEX JAM NUT, 1-1/4-7, (torque to 100 lb-ft)	
57	88501314	1	HEX NUT, 7/8-14	
64	4761600	3	LOCKWASHER, 3/8	
66	4891600	2	WASHER, 3/8	
69	4892200	2	WASHER, 3/4	
73	88501414	1	HEX JAM NUT, 7/8-14, (torque to 100 lb-ft)	
91	91033187	1	WEAR PAD	
111	91161180	1	KEEPER PLATE	
140	91166039	1	BRACKET	
151	1001102728	1	BOOM HEAD COVER	
152	1001102832	1	FOURTH BOOM SECTION	
202	1360297	1	CHAIN CLEVIS, BL866	
203	8522012	AR	ANTI SIEZE	
204	88581112	2	SNAP RING	
205	91413122	1	CHAIN PIN	
206		Ref	LEAF CHAIN, BL866, (See THIRD BOOM SECTION, item 506 for Breakdown)	
301	91563035	1	LEAF CHAIN, BL1066	
302	1360300	1	CHAIN CLEVIS, BL1066	
304	91513176	1	CHAIN PIN	
305	88581115	2	SNAP RING	
306	8522012	AR	ANTI SIEZE	
401	4892400	2	WASHER, 7/8	
		Ref	NOTE: ITEM NUMBERS NOT LISTED ARE NOT USED ON THIS FIGURE.	

SECTION 2 - BOOM

FIGURE 2-15. WEAR PADS, SPACERS AND SHIMS, (FOURTH BOOM SECTION) - G10-55A ACCUPLACE



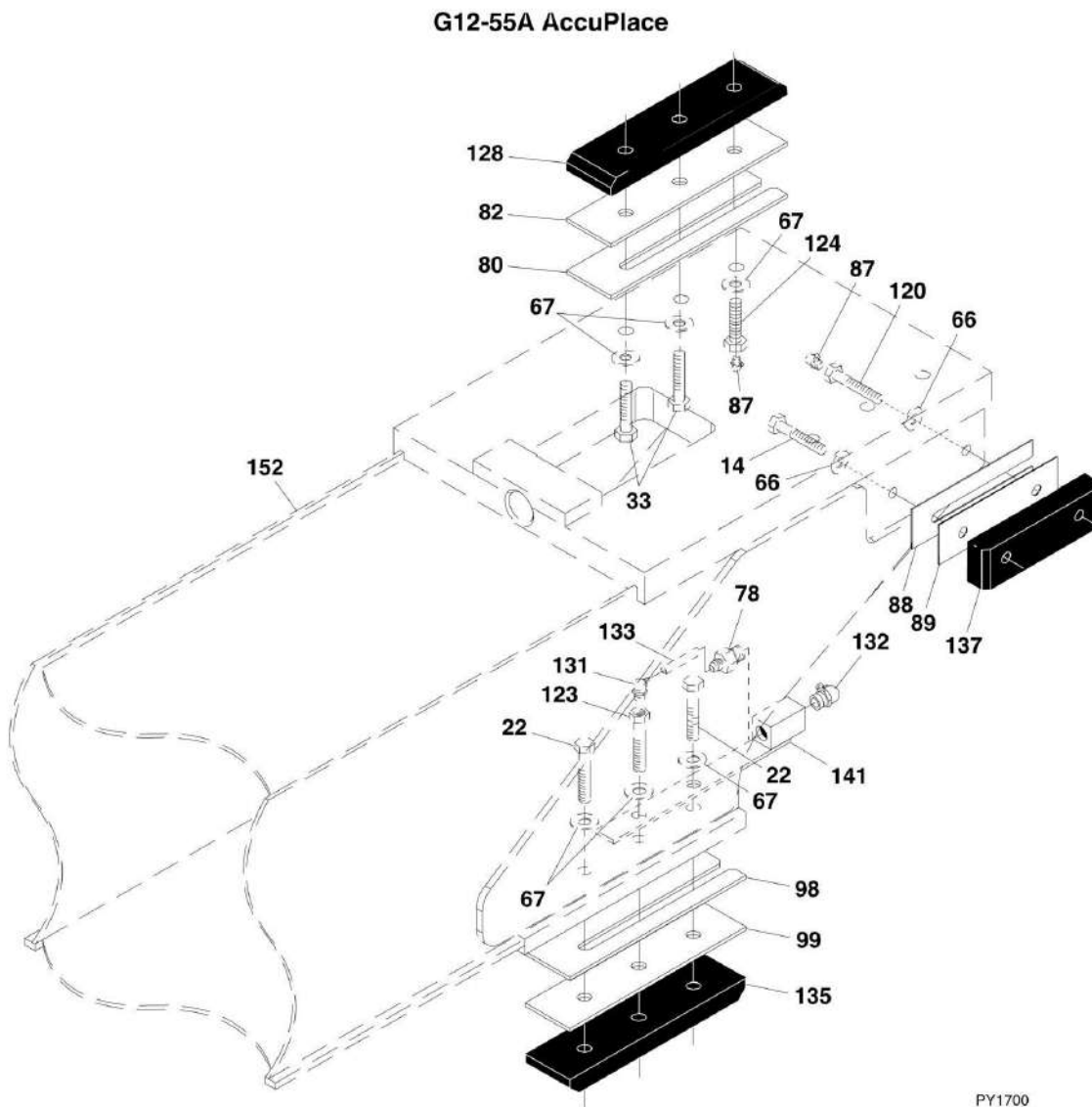
SECTION 2 - BOOM

**FIGURE 2-15. WEAR PADS, SPACERS AND SHIMS, (FOURTH BOOM SECTION) - G10-55A
ACCUPLEASE**

ITEM	PART NUMBER	QTY	DESCRIPTION	REV
14	0651606	2	HEX HD CAPSCREW, 3/8-24X3/4, GR5, (as required), (torque to 32 lb-ft)	
14	0651605	2	HEX HD CAPSCREW, 3/8-24X2, GR5, (as required), (torque to 32 lb-ft)	
22	0651812	4	HEX HD CAPSCREW, 1/2-20X1-1/2, GR5, (as required), (torque to 86 lb-ft)	
22	0651814	4	HEX HD CAPSCREW, 1/2-20X1-3/4, GR5, (as required), (torque to 86 lb-ft)	
27	0651814	4	HEX HD CAPSCREW, 1/2-20X1-3/4, GR5, (torque to 86 lb-ft)	
37		Ref	FOURTH BOOM SECTION, (See FOURTH BOOM SECTION for Breakdown)	
66	4891600	4	WASHER, 3/8	
67	4891800	12	WASHER, 1/2	
78	86881273	2	BRASS AIR FITTING, (straight), (male)	
87	88671027	4	GREASE FITTING, 90, (1/4-28)	
88	90205870	2	SHIM, .0598, (as required)	
89	91031236	2	SPACER, .060	
98	91141302	2	SHIM, .0598, (as required)	
99	91141303	4	SPACER, .060	
113	91161184	2	SHIM, .0598, (as required)	
120	91161248	2	HEX HD CAPSCREW, 3/8-24X3/4, (hollow), (torque to 17 lb-ft)	
123	91161274	2	HEX HD CAPSCREW, 1/2-20X1-3/4, (hollow), (torque to 50 lb-ft)	
124	91161221	2	HEX HD CAPSCREW, 1/2-20X1-3/4, (hollow), (as required), (torque to 50 lb-ft)	
124	91161277	2	HEX HD CAPSCREW, 1/2-20X2, (hollow), (as required), (torque to 50 lb-ft)	
131	86881276	2	ELBOW, 90	
132	88671018	2	GREASE FITTING, 45	
133	72088049	15 ft	NYLON TUBING	
135	91163186	4	WEAR PAD	
137	91163188	2	WEAR PAD	
141	91166065	2	BRACKET ASSY	
		Ref	NOTE: ITEM NUMBERS NOT LISTED ASRE NOT USED ON THIS FIGURE	

SECTION 2 - BOOM

FIGURE 2-16. WEAR PADS, SPACERS AND SHIMS, (FOURTH BOOM SECTION) - G12-55A ACCUPLACE



PY1700

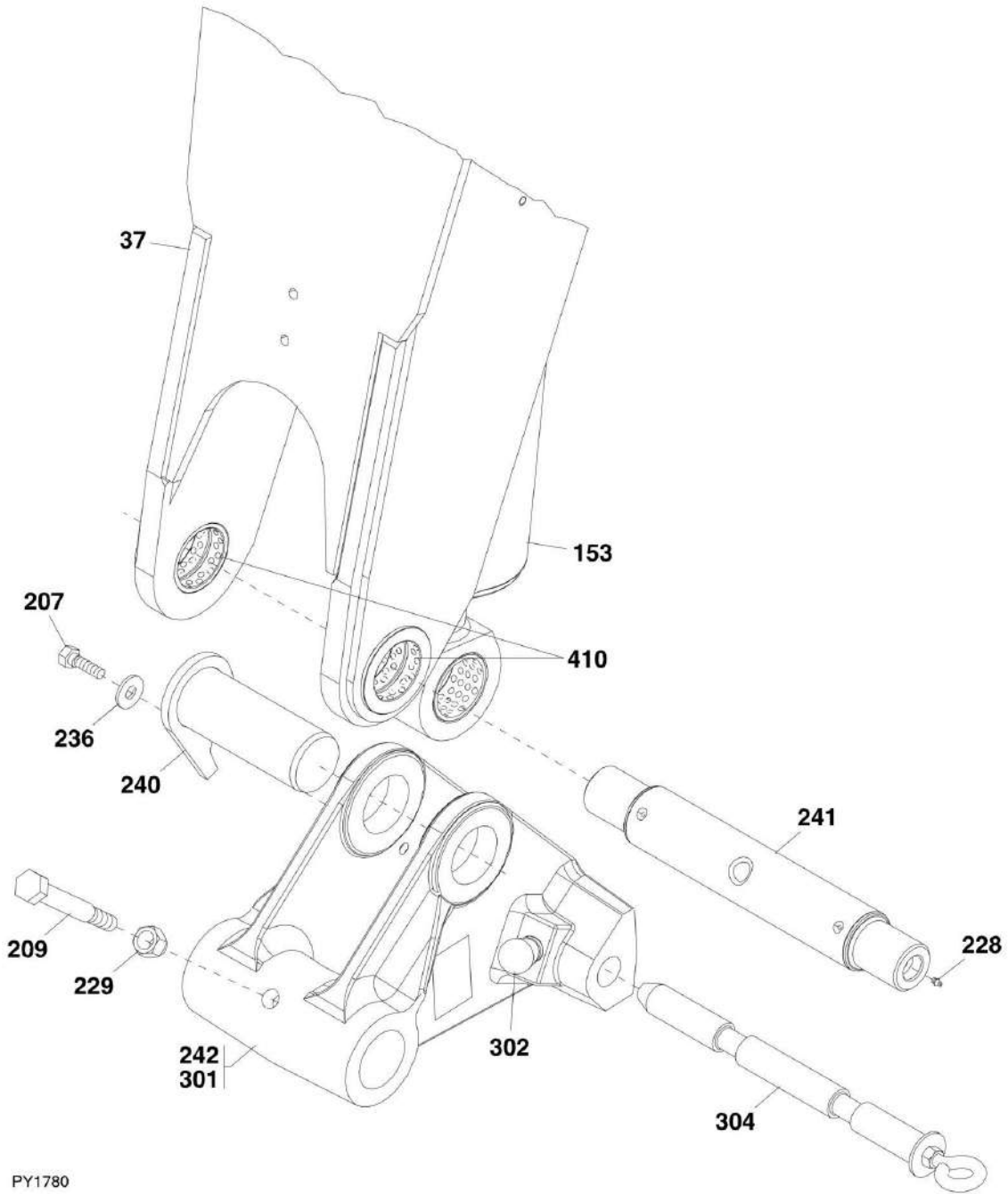
SECTION 2 - BOOM

**FIGURE 2-16. WEAR PADS, SPACERS AND SHIMS, (FOURTH BOOM SECTION) - G12-55A
ACCUPLEASE**

ITEM	PART NUMBER	QTY	DESCRIPTION	REV
14	0651606	2	HEX HD CAPSCREW, 3/8-24X3/4, GR5, (torque to 32 lb-ft)	
22	0651812	4	HEX HD CAPSCREW, 1/2-20X1-1/2, GR5, (as required), (torque to 86 lb-ft)	
22	0651814	4	HEX HD CAPSCREW, 1/2-20X1-3/4, GR5, (as required), (torque to 86 lb-ft)	
33	0651816	4	HEX HD CAPSCREW, 1/2-20X2, GR5, (torque to 86 lb-ft)	
66	4891600	4	WASHER, 3/8	
67	4891800	12	WASHER, 1/2	
78	86881273	2	MALE BOSS FITTING, (straight)	
80	91141302	2	SHIM, .0598, (as required)	
82	91141303	2	SPACER, 0.60	
87	88671027	4	LUBE FITTING, 90, (1/4-28)	
88	90205870	2	SHIM, .0598, (as required)	
89	91031236	2	SPACER, .060	
98	91141302	2	SHIM, .0598, (as required)	
99	91141303	2	SPACER, .060	
120	91161248	2	HEX HD CAPSCREW, 3/8-24X3/4, (hollow), (torque to 32 lb-ft)	
123	91161274	2	HEX HD CAPSCREW, 1/2-20X1.75, (hollow), (torque to 86 lb-ft)	
124	91161277	2	HEX HD CAPSCREW, 1/2-20X2.00, (hollow), (torque to 50 lb-ft)	
128	91563032	2	WEAR PAD	
131	86881276	2	ELBOW, 90	
132	88671018	2	GREASE FITTING, 45	
133	72088049	15 ft	NYLON TUBE, 1/4	
135	91163186	2	WEAR PAD	
137	91163188	2	WEAR PAD	
141	91166065	2	WEAR PAD	
152		Ref	FOURTH BOOM SECTION, (See FOURTH BOOM SECTION for Breakdown)	
		Ref	NOTE: ITEM NUMBERS NOT LISTED ASRE NOT USED ON THIS FIGURE	

SECTION 2 - BOOM

FIGURE 2-17. QUICK SWITCH ASSEMBLY



PY1780

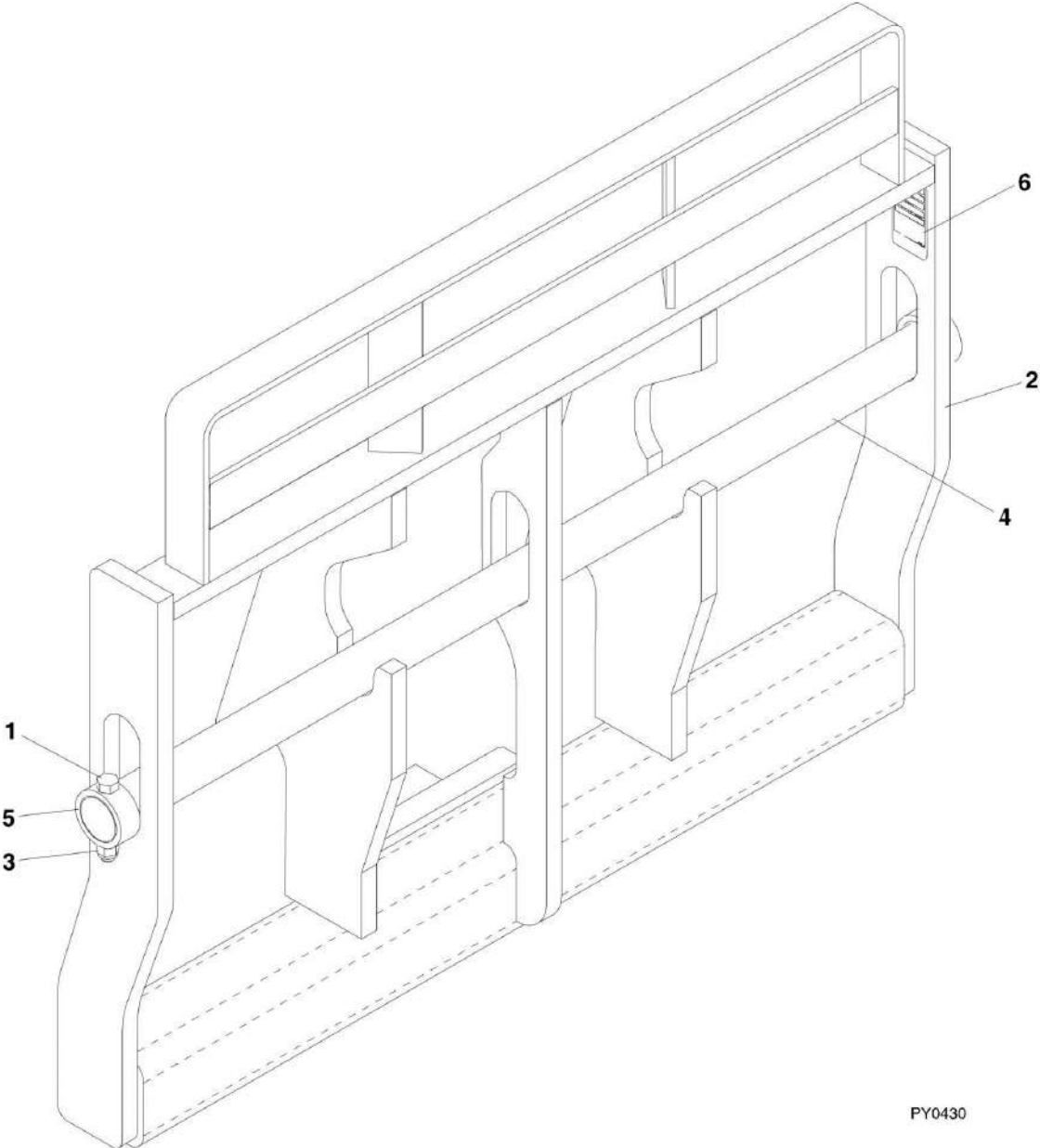
FIGURE 2-17. QUICK SWITCH ASSEMBLY

ITEM	PART NUMBER	QTY	DESCRIPTION	REV
37		Ref	FOURTH BOOM SECTION, (See FOURTH BOOM SECTION for Breakdown)	
153		Ref	TILT CYLINDER, (See HYDRAULIC COMPONENTS SECTION for Breakdown)	
207	0641812	1	HEX HD CAPSCREW, 1/2-13X1-1/2, GR5	
209	0682244	1	HEX HD CAPSCREW, 3/4-10X5-1/2, GR8	
228	2160002	2	GREASE FITTING, (straight)	
229	8310067	1	LOCKNUT, 3/4-10	
236	8310308	1	WASHER, 1/2	
240	1001098218	1	PIN WELDMENT	
241	1001098233	1	PIVOT PIN	
242	1001098382	1	QUICK SWITCH COUPLING ASSY, (includes items 301 thru 304)	C
301	1001098174	1	QUICK SWITCH COUPLER	
302	1001098176	1	QUICK RELEASE PIN	
304	1001105441	1	QUICK SWITCH LOCK PIN	
410	1001098093	2	FLANGED BEARINGS	
		Ref	NOTE: ITEM NUMBERS NOT LISTED ARE NOT USED ON THIS FIGURE.	

SECTION 3 - ATTACHMENTS

SECTION 3 - ATTACHMENTS

FIGURE 3-1. TILT CARRIAGE



PY0430

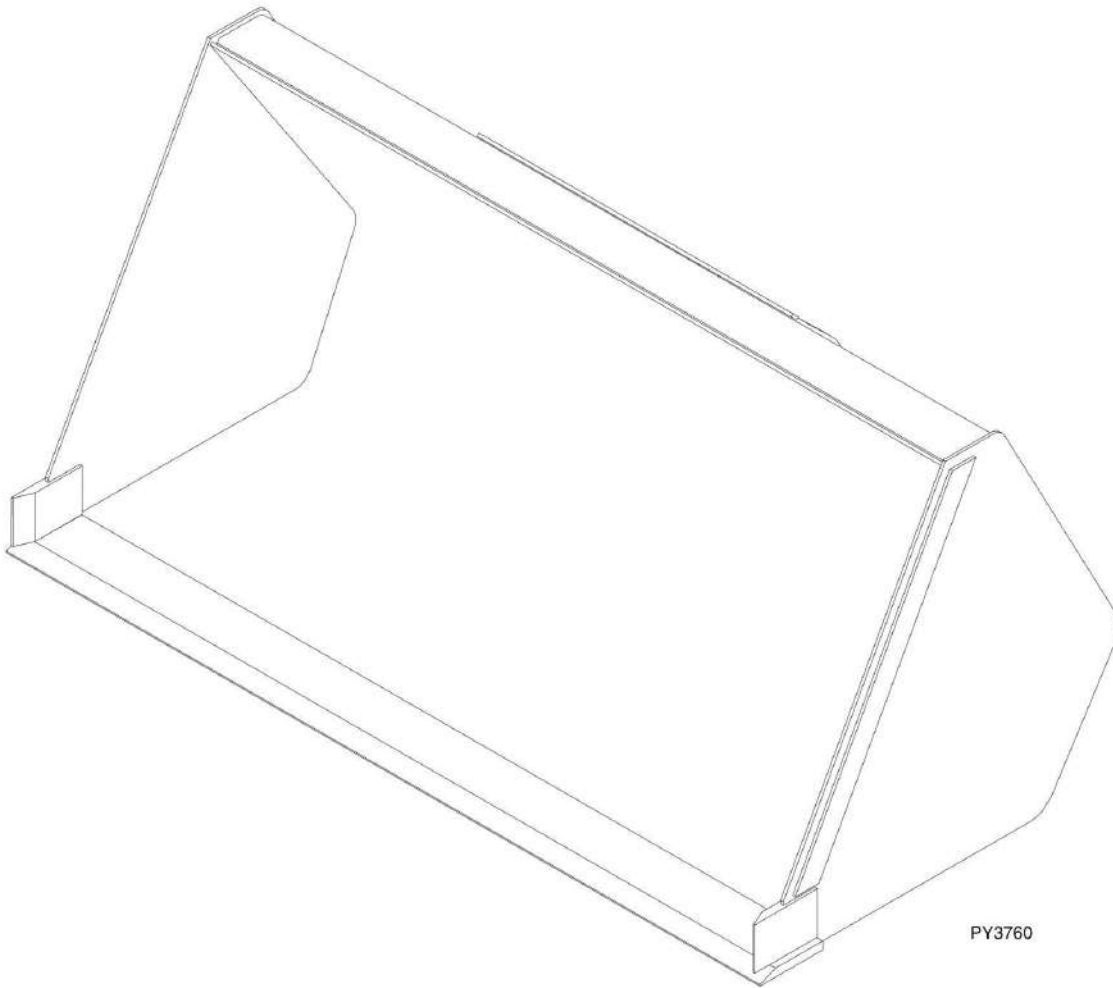
SECTION 3 - ATTACHMENTS

FIGURE 3-1. TILT CARRIAGE

ITEM	PART NUMBER	QTY	DESCRIPTION	REV
	1170021	1	50IN TILT CARRIAGE (includes items 1 thru 6)	D
	1170024	1	60IN TILT CARRIAGE (includes items 1 thru 6)	D
	1170027	NLA	72IN TILT CARRIAGE (no longer available, use 1001132514 for replacement)	E
	1001132514	1	72IN TILT CARRIAGE (includes items 1 thru 6), (if equipped)	B
	1001146088	NLA	72IN TILT CARRIAGE (includes items 1 thru 9), (if equipped), (no longer available, use 1001193794 for replacement)	F
	1001193794	1	72IN TILT CARRIAGE (includes items 1 thru 9), (if equipped)	D
1	0642032	2	HEX HD CAPSCREW, 5/8-11X4, GR5	
2	N.S.S.	1	TILT CARRIAGE	
3	3300240	2	LOCKNUT, 5/8-11	
4	3423275	1	50IN FORK PIN	
4	3423242	1	60IN FORK PIN	
4	3423276	1	72IIN FORK PIN	
5	90200003	2	COLLAR	
6		Ref	SN PLATE	

SECTION 3 - ATTACHMENTS

FIGURE 3-2. BUCKETS



PY3760

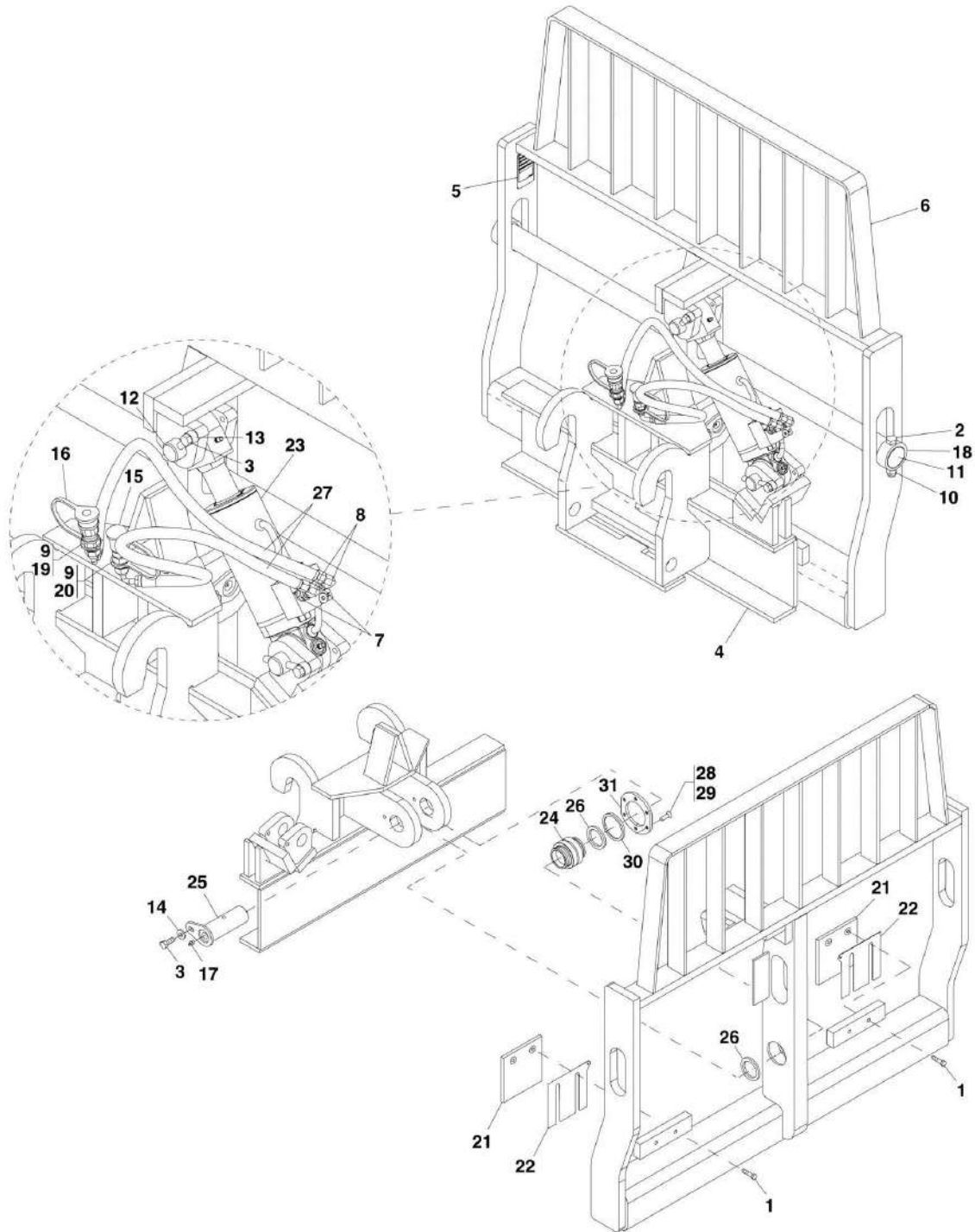
SECTION 3 - ATTACHMENTS

FIGURE 3-2. BUCKETS

ITEM	PART NUMBER	QTY	DESCRIPTION	REV
	1001100822	1	72IN BUCKET, 1.0 ³ YARD	
	1001100823	1	96IN BUCKET, 1.5 ³ YARD	
	1001100824	1	102IN BUCKET, 2.0 ³ YARD	

SECTION 3 - ATTACHMENTS

FIGURE 3-3. 50IN, 60IN & 72IN SIDE TILT CARRIAGE



ART_31200454-3-3

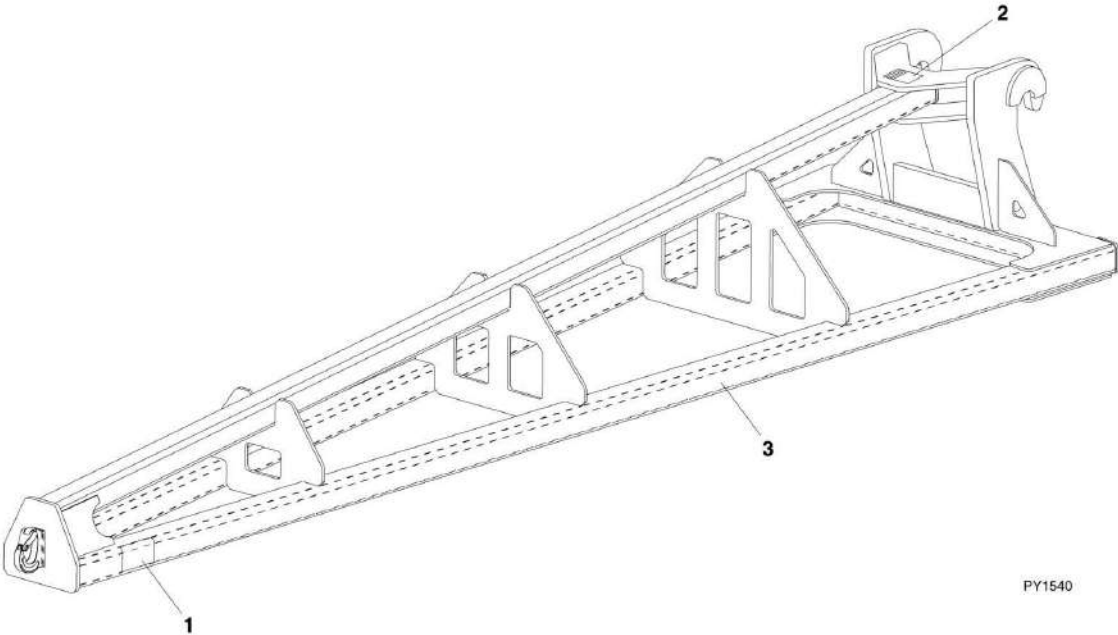
SECTION 3 - ATTACHMENTS

FIGURE 3-3. 50IN, 60IN & 72IN SIDE TILT CARRIAGE

ITEM	PART NUMBER	QTY	DESCRIPTION	REV
	1170054	1	50IN SIDE TILT CARRIAGE, (includes all items)	I
	1001101956	1	60IN SIDE TILT CARRIAGE, (includes all items)	I
	1170057	1	72IN SIDE TILT CARRIAGE, (includes all items)	I
1	0641612	4	HEX HD CAPSCREW, 3/8-16X1-1/2	
2	0642032	2	HEX HD CAPSCREW, 5/8-11X4	
3	0681810	3	HEX HD CAPSCREW, 1/2-13X1-1/4	
4	1001133072	1	CARRIAGE BASE	
5		Ref	SN PLATE	
6		Ref	CARRIAGE, SIDE TILT	
7	2110606	2	CONNECTOR	
8	2172106	2	CONNECTOR, 90	
9	2110808	2	CONNECTOR	
10	3300240	2	LOCK NUT, 5/8-11	
11	3423275	1	50IN FORK PIN	
11	3423242	1	60IN FORK PIN	
11	3423276	1	72IN FORK PIN	
12	3423307	2	PIN	
13	3841203	2	KEEPER	
14	4891800	1	WASHER, 1/2	
15	8420053	1	DUST CAP	
16	8420055	1	DUST PLUG	
17	88671001	1	GREASE FITTING	
18	90200003	2	COLLAR	
19	91403413	1	CONNECTOR	
20	91403414	1	CONNECTOR	
21	1001090063	2	WEAR PAD	
22	1001090064	AR	SHIM	
23		Ref	HYDRAULIC CYLINDER, (See HYDRAULIC COMPONENTS SECTION for Breakdown)	
24	1001090140	1	BUSHING	
25	1001099113	1	PIN	
26	1001099115	2	SLEEVE	
27	1001102378	2	HOSE ASSY, 3/8X39	
28	0100011	AR	LOCTITE, 242	
29	0741610	6	FLAT HEAD SOCKET SCREW, 3/8-16	
30	1001120914	1	BEARING RETAINER SHIM	
31	1001120915	1	BEARING RETAINER PLATE	

SECTION 3 - ATTACHMENTS

FIGURE 3-4. 12IN & 15IN TRUSS BOOM



PY1540

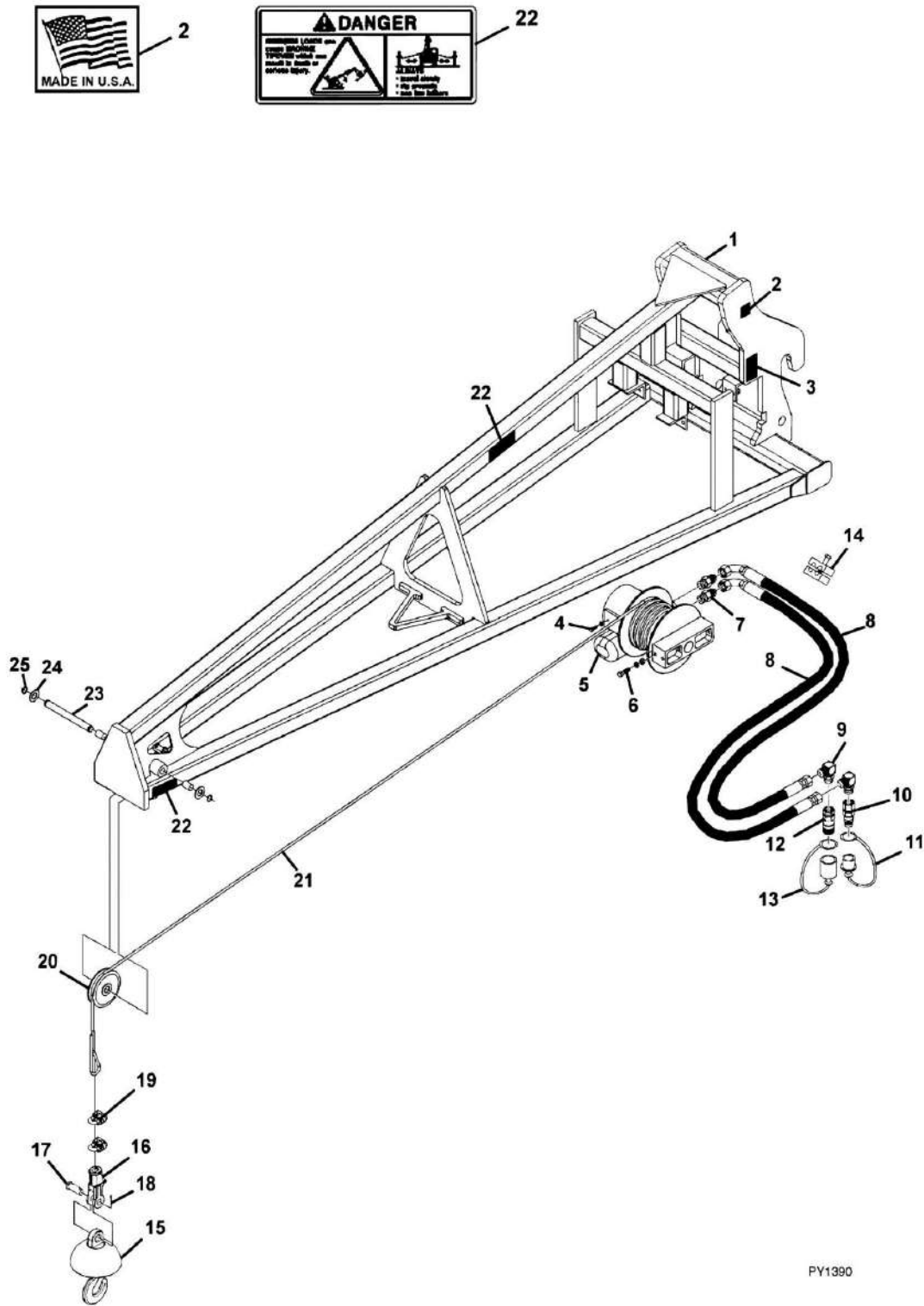
SECTION 3 - ATTACHMENTS

FIGURE 3-4. 12IN & 15IN TRUSS BOOM

ITEM	PART NUMBER	QTY	DESCRIPTION	REV
	1001099902	1	12FT TRUSS BOOM, (includes all items)	A
	1001099901	1	15FT TRUSS BOOM, (includes all items)	A
1	4110422	2	DECAL, DANGER SWINGING LOADS	
2		Ref	SN PLATE	
3		Ref	TRUSS BOOM	

SECTION 3 - ATTACHMENTS

FIGURE 3-5. 12IN TRUSS BOOM W/ WINCH



PY1390

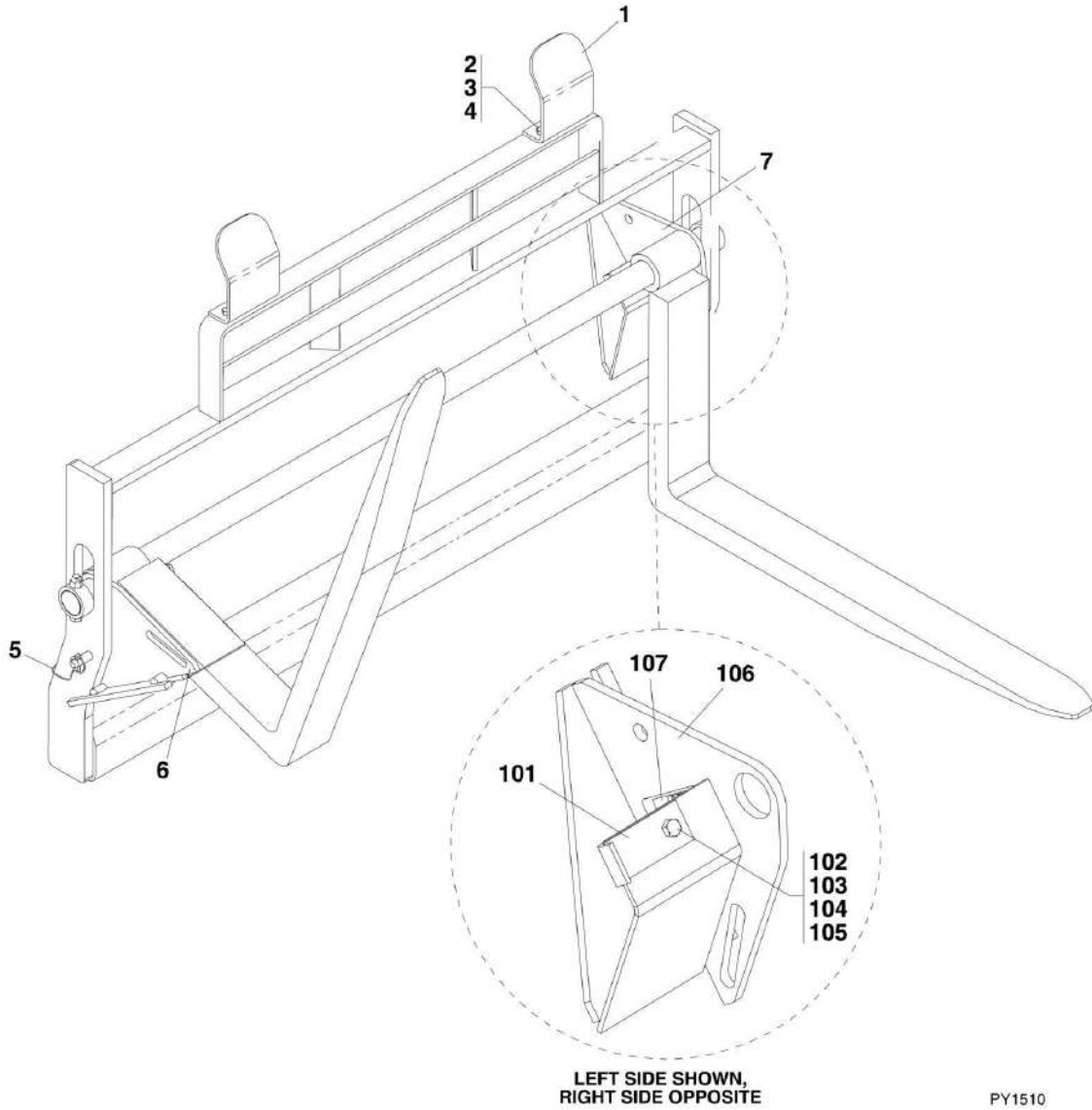
SECTION 3 - ATTACHMENTS

FIGURE 3-5. 12IN TRUSS BOOM W/ WINCH

ITEM	PART NUMBER	QTY	DESCRIPTION	REV
	1001099351	1	12FT TRUSS BOOM ASSY w/ WINCH, (includes all items)	C
1		Ref	TRUSS BOOM FRAME	
2	90554016	1	DECAL, MADE IN USA	
3		Ref	SN PLATE	
4	70021349	4	HEX HD CAPSCREW, 3/8X1	
4	90554042	4	LOCK WASHER, 3/8	
5	70021921	1	TRUSS BOOM WINCH	
6		Ref	HEX HD CAPSCREW, 1/2X1.75	
6	90554020	2	LOCK WASHER, 1/2	
6	90554054	2	HEX NUT, 1/2	
7	70021415	2	CONNECTOR	
8	70021977	2	HOSE ASSY, 3/8X32	
9	70022527	2	ELBOW, 90	
10	7029692	1	MALE QUICK COUPLER	
11	90554062	1	DUST CAP	
12	70021342	1	FEMALE QUICK COUPLER	
13	90554076	1	DUST COVER	
14	70021387	2	CLAMP	
15	70021978	1	BALL SWIVEL W/SAFETY HOOK	
16	70021979	1	SOCKET ASSY	
17		Ref	PIN	
18		Ref	COTTER PIN	
19	70022528	2	CLAMP	
20	70021935	1	PULLEY	
21	70022028	1	CABLE	
22	4110422	2	DECAL, DANGER SWINGING LOADS	
23	70022529	1	PIN	
24		Ref	FLAT WASHER	
25		Ref	SNAP RING	

SECTION 3 - ATTACHMENTS

FIGURE 3-6. SHEET MATERIAL HANDLER ASSEMBLY



PY1510

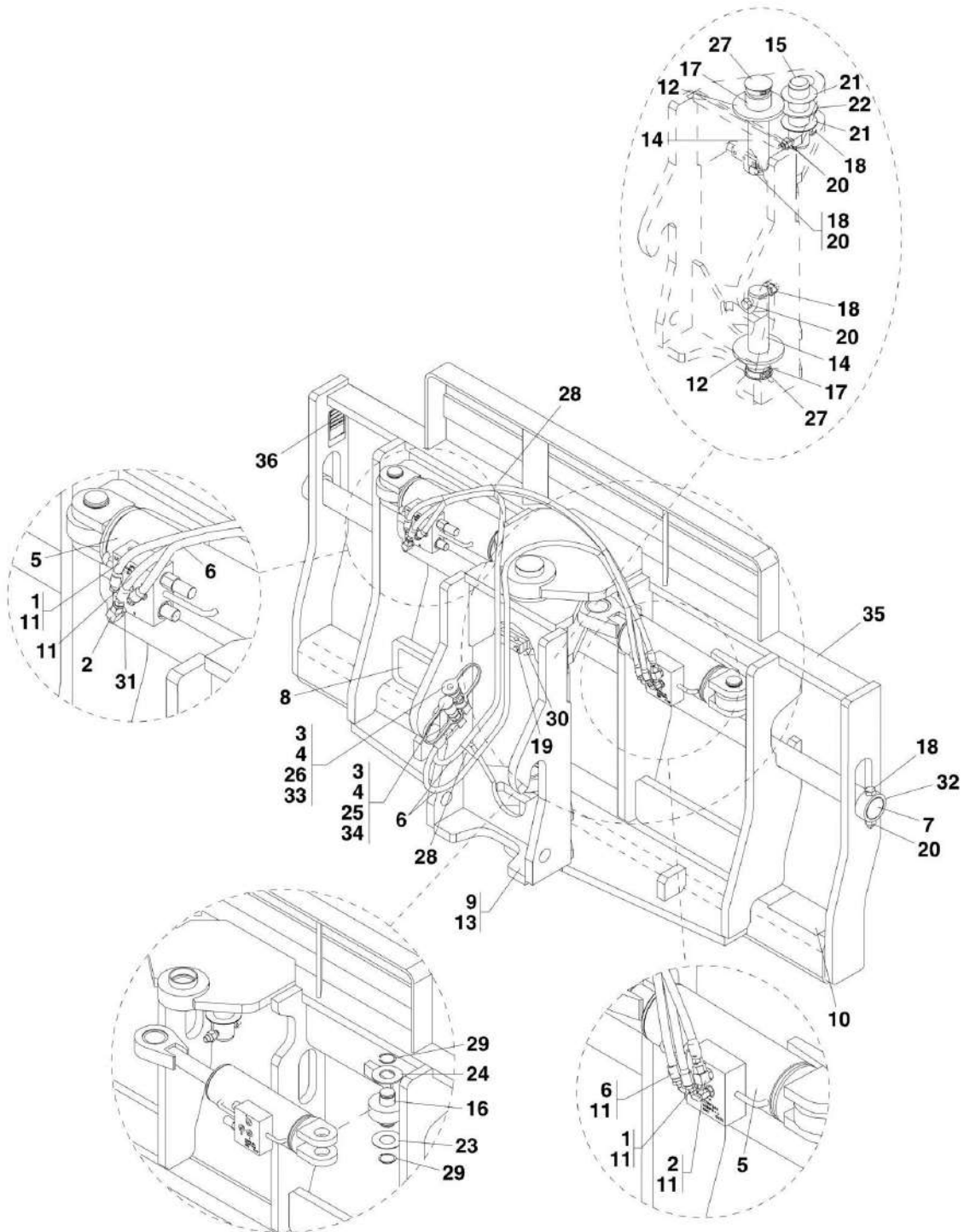
SECTION 3 - ATTACHMENTS

FIGURE 3-6. SHEET MATERIAL HANDLER ASSEMBLY

ITEM	PART NUMBER	QTY	DESCRIPTION	REV
	1001100227	1	SHEET MATERIAL HANDLER ASSY, (includes all items)	A
1	7112642	2	BACKREST EXTENSION	
2	8303626	4	HEX HD CAPSCREW, 1/2-13X1-1/2 GR5	
3	8305012	4	HEX NUT, 1/2-13	
4	8307007	4	LOCK WASHER, 1/2	
5	1001093377	2	HITCH PIN	
6	1001101115	1	FORK SUPPORT ASSY, RH, (includes items 101 thru 107)	A
7	1001101116	1	FORK SUPPORT ASSY, LH, (includes items 101 thru 107)	B
101	7114941	1	LOCK BAR	
102	8303626	1	HEX HD CAPSCREW, 1/2-13X1-1/2 GR5	
103	8305644	1	HEX LOCK NUT, 1/2-13	
104	8307007	4	LOCK WASHER, 1/2	
105	8307112	1	WASHER, 1/2	
106	1001100228	1	FORK SUPPORT, RH (not shown)	
106	1001100229	1	FORK SUPPORT, LH (shown)	
107		Ref	SN PLATE	
		Ref	NOTE: ITEM NUMBERS NOT LISTED ARE NOT USED ON THIS FIGURE	

SECTION 3 - ATTACHMENTS

FIGURE 3-7. 72IN, 90, SWING CARRIAGE



PY1460

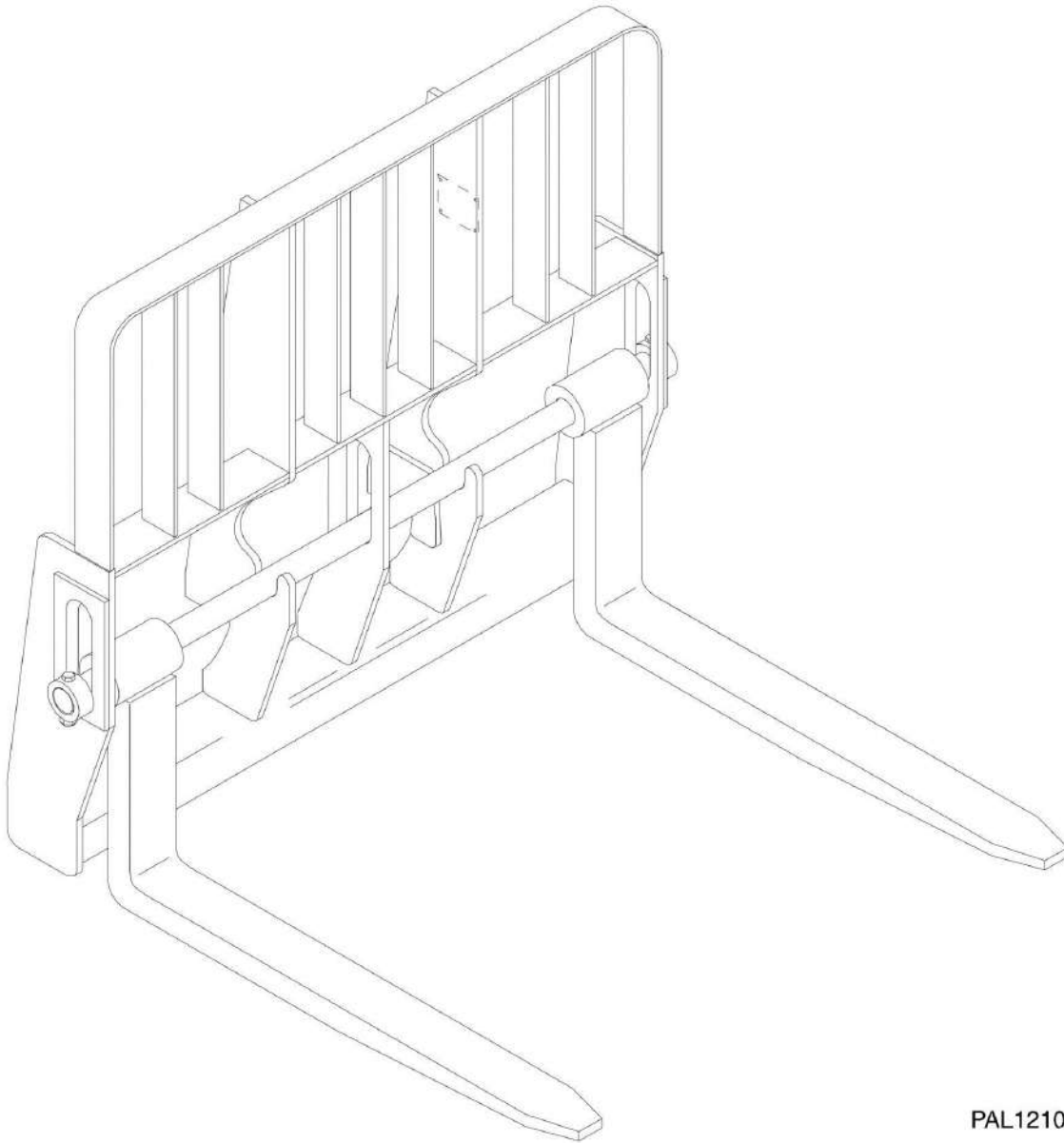
SECTION 3 - ATTACHMENTS

FIGURE 3-7. 72IN, 90, SWING CARRIAGE

ITEM	PART NUMBER	QTY	DESCRIPTION	REV
	1001095418	1	72IN 90, SWING CARRIAGE, (includes all items)	C
1	2220415	4	CONNECTOR	
2	2220473	2	CONNECTOR, 90	
3	2220609	2	CONNECTOR	
4	2220628	2	CONNECTOR, 90	
5	1001103182	2	SWING CYLINDER	
6	2717287	2	HOSE ASSY, 1/4X58	
7	3423276	1	PIN	
8	4107702	1	DECAL, DANGER	
9	4107712	1	DECAL, DANGER	
10	4110473	1	DECAL, WARNING ROUTE HOSES	
11	6604662	2	HOSE ASSY, 1/4X40.5	
12	7062922	2	WASHER	
13		Ref	PIVOT WELDMENT	
14	7110702	2	PIVOT PIN	
15	7110712	1	PIN	
16	7110722	2	PIN	
17	8065062	2	BUSHING	
18	8303634	5	HEX HD CAPSCREW, 5/8-11X4, GR5	
19	8303715	3	HEX HD CAPSCREW, 5/16-18X1.5, GR5	
20	8305643	5	HEX NUT, 5/8-11	
21	8307904	AR	SHIM	
22	8307918	AR	SHIM	
23	8310160	AR	SHIM	
24	8310161	AR	SHIM	
25	8420053	1	DUST CAP	
26	8420055	1	DUST PLUG	
27	8580315	2	PLUG	
28	8584001	5	TIE WRAP	
29	8642207	4	RETAINING RING	
30	8769132	2	CLAMP	
31	8770016	1	CONNECTOR	
32	90200003	2	COLLAR	
33	91403413	1	CONNECTOR	
34	91403414	1	CONNECTOR	
35		Ref	CARRIAGE FRAME	
36		Ref	SN PLATE	

SECTION 3 - ATTACHMENTS

FIGURE 3-8. FORKS



PAL1210

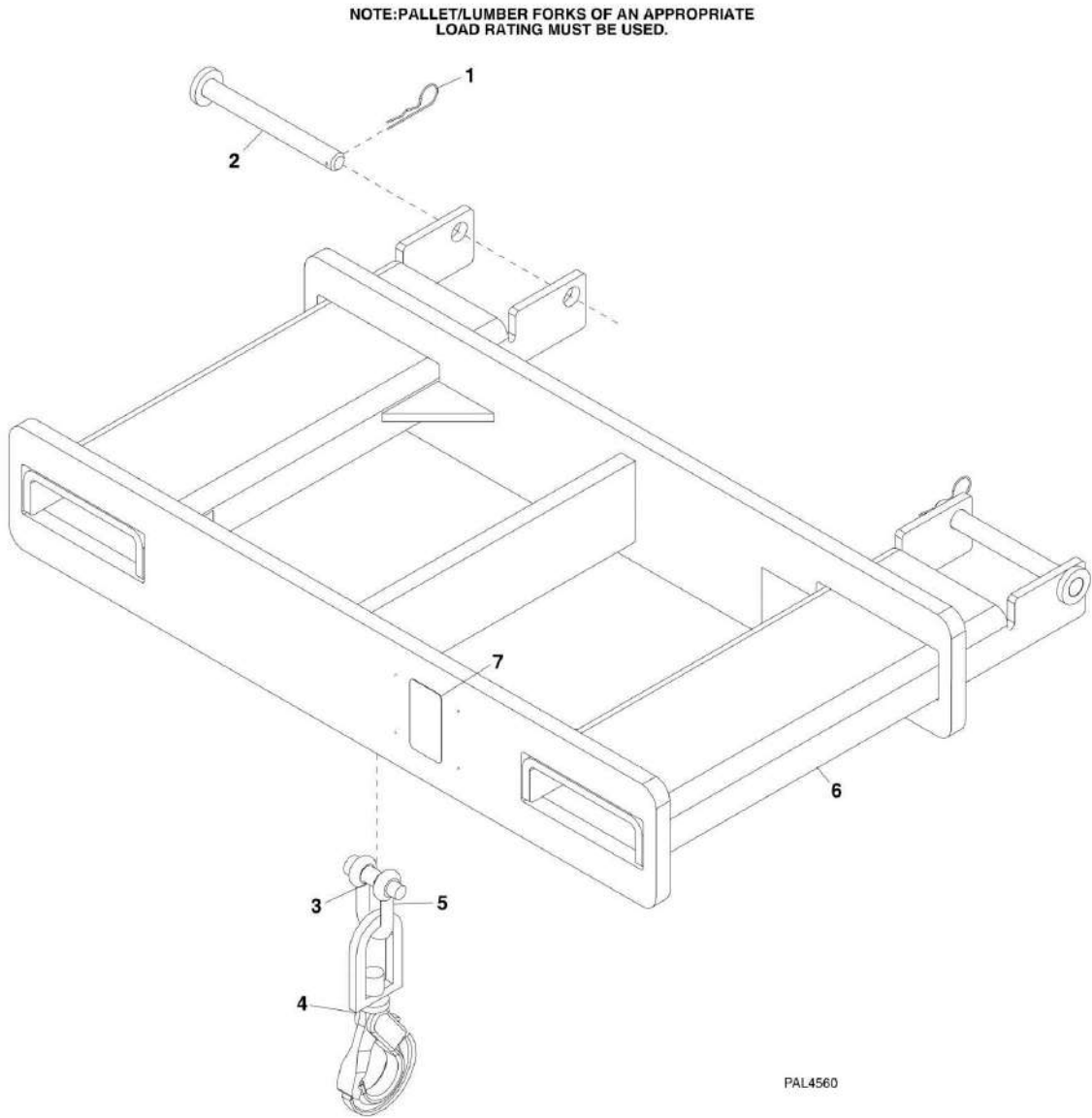
SECTION 3 - ATTACHMENTS

FIGURE 3-8. FORKS

ITEM	PART NUMBER	QTY	DESCRIPTION	REV
	2340037	2	48IN CUBING FORK, 2X2, 3,880 lbs	A
	2340045	2	48IN PALLET FORK, 2-23/64X4, 10,950 lbs	B
	2340038	2	48IN PALLET FORK, 2-23/64X5, 13,700 lbs	B
	2340046	2	60IN LUMBER FORK, 1-3/4X7, 10,800 lbs	B
	2340039	2	60IN LUMBER FORK, 2-23/64X6, 16,300 lbs	B
	1001092391	2	72IN DUAL TAPER FORK, 2X6, 11,300 lbs	B
		Ref	NOTE: FORKS RATED LESS THAN THE ATTACHMENT OR MACHINE'S CAPACITY DECREASES CAPACITY OF THE ATTACHMENT OR MACHINE TO THAT OF THE FORKS. FORKS RATED MORE THAN THE ATTACHMENT OR MACHINE'S CAPACITY DO NOT INCREASE ATTACHMENT OR MACHINE'S CAPACITY.	
		Ref	NOTE: PLEASE CONSULT JLG PARTS DEPARTMENT TO DETERMINE THE CORRECT FORKS APPLICABLE TO YOUR SPECIFIC CARRIAGE ASSEMBLY AND APPLICATION.	

SECTION 3 - ATTACHMENTS

FIGURE 3-9. FORK MOUNTED LIFTING HOOK



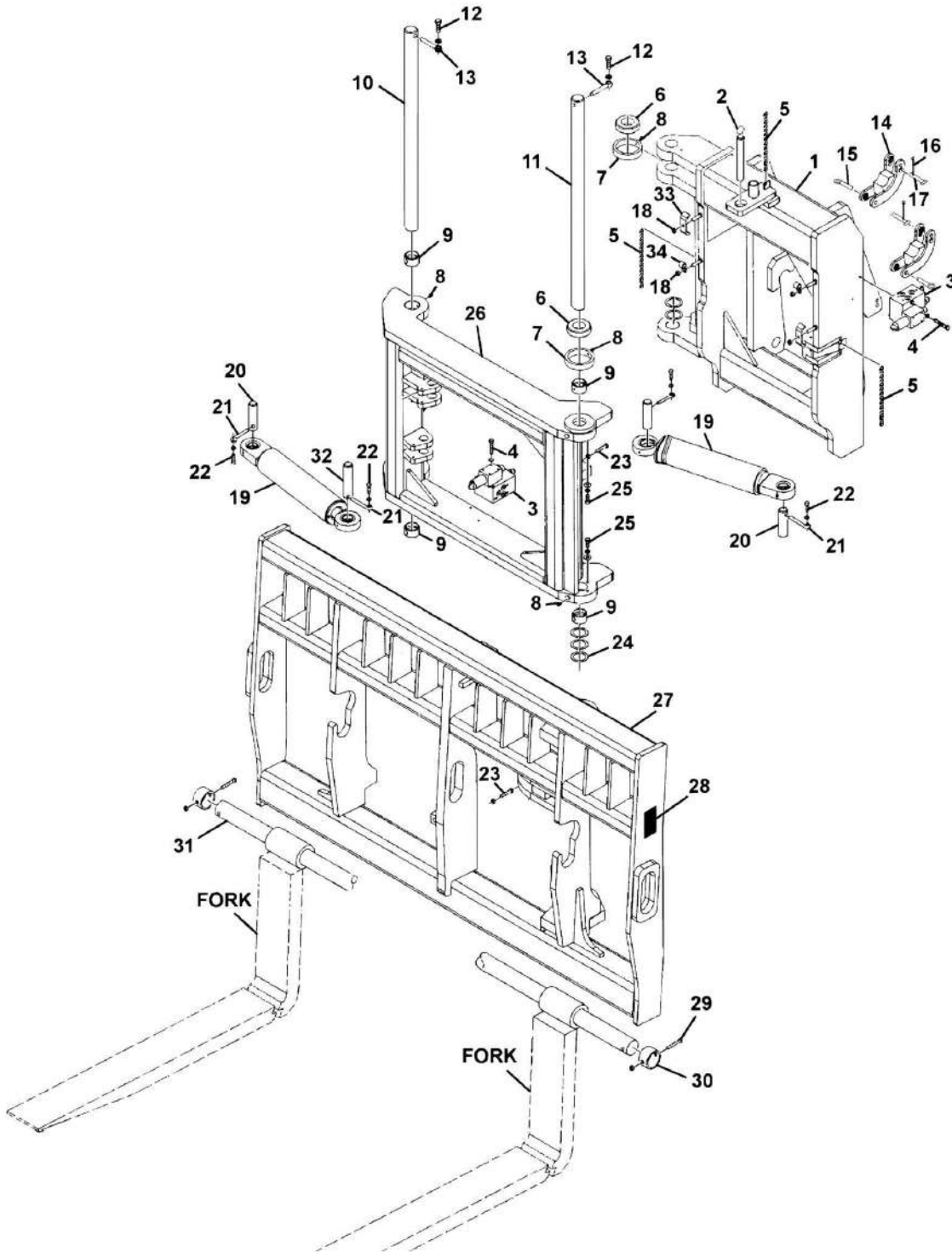
SECTION 3 - ATTACHMENTS

FIGURE 3-9. FORK MOUNTED LIFTING HOOK

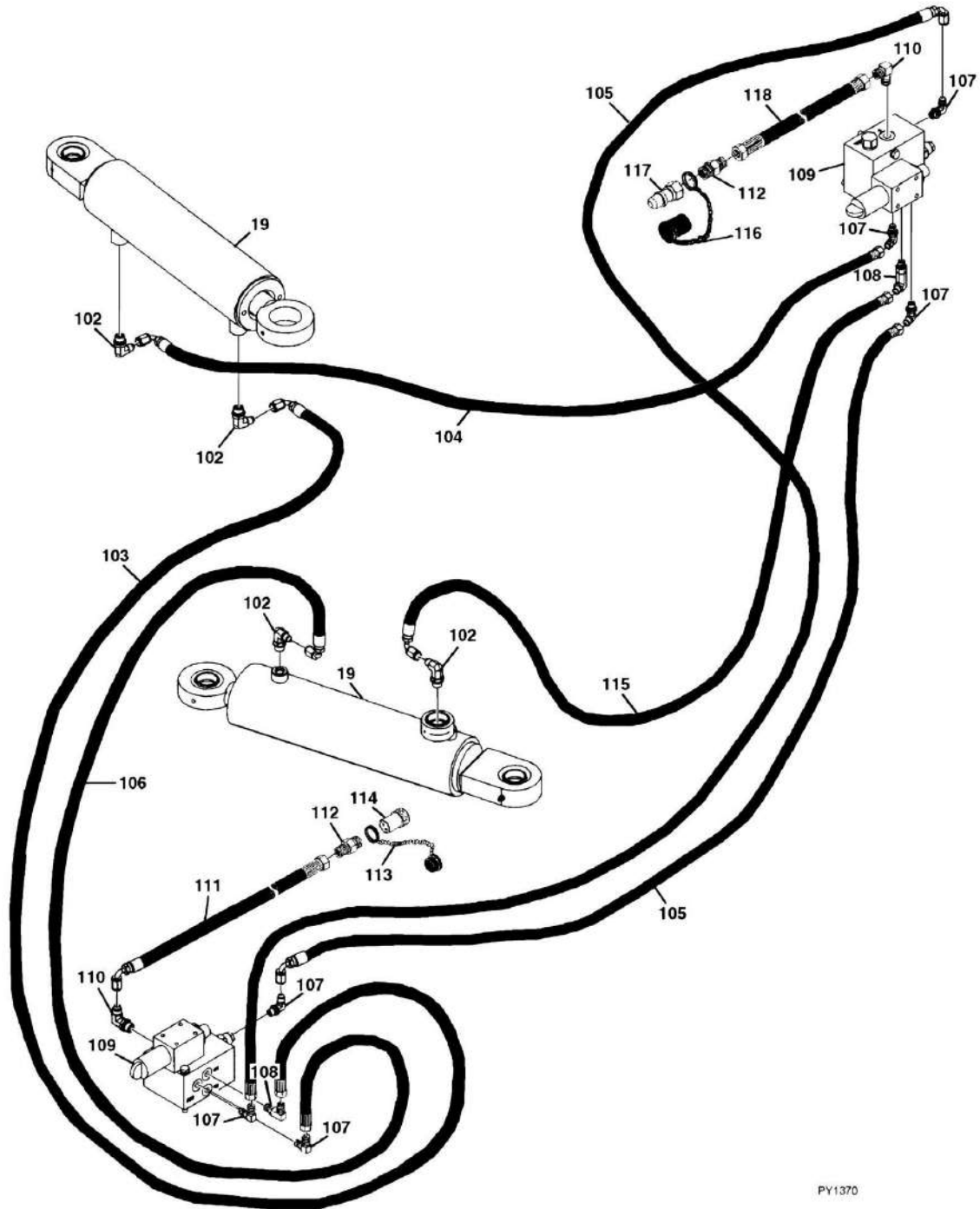
ITEM	PART NUMBER	QTY	DESCRIPTION	REV
	91565094	1	FORK MOUNTED HOOK, (includes all items)	D
1	7029520	2	HAIRPIN CLIP	
2	1001093171	2	PIN	
3	70020555	1	SPRING BUSHING	
4	90554080	1	SLING HOOK	
5	7029521	1	CHAIN SHACKLE, 12,000LB	
6		Ref	LIFTING HOOK	
7		Ref	SN PLATE	

SECTION 3 - ATTACHMENTS

FIGURE 3-10. 72IN, 180, SWING CARRIAGE



SECTION 3 - ATTACHMENTS



PY1370

SECTION 3 - ATTACHMENTS

FIGURE 3-10. 72IN, 180, SWING CARRIAGE

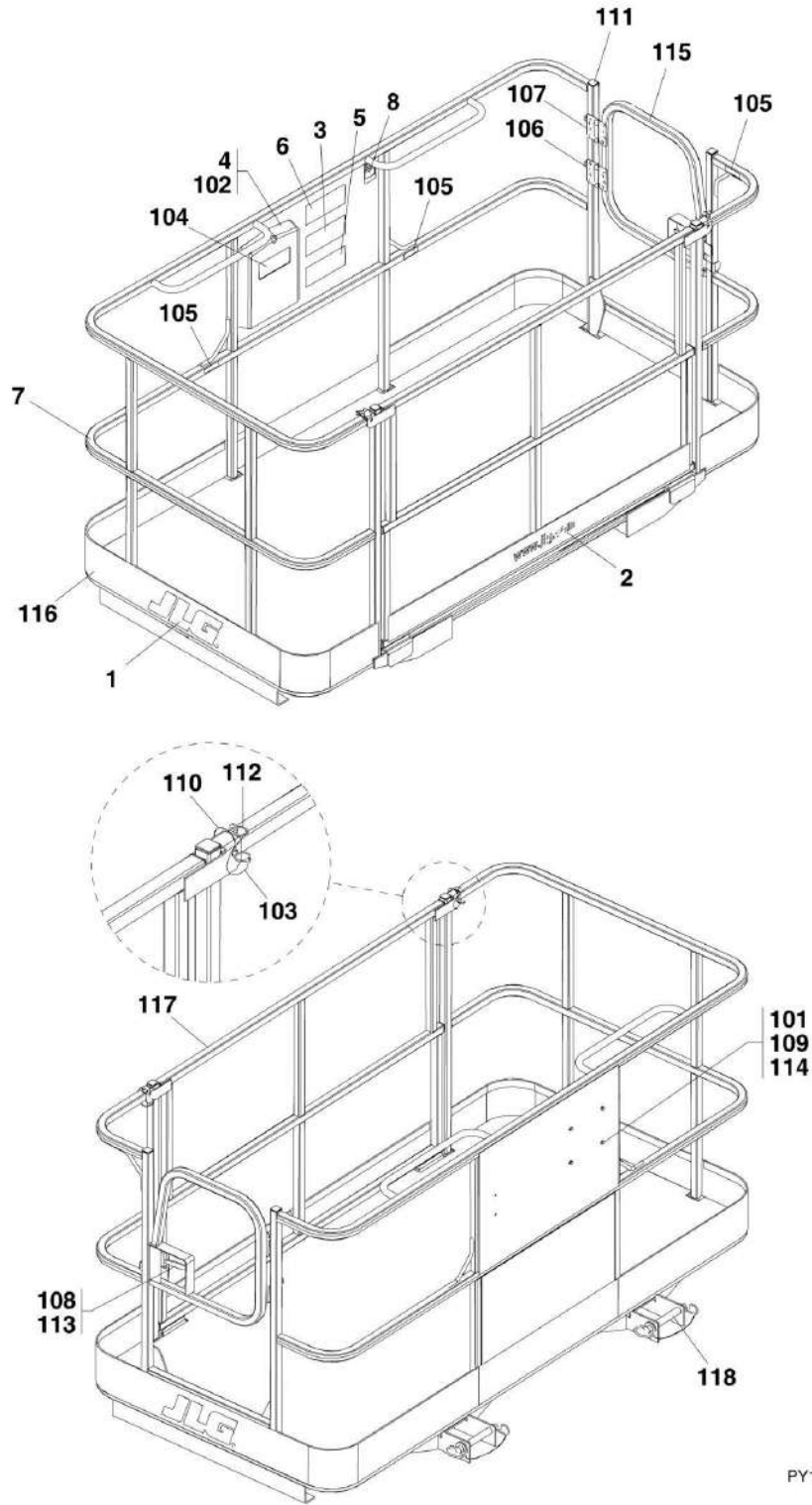
ITEM	PART NUMBER	QTY	DESCRIPTION	REV
	1001104992	1	180, SWING CARRIAGE, 72IN, (includes all items)	B
1		Ref	BACK FRAME	
2	90554026	2	LOCK PIN	
3	91564003	2	VALVE	
4	90554070	4	HEX HD CAPSCREW, 5/16X3	
4	90554067	4	LOCK WASHER, 5/16	
5	90554025	3	CHAIN	
6	90554042	2	BEARING	
7	70020017	2	BEARING	
8	90554045	10	GREASE FITTING	
9	70020015	4	BUSHING	
10	70020026	1	PIN	
11	70020025	1	PIN	
12	70021382	2	HEX HD CAPSCREW, 1/2X1-1/2	
12	90554020	2	LOCK WASHER, 1/2	
13	90554021	2	PIN	
14	90554027	2	PIN SUPPORT	
15	90554035	2	PIN	
16	1316794	2	COTTER PIN	
17	70020029	2	CLEVIS PIN	
18	70021367	6	LOCK NUT, 3/8	
19		Ref	CYLINDER ASSY, (See HYDRAULIC COMPONENTS SECTION for Breakdown)	
20	90554044	3	PIN	
21	90554043	4	PIN	
22	70021429	4	HEX HD CAPSCREW, 3/8X1-1/4	
22	90554042	4	LOCK WASHER, 3/8	
23	70020004	2	HEX HD CAPSCREW, 3/4X2.5	
23	90554056	2	HEX NUT, 3/4	
24	90554040	5	WASHER	
25	7029997	6	HEX HD CAPSCREW, 3/8X3/4	
25	90554042	6	LOCK WASHER, 3/8	
25	7029703	6	FLAT WASHER, 3/8	
26		Ref	MIDDLE FRAME	
27		Ref	FRONT FRAME	
28		Ref	SN PLATE	
29	70020002	2	HEX HD CAPSCREW, 1/2X3.5	
29	90554038	2	LOCK NUT, 1/2	
30	70020028	2	BUSHING	
31	70020027	1	PIN	
32	70022530	1	PIN	
33	90554039	3	CLAMP	
34	7029996	3	CLAMP	
102	90554057	4	ELBOW, 90	
103	90554058	1	HOSE ASSY, 1/4X20.5	
104	90554059	1	HOSE ASSY, 1/4X63	
105	90554060	2	HOSE ASSY, 1/4X73	
106	90554073	1	HOSE ASSY, 1/4X57	
107	90554069	6	ELBOW, 90	
108	90554071	2	ELBOW, 90	

SECTION 3 - ATTACHMENTS

ITEM	PART NUMBER	QTY	DESCRIPTION	REV
109	91564003	2	VALVE	
110	90554065	2	ELBOW, 90	
111	70021983	1	HOSE ASSY, 3/8X93	
112	90554063	2	CONNECTOR	
113	90554076	1	DUST PLUG	
114	90554077	1	FEMALE QUICK COUPLER	
115	90554072	1	HOSE ASSY, 1/4X15	
116	90554062	1	DUST CAP	
117	90554061	1	MALE QUICK COUPLER	
118	90554064	1	HOSE ASSY, 3/8X64	
		Ref	NOTE: ITEM NUMBERS NOT LISTED ARE NOT USED ON THIS FIGURE	

SECTION 3 - ATTACHMENTS

FIGURE 3-11. FORK MOUNTED PLATFORM



PY1640

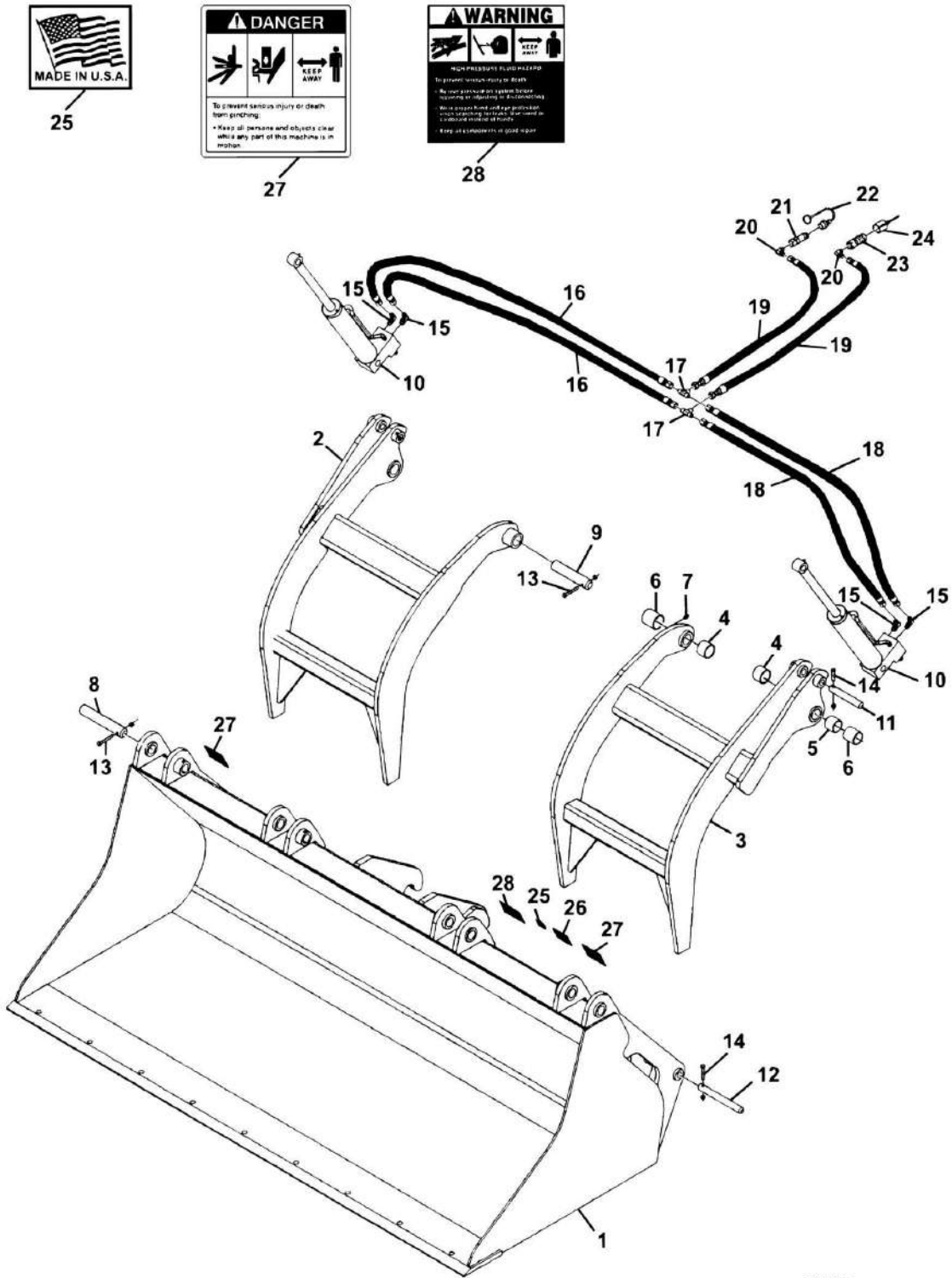
SECTION 3 - ATTACHMENTS

FIGURE 3-11. FORK MOUNTED PLATFORM

ITEM	PART NUMBER	QTY	DESCRIPTION	REV
	1001103637	1	FORK MOUNTED PLATFORM, ASME, (includes all items)	A
	1001103730	1	FORK MOUNTED PLATFORM, ISO, (includes all items)	A
	1001103736	1	FORK MOUNTED PLATFORM, FRENCH, (includes all items)	A
1	1702773	2	DECAL, JLG	
2	1704885	1	DECAL, WEBSITE	
3	1706892	1	DECAL, PLATFORM WARNING (English)	
3	1001096025	1	DECAL, PLATFORM WARNING (ISO)	
3	1001096024	1	DECAL, PLATFORM WARNING (French)	
5	1001092481	1	DECAL, WARNING (English)	
5	1001096021	1	DECAL, WARNING (ISO)	
5	1001096019	1	DECAL, WARNING (French)	
6	1001092482	1	DECAL, CAPACITY (English)	
6	1001096023	1	DECAL, CAPACITY (ISO)	
6	1001096020	1	DECAL, CAPACITY (French)	
7	1001096162	1	FORK MOUNTED PLATFORM, (includes items 101 thru 118)	A
8		Ref	SN PLATE	
101	0641405	4	HEX HD CAPSCREW, 1/4-20X5/8	
102	0860520	1	MANUAL STORAGE BOX	
103	1060379	2	LANYARD CABLE	
104	1701509	1	DECAL, MANUAL	
105	1704277	3	DECAL, LANYARD ATTACH	
106	2080040	16	FASTENER	
107	2600281	2	HINGE	
108	2940074	1	LATCH	
109	3311401	4	HEX NUT, 1/4-20	
110	3421453	2	PIN	
111	3520072	10	PLUG	
112	3760170	4	RING	
113	3820020	4	RIVET	
114	4711400	8	WASHER, 1/4	
115	4846452	1	GATE WELDMENT	
116		Ref	PLATFORM	
117	1001095810	1	GATE WELDMENT	
118	1001102813	2	HITCH PIN	
		Ref	NOTE: ITEM NUMBERS NOT LISTED ARE NOT USED ON THIS FIGURE	

SECTION 3 - ATTACHMENTS

FIGURE 3-12. GRAPPLE BUCKET



PY1420

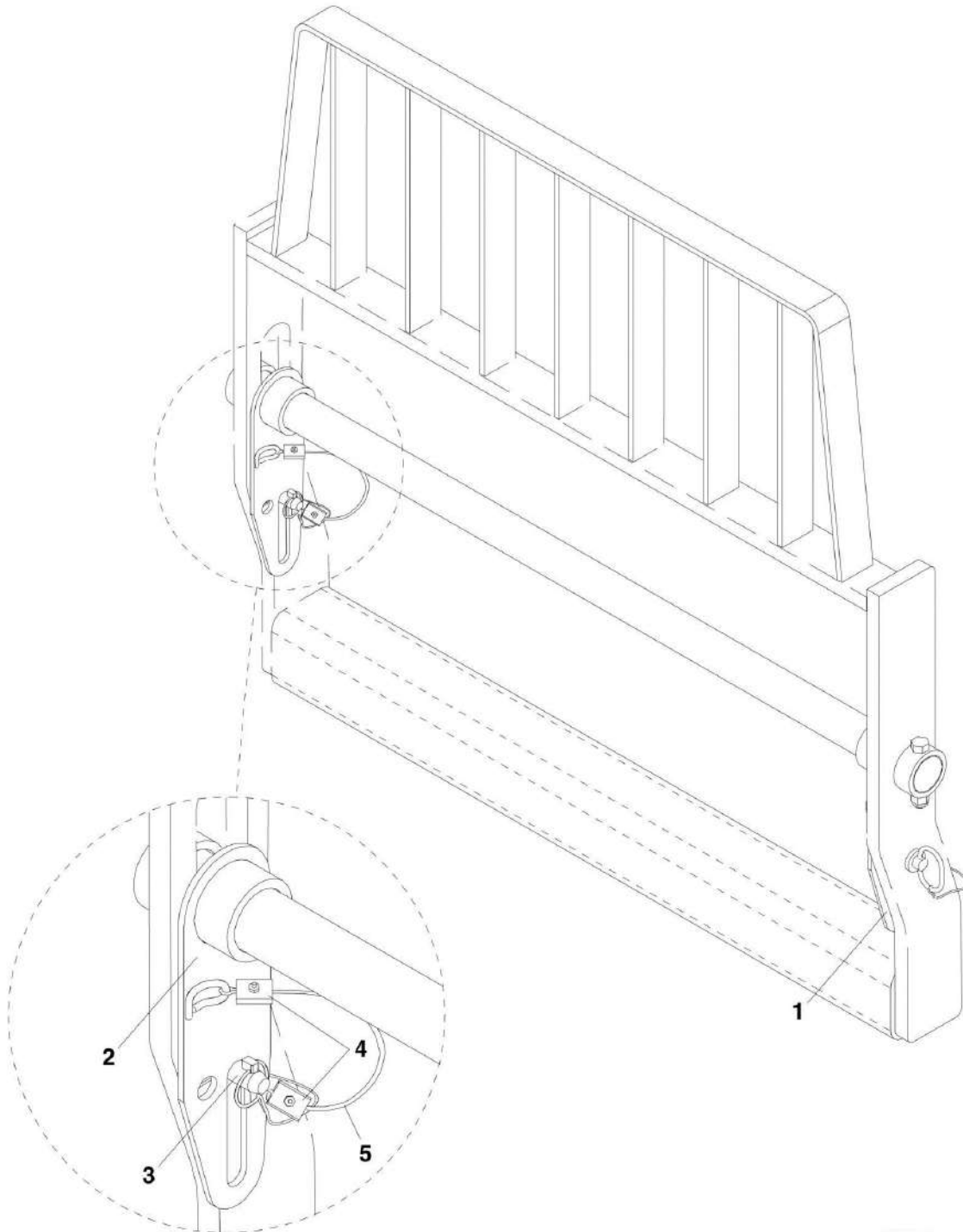
SECTION 3 - ATTACHMENTS

FIGURE 3-12. GRAPPLE BUCKET

ITEM	PART NUMBER	QTY	DESCRIPTION	REV
	0930020	1	GRAPPLE BUCKET, (includes all items)	
1		Ref	BUCKET	
1	70021387	4	HOSE CLAMP	
2	70021391	1	RIGHT GRAPPLE HOOK	
3	70021392	1	LEFT GRAPPLE HOOK	
4	70021358	4	BUSHING	
5	70021359	2	SPACER	
6	70021360	4	BUSHING	
7	7029714	4	GREASE FITTING	
8	70021361	2	OUTER PIVOT PIN	
9	70021362	2	INNER PIVOT PIN	
10		Ref	CYLINDER ASSY, (See HYDRAULIC COMPONENTS SECTION for Breakdown)	
11	70021364	2	PIN	
12	70021365	2	PIN	
13	70021366	4	HEX HD CAPSCREW, 3/8X2.75	
13	70021367	4	LOCK NUT, 3/8	
14	70021399	4	HEX HD CAPSCREW, 3/8X2.25	
14	70021367	4	LOCK NUT, 3/8	
15	70021375	4	ELBOW, 90	
16	70021980	2	HOSE ASSY, 3/8X73	
17	70020562	2	FITTING, TEE	
18	70021981	2	HOSE ASSY, 3/8X46	
19	70021982	2	HOSE ASSY, 3/8X34	
20	70022527	2	ELBOW, 90	
21	7029692	1	MALE QUICK COUPLER	
22	90554062	1	DUST COVER	
23	70021342	1	FEMALE QUICK COUPLER	
24	90554076	1	DUST COVER	
25	90554016	1	DECAL, MADE IN USA	
26		Ref	SN PLATE	
27	90554017	2	DECAL, DANGER PINCH POINT	
28	90554018	1	DECAL, WARNING HIGH PRESSURE	

SECTION 3 - ATTACHMENTS

FIGURE 3-13. FORK PIN LOCK INSTALLATION



RIGHT SIDE SHOWN,
LEFT SIDE OPPOSITE

PY1650

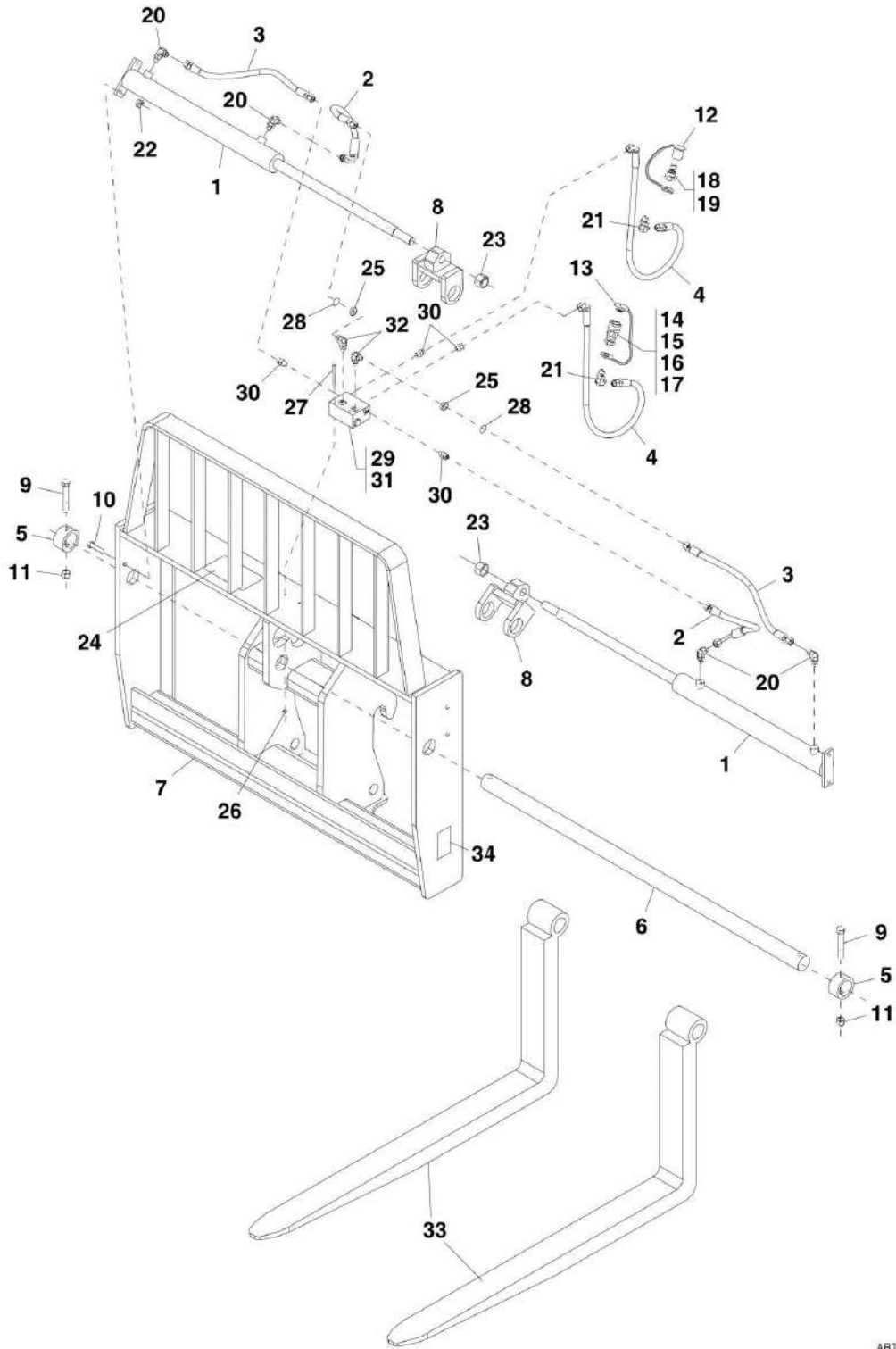
SECTION 3 - ATTACHMENTS

FIGURE 3-13. FORK PIN LOCK INSTALLATION

ITEM	PART NUMBER	QTY	DESCRIPTION	REV
	1001093465	1	FORK PIN LOCK INSTALLATION (includes all items)	B
1	0240156	1	FORK PIN LOCK, LH	
2	1001093273	1	FORK PIN LOCK, RH	
3	1001093377	2	HITCH PIN	
4	1001094830	4	CLAMP	
5	1001094330	2	LANYARD	

SECTION 3 - ATTACHMENTS

FIGURE 3-14. 50IN DUAL FORK POSITIONING CARRIAGE ASSEMBLY



ART_31200454-3-14

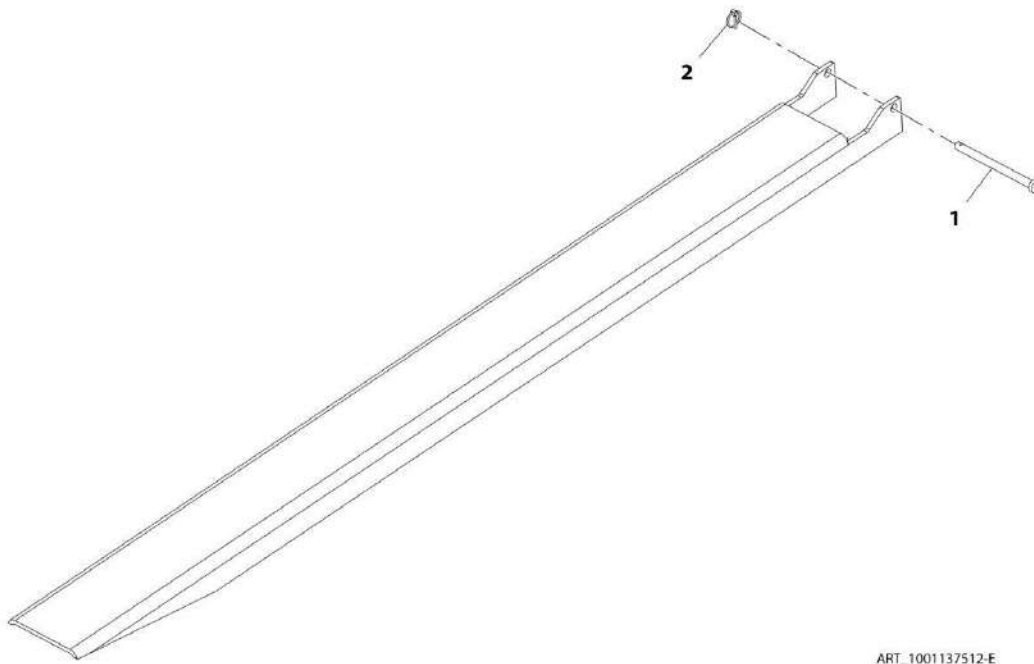
SECTION 3 - ATTACHMENTS

FIGURE 3-14. 50IN DUAL FORK POSITIONING CARRIAGE ASSEMBLY

ITEM	PART NUMBER	QTY	DESCRIPTION	REV
	7301295	1	50IN DUAL FORK POSITIONING CARRIAGE ASSY, (includes all items)	F
	7301568	1	50IN DUAL FORK POSITIONING CARRIAGE ASSY, (includes items 1 thru 32)	I
1	2717283	2	FORK POSITIONING CYLINDER	
1	8036733	1	SEAL KIT	
2	2717160	2	HOSE ASSY	
3	2717161	2	HOSE ASSY	
4	2717162	2	HOSE ASSY	
5	90200003	2	LOCKING HUB	
6	90451058	1	FORK SHAFT	
7	7301569	1	50IN CARRIAGE WELDMENT	
8	7301579	2	FORK ADAPTER WELDMENT	
9	8303634	2	HEX HD CAPSCREW, 5/8-11X4, GR5	
10	8303658	4	HEX HD CAPSCREW, 1/2-13X2, GR5	
11	8305643	2	HEX LOCKNUT, 5/8-11	
12	8420053	1	DUST CAP	
13	8420055	1	DUST PLUG	
14	91403413	1	FEMALE QUICK DISCONNECT, (includes items 15 thru 17)	
15	8640029	1	NOSE SEAL	
16	8640028	1	COUPLER BODY SEAL	
17	8640032	1	COUPLER BODY SEAL BACK UP RING	
18	91403414	1	MALE QUICK DISCONNECT, (includes item 19)	
19	8640029	1	NOSE SEAL	
20	2130606	4	ELBOW, 90	
21	2130608	2	ELBOW, 90	
22	8310302	4	HEX LOCKNUT, 1/2-13	
23	10705034	2	HEX LOCKNUT	
24	4110473	1	HOSE ROUTE WARNING DECAL	
25	7139918	2	DISC ORIFICE	
26	8305624	2	HEX LOCKNUT, 1/4-20	
27	8310435	2	HEX HD CAPSCREW, 1/4-20X3-1/4, GR5	
28	8630003	2	O-RING	
29	4641502	1	VALVE ASSY, (Includes items 30 thru 32)	
30	2110606	4	ADAPTER	
31	4641501	1	VALVE BODY	
32	2130606	2	CONNECTOR	
33	7301408	2	PALLET FORK, 60X100X1220mm	
34	N.S.S.	1	SERIAL NUMBER PLATE	

SECTION 3 - ATTACHMENTS

FIGURE 3-15. FORK EXTENSION (90 INCH)



ART_1001137512-E

SECTION 3 - ATTACHMENTS

FIGURE 3-15. FORK EXTENSION (90 INCH)

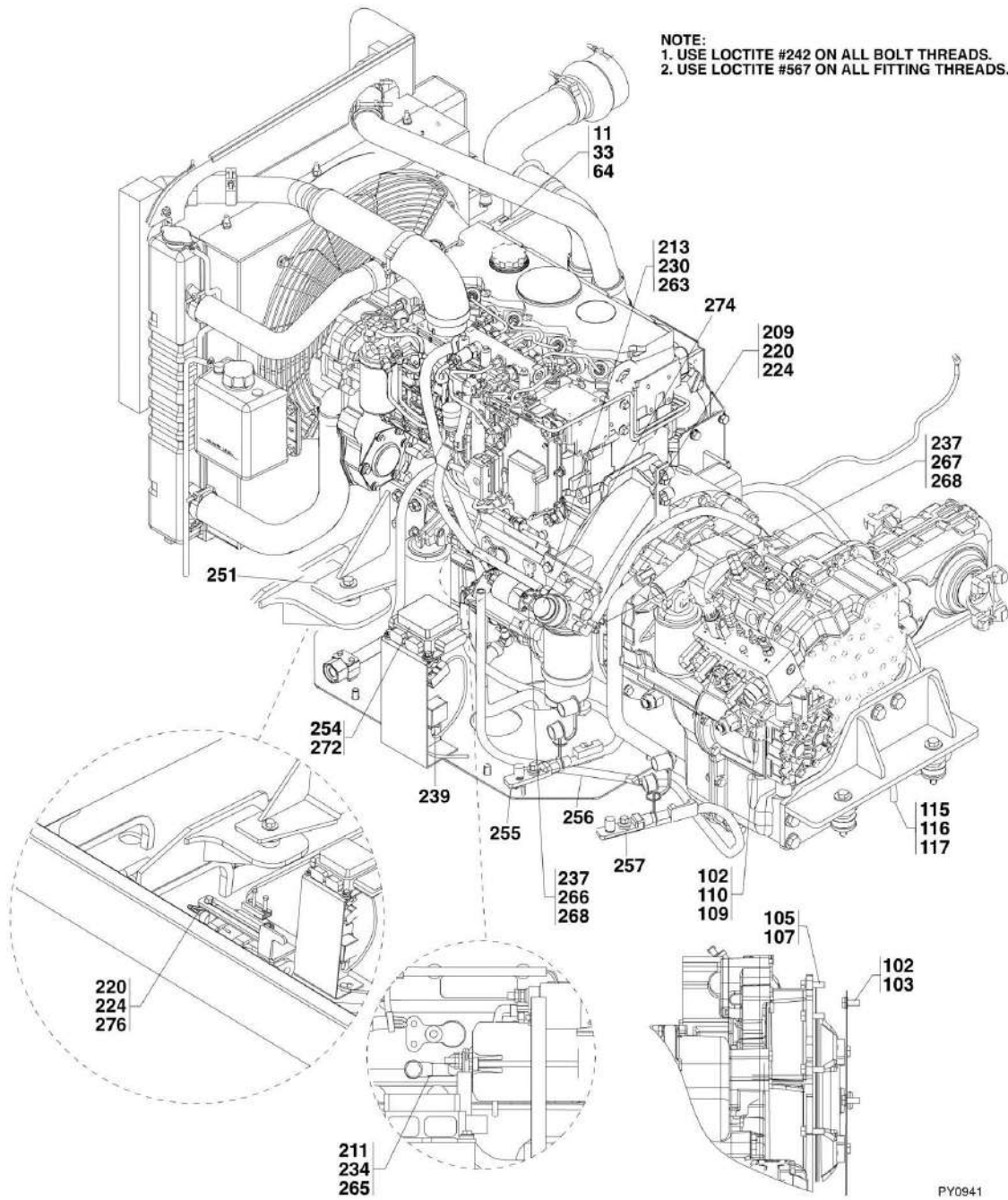
ITEM	PART NUMBER	QTY	DESCRIPTION	REV
	1001137512	2	FORK EXTENSION (90 Inch)	E
1	70024306	1	PIN	
2	70024307	1	CLIP	

SECTION 4 - ENGINE AND ATTACHING PARTS

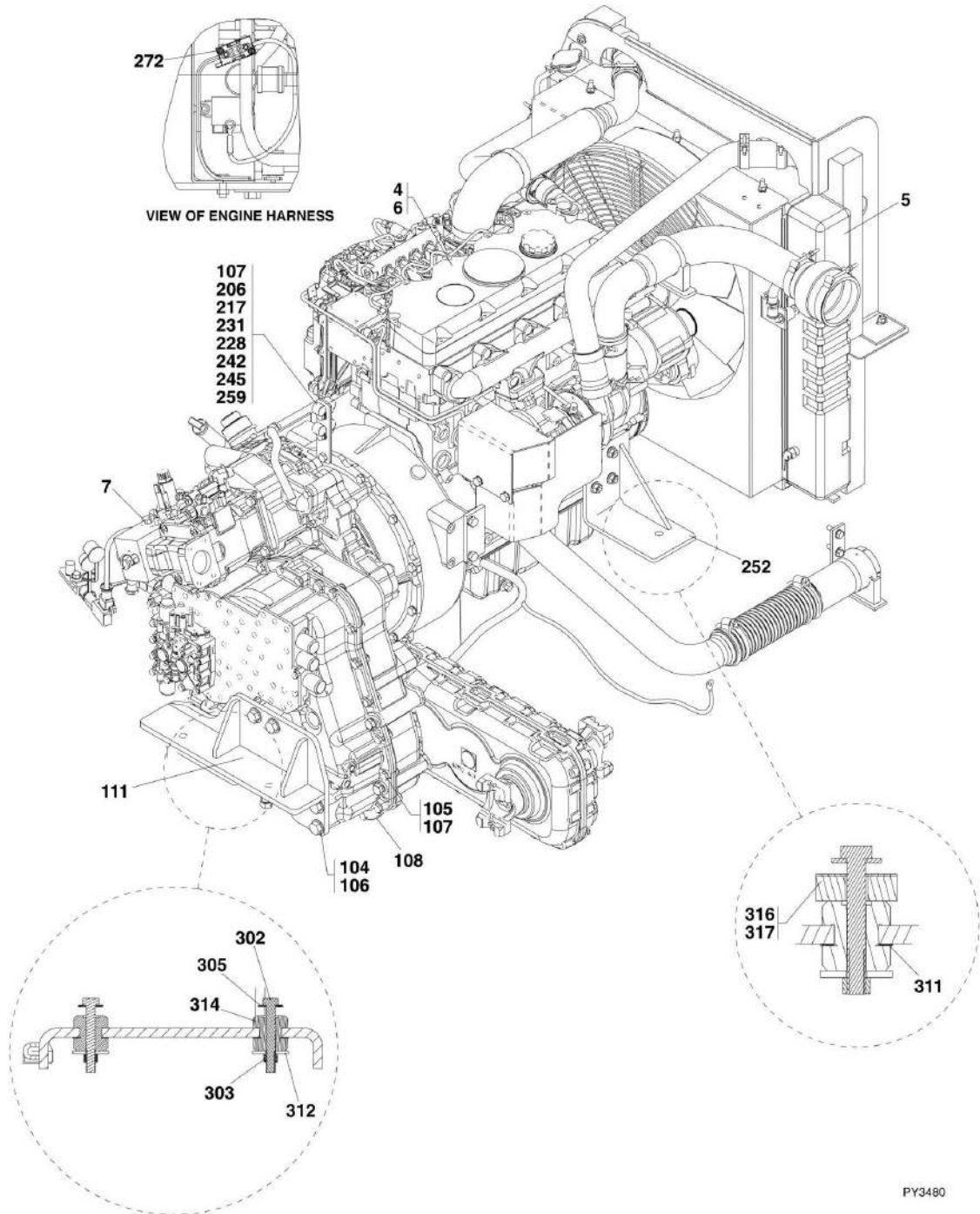
SECTION 4 - ENGINE AND ATTACHING PARTS

SECTION 4 - ENGINE AND ATTACHING PARTS

FIGURE 4-1. ENGINE ASSEMBLY



SECTION 4 - ENGINE AND ATTACHING PARTS



SECTION 4 - ENGINE AND ATTACHING PARTS

FIGURE 4-1. ENGINE ASSEMBLY

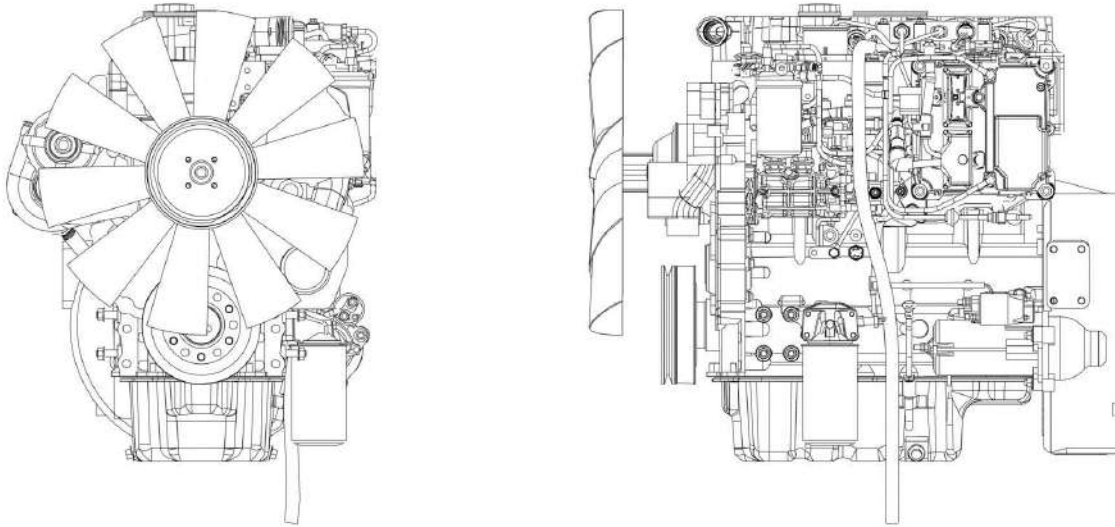
ITEM	PART NUMBER	QTY	DESCRIPTION	REV
2	1001001670	1	ZF TRANSMISSION ASSY, (not available to order, see items 101 thru 117 for service)	G
4	1001108612	1	ENGINE COMPONENTS, (not available to order, see items 101 & 102, 204 thru 276, 317 thru 368 on AIR CLEANER INSTALLATION, 101 thru 173 on EXHAUST INSTALLATION & 4 thru 72 on ELECTRICAL SECTION for service)	B
5		Ref	RADIATOR ASSY, (See RADIATOR ASSEMBLY for Breakdown)	
6		Ref	PERKINS ENGINE, (G10-55A AccuPlace), (See PERKINS ENGINE for Breakdown)	
6		Ref	PERKINS ENGINE, (G12-55A AccuPlace), (See PERKINS ENGINE for Breakdown)	
7		Ref	TRANSMISSION HYDRAULIC ASSY, (See HYDRAULIC CIRCUITS SECTION for Breakdown)	
101	0100011	AR	LOCTITE, #242	
102	0100020	AR	LOCTITE, #567	
103	0701012	4	HEX HD CAPSCREW, M10X25, (torque to 26-29 ft-lbs)	
104	0761617	6	HEX HD CAPSCREW, M16X45, (torque to 125-140 ft-lbs)	
105	0711015	12	HEX HD CAPSCREW, M10X35, (torque to 53-58 ft-lbs)	
106	4712000	6	PLAIN WASHER, 5/8	
107	4812000	16	WASHER, 10mm	
108		Ref	ZF AUTOMATIC TRANSMISSION, (See ZF TRANSMISSION for Breakdown)	
109	91563091	1	CONNECTOR, (includes o-ring)	
110	91563121	1	TRANSMISSION TEMPERATURE SENSOR	
111	91566028	1	TRANSMISSION MOUNT BRACKET WELDMENT	
115	1001097053	1	OIL DRAIN VALVE	
116	1001109536	1	DRAIN HOSE	
117	8405007	1	GEAR CLAMP	
204	0100048	AR	DIELECTRIC GREASE	
205	0641408	6	HEX HD CAPSCREW, 1/4-20X1, GR5	
206	0641510	1	HEX HD CAPSCREW, 5/16-18X1 1/4, GR5	
207	0641608	2	HEX HD CAPSCREW, 3/8-16X1, GR5	
209	0641612	2	HEX HD CAPSCREW, 3/8-16X1 1/2, GR5	
215	2180752	1	FITTING, PIPE ADAPTER	
216	2720058	8 ft	FUEL HOSE	
217	3271501	1	HEX NUT, 5/16-18, GR8	
219	3311405	6	HEX LOCK NUT, 1/4-20, GR2	
220	3311605	3	HEX LOCK NUT, 3/8-16, GR2	
223	4711400	8	WASHER, 1/4	
225	4740397	4	SPACER	
228	4761500	1	LOCK WASHER, 5/16	
229	4761600	2	LOCK WASHER, 3/8	
230	4761800	2	LOCK WASHER, 1/2	
231	4812000	2	WASHER, 10MM	
237	8405007	4	GEAR CLAMP, 1.25	
239	77383377	2	STARTER RELAY	
240	77383567	4	BATTERY TERMINAL NUT	
242	80683013	2	SUPPORT CLAMP	
243	86883106	2	HOSE CLAMP	
245	91143122	1	SUPPORT CLAMP	
249		Ref	VEC HARNESS, (See ELECTRICAL SECTION for Breakdown)	

SECTION 4 - ENGINE AND ATTACHING PARTS

ITEM	PART NUMBER	QTY	DESCRIPTION	REV
250	91566070	1	BRACKET	
251	1001001506	1	RH ENGINE MOUNT	
252	1001001507	1	LH ENGINE MOUNT	
253	1001001535	1	WATER TEMPERATURE SENSOR	
254		Ref	POWER DISTRIBUTION BOX, (See ELECTRICAL SECTION for Breakdown)	
255		Ref	POSITIVE BATTERY CABLE, (See ELECTRICAL SECTION for Breakdown)	
256		Ref	NEGATIVE BATTERY CABLE, (See ELECTRICAL SECTION for Breakdown)	
257		Ref	NEGATIVE STARTER CABLE, (See ELECTRICAL SECTION for Breakdown)	
259	1001001832	1	SUPPORT CLAMP BAR	
263	1001001942	1	PRIMARY FILTER MOUNT	
264	1001001950	1	TURBO INTAKE BRACKET	
265		Ref	GROUND CABLE, (See ELECTRICAL SECTION for Breakdown)	
266	1001091884	1	FEMALE ELBOW QUICK CONNECTOR	
267	1001091891	2	FEMALE STRAIGHT QUICK CONNECTOR	
268	1001091892	11.4 ft	FUEL HOSE	
272		Ref	ENGINE HARNESS, (See ELECTRICAL SECTION for Breakdown)	
274	1001104913	1	FUEL FILTER	
275	1001093831	1	AMBIENT TEMP SENSOR ASSY	
276	0791607	1	SCREW, 3/8-16X7/8	
302	0641830	4	HEX HD CAPSCREW, 1/2-13X3-3/4	
303	3311805	4	HEX LOCKNUT, 1/2-13	
305	4751800	4	PLAIN WASHER, 1/2	
311	91561240	4	ENGINE MOUNT SHIM	
312	91561241	4	ENGINE MOUNT WASHER	
314	91563213	4	RUBBER ENGINE MOUNT	
316	1001001619	2	ENGINE MOUNT SPACER	
317	1001001620	2	ENGINE MOUNT WASHER	
		Ref	NOTE: ITEM NUMBERS NOT LISTED ARE NOT USED ON THIS FIGURE	

SECTION 4 - ENGINE AND ATTACHING PARTS

FIGURE 4-2. PERKINS ENGINE



PAL2450

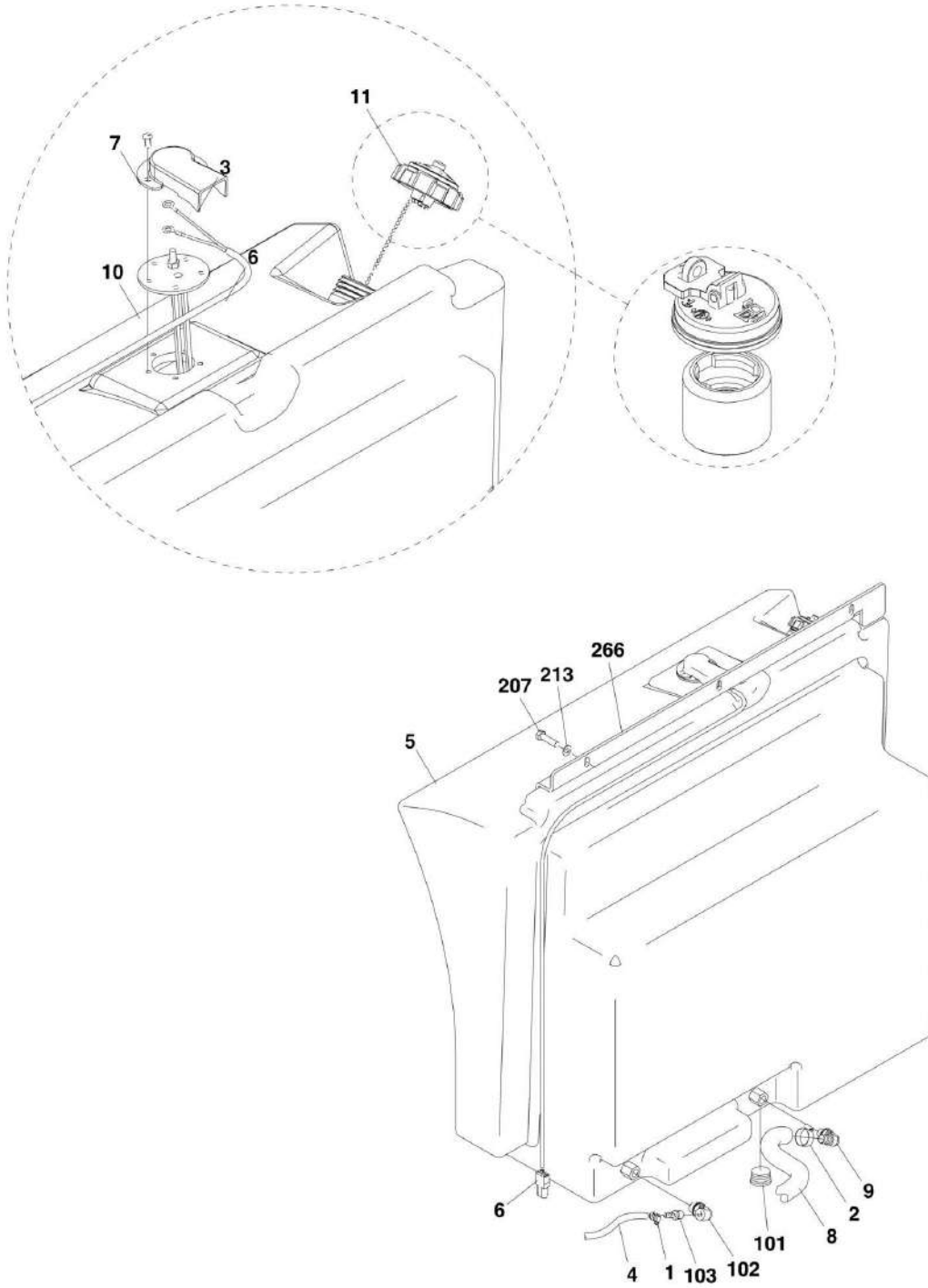
SECTION 4 - ENGINE AND ATTACHING PARTS

FIGURE 4-2. PERKINS ENGINE

ITEM	PART NUMBER	QTY	DESCRIPTION	REV
	1001096583	1	PERKINS ENGINE, 141 HP, (G12-55A AccuPlace), (includes all items)	
	1001096582	1	PERKINS ENGINE, 126 HP, (G10-55A AccuPlace), (includes all items)	
	70021225	1	SECONDARY FUEL FILTER ASSY, (includes filter)	
	70021226	1	SECONDARY FUEL FILTER ELEMENT	
	7029894	1	DIPSTICK	
	7029895	1	DIPSTICK TUBE	
	8006013	1	OIL FILTER	
	7029782	1	STARTER MOTOR	
	7028657	1	ALTERNATOR, 85AMP	
	70022300	1	ALTERNATOR PULLEY	
	70021229	1	WATER TEMPERATURE SENDER	
	7029901	1	FAN BELT	
	7029902	1	FAN	
	70022507	1	TENSIONER ARM	
	70022296	1	LIFT PUMP	
	70022297	4	GLOW PLUG	
	70022298	1	TURBOCHARGER	
	70022299	1	SOLENOID	
	70022301	1	FAN DRIVE PULLEY	
	7028666	1	WATER PUMP GASKET	
	7029900	1	THERMOSTAT ASSEMBLY	
	7028681	1	OIL FILLER CAP	
	70022330	1	OIL PRESSURE SENSOR KIT	
	70022331	1	AIR TEMPERATURE SENSOR KIT	
	70022332	1	AIR PRESSURE SENSOR KIT	
	70022333	1	WATER PUMP KIT	
	70023481	1	FLYWHEEL ASSY, (includes starter ring gear)	
	7028680	1	STARTER RING GEAR	

SECTION 4 - ENGINE AND ATTACHING PARTS

FIGURE 4-3. FUEL TANK AND LINES



PY3460

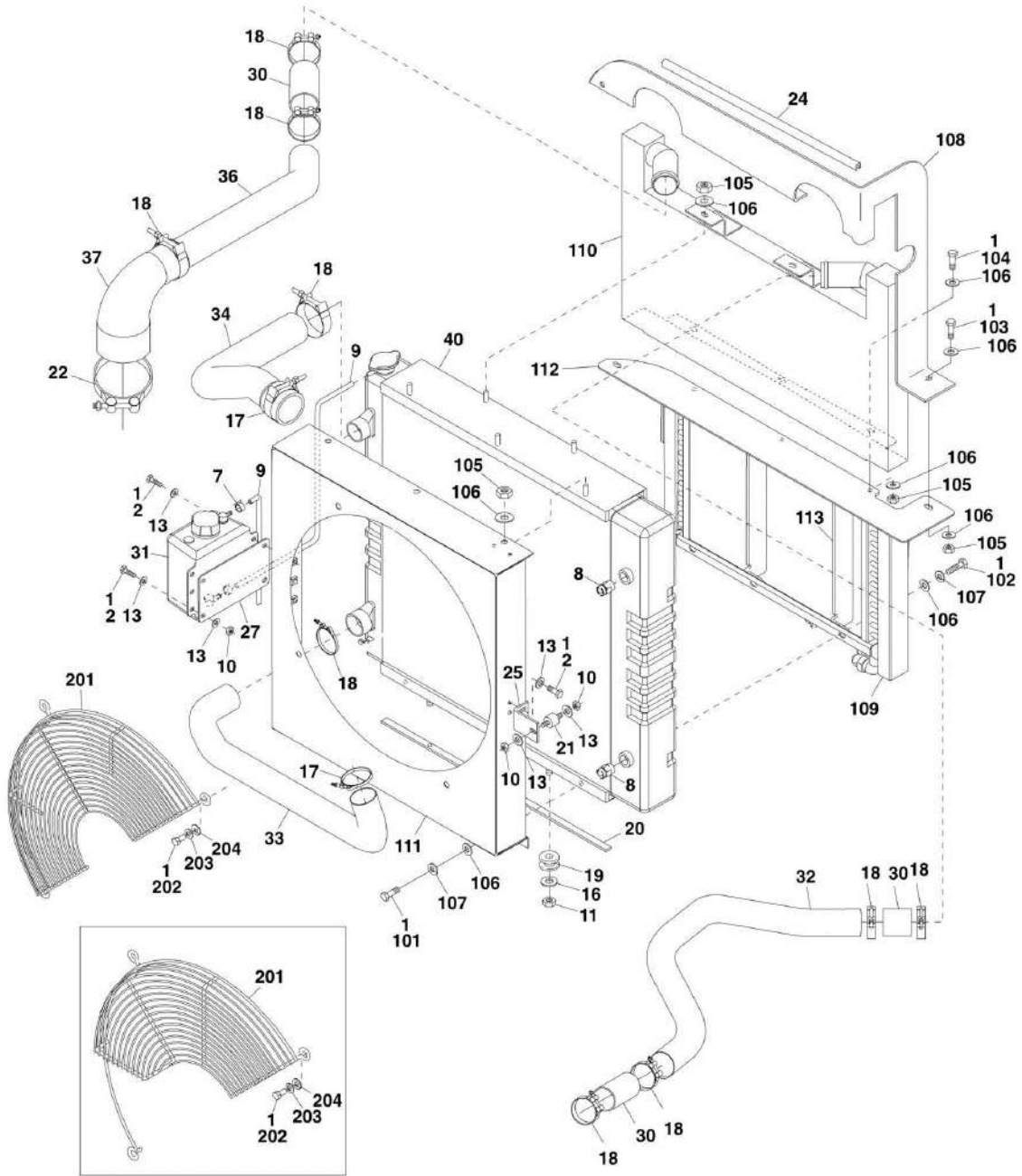
SECTION 4 - ENGINE AND ATTACHING PARTS

FIGURE 4-3. FUEL TANK AND LINES

ITEM	PART NUMBER	QTY	DESCRIPTION	REV
	1001098934	1	FUEL TANK ASSY, (includes items 1 thru 10)	B
1	1320022	1	BAND CLAMP	
2	1320030	1	HOSE CLAMP	
3	1671313	1	FUEL SENDER COVER	
4	2720058	122 in	FUEL LINE HOSE	
5	4400490	1	FUEL TANK, (includes items 101 & 102)	
6	4923452	1	FUEL SENDER HARNESS	
7	88302192	4	ROUND HD SLOTTED MACHINE SCREW, #10-32X7/16	
8	1001001892	122 in	FUEL LINE	
9	1001091893	1	HOSE BARB	
10	1001093388	1	FUEL LEVEL SENDER	
11	1001093641	1	FUEL TANK CAP, NON LOCKING, (optional)	
11	2902446	1	LOCKING FUEL TANK CAP, (not available to order, see following for service)	
11	0080272	1	FILLER NECK ADAPTOR	
11	1120591	1	CAP	
11	3900140	2	SET SCREW, 1/4-20X3/8	
11	14404978	AR	LOCTITE #641	
11	8342813	1	KEY	
11	1001102657	1	LOCKING FUEL TANK CAP, (optional)	
11	1001001422	1	FILLER NECK ADAPTOR	
11	1001080707	1	CAP	
11	0100093	AR	LOCTITE #30512	
101	88711283	1	HEX SOCKET PIPE PLUG, 1/2	
102	1001113251	1	ELBOW, 90	
103	8420231	1	FITTING, HOSE BARB	
207	0641608	3	HEX HD CAPSCREW, 3/8-16X1, GR5	
213	4711600	3	FLAT WASHER, 3/8	
266	91401198	1	FUEL TANK HOLD DOWN	
		Ref	NOTE: ITEM NUMBERS NOT LISTED ARE NOT USED ON THIS FIGURE.	

SECTION 4 - ENGINE AND ATTACHING PARTS

FIGURE 4-4. RADIATOR ASSEMBLY



ART_31200454-4-4

SECTION 4 - ENGINE AND ATTACHING PARTS

FIGURE 4-4. RADIATOR ASSEMBLY

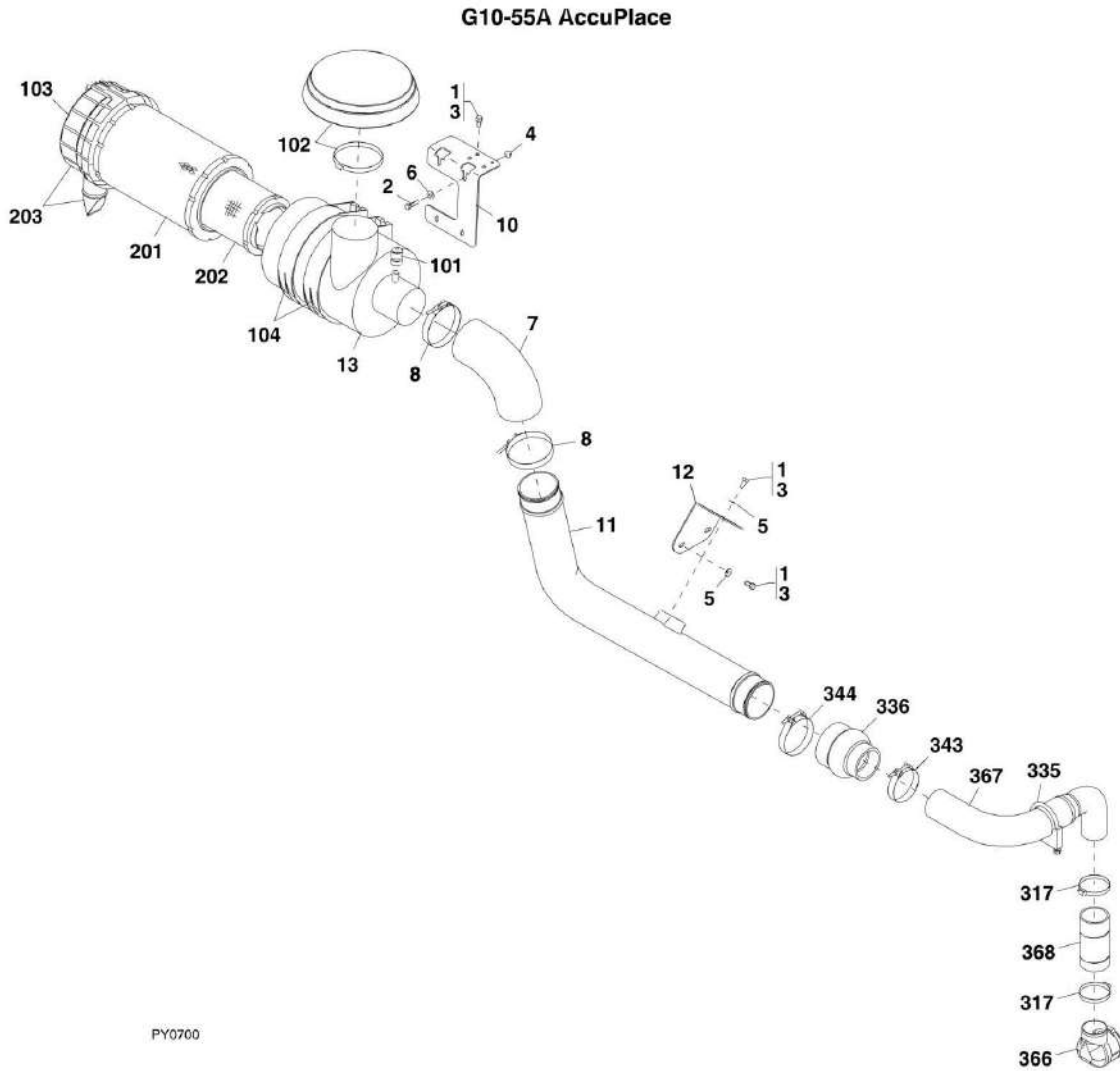
ITEM	PART NUMBER	QTY	DESCRIPTION	REV
	1001098204	1	RADIATOR ASSY, (includes items 1 thru 40)	C
1	0100011	AR	LOCTITE, #242	
2	0641506	6	HEX HD CAP SCREW, 5/16-18X3/4, GR5	
7	1320022	3	CLAMP, 7/32-5/8	
8	2111210	2	FITTING	
9	2720058	AR	HOSE, 5/16	
10	3311505	4	HEX LOCK NUT, 5/16-18, GR2	
11	3311605	2	HEX LOCK NUT, 3/8-16, GR2	
13	4751500	10	WASHER, 5/16	
16	7057141	2	FLAT WASHER	
17	80383134	2	BAND CLAMP	
18	80933070	9	BAND CLAMP	
19	83683308	2	MOUNTING PAD	
20	90200755	AR	GASKA-TAPE	
21	91033137	1	SHOCK MOUNT	
22	91163129	1	BAND CLAMP	
24	91513197	AR	SEAL	
25	91561136	1	FAN SHROUD MOUNT PLATE	
27	91561236	1	TANK SUPPORT PLATE	
30	91563070	3	COUPLING, 2IN	
31	1001001413	1	COOLANT RECOVERY TANK	F
32	1001001902	1	RIGHT COOLING TUBE	
33	1001001905	1	LOWER RADIATOR HOSE	
34	1001001908	1	UPPER RADIATOR HOSE	
36	1001100663	1	AIR CHARGE PIPE	
37	1001100664	1	90, ADAPTER HOSE	
40	1001102077	1	RADIATOR ASSY, (includes items 101 thru 113)	A
101	0641604	3	HEX HD CAPSCREW, 3/8-16x1/2	
102	0641606	2	HEX HD CAPSCREW, 3/8-16X3/4	
103	0641608	2	HEX HD CAPSCREW, 3/8-16X1	
104	0641610	2	HEX HD CAPSCREW, 3/8-16X1 1/4	
105	3311605	9	HEX LOCKNUT, 3/8-16, GR2	
106	4711600	18	WASHER, 3/8	
107	4761600	5	LOCKWASHER, 3/8	
108	91561148	1	HOOD SEAL BAFFLE	
109	91563039	1	RADIATOR	
109	7026442	1	RADIATOR CAP, 10PSI	
109	Bulk	24 in	OVERFLOW HOSE	
109	84521056	1	DRAIN COCK	
110	91563040	1	CHARGE AIR COOLER	
111	1001001913	1	SHROUD ASSY	
112	1001098205	1	RADIATOR BRACKET	
113	1001098282	2	COOLER SUPPORT	
	1001102649	Ref	FAN GUARD INSTALL, (non A/C), (not available to order, see items 201 thru 204 for service)	A
	1001102654	Ref	FAN GUARD INSTALL, (A/C), (not available to order, see items 201 thru 204 for service)	A
201	91473108	1	FAN GUARD, (non A/C)	
201	91513215	1	FAN GUARD, (A/C)	
202	0641607	3	HEX HD CAPSCREW, 3/8-16X7/8, GR5	

SECTION 4 - ENGINE AND ATTACHING PARTS

ITEM	PART NUMBER	QTY	DESCRIPTION	REV
203	4751600	3	WASHER, 3/8	
204	4761600	3	LOCKWASHER, 3/8	
		Ref	NOTE: ITEM NUMBERS NOT LISTED ARE NOT USED ON THIS FIGURE	

SECTION 4 - ENGINE AND ATTACHING PARTS

FIGURE 4-5. AIR CLEANER INSTALLATION - G10-55A ACCUPLACE



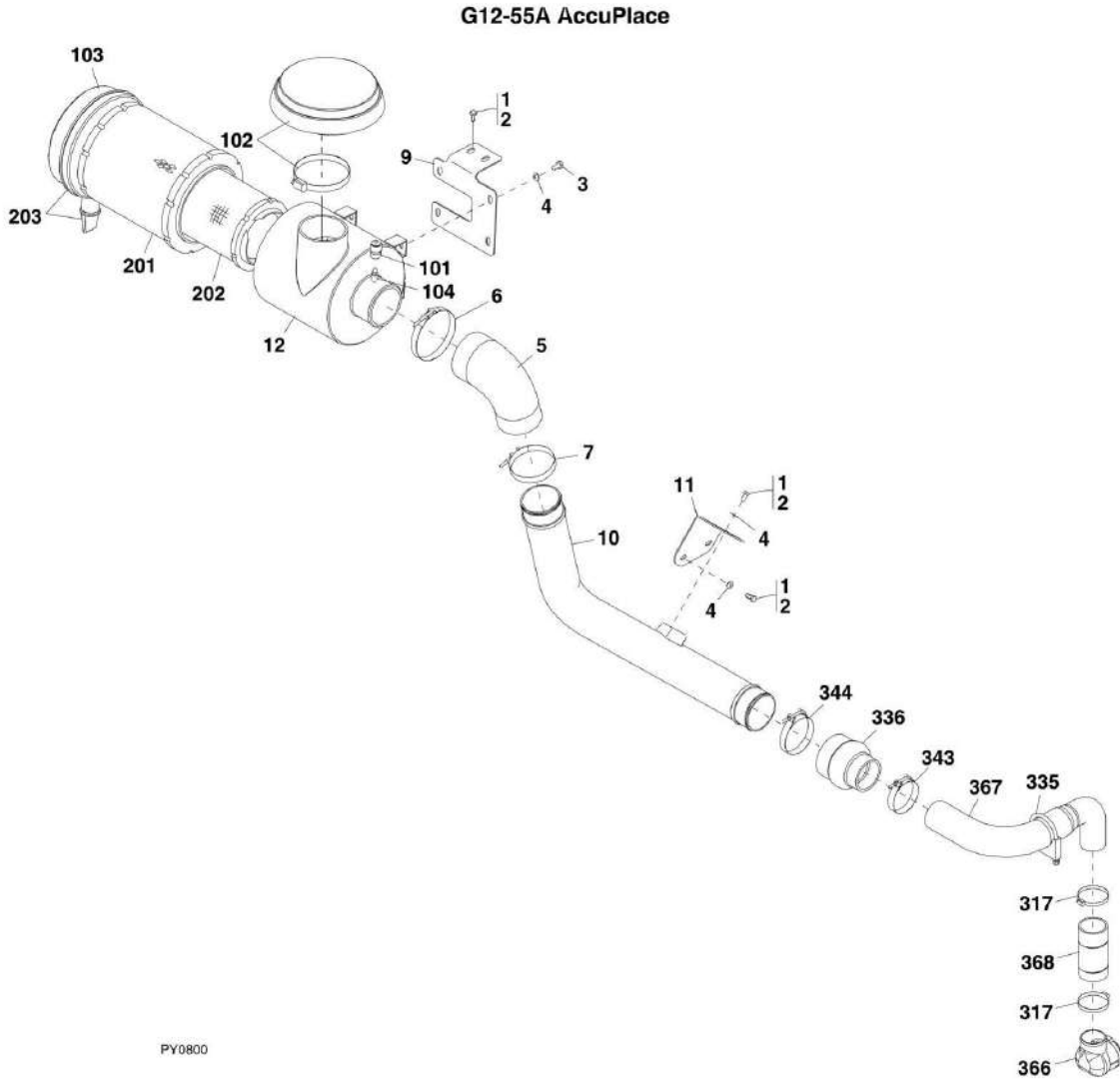
SECTION 4 - ENGINE AND ATTACHING PARTS

FIGURE 4-5. AIR CLEANER INSTALLATION - G10-55A ACCUPLACE

ITEM	PART NUMBER	QTY	DESCRIPTION	REV
	91575012	1	9IN AIR CLEANER INSTALLATION, (not available to order, see items 1 thru 13 for service)	E
1	0100011	AR	LOCTITE, #242, (apply to item 3)	
2	0641510	4	HEX HD CAPSCREW, 5/16-18X1-1/4	
3	0641606	6	HEX HD CAPSCREW, 3/8-18X3/4	
4	3311508	4	HEX NUT, 5/16-18	
5	4711600	4	NARROW WASHER, 3/8	
6	4751500	4	WIDE WASHER, 5/16	
7	09523572	1	AIR INTAKE ELBOW, 90	
8	77383790	2	BAND CLAMP, (torque to 30 in-lb)	
10	91561146	1	AIR CLEANER SUPPORT BRACKET	
11	91563079	1	AIR INTAKE TUBE	
12	91563163	1	AIR INTAKE BRACKET	
13	91575013	1	9IN AIR CLEANER ASSY, (includes items 101 thru 104)	
101	77383154	1	SERVICE INDICATOR	
102	8273257	1	AIR INLET HOOD, (includes clamp)	
103	8273029	1	9IN AIR CLEANER, (includes items 201 thru 204)	
104	10268516	2	MOUNTING BAND	
201	1101312	1	PRIMARY ELEMENT, (outer)	
202	1101313	1	SAFETY ELEMENT, (inner)	
203	91364023	1	COVER ASSY	
317	86883327	2	GEAR CLAMP, 3.25 DIA	
335	24921332	1	CLAMP	
336	04100665	1	HUMP HOSE	
343	91163129	1	BAND CLAMP	
344	77383790	1	BAND CLAMP	
366	1001001926	1	AIR INTAKE ELBOW, 90	
367	1001001929	1	AIR INTAKE TUBE	
368	1001001939	1	FLEX HOSE	
		Ref	NOTE: ITEM NUMBERS NOT LISTED ARE NOT USED ON THIS FIGURE	

SECTION 4 - ENGINE AND ATTACHING PARTS

FIGURE 4-6. AIR CLEANER INSTALLATION - G12-55A ACCUPLACE



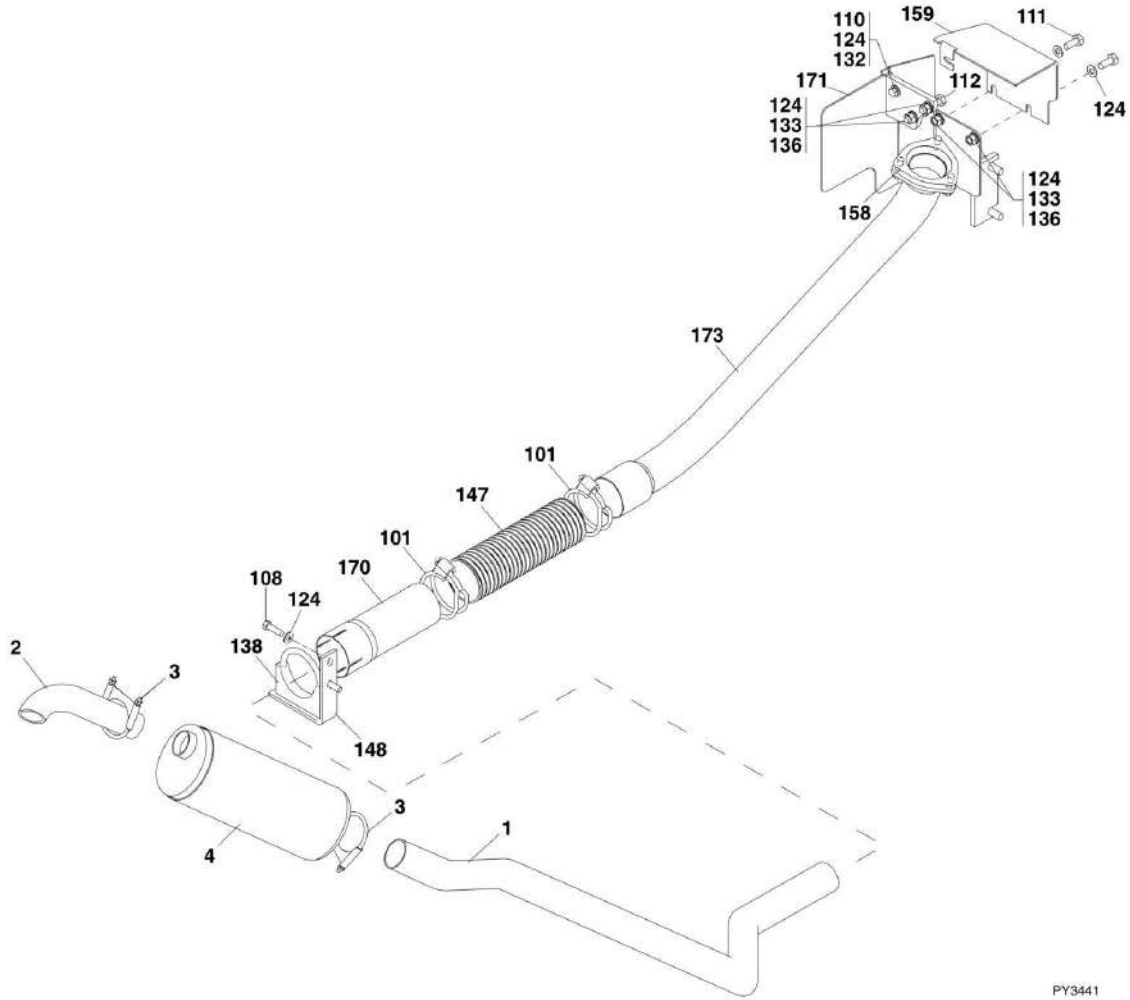
SECTION 4 - ENGINE AND ATTACHING PARTS

FIGURE 4-6. AIR CLEANER INSTALLATION - G12-55A ACCUPLACE

ITEM	PART NUMBER	QTY	DESCRIPTION	REV
	91565018	1	11IN AIR CLEANER INSTALLATION, (not available to order, see items 1 thru 12 for service)	
1	0100011	AR	LOCTITE, #242, (apply to item 3)	
2	0641606	6	HEX HD CAPSCREW, 3/8-16X3/4	
3	0700808	4	HEX HD CAPSCREW, M8X16	
4	4711600	8	NARROW WASHER, 3/8	
5	77173014	1	REDUCER ELBOW, 90	
6	77383791	1	BAND CLAMP, (torque to 30 in-lb)	
7	77383790	1	BAND CLAMP, (torque to 30 in-lb)	
9	91561146	1	AIR CLEANER BRACKET	
10	91563079	1	AIR INTAKE TUBE	
11	91563163	1	AIR INTAKE BRACKET	
12	91563131	1	11IN AIR CLEANER ASSY, (includes items 101 thru 104)	
101	91563126	1	11IN AIR CLEANER, (includes items 201 thru 203)	
102	77383154	1	SERVICE INDICATOR	
103	10717936	1	AIR INLET HOOD	
104	2180537	1	NIPPLE FITTING	
201	7026573	1	PRIMARY ELEMENT, (outer)	
202	7026572	1	SAFETY ELEMENT, (inner)	
203	70023195	1	COVER	
203	8273291	1	VACUATOR	
317	86883327	2	GEAR CLAMP, 3.25 DIA	
335	24921332	1	CLAMP	
336	04100665	1	HUMP HOSE	
343	91163129	1	BAND CLAMP	
344	77383790	1	BAND CLAMP	
366	1001001926	1	AIR INTAKE ELBOW, 90	
367	1001001929	1	AIR INTAKE TUBE	
368	1001001939	1	FLEX HOSE	
		Ref	NOTE: ITEM NUMBERS NOT LISTED ARE NOT USED ON THIS FIGURE	

SECTION 4 - ENGINE AND ATTACHING PARTS

FIGURE 4-7. EXHAUST INSTALLATION



PY3441

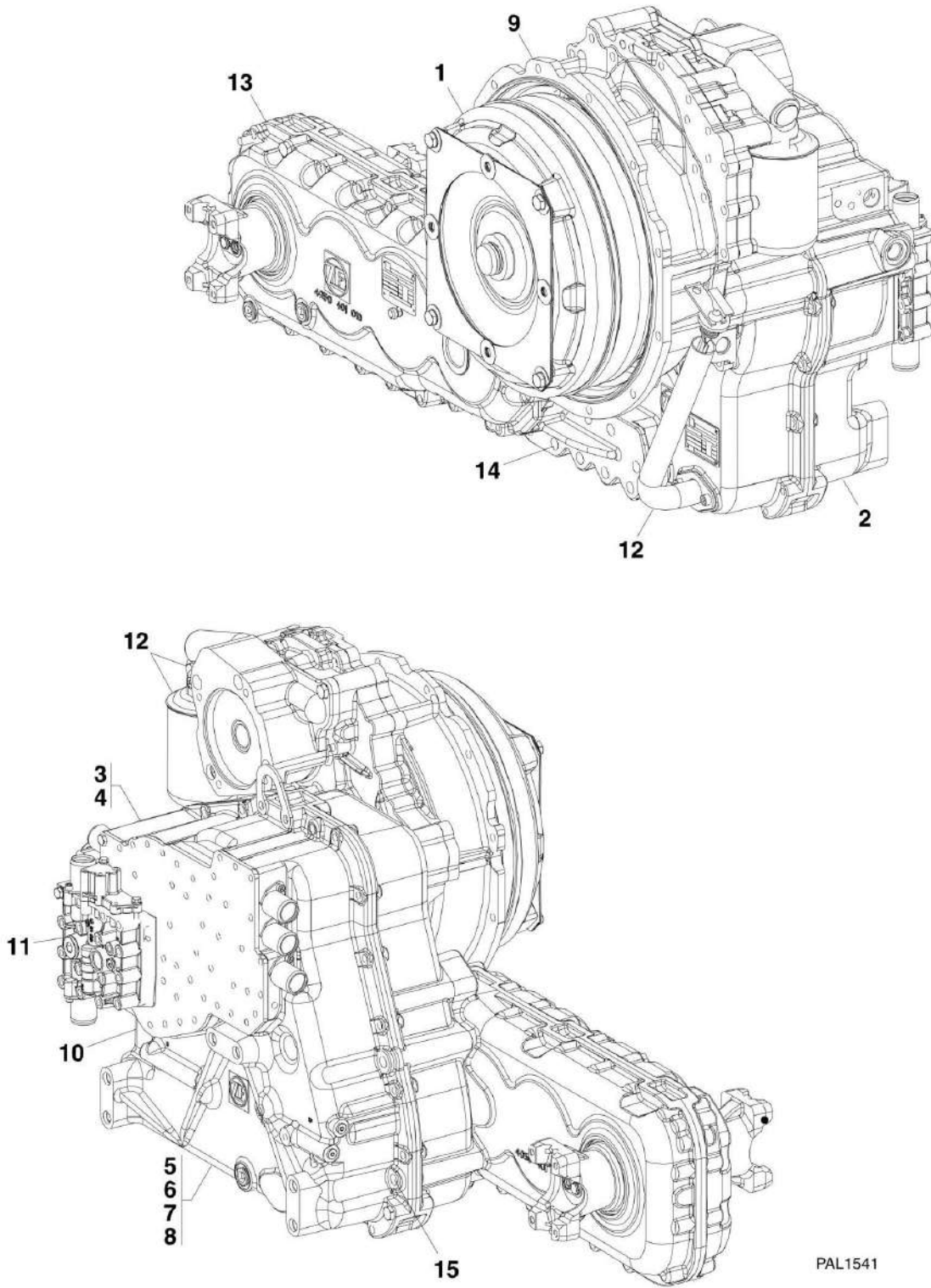
SECTION 4 - ENGINE AND ATTACHING PARTS

FIGURE 4-7. EXHAUST INSTALLATION

ITEM	PART NUMBER	QTY	DESCRIPTION	REV
	91565062	1	MUFFLER INSTALLATION, (not available to order, see items 1 thru 4 for service)	B
1	91563116	1	EXHAUST MUFFLER TUBE	
2	91403489	1	TAILPIPE	
3	24921332	2	EXHAUST CLAMP	
4	91163035	1	MUFFLER	
101	91563116	1	EXHAUST MUFFLER TUBE	
108	0641610	2	HEX HD CAPSCREW, 3/8-16X1 1/4, GR5	
110	0760810	1	HEX HD CAPSCREW, M8X20, GR8.8	
111	0761012	4	HEX HD CAPSCREW, M10X25, GR8.8	
112	0761016	2	HEX HD CAPSCREW, M10X40, GR8.8	
124	4711600	15	WASHER, 3/8	
132	4831900	1	LOCKWASHER, 8MM	
133	4832000	6	LOCKWASHER, 10MM	
136	8305038	4	HEX NUT, M10X1.5	
138	24921332	1	EXHAUST CLAMP	
147	91473119	1	FLEX TUBE	
148	91563089	1	EXHAUST MOUNT BRACKET	
158	1001101831	1	EXHAUST JOINT	
159	1001092430	1	EXHAUST HEAT SHIELD	
170	1001092434	1	LOWER EXHAUST TUBE	
171	1001103059	1	MAIN EXHAUST HEAT SHIELD	
173	1001104096	1	TURBO EXHAUST PIPE	
		Ref	NOTE: ITEM NUMBERS NOT LISTED ARE NOT USED ON THIS FIGURE	

SECTION 4 - ENGINE AND ATTACHING PARTS

FIGURE 4-8. ZF TRANSMISSION



PAL1541

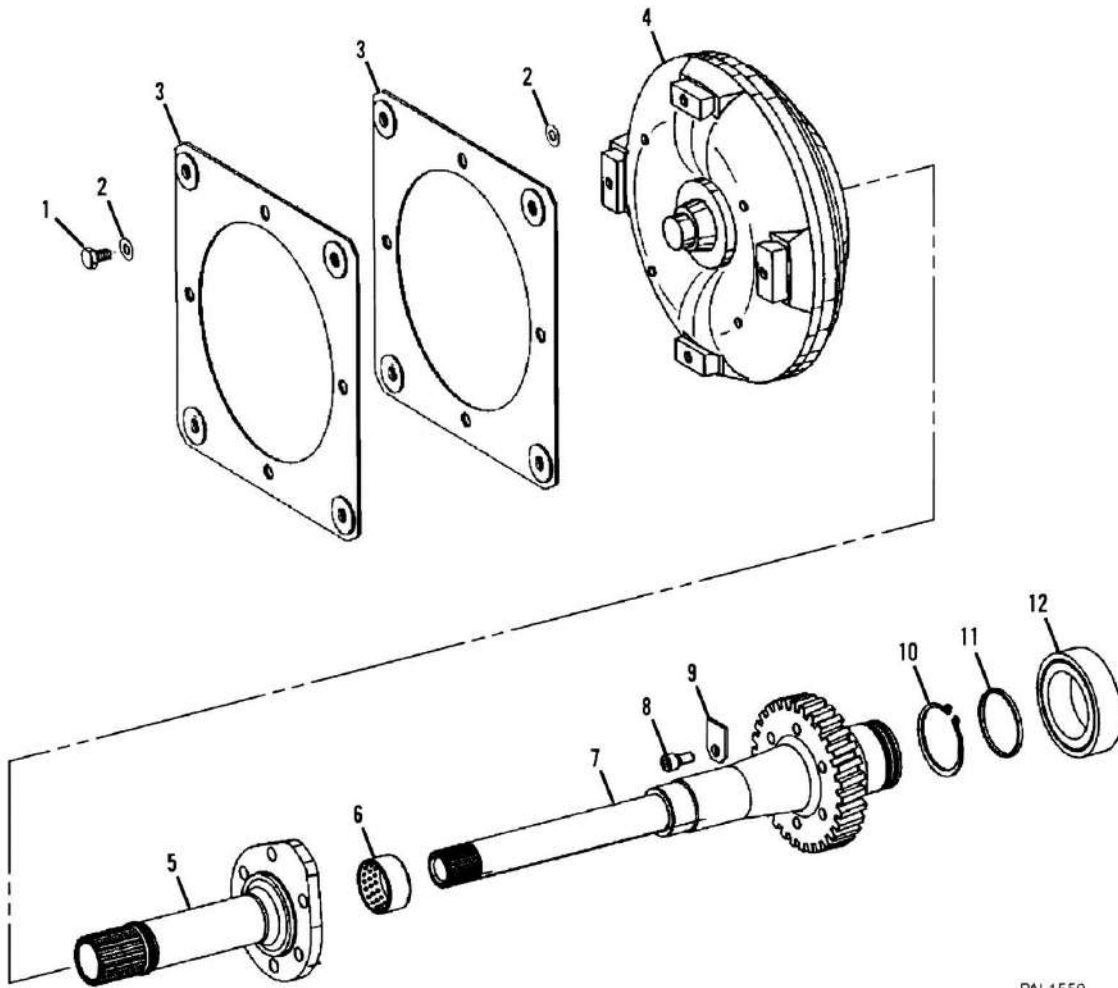
SECTION 4 - ENGINE AND ATTACHING PARTS

FIGURE 4-8. ZF TRANSMISSION

ITEM	PART NUMBER	QTY	DESCRIPTION	REV
1	91563008	1	ZF TRANSMISSION ASSEMBLY, (includes all items)	
	7026797	1	SEAL KIT, (includes all seals required for rebuild)	
		Ref	TORQUE CONVERTER AND INPUT, (see ZF TRANSMISSION ASSEMBLY - TORQUE CONVERTER AND INPUT GROUP for Breakdown)	
2		Ref	GEARBOX HOUSING, (See ZF TRANSMISSION ASSEMBLY - GEARBOX HOUSING GROUP for Breakdown)	
3		Ref	FORWARD GEAR GROUP, (See ZF TRANSMISSION ASSEMBLY - FORWARD GEAR GROUP for Breakdown)	
4		Ref	REVERSE GEAR GROUP, (See ZF TRANSMISSION ASSEMBLY - REVERSE GEAR GROUP for Breakdown)	
5		Ref	1ST SHAFT GROUP, (See ZF TRANSMISSION ASSEMBLY - 1ST SHAFT GROUP for Breakdown)	
6		Ref	2ND SHAFT GROUP, (See ZF TRANSMISSION ASSEMBLY - 2ND SHAFT GROUP for Breakdown)	
7		Ref	3RD SHAFT GROUP, (See ZF TRANSMISSION ASSEMBLY - 3RD SHAFT GROUP for Breakdown)	
8		Ref	4TH SHAFT GROUP, (See ZF TRANSMISSION ASSEMBLY - 4TH SHAFT GROUP for Breakdown)	
9		Ref	POWER TAKE-OFF, (See ZF TRANSMISSION ASSEMBLY - POWER TAKE-OFF GROUP for Breakdown)	
10		Ref	CONTROL UNIT AND PRESSURE REGULATOR, (See ZF TRANSMISSION ASSEMBLY - CONTROL UNIT AND PRESSURE REGULATOR GROUP for Breakdown)	
11		Ref	GEARSHIFT SYSTEM, (See ZF TRANSMISSION ASSEMBLY - GEARSHIFT SYSTEM GROUP for Breakdown)	
12		Ref	OIL PUMP, FILTER AND DIPSTICK, (See ZF TRANSMISSION ASSEMBLY - OIL PUMP, FILTER AND DIPSTICK GROUP for Breakdown)	
13		Ref	TRANSFER BOX, (See ZF TRANSMISSION ASSEMBLY - TRANSFER BOX GROUP for Breakdown)	
14	7027254	12	HEX HD CAPSCREW, M14X55	
15	7027255	2	HEX HD CAPSCREW, M14X150	
16	1319571	1	PIN, (not shown)	

SECTION 4 - ENGINE AND ATTACHING PARTS

FIGURE 4-9. ZF TRANSMISSION ASSEMBLY - TORQUE CONVERTER AND INPUT GROUP



PAL1550

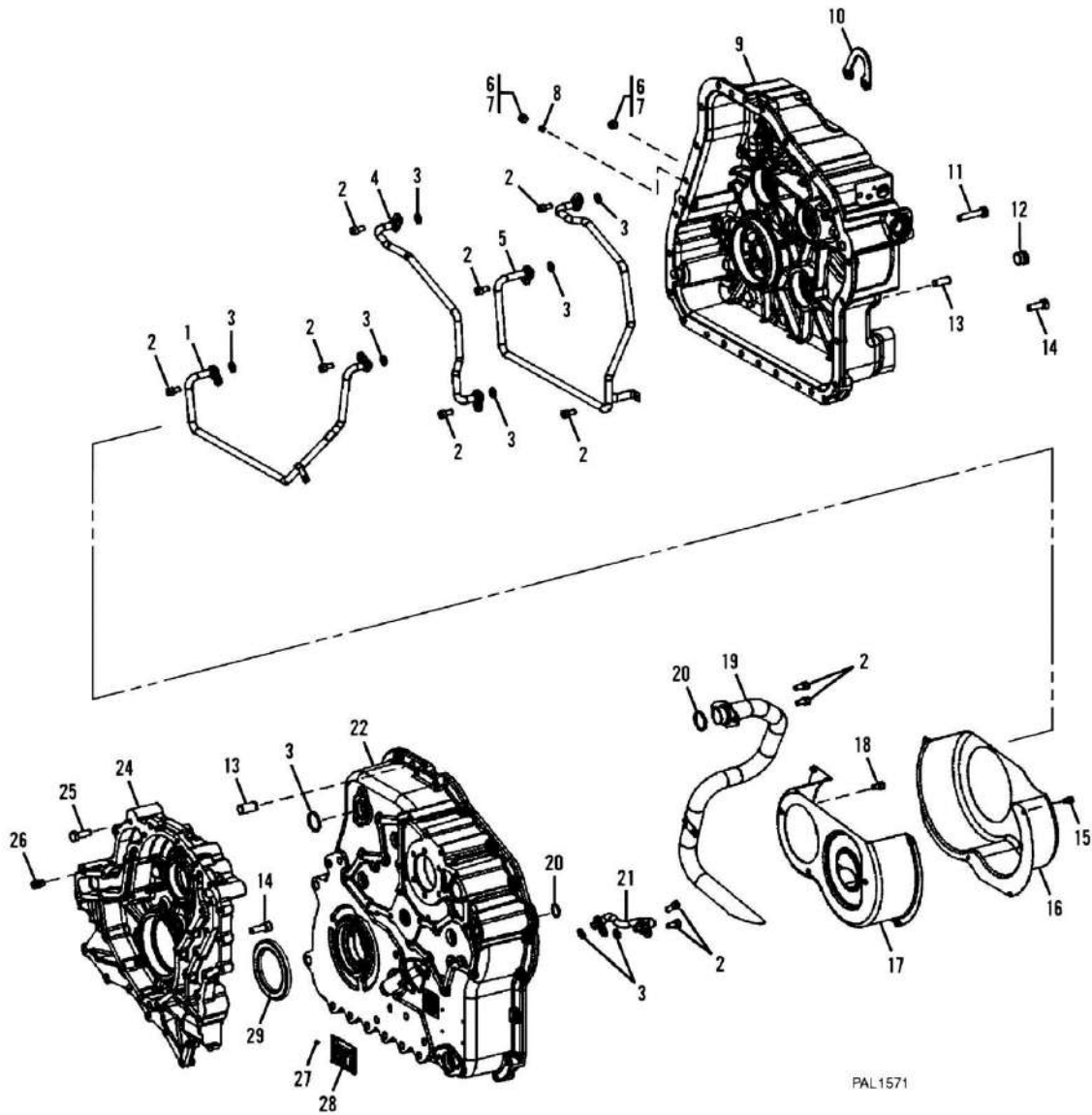
SECTION 4 - ENGINE AND ATTACHING PARTS

FIGURE 4-9. ZF TRANSMISSION ASSEMBLY - TORQUE CONVERTER AND INPUT GROUP

ITEM	PART NUMBER	QTY	DESCRIPTION	REV
		Ref	TRANSMISSION TORQUE CONVERTER AND INPUT GROUP, (not available to order, see items 1 thru 12 for service)	
1	7026744	4	HEX HD CAPSCREW, M10X16, GR8.8	
2	7026745	8	WASHER	
3	1319229	2	DIAPHRAGM	
4	7026746	1	CONVERTER	
5	7026748	1	STATOR SHAFT	
6	1319558	1	BEARING BUSHING	
7	7026747	1	TURBINE SHAFT	
8	1319585	2	CAPSCREW, M8X16, GR8.8	
9	N.S.S.	2	SHACKLE	
10	80304405	1	RETAINING RING	
11	7026749	1	PISTON RING	
12	1319563	1	BALL BEARING	

SECTION 4 - ENGINE AND ATTACHING PARTS

FIGURE 4-10. ZF TRANSMISSION ASSEMBLY - GEARBOX HOUSING GROUP



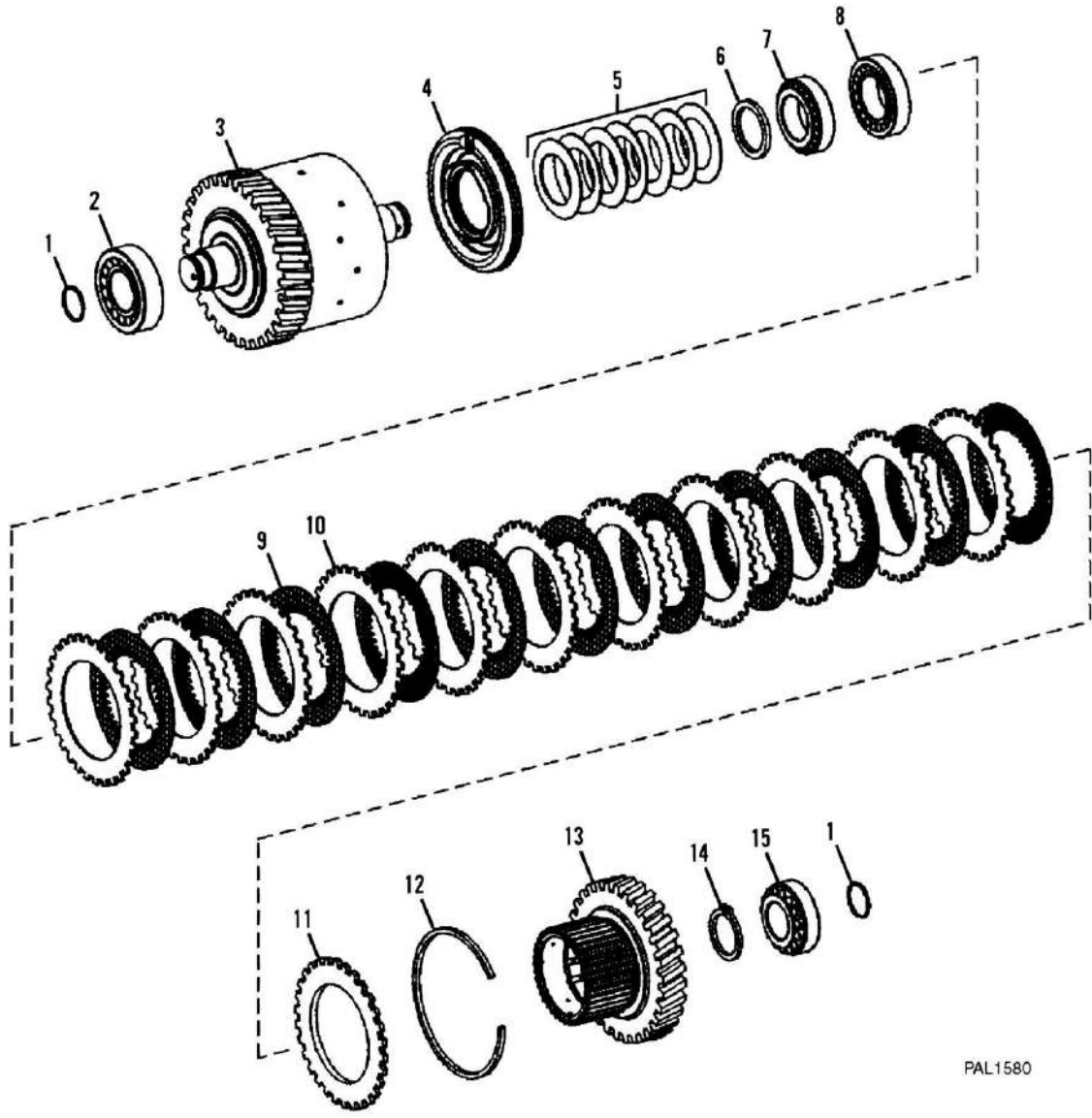
SECTION 4 - ENGINE AND ATTACHING PARTS

FIGURE 4-10. ZF TRANSMISSION ASSEMBLY - GEARBOX HOUSING GROUP

ITEM	PART NUMBER	QTY	DESCRIPTION	REV
		Ref	TRANSMISSION GEARBOX HOUSING GROUP, (not available to order, see items 1 thru 29 for service)	
1	7026751	1	PIPE	
2	1319585	11	HEX HD CAPSCREW, M8X16, GR8.8	
3	8036847	8	O-RING	
4	7026750	1	PIPE	
5	7026752	1	PIPE	
6	1319670	7	PLUG	
7	10731709	7	O-RING	
8	N.S.S.	1	ORIFICE	
9	N.S.S.	1	HOUSING	
10	1319590	1	BRACKET	
11	7026794	6	HEX HD CAPSCREW, M10X50, GR8.8	
12	1319578	1	PLUG	
13	1319571	4	PIN	
14	80304394	31	HEX HD CAPSCREW, M10X30, GR8.8	
15	1319646	5	HEX HD CAPSCREW	
16	7026756	1	SCREEN SHEET	
17	7026755	1	SCREEN SHEET	
18	N.S.S.	3	CAPSCREW, M8X12, GR8.8	
19	7026753	1	SUCTION TUBE	
20	1319581	2	O-RING	
21	7026754	1	PIPE	
22	N.S.S.	1	HOUSING	
24	70021920	1	HOUSING	
25	N.S.S.	6	CAPSCREW, M10X30,GR8.8	
26	10731744	1	BREATHER	
27	1319573	4	GROOVED STUD, 3X5	
28	N.S.S.	1	TYPE PLATE	
29	1319641	1	SHAFT SEAL	
		Ref	NOTE: ITEM NUMBERS NOT LISTED ARE NOT USED ON THIS FIGURE	

SECTION 4 - ENGINE AND ATTACHING PARTS

FIGURE 4-11. ZF TRANSMISSION ASSEMBLY - FORWARD GEAR GROUP



PAL1580

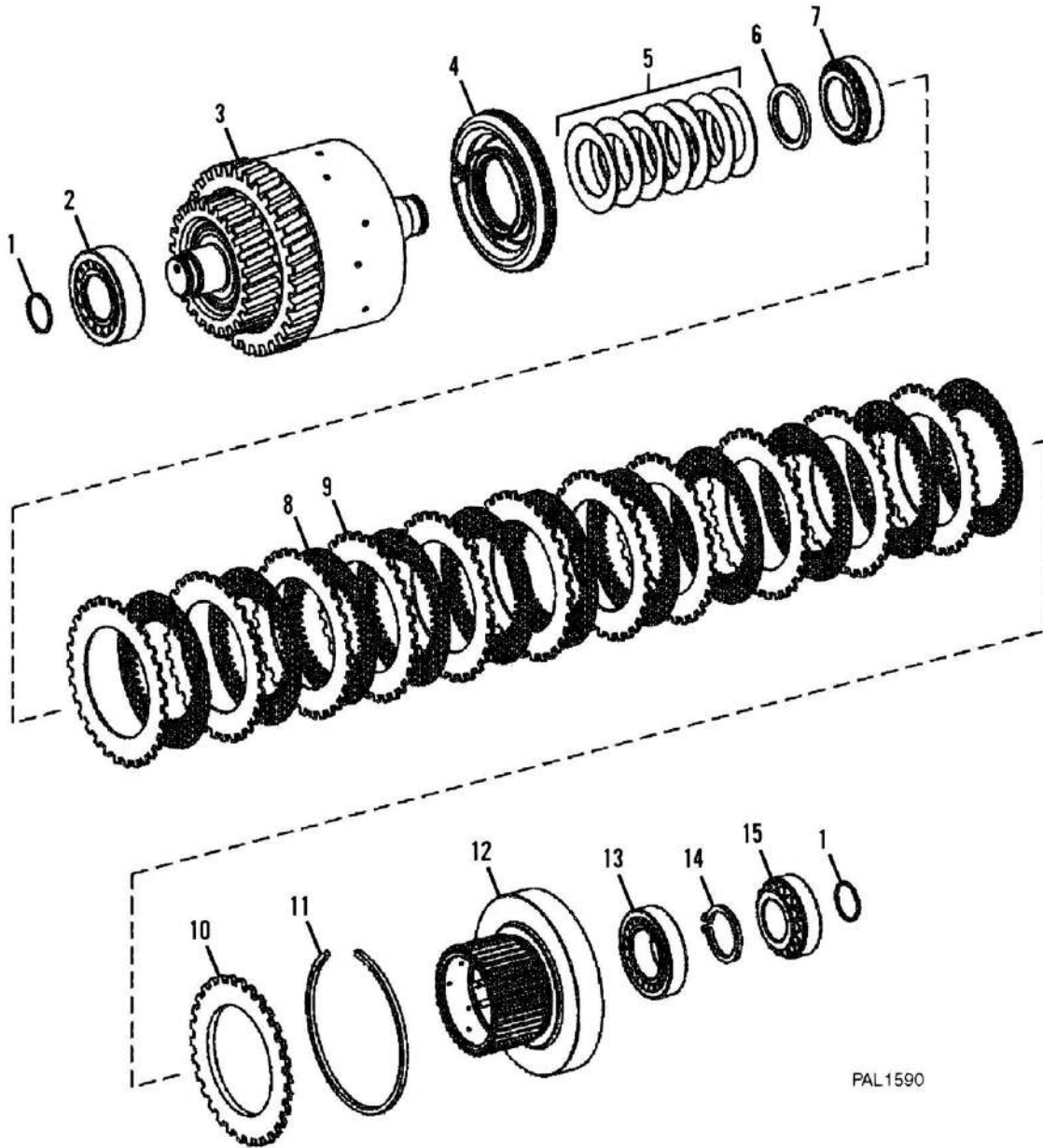
SECTION 4 - ENGINE AND ATTACHING PARTS

FIGURE 4-11. ZF TRANSMISSION ASSEMBLY - FORWARD GEAR GROUP

ITEM	PART NUMBER	QTY	DESCRIPTION	REV
		Ref	TRANSMISSION FORWARD GEAR GROUP, (not available to order, see items 1 thru 15 for service)	
1	7026761	2	PISTON RING	
2	1319615	1	ROLLER BEARING	
3	7026757	1	COUPLING	
4		Ref	PISTON, (rubber bonded piston no longer available, replace with the following three parts)	
4	70022075	1	PISTON, (die casted)	
4	1319593	1	O-RING	
4	1319594	1	O-RING	
5	1319595	7	CUP SPRING	
6	1319617	1	SUPPORT SHIM	
7	1319618	1	ROLLER BEARING	
8	1319620	1	ROLLER BEARING	
9	7026758	11	FRICTION DISC	
10	7026759	11	STATIC DISC	
11	7026760	1	END SHIM	
12	1319600	AR	SNAP RING, 4.0	
12	1319601	AR	SNAP RING, 3.5	
12	1319602	AR	SNAP RING, 3.0	
12	1319603	AR	SNAP RING, 2.5	
12	1319604	AR	SNAP RING, 2.0	
12	7029849	AR	SNAP RING, 3.25	
12	7029850	AR	SNAP RING, 3.75	
12	7029851	AR	SNAP RING, 2.25	
12	7029852	AR	SNAP RING, 2.75	
13	1319638	1	DISC CARRIER	
14	1319621	AR	RETAINING RING, 3.20	
14	1319622	AR	RETAINING RING, 3.10	
14	1319623	AR	RETAINING RING, 3.00	
14	1319624	AR	RETAINING RING, 2.90	
14	1319625	AR	RETAINING RING, 2.80	
14	1319626	AR	RETAINING RING, 2.70	
14	1319627	AR	RETAINING RING, 2.60	
14	1319628	AR	RETAINING RING, 2.50	
14	1319629	AR	RETAINING RING, 2.40	
14	1319630	AR	RETAINING RING, 2.30	
14	1319631	AR	RETAINING RING, 2.20	
14	1319632	AR	RETAINING RING, 2.10	
15	1319636	1	ROLLER BEARING	

SECTION 4 - ENGINE AND ATTACHING PARTS

FIGURE 4-12. ZF TRANSMISSION ASSEMBLY - REVERSE GEAR GROUP



PAL1590

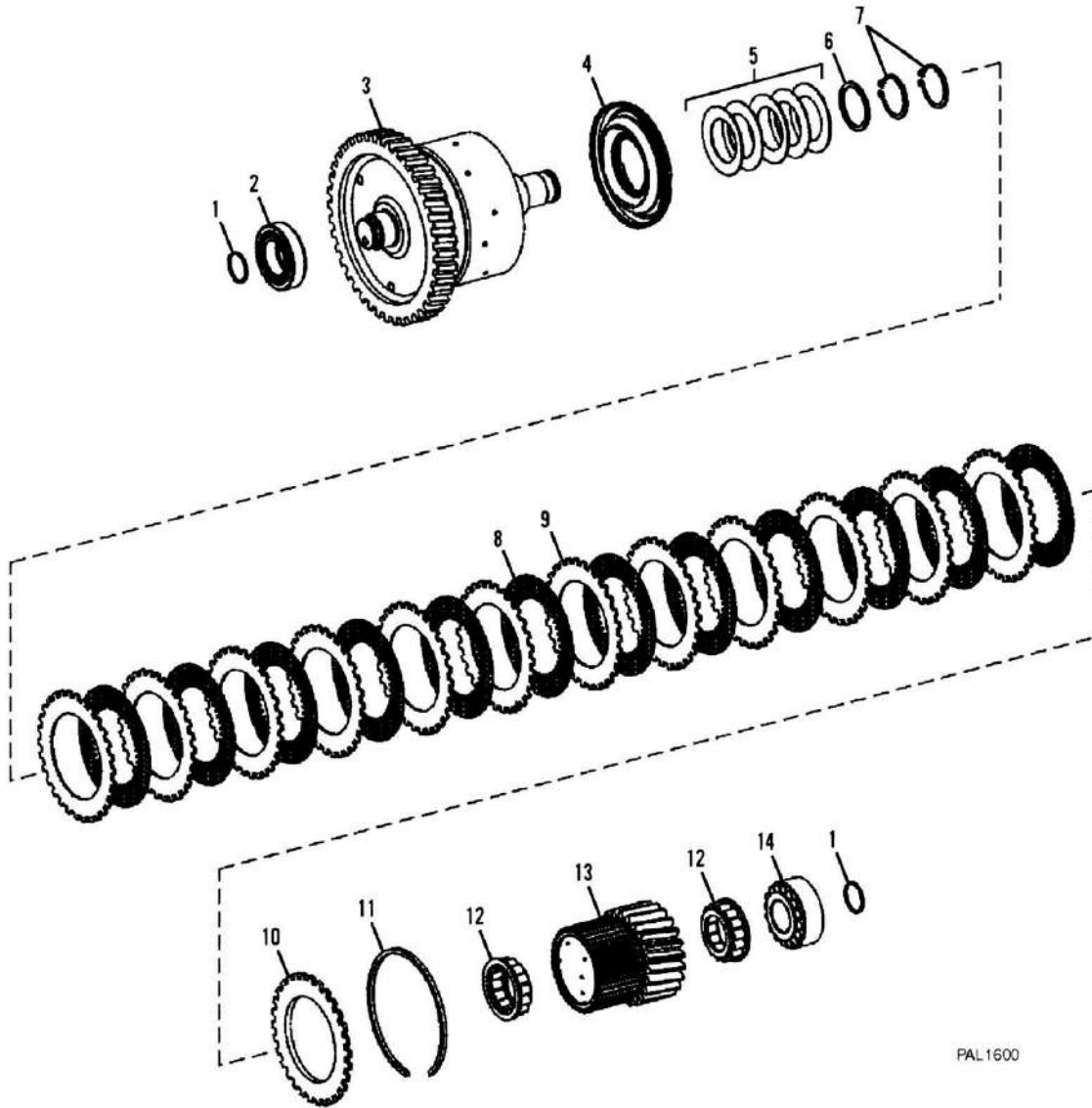
SECTION 4 - ENGINE AND ATTACHING PARTS

FIGURE 4-12. ZF TRANSMISSION ASSEMBLY - REVERSE GEAR GROUP

ITEM	PART NUMBER	QTY	DESCRIPTION	REV
		Ref	TRANSMISSION REVERSE GEAR GROUP, (not available to order, see items 1 thru 15 for service)	
1	7026761	2	PISTON RING	
2	1319615	1	ROLLER BEARING	
3	7026762	1	COUPLING	
4		Ref	PISTON, (rubber bonded piston no longer available, replace with the following three parts)	
4	70022075	1	PISTON, (die casted)	
4	1319593	1	O-RING	
4	1319594	1	O-RING	
5	1319595	7	CUP SPRING	
6	1319617	1	SUPPORT SHIM	
7	1319618	1	ROLLER BEARING	
8	7026758	11	FRICTION DISC	
9	7026759	11	STATIC DISC	
10	7026760	1	END SHIM	
11	1319600	AR	SNAP RING, 4.0	
11	1319601	AR	SNAP RING, 3.5	
11	1319602	AR	SNAP RING, 3.0	
11	1319603	AR	SNAP RING, 2.5	
11	1319604	AR	SNAP RING, 2.0	
11	7029849	AR	SNAP RING, 3.25	
11	7029850	AR	SNAP RING, 3.75	
11	7029851	AR	SNAP RING, 2.25	
11	7029852	AR	SNAP RING, 2.75	
12	1319638	1	DISC CARRIER	
13	1319620	1	ROLLER BEARING	
14	1319621	AR	RETAINING RING, 3.20	
14	1319622	AR	RETAINING RING, 3.10	
14	1319623	AR	RETAINING RING, 3.00	
14	1319624	AR	RETAINING RING, 2.90	
14	1319625	AR	RETAINING RING, 2.80	
14	1319626	AR	RETAINING RING, 2.70	
14	1319627	AR	RETAINING RING, 2.60	
14	1319628	AR	RETAINING RING, 2.50	
14	1319629	AR	RETAINING RING, 2.40	
14	1319630	AR	RETAINING RING, 2.30	
14	1319631	AR	RETAINING RING, 2.20	
14	1319632	AR	RETAINING RING, 2.10	
15	1319636	1	ROLLER BEARING	

SECTION 4 - ENGINE AND ATTACHING PARTS

FIGURE 4-13. ZF TRANSMISSION ASSEMBLY - 1ST SHAFT GROUP



PAL1600

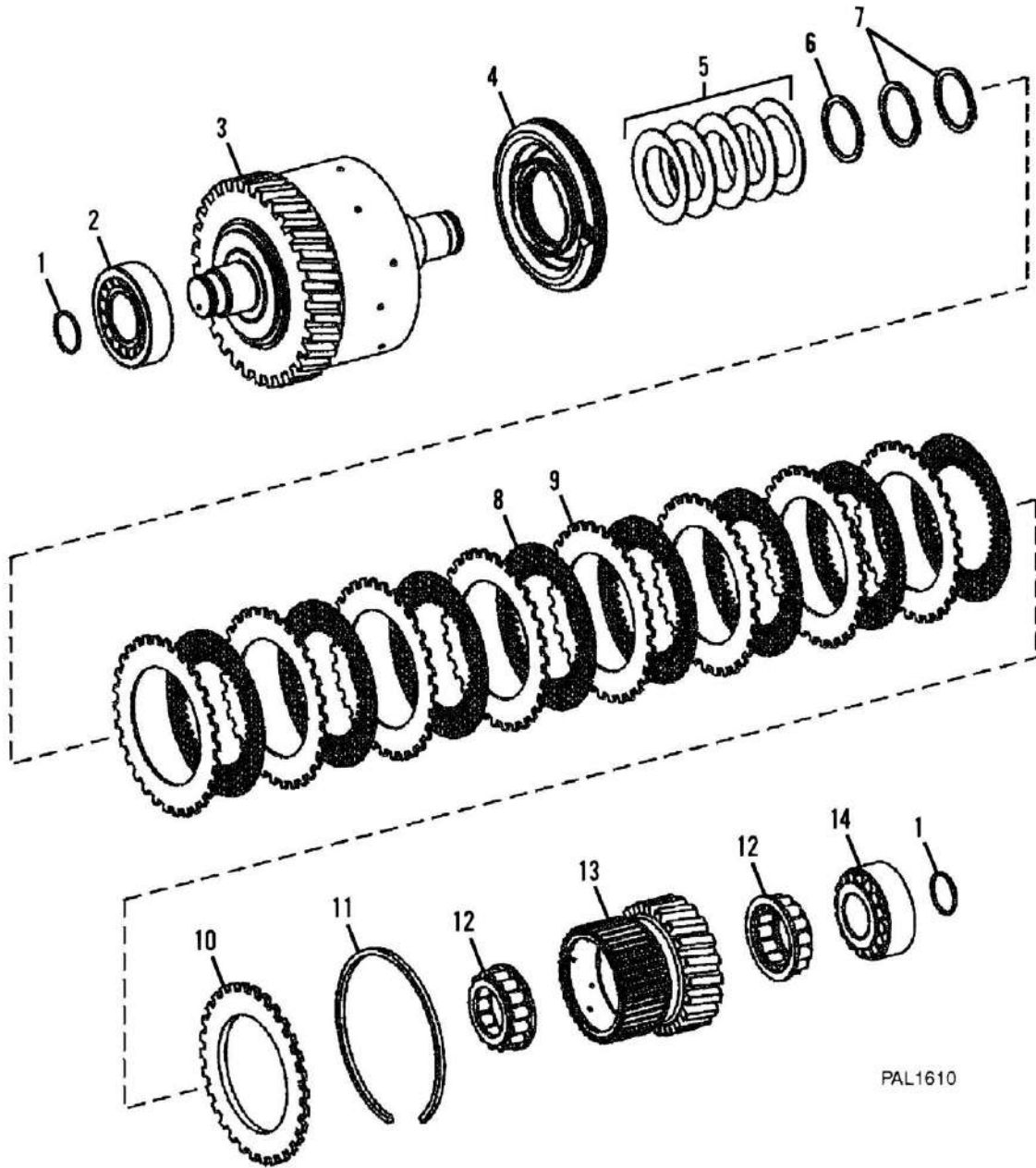
SECTION 4 - ENGINE AND ATTACHING PARTS

FIGURE 4-13. ZF TRANSMISSION ASSEMBLY - 1ST SHAFT GROUP

ITEM	PART NUMBER	QTY	DESCRIPTION	REV
		Ref	TRANSMISSION 1st SHAFT GROUP, (not available to order, see items 1 thru 14)	
1	7026761	2	PISTON RING	
2	1319608	1	ROLLER BEARING	
3	1319591	1	COUPLING	
4		Ref	PISTON, (rubber bonded piston no longer available, replace with the following three parts)	
4	70022075	1	PISTON, (die casted)	
4	1319593	1	O-RING	
4	1319594	1	O-RING	
5	1319595	5	CUP SPRING	
6	1319596	1	SHIM	
7	10731845	2	RETAINING RING	
8	7026758	12	FRICTION DISC	
9	7026759	12	STATIC DISC	
10	7026760	1	END SHIM	
11	1319600	AR	SNAP RING, 4.0	
11	1319601	AR	SNAP RING, 3.5	
11	1319602	AR	SNAP RING, 3.0	
11	1319603	AR	SNAP RING, 2.5	
11	1319604	AR	SNAP RING, 2.0	
11	7029849	AR	SNAP RING, 3.25	
11	7029850	AR	SNAP RING, 3.75	
11	7029851	AR	SNAP RING, 2.25	
11	7029852	AR	SNAP RING, 2.75	
12	1319606	2	ROLLER CAGE	
13	1319607	1	DISC CARRIER	
14	7029532	1	ROLLER BEARING, (inner ring)	
14	7029533	1	ROLLER BEARING, (outer ring)	

SECTION 4 - ENGINE AND ATTACHING PARTS

FIGURE 4-14. ZF TRANSMISSION ASSEMBLY - 2ND SHAFT GROUP



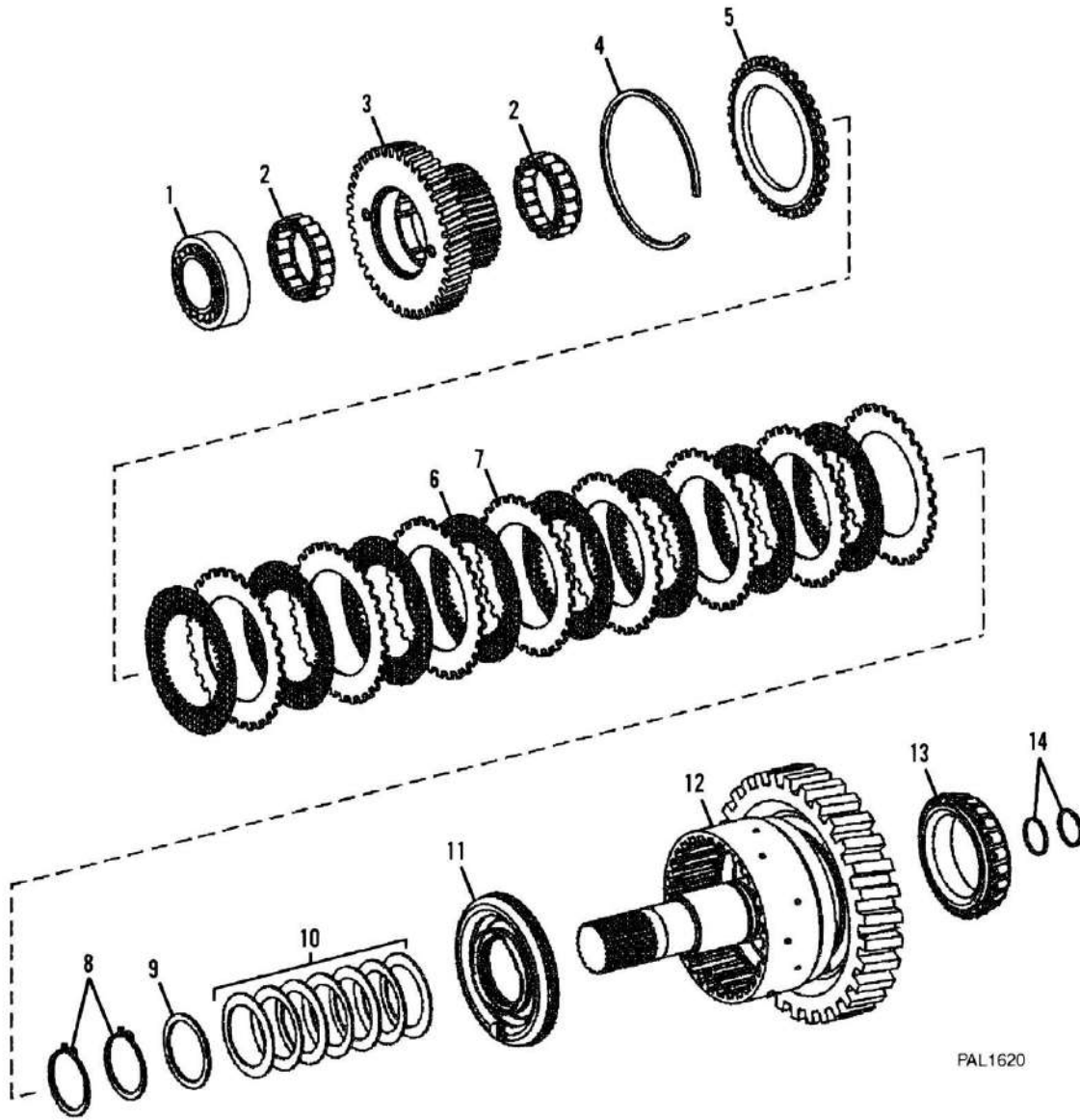
SECTION 4 - ENGINE AND ATTACHING PARTS

FIGURE 4-14. ZF TRANSMISSION ASSEMBLY - 2ND SHAFT GROUP

ITEM	PART NUMBER	QTY	DESCRIPTION	REV
		Ref	TRANSMISSION 2nd SHAFT GROUP, (not available to order, see items 1 thru 14 for service)	
1	7026761	2	PISTON RING	
2	1319615	1	ROLLER BEARING	
3	7026763	1	COUPLING	
4		Ref	PISTON, (rubber bonded piston no longer available, replace with the following three parts)	
4	70022075	1	PISTON, (die casted)	
4	1319593	1	O-RING	
4	1319594	1	O-RING	
5	1319595	5	CUP SPRING	
6	1319596	1	SHIM	
7	10731845	2	RETAINING RING	
8	7026758	8	FRICTION DISC	
9	7026759	8	STATIC DISC	
10	7026760	1	END SHIM	
11	1319600	AR	SNAP RING, 4.0	
11	1319601	AR	SNAP RING, 3.5	
11	1319602	AR	SNAP RING, 3.0	
11	1319603	AR	SNAP RING, 2.5	
11	1319604	AR	SNAP RING, 2.0	
11	7029849	AR	SNAP RING, 3.25	
11	7029850	AR	SNAP RING, 3.75	
11	7029851	AR	SNAP RING, 2.25	
11	7029852	AR	SNAP RING, 2.75	
12	1319606	2	ROLLER CAGE	
13	1319614	1	DISC CARRIER	
14	7029532	1	ROLLER BEARING, (inner ring)	
14	7029533	1	ROLLER BEARING, (outer ring)	

SECTION 4 - ENGINE AND ATTACHING PARTS

FIGURE 4-15. ZF TRANSMISSION ASSEMBLY - 3RD SHAFT GROUP



PAL1620

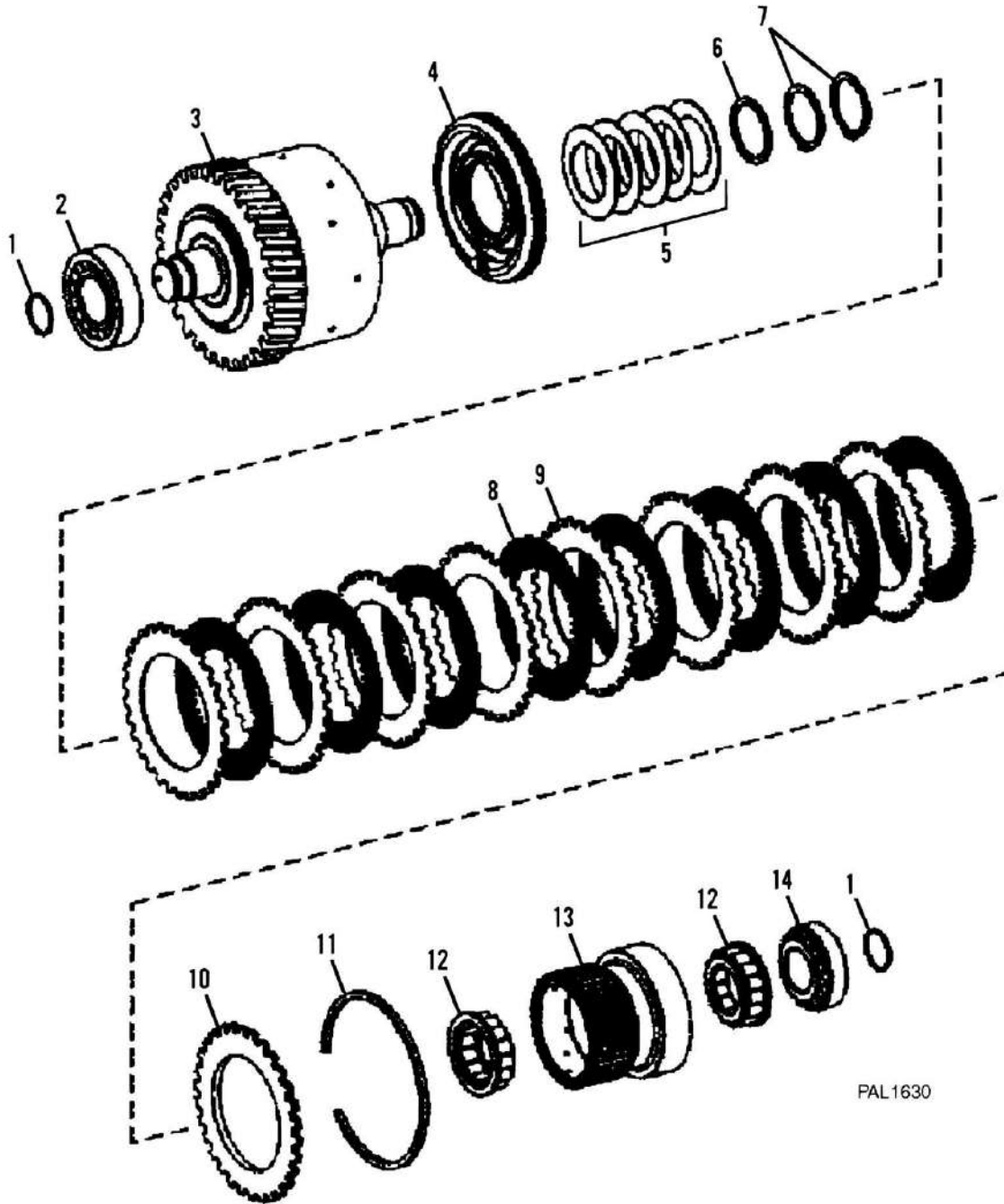
SECTION 4 - ENGINE AND ATTACHING PARTS

FIGURE 4-15. ZF TRANSMISSION ASSEMBLY - 3RD SHAFT GROUP

ITEM	PART NUMBER	QTY	DESCRIPTION	REV
		Ref	TRANSMISSION 3rd SHAFT GROUP, (not available to order, see items 1 thru 14)	
1		Ref	ROLLER BEARING ASSY	
1	70021268	1	BEARING OUTER RING	
1	70021269	1	BEARING INNER RING	
2		Ref	ROLLER BEARING ASSY	
2	70021227	1	RING	
2	70021228	1	ROLLER CAGE	
3	1319619	1	DISC CARRIER	
4	1319600	AR	SNAP RING, 4.0	
4	1319601	AR	SNAP RING, 3.5	
4	1319602	AR	SNAP RING, 3.0	
4	1319603	AR	SNAP RING, 2.5	
4	1319604	AR	SNAP RING, 2.0	
4	7029849	AR	SNAP RING, 3.25	
4	7029850	AR	SNAP RING, 3.75	
4	7029851	AR	SNAP RING, 2.25	
4	7029852	AR	SNAP RING, 2.75	
5	7026760	1	END SHIM	
6	7026758	8	FRICTION DISC	
7	7026759	8	STATIC DISC	
8	80304227	2	RETAINING RING	
9	7026766	1	WASHER	
10	7026765	7	CUP SPRING	
11		Ref	PISTON, (rubber bonded piston no longer available, replace with the following three parts)	
11	70022075	1	PISTON, (die casted)	
11	1319593	1	O-RING	
11	1319594	1	O-RING	
12	7026764	1	COUPLING	
13	7026769	1	ROLLER BEARING	
14	7026761	2	PISTON BEARING	

SECTION 4 - ENGINE AND ATTACHING PARTS

FIGURE 4-16. ZF TRANSMISSION ASSEMBLY - 4TH SHAFT GROUP



PAL1630

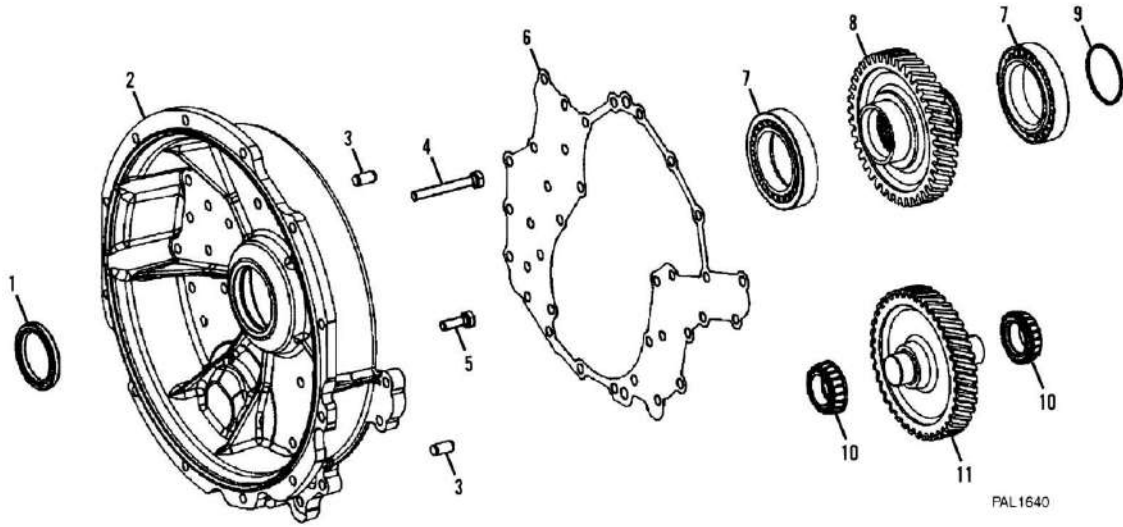
SECTION 4 - ENGINE AND ATTACHING PARTS

FIGURE 4-16. ZF TRANSMISSION ASSEMBLY - 4TH SHAFT GROUP

ITEM	PART NUMBER	QTY	DESCRIPTION	REV
		Ref	TRANSMISSION 4TH SHAFT GROUP, (not available to order, see items 1 thru 14 for service)	
1	7026761	2	PISTON RING	
2	1319615	1	ROLLER BEARING	
3	7026770	1	COUPLING	
4		Ref	PISTON, (rubber bonded piston no longer available, replace with the following three parts)	
4	70022075	1	PISTON, (die casted)	
4	1319593	1	O-RING	
4	1319594	1	O-RING	
5	1319595	5	CUP SPRING	
6	1319596	1	SHIM	
7	10731845	2	RETAINING RING	
8	7026758	8	FRICTION DISC	
9	7026759	8	STATIC DISC	
10	7026760	1	END SHIM	
11	1319600	AR	SNAP RING, 4.0	
11	1319601	AR	SNAP RING, 3.5	
11	1319602	AR	SNAP RING, 3.0	
11	1319603	AR	SNAP RING, 2.5	
11	1319604	AR	SNAP RING, 2.0	
11	7029849	AR	SNAP RING, 3.25	
11	7029850	AR	SNAP RING, 3.75	
11	7029851	AR	SNAP RING, 2.25	
11	7029852	AR	SNAP RING, 2.75	
12	1319606	2	ROLLER CAGE	
13	1319635	1	DISC CARRIER	
14	1319636	1	ROLLER BEARING	

SECTION 4 - ENGINE AND ATTACHING PARTS

FIGURE 4-17. ZF TRANSMISSION ASSEMBLY - POWER TAKE-OFF GROUP



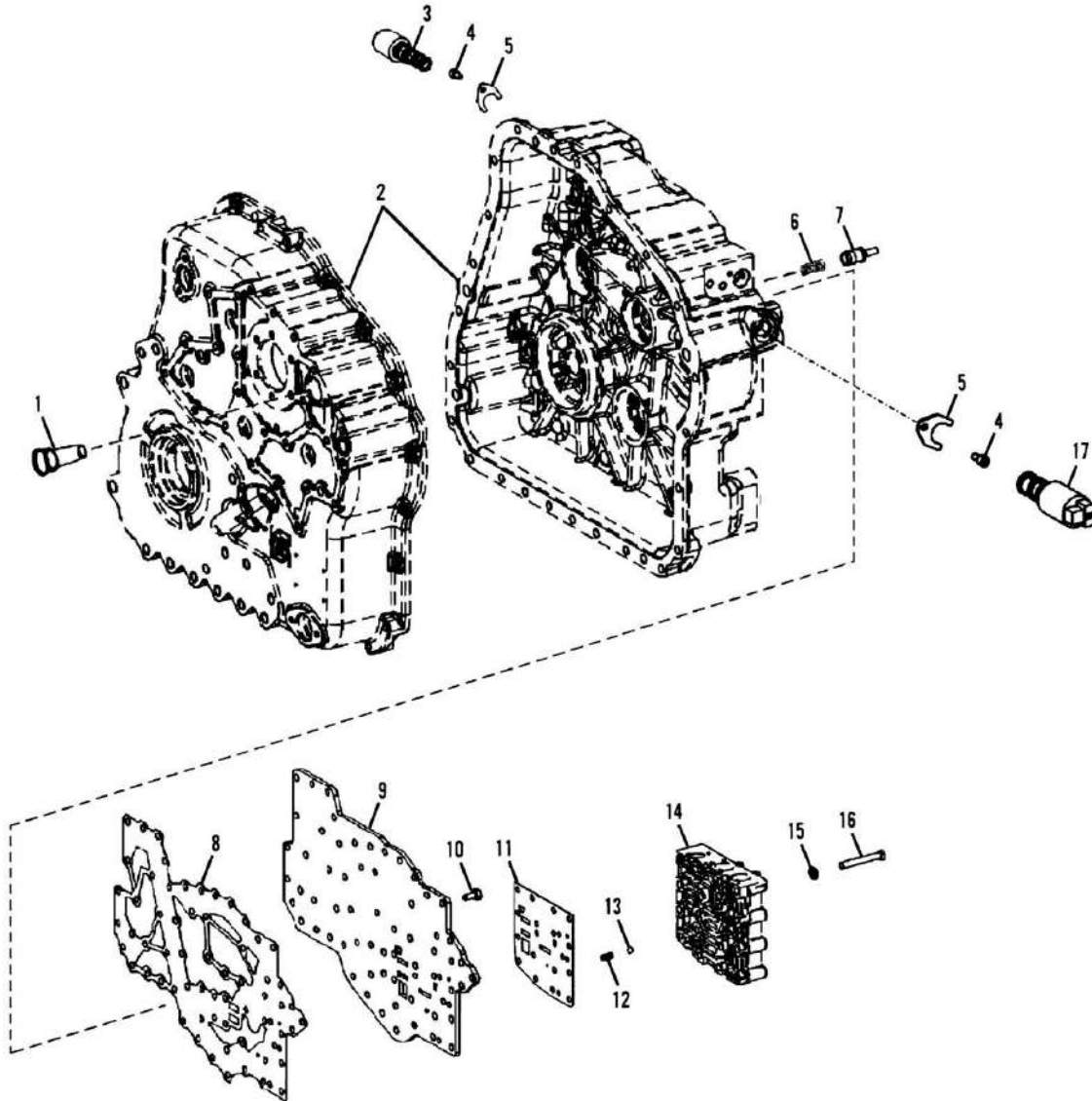
SECTION 4 - ENGINE AND ATTACHING PARTS

FIGURE 4-17. ZF TRANSMISSION ASSEMBLY - POWER TAKE-OFF GROUP

ITEM	PART NUMBER	QTY	DESCRIPTION	REV
		Ref	TRANSMISSION POWER TAKE-OFF GROUP, (not available to order, see items 1 thru 11 for service)	
1	1319576	1	SHAFT SEAL	
2	70021526	1	HOUSING	
3	1319571	2	CYLINDRICAL PIN	
4	7026775	15	HEX HD CAPSCREW, M10X80, GR8.8	
5	80304394	21	HEX HD CAPSCREW, M10X30, GR8.8	
6	7026774	1	GASKET	
7	7026769	2	ROLLER BEARING	
8	7026771	1	SHAFT	
9	7026772	1	PISTON RING	
10	1319608	2	ROLLER BEARING	
11	7026773	1	SHAFT	

SECTION 4 - ENGINE AND ATTACHING PARTS

FIGURE 4-18. ZF TRANSMISSION ASSEMBLY - CONTROL UNIT AND PRESSURE REGULATOR GROUP



FAL1651

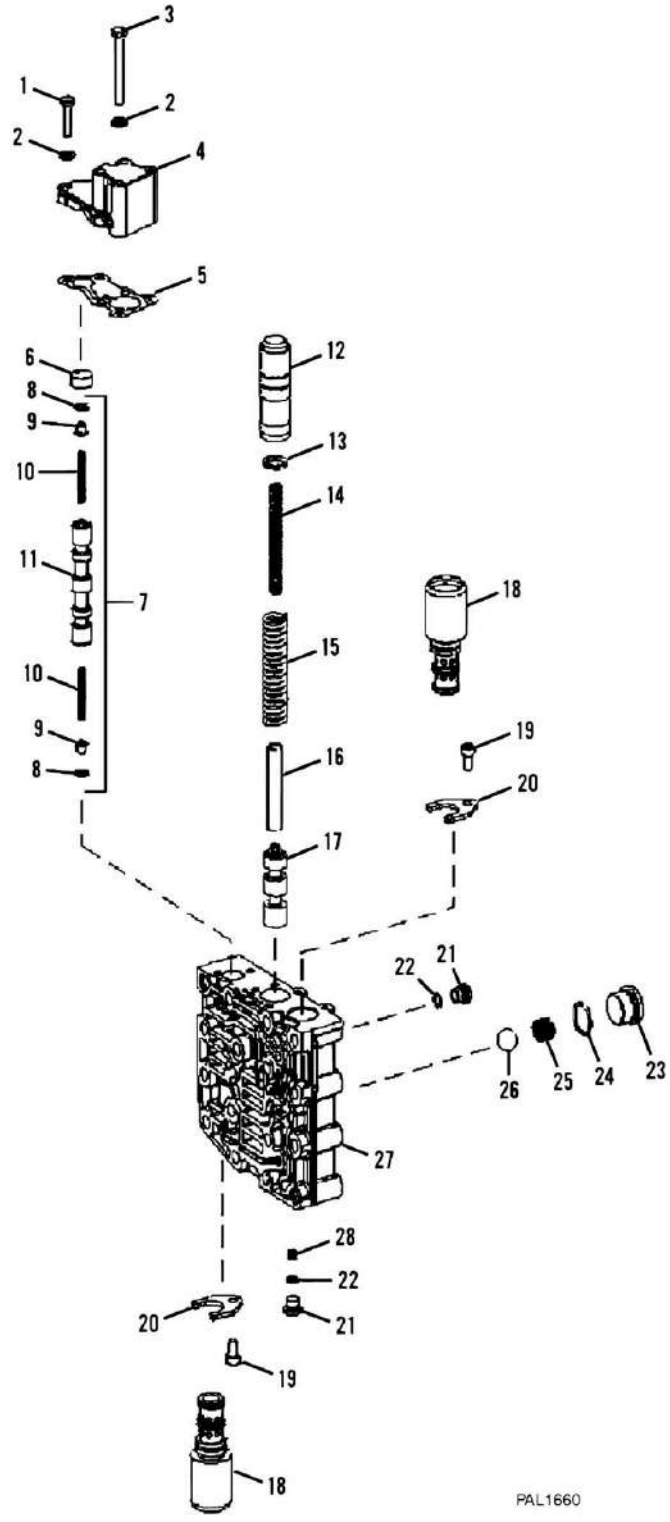
SECTION 4 - ENGINE AND ATTACHING PARTS

FIGURE 4-18. ZF TRANSMISSION ASSEMBLY - CONTROL UNIT AND PRESSURE REGULATOR GROUP

ITEM	PART NUMBER	QTY	DESCRIPTION	REV
		Ref	TRANSMISSION CONTROL UNIT AND PRESSURE REGULATOR GROUP, (not available to order, see items 1 thru 17 for service)	
1	7026782	1	VALVE	
2		Ref	HOUSING, (See ZF TRANSMISSION ASSEMBLY - GEARBOX HOUSING GROUP for Breakdown)	
3	8036529	3	SOLENOID VALVE	
4	N.S.S.	4	CAPSCREW, M6X12, GR8.8	
5	N.S.S.	4	BRACKET	
6	7026784	1	COMPRESSED SPRING	
7	7026783	1	PISTON	
8	7026776	1	GASKET	
9	7026777	1	PLATE	
10	7026780	46	HEX HD CAPSCREW	
11	7026779	1	INTERMEDIATE SHEET	
12	7026778	1	COMPRESSED SPRING	
13	10731761	1	BALL	
14		Ref	VALVE HOUSING, (See ZF TRANSMISSION ASSEMBLY - GEARSHIFT SYSTEM GROUP for Breakdown)	
15	10732095	16	WASHER	
16	7026781	16	HEX HD CAPSCREW, M8X60, GR10.9	
17	8036528	1	SOLENOID VALVE	

SECTION 4 - ENGINE AND ATTACHING PARTS

FIGURE 4-19. ZF TRANSMISSION ASSEMBLY - GEARSHIFT SYSTEM GROUP



PAL1660

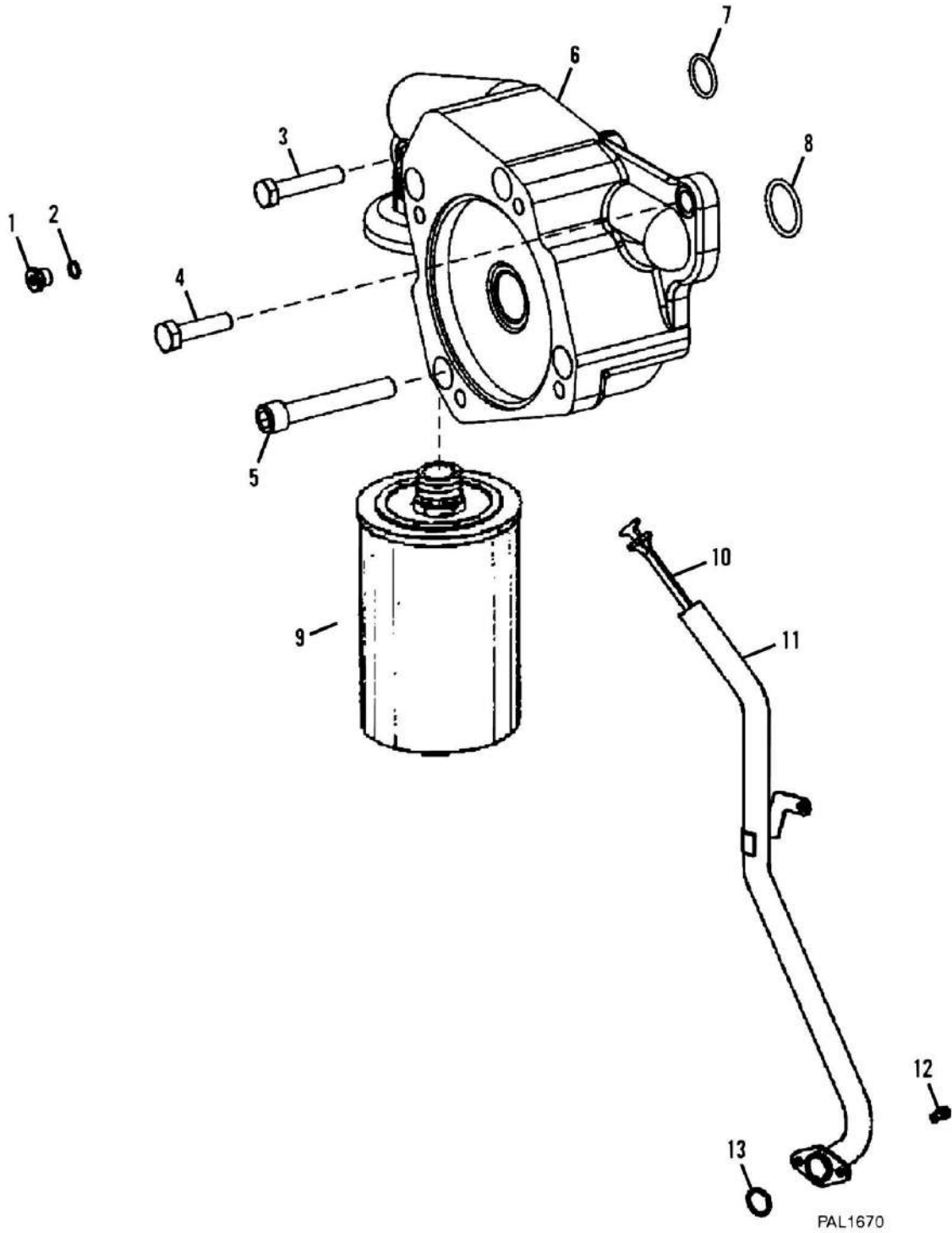
SECTION 4 - ENGINE AND ATTACHING PARTS

FIGURE 4-19. ZF TRANSMISSION ASSEMBLY - GEARSHIFT SYSTEM GROUP

ITEM	PART NUMBER	QTY	DESCRIPTION	REV
		Ref	TRANSMISSION GEARSHIFT SYSTEM GROUP, (not available to order, see items 1 thru 28 for service.	
1	1319693	2	HEX HD CAPSCREW, M6X25, GR10.9	
2	1319661	6	WASHER	
3	1321265	4	HEX HD CAPSCREW, M6X55, GR10.9	
4	7026789	1	COVER	
5	7026788	1	GASKET	
6	7026787	1	SPACER	
7	1319694	1	VALVE ASSY, (includes items 8 thru 11)	
8		Ref	SNAP RING	
9		Ref	SPRING SLEEVE	
10		Ref	COMPRESSED SPRING	
11		Ref	PISTON	
12	7026790	1	PISTON	
13	1319685	AR	WASHER, 2.0	
13	1319686	AR	WASHER, 1.0	
13	1319687	AR	WASHER, 0.5	
13	1319688	AR	WASHER, 0.3	
13	1319689	AR	WASHER, 0.2	
14	1319684	1	COMPRESSED SPRING	
15	1319683	1	COMPRESSED SPRING	
16	7026786	1	SLEEVE	
17	7026785	1	CONTROL PISTON	
18	8036528	2	SOLENOID VALVE	
19	N.S.S.	2	HEX HD CAPSCREW, M6X12, GR8.8	
20	N.S.S.	2	BRACKET	
21	1319670	2	PLUG, M10	
22	10731709	2	O-RING	
23	N.S.S.	2	PLUG, M24	
24	70000656	2	O-RING	
25	10732072	2	COMPRESSED SPRING	
26	10732071	2	BALL	
27	70022790	1	VALVE HOUSING	
28	1319652	1	ORIFICE	

SECTION 4 - ENGINE AND ATTACHING PARTS

FIGURE 4-20. ZF TRANSMISSION ASSEMBLY - OIL PUMP, FILTER AND DIPSTICK GROUP



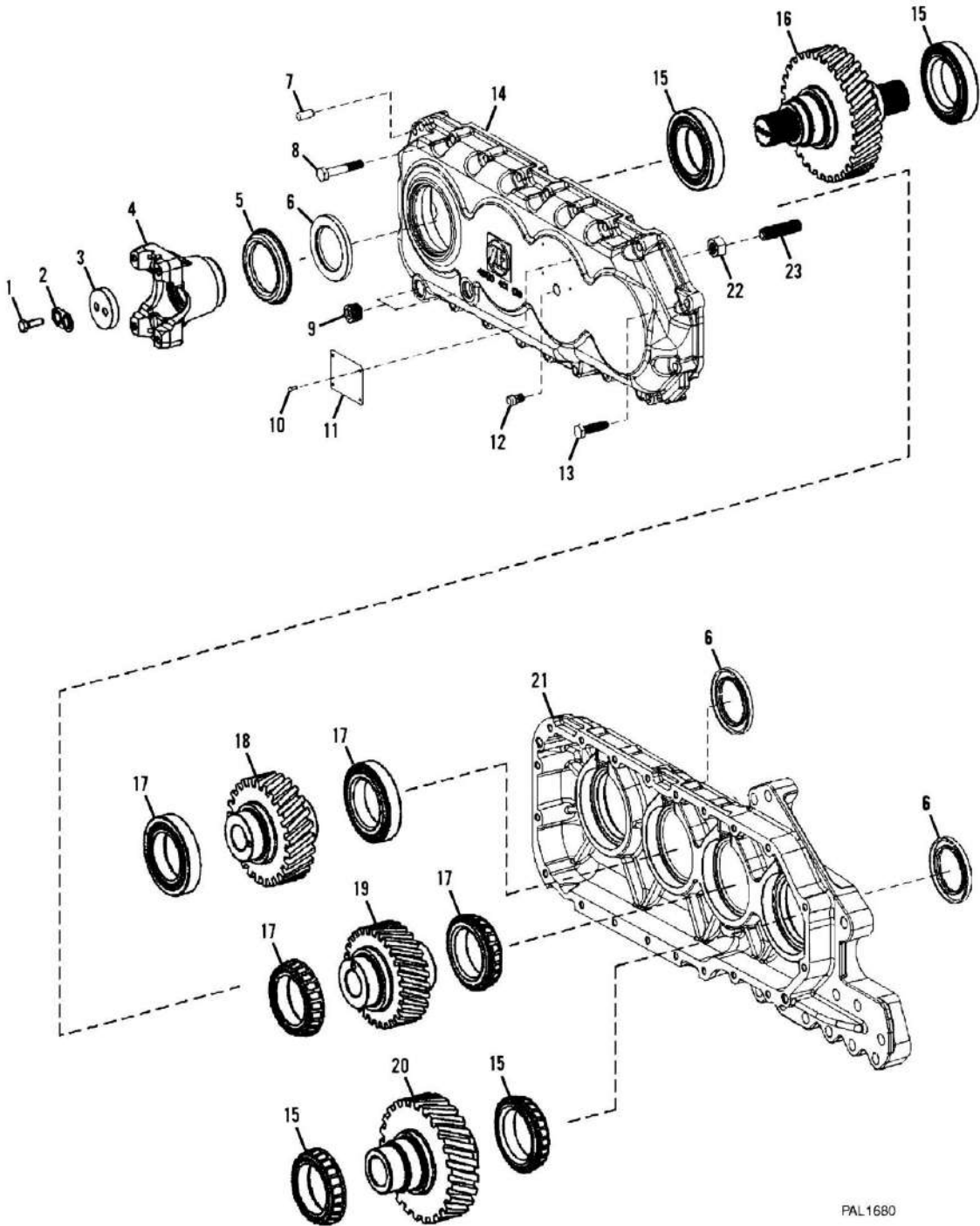
SECTION 4 - ENGINE AND ATTACHING PARTS

FIGURE 4-20. ZF TRANSMISSION ASSEMBLY - OIL PUMP, FILTER AND DIPSTICK GROUP

ITEM	PART NUMBER	QTY	DESCRIPTION	REV
		Ref	TRANSMISSION OIL PUMP, FILTER AND DIPSTICK GROUP, (not available to order, see items 1 thru 13 for service)	
1	1319670	2	PLUG, M10X1	
2	10731709	2	O-RING	
3	7026794	1	HEX HD CAPSCREW, M10X50, GR8.8	
4	80304394	1	HEX HD CAPSCREW, M10X30, GR8.8	
5	7026793	4	CAPSCREW, M12X80, GR10.9	
6	7026791	1	PUMP	
7	7026792	3	O-RING	
8	1319719	1	O-RING	
9	1319726	1	FILTER	
10	8841322	1	DIPSTICK	
11	1001095744	1	DIPSTICK TUBE	
12	1319585	2	CAPSCREW, M8X16, GR8.8	
13	1319581	1	O-RING	

SECTION 4 - ENGINE AND ATTACHING PARTS

FIGURE 4-21. ZF TRANSMISSION ASSEMBLY - TRANSFER BOX GROUP



FAL1680

SECTION 4 - ENGINE AND ATTACHING PARTS

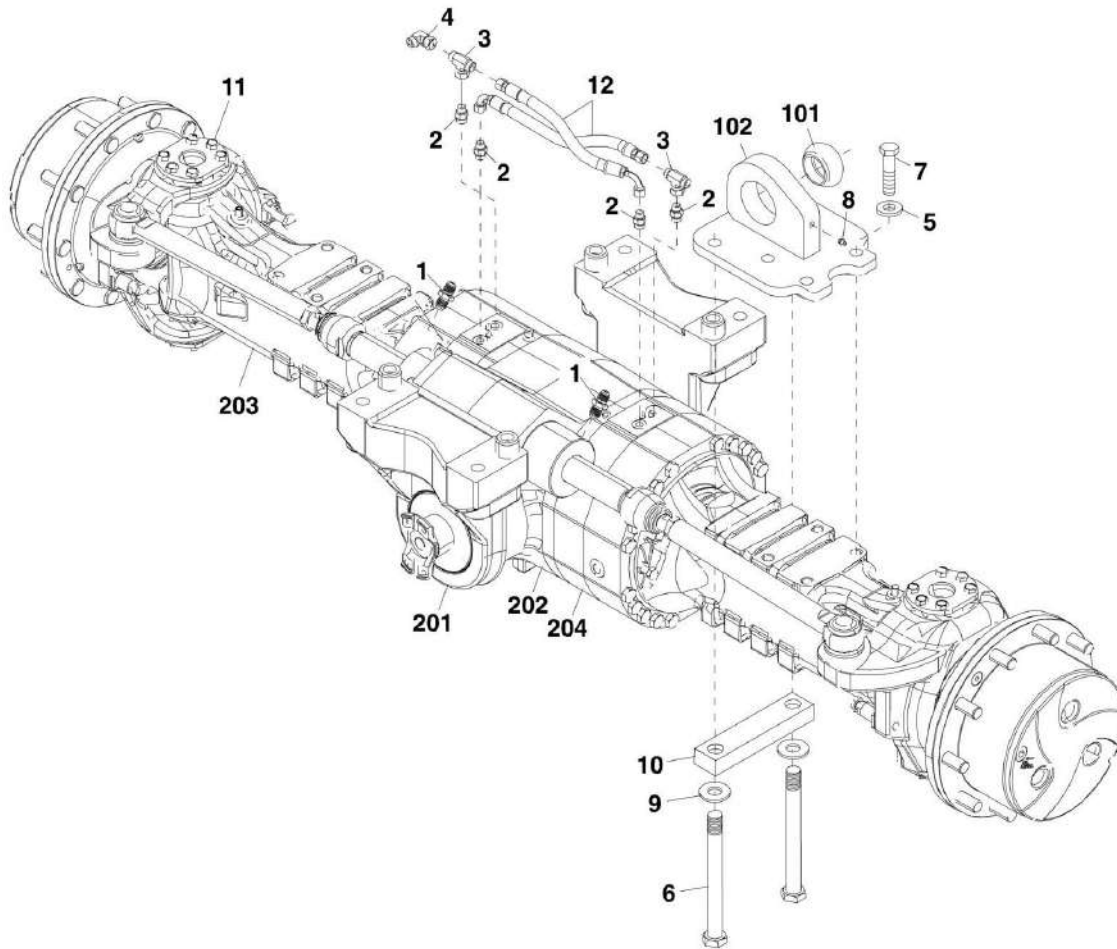
FIGURE 4-21. ZF TRANSMISSION ASSEMBLY - TRANSFER BOX GROUP

ITEM	PART NUMBER	QTY	DESCRIPTION	REV
	7026618	1	TRANSFER BOX, (includes all items)	
1	10731959	4	HEX HD CAPSCREW, (two per side)	
2	1319649	2	TAB WASHER, (one per side)	
3	1319648	2	WASHER, (one per side)	
4	7027273	2	FLANGE, (one per side)	
5	1319647	2	SCREEN SHEET, (one per side)	
6	1320755	3	SHAFT SEAL	
7	1319571	2	CYLINDRICAL PIN	
8	7026794	19	HEX HD CAPSCREW, M10X50, GR8.8	
9	1319578	2	PLUG	
10	1319573	4	STUD, 3X5	
11	N.S.S.	1	PLATE	
12	1319436	1	BREATHER	
13	80304394	1	HEX HD CAPSCREW, M10X30, GR8.8	
14	70020355	1	HOUSING	
15	7026769	4	ROLLER BEARING	
16	7027271	1	OUTPUT SHAFT	
17		Ref	TAPERED ROLLER BEARING	
17	1320748	1	CUP	
17	1320754	1	CONE	
18	7027272	1	IDLER GEAR	
19	7027270	1	IDLER GEAR	
20		Ref	INPUT SHAFT	
20	70020493	1	INPUT GEAR	
20	70020036	1	SEAL	
21	70020354	1	HOUSING	
22	7026578	1	HEX NUT, M16	
23	7026577	1	SLEEVE	

SECTION 5 - DRIVE TRAIN

SECTION 5 - DRIVE TRAIN

FIGURE 5-1. FRONT AXLE ASSEMBLY



PY1201

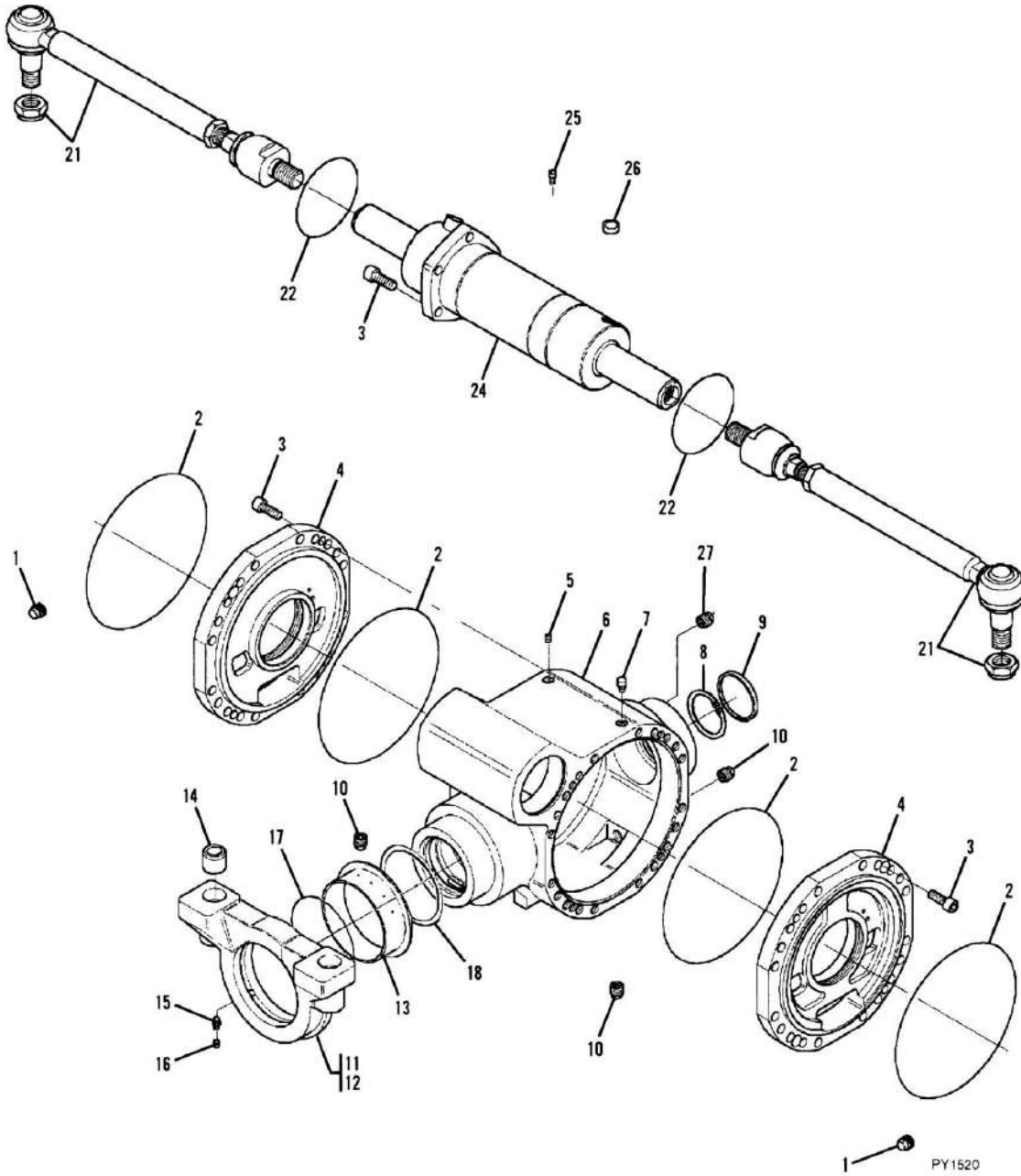
SECTION 5 - DRIVE TRAIN

FIGURE 5-1. FRONT AXLE ASSEMBLY

ITEM	PART NUMBER	QTY	DESCRIPTION	REV
	1001097803	1	FRONT AXLE ASSY, (includes all items)	B
1	2110808	2	ADAPTER, (includes o-ring)	
2	2144605	4	ADAPTER, (includes o-ring)	
3	2170806	2	ADAPTER, (includes o-ring)	
4	2172106	1	90, ADAPTER, (includes o-ring)	
5	77383118	4	WASHER, 7/8	
6	77101143	2	HEX HD CAPSCREW, 1-8X10, GR8	
7	80333162	4	HEX HD CAPSCREW, M20X65	
8	88671001	1	GREASE FITTING, 1/8	
9	90027475	2	WASHER	
10	91511105	1	RETAINER PLATE	
11	91563282	1	FRONT AXLE, (includes items 201 thru 204)	B
12	1001097810	2	HOSE ASSY	
15	1001097992	1	SWAY PIVOT BEARING ASSY, (includes items 101 & 102)	
101	8065640	1	SPHERICAL BEARING	
102	91566030	1	SWAY PIVOT WELDMENT	
201		Ref	FRONT AXLE - CENTRAL HOUSING AND STEERING GROUP, (See FRONT AXLE - CENTRAL HOUSING AND STEERING GROUP for Breakdown)	
202		Ref	FRONT AXLE - DIFFERENTIAL GROUP, (See FRONT AXLE - DIFFERENTIAL GROUP for Breakdown)	
203		Ref	FRONT AXLE - HUB REDUCTION GROUP, (See FRONT AXLE - HUB REDUCTION GROUP for Breakdown)	
204		Ref	FRONT AXLE - BRAKES GROUP, (See FRONT AXLE - BRAKES GROUP for Breakdown)	
		Ref	NOTE: ITEM NUMBERS NOT LISTED ARE NOT USED ON THIS FIGURE	

SECTION 5 - DRIVE TRAIN

FIGURE 5-2. FRONT AXLE - CENTRAL HOUSING AND STEERING GROUP



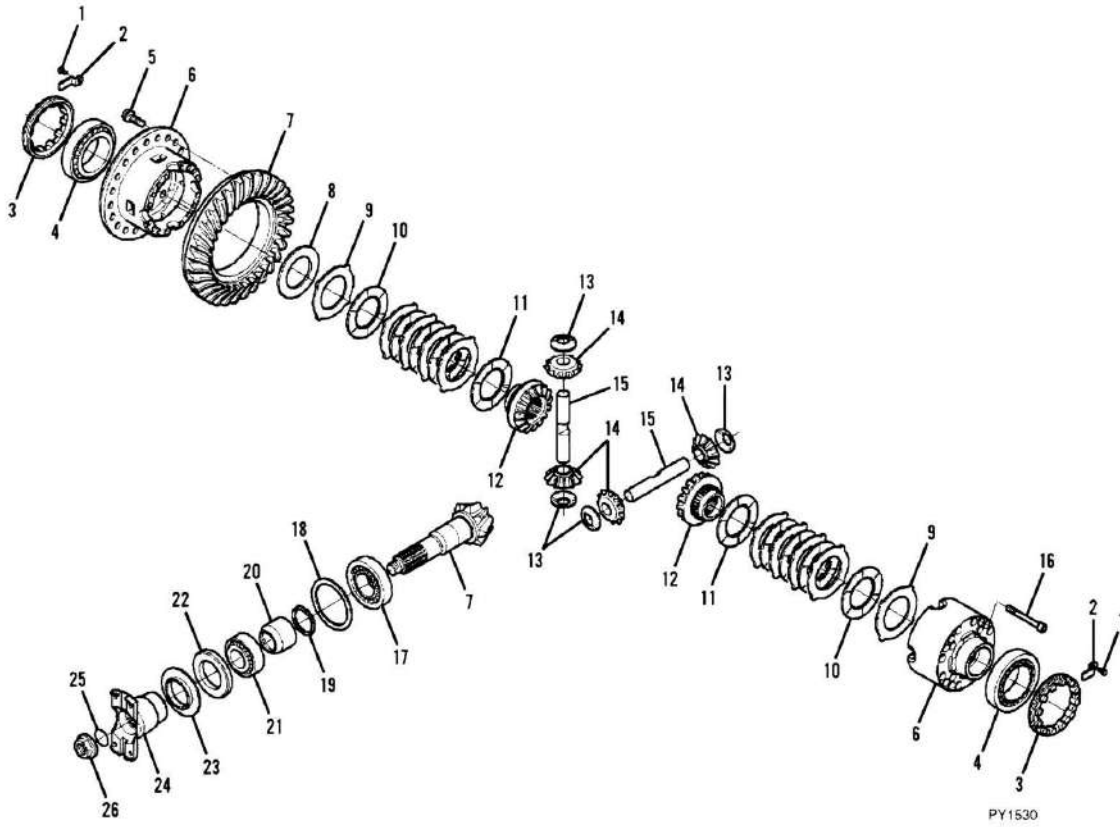
SECTION 5 - DRIVE TRAIN

FIGURE 5-2. FRONT AXLE - CENTRAL HOUSING AND STEERING GROUP

ITEM	PART NUMBER	QTY	DESCRIPTION	REV
1	80204016	2	PLUG	
2	7026487	4	O-RING	
3	80204144	9	CYLINDER BOLT	
4	7026486	2	INTERMEDIATE COVER	
5	80204012	3	PLUG	
6	7029302	1	HOUSING	
7	91474512	1	VENT	
8	80204005	1	CIRCLIP	
9	91514098	1	PLUG	
10	80204007	3	MAGNETIC PLUG	
11	7029303	2	SUPPORT ASSY, (includes items 12 thru 16)	
12	7029291	2	SUPPORT	
13	91514090	2	THRUST BUSHING	
14	7029290	4	REDUCTION BUSHING	
15	91514099	2	GREASE FITTING	
16	80204117	2	PLUG	
17	7029304	2	O-RING	
18	7029305	2	DUST EXCLUDER	
21	7029293	2	ARTICULATED TIE ROD	
21	70022773	2	TIE ROD NUT, M27X1.5	
22	80204143	2	O-RING	
24	7026490	1	CYLINDER	
24	7029127	1	SEAL KIT	
25	7029306	3	BOLT	
26	7029307	1	PLUG	
27	91514188	1	PLUG	

SECTION 5 - DRIVE TRAIN

FIGURE 5-3. FRONT AXLE - DIFFERENTIAL GROUP



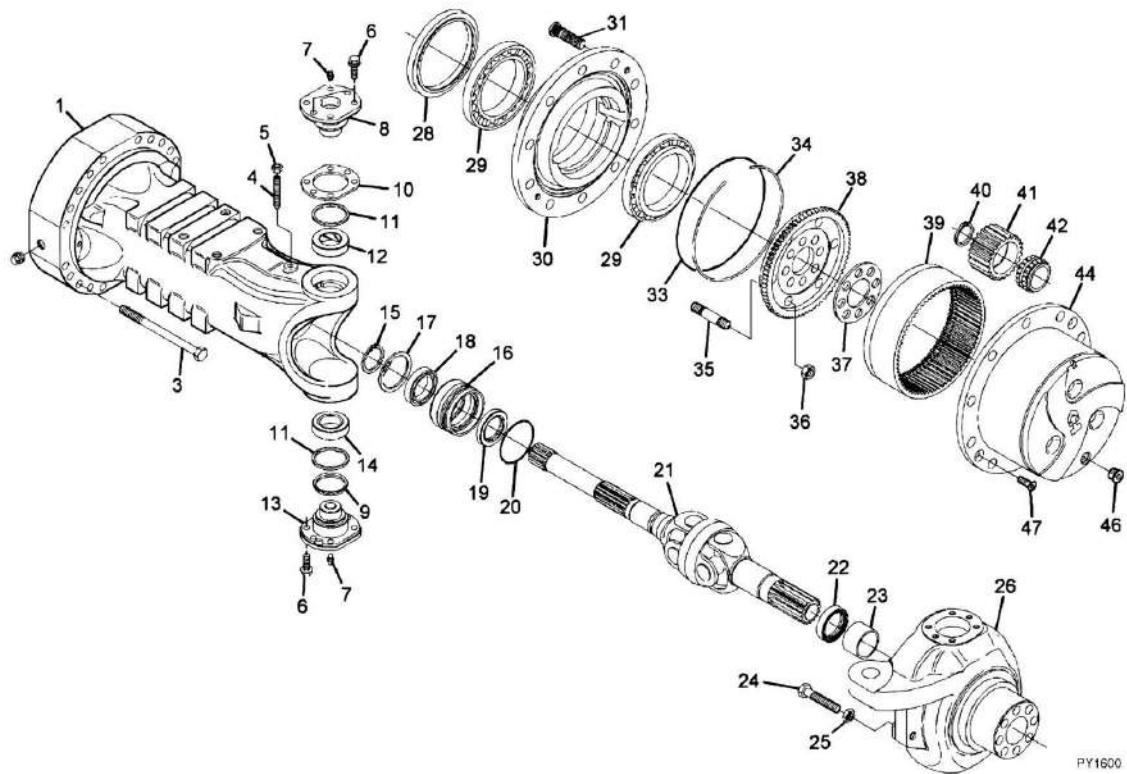
SECTION 5 - DRIVE TRAIN

FIGURE 5-3. FRONT AXLE - DIFFERENTIAL GROUP

ITEM	PART NUMBER	QTY	DESCRIPTION	REV
1	7026492	2	HEX BOLT	
2	7026493	2	LOCKING PLATE	
3	7026491	2	RING NUT	
4	80204033	2	TAPER ROLLER BEARING	
5	91514123	20	BOLT	
6	7026494	1	DIFFERENTIAL CARRIER	
7	7026495	1	BEVEL GEAR SET	
8	91514136	1	SHIM	
8	91514137	1	SHIM	
8	91514138	1	SHIM	
9	91514139	10	DISC	
10	91514144	8	DISC	
11	91514140	2	DISC	
12	91514141	2	DIFFERENTIAL SIDE GEAR	
13	80204026	4	FRICITION WASHER	
14	80204025	4	DIFFERENTIAL PINION	
15	91514142	2	PIN	
16	91514143	16	BOLT	
17	80204035	1	TAPER ROLLER BEARING	
18	80204049	1	SHIM	
18	80204050	1	SHIM	
18	80204051	1	SHIM	
18	80204052	1	SHIM	
19	91514125	1	SHIM	
19	91514126	1	SHIM	
19	91514127	1	SHIM	
19	91514128	1	SHIM	
19	91514129	1	SHIM	
20	91514132	1	SPACER	
21	80204048	1	TAPER ROLLER BEARING	
22	80204047	1	SEAL	
23	91514130	1	COVER PLATE	
24	91514131	1	FLANGE	
25	80204044	1	O-RING	
26	80204043	1	NUT	

SECTION 5 - DRIVE TRAIN

FIGURE 5-4. FRONT AXLE - HUB REDUCTION GROUP



SECTION 5 - DRIVE TRAIN

FIGURE 5-4. FRONT AXLE - HUB REDUCTION GROUP

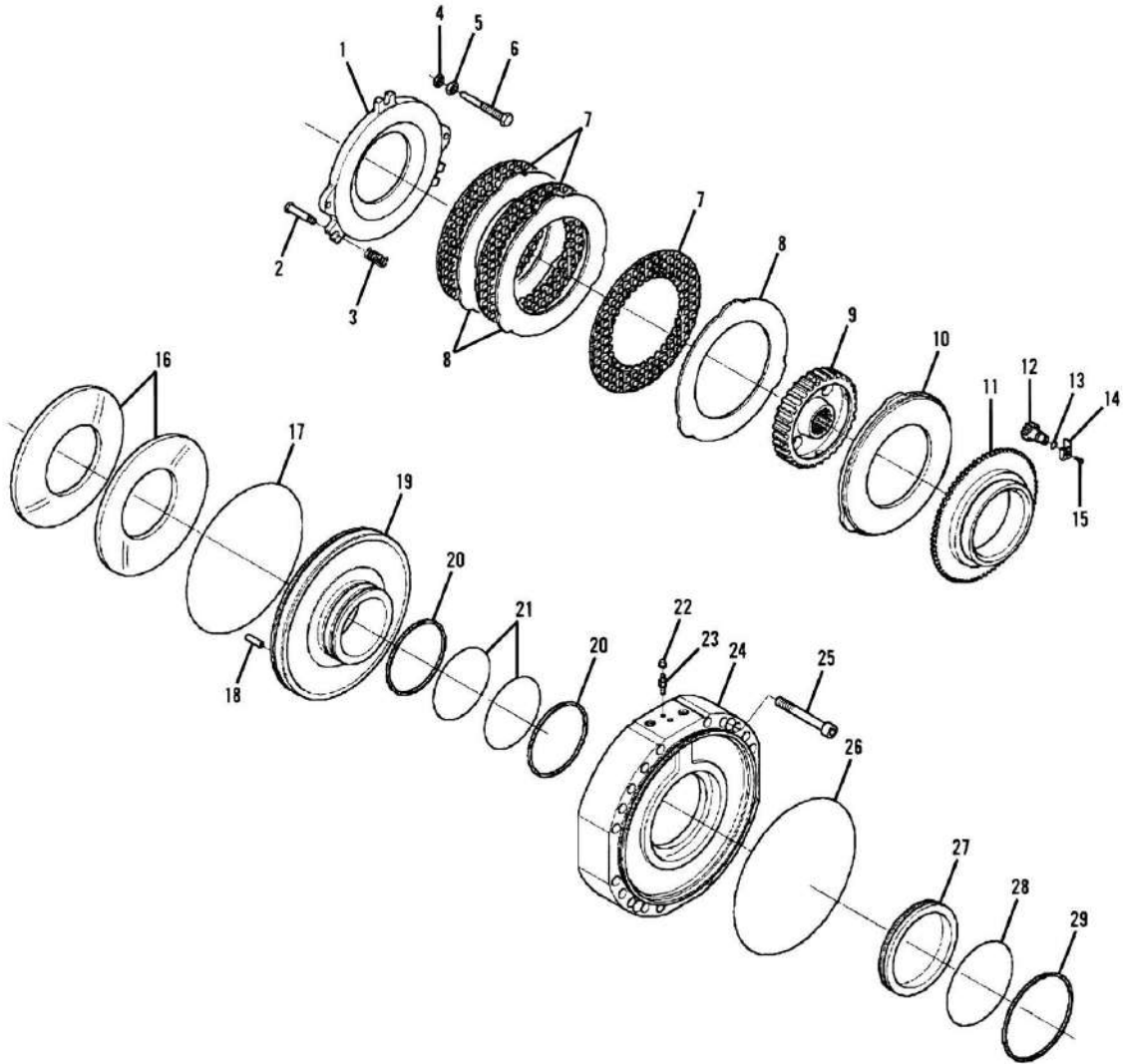
ITEM	PART NUMBER	QTY	DESCRIPTION	REV
1	7026496	2	AXLE CASE	
3	7029309	40	BOLT	
4	7026499	2	BOLT	
5	91514082	2	NUT	
6	91514123	24	BOLT	
7	91514099	4	GREASE FITTING	
8	7029310	2	PIVOT PIN	
10	91514113	2	SHIM	
10	91514114	2	SHIM	
10	91514115	2	SHIM	
11	7028716	2	DUST EXCLUDER	
12	7029312	2	BUSHING	
13	7029313	2	PIVOT PIN	
14	91514095	2	BEARING	
15	80204071	2	CIRCLIP	
16	91514149	2	REDUCTION BUSHING	
17	80204005	2	CIRCLIP	
18	91514146	2	BALL BEARING	
19	91514147	2	SEAL	
20	91514148	2	O-RING	
21	7029314	2	JOINT AND SHAFT ASSY	
21	70023114	1	YOKE SHAFT, (hub side)	
21	70023115	1	YOKE SHAFT, (differential side)	
21	70023116	1	COMPLETE CENTER BODY ASSY	
21	70021615	2	CROSS KIT, (includes circlips)	
22	7028718	2	SEAL	
23	91514111	1	THRUST BUSHING	
24	Kit	4	BOLT	
25	Kit	4	NUT	
26	Kit	1	STEERING CASE, LH, (for replacement, order 7029746 position kit)	
26	Kit	1	STEERING CASE, RH, , (for replacement, order 7029747 position kit)	
28	7029300	2	SEAL	
29	80204076	4	TAPER ROLLER BEARING	
30	91514174	2	WHEEL HUB	
31	80214120	20	WHEEL STUD	
33	91514181	2	O-RING	
34	91514175	2	CIRCLIP	
35	91514180	16	STUD	
36	91514179	16	NUT	
37	91514178	2	LOCKING PLATE	
38	91514177	2	RING GEAR SUPPORT	
39	91514176	2	RING GEAR	
40	91514184	8	SEAL	
41	91514185	8	PLANET GEAR	
42	91514186	8	BEARING	
44	7029317	2	PLANET GEAR CARRIER	
46	91514188	2	PLUG	
47	91514189	4	COUNTERSUNK BOLT	
	7029318	1	PLANET GEAR CARRIER KIT, (includes items 34, 38 thru 44)	

SECTION 5 - DRIVE TRAIN

ITEM	PART NUMBER	QTY	DESCRIPTION	REV
	7029746	1	POSITION KIT, (left), (includes one of items 23 & 26)	
	7029747	1	POSITION KIT, (right), (includes one of items 23 & 26)	
	7028733	4	STEERING ADJUST BOLT KIT, (includes items 24 & 25)	

SECTION 5 - DRIVE TRAIN

FIGURE 5-5. FRONT AXLE - BRAKES GROUP



PY1630

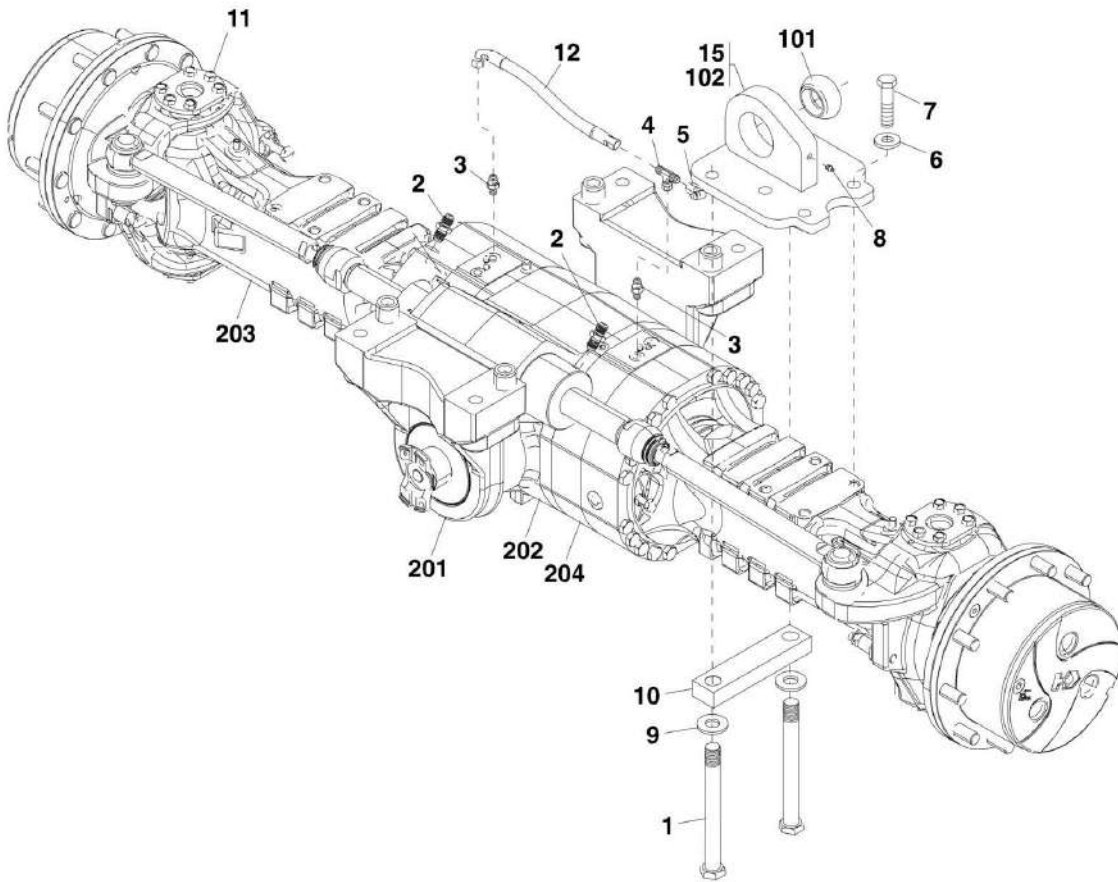
SECTION 5 - DRIVE TRAIN

FIGURE 5-5. FRONT AXLE - BRAKES GROUP

ITEM	PART NUMBER	QTY	DESCRIPTION	REV
1	7026721	2	INTERMEDIATE BRAKE DISC	
2	80204116	6	ADJUSTING BOLT	
3	80204115	6	SPRING	
4	80204108	4	LOCKWASHER	
5	80204060	4	NUT	
6	7026722	4	BOLT	
7	7029735	6	BRAKE DISC	
8	91514161	6	INTERMEDIATE BRAKE DISC	
9	7029734	2	REDUCTION BUSHING	
10	7026723	2	INTERMEDIATE BRAKE DISC	
11	7026724	2	RING	
12	80204123	2	PINION	
13	80204131	2	O-RING	
14	7026725	2	LOCKING PLATE	
15	80204121	2	HEXAGON BOLT	
16	91514151	2	SPRING	
17	7026713	2	O-RING	
18	80204166	2	ROLL PIN	
19	7026712	2	PISTON	
20	7026716	4	BACK-UP RING	
21	7026717	4	SEAL	
22	80204117	4	PLUG	
23	80204281	4	BLEEDING BOLT	
24	7026714	2	INTERMEDIATE COVER	
25	7026715	4	CYLINDER BOLT	
26	7026487	2	O-RING	
27	7026718	2	PISTON	
28	7026719	2	O-RING	
29	7026720	2	BACK-UP RING	

SECTION 5 - DRIVE TRAIN

FIGURE 5-6. REAR AXLE ASSEMBLY



PY1660

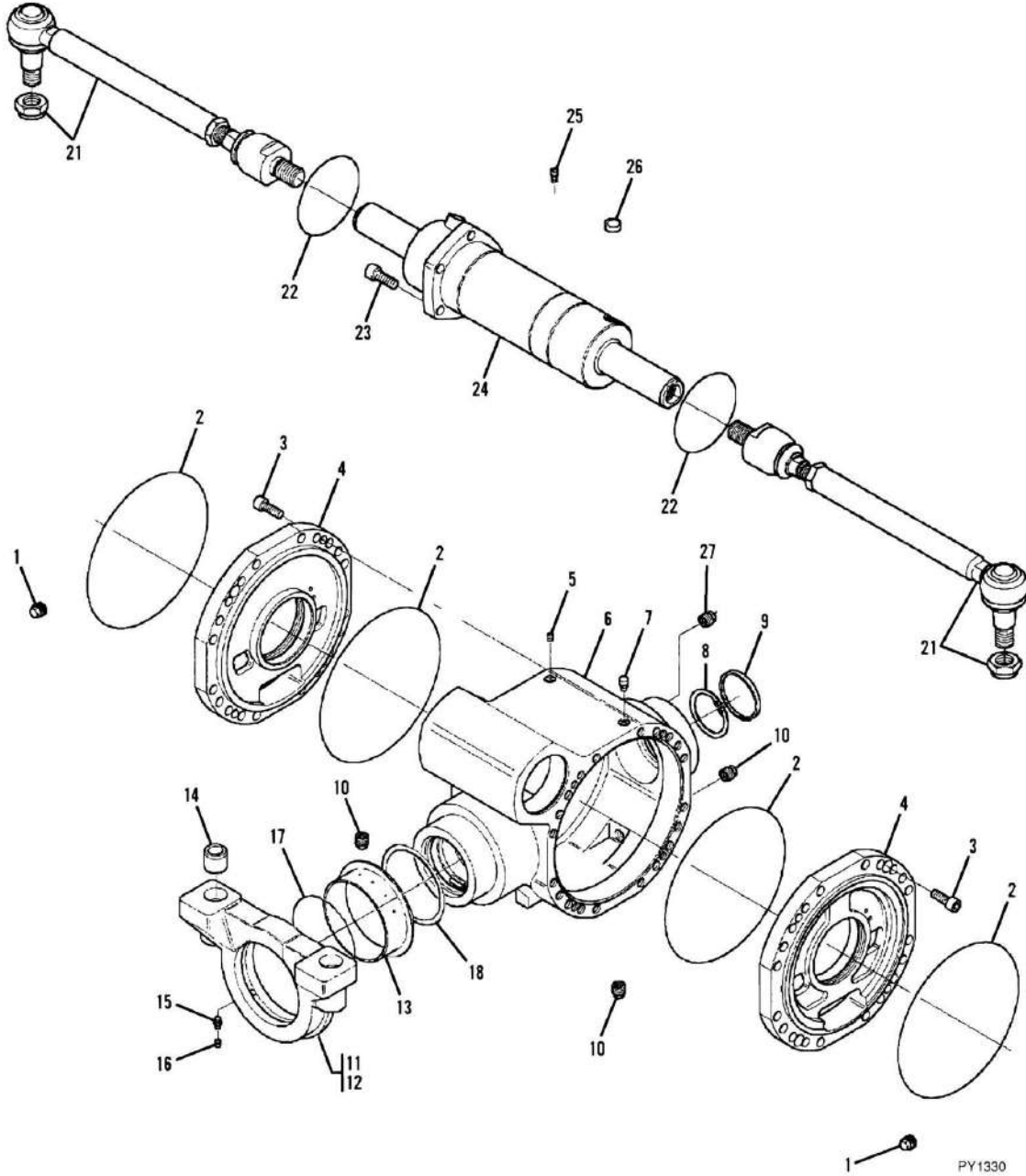
SECTION 5 - DRIVE TRAIN

FIGURE 5-6. REAR AXLE ASSEMBLY

ITEM	PART NUMBER	QTY	DESCRIPTION	REV
	1001097804	1	REAR AXLE ASSY, (includes all items)	C
1	77101143	2	HEX HEAD CAPSCREW, 1-8x10	
2	2110808	2	ADAPTER, (includes o-ring)	
3	2144605	2	ADAPTER, (includes o-ring)	
4	2170806	1	ADAPTER, (includes o-ring)	
5	2172106	1	ADAPTER, 90, (includes o-ring)	
6	77383118	4	WASHER, 7/8	
7	80333162	4	HEX HD CAPSCREW, M20X65	
8	88671001	1	GREASE FITTING, 1/8	
9	90027475	2	WASHER	
10	91511105	1	RETAINER PLATE	
11	1001094201	1	REAR AXLE, (includes items 201 thru 204)	
12	1001102509	1	DRIVE AXLE HOSE ASSY	
15	1001097992	1	SWAY PIVOT BEARING, (includes items 101 & 102)	
101	8065640	1	SELF ALIGN BEARING	
102	91566030	1	SWAY PIVOT WELDMENT	
201		Ref	REAR AXLE - CENTRAL HOUSING AND STEERING GROUP, (See REAR AXLE - CENTRAL HOUSING AND STEERING for Breakdown)	
202		Ref	REAR AXLE - DIFFERENTIAL GROUP, (See REAR AXLE - DIFFERENTIAL GROUP for Breakdown)	
203		Ref	REAR AXLE - HUB REDUCTION GROUP, (See REAR AXLE - HUB REDUCTION GROUP for Breakdown)	
204		Ref	REAR AXLE - BRAKES GROUP, (See REAR AXLE - BRAKES GROUP for Breakdown)	

SECTION 5 - DRIVE TRAIN

FIGURE 5-7. REAR AXLE - CENTRAL HOUSING AND STEERING



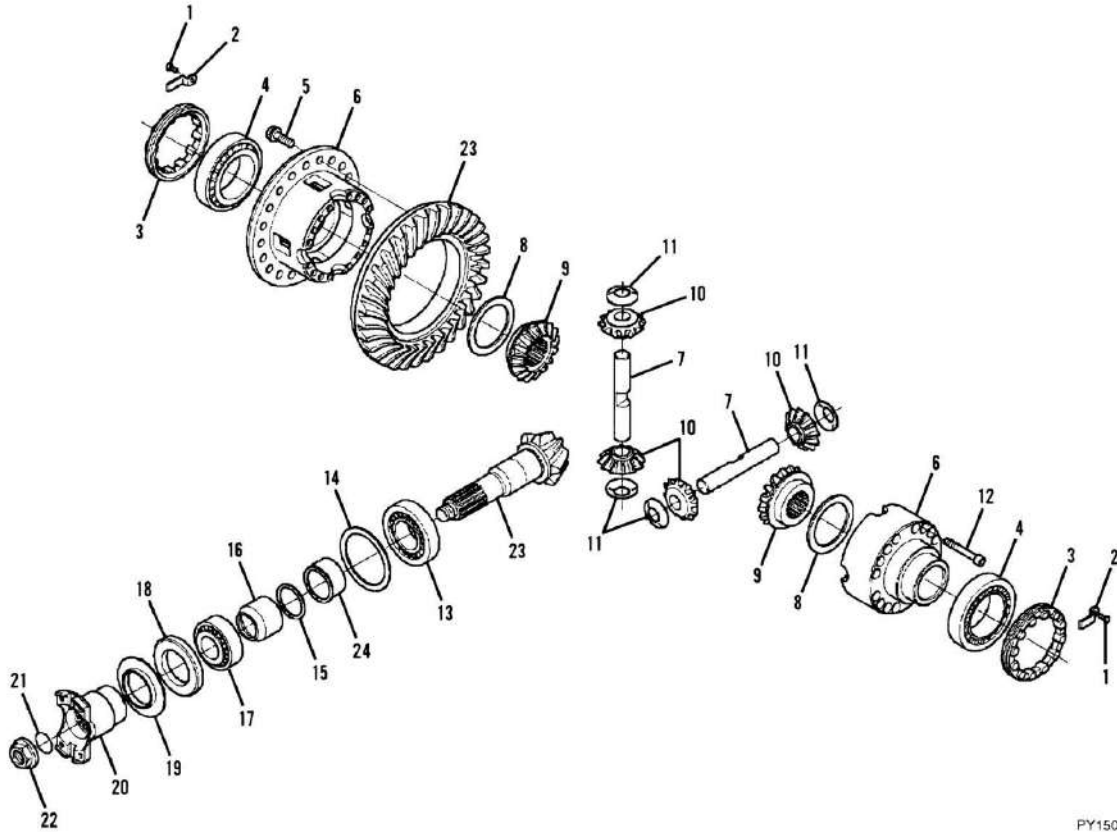
SECTION 5 - DRIVE TRAIN

FIGURE 5-7. REAR AXLE - CENTRAL HOUSING AND STEERING

ITEM	PART NUMBER	QTY	DESCRIPTION	REV
1	80204016	2	PLUG	
2	7026487	4	O-RING	
3	80204144	4	CYLINDER BOLT	
4	70021601	2	INTERMEDIATE COVER	
5	80204012	1	PLUG	
6	7029302	1	HOUSING	
7	91474512	1	VENT	
8	80204005	1	CIRCLIP	
9	91514098	1	PLUG	
10	80204007	3	MAGNETIC PLUG	
11	7029303	2	SUPPORT ASSY, (includes items 12 thru 16)	
12	7029291	2	SUPPORT	
13	91514090	2	THRUST BUSHING	
14	7029290	4	REDUCTION BUSHING	
15	91514099	2	GREASE FITTING	
16	80204117	2	PLUG	
17	7029304	2	O-RING	
18	7029305	2	DUST EXCLUDER	
21	70021614	2	ARTICULATED TIE ROD	
21	70022773	2	TIE ROD NUT, M27	
22	80204143	2	O-RING	
23	80204144	5	CYLINDER BOLT	
24	7026490	1	CYLINDER	
24	7029127	1	SEAL KIT	
25	7029306	3	BOLT	
26	7029307	1	PLUG	
27	91514188	1	PLUG	

SECTION 5 - DRIVE TRAIN

FIGURE 5-8. REAR AXLE - DIFFERENTIAL GROUP



PY1501

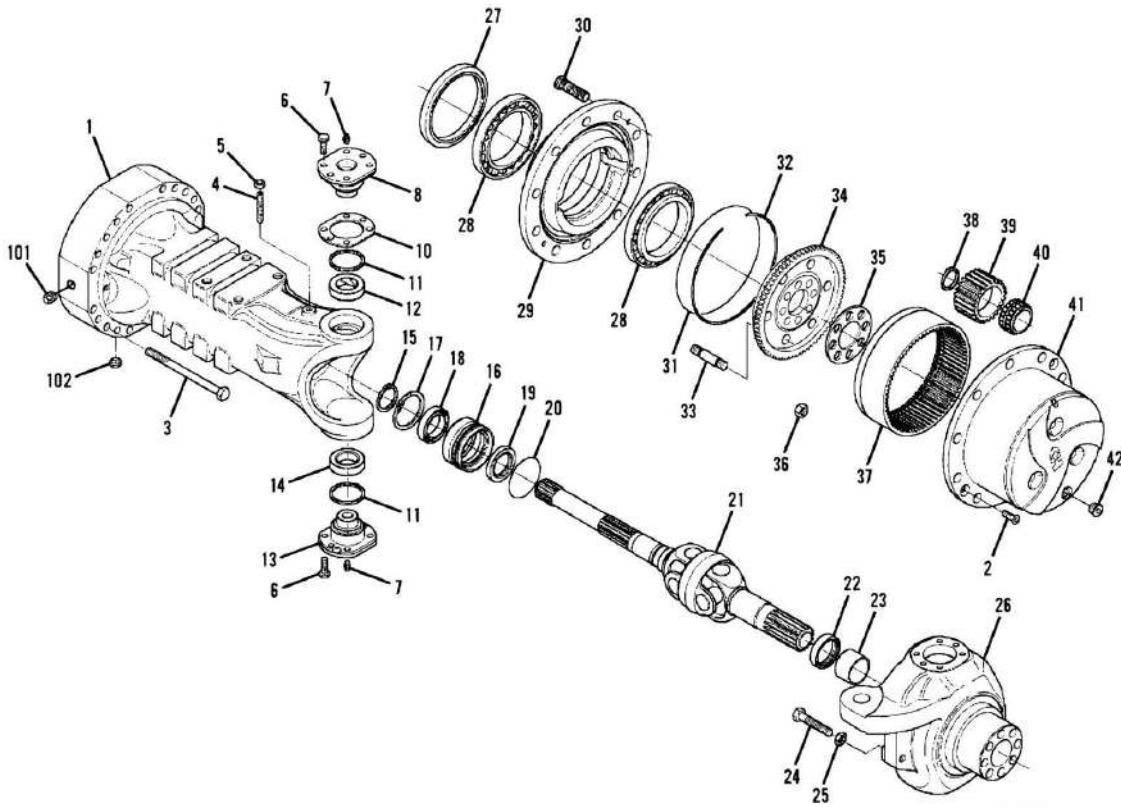
SECTION 5 - DRIVE TRAIN

FIGURE 5-8. REAR AXLE - DIFFERENTIAL GROUP

ITEM	PART NUMBER	QTY	DESCRIPTION	REV
1	7026492	2	HEXAGON BOLT	
2	7026493	2	LOCKING PLATE	
3	7026491	2	RING NUT	
4	80204033	2	TAPER ROLLER BEARING	
5	91514123	20	BOLT	
6	7026727	1	DIFFERENTIAL CARRIER	
7	91514142	2	PIN	
8	80204031	2	FRICITION WASHER	
9	80204030	2	DIFFERENTIAL SIDE GEAR	
10	80204025	4	DIFFERENTIAL PINION	
11	80204026	4	FRICITION WASHER	
12	91514193	15	BOLT	
13	80204035	1	TAPER ROLLER BEARING	
14	80204049	1	SHIM	
14	80204050	1	SHIM	
14	80204051	1	SHIM	
14	80204052	1	SHIM	
15	70022136	1	SPACER, 5.000MM, (as required)	
15	70022137	1	SPACER, 5.025MM, (as required)	
15	70022138	1	SPACER, 5.050MM, (as required)	
15	70022139	1	SPACER, 5.075MM, (as required)	
16	70022140	1	SPACER	
17	80204048	1	TAPER ROLLER BEARING	
18	80204047	1	SEAL	
19	91514130	1	COVER PLATE	
20	91514131	1	FLANGE	
21	80204044	1	O-RING	
22	80204043	1	NUT	
23	7026728	1	BEVEL GEAR SET	
24	70022126	1	SPACER, 60.5X50X11.8mm, (as required)	
24	70022127	1	SPACER, 60.5X50X11.9mm, (as required)	
24	70022128	1	SPACER, 60.5X50X12.0mm, (as required)	
24	70022129	1	SPACER, 60.5X50X12.1mm, (as required)	
24	70022130	1	SPACER, 60.5X50X12.2mm, (as required)	
24	70022131	1	SPACER, 60.5X50X12.3mm, (as required)	
24	70022132	1	SPACER, 60.5X50X12.4mm, (as required)	
24	70022133	1	SPACER, 60.5X50X12.5mm, (as required)	
24	70022134	1	SPACER, 60.5X50X12.6mm, (as required)	
24	70022135	1	SPACER, 60.5X50X12.7mm, (as required)	

SECTION 5 - DRIVE TRAIN

FIGURE 5-9. REAR AXLE - HUB REDUCTION GROUP



PY3360

SECTION 5 - DRIVE TRAIN

FIGURE 5-9. REAR AXLE - HUB REDUCTION GROUP

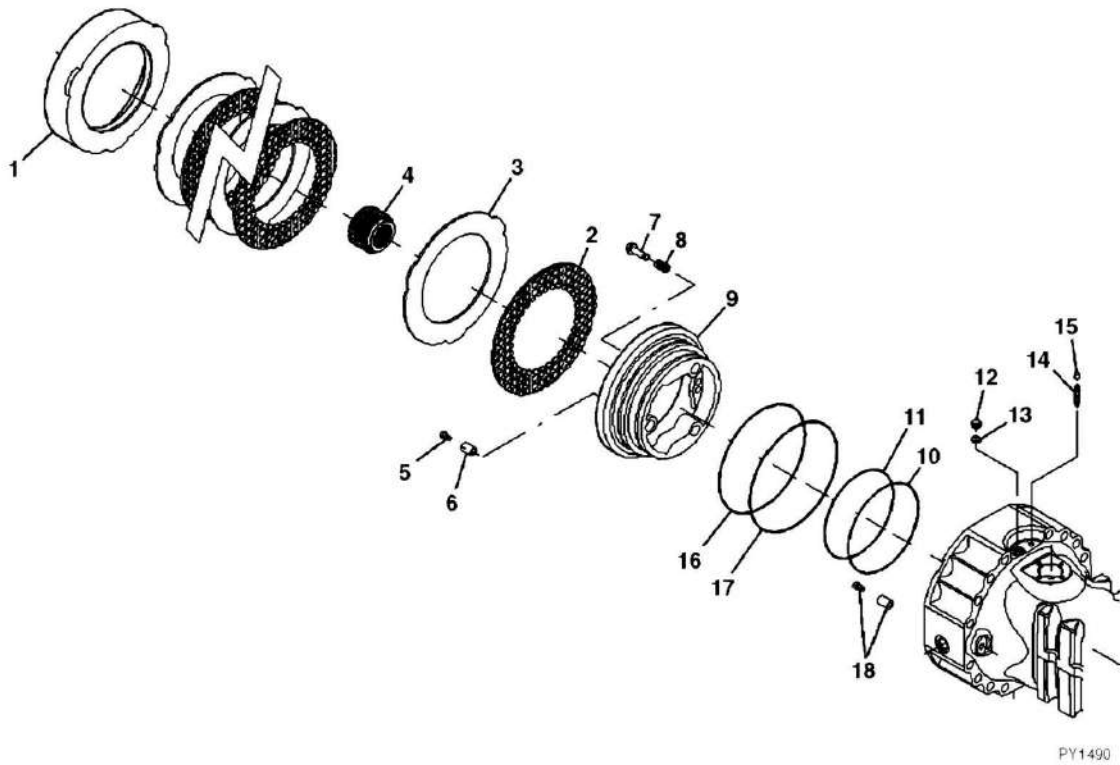
ITEM	PART NUMBER	QTY	DESCRIPTION	REV
1		Ref	AXLE CASE, (Prior to axle SN KITA742695 must replace with quantity of 2 of 70021944)	
1	70021944	2	AXLE CASE	
2	91514189	4	COUNTERSUNK BOLT	
3	70021604	40	BOLT	
4	7026499	2	BOLT	
5	91514082	2	NUT	
6	91514123	24	BOLT	
7	91514099	4	GREASE FITTING	
8	7029310	2	PIVOT PIN	
10	91514113	2	SHIM	
10	91514114	2	SHIM	
10	91514115	2	SHIM	
11	7028716	2	DUST SEAL	
12	7029312	2	BUSHING	
13	7029313	2	PIVOT PIN, (includes items 11 & 14)	
14	91514095	2	BEARING	
15	80204071	2	CIRCLIP	
16	91514149	2	REDUCTION BUSHING, (includes items 17 thru 20)	
17	80204005	2	CIRCLIP	
18	91514146	2	BALL BEARING	
19	91514147	2	SEAL	
20	91514148	2	O-RING	
21	70021602	2	DOUBLE UNIVERSAL JOINT AND SHAFT ASSY, (includes the following)	
21	70023114	1	YOKE SHAFT, (hub side)	
21	70023115	1	YOKE SHAFT, (differential side)	
21	70023116	1	COMPLETE CENTER BODY ASSY	
21	70021615	2	CROSS KIT, (includes circlips)	
22	7028718	2	SEAL	
23	91514111	2	THRUST BUSHING	
24	70021603	4	STEERING ADJUST BOLT	
25	80204065	4	NUT	
26	Kit	1	STEERING CASE, R.H., (for replacement, order 7029746 position kit)	
26	Kit	1	STEERING CASE, L.H., (for replacement, order 7029745 position kit)	
27	7029300	2	SEAL	
28	80204076	4	TAPER ROLLER BEARING	
29	91514174	2	WHEEL HUB	
30	80214120	20	WHEEL STUD	
31	91514181	2	O-RING	
32	91514175	2	CIRCLIP	
33	91514180	16	STUD	
34	91514177	2	RING GEAR SUPPORT	
35	91514178	2	LOCKING PLATE	
36	91514179	16	NUT	
37	70021605	2	RING GEAR	
38	91514184	6	CIRCLIP	
39	91514185	6	PLANET GEAR	

SECTION 5 - DRIVE TRAIN

ITEM	PART NUMBER	QTY	DESCRIPTION	REV
40	91514186	6	BEARING	
41	7026731	2	PLANET GEAR CARRIER	
42	91514188	2	PLUG	
101	91514087	2	PLUG	
102	70021177	2	MAGNET PLUG	
	7029733	1	PLANET CARRIER KIT, (includes items 38 thru 41)	
	7029732	1	RING GEAR SUPPORT, (includes items 32, 34 & 37)	
	7029746	1	POSITION KIT, (right), (includes one each of items 23 & 26)	
	7029747	1	POSITION KIT, (left), (includes one each of items 23 & 26)	
	7028733	4	STEERING ADJUST BOLT KIT, (includes items 24 & 25)	

SECTION 5 - DRIVE TRAIN

FIGURE 5-10. REAR AXLE - BRAKES GROUP



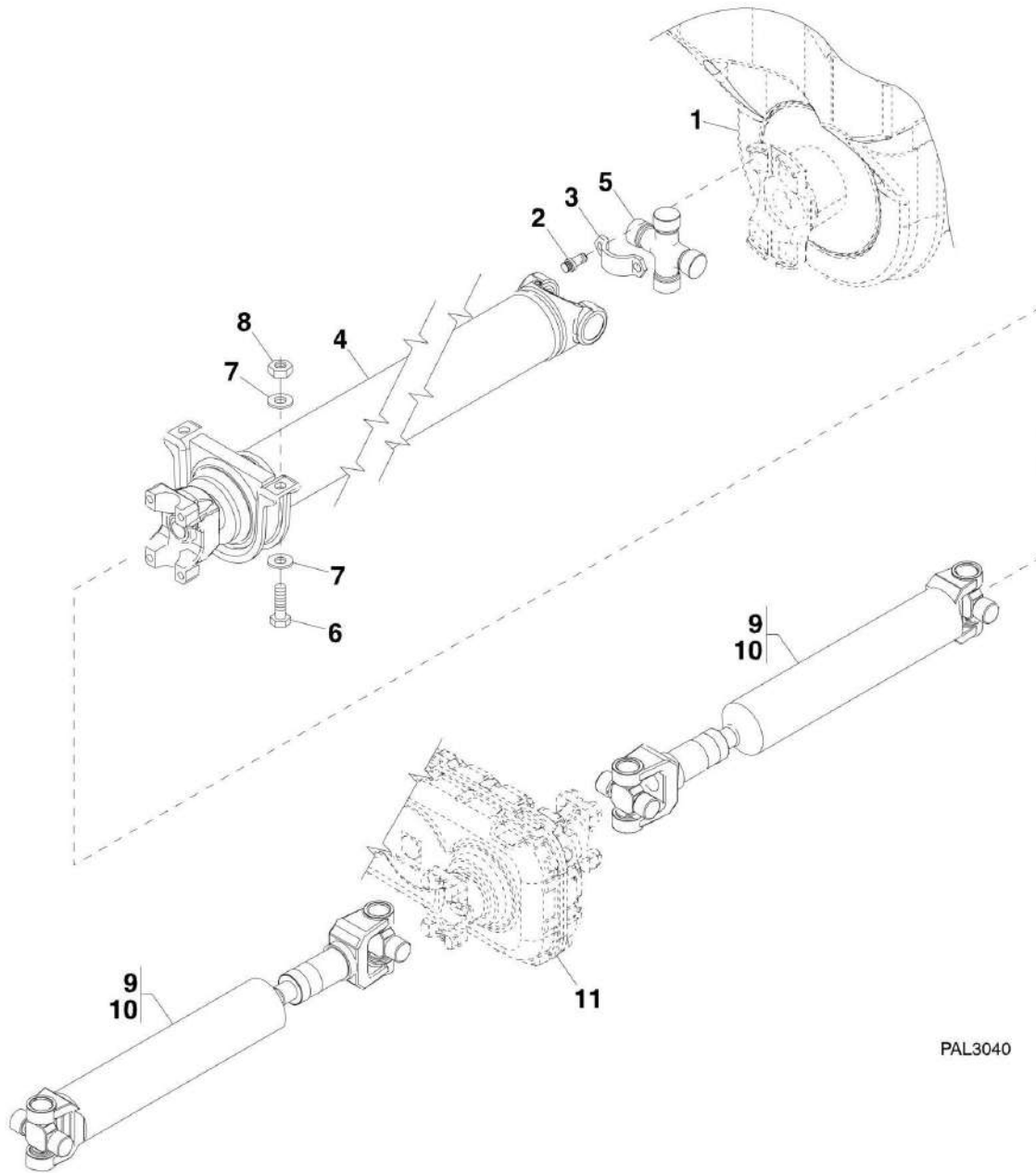
SECTION 5 - DRIVE TRAIN

FIGURE 5-10. REAR AXLE - BRAKES GROUP

ITEM	PART NUMBER	QTY	DESCRIPTION	REV
1	70021606	2	SPACER	
2	7029735	6	BRAKE DISC	
3	91514161	6	INTERMEDIATE BRAKE DISC	
4	7029734	2	REDUCTION BUSHING	
5	70021607	6	ADJUSTING BOLT	
6	91514165	6	SPRING	
7	91514160	6	ADJUSTING BOLT	
8	91514159	6	SPRING	
9	70021608	2	PISTON	
10	70021609	2	BACK-UP RING	
11	70021610	2	O-RING	
12	91514154	2	BOLT	
13	91514155	2	SEAL WASHER	
14	80204281	2	BLEEDING BOLT	
15	80204117	2	PLUG	
16	70021611	2	O-RING	
17	70021612	2	BACK-UP RING	
18	70021613	2	PILOT BOLT	

SECTION 5 - DRIVE TRAIN

FIGURE 5-11. DRIVE SHAFT



PAL3040

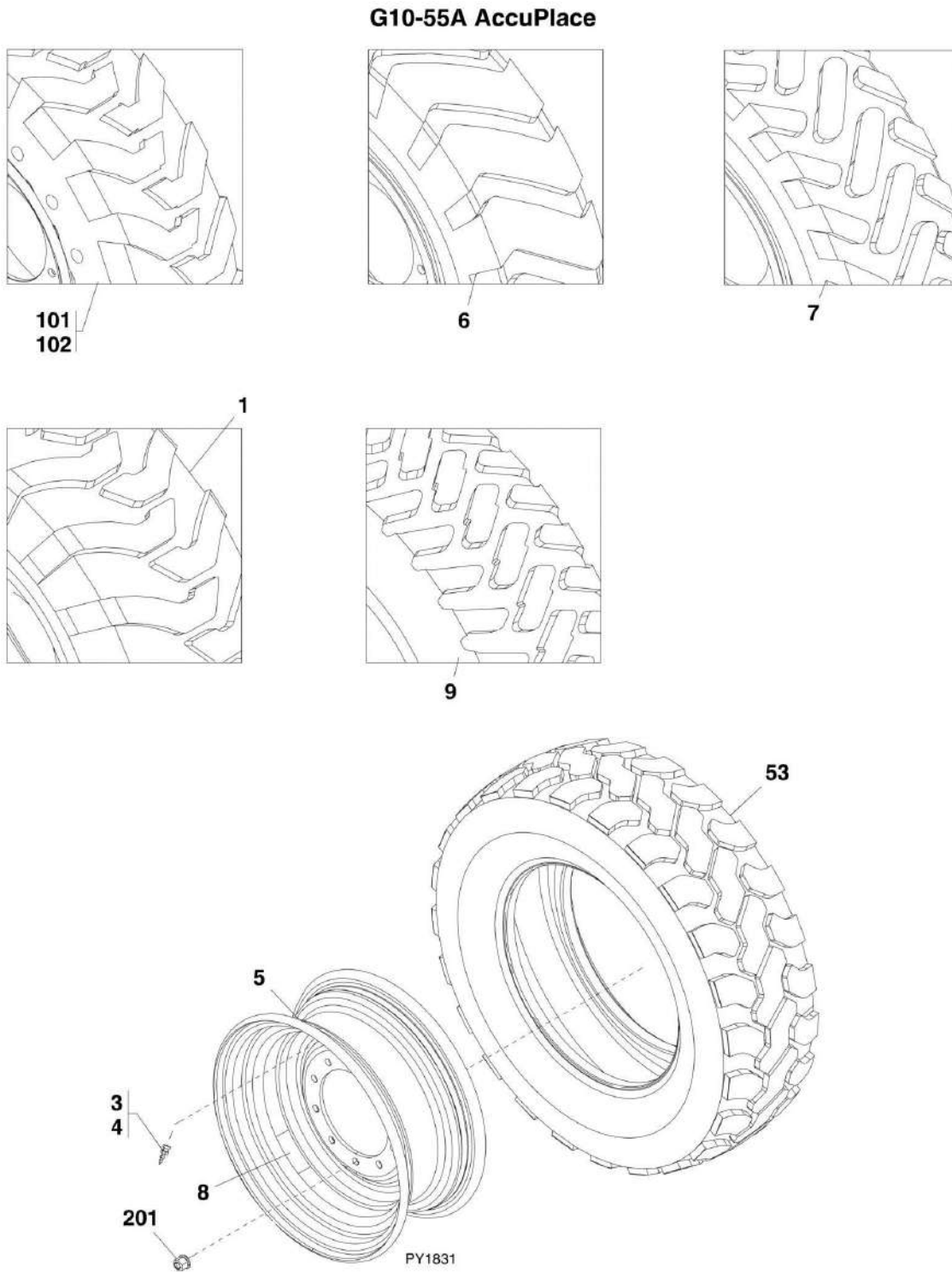
SECTION 5 - DRIVE TRAIN

FIGURE 5-11. DRIVE SHAFT

ITEM	PART NUMBER	QTY	DESCRIPTION	REV
1		Ref	REAR AXLE ASSY, (See REAR AXLE ASSEMBLY for Breakdown)	
2	91473028	20	STRAP BOLT, (torque to 55-60 ft lbs), (must replace when removed, do not re-torque)	
3	91473027	10	STRAP	
4	91563209	1	REAR DRIVESHAFT, (includes item 5)	
5	7026911	1	UNIVERSAL JOINT KIT	
6	0641716	2	HEX HD CAPSCREW, 7/16-14X2, GR5	
7	4711700	4	FLAT WASHER, 7/16	
8	3311705	2	LOCKNUT, 7/16-14	
9	91473151	2	DRIVESHAFT, (includes item 10)	
10	91474035	4	UNIVERSAL JOINT KIT	
11		Ref	TRANSMISSION ASSY, (See ENGINE AND ATTACHING PARTS SECTION for Breakdown)	

SECTION 5 - DRIVE TRAIN

FIGURE 5-12. TIRES AND RIMS - G10-55A ACCUPLACE



SECTION 5 - DRIVE TRAIN

FIGURE 5-12. TIRES AND RIMS - G10-55A ACCUPLACE

ITEM	PART NUMBER	QTY	DESCRIPTION	REV
	4520481	1	TIRE SET, 14.00-24 BIAS, G-2	A
	91355034	2	R.H. TIRE AND WHEEL ASSY, 14.00-24 BIAS, G-2, (includes items 1, 4 & 5)	D
	91355035	2	L.H. TIRE AND WHEEL ASSY, 14.00-24 BIAS, G-2, (includes items 1, 4 & 5)	D
	4520482	1	TIRE SET, 14.00-24 BIAS, FOAM FILLED, G-2	B
	91355037	2	R.H. TIRE AND WHEEL ASSY, 14.00-24 BIAS, FOAM FILLED, 720 lb, G-2, (includes items 1, 4 & 5)	F
	91355038	2	L.H. TIRE AND WHEEL ASSY, 14.00-24 BIAS, FOAM FILLED, 720 lb, G-2, (includes items 1, 4 & 5)	F
	4520485	1	TIRE SET, 14.00-24 BIAS, ROCK TRED, G-3	A
	91545010	4	TIRE AND WHEEL ASSY, 14.00-24 BIAS, ROCK TRED, G-3, (includes items 4 thru 6)	F
	4520486	1	TIRE SET, 14.00-24 BIAS, ROCK TRED, FOAM FILLED, G-3	A
	91545008	4	TIRE AND WHEEL ASSY, 14.00-24 BIAS, ROCK TRED, FOAM FILLED, 720 lb, G-3, (includes items 4 thru 6)	G
	4520489	1	TIRE SET, 14.00-24 RADIAL, L-2/G-2	A
	91415072	4	TIRE AND WHEEL ASSY, 14.00-24 RADIAL, L-2/G-2, (includes items 4, 5 & 7)	D
	4520490	1	TIRE SET, 14.00-24 RADIAL, FOAM FILLED, 720 lb, L-2/G-2	A
	91365076	4	TIRE AND WHEEL ASSY, 14.00-24 RADIAL, FOAM FILLED, 720 lb, L-2/G-2, (includes items 4, 5 & 7)	E
	4520518	1	TIRE SET, 17.50-25 BIAS, G-2	A
	91565028	2	R.H. TIRE AND WHEEL ASSY, 17.50-25 BIAS, G-2, (includes items 1, 3 & 5)	F
	91565029	2	L.H. TIRE AND WHEEL ASSY, 17.50-25 BIAS, G-2, (includes items 1, 3 & 5)	F
	4520519	1	TIRE SET, 17.50-25 BIAS, FOAM FILLED	A
	91565040	2	R.H. TIRE AND WHEEL ASSY, 17.50-25 BIAS, FOAM FILLED, 785 lb, (includes items 1, 3 & 5)	E
	91565039	2	L.H. TIRE AND WHEEL ASSY, 17.50-25 BIAS, FOAM FILLED, 785 lb, (includes items 1, 3 & 5)	E
	4520521	1	TIRE SET, 17.50-25 BIAS, ROCK TRED, G-3	A
	4520515	4	TIRE AND WHEEL ASSY, 17.50-25 BIAS, ROCK TRED, G-3, (includes items 3, 5 & 6)	B
	4520494	1	TIRE SET, 17.50-25 BIAS, ROCK TRED, FOAM FILLED, L-3	A
	4520493	4	TIRE AND WHEEL ASSY, 17.50-25 BIAS, ROCK TRED, FOAM FILLED, 785 lb, L-3, (includes items 3, 5 & 6)	B
	4520523	1	TIRE SET, 17.50-25 RADIAL, E-2/L-2	A
	91565038	4	TIRE AND WHEEL ASSY, 17.50-25 RADIAL, E-2/L-2, (includes items 3, 5 & 9)	F
	4520524	1	TIRE SET, 17.50-25 RADIAL, FOAM FILLED, E-2/L-2	A
	91565041	4	TIRE AND WHEEL ASSY, 17.50-25 RADIAL, FOAM FILLED, 785 lb, E-2/L-2, (includes items 3, 5 & 9)	E
	1001121109	1	TIRE SET, 400/75-28, 16 PLY	B
	1001121103	4	TIRE AND RIM ASSY, 400/75-28, 16 PLY, (includes items 4, 5 & 53)	B
	1001125410	1	TIRE SET, 400/75-28, 16 PLY, FOAM FILLED	B
	1001121105	4	TIRE AND RIM ASSY, 400/75-28, 16 PLY, FOAM FILLED, 464 lb, (includes items 4, 5 & 53)	B
1	91043084	1	TIRE, 14.00-24 BIAS, DIRECTIONAL	
1	4520527	1	TIRE, 17.50-25 LOADER, 12 PLY, DIRECTIONAL, L-2	
3	91083385	1	VALVE STEM	

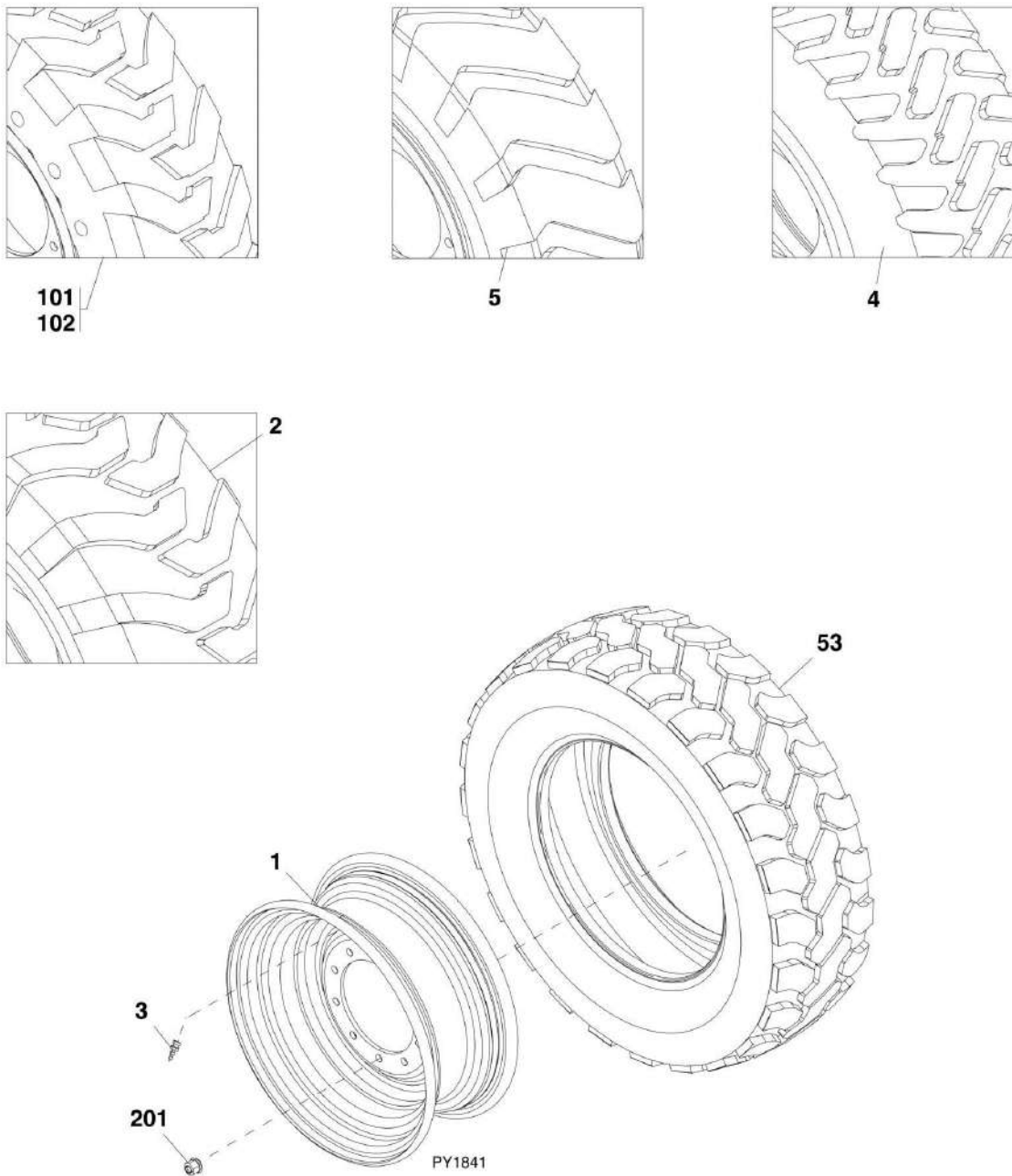
SECTION 5 - DRIVE TRAIN

ITEM	PART NUMBER	QTY	DESCRIPTION	REV
4	8786514	1	VALVE STEM	
5	91473206	1	WHEEL, 24X9, 0.219 OFFSET, (if equipped w/14.00-24)	
5	91563250	1	WHEEL, 25X13, 1.687 OFFSET, (if equipped w/17.50-25)	
5	1001120178	1	WHEEL, 28X12, 0.75 OFFSET, (if equipped w/Firestone 400/75-28)	
6	91543002	1	TIRE, 14.00-24 BIAS, ROCK TRED, NON-DIRECTIONAL, 12 PLY	
6	4520314	1	TIRE, 17.50-25 BIAS, ROCK TRED, NON-DIRECTIONAL, 12 PLY	
7	91363215	1	TIRE, 14.00-24 RADIAL, NON-DIRECTIONAL	
8	91153050	1	DECAL, (if equipped)	
9	8780047	1	TIRE, 17.50-25 BIAS, RADIAL, E-2/L-2	
53	1001120179	1	TIRE, 400/75-28, 16PLY	
	1001105780	1	TIRE SET, 14-24, SOLID, (includes items 101 & 102)	A
101	1001105782	2	R.H. TIRE AND WHEEL ASSY, 14-24, SOLID	B
102	1001105781	2	L.H. TIRE AND WHEEL ASSY, 14-24, SOLID	B
201		Ref	WHEEL NUT, (See FRAME AND ATTACHING PARTS SECTION for Breakdown)	
		Ref	NOTE: ITEM NUMBERS NOT LISTED ARE NOT USED ON THIS FIGURE	

SECTION 5 - DRIVE TRAIN

FIGURE 5-13. TIRES AND RIMS - G12-55A ACCUPLACE

G12-55A AccuPlace



SECTION 5 - DRIVE TRAIN

FIGURE 5-13. TIRES AND RIMS - G12-55A ACCUPLACE

ITEM	PART NUMBER	QTY	DESCRIPTION	REV
	4520518	1	TIRE SET, 17.50-25 BIAS, G-2	A
	91565028	2	R.H. TIRE AND WHEEL ASSY, 17.50-25 BIAS, G-2 (includes items 1 thru 3)	F
	91565029	2	L.H. TIRE AND WHEEL ASSY, 17.50-25 BIAS, G-2 (includes items 1 thru 3)	F
	4520519	1	TIRE SET, 17.50-25 BIAS, FOAM FILLED, G-2	A
	91565040	2	R.H. TIRE AND WHEEL ASSY, 17.50-25 BIAS, FOAM FILLED, 785 lb, G-2 (includes items 1 thru 3)	E
	91565039	2	L.H. TIRE AND WHEEL ASSY, 17.50-25 BIAS, FOAM FILLED, 785 lb, G-2 (includes items 1 thru 3)	E
	4520521	1	TIRE SET, 17.50-25 BIAS, ROCK TRED, G-3	
	4520515	4	TIRE AND WHEEL ASSY, 17.50-25 BIAS, ROCK TRED, G-3, (includes items 1, 3 & 5)	B
	4520494	1	TIRE SET, 17.50-25 BIAS, ROCK TRED, FOAM FILLED, L-3	A
	4520493	4	TIRE AND WHEEL ASSY, 17.50-25 BIAS, ROCK TRED, FOAM FILLED, 785 lb, L-3, (includes items 1, 3 & 5)	B
	4520523	1	TIRE SET, 17.50-25 RADIAL, E-2/L-2	A
	91565038	4	TIRE AND WHEEL ASSY, 17.50-25 RADIAL, E-2/L-2, (includes items 1, 3 & 4)	F
	4520524	1	TIRE SET, 17.50-25 RADIAL, FOAM FILLED, E-2/L-2	A
	91565041	4	TIRE AND WHEEL ASSY, 17.50-25 RADIAL, FOAM FILLED, 785lb, E-2/L-2, (includes items 1, 3 & 4)	E
	1001121109	1	TIRE SET, 400/75-28, 16 PLY	B
	1001121103	4	TIRE AND RIM ASSY, 400/75-28, 16PLY, (includes items 1, 3 & 53)	B
	1001125410	1	TIRE SET, 400/75-28, 16 PLY, FOAM FILLED	B
	1001121105	4	TIRE AND RIM ASSY, 400/75-28, 16PLY, FOAM FILLED, 464 lb, (includes items 1, 3 & 53)	B
1	91563250	1	WHEEL, 25X13, 1.687 OFFSET	
1	1001120178	1	WHEEL, 28X12, 0.75 OFFSET, (if equipped w/Firestone 400/75-28)	
2	4520527	1	TIRE, 17.50-25 LOADER, 12 PLY, DIRECTIONAL, L-2	
3	91083385	1	VALVE STEM	
3	8786514	1	VALVE STEM, (if equipped w/Firestone 400/75-28)	
4	8780047	1	TIRE, 17.50-25 BIAS, RADIAL, E-2/L-2	
5	4520314	1	TIRE, 17.50-25 BIAS, ROCK TRED, NON-DIRECTIONAL, E-2/L-2, 12 PLY	
53	1001120179	1	TIRE, 400/75-28, 16PLY	
	1001105780	1	TIRE SET, 14X24, SOLID, (includes items 101 & 102)	A
101	1001105782	2	R.H. TIRE AND WHEEL ASSY, 14-24, SOLID	B
102	1001105781	2	L.H. TIRE AND WHEEL ASSY, 14-24, SOLID	B
201		Ref	WHEEL NUT, (See FRAME AND ATTACHING PARTS SECTION for Breakdown)	
		Ref	NOTE: ITEM NUMBERS NOT LISTED ARE NOT USED ON THIS FIGURE	

SECTION 6 - CAB

SECTION 6 - CAB

FIGURE 6-1. CAB ASSEMBLY

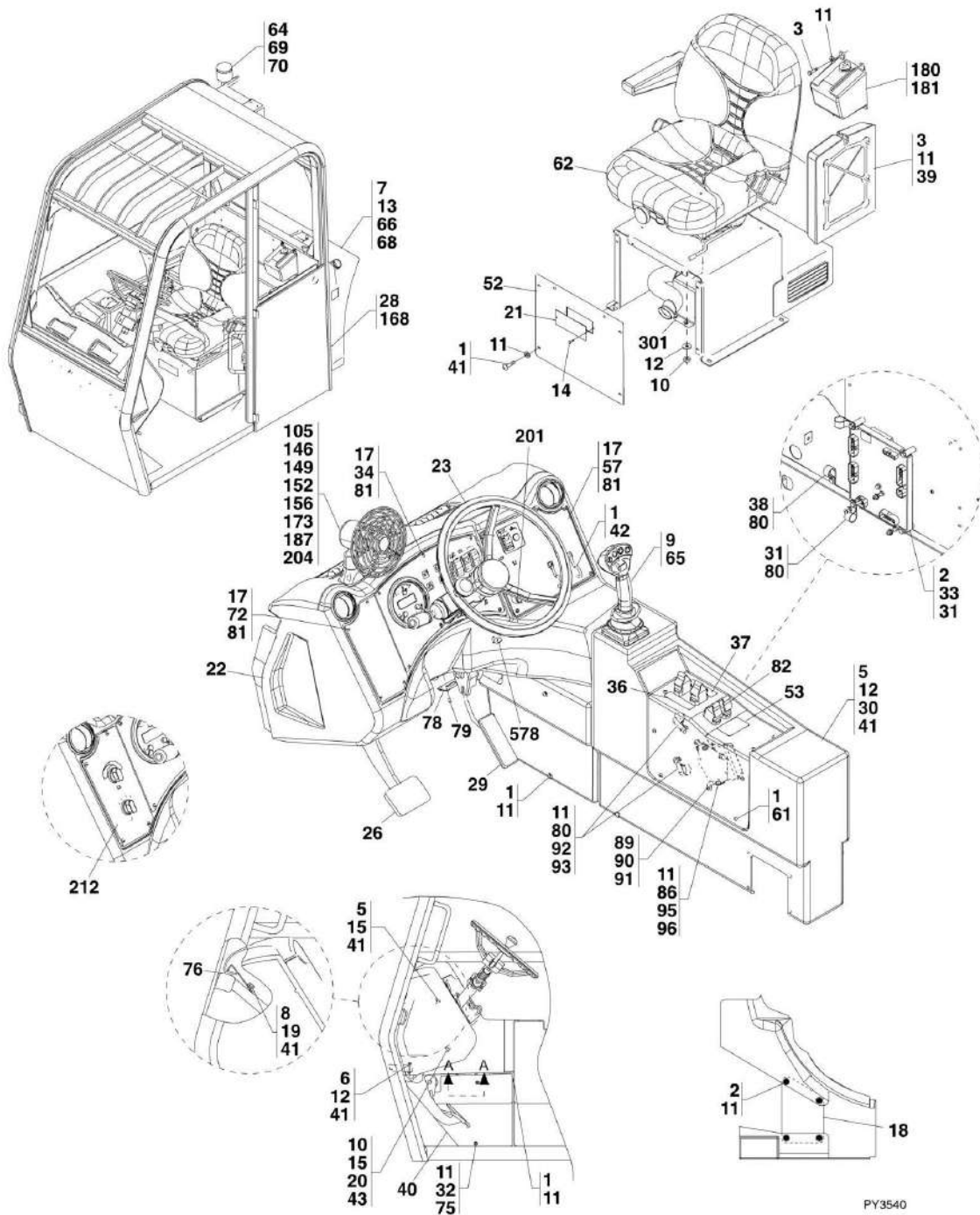


FIGURE 6-1. CAB ASSEMBLY

ITEM	PART NUMBER	QTY	DESCRIPTION	REV
	1040099	1	OPEN CAB ASSY, (not available to order; see items 1 thru 99 for service)	H
	1040106	1	ENCLOSED CAB W/HEATER ASSY, (not available to order; see items 1 thru 27, 29 thru 70, 73 thru 301 for service)	G
	1040105	1	ENCLOSED CAB W/HEATER AND A/C ASSY, (not available to order; see items 1 thru 27, 29 thru 70, 73 thru 301 & 1 thru 8 on AIR CONDITIONING for service)	A
1	0630407	20	BUTTON HD SCREW, 1/4-20x5/8, (open)	
1	0630407	19	BUTTON HD SCREW, 1/4-20x5/8, (enclosed)	
2	0641405	5	HEX HD CAPSCREW, 1/4-20x5/8, GR5, (open cab)	
2	0641405	8	HEX HD CAPSCREW, 1/4-20x5/8, GR5, (enclosed cab)	
3	0641408	6	HEX HD CAPSCREW, 1/4-20X1, GR5, (open cab)	
3	0641408	9	HEX HD CAPSCREW, 1/4-20X1, GR5, (enclosed cab)	
5	0641508	5	HEX HD CAPSCREW, 5/16-18X1, GR5	
6	0641514	1	HEX HD CAPSCREW, 5/16-18x1 3/4, GR5	
7	0641608	3	HEX HD CAPSCREW, 3/8-16X1, GR5	
8	0791608	2	SCREW, 3/8-16X1	
9		Ref	JOYSTICK, (See CONTROLS SECTION for Breakdown)	
10	3311505	5	HEX LOCK NUT, 5/16-18, GR2	
11	4711400	24	WASHER, 1/4, (open cab)	
11	4711400	31	WASHER, 1/4B, (enclosed cab)	
12	4711500	6	WASHER, 5/16	
13	4711600	3	WASHER, 3/8	
14	91413036	2	SCREW, #6X1/2	
15	4751500	2	WASHER, 5/16	
17	80363034	16	TINNERMAN NUT, #10-24	
18	91401516	1	DASH BRACE	
19	91401590	1	DASH CLAMP	
20	0641510	1	HEX HD CAPSCREW, 5/16-18X1 1/4	
21	91561200	1	VENT COVER PLATE, (open cab)	
21	91413053	11	RECTANGULAR VENT, (enclosed cab)	
22	1671328	1	OPEN CAB DASH	
22	1001091394	1	ENCLOSED CAB DASH	
23	91563208	1	STEERING COMPONENTS, (See CONTROLS SECTION for Breakdown)	
24	91561192	1	ACCELERATOR BRACKET	
26		Ref	POWER BRAKE ASSY, (See CONTROLS SECTION for Breakdown)	
28		Ref	OPEN CAB, (See CAB for Breakdown)	
29		Ref	ACCELERATOR PEDAL ASSY, (See CONTROLS SECTION for Breakdown)	
30	1671322	1	RIGHT HAND CONSOLE	
31	0641418	5	HEX HD CAPSCREW, 1/4-20X2 1/4	
32	91563075	1	LOWER RIGHT HAND CONSOLE	
33	1001100524	1	GROUND CONTROLLER	
34		Ref	INSTRUMENT PANEL ASSY, (See INSTRUMENT PANEL for Breakdown)	
36		Ref	LEFT FRAME SWAY DECAL, (See DECALS SECTION for Breakdown)	
37		Ref	RIGHT FRAME SWAY DECAL, (See DECALS SECTION for Breakdown)	
38	0641404	1	HEX HD CAPSCREW, 1/4-20X1/2	

SECTION 6 - CAB

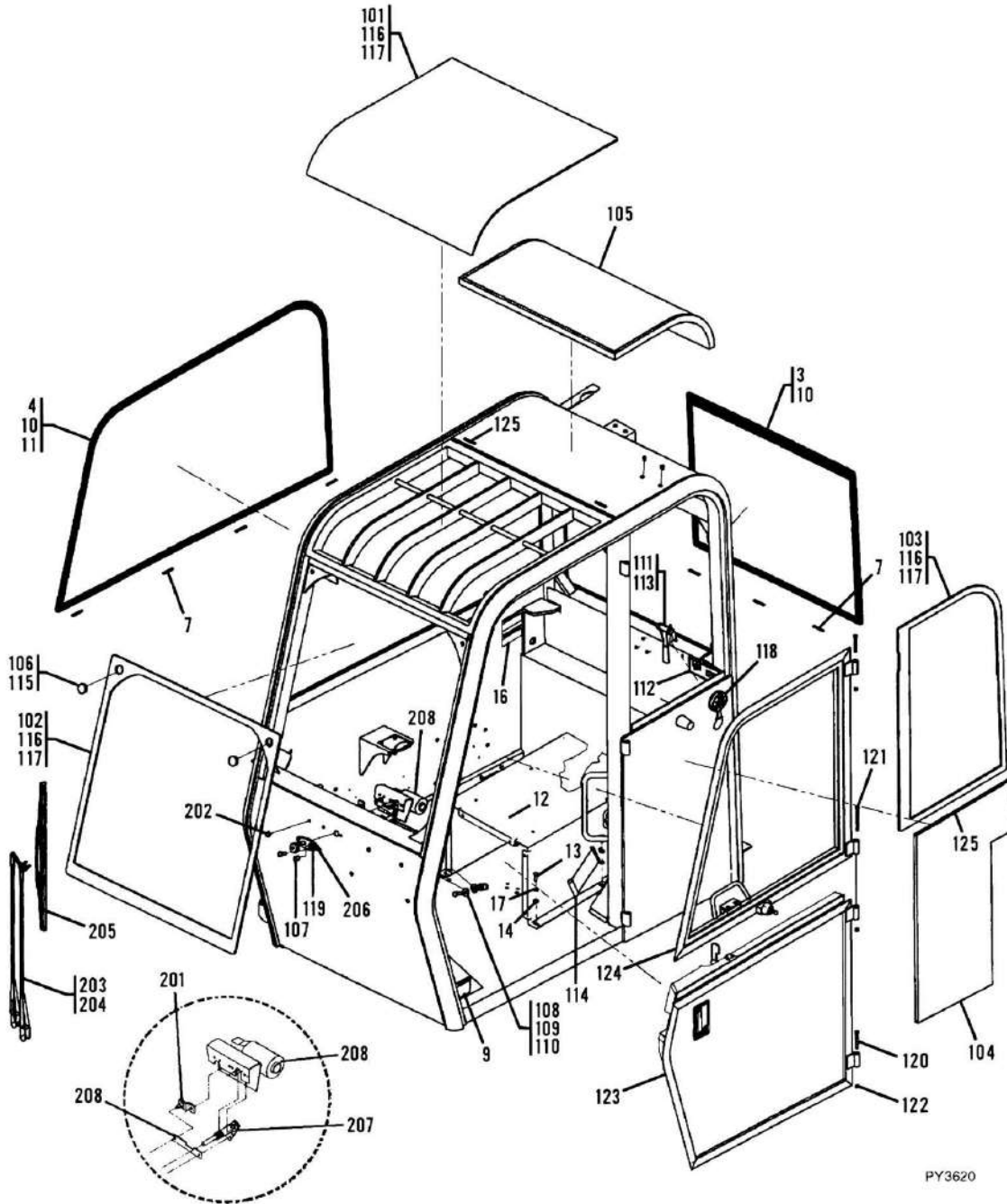
ITEM	PART NUMBER	QTY	DESCRIPTION	REV
39	91403230	1	MANUAL STORAGE BOX	
40	90206198	AR	TRIM-LOK	
41	0100011	AR	LOCTITE, #242	
42	91163087	2	LOAD CHART BRACKET	
43	4771500	1	STAR WASHER, 5/16	
52	91561150	1	ACCESS COVER PLATE	
53		Ref	JOYSTICK CONTROLS DECAL, (See DECALS SECTION for Breakdown)	
55	1001100673	1	LED INDICATOR LIGHT	
57	1671324	1	RH INSTRUMENT DASH PANEL	
61	1671323	1	RH CONSOLE COVER PLATE	
62		Ref	SUSPENSION SEAT, (See SUSPENSION SEAT for Breakdown)	
64	1340021	1	AIR BREATHER	
65	3900385	4	SCREW	
66	91401198	1	FUEL TANK HOLD DOWN	
67		Ref	CAB CONTROL HARNESS, (not shown), (See ELECTRICAL SECTION for Breakdown)	
68	1001098934	1	DIESEL FUEL TANK	
69	1001096398	1	HYDRAULIC HOSE ASSY	
70	91163100	1	FITTING	
72	91403324	1	BLANK DASH PANEL	
73		Ref	DASH HARNESS, (not shown), (See ELECTRICAL SECTION for Breakdown)	
74		Ref	TRANSMISSION RELAY HARNESS, (not shown), (See ELECTRICAL SECTION for Breakdown)	
75	0630457	2	BUTTON HD SCREW, 1/4-20X1	
76	90200755	1	GASKA-TAPE	
78	3575623	1	PLUG MOUNT PLATE	
79	3820020	4	RIVET	
80	1320130	5	HOSE CLAMP SUPPORT	
81	1001100322	16	PAN HD SCREW, #10	
82	1001100421	4	SINGLE AXIS JOYSTICK	
82	70022816	4	BOOT	
83	1001001186	1	ELECTRICAL OPTIONS	
86	1001106665	1	PLATE	
87	1001108623	1	MINI JOYSTICK HARNESS, (not shown)	
89	471000	3	WASHER, #10	
90	3311001	3	HEX NUT, #10-24, GR2	
91	3900252	3	BUTTON HD SCREW, #10-24X1/2	
92	3900258	3	BUTTON HD SCREW, #10-24X1/2	
93	3271401	2	HEX NUT, 1/14-20, GR8	
94	1001109008	1	MINI JOYSTICK MODULE ASSY	
95	3311401	2	HEX NUT, 1/4-20, GR5	
96	0641409	2	HEX HD CAPSCREW, 1/4-20X1 1/8	
97	1001100422	1	SWITCH	
98	1001110544	8	WASHER, 3MM	
99	0760305	8	HEX HD CAPSCREW, M3X10, GR8.8	
105	0741006	4	SOCKET FLAT HD CAPSCREW, #10-24X3/4	
146	91033425	1	RUBBER GROMMET	
149	91401443	1	FAN BASE PLATE	
152	80963058	1	WEATHERPACK SHROUD	
154	91403539	2	3-WAY CONNECTOR	

SECTION 6 - CAB

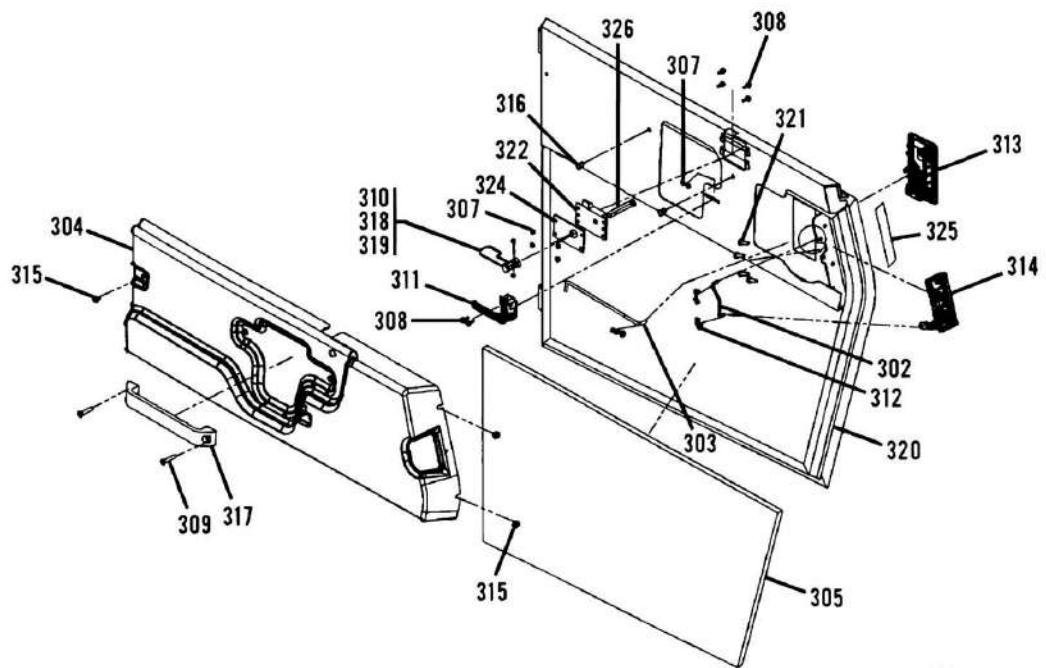
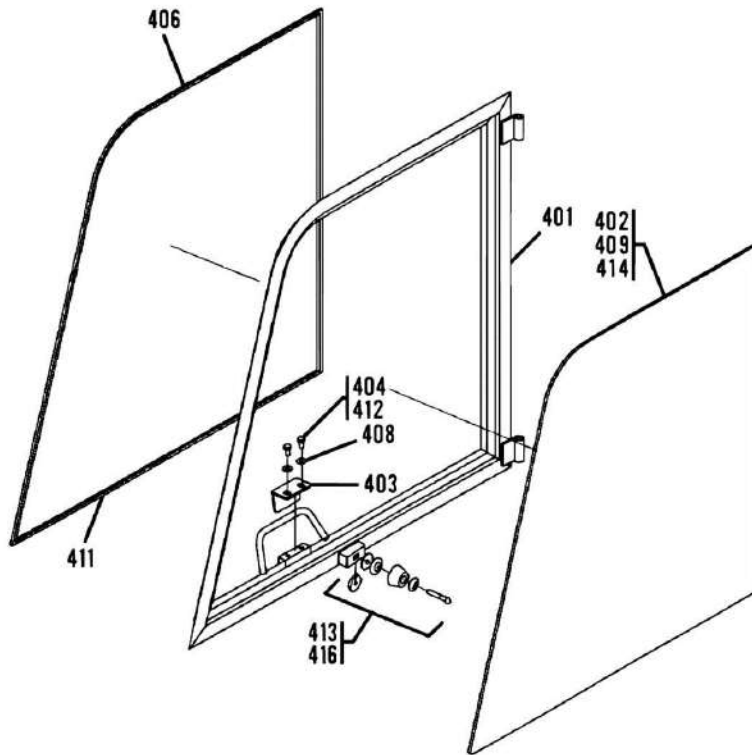
ITEM	PART NUMBER	QTY	DESCRIPTION	REV
156	91403608	1	DEFROSTER FAN	
156	91044542	1	FAN MOTOR	
168		Ref	ENCLOSED CAB, (See CAB for Breakdown)	
173	80963069	2	WEATHERPACK MALE PIN	
180	82033997	AR	WASHER FLUID HOSE	
181	83683085	1	WASHER FLUID BOTTLE	
199		Ref	ENCLOSED CAB HARNESS, (not shown), (See ELECTRICAL SECTION for Breakdown)	
201	80963101	1	WIPER SWITCH	
202	88691387	1	TUBING CLIP	
204	3311005	4	HEX LOCK NUT, 10-24, GR2	
212		Ref	LEFT HAND CLIMATE CONTROL PANEL, (See HEATING COMPONENTS for Breakdown)	
301		Ref	HEATING COMPONENTS, (See HEATING COMPONENTS for Breakdown)	
401		Ref	CAB HYDRAULICS INSTALL, (not shown), (See HYDRAULIC CIRCUITS SECTION for Breakdown)	
578	91033317	1	IGNITION SWITCH	
578	77384578	1	IGNITION KEY	
		Ref	NOTE: ITEM NUMBERS NOT LISTED ARE NOT USED ON THIS FIGURE	

SECTION 6 - CAB

FIGURE 6-2. CAB



SECTION 6 - CAB



PY3610

SECTION 6 - CAB

FIGURE 6-2. CAB

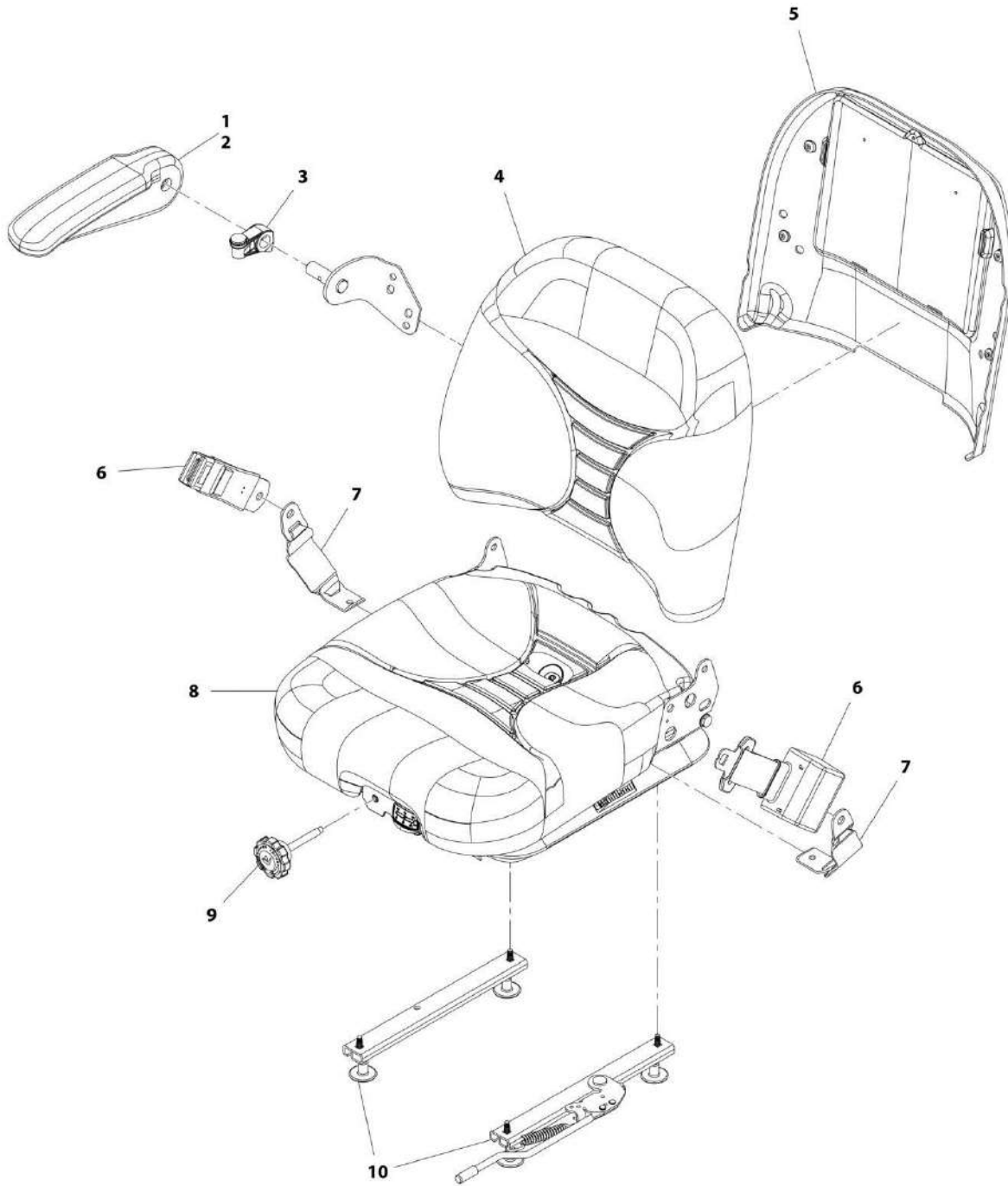
ITEM	PART NUMBER	QTY	DESCRIPTION	REV
	1040100	1	OPEN CAB, (includes items 1 thru 20)	
	1040107	1	ENCLOSED CAB, (includes items 1 thru 127)	
		Ref	CAB ENCLOSURE KIT, (includes items 101 thru 127)	
1		Ref	PLUG, .375	
2	8036654	17	PLUG, .312	
3	91404110	1	REAR WINDOW W/BORDER	
4	91404109	1	RH SIDE WINDOW W/BORDER	
6	80264112	1	PLUG, .75	
7	80264031	13	SETTING BLOCK	
8	1001103509	18	RIVNUT, 1/4-20	
9	91164094	1	ROPS WARNING DECAL	
10	80364009	AR	URETHANE	
11	91404302	AR	ACTIVATOR	
12	7029853	1	SEAT RISER WELDMENT	
13	7029854	4	HEX BOLT, .38-16X1, G5	
14	80364037	4	WASHER	
15		Ref	CAB WELDMENT	
16		Ref	SERIAL TAG	
17	7029855	4	WASHER	
18	80364011	1	PLUG	
19	91344046	AR	WEATHERSTRIP	
20	7028939	1	HEX NUT	
101	91404290	1	SKY LIGHT WINDOW	
102	91404291	1	FRONT WINDOW	
103	80364030	1	LH REAR WINDOW	
104	91404294	1	FOAM, LH SIDE PANEL	
105	91404295	1	HEADLINER	
106	91404296	2	PLUG, 1.25	
107	80384207	2	HEX BOLT, .25-28X.75, G5	
108	80364023	1	STRIKER	
109	91334024	1	HEX BOLT, .38-16X.88, G8	
110	91404297	2	WASHER	
111	91404298	3	RIVET 1/8	
112	91404299	1	EMERGENCY EXIT DECAL	
113	91404301	1	EXIT HAMMER w/CABLE	
114	80384218	1	DOOR STRAP	
115	70020632	AR	SEAM SEAL	
116	91334034	1	URETHANE	
117	91404302	AR	ACTIVATOR	
118	91404303	1	DOOR HOLD-OPEN, FEMALE	
119	91334035	1	SPACER	
120	80384205	2	HEX BOLT, .38-16X4.50	
121	91404305	3	HEX BOLT, .38-16X6.5	
122	91404306	3	HEX NUT, .38-16	
123	91404307	1	LOWER DOOR ASSY, (includes items 301 thru 326)	
124	91404308	1	UPPER DOOR ASSY, (includes items 401 thru 414)	
125	80264031	15	SETTING BLOCK	
126	Kit	1	WIPER KIT	
127	70020653	4	SETTING BLOCK	
201	80384203	1	WIPER ARM	

SECTION 6 - CAB

ITEM	PART NUMBER	QTY	DESCRIPTION	REV
202	1001081310	1	WIPER ARM SPACER	
203	1001081311	1	WIPER ARM ADAPTER	
204	1001081308	1	WIPER ARM	
205	80384213	1	WIPER BLADE, 28IN	
206	1001081307	1	WIPER ARM ADAPTER	
207	91144478	1	WIPER PIVOT SHAFT, 2IN	
208	7029860	1	WIPER MOTOR	
302	91404309	1	EXTERIOR RELEASE DOOR ROD	
303	91404310	1	INTERIOR RELEASE DOOR ROD	
304	91404311	1	PLASTIC DOOR COVER	
305	91404312	1	FOAM, LOWER DOOR	
307	91404313	6	LOCKNUT, #10-24	
308	80384191	2	SCREW,	
309	8035461	2	FLAT HD SCREW, .25-20X1.25	
310	91404315	1	RELEASE LEVER	
311	80384192	1	HANDLE	
312	80384187	3	CLIP	
313	80384184	1	PADDLE LATCH W/KEY	
313	80964051	1	KEY	
314	80364079	1	CAM LATCH	
315	80264066	3	SCREW, M6X1X12	
316	1001103509	2	RIVNUT, 1/4-20	
317	91404316	1	HANDLE	
318	91404317	1	SCREW,	
319	91404318	1	LOCKNUT, #8-32	
320	80364001	AR	SEAL	
321	80384189	4	HEX SCREW, .25-20X.75	
322	91404319	1	LH SLAM LATCH	
323	91344018	1	LOCTITE	
324	91404320	1	SLAM LATCH STIFFENER	
325	8035722	AR	TAPE	
326	91404321	1	LOWER DOOR DRIVE BAR	
401	7029859	1	UPPER DOOR	
402	91404322	1	UPPER DOOR GLASS	
403	91404323	1	SLAM LATCH STRIKER	
404	91404324	2	BOLT, .312-18X.625	
406	80364001	AR	SEAL	
408	91334032	2	WASHER	
409	80364009	AR	SEALANT	
411		Ref	WHITE SEALANT	
412	91344018	AR	LOCTITE	
413	91474492	1	DOOR HOLD OPEN	
414	91404302	AR	ACTIVATOR	
416	91344018	AR	LOCTITE	
		Ref	NOTE: ITEM NUMBERS NOT LISTED ARE NOT USED ON THIS FIGURE	

SECTION 6 - CAB

FIGURE 6-3. SUSPENSION SEAT



ART_91563158-G

FIGURE 6-3. SUSPENSION SEAT

ITEM	PART NUMBER	QTY	DESCRIPTION	REV
	91563158	1	SUSPENSION SEAT, (includes all items)	G
1	7026904	1	ARMREST ASSY RH KIT, (includes items 2 & 3)	
2	N.S.S.	1	ARMREST, MOLDED KIT	
3	N.S.S.	1	ARMREST STOP ASSY	
4	7026900	1	BACK CUSHION KIT	
5	7026902	1	BACK PANEL KIT	
6	7026905	1	2 IN SEAT BELT KIT	
7	7026906	1	TETHER KIT	
8	7026901	1	SEAT CUSHION KIT	
9	7026799	1	KNOB KIT	
10	7026798	1	SLIDE KIT	

SECTION 6 - CAB

FIGURE 6-4. INSTRUMENT PANEL

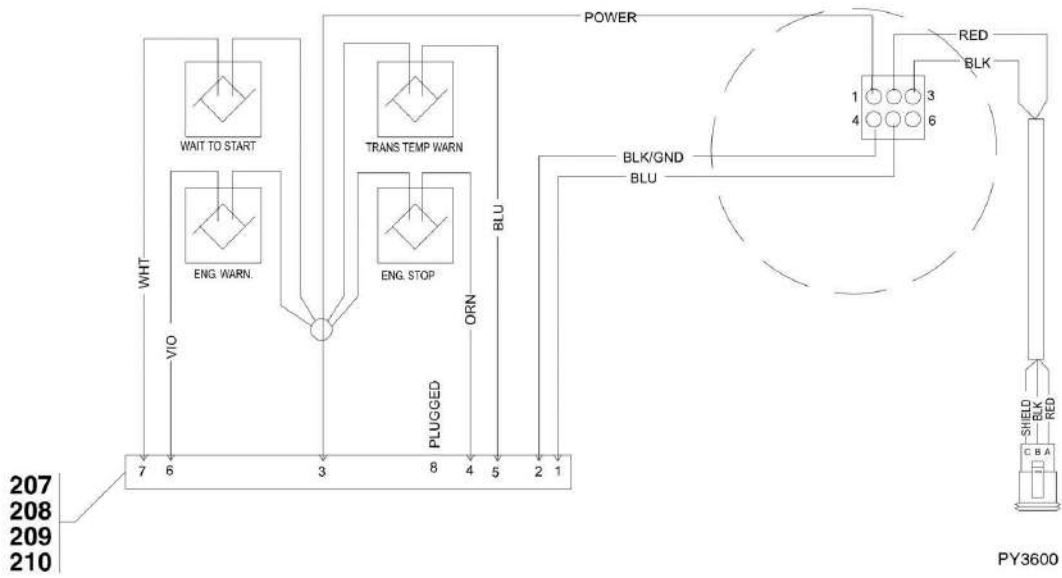
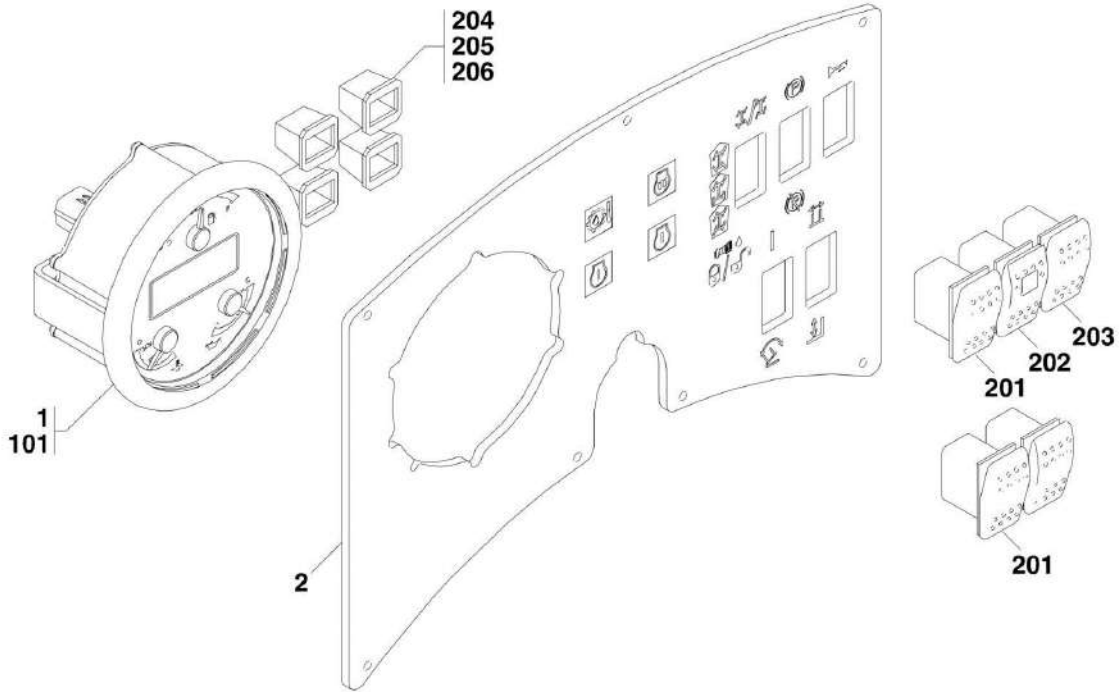
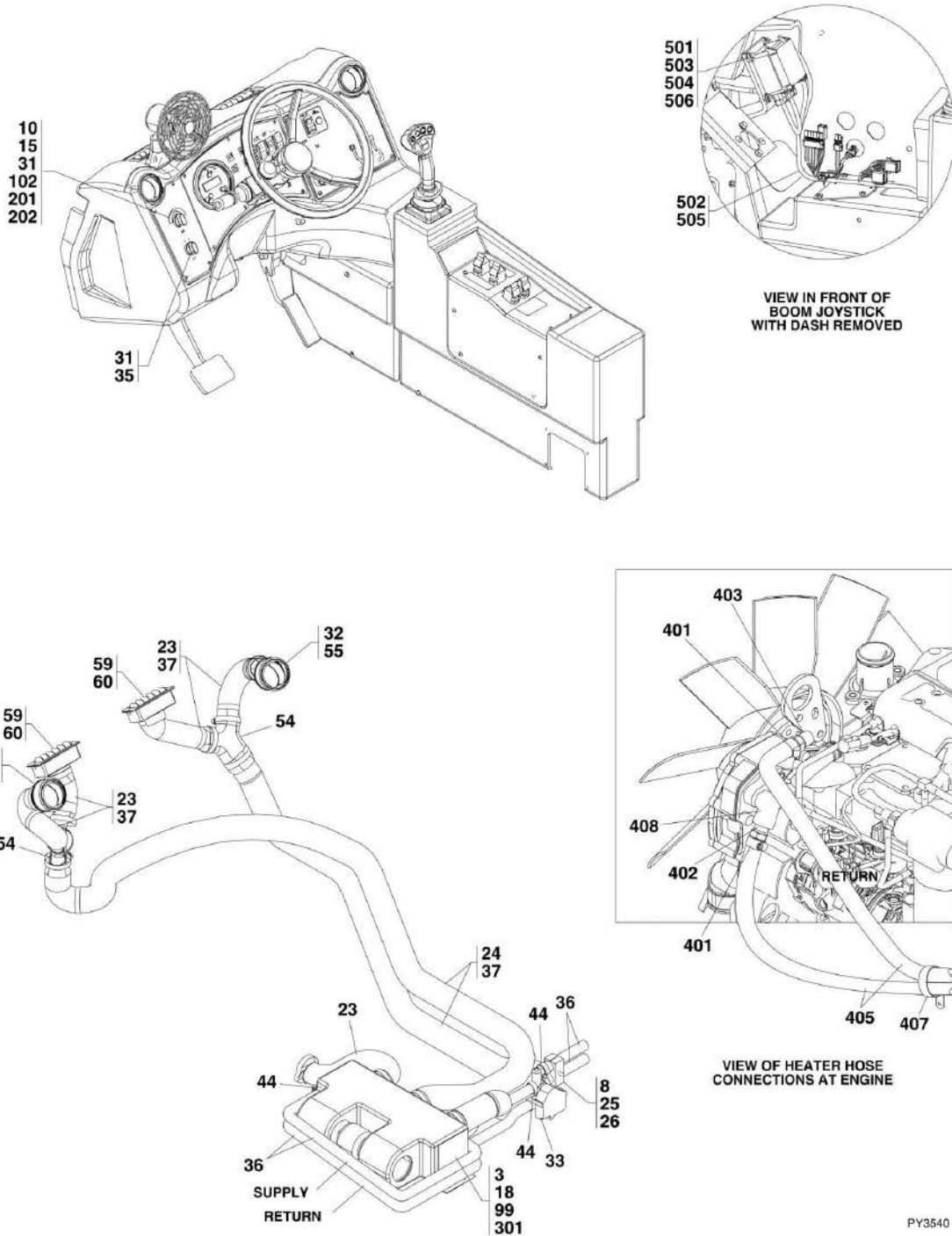


FIGURE 6-4. INSTRUMENT PANEL

ITEM	PART NUMBER	QTY	DESCRIPTION	REV
	1001101358	1	INSTRUMENT PANEL ASSY, (includes items 1 & 2)	
1	1001101357	1	3-IN-1 GAUGE, (includes item 101)	B
2	1001101449	1	INSTRUMENT PANEL, (includes items 201 thru 209)	
101		Ref	MOUNTING BRACKET	
201	91473127	3	CONTURA SWITCH	
202	91474465	1	PARK BRAKE SWITCH	
203	7026440	1	HORN SWITCH, (includes actuator)	
204		Ref	BULB HOUSING	
205	80484088	4	BULB	
206	7026438	4	TERMINAL	
207	91503105	1	DEUTSCH CONNECTOR	
208	91503106	1	DEUTSCH LOCK	
209	77363228	1	DEUTSCH CONTACTS	
210	4460466	1	DEUTSCH PLUG	
		Ref	NOTE: ITEM NUMBERS NOT LISTED ARE NOT USED ON THIS FIGURE	

SECTION 6 - CAB

FIGURE 6-5. HEATING COMPONENTS



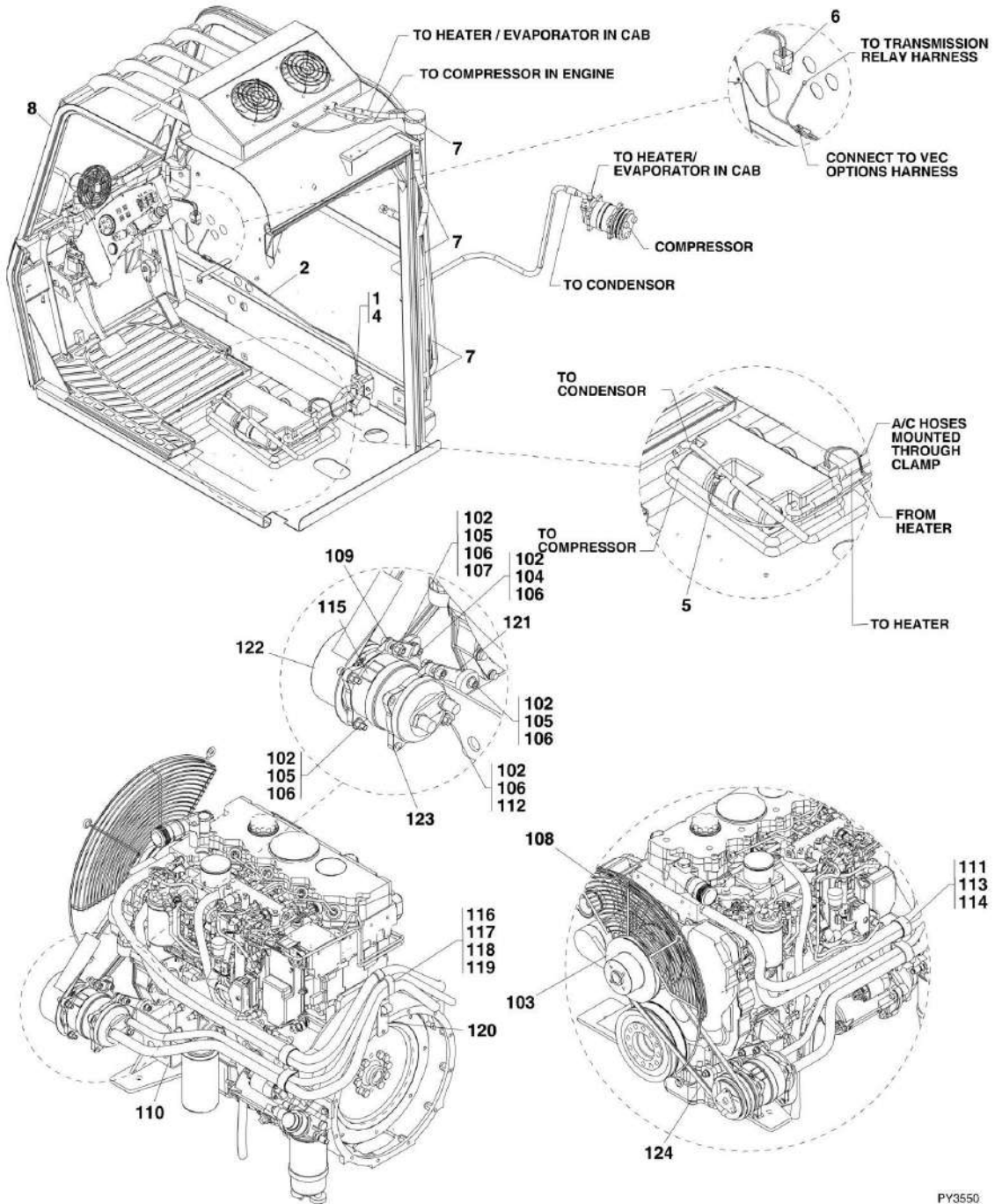
PY3540

FIGURE 6-5. HEATING COMPONENTS

ITEM	PART NUMBER	QTY	DESCRIPTION	REV
3	0641405	4	HEX HD CAPSCREW, 1/4-20X5/8	
8	0641518	1	HEX HD CAPSCREW, 5/16-18X2-1/4, GR5	
10	0740605	2	SOCKET FLAT HD CAPSCREW, #6-32X5/8	
15	3310601	2	HEX NUT, #6-32	
18	4711400	4	FLAT WASHER, 1/4	
23	71492150	AR	VENT HOSE, 2	
24	71492152	AR	VENT HOSE, 2 1/2	
25	77133137	1	COVER PLATE	
26	77133279	1	CLAMP SET	
30	80365027	1	POTENTIOMETER ASSY, (includes items 201 & 202)	
31	80363069	2	KNOB	
32	80363106	2	AIR VENT DIFFUSER	
33	80383231	1	HEATER CONTROL VALVE	
35	80964001	1	BLOWER SWITCH	
36	82033995	AR	HEATER HOSE, 5/8	
37	84231107	14	HOSE CLAMP	
44	86683193	6	HOSE CLAMP	
54	91403539	2	3-WAY CONNECTOR	
55	91403596	2	VENT REDUCER	
59	91413036	4	SELF-TAPPING SCREW, #6X1/2	
60	91413053	2	RECTANGULAR VENT	
99		Ref	ENCLOSED CAB HARNESS, (See ELECTRICAL SECTION for Breakdown)	
102	88691387	1	TUBING CLIP	
201	80363067	1	POTENTIOMETER, 8 OHM	
202	80363208	1	POTENTIOMETER HARNESS	
301	91403280	1	HEATER UNIT	
401	8405007	2	GEAR CLAMP, 1.25	
402	8430048	1	ADAPTER	
403	77383540	1	COOLANT RESTRICTER ORAFICE	
405	82033995	AR	HEATER HOSE, 5/8	
406	0100020	AR	LOCTITE, #567, (not shown)	
407	90028660	1	LOOP CLAMP	
408	8540218	1	ADAPTER, 90	
501	1001092849	1	VEC OPTIONS BOX	
502		Ref	VEC OPTIONS HARNESS, (See ELECTRICAL SECTION for Breakdown)	
503	0641412	4	HEX HD CAPSCREW, 1/4-20X1.5	
504	4751200	4	1/4 WASHER	
505	4240033	AR	TIE WRAP	
506	3311401	2	NUT, 1/4-20	
		Ref	NOTE: ITEM NUMBERS NOT LISTED ARE NOT USED ON THIS FIGURE	

SECTION 6 - CAB

FIGURE 6-6. AIR CONDITIONING



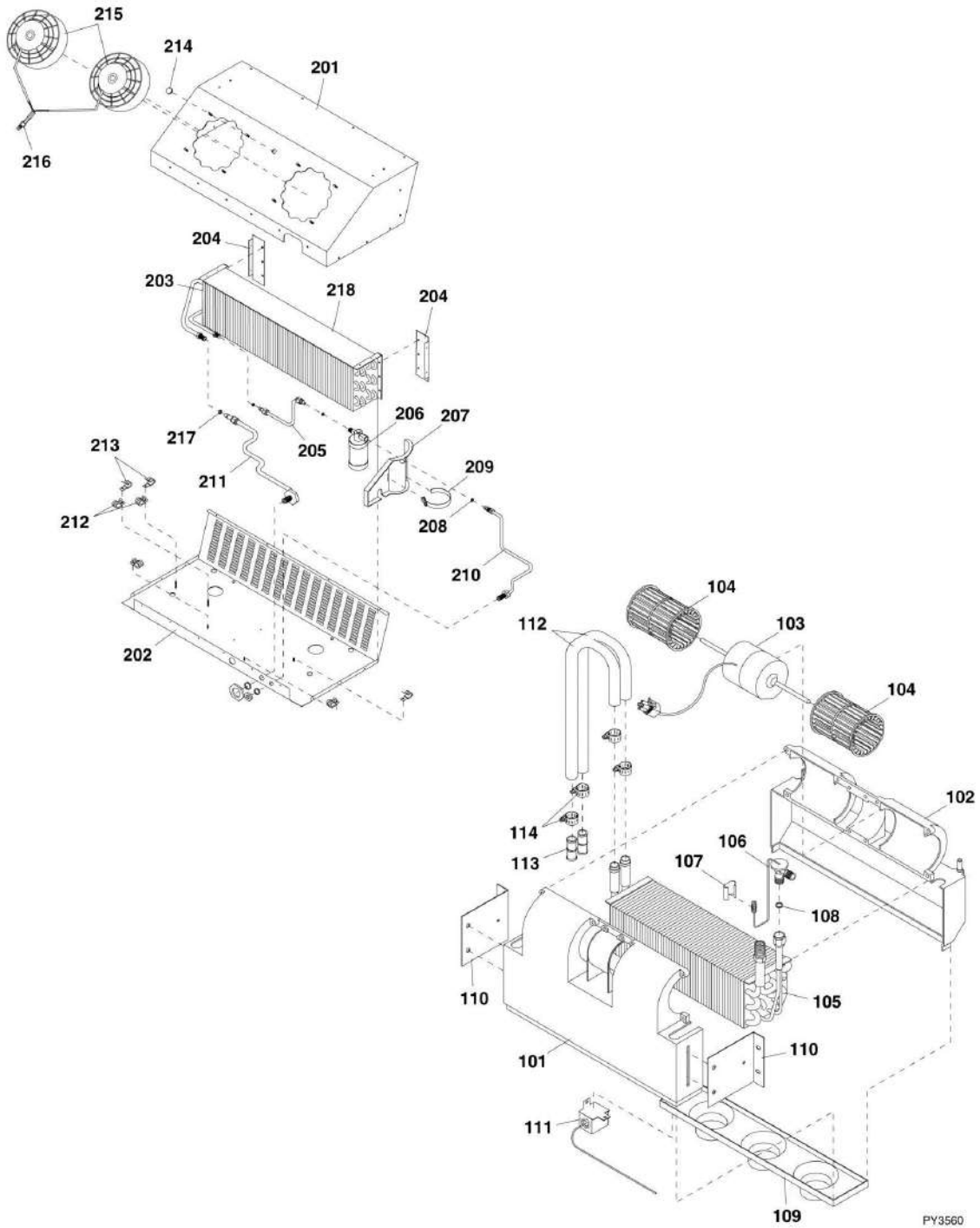
PY3550

FIGURE 6-6. AIR CONDITIONING

ITEM	PART NUMBER	QTY	DESCRIPTION	REV
1	0641532	1	HEX HD CAPSCREW, 5/16-18X4	
2		Ref	AC WIRE HARNESS, (See ELECTRICAL SECTION for Breakdown)	
3		Ref	AIR CONDITIONING COMPONENTS (not shown), (See AIR CONDITIONING COMPONENTS for Breakdown)	
4	77323029	1	CLAMP SET, .875	
5	80363099	1	AC SWITCH	
6	3740080	1	WEATHER PROOF RELAY	
7	4240033	5	WIRE TIE	
8		Ref	ENCLOSED CAB, (See CAB ASSEMBLY for Breakdown)	
	1001001169	1	AIR CONDITIONING ASSY, ENGINE PARTS, (includes items 101 thru 124)	
101	0160032	1	ALTERNATOR, 100AMP	
102	3311605	8	HEX LOCKNUT, 3/8-16	
103	1001092204	1	A/C DRIVE PULLEY	
104	3931616	1	SOCKET HD CAPSCREW, 3/8-16X1	
105	3931624	5	SOCKET HD CAPSCREW, 3/8-16X1-1/2	
106	4711600	14	FLAT WASHER, 3/8	
107	4751600	2	FLAT WASHER, 3/8	
108	91513215	1	FAN GUARD	
109	1001090644	1	ADJUSTMENT BRACKET	
110	1001090646	1	A/C COMPRESSOR BRACKET	
111	0761215	1	HEX HD CAPSCREW, 5/16-18X1/2, GR5	
112	3931620	2	SOCKET HEAD CAP SCREW, M12X35 GR8.8	
114	90028660	1	P-CLAMP, 1-3/4IN ID	
115	1001093526	1	A/C REFRIGERANT DECAL	
116	1321716	2	DOUBLE P-CLAMP 1IN	
117	0641510	2	HEX HD CAPSCREW, 5/16-18X1-1/4, GR5	
118	3271501	2	NUT, 5/16-18 GR8	
119	4761500	4	LOCKWASHER, 5/16-18	
120	1001001832	1	CLAMP SUPPORT BAR	
121	1001097848	1	ADJUST BRACKET	
122	1001097849	1	A/C BELT SHIELD	
123	1001107339	1	AC COMPRESSOR CLUTCH	
124	1001107344	1	AC CLUTCH BELT	
		Ref	NOTE: ITEM NUMBERS NOT LISTED ARE NOT USED ON THIS FIGURE	

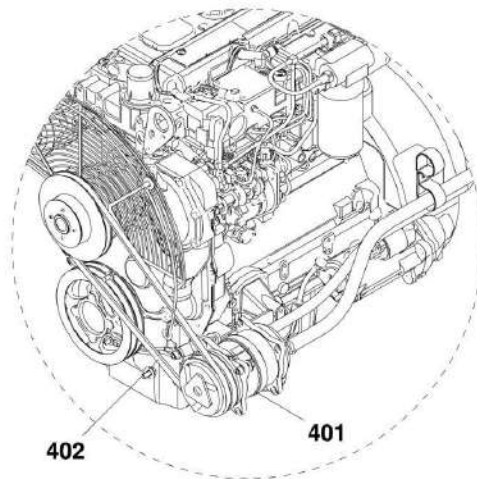
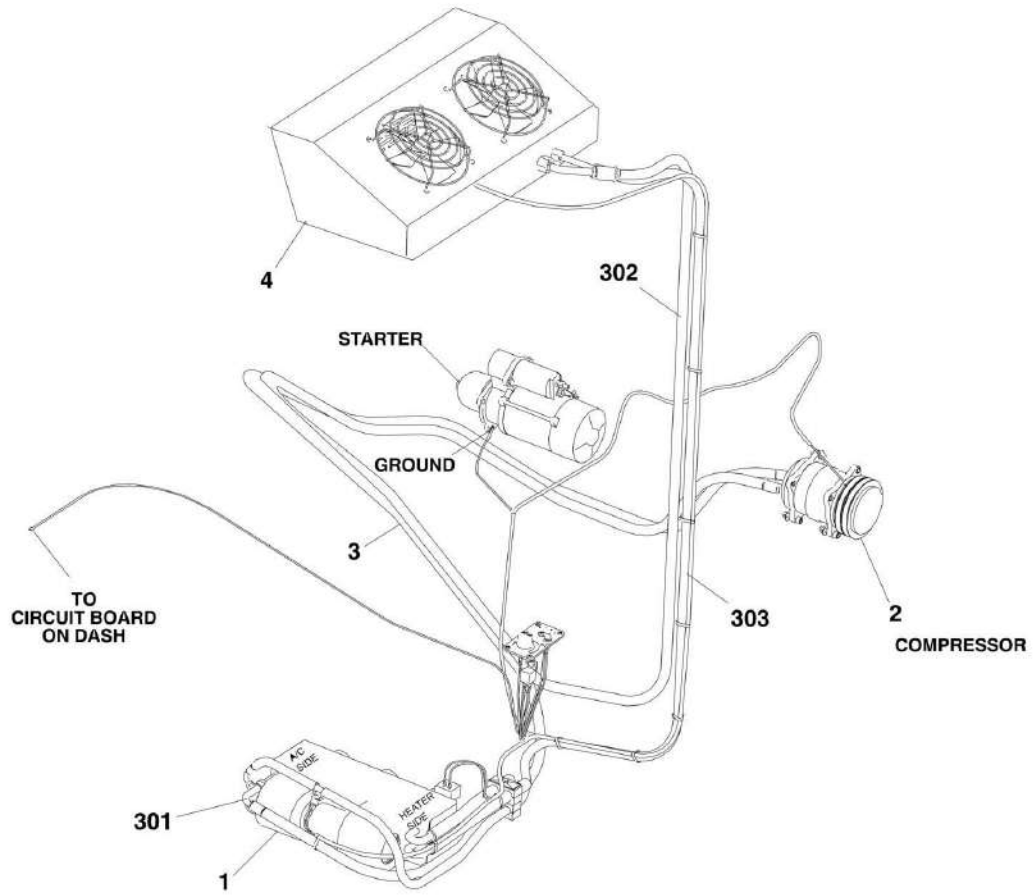
SECTION 6 - CAB

FIGURE 6-7. AIR CONDITIONING COMPONENTS



PY3560

SECTION 6 - CAB



PY3570

SECTION 6 - CAB

FIGURE 6-7. AIR CONDITIONING COMPONENTS

ITEM	PART NUMBER	QTY	DESCRIPTION	REV
	91563257	1	AIR CONDITIONING KIT, (includes items 1 thru 4)	A
1	1001107343	1	EVAPORATOR/HEATER UNIT, (includes items 101 thru 121)	
1	91514264	1	POWER HEAD ONLY, (includes items 101 thru 105, 109 & 110)	
2	70020638	1	COMPRESSOR KIT, (includes items 401 thru 405)	
3	Kit	1	HOSE KIT, (not available to order, see items 301 thru 303)	
4	1001107340	1	CONDENSOR, (includes items 201 thru 225)	
101		Ref	CASE TOP	
102		Ref	CASE BOTTOM	
103	70022804	1	BLOWER MOTOR REPLACEMENT KIT	
104	91404439	1	BLOWER WHEEL	
105		Ref	HEATER/COOLER COIL	
106	91514272	1	VALVE	
107		Ref	BULB CLAMP	
108	80363103	1	O-RING, #8	
109		Ref	3 HOLE TOP	
110		Ref	LEG	
111	91514265	1	THERMOSTAT	
112	70020639	2	HEATER HOSE	
113		Ref	HEATER SPLICE	
114		Ref	WORM GEAR CLAMP	
115		Ref	AIR RESTRICTER, (not shown)	
116	91514296	1	METRO SWITCH, (not shown)	
117	70020640	1	12 VOLT RELAY, (not shown)	
118	Bulk	3 ft	DRAIN HOSE, 3/8, (not shown)	
119		Ref	DRAIN ELBOW, 3/8, (not shown)	
120		Ref	DRAIN TEE, 3/8, (not shown)	
121	80363099	1	PRESSURE SWITCH, (not shown)	
201	70020643	1	CASE TOP	
202		Ref	CASE BOTTOM	
203	70020644	1	OVERHEAD CONDENSER COIL	
204		Ref	MOUNTING BRACKET	
205	91514270	1	TUBE ASSY	
206	91514266	1	DRIER	
207		Ref	DRIER MOUNT	
208		Ref	O-RING	
209		Ref	HOSE CLAMP	
210	70020645	1	TUBE ASSY	
211	70020646	1	TUBE ASSY	
212		Ref	HOSE CLAMP	
213		Ref	CUSHION CLAMP	
214		Ref	HOLE PLUG	
215	91514295	2	CONDENSER FAN	
216	70020647	1	HARNESS PIGTAIL	
217		Ref	O-RING, #8	
218	Bulk	2 ft	CLOSED CELL FOAM	
219	70020648	4	WELL NUT, (not shown)	
220		Ref	NYLON INSERT NUT, 1/4-20, (not shown)	
221	70020649	1	RELAY, (not illustrated)	
222		Ref	HEX HD CAPSCREW, 3/8-16X3, (not shown)	
223	70020650	1	HARNESS, (not shown)	

SECTION 6 - CAB

ITEM	PART NUMBER	QTY	DESCRIPTION	REV
224		Ref	FLAT WASHER, 3/8, (not shown)	
225		Ref	LOCKWASHER, 3/8, (not shown)	
301	1001107428	1	HOSE ASSY	
302	91514269		HOSE ASSY	
303	91514268		HOSE ASSY	
401	1001107339	1	COMPRESSOR	
402	1001107344	1	BELT	
403	80363102	2	O-RING, #6, (not shown)	
404	80363103	2	O-RING, #8, (not shown)	
405	80363104	2	O-RING, #10, (not shown)	
		Ref	NOTE: ITEM NUMBERS NOT LISTED ARE NOT USED ON THIS FIGURE	

SECTION 6 - CAB

FIGURE 6-8. TOP CAB GLASS SHIELD

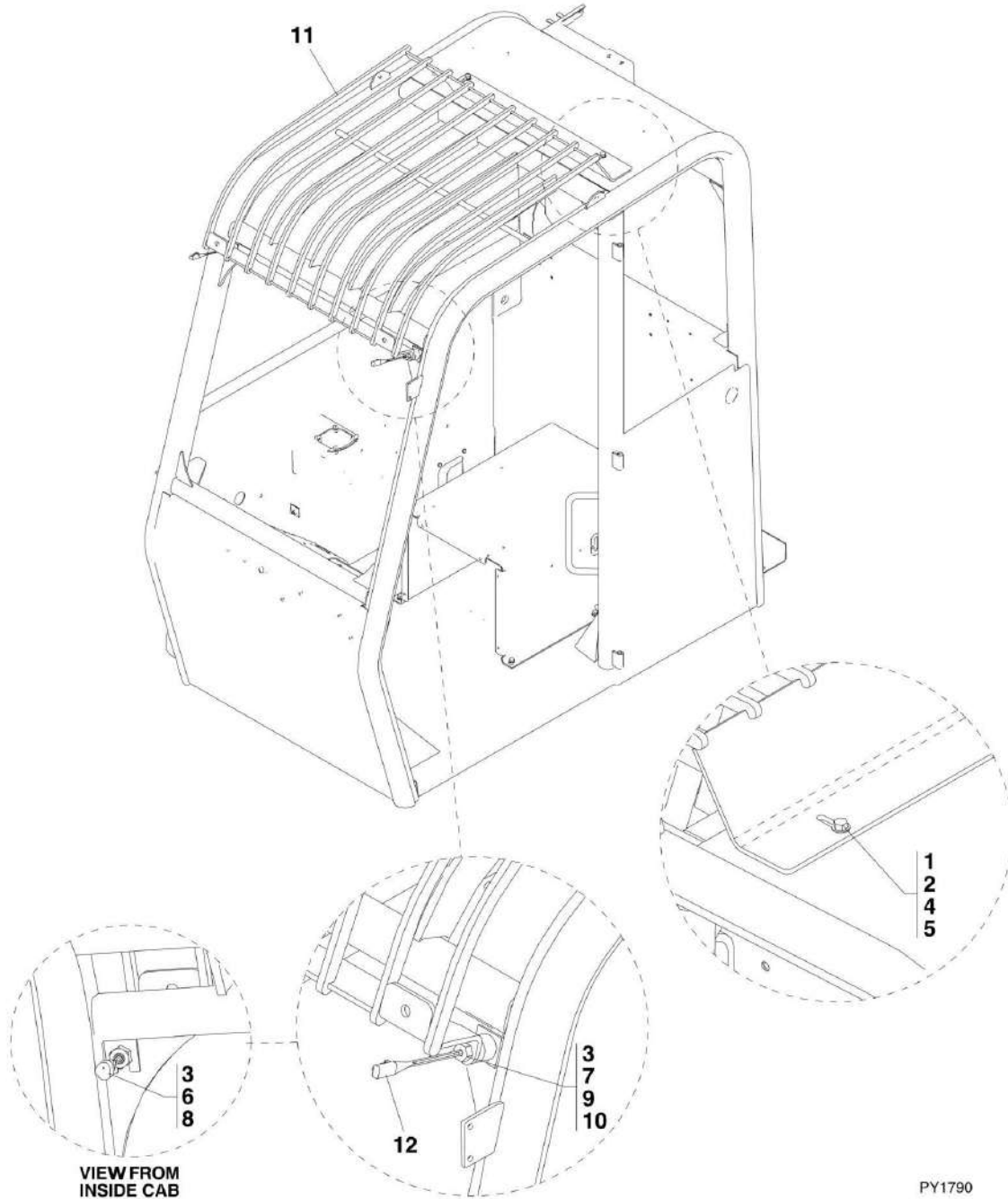
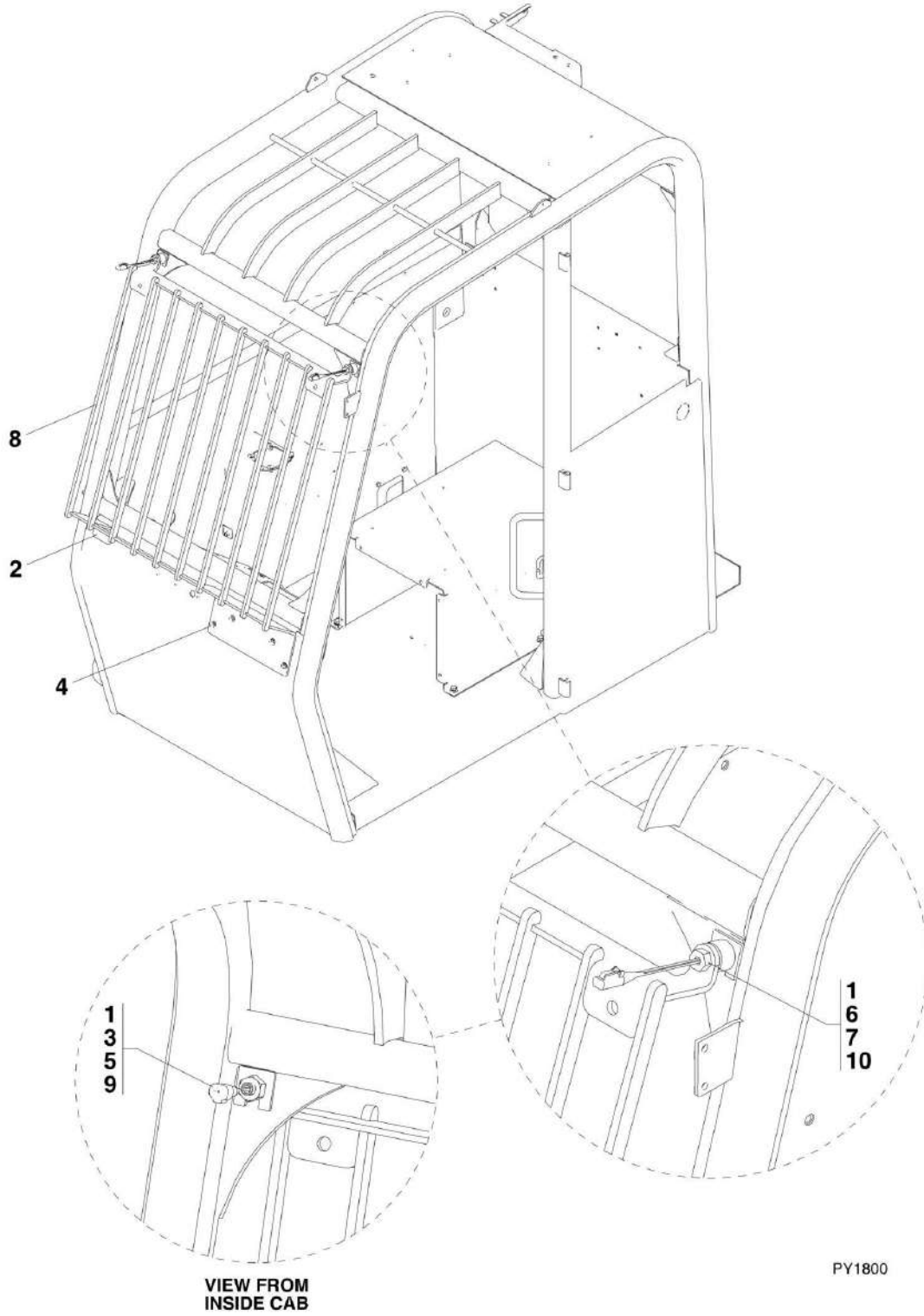


FIGURE 6-8. TOP CAB GLASS SHIELD

ITEM	PART NUMBER	QTY	DESCRIPTION	REV
	1001100879	1	TOP CAB GLASS SHIELD, (includes all items)	A
1	0641608	2	HEX HD CAPSCREW, 3/8-16X1	
2	3271601	2	HEX NUT, 3/8-16, GR8	
3	4071133	4	WASHER	
4	4711600	4	WASHER, 3/8	
5	4761600	2	LOCKWASHER, 3/8	
6	4761800	2	LOCKWASHER, 1/2	
7	14404173	AR	SEALANT	
8	88501008	2	HEX NUT, 1/2-13	
9	91403503	2	SPACER	
10	1001096728	2	BOLT, 1/2-13	
11	1001098344	1	BRACKET	
12		Ref	HARNES, CAB WORK LIGHT, (See ELECTRICAL SECTION for Breakdown)	

SECTION 6 - CAB

FIGURE 6-9. FRONT CAB GLASS SHIELD



PY1800

FIGURE 6-9. FRONT CAB GLASS SHIELD

ITEM	PART NUMBER	QTY	DESCRIPTION	REV
	1001100880	1	FRONT CAB GLASS SHIELD, (includes all items)	A
1	4071133	4	WASHER	
2	4420060	1	FOAM TAPE	
3	4761800	2	LOCKWASHER, 1/2	
4	77143003	4	SCREW, 5/16-18X5/8	
5	88501008	2	HEX NUT, 1/2-13	
6	91403503	2	SPACER	
7	1001096728	2	BOLT, 1/2-13	
8	1001098042	1	BRACKET	
9		Ref	HARNES, CAB WORK LIGHT, (See ELECTRICAL SECTION for Breakdown)	
10	14404173	AR	SEALANT	

SECTION 7 - CONTROLS

SECTION 7 - CONTROLS

FIGURE 7-1. BOOM JOYSTICK



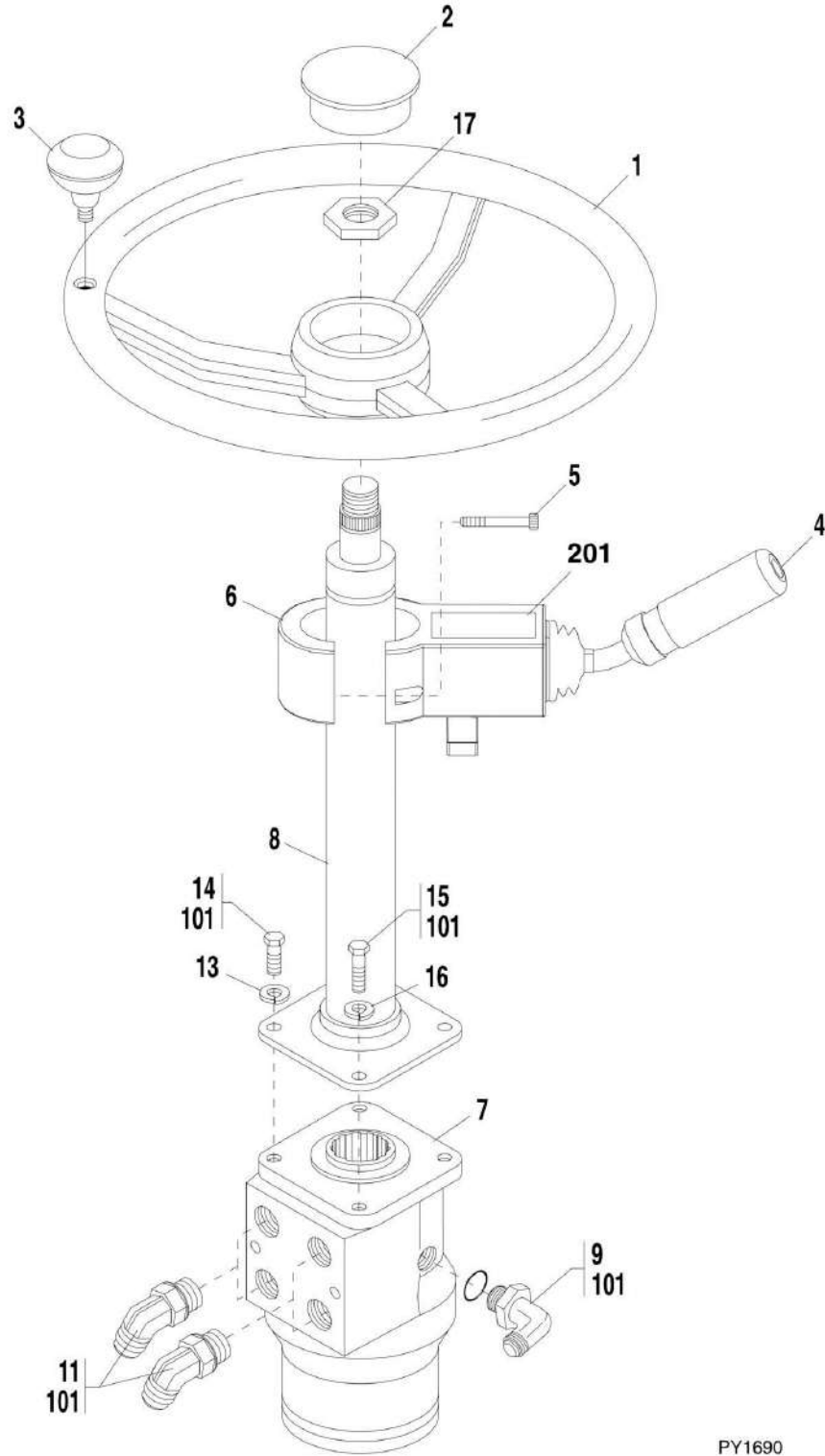
SECTION 7 - CONTROLS

FIGURE 7-1. BOOM JOYSTICK

ITEM	PART NUMBER	QTY	DESCRIPTION	REV
	1001101624	1	BOOM JOYSTICK	C

SECTION 7 - CONTROLS

FIGURE 7-2. STEERING COLUMN AND ATTACHING PARTS



PY1690

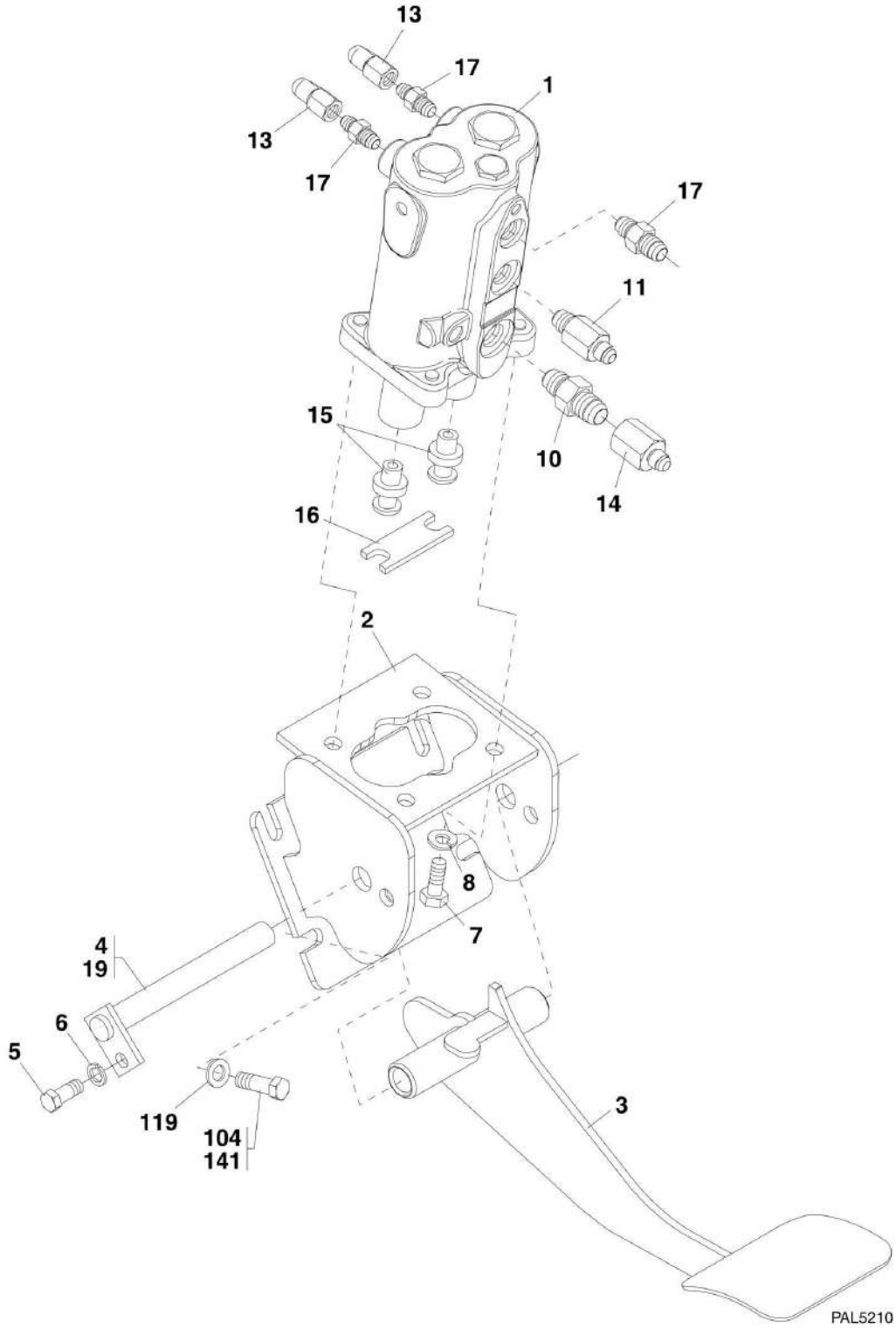
SECTION 7 - CONTROLS

FIGURE 7-2. STEERING COLUMN AND ATTACHING PARTS

ITEM	PART NUMBER	QTY	DESCRIPTION	REV
	1001001213	1	STEERING CONTROL ASSY, (7 thru 14)	A
1	91563208	1	STEERING WHEEL, (includes items 2 & 3)	F
2	7026477	1	CENTER CAP	
3	7026478	1	SPINNER KNOB	
4	91563226	1	F-N-R SHIFTER, (includes items 5 & 6)	B
5	N.S.S.	2	HEX HD CAPSCREW, (torque to 30-35 ft lbs)	
6	N.S.S.	1	CLAMP SET	
7	91123126	1	STEERING CONTROL UNIT	
7	91144190	1	STEERING CONTROL UNIT SEAL KIT	
8	91513125	1	STEERING COLUMN, (includes item 17)	
9	2130404	1	ELBOW, 90, (includes o-ring)	
11	2150808	4	ELBOW, 45, (includes o-ring)	
13	4761600	4	LOCKWASHER, 3/8	
14	0641606	2	HEX HD CAPSCREW, 3/8-16X3/4, GR5	
15	0641608	2	HEX HD CAPSCREW, 3/8-16X1, GR5	
16	4711600	2	FLAT WASHER, 3/8	
17	70020923	1	STEERING WHEEL NUT, (torque to 29-34 ft lbs)	
101	0100011	AR	LOCTITE, #242	
201		Ref	SHIFTER DECAL, (See DECALS SECTION for Breakdown)	

SECTION 7 - CONTROLS

FIGURE 7-3. BRAKE PEDAL ASSEMBLY



PAL5210

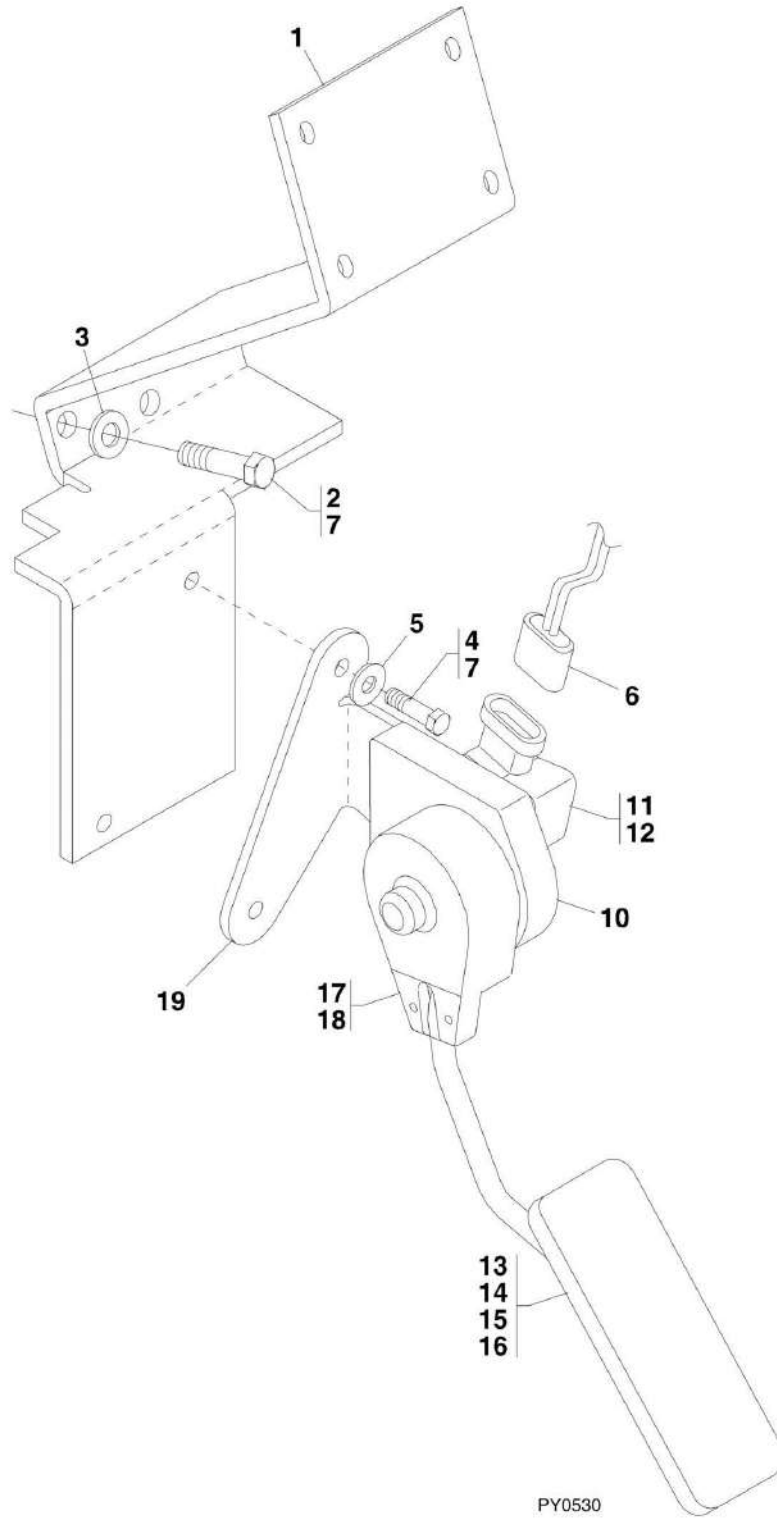
SECTION 7 - CONTROLS

FIGURE 7-3. BRAKE PEDAL ASSEMBLY

ITEM	PART NUMBER	QTY	DESCRIPTION	REV
1	1001091173	1 Ref	POWER BRAKE ASSY, (includes items 1 thru 19) POWER BRAKE VALVE, (See HYDRAULIC COMPONENTS SECTION for Breakdown)	F
2	1001091118	1	BRAKE BRACKET	
3	1001090741	1	BRAKE PEDAL	
4	91476031	1	PIVOT PIN	
5	0641608	1	HEX HD CAPSCREW, 3/8-16X1, GR5	
6	4761600	1	LOCKWASHER, 3/8	
7	0701014	4	HEX HD CAPSCREW, 10X30, GR8.8	
8	4832000	4	SPRING LOCKWASHER, 10mm	
10	2221257	1	CONNECTOR	
11	8770258	1	CONNECTOR	
13	2172106	2	ELBOW, 90, (swivel nut)	
14	2221244	1	FITTING REDUCER	
15	91513180	2	ACTUATOR	
16	91511145	1	TIE BAR	
17	2144605	3	CONNECTOR	
19	3020039	AR	MOLY PASTE	
104	0641506	4	HEX HD CAPSCREW, 5/16-18X3/4, GR5	
119	4711500	8	FLAT WASHER, 5/16	
141	0100011	AR Ref	LOCTITE, #242 NOTE: ITEM NUMBERS NOT LISTED ARE NOT USED ON THIS FIGURE	

SECTION 7 - CONTROLS

FIGURE 7-4. ACCELERATOR PEDAL



SECTION 7 - CONTROLS

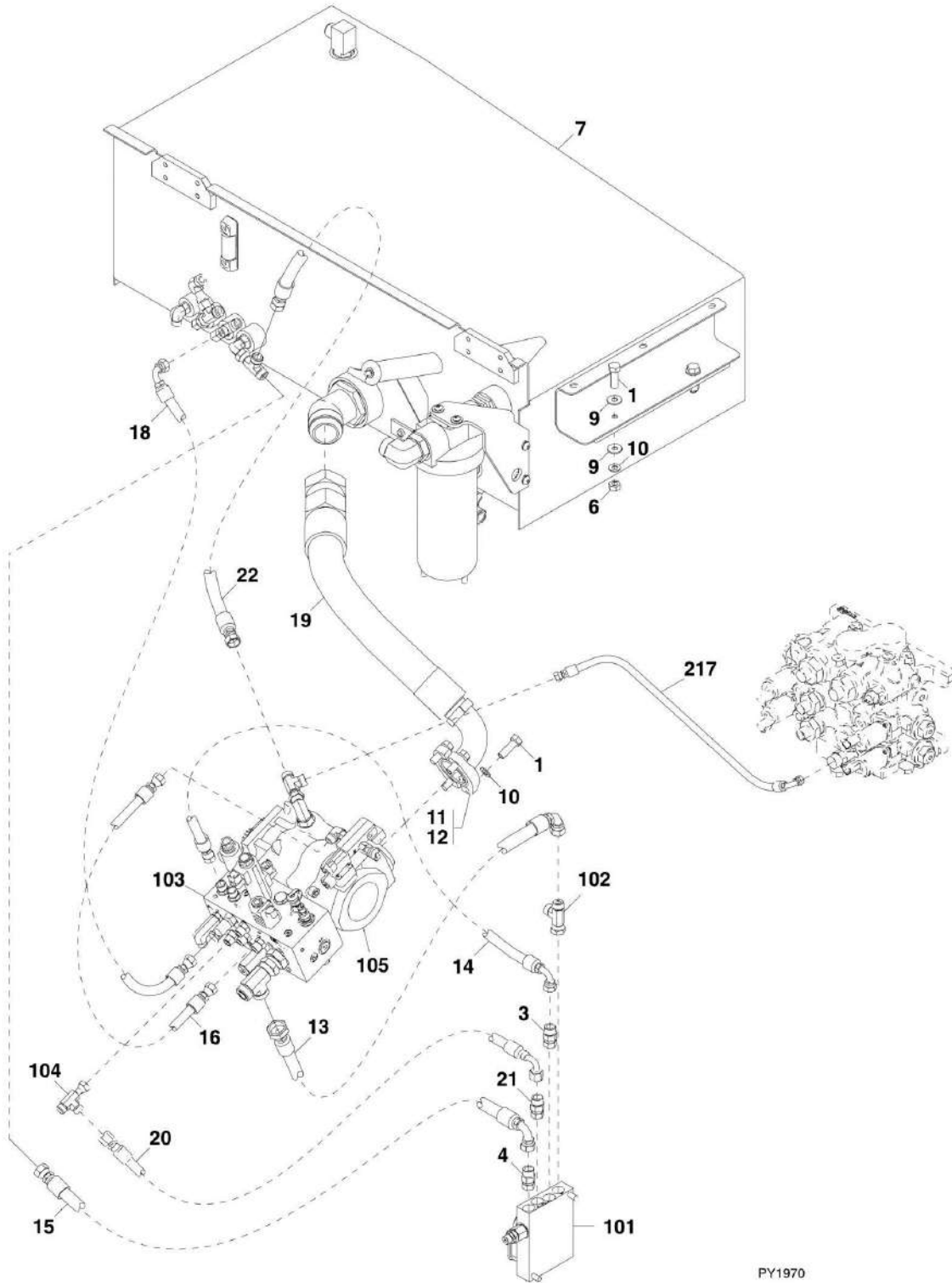
FIGURE 7-4. ACCELERATOR PEDAL

ITEM	PART NUMBER	QTY	DESCRIPTION	REV
1	91561192	1	ACCELERATOR BRACKET	
2	0641508	3	HEX HD CAPSCREW, 5/16-18X1, GR5	
3	4711500	3	FLAT WASHER, 5/16	
4	0641408	2	HEX HD CAPSCREW, 1/4-20X1, GR5	
5	4711400	2	FLAT WASHER, 1/4	
6		Ref	ENGINE HARNESS, (See ELECTRICAL SECTION for Breakdown)	
7	0100011	AR	LOCTITE, #242	
10	1001090003	1	ACCELERATOR PEDAL, (includes items 11 thru 16 & 19)	B
10	70023325	1	PEDAL KIT, (includes items 13, 14 & 16)	
10	7026485	1	SENSOR KIT, (includes items 11 & 12)	
11	Kit	2	SCREW	
12	Kit	1	SENSOR	
13	Kit	1	PEDAL	
14	Kit	1	PEDAL SPRING	
15	7026481	1	PEDAL ARM	
16	Kit	1	PEDAL PIN	
17		Ref	CLAMP	
18		Ref	SCREW	
19		Ref	MOUNTING BRACKET	

SECTION 8 - HYDRAULIC CIRCUITS

SECTION 8 - HYDRAULIC CIRCUITS

FIGURE 8-1. ENGINE HYDRAULICS INSTALL



PY1970

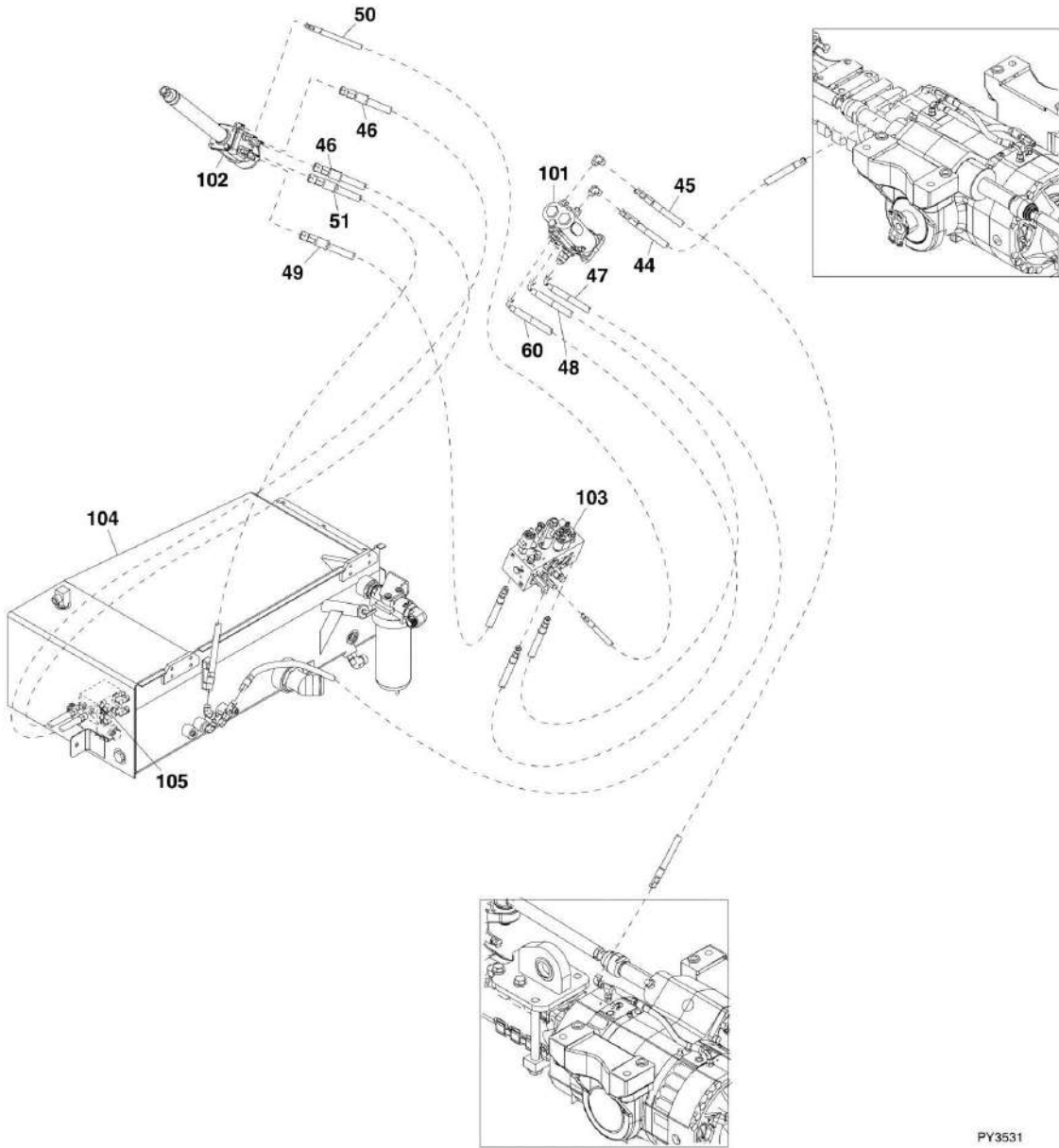
SECTION 8 - HYDRAULIC CIRCUITS

FIGURE 8-1. ENGINE HYDRAULICS INSTALL

ITEM	PART NUMBER	QTY	DESCRIPTION	REV
	1001098490	Ref	ENGINE HYDRAULICS INSTALL, (not available to order, see items 1 thru 21 for service)	F
1	0641812	7	HEX HD CAPSCREW, 1/2-13X1 1/2, GR5	
3	2110606	1	FITTING, (includes o-ring)	
4	2110806	1	FITTING, (includes o-ring)	
6	3311801	3	HEX NUT, 1/2-13, GR2	
7		Ref	HYDRAULIC TANK ASSY, (See HYDRAULIC COMPONENTS SECTION for Breakdown)	
9	4711800	6	WASHER, 1/2	
10	4761800	7	LOCKWASHER, 1/2	
11	80003294	1	O-RING	
12	84711427	2	HOSE FLANGE	
13	2755008	1	HOSE ASSY	
14	1001099219	1	HOSE ASSY	
15	2755009	1	HOSE ASSY	
16	1001101471	1	HOSE ASSY	
18	1001102689	1	HOSE ASSY	
19	2754018	1	HOSE ASSY	
20	1001103832	1	HOSE ASSY	
21	2110406	1	FITTING, (includes o-ring)	
22	2753796	1	HOSE ASSY	
101		Ref	ISP VALVE, (See LIFT AND OUTRIGGER HYDRAULICS for Breakdown)	
102		Ref	FITTING, TEE, (See LIFT AND OUTRIGGER HYDRAULICS for Breakdown)	
103		Ref	HYDRAULIC MANIFOLD VALVE, (See HYDRAULIC COMPONENTS SECTION for Breakdown)	
104		Ref	FITTING, TEE, (See HYDRAULIC COMPONENTS SECTION for Breakdown)	
105		Ref	HYDRAULIC PUMP ASSY, (See HYDRAULIC COMPONENTS SECTION for Breakdown)	
217	2754770	1	HOSE ASSY	
		Ref	NOTE: ITEM NUMBERS NOT LISTED ARE NOT USED ON THIS FIGURE	

SECTION 8 - HYDRAULIC CIRCUITS

FIGURE 8-2. CAB HYDRAULICS INSTALL



PY3531

SECTION 8 - HYDRAULIC CIRCUITS

FIGURE 8-2. CAB HYDRAULICS INSTALL

ITEM	PART NUMBER	QTY	DESCRIPTION	REV
44	1001096388	1	FRONT AXLE BRAKE HOSE	
45	1001096389	1	REAR AXLE BRAKE HOSE	
46	1001096390	2	HOSE ASSY	
47	1001096391	1	HYDRAULIC HOSE ASSY	
48	1001096392	1	HYDRAULIC HOSE ASSY	
49	1001096393	1	HYDRAULIC HOSE ASSY	
50	1001096394	1	HYDRAULIC HOSE ASSY	
51	1001096395	1	HYDRAULIC HOSE ASSY	
60	1001096397	1	HOSE ASSY	
101		Ref	BRAKE VALVE, (See HYDRAULIC COMPONENTS SECTION for Breakdown)	
102		Ref	STEERING CONTROL ASSY, (See CONTROLS SECTION for Breakdown)	
103		Ref	HYDRAULIC MANIFOLD VALVE, (See HYDRAULIC COMPONENTS SECTION for Breakdown)	
104		Ref	HYDRAULIC TANK, (See HYDRAULIC COMPONENTS SECTION for Breakdown)	
105		Ref	STEERING SELECT VALVE, (See HYDRAULIC COMPONENTS SECTION for Breakdown)	
		Ref	NOTE: ITEM NUMBERS NOT LISTED ARE NOT USED ON THIS FIGURE	

SECTION 8 - HYDRAULIC CIRCUITS

FIGURE 8-3. MANIFOLD AND ACCUMULATOR INSTALL

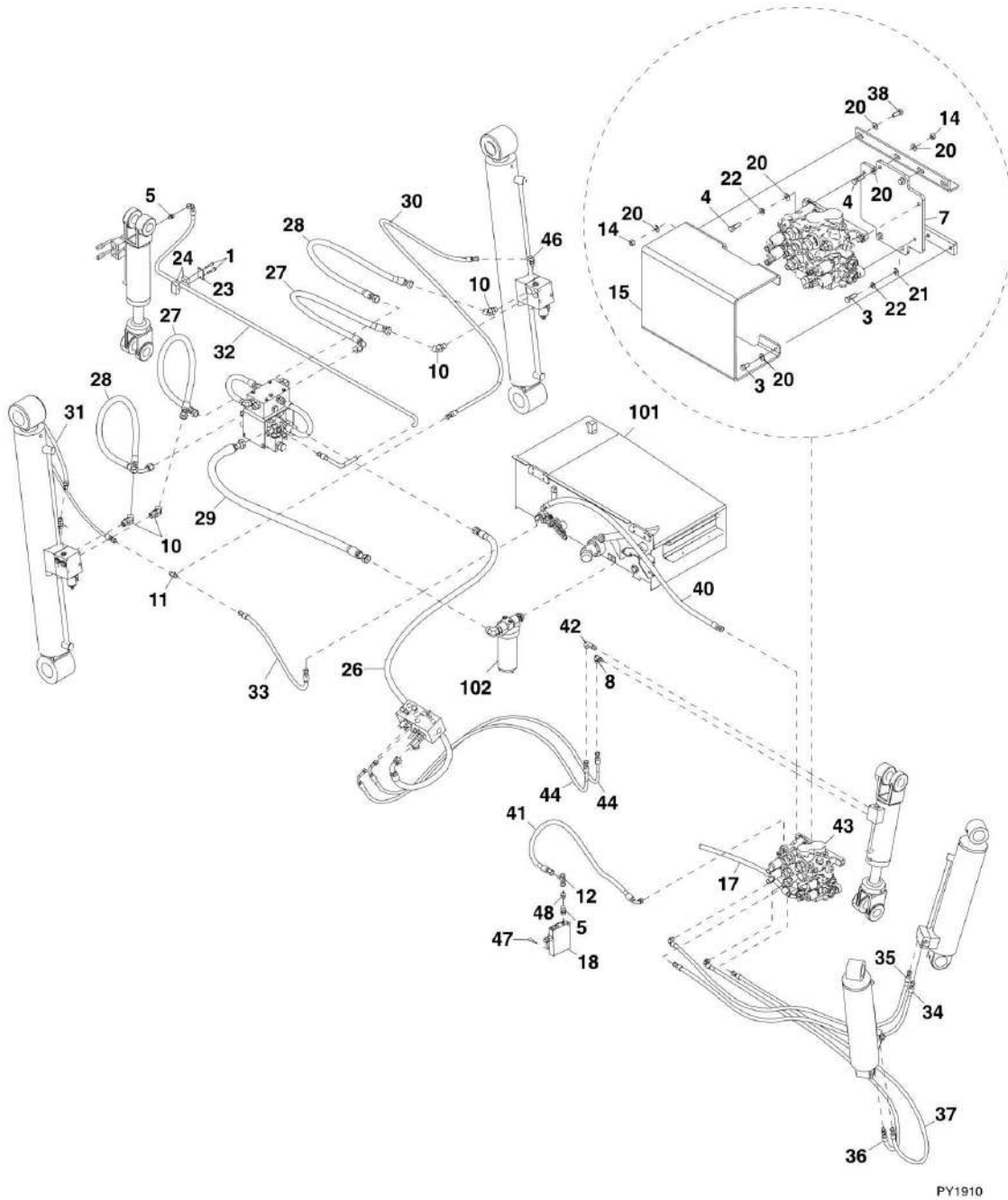
ITEM	PART NUMBER	QTY	DESCRIPTION	REV
	0275929	1	INSTALL MANIFOLD, (not available to order see items 2, 15, 52 & 57 for service)	D
	0275630	1	INSTALL MANIFOLD/ACCUMULATOR, (not available to order see items 2 thru 15 for service)	E
2	0641508	8	HEX HD CAPSCREW, 5/16-18X1, GR5, (w/accumulator)	
2	0641508	4	HEX HD CAPSCREW, 5/16-18X1, GR5, (w/o accumulator)	
3	3311505	4	HEX LOCKNUT, 5/16-18, GR2	
5	4360696	1	RIDE CONTROL SWITCH	
6	4751500	4	WASHER, 5/16	
7	4761500	4	LOCKWASHER, 5/16	
8	1001100948	1	ACCUMULATOR ASSY, (includes items 101 thru 107)	A
11	1001100980	1	HOSE ASSY	
14	4711500	8	WASHER, 5/16	
15	1001094073	1	LIFT VALVE INSTALL, (w/accumulator), (includes items 201 thru 216)	C
15	1001094072	1	LIFT VALVE INSTALL, (w/o accumulator), (includes items 201 thru 216)	C
52	2220240	1	PLUG	
57	3271501	4	HEX NUT, 5/16-18	
101	0641632	4	HEX HD CAPSCREW, 3/8-16X4	
102	2111216	1	FITTING	
103	3311605	4	HEX LOCKNUT, 3/8-16, GR2	
104	4751600	8	WASHER, 3/8	
105	1001100851	1	ACCUMULATOR REGULATOR	
106	1001100852	1	ACCUMULATOR MOUNT	
107	1001100951	2	ACCUMULATOR CLAMP	
201	0700829	4	HEX HD SCREW, M8X120, GR8.8	
202	09032467	1	LIFT WING VALVE BRACKET	
203	2111212	9	FITTING, (includes o-ring), (w/accumulator)	
203	2111212	8	FITTING, (includes o-ring), (w/o accumulator)	
204	2111216	1	FITTING, (includes o-ring)	
206	2131212	2	FITTING, 90, (includes o-ring)	
207	2221111	1	FITTING #12	
208	2110604	1	FITTING, (includes o-ring)	
209	2221294	1	FITTING, 90	
210	3100103	1	LIFT/ACCUMULATOR MANIFOLD	
210	3100105	1	LIFT MANIFOLD	
211	4641467	1	LIFT WING VALVE	
211	1600471	1	LIFT WING VALVE CONTROLLER	
211	4641526	1	WING BODY VALVE	
212	4641497	1	CHECK VALVE, 3/4	
213	4641511	1	CHECK VALVE	
214	4811900	4	WASHER, 8MM	
215	4831900	4	SPRING LOCKWASHER, 8MM	
216	2753854	2	HOSE ASSY	
304	0641403	2	HEX HD CAPSCREW, 1/4-20X3/8, GR5	
310	1320131	2	HOSE CLAMP	
321	4751400	8	WASHER, 1/4	
326	80903011	2	CUSHION CLAMP, 3/4	
332	1001091895	1	HOSE ASSY	

SECTION 8 - HYDRAULIC CIRCUITS

ITEM	PART NUMBER	QTY	DESCRIPTION	REV
333	1001091896	1	HOSE ASSY	
407		Ref	EXTEND WING VALVE ASSY, (See HYDRAULIC COMPONENTS SECTION for Breakdown)	
529		Ref	HOSE ASSY, (See LIFT AND OUTRIGGER HYDRAULICS for Breakdown)	
		Ref	NOTE: ITEM NUMBERS NOT LISTED ARE NOT USED ON THIS FIGURE	

SECTION 8 - HYDRAULIC CIRCUITS

FIGURE 8-4. LIFT AND OUTRIGGER HYDRAULICS



SECTION 8 - HYDRAULIC CIRCUITS

FIGURE 8-4. LIFT AND OUTRIGGER HYDRAULICS

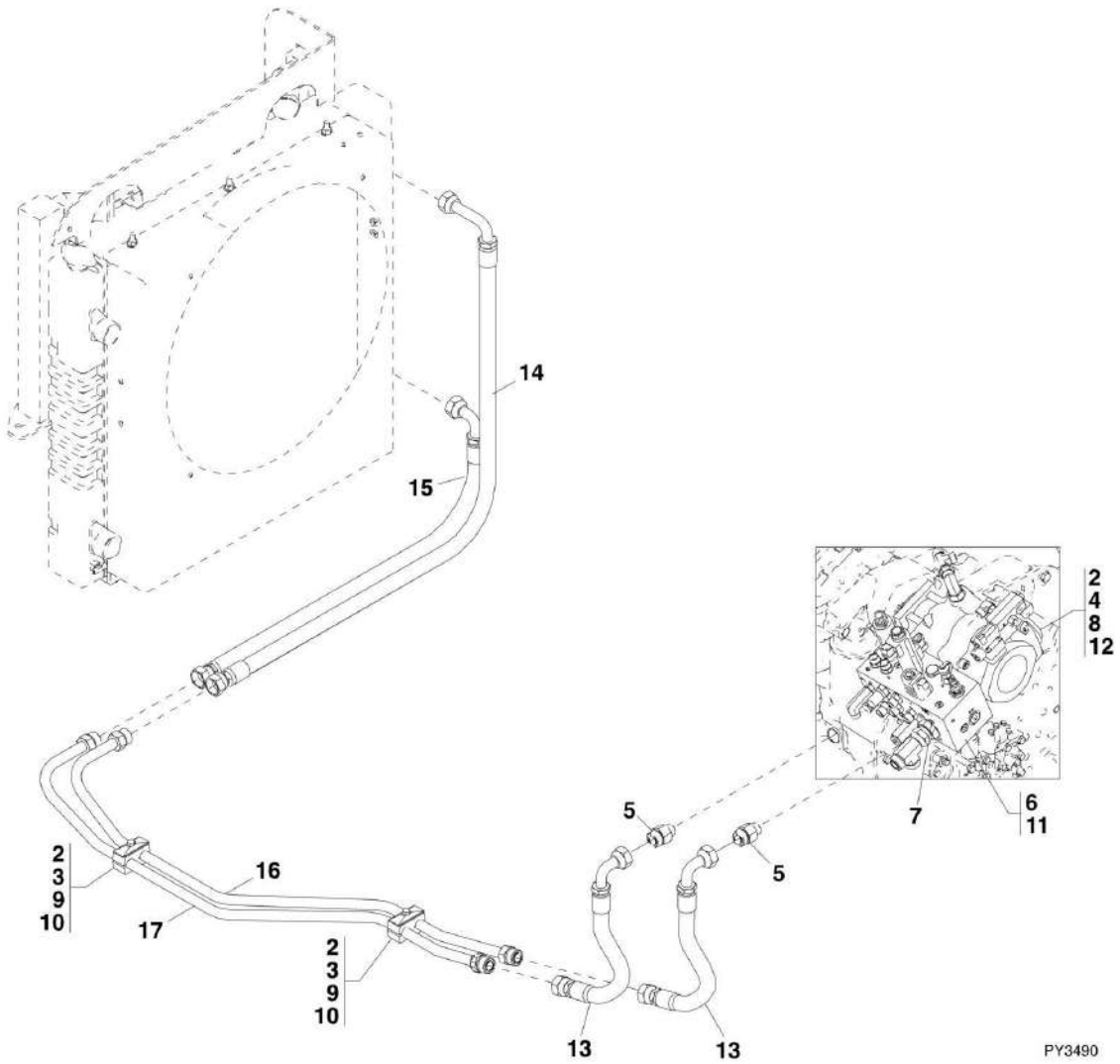
ITEM	PART NUMBER	QTY	DESCRIPTION	REV
	1001098489	1	LIFT AND OUTRIGGER HYDRAULICS, (includes items 1 thru 48)	F
1	0641412	2	HEX HD CAPSCREW, 1/4-20x1 1/2, GR5	
3	0681606	4	HEX HD CAPSCREW, 3/8-16X3/4, GR8	
4	0681610	5	HEX HD CAPSCREW, 3/8-16x1 1/4, GR8	
5	2110606	4	FITTING, (includes o-ring)	
7	1001108271	1	PLATE	
8	2130606	1	ELBOW, (includes o-ring)	
10	2151212	4	ELBOW, (includes o-ring)	
11	2170506	1	TEE FITTING, (includes o-ring)	
12	2170708	1	TEE FITTING, (includes o-ring)	
14	3271601	4	HEX NUT, 3/8-16	
15	3380752	1	PANEL	
16	4240018	6	TIE STRAP, (not shown)	
17		Ref	HOSE ASSY, (See ENGINE HYDRAULICS INSTALL for Breakdown)	
18	1001101904	1	ISP VALVE ASSY	
18	1600469	1	MANIFOLD VALVE PUMP CONTROLLER	
18	1001102172	1	ISP VALVE	
20	4711600	13	WASHER, 3/8	
21	4751600	2	WASHER, 3/8	
22	4761600	5	LOCK WASHER, 3/8	
23	77133052	1	COVER PLATE	
24	77133053	1	CLAMP	
25	91403528	2	HOSE GUARD	
26	2755006	1	HOSE ASSY	
27	2755005	2	HOSE ASSY	
28	1001102800	2	HOSE ASSY	
29	1001099360	1	HOSE ASSY	
30	1001102801	1	HOSE ASSY	
31	1001102802	1	HOSE ASSY	
32	2716952	1	HOSE ASSY	
33	2716938	1	HOSE ASSY	
34	2755094	1	HOSE ASSY	
35	1001102320	1	HOSE ASSY	
36	2755093	1	HOSE ASSY	
37	2755010	1	HOSE ASSY	
38	0681608	2	HEX HD CAPSCREW, 3/8-16X1, GR8	
40	2753586	1	HOSE ASSY	
41	2755007	1	HOSE ASSY	
42	2170206	1	ELBOW, (includes o-ring)	
43		Ref	FRAME LEVEL, OUTRIGGER VALVE INSTALL, (See HYDRAULIC COMPONENTS SECTION for Breakdown)	
44	1001101038	2	HOSE ASSY	
46	2130608	2	FITTING, 90	
47	3931524	2	SOCKET HD CAPSCREW, 5/16-18X1 1/2	
48	1001103950	1	EXPANDER TUBE, (includes o-ring)	
101		Ref	HYDRAULIC TANK ASSY, (See HYDRAULIC COMPONENTS SECTION for Breakdown)	
102		Ref	FILTER, (See HYDRAULIC COMPONENTS SECTION for Breakdown)	

SECTION 8 - HYDRAULIC CIRCUITS

ITEM	PART NUMBER	QTY	DESCRIPTION	REV
		Ref	NOTE: ITEM NUMBERS NOT LISTED ARE NOT USED ON THIS FIGURE	

SECTION 8 - HYDRAULIC CIRCUITS

FIGURE 8-5. TRANSMISSION HYDRAULICS



PY3490

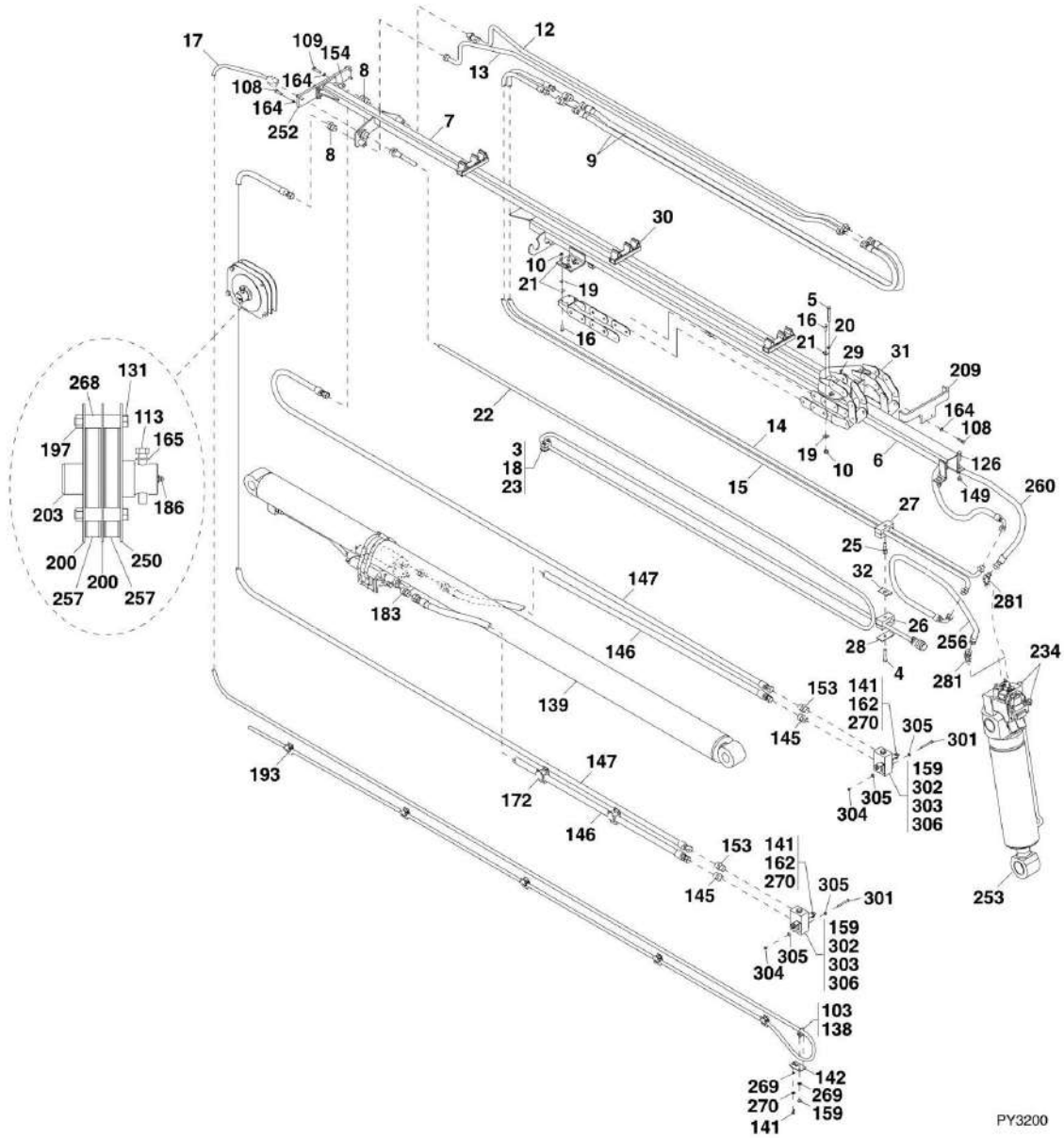
SECTION 8 - HYDRAULIC CIRCUITS

FIGURE 8-5. TRANSMISSION HYDRAULICS

ITEM	PART NUMBER	QTY	DESCRIPTION	REV
	1001099384	Ref	TRANSMISSION HYDRAULICS, (not available to order, see items 1 thru 17 for service)	C
1	80933113	1	O-RING	
2	0100011	AR	LOCTITE, #242	
3	0641514	2	HEX HD CAPSCREW, 5/16-18x1 3/4, GR5	
4	0701215	4	HEX HD CAPSCREW, M12X.335, GR8.8	
5	2111210	2	FITTING, (includes o-ring)	
6		Ref	HYDRAULIC MANIFOLD VALVE, (See HYDRAULIC COMPONENTS SECTION for Breakdown)	
7	3931664	4	SOCKET HD CAPSCREW, 3/8-16X4	
8	4891700	4	WASHER, 7/16	
9	8769139	2	TWIN CLAMP SET	
10	77133137	2	TWIN CLAMP COVER PLATE	
11	91083106	1	O-RING	
12		Ref	HYDRAULIC PUMP, (See HYDRAULIC COMPONENTS SECTION for Breakdown)	
13	1001097771	2	HOSE ASSY	
14	1001097772	1	HOSE ASSY	
15	1001097773	1	HOSE ASSY	
16	1001097990	1	TUBE ASSY	
17	1001097991	1	TUBE ASSY	

SECTION 8 - HYDRAULIC CIRCUITS

FIGURE 8-6. BOOM HYDRAULICS ASSY



SECTION 8 - HYDRAULIC CIRCUITS

FIGURE 8-6. BOOM HYDRAULICS ASSY

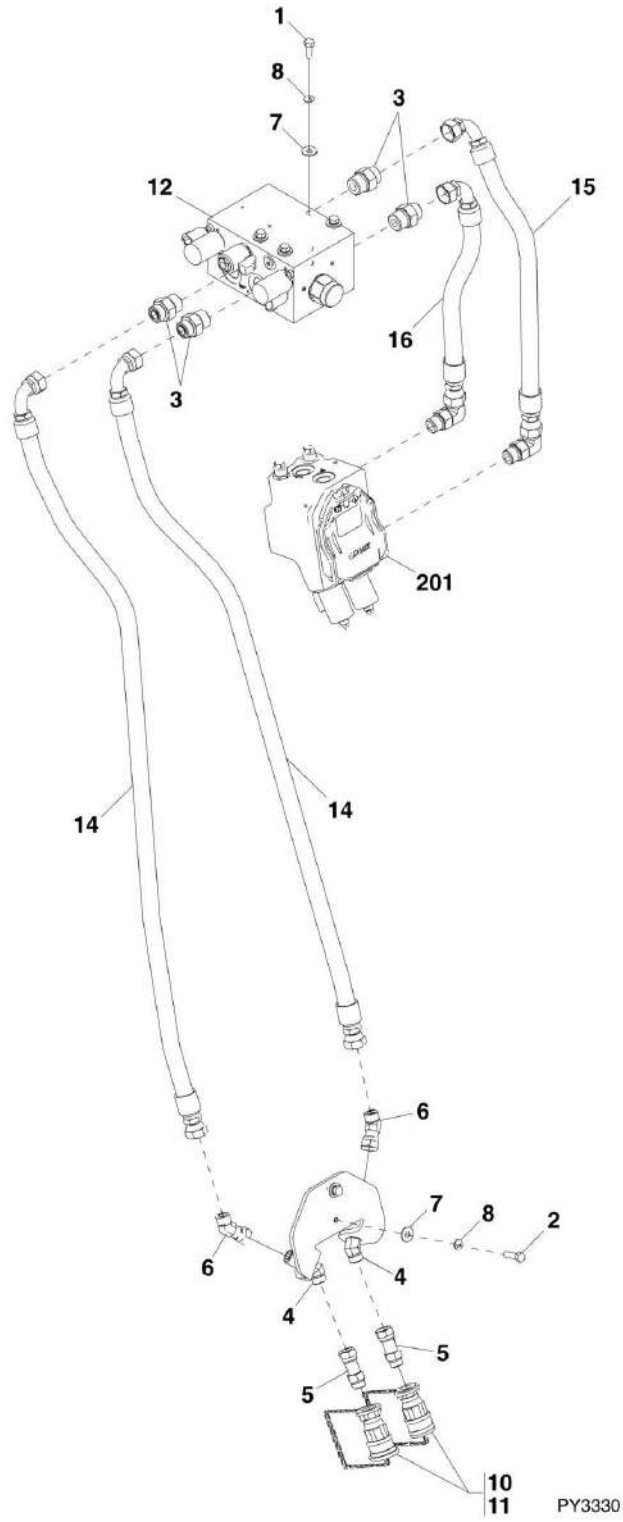
ITEM	PART NUMBER	QTY	DESCRIPTION	REV
	0275182	1	BOOM HYDRAULICS ASSY, (includes items 1 thru 32)	C
1	0100011	AR	LOCTITE #242, (not shown)	
3	0641414	2	HEX HD CAPSCREW, 1/4-20x1 3/4, GR5	
4	0641514	4	HEX HD CAPSCREW, 5/16-18x1 3/4, GR5	
5	0641624	2	HEX HD CAPSCREW, 3/8-16x3, GR5	
6	1180402	1	UPPER HYD BOOM CARRIER	
7	1180403	1	LOWER HYD BOOM CARRIER	
8	2171110	4	FITTING, (includes o-ring)	
9	2754767	2	HOSE ASSY	
10	88521306	16	HEX LOCKNUT, .375-16	
12	3460546	1	HYDRAULIC TUBE	
13	3460547	1	HYDRAULIC TUBE	
14	3460548	1	HYDRAULIC TUBE	
15	3460549	1	HYDRAULIC TUBE	
16	3900232	16	BUTTON HD SCREW, 3/8-16x1 1/4	
17		Ref	LOWER BOOM HARNESS, (See ELECTRICAL SECTION for Breakdown)	
18	4711400	2	WASHER, 1/4	
19	4711600	16	WASHER, 3/8	
20	4761600	2	LOCKWASHER, 3/8	
21	4751600	32	WASHER, 3/8	
22		Ref	BOOM HARNESS, (See ELECTRICAL SECTION for Breakdown)	
23	8769154	1	CLAMP SET	
24	14404793	AR	MYSTIK TETRIMOLY GREASE, (not shown)	
25	77133306	4	BOLT	
26	80933140	4	CLAMP SET	
27	77133136	4	TWIN CLAMP	
28	77133137	4	TWIN CLAMP COVER PLATE	
29	91033187	1	BEARING PAD	
30	91083217	12	CUSHION CLAMP, 5/8	
31	91363203	2	POWER TRACK CARRIER	
32	77133390	4	TWIN CLAMP SAFETY CLIP	
103	0630616	1	U-BOLT	
108	0641610	6	HEX HD CAPSCREW, 3/8-16X1-1/4, GR5	
109	0641612	4	HEX HD CAPSCREW, 3/8-16X1-1/2, GR5	
113	0641826	1	HEX HD CAPSCREW, 1/2-13X3 1/4, GR5	
126	0691812	2	HEX HD CAPSCREW, 1/2-20X1-1/2, GR8	
131	0641825	2	HEX HD CAPSCREW, 1/2-13X3 1/8, GR5	
138	1321745	1	CABLE SPACER	
139		Ref	CROWD CYLINDER, (See HYDRAULIC COMPONENTS SECTION for Breakdown)	
141	0641406	6	HEX HD CAPSCREW, 1/4-20X3/4, GR5	
142	1001093336	1	CABLE TENSIONER BRACKET	
145	2111210	2	CONNECTOR, (includes o-ring)	
146	2754771	2	HOSE ASSY	
147	2754772	2	HOSE ASSY	
149	88521408	2	LOCKNUT, 1/2-20	
152	3311405	2	HEX LOCKNUT, 1/4-20	
153	2111010	2	CONNECTOR, (includes o-ring)	
154	3311601	4	HEX NUT, 3/8-16	

SECTION 8 - HYDRAULIC CIRCUITS

ITEM	PART NUMBER	QTY	DESCRIPTION	REV
159	1001093337	2	HOSE DROP OUT MANIFOLD ASSY, (includes items 301 thru 306)	A
162	4751400	4	WASHER, 1/4	
164	4761600	7	LOCKWASHER, 3/8	
165	4761800	1	LOCKWASHER, 1/2	
172	80903011	4	CUSHION CLAMP	
183	2111212	4	CONNECTOR, (includes o-ring)	
186	88671001	1	FITTING	
193	91083217	5	CUSHION CLAMP	
197	3311805	2	HEX LOCKNUT, 1/2-13, GR2	
200	3577203	2	DIVIDER PLATE	
203	3423301	1	HOSE SHEAVE PIN	
209	91161172	1	GUIDE BRACKET	
234	2131010	2	ELBOW, 90, (includes o-ring)	
250	3577204	1	SHEAVE PLATE AND SPACER	
252	1001099570	1	POWER TRACK ASSY MOUNTING BRACKET	
253		Ref	TILT CYLINDER, (See HYDRAULIC COMPONENTS SECTION for Breakdown)	
256	1001100882	1	HOSE ASSY	
257	3580356	2	HOSE SHEAVE	
260	1001100883	1	HOSE ASSY	
268	4569508	4	DIVIDER SPACER	
269	4711400	4	WASHER, 1/4	
270	4761400	6	LOCK WASHER, 1/4	
281	2151010	2	ELBOW, 45, (includes o-ring)	
301	0641422	2	HEX HD CAPSCREW, 1/4-20X2-3/4, GR5	
302	2220239	1	PLUG	
303	3100109	1	HOSE DROP OUT MANIFOLD	
303		Ref	SEAL KIT	
304	3311405	2	HEX LOCKNUT, 1/4-20	
305	4711400	4	WASHER, 1/4	
306	1001093335	2	MANIFOLD SUPPORT BRACKET	
		Ref	NOTE: ITEM NUMBERS NOT LISTED ARE NOT USED ON THIS FIGURE	

SECTION 8 - HYDRAULIC CIRCUITS

FIGURE 8-7. AUXILIARY HYDRAULICS



SECTION 8 - HYDRAULIC CIRCUITS

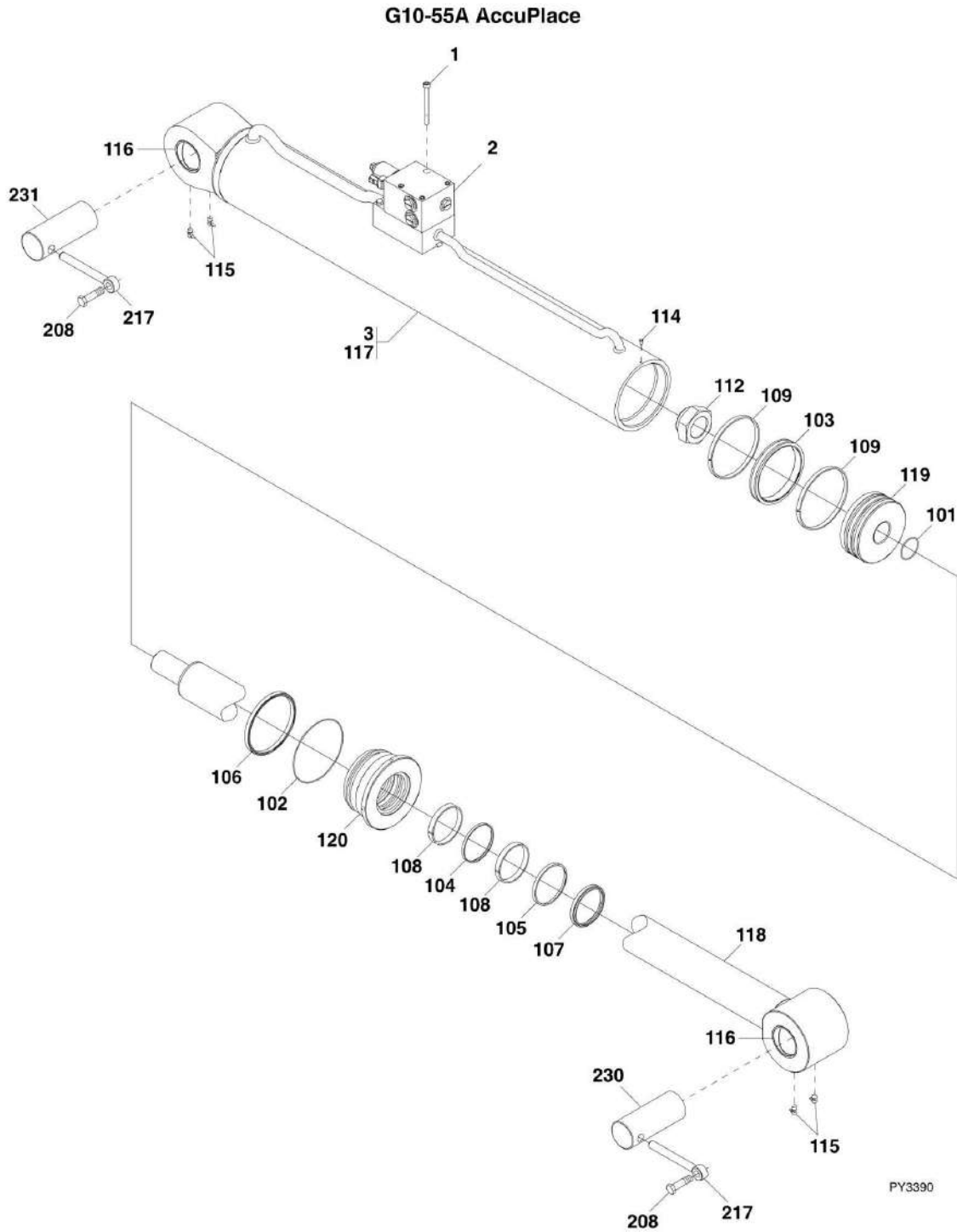
FIGURE 8-7. AUXILIARY HYDRAULICS

ITEM	PART NUMBER	QTY	DESCRIPTION	REV
	1001100309	1	AUXILIARY HYDRAULICS, (includes items 1 thru 16)	C
1	0641507	4	HEX HD CAPSCREW, 5/16-18X7/8, GR5	
2	0641509	2	HEX HD CAPSCREW, 5/16-18X1 1/8, GR5	
3	2111012	4	FITTING, (includes o-ring)	
4	2171308	2	FITTING, (includes o-ring)	
5	2180849	2	FITTING, (includes o-ring)	
6	2221231	2	FITTING, (includes o-ring)	
7	4751500	6	WASHER, 5/16	
8	4761500	6	LOCKWASHER, 5/16	
9	91043125	1	DUST PLUG	
10	91043126	1	DUST CAP	
11	91403413	2	QUICK DISCONNECT COUPLER	
12		Ref	AUXILIARY VALVE, (See HYDRAULIC COMPONENTS SECTION for Breakdown)	
13	1001100349	1	AUXILIARY VALVE HOSE BRACKET	
14	1001100687	2	HOSE ASSY	
15	1001100686	1	HOSE ASSY	
16	1001102740	1	HOSE ASSY	
201		Ref	FORK VALVE, (See HYDRAULIC COMPONENTS SECTION for Breakdown)	

SECTION 9 - HYDRAULIC COMPONENTS

SECTION 9 - HYDRAULIC COMPONENTS

FIGURE 9-1. LIFT CYLINDER - G10-55A ACCUPLACE



SECTION 9 - HYDRAULIC COMPONENTS

FIGURE 9-1. LIFT CYLINDER - G10-55A ACCUPLACE

ITEM	PART NUMBER	QTY	DESCRIPTION	REV
	1684532	1	LIFT CYLINDER ASSY, includes items 1 thru 3	B
1	3931664	4	SOCKET HEAD SCREW, 3/8-16X4	
2	4641465	1	LIFT ISOLATION VALVE	C
3	1684501	1	LIFT CYLINDER, (includes items 101 thru 120)	
101	Kit	1	O-RING	
102	Kit	1	O-RING	
103	Kit	1	SEAL	
104	Kit	1	SEAL	
105	Kit	1	SEAL	
106	Kit	1	SEAL	
107	Kit	1	WIPER	
108	Kit	2	WEAR RING	
109	Kit	2	WEAR RING	
111		Ref	O-RING	
112	7005314	1	LOCK NUT	
114	70021630	1	SCREW	
115	7005322	4	LUBE FITTING	
116	70021628	4	BUSHING	
117		Ref	TUBE ASSY	
118		Ref	ROD ASSY	
119	70021624	1	PISTON	
120	70021959	1	HEAD	
208	0682216	2	HEX HD CAPSCREW, 3/4-10X2	
217	3841287	2	ROD KEEPER	
230	91563046	2	LOWER LIFT CYLINDER PIN	
231	1001101595	2	UPPER LIFT CYLINDER PIN	
	70021632	1	SEAL KIT, (includes items 101 thru 109)	
		Ref	NOTE: ITEM NUMBERS NOT LISTED ARE NOT USED ON THIS FIGURE.	

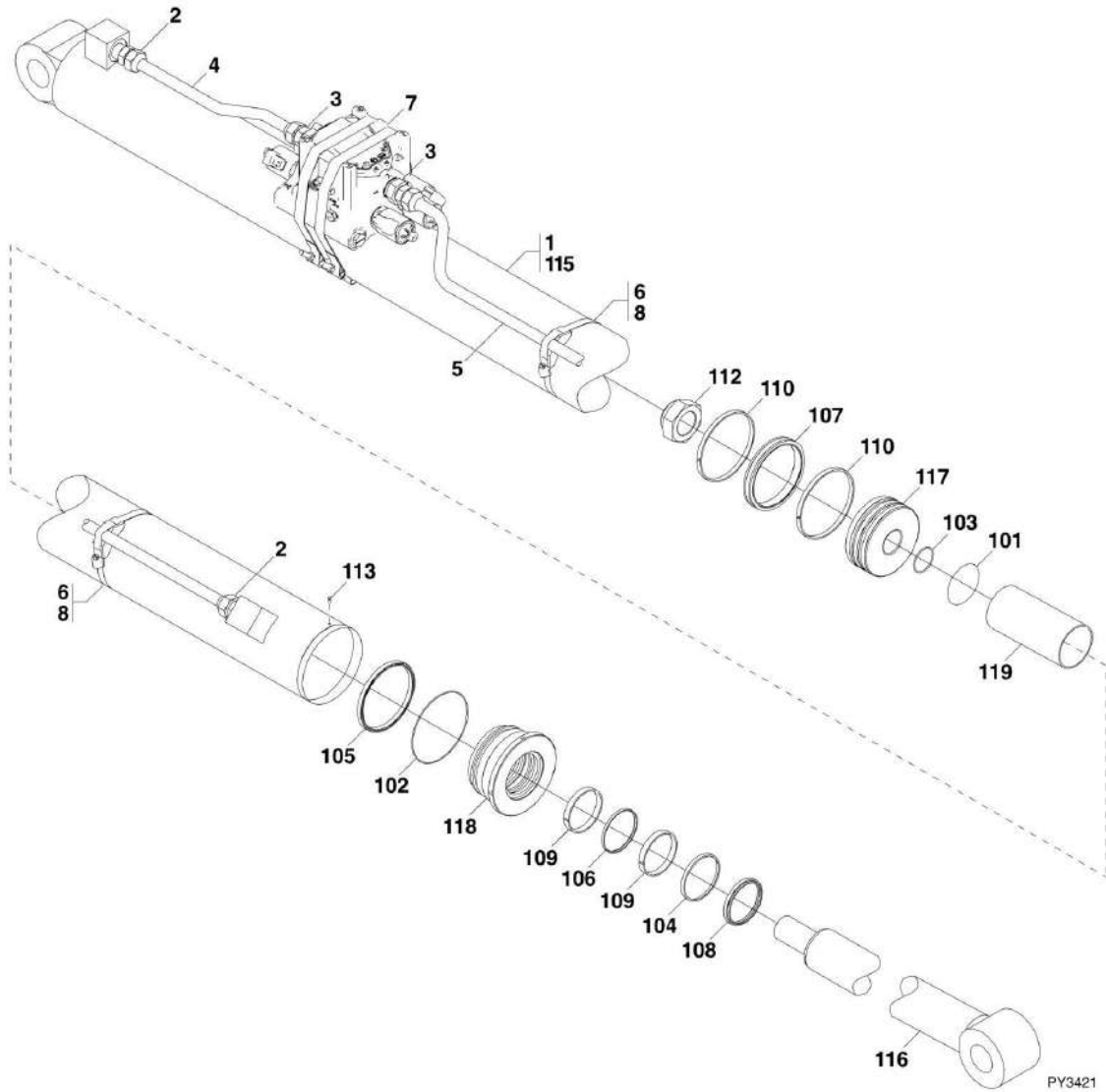
SECTION 9 - HYDRAULIC COMPONENTS

FIGURE 9-2. LIFT CYLINDER - G12-55A ACCUPLACE

ITEM	PART NUMBER	QTY	DESCRIPTION	REV
	1001103949	1	LIFT CYLINDER ASSY, (includes items 1 thru 3)	A
1	3931664	4	SOCKET HD CAPSCREW, 3/8-16X4	
2	4641465	1	LIFT ISOLATION VALVE	
3	1001103948	1	LIFT CYLINDER, (includes items 101 thru 119)	A
101	Kit	1	O-RING	
102	Kit	1	O-RING	
103	Kit	1	SEAL	
104	Kit	1	SEAL	
105	Kit	1	SEAL	
106	Kit	1	SEAL	
107	Kit	1	WIPER	
108	Kit	2	WEAR RING	
109	Kit	2	WEAR RING	
111		Ref	O-RING	
112	7005314	1	LOCKNUT	
113	70021630	1	SELF TAPPING SCREW	
114	7005322	4	GREASE FITTING	
115	70021628	4	BUSHING	
116		Ref	TUBE ASSY	
117	70021661	1	ROD ASSY	
118	70021659	1	PISTON	
119	70021949	1	HEAD	
208	0682216	2	HEX HD CAPSCREW, 3/4-10X2	
217	3841287	2	ROD KEEPER	
230	91563046	1	LOWER LIFT CYLINDER PIN	
231	1001101595	1	UPPER LIFT CYLINDER PIN	
	70021641	1	SEAL KIT, (includes items 101 thru 109)	
		Ref	NOTE: ITEM NUMBERS NOT LISTED ARE NOT USED ON THIS FIGURE.	

SECTION 9 - HYDRAULIC COMPONENTS

FIGURE 9-3. EXTEND/RETRACT CYLINDER



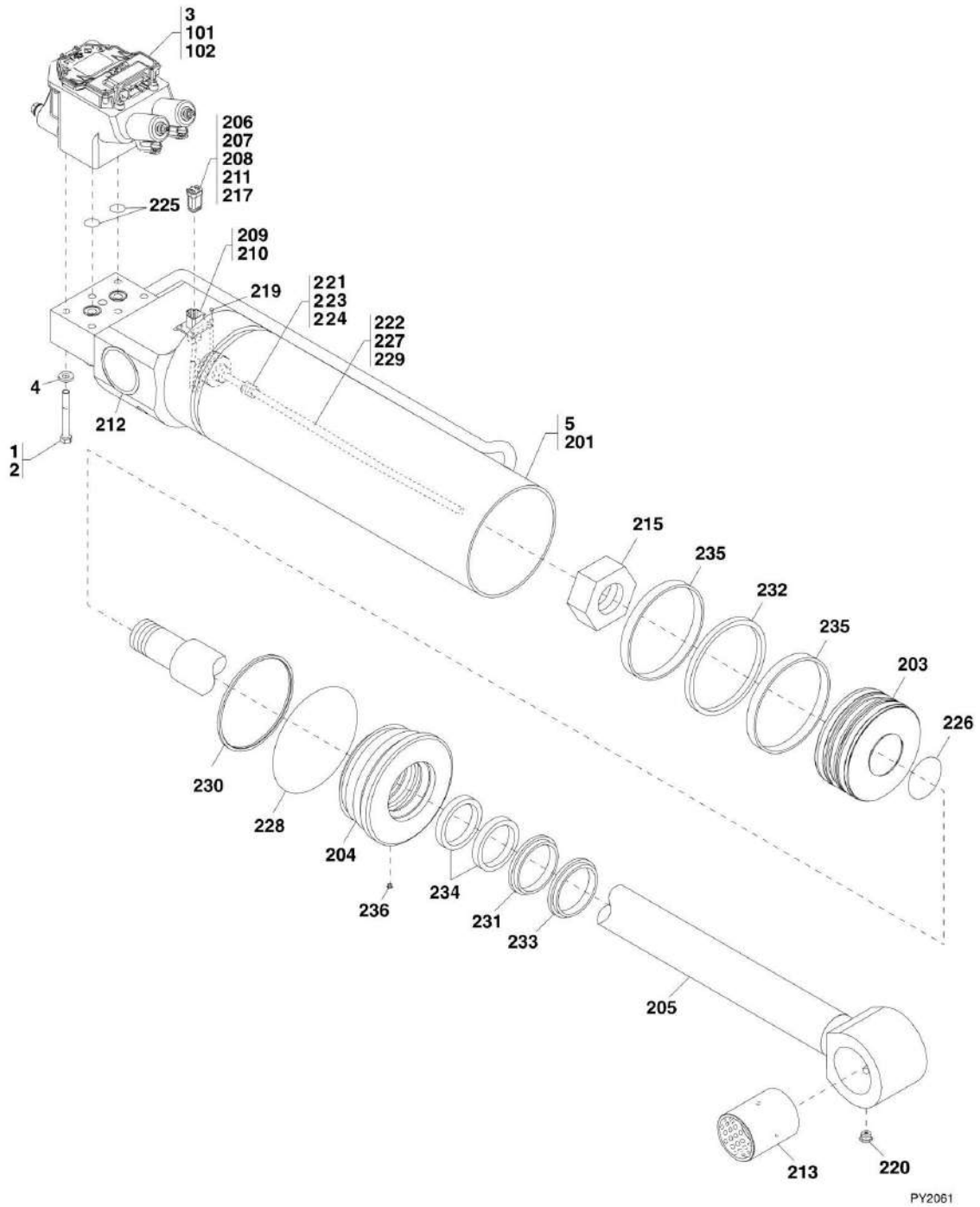
SECTION 9 - HYDRAULIC COMPONENTS

FIGURE 9-3. EXTEND/RETRACT CYLINDER

ITEM	PART NUMBER	QTY	DESCRIPTION	REV
	1684500	1	EXTEND/RETRACT CYLINDER ASSY, (includes items 1 thru 9)	C
1	1684450	1	EXTEND/RETRACT CYLINDER, (includes items 101 thru 119)	
2	2111212	2	ADAPTER, (includes o-ring)	
3	2221239	2	FITTING	
4	3460444	1	HYDRAULIC TUBE	
5	3460445	1	HYDRAULIC TUBE	
6	4341261	2	HYDRAULIC TUBE SUPPORT	
7	4641466	1	EXTEND WING VALVE ASSY	
7	1600470	1	CONTROLLER	
7	4641526	1	VALVE	
8	8405502	2	HOSE CLAMP	
9	1321627	2	T-BOLT CLAMP	
101	Kit	1	O-RING	
102	Kit	1	O-RING	
103	Kit	1	O-RING	
104	Kit	1	SEAL	
105	Kit	1	SEAL	
106	Kit	1	SEAL	
107	Kit	1	SEAL	
108	Kit	1	WIPER	
109	Kit	2	WEAR RING	
110	Kit	2	WEAR RING	
112	7003236	1	LOCKNUT	
113	70021630	1	SELF TAPPING SCREW	
115		Ref	TUBE	
116	70021678	1	ROD	
117	70021676	1	PISTON	
118	70021961	1	HEAD	
119	70021679	1	SPACER	
148	3020040	AR	MOLY-PASTE	
	70021598	1	SEAL KIT, (includes items 101 thru 110)	
		Ref	NOTE: ITEM NUMBERS NOT LISTED ARE NOT USED ON THIS FIGURE.	

SECTION 9 - HYDRAULIC COMPONENTS

FIGURE 9-4. TILT CYLINDER



SECTION 9 - HYDRAULIC COMPONENTS

FIGURE 9-4. TILT CYLINDER

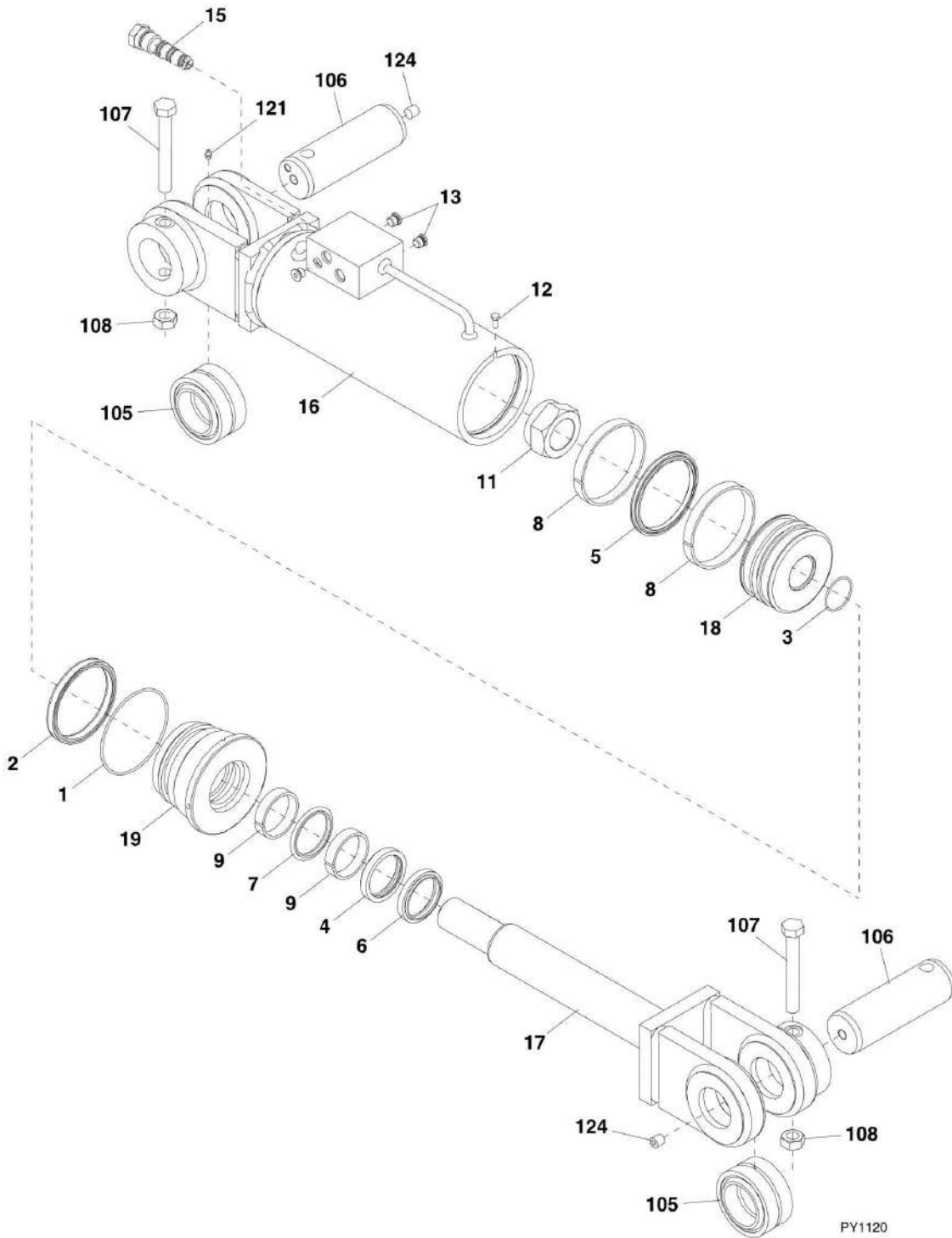
ITEM	PART NUMBER	QTY	DESCRIPTION	REV
	1001099946	1	TILT CYLINDER, (G10-55A AccuPlace), (includes items 1 thru 5)	B
	1001106861	1	TILT CYLINDER, (G12-55A AccuPlace), (includes items 1 thru 5)	A
1	0100011	AR	LOCTITE, #242	
2	0681624	6	HEX HD CAPSCREW, 3/8-16 X 3, GR8	
3	4641469	1	TILT VALVE, (includes items 101 & 102)	E
4	4891600	6	WASHER, 3/8	
5	1001099945	1	TILT CYLINDER, (G10-55A AccuPlace), (includes items 201 thru 236)	B
5	1001106333	1	TILT CYLINDER, (G12-55A AccuPlace), (includes items 201 thru 312)	A
101	1600472	1	TILT CONTROLLER	
102	4641528	1	FORK VALVE	
201		Ref	TUBE, (G10-55A AccuPlace)	
201		Ref	TUBE, (G12-55A AccuPlace)	
203		Ref	PISTON, (G10-55A AccuPlace)	
203		Ref	PISTON, (G12-55A AccuPlace)	
204		Ref	HEAD GLAND, (G10-55A AccuPlace)	
204		Ref	HEAD GLAND, (G12-55A AccuPlace)	
205		Ref	ROD	
206		Ref	PIN	
207		Ref	CONNECTOR LOCK	
208		Ref	ADAPTER	
209		Ref	CONNECTOR	
210		Ref	GASKET	
211		Ref	PLUG	
212		Ref	BEARING	
213		Ref	BUSHING	
215	8036394	1	LOCKNUT, 1.75-12	
217		Ref	SCREW, #4-40X3/8	
219		Ref	SET SCREW, #10-24X.5	
220	70020375	1	LUBE FITTING	
221		Ref	RETAINING RING	
222		Ref	SENSOR	
223		Ref	MAGNET SPACER	
224		Ref	MAGNET	
225	Kit	2	O-RING	
226	Kit	1	O-RING	
227		Ref	O-RING	
228	Kit	1	O-RING	
229		Ref	BACKUP RING	
230	Kit	1	POLYPAK	
231	Kit	1	PZR SEAL	
232	Kit	1	CAPPED T-SEAL	
233	Kit	1	ROD WIPER	
234	Kit	2	PRECISION WEARBAND	
235	Kit	2	PRECISION WEARBAND	
236	Kit	2	LOCKING INSERT	
312		Ref	PLUG	
474	88581157	2	RETAINING RING, 2-1/2	
580	1001098220	1	PIN	

SECTION 9 - HYDRAULIC COMPONENTS

ITEM	PART NUMBER	QTY	DESCRIPTION	REV
	70022093	1	SEAL KIT, (G10-55A AccuPlace), (includes items 225, 226, 228)	
	70022098	1	SEAL KIT, (G12-55A AccuPlace), (includes items 225, 226, 228)	
		Ref	NOTE: ITEM NUMBERS NOT LISTED ARE NOT USED ON THIS FIGURE.	

SECTION 9 - HYDRAULIC COMPONENTS

FIGURE 9-5. FRAME LEVEL CYLINDER



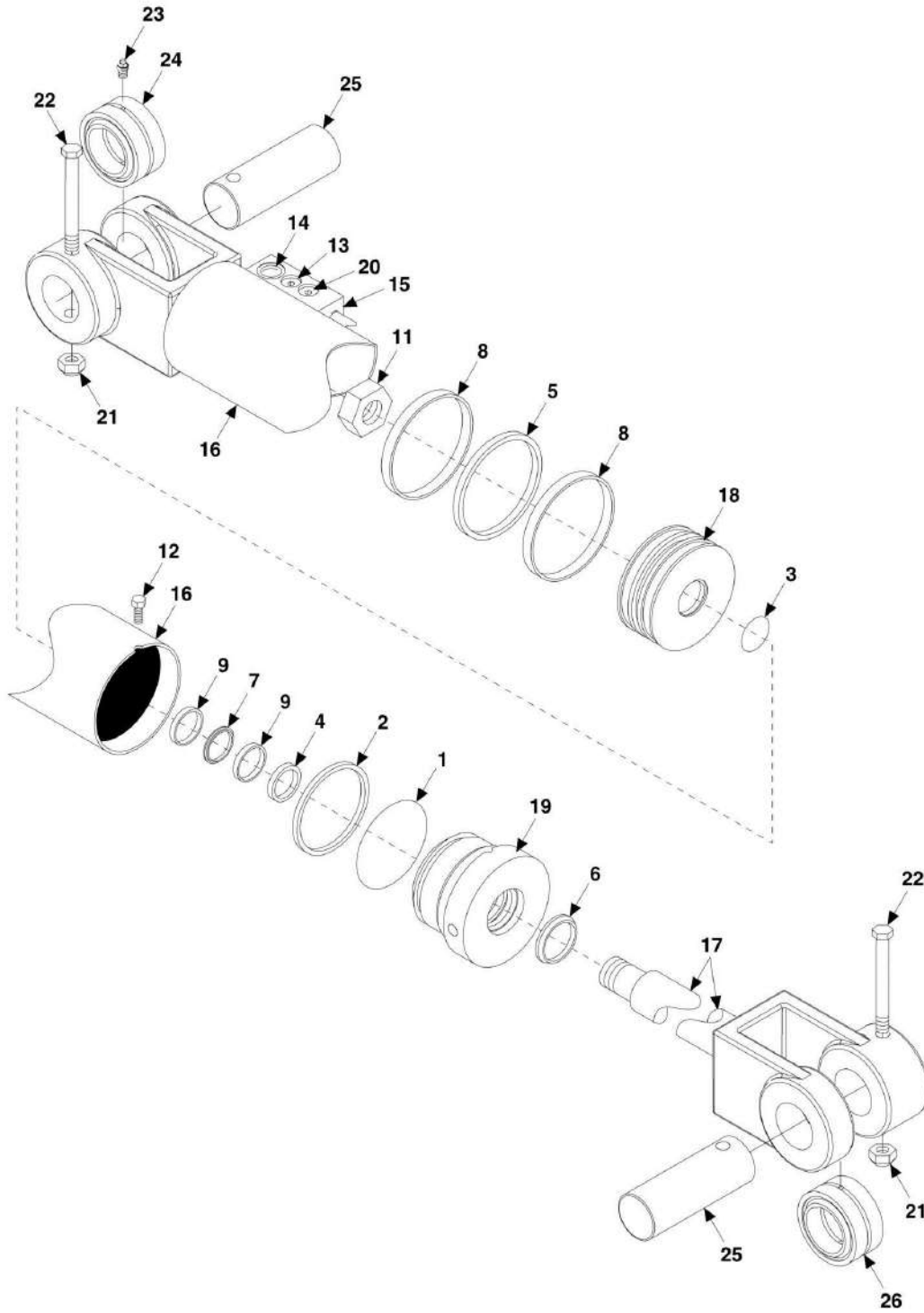
SECTION 9 - HYDRAULIC COMPONENTS

FIGURE 9-5. FRAME LEVEL CYLINDER

ITEM	PART NUMBER	QTY	DESCRIPTION	REV
	1001101281	1	FRAME LEVEL CYLINDER, (includes items 1 thru 19)	A
1	Kit	1	O-RING	
2	Kit	1	SEAL	
3	Kit	1	O-RING	
4	Kit	1	SEAL	
5	Kit	1	SEAL	
6	Kit	1	WIPER	
7	Kit	1	SEAL	
8	Kit	2	WEAR RING	
9	Kit	2	WEAR RING	
11	7003226	1	LOCKNUT	
12	70021630	1	SEAL TAPPING SCREW	
13	7005365	3	PORT PLUG	
15	7026938	1	PO CHECK VALVE	
16	70021965	1	TUBE ASSY	
17	70021664	1	ROD ASSY	
18	70021642	1	PISTON	
19	70021963	1	HEAD	
105	8065640	2	SPHERICAL BEARING	
106	3423227	2	CYLINDER PIN	
107	0641840	2	HEX HD CAPSCREW, 1/2-13X5	
108	88521208	2	LOCKNUT	
121	88671001	1	GREASE FITTING	
124	2200221	2	PIPE PLUG FITTING	
	70021639	1	SEAL KIT, (includes items 1 thru 9)	
		Ref	NOTE: ITEM NUMBERS NOT LISTED ARE NOT USED ON THIS FIGURE.	

SECTION 9 - HYDRAULIC COMPONENTS

FIGURE 9-6. STABILIZER CYLINDER



PY2000

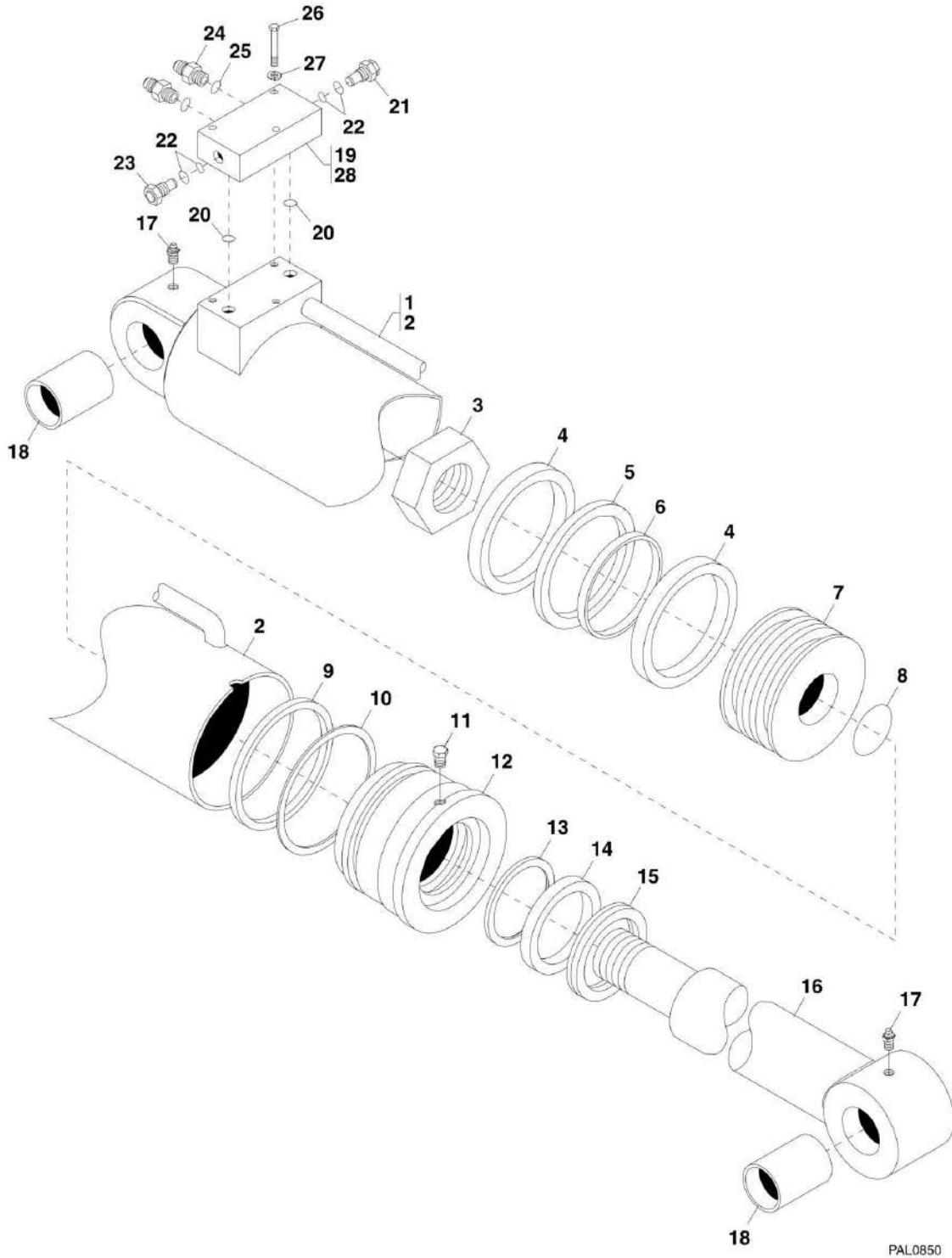
SECTION 9 - HYDRAULIC COMPONENTS

FIGURE 9-6. STABILIZER CYLINDER

ITEM	PART NUMBER	QTY	DESCRIPTION	REV
	1001101289	1	STABILIZER CYLINDER, (includes items 1 thru 20)	
1	Kit	1	O-RING	
2	Kit	1	SEAL	
3	Kit	1	O-RING	
4	Kit	1	SEAL	
5	Kit	1	SEAL	
6	Kit	1	WIPER	
7	Kit	1	SEAL	
8	Kit	2	WEAR RING	
9	Kit	2	WEAR RING	
11	7003226	1	LOCKNUT	
12	70021630	1	SELF TAPPING SCREW	
13	70021648	3	PORT PLUG	
14	7023593	1	PORT PLUG	
15	7026932	2	SOLENOID VALVE	
15	7026933	2	COIL	
16	70021964	1	TUBE ASSY	
17	70021646	1	ROD ASSY	
18	70021642	1	PISTON	
19	70021963	1	HEAD	
20	70021644	2	PIPE PLUG	
21	88521208	2	HEX LOCKNUT, 1/2-13	
22	0641840	2	HEX HD CAPSCREW, 1/2-13X5	
23	88671001	1	GREASE FITTING	
24	8065640	2	SPHERICAL BEARING	
25	3423227	2	CYLINDER PIN	
26		Ref	SPHERICAL BEARING, (See DRIVE TRAIN SECTION for Breakdown)	
	70021639	1	SEAL KIT, (includes items 1 thru 9)	
		Ref	NOTE: ITEM NUMBERS NOT LISTED ARE NOT USED ON THIS FIGURE.	

SECTION 9 - HYDRAULIC COMPONENTS

FIGURE 9-7. OUTRIGGER CYLINDER ASSEMBLY



PAL0850

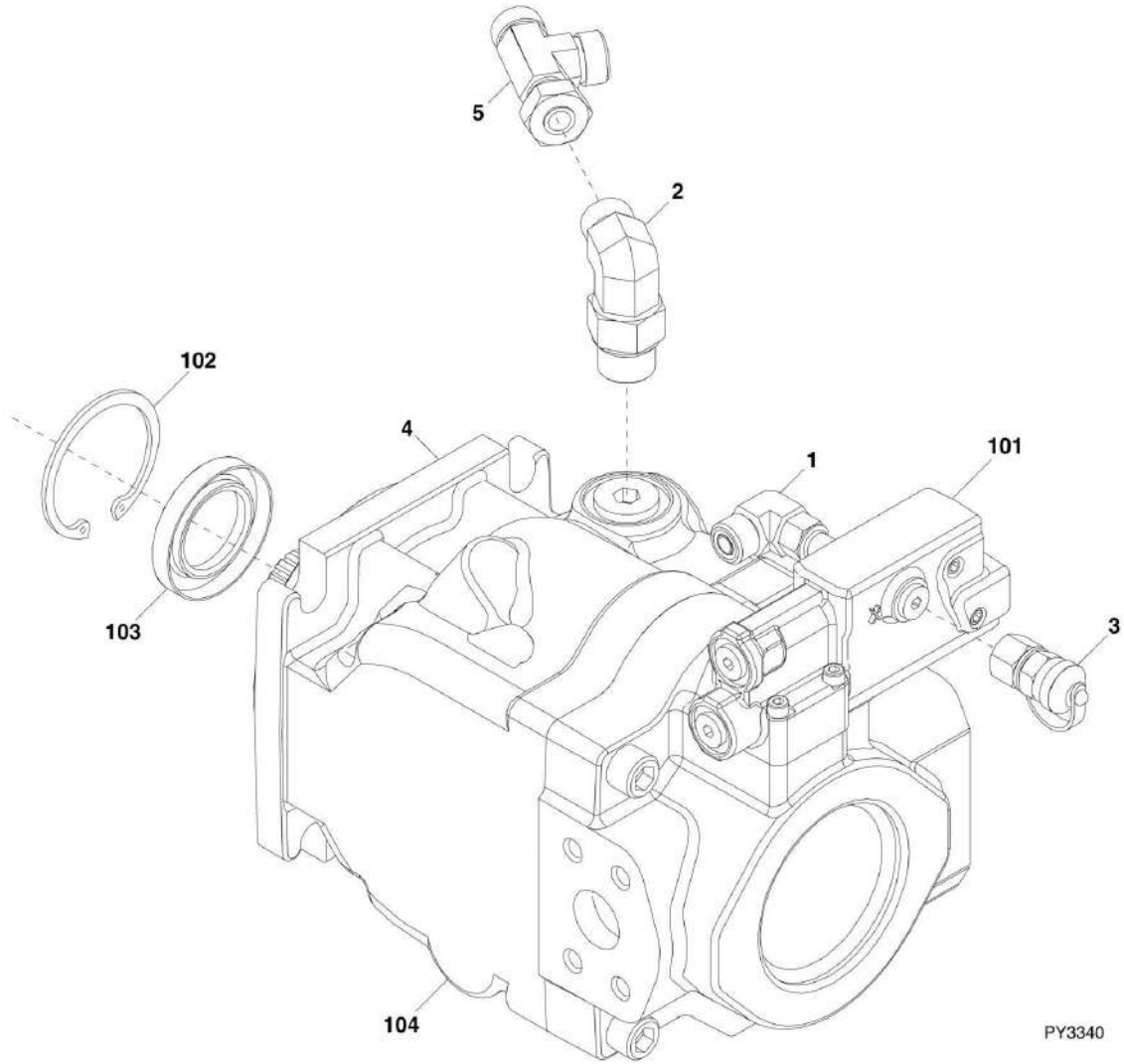
SECTION 9 - HYDRAULIC COMPONENTS

FIGURE 9-7. OUTRIGGER CYLINDER ASSEMBLY

ITEM	PART NUMBER	QTY	DESCRIPTION	REV
	1001001211	1	OUTRIGGER CYLINDER ASSY, (includes all items)	A
1	91343235	1	OUTRIGGER CYLINDER, (includes items 2 thru 18)	
2	7029968	1	BARREL, (includes item 18)	
3	91014066	1	LOCKNUT, (torque to 1300-1350 lb-ft)	
4	Kit	2	WEAR RING	
5	Kit	1	PISTON SEAL	
6	7029815	1	PISTON	
7		Ref	O-RING	
8	Kit	1	O-RING	
9	Kit	1	BACK-UP RING	
10	7029760	1	CAPSCREW	
11	7029816	1	HEAD	
12		Ref	WEAR RING	
13	Kit	1	STEP SEAL	
14	Kit	1	U-CUP	
15	Kit	1	CANNED WIPER	
16	7029814	1	SHAFT ASSY, (includes item 18)	
17	91044080	2	GREASE FITTING	
18	7029817	2	BUSHING	
19	91163245	1	OUTRIGGER CYLINDER VALVE, (includes items 20 thru 23)	
20	91034118	2	O-RING	
21	91034107	1	THERMAL RELIEF VALVE	
22	91164083	2	VALVE SEAL KIT	
23	91164107	1	CHECK CARTRIDGE	
24	2110606	2	CONNECTOR, (includes item 25)	
25	88591204	2	O-RING	
26	88201040	3	HEX HD CAPSCREW, 3/8-16X2-1/4, GR5, (torque to 30-35 lb-ft)	
27	4761600	3	LOCKWASHER, 3/8	
28	91163246	1	ORIFICE, (C2 port)	
	91144004	1	SEAL KIT, (includes items 4, 5, 6, 8, 9, 10, 13, 14 & 15)	

SECTION 9 - HYDRAULIC COMPONENTS

FIGURE 9-8. HYDRAULIC PUMP



PY3340

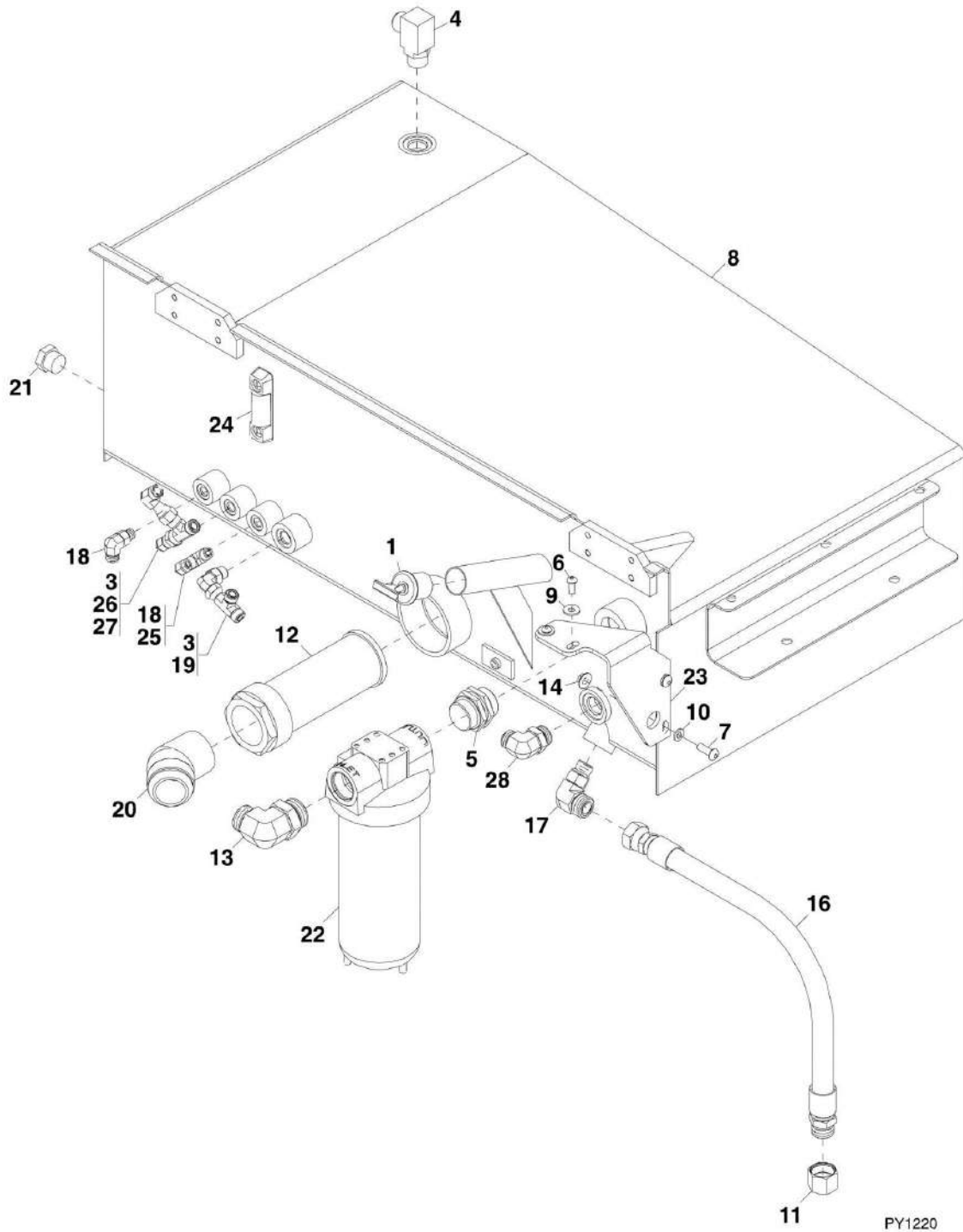
SECTION 9 - HYDRAULIC COMPONENTS

FIGURE 9-8. HYDRAULIC PUMP

ITEM	PART NUMBER	QTY	DESCRIPTION	REV
	1001100936	1	HYDRAULIC PUMP ASSY, (includes items 1 thru 5)	D
1	2130604	1	FITTING, 90, (includes o-ring)	
2	2111010	1	FITTING, 90, (includes o-ring)	
4	1001099618	1	HYDRAULIC PUMP, (includes items 101 thru 104)	B
101	70022286	1	CONTROL UNIT	
102	7023962	1	RETAINING RING	
103	70022287	1	LIP SEAL	
104	70022288	1	HOUSING	
		Ref	NOTE: ITEM NUMBERS NOT LISTED ARE NOT USED ON THIS FIGURE.	

SECTION 9 - HYDRAULIC COMPONENTS

FIGURE 9-9. HYDRAULIC TANK ASSEMBLY



PY1220

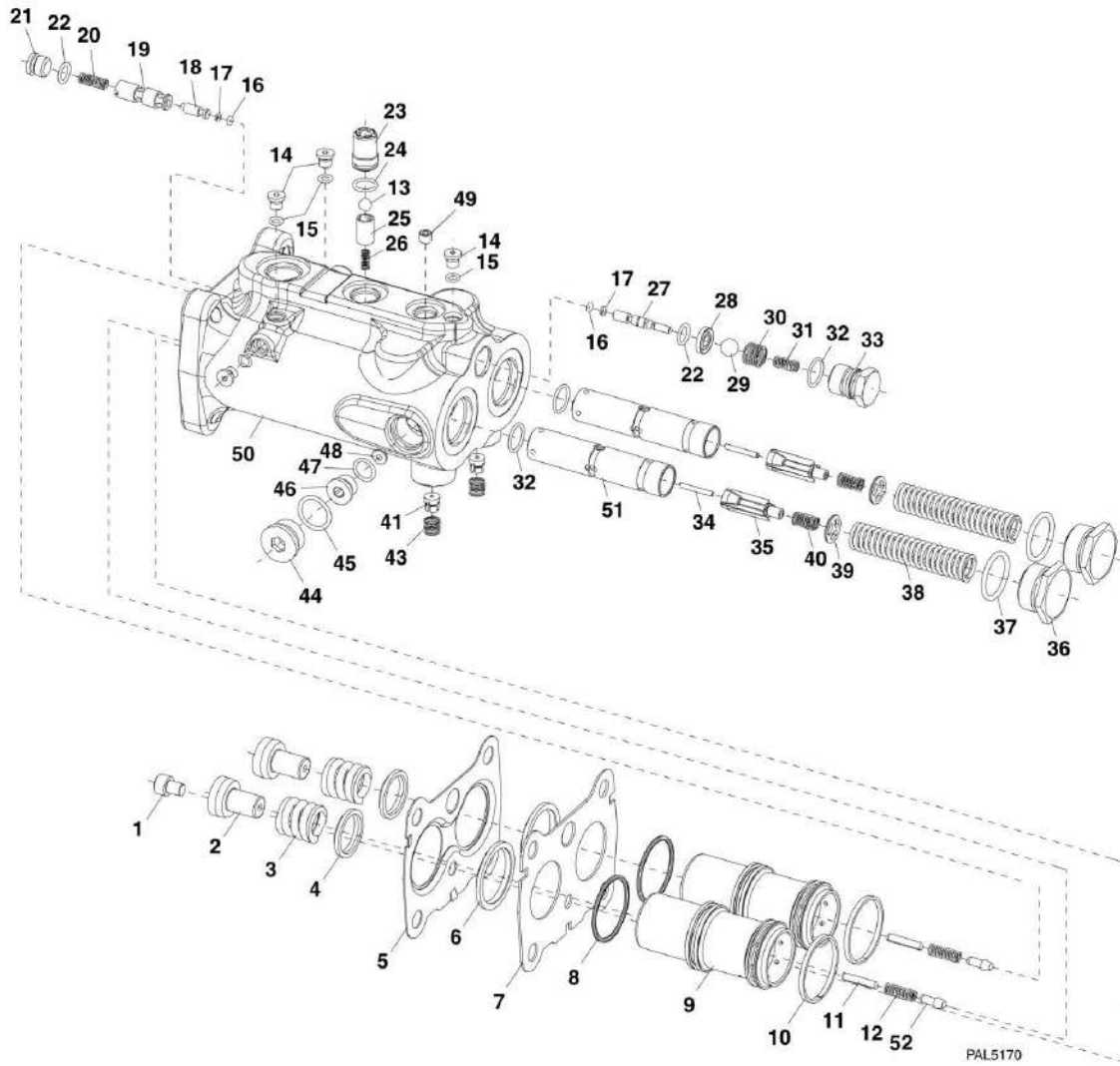
SECTION 9 - HYDRAULIC COMPONENTS

FIGURE 9-9. HYDRAULIC TANK ASSEMBLY

ITEM	PART NUMBER	QTY	DESCRIPTION	REV
	4400505	1	HYDRAULIC TANK ASSY, (includes all items)	H
1	91403579	1	BREATHER FILLER CAP	
3	2170708	2	ADAPTER, (includes o-ring)	
4	2220578	1	ELBOW, 90, (includes o-ring)	
5	2220893	1	ADAPTER, (includes o-ring)	
6	3900210	2	BUTTON HD SCREW, 5/16-18X3/4	
7	3900316	2	BUTTON HD SCREW, 3/8-16X1	
8	10010908086	1	HYDRAULIC TANK	
9	4751500	2	WASHER, 5/16	
10	4761600	2	LOCKWASHER	
11	2170912	1	ADAPTER, (includes o-ring)	
12	91563248	1	TANK FILTER	
13	2131620	1	ELBOW, 90, (includes o-ring)	
14	77143015	2	LOCKNUT, 3/8-16	
16	1001095449	1	DRAIN HOSE	
17	2131210	1	ELBOW, 90, (includes o-ring)	
18	2130606	2	ELBOW, 90, (includes o-ring)	
19	2130808	1	ELBOW, 90, (includes o-ring)	
20	88662538	1	ELBOW, 45	
21	88662539	1	PLUG, (includes o-ring)	
22	91403158	1	RETURN FILTER	
22	1001093626	1	FILTER ELEMENT	
23	91561155	1	FILTER BRACKET	
24	91563136	1	FLUID LEVEL GAUGE	
25	2170706	1	ADAPTER, (includes o-ring)	
26	2130806	1	ELBOW, 90, (includes o-ring)	
27	2172108	1	ELBOW, 90, (includes o-ring)	
28	2131012	1	ELBOW, 90, (includes o-ring)	
		Ref	NOTE: ITEM NUMBERS NOT LISTED ARE NOT USED ON THIS FIGURE.	

SECTION 9 - HYDRAULIC COMPONENTS

FIGURE 9-10. BRAKE VALVE



SECTION 9 - HYDRAULIC COMPONENTS

FIGURE 9-10. BRAKE VALVE

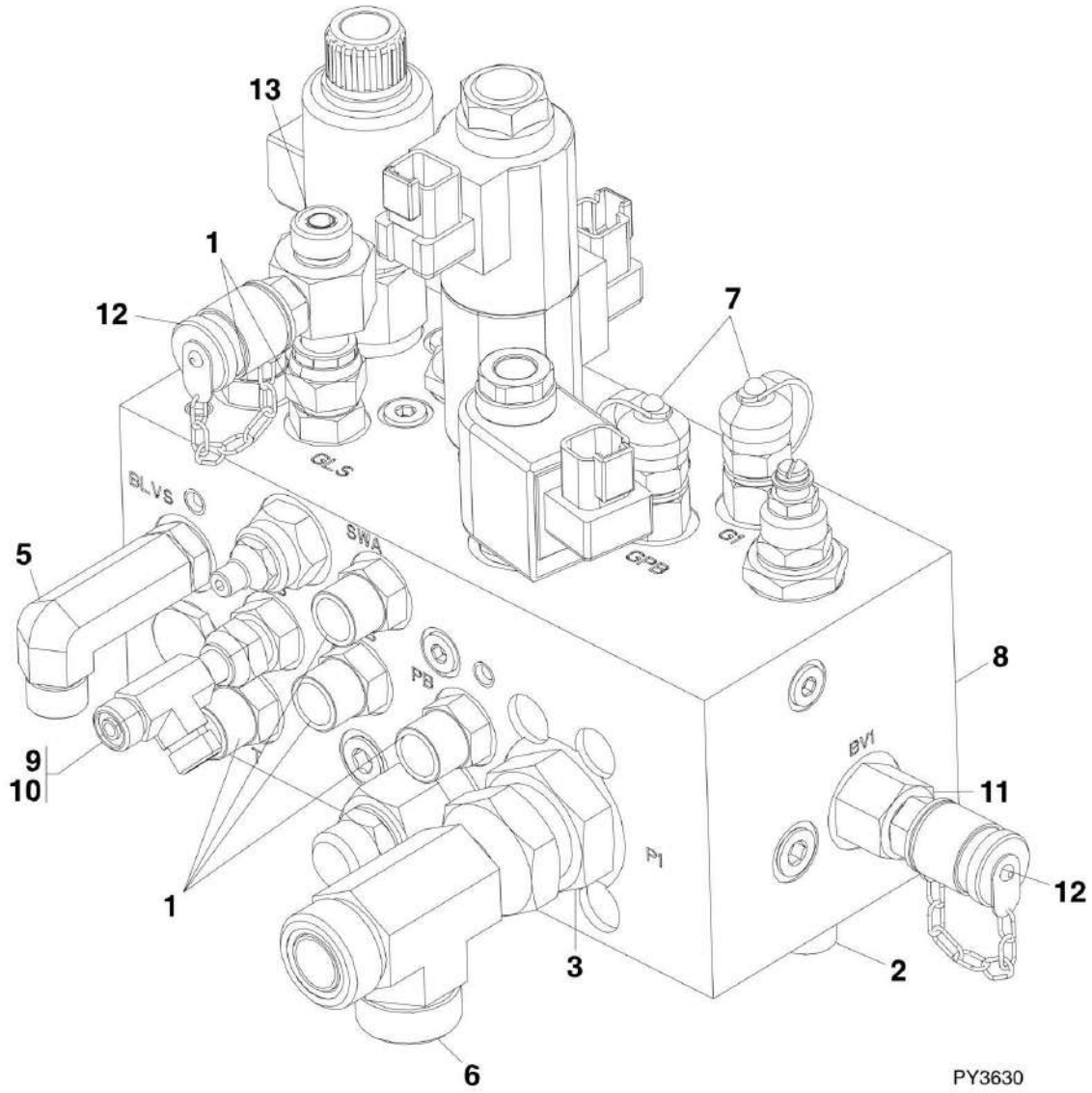
ITEM	PART NUMBER	QTY	DESCRIPTION	REV
	1001106836	1	BRAKE VALVE, (includes items 1 thru 52)	A
1	91474454	1	SCREW	
2	91474442	2	PIN	
3	70020659	2	SPRING	
4	91474441	2	WIPER	
5	70020660	1	COVER	
6	91474440	2	WIPER	
7	70020661	1	COVER	
8	91474439	2	QUAD RING	
9	70020662	2	PISTON	
10	70020663	2	PISTON RING	
11	70023037	2	PIN	
12	91474438	2	SPRING	
13	91474452	1	BALL	
14	91474450	4	PLUG	
15	91474451	4	O-RING	
16	91474453	2	O-RING	
17	91514199	2	BACKUP RING	
18	91474455	1	DUMP PISTON	
19	91474456	1	DUMP SPOOL	
20	70020665	1	SPRING	
21	91474458	1	PLUG	
22	91514198	2	O-RING	
23	70020666	1	INLET SEAT	
24	70020667	1	O-RING	
25	70020668	1	RETAINER	
26	70020669	1	SPRING	
27	91474447	1	PISTON	
28	91474446	1	SEAT	
29	70020670	1	BALL	
30	70020671	1	SPRING	
31	70020672	1	SPRING	
32	91514197	3	O-RING	
33	91474443	1	PLUG	
34	70020673	2	NEEDLE ROLLER	
35	70020674	2	MAKE-UP CHECK	
36	91474434	2	PLUG	
37	91474435	2	O-RING	
38	70020675	2	SPRING	
39	70020676	2	SPRING GUIDE	
40	70020677	2	SPRING	
41	70020678	2	ORIFICE	
43	70020679	2	SPRING	
44	91474459	1	PLUG	
45	91474460	1	O-RING	
46	70020680	1	PLUG	
47	70020681	1	O-RING	
48	70020682	1	ORIFICE	
49	70023039	1	ORIFICE	
50		Ref	HOUSING	

SECTION 9 - HYDRAULIC COMPONENTS

ITEM	PART NUMBER	QTY	DESCRIPTION	REV
51	70023038	Ref	SPOOL	
52		2	POPPET	
		Ref	NOTE: ITEM NUMBERS NOT LISTED ARE NOT USED ON THIS FIGURE	

SECTION 9 - HYDRAULIC COMPONENTS

FIGURE 9-11. HYDRAULIC MANIFOLD VALVE



PY3630

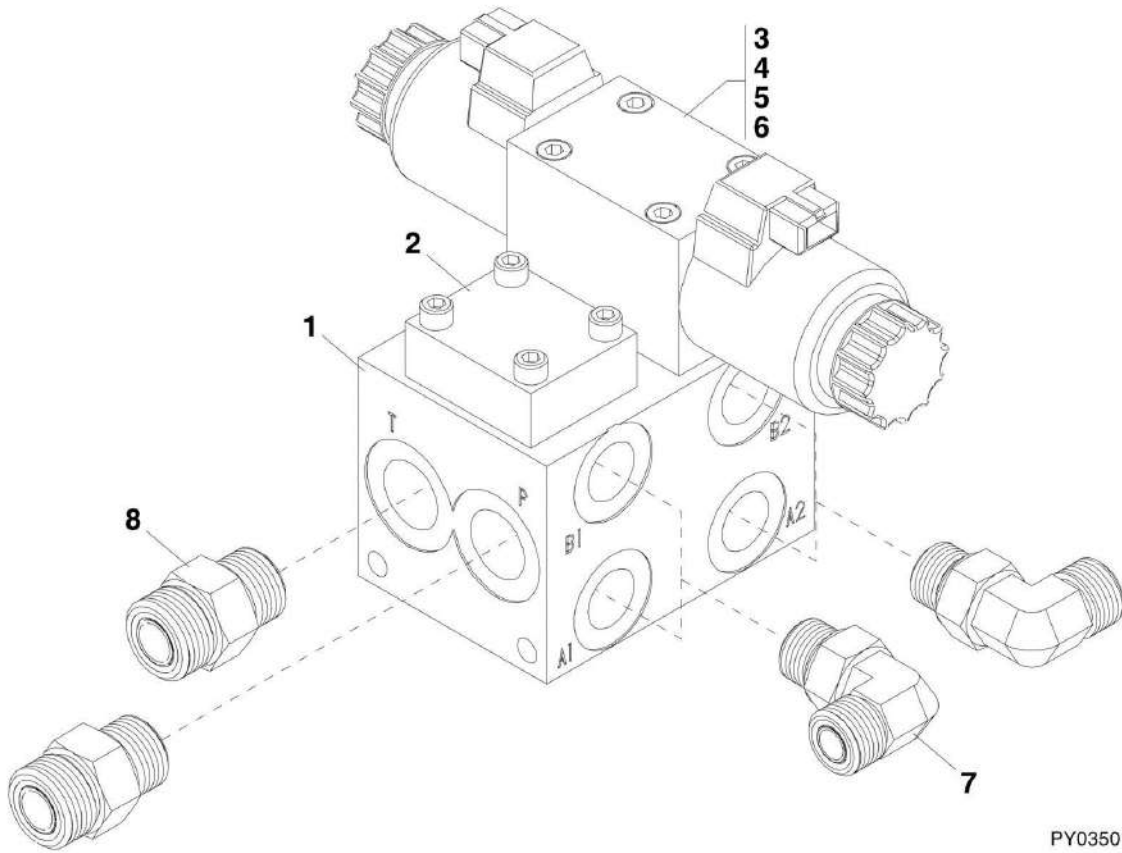
SECTION 9 - HYDRAULIC COMPONENTS

FIGURE 9-11. HYDRAULIC MANIFOLD VALVE

ITEM	PART NUMBER	QTY	DESCRIPTION	REV
	1001099720	1	HYDRAULIC MANIFOLD VALVE ASSY, (includes all items)	D
1	2110606	6	FITTING, (includes o-ring)	
2	2110608	1	FITTING, (includes o-ring)	
3	2111216	1	FITTING, (includes o-ring)	
4	2130808	1	FITTING, 90, (includes o-ring)	
5	2170206		FITTING, 90, (includes o-ring)	
6	2170712	1	FITTING, TEE, (includes o-ring)	
7	77133089	1	MINI-CHECK, (includes o-ring)	
8	1001111215	1	HYDRAULIC MANIFOLD W/VALVES	
9	2110406	1	FITTING, (includes o-ring)	
10	2170704	1	FITTING, TEE, (includes o-ring)	
11	2220214	1	FITTING, (includes o-ring)	
12	2221086	2	FITTING, DIAGNOSTIC TEST PORT, EM3A	
13	1001111140	1	FITTING, (includes o-ring)	

SECTION 9 - HYDRAULIC COMPONENTS

FIGURE 9-12. STEER SELECT VALVE



PY0350

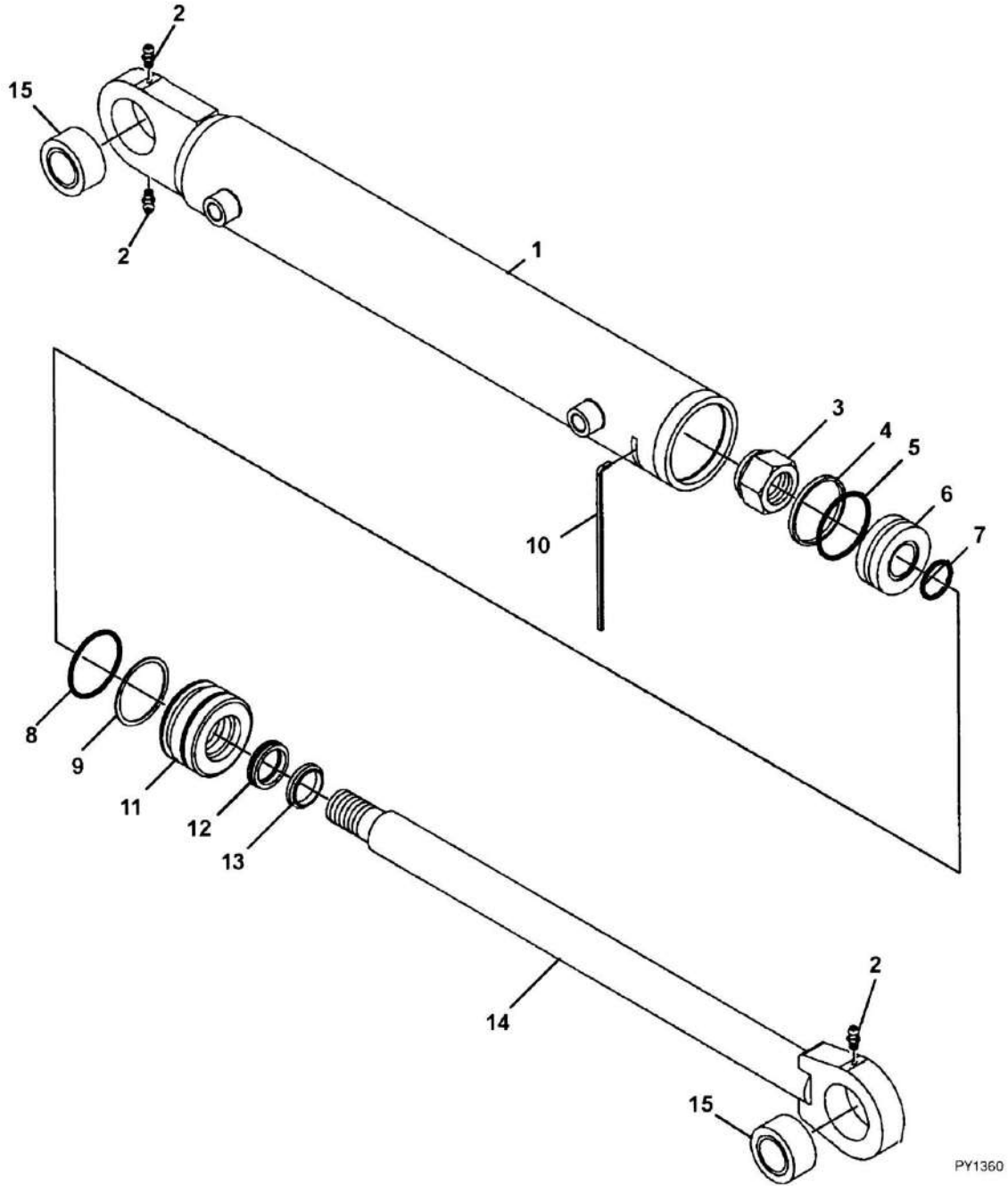
SECTION 9 - HYDRAULIC COMPONENTS

FIGURE 9-12. STEER SELECT VALVE

ITEM	PART NUMBER	QTY	DESCRIPTION	REV
	1001001016	1	STEERING SELECT VALVE, (includes all items)	B
1	7029915	1	STEERING MANIFOLD	
2	7029916	1	COVER PLATE	
3	91474402	1	DIRECTIONAL CONTROL VALVE, (includes items 4 thru 6)	
4	91474407	2	COIL	
5	7029917	2	NUT	
6	7012773	1	SEAL KIT	
7	88662065	4	ELBOW, 90, (includes o-ring)	
8	88662019	2	CONNECTOR, (includes o-ring)	

SECTION 9 - HYDRAULIC COMPONENTS

FIGURE 9-13. 180, SWING CARRIAGE CYLINDER



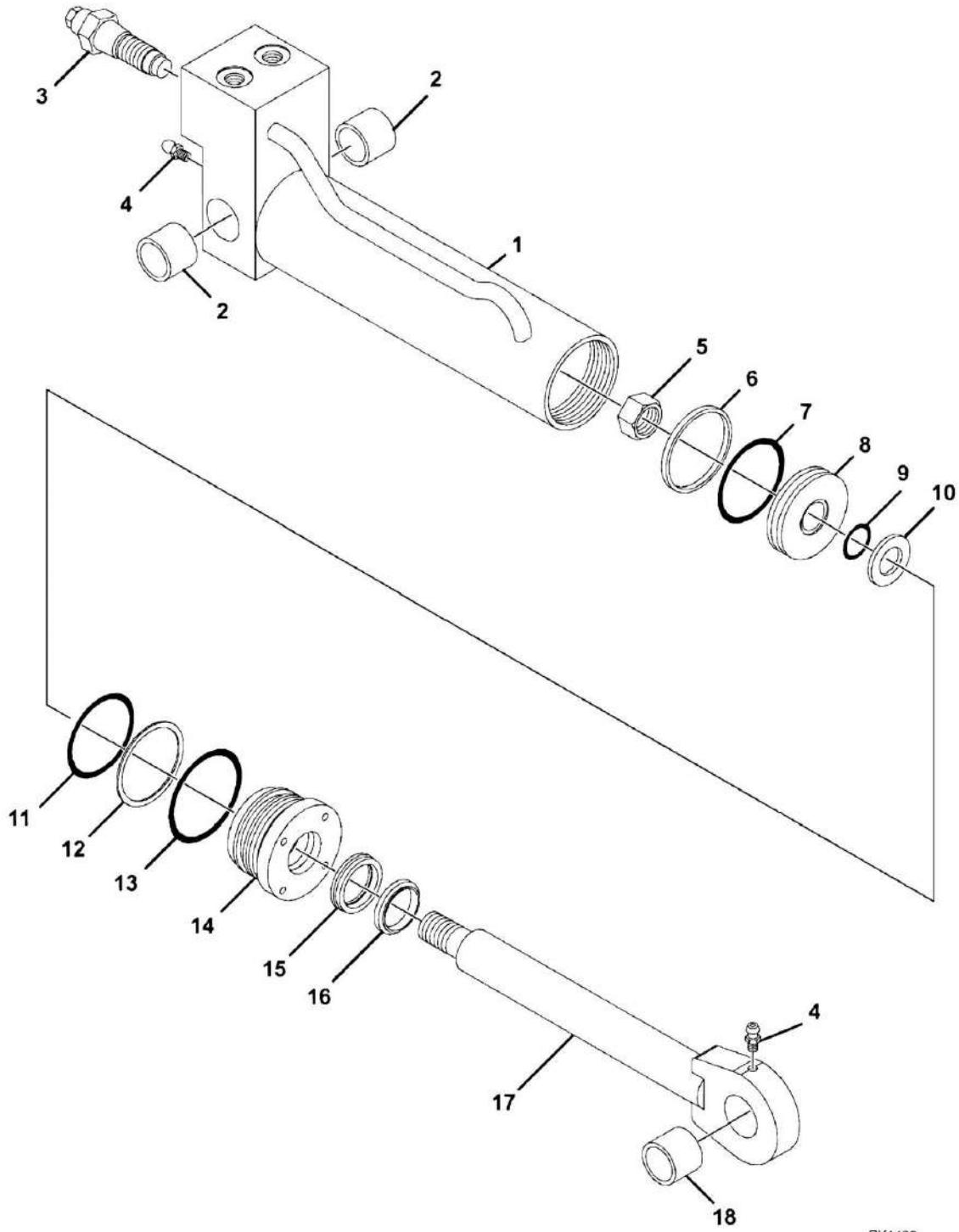
SECTION 9 - HYDRAULIC COMPONENTS

FIGURE 9-13. 180, SWING CARRIAGE CYLINDER

ITEM	PART NUMBER	QTY	DESCRIPTION	REV
	7029995	1	SWING CARRIAGE CYLINDER, (includes all items)	
1	70021441	1	CYLINDER TUBE	
2	90554045	3	GREASE FITTING	
3	70021440	1	HEX NUT	
4	Kit	1	PISTON RING	
5	Kit	1	O-RING	
6	70021976	1	PISTON	
7	Kit	1	O-RING	
8	Kit	1	O-RING	
9	Kit	1	BACKUP WASHER	
10	Kit	1	RETAINER RING	
11	70021443	1	CYLINDER GLAND	
12	Kit	1	POLY-PAK SEAL, TYPE B	
13	Kit	1	ROD WIPER	
14	70021442	1	CYLINDER ROD	
15	90554046	2	BUSHING	
	70021453	1	SEAL KIT (includes items 4, 5, 7 thru 10, 12 & 13)	

SECTION 9 - HYDRAULIC COMPONENTS

FIGURE 9-14. GRAPPLE BUCKET CYLINDER



PY1430

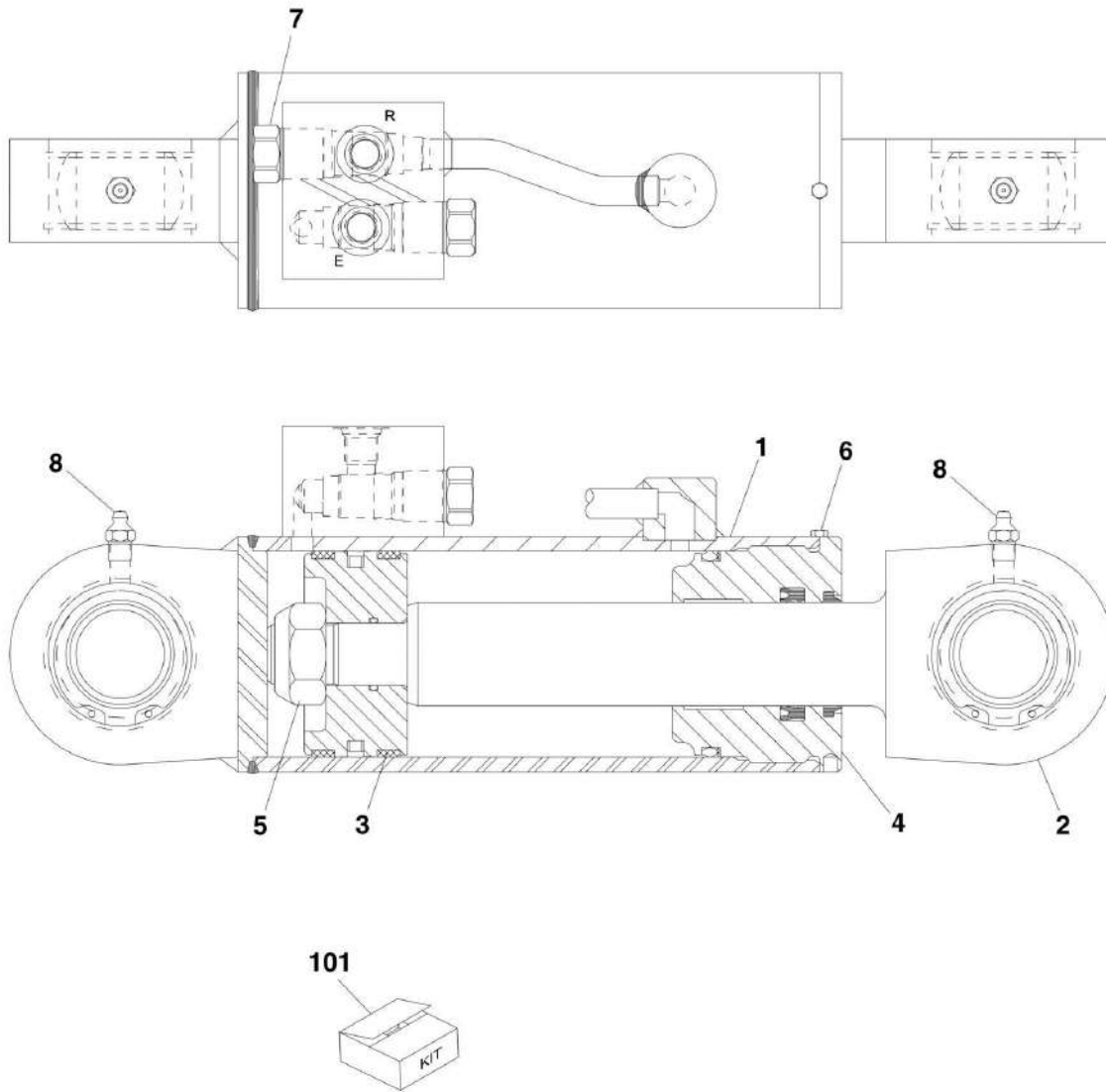
SECTION 9 - HYDRAULIC COMPONENTS

FIGURE 9-14. GRAPPLE BUCKET CYLINDER

ITEM	PART NUMBER	QTY	DESCRIPTION	REV
	70021393	1	GRAPPLE BUCKET CYLINDER, (includes all items)	
1	70021465	1	CYLINDER TUBE	
2	70021448	2	BUSHING	
3	70021464	2	VALVE CARTRIDGE	
4	90554045	2	GREASE FITTING	
5	70021440	1	HEX NUT	
6	Kit	1	PISTON RING	
7	Kit	1	O-RING	
8	70021451	1	PISTON	
9	Kit	1	O-RING	
10	70021444	1	WASHER	
11	Kit	1	O-RING	
12	Kit	1	BACK-UP WASHER	
13	Kit	1	O-RING	
14	70021446	1	CYLINDER GLAND	
15	Kit	1	POLY-PAK SEAL	
16	Kit	1	POLY-PAK SEAL	
17	70021466	1	PISTON ROD	
18	70021447	1	BUSHING	
	70021452	1	SEAL KIT (includes items 6, 7, 9, 11 thru 13, 15 & 16)	

SECTION 9 - HYDRAULIC COMPONENTS

FIGURE 9-15. SIDE TILT CARRIAGE CYLINDER



ART_31200454-9-15

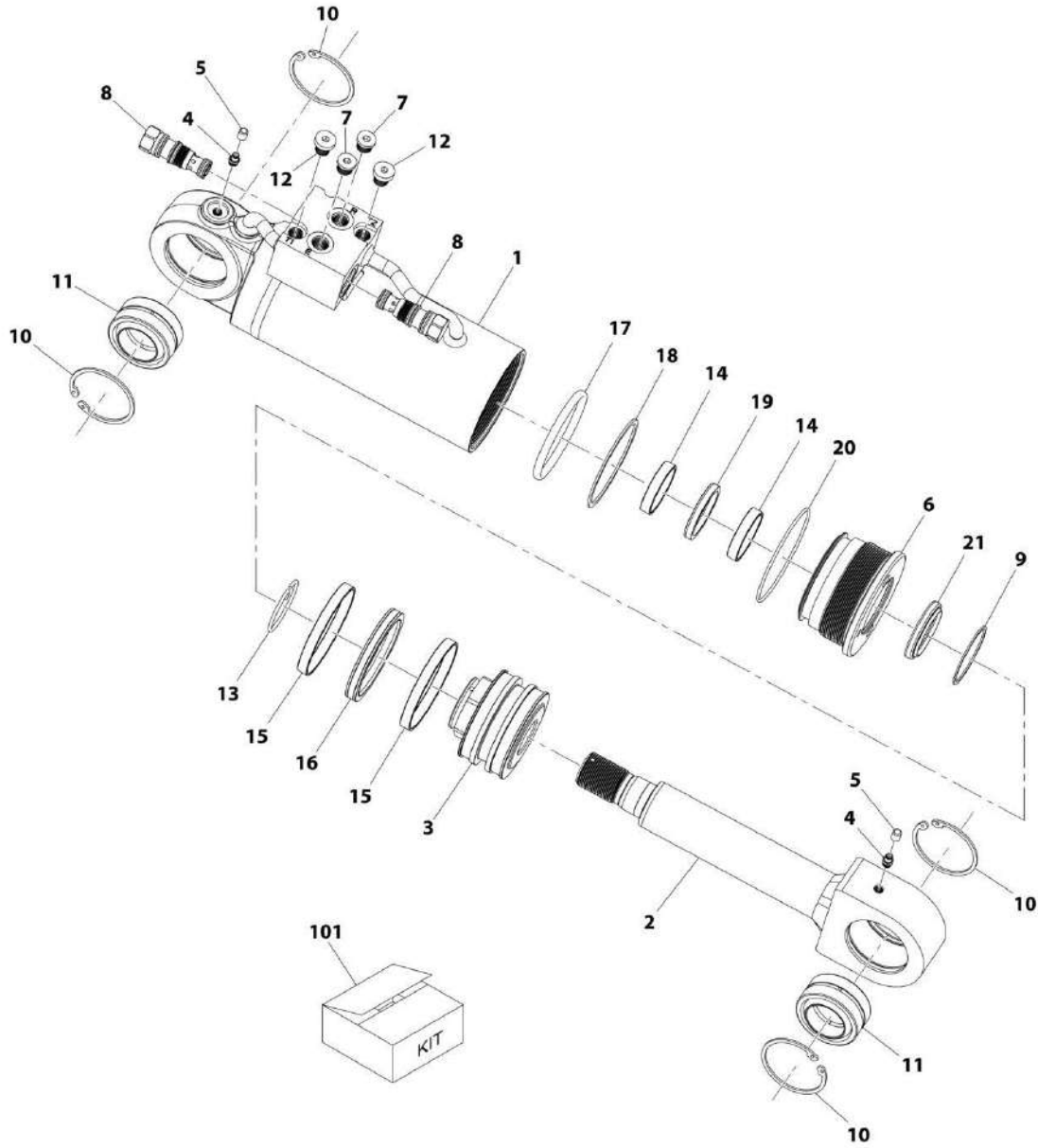
SECTION 9 - HYDRAULIC COMPONENTS

FIGURE 9-15. SIDE TILT CARRIAGE CYLINDER

ITEM	PART NUMBER	QTY	DESCRIPTION	REV
	1001090134	NLA	SIDE TILT CARRIAGE CYLINDER, (no longer available, see items 1 through 8 for service or 1001163414 for replacement)	C
1	70022038	1	BARREL ASSY	
2	70022039	1	ROD ASSY	
3	70022040	1	PISTON	
3	70022042	1	SEAL KIT	
4	70021908	1	ROD BEARING	
4	70022043	1	SEAL KIT	
5	90022230	1	HEX NUT	
6	7029760	1	CAPSCREW	
7	4640438	2	CHECK VALVE	
7	2900770	1	SEAL KIT	
8	91044080	2	GREASE FITTING	
101	70022041	1	SEAL KIT, (contains 70022042 & 70022043)	

SECTION 9 - HYDRAULIC COMPONENTS

FIGURE 9-16. SIDE TILT CARRIAGE CYLINDER



ART_1001163414-A

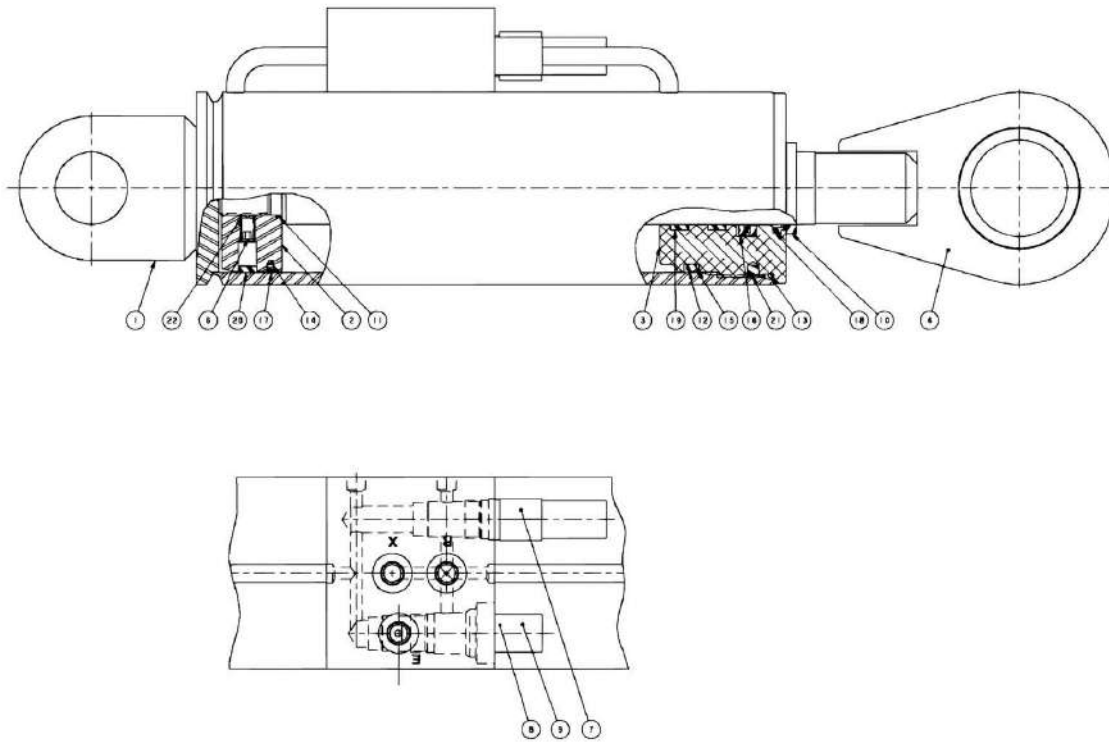
SECTION 9 - HYDRAULIC COMPONENTS

FIGURE 9-16. SIDE TILT CARRIAGE CYLINDER

ITEM	PART NUMBER	QTY	DESCRIPTION	REV
	1001163414	Ref	SIDE TILT CARRIAGE CYLINDER, (includes all items)	A
1	70026056	1	BARREL	
2	70026057	1	ROD	
3	70026058	1	HEAD, PISTON	
4	70025606	2	NIPPLE, GREASE	
5	70024020	2	FITTING, GREASE	
6	70003849	1	GLAND	
7	70025959	2	PLUG	
8	70026059	2	VALVE, P.O. CHECK	
9	70002219	1	RING, INTERNAL SNAP	
10	70026060	4	RING, INTERNAL SNAP	
11	70026061	2	BEARING, SPHERICAL	
12	70024262	2	PLUG	
13	70002224	1	RING, LOCKING	
14	Kit	2	RING, ROD BEARING	
15	Kit	2	RING, PISTON BEARING	
16	Kit	1	SEAL, PISTON	
17	Kit	1	O-RING	
18	Kit	1	RING, BACK-UP	
19	Kit	1	SEAL, ROD	
20	Kit	1	O-RING	
21	Kit	1	SEAL, WIPER	
101	70026062	1	SEAL KIT, (includes items 14 thru 21)	

SECTION 9 - HYDRAULIC COMPONENTS

FIGURE 9-17. 72IN, 90, SWING CARRIAGE CYLINDER



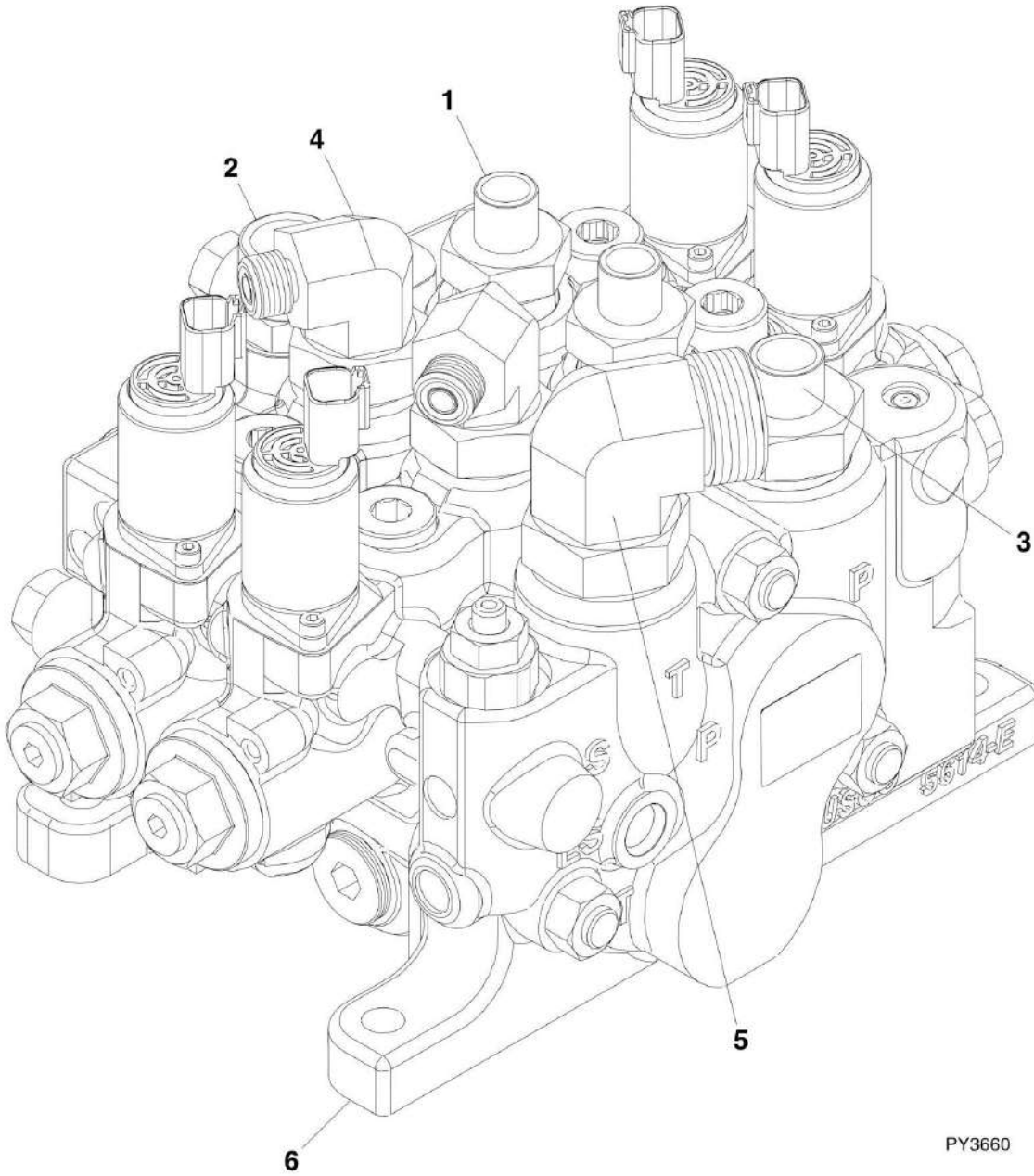
SECTION 9 - HYDRAULIC COMPONENTS

FIGURE 9-17. 72IN, 90, SWING CARRIAGE CYLINDER

ITEM	PART NUMBER	QTY	DESCRIPTION	REV
	1001103182	1	SWING CARRIAGE CYLINDER, (includes items 1 thru 22)	A
1	70022044	1	TUBE ASSY	
2	8035863	1	PISTON	
3	8035862	1	HEAD GLAND	
4	70022045	1	ROD ASSY	
5	70022046	1	BEARING	
6	8035536	2	SET SCREW, 5/16-18X1/2	
7	70020428	1	RELIEF VALVE, (2000 psi)	
7	7024574	1	SEAL KIT	
8	8033786	1	COUNTER BALANCE VALVE, (3000 psi)	
8	8205655	1	SEAL KIT	
11	Kit	1	O-RING	
12	Kit	1	O-RING	
13	Kit	1	O-RING	
14	Kit	1	SQUARE RING	
15	Kit	1	BACKUP RING	
16	Kit	1	SEAL	
17	Kit	1	PISTON SEAL	
18	Kit	1	ROD WIPER	
19	Kit	2	WEARBAND	
20	Kit	1	WEARBAND	
21	Kit	2	INSERT	
22	Kit	2	INSERT	
23	8036131	1	SEAL KIT, (includes items 11 thru 22)	
24	8033789	1	SEAL KIT	
25	8035830	1	SEAL KIT, (includes items 23 & 24)	
	Ref		NOTE: ITEM NUMBERS NOT LISTED ARE NOT USED ON THIS FIGURE.	

SECTION 9 - HYDRAULIC COMPONENTS

FIGURE 9-18. FRAME LEVEL, OUTRIGGER VALVE INSTALL



PY3660

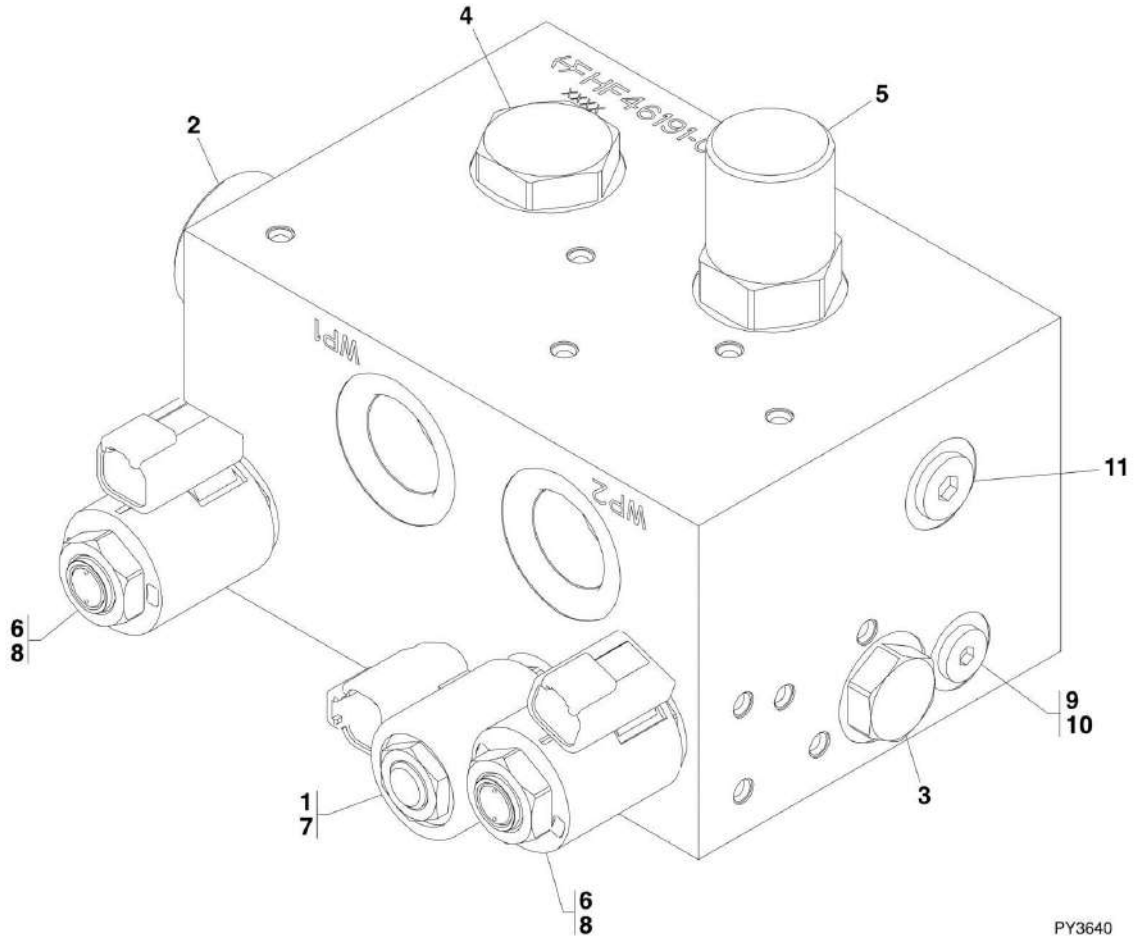
SECTION 9 - HYDRAULIC COMPONENTS

FIGURE 9-18. FRAME LEVEL, OUTRIGGER VALVE INSTALL

ITEM	PART NUMBER	QTY	DESCRIPTION	REV
	1001108273	1	FRAME LEVEL, OUTRIGGER VALVE INSTALL, (not available to order, see items 1 thru 6 for service)	B
1	2110612	2	FITTING, (includes o-ring)	
2	2110806	1	FITTING, (includes o-ring)	
3	2110816	2	FITTING, (includes o-ring)	
4	2130612	2	FITTING, 90, (includes o-ring)	
5	2172108	1	FITTING, 90, (includes o-ring)	
6	1001108272	1	SWAY, OUTRIGGER VALVE	

SECTION 9 - HYDRAULIC COMPONENTS

FIGURE 9-19. AUXILIARY VALVE



PY3640

SECTION 9 - HYDRAULIC COMPONENTS

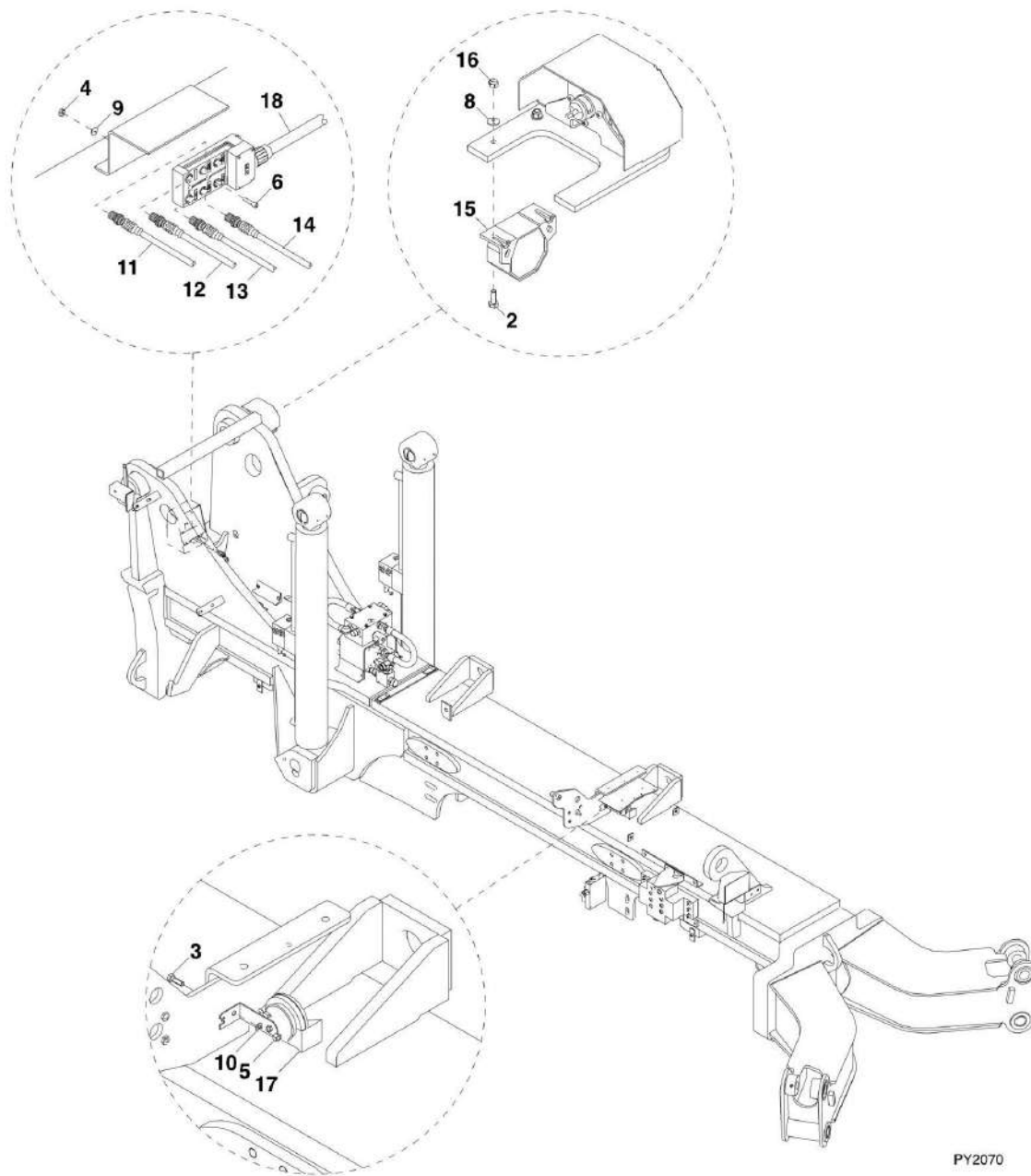
FIGURE 9-19. AUXILIARY VALVE

ITEM	PART NUMBER	QTY	DESCRIPTION	REV
	1001105345	1	AUXILIARY VALVE, (includes all items)	
1	7021604	1	CATRIDGE	
1	7012953	1	SEAL KIT	
2		Ref	DIRECTIONAL VAVLE	
3	7010542	1	CATRIDGE	
3	7010543	1	SEAL KIT	
4		Ref	CHECK VALVE	
4	7023919	1	SEAL KIT	
5		Ref	COMPENSATOR VALVE	
5	7012925	1	SEAL KIT	
6		Ref	PROPORTIONAL VALVE	
6	7010543	1	SEAL KIT	
7	7024885	1	COIL	
8		Ref	COIL	
9		Ref	PLUG	
10		Ref	PLUG	
11		Ref	PLUG	

SECTION 10 - ELECTRICAL

SECTION 10 - ELECTRICAL

FIGURE 10-1. ELECTRICAL INSTALLATION



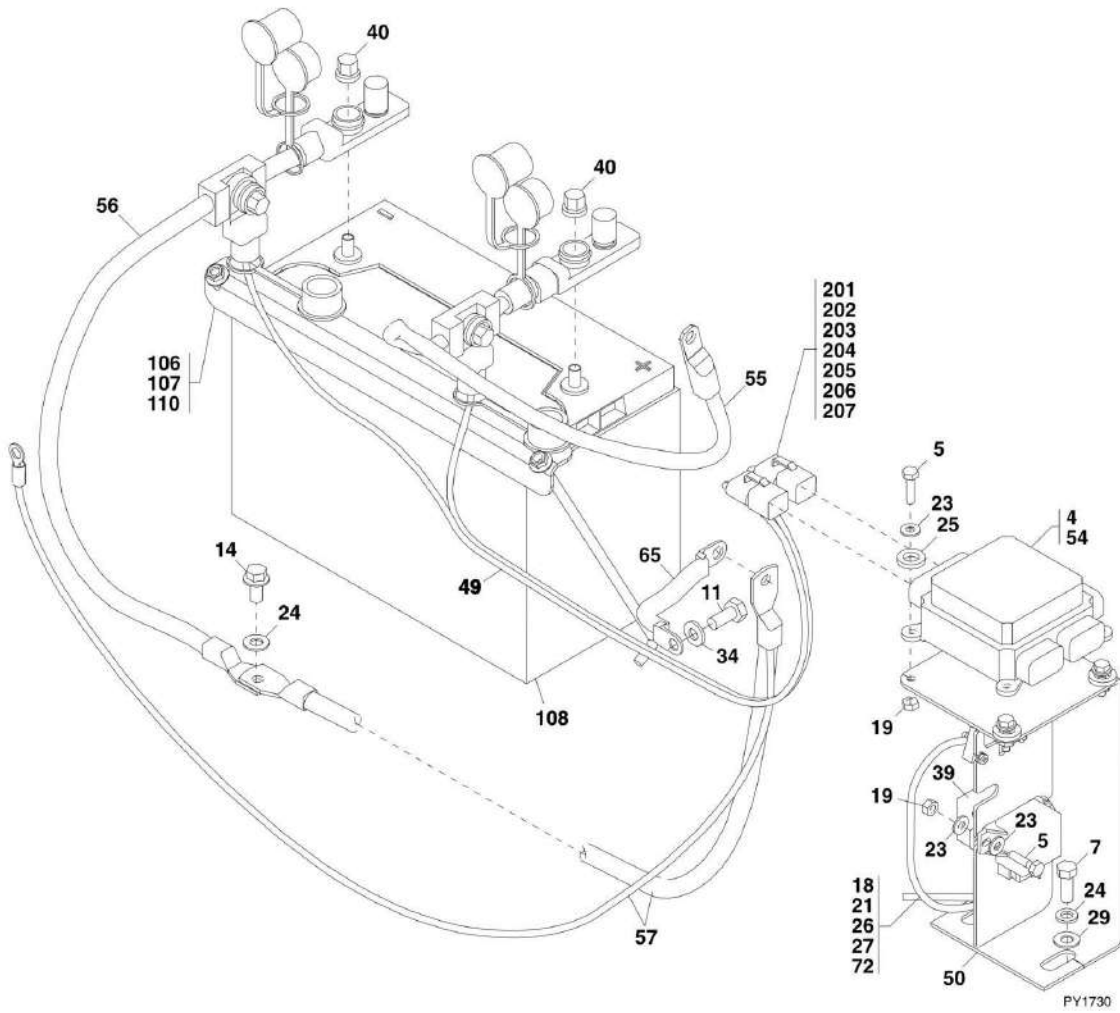
SECTION 10 - ELECTRICAL

FIGURE 10-1. ELECTRICAL INSTALLATION

ITEM	PART NUMBER	QTY	DESCRIPTION	REV
	0275947	1	ELECTRICAL INSTALLATION, (not available to order, see items 1 thru 18 for service)	D
1	0100048	AR	DIELECTRIC GREASE, (not shown)	
2	0641406	2	HEX HD CAPSCREW, 1/4-20X3/4	
3	0641508	1	HEX HD CAPSCREW, 5/16-18X1	
4	3310805	3	HEX LOCKNUT, 8-32, GR2	
5	3311501	1	HEX NUT, 5/16-18, GR2	
6	3930812	3	SOCKET HD CAPSCREW, 8-32X2/4	
7	4240033	6	WIRE TIE, (not shown)	
8	4711400	2	WASHER, 1/4	
9	4750800	3	WASHER	
10	4761500	1	LOCKWASHER, 5/16	
11	4923663	1	BOOM ANGLE SENSOR CABLE	
12	4923664	1	CROWD LENGTH SENSOR CABLE	
13		Ref	LIFT VALVE HARNESS, (See LIFT VALVE HARNESS for Breakdown)	
14		Ref	CROWD VALVE HARNESS, (See EXTEND/RETRACT VALVE HARNESS for Breakdown)	
15	8270621	1	BACKUP ALARM	
16	8305624	2	HEX LOCKNUT, .25-20	
17	91143357	1	HORN	
18		Ref	CHASSIS HARNESS, (See CHASSIS HARNESS for Breakdown)	

SECTION 10 - ELECTRICAL

FIGURE 10-2. BATTERY AND CABLES



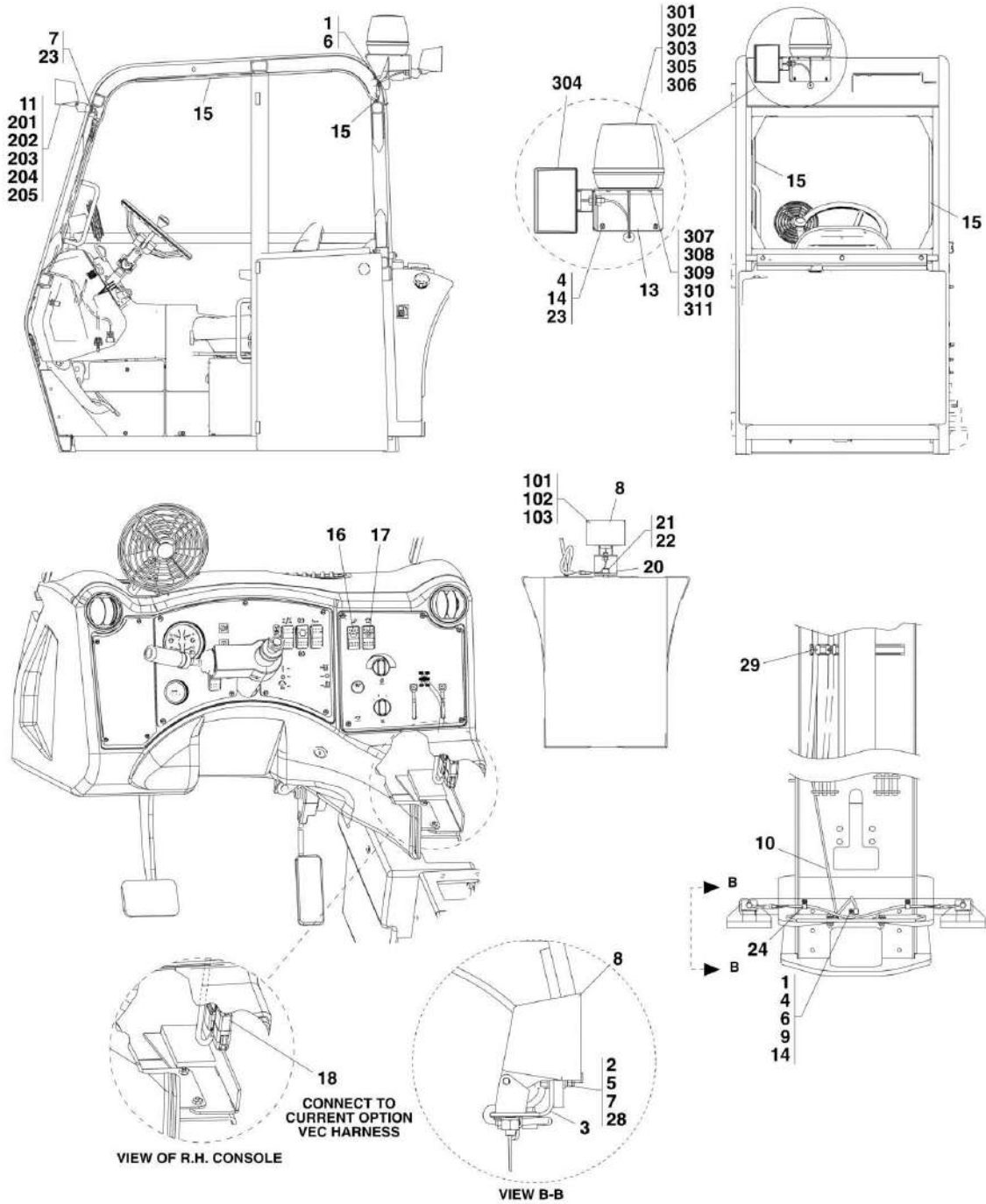
SECTION 10 - ELECTRICAL

FIGURE 10-2. BATTERY AND CABLES

ITEM	PART NUMBER	QTY	DESCRIPTION	REV
4	010048	AR	DIELECTRIC GREASE	
5	0641408	6	HEX HD CAPSCREW, 1/4-20X1. GR5	
7	0641608	2	HEX HD CAPSCREW, 3/8-16X1, GR5	
14	0791606	1	SCREW, 3/8-16X3/4	
18	3310601	2	HEX NUT, #6-32, GR2	
19	3311405	6	LOCKNUT, 1/4-20, GR2	
21	3910610	2	SCREW, 6-32X5/8	
23	4711400	8	WASHER, 1/4	
24	4711600	3	WASHER, 3/8	
25	4740397	4	SPACER	
26	4750600	2	WASHER	
27	4760600	2	LOCK WASHER	
29	4761600	2	LOCK WASHER	
39	77383377	2	STARTER RELAY	
40	77383567	4	TERMINAL NUT	
49	91563145	1	VEC POWER/GROUND HARNES, (includes items 201 thru 207)	
50	91566070	1	BRACKET WELDMENT	
54	1001001565	1	POWER DISTRIBUTION BOX	
54	70021478	1	COVER	
54	70021479	1	LABEL (inside cover)	
54	70020898	4	MICRO-RELAYS, 5 PIN	
54	80464006	4	CIRCUIT BREAKER	
55	1001001615	1	POSITIVE BATTERY CABLE	
56	1001001616	1	NEGATIVE BATTERY CABLE	
57	1001001617	1	NEGATIVE STARTER CABLE	
65	1001090369	1	GROUND CABLE	
72		Ref	ENGINE HARNESS, (See ENGINE HARNESS for Breakdown)	
106	77143006	2	HEX NUT, 5/16-18	
107	91081640	2	HOLD DOWN STUD, 5/16-18	
108	91083483	1	BATTERY, (12 volt, 1000 amps), TOP STUD, 3/8-16 UNC THREAD, BCI GROUP 31	
110	91401281	1	BATTERY HOLD DOWN BRACKET	
201		Ref	STACKABLE CONNECTOR, BLACK	
202		Ref	STACKABLE CONNECTOR, RED	
203	7026401	1	CONNECTOR, BLACK	
204	7026402	2	TERMINAL	
205	1001116771	2	SEAL	
206	7026404	2	BUSSMAN TPA	
207	7026405	1	CONNECTOR, GREY	

SECTION 10 - ELECTRICAL

FIGURE 10-3. WORK LIGHT PACKAGE



PAL2718

SECTION 10 - ELECTRICAL

FIGURE 10-3. WORK LIGHT PACKAGE

ITEM	PART NUMBER	QTY	DESCRIPTION	REV
	1001110091	1	WORK LIGHT, (not available to order; see items 1 thru 29 for service)	1, B
1	0641407	5	HEX HD CAPSCREW, 1/4-20X7/8, GR5	
2	0641814	2	HEX HD CAPSCREW, 1/2-13X1-3/4, GR5	
3	0903661	1	BOOM LIGHT MOUNTING BRACKET	
4	3311401	5	HEX NUT, 1/4-20	
5	3311801	2	HEX NUT, 1/2-13	
6	4711400	8	FLAT WASHER, 1/4	
7	4711800	8	FLAT WASHER, 1/2	
8	1001095342	3	UTILITY FLOOD LIGHT, (includes items 101 thru 103)	B
8	80964070	3	BULB	
9	85941016	3	CLAMP	
10		Ref	BOOM WORK LIGHTS HARNESS, (See BOOM WORK LIGHTS HARNESS for Breakdown)	
11	1001090580	2	FLOOD LIGHT ASSEMBLY, (includes items 201 thru 205)	B
13	1001090581	1	BEACON/FLOODLIGHT INSTALLATION, (includes items 301 thru 311)	D
14	4761400	5	LOCKWASHER, 1/4	
15	8096D097	AR	WIRING DUCT	
16	1001090460	1	WORK LIGHTS SWITCH	
17	1001090461	1	BEACON SWITCH	
18		Ref	CAB WORK LIGHTS HARNESS, (See CAB WORK LIGHTS HARNESS for Breakdown)	
20	1001090522	1	BACKUP LIGHT MOUNTING BRACKET	
21	0642210	1	HEX HD CAPSCREW, 3/4-10X1-1/4, GR5	
22	4712200	1	WASHER, 3/4	
23	14404173S	AR	SILICON SEALANT	
24	8406105	1	CLIP	
28	4761800	2	LOCKWASHER, 1/2	
29	1320263	3	SUPPORT CLAMP	
101	4460464	2	PIN TERMINAL	
102	4460897	1	2 POSITION TERMINAL	
103	80963050	1	UTILITY FLOOD LIGHT	A
103	80964070	2	BULB	
201	4460464	2	PIN TERMINAL	
202	4460897	1	2 POSITION TERMINAL	
203	80963050	1	UTILITY FLOOD LIGHT	A
203	80964070	1	BULB	
204	91403503	1	SPACER	
205	91413052	1	WORK LIGHT MOUNTING BOLT	
301	0903669	1	BEACON BRACKET	
302	4460464	4	PIN TERMINAL	
303	4460897	2	2 POSITION TERMINAL	
304	1001099276	1	UTILITY FLOOD LIGHT	A
304	80964070	1	BULB	
305	91343031	1	ROTATING BEACON	
305	91344053	1	BULB	
306	1001090615	1	GROMMET	
307	0721006	3	INDENTED HEX HEAD MACHINE SCREW, #10-24X0.75	
308	3311001	3	NUT, #10-24 GR2	

SECTION 10 - ELECTRICAL

ITEM	PART NUMBER	QTY	DESCRIPTION	REV
309	4751000	3	WASHER, #10	
310	4761000	3	LOCKWASHER, #10	
311	2820035	AR	TUBING INSULATE	

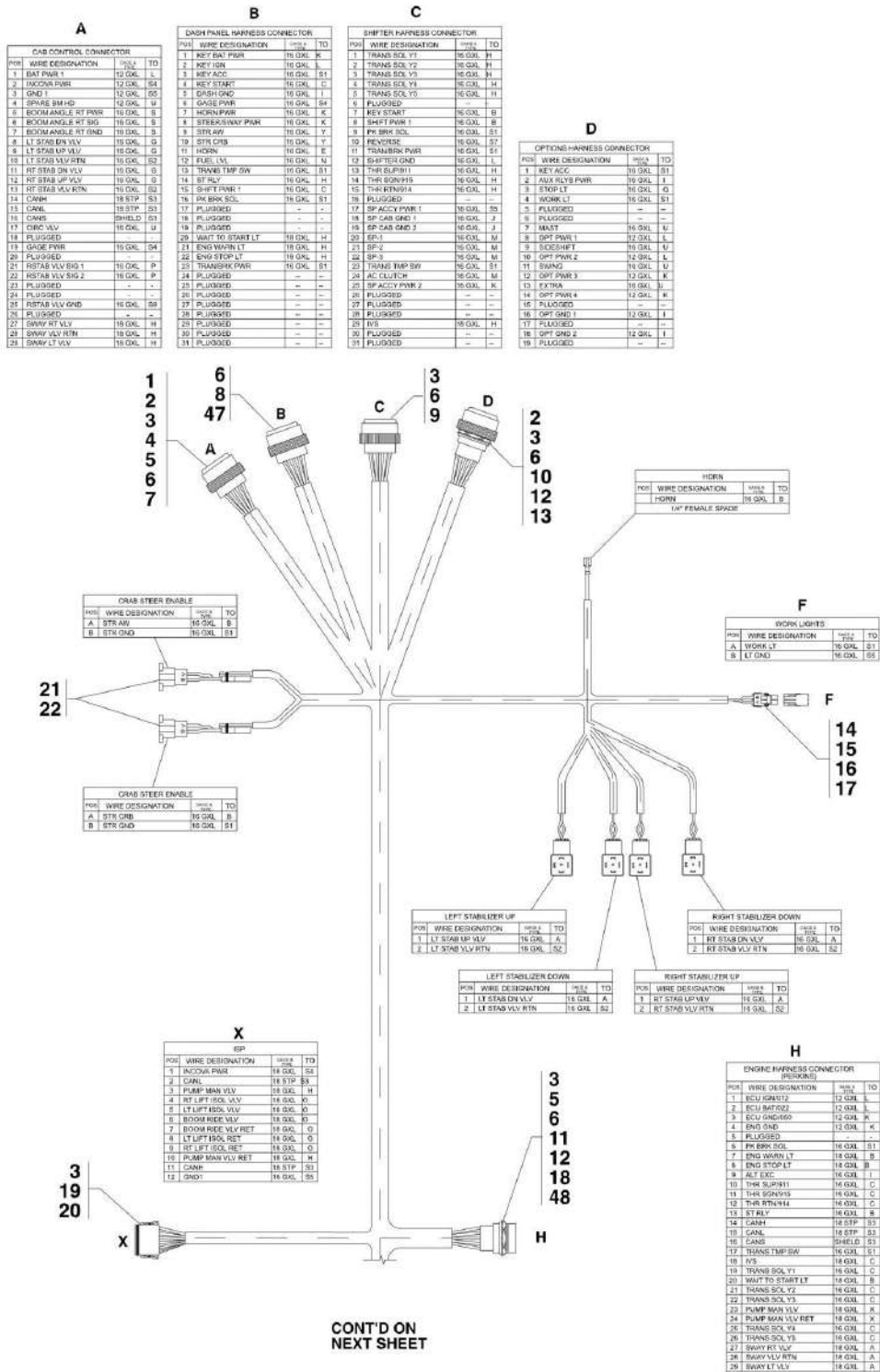
SECTION 10 - ELECTRICAL

FIGURE 10-4. ENGINE HARNESS

ITEM	PART NUMBER	QTY	DESCRIPTION	REV
	1001103573	1	ENGINE HARNESS, (includes all items)	A
1	1001116962	1	CONNECTOR	
2	77363229	6	CONTACT	
3	77363347	1	CONTACT	
4	77363349	1	PLUG	
5	7026408	4	CONNECTOR	
6	80604018	4	CONNECTOR LOCK	
7	77363242	1	CONNECTOR	
8	91554019	1	CONNECTOR LOCK	
9	4460466	1	PLUG	
10	1001117017	1	PLUG	
11	7029877	1	COVER	
12	7029878	1	LOCK	
13	1001116730	1	CONTACT	
14	1001116731	1	SEAL	
15	4460955	6	CONNECTOR	
16	4460842	6	TERMINAL	
17	1001117073	1	CONNECTOR	
18	4460693	1	TERMINAL	
19	4460608	1	SEAL	

SECTION 10 - ELECTRICAL

FIGURE 10-5. CHASSIS HARNESS

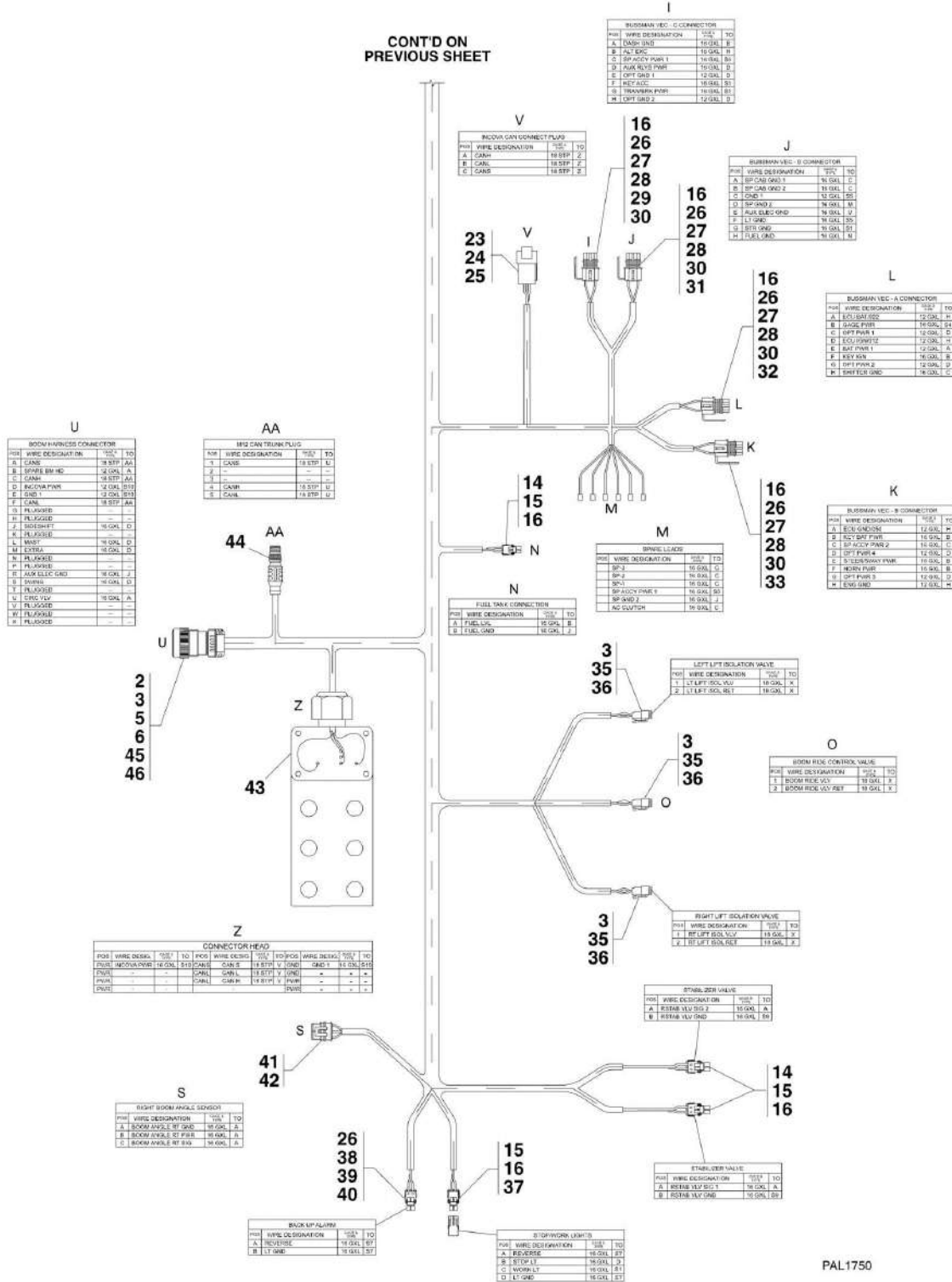


CONT'D ON NEXT SHEET

PY1740

SECTION 10 - ELECTRICAL

CONT'D ON PREVIOUS SHEET



PAL1750

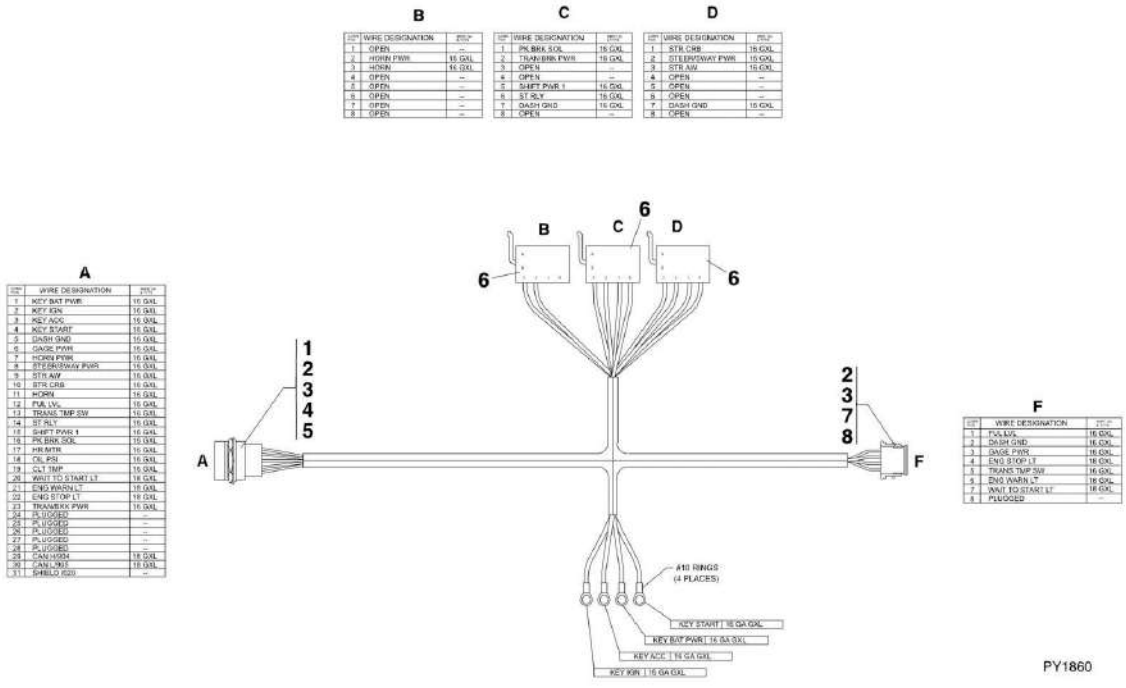
SECTION 10 - ELECTRICAL

FIGURE 10-5. CHASSIS HARNESS

ITEM	PART NUMBER	QTY	DESCRIPTION	REV
	1001091121	1	CHASSIS HARNESS, (includes all items)	F
1	1001116962	1	CONNECTOR	
2	77363347	3	CONTACT	
3	77363229	9	CONTACT	
4	4460928	1	SOCKET, #20	
5	77363349	3	PLUG	
6	4460466	6	PLUG	
7		Ref	PLUG	
8	7026910	1	CONNECTOR	
9	4460502	1	CONNECTOR	
10	7026415	1	CONNECTOR	
11	83481286	1	NUT	
12	83481285	2	LOCKWASHER	
13	4460469	1	CAP	
14	80963057	4	CONNECTOR	
15	80963068	4	TERMINAL	
16	80963065	7	SEAL	
17	7026417	1	DUST CAP	
18	1001116968	1	CONNECTOR	
19		Ref	CONNECTOR	
20		Ref	CONNECTOR LOCK	
21	91474468	1	CONNECTOR	
22	91474469	1	TERMINAL	
23		Ref	CONNECTOR	
24	91554022	1	CONNECTOR LOCK	
25	77363228	1	CONTACT	
26	4460746	5	TERMINAL	
27	1001116747	4	TERMINAL	
28	80963067	4	SEAL	
29	80484081	1	CONNECTOR, (green)	
30	7026414	4	CONNECTOR LOCK	
31	80484084	1	CONNECTOR, (blue)	
32	80484085	1	CONNECTOR, (gray)	
33	80484086	1	CONNECTOR, (black)	
35	7026408	3	CONNECTOR	
36	80604018	3	CONNECTOR LOCK	
37	80963061	1	CONNECTOR	
38	1001117021	1	CONNECTOR	
39	7029755	1	CONNECTOR LOCK	
40	4460789	1	SEAL	
41	7028645	1	3 PIN CONNECTOR	
42	1001107854	1	CONTACT	
43	1001091425	1	CAN DISTRIBUTION MODULE	
43	4923571	1	MODULE	
43	1001091445	1	DECAL	
44		Ref	PLUG	
45		Ref	CONNECTOR	
46	91504109	1	STRAIN RELIEF	
47	77363228	1	TERMINAL	
48	77363345	1	CONTACT	

SECTION 10 - ELECTRICAL

FIGURE 10-6. DASH HARNESS



PY1860

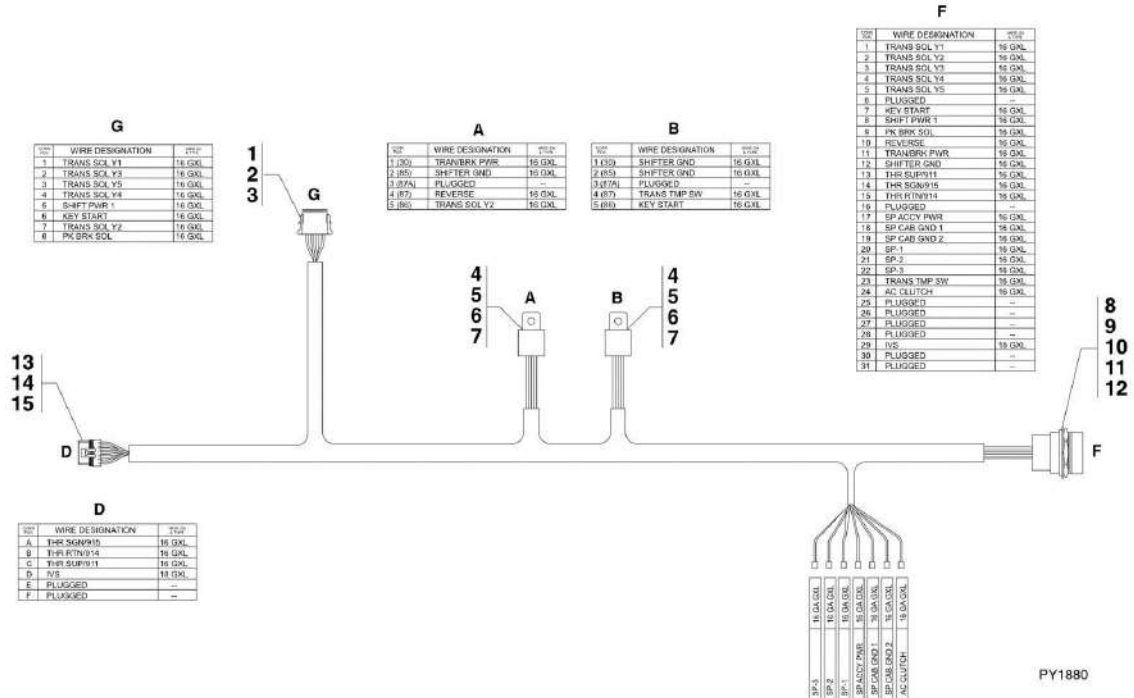
SECTION 10 - ELECTRICAL

FIGURE 10-6. DASH HARNESS

ITEM	PART NUMBER	QTY	DESCRIPTION	REV
	1001101759	1	DASH HARNESS, (includes all items)	B
1	4460500	1	CONNECTOR	
2	77363229	2	CONTACT	
3	4460466	2	PLUG	
4	83481286	1	NUT	
5	83481285	1	WASHER	
6	4460419	3	TERMINAL	
7	91504100	1	CONNECTOR	
8	80604025	1	LOCK	

SECTION 10 - ELECTRICAL

FIGURE 10-7. TRANSMISSION RELAY HARNESS



PY1880

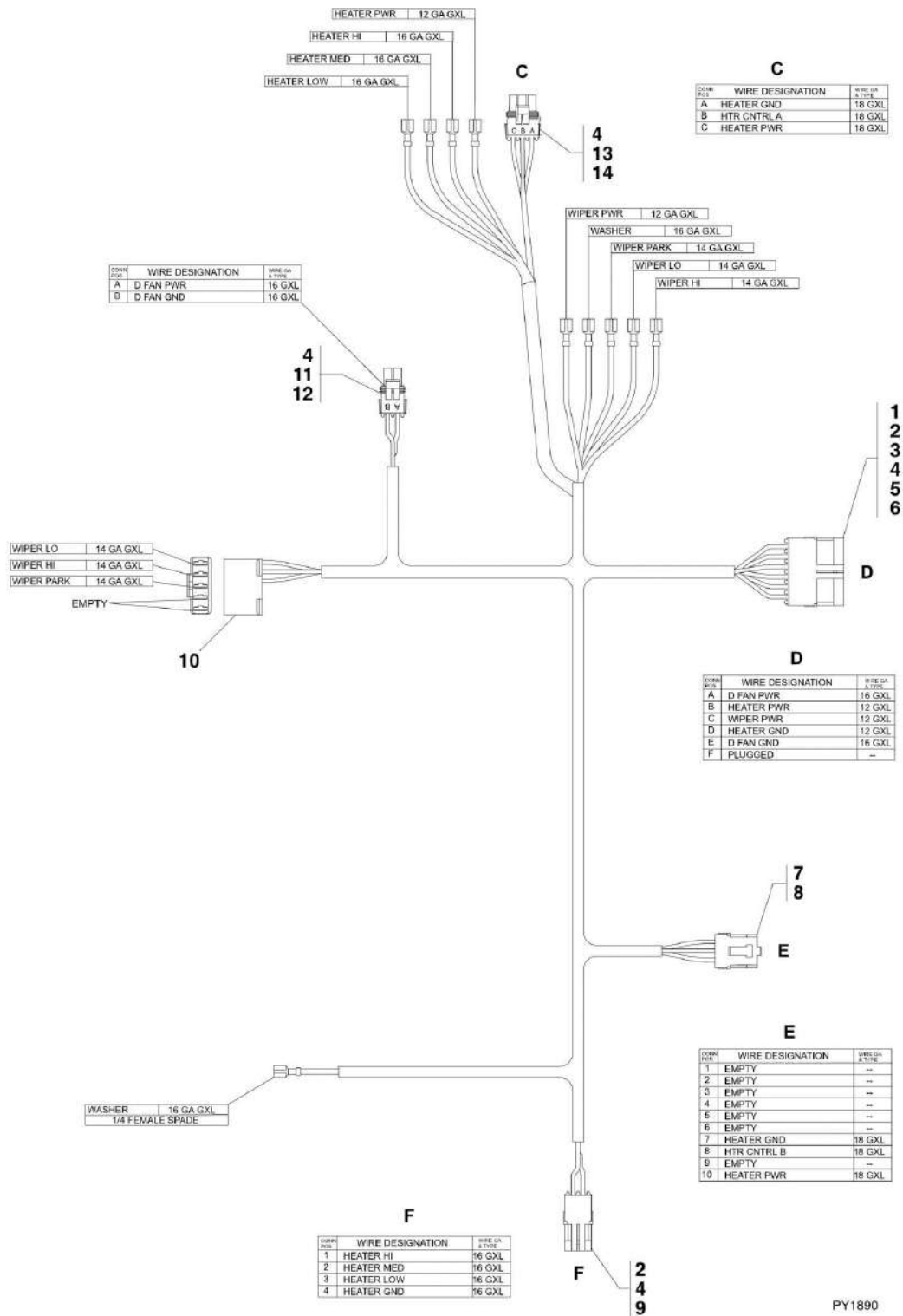
SECTION 10 - ELECTRICAL

FIGURE 10-7. TRANSMISSION RELAY HARNESS

ITEM	PART NUMBER	QTY	DESCRIPTION	REV
	4923662	1	TRANSMISSION RELAY HARNESS, (includes all items)	C
1	7026909	1	CONNECTOR	
2	80604025	1	CONNECTOR LOCK	
3	77363229	1	CONTACT	
4	3740080	2	RELAY	
5	4460374	2	CONNECTOR	
6	1001116733	2	TERMINAL	
7	91554023	2	PLUG	
8	4460503	1	CONNECTOR	
9	77363228	1	TERMINAL	
10	4460466	1	PLUG	
11	83481286	1	NUT	
12	83481285	1	WASHER	
13	1001117064	1	CONNECTOR	
14	91554014	1	TERMINAL	
15	4461215	1	PLUG	

SECTION 10 - ELECTRICAL

FIGURE 10-8. ENCLOSED CAB HARNESS



PY1890

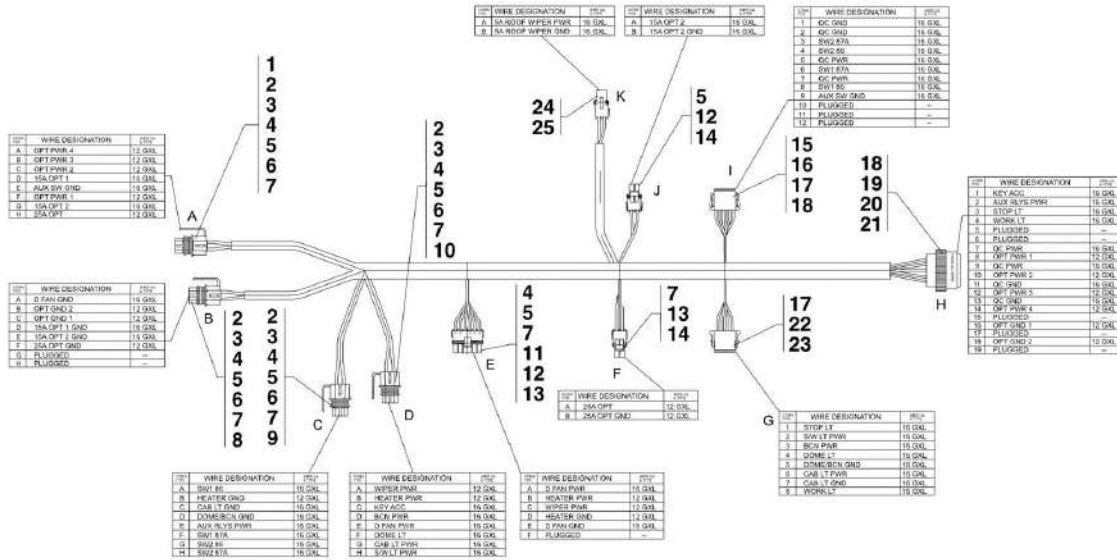
SECTION 10 - ELECTRICAL

FIGURE 10-8. ENCLOSED CAB HARNESS

ITEM	PART NUMBER	QTY	DESCRIPTION	REV
	1001103683	1	ENCLOSED CAB HARNESS, (includes all items)	A
1	80963064	1	SHROUD	
2	80963069	2	TERMINAL	
3	4460850	1	TERMINAL	
4	80963065	4	SEAL	
5	80963067	1	SEAL	
6	80963070	1	PLUG	
7	7026429	1	CONNECTOR	
8	7026430	1	TERMINAL	
9	80963062	1	CONNECTOR	
10	80963069	1	TERMINAL	
11	80963057	1	CONNECTOR	
12	80963068	1	TERMINAL	
13	4460459	1	CONNECTOR	
14	4460743	1	TERMINAL	

SECTION 10 - ELECTRICAL

FIGURE 10-9. VEC OPTIONS HARNESS



WIRE CHART														
WIRE DESIGNATION	WIRE COLOR	WIRE END	WIRE END	WIRE END	WIRE END	WIRE END	WIRE END	WIRE END	WIRE END	WIRE END	WIRE END	WIRE END	WIRE END	REMARKS
		A	B	C	D	E	F	G	H	I	J	K	L	
SAFETY WIPER PWR	ORANGE	AMP CONN											DEUTSCH DT	5 AMP OPTION
SAFETY WIPER GND	BLACK	AMP CONN	AMP CONN										DEUTSCH DT	5 AMP OPTION GROUND
ISA OPT 1	ORANGE	BUSBARR CONN	BUSBARR CONN										PACKAGED ASSY	15 AMP OPTION
ISA OPT 2 GND	BLACK	BUSBARR CONN	BUSBARR CONN										PACKAGED ASSY	15 AMP OPTION GROUND
ISA OPT 3	ORANGE	BUSBARR CONN	BUSBARR CONN										PACKAGED ASSY	25 AMP OPTION
ISA OPT 4	ORANGE	BUSBARR CONN	BUSBARR CONN										PACKAGED ASSY	25 AMP OPTION GROUND
AUX SW PWR	ORANGE	BUSBARR CONN	BUSBARR CONN										DEUTSCH DT	AUX SW RELAY POWER
AUX SW GND	BLACK	BUSBARR CONN	BUSBARR CONN										DEUTSCH DT	AUX SW RELAY GROUND
SWITCH	ORANGE	BUSBARR CONN	BUSBARR CONN										DEUTSCH DT	AUX SW RELAY POWER
SWITCH GND	BLACK	BUSBARR CONN	BUSBARR CONN										DEUTSCH DT	AUX SW RELAY GROUND
SWITCH 2	ORANGE	BUSBARR CONN	BUSBARR CONN										DEUTSCH DT	SWITCH 2 POWER
SWITCH 2 GND	BLACK	BUSBARR CONN	BUSBARR CONN										DEUTSCH DT	SWITCH 2 GROUND
SWITCH 3	ORANGE	BUSBARR CONN	BUSBARR CONN										DEUTSCH DT	SWITCH 3 POWER
SWITCH 3 GND	BLACK	BUSBARR CONN	BUSBARR CONN										DEUTSCH DT	SWITCH 3 GROUND
SWITCH 4	ORANGE	BUSBARR CONN	BUSBARR CONN										DEUTSCH DT	SWITCH 4 POWER
SWITCH 4 GND	BLACK	BUSBARR CONN	BUSBARR CONN										DEUTSCH DT	SWITCH 4 GROUND
SWITCH 5	ORANGE	BUSBARR CONN	BUSBARR CONN										DEUTSCH DT	SWITCH 5 POWER
SWITCH 5 GND	BLACK	BUSBARR CONN	BUSBARR CONN										DEUTSCH DT	SWITCH 5 GROUND
SWITCH 6	ORANGE	BUSBARR CONN	BUSBARR CONN										DEUTSCH DT	SWITCH 6 POWER
SWITCH 6 GND	BLACK	BUSBARR CONN	BUSBARR CONN										DEUTSCH DT	SWITCH 6 GROUND
SWITCH 7	ORANGE	BUSBARR CONN	BUSBARR CONN										DEUTSCH DT	SWITCH 7 POWER
SWITCH 7 GND	BLACK	BUSBARR CONN	BUSBARR CONN										DEUTSCH DT	SWITCH 7 GROUND
SWITCH 8	ORANGE	BUSBARR CONN	BUSBARR CONN										DEUTSCH DT	SWITCH 8 POWER
SWITCH 8 GND	BLACK	BUSBARR CONN	BUSBARR CONN										DEUTSCH DT	SWITCH 8 GROUND
SWITCH 9	ORANGE	BUSBARR CONN	BUSBARR CONN										DEUTSCH DT	SWITCH 9 POWER
SWITCH 9 GND	BLACK	BUSBARR CONN	BUSBARR CONN										DEUTSCH DT	SWITCH 9 GROUND
SWITCH 10	ORANGE	BUSBARR CONN	BUSBARR CONN										DEUTSCH DT	SWITCH 10 POWER
SWITCH 10 GND	BLACK	BUSBARR CONN	BUSBARR CONN										DEUTSCH DT	SWITCH 10 GROUND
SWITCH 11	ORANGE	BUSBARR CONN	BUSBARR CONN										DEUTSCH DT	SWITCH 11 POWER
SWITCH 11 GND	BLACK	BUSBARR CONN	BUSBARR CONN										DEUTSCH DT	SWITCH 11 GROUND
SWITCH 12	ORANGE	BUSBARR CONN	BUSBARR CONN										DEUTSCH DT	SWITCH 12 POWER
SWITCH 12 GND	BLACK	BUSBARR CONN	BUSBARR CONN										DEUTSCH DT	SWITCH 12 GROUND
SWITCH 13	ORANGE	BUSBARR CONN	BUSBARR CONN										DEUTSCH DT	SWITCH 13 POWER
SWITCH 13 GND	BLACK	BUSBARR CONN	BUSBARR CONN										DEUTSCH DT	SWITCH 13 GROUND
SWITCH 14	ORANGE	BUSBARR CONN	BUSBARR CONN										DEUTSCH DT	SWITCH 14 POWER
SWITCH 14 GND	BLACK	BUSBARR CONN	BUSBARR CONN										DEUTSCH DT	SWITCH 14 GROUND
SWITCH 15	ORANGE	BUSBARR CONN	BUSBARR CONN										DEUTSCH DT	SWITCH 15 POWER
SWITCH 15 GND	BLACK	BUSBARR CONN	BUSBARR CONN										DEUTSCH DT	SWITCH 15 GROUND
SWITCH 16	ORANGE	BUSBARR CONN	BUSBARR CONN										DEUTSCH DT	SWITCH 16 POWER
SWITCH 16 GND	BLACK	BUSBARR CONN	BUSBARR CONN										DEUTSCH DT	SWITCH 16 GROUND
SWITCH 17	ORANGE	BUSBARR CONN	BUSBARR CONN										DEUTSCH DT	SWITCH 17 POWER
SWITCH 17 GND	BLACK	BUSBARR CONN	BUSBARR CONN										DEUTSCH DT	SWITCH 17 GROUND
SWITCH 18	ORANGE	BUSBARR CONN	BUSBARR CONN										DEUTSCH DT	SWITCH 18 POWER
SWITCH 18 GND	BLACK	BUSBARR CONN	BUSBARR CONN										DEUTSCH DT	SWITCH 18 GROUND
SWITCH 19	ORANGE	BUSBARR CONN	BUSBARR CONN										DEUTSCH DT	SWITCH 19 POWER
SWITCH 19 GND	BLACK	BUSBARR CONN	BUSBARR CONN										DEUTSCH DT	SWITCH 19 GROUND
SWITCH 20	ORANGE	BUSBARR CONN	BUSBARR CONN										DEUTSCH DT	SWITCH 20 POWER
SWITCH 20 GND	BLACK	BUSBARR CONN	BUSBARR CONN										DEUTSCH DT	SWITCH 20 GROUND
SWITCH 21	ORANGE	BUSBARR CONN	BUSBARR CONN										DEUTSCH DT	SWITCH 21 POWER
SWITCH 21 GND	BLACK	BUSBARR CONN	BUSBARR CONN										DEUTSCH DT	SWITCH 21 GROUND

PAL2131

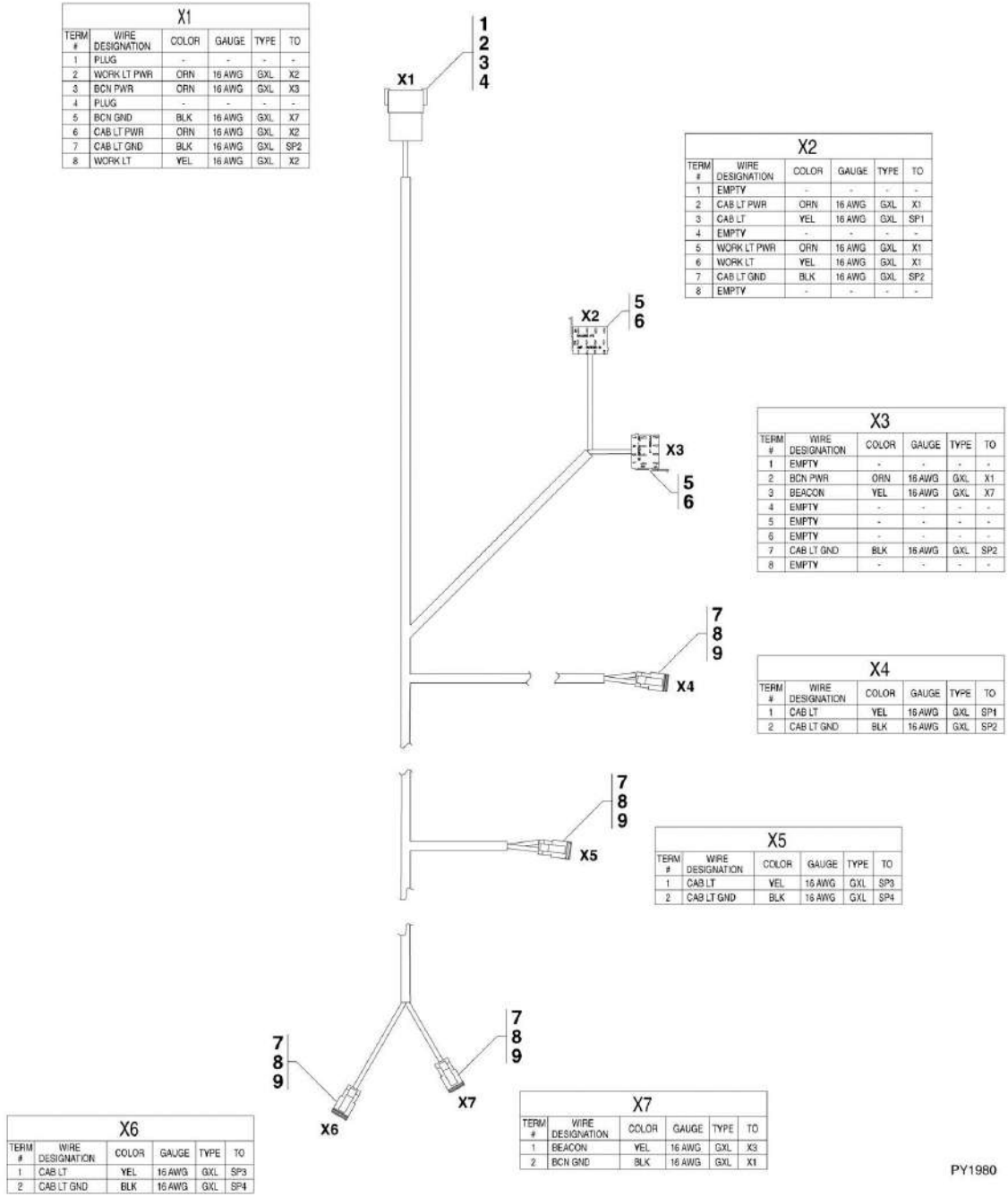
SECTION 10 - ELECTRICAL

FIGURE 10-9. VEC OPTIONS HARNESS

ITEM	PART NUMBER	QTY	DESCRIPTION	REV
	1001001562	1	VEC OPTIONS HARNESS, (includes all items)	
1	80484086	1	CONNECTOR	
2	7026414	4	CONNECTOR LOCK	
3	4460746	4	TERMINAL	
4	80963070	5	PLUG	
5	80963065	7	SEAL	
6	1001116747	4	TERMINAL	
7	80963067	6	SEAL	
8	80484085	1	CONNECTOR	
9	80484084	1	CONNECTOR	
10	80484081	1	CONNECTOR	
11	80963063	1	CONNECTOR	
12	80963068	3	TERMINAL	
13	4460790	2	TERMINAL	
14	80963057	3	CONNECTOR	
15	7026425	1	CONNECTOR	
16	80604016	1	LOCK	
17	4460465	2	CONTACT	
18	4460466	2	PLUG	
19	91504089	1	CONNECTOR	
20	4460464	1	CONTACT	
21	4460508	1	CONTACT	
22	7026909	1	CONNECTOR	
23	80604025	1	LOCK	
24	7026408	1	CONNECTOR	
25	80604018	1	LOCK	

SECTION 10 - ELECTRICAL

FIGURE 10-10. CAB WORK LIGHT HARNESS



PY1980

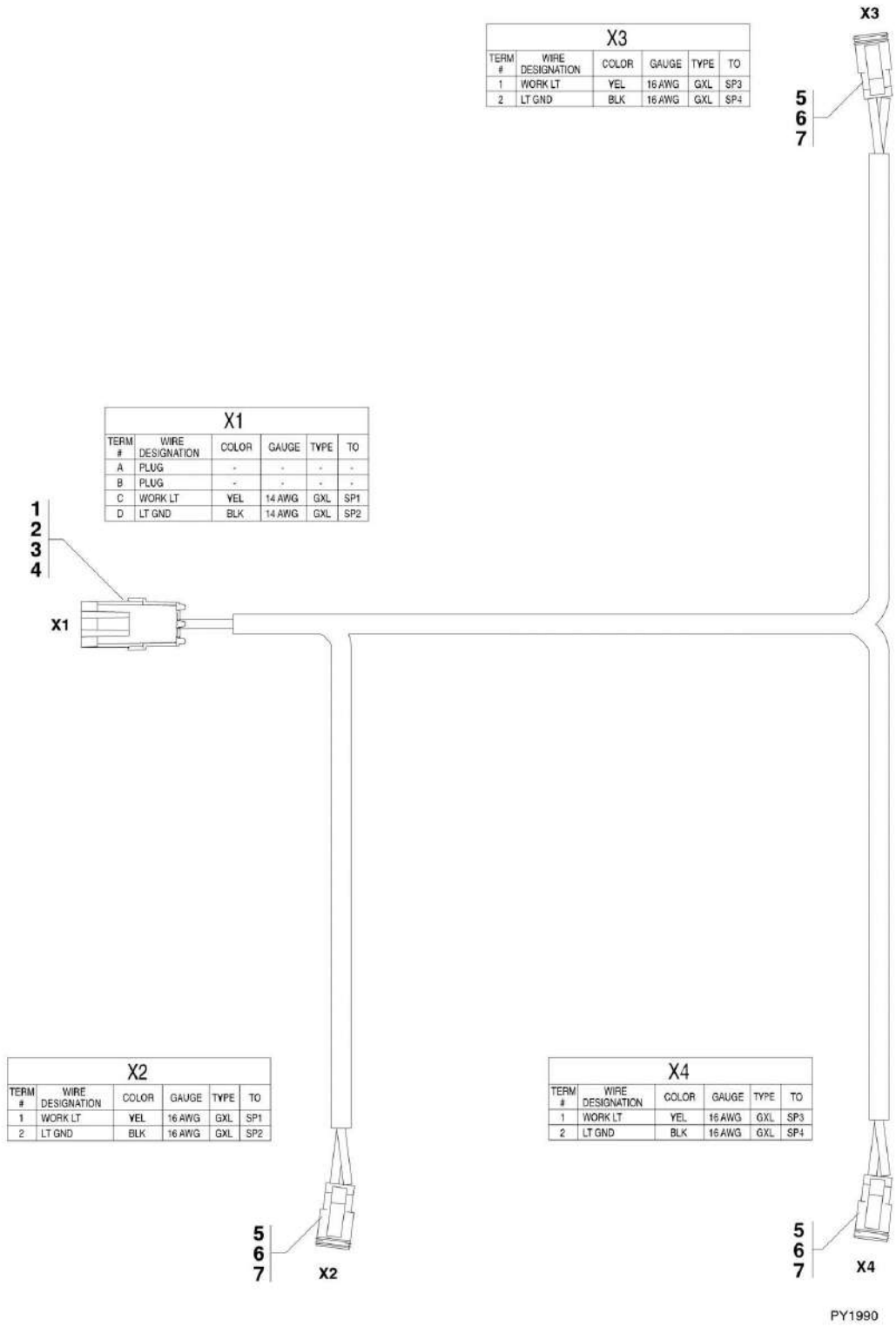
SECTION 10 - ELECTRICAL

FIGURE 10-10. CAB WORK LIGHT HARNESS

ITEM	PART NUMBER	QTY	DESCRIPTION	REV
	1001090506	1	CAB WORK LIGHT HARNESS, (includes all items)	C
1	91554017	1	HOUSING	
2	80604025	1	WEDGE	
3		Ref	TERMINAL	
4	4460466	1	PLUG	
5	7026439	2	HOUSING	
6		Ref	TERMINAL	
7	7026408	4	HOUSING	
8	80604018	4	WEDGE	
9		Ref	TERMINAL	

SECTION 10 - ELECTRICAL

FIGURE 10-11. BOOM WORK LIGHT HARNESS



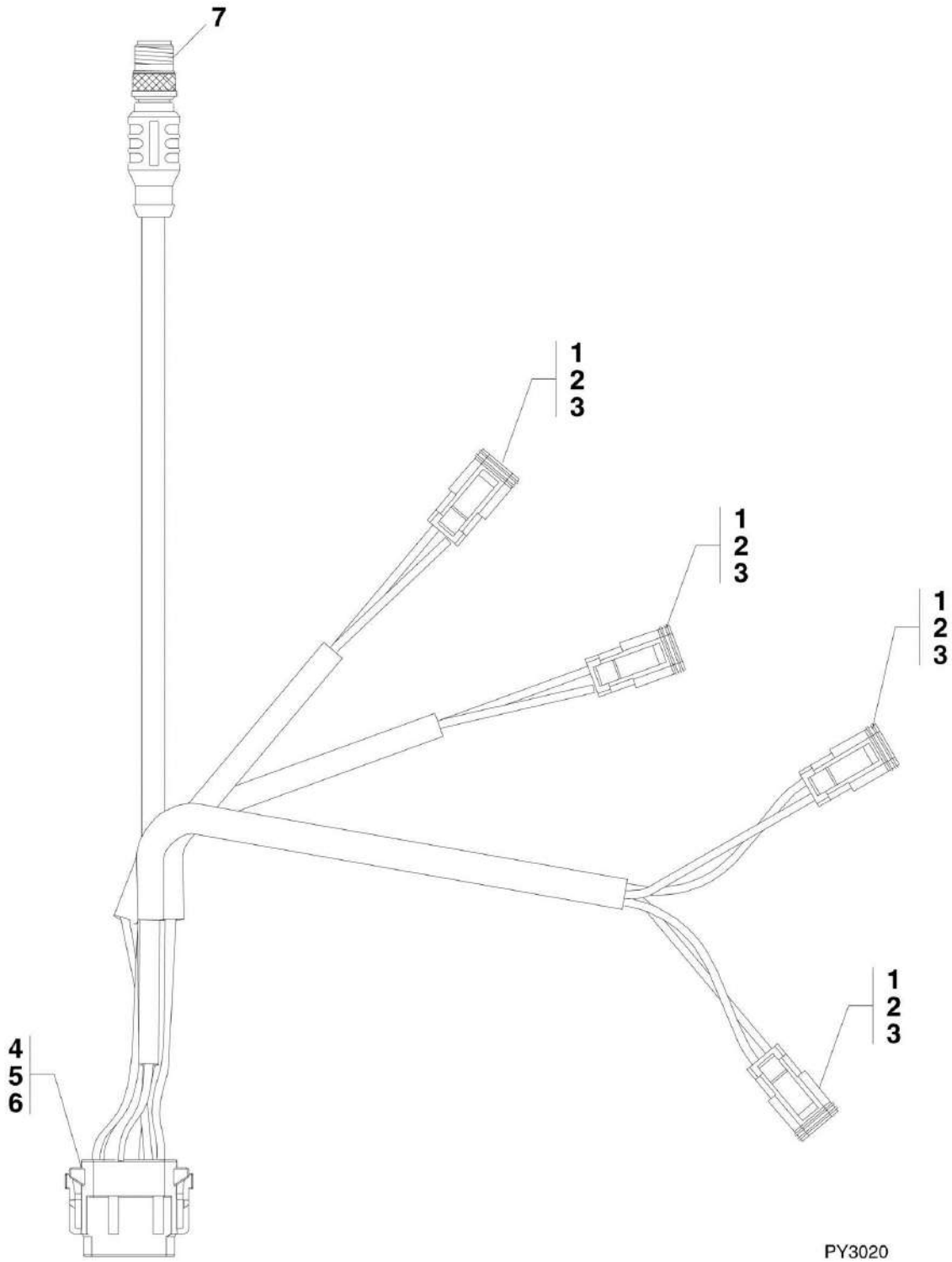
SECTION 10 - ELECTRICAL

FIGURE 10-11. BOOM WORK LIGHT HARNESS

ITEM	PART NUMBER	QTY	DESCRIPTION	REV
	1001090505	1	BOOM WORK LIGHT HARNESS, (includes all items)	
1	80963062	1	CONNECTOR	
2	4460850	1	TERMINAL	
3	4460789	1	SEAL	
4	80963070	1	PLUG	
5	7026408	3	HOUSING	
6	80604018	3	WEDGE	
7		Ref	TERMINAL	

SECTION 10 - ELECTRICAL

FIGURE 10-12. LIFT VALVE HARNESS



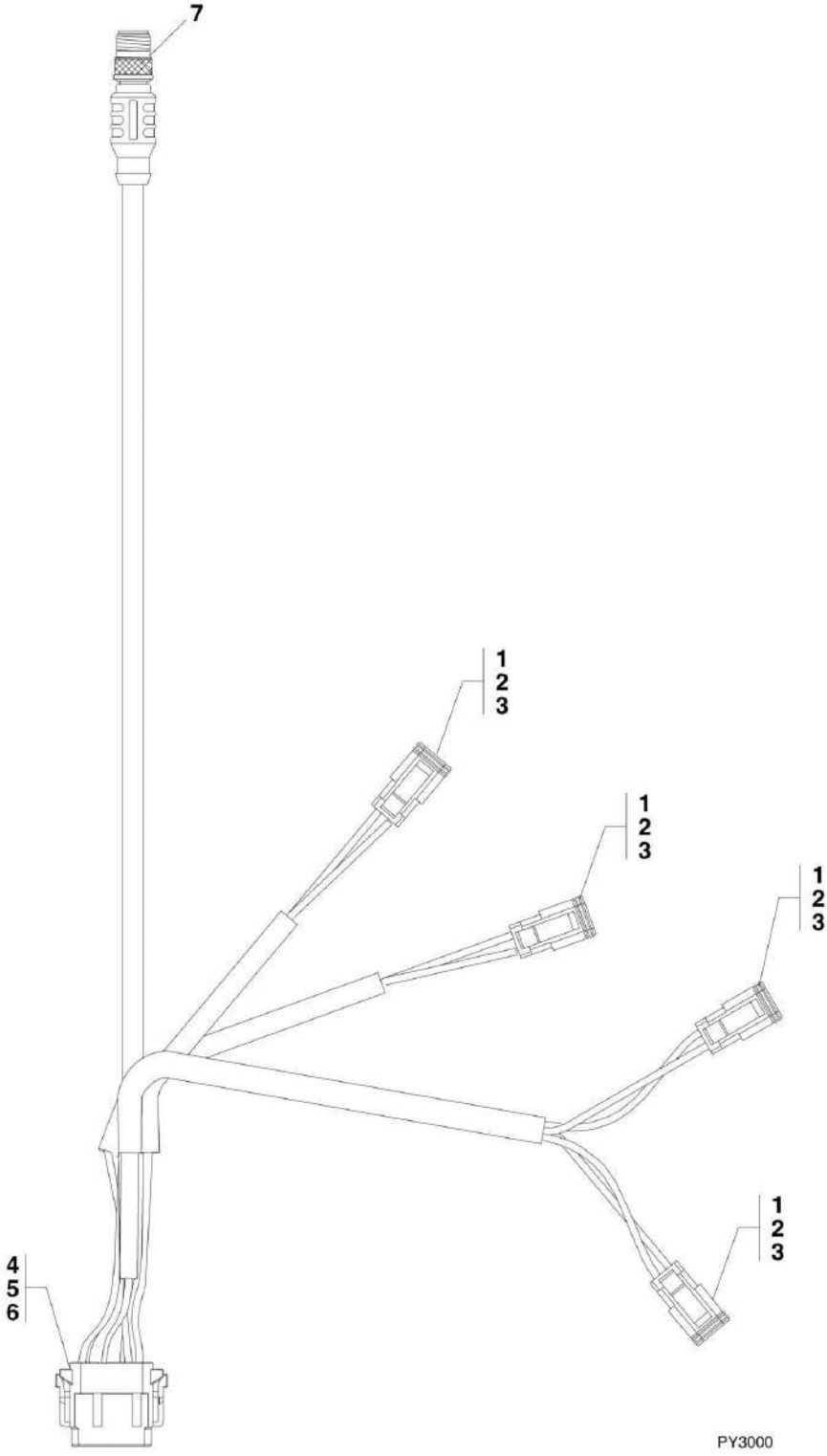
SECTION 10 - ELECTRICAL

FIGURE 10-12. LIFT VALVE HARNESS

ITEM	PART NUMBER	QTY	DESCRIPTION	REV
	4923665	1	LIFT VALVE HARNESS, (includes all items)	B
1	7026408	4	HOUSING	
2	80604018	4	TERMINAL LOCK	
3	70363229	4	TERMINAL	
4		Ref	HOUSING	
5		Ref	TERMINAL LOCK	
6	4460928	1	TERMINAL	
7		Ref	MOLDED CORDSET	

SECTION 10 - ELECTRICAL

FIGURE 10-13. EXTEND/RETRACT VALVE HARNESS



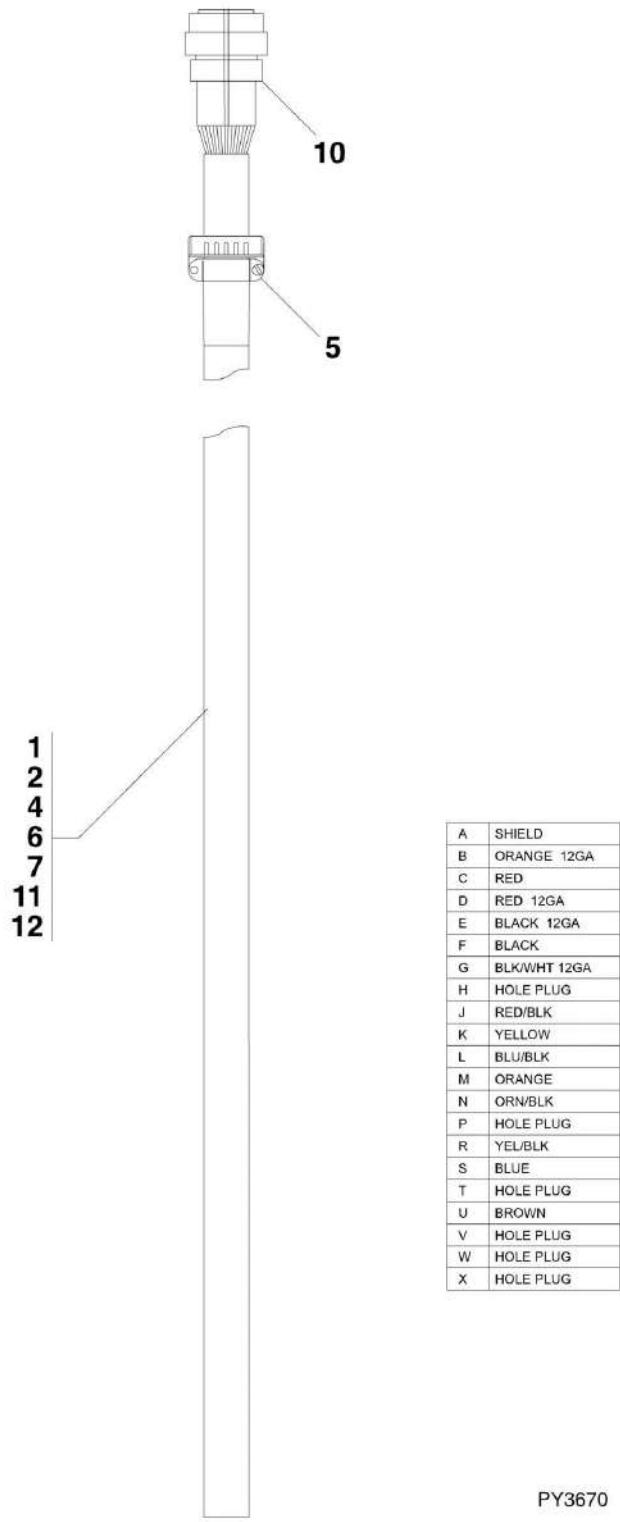
SECTION 10 - ELECTRICAL

FIGURE 10-13. EXTEND/RETRACT VALVE HARNESS

ITEM	PART NUMBER	QTY	DESCRIPTION	REV
	4923666	1	EXTEND/RETRACT VALVE HARNESS	C
1	7026408	4	HOUSING	
2	80604018	4	TERMINAL LOCK	
3	70363229	4	TERMINAL	
4		Ref	HOUSING	
5		Ref	TERMINAL LOCK	
6	4460928	1	TERMINAL	
7		Ref	MOLDED CORDSET	

SECTION 10 - ELECTRICAL

FIGURE 10-14. LOWER BOOM HARNESS



PY3670

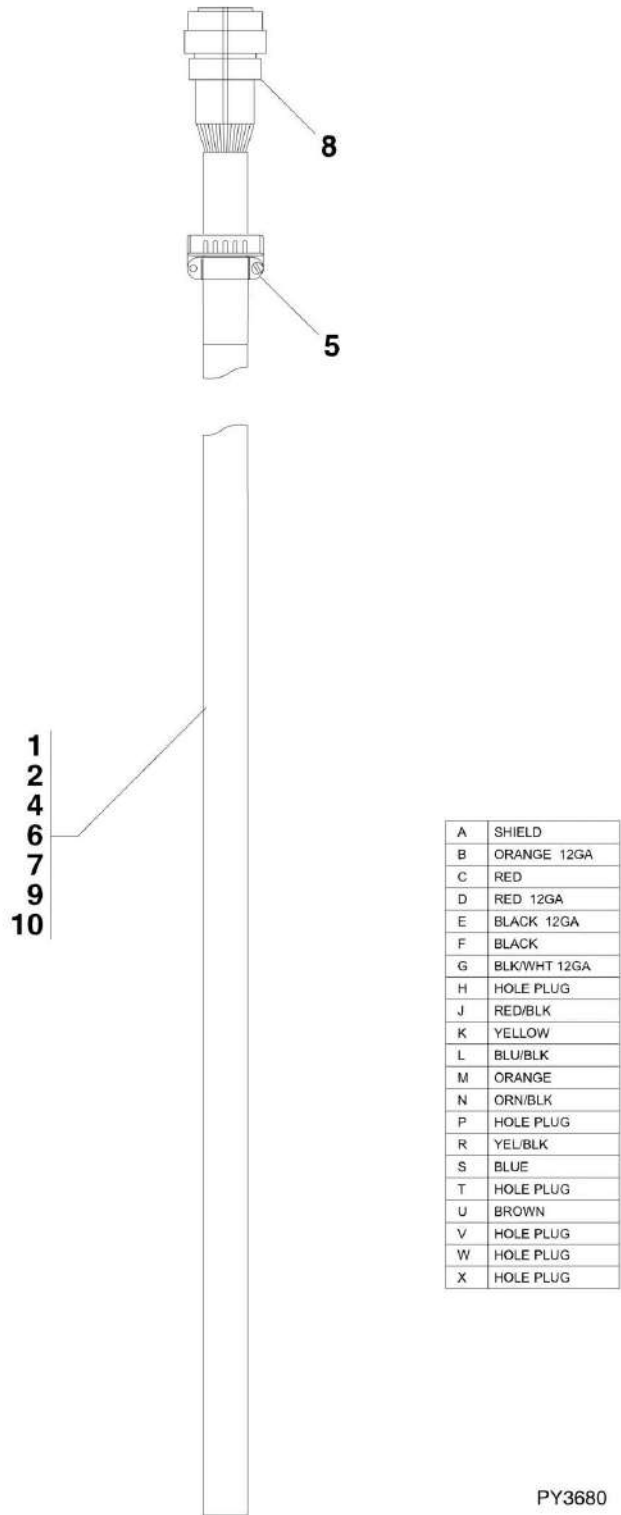
SECTION 10 - ELECTRICAL

FIGURE 10-14. LOWER BOOM HARNESS

ITEM	PART NUMBER	QTY	DESCRIPTION	REV
	4923535	1	LOWER BOOM HARNESS, (includes all items)	E
1	1060896	AR	CABLE	
2	4460464	11	CONTACT	
4	4460508	4	CONTACT	
5	4460473	2	TERMINAL	
6	4460466	12	TERMINAL	
7	2820118	AR	CLEAR HEAT SHRINK, 1/8IN	
8	4460471	1	LOCK WASHER TERMINAL	
9	4460470	1	PANEL NUT TERMINAL	
10	4461003	1	CONNECTOR	
11	4460465	11	CONTACT	
12	4460509	4	CONTACT	

SECTION 10 - ELECTRICAL

FIGURE 10-15. BOOM HARNESS



SECTION 10 - ELECTRICAL

FIGURE 10-15. BOOM HARNESS

ITEM	PART NUMBER	QTY	DESCRIPTION	REV
	4923482	1	BOOM HARNESS, (includes all items)	
1	1060896	AR	CABLE	
2	4460465	11	CONTACT	
3	4461003	1	CONNECTOR	
4	4460509	4	CONTACT	
5	4460473	2	TERMINAL	
6	4460466	12	TERMINAL	
7	2820118	AR	CLEAR HEAT SHRINK, 1/8IN	
8		Ref	CONNECTOR	
9	4460464	11	CONTACT	
10	4460508	4	CONTACT	

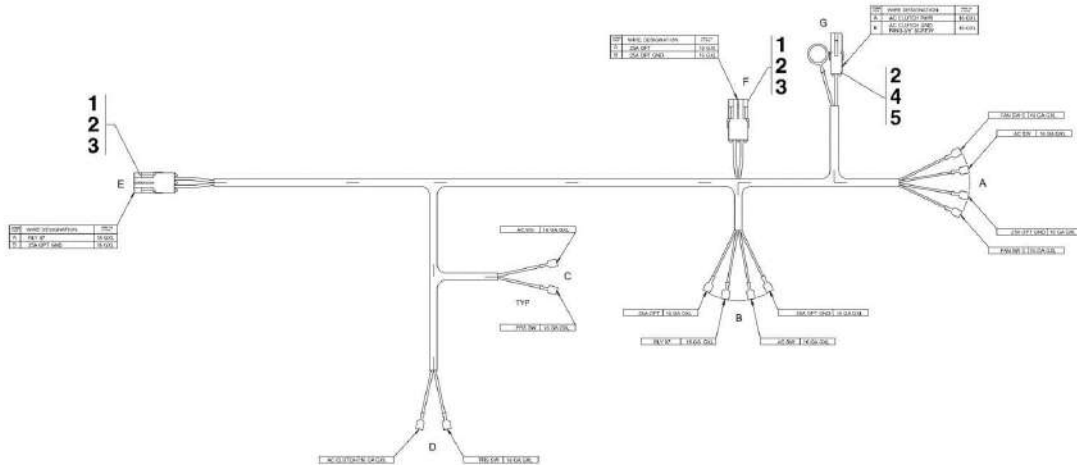
SECTION 10 - ELECTRICAL

FIGURE 10-16. CAB CONTROL HARNESS

ITEM	PART NUMBER	QTY	DESCRIPTION	REV
	1001091122	1	CAB CONTROL HARNESS, (includes all items)	G
1		Ref	CONNECTOR	
2		Ref	WEDGELOCK	
3	4460928	1	CONTACT	
4	77363349	3	PLUG	
5	3740080	1	RELAY	
6	4460374	1	CONNECTOR	
7	1001116733	1	TERMINAL	
8	91554023	1	PLUG	
9	1001116975	1	CONNECTOR	
10	4460466	2	PLUG	
11	4460943	1	CONTACT	
12		Ref	DUST CAP	
13	1001116968	1	CONNECTOR	
14	83481286	1	NUT	
15	83481285	2	LOCKWASHER	
16	77363228	1	TERMINAL	
17	77363345	1	CONTACT	
18	77363346	2	CONTACT	
20		Ref	PLUG	
21	4460419	4	TERMINAL	
22	91504098	1	CONNECTOR	
23		Ref	CONTACT	
24	4460761	1	CAP	
25		Ref	CONNECTOR	
26	91554022	1	TERMINATOR LOCK	
27	7026423	1	SPADE	
28	4460260	1	HOUSING	
29		Ref	CONNECTOR	
30	70020823	1	WEDGE LOCK	
31	4460873	3	CONNECTOR	
32	70020809	6	TERMINAL	
33	4460871	6	TERMINAL	
34	4460905	6	PLUG	
35	1001113961	6	CONNECTOR	
36	4460876	1	CONNECTOR	
37	4460872	1	CONNECTOR	
38	4460878	1	CONNECTOR	
39	70020816	1	TERMINAL	

SECTION 10 - ELECTRICAL

FIGURE 10-17. A/C WIRE HARNESS



PAL3011

WIRE CHART										
WIRE DESIGNATION	WIRE COLOR/STRIPE	WIRE GAUGE	WIRE END A	WIRE END B	WIRE END C	WIRE END D	WIRE END E	WIRE END F	WIRE END G	REMARKS
25A OPT	ORANGE	16		1/4 FEMALE SPADE				PACKARD ASSY		25 AMP OPTION
25A OPT GND	BLACK	16	1/4 FEMALE SPADE	1/4 FEMALE SPADE			PACKARD ASSY	PACKARD ASSY	RING 3/8" SCREW	25 AMP OPTION GROUND
AC SW	YELLOW	16	1/4 FEMALE SPADE	1/4 FEMALE SPADE	1/4 FEMALE SPADE					AC SWITCH
AC CLUTCH	WHITE	16				1/4 FEMALE SPADE			PACKARD ASSY	AC CLUTCH
FAN SW C	GREEN	16	1/4 FEMALE SPADE							AC SWITCH TO FAN C
PRS SW	VIOLET	16			1/4 FEMALE SPADE	1/4 FEMALE SPADE				PRESSURE SWITCH
RLY 87	ORANGE	16		1/4 FEMALE SPADE			PACKARD ASSY			RELAY 87

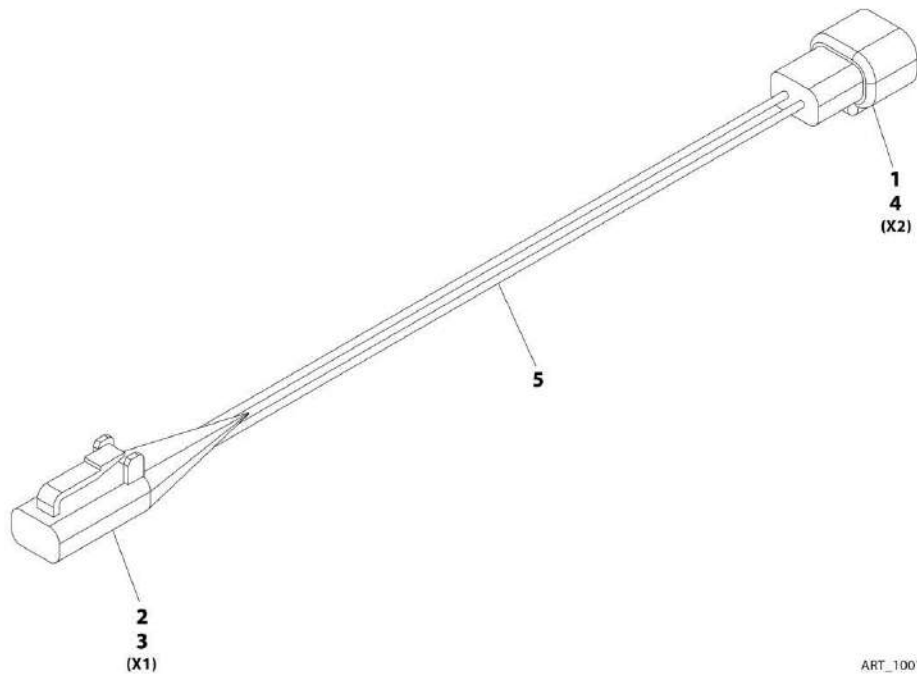
SECTION 10 - ELECTRICAL

FIGURE 10-17. A/C WIRE HARNESS

ITEM	PART NUMBER	QTY	DESCRIPTION	REV
	91563247	1	A/C HARNESS, (includes items 1 thru 5)	D
1	80963058	2	SHROUD	
2	80963069	3	TERMINAL	
3	80963067	2	CABLE SEAL	
4	80963056	1	CONNECTOR	
5	80963065	1	CABEL SEAL, GREEN	

SECTION 10 - ELECTRICAL

FIGURE 10-18. CAB WORK LIGHT HARNESS



ART_1001100895-B

SECTION 10 - ELECTRICAL

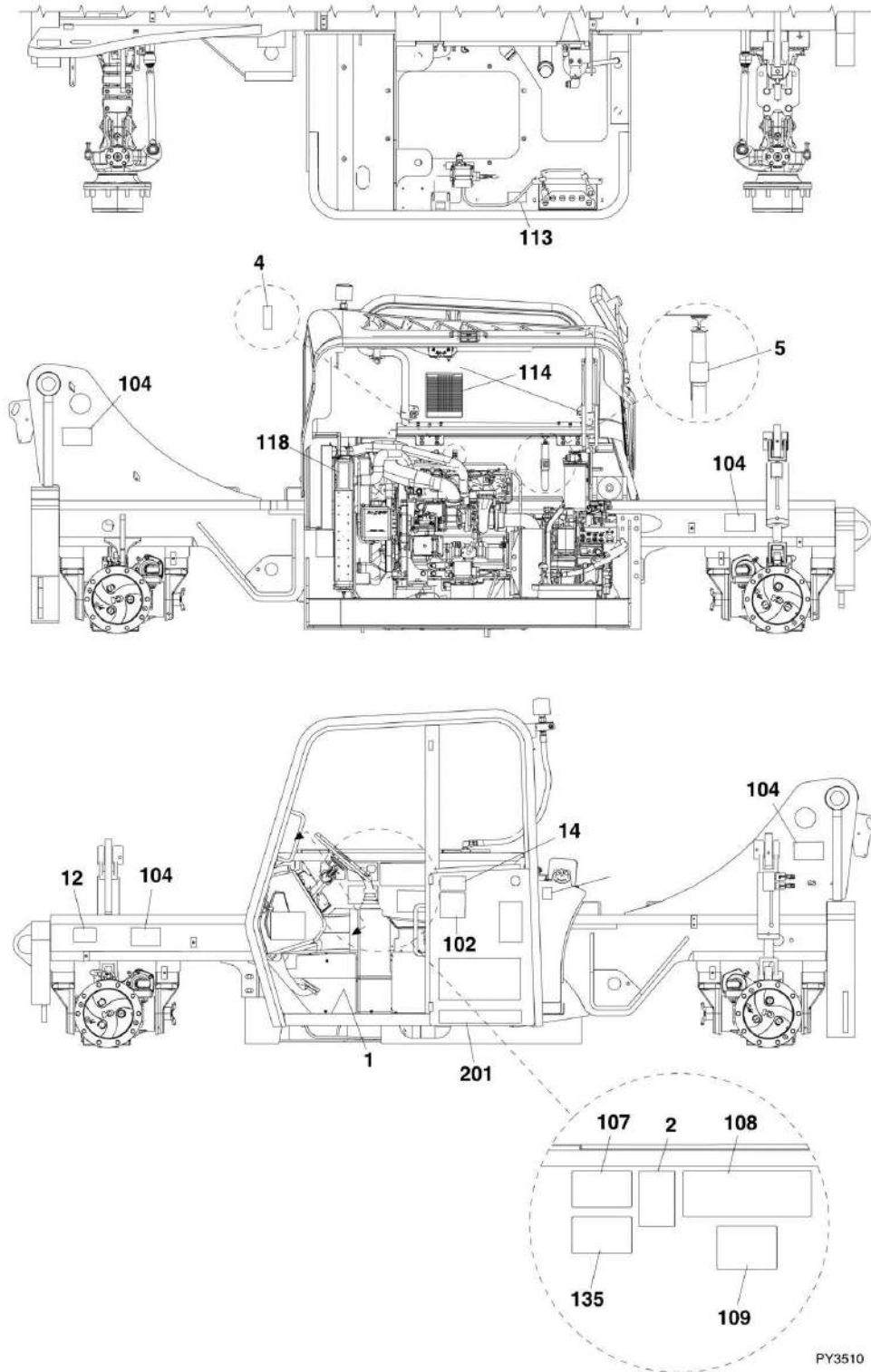
FIGURE 10-18. CAB WORK LIGHT HARNESS

ITEM	PART NUMBER	QTY	DESCRIPTION	REV
	1001100895	Ref	CAB WORK LIGHT HARNESS, (includes all items)	B
1	4460464	2	TERMINAL	
2	4460465	2	TERMINAL	
3	4460891	1	TERMINAL, POSITION PLUG	
4	4460897	1	TERMINAL, POSITION PLUG	
5	4920017	1 ft	WIRE	

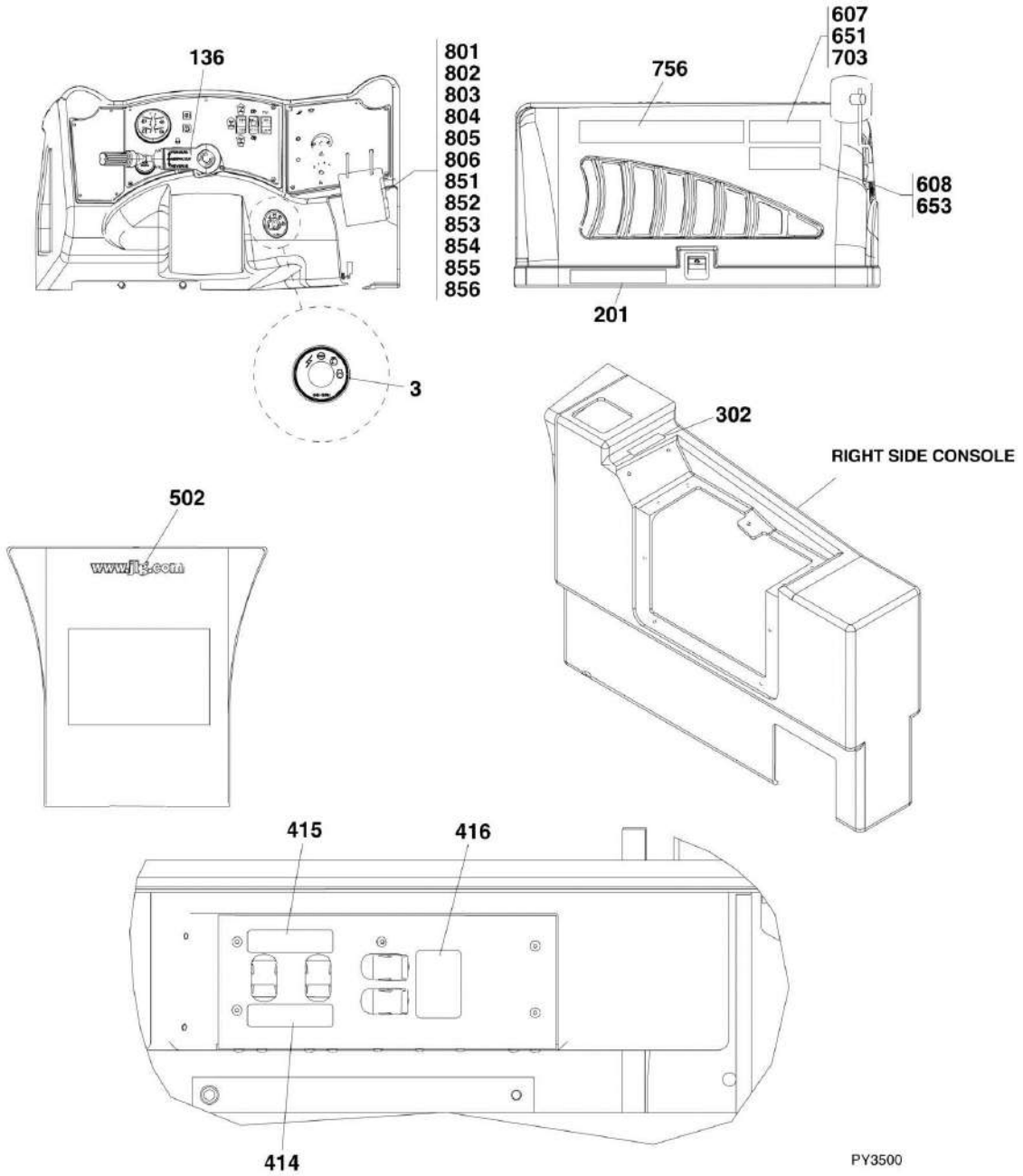
SECTION 11 - DECALS

SECTION 11 - DECALS

FIGURE 11-1. CAB AND FRAME DECALS



SECTION 11 - DECALS



SECTION 11 - DECALS

FIGURE 11-1. CAB AND FRAME DECALS

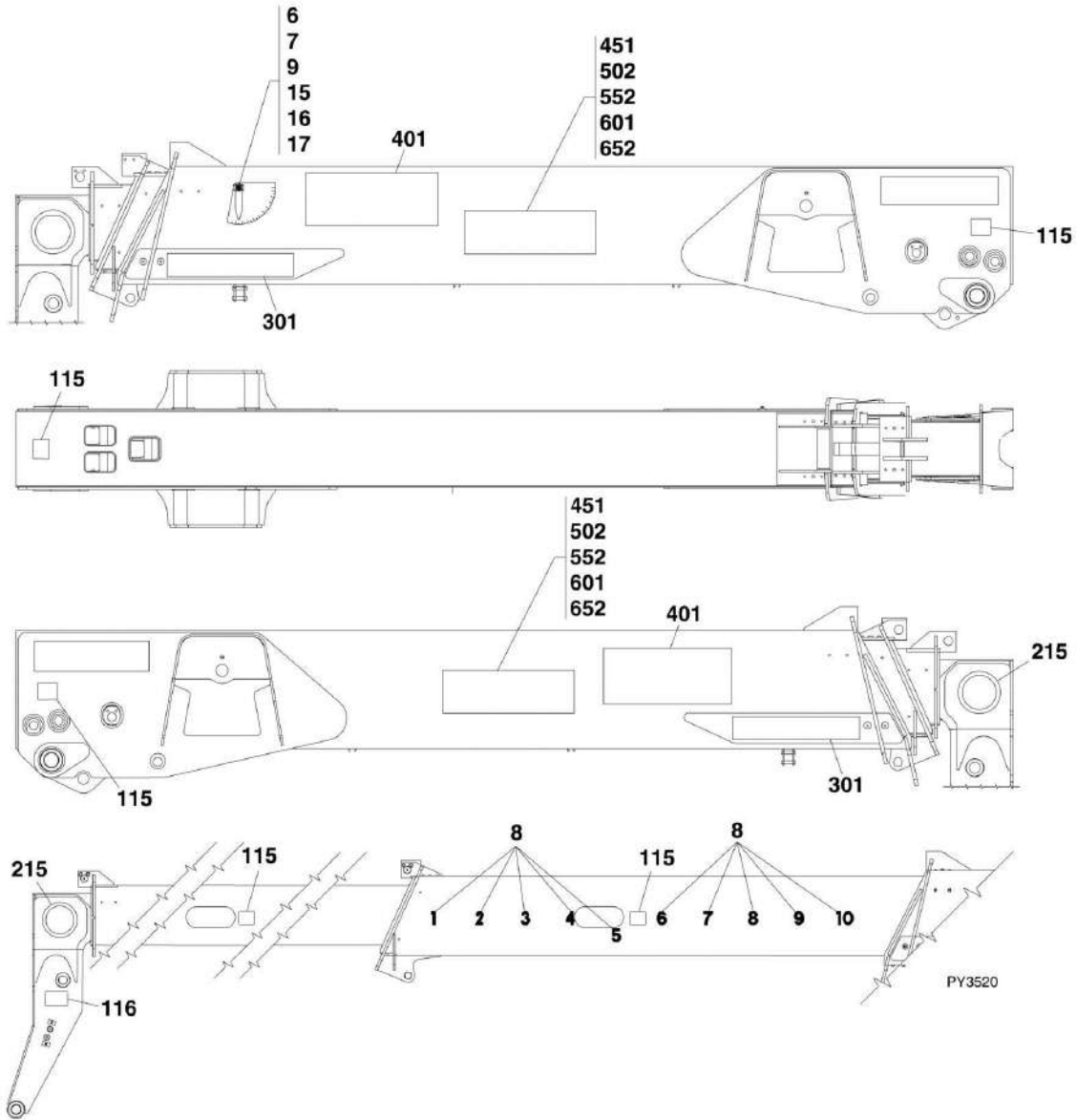
ITEM	PART NUMBER	QTY	DESCRIPTION	REV
	0275864	Ref	COMMON DECAL INSTALLATION, (not available to order, see items 1 thru 14 for service)	B
1	91473210	1	NON-SKID FLOOR	
2	1707038	1	JOYSTICK DECAL	
3	91413061	1	IGNITION SWITCH DECAL	
4	91563220	1	OIL LEVEL DECAL	
5	91513209	1	HYDRAULIC FLUID DECAL	
6		Ref	BOOM ANGLE INDICATOR, DECAL AND MOUNTING HARDWARE, (not shown), (See BOOM DECALS for Breakdown)	
7		Ref	BOOM NUMBERS DECAL KIT, (not shown), (See BOOM DECALS for Breakdown)	
12		Ref	SN PLATE	
14	3251813	1	USA DECAL	
	91569008	Ref	ASME COMMON DECAL INSTALLATION, (not available to order, see items 102 thru 136)	L
102	91503109	1	NO RIDERS DECAL	
104	91503108	4	PINCH POINT DECAL	
107	91503110	1	HIGH VOLTAGE DECAL	
108	91503098	1	SAFE OPERATION DECAL	
109	91513208	1	LIFTING PERSONNEL DECAL	
113	91503099	1	BATTERY WARNING DECAL	
114	91563227	1	LUBE AND MAINTENANCE DECAL	
115		Ref	PINCH POINT AND SWING CARRIAGE DECAL, (not shown), (See BOOM DECALS for Breakdown)	
118	91503097	1	MOVING PARTS DECAL	
135	91563246	1	OVERSPEED WARNING DECAL	
136	91163028	1	SHIFTER DECAL	
	91579010	Ref	ASME DECAL INSTALLATION, (G10-55A AccuPlace), (not available to order, see items 201 & 215 for service)	I
	91569010	Ref	ASME DECAL INSTALLATION, (G12-55A AccuPlace), (not available to order, see items 201 & 215 for service)	H
215		Ref	GOOSENECK DECAL, (not shown), (See BOOM DECALS for Breakdown)	
	1001102890	Ref	ACCUPLACE DECAL INSTALLATION, (not available to order, see items 301 & 302 for service)	A
301		Ref	BOOM ACCUPLACE DECAL, (not shown), (See BOOM DECALS for Breakdown)	
302	1001102386	1	CAB ACCUPLACE DECAL	
414	1001100996	1	FRAME SWAY LEFT DECAL	
415	1001100998	1	FRAME SWAY RIGHT DECAL	
416	1001100999	1	JOYSTICK CONTROLS DECAL	
	91565069	Ref	JLG DECAL INSTALLATION, (not available to order, see items 501 & 502 for service)	C
501		Ref	JLG DECAL, (not shown), (See BOOM DECALS for Breakdown)	
502	1704885	1	WEBSITE DECAL	
	1001106003	1	LOAD CHART BOOKLET, (G10-55A AccuPlace), (includes items 801 thru 806)	3
	1001106004	1	LOAD CHART,BOOKLET, (G12-55A AccuPlace), (includes items 801 thru 806)	3
801	1001106035	1	STANDARD CARRIAGE LOAD CHART, (G10-55A AccuPlace)	
801	1001106036	1	STANDARD CARRIAGE LOAD CHART, (G12-55A AccuPlace)	
802	1001106060	1	TILT CARRIAGE LOAD CHART, (G10-55A AccuPlace)	

SECTION 11 - DECALS

ITEM	PART NUMBER	QTY	DESCRIPTION	REV
802	1001106061	1	TILT CARRIAGE LOAD CHART, (G12-55A AccuPlace)	
803	1001106085	1	SWING AND TILT CARRIAGE LOAD CHART, (G10-55A AccuPlace)	
803	1001106086	1	SWING AND TILT CARRIAGE LOAD CHART, (G12-55A AccuPlace)	
804	1001106110	1	2.0 ³ YD BUCKET LOAD CHART, (G10-55A AccuPlace)	
804	1001106111	1	2.0 ³ YD BUCKET LOAD CHART, (G12-55A AccuPlace)	
805	1001106135	1	15FT TRUSS BOOM LOAD CHART, (G10-55A AccuPlace)	
805	1001106136	1	15FT TRUSS BOOM LOAD CHART, (G12-55A AccuPlace)	
806	1001106160	1	WORK PLATFORM LOAD CHART, (G10-55A AccuPlace)	
806	1001106161	1	WORK PLATFORM LOAD CHART, (G12-55A AccuPlace)	
	1001110403	1	OPTIONAL LOAD CHART BOOKLET, (G10-55A AccuPlace), (if equipped), (includes items 851 thru 856)	1
	1001110404	1	OPTIONAL LOAD CHART BOOKLET, (G12-55A AccuPlace), (if equipped), (includes items 851 thru 856)	1
851	1001106189	1	GRAPPLE BUCKET LOAD CHART, (G10-55A AccuPlace)	
851	1001106190	1	GRAPPLE BUCKET LOAD CHART, (G12-55A AccuPlace)	
852	1001106224	1	12FT TRUSS BOOM LOAD CHART, (G10-55A AccuPlace)	
852	1001106225	1	12FT TRUSS BOOM LOAD CHART, (G12-55A AccuPlace)	
853	1001106259	1	FORK MOUNTED LIFTING HOOK LOAD CHART, (G10-55A AccuPlace)	
853	1001106260	1	FORK MOUNTED LIFTING HOOK LOAD CHART, (G12-55A AccuPlace)	
854	1001106294	1	VERTICAL MAST LOAD CHART, (G10-55A AccuPlace)	
854	1001106295	1	VERTICAL MAST LOAD CHART, (G12-55A AccuPlace)	
855	1001106183	1	SWING CARRIAGE LOAD CHART, (G10-55A AccuPlace)	
855	1001106184	1	SWING CARRIAGE LOAD CHART, (G12-55A AccuPlace)	
856	1001110716	1	BACK COVER, (G10-55A AccuPlace)	
856	1001110717	1	BACK COVER, (G12-55A AccuPlace)	
	91565070	1	SUNBELT DECAL KIT	B
	91565071	1	UNITED RENTALS DECAL KIT	E
	91565088	1	NES DECAL KIT	B
	91565092	1	H AND E DECAL KIT	B
	1001094478	1	RSC DECALS	A
	Ref		NOTE: ITEM NUMBERS NOT LISTED ARE NOT USED ON THIS FIGURE	

SECTION 11 - DECALS

FIGURE 11-2. BOOM DECALS



SECTION 11 - DECALS

FIGURE 11-2. BOOM DECALS

ITEM	PART NUMBER	QTY	DESCRIPTION	REV
	0275864	Ref	COMMON DECAL INSTALLATION, (not available to order, see items 1 thru 17 for service)	B
1		Ref	CAB AND FRAME DECALS, (not shown), (See CAB AND FRAME DECALS for Breakdown)	
6	4105262	1	BOOM ANGLE DECAL	
7	91553072	1	BOOM NUMBERS DECAL KIT	
9	1001098769	1	PENDULUM	
15	1001096404	1	SPACER	
16	4711600	1	WASHER, 3/8	
17	8305645	1	HEX NUT, 3/8	
	91569008	Ref	ASME COMMON DECAL INSTALLATION, (not available to order, see items 101, 115 & 116 for service)	L
101		Ref	ASME CAB AND FRAME DECALS, (not shown), (See CAB AND FRAME DECALS for Breakdown)	
115	91513210	7	PINCH POINT DECAL	
116	91563157	1	SWING CARRIAGE DECAL	
	91579010	Ref	ASME DECAL INSTALLATION, (G10-55A AccuPlace), (not available to order, see items 201 & 215 for service)	I
	91569010	Ref	ASME DECAL INSTALLATION, (G12-55A AccuPlace), (not available to order, see items 201 & 215 for service)	H
201		Ref	CAB MODEL DECAL, (not shown), (See CAB AND FRAME DECALS for Breakdown)	
215	1706100	2	GOOSENECK DECAL, (G10-55A AccuPlace)	
215	1706167	2	GOOSENECK DECAL, (G12-55A AccuPlace)	
	1001102890	Ref	ACCUPLACE DECAL INSTALLATION, (not available to order, see items 301 & 302 for service)	A
301	1001102385	2	BOOM ACCUPLACE DECAL	
302		Ref	CAB ACCUPLACE DECAL, (not shown), (See CAB AND FRAME DECALS for Breakdown)	
	91565069	Ref	JLG DECAL INSTALLATION, (not available to order, see items 401 & 402 for service)	C
401	1706185	2	JLG DECAL	
402		Ref	WEBSITE DECAL, (not shown), (See CAB AND FRAME DECALS for Breakdown)	
451	1704739	2	SUNBELT BOOM DECAL	
502	7302178	2	UNITED RENTALS BOOM DECAL	
552	1706324	2	NES RENTAL BOOM DECAL	
601	1706465	2	H AND E BOOM DECAL	
652	1001094459	2	RSC BOOM DECAL	
		Ref	NOTE: ITEM NUMBERS NOT LISTED ARE NOT USED ON THIS FIGURE	

SECTION 12 - RECOMMENDED SPARE PARTS

SECTION 12 - RECOMMENDED SPARE PARTS

FIGURE 12-1. RECOMMENDED SPARE PARTS

ITEM	PART NUMBER	QTY	DESCRIPTION	REV
	Note	Ref	Note: The following list will service fleets of machines (built to current production per date on the front cover) with repair parts which can be installed in the field. Parts from the list should be replaced when inventory is depleted to keep service parts stock supplied. For further information, contact your JLG dealer or the JLG Industries Parts Department.	
		Ref	Boom	
	1001100882	1	Tilt Cylinder Hose	
	1001100883	1	Tilt Cylinder Hose	
	2754767	2	Boom Hose	
	91163037	4	Extend Chain, (G10-55A AccuPlace)	
	91563035	4	Extend Chain, (G12-55A AccuPlace)	
	91163037	1	Retract Chain, (G10-55A AccuPlace)	
	91563036	1	Retract Chain, (G12-55A AccuPlace)	
	91033186	12	Wear Pad,	
	91033189	6	Wear Pad,	
	91163187	6	Wear Pad, (G10-55A AccuPlace),	
	91163187	4	Wear Pad, (G12-55A AccuPlace),	
	91163186	12	Wear Pad, (G10-55A AccuPlace),	
	91163186	10	Wear Pad, (G12-55A AccuPlace),	
	91163188	6	Wear Pad,	
	91163214	2	Wear Pad,	
	90205870	AR	Shim, .0598,	
	91121082	AR	Shim, .0598,	
	91141302	AR	Shim, .0598,	
	91161184	AR	Shim, .0598,	
	91031236	24	Spacer, .060,	
	91161183	4	Spacer, .060,	
	91511094	2	Spacer, .0598,	
	91141303	12	Spacer, .060,	
	1001098176	1	Quick Release Pin	
	1001105441	1	Quick Switch Lock Pin	
		Ref	Engine	
	1001104913	1	Primary Fuel Filter,	
	70021225	1	Secondary Fuel Filter,	
	8006013	1	Oil Filter,	
	1101312	1	Primary Air Filter, (G10-55A AccuPlace)	
	7026573	1	Primary Air Filter, (G12-55A AccuPlace)	
	1101313	1	Secondary Air Filter, (G10-55A AccuPlace),	
	7026572	1	Secondary Air Filter, (G12-55A AccuPlace)	
	1001102657	1	Fuel Tank Cap	
	7029902	1	Fan	
	7029901	1	Alternator Belt	
	7029894	1	Dipstick,	
		Ref	Drivetrain	
	91563226	1	F-N-R Shifter	
	1319670	1	Transmission Filter	
	7026911	1	Universal Joint Kit	
	91474035	1	Universal Joint Kit	

SECTION 12 - RECOMMENDED SPARE PARTS

ITEM	PART NUMBER	QTY	DESCRIPTION	REV
	91403193	10	Lug Nut	
		Ref	Hydraulics	
	1001101624	1	Joystick Assy	
	70021632	1	Lift Cylinder Seal Kit (G10-55A AccuPlace)	
	70021641	1	Lift Cylinder Seal Kit (G12-55A AccuPlace)	
	70021598	1	Extend/Retract Cylinder Seal Kit	
	70022093	1	Tilt Cylinder Seal Kit, (G10-55A AccuPlace)	
	70022098	1	Tilt Cylinder Seal Kit, (G12-55A AccuPlace)	
	70021639	1	Frame Level Cylinder Seal Kit	
	70021639	1	Stabilizer Cylinder Seal Kit	
	91144004	1	Outrigger Cylinder Seal Kit	
	1001093626	1	Hydraulic Filter Element	
	91563248	1	Tank Filter	
	91563136	1	Fluid Level Gauge	
		Ref	Electrical	
	7028657	1	Alternator	
	7029782	1	Starter	
	1001100421	1	Single Axis Joystick	
	91083483	1	Battery, (12 volt, 1000 amps)	
	8270621	1	Backup Alarm	
	91143357	1	Horn	
	77383377	1	Starter Relay	
		Ref	Miscellaneous	
	8342813	1	Engine Cover Key	
	80964051	1	Cab Door Key	
	77384578	1	Ignition Key	
	3128447	1	Operation and Safety Manual	
	31200452	1	Service Manual	

PART NUMBER INDEX

PART NUMBER INDEX

0080272.....109	0641808... 17, 37, 41, 49, 51	0791608 15, 185	1001091118.....215
0100011.... 11, 21, 25, 29, 37, 41, 49, 51, 57, 59, 73, 104, 111, 115, 117, 186, 213, 215, 217, 233, 235, 249	0641810... 33, 35, 45, 47, 53, 55	0791610 11	1001091121.....298
0100020..... 104, 197	0641812..... 65, 221	0801627 25	1001091122.....321
0100035.....25, 29	0641814..... 291	0860520 91	1001091173.....215
0100048..... 104, 287	0641815 37, 41	0902746 11	1001091394.....185
0100081..... 11	0641818 25, 29	0902955 11	1001091425.....298
0100093..... 109	0641825 235	0902956 11	1001091445.....298
010048.....289	0641826 37, 41, 235	09032467 225	1001091458.....21
0160032..... 199	0641830 105	0903464 25, 29	1001091884..... 105
0240156.....95	0641840 253, 255	0903661 291	1001091891.....105
0275182.....235	0642008 53, 55	0903669 291	1001091892.....105
0275630.....225	0642032 69, 73	0930020 93	1001091893.....109
0275862.....25, 29	0642210 45, 47, 291	09523572 115	1001091895.....225
0275864.....330, 333	0642232 12	1001001016 269	1001091896.....226
0275929.....225	0642236 12	1001001169 199	1001092204.....199
0275947.....287	0651605 53, 61	1001001186 186	1001092391..... 83
04100665..... 115, 117	0651606 ... 33, 45, 61, 63	1001001211 257	1001092430..... 119
0630407..... 185	0651612 ... 33, 35, 47, 57, 59	1001001213 213	1001092434..... 119
0630457..... 186	0651614 33, 35	1001001413 111	1001092481..... 91
0630616.....235	0651616 45, 53	1001001422 109	1001092482..... 91
0641403.....225	0651618 45, 55	1001001506 105	1001092849..... 197
0641404..... 185	0651620 53	1001001507 105	1001093171..... 85
0641405...25, 29, 91, 185, 197	0651806 53	1001001535 105	1001093273..... 95
0641406...57, 59, 235, 287	0651808 ... 45, 47, 53, 55	1001001562 307	1001093335.....236
0641407.....291	0651810 53, 55	1001001565 289	1001093336.....235
0641408...25, 29, 104, 185, 217, 289	0651812 ... 45, 47, 61, 63	1001001615 289	1001093337.....236
0641409..... 186	0651814 ... 45, 47, 53, 55, 61, 63	1001001616 289	1001093377..... 79, 95
0641412..... 197, 229	0651816 35, 47, 63	1001001617 289	1001093388..... 109
0641414.....235	0651820 33	1001001619 105	1001093465..... 95
0641418..... 185	0681606 229	1001001620 105	1001093526..... 199
0641422.....236	0681608 229	1001001660 11	1001093626.....261, 337
0641506..... 111, 215	0681610 229	1001001670 104	1001093641..... 109
0641507.....239	0681624 249	1001001832 105, 199	1001093831..... 105
0641508... 185, 217, 225, 287	0681810 73	1001001892 109	1001094072.....225
0641509.....239	0681814 21	1001001902 111	1001094073.....225
0641510... 104, 115, 185, 199	0682214 ... 25, 29, 37, 41	1001001905 111	1001094194..... 26, 30
0641514... 185, 233, 235	0682216 12, 243, 245	1001001908 111	1001094201.....163
0641518..... 197	0682220 12	1001001913 111	1001094330..... 95
0641524..... 15	0682244 65	1001001926 115, 117	1001094459.....333
0641528..... 15	0682444 15	1001001929 115, 117	1001094478.....331
0641532..... 199	0682652 12	1001001939 115, 117	1001094830..... 95
0641604..... 111	0691812 235	1001001942 105	1001095342..... 291
0641606...57, 59, 111, 115, 117, 213	0700610 11	1001001950 105	1001095418..... 81
0641607..... 11, 111	0700808 117	1001080707 109	1001095449.....261
0641608...11, 57, 59, 104, 109, 111, 185, 205, 213, 215, 289	0700829 225	1001081307 191	1001095744..... 145
0641610...11, 25, 29, 111, 119, 235	0701012 104	1001081308 191	1001095810..... 91
0641612..... 73, 104, 235	0701014 215	1001081310 191	1001096019..... 91
0641622..... 11	0701215 233	1001081311 191	1001096020..... 91
0641624.....235	0711015 104	1001090003 217	1001096021..... 91
0641632.....225	0721003 26, 30	1001090063 73	1001096023..... 91
0641634..... 17	0721006 291	1001090064 73	1001096024..... 91
0641716..... 175	0740605 197	1001090134 275	1001096025..... 91
0641807..... 11	0741006 186	1001090140 73	1001096162..... 91
	0741610 73	1001090369 289	1001096388.....223
	0760305 186	1001090460 291	1001096389.....223
	0760810 119	1001090461 291	1001096390.....223
	0761012 119	1001090505 311	1001096391.....223
	0761016 119	1001090506 309	1001096392.....223
	0761215 199	1001090522 291	1001096393.....223
	0761617 104	1001090580 291	1001096394.....223
	0791606 289	1001090581 291	1001096395.....223
	0791607 105	1001090615 291	1001096397.....223
		1001090644 199	1001096398..... 186
		1001090646 199	1001096404.....333
		1001090741 215	1001096582..... 107
		1001090806 261	1001096583..... 107

PART NUMBER INDEX

1001096728 205, 207	1001100883..... 236, 336	1001106035..... 330	1001121105 177, 181
1001097053 104	1001100895..... 325	1001106036..... 330	1001121109 177, 181
1001097095CP 21	1001100936..... 259	1001106060..... 330	1001125410 177, 181
1001097149 12	1001100948..... 225	1001106061..... 331	1001132514 69
1001097771 233	1001100951..... 225	1001106085..... 331	1001133072 73
1001097772 233	1001100980..... 225	1001106086..... 331	1001137512 99
1001097773 233	1001100996..... 330	1001106110..... 331	1001146088 69
1001097803 151	1001100998..... 330	1001106111..... 331	1001163414 277
1001097804 163	1001100999..... 330	1001106135..... 331	1001193794 69
1001097810 151	1001101038..... 229	1001106136..... 331	10268516 115
1001097848 199	1001101115..... 79	1001106160..... 331	1040099 185
1001097849 199	1001101116..... 79	1001106161..... 331	1040100 190
1001097990 233	1001101281..... 253	1001106183..... 331	1040105 185
1001097991 233	1001101289..... 255	1001106184..... 331	1040106 185
1001097992 151, 163	1001101357..... 195	1001106189..... 331	1040107 190
1001098042 207	1001101358..... 195	1001106190..... 331	1060379 91
1001098093 65	1001101449..... 195	1001106224..... 331	1060896 317, 319
1001098174 65	1001101471..... 221	1001106225..... 331	10705034 97
1001098176 65, 336	1001101595..... 243, 245	1001106259..... 331	10717936 117
1001098204 111	1001101624..... 211, 337	1001106260..... 331	10731709.. 125, 143, 145
1001098205 111	1001101759..... 301	1001106294..... 331	10731744 125
1001098218 65	1001101831..... 119	1001106295..... 331	10731761 141
1001098220 249	1001101904..... 229	1001106333..... 249	10731845.. 131, 133, 137
1001098233 65	1001101952..... 29	1001106614 12	10731959 147
1001098282 111	1001101956..... 73	1001106665..... 186	10732071 143
1001098344 205	1001102077..... 111	1001106836..... 263	10732072 143
1001098382 65	1001102172..... 229	1001106861..... 249	10732095 141
1001098489 229	1001102320..... 229	1001107339..... 199, 203	1101312 115, 336
1001098490 221	1001102378..... 73	1001107340..... 202	1101313 115, 336
1001098769 333	1001102385..... 333	1001107343..... 202	1120591 109
1001098934 109, 186	1001102386..... 330	1001107344..... 199, 203	1170021 69
1001099113 73	1001102509..... 163	1001107428 203	1170024 69
1001099115 73	1001102649..... 111	1001107854 298	1170027 69
1001099219 221	1001102654..... 111	1001108271 229	1170054 73
1001099276 291	1001102657..... 109, 336	1001108272 281	1170057 73
1001099351 77	1001102689..... 221	1001108273 281	1180402 235
1001099360 229	1001102728..... 57, 59	1001108612 104	1180403 235
1001099384 233	1001102740..... 239	1001108623 186	1316794 88
1001099570 236	1001102800..... 229	1001109008 186	1319229 123
1001099618 259	1001102801..... 229	1001109536 104	1319436 147
1001099720 267	1001102802..... 229	1001110091 291	1319558 123
1001099901 75	1001102813..... 91	1001110403 331	1319563 123
1001099902 75	1001102832..... 59	1001110404 331	1319571 ... 121, 125, 139, 147
1001099945 249	1001102890..... 330, 333	1001110544 186	1319573 125, 147
1001099946 249	1001103059..... 119	1001110716 331	1319576 139
1001100227 79	1001103182..... 81, 279	1001110717 331	1319578 125, 147
1001100228 79	1001103339..... 57	1001111140 267	1319581 125, 145
1001100229 79	1001103509..... 190, 191	1001111215 267	1319585 ... 123, 125, 145
1001100309 239	1001103573..... 295	1001113251 109	1319590 125
1001100322 186	1001103637..... 91	1001113961 321	1319591 131
1001100349 239	1001103683..... 305	1001116730 295	1319593 ... 127, 129, 131, 133, 135, 137
1001100421 186, 337	1001103730..... 91	1001116731 295	1319594 ... 127, 129, 131, 133, 135, 137
1001100422 186	1001103736..... 91	1001116733 303, 321	1319595 ... 127, 129, 131, 133, 137
1001100524 185	1001103832..... 221	1001116747 298, 307	1319596 ... 131, 133, 137
1001100663 111	1001103948..... 245	1001116771 289	1319600 ... 127, 129, 131, 133, 135, 137
1001100664 111	1001103949..... 245	1001116962 295, 298	1319601 ... 127, 129, 131, 133, 135, 137
1001100673 186	1001103950..... 229	1001116968 298, 321	1319602 ... 127, 129, 131, 133, 135, 137
1001100686 239	1001104096..... 119	1001116975 321	1319603 ... 127, 129, 131, 133, 135, 137
1001100687 239	1001104913..... 105, 336	1001117017 295	
1001100822 71	1001104992..... 88	1001117021 298	
1001100823 71	1001105345..... 283	1001117064 303	
1001100824 71	1001105441..... 65, 336	1001117073 295	
1001100851 225	1001105780..... 178, 181	1001120178 178, 181	
1001100852 225	1001105781..... 178, 181	1001120179 178, 181	
1001100879 205	1001105782..... 178, 181	1001120914 73	
1001100880 207	1001106003..... 330	1001120915 73	
1001100882 236, 336	1001106004..... 330	1001121103 177, 181	

PART NUMBER INDEX

1319604.....127, 129, 131, 133, 135, 137	14404173S..... 291	2170712 267	3020039.....215
1319606..... 131, 133, 137	14404793..... 235	2170806 151, 163	3020040..... 37, 41, 49, 51, 247
1319607..... 131	14404978..... 109	2170912 261	3100103.....225
1319608..... 131, 139	1600469 229	2171110 235	3100105.....225
1319614.....133	1600470 247	2171308 239	3100109.....236
1319615.....127, 129, 133, 137	1600471 225	2172106 73, 151, 163, 215	31200452.....337
1319617..... 127, 129	1600472 249	2172108 261, 281	3128447.....337
1319618..... 127, 129	1671219 11	2180537 117	3251813.....330
1319619..... 135	1671313 109	2180752 104	3271401..... 186
1319620..... 127, 129	1671322 185	2180849 239	3271501..... 104, 199, 225
1319621..... 127, 129	1671323 186	2200221 253	3271601..... 205, 229
1319622..... 127, 129	1671324 186	2220214 267	3290401..... 11
1319623..... 127, 129	1671328 185	2220239 236	3300143..... 17
1319624..... 127, 129	1684450 247	2220240 225	3300240..... 69, 73
1319625..... 127, 129	1684500 247	2220415 81	3310601..... 197, 289
1319626..... 127, 129	1684501 243	2220473 81	3310805.....287
1319627..... 127, 129	1684532 243	2220578 261	3311001..... 186, 291
1319628..... 127, 129	1701509 91	2220609 81	3311005.....187
1319629..... 127, 129	1702773 91	2220628 81	3311401..... 91, 186, 197, 291
1319630..... 127, 129	1704277 91	2220893 261	3311405 25, 29, 104, 235, 236, 289
1319631..... 127, 129	1704739 333	2221086 267	3311501.....287
1319632..... 127, 129	1704885 91, 330	2221111 225	3311505..... 111, 185, 225
1319635.....137	1706100 333	2221231 239	3311508.....115
1319636..... 127, 129, 137	1706167 333	2221239 247	3311601.....235
1319638..... 127, 129	1706185 333	2221244 215	3311605.. 11, 25, 29, 104, 111, 199, 225
1319641.....125	1706324 333	2221257 215	3311705.....175
1319646.....125	1706465 333	2221294 225	3311801.....221, 291
1319647.....147	1706892 91	2340037 83	3311802..... 25, 29
1319648.....147	1707038 330	2340038 83	3311805 37, 41, 105, 236
1319649.....147	2080040 91	2340039 83	3312206..... 12
1319652.....143	2080051 11	2340045 83	3312601.....26, 29
1319661.....143	2110406 221, 267	2340046 83	3313001.....29, 41, 51, 59
1319670.....125, 143, 145, 336	2110604 225	24921332 .. 115, 117, 119	3313002.....29, 41, 51, 59
1319683.....143	2110606 73, 97, 221, 229, 257, 267	2600262 11	3340877..... 11
1319684.....143	2110608 267	2600281 91	3380752.....229
1319685.....143	2110612 281	2716938 229	3421453.....91
1319686.....143	2110806 221, 281	2716952 229	3423227..... 253, 255
1319687.....143	2110808 73, 151, 163	2717160 97	3423242..... 69, 73
1319688.....143	2110816 281	2717161 97	3423247..... 25, 29
1319689.....143	2111010 235, 259	2717162 97	3423275..... 69, 73
1319693.....143	2111012 239	2717283 97	3423276..... 69, 73, 81
1319694.....143	2111210 ... 111, 233, 235	2717287 81	3423301..... 37, 41, 236
1319719.....145	2111212 ... 225, 236, 247	2720058 ... 104, 109, 111	3423307.....73
1319726.....145	2111216 225, 267	2753586 229	3440313.....26, 30
1320022..... 109, 111	2130404 213	2753796 221	3460444.....247
1320030..... 109	2130604 259	2753854 225	3460445.....247
1320130..... 186	2130606 97, 229, 261	2754018 221	3460546.....235
1320131.....225	2130608 97, 229	2754767 235, 336	3460547.....235
1320263.....291	2130612 281	2754770 221	3460548.....235
1320748.....147	2130806 261	2754771 235	3460549.....235
1320754.....147	2130808 261, 267	2754772 235	3520072..... 91
1320755.....147	2131010 236	2755005 229	3520176..... 15
1321265.....143	2131012 261	2755006 229	3575623.....186
1321627.....247	2131210 261	2755007 229	3577203.....236
1321716.....199	2131212 225	2755008 221	3577204.....236
1321745.....235	2131620 261	2755009 221	3577205..... 37, 41
1340021.....186	2144605 ... 151, 163, 215	2755010 229	3580356..... 37, 41, 236
1360292.....37	2150808 213	2755093 229	3740080..... 199, 303, 321
1360293.....57	2151010 236	2755094 229	3760170..... 91
1360296.....25, 37, 41	2151212 229	2820035 292	3820020..... 91, 186
1360297.....38, 49, 57, 59	2160002 65	2820118 317, 319	3841203.....73
1360300.....42, 51, 59	2170206 229, 267	2900770 275	3841287.....243, 245
1360301.....29, 41	2170506 229	2902446 109	3900140.....109
14404173.....205, 207	2170704 267	2940074 91	
	2170706 261	3010160 25, 29	
	2170708 229, 261	3010161 26, 30	

PART NUMBER INDEX

3900187 25, 29	4460850 305, 311	475160025, 30, 112, 199, 225, 229, 235	70020639 202
3900210 261	4460871 321	4751800 17, 105	70020640 202
3900232 235	4460872 321	4760600 289	70020643 202
3900252 186	4460873 321	4761000 292	70020644 202
3900258 186	4460876 321	4761400 236, 291	70020645 202
3900280 11	4460878 321	4761500 104, 199, 225, 239, 287	70020646 202
3900316 261	4460891 325	476160057, 59, 104, 111, 112, 205, 213, 215, 229, 235, 236, 257, 261, 289	70020647 202
3900385 186	4460897 291, 325	4761800 17, 25, 29, 33, 35, 37, 41, 45, 47, 49, 51, 53, 55, 104, 205, 207, 221, 236, 291	70020648 202
3900395 11	4460905 321	4771500 186	70020649 202
3910610 289	4460928 ... 298, 313, 315, 321	4811400 11	70020650 202
3930616 25, 29	4460943 321	4811900 225	70020653 190
3930812 287	4460955 295	4812000 104	70020659 263
3931524 229	4461003 317, 319	4831900 119, 225	70020660 263
3931616 199	4461215 303	4832000 119, 215	70020661 263
3931620 199	4520314 178, 181	4846452 91	70020662 263
3931624 199	4520481 177	4891600 33, 35, 45, 47, 53, 55, 57, 59, 61, 63, 249	70020663 263
3931664 ... 233, 243, 245	4520482 177	4891700 233	70020665 263
3931672 17	4520485 177	4891800 33, 35, 45, 47, 53, 55, 61, 63, 73	70020666 263
3960418 11	4520486 177	4892000 53, 55	70020667 263
3960477 11	4520489 177	4892200 12, 25, 29, 37, 41, 45, 47, 57, 59	70020668 263
4000013 25, 29, 51	4520490 177	4892400 15, 59	70020669 263
4000014 25, 29	4520493 177, 181	4920017 325	70020670 263
4000020 26, 30	4520494 177, 181	4923452 109	70020671 263
4071133 205, 207	4520515 177, 181	4923482 319	70020672 263
4105262 333	4520518 177, 181	4923535 317	70020673 263
4107702 81	4520519 177, 181	4923571 298	70020674 263
4107712 81	4520521 177, 181	4923662 303	70020675 263
4110422 75, 77	4520523 177, 181	4923663 287	70020676 263
4110473 81, 97	4520524 177, 181	4923664 287	70020677 263
4160194 11	4520527 177, 181	4923665 313	70020678 263
4240018 229	4569508 37, 41, 236	4923666 315	70020679 263
4240033 ... 197, 199, 287	4640438 275	6604662 81	70020680 263
4341070 11	4641465 243, 245	70000656 143	70020681 263
4341261 247	4641466 247	70002219 277	70020682 263
4341266 26, 30	4641467 225	70002224 277	70020809 321
4360696 225	4641469 249	70003849 277	70020816 321
4400490 109	4641497 225	70020002 88	70020823 321
4400505 261	4641501 97	70020004 88	70020898 289
4420060 207	4641502 97	70020015 88	70020923 213
4460260 321	4641511 225	70020017 88	70021177 170
4460374 303, 321	4641526 225, 247	70020025 88	70021225 107, 336
4460419 301, 321	4641528 249	70020026 88	70021226 107
4460459 305	471000 186	70020027 88	70021227 135
4460464 ... 291, 307, 317, 319, 325	4711400 91, 104, 185, 197, 217, 235, 236, 287, 289, 291	70020028 88	70021228 135
4460465 ... 307, 317, 319, 325	4711500 15, 185, 215, 217, 225	70020036 147	70021229 107
4460466 ... 195, 295, 298, 301, 303, 307, 309, 317, 319, 321	4711600 11, 109, 111, 115, 117, 119, 185, 199, 205, 213, 229, 235, 289, 333	70020354 147	70021268 135
4460469 298	4711700 175	70020355 147	70021269 135
4460470 317	4711800 221, 291	70020375 249	70021342 77, 93
4460471 317	4712000 104	70020428 279	70021349 77
4460473 317, 319	4712200 291	70020493 147	70021358 93
4460500 301	4712600 26, 29	70020555 85	70021359 93
4460502 298	4740397 104, 289	70020562 93	70021360 93
4460503 303	4750600 289	70020632 190	70021361 93
4460508 ... 307, 317, 319	4750800 287	70020638 202	70021362 93
4460509 317, 319	4751000 26, 30, 292		70021364 93
4460608 295	4751200 197		70021365 93
4460693 295	4751400 25, 29, 225, 236		70021366 93
4460743 305	4751500 ... 11, 15, 25, 30, 111, 115, 185, 225, 239, 261		70021367 88, 93
4460746 298, 307			70021375 93
4460761 321			70021382 88
4460789 298, 311			70021387 77, 93
4460790 307			70021391 93
4460842 295			70021392 93
			70021393 273
			70021399 93
			70021415 77
			70021429 88

PART NUMBER INDEX

70021440.....	271, 273	70021982.....	93	70025959.....	277	7026719.....	161
70021441.....	271	70021983.....	89	70026056.....	277	7026720.....	161
70021442.....	271	70022028.....	77	70026057.....	277	7026721.....	161
70021443.....	271	70022038.....	275	70026058.....	277	7026722.....	161
70021444.....	273	70022039.....	275	70026059.....	277	7026723.....	161
70021446.....	273	70022040.....	275	70026060.....	277	7026724.....	161
70021447.....	273	70022041.....	275	70026061.....	277	7026725.....	161
70021448.....	273	70022042.....	275	70026062.....	277	7026727.....	167
70021451.....	273	70022043.....	275	7003226.....	253, 255	7026728.....	167
70021452.....	273	70022044.....	279	7003236.....	247	7026731.....	170
70021453.....	271	70022045.....	279	7005314.....	243, 245	7026744.....	123
70021464.....	273	70022046.....	279	7005322.....	243, 245	7026745.....	123
70021465.....	273	70022075.....	127, 129, 131, 133, 135, 137	7005365.....	253	7026746.....	123
70021466.....	273	70022093.....	250, 337	7010542.....	283	7026747.....	123
70021478.....	289	70022098.....	250, 337	7010543.....	283	7026748.....	123
70021479.....	289	70022126.....	167	7012773.....	269	7026749.....	123
70021526.....	139	70022127.....	167	7012925.....	283	7026750.....	125
70021598.....	247, 337	70022128.....	167	7012953.....	283	7026751.....	125
70021601.....	165	70022129.....	167	7021604.....	283	7026752.....	125
70021602.....	169	70022129.....	167	7023593.....	255	7026753.....	125
70021603.....	169	70022130.....	167	7023919.....	283	7026754.....	125
70021604.....	169	70022131.....	167	7023962.....	259	7026755.....	125
70021605.....	169	70022132.....	167	7024574.....	279	7026756.....	125
70021606.....	173	70022133.....	167	7024885.....	283	7026757.....	127
70021607.....	173	70022134.....	167	7026401.....	289	7026758.....	127, 129, 131, 133, 135, 137
70021608.....	173	70022135.....	167	7026402.....	289	7026759.....	127, 129, 131, 133, 135, 137
70021609.....	173	70022136.....	167	7026404.....	289	7026760.....	127, 129, 131, 133, 135, 137
70021610.....	173	70022137.....	167	7026405.....	289	7026761.....	127, 129, 131, 133, 135, 137
70021611.....	173	70022138.....	167	7026408.....	295, 298, 307, 309, 311, 313, 315	7026762.....	129
70021612.....	173	70022139.....	167	7026414.....	298, 307	7026763.....	133
70021613.....	173	70022140.....	167	7026415.....	298	7026764.....	135
70021614.....	165	70022286.....	259	7026417.....	298	7026765.....	135
70021615.....	157, 169	70022287.....	259	7026417.....	298	7026766.....	135
70021624.....	243	70022288.....	259	7026423.....	321	7026769.....	135, 139, 147
70021628.....	243, 245	70022296.....	107	7026425.....	307	7026770.....	137
70021630.....	243, 245, 247, 253, 255	70022297.....	107	7026429.....	305	7026771.....	139
70021632.....	243, 337	70022298.....	107	7026430.....	305	7026772.....	139
70021639.....	253, 255, 337	70022299.....	107	7026438.....	195	7026773.....	139
70021641.....	245, 337	70022300.....	107	7026439.....	309	7026774.....	139
70021642.....	253, 255	70022301.....	107	7026440.....	195	7026775.....	139
70021644.....	255	70022330.....	107	7026442.....	111	7026776.....	141
70021646.....	255	70022331.....	107	7026442.....	111	7026777.....	141
70021648.....	255	70022332.....	107	7026477.....	213	7026778.....	141
70021659.....	245	70022332.....	107	7026478.....	213	7026779.....	141
70021661.....	245	70022333.....	107	7026481.....	217	7026780.....	141
70021664.....	253	70022507.....	107	7026485.....	217	7026781.....	141
70021676.....	247	70022527.....	77, 93	7026486.....	153	7026782.....	141
70021678.....	247	70022528.....	77	7026487.....	153, 161, 165	7026783.....	141
70021679.....	247	70022529.....	77	7026490.....	153, 165	7026784.....	141
70021908.....	275	70022530.....	88	7026491.....	155, 167	7026785.....	143
70021920.....	125	70022773.....	153, 165	7026492.....	155, 167	7026786.....	143
70021921.....	77	70022790.....	143	7026493.....	155, 167	7026787.....	143
70021935.....	77	70022804.....	202	7026494.....	155	7026788.....	143
70021944.....	169	70022816.....	186	7026495.....	155	7026789.....	143
70021949.....	245	70023037.....	263	7026496.....	157	7026790.....	143
70021959.....	243	70023038.....	264	7026499.....	157, 169	7026791.....	145
70021961.....	247	70023039.....	263	7026572.....	117, 336	7026792.....	145
70021963.....	253, 255	70023114.....	157, 169	7026573.....	117, 336	7026793.....	145
70021964.....	255	70023115.....	157, 169	7026577.....	147	7026794.....	125, 145, 147
70021965.....	253	70023116.....	157, 169	7026578.....	147	7026797.....	121
70021976.....	271	70023195.....	117	7026618.....	147	7026798.....	193
70021977.....	77	70023325.....	217	7026712.....	161	7026799.....	193
70021978.....	77	70023481.....	107	7026713.....	161	7026900.....	193
70021979.....	77	70024020.....	277	7026714.....	161		
70021980.....	93	70024262.....	277	7026715.....	161		
70021981.....	93	70024306.....	99	7026716.....	161		
		70024307.....	99	7026717.....	161		
		70025606.....	277	7026718.....	161		

PART NUMBER INDEX

7026901	193	7029850 ...	127, 129, 131, 133, 135, 137	77383118.....	151, 163	80363099.....	199, 202
7026902	193	7029851 ...	127, 129, 131, 133, 135, 137	77383154.....	115, 117	80363102.....	203
7026904	193	7029852 ...	127, 129, 131, 133, 135, 137	77383377... ..	104, 289, 337	80363103.....	202, 203
7026905	193	7029853	190	77383540.....	197	80363104.....	203
7026906	193	7029854	190	77383567.....	104, 289	80363106.....	197
7026909	303, 307	7029855	190	77383790.....	115, 117	80363195.....	11
7026910	298	7029859	191	77383791.....	117	80363208.....	197
7026911	175, 336	7029860	191	77384578.....	187, 337	8036394.....	249
7026932	255	7029877	295	80003294.....	221	80364001.....	191
7026933	255	7029878	295	8006013.....	107, 336	80364009.....	190, 191
7026938	253	7029894	107, 336	80204005.. ..	153, 157, 165, 169	80364011.....	190
7027254	121	7029895	107	80204007.....	153, 165	80364023.....	190
7027255	121	7029900	107	80204012.....	153, 165	80364030.....	190
7027270	147	7029901	107, 336	80204016.....	153, 165	80364037.....	190
7027271	147	7029902	107, 336	80204025.....	155, 167	80364079.....	191
7027272	147	7029915	269	80204026.....	155, 167	80365027.....	197
7027273	147	7029916	269	80204030.....	167	8036528.....	141, 143
7028645	298	7029917	269	80204031.....	167	8036529.....	141
7028657	107, 337	7029968	257	80204033.....	155, 167	8036654.....	190
7028666	107	7029995	271	80204035.....	155, 167	8036733.....	97
7028680	107	7029996	88	80204043.....	155, 167	8036847.....	125
7028681	107	7029997	88	80204044.....	155, 167	80383134.....	111
7028716	157, 169	70363229	313, 315	80204047.....	155, 167	80383231.....	197
7028718	157, 169	7057141	111	80204048.....	155, 167	80384184.....	191
7028733	158, 170	7062922	81	80204049.....	155, 167	80384187.....	191
7028939	190	7110702	81	80204050.....	155, 167	80384189.....	191
7029127	153, 165	7110712	81	80204051.....	155, 167	80384191.....	191
7029290	153, 165	7110722	81	80204052.....	155, 167	80384192.....	191
7029291	153, 165	7112642	79	80204060.....	161	80384203.....	190
7029293	153	7114941	79	80204065.....	169	80384205.....	190
7029300	157, 169	7139918	97	80204071.....	157, 169	80384207.....	190
7029302	153, 165	71492150	197	80204076.....	157, 169	80384213.....	191
7029303	153, 165	71492152	197	80204108.....	161	80384218.....	190
7029304	153, 165	71492159	197	80204108.....	161	80464006.....	289
7029305	153, 165	72088049	61, 63	80204115.....	161	80484081.....	298, 307
7029306	153, 165	7300364	11	80204116.....	161	80484084.....	298, 307
7029307	153, 165	7301295	97	80204117.. ..	153, 161, 165, 173	80484085.....	298, 307
7029309	157	7301408	97	80204121.....	161	80484086.....	298, 307
7029310	157, 169	7301568	97	80204123.....	161	80484088.....	195
7029312	157, 169	7301569	97	80204131.....	161	80604016.....	307
7029313	157, 169	7301579	97	80204143.....	153, 165	80604018 ..	295, 298, 307, 309, 311, 313, 315
7029314	157	7302178	333	80204144.....	153, 165	80604025 ..	301, 303, 307, 309
7029317	157	77101143	151, 163	80204166.....	161	8065062.....	81
7029520	85	77133052	229	80204281.....	161, 173	8065640 ...	151, 163, 253, 255
7029521	85	77133053	229	80214120.....	157, 169	80683013.....	104
7029532	131, 133	77133089	267	80241137.....	12	80903011.....	225, 236
7029533	131, 133	77133136	235	80264031.....	190	80933070.....	111
7029692	77, 93	77133137 ..	197, 233, 235	80264066.....	191	80933113.....	233
7029703	88	77133279	197	80264112.....	190	80933140.....	235
7029714	93	77133306	235	80304227.....	135	80963050.....	291
7029732	170	77133390	235	80304394.. ..	125, 139, 145, 147	80963056.....	323
7029733	170	77143003	207	80304405.....	123	80963057 ..	298, 305, 307
7029734	161, 173	77143006	289	80333162.....	151, 163	80963058.....	186, 323
7029735	161, 173	77143015	261	8033786.....	279	80963061.....	298
7029746	158, 170	77173014	117	8033789.....	279	80963062.....	305, 311
7029747	158, 170	77323029	199	8035461.....	191	80963063.....	307
7029755	298	77363228 ..	195, 298, 303, 321	8035536.....	279	80963064.....	305
7029760	257, 275	77363229 ..	295, 298, 301, 303	8035722.....	191	80963065 ..	298, 305, 307, 323
7029782	107, 337	77363242	295	8035830.....	279	80963067 ..	298, 305, 307, 323
7029814	257	77363345	298, 321	8035862.....	279	80963068 ..	298, 305, 307
7029815	257	77363346	321	8035863.....	279	80963069 ..	187, 305, 323
7029816	257	77363347	295, 298	8036131.....	279	80963070 ..	305, 307, 311
7029817	257	77363349 ..	295, 298, 321	80363034.....	185		
7029849 ...	127, 129, 131, 133, 135, 137			80363067.....	197		
				80363069.....	197		

PART NUMBER INDEX

80963101.....187	86881276..... 61, 63	90554021..... 88	91141303.. 45, 47, 53, 55,
80964001.....197	86883106..... 104	90554025..... 88	61, 63, 336
80964051..... 191, 337	86883327..... 115, 117	90554026..... 88	91143122..... 104
80964070.....291	86921268..... 38, 49, 51	90554027..... 88	91143220..... 11
8096D097.....291	8769132..... 81	90554035..... 88	91143357.....287, 337
82033995.....197	8769139..... 233	90554038..... 88	91144004.....257, 337
82033997.....187	8769154..... 235	90554039..... 88	91144190.....213
8205655.....279	8770016..... 81	90554040..... 88	91144478.....191
8270621.....287, 337	8770258..... 215	90554042..... 77, 88	91153050.....178
8273029.....115	8780047..... 178, 181	90554043..... 88	91161167.....33, 35
8273257.....115	8786514..... 178, 181	90554044..... 88	91161168.....45, 47
8273291.....117	88201040..... 257	90554045.... 88, 271, 273	91161169.....53, 55
8303626.....79	88212287..... 25, 29	90554046..... 271	91161170.....45, 47, 53
8303634.....81, 97	88302192..... 109	90554054..... 77	91161171.....33
8303658.....97	8841322..... 145	90554056..... 88	91161172.....236
8303715.....81	88501008..... 205, 207	90554057..... 88	91161180.....57, 59
8303799.....12	88501012..... 12	90554058..... 88	91161183..33, 35, 45, 47,
8305012.....79	88501016..... 12	90554059..... 88	336
8305038.....119	88501312..... 37, 57	90554060..... 88	91161184..33, 35, 45, 47,
8305624.....97, 287	88501314. 25, 37, 41, 49,	90554061..... 89	53, 55, 61, 336
8305643.....81, 97	57, 59	90554062..... 77, 89, 93	91161211.....25
8305644.....79	88501412..... 37, 57	90554063..... 89	91161212.....37
8305645.....333	88501414. 25, 37, 41, 49,	90554064..... 89	91161213.....25, 41
8307007.....79	57, 59	90554065..... 89	91161214.....37
8307024.....12	88521012..... 25, 29	90554067..... 88	91161218.....25, 37
8307112.....79	88521205..... 15	90554069..... 88	91161221..45, 47, 53, 55,
8307904.....81	88521208..... 253, 255	90554070..... 88	61
8307918.....81	88521306..... 235	90554071..... 88	91161222.....45, 47
8310067.....81	88521408..... 235	90554072..... 89	91161248..45, 47, 53, 55,
8310160.....81	88551013..... 19, 21	90554073..... 88	61, 63
8310161.....81	88581112. 25, 37, 38, 41,	90554076..... 77, 89, 93	91161266.....37
8310302.....97	49, 57, 59	90554077..... 89	91161267.....49, 51
8310308.....65	88581115. 29, 41, 42, 51,	90554080..... 85	91161274.....61, 63
8310435.....97	59	91014066..... 257	91161277...53, 55, 61, 63
83191010.....15	88581157..... 249	91031236. 33, 35, 45, 47,	91161278.....45, 47
83201120.....19	88591204..... 257	53, 55, 61, 63, 336	91163028.....330
83201147.....12	88662019..... 269	91033137..... 111	91163035.....119
8342813.....11, 109, 337	88662065..... 269	91033186. 33, 35, 45, 47,	91163036.....38, 49, 57
83481285..298, 301, 303,	88662523..... 11	53, 55, 336	91163037.....49, 336
321	88662538..... 261	91033187..... 57, 59, 235	91163087.....186
83481286..298, 301, 303,	88662539..... 261	91033189. 33, 35, 45, 47,	91163100.....186
321	8866514..... 12	53, 55, 336	91163129... 111, 115, 117
83683085.....187	8866530..... 12	91033317..... 187	91163161.....41
83683308.....111	88671001. 17, 25, 29, 37,	91033425..... 186	91163162.....37
8405007..... 104, 197	41, 49, 51, 73, 151,	91034107..... 257	91163163.....25, 37
8405502.....247	163, 236, 253, 255	91034118..... 257	91163186..45, 47, 53, 55,
8406105.....291	88671018..... 61, 63	91041449..37, 41, 49, 51	61, 63, 336
8420053.....73, 81, 97	88671027. 45, 47, 53, 55,	91041450..... 37, 49	91163187..33, 35, 45, 47,
8420055.....73, 81, 97	61, 63	91041451..37, 41, 49, 51	336
8420231.....109	88681344..... 37, 57	91041596..... 37, 49	91163188..45, 47, 53, 55,
84231107.....197	88691387..... 187, 197	91043084..... 177	61, 63, 336
8430048.....197	88711283..... 109	91043125..... 239	91163204.....37, 49, 51
84521056.....111	90022230..... 275	91043126..... 239	91163214.....45, 47, 336
84711427.....221	90027473..... 12	91044080..... 257, 275	91163245.....257
8522012....25, 29, 37, 38,	90027475..... 151, 163	91044542..... 187	91163246.....257
41, 42, 49, 51, 57, 59	90028660..... 197, 199	91081313..... 17	91164083.....257
8540218.....197	90200003.. 69, 73, 81, 97	91081640..... 289	91164094.....190
8580315.....81	90200602..... 19, 21	91083106..... 233	91164107.....257
8584001.....81	90200755..... 111, 186	91083217..... 235, 236	91165022.....37, 49
85941016.....291	90205870. 33, 35, 45, 47,	91083385..... 177, 181	91166039.....57, 59
8630003.....97	53, 55, 61, 63, 336	91083483..... 289, 337	91166065.....61, 63
8640028.....97	90206198..... 186	91121082..... 45, 47, 336	91334024.....190
8640029.....97	90451058..... 97	91123126..... 213	91334032.....191
8640032.....97	90554016..... 77, 93	91140001..... 11	91334034.....190
8642207.....81	90554017..... 93	91141301..... 25, 29	91334035.....190
86683193.....197	90554018..... 93	91141302. 45, 47, 53, 55,	91343031.....291
86881273.....61, 63	90554020..... 77, 88	61, 63, 336	91343235.....257

PART NUMBER INDEX

91344018	191	91404322	191	91513176..29, 41, 42, 51,		91514197	263
91344046	190	91404323	191	59		91514198	263
91344053	291	91404324	191	91513180.....	215	91514199	263
91355034	177	91404439	202	91513194.....	11	91514264.....	202
91355035	177	91413036	185, 197	91513197.....	111	91514265.....	202
91355037	177	91413052	291	91513208.....	330	91514266.....	202
91355038	177	91413053	185, 197	91513209.....	330	91514268.....	203
91361045	45, 47	91413061	330	91513210.....	333	91514269.....	203
91361046	45, 47	91413122 .25, 37, 38, 41,		91513215.....	111, 199	91514270.....	202
91361047	53, 55	49, 57, 59		91513266.....	15	91514272.....	202
91363203	235	91413129	37, 57	91514082.....	157, 169	91514295.....	202
91363215	178	91415072	177	91514087.....	170	91514296.....	202
91364023	115	91473027	175	91514090.....	153, 165	91543002.....	178
91365076	177	91473028	175	91514095.....	157, 169	91545008.....	177
91401189 .. 37, 41, 49, 51		91473108	111	91514098.....	153, 165	91545010.....	177
91401198	109, 186	91473119	119	91514099..153, 157, 165,		91553072.....	333
91401281	289	91473126	15	169		91554014.....	303
91401443	186	91473127	195	91514111.....	157, 169	91554017.....	309
91401487	15	91473151	175	91514113.....	157, 169	91554019.....	295
91401516	185	91473206	178	91514114.....	157, 169	91554022.....	298, 321
91401590	185	91473210	330	91514115.....	157, 169	91554023.....	303, 321
91403097	12	91474035	175, 336	91514118.....	15	91561090.....	29
91403098	12	91474402	269	91514123..155, 157, 167,		91561095.....	41
91403119	41, 51	91474407	269	169		91561107.....	29, 41
91403158	261	91474434	263	91514125.....	155	91561108.....	55
91403193	15, 337	91474435	263	91514126.....	155	91561136.....	111
91403230	186	91474438	263	91514127.....	155	91561146.....	115, 117
91403280	197	91474439	263	91514128.....	155	91561148.....	111
91403324	186	91474440	263	91514129.....	155	91561150.....	186
91403413 73, 81, 97, 239		91474441	263	91514130.....	155, 167	91561155.....	261
91403414	73, 81, 97	91474442	263	91514131.....	155, 167	91561156.....	25, 29
91403489	119	91474443	263	91514132.....	155	91561175.....	12
91403503 .. 205, 207, 291		91474446	263	91514136.....	155	91561192.....	185, 217
91403528	229	91474447	263	91514137.....	155	91561200.....	185
91403539	186, 197	91474450	263	91514138.....	155	91561236.....	111
91403579	261	91474451	263	91514139.....	155	91561240.....	105
91403596	197	91474452	263	91514140.....	155	91561241.....	105
91403608	187	91474453	263	91514141.....	155	91561242.....	11
91404109	190	91474454	263	91514142.....	155, 167	91561246.....	11
91404110	190	91474455	263	91514143.....	155	91561250.....	29
91404290	190	91474456	263	91514144.....	155	91561262.....	11
91404291	190	91474458	263	91514146.....	157, 169	91561297.....	11
91404294	190	91474459	263	91514147.....	157, 169	91563008.....	121
91404295	190	91474460	263	91514148.....	157, 169	91563021.....	51
91404296	190	91474465	195	91514149.....	157, 169	91563024.....	41
91404297	190	91474468	298	91514151.....	161	91563025.....	41, 51
91404298	190	91474469	298	91514154.....	173	91563026.....	41, 51
91404299	190	91474492	191	91514155.....	173	91563030.....	41, 51
91404301	190	91474512	153, 165	91514159.....	173	91563032.....	63
91404302	190, 191	91476031	215	91514160.....	173	91563035 .42, 51, 59, 336	
91404303	190	91503097	330	91514161.....	161, 173	91563036.....	51, 336
91404305	190	91503098	330	91514165.....	173	91563039.....	111
91404306	190	91503099	330	91514174.....	157, 169	91563040.....	111
91404307	190	91503105	195	91514175.....	157, 169	91563046.....	243, 245
91404308	190	91503106	195	91514176.....	157	91563061.....	12
91404309	191	91503108	330	91514177.....	157, 169	91563062.....	12
91404310	191	91503109	330	91514178.....	157, 169	91563070.....	111
91404311	191	91503110	330	91514179.....	157, 169	91563075.....	185
91404312	191	91504089	307	91514180.....	157, 169	91563079.....	115, 117
91404313	191	91504098	321	91514181.....	157, 169	91563089.....	119
91404315	191	91504100	301	91514184.....	157, 169	91563091.....	104
91404316	191	91504109	298	91514185.....	157, 169	91563116.....	119
91404317	191	91511094	45, 47, 336	91514186.....	157, 170	91563121.....	104
91404318	191	91511105	151, 163	91514188..153, 157, 165,		91563126.....	117
91404319	191	91511145	215	170		91563131.....	117
91404320	191	91513125	213	91514189.....	157, 169	91563136.....	261, 337
91404321	191			91514193.....	167	91563145.....	289

PART NUMBER INDEX

91563155.....	11	91563247	323	91565062	119	91566050.....	17
91563157.....	333	91563248	261, 337	91565067	15	91566051.....	17
91563158.....	193	91563250	178, 181	91565069	330, 333	91566062.....	15
91563163.....	115, 117	91563257	202	91565070	331	91566063.....	15
91563197.....	17	91563282	151	91565071	331	91566070.....	105, 289
91563198.....	17	91564003	88, 89	91565081	15	91569007.....	11
91563199.....	17	91565004	51	91565086	11, 19	91569008.....	330, 333
91563208.....	185, 213	91565005	41, 51	91565088	331	91569010.....	330, 333
91563209.....	175	91565018	117	91565092	331	91575012.....	115
91563213.....	105	91565028	177, 181	91565094	85	91575013.....	115
91563219.....	29, 41	91565029	177, 181	91566001	12	91576006.....	37
91563220.....	330	91565038	177, 181	91566007	41	91576007.....	49
91563226.....	213, 336	91565039	177, 181	91566027	11	91579010.....	330, 333
91563227.....	330	91565040	177, 181	91566028	104	9984243.....	26, 30
91563246.....	330	91565041	177, 181	91566030	151, 163	N.S.S.	69, 97, 193



31200454



An Oshkosh Corporation Company

Corporate Office
JLG Industries, Inc.
1 JLG Drive
McConnellsburg, PA 17233-9533
USA

+1-717-485-5161 (Corporate)
+1-877-554-5438 (Customer Support Toll Free)
+1-717-485-6417

JLG Worldwide Locations

JLG Industries
358 Park Road
Regents Park
NSW 2143
Sydney 2143
Australia
+6 (12) 87186300
+6 (12) 65813058
Email: techservicesaus@jlg.com

JLG Ground Support Oude
Bunders 1034
Breitwaterstraat 12A
3630 Maasmechelen
Belgium
+32 (0)89 84 82 26
Email: emeaservice@jlg.com

JLG Latino Americana LTDA
Rua Antonia Martins Luiz, 580
Distrito Industrial Joao Narezzi
Indaiatuba-SP 13347-404
Brasil
+55 (19) 3936 7664 (Parts)
+55 (19) 3936 9049 (Service)
Email: comercialpecas@jlg.com
Email: servicios@jlg.com

Oshkosh-JLG (Tianjin)
Equipment Technology LTD
Shanghai Branch
No 465 Xiao Nan Road
Feng Xian District
Shanghai 201204
China
+86 (21) 800 819 0050
Email: servicios@jlg.com

JLG Industries Dubai
Jafza View
PO Box 262728, LB 19
20th Floor, Office 05
Jebel Ali, Dubai
+971 (0) 4 884 1131
+971 (0) 4 884 7683
Email: emeaservice@jlg.com

JLG France SAS
Z.I. Guillaume Mon Army
30204 Fauillet
47400 Tonniens
France
+33 (0) 553 84 85 86
+33 (0) 553 84 85 74
Email: pieces@jlg.com

JLG Deutschland GmbH
Max Planck Str. 21
27721 Ritterhude-Ihlpohl
Germany
+49 (0) 421 69350-0
+49 (0) 421 69350-45
Email: german-parts@jlg.com

JLG Equipment Services Ltd.
Rm 1107 Landmark North
39 Lung Sum Avenue
Sheung Shui N. T.
Hong Kong
+(852) 2639 5783
+(852) 2639 5797

JLG Industries (Italia) S. R. L.
Via Po, 22
IT-20010 Pregnana Milanese (MI)
Italy
+39 (0) 2 9359 5210
+39 (0) 2 9359 5211
Email: ricambi@jlg.com

JLG EMEA B.V.
Polaris Avenue 63
2132 JH Hoofddorp
The Netherlands
+31 (0) 23 565 5665
Email: emeaservice@jlg.com

JLG NZ Access Equipment & Services
2B Fisher Crescent
Mt Wellington 1060
Auckland, New Zealand
+6 (12) 87186300
+6 (12) 65813058
Email: techservicesaus@jlg.com

JLG Industries
Vahutinskoe shosse 24b
Khimki,
Moscow Region 141400
Russia Federation
+7 (499) 922 06 99
+7 (499) 922 06 99

Oshkosh-JLG Singapore
Technology Equipment P te Ltd.
35 Tuas Avenue 2
Jurong Industrial Estate
Singapore 639454
+65 6591 9030
+65 6591 9045
Email: SEA@jlg.com

JLG Iberica S. L.
Trapadella, 2
Pol. Ind. Castellbisbal Sur
08755 Castellbisbal
Barcelona
Spain
+34 (0) 93 772 47 00
+34 (0) 93 77 117 62
Email: parts_iberica@jlg.com

JLG Sverige AB
Enkopingsvagen 150
17627 Jarfalla
Sweden
+46 (0) 8 506 595 00
+46 (0) 8 506 595 27
Email: nordicsupport@jlg.com

JLG Industries (UK) Ltd.
Bentley House
Bentley Avenue
Middleton, Greater Manchester
M24 2GP
United Kingdom
+44 (0) 161 654 1000
+44 (0) 161 654 1003
Email: ukparts@jlg.com

www.jlg.com