



Illustrated Parts Manual

Models

***L2906H, 2906H,
3507H, 619A,
723A***

Agrovector

29.6LP, 29.6, 35.7

Prior to SN 1160007966

31200566

Revised
September 14, 2017



EFFECTIVITY PAGE

April 22, 2009 - A - Original Release of Manual
September 22, 2010 - B - Revised Manual; Added Models 29.6LP, 29.6 & 35.7
October 21, 2011 - C - Revised Manual
November 30, 2011 - D - Revised Manual
June 8, 2012 - E - Revised Manual
February 8, 2013 - F - Revised Manual
May 6, 2013 - G - Revised Manual
August 1, 2013 - H - Revised Manual
January 10, 2014 - I - Revised Manual
February 17, 2014 - J - Revised Manual
December 19, 2014 - K - Revised Manual
January 25, 2016 - L - Revised Manual
October 26, 2016 - M - Revised Manual
June 5, 2017 - N - Revised Manual
September 14, 2017 - O - Revised Manual

TABLE OF CONTENTS

SECTION 1 - FRAME AND ATTACHING PARTS.....	9
FIGURE 1-1. FRAME SHROUDING AND TRIM	10
FIGURE 1-2. ENGINE COVER INSTALLATION AND ENGINE POD INSULATION	16
FIGURE 1-3. AXLE AND FENDER INSTALLATION	18
FIGURE 1-4. DRAW BAR COUPLING L2906H, 2906H, 3507H, 29.6LP, 29.6 & 35.7	22
FIGURE 1-5. PIN HITCH - CUNA C AND CUNA D2	24
FIGURE 1-6. EEC AUTO, EEC MANUAL AND EEC AUTO PITON-FRAME SWIVEL HITCH.....	26
FIGURE 1-7. HYDRAULIC HITCH	28
FIGURE 1-8. PINTLE HITCH	30
SECTION 2 - BOOM.....	33
FIGURE 2-1. BOOM INSTALLATION.....	34
FIGURE 2-2. BOOM ASSEMBLY - PADS AND SHIMS	38
FIGURE 2-3. QUICK ATTACH	42
FIGURE 2-4. JD QUICK ATTACH L2906H, 2906H, 3507H, 29.6LP, 29.6 & 35.7	44
SECTION 3 - ATTACHMENTS	47
FIGURE 3-1. CARRIAGE ASSEMBLY	48
FIGURE 3-2. SIDE SHIFT CARRIAGE.....	50
FIGURE 3-3. SIDE TILT CARRIAGE 619A & 723A.....	52
FIGURE 3-4. SIDE TILT CARRIAGE 619A & 723A.....	54
FIGURE 3-5. FORK POSITION/ SIDE SHIFT CARRIAGE L2906H, 3507H, 29.6LP, 35.7 & 723A.....	56
FIGURE 3-6. FORKS AND FORK EXTENSIONS	60
FIGURE 3-7. TRUSS BOOMS L2906H, 2906H, 3507H, 29.6LP, 29.6 & 35.7	62
FIGURE 3-8. BUCKETS	64
FIGURE 3-9. MULTI-PURPOSE BUCKETS.....	66
FIGURE 3-10. MANURE BUCKET	68
FIGURE 3-11. FORK MOUNTED HOOK	70
FIGURE 3-12. CONCRETE LADLE L2906H, 2906H, 3507H, 29.6LP, 29.6 & 35.7	74
FIGURE 3-13. ROUND FORK TINE	76
FIGURE 3-14. BALE HANDLER.....	78
FIGURE 3-15. UNIVERSAL HITCH ATTACH 619A & 723A	80
FIGURE 3-16. FORK MOUNTED PLATFORM 619A & 723A	82
FIGURE 3-17. CARRIAGE, CRANE HOOK L2906H, 2906H, 3507H.....	84
FIGURE 3-18. CARRIAGE, JIB	86
SECTION 4 - ENGINE AND ATTACHING PARTS	89
FIGURE 4-1. ENGINE INSTALLATION.....	90
FIGURE 4-2. DEUTZ ENGINE	94
FIGURE 4-3. DEUTZ ENGINE, (LRC).....	96
FIGURE 4-4. FUEL TANK AND LINES	98
FIGURE 4-5. RADIATOR INSTALLATION	100
FIGURE 4-6. AIR CLEANER INSTALLATION.....	104
FIGURE 4-7. EXHAUST INSTALLATION.....	106
SECTION 5 - DRIVE TRAIN	109
FIGURE 5-1. FRONT AXLE	110
FIGURE 5-2. FRONT AXLE - HOUSING L2906, 2906H, 619A, 29.6LP & 29.6	112
FIGURE 5-3. FRONT AXLE - HOUSING 3507H, 723A & 35.7	114
FIGURE 5-4. FRONT AXLE - HOUSING AND STEERING CYLINDER.....	116
FIGURE 5-5. FRONT AXLE - BEVEL GEAR SET.....	118
FIGURE 5-6. FRONT AXLE - DIFFERENTIAL.....	120
FIGURE 5-7. FRONT AXLE - DOUBLE U-JOINT.....	122
FIGURE 5-8. FRONT AXLE - BRAKES.....	124
FIGURE 5-9. FRONT AXLE - WHEEL HUB AND FINAL REDUCTION L2906, 2906H, 619A, 29.6LP & 29.6.....	126
FIGURE 5-10. FRONT AXLE - WHEEL HUB AND FINAL REDUCTION 3507H, 723A & 35.7	128
FIGURE 5-11. FRONT AXLE - TRANSMISSION HOUSING	130
FIGURE 5-12. FRONT AXLE - LOWER AND UPPER SHAFT.....	132
FIGURE 5-13. REAR AXLE.....	134
FIGURE 5-14. REAR AXLE HOUSING	136
FIGURE 5-15. REAR AXLE - STEERING COMPONENTS.....	138

TABLE OF CONTENTS

FIGURE 5-16. REAR AXLE - BEVEL GEAR SET	140
FIGURE 5-17. REAR AXLE - DIFFERENTIAL L2906H, 2906H, 619A, 29.6LP & 29.6	142
FIGURE 5-18. REAR AXLE - DIFFERENTIAL 3507H, 723A & 35.7	144
FIGURE 5-19. REAR AXLE - DOUBLE U-JOINT	146
FIGURE 5-20. REAR AXLE - WHEEL HUB AND FINAL REDUCTION L2906H, 2906H, 619A, 29.6LP & 29.6	148
FIGURE 5-21. REAR AXLE - WHEEL HUB AND FINAL REDUCTION 3507H, 723A & 35.7	150
FIGURE 5-22. DRIVE SHAFT ASSEMBLY	152
FIGURE 5-23. TIRES AND WHEEL INSTALLATION	154
 SECTION 6 - CAB	 157
FIGURE 6-1. CAB INSTALLATION (Prior to SN 1160005989, Excluding 1160005189, 1160005314 and 1160005414)	158
FIGURE 6-2. CAB INSTALLATION (SN 1160005989 to Present, Including 1160005189, 1160005314 and 1160005414)	162
FIGURE 6-3. CAB COMMON ASSEMBLY	166
FIGURE 6-4. INTERIOR INSTALLATION	170
FIGURE 6-5. CAB DOOR AND WINDOW INSTALLATION	174
FIGURE 6-6. WIPER INSTALLATIONS	178
FIGURE 6-7. SEAT ASSEMBLIES	180
FIGURE 6-8. HEATER INSTALLATION (Prior to SN 1160005989, Excluding 1160005189, 1160005314 and 1160005414)	184
FIGURE 6-9. HEATER INSTALLATION (SN 1160005989 to Present, Including 1160005189, 1160005314 and 1160005414)	186
FIGURE 6-10. HEAT AND A/C INSTALLATION (Prior to SN 1160005989, Excluding 1160005189, 1160005314 and 1160005414)	188
FIGURE 6-11. HEAT AND A/C INSTALLATION (SN 1160005989 to Present, Including 1160005189, 1160005314 and 1160005414)	194
FIGURE 6-12. FRONT CAB GLASS SHIELD	200
FIGURE 6-13. GREASE GUN TOOL KIT INSTALLATION 619A & 723A	202
FIGURE 6-14. OIL TEMP GAUGE INSTALLATION AND FIRE EXTINGUISHER INSTALLATION 723A	204
FIGURE 6-15. RADIO PREP INSTALLATION	206
 SECTION 7 - CONTROLS	 209
FIGURE 7-1. JOYSTICK	210
FIGURE 7-2. STEERING COLUMN	212
FIGURE 7-3. THROTTLE ASSEMBLY	214
FIGURE 7-4. BRAKE PEDAL COMPONENTS	216
 SECTION 8 - HYDRAULIC CIRCUITS	 219
FIGURE 8-1. SUPPLY CIRCUIT	220
FIGURE 8-2. DUMP CIRCUIT	224
FIGURE 8-3. ORBITAL STEERING AND STEERING SELECT CIRCUIT	228
FIGURE 8-4. SERVICE AND PARK BRAKE CIRCUIT	230
FIGURE 8-5. LIFT CYLINDER CIRCUIT	232
FIGURE 8-6. EXTEND/RETRACT CYLINDER CIRCUIT	234
FIGURE 8-7. TILT AND TILT COMPENSATION CYLINDER CIRCUIT	236
FIGURE 8-8. AUXILIARY HYDRAULIC CIRCUIT	238
FIGURE 8-9. REAR AUXILIARY HYDRAULIC INSTALLATION	242
FIGURE 8-10. TRAILER BRAKES L2906H, 2906H & 3507H (Prior to SN 1160005189)	244
FIGURE 8-11. TRAILER BRAKES 2906H & 3507H (SN 1160005189 through 1160006365)	246
FIGURE 8-12. TRAILER BRAKES L2906H, 2906H & 3507H (SN 1160006366 to Present)	248
 SECTION 9 - HYDRAULIC COMPONENTS	 251
FIGURE 9-1. LIFT CYLINDER	252
FIGURE 9-2. EXTEND/RETRACT CYLINDER	254
FIGURE 9-3. TILT CYLINDER	256
FIGURE 9-4. TILT COMPENSATION CYLINDER	258
FIGURE 9-5. FORK LOCKING CYLINDER	260
FIGURE 9-6. FORK SIDE SHIFT CYLINDER	262
FIGURE 9-7. FORK SIDE TILT CYLINDER 619A & 723A	264
FIGURE 9-8. MAIN CONTROL VALVE	266
FIGURE 9-9. SERVICE BRAKE VALVE	270
FIGURE 9-10. BOOM AUXILIARY DIVERTER VALVES	272
FIGURE 9-11. REAR ELECTRIC AUXILIARY DIVERTER VALVE	274
FIGURE 9-12. BRAKE VALVES	276
FIGURE 9-13. STEERING SELECT VALVE	278
FIGURE 9-14. HYDROSTATIC TRANSMISSION	280

TABLE OF CONTENTS

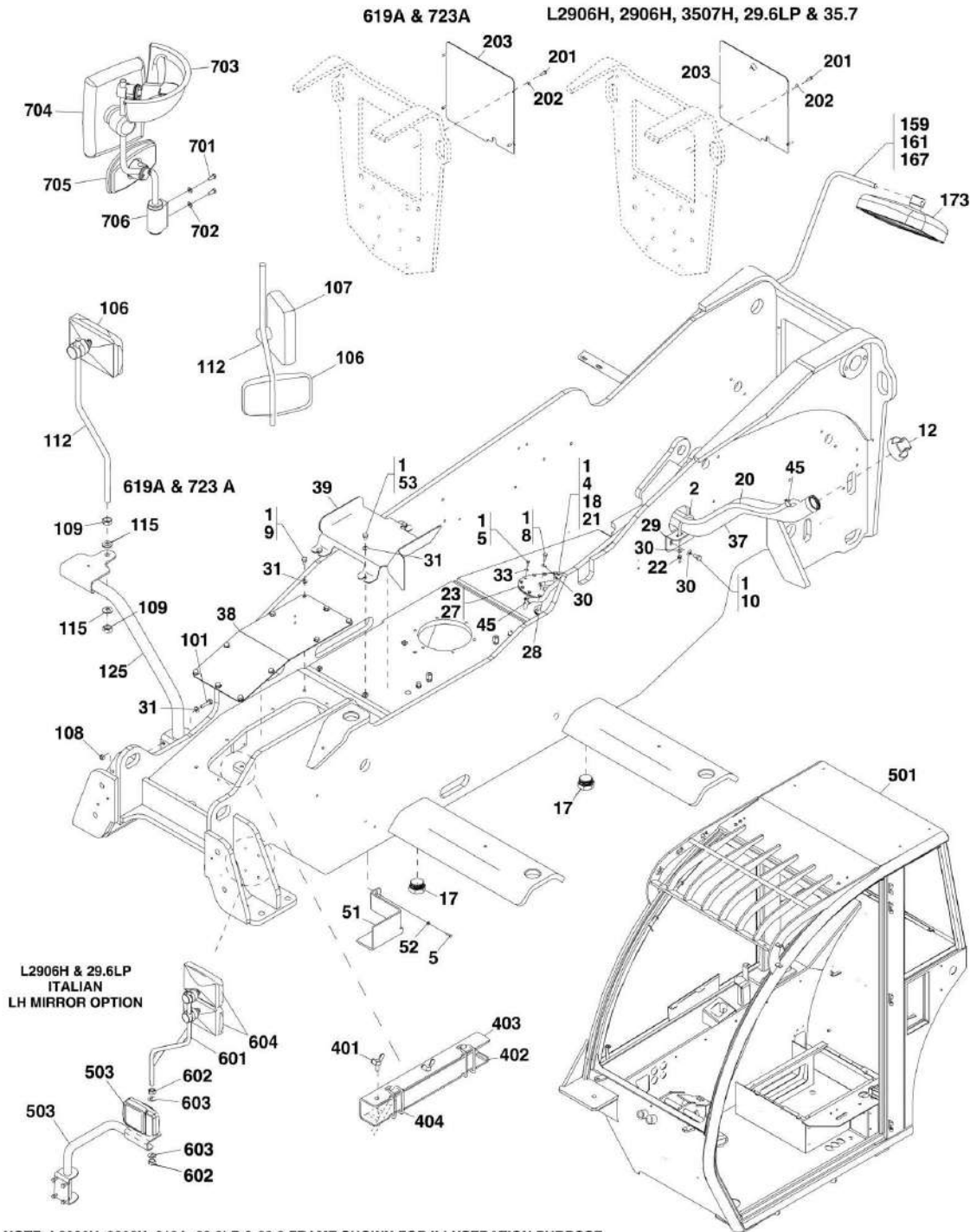
FIGURE 9-15. HYDRAULIC DRIVE MOTOR	282
FIGURE 9-16. PISTON PUMP AND GEAR PUMP	284
FIGURE 9-17. HYDRAULIC TANK.....	286
SECTION 10 - ELECTRICAL	289
FIGURE 10-1. ENGINE ELECTRICAL INSTALLATION.....	290
FIGURE 10-2. CAB ELECTRICAL INSTALLATION	292
FIGURE 10-3. BOOM AND FRAME ELECTRICAL INSTALLATION.....	296
FIGURE 10-4. CAB SWITCHES L2906H, 2906H, 3507H, 29.6LP, 29.6 & 35.7.....	300
FIGURE 10-5. CAB SWITCHES 619A & 723A.....	302
FIGURE 10-6. WORK LIGHT INSTALLATIONS	304
FIGURE 10-7. DRIVING LIGHT INSTALLATIONS AND LICENSE PLATE LIGHT INSTALLATION L2906H, 2906H, 3507H, 29.6LP, 29.6 & 35.7	306
FIGURE 10-8. ENGINE HARNESS	310
FIGURE 10-9. POWER/GROUND HARNESS	312
FIGURE 10-10. CAB MAIN HARNESS (Prior to SN 1160005989, Excluding 1160005189, 1160005314 and 1160005414).....	314
FIGURE 10-11. CAB MAIN HARNESS (SN 1160005993 to Present, Including 1160005189, 1160005314 and 1160005414) ...	318
FIGURE 10-12. CAB ROOF HARNESS	322
FIGURE 10-13. BOOM AUXILIARY ELECTRIC HARNESS	324
FIGURE 10-14. BOOM LIGHT HARNESS	326
FIGURE 10-15. FRONT FRAME HARNESS.....	328
FIGURE 10-16. REAR FRAME HARNESS (Prior to SN 1160005989, Excluding 1160005189, 1160005314 and 1160005414). ...	330
FIGURE 10-17. REAR FRAME HARNESS (SN 1160005989 to Present, Including 1160005189, 1160005314 and 1160005414)	332
FIGURE 10-18. LIGHT SHIFTER HARNESS 619A & 723A.....	334
FIGURE 10-19. OIL TEMPERATURE HARNESS 723A.....	336
FIGURE 10-20. SEAT SWITCH WIRE	338
SECTION 11 - DECALS.....	341
FIGURE 11-1. DECALS AND LOAD CHARTS L2906H, 2906H, 3507H, 619A & 723A	342
FIGURE 11-2. DECALS AND LOAD CHARTS 29.6LP, 29.6 & 35.7	348
SECTION 12 - RECOMMENDED SPARE PARTS	353
FIGURE 12-1. RECOMMENDED SPARE PARTS	354
PART NUMBER INDEX	357

SECTION 1 - FRAME AND ATTACHING PARTS

SECTION 1 - FRAME AND ATTACHING PARTS

SECTION 1 - FRAME AND ATTACHING PARTS

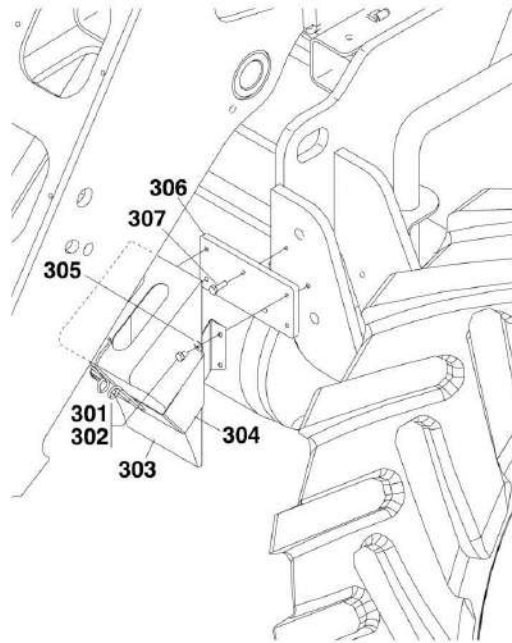
FIGURE 1-1. FRAME SHROUDING AND TRIM



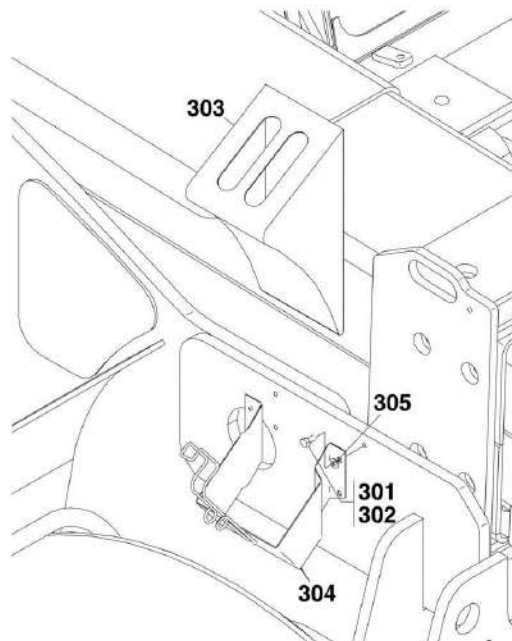
ART_31200566-1-1_1

SECTION 1 - FRAME AND ATTACHING PARTS

L2906H & 2906H



3507H



PAP4800

SECTION 1 - FRAME AND ATTACHING PARTS

FIGURE 1-1. FRAME SHROUDING AND TRIM

ITEM	PART NUMBER	QTY	DESCRIPTION	REV
1	1001095650	AR	LOCTITE 243	
2		Ref	METRIC BOLT, (See ENGINE AND ATTACHING PARTS SECTION for Breakdown)	
4		Ref	HEX HD CAPSCREW, M4X20, GR8.8, (See ENGINE AND ATTACHING PARTS SECTION for Breakdown)	
5		Ref	HEX HD CAPSCREW, M6X16, GR8.8, (See ENGINE AND ATTACHING PARTS SECTION for Breakdown)	
8		Ref	HEX HD CAPSCREW, M8X20, GR8.8, (See ENGINE AND ATTACHING PARTS SECTION for Breakdown)	
9	0761007	10	HEX HD CAPSCREW, M10X14, GR8.8, (L2906H, 2906H, 619A, 29.6LP & 29.6)	
9	0761007	9	HEX HD CAPSCREW, M10X14, GR8.8, (3507H, 723A & 35.7)	
10		Ref	HEX HD CAPSCREW, M12X30, GR8.8, (See ENGINE AND ATTACHING PARTS SECTION for Breakdown)	
12		Ref	FUEL CAP, (See ENGINE AND ATTACHING PARTS SECTION for Breakdown)	
17	2171948	2	PLUG	
18		Ref	FUEL LEVEL GAUGE, (See ENGINE AND ATTACHING PARTS SECTION for Breakdown)	
20		Ref	FUEL VENT HOSE, (See ENGINE AND ATTACHING PARTS SECTION for Breakdown)	
21		Ref	HEX LOCKNUT, M4X0.7, (See ENGINE AND ATTACHING PARTS SECTION for Breakdown)	
22		Ref	HEX LOCKNUT, M8X1.25, (See ENGINE AND ATTACHING PARTS SECTION for Breakdown)	
23	3380577	1	FUEL TANK COVER PANEL	
27	3960589	1	FUEL TANK COVER SEAL	
28		Ref	SEAL, (See ENGINE AND ATTACHING PARTS SECTION for Breakdown)	
29		Ref	FUEL FILL SUPPORT, (See ENGINE AND ATTACHING PARTS SECTION for Breakdown)	
30		Ref	FUEL LINE PIPE MOUNTING HARDWARE, (See ENGINE AND ATTACHING PARTS SECTION for Breakdown)	
31	4812000	13	WASHER, 10mm, (L2906H, 2906H, 3507H, 29.6LP, 29.6 & 35.7)	
31	4812000	17	WASHER, 10mm, (619A & 723A)	
33		Ref	LOCKWASHER, 6mm, (See ENGINE AND ATTACHING PARTS SECTION for Breakdown)	
37		Ref	FUEL LINE PIPE, (See ENGINE AND ATTACHING PARTS SECTION for Breakdown)	
38	1001103033	1	MOTOR ACCESS COVER, (L2906H, 2906H, 619A, 29.6LP & 29.6)	
38	1001099531	1	MOTOR ACCESS COVER, (3507H, 723A & 35.7)	
39	1001103089	1	COVER, (2906H & 619A)	
39	1001103480	1	COVER, (3507H & 723A)	
39	1001103481	1	COVER, (L2906H)	
39	1001103481B	1	COVER, (29.6LP)	
39	1001103089B	1	COVER, (29.6)	
39	1001103480B	1	COVER, (35.7)	
45		Ref	HOSE CLAMP, (See ENGINE AND ATTACHING PARTS SECTION for Breakdown)	
51	1001113439	1	BRACKET, STRAP	
52	4811700	2	WASHER, 6mm	
53	0761006	3	HEX HD CAPSCREW, M10x12, GR8.8	
101	0701016	4	HEX HD CAPSCREW, M10X40, GR8.8	

SECTION 1 - FRAME AND ATTACHING PARTS

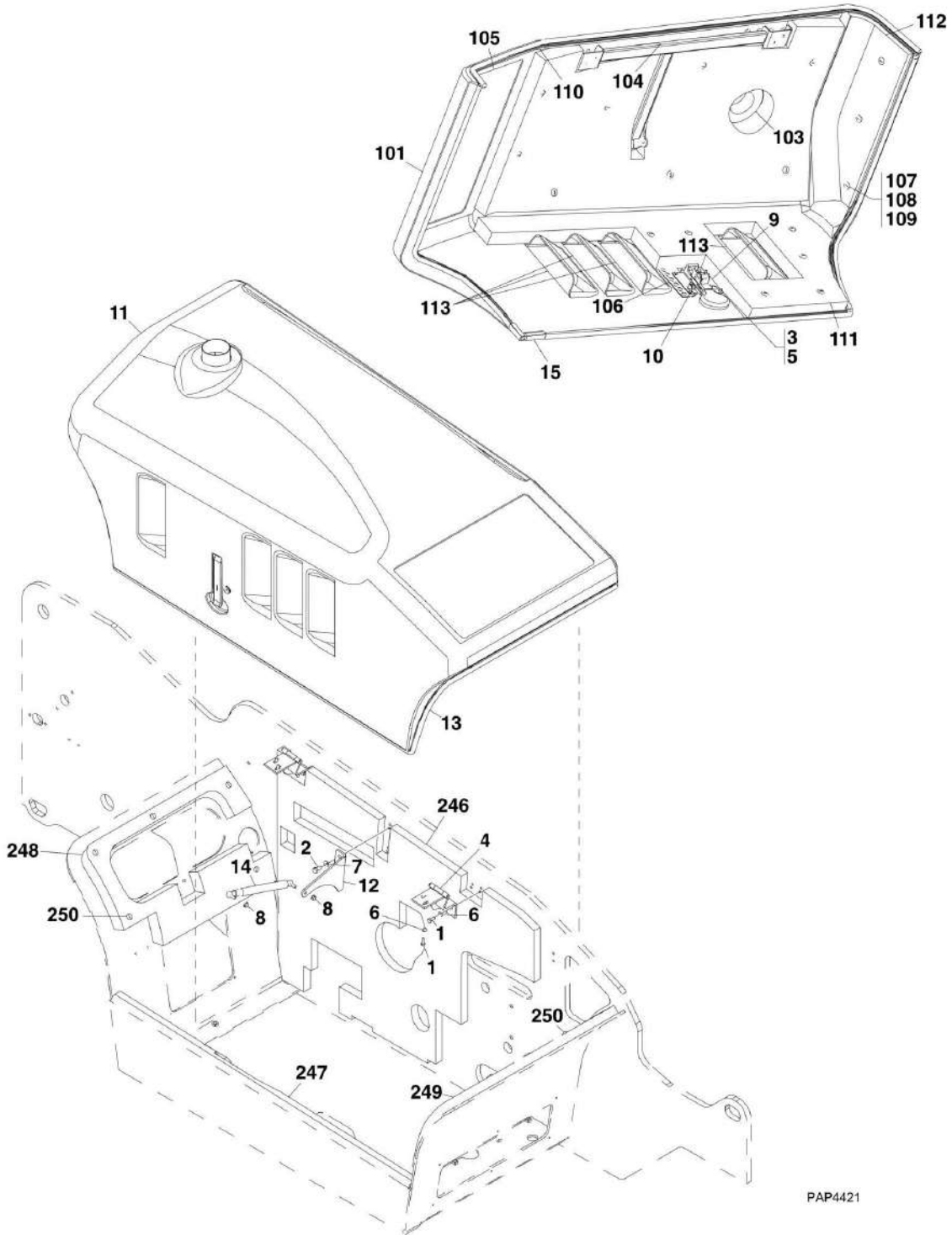
ITEM	PART NUMBER	QTY	DESCRIPTION	REV
106	80363195	1	MIRROR, (619A & 723A)	
106	1001005981	1	MIRROR, (L2906H, 29.6LP, 2906H, 29.6, 3507H & 35.7) (Prior to SN 1160006787)	
107	1001004242	1	MIRROR, (L2906H, 29.6LP, 2906H, 29.6, 3507H & 35.7) (Prior to SN 1160006787)	
108	3291001	4	HEX NUT, M10X1.5, (619A & 723A)	
108		Ref	HEX NUT, M10X1.5, (L2906H, 2906H, 3507H, 29.6LP, 29.6 & 35.7), (See ELECTRICAL SECTION for Breakdown)	
109	3292001	2	HEX NUT, M20X2.5, (619A & 723A)	
109	3292001	2	HEX NUT, M20X2.5, (L2906H, 29.6LP, 2906H, 29.6, 3507H & 35.7) (Prior to SN 1160006787)	
112	4806693	1	ROD, (619A & 723A)	
112	4806693	1	ROD, (L2906H, 29.6LP, 2906H, 29.6, 3507H & 35.7) (Prior to SN 1160006787)	
115	4812500	2	WASHER, 20mm, (619A & 723A)	
115	4812500	2	WASHER, 20mm, (L2906H, 29.6LP, 2906H, 29.6, 3507H & 35.7) (Prior to SN 1160006787)	
125	1001099899	1	RH HEADLIGHT BRACKET, (619A & 723A)	
125	1001099899	1	RH HEADLIGHT BRACKET, (L2906H, 29.6LP, 2906H, 29.6, 3507H & 35.7) (Prior to SN 1160006787)	
125	1001147929	1	RH HEADLIGHT BRACKET, (L2906H, 29.6LP, 2906H, 29.6, 3507H & 35.7) (SN 1160006787 to Present)	
159	0700614	2	HEX HD CAPSCREW, M6X30, GR8.8, (L2906H, 2906H, 619A, 29.6LP & 29.6)	
161	1001111900	1	ROD, (L2906H, 2906H, 619A, 29.6LP & 29.6)	
167	4811700	2	WASHER, 6mm, (L2906H, 2906H, 619A, 29.6LP & 29.6)	
173	1001111129	1	MIRROR, (L2906H, 2906H, 619A, 29.6LP & 29.6)	
	1001105985	Ref	REAR ACCESS PANEL INSTALLATION, (L2906H, 2906H, 3507H, 29.6LP, 29.6 & 35.7), (not available to order, see items 201 thru 203 for service)	C
	1001106454	Ref	REAR ACCESS PANEL INSTALLATION, (619A & 723A), (not available to order, see items 201 thru 203 for service)	A
201	0700812	4	HEX HD CAPSCREW, M8X25, GR8.8	
202	4811900	4	WASHER, 8mm	
203	1001105986	1	PLATE, (L2906H, 2906H & 3507H)	
203	1001106453	1	PLATE, (619A & 723A)	
203	1001105986B	1	PLATE, (L29.6, 29.6 & 35.7)	
	1001115279	Ref	WHEEL CHOCK INSTALLATION, (3507H & 35.7 - if equipped), (GERMANY) (not available to order, see items 301 thru 305 for service)	A
	1001115278	Ref	WHEEL CHOCK INSTALLATION, (L2906H, 2906H, 29.6LP & 29.6 - if equipped), (GERMANY), (not available to order, see items 301 thru 307 for service)	A
301	1001095650	AR	LOCTITE 243	
302	0760806	4	HEX HD CAPSCREW, M8X12, GR8.8, (L2906H, 2906H, 29.6LP & 29.6)	
302	0760808	4	HEX HD CAPSCREW, M8X16, GR8.8, (3507H & 35.7)	
303	806253	1	WEDGE	
304	806264	1	WEDGE HOLDER	
305	4811900	4	WASHER, 8mm	
306	3576164	1	PLATE, (L2906H, 2906H, 29.6LP & 29.6)	
307	0760812	2	HEX HD CAPSCREW, M8X25, GR8.8, (L2906H, 2906H, 29.6LP & 29.6)	
	0274535	Ref	CYLINDER LIFT PROP INSTALLATION, (2906H, 3507H, 29.6 & 35.7), (619A & 723A - if equipped), (not available to order, see items 401 thru 404 for service)	B

SECTION 1 - FRAME AND ATTACHING PARTS

ITEM	PART NUMBER	QTY	DESCRIPTION	REV
	0274850	Ref	CYLINDER LIFT PROP INSTALLATION, (L2906H & 29.6LP), (not available to order, see items 401 thru 404 for service)	A
401	443630	2	WING SCREW, M12X30	
402	909304	0.64 m	TRIM	
403	1271599	1	LIFT CYLINDER LOCK WELDMENT	
404	1784861	2	O-RING	
501		Ref	CAB, (See CAB SECTION for Breakdown)	
502		Ref	HYDRAULIC SIGHT GAUGE, (not shown), (See HYDRAULIC COMPONENTS SECTION for Breakdown)	
503		Ref	DRIVING LIGHT INSTALLATION, (See ELECTRICAL SECTION for Breakdown)	
	0275752	Ref	MIRROR INSTALLATION, (L2906H & 29.6LP - if equipped), (Italy) (not available to order, see items 601 thru 604 for service)	A
601	0903629	1	BRACKET	
602	3292001	2	HEX NUT, M20X2.5	
603	4812500	2	WASHER, 20mm	
604	3140007	2	MIRROR	
	1001148083	1	RH MIRROR INSTALLATION, (L2906H, 2906H, 3507H, 29.6LP, 29.6 & 35.7), (includes items 701 thru 706) (SN 1160006787 to Present)	A
701	0760810	2	HEX HD CAPSCREW, M8X20, GR8.8	
702	4811900	2	WASHER, 8mm	
703	1001008436	1	MIRROR ASSEMBLY	
704	1001142726	1	REAR VIEW MIRROR	
705	1001143339	1	CONVEX MIRROR	
706	1001148082	1	MIRROR SUPPORT BRACKET	

SECTION 1 - FRAME AND ATTACHING PARTS

FIGURE 1-2. ENGINE COVER INSTALLATION AND ENGINE POD INSULATION



PAP4421

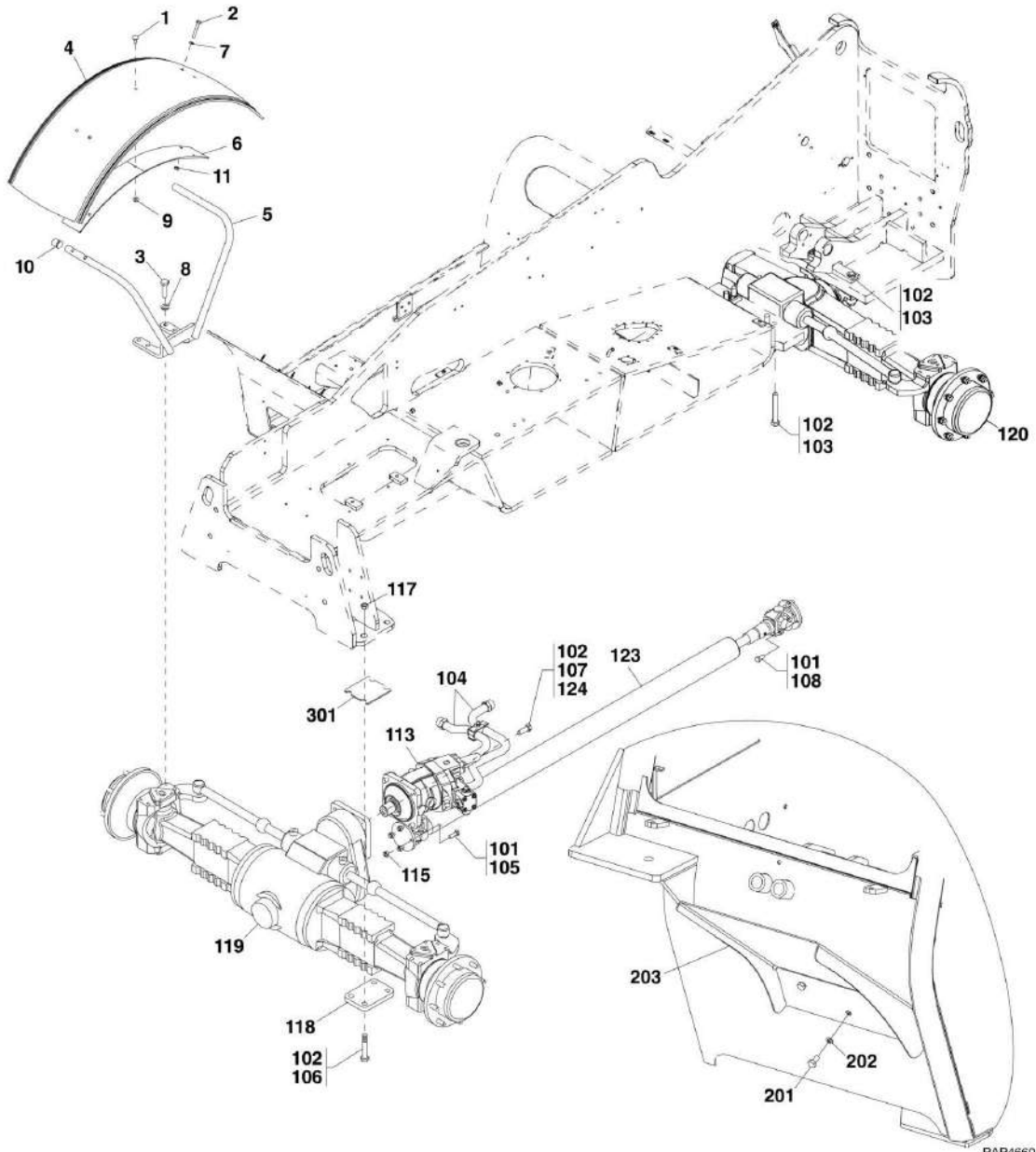
SECTION 1 - FRAME AND ATTACHING PARTS

FIGURE 1-2. ENGINE COVER INSTALLATION AND ENGINE POD INSULATION

ITEM	PART NUMBER	QTY	DESCRIPTION	REV
	1001099411	Ref	ENGINE COVER INSTALLATION, (L2906H, 2906H & 3507H), (not available to order, see items 1 thru 15 for service)	D
	1001099412	Ref	ENGINE COVER INSTALLATION, (619A & 723A), (not available to order, see items 1 thru 15 for service)	C
	1001109143	Ref	ENGINE COVER INSTALLATION, (29.6LP, 29.6 & 35.7), (not available to order, see items 1 thru 15 for service)	C
1	0760810	8	HEX HD CAPSCREW, M8X20, GR8.8	
2	0761010	2	HEX HD CAPSCREW, M10X20, GR8.8	
3	3290605	3	HEX LOCKNUT, M6X1	
4	4806433	2	HOOD HINGE	
5	4811700	3	WASHER, 6mm	
6	4811900	8	WASHER, 8mm	
7	4812000	2	WASHER, 10mm	
8	5220800	2	RIPP NUT, 8mm	
9	8000382	1	HOOD LATCH	
10	8000801	1	HOOD LOCK	
11	1001099412	1	HOOD ASSY, (L2906H, 2906H & 3507H), (includes items 101 thru 113)	B
11	1001109144	1	HOOD ASSY, (619A & 723A), (includes items 101 thru 113)	A
11	1001109145	1	HOOD ASSY, (29.6LP, 29.6 & 35.7), (includes items 101 thru 113)	A
12	1001100859	1	BRACKET	
13	1001097159	AR	SEAL	
14	4160213	NLA	GAS SPRING, (no longer available, use 1001111440 for replacement)	
14	1001111440	1	GAS SPRING	
15	1001103369	AR	SEAL RIBBED SECTION	
101	1001105436	1	ENGINE HOOD, (L2906H, 2906H, 3507H, 619A & 723A)	
101	1001109847	1	ENGINE HOOD, (29.6LP, 29.6 & 35.7)	
103	1001106540	1	AIR FILTER SHEEVE	
104	N.S.S.	1	SUPPORT WELDMENT	
105	1001109624	1	GRILL	
106	4806444	1	PLATE	
107	4300159	17	MOUNTING STUDS	
108	3575922	17	MOUNTING STUD PLATES	
109	1321291	17	CAP	
110	1001109266	1	SOUND INSULATION	
111	1001109267	1	SOUND INSULATION	
112	1001109269	1	SOUND INSULATION	
113	1001109180	4	GRILL	
246	1001109109	1	SOUND INSULATION, (L2906H, 2906H, 3507H, 29.6LP, 29.6 & 35.7)	
247	1001109110	1	SOUND INSULATION, (L2906H, 2906H, 3507H, 29.6LP, 29.6 & 35.7)	
248	1001109111	1	SOUND INSULATION, (L2906H, 2906H, 3507H, 29.6LP, 29.6 & 35.7)	
249	1001109112	1	SOUND INSULATION, (L2906H, 2906H, 3507H, 29.6LP, 29.6 & 35.7)	
250	1321291	11	CAP, (L2906H, 2906H, 3507H, 29.6LP, 29.6 & 35.7)	

SECTION 1 - FRAME AND ATTACHING PARTS

FIGURE 1-3. AXLE AND FENDER INSTALLATION



NOTE: PORTIONS OF THE FRAME REMOVED FOR CLAIRITY.

PAP4660

SECTION 1 - FRAME AND ATTACHING PARTS

FIGURE 1-3. AXLE AND FENDER INSTALLATION

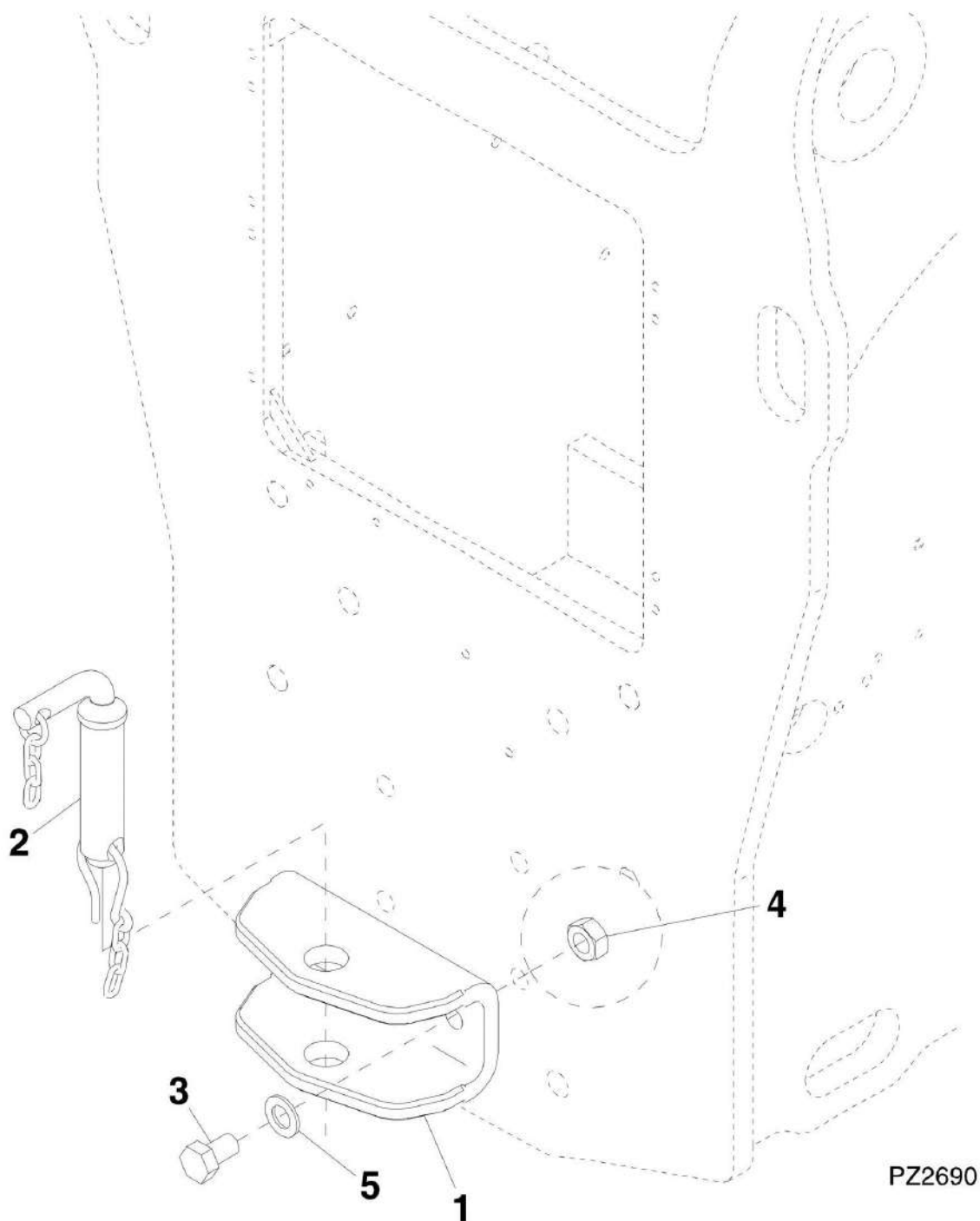
ITEM	PART NUMBER	QTY	DESCRIPTION	REV
	0273811	Ref	FENDER INSTALLATION, (2906H & 29.6), (not available to order, see items 1 thru 11 for service)	F
	0274812	Ref	FENDER INSTALLATION, (L2906H & 29.6LP), (619A - if equipped), (not available to order, see items 1 thru 11 for service)	B
	0273812	Ref	FENDER INSTALLATION, (3507H & 35.7), (723A - if equipped), (not available to order, see items 1 thru 11 for service)	F
1	328027	4	MUSHROOM HD BOLT, 8-1.25X20, (2906H, 3507H, 723A, 29.6 & 35.7)	
1	328027	8	MUSHROOM HD BOLT, 8-1.25X20, (L2906H, 619A & 29.6LP)	
2	0701018	16	HEX HD CAPSCREW, M10X50, GR8.8	
3	0761617	16	HEX HD CAPSCREW, M16X45, GR8.8	
4	1001096569	4	FENDER, (L2906H, 619A & 29.6LP)	
4	1001096127	4	FENDER, (2906H & 29.6)	
4	1001096345	4	FENDER, (3507H, 723A & 35.7)	
5	4340882	4	FENDER SUPPORT, (L2906H, 2906H, 619A, 29.6LP & 29.6)	
5	4340883	4	FENDER SUPPORT, (3507H, 723A & 35.7)	
6	1001098263	4	SUPPORT PLATE, (L2906H, 619A & 29.6LP)	
6	8010524	4	SUPPORT PLATE, (2906H & 29.6)	
6	3575386	4	SUPPORT PLATE, (3507H, 723A & 35.7)	
7	4812000	16	WASHER, 10mm	
8	4812300	16	WASHER, 16mm	
9	5220800	8	RIPP NUT, 8mm, (L2906H, 619A & 29.6LP)	
9	5220800	4	RIPP NUT, 8mm, (2906H, 3507H, 723A, 29.6 & 35.7)	
10	8006580	8	PLUG	
11	5221000	16	RIPP NUT, 10mm	
	1001100339	Ref	DRIVE TRAIN INSTALLATION, (L2906H, 2906H, 619A, 29.6LP & 29.6), (not available to order, see items 101 thru 124 for service)	F
	1001100340	Ref	DRIVE TRAIN INSTALLATION, (3507H, 723A & 35.7), (not available to order, see items 101 thru 124 for service)	G
101	1001095650	AR	LOCTITE 243	
102	0100019	AR	LOCTITE 271	
103	0712028	6	HEX HD CAPSCREW, M20X110, GR10.9	
104		Ref	FRONT DRIVE MOTOR HYDRAULIC COMPONENTS	
104		Ref	DRIVE MOTOR HYDRAULIC SUPPLY, (See HYDRAULIC CIRCUITS SECTION for Breakdown)	
104		Ref	DRIVE MOTOR HYDRAULIC RETURN, (See HYDRAULIC CIRCUITS SECTION for Breakdown)	
105	0711215	4	HEX HD CAPSCREW, M12X35, GR10.9	
106	0712040	8	HEX HD CAPSCREW, M20X230, GR10.9, (L2906H, 2906H, 619A, 29.6LP & 29.6)	
106	0712445	8	HEX HD CAPSCREW, M24X280, GR10.9, (3507H, 723A & 35.7)	
107	0761617	4	HEX HD CAPSCREW, M16X45, GR8.8, (L2906H, 2906H, 619A, 29.6LP & 29.6)	
107	0701619	4	HEX HD CAPSCREW, M16X55, GR8.8, (3507H, 723A & 35.7)	
108	0771212	4	HEX HD CAPSCREW, M12X25, GR10.9	
113		Ref	HYDRAULIC DRIVE MOTOR, (See HYDRAULIC COMPONENTS SECTION for Breakdown)	
115	3291201	4	HEX NUT, M12X1.75	
117	3332011	8	HEX NUT, M20X2.5, (L2906H, 2906H, 619A, 29.6LP & 29.6)	
117	3332411	8	HEX NUT, M24X3, (3507H, 723A & 35.7)	
118	3574829	2	AXLE PLATE, (L2906H, 2906H, 619A, 29.6LP & 29.6)	
118	3575706	2	AXLE PLATE, (3507H, 723A & 35.7)	

SECTION 1 - FRAME AND ATTACHING PARTS

ITEM	PART NUMBER	QTY	DESCRIPTION	REV
119		Ref	FRONT AXLE, (See DRIVE TRAIN SECTION for Breakdown)	
120		Ref	REAR AXLE, (See DRIVE TRAIN SECTION for Breakdown)	
123		Ref	DRIVE SHAFT ASSY, (See DRIVE TRAIN SECTION for Breakdown)	
124	4812300	4	WASHER, 16mm	
	1001108610	1	CAB FENDER INSTALLATION, (619A & 723A), (if equipped), (not available to order, see items 201 thru 203 for service)	A
201	0761010	3	HEX HD CAPSCREW, M10X20, GR8.8	
202	4832000	3	LOCKWASHER, 10mm	
203	1001100836	1	CAB FENDER	
301	1001112161	AR	AXLE SHIM PLATE, (if equipped)	

SECTION 1 - FRAME AND ATTACHING PARTS

FIGURE 1-4. DRAW BAR COUPLING L2906H, 2906H, 3507H, 29.6LP, 29.6 & 35.7



PZ2690

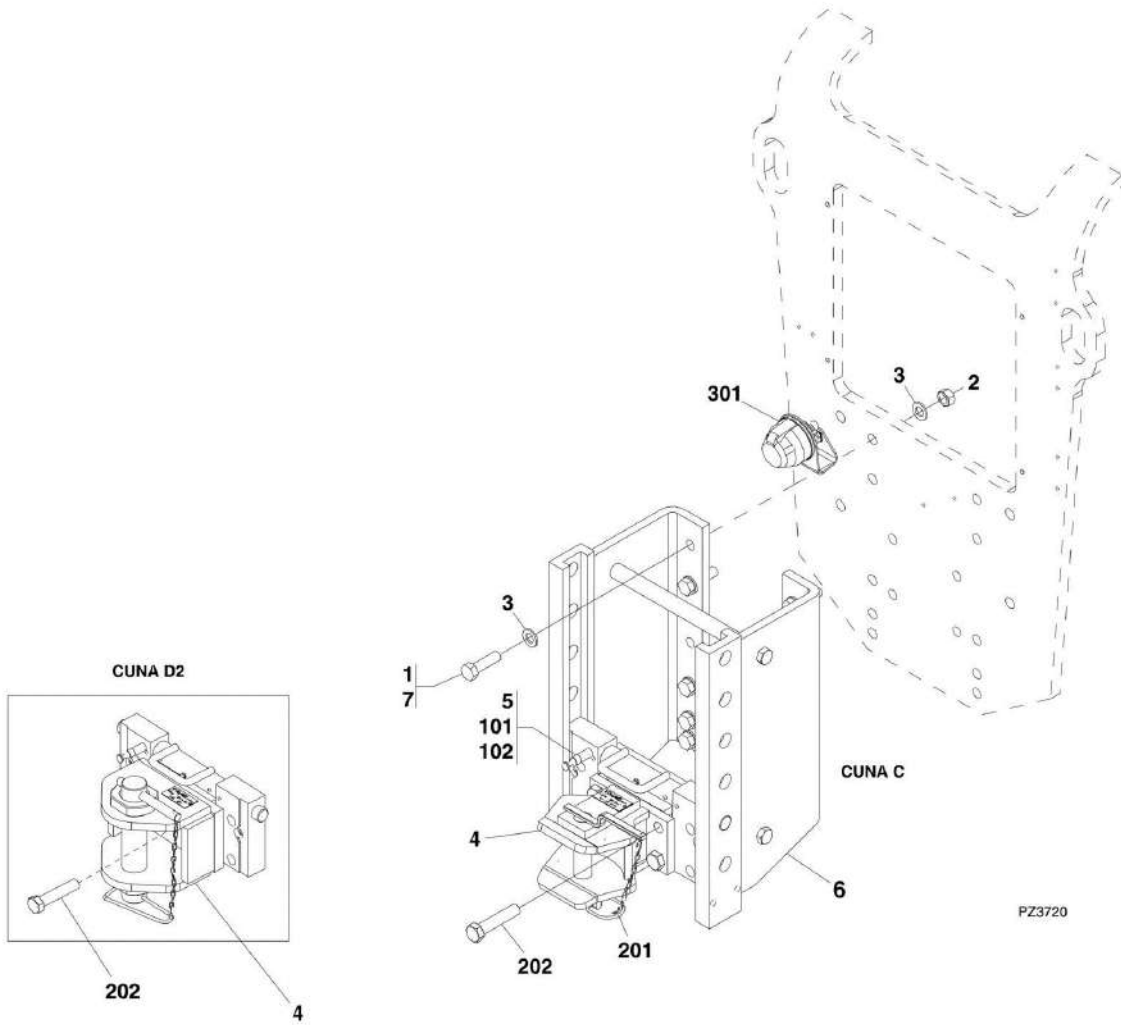
SECTION 1 - FRAME AND ATTACHING PARTS

FIGURE 1-4. DRAW BAR COUPLING L2906H, 2906H, 3507H, 29.6LP, 29.6 & 35.7

ITEM	PART NUMBER	QTY	DESCRIPTION	REV
	4805932	1	DRAW BAR COUPLING, (L2906H, 2906H, 3507H, 29.6LP, 29.6 & 35.7), (if equipped), (includes items 1 thru 5)	B
1	4804533	1	HITCH	
2	3944574	1	PIN	
3	0771619	2	HEX HD CAPSCREW, M16X55, GR10.9	
4	4805921	2	HEX NUT, M16X2	
5	4812300	2	WASHER, 16mm	

SECTION 1 - FRAME AND ATTACHING PARTS

FIGURE 1-5. PIN HITCH - CUNA C AND CUNA D2



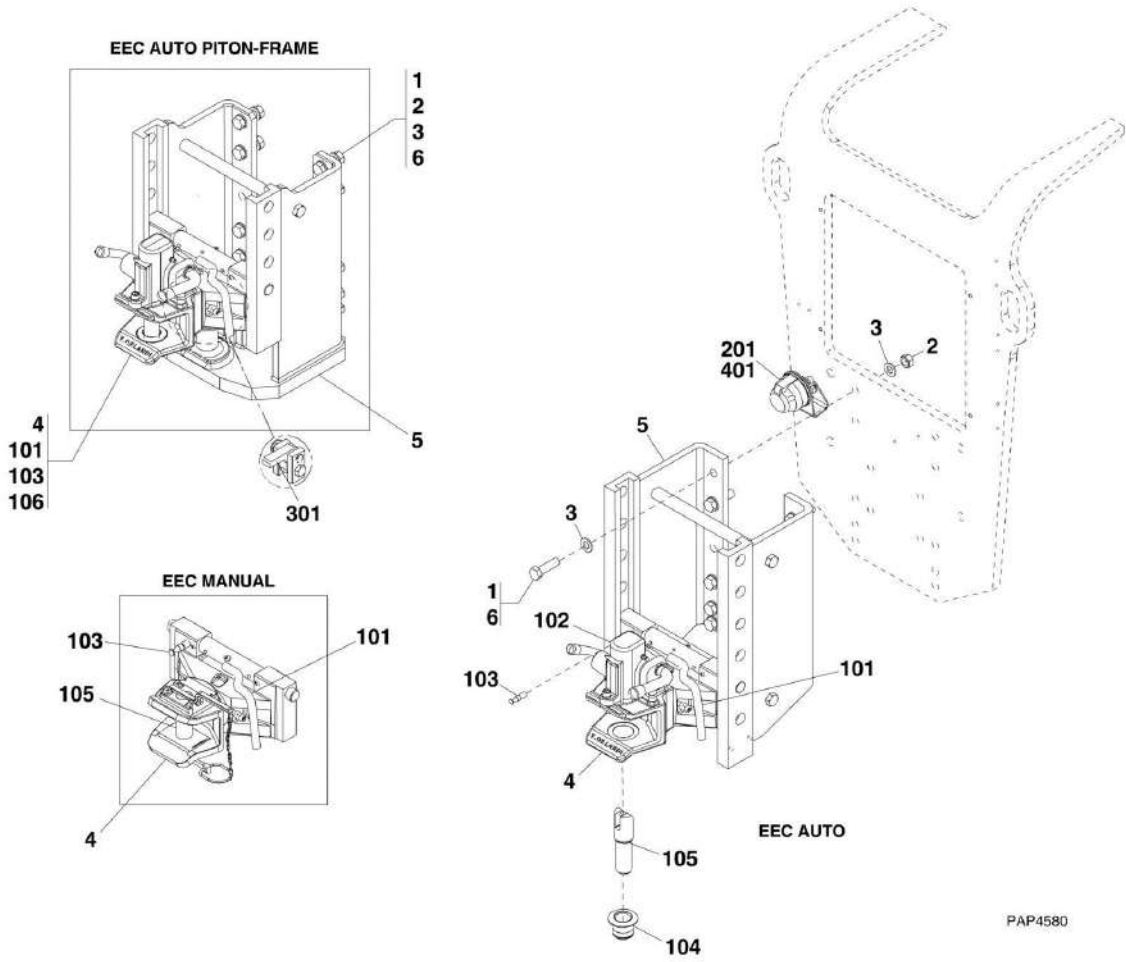
SECTION 1 - FRAME AND ATTACHING PARTS

FIGURE 1-5. PIN HITCH - CUNA C AND CUNA D2

ITEM	PART NUMBER	QTY	DESCRIPTION	REV
	1001113662	Ref	CUNA C PIN HITCH INSTALLATION, (if equipped), (not available to order, see items 1 thru 7 for service)	A
	1001113663	Ref	CUNA D2 PIN HITCH INSTALLATION, (if equipped), (not available to order, see items 1 thru 7 for service)	A
1	0701619	10	HEX HD CAPSCREW, M16X55, GR8.8, (torque to 180-230 Nm)	
2	3291601	10	HEX NUT, M16X2	
3	4812300	20	WASHER, 16mm	
4	1001098631	1	PIN HITCH ASSY, (CUNA C), (includes items 201 & 202)	A
4	1001098632	1	PIN HITCH ASSY, (CUNA D2), (includes items 201 & 202)	A
5	1001098636	1	PLATE ADAPTER, (includes items 101 & 102)	
6	1001103597	1	HITCH FRAME	
7	1001095650	AR	LOCTITE 243	
101	70022823	1	PIVOT PIN	
102	70022827	1	LEVER OPENING KIT	
201	70022818	1	PIN, (CUNA C)	
201	70022820	1	PIN, (CUNA D2)	
202	70022819	1	MOUNTING HARDWARE KIT	
301		Ref	TRAILER PLUG KIT, (See ELECTRICAL SECTION for Breakdown)	

SECTION 1 - FRAME AND ATTACHING PARTS

FIGURE 1-6. EEC AUTO, EEC MANUAL AND EEC AUTO PITON-FRAME SWIVEL HITCH



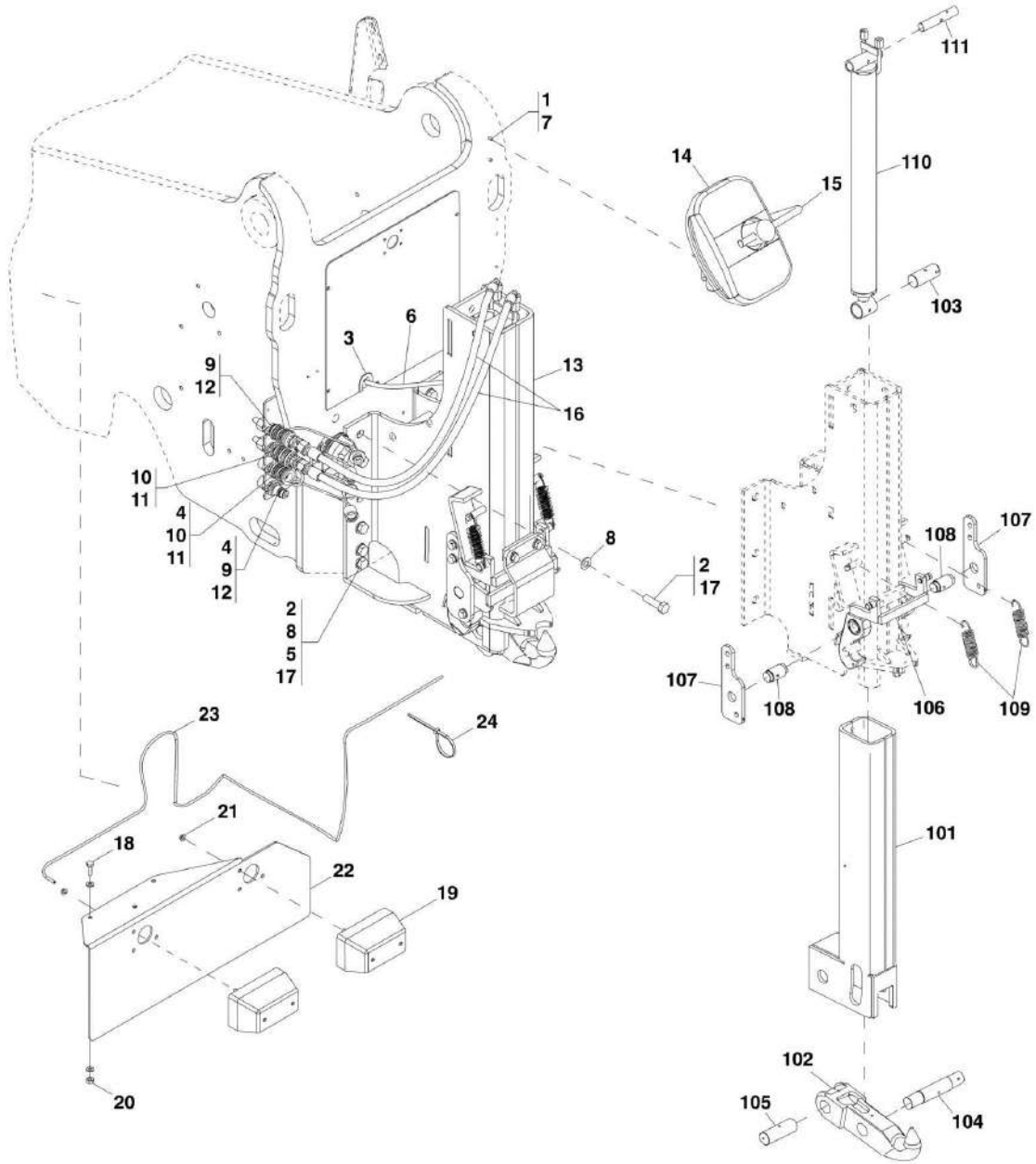
SECTION 1 - FRAME AND ATTACHING PARTS

FIGURE 1-6. EEC AUTO, EEC MANUAL AND EEC AUTO PITON-FRAME SWIVEL HITCH

ITEM	PART NUMBER	QTY	DESCRIPTION	REV
	1001113660	Ref	EEC AUTO HITCH INSTALLATION, (if equipped), (not available to order, see items 1 thru 6 for service)	A
	1001113659	Ref	EEC MANUAL HITCH INSTALLATION, (if equipped), (not available to order, see items 1 thru 6 for service)	B
	1001113665	Ref	EEC AUTO PITON-FRAME SWIVEL HITCH INSTALLATION, (if equipped), (not available to order, see items 1 thru 6 for service)	A
1	0701619	10	HEX HD CAPSCREW, M16X55, GR8.8	
1	0701620	10	HEX HD CAPSCREW, M16X60, (EEC MANUAL)	
2	3291601	10	HEX NUT, M16X2	
3	4812300	20	WASHER, 16mm	
4	1001098629	1	HITCH ASSY, (EEC AUTO and EEC AUTO PITON-FRAME), (includes items 101 thru 105)	A
4	1001098630	1	HITCH ASSY, (EEC MANUAL), (includes items 101, 103 & 105)	A
5	1001103597	1	HITCH FRAME, (EEC AUTO and EEC MANUAL)	
5	1001104302	1	HITCH FRAME, (EEC AUTO PITON-FRAME), (includes item 301)	
6	1001095650	AR	LOCTITE 243	
101	70022821	1	LEVER OPENING KIT	
102	70022822	1	BOX MECHANISM	
103	70022823	1	PIVOT PIN	
104	70022824	1	BUSHING, (includes snap ring)	
105	70022825	1	PIN, (EEC AUTO and EEC AUTO PITON-FRAME)	
106	70022826	1	PIN, (EEC MANUAL)	
201		Ref	TRAILER PLUG KIT, (See ELECTRICAL SECTION for Breakdown)	
301	70023348	1	KEEPER KIT, (includes keeper, screw, nut, pin and ring pin)	
401		Ref	TRAILER ELECTRICAL SOCKET, (See ELECTRICAL SECTION for Breakdown)	

SECTION 1 - FRAME AND ATTACHING PARTS

FIGURE 1-7. HYDRAULIC HITCH



PAP25000

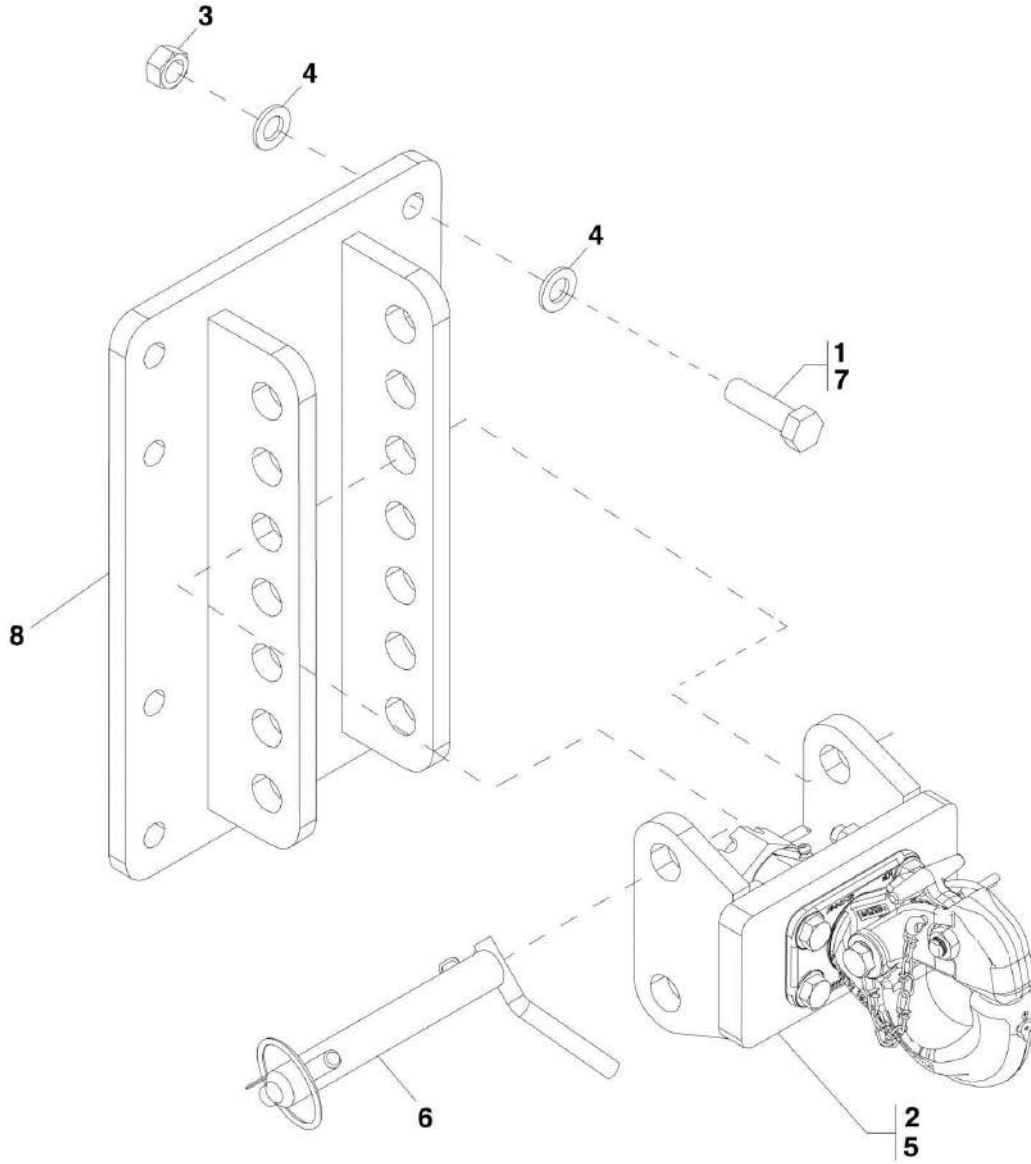
SECTION 1 - FRAME AND ATTACHING PARTS

FIGURE 1-7. HYDRAULIC HITCH

ITEM	PART NUMBER	QTY	DESCRIPTION	REV
	1001113777	Ref	HYDRAULIC HITCH INSTALLATION WITHOUT MIRROR, (if equipped), (not available to order, see items 2 thru 13 & 16 thru 24 for service)	D
	1001113661	Ref	HYDRAULIC HITCH INSTALLATION WITH MIRROR, (3507H, 619A, 723A & 35.7 - if equipped), (not available to order, see items 1 thru 24 for service)	D
1	0700614	2	HEX HD CAPSCREW, M6X30, GR8.8, (3507H & 35.7 -if equipped)	
2	0701619	10	HEX HD CAPSCREW, M16X55, GR8.8	
3	935113	1	RUBBER COVER	
4	2142505	2	CAP	
5	3291601	10	HEX NUT, M16X2	
6	1001109240	1	HYDRAULIC HITCH LOCK CABLE	
7	4811700	8	WASHER, 6mm, (3507H, 619A, 723A & 35.7 - if equipped)	
7	4811700	6	WASHER, 6mm, (2906H & L2906H - if equipped)	
8	4812300	20	WASHER, 16mm	
9	1001093826	2	DUST CAP	
10	1001093827	2	DUST PLUG	
11	1001094555	2	FEMALE QUICK DISCONNECT COUPLING	
12	1001094556	2	MALE QUICK DISCONNECT COUPLING	
13	1001103014	1	HYDRAULIC HITCH ASSY, (includes items 101 thru 111) (Prior to SN 1160005189)	C
13	1001118096	1	HYDRAULIC HITCH ASSY (SN 1160005189 to Present)	A
14	1001111129	1	MIRROR, (3507H & 35.7 - if equipped)	
15	1001111900	1	MIRROR SUPPORT, (3507H & 35.7 - if equipped)	
16	1001113764	2	HOSE ASSY	
17	1001095650	AR	LOCTITE 243	
18	0760610	3	HEX HD CAPSCREW, M6X20, GR8.8	
19	2920204	2	LICENSE PLATE LIGHT	
20	3290605	3	HEX LOCKNUT, M6X1	
21	5220500	4	NUT, 5mm	
22	1001136873	1	LICENSE PLATE BRACKET, LH	
23	1001137976	1	LICENSE PLATE LIGHT HARNESS	
24	471678	8	BAND CLAMP, 4.8X204mm	
101	70022752	1	SLIDER	
102	70022753	1	HOOK	
103	70022754	1	CYLINDER PIN	
104	70022755	1	HOOK PIN	
105	70022756	1	CENTRAL PIN	
106	70022757	1	LINK SYSTEM	
107	70022758	2	LINK PLATE	
108	70022759	2	LINK PIN	
109	70022760	2	SPRING	
110	70022761	1	CYLINDER	
111	70022762	1	CYLINDER PIN	

SECTION 1 - FRAME AND ATTACHING PARTS

FIGURE 1-8. PINTLE HITCH



PAP4610

SECTION 1 - FRAME AND ATTACHING PARTS

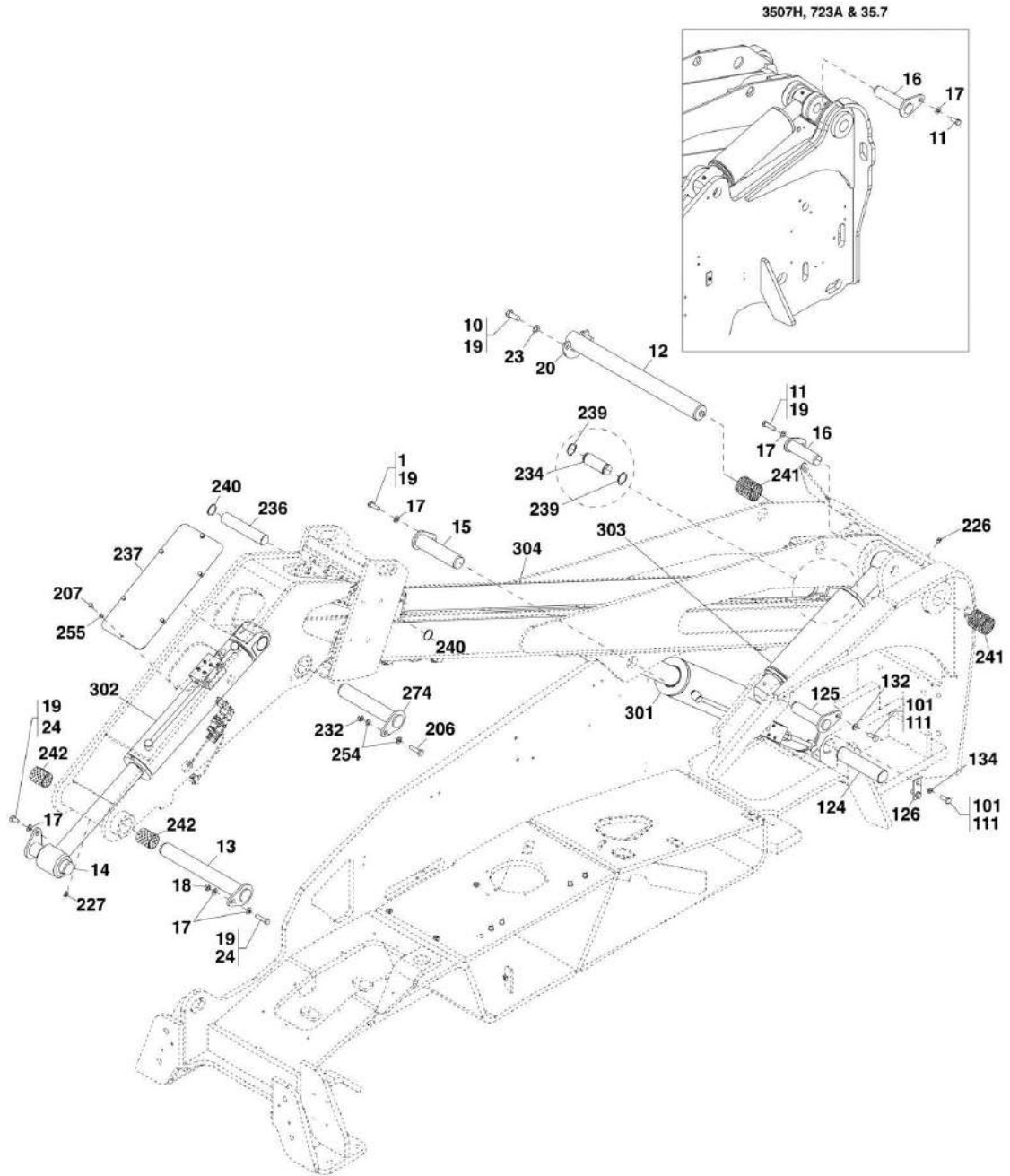
FIGURE 1-8. PINTLE HITCH

ITEM	PART NUMBER	QTY	DESCRIPTION	REV
	1001114477	1	PINTLE HITCH INSTALLATION, (includes all items)	A
1	0701619	8	HEX HD CAPSCREW, M16X55, GR8.8	
2	2620060	1	PINTLE HOOK	
3	3291601	8	HEX NUT, M16X2	
4	4812300	16	WASHER, 16mm	
5	1001092144	1	ADAPTER WELDMENT HITCH	
6	1001093306	2	PIN, HITCH MOUNTING	
7	1001095650	AR	LOCTITE 243	
8	1001114476	1	HITCH MOUNTING BRACKET	

SECTION 2 - BOOM

SECTION 2 - BOOM

FIGURE 2-1. BOOM INSTALLATION



NOTE: PORTIONS OF THE FRAME & BOOM REMOVED FOR CLARITY.

PAP4460

FIGURE 2-1. BOOM INSTALLATION

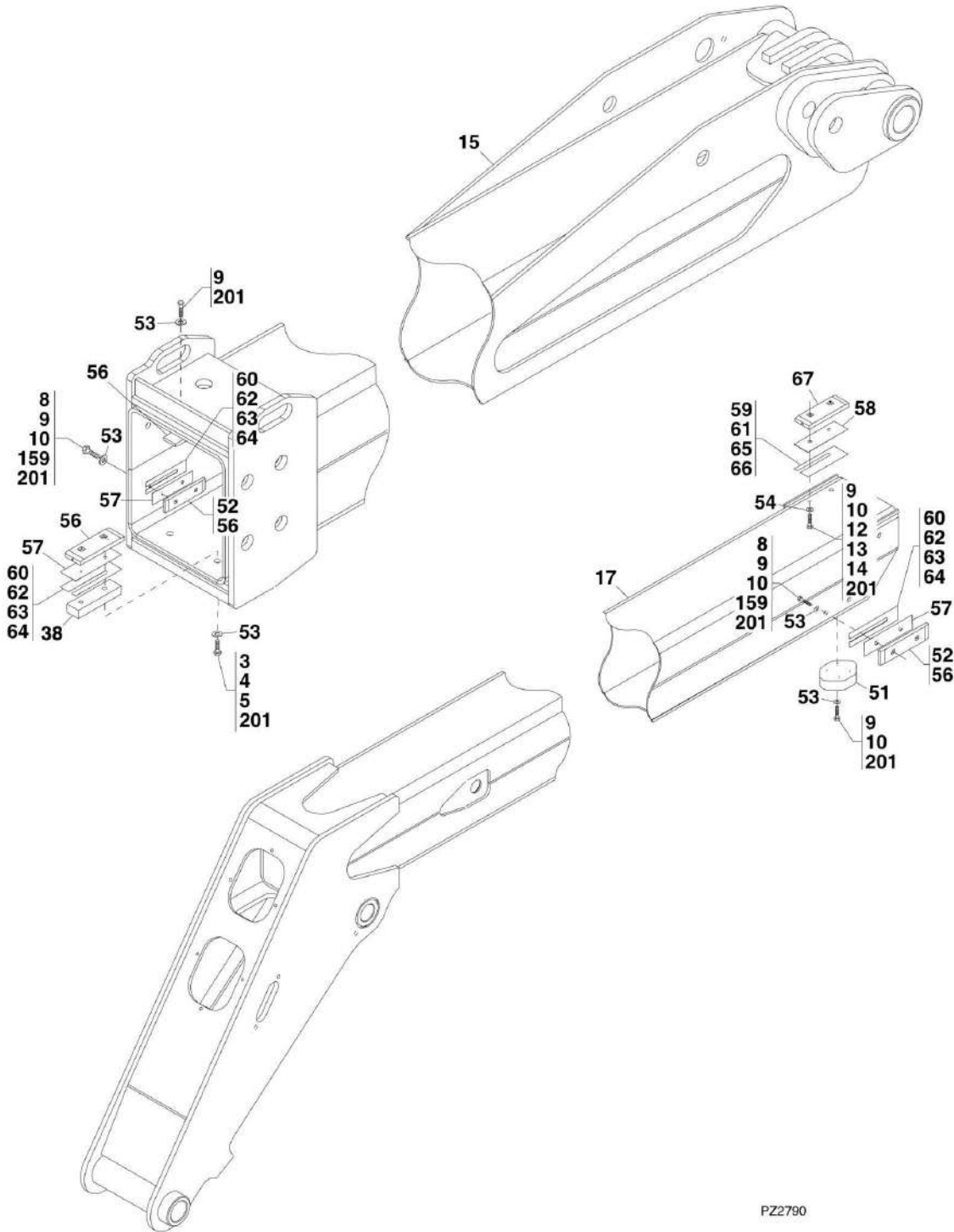
ITEM	PART NUMBER	QTY	DESCRIPTION	REV
	1001098696	Ref	BOOM INSTALLATION, (2906H, 619A & 29.6), (not available to order, see items 1 thru 27)	K
	1001098988	Ref	BOOM INSTALLATION, (3507H, 723A & 35.7), (not available to order, see items 1 thru 27)	J
	1001120764	1	BOOM INSTALLATION, (L2906H & 29.6LP), (includes items 1 thru 28)	
1	0701215	1	HEX HD CAPSCREW, M12X35, GR8.8, (torque to 97 Nm / 72 lb-ft)	
10	1001110922	2	HEX HD CAPSCREW, M16X40, GR10.9, (torque to 241 Nm / 178 lb-ft)	
10	0761215	2	HEX HD CAPSCREW, M12X35, GR8.8, (3507H, 723A & 35.7), (torque to 97 Nm / 72 lb-ft)	
11	0701217	1	HEX HD CAPSCREW, M12X45, GR8.8, (2906H, 619A & 29.6), (torque to 97 Nm / 72 lb-ft)	
11	0701217	2	HEX HD CAPSCREW, M12X45, GR8.8, (L2906H & 29.6LP), (torque to 97 Nm / 72 lb-ft)	
11	0761215	1	HEX HD CAPSCREW, M12X35, GR8.8, (3507H, 723A & 35.7), (torque to 97 Nm / 72 lb-ft)	
12	1001103083	1	PIVOT PIN, (L2906H, 2906H, 619A, 29.6LP & 29.6)	
12	1001103087	1	PIVOT PIN, (3507H, 723A & 35.7)	
13	1001131873	1	PIN	
14	1001131874	1	PIN	
15	1001109056	NLA	PIN, (no longer available, use 1001131867 for replacement), (L2906H, 2906H, 619A, 29.6LP & 29.6)	
15	1001109061	NLA	PIN, (no longer available, use 1001131868 for replacement), (3507H, 723A & 35.7)	
15	1001131867	1	PIN, (L2906H, 2906H, 619A, 29.6LP & 29.6)	
15	1001131868	1	PIN, (3507H, 723A & 35.7)	
16	1001109054	NLA	PIN, (no longer available, use 1001131871 for replacement), (2906H, 619A & 29.6)	
16	1001109047	NLA	PIN, (no longer available, use 1001131872 for replacement), (3507H, 723A & 35.7)	
16	1001131871	1	PIN, (2906H, 619A & 29.6)	
16	1001131872	1	PIN, (3507H, 723A & 35.7)	
16	1001120710	1	PIN, (L2906H & 29.6LP)	
17	4812100	6	WASHER, 12mm, (2906H, 619A, 29.6, 3507H, 723A & 35.7)	
17	4812100	7	WASHER, 12mm, (L2906H & 29.6LP)	
18	3291205	2	HEX LOCKNUT, M12X1.75	
19	1001095650	AR	LOCTITE 243	
20	1001103085	1	PLATE	
23	4812300	2	WASHER, 16mm	
24	0701220	2	HEX HD CAPSCREW, M12X60, GR8.8, (torque to 97 Nm / 72 lb-ft)	
25	1001117382	AR	SHIM WASHER, 62X100X2, (not shown)	
26	1001117383	AR	SHIM WASHER, 62X100X0.5, (not shown)	
27	1001120761	AR	SHIM WASHER, 41X80X2, (L2906H, 2906H, 619A, 29.6LP & 29.6), (not shown)	
28	1001120711	1	PIN KEEPER PLATE, (not shown)	
101	1001095650	AR	LOCTITE 243	
111	0761214	3	HEX HD CAPSCREW, M12X30, GR8.8, (L2906H, 2906H, 619A, 29.6LP & 29.6)	
111	0761215	3	HEX HD CAPSCREW, M12X35, GR8.8, (3507H, 723A & 35.7)	
124	1001109071	1	PIN	

SECTION 2 - BOOM

ITEM	PART NUMBER	QTY	DESCRIPTION	REV
125	1001109055	NLA	PIN, (no longer available, use 1001131869 for replacement), (L2906H, 2906H, 619A, 29.6LP & 29.6)	
125	1001109072	NLA	PIN, (no longer available, use 1001131870 for replacement), (3507H, 723A & 35.7)	
125	1001131869	1	PIN, (L2906H, 2906H, 619A, 29.6LP & 29.6)	
125	1001131870	1	PIN, (3507H, 723A & 35.7)	
126	3575850	1	BAR	
132	4812100	1	WASHER, 12mm	
134	4832100	2	LOCKWASHER, 12mm	
206	0701217	1	HEX HD CAPSCREW, M8X16, GR8.8	
207	0760808	6	HEX HD CAPSCREW, M8X16, GR8.8	
226	2160016	2	GREASE FITTING	
227	2160018	1	GREASE FITTING	
232	3291201	1	HEX NUT, M12X1.75	
234	3423075	1	PIN, (L2906H, 2906H & 3507H)	
234	1001109059	1	PIN, (29.6LP, 29.6, 35.7, 619A & 723A)	
236	3423152	1	PIN, (L2906H & 2906H)	
236	3423149	1	PIN, (3507H)	
236	1001109058	1	PIN, (619A, 29.6LP & 29.6)	
236	1001109074	1	PIN, (723A & 35.7)	
237	3574798	1	FRONT COVER PLATE, (L2906H, 2906H, 3507H, 619A & 723A)	
237	3574798B	1	FRONT COVER PLATE, (29.6LP, 29.6 & 35.7)	
239	3760491	2	RETAINING RING	
240	3760492	2	RETAINING RING	
241	4100076	2	BUSHING	
242	4100078	2	BUSHING	
254	4812100	3	WASHER, 12mm	
255	4831900	6	LOCKWASHER, 8mm	
274	1001109057	NLA	PIN, (619A, 29.6LP & 29.6), (no longer available, use 1001130575 for replacement)	
274	1001130575	1	PIN, (L2906, 2906, 619A, 29.6LP & 29.6)	
274	1001109073	NLA	PIN, (723A & 35.7), (no longer available, use 1001130572 for replacement)	
274	1001130572	1	PIN, (723A, 3507 & 35.7)	
301		Ref	LIFT CYLINDER, (See HYDRAULIC COMPONENTS SECTION for Breakdown)	
302		Ref	TILT CYLINDER, (See HYDRAULIC COMPONENTS SECTION for Breakdown)	
303		Ref	TILT COMPENSATION CYLINDER, (See HYDRAULIC COMPONENTS SECTION for Breakdown)	
304		Ref	EXTEND/RETRACT CYLINDER, (See HYDRAULIC COMPONENTS SECTION for Breakdown)	

SECTION 2 - BOOM

FIGURE 2-2. BOOM ASSEMBLY - PADS AND SHIMS



SECTION 2 - BOOM

FIGURE 2-2. BOOM ASSEMBLY - PADS AND SHIMS

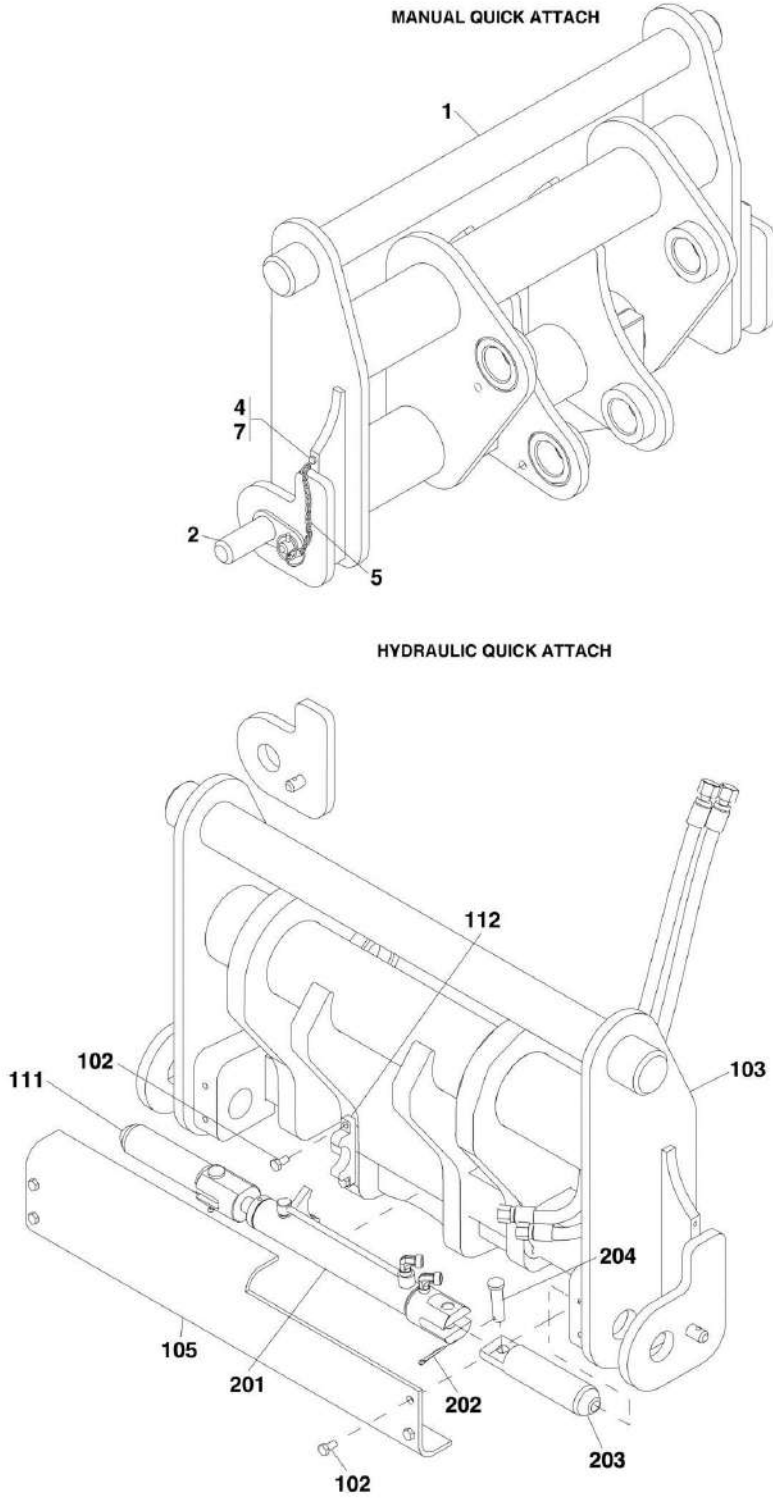
ITEM	PART NUMBER	QTY	DESCRIPTION	REV
3	0701016	AR	HEX HD CAPSCREW, M10X40, GR8.8	
4	0701017	AR	HEX HD CAPSCREW, M10X45, GR8.8	
5	0701018	AR	HEX HD CAPSCREW, M10X50, GR8.8	
8	0761008	AR	HEX HD CAPSCREW, M10X16, GR8.8, (L2906H, 2906H, 619A, 29.6LP & 29.6)	
9	0761010	AR	HEX HD CAPSCREW, M10X20, GR8.8	
10	0761012	AR	HEX HD CAPSCREW, M10X25, GR8.8	
12	0761210	AR	HEX HD CAPSCREW, M12X20, GR8.8	
13	0761212	AR	HEX HD CAPSCREW, M12X25, GR8.8	
14	0761214	AR	HEX HD CAPSCREW, M12X30, GR8.8	
15	1001111536	1	FIRST BOOM SECTION WELDMENT, (L2906H, 2906H & 619A) (Prior to SN 1160005870)	
15	1001111536G	1	FIRST BOOM SECTION WELDMENT, (29.6LP & 29.6) (Prior to SN 1160005870)	
15	1001098698	1	FIRST BOOM SECTION WELDMENT, (L2906H, 2906H, 619A, 29.6LP & 29.6) (SN 1160005870 to Present)	
15	1001111583	1	FIRST BOOM SECTION WELDMENT, (3507H & 723A) (Prior to SN 1160005870)	
15	1001111583G	1	FIRST BOOM SECTION WELDMENT, (35.7) (Prior to SN 1160005870)	
15	1001098986	1	FIRST BOOM SECTION WELDMENT, (3507H, 723A & 35.7) (SN 1160005870 to Present)	
17	1001111535	1	SECOND BOOM SECTION WELDMENT, (L2906H, 2906H & 619A) (Prior to SN 1160005870)	
17	1001111535B	1	SECOND BOOM SECTION WELDMENT, (29.6LP & 29.6) (Prior to SN 1160005870)	
17	1001099252	1	SECOND BOOM SECTION WELDMENT, (L2906H, 2906H, 619A 29.6LP & 29.6) (SN 1160005870 to Present)	
17	1001111582	1	SECOND BOOM SECTION WELDMENT, (3507H & 723A) (Prior to SN 1160005870)	
17	1001111582B	1	SECOND BOOM SECTION WELDMENT, (35.7) (Prior to SN 1160005870)	
17	1001099264	1	SECOND BOOM SECTION WELDMENT, (3507H, 723A & 35.7) (SN 1160005870 to Present)	
38	3574821	2	SPACER	
51	4700026	1	WEAR PAD	
52	4700027	8	WEAR PAD, (L2906H, 2906H, 619A, 29.6LP & 29.6)	
53	4812000	28	WASHER, 10mm	
54	4812100	4	WASHER, 12mm	
56	8002200	4	WEAR PAD, (L2906H, 2906H, 619A, 29.6LP & 29.6)	
56	8002200	12	WEAR PAD, (3507H, 723A & 35.7)	
57	8002901	10	SPACER	
58	8003242	2	SPACER	
59	8008069	AR	SHIM, 2.0X70X200mm	
60	8008070	AR	SHIM, 2.0X50X200mm	
61	8008634	AR	SHIM, 0.5X70X200mm	
62	8008640	AR	SHIM, 0.5X50X200mm	
63	8008641	AR	SHIM, 1.0X50X200mm	
64	8008642	AR	SHIM, 1.5X50X200mm	
65	8008644	AR	SHIM, 1.0X70X200mm	
66	8008645	AR	SHIM, 1.5X70X200mm	
67	8002199	2	WEAR PAD	

SECTION 2 - BOOM

ITEM	PART NUMBER	QTY	DESCRIPTION	REV
159	0761014	AR	HEX HD CAPSCREW, M10X30, GR8.8, (3507H, 723A & 35.7)	
201	1001095650	AR	LOCTITE 243	

SECTION 2 - BOOM

FIGURE 2-3. QUICK ATTACH



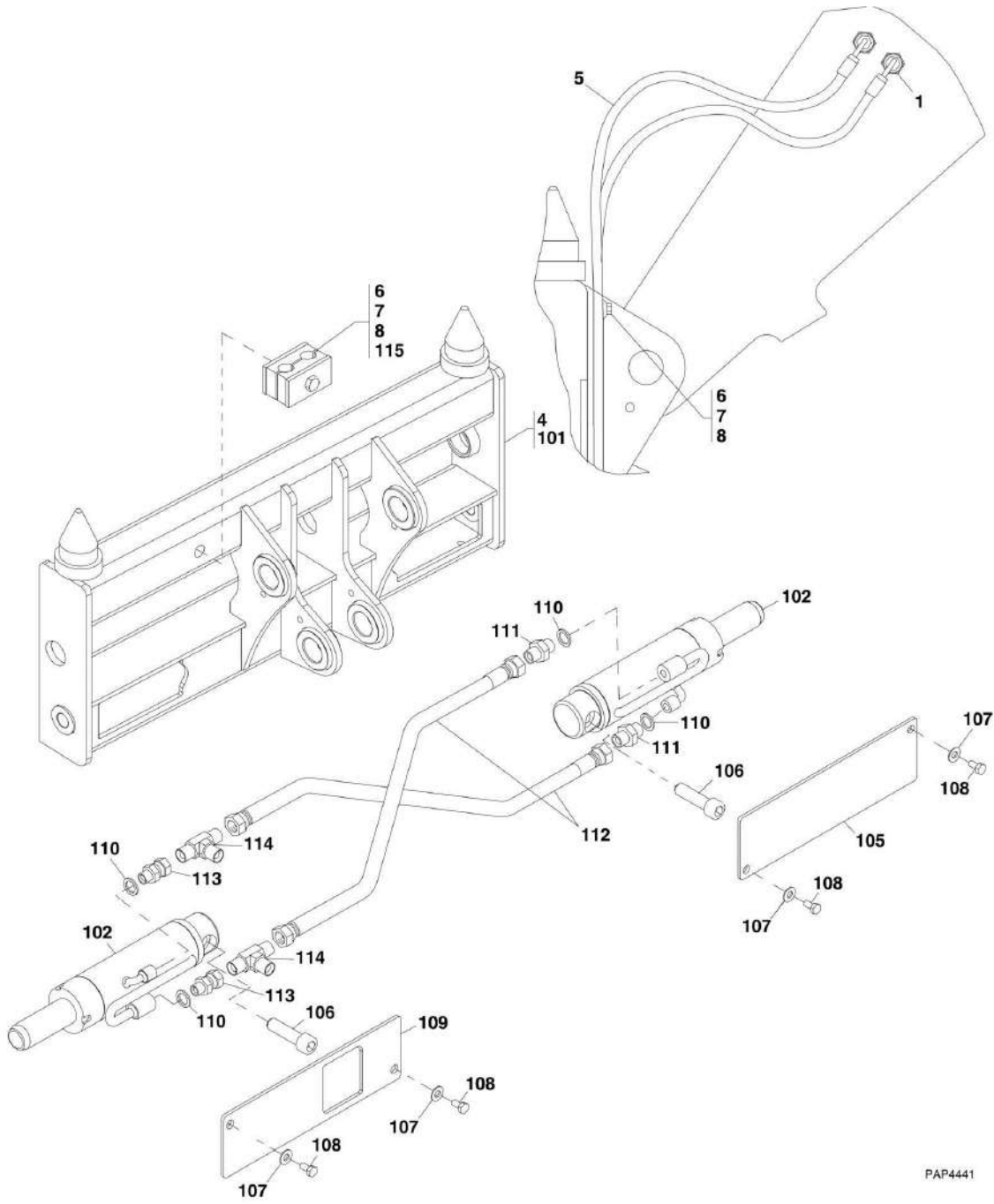
PAP16051

FIGURE 2-3. QUICK ATTACH

ITEM	PART NUMBER	QTY	DESCRIPTION	REV
	1001102310	1	MANUAL QUICK ATTACH, (includes items 1 thru 7), (if equipped)	D
1	N.S.S.	1	WELDMENT	
2	1001162636	1	ROD	
4	0760605	1	HEX HD CAPSCREW, M6X10, GR8.8	
5	1001161673	1	CHAIN	
7	1001095650	AR	LOCTITE 243	
	1001103641	1	HYDRAULIC QUICK ATTACH, (includes items 102 thru 112), (if equipped)	G
102	0760808	6	HEX HD CAPSCREW, M8X16, GR8.8	
103	N.S.S.	1	WELDMENT	
105	1001099431	1	COVER PLATE	
111	1001100827	1	FORK LOCKING CYLINDER KIT, (includes items 201 thru 204)	B
112	1001100900	1	STOP BLOCK	
201		Ref	FORK LOCKING CYLINDER, (See HYDRAULIC COMPONENTS SECTION for Breakdown)	
202	3391410	2	COTTER PIN	
203	8001888	2	PIN	
204	8002110	2	CLEVIS PIN	

SECTION 2 - BOOM

FIGURE 2-4. JD QUICK ATTACH L2906H, 2906H, 3507H, 29.6LP, 29.6 & 35.7



PAP4441

SECTION 2 - BOOM

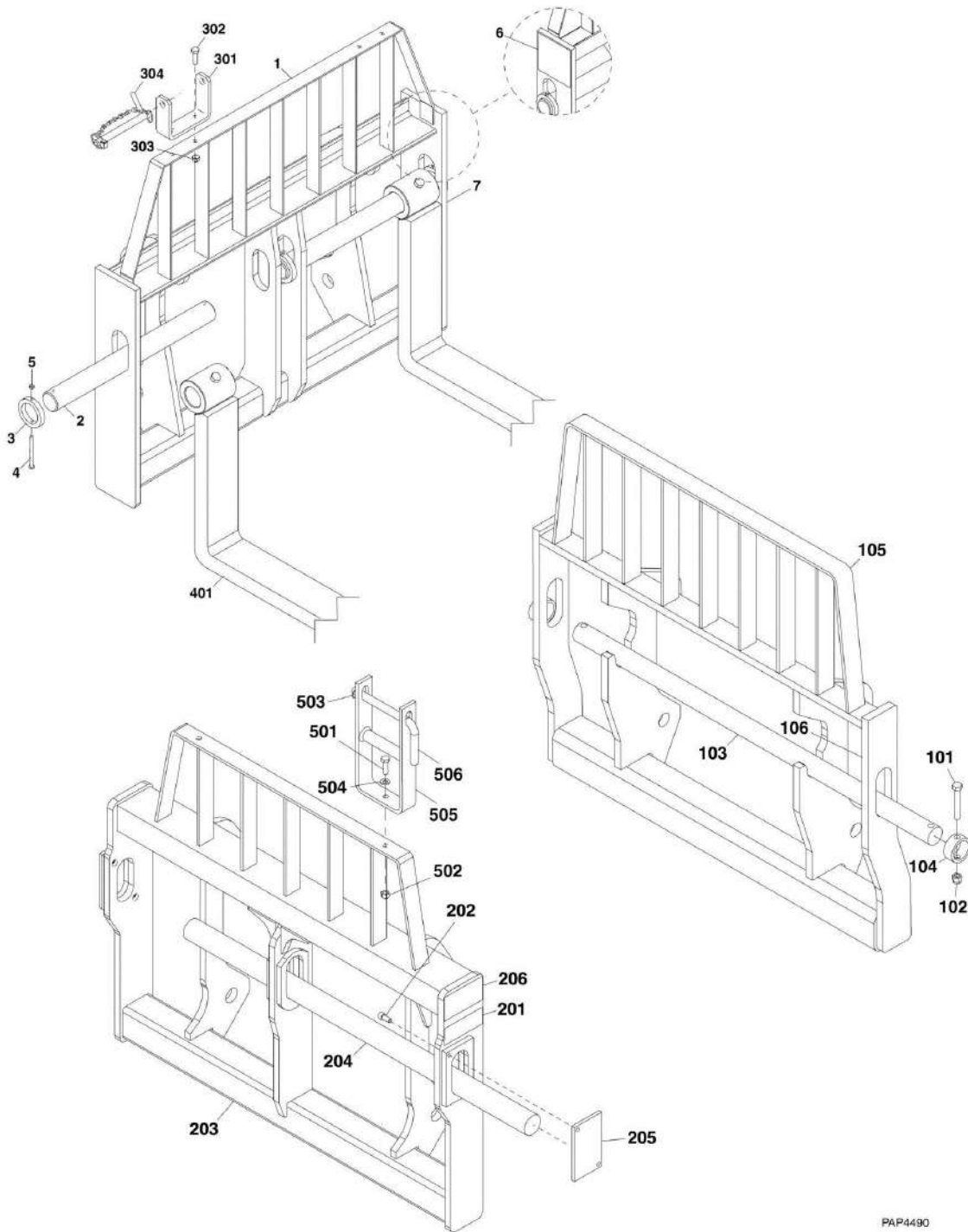
FIGURE 2-4. JD QUICK ATTACH L2906H, 2906H, 3507H, 29.6LP, 29.6 & 35.7

ITEM	PART NUMBER	QTY	DESCRIPTION	REV
	1001110008	Ref	JD QUICK ATTACH INSTALLATION, (L2906H, 2906H, 3507H, 29.6LP, 29.6 & 35.7), (if equipped), (not available to order, see items 1 thru 8 for service)	B
1	2143511	2	ADAPTER	
4	1001097350	1	JD QUICK ATTACH, (includes items 101 thru 115)	C
5	1001110009	2	HOSE ASSY	
6	0700817	1	HEX HD CAPSCREW, M8X45, GR8.8	
7	1321321	1	CLAMP	
8	874960	1	CLAMP GROUP 2D COVER PLATE	
101	N.S.S.	1	WELDMENT	
102	1001104933	1	JD QUICK ATTACH CYLINDER	
102	70022559	1	SEAL KIT	
105	1001101356	1	COVER PLATE	
106	1001101587	2	BOLT, M14X55	
107	4811900	4	WASHER, 8mm	
108	1001111847	4	HEX HD CAPSCREW, M8X16, GR8.8	
109	1001101425	1	COVER PLATE	
110	1001101590	4	O-RING	
111	1001097661	2	ADAPTER	
112	1001097664	2	HOSE ASSY	
113	1001097662	2	ADAPTER	
114	1001097663	2	TEE FITTING	
115	1001103533	1	CLAMP SET, (includes screw and plate)	
201		Ref	AUXILIARY HYDRAULICS, (See HYDRAULIC CIRCUITS SECTION for Breakdown)	

SECTION 3 - ATTACHMENTS

SECTION 3 - ATTACHMENTS

FIGURE 3-1. CARRIAGE ASSEMBLY



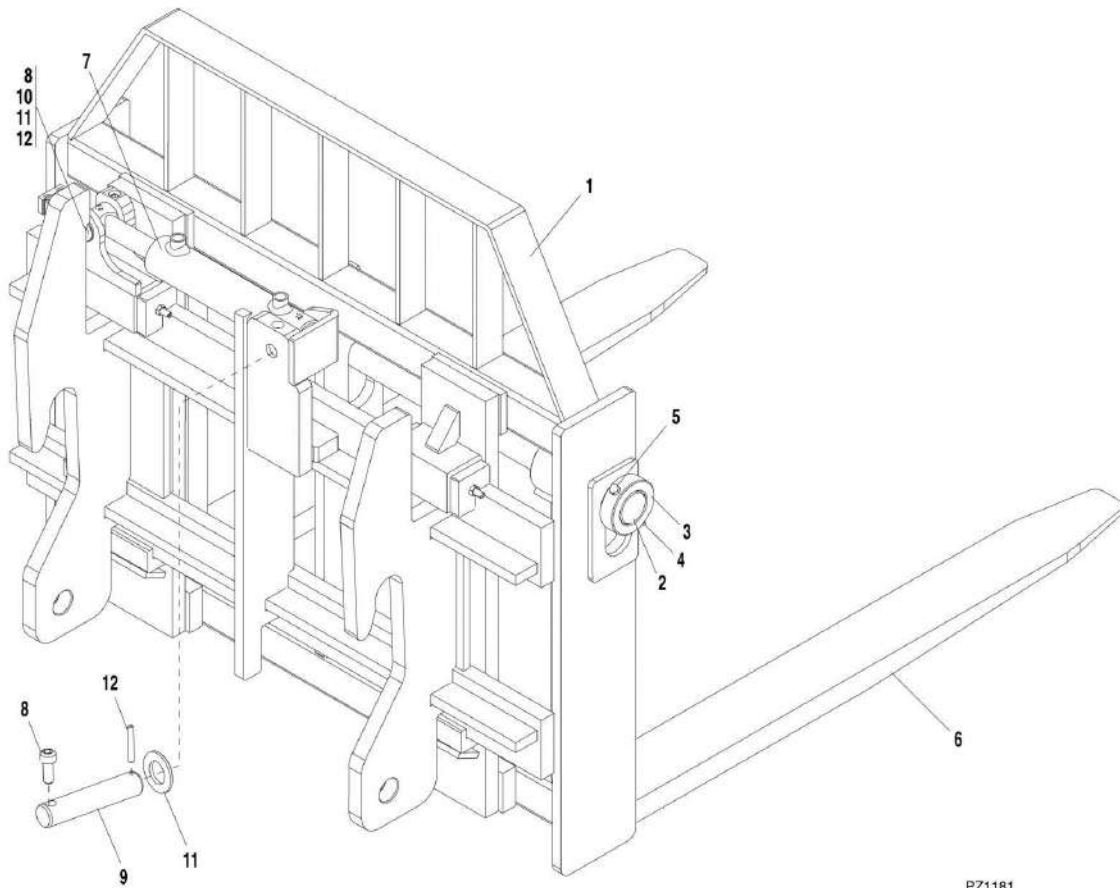
SECTION 3 - ATTACHMENTS

FIGURE 3-1. CARRIAGE ASSEMBLY

ITEM	PART NUMBER	QTY	DESCRIPTION	REV
	1001102554	1	CARRIAGE ASSY, (L2906H, 2906H, 3507H, 29.6LP, 29.6 & 35.7), (includes items 1 thru 5), (used with JD Quick Attach - See BOOM SECTION for Breakdown)	B
	1170028	NLA	CARRIAGE ASSY, (includes items 1 thru 7) (no longer available, order 1001112618 for replacement)	E
	1001112618	1	CARRIAGE ASSY, (includes items 1 thru 5 & 7)	C
1	N.S.S.	1	CARRIAGE WELDMENT	
2	4040283	2	CARRIAGE SHAFT	
3	3760508	4	SHAFT COLLAR	
4	0700827	4	HEX HD CAPSCREW, 8-1.25X100mm, GR8.8	
5	3290805	4	HEX LOCKNUT, 8mm	
6	N.S.S.	1	NAME PLATE	
7	N.S.S.	1	SN PLATE	
	1001097283	1	50IN STANDARD CARRIAGE ASSY, (7000lbs), (619A & 723A), (includes items 101 thru 106)	B
101	0642032	2	HEX HD CAPSCREW, 5/8-11X4	
102	3300240	2	LOCKNUT, 5/8-11	
103	3423275	1	50IN FORK PIN	
104	90200003	2	COLLAR	
105	N.S.S.	1	CARRIAGE WELDMENT	
106	N.S.S.	1	SN PLATE	
	1001107333	1	CARRIAGE ASSY, (500mm), (L2906H, 2906H, 3507H, 29.6LP, 29.6 & 35.7), (VETTER), (includes items 201 thru 206)	A
	1001107581	1	CARRIAGE ASSY, (600mm), (L2906H, 2906H, 3507H, 29.6LP, 29.6 & 35.7), (VETTER), (includes items 201 thru 206)	A
201	N.S.S.	1	SN PLATE	
202	4032109	4	SOCKET HD CAPSCREW, M12X25	
203	N.S.S.	1	CARRIAGE WELDMENT	
204	1001107336	1	CARRIAGE SHAFT	
205	1001107338	2	SHAFT COVER	
206	N.S.S.	1	NAME PLATE	
	0240143	Ref	FORK TRANSPORT LATCH, (L2906H, 2906H, 3507H, 29.6LP, 29.6 & 35.7), (not available to order, see includes items 301 thru 304 for service)	A
301	0903366	2	LOCKING BRACKET	
302	0761216	4	HEX HD CAPSCREW, 12X40	
303	3291205	4	HEX LOCKNUT, 12mm	
304	3423258	2	LOCKING PIN	
401		Ref	FORKS, (See FORKS AND FORK EXTENSIONS for Breakdown)	
	1001120182	1	FORK TRANSPORT LATCH, (L2906H, 2906H, 3507H, 29.6LP, 29.6 & 35.7), (VETTER), (includes items 501 thru 506)	C
501	0701217	2	HEX HD CAPSCREW, M12X45, GR8.8	
502	3291201	2	HEX NUT, M12X1.75	
503	3964987	2	SPLIT PIN	
504	5241200	4	WASHER, 12mm	
505	1001006141	NLA	FORK LOCK BACK BRACKET, (no longer available, use 1001130822 for replacement)	
505	1001130822	2	FORK LOCK BACK BRACKET	
506	1001100262	2	CARRIAGE FORK RETAINER PIN	

SECTION 3 - ATTACHMENTS

FIGURE 3-2. SIDE SHIFT CARRIAGE



PZ1181

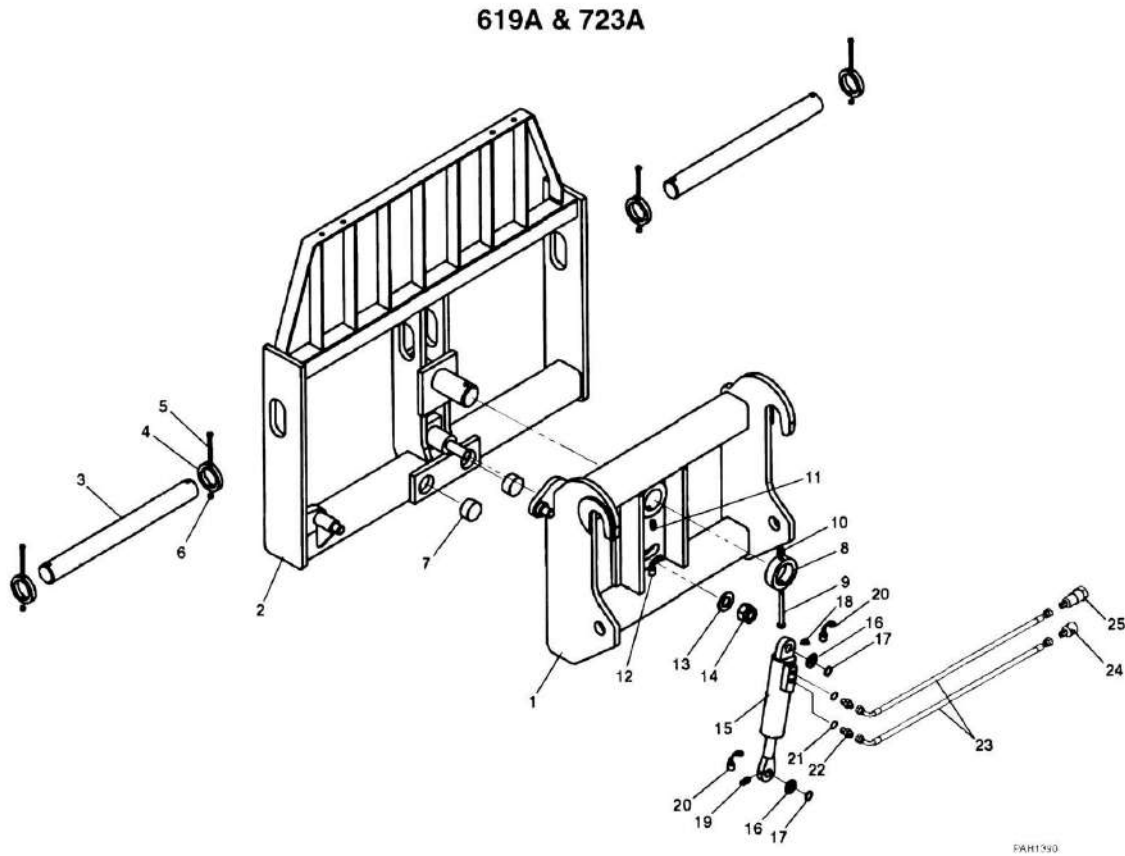
SECTION 3 - ATTACHMENTS

FIGURE 3-2. SIDE SHIFT CARRIAGE

ITEM	PART NUMBER	QTY	DESCRIPTION	REV
	1170002	1	SIDE SHIFT CARRIAGE ASSY, (includes items 1 thru 5 & 7 thru 13)	G
1	N.S.S.	1	CARRIAGE WELDMENT	
2	7028136	1	FORK PIN	
3	7028137	2	COLLAR	
4	3291005	2	NUT	
5	0701029	2	CAPSCREW	
6		Ref	FORK, (See FORKS AND FORK EXTENSIONS for Breakdown)	
7	70021558	1	CYLINDER	
8	70021559	2	BOLT	
9	70021560	1	PIN	
10	70021561	1	PIN	
11	70021562	2	WASHER	
12	70021563	2	ROLL PIN	
13	N.S.S.	1	SN PLATE, (not shown)	

SECTION 3 - ATTACHMENTS

FIGURE 3-3. SIDE TILT CARRIAGE 619A & 723A



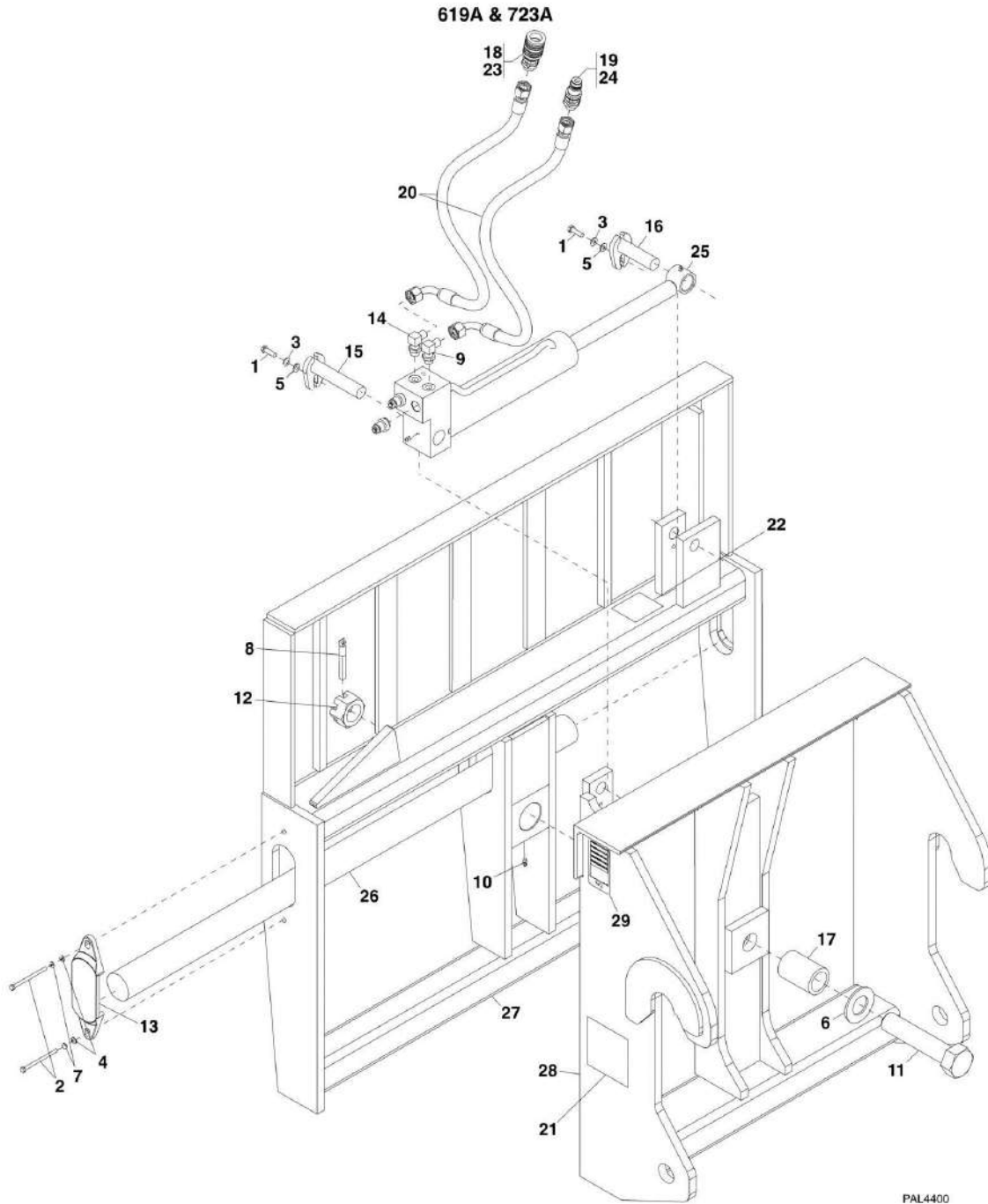
SECTION 3 - ATTACHMENTS

FIGURE 3-3. SIDE TILT CARRIAGE 619A & 723A

ITEM	PART NUMBER	QTY	DESCRIPTION	REV
	1170046	1	SIDE TILT CARRIAGE, (619A & 723A), (Includes all items)	C
1	N.S.S.	1	CARRIAGE WELDMENT	
2	N.S.S.	1	TILT CARRIAGE WELDMENT	
3	4040283	2	CARRIAGE SHAFT	
4	3760508	4	SHAFT COLLAR	
5	70021236	4	HEX HD CAPSCREW	
6	3290805	4	HEX LOCKNUT	
7	70021238	2	BUFFER	
8	70021239	1	COLLAR	
9	70021240	1	HEX HD CAPSCREW	
10	70021241	1	HEX LOCKNUT	
11	70021242	1	GREASE FITTING	
12	70021243	1	GREASE FITTING COVER	
13	70021244	1	WASHER	
14	70022697	1	HEX LOCKNUT	
15	70020506	1	CYLINDER	
15	70023271	1	SEAL KIT	
15	70023272	1	VALVE	
16	70020507	2	WASHER	
17	70020508	2	SNAP RING	
18	70021245	1	GREASE FITTING	
19	70021246	1	GREASE FITTING	
20	70021247	2	GREASE FITTING COVER	
21	70020730	2	GASKET	
22	70020731	2	LINK	
23	70021248	2	HYDRAULIC TUBE	
24	1001094556	1	MALE QUICK DISCONNECT COUPLING	
25	1001094555	1	FEMALE QUICK DISCONNECT COUPLING	

SECTION 3 - ATTACHMENTS

FIGURE 3-4. SIDE TILT CARRIAGE 619A & 723A



PAL4400

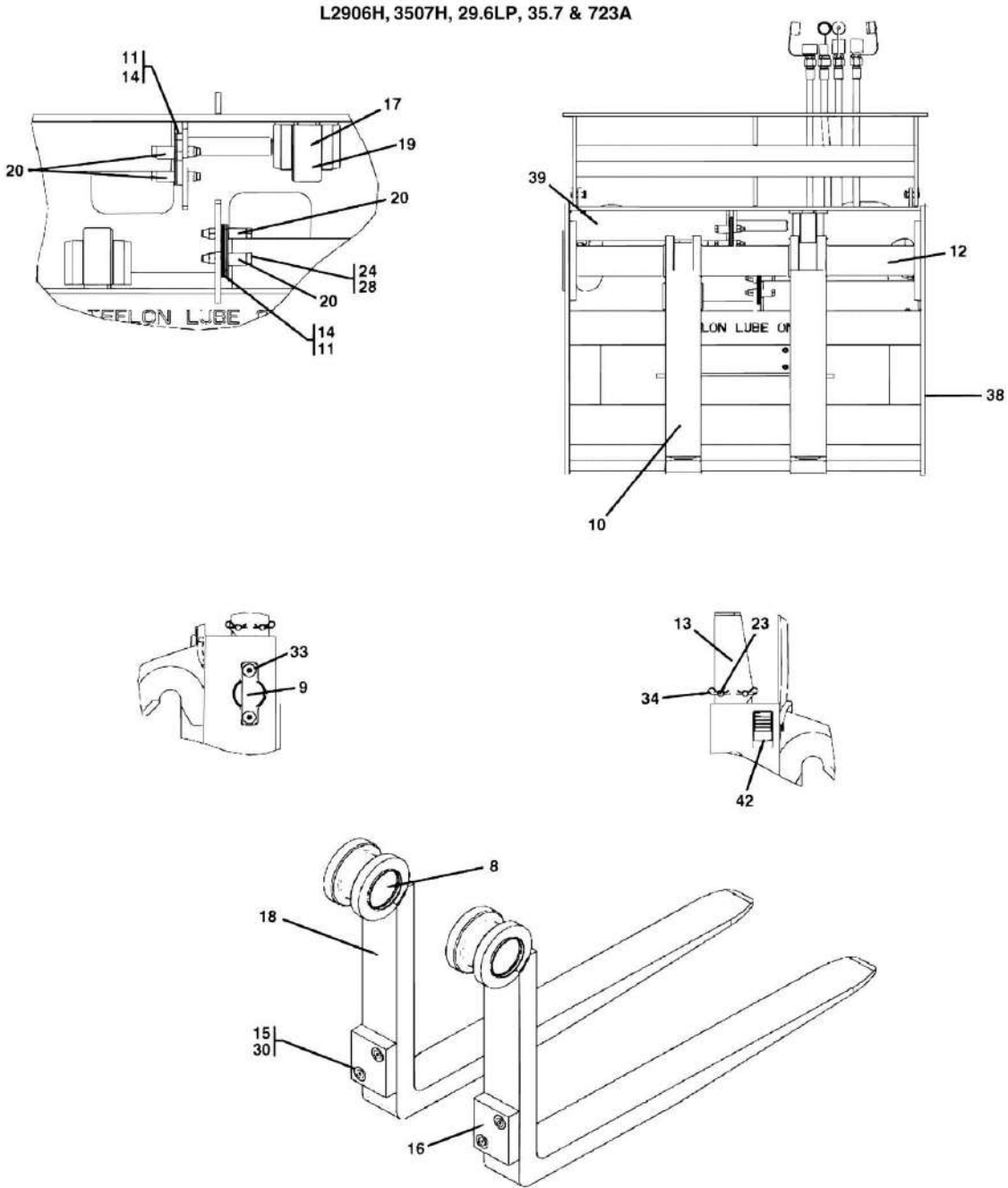
SECTION 3 - ATTACHMENTS

FIGURE 3-4. SIDE TILT CARRIAGE 619A & 723A

ITEM	PART NUMBER	QTY	DESCRIPTION	REV
	1001099613	1	48IN SIDE TILT CARRIAGE, (619A & 723A), (7000lbs), (includes items 1 thru 29)	A
1	70021349	2	HEX HD CAPSCREW, 0.38X1.00	
2	7029691	4	HEX HD CAPSCREW, 0.50X1.25	
3	90554042	2	LOCKWASHER, 0.38	
4	90554020	4	LOCKWASHER, 0.50	
5	70021350	2	FLAT WASHER, 0.38	
6	70021346	1	FLAT WASHER, 1.50	
7	70021338	4	HARD WASHER, 0.50	
8	7029700	1	COTTER PIN	
9	90554065	1	ELBOW, 90	
10	90554045	1	GREASE FITTING	
11	70021347	1	HEX HD CAPSCREW, 1.50X7.00	
12	7029713	1	HEX NUT, 1.50	
13	7029690	2	FORK PIN RETAINER	
14	7029705	1	ELBOW, 90	
15	70021348	1	PIN	
16	70021351	1	PIN	
17	70021345	1	SPACER	
18	7029692	1	MALE QUICK COUPLER	
19	70021342	1	FEMALE QUICK COUPLER	
20	70021343	2	HOSE ASSY	
21	90554017	2	PINCH POINT DECAL	
22	7029711	1	HIGH PRESSURE DECAL	
23	90554062	1	DUST CAP	
24	90554076	1	DUST PLUG	
25		Ref	SIDE TILT CYLINDER, (See HYDRAULIC COMPONENTS SECTION for Breakdown)	
26	70021339	1	FORK PIN	
27	N.S.S.	1	CARRIAGE WELDMENT	
28	N.S.S.	1	REAR FRAME WELDMENT	
29	N.S.S.	1	SN PLATE	

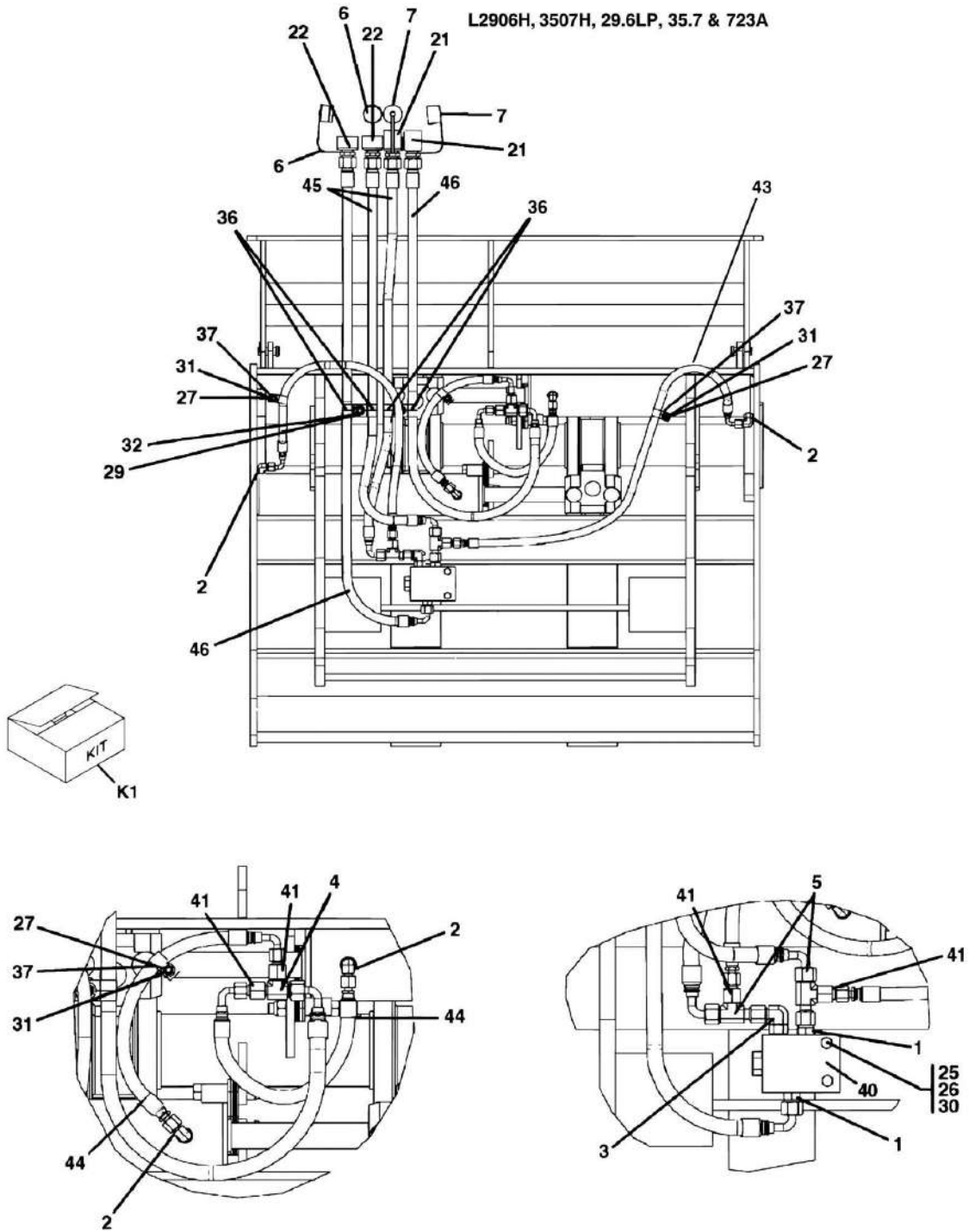
SECTION 3 - ATTACHMENTS

FIGURE 3-5. FORK POSITION/ SIDE SHIFT CARRIAGE L2906H, 3507H, 29.6LP, 35.7 & 723A



ART_1001091316_1-F

SECTION 3 - ATTACHMENTS



ART_1001091316_2-F

SECTION 3 - ATTACHMENTS

FIGURE 3-5. FORK POSITION/ SIDE SHIFT CARRIAGE L2906H, 3507H, 29.6LP, 35.7 & 723A

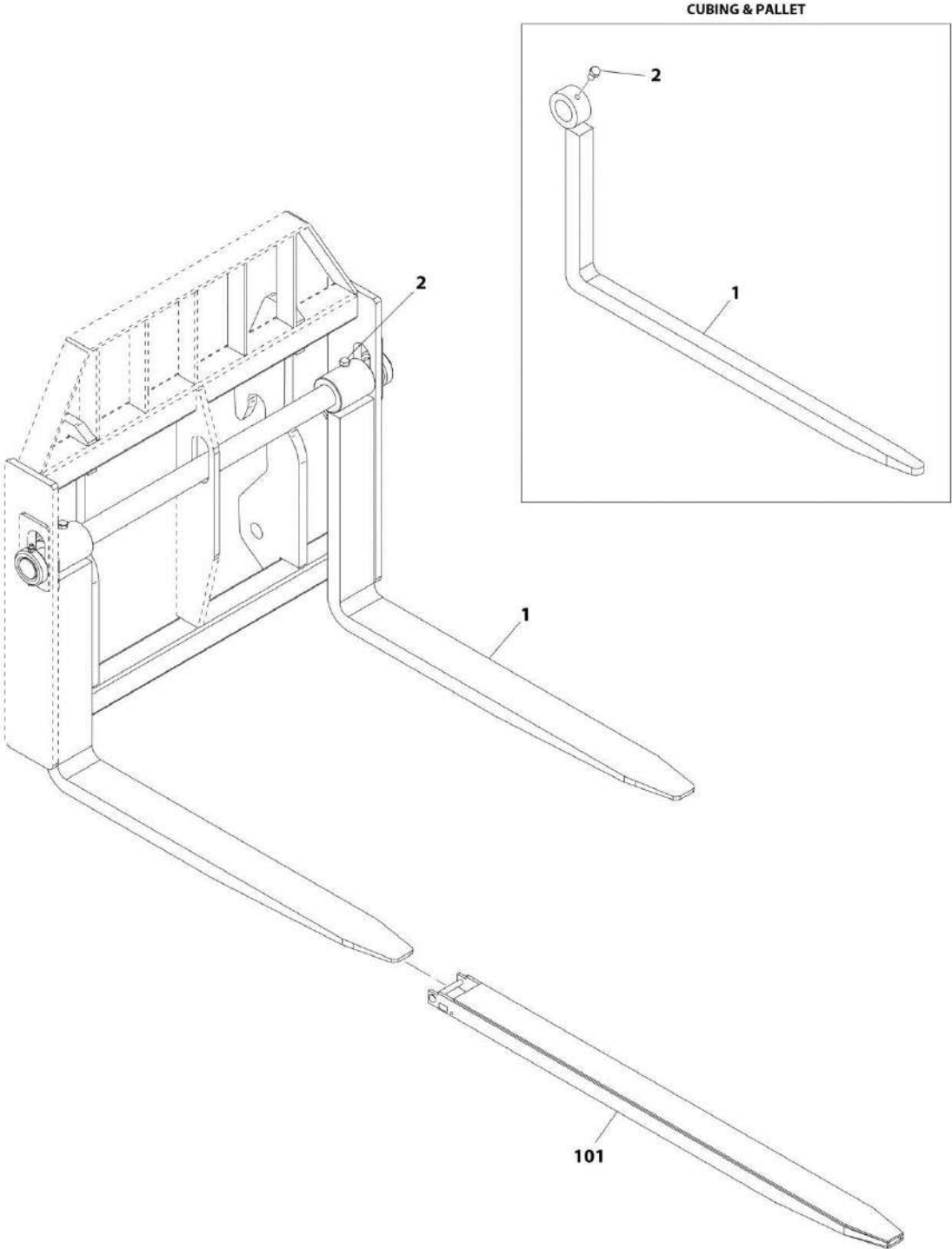
ITEM	PART NUMBER	QTY	DESCRIPTION	REV
	1001091316	1	FORK POSITION/SIDE SHIFT CARRIAGE, (L2906H, 3507H, 29.6LP, 35.7 & 723A), (includes items 1 thru 46)	F
1	2110606	2	CONNECTOR	
2	2130404	4	CONNECTOR	
3	2130606	1	CONNECTOR	
4	2170506	1	UNION	
5	2170706	2	UNION	
6	1001093826	1	DUST CAP	
7	1001093827	1	DUST PLUG	
8	6616072	2	FIBERGLIDE BEARING	
9	6616152	1	SHAFT RETAINER	
10	6616313	2	FORK ASSEMBLY	
11	6616372	4	CYLINDER RETAINER PLATE	
12	6616553	1	FORK CARRIAGE SHAFT	
13	N.S.S.	1	BACKREST WELDMENT	
14	6617012	8	CYLINDER RETAINER SHIM	
15	6618622	4	WEAR PAD INSERT	
16	6618632	2	WEAR PAD	
17	6619882	12	PAWL WEAR PAD	
18	6621863	2	PALLET FORK, 2.00X4.00X40.00	
19	7115372	2	PAWL CYLINDER ROD END	
20	7116171	4	SPACER	
21	1001094555	1	FEMALE QUICK DISCONNECT COUPLING	
22	1001094556	1	MALE QUICK DISCONNECT COUPLING	
23	8301428	4	CLEVIS PIN, 5/8X1-1/2	
24	8303702	4	HEX HD CAPSCREW, 0.500-13NCX3, GR5	
25	8303757	2	HEX HD CAPSCREW, 0.312-18NCX2.5, GR5	
26	8305006	2	HEX NUT, 0.250-20	
27	8305624	3	HEX LOCKNUT, 0.250-20	
28	8305644	4	HEX LOCKNUT, 0.500-13	
29	8305645	2	HEX LOCKNUT, 0.375-16	
30	8307004	2	LOCKWASHER, 5/16	
31	8307109	3	WASHER, 0.250	
32	8307110	2	WASHER, 0.375	
33	8310261	2	SCREW, 0.750-10X1.5	
34	8310264	4	HAIR PIN	
35	8310341	4	SCREW, 0.375-16X1.5	
36	8406105	4	TUBE CLIP, 0.75	
37	8406109	3	TUBE CLIP, 0.5	
38	N.S.S.	1	CARRIAGE WELDMENT	
39		Ref	FORK SIDE SHIFT CYLINDER, (See HYDRAULIC COMPONENTS SECTION for Breakdown)	
40	1001092465	1	MANIFOLD VALVE	
40	70022664	1	CARTRIDGE	
41	1001092764	4	TUBE END REDUCER CONNECTOR	
42	N.S.S.	1	SN PLATE	
43	1001093411	2	HOSE ASSY	
44	1001093412	2	HOSE ASSY	
45	1001093413	2	HOSE ASSY	
46	1001093414	2	HOSE ASSY	

SECTION 3 - ATTACHMENTS

ITEM	PART NUMBER	QTY	DESCRIPTION	REV
K1	1001097287	1	QUICK DISCONNECT ADAPTOR KIT, (if equipped), (includes items 6, 7, 21 & 22)	

SECTION 3 - ATTACHMENTS

FIGURE 3-6. FORKS AND FORK EXTENSIONS



ART_31200566-3-6

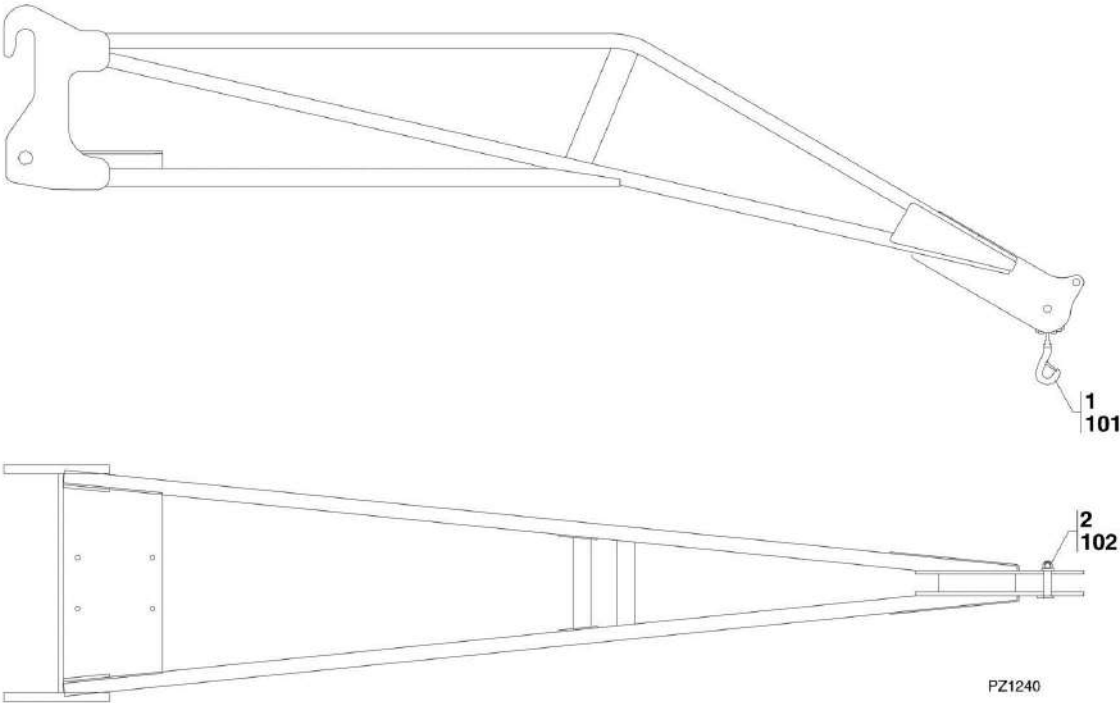
SECTION 3 - ATTACHMENTS

FIGURE 3-6. FORKS AND FORK EXTENSIONS

ITEM	PART NUMBER	QTY	DESCRIPTION	REV
1	2340029	2	FORK, (125X45X1200mm), (2000kg each fork), (L2906H, 2906H, 3507H, 29.6LP, 29.6 & 35.7)	B
2	7028626	2	HEX HD CAPSCREW	
1	2340030	1	FORK TINE ASSY, (Lamy), (100X50X1200mm), (4000kg per pair), (sold as a pair), (L2906H, 2906H, 3507H, 29.6LP, 29.6 & 35.7)	C
2	7028628	2	HEX HD CAPSCREW	
1	2340037	4	48IN CUBING FORK, (2X2X48), (7760lbs), (619A & 723A)	A
1	2340040	NLA	FORK, (120X50X1200mm), (4000kg per pair), (no longer available, use 1001117945 for replacement), (L2906H, 2906H, 3507H, 29.6LP, 29.6 & 35.7), (sold as a pair)	C
1	1001117945	1	FORK, (120X50X1200mm), (2000kg), (L2906H, 2906H, 3507H, 29.6LP, 29.6 & 35.7), (sold as a pair)	C
2	0761612	2	HEX HD CAPSCREW, 16X25, GR8.8	
1	1001100911	1	FORK TINE ASSY, (L2906H, 2906H, 3507H, 29.6LP, 29.6 & 35.7), (VETTER), (4000kg per pair), (100X50X1200mm), (includes hardware)	D
2	0761214	2	HEX HD CAPSCREW, M12X30, GR8.8	
1	1001099457	2	60IN LUMBER FORK, (1.5X6X60), (7300lbs), (619A & 723A)	C
1	1001099458	2	48IN PALLET FORK, (2X4X48), (7600lbs), (619A & 723A)	C
1	1001107586	1	FORK, (100X60X1200mm), (2000kg), (L2906H, 2906H, 3507H, 29.6LP, 29.6 & 35.7) (sold as a pair)	C
2	0761214	2	HEX HD CAPSCREW, M12X30, GR8.8	
1	2340041	1	FORK, (100X50X1200mm), (2000kg), (L2906H, 2906H, 3507H, 29.6LP, 29.6 & 35.7) (sold as a pair)	C
2	0761612	2	HEX HD CAPSCREW, 16X25, GR8.8	
101	1001112559	2	FORK EXTENSION, (110X55X1800), (L2906H, 2906H, 3507H, 29.6LP, 29.6 & 35.7)	C
101	1001112560	2	FORK EXTENSION, 100x60, (AUS), (2906H, L2906H, 3507H)	B
101	70022831	2	BOLT KIT, (includes washer and clip), (L2906H, 2906H, 3507H, 29.6LP, 29.6 & 35.7)	
N1	Note	Ref	FORKS RATED LESS THAN THE ATTACHMENT OR MACHINE'S CAPACITY DECREASES CAPACITY OF THE ATTACHMENT OR MACHINE TO THAT OF THE FORKS. FORKS RATED MORE THAN THE ATTACHMENT OR MACHINE'S CAPACITY DO NOT INCREASE ATTACHMENT OR MACHINE'S CAPACITY.	
N2	Note	Ref	PLEASE CONSULT JLG PARTS DEPARTMENT TO DETERMINE THE CORRECT FORKS APPLICABLE TO YOUR SPECIFIC CARRIAGE ASSEMBLY AND APPLICATION.	

SECTION 3 - ATTACHMENTS

FIGURE 3-7. TRUSS BOOMS L2906H, 2906H, 3507H, 29.6LP, 29.6 & 35.7



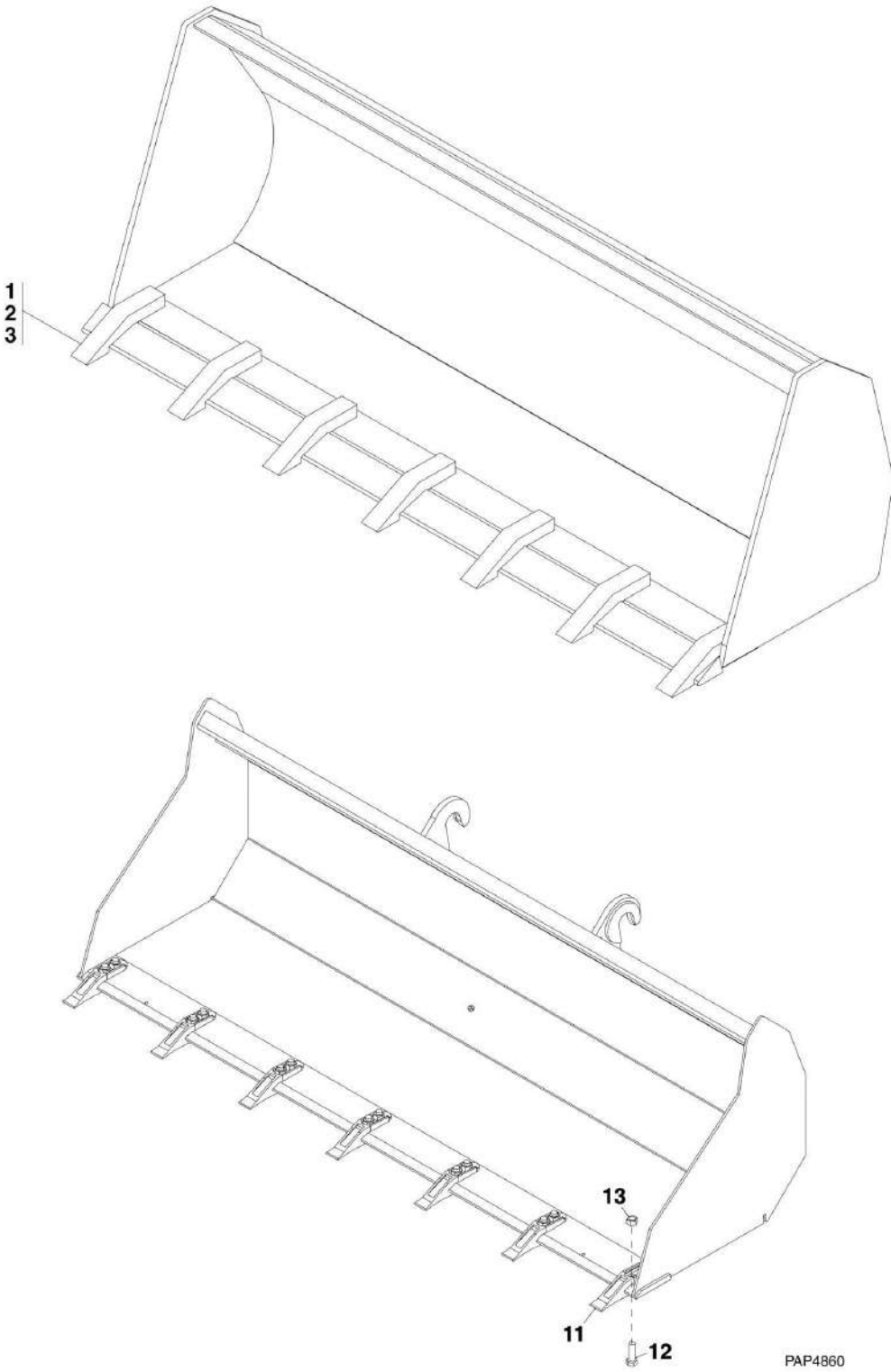
SECTION 3 - ATTACHMENTS

FIGURE 3-7. TRUSS BOOMS L2906H, 2906H, 3507H, 29.6LP, 29.6 & 35.7

ITEM	PART NUMBER	QTY	DESCRIPTION	REV
	0240063	1	3.4M TRUSS BOOM, (1000kg), (L2906H, 2906H, 3507H, 29.6LP, 29.6 & 35.7), (includes items 1 & 2)	C
1	70020421	1	HOOK	
2	70020422	1	BOLT	
	0240110	1	3.6M TRUSS BOOM, (650kg), (includes items 101 & 102)	D
101	70020423	1	HOOK	
102	70020424	1	BOLT	

SECTION 3 - ATTACHMENTS

FIGURE 3-8. BUCKETS



PAP4860

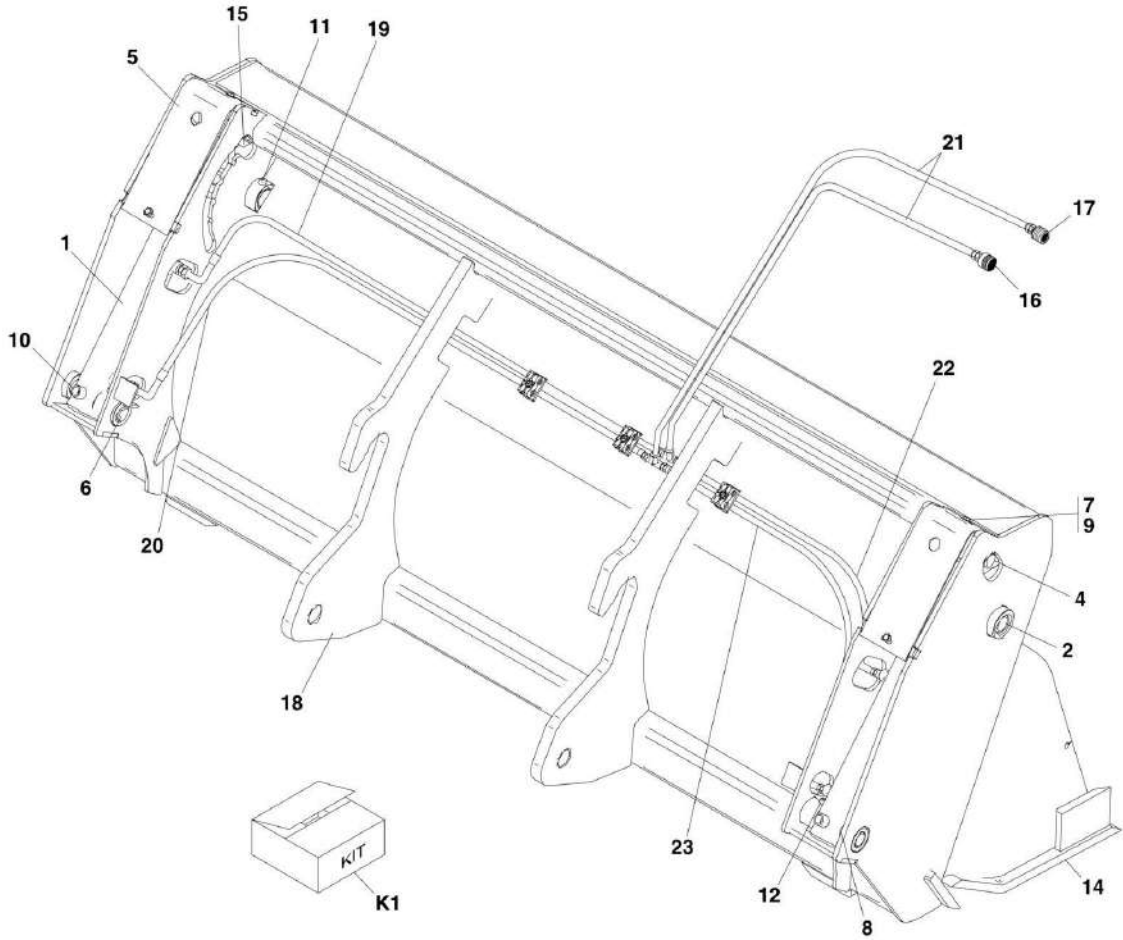
SECTION 3 - ATTACHMENTS

FIGURE 3-8. BUCKETS

ITEM	PART NUMBER	QTY	DESCRIPTION	REV
	4805670	1	DIG BUCKET, W/TEETH, 0.8m ³ , (L2906H, 2906H, 3507H, 29.6LP, 29.6 & 35.7), (includes items 1 thru 3)	B
	4802100	1	DIG BUCKET, W/TEETH, 1.0m ³ , (L2906H, 2906H, 3507H, 29.6LP, 29.6 & 35.7), (includes items 1 thru 3)	B
1	7028092	7	TOOTH	
2	7028093	7	SECURING PIN	
3	7028094	7	TOOTH MOUNT	
4	8008424	1	TOOTH PROTECTION, (if equipped), (not shown)	
4	0930015	1	DIG BUCKET, 0.9m ³ , (not shown)	C
4	70020392	1	BLADE KIT, (includes qty 7 each of items 12 & 13), (not shown)	
4	0930016	1	DIG BUCKET, 1.8m ³ , (not shown)	C
4	70020392	1	BLADE KIT, (includes qty 7 each of items 12 & 13), (not shown)	
4	0930008	1	DIG BUCKET, 0.8m ³ , (L2906H, 2906H, 619A, 29.6LP & 29.6), (not shown)	A
4	70020768	1	BLADE KIT, (includes mounting hardware), (not shown)	
4	0930009	1	DIG BUCKET, 1.5m ³ , (L2906H, 2906H, 619A, 29.6LP & 29.6), (not shown)	A
4	70020768	1	BLADE KIT, (includes mounting hardware), (not shown)	
4	1001094612	1	TEETH KIT, (includes items 11 thru 13), (not shown)	A
11	1001094611	7	TOOTH	
12	1001094615	14	HEX HD CAPSCREW, M20X72	
13	1001094616	14	HEX NUT, M20X2.5	

SECTION 3 - ATTACHMENTS

FIGURE 3-9. MULTI-PURPOSE BUCKETS



PAP15910

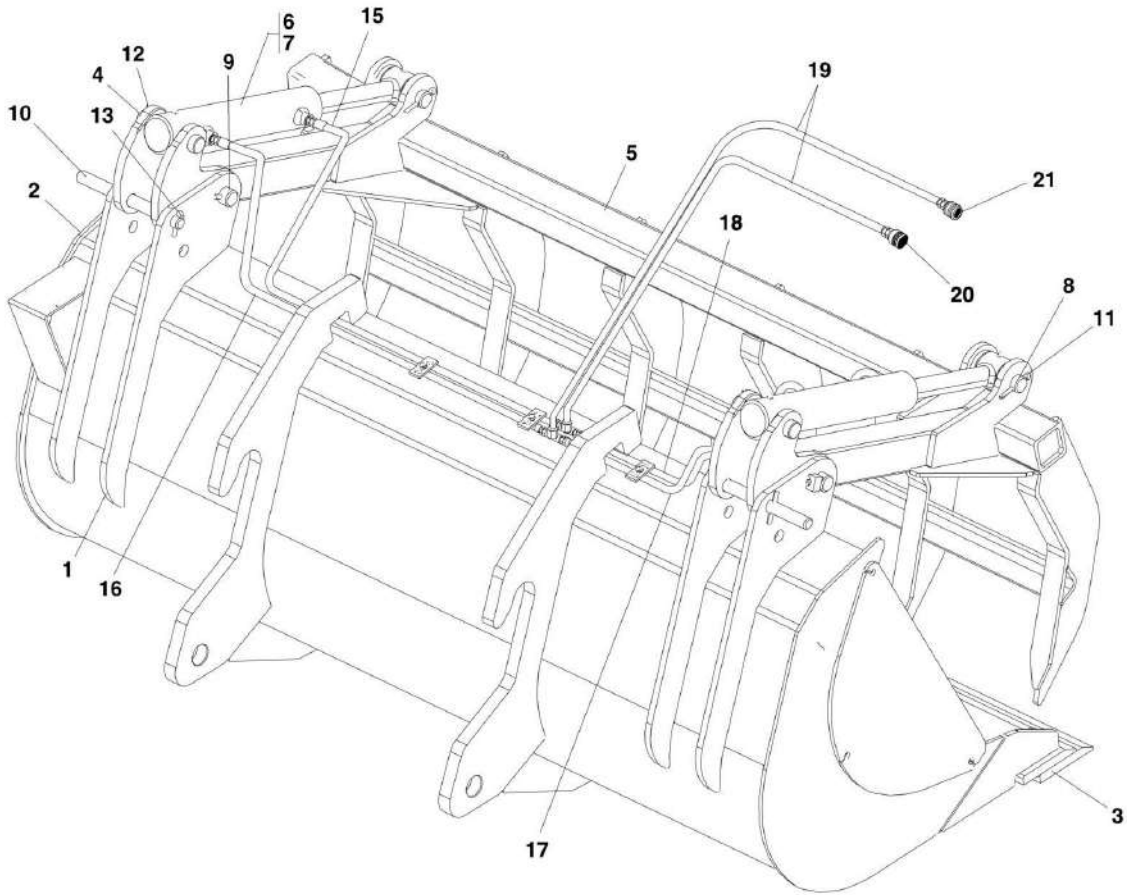
SECTION 3 - ATTACHMENTS

FIGURE 3-9. MULTI-PURPOSE BUCKETS

ITEM	PART NUMBER	QTY	DESCRIPTION	REV
	0930003	1	MULTI-PURPOSE BUCKET, 1m, (includes items 1 thru 23)	E
	0930006	1	MULTI-PURPOSE BUCKET, 2.05m, (L2906H, 2906H, 619A, 29.6LP & 29.6) (includes items 1 thru 23)	C
1	7028990	2	CYLINDER	
1	7028910	AR	CYLINDER SEAL KIT	
2	7028911	2	PIN	
3	7028912	6	NUT, (not shown)	
4	7028913	2	PIN	
5	7028914	2	PROTECTING PLATE	
6	7028915	2	PIN	
7	7028916	4	HEX HD SCREW	
8	7028131	6	BUSHING	
9	7028917	4	WASHER	
10	7028918	6	GREASE NIPPLE	
11	7028920	2	SCREW	
12	7028919	4	SCREW	
14	N.S.S.	1	WELDMENT	
15	7028923	1	GAUGE	
16	1001094555	1	FEMALE QUICK DISCONNECT COUPLING	
17	1001094556	1	MALE QUICK DISCONNECT COUPLING	
18	N.S.S.	1	WELDMENT	
19	7028982	1	HOSE ASSY	
20	7028983	1	HOSE ASSY	
21	7028984	2	HOSE ASSY	
22	7028985	1	HOSE ASSY	
23	7028991	1	HOSE ASSY	
101	1001093826	1	DUST CAP, (not shown)	
102	1001093827	1	DUST PLUG, (not shown)	
K1	1001097287	1	QUICK DISCONNECT ADAPTER KIT, (includes items 16, 17, 101 & 102)	

SECTION 3 - ATTACHMENTS

FIGURE 3-10. MANURE BUCKET



PZ0221

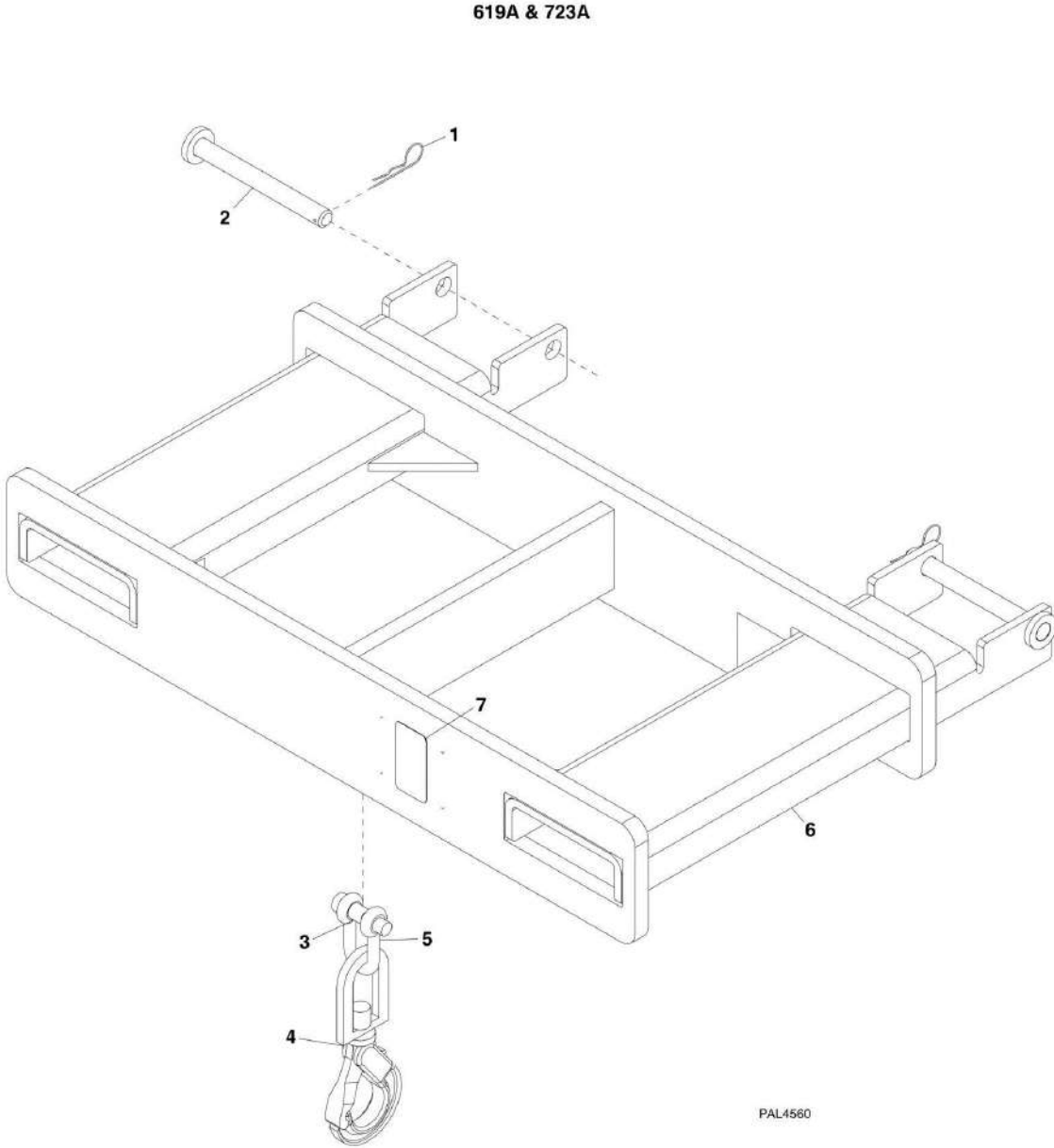
SECTION 3 - ATTACHMENTS

FIGURE 3-10. MANURE BUCKET

ITEM	PART NUMBER	QTY	DESCRIPTION	REV
	0930004	1	MANURE BUCKET, 1.0m ³ , (includes items 1 thru 21)	D
	0930005	1	MANURE BUCKET, 0.8m ³ , (L2906H, 2906H, 619A, 29.6LP & 29.6), (includes items 1 thru 21)	C
1	N.S.S.	1	WELDMENT	
2	7028133	1	SIDE PLATE ASSY, (1.0m ³)	
2	7029323	1	SIDE PLATE ASSY, (0.8m ³)	
3	7028132	1	BLADE ASSY, (1.0m ³), (includes blade and the following hardware)	
3	7029356	8	HEX LOCKNUT, M16-8	
3	70023484	8	BOLT, M16X60, GR10.9	
3	7029322	1	BLADE ASSY, (0.8m ³), (includes blade and the following hardware)	
3	7029356	7	HEX LOCKNUT, M16-8	
3	70023484	7	BOLT, M16X60, GR10.9	
4	7028126	2	ADJUSTING BRACKET	
5	7028125	1	GRAPPLE, (1.0m ³)	
5	7029321	1	GRAPPLE, (0.8m ³)	
6	7028127	2	TILT CYLINDER	
6	7028910	2	SEAL KIT	
7	7028131	6	BUSHING	
8	7028128	2	PIN	
9	7028129	2	LOCKING PIN	
10	7028130	2	PIN	
11	7028135	4	ROLL PIN	
12	7028134	8	ROLL PIN	
13	7028124	2	CIRCLIP	
15	7028986	1	HOSE ASSY	
16	7028987	1	HOSE ASSY	
17	7028988	1	HOSE ASSY	
18	7028989	1	HOSE ASSY	
19	7028984	2	HOSE ASSY	
20	1001094555	1	FEMALE QUICK DISCONNECT COUPLING	
21	1001094556	1	MALE QUICK DISCONNECT COUPLING	

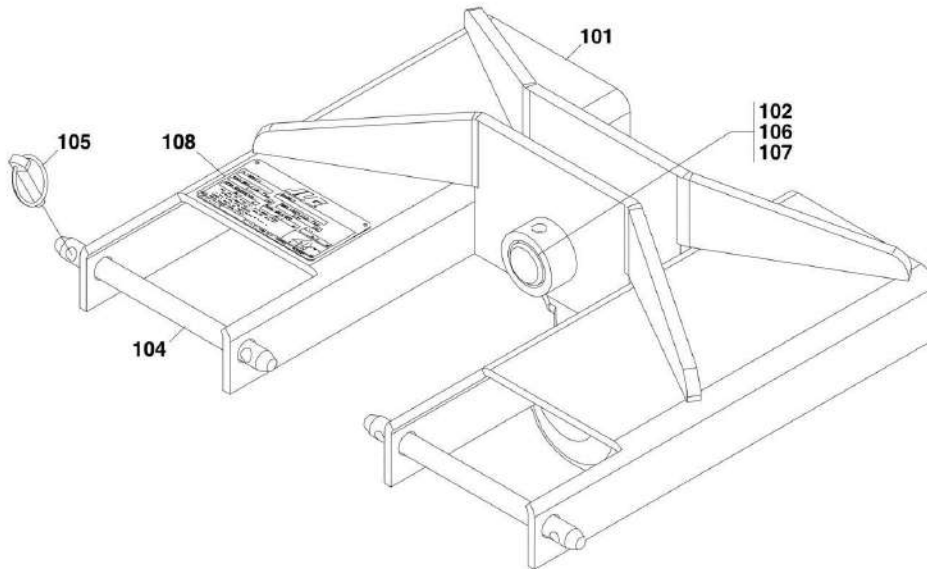
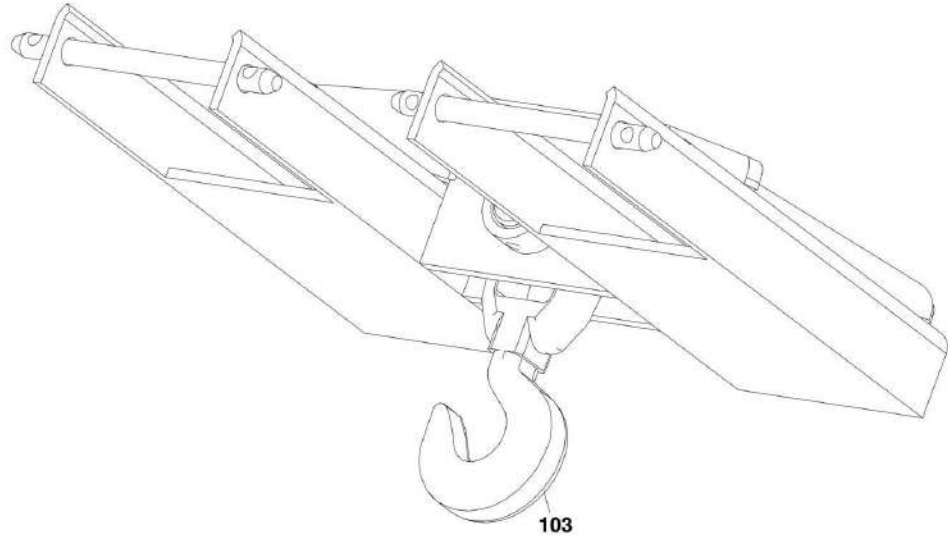
SECTION 3 - ATTACHMENTS

FIGURE 3-11. FORK MOUNTED HOOK



SECTION 3 - ATTACHMENTS

L2906H, 2906H, 3507H, 29.6LP, 29.6 & 35.7



PAL4570

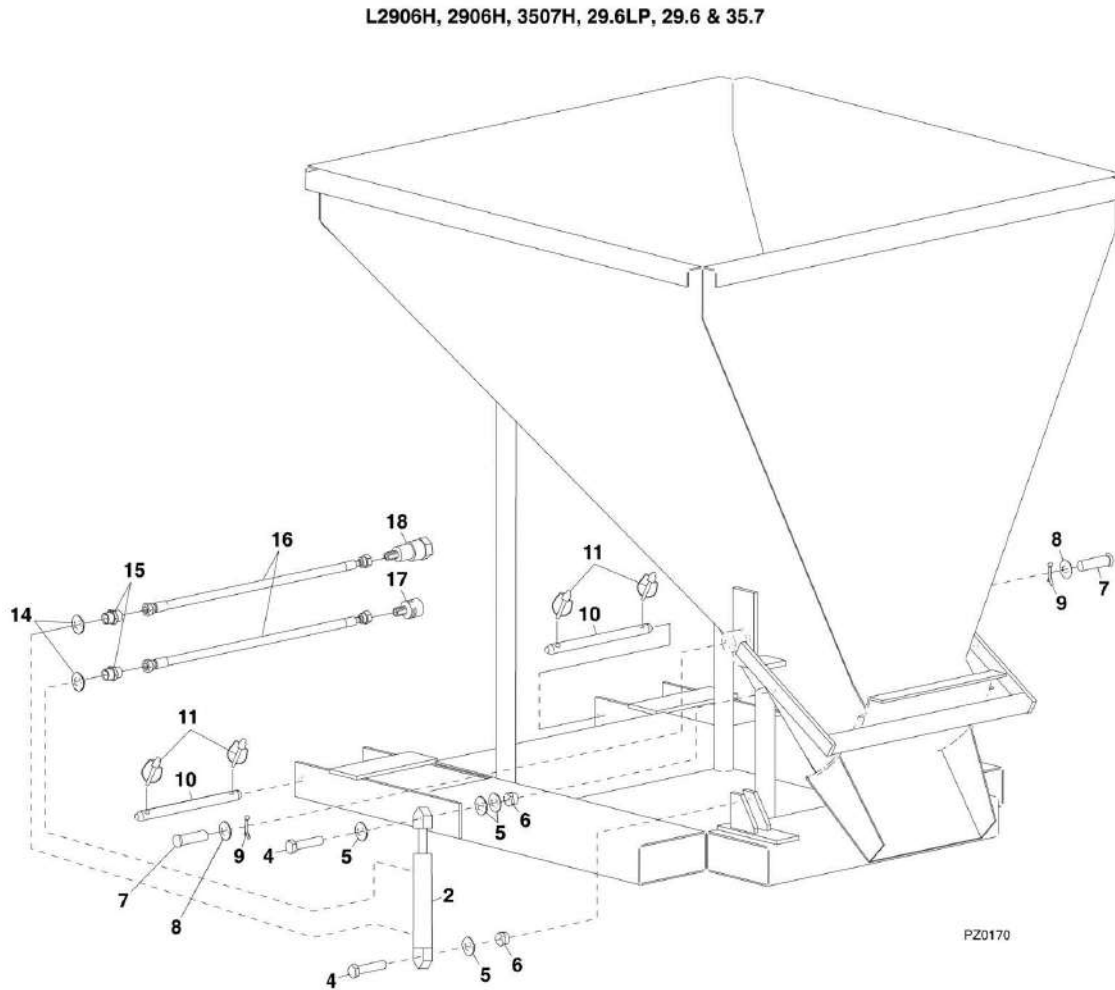
SECTION 3 - ATTACHMENTS

FIGURE 3-11. FORK MOUNTED HOOK

ITEM	PART NUMBER	QTY	DESCRIPTION	REV
	91565094	1	FORK MOUNTED HOOK, (619A & 723A), (includes items 1 thru 7)	A
1	7029520	2	COTTER PIN	
2	70020554	2	PIN	
3	70020555	1	BUSHING	
4	90554080	1	HOOK	
5	7029521	1	CHAIN	
6	N.S.S.	1	FORK MOUNTED HOOK WELDMENT	
7	N.S.S.	1	SN PLATE	
	2700118	1	FORK MOUNTED HOOK ASSY, (L2906H, 2906H, 3507H, 29.6LP, 29.6 & 35.7), (includes items 101 thru 108)	C
101	N.S.S.	1	FORK MOUNTED HOOK WELDMENT	
102	70020201	1	PIN	
103	70020202	1	HOOK	
104	70020203	2	PIN	
105	70020204	4	RETAINING RING	
106	70020205	1	BOLT	
107	70020206	1	SELF LOCKING NUT	
108	N.S.S.	1	SN PLATE	

SECTION 3 - ATTACHMENTS

FIGURE 3-12. CONCRETE LADLE L2906H, 2906H, 3507H, 29.6LP, 29.6 & 35.7



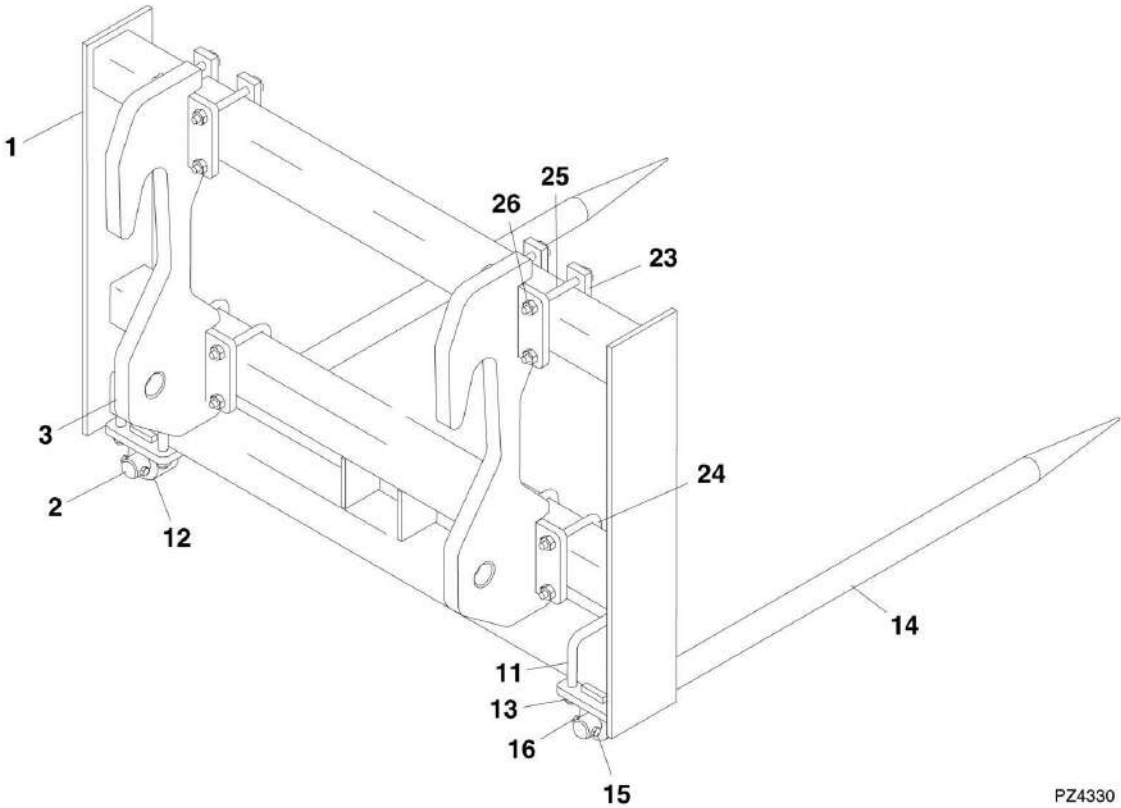
SECTION 3 - ATTACHMENTS

FIGURE 3-12. CONCRETE LADLE L2906H, 2906H, 3507H, 29.6LP, 29.6 & 35.7

ITEM	PART NUMBER	QTY	DESCRIPTION	REV
	0240158	1	CONCRETE LADLE, (L2906H, 2906H, 3507H, 29.6LP, 29.6 & 35.7), (includes all items)	C
2	70020723	1	HYDRAULIC CYLINDER	
4	70020724	2	BOLT	
5	70020725	4	WASHER	
6	70020726	2	NUT	
7	70020727	2	PIN	
8	70020728	2	WASHER	
9	70020729	2	PIN	
10	70020203	2	SAFETY PIN	
11	70020204	4	RETAINING RING	
14	70020730	2	GASKET	
15	70020731	2	LINK	
16	70020732	2	PIPE	
17	1001094556	1	MALE QUICK DISCONNECT COUPLING	
18	1001094555	1	FEMALE QUICK DISCONNECT COUPLING	

SECTION 3 - ATTACHMENTS

FIGURE 3-13. ROUND FORK TINE



PZ4330

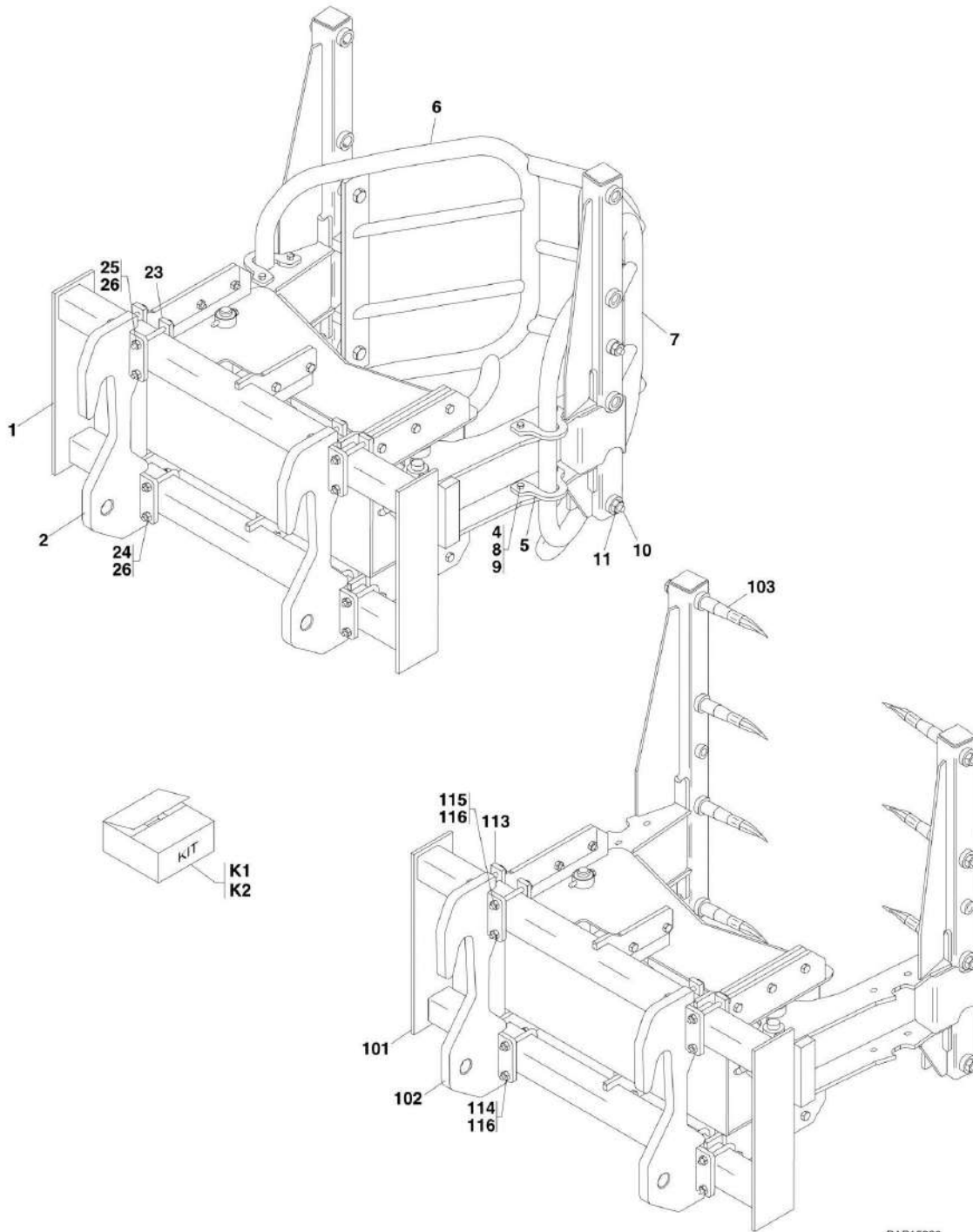
SECTION 3 - ATTACHMENTS

FIGURE 3-13. ROUND FORK TINE

ITEM	PART NUMBER	QTY	DESCRIPTION	REV
	2340035	1	ROUND TINE FORK, (includes items 1 thru 3)	B
1	N.S.S.	1	WELDMENT	
2	7029359	2	FORK KIT, (includes items 11 thru 16)	
3	N.S.S.	2	ATTACH WELDMENT, (includes items 23 thru 26)	
11	7029354	4	U-BOLT	
12	70023062	2	FORK TINE WELDMENT	
13	7029356	8	HEX LOCKNUT, M16, GR8	
14	7029361	2	FORK	
15	7029362	2	HEX HD CAPSCREW, M8X50, GR8.8	
16	7029363	2	HEX LOCKNUT, M8, GR8	
23	7029353	8	PLATE	
24	7029354	8	U-BOLT	
25	7029355	16	HEX HD CAPSCREW, M16X130, GR8.8	
26	7029356	32	HEX LOCKNUT, M16, GR8	

SECTION 3 - ATTACHMENTS

FIGURE 3-14. BALE HANDLER



PAP15920

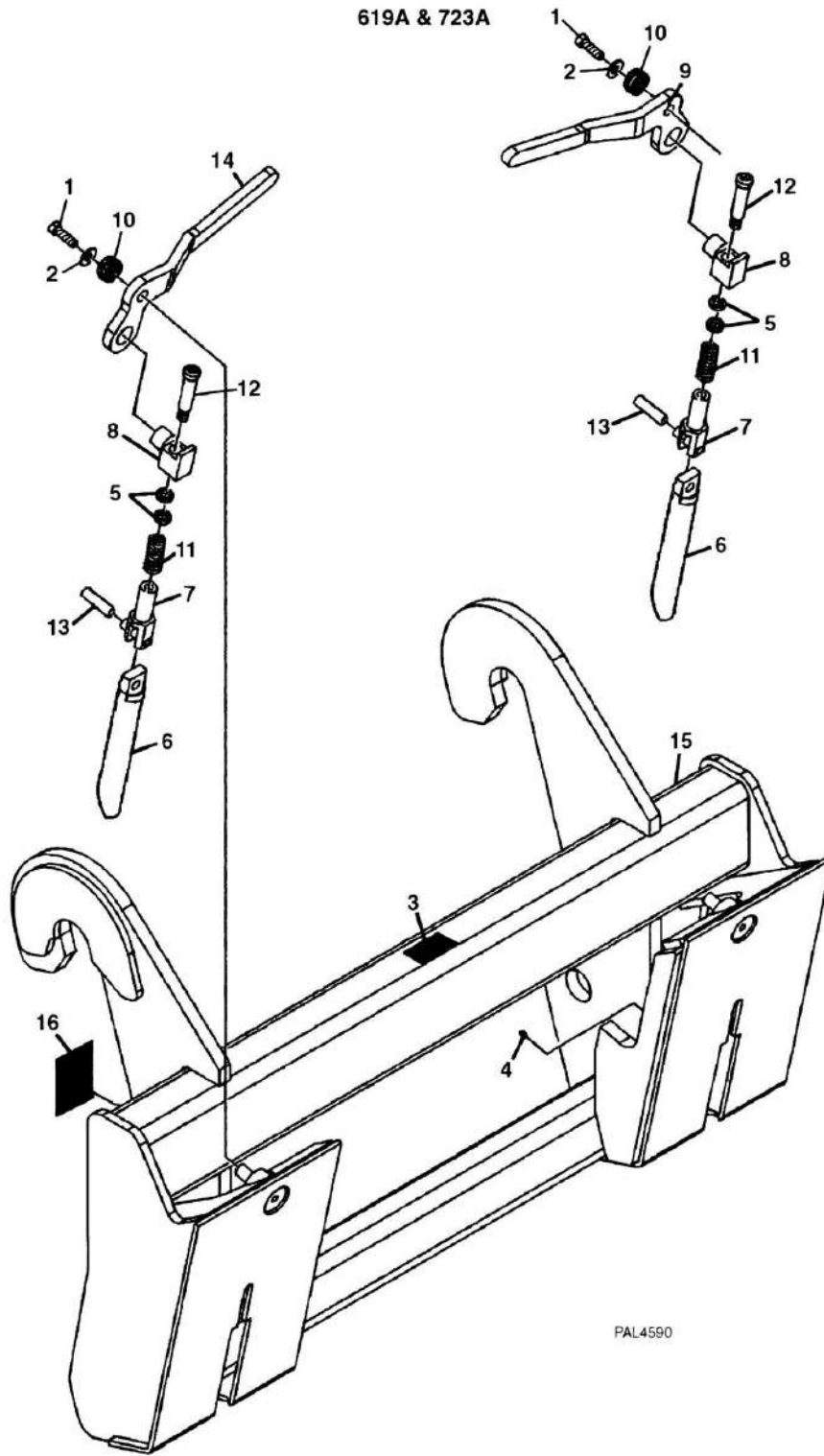
SECTION 3 - ATTACHMENTS

FIGURE 3-14. BALE HANDLER

ITEM	PART NUMBER	QTY	DESCRIPTION	REV
	0240117	1	BALE HANDLER, TUBE TYPE, (includes items 1 thru 11)	A
1	N.S.S.	1	WELDMENT	
2	7029344	1	ATTACH WELDMENT, (includes items 23 thru 26)	
4	7029345	8	HEX HD CAPSCREW, M12X45, GR8.8	
5	7029346	4	STRAP	
6	7029347	1	TUBE ARM, LEFT	
7	7029348	1	TUBE ARM, RIGHT	
8	7029349	8	FLAT WASHER, M12	
9	7029350	8	HEX LOCKNUT, M12X8	
10	7029351	4	HEX HD CAPSCREW, M22X180, GR8.8	
11	7029352	4	HEX LOCKNUT, M22X8	
23	7029353	4	PLATE	
24	7029354	4	U-BOLT	
25	7029355	8	HEX HD CAPSCREW, M16X130, GR8.8	
26	7029356	16	HEX LOCKNUT, M16X8	
	0240118	1	BALE HANDLER, SPIKE TYPE, (includes items 101 thru 103)	A
101	N.S.S.	1	WELDMENT	
102	7029344	1	ATTACH WELDMENT, (includes items 113 thru 116)	
103	7029357	8	SPIKE	
113	7029353	4	PLATE	
114	7029354	4	U-BOLT	
115	7029355	8	HEX HD CAPSCREW, M16X130, GR8.8	
116	7029356	16	HEX LOCKNUT, M16X8	
K1	2902440	1	SPIKE TYPE TO TUBE TYPE CONVERSION KIT, (includes items 4 thru 11)	A
K2	2902441	1	TUBE TYPE TO SPIKE TYPE CONVERSION KIT, (includes item 103)	A

SECTION 3 - ATTACHMENTS

FIGURE 3-15. UNIVERSAL HITCH ATTACH 619A & 723A



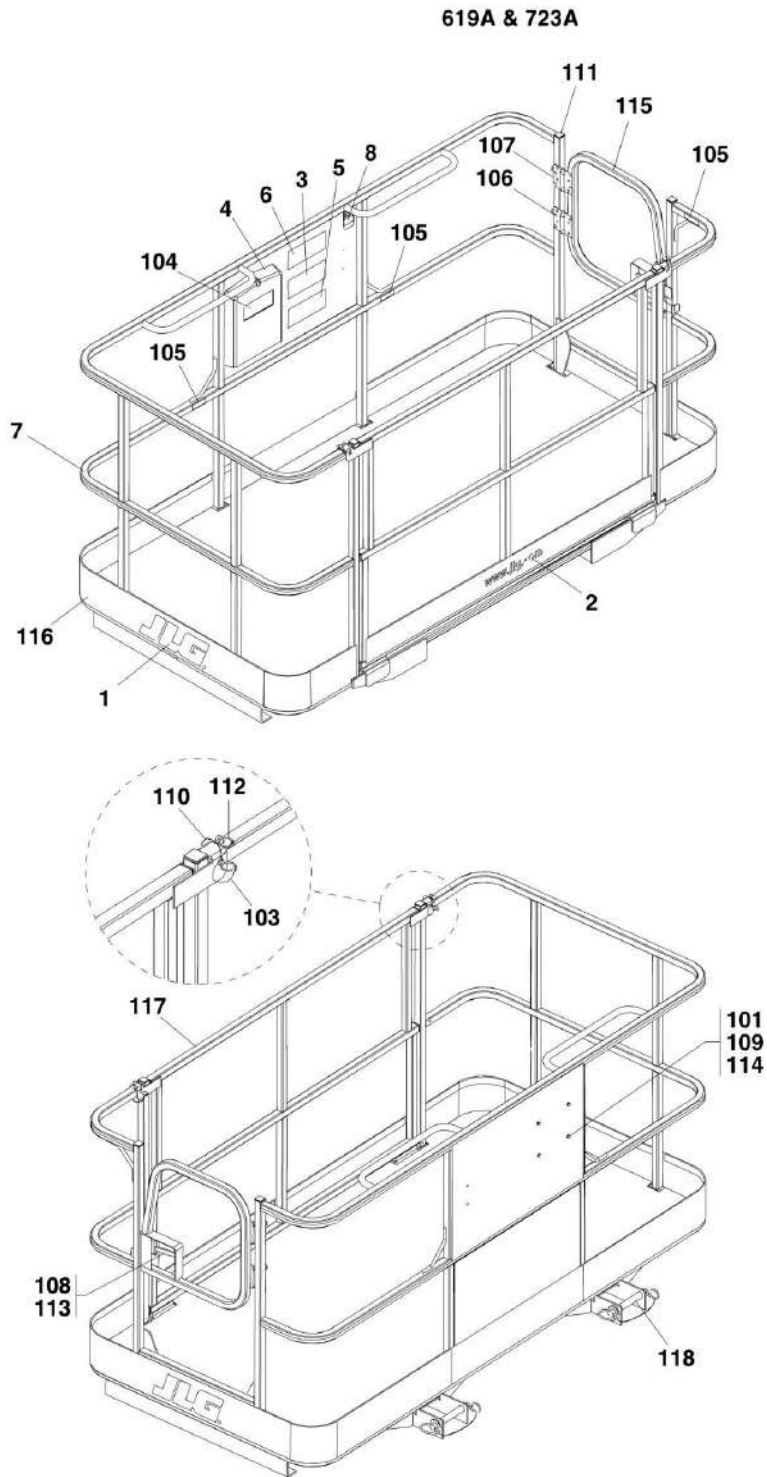
SECTION 3 - ATTACHMENTS

FIGURE 3-15. UNIVERSAL HITCH ATTACH 619A & 723A

ITEM	PART NUMBER	QTY	DESCRIPTION	REV
	1001099425	1	UNIVERSAL HITCH ATTACH, (619A & 723A), (includes all items)	A
1	70021429	2	HEX HD CAPSCREW, 0.38X1.25	
2	70021350	2	FLAT WASHER, 0.38	
3	N.S.S.	1	USA DECAL	
4	90554045	2	GREASE FITTING	
5	70021430	4	SPACER	
6	70021431	2	LOCKING PIN	
7	70021432	2	CLEVIS	
8	70021433	2	BEARING	
9	70021434	1	LEFT LOCK HANDLE	
10	70021384	2	SPRING LOCK HANDLE	
11	70021435	2	CLEVIS SPRING	
12	70021436	2	BOLT	
13	70021437	2	PIN	
14	70021438	1	RIGHT LOCK HANDLE	
15	N.S.S.	1	UNIVERSAL ATTACH WELDMENT	
16	N.S.S.	1	SN PLATE	

SECTION 3 - ATTACHMENTS

FIGURE 3-16. FORK MOUNTED PLATFORM 619A & 723A



PAP16070

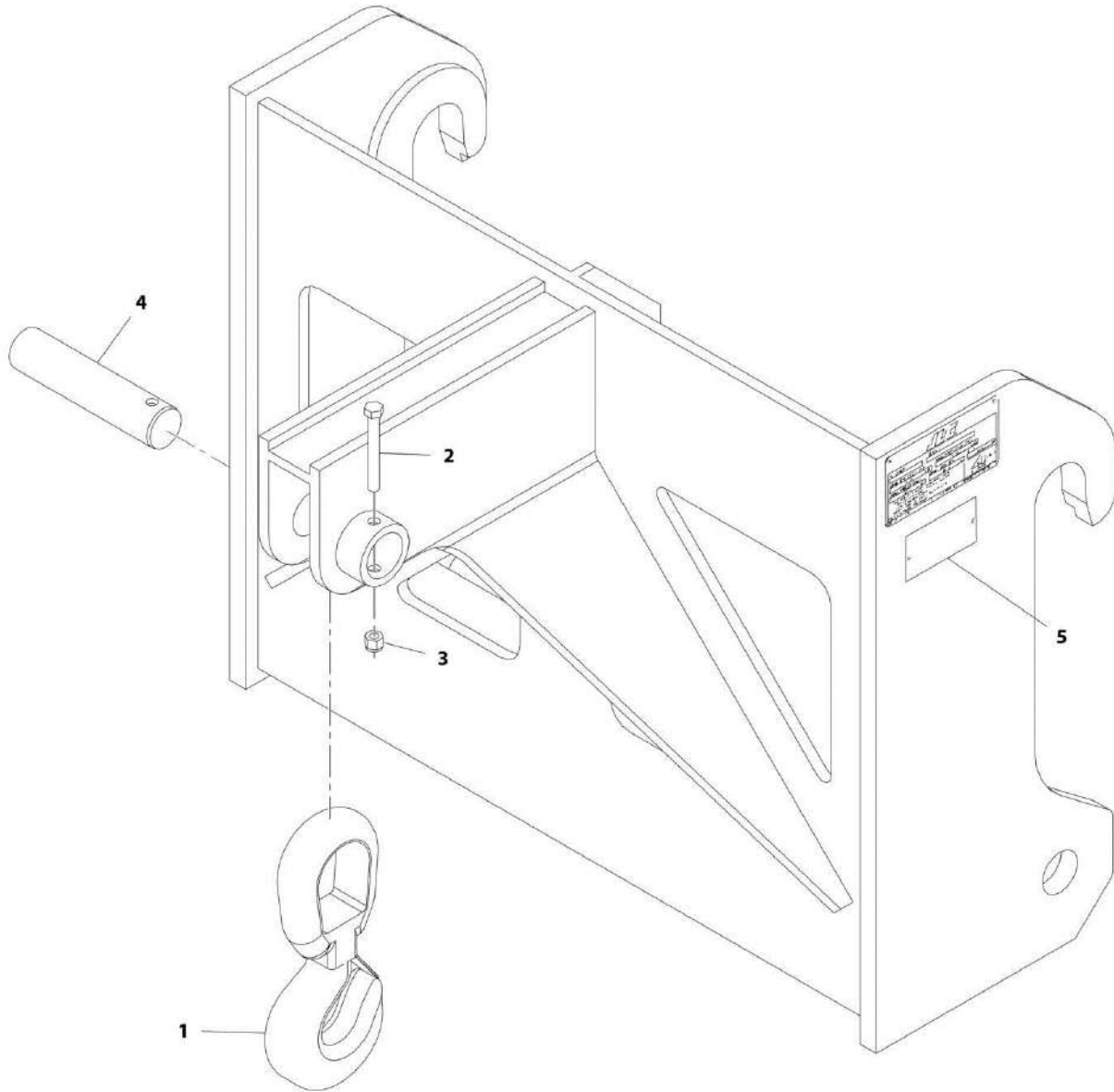
SECTION 3 - ATTACHMENTS

FIGURE 3-16. FORK MOUNTED PLATFORM 619A & 723A

ITEM	PART NUMBER	QTY	DESCRIPTION	REV
	1001103637	1	FORK MOUNTED PLATFORM, (619A, 723A), (ASME), (includes items 1 thru 8)	D
	1001103730	1	FORK MOUNTED PLATFORM, (619A & 723A), (ISO), (includes items 1 thru 8)	D
	1001103736	1	FORK MOUNTED PLATFORM, (619A & 723A), (FRENCH), (includes items 1 thru 8)	D
1	1702773	2	JLG DECAL	
2	1704885	1	WEBSITE DECAL	
3	1706892	1	PLATFORM WARNING DECAL, (ASME)	
3	1001096025	1	PLATFORM WARNING DECAL, (ISO)	
3	1001096024	1	PLATFORM WARNING DECAL, (FRENCH)	
5	1001092481	1	WARNING DECAL, (ASME)	
5	1001096021	1	WARNING DECAL, (ISO)	
5	1001096019	1	WARNING DECAL, (FRENCH)	
6	1001092482	1	CAPACITY DECAL, (ASME)	
6	1001096023	1	CAPACITY DECAL, (ISO)	
6	1001096020	1	CAPACITY DECAL, (FRENCH)	
7	1001096162	1	FORK MOUNTED PLATFORM, (includes items 101 thru 118)	J
8	N.S.S.	1	SN PLATE	
101	0641405	4	HEX HD CAPSCREW, 1/4-20X5/8	
102	0860520	1	MANUAL STORAGE BOX, (not shown)	
103	1060379	2	LANYARD CABLE	
104	1701509	1	MANUAL DECAL	
105	1704277	3	LANYARD ATTACH DECAL	
106	2080040	16	FASTENER	
107	2600281	2	HINGE	
108	2940074	1	LATCH	
109	3311405	4	HEX NUT, 1/4-20	
110	3421453	2	PIN	
111	3520072	10	PLUG	
112	3760170	4	RING	
113	3820020	4	RIVET	
114	4711400	8	WASHER, 1/4	
115	4846452	1	GATE WELDMENT	
116	N.S.S.	1	PLATFORM	
117	1001095810	1	GATE WELDMENT	
118	1001102813	2	HITCH PIN	

SECTION 3 - ATTACHMENTS

FIGURE 3-17. CARRIAGE, CRANE HOOK L2906H, 2906H, 3507H



ART_1170058-C

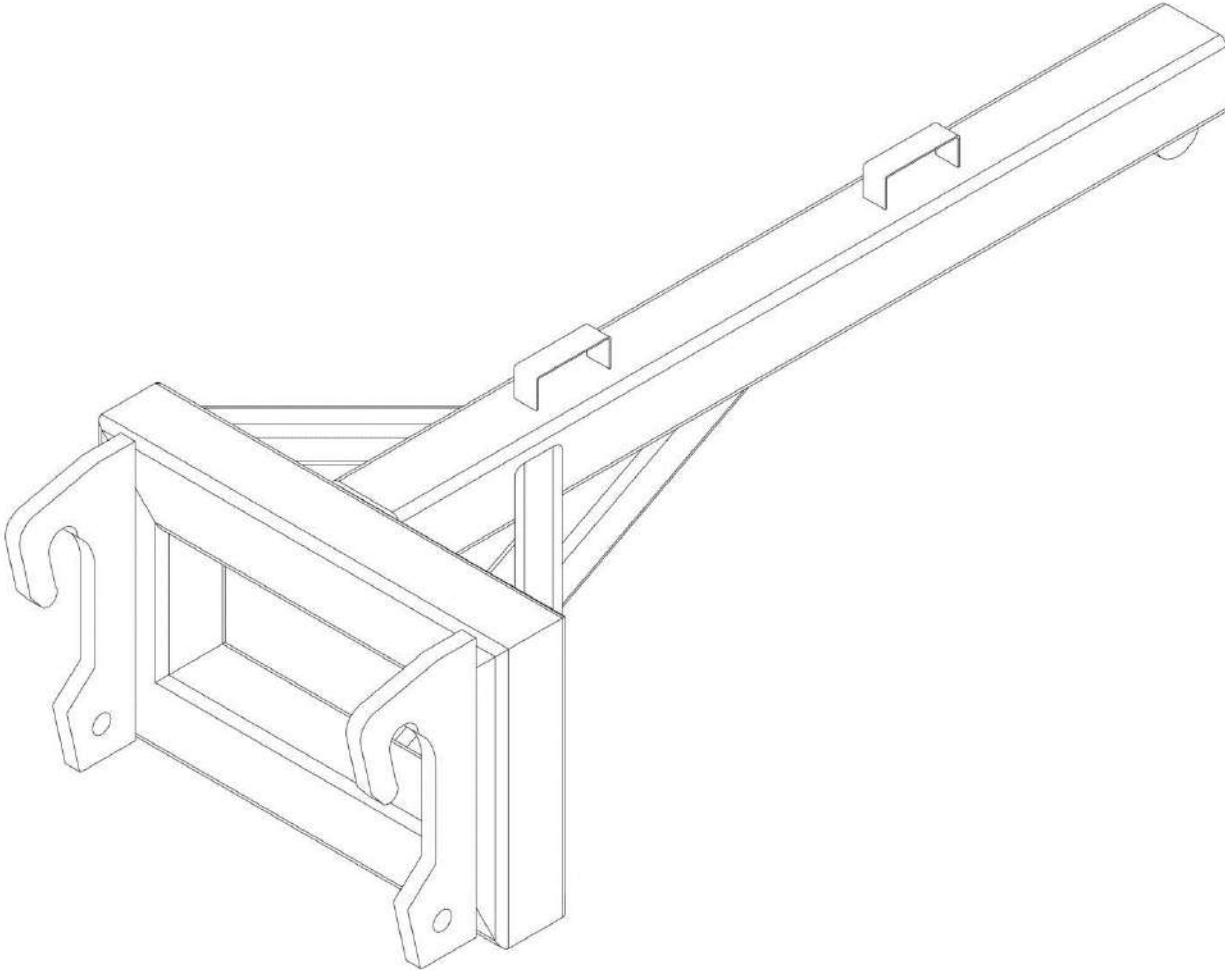
SECTION 3 - ATTACHMENTS

FIGURE 3-17. CARRIAGE, CRANE HOOK L2906H, 2906H, 3507H

ITEM	PART NUMBER	QTY	DESCRIPTION	REV
	1170058	1	CARRIAGE, CRANE HOOK (L2906H, 2906H, 3507H)	C
1	70020417	1	HOOK	
2	70020205	1	BOLT	
3	70020206	1	NUT	
4	70020201	1	PIN	
5	N.S.S.	1	SN PLATE, CRANE HOOK, 4000KG CAP	

SECTION 3 - ATTACHMENTS

FIGURE 3-18. CARRIAGE, JIB



ART_1001175721-A

SECTION 3 - ATTACHMENTS

FIGURE 3-18. CARRIAGE, JIB

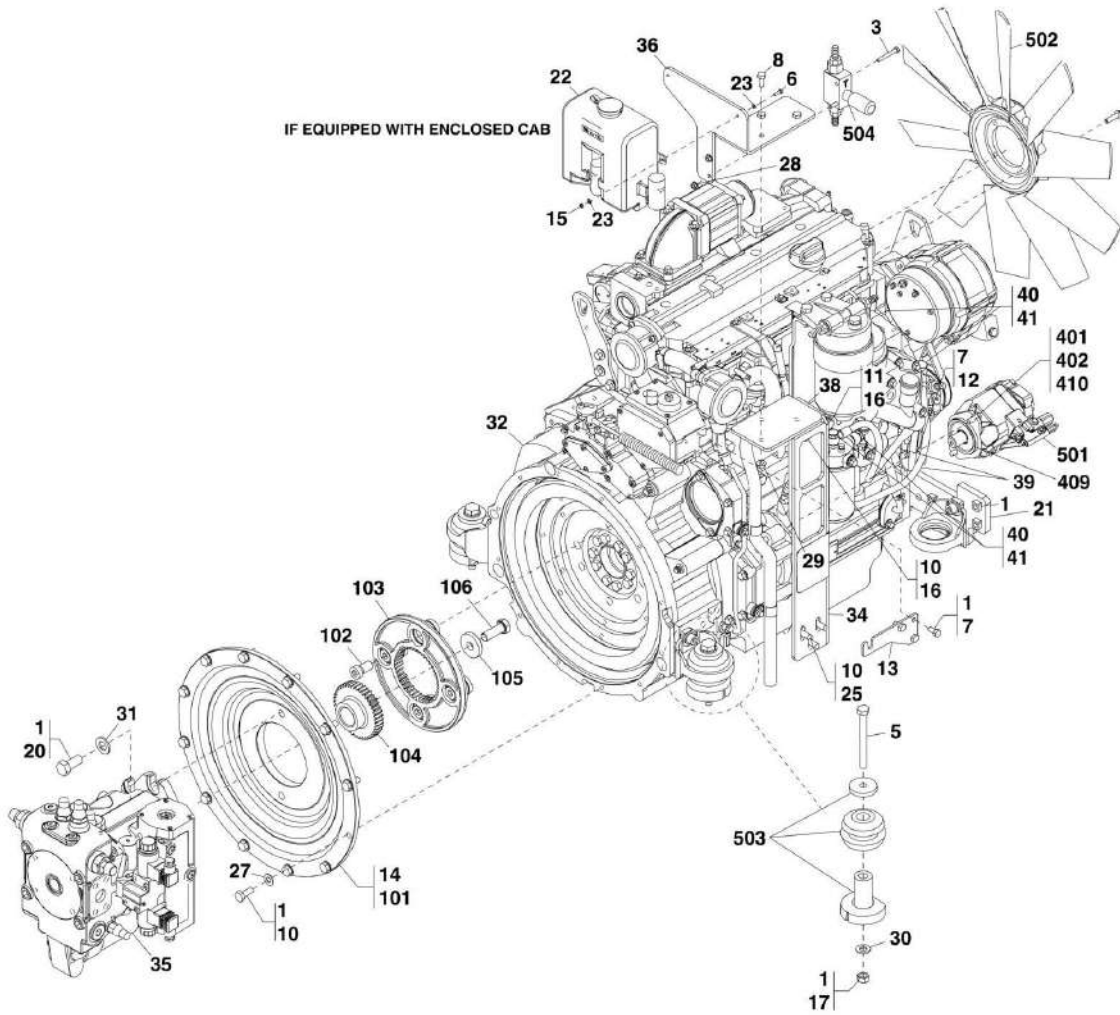
ITEM	PART NUMBER	QTY	DESCRIPTION	REV
	1001175721	1	CARRIAGE, JIB	A

SECTION 4 - ENGINE AND ATTACHING PARTS

SECTION 4 - ENGINE AND ATTACHING PARTS

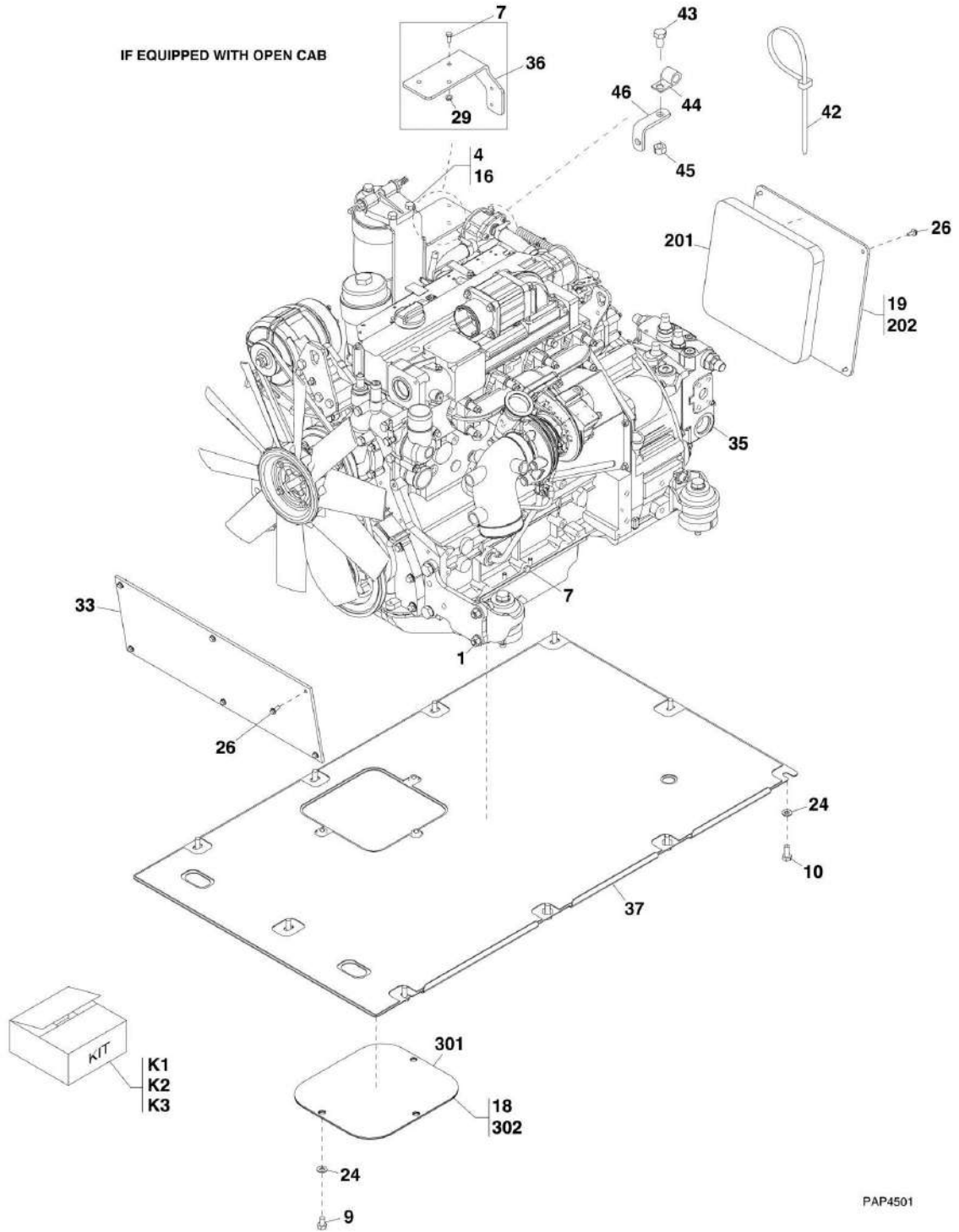
SECTION 4 - ENGINE AND ATTACHING PARTS

FIGURE 4-1. ENGINE INSTALLATION



ART_PZ2910-B

SECTION 4 - ENGINE AND ATTACHING PARTS



SECTION 4 - ENGINE AND ATTACHING PARTS

FIGURE 4-1. ENGINE INSTALLATION

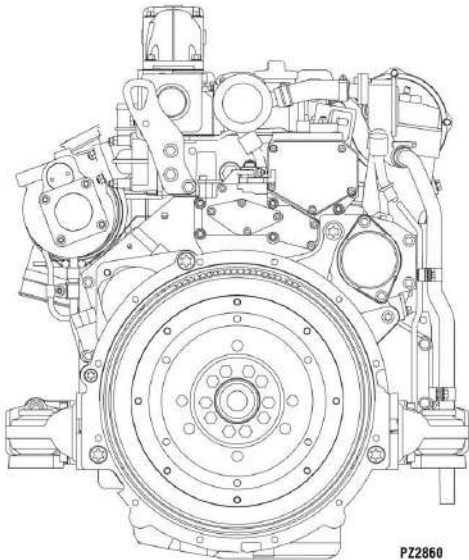
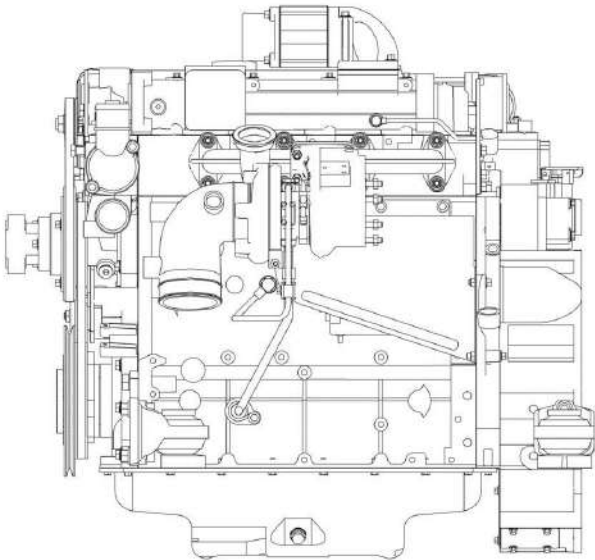
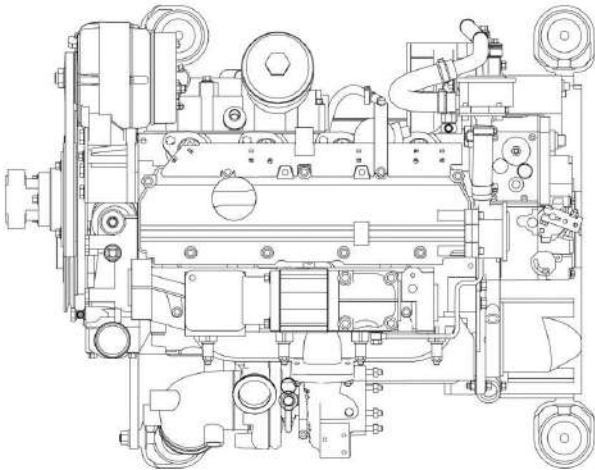
ITEM	PART NUMBER	QTY	DESCRIPTION	REV
	1001102957	Ref	ENGINE INSTALLATION, (619A & 723A), (if equipped with open cab), (not available to order, see items 1 thru 11, 13 thru 14, 16 thru 21, 24 thru 46 for service)	E
	1001097382	Ref	ENGINE INSTALLATION, (if equipped with an enclosed cab), (not available to order, see items 1 thru 46 for service)	H
	1001172555	Ref	ENGINE INSTALLATION, (LRC) (not available to order, see items 1 thru 46 for service)	A
1	1001095650	AR	LOCTITE 243	
2	466104	1	ANGLE JOINT	
3	0700617	2	HEX HD CAPSCREW, M6X45, GR8.8	
4	0701015	2	HEX HD CAPSCREW, M10X35, GR8.8	
5	0701229	4	HEX HD CAPSCREW, M12X120, GR8.8	
6	0760410	2	HEX HD CAPSCREW, M4X20, GR8.8, (if equipped with enclosed cab)	
7	0760808	4	HEX HD CAPSCREW, M8X16, GR8.8	
8	0760810	3	HEX HD CAPSCREW, M8X20, GR8.8	
9	0761008	3	HEX HD CAPSCREW, M10X16, GR8.8	
10	0761012	28	HEX HD CAPSCREW, M10X25, GR8.8	
11	0761014	2	HEX HD CAPSCREW, M10X30, GR8.8	
13	1001108186	1	BRACKET	
14	1001103772	1	FLYWHEEL COUPLING, (includes items 101 thru 106)	A
15	3290405	2	HEX NUT, M4X0.7, (if equipped with enclosed cab)	
16	3291005	7	HEX LOCKNUT, M10X1.5	
17	3291205	4	HEX LOCKNUT, M12X1.75	
18	3576005	1	ENGINE DRAIN ACCESS PLATE, (includes items 301 & 302)	A
19	3576006	1	MOTOR ACCESS PLATE, (includes items 201 & 202)	A
20	0761615	2	HEX HD CAPSCREW, M16X35, GR8.8, (torque to 210 Nm)	
21	4340966	1	ENGINE BRACKET	
22	4400493	1	WASHER TANK, (if equipped with enclosed cab)	
22	70022874	1	PUMP MOTOR	
23	1001091102	4	WASHER, 4mm, (if equipped with enclosed cab)	
24	4812000	13	WASHER, 10mm	
25	4812002	3	WASHER, 10mm	
26	5200608	10	RIPP BOLT, M6X16	
27	5212000	12	RIPP WASHER, 10mm	
28	5220600	2	RIPP NUT, 6mm	
29	5220800	3	RIPP NUT, 8mm	
30	5241200	4	WASHER, 12mm	
31	5241600	2	WASHER, 16mm	
32		Ref	DEUTZ ENGINE, TIER III, (See DEUTZ ENGINE for Breakdown)	
33	1001097241	1	COVER	
34	1001097799	1	BRACKET	
35		Ref	HYDROSTATIC TRANSMISSION, (See HYDRAULIC COMPONENTS SECTION for Breakdown)	
36	1001102956	1	BRACKET, (if equipped with open cab)	
36	1001099564	1	BRACKET, (619A & 723A), (if equipped with enclosed cab)	
37	1001102564	1	BELLY PAN PANEL, (L2906H, 2906H, 3507H, 619A & 723A)	
37	1001102564B	1	BELLY PAN PANEL, (29.6LP, 29.6 & 35.7)	
38	1001102687	1	FUEL FILTER BRACKET	
39	1001102926	2	HOSE ASSY	
40	1001102931	4	BOLT	

SECTION 4 - ENGINE AND ATTACHING PARTS

ITEM	PART NUMBER	QTY	DESCRIPTION	REV
41	1001102933	10	SEAL	
42	471678	2	BAND, CLAMP, 4.8X204mm	
43	0760606	1	HEX HD CAPSCREW, CLS 8.8 FULLTHD, M6 X 12LG	
44	1321293	1	CLAMP, CABLE	
45	3290605	1	PREV TORQ HEX LOCK NUT, M6 X 1	
46	1001115759	1	BRACKET, THROTTLE CABLE	
101	70022385	1	MOUNTING PLATE	
102		Ref	SOCKET HD CAPSCREW, M16X30, (torque to 210 Nm)	
103	7029256	1	FLANGE, (includes item 102)	
104	70022386	1	HUB, (includes item 106)	
105	7029259	1	END DISK	
106		Ref	BOLT, (torque to 210 Nm)	
201	2820202	1	INSULATION	
202	3575650	1	COVER PLATE	
301	2820201	1	INSULATION	
302	3575671	1	PLATE COVER	
401	1001095650	AR	LOCTITE 243	
402	0761214	2	HEX HD CAPSCREW, M12X30, GR8.8	
409	3760497	1	O-RING	
410	4812100	2	WASHER, 12mm	
501		Ref	PISTON PUMP/GEAR PUMP, (See HYDRAULIC COMPONENTS SECTION for Breakdown)	
502		Ref	FAN, (See RADIATOR INSTALLATION for Breakdown)	
503		Ref	ENGINE MOUNT, (See DEUTZ ENGINE for Breakdown)	
504		Ref	FUEL PRIMING PUMP, (See DEUTZ ENGINE for Breakdown)	
K1	1001125702	1	FUEL/ENGINE OIL FILTER KIT, (includes fuel filter, pre-fuel filter and oil filter)	
K2	1001125703	1	HYDRAULIC/AIR FILTER KIT, (includes hydraulic return filter, hydrostatic transmission filter, main air filter and secondary air filter)	
K3	1001125704	1	COMBINED FILTER KIT, (includes fuel filter, pre-fuel filter, oil filter, hydraulic return filter, hydrostatic transmission filter, main air filter and secondary air filter)	

SECTION 4 - ENGINE AND ATTACHING PARTS

FIGURE 4-2. DEUTZ ENGINE



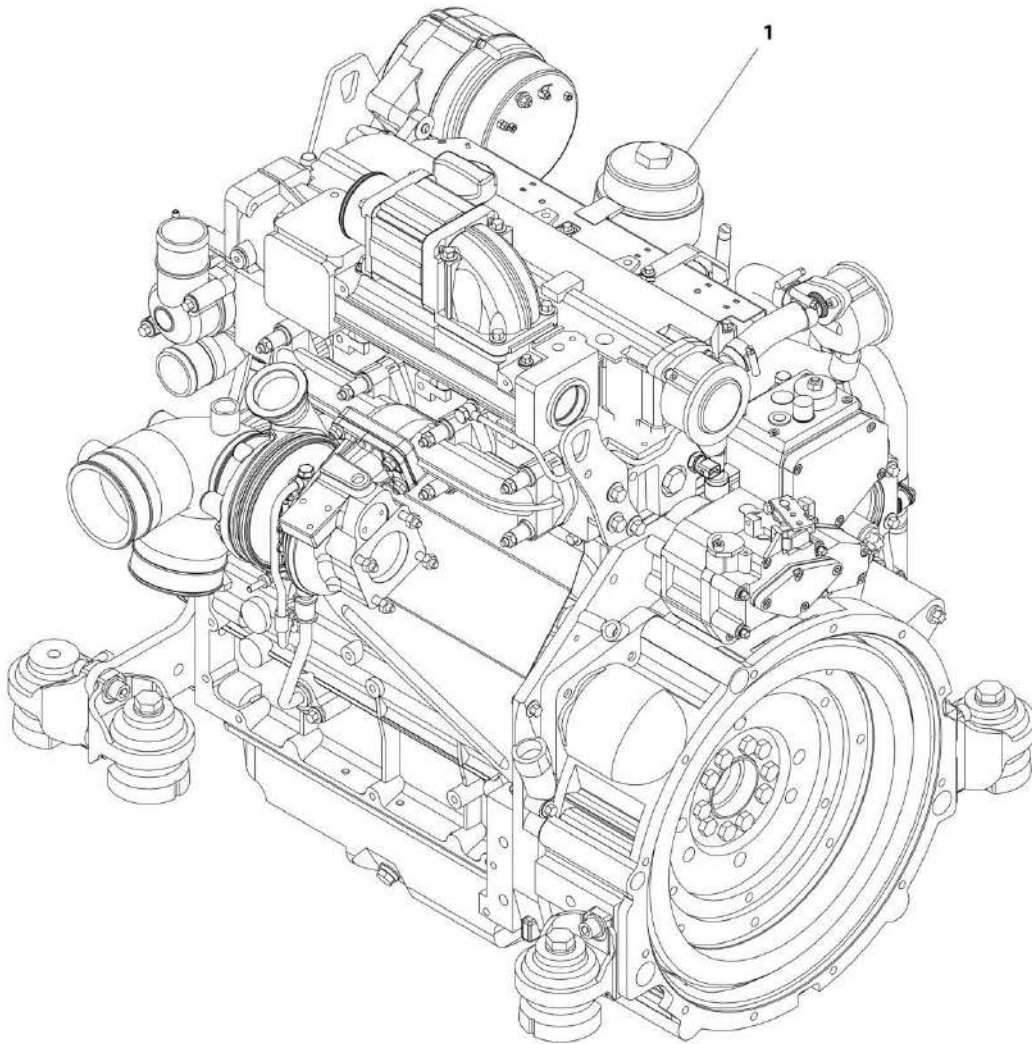
SECTION 4 - ENGINE AND ATTACHING PARTS

FIGURE 4-2. DEUTZ ENGINE

ITEM	PART NUMBER	QTY	DESCRIPTION	REV
	1001094508	1	DEUTZ ENGINE, TIER III, (includes all items)	F
	7029274	1	FUEL FILTER SPIN-ON CARTRIDGE	
	70022399	1	FUEL FILTER BRACKET	
	70022397	1	95-AMP ALTERNATOR, (Prior to Deutz SN 10795955), (includes hardware)	
	7029376	1	VOLTAGE REGULATOR	
	70024667	1	150-AMP ALTERNATOR, (Deutz SN 10795955 to Present), (includes hardware)	
	70024668	1	VOLTAGE REGULATOR	
	70022398	1	DIPSTICK	
	7020487	1	DIPSTICK O-RING	
	70022400	1	FUEL NON-RETURN VALVE	
	7029447	1	FUEL PRE-FILTER ASSY, (includes mounting hardware)	
	7029370	1	DRAIN PLUG	
	7029275	1	FUEL PRE-FILTER INSERT, (includes o-rings)	
	7029384	1	FUEL PRIMING PUMP, (includes fuel hand pump and o-ring)	
	70000919	1	FUEL HAND PUMP	
	70022401	1	OIL FILTER ELEMENT	
	70022402	1	O-RING	
	70022403	1	OIL FILTER COVER	
	7029392	1	STARTER	
	7029374	1	ALTERNATOR BELT	
	7029402	1	FAN BELT	
	70023242	1	CYLINDER HEAD	
	70023243	1	GASKET, CYL HEAD, 1 NOTCH	
	70023244	1	GASKET, CYL HEAD, 2 NOTCH	
	70023245	1	GASKET, CYL HEAD, 3 NOTCH	
	70023246	1	TURBOCHARGER ASSY	
	70023247	1	GASKET, TURBOCHARGER EXHAUST	
	70023248	1	OIL PAN	
	70023249	1	GASKET, OIL PAN	
	70023250	1	OIL PUMP	
	70023251	1	WATER PUMP	
	70023252	1	FUEL INJECTOR	
	70023253	1	PULLEY, CRANKSHAFT	
	70023254	1	PULLEY, COOLANT PUMP	
	70023255	1	PULLEY, ALTERNATOR DRIVE	
	7029387	1	GASKET SET, COMPLETE ENGINE	
	7029388	1	BLOCK HEATER	
	7029395	1	THERMOSTAT, ENGINE COOLANT	
	7029394	1	GASKET, THERMOSTAT	
	7029386	1	FUEL LIFT PUMP	
	7024565	1	SPEED SENSOR	
	70023917	1	SHUTDOWN SOLENOID, (includes o-ring)	

SECTION 4 - ENGINE AND ATTACHING PARTS

FIGURE 4-3. DEUTZ ENGINE, (LRC)



ART_1001171773-A

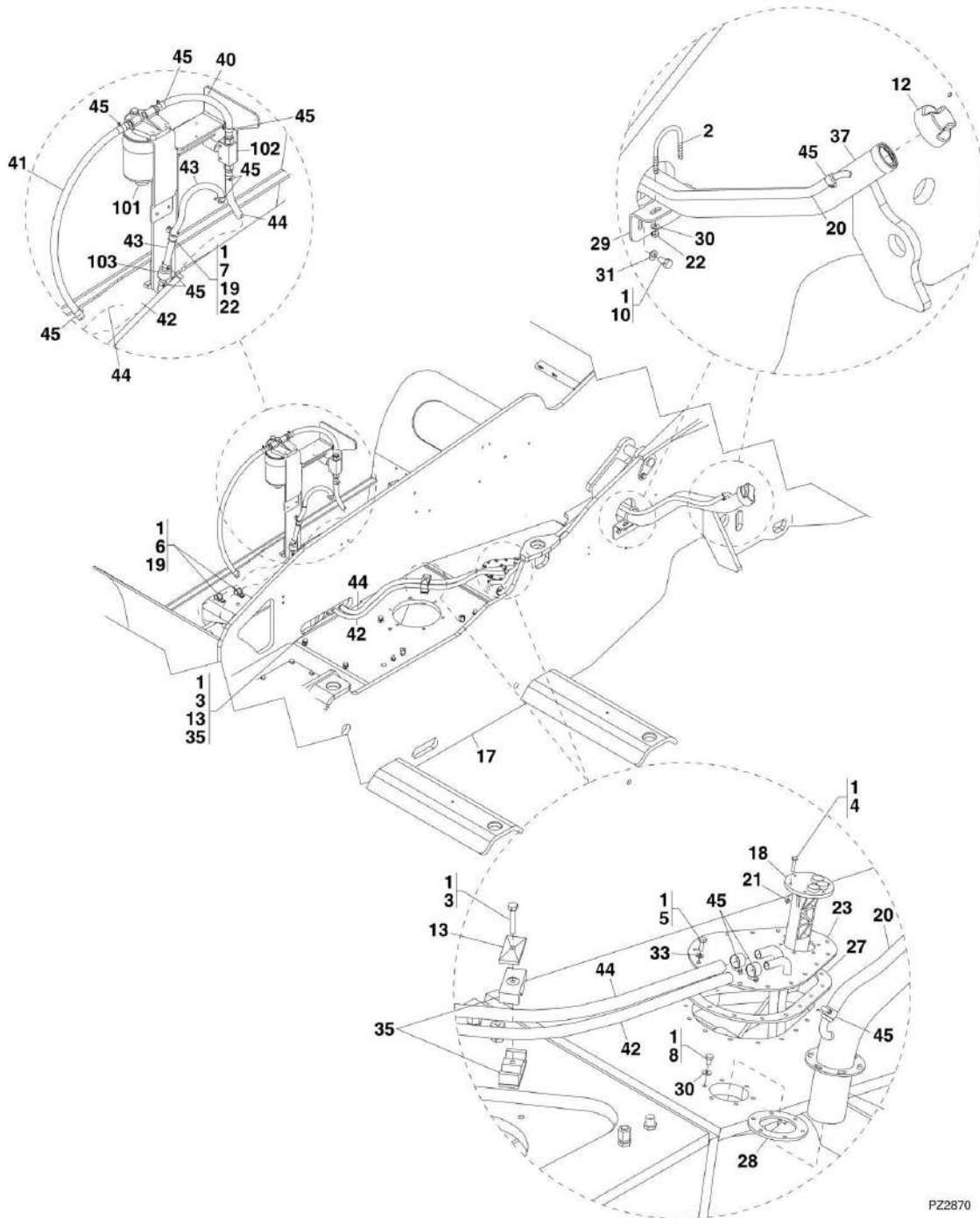
SECTION 4 - ENGINE AND ATTACHING PARTS

FIGURE 4-3. DEUTZ ENGINE, (LRC)

ITEM	PART NUMBER	QTY	DESCRIPTION	REV
	1001171773	Ref	DEUTZ ENGINE, TIER III, (LRC) (includes all items)	A
	7029274	1	FUEL FILTER SPIN-ON CARTRIDGE	
	70022399	1	FUEL FILTER BRACKET	
	70024667	1	150-AMP ALTERNATOR, (includes hardware)	
	70024668	1	VOLTAGE REGULATOR	
	70022398	1	DIPSTICK	
	7020487	1	DIPSTICK O-RING	
	70022400	1	FUEL NON-RETURN VALVE	
	7029447	1	FUEL PRE-FILTER ASSEMBLY, (includes mounting hardware)	
	7029370	1	DRAIN PLUG	
	7029275	1	FUEL PRE-FILTER INSERT, (includes o-rings)	
	70000919	1	FUEL HAND PUMP	
	70022401	1	OIL FILTER ELEMENT	
	70022402	1	O-RING	
	70022403	1	OIL FILTER COVER	
	70111538	1	STARTER	
	7029374	1	ALTERNATOR BELT	
	7029402	1	FAN BELT	
	70023242	1	CYLINDER HEAD	
	70023243	1	GASKET, CYLINDER HEAD, 1 NOTCH	
	70023244	1	GASKET, CYLINDER HEAD, 2 NOTCH	
	70023245	1	GASKET, CYLINDER HEAD, 3 NOTCH	
	70023246	1	TURBOCHARGER ASSEMBLY	
	70135723	1	GASKET, TURBOCHARGER EXHAUST	
	70128735	1	OIL PAN	
	70023249	1	GASKET, OIL PAN	
	70023252	1	FUEL INJECTOR	
	70023253	1	PULLEY, CRANKSHAFT	
	70023254	1	PULLEY, COOLANT PUMP	
	70024131	1	PULLEY, ALTERNATOR DRIVE	
	7029387	1	GASKET SET, COMPLETE ENGINE	
	7029388	1	BLOCK HEATER	
	7029395	1	THERMOSTAT, ENGINE COOLANT	
	7029394	1	GASKET, THERMOSTAT	
	7029386	1	FUEL LIFT PUMP	

SECTION 4 - ENGINE AND ATTACHING PARTS

FIGURE 4-4. FUEL TANK AND LINES



PZ2870

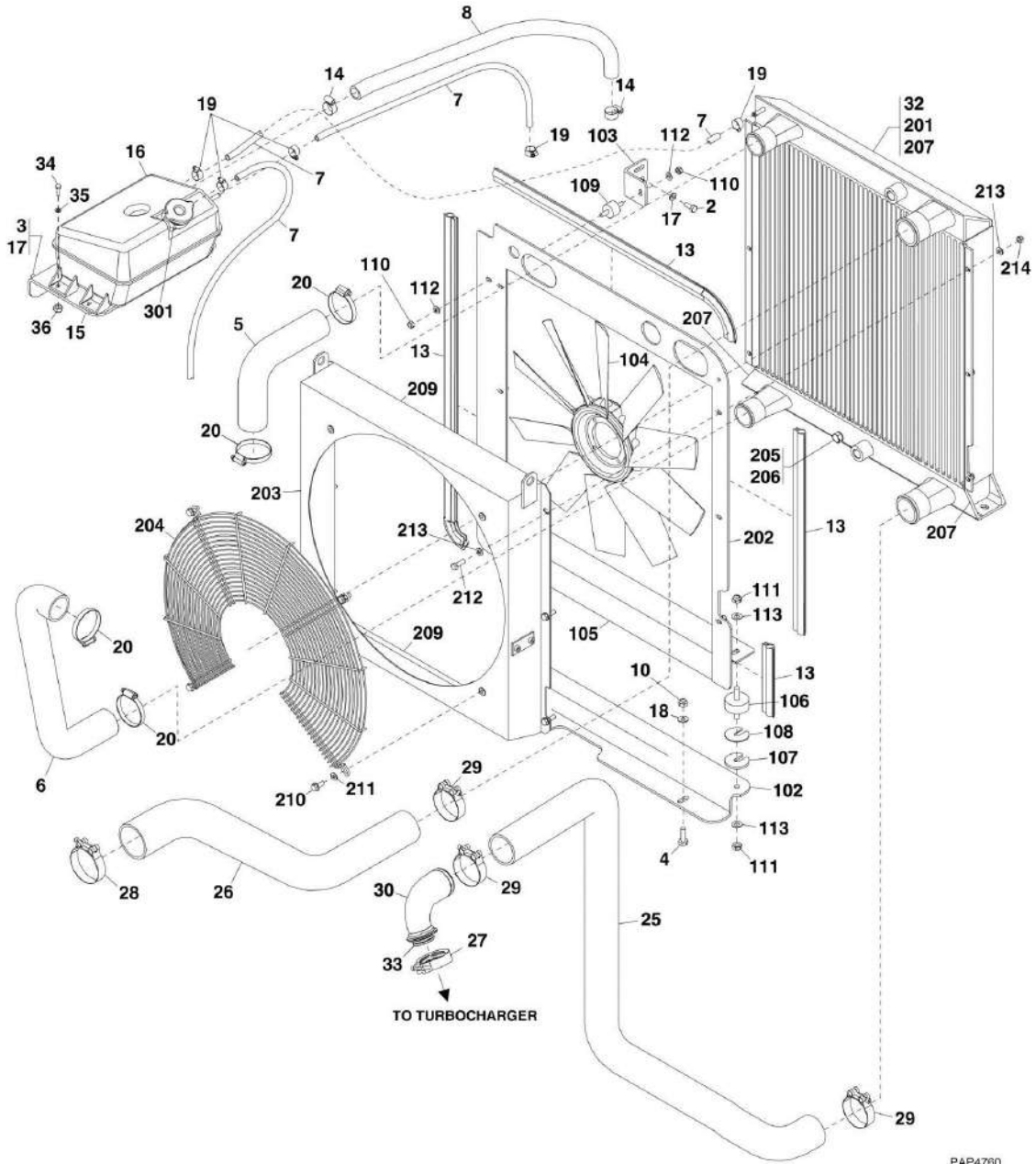
SECTION 4 - ENGINE AND ATTACHING PARTS

FIGURE 4-4. FUEL TANK AND LINES

ITEM	PART NUMBER	QTY	DESCRIPTION	REV
1	1001095650	AR	LOCTITE 243	
2	0630583	1	U-BOLT	
3	0700817	2	HEX HD CAPSCREW, M8X45, GR8.8	
4	0760410	6	HEX HD CAPSCREW, M4X20, GR8.8	
5	0760608	15	HEX HD CAPSCREW, M6X16, GR8.8	
6	0760806	3	HEX HD CAPSCREW, M8X12, GR8.8	
7	0760808	1	HEX HD CAPSCREW, M8X16, GR8.8	
8	0760810	4	HEX HD CAPSCREW, M8X20, GR8.8	
10	0761010	2	HEX HD CAPSCREW, M10X20, GR8.8	
12	1120576	1	FUEL CAP	
13	1309435	2	CLAMP COVER PLATE	
17		Ref	PLUG, (See FRAME AND ATTACHING PARTS SECTION for Breakdown)	
18	2420205	1	FUEL GAUGE	
19	2443576	1	HOSE CLAMP	
20	2720613	1	FUEL VENT HOSE, (L2906H & 29.6LP)	
20	2720558	1	FUEL VENT HOSE, (2906H, 619A & 29.6)	
20	2720556	1	FUEL VENT HOSE, (3507H, 723A & 35.7)	
21	3290405	6	HEX LOCKNUT, M4X0.7	
22	3290805	3	HEX LOCKNUT, M8X1.25	
23	3380577	1	FUEL TANK COVER PANEL	
27	3960589	1	FUEL TANK COVER SEAL	
28	3960603	1	FUEL FILL SEAL	
29	4341033	1	FUEL FILL SUPPORT	
30	4811900	6	WASHER, 8mm	
31	4812000	15	WASHER, 10mm, (L2906H, 29.6LP, 2906H, 619A, 29.6, 723A & 35.7)	
31	4812000	11	WASHER, 10mm, (3507H)	
33	4831700	15	LOCKWASHER, 6mm	
35	8002781	3	CLAMP	
37	3460567	1	FUEL PIPE, (L2906H & 29.6LP)	
37	1001099779	1	FUEL PIPE, (2906H, 619A & 29.6)	
37	1001099761	1	FUEL PIPE, (3507H, 723A & 35.7)	
40	1001103164	1	HOSE ASSY	
41	1001103165	1	HOSE ASSY	
42	1001103166	1	HOSE ASSY	
43	1001103167	1	HOSE ASSY	
44	1001103168	1	HOSE ASSY	
45	1320032	12	HOSE CLAMP	
101		Ref	FUEL PRE-FILTER, (See DEUTZ ENGINE for Breakdown)	
102		Ref	FUEL PRE-FILTER PUMP, (See DEUTZ ENGINE for Breakdown)	
103		Ref	FUEL NON-RETURN VALVE, (See DEUTZ ENGINE for Breakdown)	

SECTION 4 - ENGINE AND ATTACHING PARTS

FIGURE 4-5. RADIATOR INSTALLATION



SECTION 4 - ENGINE AND ATTACHING PARTS

FIGURE 4-5. RADIATOR INSTALLATION

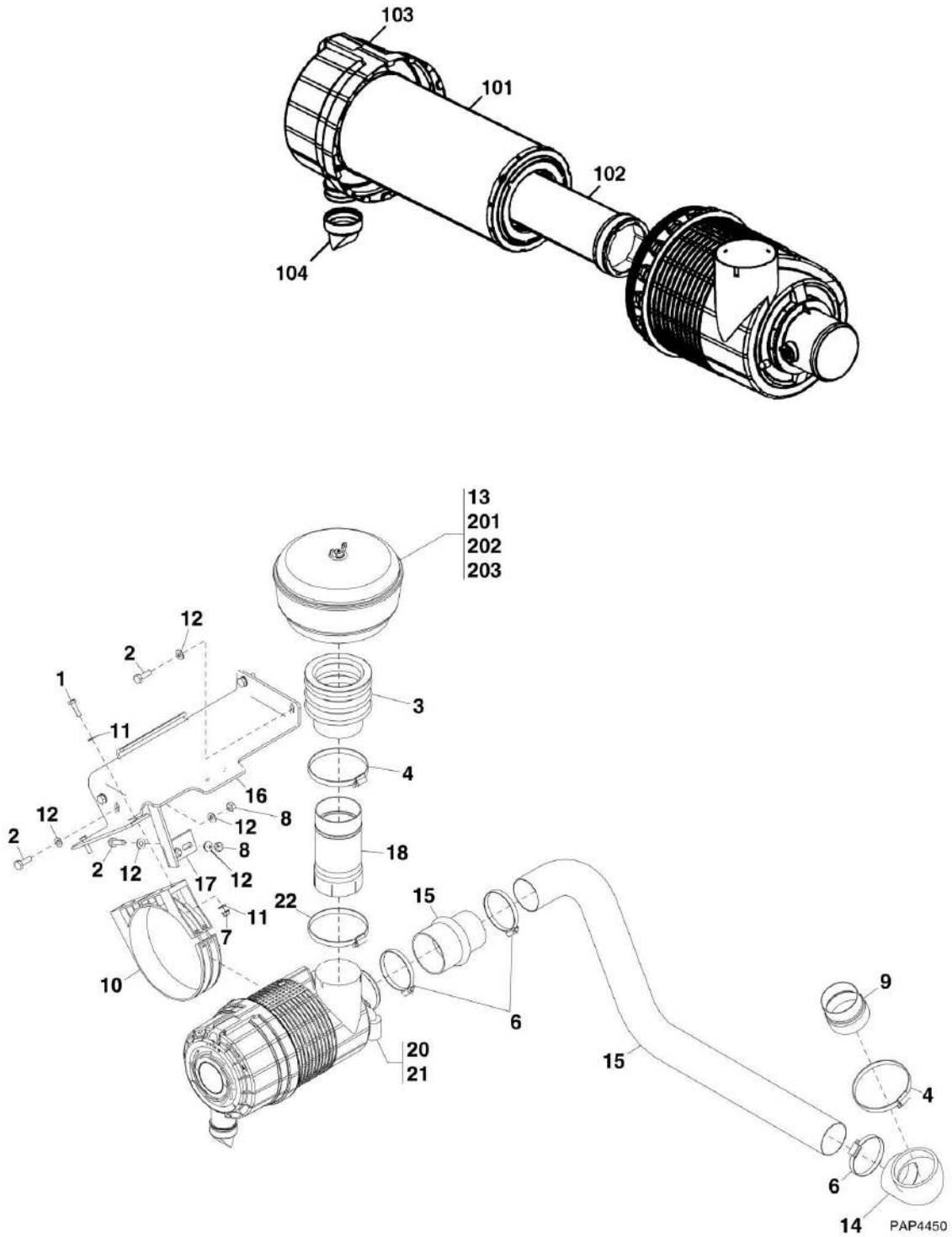
ITEM	PART NUMBER	QTY	DESCRIPTION	REV
	1001098510	Ref	RADIATOR INSTALLATION, (not available to order, see items 2 thru 36 for service)	F
2	0760810	2	HEX HD CAPSCREW, M8X20, GR8.8	
3	0760812	2	HEX HD CAPSCREW, M8X25, GR8.8	
4	0761014	2	HEX HD CAPSCREW, M10X30, GR8.8	
5	1001099528	1	HOSE	
6	1001099529	1	HOSE	
7	2720535	2.75 m	HOSE ASSY	
8	2720536	NLA	HOSE ASSY, (no longer available, use 100114701 for replacement)	
8	100114701	1	HOSE ASSY	
10	3291005	2	HEX LOCKNUT, M10X1.5	
13	3960927	2.6 m	SEAL	
14	3961951	2	CLIP	
15	1001108148	1	BRACKET	
16	4400470	1	EXPANSION TANK, (includes item 301)	A
17	4811900	4	WASHER, 8mm	
18	4812000	2	WASHER, 10mm	
19	1321301	5	HOSE CLAMP	
20	8005376	4	HOSE CLAMP	
25	1001099536	1	HOSE	
26	1001099537	1	HOSE	
27	1001100731	1	HOSE CLAMP	
28	1001104442	1	T-BOLT CLAMP, 80-87mm	
29	1001104441	3	T-BOLT CLAMP, 70-77mm	
30	1001101020	1	PIPE	
32	1001104457	1	RADIATOR ASSY, (includes items 101 thru 113)	D
33	1001105478	1	O-RING	
34	0760610	4	HEX HD CAPSCREW, M6X20, GR8.8	
35	4811700	4	WASHER, 6mm	
36	3290605	4	HEX NUT, M6X1	
101	1001098623	1	RADIATOR, (includes items 201 thru 214), (not shown)	E
102	1001098504	1	RADIATOR SUPPORT PLATE	
103	1001104469	1	RADIATOR SUPPORT BRACKET	
104	1001102670	1	FAN	
105	1001098505	1	SEAL	
106	429063	2	RADIATOR MOUNT	
107	8005741	2	SPACER, 5mm	
108	8005743	2	SPACER, 2mm	
109	2969548	1	RADIATOR MOUNT	
110	3290805	2	HEX LOCKNUT, M8X1.25	
111	3291005	4	HEX LOCKNUT, M10X1.5	
112	4811900	2	WASHER, 8mm	
113	4812000	4	WASHER, 10mm	
201	70022389	1	RADIATOR COOLER	
202	70022390	1	RADIATOR PANEL	
203	70022291	NLA	FAN SHROUDING, (no longer available, use 1001102177 for replacement)	
203	1001102177	1	FAN SHROUD	
204	70022392	1	FAN GUARD	

SECTION 4 - ENGINE AND ATTACHING PARTS

ITEM	PART NUMBER	QTY	DESCRIPTION	REV
205	70022393	1	O-RING	
206	70022394	1	PLUG	
207	70022395	0.78 m	SEAL	
209	70022396	0.51 m	SEAL	
210	N.S.S.	4	HEX HD CAPSCREW, M8X20	
211	N.S.S.	4	WASHER, 8mm	
212	N.S.S.	6	HEX HD CAPSCREW, M8X25	
213	N.S.S.	14	WASHER, 8mm	
214	N.S.S.	8	HEX NUT, M8	
301	70020433	1	RADIATOR CAP, 13PSI	

SECTION 4 - ENGINE AND ATTACHING PARTS

FIGURE 4-6. AIR CLEANER INSTALLATION



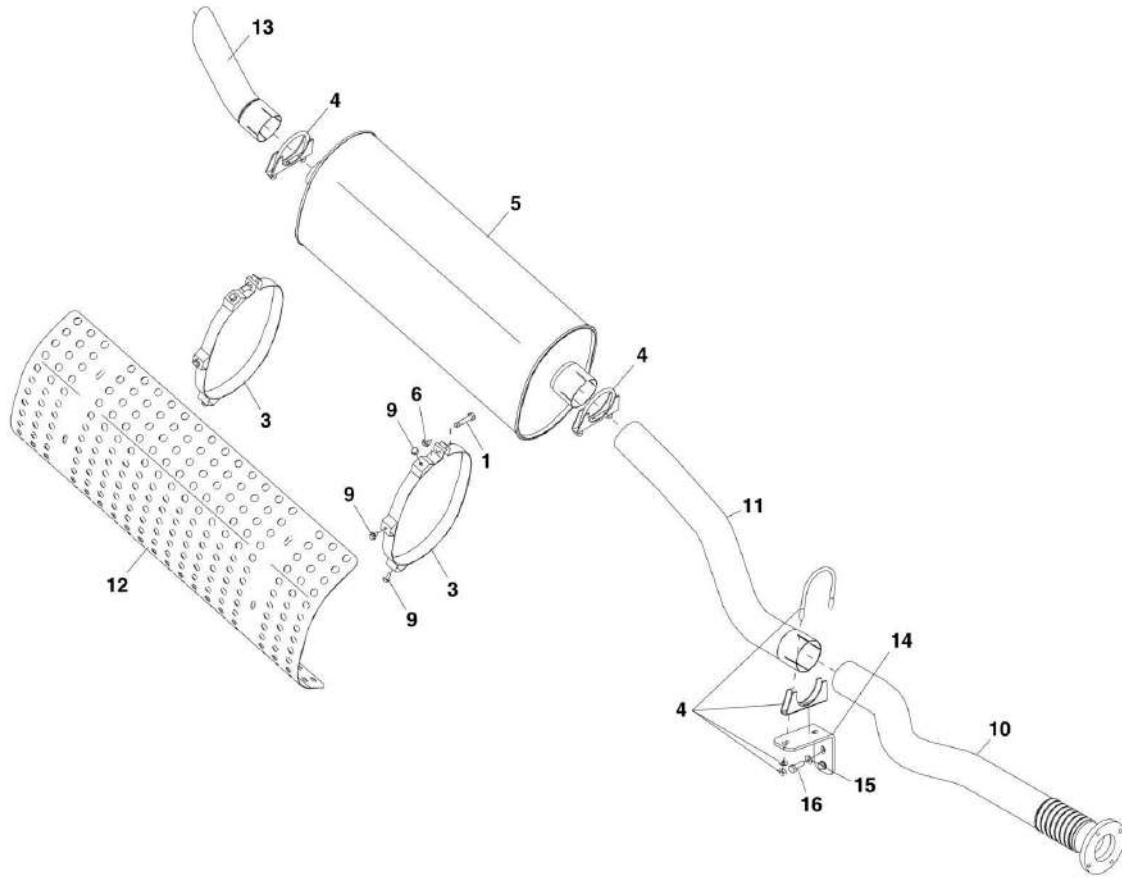
SECTION 4 - ENGINE AND ATTACHING PARTS

FIGURE 4-6. AIR CLEANER INSTALLATION

ITEM	PART NUMBER	QTY	DESCRIPTION	REV
	1001098009	Ref	AIR CLEANER INSTALLATION, (not available to order, see items 1 thru 22 for service)	E
1	0700814	2	HEX HD CAPSCREW, M8X30, GR8.8	
2	0701014	6	HEX HD CAPSCREW, M10X30, GR8.8	
3	0840066	1	AIR FILTER INTAKE BOOT	
4	1380161	2	TUBE CLAMP	
5	2120212	1	AIR FILTER ASSY, (includes items 101 thru 104)	B
6	2991568	3	HOSE CLAMP	
7	3290801	2	HEX NUT, M8X1.25	
8	3291001	4	HEX NUT, M10X1.5	
9	3460421	1	AIR INTAKE PIPE	
10	3929780	1	MOUNTING CLAMP	
11	4811900	4	WASHER, 8mm	
12	4812000	10	WASHER, 10mm	
13	8002927	1	PRECLEANER, (includes items 201 thru 203)	
14	91083129	1	REDUCING ELBOW	
15	91403239	1	STRAIGHT HOSE REDUCER	
16	1001098105	1	AIR CLEANER SUPPORT	
17	1001109483	1	BRACKET	
18	1001099604	1	AIR INTAKE PIPE	
19	1001099757	1	AIR INTAKE PIPE	
20	2988212	1	ELBOW, 90	
21	8004981	1	LOW PRESSURE INDICATOR	
22	1001009154	1	HOSE CLAMP	
101	7021080	1	MAIN FILTER ELEMENT	
102	7021081	1	SECONDARY FILTER ELEMENT	
103	7028118	1	PROTECTION CAP	
104	10733183	1	VACUATOR VALVE	
201	7028097	1	WING NUT	
202	7028095	1	COVER	
203	7028096	1	BOWL	

SECTION 4 - ENGINE AND ATTACHING PARTS

FIGURE 4-7. EXHAUST INSTALLATION



FZ2890

SECTION 4 - ENGINE AND ATTACHING PARTS

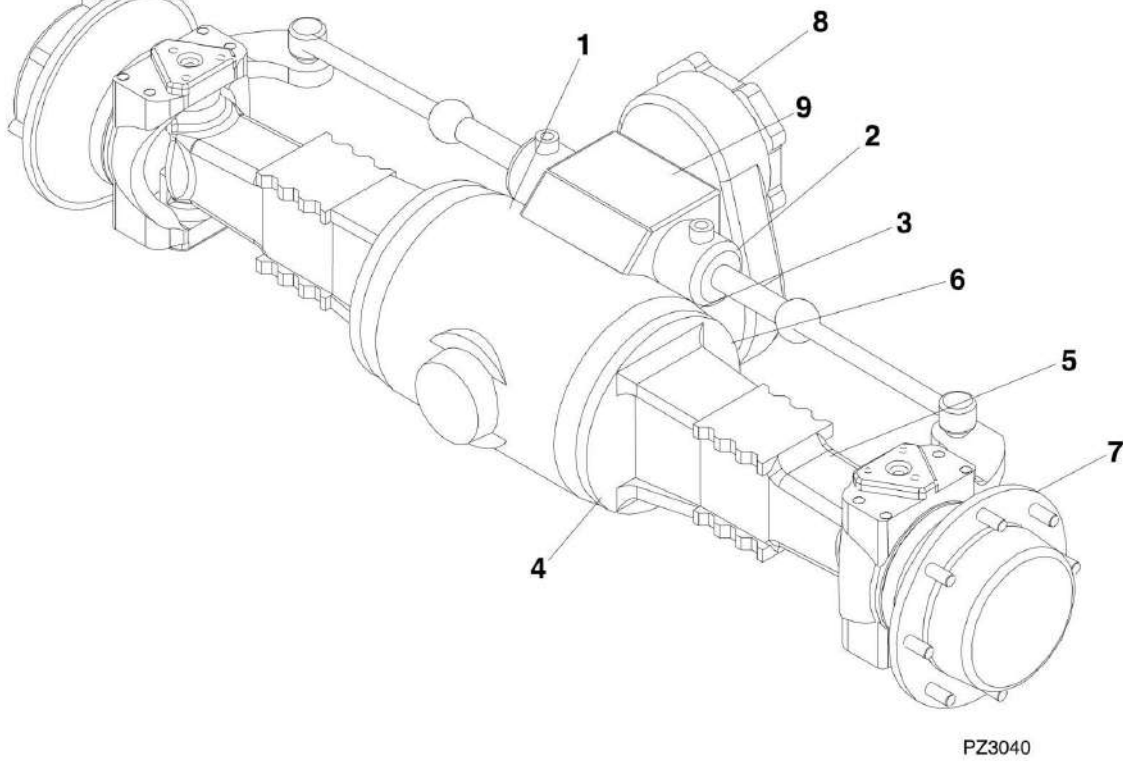
FIGURE 4-7. EXHAUST INSTALLATION

ITEM	PART NUMBER	QTY	DESCRIPTION	REV
	1001100017	Ref	EXHAUST INSTALLATION, (not available to order, see items 1 thru 16 for service)	D
1	0700816	2	HEX HD CAPSCREW, M8X40, GR8.8	
3	1321367	2	HEAT SHIELD CLAMP	
4	1686997	3	MUFFLER CLAMP	
5	3220140	1	MUFFLER	
6	3290805	2	HEX LOCKNUT, M8X1.25	
9	5200605	6	RIPP BOLT, M6X10	
10	1001099750	1	EXHAUST PIPE	
11	1001100042	1	EXHAUST PIPE	
12	1001100081	1	HEAT SHIELD	
13	1001100114	1	EXHAUST PIPE TIP	
14	1001104409	1	BRACKET	
15	4811900	2	WASHER, 8mm	
16	0700812	2	HEX HD CAPSCREW, M8X25, GR8.8	

SECTION 5 - DRIVE TRAIN

SECTION 5 - DRIVE TRAIN

FIGURE 5-1. FRONT AXLE



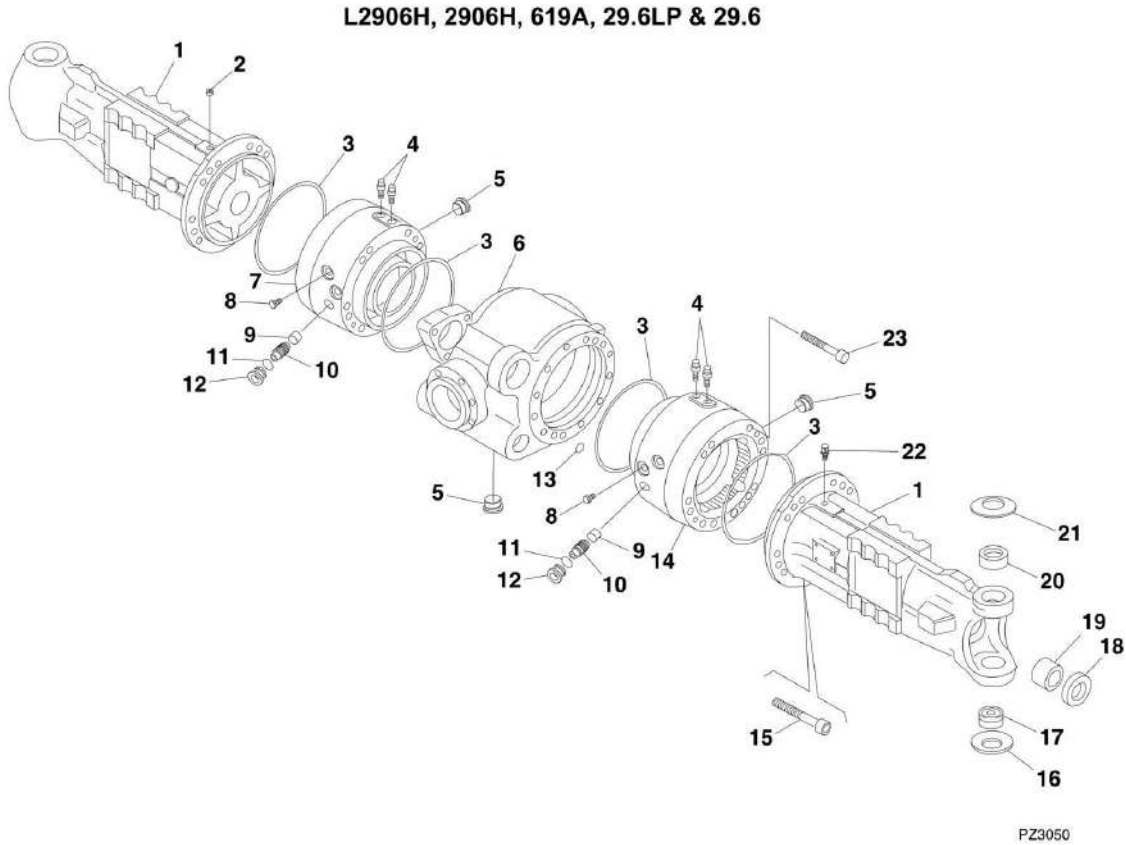
SECTION 5 - DRIVE TRAIN

FIGURE 5-1. FRONT AXLE

ITEM	PART NUMBER	QTY	DESCRIPTION	REV
	1001100330	1	FRONT AXLE, (L2906H, 2906H, 619A, 29.6LP & 29.6), (includes items 1 thru 9)	A
1	1001100334	1	FRONT AXLE, (3507H, 723A & 35.7), (includes items 1 thru 9)	A
2		Ref	CENTRAL HOUSING, (See FRONT AXLE – HOUSING for Breakdown)	
3		Ref	STEERING COMPONENTS, (See FRONT AXLE - HOUSING AND STEERING CYLINDER for Breakdown)	
4		Ref	BEVEL GEAR SET, (See FRONT AXLE - BEVEL GEAR SET for Breakdown)	
5		Ref	DIFFERENTIAL, (See FRONT AXLE – DIFFERENTIAL for Breakdown)	
6		Ref	DOUBLE JOINT, (See FRONT AXLE - DOUBLE U-JOINT for Breakdown)	
7		Ref	BRAKES, (See FRONT AXLE – BRAKES for Breakdown)	
8		Ref	HUB REDUCTION, (See FRONT AXLE - WHEEL HUB AND FINAL REDUCTION for Breakdown)	
9		Ref	TRANSMISSION HOUSING, (See FRONT AXLE - TRANSMISSION HOUSING for Breakdown)	
		Ref	LOWER AND UPPER SHAFT, (See FRONT AXLE - LOWER AND UPPER SHAFT for Breakdown)	

SECTION 5 - DRIVE TRAIN

FIGURE 5-2. FRONT AXLE - HOUSING L2906, 2906H, 619A, 29.6LP & 29.6



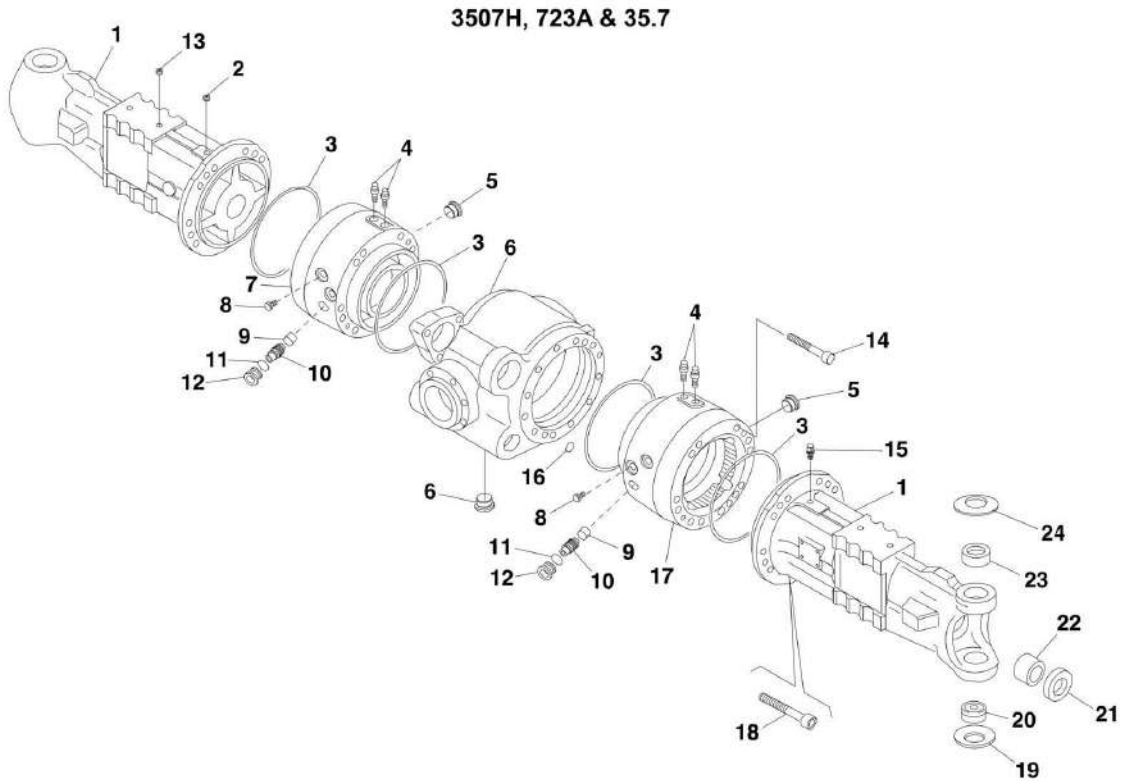
SECTION 5 - DRIVE TRAIN

FIGURE 5-2. FRONT AXLE - HOUSING L2906, 2906H, 619A, 29.6LP & 29.6

ITEM	PART NUMBER	QTY	DESCRIPTION	REV
		Ref	FRONT AXLE - HOUSING, (L2906, 2906H, 619A, 29.6LP & 29.6), (not available to order, see items 1 thru 23 for service)	
1	7028372	2	HOUSING	
2	91474041	1	PLUG	
3	91474038	4	O-RING	
4	91474039	4	BREATHER	
5	91474037	3	PLUG	
6	7028373	1	CENTRAL HOUSING	
7	91474040	1	LH BRAKE CYLINDER	
8	91474063	4	PLUG	
9	91474067	6	PIN	
10	91474066	6	BOLT, M16X1.5	
11	91474065	6	O-RING	
12	91474064	6	SCREW	
13	91474068	2	O-RING	
14	91474062	1	RH BRAKE CYLINDER	
15	91474059	22	BOLT, M16X150	
16	7028377	2	WASHER	
17	7028378	2	JOINT	
18	7028379	2	SEAL RING	
19	7028380	2	BUSHING	
20	7028381	2	BUSHING	
21	7028382	2	WASHER	
22	91474058	1	BREATHER	
23	91474050	2	BOLT, M12X110	

SECTION 5 - DRIVE TRAIN

FIGURE 5-3. FRONT AXLE - HOUSING 3507H, 723A & 35.7



PZ3350

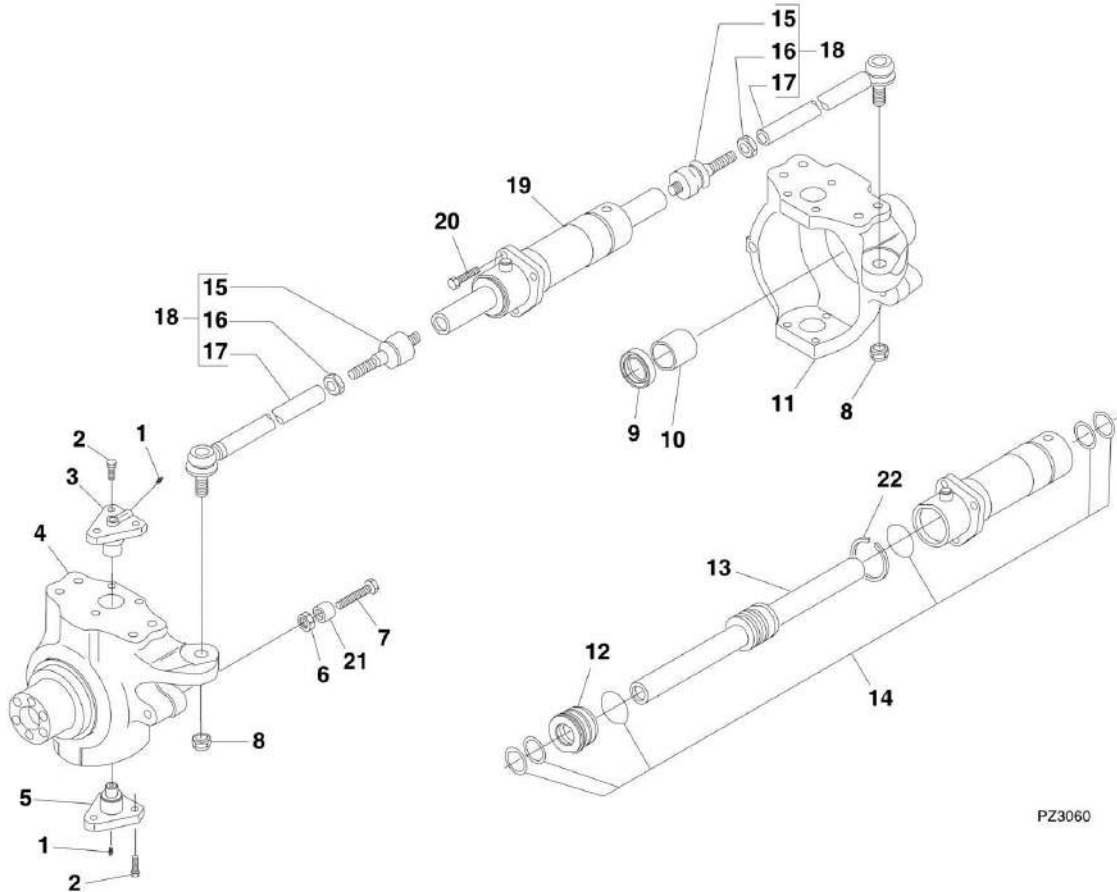
SECTION 5 - DRIVE TRAIN

FIGURE 5-3. FRONT AXLE - HOUSING 3507H, 723A & 35.7

ITEM	PART NUMBER	QTY	DESCRIPTION	REV
		Ref	FRONT AXLE - HOUSING, (3507H, 723A & 35.7), (not available to order, see items 1 thru 24 for service)	
1	7028512	2	HOUSING	
2	91474041	1	PLUG	
3	91474038	4	O-RING	
4	91474039	4	BREATHER	
5	91474037	3	PLUG	
6	7028373	1	CENTRAL HOUSING	
7	91474040	1	LH BRAKE CYLINDER	
8	91474063	4	PLUG	
9	91474067	6	PIN	
10	91474066	6	BOLT, M16X1.5	
11	91474065	6	O-RING	
12	91474064	6	SCREW	
13	7028513	4	PLUG	
14	91474050	2	BOLT, M12X110	
15	91474058	2	BREATHER	
16	91474068	2	O-RING	
17	91474062	1	RH BRAKE CYLINDER	
18	91474059	24	BOLT, M16X150	
19	7028377	2	WASHER	
20	7028378	2	JOINT	
21	7028379	2	SEAL RING	
22	7028380	2	BUSHING	
23	7028381	2	BUSHING	
24	7028382	2	WASHER	

SECTION 5 - DRIVE TRAIN

FIGURE 5-4. FRONT AXLE - HOUSING AND STEERING CYLINDER



PZ3060

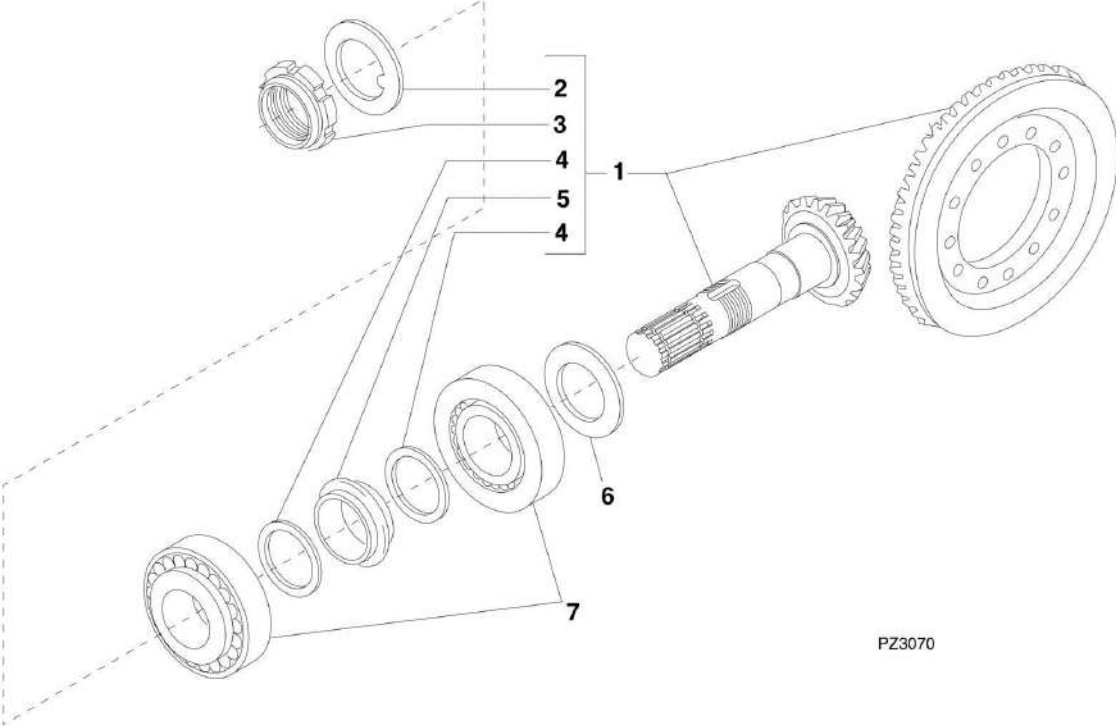
SECTION 5 - DRIVE TRAIN

FIGURE 5-4. FRONT AXLE - HOUSING AND STEERING CYLINDER

ITEM	PART NUMBER	QTY	DESCRIPTION	REV
		Ref	FRONT AXLE - HOUSING AND STEERING CYLINDER, (not available to order, see items 1 thru 21 for service)	
1	91474095	4	GREASE FITTING	
2	7028400	12	SCREW	
3	7028383	2	KING PIN	
4	70022376	1	LH SWIVEL HOUSING, (L2906H, 2906H, 619A, 29.6LP & 29.6)	
4	70022404	1	LH SWIVEL HOUSING, (3507H, 723A & 35.7)	
5	7028385	2	KING PIN	
6	91474092	4	NUT	
7	91474091	4	SCREW	
8	7028401	2	NUT	
9	7028386	2	SEAL	
10	7028387	2	BUSHING	
11	70022377	1	RH SWIVEL HOUSING, (L2906H, 2906H, 619A, 29.6LP & 29.6)	
11	70022499	1	RH SWIVEL HOUSING, (3507H, 723A & 35.7)	
12	7028389	1	CYLINDER HEAD	
13	7028390	1	ROD, (L2906H, 2906H, 619A, 29.6LP & 29.6)	
13	70022440	1	ROD, (3507H, 723A & 35.7)	
14	70022441	1	SEAL KIT	
15	7028392	2	BALL JOINT	
16	91474078	2	NUT	
17	7028393	2	TIE ROD, (L2906H, 2906H, 619A, 29.6LP & 29.6)	
17	7028514	2	TIE ROD, (3507H, 723A & 35.7)	
18	7028394	2	STEERING ARM, (L2906H, 2906H, 619A, 29.6LP & 29.6)	
18	7028496	2	STEERING ARM, (3507H, 723A & 35.7)	
19	70022379	1	STEERING CYLINDER	
20	7028396	3	SCREW	
21	7028399	4	BUSHING	

SECTION 5 - DRIVE TRAIN

FIGURE 5-5. FRONT AXLE - BEVEL GEAR SET



PZ3070

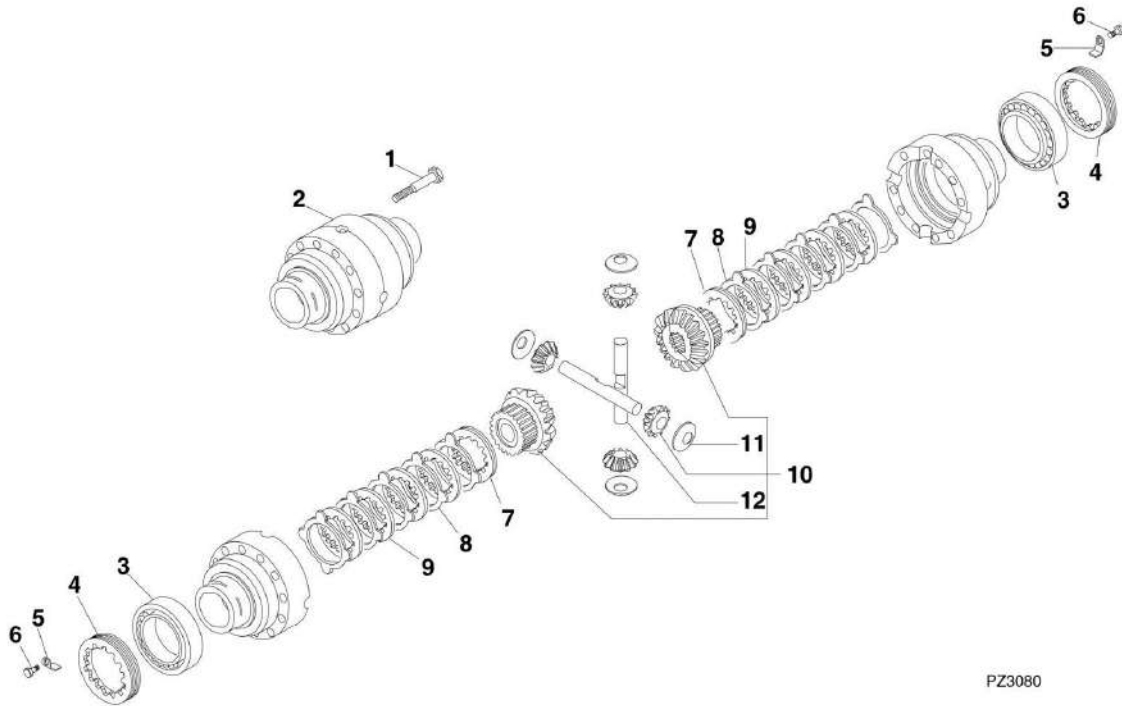
SECTION 5 - DRIVE TRAIN

FIGURE 5-5. FRONT AXLE - BEVEL GEAR SET

ITEM	PART NUMBER	QTY	DESCRIPTION	REV
		Ref	FRONT AXLE - BEVEL GEAR SET, (not available to order, see items 1 thru 7 for service)	
1	7028402	1	BEVEL GEAR SET, (includes items 2 thru 5)	
2	91474100	1	WASHER	
3	91474101	1	RING NUT	
4	91474102	2	WASHER	
5	91474103	1	SPACER	
6	8035160	AR	SHIM, 2.50mm	
6	91474105	AR	SHIM, 2.60mm	
6	91474106	AR	SHIM, 2.70mm	
6	91474107	AR	SHIM, 2.80mm	
6	91474108	AR	SHIM, 2.90mm	
6	91474109	AR	SHIM, 3.00mm	
6	91474110	AR	SHIM, 3.10mm	
6	91474111	AR	SHIM, 3.20mm	
6	91474112	AR	SHIM, 3.30mm	
6	91474113	AR	SHIM, 3.40mm	
7	7028403	2	BEARING	

SECTION 5 - DRIVE TRAIN

FIGURE 5-6. FRONT AXLE - DIFFERENTIAL



PZ3080

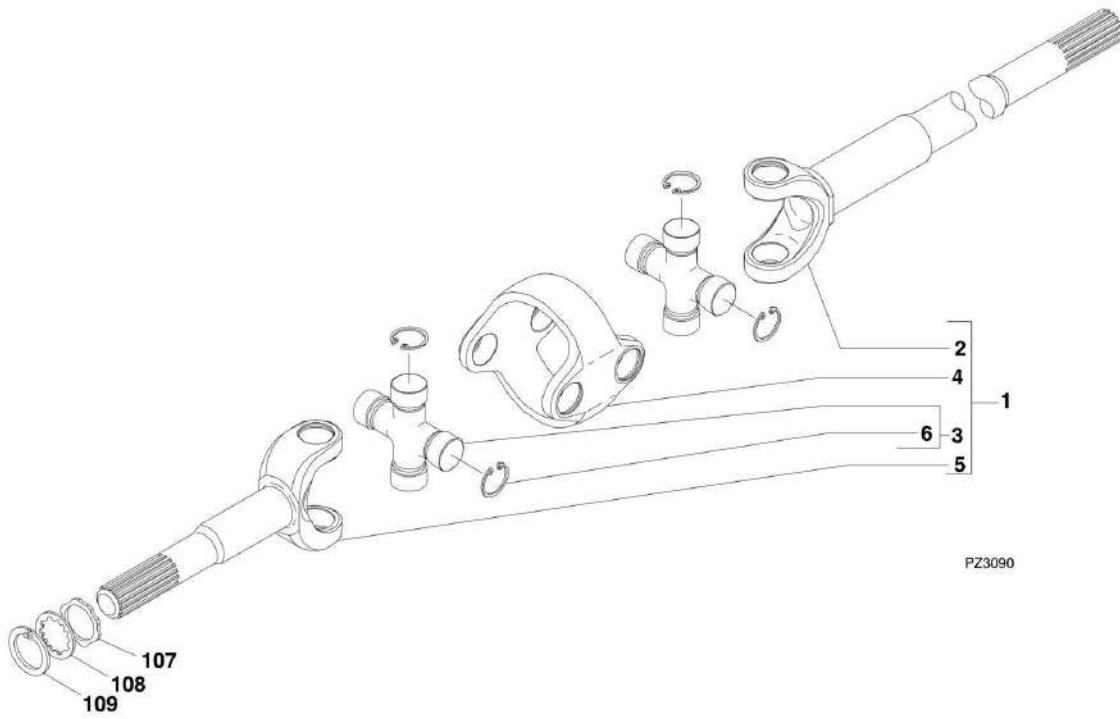
SECTION 5 - DRIVE TRAIN

FIGURE 5-6. FRONT AXLE - DIFFERENTIAL

ITEM	PART NUMBER	QTY	DESCRIPTION	REV
		Ref	FRONT AXLE - DIFFERENTIAL, (not available to order, see items 1 thru 12 for service)	
1	8033544	12	SCREW	
2	7028404	1	DIFFERENTIAL HOUSING	
3	91474129	2	BEARING	
4	91474128	2	RING NUT	
5	91474126	2	LOCK NUT	
6	8035180	2	SCREW	
7	91474123	2	DIFFERENTIAL LOCK DISC	
8	91474124	10	DIFFERENTIAL LOCK PLATE	
9	91474125	8	DIFFERENTIAL LOCK DISC	
10	7028405	1	DIFFERENTIAL GEAR KIT, (includes items 11 & 12)	
11	91474121	4	THRUST WASHER	
12	91474122	2	SHAFT	

SECTION 5 - DRIVE TRAIN

FIGURE 5-7. FRONT AXLE - DOUBLE U-JOINT



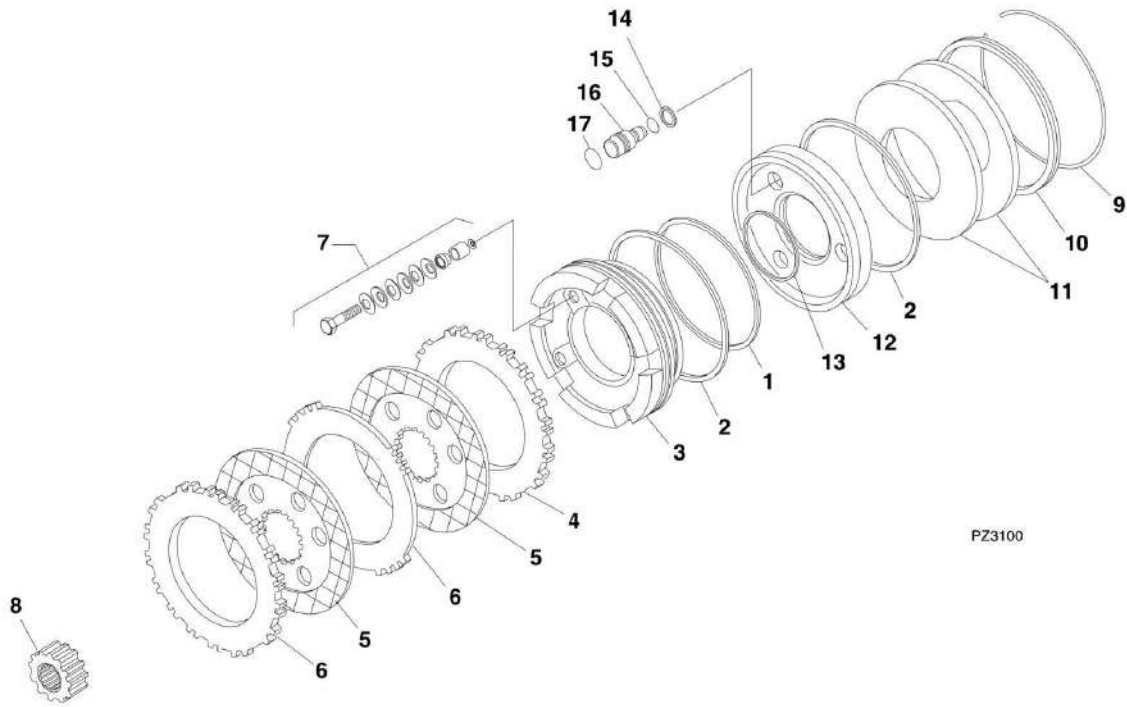
SECTION 5 - DRIVE TRAIN

FIGURE 5-7. FRONT AXLE - DOUBLE U-JOINT

ITEM	PART NUMBER	QTY	DESCRIPTION	REV
		Ref	FRONT AXLE - DOUBLE U-JOINT, (not available to order, see items 1 thru 6 & 107 thru 109 for service)	
1	7028406	2	DOUBLE JOINT, (L2906H, 2906H, 619A, 29.6LP & 29.6), (includes items 2 thru 6)	
1	7028498	2	DOUBLE JOINT, (3507H, 723A & 35.7), (includes items 2 thru 6)	
2	7028407	2	FORK, (L2906H, 2906H, 619A, 29.6LP & 29.6)	
2	7028499	2	FORK, (3507H, 723A & 35.7)	
3	7028408	4	SPIDER, (L2906H, 2906H, 619A, 29.6LP & 29.6), (includes item 6)	
3	7028501	4	SPIDER, (3507H, 723A & 35.7), (includes item 6)	
4	7028409	2	CENTRAL BODY, (L2906H, 2906H, 619A, 29.6LP & 29.6)	
4	7028500	2	CENTRAL BODY, (3507H, 723A & 35.7)	
5	7028410	2	FORK, (L2906H, 2906H, 619A, 29.6LP & 29.6)	
5	7028502	2	FORK, (3507H, 723A & 35.7)	
6	7028411	16	SNAP RING, (L2906H, 2906H, 619A, 29.6LP & 29.6)	
6	7028503	16	SNAP RING, (3507H, 723A & 35.7)	
107	7028424	2	WASHER, (3507H, 723A & 35.7)	
108	7028504	2	WASHER, (3507H, 723A & 35.7)	
109	7028505	2	SNAP RING, (3507H, 723A & 35.7)	

SECTION 5 - DRIVE TRAIN

FIGURE 5-8. FRONT AXLE - BRAKES



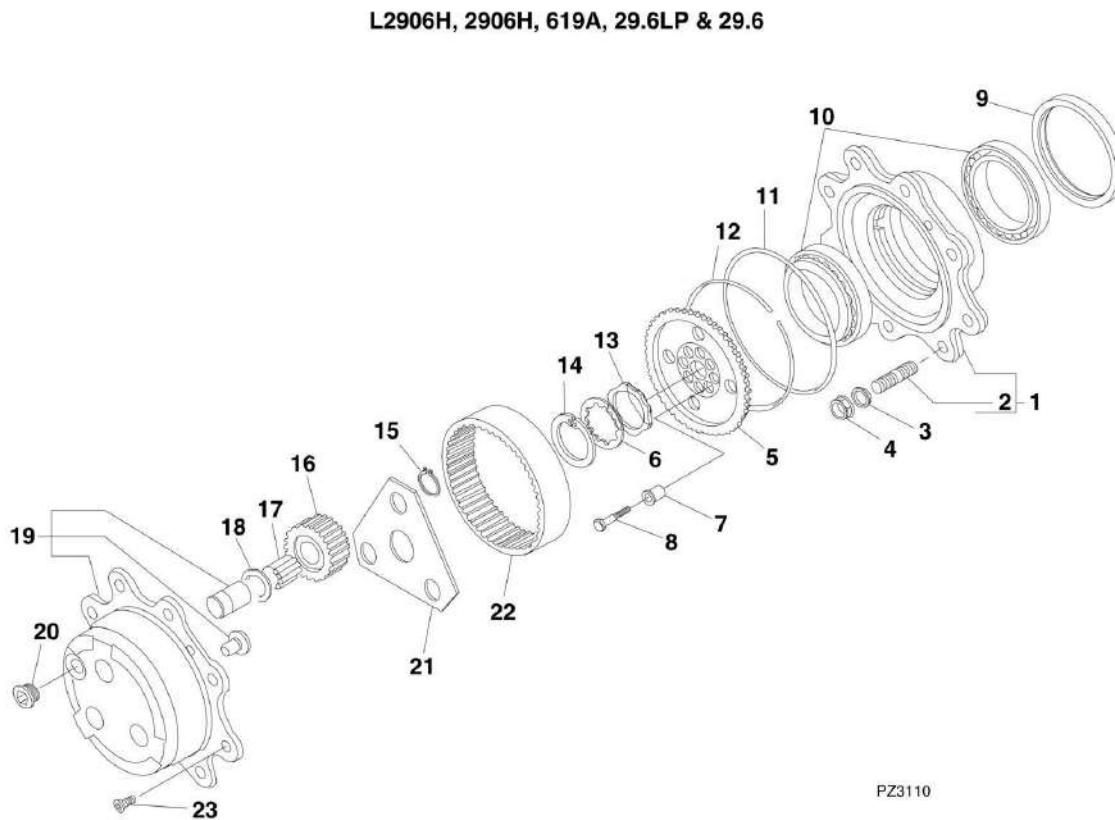
SECTION 5 - DRIVE TRAIN

FIGURE 5-8. FRONT AXLE - BRAKES

ITEM	PART NUMBER	QTY	DESCRIPTION	REV
		Ref	FRONT AXLE - BRAKES, (not available to order, see items 1 thru 17 for service)	
1	91474136	2	O-RING	
2	91474137	4	O-RING	
3	91474138	2	BRAKE PISTON	
4	91474139	2	COUNTER PLATE	
5	70022082	4	BRAKE DISC, (L2906H, 2906H, 619A, 29.6LP & 29.6)	
5	70022082	6	BRAKE DISC, (3507H, 723A & 35.7)	
6	91474141	4	COUNTER PLATE, (L2906H, 2906H, 619A, 29.6LP & 29.6)	
6	91474141	6	COUNTER PLATE, (3507H, 723A & 35.7)	
7	91474152	2	SELF ADJUSTING KIT	
8	91474142	2	SLEEVE	
9	91474143	2	RING	
10	91474144	2	SLEEVE	
11	91474145	4	WASHER	
12	91474146	2	PISTON	
13	91474147	4	O-RING, (L2906H, 2906H, 619A, 29.6LP & 29.6)	
13	91474147	2	O-RING, (3507H, 723A & 35.7)	
14	91364041	6	SNAP RING	
15	91474149	6	O-RING	
16	91364042	6	PIN	
17	91474151	6	O-RING	

SECTION 5 - DRIVE TRAIN

FIGURE 5-9. FRONT AXLE - WHEEL HUB AND FINAL REDUCTION L2906, 2906H, 619A, 29.6LP & 29.6



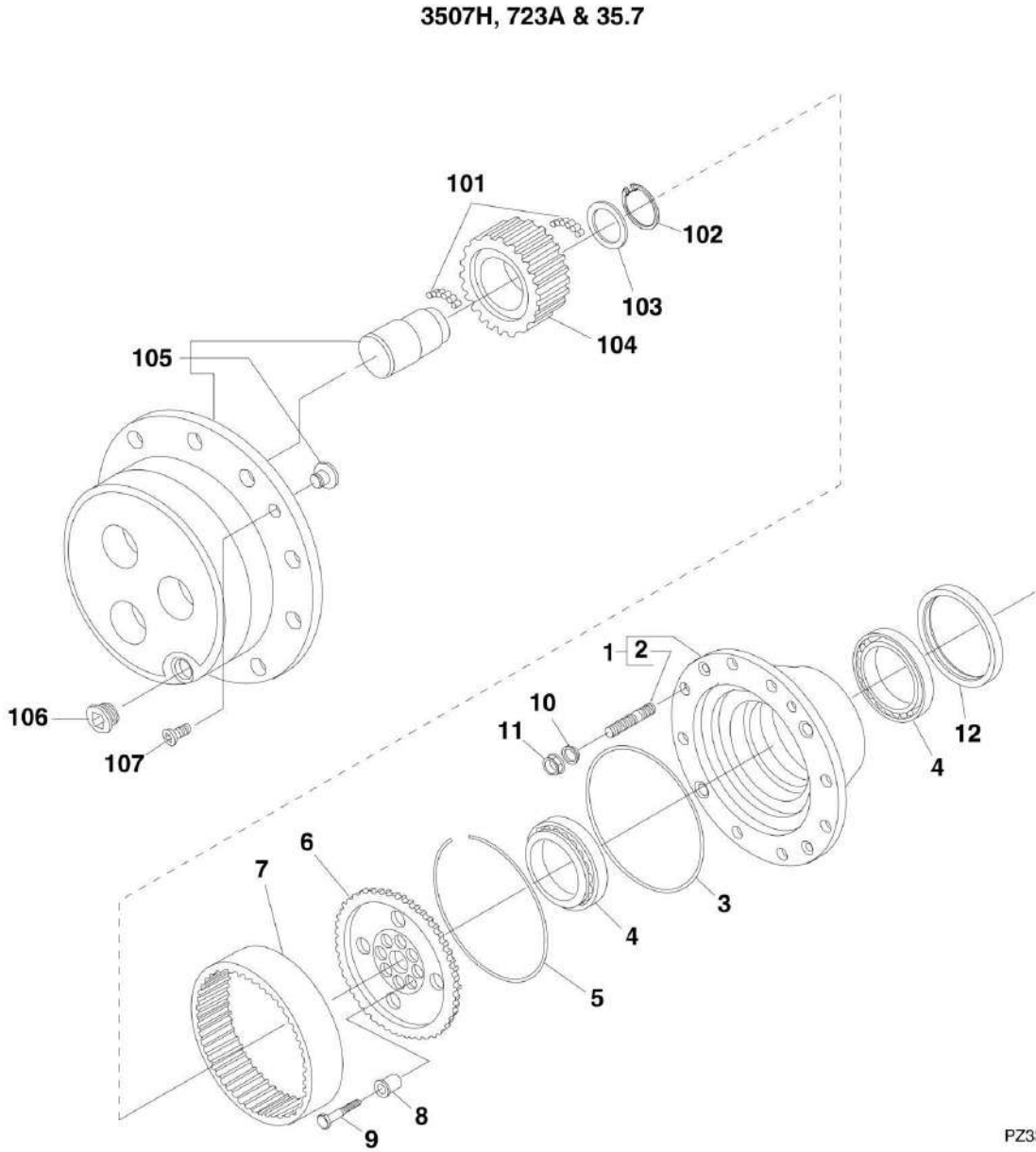
SECTION 5 - DRIVE TRAIN

FIGURE 5-9. FRONT AXLE - WHEEL HUB AND FINAL REDUCTION L2906, 2906H, 619A, 29.6LP & 29.6

ITEM	PART NUMBER	QTY	DESCRIPTION	REV
		Ref	FRONT AXLE - WHEEL HUB AND FINAL REDUCTION, (L2906, 2906H, 619A, 29.6LP & 29.6), (not available to order, see items 1 thru 23 for service)	
1	7028413	2	WHEEL HUB KIT, (includes item 2)	
2	7028414	16	STUD	
3	7028415	16	WASHER	
4	7028416	16	NUT	
5	7028417	2	WHEEL CARRIER	
6	7028418	2	WASHER	
7	7028419	12	BUSHING	
8	7028420	12	SCREW	
9	91474161	2	SEAL	
10	7028421	4	BEARING	
11	7028487	2	O-RING	
12	7028423	2	SNAP RING	
13	7028424	2	WASHER	
14	7028488	2	SNAP RING	
15	91474119	6	SNAP RING	
16	7028426	6	GEAR	
17	7028490	180	NEEDLE BEARING	
18	7028428	6	WASHER	
19	7028491	2	PLANETARY CARRIER	
20	91474037	2	PLUG	
21	7028430	2	WASHER	
22	7028431	6	RING GEAR	
23	8035235	4	BOLT, M8X20	

SECTION 5 - DRIVE TRAIN

FIGURE 5-10. FRONT AXLE - WHEEL HUB AND FINAL REDUCTION 3507H, 723A & 35.7



PZ3360

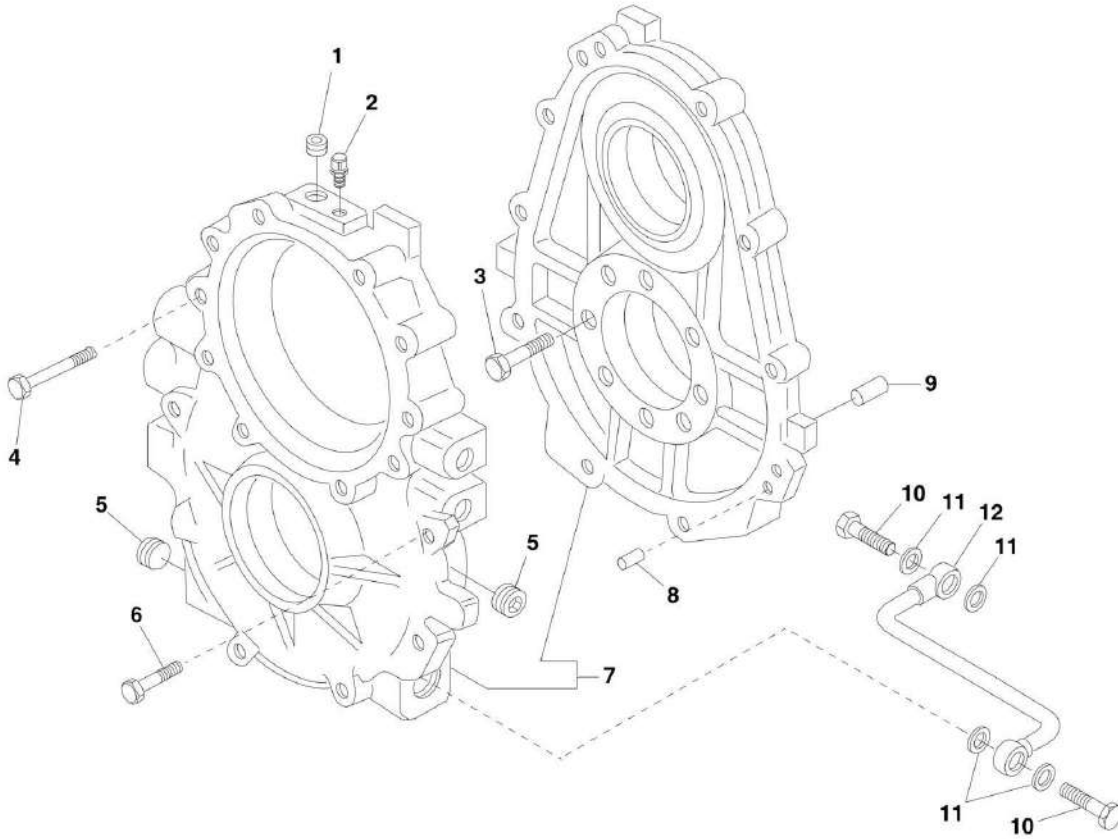
SECTION 5 - DRIVE TRAIN

FIGURE 5-10. FRONT AXLE - WHEEL HUB AND FINAL REDUCTION 3507H, 723A & 35.7

ITEM	PART NUMBER	QTY	DESCRIPTION	REV
		Ref	FRONT AXLE - WHEEL HUB AND FINAL REDUCTION, (3507H, 723A & 35.7), (not available to order see items 1 thru 12 & 101 thru 107 for service)	
1	70022443	2	WHEEL HUB KIT, (includes item 2)	
2	7028414	16	STUD	
3	7028487	2	O-RING	
4	7028421	4	BEARING	
5	7028423	2	SNAP RING	
6	7028417	2	WHEEL CARRIER	
7	7028507	2	RING GEAR	
8	7028419	16	BUSHING	
9	7028420	16	SCREW	
10	7028415	16	WASHER	
11	7028416	16	NUT	
12	91474161	2	SEAL	
101	91474163	336	PIN	
102	7028508	6	SNAP RING	
103	7028509	6	WASHER	
104	7028510	6	GEAR	
105	7028511	2	PLANETARY CARRIER KIT	
106	91474037	2	OIL PLUG	
107	8035235	4	BOLT, M8X20	

SECTION 5 - DRIVE TRAIN

FIGURE 5-11. FRONT AXLE - TRANSMISSION HOUSING



PZ3120

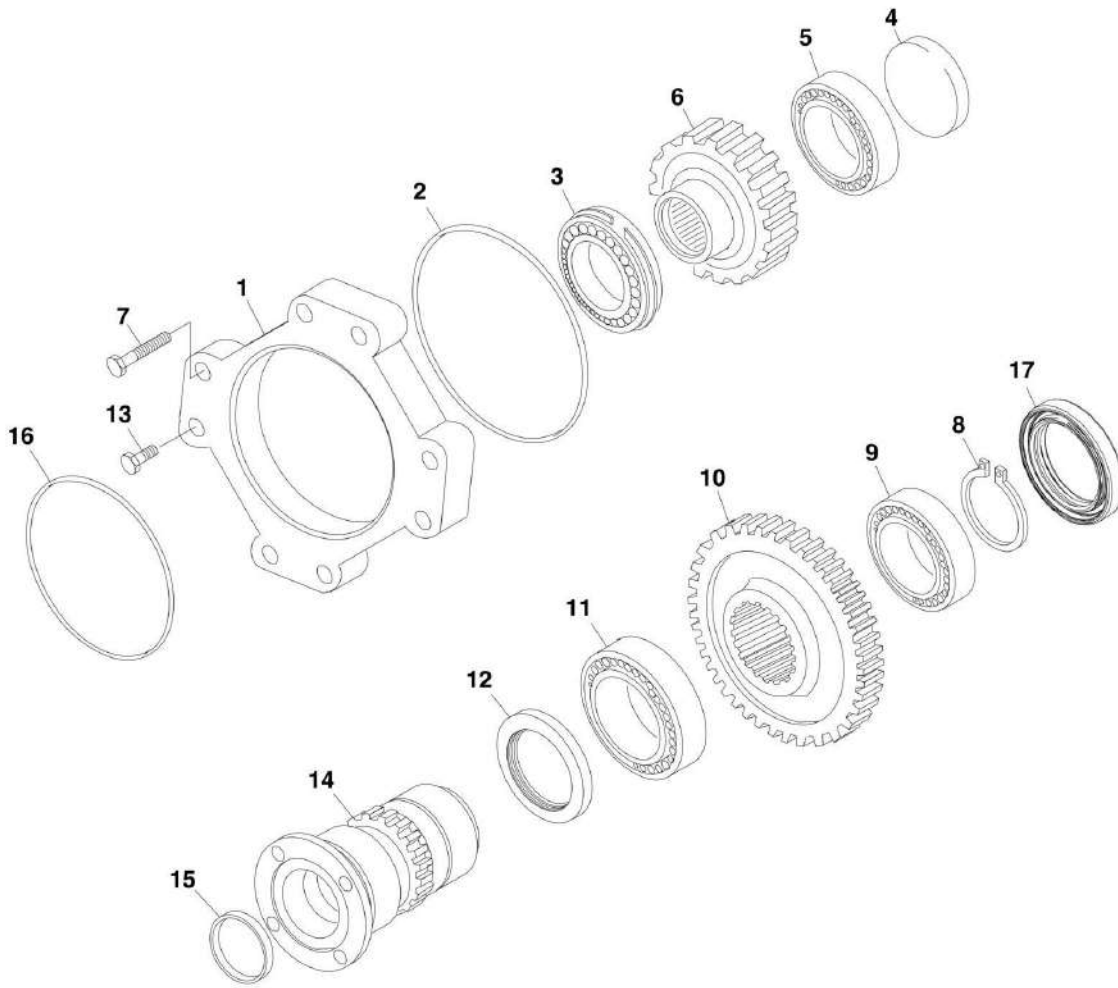
SECTION 5 - DRIVE TRAIN

FIGURE 5-11. FRONT AXLE - TRANSMISSION HOUSING

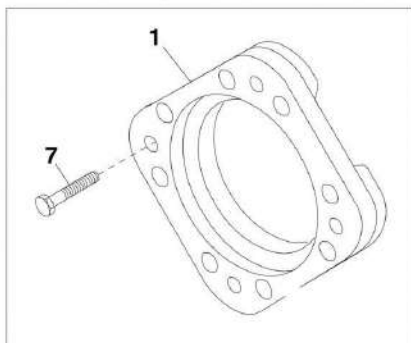
ITEM	PART NUMBER	QTY	DESCRIPTION	REV
		Ref	FRONT AXLE - TRANSMISSION HOUSING, (not available to order, see items 1 thru 12 for service)	
1	91474075	1	PLUG	
2	91474058	1	BREATHER	
3	7028432	8	SCREW	
4	7028433	2	SCREW	
5	7028434	2	PLUG, (L2906H, 2906H, 619A, 29.6LP & 29.6)	
5	7028434	3	PLUG, (3507H, 723A & 35.7)	
6	7028435	6	PLUG	
7	70022383	1	HOUSING	
8	7028437	2	PIN	
9	91364078	1	PIN	
10	7028438	2	SCREW, (3507H, 723A & 35.7)	
11	7028439	4	WASHER, (3507H, 723A & 35.7)	
12	7028440	1	OIL PIPE, (3507H, 723A & 35.7)	

SECTION 5 - DRIVE TRAIN

FIGURE 5-12. FRONT AXLE - LOWER AND UPPER SHAFT



3507H, 723A & 35.7



PZ3130

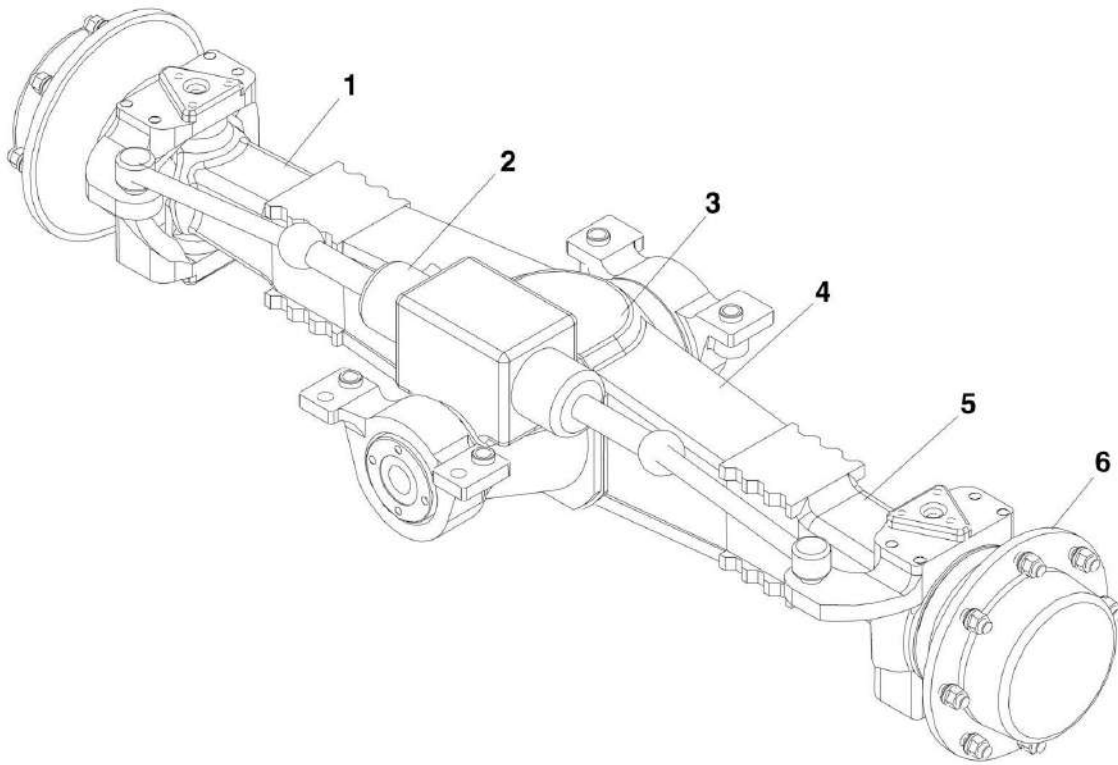
SECTION 5 - DRIVE TRAIN

FIGURE 5-12. FRONT AXLE - LOWER AND UPPER SHAFT

ITEM	PART NUMBER	QTY	DESCRIPTION	REV
		Ref	FRONT AXLE - LOWER AND UPPER SHAFT, (not available to order, see items 1 thru 17 for service)	
1	7028441	1	FLANGE, (L2906H, 2906H, 619A, 29.6LP & 29.6)	
1	7028517	1	FLANGE, (3507H, 723A & 35.7)	
2	7028442	1	O-RING	
3	7028443	1	BEARING	
4	7028444	1	PLUG	
5	7028445	1	BEARING	
6	70022380	1	GEAR	
7	7028447	2	SCREW	
8	7028448	1	SNAP RING	
9	7028449	1	BEARING	
10	70022381	1	GEAR	
11	7028451	1	BEARING	
12	7028452	1	SEAL	
13	7028453	6	SCREW, (L2906H, 2906H, 619A, 29.6LP & 29.6)	
13	7028521	6	SCREW, (3507H, 723A & 35.7)	
14	7028454	1	LOWER SHAFT	
15	7028455	1	PLUG	
16	7028456	1	O-RING, (L2906H, 2906H, 619A, 29.6LP & 29.6)	
16	7028442	1	O-RING, (3507H, 723A & 35.7)	
17	70022642	1	SEAL	

SECTION 5 - DRIVE TRAIN

FIGURE 5-13. REAR AXLE



PZ3370

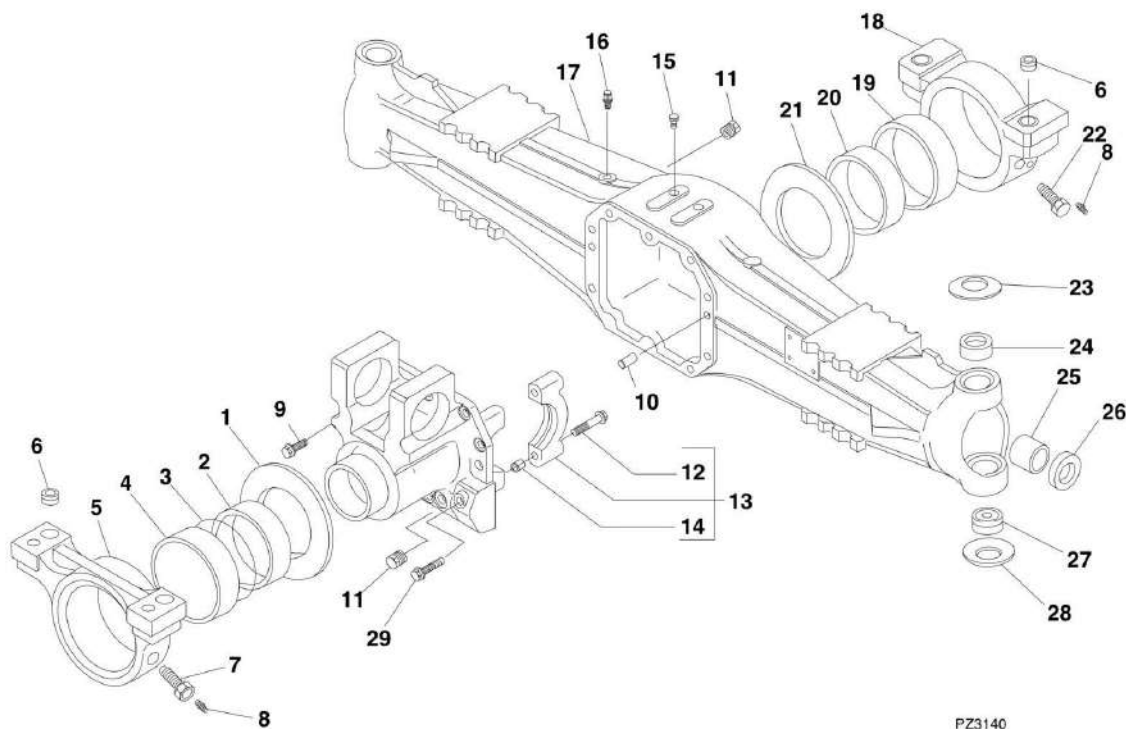
SECTION 5 - DRIVE TRAIN

FIGURE 5-13. REAR AXLE

ITEM	PART NUMBER	QTY	DESCRIPTION	REV
	1001100332	1	REAR AXLE, (L2906H, 2906H, 619A, 29.6LP & 29.6), (includes items 1 thru 6)	C
	1001100335	1	REAR AXLE, (3507H, 723A & 35.7), (includes items 1 thru 6)	C
1		Ref	AXLE HOUSING, (See REAR AXLE HOUSING for Breakdown)	
2		Ref	STEERING COMPONENTS, (See REAR AXLE - STEERING COMPONENTS for Breakdown)	
3		Ref	BEVEL GEAR SET, (See REAR AXLE - BEVEL GEAR SET for Breakdown)	
4		Ref	DIFFERENTIAL, (See REAR AXLE – DIFFERENTIAL for Breakdown)	
5		Ref	DOUBLE U-JOINT, (See REAR AXLE - DOUBLE U-JOINT for Breakdown)	
6		Ref	WHEEL HUB AND FINAL REDUCTION, (See REAR AXLE - WHEEL HUB AND FINAL REDUCTION for Breakdown)	

SECTION 5 - DRIVE TRAIN

FIGURE 5-14. REAR AXLE HOUSING



PZ3140

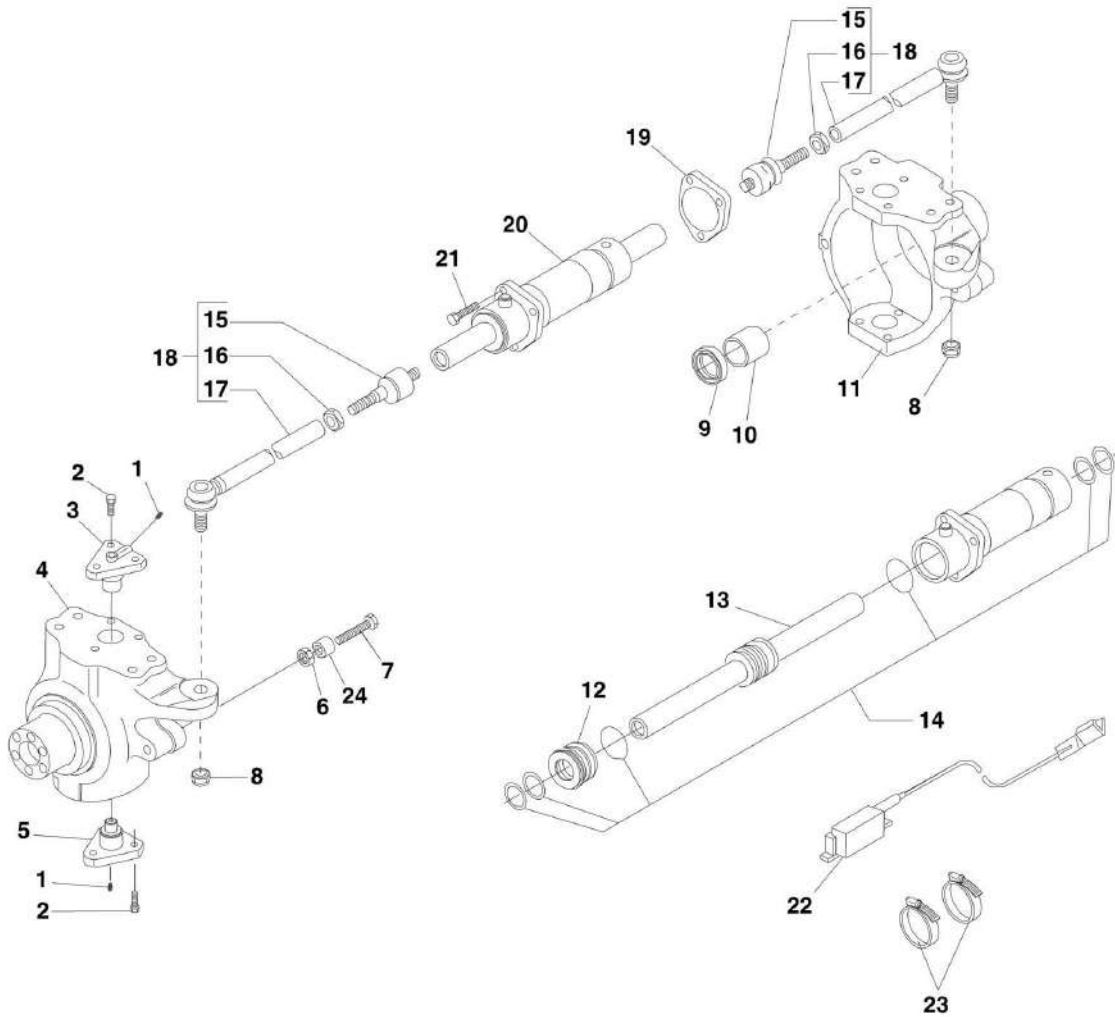
SECTION 5 - DRIVE TRAIN

FIGURE 5-14. REAR AXLE HOUSING

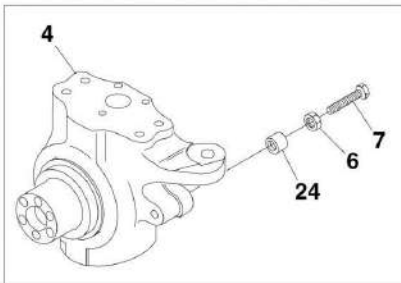
ITEM	PART NUMBER	QTY	DESCRIPTION	REV
		Ref	REAR AXLE - AXLE HOUSING, (not available to order, see items 1 thru 29 for service)	
1	91474069	1	THRUST WASHER	
2	8035118	1	BUSHING	
3	91474071	1	O-RING	
4	91474072	1	BUSHING	
5	7028457	1	REAR SUPPORT	
6	91474043	4	BUSHING	
7	91474073	1	SCREW	
8	91474045	2	GREASE FITTING	
9	7028458	5	SCREW	
10	7028459	2	PIN	
11	7028460	2	PLUG	
12	7028461	4	SCREW	
13	7028462	1	DIFFERENTIAL SUPPORT, (includes items 12 & 14)	
14	7028463	4	BUSHING	
15	91474063	2	PLUG	
16	91474058	1	BREATHER	
17	7028464	1	AXLE BEAM, (L2906H, 2906H, 619A, 29.6LP & 29.6)	
17	7028493	1	AXLE BEAM, (3507H, 723A & 35.7)	
18	7028465	1	FRONT SUPPORT	
19	91474047	1	BUSHING	
20	91474048	1	BUSHING	
21	7028466	1	THRUST WASHER	
22	7028467	1	SCREW	
23	7028382	2	WASHER	
24	7028381	2	BUSHING	
25	7028380	2	BUSHING	
26	7028379	2	SEAL RING	
27	7028378	2	JOINT	
28	7028377	2	WASHER	
29	7028468	5	SCREW	

SECTION 5 - DRIVE TRAIN

FIGURE 5-15. REAR AXLE - STEERING COMPONENTS



3507H, 723A & 35.7



PZ3150

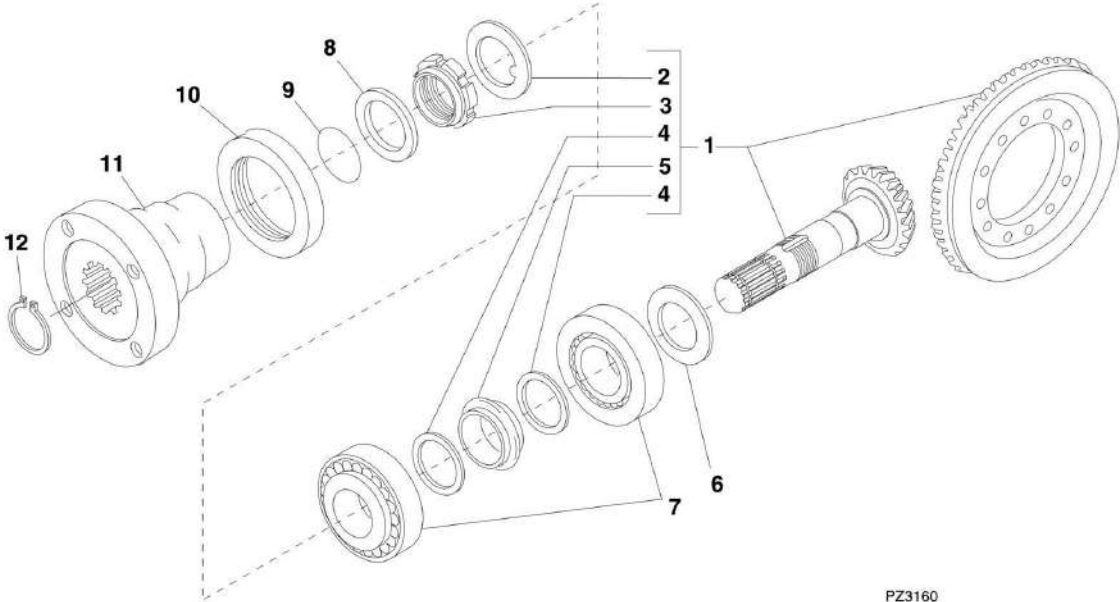
SECTION 5 - DRIVE TRAIN

FIGURE 5-15. REAR AXLE - STEERING COMPONENTS

ITEM	PART NUMBER	QTY	DESCRIPTION	REV
		Ref	REAR AXLE - STEERING COMPONENTS, (not available to order, see items 1 thru 24 for service)	
1	91474095	4	GREASE FITTING	
2	7028400	12	SCREW	
3	7028383	2	KING PIN	
4	70022376	1	RH SWIVEL HOUSING, (L2906H, 2906H, 619A, 29.6LP & 29.6)	
4	70022404	1	RH SWIVEL HOUSING, (3507H, 723A & 35.7)	
5	7028385	2	KING PIN	
6	91474092	4	NUT	
7	91474091	4	SCREW	
8	7028401	2	NUT	
9	7028386	1	SEAL, (L2906H, 2906H, 619A, 29.6LP & 29.6)	
9	7028386	2	SEAL, (3507H, 723A & 35.7)	
10	7028387	2	BUSHING	
11	70022377	1	LH SWIVEL HOUSING, (L2906H, 2906H, 619A, 29.6LP & 29.6)	
11	70022499	1	LH SWIVEL HOUSING, (3507H, 723A & 35.7)	
12	7028389	1	CYLINDER HEAD	
13	7028390	1	ROD, (L2906H, 2906H, 619A, 29.6LP & 29.6)	
13	70022440	1	ROD, (3507H, 723A & 35.7)	
14	7028391	1	SEAL KIT, (L2906H, 2906H, 619A, 29.6LP & 29.6)	
14	70022441	1	SEAL KIT, (3507H, 723A & 35.7)	
15	7028392	2	BALL JOINT	
16	91474078	2	NUT	
17	7028393	2	TIE ROD, (L2906H, 2906H, 619A, 29.6LP & 29.6)	
17	7028514	2	TIE ROD, (3507H, 723A & 35.7)	
18	7028394	2	STEERING ARM, (L2906H, 2906H, 619A, 29.6LP & 29.6), (includes items 15 thru 17)	
18	7028496	2	STEERING ARM, (3507H, 723A & 35.7), (includes items 15 thru 17)	
19	7028472	1	FLANGE	
20	70022379	1	STEERING CYLINDER, (includes items 12, 13, 14 & 24)	
21	7028432	3	SCREW	
22	70022504	1	SENSOR	
23	7028475	2	BAND	
24	7028399	4	BUSHING	

SECTION 5 - DRIVE TRAIN

FIGURE 5-16. REAR AXLE - BEVEL GEAR SET



PZ3160

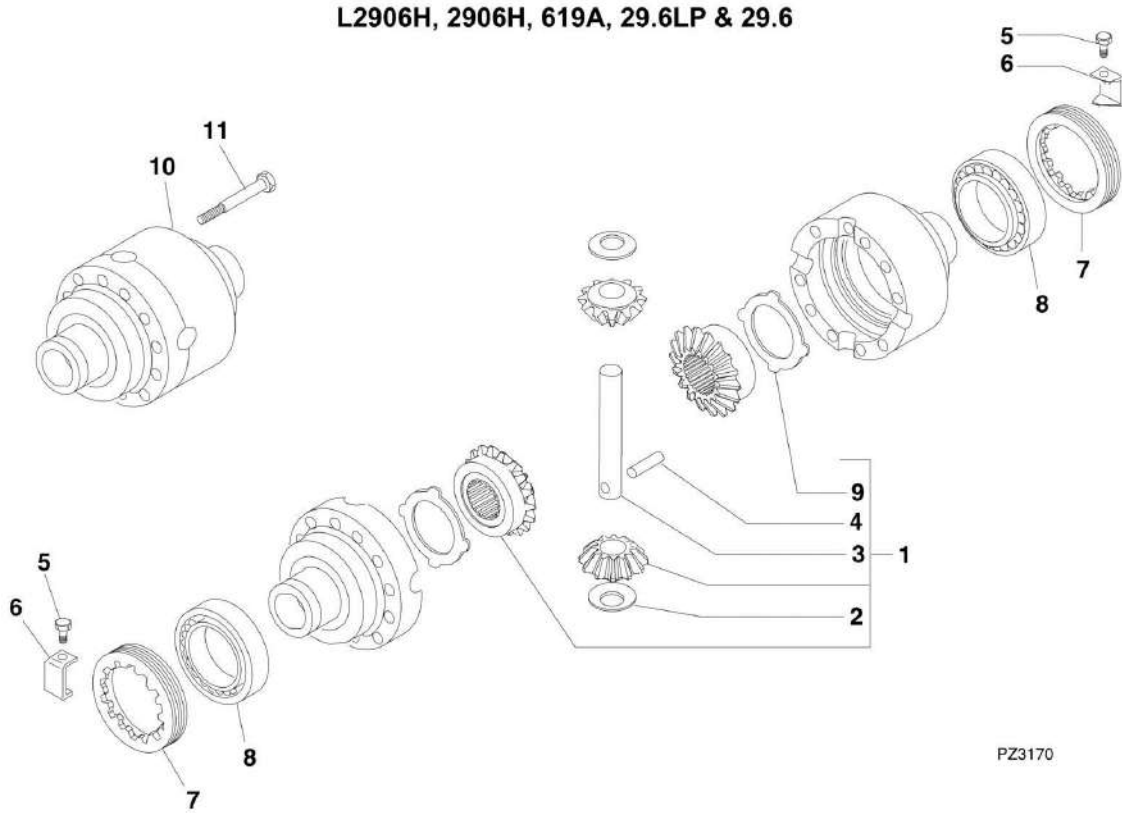
SECTION 5 - DRIVE TRAIN

FIGURE 5-16. REAR AXLE - BEVEL GEAR SET

ITEM	PART NUMBER	QTY	DESCRIPTION	REV
		Ref	REAR AXLE - BEVEL GEAR SET, (not available to order, see items 1 thru 12 for service)	
1	7028477	1	BEVEL GEAR SET, (L2906H, 2906H, 619A, 29.6LP & 29.6), (includes items 2 thru 5)	
1	7028477	1	BEVEL GEAR SET, (3507H, 723A & 35.7)	
2	91474100	1	WASHER	
3	91474101	1	RING NUT	
4	91474102	2	WASHER	
5	91474103	1	SPACER	
6	8035160	AR	SHIM, 2.50mm	
6	91474105	AR	SHIM, 2.60mm	
6	91474106	AR	SHIM, 2.70mm	
6	91474107	AR	SHIM, 2.80mm	
6	91474108	AR	SHIM, 2.90mm	
6	91474109	AR	SHIM, 3.00mm	
6	91474110	AR	SHIM, 3.10mm	
6	91474111	AR	SHIM, 3.20mm	
6	91474112	AR	SHIM, 3.30mm	
6	91474113	AR	SHIM, 3.40mm	
7	7028403	2	BEARING	
8	91474115	1	WASHER	
9	91474116	1	O-RING	
10	7028478	1	SEAL RING	
11	7028479	1	FLANGE	
12	91474119	1	SNAP RING	

SECTION 5 - DRIVE TRAIN

FIGURE 5-17. REAR AXLE - DIFFERENTIAL L2906H, 2906H, 619A, 29.6LP & 29.6



PZ3170

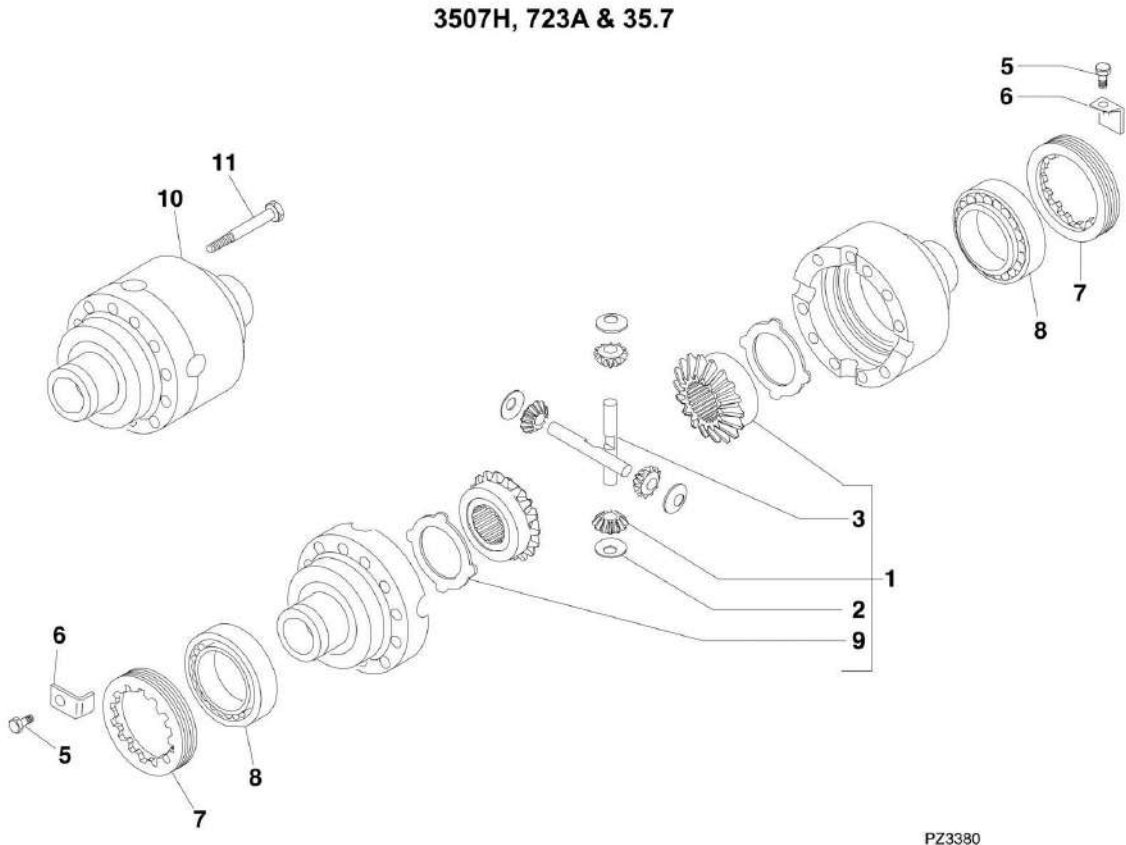
SECTION 5 - DRIVE TRAIN

FIGURE 5-17. REAR AXLE - DIFFERENTIAL L2906H, 2906H, 619A, 29.6LP & 29.6

ITEM	PART NUMBER	QTY	DESCRIPTION	REV
		Ref	REAR AXLE - DIFFERENTIAL, (L2906H, 2906H, 619A, 29.6LP & 29.6), (not available to order, see items 1 thru 11 for service)	
1	7028480	1	DIFFERENTIAL GEAR KIT, (includes 2, 3, 4 & 9)	
2	91474121	2	THRUST WASHER	
3	7028481	1	SHAFT	
4	7028482	1	PIN	
5	8035180	2	SCREW	
6	7028483	2	LOCK NUT	
7	91474128	2	RING NUT	
8	91474129	2	BEARING	
9	91474176	2	COUNTER PLATE	
10	7028404	1	DIFFERENTIAL HOUSING	
11	8033544	12	SCREW	

SECTION 5 - DRIVE TRAIN

FIGURE 5-18. REAR AXLE - DIFFERENTIAL 3507H, 723A & 35.7



PZ3380

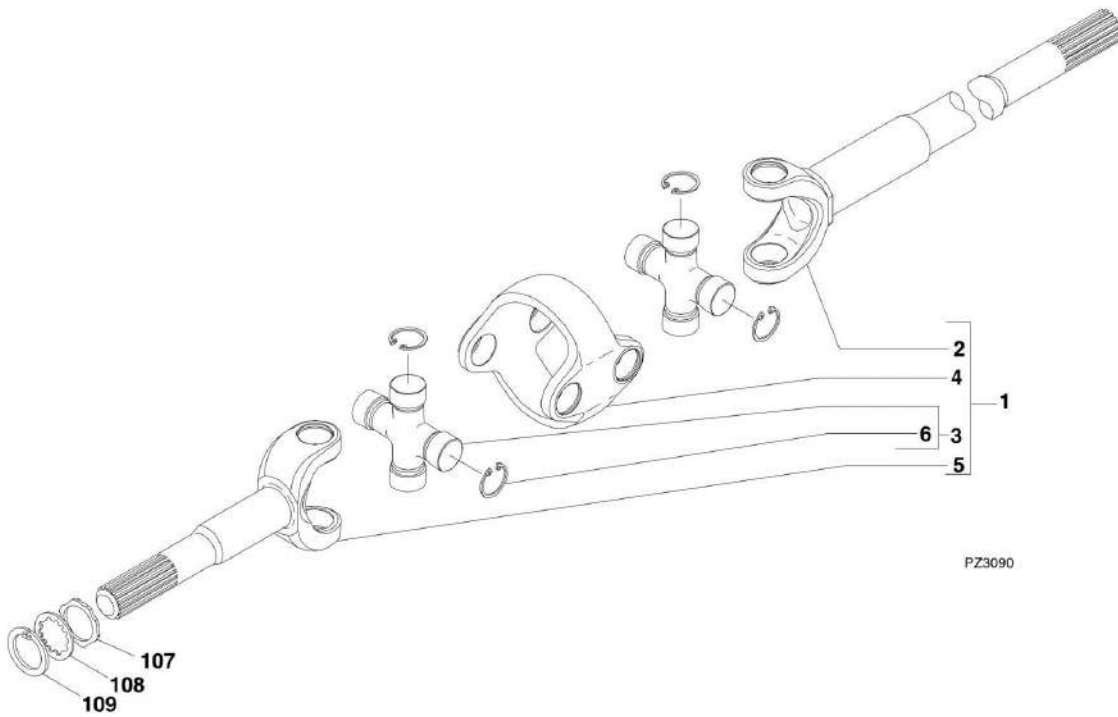
SECTION 5 - DRIVE TRAIN

FIGURE 5-18. REAR AXLE - DIFFERENTIAL 3507H, 723A & 35.7

ITEM	PART NUMBER	QTY	DESCRIPTION	REV
		Ref	REAR AXLE - DIFFERENTIAL, (3507H, 723A & 35.7), (not available to order, see items 1 thru 11 for service)	
1	8034679	1	DIFFERENTIAL GEAR KIT, (includes 2, 3 & 9)	
2	91474121	4	THRUST WASHER	
3	91474122	2	SHAFT	
5	8035180	2	SCREW	
6	7028483	2	LOCK NUT	
7	91474128	2	RING NUT	
8	91474129	2	BEARING	
9	91474176	2	COUNTER PLATE	
10	7028404	1	DIFFERENTIAL HOUSING	
11	8033544	12	SCREW	

SECTION 5 - DRIVE TRAIN

FIGURE 5-19. REAR AXLE - DOUBLE U-JOINT



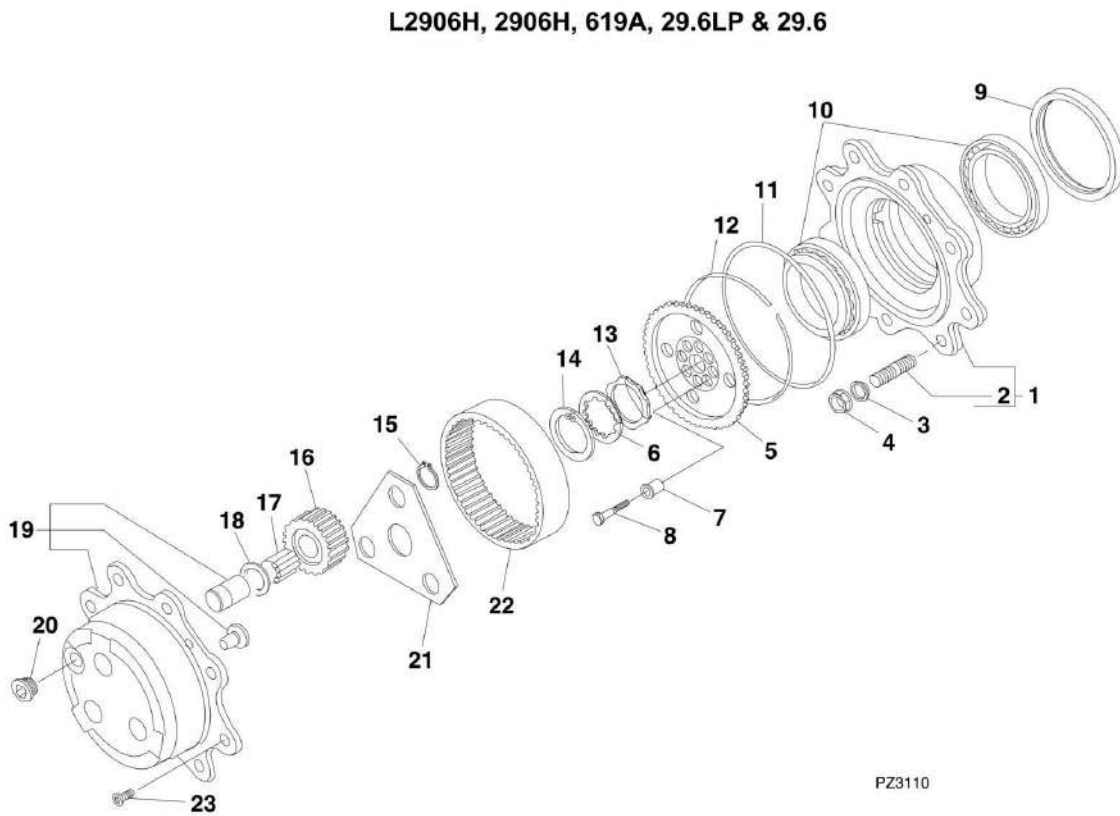
SECTION 5 - DRIVE TRAIN

FIGURE 5-19. REAR AXLE - DOUBLE U-JOINT

ITEM	PART NUMBER	QTY	DESCRIPTION	REV
		Ref	FRONT AXLE - DOUBLE U-JOINT,(not available to order, see items 1 thru 6 & 107 thru 109 for service)	
1	7028484	2	DOUBLE JOINT, (L2906H, 2906H, 619A, 29.6LP & 29.6), (includes items 2 thru 6)	
1	7028498	2	DOUBLE JOINT, (3507H, 723A & 35.7), (includes items 2 thru 6)	
2	7028485	2	FORK, (L2906H, 2906H, 619A, 29.6LP & 29.6)	
2	7028499	2	FORK, (3507H, 723A & 35.7)	
3	7028408	4	SPIDER, (L2906H, 2906H, 619A, 29.6LP & 29.6), (includes item 6)	
3	7028501	4	SPIDER, (3507H, 723A & 35.7), (includes items 6)	
4	7028409	2	CENTRAL BODY, (L2906H, 2906H, 619A, 29.6LP & 29.6)	
4	7028500	2	CENTRAL BODY, (3507H, 723A & 35.7)	
5	7028410	2	FORK, (L2906H, 2906H, 619A, 29.6LP & 29.6)	
5	7028502	2	FORK, (3507H, 723A & 35.7)	
6	7028411	16	SNAP RING, (L2906H, 2906H, 619A, 29.6LP & 29.6)	
6	7028503	16	SNAP RING, (3507H, 723A & 35.7)	
107	7028424	2	WASHER, (3507H, 723A & 35.7)	
108	7028504	2	WASHER, (3507H, 723A & 35.7)	
109	7028505	2	SNAP RING, (3507H, 723A & 35.7)	

SECTION 5 - DRIVE TRAIN

FIGURE 5-20. REAR AXLE - WHEEL HUB AND FINAL REDUCTION L2906H, 2906H, 619A, 29.6LP & 29.6



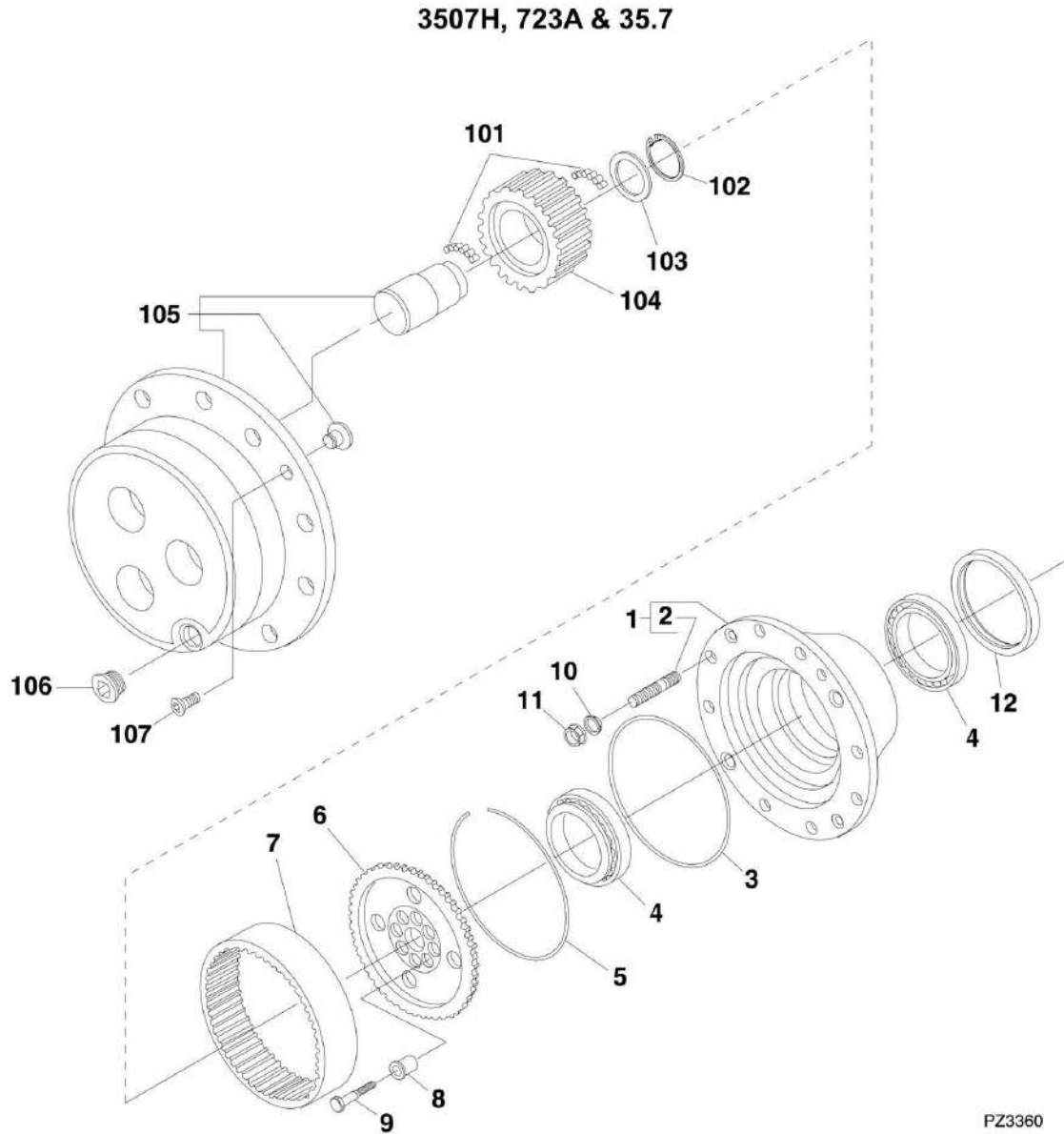
SECTION 5 - DRIVE TRAIN

FIGURE 5-20. REAR AXLE - WHEEL HUB AND FINAL REDUCTION L2906H, 2906H, 619A, 29.6LP & 29.6

ITEM	PART NUMBER	QTY	DESCRIPTION	REV
		Ref	FRONT AXLE - WHEEL HUB AND FINAL REDUCTION, (L2906H, 2906H, 619A, 29.6LP & 29.6), (not available to order, see items 1 thru 23 for service)	
1	7028413	2	WHEEL HUB KIT, (includes item 2)	
2	7028414	16	STUD	
3	7028415	16	WASHER	
4	7028416	16	NUT	
5	7028417	2	WHEEL CARRIER	
6	7028418	2	WASHER	
7	7028419	12	BUSHING	
8	7028420	12	SCREW	
9	91474161	2	SEAL	
10	7028421	4	BEARING	
11	7028487	2	O-RING	
12	7028423	2	SNAP RING	
13	7028424	2	WASHER	
14	7028488	2	SNAP RING	
15	91474119	6	SNAP RING	
16	7028426	6	GEAR	
17	7028490	180	NEEDLE BEARING	
18	7028428	6	WASHER	
19	7028491	2	PLANETARY CARRIER	
20	91474037	2	PLUG	
21	7028430	2	WASHER	
22	7028431	6	RING GEAR	
23	8035235	4	BOLT, M8X20	

SECTION 5 - DRIVE TRAIN

FIGURE 5-21. REAR AXLE - WHEEL HUB AND FINAL REDUCTION 3507H, 723A & 35.7



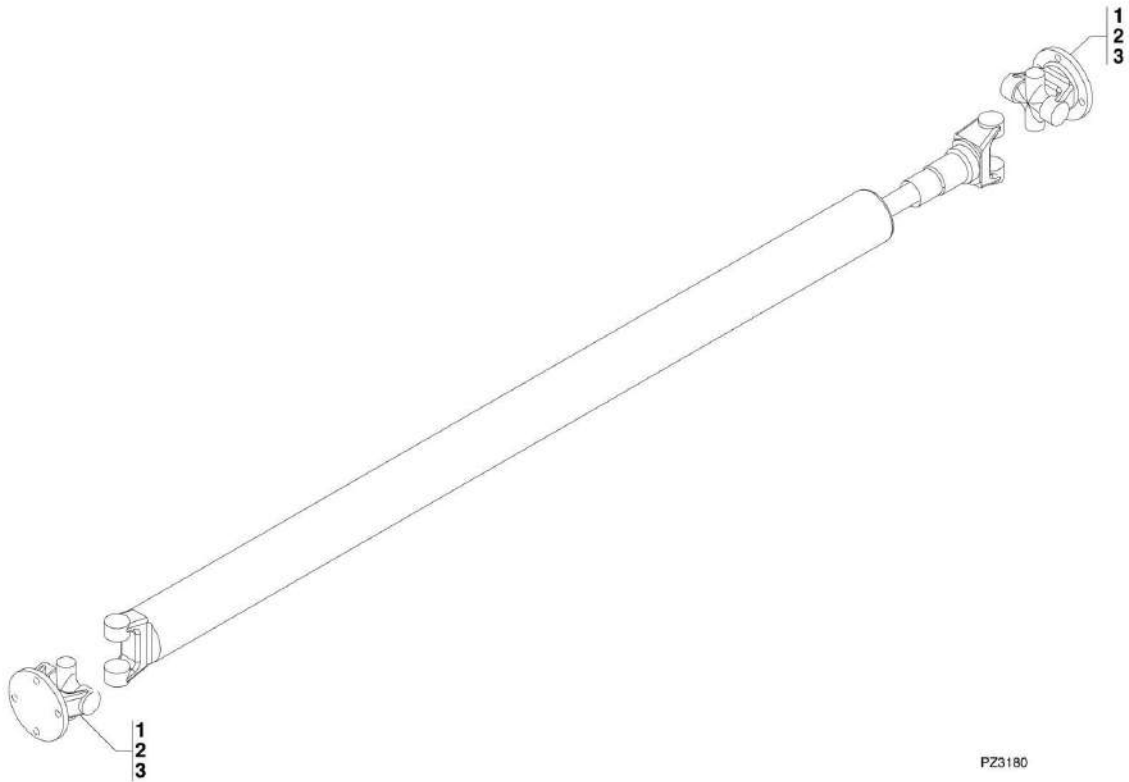
SECTION 5 - DRIVE TRAIN

FIGURE 5-21. REAR AXLE - WHEEL HUB AND FINAL REDUCTION 3507H, 723A & 35.7

ITEM	PART NUMBER	QTY	DESCRIPTION	REV
		Ref	FRONT AXLE - WHEEL HUB AND FINAL REDUCTION, (3507H, 723A & 35.7), (not available to order see items 1 thru 12 & 101 thru 107 for service)	
1	70022443	2	WHEEL HUB KIT, (includes item 2)	
2	7028414	16	STUD	
3	7028487	2	O-RING	
4	7028421	4	BEARING	
5	7028423	2	SNAP RING	
6	7028417	2	WHEEL CARRIER	
7	7028507	2	RING GEAR	
8	7028419	16	BUSHING	
9	7028420	16	SCREW	
10	7028415	16	WASHER	
11	7028416	16	NUT	
12	91474161	2	SEAL	
101	91474163	336	PIN	
102	7028508	6	SNAP RING	
103	7028509	6	WASHER	
104	7028510	6	GEAR	
105	7028511	2	PLANETARY CARRIER KIT	
106	91474037	2	OIL PLUG	
107	8035235	4	BOLT, M8X20	

SECTION 5 - DRIVE TRAIN

FIGURE 5-22. DRIVE SHAFT ASSEMBLY



PZ3180

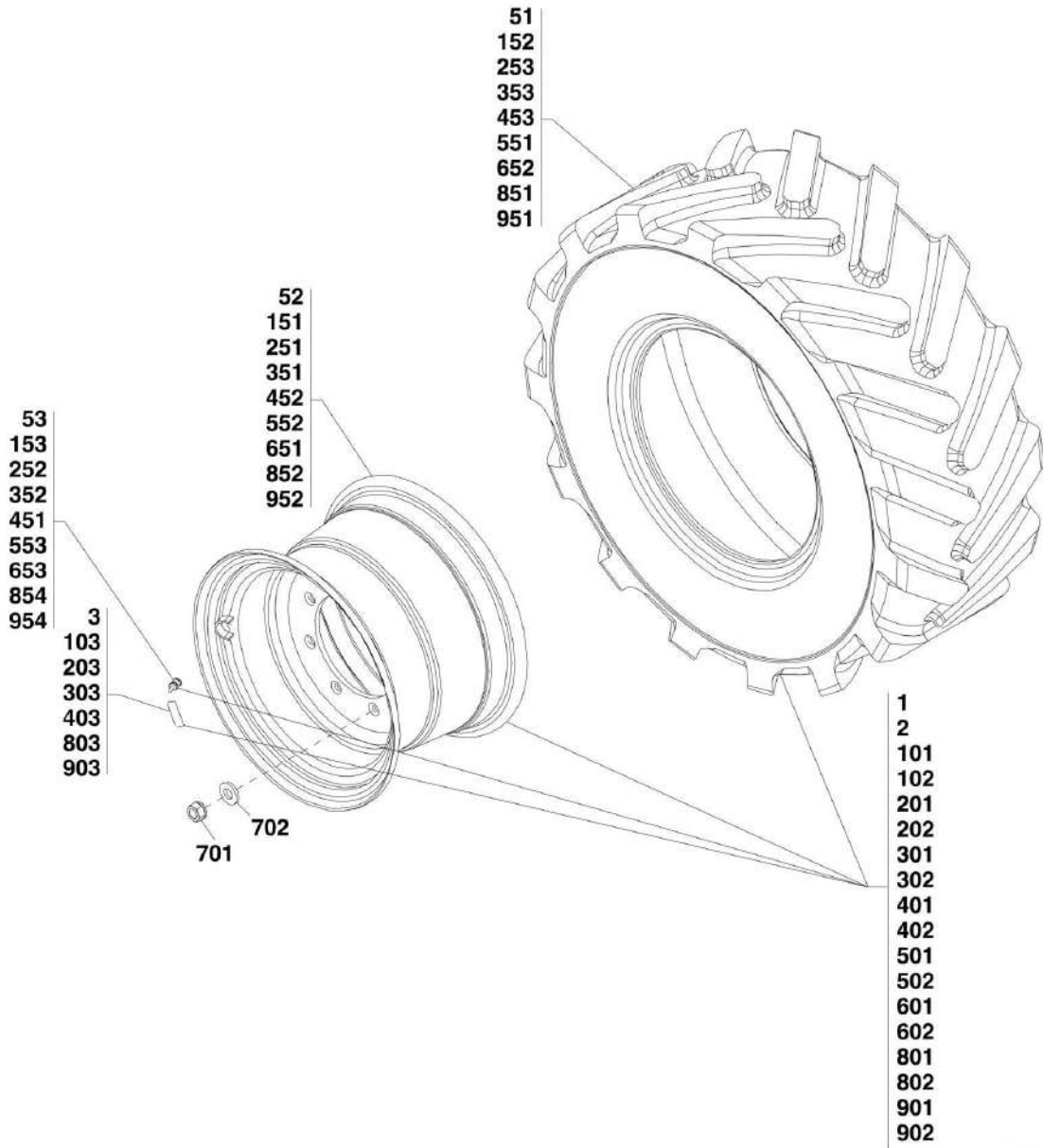
SECTION 5 - DRIVE TRAIN

FIGURE 5-22. DRIVE SHAFT ASSEMBLY

ITEM	PART NUMBER	QTY	DESCRIPTION	REV
	1001102286	1	DRIVE SHAFT ASSY, (L2906H, 2906H, 619A, 29.6LP & 29.6), (includes items 1 thru 3)	A
	1001102287	1	DRIVE SHAFT ASSY, (3507H, 723A & 35.7), (includes items 1 thru 3)	A
1	7028929	2	UNIVERSAL JOINT KIT	
2	70022548	2	FLANGE YOKE	
3	8035622	8	SNAP RING	

SECTION 5 - DRIVE TRAIN

FIGURE 5-23. TIRES AND WHEEL INSTALLATION



PAP16000

SECTION 5 - DRIVE TRAIN

FIGURE 5-23. TIRES AND WHEEL INSTALLATION

ITEM	PART NUMBER	QTY	DESCRIPTION	REV
	0274769	Ref	TIRE AND WHEEL INSTALLATION, 405/70-20, (Construction), (L2906H, 2906H, 3507H, 619A, 29.6LP, 29.6 & 35.7), (if equipped), (not available to order, see items 1 thru 3 for service)	C
1	4520566	2	RH TIRE ASSY, 405/70-20, (MPT-04 construction), (includes items 51 thru 53)	A
2	4520567	2	LH TIRE ASSY, 405/70-20, (MPT-04 construction), (includes items 51 thru 53)	A
3	1707148	4	LABEL	
51	3767057	4	TIRE, 405/70-20	
52	4520297	4	WHEEL, 13X20	
53	8008675	4	VALVE	
	0274770	Ref	TIRE AND WHEEL INSTALLATION, 405/70-24, (Construction), (2906H, 3507H, 723A, 29.6 & 35.7), (if equipped), (not available to order, see items 101 thru 103 for service)	C
101	4520568	2	RH TIRE ASSY, 405/70-24, (MPT-04 construction), (includes items 151 thru 153)	C
102	4520569	2	LH TIRE ASSY, 405/70-24, (MPT-04 construction), (includes items 151 thru 153)	C
103	1707149	4	LABEL	
151	1001096917	4	WHEEL, 13X24	
152	8002778	4	TIRE, 405/70-24	
153	8008675	4	VALVE	
	1001110896	Ref	TIRE AND WHEEL INSTALLATION, 460/70R24, (3507H, 723A & 35.7), (if equipped), (not available to order, see items 201 thru 203 for service)	B
201	1001110894	2	LH TIRE ASSY, 460/70R24, (includes items 251 thru 253)	A
202	1001110895	2	RH TIRE ASSY, 460/70R24, (includes items 251 thru 253)	A
203	1707149	4	LABEL	
251	4520299	4	WHEEL, 15X24	
252	8008675	4	VALVE	
253	1001092008	4	TIRE, 460/70R24	
	1001110962	Ref	TIRE AND WHEEL INSTALLATION, 400/70R20, (if equipped), (not available to order, see items 301 thru 303 for service)	B
301	1001110960	2	LH TIRE ASSY, 400/70R20, (includes items 351 thru 353)	A
302	1001110961	2	RH TIRE ASSY, 400/70R20, (includes items 351 thru 353)	A
303	1707149	4	LABEL	
351	4520297	4	WHEEL, 13X20	
352	8008675	4	VALVE	
353	1001110893	4	TIRE, 400/70R20	
	1001111060	Ref	TIRE AND WHEEL INSTALLATION, 445/70R24, (3507H, 723A & 35.7), (if equipped), (not available to order, see items 401 thru 403 for service)	B
401	1001111058	2	LH TIRE ASSY, 445/70R24, (includes items 451 thru 453)	B
402	1001111059	2	RH TIRE ASSY, 445/70R24, (includes items 451 thru 453)	B
403	1001113383	4	LABEL	
451	8008675	4	VALVE	
452	1001111056	4	WHEEL, 15X24	
453	1001111057	4	TIRE, 445/70R24	
	1001094495	Ref	FOAM FILLED TIRE AND WHEEL INSTALLATION, (619A), (if equipped), (not available to order, see items 501 & 502 for service)	B
501	1001094496	2	RH TIRE ASSY, 405/70-20, (MPT-04 construction), (619A), (includes items 551 thru 554)	A
502	1001094497	2	LH TIRE ASSY, 405/70-20, (MPT-04 construction), (619A),	A

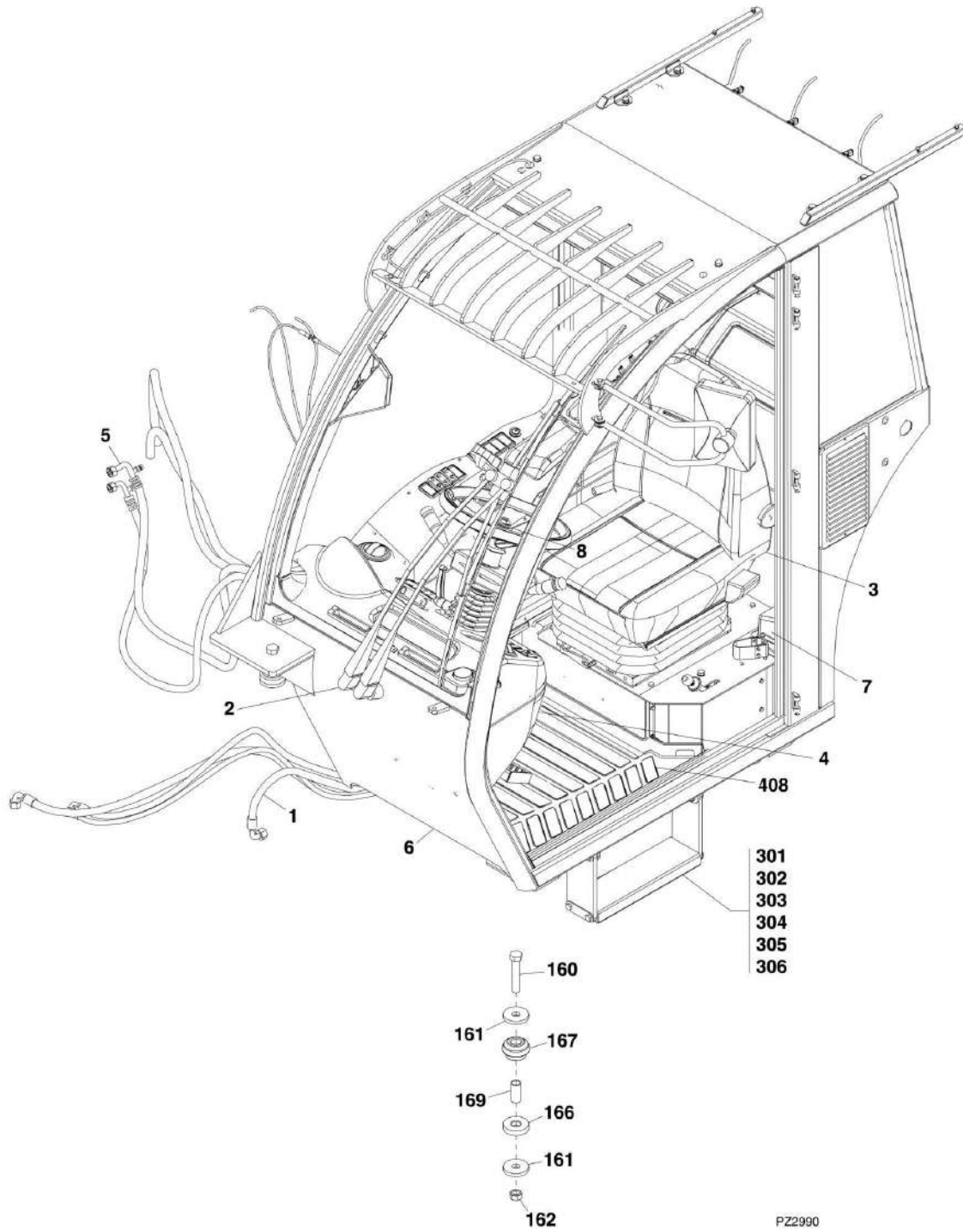
SECTION 5 - DRIVE TRAIN

ITEM	PART NUMBER	QTY	DESCRIPTION	REV
			(includes items 551 thru 554)	
551	3760757	1	TIRE, 405/70-20	
552	4520297	1	WHEEL, 13X20	
553	8008675	1	VALVE	
554	1001094512	AR	FOAM FILL, (not shown)	
	1001094486	Ref	FOAM FILLED TIRE AND WHEEL INSTALLATION, (723A), (if equipped), (not available to order, see items 601 & 602 for service)	B
601	1001094487	2	RH TIRE ASSY, 405/70-24, (MPT-04 construction), (723A), (includes items 651 thru 654)	B
602	1001094488	2	LH TIRE ASSY, 405/70-24, (MPT-04 constructions), (723A), (includes items 651 thru 654)	B
651	1001096917	1	WHEEL, 13X24	
652	4520390	1	TIRE, 405/70-24	
653	8008675	1	VALVE	
654	1001094512	AR	FOAM FILL, (not shown)	
701	3300493	32	LUG NUT	
702	4740549	32	SPRING WASHER	
	0273808	Ref	TIRE AND WHEEL INSTALLATION, 405/70-20, (Agricultural), (not available to order, see items 801 thru 803)	E
801	4520300	2	LH TIRE ASSY, 405/70-20, (Agricultural), (includes items 851 thru 854)	C
802	4520301	2	RH TIRE ASSY, 405/70-20, (Agricultural), (includes items 851 thru 854)	C
803	8005825	4	3.5 BAR LABEL	
851	3767853	1	TIRE, 405/70-20	
852	4520297	1	WHEEL, 13X24	
854	8008675	1	RIM VALVE	
	0273809	Ref	TIRE AND WHEEL INSTALLATION, 405/70-24, (Agricultural), (not available to order, see items 901 thru 903)	E
901	4520302	2	LH TIRE ASSY, 405/70-24, (Agricultural), (includes items 951 thru 954)	E
902	4520303	2	RH TIRE ASSY, 405/70-24, (Agricultural), (includes items 951 thru 954)	E
903	8005827	4	4.0 BAR LABEL	
951	3767864	1	TIRE, 405/70-24	
952	1001096917	1	WHEEL, 13X24	
954	8008675	1	RIM VALVE	

SECTION 6 - CAB

SECTION 6 - CAB

FIGURE 6-1. CAB INSTALLATION (Prior to SN 1160005989, Excluding 1160005189, 1160005314 and 1160005414)



SECTION 6 - CAB

FIGURE 6-1. CAB INSTALLATION (Prior to SN 1160005989, Excluding 1160005189, 1160005314 and 1160005414)

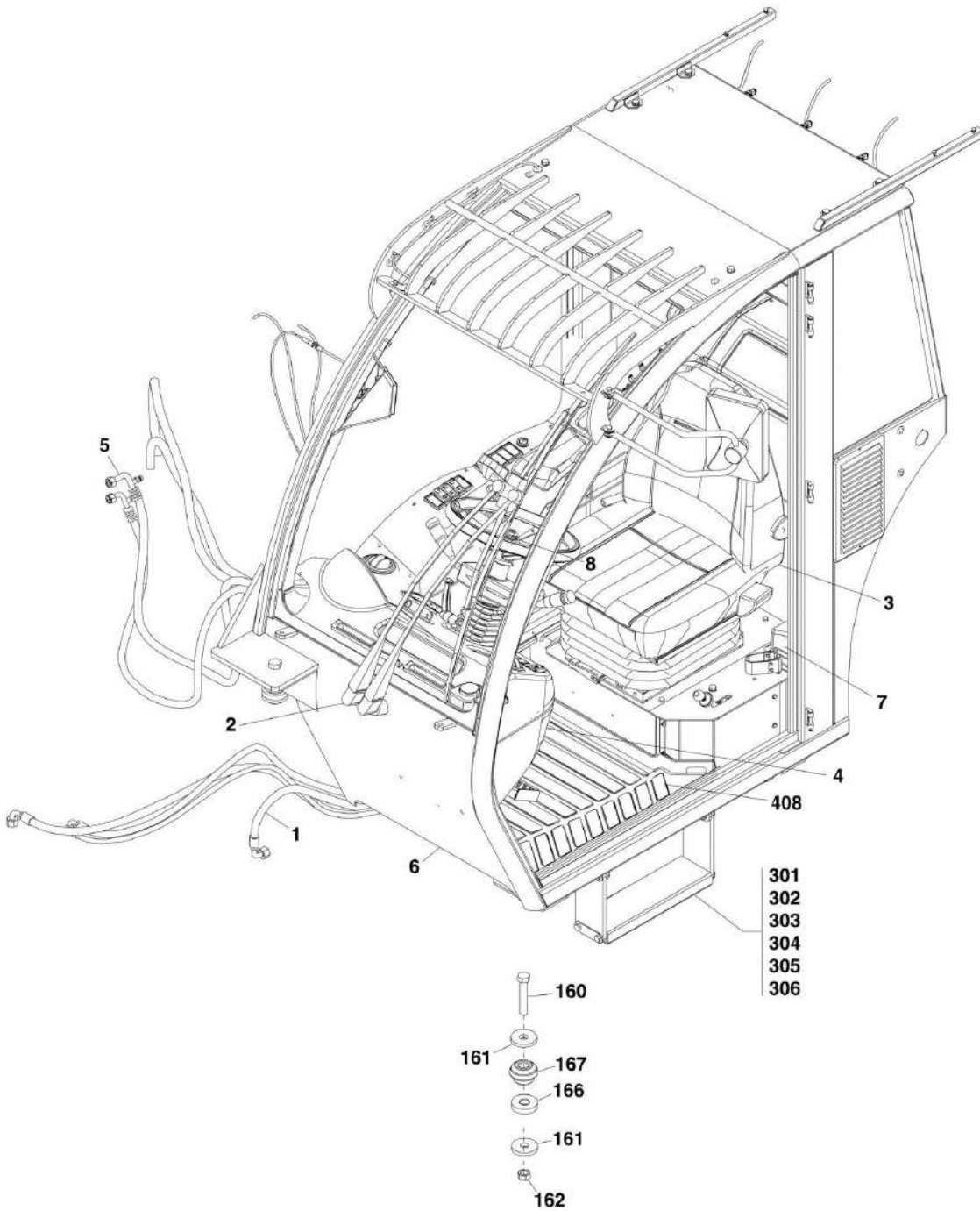
ITEM	PART NUMBER	QTY	DESCRIPTION	REV
	1001105946	Ref	OPEN CAB INSTALLATION, (619A & 723A), (if equipped), (not available to order, see items 1 thru 4, 7 & 8 for service)	J
	1001106368	Ref	OPEN CAB INSTALLATION WITH PNEUMATIC SEAT, (619A & 723A), (if equipped), (not available to order, see items 1 thru 4, 7 & 8 for service)	J
	1001105953	Ref	ENCLOSED CAB INSTALLATION WITH HEAT AND A/C, (619A & 723A), (if equipped), (not available to order, see items 1 thru 8 for service)	M
	1001106372	Ref	ENCLOSED CAB INSTALLATION WITH HEAT AND PNEUMATIC SEAT, (619A & 723A), (if equipped), (not available to order, see items 1 thru 8 for service)	K
	1001106374	Ref	ENCLOSED CAB INSTALLATION WITH HEAT, A/C AND PNEUMATIC SEAT, (619A & 723A), (if equipped), (not available to order, see items 1 thru 8 for service)	M
	1001105950	Ref	ENCLOSED CAB INSTALLATION WITH HEAT, (619A & 723A), (if equipped), (not available to order, see items 1 thru 8 for service)	M
	1001102696	Ref	ENCLOSED CAB INSTALLATION WITH HEAT, AND A/C, (L2906H), (if equipped), (not available to order, see items 1 thru 8 for service)	J
	1001104679	Ref	ENCLOSED CAB INSTALLATION WITH HEAT, (L2906H), (if equipped), (not available to order, see items 1 thru 8 for service)	H
	1001104680	Ref	ENCLOSED CAB INSTALLATION WITH HEAT, A/C AND PNEUMATIC SEAT, (2906H & 3507H), (if equipped), (not available to order, see items 1 thru 8 for service)	J
	1001104682	Ref	ENCLOSED CAB INSTALLATION WITH HEAT AND PNEUMATIC SEAT, (2906H & 3507H), (if equipped), (not available to order, see items 1 thru 8 for service)	H
	1001104683	Ref	ENCLOSED CAB INSTALLATION WITH HEAT, A/C AND PNEUMATIC SEAT, (L2906H), (if equipped), (not available to order, see items 1 thru 8 for service)	J
	1001104684	Ref	ENCLOSED CAB INSTALLATION WITH HEAT AND PNEUMATIC SEAT, (L2906H), (if equipped), (not available to order, see items 1 thru 8 for service)	H
	1001100868	Ref	ENCLOSED CAB INSTALLATION WITH HEAT, (2906H & 3507H), (if equipped), (not available to order, see items 1 thru 8 for service)	J
	1001100867	Ref	ENCLOSED CAB INSTALLATION WITH HEAT AND A/C, (2906H & 3507H), (if equipped), (not available to order, see items 1 thru 8 for service)	K
	1001106742	Ref	ENCLOSED CAB INSTALLATION WITH HEATER AND A/C, (29.6LP), (if equipped), (not available to order, see items 1 thru 8 for service)	J
	1001106743	Ref	ENCLOSED CAB INSTALLATION WITH HEATER, (29.6LP), (if equipped), (not available to order, see items 1 thru 8 for service)	H
	1001106746	Ref	ENCLOSED CAB INSTALLATION WITH HEATER, A/C AND PNEUMATIC SEAT, (29.6LP), (if equipped), (not available to order, see items 1 thru 8 for service)	J
	1001106747	Ref	ENCLOSED CAB INSTALLATION WITH HEATER AND PNEUMATIC SEAT, (29.6LP), (if equipped), (not available to order, see items 1 thru 8 for service)	H
	1001106740	Ref	ENCLOSED CAB INSTALLATION WITH HEATER AND A/C, (29.6 & 35.7), (if equipped), (not available to order, see items 1 thru 8 for service)	J
	1001106741	Ref	ENCLOSED CAB INSTALLATION WITH HEATER, (29.6 & 35.7), (if equipped), (not available to order, see items 1 thru 8 for service)	H
	1001106744	Ref	ENCLOSED CAB INSTALLATION WITH HEATER AND A/C, (29.6 & 35.7), (if equipped), (not available to order, see items 1 thru 8 for	J

SECTION 6 - CAB

ITEM	PART NUMBER	QTY	DESCRIPTION	REV
			service)	
	1001106745	Ref	ENCLOSED CAB INSTALLATION WITH HEATER, (29.6 & 35.7), (if equipped), (not available to order, see items 1 thru 8 for service)	H
1		Ref	CAB HYDRAULIC INSTALLATIONS, (See HYDRAULIC CIRCUITS SECTION for Breakdown)	
2		Ref	CAB COMMON ASSY, (See CAB COMMON ASSEMBLY for Breakdown)	
3		Ref	CAB SEAT INSTALLATIONS, (See SEAT ASSEMBLIES for Breakdown)	
4		Ref	CAB INTERIOR INSTALLATIONS, (See INTERIOR INSTALLATION for Breakdown)	
5		Ref	AIR CIRCULATION INSTALLATIONS, (See HEATER INSTALLATION for Breakdown)	
6	N.S.S.	1	CAB WELDMENT	
7		Ref	AIR INTAKE COVER, (See INTERIOR INSTALLATION for Breakdown)	
8		Ref	STEERING WHEEL COVER, (See CONTROLS SECTION for Breakdown)	
160	0712030	4	HEX HD CAPSCREW, M20X130, GR10.9, (torque to 150 Nm)	
161	1781813	8	DISK	
162	3292001	4	HEX NUT, M20X2.5	
166	8000565	4	RUBBER WASHER	
167	8000567	4	RUBBER MOUNT	
169	4806626	4	BUSHING	
206	1001095650	AR	LOCTITE 243	
	0273866	Ref	CAB STEP INSTALLATION, (2906H, 3507H, 723A, 29.6 & 35.7), (not available to order, see items 301 thru 306 for service)	A
301	80383311	1	STAIR TRED, (2906H, 3507H & 723A)	
301	80383311B	1	STAIR TRED, (29.6 & 35.7)	
302	4240168	2	STEP STRAP, (2906H, 3507H & 723A)	
302	4240168B	2	STEP STRAP, (29.6 & 35.7)	
303	3575424	4	STRAP COVER PLATE, (2906H, 3507H & 723A)	
303	3575424B	4	STRAP COVER PLATE, (29.6 & 35.7)	
304	0701015	8	HEX HD CAPSCREW, M10X35, GR8.8	
305	3291007	8	HEX LOCKNUT, M10X1.5	
306	4812000	4	WASHER, 10mm	
408	1001101147	1	INSULATED FLOOR MAT	

SECTION 6 - CAB

FIGURE 6-2. CAB INSTALLATION (SN 1160005989 to Present, Including 1160005189, 1160005314 and 1160005414)



PAP4470

SECTION 6 - CAB

FIGURE 6-2. CAB INSTALLATION (SN 1160005989 to Present, Including 1160005189, 1160005314 and 1160005414)

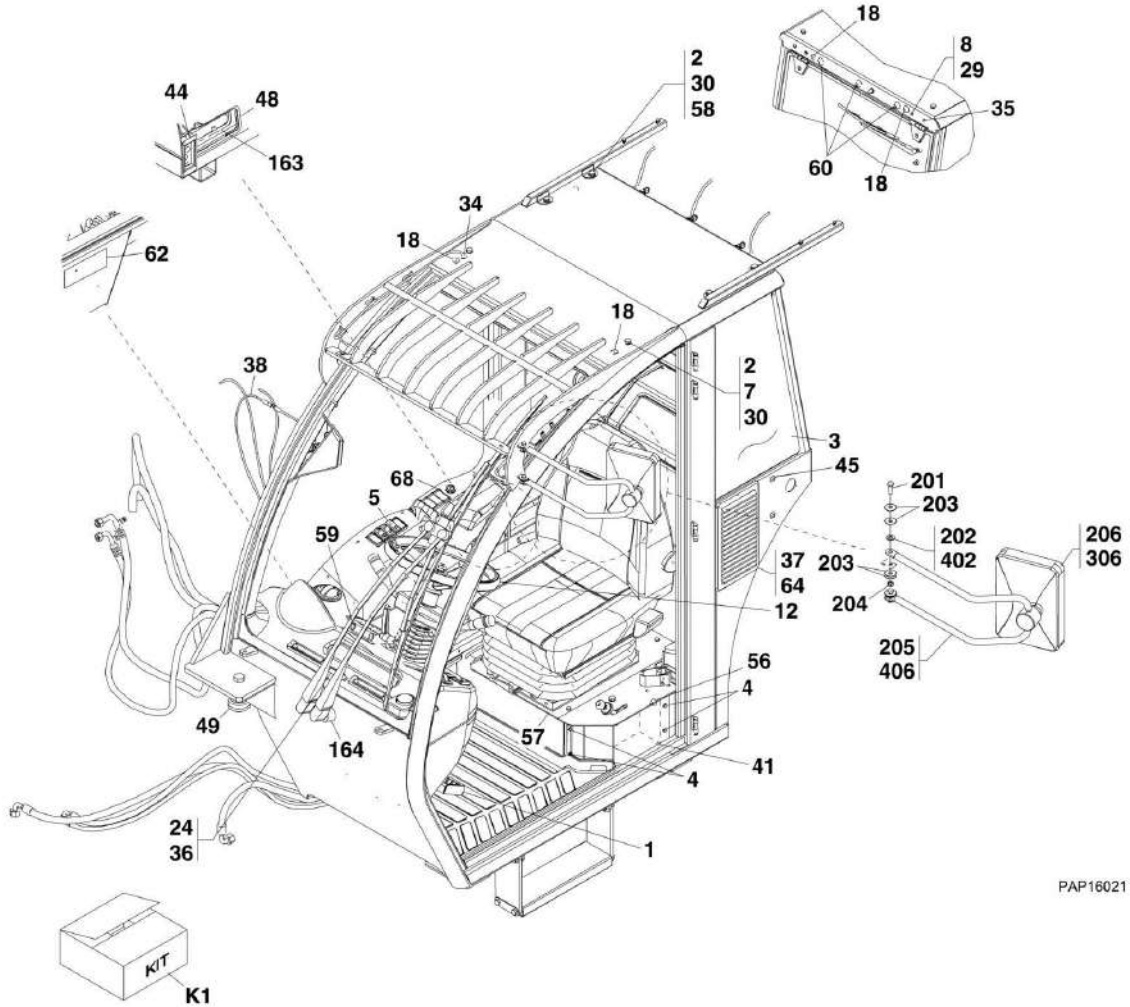
ITEM	PART NUMBER	QTY	DESCRIPTION	REV
	1001105946	Ref	OPEN CAB INSTALLATION, (619A & 723A), (if equipped), (not available to order, see items 1 thru 4, 6 thru 8 for service)	J
	1001106368	Ref	OPEN CAB INSTALLATION WITH PNEUMATIC SEAT, (619A & 723A), (if equipped), (not available to order, see items 1 thru 4, 6 thru 8 for service)	J
	1001105953	Ref	ENCLOSED CAB INSTALLATION WITH HEAT AND A/C, (619A & 723A), (if equipped), (not available to order, see items 1 thru 8 for service)	M
	1001106372	Ref	ENCLOSED CAB INSTALLATION WITH HEAT AND PNEUMATIC SEAT, (619A & 723A), (if equipped), (not available to order, see items 1 thru 8 for service)	K
	1001106374	Ref	ENCLOSED CAB INSTALLATION WITH HEAT, A/C AND PNEUMATIC SEAT, (619A & 723A), (if equipped), (not available to order, see items 1 thru 8 for service)	M
	1001105950	Ref	ENCLOSED CAB INSTALLATION WITH HEAT, (619A & 723A), (if equipped), (not available to order, see items 1 thru 8 for service)	M
	1001122533	Ref	ENCLOSED CAB INSTALLATION WITH HEAT, AND A/C, (L2906H), (if equipped), (not available to order, see items 1 thru 8 for service)	I
	1001122534	Ref	ENCLOSED CAB INSTALLATION WITH HEAT, (L2906H), (if equipped), (not available to order, see items 1 thru 8 for service)	H
	1001122535	Ref	ENCLOSED CAB INSTALLATION WITH HEAT, A/C AND PNEUMATIC SEAT, (2906H & 3507H), (if equipped), (not available to order, see items 1 thru 8 for service)	I
	1001122536	Ref	ENCLOSED CAB INSTALLATION WITH HEAT AND PNEUMATIC SEAT, (2906H & 3507H), (if equipped), (not available to order, see items 1 thru 8 for service)	I
	1001122537	Ref	ENCLOSED CAB INSTALLATION WITH HEAT, A/C AND PNEUMATIC SEAT, (L2906H), (if equipped), (not available to order, see items 1 thru 8 for service)	H
	1001122538	Ref	ENCLOSED CAB INSTALLATION WITH HEAT AND PNEUMATIC SEAT, (L2906H), (if equipped), (not available to order, see items 1 thru 8 for service)	H
	1001122532	Ref	ENCLOSED CAB INSTALLATION WITH HEAT, (2906H & 3507H), (if equipped), (not available to order, see items 1 thru 8 for service)	H
	1001122531	Ref	ENCLOSED CAB INSTALLATION WITH HEAT AND A/C, (2906H & 3507H), (if equipped), (not available to order, see items 1 thru 8 for service)	H
	1001122541	Ref	ENCLOSED CAB INSTALLATION WITH HEATER AND A/C, (29.6LP), (if equipped), (not available to order, see items 1 thru 8 for service)	H
	1001122542	Ref	ENCLOSED CAB INSTALLATION WITH HEATER, (29.6LP), (if equipped), (not available to order, see items 1 thru 8 for service)	H
	1001122545	Ref	ENCLOSED CAB INSTALLATION WITH HEATER, A/C AND PNEUMATIC SEAT, (29.6LP), (if equipped), (not available to order, see items 1 thru 8 for service)	H
	1001122546	Ref	ENCLOSED CAB INSTALLATION WITH HEATER AND PNEUMATIC SEAT, (29.6LP), (if equipped), (not available to order, see items 1 thru 8 for service)	H
	1001122539	Ref	ENCLOSED CAB INSTALLATION WITH HEATER AND A/C, (29.6 & 35.7), (if equipped), (not available to order, see items 1 thru 8 for service)	G
	1001122540	Ref	ENCLOSED CAB INSTALLATION WITH HEATER, (29.6 & 35.7), (if equipped), (not available to order, see items 1 thru 8 for service)	G
	1001122543	Ref	ENCLOSED CAB INSTALLATION WITH HEATER AND A/C, (29.6 & 35.7), (if equipped), (not available to order, see items 1 thru 8 for	H

SECTION 6 - CAB

ITEM	PART NUMBER	QTY	DESCRIPTION	REV
			service)	
	1001122544	Ref	ENCLOSED CAB INSTALLATION WITH HEATER, (29.6 & 35.7), (if equipped), (not available to order, see items 1 thru 8 for service)	H
1		Ref	CAB HYDRAULIC INSTALLATIONS, (See HYDRAULIC CIRCUITS SECTION for Breakdown)	
2		Ref	CAB COMMON ASSY, (See CAB COMMON ASSEMBLY for Breakdown)	
3		Ref	CAB SEAT INSTALLATIONS, (See SEAT ASSEMBLIES for Breakdown)	
4		Ref	CAB INTERIOR INSTALLATIONS, (See INTERIOR INSTALLATION for Breakdown)	
5		Ref	AIR CIRCULATION INSTALLATIONS, (See HEATER INSTALLATION for Breakdown)	
6	N.S.S.	1	CAB WELDMENT	
7		Ref	AIR INTAKE COVER, (See INTERIOR INSTALLATION for Breakdown)	
8		Ref	STEERING WHEEL COVER, (See CONTROLS SECTION for Breakdown)	
160	0712030	4	HEX HD CAPSCREW, M20X130, GR10.9, (torque to 150 Nm)	
161	1781813	8	DISK	
162	3292001	4	HEX NUT, M20X2.5	
166	8000565	4	RUBBER WASHER	
167	8000567	4	RUBBER MOUNT	
206	1001095650	AR	LOCTITE 243, (not shown)	
	0273866	Ref	CAB STEP INSTALLATION, (2906H, 3507H, 723A, 29.6 & 35.7), (not available to order, see items 301 thru 306 for service)	A
301	80383311	1	STAIR TRED, (2906H, 3507H & 723A)	
301	80383311B	1	STAIR TRED, (29.6 & 35.7)	
302	4240168	2	STEP STRAP, (2906H, 3507H & 723A)	
302	4240168B	2	STEP STRAP, (29.6 & 35.7)	
303	3575424	4	STRAP COVER PLATE, (2906H, 3507H & 723A)	
303	3575424B	4	STRAP COVER PLATE, (29.6 & 35.7)	
304	0701015	8	HEX HD CAPSCREW, M10X35, GR8.8	
305	3291007	8	HEX LOCKNUT, M10X1.5	
306	4812000	4	WASHER, 10mm	
408	1001101147	1	INSULATED FLOOR MAT	

SECTION 6 - CAB

FIGURE 6-3. CAB COMMON ASSEMBLY



PAP16021

FIGURE 6-3. CAB COMMON ASSEMBLY

ITEM	PART NUMBER	QTY	DESCRIPTION	REV
	1001106548	Ref	OPEN CAB COMMON ASSY, (619A & 723A), (if equipped), (not available to order, see items 1 thru 48, 56 & 58 thru 64 for service)	L
	1001107394	Ref	ENCLOSED CAB COMMON ASSY WITHOUT A/C , (619A & 723A), (if equipped), (not available to order, see items 1 thru 48, 56 thru 64, 163 & 164 for service) (Prior to SN 1160005989, Excluding 1160005189, 1160005314 and 1160005414)	H
	1001106666	Ref	ENCLOSED CAB COMMON ASSY WITH A/C , (619A & 723A), (if equipped), (not available to order, see items 1 thru 48, 56 thru 64, 163 & 164 for service) (Prior to SN 1160005989, Excluding 1160005189, 1160005314 and 1160005414)	H
	1001118966	Ref	ENCLOSED CAB COMMON ASSY , (619A & 723A), (if equipped), (not available to order, see items 1 thru 48, 56 & 58 thru 64, 163 & 164 for service) (SN 1160005989 to Present, Including 1160005189, 1160005314 and 1160005414)	F
	1001097349	Ref	ENCLOSED CAB COMMON ASSY , (2906H & 3507H), (if equipped), (not available to order, see items 1 thru 48, 56 thru 64, 163 & 164 for service) (Prior to SN 1160005989, Excluding 1160005189, 1160005314 and 1160005414)	K
	1001119006	Ref	ENCLOSED CAB COMMON ASSY , (2906H & 3507H), (if equipped), (not available to order, see items 1 thru 41, 45, 48, 56 & 58 thru 64, 68, 163 & 164 for service) (SN 1160005989 to Present, Including 1160005189, 1160005314 and 1160005414)	K
	1001102697	Ref	ENCLOSED CAB COMMON ASSY , (L2906H), (if equipped), (not available to order, see items 1 thru 48, 56 thru 64, 163 & 164 for service) (Prior to SN 1160005989, Excluding 1160005189, 1160005314 and 1160005414)	J
	1001119007	Ref	ENCLOSED CAB COMMON ASSY , (L2906H), (if equipped), (not available to order, see items 1 thru 41,45, 48, 56 & 58 thru 64, 68, 163 & 164 for service) (SN 1160005989 to Present, Including 1160005189, 1160005314 and 1160005414)	K
	1001107093	Ref	ENCLOSED CAB COMMON ASSY , (29.6LP), (if equipped), (not available to order, see items 1 thru 48, 56 thru 61, 64, 163 & 164 for service) (Prior to SN 1160005989, Excluding 1160005189, 1160005314 and 1160005414)	J
	1001119009	Ref	ENCLOSED CAB COMMON ASSY , (29.6LP), (if equipped), (not available to order, see items 1 thru 41, 45, 48, 56, 58 thru 61, 64, 68, 163 & 164 for service) (SN 1160005989 to Present, Including 1160005189, 1160005314 and 1160005414)	K
	1001107092	Ref	ENCLOSED CAB COMMON ASSY , (29.6 & 35.7), (if equipped), (not available to order, see items 1 thru 48, 56 thru 61, 64, 163 & 164 for service) (Prior to SN 1160005989, Excluding 1160005189, 1160005314 and 1160005414)	I
	1001119008	Ref	ENCLOSED CAB COMMON ASSY , (29.6 & 35.7), (if equipped), (not available to order, see items 1 thru 41, 45, 48, 56, 58 thru 61, 64, 68, 163 & 164 for service) (SN 1160005989 to Present, Including 1160005189, 1160005314 and 1160005414)	J
1		Ref	BRAKE COMPONENTS, (See CONTROLS SECTION for Breakdown)	
2	321779	6	RING	
3		Ref	CAB WINDOWS AND DOOR ASSY, (See CAB DOOR AND WINDOW INSTALLATION for Breakdown)	
4	0760607	4	HEX HD CAPSCREW, M6X14, GR8.8	
5		Ref	CAB ELECTRICAL COMPONENTS, (See ELECTRICAL SECTION for Breakdown)	
7	0761008	2	HEX HD CAPSCREW, M10X16, GR8.8	
8	0760608	2	HEX HD CAPSCREW M6X16, GR8.8	
12		Ref	STEERING WHEEL AND COLUMN, (See CONTROLS SECTION for Breakdown)	

SECTION 6 - CAB

ITEM	PART NUMBER	QTY	DESCRIPTION	REV
18	2540051	4	GROMMET	
19	2902506	1	REAR VIEW MIRROR INSTALLATION, (619A & 723A), (includes items 201 thru 206) (2906H;3507H;L2906H;29.6;35.7;29.6LP Prior to SN 1160005989; Excluding 1160005189, 1160005314 and 1160005414)	A
19	1001131176	1	REAR VIEW MIRROR INSTALLATION, (includes items 201, 202, qty 4 of 203, 204, 205 & 306) (2906H;3507H;29.6;35.7 SN 1160005989 to Present; Including 1160005189, 1160005314 and 1160005414)	A
19	1001130839	1	REAR VIEW MIRROR INSTALLATION, (includes items 201, qty 4 of 203, 204, 306, 402 & 406) (L2906H;29.6LP Prior to SN 1160005989; Including 1160005189, 1160005314 and 1160005414)	A
24	3934378	2	LENS HD CAPSCREW, 4.8X16mm	
29	4811700	2	WASHER, 6mm	
30	4812000	6	WASHER, 10mm	
34		Ref	GROMMET, (See WIPER INSTALLATIONS for Breakdown)	
35	8009464	1	CAP	
36	1001093344	1	LEVELING INDICATOR BRACKET	
37	1001094373	1	CABIN AIR FILTER COVER	
38		Ref	THROTTLE ASSY, (not shown), (See CONTROLS SECTION for Breakdown)	
41	1001097809	1	PARK BRAKE COVER, (L2906H, 2906H, 3507H, 619A & 723A)	
41	1001097809B	1	PARK BRAKE COVER, (29.6LP, 29.6 & 35.7)	
44	1001102429	1	HOSE SUPPORT PLATE	
45	1001102444	2	PLUG	
48	1001113702	1	SIDE SEAL	
49		Ref	CAB MOUNTS AND HARDWARE, (See CAB INSTALLATION for Breakdown)	
56	1001096089	1	GROMMET	
57		Ref	SEAT PLATE ASSY, (See SEAT ASSEMBLIES for Breakdown)	
58	0761012	4	HEX HD CAPSCREW, M10X25, GR8.8	
59	1001005960	1	HOLDER	
60	1001107897	3	GROMMET	
61		Ref	CAB DECAL INSTALLATION, (not shown), (See DECALS SECTION for Breakdown)	
62	1001112561	1	BLACK DECAL	
64	1001116129	1	AIR FILTER	
68		Ref	SEAT SWITCH INSTALLATION, (L2906H,2906H, 3507H, 29.6, 29.6LP & 35.7), (See ELECTRICAL SECTION for Breakdown)	
163	1001102787	1	SEAL, (enclosed cab)	
164		Ref	FRONT AND REAR WIPER ASSY COMPONENTS, (See WIPER INSTALLATIONS for Breakdown)	
201	0760812	2	HEX HD CAPSCREW, M8X25, GR8.8	
202	848120	2	WASHER, 10mm	
203	885849	8	SPRING	
204	3290805	2	HEX LOCKNUT, M8X1.25	
205	3945575	1	MIRROR ROD	
206	3949091	1	MIRROR	
306	1001004242	1	MIRROR ASSY	
402	4812000	2	WASHER, 10mm	
406	1001130402	1	LH MIRROR BRACKET	
K1	70022851	1	REPLACEMENT CAB, (L2906H), (includes cab weldment and item 3)	
K1	70022851B	1	REPLACEMENT CAB, (29.6LP), (includes cab weldment and item	

SECTION 6 - CAB

ITEM	PART NUMBER	QTY	DESCRIPTION	REV
K1	70022850	1	3) REPLACEMENT CAB, (2906H & 3507H), (includes cab weldment and item 3)	
K1	70022850B	1	REPLACEMENT CAB, (29.6 & 35.7), (includes cab weldment and item 3)	
K1	70022870	1	REPLACEMENT CAB, (619A & 723A), (includes cab weldment and item 3)	

SECTION 6 - CAB

FIGURE 6-4. INTERIOR INSTALLATION

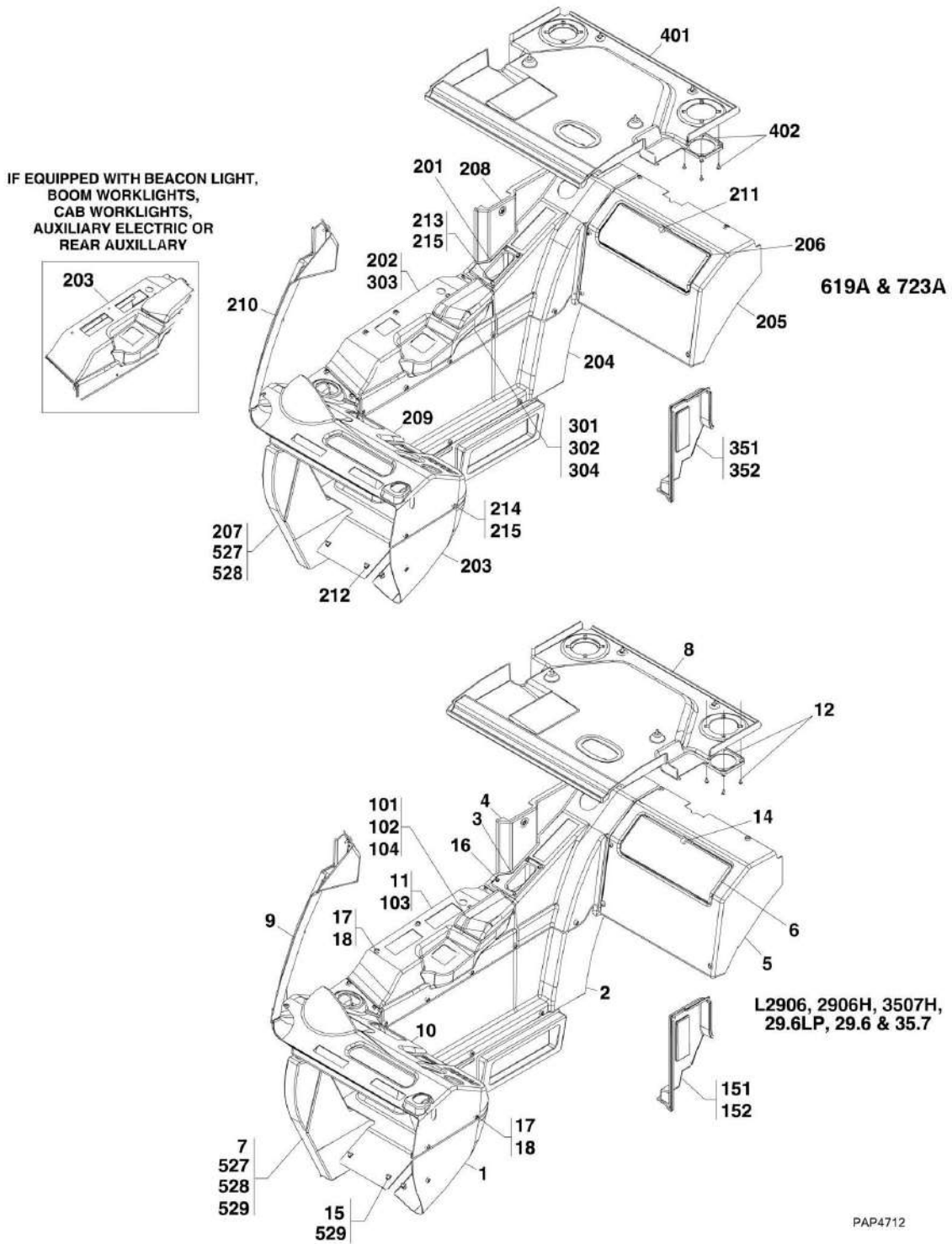


FIGURE 6-4. INTERIOR INSTALLATION

ITEM	PART NUMBER	QTY	DESCRIPTION	REV
	1001102699	Ref	ENCLOSED CAB INTERIOR INSTALLATION , (L2906H & 29.6LP), (not available to order, see items 1 thru 18 for service) (Prior to SN 1160005989, Excluding 1160005189, 1160005314 and 1160005414)	F
	1001118941	Ref	ENCLOSED CAB INTERIOR INSTALLATION , (L2906H & 29.6LP), (not available to order, see items 1 thru 18 & 527 thru 529 for service on INTERIOR INSTALLATION and items 5 thru 8, 16, 17, 21 & 22 on HEAT AND A/C INSTALLATION) (SN 1160005989 to Present, Including 1160005189, 1160005314 and 1160005414)	C
	1001098589	Ref	ENCLOSED CAB INTERIOR INSTALLATION , (2906H, 3507H, 29.6 & 35.7), (not available to order, see items 1 thru 18 for service) (Prior to SN 1160005989, Excluding 1160005189, 1160005314 and 1160005414)	E
	1001118940	Ref	ENCLOSED CAB INTERIOR INSTALLATION , (2906H, 3507H, 29.6 & 35.7), (not available to order, see items 1 thru 18 & 527 thru 529 for service on INTERIOR INSTALLATION and items 101, 107 thru 110, 123, 124 & 126 on HEATER INSTALLATION) (SN 1160005989 to Present, Including 1160005189, 1160005314 and 1160005414)	C
1	1001101650	1	LOWER DASH COVER	
2	1001101652	1	LOWER SWITCH PANEL COVER	
3	1001101653	1	COMPARTMENT SECTION COVER	
4	1001102999	1	AIR CONTROL COVER, (L2906H & 29.6LP)	
4	1001101654	1	AIR CONTROL COVER, (2906H, 3507H, 29.6 & 35.7)	
5	1001103000	1	REAR PANEL COVER, (L2906H & 29.6LP)	
5	1001101655	1	REAR PANEL COVER, (2906H, 3507H, 29.6 & 35.7)	
6	1001101656	1	FUSE PANEL COVER	
7	1001101657	1	SIDE COVER ASSY	
8	1001107172	1	ROOF PANEL COVER, (L2906H & 29.6LP)	
8	1001101659	1	ROOF PANEL COVER, (2906H, 3507H, 29.6 & 35.7)	
9	1001101660	Ref	LSI PILLAR COVER (Prior to SN 1160005989, Excluding 1160005189, 1160005314 and 1160005414)	
9	1001128065	1	LSI PILLAR COVER INSTALLATION (SN 1160005989 to Present, Including 1160005189, 1160005314 and 1160005414)	
10	1001101667	1	UPPER DASH COVER	
11	1001107273	1	ARMREST ASSY, (includes items 101 thru 104)	A
12		Ref	RADIO PREP INSTALLATION, (See RADIO PREP INSTALLATION for Breakdown)	
14	2080092	1	THUMB SCREW, 5X20mm	
15	3933468	31	STAMPED CLIP , (L2906H & 29.6LP) (Prior to SN 1160005989, Excluding 1160005189, 1160005314 and 1160005414)	
15	3933468	29	STAMPED CLIP , (2906H, 3507H, 29.6 & 35.7) (Prior to SN 1160005989, Excluding 1160005189, 1160005314 and 1160005414)	
15	3933468	8	STAMPED CLIP , (L2906H, 29.6LP, 2906H, 3507H, 29.6 & 35.7) (SN 1160005989 to Present, Including 1160005189, 1160005314 and 1160005414)	
16	3934378	15	LENS HD CAPSCREW, 4.8X16mm (Prior to SN 1160005989, Excluding 1160005189, 1160005314 and 1160005414)	
16	3934378	8	LENS HD CAPSCREW, 4.8X16mm (SN 1160005989 to Present, Including 1160005189, 1160005314 and 1160005414)	
17	1001098150	44	NYLON WASHER, 6mm, (L2906H & 29.6LP)	
17	1001098150	40	NYLON WASHER, 6mm, (2906H, 3507H, 29.6 & 35.7)	
18	1001098151	44	SCREW, M6X12 , (L2906H & 29.6LP) (Prior to SN 1160005989, Excluding 1160005189, 1160005314 and 1160005414)	

SECTION 6 - CAB

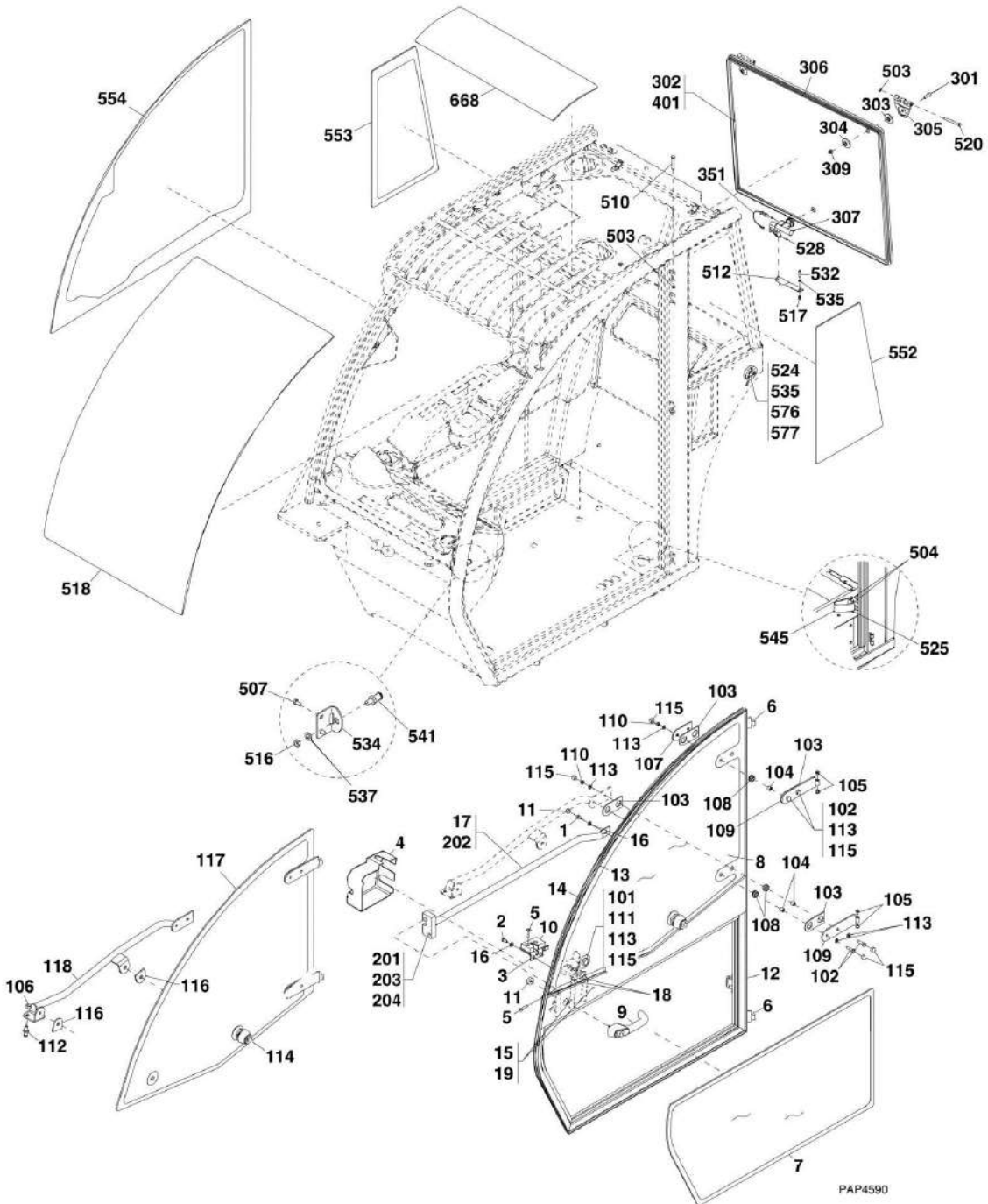
ITEM	PART NUMBER	QTY	DESCRIPTION	REV
18	1001132564	48	SCREW, M6X20 , (L2906H & 29.6LP) (SN 1160005989 to Present, Including 1160005189, 1160005314 and 1160005414)	
18	1001098151	40	SCREW, M6X12 , (2906H, 3507H, 29.6 & 35.7) (Prior to SN 1160005989, Excluding 1160005189, 1160005314 and 1160005414)	
18	1001132564	44	SCREW, M6X20 , (2906H, 3507H, 29.6 & 35.7) (SN 1160005989 to Present, Including 1160005189, 1160005314 and 1160005414)	
101	0760810	3	HEX HD CAPSCREW, M8X20, GR8.8	
102	4811900	3	WASHER, 8mm	
103	1001101651	1	SWITCH PANEL COVER	
104	1001107274	1	ARMREST	
	1001103607	1	AIR INTAKE COVER ASSY, (L2906H & 29.6LP - Heat Only), (includes items 151 & 152)	A
	1001102996	1	AIR INTAKE COVER ASSY, (L2906H & 29.6LP - Heat and A/C), (includes items 151 & 152)	A
	1001103080	1	AIR INTAKE COVER ASSY, (2906H, 3507H, 29.6 & 35.7 - Heat Only), (includes items 151 & 152)	A
	1001101658	1	AIR INTAKE COVER ASSY, (2906H, 3507H, 29.6 & 35.7 - Heat and A/C), (includes items 151 & 152)	B
151	1001103608	1	AIR INTAKE COVER, (L2906H & 29.6LP - Heat Only)	
151	1001102997	1	AIR INTAKE COVER, (L2906H & 29.6LP - Heat and A/C)	
151	1001103081	1	AIR INTAKE COVER, (2906H, 3507H, 29.6 & 35.7 - Heat Only)	
151	1001102790	1	AIR INTAKE COVER, (2906H, 3507H, 29.6 & 35.7 - Heat and A/C)	
152	1001102998	1	SEAL, (L2906H & 29.6LP)	
152	1001102789	1	SEAL, (2906H, 3507H, 29.6 & 35.7)	
	1001104601	Ref	OPEN CAB INTERIOR INSTALLATION, (619A & 723A), (if equipped), (not available to order, see items 201 thru 215, 527 & 528 for service)	E
	1001104602	Ref	ENCLOSED CAB INTERIOR INSTALLATION , (619A & 723A), (if equipped), (not available to order, see items 201 thru 215 for service) (Prior to SN 1160005989, Excluding 1160005189, 1160005314 and 1160005414)	E
	1001118942	Ref	ENCLOSED CAB INTERIOR INSTALLATION , (619A & 723A), (if equipped), (not available to order, see items 201 thru 215, 527 & 528 for service on INTERIOR INSTALLATION and items 6 thru 8, 16, 17, 21 & 22 on HEAT AND A/C INSTALLATION) (SN 1160005989 to Present, Including 1160005189, 1160005314 and 1160005414)	B
201	1001103052	1	COMPARTMENT SECTION COVER, (Open Cab)	
201	1001101653	1	COMPARTMENT SECTION COVER, (Enclosed Cab)	
202	1001107606	1	ARMREST ASSY, (includes items 301 thru 304)	A
203	1001101650	1	LOWER DASH COVER	
204	1001101652	1	LOWER SWITCH PANEL COVER	
205	1001101655	1	REAR PANEL COVER	
206	1001101656	1	FUSE PANEL COVER	
207	1001101657	1	SIDE COVER ASSY	
208	1001103053	1	AIR CONTROL COVER, (Open Cab)	
208	1001101654	1	AIR CONTROL COVER, (Enclosed Cab)	
209	1001103092	1	UPPER DASH COVER, (Open Cab)	
209	1001101667	1	UPPER DASH COVER, (Enclosed Cab)	
210	1001106949	1	LSI PILLAR COVER	
211	2080092	1	THUMB SCREW, 5X20mm	
212	3933468	19	STAMPED CLIP (Prior to SN 1160005989, Excluding 1160005189, 1160005314 and 1160005414)	
212	8305919	19	STAMPED CLIP, (Open Cab), (Enclosed Cab - SN 1160005989 to	

SECTION 6 - CAB

ITEM	PART NUMBER	QTY	DESCRIPTION	REV
213	3934378	7	Present including 1160005189, 1160005314 & 1160005414) LENS HD CAPSCREW, 4.8X16mm (Prior to SN 1160005989, Excluding 1160005189, 1160005314 and 1160005414)	
214	1001098150	36	NYLON WASHER, 6mm	
215	1001098151	36	SCREW, M6X12, (Prior to SN 1160005989, Excluding 1160005189, 1160005314 and 1160005414)	
215	1001132564	40	SCREW, M6X12, (Open Cab), (Enclosed Cab - SN 1160005989 to Present including 1160005189, 1160005314 & 1160005414)	
301	0760810	3	HEX HD CAPSCREW, M8X20, GR8.8	
302	4811900	3	WASHER, 8mm	
303	1001103050	1	SWITCH PANEL COVER, (if equipped without options or with hydraulic quick attach)	
303		Ref	SWITCH PANEL COVER, (if equipped with beacon light or boom worklights or cab worklights or auxiliary electric or rear auxiliary), (See ELECTRICAL SECTION for Breakdown)	
304	1001107274	1	ARMREST	
304	1001103080	1	AIR INTAKE COVER ASSY, (619A & 723A), (Open Cab and Enclosed Cab - Heat Only), (includes items 351 & 352)	A
304	1001101658	1	AIR INTAKE COVER ASSY, (619A & 723A), (Enclosed Cab - Heat and A/C), (includes items 351 & 352)	B
351	1001103081	1	AIR INTAKE COVER, (Open Cab and Enclosed Cab - Heat Only)	
351	1001102790	1	AIR INTAKE COVER, (Enclosed Cab - Heat and A/C)	
352	1001102789	1	SEAL	
401	1001103051	1	ROOF PANEL COVER, (619A & 723A), (if equipped)	
402		Ref	RADIO PREP INSTALLATION, (See RADIO PREP INSTALLATION for Breakdown)	
527	0760605	3	HEX HD CAPSCREW, 6X10mm, GR8.8	
528	4811700	3	WASHER, 6mm	
529	8305919	23	RETAINER NUT, 6X1mm, (L2906H & 29.6LP)	
529	8305919	21	RETAINER NUT, 6X1mm, (2906H, 3507H, 29.6 & 35.7)	

SECTION 6 - CAB

FIGURE 6-5. CAB DOOR AND WINDOW INSTALLATION



SECTION 6 - CAB

FIGURE 6-5. CAB DOOR AND WINDOW INSTALLATION

ITEM	PART NUMBER	QTY	DESCRIPTION	REV
	1001111586	1	CAB DOOR ASSY, (L2906H), (includes items 1 thru 19)	B
	1001111586B	1	CAB DOOR ASSY, (29.6LP), (includes items 1 thru 19)	
	1001112569	1	CAB DOOR ASSY, (2906H & 3507H), (includes items 1 thru 19)	B
	1001112569B	1	CAB DOOR ASSY, (29.6 & 35.7), (includes items 1 thru 19)	
	1001112764	1	CAB DOOR ASSY, (619A & 723A), (if equipped), (includes items 1 thru 19)	C
1	0760808	1	HEX HD CAPSCREW, M6X16	
2	5200808	2	RIPP BOLT, M8X16	
3	8001833	1	STRIKER	
4	0903653	1	DOOR BRACKET	
5	1398374	4	FLAT HD SOCKET SCREW, 8X35mm	
6	1749733	4	BUSHING	
7	2480066	1	GLASS, LOWER DOOR, (L2906H, 2906H, 3507H, 29.6LP, 29.6 & 35.7)	
7	1001110938	1	STEEL PANEL, (619A & 723A)	
8	1001111976	1	TOP SWING DOOR GLASS, (L2906H & 29.6LP), (includes items 101 thru 118)	B
8	1001112574	1	TOP SWING DOOR GLASS, (2906H, 3507H, 29.6 & 35.7), (619A & 723A - if equipped), (includes items 101 thru 118)	B
9	1001108830	1	DOOR HANDLE ASSY	
10	8001144	1	STRIKER MECHANISM	
11	1001096365	1	NUT COVER	
12	N.S.S.	1	DOOR FRAME	
13	3960608	1	UPPER WINDOW SEAL, (2906H, 3507H, 29.6 & 35.7), (619A & 723A- if equipped)	
13	1001111868	1	UPPER WINDOW SEAL, (L2906H & 29.6LP)	
14	1001112043	1	DOOR SEAL, (L2906H & 29.6LP)	
14	3960609	1	DOOR SEAL, (2906H, 3507H, 29.6 & 35.7), (619A & 723A - if equipped)	
15	4811700	2	WASHER, 6mm	
16	4811900	3	WASHER, 8mm	
17	1001096790	1	LATCH HANDLE ASSY, (includes items 201 thru 204)	C
18	5220800	2	RIPP NUT, 8mm	
19	4010608	2	PAN HD CAPSCREW, M6X16	
101	0760808	1	HEX HD CAPSCREW, M8X16, GR8.8	
102	0760815	4	HEX HD CAPSCREW, M8X30, GR8.8	
103	0903395	4	SPACER	
104	0903397	4	HINGE SPACER	
105	1749733	4	BUSHING	
106	2440675	1	RIPP NUT, 12mm	
107	2480069	1	HINGE PLATE	
108	2540050	4	GROMMET	
109	1001117206	2	HINGE, UPPER DOOR STRAP	
110	3290801	3	HEX NUT, M8X1.25	
111	3300504	1	NUT	
112	3423260	1	PIN	
113	4811900	8	WASHER, 8mm	
114	1001002955	1	STRIKER	
115	1001096365	8	HEX HD CAP, M8	
116	1001110798	2	DOOR HANDLE BRACKET	
117	1001111974	1	UPPER DOOR GLASS, (L2906H & 29.6LP)	

SECTION 6 - CAB

ITEM	PART NUMBER	QTY	DESCRIPTION	REV
117	2480068	1	UPPER DOOR GLASS, (2906H, 3507H, 29.6 & 35.7), (619A & 723A - if equipped)	
118	1001111975	1	WINDOW HANDLE, (L2906H & 29.6LP)	
118	2560199	1	WINDOW HANDLE, (2906H, 3507H, 29.6 & 35.7), (619A & 723A - if equipped)	
201	0903391	1	STRIKER BLOCK	
202	1001096789	1	HANDLE	
203	1001110874	1	PAN HD CAPSCREW, M8X16	
204	1001110875	1	FLAT WASHER, 8mm	
	2480074	1	REAR WINDOW ASSY, (2906H, 3507H, 619A, 723A, 29.6 & 35.7), (includes items 301 thru 309)	C
301	2080078	2	FLAT HEX HD SCREW, 8X1.25mm	
302	2480075	1	REAR WINDOW GLASS	
303	8004398	2	SPACER	
304	8000759	2	SPACER	
305	8000344	2	HINGE	
306	2480079	1	REAR WINDOW SEAL	
307	2480080	1	LATCH ASSY, (includes screw shackle)	C
309	3290806	2	HEX CAP NUT, 8X1.25mm	
351	1001112579	1	LATCH CABLE	
401	1001106771	1	REAR WINDOW ASSY, (L2906H & 29.6LP)	A
503	0498748	6	LOCKWASHER, 7mm, (L2906H, 2906H & 3507H)	
503	0498748	2	LOCKWASHER, 7mm, (619A & 723A)	
504	0700619	2	HEX HD CAPSCREW, M6X55, GR8.8	
507	0760808	2	HEX HD CAPSCREW, M8X16, GR8.8	
510	0879192	4	PIN	
512	0903398	1	WINDOW BRACKET	
516	2440675	1	RIPP NUT, 12mm	
517	2080086	2	RIVNUT, M6X1.25	
518	1001102882	1	FRONT WINDOW, (L2906H & 29.6LP)	
518	2480070	1	FRONT WINDOW, (2906H, 3507H, 29.6 & 35.7), (619A & 723A - if equipped)	
520	2480082	2	WINDOW PIN	
524	3290605	3	HEX LOCKNUT, M6X1	
525	3290607	2	HEX LOCKNUT, M6X1	
528	3423262	1	LATCH PIN	
532	4031708	2	HEX SOCKET HD CAPSCREW, M6X20	
534	4807616	1	STRIKER PLATE	
535	4811700	8	WASHER, 6mm	
537	4812100	1	WASHER, 12mm	
541	8000803	1	DOOR STRIKER PIN	
545	1001111153	1	DOOR STRAP	
552	1001102880	1	LH REAR SIDE WINDOW, (L2906H & 29.6LP)	
552	1001101152	1	LH REAR SIDE WINDOW, (2906H, 3507H, 29.6 & 35.7), (619A & 723A - if equipped)	
553	1001102881	1	RH REAR SIDE WINDOW, (L2906H & 29.6LP)	
553	1001101153	1	RH REAR SIDE WINDOW, (2906H, 3507H, 29.6 & 35.7), (619A & 723A - if equipped)	
554	1001102879	1	RH SIDE WINDOW, (L2906H & 29.6LP)	
554	1001101154	1	RH SIDE WINDOW, (2906H, 3507H, 29.6 & 35.7), (619A & 723A - if equipped)	
576	0760614	3	HEX HD CAPSCREW, M6X30, GR8.8	
577	1001002958	1	DOOR RETAINER	

SECTION 6 - CAB

ITEM	PART NUMBER	QTY	DESCRIPTION	REV
668	1001107286	1	FRONT WINDOW, TOP, (L2906H & 29.6LP)	

SECTION 6 - CAB

FIGURE 6-6. WIPER INSTALLATIONS

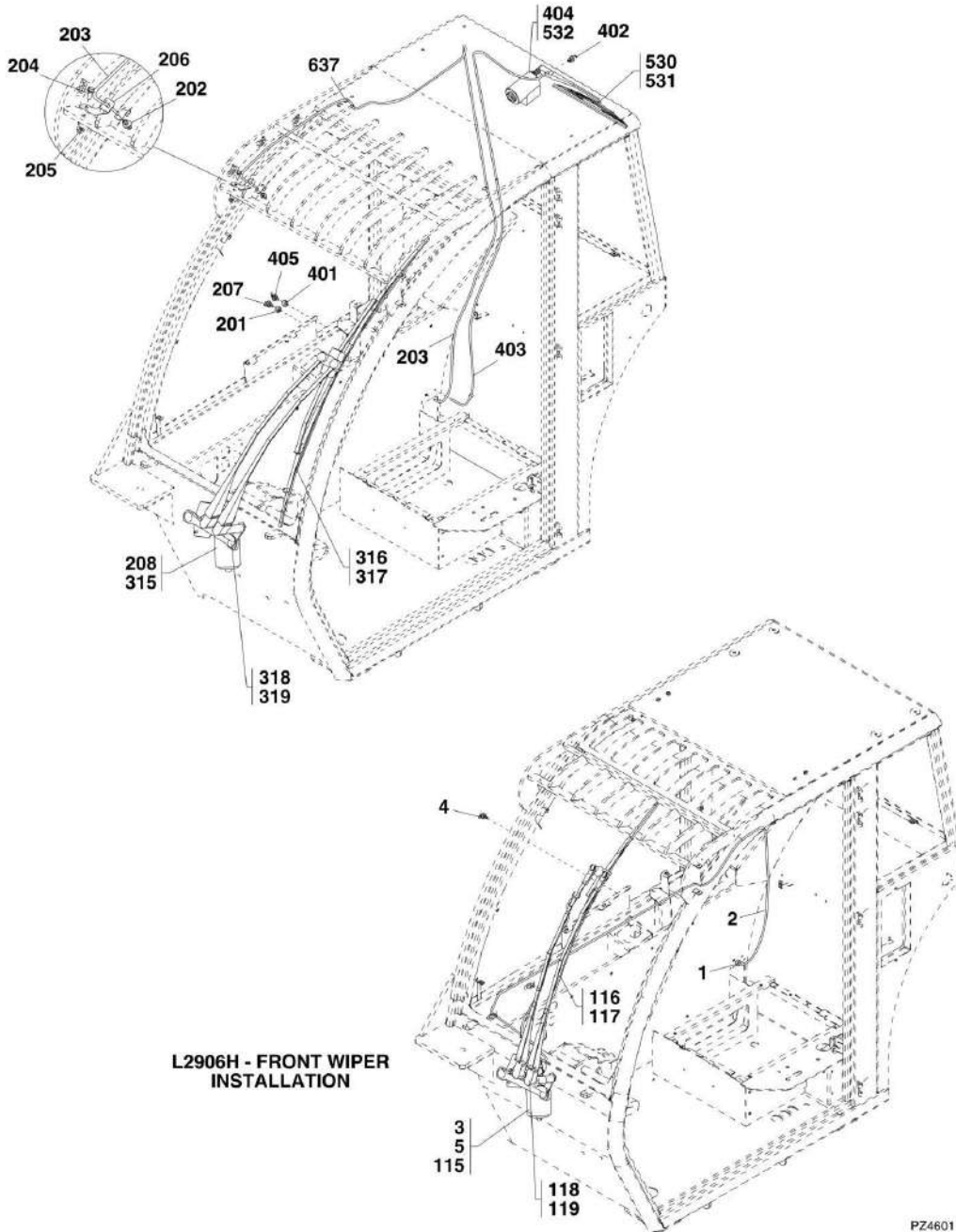


FIGURE 6-6. WIPER INSTALLATIONS

ITEM	PART NUMBER	QTY	DESCRIPTION	REV
	1001115091	1	FRONT WIPER ASSY, (L2906H & 29.6LP), (includes items 1 thru 5)	A
1	1366865	1	CHECK VALVE	
2	3746405	6 m	HOSE	
3	3260100	1	GROMMET	
4	1001104288	1	WIPER HOSE FITTING	
5	1001114080	1	FRONT WIPER ASSY, (includes items 115 thru 119)	2
115	1001114006	1	WIPER MOTOR	
116	1001105042	2	WIPER BLADE	
117	1001105041	1	WIPER ARM	
118	4807741	1	WIPER DRIVE ARM ASSY, (includes wiper mounting hardware)	
119	5200608	3	RIPP BOLT, 6X16mm	
	1001115115	1	FRONT WIPER INSTALLATION, (2906H, 3507H, 29.6 & 35.7), (619A & 723A - if equipped), (includes items 201 thru 208)	A
201	1366865	1	CHECK VALVE	
202	3746392	1	DOUBLE NOZZLE	
203	3746405	6 m	HOSE	
204	5200810	1	RIPP BOLT, 8X20mm	
205	5220800	1	RIPP NUT, 8mm	
206	8005447	1	ANGLE	
207	1001104288	1	WIPER HOSE FITTING	
208	1001114007	1	FRONT WIPER ASSY, (includes items 315 thru 319)	2
315	1001114006	1	WIPER MOTOR	
316	4807729	2	WIPER BLADE	
317	4807730	1	WIPER ARM	
318	4807741	1	WIPER DRIVE ARM ASSY, (includes wiper mounting hardware)	
319	5200608	3	RIPP BOLT, 6X16mm	
	1001104674	1	REAR WIPER INSTALLATION, (includes items 401 thru 405)	A
401	1366865	1	CHECK VALVE	
402	3746392	1	DOUBLE NOZZLE	
403	3746405	6 m	HOSE	
404	4807661	1	REAR WIPER ASSY, (includes items 530 thru 532)	1
405	1001104288	1	WIPER HOSE FITTING	
530	4807694	1	WIPER ARM	
531	4807718	1	WIPER BLADE	
532	4807763	1	WIPER MOTOR	
637	8002985	1	GROMMET	

SECTION 6 - CAB

FIGURE 6-7. SEAT ASSEMBLIES

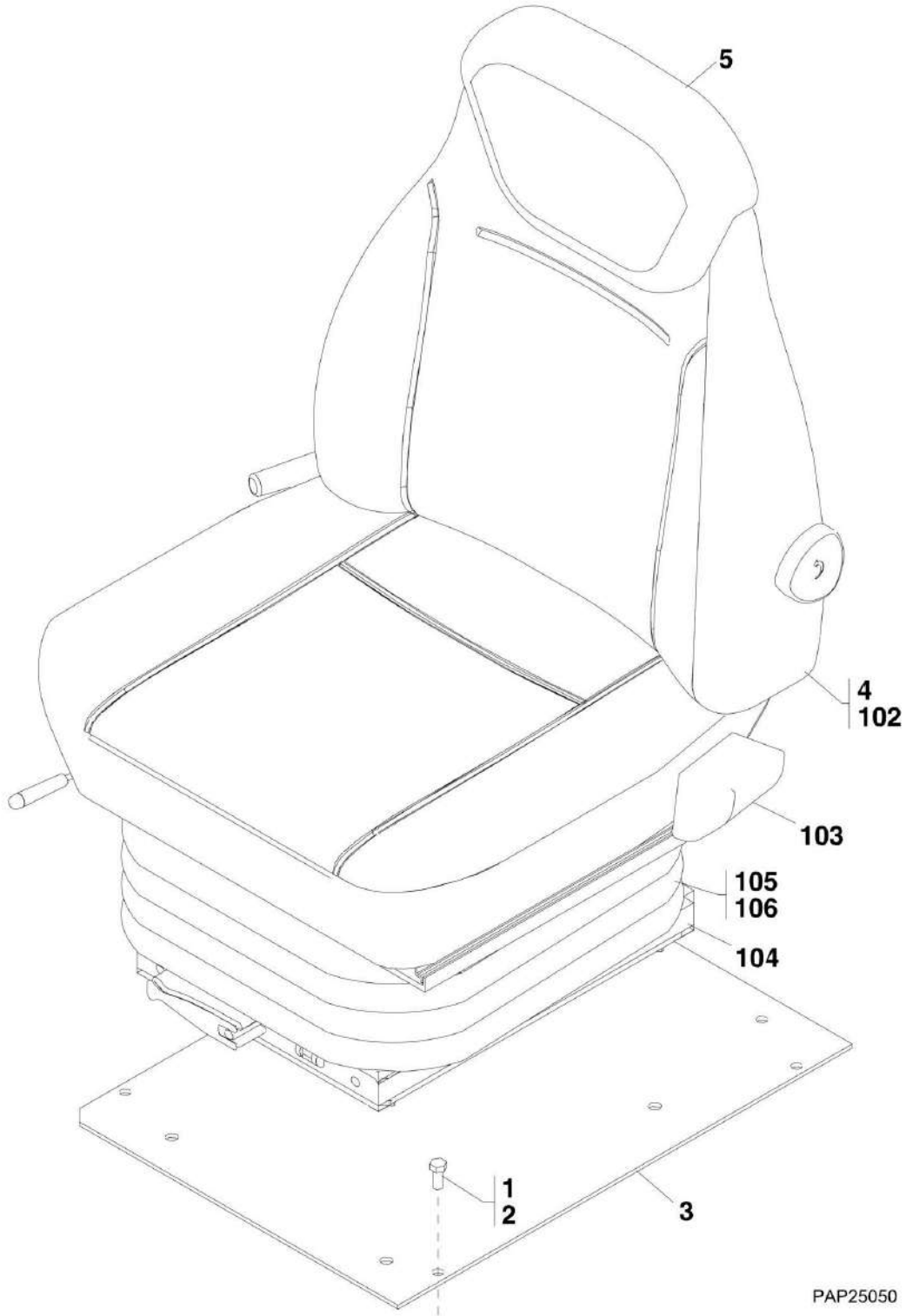


FIGURE 6-7. SEAT ASSEMBLIES

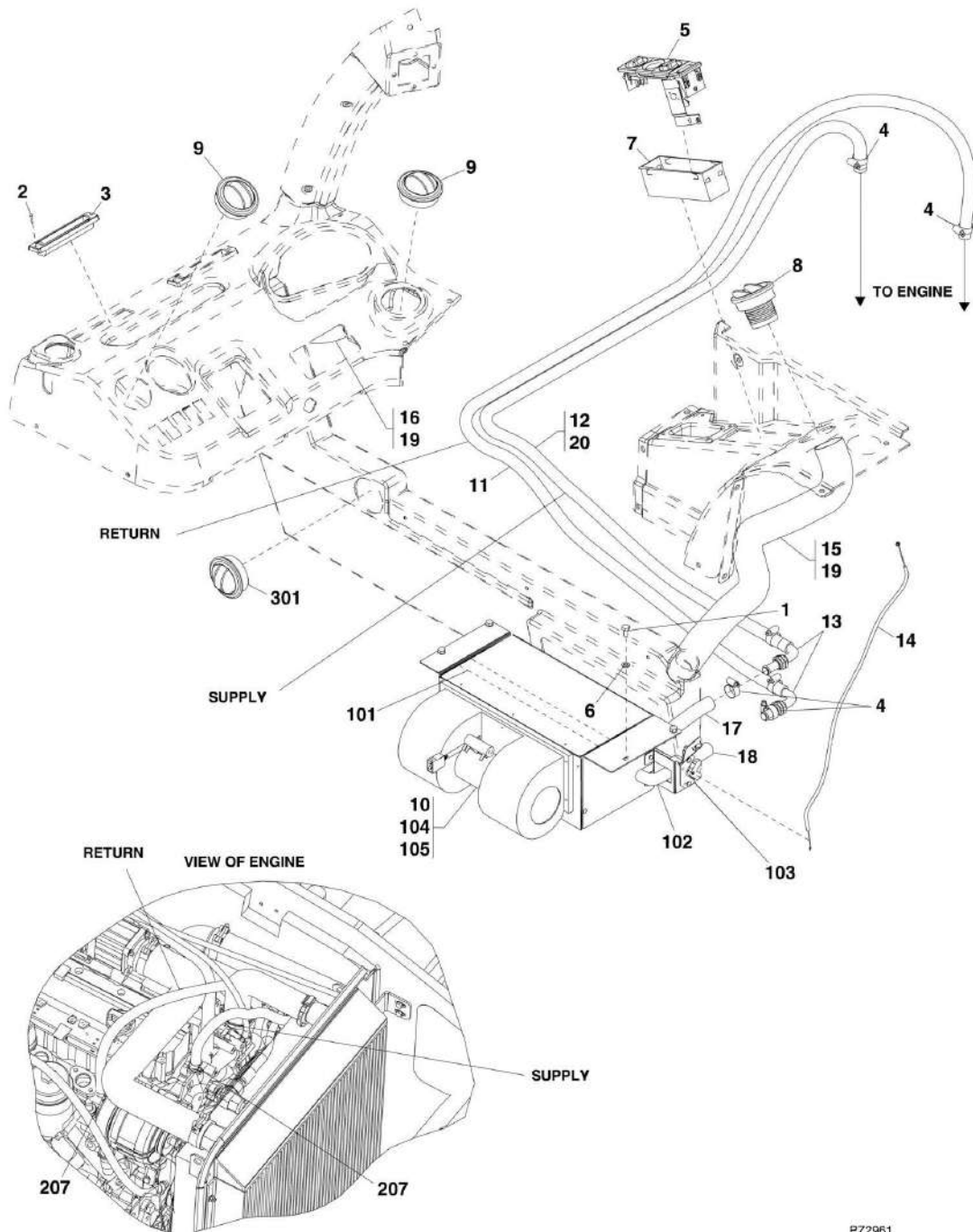
ITEM	PART NUMBER	QTY	DESCRIPTION	REV
	1001118946	Ref	CLOTH MECHANICAL SEAT INSTALLATION, (L2906H), (if equipped), (includes items 1 thru 5)	B
	1001118948	Ref	CLOTH PNEUMATIC SEAT INSTALLATION, (L2906H), (if equipped), (includes items 1 thru 5)	B
	1001118943	Ref	PVC MECHANICAL SEAT INSTALLATION, (L2906H, 619A & 723A), (if equipped), (includes items 1 thru 5)	A
	1001118945	Ref	CLOTH MECHANICAL SEAT INSTALLATION, (2906H & 3507H), (if equipped), (includes items 1 thru 5)	B
	1001118947	Ref	CLOTH PNEUMATIC SEAT INSTALLATION, (2906H & 3507H), (if equipped), (includes items 1 thru 5)	C
	1001118944	Ref	PVC PNEUMATIC SEAT INSTALLATION, (619A & 723A), (if equipped), (includes items 1 thru 5)	A
	1001118950	Ref	CLOTH MECHANICAL SEAT INSTALLATION, (29.6LP), (if equipped), (includes items 1 thru 5)	B
	1001118952	Ref	CLOTH PNEUMATIC SEAT INSTALLATION, (29.6LP), (if equipped), (includes items 1 thru 5)	B
	1001118949	Ref	CLOTH MECHANICAL SEAT INSTALLATION, (29.6 & 35.7), (if equipped), (includes items 1 thru 5)	B
	1001118951	Ref	CLOTH PNEUMATIC SEAT INSTALLATION, (29.6 & 35.7), (if equipped), (includes items 1 thru 5)	C
1	0760810	5	HEX HD CAPSCREW, M8X20, GR8.8	
2	1001095650	AR	LOCTITE 243	
3	1001097291	1	SEAT MOUNTING PLATE	
4	1001119463	1	CLOTH MECHANICAL SEAT ASSY, (L2906H) & (29.6LP), (if equipped), (includes items 102 thru 106) (Prior to SN 1160006886)	B
4	1001152509	1	CLOTH MECHANICAL SEAT ASSY, (L2906H) & (29.6LP), (if equipped) (SN 1160006886 to Present)	A
4	1001119462	1	CLOTH PNEUMATIC SEAT ASSY, (2906H & 3507H) & (29.6 & 35.7), (if equipped), (includes items 102 thru 106) (Prior to SN 1160006886)	B
4	1001152508	1	CLOTH PNEUMATIC SEAT ASSY, (2906H & 3507H) & (29.6 & 35.7), (if equipped) (SN 1160006886 to Present)	B
4	1001119464	1	CLOTH PNEUMATIC SEAT ASSY, (L2906H) & (29.6LP), (if equipped), (includes items 102 thru 106) (Prior to SN 1160006886)	B
4	1001152510	1	CLOTH PNEUMATIC SEAT ASSY, (L2906H) & (29.6LP), (if equipped) (SN 1160006886 to Present)	A
4	1001119461	1	CLOTH MECHANICAL SEAT ASSY, (2906H & 3507H) & (29.6 & 35.7), (if equipped), (includes items 102 thru 106) (Prior to SN 1160006886)	B
4	1001152507	1	CLOTH MECHANICAL SEAT ASSY, (2906H & 3507H) & (29.6 & 35.7), (if equipped) (SN 1160006886 to Present)	A
4	1001119465	1	CLOTH MECHANICAL SEAT ASSY, (619A & 723A) (if equipped), (includes items 102 thru 106)	A
4	1001119466	1	CLOTH PNEUMATIC SEAT ASSY, (619A & 723A) (if equipped), (includes items 102 thru 106)	A
5	1001119467	1	CLOTH HEADREST, JLG LOGO, (L2906H), (2906H & 3507H)	
5	1001119469	1	PVC HEADREST, (L2906H, 619A & 723A)	
5	1001119468	1	CLOTH HEADREST, DEUTZ-FAHR LOGO, (29.6LP), (29.6 & 35.7)	
102	70022033	1	CLOTH SEAT, (L2906H), (2906H & 3507H - Mechanical), (29.6LP), (29.6 & 35.7)	
102	70022517	1	PVC SEAT, (L2906H, 619A & 723A), (2906H, 3507H, 619A & 723A - Pneumatic)	

SECTION 6 - CAB

ITEM	PART NUMBER	QTY	DESCRIPTION	REV
103	7029767	1	SEAT BELT KIT	
104	70021252	1	SLIDE RAIL KIT	
105	70022518	1	COMPLETE SUSPENSION KIT, (L2906H - Mechanical) & (29.6LP - Mechanical)	
105	70022519	1	COMPLETE SUSPENSION KIT, (L2906H - Pneumatic) & (29.6LP - Pneumatic)	
105	70021251	1	COMPLETE SUSPENSION KIT, MECHANICAL, (L2906H, 619A & 723A), (2906H & 3507H - Mechanical) & (29.6 & 35.7 - Mechanical)	
105	70023468	1	COMPLETE SUSPENSION KIT, (2906H, 3507H, 619A & 723A - Pneumatic) & (29.6 & 35.7 - Pneumatic)	
106	70022034	1	SUSPENSION COVER KIT	

SECTION 6 - CAB

FIGURE 6-8. HEATER INSTALLATION (Prior to SN 1160005989, Excluding 1160005189, 1160005314 and 1160005414)



NOTE: PARTS OF THE CAB INTERIOR ARE REMOVED FOR CLARITY

PZ2961

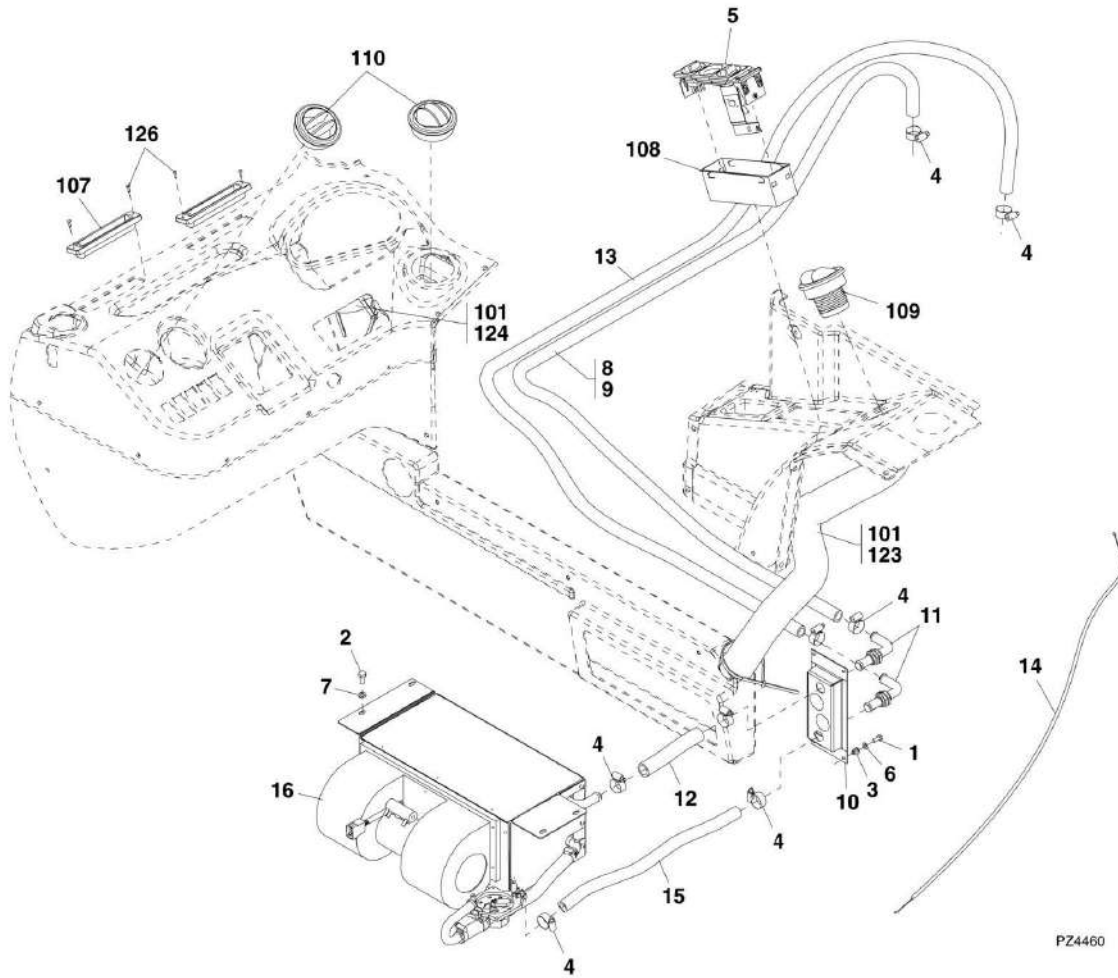
SECTION 6 - CAB

FIGURE 6-8. HEATER INSTALLATION (Prior to SN 1160005989, Excluding 1160005189, 1160005314 and 1160005414)

ITEM	PART NUMBER	QTY	DESCRIPTION	REV
	1001104042	Ref	HEATER INSTALLATION, (if equipped), (not available to order, see items 1 thru 20 for service)	D
1	0760808	4	HEX HD CAPSCREW, M8X16, GR8.8	
2	1001112828	4	SCREW, 3.5X13mm	
3	3953973	2	NOZZLE	
4	3961951	8	CLIP	
5	4360708	1	HEAT AND AIR CONTROL SWITCH	
6	4831900	4	LOCKWASHER, 8mm	
7	1001091871	1	BRACKET	
8	1001096169	1	ROUND NOZZLE	
9	1001096170	2	ROUND NOZZLE	
10	1001100155	1	HEATER, (includes items 101 thru 105)	C
11	1001112278	1	HOSE	
12	1001102377	1	HOSE	
13	1001104081	2	ELBOW, 90	
14	1001104092	1	WATER VALVE CABLE	
15	1001104367	1	TUBE	
16	1001104373	1	HOSE	
17	1001104460	1	HOSE	
18	1001104461	1	HOSE	
19	8005376	4	HOSE CLAMP CLIP	
20	1001102376	1	HOSE GUARD	
101	70022520	1	HEAT EXCHANGER	
102	70022521	1	ELBOW, 90	
103	70022524	1	WATER VALVE	
104	70022525	NLA	3-SPEED BLOWER, 12V, (no longer available, use 1001118231 for replacement or see item 105 for service)	
105	70021125	1	RESISTOR	
207	3961951	2	CLIP	
301	1001096170	1	ROUND NOZZLE	

SECTION 6 - CAB

FIGURE 6-9. HEATER INSTALLATION (SN 1160005989 to Present, Including 1160005189, 1160005314 and 1160005414)



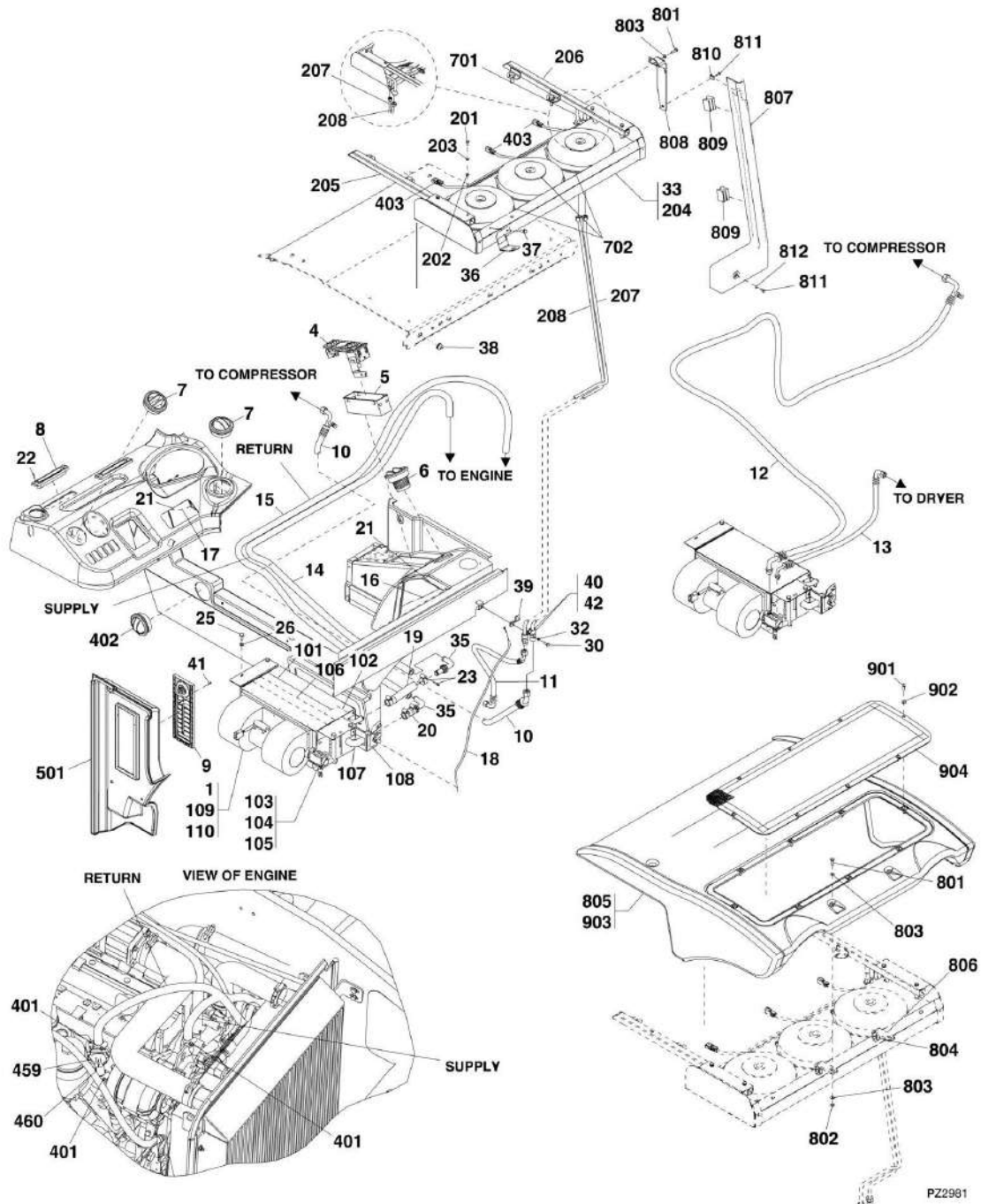
SECTION 6 - CAB

FIGURE 6-9. HEATER INSTALLATION (SN 1160005989 to Present, Including 1160005189, 1160005314 and 1160005414)

ITEM	PART NUMBER	QTY	DESCRIPTION	REV
	1001118979	Ref	HEATER INSTALLATION, (if equipped), (not available to order, see items 1 thru 17 for service)	B
1	0760607	4	HEX HD CAPSCREW, 6X14mm, GR8.8	
2	0760808	4	HEX HD CAPSCREW, 8X16mm, GR8.8	
3	2080086	4	ROUND BODY RIVNUT, 6X1.25mm	
4	3961951	8	CLIP	
5	4360708	1	HVAC CONTROL PANEL SWITCH	
6	4811700	4	WASHER, 6mm	
7	4831900	4	SPRING LOCKWASHER, 8mm	
8	1001102376	1	HOT WATER RETURN HOSE	
9	1001102377	1	HOT WATER SUPPLY HOSE	
10	1001102429	1	SUPPORT PLATE	
11	1001104081	2	BULKHEAD FITTING	
12	1001104460	1	HOSE	
13	1001112278	1	HOSE ASSY	
14	1001120291	1	WATER VALVE CONTROL CABLE	
15	1001120292	1	HOSE ASSY	
16	1001120558	1	HEATER ASSY	A
17		Ref	MAIN CAB HARNESS, (See ELECTRICAL SECTION for Breakdown), (not shown)	
101	1062255	4	TIE STRAP	
107	3953973	2	LINEAR NOZZLE	
108	1001091871	1	HVAC MOUNT BRACKET	
109	1001096169	1	VENT	
110	1001096170	2	VENT	
123	1001104367	1	REAR SUPPLY HOSE	
124	1001104373	1	SIDE SUPPLY HOSE	
126	1001112828	4	PAN HD SCREW, 3.5X14mm	

SECTION 6 - CAB

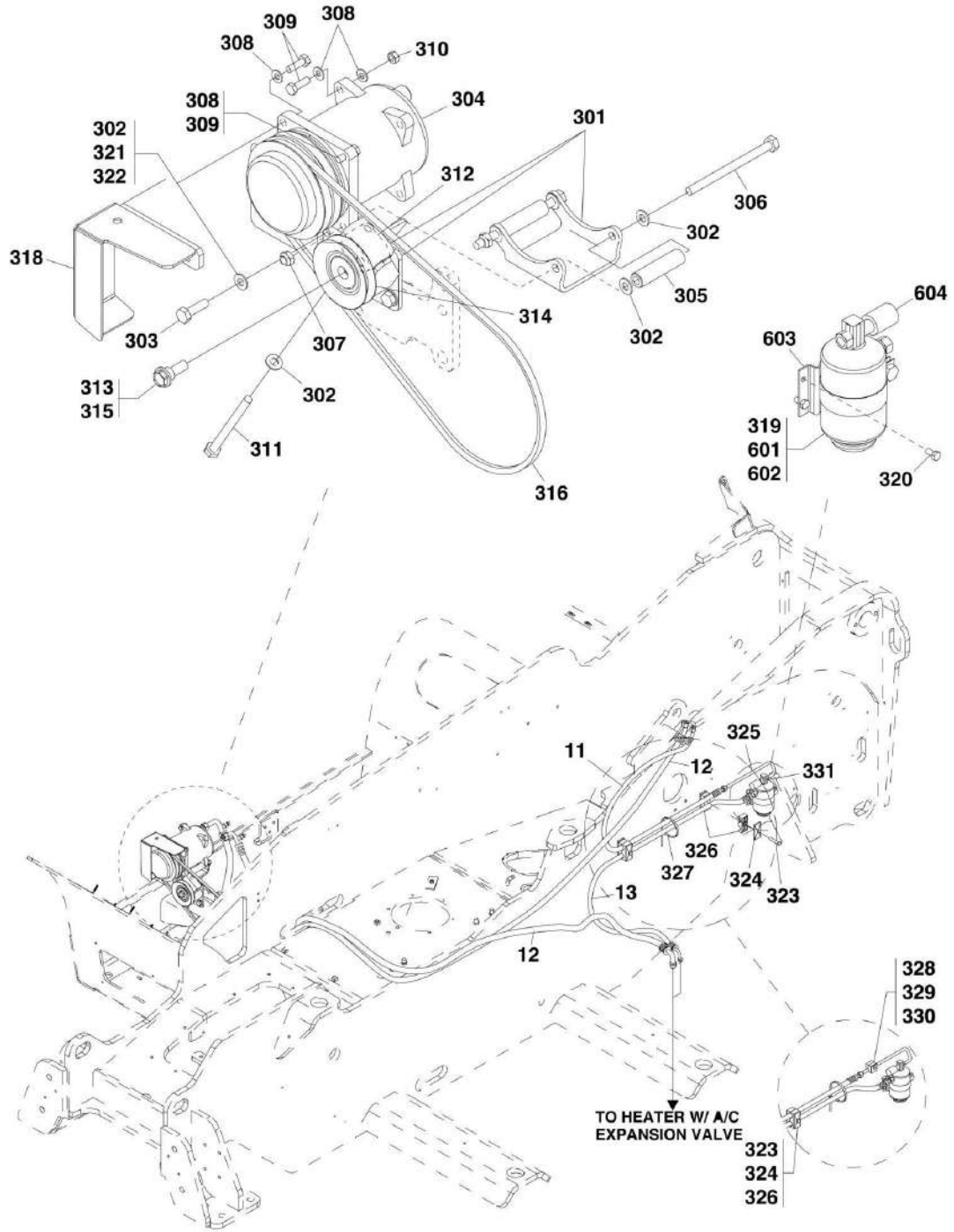
FIGURE 6-10. HEAT AND A/C INSTALLATION (Prior to SN 1160005989, Excluding 1160005189, 1160005314 and 1160005414)



NOTE: PARTS OF THE CAB INTERIOR ARE REMOVED FOR CLARITY

PZ2981

SECTION 6 - CAB



NOTE: ITEM 301 IS BROKEN APART FOR ILLUSTRATION PURPOSE

PAP4540

SECTION 6 - CAB

FIGURE 6-10. HEAT AND A/C INSTALLATION (Prior to SN 1160005989, Excluding 1160005189, 1160005314 and 1160005414)

ITEM	PART NUMBER	QTY	DESCRIPTION	REV
	1001107298	Ref	HEAT AND A/C INSTALLATION, (L2906H & 29.6LP), (if equipped), (not available to order, see items 1 thru 42 for service)	F
	1001102848	Ref	HEAT AND A/C INSTALLATION, (2906H, 3507H, 619A, 723A, 29.6 & 35.7), (if equipped), (not available to order, see items 1 thru 42 for service)	H
1	1001099016	1	HEATER WITH A/C ASSY, (includes items 101 thru 110)	D
4	1001102620	1	HEAT, AIR AND A/C CONTROL SWITCH	
5	1001091871	1	BRACKET	
6	1001096169	1	ROUND NOZZLE	
7	1001096170	2	ROUND NOZZLE	
8	3953973	2	NOZZLE	
9	1001102889	1	VENT	
10	1001102392	1	HOSE ASSY	
11	1001114964	1	HOSE ASSY	
12	1001104304	1	HOSE ASSY	
13	1001114965	1	HOSE ASSY	
14	1001112278	1	HOSE	
15	1001102377	1	HOSE	
16	1001104367	1	HOSE	
17	1001104373	1	HOSE	
18	1001104092	1	WATER VALVE CABLE	
19	1001104460	1	HOSE	
20	1001104461	1	HOSE	
21	1062255	4	TIE STRAP	
22	1001112828	4	SCREW, 3.5X13mm	
23	3961951	8	CLIP	
25	0760808	4	HEX HD CAPSCREW, M8X16, GR8.8	
26	4831900	4	LOCKWASHER, 8mm	
30	4010510	1	MACHINE SCREW, 5X20mm	
32	4831600	1	LOCKWASER, 5mm	
33	1001107288	1	HEATER AND A/C CONDENSOR, (includes items 201 thru 208), (L2906H & 29.6LP)	B
33	1001107106	1	HEATER AND A/C CONDENSOR, (includes items 201 thru 208), (2906H, 3507H, 619A, 723A, 29.6 & 35.7)	B
35	1001104081	2	ELBOW, 90	
36	1001114169	1	ELECTRICAL SOCKET BRACKET	
37	5200610	1	RIPP BOLT, 6X20mm	
38	2540051	1	GROMMET	
39	1001114984	1	COVER BRACKET	
40	1001115587	1	TUBE CLAMP	
41	1001110864	4	SELF TAPPING SCREW	
42	1001115620	1	TUBE CLAMP	
101	70022522	1	EVAPORATOR	
102	70021137	1	THERMOSTAT	
103	70022523	1	EXPANSION VALVE	
104	70021130	1	O-RING	
105	1001118308	1	O-RING	
106	70022520	1	HEAT EXCHANGER	
107	70022521	1	ELBOW, 90	
108	70022524	1	WATER VALVE	

SECTION 6 - CAB

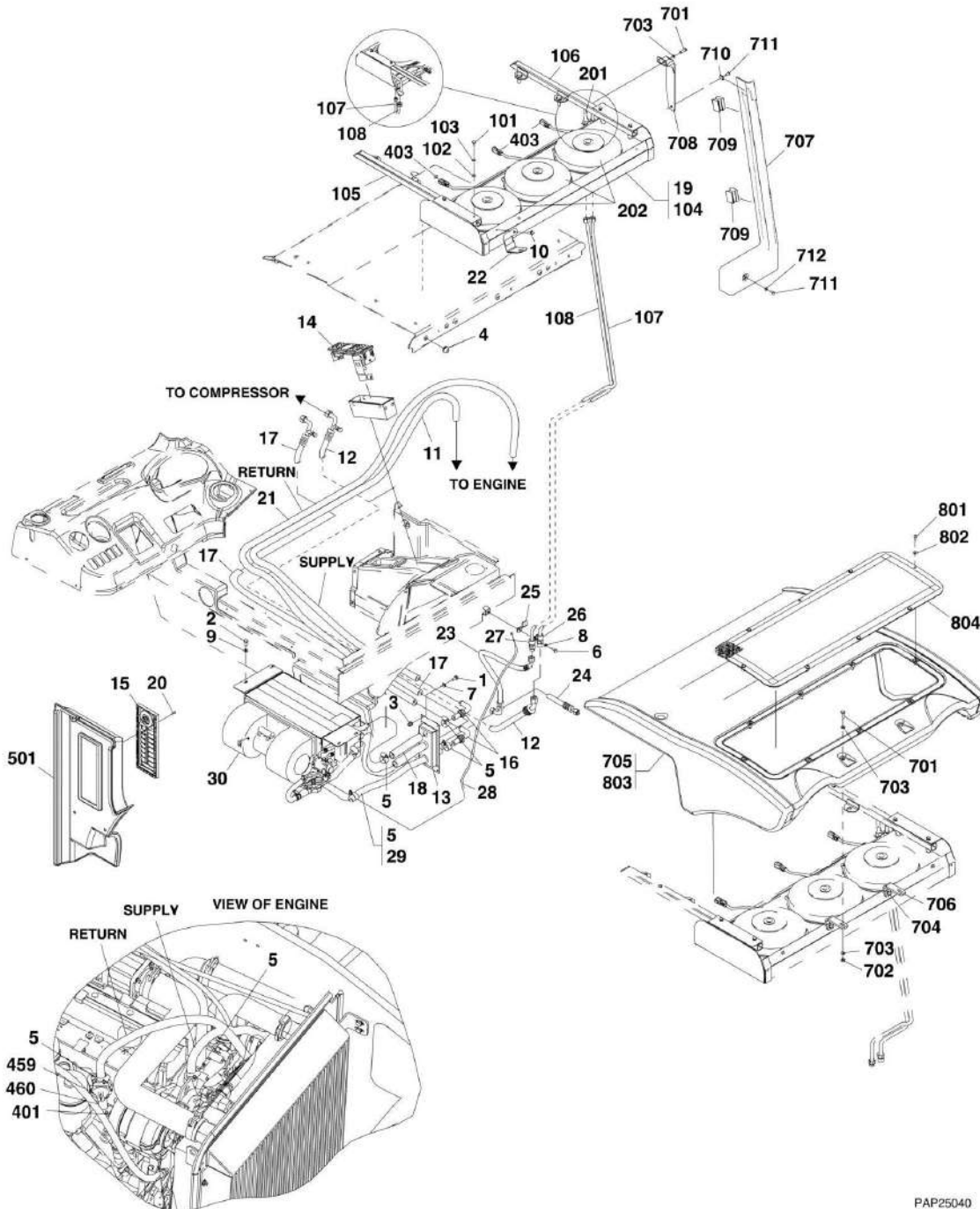
ITEM	PART NUMBER	QTY	DESCRIPTION	REV
109	70022525	1	3-SPEED BLOWER, 12V	
110	70022125	1	RESISTOR	
201	0760608	4	HEX HD CAPSCREW, M6X16, GR8.8	
202	4811700	4	WASHER, 6mm	
203	4831700	4	LOCKWASHER, 6mm	
204	1001105647	1	CONDENSOR ASSY, (includes items 701 & 702)	C
205	1001106799	1	LH SUPPORT TUBE	
206	1001106800	1	RH SUPPORT TUBE	
207	1001107366	1	PIPE, (L2906H & 29.6LP)	
207	1001106855	1	PIPE, (2906H, 3507H, 619A, 723A, 29.6 & 35.7)	
208	1001107367	1	PIPE, (L2906H & 29.6LP)	
208	1001106856	1	PIPE, (2906H, 3507H, 619A, 723A, 29.6 & 35.7)	
	1001115100	Ref	ENGINE A/C COMPONENT INSTALLATION, (L2906H & 29.6LP), (if equipped), (not available to order, see items 301 thru 331 for service)	B
	1001104380	Ref	ENGINE A/C COMPONENT INSTALLATION, (2906H, 3507H, 619A, 723A, 29.6 & 35.7), (if equipped), (not available to order, see items 301 thru 327 & 331 for service)	F
301	1001096644	1	BRACKET	
302	4812000	8	WASHER, 10mm	
303	0701015	3	HEX HD CAPSCREW, M10X35, GR8.8	
304	8003167	1	COMPRESSOR	
305	1001093785	2	SPACER	
306	0701031	2	HEX HD CAPSCREW, M10X140, GR8.8, (torque to 50 Nm / 35 lb-ft)	
307	3291005	2	HEX LOCKNUT, M10X1.5	
308	4811900	4	WASHER, 8mm	
309	0760812	3	HEX HD CAPSCREW, M8X25, GR8.8	
310	3290801	1	HEX NUT, M8X1.25	
311	0761029	1	HEX HD CAPSCREW, M10X120, GR8.8	
312	4220262	1	BLOCK IDLER	
313	4812100	2	WASHER, 12mm	
314	3580345	1	PULLY IDLER	
315	0630604	1	A/C PULLY BOLT	
316	0480139	1	BELT	
318	1001096701	1	A/C PULLY COVER	
319	1001096032	1	A/C DRYER ASSY, (includes items 601 thru 604)	B
320	0760606	2	HEX HD CAPSCREW, M6X12, GR8.8	
321	1001104686	AR	SHIM	
322	1001104687	AR	SHIM	
323	0700817	1	HEX HD CAPSCREW, 8X45mm, GR8.8, (L2906H & 29.6LP)	
323	0700817	2	HEX HD CAPSCREW, 8X45mm, GR8.8, (2906H, 3507H, 619A, 723A, 29.6 & 35.7)	
324	1309435	1	CLAMP COVER PLATE, (L2906H & 29.6LP)	
324	1309435	2	CLAMP COVER PLATE, (2906H, 3507H, 619A, 723A, 29.6 & 35.7)	
325	2754993	1	A/C PIPE	
326	8002781	1	CLAMP, (L2906H & 29.6LP)	
326	8002781	2	CLAMP, (2906H, 3507H, 619A, 723A, 29.6 & 35.7)	
327	1062255	1	TIE STRAP	
328	1321125	1	CLAMP	
329	1001114989	1	COVER PLATE CLAMP	
330	0760613	1	HEX HD CAPSCREW, 6X28mm, GR8.8	

SECTION 6 - CAB

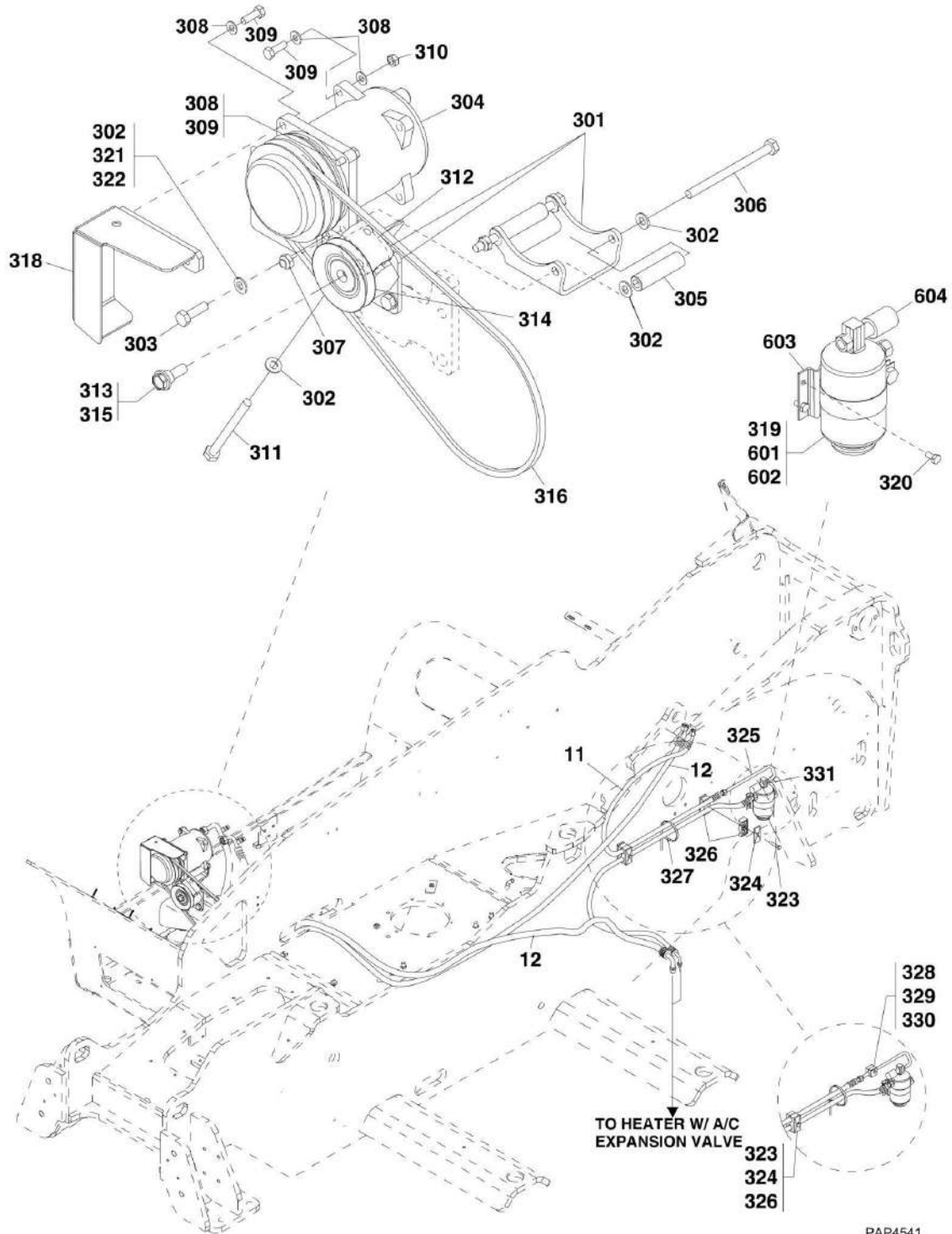
ITEM	PART NUMBER	QTY	DESCRIPTION	REV
331	1001093371	1	O-RING, HVAC DRYER	
401	3961951	4	CLIP	
402	1001096170	1	ROUND NOZZLE	
403	7028909	3	CONNECTOR	
459	1001112094	1	WATER VALVE	
459	70022817	1	KNOB	
460	1001112277	1	HOSE ASSY	
501		Ref	AIR INTAKE COVER, (See INTERIOR INSTALLATION for Breakdown)	
601	70021482	1	DRYER	
602	70021483	1	CLAMP	
603	70022548	1	BRACKET	
604	70020721	1	PRESSURE SWITCH	
701	70022550	1	CONDENSOR	
702	70022551	3	12V BLOWER	
	1001114983	Ref	A/C COVER INSTALLATION, (L2906H & 29.6LP), (if equipped), (not available to order, see items 801 thru 812 for service)	A
	1001113373	Ref	A/C COVER INSTALLATION, (2906H, 3507H, 619A, 723A, 29.6 & 35.7), (if equipped), (not available to order, see items 801 thru 812 for service)	B
801	0760610	6	HEX HD CAPSCREW, M6X20, GR8.8	
802	3290605	2	HEX LOCKNUT, M6X1	
803	4811700	8	WASHER, 6mm	
804	5200610	2	BOLT, M6X20	
805	1001113430	1	A/C COVER ASSY, (includes items 901 thru 904)	A
806	1001113431	2	BRACKET	
807	1001114975	1	A/C TUBES COVER, (L2906H & 29.6LP)	
807	1001114974	1	A/C TUBES COVER, (2906H, 3507H, 619A, 723A, 29.6 & 35.7)	
808	1001114981	1	A/C TUBES COVER BRACKET	
809	1001115013	2	A/C COVER SUPPORT	
810	3933468	1	STAMPED CLIP	
811	4010506	2	POZI-DRIVE PAN HD SCREW, 5X12mm	
812	4811600	1	WASHER, 5mm	
901	3900364	8	BUTTON HD CAPSCREW, M6X20	
902	4811702	8	WASHER, 6mm	
903	1001113371	1	A/C COVER, (L2906H, 2906H, 3507H, 619A & 723A)	
903	1001113371B	1	A/C COVER, (29.6LP, 29.6 & 35.7)	
904	1001113372	1	A/C GRILL, (L2906H, 2906H, 3507H, 619A & 723A)	
904	1001113372B	1	A/C GRILL, (29.6LP, 29.6 & 35.7)	

SECTION 6 - CAB

FIGURE 6-11. HEAT AND A/C INSTALLATION (SN 1160005989 to Present, Including 1160005189, 1160005314 and 1160005414)



SECTION 6 - CAB



SECTION 6 - CAB

FIGURE 6-11. HEAT AND A/C INSTALLATION (SN 1160005989 to Present, Including 1160005189, 1160005314 and 1160005414)

ITEM	PART NUMBER	QTY	DESCRIPTION	REV
	1001118978	Ref	HEAT AND A/C INSTALLATION, (L2906H & 29.6LP), (if equipped), (not available to order, see items 1 thru 30 for service)	A
	1001118977	Ref	HEAT AND A/C INSTALLATION, (2906H, 3507H, 619A, 723A, 29.6 & 35.7), (if equipped), (not available to order, see items 1 thru 30 for service)	A
1	0760607	4	HEX HD CAPSCREW, 6X14mm, GR8.8	
2	0760808	4	HEX HD CAPSCREW, 8X16mm, GR8.8	
3	2080086	4	ROUND BODY RIVNUT, 6X1.25mm	
4	2540051	1	GROMMET	
5	3961951	8	CLIP	
6	4010510	1	POZI-DRIVE PAN HD SCREW, 5X20mm	
7	4811700	4	WASHER, 6mm	
8	4831600	1	SPRING LOCKWASHER, 5mm	
9	4831900	4	SPRING LOCKWASHER, 8mm	
10	5200610	1	RIPP BOLT, 6X20mm	
11	1001102377	1	HOSE ASSY	
12	1001102392	1	HOSE ASSY	
13	1001102429	1	HOSE SUPPORT PLATE	
14	1001102620	1	CONTROL PANEL	
15	1001102889	1	AIR INTAKE VENT	
16	1001104081	2	BULKHEAD FITTING	
17	1001104304	1	HOSE ASSY	
18	1001104460	1	HOSE ASSY	
19	1001107288	1	HEATER AND A/C CONDENSOR, (includes items 101 thru 108), (L2906H & 29.6LP)	B
19	1001107106	1	HEATER AND A/C CONDENSOR, (includes items 101 thru 108), (2906H, 3507H, 619A, 723A, 29.6 & 35.7)	B
20	1001110864	4	SELF TAPPING SCREW	
21	1001112278	1	HOSE ASSY	
22	1001114169	1	ELECTRICAL SOCKET BRACKET	
23	1001114964	1	HOSE ASSY	
24	1001114965	1	HOSE ASSY	
25	1001114984	1	COVER BRACKET	
26	1001115587	1	TUBE CLAMP	
27	1001115620	1	TUBE CLAMP	
28	1001120291	1	WATER VALVE CABLE CONTROL	
29	1001120292	1	HOSE ASSY	
30	1001120557	1	HEATER WITH A/C ASSY	A
101	0760608	4	HEX HD CAPSCREW, M6X16, GR8.8	
102	4811700	4	WASHER, 6mm	
103	4831700	4	LOCKWASHER, 6mm	
104	1001105647	1	CONDENSOR ASSY, (includes items 201 & 202)	C
105	1001106799	1	LH SUPPORT TUBE	
106	1001106800	1	RH SUPPORT TUBE	
107	1001107366	1	PIPE, (L2906H & 29.6LP)	
107	1001106855	1	PIPE, (2906H, 3507H, 619A, 723A, 29.6 & 35.7)	
108	1001107367	1	PIPE, (L2906H & 29.6LP)	
108	1001106856	1	PIPE, (2906H, 3507H, 619A, 723A, 29.6 & 35.7)	
201	70022550	1	CONDENSOR	
202	70022551	3	12V BLOWER	

SECTION 6 - CAB

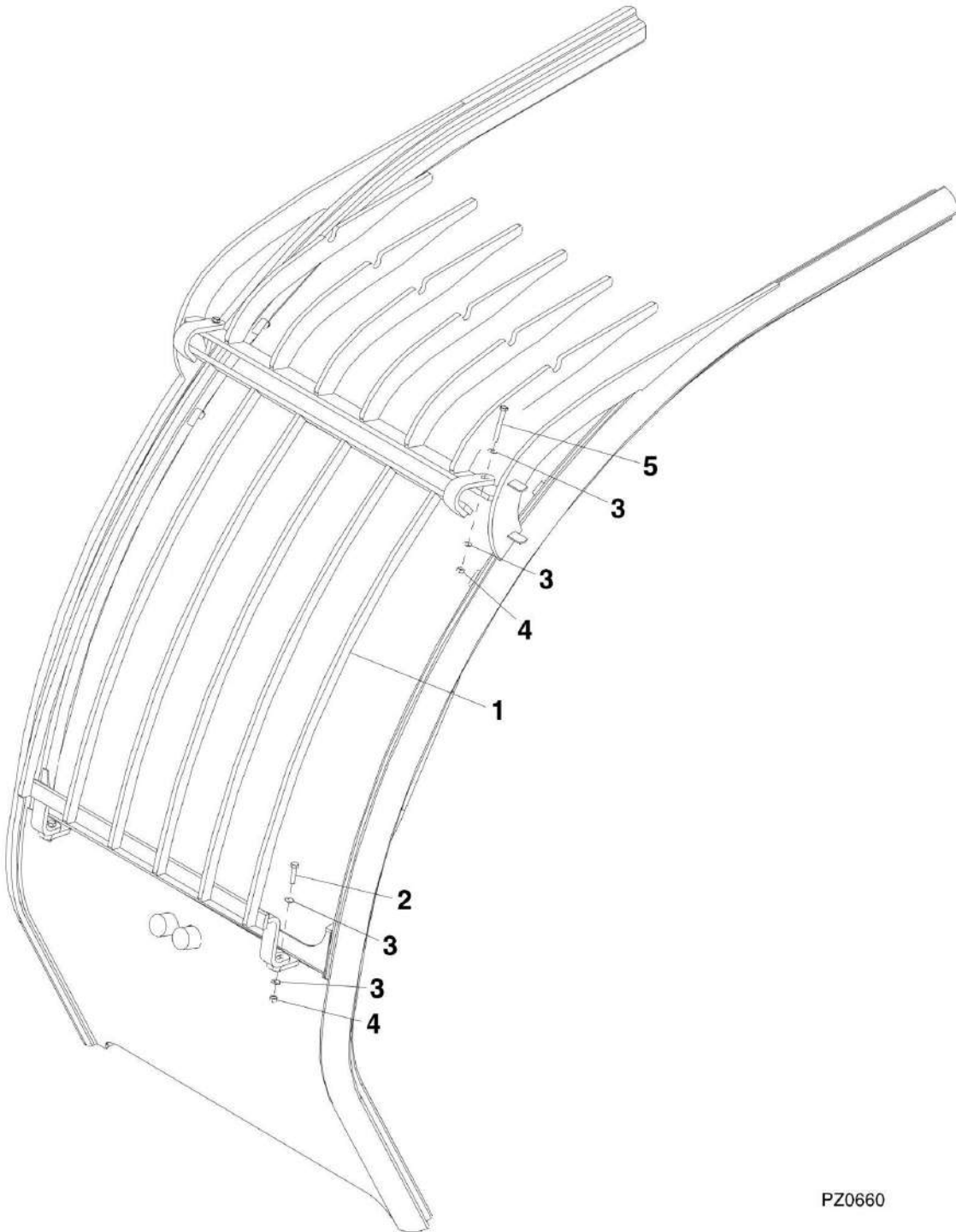
ITEM	PART NUMBER	QTY	DESCRIPTION	REV
	1001115100	Ref	ENGINE A/C COMPONENT INSTALLATION, (L2906H & 29.6LP), (if equipped), (not available to order, see items 301 thru 331 for service)	B
	1001104380	Ref	ENGINE A/C COMPONENT INSTALLATION, (2906H, 3507H, 619A, 723A, 29.6 & 35.7), (if equipped), (not available to order, see items 301 thru 327 & 331 for service)	F
301	1001096644	1	BRACKET	
302	4812000	8	WASHER, 10mm	
303	0701015	3	HEX HD CAPSCREW, M10X35, GR8.8	
304	8003167	1	COMPRESSOR	
305	1001093785	2	SPACER	
306	0701031	2	HEX HD CAPSCREW, M10X140, GR8.8, (torque to 50 Nm / 35 lb-ft)	
307	3291005	2	HEX LOCKNUT, M10X1.5	
308	4811900	4	WASHER, 8mm	
309	0760812	3	HEX HD CAPSCREW, M8X25, GR8.8	
310	3290801	1	HEX NUT, M8X1.25	
311	0761029	1	HEX HD CAPSCREW, M10X120, GR8.8	
312	4220262	1	BLOCK IDLER	
313	4812100	2	WASHER, 12mm	
314	3580345	1	PULLY IDLER	
315	0630604	1	A/C PULLY BOLT	
316	0480139	1	BELT	
318	1001096701	1	A/C PULLY COVER	
319	1001096032	1	A/C DRYER ASSY, (includes items 601 thru 604)	B
320	0760606	2	HEX HD CAPSCREW, M6X12, GR8.8	
321	1001104686	AR	SHIM	
322	1001104687	AR	SHIM	
323	0700817	1	HEX HD CAPSCREW, 8X45mm, GR8.8, (L2906H & 29.6LP)	
323	0700817	2	HEX HD CAPSCREW, 8X45mm, GR8.8, (2906H, 3507H, 619A, 723A, 29.6 & 35.7)	
324	1309435	1	CLAMP COVER PLATE, (L2906H & 29.6LP)	
324	1309435	2	CLAMP COVER PLATE, (2906H, 3507H, 619A, 723A, 29.6 & 35.7)	
325	2754993	1	A/C PIPE	
326	8002781	1	CLAMP, (L2906H & 29.6LP)	
326	8002781	2	CLAMP, (2906H, 3507H, 619A, 723A, 29.6 & 35.7)	
327	1062255	1	TIE STRAP	
328	1321125	1	CLAMP	
329	1001114989	1	COVER PLATE CLAMP	
330	0760613	1	HEX HD CAPSCREW, 6X28mm, GR8.8	
331	1001093371	1	O-RING, HVAC DRYER	
401	3961951	4	CLIP	
402	1001096170	1	ROUND NOZZLE	
403	7028909	3	CONNECTOR	
459	1001112094	1	WATER VALVE	
459	70022817	1	KNOB	
460	1001112277	1	HOSE ASSY	
501		Ref	AIR INTAKE COVER, (See INTERIOR INSTALLTION for Breakdown)	
601	70021482	1	DRYER	
602	70021483	1	CLAMP	
603	70022548	1	BRACKET	

SECTION 6 - CAB

ITEM	PART NUMBER	QTY	DESCRIPTION	REV
604	70020721	1	PRESSURE SWITCH	
	1001114983	Ref	A/C COVER INSTALLATION, (L2906H & 29.6LP), (if equipped), (not available to order, see items 701 thru 712 for service)	A
	1001113373	Ref	A/C COVER INSTALLATION, (2906H, 3507H, 619A, 723A, 29.6 & 35.7), (if equipped), (not available to order, see items 701 thru 712 for service)	B
701	0760610	6	HEX HD CAPSCREW, M6X20, GR8.8	
702	3290605	2	HEX LOCKNUT, M6X1	
703	4811700	8	WASHER, 6mm	
704	5200610	2	BOLT, M6X20	
705	1001113430	1	A/C COVER ASSY, (includes items 801 thru 804)	A
706	1001113431	2	BRACKET	
707	1001114975	1	A/C TUBES COVER, (L2906H & 29.6LP)	
707	1001114974	1	A/C TUBES COVER, (2906H, 3507H, 619A, 723A, 29.6 & 35.7)	
708	1001114981	1	A/C TUBES COVER BRACKET	
709	1001115013	2	A/C COVER SUPPORT	
710	3933468	1	STAMPED CLIP	
711	4010506	2	POZI-DRIVE PAN HD SCREW, 5X12mm	
712	4811600	1	WASHER, 5mm	
801	3900364	8	BUTTON HD CAPSCREW, M6X20	
802	4811702	8	WASHER, 6mm	
803	1001113371	1	A/C COVER, (L2906H, 2906H, 3507H, 619A & 723A)	
803	1001113371B	1	A/C COVER, (29.6LP, 29.6 & 35.7)	
804	1001113372	1	A/C GRILL, (L2906H, 2906H, 3507H, 619A & 723A)	
804	1001113372B	1	A/C GRILL, (29.6LP, 29.6 & 35.7)	

SECTION 6 - CAB

FIGURE 6-12. FRONT CAB GLASS SHIELD



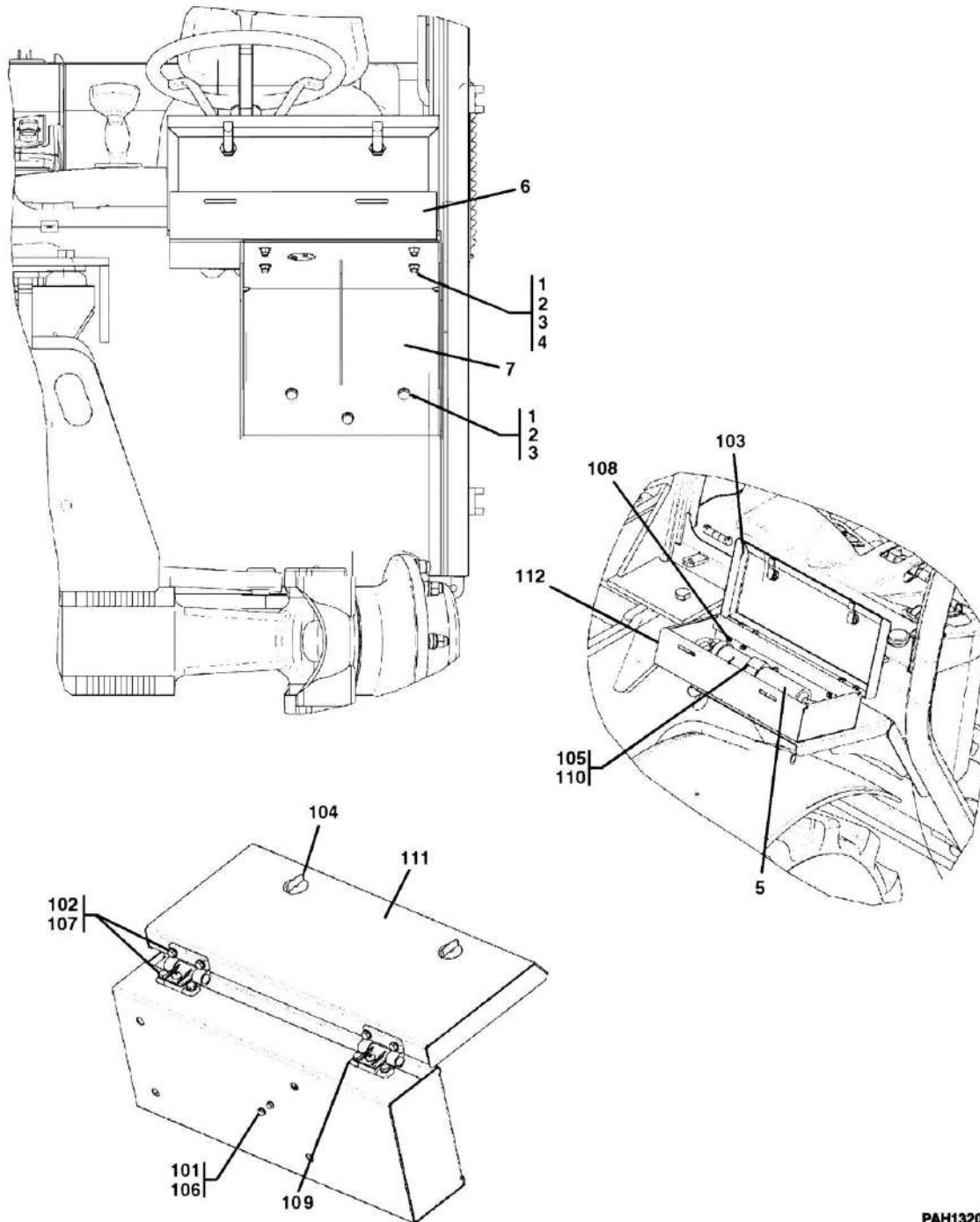
PZ0660

FIGURE 6-12. FRONT CAB GLASS SHIELD

ITEM	PART NUMBER	QTY	DESCRIPTION	REV
	0275382	Ref	FRONT CAB GLASS SHIELD, (L2906H & 29.6LP), (if equipped), (not available to order, see items 1 thru 5 for service)	A
	8009532	Ref	FRONT CAB GLASS SHIELD, (2906H, 3507H, 619A, 723A, 29.6 & 35.7), (if equipped), (not available to order, see items 1 thru 5 for service)	B
1	2520148	1	SHIELD WELDMENT, (L2906H)	
1	2520148B	1	SHIELD WELDMENT, (29.6LP)	
1	8009533	1	SHIELD WELDMENT, (2906H, 3507H, 619A & 723A)	
1	8009533B	1	SHIELD WELDMENT, (29.6 & 35.7)	
2	0700815	2	HEX HD CAPSCRW, M8X35, GR8.8	
3	4811900	8	WASHER, 8mm	
4	3290807	4	HEX LOCKNUT, M8X1.25	
5	1391297	2	HEX HD CAPSCREW, 8X65mm	

SECTION 6 - CAB

FIGURE 6-13. GREASE GUN TOOL KIT INSTALLATION 619A & 723A



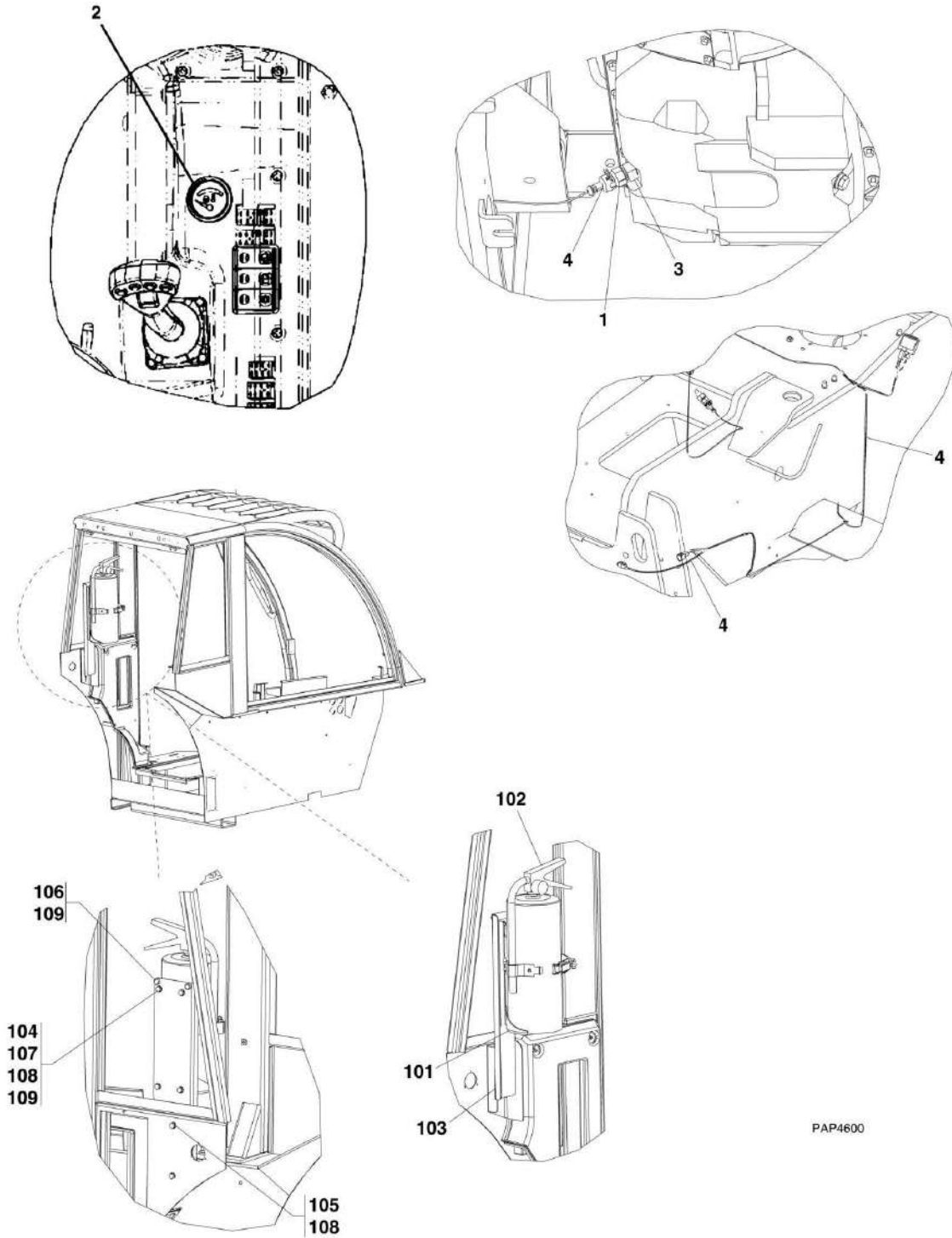
PAH1320

FIGURE 6-13. GREASE GUN TOOL KIT INSTALLATION 619A & 723A

ITEM	PART NUMBER	QTY	DESCRIPTION	REV
	1001108667	Ref	GREASE GUN TOOL KIT INSTALLATION, (619A & 723A), (if equipped) (not available to order, see items 1 thru 7 for service)	A
1	0100011	AR	LOCTITE 242	
2	0761010	7	HEX HD CAPSCREW, M10X20, GR8.8	
3	4812000	7	WASHER, 10mm	
4	5221000	4	RIPP NUT, 10mm	
5	1001093429	1	GREASE GUN	
6	1001093949	1	TOOL BOX, (includes items 101 thru 112)	A
7	1001108626	1	FENDER	
101	0760508	2	HEX HD CAPSCREW, M5X16, GR8.8	
102	0760608	8	HEX HD CAPSCREW, M6X16, GR8.8	
103	909304	1.2 m	TRIM	
104	2940119	2	LATCH	
105	3290505	2	HEX LOCKNUT, M5X0.8	
106	4811600	2	WASHER, 5mm	
107	4811700	8	WASHER, 6mm	
108	5220600	4	RIPP NUT, 6mm	
109	8344010	2	ADJUSTABLE HINGE	
110	1001093696	1	GREASE GUN BRACKET	
111	1001093950	1	TOOL BOX LID	
112	1001093951	1	TOOL BOX BASE	

SECTION 6 - CAB

FIGURE 6-14. OIL TEMP GAUGE INSTALLATION AND FIRE EXTINGUISHER INSTALLATION 723A



PAP4600

SECTION 6 - CAB

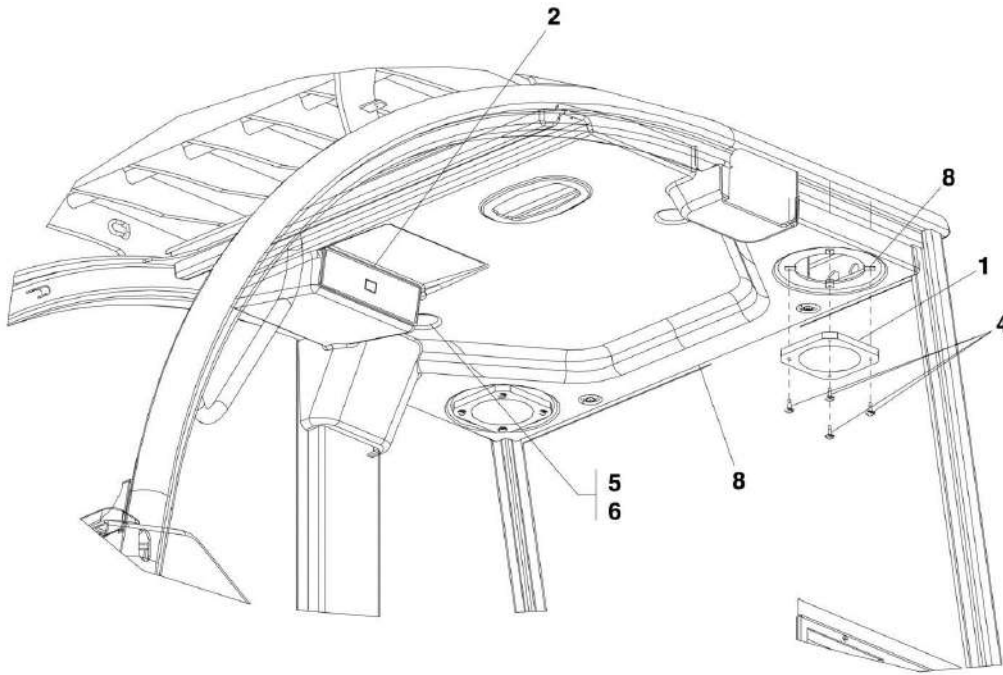
FIGURE 6-14. OIL TEMP GAUGE INSTALLATION AND FIRE EXTINGUISHER INSTALLATION 723A

ITEM	PART NUMBER	QTY	DESCRIPTION	REV
	1001113611	Ref	OIL TEMP GAUGE INSTALLATION, (723A), (if equipped), (not available to order, see items 1 thru 4 for service)	B
1	1001093084	1	OIL TEMPERATURE SENSOR	
2	1001093085	1	TEMPERATURE OIL GAUGE	
3	1001093089	1	SENSOR CONNECTOR COUPLING	
4		Ref	OIL TEMPERATURE HARNESS, (See ELECTRICAL SECTION for Breakdown)	
	1001113162	Ref	FIRE EXTINGUISHER INSTALLATION, (723A), (if equipped), (not available to order, see items 101 thru 109)	B
101	1001092377	1	EXTINGUISHER BRACKET	
102	1001092385	1	10LB FIRE EXTINGUISHER	
103	1001113288	1	BRACKET	
104	0760808	4	HEX HD CAPSCREW, M8X16, GR8.8	
105	0760810	2	HEX HD CAPSCREW, M8X20, GR8.8	
106	0940036	2	DOOR BUMPER	
107	3290801	4	HEX NUT, M8X1.25	
108	4811900	6	WASHER, 8mm	
109	0100011	AR	LOCTITE 242	

SECTION 6 - CAB

FIGURE 6-15. RADIO PREP INSTALLATION

2906H, 3507H, 619A, 723A, 29.6 & 35.7



L2906H & 29.6LP

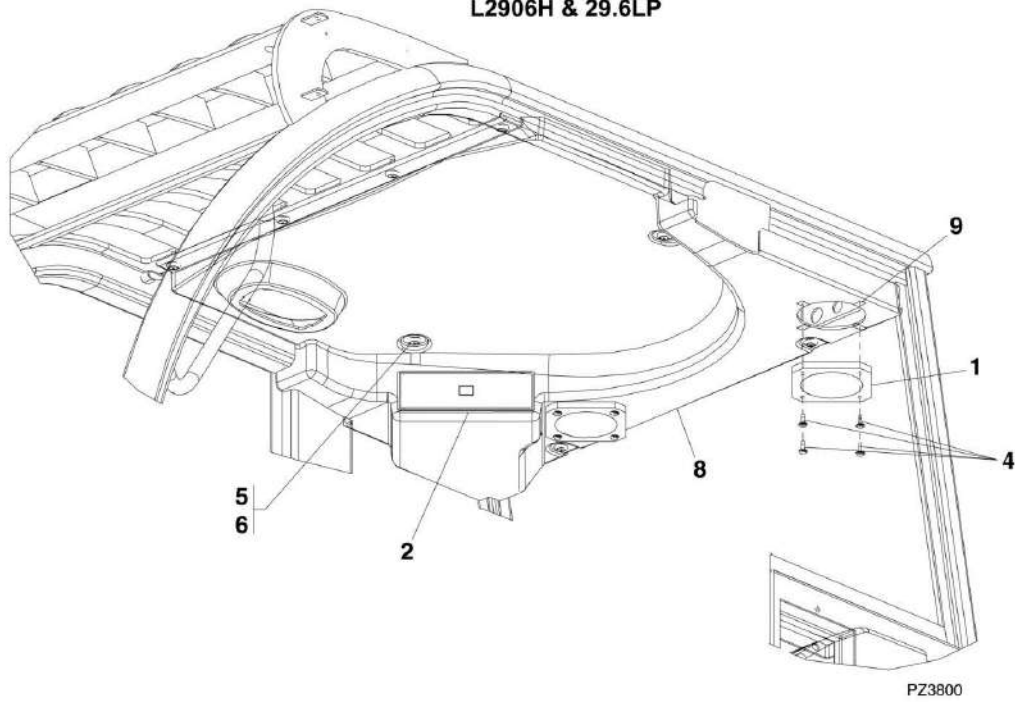


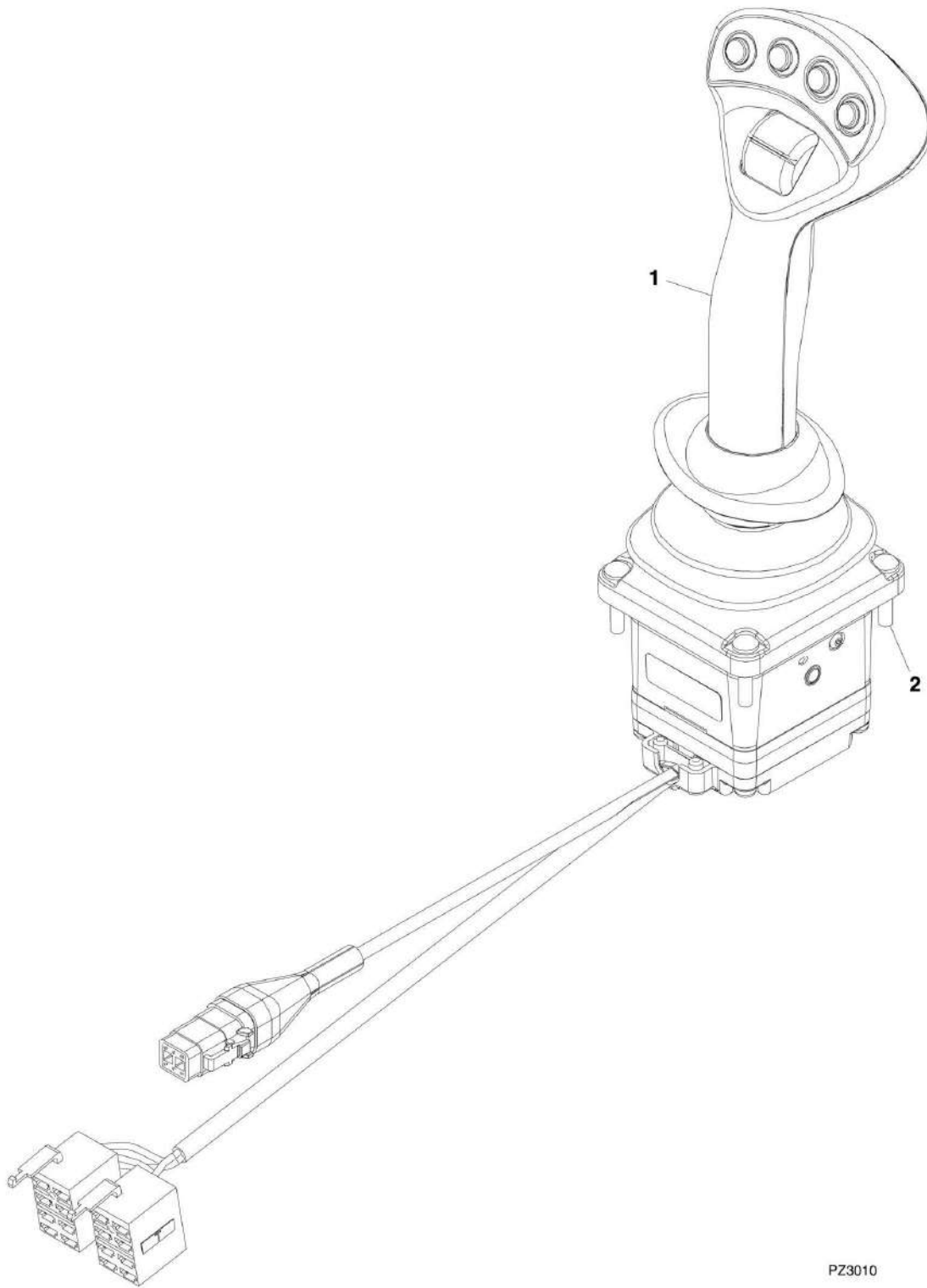
FIGURE 6-15. RADIO PREP INSTALLATION

ITEM	PART NUMBER	QTY	DESCRIPTION	REV
1	1671326	2	SPEAKER COVER	
2	1671327	1	RADIO COVER	
3		Ref	12V POWER SUPPLY TERMINAL, (not shown), (See ELECTRICAL SECTION for Breakdown)	
4	3934378	8	LENS HD CAPSCREW, 4.8X16mm	
5	1001098150	4	WASHER, M6	
6	1001132564	4	SCREW, M6X12	
7		Ref	CAB ROOF HARNESS, (not shown), (See ELECTRICAL SECTION for Breakdown)	
8		Ref	ROOF PANEL COVER, (See INTERIOR INSTALLATION for Breakdown)	
9	3933468	8	STAMPED CLIP	

SECTION 7 - CONTROLS

SECTION 7 - CONTROLS

FIGURE 7-1. JOYSTICK



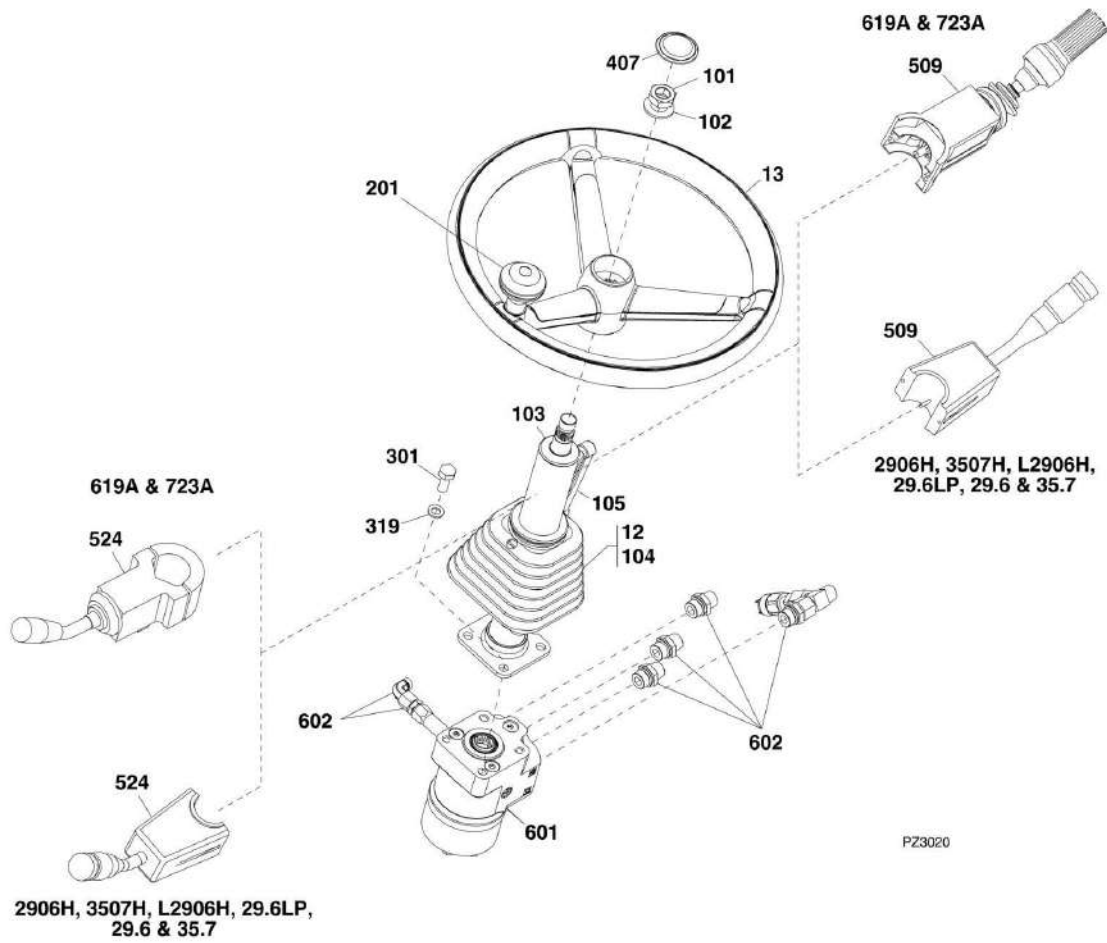
SECTION 7 - CONTROLS

FIGURE 7-1. JOYSTICK

ITEM	PART NUMBER	QTY	DESCRIPTION	REV
1	1001105960	1	JOYSTICK	
2	1001103984	4	MACHINE HD CAPSCREW, M5X25	

SECTION 7 - CONTROLS

FIGURE 7-2. STEERING COLUMN



NOTE: IF 619A & 723A EQUIPPED WITH LIGHT PACKAGE, REMOVE "C" CLAMP ON ITEM 524, THEN ATTACH ITEM 509.

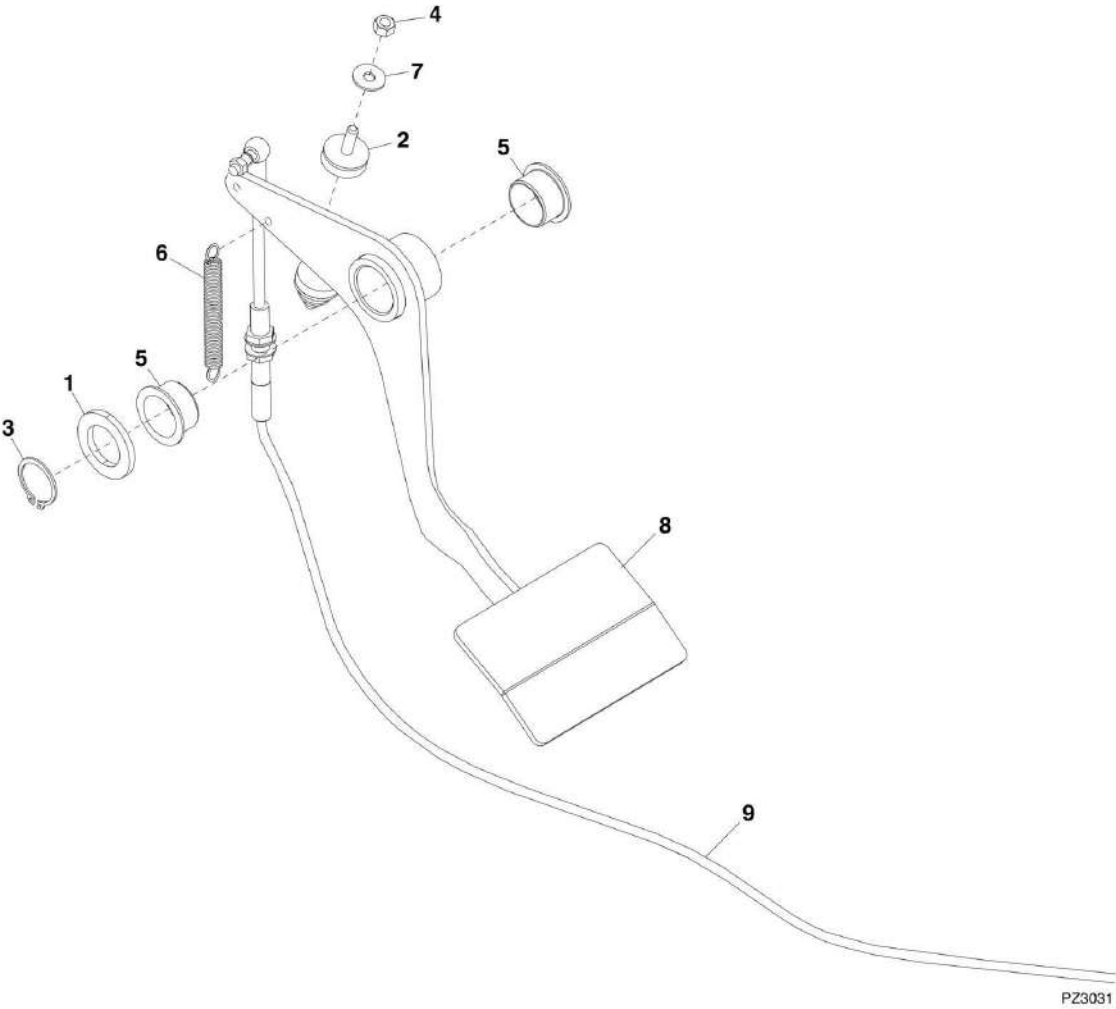
SECTION 7 - CONTROLS

FIGURE 7-2. STEERING COLUMN

ITEM	PART NUMBER	QTY	DESCRIPTION	REV
12	1001112160	1	STEERING COLUMN ASSY, (includes items 101 thru 105)	B
13	1001106366	1	STEERING WHEEL, (includes item 201)	A
101	70020923	1	NUT, M18X1.5, (torque to 35-45 Nm)	
102	70020791	1	FLAT WASHER, 19X34X3mm	
103	70020792	1	RUBBER CAP	
104	70020793	1	BELLOWS	
105	70020794	1	LOCKING HANDLE	
201	70022547	1	STEERING WHEEL KNOB KIT, (includes mounting hardware)	
301	0761012	4	HEX HD CAPSCREW, M10X25, GR8.8	
319	4832000	4	LOCKWASHER, 10mm	
407	1001106434	1	STEERING WHEEL COVER, (L2906H, 2906H, 3507H, 619A & 723A)	
407	1001106435	1	STEERING WHEEL COVER, (29.6LP, 29.6 & 35.7)	
509	4360631	1	TURN/WIPER/HORN SWITCH, (L2906H, 2906H, 3507H, 29.6LP, 29.6 & 35.7)	
509	8223073	1	TURN SIGNAL SELECTOR, (619A & 723A - if equipped)	
524	1001097682	1	F-N-R SWITCH, (L2906H, 2906H, 3507H, 29.6LP, 29.6 & 35.7)	
524	1001104634	1	F-N-R / HORN SWITCH, (619A & 723A)	
601	4641521	1	ORBITAL STEERING VALVE	
602		Ref	STEERING CIRCUIT HYDRAULICS, (See HYDRAULIC CIRCUITS SECTION for Breakdown)	

SECTION 7 - CONTROLS

FIGURE 7-3. THROTTLE ASSEMBLY



P23031

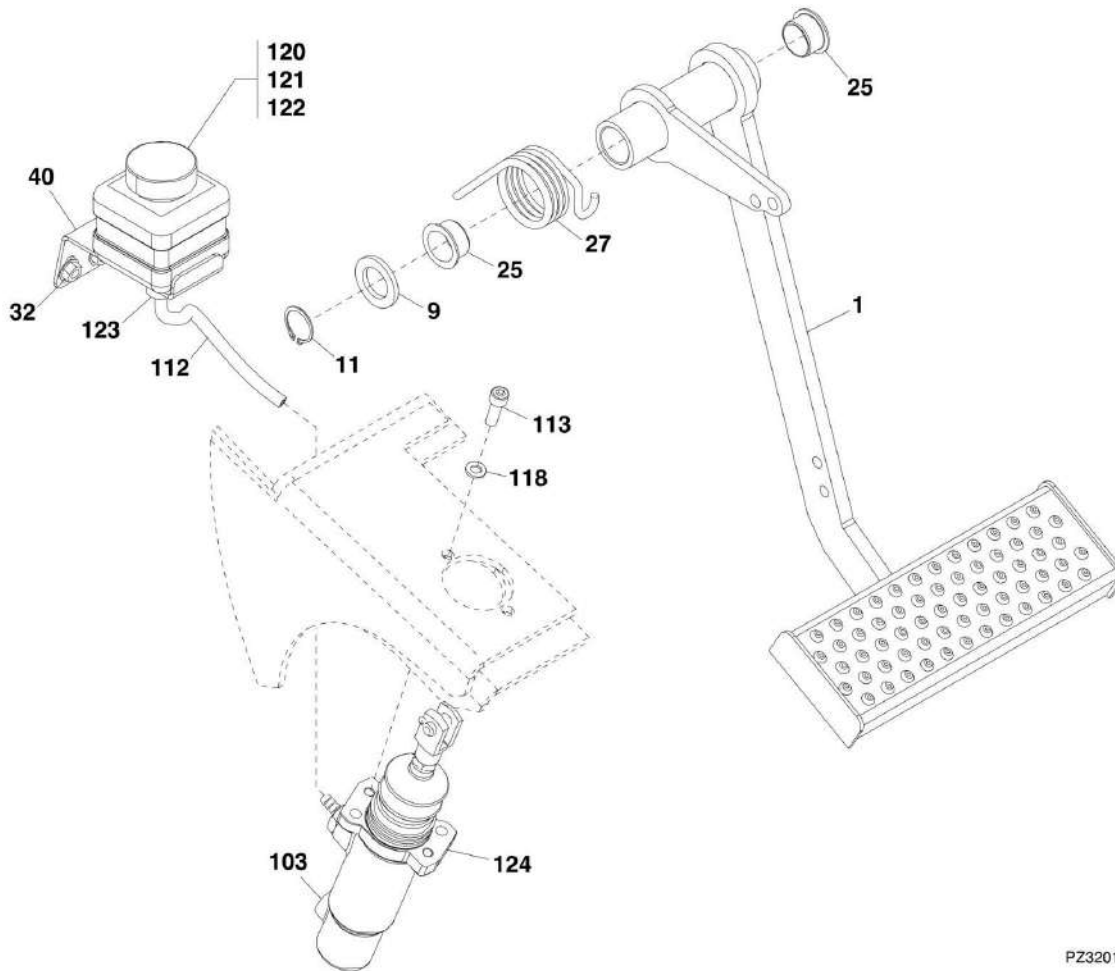
SECTION 7 - CONTROLS

FIGURE 7-3. THROTTLE ASSEMBLY

ITEM	PART NUMBER	QTY	DESCRIPTION	REV
	1001097352	1	THROTTLE ASSY, (includes items 1 thru 9)	C
1	899276	1	WASHER, 25mm	
2	1000331	2	RUBBER STOP	
3	1398443	1	SNAP RING	
4	3290605	2	HEX LOCKNUT, M6X1	
5	3976436	2	BUSHING	
6	4160221	1	SPRING	
7	5211702	2	WASHER, 6mm	
8	1001098540	1	THROTTLE WELDMENT	
9	1001108208	1	THROTTLE CABLE	

SECTION 7 - CONTROLS

FIGURE 7-4. BRAKE PEDAL COMPONENTS



PZ3201

SECTION 7 - CONTROLS

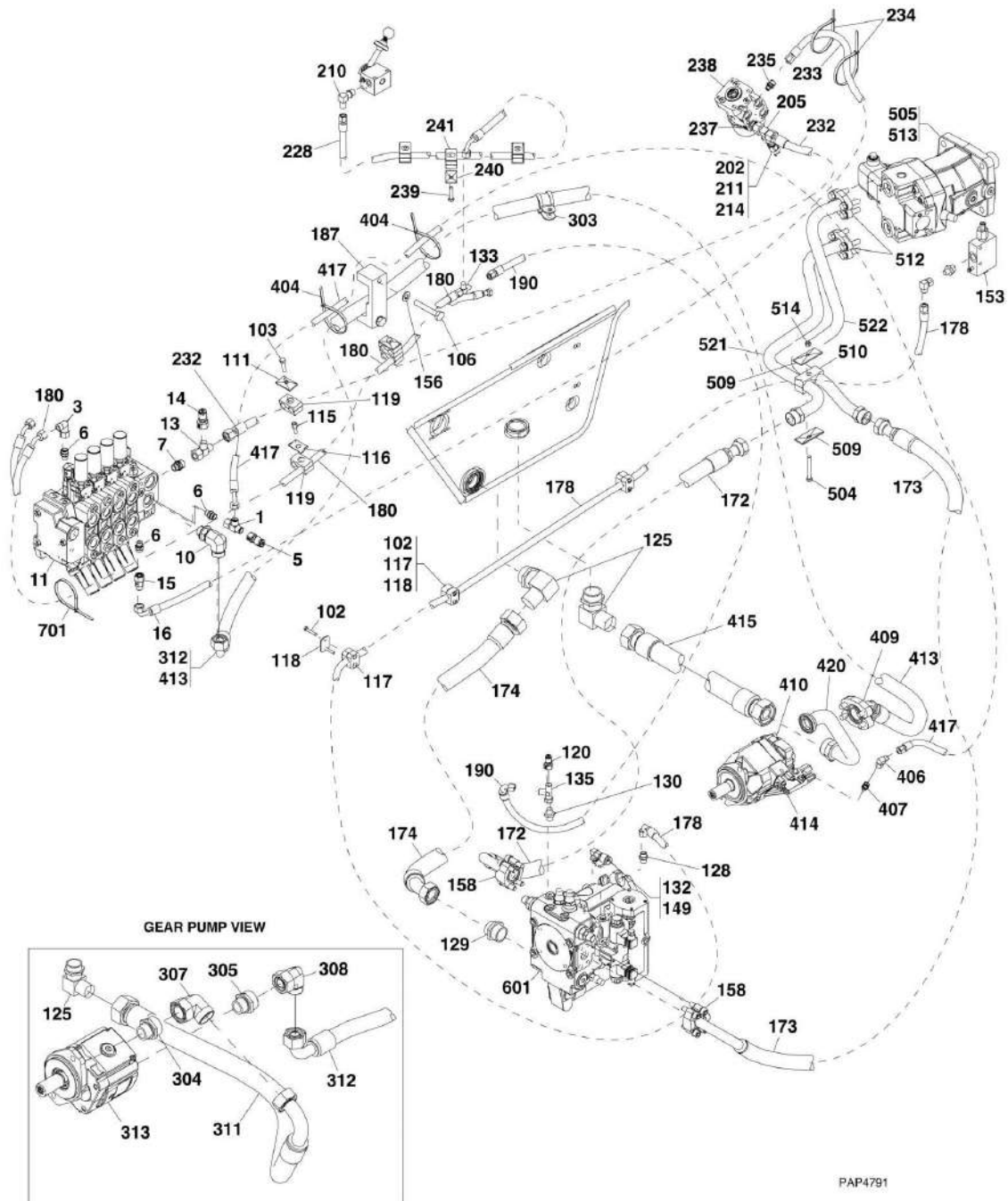
FIGURE 7-4. BRAKE PEDAL COMPONENTS

ITEM	PART NUMBER	QTY	DESCRIPTION	REV
1	0200837	1	BRAKE PEDAL WELDMENT	
9	899276	1	WASHER, 25mm	
11	1398443	1	SNAP RING	
25	3976436	2	BUSHING	
27	4160212	1	RETURN SPRING	
32	5220800	2	RIPP NUT, 8mm	
40	1001097717	1	BRAKE RESERVOIR BRACKET	
103		Ref	BRAKE HYDRAULIC COMPONENTS, (See HYDRAULIC CIRCUITS SECTION for Breakdown)	
112	2754739	1	HOSE ASSY	
113	4031909	2	HEX SOCKET HD CAPSCREW, M8X25	
118	4831900	2	LOCKWASHER, 8mm	
120	8002321	1	BRAKE RESERVOIR	
121	8006515	1	FLUID DECAL, (MIN)	
122	8006516	1	FLUID DECAL, (MAX)	
123	8009974	2	HOSE CLAMP	
124		Ref	SERVICE BRAKE VALVE, (See HYDRAULIC COMPONENTS SECTION for Breakdown)	

SECTION 8 - HYDRAULIC CIRCUITS

SECTION 8 - HYDRAULIC CIRCUITS

FIGURE 8-1. SUPPLY CIRCUIT



SECTION 8 - HYDRAULIC CIRCUITS

FIGURE 8-1. SUPPLY CIRCUIT

ITEM	PART NUMBER	QTY	DESCRIPTION	REV
1	2142204	1	TEE FITTING, (if equipped with piston pump)	
3	2143404	1	ELBOW, 90	
5	2144104	2	TEST PORT	
6	2144803	4	STRAIGHT FITTING	
7	2144806	1	FITTING	
10	2221293	1	ELBOW, 90	
11		Ref	MAIN CONTROL VALVE, (See HYDRAULIC COMPONENTS SECTION for Breakdown)	
13	2142205	1	TEE FITTING	
14	2144105	1	TEST PORT	
15	2144904	1	STRAIGHT FITTING	
16	1001114927	1	HOSE ASSY	
102	0700615	6	HEX HD CAPSCREW, M6X35, GR8.8	
103	0700815	2	HEX HD CAPSCREW, M8X35, GR8.8 (Prior to SN 1160005777)	
106	0701021	2	HEX HD CAPSCREW, M10X65, GR8.8	
111	874960	2	COVER PLATE (Prior to SN 1160005777)	
115	1321133	2	STACKING BOLT (Prior to SN 1160005777)	
116	1321134	2	CLAMP (Prior to SN 1160005777)	
117	1321141	3	CLAMP SET	
118	1321675	3	CLAMP TOP PLATE	
119	1321748	2	CLAMP SET (Prior to SN 1160005777)	
120	1616551	1	TEST PORT	
125	2140423	2	ELBOW, 90	
128	2140803	1	STRAIGHT FITTING	
129	2140812	1	STRAIGHT FITTING	
130	2140826	2	STRAIGHT FITTING	
132	2141102	1	ELBOW, 90	
133	2141908	1	UNION TEE	
135	2142203	1	TEE FITTING	
149	2988632	1	TEST PORT	
153		Ref	BRAKE VALVE, (See HYDRAULIC COMPONENTS SECTION for Breakdown)	
156	4812000	2	WASHER, 10mm	
158	1001093076	2	FLANGE KIT, (includes mounting hardware and o-ring)	
172	1001099485	NLA	HOSE ASSY, (no longer available, use 1001094467 for replacement)	
172	1001094467	1	HOSE ASSY	
173	1001099486	1	HOSE ASSY	
174	2754250	1	HOSE ASSY	
178	1001099590	1	HOSE ASSY	
180	1001099702	1	HOSE ASSY (Prior to SN 1160005777)	
180		Ref	TWIN HOSE ASSY, (See DUMP CIRCUIT for Breakdown) (SN 1160005777 to Present)	
187	1001101224	1	CLAMP	
190	2754257	NLA	HOSE ASSY, (2906H & 619A), (no longer available, use 1001115630 for replacement)	
190	1001115630	1	HOSE ASSY, (2906H & 619A)	
190	1001102175	1	HOSE ASSY, (3507H, 723A & 35.7)	
202	1074306	1	O-RING	
205	2142205	1	TEE FITTING	
210	2143005	1	ELBOW, 90	

SECTION 8 - HYDRAULIC CIRCUITS

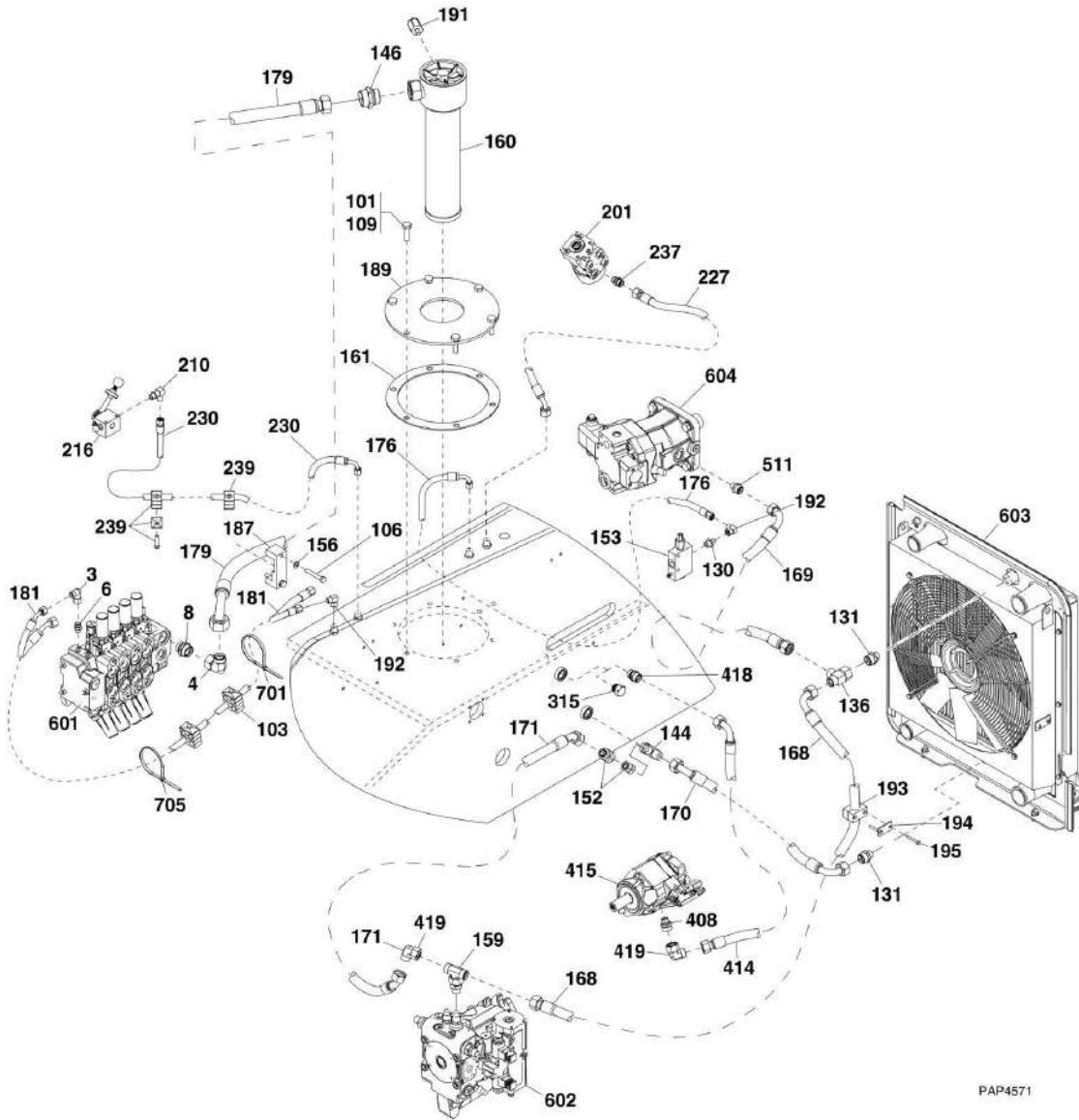
ITEM	PART NUMBER	QTY	DESCRIPTION	REV
211	1001107492	1	STRAIGHT FITTING	
214	4360585	1	PRESSURE SWITCH	
228	1001099594	1	HOSE ASSY	
232	1001099851	1	HOSE ASSY	
233	1001114926	1	HOSE ASSY	
234	1062255	2	TIE STRAP	
235	2144802	1	STRAIGHT FITTING	
237	2144806	1	FITTING	
238		Ref	ORBITAL STEERING VALVE, (See CONTROLS SECTION for Breakdown)	
239	0760815	2	HEX HD CAPSCREW, M8X35, GR8.8	
240	874960	2	CLAMP PLATE	
241	2912085	2	CLAMP SET	
303	816186	1	CLAMP	
304	2142741	1	STRAIGHT FITTING, (if equipped with gear pump)	
305	2142750	1	STRAIGHT FITTING, (if equipped with gear pump)	
307	2143409	1	ELBOW, 90, (if equipped with gear pump)	
308	2143418	1	ELBOW, 90, (if equipped with gear pump)	
311	1001099488	1	HOSE ASSY, (if equipped with gear pump)	
312	1001100470	1	HOSE ASSY, (L2906H, 2906H, 619A, 29.6LP & 29.6), (if equipped with gear pump)	
312	1001102206	1	HOSE ASSY, (3507H, 723A & 35.7), (if equipped with gear pump)	
313		Ref	GEAR PUMP, (See HYDRAULIC COMPONENTS SECTION for Breakdown), (if equipped with gear pump)	
404	1062255	2	TIE STRAP, (if equipped with piston pump)	
406	2143403	1	ELBOW, 90, (if equipped with piston pump)	
407	2144802	1	STRAIGHT FITTING, (if equipped with piston pump)	
409	2171816	1	FLANGE KIT, (includes mounting hardware and o-ring), (if equipped with piston pump)	
410	2171824	1	FLANGE KIT, (includes mounting hardware and o-ring), (if equipped with piston pump)	
413	1001103681	1	HOSE ASSY, (L2906H, 2906H, 619A, 29.6LP & 29.6), (if equipped with piston pump)	
413	1001106712	1	HOSE ASSY, (3507H, 723A & 35.7), (if equipped with piston pump)	
414		Ref	PISTON PUMP, (See HYDRAULIC COMPONENTS SECTION for Breakdown), (if equipped with piston pump)	
415	1001158450	Ref	HOSE ASSY, (if equipped with piston pump)	
417	1001105714	1	HOSE ASSY, (L2906H, 2906H, 619A, 29.6LP & 29.6), (if equipped with piston pump)	
417	1001103729	1	HOSE ASSY, (3507H, 723A & 35.7), (if equipped with piston pump)	
420	1001109726	NLA	PIPE, (if equipped with piston pump), (no longer available, use 1001158451 for replacement)	
420	1001158451	1	PIPE, (if equipped with piston pump)	
504	0700822	1	HEX HD CAPSCREW, M8X70, GR8.8	
505		Ref	HYDRAULIC MOTOR MOUNTING HARDWARE, (See HYDRAULIC COMPONENTS SECTION for Breakdown)	
509	1321143	2	COVER PLATE	
510	1321320	1	CLAMP	
512	2171716	2	FLANGE KIT, (includes mounting hardware and o-ring)	
513		Ref	HYDRAULIC DRIVE MOTOR, (See HYDRAULIC COMPONENTS SECTION for Breakdown)	
514	3290805	1	HEX LOCKNUT, M8X1.25	
521	1001101814	1	HOSE ASSY, (L2906H, 2906H, 619A, 29.6LP & 29.6)	
521	1001102226	1	HOSE ASSY, (3507H, 723A & 35.7)	

SECTION 8 - HYDRAULIC CIRCUITS

ITEM	PART NUMBER	QTY	DESCRIPTION	REV
522	1001101815	1	HOSE ASSY, (L2906H, 2906H, 619A, 29.6LP & 29.6)	
522	1001102227	1	HOSE ASSY, (3507H, 723A & 35.7)	
601		Ref	HYDROSTATIC TRANSMISSION, (See HYDRAULIC COMPONENTS SECTION for Breakdown)	
701		Ref	TIE STRAP, (See DUMP CIRCUIT for Breakdown) (SN 1160005777 to Present)	

SECTION 8 - HYDRAULIC CIRCUITS

FIGURE 8-2. DUMP CIRCUIT



PAP4571

SECTION 8 - HYDRAULIC CIRCUITS

FIGURE 8-2. DUMP CIRCUIT

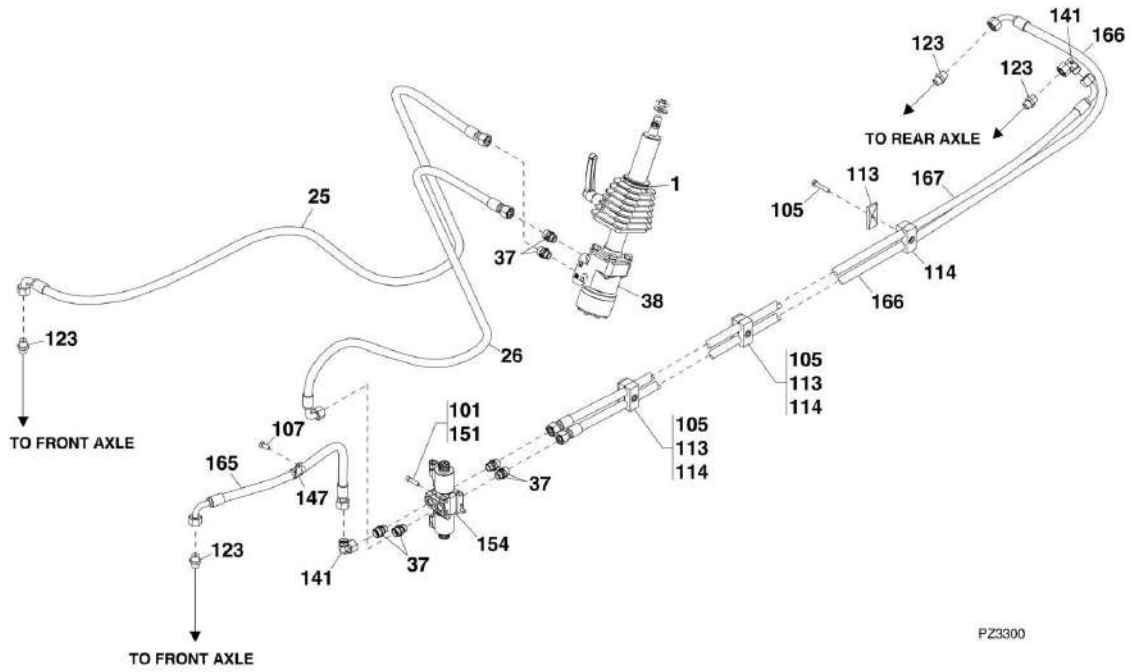
ITEM	PART NUMBER	QTY	DESCRIPTION	REV
3	2143404	1	ELBOW, 90	
4	2143408	1	ELBOW, 90	
6	2144803	1	STRAIGHT FITTING	
8	2144814	1	STRAIGHT FITTING	
101	1001095650	AR	LOCTITE 243	
103		Ref	CLAMP SET, (See SUPPLY CIRCUIT for Breakdown)	
106		Ref	HEX HD CAPSCREW, M10X65, GR8.8, (See SUPPLY CIRCUIT for Breakdown)	
109	0761015	6	HEX HD CAPSCREW, M10X35, GR8.8	
130	2140826	1	STRAIGHT FITTING	
131	2140827	2	STRAIGHT FITTING	
136	2142207	1	TEE FITTING	
144	2143607	1	SWIVEL UNION	
146	2144814	1	STRAIGHT FITTING	
152	4641389	1	CHECK VALVE	
153		Ref	BRAKE VALVE, (See HYDRAULIC COMPONENTS SECTION for Breakdown)	
156		Ref	WASHER, 10mm, (See SUPPLY CIRCUIT for Breakdown)	
159	1001094414	1	TEE FITTING	
160	1001097732	1	FILTER	
161	1001097768	1	SEAL	
168	1001099444	1	HOSE ASSY	
169	1001099446	1	HOSE ASSY, (L2906H, 2906H, 619A, 29.6LP & 29.6)	
169	1001102173	1	HOSE ASSY, (3507H, 723A & 35.7)	
170	1001099453	1	HOSE ASSY	
171	1001099455	NLA	HOSE ASSY, (no longer available, use 2754253 for replacement)	
171	2754253	1	HOSE ASSY	
176	1001099588	1	HOSE ASSY, (L2906H, 2906H, 619A, 29.6LP & 29.6)	
176	1001102135	1	HOSE ASSY, (3507H, 723A & 35.7)	
179	1001099677	1	HOSE ASSY, (L2906H, 2906H, 619A, 29.6LP & 29.6)	
179	1001102179	1	HOSE ASSY, (3507H, 723A & 35.7)	
181	1001099716	1	HOSE ASSY, (L2906H, 2906H, 619A, 29.6LP & 29.6) (Prior to SN 1160005777)	
181	1001114377	1	TWIN-LINE HOSE ASSY, (L2906H, 2906H, 619A, 29.6LP & 29.6) (SN 1160005777 to Present)	
181	1001102192	1	HOSE ASSY, (3507H, 723A & 35.7) (Prior to SN 1160005777)	
181	1001114376	1	TWIN-LINE HOSE ASSY, (3507H, 723A & 35.7) (SN 1160005777 to Present)	
187		Ref	CLAMP, (See SUPPLY CIRCUIT for Breakdown)	
189	1001101543	1	FLANGE, TANK FILTER	
191	1001112605	1	PRESSURE SWITCH	
192	2143403	2	ELBOW, 90	
193	1321372	1	CLAMP	
194	3576203	1	COVER PLATE	
195	0700617	2	HEX HD CAPSCREW, M6X45, GR8.8	
201		Ref	STEERING COLUMN AND HARDWARE, (See CONTROLS SECTION for Breakdown)	
210	2143005	1	ELBOW, 90	
216		Ref	PARK BRAKE, (See HYDRAULIC COMPONENTS SECTION for Breakdown)	
227	1001107422	1	HOSE ASSY, (L2906H & 29.6LP)	

SECTION 8 - HYDRAULIC CIRCUITS

ITEM	PART NUMBER	QTY	DESCRIPTION	REV
227	1001099593	1	HOSE ASSY, (2906H, 3507H, 619A, 723A, 29.6 & 35.7)	
230	1001099596	1	HOSE ASSY	
237	2144806	1	FITTING	
238		Ref	ORBITAL STEERING VALVE, (See CONTROLS SECTION for Breakdown)	
239		Ref	CLAMP AND HARDWARE, (See SUPPLY CIRCUIT for Breakdown)	
315	2171927	1	PLUG, (if equipped with gear pump)	
408	2144810	1	STRAIGHT FITTING, (if equipped with piston pump)	
414	1001105713	1	HOSE ASSY, (if equipped with piston pump)	
415		Ref	PISTON PUMP, (See HYDRAULIC COMPONENTS SECTION for Breakdown)	
415		Ref	GEAR PUMP, (See HYDRAULIC COMPONENTS SECTION for Breakdown)	
418	2140210	1	STRAIGHT FITTING, (if equipped with piston pump)	
419	2143407	1	ELBOW, 90, (if equipped with piston pump)	
511	2140829	1	STRAIGHT FITTING, (L2906H, 2906H, 619A, 29.6LP & 29.6)	
511	2140810	1	STRAIGHT FITTING, (3507H, 723A & 35.7)	
601		Ref	MAIN CONTROL VALVE, (See HYDRAULIC COMPONENTS SECTION for Breakdown)	
602		Ref	HYDROSTATIC TRANSMISSION, (See HYDRAULIC COMPONENTS SECTION for Breakdown)	
603		Ref	RADIATOR ASSY, (See ENGINE AND ATTACHING PARTS SECTION for Breakdown)	
604		Ref	HYDRAULIC DRIVE MOTOR, (See HYDRAULIC COMPONENTS SECTION for Breakdown)	
705	1062255	2	TIE STRAP (SN 1160005777 to Present)	

SECTION 8 - HYDRAULIC CIRCUITS

FIGURE 8-3. ORBITAL STEERING AND STEERING SELECT CIRCUIT



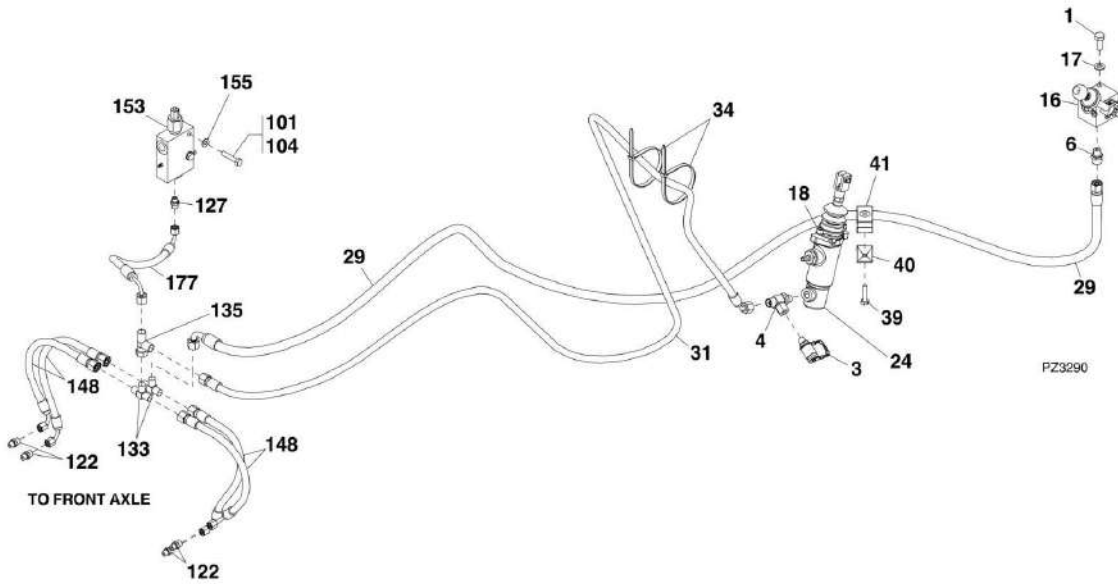
SECTION 8 - HYDRAULIC CIRCUITS

FIGURE 8-3. ORBITAL STEERING AND STEERING SELECT CIRCUIT

ITEM	PART NUMBER	QTY	DESCRIPTION	REV
1		Ref	STEERING COLUMN AND MOUNTING HARDWARE, (See CONTROLS SECTION for Breakdown)	
25	1001099591	1	HOSE ASSY	
26	1001099592	1	HOSE ASSY	
37	2144806	6	FITTING	
38		Ref	ORBITAL STEERING VALVE, (See CONTROLS SECTION for Breakdown)	
101	1001095650	AR	LOCTITE 243	
105	0700817	3	HEX HD CAPSCREW, M8X45, GR8.8	
107	0760810	1	HEX HD CAPSCREW, M8X20, GR8.8	
113	1309435	3	COVER PLATE	
114	1321086	3	CLAMP	
123	2140208	4	FITTING	
141	2143405	2	ELBOW, 90	
147	2443576	1	HOSE CLAMP	
151	4031910	2	HEX SOCKET HD CAPSCREW, M8X30	
154		Ref	STEERING SELECT VALVE, (See HYDRAULIC COMPONENTS SECTION for Breakdown)	
165	1001098637	1	HOSE ASSY, (L2906H, 2906H, 619A, 29.6LP & 29.6)	
165	1001098725	1	HOSE ASSY, (3507H, 723A & 35.7)	
166	1001098645	1	HOSE ASSY, (L2906H, 2906H, 619A, 29.6LP & 29.6)	
166	1001098706	1	HOSE ASSY, (3507H, 723A & 35.7)	
167	1001098650	1	HOSE ASSY, (L2906H, 2906H, 619A, 29.6LP & 29.6)	
167	1001098707	1	HOSE ASSY, (3507H, 723A & 35.7)	

SECTION 8 - HYDRAULIC CIRCUITS

FIGURE 8-4. SERVICE AND PARK BRAKE CIRCUIT



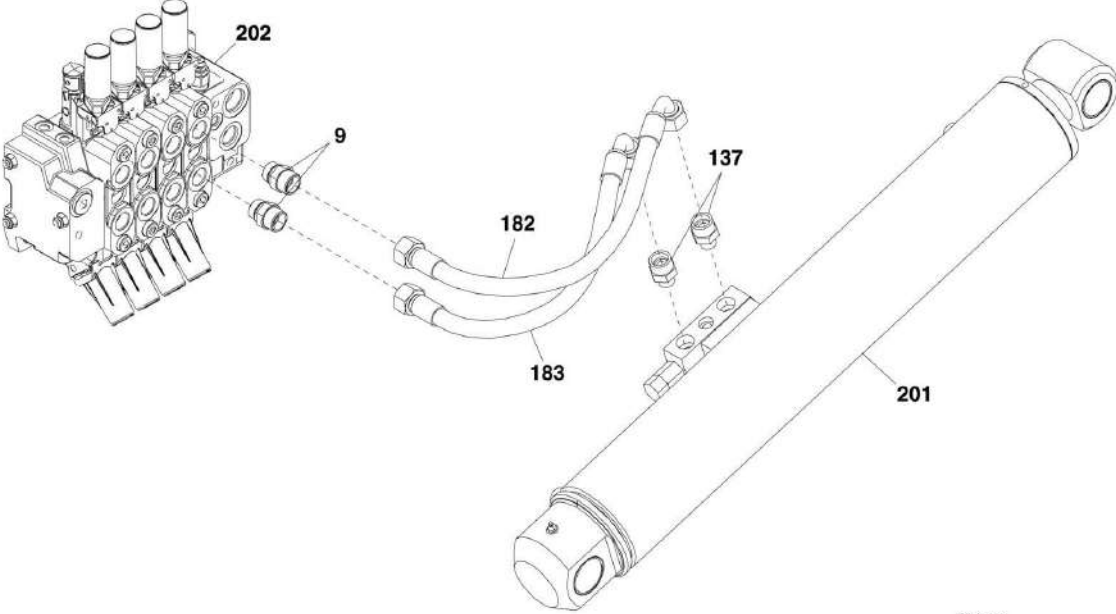
SECTION 8 - HYDRAULIC CIRCUITS

FIGURE 8-4. SERVICE AND PARK BRAKE CIRCUIT

ITEM	PART NUMBER	QTY	DESCRIPTION	REV
1	0761012	2	HEX HD CAPSCREW, M10X25, GR8.8	
3	1616551	1	TEST PORT	
4	2141303	1	TEE FITTING	
6	2142708	1	STRAIGHT FITTING	
16		Ref	PARK BRAKE, (See HYDRAULIC COMPONENTS SECTION for Breakdown)	
17	4812000	2	WASHER, 10mm	
18		Ref	SERVICE BRAKE MOUNTING HARDWARE, (See CONTROLS SECTION for Breakdown)	
24		Ref	SERVICE BRAKE VALVE, (See HYDRAULIC COMPONENTS SECTION for Breakdown)	
29	1001099595	1	HOSE ASSY	
31	1001099597	1	HOSE ASSY	
34		Ref	TIE STRAP, (See ORBITAL STEERING AND STEERING SELECT CIRCUIT for Breakdown)	
39	0760815	1	HEX HD CAPSCREW, M8X35, GR8.8	
40	874960	1	COVER PLATE	
41	2912085	1	CLAMP SET	
101	1001095650	AR	LOCTITE 243	
104	0700816	2	HEX HD CAPSCREW, M8X40, GR8.8	
122	2140204	4	FITTING	
127	2140801	1	FITTING	
133	2141908	2	UNION TEE	
135	2142203	1	TEE FITTING	
148	2754319	4	HOSE ASSY	
153		Ref	BRAKE VALVE, (See HYDRAULIC COMPONENTS SECTION for Breakdown)	
155	4811900	4	WASHER, 8mm	
177	1001099589	1	HOSE ASSY	

SECTION 8 - HYDRAULIC CIRCUITS

FIGURE 8-5. LIFT CYLINDER CIRCUIT



PZ3250

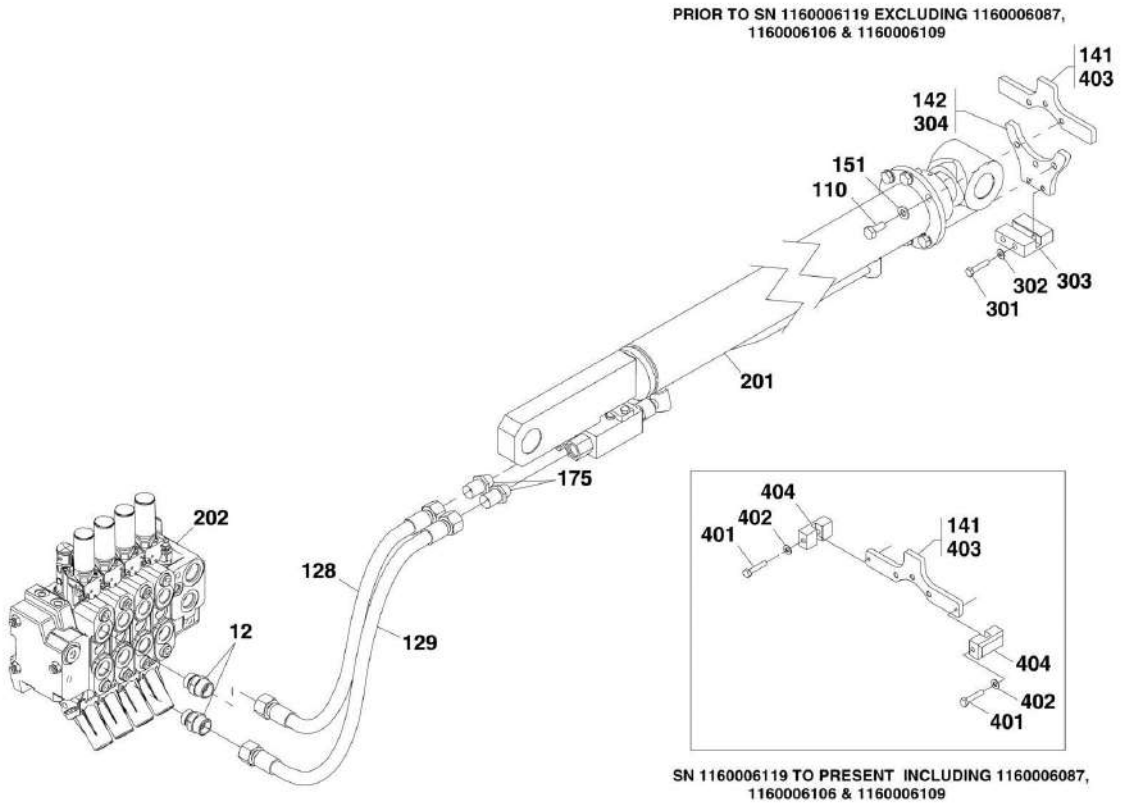
SECTION 8 - HYDRAULIC CIRCUITS

FIGURE 8-5. LIFT CYLINDER CIRCUIT

ITEM	PART NUMBER	QTY	DESCRIPTION	REV
9	2144826	2	STRAIGHT FITTING	
137	2142740	2	STRAIGHT FITTING	
182	1001099724	1	HOSE ASSY, (L2906H, 2906H, 619A, 29.6LP & 29.6)	
182	2754083	1	HOSE ASSY, (3507H, 723A & 35.7)	
183	1001099725	1	HOSE ASSY, (L2906H, 2906H, 619A, 29.6LP & 29.6)	
183	2754084	1	HOSE ASSY, (3507H, 723A & 35.7)	
201		Ref	LIFT CYLINDER, (See HYDRAULIC COMPONENTS SECTION for Breakdown)	
202		Ref	MAIN CONTROL VALVE, (See HYDRAULIC COMPONENTS SECTION for Breakdown)	

SECTION 8 - HYDRAULIC CIRCUITS

FIGURE 8-6. EXTEND/RETRACT CYLINDER CIRCUIT



PAP25070

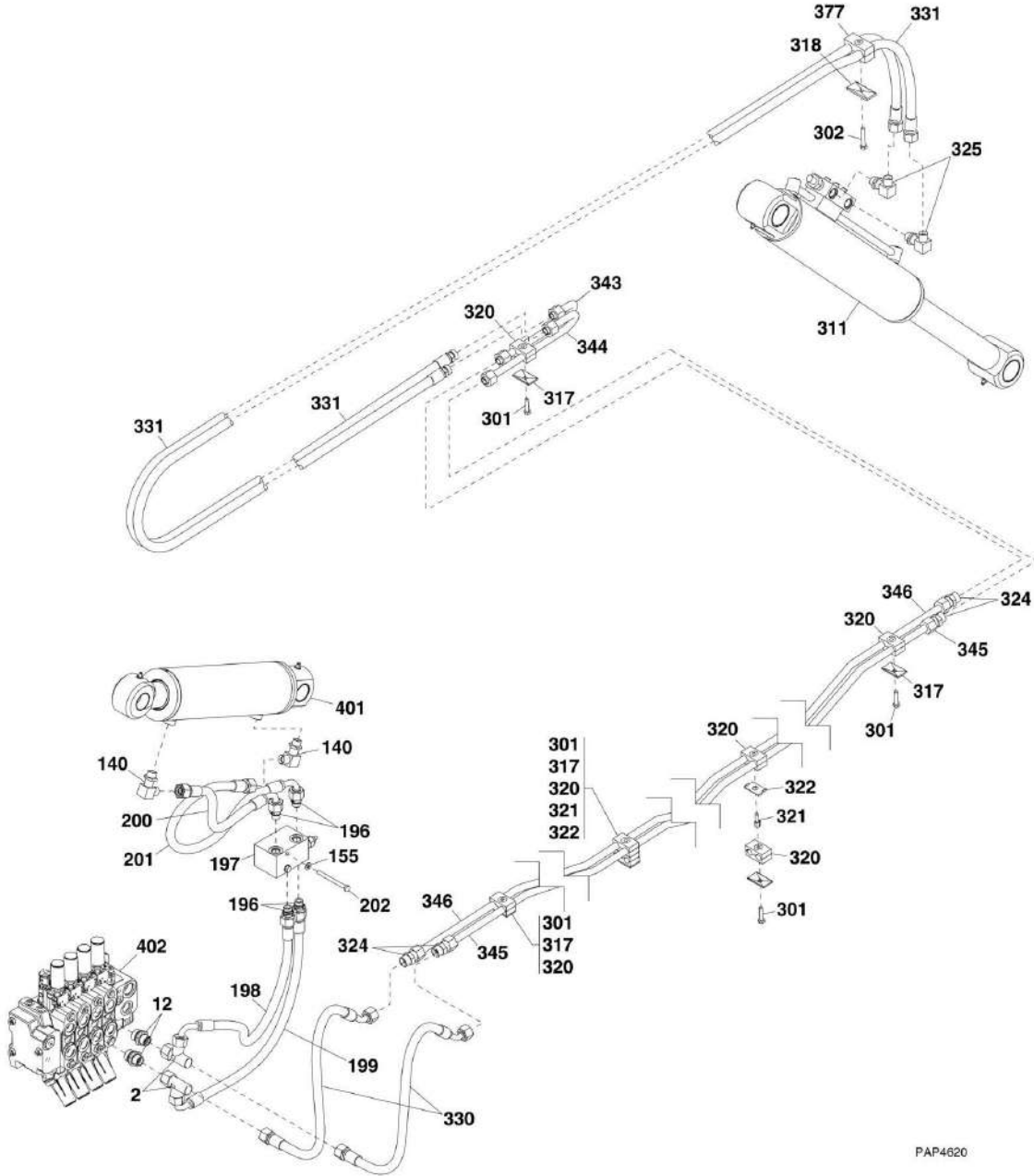
SECTION 8 - HYDRAULIC CIRCUITS

FIGURE 8-6. EXTEND/RETRACT CYLINDER CIRCUIT

ITEM	PART NUMBER	QTY	DESCRIPTION	REV
12	1001101407	2	STRAIGHT FITTING	
110	0761012	6	HEX HD CAPSCREW, M10X25, GR8.8	
128	1001099742	1	HOSE ASSY, (L2906H, 2906H, 619A, 29.6LP & 29.6)	
128	1001100003	1	HOSE ASSY, (3507H, 723A & 35.7)	
129	1001099743	1	HOSE ASSY, (L2906H, 2906H, 619A, 29.6LP & 29.6)	
129	1001100004	1	HOSE ASSY, (3507H, 723A & 35.7)	
141	4340826	1	BRACKET, (L2906H, 2906H, 619A, 29.6LP & 29.6)	
141	4340828	1	BRACKET, (3507H, 723A & 35.7) (Prior to SN 1160006119, Excluding 1160006087, 1160006106 and 1160006109)	
141	1001129527	1	BRACKET, (3507H, 723A & 35.7), (includes items 401 thru 404) (SN 1160006119 to Present, Including 1160006087, 1160006106 and 1160006109)	
142	1001120262	1	EXTEND/RETRACT CYLINDER BRACKET ASSY, (L2906H, 2906H, 619A, 29.6LP & 29.6), (includes items 301 thru 304)	A
142	1001117644	1	EXTEND/RETRACT CYLINDER BRACKET ASSY, (3507H, 723A & 35.7), (includes items 301 thru 304)	B
151	4812000	6	WASHER, 10mm	
175	2142733	2	STRAIGHT FITTING	
201		Ref	EXTEND/RETRACT CYLINDER, (See HYDRAULIC COMPONENTS SECTION for Breakdown)	
202		Ref	MAIN CONTROL VALVE, (See HYDRAULIC COMPONENTS SECTION for Breakdown)	
301	0700815	2	HEX HD CAPSCREW, 8X35mm, GR8.8, (L2906H, 2906H, 619A, 29.6LP & 29.6)	
301	0700815	2	HEX HD CAPSCREW, 8X40mm, GR8.8, (3507H, 723A & 35.7)	
302	4811900	2	WASHER, 8mm	
303	1001117511	1	EXTEND/RETRACT CYLINDER BOTTOM PAD	
304	1001120263	1	EXTEND/RETRACT CYLINDER BOTTOM MOUNT, (L2906H, 2906H, 619A, 29.6LP & 29.6)	
304	1001117510	1	EXTEND/RETRACT CYLINDER BOTTOM MOUNT, (3507H, 723A & 35.7)	
401	0700816	2	HEX HD CAPSCREW, M8x40, GR8.8	
402	4811902	2	WASHER, 8mm	
403	1001129528	1	BRACKET	
404	1001129529	2	TOP PAD	

SECTION 8 - HYDRAULIC CIRCUITS

FIGURE 8-7. TILT AND TILT COMPENSATION CYLINDER CIRCUIT



PAP4620

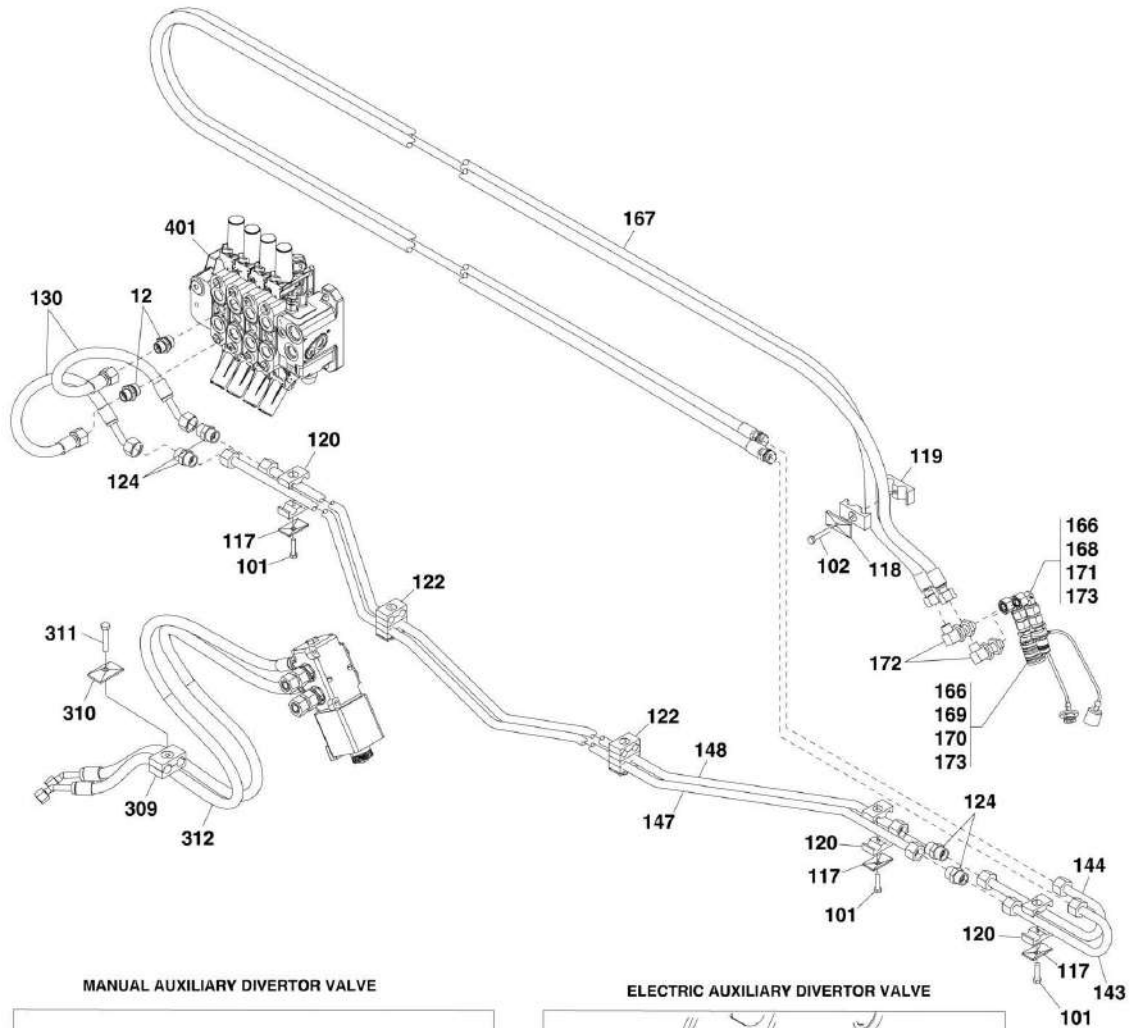
SECTION 8 - HYDRAULIC CIRCUITS

FIGURE 8-7. TILT AND TILT COMPENSATION CYLINDER CIRCUIT

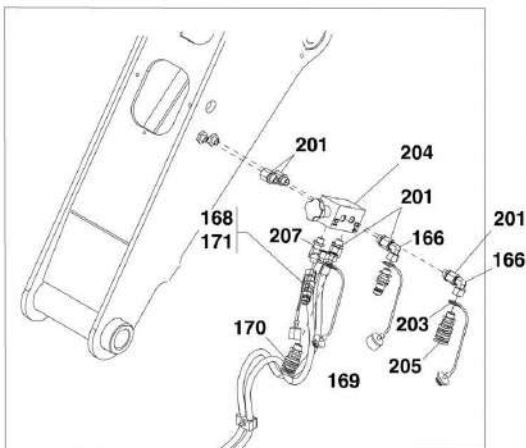
ITEM	PART NUMBER	QTY	DESCRIPTION	REV
2	2142216	2	TEE FITTING	
12	1001101407	2	STRAIGHT FITTING	
140	2143017	2	ELBOW, 90	
155	4811900	2	WASHER, 8mm	
196	2144822	4	STRAIGHT FITTING	
197	1001108529	1	ANTI-KICK VALVE	
198	1001108606	1	HOSE ASSY, (L2906H, 2906H, 619A, 29.6LP & 29.6)	
198	1001108554	1	HOSE ASSY, (3507H, 723A & 35.7)	
199	1001108607	1	HOSE ASSY, (L2906H, 2906H, 619A, 29.6LP & 29.6)	
199	1001108556	1	HOSE ASSY, (3507H, 723A & 35.7)	
200	1001108608	1	HOSE ASSY, (L2906H, 2906H, 619A, 29.6LP & 29.6)	
200	1001108555	1	HOSE ASSY, (3507H, 723A & 35.7)	
201	1001108609	1	HOSE ASSY, (L2906H, 2906H, 619A, 29.6LP & 29.6)	
201	1001108557	1	HOSE ASSY, (3507H, 723A & 35.7)	
202	0700826	2	HEX HD CAPSCREW, M8X90, GR8.8	
301	0700815	5	HEX HD CAPSCREW, M8X35, GR8.8	
302	0700818	1	HEX HD CAPSCREW, M8X50, GR8.8	
311		Ref	TILT CYLINDER, (See HYDRAULIC COMPONENTS SECTION for Breakdown)	
317	874960	5	COVER PLATE	
318	1309435	1	COVER PLATE	
320	1321128	7	CLAMP	
321	1321133	2	STACKING BOLT	
322	1321134	2	CLAMP	
324	2141621	4	FITTING	
325	2143017	2	ELBOW, 90	
330	1001099737	2	HOSE ASSY, (L2906H, 2906H, 619A, 29.6LP & 29.6)	
330	1001099999	2	HOSE ASSY, (3507H, 723A & 35.7)	
331	1001111491	1	TWIN HOSE ASSY (L2906H, 2906H, 619A, 29.6LP & 29.6)	
331	1001111490	1	TWIN HOSE ASSY, (3507H, 723A & 35.7)	
343	4569029	1	TUBE ASSY	
344	4569042	1	TUBE ASSY	
345	4569047	1	TUBE ASSY, (L2906H, 2906H, 619A, 29.6LP & 29.6)	
345	4568870	1	TUBE ASSY, (3507H, 723A & 35.7)	
346	4569053	1	TUBE ASSY, (L2906H, 2906H, 619A, 29.6LP & 29.6)	
346	4569036	1	TUBE ASSY, (3507H, 723A & 35.7)	
377	1321086	1	CLAMP	
401		Ref	TILT COMPENSATION CYLINDER, (See HYDRAULIC COMPONENTS SECTION for Breakdown)	
402		Ref	MAIN CONTROL VALVE, (See HYDRAULIC COMPONENTS SECTION for Breakdown)	

SECTION 8 - HYDRAULIC CIRCUITS

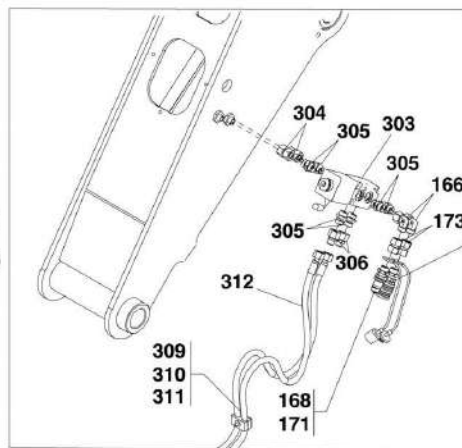
FIGURE 8-8. AUXILIARY HYDRAULIC CIRCUIT



MANUAL AUXILIARY DIVERTOR VALVE



ELECTRIC AUXILIARY DIVERTOR VALVE



PAP4410

SECTION 8 - HYDRAULIC CIRCUITS

FIGURE 8-8. AUXILIARY HYDRAULIC CIRCUIT

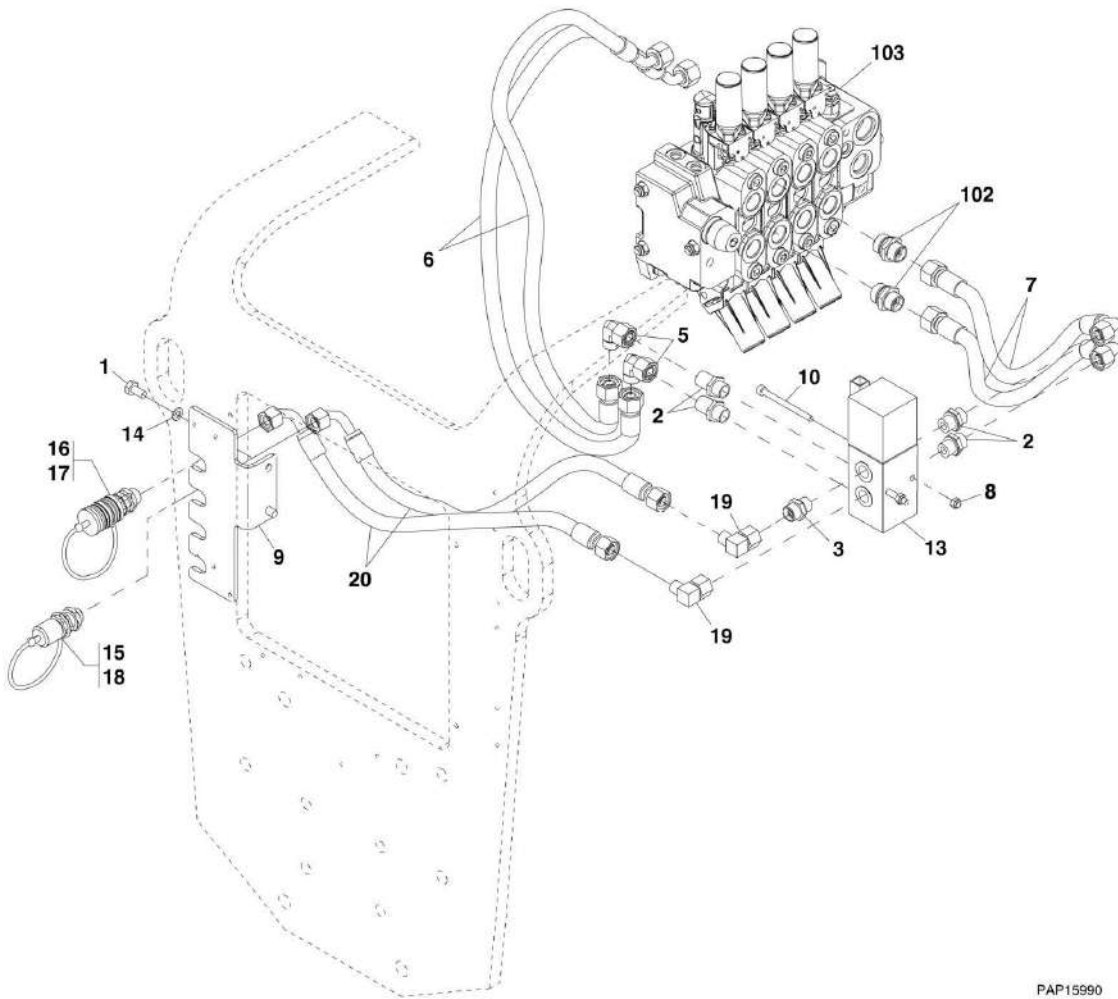
ITEM	PART NUMBER	QTY	DESCRIPTION	REV
12	1001101407	2	STRAIGHT FITTING	
101	0700815	3	HEX HD CAPSCREW, M8X35, GR8.8	
102	0700818	1	HEX HD CAPSCREW, M8X50, GR8.8	
117	874960	3	COVER PLATE	
118	1309435	1	COVER PLATE	
119	1317515	1	CLAMP	
120	1321128	3	CLAMP	
122		Ref	CLAMP AND HARDWARE, (See TILT AND TILT COMPENSATION CYLINDER CIRCUIT for Breakdown)	
124	2141621	4	FITTING	
130	1001099737	2	HOSE ASSY, (L2906H, 2906H, 619A, 29.6LP & 29.6)	
130	1001099999	2	HOSE ASSY, (3507H, 723A & 35.7)	
143	4569029	1	TUBE ASSY	
144	4569042	1	TUBE ASSY	
147	4569056	1	TUBE ASSY, (L2906H, 2906H, 619A, 29.6LP & 29.6)	
147	4569038	1	TUBE ASSY, (3507H, 723A & 35.7)	
148	4569057	1	TUBE ASSY, (L2906H, 2906H, 619A, 29.6LP & 29.6)	
148	4569037	1	TUBE ASSY, (3507H, 723A & 35.7)	
166	2143405	2	ELBOW, 90	
167	2754153	1	TWIN HOSE ASSY, (L2906H, 2906H, 619A, 29.6LP & 29.6)	
167	2754121	1	TWIN HOSE ASSY, (3507H, 723A & 35.7)	
168	1001093826	1	DUST CAP	
169	1001093827	1	DUST PLUG	
170	1001094555	1	FEMALE QUICK DISCONNECT COUPLING	
171	1001094556	1	MALE QUICK DISCONNECT COUPLING	
172	2143305	2	ELBOW, 90	
173	2143605	2	SWIVEL FITTING	
	0273814	Ref	MANUAL AUXILIARY DIVERTER VALVE INSTALLATION, (if equipped), (not available to order, see items 201 thru 207 for service)	D
201	2142805	5	SWIVEL FITTING	
202	1001093826	1	DUST CAP	
203	1001093827	1	DUST PLUG	
204		Ref	MANUAL DIVERTER VALVE, (See HYDRAULIC COMPONENTS SECTION for Breakdown)	
205	1001094555	1	FEMALE QUICK DISCONNECT COUPLING	
206	1001094556	1	MALE QUICK DISCONNECT COUPLING	
207	2142905	1	ELBOW, 45	
	1001100898	Ref	ELECTRIC AUXILIARY DIVERTER VALVE INSTALLATION, (if equipped), (not available to order, see items 303 thru 312 for service)	C
303		Ref	ELECTRIC DIVERTER VALVE, (See HYDRAULIC COMPONENTS SECTION for Breakdown)	
304	2143605	2	SWIVEL UNION FITTING	
305	2144807	6	ADAPTER	
306	2143511	2	REDUCING FITTING	
307		Ref	CAB SWITCHES, (See ELECTRICAL SECTION for Breakdown)	
309	1321748	1	CLAMP	
310	874960	1	CLAMP GROUP 2D COVER PLATE	
311	0700817	1	HEX HD CAPSCREW, M8X45, GR8.8	
312	1001100902	2	HOSE ASSY	

SECTION 8 - HYDRAULIC CIRCUITS

ITEM	PART NUMBER	QTY	DESCRIPTION	REV
401		Ref	MAIN CONTROL VALVE, (See HYDRAULIC COMPONENTS SECTION for Breakdown)	

SECTION 8 - HYDRAULIC CIRCUITS

FIGURE 8-9. REAR AUXILIARY HYDRAULIC INSTALLATION



PAP15990

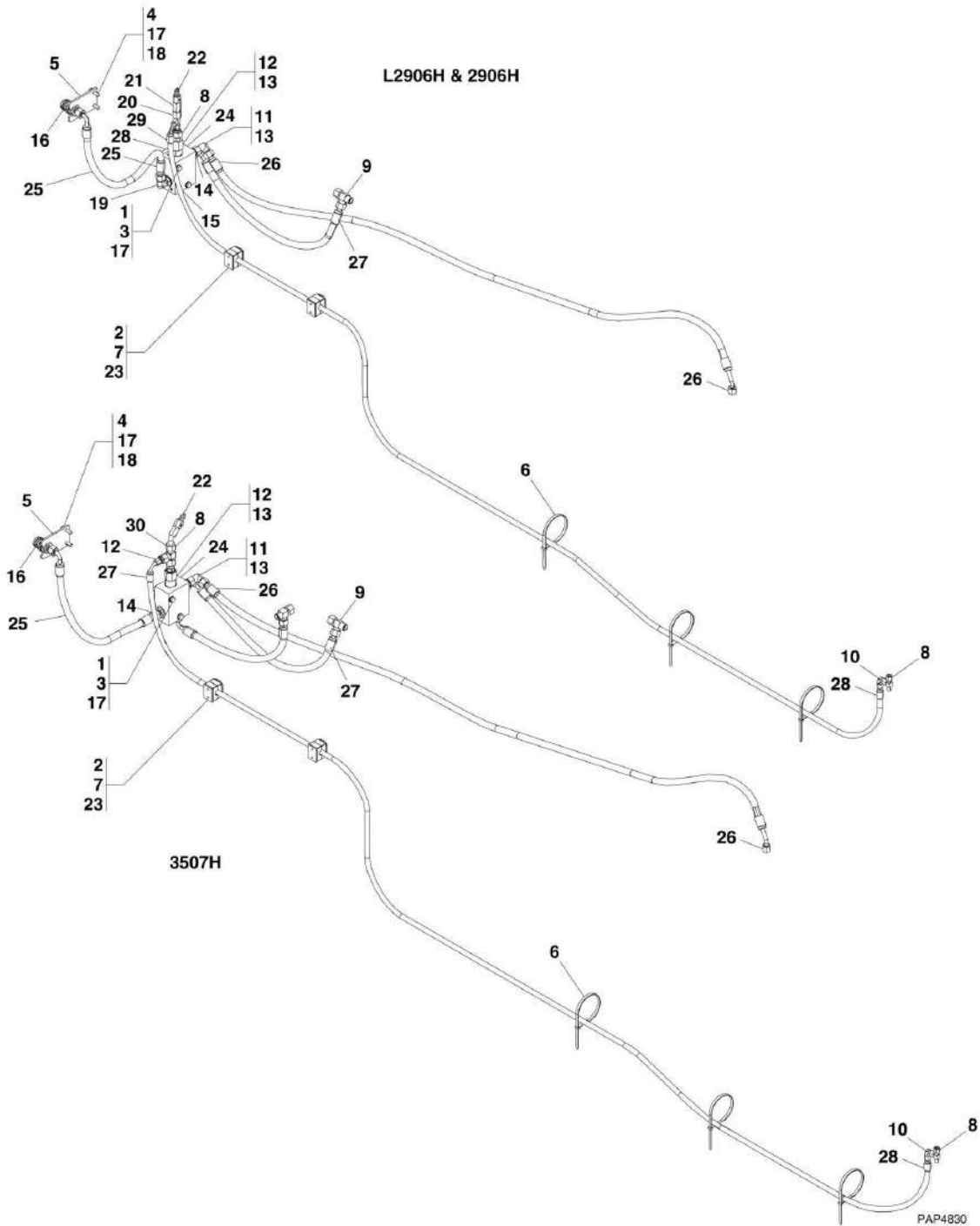
SECTION 8 - HYDRAULIC CIRCUITS

FIGURE 8-9. REAR AUXILIARY HYDRAULIC INSTALLATION

ITEM	PART NUMBER	QTY	DESCRIPTION	REV
	1001105723	Ref	REAR AUXILIARY HYDRAULIC INSTALLATION, (L2906H, 2906H, 619A, 29.6LP & 29.6), (if equipped), (not available to order, see items 1 thru 20 for service)	C
	1001105724	Ref	REAR AUXILIARY HYDRAULIC INSTALLATION, (3507H, 723A & 35.7), (if equipped), (not available to order, see items 1 thru 20 for service)	D
1	0761010	2	HEX HD CAPSCREW, M10X20, GR8.8	
2	2142715	4	STRAIGHT FITTING	
3	2142733	2	STRAIGHT FITTING	
5	2143405	2	ELBOW, 90, (L2906H, 2906H, 619A, 29.6LP & 29.6)	
6	2754127	2	HOSE ASSY	
7	1001114993	2	HOSE ASSY	
8	3290805	2	HEX LOCKNUT, M8X1.25	
9	3574521	1	PLATE	
10	4031922	2	HEX SOCKET HD CAPSCREW, M8X90	
11		Ref	SWITCH BODY, (not shown), (See ELECTRICAL SECTION for Breakdown)	
12		Ref	FRONT/REAR AUXILIARY SWITCH KEY, (not shown), (See ELECTRICAL SECTION for Breakdown)	
13		Ref	ELECTRIC AUXILIARY DIVERTER VALVE, (See HYDRAULIC COMPONENTS SECTION for Breakdown)	
14	4832000	2	LOCKWASHER, 10mm	
15	1001093826	1	DUST CAP	
16	1001093827	1	DUST PLUG	
17	1001094555	1	FEMALE QUICK DISCONNECT COUPLING	
18	1001094556	1	MALE QUICK DISCONNECT COUPLING	
19	2143416	2	ELBOW, 90	
20	1001115865	2	HOSE ASSY, (L2906H, 2906H, 619A, 29.6LP & 29.6)	
20	1001115866	2	HOSE ASSY, (3507H, 723A & 35.7)	
102		Ref	STRAIGHT FITTING, (See AUXILIARY HYDRAULIC CIRCUIT for Breakdown)	
103		Ref	MAIN CONTROL VALVE, (See HYDRAULIC COMPONENTS SECTION for Breakdown)	

SECTION 8 - HYDRAULIC CIRCUITS

FIGURE 8-10. TRAILER BRAKES L2906H, 2906H & 3507H (Prior to SN 1160005189)



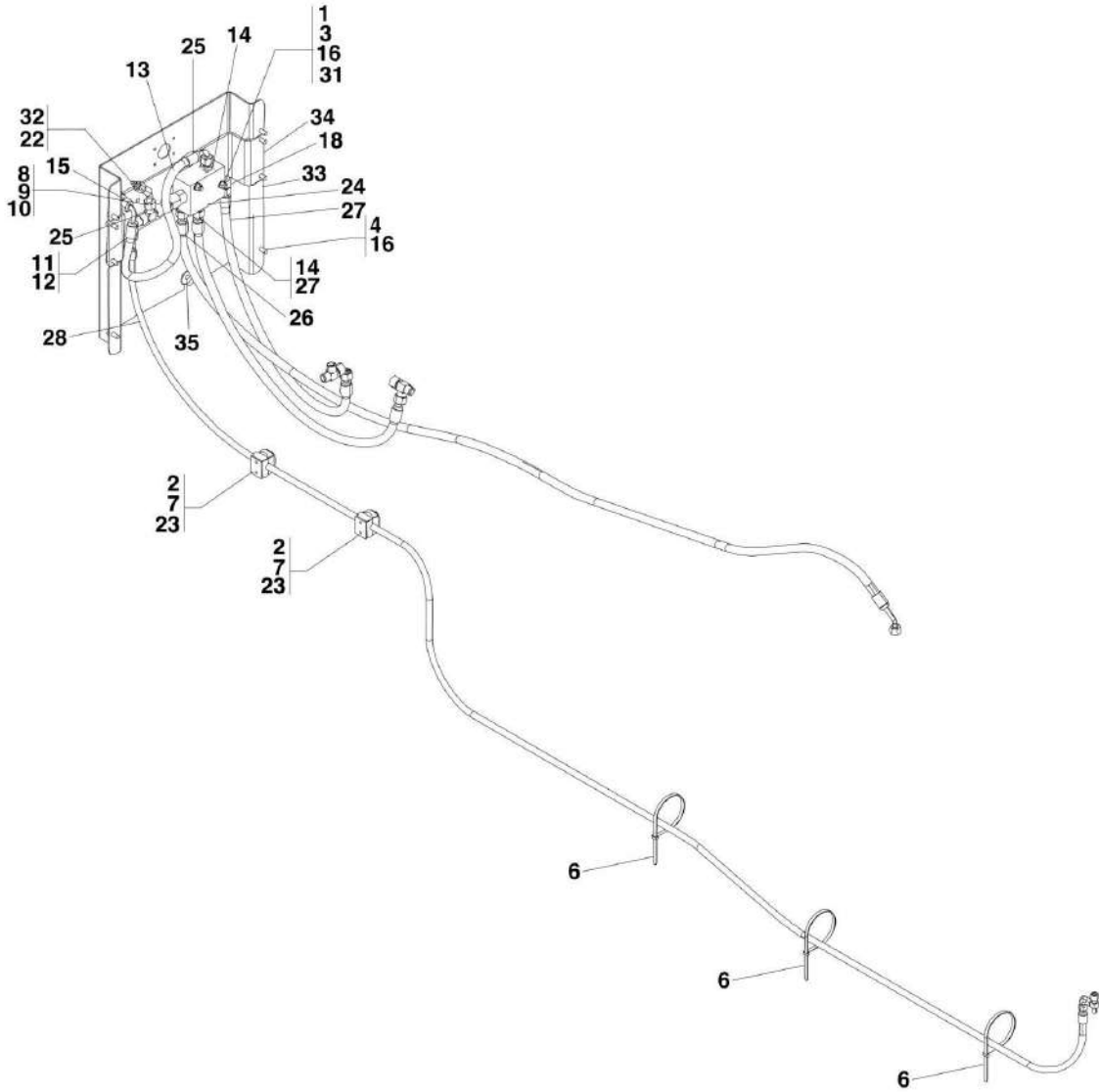
SECTION 8 - HYDRAULIC CIRCUITS

FIGURE 8-10. TRAILER BRAKES L2906H, 2906H & 3507H (Prior to SN 1160005189)

ITEM	PART NUMBER	QTY	DESCRIPTION	REV
	1001114155	Ref	TRAILER BRAKE INSTALLATION, (L2906H & 2906H), (not available to order, see items 1 thru 29 for service)	C
	1001114333	Ref	TRAILER BRAKE INSTALLATION, (3507H), (not available to order, see items 1 thru 14, 16 thru 18, 22 thru 28 & 30 for service)	C
1	1001095650	AR	LOCTITE 243	
2	0700615	4	HEX HD SCREW CLS 8.8, M6 X 35 LG	
3	0700824	2	HEX HD SCREW CLS 8.8, M8 X 80 LG, (L2906H & 2906H)	
3	0700821	2	HEX HD SCREW CLS 8.8, M8 X 65 LG, (3507H)	
4	0760812	2	HEX HD SCREW CLS 8.8 FULL THD, M8 X 25 LG	
5	0903533	1	TRAILER BRAKE HYD CONNECTOR BRACKET	
6	1062255	3	STRAP TIE	
7	3121675	2	TOP PLATE CLAMP	
8	2142201	2	FTG-EO, 6L SWIVEL RUN TEE, (L2906H & 2906H)	
8	2142201	1	FTG-EO, 6L SWIVEL RUN TEE, (3507H)	
9	2142204	1	FTG-EO, 12L SWIVEL RUN TEE, (L2906H & 2906H)	
9	2142204	3	FTG-EO, 12L SWIVEL RUN TEE, (3507H)	
10	2143401	1	SWIVEL NUT ELBOW FITTING	
11	2143404	1	EW12LA3C FITTING	
12	2143505	1	FTG-EO, MALE 8L-M18X1.5, FM SW REDUCER	
13	2144803	2	FTG-EO, 12L-9/16-18 UNF MALE CONN SAE-ORB, (L2906H & 2906H)	
13	2144803	3	FTG-EO, 12L-9/16-18 UNF MALE CONN SAE-ORB, (3507H)	
14	2144804	1	FTG-EO, 12L-3/4-16 UNF MALE CONN SAE-ORB, (L2906H & 2906H)	
14	2144804	2	FTG-EO, 12L-3/4-16 UNF MALE CONN SAE-ORB, (3507H)	
15	2220237	1	ADPT, PLUG HX ORB 6 FG	
16	2221193	1	FTG-HYD, TRAILER BRAKE QD	
17	4811900	4	WASHER, 8mm	
18	4831900	2	LOCKWASHER SPRING, 8mm	
19	1001099124	1	FTG-EO, 12L, 3/4-16 UNF, ADJ LOCKNUT ELBOW	
20	1001104019	1	FTG, M12X7/16 CONVERSION ADAPTER	
21	1001104027	1	FTG, STR THRD COUPLER, 7/16 X 7/16	
22	1001104083	1	FTG, BLEED SCREW/ BLEED ADAPTER	
23	1001104934	2	CLAMP ASSY, TH514 BOOM	
24	1001112197	1	VALVE, (L2906H & 2906H)	
24	1001111754	1	VALVE, (3507H)	
25	1001114157	1	HOSE ASSY, (L2906H & 2906H)	
25	1001114268	1	HOSE ASSY, (3507H)	
26	1001114161	1	HOSE ASSY, (L2906H & 2906H)	
26	1001114281	1	HOSE ASSY, (3507H)	
27	1001114171	1	HOSE ASSY, (L2906H & 2906H)	
27	1001114171	2	HOSE ASSY, (3507H)	
28	1001114172	1	HOSE ASSY	
28	1001114285	1	HOSE ASSY	
29	1001115869	1	VALVE PLATE	
30	1001116891	1	FEMALE SW REDUCER 45IN, 12L -7/16-20UNF	

SECTION 8 - HYDRAULIC CIRCUITS

FIGURE 8-11. TRAILER BRAKES 2906H & 3507H (SN 1160005189 through 1160006365)



PAP4820

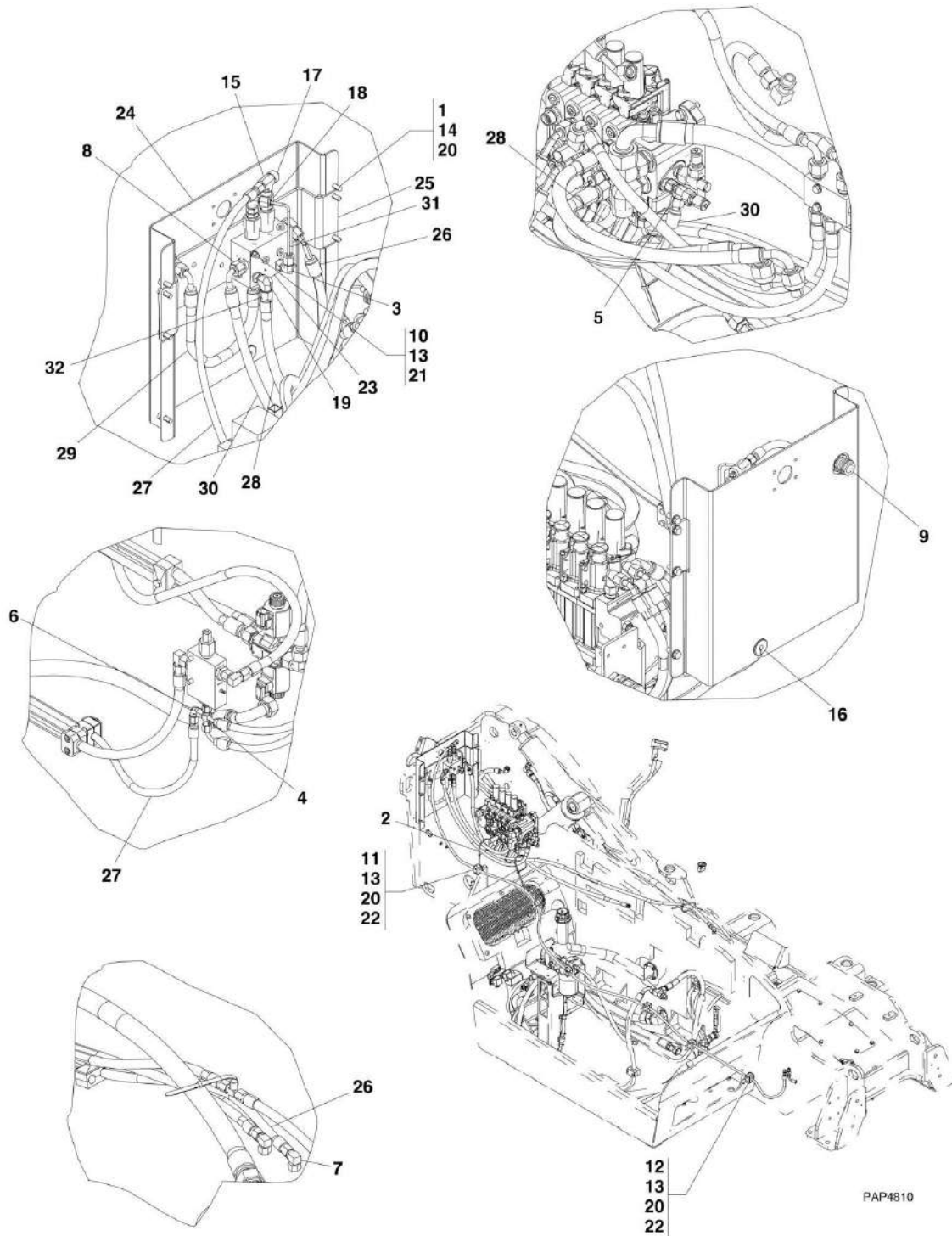
SECTION 8 - HYDRAULIC CIRCUITS

FIGURE 8-11. TRAILER BRAKES 2906H & 3507H (SN 1160005189 through 1160006365)

ITEM	PART NUMBER	QTY	DESCRIPTION	REV
	1001114332	Ref	TRAILER BRAKE INSTALLATION, (2906H & 3507H), (not available to order, see items 1 thru 35 for service)	C
1	1001095650	AR	LOCTITE 243	
2	0700615	4	HCX HD SCR CLS 8.8, M6 X 35 LG	
3	0700822	2	HCX HD SCR CLS 8.8, M8 X 70 LG	B
4	0760810	8	HCX HD SCR CLS 8.8 FULL THD, M8 X 20 LG	B
6	1062255	3	STRAP TIE	
7	1321675	2	TOP PLATE CLAMP	
8	2142201	1	FTG-EO, 6L SWIVEL RUN TEE	B
9	2142204	3	FTG-EO, 12L SWIVEL RUN TEE	B
10	2143401	1	FITTING, SWIVEL NUT ELBOW	
11	2143404	1	FITTING, EWI2LA3C	
12	2143505	1	FTG-EO, MALE 8L-M18XI.5, FM SW REDUCER	
13	2144803	2	FTG-EO, 12L-9/16-18 UNF MALE CONN SAE-ORB	
14	2144804	2	FTG-EO, 12L-3/4-16 UNF MALE CONN SAE-ORB	B
15	2221193	1	FTG-HYD, TRAILER BRAKE OD	
16	4811900	12	WASHER, 8mm	B
18	1001092584	1	ADPT-EO, 10L 9/16 UNF LKNUT 90 ELBOW	
22	1001104083	1	FTG, BLEED, SCREW/ BLEED ADAPTER	
23	1001104934	2	CLAMP ASSY	
24	1001111754	1	TRAILER BRAKE VALVE, 3:1 RATIO	B
25	1001120295	1	HOSE ASSY, BRAKE VALVE PRIMARY	B
26	1001120296	1	HOSE ASSY, BRAKE VALVE TO TANK	B
27	1001120297	2	HOSE ASSY, BRAKE VALVE TO BRAKE LINE	B
28	1001120298	1	HOSE ASSY, BRAKE VALVE, X TO INCH VALVE	B
31	3290805	2	PREV TORQ HEX LOCK NUT, M8 X 1.25	B
32	1001116891	1	ADPT-STL-12L	B
33	1001118298	1	TRAILER SERVICE PANEL	B
34	1001118306	1	TRAILER BRAKE VALVE SUPPORT	B
35	1001008469	1	GROMMET	B

SECTION 8 - HYDRAULIC CIRCUITS

FIGURE 8-12. TRAILER BRAKES L2906H, 2906H & 3507H (SN 1160006366 to Present)



SECTION 8 - HYDRAULIC CIRCUITS

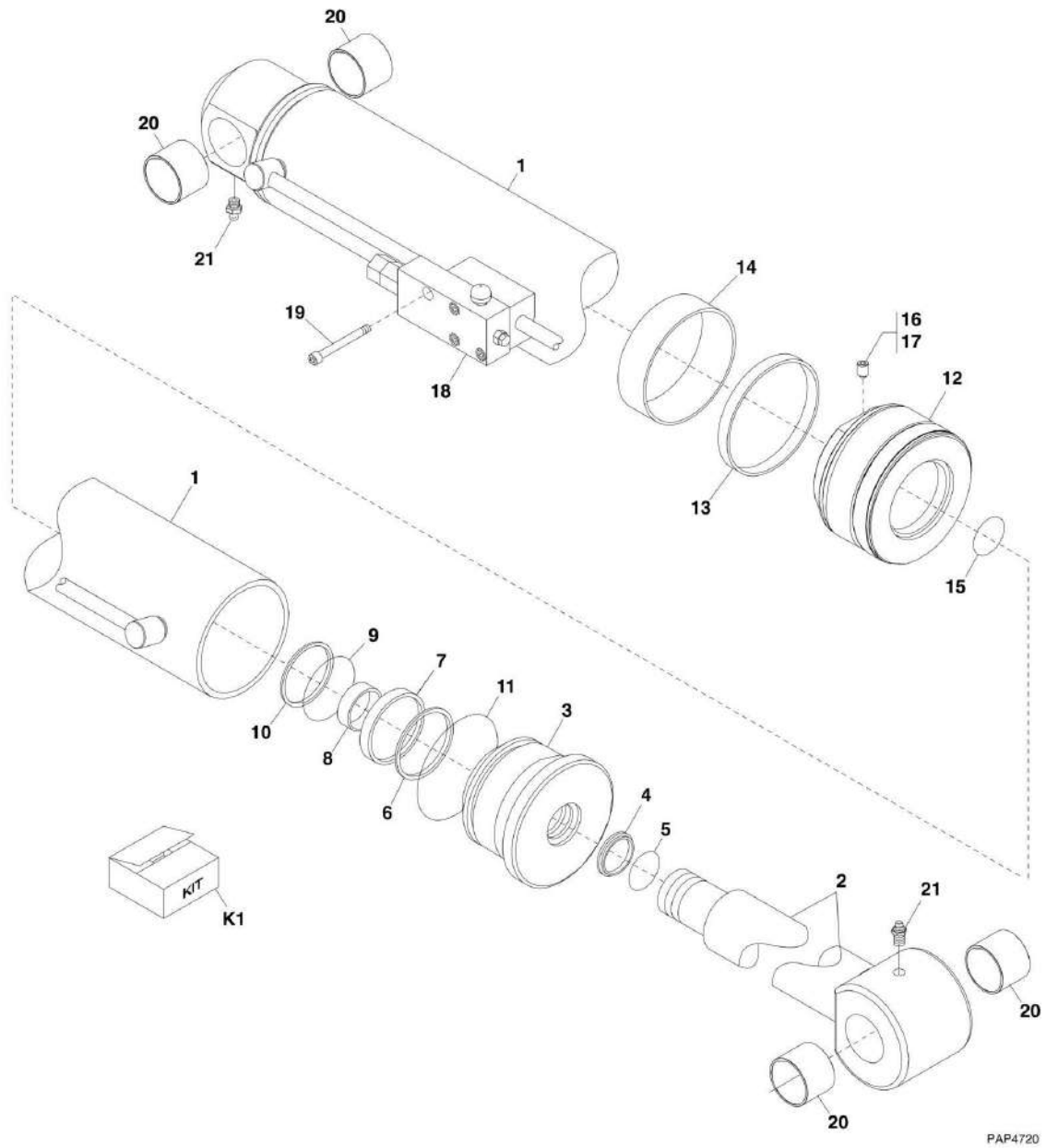
FIGURE 8-12. TRAILER BRAKES L2906H, 2906H & 3507H (SN 1160006366 to Present)

ITEM	PART NUMBER	QTY	DESCRIPTION	REV
	1001120683	1	TRAILER BRAKE WITH GEAR PUMP INSTALLATION, (L2906H & 2906H), (includes all items)	A
	1001132324	1	TRAILER BRAKE WITH PISTON PUMP INSTALLATION, (L2906H & 2906H), (includes all items)	A
	1001120821	1	TRAILER BRAKE WITH GEAR PUMP INSTALLATION, (3507H), (includes all items)	A
	1001132325	1	TRAILER BRAKE WITH PISTON PUMP INSTALLATION, (3507H), (includes all items)	A
1	0760810	8	HEX HD SCR CLS 8.8 FULLTHD, M8X20 LG	
2	1062255	3	TIE, STRAP	
3	2130406	2	ADPT, 90 S ORFS/RB 4-6 FG	
4	2142201	1	FTG-EO, 6L SWIVEL RUN TEE	
5	2142204	2	FTG-EO, 12L SWIVEL RUN TEE	
6	2143401	1	FITTING, SWIVEL NUT ELBOW	
7	2143403	1	FTG-EO, 10L SWIVEL 90 ELBOW	
8	2144804	2	FTG-EO, 12L-3/4-16 UNF MALE CONN SAE-ORB	
9	2221193	1	FTG-HYD, TRAILER BRAKE QD	
10	3290605	2	PREV TORQ HEX LOCK NUT, M6 X I	
11	4031709	6	HEXHD SOC SCR, M6X25 LG	
12	4031716	6	HEX HD SOC SCR, M6X25 LG	
13	4811700	16	WASHER, 6mm	
14	4811900	8	WASHER, 8mm	
15	1001006376	1	ADPT, SP, TB ORFS/ORB 6-6 W/BLD	
16	1001008469	1	GROMMET	
17	1001009196	1	SCREW-BLEEDER	
18	1001013239	1	ADAPTER-STR THD, O-RING TO O-RING	
19	1001092584	2	ADPT-EO, 10L 9/16 UNF LKNUT 90 ELBOW	
20	1001095650	AR	LOCTITE 243	
21	1001096653	2	HEX HD SCR CLS 8.8, M6X70 LG	
22	1001104934	6	CLAMP ASSY, TH514 BOOM	
23	1001118025	1	TRAILER BRAKE VALVE, 6:1 RATIO	
24	1001118298	1	TRAILER SERVICE PANEL	
25	1001118306	1	TRAILER BRAKE VALVE SUPPORT	
26	1001128022	1	HOSE ASSY, (L2906H & 2906H)	
26	1001120829	1	HOSE ASSY, (3507H)	
27	1001120823	1	HOSE ASSY, (L2906H & 2906H)	
27	1001120830	1	HOSE ASSY, (3507H)	
28	1001120824	1	HOSE ASSY, (L2906H & 2906H)	
28	1001120831	1	HOSE ASSY, (3507H)	
29	1001120825	1	HOSE ASSY	
30	1001120826	1	HOSE ASSY, (L2906H & 2906H)	
30	1001120832	1	HOSE ASSY, (3507H)	
31	1001120827	1	BRAKE VALVE CROSSOVER PIPE	
32	1001131843	1	ADPT, ORIFICE 0.7MM M10L FM10L, (if equipped with gear pump)	
32	1001132283	1	ADPT, ORIFICE 1.0MM M10L FM10L, (if equipped with piston pump)	

SECTION 9 - HYDRAULIC COMPONENTS

SECTION 9 - HYDRAULIC COMPONENTS

FIGURE 9-1. LIFT CYLINDER



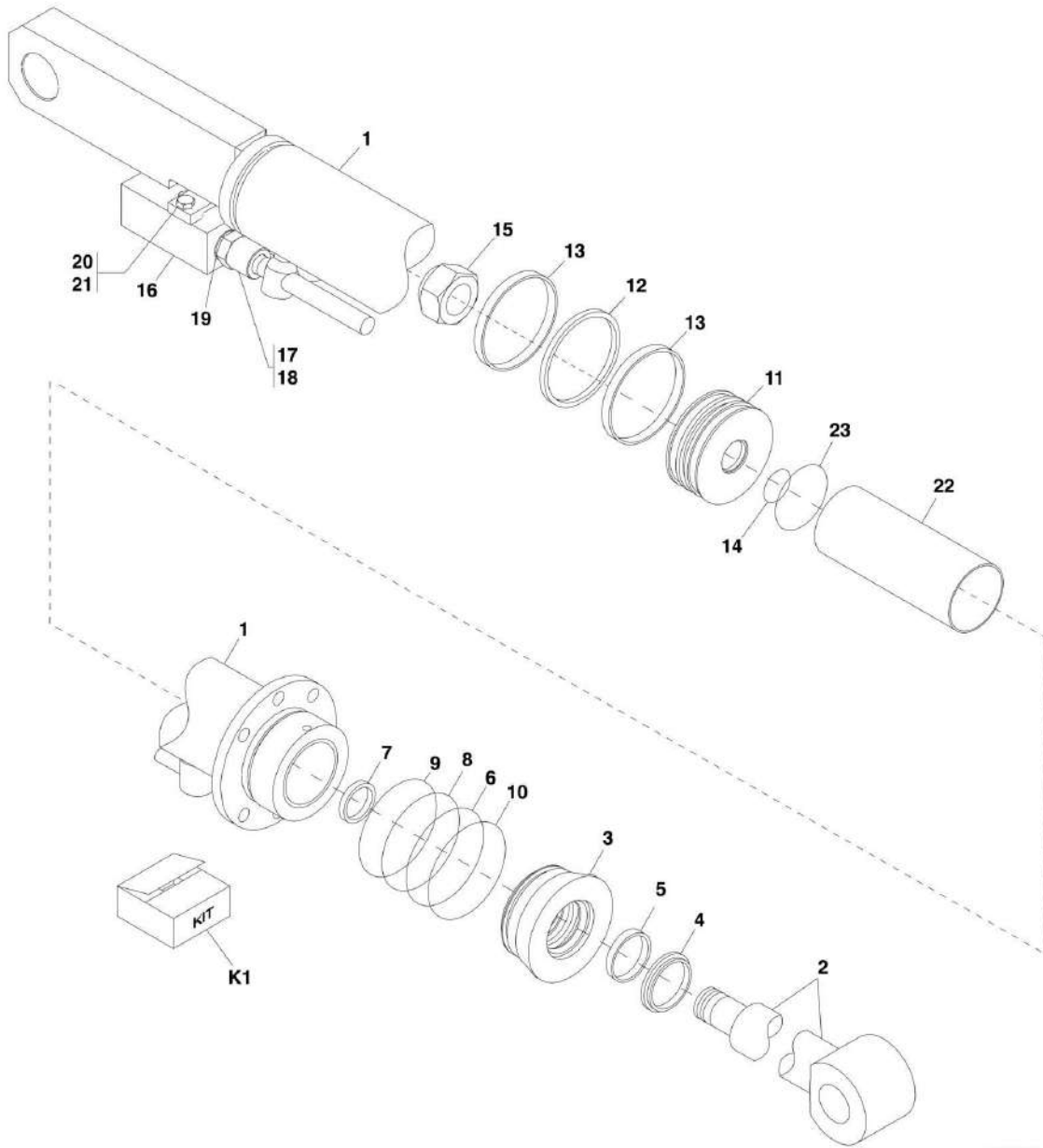
SECTION 9 - HYDRAULIC COMPONENTS

FIGURE 9-1. LIFT CYLINDER

ITEM	PART NUMBER	QTY	DESCRIPTION	REV
	1001102136	1	LIFT CYLINDER, (L2906H, 2906H, 619A, 29.6LP & 29.6), (includes all items)	C
	1001102140	1	LIFT CYLINDER, (3507H, 723A & 35.7), (includes all items)	C
1	70022560	1	BARREL ASSY, (L2906H, 2906H, 619A, 29.6LP & 29.6)	
1	70022572	1	BARREL ASSY, (3507H, 723A & 35.7)	
2	70022561	1	ROD ASSY, (L2906H, 2906H, 619A, 29.6LP & 29.6)	
2	70022573	1	ROD ASSY, (3507H, 723A & 35.7)	
3	70022562	1	GLAND, (L2906H, 2906H, 619A, 29.6LP & 29.6)	
3	70022574	1	GLAND, (3507H, 723A & 35.7)	
4	Kit	1	DUST WIPER	
5	Kit	1	RETAINING RING	
6	Kit	1	ROD SEAL	
7	Kit	1	BACK-UP RING	
8	70022570	1	BUSHING	
9	Kit	1	O-RING	
10	Kit	1	BACK-UP RING	
11	Kit	1	O-RING	
12	70022571	1	PISTON, (L2906H, 2906H, 619A, 29.6LP & 29.6)	
12	70022575	1	PISTON, (3507H, 723A & 35.7)	
13	Kit	1	GUIDE RING	
14	Kit	1	WEAR RING	
15	Kit	1	O-RING	
16	70022563	1	SET SCREW	
17	70022564	1	STEEL BALL	
18	70022602	1	LOAD CONTROL VALVE	
19	Not Available	4	HEX SOCKET HD CAPSCREW, M8X50	
20	70022565	4	BUSHING	
21	70022566	2	GREASE FITTING	
K1	70022569	1	SEAL KIT, (L2906H, 2906H, 619A, 29.6LP & 29.6), (includes items 4 thru 7, 9 thru 11 & 13 thru 15)	
K1	70022576	1	SEAL KIT, (3507H, 723A & 35.7), (includes items 4 thru 7, 9 thru 11 & 13 thru 15)	

SECTION 9 - HYDRAULIC COMPONENTS

FIGURE 9-2. EXTEND/RETRACT CYLINDER



PAP4750

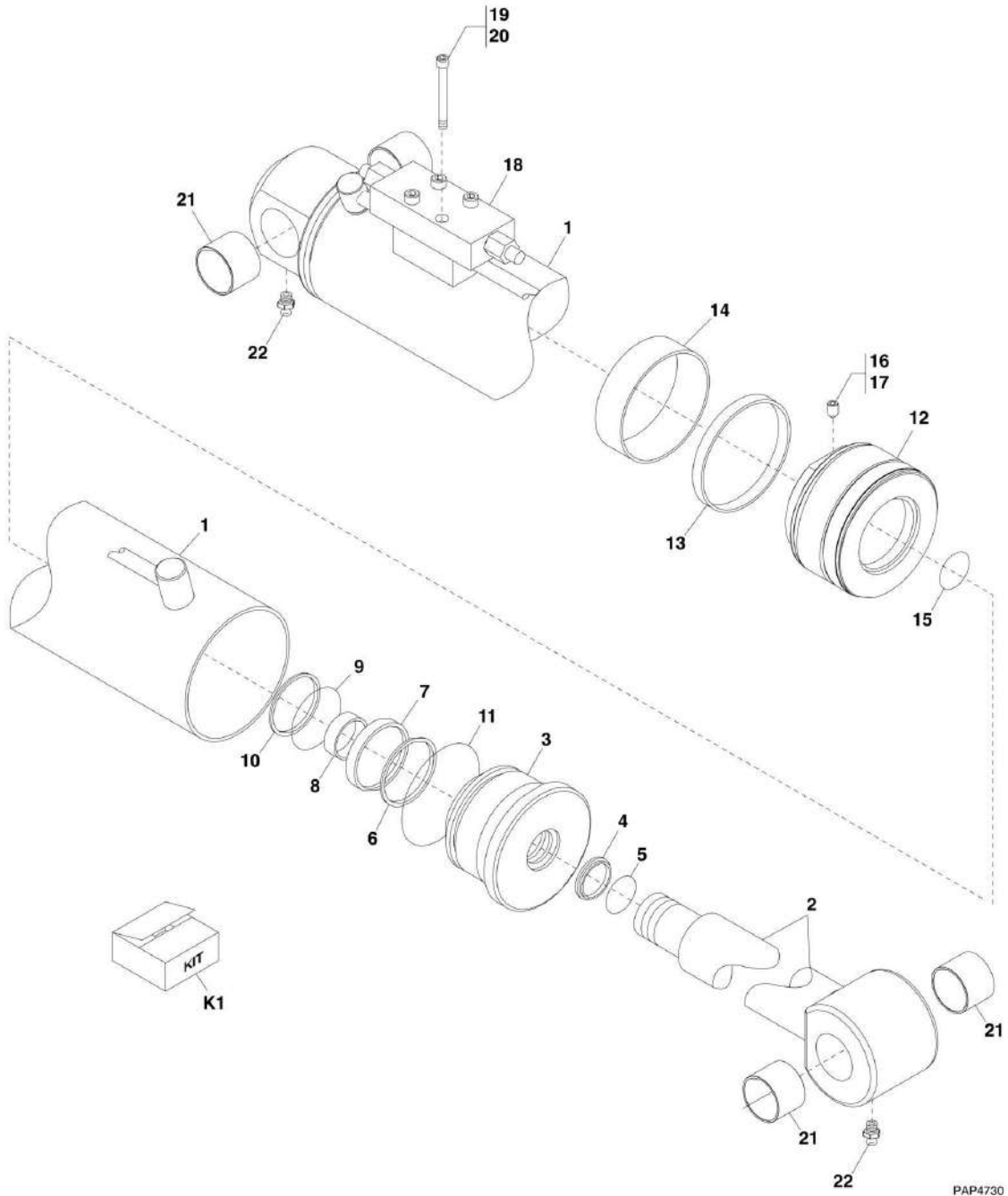
SECTION 9 - HYDRAULIC COMPONENTS

FIGURE 9-2. EXTEND/RETRACT CYLINDER

ITEM	PART NUMBER	QTY	DESCRIPTION	REV
	1001102139	1	EXTEND/RETRACT CYLINDER, (L2906H, 2906H, 619A, 29.6LP & 29.6), (includes all items)	B
	1001102143	1	EXTEND/RETRACT CYLINDER, (3507H, 723A & 35.7), (includes all items)	B
1	70022591	1	BARREL ASSY, (L2906H, 2906H, 619A, 29.6LP & 29.6)	
1	70022598	1	BARREL ASSY, (3507H, 723A & 35.7)	
2	70022592	1	ROD ASSY, (L2906H, 2906H, 619A, 29.6LP & 29.6)	
2	70022599	1	ROD ASSY, (3507H, 723A & 35.7)	
3	70022600	1	GLAND	
4	Kit	1	DUST WIPER	
5	Kit	1	ROD SEAL	
6	Kit	1	BACK-UP RING	
7	70022593	1	BUSHING	
8	Kit	1	O-RING	
9	Kit	1	BACK-UP RING	
10	Kit	1	O-RING	
11	70022594	1	PISTON	
12	Kit	1	GUIDE RING	
13	Kit	2	WEAR RING	
14	Kit	1	O-RING	
15	70022595	1	HEX NUT	
16	70020366	1	LOAD CONTROL VALVE	
17	Kit	2	O-RING	
18	Kit	2	BACK-UP RING	
19	Kit	4	WASHER SEAL	
20	Not Available	2	HEX SOCKET HD CAPSCREW, M8X25	
21	Not Available	2	WASHER	
22	70022596	1	SPACER	
23	Kit	1	O-RING	
K1	70022597	1	SEAL KIT, (L2906H, 2906H, 619A, 29.6LP & 29.6), (includes items 4 thru 6, 8 thru 10, 12 thru 14, 17, 18, 19 & 23)	
K1	70022601	1	SEAL KIT, (3507H, 723A & 35.7), (includes items 4 thru 6, 8 thru 10, 12 thru 14, 17, 18, 19 & 23)	

SECTION 9 - HYDRAULIC COMPONENTS

FIGURE 9-3. TILT CYLINDER



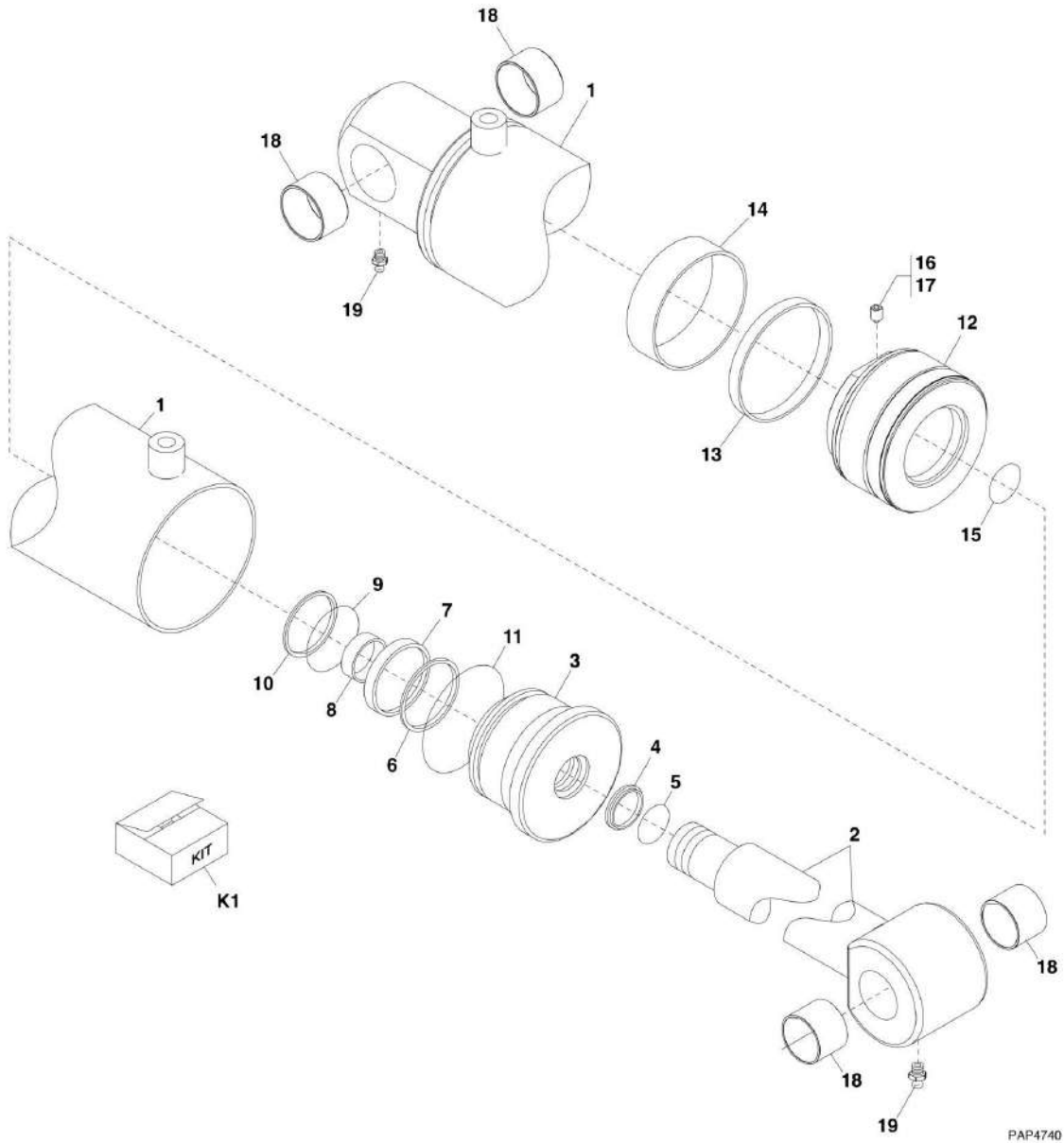
SECTION 9 - HYDRAULIC COMPONENTS

FIGURE 9-3. TILT CYLINDER

ITEM	PART NUMBER	QTY	DESCRIPTION	REV
	1001102137	1	TILT CYLINDER, (L2906H, 2906H, 619A, 29.6LP & 29.6), (includes all items)	B
	1001102141	1	TILY CYLINDER, (3507H, 723A & 35.7), (includes all items)	C
1	70022577	1	BARREL ASSY, (L2906H, 2906H, 619A, 29.6LP & 29.6)	
1	70022568	1	BARREL ASSY, (3507H, 723A & 35.7)	
2	70022578	1	ROD ASSY, (L2906H, 2906H, 619A, 29.6LP & 29.6)	
2	70022582	1	ROD ASSY, (3507H, 723A & 35.7)	
3	70022579	1	GLAND, (L2906H, 2906H, 619A, 29.6LP & 29.6)	
3	70022574	1	GLAND, (3507H, 723A & 35.7)	
4	Kit	1	DUST WIPER	
5	Kit	1	RETAINING RING	
6	Kit	1	ROD SEAL	
7	Kit	1	BACK-UP RING	
8	70022580	1	BUSHING, (L2906H, 2906H, 619A, 29.6LP & 29.6)	
8	70022570	1	BUSHING, (3507H, 723A & 35.7)	
9	Kit	1	O-RING	
10	Kit	1	BACK-UP RING	
11	Kit	1	O-RING	
12	70022581	1	PISTON, (L2906H, 2906H, 619A, 29.6LP & 29.6)	
12	70022575	1	PISTON, (3507H, 723A & 35.7)	
13	Kit	1	GUIDE RING	
14	Kit	1	WEAR RING	
15	Kit	1	O-RING	
16	70022563	1	SET SCREW	
17	70022564	1	STEEL BALL	
18	7029241	1	LOAD CONTROL VALVE	
19	Not Available	4	HEX SOCKET HD CAPSCREW, M8X50	
20	Not Available	4	WASHER	
21	70022565	4	BUSHING	
22	70022566	2	GREASE FITTING	
K1	70022567	1	SEAL KIT, (L2906H, 2906H, 619A, 29.6LP & 29.6), (includes items 4 thru 7, 9 thru 11 & 13 thru 15)	
K1	70022583	1	SEAL KIT, (3507H, 723A & 35.7), (includes items 4 thru 7, 9 thru 11 & 13 thru 15)	

SECTION 9 - HYDRAULIC COMPONENTS

FIGURE 9-4. TILT COMPENSATION CYLINDER



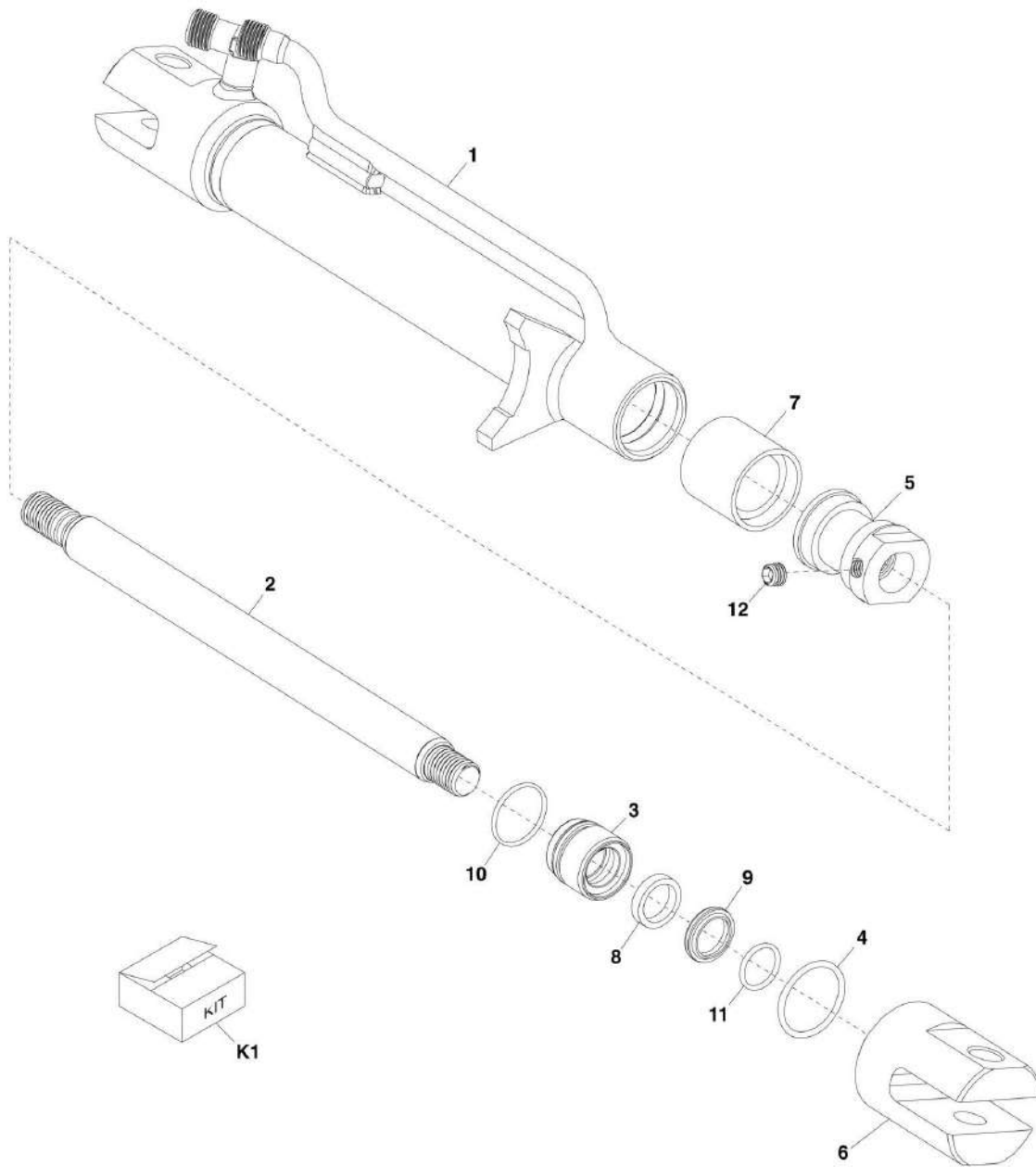
SECTION 9 - HYDRAULIC COMPONENTS

FIGURE 9-4. TILT COMPENSATION CYLINDER

ITEM	PART NUMBER	QTY	DESCRIPTION	REV
	1001102138	NLA	TILT COMPENSATION CYLINDER, (L2906H, 2906H, 619A, 29.6LP & 29.6), (no longer available use 1001115927), (includes all items)	C
	1001115927	1	TILT COMPENSATION CYLINDER, (L2906H, 2906H, 619A, 29.6LP & 29.6), (includes all items)	A
	1001102142	NLA	TILT COMPENSATION CYLINDER, (3507H, 723A & 35.7), (no longer available use 1001115928), (includes all items)	D
	1001115928	1	TILT COMPENSATION CYLINDER, (3507H, 723A & 35.7), (includes all items)	B
1	70022584	1	BARREL ASSY, (L2906H, 2906H, 619A, 29.6LP & 29.6)	
1	70022588	1	BARREL ASSY, (3507H, 723A & 35.7)	
2	70022585	1	ROD ASSY, (L2906H, 2906H, 619A, 29.6LP & 29.6)	
2	70022589	1	ROD ASSY, (3507H, 723A & 35.7)	
3	70022579	1	GLAND, (L2906H, 2906H, 619A, 29.6LP & 29.6)	
3	70022574	1	GLAND, (3507H, 723A & 35.7)	
4	Kit	1	DUST WIPER	
5	Kit	1	RETAINING RING	
6	Kit	1	ROD SEAL	
7	Kit	1	BACK-UP RING	
8	70022580	1	BUSHING, (L2906H, 2906H, 619A, 29.6LP & 29.6)	
8	70022570	1	BUSHING, (3507H, 723A & 35.7)	
9	Kit	1	O-RING	
10	Kit	1	BACK-UP RING	
11	Kit	1	O-RING	
12	70022581	1	PISTON, (L2906H, 2906H, 619A, 29.6LP & 29.6)	
12	70022575	1	PISTON, (3507H, 723A & 35.7)	
13	Kit	1	GUIDE RING	
14	Kit	1	WEAR RING	
15	Kit	1	O-RING	
16	70022563	1	SET SCREW	
17	70022564	1	STEEL BALL	
18	70022586	4	BUSHING, (L2906H, 2906H, 619A, 29.6LP & 29.6)	
18	70022565	4	BUSHING, (3507H, 723A & 35.7)	
19	70022566	2	GREASE FITTING	
K1	70022587	1	SEAL KIT, (L2906H, 2906H, 619A, 29.6LP & 29.6), (includes items 4 thru 7, 9 thru 11 & 13 thru 15)	
K1	70022590	1	SEAL KIT, (3507H, 723A & 35.7), (includes items 4 thru 7, 9 thru 11 & 13 thru 15)	

SECTION 9 - HYDRAULIC COMPONENTS

FIGURE 9-5. FORK LOCKING CYLINDER



PAP15930

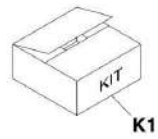
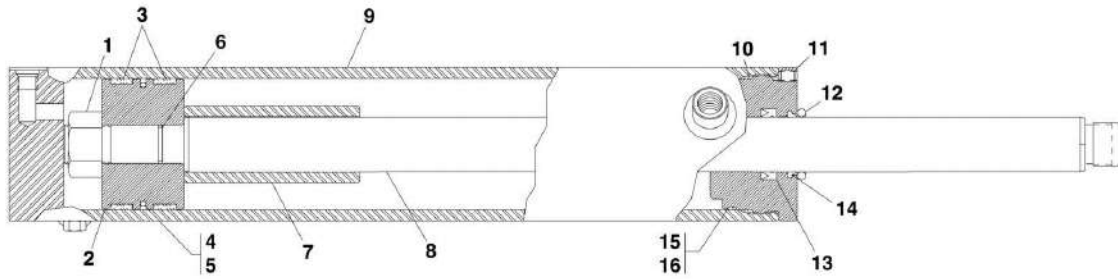
SECTION 9 - HYDRAULIC COMPONENTS

FIGURE 9-5. FORK LOCKING CYLINDER

ITEM	PART NUMBER	QTY	DESCRIPTION	REV
	1001100821	1	FORK LOCKING CYLINDER, (includes all items)	C
1	70022698	1	BARREL ASSY	
2	70022699	1	ROD	
3	70022704	1	GLAND	
4	70022700	1	WIRE RING	
5	70022703	1	PISTON	
6	70022701	1	SCREW CLEVIS	
7	Kit	1	SEAL	
8	Kit	1	SEAL	
9	Kit	1	SEAL	
10	Kit	1	O-RING	
11	Kit	1	O-RING	
12	70022702	1	SET SCREW	
K1	70022705	1	SEAL KIT, (includes items 7 thru 11)	

SECTION 9 - HYDRAULIC COMPONENTS

FIGURE 9-6. FORK SIDE SHIFT CYLINDER



PAP15940

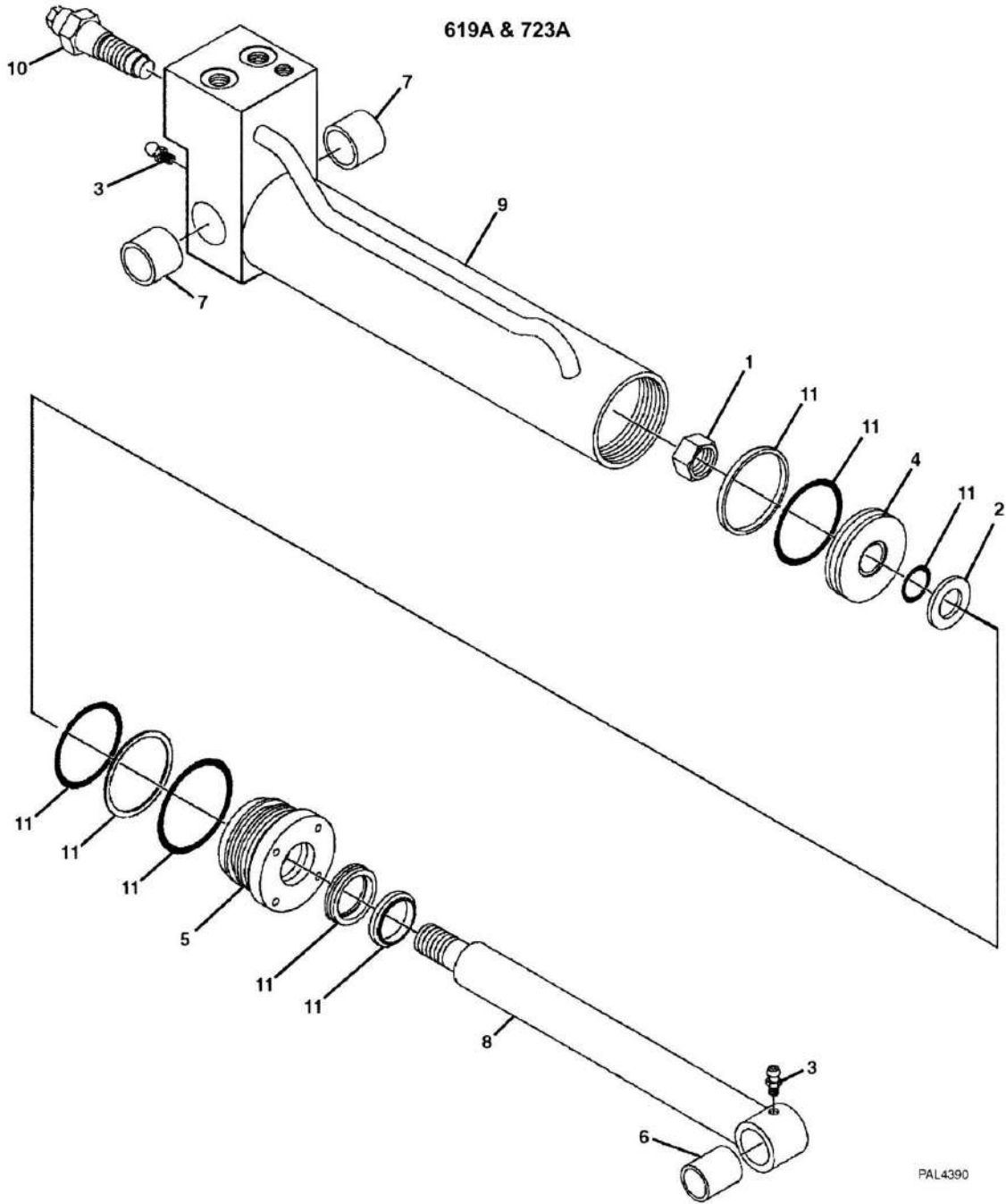
SECTION 9 - HYDRAULIC COMPONENTS

FIGURE 9-6. FORK SIDE SHIFT CYLINDER

ITEM	PART NUMBER	QTY	DESCRIPTION	REV
	1001091550	1	FORK SIDE SHIFT CYLINDER, (includes all items)	B
1	7001626	1	LOCKNUT	
2	70022644	1	PISTON	
3	Kit	2	WEAR RING	
4	Kit	1	O-RING	
5	Kit	1	PISTON RING	
6	Kit	1	O-RING	
7	70022645	1	STOP TUBE	
8	70022646	1	ROD	
9	70022647	1	BARREL	
10	70022648	1	GUIDE	
11	8036811	1	SET SCREW	
12	70022649	1	O-RING	
13	Kit	1	RING	
14	Kit	1	WIPER RING	
15	Kit	1	O-RING	
16	Kit	1	BACK-UP RING	
K1	70022643	1	SEAL KIT, (includes items 3 thru 6 & 13 thru 16)	

SECTION 9 - HYDRAULIC COMPONENTS

FIGURE 9-7. FORK SIDE TILT CYLINDER 619A & 723A



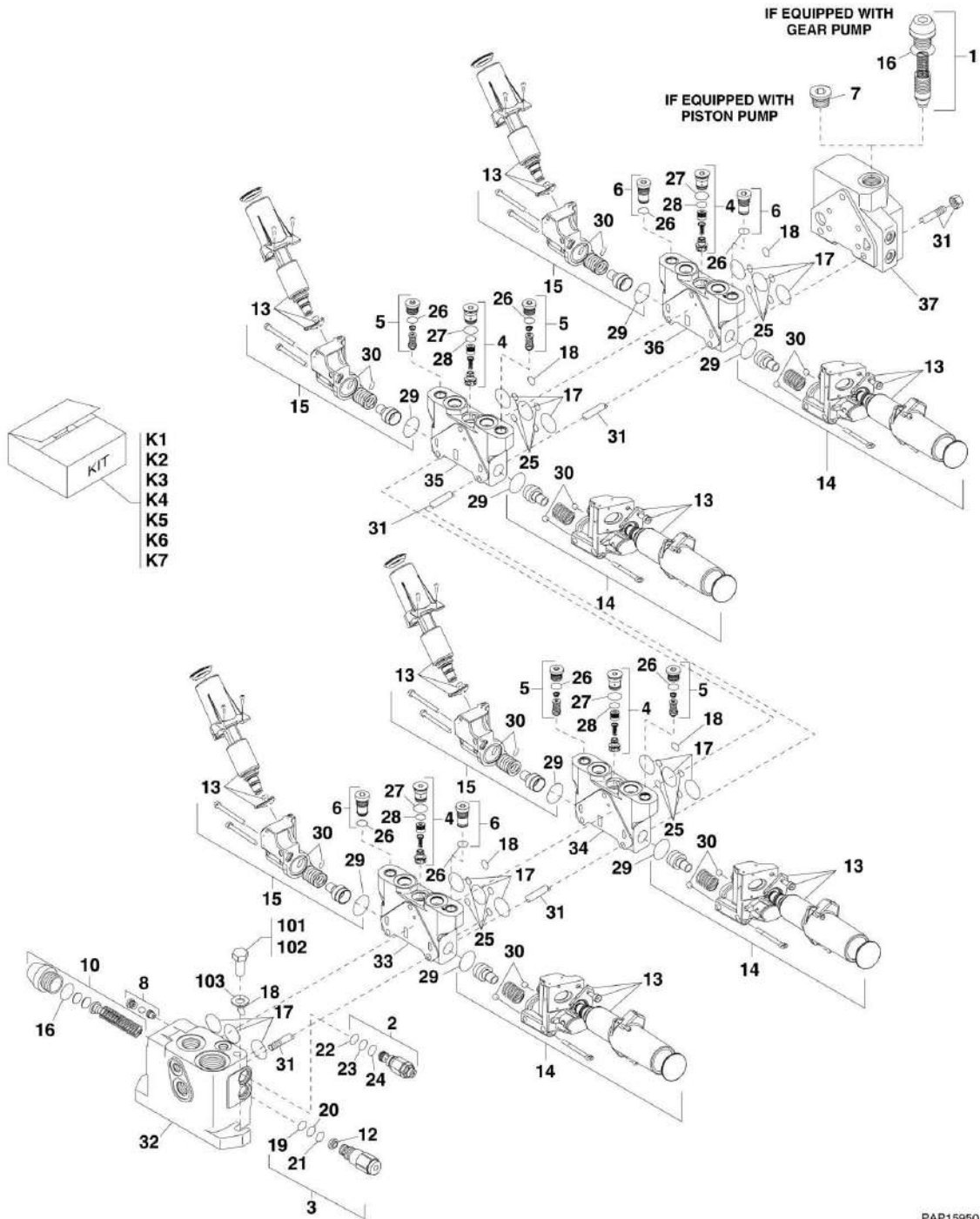
SECTION 9 - HYDRAULIC COMPONENTS

FIGURE 9-7. FORK SIDE TILT CYLINDER 619A & 723A

ITEM	PART NUMBER	QTY	DESCRIPTION	REV
	70021363	1	FORK SIDE TILT CYLINDER ASSY, (619A & 723A), (48in), (7000lbs), (includes all items)	A
1	70021440	1	HEX NUT	
2	70021444	1	WASHER	
3	90554045	2	GREASE FITTING	
4	70021451	1	PISTON	
5	70021446	1	GLAND	
6	70021447	1	BUSHING	
7	70021448	2	BUSHING	
8	70021462	1	ROD	
9	70021463	1	CYLINDER BARREL W/ VALVE	
10	70021464	2	VALVE CARTRIDGE	
11	70021452	1	SEAL KIT	

SECTION 9 - HYDRAULIC COMPONENTS

FIGURE 9-8. MAIN CONTROL VALVE



PAP15950

SECTION 9 - HYDRAULIC COMPONENTS

FIGURE 9-8. MAIN CONTROL VALVE

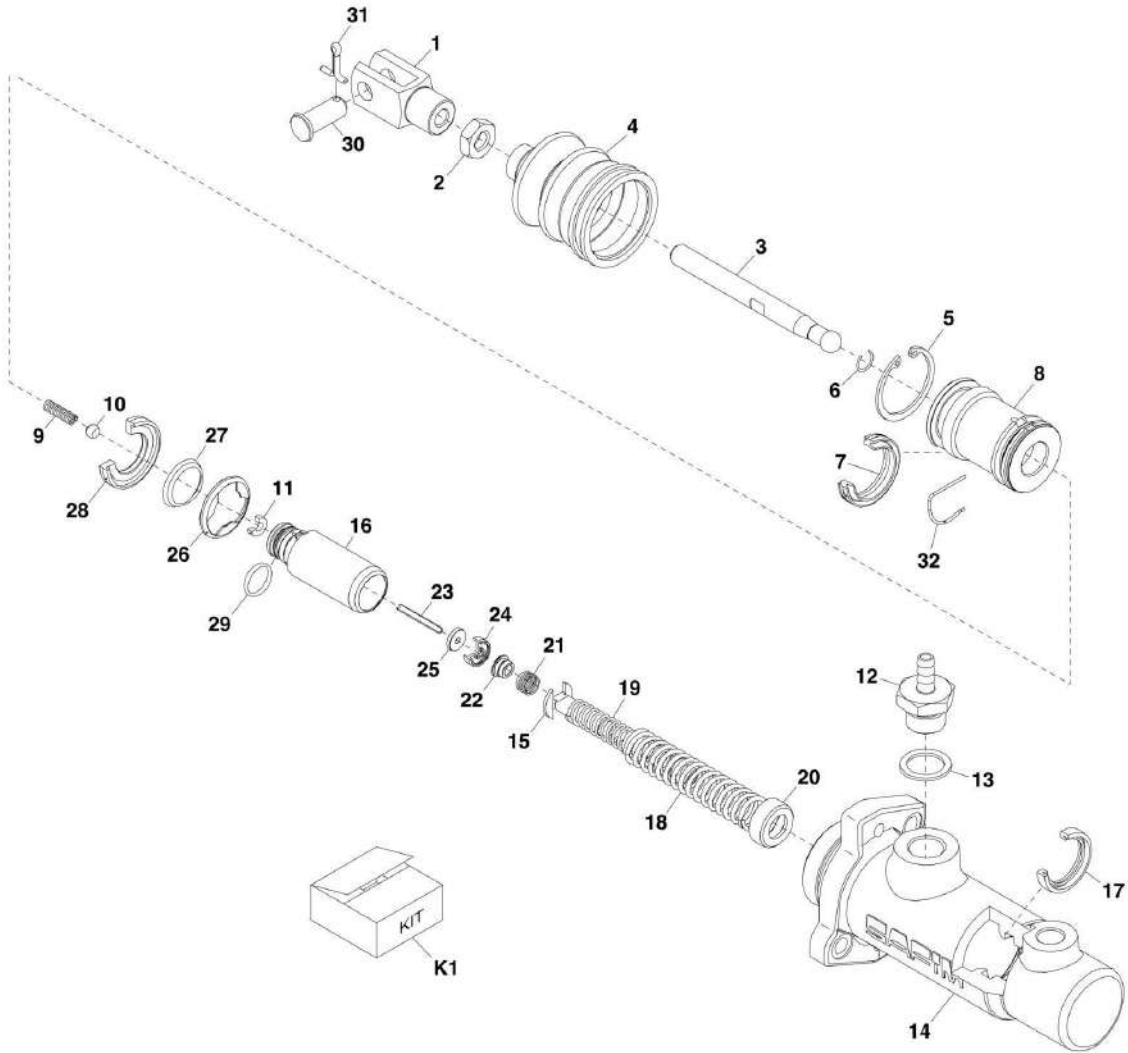
ITEM	PART NUMBER	QTY	DESCRIPTION	REV
	1001099621	1	MAIN CONTROL VALVE, (if equipped with gear pump), (includes items 1 thru 6 & 8 thru 37)	C
	1001100314	1	MAIN CONTROL VALVE, (if equipped with piston pump), (includes items 2 thru 37)	C
1	70022671	1	REGULATION KIT, (if equipped with gear pump), (includes one of item 16)	
2	70020693	1	PRESSURE RELIEF VALVE, (includes items 22 thru 24)	
3	70020695	1	FLOW REGULATOR, (includes items 12 & 19 thru 21)	
4	70022672	4	COMPENSATOR KIT, (includes one of items 27 & 28)	
5	70022673	2	RELIEF VALVE, (includes one of item 26)	
6	70022674	2	PLUG, (includes one of item 26)	
7	70022675	1	PLUG, (if equipped with piston pump)	
8	70022676	1	SHUTTLE VALVE KIT	
10	70022678	1	PLUG KIT, (includes one of item 16)	
12	70021874	1	FLOW REGULATOR FILTER	
13	70022680	8	SOLENOID KIT, (includes mounting hardware)	
14	70022681	4	SOLENOID KIT, (includes one of items 13 & 29 and two of item 30)	
15	70022682	4	SOLENOID KIT, (includes one of items 13 & 29 and two of item 30)	
16	Kit	2	O-RING	
17	Kit	18	O-RING	
18	Kit	6	O-RING	
19	Kit	1	O-RING	
20	Kit	1	O-RING	
21	Kit	1	O-RING	
22	Kit	1	O-RING	
23	Kit	1	O-RING	
24	Kit	1	O-RING	
25	Kit	20	O-RING	
26	Kit	8	O-RING	
27	Kit	4	O-RING	
28	Kit	4	O-RING	
29	Kit	8	O-RING	
30	Kit	16	O-RING	
31	70022715	3	STUD ASSY, (includes hex nut)	
32	70022708	1	INLET SECTION ASSY, (includes items 2, 3, 8, 10, 19, 24, one of items 16 & 18 and three of item 17)	
33	70022709	1	LIFT SECTION ASSY, (includes one of items 4, 6, 14, 15, 18, 27 & 28, two of items 13, 26 & 29, three of item 17 and four of items 25 & 30)	
34	70022710	1	TILT SECTION ASSY, (includes one of items 4, 5, 14, 15, 18, 27 & 28, two of items 13, 26 & 29, three of item 17 and four of items 25 & 30)	
35	70022711	1	AUXILIARY SECTION ASSY, (includes one of items 4, 5, 14, 15, 18, 27 & 28, two of items 13, 26 & 29, three of item 17 and four of items 25 & 30)	
36	70022712	1	EXTEND/RETRACT SECTION ASSY, (includes one of items 4, 6, 14, 15, 18, 27 & 28, two of items 13, 26 & 29, three of item 17 and four of items 25 & 30)	
37	70022713	1	OUTLET SECTION ASSY, (if equipped with gear pump), (includes item 1 & 31 and one of item 16)	
37	70022714	1	OUTLET SECTION ASSY, (if equipped with piston pump),	

SECTION 9 - HYDRAULIC COMPONENTS

ITEM	PART NUMBER	QTY	DESCRIPTION	REV
			(includes items 7 & 31)	
101	0100011	AR	LOCTITE 242	
102	0761015	3	HEX HD CAPSCREW, M10X35, GR8.8	
103	4812000	3	WASHER, 10mm	
K1	70022683	1	INLET SEAL KIT, (includes one of items 16 & 18 and 3 of item 17)	
K2	70022684	1	OUTLET SEAL KIT, (if equipped with gear pump), (includes one of items 16 & 18, three of item 17 and four of item 25)	
K3	70020711	1	FLOW REGULATOR SEAL KIT, (includes items 19 thru 21)	
K4	70020712	1	PRESSURE RELIEF SEAL KIT, (includes items 22 thru 24)	
K5	70022686	4	ELEMENT SEAL KIT, (if equipped with gear pump), (includes one of item 18, three of item 17 and four of item 25)	
K6	70022686	5	ELEMENT SEAL KIT, (if equipped with piston pump), (includes one of item 18, three of item 17 and four of item 25)	
K7	70022687	4	COMPLETE ELEMENT SEAL KIT, (includes one of items 18, 27 & 28, two of items 26 & 29, three of item 17 and four of items 25 & 30)	

SECTION 9 - HYDRAULIC COMPONENTS

FIGURE 9-9. SERVICE BRAKE VALVE



PAP15960

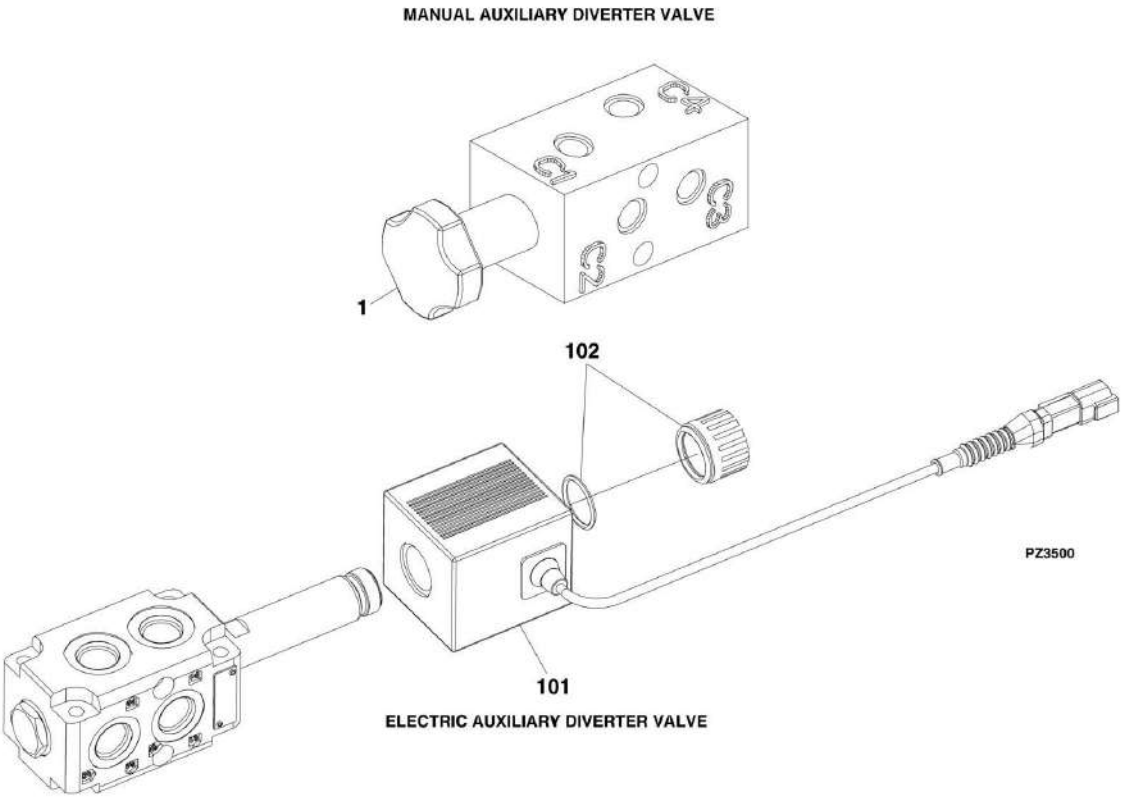
SECTION 9 - HYDRAULIC COMPONENTS

FIGURE 9-9. SERVICE BRAKE VALVE

ITEM	PART NUMBER	QTY	DESCRIPTION	REV
	1001098515	1	SERVICE BRAKE VALVE, (includes all items)	B
1	70022650	1	YOKE	
2	70020742	1	NUT	
3	70020741	1	PUSH ROD	
4	70020740	1	SEAL	
5	70022651	1	STOP RING	
6	70020739	1	STOP RING	
7	Kit	1	SEAL	
8	70022652	1	PISTON	
9	70022653	1	SPRING	
10	70020747	1	BALL	
11	Kit	1	SEAL	
12	70022654	1	RESERVOIR JOINT	
13	70022655	1	SPECIAL WASHER	
14	70022656	1	CYLINDER HOUSING	
15	70022657	1	SPRING GUIDE	
16	70022658	1	PISTON	
17	Kit	1	SEAL	
18	70020757	1	SPRING	
19	70022659	1	SPRING	
20	70022660	1	SPRING CAP	
21	70020755	1	SPRING	
22	70020754	1	SPRING GUIDE	
23	70020751	1	SPOOL	
24	Kit	1	SEAL	
25	70020752	1	WASHER	
26	70022661	1	WASHER	
27	70022662	1	CONICAL SPRING	
28	Kit	1	SEAL	
29	Kit	1	SEAL	
30	70020743	1	YOKE	
31	70020745	1	YOKE RING	
32	70020737	1	STOP RING	
K1	70022663	1	SEAL KIT, (includes items 7, 11, 17, 24, 28 & 29)	

SECTION 9 - HYDRAULIC COMPONENTS

FIGURE 9-10. BOOM AUXILIARY DIVERter VALVES



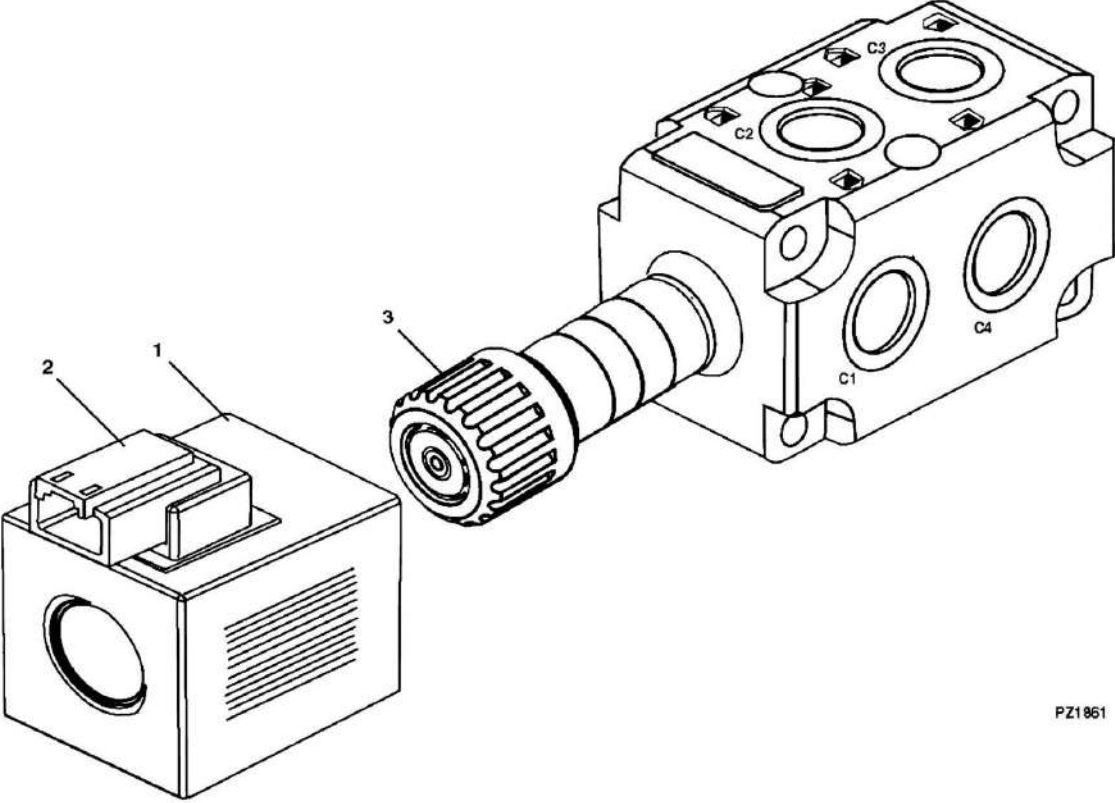
SECTION 9 - HYDRAULIC COMPONENTS

FIGURE 9-10. BOOM AUXILIARY DIVERTER VALVES

ITEM	PART NUMBER	QTY	DESCRIPTION	REV
1	4641357	1	MANUAL AUXILIARY DIVERTER VALVE, (includes item 1)	C
	70021532	1	ADJUSTMENT ASSY	
	1001104477	1	ELECTRIC AUXILIARY DIVERTER VALVE, (boom), (includes items 101 & 102)	D
101	70020764	1	COIL	
102	70021531	1	RETAINER KIT, (includes o-rings and nut)	

SECTION 9 - HYDRAULIC COMPONENTS

FIGURE 9-11. REAR ELECTRIC AUXILIARY DIVERTER VALVE



PZ1861

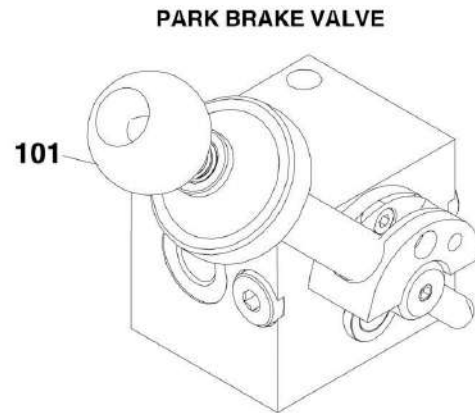
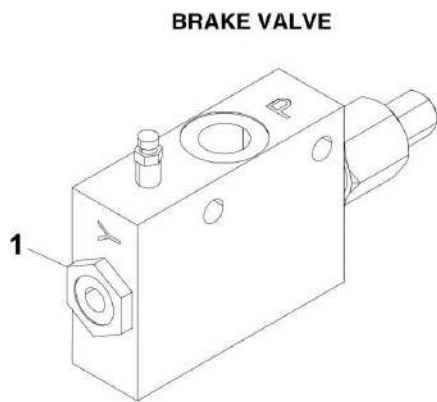
SECTION 9 - HYDRAULIC COMPONENTS

FIGURE 9-11. REAR ELECTRIC AUXILIARY DIVERter VALVE

ITEM	PART NUMBER	QTY	DESCRIPTION	REV
	4641404	1	ELECTRIC AUXILIARY DIVERter VALVE, (REAR), (if equipped), (includes all items)	B
1	70021530	1	COIL, (includes item 2)	
2	7028909	1	CONNECTOR	
3	70021531	1	RETAINER KIT, (includes o-rings and nut)	

SECTION 9 - HYDRAULIC COMPONENTS

FIGURE 9-12. BRAKE VALVES



PAP25020

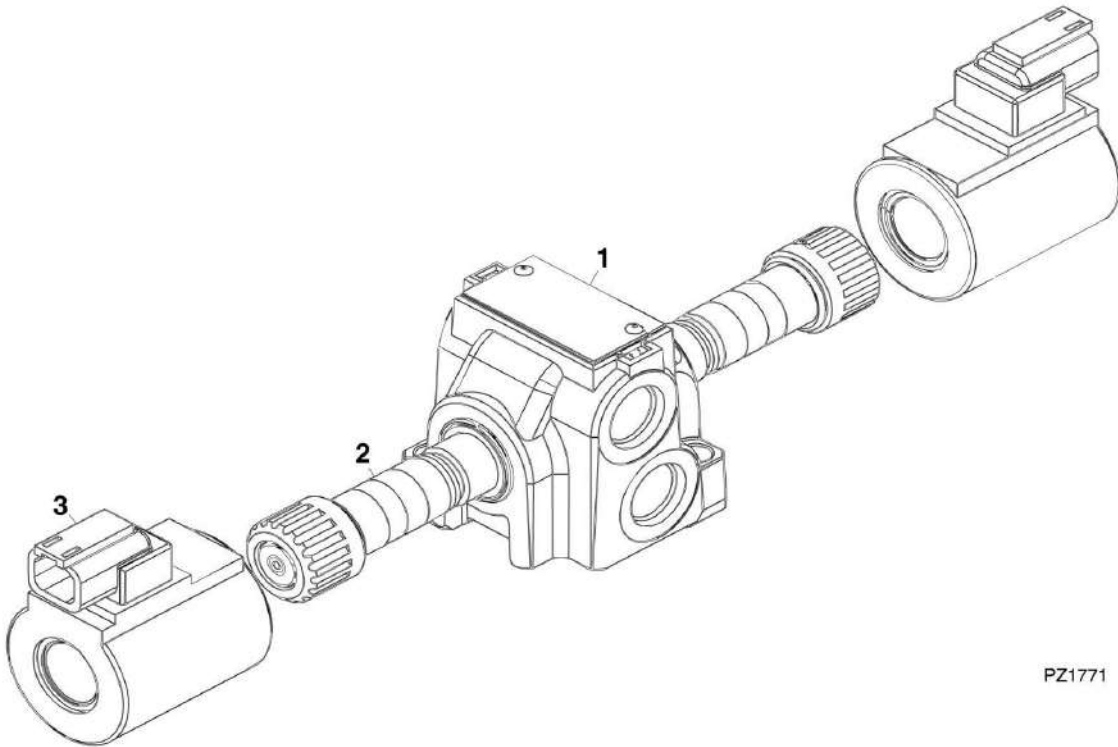
SECTION 9 - HYDRAULIC COMPONENTS

FIGURE 9-12. BRAKE VALVES

ITEM	PART NUMBER	QTY	DESCRIPTION	REV
1	4641474	1	BRAKE VALVE, (INCHING VALVE), (includes item 1)	D
	70020921	1	SEAL KIT	
101	4641401	1	PARK BRAKE VALVE, (includes item 101)	A
	70020800	1	BALL KNOB	

SECTION 9 - HYDRAULIC COMPONENTS

FIGURE 9-13. STEERING SELECT VALVE



PZ1771

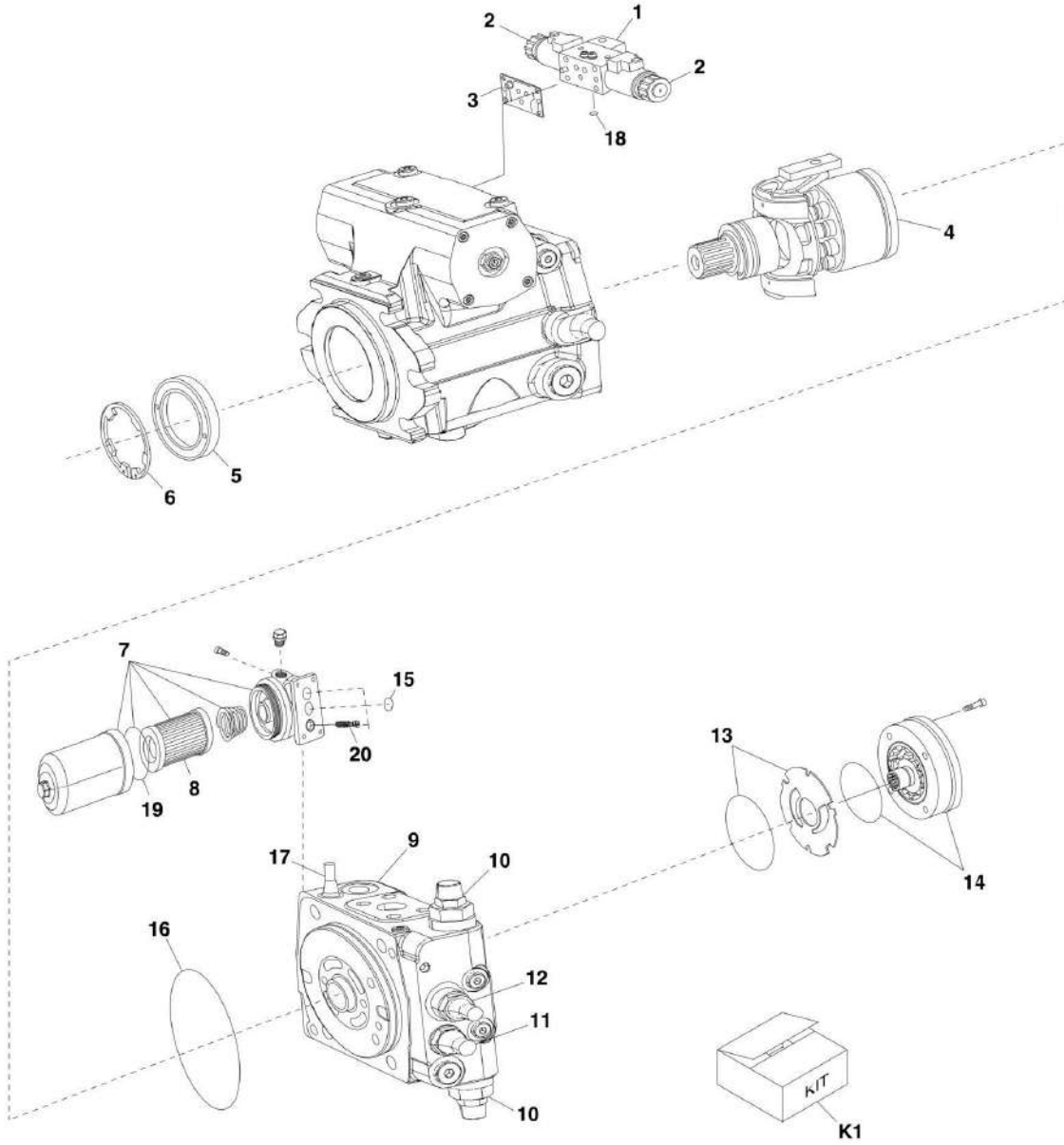
SECTION 9 - HYDRAULIC COMPONENTS

FIGURE 9-13. STEERING SELECT VALVE

ITEM	PART NUMBER	QTY	DESCRIPTION	REV
	4641519	1	STEERING SELECT VALVE, (includes all items)	A
1	70020866	1	VALVE BODY	
2	70020867	1	SEAL KIT	
3	70020868	1	COIL	

SECTION 9 - HYDRAULIC COMPONENTS

FIGURE 9-14. HYDROSTATIC TRANSMISSION



PAP15970

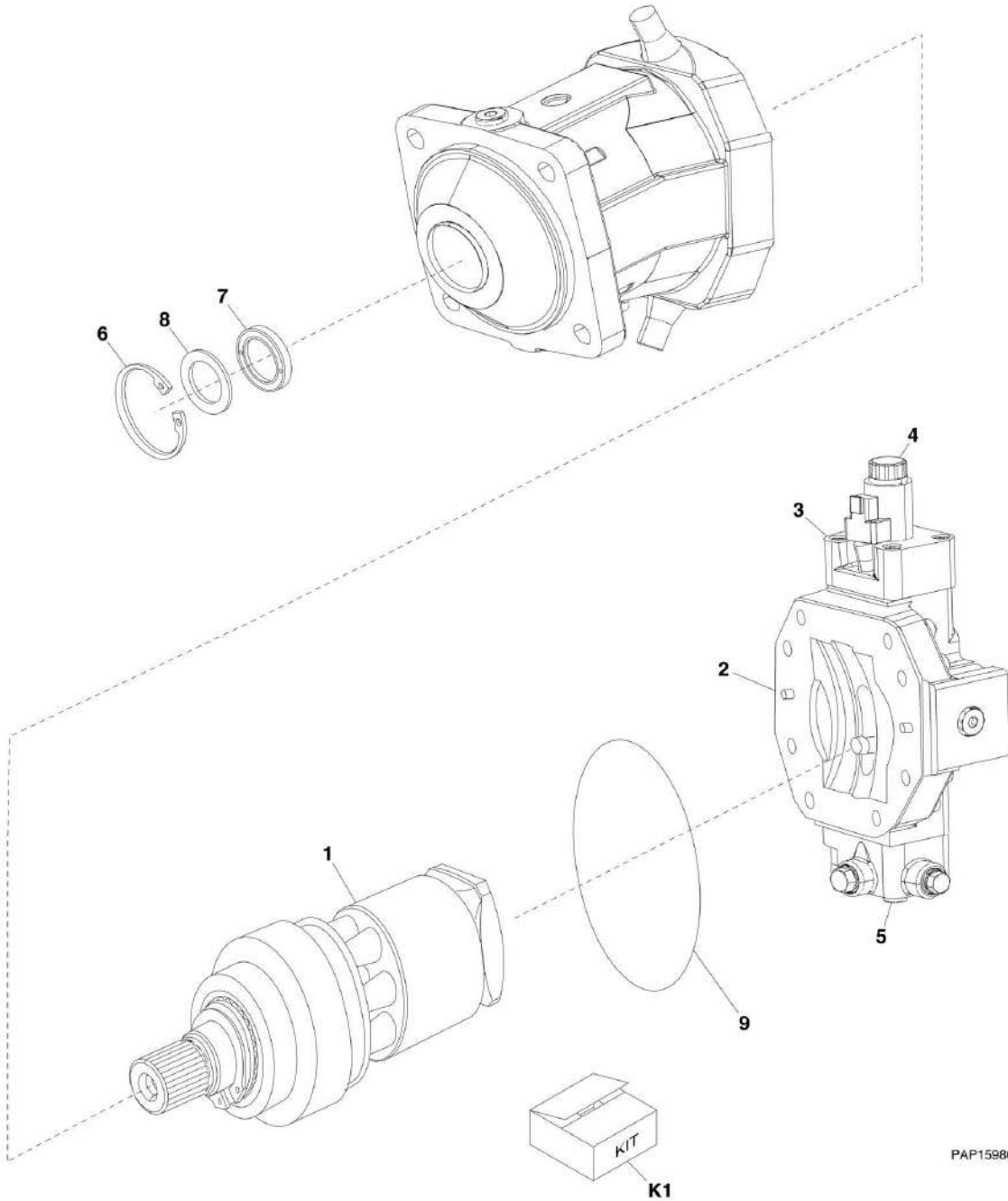
SECTION 9 - HYDRAULIC COMPONENTS

FIGURE 9-14. HYDROSTATIC TRANSMISSION

ITEM	PART NUMBER	QTY	DESCRIPTION	REV
	1001099179	1	HYDROSTATIC TRANSMISSION, (includes all items)	B
1	70022725	1	CONTROL ASSY, (includes item 2)	
2	70022726	2	12V SOLENOID	
3	Kit	1	GASKET	
4	7028878	1	ROTARY GROUP	
5	Kit	1	SHAFT SEAL	
6	Kit	1	RETAINING RING	
7	70022727	1	FILTER ASSY, (includes items 8, 15, 19, 20 and mounting hardware)	
8	70022728	1	FILTER ELEMENT	
9	7028879	1	PORT BLOCK W/ VALVES, (includes items 10 thru 12 & 17)	
10	70022729	2	HIGH PRESSURE RELIEF VALVE	
11	7028881	1	PRESSURE RELIEF VALVE	
12	91144099	1	CONTROL CARGRIDGE	
13	Kit	1	WEAR PLATE W/ O-RING	
14	70022730	1	CHARGE PUMP, (includes o-ring)	
15	70022731	1	O-RING KIT, (includes 3 o-rings)	
16	Kit	1	O-RING	
17	7028880	1	PRESSURE OVER-RIDE VALVE	
18	Kit	1	O-RING	
19	70022732	1	O-RING	
20	70022733	1	COLD START VALVE	
K1	7029534	1	SEAL KIT, (includes items 3, 5, 6, 13, 16 & 18)	

SECTION 9 - HYDRAULIC COMPONENTS

FIGURE 9-15. HYDRAULIC DRIVE MOTOR



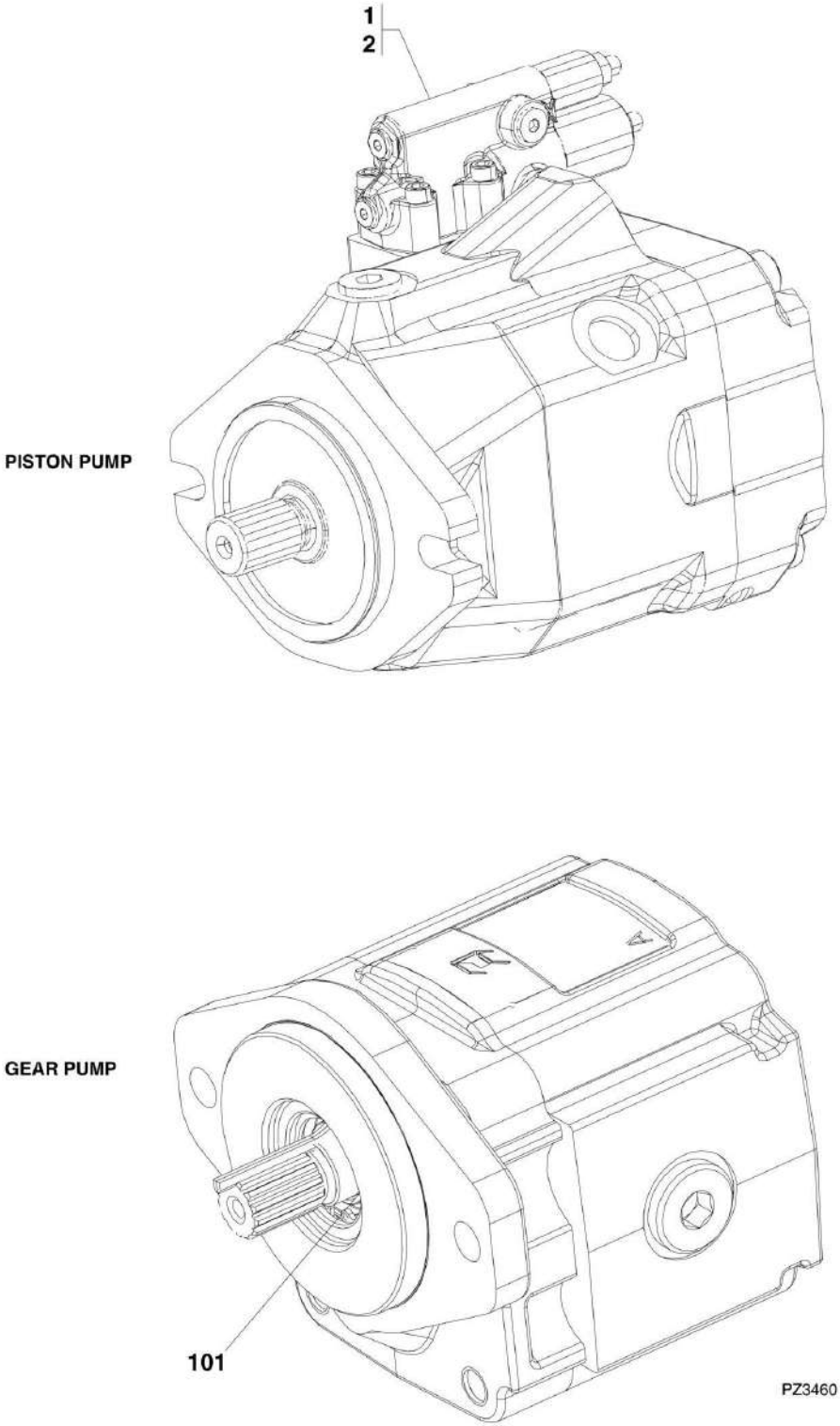
SECTION 9 - HYDRAULIC COMPONENTS

FIGURE 9-15. HYDRAULIC DRIVE MOTOR

ITEM	PART NUMBER	QTY	DESCRIPTION	REV
	1001099180	1	HYDRAULIC MOTOR, (L2906H, 2906H, 619A, 29.6LP & 29.6), (includes all items)	B
	1001099181	1	HYDRAULIC MOTOR, (3507H, 723A & 35.7), (includes all items)	B
1	7028798	1	ROTARY GROUP, (L2906H, 2906H, 619A, 29.6LP & 29.6)	
1	7028825	1	ROTARY GROUP, (3507H, 723A & 35.7)	
2	70022666	1	CONTROL ASSY, (L2906H, 2906H, 619A, 29.6LP & 29.6)	
2	70022668	1	CONTROL ASSY, (3507H, 723A & 35.7)	
3	70022667	1	CONTROL, (L2906H, 2906H, 619A, 29.6LP & 29.6)	
3	70022669	1	CONTROL, (3507H, 723A & 35.7)	
4	70022670	1	SOLENOID	
5	7028818	1	FLUSH VALVE, (L2906H, 2906H, 619A, 29.6LP & 29.6)	
5	7028834	1	FLUSH VALVE, (3507H, 723A & 35.7)	
6	80934052	1	SNAP RING, (L2906H, 2906H, 619A, 29.6LP & 29.6)	
6	7028821	1	SNAP RING, (3507H, 723A & 35.7)	
7	Kit	1	SHAFT SEAL RING	
8	7028802	1	SHIM, (L2906H, 2906H, 619A, 29.6LP & 29.6)	
8	7028822	1	SHIM, (3507H, 723A & 35.7)	
9	Kit	1	O-RING	
K1	7028803	1	SEAL KIT, (L2906H, 2906H, 619A, 29.6LP & 29.6), (includes items 7 & 9)	
K1	7028820	1	SEAL KIT, (3507H, 723A & 35.7), (includes item 7 & 9)	

SECTION 9 - HYDRAULIC COMPONENTS

FIGURE 9-16. PISTON PUMP AND GEAR PUMP



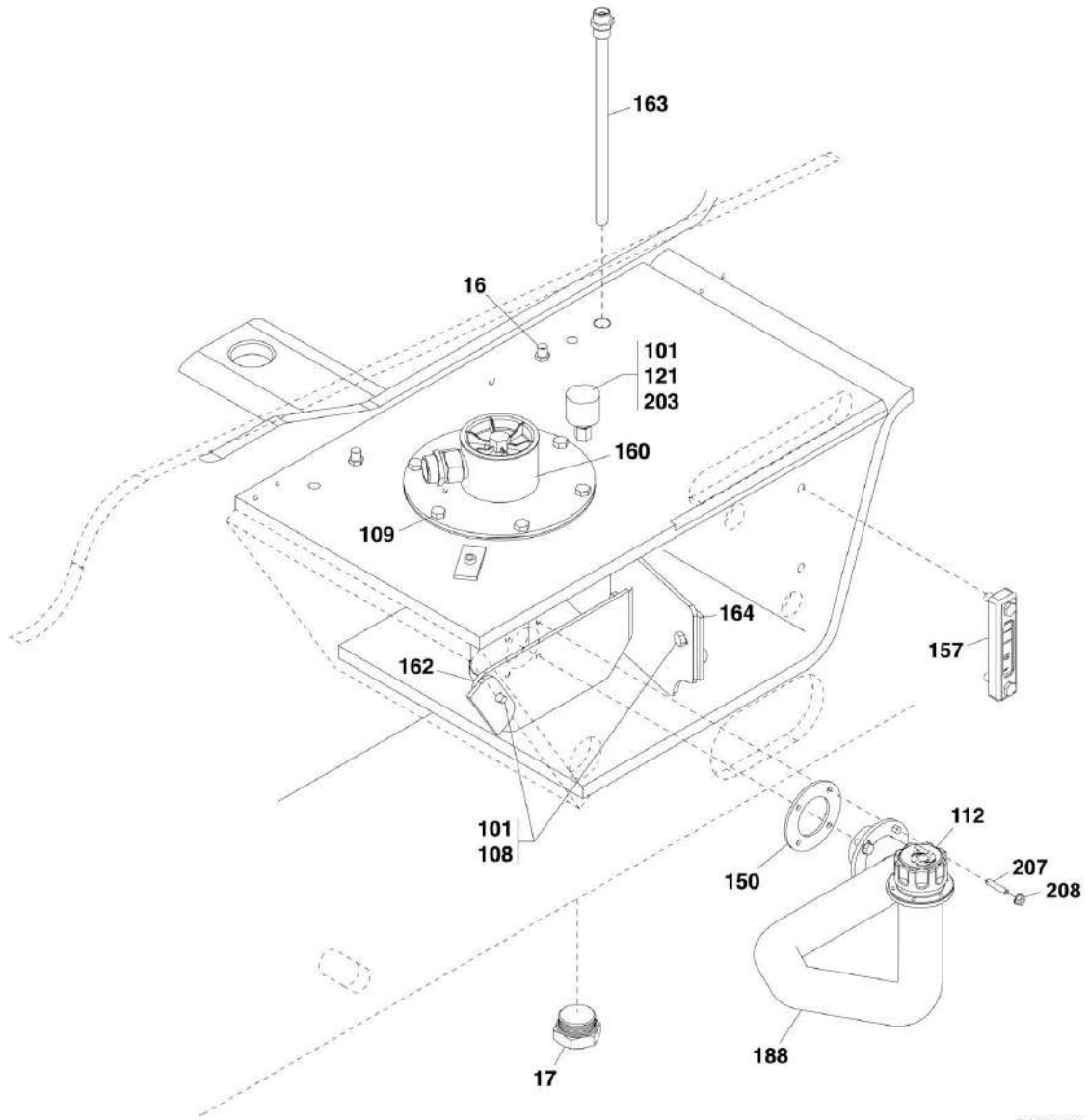
SECTION 9 - HYDRAULIC COMPONENTS

FIGURE 9-16. PISTON PUMP AND GEAR PUMP

ITEM	PART NUMBER	QTY	DESCRIPTION	REV
	1001105074	1	PISTON PUMP, (if equipped), (includes items 1 thru 3)	B
1	70020797	1	CONTROL VALVE	
2	Kit	1	GASKET	
3	70022665	1	SEAL KIT, (includes item 2 and o-rings), (not shown)	
	1001101150	1	GEAR PUMP, (if equipped), (includes item 101)	C
101	70022546	1	SEAL KIT	

SECTION 9 - HYDRAULIC COMPONENTS

FIGURE 9-17. HYDRAULIC TANK



PAP25010

SECTION 9 - HYDRAULIC COMPONENTS

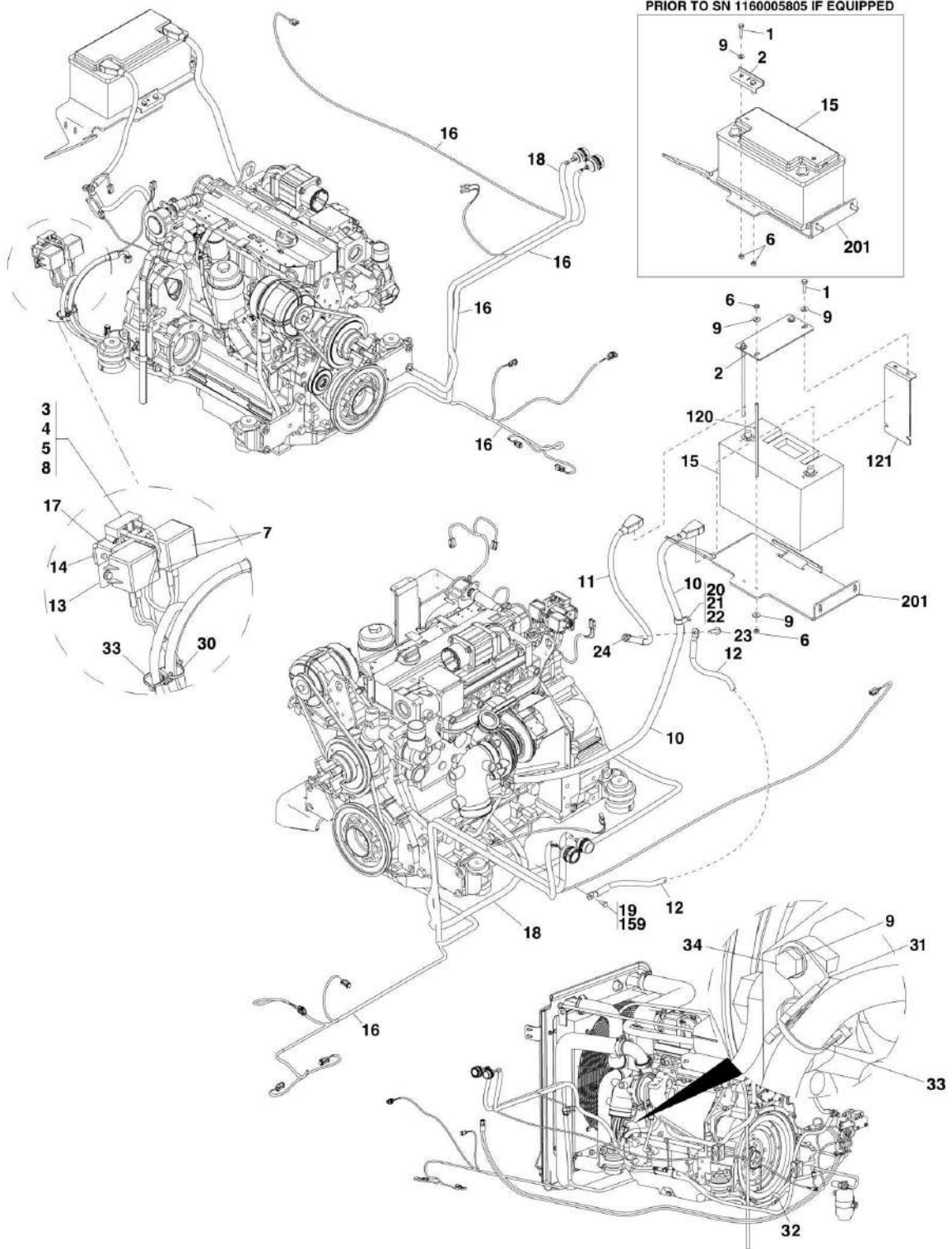
FIGURE 9-17. HYDRAULIC TANK

ITEM	PART NUMBER	QTY	DESCRIPTION	REV
16	2142503	1	FITTING CAP	
17		Ref	PLUG, (See FRAME AND ATTACHING PARTS SECTION for Breakdown)	
101	1001095650	AR	LOCTITE 243	
108	0761010	4	HEX HD CAPSCREW, M10X20, GR8.8	
109		Ref	PLATES AND MOUNTING HARDWARE, (See HYDRAULIC CIRCUITS SECTION for Breakdown)	
112	1120597	1	FILL CAP	
121	2120206	1	BREATHER	
150	3960603	1	SEAL	
157	8005248	1	SIGHT GLASS	
160		Ref	FILTER, (See HYDRAULIC CIRCUITS SECTION for Breakdown)	
162	1001097806	1	PLATE	
163	1001097976	1	DRAIN TUBE	
164	1001098104	1	PLATE	
188	1001101381	1	HYDRAULIC FILL PIPE	
203	2180874	1	SPACER	
207	1001115482	4	STUD, M8X40	
208	5220800	4	RIPP NUT, 8mm	

SECTION 10 - ELECTRICAL

SECTION 10 - ELECTRICAL

FIGURE 10-1. ENGINE ELECTRICAL INSTALLATION



ART_PAP4840-B

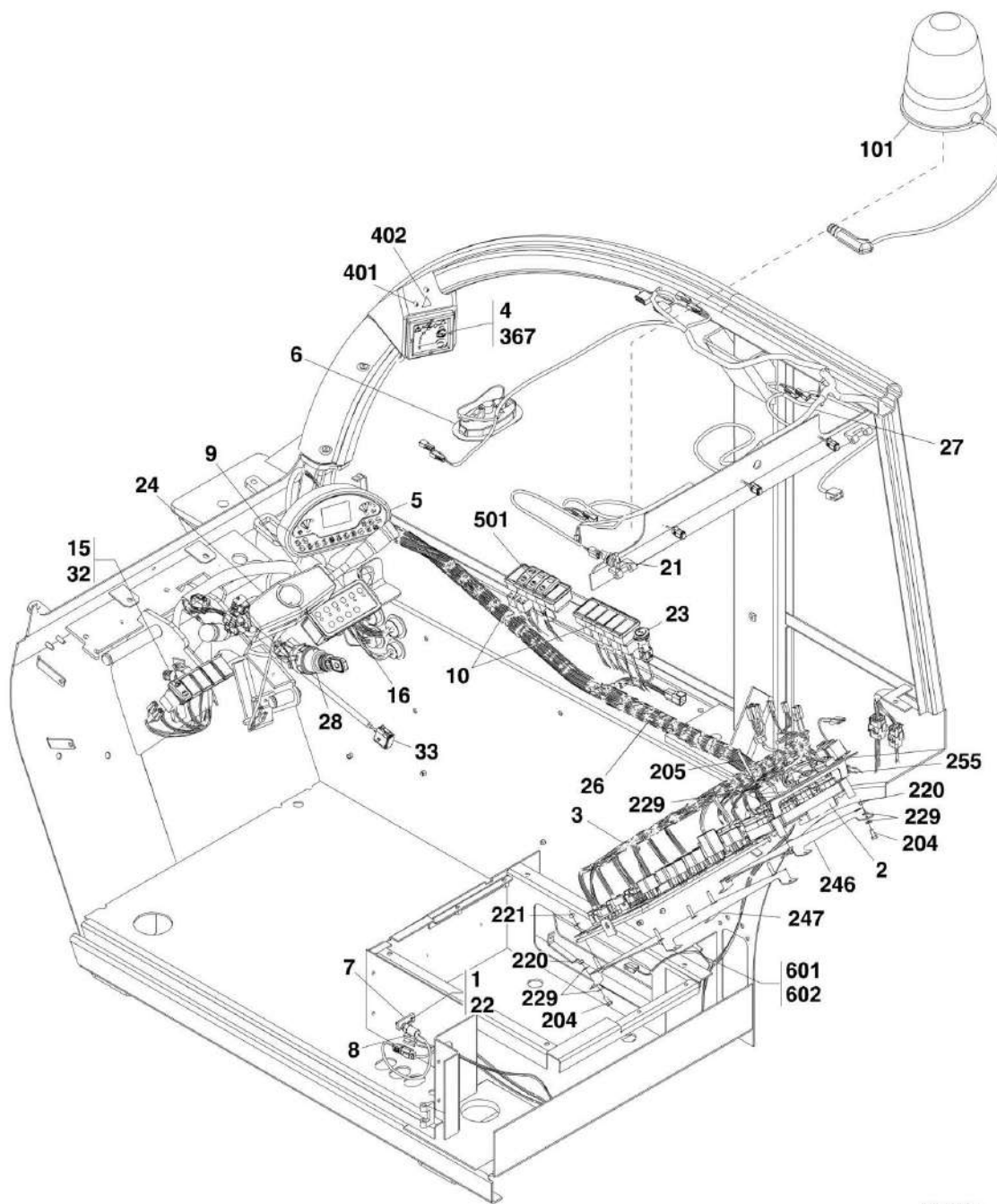
SECTION 10 - ELECTRICAL

FIGURE 10-1. ENGINE ELECTRICAL INSTALLATION

ITEM	PART NUMBER	QTY	DESCRIPTION	REV
	1001103735	Ref	BASIC ENGINE ELECTRICAL INSTALLATION, (L2906H, 2906H, 3507H, 29.6LP, 29.6 & 35.7), (619A & 723A - if equipped), (not available to order, see items 1 thru 34, 120 & 121 for service)	G
	1001112841	Ref	HEAVY DUTY ENGINE ELECTRICAL INSTALLATION, (619A & 723A - if equipped), (not available to order, see items 1 thru 24, 120 & 121 for service)	A
1	0700815	2	HEX HD CAPSCREW, M8X35, GR8.8	
2	1787217	NLA	CLAMP, (no longer available, use 1001092201, 1001092197 & 1001115676 for replacement) (Prior to SN 1160005805)	
2	1001092201	1	PLATE	
3	2400073	1	FUSE HOLDER	
4	2400074	1	50 AMP FUSE	
5	3290305	2	HEX LOCKNUT, M3X0.5	
6	3290805	NLA	HEX LOCKNUT, M8X1.25, (no longer available, use 3290801 for replacement) (Prior to SN 1160005805)	
6	3290801	4	HEX LOCKNUT, M8X1.25	
7	3740112	2	75 AMP RELAY	
8	4010308	2	PAN HD CAPSCREW, M3X16	
9	4811900	NLA	WASHER, 8mm, (no longer available, use 4811902 for replacement) (Prior to SN 1160005805)	
9	4811902	6	WASHER, 6mm	
10	4923207	1	POSITIVE BATTERY CABLE	
11	4923208	1	NEGATIVE BATTERY CABLE	
12	4923209	1	NEGATIVE BATTERY WIRE	
13	5200605	4	BOLT, M6X10	
14	5200608	2	BOLT, M6X16	
15	8008750	1	12V BATTERY, (BASIC)	
15	1001091683	1	12V BATTERY, (HEAVY DUTY)	
16		Ref	ENGINE HARNESS, (See ENGINE HARNESS for Breakdown)	
17	1001103104	1	BRACKET	
18		Ref	POWER/GROUND HARNESS, (See POWER/GROUND HARNESS for Breakdown)	
19	0760808	1	HEX HD CAPSCREW, M8X16, GR8.8	
20	0760610	1	HEX HD CAPSCREW, M6X16, GR8.8	
21	4811700	1	WASHER, 6mm	
22	1009352	1	CLIP	
23	3291001	1	HEX NUT, M10 X 1.5	
24	5201014	1	RIPP BOLT, M10 X 30	
30	1001004723	1	SADDLE	
31	1001025753	1	CLIP	
32	1001100319	2	CLIP	
33	1001008559	AR	STRAP CABLE	
34	0760810	1	HEX HD CAPSCREW, M8X20	
120	1001092197	2	THREADED ROD	
121	1001115676	1	BRACKET, (BASIC) (SN 1160005805 to Present)	
121	1001109843	1	BRACKET, (HEAVY)	
159	4811900	1	WASHER, 8mm, (BASIC)	
201		Ref	AIR INTAKE SUPPORT, (See ENGINE AND ATTACHING PARTS SECTION for Breakdown)	

SECTION 10 - ELECTRICAL

FIGURE 10-2. CAB ELECTRICAL INSTALLATION



PAP4481

SECTION 10 - ELECTRICAL

FIGURE 10-2. CAB ELECTRICAL INSTALLATION

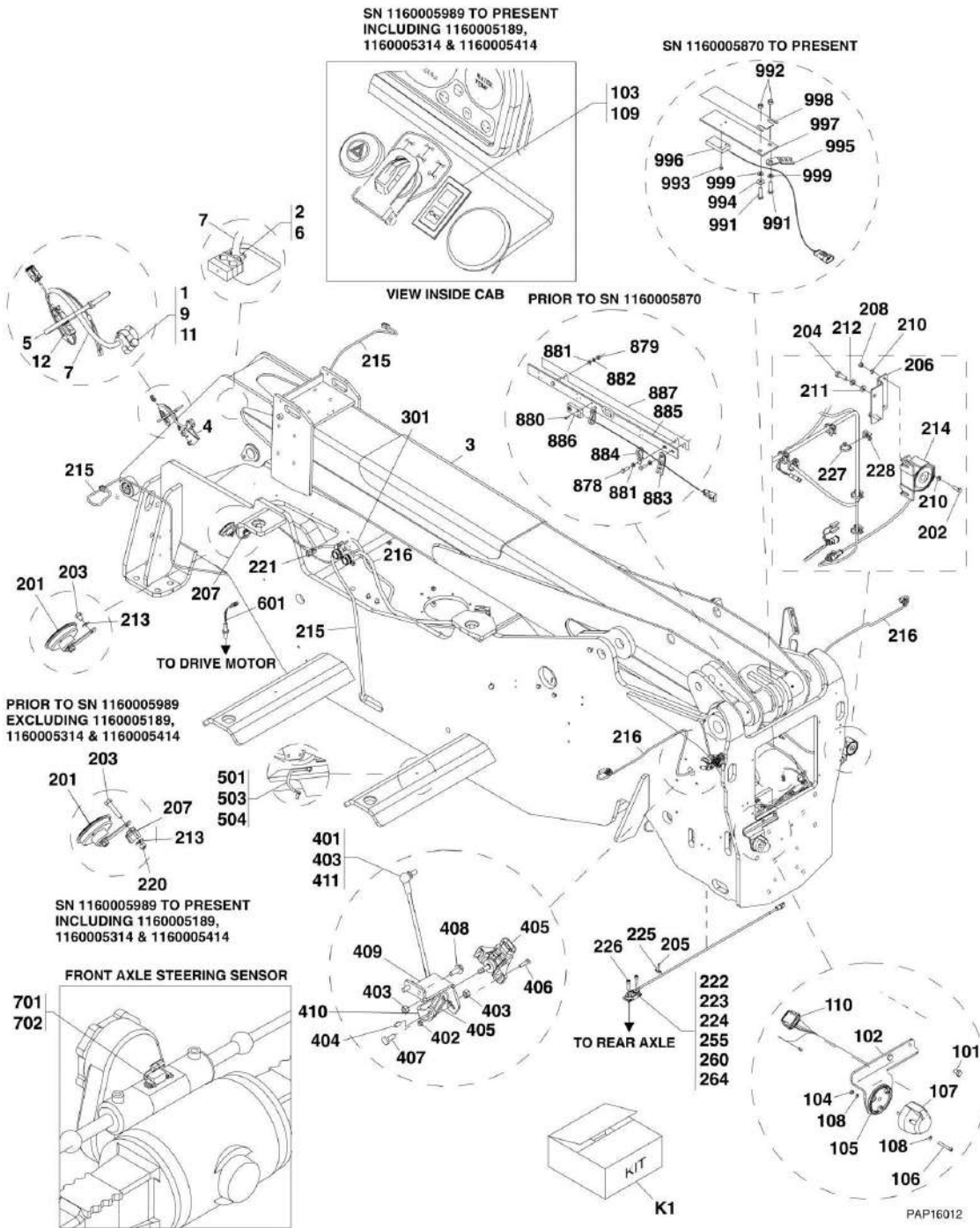
ITEM	PART NUMBER	QTY	DESCRIPTION	REV
	1001097465	Ref	CAB ELECTRICAL INSTALLATION, (L2906H, 2906H & 3507H), (not available to order, see items 1 thru 32 & 401 for service)	P
	1001114110	Ref	CAB ELECTRICAL INSTALLATION, (619A & 723A - Open Cab), (not available to order, see items 1 thru 3, 5, 7, 8, 10, 16, 22 thru 26, 28, 31 & 33 for service)	H
	1001106543	Ref	CAB ELECTRICAL INSTALLATION, (619A & 723A - Enclosed Cab), (not available to order, see items 1 thru 3, 5, 7, 8, 10, 16, 22 thru 26, 28, 31 & 33 for service)	K
	1001102698	Ref	CAB ELECTRICAL INSTALLATION, (619A & 723A - if equipped with A/C),(not available to order, see items 1 thru 3, 5, 7, 8, 10 16 thru 33 & 77 for service)	J
	1001107079	Ref	CAB ELECTRICAL INSTALLATION, (29.6LP, 29.6 & 35.7), (not available to order, see items 1 thru 32 & 401 for service)	P
1	0760405	2	HEX HD CAPSCREW, M4X10, GR8.8	
2	1001102954	1	GROUND CONTROLLER ASSY	
3	1001134580	1	POWER DISTRIBUTION ASSY	
3	8229233	7	7.5 AMP FUSE	
3	8229234	2	10 AMP FUSE	
3	8229237	18	15 AMP FUSE	
3	8229235	2	20 AMP FUSE	
3	8229262	1	25 AMP FUSE	
3	1001100781	1	FOUR PIN FLASHER RELAY	
3	8225119	7	30 AMP FUSE	
4	1001113165	1	LSI DISPLAY, (L2906H, 2906H, 3507H, 29.6LP, 29.6 & 35.7) (Prior to SN 1160005993, Excluding 1160005189, 1160005314 and 1160005414)	
4	1001127308	1	LSI DISPLAY, (L2906H, 2906H, 3507H, 29.6LP, 29.6 & 35.7) (SN 1160005993 through 1160007082, Including 1160005189, 1160005314 and 1160005414, Excluding 1160007074)	
4	1001157440	1	LSI DISPLAY, (L2906H, 2906H, 3507H, 29.6LP, 29.6 & 35.7) (SN 1160007083 through 1160007306, Including 1160007074, Excluding 1160005832, 1160007285 and 1160007287)	
4	1001173661	1	LSI DISPLAY, (L2906H, 2906H, 3507H, 29.6LP, 29.6 & 35.7) (SN 1160007307 through 1160007787, Including 1160005832, 1160007285 and 1160007287)	
4	1001192979	1	LSI DISPLAY, (L2906H, 2906H, 3507H, 29.6LP, 29.6 & 35.7) (SN 1160007788 to Present)	
5	1001105676	1	GAUGE CLUSTER, (L2906H, 2906H, 3507H, 619A & 723A)	
5	1001105679	1	GAUGE CLUSTER, (29.6LP, 29.6 & 35.7)	
6	2920209	1	DOME LIGHT, (L2906H, 2906H, 3507H, 29.6LP, 29.6 & 35.7)	
6	70020795	1	LIGHT BULB, (L2906H, 2906H, 3507H, 29.6LP, 29.6 & 35.7)	
7	4340970	1	MICRO SWITCH BRACKET	
8	4360580	1	WATER PROOF SWITCH	
9		Ref	TURN/WIPER/HORN SWITCH, (See CONTROLS SECTION for Breakdown)	
10		Ref	CAB SWITCHES, (See CAB SWITCHES for Breakdown)	
15	4360658	1	BRAKE LIGHT SWITCH	
16	4360660	1	KEYPAD SWITCH, (L2906H, 2906H, 3507H, 619A & 723A)	
16	1001106590	1	KEYPAD SWITCH, (29.6LP, 29.6 & 35.7)	
21	1001112674	5	12V POWER SUPPLY TERMINAL, (L2906H, 2906H, 3507H, 29.6LP, 29.6 & 35.7), (619A & 723A - if equipped)	
22	4811400	2	WASHER, 4mm	
23	1001095804	1	12V POWER SOCKET CONNECTOR	
24		Ref	F-N-R SWITCH, (See CONTROLS SECTION for Breakdown)	

SECTION 10 - ELECTRICAL

ITEM	PART NUMBER	QTY	DESCRIPTION	REV
25		Ref	JOYSTICK, (not shown), (See CONTROLS SECTION for Breakdown)	
26		Ref	CAB MAIN HARNESS, (See CAB MAIN HARNESS for Breakdown)	
27		Ref	CAB ROOF HARNESS, (L2906H, 2906H, 3507H, 29.6LP, 29.6 & 35.7), (619A & 723A - if equipped with A/C), (See CAB ROOF HARNESS for Breakdown)	
28	1001102502	1	IGNITION SWITCH	
28	70022765	1	REPLACEMENT KEY	
31		Ref	MACHINE HD CAPSCREW, M5X25 (not shown), (See CONTROLS SECTION for Breakdown)	
32	4010408	2	POZI-DRIVE PAN HD SCREW, 4X16mm	
33		Ref	LIGHT SHIFTER HARNESS, (See LIGHT SHIFTER HARNESS for Breakdown)	
77		Ref	ROOF PANEL COVER, (619A & 723A - if equipped with A/C), (not shown), (See CAB SECTION for Breakdown)	
101	1001091573	NLA	YELLOW WARNING LIGHT, (BEACON), (no longer available, use 1001217623 for replacement)	
101	1001217623	1	YELLOW WARNING LIGHT, (BEACON), (if equipped)	
204	0760607	8	HEX HD CAPSCREW, 6X14mm, GR8.8	
205	0760619	4	HEX HD CAPSCREW, 6X55mm, GR8.8	
220	3290601	8	HEX NUT, 6X1mm	
221	3290605	5	HEX LOCKNUT, 6X1mm	
229	4811700	29	WASHER, 6mm	
246	1001102725	1	GROUND CONTROLLER BRACKET	
247	1001102738	1	POWER DISTRIBUTION BRACKET	
255	1001105529	1	RELAY MOUNT BRACKET	
367	4031506	4	SOCKET HD CAPSCREW, 4X12mm	
401	1001127394	1	LSI CUT OUT LAMP HARNESS (Prior to SN 1160006454)	
401	1001128537	1	LSI CUT OUT LAMP HARNESS (SN 1160006454 to Present)	
402	1001127546	1	LSI WARNING DECAL (SN 1160005989 to Present)	
501	1001115879	1	LIGHTS JUMPER WIRE, (619A & 723A)	
	1001154054	Ref	SEAT SWITCH INSTALLATION (includes items 601 & 602)	A
601	471678	AR	CABLE BAND	
602		Ref	SEAT SWITCH WIRE, (See SEAT SWITCH WIRE for Breakdown)	

SECTION 10 - ELECTRICAL

FIGURE 10-3. BOOM AND FRAME ELECTRICAL INSTALLATION



SECTION 10 - ELECTRICAL

FIGURE 10-3. BOOM AND FRAME ELECTRICAL INSTALLATION

ITEM	PART NUMBER	QTY	DESCRIPTION	REV
	1001111782	Ref	AUXILIARY BOOM ELECTRICAL INSTALLATION, (L2906H, 2906H, 619A, 29.6LP & 29.6), (if equipped), (not available to order, see items 1 thru 12 for service) (Prior to SN 1160005870)	H
	1001102989	Ref	AUXILIARY BOOM ELECTRICAL INSTALLATION, (L2906H, 2906H, 619A, 29.6LP & 29.6), (if equipped), (includes items 1 thru 12) (SN 1160005870 to Present)	J
	1001111783	Ref	AUXILIARY BOOM ELECTRICAL INSTALLATION, (3507H, 723A & 35.7), (if equipped), (not available to order, see items 1 thru 12 for service) (Prior to SN 1160005870)	H
	1001102990	Ref	AUXILIARY BOOM ELECTRICAL INSTALLATION, (3507H, 723A & 35.7), (if equipped), (includes items 1 thru 12) (SN 1160005870 to Present)	H
1	0700818	1	HEX HD CAPSCREW, M8X50, GR8.8	
2	0700826	1	HEX HD CAPSCREW, M8X90, GR8.8	
3		Ref	BOOM ASSY, (See BOOM SECTION for Breakdown)	
4	0903637	1	CLAMP MOUNT BRACKET	
5	1062255	1	TIE STRAP	
6	1321264	2	TUBE CLAMP	
7		Ref	AUXILIARY ELECTRICAL HARNESS, (See BOOM AUXILIARY ELECTRIC HARNESS for Breakdown)	
8	2997586	1	CLAMP	
9	3290801	1	HEX NUT, M8X1.25	
10	4010616	2	PAN HD CAPSCREW, M6X40	
11	4811900	1	WASHER, 8mm	
12	4923633	1	ADAPTER HARNESS	
	2902377	1	TRAILER PLUG KIT, (if equipped), (includes items 101 thru 110)	C
101	0760806	2	HEX HD CAPSCREW, M8X12, GR8.8	
102	0903094	1	TRAILER PLUG BRACKET	
103	1719204	1	LIGHT INDICATOR	
104	3290507	3	HEX LOCKNUT, M5X0.8	
105	3960600	1	GASKET TRAILER PLUG	
106	4031612	3	SOCKET HD CAPSCREW, M5X40	
107	4461021	1	TRAILER PLUG	
108	4811600	6	WASHER, 5mm	
109	8002826	1	TRAILER DIRECTION INDICATOR	
110	4923122	1	ELECTRICAL HARNESS	
	1001106465	Ref	FRAME ELECTRICAL INSTALLATION, (619A & 723A), (not available to order, see items 201 thru 204, 206 thru 208 & 210 thru 216 for service)	C
	1001103737	Ref	FRAME ELECTRICAL INSTALLATION, (L2906H, 2906H, 3507H, 29.6LP, 29.6 & 35.7), (not available to order, see items 201 thru 260 for service)	J
201	0140046	1	HORN	
202	0700610	2	HEX HD CAPSCREW, M6X20, GR8.8	
203	0760805	2	HEX HD CAPSCREW, M8X10, GR8.8, (L2906H, 2906H, 3507H, 29.6LP, 29.6 & 35.7), (619A & 723A) (Prior to SN 1160005989, Excluding 1160005189, 1160005314 and 1160005414)	
203	0760816	1	HEX HD CAPSCREW, M8X40, GR8.8, (L2906H, 2906H, 3507H, 29.6LP, 29.6 & 35.7) (SN 1160005989 to Present, Including 1160005189, 1160005314 and 1160005414)	
204	0760812	2	HEX HD CAPSCREW, M8X25, GR8.8	
205	0700605	1	HEX HD CAPSCREW, M6X10, GR8.8	
206	0903624	1	BRACKET	

SECTION 10 - ELECTRICAL

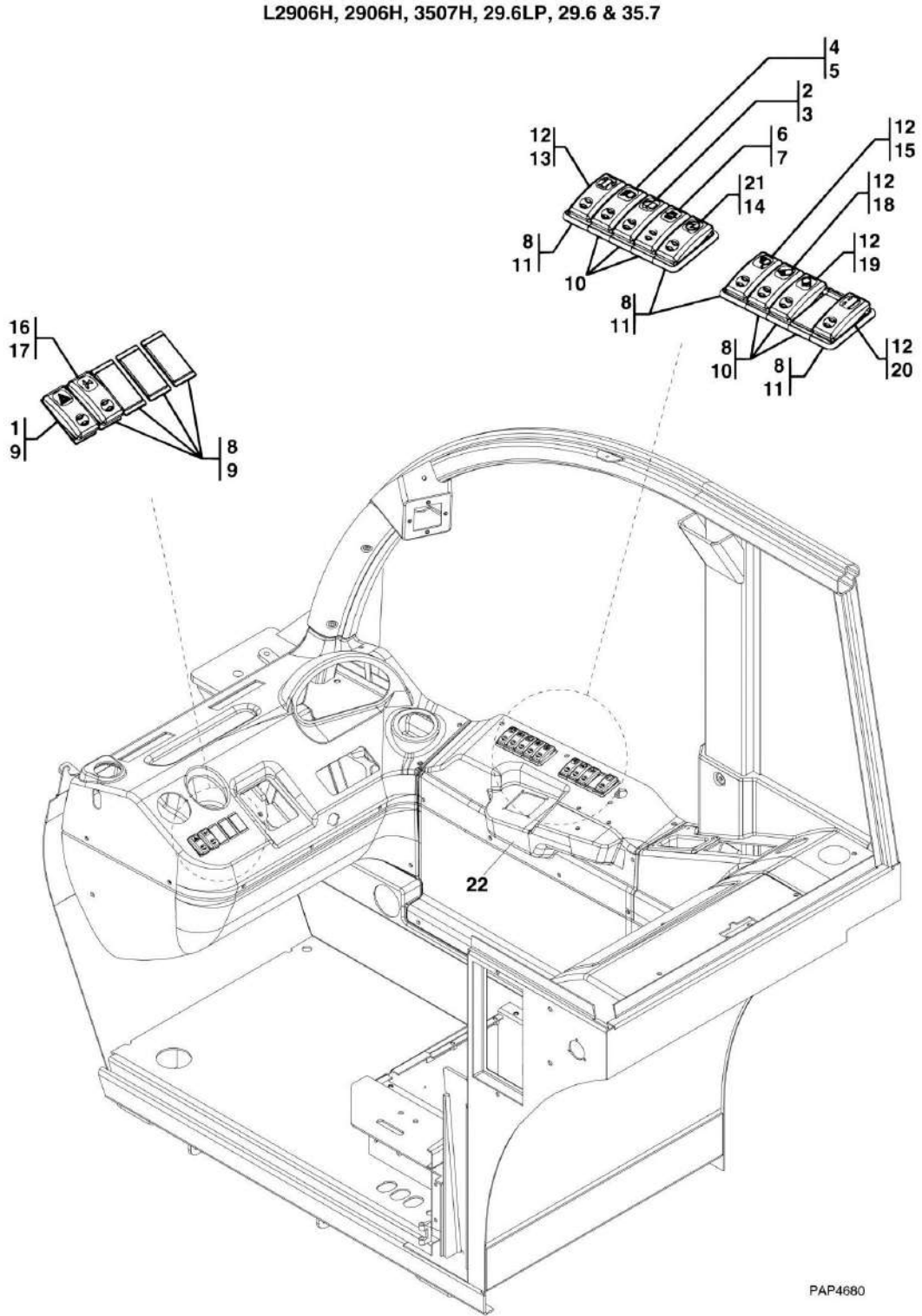
ITEM	PART NUMBER	QTY	DESCRIPTION	REV
207	1320061	1	CLAMP	
208	3290605	2	HEX LOCKNUT, M6X1	
210	4811700	4	WASHER, 6mm	
211	4811900	2	WASHER, 8mm	
212	4831900	2	LOCKWASHER, 8mm	
213	5211900	2	LOCKWASHER, 8mm	
214	1001099810	1	BACK-UP ALARM	
215		Ref	FRONT FRAME HARNESS, (See FRONT FRAME HARNESS for Breakdown)	
216		Ref	REAR FRAME HARNESS, (See REAR FRAME HARNESS for Breakdown)	
220	3290805	1	HEX LOCKNUT, 8X1.25mm	
221	1001121398	1	LSI SENSOR HARNESS, (L2906H, 2906H, 3507H, 29.6LP, 29.6 & 35.7) (SN 1160005989 to Present, Including 1160005189, 1160005314 and 1160005414)	
222	1001125465	AR	LOCTITE 7063	
223	1001129425	AR	LOCTITE 246	
224	1001125467	AR	LOCTITE 7471 (Prior to SN 1160006153)	
225	1001129392	1	CLIP	
226	5272012	2	HEX HD CAPSCREW, M10X40	
227	471678	10	BAND CLAMP, 4.8X204mm	
228	8007986	10	MOUNTING CLIP	
255	0771016	2	HEX HD CAPSCREW, M10X40, GR10.9, (L2906H, 2906H, 3507H, 29.6LP, 29.6 & 35.7) (Prior to SN 1160005989, Excluding 1160005189, 1160005314 and 1160005414)	
255	5272011	2	SOCKET HD SCREW, 10X35mm, (L2906H, 2906H, 3507H, 29.6LP, 29.6 & 35.7) (SN 1160005989 to Present, Including 1160005189, 1160005314 and 1160005414)	
260	1001113164	1	REAR AXLE LSI SENSOR, (L2906H, 2906H, 3507H, 29.6LP, 29.6 & 35.7) (Prior to SN 1160005989, Excluding 1160005189, 1160005314 and 1160005414)	
260	1001121515	NLA	REAR AXLE LSI SENSOR, (L2906H, 2906H, 3507H, 29.6LP, 29.6 & 35.7), (no longer available, use 1001129371 for replacement) (SN 1160005989 through 1160006152, Including 1160005189, 1160005314 and 1160005414)	
260	1001160730	1	REAR AXLE LSI SENSOR, (L2906H, 2906H, 3507H, 29.6LP, 29.6 & 35.7) (SN 1160006153 to Present)	
301	1001104993	1	FRAME OPTIONS HARNESS, (if equipped)	B
	1001105871	Ref	BOOM ANGLE SENSOR INSTALLATION, (L2906H, 2906H, 619A, 29.6LP & 29.6), (not available to order, see items 401 thru 411 for service)	C
	1001105973	Ref	BOOM ANGLE SENSOR INSTALLATION, (3507H, 723A & 35.7), (not available to order, see items 401 thru 411 for service)	C
401	466104	2	ANGLE JOINT	
402	3290405	2	HEX LOCKNUT, M4X0.7	
403	3290607	4	HEX LOCKNUT, M6X1	
404	3371705	1	PIN	
405	4000015	1	90, ANGLE SENSOR	
406	4010408	2	PAN HD CAPSCREW, M4X16	
407	4010608	1	PAN HD CAPSCREW, M6X16	
408	4031707	2	HEX HD CAPSCREW, M6X16, (L2906H, 2906H, 619A, 29.6LP & 29.6)	
408	5200608	2	BOLT, M6X16, (3507H, 723A & 35.7)	
409	1001105879	1	BOOM ANGLE BRACKET	
410	1001105890	1	BOOM ANGLE SENSOR LINK	

SECTION 10 - ELECTRICAL

ITEM	PART NUMBER	QTY	DESCRIPTION	REV
411	1001105896	1	ROD LINK, (L2906H, 2906H, 619A, 29.6LP & 29.6)	
411	1001105974	1	ROD LINK, (3507H, 723A & 35.7)	
501	0761012	2	HEX HD CAPSCREW, M10X25, GR8.8	
503	4812000	2	WASHER, 10mm	
504	8003392	1	GROUND CABLE	
601	1810010	1	SPEED SENSOR	
	1001106683	Ref	FRONT STEERING SENSOR INSTALLATION, (if equipped), (not available to order, see items 701 & 702 for service)	C
701	1001113287	1	STEERING SENSOR	
702	1380161	2	TUBE CLAMP	
878	0700610	2	HEX HD CAPSCREW, 6X20mm, GR8.8 (Prior to SN 1160005870)	
879	3290601	1	HEX NUT, 6X1mm (Prior to SN 1160005870)	
880	4031505	2	SOCKET HD CAPSCREW, 4X10mm (Prior to SN 1160005870)	
881	4811700	3	WASHER, 6mm	
882	4831700	1	LOCKWASHER, 6mm (Prior to SN 1160005870)	
883	1001008593	1	CLIP (Prior to SN 1160005870)	
884	1001008923	2	STRAP-CABLE	
885	1001120889	NLA	PROX SWITCH PLATE, (no longer available, use 1001126015 for replacement)	
885	1001126015	1	PROX SWITCH PLATE (Prior to SN 1160005870)	
886	1001121021	1	PROXIMITY SENSOR (Prior to SN 1160005870)	
887	1001121311	AR	PLATFORM SENSOR SHIM (Prior to SN 1160005870)	
991	0700612	2	HEX HD CAPSCREW, M6X25 LG, GR8.8 (SN 1160005870 to Present)	
992	3290605	2	LOCK NUT (SN 1160005870 to Present)	
993	4031504	2	HEX HD SCREW, M4X8 LG (SN 1160005870 to Present)	
994	4811702	2	WASHER, 6mm (SN 1160005870 to Present)	
995	1001008593	1	CLIP (SN 1160005870 to Present)	
996	1001121021	1	PROXIMITY SENSOR (SN 1160005870 to Present)	
997	1001129902	1	PROXIMITY SENSOR PLATE (SN 1160005870 to Present)	
998	1001130032	AR	SHIM (SN 1160005870 to Present)	
999	48117000	2	WASHER, 6mm	
K1	1001122400	1	REAR AXLE LSI SERVICE KIT, (includes Rear Axle LSI Sensor, Hex HD Capscrew, Washer, Sensor Installation Spec, LOCTITE 246 and LOCTITE 7063) (SN 1160005989 to Present)	2

SECTION 10 - ELECTRICAL

FIGURE 10-4. CAB SWITCHES L2906H, 2906H, 3507H, 29.6LP, 29.6 & 35.7



PAP4680

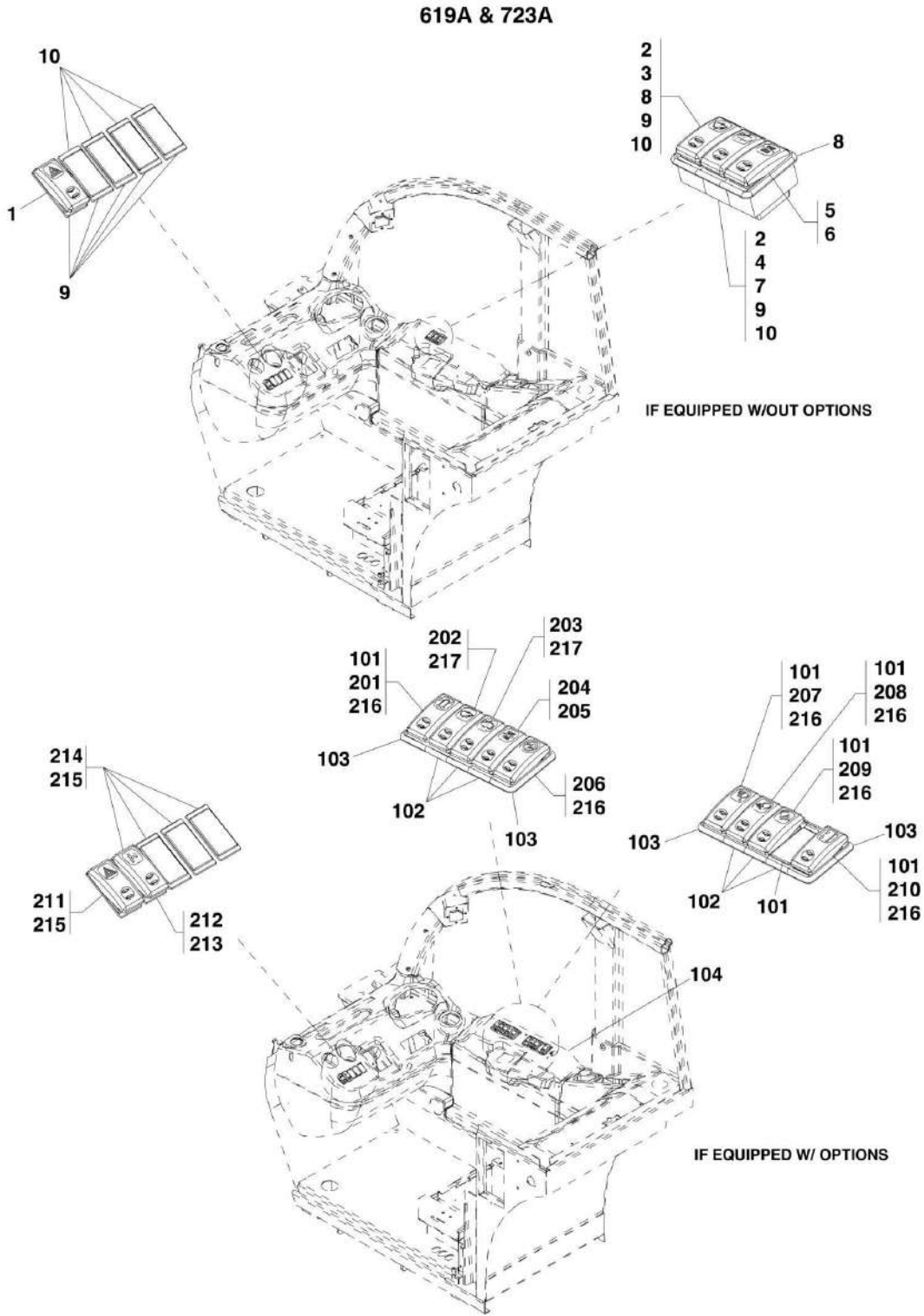
SECTION 10 - ELECTRICAL

FIGURE 10-4. CAB SWITCHES L2906H, 2906H, 3507H, 29.6LP, 29.6 & 35.7

ITEM	PART NUMBER	QTY	DESCRIPTION	REV
1	4360640	1	HAZARD SWITCH ASSY	
2	4360642	1	SWITCH BODY	
3	4360643	1	REAR WIPER SWITCH KEY	
4	4360653	1	DRIVING LIGHTS SWITCH BODY	
5	4360654	1	DRIVING LIGHTS SWITCH KEY	
6	4360665	1	AUXILIARY HYDRAULICS SWITCH BODY	
7	4360666	1	AUXILIARY HYDRAULICS SWITCH KEY	
8	4360669	11	BLANK SWITCH ASSY	
9	4360688	5	SWITCH ADAPTER RING	
10	1001090606	6	SINGLE SWITCH HOLDER	
11	1001090607	4	END PIECE SWITCH HOLDER	
12	4360644	6	SWITCH BODY, (if equipped)	
13	4360649	1	BEACON LIGHT SWITCH KEY, (if equipped)	
14	1001092862	1	AUXILIARY ELECTRIC SWITCH KEY, (if equipped)	
15	4360650	1	BOOM LIGHTS SWITCH KEY, (if equipped)	
16	1001092861	1	HYDRAULIC QUICK ATTACH SWITCH BODY, (if equipped)	
17	1001092863	1	HYDRAULIC QUICK ATTACH SWITCH KEY, (if equipped)	
18	4360651	1	FRONT WORKLIGHTS SWITCH KEY, (if equipped)	
19	4360652	1	REAR WORKLIGHTS SWITCH KEY, (if equipped)	
20	4360646	1	FRONT/REAR AUXILIARY HYDARULIC SWITCH KEY, (if equipped)	
21	4360664	1	SWITCH BODY, (if equipped)	
22	1001115129	1	SWITCH PANEL COVER	

SECTION 10 - ELECTRICAL

FIGURE 10-5. CAB SWITCHES 619A & 723A



PZ3711

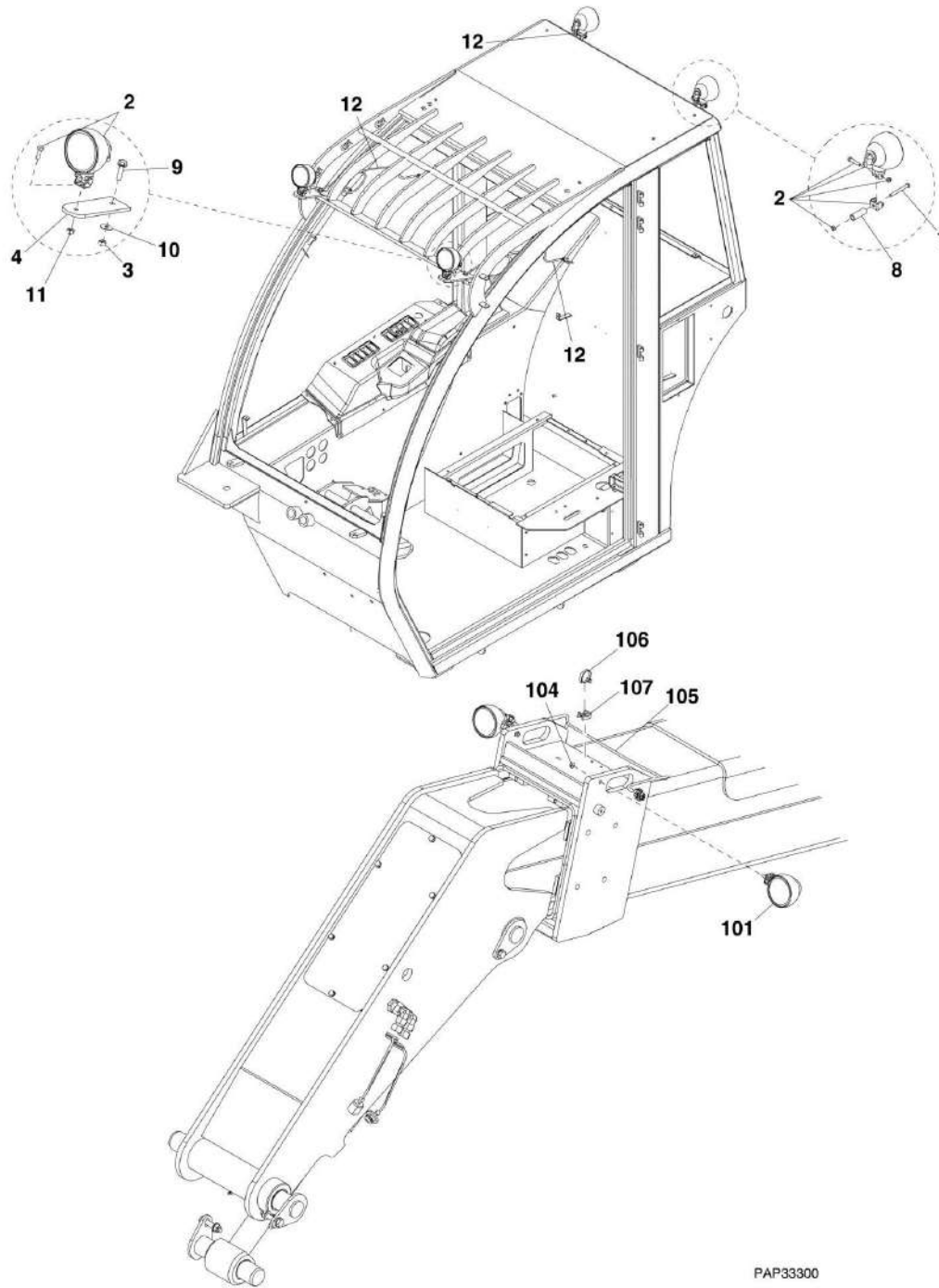
SECTION 10 - ELECTRICAL

FIGURE 10-5. CAB SWITCHES 619A & 723A

ITEM	PART NUMBER	QTY	DESCRIPTION	REV
		Ref	CAB SWITCHES, (if equipped w/out options), (includes items 1 thru 10)	
1	4360640	1	HAZARD SWITCH ASSY	
2	4360642	2	SWITCH BODY, (if equipped)	
3	1001106536	1	FRONT WIPER SWITCH KEY, (if equipped)	
4	4360643	1	REAR WIPER SWITCH KEY, (if equipped)	
5	4360665	1	AUXILIARY HYDRAULICS SWITCH BODY	
6	4360666	1	AUXILIARY HYDRAULICS SWITCH KEY	
7	1001090606	1	SINGLE SWITCH HOLDER	
8	1001090607	2	END PIECE SWITCH HOLDER	
9	4360688	5	SWITCH ADAPTER RING, (if equipped w/ enclosed cab)	
9	4360688	7	SWITCH ADAPTER RING, (if equipped w/ open cab)	
10	4360669	4	BLANK SWITCH ASSY, (if equipped w/ enclosed cab)	
10	4360669	6	BLANK SWITCH ASSY, (if equipped w/ open cab)	
		Ref	CAB SWITCHES, (if equipped w/ options), (includes items 101 thru 217)	
	1001108338	Ref	OPTIONAL SWITCH PANEL INSTALLATION, (not available to order, see items 101 thru 104 for service)	C
101	4360669	6	BLANK SWITCH ASSY	
102	1001090606	6	SINGLE SWITCH HOLDER	
103	1001090607	4	END PIECE SWITCH HOLDER	
104	1001101651	1	SWITCH PANEL COVER	
201	4360649	1	BEACON LIGHT SWITCH KEY, (if equipped)	
202	1001106536	1	FRONT WIPER SWITCH KEY, (if equipped)	
203	4360643	1	REAR WIPER SWITCH KEY, (if equipped)	
204	4360665	1	AUXILIARY HYDRAULIC SWITCH BODY, (if equipped)	
205	4360666	1	AUXILIARY HYDRAULIC SWITCH KEY, (if equipped)	
206	1001092862	1	AUXILIARY ELECTRIC SWITCH KEY, (if equipped)	
207	4360650	1	BOOM LIGHTS SWITCH KEY, (if equipped)	
208	4360651	1	FRONT WORKLIGHTS SWITCH KEY, (if equipped)	
209	4360652	1	REAR WORKLIGHTS SWITCH KEY, (if equipped)	
210	4360646	1	FRONT/REAR AUXILIARY HYDRAULIC SWITCH KEY, (if equipped)	
211	4360640	1	HAZARD SWITCH ASSY	
212	1001092863	1	HYDRAULIC QUICK ATTACH SWITCH KEY, (if equipped)	
213	1001092861	1	HYDRAULIC QUICK ATTACH SWITCH BODY, (if equipped)	
214	4360669	4	BLANK SWITCH ASSY	
215	4360688	5	SWITCH ADAPTER RING	
216	4360644	6	SWITCH BODY, (if equipped)	
217	4360642	2	SWITCH BODY, (if equipped)	

SECTION 10 - ELECTRICAL

FIGURE 10-6. WORK LIGHT INSTALLATIONS



PAP33300

NOTE: ON REAR CAB WORKLIGHTS, REMOVE ATTACHING BOLT PROVIDED WITH WORKLIGHT AND REPLACE WITH ITEM 1.

SECTION 10 - ELECTRICAL

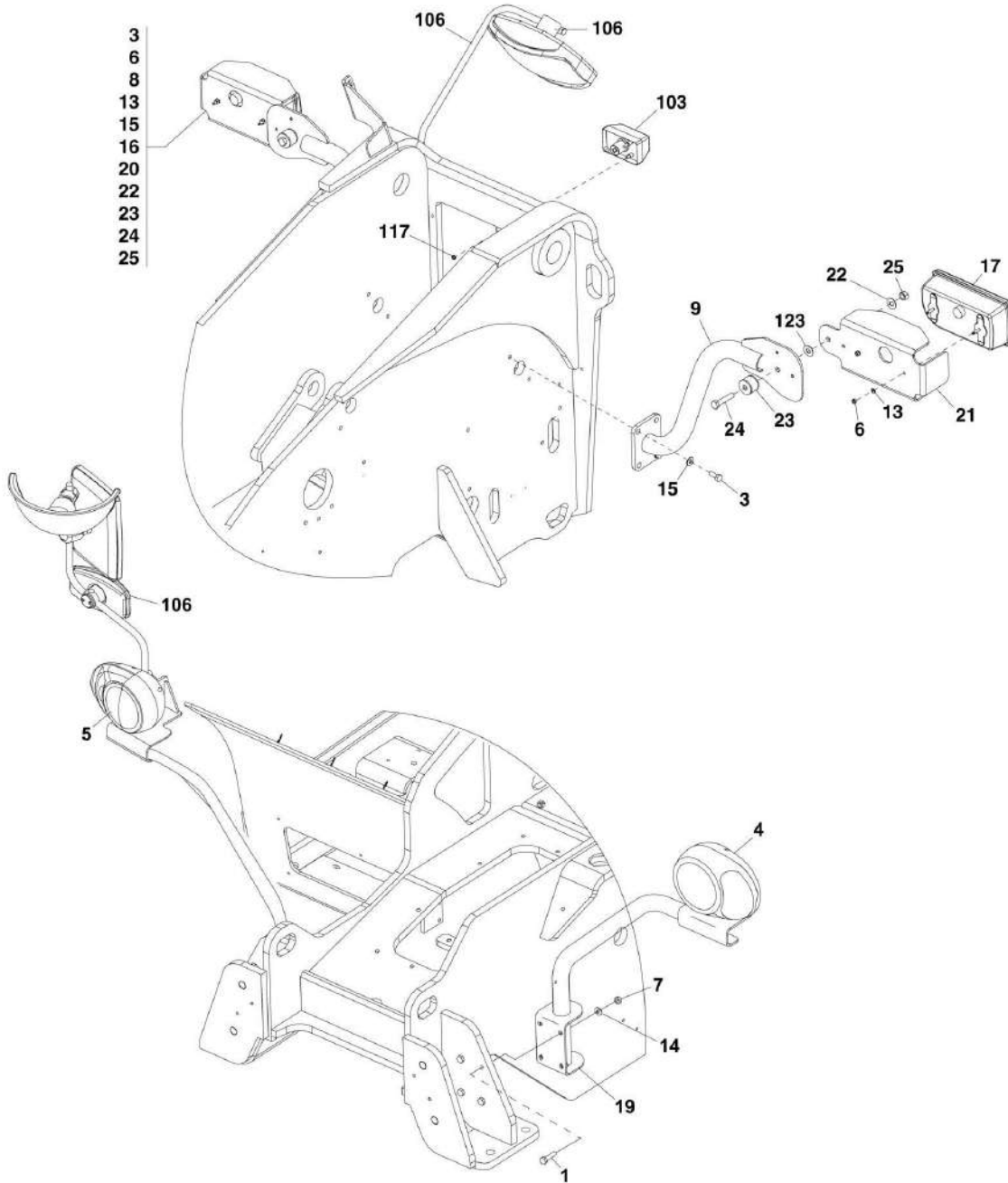
FIGURE 10-6. WORK LIGHT INSTALLATIONS

ITEM	PART NUMBER	QTY	DESCRIPTION	REV
	1001103121	Ref	CAB WORKLIGHT INSTALLATION, (if equipped), (not available to order, see items 1 thru 12 for service)	B
1	0760619	2	HEX HD CAPSCREW, M6X55, GR8.8	
2	2920206	4	WORKLIGHT	
2	70020796	4	REPLACEMENT BULB, 12V-50W	
3	3290801	2	HEX NUT, M8X1.25	
4	3577226	2	PLATE	
5		Ref	CAB SWITCHES, (See CAB SWITCHES for Breakdown)	
8	4569509	2	MOUNTING TUBE	
9	5200814	2	RIPP BOLT, M8X30	
10	5211902	2	FLAT WASHER, 8mm	
11	5220600	2	NUT, 6mm	
12	1001105650	4	CAB WORKLIGHT HARNESS	
	1001103705	1	BOOM WORKLIGHT INSTALLATION, (if equipped), (not available to order, see items 101 thru 107 for service)	C
101	2920206	2	WORKLIGHT	
101	70020796	2	REPLACEMENT BULB, 12V-50W	
102		Ref	CAB SWITCH, (not shown), (See CAB SWITCHES for Breakdown)	
103		Ref	BOOM LIGHTS SWITCH KEY, (not shown), (See CAB SWITCHES for Breakdown)	
104	5220600	2	NUT, 6mm	
105		Ref	BOOM LIGHT HARNESS, (See BOOM LIGHT HARNESS for Breakdown)	
106	471678	7	BAND, CLAMP, 4.8X204mm	
107	8007986	7	MOUNTING CLIP	

SECTION 10 - ELECTRICAL

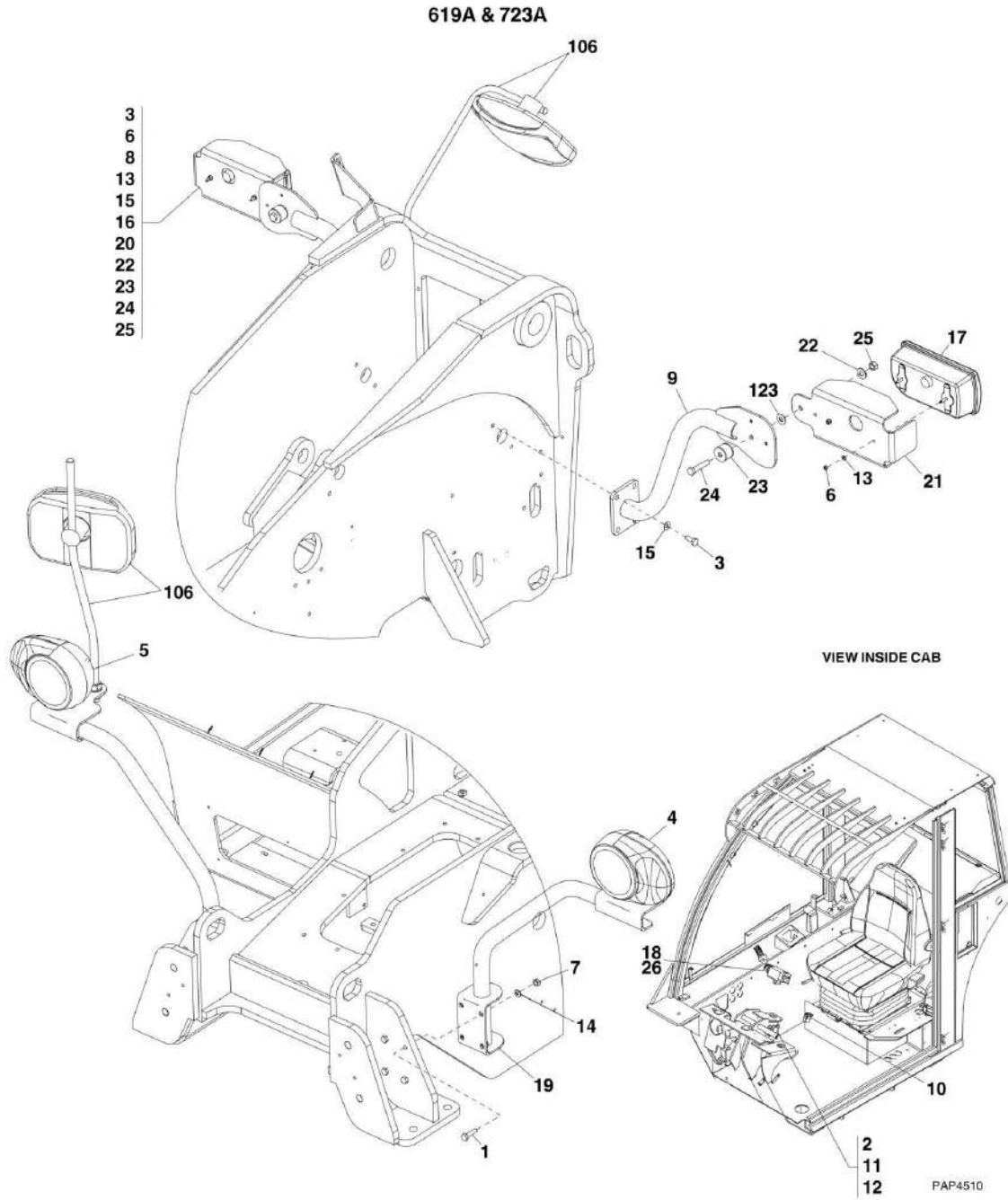
FIGURE 10-7. DRIVING LIGHT INSTALLATIONS AND LICENSE PLATE LIGHT INSTALLATION L2906H, 2906H, 3507H, 29.6LP, 29.6 & 35.7

L2906H, 2906H, 3507H, 29.6LP, 29.6 & 35.7



PAP16040

SECTION 10 - ELECTRICAL



SECTION 10 - ELECTRICAL

FIGURE 10-7. DRIVING LIGHT INSTALLATIONS AND LICENSE PLATE LIGHT INSTALLATION 619A & 723A

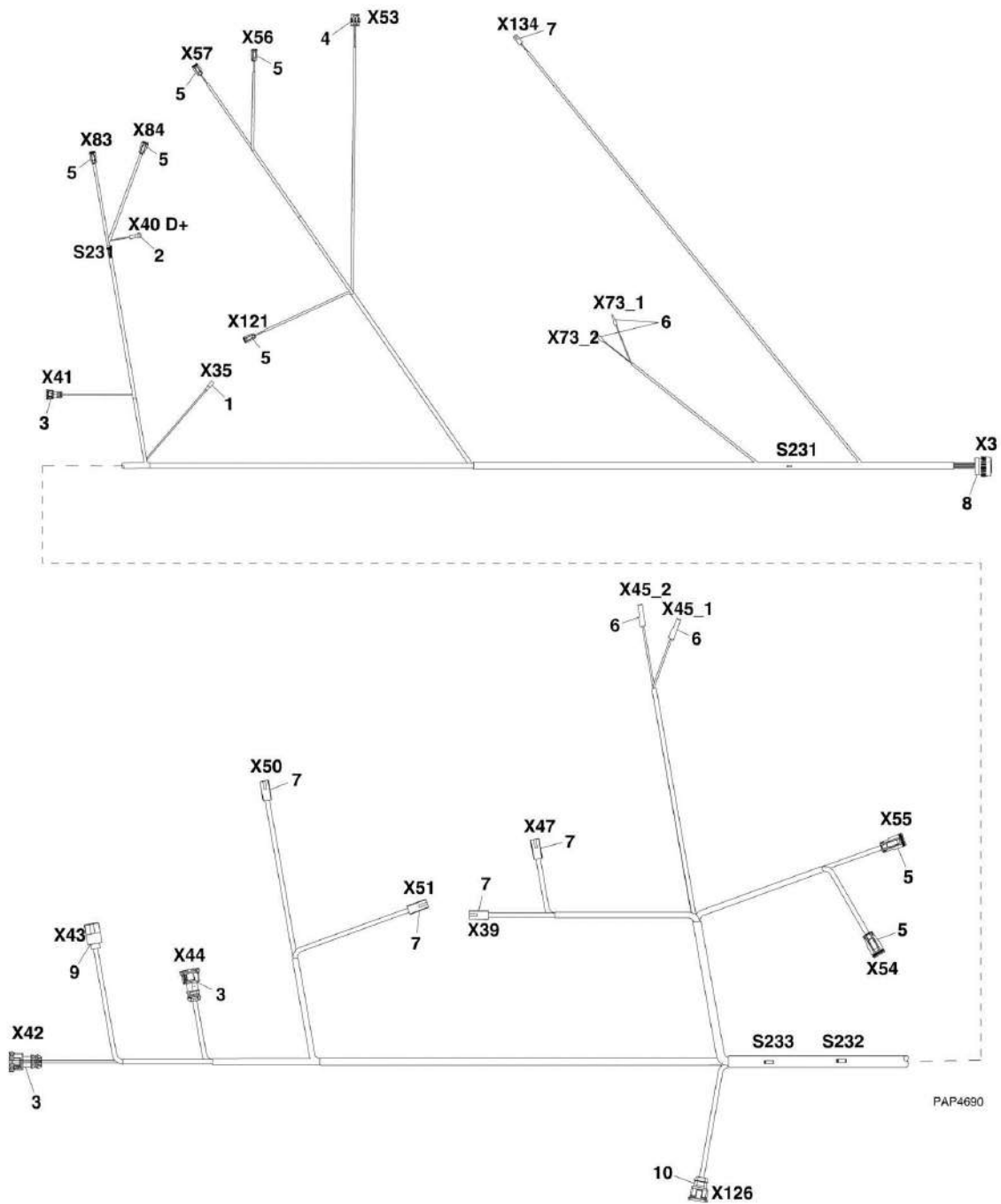
ITEM	PART NUMBER	QTY	DESCRIPTION	REV
	1001099950	Ref	DRIVING LIGHT INSTALLATION, (L2906H & 29.6LP), (not available to order, see items 1, 3 thru 9, 13 thru 17, 19 thru 25 & 29 thru 117 for service)	F
	1001099917	Ref	DRIVING LIGHT INSTALLATION, (2906H & 29.6), (not available to order, see items 1, 3 thru 9, 13 thru 17, 19 thru 25 & 29 thru 117 for service)	G
	1001099880	Ref	DRIVING LIGHT INSTALLATION, (3507H & 35.7), (not available to order, see items 1, 3 thru 9, 13 thru 17, 19 thru 25 29 thru 117 for service)	F
	1001108356	Ref	DRIVING LIGHT INSTALLATION, (619A), (not available to order, see items 1 thru 26 for service)	D
	1001108352	Ref	DRIVING LIGHT INSTALLATION, (723A), (not available to order, see items 1 thru 26 for service)	D
1	0701016	8	HEX HD CAPSCREW, M10X40, GR8.8, (L2906H, 29.6LP, 2906H, 3507H, 35.7 & 29.6)	
1	0701016	4	HEX HD CAPSCREW, M10X40, GR8.8, (619A & 723A)	
2		Ref	HEX HD CAPSCREW, M4X16, GR8.8, (See CAB ELECTRICAL INSTALLTION for Breakdown)	
3	0761012	4	HEX HD CAPSCREW, M10X25, GR8.8	
4	2920207	1	LH DRIVING LIGHT, (includes mounting hardware)	
4	7029969	1	REPLACEMENT BULB, 12V-4W	
4	7029970	1	REPLACEMENT BULB, 12V-55W	
4	7029971	1	REPLACEMENT BULB, 12V-21W	
5	2920208	1	RH DRIVING LIGHT, (includes mounting hardware)	
5	7029969	1	REPLACEMENT BULB, 12V-4W	
5	7029970	1	REPLACEMENT BULB, 12V-55W	
5	7029971	1	REPLACEMENT BULB, 12V-21W	
6	3290607	4	HEX LOCKNUT, M6X1	
7	3291001	8	HEX NUT, M10X1.5, (L2906H, 29.6LP, 2906H, 3507H, 35.7 & 29.6)	
7	3291001	4	HEX NUT, M10X1.5, (619A & 723A)	
8	1001109590	1	RH TAIL LIGHT BRACKET, (L2906H, 2906H, 619A, 29.6LP & 29.6)	
8	1001108594	1	RH TAIL LIGHT BRACKET, (3507H, 723A & 35.7)	
9	1001109591	1	LH TAIL LIGHT BRACKET, (L2906H & 2906H, 619A, 29.6LP & 29.6)	
9	1001108595	1	LH TAIL LIGHT BRACKET, (3507H, 723A & 35.7)	
10		Ref	HAZARD SWITCH, (See CAB SWITCH for Breakdown)	
11		Ref	BRAKE LIGHT SWITCH, (See CAB ELECTRICAL INSTALLTION for Breakdown)	
12		Ref	WASHER, 4mm, (See CAB ELECTRICAL INSTALLTION for Breakdown)	
13	4811700	6	WASHER, 6mm, (L2906H, 29.6LP, 2906H & 29.6)	
13	4811700	4	WASHER, 6mm, (3507H, 35.7, 619A & 723A)	
14	4812000	8	WASHER, 10mm, (L2906H, 29.6LP, 2906H, 3507H, 35.7 & 29.6)	
14	4812000	4	WASHER, 10mm, (619A & 723A)	
15	5212000	4	WASHER, 10mm	
16	1001091716	1	RH TAIL LIGHT	
17	1001091715	1	LH TAIL LIGHT	
18		Ref	TURN SIGNAL SELECTOR, (See CONTROLS SECTION for Breakdown)	
19	1001099892	1	LH HEADLIGHT BRACKET	

SECTION 10 - ELECTRICAL

ITEM	PART NUMBER	QTY	DESCRIPTION	REV
20	1001108545	1	RH TAIL LIGHT BRACKET	
21	1001108546	1	LH TAIL LIGHT BRACKET	
22	1356294	4	WASHER, 13mm	
23	8009517	2	BUFFER	
24	0701220	2	HEX HD CAPSCREW, M12X60, GR8.8	
25	3291207	2	HEX LOCKNUT, M12X1.75	
26	1001104029	2	SOCKET HD CAPSCREW, M5X.8X30mm, PC 12.9	
29		Ref	MIRROR ASSY, (L2906H, 29.6LP, 2906H, 29.6, 3507H & 35.7), (See FRAME AND ATTACHING PARTS for Breakdown), (not shown)	
30		Ref	MIRROR, (L2906H, 29.6LP, 2906H, 29.6, 3507H & 35.7), (See FRAME AND ATTACHING PARTS for Breakdown), (not shown)	
103	2920204	1	LICENSE PLATE LIGHT, (L2906H, 2906H, 3507H, 29.6LP, 29.6 & 35.7)	
103	70021341	1	LIGHT BULB, (L2906H, 2906H, 3507H, 29.6LP, 29.6 & 35.7)	
106		Ref	MIRRORS, RH HEADLIGHT BRACKET, HARDWARE, REAR MIRROR AND HARDWARE, (See FRAME AND ATTACHING PARTS for Breakdown)	
117	5220500	2	NUT, 5mm, (L2906H, 2906H, 3507H, 29.6LP, 29.6 & 35.7)	

SECTION 10 - ELECTRICAL

FIGURE 10-8. ENGINE HARNESS



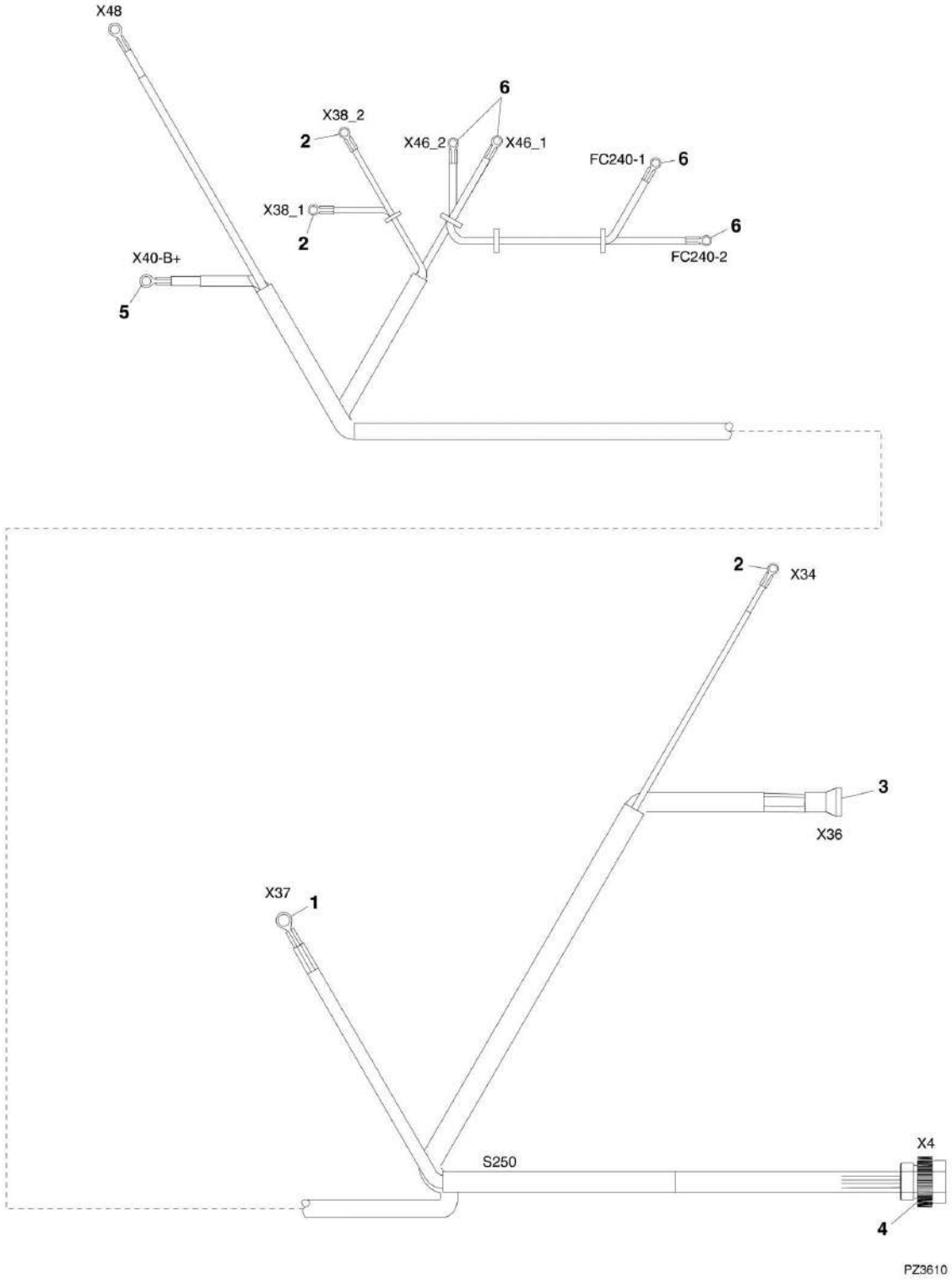
SECTION 10 - ELECTRICAL

FIGURE 10-8. ENGINE HARNESS

ITEM	PART NUMBER	QTY	DESCRIPTION	REV
	1001100126	1	ENGINE HARNESS, (includes all items)	H
1	1001116722	1	TERMINAL	
2	4460043	1	TERMINAL	
3	1001116983	3	CONNECTOR	
4	4461262	1	CONNECTOR	
5	4460891	7	CONNECTOR	
5	80604018	7	WEDGE LOCK	
6	1001116995	4	CONNECTOR	
7	1001116981	NLA	2-WAY CONNECTOR, 90, (no longer available, use 4460994 for replacement)	
7	4460994	5	2-WAY CONNECTOR, 90	
8	1001116938	1	CONNECTOR	
9	7029001	1	CONNECTOR	
10	4460890	1	CONNECTOR	

SECTION 10 - ELECTRICAL

FIGURE 10-9. POWER/GROUND HARNESS



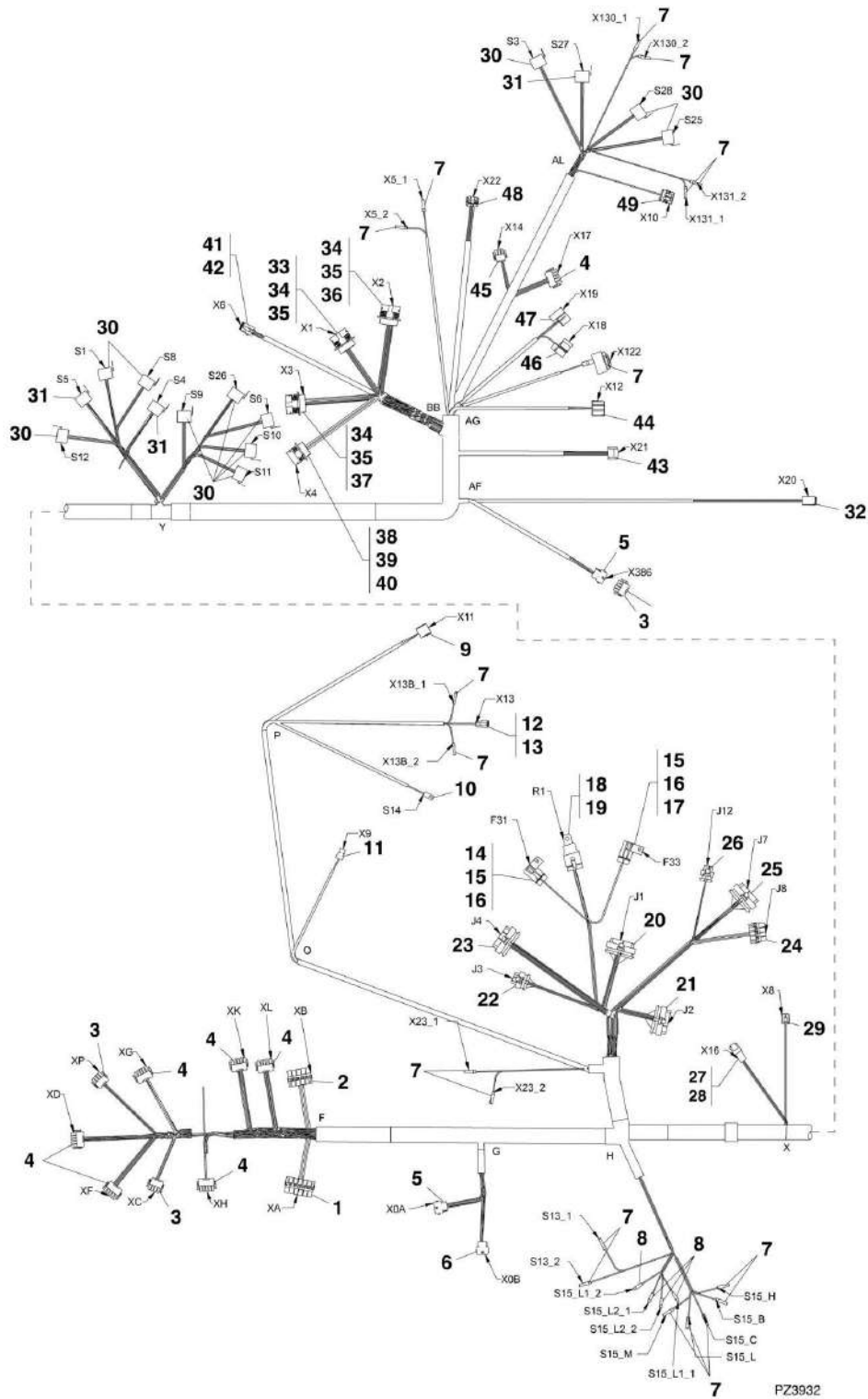
SECTION 10 - ELECTRICAL

FIGURE 10-9. POWER/GROUND HARNESS

ITEM	PART NUMBER	QTY	DESCRIPTION	REV
	1001103595	1	POWER/GROUND HARNESS, (includes all items)	E
1	70022766	1	TERMINAL	
2	4460142	3	TERMINAL	
3	1001063268	1	CONNECTOR	
4	1001116940	1	CONNECTOR	
5	8220115	1	RING TERMINAL	
6	8220022	4	TERMINAL	

SECTION 10 - ELECTRICAL

FIGURE 10-10. CAB MAIN HARNESS (Prior to SN 1160005989, Excluding 1160005189, 1160005314 and 1160005414)



SECTION 10 - ELECTRICAL

FIGURE 10-10. CAB MAIN HARNESS (Prior to SN 1160005989, Excluding 1160005189, 1160005314 and 1160005414)

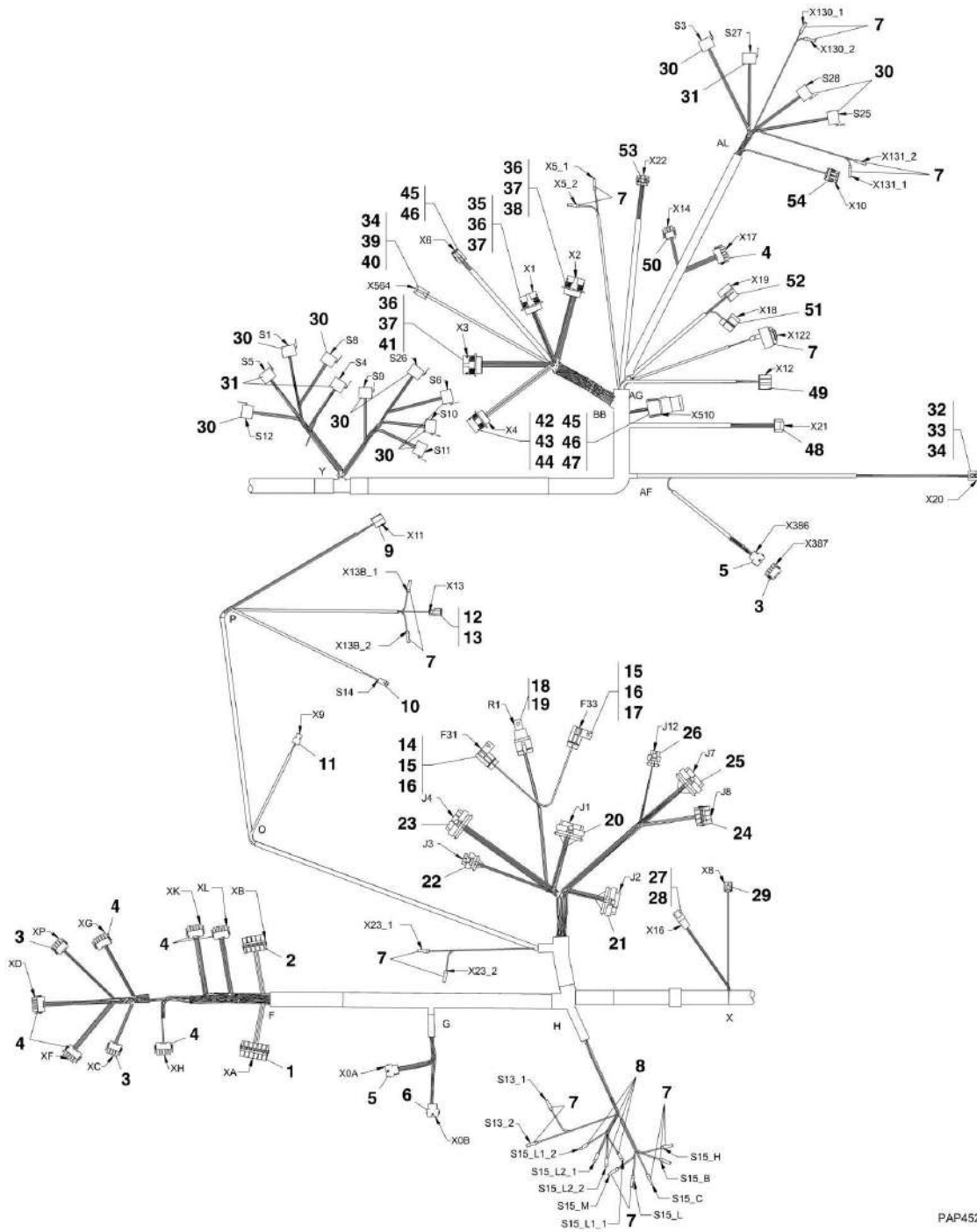
ITEM	PART NUMBER	QTY	DESCRIPTION	REV
	1001100124	1	CAB MAIN HARNESS, (INCLUDES ALL ITEMS)	L
1	1001117012	1	CONNECTOR	
2	1001117013	1	CONNECTOR	
3	4460343	3	CONNECTOR	
4	4460434	7	CONNECTOR	
5	4460367	2	CONNECTOR	
6	4460266	1	CONNECTOR	
7	1001116995	18	CONNECTOR	
8	1001116998	4	CONNECTOR	
9	1001116986	1	CONNECTOR	
10	4460994	1	CONNECTOR	
11	1001116991	1	CONNECTOR	
12	4460891	1	CONNECTOR, (includes item 13)	
13	80604018	1	WEDGE LOCK	
14	1001117023	1	CONNECTOR, (includes item 15)	
15	7029771	2	CAP, (includes 10 amp auto fuse)	
16	1001117018	2	CONNECTOR, (includes 25 amp auto fuse)	
17	1001117070	1	CONNECTOR, (includes 30 amp auto fuse)	
18	1001117025	1	CONNECTOR	
19	3740080	1	RELAY	
20	4460874	1	CONNECTOR	
21	4460875	1	CONNECTOR	
22	4460872	1	CONNECTOR	
23	4460876	1	CONNECTOR	
24	4460878	1	CONNECTOR	
25	4460873	1	CONNECTOR	
26	1001113961	1	CONNECTOR	
27	4461217	1	CONNECTOR, (includes item 28)	
28	70020823	1	SECONDARY WEDGE LOCK	
29	1001118684	1	CONNECTOR	
30	4461164	11	CONNECTOR	
31	8220904	3	CONNECTOR	
32	4460894	1	CONNECTOR	
33	1001116936	1	CONNECTOR	
34	83481286	3	NUT	
35	83481285	3	LOCKWASHER	
36	1001116935	1	CONNECTOR	
37	1001116934	1	CONNECTOR	
38	1001116941	1	CONNECTOR	
39	4460497	1	NUT	
40	77363263	1	LOCKWASHER	
41	4460933	1	CONNECTOR, (includes item 42)	
42	80604016	1	SECONDARY WEDGE LOCK	
43	1001116999	1	CONNECTOR	
44	4461172	1	CONNECTOR	
45	4460265	1	CONNECTOR	
46	1001118685	1	CONNECTOR	
47	1001117121	1	CONNECTOR	
48	1001116934	1	CONNECTOR	

SECTION 10 - ELECTRICAL

ITEM	PART NUMBER	QTY	DESCRIPTION	REV
49	1001103012	1	CONNECTOR	

SECTION 10 - ELECTRICAL

FIGURE 10-11. CAB MAIN HARNESS (SN 1160005993 to Present, Including 1160005189, 1160005314 and 1160005414)



PAP4520

SECTION 10 - ELECTRICAL

FIGURE 10-11. CAB MAIN HARNESS (SN 1160005993 to Present, Including 1160005189, 1160005314 and 1160005414)

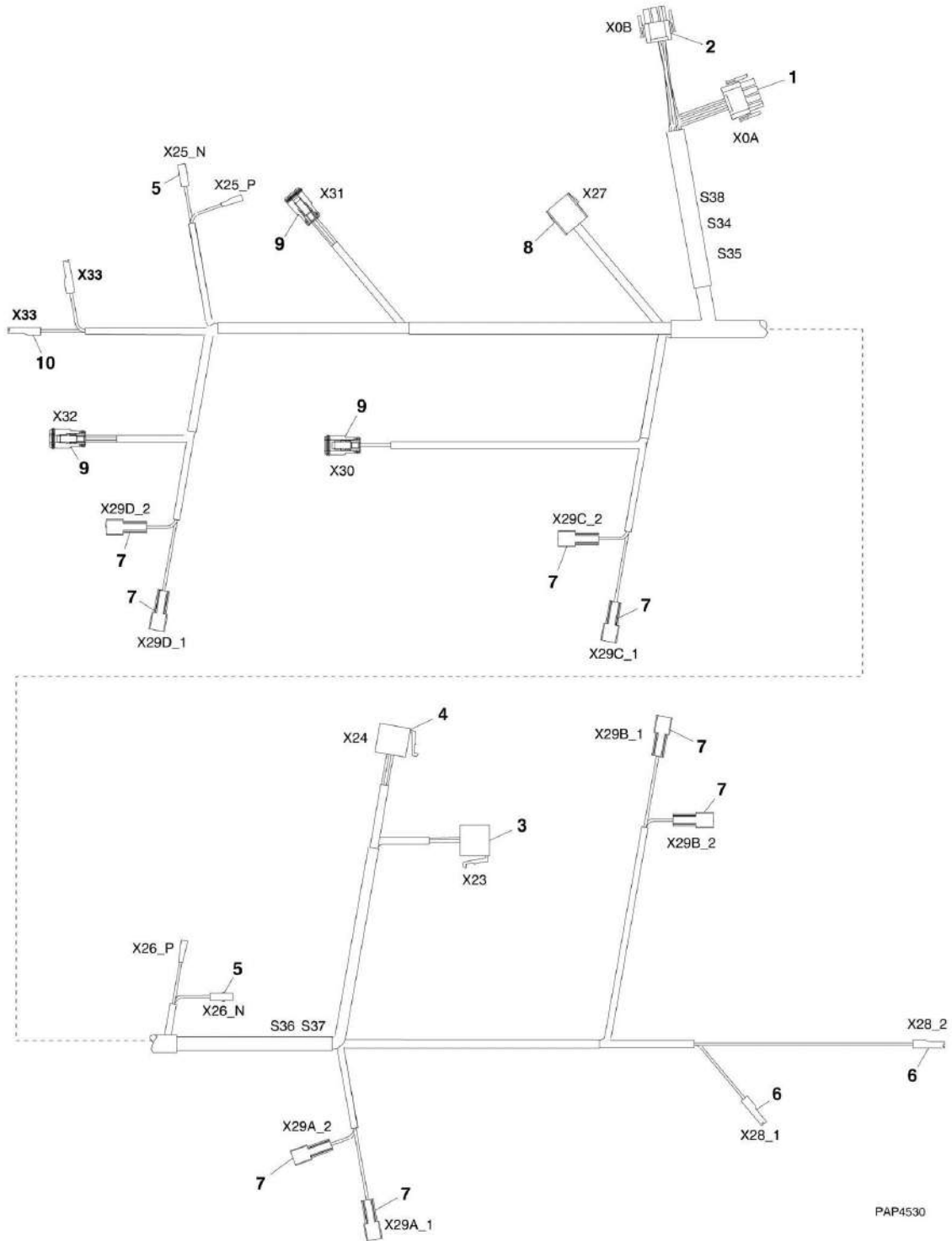
ITEM	PART NUMBER	QTY	DESCRIPTION	REV
	1001121505	1	CAB MAIN HARNESS, (includes all items)	B
1	1001117012	1	CONNECTOR	
2	1001117013	1	CONNECTOR	
3	4460343	3	CONNECTOR	
4	4460434	7	CONNECTOR	
5	4460367	2	CONNECTOR	
6	4460266	1	CONNECTOR	
7	1001116995	18	CONNECTOR	
8	1001116998	4	CONNECTOR	
9	1001116986	1	CONNECTOR	
10	4460994	1	CONNECTOR	
11	1001116991	1	CONNECTOR	
12	4460891	1	CONNECTOR, (includes item 13)	
13	80604018	1	WEDGE LOCK	
14	1001117023	1	CONNECTOR, (includes item 16)	
15	1001117018	2	CONNECTOR, (includes 25 amp auto fuse)	
16	7029771	2	CAP, (includes 10 amp auto fuse)	
17	1001117070	1	CONNECTOR, (includes item 16 & 30 amp auto fuse)	
18	1001117025	1	CONNECTOR, (includes item 19)	
19	3740080	1	RELAY	
20	4460874	1	CONNECTOR	
21	4460875	1	CONNECTOR	
22	4460872	1	CONNECTOR	
23	4460876	1	CONNECTOR	
24	4460878	1	CONNECTOR	
25	4460873	1	CONNECTOR	
26	1001113961	1	CONNECTOR	
27	4461217	1	CONNECTOR, (includes item 28)	
28	70020823	1	SECONDARY WEDGE LOCK	
29	1001118684	1	CONNECTOR	
30	4461164	11	CONNECTOR	
31	8220904	3	CONNECTOR	
32	4460930	1	CONNECTOR	
33	80604025	1	SECONDARY WEDGE LOCK	
34	1060975	2	SHIELDED CABLE	
35	1001116936	1	CONNECTOR	
36	83481286	3	NUT	
37	83481285	3	LOCKWASHER	
38	1001116935	1	CONNECTOR	
39	4460894	1	CONNECTOR	
40	80604023	1	SECONDARY WEDGE LOCK	
41	1001116934	1	CONNECTOR	
42	1001116941	1	CONNECTOR	
43	4460497	1	NUT	
44	77363263	1	LOCKWASHER	
45	4460933	2	CONNECTOR, (includes item 46)	
46	80604016	2	SECONDARY WEDGE LOCK	
47	1001119020	1	CONNECTOR	
48	1001116993	1	CONNECTOR	

SECTION 10 - ELECTRICAL

ITEM	PART NUMBER	QTY	DESCRIPTION	REV
49	4461172	1	CONNECTOR	
50	4460265	1	CONNECTOR	
51	1001118685	1	CONNECTOR	
52	1001117121	1	CONNECTOR	
53	1001116992	1	CONNECTOR	
54	1001103012	1	CONNECTOR	

SECTION 10 - ELECTRICAL

FIGURE 10-12. CAB ROOF HARNESS



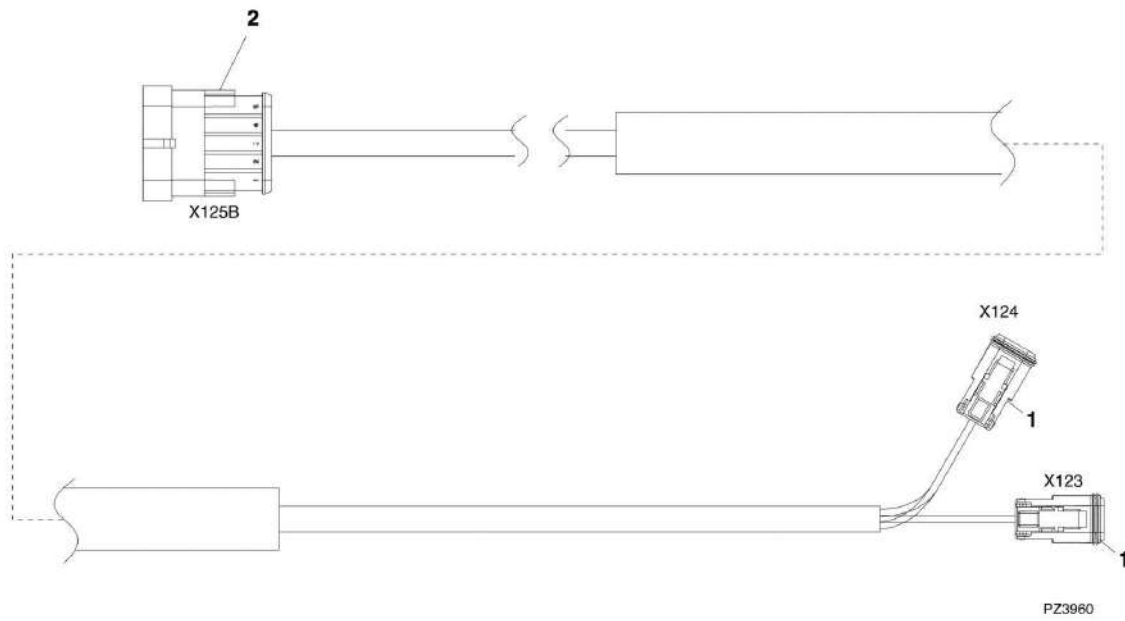
SECTION 10 - ELECTRICAL

FIGURE 10-12. CAB ROOF HARNESS

ITEM	PART NUMBER	QTY	DESCRIPTION	REV
	1001100125	1	CAB ROOF HARNESS, (if equipped), (includes all items)	F
1	4460343	1	CONNECTOR	
2	4460265	1	CONNECTOR	
3	1001116985	1	CONNECTOR	
4	1001116984	1	CONNECTOR	
5	1001116998	2	CONNECTOR	
6	1001116995	2	CONNECTOR	
7	1001117004	8	CONNECTOR	
8	1001116986	1	4-WAY CONNECTOR	
9	4460891	3	CONNECTOR	
9	80604018	3	WEDGE LOCK	
10	1001116995	2	CONNECTOR	

SECTION 10 - ELECTRICAL

FIGURE 10-13. BOOM AUXILIARY ELECTRIC HARNESS



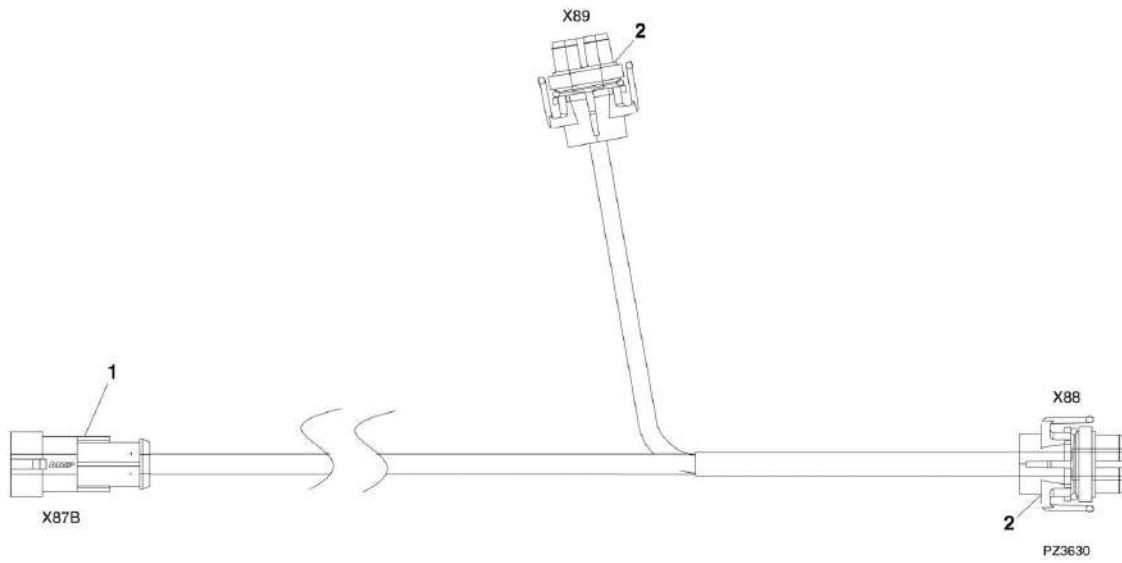
SECTION 10 - ELECTRICAL

FIGURE 10-13. BOOM AUXILIARY ELECTRIC HARNESS

ITEM	PART NUMBER	QTY	DESCRIPTION	REV
	1001104995	1	BOOM AUXILIARY ELECTRIC HARNESS, (L2906H, 2906H, 619A, 29.6LP & 29.6 - if equipped), (includes all items)	C
	1001104996	1	BOOM AUXILIARY ELECTRIC HARNESS, (3507H, 723A & 35.7 - if equipped), (includes all items)	C
1	4460891	2	CONNECTOR	
1	80604018	2	WEDGE LOCK	
2	4461229	1	CONNECTOR	

SECTION 10 - ELECTRICAL

FIGURE 10-14. BOOM LIGHT HARNESS



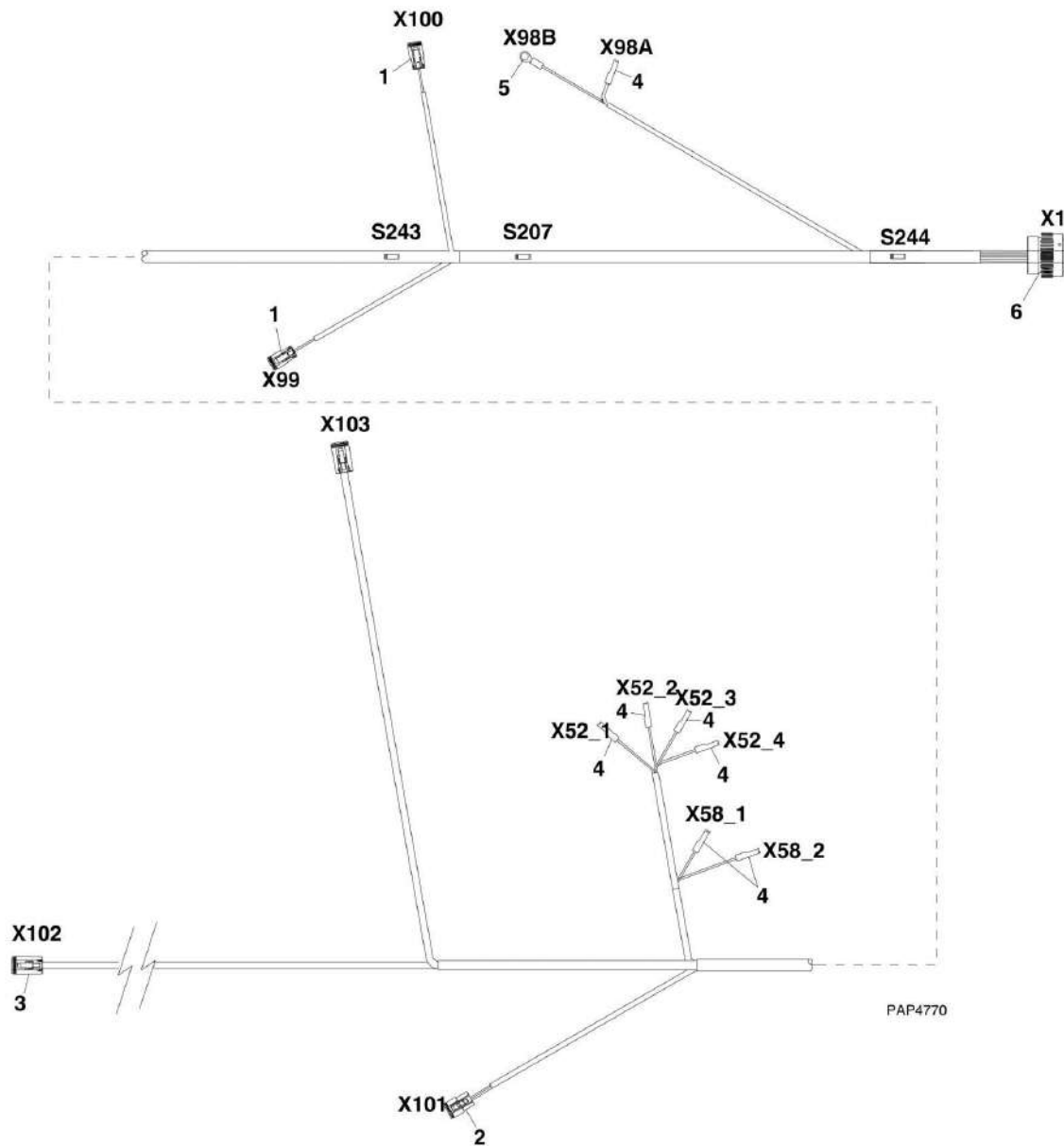
SECTION 10 - ELECTRICAL

FIGURE 10-14. BOOM LIGHT HARNESS

ITEM	PART NUMBER	QTY	DESCRIPTION	REV
	1001104994	1	BOOM HARNESS, (if equipped), (includes all items)	C
1	4461227	1	CONNECTOR	
2	4461115	2	CONNECTOR	

SECTION 10 - ELECTRICAL

FIGURE 10-15. FRONT FRAME HARNESS



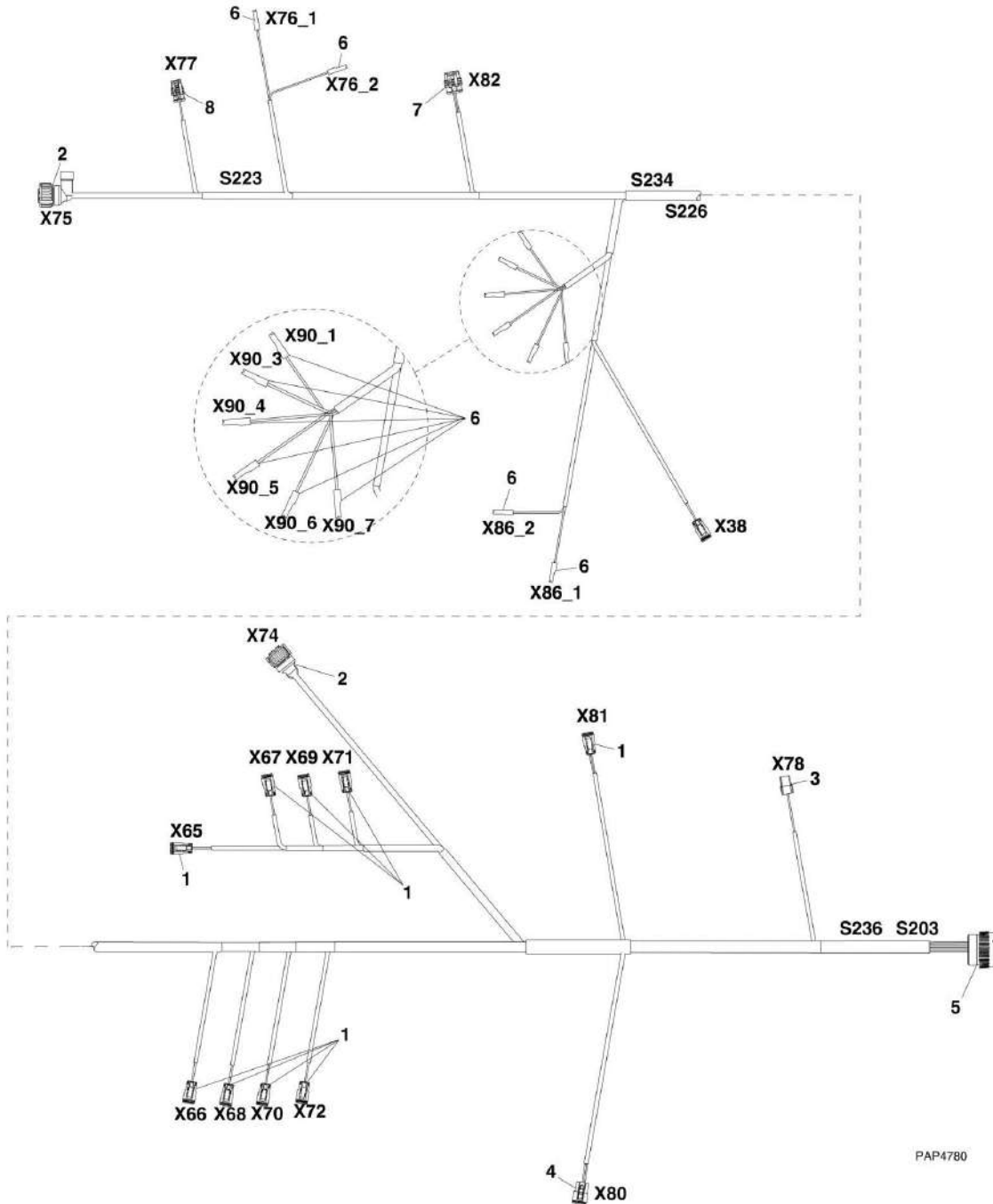
SECTION 10 - ELECTRICAL

FIGURE 10-15. FRONT FRAME HARNESS

ITEM	PART NUMBER	QTY	DESCRIPTION	REV
	1001100127	1	FRONT FRAME HARNESS, (includes all items)	E
1	4460891	2	CONNECTOR	
1	80604018	2	WEDGE LOCK	
2	4460539	1	CONNECTOR	
2	77363244	1	WEDGE LOCK	
3	4460894	2	CONNECTOR	
3	80604023	2	WEDGE LOCK	
4	1001116995	7	CONNECTOR	
5	4460670	1	TERMINAL RING	
6	1001116939	1	CONNECTOR	

SECTION 10 - ELECTRICAL

FIGURE 10-16. REAR FRAME HARNESS (Prior to SN 1160005989, Excluding 1160005189, 1160005314 and 1160005414)



PAP4780

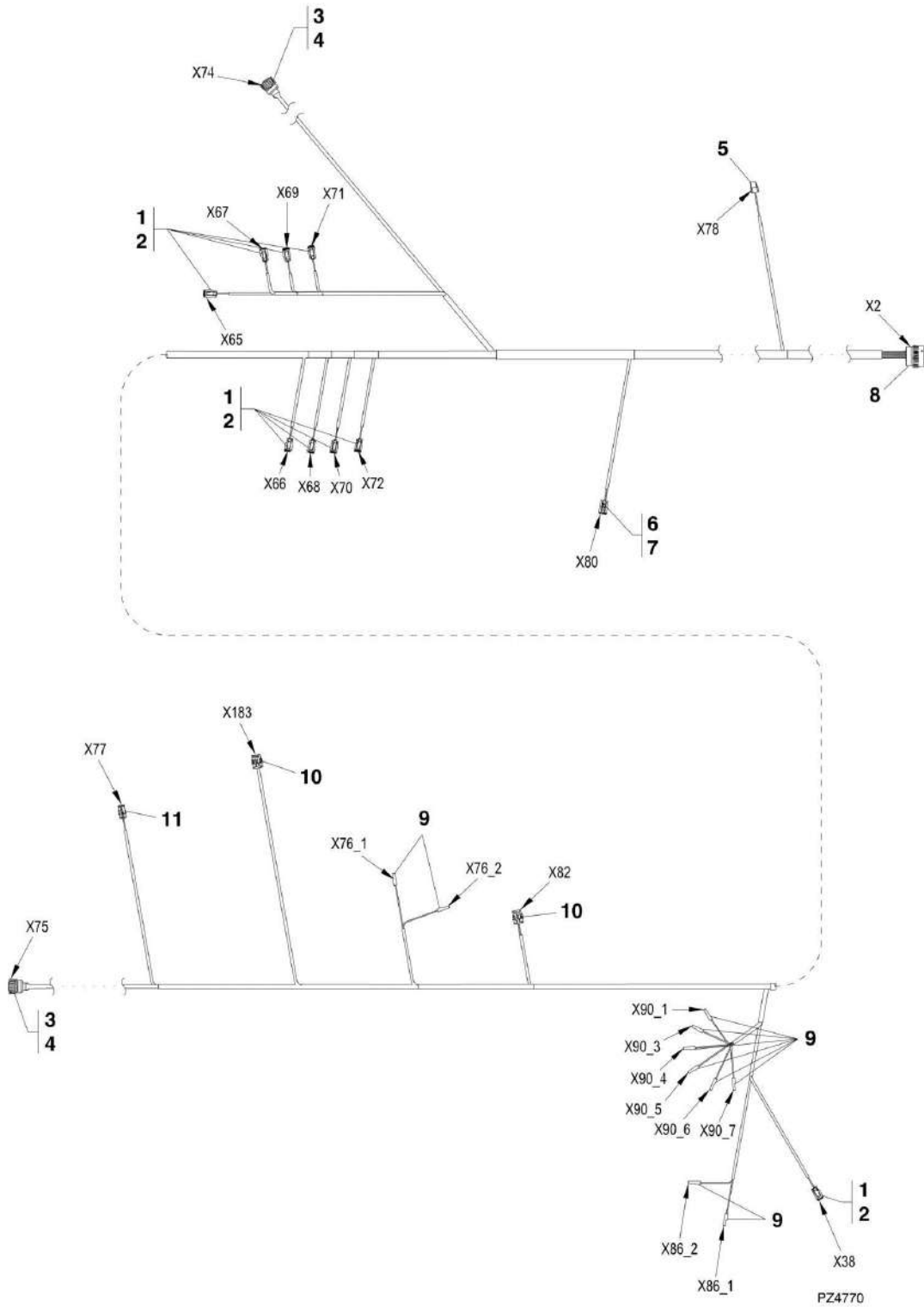
SECTION 10 - ELECTRICAL

FIGURE 10-16. REAR FRAME HARNESS (Prior to SN 1160005989, Excluding 1160005189, 1160005314 and 1160005414)

ITEM	PART NUMBER	QTY	DESCRIPTION	REV
	1001100128	1	REAR FRAME HARNESS, (includes all items)	G
1	4460891	10	CONNECTOR	
1	80604018	10	WEDGE LOCK	
2	4461134	2	CONNECTOR	
2	7028639	2	CAP	
3	250176	1	CONNECTOR	
4	4460539	1	CONNECTOR	
4	77363244	1	WEDGE LOCK	
5	1001116937	1	CONNECTOR	
6	1001116995	10	CONNECTOR	
7	4461262	1	CONNECTOR	
8	4461118	1	CONNECTOR	

SECTION 10 - ELECTRICAL

FIGURE 10-17. REAR FRAME HARNESS (SN 1160005989 to Present, Including 1160005189, 1160005314 and 1160005414)



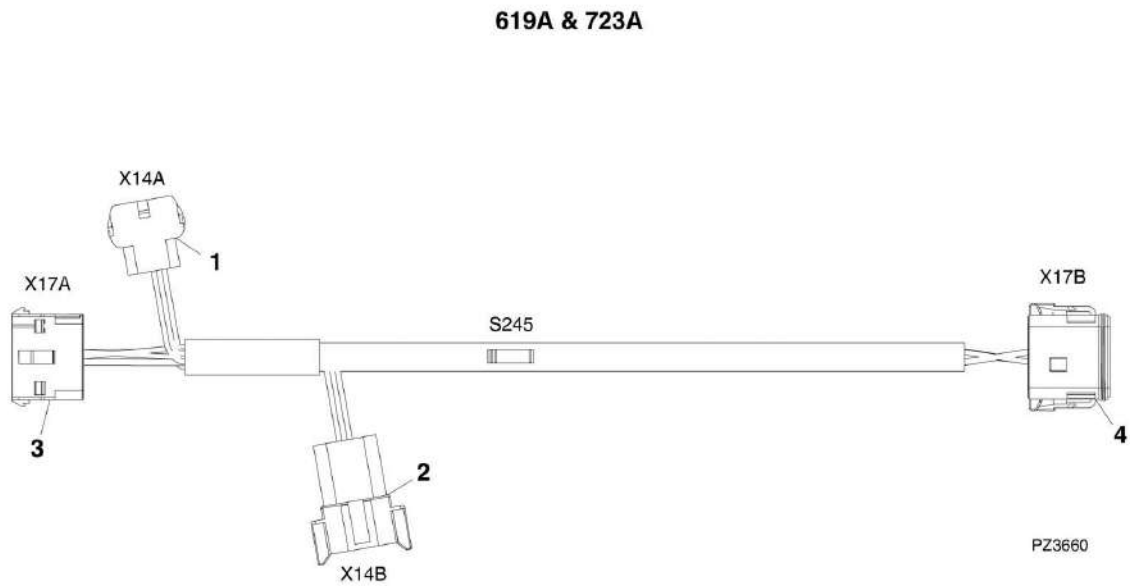
SECTION 10 - ELECTRICAL

FIGURE 10-17. REAR FRAME HARNESS (SN 1160005989 to Present, Including 1160005189, 1160005314 and 1160005414)

ITEM	PART NUMBER	QTY	DESCRIPTION	REV
	1001121433	1	REAR FRAME HARNESS, (includes all items)	A
1	4460891	9	PLUG CONNECTOR	
2	80604018	9	SECONDARY WEDGE LOCK	
3	1001116996	2	CONNECTOR W/ CAP	
4	7028639	2	CAP	
5	250176	1	CONNECTOR	
6	4460539	1	PLUG CONNECTOR	
7	77363244	1	SECONDARY WEDGE LOCK	
8	1001116937	1	PLUG CONNECTOR	
9	1001116995	10	CONNECTOR	
10	4461262	2	CONNECTOR	
11	4461118	1	CONNECTOR	

SECTION 10 - ELECTRICAL

FIGURE 10-18. LIGHT SHIFTER HARNESS 619A & 723A



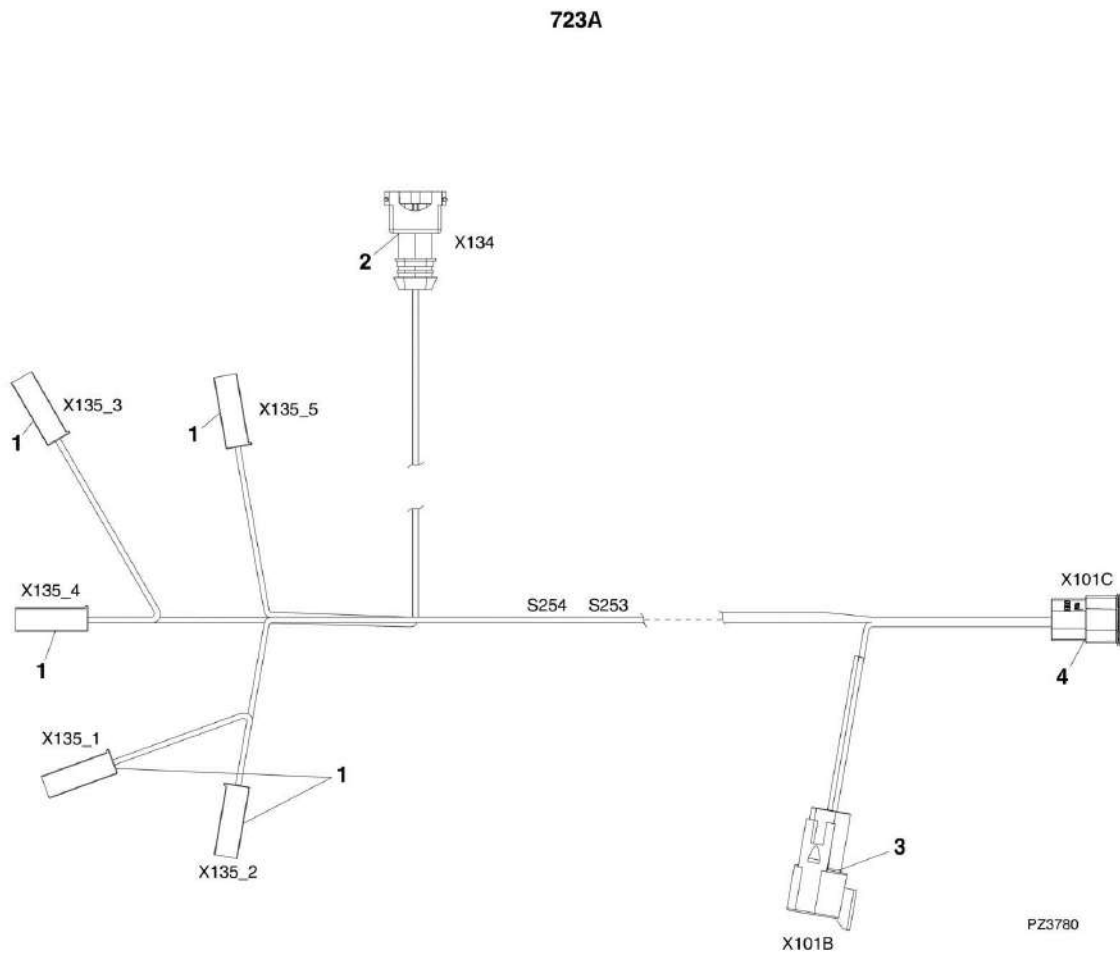
SECTION 10 - ELECTRICAL

FIGURE 10-18. LIGHT SHIFTER HARNESS 619A & 723A

ITEM	PART NUMBER	QTY	DESCRIPTION	REV
	1001102736	1	LIGHT SHIFTER HARNESS, (619A & 723A), (includes all items)	D
1	4460266	1	CONNECTOR	
2	4460931	1	CONNECTOR	
2	91503106	1	WEDGE LOCK	
3	4460708	1	CONNECTOR	
4	4460933	1	CONNECTOR	
4	80604016	1	WEDGE LOCK	

SECTION 10 - ELECTRICAL

FIGURE 10-19. OIL TEMPERATURE HARNESS 723A



SECTION 10 - ELECTRICAL

FIGURE 10-19. OIL TEMPERATURE HARNESS 723A

ITEM	PART NUMBER	QTY	DESCRIPTION	REV
	1001113671	1	OIL TEMPERATURE HARNESS, (723A), (if equipped), (includes items 1 thru 4)	A
1	4460260	5	TERMINAL LOCK	
2	1001116983	1	CONNECTOR	
3	4460536	1	CONNECTOR	
3	80604019	1	WEDGE LOCK	
4	4460539	1	CONNECTOR	
4	77363244	1	WEDGE LOCK	

SECTION 10 - ELECTRICAL

FIGURE 10-20. SEAT SWITCH WIRE



X02

CONN. POS.	WIRE COLOR	WIRE LABEL	GAUGE	JACKET
1	WTH	DIGITAL INPUT	1 mm ²	FLRY-B
2	VEL	VBATT	1 mm ²	FLRY-B
3	WTH	DIGITAL INPUT	1 mm ²	FLRY-B
4	VEL	VBATT	1 mm ²	FLRY-B

X03

CONN. POS.	WIRE COLOR	WIRE LABEL	GAUGE	JACKET
1	WTH	DIGITAL INPUT	1 mm ²	FLRY-B

X05

CONN. POS.	WIRE COLOR	WIRE LABEL	GAUGE	JACKET
1	WTH	DIGITAL INPUT	1 mm ²	FLRY-B

X06

CONN. POS.	WIRE COLOR	WIRE LABEL	GAUGE	JACKET
1	VEL	VBATT	1 mm ²	FLRY-B

X12

CONN. POS.	WIRE COLOR	WIRE LABEL	GAUGE	JACKET
1	VEL	VBATT	1 mm ²	FLRY-B

PAP25060

SECTION 10 - ELECTRICAL

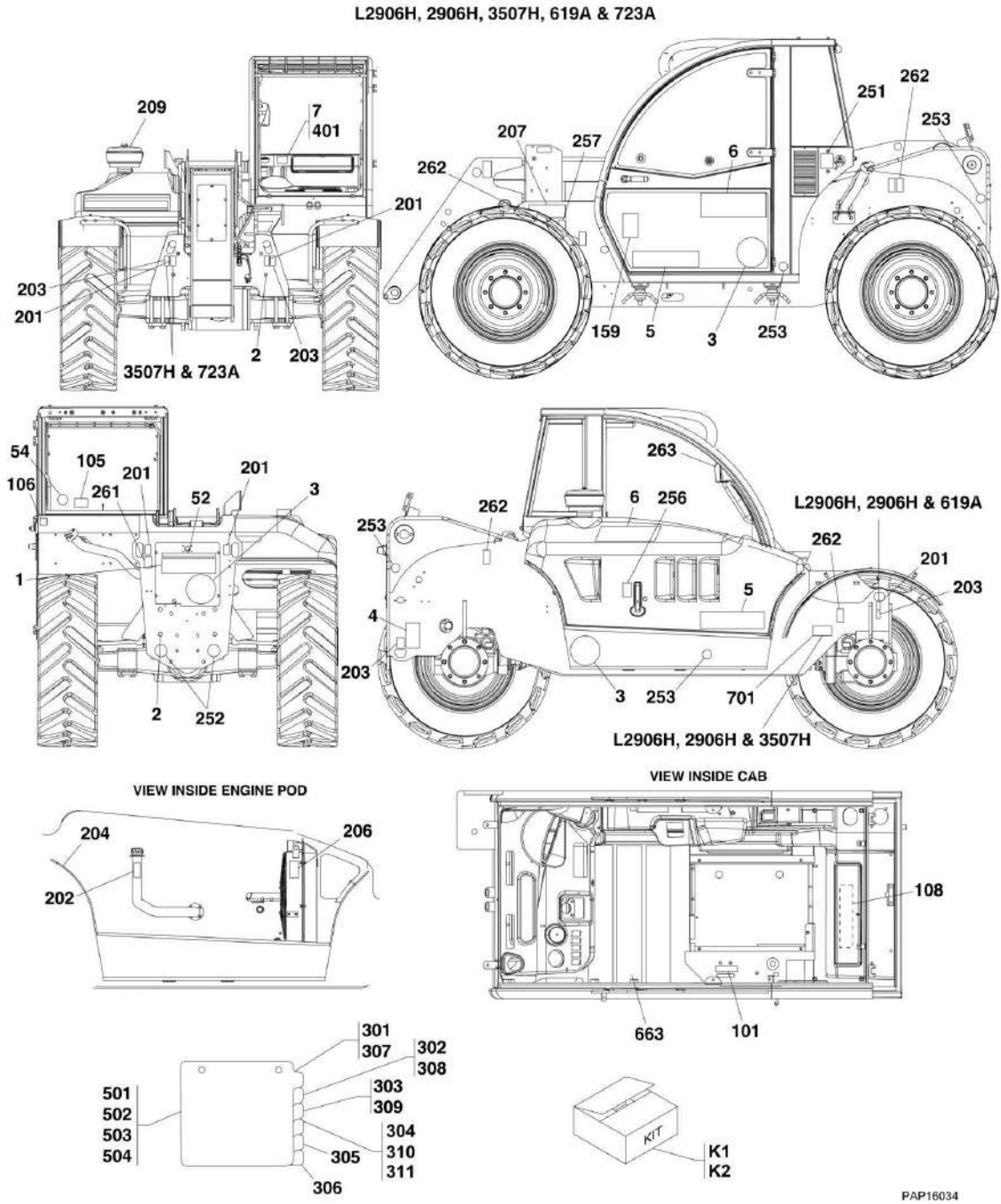
FIGURE 10-20. SEAT SWITCH WIRE

ITEM	PART NUMBER	QTY	DESCRIPTION	REV
	1001153251	1	SEAT SWITCH WIRE, (includes all items)	C
1	1001104519	1	CONNECTOR	
2	4460871	4	TERMINAL	

SECTION 11 - DECALS

SECTION 11 - DECALS

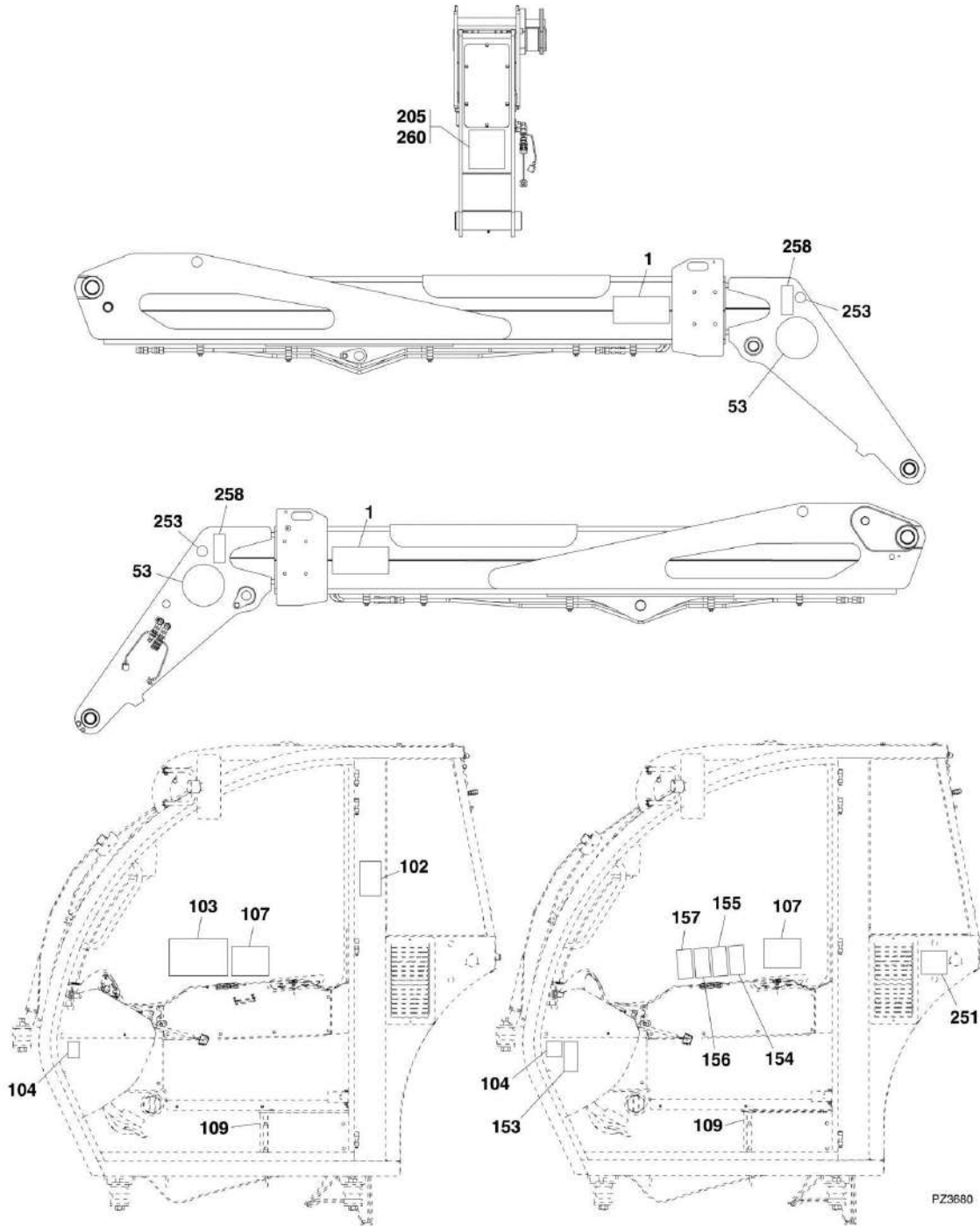
FIGURE 11-1. DECALS AND LOAD CHARTS L2906H, 2906H, 3507H, 619A & 723A



PAP16034

SECTION 11 - DECALS

L2906H, 2906H, 3507H, 619A & 723A



SECTION 11 - DECALS

FIGURE 11-1. DECALS AND LOAD CHARTS L2906H, 2906H, 3507H, 619A & 723A

ITEM	PART NUMBER	QTY	DESCRIPTION	REV
	1001113008	Ref	DECAL INSTALLATION, (L2906H - if equipped with JD Quick Attach), (not available to order, see items 1 thru 7 for service)	B
	1001113007	Ref	DECAL INSTALLATION, (2906H - if equipped with JD Quick Attach), (not available to order, see items 1 thru 7 for service)	B
	1001113009	Ref	DECAL INSTALLATION, (3507H - if equipped with JD Quick Attach), (not available to order, see items 1 thru 7 for service)	B
	1001113008	Ref	DECAL INSTALLATION, (619A - if equipped with JD Quick Attach), (not available to order, see items 1 thru 6 for service)	
	1001113007	Ref	DECAL INSTALLATION, (723A - if equipped with JD Quick Attach), (not available to order, see items 1 thru 6 for service)	
	1001115499	Ref	DECAL INSTALLATION, (619A - if equipped with JD Quick Attach), (not available to order, see items 1 thru 6 for service)	A
	1001115498	Ref	DECAL INSTALLATION, (723A - if equipped with JD Quick Attach), (not available to order, see items 1 thru 6 for service)	A
	1001111960	Ref	DECAL INSTALLATION, (L2906H), (not available to order, see items 1 thru 6 & Kit K1 for service)	C
	1001111959	Ref	DECAL INSTALLATION, (2906H), (not available to order see items 1 thru 6 for service)	B
	1001111961	Ref	DECAL INSTALLATION, (3507H), (not available to order, see items 1 thru 6 for service)	B
	1001112625	Ref	DECAL INSTALLATION, (619A), (not available to order, see items 1, 2, 4 thru 6, 52 & 53 for service)	B
	1001112626	Ref	DECAL INSTALLATION, (723A), (not available to order, see items 1, 2, 4 thru 6, 52 & 53 for service)	B
1	1702773	3	JLG DECAL, (L2906H, 2906H & 3507H)	
1	1702773	2	JLG DECAL, (619A & 723A)	
2	8008721	8	PLASTIC CAP	
3	8009377	3	35 KPH DECAL, (L2906H, 2906H & 3507H)	
4	1001094795	1	LUBE CHART DECAL	
5	1001111897	2	MODEL DECAL, (L2906H)	
5	1001111895	2	MODEL DECAL, (2906H)	
5	1001111896	2	MODEL DECAL, (3507H)	
5	1001111898	2	MODEL DECAL, (619A)	
5	1001111899	2	MODEL DECAL, (723A)	
6	1001112624	2	JLG DECAL	
7	1001113916	1	LOAD CHART JD, (L2906H & 2906H)	
7	1001113437	1	LOAD CHART JD, (3507H)	
7	1001133377	1	LOAD CHART, (AUS) (L2906H & 2906H)	
7	1001133378	1	LOAD CHART, (AUS) (3507H)	
52	1704885	1	WEBSITE DECAL, (619A & 723A)	
53	1706170	2	GOOSENECK DECAL, 6, (619A)	
53	1001112371	2	GOOSENECK DECAL, 7, (723A)	
54	2999964	1	40 KPH DECAL, (2906H, L2906H, 3507H, 619A & 723A)	
	1001111616	Ref	CAB DECAL INSTALLATION, (619A & 723A), (not available to order, see items 101 thru 109 for service)	B
	1001111871	Ref	CAB DECAL INSTALLATION, (L2906H), (not available to order, see items 101, 104 thru 109, 153 thru 157 & 159 for service)	B
	1001111615	Ref	CAB DECAL INSTALLATION, (2906H & 3507H), (not available to order, see items 101, 104 thru 109, 153 thru 157 & 159 for service)	B
101	1706209	1	PARK BRAKE DECAL	
102	1706835	1	NO RIDERS DECAL, (619A & 723A)	
103	1707078	1	CAB WARNING/DANGER DECAL, (619A & 723A)	
104	2447967	1	OIL DECAL	

SECTION 11 - DECALS

ITEM	PART NUMBER	QTY	DESCRIPTION	REV
105	8005870	1	EMERGENCY EXIT DECAL	
106	8009815	1	DIESEL FUEL DECAL	
107	1001111863	1	JOYSTICK DECAL	
108	1001112333	1	FUSE DECAL	
109	N.S.S.	1	SN PLATE	
153	8005670	1	INSTRUCTION AND SAFETY DECAL, (L2906H, 2906H & 3507H)	
154	8005671	1	WARNING DECAL, (L2906H, 2906H & 3507H)	
155	8005672	1	WARNING DECAL, (L2906H, 2906H & 3507H)	
156	8005673	1	WARNING DECAL, (L2906H, 2906H & 3507H)	
157	8005674	1	WARNING DECAL, (L2906H, 2906H & 3507H)	
159	8008651	1	WARNING DECAL, (L2906H, 2906H & 3507H)	
	1001112692	Ref	COMMON DECAL INSTALLATION, (619A), (not available to order, see items 201 thru 209 for service)	A
	1001112693	Ref	COMMON DECAL INSTALLATION, (723A), (not available to order, see items 201 thru 209 for service)	A
	1001111869	Ref	COMMON DECAL INSTALLATION, (L2906H & 2906H), (not available to order, see items 251 thru 254)	D
	1001111870	Ref	COMMON DECAL INSTALLATION, (3507H), (not available to order, see items 251 thru 254)	D
201	1701500	4	LIFT DECAL, (619A & 723A)	
201	8005616	4	LIFT DECAL, (L2906H, 2906H & 3507H)	
202	1701504	1	HYDRAULIC OIL DECAL, (619A & 723A)	
202	8009816	1	HYDRAULIC OIL DECAL, (L2906H, 2906H & 3507H)	
203	1702300	4	TIE DOWN DECAL, (619A & 723A)	
203	8005617	4	TIE DOWN DECAL, (L2906H, 2906H & 3507H)	
204	1706297	1	EXPLOSIVE GASES WARNING DECAL, (619A & 723A)	
205	1706298	1	ATTACHMENT FALLING OFF WARNING DECAL, (619A & 723A)	
206	1706301	1	ROTATING PART WARNING DECAL, (619A & 723A)	
206	8005869	1	ENGINE RUNNING WARNING DECAL, (L2906H, 2906H & 3507H)	
207	N.S.S.	1	SN PLATE, (619A & 723A)	
209	1704972	1	EXPLOSION/FIRE WARNING DECAL, (619A & 723A)	
251	1705980	1	106dB SOUND DECAL, (L2906H, 2906H & 3507H)	
252	3931579	2	REAR REFLECTOR, (L2906H, 2906H & 3507H)	
253	8003198	6	SIDE REFLECTOR, (L2906H, 2906H & 3507H)	
254	1001177394	1	DECAL, GROUP (includes items 201 thru 203, 206 & 256 thru 263)	
256	8005670	1	INSTRUCTION AND SAFETY DECAL, (L2906H, 2906H & 3507H)	
257	8005671	1	CYLINDER LOCK WARNING DECAL, (L2906H, 2906H & 3507H)	
258	8005675	2	WARNING DECAL, (L2906H, 2906H & 3507H)	
260	8006038	1	WARNING DECAL, (L2906H, 2906H & 3507H)	
261	8006612	1	STAY CLEAR WARNING DECAL, (L2906H, 2906H & 3507H)	
262	8008657	4	WARNING DECAL, (L2906H, 2906H & 3507H)	
263	1001127546	1	LSI WARNING DECAL, (L2906H, 2906H & 3507H)	
K1	1001113927	1	LOAD CHART KIT, (619A - if equipped with JD Quick Attach), (includes item 301)	A
K1	1001113941	1	LOAD CHART KIT, (723A - if equipped with JD Quick Attach), (includes item 301)	A
K1	1001113916	1	LOAD CHART KIT, (L2906H & 2906H - if equipped with JD Quick Attach), (includes item 301)	A
K1	1001113942	1	LOAD CHART KIT, (3507H - if equipped with JD Quick Attach), (includes item 301)	A
K1	1001113436	1	LOAD CHART KIT, (619A), (includes items 301 thru 303, 305 & 307 thru 309)	B

SECTION 11 - DECALS

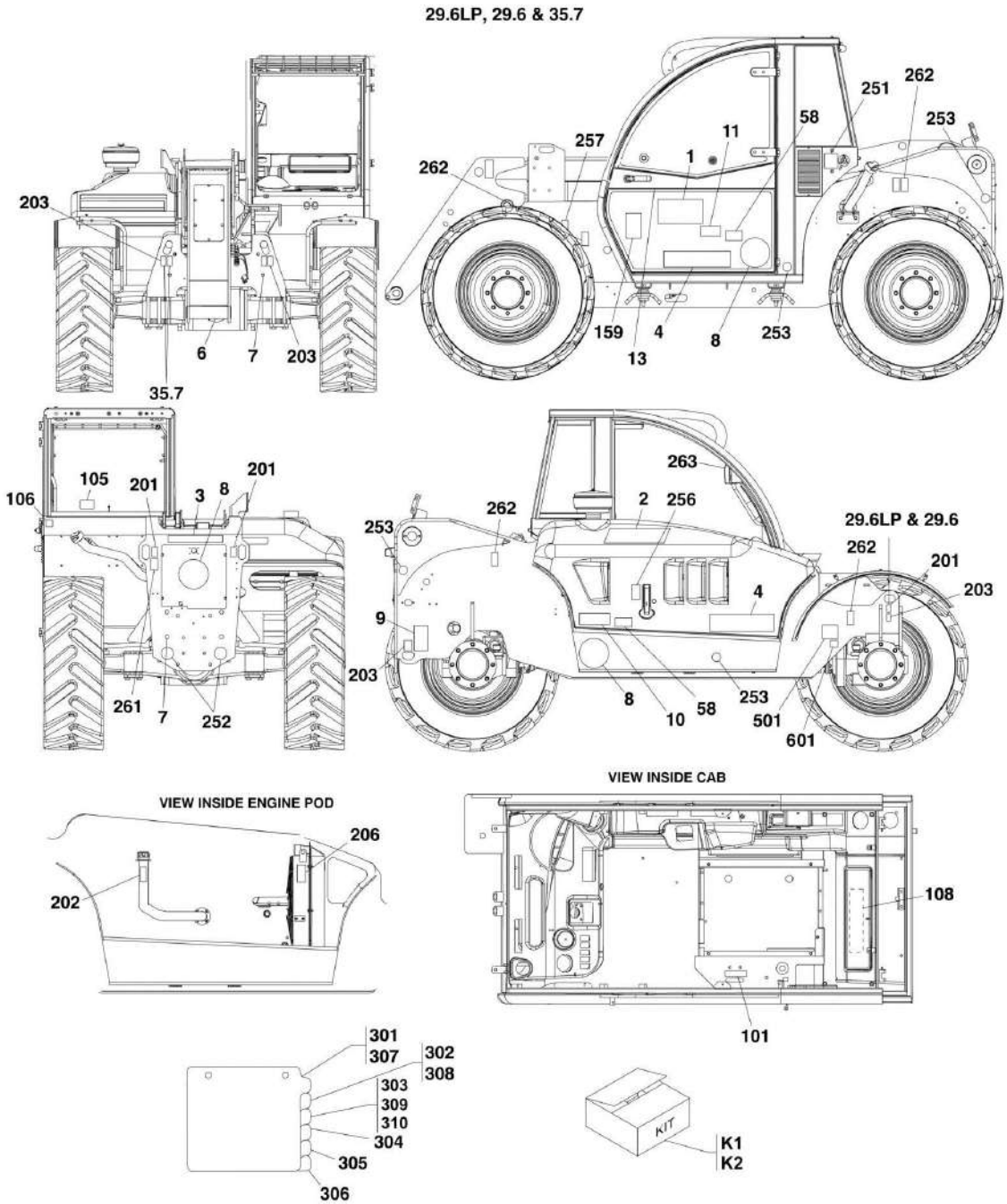
ITEM	PART NUMBER	QTY	DESCRIPTION	REV
K1	1001113435	1	LOAD CHART KIT, (723A), (includes items 301 thru 303 & 305 thru 310)	B
K1	1001113438	1	LOAD CHART KIT, (2906H), (includes items 301 thru 309 & 311)	B
K1	1001151780	1	LOAD CHART KIT, (L2906H), (includes items 301 thru 309 & 311)	A
K1	1001113437	1	LOAD CHART KIT, (3507H), (includes items 301 thru 309)	D
301	1001112915	1	FORKS LOAD CHART, (619A)	
301	1001112914	1	FORKS LOAD CHART, (723A)	
301	1001113362	1	FORKS LOAD CHART, (L2906H & 2906H)	
301	1001113361	1	FORKS LOAD CHART, (3507H)	
302	1001113918	1	BUCKETS LOAD CHART, (619A)	
302	1001113943	1	BUCKETS LOAD CHART, (723A)	
302	1001113865	1	BUCKETS LOAD CHART, (L2906H & 2906H)	
302	1001113931	1	BUCKETS LOAD CHART, (3507H)	
303	1001113919	1	FORK HOOK LOAD CHART, (619A)	
303	1001113944	1	FORK HOOK LOAD CHART, (723A)	
303	1001113867	1	FORK HOOK LOAD CHART, (L2906 & 2906H)	
303	1001113932	1	FORK HOOK LOAD CHART, (3507H)	
304	1001113871	1	SIDE SHIFT CARRIAGE LOAD CHART, (L2906H & 2906H)	
304	1001113936	1	SIDE SHIFT CARRIAGE LOAD CHART, (3507H)	
304	1001113946	1	SIDE SHIFT CARRIAGE LOAD CHART, (723A)	
304	1001113921	1	SIDE SHIFT CARRIAGE LOAD CHART, (619A)	
305	1001113920	1	3.6M TRUSS BOOM LOAD CHART, (619A)	
305	1001113945	1	3.6M TRUSS BOOM LOAD CHART, (723A)	
305	1001113870	1	3.6M TRUSS BOOM LOAD CHART, (L2906H & 2906H)	
305	1001113934	1	3.6M TRUSS BOOM LOAD CHART, (3507H)	
306	1001113947	1	SIDE TILT CARRIAGE LOAD CHART, (723A)	
306	1001113869	1	3.4M TRUSS BOOM LOAD CHART, (L2906H & 2906H)	
306	1001113933	1	3.4M TRUSS BOOM LOAD CHART, (3507H)	
306	1001113922	1	SIDE TILT CARRIAGE LOAD CHART, (619A)	
307	1001113923	1	TUBE BALE HANDLER LOAD CHART, (619A)	
307	1001113949	1	TUBE BALE HANDLER LOAD CHART, (723A)	
307	1001113872	1	TUBE BALE HANDLER LOAD CHART, (L2906H & 2906H)	
307	1001113937	1	TUBE BALE HANDLER LOAD CHART, (3507H)	
308	1001113924	1	SPIKE BALE HANDLER LOAD CHART, (619A)	
308	1001113950	1	SPIKE BALE HANDLER LOAD CHART, (723A)	
308	1001113873	1	SPIKE BALE HANDLER LOAD CHART, (L2906H & 2906H)	
308	1001113938	1	SPIKE BALE HANDLER LOAD CHART, (3507H)	
309	1001113925	1	ROUND FORK LOAD CHART, (619A)	
309	1001113951	1	ROUND FORK LOAD CHART, (723A)	
309	1001113874	1	ROUND FORK LOAD CHART, (L2906H & 2906H)	
309	1001113939	1	ROUND FORK LOAD CHART, (3507H)	
310	1001113948	1	6.6K FORK POSITION LOAD CHART, (723A)	
311	1001151695	1	VISIBILITY CHART, (2906H)	
311	1001151694	1	VISIBILITY CHART, (L2906H)	
311	1001151696	1	VISIBILITY CHART, (3507H)	
K2	1001113916	1	JD CARRIAGE LOAD CHART KIT, (L2906H & 2906H), (includes item 401)	A
K2	1001113942	1	JD CARRIAGE LOAD CHART KIT, (3507H), (includes item 401)	A
401	1001113875	1	JD CARRIAGE LOAD CHART, (L2906H & 2906H)	
401	1001113940	1	JD CARRIAGE LOAD CHART, (3507H)	
501	1001113921	1	SIDESHIFT CARRIAGE LOAD CHART, (619A)	
501	1001113946	1	SIDESHIFT CARRIAGE LOAD CHART, (723A)	

SECTION 11 - DECALS

ITEM	PART NUMBER	QTY	DESCRIPTION	REV
502	1001113928	1	ASME PLATFORM LOAD CHART, (619A)	
502	1001113953	1	ASME PLATFORM LOAD CHART, (723A)	
503	1001113929	1	ISO PLATFORM LOAD CHART, (619A)	
503	1001113954	1	ISO PLATFORM LOAD CHART, (723A)	
504	1001113930	1	FRENCH PLATFORM LOAD CHART, (619A)	
504	1001113955	1	FRENCH PLATFORM LOAD CHART, (723A)	
663	4420081	AR	ANTI-SKID TAPE, (619A & 723A)	
701	N.S.S.	1	SN PLATE	

SECTION 11 - DECALS

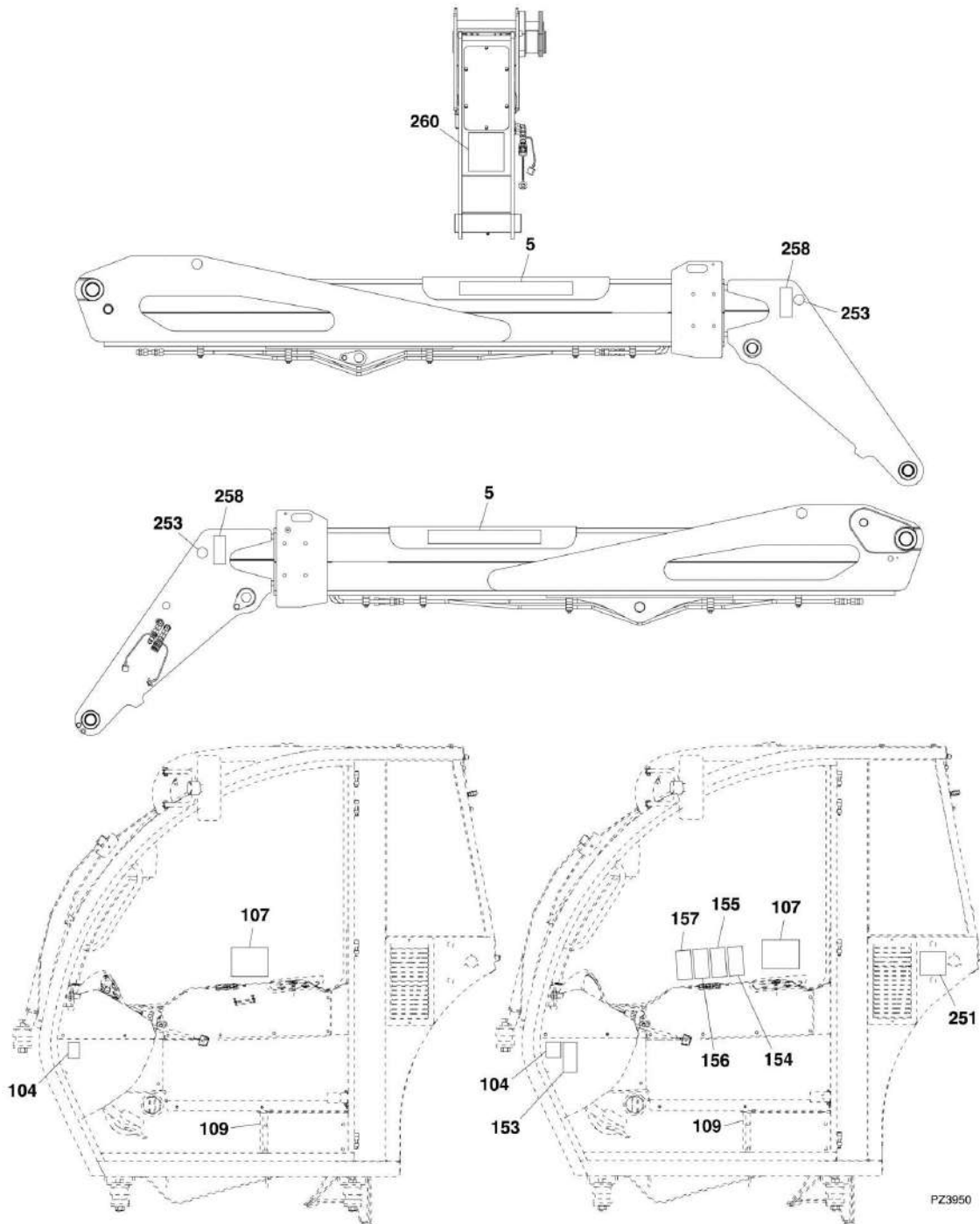
FIGURE 11-2. DECALS AND LOAD CHARTS 29.6LP, 29.6 & 35.7



ART_PAP4564-B

SECTION 11 - DECALS

29.6LP, 29.6, 35.7



SECTION 11 - DECALS

FIGURE 11-2. DECALS AND LOAD CHARTS 29.6LP, 29.6 & 35.7

ITEM	PART NUMBER	QTY	DESCRIPTION	REV
	1001112826	Ref	DECAL INSTALLATION, (29.6LP), (not available to order, see items 1 thru 13, 57, 58 & Kit K1 for service)	D
	1001112825	Ref	DECAL INSTALLATION, (29.6), (not available to order, see items 1 thru 13 & Kit K1 for service)	C
	1001112827	Ref	DECAL INSTALLATION, (35.7), (not available to order, see items 1 thru 13 & Kit K1 for service)	C
1	1706441	1	SMALL AGROVECTOR DECAL	
2	1706442	1	LARGE AGROVECTOR DECAL	
3	1706607	2	SMALL DEUTZ-FAHR DECAL	
4	1706608	2	MEDIUM DEUTZ-FAHR DECAL	
5	1706609	2	LARGE DEUTZ-FAHR DECAL	
6	1706610	1	ULM CATHEDRAL DECAL	
7	8008721	8	PLASTIC CAP	
8	8009377	3	35 KPH SPEED DECAL	
9	1001094795	1	LUBE CHART DECAL	
10	1001112049	1	LARGE MODEL DECAL, (29.6LP & 29.6)	
10	1001112052	1	LARGE MODEL DECAL, (35.7)	
11	1001112051	1	SMALL MODEL DECAL, (29.6LP & 29.6)	
11	1001112053	1	SMALL MODEL DECAL, (35.7)	
13	1001110779	1	SDF CAB STRIPE DOOR DECAL, (29.6 & 35.7)	
13	1001115722	1	SDF CAB STRIP DOOR DECAL, (29.6LP)	
57	1706958	1	SMALL LP DECAL, (29.6LP)	
58	1706959	1	LARGE LP DECAL, (29.6LP)	
	1001111871	Ref	CAB DECAL INSTALLATION, (29.6LP), (not available to order, see items 101, 104 thru 109, 153 thru 157 & 159 for service)	B
	1001111615	Ref	CAB DECAL INSTALLATION, (29.6 & 35.7), (not available to order, see items 101, 104 thru 109, 153 thru 157 & 159 for service)	B
101	1706209	1	PARK BRAKE DECAL	
104	2447967	1	OIL DECAL	
105	8005870	1	EMERGENCY EXIT DECAL	
106	8009815	1	DIESEL FUEL DECAL	
107	1001111863	1	JOYSTICK DECAL	
108	1001112333	1	FUSE DECAL	
109	N.S.S.	1	SN PLATE	
153	8005670	1	INSTRUCTION AND SAFETY DECAL	
154	8005671	1	WARNING DECAL	
155	8005672	1	WARNING DECAL	
156	8005673	1	WARNING DECAL	
157	8005674	1	WARNING DECAL	
159	8008651	1	WARNING DECAL	
	1001111869	Ref	COMMON DECAL INSTALLATION, (29.6LP & 29.6), (not available to order, see items 201 thru 203, 206 & 251 thru 263)	C
	1001111870	Ref	COMMON DECAL INSTALLATION, (35.7), (not available to order, see items 201 thru 203, 206 & 251 thru 263)	C
201	8005616	4	LIFT DECAL	
202	8009816	1	HYDRAULIC OIL DECAL	
203	8005617	4	TIE DOWN DECAL	
206	8005869	1	ENGINE RUNNING WARNING DECAL	
251	1705980	1	106dB SOUND DECAL	
252	3931579	2	REAR REFLECTOR	
253	8003198	6	SIDE REFLECTOR	

SECTION 11 - DECALS

ITEM	PART NUMBER	QTY	DESCRIPTION	REV
256	8005670	1	INSTRUCTION AND SAFETY DECAL	
257	8005671	1	CYLINDER LOCK WARNING DECAL	
258	8005675	2	WARNING DECAL	
260	8006038	1	WARNING DECAL	
261	8006612	1	STAY CLEAR WARNING DECAL	
262	8008657	4	WARNING DECAL	
263	1001127546	1	LSI WARNING DECAL	
K1	1001114368	1	LOAD CHART KIT, (29.6), (includes items 301 thru 310)	C
K1	1001152468	1	LOAD CHART KIT, (29.6LP), (includes items 301 thru 310)	A
K1	1001114367	1	LOAD CHART KIT, (35.7), (includes items 301 thru 310)	C
301	1001114370	1	FORKS LOAD CHART, (29.6LP & 29.6)	
301	1001114369	1	FORKS LOAD CHART, (35.7)	
302	1001114546	1	BUCKETS LOAD CHART, (29.6LP & 29.6)	
302	1001114537	1	BUCKETS LOAD CHART, (35.7)	
303	1001114547	1	FORK HOOK LOAD CHART, (29.6LP & 29.6)	
303	1001114538	1	FORK HOOK LOAD CHART, (35.7)	
304	1001114548	1	SIDE SHIFT LOAD CHART, (29.6LP & 29.6)	
304	1001114539	1	SIDE SHIFT LOAD CHART, (35.7)	
305	1001114549	1	3.6M TRUSS BOOM LOAD CHART, (29.6LP & 29.6)	
305	1001114540	1	3.6M TRUSS BOOM LOAD CHART, (35.7)	
306	1001114550	1	3.4M TRUSS BOOM LOAD CHART, (29.6LP & 29.6)	
306	1001114541	1	3.4M TRUSS BOOM LOAD CHART, (35.7)	
307	1001114551	1	TUBE BALE HANDLER LOAD CHART, (29.6LP & 29.6)	
307	1001114542	1	TUBE BALE HANDLER LOAD CHART, (35.7)	
308	1001114552	1	SPIKE BALE HANDLER LOAD CHART, (29.6LP & 29.6)	
308	1001114543	1	SPIKE BALE HANDLER LOAD CHART, (35.7)	
309	1001114553	1	ROUND FORK LOAD CHART, (29.6LP & 29.6)	
309	1001114544	1	ROUND FORK LOAD CHART, (35.7)	
310	1001151698	1	VISIBILITY CHART, (29.6)	
310	1001151697	1	VISIBILITY CHART, (29.6LP)	
310	1001151699	1	VISIBILITY CHART, (35.7)	
K2	1001113916	1	JD CARRIAGE LOAD CHART KIT, (29.6LP & 29.6), (includes item 401)	
K2	1001113942	1	JD CARRIAGE LOAD CHART KIT, (35.7), (includes item 401)	
401	1001113875	1	JD CARRIAGE LOAD CHART, (29.6LP & 29.6)	
401	1001113940	1	JD CARRIAGE LOAD CHART, (35.7)	
501	N.S.S.	1	SN PLATE	
	1001173936	1	EAC DECAL INSTALLATION (includes item 601)	
601	1001173703	1	EAC DECAL	

SECTION 12 - RECOMMENDED SPARE PARTS

SECTION 12 - RECOMMENDED SPARE PARTS

FIGURE 12-1. RECOMMENDED SPARE PARTS

ITEM	PART NUMBER	QTY	DESCRIPTION	REV
	Note	Ref	Note: The following list will service fleets of machines (built to current production per date on the front cover) with repair parts which can be installed in the field. Parts from the list should be replaced when inventory is depleted to keep service parts stock supplied. For further information, contact your JLG dealer or the JLG Industries Parts Department.	
		Ref	Boom	
	1001111491	1	Twin Hose Assy, (L2906H, 2906H, 619A, 29.6LP & 29.6)	
	1001111490	1	Twin Hose Assy, (3507H, 723A & 35.7)	
	2754153	1	Twin Hose Assy, (L2906H, 2906H, 619A, 29.6LP & 29.6)	
	2754121	1	Twin Hose Assy, (3507H, 723A & 35.7)	
	4700026	1	Wear Pad	
	4700027	8	Wear Pad, (L2906H, 2906H, 619A, 29.6LP & 29.6)	
	8002200	4	Wear Pad, (L2906H, 2906H, 619A, 29.6LP & 29.6)	
	8002200	12	Wear Pad, (3507H, 723A & 35.7)	
	8002199	2	Wear Pad	
	3574821	2	Spacer	
	8002901	10	Spacer	
	8003242	2	Spacer	
	8008069	AR	Shim, 2.0x70x200mm	
	8008070	AR	Shim, 2.0x50x200mm	
	8008634	AR	Shim, 0.5x70x200mm	
	8008640	AR	Shim, 0.5x50x200mm	
	8008641	AR	Shim, 1.0x50x200mm	
	8008642	AR	Shim, 1.5x50x200mm	
	8008644	AR	Shim, 1.0x70x200mm	
	8008645	AR	Shim, 1.5x70x200mm	
	1001131873	1	Quick Attach Pivot Pin	
	1001131874	1	Quick Attach Pin	
		Ref	Engine	
	7029274	1	Fuel Filter Spin-on Cartridge	
	70022397	1	95-Amp Alternator, (Prior to Deutz SN 10795955)	
	70024667	1	150-Amp Alternator, (Deutz SN 10795955 to Present)	
	70022398	1	Dipstick	
	7029447	1	Fuel Pre-filter Assy	
	70022401	1	Oil Filter Element	
	7029392	1	Starter	
	7029374	1	Alternator Belt	
	7029402	1	Fan Belt	
	1120576	1	Fuel Cap	
	1001102670	1	Fan	
	70020433	1	Radiator Cap	
	7021081	1	Air Cleaner Secondary Filter Element	
	7028118	1	Air Cleaner Protection Cap	
	7029387	1	Gasket Set, Complete Engine	
		Ref	Drive Train	
	1001104634	1	F-N-R / Horn Switch, (619A & 723A)	
	1001097682	1	F-N-R, (L2906H, 2906H, 3507H, 29.6LP, 29.6 & 35.7)	
	7028405	1	Differential Gear Kit	

SECTION 12 - RECOMMENDED SPARE PARTS

ITEM	PART NUMBER	QTY	DESCRIPTION	REV
	7028406	2	Double Joint, (L2906H, 2906H, 619A, 29.6LP & 29.6)	
	7028498	2	Double Joint, (3507H, 723A & 35.7)	
	7028929	1	Universal Joint Kit	
	3300493		Lug Nut	
		Ref	Hydraulic System	
	70022569	1	Lift Cylinder Seal Kit, (L2906H, 2906H, 619A, 29.6LP & 29.6)	
	70022576	1	Lift Cylinder Seal Kit, (3507H, 723A & 35.7)	
	70022597	1	Extend/Retract Cylinder Seal Kit, (L2906H, 2906H, 619A, 29.6LP & 29.6)	
	70022601	1	Extend/Retract Cylinder Seal Kit, (3507H, 723A & 35.7)	
	70022567	1	Tilt Cylinder Seal Kit, (L2906H, 2906H, 619A, 29.6LP & 29.6)	
	70022583	1	Tilt Cylinder Seal Kit, (3507H, 723A & 35.7)	
	70022587	1	Tilt Compensating Cylinder Seal Kit, (L2906H, 2906H, 619A, 29.6LP & 29.6)	
	70022590	1	Tilt Compensating Cylinder Seal Kit, (3507H, 723A & 35.7)	
	70022643	1	Service Brake Seal Kit	
	7029534	1	Hydrostatic Transmission Seal Kit	
	7028803	1	Hydraulic Drive Motor Seal Kit, (L2906H, 2906H, 619A, 29.6LP & 29.6)	
	7028820	1	Hydraulic Drive Motor Seal Kit, (3507H, 723A & 35.7)	
	70022665	1	Piston Pump Seal Kit	
	70022546	1	Gear Pump Seal Kit	
	1120597	1	Hydraulic Tank Fill Cap	
	8005248	1	Hydraulic Tank Sight Glass	
	1001097732	1	Hydraulic Tank Filter	
	2120206	1	Breather, Hydraulic Tank	
		Ref	Electrical	
	8008750	1	12-V Battery	
	1001091683	1	12-V Battery	
	8229233	4	7.5 Amp Fuse	
	8229234	2	10 Amp Fuse	
	8229237	9	15 Amp Fuse	
	8229235	2	20 Amp Fuse	
	8229262	1	25 Amp Fuse	
	1001100781	1	Four Pin Flasher Relay	
	8225119	4	30 Amp Fuse	
	70020795	1	Dome Light Replacement Bulb, (if equipped)	
	1001099810	1	Back-up Alarm	
	0140046	1	Horn	
	70020796	1	Replacement Bulb	
	7029970	1	Replacement Bulb	
	7029971	1	Replacement Bulb	
	70021341	1	Replacement Bulb	
		Ref	Miscellaneous	
	1001111129	1	Mirror, (619A & 723A)	
	1001005981	1	Mirror, (L2906H, 29.6LP, 2906H, 29.6, 3507H & 35.7)	
	1001004242	1	Mirror, (L2906H, 29.6LP, 2906H, 29.6, 3507H & 35.7)	
	1001004242	1	Mirror, (L2906H, 29.6LP, 2906H, 29.6, 3507H & 35.7)	
	3140007	1	Mirror, (L2906H, 29.6LP - if equipped), (Italy)	
	3949091	1	Cab Mirror	
	1001105042	2	Wiper Blade, (L2906H & 29.6LP)	
	4807729	2	Wiper Blade, (2906H, 3507H, 29.6 & 35.7)	

SECTION 12 - RECOMMENDED SPARE PARTS

ITEM	PART NUMBER	QTY	DESCRIPTION	REV
	1001105960	1	Joystick	
	70022765	1	Replacement Key	
	31200567	1	Operation and Safety Manual, (L2906H, 2906H, 3507H, 619A & 723A)	
	31200570		Operation and Safety Manual, (29.6LP, 29.6 & 35.7)	
	31200568	1	Service Manual	
		Ref	Special Tools	
	8035818	1	Wrench, Front and Rear Axle	
	70020309	1	Handle, Front and Rear Axle	
	91474605	1	Driver, Front and Rear Axle	
	8035820	1	Driver, Front and Rear Axle	
	7027856	1	Wrench, Front and Rear Axle	
	8035822	1	Driver, Front and Rear Axle	
	8035817	1	False Pinion, Front Axle	
	8035828	1	False Differential Box, Front Axle	
	8035819	1	Piston Insertion Kit, Front Axle, (3507H, 723A & 35.7)	

PART NUMBER INDEX

PART NUMBER INDEX

0100011.....203, 205, 268	0712028..... 19	0930004..... 69	1001093826....29, 58, 67,
0100019..... 19	0712030..... 160, 164	0930005..... 69	239, 243
0140046.....297, 355	0712040..... 19	0930006..... 67	1001093827....29, 58, 67,
0200837.....217	0712445..... 19	0930008..... 65	239, 243
0240063.....63	0760405..... 293	0930009..... 65	1001093949.....203
0240110.....63	0760410..... 92, 99	0930015..... 65	1001093950.....203
0240117.....79	0760508..... 203	0930016..... 65	1001093951.....203
0240118.....79	0760605..... 43, 173	0940036..... 205	1001094373.....168
0240143.....49	0760606..... 93, 191, 197	1000331..... 215	1001094414.....225
0240158.....75	0760607... 167, 187, 196,	1001002955..... 175	1001094467.....221
0273808.....156	294	1001002958..... 176	1001094486.....156
0273809.....156	0760608.... 99, 167, 191,	1001004242 13, 168, 355	1001094487.....156
0273811..... 19	196, 203	1001004723..... 291	1001094488.....156
0273812..... 19	0760610.... 29, 101, 192,	1001005960..... 168	1001094495.....155
0273814.....239	198, 291	1001005981..... 13, 355	1001094496.....155
0273866..... 160, 164	0760613..... 191, 197	1001006141..... 49	1001094497.....155
0274535..... 13	0760614..... 176	1001006376..... 249	1001094508..... 95
0274769.....155	0760619..... 294, 305	1001008436..... 14	1001094512.....156
0274770.....155	0760805..... 297	1001008469.... 247, 249	1001094555....29, 53, 58,
0274812..... 19	0760806..... 13, 99, 297	1001008559..... 291	67, 69, 75, 239, 243
0274850.....14	0760808... 13, 36, 43, 92,	1001008593..... 299	1001094556....29, 53, 58,
0275382.....201	99, 175, 176, 185, 187,	1001008923..... 299	67, 69, 75, 239, 243
0275752..... 14	190, 196, 205, 291	1001009154..... 105	1001094611..... 65
0480139..... 191, 197	0760810... 14, 17, 92, 99,	1001009196..... 249	1001094612..... 65
0498748.....176	101, 172, 173, 181,	1001013239..... 249	1001094615..... 65
0630583.....99	205, 229, 247, 249, 291	1001025753..... 291	1001094616..... 65
0630604..... 191, 197	0760812.... 13, 101, 168,	1001063268..... 313	1001094795.....344, 350
0641405.....83	191, 197, 245, 297	1001090606.... 301, 303	1001095650.... 12, 13, 19,
0642032.....49	0760815.... 175, 222, 231	1001090607.... 301, 303	25, 27, 29, 31, 35, 40,
0700605.....297	0760816..... 297	1001091102..... 92	43, 92, 93, 99, 160,
0700610.....297, 299	0761006..... 12	1001091316..... 58	164, 181, 225, 229,
0700612.....299	0761007..... 12	1001091550..... 263	231, 245, 247, 249, 287
0700614..... 13, 29	0761008..... 39, 92, 167	1001091573..... 294	1001095804.....293
0700615.... 221, 245, 247	0761010... 17, 20, 39, 99,	1001091683.... 291, 355	1001095810..... 83
0700617..... 92, 225	203, 243, 287	1001091715..... 308	1001096019..... 83
0700619.....176	0761012 39, 92, 168, 213,	1001091716..... 308	1001096020..... 83
0700812..... 13, 107	231, 235, 299, 308	1001091871.... 185, 187,	1001096021..... 83
0700814.....105	0761014..... 40, 92, 101	190	1001096023..... 83
0700815.... 201, 221, 235,	0761015..... 225, 268	1001092008..... 155	1001096024..... 83
237, 239, 291	0761029..... 191, 197	1001092144..... 31	1001096025..... 83
0700816.... 107, 231, 235	0761210..... 39	1001092197..... 291	1001096032.... 191, 197
0700817 45, 99, 191, 197,	0761212..... 39	1001092201..... 291	1001096089..... 168
229, 239	0761214... 35, 39, 61, 93	1001092377..... 205	1001096127..... 19
0700818.... 237, 239, 297	0761215..... 35	1001092385..... 205	1001096162..... 83
0700821.....245	0761216..... 49	1001092465..... 58	1001096169.... 185, 187,
0700822..... 222, 247	0761612..... 61	1001092481..... 83	190
0700824.....245	0761615..... 92	1001092482..... 83	1001096170.... 185, 187,
0700826.....237, 297	0761617..... 19	1001092584.... 247, 249	190, 192, 197
0700827..... 49	0771016..... 298	1001092764..... 58	1001096345..... 19
0701014..... 105	0771212..... 19	1001092861.... 301, 303	1001096365..... 175
0701015.... 92, 160, 164,	0771619..... 23	1001092862.... 301, 303	1001096569..... 19
191, 197	0840066..... 105	1001092863.... 301, 303	1001096644.... 191, 197
0701016.... 12, 39, 308	0860520..... 83	1001093076..... 221	1001096653..... 249
0701017..... 39	0879192..... 176	1001093084..... 205	1001096701.... 191, 197
0701018..... 19, 39	0903094..... 297	1001093085..... 205	1001096789..... 176
0701021.....221	0903366..... 49	1001093089..... 205	1001096790..... 175
0701029.....51	0903391..... 176	1001093306..... 31	1001096917.... 155, 156
0701031..... 191, 197	0903395..... 175	1001093344..... 168	1001097159..... 17
0701215..... 35	0903397..... 175	1001093371.... 192, 197	1001097241..... 92
0701217..... 35, 36, 49	0903398..... 176	1001093411..... 58	1001097283..... 49
0701220..... 35, 309	0903533..... 245	1001093412..... 58	1001097287..... 59, 67
0701229..... 92	0903624..... 297	1001093413..... 58	1001097291..... 181
0701619.... 19, 25, 27, 29,	0903629..... 14	1001093414..... 58	1001097349..... 167
31	0903637..... 297	1001093429..... 203	1001097350..... 45
0701620.....27	0903653..... 175	1001093696..... 203	1001097352..... 215
0711215..... 19	0930003..... 67	1001093785.... 191, 197	1001097382..... 92

PART NUMBER INDEX

1001097465.....	293	1001099536.....	101	1001100900.....	43	1001102697.....	167
1001097661.....	45	1001099537.....	101	1001100902.....	239	1001102698.....	293
1001097662.....	45	1001099564.....	92	1001100911.....	61	1001102699.....	171
1001097663.....	45	1001099588.....	225	1001101020.....	101	1001102725.....	294
1001097664.....	45	1001099589.....	231	1001101147.....	160, 164	1001102736.....	335
1001097682.....	213, 354	1001099590.....	221	1001101150.....	285	1001102738.....	294
1001097717.....	217	1001099591.....	229	1001101152.....	176	1001102787.....	168
1001097732.....	225, 355	1001099592.....	229	1001101153.....	176	1001102789.....	172, 173
1001097768.....	225	1001099593.....	226	1001101154.....	176	1001102790.....	172, 173
1001097799.....	92	1001099594.....	222	1001101224.....	221	1001102813.....	83
1001097806.....	287	1001099595.....	231	1001101356.....	45	1001102848.....	190
1001097809.....	168	1001099596.....	226	1001101381.....	287	1001102879.....	176
1001097809B.....	168	1001099597.....	231	1001101407.....	235, 237, 239	1001102880.....	176
1001097976.....	287	1001099604.....	105	1001101425.....	45	1001102881.....	176
1001098009.....	105	1001099613.....	55	1001101543.....	225	1001102882.....	176
1001098104.....	287	1001099621.....	267	1001101587.....	45	1001102889.....	190, 196
1001098105.....	105	1001099677.....	225	1001101590.....	45	1001102926.....	92
1001098150.....	171, 173, 207	1001099702.....	221	1001101650.....	171, 172	1001102931.....	92
1001098151.....	171, 172, 173	1001099716.....	225	1001101651.....	172, 303	1001102933.....	93
1001098263.....	19	1001099724.....	233	1001101652.....	171, 172	1001102954.....	293
1001098504.....	101	1001099725.....	233	1001101653.....	171, 172	1001102956.....	92
1001098505.....	101	1001099737.....	237, 239	1001101654.....	171, 172	1001102957.....	92
1001098510.....	101	1001099742.....	235	1001101655.....	171, 172	1001102959.....	297
1001098515.....	271	1001099743.....	235	1001101656.....	171, 172	1001102989.....	297
1001098540.....	215	1001099750.....	107	1001101657.....	171, 172	1001102990.....	297
1001098589.....	171	1001099757.....	105	1001101658.....	171, 172	1001102996.....	172
1001098623.....	101	1001099761.....	99	1001101659.....	171, 172	1001102997.....	172
1001098629.....	27	1001099779.....	99	1001101658.....	172, 173	1001102998.....	172
1001098630.....	27	1001099810.....	298, 355	1001101660.....	171	1001102999.....	171
1001098631.....	25	1001099851.....	222	1001101667.....	171, 172	1001103000.....	171
1001098632.....	25	1001099880.....	308	1001101814.....	222	1001103012.....	316, 320
1001098636.....	25	1001099892.....	308	1001101815.....	223	1001103014.....	29
1001098637.....	229	1001099899.....	13	1001102135.....	225	1001103033.....	12
1001098645.....	229	1001099917.....	308	1001102136.....	253	1001103050.....	173
1001098650.....	229	1001099950.....	308	1001102137.....	257	1001103051.....	173
1001098696.....	35	1001099999.....	237, 239	1001102138.....	259	1001103052.....	172
1001098698.....	39	1001100003.....	235	1001102139.....	255	1001103053.....	172
1001098706.....	229	1001100004.....	235	1001102140.....	253	1001103080.....	172, 173
1001098707.....	229	1001100017.....	107	1001102141.....	257	1001103081.....	172, 173
1001098725.....	229	1001100042.....	107	1001102142.....	259	1001103083.....	35
1001098986.....	39	1001100081.....	107	1001102143.....	255	1001103085.....	35
1001098988.....	35	1001100114.....	107	1001102143.....	255	1001103087.....	35
1001099016.....	190	1001100124.....	315	1001102173.....	225	1001103089.....	12
1001099124.....	245	1001100125.....	323	1001102175.....	221	1001103089B.....	12
1001099179.....	281	1001100126.....	311	1001102177.....	101	1001103092.....	172
1001099180.....	283	1001100127.....	329	1001102179.....	225	1001103099.....	172
1001099181.....	283	1001100128.....	331	1001102192.....	225	1001103104.....	291
1001099252.....	39	1001100155.....	185	1001102206.....	222	1001103121.....	305
1001099264.....	39	1001100262.....	49	1001102226.....	222	1001103164.....	99
1001099411.....	17	1001100314.....	267	1001102227.....	223	1001103165.....	99
1001099412.....	17	1001100319.....	291	1001102286.....	153	1001103166.....	99
1001099425.....	81	1001100330.....	111	1001102287.....	153	1001103167.....	99
1001099431.....	43	1001100332.....	135	1001102287.....	153	1001103168.....	99
1001099444.....	225	1001100334.....	111	1001102310.....	43	1001103369.....	17
1001099446.....	225	1001100335.....	135	1001102376.....	185, 187	1001103480.....	12
1001099453.....	225	1001100339.....	19	1001102377.....	185, 187, 190, 196	1001103480B.....	12
1001099455.....	225	1001100340.....	19	1001102392.....	190, 196	1001103481.....	12
1001099457.....	61	1001100470.....	222	1001102429.....	168, 187, 196	1001103481B.....	12
1001099458.....	61	1001100731.....	101	1001102444.....	168	1001103533.....	45
1001099485.....	221	1001100781.....	293, 355	1001102502.....	294	1001103595.....	313
1001099486.....	221	1001100821.....	261	1001102554.....	49	1001103597.....	25, 27
1001099488.....	222	1001100827.....	43	1001102564.....	92	1001103607.....	172
1001099528.....	101	1001100836.....	20	1001102564B.....	92	1001103608.....	172
1001099529.....	101	1001100859.....	17	1001102620.....	190, 196	1001103637.....	83
1001099531.....	12	1001100867.....	159	1001102670.....	101, 354	1001103641.....	43
		1001100868.....	159	1001102687.....	92	1001103681.....	222
		1001100898.....	239	1001102696.....	159	1001103705.....	305
						1001103729.....	222
						1001103730.....	83

PART NUMBER INDEX

1001103735.....291	1001105946..... 159, 163	1001108356..... 308	1001111058..... 155
1001103736.....83	1001105950..... 159, 163	1001108529..... 237	1001111059..... 155
1001103737.....297	1001105953..... 159, 163	1001108545..... 309	1001111060..... 155
1001103772.....92	1001105960..... 211, 356	1001108546..... 309	1001111129... 13, 29, 355
1001103984.....211	1001105973..... 298	1001108554..... 237	1001111153..... 176
1001104019.....245	1001105974..... 299	1001108555..... 237	1001111440..... 17
1001104027.....245	1001105985..... 13	1001108556..... 237	1001111490..... 237, 354
1001104029.....309	1001105986..... 13	1001108557..... 237	1001111491..... 237, 354
1001104042..... 185	1001105986B..... 13	1001108594..... 308	1001111535..... 39
1001104081..... 185, 187, 190, 196	1001106366..... 213	1001108595..... 308	1001111535B..... 39
1001104083..... 245, 247	1001106368..... 159, 163	1001108606..... 237	1001111536..... 39
1001104092..... 185, 190	1001106372..... 159, 163	1001108607..... 237	1001111536G..... 39
1001104288..... 179	1001106374..... 159, 163	1001108608..... 237	1001111582..... 39
1001104302.....27	1001106434..... 213	1001108609..... 237	1001111582B..... 39
1001104304..... 190, 196	1001106435..... 213	1001108610..... 20	1001111583..... 39
1001104367..... 185, 187, 190	1001106453..... 13	1001108626..... 203	1001111583G..... 39
1001104373..... 185, 187, 190	1001106454..... 13	1001108667..... 203	1001111586..... 175
1001104380..... 191, 197	1001106465..... 297	1001108830..... 175	1001111586B..... 175
1001104409..... 107	1001106536..... 303	1001109047..... 35	1001111615..... 344, 350
1001104441..... 101	1001106540..... 17	1001109054..... 35	1001111616..... 344
1001104442..... 101	1001106543..... 293	1001109055..... 36	1001111754..... 245, 247
1001104457..... 101	1001106548..... 167	1001109056..... 35	1001111782..... 297
1001104460..... 185, 187, 190, 196	1001106590..... 293	1001109057..... 36	1001111783..... 297
1001104461..... 185, 190	1001106666..... 167	1001109058..... 36	1001111847..... 45
1001104469..... 101	1001106683..... 299	1001109059..... 36	1001111863..... 345, 350
1001104477..... 273	1001106712..... 222	1001109061..... 35	1001111868..... 175
1001104519..... 339	1001106740..... 159	1001109071..... 35	1001111869..... 345, 350
1001104601..... 172	1001106741..... 159	1001109072..... 36	1001111870..... 345, 350
1001104602..... 172	1001106742..... 159	1001109073..... 36	1001111871..... 344, 350
1001104634..... 213, 354	1001106743..... 159	1001109074..... 36	1001111895..... 344
1001104674..... 179	1001106744..... 159	1001109077..... 17	1001111896..... 344
1001104679..... 159	1001106745..... 160	1001109110..... 17	1001111897..... 344
1001104680..... 159	1001106746..... 159	1001109111..... 17	1001111898..... 344
1001104682..... 159	1001106747..... 159	1001109112..... 17	1001111899..... 344
1001104683..... 159	1001106771..... 176	1001109143..... 17	1001111900..... 13, 29
1001104684..... 159	1001106799..... 191, 196	1001109144..... 17	1001111959..... 344
1001104686..... 191, 197	1001106800..... 191, 196	1001109145..... 17	1001111960..... 344
1001104687..... 191, 197	1001106855..... 191, 196	1001109180..... 17	1001111961..... 344
1001104933..... 45	1001106856..... 191, 196	1001109240..... 29	1001111974..... 175
1001104934..... 245, 247, 249	1001106949..... 172	1001109266..... 17	1001111975..... 176
1001104993..... 298	1001107079..... 293	1001109267..... 17	1001111976..... 175
1001104994..... 327	1001107092..... 167	1001109269..... 17	1001112043..... 175
1001104995..... 325	1001107093..... 167	1001109483..... 105	1001112049..... 350
1001104996..... 325	1001107106..... 190, 196	1001109590..... 308	1001112051..... 350
1001105041..... 179	1001107172..... 171	1001109591..... 308	1001112052..... 350
1001105042..... 179, 355	1001107273..... 171	1001109624..... 17	1001112053..... 350
1001105074..... 285	1001107274..... 172, 173	1001109726..... 222	1001112094..... 192, 197
1001105436..... 17	1001107286..... 177	1001109843..... 291	1001112160..... 213
1001105478..... 101	1001107288..... 190, 196	1001109847..... 17	1001112161..... 20
1001105529..... 294	1001107298..... 190	1001110008..... 45	1001112197..... 245
1001105647..... 191, 196	1001107333..... 49	1001110009..... 45	1001112277..... 192, 197
1001105650..... 305	1001107336..... 49	1001110079..... 350	1001112278..... 185, 187, 190, 196
1001105676..... 293	1001107338..... 49	1001110798..... 175	1001112333..... 345, 350
1001105679..... 293	1001107366..... 191, 196	1001110864..... 190, 196	1001112371..... 344
1001105713..... 226	1001107367..... 191, 196	1001110874..... 176	1001112559..... 61
1001105714..... 222	1001107394..... 167	1001110875..... 176	1001112560..... 61
1001105723..... 243	1001107422..... 225	1001110893..... 155	1001112561..... 168
1001105724..... 243	1001107492..... 222	1001110894..... 155	1001112569..... 175
1001105871..... 298	1001107581..... 49	1001110895..... 155	1001112569B..... 175
1001105879..... 298	1001107586..... 61	1001110896..... 155	1001112574..... 175
1001105890..... 298	1001107606..... 172	1001110922..... 35	1001112579..... 176
1001105896..... 299	1001107897..... 168	1001110938..... 175	1001112605..... 225
	1001108148..... 101	1001110960..... 155	1001112618..... 49
	1001108186..... 92	1001110961..... 155	1001112624..... 344
	1001108208..... 215	1001110962..... 155	1001112625..... 344
	1001108338..... 303	1001111056..... 155	1001112626..... 344
	1001108352..... 308	1001111057..... 155	

PART NUMBER INDEX

1001112674.....	293	1001113929.....	347	1001114926.....	222	1001117206.....	175
1001112692.....	345	1001113930.....	347	1001114927.....	221	1001117382.....	35
1001112693.....	345	1001113931.....	346	1001114964.....	190, 196	1001117383.....	35
1001112764.....	175	1001113932.....	346	1001114965.....	190, 196	1001117510.....	235
1001112825.....	350	1001113933.....	346	1001114974.....	192, 198	1001117511.....	235
1001112826.....	350	1001113934.....	346	1001114975.....	192, 198	1001117644.....	235
1001112827.....	350	1001113936.....	346	1001114981.....	192, 198	1001117945.....	61
1001112828.....	185, 187, 190	1001113937.....	346	1001114983.....	192, 198	1001118025.....	249
1001112841.....	291	1001113938.....	346	1001114984.....	190, 196	1001118096.....	29
1001112914.....	346	1001113939.....	346	1001114989.....	191, 197	1001118298.....	247, 249
1001112915.....	346	1001113940.....	346, 351	1001114993.....	243	1001118306.....	247, 249
1001113007.....	344	1001113941.....	345	1001115013.....	192, 198	1001118308.....	190
1001113008.....	344	1001113942.....	345, 346, 351	1001115091.....	179	1001118684.....	315, 319
1001113009.....	344	1001113943.....	346	1001115100.....	191, 197	1001118685.....	315, 320
1001113162.....	205	1001113944.....	346	1001115115.....	179	1001118940.....	171
1001113164.....	298	1001113945.....	346	1001115129.....	301	1001118941.....	171
1001113165.....	293	1001113946.....	346	1001115278.....	13	1001118942.....	172
1001113287.....	299	1001113947.....	346	1001115279.....	13	1001118943.....	181
1001113288.....	205	1001113948.....	346	1001115482.....	287	1001118944.....	181
1001113361.....	346	1001113949.....	346	1001115498.....	344	1001118945.....	181
1001113362.....	346	1001113950.....	346	1001115499.....	344	1001118946.....	181
1001113371.....	192, 198	1001113951.....	346	1001115587.....	190, 196	1001118947.....	181
1001113371B.....	192, 198	1001113953.....	347	1001115620.....	190, 196	1001118948.....	181
1001113372.....	192, 198	1001113954.....	347	1001115630.....	221	1001118949.....	181
1001113372B.....	192, 198	1001113955.....	347	1001115676.....	291	1001118950.....	181
1001113373.....	192, 198	1001113961.....	315, 319	1001115722.....	350	1001118951.....	181
1001113383.....	155	1001114006.....	179	1001115759.....	93	1001118952.....	181
1001113430.....	192, 198	1001114007.....	179	1001115865.....	243	1001118966.....	167
1001113431.....	192, 198	1001114080.....	179	1001115866.....	243	1001118977.....	196
1001113435.....	346	1001114110.....	293	1001115869.....	245	1001118978.....	196
1001113436.....	345	1001114155.....	245	1001115879.....	294	1001118979.....	187
1001113437.....	344, 346	1001114157.....	245	1001115927.....	259	1001119006.....	167
1001113438.....	346	1001114157.....	245	1001115928.....	259	1001119007.....	167
1001113439.....	12	1001114161.....	245	1001116129.....	168	1001119008.....	167
1001113611.....	205	1001114169.....	190, 196	1001116722.....	311	1001119009.....	167
1001113659.....	27	1001114171.....	245	1001116891.....	245, 247	1001119020.....	319
1001113660.....	27	1001114172.....	245	1001116893.....	315, 319	1001119461.....	181
1001113661.....	29	1001114268.....	245	1001116935.....	315, 319	1001119462.....	181
1001113662.....	25	1001114281.....	245	1001116936.....	315, 319	1001119463.....	181
1001113663.....	25	1001114285.....	245	1001116937.....	331, 333	1001119464.....	181
1001113665.....	27	1001114332.....	247	1001116938.....	311	1001119465.....	181
1001113671.....	337	1001114333.....	245	1001116939.....	329	1001119466.....	181
1001113702.....	168	1001114367.....	351	1001116940.....	313	1001119467.....	181
1001113704.....	29	1001114368.....	351	1001116941.....	315, 319	1001119468.....	181
1001113777.....	29	1001114369.....	351	1001116941.....	311	1001119469.....	181
1001113865.....	346	1001114370.....	351	1001116983.....	311, 337	1001120182.....	49
1001113867.....	346	1001114376.....	225	1001116984.....	323	1001120262.....	235
1001113869.....	346	1001114377.....	225	1001116985.....	323	1001120263.....	235
1001113870.....	346	1001114476.....	31	1001116986.....	315, 319, 323	1001120291.....	187, 196
1001113871.....	346	1001114477.....	31	1001116991.....	315, 319	1001120292.....	187, 196
1001113872.....	346	1001114537.....	351	1001116992.....	315, 319	1001120295.....	247
1001113873.....	346	1001114538.....	351	1001116993.....	319	1001120296.....	247
1001113874.....	346	1001114539.....	351	1001116995.....	311, 315, 319, 323, 329, 331, 333	1001120297.....	247
1001113875.....	346, 351	1001114540.....	351	1001116996.....	333	1001120298.....	247
1001113916.....	344, 345, 346, 351	1001114541.....	351	1001116998.....	315, 319, 323	1001120557.....	196
1001113918.....	346	1001114542.....	351	1001116999.....	315	1001120558.....	187
1001113919.....	346	1001114543.....	351	1001117004.....	323	1001120683.....	249
1001113920.....	346	1001114544.....	351	1001117012.....	315, 319	1001120710.....	35
1001113921.....	346	1001114547.....	351	1001117013.....	315, 319	1001120711.....	35
1001113922.....	346	1001114548.....	351	1001117018.....	315, 319	1001120761.....	35
1001113923.....	346	1001114549.....	351	1001117023.....	315, 319	1001120764.....	35
1001113924.....	346	1001114550.....	351	1001117025.....	315, 319	1001120821.....	249
1001113925.....	346	1001114551.....	351	1001117070.....	315, 319	1001120823.....	249
1001113927.....	345	1001114552.....	351	1001117121.....	315, 320	1001120824.....	249
1001113928.....	347	1001114553.....	351			1001120825.....	249
		1001114701.....	101			1001120826.....	249
						1001120827.....	249

PART NUMBER INDEX

1001120829.....249	1001132564..... 172, 173, 207	1321143..... 222	2140423.....221
1001120830.....249	1001133377..... 344	1321264..... 297	2140801.....231
1001120831.....249	1001133378..... 344	1321291..... 17	2140803.....221
1001120832.....249	1001134580..... 293	1321293..... 93	2140810.....226
1001120889.....299	1001136873..... 29	1321301..... 101	2140812.....221
1001121021.....299	1001137976..... 29	1321320..... 222	2140826..... 221, 225
1001121311.....299	1001142726..... 14	1321321..... 45	2140827.....225
1001121398.....298	1001143339..... 14	1321367..... 107	2140829.....226
1001121433.....333	1001147929..... 13	1321372..... 225	2141102.....221
1001121505.....319	1001148082..... 14	1321675..... 221, 247	2141303.....231
1001121515.....298	1001148083..... 14	1321748..... 221, 239	2141621..... 237, 239
1001122400.....299	1001151694..... 346	1356294..... 309	2141908..... 221, 231
1001122531.....163	1001151695..... 346	1366865..... 179	2142201..... 245, 247, 249
1001122532.....163	1001151696..... 346	1380161..... 105, 299	2142203..... 221, 231
1001122533.....163	1001151697..... 351	1391297..... 201	2142204..... 221, 245, 247, 249
1001122534.....163	1001151698..... 351	1398374..... 175	2142205.....221
1001122535.....163	1001151699..... 351	1398443..... 215, 217	2142207.....225
1001122536.....163	1001151780..... 346	1616551..... 221, 231	2142216.....237
1001122537.....163	1001152468..... 351	1671326..... 207	2142216.....237
1001122538.....163	1001152507..... 181	1671327..... 207	2142503.....287
1001122539.....163	1001152508..... 181	1686997..... 107	2142505.....29
1001122540.....163	1001152509..... 181	1701500..... 345	2142708.....231
1001122541.....163	1001152510..... 181	1701504..... 345	2142715.....243
1001122542.....163	1001153251..... 339	1701509..... 83	2142733..... 235, 243
1001122543.....163	1001154054..... 294	1702300..... 345	2142740.....233
1001122544.....164	1001157440..... 293	1702773..... 83, 344	2142741.....222
1001122545.....163	1001158450..... 222	1704277..... 83	2142750.....222
1001122546.....163	1001158451..... 222	1704885..... 83, 344	2142805.....239
1001125465.....298	1001160730..... 298	1704972..... 345	2142905.....239
1001125467.....298	1001161673..... 43	1705980..... 345, 350	2143005..... 221, 225
1001125702..... 93	1001162636..... 43	1706170..... 344	2143017.....237
1001125703..... 93	1001171773..... 97	1706209..... 344, 350	2143305.....239
1001125704..... 93	1001172555..... 92	1706297..... 345	2143401..... 245, 247, 249
1001126015.....299	1001173661..... 293	1706298..... 345	2143403..... 222, 225, 249
1001127308.....293	1001173703..... 351	1706301..... 345	2143404..... 221, 225, 245, 247
1001127394.....294	1001173936..... 351	1706441..... 350	2143405..... 229, 239, 243
1001127546.....294, 345, 351	1001175721..... 87	1706442..... 350	2143407.....226
1001128022.....249	1001177394..... 345	1706607..... 350	2143408.....225
1001128065.....171	1001192979..... 293	1706608..... 350	2143409.....222
1001128537.....294	1001217623..... 294	1706609..... 350	2143416.....243
1001129392.....298	1009352..... 291	1706610..... 350	2143418.....222
1001129425.....298	1060379..... 83	1706835..... 344	2143418.....222
1001129527.....235	1060975..... 319	1706892..... 83	2143505..... 245, 247
1001129528.....235	1062255... 187, 190, 191, 197, 222, 226, 245, 247, 249, 297	1706958..... 350	2143511..... 45, 239
1001129529.....235		1706959..... 350	2143605.....239
1001129902.....299		1707078..... 344	2143607.....225
1001130032.....299	10733183..... 105	1707148..... 155	2144104.....221
1001130402.....168	1074306..... 221	1707149..... 155	2144105.....221
1001130572.....36	1120576..... 99, 354	1719204..... 297	2144802.....222
1001130575.....36	1120597..... 287, 355	1749733..... 175	2144803..... 221, 225, 245, 247
1001130822.....49	1170002..... 51	1781813..... 160, 164	2144804..... 245, 247, 249
1001130839.....168	1170028..... 49	1784861..... 14	2144806..... 221, 222, 226, 229
1001131176.....168	1170046..... 53	1787217..... 291	2144807.....239
1001131843.....249	1170058..... 85	1810010..... 299	2144810.....226
1001131867.....35	1271599..... 14	2080040..... 83	2144810.....226
1001131868.....35	1309435..... 99, 191, 197, 229, 237, 239	2080078..... 176	2144814.....225
1001131869.....36		2080086..... 176, 187, 196	2144822.....237
1001131870.....36	1317515..... 239	2080092..... 171, 172	2144826.....233
1001131871.....35	1320032..... 99	2110606..... 58	2144826.....233
1001131872.....35	1320061..... 298	2120206..... 287, 355	2144904.....221
1001131873.....35, 354	1321086..... 229, 237	2120212..... 105	2160016.....36
1001131874.....35, 354	1321125..... 191, 197	2130404..... 58	2160018.....36
1001132283.....249	1321128..... 237, 239	2130406..... 249	2170506.....58
1001132324.....249	1321133..... 221, 237	2130606..... 58	2170706.....58
1001132325.....249	1321134..... 221, 237	2140204..... 231	2171716.....222
	1321141..... 221	2140208..... 229	2171816.....222
		2140210..... 226	2171824.....222

PART NUMBER INDEX

2171927.....	226	2988212.....	105	3575424B.....	160, 164	4100076.....	36
2171948.....	12	2988632.....	221	3575650.....	93	4100078.....	36
2180874.....	287	2991568.....	105	3575671.....	93	4160212.....	217
2220237.....	245	2997586.....	297	3575706.....	19	4160213.....	17
2221193....	245, 247, 249	2999964.....	344	3575850.....	36	4160221.....	215
2221293.....	221	31200567.....	356	3575922.....	17	4220262.....	191, 197
2340029.....	61	31200568.....	356	3576005.....	92	4240168.....	160, 164
2340030.....	61	31200570.....	356	3576006.....	92	4240168B.....	160, 164
2340035.....	77	3121675.....	245	3576164.....	13	429063.....	101
2340037.....	61	3140007.....	14, 355	3576203.....	225	4300159.....	17
2340040.....	61	321779.....	167	3577226.....	305	4340826.....	235
2340041.....	61	3220140.....	107	3580345.....	191, 197	4340828.....	235
2400073.....	291	3260100.....	179	3740080.....	315, 319	4340882.....	19
2400074.....	291	328027.....	19	3740112.....	291	4340883.....	19
2420205.....	99	3290305.....	291	3746392.....	179	4340966.....	92
2440675.....	175, 176	3290405.....	92, 99, 298	3746405.....	179	4340970.....	293
2443576.....	99, 229	3290505.....	203	3760170.....	83	4341033.....	99
2447967.....	344, 350	3290507.....	297	3760491.....	36	4360580.....	293
2480066.....	175	3290601.....	294, 299	3760492.....	36	4360585.....	222
2480068.....	176	3290605.....	17, 29, 93, 101, 176, 192, 198, 215, 249, 294, 298, 299	3760497.....	93	4360631.....	213
2480069.....	175	3290607.....	176, 298, 308	3760508.....	49, 53	4360640.....	301, 303
2480070.....	176	3290801.....	105, 175, 191, 197, 205, 291, 297, 305	3760757.....	156	4360642.....	301, 303
2480074.....	176	3290805.....	49, 53, 99, 101, 107, 168, 222, 243, 247, 291, 298	3767057.....	155	4360643.....	301, 303
2480075.....	176	3290806.....	176	3767853.....	156	4360644.....	301, 303
2480079.....	176	3290807.....	201	3767864.....	156	4360646.....	301, 303
2480080.....	176	3291001.....	13, 105, 291, 308	3820020.....	83	4360649.....	301, 303
2480082.....	176	3291005.....	51, 92, 101, 191, 197	3900364.....	192, 198	4360650.....	301, 303
2501176.....	331, 333	3291007.....	160, 164	3929780.....	105	4360651.....	301, 303
2520148.....	201	3291201.....	19, 36, 49	3931579.....	345, 350	4360652.....	301, 303
2520148B.....	201	3291205.....	35, 49, 92	3933468.....	171, 172, 192, 198, 207	4360653.....	301
2540050.....	175	3291207.....	309	3934378.....	168, 171, 173, 207	4360654.....	301
2540051....	168, 190, 196	3291601.....	25, 27, 29, 31	3944574.....	23	4360658.....	293
2560199.....	176	3292001.....	13, 14, 160, 164	3945575.....	168	4360660.....	293
2600281.....	83	3300240.....	49	3949091.....	168, 355	4360664.....	301
2620060.....	31	3300493.....	156, 355	3953973.....	185, 187, 190	4360665.....	301, 303
2700118.....	72	3300504.....	175	3960589.....	12, 99	4360666.....	301, 303
2720535.....	101	3311405.....	83	3960600.....	297	4360669.....	301, 303
2720536.....	101	3332011.....	19	3960603.....	99, 287	4360688.....	301, 303
2720556.....	99	3332411.....	19	3960608.....	175	4360708.....	185, 187
2720558.....	99	3371705.....	298	3960609.....	175	4400470.....	101
2720613.....	99	3380577.....	12, 99	3960927.....	101	4400493.....	92
2754083.....	233	3391410.....	43	3961951.....	101, 185, 187, 190, 192, 196, 197	4420081.....	347
2754084.....	233	3421453.....	83	3964987.....	49	443630.....	14
2754121.....	239, 354	3423075.....	36	3976436.....	215, 217	4460043.....	311
2754127.....	243	3423149.....	36	4000015.....	298	4460142.....	313
2754153.....	239, 354	3423152.....	36	4010308.....	291	4460260.....	337
2754250.....	221	3423258.....	49	4010408.....	294, 298	4460265....	315, 320, 323
2754253.....	225	3423260.....	175	4010506.....	192, 198	4460266....	315, 319, 335
2754257.....	221	3423262.....	176	4010510.....	190, 196	4460343....	315, 319, 323
2754319.....	231	3423275.....	49	4010608.....	175, 298	4460367.....	315, 319
2754739.....	217	3460421.....	105	4010616.....	297	4460434.....	315, 319
2754993.....	191, 197	3460567.....	99	4031504.....	299	4460497.....	315, 319
2820201.....	93	3520072.....	83	4031505.....	299	4460536.....	337
2820202.....	93	3574521.....	243	4031506.....	294	4460539... 329, 331, 333, 337	
2902377.....	297	3574798.....	36	4031612.....	297	4460670.....	329
2902440.....	79	3574798B.....	36	4031707.....	298	4460708.....	335
2902441.....	79	3574821.....	39, 354	4031708.....	176	4460871.....	339
2902506.....	168	3574829.....	19	4031709.....	249	4460872.....	315, 319
2912085.....	222, 231	3575386.....	19	4031716.....	249	4460874.....	315, 319
2920204.....	29, 309	3575424.....	160, 164	4031909.....	217	4460875.....	315, 319
2920206.....	305			4031910.....	229	4460876.....	315, 319
2920207.....	308			4031922.....	243	4460878.....	315, 319
2920208.....	308			4032109.....	49	4460890.....	311
2920209.....	293			4040283.....	49, 53	4460891... 311, 315, 319, 323, 325, 329, 331, 333	
2940074.....	83						
2940119.....	203						
2969548.....	101						

PART NUMBER INDEX

4460894.....315, 319, 329	4807763.....179	6616372.....58	70020823.....315, 319
4460930.....319	4811400.....293	6616553.....58	70020866.....279
4460931.....335	4811600... 192, 198, 203, 297	6617012.....58	70020867.....279
4460933.....315, 319, 335	4811700... 12, 13, 17, 29, 101, 168, 173, 175, 176, 187, 191, 192, 196, 198, 203, 249, 291, 294, 298, 299, 308	6618622.....58	70020868.....279
4460994.....311, 315, 319	48117000.....299	6618632.....58	70020921.....277
4461021.....297	4811702... 192, 198, 299	6619882.....58	70020923.....213
4461115.....327	4811900... 13, 14, 17, 45, 99, 101, 105, 107, 172, 173, 175, 191, 197, 201, 205, 231, 235, 237, 245, 247, 249, 291, 297, 298	6621863.....58	70021125.....185
4461118.....331, 333	4811902.....235, 291	70000919.....95, 97	70021130.....190
4461134.....331	4812000... 12, 17, 19, 39, 92, 99, 101, 105, 160, 164, 168, 191, 197, 203, 221, 231, 235, 268, 299, 308	7001626.....263	70021137.....190
4461164.....315, 319	4812002.....92	70020201.....72, 85	70021236.....53
4461172.....315, 320	4812100... 35, 36, 39, 93, 176, 191, 197	70020202.....72	70021238.....53
4461217.....315, 319	4812300... 19, 20, 23, 25, 27, 29, 31, 35	70020203.....72, 75	70021239.....53
4461227.....327	4812500.....13, 14	70020204.....72, 75	70021240.....53
4461229.....325	4831600.....190, 196	70020205.....72, 85	70021241.....53
4461262.....311, 331, 333	4831700... 99, 191, 196, 299	70020206.....72, 85	70021242.....53
4520297.....155, 156	4831900... 36, 185, 187, 190, 196, 217, 245, 298	70020309.....356	70021243.....53
4520299.....155	4832000... 20, 213, 243	70020366.....255	70021244.....53
4520300.....156	4832100.....36	70020392.....65	70021245.....53
4520301.....156	4846452.....83	70020417.....85	70021246.....53
4520302.....156	4923122.....297	70020421.....63	70021247.....53
4520303.....156	4923207.....291	70020422.....63	70021248.....53
4520390.....156	4923208.....291	70020423.....63	70021251.....182
4520566.....155	4923209.....291	70020424.....63	70021252.....182
4520567.....155	4923633.....297	70020433.....102, 354	70021338.....55
4520568.....155	5200605.....107, 291	70020506.....53	70021339.....55
4520569.....155	5200608... 92, 179, 291, 298	70020507.....53	70021341.....309, 355
4568870.....237	5200610... 190, 192, 196, 198	70020508.....53	70021342.....55
4569029.....237, 239	5200808.....175	70020554.....72	70021343.....55
4569036.....237	5200810.....179	70020555.....72	70021345.....55
4569037.....239	5200814.....305	70020693.....267	70021346.....55
4569038.....239	5201014.....291	70020695.....267	70021347.....55
4569042.....237, 239	5211702.....215	70020711.....268	70021348.....55
4569047.....237	5211900.....298	70020712.....268	70021349.....55
4569053.....237	5211902.....305	70020712.....192, 198	70021350.....55, 81
4569056.....239	5212000.....92, 308	70020721.....192, 198	70021351.....55
4569057.....239	5220500.....29, 309	70020723.....75	70021363.....265
4569509.....305	5220600... 92, 203, 305	70020724.....75	70021384.....81
4641357.....273	5220800... 17, 19, 92, 175, 179, 217, 287	70020725.....75	70021429.....81
4641389.....225	5221000.....19, 203	70020726.....75	70021430.....81
4641401.....277	5241200... 49, 92	70020727.....75	70021431.....81
4641404.....275	5241600.....92	70020728.....75	70021432.....81
4641474.....277	5272011.....298	70020729.....75	70021432.....81
4641519.....279	5272012.....298	70020730... 53, 75	70021433.....81
4641521.....213	6616072.....58	70020731... 53, 75	70021434.....81
466104.....92, 298	6616152.....58	70020732.....75	70021435.....81
4700026.....39, 354	6616313.....58	70020737.....271	70021436.....81
4700027.....39, 354		70020739.....271	70021437.....81
4711400.....83		70020740.....271	70021438.....81
471678...29, 93, 294, 298, 305		70020741.....271	70021440.....265
4740549.....156		70020742.....271	70021444.....265
4802100.....65		70020743.....271	70021446.....265
4804533.....23		70020745.....271	70021447.....265
4805670.....65		70020747.....271	70021448.....265
4805921.....23		70020751.....271	70021451.....265
4805932.....23		70020752.....271	70021452.....265
4806433.....17		70020754.....271	70021462.....265
4806444.....17		70020755.....271	70021463.....265
4806626.....160		70020757.....271	70021464.....265
4806693.....13		70020764.....273	70021482.....192, 197
4807616.....176		70020768.....65	70021483.....192, 197
4807661.....179		70020791.....213	70021530.....275
4807694.....179		70020792.....213	70021531.....273, 275
4807718.....179		70020793.....213	70021532.....273
4807729.....179, 355		70020794.....213	70021558.....51
4807730.....179		70020795... 293, 355	70021559.....51
4807741.....179		70020796... 305, 355	70021560.....51
		70020797.....285	70021561.....51
		70020800.....277	70021562.....51

PART NUMBER INDEX

70021563	51	70022577	257	70022686	268	70023249	95, 97
70021874	267	70022578	257	70022687	268	70023250	95
70022033	181	70022579	257, 259	70022697	53	70023251	95
70022034	182	70022580	257, 259	70022698	261	70023252	95, 97
70022082	125	70022581	257, 259	70022699	261	70023253	95, 97
70022125	191	70022582	257	70022700	261	70023254	95, 97
70022291	101	70022583	257, 355	70022701	261	70023255	95
70022376	117, 139	70022584	259	70022702	261	70023271	53
70022377	117, 139	70022585	259	70022703	261	70023272	53
70022379	117, 139	70022586	259	70022704	261	70023348	27
70022380	133	70022587	259, 355	70022705	261	70023468	182
70022381	133	70022588	259	70022708	267	70023484	69
70022383	131	70022589	259	70022709	267	70023917	95
70022385	93	70022590	259, 355	70022710	267	70024131	97
70022386	93	70022591	255	70022711	267	70024667	95, 97, 354
70022389	101	70022592	255	70022712	267	70024668	95, 97
70022390	101	70022593	255	70022713	267	70111538	97
70022392	101	70022594	255	70022714	267	70128735	97
70022393	102	70022595	255	70022715	267	70135723	97
70022394	102	70022596	255	70022725	281	7020487	95, 97
70022395	102	70022597	255, 355	70022726	281	7021080	105
70022396	102	70022598	255	70022727	281	7021081	105, 354
70022397	95, 354	70022599	255	70022728	281	7024565	95
70022398	95, 97, 354	70022600	255	70022729	281	7027856	356
70022399	95, 97	70022601	255, 355	70022730	281	7028092	65
70022400	95, 97	70022602	253	70022731	281	7028093	65
70022401	95, 97, 354	70022642	133	70022732	281	7028094	65
70022402	95, 97	70022643	263, 355	70022733	281	7028095	105
70022403	95, 97	70022644	263	70022752	29	7028096	105
70022404	117, 139	70022645	263	70022753	29	7028097	105
70022440	117, 139	70022646	263	70022754	29	7028118	105, 354
70022441	117, 139	70022647	263	70022755	29	7028124	69
70022443	129, 151	70022648	263	70022756	29	7028125	69
70022499	117, 139	70022649	263	70022757	29	7028126	69
70022504	139	70022650	271	70022758	29	7028127	69
70022517	181	70022651	271	70022759	29	7028128	69
70022518	182	70022652	271	70022760	29	7028129	69
70022519	182	70022653	271	70022761	29	7028130	69
70022520	185, 190	70022654	271	70022762	29	7028131	67, 69
70022521	185, 190	70022655	271	70022765	294, 356	7028132	69
70022522	190	70022656	271	70022766	313	7028133	69
70022523	190	70022657	271	70022817	192, 197	7028134	69
70022524	185, 190	70022658	271	70022818	25	7028135	69
70022525	185, 191	70022659	271	70022819	25	7028136	51
70022546	285, 355	70022660	271	70022820	25	7028137	51
70022547	213	70022661	271	70022821	27	7028372	113
70022548	153, 192, 197	70022662	271	70022822	27	7028373	113, 115
70022550	192, 196	70022663	271	70022823	25, 27	7028377	113, 115, 137
70022551	192, 196	70022664	58	70022824	27	7028378	113, 115, 137
70022559	45	70022665	285, 355	70022825	27	7028379	113, 115, 137
70022560	253	70022666	283	70022826	27	7028380	113, 115, 137
70022561	253	70022667	283	70022827	25	7028381	113, 115, 137
70022562	253	70022668	283	70022831	61	7028382	113, 115, 137
70022563	253, 257, 259	70022669	283	70022850	169	7028383	117, 139
70022564	253, 257, 259	70022670	283	70022850B	169	7028385	117, 139
70022565	253, 257, 259	70022671	267	70022851	168	7028386	117, 139
70022566	253, 257, 259	70022672	267	70022851B	168	7028387	117, 139
70022567	257, 355	70022673	267	70022870	169	7028389	117, 139
70022568	257	70022674	267	70022874	92	7028390	117, 139
70022569	253, 355	70022675	267	70023062	77	7028391	139
70022570	253, 257, 259	70022676	267	70023242	95, 97	7028392	117, 139
70022571	253	70022678	267	70023243	95, 97	7028393	117, 139
70022572	253	70022680	267	70023244	95, 97	7028394	117, 139
70022573	253	70022681	267	70023245	95, 97	7028396	117
70022574	253, 257, 259	70022682	267	70023246	95, 97	7028399	117, 139
70022575	253, 257, 259	70022683	268	70023247	95	7028400	117, 139
70022576	253, 355	70022684	268	70023248	95	7028401	117, 139

PART NUMBER INDEX

7028402..... 119	7028468 137	7028982 67	77363244.. 329, 331, 333, 337
7028403..... 119, 141	7028472 139	7028983 67	77363263..... 315, 319
7028404..... 121, 143, 145	7028475 139	7028984 67, 69	8000344..... 176
7028405..... 121, 354	7028477 141	7028985 67	8000382..... 17
7028406..... 123, 355	7028478 141	7028986 69	8000565..... 160, 164
7028407..... 123	7028479 141	7028987 69	8000567..... 160, 164
7028408..... 123, 147	7028480 143	7028988 69	8000759..... 176
7028409..... 123, 147	7028481 143	7028989 69	8000801..... 17
7028410..... 123, 147	7028482 143	7028990 67	8000803..... 176
7028411..... 123, 147	7028483 143, 145	7028991 67	8001144..... 175
7028413..... 127, 149	7028484 147	7029001 311	8001833..... 175
7028414.... 127, 129, 149, 151	7028485 147	7029241 257	8001888..... 43
7028415.... 127, 129, 149, 151	7028487 ... 127, 129, 149, 151	7029256 93	8002110..... 43
7028416.... 127, 129, 149, 151	7028488 127, 149	7029259 93	8002199..... 39, 354
7028417.... 127, 129, 149, 151	7028490 127, 149	7029274 95, 97, 354	8002200..... 39, 354
7028418..... 127, 149	7028491 127, 149	7029275 95, 97	8002321..... 217
7028419.... 127, 129, 149, 151	7028493 137	7029321 69	8002778..... 155
7028420.... 127, 129, 149, 151	7028496 117, 139	7029322 69	8002781..... 99, 191, 197
7028421.... 127, 129, 149, 151	7028498 ... 123, 147, 355	7029323 69	8002826..... 297
7028423.... 127, 129, 149, 151	7028499 123, 147	7029344 79	8002901..... 39, 354
7028424.... 123, 127, 147, 149	7028500 123, 147	7029345 79	8002927..... 105
7028426..... 127, 149	7028501 123, 147	7029346 79	8002985..... 179
7028428..... 127, 149	7028502 123, 147	7029347 79	8003167..... 191, 197
7028430..... 127, 149	7028503 123, 147	7029348 79	8003198..... 345, 350
7028431..... 127, 149	7028504 123, 147	7029349 79	8003242..... 39, 354
7028432..... 131, 139	7028505 123, 147	7029350 79	8003392..... 299
7028433..... 131	7028507 129, 151	7029351 79	8004398..... 176
7028434..... 131	7028508 129, 151	7029352 79	8004981..... 105
7028435..... 131	7028509 129, 151	7029353 77, 79	8005248..... 287, 355
7028437..... 131	7028510 129, 151	7029354 77, 79	8005376..... 101, 185
7028438..... 131	7028511 129, 151	7029355 77, 79	8005447..... 179
7028439..... 131	7028512 115	7029356 69, 77, 79	8005616..... 345, 350
7028440..... 131	7028513 115	7029357 79	8005617..... 345, 350
7028441..... 133	7028514 117, 139	7029359 77	8005670.... 345, 350, 351
7028442..... 133	7028517 133	7029361 77	8005671.... 345, 350, 351
7028443..... 133	7028521 133	7029362 77	8005672..... 345, 350
7028444..... 133	7028626 61	7029363 77	8005673..... 345, 350
7028445..... 133	7028628 61	7029370 95, 97	8005674..... 345, 350
7028447..... 133	7028639 331, 333	7029374 95, 97, 354	8005675..... 345, 351
7028448..... 133	7028798 283	7029376 95	8005741..... 101
7028449..... 133	7028802 283	7029384 95	8005743..... 101
7028451..... 133	7028803 283, 355	7029386 95, 97	8005825..... 156
7028452..... 133	7028818 283	7029387 95, 97, 354	8005827..... 156
7028453..... 133	7028820 283, 355	7029388 95, 97	8005869..... 345, 350
7028454..... 133	7028821 283	7029392 95, 354	8005870..... 345, 350
7028455..... 133	7028822 283	7029394 95, 97	8006038..... 345, 351
7028456..... 133	7028825 283	7029395 95, 97	8006515..... 217
7028457..... 137	7028825 283	7029402 95, 97, 354	8006516..... 217
7028458..... 137	7028834 283	7029447 95, 97, 354	8006580..... 19
7028459..... 137	7028878 281	7029520 72	8006612..... 345, 351
7028460..... 137	7028879 281	7029521 72	8007986..... 298, 305
7028461..... 137	7028880 281	7029534 281, 355	8008069..... 39, 354
7028462..... 137	7028881 281	7029690 55	8008070..... 39, 354
7028463..... 137	7028909 192, 197, 275	7029691 55	8008424..... 65
7028464..... 137	7028910 67, 69	7029692 55	8008634..... 39, 354
7028465..... 137	7028911 67	7029700 55	8008640..... 39, 354
7028466..... 137	7028912 67	7029705 55	8008641..... 39, 354
7028467..... 137	7028913 67	7029711 55	8008642..... 39, 354
	7028914 67	7029713 55	8008644..... 39, 354
	7028915 67	7029767 182	8008645..... 39, 354
	7028916 67	7029771 315, 319	8008651..... 345, 350
	7028917 67	7029969 308	8008657..... 345, 351
	7028918 67	7029970 308, 355	8008675..... 155, 156
	7028919 67	7029971 308, 355	8008721..... 344, 350
	7028920 67	7115372 58	8008750..... 291, 355
	7028923 67	7116171 58	8009377..... 344, 350
	7028929 153, 355		

PART NUMBER INDEX

8009464	168	8225119	293, 355	91144099.....	281	91474107	119, 141
8009517	309	8229233	293, 355	91364041.....	125	91474108	119, 141
8009532	201	8229234	293, 355	91364042.....	125	91474109	119, 141
8009533	201	8229235	293, 355	91364078.....	131	91474110	119, 141
8009533B.....	201	8229237	293, 355	91403239.....	105	91474111	119, 141
8009815	345, 350	8229262	293, 355	91474037.....	113, 115, 127, 129, 149, 151	91474112	119, 141
8009816	345, 350	8301428	58	91474038.....	113, 115	91474113	119, 141
8009974	217	8303702	58	91474039.....	113, 115	91474115	141
8010524	19	8303757	58	91474040.....	113, 115	91474116	141
8033544	121, 143, 145	8305006	58	91474041.....	113, 115	91474119..	127, 141, 149
8034679	145	8305624	58	91474043.....	137	91474121..	121, 143, 145
8035118	137	8305644	58	91474045.....	137	91474122	121, 145
8035160	119, 141	8305645	58	91474047.....	137	91474123	121
8035180	121, 143, 145	8305919	172, 173	91474048.....	137	91474124	121
8035235 ...	127, 129, 149, 151	8307004	58	91474050.....	113, 115	91474125	121
8035622	153	8307109	58	91474058.....	113, 115, 131, 137	91474126	121
8035817	356	8307110	58	91474059.....	113, 115	91474128..	121, 143, 145
8035818	356	8310261	58	91474062.....	113, 115	91474129..	121, 143, 145
8035819	356	8310264	58	91474063... ..	113, 115, 137	91474136	125
8035820	356	8310341	58	91474064.....	113, 115	91474137	125
8035822	356	8344010	203	91474065.....	113, 115	91474138	125
8035828	356	83481285	315, 319	91474066.....	113, 115	91474139	125
8035828	356	83481286	315, 319	91474067.....	113, 115	91474141	125
80363195	13	8406105	58	91474068.....	113, 115	91474142	125
8036811	263	8406109	58	91474069.....	137	91474143	125
80383311	160, 164	848120	168	91474071.....	137	91474144	125
80383311B.....	160, 164	87496045, 221, 222, 231, 237, 239		91474072.....	137	91474145	125
80604016 ..	315, 319, 335	885849	168	91474073.....	137	91474146	125
80604018 .	311, 315, 319, 323, 325, 329, 331, 333	899276	215, 217	91474075.....	131	91474147	125
80604019	337	90200003	49	91474078.....	117, 139	91474149	125
80604023	319, 329	90554017	55	91474091.....	117, 139	91474151	125
80604025	319	90554020	55	91474092.....	117, 139	91474152	125
806253	13	90554042	55	91474095.....	117, 139	91474161 .	127, 129, 149, 151
806264	13	90554045	55, 81, 265	91474100.....	119, 141	91474163	129, 151
80934052	283	90554062	55	91474101.....	119, 141	91474176	143, 145
816186	222	90554065	55	91474102.....	119, 141	91474605	356
8220022	313	90554076	55	91474103.....	119, 141	91503106	335
8220115	313	90554080	72	91474105.....	119, 141	91565094	72
8220904	315, 319	909304	14, 203	91474106.....	119, 141	935113	29
8223073	213	91083129	105				



31200566



An Oshkosh Corporation Company

Corporate Office
JLG Industries, Inc.
1 JLG Drive
McConnellsburg, PA 17233-9533
USA

+1-717-485-5161 (Corporate)
+1-877-554-5438 (Customer Support Toll Free)
+1-717-485-6417

JLG Worldwide Locations

JLG Industries
358 Park Road
Regents Park
NSW 2143
Sydney 2143
Australia
+6 (12) 87186300
+6 (12) 65813058
Email: techservicesaus@jlg.com

JLG Ground Support Oude
Bunders 1034
Breitwaterstraat 12A
3630 Maasmechelen
Belgium
+32 (0)89 84 82 26
Email: emeaservice@jlg.com

JLG Latino Americana LTDA
Rua Antonia Martins Luiz, 580
Distrito Industrial Joao Narezzi
Indaiatuba-SP 13347-404
Brasil
+55 (19) 3936 7664 (Parts)
+55 (19) 3936 9049 (Service)
Email: comercialpecas@jlg.com
Email: servicos@jlg.com

Oshkosh-JLG (Tianjin)
Equipment Technology LTD
Shanghai Branch
No 465 Xiao Nan Road
Feng Xian District
Shanghai 201204
China
+86 (21) 800 819 0050
Email: servicos@jlg.com

JLG Industries Dubai
Jafza View
PO Box 262728, LB 19
20th Floor, Office 05
Jebel Ali, Dubai
+971 (0) 4 884 1131
+971 (0) 4 884 7683
Email: emeaservice@jlg.com

JLG France SAS
Z.I. Guillaume Mon Army
30204 Fauillet
47400 Tonniens
France
+33 (0) 553 84 85 86
+33 (0) 553 84 85 74
Email: pieces@jlg.com

JLG Deutschland GmbH
Max Planck Str. 21
27721 Ritterhude-Ihlpohl
Germany
+49 (0) 421 69350-0
+49 (0) 421 69350-45
Email: german-parts@jlg.com

JLG Equipment Services Ltd.
Rm 1107 Landmark North
39 Lung Sum Avenue
Sheung Shui N. T.
Hong Kong
+(852) 2639 5783
+(852) 2639 5797

JLG Industries (Italia) S. R. L.
Via Po, 22
IT-20010 Pregnana Milanese (MI)
Italy
+39 (0) 2 9359 5210
+39 (0) 2 9359 5211
Email: ricambi@jlg.com

JLG EMEA B.V.
Polaris Avenue 63
2132 JH Hoofddorp
The Netherlands
+31 (0) 23 565 5665
Email: emeaservice@jlg.com

JLG NZ Access Equipment & Services
2B Fisher Crescent
Mt Wellington 1060
Auckland, New Zealand
+6 (12) 87186300
+6 (12) 65813058
Email: techservicesaus@jlg.com

JLG Industries
Vahutinskoe shosse 24b
Khimki,
Moscow Region 141400
Russia Federation
+7 (499) 922 06 99
+7 (499) 922 06 99

Oshkosh-JLG Singapore
Technology Equipment P te Ltd.
35 Tuas Avenue 2
Jurong Industrial Estate
Singapore 639454
+65 6591 9030
+65 6591 9045
Email: SEA@jlg.com

JLG Iberica S. L.
Trapadella, 2
Pol. Ind. Castellbisbal Sur
08755 Castellbisbal
Barcelona
Spain
+34 (0) 93 772 47 00
+34 (0) 93 77 117 62
Email: parts_iberica@jlg.com

JLG Sverige AB
Enkopingsvagen 150
17627 Jarfalla
Sweden
+46 (0) 8 506 595 00
+46 (0) 8 506 595 27
Email: nordicsupport@jlg.com

JLG Industries (UK) Ltd.
Bentley House
Bentley Avenue
Middleton, Greater Manchester
M24 2GP
United Kingdom
+44 (0) 161 654 1000
+44 (0) 161 654 1003
Email: ukparts@jlg.com

www.jlg.com