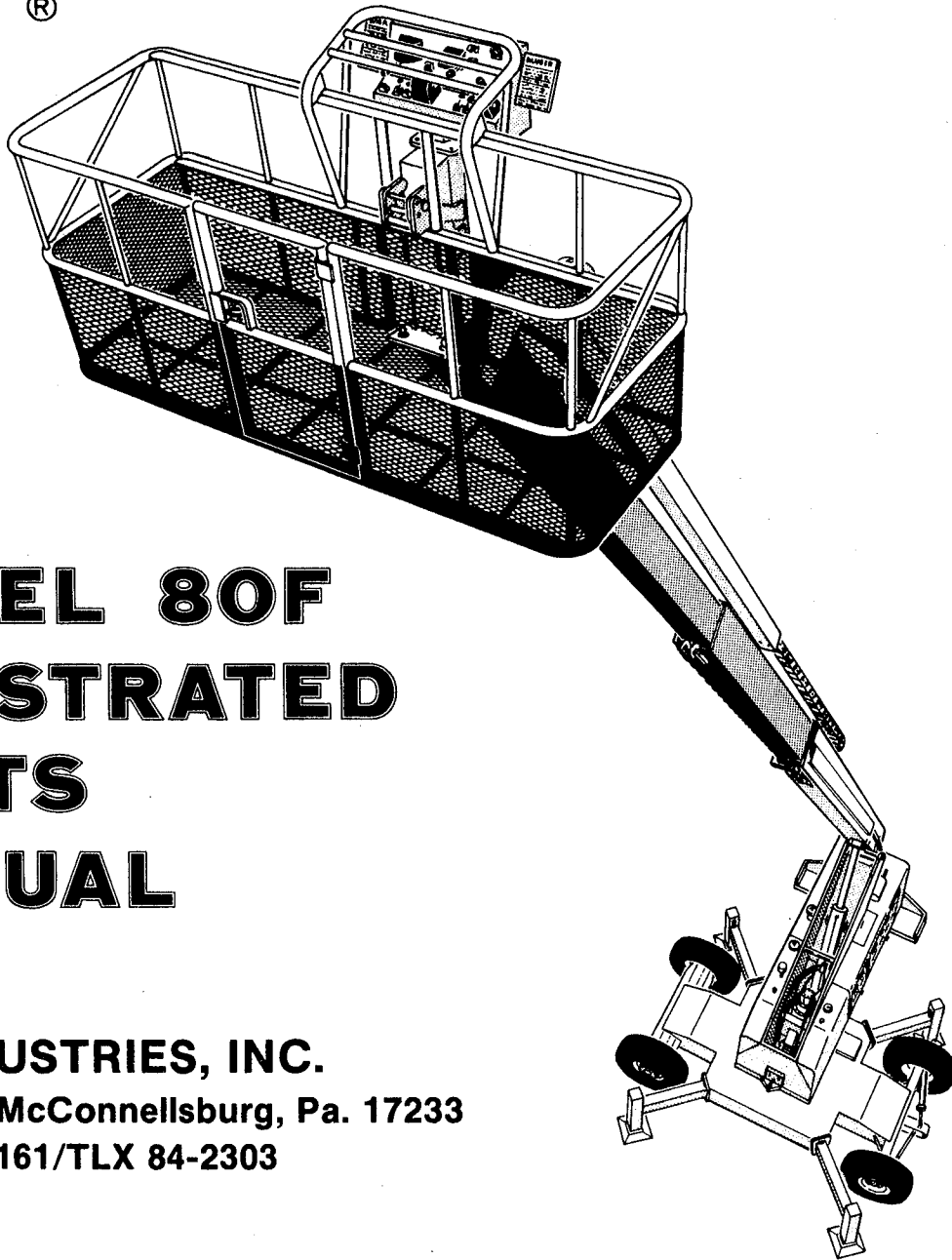




JLG lift®



**MODEL 80F
ILLUSTRATED
PARTS
MANUAL**

JLG INDUSTRIES, INC.
JLG Drive, McConnellsburg, Pa. 17233
(717) 485-5161/TLX 84-2303

Updated 15 July 1989
16 March 1981

3120108

Printed in U.S.A.

TABLE OF CONTENTS

SUBJECT	PAGE NO.
SECTION 1 — RECOMMENDED SERVICE PARTS STOCK	1-1
SECTION 2 — ILLUSTRATED PARTS LIST	2-1

FIG. NO.	TITLE	PAGE NO.
2-1	Final Assembly 80F	2-2
2-2	Boom Assembly and Components Installation	2-6
2-3	Chain Adjuster Assembly	2-14
2-4	Capacity Indicator Installation	2-15
2-5	Telescope Cylinder Assembly	2-16
2-6	Slave Level Cylinder Assembly	2-17
2-7	Platform Support Assemblies and Work Platforms	2-18
2-8	Control Console and Control Box Installation	2-22
2-9	Rotary Table Assembly and Components	2-26
2-10	Lift Cylinder Assembly	2-30
2-11	Master Level Cylinder Assembly	2-33
2-12	Oil Cooler Assembly Installation	2-34
2-13	Oil Cooler Motor Assembly	2-37
2-14	Detroit Diesel Hood Assembly and Hood Extension Installation	2-38
2-15	Deutz Diesel Hood Assembly and Hood Extension, Installation	2-40
2-16	Ford Hood Assembly and Hood Extension Installation	2-42
2-17	Ground Control Box and Electrical Components Installation	2-44
2-18	Main Terminal Box and Electrical Components Installation	2-46
2-19	Vacuum Switch Box Assembly	2-48
2-20	Control Valves and Filter Installation	2-50
2-21	Detroit Diesel Engine, Pump and Battery Installation	2-52
2-22	Deutz Diesel Engine, Pump and Battery Installation	2-56
2-23	Ford Engine, Pump and Battery Installation	2-60
2-24	L.P. Gas System Assembly	2-66
2-25	Turntable Swing Components Assembly and Installation	2-68
2-26	Drive Hub Assembly - Swing Drive	2-72
2-27	Swing Drive Motor Assembly	2-74
2-28	Swing Drive Brake Assembly	2-76
2-29	Outrigger Frame, Steering, Wheel and Drive Components Installation	2-79
2-30	Steering Cylinder Assembly (Outriggers)	2-85
2-31	Wheel Drive Hub Assembly (Outriggers)	2-86
2-32	Drive Parking Brake Assembly	2-88
2-33	Wheel and Tire Assemblies	2-91
2-34	Outrigger Assembly and Installation	2-92
2-35	Outrigger Jack Cylinder Assembly	2-94
2-36	Outrigger Extension Cylinder Assembly	2-95
2-37	Outrigger Valve and Limit Switch Assembly	2-96
2-38	Extendable Axle Frame, Steering, Wheel and Drive Components Installation	2-99
2-39	Telescoping Axle Cylinder Assembly	2-104
2-40	Steer Cylinder Assembly (Extending Axles)	2-105
2-41	Wheel Drive Hub Assembly (Extending Axles)	2-106
2-42	Hydraulic Swing Circuit	2-109
2-43	Hydraulic Drive Circuit (Extending Axles)	2-110
2-44	Hydraulic Drive Circuit (Outriggers)	2-112
2-45	Hydraulic Pump Circuit (Extending Axles)	2-114
2-46	Hydraulic Pump Circuit (Outriggers)	2-118
2-47	Hydraulic Lift Circuit (Extending Axle)	2-121
2-48	Hydraulic Lift Circuit (Outriggers)	2-122
2-49	Hydraulic Steer Circuit (Extending Axles)	2-123
2-50	Hydraulic Steer Circuit (Outriggers)	2-124

TABLE OF CONTENTS (Continued)

FIG. NO.	TITLE	PAGE NO.
2-51	Hydraulic Level Circuit	2-125
2-52	Hydraulic Rotate Circuit	2-126
2-53	Hydraulic Manual Descent Circuit	2-127
2-54	Hydraulic Telescope Circuit	2-128
2-55	Hydraulic Outrigger Circuit	2-129
2-56	Hydraulic Extendable Axle Circuit	2-130
2-57	Decals and Placards Installation	2-131
2-58	Nameplate Details	2-134
2-59	Nameplate Details	2-134

LIST OF EFFECTIVE PAGES

Insert latest changed pages; dispose of superseded pages.

Note

On a changed page, the portion of the text affected by the latest change is indicated by a vertical line in the outer margin of the page. Changes to illustrations are indicated by miniature pointing hands. Changes to wiring and hydraulic diagrams and schematics are indicated by shaded areas.

Dates of issue for original and changed pages are:

Original.....0.....2 March 1981

Total number of pages in this manual is 144 consisting of the following:

Page No.	Change No.
Title	0
Warranty	0
A	0
B Blank	0
i-ii	0
1-1—1-2	0
2-1—2-21	0
2-22 Blank	0
2-23—2-24	0
2-25 Blank	0
2-26—2-31	0
2—32 Blank	0
2-33—2-35	0
2—36 Blank	0
2-37—2-54	0
2-55 Blank	0
2-56—2-64	0
2-65 Blank	0
2-66—2-70	0
2-71 Blank	0
2-72—2-77	0
2-78 Blank	0
2-79	0
2-80 Blank	0
2-81—2-83	0
2-84 Blank	0
2-85—2-89	0
2-90 Blank	0
2-91—2-97	0
2-98 Blank	0
2-99	0
2-100 Blank	0
2-101—2-107	0
2-108 Blank	0
2-109—2-116	0
2-117 Blank	0
2-118—2-131	0
2-132 Blank	0
2-133—2-135	0
2-136 Blank	0



SECTION 1 — RECOMMENDED SERVICE PARTS STOCK

The following list will service each Model 80F lift with the most commonly used parts. For further information, contact the JLG Industries Parts Department at Area Code 717 485-5104/5/6/7.

DESCRIPTION	JLG PART NO.	QTY.
ELECTRICAL		
Breaker, Circuit, 5 Amp	4360112	1
Breaker, Circuit, 10 Amp	4360069	1
Breaker, Circuit, 15 Amp	4360070	1
Bulb, 12 V.D.C.	2920029	3
Capacitor, 1000 mf. 25 V.D.C.	1540002	2
Coils - Racine Proportional	7000406	4
Use with or without Integral Dump Valve		
Coils - Small	7000417	2
Use with Racine Solenoid Valve (Bang-Bang)		
Coils - Large	7000418	2
Use with Racine Solenoid Valve (Hi-Drive)		
Controller, P.Q., Drive and Swing	1600036	2
Controller, P.Q., Telescope	1600038	1
Controller, P.Q., Lift	1600046	1
Diode, 3.5 Amp	3990001	4
Diode, 6 Amp	3990010	4
Fuse, 10 Amp	2400001	1
Fuse, .75 Amp (3/4)	2400008	4
Holder, Inline Fuse	4460044	3
Holder, Lamp, Red	2920026	1
Holder, Lamp, Green	2920027	1
Holder, Lamp, Yellow	2920028	1
Relay, Power	3740002	2
Relay, Signal, 3 PDT	3740008	1
Relay, Signal, SPDT	3740009	1
Relay, Hi Engine, SPDT	3740012	1
Relay, Power	3740013	1
Relay, Signal, SPDT	3740014	1
Relay, Signal, DPDT	3740015	1
Relay, Signal, 3 PDT (Selector)	3740016	1
Relay, Signal, DPDT Latch	3740019	1
Relay, Choke	3740028	1
Relay, Adlo	3740030	1
Relay, Time Delay	3740032	1
Switch, Foot (Complete)	4360031	1
Kit, Repair and Switch	7000625	1
Cable and Connector for Footswitch	4460086	1
Connector for Footswitch	4460087	1
Switch, Ignition	4360003	2
Switch, Limit (Boom, Outriggers or Ext. Axles)	4360068	2
Switch, Mercury	4360017	1
Switch, Pushbutton	4360016	2
Switch, Toggle, SPST	4360071	1
Switch, Toggle, DPDT	4360072	1
Switch, Toggle DPDT/Center Off	4360073	1
Switch, Toggle DPDT/MC	4360074	1
Switch, Toggle, DPST	4360075	1
Switch, Toggle, SPDT/MC	4360077	1
Switch, Toggle, DPST/MC	4360084	1
Switch, Vacuum, N.O.	4360066	1
Switch, Vacuum, N.C.	4360067	1

SECTION 1 — RECOMMENDED SERVICE PARTS STOCK (Continued)

The following list will service each Model 80F lift with the most commonly used parts. For further information, contact the JLG Industries Parts Department.

DESCRIPTION	JLG PART NO.	QTY.
HYDRAULIC		
Filter, Element, Hydraulic Tank	2120055	4
Filter, Element, Racine	2120079	1
Seal Kit, Actuator, Platform Rotation	2900196	1
Seal Kit, Brake, Drive	2900132	1
Seal Kit, Brake, Swing	2900131	1
Seal Kit, Cylinder, Master Level and Slave Level	2900109	2
Seal Kit, Cylinder, Steer (Extending Axle)	2900111	1
Seal Kit, Cylinder, Steer (Outrigger)	2900126	1
Seal Kit, Cylinder, Lift	2900113	1
Seal Kit, Cylinder, Telescope	2900123	1
Seal Kit, Cylinder, Outrigger Extension or Axle Beam Extension	2900124	1
Seal Kit, Cylinder, Outrigger Jack	2900157	2
Seal Kit, Hub, Drive	2900139	1
Seal Kit, Hub, Swing	2900034	1
Seal Kit, Motor, Drive	2900129	1
Seal Kit, Motor, Swing	7000311	1
Seal Kit, Motor, Oil Cooler	7005119	1
Seal Kit, Pump, Main	2900133	1
Valve, Dump, Racine Proportional with Integral Dump	7002304	1
Valve, Force Amplifier, Racine Proportional without Integral Dump Valve	7000407	1
Valve, Force Amplifier, Racine Proportional with Integral Dump Valve	7002303	1
Valve, Holding, Lift Cylinder	4640181	1
Valve, Holding, Outrigger Jack Cylinder	4640182	2
Valve, Holding, Slave Level Cylinder or Telescope Cylinder	4640265	2
Valve, Manual Descent	4640005	1
Valve, Relief Main	4640047	1
Valve, Spit, 2000 P.S.I.	4640160	1
Valve, Spit, 2500 P.S.I.	4640165	1
MISCELLANEOUS		
Breather, Hydraulic Tank	1340021	1
Bushing, Bronze, Lift Pivot on Boom	0960313	4
Disconnect, Cap, Wheel Drive Hub	7000231	2
Disconnect, Rod, Wheel Drive Hub	7000235	2
Manual, Operating, 80F	3120106	1
Manual, Service and Maintenance, 80F	3120107	1
Manual, Illustrated Parts, 80F	3120108	1
Pin, Quick Release (Platform Attachment)	3420166	2
Wear Pad, Fly/Rear/Top	3340079	2
Wear Pad, Fly/Rear/Side	3340078	2
Wear Pad, Cylinder Box/Front/Top	3340088	1
Wear Pad, Cylinder Box/Front/Bottom	3340047	2
Wear Pad, Mid/Rear/Top	3340079	2
Wear Pad, Mid/Rear/Side	3340078	4
Wear Pad, Mid/Front/Top	3340078	1
Wear Pad, Mid/Front/Side	3340078	4
Wear Pad, Mid/Front/Bottom	3340080	2
Wear Pad, Base/Front/Top	3340078	1
Wear Pad, Base/Front/Side	3340078	4
Wear Pad, Base/Front/Bottom	3340080	2

SECTION 2
ILLUSTRATED PARTS LIST

SECTION 2 — ILLUSTRATED PARTS LIST

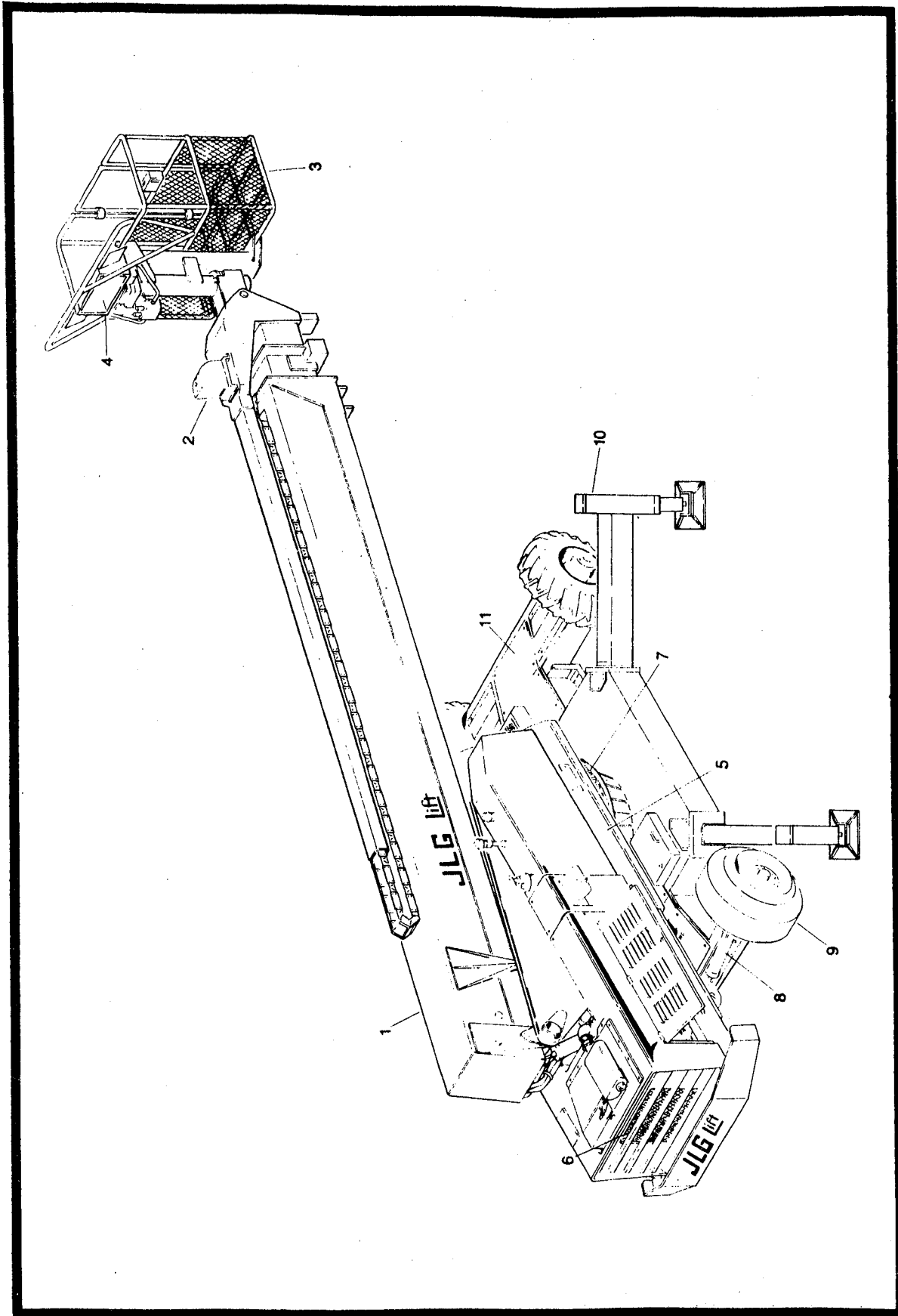


Figure 2-1. Final Assembly 80F.

SECTION 2 — ILLUSTRATED PARTS LIST

FIGURE & INDEX NO.	PART NUMBER	ITEMS & DESCRIPTION	QTY.
2-1		FINAL ASSEMBLY - MODEL 80F	1
-1		BOOM ASSEMBLY AND COMPONENTS INSTALLATION (See Figure 2-2 for Breakdown)	1
	0232006	Chain Adjuster Assembly (See Figure 2-3 for Breakdown)	Ref.
-2	0231386	Capacity Indicator Installation (See Figure 2-4 for Breakdown)	Ref.
	1680154	4" Telescope Cylinder Assembly (See Figure 2-5 for Breakdown)	Ref.
	1680108	3" Slave Level Cylinder Assembly (See Figure 2-6 for Breakdown)	Ref.
-3		PLATFORM SUPPORT ASSEMBLIES AND WORK PLATFORM (See Figure 2-7 for Breakdown)	1
-4	1280151	CONTROL CONSOLE AND CONTROL BOX INSTALLATION (See Figure 2-8 for Breakdown)	1
-5		ROTARY TABLE ASSEMBLY AND COMPONENTS INSTALLATION (See Figure 2-9 for Breakdown)	1
	1680130	Lift Cylinder Assembly (See Figure 2-10 for Breakdown)	Ref.
	1680090	3" Master Level Cylinder Assembly (See Figure 2-11 for Breakdown)	Ref.
	0232954	Oil Cooler Assembly Installation (See Figure 2-12 for Breakdown)	Ref.
	3160052	Oil Cooler Motor Assembly (See Figure 2-13 for Breakdown)	Ref.
		Detroit Diesel Hood Assembly and Hood Extension Installation (See Figure 2-14 for Breakdown)	Ref.
		Deutz Diesel Hood Assembly and Hood Extension Installation (See Figure 2-15 for Breakdown)	Ref.
		Ford Hood Assembly and Hood Extension Installation (See Figure 2-16 for Breakdown)	Ref.
		Ground Control Box and Electrical Components Installation (See Figure 2-17 for Breakdown)	Ref.
		Ground Terminal Box and Electrical Components Installation (See Figure 2-19 for Breakdown)	Ref.
	0232031	Vacuum Switch Box Assembly (See Figure 2-19 for Breakdown)	Ref.
	1280145	Control Valves and Filter Installation (See Figure 2-20 for Breakdown)	Ref.
-6	0231540	Detroit Diesel Engine, Pump and Battery Installation (See Figure 2-21 for Breakdown)	Ref.
	0232129	Deutz Diesel Engine, Pump and Battery Installation (See Figure 2-22 for Breakdown)	Ref.
	0230243	Ford Engine, Pump and Battery Installation (See Figure 2-23 for Breakdown)	Ref.
	0230519	LP Gas System Assembly (Ford Only) (See Figure 2-24 for Breakdown)	Ref.

SECTION 2 — ILLUSTRATED PARTS LIST

FIGURE & INDEX NO.	PART NUMBER	ITEMS & DESCRIPTION	QTY.
2-1		FINAL ASSEMBLY - MODEL 80F (Continued)	1
-7		TURNTABLE SWING COMPONENTS ASSEMBLY AND INSTALLATION (See Figure 2-25 for Breakdown)	1
	2780055	Swing Drive Hub Assembly (See Figure 2-26 for Breakdown)	Ref.
	3160031	Swing Drive Motor Assembly (See Figure 2-27 for Breakdown)	Ref.
	0920027	Swing Drive Brake Assembly (See Figure 2-28 for Breakdown)	Ref.
-8		FRAME, STEERING, WHEEL AND DRIVE COMPONENTS INSTALLATION (Outrigger) (See Figure 2-29 for Breakdown)	1
	1680127	3" Steering Cylinder Assembly (See Figure 2-30 for Breakdown)	Ref.
	2780052	Drive Torque Hub Assembly (See Figure 2-31 for Breakdown)	Ref.
	0920030	Drive Parking Brake Assembly (See Figure 2-32 for Breakdown)	Ref.
-9	0230468	Wheel and Tire Assembly (See Figure 2-33 for Breakdown)	Ref.
-10	0231773	OUTRIGGER ASSEMBLY AND INSTALLATION (See Figure 2-34 for Breakdown)	4
	1680226	Outrigger Jack Cylinder Assembly (See Figure 2-35 for Breakdown)	Ref.
	1680128	2" Outrigger Extension Cylinder Assembly (See Figure 2-36 for Breakdown)	Ref.
		Outrigger Valve and Limit Switch Assembly (See Figure 2-37 for Breakdown)	Ref.
-11		FRAME, STEERING, WHEEL AND DRIVE COMPONENTS INSTALLATION (Extendable Axles) (See Figure 2-38 for Breakdown)	1
	1680289	Telescoping Axle Cylinder Assembly (See Figure 2-39 for Breakdown)	Ref.
	1680293	3" Steer Cylinder Assembly (See Figure 2-40 for Breakdown)	Ref.
	2780079	Wheel Drive Torque Hub Assembly (See Figure 2-41 for Breakdown)	Ref.
	2790248	Hydraulic Swing Circuit - Racine Failsafe (See Figure 2-42 for Breakdown)	1
	2790447	Hydraulic Drive Circuit - Extendable Axle (See Figure 2-43 for Breakdown)	1
	2790246	Hydraulic Drive Circuit (See Figure 2-44 for Breakdown)	1
	2790565	Hydraulic Pump Circuit - Extendable Axle (See Figure 2-45 for Breakdown)	1
	2790453	Hydraulic Pump Circuit - Outriggers (See Figure 2-46 for Breakdown)	1

SECTION 2 — ILLUSTRATED PARTS LIST

FIGURE & INDEX NO.	PART NUMBER	ITEMS & DESCRIPTION	QTY.
2—1		FINAL ASSEMBLY - MODEL 80F (Continued)	1
—11		FRAME, STEERING, WHEEL AND DRIVE COMPONENTS INSTALLATION (Extendable Axles) (See Figure 2-38 for Breakdown) (Continued)	1
	2790470	Hydraulic Lift Circuit - Extendable Axle with Pilot Check Valve (See Figure 2-47 for Breakdown)	1
	2790247	Hydraulic Lift Circuit - Racine Failsafe (See Figure 2-48 for Breakdown)	1
	2790448	Hydraulic Steer Circuit - Extendable Axle (See Figure 2-49 for Breakdown)	1
	2790254	Hydraulic Steer Circuit - Racine Failsafe (See Figure 2-50 for Breakdown)	1
	2790253	Hydraulic Level Circuit - Racine Failsafe (See Figure 2-51 for Breakdown)	1
	2790252	Hydraulic Rotate Circuit - Racine Failsafe (See Figure 2-52 for Breakdown)	1
	2790250	Hydraulic Manual Descent Circuit - Racine Failsafe (See Figure 2-53 for Breakdown)	1
	2790251	Hydraulic Telescope Circuit - Racine Failsafe (See Figure 2-54 for Breakdown)	1
	2790255	Hydraulic Outrigger Circuit - Racine Failsafe (See Figure 2-55 for Breakdown)	1
	2790449	Hydraulic Extendable Axle Circuit (See Figure 2-56 for Breakdown)	1
	1280186	Decals and Placards Installation (See Figure 2-57 for Breakdown)	1
	0231457	Bellows Installation (Sandblast Option)	1
	0460009	Bellows, Lift Cylinder	1
	0460005	Bellows, Level and Slave Cylinder	2
	0460010	Bellows, Steer Cylinder	1
	4060237	Shield, Turntable (Attaching Parts)	1
	3900022	Screw, Self-Tapping	14

SECTION 2 — ILLUSTRATED PARTS LIST

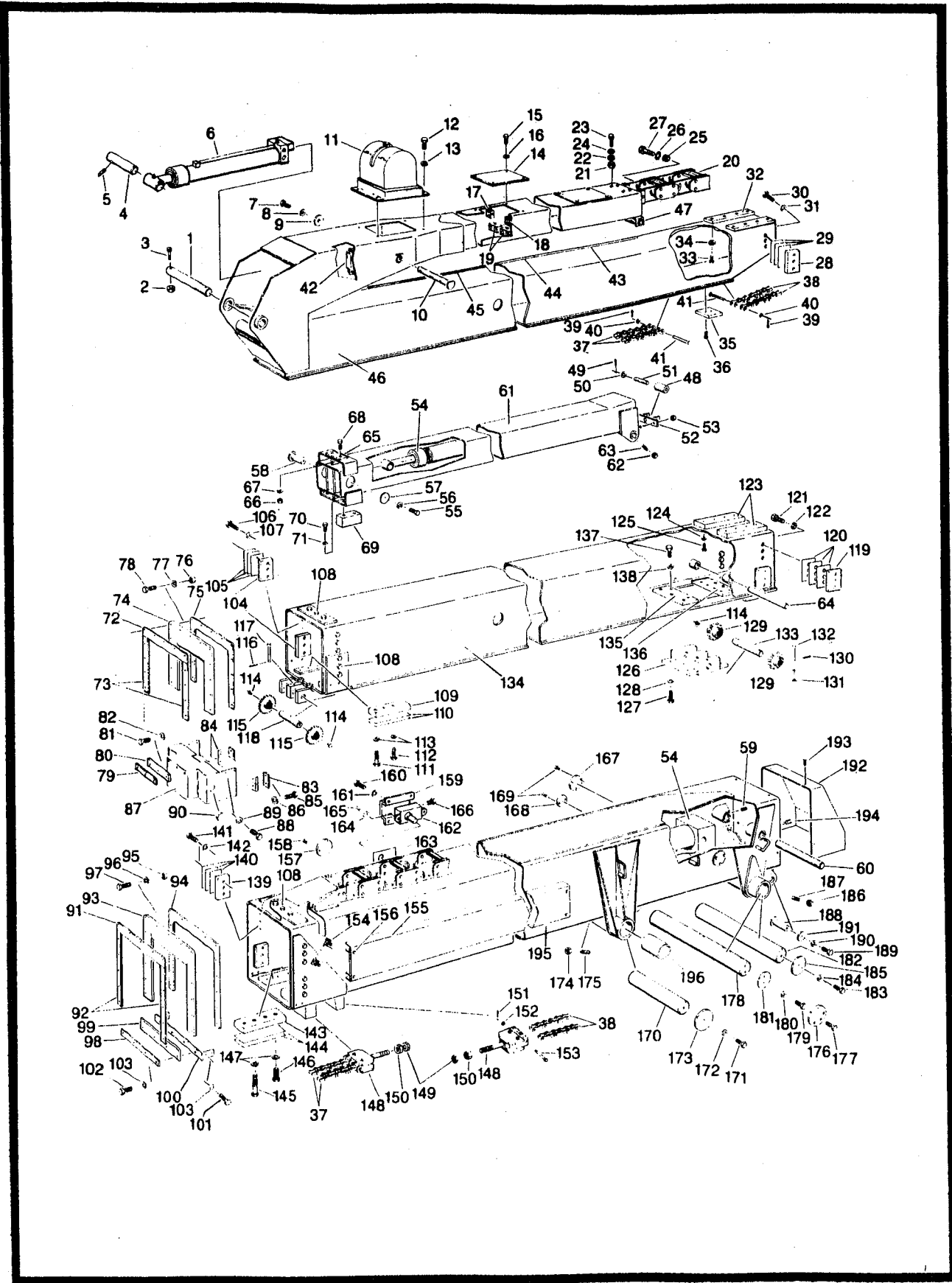


Figure 2-2. Boom Assembly and Components Installation.

SECTION 2 — ILLUSTRATED PARTS LIST

FIGURE & INDEX NO.	PART NUMBER	ITEMS & DESCRIPTION	QTY.
2-2		BOOM ASSEMBLY AND COMPONENTS INSTALLATION	Ref.
	0800229	BOOM ASSEMBLY WITH SELF-ALIGNING PIVOT BUSHING	Ref.
	0800171	BOOM ASSEMBLY WITH BUSHING PIVOT BEARING	Ref.
	0230945	PIN ASSEMBLY (Platform Support)	Ref.
-1	3420280	Pin	1
-2	3311605	Nut, Lock, 3/8 - 16	1
-3	0641626	Screw, Cap, Hex Head, 3/8 - 16 x 3-1/4" Long	1
	0100003	Loctite	A/R
-4	3420239	Pin, Slave Cylinder	1
-5	3951605	Screw, Socket Head, 3/8 - 16 x 5/8" Long	2
-6	1680108	3" SLAVE LEVEL CYLINDER ASSEMBLY (See Figure 2-6 for Breakdown)	1
		(Attaching Parts)	
-7	0651608	Screw, Cap, Hex Head, 3/8 - 24NF x 1" Long, Grade 5	1
-8	4771600	Washer, Lock, Star, 3/8" I.D.	1
-9	4740006	Washer, Hardened, 3/8" I.D.	1
-10	3420203	Pin, Lift, Cylinder Slave	1
-11	0231386	CAPACITY INDICATOR INSTALLATION (See Figure 2-4 for Breakdown)	1
		(Attaching Parts)	
-12	0641404	Screw, Cap, Hex Head, 1/4 - 20NC x 1/2" Long	4
-12	4761400	Washer, Lock, Spring, 1/4" I.D.	4
-13	4761400	Washer, Lock, Spring, 1/4" I.D.	4
-14	1670038	Plate, Cover	2
		(Attaching Parts)	
-15	3941404	Screw, Self-Tapping, Hex Head, 1/4 - 20 x 1/2" Long	8
-16	4761400	Washer, Lock, 1/4" I.D.	8
-17	1320054	Clamp Assembly	2
-18	1320051	Clamp Assembly	2
-19	1320055	Clamp Assembly	4
-20	1180122 or 1180084	Carrier	1
		(Attaching Parts)	
-21	3311601	Nut, Hex, 3/8 - 16NC	4
-22	4761600	Washer, Lock, Spring, 3/8" I.D.	4
-23	0641608	Screw, Cap, Hex Head, 3/8 - 16NC x 1" Long	4
-24	4751600	Washer, Flat, 3/8" I.D.	4
-25	3311601	Nut, Hex, 3/8 - 16NC	1
-26	4771600	Washer, Lock, Star, 3/8" I.D.	1
-27	0641608	Screw, Cap, Hex Head, 3/8 - 16NC x 1" Long	1
-28	3340078	Pad, Wear	2

SECTION 2 — ILLUSTRATED PARTS LIST

FIGURE & INDEX NO.	PART NUMBER	ITEMS & DESCRIPTION	QTY.
2-2		BOOM ASSEMBLY AND COMPONENTS INSTALLATION (Continued)	Ref.
-29	4070031	Shim, 16 Gauge	A/R
	4070092	Shim, 7 Gauge	A/R
	4070139	Shim, ¼" Thick (Attaching Parts)	A/R
-30	0641606	Screw, Cap, Hex Head, ¾ - 16NC x ¾" Long	6
-31	4761600	Washer, Lock, Spring, ¾" I.D.	6
	0100003	Loctite	A/R
-32	3340079	Pad, Wear (Attaching Parts)	2
-33	0641808	Screw, Cap, Hex Head, ½ - 13NC x 1" Long	8
-34	4761800	Washer, Lock, Spring, ½" I.D.	8
-35	0560095	Block, Skid (Attaching Parts)	1
-36	3900082	Screw, Special, ¼ - 20 x 1" Long	2
	0100011	Nylock, (VC-3 Compound)	A/R
-38	1260064	Chain Retract, 26'-11"	2
-37	1260044	Chain Extend, 28'-5" (Attaching Parts)	2
-39	3450303	Pin, Cotter, 3/32" x ¾" Long	2
-40	4751500	Washer, Flat, 5/16" I.D.	2
-41	3420362	Pin, Clevis	2
-42	0900271	Bracket (Attaching Parts)	2
	3311501	Nut, Hex, 5/16 - 18	4
	4761500	Washer, Lock, 5/16" I.D.	4
	0231384	BOOM TAPE INSTALLATION	Ref.
-43	4420011	Strip, Tape, Red (1-½" x 29-¼" Long)	2
-44	4420009	Strip, Tape, Yellow (1-½" x 24" Long)	2
-45	4420010	Strip, Tape, Blue (1-½" x 17' - 5-½" Long)	2
-46	0800054	Boom, Fly	1
	0800361	Boom, Fly	
-47	0230894	ROLLER CARRIER ASSEMBLY	1
	3440624	Pin, Roll	1
	0230841	Pin Assembly	1
	0960263	Bushing	1
-48	3860016	Roller, Telescope Cylinder Box (Attaching Parts)	1
-49	3450504	Pin, Cotter, 5/32" x 1" Long	2
-50	4751800	Washer, Flat, ½" I.D.	2
-51	3420612	Pin, Telescope Cylinder Roller	1
-52	0233251	Box, Roller (Attaching Parts)	1
-53	3311605	Nut, Lock, ¾ - 16	2

SECTION 2 — ILLUSTRATED PARTS LIST

FIGURE & INDEX NO.	PART NUMBER	ITEMS & DESCRIPTION	QTY.
2-2		BOOM ASSEMBLY AND COMPONENTS INSTALLATION (Continued)	Ref.
-54	1680154	4" TELESCOPE CYLINDER ASSEMBLY (See Figure 2-5 for Breakdown)	1
		(Attaching Parts)	
-55	0651608	Screw, Cap, Hex Head, $\frac{3}{8}$ - 24NF x 1" Long, Grade 5	1
-56	4771600	Washer, Lock, Star, $\frac{3}{8}$ " I.D.	1
-57	4740006	Washer, Hardened	1
-58	3420084	Pin, Cylinder Clevis	1
-59	3931603	Screw, Socket Set, $\frac{3}{8}$ - 16 x 1" Long	2
	0100011	Nylock, (VC-3 Compound)	A/R
-60	3420337	Pin, Cylinder Base	1
-61	0860060	Cylinder Box Assembly (Attaching Parts)	1
-62	3311602	Nut, Hex, Jam $\frac{3}{8}$ - 16NC	1
-63	3951610	Screw, Socket, $\frac{3}{8}$ - 16NC x 1 $\frac{1}{4}$ " Long	1
-64	3420338	Pin, Telescope Cylinder Box	1
-65	3340088	Pad, Wear (Attaching Parts)	1
-66	3311401	Nut, Hex, $\frac{1}{4}$ - 20NC, Grade 5	2
-67	4761400	Washer, Lock, $\frac{1}{4}$ " I.D.	2
-68	0641406	Screw, Cap, Hex Head, $\frac{1}{4}$ - 20NC x $\frac{3}{4}$ " Long, Grade 5	2
-69	3340047	Pad, Wear (Attaching Parts)	2
-70	0630083	Screw, Cap, Hex Head, $\frac{3}{8}$ - 16NC x $\frac{3}{4}$ " Long, Grade 5, Drilled Head	4
-71	4761600	Washer, Lock, Spring, $\frac{3}{8}$ " I.D. Wire, Safety (Attaching Parts)	4 A/R
	0232539	BOOM WIPERS INSTALLATION (OPTIONAL)	Ref.
-72	3501419	Plate, Wiper, Fly	1
-73	3501418	Plate, Wiper, Fly	2
-74	0540008	Blade, Wiper, Fly	1
-75	4340207	Support, Wiper, (Welded to Mid at Assembly) (Attaching Parts)	1
-76	3311401	Nut, Hex, $\frac{1}{4}$ - 20NC, Grade 5	13
-77	4761400	Washer, Lock, Spring, $\frac{1}{4}$ " I.D.	13
-78	0641410	Screw, Cap, Hex Head, $\frac{1}{4}$ - 20 x 1- $\frac{1}{4}$ " Long, Grade 5	13
-79	3504629	Plate, Wiper, Fly (Bottom)	1
-80	0540026	Blade, Wiper, Fly (Bottom) (Attaching Parts)	1
-81	0641408	Screw, Cap, Hex Head, $\frac{1}{4}$ - 20NC x 1" Long, Grade 5	3
-82	4761400	Washer, Lock, $\frac{1}{4}$ " I.D.	3
-83	3501428	Plate, Wiper, Chain	2
-84	0540011	Blade, Wiper, Chain (Attaching Parts)	2
-85	0641408	Screw, Cap, Hex Head, $\frac{1}{4}$ - 20NC x 1" Long, Grade 5	4
-86	4761400	Washer, Lock, $\frac{1}{4}$ " I.D.	4

SECTION 2 — ILLUSTRATED PARTS LIST

FIGURE & INDEX NO.	PART NUMBER	ITEMS & DESCRIPTION	QTY.
2-2		BOOM ASSEMBLY AND COMPONENTS INSTALLATION (Continued)	Ref.
-87	0860214	Box, Chain Guard and Wiper (Attaching Parts)	1
-88	0641410	Screw, Cap, Hex Head, ¼ - 20 x 1-¼" Long, Grade 5	4
-89	4761400	Washer, Lock, Spring, ¼" I.D.	4
-90	3520031	Plug, Hole	2
-91	3501417	Plate, Wiper, Mid	1
-92	3501416	Plate, Wiper, Mid	2
-93	0540007	Blade, Wiper, Mid	1
-94	4340206	Support, Wiper (Welded to Boom at Assembly) (Attaching Parts)	1
-95	3311401	Nut, Hex, ¼ - 20NC, Grade 5	15
-96	4761400	Washer, Lock, Spring, ¼" I.D.	15
-97	0641410	Screw, Cap, Hex Head, ¼ - 20NC x 1-¼" Long, Grade 5	15
-98	3501423	Plate, Wiper, Mid (Bottom)	1
-99	0540009	Blade, Wiper, Mid (Bottom)	1
-100	4340159	Support, Wiper, Mid (Bottom) (Attaching Parts)	1
-101	0641410	Screw, Cap, Hex Head, ¼" - 20NC x 1-¼" Long, Grade 5	4
-102	0641408	Screw, Cap, Hex Head, ¼ - 20NC x 1" Long, Grade 5	4
-103	4761400	Washer, Lock, Spring, ¼" I.D.	4
-104	3340078	Pad, Wear (Top and Sides)	6
-105	4070031	Shim, Wear Pad, 16 Gauge	A/R
	4070092	Shim, Wear Pad, 7 Gauge	A/R
	4070139	Shim, Wear Pad, ¼" (Attaching Parts)	A/R
-106	0641607	Screw, Cap, Hex Head, ⅜ - 16NC x ⅞" Long	6
-107	4761600	Washer, Lock, ⅜" I.D.	18
-108	0641610	Screw, Cap, Hex Head, ⅜ - 16NC x 1 ¼" Long	12
	0100003	Loctite	A/R
-109	3340081	Pad, Wear	2
-110	4070035	Shim, Wear Pad, 16 Gauge	A/R
	4070095	Shim, Wear Pad, 7 Gauge (Attaching Parts)	A/R
-111	0641818	Screw, Cap, Hex Head, ½ - 13NC x 2-¼" Long	4
-112	0641816	Screw, Cap, Hex Head, ½ - 13NC x 2" Long	2
-113	4761800	Washer, Lock, Spring, ½" I.D.	6
	0100003	Loctite	A/R
-114	2160002	Fitting, Grease, Straight, ⅛" NPT	5
-115	0235891	Sprocket Assembly, Aft	2
	3960212	Seal, Bearing	2
	0440141	Bearing, Needle (Attaching Parts)	1
-116	3450202	Pin, Cotter, 1/16" x ½ Long	1
-117	3420458	Pin, Clevis, Special	1
-118	3420596	Pin, Aft Chain Sprocket	1

SECTION 2 — ILLUSTRATED PARTS LIST

FIGURE & INDEX NO.	PART NUMBER	ITEMS & DESCRIPTION	QTY.
2-2		BOOM ASSEMBLY AND COMPONENTS INSTALLATION (Continued)	Ref.
-119	3340078	Pad, Wear (Side)	2
-120	4070031	Shim, Wear Pad, 16 Gauge	A/R
	4070031	Shim, Wear Pad, 7 Gauge	A/R
	4070139	Shim, Wear Pad, ¼" (Attaching Parts)	A/R
-121	0641607	Screw, Cap, Hex Head, ¾ - 16NC x ¾" Long	12
-122	4761600	Washer, Lock, Spring, ¾" I.D.	12
	0100003	Loctite	A/R
-123	3340079	Pad, Wear (Attaching Parts)	2
-124	0641810	Screw, Cap, Hex Head, ½ - 13NC x 1-¼" Long, Grade 5	8
-125	4761800	Washer, Lock, Spring, ½" I.D.	8
	0100003	Loctite	A/R
-126	0230355	Mount, Sprocket, Forward (Attaching Parts)	1
-127	0651810	Screw, Cap, Hex Head, ½ - 20NF x 1¼" Long, Grade 5	6
-128	4761800	Washer, Lock, Spring, ½" I.D.	6
	0100003	Loctite	A/R
-129	0233206	Sprocket Assembly, Forward	2
	3960212	Seal, Bearing	2
	0440082	Bearing, Needle (Attaching Parts)	2
-130	3450202	Pin, Cotter, 1/16" x ½" Long	1
-131	4751400	Washer, Flat, ¼" I.D.	1
-132	3420458	Pin, Clevis, Special	1
-133	3420597	Pin, Forward Chain Sprocket	1
-134	0800173	Boom, Mid	1
-135	3501033	Plate, Sprocket Mounting	1
-136	3501034	Plate, Sprocket Mounting (Attaching Parts)	1
-137	0651812	Screw, Cap, Hex Head, ½ - 20NC x 1-½" Long	6
-138	4761800	Washer, Lock, Spring, ½" I.D.	6
-139	3340078	Pad, Wear	4
-140	4070031	Shim, Wear Pad, 16 Gauge	A/R
	4070092	Shim, Wear Pad, 7 Gauge	A/R
	4070139	Shim, Wear Pad, ¼" (Attaching Parts)	A/R
-141	0641609	Screw, Cap, Hex Head, ¾ - 16 x 1-½" Long, Grade 5	12
-142	4761600	Washer, Lock, Spring, ¾" I.D.	12
	0100003	Loctite	A/R
-143	3340080	Pad, Wear	2
-144	4070032	Shim, Wear Pad, 16 Gauge	A/R
	4070033	Shim, Wear Pad, 7 Gauge (Attaching Parts)	A/R
-145	0641838	Screw, Cap, Hex Head, ½ - 13 x 4-¾" Long, Grade 5	2
-146	0641814	Screw, Cap, Hex Head, ½ - 13 x 1-¾" Long, Grade 5	4
-147	4761800	Washer, Lock, Spring, ½" I.D.	6
	0100003	Loctite	A/R

SECTION 2 — ILLUSTRATED PARTS LIST

FIGURE & INDEX NO.	PART NUMBER	ITEMS & DESCRIPTION	QTY.
2-2		BOOM ASSEMBLY AND COMPONENTS INSTALLATION (Continued)	Ref.
-148	0232006	CHAIN ADJUSTER ASSEMBLY (See Figure 2-3 for Breakdown)	2
		(Attaching Parts)	
-149	3312402	Nut, Jam, 7/8 - 9NC	2
-150	3312401	Nut, Hex Head, 7/8 - 9NC	2
-151	3450303	Pin, Cotter, 3/32" x 3/4" Long	4
-152	4751500	Washer, Flat, 5/16" I.D.	4
-153	3420361	Pin, Clevis	4
-154	0900255	Bracket, Hose Support (Attaching Parts)	1
	3311501	Nut, Hex, 5/16 - 18NC	2
	4761500	Washer, Lock, 5/16" I.D.	2
-155	4060120	Shield (Attaching Parts)	1
-156	3941406	Screw, Self-Tapping, 1/4 x 3/4" Long	4
-157	1120019	Cap (Attaching Parts)	1
-158	0641203	Screw, Cap, Hex Head, #10 - 32 x 3/8" Long	3
	0233715	BOOM LIMIT SWITCH INSTALLATION (Extendable Axles)	Ref.
-159	1670137	Cover, Limit Switch (Attaching Parts)	1
-160	0641404	Screw, Cap, Hex Head, 1/4 - 20NC x 1/2" Long	4
-161	4761400	Washer, Lock, Spring, 1/4" I.D.	4
-162	4360068	Switch, Limit	1
-163	4070219	Shim, 16 Gauge	A/R
	4070220	Shim, 15 Gauge	A/R
	4070221	Shim, 11 Gauge (Attaching Parts)	A/R
-164	3900097	Screw, Fillister Head, Drilled #10 - 24 x 2-1/8" Long	2
-165	4771000	Washer, Lock, Star, #10	2
	4920140	Wire, Lock	A/R
-166	4460052	Relief, Strain	1
-167	1670014	Cover	1
-168	1670013	Cover (Attaching Parts)	1
-169	0641203	Screw, Cap, Hex Head, #10-24 x 3/8" Long	6
-170	3420224	Pin, Lift Cylinder (Attaching Parts)	1
-171	0642214	Screw, Cap, Hex Head, 3/4 - 10 x 1-3/4" Long, Grade 5	2
-172	4772200	Washer, Lock, Star, 3/4" I.D.	2
-173	4740020	Washer, Hardened	2
-174	3312202	Nut, Jam, 3/4 - 10NC	2
-175	3900042	Screw, Set, Socket, 3/4 - 10NC x 1-1/2" Long	2
	0100011	Nylock, VC-3 Compound	A/R

SECTION 2 — ILLUSTRATED PARTS LIST

FIGURE & INDEX NO.	PART NUMBER	ITEMS & DESCRIPTION	QTY.
2—2		BOOM ASSEMBLY AND COMPONENTS INSTALLATION (Continued)	Ref.
—176	3506324	Plate, Cover (Attaching Parts)	1
—177	3941005	Screw, Self-Tapping, #10 x 5/8" Long	6
	4751000	Washer, Lock, #10	6
—178	3420613	Pin, Boom Pivot (Self-Aligning Bearing) (Attaching Parts)	1
—179	0630219	Screw, Cap. Hex Head, 3/4 - 10NC x 1-3/8" Long	4
—180	4762200	Washer, Lock, Spring, 1" I.D.	4
—181	1120195	Cap, Boom Pivot	2
—182	3420200	Pin, Boom Pivot, (Bushing Pivot Bearing) (Attaching Parts)	1
—183	0642214	Screw, Cap. Hex Head, 3/4 - 10NC x 1-3/4" Long, Grade 5	2
—184	4772200	Washer, Lock, Star, 1" I.D.	2
—185	4740020	Washer, Hardened	2
—186	3312202	Nut, Jam, 3/4 - 10NC	2
—187	3900027	Screw, Set, Socket Head, 3/4 - 10NC x 2" Long	2
	0100011	Nylock	A/R
—188	3420084	Pin, Cylinder Clevis (Attaching Parts)	1
—189	0651608	Screw, Cap, Hex Head, 3/4 - 24NF x 1" Long, Grade 5	1
—190	4771600	Washer, Lock, Star, 3/8" I.D.	1
—191	4740006	Washer, Hardened	1
—192	4060252	Shield, Rear Boom (Attaching Parts)	1
—193	3941403	Screw, Self-Tapping	4
—194	4360017	Switch, Mercury	1
—195	0800230	Base, Boom	1
—196	0960534	Bushing	2

SECTION 2 — ILLUSTRATED PARTS LIST

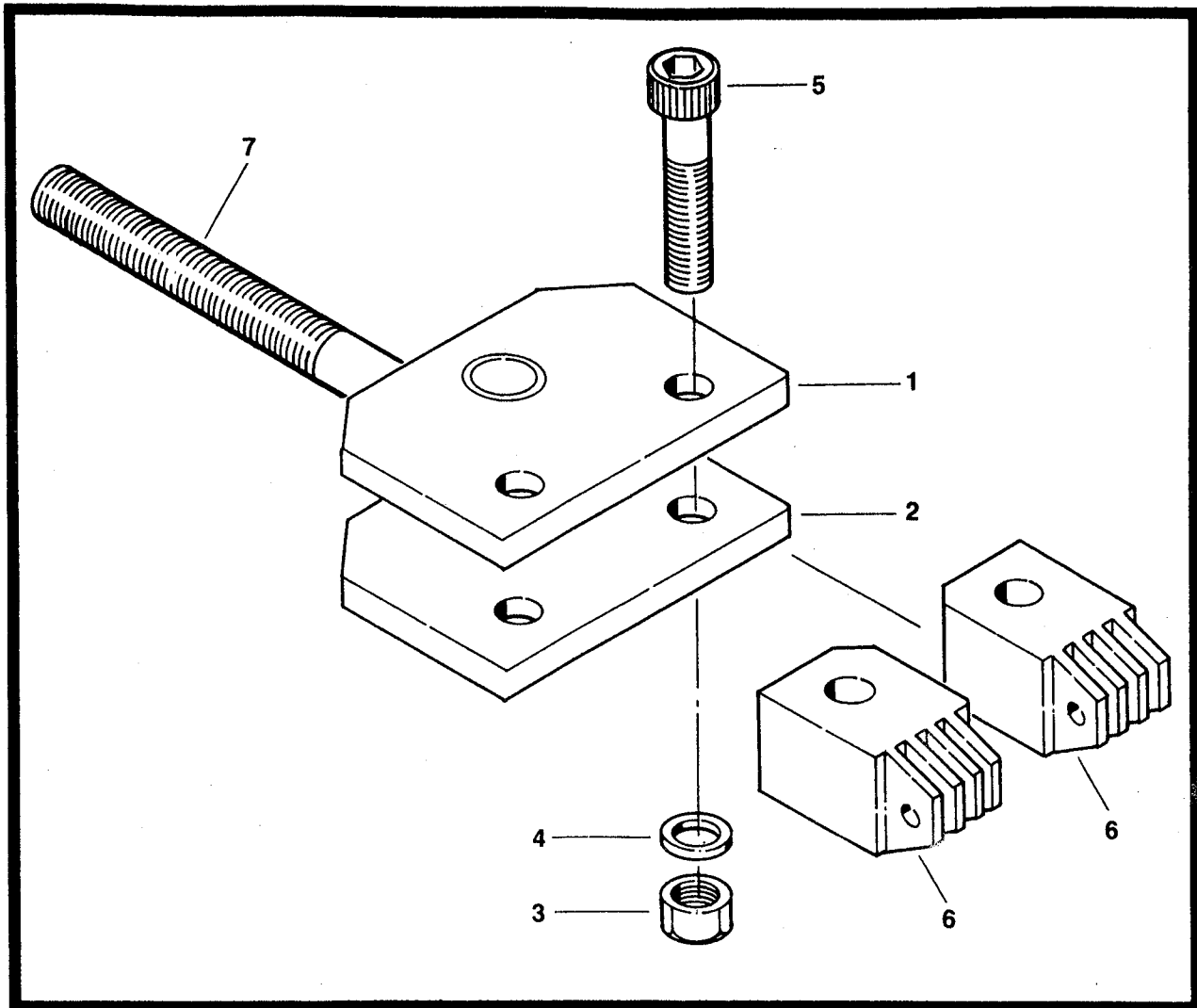


Figure 2-3. Chain Adjuster Assembly.

FIGURE & INDEX NO.	PART NUMBER	ITEMS & DESCRIPTION	QTY.
2-3	0232006	CHAIN ADJUSTER ASSEMBLY	Ref.
-1	0232022	Weldment, Plate	1
-2	0232023	Plate, Chain Adjustment (Attaching Parts)	1
-3	3311605	Nut, Hex Lock, $\frac{3}{8}$ - 16 NC	2
-4	4751600	Washer, Flat, $\frac{3}{8}$ " I.D.	2
-5	3900060	Screw, Socket Head, $\frac{1}{2}$ - 13 x $\frac{1}{2}$ " Long	2
-6	0560222	Block, Chain	2
-7	0630170	Bolt, Eye	1

SECTION 2 — ILLUSTRATED PARTS LIST

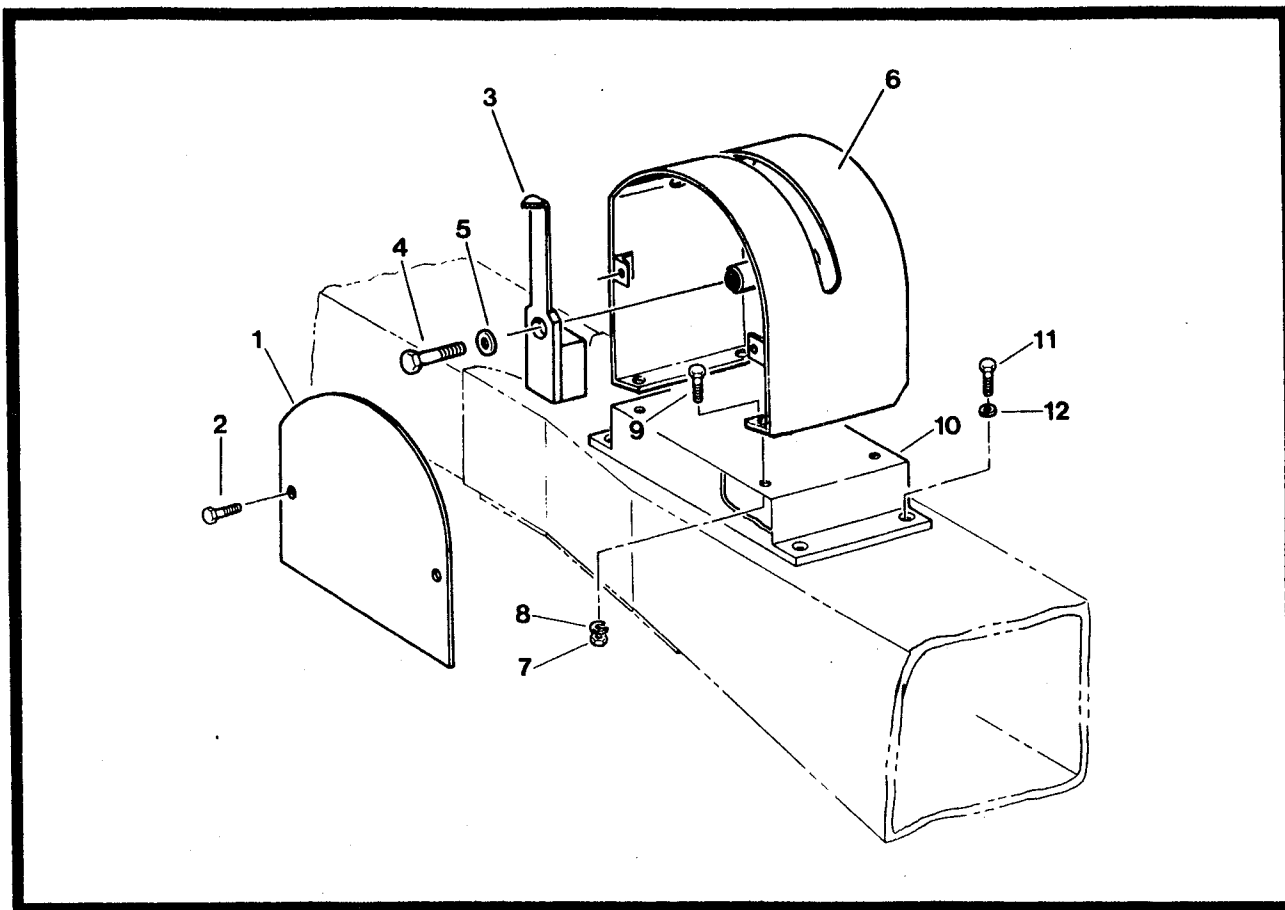


Figure 2-4. Capacity Indicator Installation.

FIGURE & INDEX NO.	PART NUMBER	ITEMS & DESCRIPTION	QTY.
2-4	0231386	CAPACITY INDICATOR INSTALLATION	Ref.
-1	3502213	Plate, Capacity Indicator (Attaching Parts)	1
-2	3941404	Screw, Self-Tapping, 1/4" Dia. x 1/2" Long	2
-3	0231181	Pointer Assembly (Attaching Parts)	1
-4	0641606	Screw, Cap, Hex Head, 3/8 - 16 x 3/4" Long, Grade 5	1
-5	4751600	Washer, Flat, 3/8" I.D.	1
-6	0100011	Nylock, (Type VC-3)	A/R
-6	0231184	Housing, Capacity Indicator (Attaching Parts)	1
-7	3311401	Nut, Hex, 1/4 - 20	4
-8	4761400	Washer, Lock, Spring, 1/4" I.D.	4
-9	0641406	Screw, Cap, Hex Head, 1/4 - 20 NC x 3/4" Long, Grade 5	4
-10	0900306	Bracket, Capacity Indicator (Attaching Parts)	1
-11	0641404	Screw, Cap, Hex Head, 1/4 - 20 NC x 1/2" Long	4
-12	4761400	Washer, Lock, Spring, 1/4" I.D.	4

SECTION 2 — ILLUSTRATED PARTS LIST

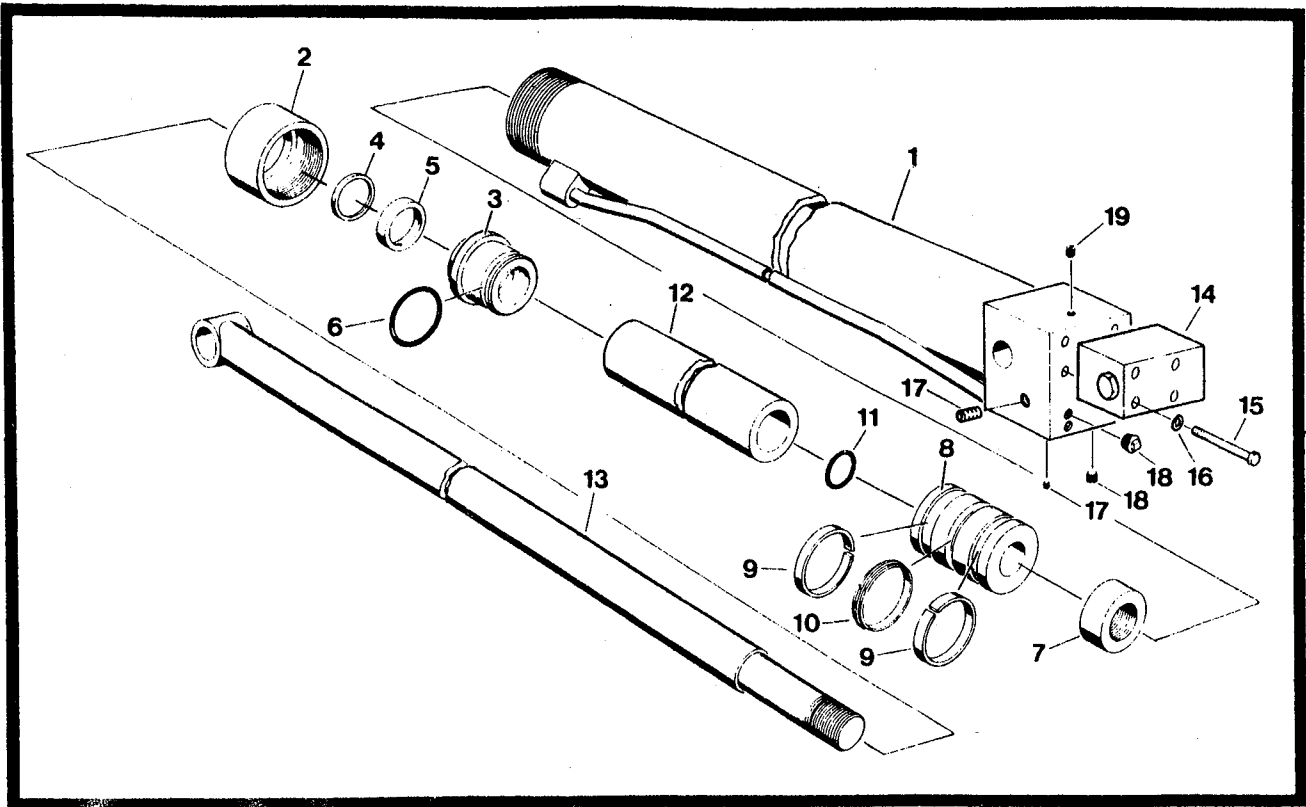


Figure 2-5. Telescope Cylinder Assembly.

FIGURE & INDEX NO.	PART NUMBER	ITEMS & DESCRIPTION	QTY.
2—5	1680154	4" TELESCOPE CYLINDER ASSEMBLY	Ref.
—1	1680481	Barrel	1
—2	1120094	Retainer, Head	1
	0100011	Nylock	A/R
—3	1680833	Head	1
—4	3960134	Wiper	1
—5	3960133	Seal, Rod	1
—6	3790342	O-Ring	1
—7	3300043	Nut, Special	1
	0100011	Nylock	A/R
—8	3480013	Piston	1
—9	3760006	Band, Wear	2
—10	3950031	T-Seal	1
—11	3790222	O-Ring	1
—12	1440068	Collar	1
—13	1681020	Rod	1
—14	4640265	Valve, Holding	1
		(Attaching Parts)	
—15	0641420	Screw, Cap, Hex Head, ¼ - 20 NC x 2-½" Long, Grade 5	4
—16	4761400	Washer, Lock, Spring, ¼" I.D.	4
—17	2200221	Plug, Pipe, ½" NPT	2
—18	2200103	Plug, Pipe, ¾" NPT, Square Head	3
—19	2200102	Plug, Pipe, ¼" NPT, Square Head	1
	2900123	Kit, Repair (Includes Items 4, 5, 6, 9, 10, 11)	1

SECTION 2 — ILLUSTRATED PARTS LIST

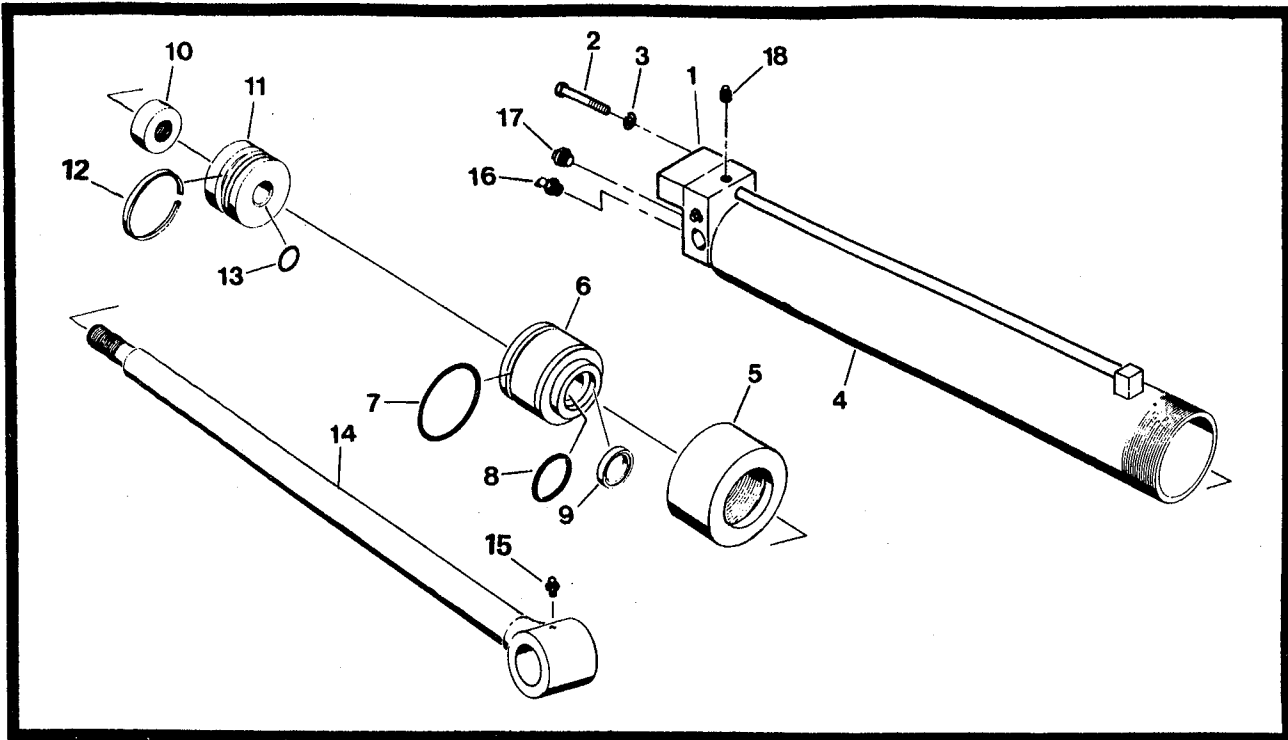


Figure 2-6. Slave Level Cylinder Assembly.

FIGURE & INDEX NO.	PART NUMBER	ITEMS & DESCRIPTION	QTY.
2-6	1680108	3" SLAVE LEVEL CYLINDER ASSEMBLY	Ref.
-1	4640265	Valve, Counterbalance (Attaching Parts)	1
-2	0641420	Screw, Cap, Hex Head, 1/4 - 20 x 2 - 1/2" Long, Grade 5	4
-3	4761400	Washer, Lock, 1/4" I.D.	4
-4	1680477	Barrel	1
-5	1120083	Cap, End	1
-6	1680830	Head	1
	0100011	Nylock (VC-3 Compound)	A/R
-7	3700334	O-Ring	1
-8	3960124	Seal	1
-9	3960126	Wiper, Canned	1
-10	3300009	Nut, Special	1
	0100011	Nylock (VC-3 Compound)	A/R
-11	3480034	Piston	1
-12	3960007	T-Seal	1
-13	3790018	O-Ring	1
-14	1680995	Rod	1
-15	2160002	Fitting, Grease, Straight, 1/8" N.P.T.	1
-16	2160003	Fitting, Grease, 45°, 1/8" N.P.T.	1
-17	2200103	Plug, Pipe, 3/8" Square Head	2
-18	2200221	Plug, Pipe, 1/8" Hex Head	3
	2900109	Kit, Repair (Includes Items 7, 8, 9, 12, 13)	1
	0231457	BELLOWS INSTALLATION, SANDBLAST PACKAGE	Ref.
	0460005	Bellows, Slave Level Cylinder (Including Clamps)	1

SECTION 2 — ILLUSTRATED PARTS LIST

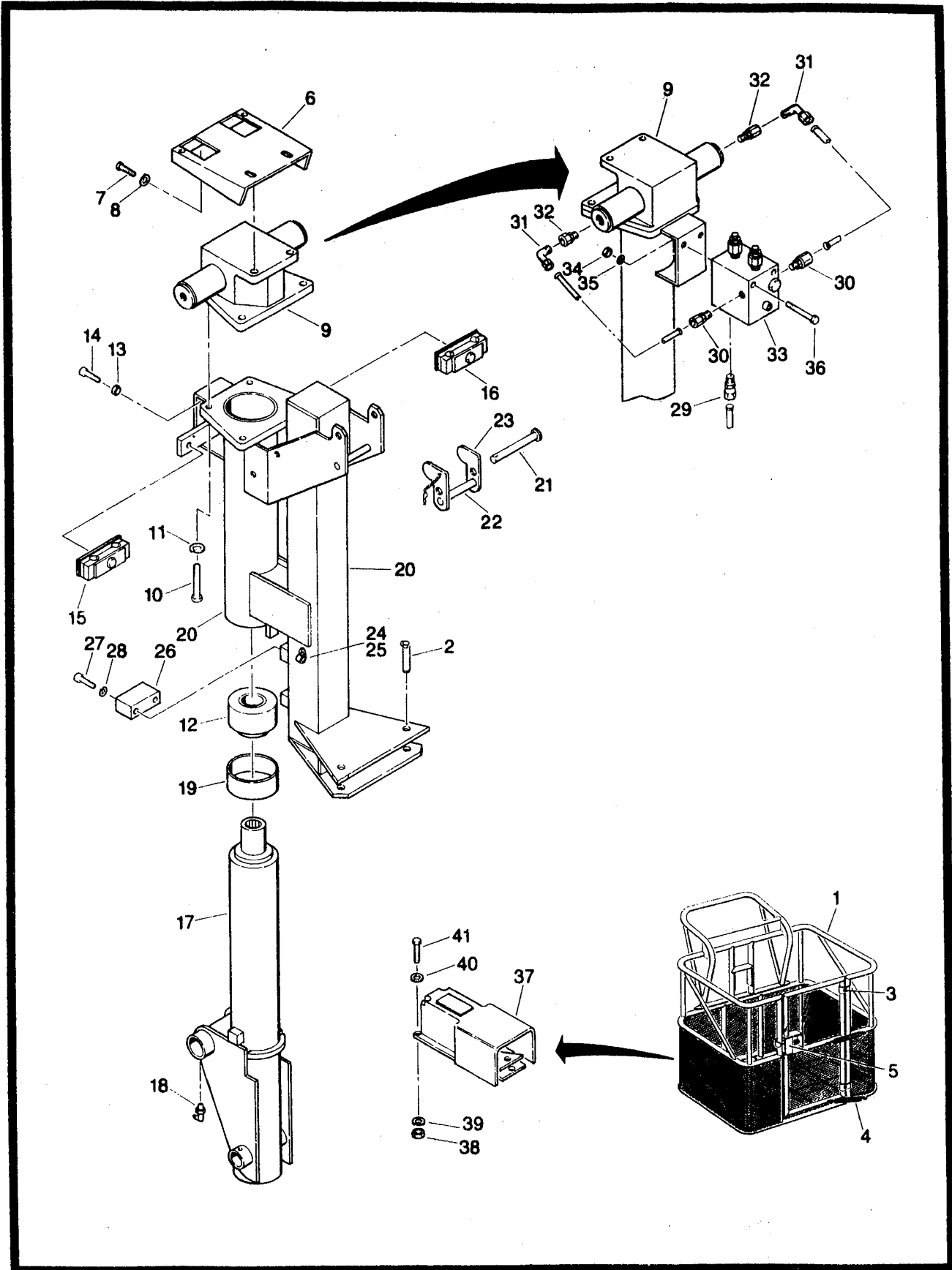


Figure 2-7. Platform Support Assemblies and Work Platforms.

SECTION 2 — ILLUSTRATED PARTS LIST

FIGURE & INDEX NO.	PART NUMBER	ITEMS & DESCRIPTION	QTY.
2-7		PLATFORM SUPPORT ASSEMBLIES AND WORK PLATFORM	Ref.
-1	3510076	Platform, 30" x 48" x 42"	1
	3510077	Platform, 36" x 60" x 42"	1
	3510078	Platform, 36" x 96" x 42"	1
	3510079	Platform, 36" x 120" x 42" (Attaching Parts)	1
-2	3420166	Pin, Quick Release	2
-3	2160002	Fitting, Grease, 1/8" NPT - Straight	2
	0230896	SELF CLOSING DOOR INSTALLATION	1
-4	4160028	Spring (Self Closing Door Installation Only)	2
-5	2940006	Latch, Door	1
	0233744	ROTATING PLATFORM SUPPORT ASSEMBLY	1
-6	4840703	Plate, Mounting (Attaching Parts)	1
-7	0651404	Screw, Cap, Hex Head, 1/4" - 20NC x 1/2" Long	2
-8	4761400	Washer, Lock, 1/4" I.D.	2
-9	0060008	Actuator (2900169 Repair Kit)	1
	7001605	Gear	
-10	0641614	Screw, Cap, Hex Head, 3/8" - 16NC x 1-3/4" Long, Grade 5	4
-11	4761600	Washer, Lock, 3/8" I.D.	4
-12	0230443	Hub, Platform Support	1
	2780043	Hub	1
	0960226	Bushing, Support (Attaching Parts)	1
-13	3311802	Nut, Hex, 1/2" - 13	1
-14	3931824	Screw, Socket Head, 1/2" - 13 x 1 - 1/2" Long	1
-15	1320054	Clamp, Hose	1
-16	1320055	Clamp, Hose	1
-17	4340165	Tube, Support	1
-18	2160001	Fitting, Grease, 1/8" NPT, 90°	1
-19	0440032	Bearing, Nylatron	1
-20	4840701	Sleeve, Rotating	1
-21	0234268	Pin Assembly	1
-22	3420768	Pin	1
-23	2940036	Latch	2
-24	1320070	Clamp, Hose (Attaching Parts)	1
-25	3900022	Screw, Self-Tapping, #4	1
-26	4220030	Stop (Attaching Parts)	1
-27	3931620	Screw, Socket Head, 1/2" - 13 x 1 1/2" Long	2
-28	4740056	Washer, Lock, High Collar, 3/8" I.D.	2

SECTION 2 — ILLUSTRATED PARTS LIST

FIGURE & INDEX NO.	PART NUMBER	ITEMS & DESCRIPTION	QTY.
2-7		PLATFORM SUPPORT ASSEMBLIES AND WORK PLATFORM (Continued)	Ref.
	0232718	HYDRAULIC STEEL TUBING INSTALLATION	1
-29	2220005	Fitting, Reducer	2
-30	2220486	Fitting, Tube	2
-31	2220487	Fitting, Elbow	2
	4560890	Tube, Left-Hand	1
-32	2220051	Fitting, Adapter	2
	4560889	Tube, Right-Hand	1
-33	4640154	Valve, Motion Control (Attaching Parts)	1
-34	3311501	Nut, Hex, 5/16 - 16	2
-35	4761500	Washer, Lock, Spring, 5/16 I.D.	2
-36	0641528	Screw, Cap, Hex Head, 5/16 - 16 x 3 - 1/2" Long	2
-37	4360031	Switch, Foot	1
	4460086	Plug, 5 Pole Female	1
	0960407	Bushing, Reducer	1
	4460087	Receptacle, 5 Pole Male (Attaching Parts)	1
-38	3311401	Nut, Hex, 1/4 - 24NC	3
-39	4761400	Washer, Lock, Spring, 1/4" I.D.	3
-40	4751400	Washer, Flat, 1/4" I.D.	3
-41	0641410	Screw, Cap, Hex Head, 1/4 - 20NC x 1 1/4" Long	3

SECTION 2 — ILLUSTRATED PARTS LIST

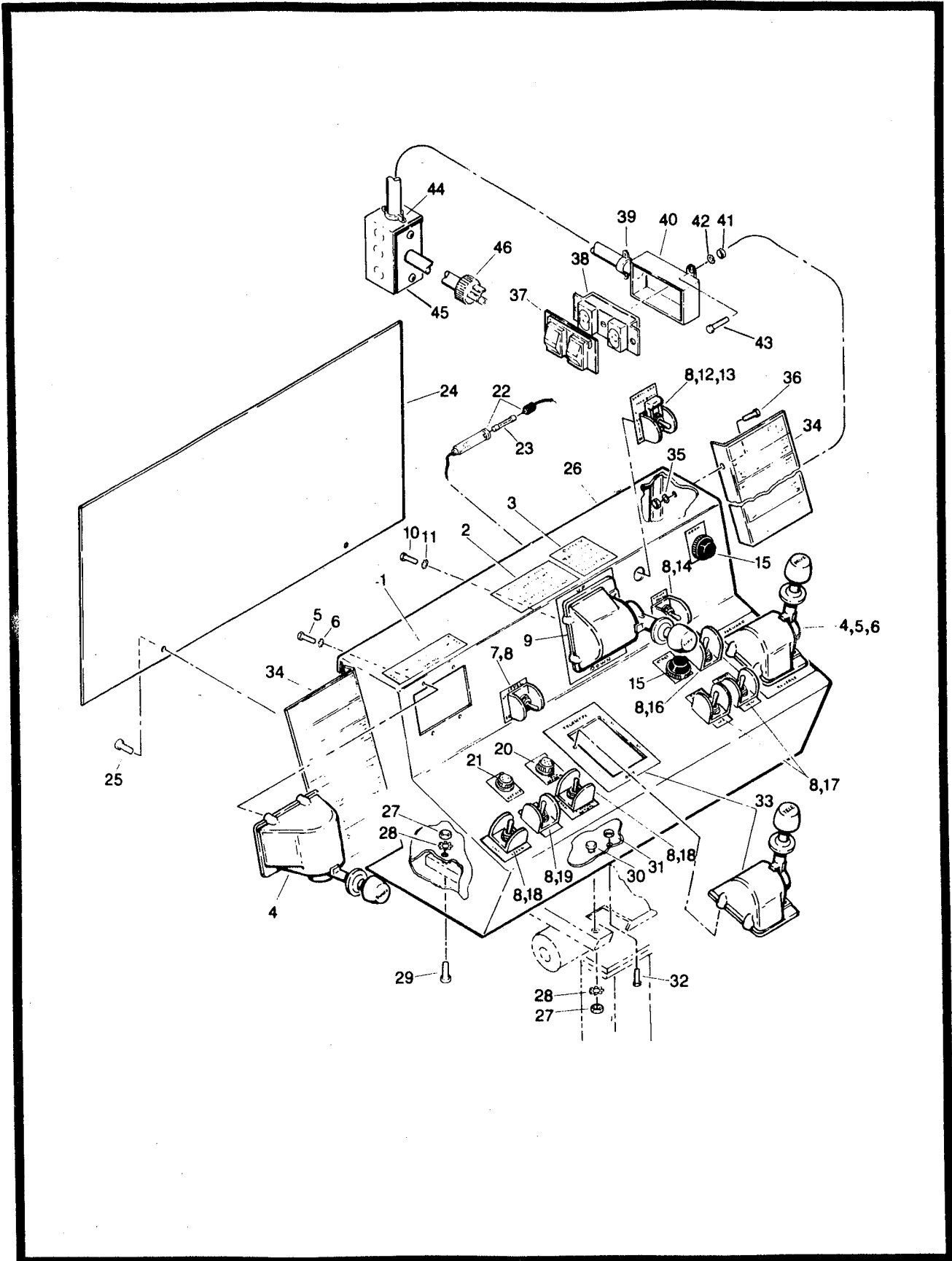


Figure 2-8. Control Console and Control Box Installation.

SECTION 2 — ILLUSTRATED PARTS LIST

FIGURE & INDEX NO.	PART NUMBER	ITEMS & DESCRIPTION	QTY.
2-8	1280151	CONTROL CONSOLE AND CONTROL BOX INSTALLATION	Ref.
-1	3251010	Nameplate, Operation "Boom Swing"	1
-2	3251012	Nameplate, Auxiliary Power	1
-3	3251011	Nameplate, Operation	1
-4	1600036	PQ Controller Assembly (Attaching Parts)	2
-5	0640803	Screw, Cap, Hex Head, #8 - 32 x 3/8" Long	8
-6	4760800	Washer, Lock, Spring, #8 - 32 I.D.	8
	2560040	Knob, Controller "Swing"	1
	2560041	Knob, Controller "Drive"	1
	3251014	Nameplate, Operation "Forward-Reverse"	1
-7	4360074	Switch, Toggle, DPDT/MC	1
	3251018	Nametag, "Level"	1
-8	4060087	Shield, Toggle	8
-9	1600046	PQ Controller Assembly (Attaching Parts)	1
-10	0640803	Screw, Cap, Hex Head, #8 - 32 x 3/8" Long	4
-11	4760800	Washer, Lock, Spring, #8 - 32 I.D.	4
	3251015	Nameplate, Operation "Up Down"	1
	2560038	Knob, Controller "Lift"	1
-12	4360071	Switch, Toggle, SPST	1
	3251017	Nametag, "Emergency Stop"	1
-13	4360141	Guard, Switch	1
-14	4360084	Switch, Toggle, DPST/MC	1
	3251021	Nametag, "Auxiliary Power"	1
-15	4360016	Switch, Pushbutton	2
	3250995	Nametag, "Horn"	1
	3250996	Nametag, "Start"	1
-16	4360114	Switch, Toggle, SPST/MC	1
	3251025	Nametag, "Glow Plug" (Deutz Only)	1
	3251026	Nametag, "Choke" (Ford Only)	1
-17	4360071	Switch, Toggle, SPST	2
	3251023	Nametag, "Engine Speed"	1
	3251024	Nametag, "Drive Speed"	1
-18	4360074	Switch, Toggle, DPDT/MC	2
	3251022	Nametag, "Platform Rotate"	1
	3250591	Nametag, "Steer" (O/R Machines)	1
	3250606	Nametag "Steer Axles" (Axle Machines)	1
-19	4360071	Switch, Toggle, SPST	1
	3250846	Nametag, "Outrigger"	1
-20	2920026	Lamp Holder, Red Lense (Deutz Only)	1
	2920029	Lamp, Incandescent	1
	3251042	Nametag, "Fan Belt Broken" (Deutz Only)	1
-21	2920028	Lamp Holder, Yellow Lense	1
	2920029	Lamp, Incandescent	1
	3250622	Nametag, "O/R Not Set"	1
	3251279	Nametag, "Axles Set"	1
-22	4460044	Holder, Fuse, Inline	5
	1670154	Cover, Console	1
	3505792	Plate, Rear	1

SECTION 2 — ILLUSTRATED PARTS LIST

FIGURE & INDEX NO.	PART NUMBER	ITEMS & DESCRIPTION	QTY.
2-8	1280151	CONTROL CONSOLE AND CONTROL BOX INSTALLATION (Continued)	Ref.
-23	2400008	Fuse, Inline, .75 Amp	4
	2400001	Fuse, Inline, 10 Amp	1
	3990010	Diode, 6 Amp	10
	1540002	Capacitor, 1000MF - 25VDC	1
	1060039	Cable, Electrical, 16/24 (To Main Terminal Box)	1
	1060012	Cable, Electrical, 12/4 (To Main Terminal Box)	1
	1060041	Cable, Electrical, 9/3 (To Main Terminal Box)	1
-24	1670129	Cover, Control Box (Attaching Parts)	1
-25	0641404	Bolt, Hex Head, ¼ - 20 x ½" Long	2
-26	0860257	Box, Control (Weldment) (Attaching Parts)	1
-27	3311401	Nut, Hex, ¼ - 20	4
-28	4761400	Washer, Lock, Spring ¼" I.D.	4
-29	0641404	Screw, Cap, Hex Head, ¼ - 20 x ½" Long	2
-30	0641406	Screw, Cap, Hex Head, ¼ - 20 x ¾" Long	2
-31	3310601	Nut, Hex, #6 - 32	8
-32	3910604	Screw, Round Head #6 - 32 x ½" Long	8
-33	1600038	PQ Controller Assembly (Attaching Parts)	1
	0640803	Screw, Cap, Hex Head #8 - 32 x ¾" Long	4
	4760800	Washer, Lock	4
	2560039	Knob, Controller "Telescope"	1
	3250903	Nameplate, Operation, "In-Out"	1
	2920024	Light, Panel (Optional)	2
-34	3504118	Plate, Placard Mounting (Attaching Parts)	2
-35	3311401	Nut, Hex, ¼ - 20	4
	4761400	Washer, Lock, Spring, ¼" I.D.	4
-36	0641410	Screw, Cap, Hex Head, ¼ - 20 x ½" Long, Grade 5	4
	3250876	Nameplate "Danger"	1
	3251002	Nameplate "Caution"	1
	0234773	110V RECEPTACLE INSTALLATION	Ref.
-37	4060092	Shield, Weatherproof Cover	1
-38	4460027	Terminal, Receptacle	1
-39	4460024	Connector, Terminal	1
-40	0860036	Box, Switch, Waterproof (Attaching Parts)	1
-41	3311401	Nut, Hex, ¼ - 20	2
-42	4761400	Washer, Lock, ¼" I.D.	2
-43	3911410	Screw, Round Head, ¼ - 20 x ¾" Long	2
	3520023	Plug, Blank	1
-44	4460023	Connector, Terminal	1
-45	0860037	Box, Electrical	1
	3500812	Plate, Cover	1
-46	1120074	Plug, Male	1

SECTION 2 — ILLUSTRATED PARTS LIST

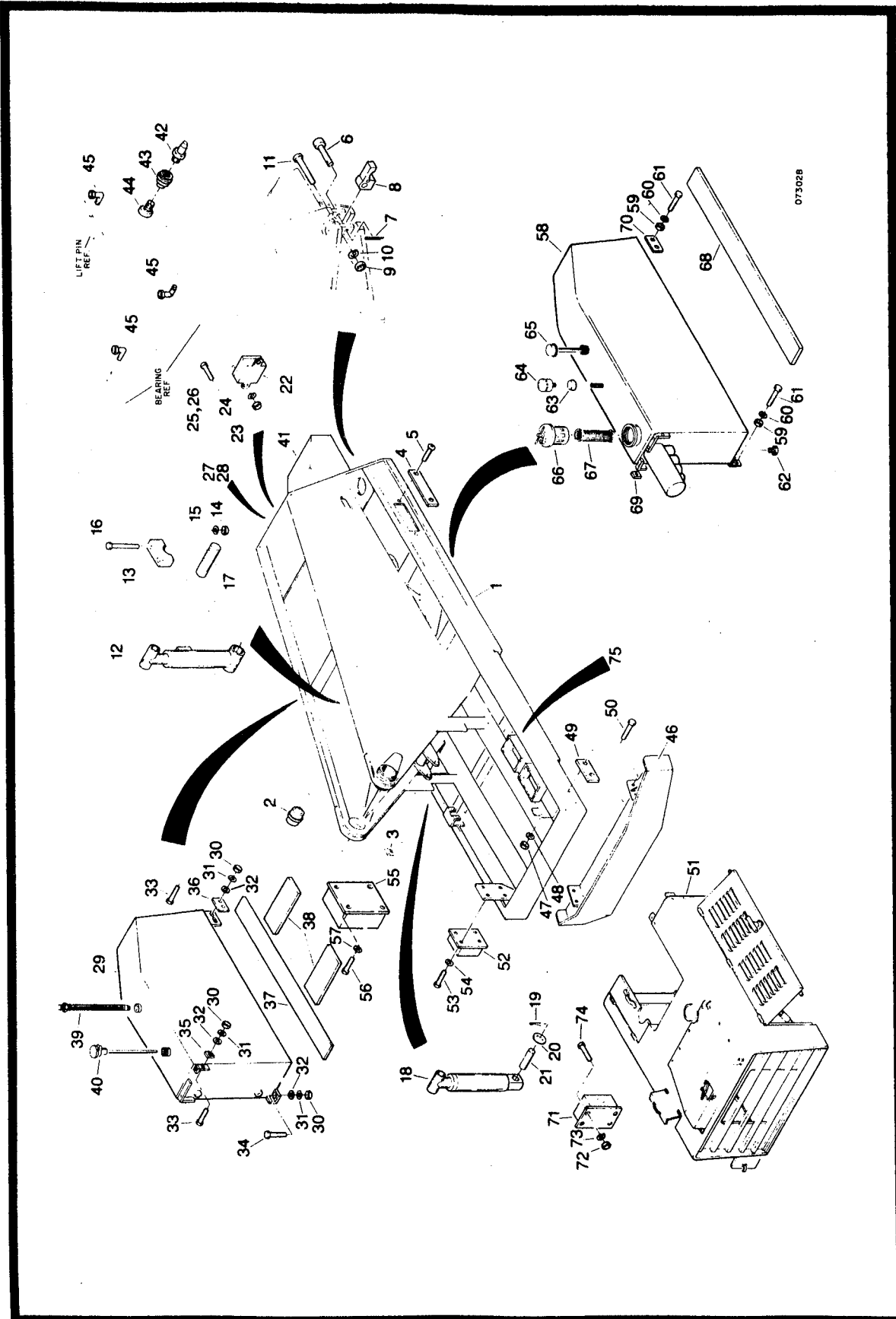


Figure 2-9. Rotary Table Assembly and Components.

SECTION 2 — ILLUSTRATED PARTS LIST

FIGURE & INDEX NO.	PART NUMBER	ITEMS & DESCRIPTION	QTY.
2-9		ROTARY TABLE ASSEMBLY AND COMPONENTS	Ref.
-1	4840564	ROTARY TABLE WELDMENT (DEUTZ)	1
	4840565	ROTARY TABLE WELDMENT (FORD)	1
	4840563	ROTARY TABLE WELDMENT (DETROIT DIESEL)	1
-2	0960594	Bushing, Boom Pivot - Self Aligning	2
-3	2160006	Fitting, Grease, Straight, 1/8" NPT	2
-4	1780014	Door, Access (Attaching Parts)	1
-5	3900022	Screw, Self-Drilling, 1/4" x 7/8" Long	2
-6	3420243	Pin, Clevis	1
-7	3420182	Pin, Cotter, Hair	1
-8	3420242	Pin, Locking (Attaching Parts)	1
-9	3312601	Nut, Hex, 1" - 8NC, Grade 5	1
-10	4762600	Washer, Lock, Spring, 1" I.D.	1
-11	0642644	Screw, Cap, Hex Head, 1" - 8NC x 5 - 1/2" Long, Grade 5	1
-12	1680130	LIFT CYLINDER ASSEMBLY (See Figure 2-10 for Details) (Attaching Parts)	1
-13	0230364	Clamp Assembly	2
-14	3312201	Nut, Hex, 3/4" - 10NC	4
-15	4762200	Washer, Lock, 3/4" I.D.	4
-16	0642252	Screw, Cap, Hex Head, 3/4" - 10NC x 6 - 1/2" Long, Grade 5	4
-17	3420213	Pin, Lift Cylinder	1
-18	1680090	3" MASTER LEVEL CYLINDER ASSEMBLY (See Figure 2-13 for Details) (Attaching Parts)	1
-19	3450607	Pin, Cotter	2
-20	4740040	Washer, Hardened	2
-21	3420281	Pin, Level Cylinder	1
-22	0232789 0140008	TRAVEL ALARMS INSTALLATION Alarm, Travel (Attaching Parts)	Ref. 2
-23	3311401	Nut, Hex, 1/4" - 20	4
-24	4761400	Washer, Lock, 1/4" I.D.	4
-25	0641410	Screw, Cap, Hex Head, 1/4" - 20 x 1 - 1/4" Long	2
-26	0641406	Screw, Cap, Hex Head, 1/4" - 20 x 3/4" Long	2
-27	0231547 2900062	EMERGENCY MANUAL DESCENT VALVES INSTALLATION Kit, Valve (Includes Plain Washer, Lock Washer and Threaded Nut)	Ref. 3
-28	4640005	Valve, Panel Mounting Valve Only	1

SECTION 2 — ILLUSTRATED PARTS LIST

FIGURE & INDEX NO.	PART NUMBER	ITEMS & DESCRIPTION	QTY.
2-9		ROTARY TABLE ASSEMBLY AND COMPONENTS (Continued)	Ref.
	0230384	GAS TANK INSTALLATION	Ref.
-29	4400073	Tank, Gas (Attaching Parts)	1
-30	3311601	Nut, Hex	4
-31	4761600	Washer, Lock	4
-32	4751600	Washer, Flat	4
-33	0641612	Screw, Cap, Hex Head, 3/8 - 16NC x 1 - 1/2" Long	2
-34	0641606	Screw, Cap, Hex Head, 3/8 - 16NC x 1 - 3/4" Long	2
-35	2820004	Insulator	1
-36	2820005	Insulator	1
-37	4280031	Insulator	2
-38	4280020	Insulator	1
-39	2420002	Gauge, Gas, Manual	1
-40	1120023	Cap, Filler	1
-41	0232954	OIL COOLER ASSEMBLY INSTALLATION (See Figure 2-12 for Details)	1
	0230593	LIFT CYLINDER AND BEARING LUBRICATION INSTALLATION	Ref.
-42	2160002	Fitting, Grease, Straight, 1/8" NPT	3
-43	2180344	Fitting, Bulkhead	3
-44	2220001	Fitting, Adapter	3
-45	2220124	Fitting, Elbow, 90°	3
		COUNTERWEIGHT INSTALLATION (Detroit Diesel)	1
		COUNTERWEIGHT INSTALLATION (Deutz)	1
		COUNTERWEIGHT INSTALLATION (Ford)	1
-46		Counterweight (Detroit Diesel), (Consult Factory for Part No.)	1
		Counterweight (Deutz), (Consult Factory for Part No.)	1
		Counterweight (Ford), (Consult Factory for Part No.) (Attaching Parts)	1
-47	3312601	Nut, Hex, 1 - 8NC, Grade 5	4
-48	4752600	Washer, Flat, 1" Diameter	4
-49	4070109	Shim, 16 Gauge	A/R
	4070108	Shim, 14 Gauge	A/R
	4070107	Shim, 11 Gauge	A/R
-50	0642618	Screw, Cap, Hex Head, 1 - 8NC x 2 - 1/4" Long, Grade 5	4
	0100003	Loctite, #277	A/R
	0231560	HOOD AND OIL TANK INSTALLATION (Detroit Diesel)	Ref.
	0232126	HOOD AND OIL TANK INSTALLATION (Deutz)	Ref.
	0230395	HOOD AND OIL TANK INSTALLATION (Ford)	Ref.
-51		DETROIT DIESEL HOOD ASSEMBLY AND HOOD EXTENSION INSTALLATION (See Figure 2-14 for Details)	1

SECTION 2 — ILLUSTRATED PARTS LIST

FIGURE & INDEX NO.	PART NUMBER	ITEMS & DESCRIPTION	QTY.
2-9		ROTARY TABLE ASSEMBLY AND COMPONENTS (Continued)	Ref.
-51		DEUTZ DIESEL HOOD ASSEMBLY AND HOOD EXTENSION INSTALLATION (See Figure 2-15 for Details)	1
		FORD HOOD ASSEMBLY AND HOOD EXTENSION INSTALLATION (See Figure 2-16 for Details)	1
-52		GROUND CONTROL BOX AND COMPONENTS ASSEMBLY (See Figure 2-17 for Details) (Attaching Parts)	1
-53	0641408	Screw, Cap, Hex Head, ¼ - 20NC x 1" Long	4
-54	4761400	Washer, Lock, Spring, ¼" I.D.	4
-55		GROUND TERMINAL BOX AND ELECTRICAL COMPONENTS INSTALLATION (See Figure 2-18 for Details) (Attaching Parts)	1
-56	0641408	Screw, Cap, Hex Head, ¼ - 20NC x 1" Long	4
-57	4761400	Washer, Lock, Spring, ¼" I.D.	4
-58	4400072	Tank, Oil (Attaching Parts)	1
-59	3311601	Nut, Hex, ¾ - 16 NC, Grade 5	4
-60	4761600	Washer, Lock, Spring, ¾" I.D.	4
-61	0641608	Screw, Cap, Hex Head, ¾ - 16NC x 1" Long, Grade 5	4
-62	3520022	Plug, Magnetic	1
-63	1340021	Breather	1
-64	2120039	Breather, Air Filter (Optional)	1
	3790126	O-Ring	1
	2180199	Fitting, Adapter	1
-65	1120034	Cap and Dipstick	1
-66	2120029	Filter Assembly, Hydraulic Oil	1
-67	2120055	Element (Includes 7002405 Connector)	1
-68	4280018	Insulator	1
-69	2820004	Insulator	2
-70	2820005	Insulator	1
-71	0232031	VACUUM SWITCH BOX ASSEMBLY (See Figure 2-19 for Details (Ford Only) (Attaching Parts)	1
-72	3311401	Nut, Hex, ¼ - 20NC	4
-73	4761600	Washer, Lock, Split, ¼" I.D.	4
-74	0641406	Screw, Cap, Hex Head, ¼ - 20NC x ¾" Long	4
	0232913	CONTROL VALVES INSTALLATION (See Figure 2-20 for Details)	1
-75	0233968	DETROIT DIESEL ENGINE, PUMP AND BATTERY INSTALLATION (See Figure 2-21 for Details)	1
	0233969	DEUTZ DIESEL ENGINE, PUMP AND BATTERY INSTALLATION (See Figure 2-22 for Details)	1
	0233967	FORD ENGINE, PUMP AND BATTERY INSTALLATION (See Figure 2-23 for Details)	1

SECTION 2 — ILLUSTRATED PARTS LIST

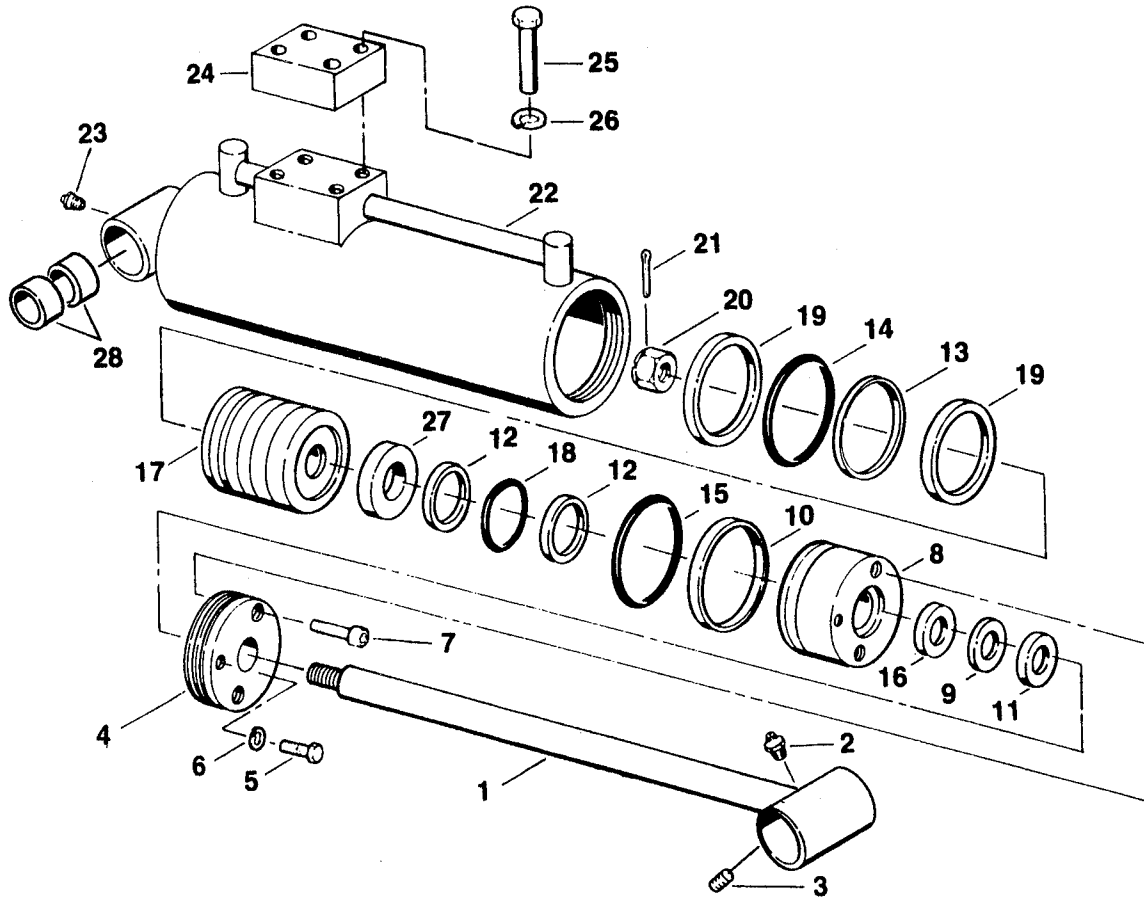


Figure 2-10. Lift Cylinder Assembly.

SECTION 2 — ILLUSTRATED PARTS LIST

FIGURE & INDEX NO.	PART NUMBER	ITEMS & DESCRIPTION	QTY.
2—10	1680130	LIFT CYLINDER ASSEMBLY	Ref.
—1	7000989	Rod, Cylinder	1
—2	2160002	Fitting, Grease, Straight	1
—3	3900027	Setscrew, ¼ - 10NC x 2" Long	1
—4	7000992	Retainer, Cylinder Head (Attaching Parts)	1
—5	0641412	Screw, Hex Head, ¼ - 20NC x -1½" Long	2
—6	4761400	Washer, Lock	2
—7	7000908	Screw, Socket Head	2
—8	7000991	Head, Cylinder	1
—9	7000916	Seal, Rod	1
—10	7000918	Ring, Back-Up, Head Seal	1
—11	7000915	Seal, Wiper	1
—12	7000920	Back-Up, Leather	2
—13	7000922	Seal, Piston	1
—14	7000923	O-Ring, Piston Seal Loading	1
—15	7000919	O-Ring	1
—16	7000917	Back-up, Rod Seal	1
—17	7000990	Piston	1
	0231457	BELLOWS INSTALLATION, SANDBLAST PACKAGE	Ref.
	0460009	Bellows, Lift Cylinder (Including Clamps)	1
—18	7000921	O-Ring	1
—19	7000924	Ring, Piston	2
—20	7000979	Nut, Special	1
—21	7000905	Pin, Cotter	1
—22	7000988	Barrel, Cylinder	1
—23	2160002	Fitting, Grease, Straight	1
—24	4640181	Valve, Counterbalance (Attaching Parts)	1
—25	3931440	Screw, Socket Head, ¼ - 20NC x 2-½" Long	4
—26	4761400	Washer, Lock, ¼"	4
—27	7000993	Collar, Extension	1
—28	0960192	Bushing	4
	2900113	Kit, Repair (Includes Items 9, 10, 11, 12, 13, 14, 15 16, 18 and 19)	

SECTION 2 — ILLUSTRATED PARTS LIST

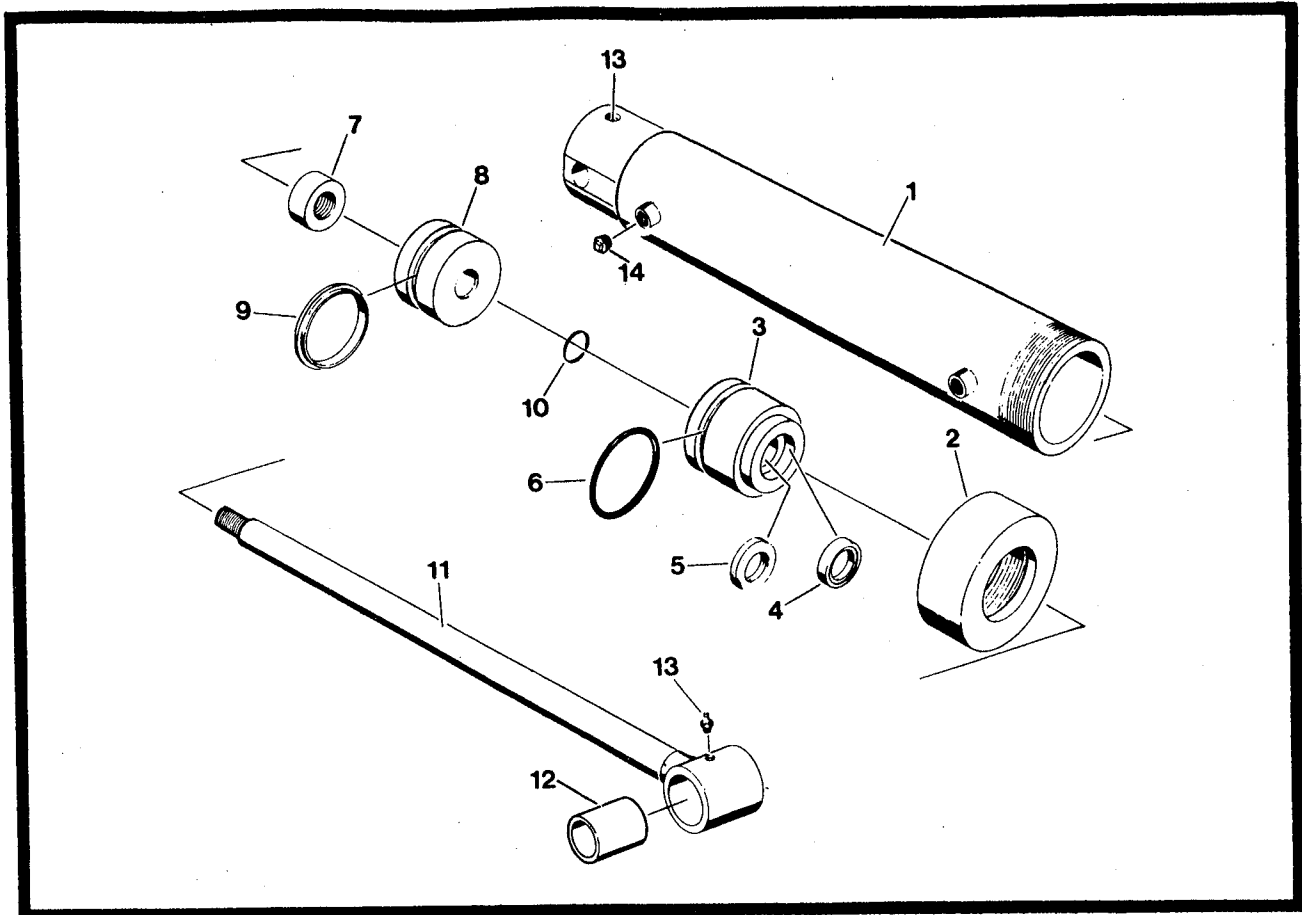


Figure 2-11. Master Level Cylinder Assembly.

FIGURE & INDEX NO.	PART NUMBER	ITEMS & DESCRIPTION	QTY.
2-11	1680090	3" MASTER LEVEL CYLINDER ASSEMBLY	Ref.
-1	1680504	Barrel	1
-2	1120083	Retainer, Head	1
	0100011	Nylock (VC-3 Compound)	A/R
-3	1680840	Head	1
-4	3960126	Wiper, Canned	1
-5	3960124	Seal, Rod	1
-6	3790334	O-Ring	1
-7	3300009	Nut, Special	1
	0100011	Nylock (VC-3 Compound)	A/R
-8	3480034	Piston	1
-9	3960007	T-Seal	1
-10	3790018	O-Ring	1
-11	1681071	Rod	1
-12	0960322	Bushing	1
-13	2160002	Fitting, Grease, Straight, 1/8" N.P.T.	2
-14	2200103	Plug, Pipe, 3/8" Square Head	2
	2900109	Kit, Repair (Includes Items 4, 5, 6, 9, 10)	1
	0231457	BELLOWS INSTALLATION, SANDBLAST PACKAGE	Ref.
	0460005	Bellows, Master Level Cylinder (Including Clamps)	1

SECTION 2 — ILLUSTRATED PARTS LIST

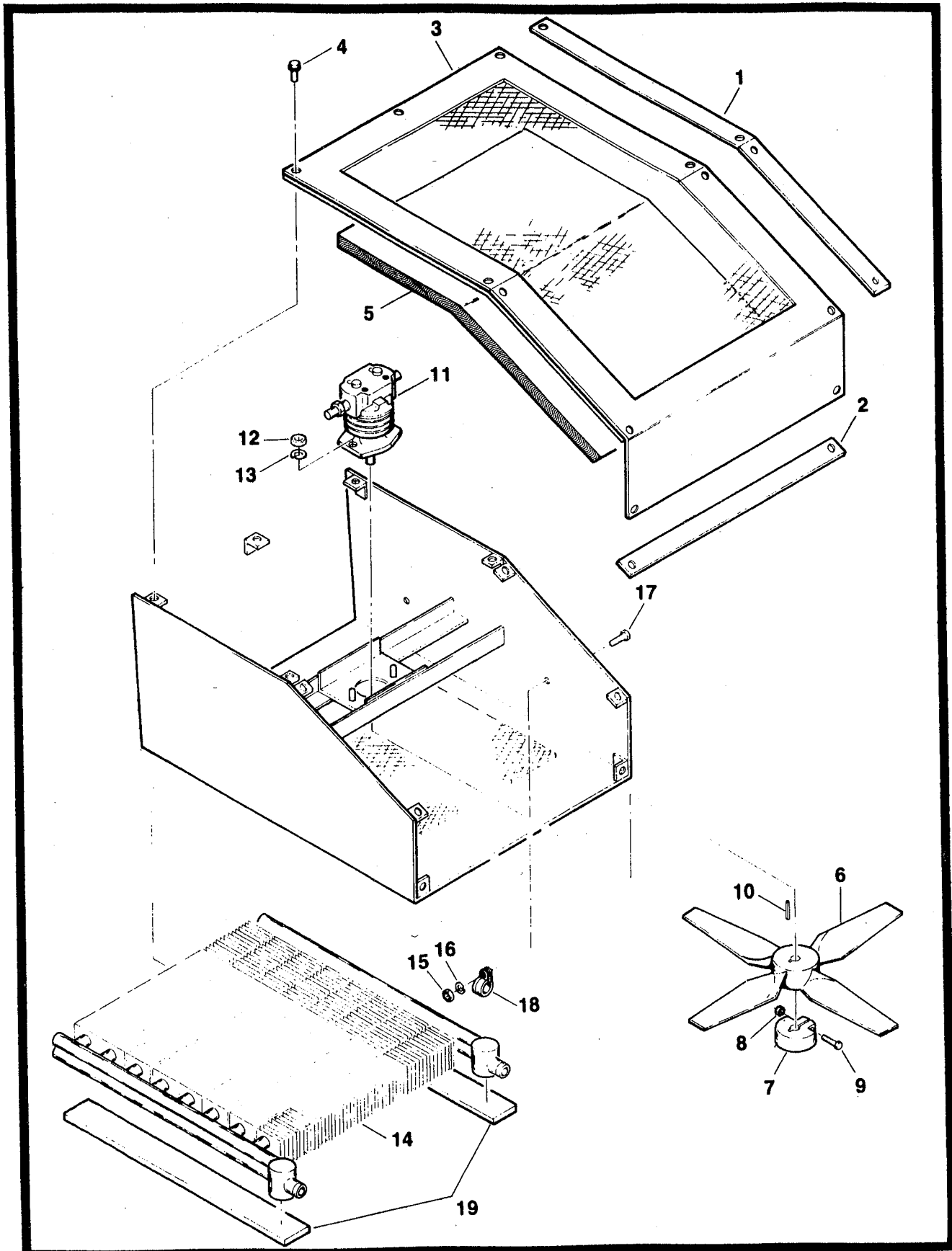


Figure 2-12. Oil Cooler Assembly Installation.

SECTION 2 — ILLUSTRATED PARTS LIST

FIGURE & INDEX NO.	PART NUMBER	ITEMS & DESCRIPTION	QTY.
2-12	0232954	OIL COOLER ASSEMBLY INSTALLATION	Ref.
-1	0360489	Bar, Hold Down	2
-2	0360490	Bar, Hold Down	2
-3	0232956	Cover, Oil Cooler	1
-4	3900022	(Attaching Parts)	
-4	3900022	Screw, Self-Tapping, ¼" x 1" Long	10
-5	2120075	Filter, Oil Cooler	1
-6	0540017	Fan	1
-7	1440141	Collar, Split	1
-8	3311405	(Attaching Parts)	
-8	3311405	Nut, Lock, ¼ - 20NC	1
-9	3931408	Screw, Socket Head, ¼ - 20NC x 1" Long, Grade 5	1
-10	2860007	Key, Tapered	1
-11	3160052	Motor, Hydraulic (See Figure 22-13 for Breakdown)	1
-12	3311601	(Attaching Parts)	
-12	3311601	Nut, Jam, ⅜ - 16	2
-13	4761400	Washer, Lock, Spring, ⅜" I.D.	2
-14	3620006	Heat Exchanger	1
-15	3311501	(Attaching Parts)	
-15	3311501	Nut, Hex, 5/16 - 18NC	4
-16	4761500	Washer, Lock, 5/16" I.D.	4
-17	0641504	Screw, Cap, Hex Head, 5/16 - 18NC x 1" Long	4
-18	1320060	Clamp, Hose, 1½"	4
-19	3340233	Pad, Neoprene	2
-19	0232955	Weldment, Oil Cooler Frame	1

SECTION 2 — ILLUSTRATED PARTS LIST

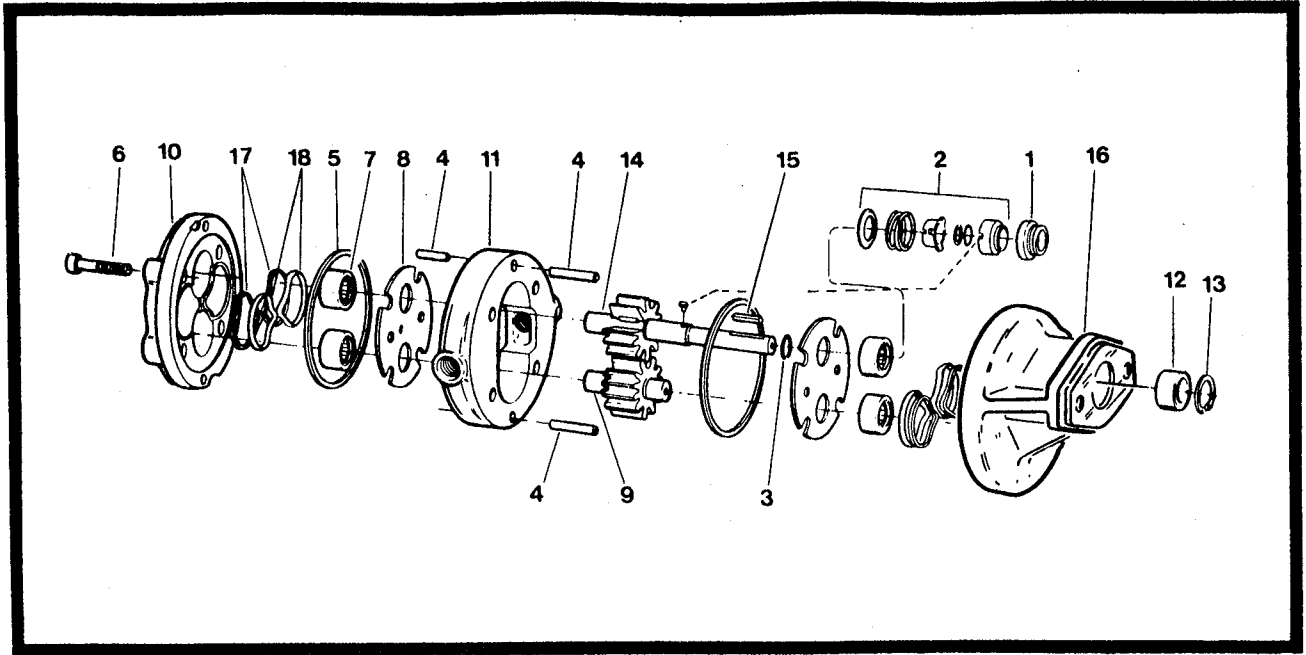


Figure 2-13. Oil Cooler Motor Assembly.

FIGURE & INDEX NO.	PART NUMBER	ITEMS & DESCRIPTION	QTY.
2-13	3160052	OIL COOLER MOTOR ASSEMBLY	Ref.
—1	7005100	Seat Assembly, Seal	1
—2	7005101	Seal Assembly	1
—3	7005102	Snap Ring	1
—4	7005103	Dowel Pin	2
—5	7005104	O-Ring	4
—6	7005105	Cap Screw	4
—7	7005106	Bearing	1
—8	7005107	Plate Wear	1
—9	7005108	Shaft Assembly, Driven	1
—10	7005109	Cover	1
—11	7005110	Housing	1
—12	7005111	Bearing	1
—13	7005112	Snap Ring	1
—14	7005113	Drive Shaft Assembly	1
—15	7005114	Key	1
—16	7005115	Adapter	1
—17	7005116	Seal Ring	4
—18	7005117	Back-Up Ring	4
	7005119	Seal Kit (Includes Items 2, 5, 17 and 18)	1

SECTION 2 — ILLUSTRATED PARTS LIST

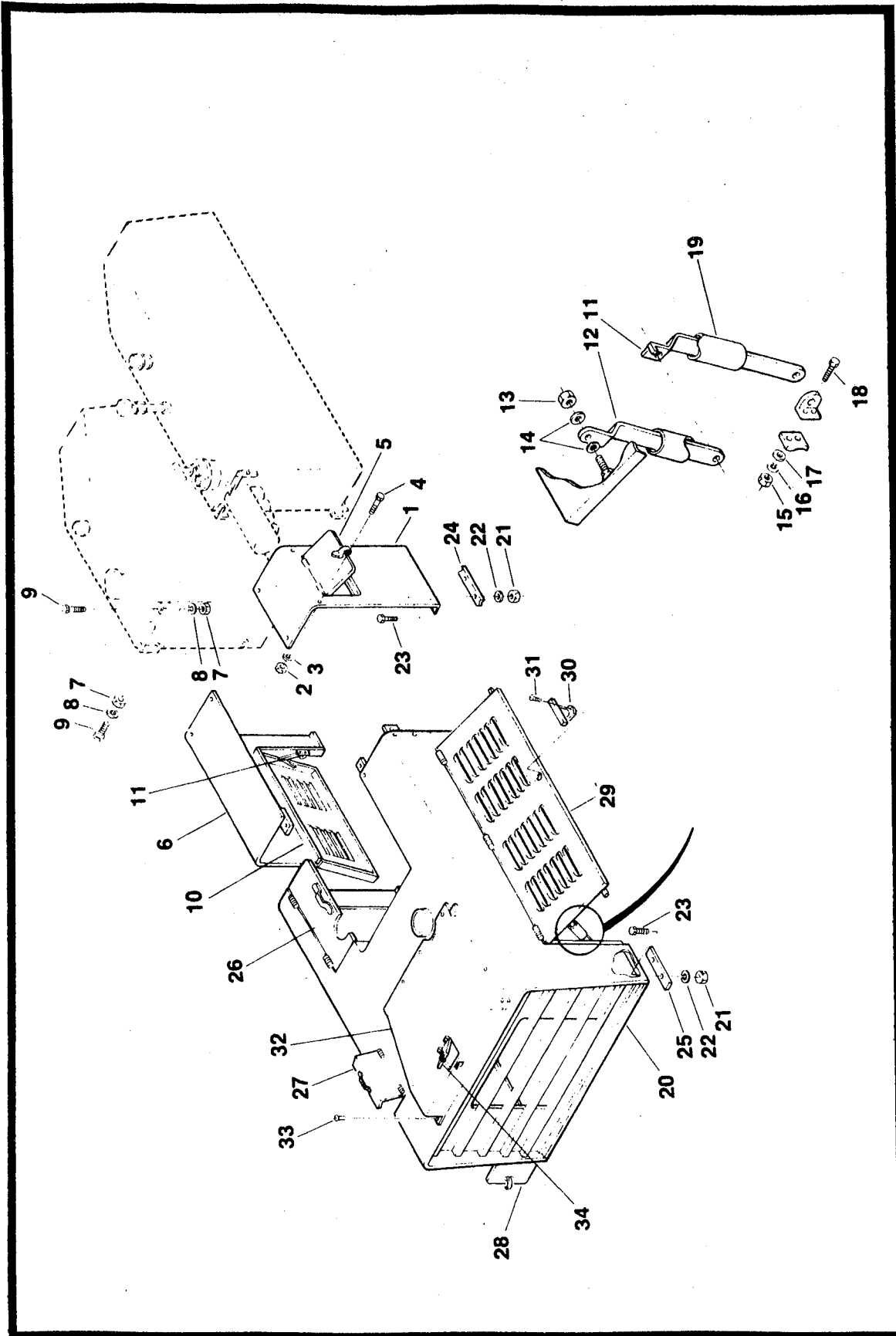


Figure 2-14. Detroit Diesel Hood Assembly and Hood Extension Installation.

SECTION 2 — ILLUSTRATED PARTS LIST

FIGURE & INDEX NO.	PART NUMBER	ITEMS & DESCRIPTION	QTY.
2-14		DETROIT DIESEL HOOD ASSEMBLY AND HOOD EXTENSION INSTALLATION	Ref.
-1	3380026	Panel, Hood Extension, L.H. (Attaching Parts)	1
-2	3311601	Nut, Hex, 3/8 - 16NC, Grade 5	6
-3	4761600	Washer, Lock, Spring, 3/8" I.D.	6
-4	0641608	Screw, Cap, Hex Head, 3/8 - 16NC x 1" Long, Grade 5	6
-5	1780053	Door Assembly, Manifold Access	1
-6	3380027	Panel, Hood Extension, R.H. (Attaching Parts)	1
-7	3311401	Nut, Hex, 1/4 - 20NC	5
-8	4761400	Washer, Lock, Split, 1/4" I.D.	5
-9	0641406	Screw, Cap, Hex Head, 1/4 - 20 NC x 3/4" Long, Grade 5	5
-10	0233039	Door Assembly, Main Terminal Box	1
	0230464	Door Support Assembly (LF & RR)	1
	0230465	Door Support Assembly (RF & LR)	1
	0231489	Door Support Assembly (Terminal Box)	1
-11	0880024	Brace, Hood Door	1
-12	0880025	Brace, Hood Door (Attaching Parts)	1
-13	3311405	Nut, Hex, Lock, 1/4 - 20NC	1
-14	4751400	Washer, Flat, 1/4" I.D.	1
-15	3311001	Nut, Hex, 3/16 - 24NC	2
-16	4761000	Washer, Lock, Spring, 3/16" I.D.	2
-17	4751000	Washer, Flat, 3/16" I.D.	2
-18	0641006	Screw, Cap, Hex Head, 3/16 - 24NC x 3/4" Long	2
-19	4560628	Tube, Slidelock	1
-20	2680159	Hood Assembly (Attaching Parts)	1
-21	3311401	Nut, Hex, 1/4 - 20	9
-22	4761400	Washer, Lock, spring, 1/4" I.D.	9
-23	0641408	Screw, Cap, Hex Head, 1/4 - 20NC x 1" Long	9
-24	4280072	Strip, Neoprene	2
-25	4280071	Strip, Neoprene	2
-26		Door Assembly, R.S. (Top for Air Cleaner)	1
-27	0233105	Door Assembly	1
-28	0230682	Door Assembly, Ground Control Box	1
-29	0233014	Door Assembly, Side	2
-30	2560026	Handle, Door (Attaching Parts)	2
-31	3900045	Screw, Self-Tapping, 10 - 24 x 1/2" Long	4
-32	0231556	Cowl Assembly, Hood Top (Attaching Parts)	1
-33	3941406	Screw, Self-Tapping, 1/4 - 20NC x 3/4" Long	20
-34	3502773	Door Assembly, Cowl top	1

SECTION 2 — ILLUSTRATED PARTS LIST

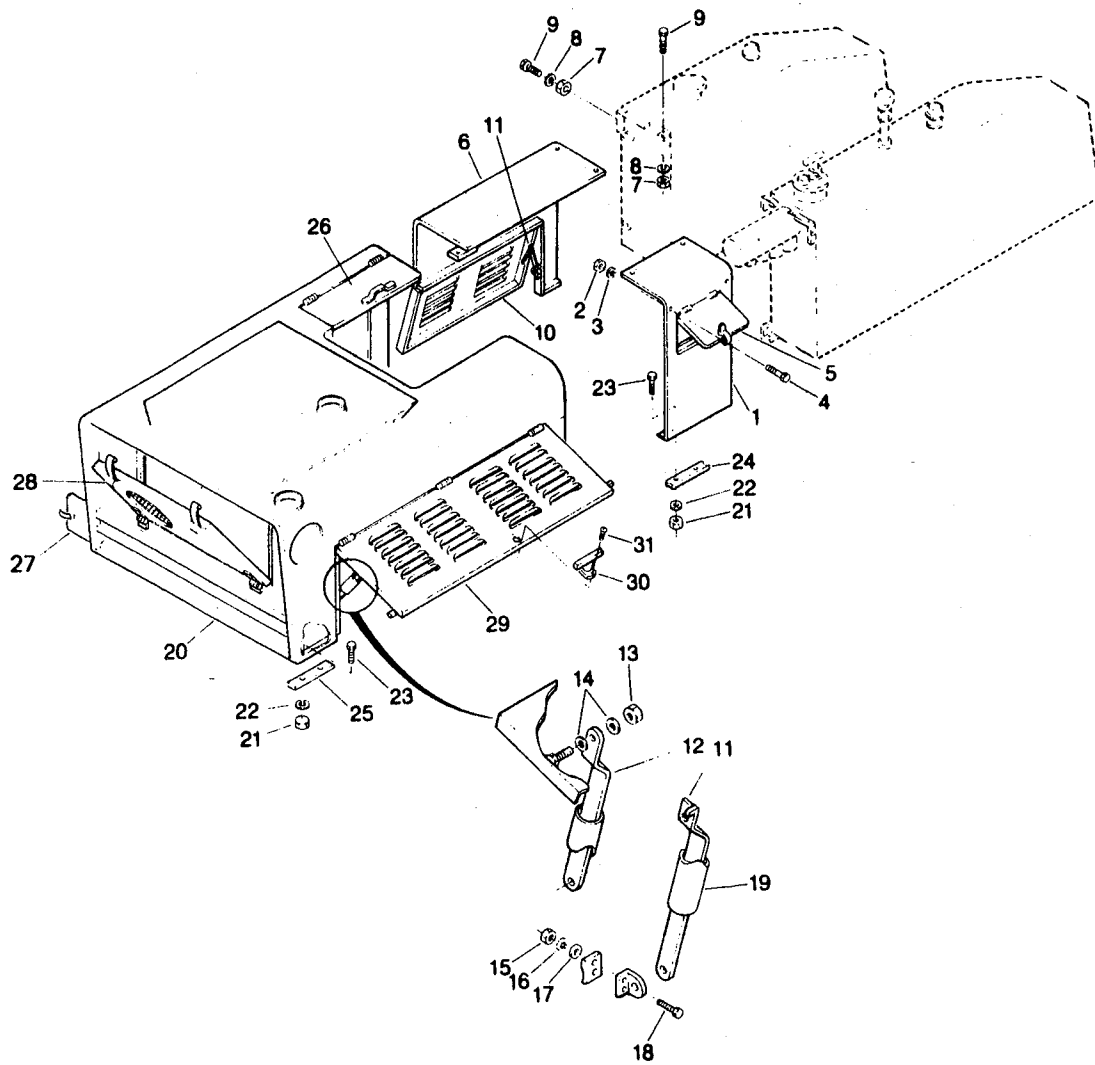


Figure 2-15. Deutz Diesel Hood Assembly and Hood Extension Installation.

SECTION 2 — ILLUSTRATED PARTS LIST

FIGURE & INDEX NO.	PART NUMBER	ITEMS & DESCRIPTION	QTY.
2-15		DEUTZ DIESEL HOOD ASSEMBLY AND HOOD EXTENSION INSTALLATION	Ref.
-1	3380026	Panel, Hood Extension, L.H. (Attaching Parts)	1
-2	3311601	Nut, Hex, 3/8 - 16NC, Grade 5	6
-3	4761600	Washer, Lock, Spring, 3/8" I.D.	6
-4	0641608	Screw, Cap, Hex Head, 3/8 - 16NC x 1" Long, Grade 5	6
-5	1780053	Door Assembly, Manifold Access	1
-6	3380027	Panel, Hood Extension, R.H. (Attaching Parts)	1
-7	3311401	Nut, Hex, 1/4 - 20NC	5
-8	4761400	Washer, Lock, Split, 1/4" I.D.	5
-9	0641406	Screw, Cap, Hex Head, 1/4 - 20NC x 3/4" Long, Grade 5	5
-10	0233025	Door Assembly, Main Terminal Box	1
	0230464	Door Support Assembly (LF & RR)	1
	0230465	Door Support Assembly (RF & LR)	1
	0231489	Door Support Assembly (Terminal Box)	1
-11	0880024	Brace, Hood Door	1
-12	0880025	Brace, Hood Door (Attaching Parts)	1
-13	3311405	Nut, Hex, Lock, 1/4 - 20NC	1
-14	4751400	Washer, Flat, 1/4" I.D.	1
-15	3311001	Nut, Hex, 3/16 - 24NC	2
-16	4761000	Washer, Lock, Spring, 3/16" I.D.	2
-17	4751000	Washer, Flat, 3/16" I.D.	2
-18	0641006	Screw, Cap, Hex Head, 3/16 - 25NC x 3/4" Long	2
-19	4560628	Tube, Slidelock	1
-20	2680127	Hood Assembly	1
-21	3311401	Nut, Hex, 1/4" - 20	9
-22	4761400	Washer, Lock, Spring, 1/4" I.D.	9
-23	0641408	Screw, Cap, Hex Head, 1/4 - 20NC x 1" Long	9
-24	4280072	Strip, Neoprene	2
-25	4280071	Strip, Neoprene	2
-26	1780041	Door Assembly, R.S. (Top for Air Cleaner)	1
-27	0233105	Door Assembly	1
-28	0230682	Door Assembly, Ground Control Box	1
-29	0233014	Door Assembly, Side	2
-30	2560026	Handle, Door (Attaching Parts)	2
-31	3900045	Screw, Self-Tapping, 10 - 24 x 1/2" Long	4

SECTION 2 — ILLUSTRATED PARTS LIST

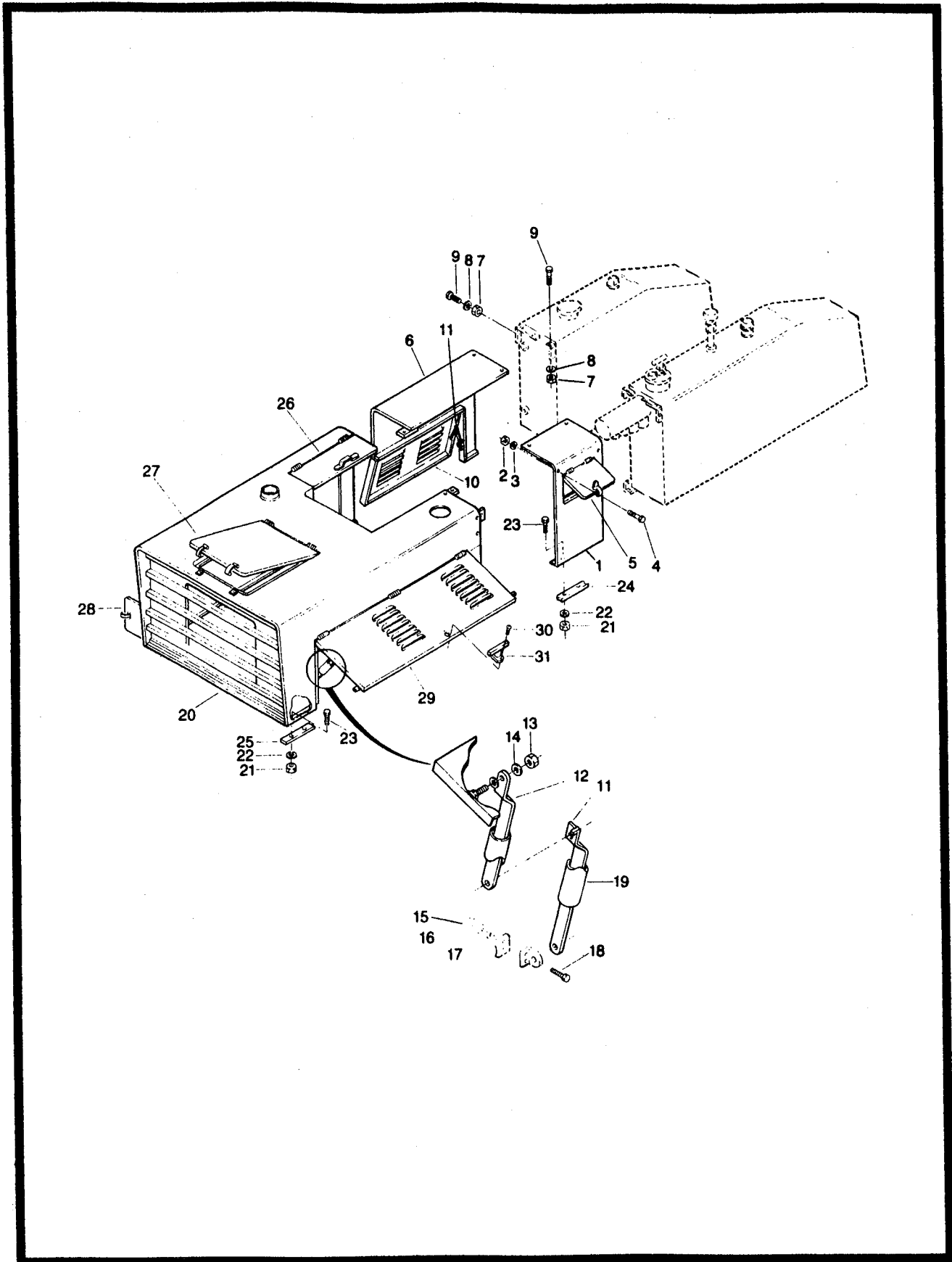


Figure 2-16. Ford Hood Assembly and Hood Extension Installation.

SECTION 2 — ILLUSTRATED PARTS LIST

FIGURE & INDEX NO.	PART NUMBER	ITEMS & DESCRIPTION	QTY.
2-16		FORD HOOD ASSEMBLY AND HOOD EXTENSION INSTALLATION	Ref.
-1	3380026	Panel, Hood Extension, L.H. (Attaching Parts)	1
-2	3311601	Nut, Hex, 3/8 - 16NC, Grade 5	6
-3	4761600	Washer, Lock, Spring, 3/8" I.D.	6
-4	0641608	Screw, Cap, Hex Head, 3/8 - 16NC x 1" Long, Grade 5	6
-5	1780053	Door Assembly, Manifold Access	1
-6	3380027	Panel, Hood Extension, R.H. (Attaching Parts)	1
-7	3311401	Nut, Hex, 1/4 - 20NC	5
-8	4761400	Washer, Lock, Split, 1/4" I.D.	5
-9	0641406	Screw, Cap, Hex Head, 1/4 - 20NC x 3/4" Long, Grade 5	5
-10	0233039	Door Assembly, Main Terminal Box	1
	0230464	Door Support Assembly (LF & RR)	1
	0230465	Door Support Assembly (RF & LR)	1
	0231489	Door Support Assembly (Terminal Box)	1
-11	0880024	Brace, Hood Door	1
-12	0880025	Brace, Hood Door (Attaching Parts)	1
-13	3311405	Nut, Hex, Lock, 1/4 - 20NC	1
-14	4751400	Washer, Flat, 1/4" I.D.	1
-15	3311001	Nut, Hex, 3/16 - 24NC	2
-16	4761000	Washer, Lock, Spring, 3/16" I.D.	2
-17	4751000	Washer, Flat, 3/16"	2
-18	0641006	Screw, Cap, Hex Head, 3/16 - 24NC x 3/4" Long	2
-19	4560628	Tube, Slidelock	1
-20	2680097	Hood Assembly	1
-21	3311601	Nut, Hex, 3/8 - 16, Grade 5	9
-22	4761600	Washer, Lock, Spring, 3/8" I.D.	9
-23	0641612	Screw, Cap, Hex Head, 3/8 - 16NC x 1 1/2" Long	9
-24	4280072	Strip, Neoprene	2
-25	4280071	Strip, Neoprene	2
-26	1780041	Door Assembly, R.S. (Top for Air Cleaner)	1
-27	0233105	Door Assembly, Cowl Top	1
-28	0230682	Door Assembly, Ground Control Box	1
-29	0233014	Door Assembly, Side	2
-30	2560026	Handle, Door (Attaching Parts)	2
-31	3900045	Screw, Self-Tapping, 10 - 24 x 1/2" Long	4

SECTION 2 — ILLUSTRATED PARTS LIST

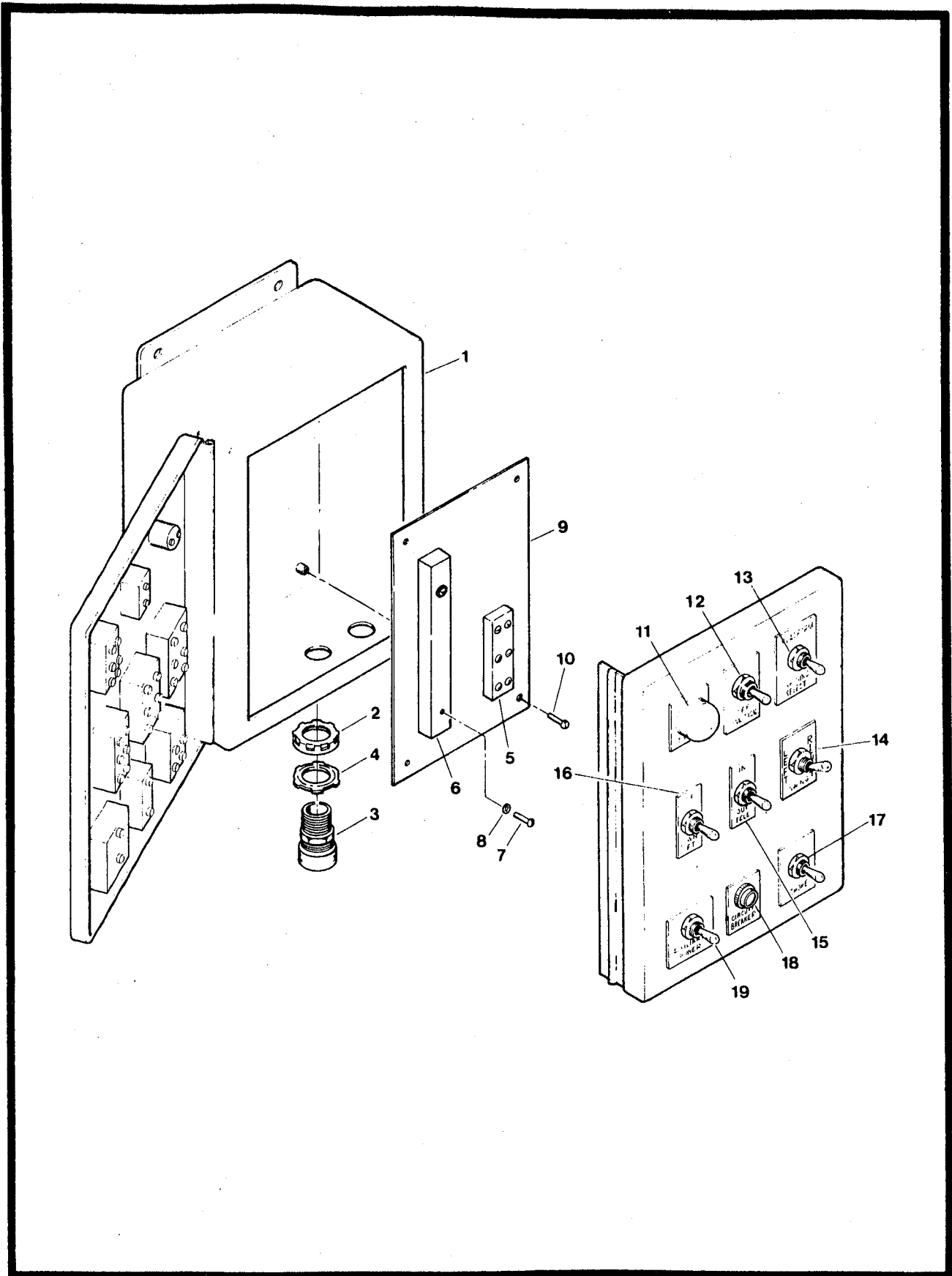


Figure 2-17. Ground Control Box and Electrical Components Installation.

SECTION 2 — ILLUSTRATED PARTS LIST

FIGURE & INDEX NO.	PART NUMBER	ITEMS & DESCRIPTION	QTY.
2-17		GROUND CONTROL BOX AND ELECTRICAL COMPONENTS INSTALLATION	Ref.
	0230734	GROUND CONTROL BOX ASSEMBLY	1
-1	0860182	Box, Ground Control	1
-2	3300047	Nut, Lock, Conduit	2
-3	4460052	Connector, Strain Relief	2
-4	0960239	Bushing	2
-5	4460007	Terminal, 6 Position	1
-6	4460053	Terminal, 12 Position (Attaching Parts)	1
-7	3900039	Screw, Self-Tapping, Pan Head #6-32 x 3/4" Long	6
-8	4770600	Washer, Lock, Star, #6	6
-9	3380039	Panel, Mounting (Attaching Parts)	1
-10	3911008	Screw, Machine	4
-11	4360010	Switch, Push Button, NOHC	1
-12	3250844	Nametag, "Start"	1
-12	4360071	Switch, Toggle, SPST	1
-13	3250842	Nametag, "Ignition On/Off"	1
-13	4360073	Switch, Toggle, DPDT	1
-14	3250605	Nametag, Select	1
-14	4360074	Switch, Toggle, DPDT/MC	1
-15	3251179	Nametag, "Swing, Left/Right"	1
-15	4360074	Switch, Toggle, DPDT/MC	1
-16	3250601	Nametag, "Telescope, In/Out"	1
-16	4360074	Switch, Toggle, DPDT/MC	1
-17	3250599	Nametag, Lift, Up/Down	1
-17	4360114	Switch, Toggle, SPST/MC	1
-18	3250588	Nametag, Choke (Ford Engine)	1
-18	3251064	Nametag, Glow Plug (Deutz Engine)	1
-18	4360069	Circuit Breaker, 10 Amp	1
-19	3250602	Nametag, Circuit Breaker	1
-19	4360084	Switch, Toggle, DPST/MC	1
-19	3250603	Nametag, Auxiliary Power	1
-19	1540002	Capacitor, 1000MFD, 25VDC	1
-19	3990001	Diode, 3.5 Amp	1
-19	1060019	Cable, Electrical, 16/12	1
-19	1060041	Cable, Electrical, 9/3	1

SECTION 2 — ILLUSTRATED PARTS LIST

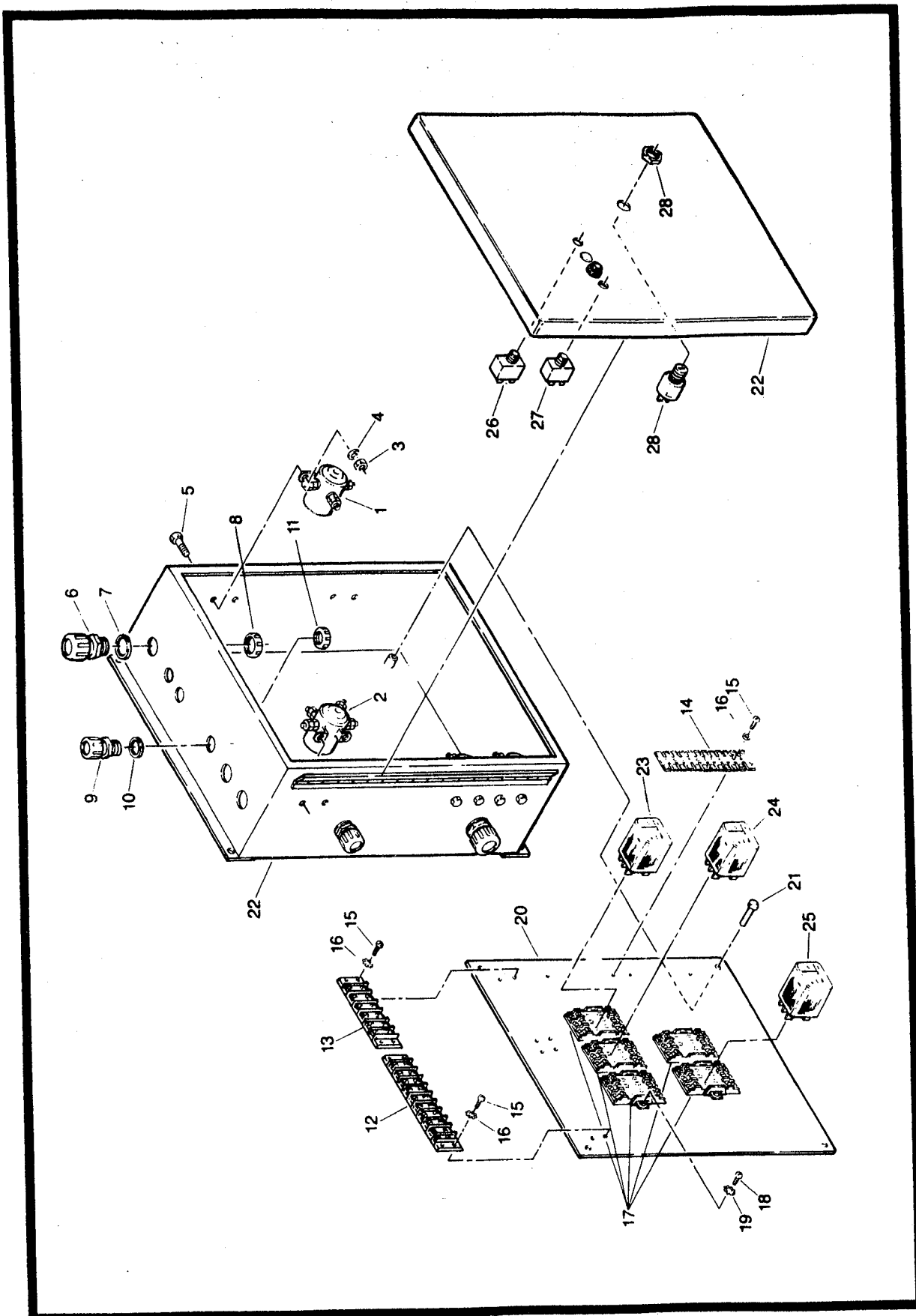


Figure 2-18. Main Terminal Box and Electrical Components Installation.

SECTION 2 — ILLUSTRATED PARTS LIST

FIGURE & INDEX NO.	PART NUMBER	ITEMS & DESCRIPTION	QTY.
2-18		MAIN TERMINAL BOX AND ELECTRICAL COMPONENTS INSTALLATION	Ref.
	0230726	MAIN TERMINAL BOX ASSEMBLY	1
-1	3740002	Relay, Power	4
-2	3740013	Relay, Power (Attaching Parts)	1
-3	3311001	Nut, Hex, #10-24NC	10
-4	4751000	Washer, Flat, #10-24 I.D.	10
-5	0641001	Screw, Cap, Hex Head, #10-24 x 1/2" Long, Grade 5	10
-6	4460051	Connector, Strain Relief, 3/4"	4
-7	0960238	Bushing, 3/4"	4
-8	3300048	Nut, Lock, Conduit, 3/4"	4
-9	4460052	Connector, Strain Relief, 1/2"	4
-10	0960239	Bushing, 1/2"	4
-11	3300047	Nut, Lock, Conduit, 1/2"	4
	0230724	MAIN TERMINAL PANEL ASSEMBLY	1
-12	4460002	Strip, Terminal, 10 Position	1
-13	4460007	Strip, Terminal, 6 Position	1
-14	4460053	Strip, Terminal, 12 Position (Attaching Parts)	4
-15	3900039	Screw, Self-Tapping, #6-32 x 3/4" Long	16
-16	4770600	Washer, Star, #6	16
-17	4120002	Socket, Relay (Attaching Parts)	5
-18	3900039	Screw, Self-Tapping, #6-32 x 3/4" Long	7
-19	4770600	Washer, Star, #6	7
	4160025	Spring, Relay Holder	10
-20	3380044	Panel, Modified (Attaching Parts)	1
-21		Screw, Machine, #10-32 x 3/8" Long	4
-22	0230724	Box, Main Terminal	1
-23	3740016	Relay, Signal	2
-24	3740014	Relay, Signal	2
-25	3740019	Relay, Latching	1
	3990001	Diode, 3.5 Amp	8
-26	4360070	Circuit Breaker, 15 Amp	1
-27	4360112	Circuit Breaker, 5 Amp	2
-28	4360003	Switch, Ignition	1

SECTION 2 — ILLUSTRATED PARTS LIST

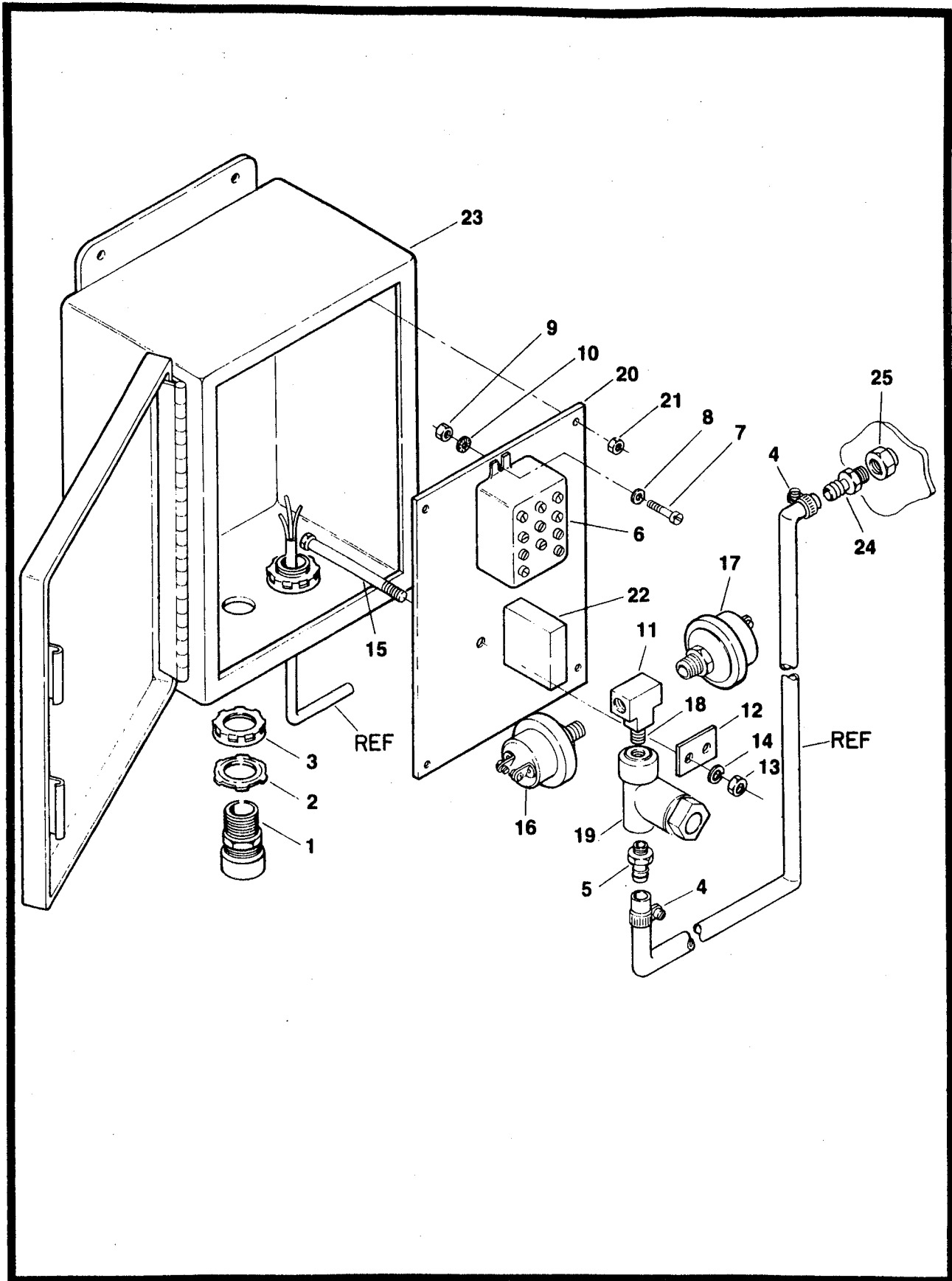


Figure 2-19. Vacuum Switch Box Assembly.

SECTION 2 — ILLUSTRATED PARTS LIST

FIGURE & INDEX NO.	PART NUMBER	ITEMS & DESCRIPTION	QTY.
2—19	0232031	VACUUM SWITCH BOX ASSEMBLY	Ref.
—1	4460049	Connector	2
—2	0960239	Bushing	2
—3	3300047	Nut, Lock (½" Conduit)	2
—4	1060016	Cable, Electrical (16/3)	2
—4	1320022	Clamp, Hose	2
—4	2720015	Hose, Vacuum	1
—5	2220315	Fitting, Barbed	1
—6	3740008	Relay, Electric (Start Lockout)	1
—7	3910606	(Attaching Parts)	
—8	4750600	Screw, Machine, #6-32 x ¾" Long	2
—8	4750600	Washer, Flat, #6	2
—9	3310601	Nut, Hex, #6-32	2
—10	4770600	Washer, Star Lock, #6	2
—11	4460016	Lug, Terminal (.19 Spade)	6
—11	2180089	Tee	1
—12	3503398	Plate	1
—13	3311401	(Attaching Parts)	
—13	3311401	Nut, Hex ¼" - 20NC	2
—14	4761400	Washer, Lock, ¼"	2
—15	0641420	Screw, Cap, Hex Head, ¼" - 20 x 2-½" Long	2
—16	4360067	Switch, Vacuum, NC	1
—17	4360066	Switch, Vacuum, N.O.	1
—18	2180104	Nipple	1
—19	4640214	Valve, Flow	1
—20	3503399	Panel	1
—21		(Attaching Parts)	
—21		Screw, Machine Nut, Hex (Supplied with Switch Box)	4
—22	0560220	Block	1
—23	0860165	Box	1
—23	3520028	Plug, Hole	1
—24	2220317	Nipple, Barbed	1
—25	2220250	Fitting, Reducer	1

SECTION 2 — ILLUSTRATED PARTS LIST

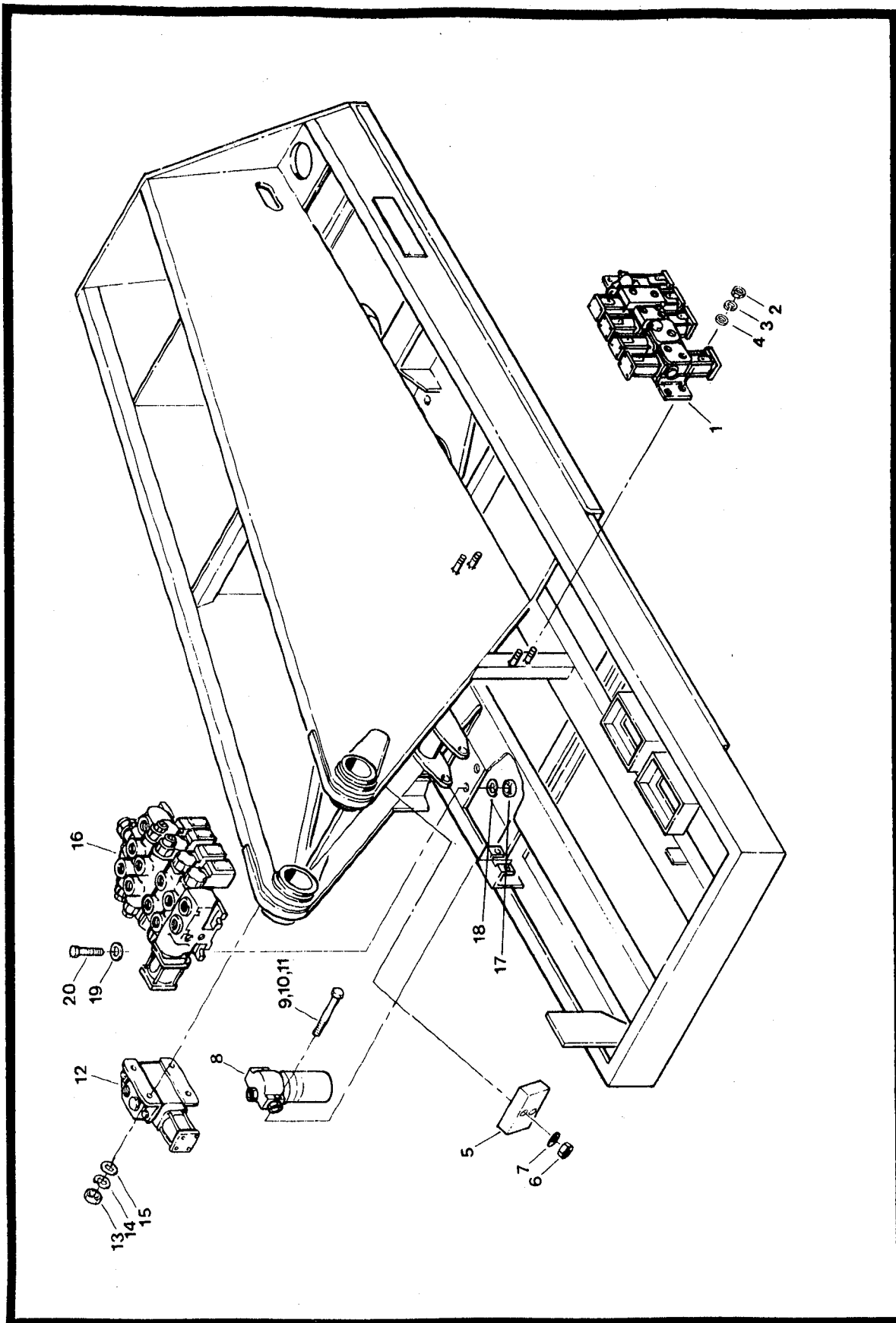


Figure 2-20. Control Valves and Filter Installation.

SECTION 2 — ILLUSTRATED PARTS LIST

FIGURE & INDEX NO.	PART NUMBER	ITEMS & DESCRIPTION	QTY.
2-20	1280145	CONTROL VALVES AND FILTER INSTALLATION	Ref.
	0233627	CONTROL VALVES & FILTER INSTALLATION (OUTRIGGER)	Ref.
	0233628	CONTROL VALVES & FILTER INSTALLATION (EXTENDABLE AXLES)	Ref.
-1	4640254	Valve (Solenoid Control - Outrigger)	1
	4640251	Valve (Solenoid Control - Extendable Axle) (Attaching Parts)	1
-2	3311601	Nut, Hex, 3/8 - 16	4
-3	4761600	Washer, Lock, Spring, 3/8" I.D.	4
-4	4751600	Washer, Flat, 3/8" I.D.	4
-5	4640150	Valve, Double Pilot Check (Attaching Parts)	1
-6	3311501	Nut, Hex, 5/16 - 18	2
-7	4761500	Washer, Flat, 5/16" I.D.	2
-8	2120078	Filter, High Pressure	1
	2120079	Element	
-9	3311401	Nut, Hex, 1/4 - 20	2
-10	4761400	Washer, Lock, Spring, 1/4" I.D.	2
-11	0641482	Screw, Cap, Hex Head, 1/4 - 20 x 2-3/4 Long	2
	2120079	Filter Element	1
-12	4640104	Valve, Relief (Attaching Parts)	1
-13	3311601	Nut, Hex, 3/8 - 16	4
-14	4761600	Washer, Lock, Spring, 3/8" I.D.	4
-15	4751600	Washer, Flat, 3/8" I.D.	4
-16	4640347	Valve, Proportional Control (7.5 Volt) (Attaching Parts)	1
-17	3311601	Nut, Hex, 3/8 - 16	4
-18	4761600	Washer, Lock, Spring, 3/8" I.D.	4
-19	4751600	Washer, Flat, 3/8" I.D.	4
-20	0641614	Screw, Cap, Hex Head, 3/8 - 16 x 1-3/4" Long	4

SECTION 2 — ILLUSTRATED PARTS LIST

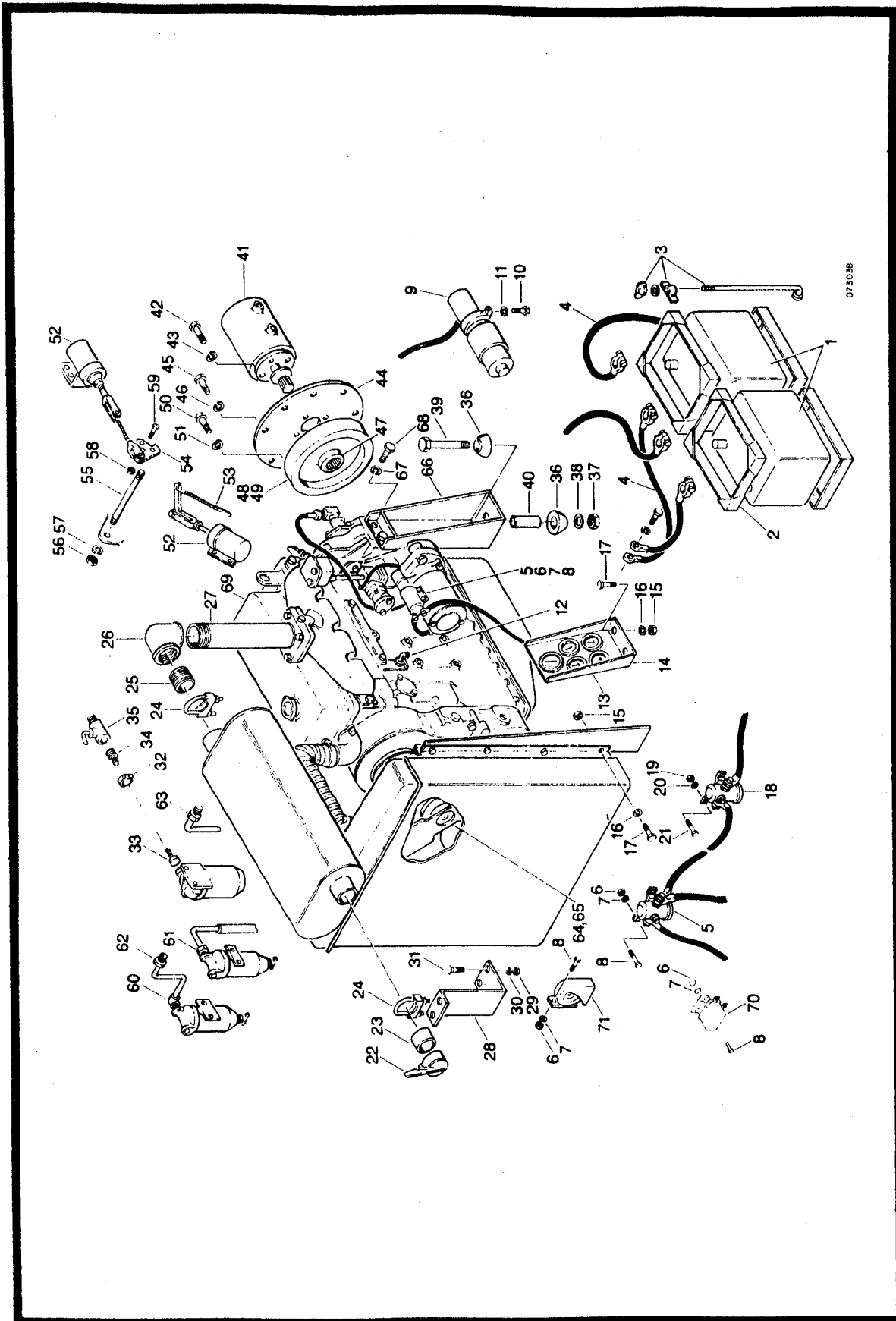


Figure 2-21. Detroit Diesel Engine, Pump and Battery Installation.

SECTION 2 — ILLUSTRATED PARTS LIST

FIGURE & INDEX NO.	PART NUMBER	ITEMS & DESCRIPTION	QTY.
2-21	0231540	DETROIT DIESEL ENGINE, PUMP AND BATTERY INSTALLATION	Ref.
-1	0400003	Battery, 12VDC	2
-2	0400002	Holddown, Battery	2
-3	0630003	Clamp, Rod and Nut	4
-4	1060046	Cable, Battery	4
-5	3740032	Relay, Time Delay (Attaching Parts)	2
-6	3311401	Nut, Hex, ¼ - 20NC	4
-7	4761400	Washer, Lock, Spring, ¼" I.D.	4
-8	0641406	Screw, Cap, Hex Head, ¼ - 20NC x ¾" Long	4
-9	3600051	Pump, Hydraulic, Auxiliary (Attaching Parts)	1
-10	0641608	Screw, Cap, Hex Head, ¾ - 16NC x 1" Long	2
-11	4761600	Washer, Lock, Spring, ¾" I.D.	2
-12	2220639	Fitting, Elbow	1
-13	2220318	Fitting, Elbow	1
-14	0231495	Bracket, Gauge (Attaching Parts)	1
-15	3311601	Nut, Hex, ¾ - 16NC	11
-16	4761600	Washer, Lock, Spring, ¾" I.D.	11
-17	0641608	Screw, Cap, Hex Head, ¾ - 16NC x 1" Long	11
-18	3740002	Relay (3 Prong)	1
	3740013	Relay (4 Prong)	1
-19	3311401	Nut, Hex, ¼ - 20NC	2
-20	4761400	Washer, Lock, Spring, ¼" I.D.	2
-21	0641406	Screw, Cap, Hex Head, ¼ - 20NC x ¾" Long	2
-22	1120101	Cap, Rain	1
-23	3460165	Pipe, Extension, Exhaust	1
-24	1320063	Clamp, Muffler	2
-25	3460110	Nipple, Exhaust	1
-26	2200350	Elbow, 90°	1
-27	3460166	Nipple, Exhaust	1
-28	0900570	Bracket, Muffler (Attaching Parts)	1
-29	3311501	Nut, Hex, 5/16 - 18	2
-30	4751500	Washer, Flat, 5/16" I.D.	2
-31	0641506	Screw, Cap, Hex Head, 5/16 - 18 x ¾" Long	2
-32	1320028	Clamp, Hose	4
-33	2220346	Fitting, Barbed	1
-34	2180371	Fitting, Barbed	2
-35	4640218	Valve, Shut-off, Fuel	1
-36	3200062	Mount, Engine (Attaching Parts)	8
-37	3311805	Nut, Lock, ½ - 13NC	4
-38	4751800	Washer, Flat, ½" I.D.	4
-39	0641820	Screw, Cap, Hex Head, ½ - 13NC x 2-½" Long	4
-40	4560161	Tube, Motor Mount	4

SECTION 2 — ILLUSTRATED PARTS LIST

FIGURE & INDEX NO.	PART NUMBER	ITEMS & DESCRIPTION	QTY.
2-21	0231540	DETROIT DIESEL ENGINE, PUMP AND BATTERY INSTALLATION (Continued)	Ref.
	0231549	ENGINE AND PUMP ASSEMBLY	1
-41	3600037	Pump, Hydraulic, Main (Attaching Parts)	1
-42	0641810	Screw, Cap, Hex Head, 1/2 - 20NC x 1-1/4" Long	4
-43	4761800	Washer, Lock, Spring, 1/2" I.D.	4
-44	0080029	Adapter, Pump Mounting (Attaching Parts)	1
-45	0641608	Screw, Cap, Hex Head, 3/8 - 16NC x 1" Long	16
-46	4761600	Washer, Lock, Spring, 3/8" I.D.	16
-47	4100001	Sleeve, Spline	1
-48	0641610	Screw, Cap, Hex Head, 3/8 - 16NC x 1-1/4" Long	6
-49	0230680	Disc Assembly (Attaching Parts)	
-50	0641508	Screw, Cap, Hex Head, 5/16 - 18NC c 1" Long	10
-51	4761500	Washer, Lock, Spring, 5/16" I.D.	10
-52	3740048	Solenoid, Throttle	2
-53	4160037	Spring	1
-54	0900314	Bracket, Throttle	1
-55	3840244	Rod, Throttle (Attaching Parts)	1
-56	3311401	Nut, Hex, 1/4 - 20NC	2
-57	4761400	Washer, Lock, Spring, 1/4" I.D.	2
-58	3311001	Nut, Hex, #10-32	2
-59	0641006	Screw, Cap, Hex Head, #10-32 x 3/4" Long, Grade 5	1
-60	2220282	Fitting, Elbow, °	1
-61	2220065	Fitting	1
-62	2220004	Fitting, Adapter	1
-63	0231545	Fitting Assembly	1
-64	2020002	Extension, Fan (Attaching Parts)	1
-65	3900094	Screw, Cap, Hex Head, 3/8 - 16NC x 2-1/2" Long, Grade 5	4
-66	0231497	Mount, Engine (Attaching Parts)	2
-67	0641808	Screw, Cap, Hex Head, 1/2 - 20NC x 1" Long	8
-68	4761800	Washer, Lock, Spring, 1/2" I.D.	8
-69	2000052	Engine, Diesel	1
-70	3740030	Relay, Adlo	1
-71	0140001	Horn, 12VDC	1

SECTION 2 — ILLUSTRATED PARTS LIST

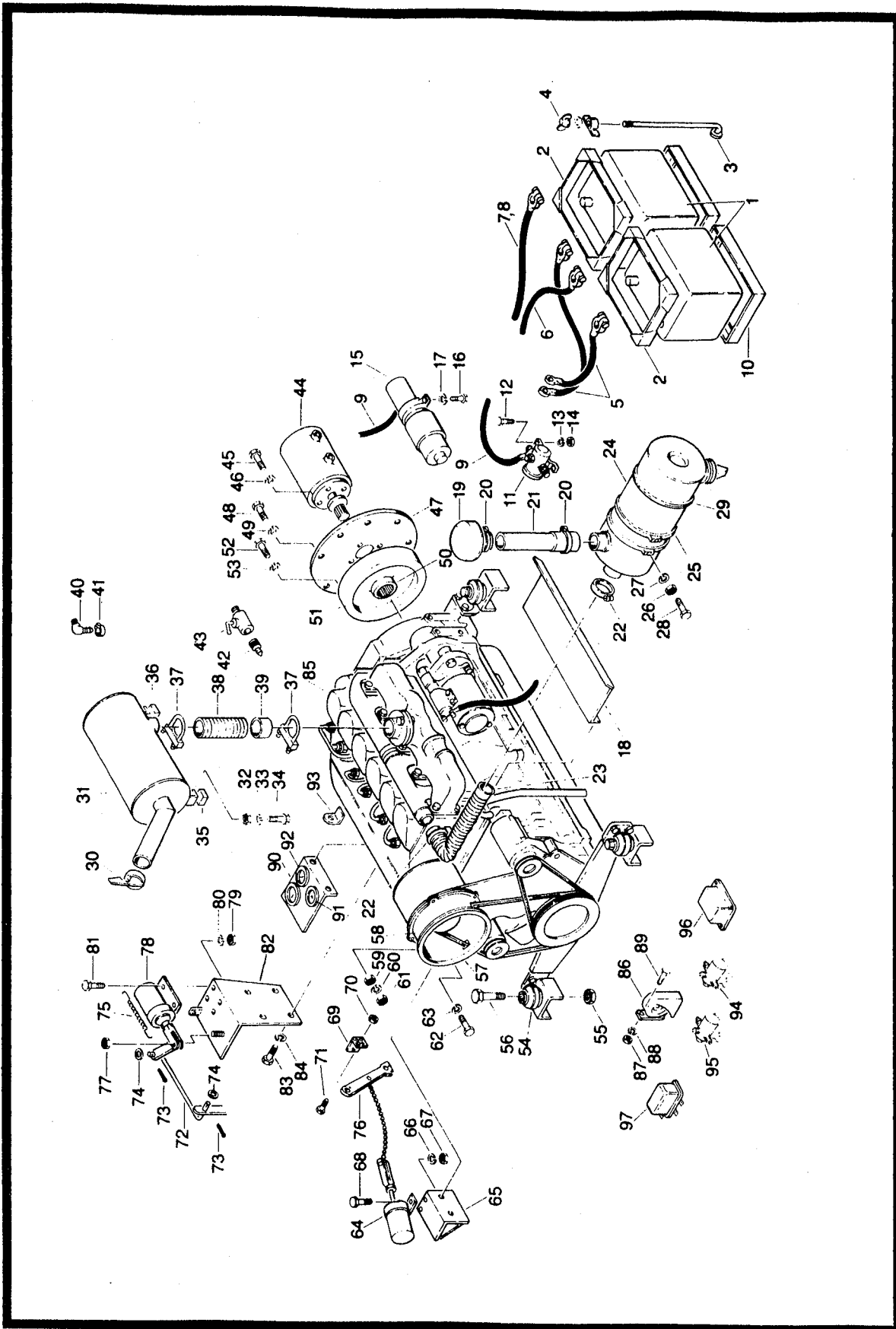


Figure 2-22. Deutz Diesel Engine, Pump and Battery Installation.

SECTION 2 — ILLUSTRATED PARTS LIST

FIGURE & INDEX NO.	PART NUMBER	ITEMS & DESCRIPTION	QTY.
2—22	0232129	DEUTZ DIESEL ENGINE, PUMP AND BATTERY INSTALLATION	Ref.
—1	0400003	Battery, 12VDC	2
—2	0400002	Holddown, Battery	2
—3	0630003	Rod, Holddown (Attaching Parts)	4
—4	3300029	Nut, Wing, 3/8 - 16NC	4
—5	1060007	Cable, Battery	2
—6	1060032	Cable, Battery	1
—7	0400007	Cable, Battery	2
—8	1060031	Cable, Battery	1
—9	1060030	Cable, Battery	1
—10	3980006	Seat, Battery	2
—11	3740002	Solenoid, Engine (Attaching Parts)	2
—12	3311401	Nut, Hex, 1/4 - 20NC	4
—13	4761400	Washer, Lock, Spring, 1/4" I.D.	4
—14	0641406	Screw, Cap, Hex Head, 1/4 - 20NC x 3/4" Long	4
—15	3600051	Pump, Hydraulic, Auxiliary (Attaching Parts)	1
—16	0641610	Screw, Cap, Hex Head, 3/8 - 16NC x 1-1/4" Long, Grade 5	2
—17	4761600	Washer, Lock, Spring, 3/8" I.D.	2
—18	4060315	Shield, Battery Cover	1
—19	1120194	Cap, Air Cleaner	1
—20	1320058	Clamp, Air Cleaner	2
—21	0232749	Stack, Air Cleaner	1
—22	1320058	Clamp	2
—23	2720129	Hose, Air and Vapor Dust	1
—24	1340026	Air Cleaner Assembly	1
—25	0340003	Band, Air Cleaner (Attaching Parts)	2
—26	3311501	Nut, Hex, 5/16 - 18NC	4
—27	4761500	Washer, Lock, Spring, 5/16" I.D.	4
—28	0641506	Screw, Cap, Hex Head, 5/16 - 18 x 3/4" Long	4
—29	2720099	Hose, Protective	1
—30	1120169	Cap, Rain	1
—31	3220025	Muffler Weldment	1
—32	3311501	Nut, Hex, 5/16 - 18NC	4
—33	4761500	Washer, Lock, Spring, 5/16" I.D.	4
—34	0641511	Screw, Cap, Hex Head, 5/16 - 18NC x 1-3/8" Long	4
—35	0360481	Spacer, Bar, Front	1
—36	0360482	Spacer, Bar, Rear	1
—37	1320011	Clamp, Exhaust	2
—38	4561514	Tube, Flexible	1
—39	4561301	Tube, Exhaust Adapter	1
—40	2180346	Fitting, Barbed	1
—41	1320022	Clamp, Hose	2
—42	2180348	Fitting, Barbed	1
—43	4640218	Valve, Shut-off	1

SECTION 2 — ILLUSTRATED PARTS LIST

FIGURE & INDEX NO.	PART NUMBER	ITEMS & DESCRIPTION	QTY.
2-22	0232129	DEUTZ DIESEL ENGINE, PUMP AND BATTERY INSTALLATION (Continued)	Ref.
	0232081	ENGINE AND PUMP ASSEMBLY	1
-44	3600037	Main Hydraulic Pump (See Figure 2- for breakdown) (Attaching Parts)	1
-45	0641810	Screw, Cap, Hex Head, ½ - 13NC x 1-¼" Long	4
-46	4761800	Washer, Lock, Spring, ½" I.D.	4
-47	0080029	Adapter, Engine to Pump (Attaching Parts)	1
-48	0630135	Screw, Cap, Hex Head, 10MM x 30MM	12
-49	4740116	Washer, Lock, Spring, 10MM I.D.	12
-50	4100001	Sleeve, Spline	1
-51	0232231	Drive Plate Assembly (Attaching Parts)	1
-52	0630190	Screw, Cap, Hex Head, 10MM x 20MM	14
-53	4740116	Washer, Lock, Spring, 10MM	14
-54	3503489	Plate, Motor Mount Spacer (Attaching Parts)	4
-55	3311801	Nut, Hex, ½ - 13NC	4
-56	0641338	Screw, Cap, Hex Head, ½ - 13NC x 4-¾" Long	4
-57	3960214	Seal	1
	0100001	Adhesive	A/R
-58	0232867	Ring, Intake (Attaching Parts)	1
-59	3311401	Nut, Hex, ¼ - 20NC	4
-60	4761400	Washer, Lock, Spring, ¼" I.D.	3
-61	0641408	Screw, Cap, Hex Head, ¼ - 20NC x 1" Long	3
-62	0630217	Screw, Cap, Hex Head, 6MM x 20MM	1
-63	4740174	Washer, Lock, Spring, 6MM	1
-64	3740028	Solenoid	1
-65	0900529	Bracket, Solenoid (Attaching Parts)	1
-66	3311405	Nut, Hex, ¼ - 20NC	2
-67	4771400	Washer, Lock, Star, ¼" I.D.	2
-68	0641406	Screw, Cap, Hex Head, ¼ - 20NC x ¾" Long	2
-69	0900411	Bracket, Choke Solenoid (Attaching Parts)	1
-70	3311401	Nut, Hex, ¼ - 20NC	4
-71	0641414	Screw, Cap, Hex Head, ¼- 20NC x 1-¾" Long	4
-72	0232827	Rod, Linkage (Attaching Parts)	1
-73	3450203	Pin, Cotter, 1/16" x ¾" Long	1
-74	4751400	Washer, Flat, ¼" I.D.	1
-75	4160073	Spring	1
-76	2980046	Lever (Attaching Parts)	1
-77	3311501	Nut, Hex, 5/16 - 18NC, Grade 5	4

SECTION 2 — ILLUSTRATED PARTS LIST

FIGURE & INDEX NO.	PART NUMBER	ITEMS & DESCRIPTION	QTY.
2-22	0232129	DEUTZ DIESEL ENGINE, PUMP AND BATTERY INSTALLATION (Continued)	Ref.
-78	3740048	Solenoid, Engine (Attaching Parts)	1
-79	3311405	Nut, Hex, Lock, ¼ - 20NC	4
-80	4771400	Washer, Lock, Star, ¼" I.D.	4
-81	0641406	Screw, Cap, Hex Head, ¼ - 20NC x ¾" Long	4
-82	0900532	Bracket, Solenoid (Attaching Parts)	1
-83	0630136	Screw, Cap, Hex Head, 8MM x 24MM	4
-84	4740118	Washer, Lock, Spring, 8MM I.D.	4
-85	2000047	Engine, Diesel, Deutz	1
-86	0140001	Horn (Attaching Parts)	1
-87	3311401	Nut, Hex, ¼ - 20NC	2
-88	4761400	Washer, Lock, Spring, ¼" I.D.	2
-89	0641408	Screw, Cap, Hex Head, ¼ - 20NC x 1" Long, Grade 5	2
-90	3200091	Bracket, Mounting, Gauges	1
-91	2420006	Gauge, Amp	1
-92	2420030	Gauge, Oil Pressure	1
-93	0900449	Bracket, Glow Plug	1
-94	3740013	Solenoid (4 Prong) or (3740002 - 3 Prong Sol.)	1
-95	3740027	Solenoid, Start	1
-96	3740030	Relay, Adlo	1
-97	3740032	Relay, Time Delay	1
	2180089	Fitting, Tee	1
	2220639	Fitting, Elbow	1
	4360037	Switch, Pressure	1

SECTION 2 — ILLUSTRATED PARTS LIST

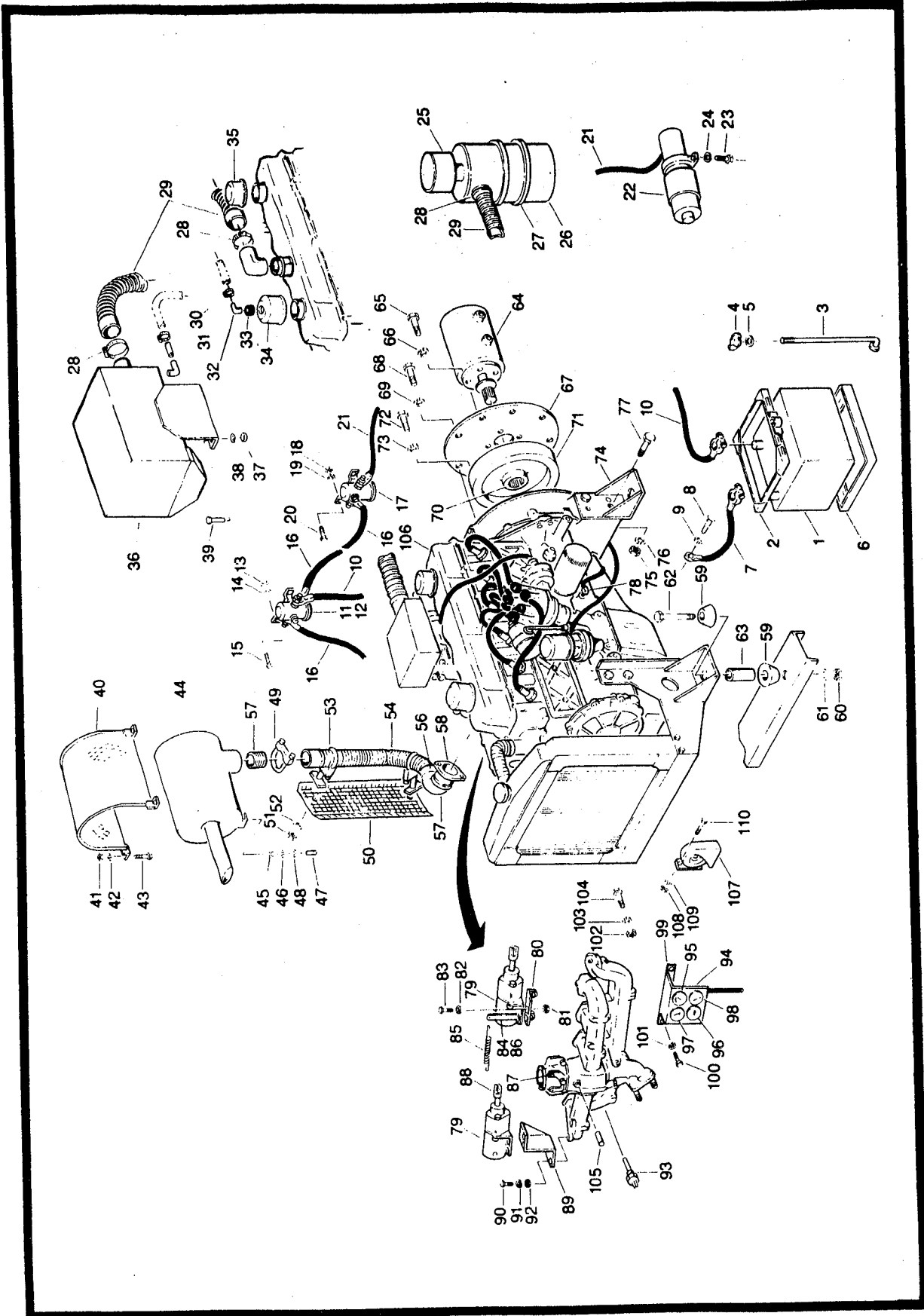


Figure 2-23. Ford Engine, Pump and Battery Installation.

SECTION 2 — ILLUSTRATED PARTS LIST

FIGURE & INDEX NO.	PART NUMBER	ITEMS & DESCRIPTION	QTY.
2-23	0230243	FORD ENGINE, PUMP AND BATTERY INSTALLATION	Ref.
	0233471	SECOND BATTERY INSTALLATION (OPTIONAL)	1
	0400003	Battery, 12VDC	1
	0400002	Holddown, Battery	1
	0630003	Rod, Holddown (Attaching Parts)	2
	3300029	Nut, Wing, 3/8 - 16NC	2
	4751600	Washer, Flat, 3/8" I.D.	2
	1060031	Cable, Battery	1
	1060049	Cable, Battery	1
	0860003	Box, Battery	1
-1	0400003	Battery, 12VDC	1
-2	0400002	Holddown, Battery	1
-3	0630003	Rod, Holddown (Attaching Parts)	2
-4	3300029	Nut, Wing, 3/8 - 16NC	2
-5	4751600	Washer, Flat, 3/8" I.D.	2
-6	3980003	Seat, Battery	1
-7	1060046	Cable, Battery (Attaching Parts)	1
-8	0641708	Screw, Cap, Hex Head, 7/16 - 14 x 1" Long	1
-9	4761700	Washer, Lock, Spring, 7/16" I.D.	1
-10	1060051	Cable, Battery	1
-11	3740032	Relay, Time Delay	1
-12	3740027	Solenoid, Starter (Attaching Parts)	1
-13	3311401	Nut, Hex, 1/4 - 20NC	2
-14	4761400	Washer, Lock, Spring, 1/4" I.D.	2
-15	0641408	Screw, Cap, Hex Head, 1/4 - 20NC x 1" Long	2
-16	0400007	Cable, Battery	2
-17	3740002	Solenoid (3 Prong)	1
	3740013	Solenoid (4 Prong)	2
-18	3311401	Nut, Hex, 1/4 - 20NC	2
-19	4761400	Washer, Lock, Spring, 1/4" I.D.	2
-20	0641408	Screw, Cap, Hex Head, 1/4 - 20NC x 1" Long	2
-21	0400008	Cable, Battery	1
-22	3600051	Pump, Hydraulic, Auxiliary (Attaching Parts)	1
-23	0641608	Screw, Cap, Hex Head, 3/8 - 16NC x 1" Long	2
-24	4761600	Washer, Lock, Spring, 3/8" I.D.	2
-25	1120194	Cap, Air Cleaner	1
-26	1340019	Air Cleaner	1
-27	0340003	Band, Mounting	2
-28	1320016	Clamp, Air Breather	2
-29	2720045	Hose, Air Intake	1

SECTION 2 — ILLUSTRATED PARTS LIST

FIGURE & INDEX NO.	PART NUMBER	ITEMS & DESCRIPTION	QTY.
2—23	0230243	FORD ENGINE, PUMP AND BATTERY INSTALLATION (Continued)	Ref.
	0231592	AIR CLEANER INSTALLATION (FARR OPTIONAL)	1
—30	1320017	Clamp, Hose	2
—31	2180092	Nipple, Pipe	1
—32	2180324	Elbow, 90°	1
—33	2540007	Grommet	1
—34	1120140	Cap, Oil Fill	1
—35	1120141	Cap, Breather	1
—36	0231591	Air Cleaner Assembly (Attaching Parts)	1
—37	3311401	Nut, Hex, ¼ - 20NC	4
—38	4751400	Washer, Lock, Spring, ¼" I.D.	4
—39	0641408	Screw, Cap, Hex Head, ¼ - 20NC x 1" Long	4
	1320022	Clamp, Hose (Fuel Line)	1
	2220296	Fitting, Barb (Fuel Line)	1
	0230590	MUFFLER SHIELD INSTALLATION	Ref.
—40	0230586	Shield, Muffler (Attaching Parts)	1
—41	3311401	Nut, Hex, ¼ - 20NC	4
—42	4761400	Washer, Lock, Spring, ¼" I.D.	4
—43	0641406	Screw, Cap, Hex Head, ¼ - 20NC x ¾" Long	4
—44	3220013	Muffler Assembly (Attaching Parts)	1
—45	3311501	Nut, Hex, 5/16 - 18NC	4
—46	4761500	Washer, Lock, 5/16" I.D.	4
—47	4320002	Stud	2
—48	4751500	Washer, Spacer	A/R
—49	1320011	Clamp, Exhaust	1
	0232869	EXHAUST SYSTEM INSTALLATION	Ref.
—50	3501920	Plate, Cover (Attaching Parts)	1
—51	3311401	Nut, Hex, ¼ - 20NC	2
—52	4751400	Washer, Lock, Spring, ¼" I.D.	2
—53	0230960	Clamp Assembly	2
—54	4561513	Tubing	1
—55	2180235	Pipe, Nipple	1
—56	2180105	Pipe, Nipple	1
—57	2180094	Elbow, 90#	1
—58	2240070	Flange, Exhaust	1
—59	3200062	Mount, Motor (Attaching Parts)	8
—60	3311805	Nut, Hex, Lock, ½ - 13NC	4
—61	4751800	Washer, Flat, ½" I.D.	4
—62	0641826	Screw, Cap, Hex Head, ½ - 13NC x 3-¼" Long	4
—63	4560161	Tube, Mount, Motor	4

SECTION 2 — ILLUSTRATED PARTS LIST

FIGURE & INDEX NO.	PART NUMBER	ITEMS & DESCRIPTION	QTY.
2-23	0230243	FORD ENGINE, PUMP AND BATTERY INSTALLATION (Continued)	Ref.
	0230703	ENGINE AND PUMP ASSEMBLY	1
-64	3600037	Pump, Hydraulic, Main (Attaching Parts)	1
-65	0641810	Screw, Cap, Hex Head, ½ - 13NC x 1-¼" Long	4
-66	4761800	Washer, Lock, Spring, ½" I.D.	4
-67	0080029	Adapter, Engine to Pump (Attaching Parts)	1
-68	0641612	Screw, Cap, Hex Head, ¾ - 16NC x 1-½" Long, Grade 5	12
-69	4761600	Washer, Lock, Spring, ¾" I.D.	12
-70	0230680	Plate, Drive	1
-71	0230680	Plate, Drive (Attaching Parts)	1
-72	0641607	Screw, Cap, Hex Head, ¾ - 16NC x ¾" Long	8
-73	4761600	Washer, Lock, Spring, ¾" I.D.	8
-74	0230453	Support, Rear Engine (Attaching Parts)	2
-75	3311801	Nut, Hex, ½ - 13NC	4
-76	4761800	Washer, Lock, Spring, ½" I.D.	4
-77	0641814	Screw, Cap, Hex Head, ½ - 13NC x 1-¾" Long, Grade 5	4
-78	2220292	Fitting, Elbow	1
-79	3740048	Solenoid, Engine	2
-80	0900220	Bracket, Solenoid (Attaching Parts)	1
-81	3311401	Nut, Hex, ¼ - 20NC	2
-82	4751400	Washer, Flat, ¼" I.D.	2
-83	0641406	Screw, Cap, Hex Head, ¼ - 20NC x ¾" Long	2
-84	0900537	Bracket, Choke	1
-85	4160024	Spring, Return	1
-86	3321001	Nut, Hex Head, #10-32	3
-87	0651006	Screw, Cap, Hex Head, #10-32 x ¾" Long	1
-88	3010035	Linkage, Choke	1
-89	0232877	Bracket, Choke Solenoid (Attaching Parts)	1
-90	0641506	Screw, Cap, Hex Head, 5/16 - 18NC x ¾" Long	2
-91	4761500	Washer, Lock, Spring, 5/16" I.D.	2
-92	4751500	Washer, Flat, 5/16" I.D.	2
-93	2420024	Unit, Sending, Water Temp.	1
-94	2220318	Fitting, Weatherhead	1
-95	2420019	Gauge, Water Temp.	1
-96	2420009	Meter, Hour	1
-97	2420006	Gauge, Amp	1
-98	2420005	Gauge, Oil Pressure	1
-99	0230893	Bracket, Mounting (Attaching Parts)	1
-100	0641706	Screw, Cap, Hex Head, 7/16 - 14 x ¾" Long	1
-101	4761700	Washer, Lock, Spring, 7/16"	1

SECTION 2 — ILLUSTRATED PARTS LIST

FIGURE & INDEX NO.	PART NUMBER	ITEMS & DESCRIPTION	QTY.
2-23	0230243	FORD ENGINE, PUMP AND BATTERY INSTALLATION (Continued)	Ref.
-102	3311001	Nut, Hex, #10-24	3
-103	4761000	Washer, Lock, #10	3
-104	0641004	Screw, Cap, Hex Head, #10-24 x ½" Long	3
-105	4100002	Sleeve, Brass	1
-106	2000015	Engine, Gasoline	1
-107	0140001	Horn (Attaching Parts)	1
-108	3311401	Nut, Hex, ¼ - 20NC	2
-109	4761400	Washer, Lock, Spring, ¼" I.D.	2
-110	0641408	Screw, Cap, Hex Head, ¼ - 20NC x 1" Long -----	2

SECTION 2 — ILLUSTRATED PARTS LIST

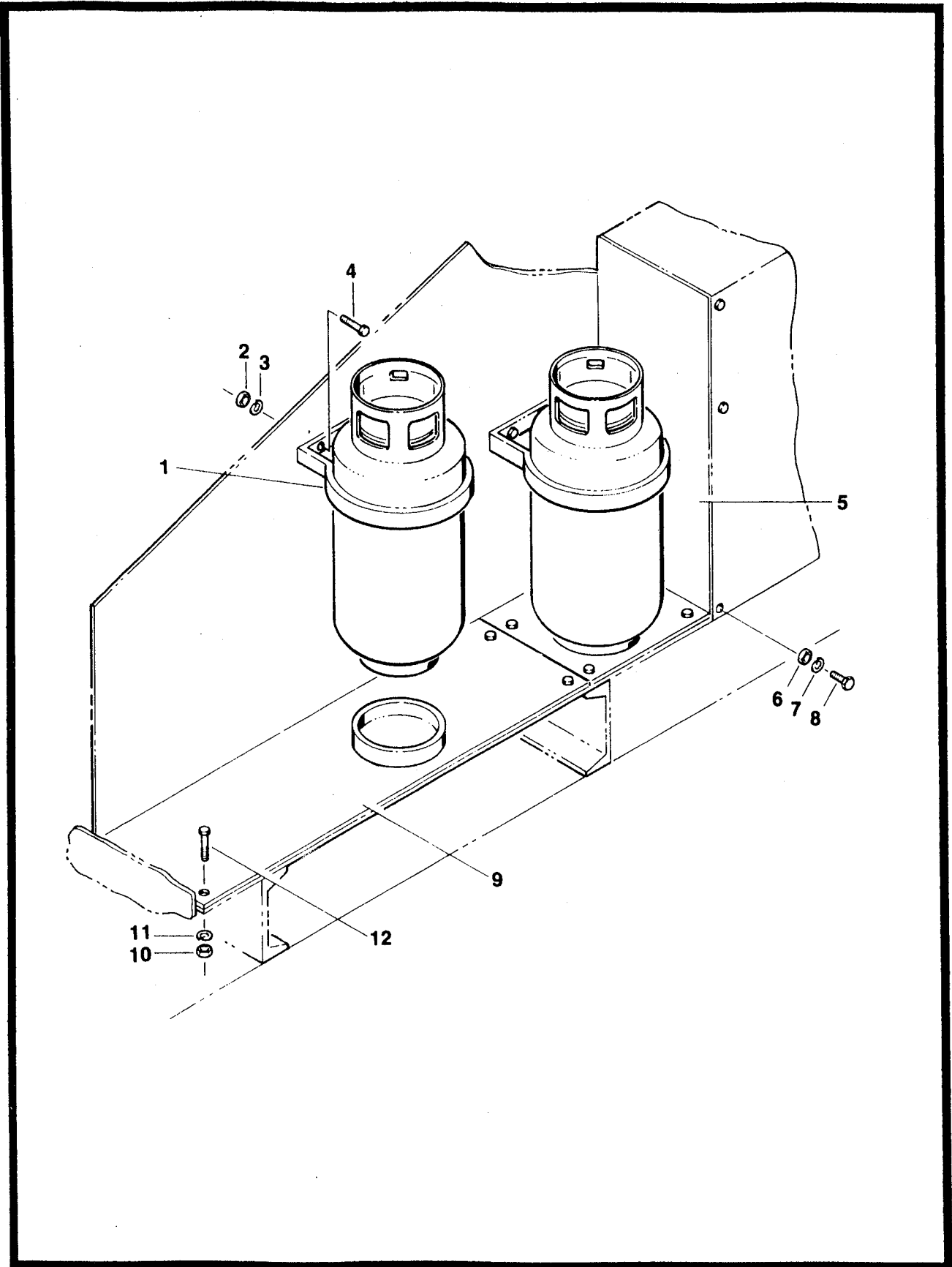


Figure 2-24. LP Gas System Assembly.

SECTION 2 — ILLUSTRATED PARTS LIST

FIGURE & INDEX NO.	PART NUMBER	ITEMS & DESCRIPTION	QTY.
2—24	0230519	LP GAS SYSTEM ASSEMBLY (FORD ONLY)	Ref.
	2900025	LP GAS KIT	1
	4400038	Tank, Bottle, LP Gas	2
	4400040	Tank, Bottle, LP Gas	2
—1	1320023	Bracket, Mounting, Tank (Attaching Parts)	2
—2	3311601	Nut, Hex, 3/8 - 16NC	4
—3	4761600	Washer, Lock, 3/8" I.D.	4
—4	0641608	Screw, Cap, Hex Head, 3/8 - 16NC x 1" Long	4
	7000631	Gasket	1
	7000632	Carburetor	1
	7000633	Regulator	1
	7000634	Vaporizer	1
	7000635	Filter Assembly	1
—5	0230518	Panel Assembly (Attaching Parts)	1
—6	3311401	Nut, Hex, 1/4 - 20NC	6
—7	4761600	Washer, Lock, 1/4" I.D.	6
—8	0641408	Screw, Cap, Hex Head, 1/4 - 20NC x 1" Long	6
	3501236	Plate (Attaching Parts)	1
—10	3311401	Nut, Hex, 1/4 - 20NC	4
—11	4761600	Washer, Lock, 1/4" I.D.	4
—12	0641408	Screw, Cap, Hex Head, 1/4 - 20NC x 1" Long	4

SECTION 2 — ILLUSTRATED PARTS LIST

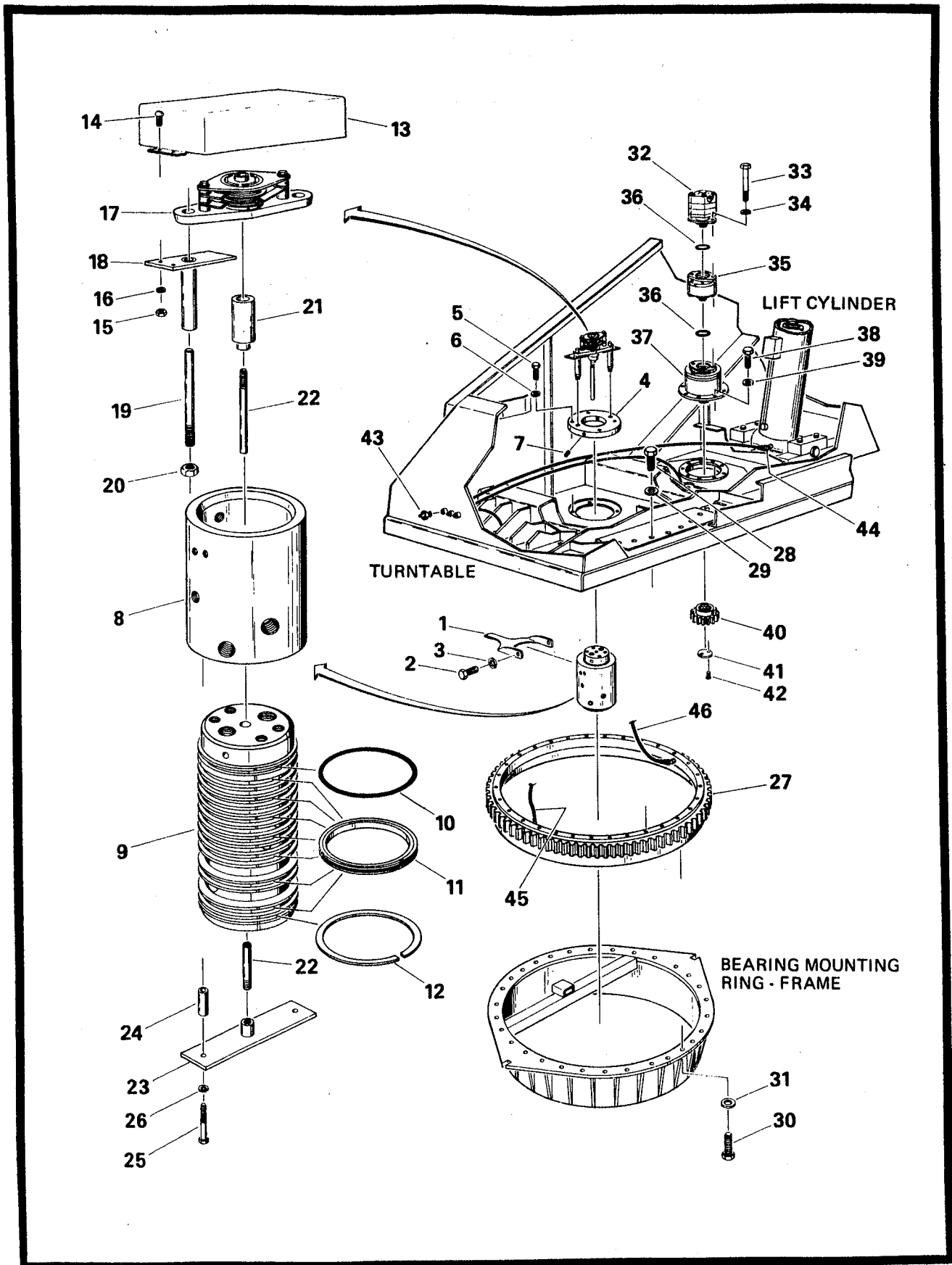


Figure 2-25. Turntable Swing Components Assembly and Installation.

SECTION 2 — ILLUSTRATED PARTS LIST

FIGURE & INDEX NO.	PART NUMBER	ITEMS & DESCRIPTION	QTY.
2—25		TURNTABLE SWING COMPONENTS ASSEMBLY AND INSTALLATION	Ref.
	0230644	ROTARY OIL COUPLING INSTALLATION	Ref.
—1	3501050	Plate, Retaining (Attaching Parts)	1
—2	0641806	Screw, Cap, Hex Head, ½" - 13NC x ¾" Long, Grade 5	2
—3	4761800	Washer, Lock, Spring ½"	2
	0100003	Loctite	A/R
—4	1440051	Collar (Attaching Parts)	1
—5	0641514	Bolt, Hex Head, 5/16" - 18NC x 1-¾" Long, Grade 5	4
—6	4761500	Washer, Lock, Spring 5/16" I.D.	4
	1660042	Coupling, Rotary Oil (Attaching Parts)	1
—7	3951820	Setscrew, Hex Socket Head, ½" - 13NC x 2-½" Long	2
	0100011	Nylock	A/R
—8	2760026	Housing, Coupling	1
—9	0620007	Body, Coupling	1
—10	3790432	O-Ring	1
—11	3960127	T-Seal	7
—12	3760027	Ring, Retaining	1
	2900127	Kit, Seal (Includes Items 10, 11 and 12)	1
	0230471	COLLECTOR RING ASSEMBLY	Ref.
—13	0230438	Cover (Attaching Parts)	1
—14	0651006	Screw, Round Hed Machine, #10-32 N.F. x ¾" Long	4
—15	3321001	Nut, Hex, #10-32 N.F.	4
—16	4761000	Washer, Lock, #10 Lock, Spring	4
—17	3760036	Ring, Electrical Collector	1
—18	0231047	Guide	2
—19	3420290	Pin	2
—20	3311801	Nut, Hex, ½" - 13NC	2
—21	0230435	Bracket, Adapter	1
—22	3460093	Pipe	1
—23	0230470	Bracket	1
—24	0960224	Bushing	2
—25	0641416	Bolt, Hex Head, ¼" - 20NC x 2-½" Long	2
—26	4761400	Lockwasher, ¼" I.D. Lock, Spring	2

SECTION 2 — ILLUSTRATED PARTS LIST

FIGURE & INDEX NO.	PART NUMBER	ITEMS & DESCRIPTION	QTY.
2-25		TURNTABLE SWING COMPONENTS ASSEMBLY AND INSTALLATION (Continued)	Ref.
	0230933	BEARING INSTALLATION (OUTRIGGER MACHINE)	Ref.
	0234498	BEARING INSTALLATION (EXTENDABLE AXLE MACHINE)	Ref.
-27	0440026	Bearing, Turntable (Rotek) (Attaching Parts)	1
-28	0630082	Bolt, Hex Head, 3/4" - 10NC x 2" Long, Grade 8	30
-29	4740057	Washer, Hardened	30
-30	0630080	Bolt, Hex Head, 3/4" - 10NC x 1-3/4" Long, Grade 8 (Outrigger Machines)	30
	0630156	Bolt, Hex Head, 3/4" - 10NC x 2-1/2" Long, Grade 8 (Extendable Axle Machines)	30
-31	4740057	Washer, Hardened	30
	0100003	Loctite	A/R
	0100004	Devcon, Plastic	A/R
	0230959	SWING DRIVE ASSEMBLY	Ref.
-32	3160031	Motor, Swing Drive (See Figure 2-27 for Breakdown) (Attaching Parts)	1
-33	0641844	Bolt, Hex Head, 1/2" - 13NC x 5-1/2" Long, Grade 5	2
-34	4761800	Washer, Lock, 1/2" I.D. Lock, Spring	2
-35	0920027	Brake (See Figure 2-28 for Breakdown)	1
-36	3790152	O-Ring	2
-37	2780055	Hub, Drive (See Figure 2-26 for Breakdown) (Attaching Parts)	1
-38	0641914	Bolt, Hex Head, 9/16" - 12NC x 1-3/4" Long, Grade 5	9
-39	4761900	Washer, Lock, 9/16" I.D. Lock Spring	9
-40	2440024	Gear, Pinion, with Internal Splines	1
-41	3501916	Plate, Retaining (Attaching Parts)	1
-42	3900031	Screw, Flat Head Machine, 3/8" - 16NC x 3/4" Long	2
	0100003	Loctite	A/R
	0230593	LIFT CYLINDER AND BEARING LUBRICATION INSTALLATION	Ref.
-43	2160002	Fitting, Grease, 1/8" N.P.T. - Straight	3
-44	2750527	Hose - Turntable to Lift Cylinder Base Pin	1
	2220001	Fitting - Turntable End	1
	2220124	Fitting, Lift Cylinder End	1
-45	2750529	Hose (Short) - Turntable to Bearing	1
	2220001	Fitting - Turntable End	1
	2220124	Fitting - Bearing End	1
-46	2750528	Hose, (Long) - Turntable to Bearing	1
	2220001	Fitting - Turntable End	1
	2220124	Fitting - Bearing End	1

SECTION 2 — ILLUSTRATED PARTS LIST

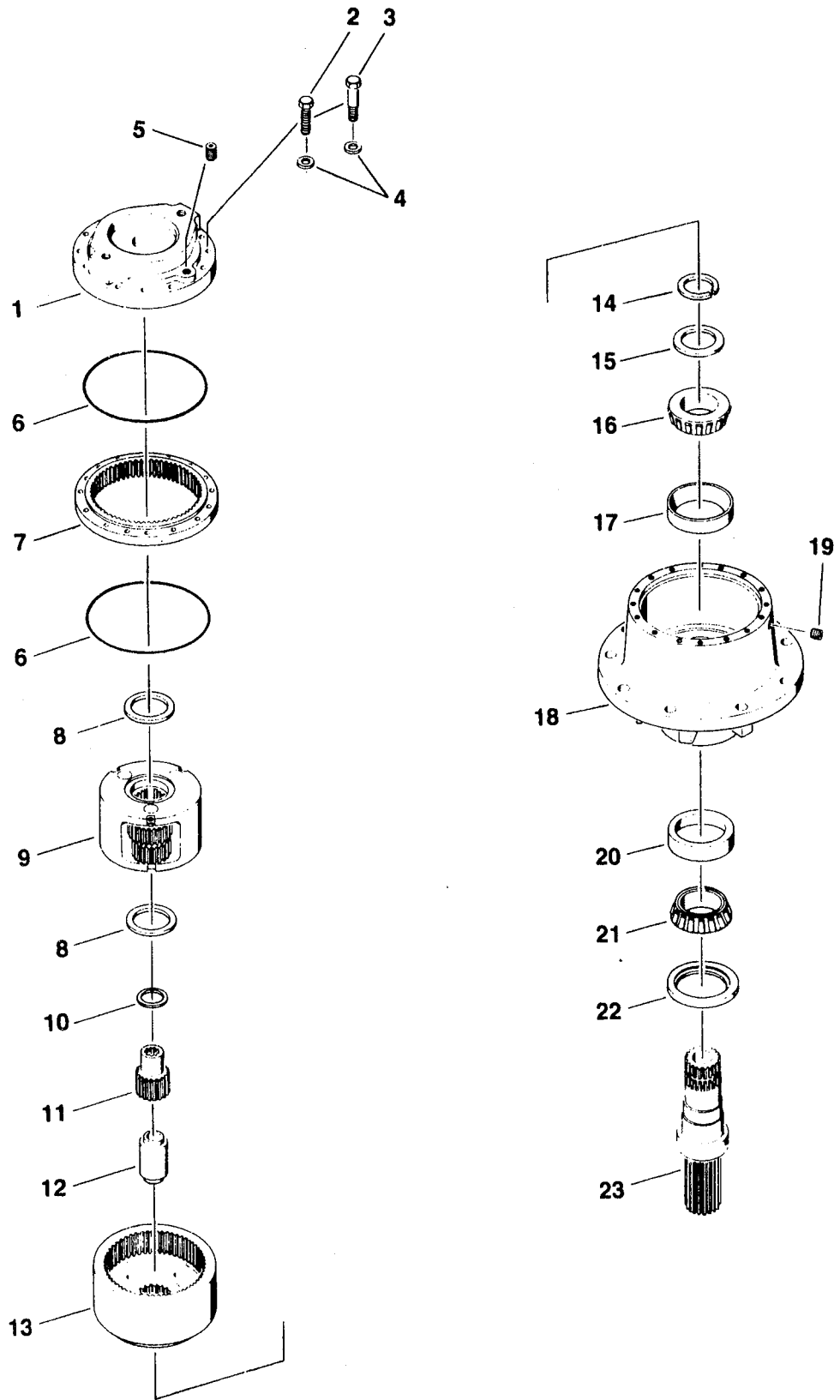


Figure 2-26. Drive Hub Assembly - Swing Drive.

SECTION 2 — ILLUSTRATED PARTS LIST

FIGURE & INDEX NO.	PART NUMBER	ITEMS & DESCRIPTION	QTY.
2-26	2780055	DRIVE HUB ASSEMBLY - SWING DRIVE	Ref.
-1	7000209	Cover (Attaching Parts)	1
-2	7000217	Screw, Cap, Hex Head	8
-3	7000214	Screw, Hex Head, Shoulder	4
-4	4751500	Washer, Flat	12
-5	7000242	Plug, Pipe	1
-6	7000230	O-Ring	2
-7	7000208	Gear, Ring	1
-8	7000253	Washer, Thrust	2
-9	7000207	Planet Carrier Assembly - No Service Breakdown Purchase Entire Assembly.	
-10	7000270	Washer, Thrust	1
-11	7000268	Gear, Sun-Input	1
-12	7000269	Spacer, Sun Gear	1
-13	7000246	Gear, Internal	1
	7000271	HUB ASSEMBLY	1
-14	7000229	Ring, Retaining	1
-15	7000232	Spacer	1
-16	7000258	Bearing, Tapered Roller	1
-17	7000257	Cup, Bearing	1
-18	7000210	Hub	1
-19	7000242	Plug, Pipe	1
-20	7000255	Cup, Bearing	1
-21	7000256	Bearing, Tapered Roller	1
-22	7000228	Seal	1
-23	7000233	Shaft, Output	1
	2900034	Kit, Repair (Includes Items 4, 6, 15 and 22)	1

SECTION 2 — ILLUSTRATED PARTS LIST

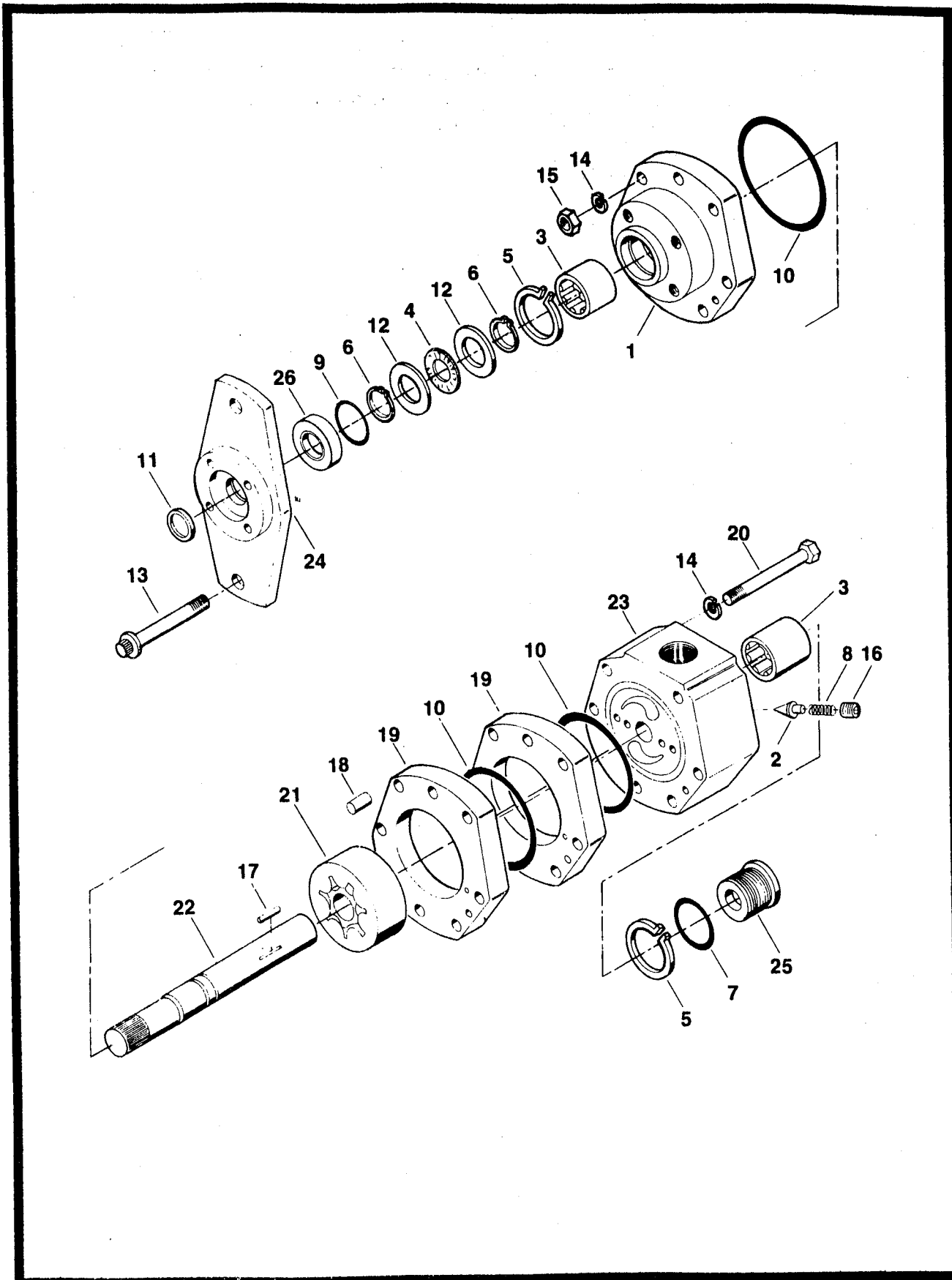


Figure 2—27. Swing Drive Motor Assembly.

SECTION 2 — ILLUSTRATED PARTS LIST

FIGURE & INDEX NO.	PART NUMBER	ITEMS & DESCRIPTION	QTY.
2—27	3160031	SWING DRIVE MOTOR ASSEMBLY	Ref.
—1	7000337	Housing, Front Bearing	1
—2	7000324	Poppet, Check Valve	2
—3	7000310	Bearing, Shaft Roller	2
—4	7000335	Bearing, Thrust	1
—5	7000339	Ring, Retainer	2
—6	7000340	Ring, Retainer	2
—7	7002518	O-Ring	1
—8	7000331	Spring, Check Valve	2
—9	7002519	O-Ring	1
—10	7002520	O-Ring	3
—11	7000345	Seal	1
—12	7000336	Washer, Thrust Bearing	2
—13	7000347	Screw, Mounting Flange	4
—14	7000348	Washer, Lock	12
—15	7000349	Nut, Hex	6
—16	7000350	Plug, Check Valve	2
—17	7002521	Key, Gerotor Drive	1
—18	7000352	Dowel, Locating	6
—19	7002522	Housing, Gerotor	2
—20	7002523	Capscrew, Hex Head	6
—21	7002524	Gerotor	1
—22	7002525	Shaft, Spline	1
—23	7000361	Body	1
—24	7000372	Flange	1
—25	7000374	Plug	1
—26	7002526	Seal, High Pressure	1

SECTION 2 — ILLUSTRATED PARTS LIST

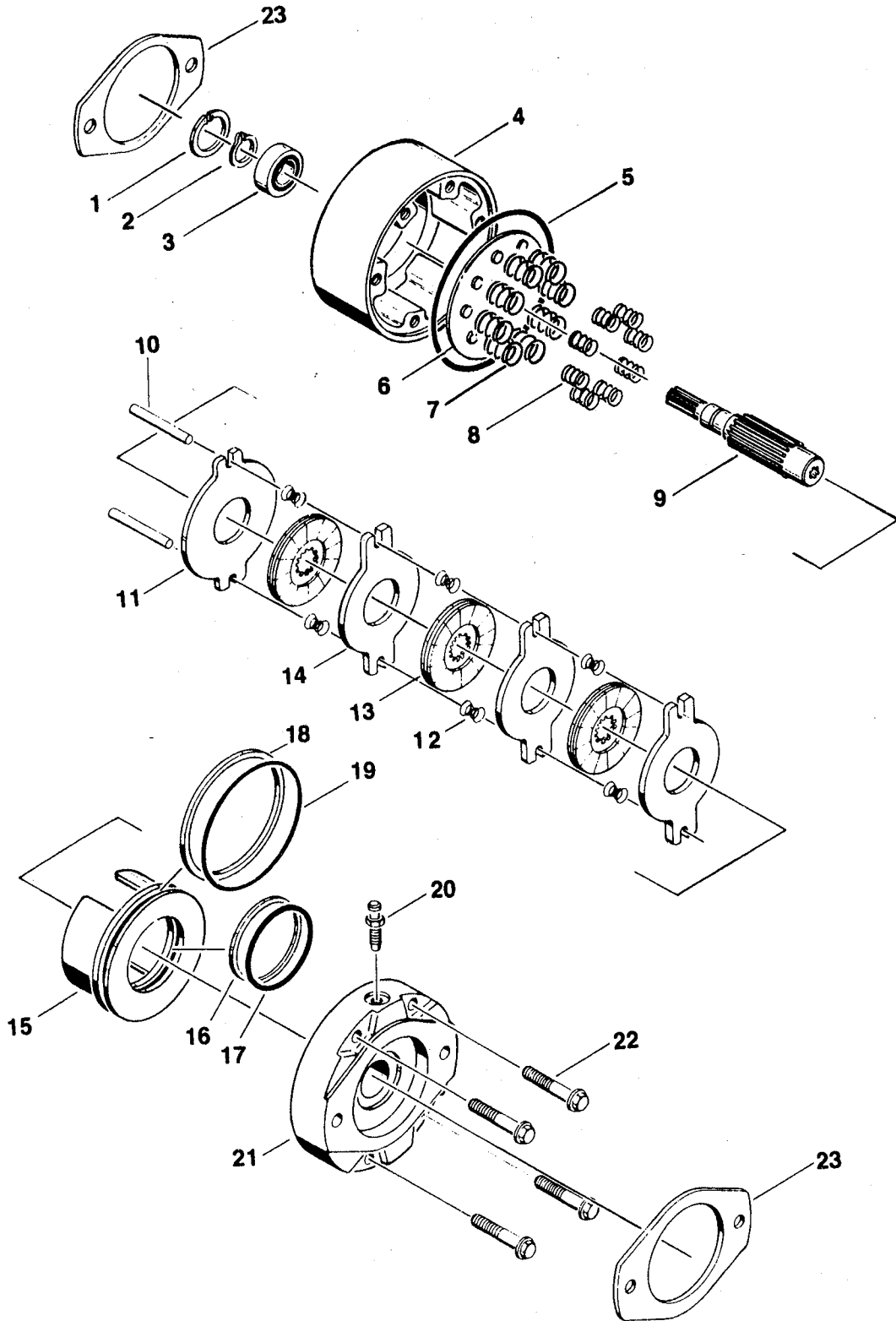


Figure 2-28. Swing Drive Brake Assembly.

SECTION 2 — ILLUSTRATED PARTS LIST

FIGURE & INDEX NO.	PART NUMBER	ITEMS & DESCRIPTION	QTY.
2—28		SWING DRIVE BRAKE ASSEMBLY	Ref.
—1	7000711	Ring, Retaining	1
—2	7000712	Ring, Retaining	1
—3	7000713	Bearing, Ball	1
—4	7000714	Housing	1
—5	7000759	O-Ring	1
—6	7003010	Retainer, Spring	1
—7	7000782	Spring, Compression	8
—8	7000798	Spring, Compression	8
—9	7000716	Shaft	1
—10	7000717	Pin, Torque	2
—11	7000718	Disc, Primary	1
—12	7003006	Spring, Compression	6
—13	7000732	Disc, Rotating	3
—14	7000720	Disc, Stationary	3
—15	7000721	Piston	1
—16	7000722	Ring, Back-Up	1
—17	7000723	O-Ring	1
—18	7000724	Ring, Back-Up	1
—19	7000725	O-Ring	1
—20	7000796	Bleeder	1
—21	7000727	Plate, Power	1
—22	7003007	Screw, Flanged	4
—23	7000731	Gasket	2
	2900131	Kit, Seal (Includes Items 1, 2, 16, 17, 18, 19 and 23)	

SECTION 2 — ILLUSTRATED PARTS LIST

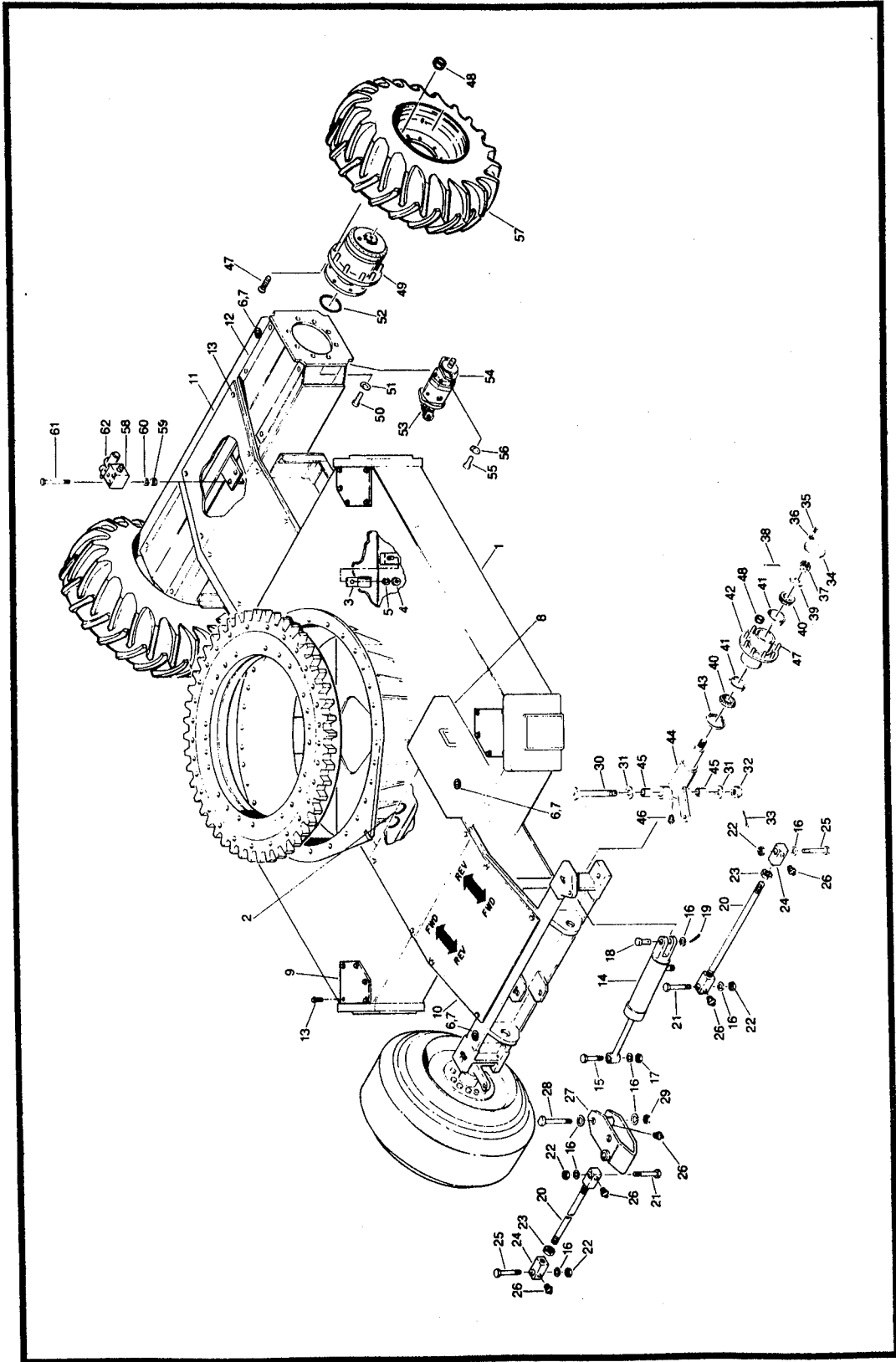


Figure 2-28. Outrigger Frame, Steering, Wheel and Drive Components Installation.

SECTION 2 — ILLUSTRATED PARTS LIST

FIGURE & INDEX NO.	PART NUMBER	ITEMS & DESCRIPTION	QTY.
2-29		OUTRIGGER FRAME, STEERING, WHEEL AND DRIVE COMPONENTS INSTALLATION	Ref.
-1	2360068	Frame	1
-2	2540004	Grommet, Nylon, Serrated	18
	2540005	Grommet, Nylon, Serrated	1
	2540006	Grommet, Nylon, Serrated	1
-3	1320007	Clamp, Hose (Attaching Parts)	8
-4	3311601	Nut, Hex	8
-5	4761600	Washer, Lock	8
	0232787	CIRCULAR LEVEL GAUGE INSTALLATION	Ref.
-6	2420038	Level, Circular (Attaching Parts)	3
-7	3910608	Screw, Machine, #6-32 x ½" Long	9
	0230412	FRAME SHIELD ASSEMBLY	Ref.
-8	0230429	Door Assembly	1
-9	1670015	Cover	4
-10	4060125	Shield, Front	1
-11	4060128	Shield, Rear	1
-12	4060174	Shield, Axle (Attaching Parts)	2
-13	3900022	Screw, Self-Tapping, ¼" x ¾" Long	44
	0230379	STEERING ASSEMBLY	Ref.
-14	1680127	3" Steering Cylinder Assembly (See Figure 2-30 for Details) (Attaching Parts)	Ref.
-15	0642636	Screw, Cap, Hex Head, 1" - 8NC x 4½" Long	1
-16	4752600	Washer, Plain, 1" Diameter	10
-17	3312602	Nut, Hex, 1" - 8NC	1
-18	3431624	Pin, Clevis	1
-19	3450606	Pin, Cotter	1
-20	3840091	Rod, Tie (Attaching Parts)	2
-21	0642628	Screw, Cap, Hex Head, 1" - 8NC x 3-½ Long, Grade 5	2
-22	3312601	Nut, Hex, 1" - 8NC	4
-23	3300023	Nut, Hex, Jam, 1-¼" - 12	2
-24	0560063	Block, Tie Rod (Attaching Parts)	2
-25	0642632	Screw, Cap, Hex Head, 1" - 8NC x 4" Long, Grade 5	2
-26	2160002	Fitting, Grease, Straight, ¼ NPT	5
-27	1360030	Clevis Assembly	1
-28	3420079	Pin, Clevis	1
-29	3322605	Nut, Lock, 1" - 12NF	1

SECTION 2 — ILLUSTRATED PARTS LIST

FIGURE & INDEX NO.	PART NUMBER	ITEMS & DESCRIPTION	QTY.
2-29		OUTRIGGER FRAME, STEERING, WHEEL AND DRIVE COMPONENTS INSTALLATION (Continued)	Ref.
	0230380	FRONT SPINDLE ASSEMBLY	Ref.
		(Attaching Parts)	
-30	3420058	Pin, King	2
-31	4740015	Washer, Thrust	2
-32	3323403	Nut, Slotted, 1-1/2" - 12	2
-33	3451012	Pin, Cotter	2
-34	1120032	Cap, Hub	2
		(Attaching Parts)	
-35	0641003	Screw, Cap, Hex Head, #10-24 x 3/8" Long	6
-36	4761000	Washer, Spring Lock, #10	6
-37	3323403	Nut, Slotted, 1-1/2" - 12	2
-38	3451012	Pin, Cotter	2
-39	4740016	Washer, Hardened	2
-40	0440019	Cone, Bearing	4
-41	0440018	Cup, Bearing	4
-42	0230328	Hub, Wheel	2
-43	3960098	Seal, Spindle	2
-44	4130015	Spindle, Front	2
-45	0960523	Bushing, Spindle	2
-46	2160003	Fitting, Grease, 45°, 1/8" NPT	1
-47	0630078	Bolt, Wheel	20
-48	3300007	Nut, Wheel	2
	0230908	DRIVE ASSEMBLY	Ref.
-49	2780052	DRIVE HUB ASSEMBLY (See Figure 2-31 for Details)	2
		(Attaching Parts)	
-50	0642016	Screw, Cap, Hex Head, 5/8" - 11NC x 2" Long	16
-51	4762000	Washer, Lock, 5/8" I.D.	16
-52	3790049	Seal, O-Ring	2
-53	0920030	DRIVE PARKING BRAKE ASSEMBLY (See Figure 2-32 for Details)	2
-54	3160076	Motor, Drive	2
		(Attaching Parts)	
-55	0641848	Screw, Cap, Hex Head, 1/2" - 13NC x 6" Long	8
-56	4761800	Washer, Lock, 1/2" I.D.	8
-57	0230468	WHEEL AND TIRE ASSEMBLY (See Figure 2-33 for Details)	1

SECTION 2 — ILLUSTRATED PARTS LIST

FIGURE & INDEX NO.	PART NUMBER	ITEMS & DESCRIPTION	QTY.
2—29		OUTRIGGER FRAME, STEERING, WHEEL AND DRIVE COMPONENTS INSTALLATION (Continued)	Ref.
	0230635	FLOW DIVIDER AND C/B VALVE ASSEMBLY	Ref.
—58	4640109	Valve, Dual Overcenter (Attaching Parts)	1
—59	3311601	Nut, Hex, 3/8 - 16NC	2
—60	4761600	Washer, Lock, Spring, 3/8" I.D.	2
—61	0641648	Screw, Cap, Hex Head, 3/8 - 16NC x 6" Long, Grade 5	2
—62	4640443	Valve, Flow Divider	1
	2220335	Fitting, Tee	1
	2220325	Fitting, Connector	1
	2220061	Fitting, Adapter	1

SECTION 2 — ILLUSTRATED PARTS LIST

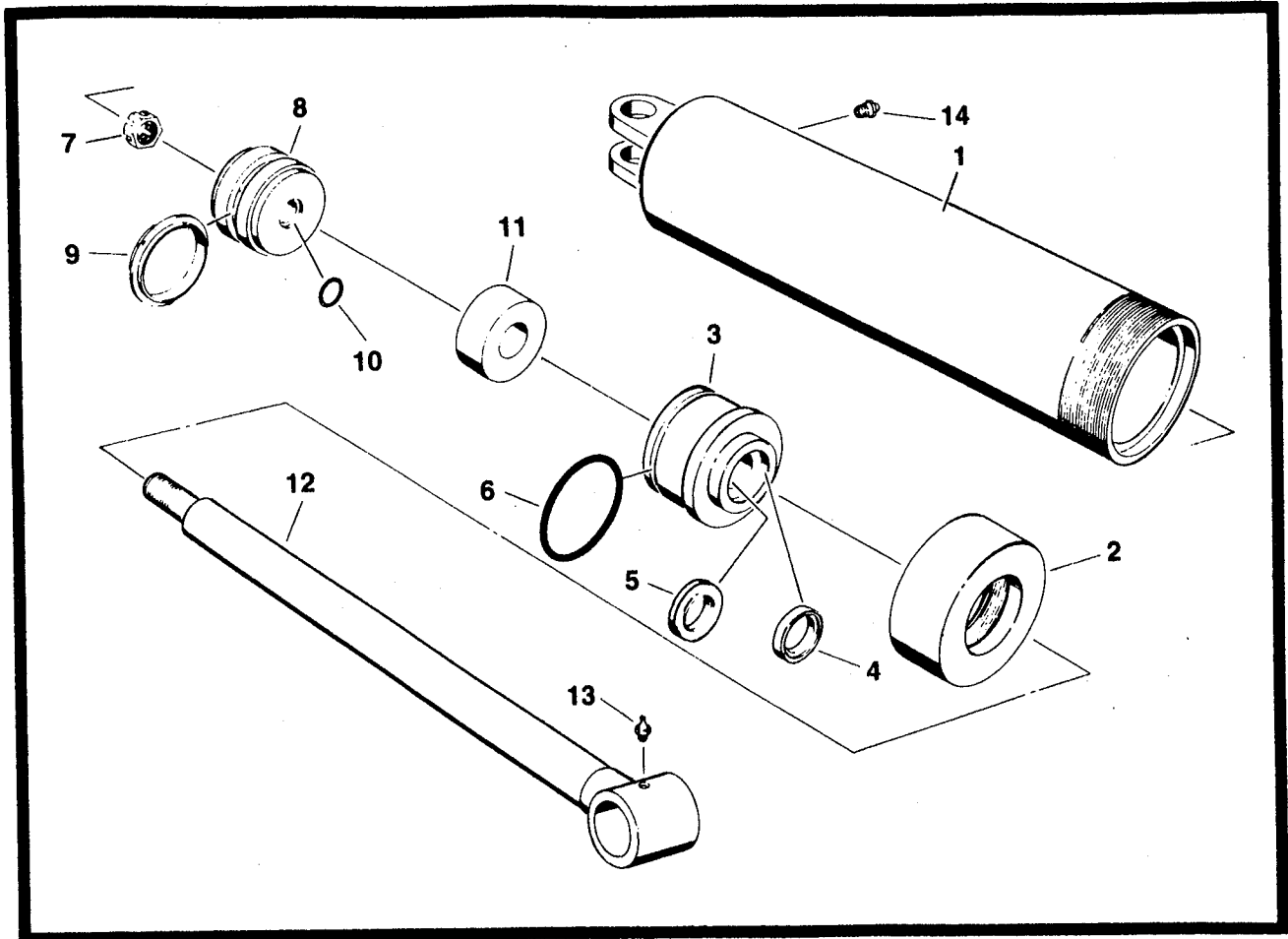


Figure 2-30. Steering Cylinder Assembly (Outrigger Machine).

FIGURE & INDEX NO.	PART NUMBER	ITEMS & DESCRIPTION	QTY.
2-30	1680127	3" STEERING CYLINDER ASSEMBLY (OUTRIGGER MACHINE)	Ref.
-1	1680468	Barrel	1
-2	1120083	Head, Retainer	1
	0100011	Nylock	A/R
-3	1680831	Head	1
-4	3960128	Wiper	1
-5	3960129	Seal, Rod	1
-6	3790334	O-Ring	1
-7	3300065	Nut, Special	1
	0100011	Nylock	A/R
-8	3480034	Piston	1
-9	3960007	T-Seal	1
-10	3790018	O-Ring	1
-11	1440091	Collar	1
-12	1681068	Rod	1
-13	2160002	Fitting, Grease, Straight	1
-14	2200102	Plug, Pipe, Square Head, 1/4"	2
	2900126	Kit, Repair (Includes Items 4, 5, 6, 9, and 10)	

SECTION 2 — ILLUSTRATED PARTS LIST

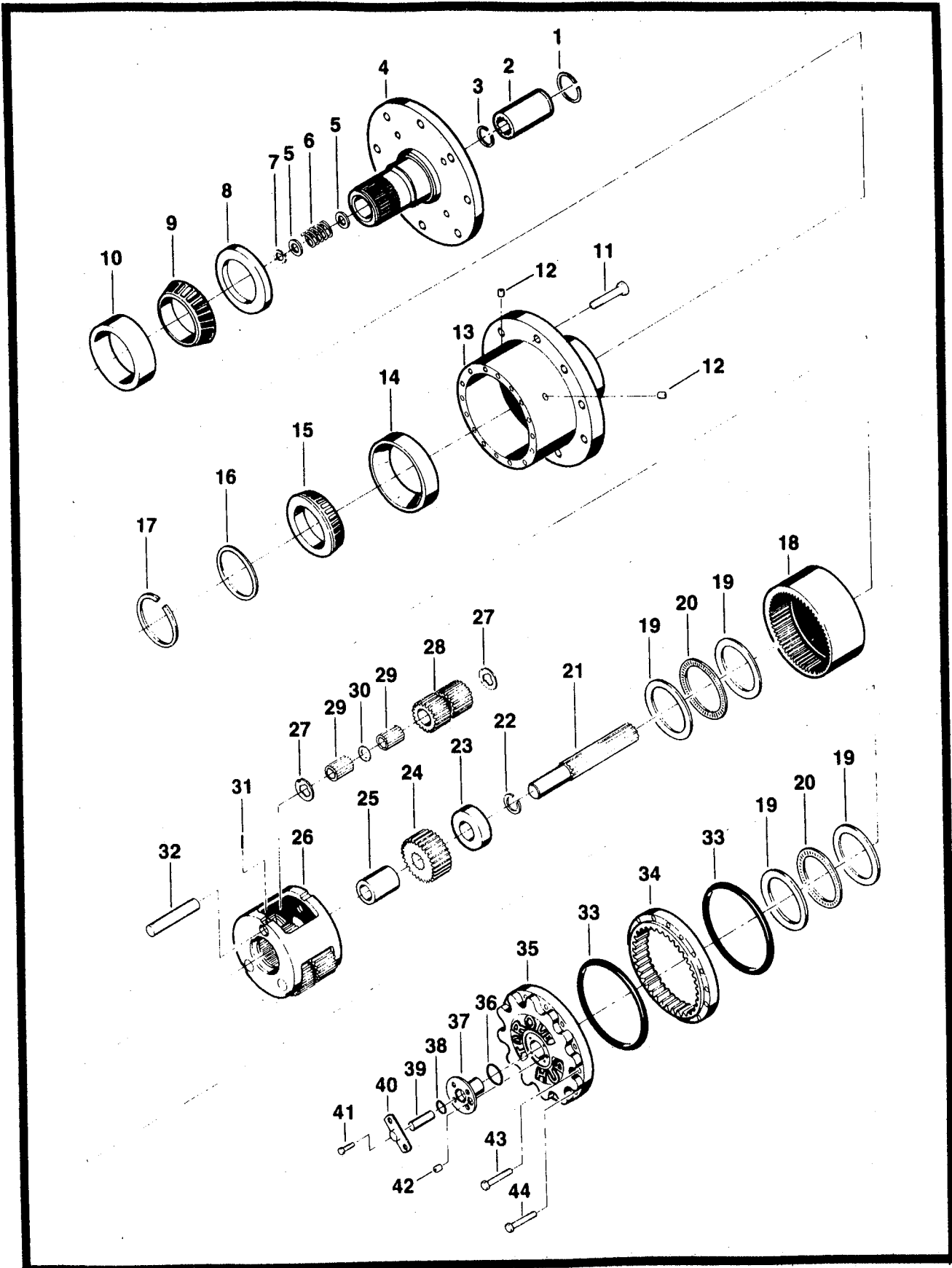


Figure 2-31. Wheel Drive Hub Assembly (Outrigger Machines).

SECTION 2 — ILLUSTRATED PARTS LIST

FIGURE & INDEX NO.	PART NUMBER	ITEMS & DESCRIPTION	QTY.
2—31	2780052	WHEEL DRIVE HUB ASSEMBLY (OUTRIGGER MACHINES)	Ref.
—1	7000298	Ring, Retaining	1
—2	7000296	Coupling	1
—3	7000297	Ring, Retaining	1
—4	7000291	Spindle	1
—5	7000282	Washer	2
—6	7000283	Spring	1
—7	7000284	Ring, Retaining	1
—8	7000236	Seal	1
—9	7000273	Bearing Cone	1
—10	7000272	Bearing Cup	1
—11	7000265	Stud	10
—12	7001928	Plug, Pipe	2
—13	7000276	Hub	1
—14	7000274	Bearing Cup	1
—15	7000275	Bearing Cone	1
—16	7000239	Spacer	1
—17	7000240	Ring, Retaining	1
—18	7000277	Gear, Internal	1
—19	7000287	Washer, Thrust	4
—20	7000288	Bearing, Thrust	2
—21	7000292	Shaft, Input	1
—22	7000285	Ring, Retaining	1
—23	7000293	Spacer, Thrust	1
—24	7000294	Gear, Input	1
—25	7000295	Spacer, Thrust	1
—26	7001933	Carrier Assembly	1
—27	7001901	Washer, Thrust	6
—28	7001905	Gear, Cluster	3
—29	7001902	Roller, Needle	84
—30	7001903	Spacer	3
—31	7001906	Pin, Roll	3
—32	7001904	Shaft, Planet	3
—33	7000224	O-Ring	2
—34	7000299	Gear, Ring	1
—35	7000218	Cover Assembly	1
—36	7000238	O-Ring	1
—37	7000219	Cap, Cover	1
—38	7000213	O-Ring	1
—39	7000235	Rod, Disconnect	1
—40	7000231	Cap, Disconnect (Attaching Parts)	1
—41	7000220	Screw, Cap, Hex Head	4
—42	7000243	Plug, Pipe	1
—43	7000289	Screw, Cap, Hex Head	8
—44	7000225	Screw, Cap, Shoulder	4
	2900139	Kit, Repair (Includes Items 8, 33, 36, 38, 39 and 40)	

SECTION 2 — ILLUSTRATED PARTS LIST

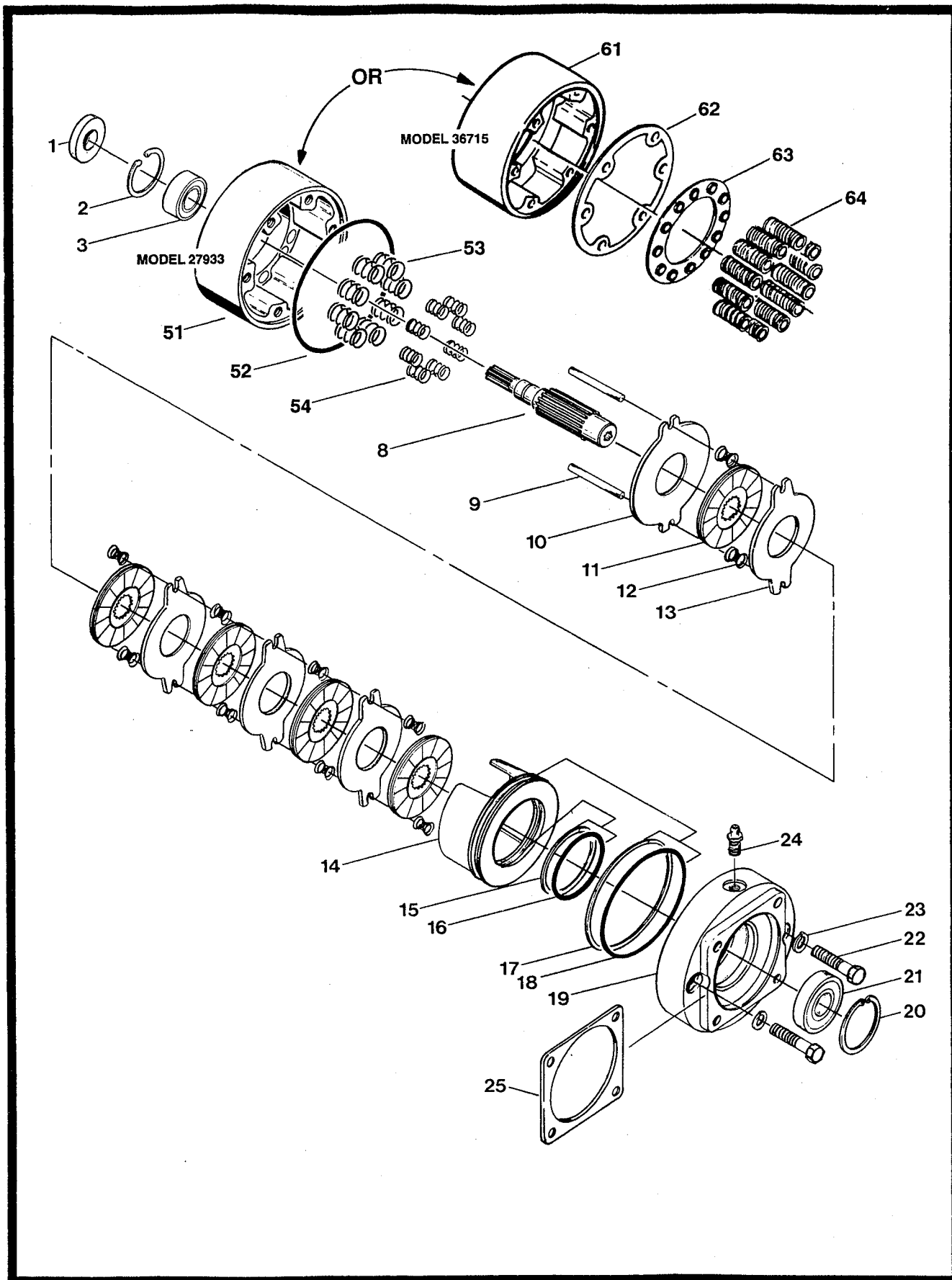


Figure 2-32. Drive Parking Brake Assembly.

SECTION 2 — ILLUSTRATED PARTS LIST

FIGURE & ITEM NO	PART NUMBER	DESCRIPTION	QTY.	REV.
2—32	0920030	DRIVE PARKING BRAKE ASSEMBLY	Ref.	A
		BRAKE ASSEMBLY (MODEL 27933)	Ref.	
—1	7000733	Seal	1	
—2	7000734	Ring, Retaining	1	
—3	7000760	Bearing, Ball	1	
—4	Not Used			
—5	Not Used			
—6	Not Used			
—7	Not Used			
—8	7000763	Shaft	1	
—9	7003011	Pin, Torque	2	
—10	7000765	Disc, Primary	1	
—11	7000766	Disc, Rotating	5	
—12	7000786	Spring, Compression	10	
—13	7000767	Disc, Stationary	4	
—14	7000768	Piston	1	
—15	Kit	Ring, Back-up	1	
—16	Kit	O-Ring	1	
—17	Kit	Ring, Back-up	1	
—18	Kit	O-Ring	1	
—19	Consult Factory	Plate, Power	1	
—20	7000740	Ring, Retaining	1	
—21	7000770	Bearing, Ball	1	
—22	7000771	Bolt	2	
—23	7000772	Lockwasher	2	
—24	7000796	Bleeder	1	
—25	7000746	Gasket Kit (Includes 2 Gaskets)	1	
—51	7000761	Housing	1	
—52	Kit	O-Ring	1	
—53	7000798	Spring, Compression	12	
—54	7000782	Spring, Compression	12	
	7003439	Seal Kit (Includes Items 15, 16, 17, 18 and 52)	1	
		BRAKE ASSEMBLY (MODEL 36715)	Ref.	
—1	7003450	Seal	1	
—2	7000740	Ring, Retaining	1	
—3	7000770	Bearing, Ball	1	
—4	Not Used			
—5	Not Used			
—6	Not Used			
—7	Not Used			
—8	7003443	Shaft	1	
—9	7003444	Pin, Torque	2	
—10	7003445	Disc, Primary	1	
—11	7003446	Disc, Rotating	5	
—12	7000786	Spring, Compression	10	
—13	7003447	Disc, Stationary	4	
—14	7003448	Piston	1	
—15	Kit	Ring, Back-up	1	
—16	Kit	O-Ring	1	
—17	Kit	Ring, Back-up	1	
—18	Kit	O-Ring	1	

SECTION 2 — ILLUSTRATED PARTS LIST

FIGURE & ITEM NO	PART NUMBER	DESCRIPTION	QTY.	REV.
2—32	0920030	DRIVE PARKING BRAKE ASSEMBLY (CONTINUED)	Ref.	A
		BRAKE ASSEMBLY (MODEL 27933) (CONTINUED)	Ref.	
—19	7003059	Plate, Power	1	
—20	7000740	Ring, Retaining	1	
—21	7000770	Bearing,Ball	1	
—22	7000795	Bolt	2	
—23	Not Required			
—24	7000796	Bleeder	1	
—25	7000746	Gasket Kit (Includes 2 Gaskets)	1	
—61	7003441	Housing	1	
	7003450	Valve, Pressure Relief (Not Shown)	1	
—62	Kit	Gasket	1	
—63	7003442	Retainer, Spring	1	
—64	7003052	Spring, Compression	16	
	7003434	Seal Kit (Includes Items 15, 16, 17, 18 and 52)	1	

SECTION 2 — ILLUSTRATED PARTS LIST

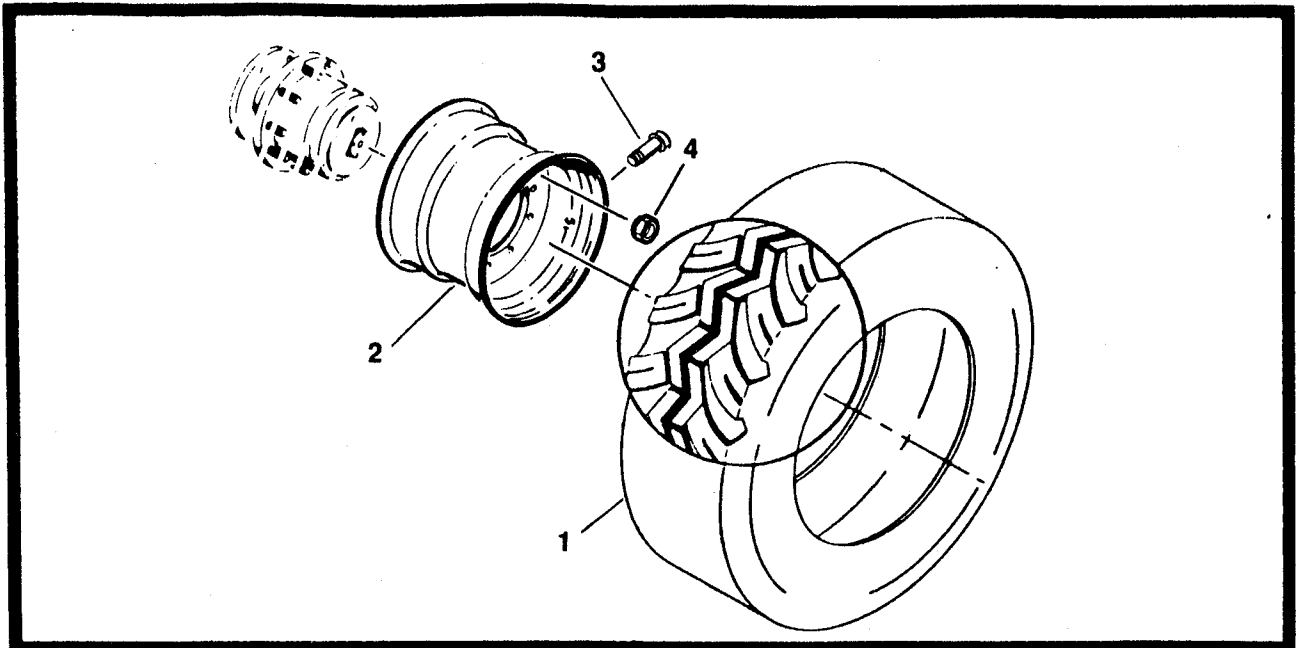


Figure 2-33. Wheel and Tire Assemblies.

FIGURE & INDEX NO.	PART NUMBER	ITEMS & DESCRIPTION	QTY.
2-33	0230468	WHEEL AND TIRE ASSEMBLY - FRONT	Ref.
	4520039	WHEEL AND TIRE ASSEMBLY - FRONT	Ref.
-1	4520009	Tire - 15 x 19.5, 14PR Transport	1
-2	4860067	Rim and Disc	1
-3	4640113	Valve Assembly	1
-4	3300007	Nut, Wheel	10
	0232173	WHEEL AND TIRE ASSEMBLY - L.H. REAR	Ref.
	0232174	WHEEL AND TIRE ASSEMBLY - R.H. REAR	Ref.
	4520007	Tire - 15 x 19.5	1
	4860067	Rim and Disc	1
	4640113	Valve	1
	0233177	POLYURETHANE FILLED TIRES INSTALLATION	Ref.
	0232330	Wheel and Tire Assembly - Front	2
	0232337	Wheel and Tire Assembly - L.H. Rear	1
	0232338	Wheel and Tire Assembly - R.H. Rear	1
	0234329	WHEEL AND TIRE ASSEMBLY - EXTENDABLE AXLE	Ref.
	4520060	Tire - 15 x 22.5 S.S.	1
	4860060	Rim and Disc	1
	1300007	Polyurethane	A/R
	0233326	WHEEL AND TIRE ASSEMBLY - EXTENDABLE AXLE	Ref.
	4520060	Tire - 15 x 22.5, SS Pneumatic	1
	4860060	Rim and Disc	1

SECTION 2 — ILLUSTRATED PARTS LIST

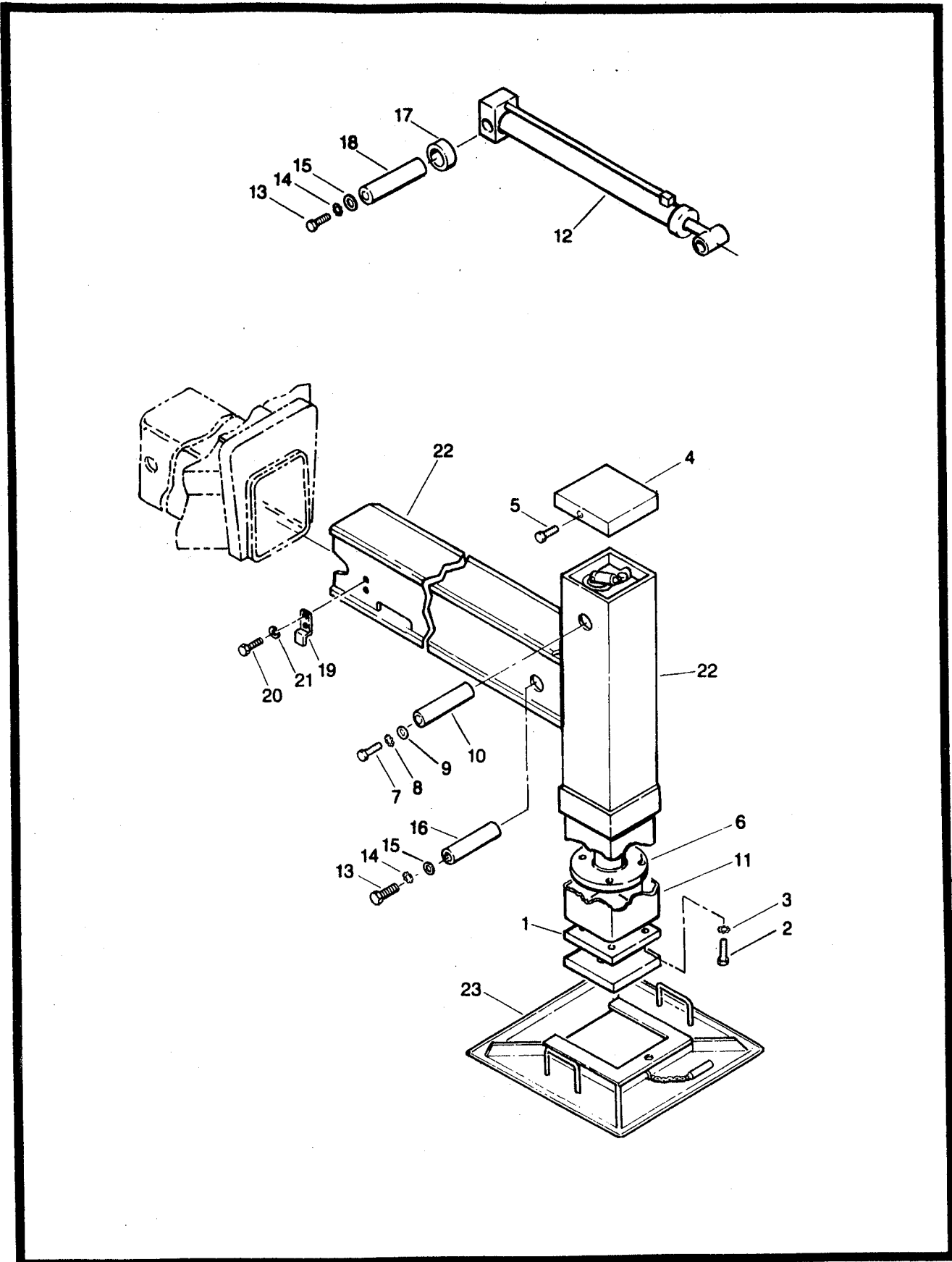


Figure 2-34. Outrigger Assembly and Installation.

SECTION 2 — ILLUSTRATED PARTS LIST

FIGURE & INDEX NO.	PART NUMBER	ITEMS & DESCRIPTION	QTY.
2-34	0231773	OUTRIGGER ASSEMBLY AND INSTALLATION	Ref.
-1	3340045	Pad, Lift (Attaching Parts)	1
-2	0641810	Screw, Cap, Hex Head, 1/2" - 16NC x 1 1/4" Long, Grade 5	4
-3	4761800	Washer, Lock, 1/2" I.D.	4
-4	1120062	Cap (Attaching Parts)	1
-5	3900022	Screw, Self-Tapping, 1/4" x 7/8" Long	2
-6	1680226	OUTRIGGER JACK CYLINDER ASSEMBLY (See Figure 2-35 for Details)	1
-7	0641606	(Attaching Parts) Screw, Cap, Hex Head, 3/8" - 16NC x 3/4" Long, Grade 5	2
-8	4761600	Washer, Lock, 3/8" I.D.	2
-9	4740006	Washer, Hardened	2
-10	3420147	Pin, Cylinder	1
-11	0420071	Support, Beam	1
-12	1680128	OUTRIGGER EXTENSION CYLINDER ASSEMBLY (See Figure 2-36 for Details)	1
-13	0641606	(Attaching Parts) Screw, Cap, Hex Head, 3/8" - 16NC x 3/4" Long, Grade 5	4
-14	4761600	Washer, Lock, 3/8" I.D.	4
-15	4740018	Washer, Hardened	4
-16	3420066	Pin, Cylinder (Front)	1
-17	3460018	Spacer, Pipe	2
-18	3420065	Pin, Cylinder (Rear)	1
-19	1320062	Clamp, Hose (Attaching Parts)	2
-20	0641605	Screw, Cap, Hex Head, 3/8" - 16NC x 3/4" Long	4
-21	4761600	Washer, Lock, 3/8" Long	4
-22	4840125	Outrigger Weldment	1
-23	0230607	Pad, Outrigger	1
	0231135	Pin, Pad	1
	1260084	Chain, Pin	1

SECTION 2 — ILLUSTRATED PARTS LIST

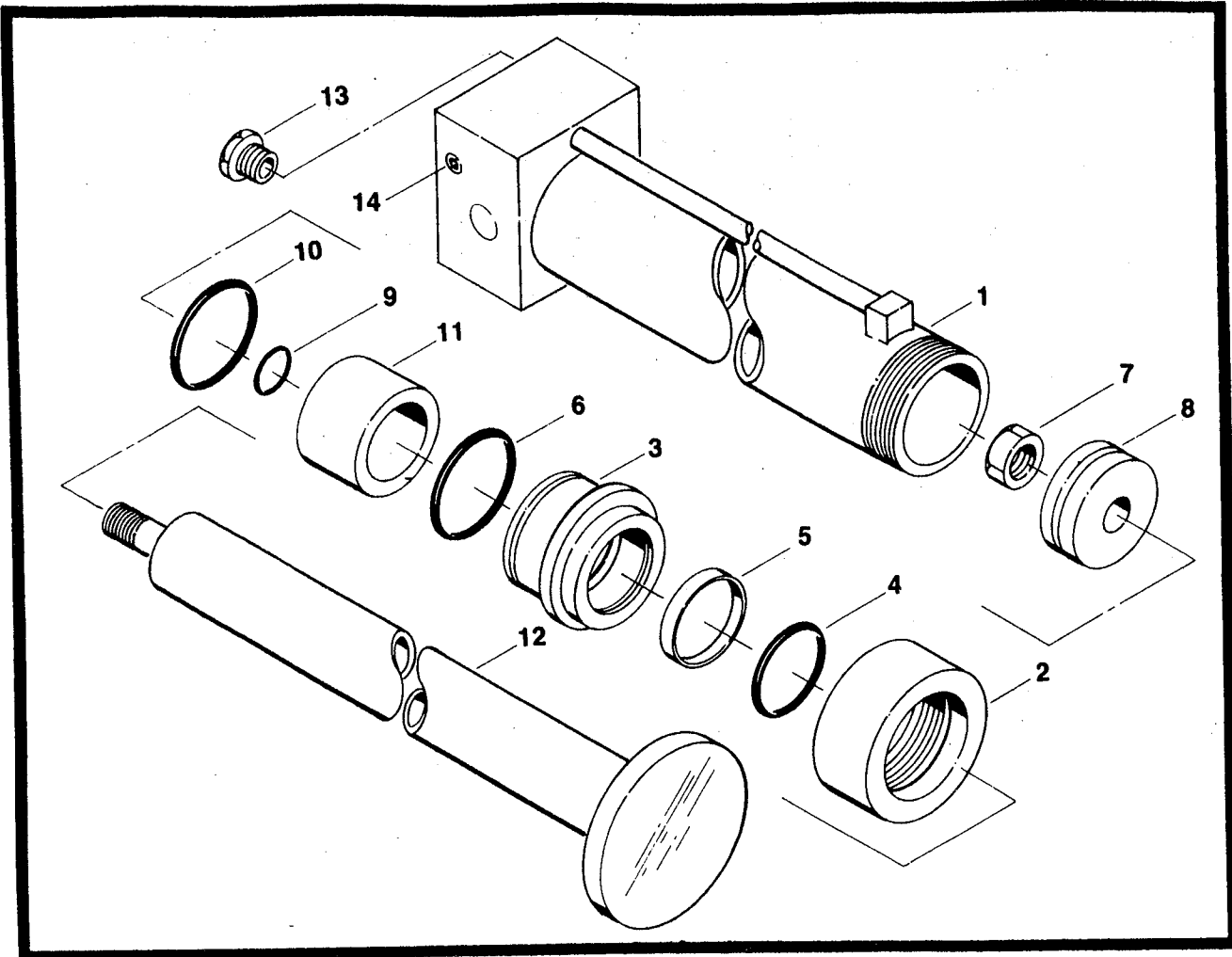


Figure 2-35. Outrigger Jack Cylinder Assembly.

FIGURE & INDEX NO.	PART NUMBER	ITEMS & DESCRIPTION	QTY.
2-35	1680226	OUTRIGGER JACK CYLINDER ASSEMBLY	Ref.
-1	1680535	Barrel	1
-2	1120094	Head, Retainer	1
	0100011	Nylock	A/R
-3	1680838	Head	1
-4	3960156	Wiper	1
-5	3960154	Seal, Rod	1
-6	3790342	O-Ring, Head	1
-7	3300062	Nut, Piston	1
	0100011	Nylock	1
-8	3480043	Piston	1
-9	3790022	O-Ring, Rod	1
-10	3960031	Seal, Piston	1
-11	1440089	Collar	1
-12	1681085	Rod	1
-13	4640182	Cartridge, Valve, Pilot Check	1
-14	2200222	Plug, Pipe, Flush, 1/4" NPT	1
	2900157	Kit, Repair (Includes Items 4, 5, 6, 9 and 10)	

SECTION 2 — ILLUSTRATED PARTS LIST

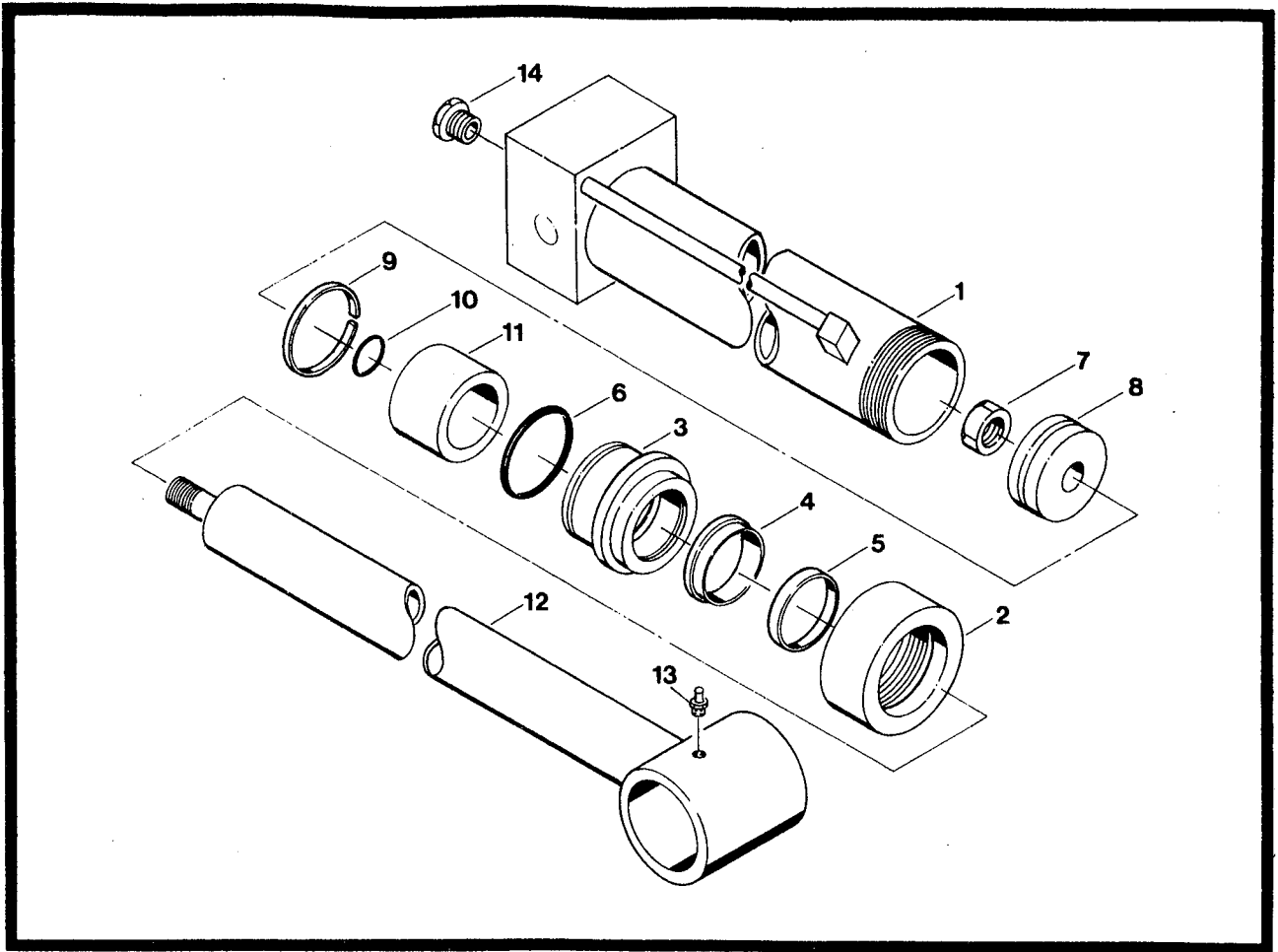


Figure 2-36. Outrigger Extension Cylinder Assembly.

FIGURE & INDEX NO.	PART NUMBER	ITEMS & DESCRIPTION	QTY.
2-36	1680128	2" OUTRIGGER EXTENSION CYLINDER ASSEMBLY	Ref.
-1	1680513	Barrel Assembly	1
-2	1120110	Retainer, Head	1
	0100011	Nylock (VC-3 Compound)	A/R
-3	1680842	Head	1
-4	3960155	Wiper, Canned	1
-5	3960124	Seal, Rod	1
-6	3790326	O-Ring	1
-7	3300066	Nut, Special	1
	0100011	Nylock (VC-3 Compound)	A/R
-8	3480046	Piston	1
-9	3960016	T-Seal	1
-10	3790016	O-Ring	1
-11	1440095	Collar	1
-12	1681087	Rod Assembly	1
-13	2160003	Fitting, Grease, Straight, 1/8" NPT	1
-14	2200103	Plug, Pipe, (Shipping)	2
	2900124	Kit, Repair (Includes Items 4, 5, 6, 9 and 10)	1

SECTION 2 — ILLUSTRATED PARTS LIST

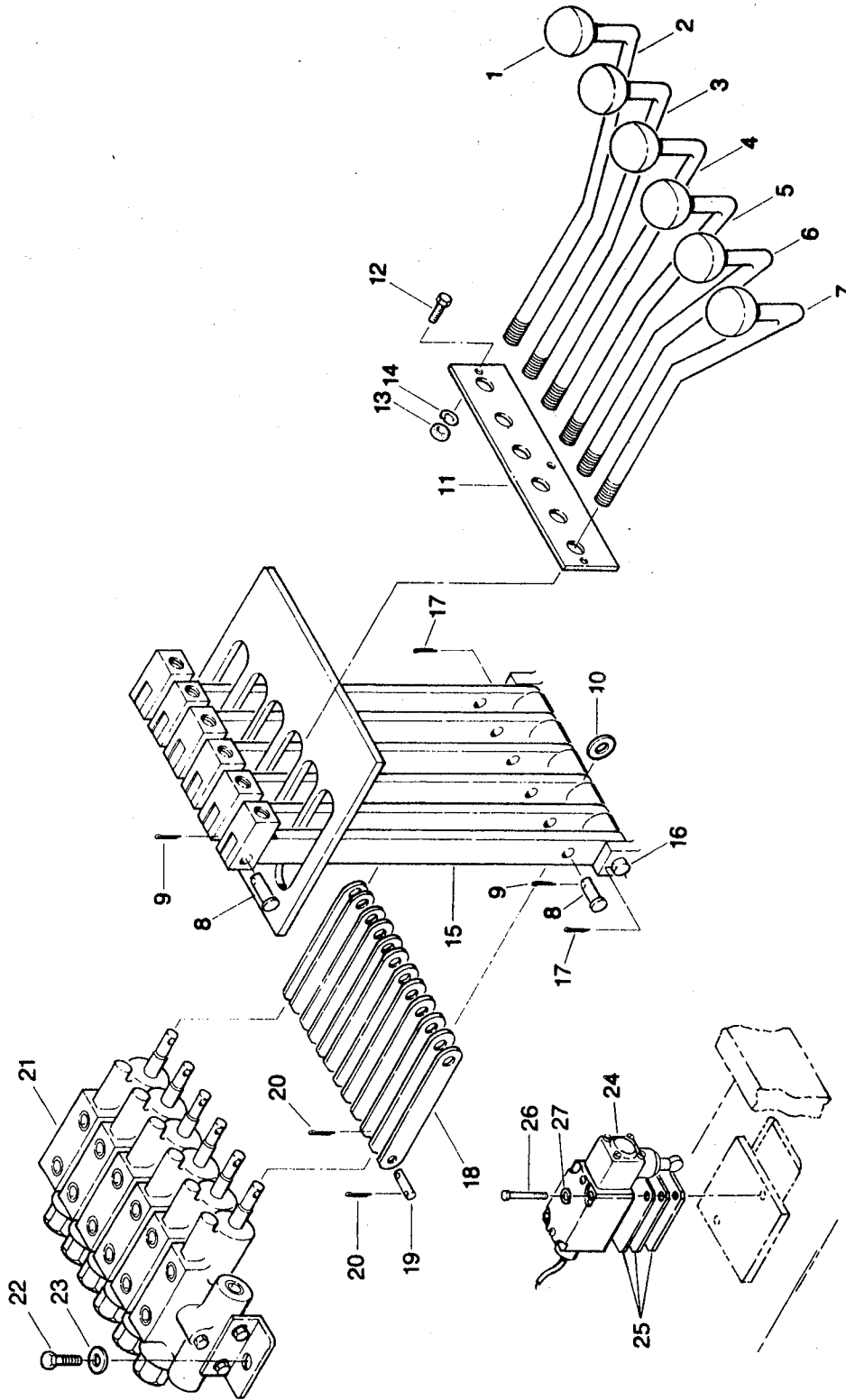


Figure 2-37. Outrigger Valve, and Limit Switch Assembly.

SECTION 2 — ILLUSTRATED PARTS LIST

FIGURE & INDEX NO.	PART NUMBER	ITEMS & DESCRIPTION	QTY.
2—37		OUTRIGGER VALVE AND LIMIT SWITCH ASSEMBLY	Ref.
	0230640	OUTRIGGER VALVE ASSEMBLY	1
—1	2560006	Knob, Lever	6
—2	0230476	Rod, Control	1
—3	0230479	Rod, Control	1
—4	0230480	Rod, Control	1
—5	0230481	Rod, Control	1
—6	0230478	Rod, Control	1
—7	0230477	Rod, Control	1
—8	3430608	Pin, Clevis	12
—9	3450403	Pin, Cotter, 1/8" x 3/4" Long	12
—10	4751600	Washer, Flat, 3/8" I.D.	12
—11	3501694	Plate, Rod Guide (Attaching Parts)	1
—12	0641408	Screw, Cap Hex Head, 1/4 - 20NC x 1" Long, Grade 5	3
—13	3311401	Nut, Hex, 1/4 - 20NC	3
—14	4761400	Washer, Lock, Spring, 1/4" I.D.	3
—16	3840108	Rod, Support, Control	1
—17	3450303	Pin, Cotter, 3/32" x 3/4" Long	2
—18	0230459	Link Assembly	6
—19	3420199	Pin, Clevis	6
—20	3450203	Pin, Cotter, 1/16" x 3/4" Long	12
—21	4640351	Valve, Control (Attaching Parts)	1
—22	0641606	Screw, Cap, Hex Head, 3/8 - 16 x 3/4" Long	2
—23	4761600	Washer, Lock, 3/8" I.D.	2
	7000583	Bracket	1
	7000584	Rod, Tie	
	7000585	Nut, Hex	
	7000586	Washer	
	7000587	Shim, Mylar	
	7000588	O-Ring	
	7000589	O-Ring	
	7000571	Inlet Section (With Relief)	
	7000590	Tank Section	
	7000591	Valve Section Sub-Assembly	
	0233924	OUTRIGGER LIMIT SWITCH INSTALLATION	4
—24	4360068	Switch, Limit	1
—25	4070219	Shim, Switch, 16 Gauge	A/R
	4070220	Shim, Switch, 14 Gauge	A/R
	4070221	Shim, Switch, 11 Gauge	A/R
	4070276	Shim, Switch, 18 Gauge	A/R
	4070277	Shim, Switch, 20 Gauge (Attaching Parts)	A/R
—26	3900104	Screw, Fillister Head, Drilled, #10-24 x 2-1/4" Long	2
—27	4771000	Washer, Lock, Star, #10	2
	4920140	Wire, Lock	A/R

SECTION 2 — ILLUSTRATED PARTS LIST

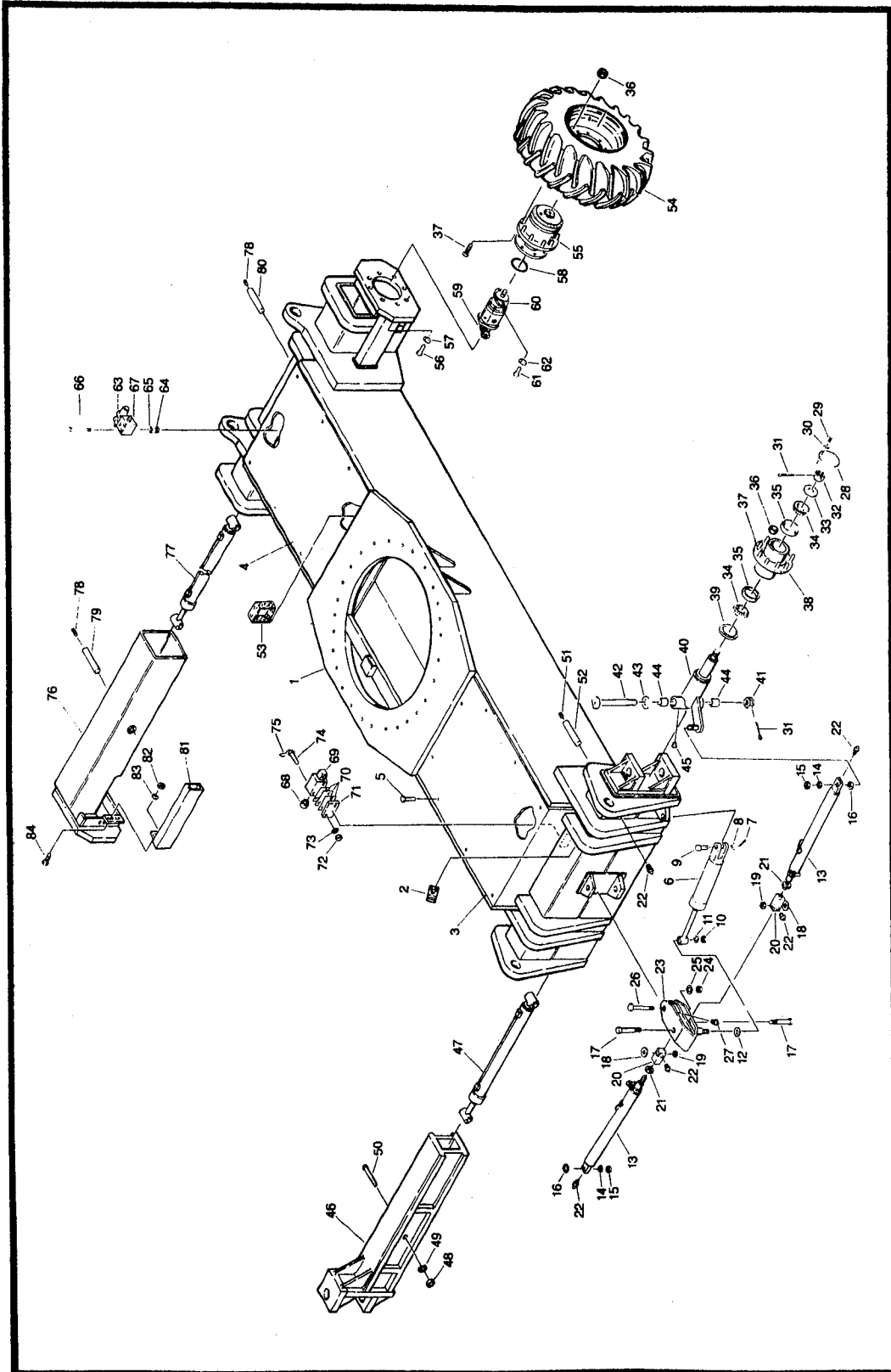


Figure 2-38. Extendable Axle Frame, Steering, Wheel and Drive Components Installation.

SECTION 2 — ILLUSTRATED PARTS LIST

FIGURE & INDEX NO.	PART NUMBER	ITEMS & DESCRIPTION	QTY.
2-38		EXTENDABLE AXLE FRAME, STEERING, WHEEL AND DRIVE COMPONENTS INSTALLATION	Ref.
-1	2360145	Frame, Extendable Axle	1
-2	1320050	Clamp, hose	7
-3	4060331	Shield, Frame, Forward	1
-4	4060332	Shield, Frame, Rear	1
-5	3941405	(Attaching Parts) Screw, Self-Tapping	20
	0233321	EXTENDABLE AXLE STEERING ASSEMBLY	Ref.
-6	1680293	3" STEER CYLINDER ASSEMBLY (See Figure 2-40 for Breakdown)	1
		(Attaching Parts)	
-7	3450605	Pin, Cotter, 3/16" x 1-1/2" Long	1
-8	4752600	Washer, Plain, 1" Dia.	1
-9	3431622	Pin, Clevis	1
-10	3312201	Nut, Hex, 3/4 - 10	1
	0100003	Loctite	A/R
-11	4752200	Washer, Flat, 3/4" I.D.	1
-12	4561406	Tube, Spacer	1
		TIE ROD ASSEMBLY	2
-13	0233311 3840428	Tie Rod (Attaching Parts)	
-14	3312201	Nut, Hex, 3/4 - 10	2
	0100003	Loctite	A/R
-15	4752200	Washer, Flat, 3/4"	2
-16	4561405	Tube, Spacer	2
-17	0630243	Bolt, Shoulder, 3/4" x 3" Long	2
	0100003	Loctite	A/R
-18	4561400	Tube, Spacer	2
-19	4561399	Tube, Spacer	2
-20	0560300	Block, Tie Rod	1
-21	3313002	Nut, Jam	1
-22	2160002	Fitting, Grease, Straight, 1/2" NPT	5
-23	2620018	Clevis Assembly	1
	3420622	Pin	
-24	3300114	Nut, Lock, 1 - 14, Grade 5	1
-25	4762600	Washer, Lock, Spring, 1" I.D.	1
-26	3420079	Pin, Clevis	1
-27	2160006	Fitting, Grease	1
	0233265	FRONT SPINDLE ASSEMBLY	2
-28	1120037	Cap, Hub (Attaching Parts)	1
-29	0641003	Screw, Cap, Hex Head, #10-24 x 3/8" Long	3
-30	4761000	Washer, Spring, #10	3

SECTION 2 — ILLUSTRATED PARTS LIST

FIGURE & INDEX NO.	PART NUMBER	ITEMS & DESCRIPTION	QTY.
2-38		EXTENDABLE AXLE FRAME, STEERING, WHEEL AND DRIVE COMPONENTS INSTALLATION (Continued)	Ref.
-31	3451012	Pin, Cotter, 5/16" x 3" Long	2
-32	3323403	Nut, Slotted, 1 - 1/2 - 12	1
-33	4740016	Washer, Hardened	1
-34	0440019	Cone, Bearing	2
-35	0440018	Cup, Bearing	2
-36	3300007	Nut, Wheel	10
-37	0630078	Bolt, Wheel	10
-38	0233266	Hub, Wheel	1
-39	3960098	Seal, Rod	1
-40	4130067	Spindle, Front	1
		(Attaching Parts)	
-41	3324203	Nut, Slotted, 2 - 12 U.N.F.	1
-42	3420614	Pin, King	1
-43	4740082	Washer, Thrust	1
		Bushing	2
-44	0960564	Fitting, Grease, 45° 1/8 NPT	2
-45	2160003	Axle Weldment, Front, Top	1
-46	4840550	Axle Weldment, Front, Bottom	1
		4840549	1
-47	1680289	TELESCOPING AXLE CYLINDER ASSEMBLY (See Figure 2-39 for Breakdown)	2
		(Attaching Parts)	
-48	3312605	Nut, Lock, 1" - 8NC, Grade 5	2
-49	4762600	Washer, Lock, Spring, 1" I.D.	2
-50	0642646	Screw, Cap, Hex Head, 1" - 8NC x 5-1/2" Long, Grade 5	2
-51	3951402	Screw, Set, Socket, 1/4" - 20NC x 1/4" Long	2
	0100011	Nylock, VC-3 Compound	A/R
-52	3420717	Pin, Extension Cylinder	2
		Box, Junction	1
-53	0860037	Plate, Cover	1
	3500812	Connector, Terminal	5
	4460023		
-54	0234329	WHEEL AND TIRE ASSEMBLY - EXTENDABLE AXLE (See Figure 2-33 for Breakdown)	4
	0233316	DRIVE ASSEMBLY	Ref.
-55	2780079	WHEEL DRIVE HUB ASSEMBLY (See Figure 2-41 for Breakdown)	2
		(Attaching Parts)	
-56	0642016	Screw, Cap, Hex Head, 5/8" - 11NC x 2" Long	16
-57	4762000	Washer, Lock, 5/8" I.D.	16
-58	3790049	Seal, O-Ring	2

SECTION 2 — ILLUSTRATED PARTS LIST

FIGURE & INDEX NO.	PART NUMBER	ITEMS & DESCRIPTION	QTY.
2-38		EXTENDABLE AXLE FRAME, STEERING, WHEEL AND DRIVE COMPONENTS INSTALLATION (Continued)	Ref.
-59	0920030	DRIVE PARKING BRAKE ASSEMBLY	2
-60	3160076	Motor, Drive (Attaching Parts)	2
-61	0641848	Screw, Cap, Hex Head, ½ - 13NC x 6" Long	8
-62	4761800	Washer, Lock, ½" I.D.	8
	0080011	Adapter	
	0230635	FLOW DIVIDER AND C/B VALVE ASSEMBLY	Ref.
-63	4640109	Valve, Dual Overcenter (Attaching Parts)	1
-64	3311601	Nut, Hex, ¾ - 16NC	2
-65	4761600	Washer, Lock, Spring, ¾" I.D.	2
-66	0641648	Screw, Cap, Hex Head, ¾ - 16NC x 6" Long, Grade 5	2
-67	4640443	Valve, Flow Divider	1
	2220335	Fitting, Tee	1
	2220325	Fitting, Connector	1
	2220061	Fitting, Adapter	1
	0233425	AXLE LIMIT SWITCHES INSTALLATION	Ref.
-68	4460052	Relief, Strain, ½"	4
-69	4360068	Switch, Limit	4
-70	4070219	Shim, 16 Gauge	A/R
	4070219	Shim, 14 Gauge	A/R
	4070221	Shim, 11 Gauge	A/R
	3505365	Plate, Shim	A/R
-71	3505272	Plate, Mounting (Front Axle Only) (Attaching Parts)	2
-72	3311001	Nut, Hex, #10-24NC	8
-73	4771000	Washer, Lock, Star, #10	8
-74	3900097	Screw, Fillister Head, #10-24NC x 2-¼" Long	8
-75	4920140	Wire, Lock	A/R
-76	4841052	Axle Weldment, Rear Bottom	1
	4840544	Axle Weldment, Rear, Top	1
-77	1680289	TELESCOPING AXLE CYLINDER ASSEMBLY (See Figure 2-39 for Breakdown)	2
		(Attaching Parts)	
-78	3951402	Screw, Set, Socket, ¼ - 20NC x ¼" Long	2
	0100011	Nylock, VC-3 Compound	A/R
-79	3420713	Pin, Extension Cylinder	2
-80	3420716	Pin, Extension Cylinder	2
-81	4840901	Tube, Hose (Attaching Parts)	2
-82	3311405	Nut, Lock, ¼ - 20NC (R.H.)	4
-83	4751400	Washer, Flat, ¼" I.D.	4
-84	0641407	Screw, Cap, Hex Head, ¼ - 20NC x ¾" Long, Grade 5	4

SECTION 2 — ILLUSTRATED PARTS LIST

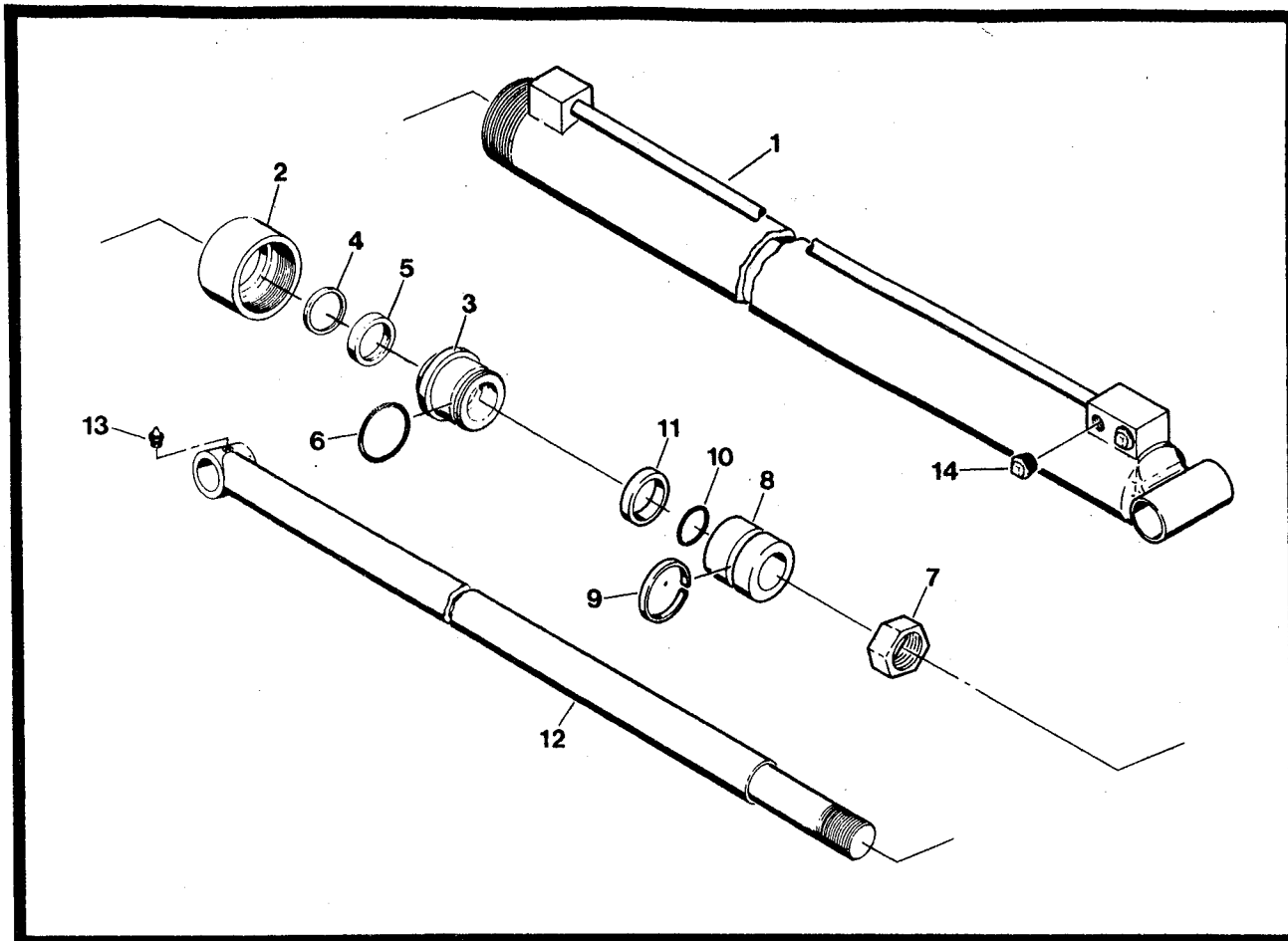


Figure 2-39. Telescoping Axle Cylinder Assembly.

FIGURE & INDEX NO.	PART NUMBER	ITEMS & DESCRIPTION	QTY.
2-39	1680289	TELESCOPING AXLE CYLINDER ASSEMBLY	Ref.
-1	1680591	Barrel	1
-2	1120110	Retainer, Head	1
	0100011	Nylock (VC-3 Compound)	A/R
-3	1680842	Head	1
-4	3960155	Wiper, Canned	1
-5	3960124	Seal, Poly Pak	1
-6	3790326	O-Ring	1
-7	3300066	Nut, Special	1
	0100011	Nylock (VC-3 Compound)	A/R
-8	3480046	Piston	1
-9	3960016	T-Seal	1
-10	3790016	O-Ring	1
-11	1440094	Collar	1
-12	1681163	Rod	1
-13	2160002	Fitting, Grease, Straight	2
-14	2200102	Plug, Pipe, 1/4" NPT Square Head	2
	2900124	Kit, Repair (Includes Items 4, 5, 6, 9 and 10)	1

SECTION 2 – ILLUSTRATED PARTS LIST

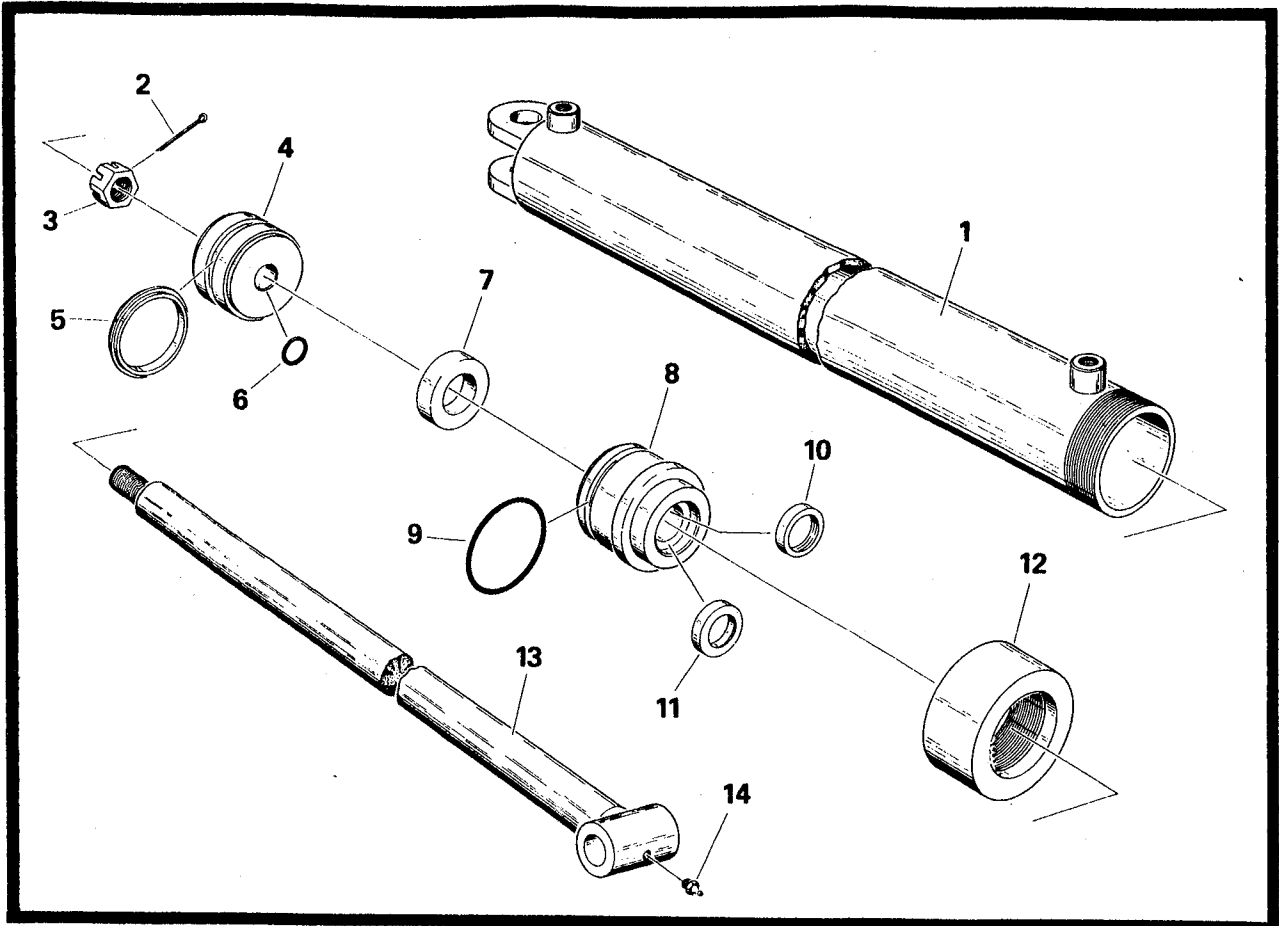


Figure 2-40. Steer Cylinder Assembly (Extending Axle Machine).

FIGURE & INDEX NO.	PART NUMBER	ITEMS & DESCRIPTION	QTY.
2-40	1680321	STEER CYLINDER ASSEMBLY (EXTENDING AXLE MACHINE)	Ref.
-1	1680594	Barrel Weldment	1
-2	3450606	Pin, Cotter, 3/16 Dia. x 1-1/2" Long	1
-3	3322203	Nut, Slotted, 3/4" - 16N.F.	1
-4	3480027	Piston	1
-5	3960007	T-Seal	1
-6	3790018	O-Ring	1
-7	1440158	Collar	1
-8	1680831	Head	1
-9	3790334	O-Ring	1
-10	3960129	Seal	1
-11	3960128	Wiper	1
-12	1120083	Head	1
-13	1681168	Rod Weldment	1
-14	2160002	Fitting, Grease, 1/8" N.P.T. - Straight	1
	2900111	Kit, Repair (Includes Items 5, 6, 9, 10, and 11)	1
	0231457	BELLOWS INSTALLATION, SANDBLAST PACKAGE	Ref.
	0460010	Bellows, Steer Cylinder (Including Clamps)	1

SECTION 2 — ILLUSTRATED PARTS LIST

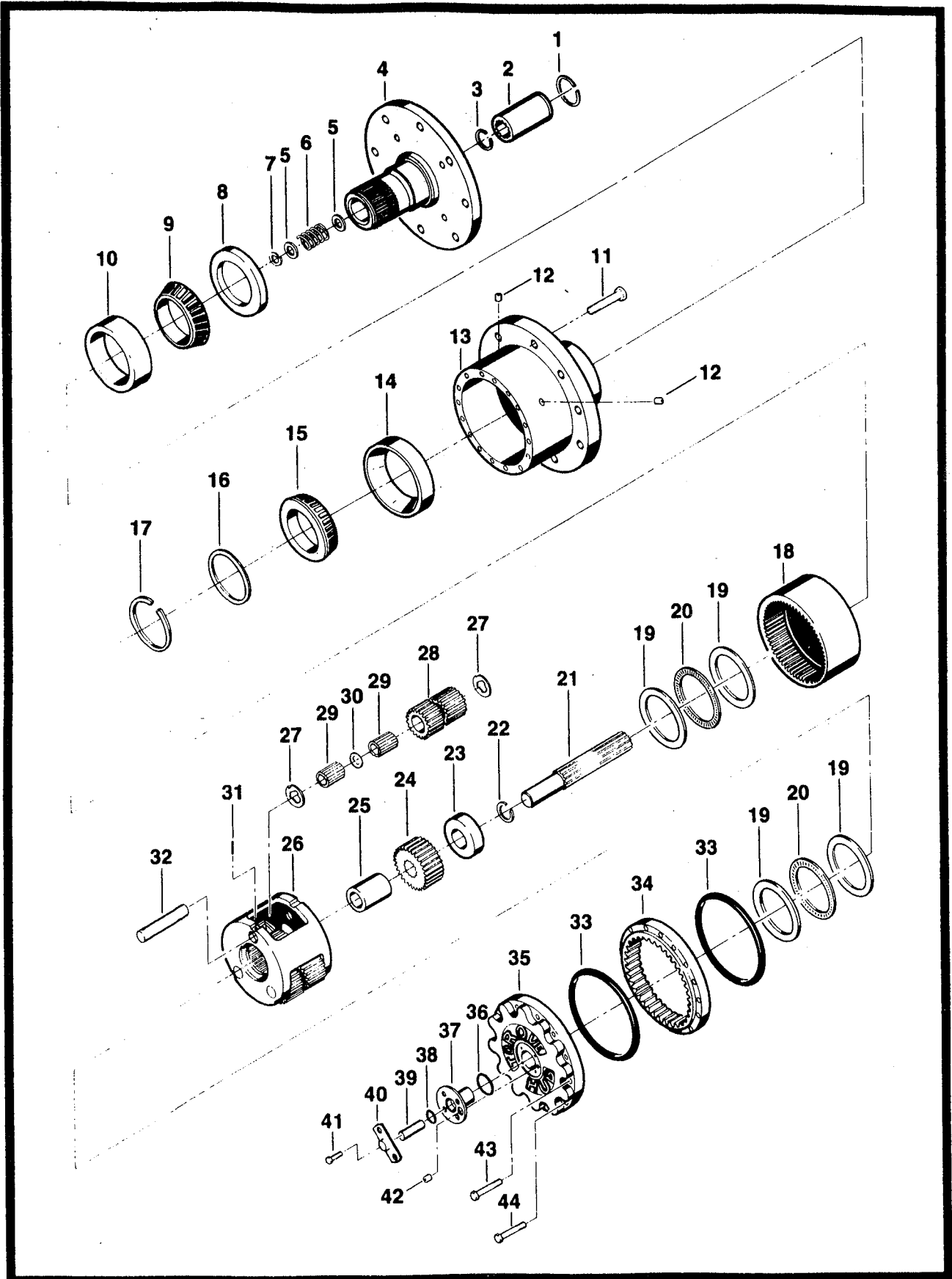


Figure 2-41. Wheel Drive Hub Assembly (Extending Axle Machines).

SECTION 2 — ILLUSTRATED PARTS LIST

FIGURE & INDEX NO.	PART NUMBER	ITEMS & DESCRIPTION	QTY.
2—41	2780079	WHEEL DRIVE HUB ASSEMBLY (EXTENDING AXLE MACHINES)	Ref.
—1	7000298	Ring, Retaining	1
—2	7000296	Coupling	1
—3	7000297	Ring, Retaining	1
—4	7002021	Spindle	1
—5	7000282	Washer	2
—6	7000283	Spring	1
—7	7000284	Ring, Retaining	1
—8	7000236	Seal	1
—9	7000273	Bearing Cone	1
—10	7000272	Bearing Cup	1
—11	7002022	Stud	10
—12	7001928	Plug, Pipe	2
—13	7002023	Hub	1
—14	7000274	Bearing Cup	1
—15	7000275	Bearing Cone	1
—16	7002024	Spacer	1
—17	7000240	Ring, Retaining	1
—18	7000277	Gear, Internal	1
—19	7000287	Washer, Thrust	4
—20	7000288	Bearing, Thrust	2
—21	7000292	Shaft, Input	1
—22	7000285	Ring, Retaining	1
—23	7000293	Spacer, Thrust	1
—24	7000294	Gear, Input	1
—25	7000295	Spacer, Thrust	1
—26	7001933	Carrier Assembly	1
—27	7001901	Washer, Thrust	6
—28	7001905	Gear, Cluster	3
—29	7001902	Roller, Needle	84
—30	7001903	Spacer	3
—31	7001906	Pin, Roll	3
—32	7001904	Shaft, Planet	3
—33	7000224	O-Ring	2
—34	7000299	Gear, Ring	1
—35	7000218	Cover Assembly	1
—36	7000238	O-Ring	1
—37	7000219	Cap, Cover	1
—38	7000213	O-Ring	1
—39	7000235	Rod, Disconnect	1
—40	7000231	Cap, Disconnect	1
		(Attaching Parts)	
—41	7000220	Screw, Cap, Hex Head	4
—42	77000243	Plug, Pipe	1
—43	7000289	Screw, Cap, Hex Head	8
—44	7000225	Screw, Cap, Shoulder	4
	2900139	Kit Repair (Includes Items 8, 33, 36, 38, 39 and 40)	

SECTION 2 — ILLUSTRATED PARTS LIST

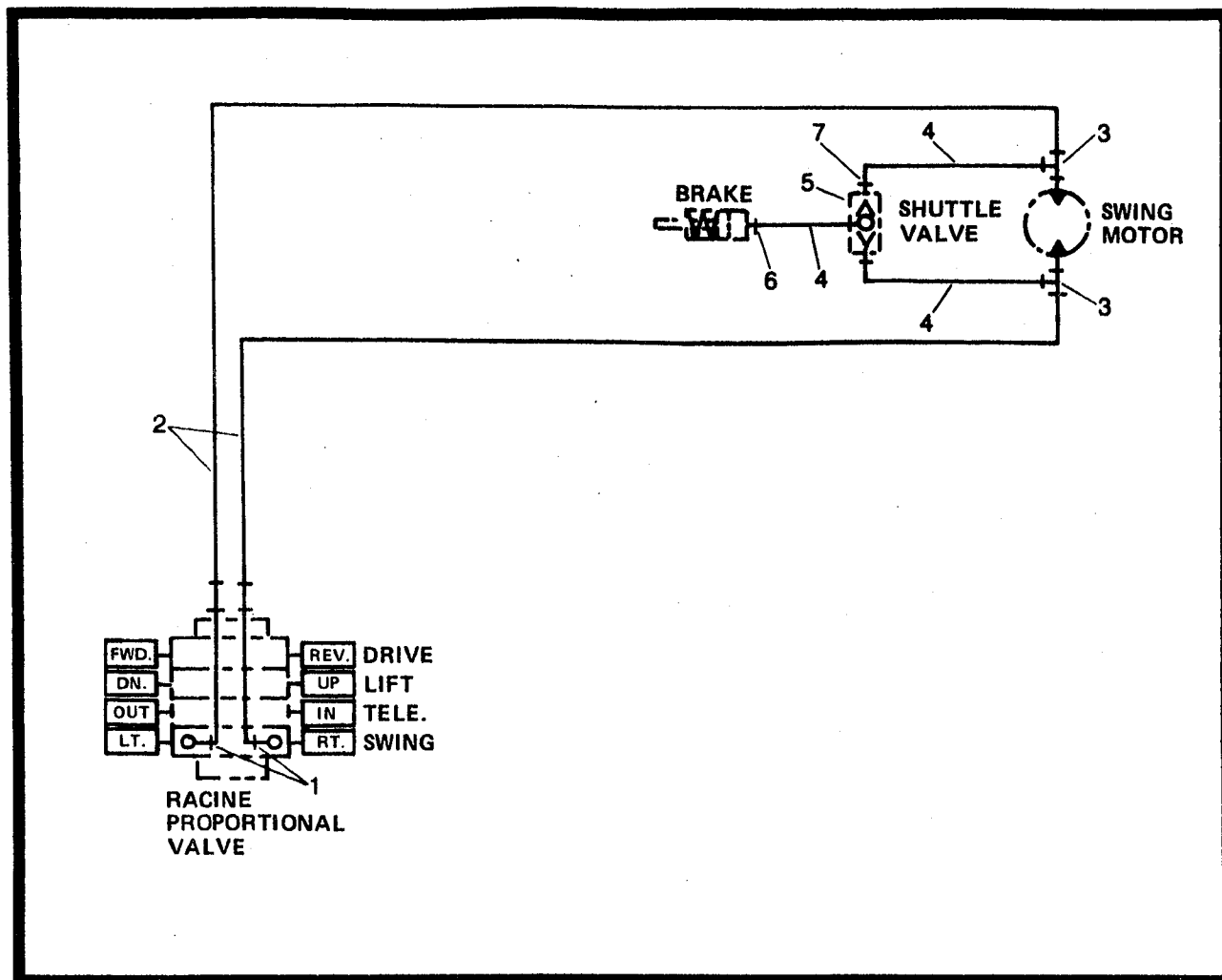


Figure 2-42. Hydraulic Swing Circuit.

FIGURE & INDEX NO.	PART NUMBER	ITEMS & DESCRIPTION	QTY.
2-42	2790248	HYDRAULIC SWING CIRCUIT	Ref.
-1	2220056	Fitting, O-Ring, Straight	2
-2	2750709	Hose Assembly, Hydraulic	2
-3	2180280	Fitting, O-Ring, 90° Modified	2
-4	2750352	Hose Assembly, Hydraulic	3
-5	4640013	Valve, Shuttle	1
-6	2220110	Fitting, O-Ring, 90°	1
-7	2220125	Fitting, 45°	2

SECTION 2 — ILLUSTRATED PARTS LIST

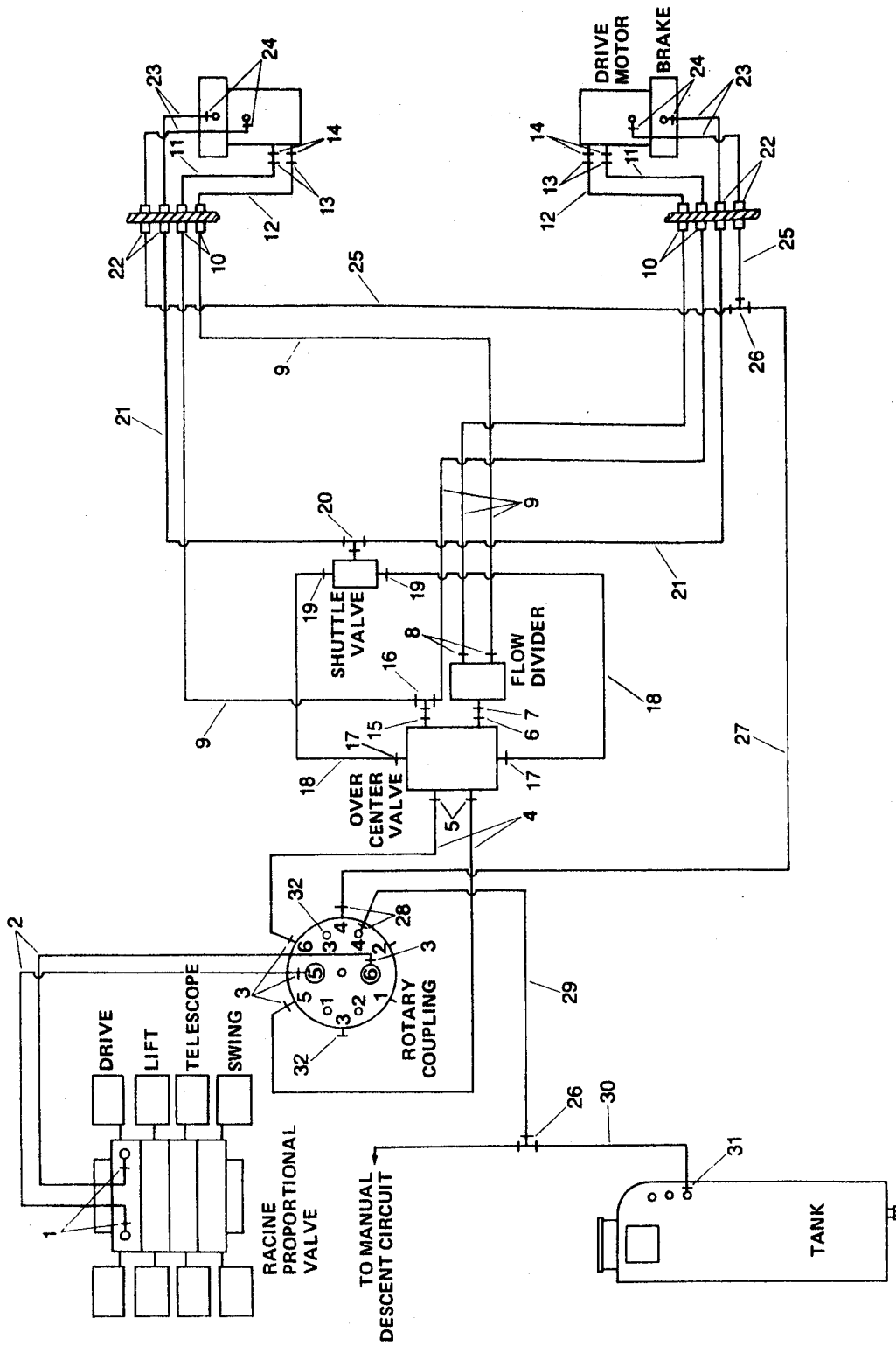


Figure 2-43. Hydraulic Drive Circuit (Extending Axle Machine).

SECTION 2 — ILLUSTRATED PARTS LIST

FIGURE & INDEX NO.	PART NUMBER	ITEMS & DESCRIPTION	QTY.
2—43	2790447	HYDRAULIC DRIVE CIRCUIT (EXTENDABLE AXLE MACHINE)	Ref.
—1	2220637	Adapter, Hydraulic, 45°	2
—2	2751038	Hose Assembly, Hydraulic	2
—3	2220357	Adapter, Hydraulic, 45°	4
—4	2751036	Hose Assembly, Hydraulic	2
—5	2220349	Adapter, Hydraulic, Straight	2
—6	2220340	Adapter, Hydraulic, Nipple	1
—7	2220061	Adapter, Hydraulic, Straight	1
—8	2220375	Adapter, Hydraulic, Straight	2
—9	2750792	Hose Assembly, Hydraulic	4
—10	2230025	Adapter, Hydraulic, Straight	4
—11	2750981	Hose Assembly, Hydraulic	2
—12	2750982	Hose Assembly, Hydraulic	2
—13	2220345	Adapter, Hydraulic, Straight	4
—14	2180447	Adapter, Hydraulic, Modified	4
—15	2220308	Adapter, Hydraulic, Reducer	1
—16	2220665	Adapter, Hydraulic, Tee	1
—17	2220416	Adapter, Hydraulic, 90°	2
—18	2751015	Hose Assembly, Hydraulic	2
—19	2220496	Adapter, Hydraulic, 45°	2
—20	2220584	Adapter, Hydraulic, Tee	1
—21	2751027	Hose Assembly, Hydraulic	2
—22	2230021	Adapter, Hydraulic, Straight	4
—23	2750902	Hose Assembly, Hydraulic	4
—24	2220466	Adapter, Hydraulic, 90°	4
—25	2750895	Hose Assembly, Hydraulic	2
—26	2220504	Adapter, Hydraulic, Tee	2
—27	2750897	Hose Assembly, Hydraulic	1
—28	2220353	Adapter, Hydraulic, 45°	2
—29	2750892	Hose Assembly, Hydraulic	1
—30	2751014	Hose Assembly, Hydraulic	1
—31	2220414	Adapter Hydraulic, Straight	1
—32	2200213	Adapter, Hydraulic, Plug	2

SECTION 2 — ILLUSTRATED PARTS LIST

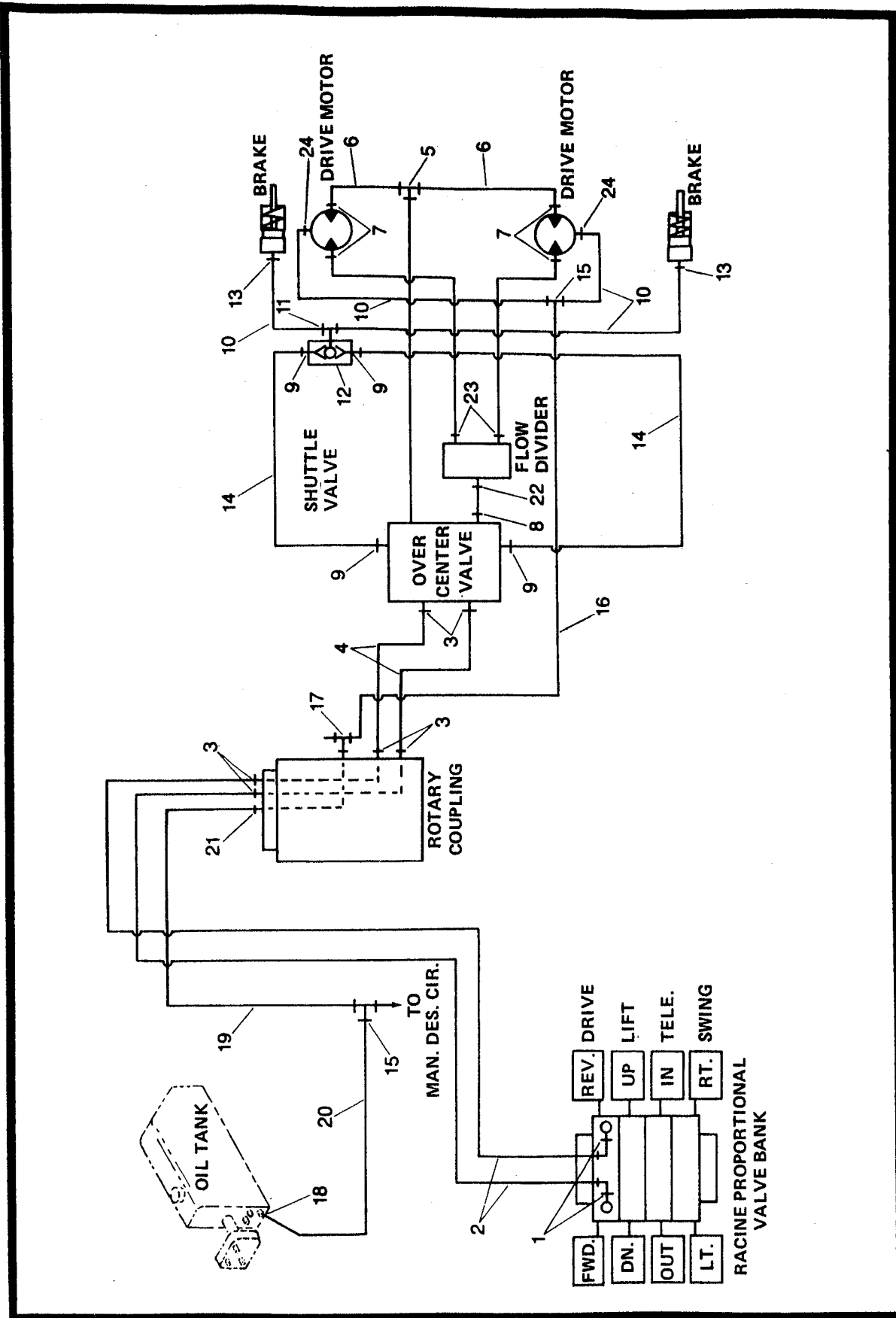


Figure 2-44. Hydraulic Drive Circuit (Outrigger Machine).

SECTION 2 — ILLUSTRATED PARTS LIST

FIGURE & INDEX NO.	PART NUMBER	ITEMS & DESCRIPTION	QTY.
2-44	2790346	HYDRAULIC DRIVE CIRCUIT (OUTRIGGER MACHINE)	Ref.
-1	2220131	Fitting, Swivel 45°	2
	2220058	Fitting, O-Ring, Straight	2
-2	2750681	Hose Assembly, Hydraulic	2
-3	2220133	Fitting, 45°	6
-4	2750629	Hose Assembly, Hydraulic	2
-5	2220335	Fitting, Tee	1
-6	2750180	Hose Assembly, Hydraulic	4
-7	2220073	Fitting, 90°	4
	2180004	Fitting	4
	3790214	O-Ring	4
	4740056	Washer, Hi-Collar Lock	16
	3931624	Capscrew, Sockethead, 3/8 - 16 x 1-1/2" Long	16
-8	2220340	Fitting, Nipple	1
-9	2220064	Fitting, 90°	4
-10	2750357	Hose Assembly, Hydraulic	4
-11	2220190	Fitting, Tee	1
-12	4640013	Valve, Shuttle	1
-13		Fitting, O-Ring, 90°	2
-14	2750748	Hose	2
-15	2220205	Fitting, Tee	2
-16	2750368	Hose Assembly, Hydraulic	1
-17	2220191	Fitting, Tee	1
	2220250	Fitting, Reducer	1
-18	2220003	Fitting, 45°	1
-19	2750477	Hose Assembly, Hydraulic	1
-20	2750358	Hose Assembly, Hydraulic	1
-21	2220125	Fitting, 45° Elbow	1
	2220250	Fitting, Reducer	1
-22	2220061	Fitting	1
-23	2220059	Fitting	2
-24	2220148	Fitting, Elbow, 45°	2

SECTION 2 — ILLUSTRATED PARTS LIST

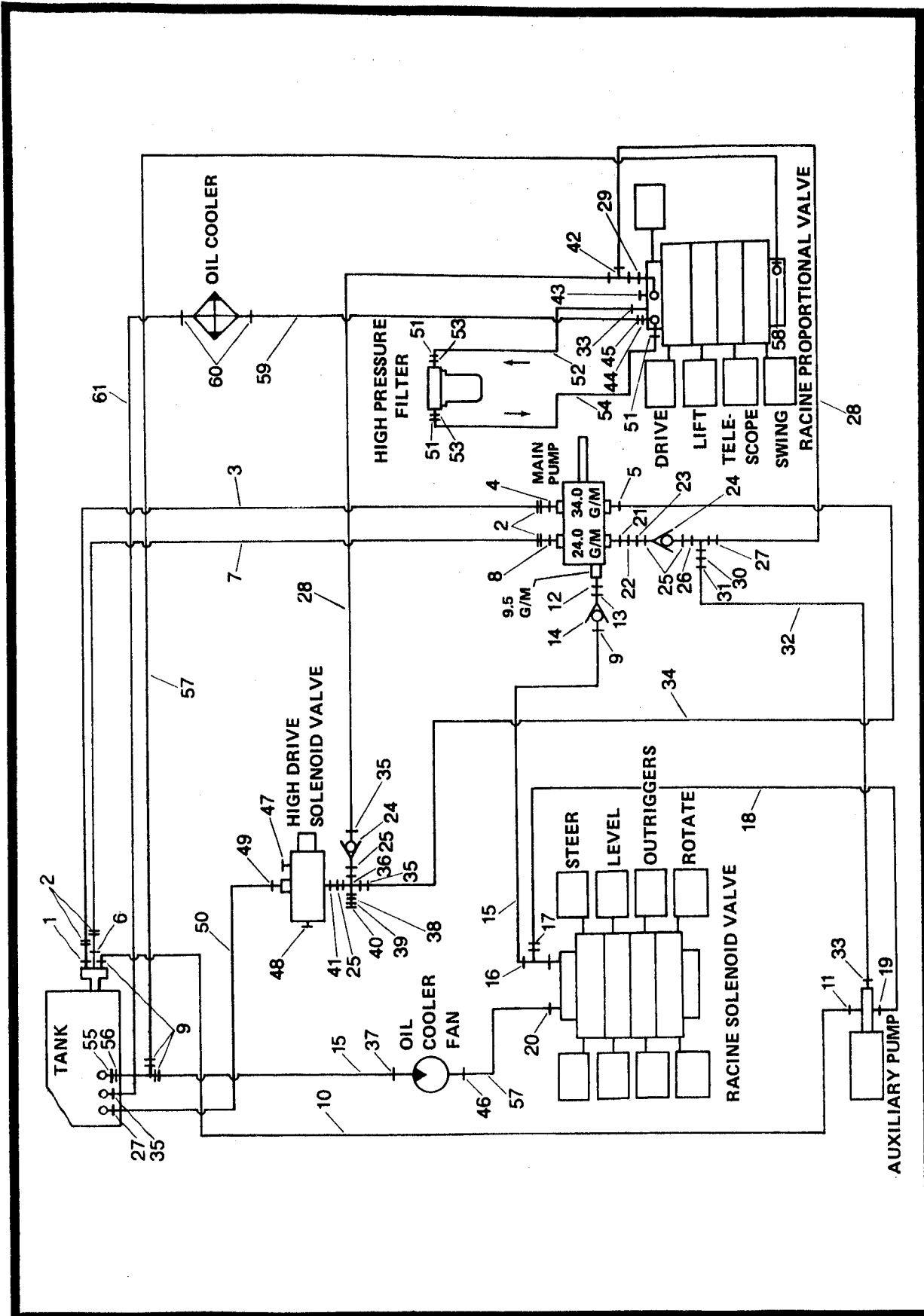


Figure 2-45. Hydraulic Pump Circuit (Extending Axes).

SECTION 2 — ILLUSTRATED PARTS LIST

FIGURE & INDEX NO.	PART NUMBER	ITEMS & DESCRIPTION	QTY.
2-45	2790565	HYDRAULIC PUMP CIRCUIT (EXTENDING AXLES)	Ref.
-1	2220258	Adapter, Hydraulic Nipple	1
-2	1320012	Clamp, Hose	8
-3	2720017	Hose, Hydraulic	4 Ft.
-4	2240020	Flange, Split Half	2
	3790222	O-Ring	1
	2180181	Adapter, 45° Beaded Hose Stem (Attaching Parts)	1
	0641712	Bolt, 7/16 - 14 x 1-1/2" Long	4
	4740069	Washer	4

-5	2240020	Flange, Split Half	2
	3790222	O-Ring	1
	2220467	Adapter, 90° Stem (Attaching Parts)	1
	0641712	Bolt, 7/16 - 14 x 1-1/2" Long	4
	4740069	Washer	4

-6	2220336	Adapter, Nipple	1
-7	2720053	Hose, Hydraulic	4 Ft.
-8	2240074	Flange, Split Half	2
	3790225	O-Ring	1
	2180182	Adapter, 45° Beaded Hose Stem	1
	4740068	Washer	4

-9	2220345	Adapter, Straight	4
-10	2750757	Hose Assembly	1
-11	2220374	Fitting, 37° Flare	1
-12	2220594	Fitting, Swivel, 37° Flare	1
-13	2220494	Fitting, 90°, 37° Flare	1
-14	4640009	Valve, Check	1
-15	2750972	Hose Assembly	2
-16	2220602	Fitting, Tee	1
-17	2220618	Fitting, Reducer	1
-18	2751010	Hose Assembly	1
-19	2220415	Fitting, 37° Flare	1
-20	2220596	Fitting, 90°, 37° Flare	1
-21	2220478	Flange Kit, Split	1
-22	2220482	Fitting, 90° Stem	1
-23	2220641	Fitting, Swivel 37° Flare	1
-24	4640108	Valve, Check	2
-25	2220340	Fitting, Nipple	4
-26	2220337	Fitting, Tee	1
-27	2220349	Fitting, 37° Flare	2
-28	2751033	Hose Assembly	2
-29	2220376	Fitting, 37° Flare	1
-30	2220309	Fitting, Reducer	1
-31	2220343	Fitting, 37° Flare	1
-32	2751001	Hose Assembly	1
-33	2220371	Fitting, 37° Flare	2
-34	2751037	Hose Assembly	1
-35	2220357	Fitting, 45°, 37° Flare	3
-36	2180231	Adapter, Modified Tee	1
-37	2220406	Fitting, 37° Flare	1
	2220386	Fitting, 90° Stem	1

SECTION 2 — ILLUSTRATED PARTS LIST

FIGURE & INDEX NO.	PART NUMBER	ITEMS & DESCRIPTION	QTY.
2—45	2790565	HYDRAULIC PUMP CIRCUIT (EXTENDING AXLES) (Continued)	Ref.
—38	2220261	Fitting, Nipple	1
—39	2220428	Coupling, Quick Disconnect	1
—40	2220429	Cap, Dust	1
—41	2220013	Fitting, Straight	1
—42	2220642	Fitting, Tee	1
—43	2220238	Plug	1
—44	2220664	Fitting, 90°	1
—45	2220480	Fitting, 90° Long Stem	1
—46	2220406	Fitting, 37° Flare	1
—47	2200105	Plug	1
—48	3900041	Screw, Set, ½ - 20 x 2" Long	1
	3790111	O-Ring	1
	3321800	Nut, ½ - 20	1
—49	2220627	Fitting, 45°, 37° Flare	1
—50	2750852	Hose Assembly	1
—51	2220473	Fitting, 90°, 37° Flare	3
—52	2750921	Hose Assembly	1
—53	2220221	Fitting, Reducer	2
—54	2750997	Hose Assembly	1
—55	2220338	Fitting, 90°	1
—56	2220369	Fitting, Tee	1
—57	2751463	Hose Assembly	2
—58	2220647	Fitting	1
	2220345	Fitting, 37° Flare	1
—59	2750857	Hose Assembly	1
—60	2220403	Fitting, 90°	2
—61	2750854	Hose Assembly	1

SECTION 2 — ILLUSTRATED PARTS LIST

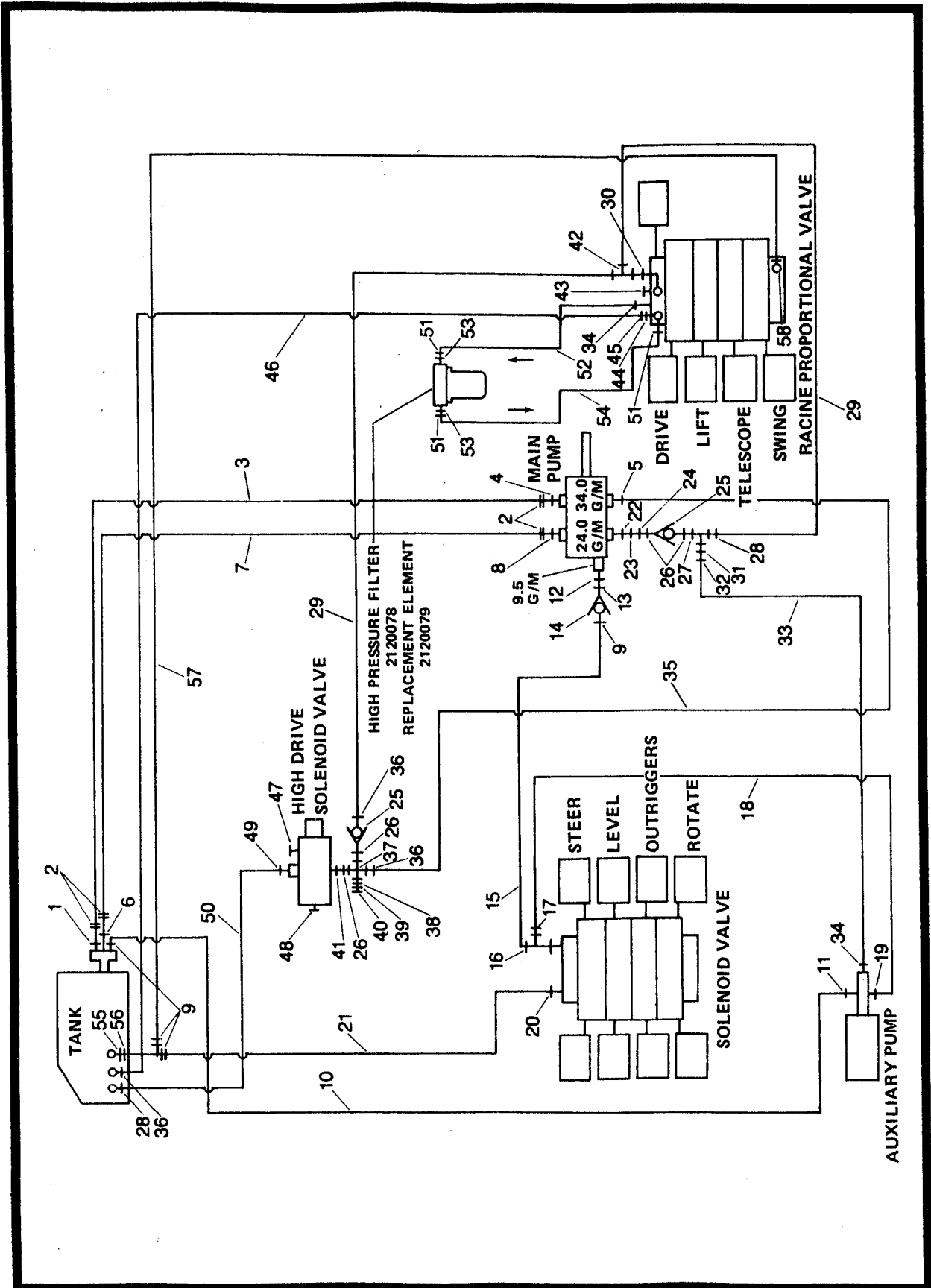


Figure 2-46. Hydraulic Pump Circuit (Outrigger).

SECTION 2 — ILLUSTRATED PARTS LIST

FIGURE & INDEX NO.	PART NUMBER	ITEMS & DESCRIPTION	QTY.
2-46	2790453	HYDRAULIC PUMP CIRCUIT (OUTRIGGERS)	Ref.
-1	2220258	Adapter, Hydraulic Nipple	1
-2	1320012	Clamp, Hose	8
-3	2720091	Hose, Hydraulic	1
-4	2240020	Flange, Split Half	2
	3279222	O-Ring	1
	2180181	Adapter, 45° Beaded Hose Stem (Attaching Parts)	1
	0641712	Bolt, 7/16 - 14 x 1-1/2" Long	4
	4740069	Washer	4

-5	2240020	Flange, Split Half	2
	3790222	O-Ring	1
	2220467	Adapter, 90° Stem (Attaching Parts)	1
	0641712	Bolt, 7/16 - 14 x 1-1/2" Long	4
	4740069	Washer	4

-6	2220336	Adapter, Nipple	1
-7	2720092	Hose, Hydraulic	1
-8	2240074	Flange, Split Half	2
	3790225	O-Ring	1
	2180182	Adapter, 45° Beaded Hose Stem (Attaching Parts)	1
	0641812	Bolt, 1/2 - 13 x 1-1/2" Long	4
	4740068	Washer	4

-9	2220345	Adapter, Straight	4
-10	2750757	Hose Assembly	1
-11	2220374	Fitting, 37° Flare	1
-12	2220594	Fitting, Swivel, 37° Flare	1
-13	2220494	Fitting, 90° 37° Flare	1
-14	4640009	Valve, Check	1
-15	2750972	Hose Assembly	1
-16	2220602	Fitting, Tee	1
-17	2220618	Fitting, Reducer	1
-18	2751010	Hose Assembly	1
-19	2220415	Fitting, 37° Flare	1
-20	2220596	Fitting, 90°, 37° Flare	1
-21	2750973	Hose Assembly	1
-22	2220478	Flange Kit, Split	1
-23	2220482	Fitting, 90° Stem	1
-24	2220641	Fitting, Swivel, 37° Flare	1
-25	4640108	Valve, Check	2
-26	2220340	Fitting, Nipple	4
-27	2220337	Fitting, Tee	1
-28	2220349	Fitting, 37° Flare	2
-29	2751033	Hose Assembly	2
-30	2220376	Fitting, 37° Flare	1
-31	2220309	Fitting, Reducer	1
-32	2220343	Fitting, 37° Flare	1
-33	2751001	Hose Assembly	1
-34	2220371	Fitting, 37° Flare	2
-35	2751037	Hose Assembly	1
-36	2220357	Fitting, 45°, 37° Flare	3

SECTION 2 — ILLUSTRATED PARTS LIST

FIGURE & INDEX NO.	PART NUMBER	ITEMS & DESCRIPTION	QTY.
2—46	2790453	HYDRAULIC PUMP CIRCUIT (OUTRIGGERS) (Continued)	Ref.
—37	2180231	Adapter, Modified Tee	1
—38	2220261	Fitting, Nipple	1
—39	2220428	Coupling, Quick Disconnect	1
—40	2220429	Cap, Dust	1
—41	2220013	Fitting, Straight	1
—42	2220642	Fitting, Tee	1
—43	2220238	Plug	1
—44	2220664	Fitting, 90°	1
—45	2220480	Fitting, 90° Long Stem	1
—46	2750853	Hose Assembly	1
—47	2200105	Plug	1
—48	3900041	Screw, Set, ½ - 20 x 2" Long	1
	3790111	O-Ring	1
	3321800	Nut, ½ - 20	1
—49	2220627	Fitting, 45°, 37° Flare	1
—50	2750852	Hose Assembly	1
—51	2220473	Fitting, 90°, 37° Flare	3
—52	2750921	Hose Assembly	1
—53	2220221	Fitting, Reducer	2
—54	2750997	Hose Assembly	1
—55	2220338	Fitting, 90°	1
—56	2220369	Fitting, Tee	1
—57	2751463	Hose Assembly	1
—58	2220647	Fitting	1
	2220345	Fitting, 37° Flare	1

SECTION 2 — ILLUSTRATED PARTS LIST

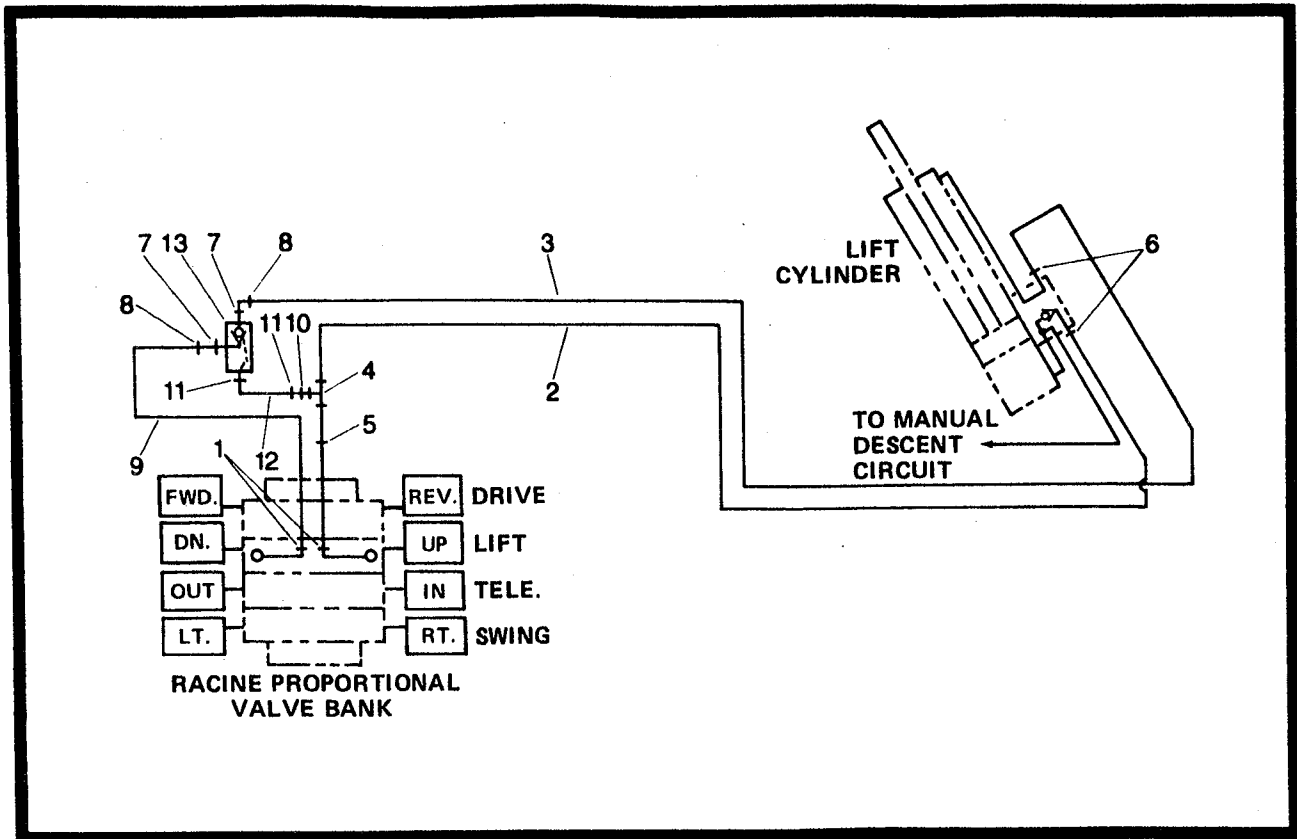


Figure 2-47. Hydraulic Lift Circuit (Extending Axle).

FIGURE & INDEX NO.	PART NUMBER	ITEMS & DESCRIPTION	QTY.
2-47	2790470	HYDRAULIC LIFT CIRCUIT (EXTENDABLE AXLE WITH PILOT CHECK VALVE)	Ref.
-1	2220056	Fitting, O-Ring, Straight	2
-2	2750709	Hose Assembly, Hydraulic	1
-3	2750702	Hose Assembly, Hydraulic	1
-4	2220198	Fitting, Swivel Adapter, Tee	1
-5	2220280	Fitting, Nipple	1
-6	2220006	Fitting, Straight Swivel	2
-7	2220104	Fitting, 90°	2
-8	2220251	Fitting, Reducer	2
-9	2750720	Hose Assembly, Hydraulic	1
-10	2220250	Fitting, Reducer	1
-11	2220261	Fitting, Nipple	2
-12	2751013	Hose Assembly, Hydraulic	1
-13	4640318	Valve, Pilot Check	1

SECTION 2 — ILLUSTRATED PARTS LIST

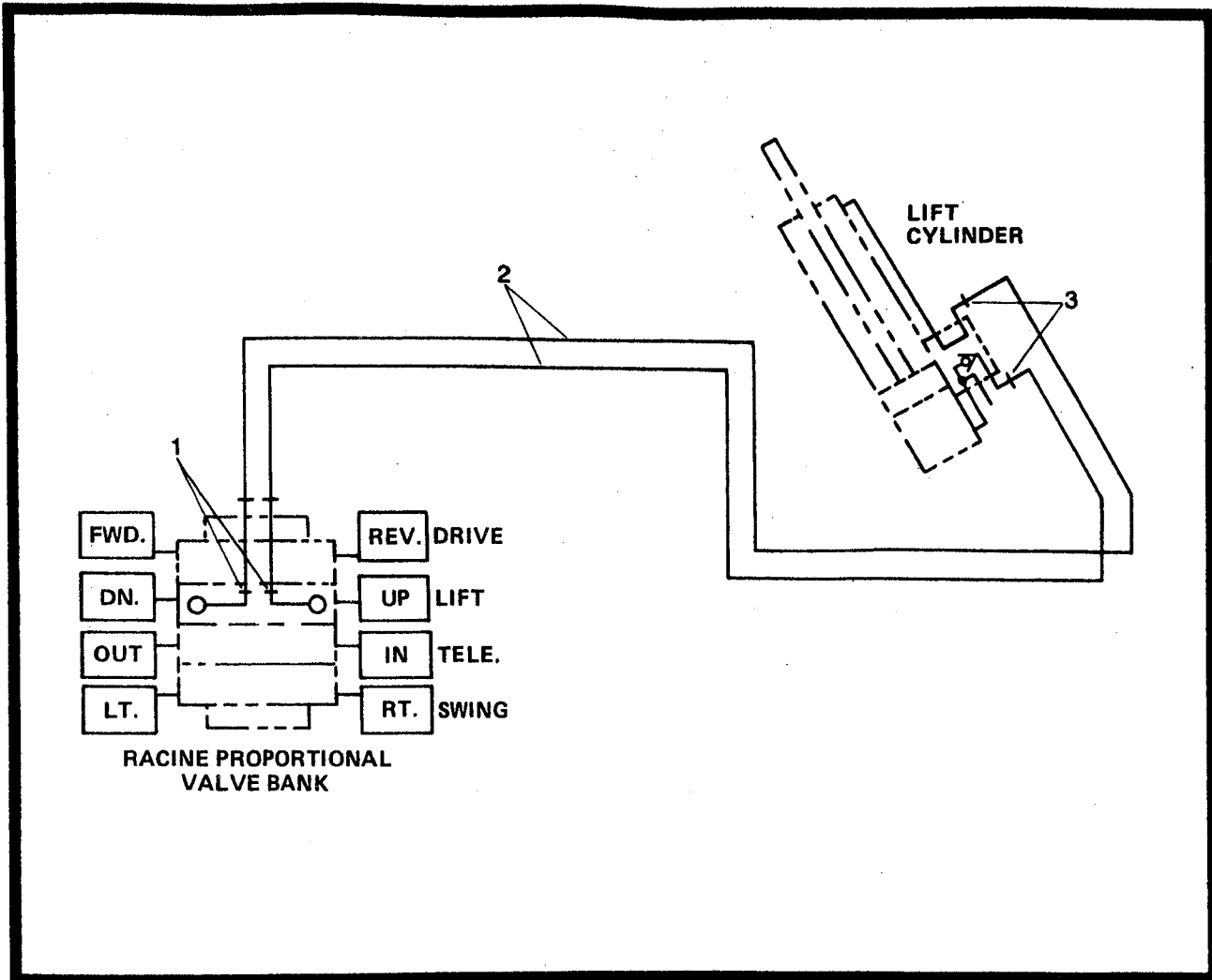


Figure 2-48. Hydraulic Lift Circuit (Outriggers).

FIGURE & INDEX NO.	PART NUMBER	ITEMS & DESCRIPTION	QTY.
2-48	2790247	HYDRAULIC LIFT CIRCUIT (OUTRIGGERS)	Ref.
-1	2220056	Fitting, O-Ring, Straight	2
-2	2750709	Hose Assembly, Hydraulic	2
-3	2220006	Fitting	2

SECTION 2 — ILLUSTRATED PARTS LIST

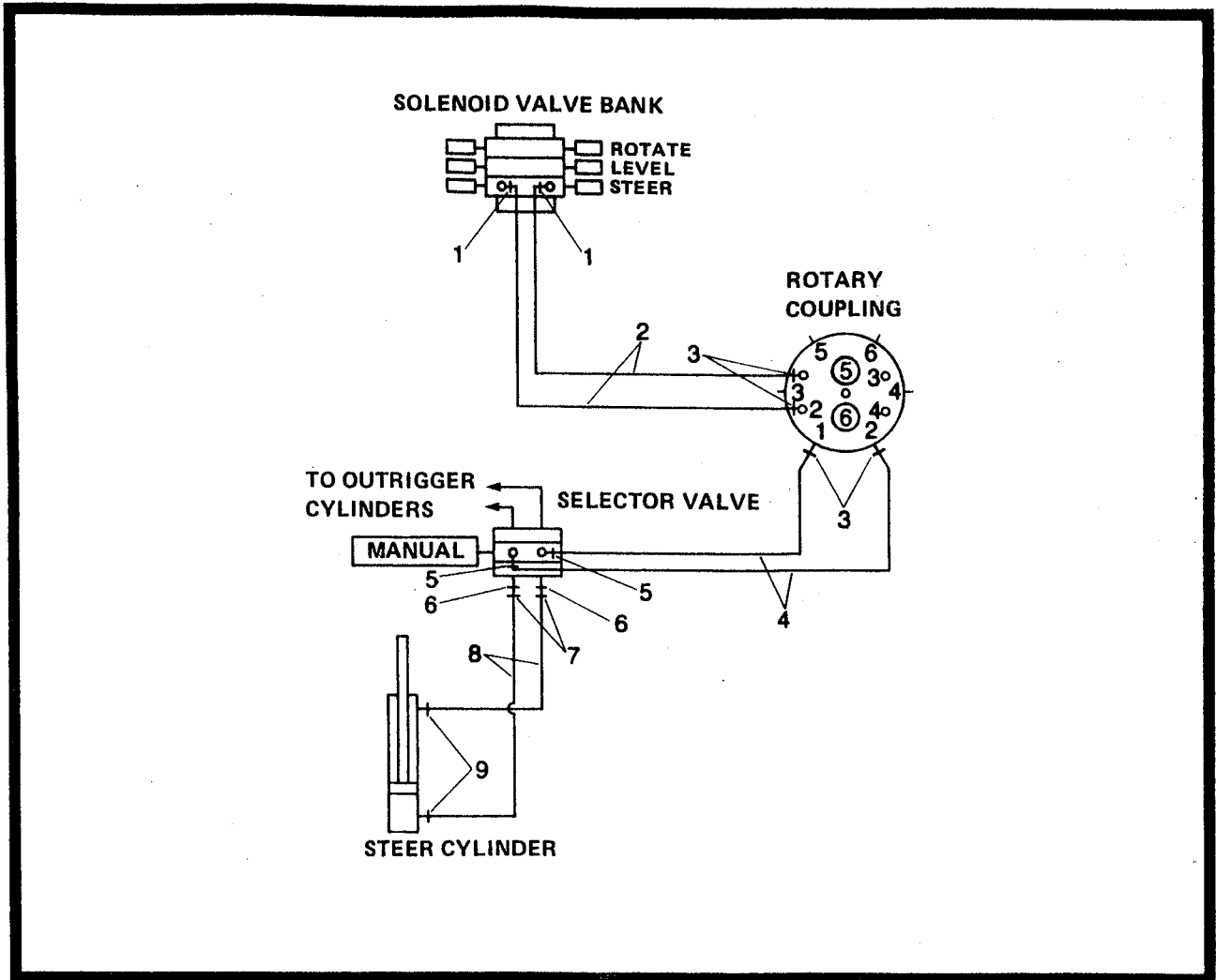


Figure 2-49. Hydraulic Steer Circuit (Extending Axles).

FIGURE & INDEX NO.	PART NUMBER	ITEMS & DESCRIPTION	QTY.
2-49	2790448	HYDRAULIC STEER CIRCUIT (EXTENDABLE AXLE MACHINE)	Ref.
-1	2220372	Adapter, Hydraulic, Straight	2
-2	2751104	Hose Assembly, Hydraulic	2
-3	2220353	Adapter, Hydraulic	4
-4	2750908	Hose Assembly, Hydraulic	2
-5	2220492	Adapter, Hydraulic, Straight	2
-6	2220270	Adapter, Hydraulic, Reducer	2
-7	2220416	Adapter, Hydraulic, 90°	2
-8	2751014	Hose Assembly, Hydraulic	2
-9	2220496	Adapter, Hydraulic, 45°	2

SECTION 2 — ILLUSTRATED PARTS LIST

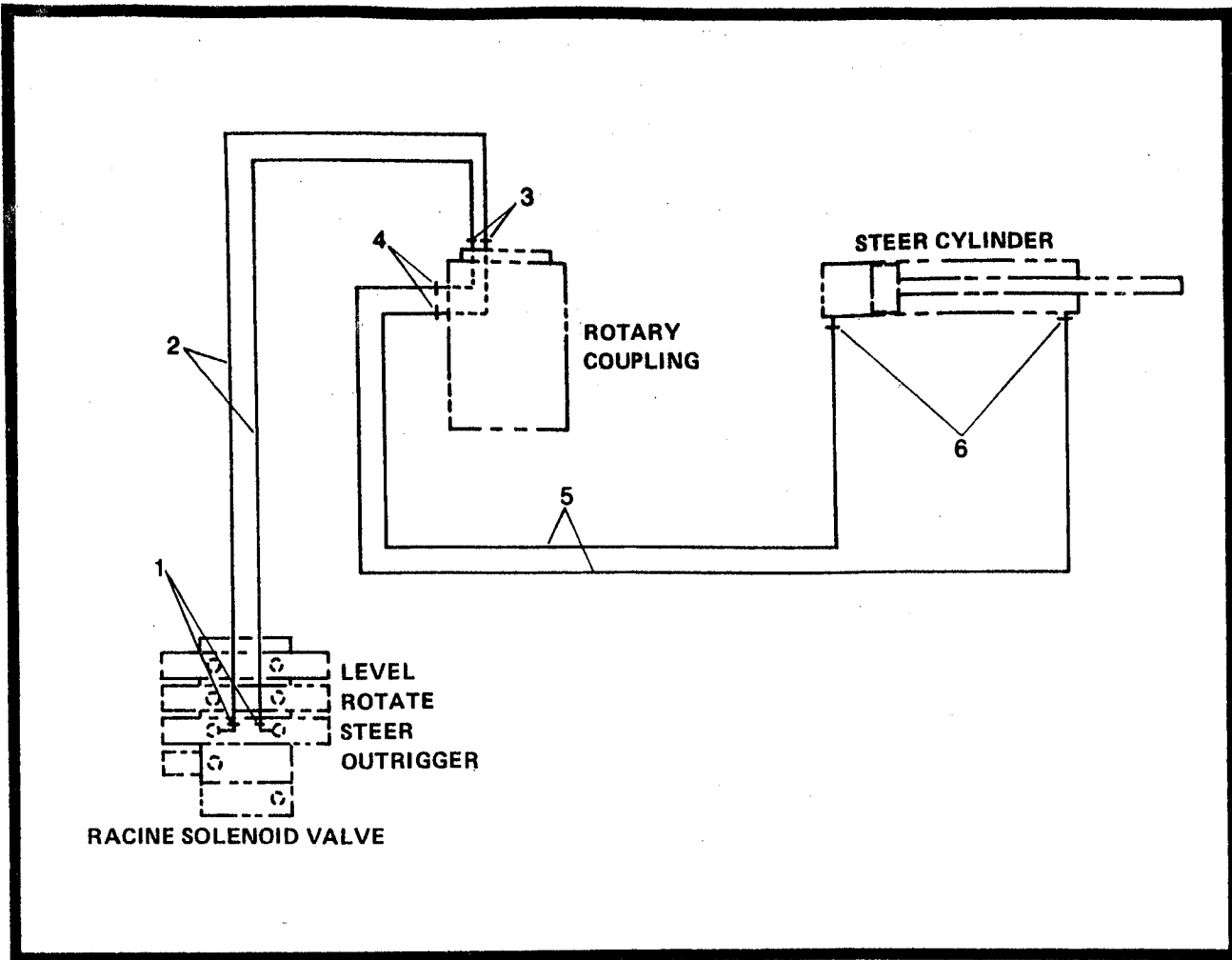


Figure 2-50. Hydraulic Steer Circuit (Outriggers).

FIGURE & INDEX NO.	PART NUMBER	ITEMS & DESCRIPTION	QTY.
2-50	2790254	HYDRAULIC STEER CIRCUIT (OUTRIGGERS)	Ref.
-1	2220113	Fitting, O-Ring, 90°	2
-2	2750722	Hose Assembly, Hydraulic	2
-3	2220126	Fitting, 45°	2
-4	2220250	Fitting, Reducer	2
	2220125	Fitting, 45°	2
-5	2750372	Hose Assembly, Hydraulic	2
-6	2220064	Fitting, 90°	2

SECTION 2 — ILLUSTRATED PARTS LIST

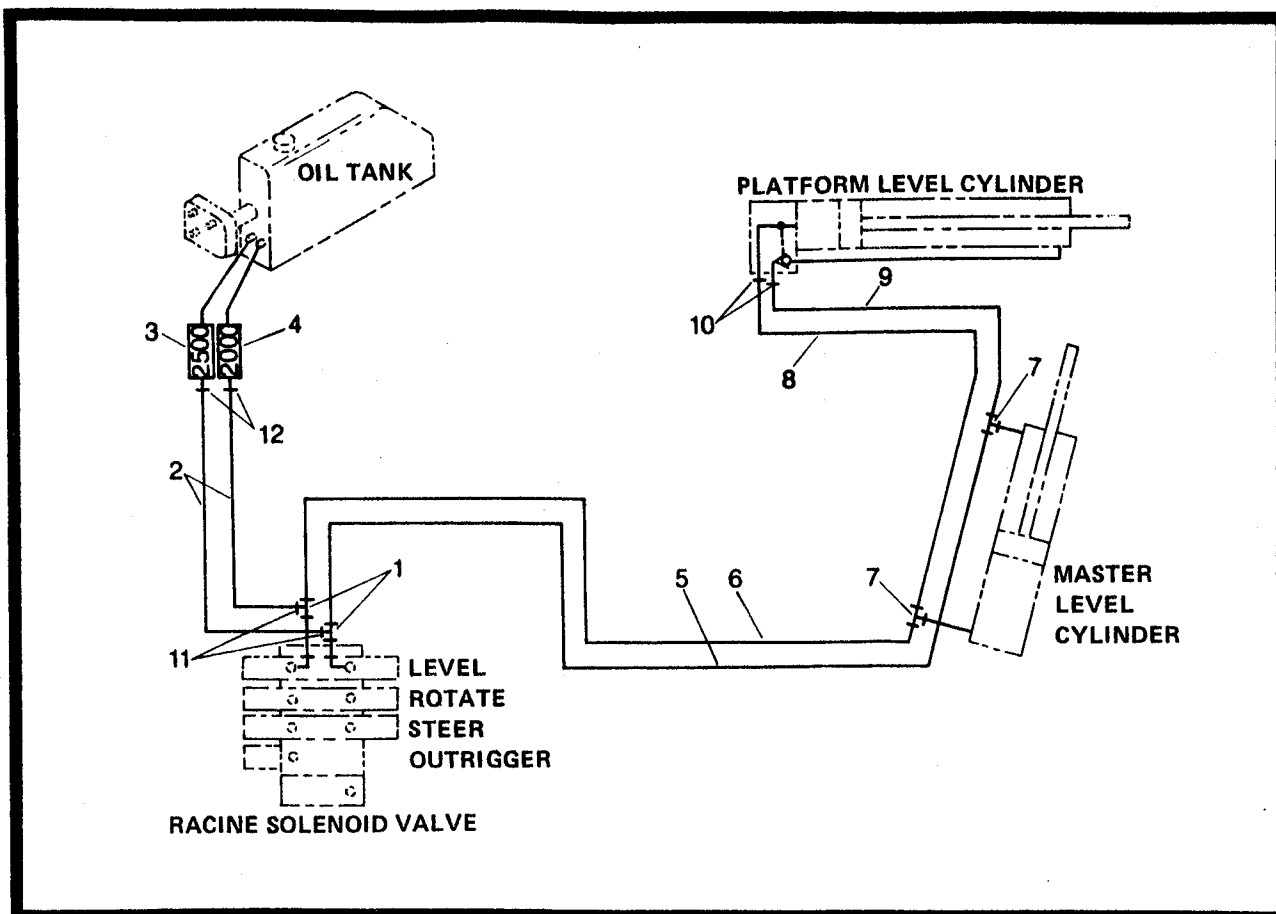


Figure 2-51. Hydraulic Level Circuit.

FIGURE & INDEX NO.	PART NUMBER	ITEMS & DESCRIPTION	QTY.
2-51	2790253	HYDRAULIC LEVEL CIRCUIT	Ref.
-1	2180103	Fitting, Modified	2
-2	2750358	Hose Assembly, Hydraulic	2
-3	4640165	Valve, Relief	1
-4	4640160	Valve, Relief, Inline	1
-5	2750721	Hose Assembly, Hydraulic	1
-6	2750700	Hose Assembly, Hydraulic	1
-7	2220191	Fitting, Tee	2
-8	2750717	Hose Assembly, Hydraulic	1
-9	2750719	Hose Assembly, Hydraulic	1
-10	2220065	Fitting, 90°	2
-11	2220064	Fitting, 90°	2
-12	2220390	Fitting, Straight	2

SECTION 2 — ILLUSTRATED PARTS LIST

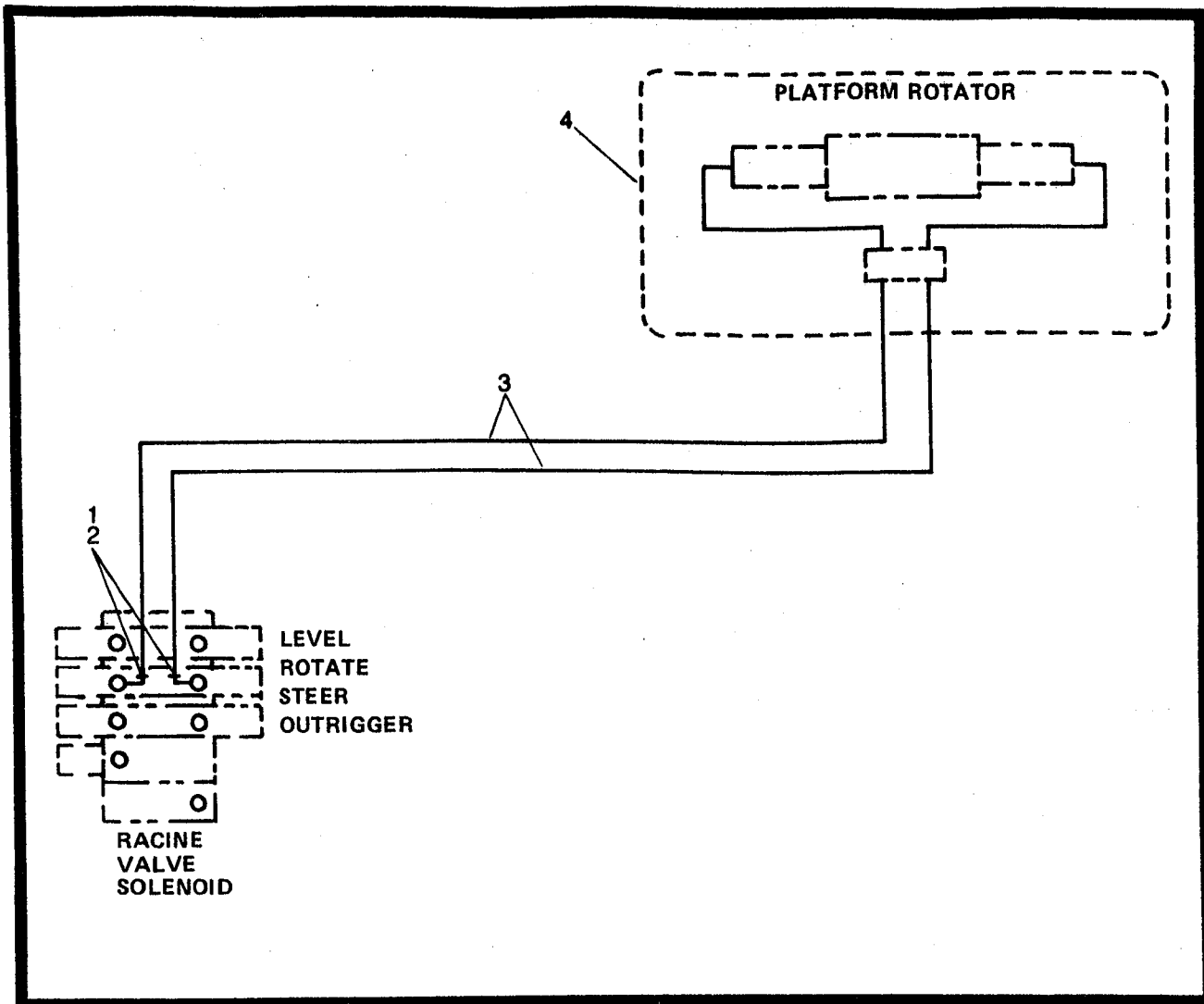


Figure 2-52. Hydraulic Rotate Circuit.

FIGURE & INDEX NO.	PART NUMBER	ITEMS & DESCRIPTION	QTY.
2-52	2790252	HYDRUALIC ROTATE CIRCUIT	Ref.
-1	4640213	Valve	2
-2	2220064	Fitting, 90°	2
	2180029	Fitting, Modified	2
	2220261	Fitting	2
-3	2750406	Hose Assembly, Hydraulic	2
-4	0232718	Steel Tubing Rotator Installation	1

SECTION 2 — ILLUSTRATED PARTS LIST

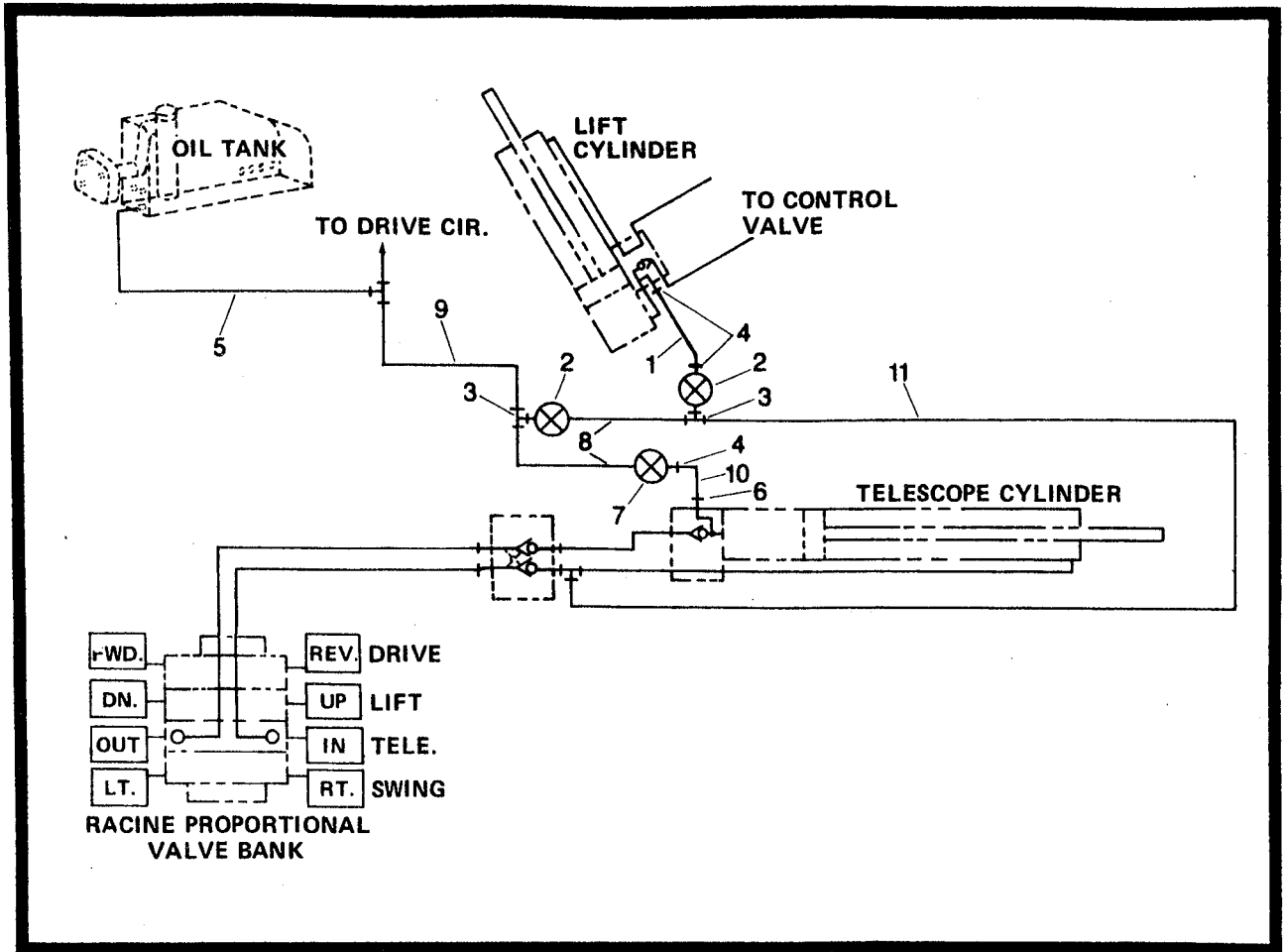


Figure 2-53. Hydraulic Manual Descent Circuit.

FIGURE & INDEX NO.	PART NUMBER	ITEMS & DESCRIPTION	QTY.
2-53	2790250	HYDRAULIC MANUAL DESCENT CIRCUIT	Ref.
-1	2750368	Hose Assembly, Hydraulic	1
-2	4640005	Valve, Flow Control	2
-3	2220190	Fitting, Tee	2
-4	2220064	Fitting, 90°	3
-5	2750358	Hose Assembly, Hydraulic	1
-6	2180176	Fitting, Modified	1
-7	4640091	Valve, Flow Control	1
-8	2750353	Hose Assembly, Hydraulic	2
-9	2750370	Hose Assembly, Hydraulic	1
-10	2750378	Hose Assembly, Hydraulic	1
-11	2750374	Hose Assembly, Hydraulic	1

SECTION 2 — ILLUSTRATED PARTS LIST

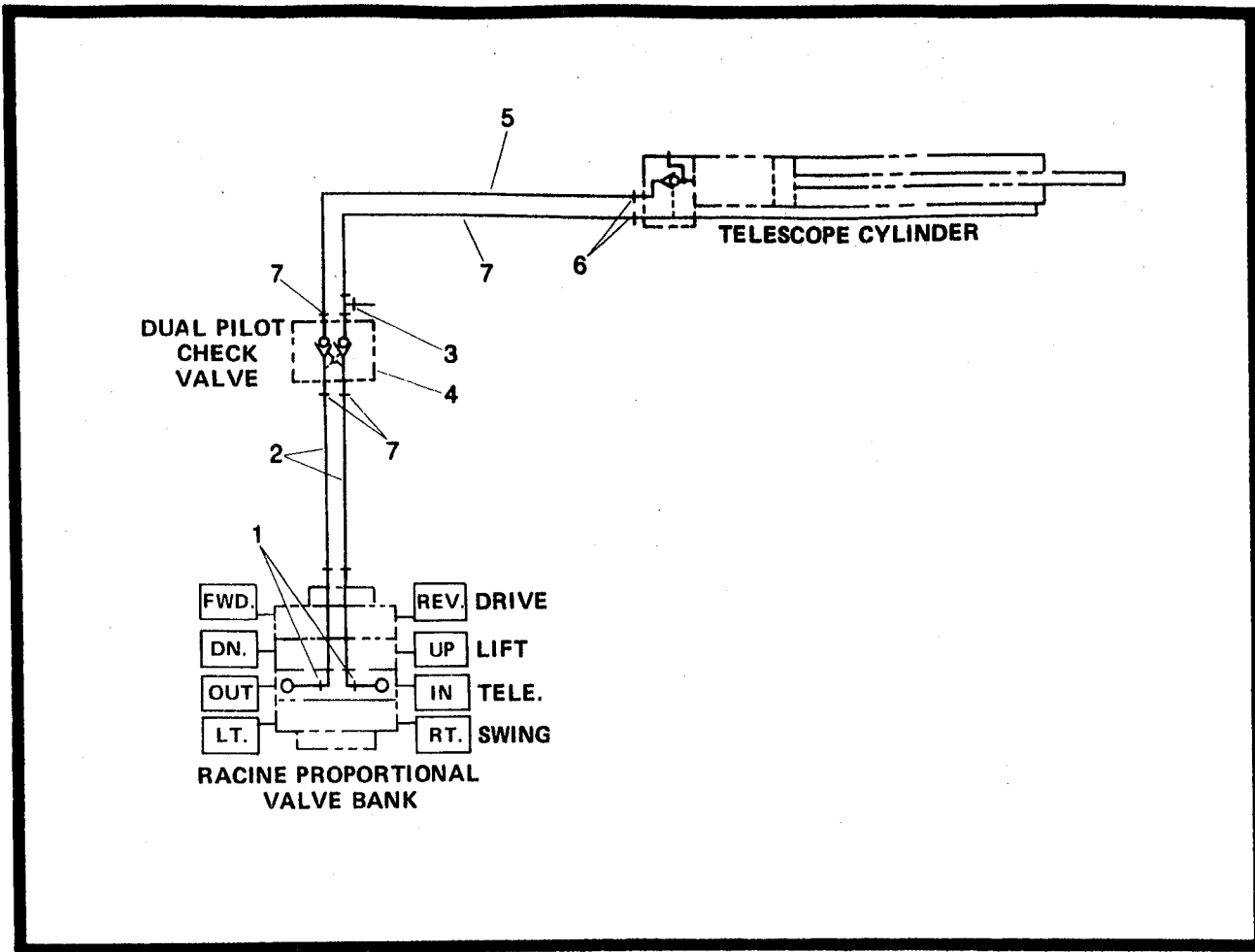


Figure 2-54. Hydraulic Telescope Circuit.

FIGURE & INDEX NO.	PART NUMBER	ITEMS & DESCRIPTION	QTY.
2-54	2790251	HYDRAULIC TELESCOPE CIRCUIT	Ref.
-1	2220056	Fitting, O-Ring, Straight	2
-2	2750699	Hose Assembly, Hydraulic	2
-3	2220053	Fitting, O-Ring, Straight	4
	2220206	Fitting, Tee	1
	2220066	Fitting, Swivel	1
	2220280	Fitting, Nipple	1
-4	4640150	Dual Pilot Check Valve	1
-5	2750709	Hose Assembly, Hydraulic	1
-6	2220126	Fitting, 45°	2
-7	2750701	Hose Assembly, Hydraulic	1

SECTION 2 — ILLUSTRATED PARTS LIST

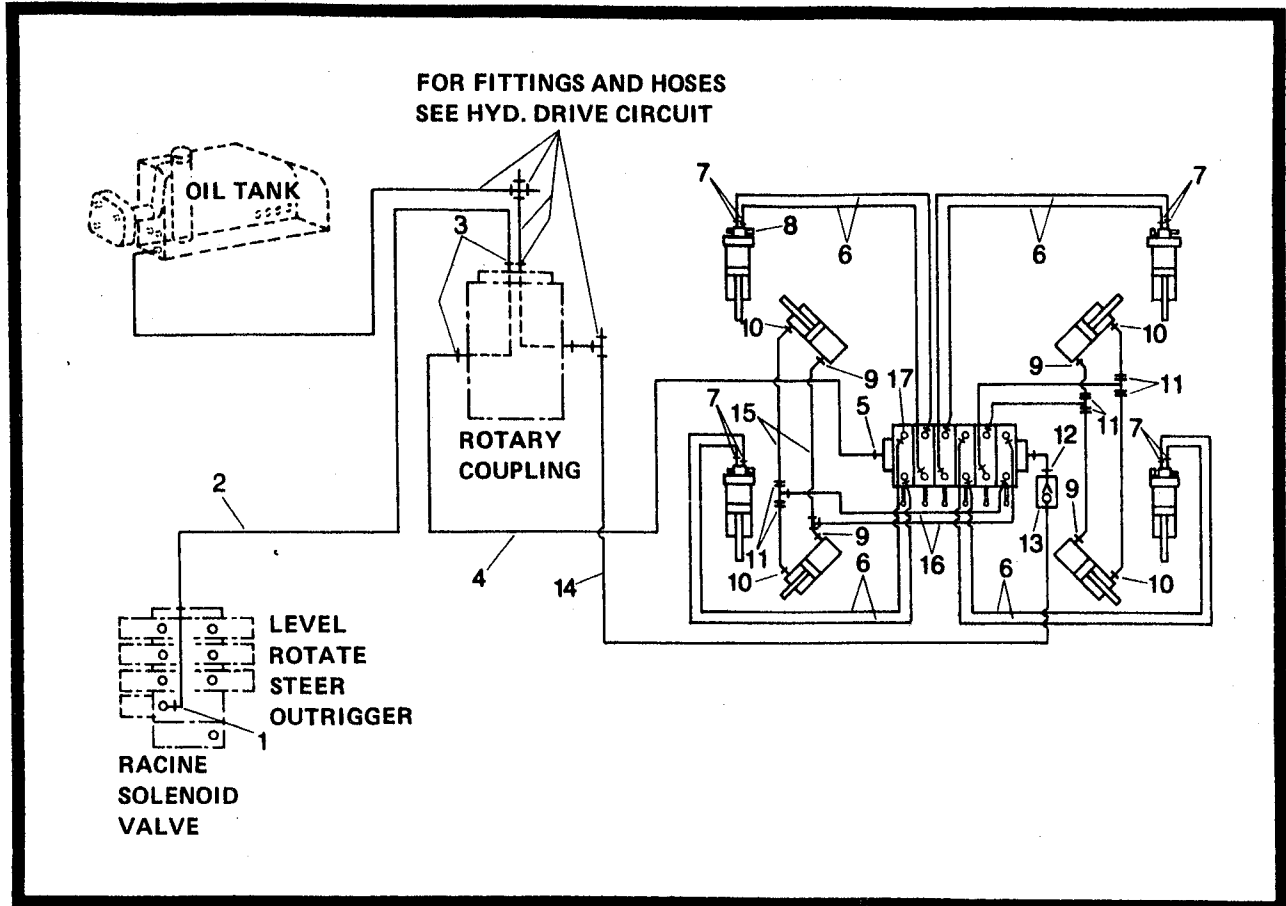


Figure 2-55. Hydraulic Outrigger Circuit.

FIGURE & INDEX NO.	PART NUMBER	ITEMS & DESCRIPTION	QTY.
2-55	2790255	HYDRAULIC OUTRIGGER CIRCUIT	Ref.
-1	2220113	Fitting, O-Ring, 90°	1
-2	2750734	Hose Assembly, Hydraulic	1
-3	2220126	Fitting, 45°	2
-4	2750700	Hose Assembly, Hydraulic	1
-5	2220054	Fitting, O-Ring	6
-6	2750379	Hose Assembly, Hydraulic	8
-7	2220082	Fitting, Nipple	8
-8	4360107	Switch, Pressure	4
	2220459	Fitting	4
-9	2220125	Fitting, 45°	4
	2220250	Fitting, Reducer	4
-10	2220066	Fitting, 90°	4
-11	2220197	Fitting, Tee	4
	2220004	Fitting, Straight	4
-12	2220280	Fitting, Modified	1
-13	4640037	Valve, Check	1
-14	2750721	Hose Assembly, Hydraulic	1
-15	2750358	Hose Assembly, Hydraulic	8
-16	2750708	Hydraulic Hose	4
-17	2220252	Fitting	8

SECTION 2 — ILLUSTRATED PARTS LIST

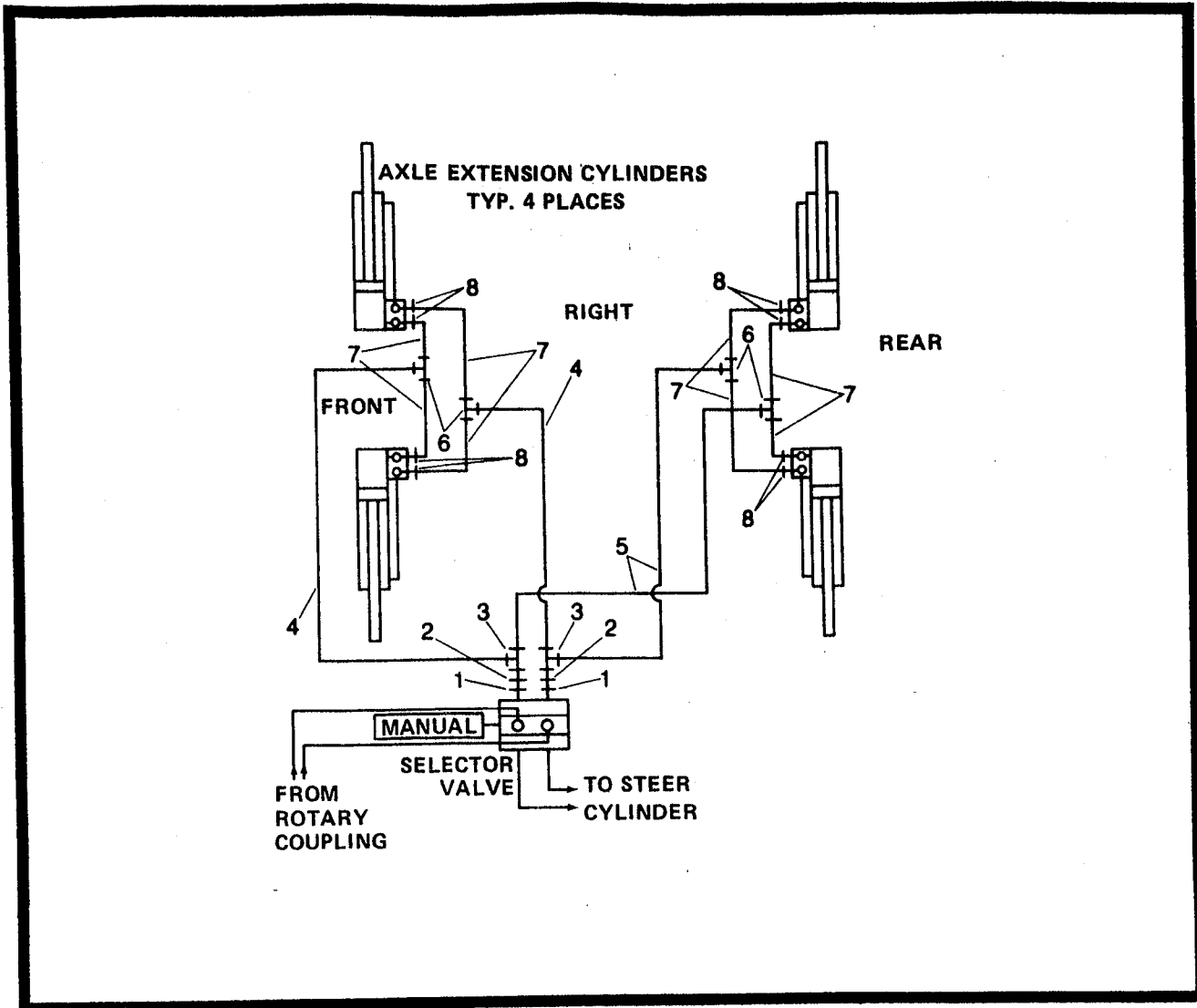


Figure 2-56. Hydraulic Extendable Axle Circuit.

FIGURE & INDEX NO.	PART NUMBER	ITEMS & DESCRIPTION	QTY.
2-56	2790449	HYDRAULIC EXTENDABLE AXLE CIRCUIT	Ref.
-1	2220270	Adapter, Reducer, Hydraulic	2
-2	2220416	Adapter, 90°, Hydraulic	2
-3	2220605	Adapter, Tee, Hydraulic	2
-4	2751018	Hose Assembly, Hydraulic	2
-5	2750769	Hose Assembly, Hydraulic	2
-6	2220484	Adapter, Tee, Hydraulic	4
-7	2751021	Hose Assembly, Hydraulic	8
-8	2220414	Adapter, Straight, Hydraulic	8

SECTION 2 — ILLUSTRATED PARTS LIST

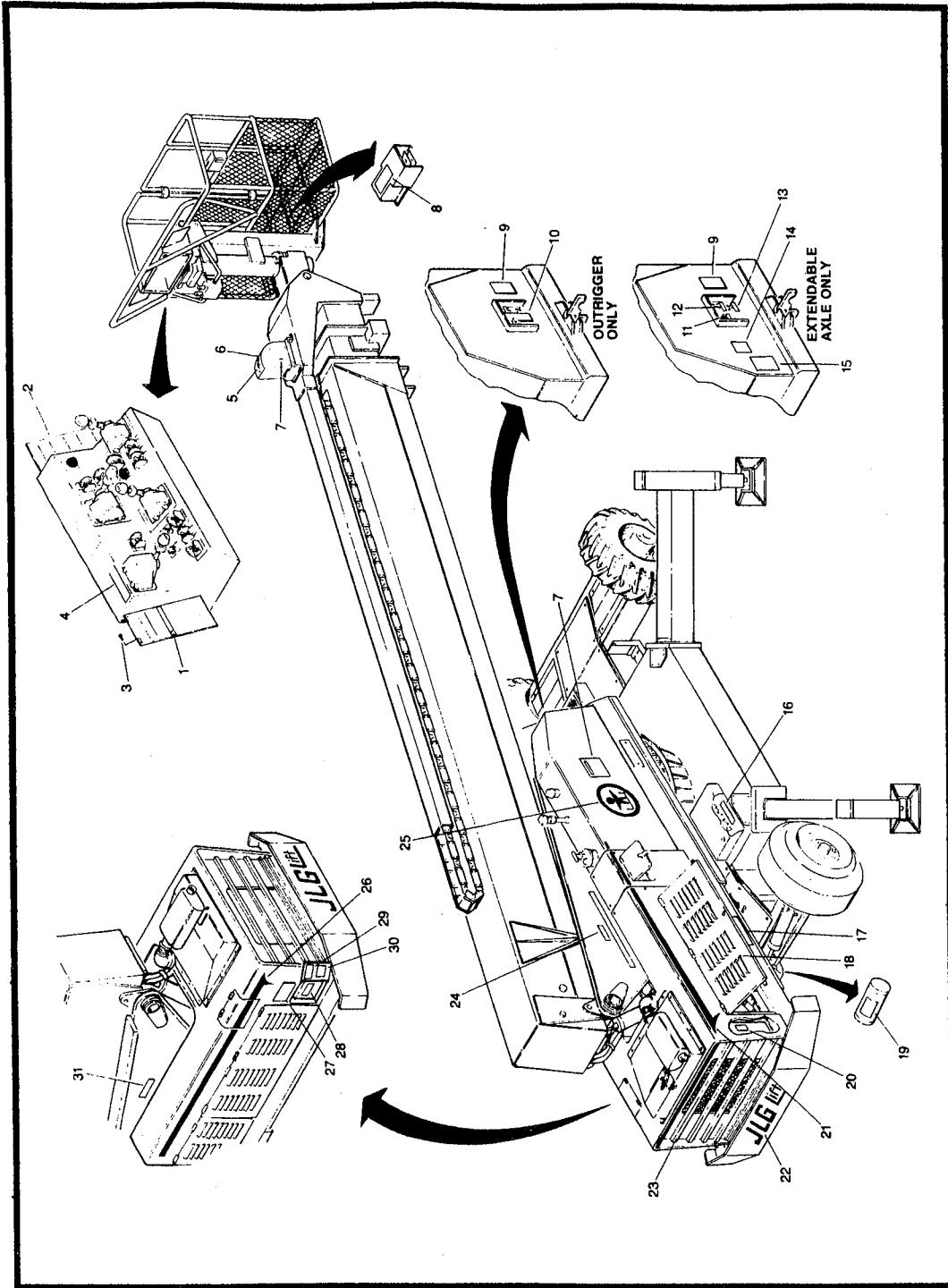


Figure 2-57. Decals and Picards Installation.

SECTION 2 — ILLUSTRATED PARTS LIST

FIGURE & INDEX NO.	PART NUMBER	ITEMS & DESCRIPTION	QTY.
2—57	1280186	DECALS AND PLACARDS INSTALLATION (OUTRIGGER MACHINES ONLY)	Ref.
	0233843	DECALS AND PLACARDS INSTALLATION (EXTENDABLE AXLE MACHINE ONLY)	Ref.
—1	3251002	Nameplate, Caution	1
—2	3250876	Nameplate, Danger (Outrigger)	1
	3250875	Nameplate, Danger (Extendable Axle) (Attaching Parts)	1
—3	3820001	Rivet, Pop, 1/8" x 7/16" Long	72
—4	3250879	Nameplate, "Auxiliary Power"	1
—5	3250713	Nameplate, "Caution"	1
—6	3250851	Nameplate, "Maximum Capacity"	1
—7	3250480	Nameplate, "Danger"	4
—8	3250453	Nameplate, "Foot Switch"	1
—9	3250984	Nameplate, Patent	1
—10	3250919	Nameplate, "Manual Lowering Valves" (Outrigger)	1
—11	3250997	Nameplate, "Valve #1" (Extendable Axle)	1
—12	3250998	Nameplate, "Valve #2" (Extendable Axle)	1
—13	3250999	Nameplate, "Valve #3" (Extendable Axle)	1
—14	3250993	Nameplate, "Lowering Valves" (Extendable Axle)	1
—15	3251052	Nameplate, "Axle Instruction" (Extendable Axle)	1
—16	3251058	Nameplate, "Outrigger"	1
—17	3250873	Nameplate, "Danger"	2
—18	1700223	Decal, Hood Door	2
	1700157	Decal, Operation	1
—19	3250822	Nameplate, "Operation"	1
—20	3250914	Nameplate, "Caution"	2
—21	1700097	Decal, Arrow "L.H."	1
	1700095	Decal, Strip	2
—22	1700013	Decal, "JLG Lift"	3
—23	4420002	Tape, Strip (3/4" x 92" Long)	4
—24	1700195	Decal, "Hydraulic Fluid"	1
—25	1700014	Decal, "Loop"	2
—26	1700099	Decal, Arrow "R.H."	1
—27	3250483	Nameplate, "Important"	1
—28	3250426	Nameplate, "Ground Controls"	1
—29	3250877	Nameplate, "Danger"	1
—30	3250655	Nameplate, "Ground Controls Instruction"	1
—31	1700194	Decal, "Gasoline"	1
	1700196	Decal, "Diesel Fuel"	1
	1700197	Decal, "LP Gas"	1
	1700028	Decal - 80F	

SECTION 2 — ILLUSTRATED PARTS LIST

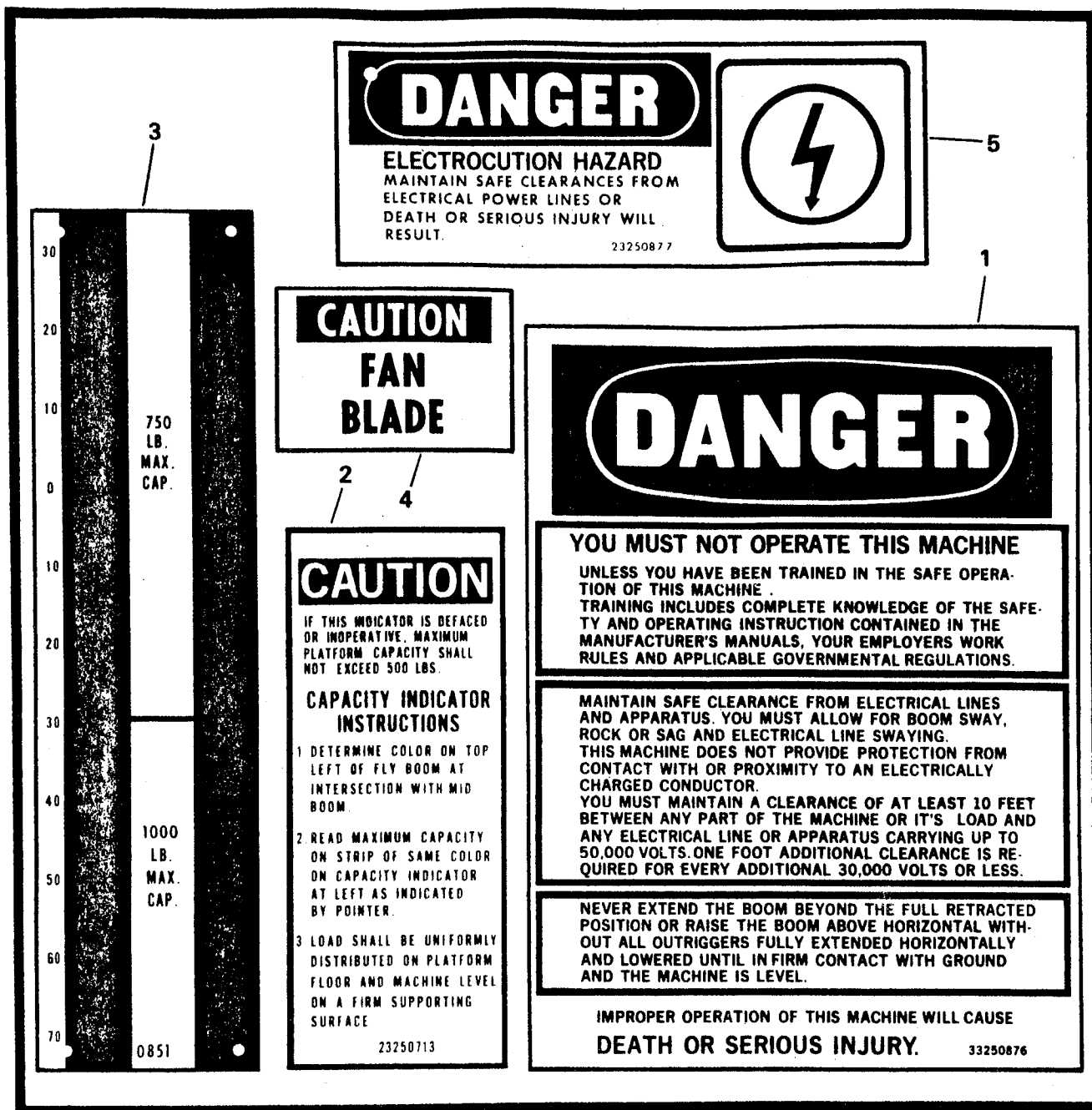


Figure 2-58. Nameplate Details.

FIGURE & INDEX NO.	PART NUMBER	ITEMS & DESCRIPTION	QTY.
2--58		NAMEPLATE DETAILS	Ref.
--1	3250876	Nameplate, Danger	1
--2	3250713	Nameplate, Caution	1
--3	3250851	Nameplate, Load Limit	1
--4	3250914	Nameplate, Caution	1
--5	3250877	Nameplate, Danger	1

SECTION 2 — ILLUSTRATED PARTS LIST

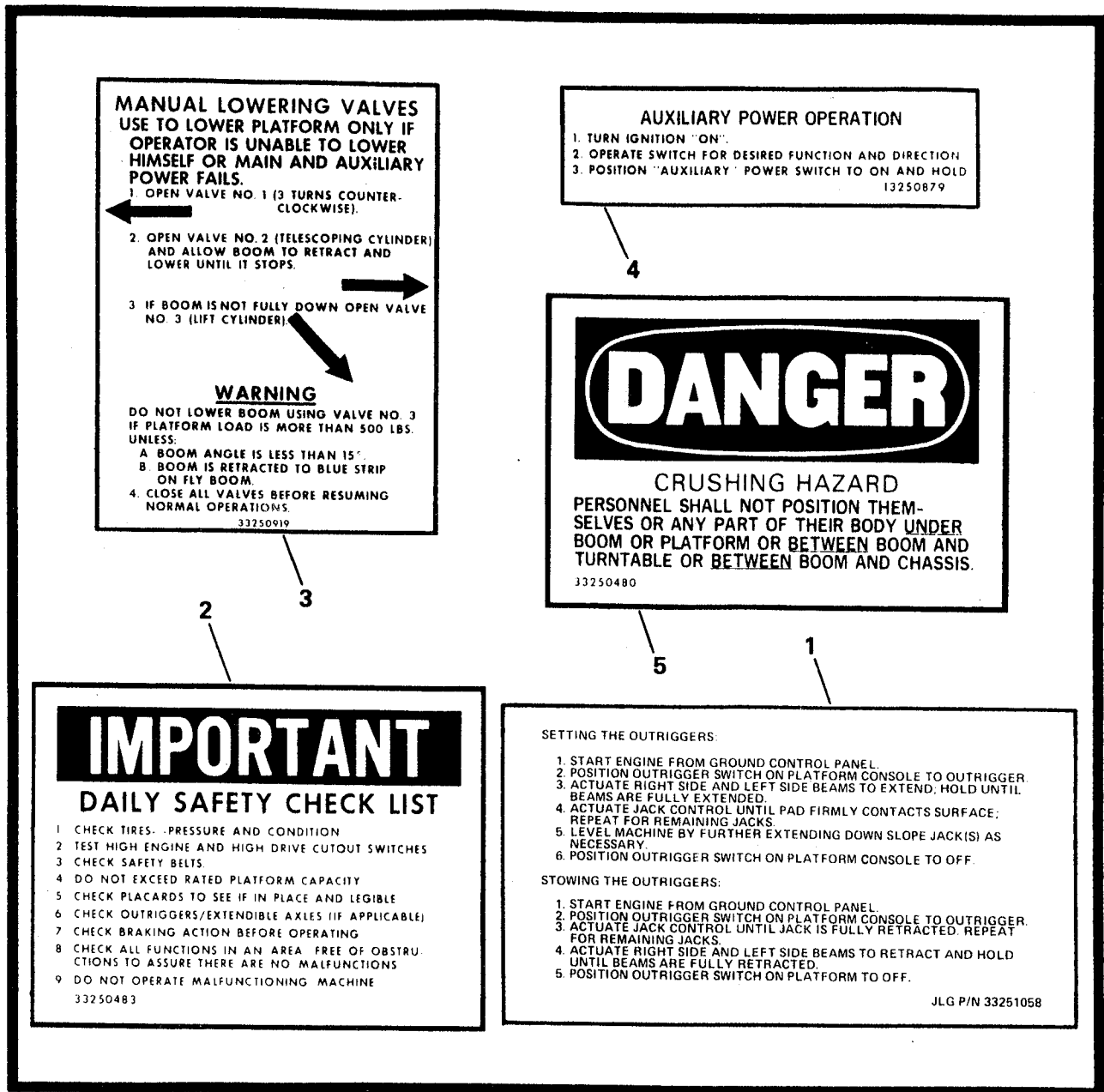


Figure 2-59. Nameplate Details.

FIGURE & INDEX NO.	PART NUMBER	ITEMS & DESCRIPTION	QTY.
2-59		NAMEPLATE DETAILS	Ref.
-1	3251058	Nameplate, Setting The Outriggers	1
-2	3250483	Nameplate, Important	1
-3	3250919	Nameplate, Manual Lowering Valves	1
-4	3250879	Nameplate, Auxiliary Power Operation	1
-5	3250480	Nameplate, Danger	1



Corporate Office
JLG Industries, Inc.
1 JLG Drive
McConnellsburg PA. 17233-9533
USA
Phone: (717) 485-5161
Customer Support Toll Free: (877) 554-5438
Fax: (717) 485-6417

JLG Worldwide Locations

JLG Industries (Australia)
P.O. Box 5119
11 Bolwarra Road
Port Macquarie
N.S.W. 2444
Australia
Phone: (61) 2 65 811111
Fax: (61) 2 65 810122

JLG Industries (UK)
Unit 12, Southside
Bredbury Park Industrial Estate
Bredbury
Stockport
SK6 2sP
England
Phone: (44) 870 200 7700
Fax: (44) 870 200 7711

JLG Deutschland GmbH
Max Planck Strasse 21
D-27721 Ritterhude/lhlpohl
Bei Bremen
Germany
Phone: (49) 421 693 500
Fax: (49) 421 693 5035

JLG Industries (Italia)
Via Po. 22
20010 Pregnana Milanese - MI
Italy
Phone: (39) 02 9359 5210
Fax: (39) 02 9359 5845

JLG Latino Americana Ltda.
Rua Eng. Carlos Stevenson,
80-Suite 71
13092-310 Campinas-SP
Brazil
Phone: (55) 19 3295 0407
Fax: (55) 19 3295 1025

JLG Europe B.V.
Jupiterstraat 234
2132 HJ Foofddorp
The Netherlands
Phone: (31) 23 565 5665
Fax: (31) 23 557 2493

JLG Industries (Norge AS)
Sofeimyrveien 12
N-1412 Sofienyr
Norway
Phone: (47) 6682 2000
Fax: (47) 6682 2001

JLG Polska
Ul. Krolewska
00-060 Warszawa
Poland
Phone: (48) 91 4320 245
Fax: (48) 91 4358 200

JLG Industries (Europe)
Kilmartin Place,
Tannochside Park
Uddingston G71 5PH
Scotland
Phone: (44) 1 698 811005
Fax: (44) 1 698 811055

JLG Industries (Pty) Ltd.
Unit 1, 24 Industrial Complex
Herman Street
Meadowdale
Germiston
South Africa
Phone: (27) 11 453 1334
Fax: (27) 11 453 1342

Plataformas Elevadoras
JLG Iberica, S.L.
Trapadella, 2
P.I. Castellbisbal Sur
08755Castellbisbal
Spain
Phone: (34) 93 77 24700
Fax: (34) 93 77 11762

JLG Industries (Sweden)
Enkopingsvagen 150
Box 704
SE - 175 27 Jarfalla
Sweden
Phone: (46) 8 506 59500
Fax: (46) 8 506 59534
