



# *Illustrated Parts Manual*

## **Models 60HT 60HTH**

**3120258**

November 1 1987

**ANSI**





## TABLE OF CONTENTS

SUBJECT	PAGE NO.
SECTION 1 — RECOMMENDED SERVICE PARTS STOCK .....	1-1
SECTION 2 — ILLUSTRATED PARTS LIST .....	2-1

FIG. NO.	TITLE	PAGE NO.
2-1	Boom and Limit Switches Installations .....	2-2
2-2	Boom Assembly .....	2-6
2-3	Telescope Cylinder Assembly .....	2-13
2-4	Slave Cylinder Assembly .....	2-14
2-5	Slave Cylinder Assembly .....	2-15
2-6	Master Cylinder Assembly .....	2-16
2-7	Lift Cylinder Assembly .....	2-17
2-8	Boom Wipers Installation .....	2-18
2-9	Boom Prop Installation .....	2-22
2-10	Steering Tube Support Installation .....	2-23
2-11	Platforms and Control Stands Assemblies and Installations .....	2-24
2-12	Hydraulic Motor Assembly .....	2-29
2-13	Platform Control Box Assembly (Vickers Valves and OEM Controllers) .....	2-30
2-14	Platform Control Box Assembly (Vickers Valves, PQ Controllers and Proportional Telescope) .....	2-34
2-15	Platform Control Box Assembly (PQ Controllers and Non-Proportional Telescope) .....	2-38
2-16	Platform Control Box Assembly (Racine Valves) .....	2-42
2-17	Ground Controls Assembly and Installation .....	2-46
2-18	Ground Controls Assembly and Installation .....	2-50
2-19	Control Valves Installations - Racine .....	2-54
2-20	Proportional Control Valve Assembly (Racine) .....	2-60
2-21	Working Sections - Proportional Control Valve (Racine) .....	2-62
2-22	Inlet Section - Proportional Control Valve (Racine) .....	2-61
2-23	Servo Section - Proportional Control Valve (Racine) .....	2-68
2-24	Control Valves Installations - Vickers .....	2-72
2-25	Control Valve Assembly - Vickers .....	2-78
2-26	Control Valve - Racine Bang-Bang .....	2-82
2-27	Engine and Components Assembly and Installation - Ford LSG-423 Gas .....	2-86
2-28	Dual Fuel Installation - Ford .....	2-94
2-29	Precision Governor Installation - Ford .....	2-96
2-30	Adeco Throttle Installation - Ford .....	2-98
2-31	AC Generator Installation - Ford .....	2-100
2-32	Remote Oil Filter and Drain - Ford .....	2-103
2-33	Engine and Components Assembly and Installation - Deutz F3L912 Diesel .....	2-104
2-34	Fuel Shut-Off and High Engine Installations - Deutz .....	2-110
2-35	Adeco Throttle Components Installation - Deutz .....	2-112
2-36	AC Generator Installation - Deutz .....	2-116
2-37	Engine and Components Assembly and Installation - Wisconsin V465D Gas .....	2-118
2-38	Oxy Catalyst Purifier Installation .....	2-123
2-39	Main Pump Assembly - Gear (Without Ported End) .....	2-124
2-40	Main Pump Assembly - Gear (With Ported End) .....	2-126
2-41	Main Pump Assembly - Piston .....	2-128
2-42	Gear Pump Assembly .....	2-131
2-43	Tank Installation (Racine) .....	2-132
2-44	Tank Installation (Vickers) .....	2-136
2-45	LP Gas Tanks Installation .....	2-140
2-46	Hood Installation and Accessories (Standard) .....	2-142
2-47	Hood Installation and Accessories (7' x 7', Vickers and 60HTH) .....	2-146
2-48	Tilt Indicator Installation .....	2-151
2-49	Oil Cooler Installation .....	2-152
2-50	Turntables and Swing Components Assemblies and Installations .....	2-154
2-51	Swing Drive Motor Assembly .....	2-157

## TABLE OF CONTENTS (CONTINUED)

FIG. NO.	TITLE	PAGE NO.
2-52	Swing Drive Brake Assembly (Ausco) .....	2-158
2-53	Swing Drive Brake Assembly (Mico) .....	2-159
2-54	Swing Drive Hub Assembly .....	2-162
2-55	Frame, Steering and Drive Components, Assemblies and Installations - Fixed Axle (Standard and 7' x 7') .....	2-164
2-56	Frame, Steering and Drive Components, Assemblies and Installations - Fixed Axle (Vickers and 60HTH) .....	2-168
2-57	Frame, Steering and Drive Components, Assemblies and Installations - Oscillating Axle (60HTH) .....	2-172
2-58	Frame, Steering and Drive Components, Assemblies and Installations - 4WD .....	2-176
2-59	Drive Motor (Standard and 7' x 7' Fixed Axle) .....	2-180
2-60	Drive Motor (Vickers Fixed, 60HTH Fixed and Oscillating and 4WD Rear) .....	2-182
2-61	Drive Motor (4WD Front) .....	2-185
2-62	Drive Brake - Ausco (Fixed and Oscillating Axles Except Vickers and 4WD) .....	2-186
2-63	Drive Brake - Mico (Fixed and Oscillating Axle Except Vickers and 4WD) .....	2-187
2-64	Drive Brake (Vickers and 4WD) .....	2-190
2-65	Drive Reducer (Vickers Fixed and 60HTH Fixed and Oscillating) .....	2-192
2-66	Drive Torque Hub .....	2-194
2-67	Steer Cylinder Assemblies .....	2-198
2-68	Lockout Cylinder Assemblies .....	2-200
2-69	Valves Installation (Frame Mounted) .....	2-202
2-70	Lockout Valve Assembly .....	2-204
2-71	Tow Package Installation .....	2-206
2-72	Nameplates and Decals Installations .....	2-208
2-73	Axle Lockout Circuit, Hydraulic .....	2-211
2-74	Drive Circuit, Hydraulic (Standard and 7' x 7') .....	2-212
2-75	Drive Circuit, Hydraulic (Vickers and 60HTH) .....	2-214
2-76	Drive Circuit, Hydraulic (4WD) .....	2-216
2-77	Level Circuit, Hydraulic .....	2-219
2-78	Lift Circuit, Hydraulic (Standard and 7' x 7') .....	2-220
2-79	Lift Circuit, Hydraulic (Vickers and 60HTH) .....	2-221
2-80	Manual Descent Circuit, Hydraulic .....	2-223
2-81	Pump Circuit, Hydraulic (Standard and 7' x 7' With Gear Pump and Without Steering Wheel) .....	2-224
2-82	Pump Circuit, Hydraulic (Standard and 7' x 7' With Gear Pump and With Steering Wheel) .....	2-228
2-83	Pump Circuit, Hydraulic (Standard and 7' x 7' With Piston Pump) .....	2-232
2-84	Pump Circuit, Hydraulic (Vickers and 60HTH Without Steering Wheel) .....	2-236
2-85	Pump Circuit, Hydraulic (Vickers and 60HTH With Steering Wheel) .....	2-240
2-86	Rotate Circuit, Hydraulic .....	2-244
2-87	Steer Circuit, Hydraulic (Without Steering Wheel) .....	2-245
2-88	Steer Circuit, Hydraulic (With Steering Wheel) .....	2-246
2-89	Swing Circuit, Hydraulic (Gear Pump) .....	2-247
2-90	Swing Circuit, Hydraulic (Piston Pump) .....	2-248
2-91	Telescope Circuit, Hydraulic (Standard/7' x 7' With Gear Pump and Vickers/ 60HTH With Prop Tele) .....	2-249
2-92	Telescope Circuit, Hydraulic (Standard/7' x 7' Piston Pump) .....	2-250
2-93	Telescope Circuit, Hydraulic (Vickers/60HTH Without Prop Tele) .....	2-251
2-94	Towing Circuit, Hydraulic .....	2-252



# SECTION 1 — RECOMMENDED SERVICE PARTS STOCK

## MODEL 60HT/60HTH

The following list will service each Model 60HT/60HTH Lift with the most commonly used parts. For further information, contact the JLG Industries Parts Department at Area Code (717) 485-5104.

**Note: The following Parts are integral of Section 2 — Illustrated Parts List.**

DESCRIPTION	PART NO.	QTY.
<b>ELECTRICAL</b>		
Switch, Limit (Figure 2-1)	4360057	2
Footswitch (Figure 2-11)	4360227	1
Block, Contact (Figure 2-11)	7000625	2
Controller, OEM (Figure 2-13)	1600092	1
Controller, OEM (Figure 2-16)	1600080	1
Controller, P.Q. (Figures 2-14, 2-15 and 2-16)	1600094	1
Switch, Toggle - SPST (Lights, Emergency, Stop, Drive Motor, Drive Speed, Engine Speed) (Figures 2-13, 2-14, 2-15, 2-16, 2-17 and 2-18)	4360199	3
Switch, Toggle - SPST (Aux Power) (Figures 2-13, 2-14, 2-15 and 2-16)	4360200	1
Switch, Flasher (Figures 2-13, 2-14, 2-15 and 2-16)	4360089	1
Switch, Toggle - DPST (Platform Level, Tele, Platform Rotate, Steer, Lift, Swing) (Figures 2-13, 2-14, 2-15, 2-16, 2-17 and 2-18)	4360202	4
Switch, Push-Button (Figures 2-13, 2-14, 2-15, 2-16, 2-17 and 2-18)	4360016	1
Relay, SPDT (Ground Control Box) (Figures 2-17 and 2-18)	3740049	4
Relay (Ground Control Box) (Figures 2-17 and 2-18)	3740016	2
Breaker, Circuit (35 AMP) (Figures 2-17 and 2-18)	4360186	1
Breaker, Circuit (10 AMP) (Figures 2-17 and 2-18)	4360069	2
Switch, Master (Figures 2-17 and 2-18)	4360003	1
Switch, Control Selection - DPDT (Figures 2-17 and 2-18)	4360073	1
Coil, 7.5 VDC Racine (Figure 2-23)	1420003	2
Solenoid, Vickers Valve (Figure 2-25)	7006742	2
Coil, Racine Bang-Bang Valve (Rotate, Tele, Level and Steer Sections) (Figure 2-26)	7000418	4
Coil, Racine Bang-Bang Valve (Dump Section) (Figure 2-26)	7000417	1
Relay, Starter - Engine (Figures 2-27 and 2-33)	3740027	1
Relay, Starter - Engine (Figures 2-27 and 2-33)	3740059	1
Relay, Aux Power (Figures 2-27, 2-33 and 2-37)	3740002	2
Relay, Start Lockout (Figure 2-27)	3740061	1
Switch, Vacuum Delay (Ford) (Figure 2-27)	4360195	1
Switch, Vacuum Delay (Ford) (Figure 2-27)	4360066	1
Switch, Vacuum Delay (Ford) (Figure 2-27)	4360067	1
Relay, Adlo (Deutz) (Figure 2-33)	3740030	1

## SECTION 1 — RECOMMENDED SERVICE PARTS STOCK (CONTINUED)

### HYDRAULIC

Seal Kit, Telescope Cylinder (Figure 2-3)	2900350	1
Seal Kit, Slave Cylinder (1681722) (Figure 2-4)	2900381	1
Seal Kit, Slave Cylinder (1681548) (Figure 2-5)	2900352	1
Seal Kit, Master Cylinder (Figure 2-6)	2900352	1
Seal Kit, Lift Cylinder (Figure 2-7)	2900088	1
Valve, Holding - Telescope Cylinder (Figure 2-3)	4640210	1
Valve, Holding - Slave Cylinder (1681722) (Figure 2-4)	4640509	1
Valve, Holding - Slave Cylinder (1681548) (Figure 2-5)	4640452	1
Valve, Holding - Lift Cylinder (Figure 2-7)	4640210	1
Valve, Manual Descent (Figures 2-17 and 2-18)	4640005	1
Element, Hydraulic Filter (Figure 2-19)	2120079	1
Seal Kit, Racine Proportional Control Valve - Outlet and Servo Section (Figures 2-20 and 2-23)	7004831	2
Seal Kit, Racine Proportional Control Valve - Working Sections (Figure 2-21)	7004832	4
Seal Kit, Racine Proportional Control Valve - Inlet Section (Figure 2-22)	7004833	1
Seal Kit, Vickers Proportional Control Valve (Figure 2-25)	7006775	4
Seal Kit, Racine Bang-Bang Valve - Working Section (Figure 2-26)	7000414	4
Seal Kit, Racine Bang-Bang Valve - Dump Section (Figure 2-26)	7000413	1
Seal Kit, Racine Bang-Bang Valve - Relief Valve Block (Tele and Steer Sections) (Figure 2-26)	7000439	2
Seal Kit, Racine Bang-Bang Valve - Relief Valve Block (Level Section) (Figure 2-26)	7000440	1
Seal Kit, Main Pump - Gear (Without Ported End Cover) (Figure 2-39)	2900120	1
Seal Kit, Main Pump - Gear (With Ported End Cover) (Figure 2-40)	2900673	1
Seal Kit, Main Pump - Piston (Figure 2-41)	2900625	1
Seal Kit, Gear Pump - Used With Piston Pump (Figure 2-42)	2900626	1
Element, Filter Return (Figures 2-43 and 2-44)	2120107	2
Breather, Oil Tank (Figure 2-43)	1340021	2
Seal Kit, Rotator Motor (Figure 2-12)	2900455	1
Seal Kit, Swing Drive Motor (Figure 2-51)	2900477	1
Seal Kit, Swing Drive Brake - Ausco (Figure 2-52)	2900131	1
Seal Kit, Swing Drive Brake - Mico (Figure 2-53)	2900642	1
Repair Kit, Swing Drive Hub (Figure 2-54)	2900034	1
Seal Kit, Wheel Drive Motor - Standard and 7' x 7' Fixed Axle (Figure 2-59)	2900627	1
Seal Kit, Wheel Drive Motor - Vickers Fixed, 60HTH Fixed and Oscillating and 4WD Rear (Figure 2-60)	2900659	1
Seal Kit, Wheel Drive Motor - 4WD Front	2900595	1
Seal Kit, Wheel Drive Brake - Ausco (All Fixed and Oscillating Axles Except Vickers and 4WD)	2900131	1
Seal Kit, Wheel Drive Brake - Mico (All Fixed and Oscillating Axles Except Vickers 4WD)	2900641	1
Seal Kit, Steer Cylinder - Fixed and Oscillating Axles	2900364	1
Seal Kit, Steer Cylinder - 4WD	2900094	1
Seal Kit, Lockout Cylinder	2900366	1

## SECTION 1 — RECOMMENDED SERVICE PARTS STOCK (CONTINUED)

### MISCELLANEOUS

Bushing, Self-Aligning - Boom Pivot (Figure 2-1)	0960562	2
Pad, Wear (Base Front Bottom) (Figure 2-2)	3340403	2
Pad, Wear (All Sides) (Figure 2-2)	3340394	12
Pad, Wear (Mid and Base Front Top) (Figure 2-2)	3340399	4
Pad, Wear (Power Track Support) (Figure 2-2)	3340405	1
Pad, Wear (Mid Rear Top Right) (Figure 2-2)	3340462	1
Pad, Wear (Mid Rear Top Left) (Figure 2-2)	3340460	1
Pad, Wear (Fly Rear Top) (Figure 2-2)	3340457	2
Pad, Wear (Mid Front Bottom) (Figure 2-2)	3340455	2
Bushing, Sheave Assembly - Extend Chain (Figure 2-22)	0960372	4
Bushing, Sheave Assembly - Retract Chain (Figure 2-22)	0960406	2
Chain, Extend (Figure 2-22)	1260167	1 set
Chain, Retract (Figure 2-22)	1260166	1 set
Knob, Swing (Figures 2-14, 2-15 and 2-16)	2560040	1
Knob, Lift (Figures 2-14, 2-15 and 2-16)	2560038	1
Knob, Drive (Figures 2-14, 2-15 and 2-16)	2560041	1
Cable, Capacity Indicator (Figures 2-13, 2-14, 2-15 and 2-16)	1060168	1
Element, Air Filter (Figure 2-27)	7003655	3
Element, Air Filter (Figure 2-33)	7004214	3
Filter, In-Line Gas (Wisconsin) (Figure 2-37)	2120042	1
Spring, Gas (Figures 2-46 and 2-47)	4160081	1
Cap, Fill - Gas Tank (Racine) (Figure 2-43)	1120240	1
Cap, Fill - Gas Tank (Vickers) (Figure 2-44)	1120314	1



**SECTION 2**

**ILLUSTRATED PARTS LIST**



**SECTION 2 — ILLUSTRATED PARTS LIST**

FIGURE & INDEX NO.	PART NUMBER	ITEMS & DESCRIPTION	QTY.
2-1		<b>BOOM AND LIMIT SWITCH INSTALLATION</b>	Ref.
	0236569	<b>BOOM INSTALLATION (60HT)</b>	Ref.
	0237582	<b>BOOM INSTALLATION (60HTH)</b>	Ref.
--1	0800407	Boom Assembly (See Figure 2-2 For Breakdown)	1
--2	4040129	Pin, Boom Pivot (Attaching Parts)	1
--3	1120192	Cap, Boom Pivot	2
--4	0630322	Bolt, Hex Head, 1/2"-13NC x 1" long (Grade 8)	4
--5	4761800	Lockwasher, 1/2" dia.	4
	0100019	Loctite	A/R
--6	3952020	Setscrew, 5/8"-11NC x 2 1/2" long	2
--7	3312002	Nut, Jam, 5/8"-11NC	2
--8	2760076	Boom Pivot Weldment (Attaching Parts)	2
--9	0630316	Bolt, Hex Head, 3/8"-16NC x 1 1/2" long (Grade 8)	20
--10	4761600	Lockwasher, 3/8" dia.	20
	4740185	Washer, Hardened, 3/8" (Not Shown)	20
	0100019	Loctite	A/R
--11	0960562	Bushing, Self-Aligning	2
--12	2160005	Fitting, Grease	2
--13	1681535	Cylinder, Lift (See Figure 2-6 For Breakdown) (Attaching Parts)	1
--14	3421326	Pin, Lift Cylinder (Upper), 2 1/2" dia. x 1 1/16" long	1
--15	3500120	Plate, Retaining	1
--16	4740277	Flatwasher, Special, 3 1/2" OD x 1/4" thick	1
--17	0641811	Bolt, Hex Head, 1/2"-13NC x 1 3/8" long (Grade 5)	4
--18	4761800	Lockwasher, 1/2" dia.	4
	0100019	Loctite	A/R
--19	0641606	Bolt, Hex Head, 3/8" - 16NC x 3/4" long (Grade 5)	1
--20	4761600	Lockwasher, 3/8" dia.	1
--21	4751600	Flatwasher, 3/8" dia.	1
--22	4040126	Pin, Lift Cylinder (Lower)	1
--23	4300045	Stud, 1/2"-13NC x 1 1/2" long (Welded On Part)	1
--24	4751800	Flatwasher, 1/2" dia.	1
--25	4761800	Lockwasher, 1/2" dia.	1
--26	3311805	Nut, Hex Lock, 1/2"-13NC	1
--27	1681563	Cylinder, Master Level (See Figure 2-7 For Breakdown) (Attaching Parts)	1
--28	0236548	Pin, Master Cylinder (Upper)	1
--29	4751500	Flatwasher, 5/16" dia.	1
--30	4761500	Lockwasher, 5/16" dia.	1
--31	3311501	Nut, Hex, 5/16"-18NC	1
	4300038	Stud, 5/16"-18NC x 1" long (Welded On Part)	1
--32	4740006	Flatwasher, 1-3/4" OD x 7/16" ID x 1/4" thick	1
--33	4761600	Lockwasher, 5/16" dia.	1
--34	0651608	Bolt, 3/8"-24NF x 1" long (Grade 5)	1
	0100019	Loctite	A/R
--35	3420085	Pin, Master Cylinder (Lower), 1 1/4" dia x 5 5/32" long	1
--36	4740040	Flatwasher, 2" OD x 1 1/4" ID x 1/8" thick	2
--37	3450610	Pin, Cotter, 3/16" dia. x 2 1/2" long	2





**SECTION 2 — ILLUSTRATED PARTS LIST**

FIGURE & INDEX NO.	PART NUMBER	ITEMS & DESCRIPTION	QTY.
2-1		<b>BOOM AND LIMIT SWITCH INSTALLATION (CONTINUED)</b>	Ref.
	0236644	<b>BEARING LUBE INSTALLATION</b>	Ref.
-38	2750528	Hose	3
	2750527	Hose	1
	2220124	Fitting	4
	2160003	Fitting, Grease - 45°, 1/8" NPT	4
		<b>LIMIT SWITCH INSTALLATIONS</b>	Ref.
	0236629	<b>HORIZONTAL CUTOUT LIMIT SWITCH INSTALLATION</b>	Ref.
-39	4360057	Switch, Limit (Attaching Parts)	1
-40	0641014	Bolt #10-24NC x 1 3/4"	2
-41	4761000	Lockwasher #10	2
-42	4751000	Flatwasher #10	2
-43	0200048	Arm, Actuator	1
-44	4460049	Connector	1
	0236803	<b>LOAD LIMIT SWITCH INSTALLATION</b>	Ref.
-45	4360057	Switch, Limit Note: Mounted on front left side of base section. (Attaching Parts)	3
-46	0641014	Bolt #10-24NC x 1 3/4"	2
-47	4761000	Lockwasher #10	2
-48	4751000	Flatwasher #10	2
		Plate, Mounting	2
-49	0200189	Arm, Actuator	3
-50	4460049	Connector	3
	1060236	Cable - 16/6	35 Ft.



**SECTION 2 — ILLUSTRATED PARTS LIST**

FIGURE & INDEX NO.	PART NUMBER	ITEMS & DESCRIPTION	QTY.
2--2	0800407	<b>BOOM ASSEMBLY</b>	Ref.
--1	0800443	Base Section	1
--2	4340413	Support, Hydraulic Lines	3
--3	4060599	Shield (Front)	1
	4060640	Shield (Rear)	1
		(Attaching Parts)	
--4	4300042	Stud, 1/4" 20NC x 2" long (Welded On Part)	6
--5	4751400	Flatwasher, 1/4" dia.	6
--6	4761400	Lockwasher, 1/4" dia.	6
--7	3311401	Nut, 1/4"-20NC	6
--8	3340403	Pad, Wear	2
		(Attaching Parts)	
--9	0641612	Bolt, Hex Head, 3/8"-16NC x 1 1/2" long (Grade 5)	6
--10	4761600	Lockwasher, 3/8" dia.	6
--11	4070507	Shim	A/R
--12	4070508	Shim	A/R
	0100011	Loctite	A/R
--13	3340394	Wear Pad	4
		(Attaching Parts)	
--14	0641606	Bolt, Hex Head, 3/8"-16 TPI x 3/4" long (Grade 5)	8
--15	4761600	Lockwasher, 3/8" dia.	8
--16	4070501	Shim	A/R
--17	4070502	Shim	A/R
	0100011	Loctite	A/R
--18	3340399	Pad, Wear	2
		(Attaching Parts)	
--19	0641610	Bolt, Hex Head, 3/8"-16NC x 1 1/4" long	4
--20	4761600	Lockwasher, 3/8" dia.	4
--21	4070497	Shim	A/R
--22	4070498	Shim	A/R
	0100011	Loctite	A/R
	0236044	<b>CHAIN ADJUSTER ASSEMBLY</b>	Ref.
--23	3509182	Plate, Chain Adjuster	2
--24	3421142	Pin, Clevis, 2" long	1
--25	4740276	Flatwasher, 3/4" dia	1
--26	3450505	Pin, Cotter, 1 1/4" long	1
--27	0630347	Bolt, Hex Head, 1/2"-13NC x 2 1/4" long (Grade 8)	2
--28	3311803	Nut, Slotted, 1/2" x 13NC	2
--29	3450405	Pin, Cotter, 1 1/4" long	2
--30	0560554	Block, Chain Adjuster	2
--31	0630374	Eyebolt, 3/4" dia	1
--32	3509420	Plate, Cover	1
		(Attaching Parts)	
--33	4751400	Flatwasher, 1/4" dia	3
--34	4761400	Lockwasher, 1/4" dia	3
--35	3311401	Nut, 1/4"-20NC	3
--36	4740057	Washer, Hardened, 1/4" thick, 1 5/16 ID x 1 3/4" OD	1
--37	3312202	Nut, Jam, 3/4" 10NC	1
--38	3300241	Nut, Nylon Collar Lock 3/4" 10NC (Grade 8)	1

**SECTION 2 — ILLUSTRATED PARTS LIST**

FIGURE & INDEX NO.	PART NUMBER	ITEMS & DESCRIPTION	QTY.
2-2	0800407	<b>BOOM ASSEMBLY (CONTINUED)</b>	Ref.
-39	1260166	Chain, Retract (Attaching Parts)	2
-40	3420414	Pin, Clevis, 1 9/16" long	2
-41	4751000	Flatwasher, 1/4"-10NC	2
-42	3450203	Pin, Cotter, 3/4" long	2
-43	1670321	Cover, Base Boom (Attaching Parts)	2
-44	4300031	Stud, 1/4"-20NC x 1" long (Welded On Part)	4
-45	4751400	Flatwasher, 1/4" dia.	4
-46	4761400	Lockwasher, 1/4" dia.	4
-47	3311401	Nut, 1/4"-20NC	4
	0236294	<b>CHAIN ADJUSTER ASSEMBLY</b>	Ref.
-48	3509182	Plate, Chain Adjuster	2
-49	3421142	Pin, Clevis, 2" long	1
-50	4740276	Flatwasher, 3/4" dia.	1
-51	3450505	Pin, Cotter, 1 1/4" long	1
-52	0630347	Bolt, Hex Head, 1/2"-13NC x 2 1/4" long (Grade 8)	2
-53	3311803	Nut, Slotted, 1/2"-13NC	2
-54	3450405	Pin, Cotter, 1 1/4" long	2
-55	0560588	Block, Chain Adjuster	2
-56	0630374	Eyebolt, 3/4" dia.	1
-57	0236805	Chain Attach Block (Attaching Parts)	1
-58	0641622	Bolt, Hex Head, 3/8"-16NC x 2 3/4"	4
-59	4761600	Lockwasher, 3/8" ID	4
-60	4740185	Flatwasher, Hardened, .415 ID x 3/4" OD x 1/8" thick	4
	0100011	Loctite	A/R
-61	4740057	Washer, Hardened, 1/4" thick, 13/16" ID x 1 3/4" OD	1
-62	3300241	Nut, Nylon Collar Lock, 3/4" x 10NC (Grade 8)	1
-63	3312202	Nut, Jam, 3/4"-10NC	1
-64	1260167	Chain, Extend (Attaching Parts)	2
-65	3420414	Pin, Clevis, 1 9/16" long	2
-66	4751000	Flatwasher, 1/4"-10NC	2
-67	3450203	Pin, Cotter, 3/4" long	2
-68	1670339	Boom Cover (Attaching Parts)	1
-69	4300031	Stud, 1/4"-20NC x 5/8" long (Welded On Part)	3
-70	4751500	Flatwasher, 5/16" ID	3
-71	4761400	Lockwasher, 1/4" ID	3
-72	3311401	Nut, 1/4"-20NC	3
-73	3340405	Pad, Wear (Attaching Parts)	1
-74	0641408	Bolt, Hex Head, 1/4"-20NC x 1" long (Grade 5)	2
-75	4761400	Lockwasher, 1/4" ID	2
-76	3311401	Nut, 1/4"-20NC	2
-77	4070643	Shim	A/R
	4070566	Shim	A/R
	0100011	Loctite	A/R

**SECTION 2 — ILLUSTRATED PARTS LIST**

FIGURE & INDEX NO.	PART NUMBER	ITEMS & DESCRIPTION	QTY.
2--2	0800407	<b>BOOM ASSEMBLY (CONTINUED)</b>	Ref.
--78	1180105	Carrier (Attaching Parts)	1
--79	0641608	Bolt, Hex Head, 3/8"-16NC x 1" long (Grade 5)	8
--80	4751600	Flatwasher, 3/8" ID	8
--81	4761600	Lockwasher, 3/8" ID	8
--82	3311602	Nut, 3/8"-16NC	8
--83	0800409	Mid-Section	1
--84	3340455	Pad, Wear (Attaching Parts)	2
--85	0641610	Bolt, Hex Head, 3/8"-16NC x 1-1/4" long (Grade 5)	2
--86	4761600	Lockwasher, 3/8" ID	2
--87	3900154	Screw, Special, 3/8"-16NC x 1 1/4" long (Grade 5)	2
--88	4070551	Shim	A/R
--89	4070552	Shim	A/R
	0100011	Loctite	A/R
--90	3340394	Pad, Wear (Attaching Parts)	4
--91	0641606	Bolt, Hex Head, 3/8"-16TPI x 3/4" long (Grade 5)	8
--92	4761600	Lockwasher, 3/8" dia.	8
--93	4070501	Shim	A/R
--94	4070502	Shim	A/R
	0100011	Loctite	A/R
--95	3340399	Pad, Wear (Attaching Parts)	2
--96	0641610	Bolt, Hex Head, 3/8"-16NC x 1 1/4" long	4
--97	4761600	Lockwasher, 3/8" dia.	4
--98	4070497	Shim	A/R
--99	4070498	Shim	A/R
	0100011	Loctite	A/R
--100	3340394	Pad, Wear (Attaching Parts)	2
--101	0641606	Bolt, Hex Head, 3/8"-16TPI x 3/4" long (Grade 5)	2
--102	0641608	Bolt, Hex Head, 3/8"-16NC x 1" long (Grade 5)	2
--103	4751600	Flatwasher, 3/8" ID	4
--104	4761600	Lockwasher, 3/8" ID	4
--105	4070501	Shim	A/R
--106	4070502	Shim	A/R
	0100011	Loctite	A/R
--107	3340462	Pad, Wear	1
--108	3340460	Pad, Wear (Attaching Parts)	1
--109	3931620	Bolt, Socket Head Set Screw, 3/8"-16NC - 20NC (Grade 5)	4
--110	4761600	Lockwasher, 3/8" ID	4
--111	4070555	Shim	A/R
--112	4070556	Shim	A/R
	0100011	Loctite	A/R
--113	0237557	Sheave Assembly	1
--114	Not Used		
--115	0960372	Bushing, Oilite	2
--116	Not Used		

**SECTION 2 — ILLUSTRATED PARTS LIST**

FIGURE & INDEX NO.	PART NUMBER	ITEMS & DESCRIPTION	QTY.
2-2	0800407	<b>BOOM ASSEMBLY (CONTINUED)</b>	Ref.
-117	3421349	Pin, Sheave (Attaching Parts)	1
-118	3951608 0100011	Setscrew, 3/8"-16NC x 1" long Loctite	2 A/R
-119	2120002	Fitting, Grease, 1/8" straight	1
-120	3530099	Plate, Cover (Attaching Parts)	2
-121	0641405	Bolt, Hex Head, 1/4"-20NC x 5/8" long (Grade 5)	4
-122	4761400 0100011	Lockwasher, 1/4" ID Loctite	4 A/R
-123	4340468	Support, Mid Boom (Attaching Parts)	2
-124	0641512	Bolt, Hex Head, 5/16"-14NC x 1 1/2" long (Grade 5)	3
-125	4751500	Flatwasher, 5/16" ID	3
-126	4761500	Lockwasher, 5/16" ID	3
-127	3301501 0100011	Nut, 5/16"-14NC Loctite	3 A/R
-128	1681553	Telescope Cylinder (See Figure 2-3 For Breakdown) (Attaching Parts)	1
-129	3421228	Pin	1
-130	0960779	Bushing, Eccentric	2
-131	3951603 3760233 0100011	Setscrew, 3/8"-16NC x 3/8" long Ring, Retainer Loctite	4 2 A/R
-132	3420410	Pin, Trunion	2
-133	0237564	Sheave Assembly	1
-134	Not Used		
-135	0960406	Bushing, Oilite	2
-136	Not Used		
-137	3421348	Pin, Sheave (Attaching Parts)	1
-138	0651810	Bolt, Hex Head, 1/2"-20NF x 1" long (Grade 5)	1
-139	4761800	Lockwasher, 1/2" dia.	1
-140	4740003 0100011	Washer, Hardened, 1/4" thick x 9/16" ID x 1 3/4" OD Loctite	1 A/R
-141	2160002	Fitting, Grease, 1/8" straight	1
-142	0800410	Fly Section	1
-143	1320052	Clamp (Welded On Part)	1
-144	3421088	Pin, Boom Nose (Attaching Parts)	1
-145	0641622	Bolt, Hex Head, 3/8"-16NC x 2 3/4" long (Grade 5)	1
-146	3311605 0100011	Nut, 3/8"-16NC Loctite	1 A/R
-147	3340457	Pad, Wear (Attaching Parts)	2
-148	0641610	Bolt, Hex Head, 3/8"-16NC x 1 1/4" long (Grade 5)	4
-149	4761600	Lockwasher, 3/8" ID	4
	1380124	Cup, Retainer	10
	4920986	Wire, Mechanics	3 1/2 ft.
-150	4070553	Shim	A/R

**SECTION 2 — ILLUSTRATED PARTS LIST**

FIGURE & INDEX NO.	PART NUMBER	ITEMS & DESCRIPTION	QTY.
2-2	0800407	<b>BOOM ASSEMBLY (CONTINUED)</b>	Ref.
--151	4070554 0100011	Shim Loctite	A/R A/R
--152	3340394	Pad, Wear (Attaching Parts)	2
--153	0641606	Bolt, Hex Head, 3/8"-16TPI x 3/4" long	4
--154	4761600	Lockwasher, 3/8" ID	4
--155	4070501	Shim	A/R
--156	4070502 0100011	Shim Loctite	A/R A/R
--157	0236585	Chain Attach Assembly (Attaching Parts)	1
--158	0641816	Bolt, Hex Head, 1/2"-13NC x 2" long (Grade 5)	4
--159	4761800 0100011	Lockwasher, 1/2" ID Loctite	4 A/R
	1260167	Chain Extend (Attaching Parts)	1
--160	3421029	Pin, 1/4" - 3 1/2" long	2
--161	4751000	Flatwasher, 1/4" dia.	2
--162	3450203	Pin, Cotter, 3/4" long	2
--163	1180148	Carrier Tube (Attaching Parts)	1
--164	0641644	Bolt, Hex Head, 3/8"-16NC x 5 1/2" long (Grade 5)	2
--165	4280242	Strip Reinforcing	1
166	4761600	Lockwasher, 3/8" ID	2
--167	3311605	Nut, 3/8" 16NC	2
--168	1681722 1681548	Cylinder, Slave (See Figure 2-4 For Breakdown) Cylinder, Slave (See Figure 2-5 For Breakdown)	1 1
169	3421207 3760133	Pin, Slave Level, 1 1/4" x 4 5/8" long Retaining Ring	1 3
170	3951603 0100011	Setscrew Loctite	1 A/R
--171	2120002	Fitting, Grease	1
	0236887	<b>BOOM TAPE INSTALLATION - 1:5-1 (W/RADIUS LIMIT SYSTEM)</b>	Ref.
--172	4420018	Tape, Plastic (Blue)	7.92'
--173	4420016	Tape, Plastic (Yellow)	2.46'
--174	4420017	Tape, Plastic (Red)	5.47'
	0236888	<b>BOOM TAPE INSTALLATION - C.S.A. (W/RADIUS LIMIT SYSTEM)</b>	Ref.
--172	4420018	Tape, Plastic (Blue)	6.62'
--173	4420016	Tape, Plastic (Yellow)	2.81'
--174	4420017	Tape, Plastic (Red)	6.38'
	0236900	<b>BOOM TAPE INSTALLATION - 1:5-1 (W/O RADIUS LIMIT SYSTEM)</b>	Ref.
--172	4420018	Tape, Plastic (Blue)	7.92'
--173	4420016	Tape, Plastic (Yellow)	2.46'

**SECTION 2 — ILLUSTRATED PARTS LIST**

FIGURE & INDEX NO.	PART NUMBER	ITEMS & DESCRIPTION	QTY.
2—2	0800407	<b>BOOM ASSEMBLY (CONTINUED)</b>	Ref.
—174	4420017	Tape, Plastic (Red)	3.47'
—175	4420043	Tape, Plastic (Orange)	2'
	0237381	<b>BOOM TAPE INSTALLATION - DOMESTIC</b>	Ref.
—172	4420018	Tape, Plastic (Blue)	9.65'
—173	4420016	Tape, Plastic (Yellow)	2.64'
—174	4420017	Tape, Plastic (Red)	3.5'



SECTION 2 — ILLUSTRATED PARTS LIST

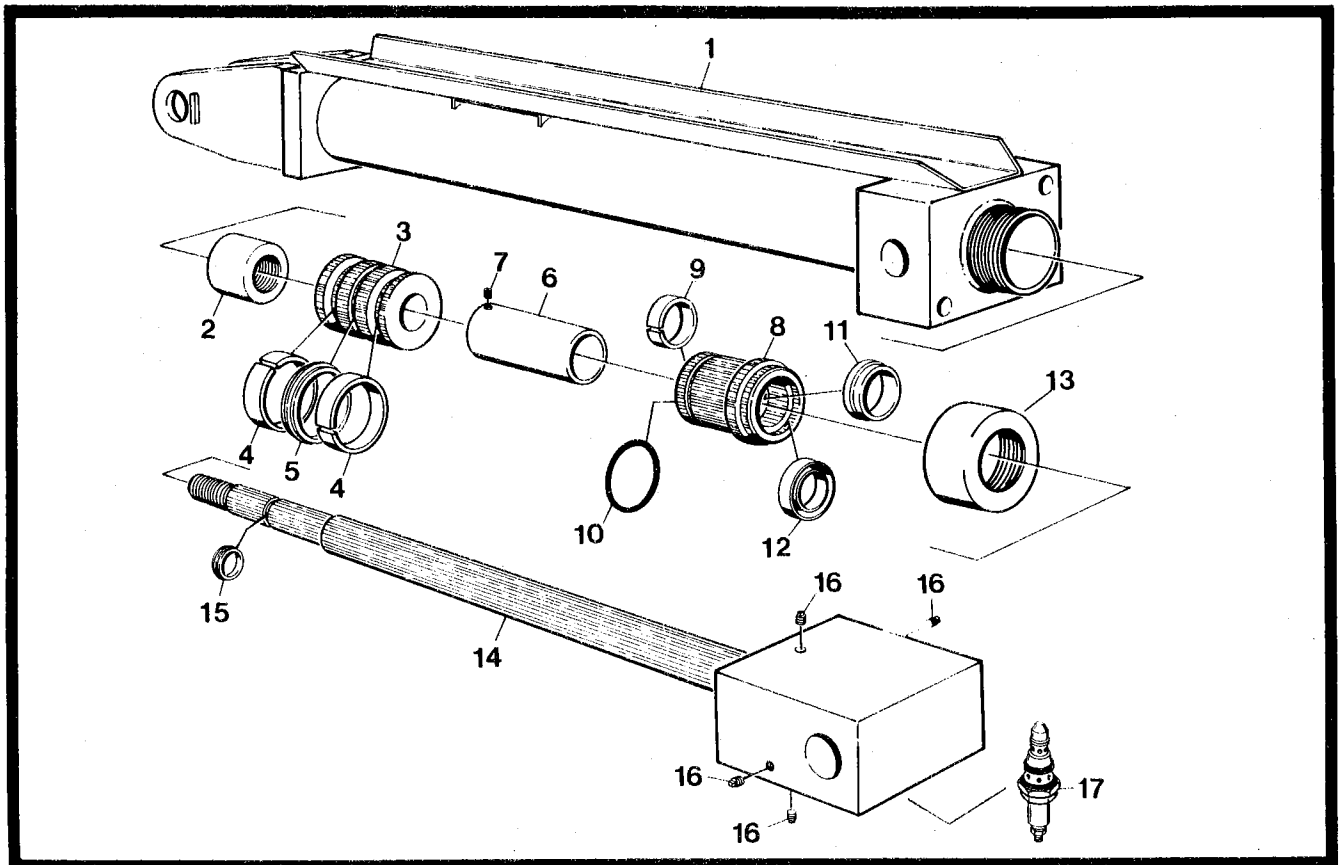


Figure 2-3. Telescope Cylinder Assembly.

FIGURE & INDEX NO.	PART NUMBER	ITEMS & DESCRIPTION	QTY.
2-3	1681553	<b>TELESCOPE CYLINDER ASSEMBLY</b>	Ref.
-1	1681349	Barrel	1
-2	3300086	Nut	1
-3	3480054	Piston	1
-4	3760001	Wear Band	2
-5	3960007	T-Seal	1
-6	4562808	Spacer	1
-7	3951405	Set Screw	1
	0100011	Loctite	A/R
-8	1681307	Head	1
-9	3760197	Wear Band	1
-10	3780164	O-Ring	1
-11	3960350	Rod Seal	1
-12	3960283	Rod Wiper	1
-13	1120108	End Cap	1
-14	1681350	Rod	1
-15	3960179	T Seal	1
-16	2200102	Pipe Plug	4
-17	4640210	Valve, Holding	1
	2900350	Seal Kit (Kit Includes Items 4, 5, 9, 10, 11, 12 and 15)	1

SECTION 2 — ILLUSTRATED PARTS LIST

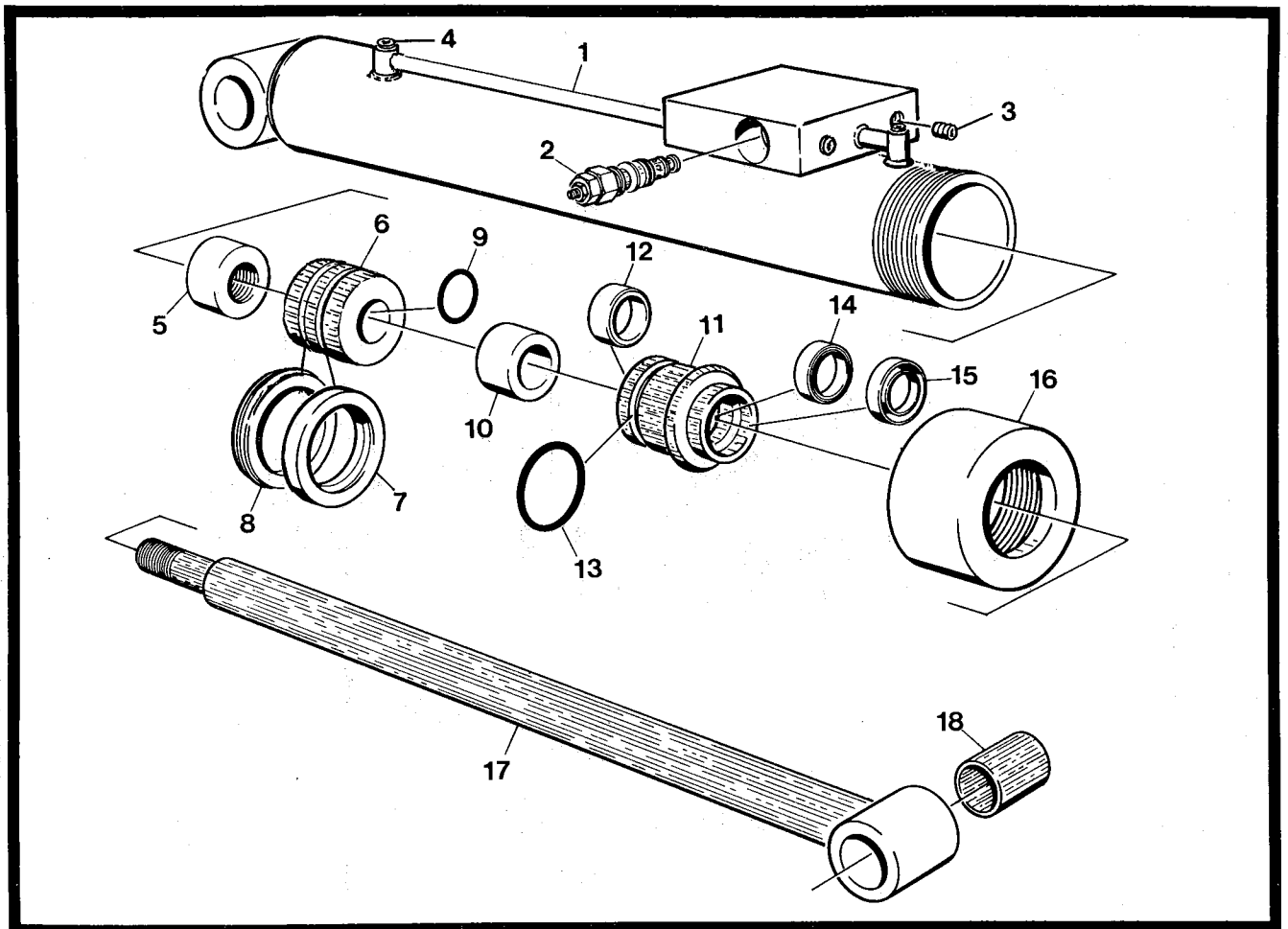


Figure 2-4. Slave Cylinder Assembly

FIGURE & INDEX NO.	PART NUMBER	ITEMS & DESCRIPTION	QTY.
2-4	1681722	<b>SLAVE CYLINDER ASSEMBLY</b> (NOTE: See cylinder part no. stamped on barrel for identification.)	Ref.
-1	1681721	Barrel	1
-2	4640509	Valve	2
-3	2200202	Fitting, Pipe Plug	2
-4	2200201	Plug	2
-5	3300101	Nut	1
	0100011	Loctite	A/R
-6	3480120	Piston	1
-7	3960360	Ring, Wear	2
-8	3960355	Seal, Piston	1
-9	3790212	O-Ring	1
-10	1440142	Spacer	1
-11	1680892	Head	1
-12	3760112	Ring, Wear	1
-13	3790330	O-Ring	1
-14	3960349	Seal, Rod	1
-15	3960128	Wiper, Seal	1
-16	1120179	End Cap	1
-17	1681331	Rod	1
-18	0960097	Bushing, Bronze	1
	0460058	Bellows	1
	2900381	Seal Kit (Kit Includes Items 6, 7, 8, 11, 12, 13 and 14)	1

## SECTION 2 — ILLUSTRATED PARTS LIST

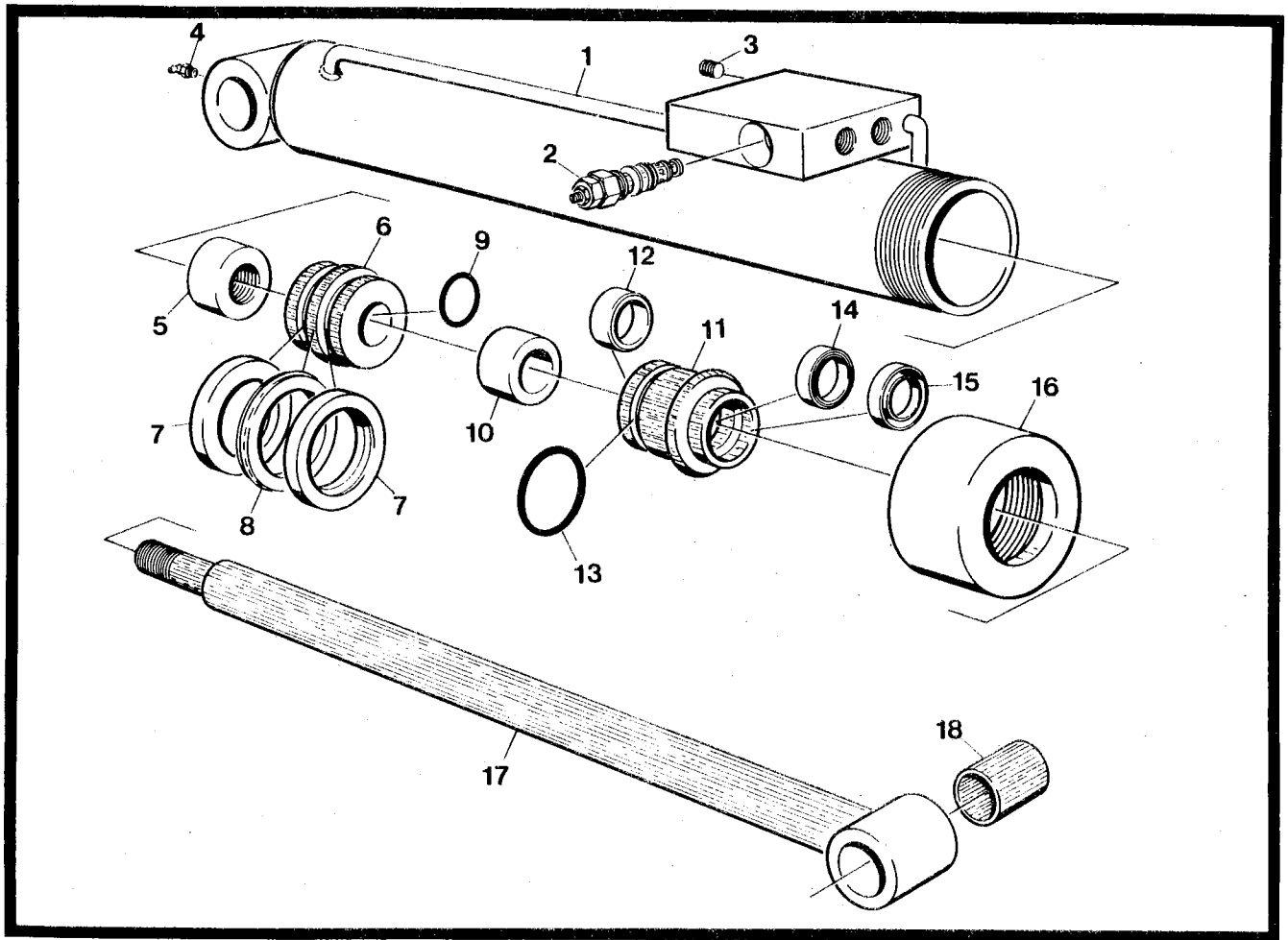


Figure 2-5. Slave Cylinder Assembly.

FIGURE & INDEX NO.	PART NUMBER	ITEMS & DESCRIPTION	QTY.
2--5	1681548	<b>SLAVE CYLINDER ASSEMBLY</b> (NOTE: See cylinder part no. stamped on barrel for identification )	Ref.
--1	1680751	Barrel	1
--2	4640452	Valve	2
--3	2200213	Fitting, Pipe Plug	2
--4	2160001	Fitting, Grease	A/R
--5	3300101	Nut	1
	0100011	Loctite	A/R
--6	3480107	Piston	1
--7	3760220	Ring, Lock	2
--8	3960329	Seal, Piston	1
--9	3790212	O-Ring	1
--10	1440142	Spacer	1
--11	1680892	Head	1
--12	3760112	Ring, Wear	1
--13	3790330	O-Ring	1
--14	3960129	Seal, Rod	1
--15	3960128	Wiper, Seal	1
--16	1120179	End Cap	1
--17	1681331	Rod	1
--18	0960097	Bushing, Bronze	1
	0460058	Bellows	1
	2900352	Seal Kit (Kit Includes Items 6, 7, 8, 11, 12, 13 and 14)	1

SECTION 2 — ILLUSTRATED PARTS LIST

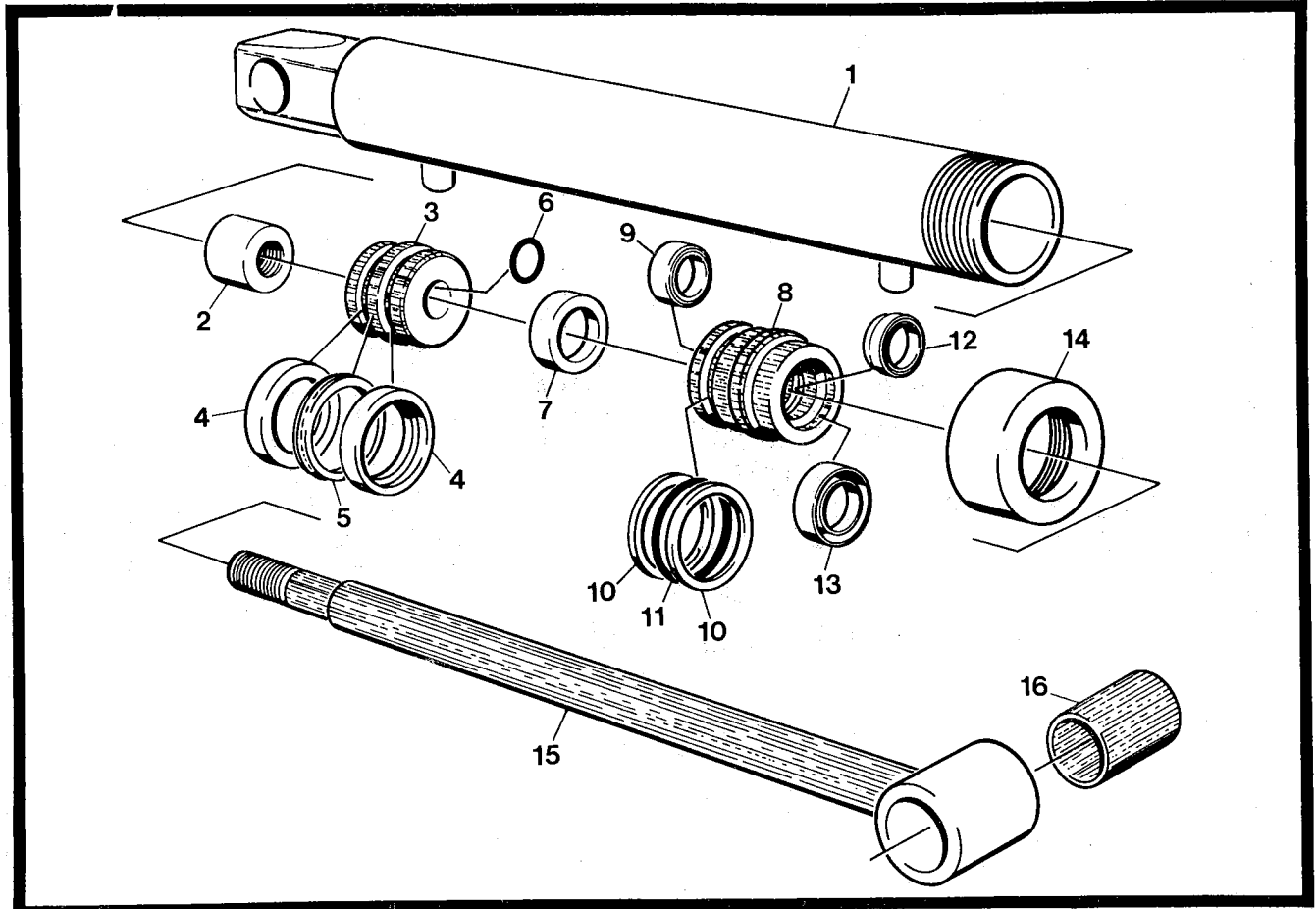


Figure 2-6. Master Cylinder Assembly.

FIGURE & INDEX NO.	PART NUMBER	ITEMS & DESCRIPTION	QTY.
2-6	1681563	<b>MASTER CYLINDER ASSEMBLY</b>	Ref.
-1	1680675	Barrel	1
-2	3300101	Nut	1
	0100011	Loctite	A/R
-3	3480107	Piston	1
-4	3760220	Ring, Guidelock	2
-5	3960329	Seal, Piston	1
-6	3790212	O-Ring	1
-7	1440142	Spacer	1
-8	1680892	Head	1
-9	3760112	Ring, Wear	1
-10	3760176	Ring, Back-Up	2
-11	3790330	O-Ring	1
-12	3960129	Seal, Rod	1
-13	3960128	Seal, Wiper	1
-14	1120179	End Cap	1
-15	1681401	Rod	1
-16	0960097	Bushing, Bronze	1
	0460058	Bellows	1
	2900352	Seal Kit (Kit Includes Items 4, 5, 6, 9, 10, 11, 12 and 13)	1

SECTION 2 — ILLUSTRATED PARTS LIST

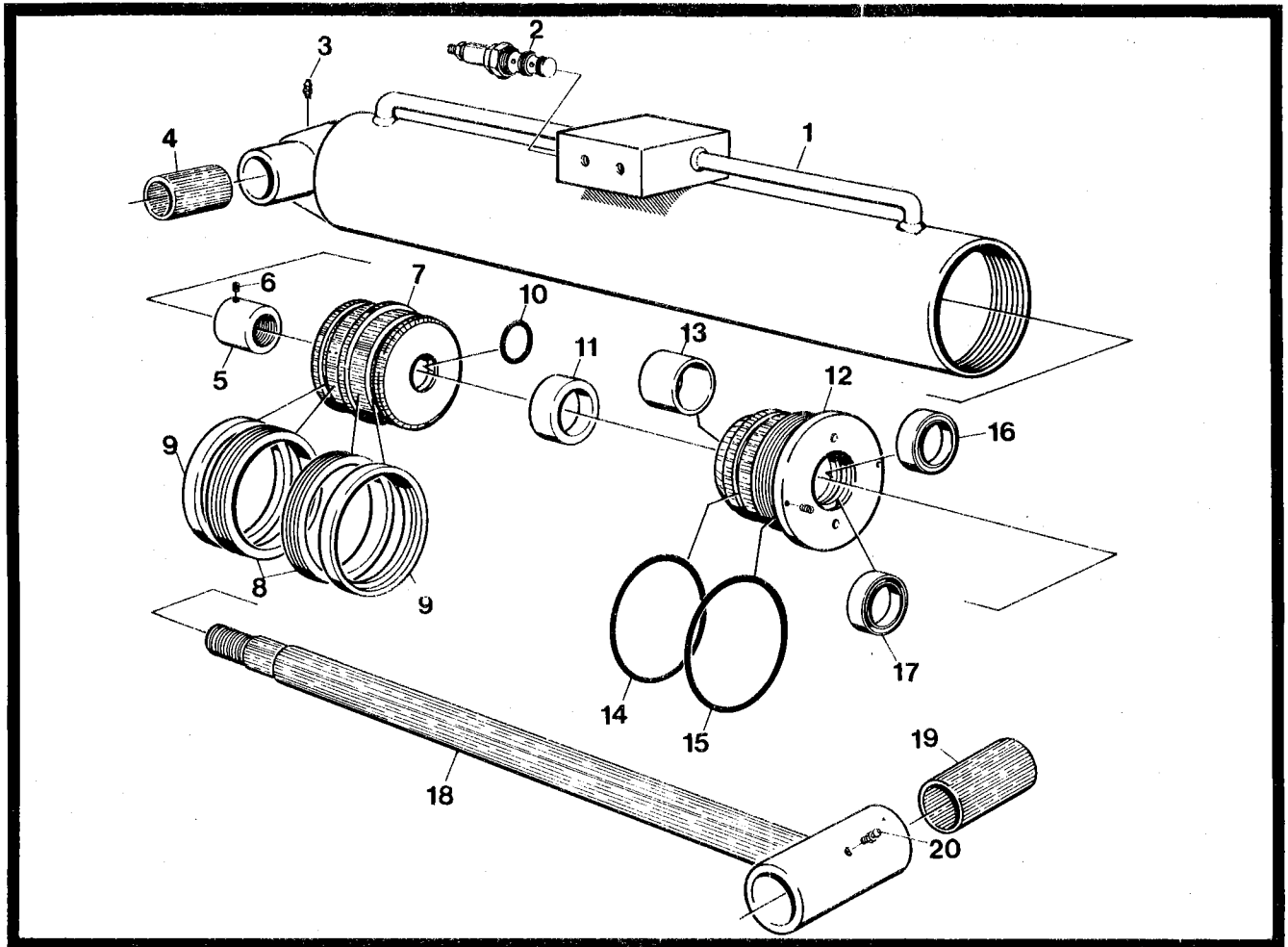


Figure 2-7. Lift Cylinder Assembly.

FIGURE & INDEX NO.	PART NUMBER	ITEMS & DESCRIPTION	QTY.
2--7	1681535	<b>LIFT CYLINDER ASSEMBLY</b>	Ref.
--1	1680743	Barrel	1
--2	4640210	Valve, Holding	1
--3	2160002	Fitting, Grease	1
--4	0960705	Bushing, Bronze	1
--5	3300207	Nut	1
--6	3900139	Setscrew	1
	0100011	Loctite	A/R
--7	3480093	Piston	1
--8	3960286	Seal	2
--9	3760200	Ring, Wear	2
--10	3790331	O-Ring	1
--11	4562690	Spacer	1
--12	1680898	Head	1
--13	3760201	Ring, Wear	1
--14	3790439	O-Ring	1
--15	3790262	O-Ring	1
--16	3960287	Seal, Rod	1
--17	3960288	Seal, Wiper	1
--18	1681381	Rod	1
--19	0960911	Bushing, Bronze	1
--20	2160002	Fitting, Grease	1
	0460041	Bellows	1
	2900088	Seal Kit (Kit Includes Items 8, 9, 10, 13, 14, 15, 16 and 17)	1

SECTION 2 — ILLUSTRATED PARTS LIST

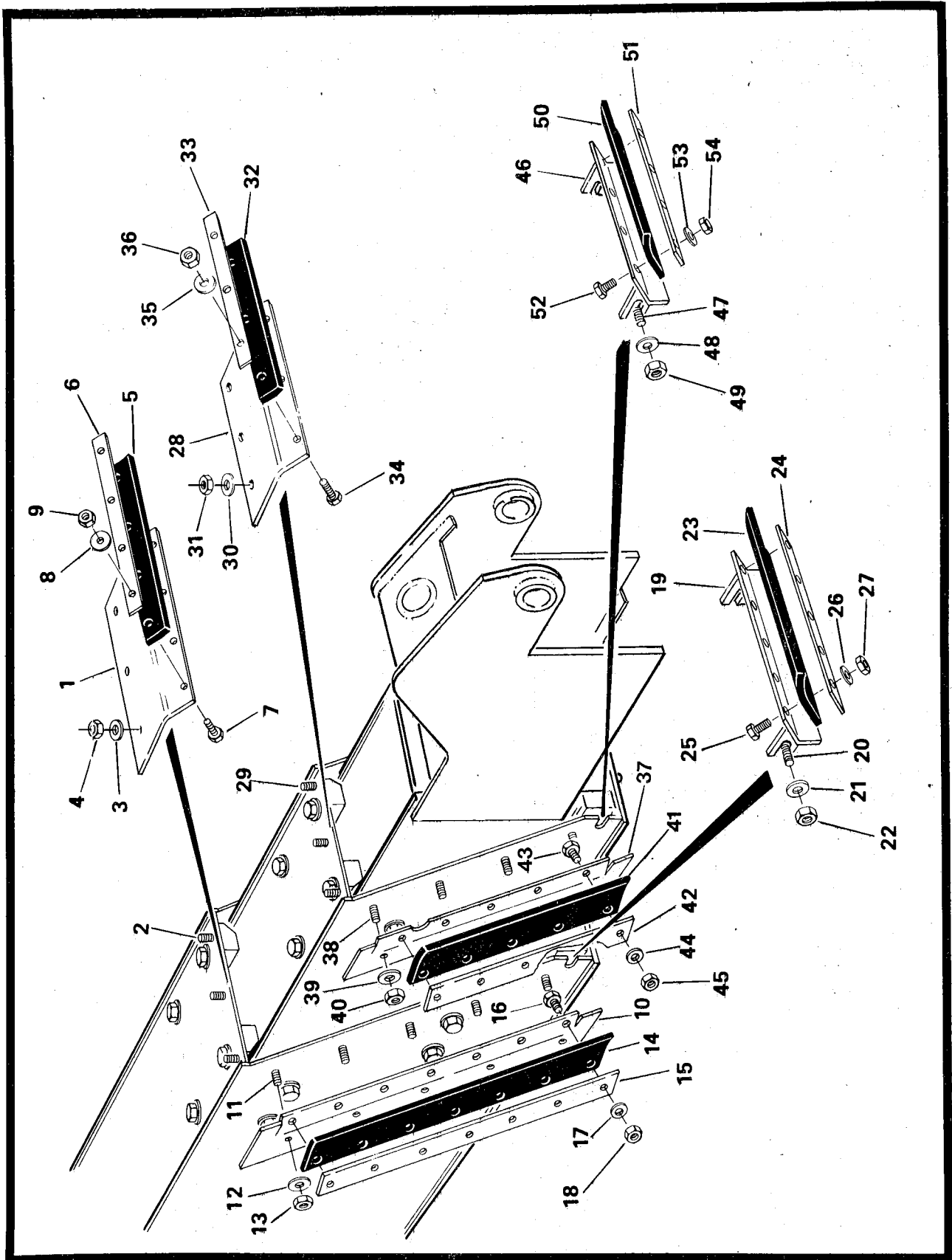


Figure 2-8. Boom Wipers Installation.

## SECTION 2 — ILLUSTRATED PARTS LIST

FIGURE & INDEX NO.	PART NUMBER	ITEMS & DESCRIPTION	QTY.
2-8	0236806	<b>BOOM WIPERS INSTALLATION</b>	Ref.
--1	2660039	Holder, Boom Wiper (Base Section - Top) (Attaching Parts)	1
--2	4300031	Stud (Welded on Part)	3
--3	4751400	Flatwasher 1/4"	3
--4	3311401	Nut, Hex 1/4"-20NC	3
--5	0540043	Blade, Wiper (Attaching Parts)	1
--6	4280192	Strip, Wiper Retainer	1
--7	0641407	Bolt, Hex Head 1/4"-20NC x 7/8"	4
--8	4751400	Flatwasher 1/4"	4
--9	3311401	Nut, Hex 1/4"-20NC	4
--10	2660043	Holder, Boom Wiper (Base Section - Left Side, Shown)	1
	2660044	Holder, Boom Wiper (Base Section - Right Side, Shown) (Attaching Parts)	1
--11	4300031	Stud (Welded on Part)	5
--12	4751400	Flatwasher 1/4"	5
--13	3311401	Nut, Hex 1/4"-20NC	5
--14	0540062	Blade, Wiper (Attaching Parts)	2
--15	4280185	Strip, Wiper Retainer	2
--16	0641407	Bolt, Hex Head 1/4"-20NC x 7/8"	7
--17	4751400	Flatwasher 1/4"	7
--18	3311401	Nut, Hex 1/4"-20NC	7
--19	2660033	Holder, Boom Wiper (Base Section - Bottom) (Attaching Parts)	1
--20	4300034	Stud (Welded on Part)	4
--21	4751600	Flatwasher 3/8"	4
--22	3311601	Nut, Hex 3/8"-16NC	4
--23	0540044	Blade, Wiper (Attaching Parts)	1
--24	4280193	Strip, Wiper Retainer	1
--25	0641407	Bolt, Hex Head 1/4"-20NC x 7/8"	5
--26	4751400	Flatwasher 1/4"	5
--27	3311401	Nut, Hex 1/4"-20NC	5
--28	2660040	Holder, Boom Wiper, (Mid Section - Top) (Attaching Parts)	1
--29	4300031	Stud (Welded on Part)	3
--30	4751400	Flatwasher 1/4"	3
--31	3311401	Nut, Hex 1/4"-20NC	3
--32	0540045	Blade, Wiper (Attaching Parts)	1
--33	4280195	Strip, Wiper Retainer	1
--34	0641407	Bolt, Hex Head 1/4"-20NC x 7/8"	3
--35	4751400	Flatwasher 1/4"	3
--36	3311401	Nut, Hex 1/4"-20NC	3





**SECTION 2 — ILLUSTRATED PARTS LIST**

FIGURE & INDEX NO.	PART NUMBER	ITEMS & DESCRIPTION	QTY.
2—8		<b>BOOM WIPERS INSTALLATION (CONTINUED)</b>	Ref.
—37	2660035	Holder, Boom Wiper (Mid Section - Left Side, Shown)	1
	2660036	Holder, Boom Wiper (Mid Section - Right Side, Not Shown) (Attaching Parts)	1
—38	4300031	Stud (Welded on Part)	4
—39	4751400	Flatwasher 1/4"	4
—40	3311401	Nut, Hex 1/4"-20NC	4
—41	0540061	Blade, Wiper (Attaching Parts)	1
—42	4280229	Strip, Wiper Retainer	2
—43	0641407	Bolt, Hex Head 1/4"-20NC x 7/8"	5
—44	4751400	Flatwasher 1/4"	5
—45	3311401	Nut, Hex 1/4"-20NC	5
—46	2660017	Holder, Boom Wiper (Mid Section - Bottom) (Attaching Parts)	1
—47	4300034	Stud (Welded on Part)	4
—48	4751600	Flatwasher 1/4"	4
—49	3311601	Nut, Hex 1/4"-20NC	4
—50	0540047	Blade, Wiper (Attaching Parts)	1
—51	4280193	Strip, Wiper Retainer	1
—52	0641407	Bolt, Hex Head 1/4"-20NC x 7/8"	4
—53	4751400	Flatwasher 1/4"	4
—54	3311401	Nut, Hex 1/4"-20NC	4

## SECTION 2 — ILLUSTRATED PARTS LIST

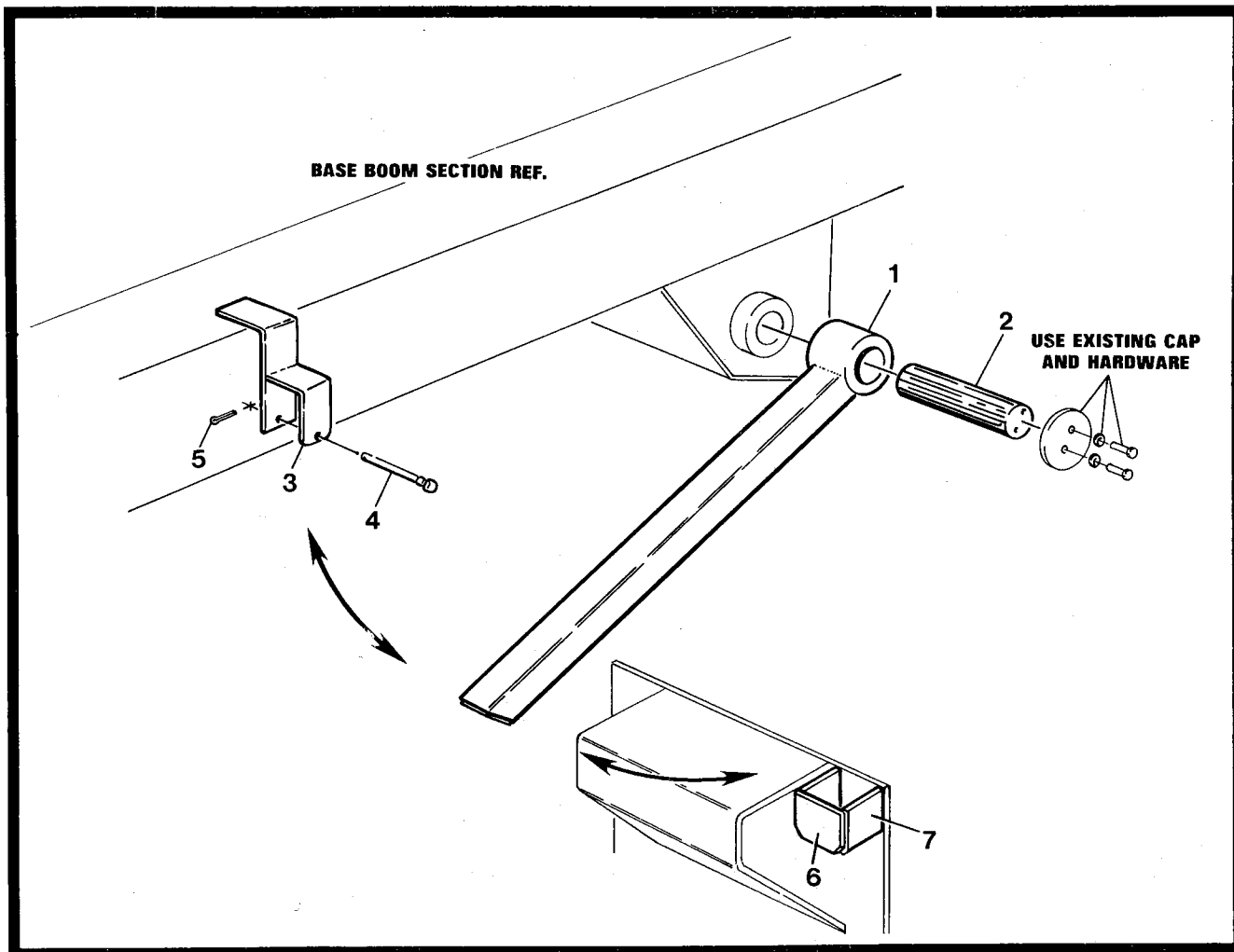


Figure 2-9. Boom Prop Installation.

FIGURE & INDEX NO.	PART NUMBER	ITEMS & DESCRIPTION	QTY.
2-9.	0236781	<b>BOOM PROP INSTALLATION (OPTIONAL)</b>	Ref.
-1	4842200	Boom Prop	1
-2	3421210	Pin, Lift Cylinder	1
-3	4842201	Bracket, Boom Prop	1
-4	4842199	Pin	1
-5	3420156	Pin, Cotter	1
-6	3530362	Plate (Welded In Place)	1
-7	1270961	Channel, Boom Prop	1

SECTION 2 — ILLUSTRATED PARTS LIST

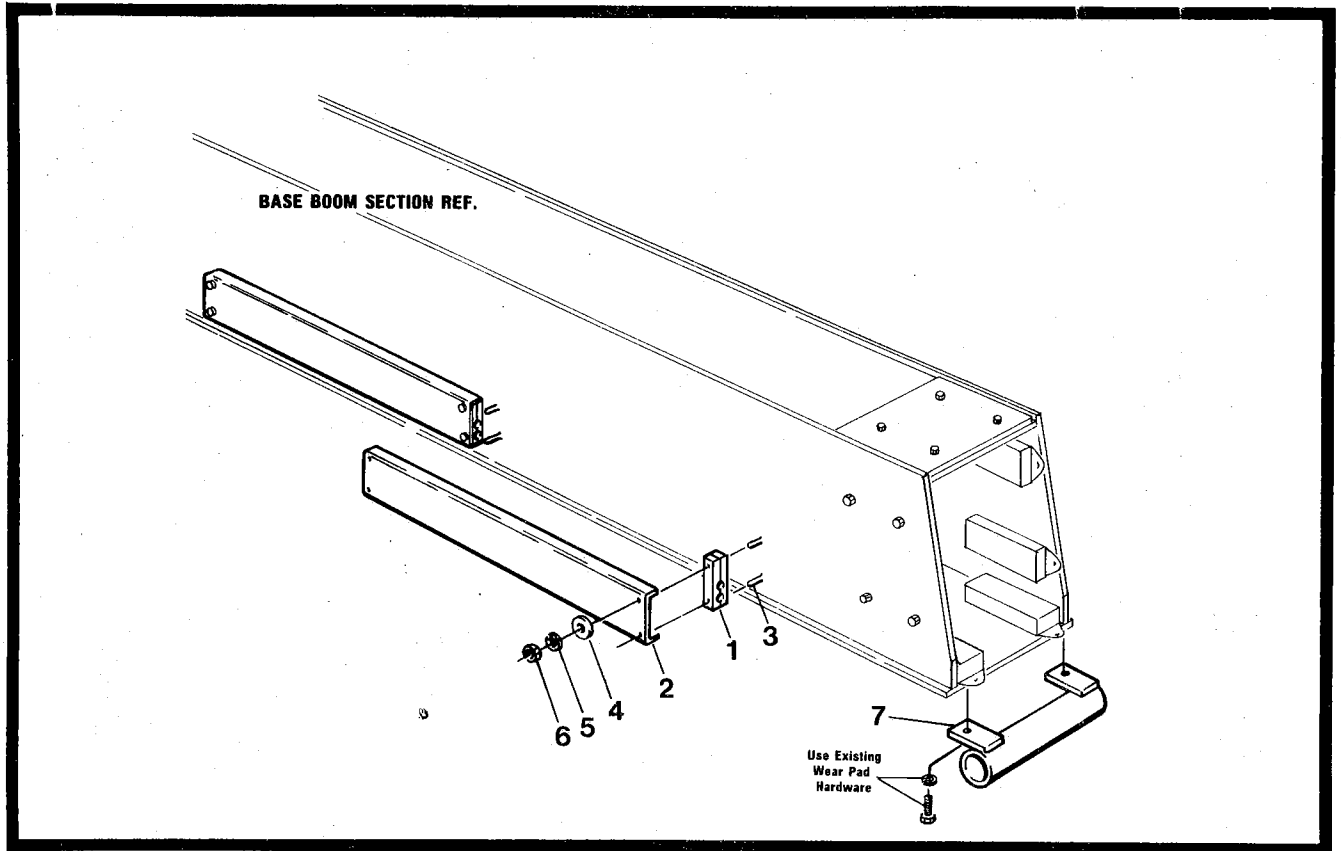


Figure 2-10. Steering Tube Support Installation.

FIGURE & INDEX NO.	PART NUMBER	ITEMS & DESCRIPTION	QTY.
2—10	0236631	<b>STEERING TUBE SUPPORT INSTALLATION</b>	Ref.
	0238152	<b>STEERING TUBE SUPPORT INSTALLATION</b>	Ref.
—1	4340477	Support, Hydraulic Tubes	4
—2	4060568	Shield (88 3/4" Length Without Slots)	2
	4060640	Shield (88 3/4" Length With Slots)	1
	4060599	Shield (108" Length) (Attaching Parts)	1
—3	4300036	Stud (Welded On Part)	8
—4	4751400	Flatwasher 1/4"	8
—5	4761400	Lockwasher 1/4"	8
—6	3311401	Nut 1/4"-20NC	8
—7	4842120	Hose Crossover	1

SECTION 2 — ILLUSTRATED PARTS LIST

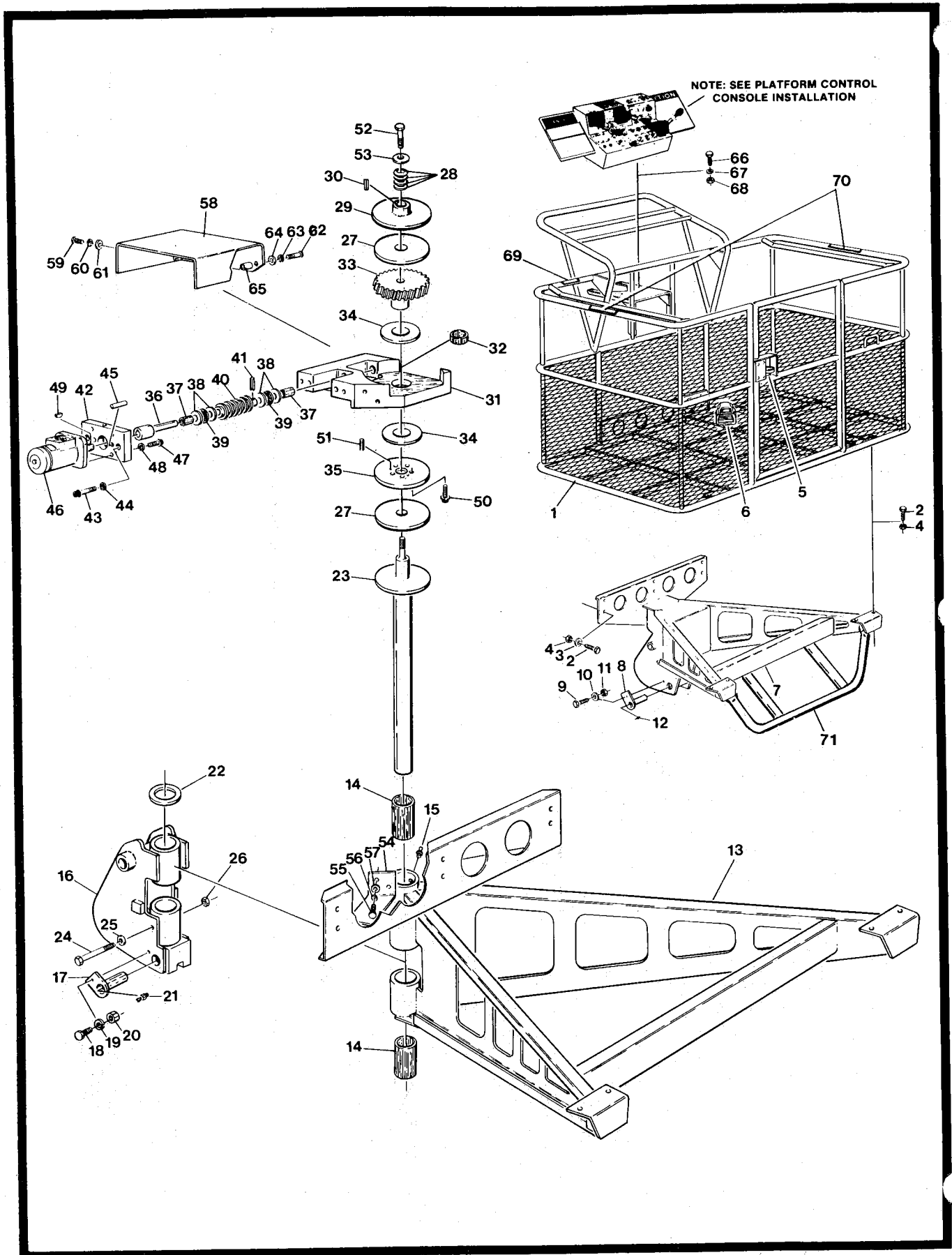


Figure 2-11. Platforms and Control Stands Assemblies and Installations.

**SECTION 2 — ILLUSTRATED PARTS LIST**

FIGURE & INDEX NO.	PART NUMBER	ITEMS & DESCRIPTION	QTY.
2-11		<b>PLATFORMS AND CONTROL STANDS ASSEMBLIES AND INSTALLATIONS</b>	Ref.
-1	3510138	Platform (3' x 4')	1
	3510141	Platform (3' x 5')	1
	3510148	Platform (3' x 6')	1
	3510139	Platform (3' x 8')	1
	3510150	Platform (3' x 5') O.E.M. Controls Only	1
	3510161	Platform (3' x 6') O.E.M. Controls Only	1
	3510153	Platform (3' x 8') O.E.M. Controls Only (Attaching Parts)	1
-2	0681610	Bolt 3/8"-16NC x 1 1/4" (Grade 8)	10
-3	4751600	Flatwasher 3/8"	10
-4	3300143	Nut 3/8"-16NC (Grade 8)	10
-5	2940006	Latch, Door (Attaching Parts)	1
	3911012	Screw, Round Head #10-24NC x 3/4"	4
	4751000	Flatwasher #10	4
	4761000	Lockwasher #10	4
	3311001	Nut #10-24NC	4
	0237963	<b>FOOTSWITCH INSTALLATION</b>	Ref.
-6	4360227	Footswitch	1
	7000625	Contact Block	2
	0641510	Bolt 5/16"-18NC x 1 1/4"	3
	4751500	Flatwasher 5/16"	3
	4761500	Lockwasher 5/16"	3
	3311501	Nut 5/16"-18NC	3
	3250453	Decal, Footswitch	1
	0236830	<b>FIXED SUPPORT INSTALLATION</b>	Ref.
-7	4842403	Fixed Support	1
-8	3421176	Pin (Attaching Parts)	1
-9	0641608	Bolt 3/8"-16NC x 1"	1
-10	4761600	Lockwasher 3/8"	1
-11	3311601	Nut 3/8"-16NC	1
-12	2160002	Fitting, Grease - Straight	2
	0236831	<b>SUPPORT AND ROTATOR INSTALLATION</b>	Ref.
-13	0236261	Rotating Support	1
-14	0960564	Bushing, Bronze	2
-15	2160002	Fitting, Grease - Straight	2
-16	0236741	Pivot Attachment	1
-17	3421176	Pin (Attaching Parts)	1
-18	0641608	Bolt 3/8"-16NC x 1"	1
-19	4761600	Lockwasher 3/8"	1
-20	3311601	Nut 3/8"-16NC	1

**SECTION 2 — ILLUSTRATED PARTS LIST**

FIGURE & INDEX NO.	PART NUMBER	ITEMS & DESCRIPTION	QTY.
2-11		<b>PLATFORMS AND CONTROL STANDS ASSEMBLIES AND INSTALLATIONS (CONTINUED)</b>	Ref.
-21	2160002	Fitting, Grease - Straight	2
-22	4740158	Washer, Thrust	1
-23	4842046	Shaft (Attaching Parts)	1
-24	0641836	Bolt 1/2"-13NC x 4 1/2"	1
-25	4751800	Flatwasher 1/2"	1
-26	3311805	Locknut 1/2"-13NC	1
-27	3340454	Pad, Brake	2
-28	4160026	Washer, Bellville Spring	8
-29	1120299	Cap	1
-30	2880404	Keystock	1
	0235238	<b>HYDRAULIC ROTATOR ASSEMBLY</b>	Ref.
-31	2760064	Housing, Gear	1
-32	0440135	Bearing, Sleeve	1
-33	2440044	Gear, Worm	1
-34	4740256	Washer, Thrust	2
-35	1760068	Brake, Disc	1
-36	0080098	Adapter (Motor To Worm Gear)	1
-37	0440134	Bearing, Sleeve	2
-38	4740199	Washer, Thrust	4
-39	0440120	Bearing, Needle	2
-40	2440043	Gear, Worm	1
-41	3440816	Pin, Roll	1
-42	0080099	Adapter, Motor	1
-43	3931620	Bolt, Socket Head 3/8"-16NC x 1 1/4"	2
-44	4761600	Lockwasher 3/8"	2
-45	3441228	Pin, Roll	2
-46	3160083	Motor, Hydraulic (See Figure 2-12 For Breakdown)	1
-47	3931612	Bolt, Socket Head 3/8"-16NC x 3/4"	4
-48	4761600	Lockwasher 3/8"	4
-49	2860011	Key, Woodruff	1
-50	3931010	Bolt, Socket Head #10-24NC x 5/8"	5
-51	3440616	Pin, Roll	2
	4070585	Shim, Rotator (Not Shown)	A/R
	4070586	Shim, Rotator (Not Shown)	A/R
	4C70587	Shim, Rotator (Not Shown) (Attaching Parts)	A/R
-52	0652014	Bolt 5/8"-18NF x 1 3/4"	1
-53	4732000	Lockwasher 5/8"	1
-54	3200194	Mount (Welded On Part) (Attaching Part)	1
-55	0641811	Bolt 1/2"-13NC x 1 3/8"	2
-56	4761800	Lockwasher 1/2"	2
-57	4751800	Flatwasher 1/2"	2
-58	1670322	Cover (Attaching Parts)	1
-59	0641404	Bolt 1/4"-20NC x 1/2"	1
-60	4761400	Lockwasher 1/4"	1
-61	4751400	Flatwasher 1/4"	1

**SECTION 2 — ILLUSTRATED PARTS LIST**

FIGURE & INDEX NO.	PART NUMBER	ITEMS & DESCRIPTION	QTY.
2-11		<b>PLATFORMS AND CONTROL STANDS ASSEMBLIES AND INSTALLATIONS (CONTINUED)</b>	Ref.
-62	0641408	Bolt 1/4"-20NC x 1"	1
-63	4761400	Lockwasher 1/4"	1
-64	4751400	Flatwasher 1/4"	1
-65	4562083	Spacer	1
-66	0661404	Bolt 1/4"-20NC x 1/2"	4
-67	4751400	Flatwasher 1/4"	4
-68	3300181	Nut, Special	4
-69	1700477	Decal, Attach Belt	1
-70	1700476	Decal, No Hands	2
		<b>STEP INSTALLATION</b>	Ref.
-71	4563809	Tube, Step (Attaching Parts)	1
	0901446	Bracket	2
	0641607	Bolt 3/8"-16NC x 7/8"	4
	4761600	Lockwasher 3/8"	4
	3311601	Nut 3/8"-16NC	4
	1670366	Cover, Console Box (Hostile Environment - Not Shown)	1





SECTION 2 — ILLUSTRATED PARTS LIST

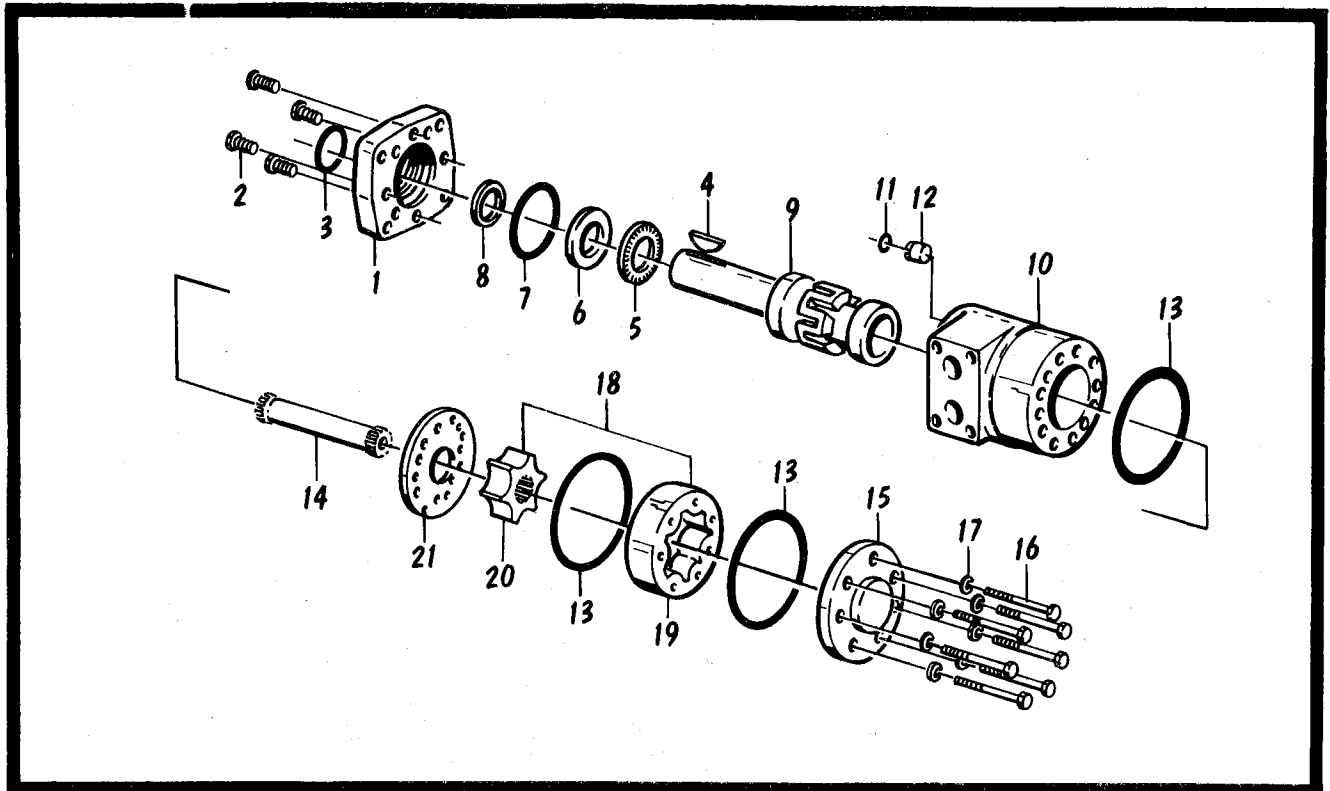


Figure 2-12. Hydraulic Motor Assembly.

FIGURE & INDEX NO.	PART NUMBER	ITEMS & DESCRIPTION	QTY.
2-12	3160083	<b>HYDRAULIC MOTOR ASSEMBLY</b>	Ref.
-1	7002105	Flange, Mounting (Attaching Parts)	1
-2	7002123	Screw, Cap	4
-3	7002124	Seal, Dust	1
-4	7002104	Key, Woodruff	1
-5	7002111	Bearing, Thrust Needle	1
-6	7002117	Thrust, Bearing Race	1
-7	7002119	Seal, O-Ring	1
-8	7002120	Seal, Pressure	1
-9	7002116	Shaft, Output	1
-10	7002103	Housing	1
-11	7002118	Seal	1
-12	7002114	Plug, Housing	1
-13	7002115	Seal, O-Ring	3
-14	7002112	Drive	1
-15	7002107	Cap, End (Attaching Parts)	1
-16	7002100	Screw, Cap	7
-17	7000166	Lockwasher	7
-18	7002125	Gerotor Sub-Assembly	1
-19	7002101	Ring	1
-20	7002102	Star	1
-21	7002110	Plate, Spacer	1
	2900455	Seal Kit (Includes Items 3, 7, 8, 11 and 12)	1

SECTION 2 — ILLUSTRATED PARTS LIST

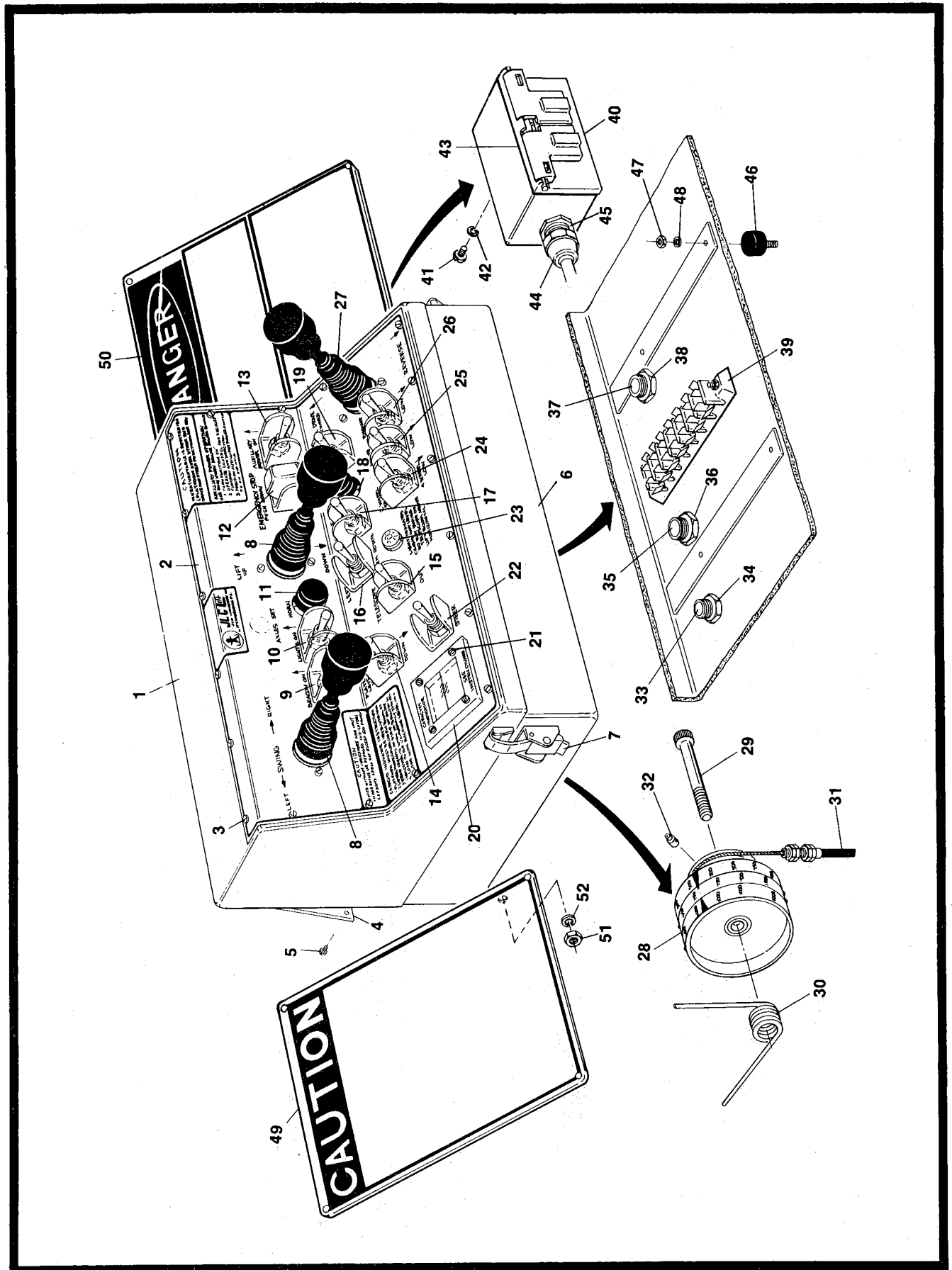


Figure 2-13. Platform Control Box Assembly (Vickers Valves and OEM Controllers).

**SECTION 2 — ILLUSTRATED PARTS LIST**

FIGURE & INDEX NO.	PART NUMBER	ITEMS & DESCRIPTION	QTY.
2-13	0238179	<b>CONSOLE BOX ASSEMBLY WITH CAPACITY INDICATOR (VICKERS VALVES, OEM CONTROLS)</b>	Ref.
	0238180	<b>CONSOLE BOX ASSEMBLY WITH CAPACITY INDICATOR AND PROP TELE (VICKERS VALVES, OEM CONTROLS)</b>	Ref.
	0238263	<b>CONSOLE BOX ASSEMBLY WITHOUT CAPACITY INDICATOR AND PROP TELE (VICKERS VALVES, OEM CONTROLS)</b>	Ref.
	0238264	<b>CONSOLE BOX ASSEMBLY WITHOUT CAPACITY INDICATOR AND NON-PROP TELE (VICKERS VALVES, OEM CONTROLS)</b>	Ref.
-1	0860538	Control Box	Ref.
	4420038	Insulation Tape	A/R
	0100001	Adhesive, Weatherstrip	A/R
-2	3251678	Nameplate	1
-3	0751006	Screw, Pan Head #10 x 3/4"	18
	3300177	Nut, Tinnerman	18
-4	3531023	Plate, Backing (Attaching Parts)	1
-5	0751006	Screw, Panhead #10 x 3/4"	3
	3300177	Nut, Tinnerman	3
-6	0860535	Box, Bottom (Attaching Parts)	1
-7	2940052	Latch	2
-8	1600092	Controller, OEM (Swing) (Drive) (Attaching Parts)	2
	4740120	Flatwasher, Nylon	8
	3900127	Screw, Round Head #10-32NF x 7/8"	5
	3900157	Screw #10-32NF x 1 1/4" (Grade 2)	3
	4070589	Shim	A/R
	4070588	Shim	A/R
-9	4360071	Switch - SPST	1
	3790012	O-Ring	1
	4060087	Shield	1
-10	4360199	Switch, Lights - SPST	1
	3790012	O-Ring	1
	4060087	Shield	1
-11	4360016	Switch, Horn	1
-12	4360199	Switch, Emergency Stop - SPST	1
	3790012	O-Ring	1
	4060087	Shield	1
	4360141	Guard	1
-13	4360200	Switch, Auxiliary Power - SPST	1
	3790012	O-Ring	1
	4060087	Shield	1
-14	4360202	Switch, Platform Level - DPDT	1
	3790012	O-Ring	1
	4060087	Shield	1

## SECTION 2 — ILLUSTRATED PARTS LIST

FIGURE & INDEX NO.	PART NUMBER	ITEMS & DESCRIPTION	QTY.
2-13		<b>CONSOLE BOX ASSEMBLY (CONTINUED)</b>	Ref.
-15	4360202	Switch, Tele - DPDT	1
	1600092	Contoller, OEM - Prop Telescope (Optional)	1
	3790012	O-Ring	1
	4060087	Shield	1
-16	4360202	Switch, Platform Rotate - DPDT	1
	3790012	O-Ring	1
	4060087	Shield	1
-17	4360199	Switch, 2 Wheel Drive - 4 Wheel Drive (Optional)	1
	3790012	O-Ring	1
	4060087	Shield	1
-18	4360016	Switch, Start	1
-19	4360199	Switch, Creep On - SPST	1
	3790012	O-Ring	1
	4060087	Shield	1
-20	2960006	Lens, Capacity Indicator (Attaching Parts)	1
-21	3911014	Screw, Round Head #10-24NC x 7/8"	4
	4771000	Lockwasher #10	4
	3311001	Nut #10-24NC	4
	3960251	Gasket	1
	3251551	Decal - 500 LBS Capacity - Use On Console Without Capacity Indicator (Not Shown)	1
-22	4360202	Switch, Steer - DPDT	1
	3790012	O-Ring	1
	4060087	Shield	1
-23	2920015	Lamp	1
-24	4360199	Switch, Drive Motor Hi-Low - SPST	1
	3790012	O-Ring	1
	4060087	Shield	1
-25	4360199	Switch, Drive Speed Hi-Low - SPST	1
	3790012	O-Ring	1
	4060087	Shield	1
-26	4360199	Shield, Engine Speed Hi-Low - SPST	1
	3790012	O-Ring	1
	4060087	Shield	1
-27	1600092	Controller, OEM (Forward-Reverse) (Attaching Parts)	1
	4740120	Flatwasher, Nylon	8
	3900127	Screw, Round Head #10-32NF x 7/8"	5
	3900157	Screw #10-32NF x 1 1/4" (Grade 2)	3
	4070588	Shim	A/R
-28	2420055	Gauge, Capacity Indicator (Attaching Parts)	1
-29	3900111	Bolt	1
	0100011	Loctite	A/R
-30	4160058	Spring, Torsion	1
-31	1060168	Cable	1
-32	4220044	Cable Stop	2
-33	4460052	Connector	1
-34	3300047	Nut	1
-35	4460051	Connector	1
-36	3300048	Nut	1
-37	4460071	Connector	1

**SECTION 2 — ILLUSTRATED PARTS LIST**

FIGURE & INDEX NO.	PART NUMBER	ITEMS & DESCRIPTION	QTY.
2-13		<b>CONSOLE BOX ASSEMBLY (CONTINUED)</b>	Ref.
-38	3300048	Nut	1
-39	4460263	Terminal Strip (Attaching Parts)	1
	0721008	Screw, Hex #10-24NC x 1"	2
	4761000	Lockwasher #10	2
	3311001	Nut #10-24NC	2
-40	0860038	Box, Switch (Attaching Parts)	1
-41	3911008	Screw, Round Head #10-24NC x 1/2"	4
-42	4761000	Lockwasher #10	4
-43	4060092	Shield, Weatherproof	1
	4460190	Terminal, Receptacle (Not Shown)	1
-44	4460049	Connector	1
-45	0960407	Bushing, Reducer	1
-46	4320002	Stud	4
-47	3311505	Locknut 5/16"-18NC	8
-48	4751500	Flatwasher 5/16"	8
-49	3251607	Decal, Caution	1
-50	3251549	Decal, Danger (Attaching Parts)	1
-51	3311405	Locknut 1/4"-20NC	4
-52	4751400	Flatwasher 1/4"	8

SECTION 2 — ILLUSTRATED PARTS LIST

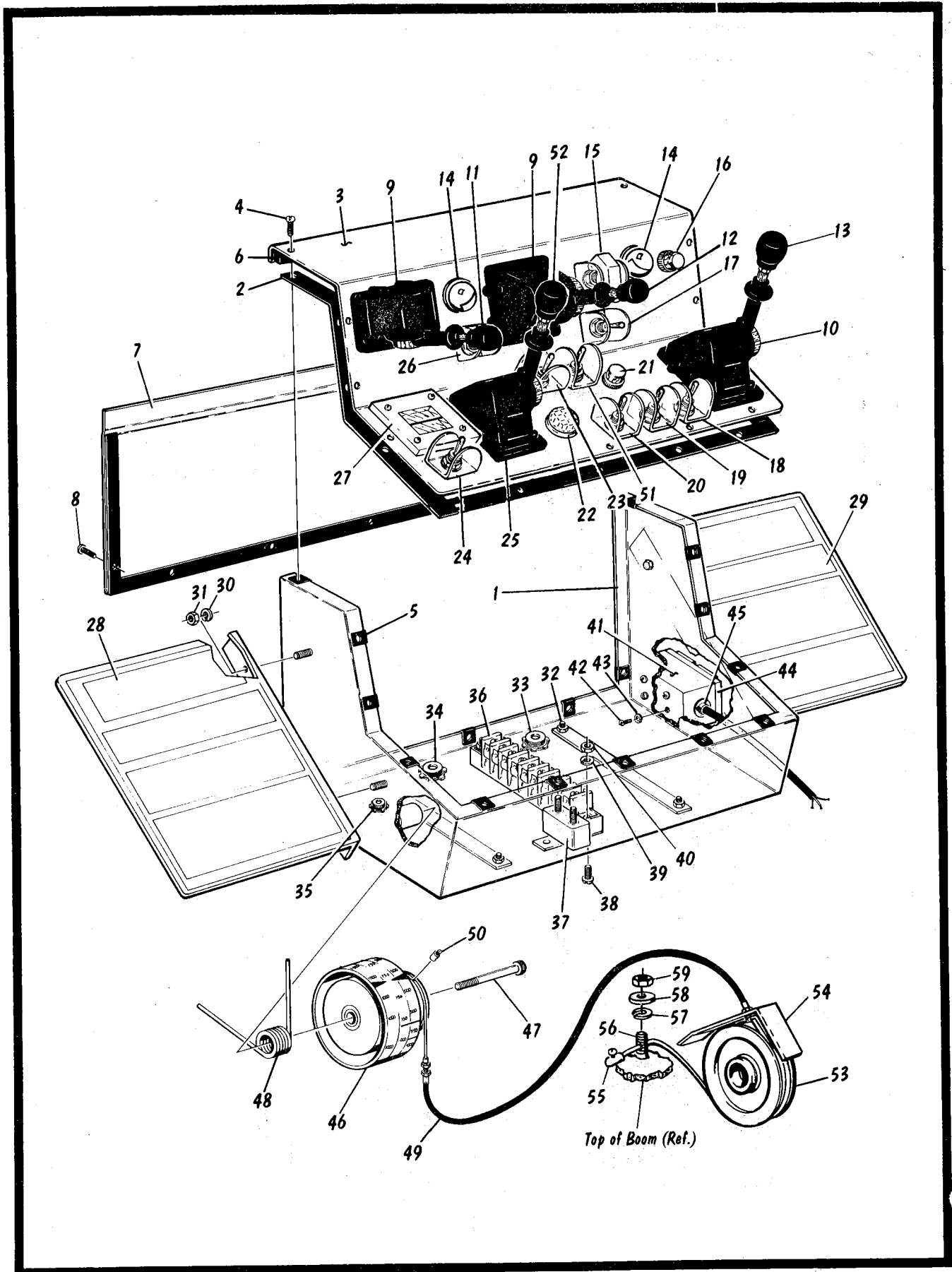


Figure 2-14. Platform Control Box Assembly (Vickers Valves, PQ Controllers and Proportional Telescope).

**SECTION 2 — ILLUSTRATED PARTS LIST**

FIGURE & INDEX NO.	PART NUMBER	ITEMS & DESCRIPTION	QTY.
2-14		<b>PLATFORM CONTROL BOX INSTALLATION</b>	Ref.
	0237947	<b>CONSOLE BOX ASSEMBLY - PROP. TELE. WITH CAPACITY INDICATOR (VICKERS VALVES)</b>	Ref.
	0237948	<b>CONSOLE BOX ASSEMBLY - PROP. TELE. WITHOUT CAPACITY INDICATOR (VICKERS VALVES)</b>	Ref.
-1	0860472	Box, Console	1
-2	4420038	Tape, Insulation	A/R
-3	3251742	Decal, Console (Attaching Parts)	1
-4	0751006	Screw, Pan Head	13
-5	3300177	Nut, Tinnerman	13
-6	3960250	Weatherstrip	1
	0100001	Adhesive	A/R
-7	3509858	Plate (Attaching Parts)	1
-8	0751006	Screw, Pan Head	5
	3300177	Nut, Tinnerman	5
-9	1600094	Controller, PQ (Attaching Parts)	2
	0640803	Bolt #8-32NC x 3/8"	8
	4760800	Lockwasher #8	8
-10	1600094	Controller, PQ (Attaching Parts)	1
	0640803	Bolt #8-32NC x 3/8"	4
	4760800	Lockwasher #8	4
-11	2560040	Knob, Swing	1
-12	2560038	Knob, Lift	1
-13	2560041	Knob, Drive	1
-14	2920024	Panel Lights (Optional)	2
-15	4360199	Switch, Emergency Stop - SPST	1
	4360141	Guard, Switch	1
	3790012	O-Ring	1
	4060087	Shield, Toggle Switch	1
-16	4360016	Switch, Horn	1
-17	4360200	Switch, Auxiliary Power - SPST/MC (Vickers)	1
-18	4360199	Switch, Engine Speed - SPST	1
	3790012	O-Ring	1
	4060087	Guard, Toggle Switch	1
-19	4360199	Switch, Drive Speed - SPST	1
	3790012	O-Ring	1
	4060087	Guard, Toggle Switch	1
-20	4360199	Switch, Drive Motor Hi-Low	1
	3790012	O-Ring	1
	4060087	Guard, Toggle Switch	1
-21	4360016	Switch, Start	1
-22	2920015	Lamp	1
-23	4360202	Switch, Platform Rotate - DPDT/MC/C.OFF	1
	3790012	O-Ring	1
	4060087	Guard, Toggle Switch	1
-24	4360202	Switch, Telescope - DPDT/MC/C.OFF	1
	3790012	O-Ring	1

**SECTION 2 — ILLUSTRATED PARTS LIST**

FIGURE & INDEX NO.	PART NUMBER	ITEMS & DESCRIPTION	QTY.
2-14		<b>PLATFORM CONTROL BOX INSTALLATION (CONTINUED)</b>	Ref.
	4060087	Guard, Toggle Switch	1
-25	1600094	Controller, PQ (Attaching Parts)	1
	0640803	Bolt #8-32NC x 3/8"	4
	4760800	Lockwasher #8	4
	3790012	O-Ring	1
	4060087	Guard, Toggle Switch	1
-26	4360202	Switch, Platform - DPDT/MC/C.OFF	1
	3790012	O-Ring	1
	4060087	Guard, Toggle Switch	1
-27	2960006	Lens, Capacity Indicator (Attaching Parts)	1
	3960251	Gasket	4
	3911014	Screw, Round Head #10-24NC x 7/8"	4
	4771000	Lockwasher #10	4
	3311001	Nut #10-24NC	4
	3251551	Decal - 500 Lb. Capacity - Used only on consoles without capacity indicator. (Not Shown)	1
-28		Decal, Caution	1
-29	3251549	Decal, Danger (Attaching Parts)	1
-30	4761400	Lockwasher 1/4"	4
-31	3311401	Nut 1/4"-20NC	4
-32	0641407	Bolt 1/4"-20NC x 7/8"	4
	4751400	Flatwasher 1/4"	8
	3311405	Locknut 1/4"-20NC	4
-33	4460071	Connector	1
	3300048	Nut	1
-34	4460051	Connector	1
	3300048	Nut	1
-35	4460052	Connector	1
	3300047	Nut	1
-36	4460263	Terminal Strip (Attaching Parts)	1
-37	4360209	Circuit Breaker	1
-38	3921016	Screw #10-24NC x 1"	2
-39	4761000	Lockwasher #10	2
-40	3311001	Nut #10-24NC	2
-41	0860038	Box, Switch (Attaching Parts)	1
-42	3911008	Screw, Round Head #10-24NC x 1/2"	4
-43	4761000	Lockwasher #10	4
-44	4060092	Shield, Weatherproof	1
	4460190	Terminal, Receptacle (Not Shown)	1
-45	4460049	Connector	1
	0960407	Bushing, Reducer	1
-46	2420055	Gauge, Capacity Indicator (Standard) (Attaching Parts)	1
-47	3900111	Bolt, Special	1
	0100011	Loctite	A/R



**SECTION 2 — ILLUSTRATED PARTS LIST**

FIGURE & INDEX NO.	PART NUMBER	ITEMS & DESCRIPTION	QTY.
2-14		<b>PLATFORM CONTROL BOX INSTALLATION (CONTINUED)</b>	Ref.
-48	4160058	Spring, Torsion	1
-49	1060168	Cable, Push Pull	1
-50	4220044	Throttle Stop	2
-51	4360199	Switch, 2 Wheel Drive - 4 Wheel Drive (Optional)	1
	4060087	Shield	1
	3790012	O-Ring	1
-52	2560039	Knob, Tele	1
	0236834	<b>CAPACITY INDICATOR INSTALLATION</b>	Ref.
-53	3580092	Pulley	1
-54	1670340	Cover, Pulley	1
-55	4220044	Stop, Throttle	1
		(Attaching Parts)	
-56	4300041	Stud (Welded On Part)	1
-57	4761800	Lockwasher 1/2"	1
-58	4751600	Flatwasher 1/2"	1
-59	3311605	Locknut 1/2"-13NC	1

SECTION 2 — ILLUSTRATED PARTS LIST

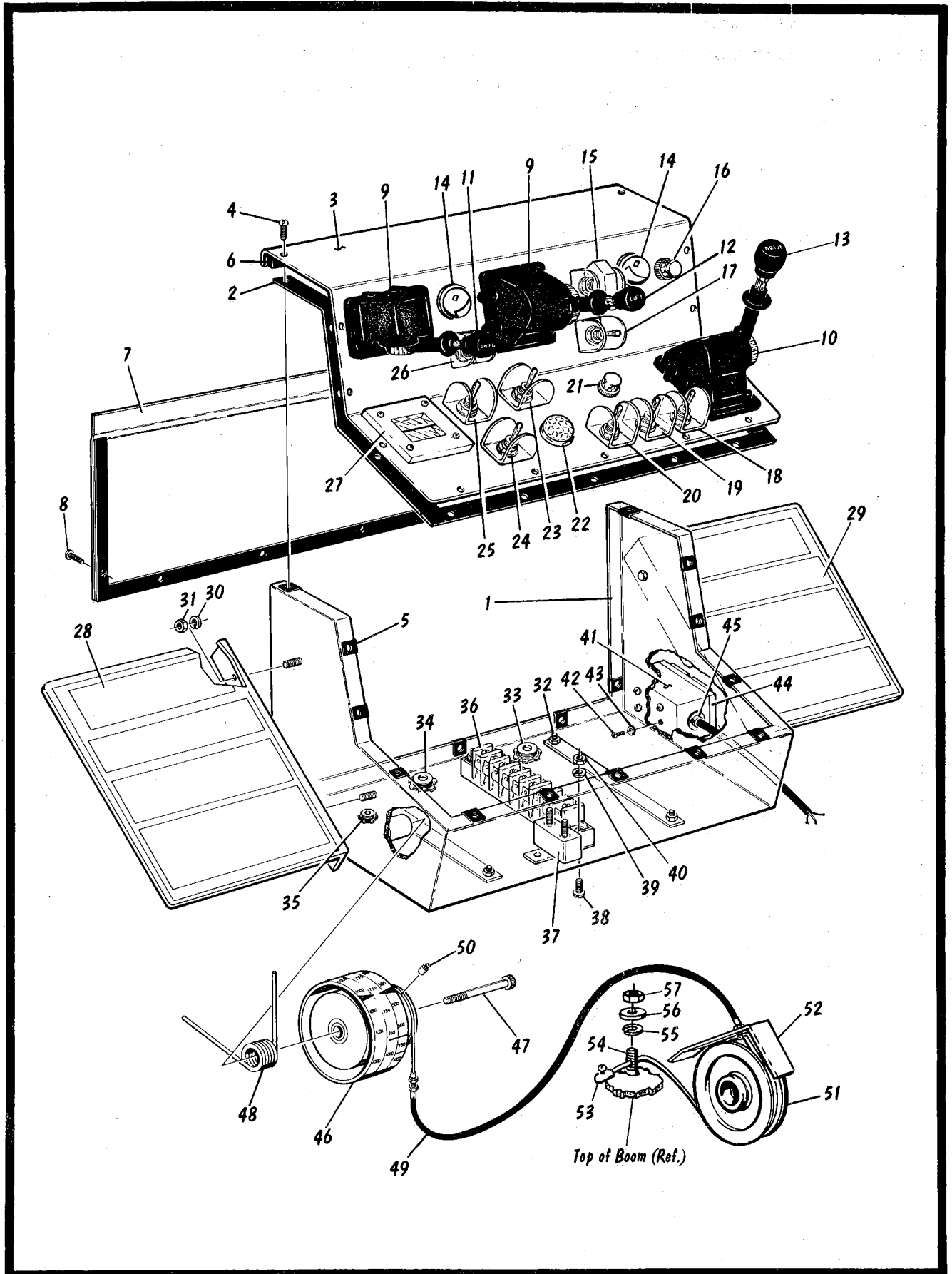


Figure 2-15. Platform Control Box Assembly (PQ Controllers and Non-Proportional Telescope).

**SECTION 2 — ILLUSTRATED PARTS LIST**

FIGURE & INDEX NO.	PART NUMBER	ITEMS & DESCRIPTION	QTY.
2—15		<b>PLATFORM CONTROL BOX INSTALLATION</b>	Ref.
	0237041	<b>CONSOLE BOX ASSEMBLY - WITHOUT CAPACITY INDICATOR WITH ADECO THROTTLE (RACINE)</b>	Ref.
	0237045	<b>CONSOLE BOX ASSEMBLY - WITH CAPACITY INDICATOR WITH ADECO THROTTLE (RACINE)</b>	Ref.
	0237046	<b>CONSOLE BOX ASSEMBLY - WITH CAPACITY INDICATOR WITH ADECO THROTTLE (C.S.A.)</b>	Ref.
	0237942	<b>CONSOLE BOX ASSEMBLY - WITH CAPACITY INDICATOR (VICKERS VALVES)</b>	Ref.
	0237943	<b>CONSOLE BOX ASSEMBLY - WITHOUT CAPACITY INDICATOR (VICKERS VALVE)</b>	Ref.
—1	0860472	Box, Console	1
—2	4420038	Tape, Insulation	A/R
—3	3251537	Decal, Console (Racine)	1
	3251741	Decal, Console (Vickers)	1
		(Attaching Parts)	
—4	0751006	Screw, Pan Head #10 x 3/4"	13
—5	3300177	Nut, Tinnerman	13
—6	3960250	Weatherstrip	1
	0100001	Adhesive	A/R
—7	3509858	Plate	1
		(Attaching Parts)	
—8	0751006	Screw, Pan Head #10 x 3/4"	5
—5	3300177	Nut, Tinnerman	5
—9	1600094	Controller, PQ	2
		(Attaching Parts)	
	0640803	Bolt #8-32NC x 3/8"	8
	4760800	Lockwasher #8	8
—10	1600094	Controller, PQ	1
		(Attaching Parts)	
	0640803	Bolt #8-32NC x 3/8"	4
	4760800	Lockwasher #8	4
—11	2560040	Knob, Swing	1
—12	2560038	Knob, Lift	1
—13	2560041	Knob, Drive	1
—14	2920024	Panel Lights (Optional)	2
—15	4360199	Switch, Emergency Stop - SPST	1
	4360141	Guard, Switch	1
	3790012	O-Ring	1
	4060087	Shield, Toggle Switch	1
—16	4360016	Switch, Horn	1
—17	4360204	Switch, Auxiliary Power - DPST/MC (Racine)	1
	4360200	Switch, Auxiliary Power - SPST/MC (Vickers)	1

**SECTION 2 — ILLUSTRATED PARTS LIST**

FIGURE & INDEX NO.	PART NUMBER	ITEMS & DESCRIPTION	QTY.
2-15		<b>PLATFORM CONTROL BOX INSTALLATION (CONTINUED)</b>	Ref.
-18	4360199	Switch, Engine Speed - SPST	1
	3790012	O-Ring	1
	4060087	Guard, Toggle Switch	1
-19	4360199	Switch, Drive Speed - SPST	1
	3790012	O-Ring	1
	4060087	Guard, Toggle Switch	1
-20	4360199	Switch, 2 Wheel Drive - SPST	1
	3790012	O-Ring	1
	4060087	Guard, Toggle Switch	1
-21	4360016	Switch, Start	1
-22	2920015	Lamp	1
-23	4360202	Switch, Platform Rotate - DPDT/MC/C.OFF	1
	3790012	O-Ring	1
	4060087	Guard, Toggle Switch	1
-24	4360202	Switch, Steer - DPDT/MC/C.OFF	1
	3790012	O-Ring	1
	4060087	Guard, Toggle Switch	1
-25	4360202	Switch, Telescope - DPDT/MC/C.OFF	1
	3790012	O-Ring	1
	4060087	Guard, Toggle Switch	1
-26	4360202	Switch, Platform - DPDT/MC/C.OFF	1
	3790012	O-Ring	1
	4060087	Guard, Toggle Switch	1
-27	2960006	Lens, Capacity Indicator	1
		(Attaching Parts)	
	3960251	Gasket	4
	3911014	Screw, Round Head #10-24NC x 7/8"	4
	4771000	Lockwasher #10	4
	3311001	Nut #10-24NC	4
	3251551	Decal - 500 Lb. Capacity - Used only on consoles without capacity indicator. (Not Shown)	1
-28	3251549	Decal, Caution	1
-29	3251549	Decal, Danger (Attaching Parts)	1
-30	4761400	Lockwasher 1/4"	4
-31	3311401	Nut 1/4"-20NC	4
-32	0641407	Bolt 1/4"-20NC x 7/8"	4
	4751400	Flatwasher 1/4"	8
	3311405	Nut, Lock 1/4"-20NC	4
-33	4460071	Connector	1
	3300048	Nut	1
-34	4460051	Connector	1
	3300048	Nut	1
-35	4460052	Connector	1
	3300047	Nut	1
-36	4460263	Terminal Strip (Attaching Parts)	1
-37	4360209	Circuit Breaker	1
-38	3921016	Screw #10-24NC x 1"	2
-39	4761000	Lockwasher #10	2
-40	3311001	Nut #10-24	2

**SECTION 2 — ILLUSTRATED PARTS LIST**

FIGURE & INDEX NO.	PART NUMBER	ITEMS & DESCRIPTION	QTY.
2—15		<b>PLATFORM CONTROL BOX INSTALLATION (CONTINUED)</b>	Ref.
—41	0860038	Box, Switch (Attaching Parts)	1
—42	3911008	Screw, Round Head #10-24NC x 1/2"	4
—43	4761000	Lockwasher #10	4
—44	4060092	Shield, Weatherproof	1
—45	4460190	Terminal, Receptacle (Not Shown)	1
—46	4460049	Connector	1
—46	0960407	Bushing, Reducer	1
—46	2420072	Gauge, Capacity Indicator (C.S.A. Package)	1
—46	2400071	Gauge, Capacity Indicator (Standard) (Attaching Parts)	1
—47	3900111	Bolt, Special	1
—47	0100011	Loctite	A/R
—48	4160058	Spring, Torsion	1
—49	1060168	Cable, Push Pull	1
—50	4220044	Throttle Stop	2
	0236834	<b>CAPACITY INDICATOR INSTALLATION</b>	Ref.
—51	3580092	Pulley	1
—52	1670340	Cover, Pulley	1
—53	4220044	Stop, Throttle (Attaching Parts)	1
—54	4300041	Stud (Welded On Part)	1
—55	4761800	Lockwasher 1/2"	1
—56	4751600	Flatwasher 1/2"	1
—57	3311605	Locknut 1/2"-13NC	1

SECTION 2 — ILLUSTRATED PARTS LIST

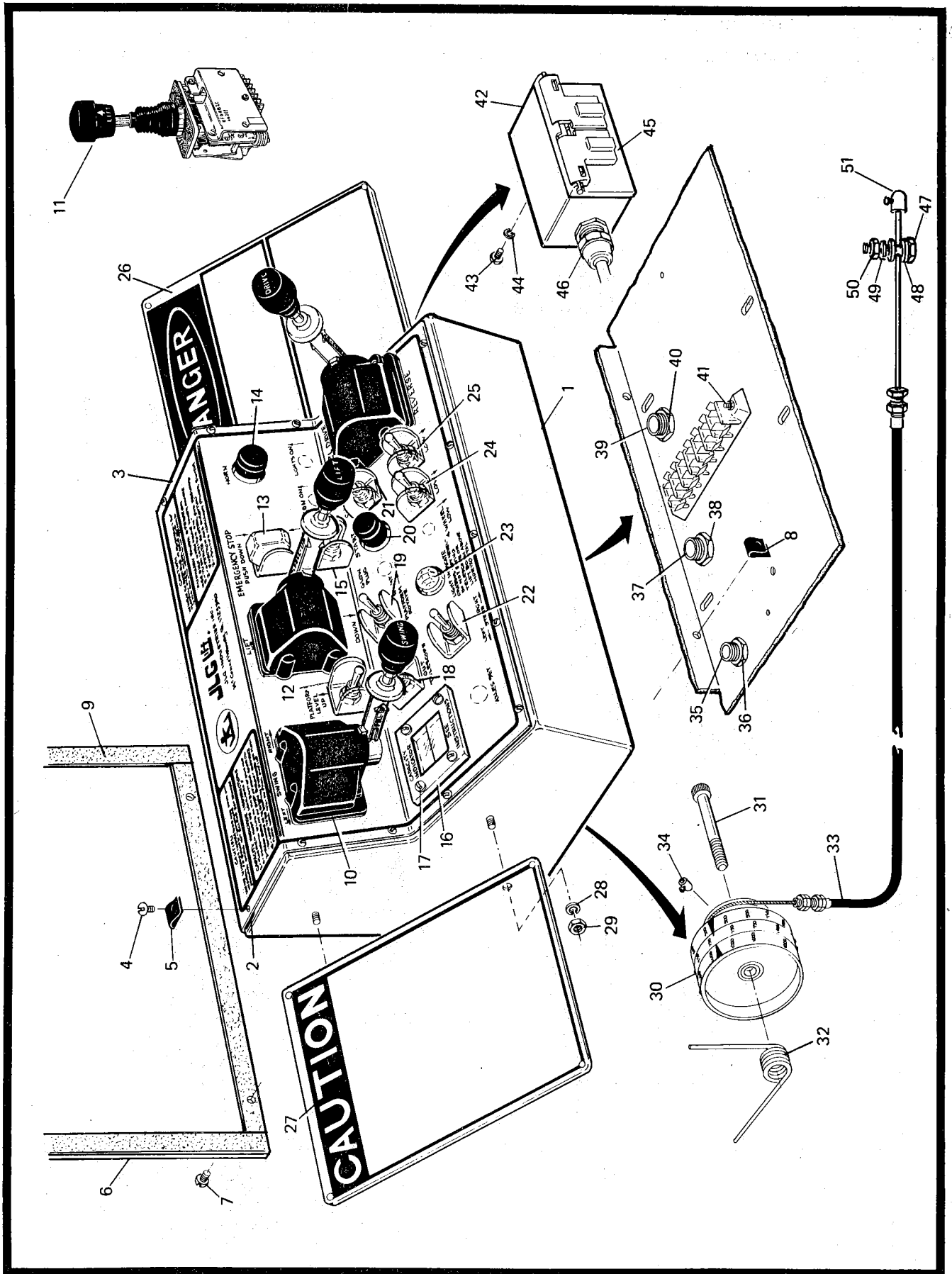


Figure 2-16. Platform Control Box Assembly (Racine Valves).

**SECTION 2 — ILLUSTRATED PARTS LIST**

FIGURE & INDEX NO.	PART NUMBER	ITEMS & DESCRIPTION	QTY.
2—16		<b>PLATFORM CONTROL BOX INSTALLATION</b>	Ref.
	0236522	<b>CONSOLE BOX ASSEMBLY - WITH CAPACITY INDICATOR (RACINE VALVES)</b>	Ref.
	0236497	<b>CONSOLE BOX ASSEMBLY - WITHOUT CAPACITY INDICATOR (RACINE VALVES)</b>	Ref.
	0236750	<b>CONSOLE BOX ASSEMBLY - WITH CAPACITY INDICATOR - OEM CONTROLS (PROPORTIONAL TELESCOPE)</b>	Ref.
	0236751	<b>CONSOLE BOX ASSEMBLY - WITHOUT CAPACITY INDICATOR - OEM CONTROLS (PROPORTIONAL TELESCOPE)</b>	Ref.
—1	0860472	Box, Console	1
	0860497	Box, Console (Used With OEM Controls)	1
—2	3960250	Weatherstrip	A/R
	0100001	Adhesive	A/R
—3	3251537	Decal, Console	1
	3251614	Decal, Console (Used With OEM Controls) (Attaching Parts)	1
—4	3910806	Screw, Round Head #8-32NC x 3/8"	13
—5	3300177	Nut, Tinnerman	13
—6	3509858	Cover, Rear	1
	1670334	Cover, Rear (Used With OEM Controls) (Attaching Parts)	1
—7	0751006	Screw, Pan Head #10-X 3/4"	2
—8	3300177	Nut, Tinnerman	2
—9	4420038	Weatherstrip	A/R
	0100001	Adhesive	A/R
—10	1600064	Controller, PQ	3
	4931414	PQ Controller Adjustment Procedure (Attaching Parts)	Ref.
	0640803	Bolt #8-32NC x 3/8"	12
	4760800	Lockwasher #8	12
	2560040	Knob, Swing (PQ)	1
	2560038	Knob, Lift (PQ)	1
	2560041	Knob, Drive (PQ)	1
—11	1600080	Controller OEM (Not Shown) (Attaching Parts)	4
	4740120	Washer, Nylon (Used On All OEM Controllers)	8
	3900127	Screw, Round Head (Used On All OEM Controllers)	5
	3900157	Screw, Round Head (Use 1 Each On Lift, Drive And Telescope OEM Controllers)	3
	4070589	Shim (Used On Swing OEM Controller)	1
	4070588	Shim (Used On Lift, Drive and Telescope OEM Controllers)	3
—12	4360202	Switch, Platform Level - DPDT	1
	3790012	O-Ring	1
	4060087	Shield	1
—13	4360199	Switch, Emergency Stop-SPST	1
	3790012	O-Ring	1

**SECTION 2 — ILLUSTRATED PARTS LIST**

FIGURE & INDEX NO.	PART NUMBER	ITEMS & DESCRIPTION	QTY.
2-16		<b>PLATFORM CONTROL BOX INSTALLATION (CONTINUED)</b>	Ref.
	4360141	Guard, Switch	1
	4060087	Shield	1
-14	4360016	Switch, Horn	1
-15	4360204	Switch, Auxiliary Power - DPST	1
	3790012	O-Ring	1
	4060087	Shield	1
-16	2960006	Lens - Capacity Indicator (Attaching Parts)	1
-17	3911014	Screw, Round Head #10-24NC x 7/8"	4
	4771000	Lockwasher #10	4
	3311001	Nut #10-24NC	4
	3960251	Gasket, Capacity Indicator (Not Shown)	1
	3251551	Decal - 500 Lb. Capacity - Used On Console Without Capacity Indicator (Not Shown)	1
-18	4360202	Switch, Telescope - DPDT	1
	3790012	O-Ring	1
	4060087	Shield	1
-19	4360202	Switch, Platform Rotate	1
	3790012	O-Ring	1
	4060087	Shield	1
-20	4360016	Switch, Push Button	1
-21	4360199	Switch, Creep - SPST	1
	3790012	O-Ring	1
	4060087	Shield	1
-22	4360202	Switch, Steer - DPDT	1
	3790012	O-Ring	1
	4060087	Shield	1
-23	2920015	Lamp	1
-24	4360199	Switch, Drive Speed - SPST	1
	3790012	O-Ring	1
	4060087	Shield	1
-25	4360199	Switch, Engine Speed	1
	3790012	O-Ring	1
	4060087	Shield	1
-26	3251549	Decal - Danger	1
-27	3251607	Decal - Caution (Attaching Parts)	1
-28	4761400	Lockwasher 1/4"	4
-29	3311401	Nut 1/4"-20NC	4
-30	2420050	Gauge, Capacity Indicator (Attaching Parts)	1
-31	3900111	Bolt, Special	1
	0100011	Loctite	A/R
	2420057	Housing, Capacity Indicator	1
	0440042	Bearing, Ball	2
	4561774	Tube, Spacer	1
	1700502	Nameplate, Capacity	1
-32	4160058	Spring	1
-33	1060168	Cable, Capacity Indicator (Attaching Parts)	1
-34	4220044	Throttle Stop	2



**SECTION 2 — ILLUSTRATED PARTS LIST**

FIGURE & INDEX NO.	PART NUMBER	ITEMS & DESCRIPTION	QTY.
2—16		<b>PLATFORM CONTROL BOX INSTALLATION (CONTINUED)</b>	Ref.
—35	4460052	Connector (Attaching Parts)	1
—36	3300047	Nut	1
—37	4460051	Connector (Attaching Parts)	1
—38	3300048	Nut	1
—39	4460071	Connector (Attaching Parts)	1
—40	3300048	Nut	1
—41	4460263	Terminal Strip (Attaching Parts)	1
	3921016	Screw #10-28NC x 1"	2
	4761000	Lockwasher #10	2
	3311001	Nut #10-24NC	2
—42	0860038	Box, Switch (Attaching Parts)	1
—43	3911008	Screw, Round Head #10-24NC x 1"	4
—44	4761000	Lockwasher #10	4
—45	4060092	Shield, Weatherproof	1
	4460190	Terminal, Receptacle	1
—46	4460049	Connector	1
	0236511	<b>CAPACITY INDICATOR INSTALLATION</b>	Ref.
—47	1320109	Clamp, Cable	1
—48	4751600	Flatwasher 3/8"	2
—49	4761600	Lockwasher 3/8"	1
—50	3321601	Nut 3/8"-24NF	1
—51	4220044	Throttle, Stop	1
	0234018	<b>CONSOLE COVER INSTALLATION (HOSTILE ENVIRONMENT PACKAGE)</b>	Ref.
	1670210	Cover	1
	4280131	Strip	1

SECTION 2 — ILLUSTRATED PARTS LIST

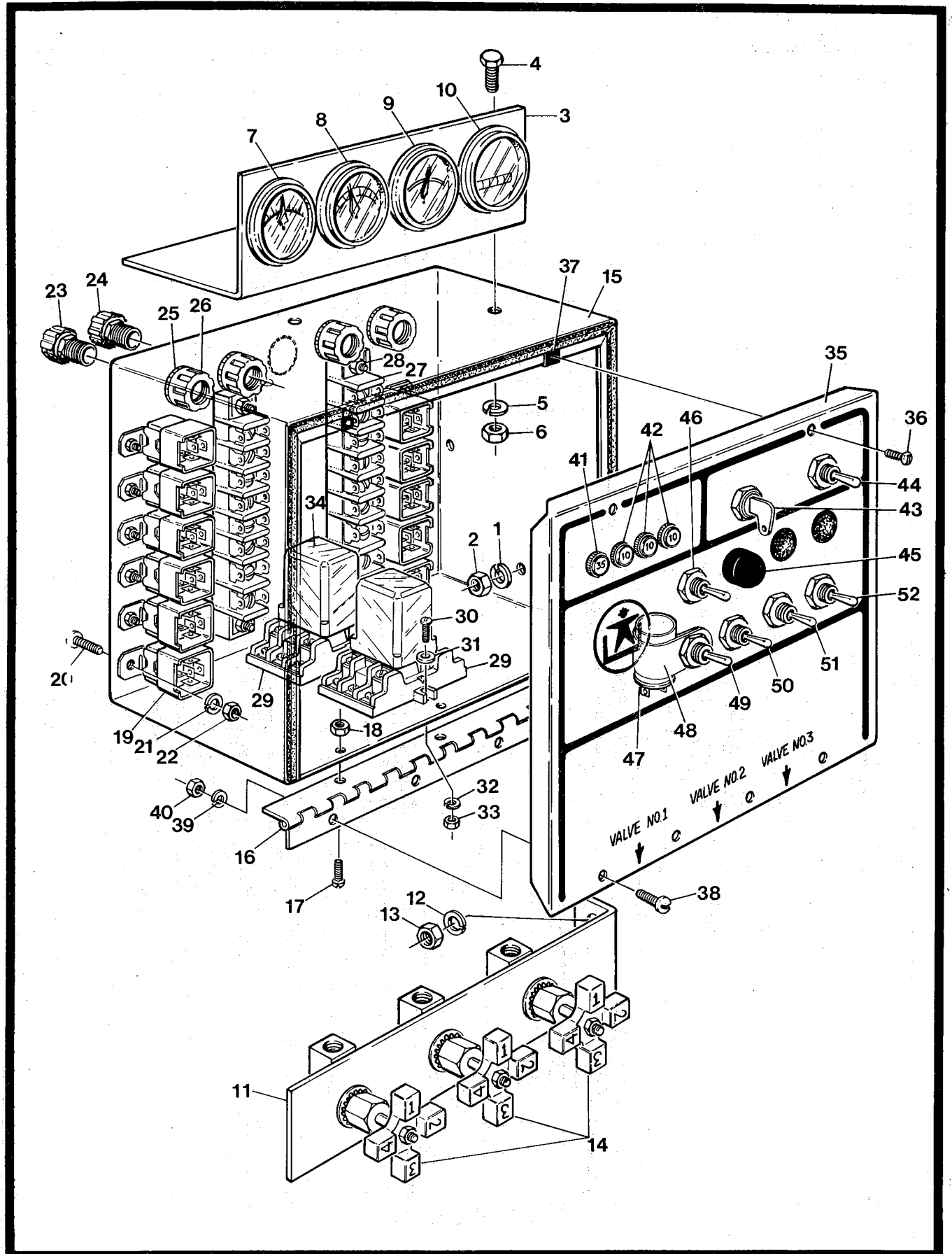
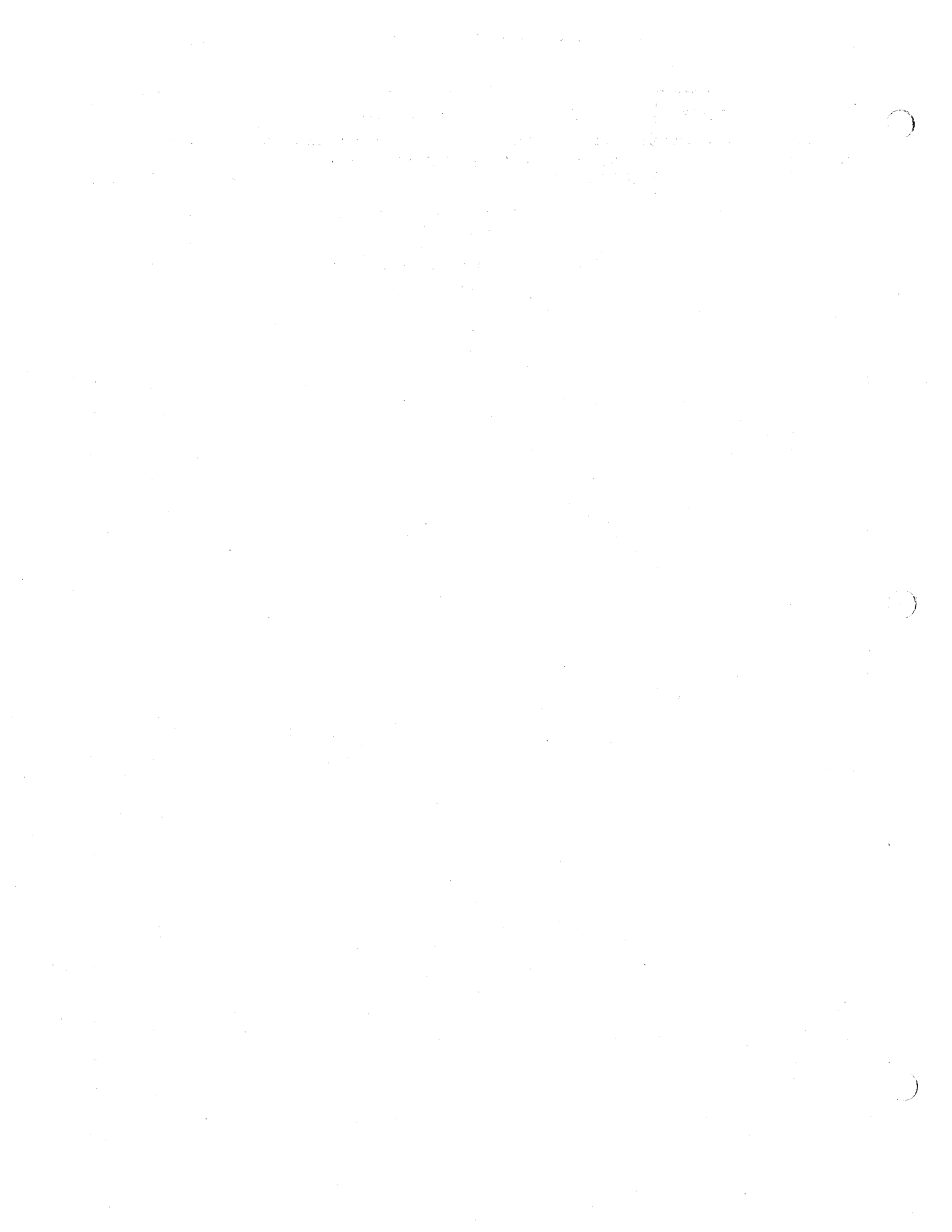


Figure 2-17. Ground Controls Assembly and Installation.

**SECTION 2 — ILLUSTRATED PARTS LIST**

FIGURE & INDEX NO.	PART NUMBER	ITEMS & DESCRIPTION	QTY.
2-17		<b>GROUND CONTROLS ASSEMBLIES AND INSTALLATION</b>	Ref.
	0236559	<b>GROUND CONTROLS INSTALLATION WITHOUT PROPORTIONAL TELESCOPE</b>	Ref.
	0236883	<b>GROUND CONTROLS INSTALLATION WITH PROPORTIONAL TELESCOPE</b>	Ref.
	0860513	Ground Controls Box Assembly (Without Proportional Telescope)	1
	0860495	Ground Controls Box Assembly (With Proportional Telescope) (Attaching Parts)	1
-1	4761400	Lockwasher 1/4" ID	3
-2	3311401	Nut, Hex 1/4"-20NC	3
-3	3380309	Panel, Gauge (Attaching Parts)	1
-4	0641406	Bolt 1/4"-20NC x 3/4" long (Grade 5)	3
-5	4761400	Lockwasher 1/4" ID	3
-6	3311401	Nut, Hex 1/4" ID	3
-7	2420006	Gauge, Ammeter	1
-8	2420035	Gauge, Oil Pressure	1
-9	2420086	Gauge, Water Temperature (Optional)	1
-10	2420009	Gauge, Hourmeter	1
-11	0901192	Bracket, Manual Descent (Attaching Parts)	1
-12	4761600	Lockwasher 3/8" ID	2
-13	3311601	Nut, Hex 3/8"-20NC	2
-14	4640005	Valve, Needle	3
	0237067	<b>MAIN TERMINAL BOX ASSEMBLY</b>	Ref.
-15	0860487	Box	1
	4280237	Strip, Rubber	1
	0100001	Adhesive	A/R
-16	2600093	Hinge (Attaching Parts)	1
-17	3911012	Screw, Round Head #10-24NC x 3/4" long	4
-18	3311001	Nut, Hex #10-24NC	4
-19	3740049	Relay - SPDT (Attaching Parts)	11
-20	3911008	Screw, Round Head, #10-24NC x 1/2" long	11
-21	4761000	Lockwasher 3/16" ID	11
-22	3311001	Nut #10-24NC	11
-23	4460051	Connector	3
-24	4460071	Connector	1
-25	3300048	Locknut, Conduit	4
-26	0960238	Bushing	4
-27	4460263	Terminal Strip (Attaching Parts)	2
-28	3910610	Screw, Round Head #6-32NC x 5/8" long	4
	4760600	Lockwasher 3/16" dia.	4



**SECTION 2 — ILLUSTRATED PARTS LIST**

FIGURE & INDEX NO.	PART NUMBER	ITEMS & DESCRIPTION	QTY.
2-17		<b>GROUND CONTROLS ASSEMBLIES AND INSTALLATION (CONTINUED)</b>	Ref.
	3310601	Nut, Hex #6-32NC	4
-29	4120002	Relay, Socket (Attaching Parts)	2
-30	3910610	Screw, Round #6-32NC x 5/8" long	4
-31	4751000	Flatwasher 3/16" dia.	4
-32	4760600	Lockwasher #6	4
-33	3310601	Nut #6-32	4
-34	3740016	Relay	2
-35	3251522	Lid (Attaching Parts)	1
-36	0750806	Screw (Top) #8-32NC x 3/4" long	2
-37	3300177	Nut, Tinnerman	2
-38	3911006	Screw (Bottom) #10-24NC x 3/8" long	4
-39	4761000	Lockwasher 3/16" dia.	4
-40	3311001	Nut #10-24NC	4
-41	4360186	Circuit Breaker (35 Amp)	1
-42	4360069	Circuit Breaker (10 Amp)	3
-43	4360003	Switch, Master	1
-44	4360073	Switch, Control Selection DPDT	1
-45	3790012	O-Ring	1
-45	4360016	Switch, Pushbutton Start	1
-46	4360199	Switch, Ignition SPST	1
-46	3790012	O-Ring	1
-47	4360089	Switch, Flasher	1
-48	1320060	Clamp	1
-49	4360204	Switch, Auxiliary Power DPST/MC	1
-49	3790012	O-Ring	1
-50	4360202	Switch, Lift DPDT/MC-Center Off	1
-50	3790012	O-Ring	1
-51	4360202	Switch, Swing DPDT/MC-Center Off	1
-51	3790012	O-Ring	1
-52	4360202	Switch, Telescope DPDT/MC-Center Off	1
-52	3790012	O-Ring	1

SECTION 2 — ILLUSTRATED PARTS LIST

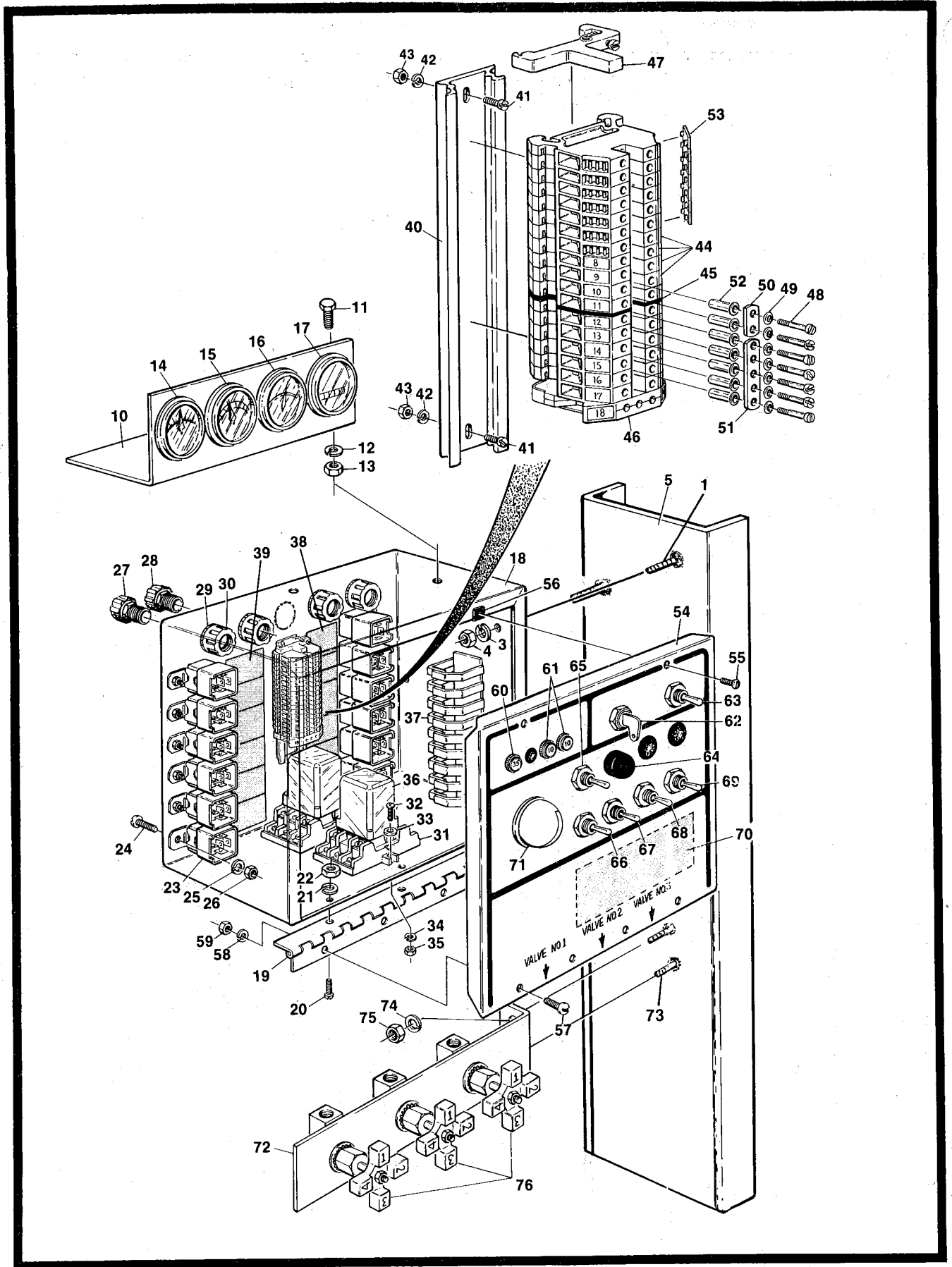


Figure 2-18. Ground Controls Assembly and Installation.

**SECTION 2 — ILLUSTRATED PARTS LIST**

FIGURE & INDEX NO.	PART NUMBER	ITEMS & DESCRIPTION	QTY.
2-18	0238062	<b>GROUND CONTROLS ASSEMBLIES AND INSTALLATION</b>	Ref.
	0860548	Ground Control Box Assembly (Attaching Parts)	1
-1	4300032	Stud 1/4"-20NC x 7/8" long	3
-2	Not Used		
-3	4751400	Lockwasher 1/4" ID	3
-4	3311401	Nut, Hex 1/4"-20NC	3
-5	1270933	Channel (Welded On Part)	1
-6	Not Used		
-7	Not Used		
-8	Not Used		
-9	Not Used		
-10	3380309	Panel, Gauge (Attaching Parts)	1
-11	0641406	Bolt 1/4"-20NC x 3/4" long (Grade 5)	3
-12	4761400	Lockwasher 1/4" ID	3
-13	3311401	Nut 1/4" ID	3
-14	2420006	Gauge, Voltmeter	1
-15	2420035	Gauge, Oil Pressure (Ford)	1
	2420030	Gauge, Oil Pressure (Deutz)	1
	2220261	Fitting (Deutz - Not Shown)	1
	2220001	Fitting (Deutz - Not Shown)	1
	4420001	Ribbon Dope	A/R
-16	2420019	Gauge, Water Temperature (Ford Only)	1
-17	2420009	Gauge, Hourmeter	1
	0237855	<b>MAIN TERMINAL BOX ASSEMBLY</b>	Ref.
-18	0860547	Box	1
	4420037	Strip, Rubber	2.75 ft.
-19	2600093	Hinge (Attaching Parts)	1
-20	3911012	Screw, Round Head #10-24NC x 3/4" long	3
-21	4761000	Lockwasher 3/16" ID	3
-22	3911001	Nut, Hex #10-24NC	6
-23	3740049	Relay, SPST (Attaching Parts)	12
-24	3911008	Screw, Round Head #10-24NC x 1/2" long	12
-25	4761000	Lockwasher 3/16" ID	12
-26	3311001	Nut #10-24NC	12
-27	4460051	Connector	3
-28	4460071	Connector	1
-29	3300048	Conduit Locknut	4
-30	0960238	Bushing	4
-31	4120002	Relay, Socket (Attaching Parts)	2
-32	3910610	Screw, Round Head #6-32NC x 5/8" long	3
-33	4751000	Flatwasher 3/16" dia.	3
-34	4760600	Lockwasher #6	3
-35	3310601	Nut, Hex #6-32NC	3
-36	3740016	Relay	2





**SECTION 2 — ILLUSTRATED PARTS LIST**

FIGURE & INDEX NO.	PART NUMBER	ITEMS & DESCRIPTION	QTY.
2-18	0238062	<b>GROUND CONTROLS ASSEMBLIES AND INSTALLATION (CONTINUED)</b>	Ref.
-37	1840002	Duct, Wire (1 Each Side) (Attaching Parts)	897 ft.
	3911008	Screw, Round Head #10-24NC x 1/2" long (Not Shown)	4
	4761000	Lockwasher 3/16" ID (Not Shown)	4
	3311001	Nut, Hex #10-24NC (Not Shown)	4
-38	1700789	Decal, Relay Functions	1
-39	1700788	Decal, Relay Functions	1
-40	3640492	Rail	1
-41	3910606	Screw, Round Head #6-32NC x 3/8" long	2
-42	4760600	Lockwasher #6 ID	2
-43	3310601	Nut, Hex #6-32NC	2
-44	4460298	Terminal, Strip	17
-45	4460300	Terminal, Barrier	1
-46	4460303	Terminal, Ground Block	1
-47	4460229	Terminal, Stop	1
-48	4460305	Screw	7
-49	4460306	Washer	7
-50	4460308	Terminal, Bus Bar (2 Position)	1
-51	4460311	Terminal, Bus Bar (5 Position)	1
-52	4460307	Sleeve	7
-53	4460301	Terminal, Marker Strip	2
-54	3251650	Lid (Attaching Parts)	1
-55	0750806	Screw (Top) #8-32NC x 3/4" long	2
-56	3300177	Nut, Tinnerman	2
-57	3911006	Screw (Bottom) #10-24NC x 3/8" long	4
-58	4761000	Lockwasher 3/16" dia.	4
-59	3311001	Nut, Hex #10-24NC	4
-60	4360186	Circuit Breaker (35 AMP)	1
-61	4360069	Circuit Breaker (10 AMP)	2
-62	4360003	Switch, Master	1
-63	4360073	Switch, Control Selection DPDT	1
	3790012	O-Ring	1
-64	4360016	Switch, Push Button	1
-65	4360199	Switch, Ignition SPST	1
	3790012	O-Ring	1
-66	4360200	Switch, Auxiliary Power SPST/MC	1
	3790012	O-Ring	1
-67	4360202	Switch, Lift DPDT/MC Center Off	1
	3790012	O-Ring	1
-68	4360202	Switch, Swing DPDT/MC Center Off	1
	3790012	O-Ring	1
-69	4360202	Switch, Telescope DPDT/MC Center Off	1
	3790012	O-Ring	1
-70	1700790	Decal, Relay Schematic	1
	4460234	Clamp, Cable (Not Shown)	5
-71	2920024	Light Panel (Optional)	1
-72	0901192	Bracket, Manual Descent (Attaching Parts)	1
-73	4300038	Stud 5/16"-18NC x 1" long (Welded On Part)	2
-74	4761600	Lockwasher 3/8" ID	2
-75	3311601	Nut, Hex 3/8"-20NC	2
-76	4640005	Valve, Needle	3
	2900062	Kit, Panel Mounting	3

SECTION 2 — ILLUSTRATED PARTS LIST

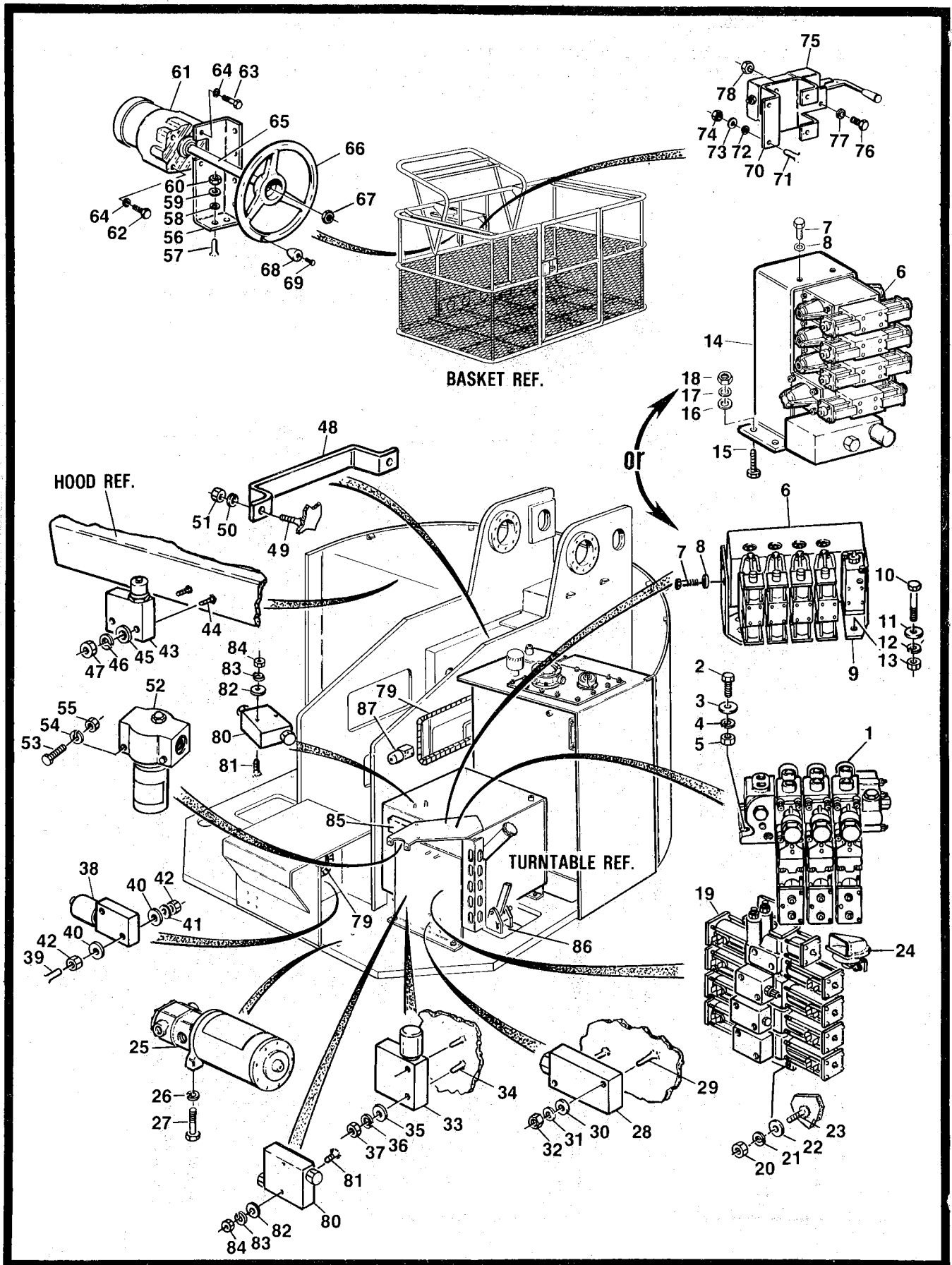


Figure 2-19. Control Valves Installations - Racine.

**SECTION 2 — ILLUSTRATED PARTS LIST**

FIGURE & INDEX NO.	PART NUMBER	ITEMS & DESCRIPTION	QTY.
2—19		<b>CONTROL VALVES INSTALLATIONS - RACINE</b>	Ref.
	0236554	<b>CONTROL VALVES INSTALLATION - WITHOUT STEERING WHEEL AND WITHOUT ROTATOR (GEAR PUMP)</b>	Ref.
	0236553	<b>CONTROL VALVES INSTALLATION - WITHOUT STEERING WHEEL AND WITH ROTATOR (GEAR PUMP)</b>	Ref.
	0236673	<b>CONTROL VALVES INSTALLATION - WITH STEERING WHEEL AND WITHOUT ROTATOR (GEAR PUMP)</b>	Ref.
	0236672	<b>CONTROL VALVES INSTALLATION - WITH STEERING WHEEL AND WITH ROTATOR (GEAR PUMP)</b>	Ref.
	0237313	<b>CONTROL VALVES INSTALLATION - NON-PROPORTIONAL TELESCOPE, WITHOUT STEERING WHEEL AND WITH ROTATOR (PISTON PUMP)</b>	Ref.
	0237312	<b>CONTROL VALVES INSTALLATION - NON-PROPORTIONAL TELESCOPE, WITH STEERING WHEEL AND WITH ROTATOR (PISTON PUMP)</b>	Ref.
	0236765	<b>CONTROL VALVES INSTALLATION - PROPORTIONAL TELESCOPE, WITHOUT STEERING WHEEL AND WITH ROTATOR (PISTON PUMP)</b>	Ref.
	0236764	<b>CONTROL VALVES INSTALLATION - WITH PROPORTIONAL TELESCOPE, WITH STEERING WHEEL AND WITH ROTATOR (PISTON PUMP)</b>	Ref.
—1	4640455	Proportional Control Valve Assembly - Racine (3 Section) - (Gear Pump) (See Figure 2-20 for Breakdown) (Attaching Parts)	1
—2	0641610	Bolt 3/8"-16NC x 1 1/4"	2
—3	4751600	Flatwasher 3/8"	3
—4	4761600	Lockwasher 3/8"	3
—5	3311601	Nut 3/8"-16NC	3
—6	4640466	Proportional Control Valve - H.P.I. (4 Stack) (Piston Pump)	1
	4640465	Proportional Control Valve - H.P.I. (3 Stack) (Piston Pump) (Attaching Parts)	1
—7	0641408	Bolt 1/4"-20NC x 1"	2
—8	4761400	Lockwasher 1/4"	2
—9	0901288	Bracket (RH)	1
	0901287	Bracket (LH) (Attaching Parts)	1
—10	0641510	Bolt 5/16"-18NC x 1 1/4"	2
—11	4751500	Flatwasher 5/16"	4
—12	4761500	Lockwasher 5/16"	4
—13	3311501	Nut 5/16"-18NC	4
	4300038	Stud (Welded On Part)	2

**SECTION 2 — ILLUSTRATED PARTS LIST**

FIGURE & INDEX NO.	PART NUMBER	ITEMS & DESCRIPTION	QTY.
2—19		<b>CONTROL VALVES INSTALLATION - RACINE (CONTINUED)</b>	Ref.
—14	0901318	Bracket (Attaching Parts)	1
—15	0641510	Bolt 5/16"-18NC x 1 1/4"	3
—16	4751500	Flatwasher 5/16"	4
—17	4761500	Lockwasher 5/16"	4
—18	3311501	Nut 5/16"-18	4
	4300038	Stud	1
—19	4640447	Control Valve - Racine (2-Stack) (Gear Pump)	1
	4640246	Control Valve - Racine (3-Stack) (Gear Pump)	1
	4640247	Control Valve - Racine (4-Stack) (Gear Pump and Piston Pump Without Steering Wheel)	1
	4640461	Control Valve - Racine (1-Stack) (Piston Pump)	1
	4640417	Control Valve - Racine (2-Stack) (Piston Pump with Steering Wheel)	1
	4640251	Control Valve - Racine (3 Stack) (Piston Pump) (Attaching Parts)	1
—20	3311601	Nut 3/8"-16NC	4
—21	4761600	Lockwasher 3/8"	4
—22	4751600	Flatwasher 3/8"	4
—23	4300034	Stud (Welded On Part)	4
—24	0140001	Horn	1
—25	3600115	Pump, Auxiliary (Attaching Parts)	1
—26	0641612	Bolt 3/8"-16NC x 1 1/2"	2
—27	4761600	Lockwasher 3/8"	2
—28	4640151	Divider, Flow (Machines With Steering Wheel) (Attaching Parts)	1
—29	4300033	Stud (Welded On Part)	2
—30	4751500	Flatwasher 5/16"	2
—31	4761500	Lockwasher 5/16"	2
—32	3311501	Nut 5/16"-18NC	2
—33	4640360	Valve, Dump (Machines With Steering Wheel) (Attaching Parts)	1
—34	4300033	Stud (Welded On Part)	2
—35	4751500	Flatwasher 5/16"	2
—36	4761500	Lockwasher 5/16"	2
—37	3311501	Nut 5/16"-18NC	2
—38	4640123	Valve, Solenoid (Piston Pump Only) (Attaching Parts)	1
—39	4300033	Stud (Welded On Part)	2
—40	4751500	Flatwasher 5/16"	4
—41	4761500	Lockwasher 5/16"	2
—42	3311501	Nut 5/16"-18NC	4
—43	4640136	Valve, Solenoid (Gear Pump)	1
	4640464	Valve, High Drive (Piston Pump) (Attaching Parts)	1
—44	0641522	Bolt 5/16"-18NC x 2 3/4"	2
—45	4751600	Flatwasher 5/16"	2
—46	4761600	Lockwasher 5/16"	2
—47	3311501	Nut 5/16"-18NC	2

**SECTION 2 — ILLUSTRATED PARTS LIST**

FIGURE & INDEX NO.	PART NUMBER	ITEMS & DESCRIPTION	QTY.
2-19		<b>CONTROL VALVES INSTALLATION - RACINE (CONTINUED)</b>	Ref.
-48	4240088	Strap, Hose (Attaching Parts)	1
-49	4300031	Stud (Welded On Part)	2
-50	4761400	Lockwasher 1/4"	2
-51	3311401	Nut 1/4"-20NC	2
-52	2120078	Filter (Gear Pump Only) (Attaching Parts)	1
-53	0641420	Bolt 1/4"-20NC x 2 1/2"	2
-54	4761400	Lockwasher 1/4"	2
-55	3311401	Nut 1/4"-20NC	2
-56	2120079 0901255	Element, Filter (Not Shown) Bracket, Steer Valve (Attaching Parts)	1 1
-57	4300031	Stud (Welded On Part)	6
-58	4751400	Flatwasher 1/4"	6
-59	4761400	Lockwasher 1/4"	6
-60	3311401	Nut 1/4"-20NC	6
-61	4640408	Valve, Steer (Attaching Parts)	1
-62	0641606	Bolt 3/8"-16NC x 3/4"	2
-63	0641608	Bolt 3/8"-16NC x 1"	2
-64	4761600	Lockwasher 3/8"	4
-65	1460005	Column, Steer	1
-66	4860097	Wheel, Steer (Attaching Parts)	1
-67	3300073	Nut	1
-68	2560066	Handle, Steer Wheel (Attaching Parts)	1
-69	3900060	Screw, Socket Head	1
-70	0901201	Bracket, Rotator Valve (Attaching Parts)	1
-71	4300031	Stud (Welded On Part)	4
-72	4751400	Flatwasher 1/4"	4
-73	4761400	Lockwasher 1/4"	4
-74	3311401	Nut 1/4"-20NC	4
-75	4640434	Valve, Rotate (Attaching Parts)	1
-76	0641416	Bolt 1/4"-20NC x 2"	2
-77	4761400	Lockwasher 1/4"	2
-78	3311401	Nut 1/4"-20NC	2
-79	4060608	Flex-Guard	3 Ft.
-80	4640035	Valve, Crossover Relief (Piston Pump Only Without Proportional Telescope)	1
	4640035	Valve, Crossover Relief (Piston Pump Only With Proportional Telescope) (Attaching Parts)	2



**SECTION 2 — ILLUSTRATED PARTS LIST**

FIGURE & INDEX NO.	PART NUMBER	ITEMS & DESCRIPTION	QTY.
2—19		<b>CONTROL VALVES INSTALLATION - RACINE (CONTINUED)</b>	Ref.
—81	4300033	Stud (Welded On Part)	2
—82	4751500	Flatwasher 5/16"	4
—83	4761500	Lockwasher 5/16"	2
—84	3311501	Nut 5/16"-18NC	4
—85	4640150	Valve, Check (Piston Pump Only With Proportional Telescope)	1
		(Attaching Parts)	
	4300033	Stud (Welded On Part)	2
	4751500	Flatwasher 5/16"	4
	4761500	Lockwasher 5/16"	2
	3311501	Nut 5/16"-18NC	4
	0236640	<b>TURNTABLE LOCK INSTALLATION</b>	Ref.
—86	4842124	Base, Lock (Welded On Part)	1
	4842123	Lock Weldment	1
		(Attaching Parts)	
	0641618	Bolt 3/8"-16NC x 2 1/4"	1
	3311605	Locknut 3/8"-16NC	1
	3430620	Pin, Clevis	1
	3420156	Hairpin	1
	0236675	<b>SHUTDOWN VALVE INSTALLATION (FORD ENGINE WITH STEERING WHEEL)</b>	Ref.
—87	4640123	Valve, Shutdown	1
		(Attaching Parts)	
	4300033	Stud (Welded On Part)	2
	4751500	Flatwasher 5/16"	4
	4761500	Lockwasher 5/16"	2
	3311501	Nut 5/16"-18NC	4

SECTION 2 — ILLUSTRATED PARTS LIST

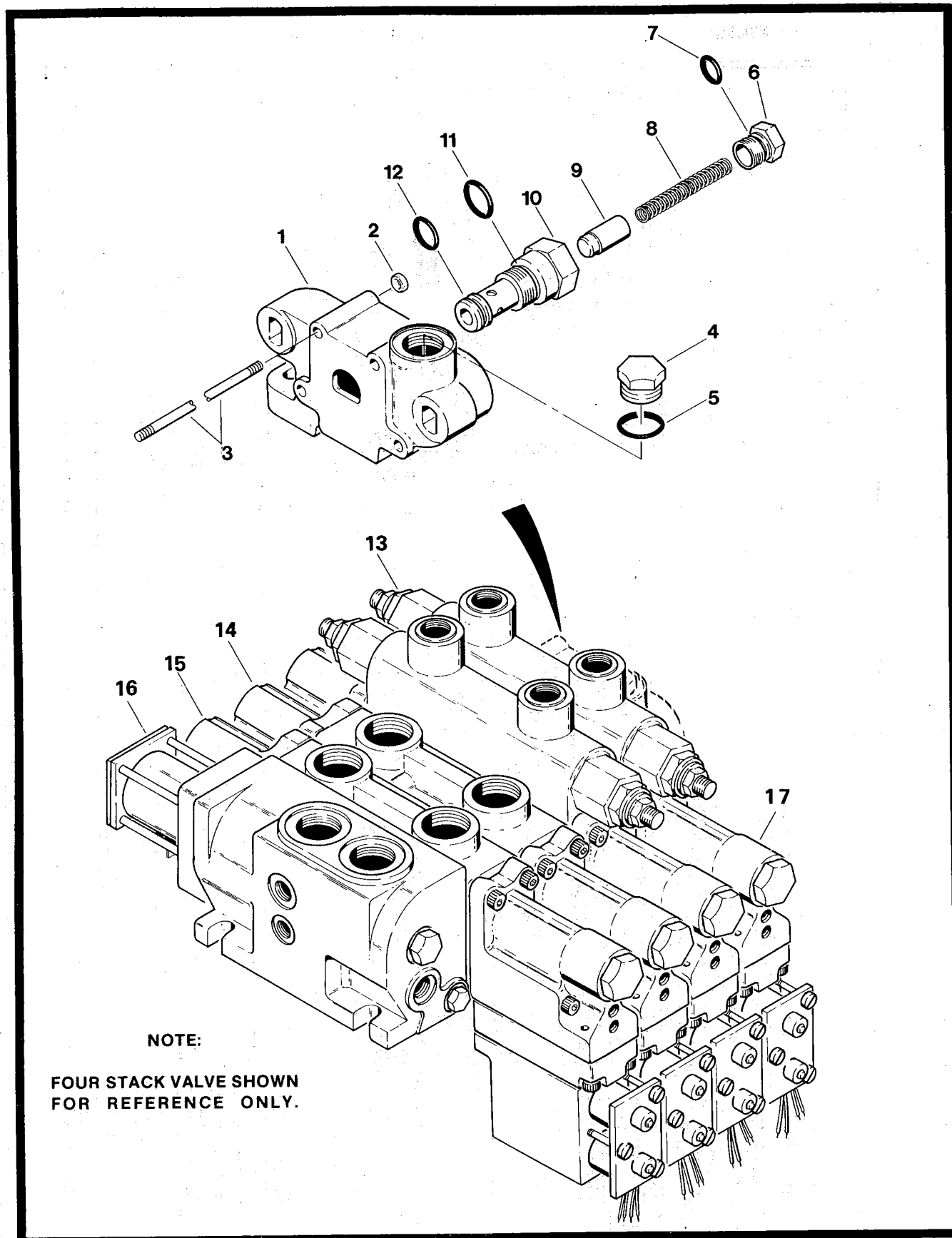


Figure 2-20. Proportional Control Valve Assembly (Racine).



**SECTION 2 — ILLUSTRATED PARTS LIST**

FIGURE & INDEX NO.	PART NUMBER	ITEMS & DESCRIPTION	QTY.
2—20	4640455	<b>PROPORTIONAL CONTROL VALVE ASSEMBLY 7.5 VOLT (RACINE)</b>	Ref.
—1	7004885	Outlet Section	1
—2	7004869	Nut	4
—3	7004870	Stud	4
—4	7004871	Plug	1
—5	7002298	O-Ring	1
	7004872	Cartridge Assembly, Pilot Pressure	1
	7002288	Plug and O-Ring Assembly	1
—6	7004873	Plug	1
—7	7000102	O-Ring	1
—8	7004874	Spring	1
—9	7002287	Poppet	1
—10	7004875	Housing	1
—11	7004876	O-Ring	1
—12	7002227	O-Ring	1
—13	7004891	Swing Valve Section (See Figure 2-21 For Breakdown)	1
—14	7004888	Lift Valve Section (See Figure 2-21 For Breakdown)	1
—15	7004890	Drive Valve Section (See Figure 2-21 For Breakdown)	1
—16	7002364	Inlet Manifold (See Figure 2-22 For Breakdown)	1
—17	7004884	Servo Assembly (See Figure 2-23 For Breakdown)	1
	7004831	Seal Kit	

SECTION 2 — ILLUSTRATED PARTS LIST

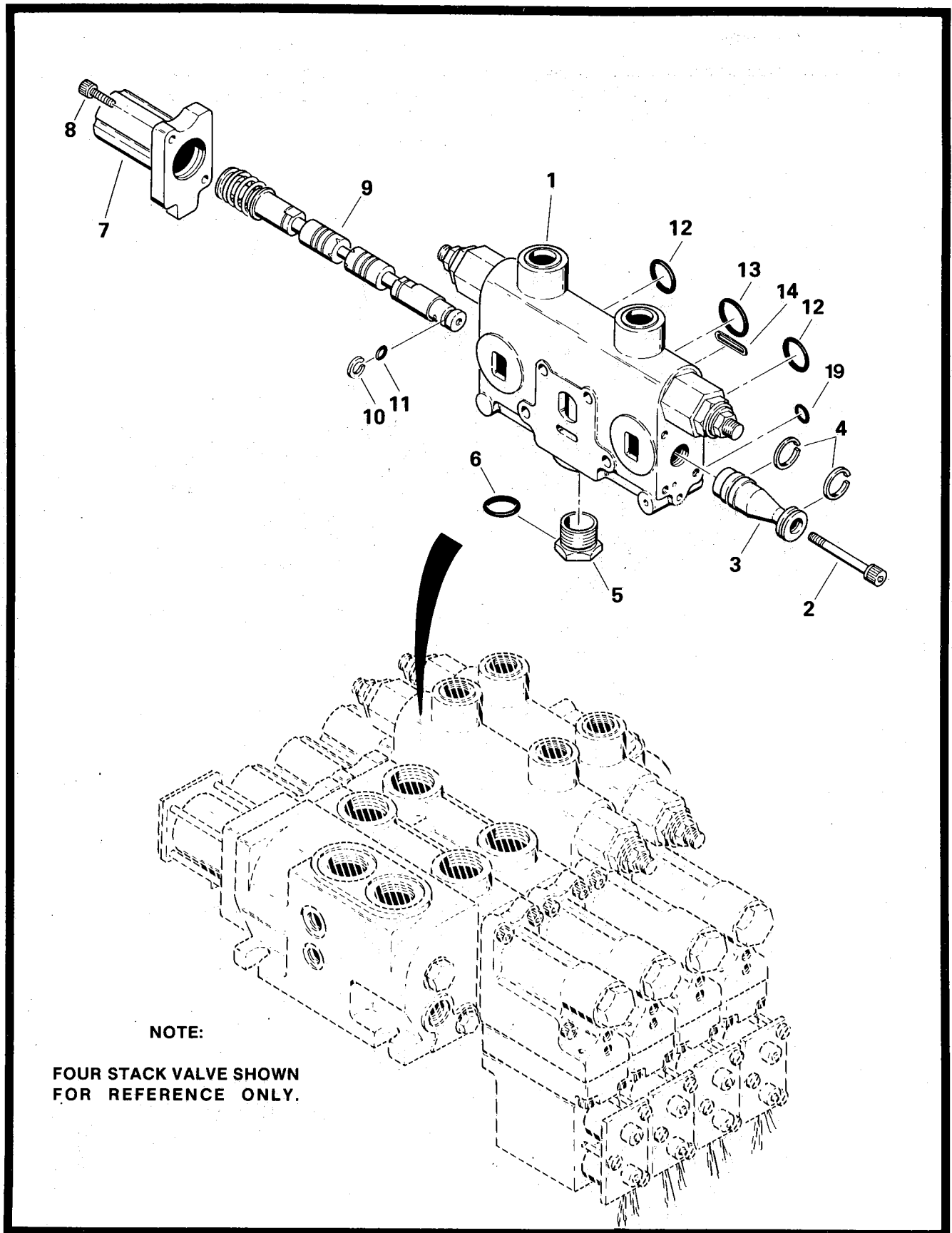


Figure 2-21. Working Sections - Proportional Control Valve (Racine).

**SECTION 2 — ILLUSTRATED PARTS LIST**

FIGURE & INDEX NO.	PART NUMBER	ITEMS & DESCRIPTION	QTY.
2—21	7004888	<b>LIFT VALVE SECTION (RACINE)</b>	Ref.
	7004891	<b>SWING VALVE SECTION (RACINE)</b>	Ref.
	7004890	<b>DRIVE VALVE SECTION (RACINE)</b>	Ref.
—1	7002314 7002313 7004866	<b>VALVE ASSEMBLY - LIFT</b> <b>VALVE ASSEMBLY - SWING</b> <b>VALVE ASSEMBLY - DRIVE</b>	1 1 1
—2	7002391	Screw, Socket Head	1
—3	7004808	Ramp (Supplied with Servo)	Ref.
—4	7002233	Ring (Supplied with Servo)	Ref.
—5	7004802	Plug Assembly	1
—6	7004867	O-Ring	1
—7	7002398	Cap End (Attaching Parts)	1
—8	7002231	Screw, Socket Head	2
—9	7004805	Spool, Lift Section	1
	7004807	Spool, Swing Section	1
	4140010	Spool, Drive Section	1
—10	7002394	Piston Ring	1
—11	7002388	O-Ring	1
—12	7002381	O-Ring	2
—13	7002393	O-Ring	1
—14	7002380	O-Ring	1
—15	7002378	O-Ring	1
	7004832	Seal Kit	4

SECTION 2 — ILLUSTRATED PARTS LIST

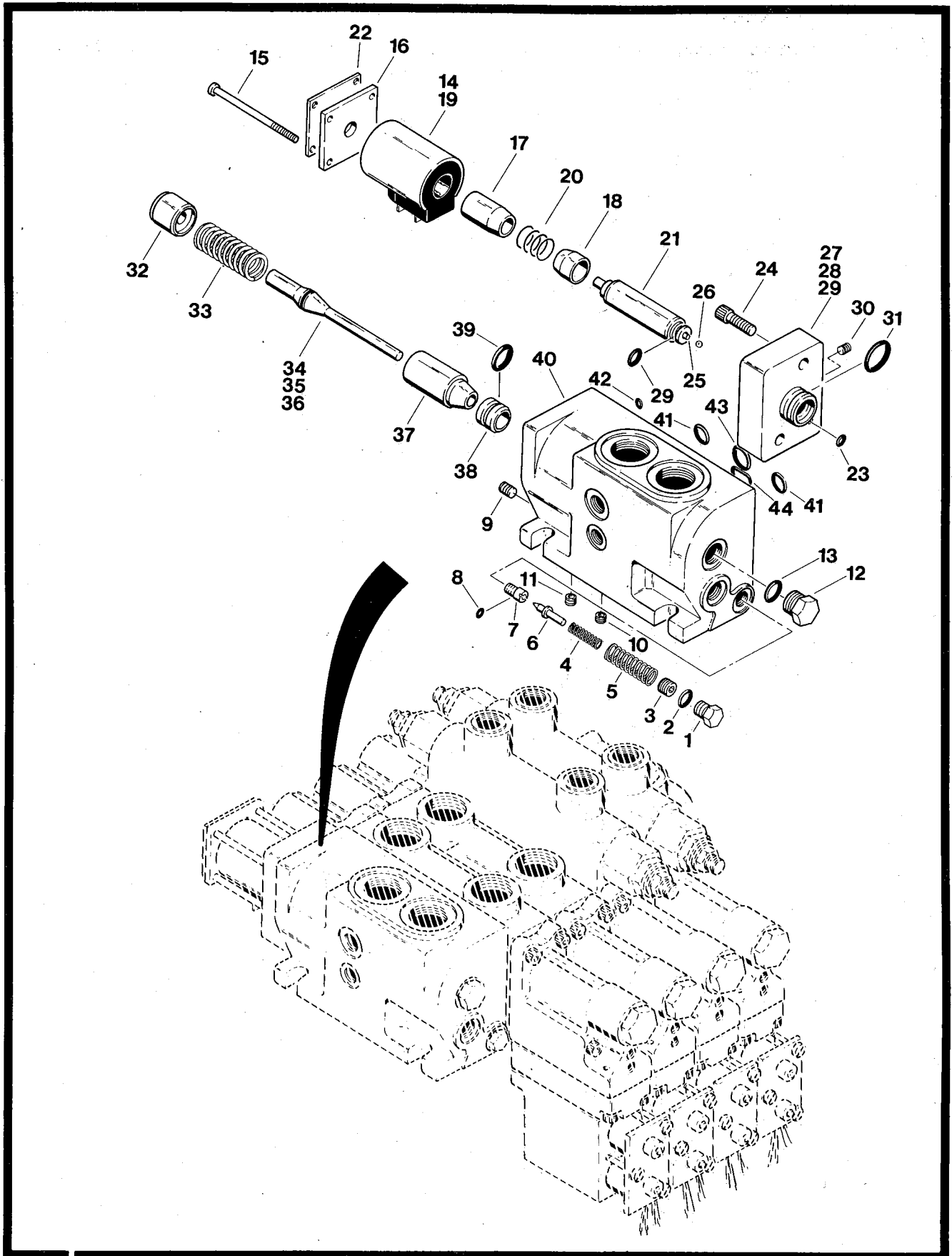


Figure 2-22. Inlet Section - Proportional Control Valve (Racine).

**SECTION 2 — ILLUSTRATED PARTS LIST**

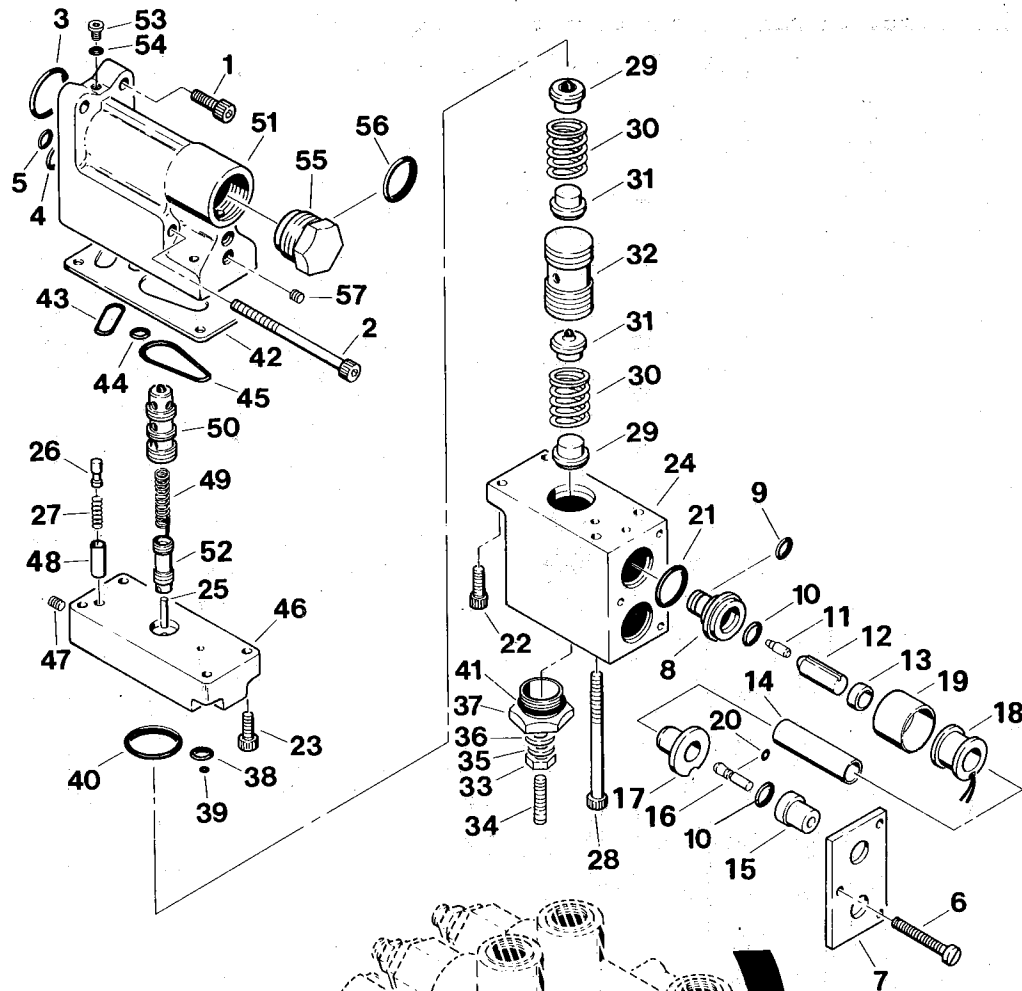
FIGURE & INDEX NO.	PART NUMBER	ITEMS & DESCRIPTION	QTY.
2—22	7002364	<b>INLET VALVE SECTION (RACINE)</b>	Ref.
	7002385	<b>PLUG ASSEMBLY</b>	1
—1	7004848	Plug	1
—2	7004849	O-Ring	1
—3	7002384	Screw, Socket Set	1
—4	7002377	Spring Compression, Helical	1
—5	7002376	Spring Compression, Helical	1
—6	7002371	Poppet	1
	7004850	Seat Assembly	1
—7	7004851	Seat	1
—8	7004811	O-Ring	1
—9	7002324	Plug	4
—10	7002326	Orifice, 0.040	1
—11	7002375	Orifice, 0.062	1
	7002386	Plug Assembly	1
—12	7004853	Plug	1
—13	7002351	O-Ring	1
—14	7000417	Coil, 12 Volt DC (See Note)	1
	7004854	Solenoid Assembly	1
—15	7004837	Screw, Slotted, Pan Head	4
—16	7002338	Plate	1
—17	7004824	Sleeve	1
—18	7004835	Sleeve	1
—19	7004836	Case	1
—20	7002334	Spring	1
—21	7004855	Guide, Tube Assembly	1
	7004838	Tube	1
	7004839	Plunger	1
	7004856	Pin and Guide Assembly	1
	7002340	Guide	1
	7002337	Packing, Preformed, O-Ring	1
	7004857	Pin and Quad Ring Assembly	1
	7004841	Pin	1
	7002342	Quad Ring	1
	7004858	Cone and O-Ring Assembly	1
	7004822	Cone	1
	7002337	Packing, Preformed, O-Ring	1
	7004824	Packing, Preformed, O-Ring	1
—22	7002327	Nameplate	1
—23	7002226	O-Ring	1
—24	7002374	Screw, Socket Recessed	2
—25	7002319	Pin	1
—26	7002229	Ball	1
	7002330	Seat Assembly	1
—27	7004823	Seat, Ball	1
—28	7002378	O-Ring	1
	7004860	End Cap Assembly	1
—29	7004861	Cap	1
—30	7002223	Plug	1
—31	7004862	O-Ring	1
—32	7002373	Spacer	1
—33	7002379	Spring	1
	7004863	Stem Assembly	1
—34	7004864	Stem	1
—35	7004842	O-Ring	1
—36	7004865	Glyd Ring	1



**SECTION 2 — ILLUSTRATED PARTS LIST**

FIGURE & INDEX NO.	PART NUMBER	ITEMS & DESCRIPTION	QTY.
2—22		<b>INLET VALVE SECTION (RACINE) (CONTINUED)</b>	Ref.
—37	7002372	Poppet	1
—38	7002370	Seat	1
—39	7002383	O-Ring	1
—40	7002360	Housing, Inlet Manifold	1
—41	7002381	O-Ring	2
—42	7002378	O-Ring	1
—43	7002382	O-Ring	1
—44	7002380	O-Ring	1
	7004833	Seal Kit	1

SECTION 2 — ILLUSTRATED PARTS LIST



NOTE:

FOUR STACK VALVE SHOWN  
FOR REFERENCE ONLY.  
PROPORTIONAL TELE-  
SCOPE FUNCTIONAL STAND-  
ARD ON MODEL 80F AND  
110F MACHINES.

Figure 2-23. Servo Section - Proportional Control Valve (Racine).



**SECTION 2 — ILLUSTRATED PARTS LIST**

FIGURE & INDEX NO.	PART NUMBER	ITEMS & DESCRIPTION	QTY.
2—23	4640455	<b>PROPORTIONAL CONTROL VALVE ASSEMBLY (RACINE)</b>	Ref.
	7004884	Servo Assembly (Attaching Parts)	3
	7004831	Seal Kit for Servo	1
—1	7002231	Screw, Socket Head	2
—2	7004878	Screw, Socket Head	2
—3	7002390	O-Ring	1
—4	7002389	O-Ring	1
—5	7002392	O-Ring	1
	0100011	Loctite #242	A/R
	7004883	Nose Cone Assembly (Contains Items 8 thru 14) (Attaching Parts)	2
—6	7002240	Screw, Slotted	3
—7	7002218	Plate	1
—8	7002210	Nose	1
—9	7000463	O-Ring	1
—10	7004826	O-Ring	2
—11	7000423	Poppet	1
—12	7002212	Plunger	1
—13	7002216	Sleeve	1
—14	7002215	Tube	1
—15	7002214	Retainer	1
—16	7002213	Pin	2
—17	7002211	Cover	1
—18	1420003	Coil, 7.5 Volt	2
—19	7002242	Case	2
—20	7000434	O-Ring	2
—21	7002247	Packing, Preformed, O-Ring	2
—22	7002222	Screw, Socket Head (Short)	2
—23	7002228	Screw, Socket Head (Long)	2
—24	8004818	Body, Control	1
—25	7002238	Pin	1
—26	7002220	Spool	1
—27	7002241	Spring, Compression, Helical	1
—28	7002228	Screw, Socket Head	2
—29	7004880	Spring Seat and Ball	2
—30	7002237	Spring, Contour	2
—31	7004881	Spring Seat and Ball	2
—32	7002206	Control Pilot Piston	1
—33	7002224	Nut, Jam	1
—34	7004813	Screw, Cup Point	1
—35	7004812	Washer	1
—36	7004809	Seal	1
—37	7002209	Plug	1
—38	7004810	Packing, Preformed, O-Ring	1
—39	7002392	Packing, Preformed, O-Ring	1
—40	7002382	Packing, Preformed, O-Ring	1
—41	7002227	Packing, Preformed, O-Ring	1
—42	7004815	Seal Plate	1
—43	7002282	Packing, Preformed, O-Ring	1
—44	7002389	Packing, Preformed, O-Ring	1
—45	7002393	Packing, Preformed, O-Ring	1
—46	7004816	Plate, Adapter	1



**SECTION 2 — ILLUSTRATED PARTS LIST**

FIGURE & INDEX NO.	PART NUMBER	ITEMS & DESCRIPTION	QTY.
2—23		<b>PROPORTIONAL CONTROL VALVE ASSEMBLY (RACINE) (CONTINUED)</b>	Ref.
—47	7004882	Screw, Socket Set	1
—48	7002217	Spool Stop	1
—49	7002234	Spring, Sleeve and Spool	1
—50	7002203	Sleeve Assembly	1
—51	7004817	Body, Servo	1
—52	7002205	Spool	1
—53	7004814	Plug	1
—54	7004811	O-Ring	1
—55	7002204	Plug	1
—56	7000110	O-Ring	1
	7004808	Ramp	1
	7002233	Ring	2
—57	7002223	Plug	2

SECTION 2 — ILLUSTRATED PARTS LIST

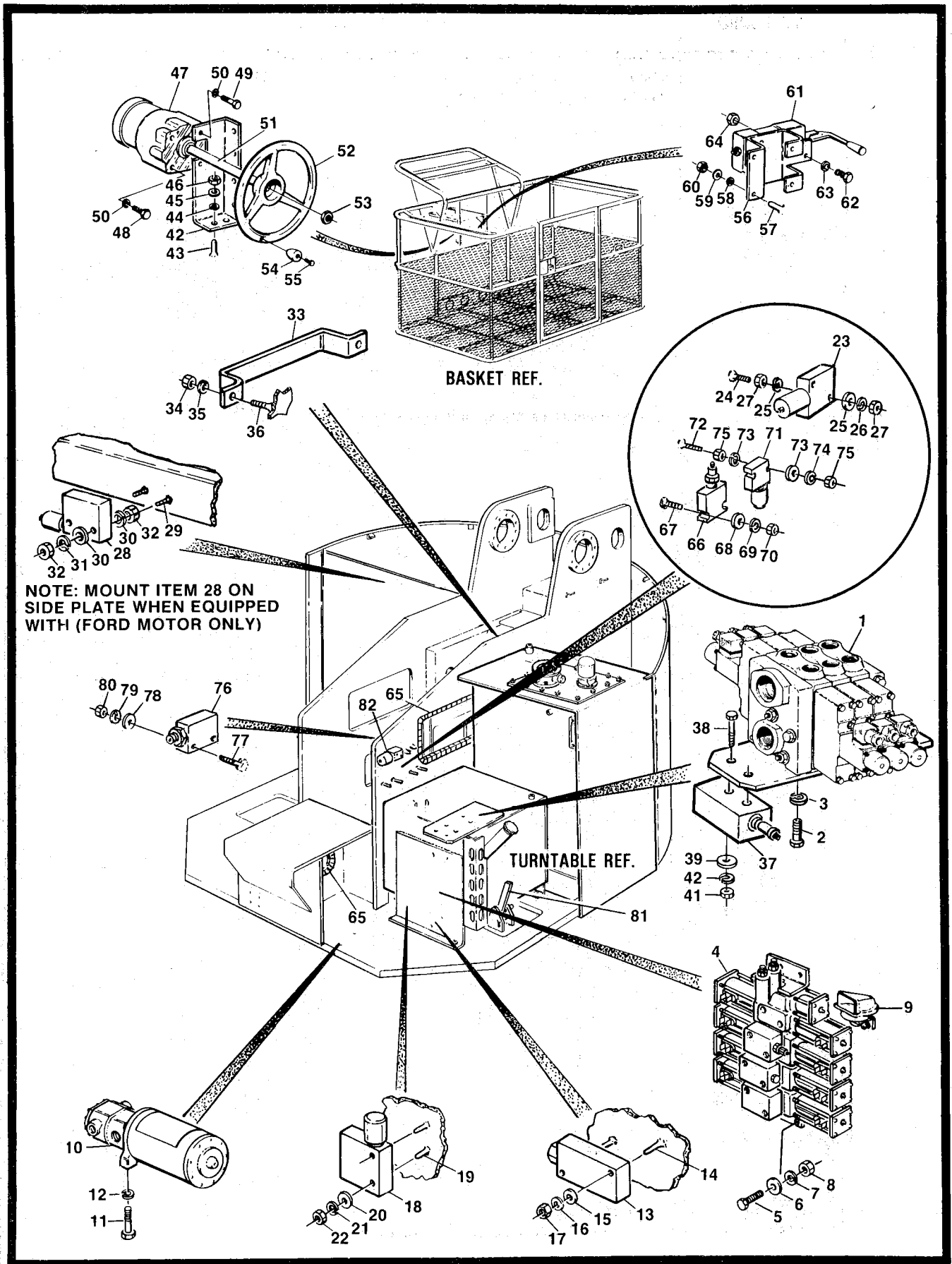


Figure 2-24. Control Valves Installations - Vickers.

**SECTION 2 — ILLUSTRATED PARTS LIST**

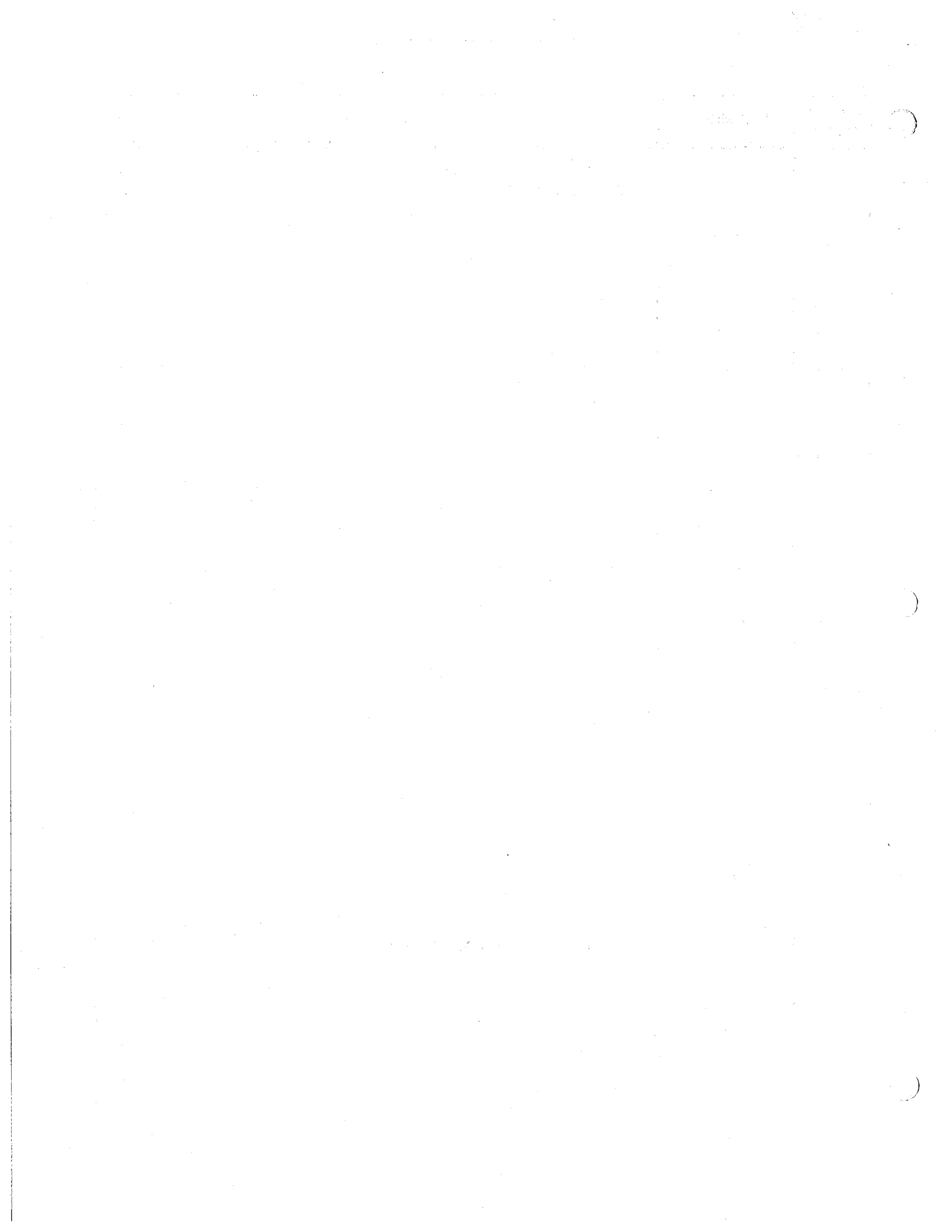
FIGURE & INDEX NO.	PART NUMBER	ITEMS & DESCRIPTION	QTY.
2—24		<b>CONTROL VALVES INSTALLATIONS - VICKERS/RACINE</b>	Ref.
	0237818	<b>CONTROL VALVES INSTALLATION - WITHOUT STEERING WHEEL AND WITHOUT ROTATOR</b>	Ref.
	0237819	<b>CONTROL VALVES INSTALLATION - WITHOUT STEERING WHEEL AND WITH ROTATOR</b>	Ref.
	0237820	<b>CONTROL VALVES INSTALLATION - WITH STEERING WHEEL AND WITHOUT ROTATOR</b>	Ref.
	0237821	<b>CONTROL VALVES INSTALLATION - WITH STEERING WHEEL AND WITH ROTATOR</b>	Ref.
	0238202	<b>CONTROL VALVES INSTALLATION - PROPORTIONAL TELESCOPE, WITHOUT STEERING WHEEL AND WITHOUT ROTATOR</b>	Ref.
	0238203	<b>CONTROL VALVES INSTALLATION - PROPORTIONAL TELESCOPE, WITHOUT STEERING WHEEL AND WITH ROTATOR</b>	Ref.
	0238204	<b>CONTROL VALVES INSTALLATION - PROPORTIONAL TELESCOPE, WITH STEERING WHEEL AND WITHOUT ROTATOR</b>	Ref.
	0238205	<b>CONTROL VALVES INSTALLATION - PROPORTIONAL TELESCOPE, WITH STEERING WHEEL AND WITH ROTATOR</b>	Ref.
—1	4640514	Proportional Control Valve Assembly - Vickers (3 Section) (See Figure 2-25 For Breakdown)	1
	4640524	Proportional Control Valve Assembly (4 Section - Proportional Telescope) (Attaching Parts)	1
—2	0641708	Bolt 7/16"-14NC x 1"	2
—3	4761700	Lockwasher	2
—4	4640461	Control Valve - Racine (1 Stack)	1
	4640447	Control Valve - Racine (2 Stack)	1
	4640246	Control Valve - Racine (3 Stack)	1
	4640247	Control Valve - Racine (4 Stack) (Attaching Parts)	1
—5	0641610	Bolt 3/8"-16NC x 1 1/4"	2
	4300034	Stud (Welded On Part - Not Shown)	2
—6	4751600	Flatwasher 3/8"	4
—7	4761600	Lockwasher 3/8"	4
—8	3311601	Nut 3/8"-16NC	4
—9	0140001	Horn	1
—10	3600052	Pump, Auxiliary (Attaching Parts)	1
—11	0641612	Bolt 3/8"-16NC x 1 1/2"	2
—12	4761600	Lockwasher 3/8"	2
—13	4640151	Divider, Flow (Machines with Steering Wheel) (Attaching Parts)	1

**SECTION 2 — ILLUSTRATED PARTS LIST**

FIGURE & INDEX NO.	PART NUMBER	ITEMS & DESCRIPTION	QTY.
2-24		<b>CONTROL VALVES INSTALLATIONS - VICKERS/RACINE (CONTINUED)</b>	Ref.
-14	4300033	Stud (Welded On Part)	2
-15	4751500	Flatwasher 5/16"	2
-16	4761500	Lockwasher 5/16"	2
-17	3311501	Nut 5/16"-18NC	2
-18	4640360	Valve, Dump (Machines with Steering Wheel) (Attaching Parts)	1
-19	4300033	Stud (Welded On Part)	2
-20	4751500	Flatwasher 5/16"	2
-21	4761500	Lockwasher 5/16"	2
-22	3311501	Nut 5/16"-18NC	2
-23	4640123	Valve, Solenoid (Piston Pump Only) (Attaching Parts)	1
-24	4300033	Stud (Welded On Part)	2
-25	4751500	Flatwasher 5/16"	4
-26	4761500	Lockwasher 5/16"	2
-27	3311501	Nut 5/16"-18NC	4
-28	4640360	Valve, Dump (Attaching Parts)	1
-29	0641522	Stud (Welded On Part)	2
-30	4751600	Flatwasher 5/16"	4
-31	4761600	Lockwasher 5/16"	2
-32	3311501	Nut 5/16"-18NC	4
-33	4240088	Strap, Hose (Attaching Parts)	1
-34	4300031	Stud (Welded On Part)	2
-35	4761400	Lockwasher 1/4"	2
-36	3311401	Nut 1/4"-20NC	2
-37	4640512	Valve, Sequence (Attaching Parts)	1
-38	0641522	Bolt 5/16"-18NC x 2 3/4"	2
-39	4751500	Flatwasher 5/16"	2
-40	4761500	Lockwasher 5/16"	2
-41	3311501	Nut 5/16"-18NC	2
-42	0901255	Bracket, Steer Valve (Attaching Parts)	1
-43	4300031	Stud (Welded On Part)	6
-44	4751400	Flatwasher 1/4"	6
-45	4761400	Lockwasher 1/4"	6
-46	3311401	Nut 1/4"-20NC	6
-47	4640408	Valve, Steer (Attaching Parts)	1
-48	0641606	Bolt 3/8"-16NC x 3/4"	2
-49	0641608	Bolt 3/8"-16NC x 1"	2
-50	4761600	Lockwasher 3/8"	4
-51	1460005	Column, Steer	1
-52	4860097	Wheel, Steer (Attaching Parts)	1

**SECTION 2 — ILLUSTRATED PARTS LIST**

FIGURE & INDEX NO.	PART NUMBER	ITEMS & DESCRIPTION	QTY.
2-24		<b>CONTROL VALVES INSTALLATIONS - VICKERS/RACINE (CONTINUED)</b>	Ref.
-53	3300073	Nut, Special	1
-54	2560066	Handle, Steer Wheel (Attaching Parts)	1
-55	3900060	Screw, Socket Head	1
-56	0901201	Bracket, Rotator Valve (Attaching Parts)	1
-57	4300031	Stud (Welded On Part)	4
-58	4751400	Flatwasher 1/4"	4
-59	4761400	Lockwasher 1/4"	4
-60	3311401	Nut 1/4"-20NC	4
-61	4640434	Valve, Rotate (Attaching Parts)	1
-62	0641416	Bolt 1/4"-20NC x 2"	2
-63	4761400	Lockwasher 1/4"	2
-64	3311401	Nut 1/4"-20NC	2
-65	4060608	Flex-Guard	4 Ft.
-66	4640522	Valve, Pressure Reducing (Attaching Parts)	1
-67	4300051	Stud (Welded On Part)	2
-68	4751400	Flatwasher 1/4"	2
-69	4761400	Lockwasher 1/4"	2
-70	3311401	Nut 1/4"-20NC	2
-71	4640513	Valve, Dump (Attaching Parts)	1
-72	4300051	Stud (Welded On Part)	2
-73	4751400	Flatwasher 1/4"	4
-74	4761400	Lockwasher 1/4"	2
-75	3311401	Nut 1/4"-20NC	4
-76	4640521	Valve, Control (Attaching Parts)	1
-77	4300036	Stud (Welded On Part)	2
-78	4751400	Flatwasher 1/4"	2
-79	4761400	Lockwasher 1/4"	2
-80	3311401	Nut 1/4"-20NC	2
	0236640	<b>TURNTABLE LOCK INSTALLATION</b>	Ref
-81	4842124	Base, Lock (Welded On Part)	1
	4842123	Lock Weldment (Attaching Parts)	1
	0641618	Bolt 3/8"-16NC x 2 1/4"	1
	3311605	Locknut 3/8"-16NC	1
	3430620	Pin, Clevis	1
	3420156	Hair Pin	1





**SECTION 2 — ILLUSTRATED PARTS LIST**

FIGURE & INDEX NO.	PART NUMBER	ITEMS & DESCRIPTION	QTY.
2-24		<b>CONTROL VALVES INSTALLATIONS - VICKERS/RACINE (CONTINUED)</b>	Ref.
	0236675	<b>SHUTDOWN VALVE INSTALLATION (FORD ENGINE WITH STEERING WHEEL)</b>	Ref.
-82	4640123	Valve, Shutdown	1
		(Attaching Parts)	
	4300033	Stud (Welded On Part)	2
	4751500	Flatwasher 5/16"	4
	4761500	Lockwasher 5/16"	2
	3311501	Nut 5/16"-18NC	4
		-----	

SECTION 2 — ILLUSTRATED PARTS LIST

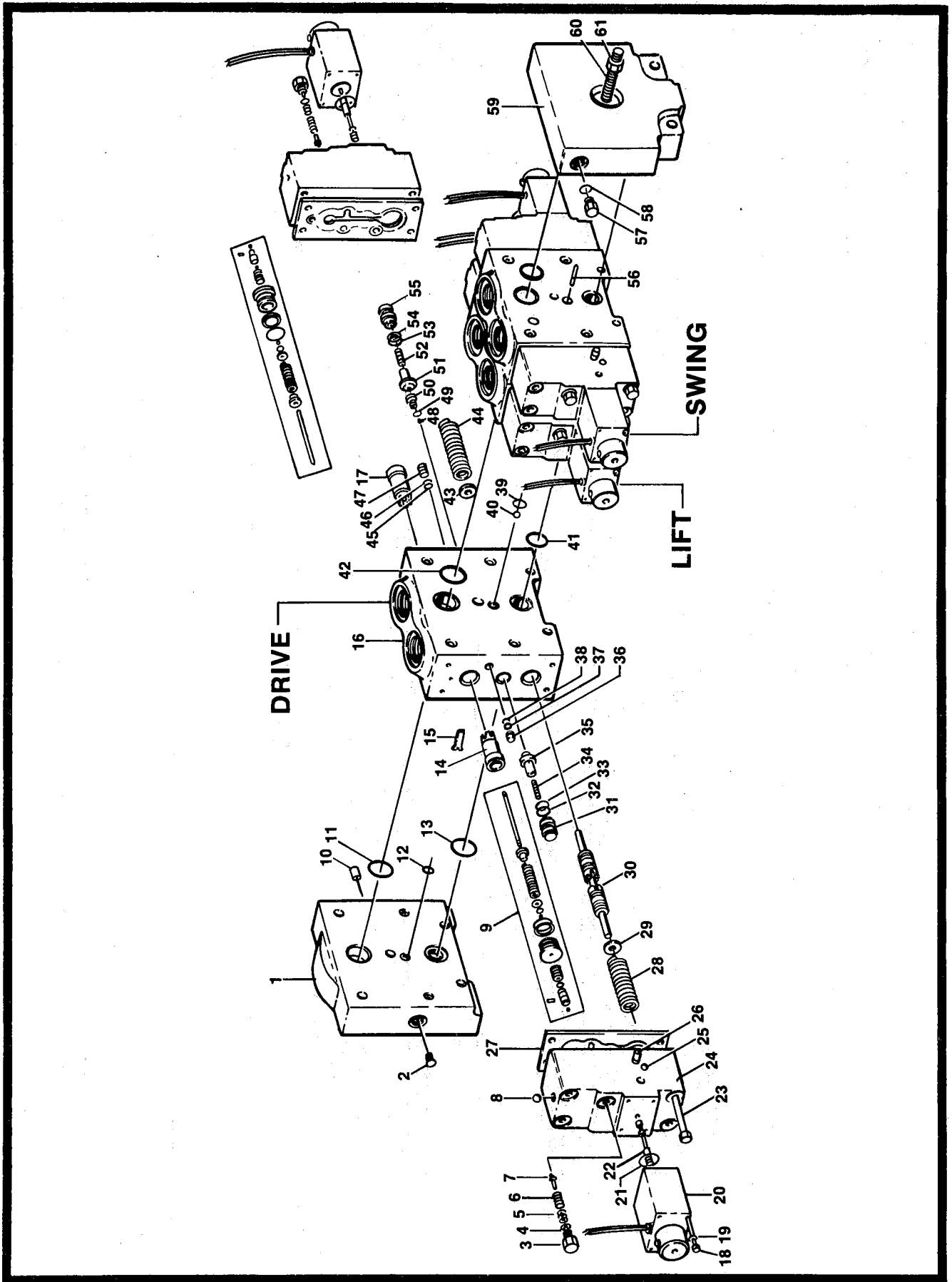


Figure 2-25. Control Valve Assembly - Vickers.

**SECTION 2 — ILLUSTRATED PARTS LIST**

FIGURE & INDEX NO.	PART NUMBER	ITEMS & DESCRIPTION	QTY.
2-25	4640514	<b>CONTROL VALVE ASSEMBLY (VICKERS)</b>	Ref.
	7006760	Working Section Assembly Complete - Drive	1
	7006762	Working Section Assembly Complete - Lift	1
	7006763	Working Section Assembly Complete - Swing	1
-1	7006747	Inlet Body	1
-2	7006725	Set Screw	1
-3	7006726	Plug	1
-4	7006727	O-Ring	1
-5	7006728	Shim Kit	1
-6	7006729	Spring	1
-7	7006730	Poppet	1
-8	7006731	Ball	1
-9	7006732	Stem Servo S/A	1
-10	7006733	Plug	1
-11	7006734	O-Ring	1
-12	7006735	O-Ring	5
-13	7006736	O-Ring	1
-14	7006737	Poppet	1
-15	7006738	Retainer	1
-16		Body (Not Available)	1
-17	7006737	Poppet	1
-18	7006740	Screw	4
-19	7006741	Washer	4
-20	7006742	Solenoid	1
-21	7006743	O-Ring	1
-22	7006744	Spool	1
-23	7006745	Screw	4
-24		End Cap (Not Available)	1
-25	7006746	Ball	1
-26	7006733	Plug	1
-27	7006748	Gasket	1
-28	7006749	Spring	1
-29	7006750	Retainer	1
-30	7006751	Spool S/A	1
-31	7006752	Retainer	1
-32	7006753	Ring, Back-Up	1
-33	7006754	O-Ring	1
-34	7006773	Spring	1
-35	7006756	Poppet	1
-36	7006757	Seat	1
-37	7006758	Ring, Back-Up	1
-38	7006759	O-Ring	1
-39	7006735	O-Ring	5
-40	7006761	Ball - Drive and Lift (2) Per Section - Swing Section (1)	2
-41	7006736	O-Ring	1
-42	7006734	O-Ring	1
-43	7006750	Retainer	1
-44	7006749	Spring	1
-45	7006759	O-Ring	1
-46	7006758	Ring, Back-Up	1
-47	7006757	Seat	1
-48	7006761	Ball	1
-49	7006770	O-Ring	1
-50	7006771	Plug	1
-51	7006756	Poppet	1
-52	7006773	Spring	1
-53	7006754	O-Ring	1



## SECTION 2 — ILLUSTRATED PARTS LIST

FIGURE & INDEX NO.	PART NUMBER	ITEMS & DESCRIPTION	QTY.
2-25	4640514	<b>CONTROL VALVE ASSEMBLY (VICKERS) (CONTINUED)</b>	Ref.
-54	7006753	Ring, Back-Up	1
-55	7006752	Retainer	1
-56	7006777	Pin - Swing Section Only	1
-57	7006778	Plug	1
-58	7006779	O-Ring	1
-59	7006764	End Cover	1
-60	7006765	Tie Rod	3
-61	7006782	Nut	6
	7006775	Seal Kit	3

SECTION 2 — ILLUSTRATED PARTS LIST

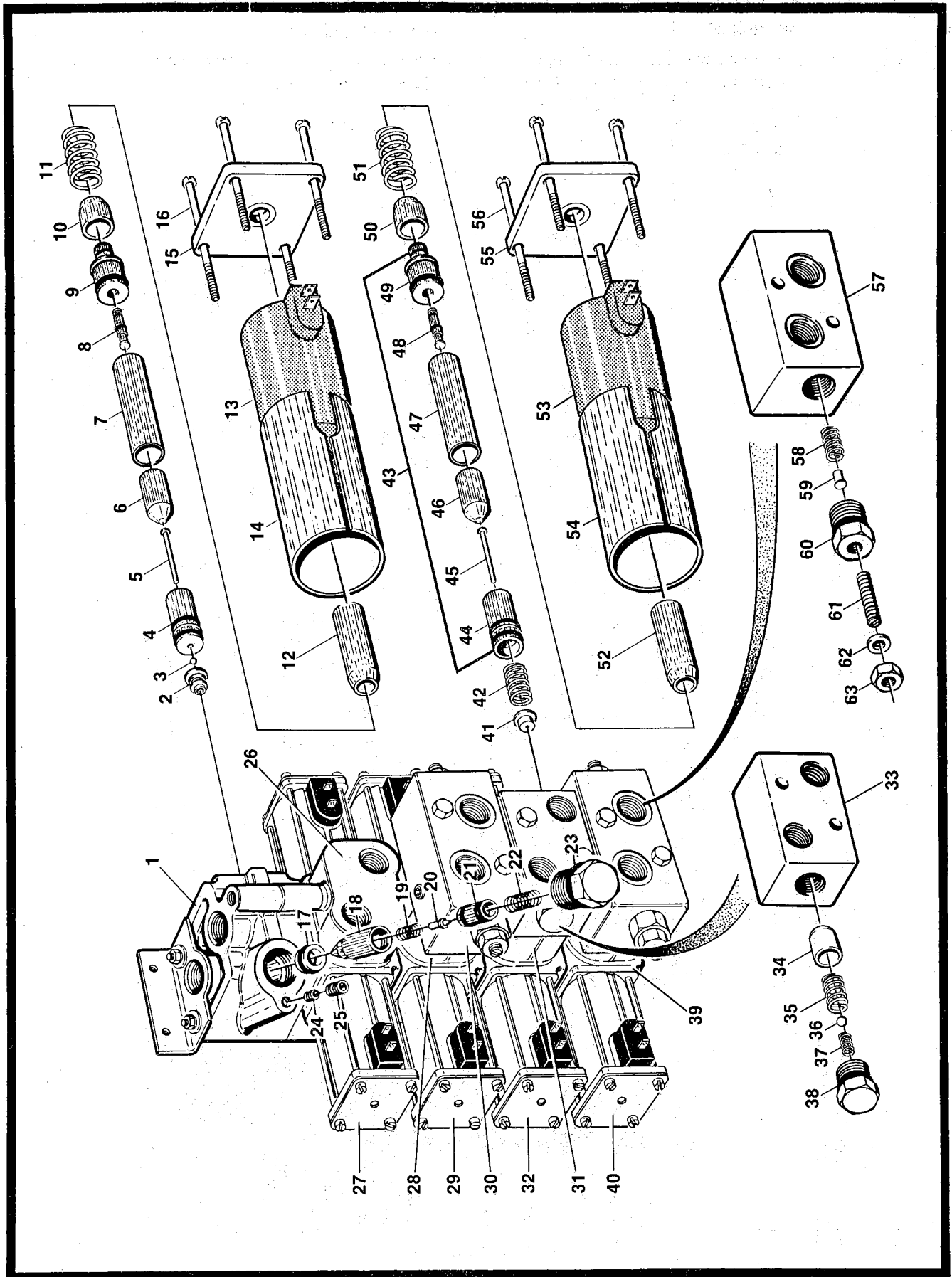
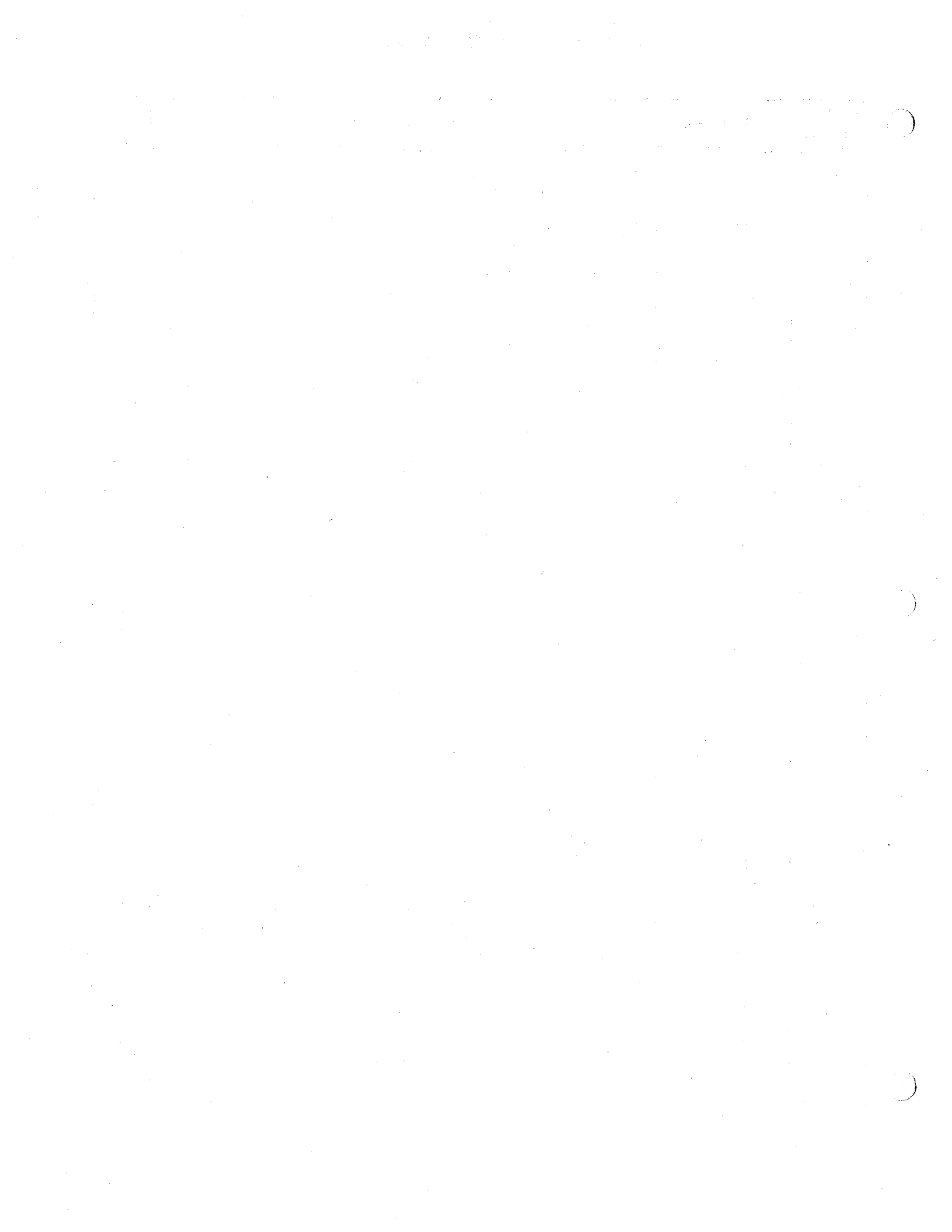


Figure 2-26. Control Valve - Racine Bang-Bang.

**SECTION 2 — ILLUSTRATED PARTS LIST**

FIGURE & INDEX NO.	PART NUMBER	ITEMS & DESCRIPTION	QTY.
2—26	4640247	<b>CONTROL VALVE ASSEMBLY - 4 SECTION RACINE BANG-BANG</b>	Ref.
	4640246	<b>CONTROL VALVE ASSEMBLY - 3 SECTION RACINE BANG-BANG</b>	Ref.
—1	7002304	Dump Section - Complete	1
		Solenoid Assembly	1
—2	7004823	Seat	1
	7002378	O-Ring	1
—3	7002229	Ball	1
		Guide Tube Assembly	1
—4	7004822	Cone, Female	1
	7004840	O-Ring	1
—5	7002346	Pin, Push	1
—6	7004839	Plunger	1
—7	7004838	Tube, Guide	1
—8	7004841	Pin, Push	1
	7002342	O-Ring	1
—9	7002340	Guide, External Push Pin	1
	7002337	O-Ring	1
—10	7004834	Sleeve, Inner Flux	1
—11	7002334	Spring	1
—12	7004835	Sleeve, Outer Flux	1
—13	7000417	Coil	1
—14	7004836	Case, Solenoid	1
—15	7002338	Plate, End	1
	7002327	Nameplate	1
—16	7004837	Screw	4
—17	7002322	Seat	1
	7004826	O-Ring	1
		Main Relief (Poppet) Valve	1
—18	7002321	Case, Poppet	1
—19	7002328	Spring	1
—20	7002294	Poppet	1
—21	7002320	Seat, Adjustable	1
	7004842	O-Ring	1
—22	7002329	Spring	1
—23	7002323	Plug	1
	7000102	O-Ring	1
—24	7002326	Orifice	1
—25	7002324	Plug	1
—26	7002317	Rotate Section - Complete (4 Section Only)	1
—27	7004859	Solenoid Assembly (Refer To Items 41-56 For Serviced Parts)	2
—28	7002315	Telescope Section - Complete	1
—29	7004859	Solenoid Assembly (Refer To Items 41-56 For Serviced Parts)	2
—30	7000468	Relief Valve Block Assembly (Refer To Items 58-63 For Serviced Parts)	1
—31	7002316	Level Section - Complete	1
—32	7004859	Solenoid Assembly (Refer To Items 41-56 For Serviced Parts)	2
—33	7002262	Relief Valve Block Assembly	1
—34	7002359	Poppet	2
—35	7002356	Spring	2
—36	7002225	Ball	2
—37	7002358	Spring	2
—38	7002357	Plug	2
	7002351	O-Ring	2





**SECTION 2 — ILLUSTRATED PARTS LIST**

FIGURE & INDEX NO.	PART NUMBER	ITEMS & DESCRIPTION	QTY.
2—26	4640247	<b>CONTROL VALVE ASSEMBLY - 4 SECTION RACINE BANG-BANG (CONTINUED)</b>	Ref.
	4640246	<b>CONTROL VALVE ASSEMBLY - 3 SECTION RACINE BANG-BANG (CONTINUED)</b>	Ref.
—39	7002315	Steer Section - Complete	1
—40	7004859	Solenoid Assembly	2
—41	7002274	Washer	1
—42	7002348	Spring	1
—43	7002305	Guide Tube Assembly	1
—44	7002345	Cone, Female	1
	7002282	O-Ring	1
	7002337	O-Ring	1
—45	7002346	Pin, Push	1
—46	7002344	Plunger	1
—47	7000470	Tube, Guide	1
—48	7002341	Pin, Actuator	1
	7002342	Ring, Quad	1
—49	7002340	Guide, External Push Pin	1
	7002337	O-Ring	1
—50	7002333	Sleeve, Inner Flux	1
—51	7002334	Spring	1
—52	7002336	Sleeve, Outer Flux	1
—53	7000418	Coil	1
—54	7002335	Case, Solenoid	1
—55	7002338	Plate, End	1
	7002327	Nameplate	1
—56	7002339	Screw	4
—57	7000468	Relief Valve Block Assembly	1
—58	7002355	Spring	2
—59	7000116	Rivet	2
—60	7002350	Plug	2
	7002351	O-Ring	2
—61	7000113	Screw, Adjusting	2
—62	7000115	Seal, Thread	2
—63	7000114	Nut	2
	7000414	Seal Kit - Working Section	4
	7000413	Seal Kit - Dump Section	1
	7000439	Seal Kit - Relief Valve Block (Telescope and Steer)	2
	7000440	Seal Kit - Relief Valve Block (Level)	1

## SECTION 2 — ILLUSTRATED PARTS LIST

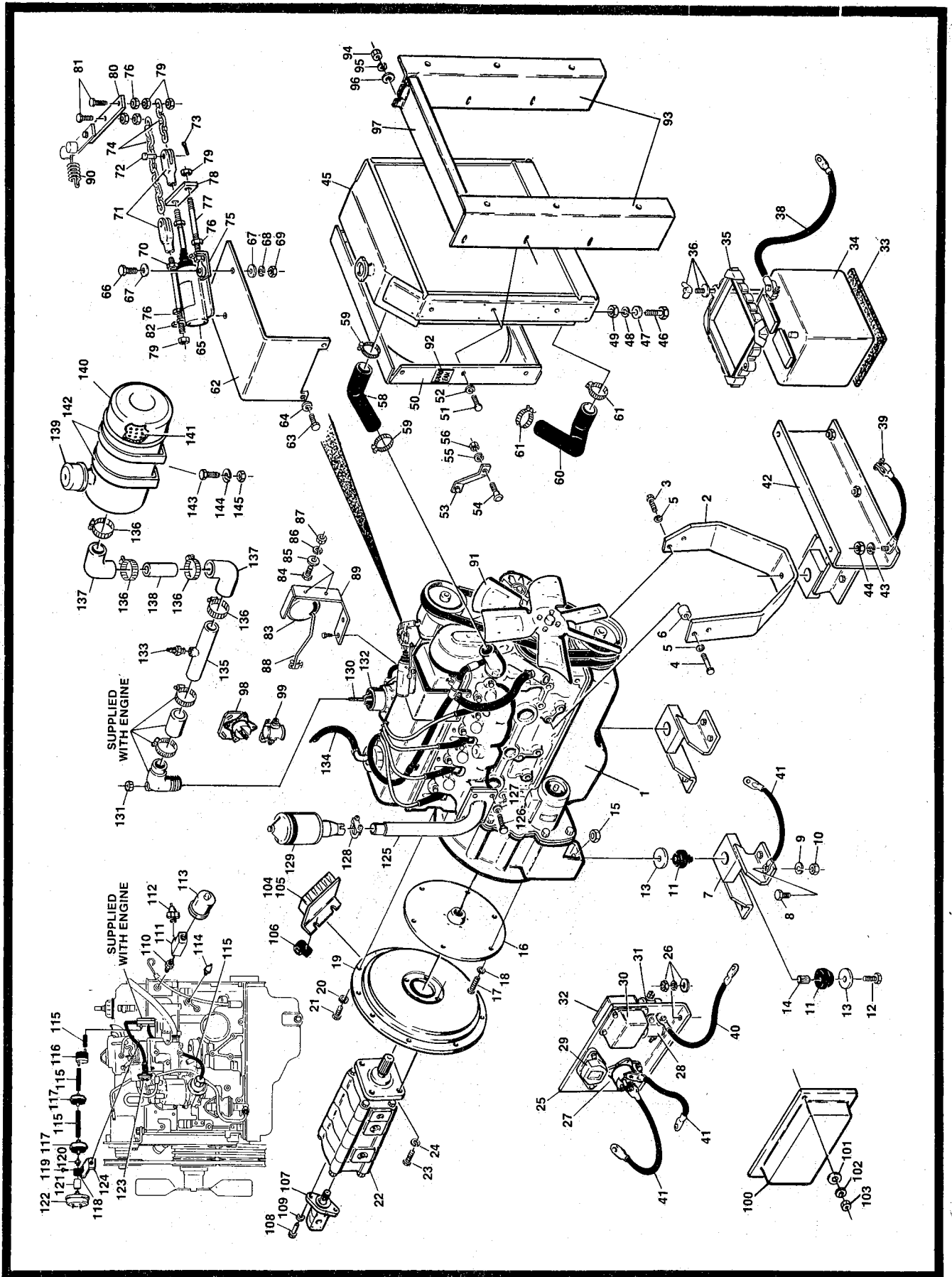


Figure 2-27. Engine and Components Assembly and Installation - Ford LSG-423 Gas.

**SECTION 2 — ILLUSTRATED PARTS LIST**

<b>FIGURE &amp; INDEX NO.</b>	<b>PART NUMBER</b>	<b>ITEMS &amp; DESCRIPTION</b>	<b>QTY.</b>
2-27		<b>ENGINE AND COMPONENTS ASSEMBLY AND INSTALLATION - FORD LSG-423 GAS</b>	Ref.
	0236467	<b>ENGINE ASSEMBLY AND INSTALLATION (GEAR PUMP)</b>	Ref.
	0236666	<b>ENGINE ASSEMBLY AND INSTALLATION - DUAL FUEL (GEAR PUMP)</b>	Ref.
	0237184	<b>ENGINE ASSEMBLY AND INSTALLATION - 7' x 7' MACHINES (GEAR PUMP)</b>	Ref.
	0237186	<b>ENGINE ASSEMBLY AND INSTALLATION - 7' x 7' MACHINES WITH DUAL FUEL (GEAR PUMP)</b>	Ref.
	0238161	<b>ENGINE ASSEMBLY AND INSTALLATION - VICKERS VALVE MACHINES (GEAR PUMP)</b>	Ref.
	0238159	<b>ENGINE ASSEMBLY AND INSTALLATION - VICKERS VALVE MACHINES WITH DUAL FUEL (GEAR PUMP)</b>	Ref.
	0238425	<b>ENGINE ASSEMBLY AND INSTALLATION - 60HTH (GEAR PUMP)</b>	Ref.
	0238424	<b>ENGINE ASSEMBLY AND INSTALLATION - 60HTH WITH DUAL FUEL (GEAR PUMP)</b>	Ref.
	0237254	<b>ENGINE ASSEMBLY AND INSTALLATION (PISTON PUMP)</b>	Ref.
	0236775	<b>ENGINE ASSEMBLY AND INSTALLATION - DUAL FUEL (PISTON PUMP)</b>	Ref.
	0237188	<b>ENGINE ASSEMBLY AND INSTALLATION - 7' x 7' MACHINES WITH DUAL FUEL (PISTON PUMP)</b>	Ref.
-1	2000088	Engine, Ford LSG 423	1
-2	3200198	Engine Mount, Front (Attaching Parts)	1
-3	0711014	Bolt, Metric M10 x 30	3
-4	0711020	Bolt, Metric M10 x 60	1
-5	4761600	Lockwasher 3/8"	4
-6	4562637	Spacer	1
-7	4842168	Support, Engine (Attaching Parts)	3
-8	0641614	Bolt 3/8"-16NC x 1 3/4"	12
-9	4761600	Lockwasher	12
-10	3311601	Nut 3/8"-16NC	12
-11	3200133	Mount, Engine (Color Coded Green and White)	3
	3200260	Mount, Engine (Color Coded Yellow and White) (Attaching Parts)	3
-12	0642032	Bolt 5/8"-11NC x 4 1/4"	3
-13	4740242	Washer, Special	5
-14	4563674	Spacer, Tube	3
-15	3312005	Locknut 5/8"-11NC	3
-16	1760019	Disc Assembly (Machines With 4 Bolt Mounted Pump)	1
	1760106	Disc Assembly (Machines With 2 Bolt Mounted Pump)	1

**SECTION 2 — ILLUSTRATED PARTS LIST**

FIGURE & INDEX NO.	PART NUMBER	ITEMS & DESCRIPTION	QTY.
2-27		<b>ENGINE COMPONENTS ASSEMBLY AND INSTALLATION - FORD LSG-423 (CONTINUED)</b>	Ref.
		(Attaching Parts)	
-17	0641606	Bolt 3/8"-16NC x 3/4"	6
-18	4761600	Lockwasher 3/8"	6
-19	0080121	Adapter, Pump (Machines With 4 Bolt Mounted Pump)	1
	0080119	Adapter, Pump (Machines With 2 Bolt Mounted Pump)	1
		(Attaching Parts)	
-20	0641608	Bolt 3/8"-16NC x 1"	8
-21	4761600	Lockwasher 3/8"	8
-22	3600113	Pump Assembly - Gear (4 Bolt Mount) (See Figure 2-39 For Breakdown)	1
	3600139	Pump Assembly - Gear (2 Bolt Mount) (See Figure 2-40 For Breakdown)	1
	3600118	Pump Assembly - Piston (See Figure 2-41 For Breakdown)	1
		(Attaching Parts)	
-23	0641812	Bolt 1/2"-13NC x 1 1/2"	4
-24	4761800	Lockwasher 1/2"	4
	0236321	Electrical Panel Assembly (Except Precision Governor)	1
	0237859	Electrical Panel Assembly (Precision Governor)	1
-25	3509714	Panel	1
		(Attaching Parts)	
-26	3311401	Nut 1/4"-20NC	2
	4761400	Lockwasher 1/4"	2
	4751400	Flatwasher 1/4"	2
	4300032	Stud (Welded On Part)	2
-27	3740027	Relay, Starter	1
	3740059	Relay, Starter	1
		(Attaching Parts)	
	0641006	Bolt #10-24NC x 3/4"	1
	4761600	Lockwasher #10	1
	3311001	Nut #10-24	1
	0641405	Bolt 1/4"-20NC x 5/8"	2
	4761400	Lockwasher 1/4"	2
	3311001	Nut #10-24NC	2
	3310801	Nut #8-32NC	2
-28	3740002	Relay, Auxiliary Power	1
		(Attaching Parts)	
	0641405	Bolt #10-24NC x 5/8"	2
	4761400	Lockwasher 1/4"	2
	3311401	Nut 1/4"-20NC	2
-29	3300220	Nut, Special Voltage, Regulator (Supplied With Engine)	4 1
		(Attaching Parts)	
	0641006	Bolt #10-24NC x 3/4"	2
	4761000	Lockwasher #10	2
	3311001	Nut #10-24NC	2

**SECTION 2 — ILLUSTRATED PARTS LIST**

FIGURE & INDEX NO.	PART NUMBER	ITEMS & DESCRIPTION	QTY.
2-27		<b>ENGINE COMPONENTS ASSEMBLY AND INSTALLATION - FORD LSG-423 (CONTINUED)</b>	Ref.
-30		Electronic Ignition (Supplied With Engine) (Attaching Parts)	1
	0641406	Bolt 1/4"-20NC x 3/4"	3
	4761400	Lockwasher 1/4"	3
-31	3740061	Solenoid, Start Lockout	1
-32	0060021	Module, Actuator (Machines With Adeco Throttle Only)	1
-33	3980003	Masonite	1
-34	0400003	Battery	1
-35	0400002	Tie Down (Attaching Parts)	1
-36	0236768	Rod, Tie Down	2
	4751600	Flatwasher 3/8"	2
	3311601	Nut 3/8"-16NC	2
-37	Not Used		
-38	1060074	Cable, Battery - 34"	1
	1060172	Cable, Battery - 18"	1
-39	1060046	Cable, Battery - 15"	1
	1060172	Cable, Battery - 18"	1
-40	1060197	Cable, Battery - 73"	1
	1060054	Cable, Battery - 30"	1
-41	1060045	Cable, Battery - 10"	3
	1060080	Cable, Battery - 36"	1
	1060221	Cable, Battery - 12"	1
	1060093	Cable, Battery - 18"	1
-42	4340343	Support, Radiator (9 3/4" x 21 1/4")	1
	4340543	Support, Radiator (10 1/2" x 18") (Attaching Parts)	1
-43	4761600	Lockwasher 3/8"	3
-44	3311601	Nut 3/8"-16NC	3
	4300034	Stud (Welded On Part)	3
	0641614	Bolt 3/8"-16NC x 1 3/4"	3
-45	3620026	Radiator (Attaching Parts)	1
-46	0630375	Bolt, Carriage 7/16"-14NC x 1"	2
-47	4751700	Flatwasher 7/16"	2
-48	4761700	Lockwasher 7/16"	2
-49	3311701	Nut 7/16"-14NC	2
-50	2680328	Shroud (Machines with Pump Facing CWT)	1
	2680333	Shroud (Machines with Fan Facing CWT) (Attaching Parts)	1
-51	0641004	Bolt #10-24NC x 1/2"	6
-52	4761000	Lockwasher #10	6
-53	0880042	Brace (Attaching Parts)	1
-54	0630360	Bolt, Carriage 5/16"-18NC x 1 1/4"	1
-55	4761500	Lockwasher 5/16"	1
-56	3311501	Nut 5/16"-18NC	1
-57	4761400	Lockwasher 1/4"	1
	3311401	Nut 1/4"-20NC	1
	4300032	Stud (Welded On Part)	1

**SECTION 2 — ILLUSTRATED PARTS LIST**

FIGURE & INDEX NO.	PART NUMBER	ITEMS & DESCRIPTION	QTY.
2-27		<b>ENGINE COMPONENTS ASSEMBLY AND INSTALLATION - FORD LSG-423 (CONTINUED)</b>	Ref.
-58	2720254	Hose, Radiator (Top)	1
-59	1320016	Clamp, Hose	2
-60	2720232	Hose, Radiator (Bottom)	1
-61	1320016	Clamp, Hose	2
	0238044	Choke and Throttle Installation - Precision Governor (See Figure 2-29 For Breakdown)	1
	0237356	Choke and Throttle Installation - Adeco (See Figure 2-30 For Breakdown)	1
	0236638	Choke and Throttle Instalation - High-Engine Solenoid	1
-62	4842099	Bracket (Attaching Parts)	1
-63	0630135	Bolt, Special	2
-64	4740116	Washer, Special	2
-65	3740055	Solenoid (Attaching Parts)	1
-66	0641408	Bolt 1/4"-20NC x 1"	2
-67	4751400	Flatwasher 1/4"	4
-68	4761400	Lockwasher 1/4"	2
-69	3311401	Nut 1/4"-20NC	2
-70	3321401	Nut, Special	2
-71	1360112	Clevis	2
-72	3430406	Pin, Clevis	2
-73	3450203	Pin, Cotter	2
-74	1260075	Chain	1 Ft.
-75	0901260	Bracket, Solenoid Stop	1
-76	3311401	Nut 1/4"-20NC	6
-77	3840776	Rod	1
-78	0361168	Bar, Solenoid Stop	1
-79	3311405	Locknut 1/4"-20NC	8
-80	3010074	Link	1
-81	0641410	Bolt 1/4"-20NC x 1 1/4"	2
-82	0181167	Angle, Low Engine	1
-83	2900097	Kit, Choke (Attaching Parts)	1
-84	0641406	Bolt 1/4"-20NC x 3/4"	2
-85	4751400	Flatwasher 1/4"	2
-86	4761400	Lockwasher 1/4"	2
-87	3311401	Nut 1/4"-20NC	2
-88	3840756	Rod, Choke Linkage	1
-89	0901209	Bracket, Automatic Choke Mounting	1
-90	4160084	Spring, Governor	1
-91	2060015	Fan, 15" Suction	1
	2060014	Fan, 16" Pusher	1
-92	3250914	Decal - Caution Fan	1
-93	3531917	Plate, Side (All Machines with Fan Facing CWT Except 60HTH)	2
	3531810	Plate, Side (60HTH Only) (Attaching Parts)	2

**SECTION 2 — ILLUSTRATED PARTS LIST**

FIGURE & INDEX NO.	PART NUMBER	ITEMS & DESCRIPTION	QTY.
2-27		<b>ENGINE COMPONENTS ASSEMBLY AND INSTALLATION - FORD LSG-423 (CONTINUED)</b>	Ref.
-94	3311401	Nut 1/4"-20NC	8
-95	4761400	Lockwasher 1/4"	8
-96	4751400	Flatwasher 1/4"	8
	4300032	Stud (Welded On Part)	8
-97	3531918	Plate, Top (All Machines with Fan Facing CWT Except 60HTH)	1
	3531811	Plate, Top (60HTH Only)	1
-98	3740059	Relay (When Required) (Attaching Parts)	1
	3311401	Nut 1/4"-20NC	2
	4761400	Lockwasher 1/4"	2
	4751400	Flatwasher 1/4"	2
	4300032	Stud (Welded On Part)	2
-99	3740002	Solenoid (When Required) (Attaching Parts)	1
	3311401	Nut 1/4"-20NC	2
	4761400	Lockwasher	2
	4751400	Flatwasher	2
	4300032	Stud (Welded On Part)	2
-100	1600098	Controller (Precision Governor) (Attaching Parts)	1
-101	3311401	Nut 1/4"-20NC	4
-102	4761400	Lockwasher 1/4"	4
-103	4751400	Flatwasher 1/4"	4
	4300032	Stud (Welded On Part)	4
	0100009	Adhesive	A/R
-104	0901401	Bracket, Terminal Strip (Precision Governor)	1
	1700799	Decal - Terminal Strip Label (Precision Governor)	1
-105	1670414	Cover, Strip (Precision Governor)	1
-106	1320070	Clamp, Wiring (Attaching Parts)	2
	3910812	Screw, Round Head #8-32NC x 3/4"	1
	4770800	Starwasher #8	1
	3310801	Nut #8-32NC	1
-107	3600119	Gear Pump (Piston Pump Machines Only) (See Figure 2-42 For Breakdown)	1
-108	0641612	Bolt 3/8"-16NC x 1 1/2"	2
-109	4761600	Lockwasher 3/8"	2
-110	2220273	Fitting, Reducer	1
-111	2180360	Fitting, Tee	1
-112	4360037	Switch, Oil Pressure	1
-113	2420033	Sender, Oil Pressure	1
-114	2420024	Sender, Temperature	1
		Vacuum Switch Installation (When Equipped)	1
-115	2720016	Hose	A/R
-116	2120112	Filter	2
-117	4360195	Switch, Vacuum Delay	2





**SECTION 2 — ILLUSTRATED PARTS LIST**

FIGURE & INDEX NO.	PART NUMBER	ITEMS & DESCRIPTION	QTY.
2-27		<b>ENGINE COMPONENTS ASSEMBLY AND INSTALLATION - FORD LSG-423 (CONTINUED)</b>	Ref.
-118	1320041	Clamp (Attaching Parts)	2
-119	0641405	Bolt 1/4"-20NC x 5/8"	1
	4761400	Lockwasher 1/4"	1
	3311401	Nut 1/4"-20NC	1
-120	2220295	Fitting, Barbed	2
-121	2200261	Fitting, Coupling (When Equipped)	2
-122	4360067	Switch, Vacuum	1
-123	4360066	Switch, Vacuum (When Equipped)	1
-124	0901333	Bracket (4 3/4" Long)	1
	0901306	Bracket (4" Long)	1
		-----	
		Exhaust System Installation	1
-125	4562784	Tube, Exhaust (Machines with Pump Facing CWT)	1
	4842669	Tube, Exhaust (Not Shown - Machines with Fan Facing CWT)	1
		(Attaching Parts)	
-126	0630190	Bolt M10 x 1.5 x 20mm	4
-127	4761700	Lockwasher 7/16"	4
		-----	
	0901432	Bracket, Tube Support (Not Shown - Machines with Fan Facing CWT)	1
-128	1320019	Clamp, Muffler	2
-129	3220043	Muffler	1
-130	4300056	Stud, Carburetor	1
-131	3311405	Locknut 1/4"-20NC	1
-132	0080091	Adapter, Choke	1
-133	2220314	Fitting	1
	2200053	Plug, Pipe (When Equipped)	1
-134	2720160	Hose	A/R
	1320022	Clamp	2
		-----	
		Air Cleaner Installation	1
-135	4842364	Tube, Intake	1
-136	1320016	Clamp	4
-137	0080039	Elbow	2
-138	4560914	Tube, Connector	1
-139	1120161	Cap, Air Inlet	1
-140	1340020	Cleaner, Air	1
-141	7003655	Element	1
-142	0340002	Bands, Hold-Down (Attaching Parts)	2
-143	0641408	Bolt 1/4"-20NC x 1"	4
-144	4761400	Lockwasher 1/4"	4
-145	3311401	Nut 1/4"-20NC	4
		-----	
	2420047	Service Indicator - Air Cleaner (Not Shown - Optional)	1

SECTION 2 — ILLUSTRATED PARTS LIST

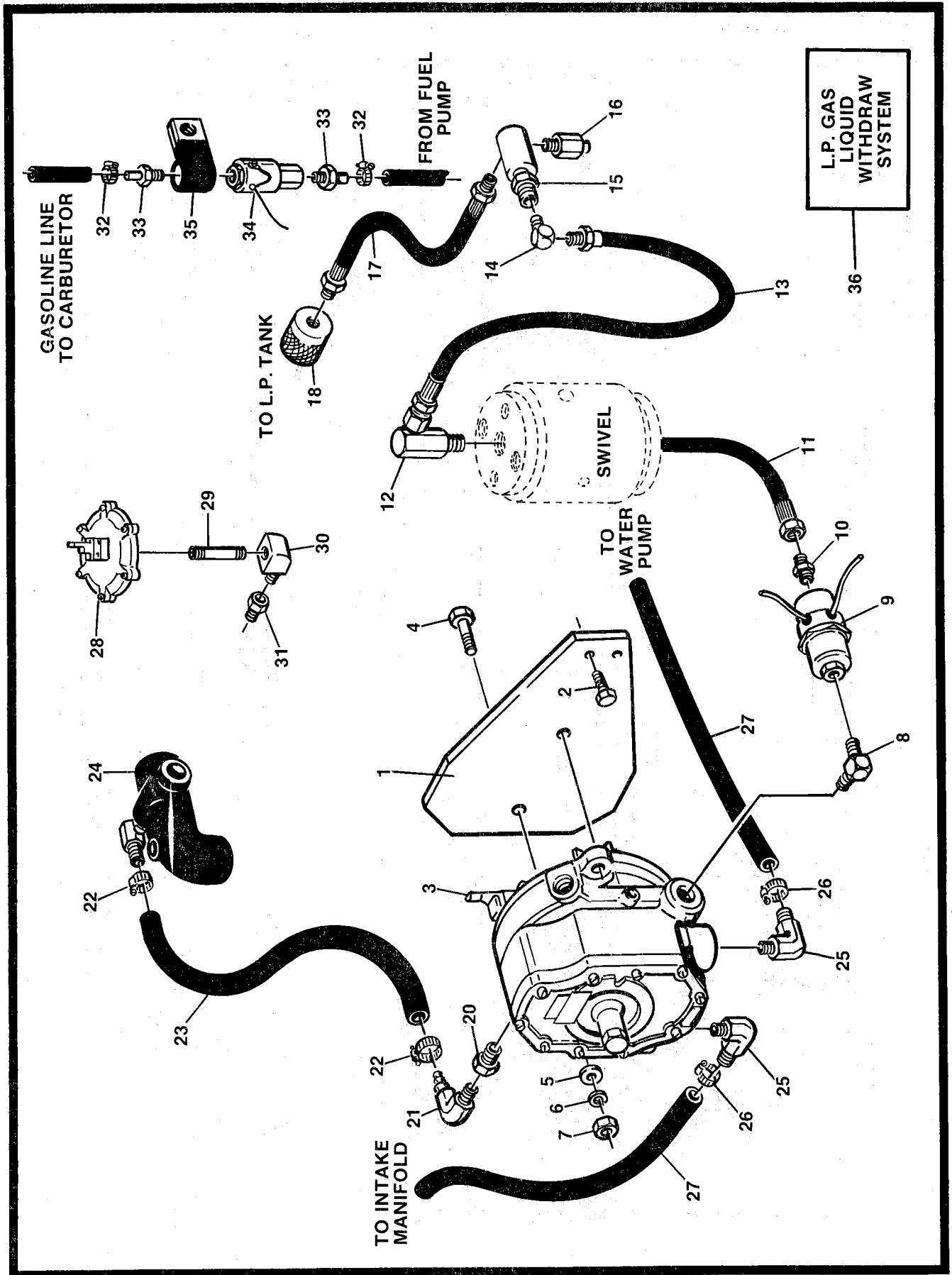


Figure 2-28. Dual Fuel Installation - Ford.

**SECTION 2 — ILLUSTRATED PARTS LIST**

FIGURE & INDEX NO.	PART NUMBER	ITEMS & DESCRIPTION	QTY.
2-28		<b>DUAL FUEL INSTALLATION - FORD</b>	Ref.
-1	0901236	Bracket, Vaporizer (When Required) (Attaching Parts)	1
-2	0630135	Bolt, Metric 10mm x 1.5 x 30 mm	2
-3	4700005	Vaporizer - Regulator (Attaching Parts)	1
-4	0641416	Bolt 1/4"-20NC x 2" (When Equipped)	4
-5	4751400	Flatwasher 1/4"	4
-6	4761400	Lockwasher 1/4"	4
-7	3311401	Nut 1/4"-20NC	4
	4300042	Stud (Welded On Part) (When Equipped)	4
-8	2220082	Fitting, 90° (When Equipped)	1
	2220064	Fitting, 90° (When Equipped)	1
-9	2120077	Lock, Filter	1
-10	2180418	Fitting	1
-11	2720249	Hose	1
-12	2180125	Fitting, 90°	1
-13	2720118	Hose (48")	1
	2720117	Hose (24")	1
-14	2220648	Fitting, 90° (When Equipped)	1
-15	2180388	Filter, Bulkhead	1
-16	2180389	Valve, Relief	1
-17	2720248	Hose (16")	1
	2720117	Hose (24")	1
-18	2180387	Fitting	1
-19	Not Used		
-20	2220251	Fitting, Reducer	1
-21	2220675	Fitting, 90°	1
-22	1320030	Clamp	2
-23	2720112	Hose	3 Ft.
-24	0080124	Adapter, Carburetor	1
-25	2220313	Fitting, 90°	2
-26	1320022	Clamp	4
-27	2750532	Hose	5 Ft.
-28	4360188	Switch, Vacuum	1
-29	2180420	Nipple, Pipe	1
-30	2220461	Fitting, 90°	1
-31	2220430	Fitting, Reducer	1
-32	1320022	Clamp	2
-33	2220315	Fitting, Barbed	2
-34	4640391	Valve, Fuel Lock	1
-35	1320060	Clamp, Mounting	1
-36	1700818	Decal - LP Gas	1

SECTION 2 — ILLUSTRATED PARTS LIST

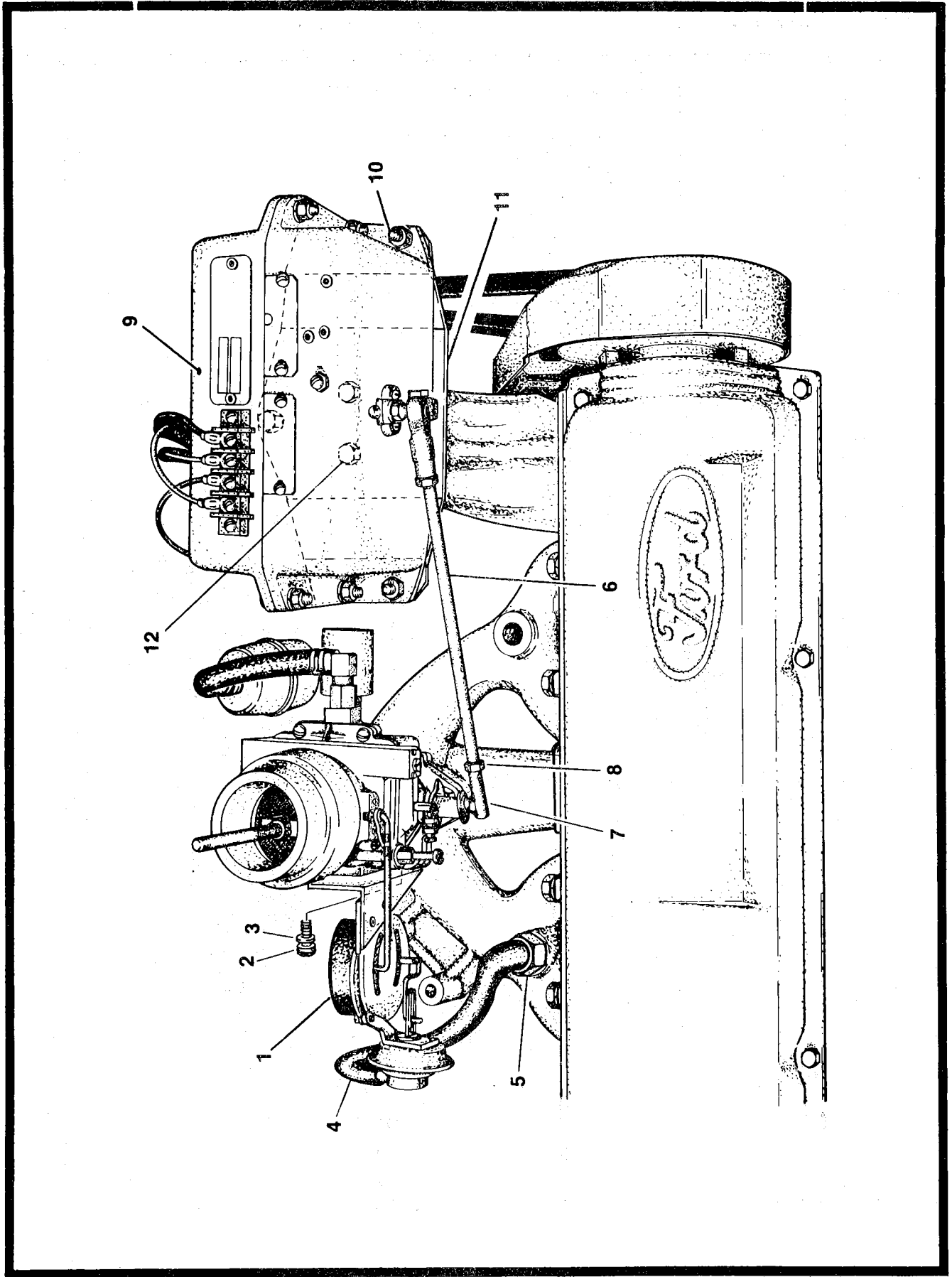


Figure 2-29. Precision Governor Installation - Ford.

**SECTION 2 — ILLUSTRATED PARTS LIST**

FIGURE & INDEX NO.	PART NUMBER	ITEMS & DESCRIPTION	QTY.
2—29	0238044	<b>PRECISION GOVERNOR INSTALLATION - FORD</b>	Ref.
—1	0237568	Choke and Vacuum Pull-Off Assembly (Includes Sensor) (Attaching Parts)	1
—2	3910812	Screw, Round Head #8-32NC x 3/4"	2
—3	4760800	Lockwasher #8	2
—4	2720016	Hose	1 Ft.
—5	2180666	Fitting	1
—6	3840898	Rod (Attaching Parts)	1
—7	1660157	Coupling, Ball Joint	2
—8	3321401	Nut 1/4"-28NF	2
—9	2500004	Governor (Attaching Parts)	1
—10	0641408	Bolt 1/4"-20NC x 1"	4
	4751400	Flatwasher 1/4"	4
	4761400	Lockwasher 1/4"	4
	3311401	Nut 1/4"-20NC	4
—11	0901373	Bracket, Governor (Attaching Parts)	1
—12	0641408	Bolt 1/4"-20NC x 1"	2
	4751400	Flatwasher 1/4"	2
	4761400	Lockwasher 1/4"	2
	3311401	Nut 1/4"-20NC	2



**SECTION 2 — ILLUSTRATED PARTS LIST**

FIGURE & INDEX NO.	PART NUMBER	ITEMS & DESCRIPTION	QTY.
2-30	0236965	<b>ADECO THROTTLE INSTALLATION - FORD</b>	Ref.
	0237356	<b>ADECO THROTTLE INSTALLATION - FORD (CHOKE WITH VACUUM OPERATED PULL-OFF)</b>	Ref.
-1	0237715	Choke Kit (Attaching Parts)	1
	0641406	Bolt 1/4"-20NC x 3/4"	2
	4751400	Flatwasher 1/4"	2
	4761400	Lockwasher 1/4"	2
	3311401	Nut 1/4"-20NC	2
-2	3840821	Rod, Choke	1
-3	1380111	Clip	1
-4	3840855	Rod, Choke Pull-Off	1
-5	0060022	Actuator, Vacuum Choke Pull-Off (Attaching Parts)	1
-6	3910808	Screw, Round Head #8-32NC x 1/2"	2
	4760800	Lockwasher #8	2
	3310801	Nut #8-32NC	2
-7	0901297	Bracket, Auto Choke (Attaching Parts)	1
	0630384	Bolt, Metric 8MM - 1.25 x 40MM	2
	4761500	Lockwasher 5/16"	2
	4751500	Flatwasher 5/16"	2
-8	4842263	Throttle Bracket (Attaching Parts)	1
	0630135	Bolt, Metric 10MM x 30MM	2
	4740116	Lockwasher 10MM	2
-9	0060020	Actuator	1
-10	3010081	Throttle Link (Attaching Parts)	1
-11	0641406	Bolt 1/4"-20NC x 3/4"	2
	4761400	Lockwasher 1/4"	2
	3311401	Nut 1/4"-20NC	2
-12	0901347	Bracket, Choke Pull-Off (Attaching Parts)	1
-13	0700810	Bolt, Metric 8MM x 20MM (Grade 8.8)	1
-14	2720016	Hose	1
-15	2180666	Fitting	1
-16	1380112	Clip	1
-17	4160084	Spring	1

SECTION 2 — ILLUSTRATED PARTS LIST

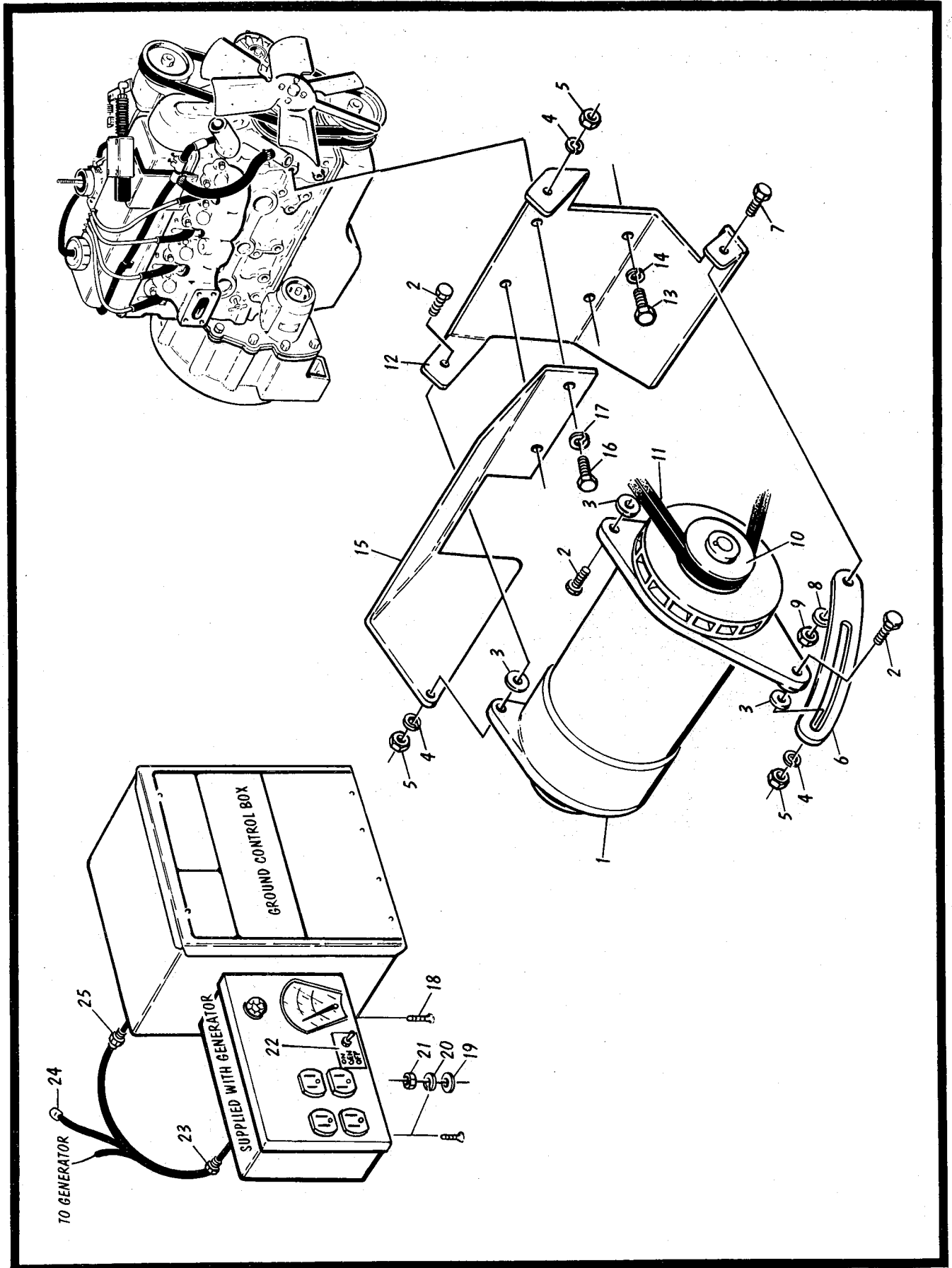


Figure 2-31. AC Generator Installation - Ford.



**SECTION 2 — ILLUSTRATED PARTS LIST**

FIGURE & INDEX NO.	PART NUMBER	ITEMS & DESCRIPTION	QTY.
2—31	0236760	<b>AC GENERATOR INSTALLATION - FORD</b>	Ref.
—1	2460011	Generator (Attaching Parts)	1
—2	0641508	Bolt 5/16"-18NC x 1"	3
—3	4751500	Flatwasher 5/16"	5
—4	4761500	Lockwasher 5/16"	3
—5	3311501	Nut 5/16"-18NC	3
—6	4340436	Support, Adjusting (Attaching Parts)	1
—7	0641508	Bolt 5/16"-18NC x 1"	1
—8	4761500	Lockwasher 5/16"	1
—9	3311501	Nut 5/16"-18NC	1
—10	3580111	Pulley	1
—10	3580100	Pulley (Optional)	1
—10	2360012	Key	1
—11	0480048	Belt	1
—12	4340437	Support (Attaching Parts)	1
—13	0630135	Bolt, Metric 10mm x 30mm	2
—14	4761600	Lockwasher 3/8"	2
—15	4060579	Shield, Heat (Attaching Parts)	1
—16	0630361	Bolt, Metric	2
—17	4761600	Lockwasher 3/8"	2
—17	2460011	Box, Electrical (Supplied With Generator) (Attaching Parts)	1
—18	4300031	Stud (Welded On Part)	2
—19	4751400	Flatwasher 1/4"	4
—20	4761400	Lockwasher 1/4"	2
—21	3311401	Nut 1/4"-20NC	2
—22	3251476	Nameplate	1
—23	4460023	Terminal, Connector	1
—24	4460134	Connector	1
—24	1060012	Cable, Control	1
—25	4460071	Connector	1
—25	3300048	Locknut, Conduit	1
—25	0960238	Bushing	1



## SECTION 2 — ILLUSTRATED PARTS LIST

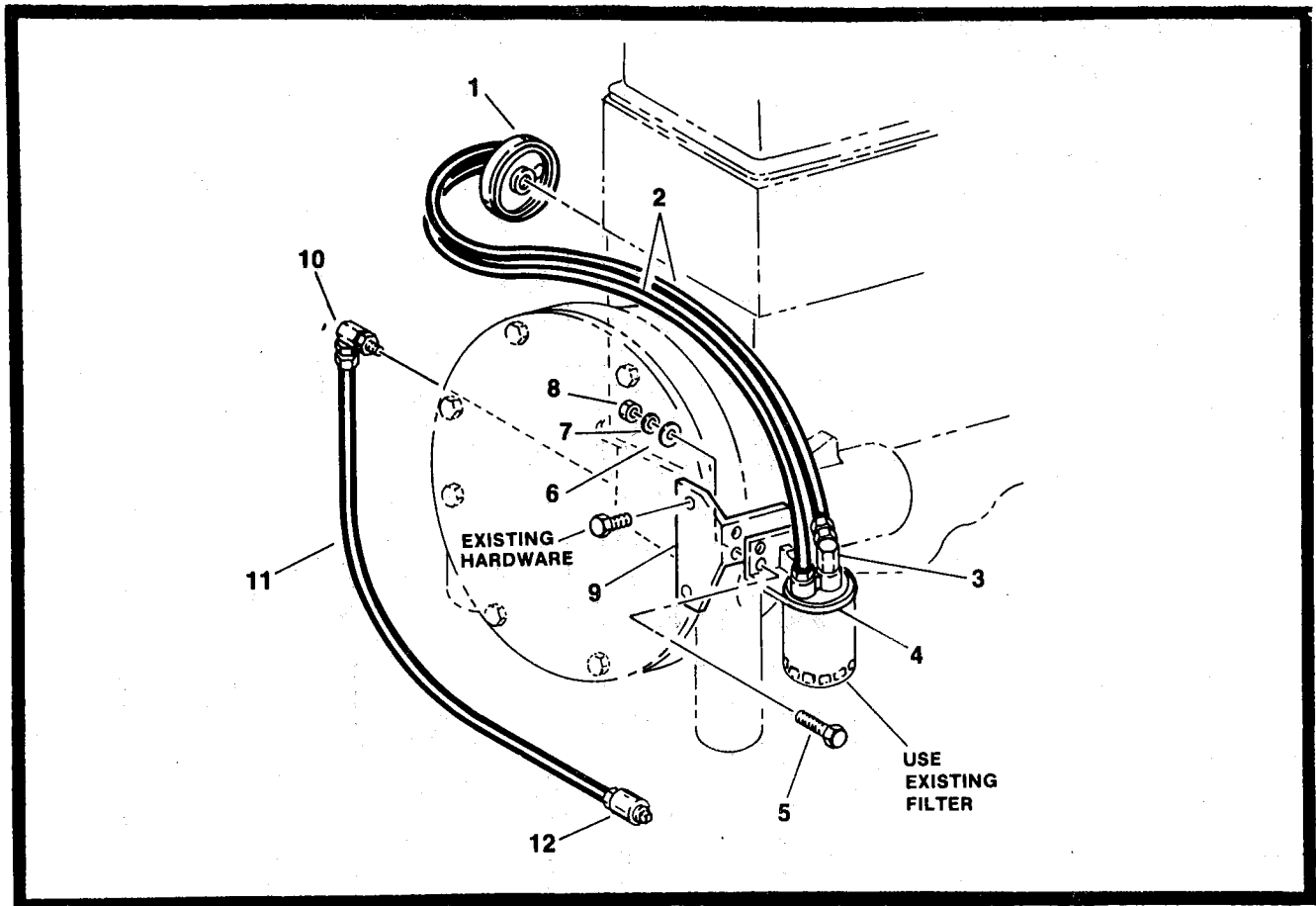


Figure 2-32. Remote Oil Filter and Drain - Ford.

FIGURE & INDEX NO.	PART NUMBER	ITEMS & DESCRIPTION	QTY.
2-32	0237411	<b>REMOTE OIL FILTER AND DRAIN - FORD</b>	Ref.
-1	0080133	Adapter (Includes O-Ring)	1
-2	2750123	Hose	2
	0010020	Sealant	A/R
-3	2220128	Fitting, 45°	1
-4	0080132	Adapter	1
		(Attaching Parts)	
-5	0641408	Bolt 1/4"-20NC X 1"	3
-6	4751400	Flatwasher 1/4"	3
-7	4761400	Lockwasher 1/4"	3
-8	3311401	Nut 1/4"-20NC	3
-9	0901361	Bracket (Use Existing Hardware)	1
-10	3520066	Fitting	1
	2180669	Fitting	1
-11	2750354	Hose	1
-12	2200262	Coupling	1
	2200102	Plug	1

SECTION 2 — ILLUSTRATED PARTS LIST

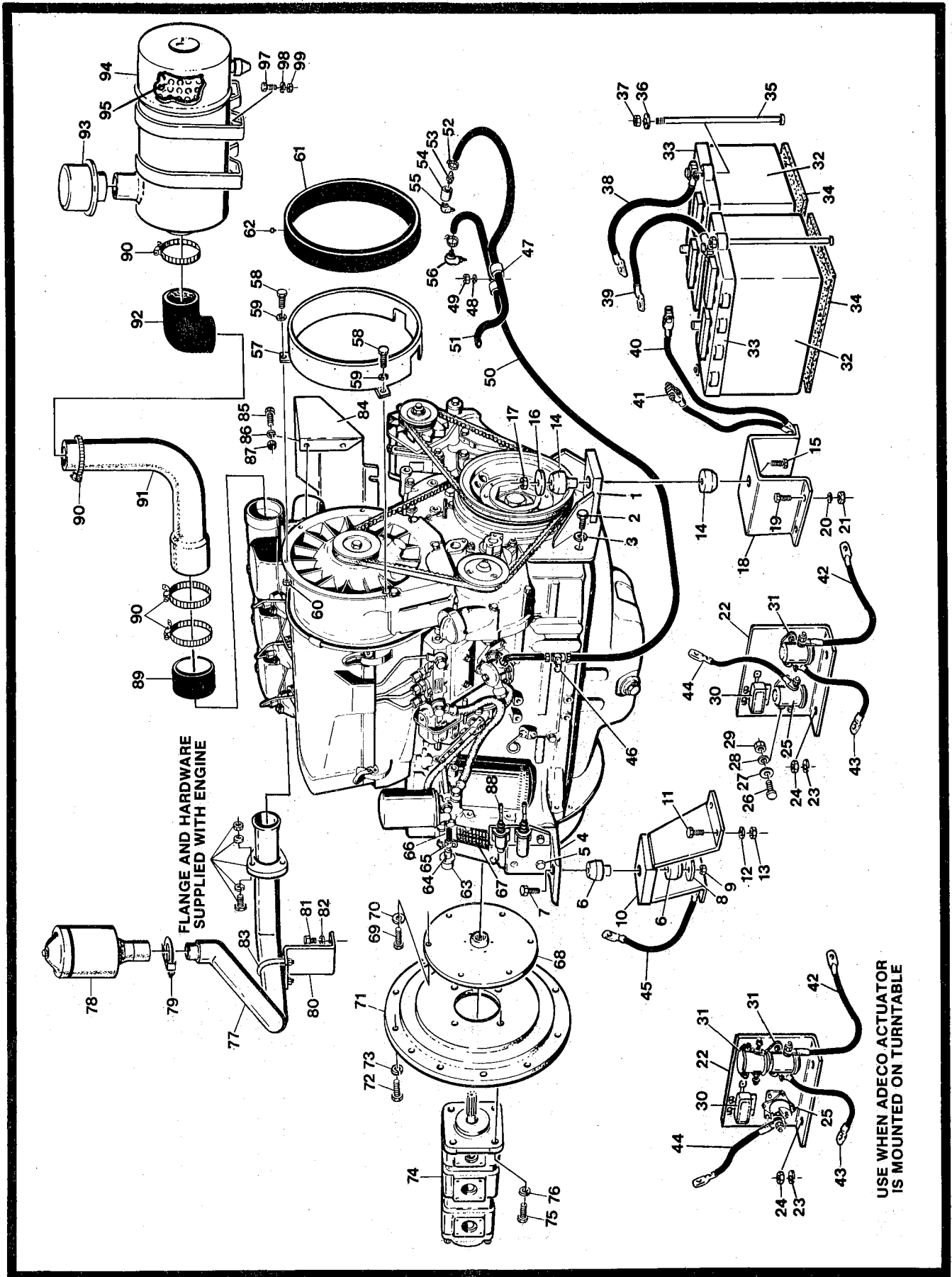


Figure 2-33. Engine and Components Assembly and Installation - Deutz F3L912 Diesel.

**SECTION 2 — ILLUSTRATED PARTS LIST**

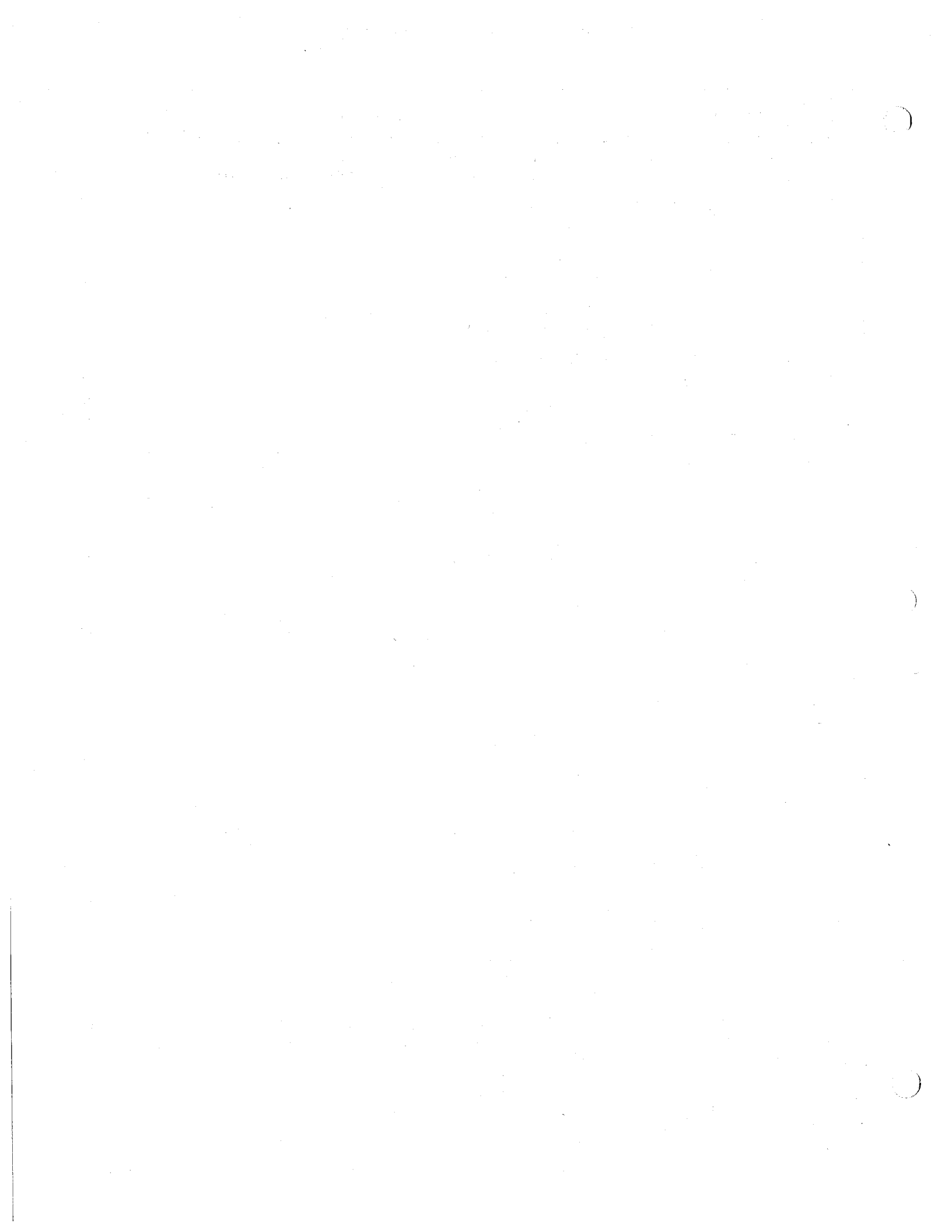
FIGURE & INDEX NO.	PART NUMBER	ITEMS & DESCRIPTION	QTY.
2-33		<b>ENGINE AND COMPONENTS ASSEMBLY AND INSTALLATION - DEUTZ F3L912 DIESEL</b>	Ref.
	0236583	<b>ENGINE ASSEMBLY AND INSTALLATION - STANDARD</b>	Ref.
	0238038	<b>ENGINE ASSEMBLY AND INSTALLATION - 60HTH AND VICKERS VALVE MACHINES</b>	Ref.
	2000066	Engine - Deutz F3L912 Diesel	1
-1	4842079	Mount, Engine Support (Front) (Attaching Parts)	1
-2	0701427	Bolt, Metric 14 mm x 100 mm	4
-3	4740191	Lockwasher 14.2 mm	4
-4	0181158	Mount, Engine Support (Left Side)	1
	0181159	Mount, Engine Support (Right Side) (Attaching Parts)	1
-5	0701215	Bolt, Metric 12 mm x 35 mm	4
	4740117	Lockwasher 12 mm	4
-6	3200183	Mount, Engine (Color Coded Yellow and White) (Attaching Parts)	2
-7	0642032	Bolt 5/8"-11NC x 4"	1
-8	4740242	Flatwasher, Special	1
-9	3312005	Locknut 5/8"-11NC	1
-10	4842167	Mount, Engine (Left Side) (Attaching Parts)	1
-11	0641616	Bolt 3/8"-16NC x 2"	4
-12	4761600	Lockwasher 3/8"	4
-13	3311601	Nut 3/8"-16NC	4
	4842680	Mount, Engine (Right Side - Not Shown) (Attaching Parts)	1
	0641612	Bolt 3/8"-16NC x 1 1/2"	2
	4751600	Flatwasher 3/8"	2
	4761600	Lockwasher 3/8"	2
	3311601	Nut 3/8"-16NC	2
-14	3200133	Mount, Engine (Color Coded Green and White) (Attaching Parts)	1
-15	0642032	Bolt 5/8"-11NC x 4"	1
-16	4740242	Flatwasher, Special	1
-17	3312005	Lockwasher 5/8"-11NC	1
-18	3200206	Mount, Engine (Front) (Attaching Parts)	1
-19	0641616	Bolt 3/8"-16NC x 2"	4
-20	4761600	Lockwasher 3/8"	4
-21	3311601	Nut 3/8"-16NC	4
	0236850	Electrical Panel Assembly	1
	0237627	Electrical Panel Assembly (Use With Turntable Mounted Adeco Actuator)	1
-22	3530425	Panel (Attaching Parts)	1
-23	4761400	Lockwasher 1/4"	2

**SECTION 2 — ILLUSTRATED PARTS LIST**

FIGURE & INDEX NO.	PART NUMBER	ITEMS & DESCRIPTION	QTY.
2-33		<b>ENGINE AND COMPONENTS ASSEMBLY AND INSTALLATION - DEUTZ F3L912 DIESEL (CONTINUED)</b>	Ref.
-24	3311401 4300031	Nut 1/4"-20NC Stud (Welded On Part)	2 2
-25	3740027 3740059	Relay, Start Relay, Start (Use With Turntable Mounted Adeco Actuator) (Attaching Parts)	1 1
-26	0641006	Bolt #10-24NC x 3/4"	2
-27	4751000	Flatwasher #10	2
-28	4761000	Lockwasher #10	2
-29	3311001	Nut #10-24NC	2
-30	3740030	Relay, Adlo (Attaching Parts)	1
	0641006	Bolt #10-24NC x 3/4"	2
	4751000	Flatwasher #10	2
	4761000	Lockwasher #10	2
	3311001	Nut #10-24NC	2
-31	3740002 3740002	Relay, Auxiliary Relay, Auxiliary (Use With Turntable Mounted Adeco Actuator) (Attaching Parts)	1 2
	0641006	Bolt #10-24NC x 3/4"	2
	4751000	Flatwasher #10	2
	4761000	Lockwasher #10	2
	3311001	Nut #10-24NC	2
-32	0400003	Battery (Attaching Parts)	2
-33	0400002	Tie Down	2
-34	3980003	Masonite	2
-35	0236768	Rod, Tie Down	4
-36	4751600	Flatwasher 3/8"	4
-37	3311601	Nut 3/8"-16NC	4
-38	1060032	Cable, Battery (42")	1
	1060119	Cable, Battery (49")	1
-39	1060046	Cable, Battery (16")	1
-40	1060046	Cable, Battery (16")	1
-41	1060032	Cable, Battery (42")	1
	1060046	Cable, Battery (16")	1
-42	1060197	Cable, Battery (55")	1
	1060149	Cable, Battery (55")	1
-43	1060045	Cable, Battery (10")	1
	1060197	Cable, Battery (55")	1
-44	1060132	Cable, Battery (33")	1
	1060045	Cable, Battery (10")	1
-45	1060044	Cable, Battery (16")	1
-46	4640380	Valve, Shut-Off	1
	2180249	Fitting, Barbed	2
-47	1320041	Clamp (Attaching Parts)	2
-48	3311401	Nut 1/4"-20NC	1

**SECTION 2 — ILLUSTRATED PARTS LIST**

FIGURE & INDEX NO.	PART NUMBER	ITEMS & DESCRIPTION	QTY.
2-33		<b>ENGINE AND COMPONENTS ASSEMBLY AND INSTALLATION - DEUTZ F3L912 DIESEL (CONTINUED)</b>	Ref.
-49	4761400 4300031	Lockwasher 1/4" Stud (Welded On Part)	1 1
-50	2720015	Fuel Line (Supply)	7 Ft.
-51	2720271	Fuel Line (Return)	8.5 Ft.
-52	1320022	Clamp	4
-53	2180536	Fitting, Barbed Straight	1
-54	2220273	Fitting, Reducer	1
-55	2200462	Fitting, Elbow	1
-56	2220317	Fitting, Barbed 90°	1
-57	4562811	Tubes (Attaching Parts)	1
-58	0641406	Bolt 1/4"-20NC x 3/4"	2
	0700610	Bolt, Metric 6 mm x 20 mm	1
-59	4761400	Lockwasher 1/4"	3
-60	3311401	Nut 1/4"-20NC	2
-61	4280002	Band, Neoprene (Attaching Parts)	1
-62	3820009	Rivet	10
-63	4360182	Switch, Sender (When Equipped)	1
	4420001	Ribbon Dope	A/R
-64	2200261	Fitting, Coupling	1
	2220001	Fitting, Swivel (1 At Each End of Hose)	2
-6E	1320041	Clamp	2
-6E	2750527	Hose	A/R
-67	0901402	Bracket, Terminal Strip (When Equipped)	1
	4460277	Strip, Terminal	1
	1670414	Cover (Attaching Parts)	1
	3910812	Screw, Round Head #8-32NC x 1 1/2"	2
	4770800	Starwasher #8	2
	3310801	Nut #8-32NC	2
-68	1700821	Decal - Wire Identification	1
	1760019	Disc Assembly (14 Teeth Hub)	1
	1760106	Disc Assembly (13 Teeth Hub) (Attaching Parts)	1
-69	0701010	Bolt, Metric 10 mm x 20 mm	6
-70	4740116	Lockwasher 10 mm	6
-71	0080029	Plate, Adapter (Use with Pump with Ported End Cover)	1
	0080087	Plate, Adapter (Use with Pump without Ported End Cover) (Attaching Parts)	1
-72	0701014	Bolt, Metric 10 mm x 30 mm	12
-73	4740116	Lockwasher 10 mm	12
-74	3600107	Pump Assembly (See Figure 2-39 For Breakdown)	1
	3600113	Pump Assembly (See Figure 2-39 For Breakdown)	1
	3600139	Pump Assembly (See Figure 2-40 For Breakdown) (Attaching Parts)	1
-75	0641810	Bolt 1/2"-13NC x 1/4"	2
-76	4761800	Lockwasher 1/2"	2





**SECTION 2 — ILLUSTRATED PARTS LIST**

FIGURE & INDEX NO.	PART NUMBER	ITEMS & DESCRIPTION	QTY.
2—33		<b>ENGINE AND COMPONENTS ASSEMBLY AND INSTALLATION - DEUTZ F3L912 DIESEL (CONTINUED)</b>	Ref.
	0236726	Exhaust Installation	1
—77	4562908	Tube, Exhaust	1
	4100025	Sleeve, Fiberglass	1
		<b>NOTE:</b> Flange and hardware supplied with engine.	
—78	3220043	Muffler	1
		(Attaching Parts)	
—79	1320019	Clamp	1
—80	0901293	Bracket, Support (Attaching Parts)	1
—81	0630190	Bolt	2
—82	4761700	Lockwasher	2
—83	1320011	Clamp	1
—84	4060580	Deflector (Attaching Parts)	1
—85	0641406	Bolt 1/4"-20NC x 3/4"	4
—86	4761400	Lockwasher 1/4"	4
—87	3311401	Nut 1/4"-20NC	4
—88	0236202	Fuel Shut-Off and High Engine Solenoid Installation (See Figure 2-34 For Breakdown)	1
	0236953	Adeco Throttle Installation - (Not Shown - See Figure 2-35 For Breakdown)	1
	0237630	Adeco Stop-Run Solenoid Installation - (Not Shown - See Figure 2-35 For Breakdown)	1
	0237641	Adeco Cable and Throttle Installation - (Not Shown - See Figure 2-35 For Breakdown)	1
	0236725	Air Cleaner Installation	1
—89	2720224	Hose	1
—90	1320016	Clamp	4
—91	4562806	Tube	1
—92	0080039	Elbow, Rubber	1
—93	1120161	Bonnet	1
—94	1340020	Cleaner, Air	1
—95	7004214	Element	1
—96	0340002	Band (Attaching Parts)	2
—97	0641406	Bolt 1/4"-20NC x 3/4"	2
—98	4761400	Lockwasher 1/4"	2
—99	3311401	Nut 1/4"-20NC	2

SECTION 2 — ILLUSTRATED PARTS LIST

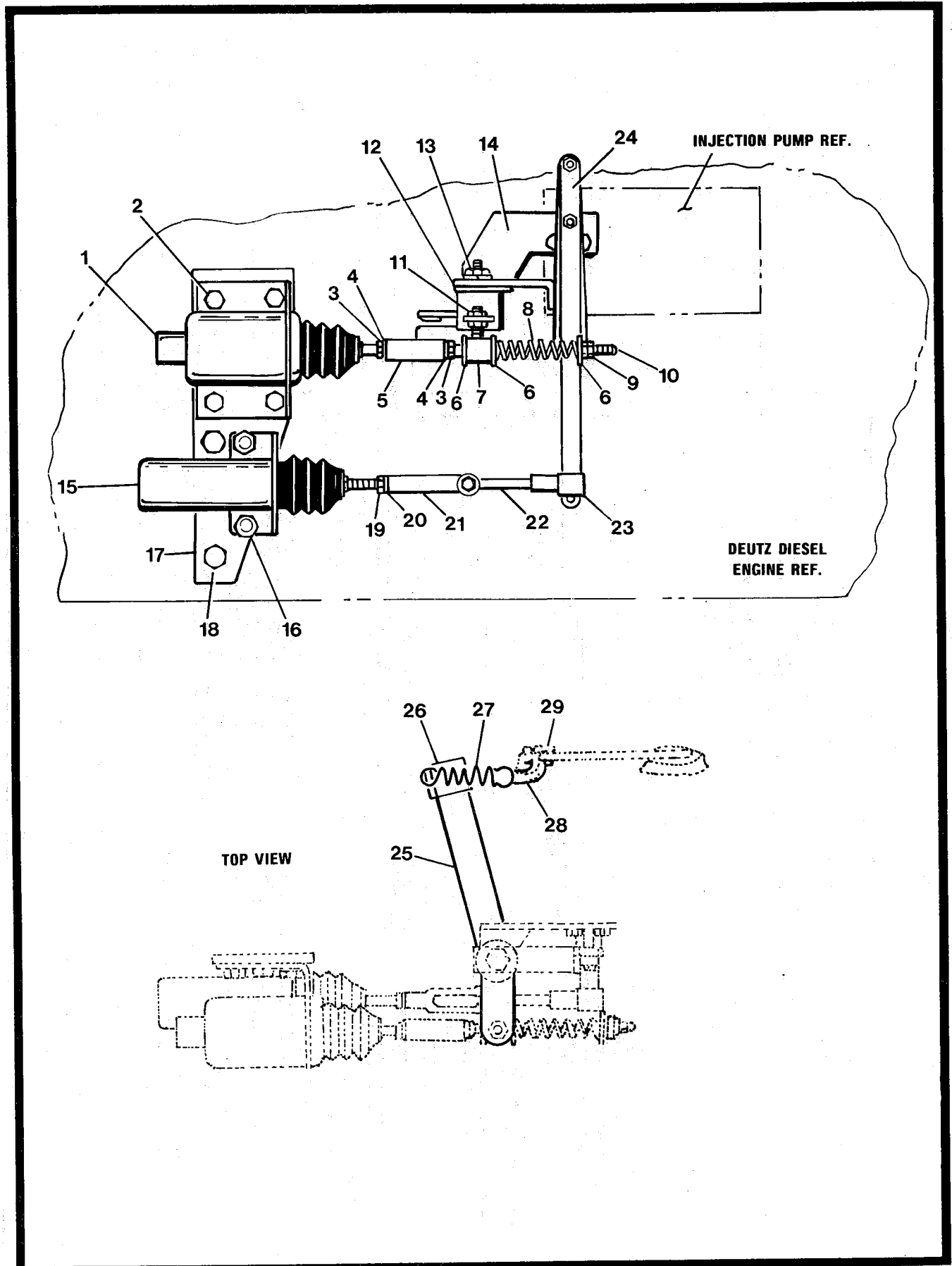


Figure 2-34. Fuel Shut-Off and High Engine Installations (Deutz).

**SECTION 2 — ILLUSTRATED PARTS LIST**

FIGURE & INDEX NO.	PART NUMBER	ITEMS & DESCRIPTION	QTY.
2-34	0236202	<b>FUEL SHUT-OFF AND HIGH ENGINE INSTALLATIONS (DEUTZ)</b>	Ref.
-1	3740048	Solenoid (Attaching Parts)	1
-2	0641406	Bolt 1/4"-20NC x 3/4"	4
	4761400	Lockwasher 1/4"	4
	3311401	Nut 1/4"-20NC	4
-3	3321401	Nut 1/4"-28NF	2
-4	4761400	Lockwasher 1/4"	2
-5	3300134	Nut, Barrel	1
-6	4751400	Flatwasher 1/4"	3
-7	0630286	Bolt, Special	1
-8	4160005	Spring	1
-9	3321401	Nut 1/4"-28NF	2
-10	3840671	Rod, Fuel Shut-Off	1
-11	0960876	Bushing	1
	3311405	Nut, Lock 1/2"-20NC	2
-12	0901040	Bracket, Engine Idle Adjustment	1
-13	0641413	Bolt 1/4"-20NC x 1 5/8"	1
	3311401	Nut 1/4"-20NC	1
-14	0901027	Bracket (Attaching Parts)	1
	0630191	Bolt, Special	2
-15	3740028	Solenoid (Attaching Parts)	1
-16	0641406	Bolt 1/4"-20NC x 3/4"	2
	4761400	Lockwasher 1/4"	2
	3311401	Nut 1/4"-20NC	2
-17	0961026	Bracket, Solenoid Mounting (Attaching Parts)	1
-18	0630319	Bolt, Special	2
	4761800	Lockwasher 1/2"	2
	4751800	Flatwasher 1/2"	A/R
-19	3321401	Nut 1/4"-28NF	2
-20	4761400	Lockwasher 1/4"	1
-21	1360088	Clevis, Yoke	1
-22	3010072	Link	1
-23	1660070	Coupling	1
-24	2980083	Lever	1
-25	0235733	Fuel Shut-Off Lever	1
-26	0181041	Angle	1
-27	4160074	Spring, Extension	1
-28	3840674	Rod, Fuel Shut-Off	1
-29	3450203	Pin, Cotter	1

SECTION 2 — ILLUSTRATED PARTS LIST

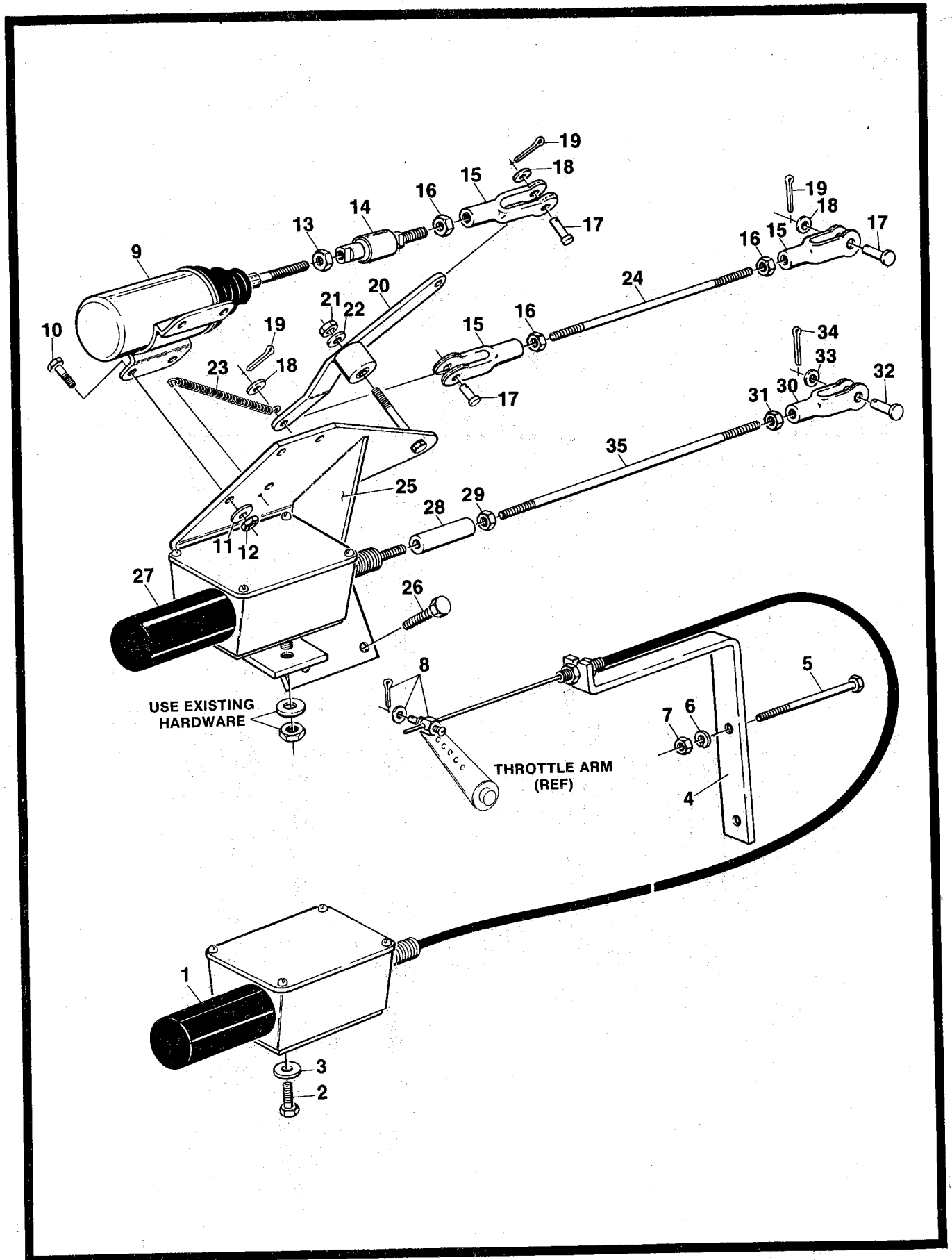


Figure 2-35. Adecu Throttle Components Installation - Deutz.

**SECTION 2 — ILLUSTRATED PARTS LIST**

<b>FIGURE &amp; INDEX NO.</b>	<b>PART NUMBER</b>	<b>ITEMS &amp; DESCRIPTION</b>	<b>QTY.</b>
2—35		<b>ADECO THROTTLE COMPONENTS INSTALLATION - DEUTZ</b>	Ref.
	0237641	<b>THROTTLE ACTUATOR INSTALLATION (TURNTABLE MOUNTED ACTUATOR)</b>	Ref.
—1	0060023	Actuator (Attaching Parts)	1
—2	0641411	Bolt 1/4"-20NC x 1 3/8"	2
—3	4751400	Flatwasher 1/4"	2
—4	0901389	Bracket, Cable (Attaching Parts)	1
—5	0630400	Bolt, Metric M8-1.25 x 90 mm	2
—6	4761500	Lockwasher 5/16"	2
—7	3290801	Nut, Metric M8-1.25	2
—8	4460302	Stop, Cable (Attaching Parts)	1
	4711400	Flatwasher 1/4" Narrow	1
	3450203	Pin, Cotter 1/16" x 3/4"	1
	0237630	<b>STOP-RUN SOLENOID INSTALLATION (TURNTABLE MOUNTED ACTUATOR)</b>	Ref.
	0236953	<b>STOP-RUN SOLENOID INSTALLATION (ENGINE BRACKET MOUNTED ACTUATOR)</b>	Ref.
—9	3740055	Solenoid (Attaching Parts)	1
—10	0641406	Bolt 1/4"-20NC x 3/4"	4
—11	4751400	Flatwasher 1/4"	4
—12	3311401	Nut 1/4"-20NC	4
—13	3321401	Nut 1/4"-28NF	1
—14	4160086	Spring, Swivel	1
—15	1360112	Clevis (Attaching Parts)	3
—16	3321401	Nut 1/4"-28NF	1
—17	3430406	Pin, Clevis	1
—18	4751400	Flatwasher 1/4"	1
—19	3450203	Pin, Cotter 1/16" x 3/4"	1
—20	4842269	Arm (Attaching Parts)	1
—21	3311605	Locknut 3/8"-16NC	1
—22	4751600	Flatwasher 3/8"	1
—23	4160024	Spring	1
—24	3840818	Rod	1
—25	4842476	Bracket (Not Shown - Turntable Mounted Actuator)	1
	4842270	Bracket (Engine Bracket Mounted Actuator) (Attaching Parts)	1
—26	0630136	Bolt, Metric 8 mm x 24 mm	4



## SECTION 2 — ILLUSTRATED PARTS LIST

FIGURE & INDEX NO.	PART NUMBER	ITEMS & DESCRIPTION	QTY.
2—35		<b>ADECO THROTTLE COMPONENTS INSTALLATION - DEUTZ (CONTINUED)</b>	Ref.
	0236953	<b>THROTTLE ACTUATOR INSTALLATION (ENGINE BRACKET MOUNTED ACTUATOR)</b>	Ref.
—27	0060020	Actuator (Use Existing Hardware)	1
—28	3300218	Connector	1
—29	3321401	Nut 1/4"-28NF	1
—30	1360112	Clevis (Attaching Parts)	1
—31	3321401	Nut 1/4"-28NF	1
—32	3430406	Pin, Clevis	1
—33	4751400	Flatwasher 1/4"	1
—34	3450203	Pin, Cotter 1/16" x 3/4"	1
—35	3840819	Rod	1

SECTION 2 — ILLUSTRATED PARTS LIST

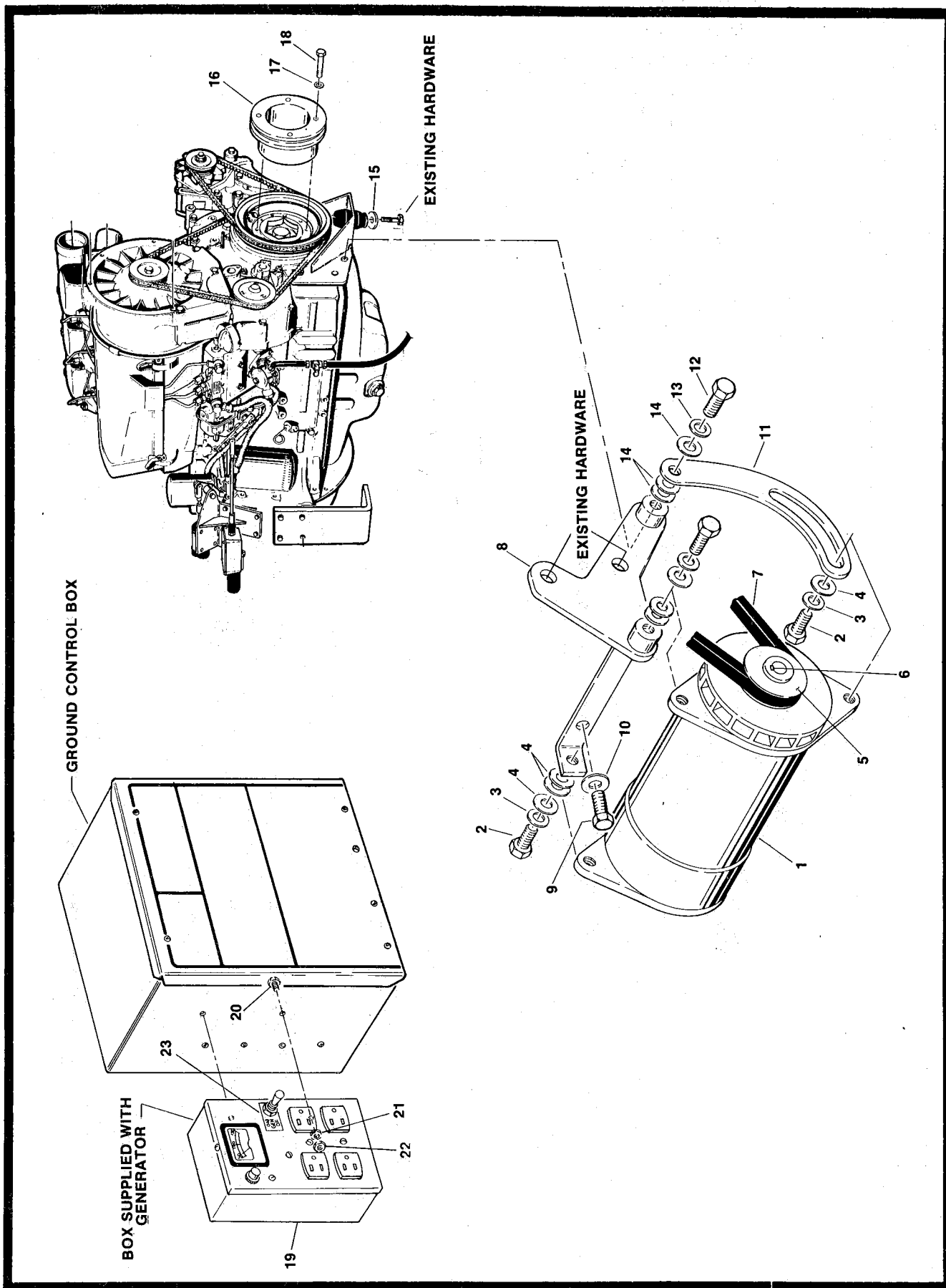


Figure 2-36. AC Generator Installation - Deutz.



**SECTION 2 — ILLUSTRATED PARTS LIST**

FIGURE & INDEX NO.	PART NUMBER	ITEMS & DESCRIPTION	QTY.
2-36	0237132	<b>AC GENERATOR INSTALLATION - DEUTZ F3L912</b>	Ref.
-1	2460011	Generator (Attaching Parts)	1
-2	0641510	Bolt 5/16"-18NC x 1 1/4"	3
-3	4761500	Lockwasher 5/16"	3
-4	4751500	Flatwasher 5/16"	A/R
-5	3580100	Pulley	1
-6	3580111	Pulley (Optional - Use with 0480040 Belt)	1
-7	2860012	Key, Woodruff	1
-8	0480043	Belt	1
-9	0480040	Belt (Optional - Use with 3580111 Pulley)	1
-10	4842701	Bracket, Support (Attaching Parts)	1
-11	0641608	Bolt 3/8"-16NC x 1"	1
-12	4761600	Lockwasher 3/8"	1
-13	4340511	Support, Adjustment (Attaching Parts)	1
-14	0641510	Bolt 5/16"-18NC x 1 1/4"	1
-15	4761500	Lockwasher 5/16"	1
-16	4751500	Flatwasher 5/16"	1
-17	4740242	Washer, Shim	1
-18	3580109	Pulley (Attaching Parts)	1
-19	4761500	Lockwasher 5/16"	4
-20	0700822	Bolt, Metric 8mm - 70 (Grade 8.8)	4
-21	2460011	Box, Electrical (Supplied with Generator) (Attaching Parts)	1
-22	0731006	Bolt #10-32NF x 3/4"	2
-23	4761000	Lockwasher #10	2
-24	3321001	Nut #10-32NF	2
-25	3251476	Nameplate	1

SECTION 2 — ILLUSTRATED PARTS LIST

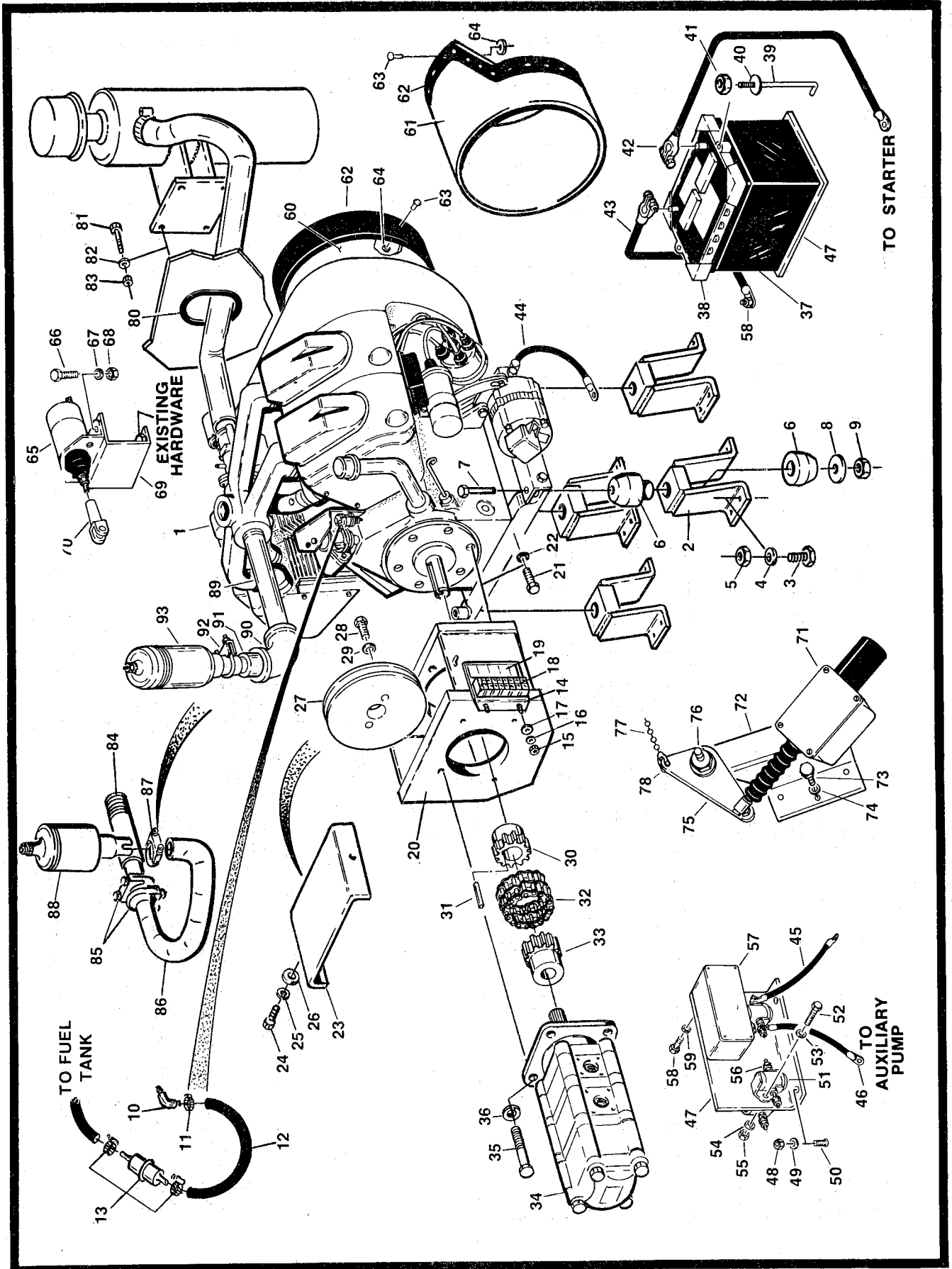


Figure 2-37. Engine and Components Assembly and Installation - Wisconsin V465D Gas.

**SECTION 2 — ILLUSTRATED PARTS LIST**

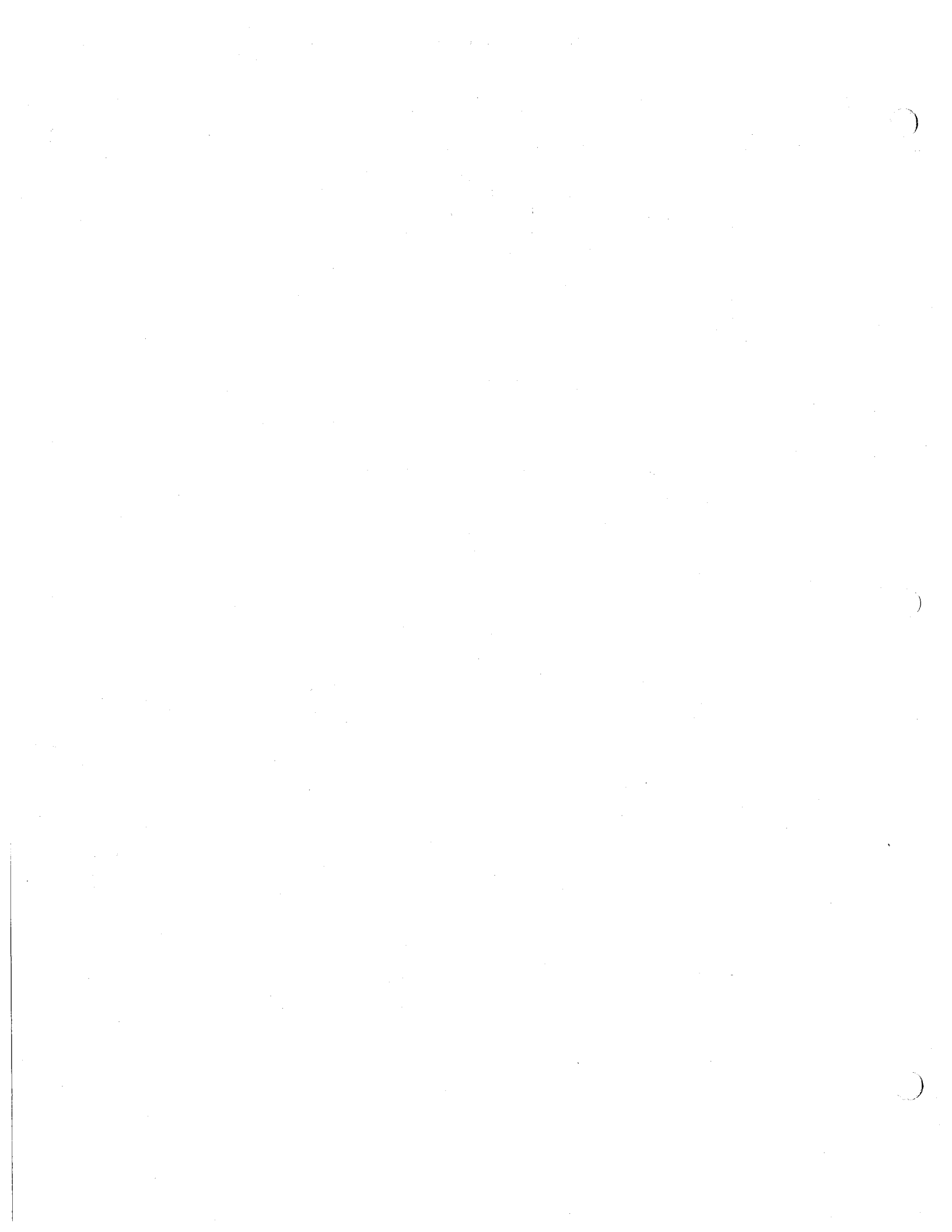
FIGURE & INDEX NO.	PART NUMBER	ITEMS & DESCRIPTION	QTY.
2—37		<b>ENGINE AND COMPONENTS ASSEMBLY AND INSTALLATION - WISCONSIN V465D GAS</b>	Ref.
	0237108	<b>ENGINE ASSEMBLY AND INSTALLATION - STANDARD</b>	Ref.
	0237310	<b>ENGINE ASSEMBLY AND INSTALLATION - 7' x 7' MACHINES</b>	Ref.
	0238040	<b>ENGINE ASSEMBLY AND INSTALLATION - VICKERS VALVES AND 60HTH MACHINES</b>	Ref.
—1	2000070	Engine	1
—2	4842055	Mount, Motor Support (Attaching Parts)	4
—3	0641614	Bolt 3/8"-16NC x 1 3/4"	4
—4	4761600	Lockwasher 3/8"	4
—5	3311601	Nut 3/8"-16NC	4
	4300034	Stud (Welded On Part When Required)	A/R
—6	3200133	Mount, Motor (Attaching Parts)	4
—7	0642044	Bolt 5/8"-11NC x 5 1/2"	1
—8	4752000	Flatwasher 5/8"	1
—9	3312005	Nut 5/8"-11NC	1
—10	2220296	Fitting, Barbed 90°	1
—11	1320022	Clamp	1
—12	2720058	Hose	A/R
—13	2120042	Filter, In-Line Gas (Includes 2 Clamps)	1
—14	0901401	Bracket, Terminal Strip (Vickers Valves and 60HTH Only) (Attaching Parts)	1
—15	3311601	Nut 3/8"-16NC	2
—16	4761600	Lockwasher 3/8"	2
—17	4751600	Flatwasher 3/8"	2
	4300034	Stud (Welded On Part)	2
—18	4460277	Strip, Terminal (Vickers Valves and 60HTH Only)	1
	1670414	Cover (Attaching Parts)	1
	3910812	Screw, Round Head #8-32NC x 3/4"	2
	4770800	Starwasher #8	2
	3310801	Nut #8-32NC	2
—19	1700820	Decal - Wire Identification	1
—20	0080108	Adapter, Pump	1
	0080143	Adapter, Pump (Vickers Valves and 60HTH) (Attaching Parts)	1
—21	0642014	Bolt 5/8"-11NC x 1 3/4"	4
—22	4762000	Lockwasher 5/8"	4
—23	1670221	Cover (Attaching Parts)	1
—24	0641408	Bolt 1/4"-20NC x 1"	2
—25	4761400	Lockwasher 1/4"	2
—26	4751400	Flatwasher 1/4"	2

**SECTION 2 — ILLUSTRATED PARTS LIST**

FIGURE & INDEX NO.	PART NUMBER	ITEMS & DESCRIPTION	QTY.
2-37		<b>ENGINE AND COMPONENTS ASSEMBLY AND INSTALLATION - WISCONSIN V465D GAS (CONTINUED)</b>	Ref.
-27	3580079	Pulley (Attaching Parts)	1
-28	0641412	Bolt 1/4"-20NC x 1 1/2"	2
-29	4761400	Lockwasher	2
-30	1660133	Coupling	1
-31	2880619	Key	1
-32	1260026	Chain	1
-33	1660020	Coupling	1
	1660144	Coupling (Vickers Valves and 60HTH)	1
-34	3600107	Pump Assembly (See Figure 2-39 for Breakdown)	1
	3600139	Pump Assembly (Vickers Valves and 60HTH) (See Figure 2-40 for Breakdown) (Attaching Parts)	1
-35	0641810	Bolt 1/2"-13NC x 1 1/4"	4
-36	4761800	Lockwasher 1/2"	4
-37	0400003	Battery (Attaching Parts)	1
-38	0400002	Holddown	1
-39	0236768	Rod, Tie Down	2
-40	4751600	Flatwasher 3/8"	2
-41	3311601	Nut 3/8"-16NC	2
-42	1060046	Cable (Negative On Battery To Ground)	1
-43	1060074	Cable - 34" (Positive On Battery To Aux. Relay)	1
	1060046	Cable - 15" (Positive On Battery To Aux. Relay)	1
-44	1060045	Cable (Engine Frame To Ground)	1
-45	1060054	Cable (Aux. Relay To Starter)	1
-46	1060045	Cable (Aux. Relay To Aux. Pump)	1
	0237297	Electrical Panel Assembly (Without Actuator Module)	1
	0237874	Electrical Panel Assembly (With Actuator Module)	1
-47	3530425	Panel (Attaching Parts)	1
-48	3311401	Nut 1/4"-20NC	2
-49	4751400	Flatwasher 1/4"	2
-50	4300032	Stud (Welded On Part)	2
-51	3740002	Relay (Attaching Parts)	3
-52	0641006	Bolt #10-24NC x 3/4"	2
-53	4751000	Flatwasher #10	2
-54	4761000	Lockwasher #10	2
-55	3311001	Nut #10-24NC	2
-56	3300220	Nut, Special	6
-57	0060021	Module, Actuator (When Equipped) (Attaching Parts)	1
-58	0641406	Bolt 1/4"-20NC x 3/4"	2
-59	4761400	Lockwasher 1/4"	2
-60	3760211	Tube, Air Intake (Vickers Valve and 7' x 7' Machines)	1
-61	3760238	Tube, Air Intake (Standard)	1

**SECTION 2 — ILLUSTRATED PARTS LIST**

FIGURE & INDEX NO.	PART NUMBER	ITEMS & DESCRIPTION	QTY.
2-37		<b>ENGINE AND COMPONENTS ASSEMBLY AND INSTALLATION - WISCONSIN V465D GAS (CONTINUED)</b>	Ref.
-62	4280136	Strip, Rubber (Attaching Parts)	A/R
-63	3820009	Rivet, Pop	16
-64	4750600	Flatwasher #6	16
-65	3740028	Solenoid, Choke (Attaching Parts)	1
-66	0641408	Bolt 1/4"-20NC x 1"	2
-67	4761400	Lockwasher 1/4"	2
-68	3311401	Nut 1/4"-20NC	2
-69	0901325	Bracket, Solenoid	1
-70	1360061	Yoke, Clevis	1
	0236992	Throttle Installation - Single Speed	1
	0237687	Throttle Installation - Two Speed (Vickers Valve and 60HTH Machines)	1
-71	0060020	Actuator (Single Speed)	1
	0060024	Actuator (Two Speed)	1
-72	4842288	Bracket (Attaching Parts)	1
-73	0641406	Bolt 1/4"-20NC x 3/4"	3
-74	4761400	Lockwasher 1/4"	3
-75	0200291	Arm (Attaching Parts)	1
-76	3311605	Locknut 3/8"-16NC	1
	4751700	Flatwasher 7/16"	2
-77	1260082	Chain	1 Ft.
-78	1660083	Coupling	2
	3430304	Pin, Clevis	1
	3450203	Pin, Cotter	1
-79	2720262	Hose, Air Intake	1
-80	2820001	Hose, Insulator	1 Ft.
	0100001	Adhesive	A/R
		Air Cleaner (Supplied With Engine) (Attaching Parts)	1
-81	0641508	Bolt 5/16"-18NC x 1"	4
-82	4761500	Lockwasher 5/16"	4
-83	3311501	Nut 5/16"-18NC	4
-84	2180097	Nipple	1
-85	1320011	Clamp	2
-86	4563081	Tube, Exhaust	1
-87	1320019	Clamp	1
-88	3220043	Muffler	1
	4100025	Sleeve, Fiberglass (Not Shown)	1.6 Ft.
-89	2180316	Nipple	1
-90	2200349	Fitting, 90°	1
-91	2180593	Nipple	1
-92	1320019	Clamp	1
-93	3220043	Muffler	1



SECTION 2 — ILLUSTRATED PARTS LIST

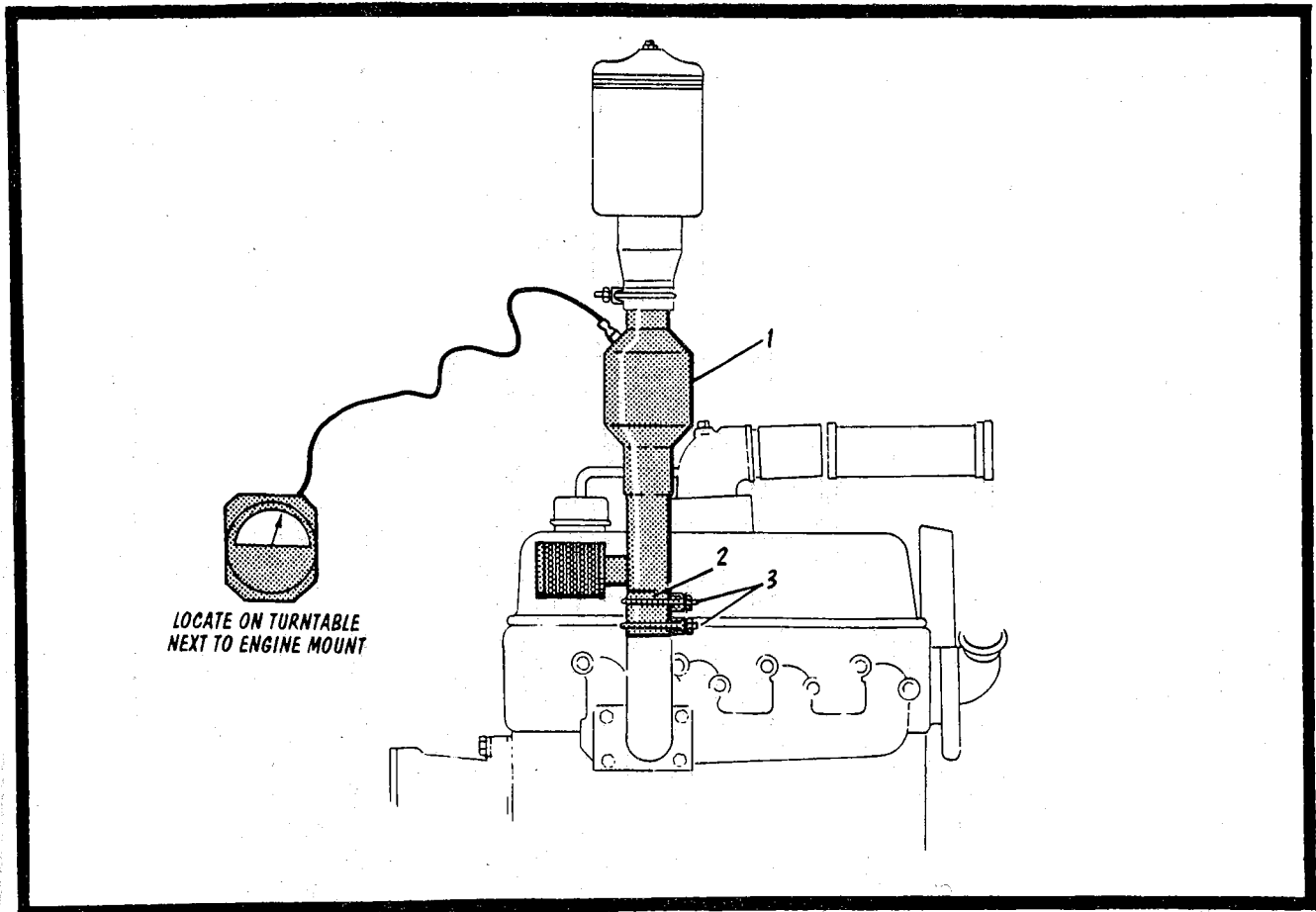


Figure 2-38. Oxy Catalyst Purifier Installation.

FIGURE & INDEX NO.	PART NUMBER	ITEMS & DESCRIPTION	QTY.
2-38	0237014	<b>OXY CATALYST PURIFIER INSTALLATION</b>	Ref.
-1	3220053	Muffler, Oxy Catalyst Purifier	1
-2	4100015	Sleeve, Exhaust	1
-3	1320019	Clamp	2
		Pyrometer and Bracket Supplied with Purifier (Attaching Parts)	1
	4300031	Stud (Welded On Part)	2
	4761400	Lockwasher 1/4"	2
	3311401	Nut 1/4"-20NC	2

SECTION 2 — ILLUSTRATED PARTS LIST

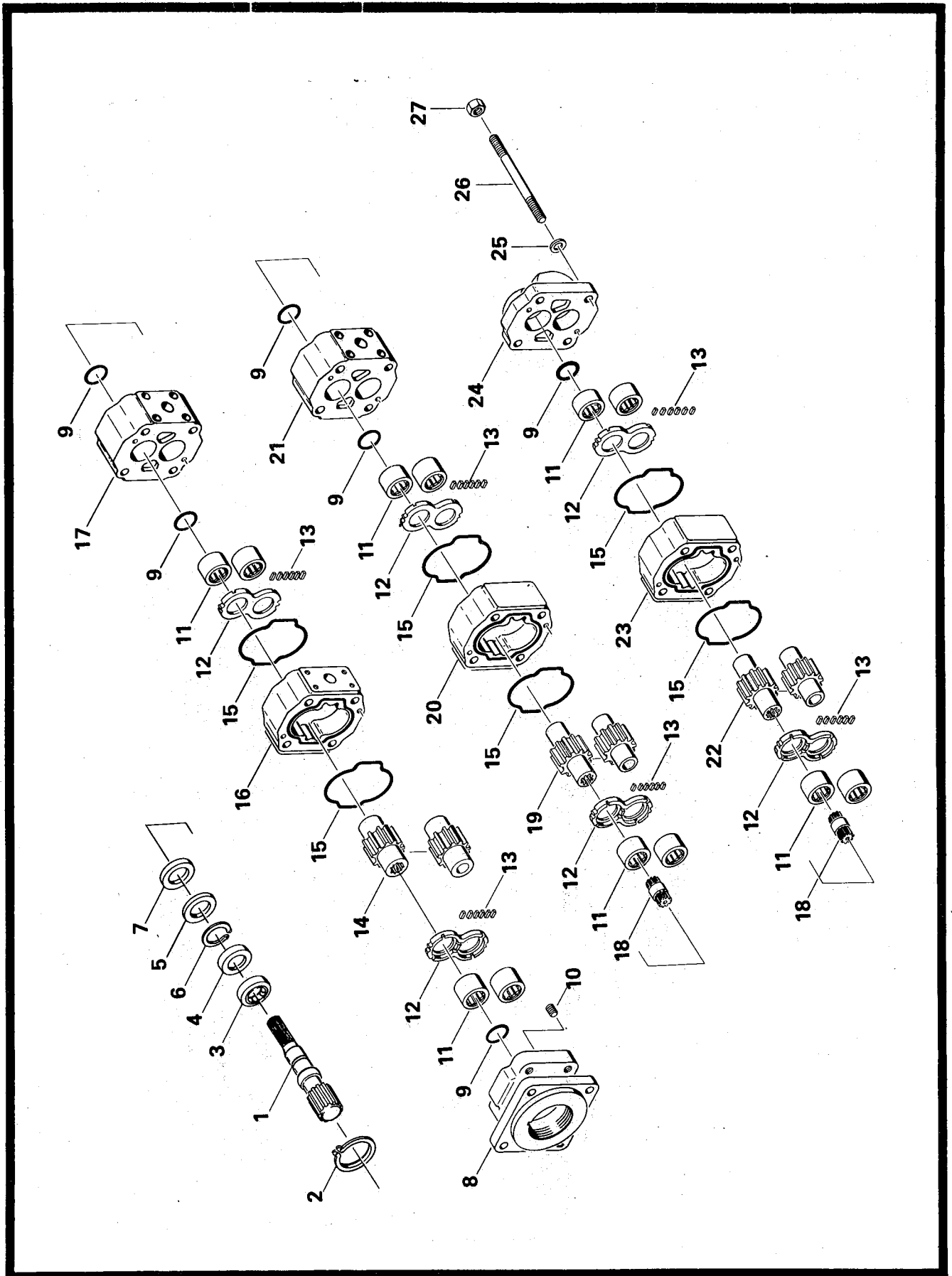


Figure 2-39. Main Pump Assembly - Gear (Without Ported End).



**SECTION 2 — ILLUSTRATED PARTS LIST**

FIGURE & INDEX NO.	PART NUMBER	ITEMS & DESCRIPTION	QTY.
2-39		<b>MAIN PUMP ASSEMBLY - GEAR (WITHOUT PORTED END COVER)</b>	Ref.
	3600113	<b>PUMP ASSEMBLY (WITH 1", 1" AND 1/2" GEAR SETS)</b>	Ref.
	3600107	<b>PUMP ASSEMBLY (WITH 1 1/4", 1 1/4" AND 1/2" GEAR SETS)</b>	Ref.
-1	7000501	Shaft, Input	1
-2	7003162	Ring, Snap	1
-3	7000505	Bearing	1
-4	7003164	Spacer	1
-5	7003165	Ring, Bearing Retainer	1
-6	7003166	Ring, Retaining	1
-7	7000478	Seal, Lip	1
-8	7005496	Cover, Shaft End	1
-9	7000475	Seal, Ring	6
-10	7003103	Plug	1
-11	7003168	Bearing, Roller	12
-12	7005436	Plate, Thrust	6
-13	7003193	Seal, Pocket	3 strips
-14	7003189	Gear Set (3600107)	1
-14	7003171	Gear Set (3600113)	1
-15	7000477	Seal, Gasket	6
-16	7005497	Housing, Gear - Ported (3600113)	1
-16	7000481	Housing, Gear - Ported (3600107)	1
-17	7005498	Carrier, Bearing - Ported	1
-18	7003174	Shaft, Connecting	2
-19	7003189	Gear Set (3600107)	1
-19	7003171	Gear Set (3600113)	1
-20	7005439	Housing, Gear - Without Ports (3600113)	1
-20	7005500	Housing, Gear - Without Ports (3600107)	1
-21	7005498	Carrier, Bearing - Ported	1
-22	7003177	Gear Set	1
-23	7003178	Housing, Gear - Without Ports	1
-24	7000479	Cover, Port End	1
-25	7001293	Washer	4
-26	7003180	Stud	4
-27	7003114	Nut	4
	2900120	Seal Kit (Includes Items 7, 9, 13 and 15)	1

SECTION 2 — ILLUSTRATED PARTS LIST

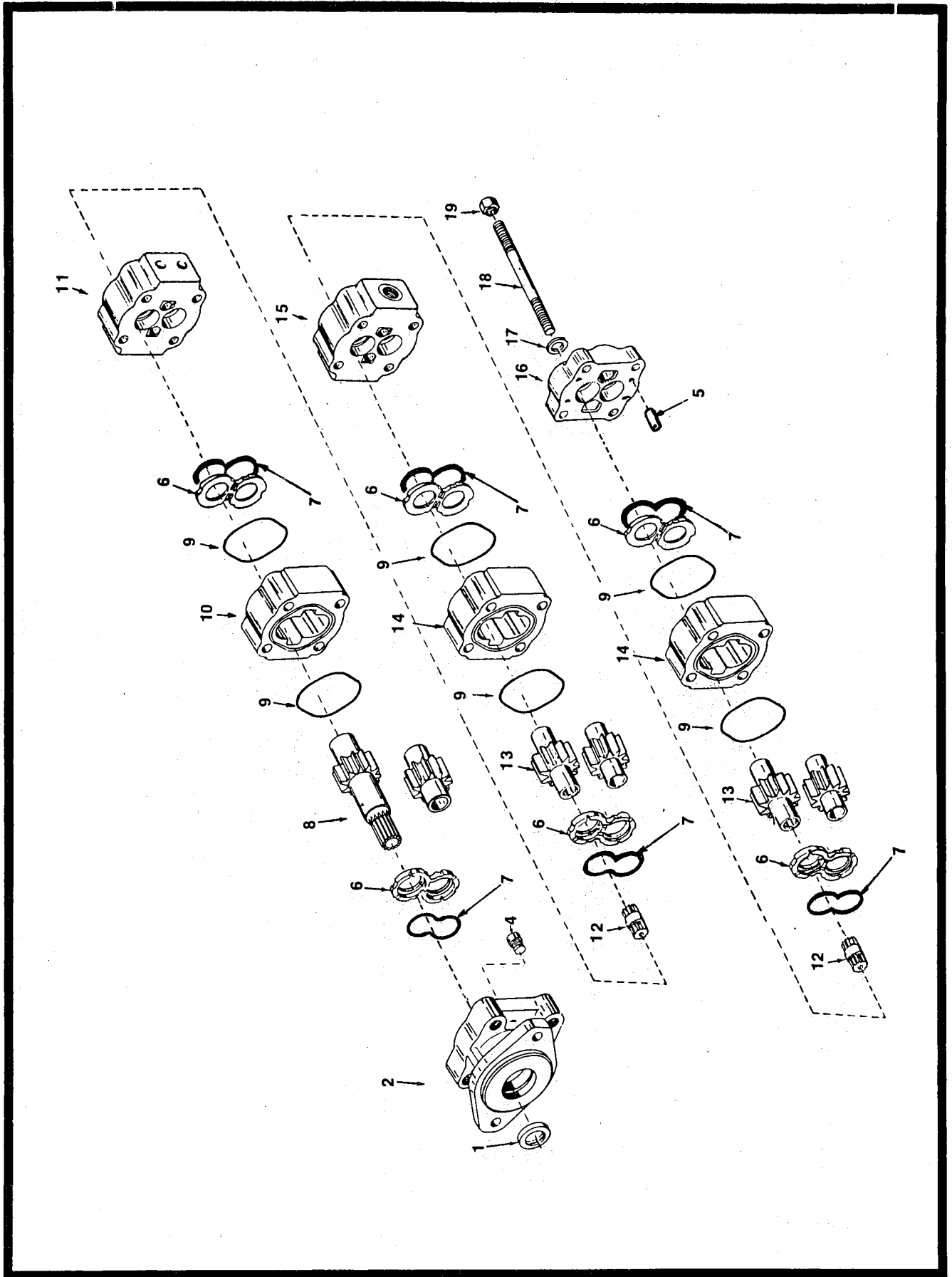


Figure 2-40. Main Pump Assembly - Gear (With Ported End).

**SECTION 2 — ILLUSTRATED PARTS LIST**

FIGURE & INDEX NO.	PART NUMBER	ITEMS & DESCRIPTION	QTY.
2—40	3600139	<b>MAIN PUMP ASSEMBLY - GEAR (WITH PORTED END)</b>	Ref.
—1	7009512	Seal, Lip	1
—2	7009513	Cover, End with Bushings	1
—3	Not Used		
—4	7003103	Plug	1
—5	7009508	Dowel	12
—6	7009503	Plate, Thrust	6
—7	7009502	Seal, Channel	6
—8	7009509	Shaft and Gear	1 Set
—9	7009501	Seal, Gasket	6
—10	7009510	Housing, Gear	1
—11	7009508	Carrier, Bearing with Bushings	1
—12	7005599	Shaft, Connecting	2
—13	7005598	Gear Set	2
—14	7009504	Housing, Gear	1
—15	7009505	Carrier, Bearing with Bushings	1
—16	7009511	Cover, Rear with Bushings	1
—17	7005597	Washer	4
—18	7005562	Stud	4
—19	7005595	Nut	4
	2900673	Kit, Seal (Includes Items 1, 7 and 9)	1

SECTION 2 — ILLUSTRATED PARTS LIST

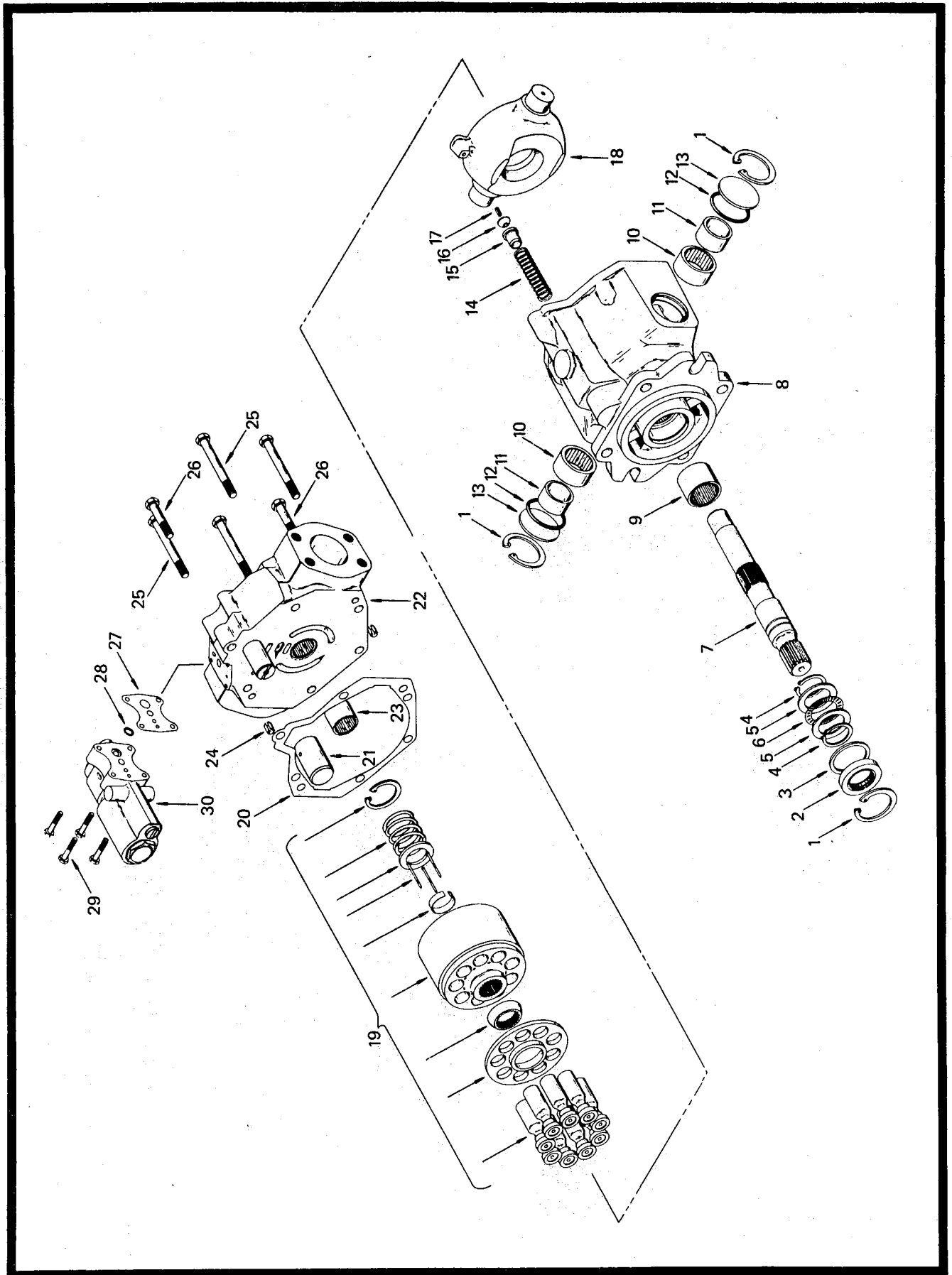
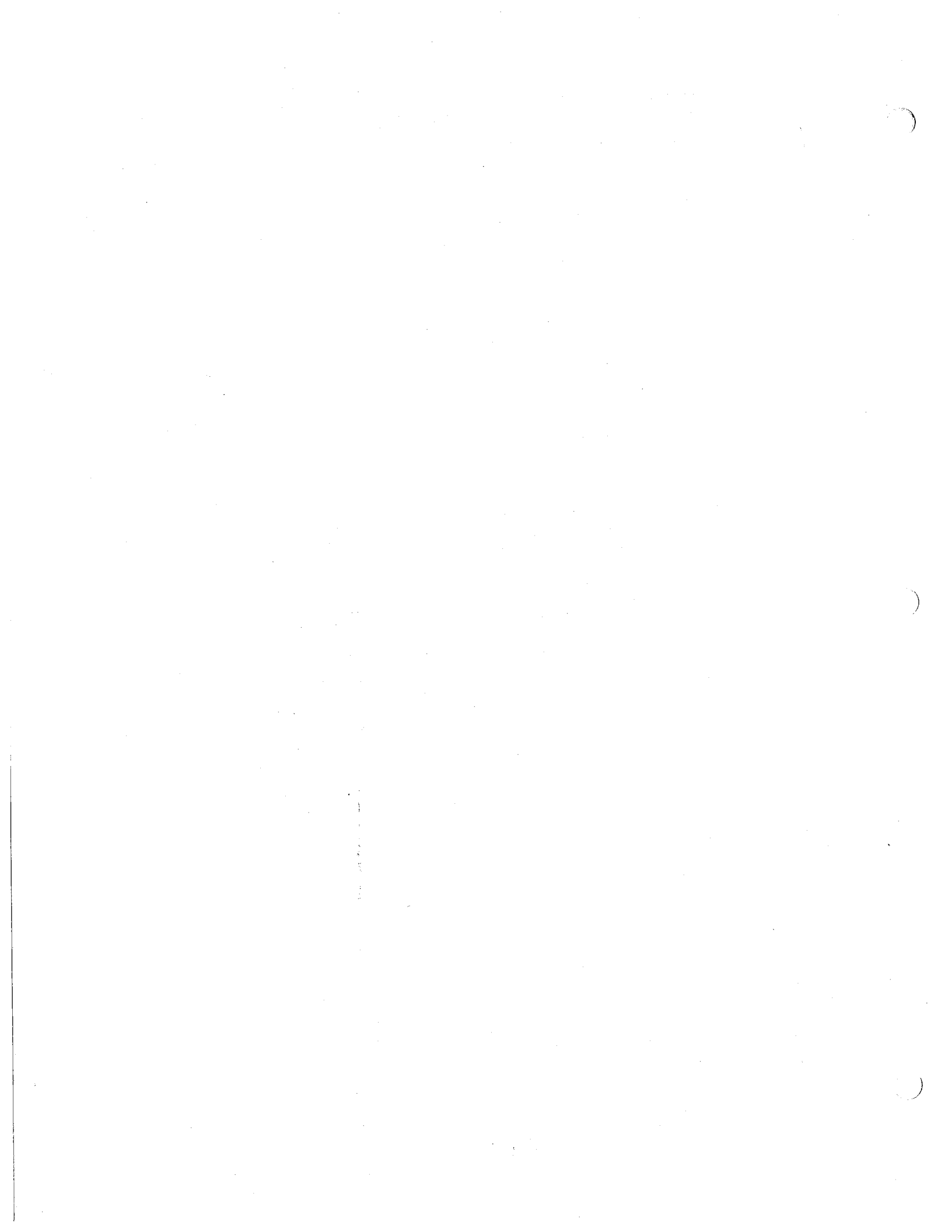


Figure 2-41. Main Pump Assembly - Piston.

**SECTION 2 — ILLUSTRATED PARTS LIST**

FIGURE & INDEX NO.	PART NUMBER	ITEMS & DESCRIPTION	QTY.
2—41	3600118	<b>MAIN PUMP ASSEMBLY - PISTON</b>	Ref.
—1	7007563	Ring, Retaining	3
—2	7007564	Seal, Shaft	1
—3	7007565	Washer	1
—4	7007566	Ring, Retaining	2
—5	7007567	Race, Thrust	2
—6	7007568	Bearing, Thrust	1
—7	7007569	Shaft	1
—8	7007570	Assembly, Housing	1
—9	7007571	Bearing	1
—10	7007572	Bearing, Trunnion	2
—11	7007573	Race, Trunnion	2
—12	7007574	O-Ring	2
—13	7007575	Cover, Trunnion	2
—14	7007576	Spring	1
—15	7007577	Collar, Spring	1
—16	7004964	Button, Pivot	1
—17	7004965	Pin, Roll	1
—18	7007578	Plate, Cam	1
—19	7007579	Assembly, Rotating Kit	1
—20	7007580	Gasket, Housing	1
—21	7007581	Piston, Control	1
—22	7007582	Assembly, Back Plate	1
—23	7007583	Bearing	1
—24	7007584	Pin, Roll	2
—24	7007585	Pin, Guide	1
—25	7007586	Capscrew	4
—26	7007587	Capscrew	2
—27	7007588	Gasket, Compensator	1
—28	7007589	O-Ring	1
—29	7007590	Capscrew	4
—30	7007591	Assembly, Pressure Flow Compensator	1
	2900625	Kit, Seal (Includes Items 1, 2, 4, 12, 20, 27 and 28)	1



SECTION 2 — ILLUSTRATED PARTS LIST

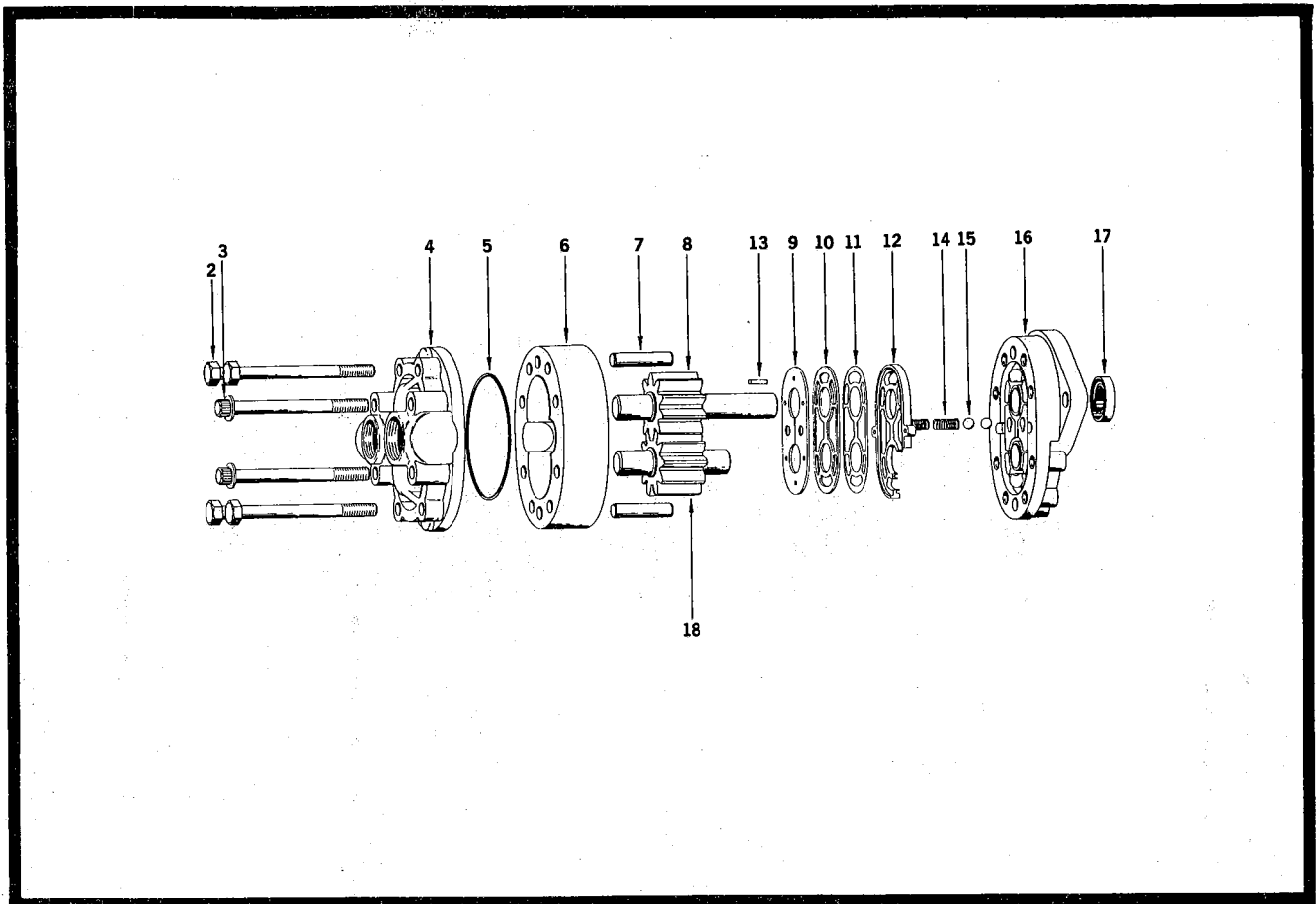


Figure 2-42. Gear Pump Assembly.

FIGURE & INDEX NO.	PART NUMBER	ITEMS & DESCRIPTION	QTY.
2-42	3600119	<b>GEAR PUMP ASSEMBLY</b>	Ref.
-1	Not Used		
-2	7007555	Screw, Cap	4
-3	7007556	Screw, Cap	4
-4	7004996	Assembly, Back Plate	1
-5	7004997	O-Ring	1
-6	7007557	Body	1
-7	7007558	Pin, Dowel	2
-8	7007559	Assembly, Drive Gear	1
-9	7007504	Diaphragm	1
-10	7007560	Gasket, Backup	1
-11	7007506	Gasket, Protector	1
-12	7007507	Diaphragm	1
-13	Not Used		
-14	7007512	Spring	2
-15	7007513	Ball, Steel	2
-16	7007561	Assembly, Front Plate	1
-17	7007515	Seal, Shaft	1
-18	7007562	Assembly, Idler Gear	1
	2900626	Kit, Seal (Includes Items 4, 8, 9, 10, 11, 13, 14 and 16)	1

SECTION 2 — ILLUSTRATED PARTS LIST

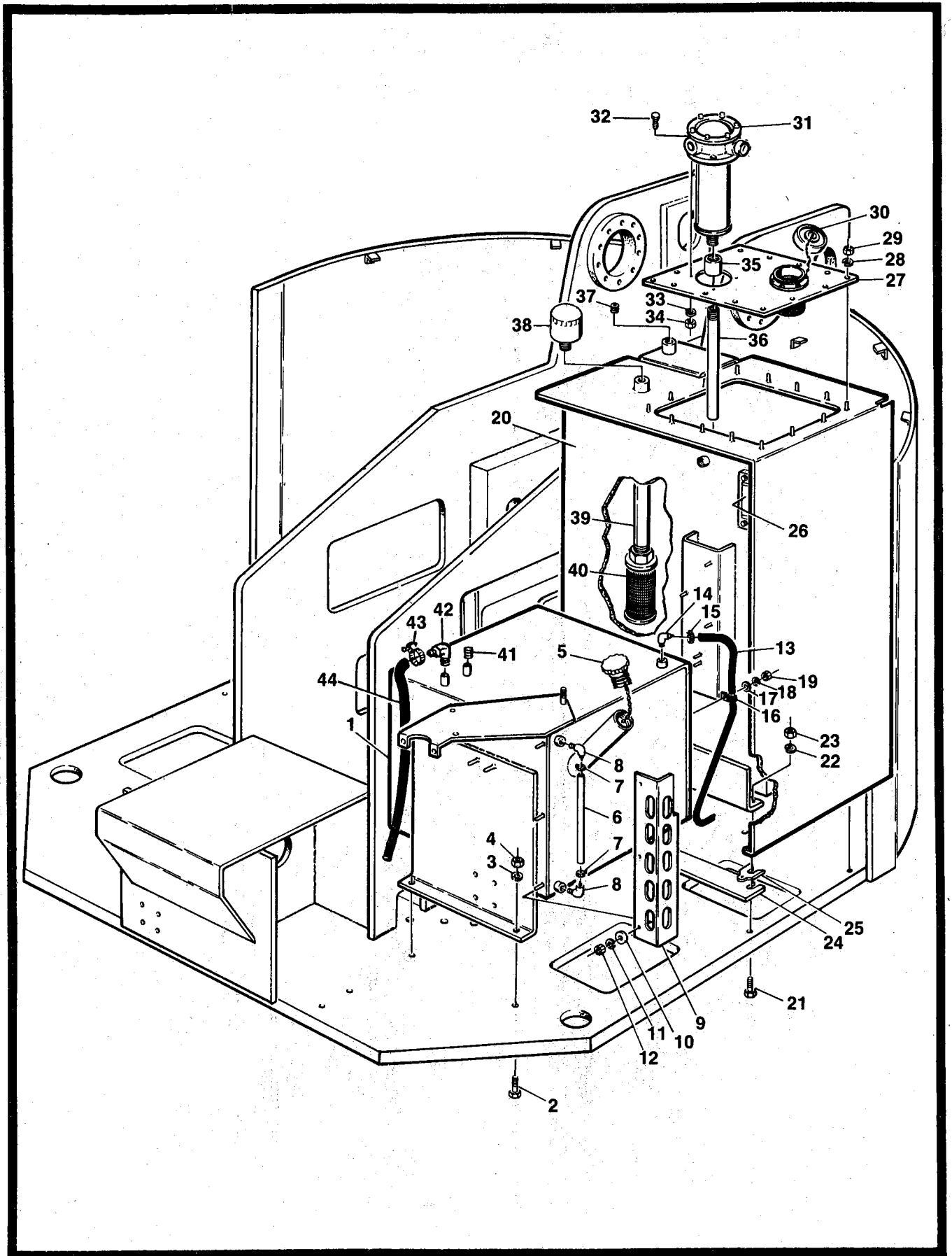


Figure 2-43. Tank Installation (Racine).



**SECTION 2 — ILLUSTRATED PARTS LIST**

FIGURE & INDEX NO.	PART NUMBER	ITEMS & DESCRIPTION	QTY.
2-43	0236455	<b>TANK INSTALLATION (RACINE - GEAR PUMP)</b>	Ref.
	0236770	<b>TANK INSTALLATION (RACINE - PISTON PUMP)</b>	Ref.
	0236557	<b>FUEL TANK ASSEMBLY</b>	Ref.
-1	4842065	Tank (Attaching Parts)	1
-2	0641616	Bolt 3/8"-16NC x 2"	4
-3	4761600	Lockwasher 3/8"	4
-4	3311601	Nut 3/8"-16NC	4
-5	1120240	Fill Cap	1
-6	4562516	Tube (Attaching Parts)	1
-7	2180467	Fitting	2
-8	1320022	Hose Clamp	2
	0100020	Pipe Sealant	A/R
-9	4060600	Shield, Sight Gauge (Attaching Parts)	1
-10	4751400	Flatwasher 1/4"	3
-11	4761400	Lockwasher 1/4"	3
-12	3311401	Nut 1/4"-20NC	3
-13	2720015	Vent Line (Attaching Parts)	1
-14	2220317	Fitting	1
-15	1320022	Hose, Clamp	1
	0100020	Pipe Sealant	A/R
-16	1320041	Conduit Clamp (Attaching Parts)	1
-17	4751400	Flatwasher 1/4"	1
-18	4761400	Lockwasher 1/4"	1
-19	3311401	Nut 1/4"-20NC	1
	2200052	Plug, Pipe (Not Shown)	1
	0100020	Pipe Sealant	A/R
	0236527	<b>OIL TANK ASSEMBLY</b>	Ref.
	0236769	<b>OIL TANK ASSEMBLY (PISTON PUMP)</b>	Ref.
-20	4842073	Oil Tank	1
	4842194	Oil Tank (Piston Pump) (Attaching Parts)	1
-21	0641616	Bolt 3/8"-16NC x 2"	4
-22	4761600	Lockwasher 3/8"	4
-23	3311601	Nut 3/8"-16NC	4
-24	4070550	Shim	A/R
-25	4070410	Shim	A/R
	4070411	Shim	A/R
	4070412	Shim	A/R
-26	2420080	Gauge, Hydraulic Oil Indicator	1



**SECTION 2 — ILLUSTRATED PARTS LIST**

FIGURE & INDEX NO.	PART NUMBER	ITEMS & DESCRIPTION	QTY.
2—43	0236455	<b>TANK INSTALLATIONS (RACINE) (CONTINUED)</b>	Ref.
—27	1670296	Lid, Tank (Attaching Parts)	1
—28	4761600	Lockwasher 3/8"	14
—29	3311601	Nut 3/8"-16NC	A/R
	0100009	Sealer	A/R
—30	1120287	Cap, Filler and Strainer (Hardware Included)	1
—31	2120103	Filter Return (Attaching Parts)	1
—32	0641608	Bolt 3/8"-16NC x 1"	4
—33	4761600	Lockwasher 3/8"	4
—34	3311601	Nut 3/8"-16NC	4
	2120107	Element (Not Shown)	1
—35	2200268	Fitting, Pipe Coupling	1
	0100020	Pipe Sealer	A/R
—36	2180626	Pipe, Nipple	1
—37	2200204	Plug, Pipe	1
	0100020	Pipe Sealant	A/R
—38	1340021	Breather	1
	0100020	Pipe Sealant	A/R
	2120039	Filter, Breather (Not Shown - Hostile Environment)	1
	3790126	O-Ring (Not Shown - Hostile Environment)	1
	2180199	Fitting, Adapter (Not Shown - Hostile Environment)	1
	2180450	Fitting, Nipple (Not Shown - Hostile Environment)	1
—39	2180628	Pipe, Nipple	1
	0100020	Pipe Sealant	A/R
—40	2120104	Filter	1
	0100020	Pipe Sealant	A/R
	3520022	Plug, Magnetic	1
	0100020	Pipe Sealant	A/R
		<b>FUEL LINE INSTALLATION</b>	Ref.
—41	2200051	Plug, Pipe	1
—42	2220296	Fitting, Barbed 90° (Ford)	1
		Fitting, Barbed 45° (Wisconsin - Not Shown)	1
—43	2720058	Hose	A/R
—44	1320022	Clamp	2

SECTION 2 — ILLUSTRATED PARTS LIST

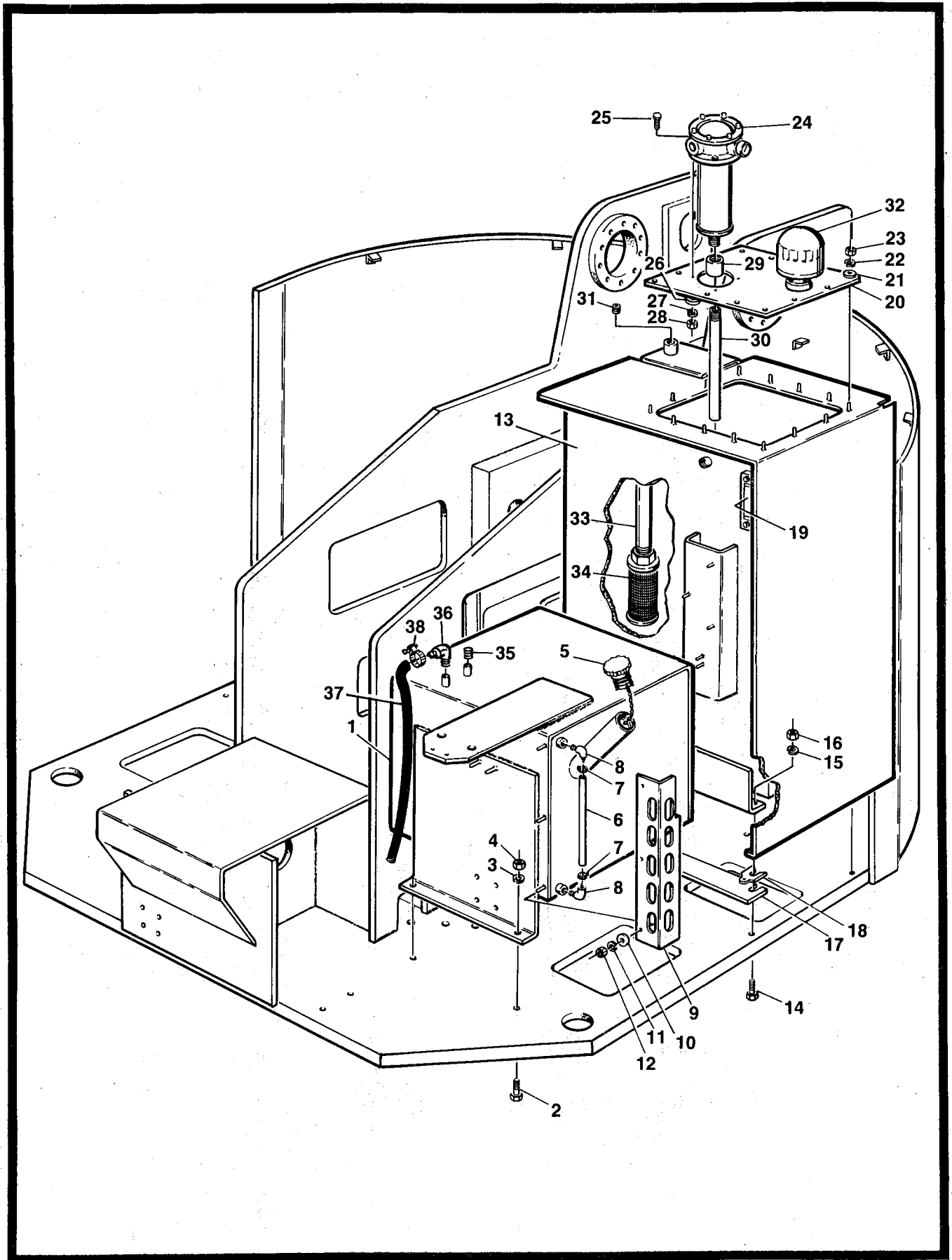
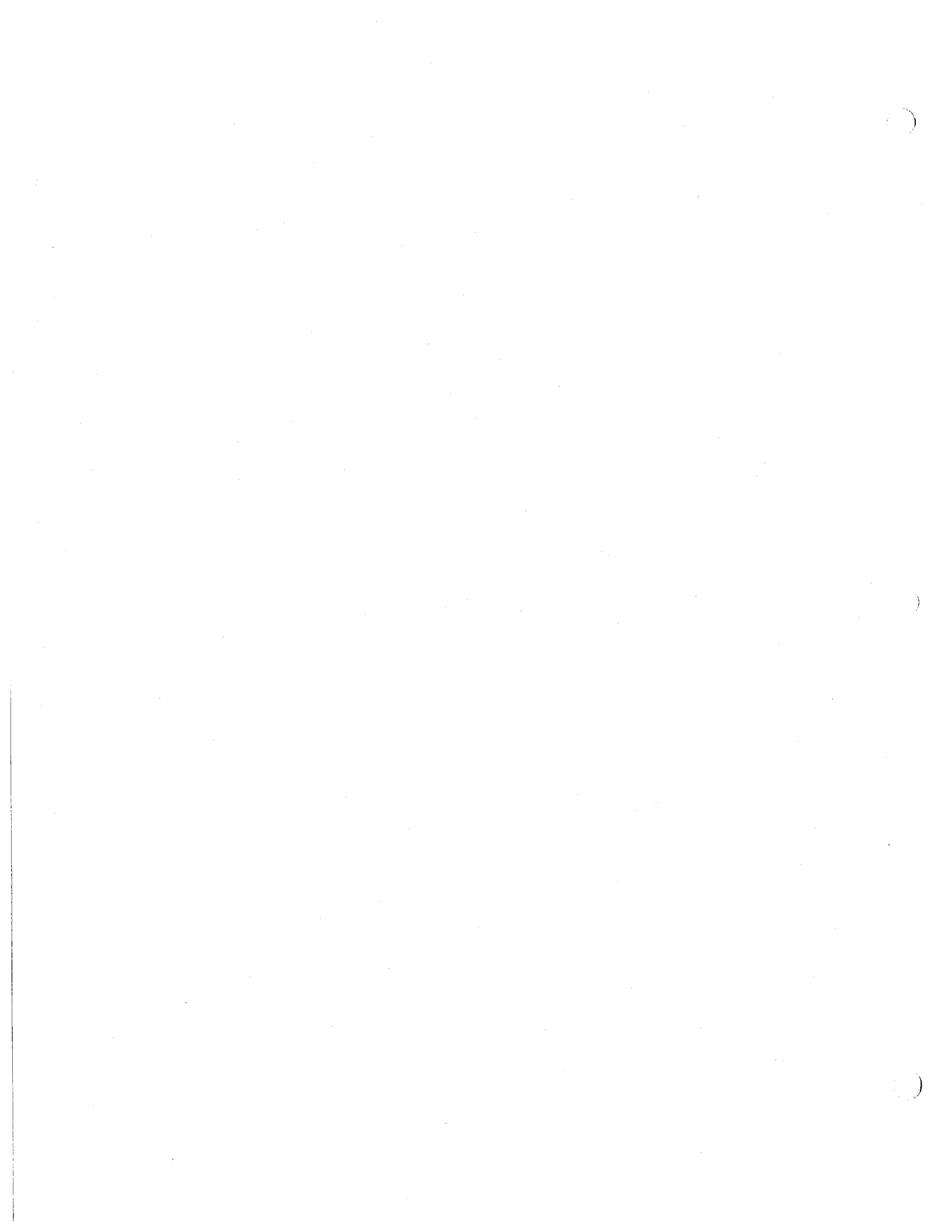


Figure 2-44. Tank Installation (Vickers).

**SECTION 2 — ILLUSTRATED PARTS LIST**

FIGURE & INDEX NO.	PART NUMBER	ITEMS & DESCRIPTION	QTY.
2-44	0238210	<b>TANK INSTALLATIONS (VICKERS)</b>	Ref.
	0238083	<b>FUEL TANK ASSEMBLY</b>	Ref.
-1	4400229	Tank (Attaching Parts)	1
-2	0641616	Bolt, Hex Head 3/8"-16NC x 2" long (Grade 5)	4
-3	4761600	Lockwasher 3/8" ID	4
-4	3311601	Nut, Hex 3/8"-16NC	4
-5	1120314	Fill Cap	1
-6	4562516	Tube (Attaching Parts)	1
-7	1320022	Clamp, Hose	2
-8	2180467	Fitting, 90° Barbed	2
	0100020	Loctite	A/R
-9	4060600	Shield, Sight Gauge (Attaching Parts)	1
-10	4751400	Flatwasher 1/4" ID	3
-11	4761400	Lockwasher 1/4" ID	3
-12	3311401	Nut, Hex 1/4"-20NC	3
	4400218	<b>OIL TANK ASSEMBLY</b>	Ref.
	4400220	<b>OIL TANK ASSEMBLY (PISTON PUMP)</b>	Ref.
-13	4842073	Oil Tank	1
	4842194	Oil Tank (Piston Pump) (Attaching Parts)	1
-14	0641616	Bolt, Hex Head 3/8"-16NC x 2" long (Grade 5)	4
-15	4761600	Lockwasher 3/8" ID	4
-16	3311601	Nut, Hex 3/8"-16NC	4
-17	4070550	Shim, Tank	A/R
-18	4070410	Shim - 1/16" thick	A/R
	4070411	Shim - 1/8" thick	A/R
	4070412	Shim - 3/16" thick	A/R
-19	2420080	Gauge, Hydraulic Oil Indicator	1
-20	1670394	Lid, Tank (Attaching Parts)	1
-21	4751400	Flatwasher 1/4" ID	14
-22	4761400	Lockwasher 1/4" ID	14
-23	3311401	Nut, Hex 1/4"-20NC	14
-24	2120103	Filter, Return (Attaching Parts)	1
-25	0641612	Bolt, Hex Head 3/8"-16NC x 1 1/2" long (Grade 5)	4
-26	4740322	Sealing Washer 3/8" ID	4
-27	4761600	Lockwasher 3/8" ID	4
-28	3311601	Nut, Hex 3/8"-16NC	4
-29	2120107	Element (Not Shown)	1
	2220268	Fitting, Pipe Coupling 1 1/2"	1
	0100020	Sealer	A/R
-30	2180627	Pipe Nipple	1
-31	2200204	Fitting, Pipe Plug 3/4"	1





SECTION 2 — ILLUSTRATED PARTS LIST

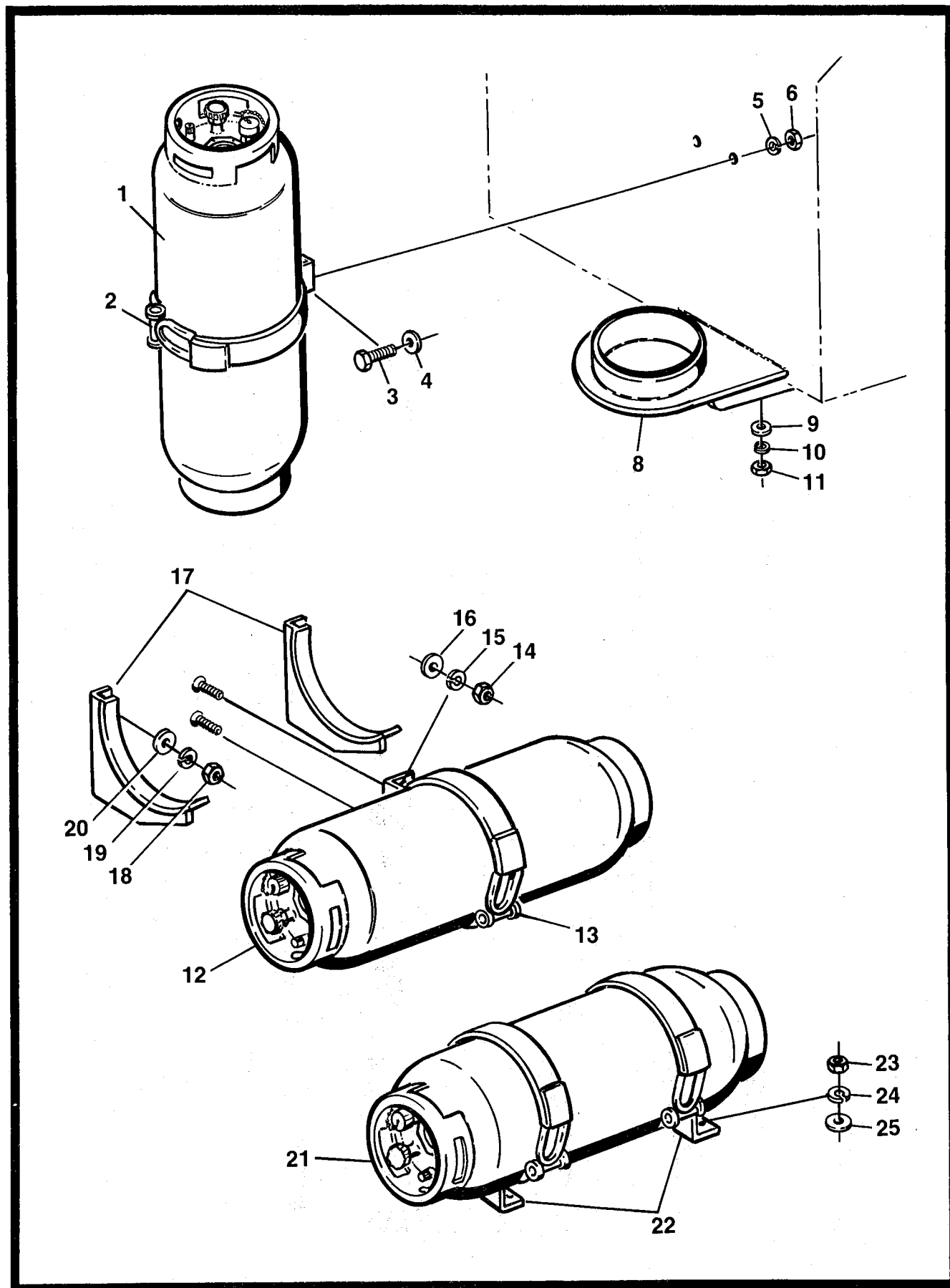


Figure 2-45. LP Gas Tanks Installation.



**SECTION 2 — ILLUSTRATED PARTS LIST**

FIGURE & INDEX NO.	PART NUMBER	ITEMS & DESCRIPTION	QTY.
2-45		<b>L.P. GAS TANKS INSTALLATION</b>	Ref.
	0236674	<b>TANKS INSTALLATION</b>	Ref.
	0236667	<b>TANKS INSTALLATION</b>	Ref.
	0237549	<b>TANKS INSTALLATION</b>	Ref.
-1	4400038	Tank, L.P. Gas	1
-2	1320023	Clamp, Bracket (Attaching Parts)	1
-3	0641508	Bolt 5/16"-18NC x 1"	2
-4	4751500	Flatwasher 5/16"	2
-5	4761500	Lockwasher 5/16"	2
-6	3311501	Nut 5/16"-18NC	2
-7	Not Used		
-8	4842140	Bracket, Tank (Attaching Parts)	1
-9	4751600	Flatwasher 3/8"	4
-10	4761600	Lockwasher 3/8"	4
-11	3311601	Nut 3/8"-16NC	4
-12	4400038	Tank, L.P. Gas	1
-13	1320023	Clamp, Bracket (Attaching Parts)	1
-14	3311601	Nut 3/8"-16NC	2
-15	4761600	Lockwasher 3/8"	2
-16	4751600	Flatwasher 3/8"	2
	4300034	Stud (Welded On Part)	2
-17	0900935	Bracket (Attaching Parts)	2
-18	3311601	Nut 3/8"-16NC	4
-19	4761600	Lockwasher 3/8"	4
-20	4751600	Flatwasher 3/8"	4
	4300034	Stud (Welded On Part)	4
-21	4400038	Tank, L.P. Gas	1
-22	1320023	Clamp, Bracket (Attaching Parts)	2
-23	3311601	Nut 3/8"-16NC	2
-24	4761600	Lockwasher 3/8"	2
-25	4751600	Flatwasher 3/8"	2
	4300034	Stud (Welded On Part)	2

SECTION 2 — ILLUSTRATED PARTS LIST

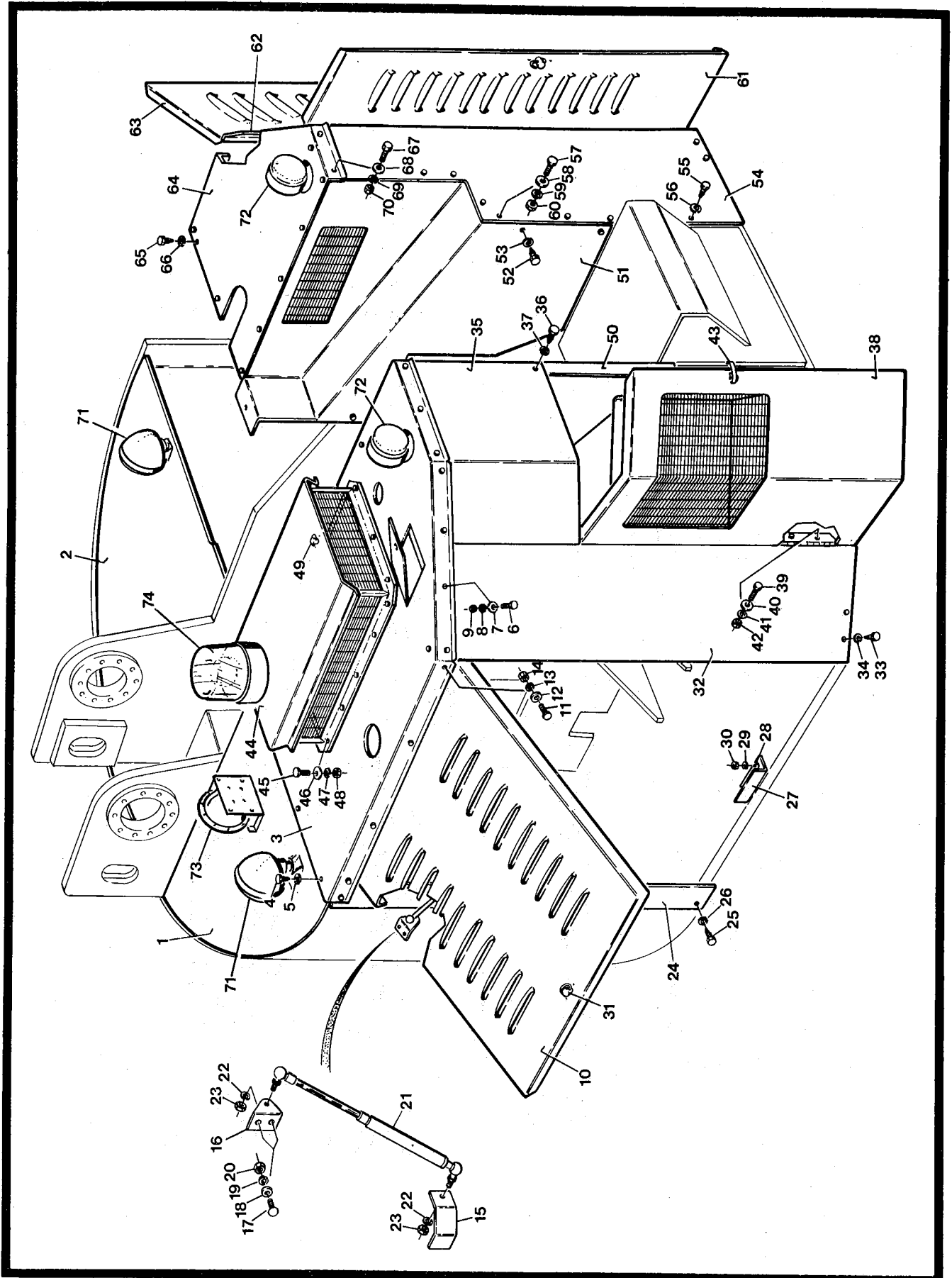


Figure 2-46. Hood Installation and Accessories (Standard).

**SECTION 2 — ILLUSTRATED PARTS LIST**

FIGURE & INDEX NO.	PART NUMBER	ITEMS & DESCRIPTION	QTY.
2-46		<b>HOOD INSTALLATION AND ACCESSORIES (STANDARD)</b>	Ref.
	0236605	<b>HOOD INSTALLATION (FORD)</b>	Ref.
	0236618	<b>HOOD INSTALLATION (DEUTZ)</b>	Ref.
-1	1670326	Cover - L.H. (Welded In Place)	1
-2	1670328	Cover - R.H. (Welded In Place)	1
-3	4842092	Engine Cover (Ford)	1
	1670331	Engine Cover (Deutz - Not Shown) (Attaching Parts)	1
-4	3900022	Self-Tapper 1/4" x 3/4" long	6
-5	4761400	Lockwasher 1/4" ID	6
-6	0641406	Bolt, Hex 1/4"-20NC x 3/4" long (Grade 5)	7
-7	4751400	Flatwasher 1/4" ID	7
-8	4761400	Lockwasher 1/4" ID	7
-9	3311401	Nut, Hex 1/4"-20NC	7
-10	4842228	Door - Engine (Attaching Parts)	1
-11	0641406	Bolt, Hex 1/4"-20NC x 3/4" long (Grade 5)	4
-12	4751400	Flatwasher 1/4" ID	4
-13	4761400	Lockwasher 1/4" ID	4
-14	3311401	Nut, Hex 1/4"-20NC	4
-15	0901256	Bracket, Gas Spring Mounting (Welded In Place)	1
-16	3200222	Gas Spring Mount (Attaching Parts)	1
-17	0630383	Bolt, Carriage 5/16"-18NC x 3/4" long	2
-18	4751500	Flatwasher 5/16" ID	2
-19	4761500	Lockwasher 5/16" ID	2
-20	3311501	Nut 5/16"-18NC	2
-21	4160081	Gas Spring (Attaching Parts)	1
-22	4761400	Lockwasher 1/4" ID	2
-23	3311401	Nut 1/4"-20NC	2
-24	0880083	Filler Plate (Attaching Parts)	1
-25	3900022	Self-Tapper 1/4" x 3/4" long	5
-26	4761400	Lockwasher 1/4" ID	5
-27	3820019	Latch Plate (Attaching Parts)	1
-28	4300032	Stud (Welded In Place) 1/4"-7/8" long	2
-29	4761400	Lockwasher 1/4" ID	2
-30	3311401	Nut, Hex 1/4"-20NC	2
-31	2940048	Latch	1
	2080004	Fastener	1
-32	0880085	Brace (Ford)	1
	4842108	Brace (Deutz - Not Shown) (Attaching Parts)	1
-33	3900022	Self-Tapper 1/4" x 3/4" long	2
-34	4761400	Lockwasher 1/4" ID	2

**SECTION 2 — ILLUSTRATED PARTS LIST**

FIGURE & INDEX NO.	PART NUMBER	ITEMS & DESCRIPTION	QTY.
2-46		<b>HOOD INSTALLATION AND ACCESSORIES (STANDARD) (CONTINUED)</b>	Ref.
-35	0880084	Brace (Attaching Parts)	1
-36	3900022	Self-Tapper 1/4" x 3/4" long	4
-37	4761400	Lockwasher 1/4" ID	4
-38	1780180	Door - Radiator (Ford) (Attaching Parts)	1
-39	0641406	Bolt, Hex Head 1/4"-20NC x 3/4" long (Grade 5)	4
-40	4751400	Flatwasher 1/4" ID	4
-41	4761400	Lockwasher 1/4" ID	4
-42	3311401	Nut, Hex 1/4"-20NC	4
-43	2940008	Fastener	1
-44	4843098	Door (Deutz - Takes Place Of Items 35 And 38)	1
-44	4841882	Ventilator (Attaching Parts)	1
-45	0641406	Bolt, Hex Head 1/4"-20NC x 3/4" long (Grade 5)	16
-46	4751400	Flatwasher 1/4" ID	16
-47	4761400	Lockwasher 1/4" ID	16
-48	3311401	Nut, Hex 1/4"-20NC	16
-49	2940050	Latch	1
-50	3380338	Inside Panel - L.H. (Attaching Parts)	1
	3900022	Self-Tapper 1/4" x 3/4" long (Not Shown)	6
	4761400	Lockwasher 1/4" ID (Not Shown)	6
-51	4842112	Inside Panel - R.H. (Attaching Parts)	1
-52	3900022	Self-Tapper 1/4" x 3/4" long	6
-53	4761400	Lockwasher 1/4" ID	6
-54	3380334	Plate (Attaching Parts)	1
-55	3900022	Self-Tapper 1/4" x 3/4" long	2
-56	4761400	Lockwasher 1/4" ID	2
-57	0641406	Bolt, Hex Head 1/4"-20NC x 3/4" long (Grade 5)	4
-58	4751400	Flatwasher 1/4" ID	4
-59	4761400	Lockwasher 1/4" ID	4
-60	3311401	Nut, Hex 1/4"-20NC	4
-61	4842098	Door (Attaching Parts)	1
	0641406	Bolt, Hex Head 1/4"-20NC x 3/4" long (Grade 5)	4
	4751400	Flatwasher 1/4" ID	4
	4761400	Lockwasher 1/4" ID	4
	3311401	Nut, Hex 1/4"-20NC	4
-62	4842096	Brace (Attaching Parts)	1
	3900022	Self-Tapper 1/4" x 3/4" long	2
	4761400	Lockwasher 1/4" ID	2

**SECTION 2 — ILLUSTRATED PARTS LIST**

FIGURE & INDEX NO.	PART NUMBER	ITEMS & DESCRIPTION	QTY.
2-46		<b>HOOD INSTALLATION AND ACCESSORIES (STANDARD) (CONTINUED)</b>	Ref.
-63	4842097 0641406 4751400 4761400 3311401	Door (Attaching Parts) Bolt, Hex Head 1/4"-20NC x 3/4" long (Grade 5) Flatwasher 1/4" ID Lockwasher 1/4" ID Nut, Hex 1/4"-20NC	1 4 4 4 4
-64	1670317	Cover, Valve (Attaching Parts)	1
-65	3900022	Self-Tapper 1/4" x 3/4" long	7
-66	4761400	Lockwasher 1/4" ID	7
-67	0641406	Bolt, Hex Head 1/4"-20NC x 3/4" long (Grade 5)	5
-68	4751400	Flatwasher 1/4" ID	5
-69	4761400	Lockwasher 1/4" ID	5
-70	3311401	Nut, Hex 1/4"-20NC	5
	1670343	Cover, Turntable (Hostile Environment - Not Shown)	1
	1670344	Angle, Cover (Hostile Environment - Not Shown)	2
	0236788	<b>HEAD AND TAIL LIGHTS INSTALLATION (OPTIONAL)</b>	Ref.
-71	2920001 4300031 4751400 4761400 3311401	Head Lights (Attaching Parts) Weld Stud 1/4"-20NC x 5/8" long Flatwasher 1/4" ID Lockwasher 1/4" ID Nut, Hex 1/4"-20NC	2 4 4 4 4
-72	2920019 3740002 0900905 4360097 1700244 1700238	Tail Lights (Red) (Located At Ground Control Box) Relay (Located At Ground Control Box) Switch Bracket (Located At Ground Control Box) Circuit Breaker (Located At Ground Control Box) Decal (Located At Ground Control Box) Decal (Located At Ground Control Box)	2 1 1 1 1 1
-73	0140012 4300031 4751400 4761400 3311401	Travel Alarm (Attaching Parts) Weld Stud 1/4"-NC x 5/8" long Flatwasher 1/4" ID Lockwasher 1/4" ID Nut 1/4"-20NC	1 4 4 4 4
-74	2920009 2920018	Rotating Beacon (Red) Rotating Beacon (Amber)	1 1

SECTION 2 — ILLUSTRATED PARTS LIST

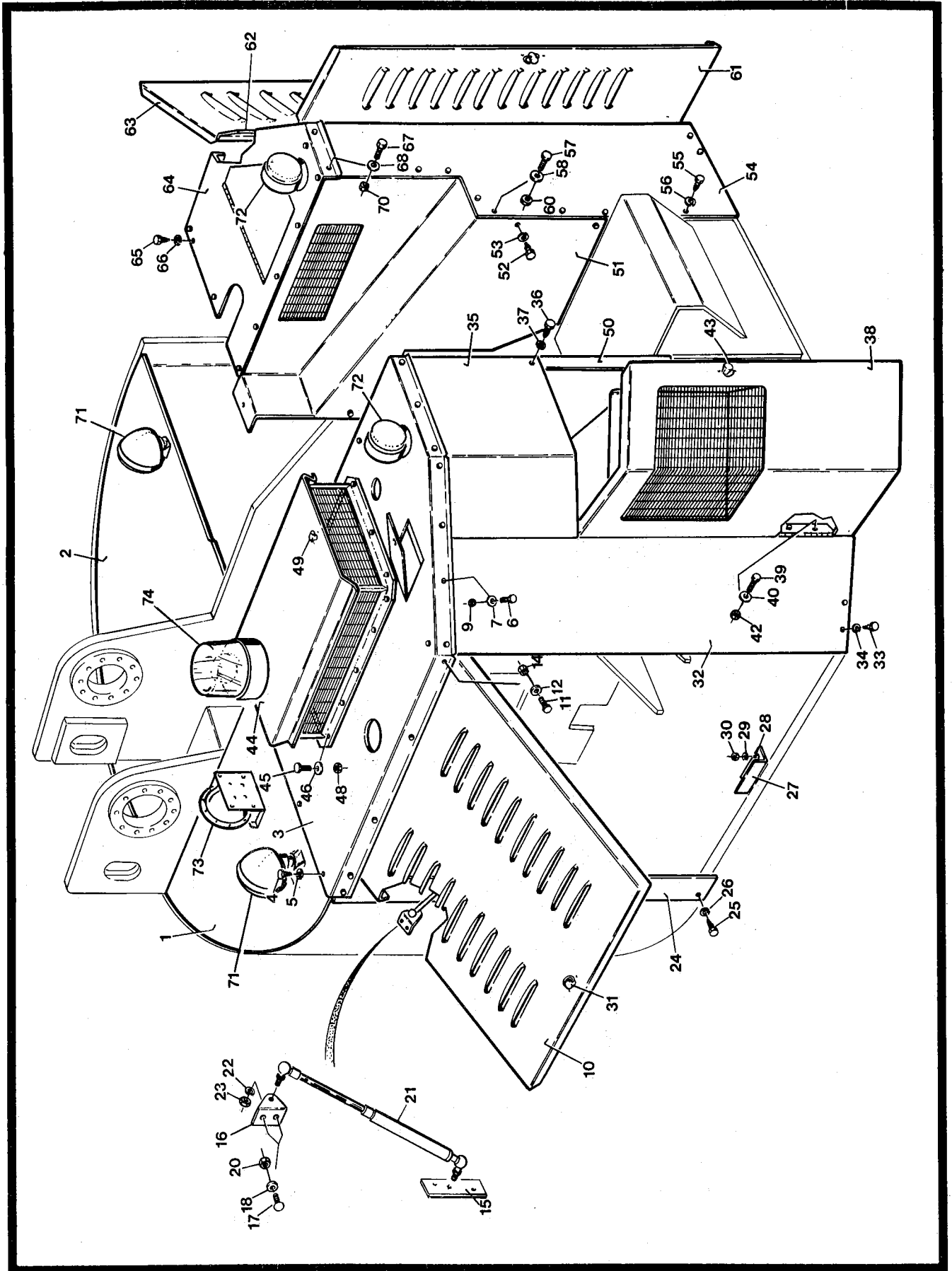


Figure 2-47. Hood Installation and Accessories (7'x 7', Vickers and 60HTH).

**SECTION 2: — ILLUSTRATED PARTS LIST**

FIGURE & INDEX NO.	PART NUMBER	ITEMS & DESCRIPTION	QTY.
2-47		<b>HOOD INSTALLATION AND ACCESSORIES (7' X 7', VICKERS &amp; 60HTH)</b>	Ref.
	0238184	<b>HOOD INSTALLATION (FORD)</b>	Ref.
	0237114	<b>HOOD INSTALLATION (DEUTZ)</b>	Ref.
	0237311	<b>HOOD INSTALLATION (WISCONSIN)</b>	Ref.
	0238283	<b>HOOD INSTALLATION (FORD W/OSCILLATING AXLE)</b>	Ref.
	0237115	<b>HOOD INSTALLATION (7' x 7' FORD)</b>	Ref.
-1	1670359	Cover, Engine Side (Ford, Deutz, Wisconsin)	1
	1670435	Cover, Engine Side (Ford, w/Oscillating Axle)	1
-2	1670360	Cover, Valve Side (Ford, Deutz, Wisconsin)	1
	1670436	Cover, Valve Side (Ford w/Oscillating Axle)	1
-3	4842823	Engine Cover (Ford, Ford w/Oscillating Axle)	1
	4842347	Engine Cover (7' x 7' Ford)	1
	1670411	Engine Cover (Deutz)	1
	1670382	Engine Cover (Wisconsin) (Attaching Parts)	1
-4	3941405	Self-Tapper 1/4"-20NC x 5/8" long (Grade 5)	8
-5	4761400	Lockwasher 1/4" ID	8
-6	0641406	Bolt, Hex Head 1/4"-20NC x 3/4" long (Grade 5)	7
-7	4751400	Flatwasher 1/4" ID	7
-8	Not Used		
-9	3311405	Nut, Hex 1/4"-20NC	7
-10	4842348	Door - Engine (Attaching Parts)	1
-11	0641406	Bolt, Hex Head 1/4"-20NC x 3/4" long (Grade 5)	4
-12	4751400	Flatwasher 1/4" ID	4
-13	Not Used		
-14	3311401	Nut, Hex 1/4"-20NC	4
-15	4842350	Bracket, Gas Spring (Ford)	1
	0901355	Bracket, Gas Spring (Deutz, Wisconsin)	1
	4842131	Bracket, Gas Spring (Ford w/Oscillating Axle) (Attaching Parts)	1
	0641608	Bolt, Hex Head 3/8"-16NC x 1" long (Grade 5)	2
	4751600	Flatwasher 3/8" ID	2
	4761600	Lockwasher 3/8" ID	2
-16	3200222	Gas Spring Mount (Attaching Parts)	1
-17	0630383	Carriage Bolt 5/16"-18NC x 3/4" long	2
-18	4751500	Flatwasher 5/16" ID	2
-19	Not Used		
-20	3311505	Nut, Hex 5/16"-18NC	2
-21	4160081	Gas Spring (Attaching Parts)	1
-22	4751500	Flatwasher 5/16" ID	1
-23	3311505	Nut, Hex 5/16"-18NC	1
-24	0880083	Filler (Ford, Ford w/Oscillating Axle)	1
	0880091	Filler (Deutz, Wisconsin) (Attaching Parts)	1

**SECTION 2 — ILLUSTRATED PARTS LIST**

FIGURE & INDEX NO.	PART NUMBER	ITEMS & DESCRIPTION	QTY.
2-47		<b>HOOD INSTALLATION AND ACCESSORIES (7'X 7', VICKERS &amp; 60HTH) (CONTINUED)</b>	Ref.
-25	3941405	Self-Tapper 1/4"-20NC x 5/8" long	4
-26	4761400	Lockwasher 1/4" ID	4
-27	3509860	Latch Plate (Ford, Ford w/Oscillating Axle)	1
	3530998	Latch Plate (Deutz, Wisconsin) (Attaching Parts)	1
-28	4300032	Stud 1/4"-20NC x 7/8" long (Welded On Part)	2
-29	4761400	Lockwasher 1/4" ID	2
-30	3311405	Nut, Hex 1/4"-20NC	2
-31	2940048	Latch	1
	2080004	Fastener	1
-32	0880085	Brace (Ford, Ford w/Oscillating Axle Only)	1
	4842546	Brace (Deutz - Not Shown) (Attaching Parts)	1
-33	3941405	Self-Tapper 1/4"-20NC x 5/8" long (Ford Only)	2
-34	4761400	Lockwasher 1/4" ID (Ford Only)	2
-35	0880084	Brace (Ford, Ford w/Oscillating Axle Only) (Attaching Parts)	1
-36	3941405	Self-Tapper 1/4"-20NC x 5/8" long (Ford Only)	4
-37	4761400	Lockwasher 1/4" ID (Ford Only)	4
-38	1780217	Door (Ford, Ford w/Oscillating Axle Only)	1
	1780213	Door (7' x 7' Ford)	1
	4842545	Door (Deutz - Not Shown)	1
	4842744	Air Intake (Wisconsin - Not Shown) (Attaching Parts)	1
-39	0641406	Bolt, Hex Head 1/4"-20NC x 3/4" long (Grade 5)	4
-40	4751400	Flatwasher 1/4" ID	4
-41	Not Used		
-42	3311405	Nut 1/4"-20NC	4
-43	2940048	Latch (Ford, Ford w/Oscillating Axle, Deutz)	1
-44	4841882	Ventilator (Attaching Parts)	1
-45	0641406	Bolt, Hex Head 1/4"-20NC x 3/4" long (Grade 5)	16
-46	4751400	Flatwasher 1/4" ID	16
-47	Not Used		
-48	3311405	Nut, Hex 1/4"-20NC	16
-49	2940050	Latch	1
-50	3380338	Inside Panel - L.H. (Attaching Parts)	1
	3941405	Self-Tapper 1/4"-20NC x 5/8" long	6
	4761400	Lockwasher 1/4" ID	6
-51	4842112	Inside Panel - R.H. (Attaching Parts)	1
-52	3941405	Self-Tapper 1/4"-20NC x 5/8" long	6
-53	4761400	Lockwasher 1/4" ID	6
-54	3380334	Front Panel - Right (Attaching Parts)	1



**SECTION 2 — ILLUSTRATED PARTS LIST**

FIGURE & INDEX NO.	PART NUMBER	ITEMS & DESCRIPTION	QTY.
2—47		<b>HOOD INSTALLATION AND ACCESSORIES (7'X 7', VICKERS &amp; 60HTH) (CONTINUED)</b>	Ref.
—55	3941405	Self-Tapper 1/4"-20NC x 5/8" long	2
—56	4761400	Lockwasher 1/4" ID	2
—57	0641406	Bolt, Hex Head 1/4"-20NC x 3/4" long (Grade 5)	4
—58	4751400	Flatwasher 1/4" ID	4
—59	Not Used		
—60	3311405	Nut, Hex 1/4"-20NC	4
—61	4842844	Door (All Except 7' x 7' Ford)	1
	4842098	Door (7' x 7' Ford) (Attaching Parts)	1
	0641406	Bolt, Hex Head 1/4"-20NC x 3/4" long (Grade 5)	4
	4751400	Flatwasher 1/4" ID	4
	3311401	Nut, Hex 1/4"-20NC	4
—62	4842096	Brace (Attaching Parts)	1
	3941405	Self-Tapper 1/4"-20NC x 5/8" long	6
	4761400	Lockwasher 1/4" ID	6
—63	4842097	Door (Attaching Parts)	1
	0641406	Bolt, Hex Head 1/4"-20NC x 3/4" long (Grade 5)	4
	4751400	Flatwasher 1/4" ID	4
	3311401	Nut, Hex 1/4"-20NC	4
—64	4842349	Cover, Valve (Attaching Parts)	1
—65	3951405	Self-Tapper 1/4"-20NC x 5/8" long	7
—66	4761400	Lockwasher 1/4" ID	7
—67	0641406	Bolt, Hex Head 1/4"-20NC x 3/4" long (Grade 5)	5
—68	4751400	Flatwasher 1/4" ID	5
—69	Not Used		
—70	3311401	Nut, Hex 1/4"-20NC	5
	1670343	Cover, Turntable (Hostile Environment - Not Shown)	1
	1670344	Angle, Cover (Hostile Environment - Not Shown)	2
	0236788	<b>HEAD AND TAIL LIGHTS INSTALLATION (OPTIONAL)</b>	Ref.
—71	2910001	Head Lights (Attaching Parts)	2
	4300031	Stud 1/4"-20NC x 5/8" long	4
	4751400	Flatwasher 1/4" ID	4
	4761400	Lockwasher 1/4" ID	4
	3311401	Nut, Hex 1/4"-20NC	4
—72	2920019	Tail Lights (Red) (Located At Ground Control Box)	2
	3740002	Relay (Located At Ground Control Box)	1
	0950905	Switch Bracket (Located At Ground Control Box)	1
	4360097	Circuit Breaker (Located At Ground Control Box)	1
	1700244	Decal (Located At Ground Control Box)	1
	1700238	Decal (Located At Ground Control Box)	1
—73	0140012	Travel Alarm (Attaching Parts)	1

**SECTION 2 — ILLUSTRATED PARTS LIST**

FIGURE & INDEX NO.	PART NUMBER	ITEMS & DESCRIPTION	QTY.
2—47		<p><b>HOOD INSTALLATION AND ACCESSORIES (7'X 7', VICKERS &amp; 60HTH) (CONTINUED)</b></p> <p>Stud 1/4"-20NC x 5/8" long</p> <p>Flatwasher 1/4" ID</p> <p>Lockwasher 1/4" ID</p> <p>Nut 1/4"-20NC</p>	<p>Ref.</p> <p>4</p> <p>4</p> <p>4</p> <p>4</p>
—74	<p>2920009</p> <p>2920018</p>	<p>Rotating Beacon (Red)</p> <p>Rotating Beacon (Amber)</p>	<p>1</p> <p>1</p>

SECTION 2 — ILLUSTRATED PARTS LIST

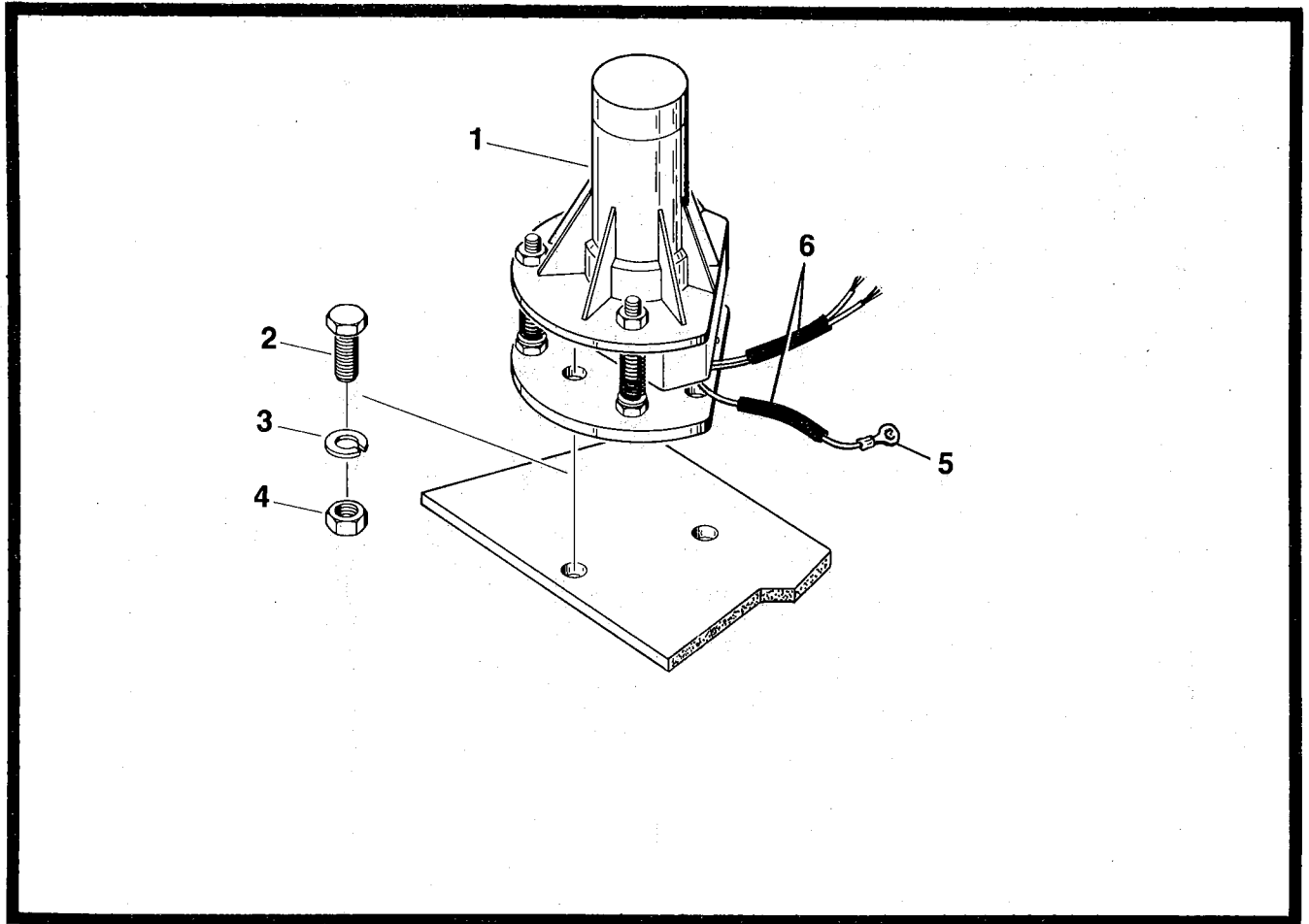


Figure 2-48. Tilt Indicator Installation.

FIGURE & INDEX NO.	PART NUMBER	ITEMS & DESCRIPTION	QTY.
2-48	0237189	<b>TILT INDICATOR INSTALLATION</b>	Ref.
-1	4360171	Sensor, Level Indicator (Attaching Parts)	1
-2	4300032	Stud 1/4"-20NC x 7/8" long	2
-3	4761400	Lockwasher 1/4" ID	2
-4	3311401	Nut, Hex 1/4"-20NC	2
-5	4460043	Terminal	1
-6	2820022	Vinyl Tubing 1/4"	.88'

SECTION 2 — ILLUSTRATED PARTS LIST

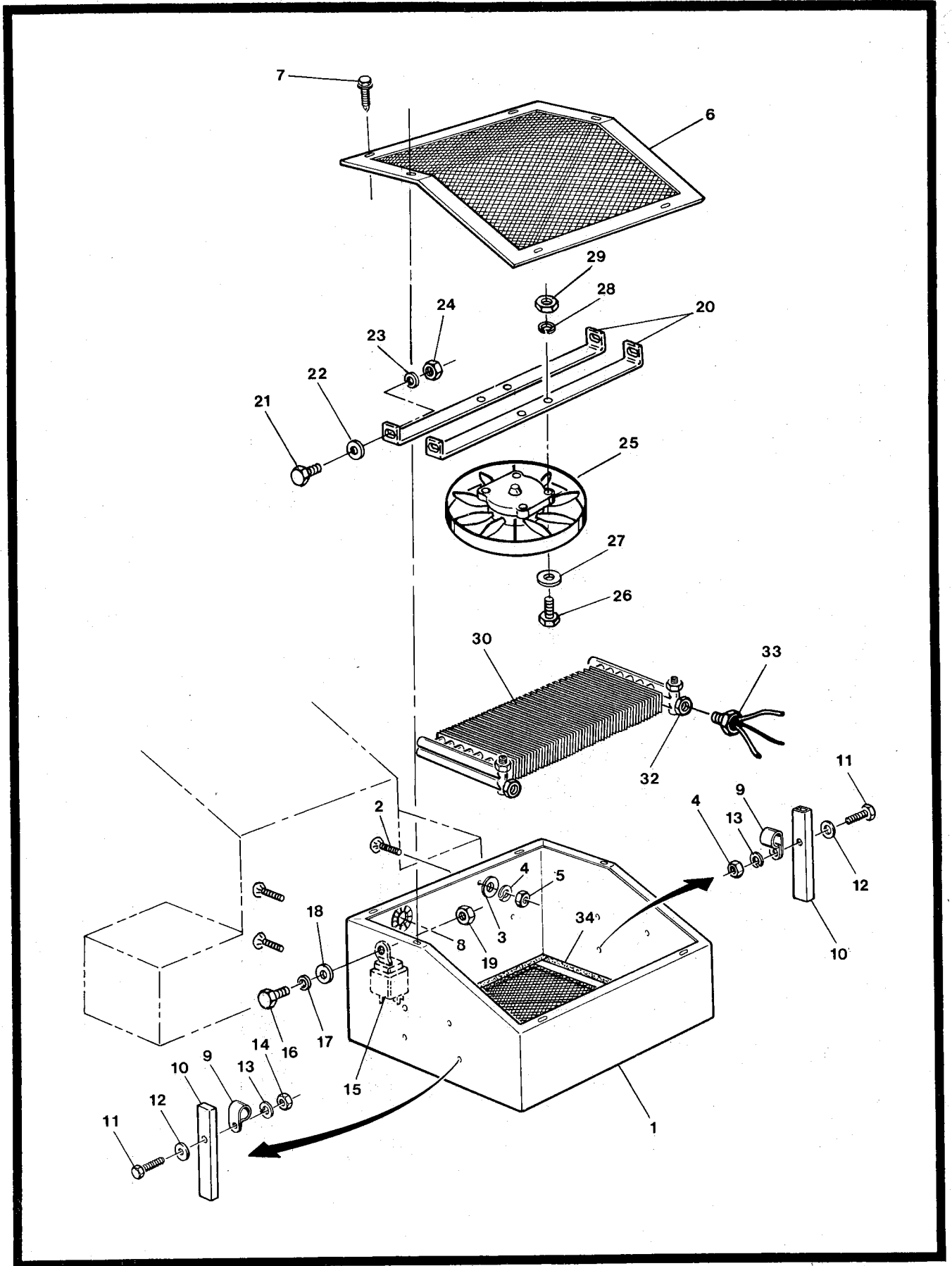


Figure 2-49. Oil Cooler Installation.

**SECTION 2 — ILLUSTRATED PARTS LIST**

FIGURE & INDEX NO.	PART NUMBER	ITEMS & DESCRIPTION	QTY.
2-49	0237176	<b>OIL COOLER INSTALLATION</b>	Ref.
-1	0860365	Box Weldment (Attaching Parts)	1
-2	4300034	Stud (Welded On Part)	4
-3	4751600	Flatwasher 3/8"	4
-4	4761600	Lockwasher 3/8"	4
-5	3311601	Nut 3/8"-16NC	4
-6	2520071	Grill Weldment (Attaching Parts)	1
-7	3941403	Screw, Self Tap 1/4"-20NC x 3/8"	6
-8	2540002	Grommet	1
-9	1320060	Clamp, Hose	4
-10	4561947	Tube (Attaching Parts)	2
-11	0641412	Bolt, Hex 1/4"-20NC x 1 1/2"	4
-12	4751400	Flatwasher 1/4"	4
-13	4761400	Lockwasher 1/4"	4
-14	3311401	Nut 1/4"-20NC	4
-15	3740049	Relay, Weatherproof (Attaching Parts)	1
-16	0721008	Screw, Hex #10-24NC x 1"	1
-17	4761000	Lockwasher #10	1
-18	4751000	Flatwasher #10	1
-19	3311001	Nut #10-24NC	1
-20	0901123	Bracket (Attaching Parts)	2
-21	0641508	Bolt, Hex 5/16"-18NC x 1"	4
-22	4751500	Flatwasher 5/16"	4
-23	4761500	Lockwasher 5/16"	4
-24	3311501	Nut 5/16"-18NC	4
-25	2060012	Electric Motor, Fan and Assembly (Attaching Parts)	1
-26	0721008	Screw, Hex #10-24NC x 1"	4
-27	4751000	Flatwasher #10	4
-28	4761000	Lockwasher #10	4
-29	3311001	Nut #10-24NC	4
-30	3620016	Cooler, Oil (Attaching Parts)	1
-31	Not Used		
-32	2220282	Pipe Reducer	1
-33	4360181	Temperature Switch	1
	0100020	Pipe Sealer	A/R
-34	4280059	Strip, Rubber	4
	0100001	Adhesive	A/R

SECTION 2 — ILLUSTRATED PARTS LIST

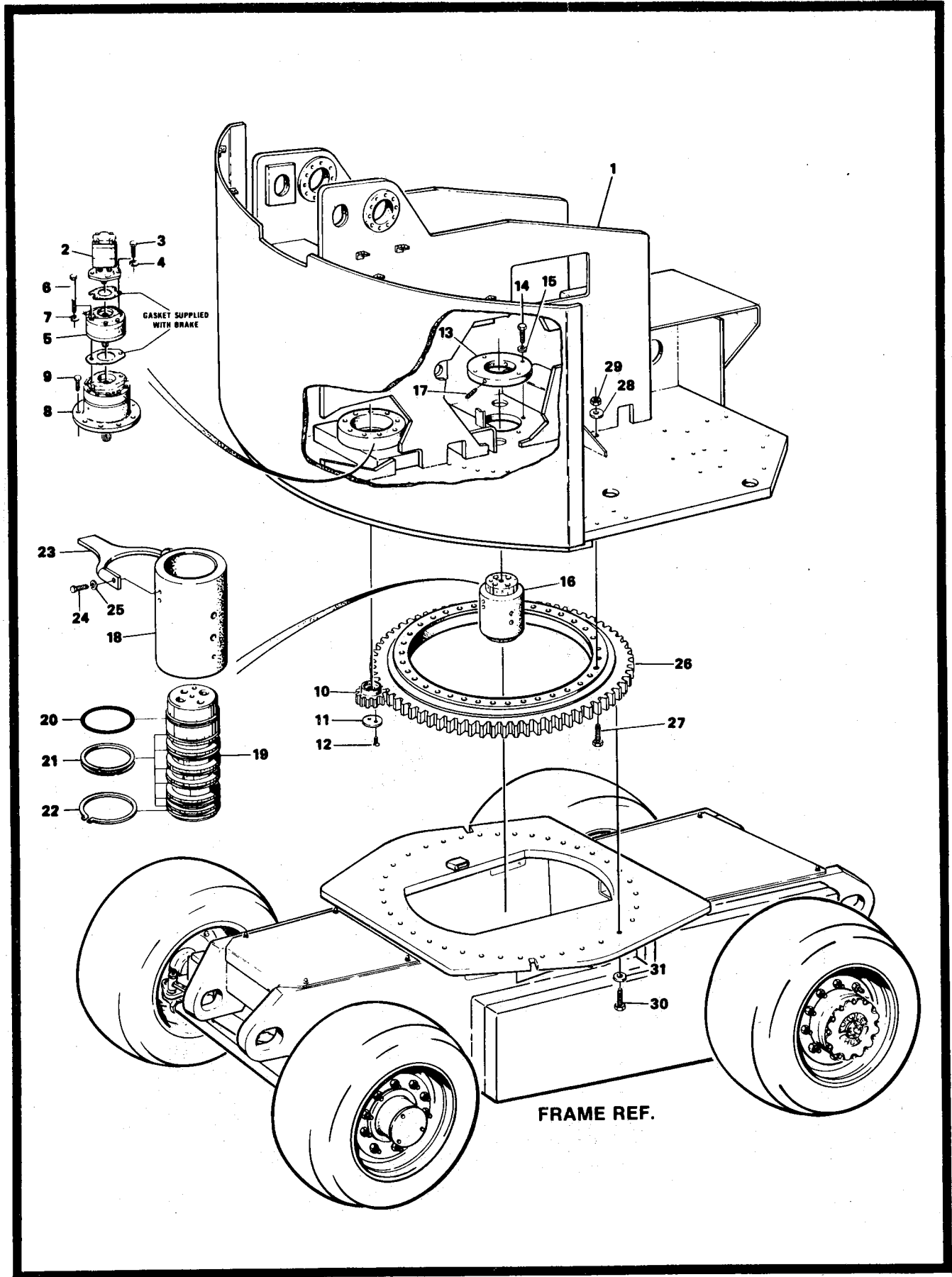


Figure 2-50. Turntables and Swing Components Assemblies and Installations.

**SECTION 2 — ILLUSTRATED PARTS LIST**

FIGURE & INDEX NO.	PART NUMBER	ITEMS & DESCRIPTION	QTY.
2—50		<b>TURNTABLE AND SWING COMPONENTS ASSEMBLIES AND INSTALLATIONS</b>	Ref.
—1	4620016	Turntable (Standard)	1
	4620019	Turntable (7' x 7')	1
	4620028	Turntable (Vickers and 60HTH with Fixed Axle)	1
	4620029	Turntable (60HTH with Oscillating Axle)	1
	0236641	<b>SWING DRIVE ASSEMBLY (STANDARD)</b>	Ref.
	0237185	<b>SWING DRIVE ASSEMBLY (7' x 7', VICKERS AND 60HTH)</b>	Ref.
—2	3160114	Motor (See Figure 2-51 For Breakdown) (Attaching Parts)	1
—3	0641810	Bolt 1/2"-13NC x 1 1/4"	2
—4	4761800	Lockwasher 1/2"	2
	4740171	Washer, Hardened	2
—5	0920032	Brake (See Figures 2-52 and 2-53 For Breakdown) (Attaching Parts)	1
—6	0641836	Bolt 1/2"-13NC x 4 1/2" (Grade 8)	2
—7	4761800	Lockwasher 1/2"	2
—8	2780055	Hub, Torque (See Figure 2-54 For Breakdown) (Attaching Parts)	1
—9	0641912	Bolt 9/16"-12NC x 1 1/2"	9
	0100019	Loctite	A/R
—10	2440045	Gear, Pinion (Attaching Parts)	1
—11	3501916	Plate, Retaining	1
—12	3900031	Screw, Countersunk 3/8"-16NC x 3/4"	2
	0100019	Loctite	A/R
	0234479	<b>ROTARY OIL COUPLING INSTALLATION (STANDARD AND 7' x 7')</b>	Ref.
	0238032	<b>ROTARY OIL COUPLING INSTALLATION (VICKERS AND 60HTH)</b>	Ref.
—13	1440154	Collar (Standard and 7' x 7')	1
	1440160	Collar (Vickers and 60HTH) (Attaching Parts)	1
—14	0641512	Bolt 5/16"-18NC x 1 1/2"	4
—15	4761500	Lockwasher 5/16"	4
—16	1660031	Coupling - 6 Port	1
	1660154	Coupling - 6 Port	1
	1660160	Coupling - 7 Port (Vickers and 60HTH)	1
		NOTE: Refer to Part Number stamped on Coupling. (Attaching Parts)	
—17	3951820	Setscrew 1/2"-13NC x 2 1/2"	2
	0100011	Nylock	A/R
—18	2760025	Housing, Swivel (1660031 and 1660154 Coupling)	1
	2760091	Housing, Swivel (1660160 Coupling)	1

**SECTION 2 — ILLUSTRATED PARTS LIST**

FIGURE & INDEX NO.	PART NUMBER	ITEMS & DESCRIPTION	QTY.
2—50		<b>TURNTABLE AND SWING COMPONENTS ASSEMBLIES AND INSTALLATIONS (CONTINUED)</b>	Ref.
—19	0620006	Body, Swivel (1660031 Coupling)	1
	0620055	Body, Swivel (1660154 Coupling)	1
	0620058	Body, Swivel (1660160 Coupling)	1
—20	3790425	O-Ring	1
—21	3960013	Seal (1660031 and 1660154 Coupling)	6
	3960013	Seal (1660160 Coupling)	7
—22	3760004	Ring, Retaining	1
—23	3530403	Plate, Retaining (Attaching Parts)	1
—24	0641807	Bolt, 1/2"-13NC x 7/8"	2
—25	4761800	Lockwasher 1/2"	2
	0100003	Loctite	A/R
		-----	
	0236642	<b>BEARING INSTALLATION</b>	Ref.
—26	0440071	Bearing (Attaching Parts)	1
—27	0682022	Bolt 5/8"-11NC x 2 3/4" (Grade 8)	36
—28	4740004	Washer, Special	36
—29	3300183	Nut 5/8"-11NC (Grade 8)	36
	0100019	Loctite	A/R
—30	0630160	Bolt 1/2"-13NC x 2" (Grade 8)	36
—31	4740003	Washer, Special	36
	0100019	Loctite	A/R
		-----	



SECTION 2 — ILLUSTRATED PARTS LIST

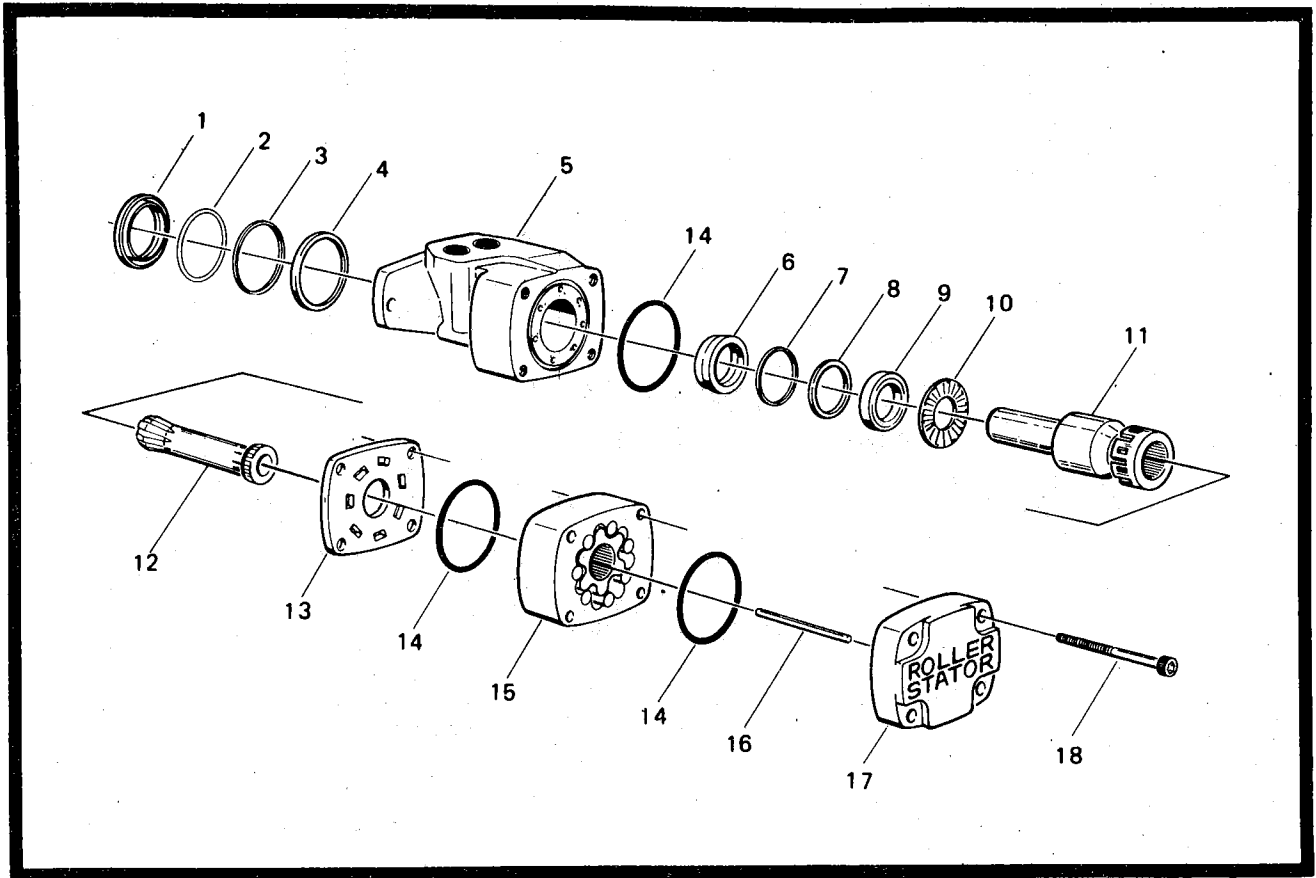


Figure 2-51. Swing Drive Motor Assembly.

FIGURE & INDEX NO.	PART NUMBER	ITEMS & DESCRIPTION	QTY.
2-51	3160114	<b>SWING DRIVE MOTOR ASSEMBLY</b>	Ref.
-1	7005800	Seal Dust	1
-2	7005801	Ring, Wire	1
-3	7005802	Shim	1
-4	7005803	Seal	1
-5	7005818	Housing	1
-6	7005805	Seal, Carrier	1
-7	7005806	Shim	1
-8	7005807	Leather Back-up	1
-9	7005808	Seal, Shaft	1
-10	7005809	Bearing, Thrust	1
-11	7005810	Shaft RS	1
-12	7005811	Link, Drive	1
-13	7005812	Plate, Wear	1
-14	7005813	Seal	3
-15	7005819	Stator, Roller	1
-16	7005820	Pin, Dowel	1
-17	7005816	Cover, End	1
-18	7005821	Bolt	4
	2900477	Seal Kit Consisting of Items 1, 2, 3, 4, 6, 7, 8, 9, and 14	1

SECTION 2 — ILLUSTRATED PARTS LIST

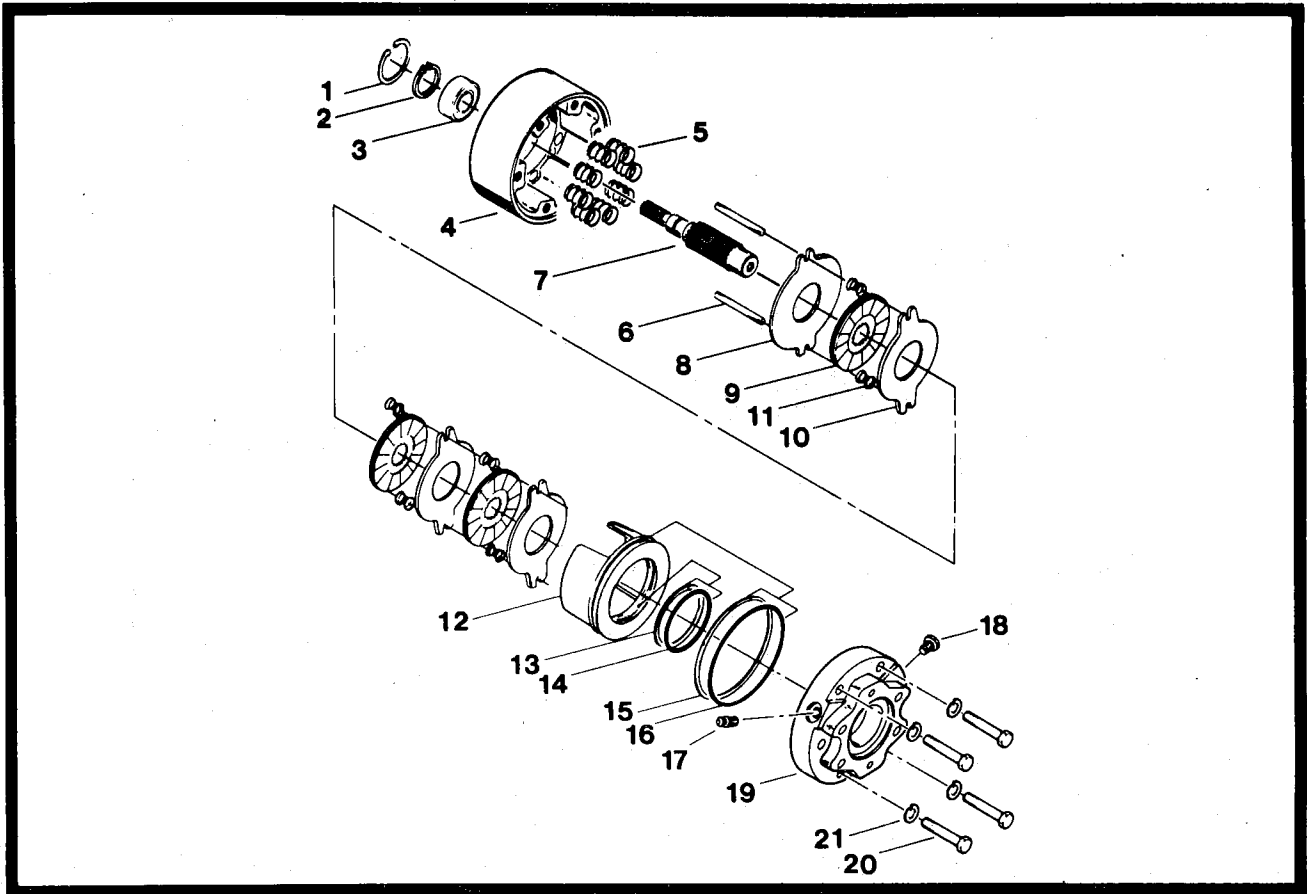


Figure 2-52. Swing Drive Brake Assembly (Ausco).

FIGURE & INDEX NO.	PART NUMBER	ITEMS & DESCRIPTION	QTY.
2-52	0920032	<b>SWING DRIVE BRAKE ASSEMBLY - AUSCO</b>	Ref.
-1	7000711	Ring, Retaining	1
-2	7000712	Ring, Retaining	1
-3	7000713	Bearing, Ball	1
-4	7000714	Housing, Brake	1
-5	7000798	Spring, Compression	8
-6	7000717	Pin, Torque	2
-7	7003013	Shaft, Splined	1
-8	7000718	Disc, Primary	1
-9	7000732	Disc, Rotating	3
-10	7000720	Disc, Stationary	3
-11	7003006	Spring, Compression	6
-12	7000721	Piston	1
-13	7000722	Ring, Backup, Packing	1
-14	7000723	O-Ring	1
-15	7000724	Ring, Backup, Packing	1
-16	7000725	O-Ring	1
-17	7000796	Screw, Bleeder	1
-18	7000728	Plug, Protective	1
-19	7003012	Plate, Power	1
-20	7000730	Screw, Cap	4
-21	7000729	Lockwasher	4
	2900131	Seal Kit (Includes Items 13 thru 16)	1

SECTION 2 — ILLUSTRATED PARTS LIST

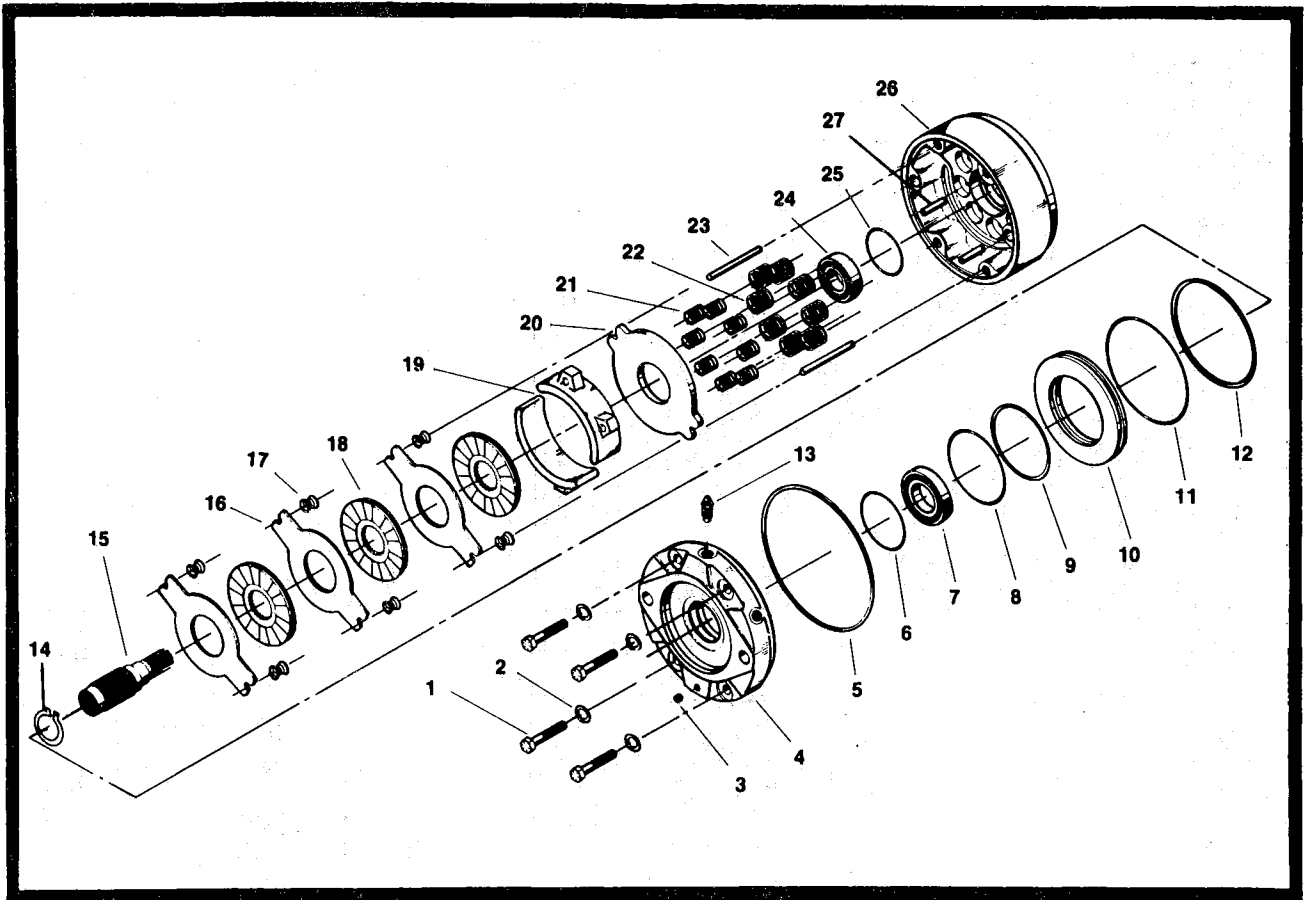


Figure 2-53. Swing Drive Brake Assembly (Mico).

FIGURE & INDEX NO.	PART NUMBER	ITEMS & DESCRIPTION	QTY.
2-53	0920032	<b>SWING BRAKE ASSEMBLY- MICO</b>	Ref.
-1	7007913	Cap Screw	4
-2	7007912	Lockwasher	4
-3	7007924	Pipe Plug	1
-4	7007928	Cover	1
-5	7007910	Square Ring	1
-6	7007932	O-Ring	1
-7	7007931	Bearing	1
-8	7007918	O-Ring	1
-9	7007917	Back-Up Ring	1
-10	7007923	Piston	1
-11	7007922	O-Ring	1
-12	7007921	Back-Up Ring	1
-13	7007914	Bleeder Screw	1
-14	7007935	Retaining Ring	1
-15	7007926	Shaft	1
-16	7007908	Disc	3
-17	7007916	Spring	6
-18	7007909	Friction Disc	3
-19	7007902	Separator	2
-20	7007907	Disc (Large Diameter)	1
-21	7007906	Spring	8
-22	7007905	Spring	8



**SECTION 2 — ILLUSTRATED PARTS LIST**

FIGURE & INDEX NO.	PART NUMBER	ITEMS & DESCRIPTION	QTY.
2—53	0920032	<b>SWING BRAKE ASSEMBLY-MICO (CONTINUED)</b>	Ref.
—23	7007915	Dowel Pin	2
—24	7007927	Bearing	1
—25	7007929	O-Ring	1
—26	7007930	Housing	1
	7007933	Mounting Gasket (Not Shown)	1
	7007934	Mounting Gasket (Not Shown)	1
	2900642	Kit, Seal (Includes Items 5, 6, 8, 9, 11, 12 and 25)	1

SECTION 2 — ILLUSTRATED PARTS LIST

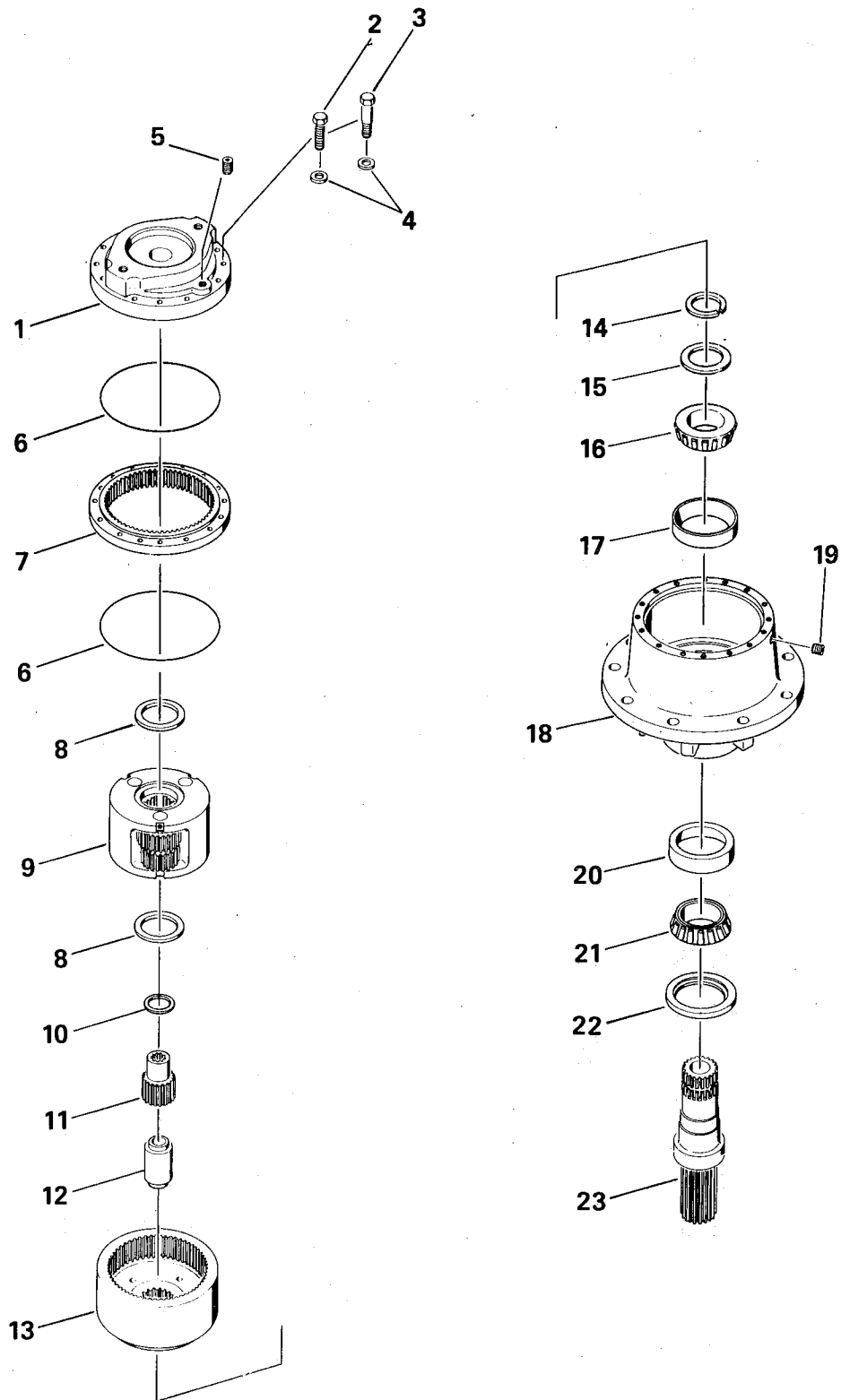


Figure 2-54. Swing Drive Hub Assembly.

**SECTION 2 — ILLUSTRATED PARTS LIST**

FIGURE & INDEX NO.	PART NUMBER	ITEMS & DESCRIPTION	QTY.
2-54	2780055	<b>SWING DRIVE HUB ASSEMBLY</b>	Ref.
-1	7000209	Cover (Attaching Parts)	1
-2	7000217	Bolt, Hex Head	8
-3	7000214	Bolt, Hex Head, Shoulder	4
-4	4751500	Flatwasher	12
-5	7000242	----- Plug, Pipe	1
-6	7000230	O-Ring	2
-7	7000208	Gear, Ring	1
-8	7000253	Washer, Thrust	2
-9	7000207	Planet Carrier Assembly-No Service Breakdown Parts- Purchase Entire Assembly.)	1
-10	7000270	Washer, Thrust	1
-11	7000268	Gear, Sun-Input	1
-12	7000269	Spacer, Sun Gear	1
-13	7000246	Gear, Internal	1
-14	7000271	<b>HUB ASSEMBLY</b>	
-15	7000229	Ring, Retaining	1
-16	7000232	Spacer	1
-17	7000258	Bearing, Tapered Roller	1
-18	7000257	Cup, Bearing	1
-19	7000210	Hub	1
-20	7000242	Plug, Pipe	1
-21	7000255	Cup, Bearing	1
-22	7000256	Bearing, Tapered Roller	1
-23	7000228	Seal	1
	7000233	Shaft, Output	1
	2900034	Kit, Repair (Includes Items 6, 14, 15 and 22.)	1

SECTION 2 — ILLUSTRATED PARTS LIST

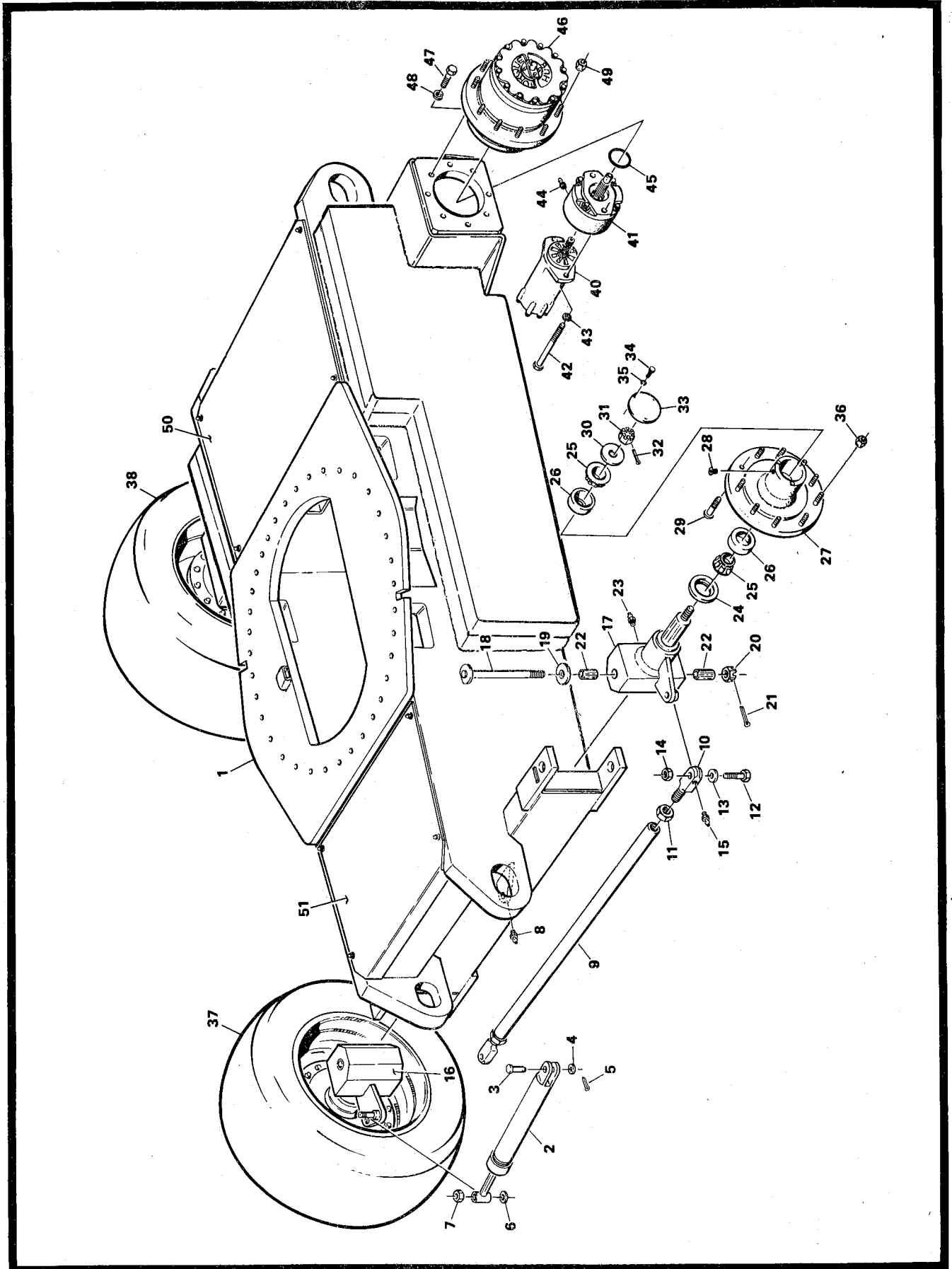


Figure 2-55. Frame, Steering and Drive Components, Assemblies and Installations - Fixed Axle (Standard and 7'X 7').



**SECTION 2 — ILLUSTRATED PARTS LIST**

FIGURE & INDEX NO.	PART NUMBER	ITEMS & DESCRIPTION	QTY.
2—55		<b>FRAME, STEERING AND DRIVE COMPONENTS ASSEMBLIES AND INSTALLATIONS - FIXED AXLE (STANDARD AND 7' X 7')</b>	Ref.
—1	2360235	Frame Weldment (Standard)	1
	2360184	Frame Weldment (7' x 7')	1
	0236837	<b>STEERING AND SPINDLE INSTALLATION (STANDARD)</b>	Ref.
	0237065	<b>STEERING AND SPINDLE INSTALLATION (7' X 7')</b>	Ref.
—2	1681567	Cylinder, Steer (See Figure 2-67 For Breakdown) (Attaching Parts)	1
—3	3431622	Pin, Clevis 1" x 2 3/4"	1
—4	4712600	Flatwasher, Special	1
—5	3450606	Pin, Cotter 3/16" x 1 1/2"	1
—6	0440091	Washer, Thrust (Bronze)	1
—7	3300175	Locknut, Special	1
—8	2160002	Fitting, Grease	1
—9	3840795	Tie Rod (Standard)	1
	3840867	Tie Rod (7' x 7') (Attaching Parts)	1
—10	0560605	Block, Tie Rod (Standard)	2
	0560605	Block, Tie Rod - RH (7' x 7')	1
	0560714	Block, Tie Rod - LH (7' x 7')	1
—11	3323002	Nut, Jam 1 1/4"-12NF (Standard)	2
	3323002	Nut, Jam 1 1/4"-12NF-RH (7' x 7')	1
	3300229	Nut, Jam 1 1/4"-12NF-LH (7' x 7')	1
—12	0642628	Bolt 1"-8NC x 3 1/2"	2
—13	0440091	Bearing, Thrust	2
—14	3312602	Nut, Jam 1"-8NC	2
	0100011	Loctite	A/R
—15	2160002	Fitting, Grease	2
—16	4130155	Spindle (RH)	1
—17	4130156	Spindle (LH) (Attaching Parts)	1
—18	3421153	Pin, King	1
—19	0440161	Bearing, Thrust	1
—20	3323403	Nut, Slotted 1 1/2"-12NF	1
—21	3451012	Pin, Cotter 5/16" x 3"	1
—22	0440172	Bushing, Bronze	2
—23	2160002	Fitting, Grease	1
—24	3960343	Seal, Hub	1
—25	0440171	Cone, Bearing	2
—26	0440170	Cup, Bearing	2
—27	2780109	Hub	1
—28	3520048	Plug, Tapered	1
—29	0630078	Stud, Wheel	10
—30	4740283	Washer, Special	1
—31	3323403	Nut, Slotted 1 1/2"-12NF	1
—32	3451012	Pin, Cotter 5/16" x 3" (Standard)	1
	3450810	Pin, Cotter 1/4" x 2 1/2" (7' x 7')	1
—33	1120304	Cap, Hub	1



**SECTION 2 — ILLUSTRATED PARTS LIST**

FIGURE & INDEX NO.	PART NUMBER	ITEMS & DESCRIPTION	QTY.
2-55		<b>FRAME, STEERING AND DRIVE COMPONENTS ASSEMBLIES AND INSTALLATIONS - FIXED AXLE (STANDARD AND 7' X 7') (CONTINUED)</b>	Ref.
		(Attaching Parts)	
-34	0721003	Bolt #10-24NC x 3/8"	3
-35	4761000	Lockwasher #10	3
-36	3300007	Nut, Wheel 3/4"-16NF	10
	0236628	<b>TIRE AND WHEEL ASSEMBLY - FOAM FILLED</b>	Ref.
-37	0236625	Tire and Wheel - Foam Filled (Front)	2
-38	0236627	Tire and Wheel - Foam Filled ( RH Rear)	1
	0236626	Tire and Wheel - Foam Filled ( LH Rear - Not Shown)	1
		NOTE: Foam-Filled Tire and Wheel Assemblies sold as assembly only.	
-39	Not Used		
	0236264	<b>WHEEL DRIVE INSTALLATION (STANDARD WITH CAST SPINDLE)</b>	Ref.
	0237434	<b>WHEEL DRIVE INSTALLATION (STANDARD WITH STEEL SPINDLE AND 7' X 7')</b>	Ref.
-40	3160104	Motor, Drive (See Figure 2-59 For Breakdown)	1
-41	0920027	Brake, Drive (See Figures 2-62 and 2-63 For Breakdown)	1
		(Attaching Parts)	
-42	0641844	Bolt 1/2"-13NC x 5 1/2"	2
-43	4761800	Lockwasher 1/2"	2
-44	7000796	Bleeder	1
-45	3790155	O-Ring	1
-46	2780040	Hub, Torque (Standard With Cast Spindle) (See Figure 2-66 For Breakdown)	1
	2780135	Hub, Torque (Standard With Steel Spindle and 7' x 7') (See Figure 2-66 For Breakdown)	1
		NOTE: If replacing entire hub, recommend replacing 2780040 hub with 2780135 hub.	
		(Attaching Parts)	
-47	0642016	Bolt 5/8"-11NC x 2"	8
-48	4762000	Lockwasher 5/8"	8
-49	3300007	Nut, Wheel	10
	0236609	<b>FRAME SHIELDS INSTALLATION</b>	Ref.
-50	4060601	Shield, Rear (Attaching Parts)	1
	4300031	Stud (Welded On Part)	4
	4751400	Flatwasher 1/4"	4
	3300151	Nut, Acorn 1/4"-20NC	4
-51	4060602	Shield, Front (Attaching Parts)	1
	4300031	Stud (Welded On Part)	4
	4751400	Flatwasher 1/4"	4
	3300151	Nut, Acorn 1/4"-20NC	4

SECTION 2 — ILLUSTRATED PARTS LIST

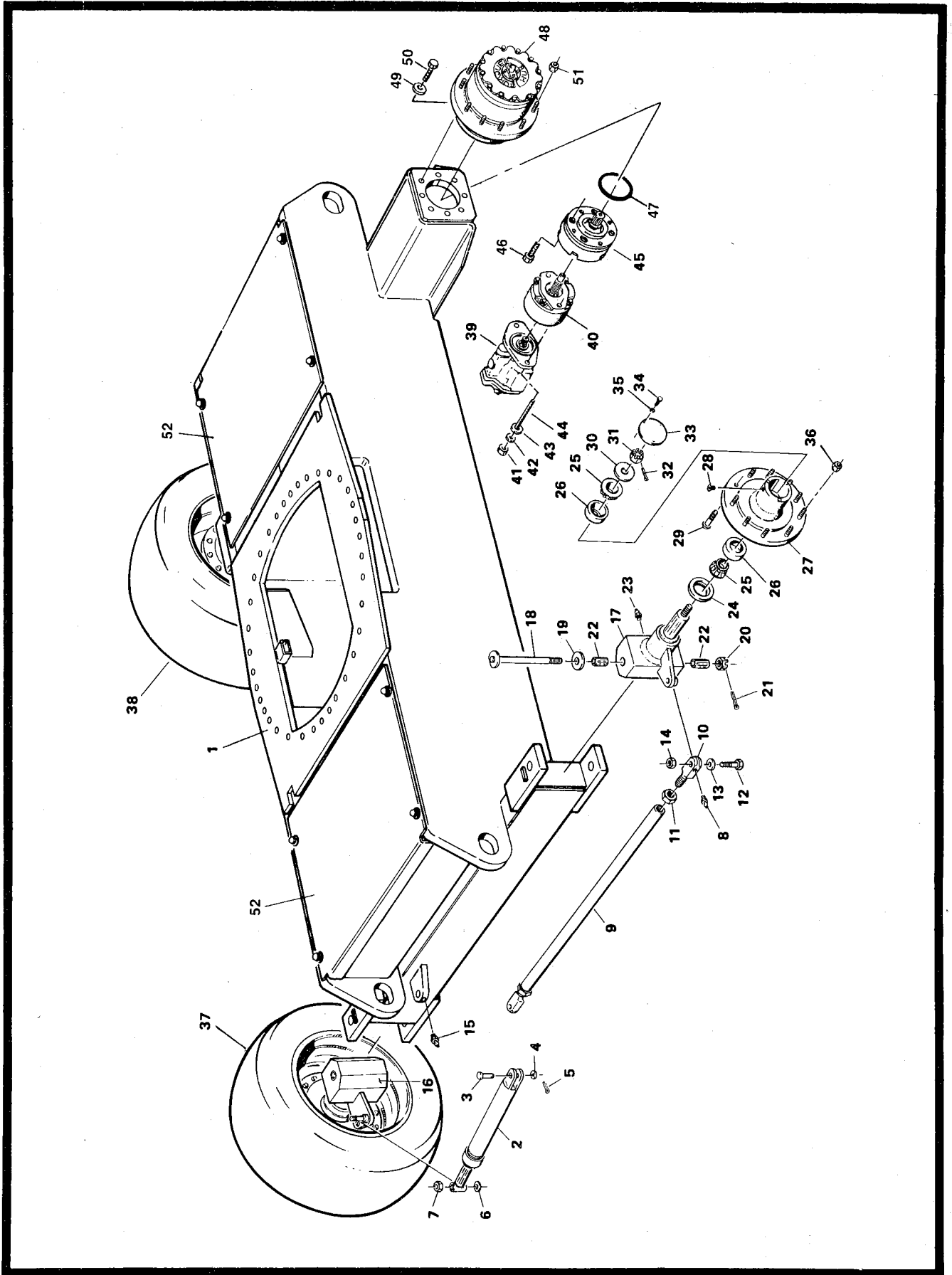


Figure 2-56. Frame, Steering and Drive Components, Assemblies and Installations - Fixed Axle (Vickers and 60HTH).

**SECTION 2 — ILLUSTRATED PARTS LIST**

FIGURE & INDEX NO.	PART NUMBER	ITEMS & DESCRIPTION	QTY.
2—56		<b>FRAME, STEERING AND DRIVE COMPONENTS ASSEMBLIES AND INSTALLATIONS - FIXED AXLE (VICKERS AND 60HTH)</b>	Ref.
—1	2360253	Frame Weldment (Vickers and 60HTH)	1
	0237065	<b>STEERING AND SPINDLE INSTALLATION</b>	Ref.
—2	1681567	Cylinder, Steer (See Figure 2-67 For Breakdown) (Attaching Parts)	1
—3	3431622	Pin, Clevis 1" x 2 3/4"	1
—4	4712600	Flatwasher, Special	1
—5	3450606	Pin, Cotter 3/16" x 1 1/2"	1
—6	0440091	Washer, Thrust (Bronze)	1
—7	3300175	Locknut, Special	1
—8	2160002	Fitting, Grease	2
—9	3840867	Tie Rod (Attaching Parts)	1
—10	0560605	Block, Tie Rod - RH	1
	0560714	Block, Tie Rod - LH	1
—11	3323002	Nut, Jam 1 1/4"-12NF - RH	1
	3300229	Nut, Jam 1 1/4"-12NF - LH	1
—12	0642628	Bolt 1"-8NC x 3 1/2"	2
—13	0440091	Bearing, Thrust	2
—14	3312602	Nut, Jam 1"-8NC	2
	0100011	Loctite	A/R
—15	2160002	Fitting, Grease	1
—16	4130155	Spindle (RH)	1
—17	4130156	Spindle (LH) (Attaching Parts)	1
—18	3421153	Pin, King	1
—19	0440161	Bearing, Thrust	1
—20	3323403	Nut, Slotted 1 1/2"-12NF	1
—21	3451012	Pin, Cotter 5/16" x 3"	1
—22	0440172	Bushing, Bronze	2
—23	2160002	Fitting, Grease	1
—24	3960343	Seal, Hub	1
—25	0440171	Cone, Bearing	2
—26	0440170	Cup, Bearing	2
—27	2780109	Hub	1
—28	3520048	Plug, Tapered	1
—29	0630078	Stud, Wheel	10
—30	4740283	Washer, Special	1
—31	3323403	Nut, Slotted 1 1/2"-12NF	1
—32	3450810	Pin, Cotter 1/4" x 2 1/2"	1
—33	1120304	Cap, Hub (Attaching Parts)	1
—34	0721003	Bolt #10-24NC x 3/8"	3
—35	4761000	Lockwasher #10	3
—36	3300007	Nut, Wheel 3/4"-16NF	10



**SECTION 2 — ILLUSTRATED PARTS LIST**

FIGURE & INDEX NO.	PART NUMBER	ITEMS & DESCRIPTION	QTY.
2-56		<b>FRAME, STEERING AND DRIVE COMPONENTS ASSEMBLIES AND INSTALLATIONS - FIXED AXLE (VICKERS AND 60HTH) (CONTINUED)</b>	Ref.
	0236628	<b>TIRE AND WHEEL ASSEMBLY - FOAM FILLED</b>	Ref.
-37	0236625	Tire and Wheel - Foam Filled (Front)	2
-38	0236627	Tire and Wheel - Foam Filled (RH Rear)	1
	0236626	Tire and Wheel - Foam Filled (LH Rear - Not Shown)	1
		NOTE: Foam Filled Tire and Wheel Assemblies Sold as Assembly only.	
	0238313	<b>WHEEL DRIVE INSTALLATION (VICKERS)</b>	Ref.
	0237793	<b>WHEEL DRIVE INSTALLATION (60HTH)</b>	Ref.
-39	3160132	Motor, Drive (See Figure 2-60 For Breakdown)	1
-40	0920027	Brake, Drive (60HTH) (See Figures 2-62 & 2-63 For Breakdown)	1
	0920072	Brake, Drive (Vickers) (See Figure 2-64 For Breakdown) (Attaching Parts)	1
-41	3311800	Nut 1/2"-13NC	2
-42	4761800	Lockwasher 1/2"	2
-43	4751800	Flatwasher 1/2"	2
-44	4300074	Stud	2
-45	2780138	----- Reducer (Attaching Parts)	1
-46	3931852 0100011	Capscrew, Socket Head 1/2"-13NC x 3 1/4" Loctite	4 A/R
-47	3790159	O-Ring	1
-48	2780143	Hub, Torque (Vickers) (See Figure 2-66 For Breakdown)	1
	2780052	Hub, Torque (60HTH) (See Figure 2-66 For Breakdown) (Attaching Parts)	1
-49	0642016	Bolt 5/8"-11NC x 2"	8
-50	4762000	Lockwasher 5/8"	8
-51	3300007	----- Nut, Wheel	10
	0236283	<b>FRAME SHIELDS INSTALLATION</b>	Ref.
-52	4060573	Shield (Attaching Parts)	2
	4300031	Stud (Welded On Part)	4
	4761400	Lockwasher 1/4"	4
	3300151	Nut, Acorn 1/4"-20NC	4

SECTION 2 — ILLUSTRATED PARTS LIST

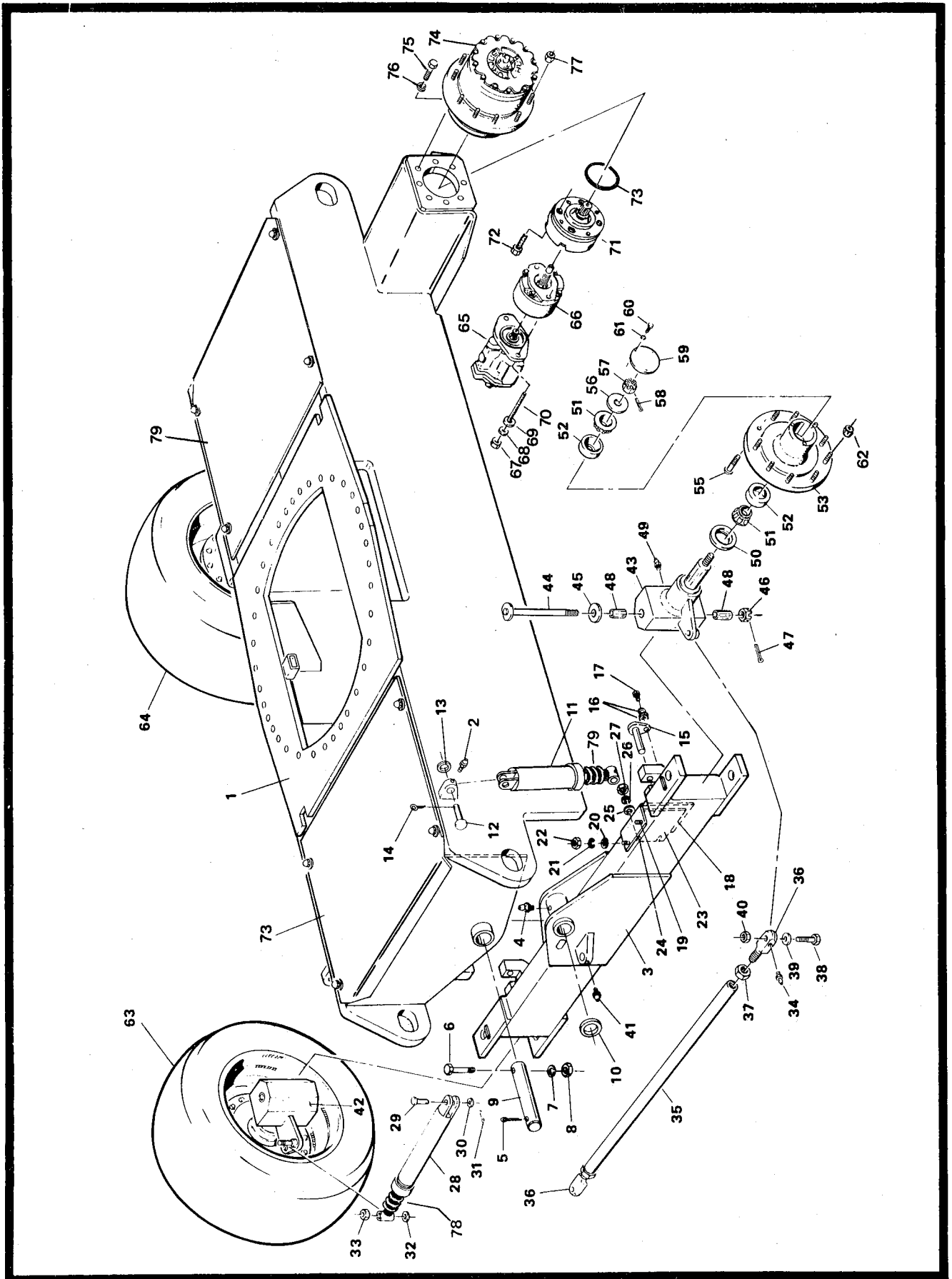


Figure 2-57. Frame, Steering and Drive Components, Assemblies and Installations - Oscillating Axle (60HTH).



**SECTION 2 — ILLUSTRATED PARTS LIST**

FIGURE & INDEX NO.	PART NUMBER	ITEMS & DESCRIPTION	QTY.
2—57		<b>FRAME, STEERING AND DRIVE COMPONENTS, ASSEMBLIES AND INSTALLATIONS - OSCILLATING AXLE (60HTH)</b>	Ref.
—1	2360258	Frame	1
—2	2160002	Fitting, Grease	5
	0236747	<b>FRONT AXLE INSTALLATION - OSCILLATING</b>	Ref.
—3	4842178	Front Axle Weldment (Attaching Parts)	1
—4	2160002	Fitting, Grease	1
—5	3451214	Pin, Cotter	1
—6	0641838	Bolt 1/2"-13NC x 4 3/4"	1
—7	4751800	Flatwasher 1/2"	1
—8	3311805	Locknut 1/2"-13NC	1
—9	3421273	Pin, Front Axle	1
—10	0440163	Bearing, Thrust	2
—11	1681569	Cylinder, Lockout (See Figure 2-68 For Breakdown) (Attaching Parts)	2
—12	3421220	Pin, Clevis	2
—13	4740190	Flatwasher	4
—14	3450607	Pin, Cotter	2
—15	3421219	Pin Weldment	2
—16	4751600	Flatwasher 3/8"	2
	4761600	Lockwasher 3/8"	2
—17	0641606	Bolt 3/8"-16NC x 3/4"	2
—18	4220099	Stop, Axle (Attaching Parts)	2
—19	4300048	Stud (Welded On Part)	4
—20	4751800	Flatwasher 1/2"	4
—21	4761800	Lockwasher 1/2"	4
—22	3311801	Nut 1/2"-13NC	4
—23	4070539	Shim, Axle (Attaching Parts)	A/R
—24	4300034	Stud (Welded On Part)	4
—25	4751600	Flatwasher 3/8"	4
—26	4761600	Lockwasher 3/8"	4
—27	3311601	Nut 3/8"-16NC	4
	0238261	<b>STEERING AND SPINDLE INSTALLATION</b>	Ref.
—28	1681562	Cylinder, Steer (See Figure 2-67 For Breakdown) (Attaching Parts)	1
—29	3431622	Pin, Clevis	1
—30	4740230	Flatwasher	1
—31	3450606	Pin, Cotter	1
—32	0440091	Washer, Thrust	1
—33	3300175	Locknut	1
—34	2160002	Fitting, Grease	2
—35	3840866	Tie Rod (Attaching Parts)	1

**SECTION 2 — ILLUSTRATED PARTS LIST**

FIGURE & INDEX NO.	PART NUMBER	ITEMS & DESCRIPTION	QTY.
2-57		<b>FRAME, STEERING AND DRIVE COMPONENTS, ASSEMBLIES AND INSTALLATIONS - OSCILLATING AXLE (60HTH) (CONTINUED)</b>	Ref.
-36	0560714	Block, Tie Rod (Left Side)	1
	0560605	Block, Tie Rod (Right Side - Not Shown)	1
-37	3300229	Nut, Jam (Left Side)	1
	3300023	Nut, Jam (Right Side - Not Shown)	1
-38	0642628	Bolt 1"-8NC x 3 1/2"	2
-39	0440091	Washer, Thrust	2
-40	3312602	Nut, Jam 1"-8NC	2
	0100011	Loctite	A/R
-41	2160002	Fitting, Grease	1
-42	4130155	Spindle (Right Side)	1
-43	4130156	Spindle (Left Side) (Attaching Parts)	1
-44	3521153	Pin, King	1
-45	0440161	Washer, Thrust	1
-46	3323403	Nut, Slotted 1 1/2"-12NF	1
-47	3451012	Pin, Cotter 5/16" x 3"	1
-48	0440172	Bushing, Bronze	2
-49	2160002	Fitting, Grease	1
-50	3960343	Seal, Hub	1
-51	0440171	Cone, Bearing	2
-52	0440170	Cup, Bearing	2
-53	2780109	Hub	1
-54	Not Used		
-55	0630078	Stud, Wheel	10
-56	4740283	Washer, Hardened	1
-57	3323403	Nut, Slotted 1 1/2"-12NF	1
-58	3450810	Pin, Cotter 1/4" x 2 1/2"	1
-59	1120304	Cap, Hub (Attaching Parts)	1
-60	0721003	Bolt #10-24NC x 3/8"	3
-61	4761000	Lockwasher #10	3
-62	3300007	Nut, Wheel	10
	0236628	<b>TIRE AND WHEEL ASSEMBLY</b>	Ref.
-63	0236625	Tire and Wheel, Front - Foam Filled	2
-64	0236626	Tire and Wheel, Left Rear - Foam Filled	1
	0236627	Tire and Wheel, Right Rear - Foam Filled	1
		Note: Foam Filled Tire Serviced as Assembly Only	
	0237794	<b>WHEEL DRIVE INSTALLATION</b>	Ref.
-65	3160132	Motor, Drive (See Figure 2-60 For Breakdown)	2
-66	0920027	Brake, Drive (See Figures 2-62 and 2-63 For Breakdown) (Attaching Parts)	2
-67	3311801	Nut 1/2"-13NC	2
-68	4761800	Lockwasher 1/2"	2
-69	4751800	Flatwasher 1/2"	2
-70	4300074	Stud	2

**SECTION 2 — ILLUSTRATED PARTS LIST**

FIGURE & INDEX NO.	PART NUMBER	ITEMS & DESCRIPTION	QTY.
2-57		<b>FRAME, STEERING AND DRIVE COMPONENTS, ASSEMBLIES AND INSTALLATIONS - OSCILLATING AXLE (60HTH) (CONTINUED)</b>	Ref.
-71	2780138	Reducer, Gear (See Figure 2-65 For Breakdown) (Attaching Parts)	2
-72	3931852 0100011	Bolt, Socket Head 1/2"-13NC x 3 1/4" Loctite	4 A/R
-73	3790159	O-Ring	2
-74	2780052	Hub, Torque (See Figure 2-66 For Breakdown) (Attaching Parts)	2
-75	0642016	Bolt 5/8"-11NC x 2"	8
-76	4762000	Lockwasher 5/8"	8
-77	3300007	Nut, Wheel	20
	0236732	<b>FRAME SHIELD INSTALLATION</b>	Ref.
-78	4060607	Shield, Front (Attaching Parts)	1
	3300151	Nut, Acorn 1/4"-20NC	4
	4751400	Flatwasher 1/4"	4
	4300031	Stud (Welded On Part)	4
-79	4060606	Shield, Rear (Attaching Parts)	1
	3300151	Nut, Acorn 1/4"-20NC	4
	4751400	Flatwasher 1/4"	4
	4300031	Stud (Welded On Part)	4

SECTION 2 — ILLUSTRATED PARTS LIST

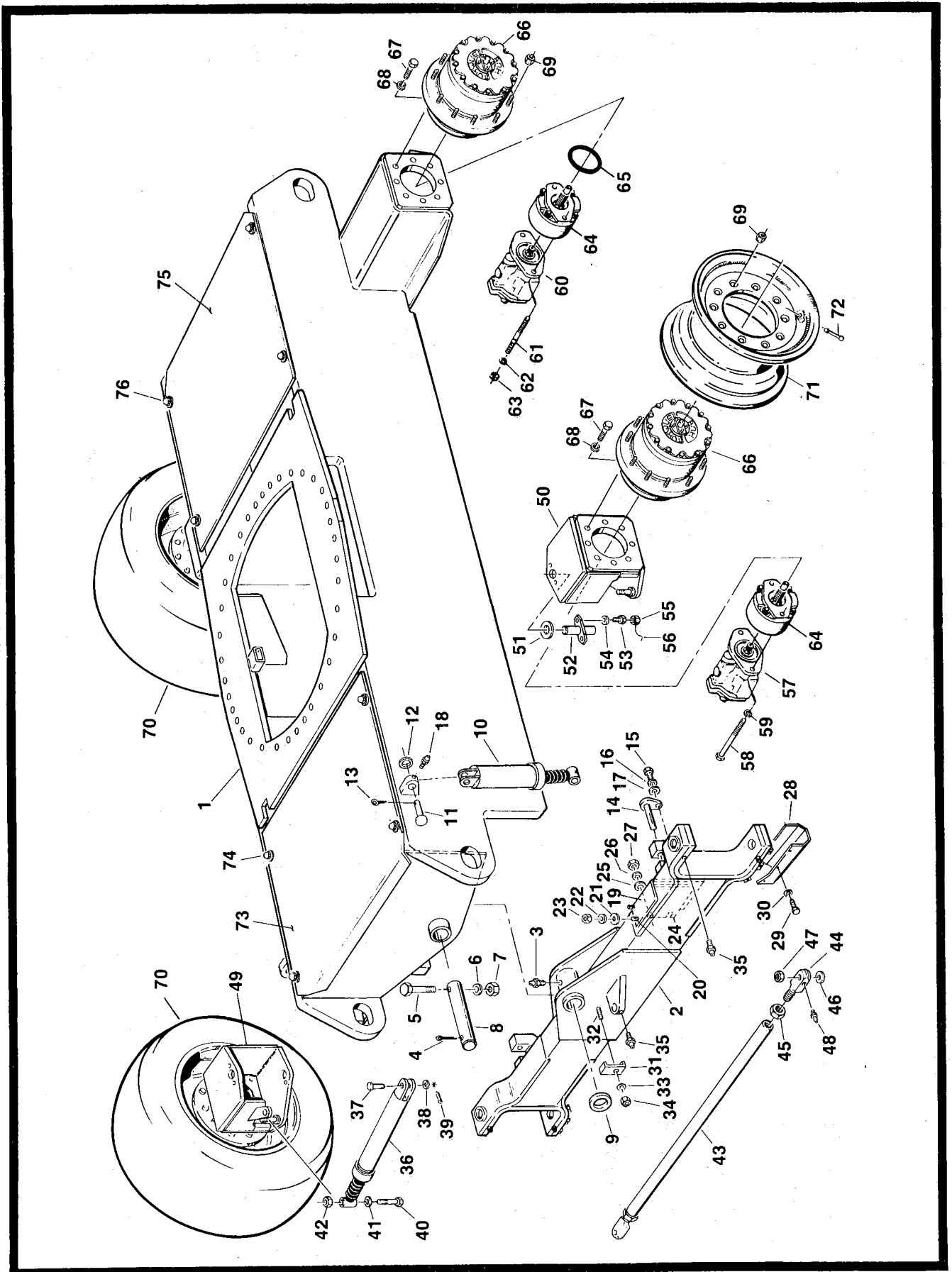


Figure 2-58. Frame, Steering and Drive Components, Assemblies and Installations - 1WD.

**SECTION 2 — ILLUSTRATED PARTS LIST**

FIGURE & INDEX NO.	PART NUMBER	ITEMS & DESCRIPTION	QTY.
2—58		<b>FRAME, STEERING AND DRIVE COMPONENTS ASSEMBLIES AND INSTALLATIONS - 4 WHEEL DRIVE</b>	Ref.
—1	2360254	Frame	1
	0236739	<b>FRONT AXLE INSTALLATION</b>	Ref.
—2	4842159	Axle Weldment (Attaching Parts)	1
—3	2160002	Fitting, Grease	1
—4	3451214	Pin, Cotter 3/8" x 3 1/2"	1
—5	0641838	Bolt 1/2"-13NC x 4 3/4"	1
—6	4751800	Flatwasher 1/2"	1
—7	3311805	Locknut 1/2"-13NC	1
—8	3421273	Pin	1
—9	0440163	Bearing, Bronze	2
—10	1681568	Cylinder, Lockout (See Figure 2-68 For Breakdown) (Attaching Parts)	2
—11	3421220	Pin, Clevis	1
—12	4740190	Flatwasher, Special	2
—13	3450607	Pin, Cotter 3/16" x 1 1/2"	1
—14	3421219	Pin, Weldment	1
—15	0641606	Bolt 3/8"-16NC x 3/4"	1
—16	4761600	Lockwasher 3/8"	1
—17	4751600	Flatwasher 3/8"	1
—18	2160002	Fitting, Grease	4
—19	4220102	Stop, Axle (LH)	1
	4220103	Stop, Axle (RH - Not Shown) (Attaching Parts)	1
—20	4300048	Stud (Welded On Part)	2
—21	4751800	Flatwasher	2
—22	4761800	Lockwasher	2
—23	3311801	Nut	2
—24	4070573	Shim (Attaching Parts)	2
	4300034	Stud (Welded On Part)	2
—25	4751600	Flatwasher 3/8"	2
—26	4761600	Lockwasher 3/8"	2
—27	3311601	Nut 3/8"-16NC	2
—28	3530294	Plate, Protection (Attaching Parts)	2
—29	3941608	Screw, Self-Tapping 3/8"-16NC x 1"	6
—30	4761600	Lockwasher 3/8"	6
—31	1320125	Clamp, Hose (Attaching Parts)	1
—32	4300030	Stud (Welded On Part)	1
—33	4761600	Lockwasher 3/8"	1
—34	3311601	Nut 3/8"-16NC	1
—35	2160002	Fitting, Grease	1

**SECTION 2 — ILLUSTRATED PARTS LIST**

FIGURE & INDEX NO.	PART NUMBER	ITEMS & DESCRIPTION	QTY.
2--58		<b>FRAME, STEERING AND DRIVE COMPONENTS ASSEMBLIES AND INSTALLATIONS - 4 WHEEL DRIVE (CONTINUED)</b>	Ref.
	0238309	<b>STEERING AND SPINDLES INSTALLATION</b>	Ref.
--36	1681555	Cylinder, Steer (See Figure 2-67 For Breakdown) (Attaching Parts)	1
--37	3431622	Pin, Clevis	1
--38	4740230	Flatwasher, Special	1
--39	3450606	Pin, Cotter 3/16" x 1 1/2"	1
--40	0630369	Bolt, Special	1
--41	0440091	Bearing, Thrust	1
--42	3312602	Nut, Jam 1"-8NC	1
	0100011	Loctite	A/R
--43	3840868	Tie Rod (Attaching Parts)	1
--44	0560714	Block, Tie Rod (LH)	1
	0560605	Block, Tie Rod (RH)	1
--45	3300229	Nut, Jam (LH) 1 1/4"-12NF	1
	3300023	Nut, Jam (RH) 1 1/4"-12NF	1
--46	0440091	Bearing, Thrust	2
--47	3300175	Locknut, Special	2
--48	2160002	Fitting, Grease	2
--49	4130153	Spindle (RH)	1
--50	4130154	Spindle (LH) (Attaching Parts)	1
--51	4740082	Washer, Thrust	1
--52	3421461	Pin, King (Upper)	1
	3421462	Pin, King (Lower)	1
--53	0641608	Bolt 3/8"-16NC x 1"	4
--54	4761600	Lockwasher 3/8"	4
--55	1380124	Clip, Retainer	4
--56	4920096	Wire, Safety	A/R
	0238301	<b>WHEEL DRIVE INSTALLATION - FRONT</b>	Ref.
	0238315	<b>WHEEL DRIVE INSTALLATION - REAR</b>	Ref.
--57	3160123	Motor, Drive - Front (See Figure 2-61 For Breakdown) (Attaching Parts)	2
--58	0641838	Bolt 1/2"-13NC x 4 3/4"	2
--59	4761800	Lockwasher 1/2"	2
--60	3160140	Motor, Drive - Rear (See Figure 2-60 For Breakdown) (Attaching Parts)	2
--61	4320008	Stud	2
--62	4761800	Lockwasher 1/2"	2
--63	3311801	Nut 1/2"-13NC	2
--64	0920072	Brake, Motor (See Figure 2-64 For Breakdown)	4
--65	3790159	O-Ring (Rear Drive Only)	2
--66	2780114	Hub, Torque (See Figure 2-66 For Breakdown) (Attaching Parts)	4

**SECTION 2 — ILLUSTRATED PARTS LIST**

FIGURE & INDEX NO.	PART NUMBER	ITEMS & DESCRIPTION	QTY.
2—58		<b>FRAME, STEERING AND DRIVE COMPONENTS ASSEMBLIES AND INSTALLATIONS - 4 WHEEL DRIVE (CONTINUED)</b>	Ref.
—67	0642016	Bolt 5/8"-11NC x 2"	8
—68	4762000	Lockwasher 5/8"-11NC	8
—69	3300007	Nut, Wheel	10
	0236841	<b>TIRES AND WHEELS ASSEMBLIES - PNEUMATIC</b>	Ref.
—70	0234668	Tire and Wheel Assembly - RH Side	2
	0234667	Tire and Wheel Assembly - LH Side (Not Shown)	2
	4520007	Tire	4
—71	4860073	Rim	4
—72	4640113	Valve	4
	0236732	<b>FRAME SHIELDS INSTALLATION</b>	Ref.
—73	4060607	Shield, Frame - Front (Attaching Parts)	1
—74	4300031	Stud (Welded On Part)	4
	4751400	Flatwasher 1/4"	4
	3300151	Nut, Acorn 1/4"-20NC	4
—75	4060606	Shield, Frame - Rear (Attaching Parts)	1
—76	4300031	Stud (Welded On Part)	4
	4751400	Flatwasher 1/4"	4
	3300151	Nut, Acorn 1/4"-20NC	4

SECTION 2 — ILLUSTRATED PARTS LIST

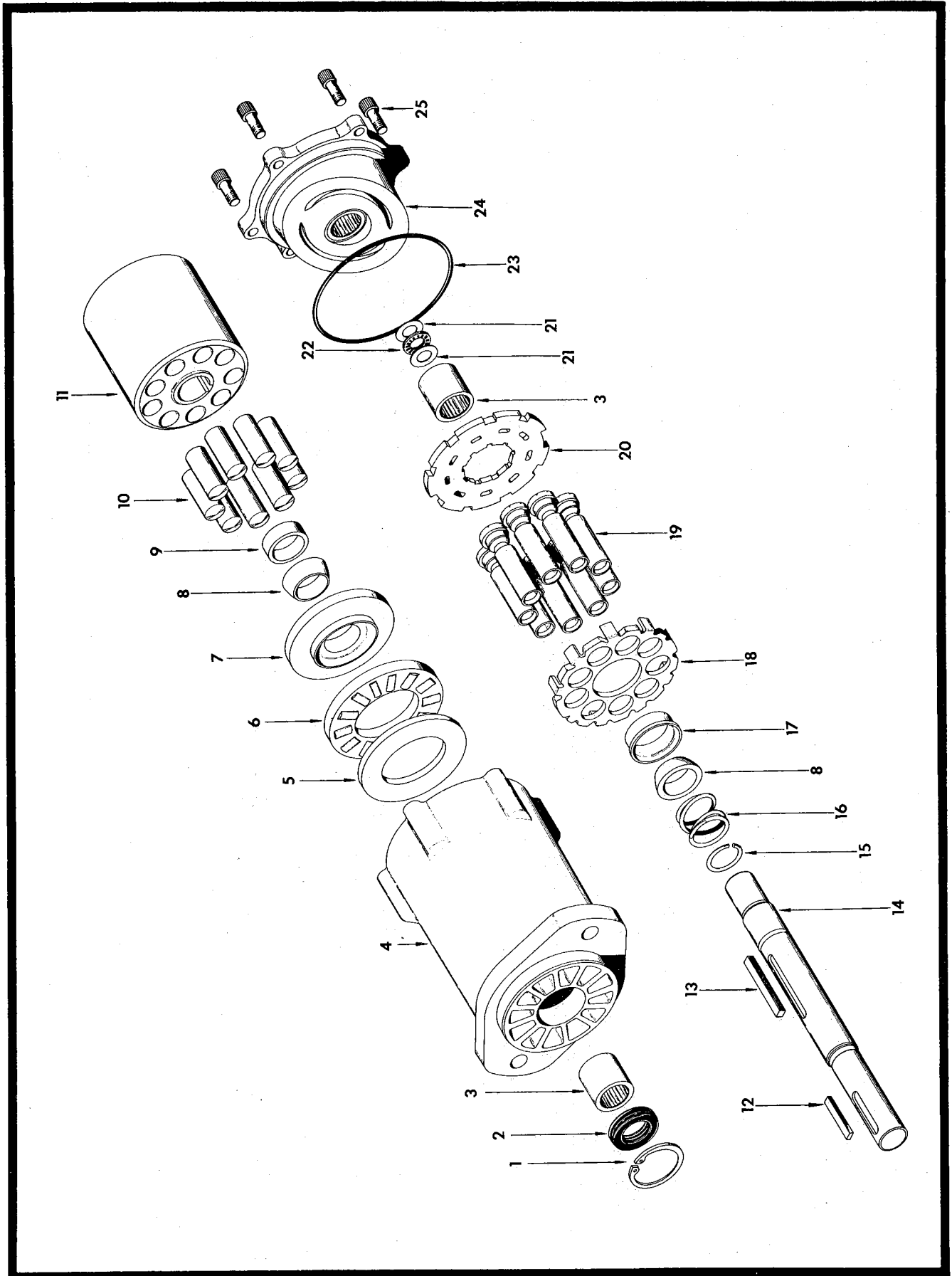


Figure 2-59. Drive Motor (Standard and 7'X 7' Fixed Axle).



**SECTION 2 — ILLUSTRATED PARTS LIST**

FIGURE & INDEX NO.	PART NUMBER	ITEMS & DESCRIPTION	QTY.
2-59	3160104	<b>DRIVE MOTOR (STANDARD &amp; 7'X 7' FIXED AXLE)</b>	Ref.
-1	7004935	Ring, Retaining	1
-2	7007592	Seal, Shaft	1
-3	7007593	Bearing	2
-4	7007594	Assembly, Housing (With Bearing)	1
-5	7007595	Race, Bearing	1
-6	7007596	Bearing, Thrust	1
-7	7007597	Assembly, Piston Race	1
-8	7007598	Pivot	1
-9	7007599	Spacer	1
-10	7007814	Kit, Piston Replacement	1
-11	7007800	Block, Piston	1
-12	Not Used		
-13	7007801	Key	1
-14	7007802	Shaft, Drive	1
-15	7007803	Ring, Retaining	1
-16	7007804	Spring	1
-17	7007805	Pilot	1
-18	7007806	Spider	1
-19	7007807	Kit, Piston Replacement	1
-20	7007808	Plate, Connector	1
-21	7007809	Race, Thrust	2
-22	7007810	Bearing, Thrust	1
-23	7007811	O-Ring	1
-24	7007812	Assembly, Back Plate (With Bearing)	1
-25	7007813	Screw, Cap	6
	2900627	Kit, Seal Repair	1

SECTION 2 — ILLUSTRATED PARTS LIST

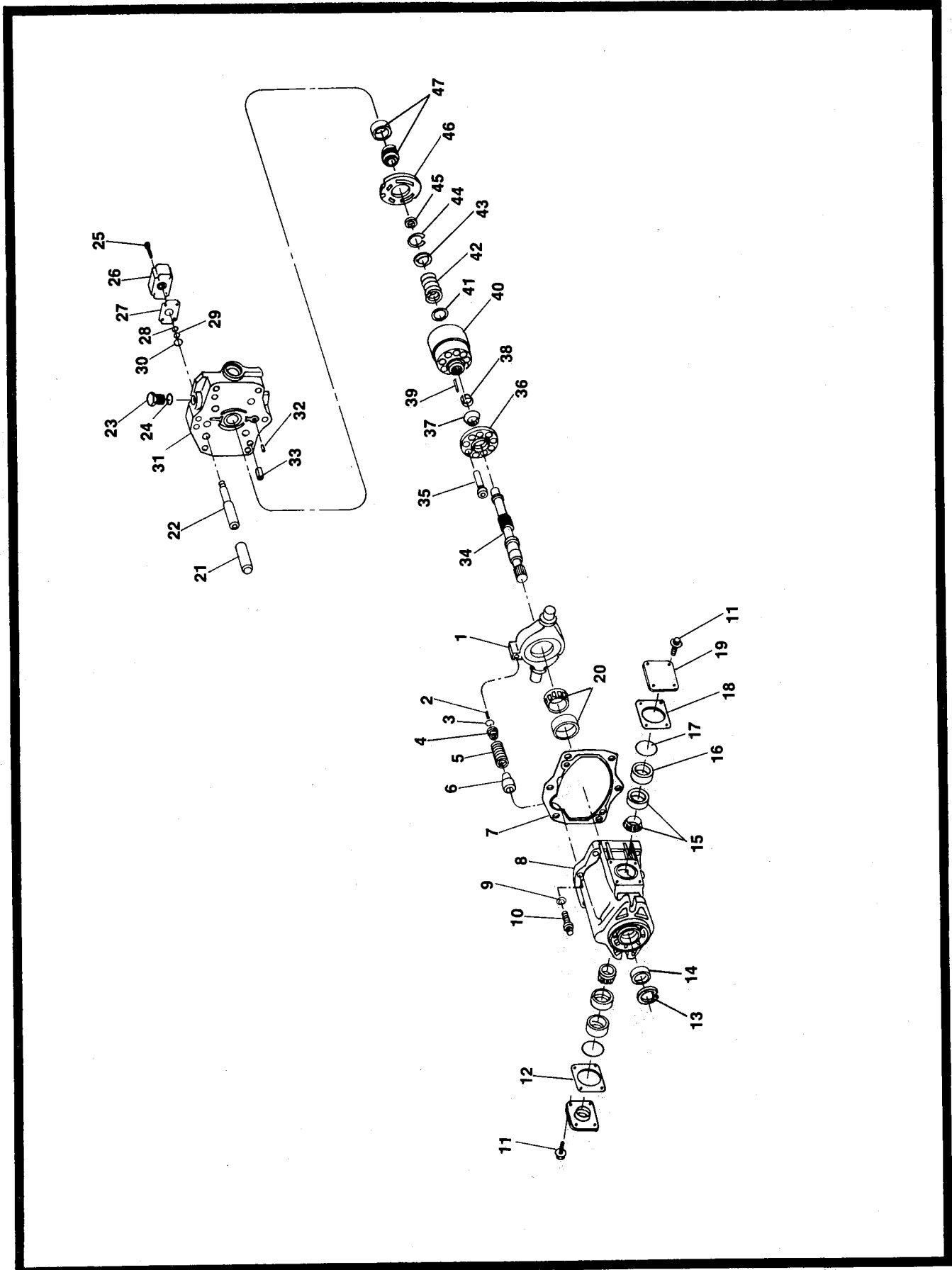


Figure 2-60. Drive Motor (Vickers Fixed, 60HTH Fixed & Oscillating and 4WD Rear).

**SECTION 2 — ILLUSTRATED PARTS LIST**

FIGURE & INDEX NO.	PART NUMBER	ITEMS & DESCRIPTION	QTY.
2—60	3160132	<b>DRIVE MOTOR (VICKERS FIXED AND 60HTH FIXED &amp; OSCILLATING)</b>	Ref.
	3160140	<b>DRIVE MOTOR (4WD REAR)</b>	Ref.
—1	7006766	Yoke	1
—2	7006767	Roll Pin	1
—3	7006768	Spherical Seat	1
—4	7006769	Spring Seat (3160132)	1
	7006772	Spring Seat (3160140)	1
—5	7006774	Yoke Spring	1
—6	7006776	Yoke Stop	1
—7	7006785	Gasket	1
—8	7006786	Housing	1
—9	7006787	Washer	6
—10	7006788	Screw	6
—11	7006789	Screw	4
—12		Shim (Included in Kit 7006794)	1
—13	7006790	Retaining Ring	1
—14	7006721	Shaft Steel	1
—15	7006791	Bearing	2
—16	7006792	Pintle Bearing	2
—17	7006793	O-Ring	2
—18	7006794	Shim Kit	1
—19	7006795	Cover	2
—20	7006719	Bearing	1
—21	7006797	Piston	1
—22	7006798	Piston Rod	1
—23	7006703	Plug	1
—24	7006799	O-Ring	1
—25	7009300	Screw	4
—26	7009301	Control Block	1
—27	7009302	Gasket	1
—28	7009303	O-Ring	1
—29	7009304	Back-up Ring	1
—30	7009305	Retaining Ring	1
—31	7009306	Valve Block	1
—32	7006706	Pin	1
—33	7009307	Pin	2
—34	7009308	Shaft	1
—35	7006717	Piston and Shoes	9
—36	7006716	Shoe Plate	1
—37	7006715	Spherical Washer	1
—38	7006714	Pin, Retainer	1
—39	7006713	Pin	3
—40	7006712	Cylinder, Block	1
—41	7006711	Spring Washer	1
—42	7006710	Spring	1
—43	7006709	Spring Washer	1
—44	7009309	Retaining Ring	1
—45	7006707	Bearing Spacer Kit	1
—46	7009310	Wafer Plate	1
—47	7006704	Bearing S/A	1
	2900659	Seal Kit	1



SECTION 2 — ILLUSTRATED PARTS LIST

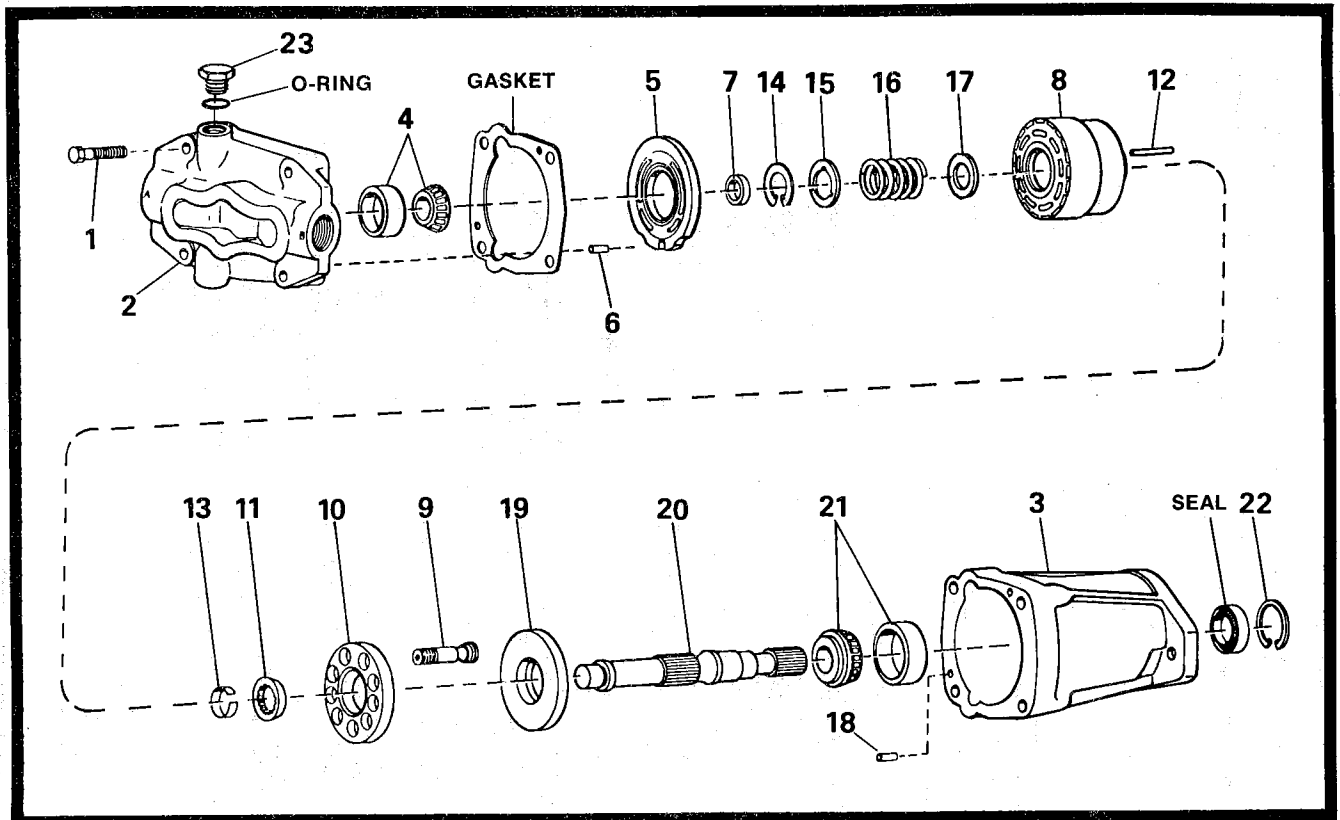


Figure 2-61. Drive Motor (4WD Front).

FIGURE & INDEX NO.	PART NUMBER	ITEMS & DESCRIPTION	QTY.
2-61	3160123	<b>DRIVE MOTOR (4WD FRONT)</b>	Ref.
-1	7006701	Screw	4
-2	7006702	Block, Valve	1
-3	7006722	Housing	1
-4	7006704	Bearing and Race	1
-5	7006705	Wafer Plate	1
-6	7006706	Pin	1
-7	7006707	Spacer	1
-8	7006712	Cylinder Block	1
-9	7006717	Piston and Shoe	9
-10	7006716	Shoe Plate	1
-11	7006715	Washer, Spherical	1
-12	7006713	Pin	3
-13	7006714	Retainer Pin	1
-14	7006708	Ring, Retaining	1
-15	7006709	Washer	1
-16	7006710	Spring	1
-17	7006711	Washer, Thrust	1
-18	7006720	Pin Alignment	2
-19	7006718	Swash Plate	1
-20	7006700	Shaft	1
-21	7006719	Bearing and Race	1
-22	7006721	Ring, Retaining	1
-23	7006703	Plug	1
	7006723	Kit, Rotating Group (Includes Items 8 through 17 and item 19)	1
	2900595	Kit, Seal (Includes Gasket, Shaft Seal and Plug O-Ring)	1

## SECTION 2 — ILLUSTRATED PARTS LIST

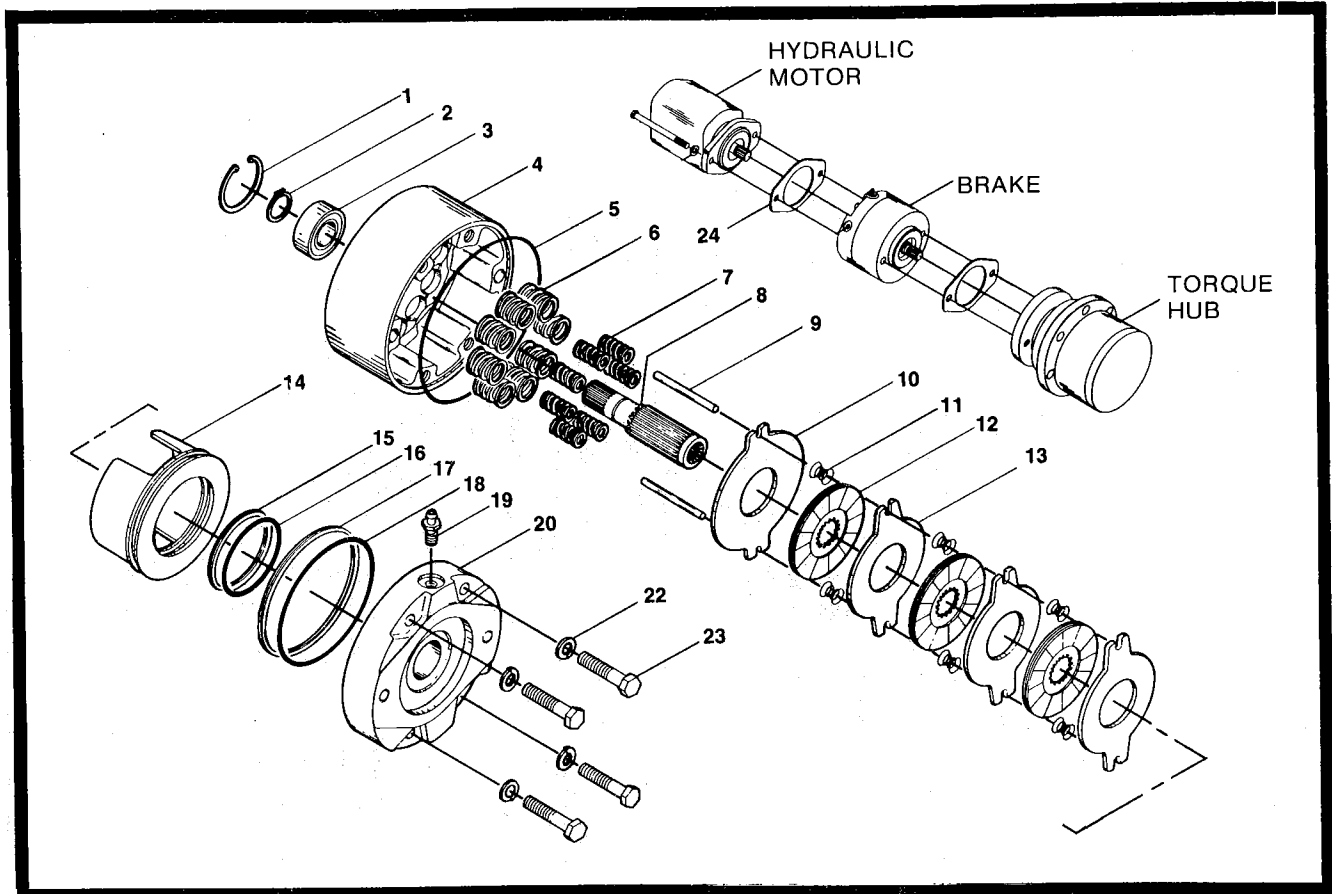


Figure 2-62. Drive Brake - Ausco (Fixed and Oscillating Axles Except Vickers and 4WD).

FIGURE & INDEX NO.	PART NUMBER	ITEMS & DESCRIPTION	QTY.
2-62	0920027	<b>DRIVE BRAKE - AUSCO (ALL FIXED &amp; OSCILLATING AXLES EXCEPT VICKERS)</b>	Ref.
-1	7000711	Ring, Retaining	1
-2	7000712	Ring, Retaining	1
-3	7000713	Bearing, Ball	1
-4	7000714	Housing	1
	7003010	Retainer, Spring	1
-5	7000759	O-Ring	1
-6	7000782	Spring, Compression	8
-7	7000798	Spring, Compression	8
-8	7000716	Shaft	1
-9	7000717	Pin, Torque	2
-10	7000718	Disc, Primary	1
-11	7003006	Spring, Compression	6
-12	7000732	Disc, Rotating	3
-13	7000720	Disc, Stationary	3
-14	7000721	Piston	1
-15	7000722	Ring, Back-Up	1
-16	7000723	O-Ring	1
-17	7000724	Ring, Back-Up	1
-18	7000725	O-Ring	1
-19	7000796	Bleeder	1
-20	7000727	Plate, Power	1
-21	Not Used		
-22	7000729	Lockwasher	4
-23	7000730	Bolt	4
	7003007	Bolt, Flanged	4
-24	7000731	Gasket	2
	2900131	Kit, Seal (Includes Items 1, 2, 15, 16, 17, 18 and 24)	1

## SECTION 2 — ILLUSTRATED PARTS LIST

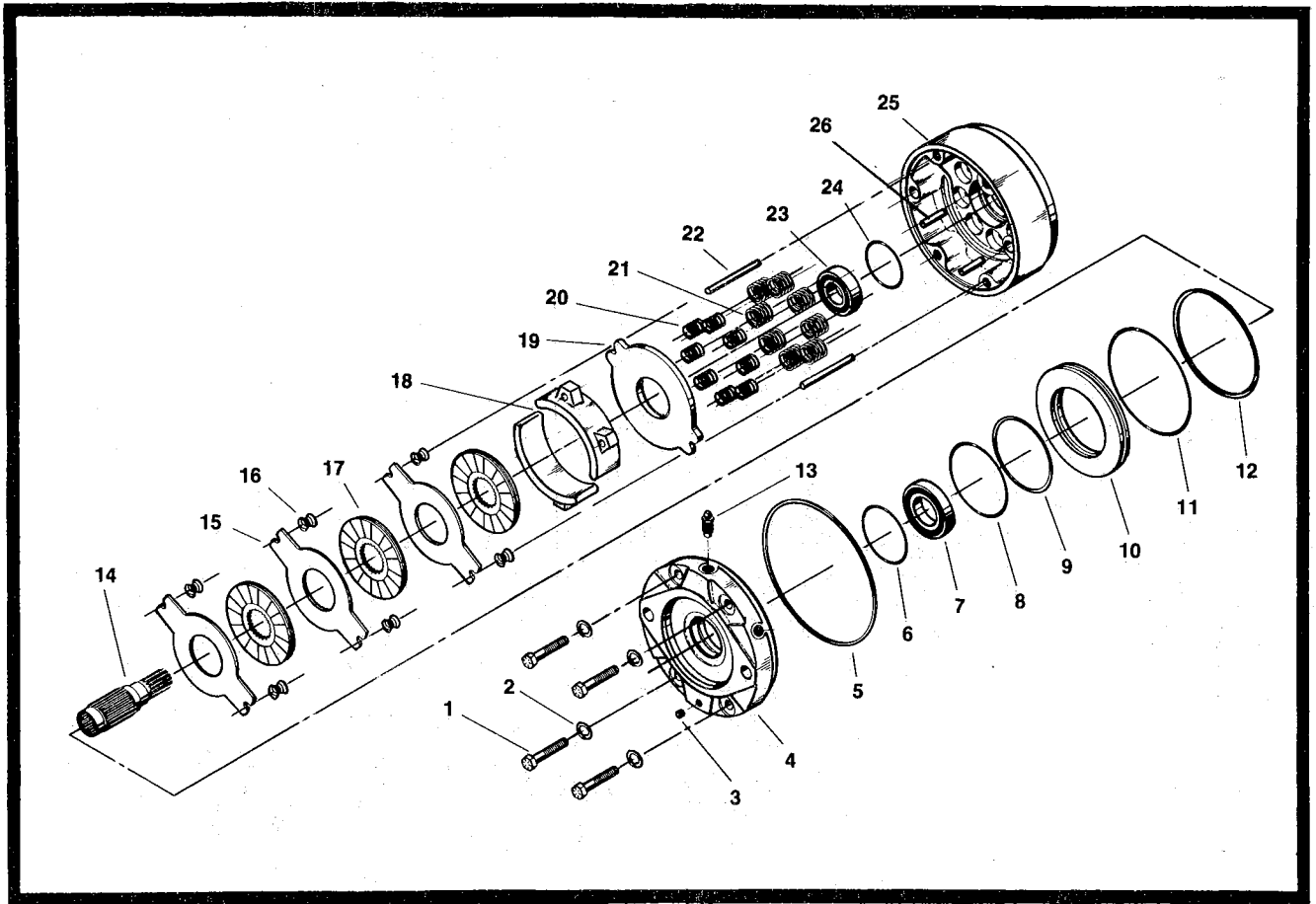


Figure 2-63. Drive Brake - Mico (Fixed and Oscillating Axles Except Vickers and 4WD).

FIGURE & INDEX NO.	PART NUMBER	ITEMS & DESCRIPTION	QTY.
2-63	0920027	<b>DRIVE BRAKE - MICO (ALL FIXED &amp; OSCILLATING AXLES EXCEPT VICKERS)</b>	Ref.
-1	7007913	Cap, Screw	4
-2	7007912	Lockwasher	4
-3	7007924	Pipe Plug	1
-4	7007911	Cover	1
-5	7007910	Square Ring	1
-6	7007925	O-Ring	1
-7	7007920	Bearing	1
-8	7007918	O-Ring	1
-9	7007917	Back-Up Ring	1
-10	7007923	Piston	1
-11	7007922	O-Ring	1
-12	7007921	Back-Up Ring	1
-13	7007914	Bleeder Screw	1
-14	7007903	Shaft	1
-15	7007908	Disc	3
-16	7007916	Spring	6
-17	7007909	Friction Disc	3
-18	7007902	Separator	2
-19	7007907	Disc (Large Diameter)	1
-20	7007906	Spring	8
-21	7007905	Spring	8





**SECTION 2 — ILLUSTRATED PARTS LIST**

FIGURE & INDEX NO.	PART NUMBER	ITEMS & DESCRIPTION	QTY.
2—63	0920027	<b>DRIVE BRAKE - MICO (ALL FIXED &amp; OSCILLATING AXLES EXCEPT VICKERS)(CONTINUED)</b>	Ref.
—22	7007915	Pin, Dowel	2
—23	7007904	Bearing	1
—24	7007900	Oil Seal	1
—25	7007919	Housing	1
—26	7007901	Spirol Pin	4
	7007933	Mounting Gasket (Not Shown)	1
	2900641	Kit, Seal (Includes Items 5, 6, 8, 9, 11, 12 and 24)	1

SECTION 2 — ILLUSTRATED PARTS LIST

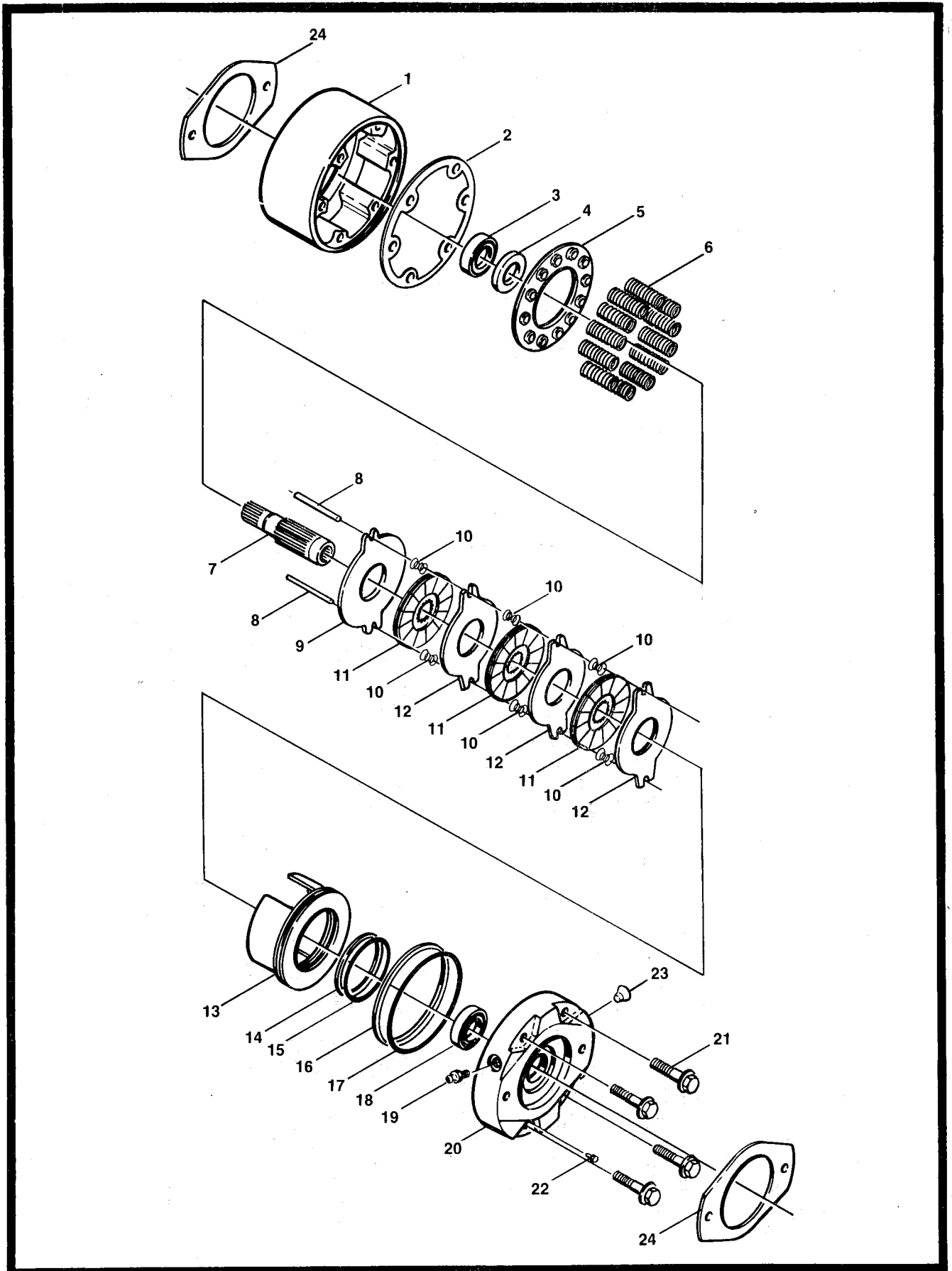


Figure 2-64. Drive Brake (Vickers and 4WD).

**SECTION 2 — ILLUSTRATED PARTS LIST**

FIGURE & INDEX NO.	PART NUMBER	ITEMS & DESCRIPTION	QTY.
2-64	0920072	<b>DRIVE BRAKE (VICKERS FIXED &amp; ALL 4WD)</b>	Ref.
-1	7003047	Housing	1
-2	7003048	Gasket	1
-3	7003049	Bearing	1
-4	7003050	Seal, Oil	1
-5	7003051	Retainer, Spring	1
-6	7003052	Spring, Compression	12
-7	7003070	Shaft, Splined	1
-8	7000717	Pin, Torque	2
-9	7003054	Disc, Primary	1
-10	7003006	Spring, Separator	6
-11	7003055	Disc, Rotating	3
-12	7003056	Disc, Stationary	3
-13	7003057	Piston	1
-14	7000722	Ring, Backup	1
-15	7000723	O-Ring	1
-16	7000724	Ring, Backup	1
-17	7000725	O-Ring	1
-18	7000760	Bearing	1
-19	7000796	Screw, Bleeder	1
-20	7003071	Plate, Power	1
-21	7003007	Screw	4
-22	7003059	Valve, Pressure	1
-23	7000728	Plug	1
-24	7000731	Gasket	2
	2900662	Kit, Seal (Includes Items 3, 4, 14, 15, 16, 17 and 18)	1

SECTION 2 — ILLUSTRATED PARTS LIST

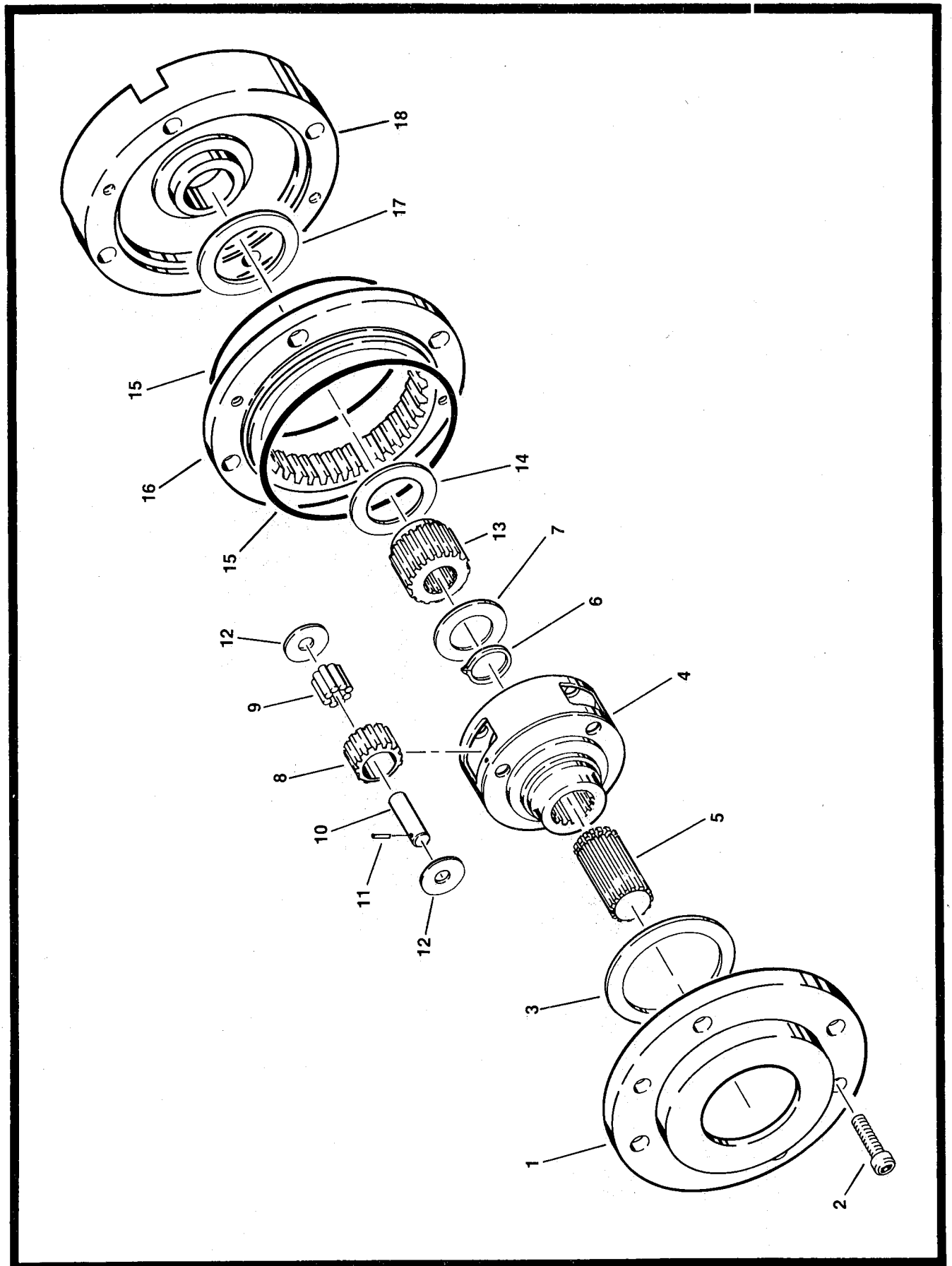


Figure 2-65. Drive Reducer (Vickers Fixed and 60HTH Fixed and Oscillating).

**SECTION 2 — ILLUSTRATED PARTS LIST**

FIGURE & INDEX NO.	PART NUMBER	ITEMS & DESCRIPTION	QTY.
2—65	2780138	<b>DRIVE REDUCER (VICKERS FIXED AND 60HTH FIXED &amp; OSCILLATING)</b>	Ref.
—1	7007663	Hub	1
—2	7007678	Bolt	2
—3	7007673	Washer, Thrust	1
—4	7007665	Carrier Sub-Assembly	1
—5	7007666	Carrier	1
—6	7007672	Shaft (Output)	1
—7	7000285	Ring, Retaining	1
—8	7000270	Washer, Thrust	1
—9	7007671	Gear (Planet)	3
—10	7007668	Roller, Needle	57
—11	7007670	Shaft (Planet)	3
—12	7007669	Pin, Spring	3
—13	7007667	Washer, Thrust	6
—14	7007676	Gear (Input)	1
—15	7007675	Washer, Thrust	1
—16	7007677	O-Ring	2
—17	7007664	Ring Gear	1
—18	7000253	Washer, Thrust	1
	7007674	Cover	1
	7007679	Plug, Pipe (Not Shown)	3

SECTION 2 — ILLUSTRATED PARTS LIST

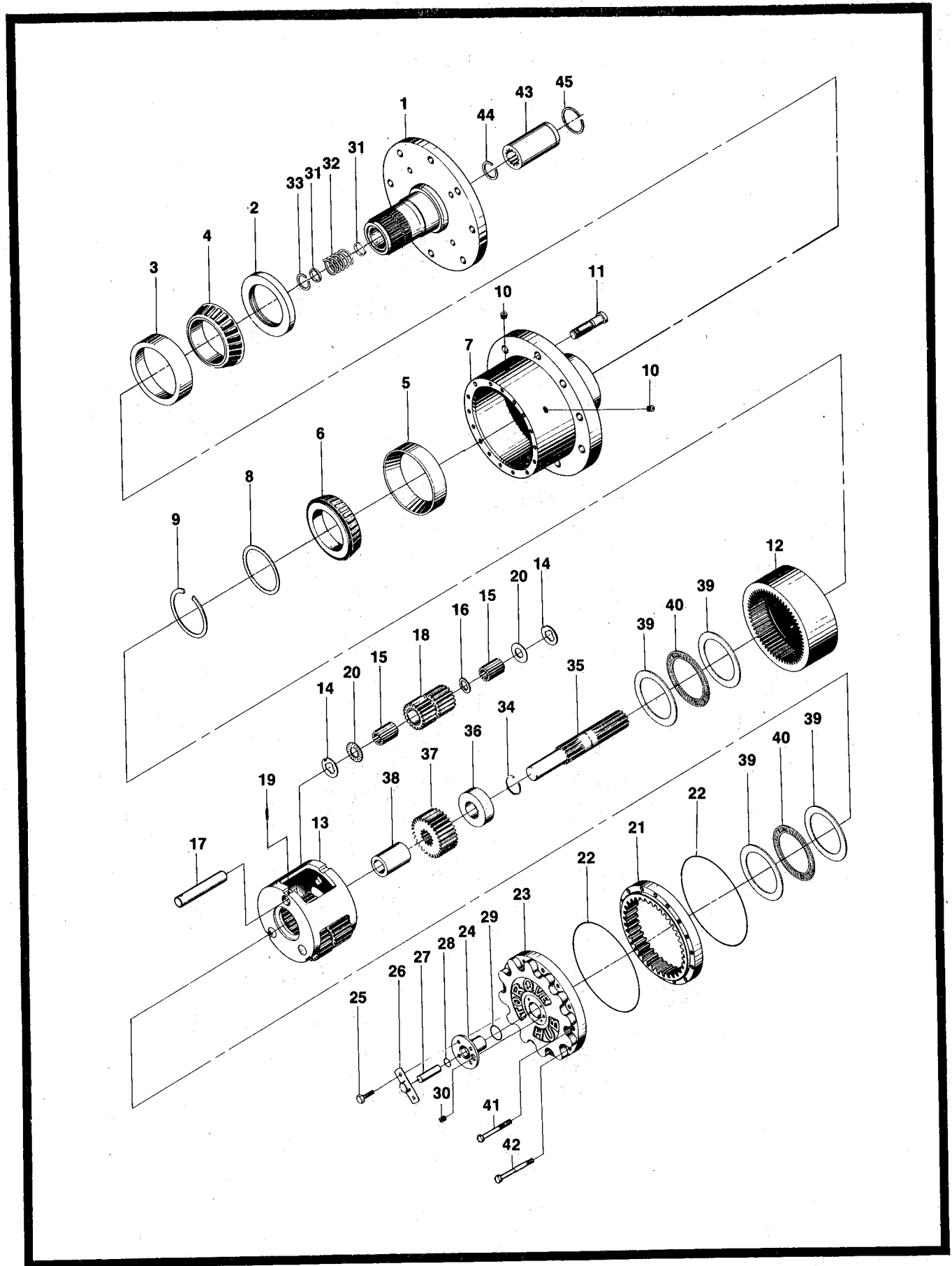
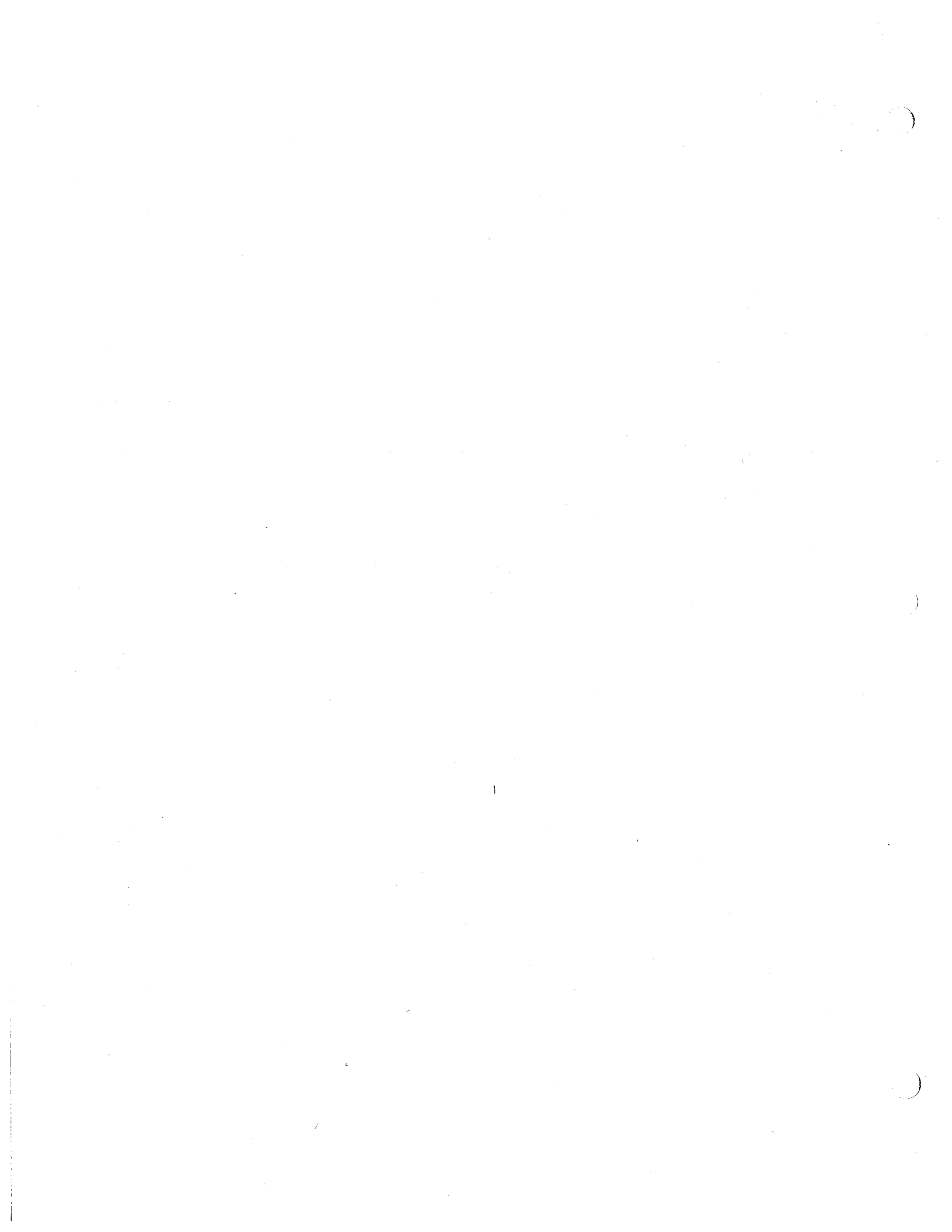


Figure 2-66. Drive Torque Hub.

**SECTION 2 — ILLUSTRATED PARTS LIST**

FIGURE & INDEX NO.	PART NUMBER	ITEMS & DESCRIPTION	QTY.
2—66		<b>DRIVE TORQUE HUB</b>	Ref.
	2780040	<b>TORQUE HUB - 35:1 RATIO (WITH CAST SPINDLE) (STANDARD)</b>	Ref.
	2780135	<b>TORQUE HUB - 35:1 RATIO (WITH STEEL SPINDLE) (STANDARD AND 7' X 7')</b>	Ref.
	2780052	<b>TORQUE HUB - 18:1 RATIO (WITH CAST SPINDLE) (60HTH FIXED AND OSCILLATING AXLE)</b>	Ref.
	2780143	<b>TORQUE HUB - 18:1 RATIO (WITH STEEL SPINDLE) (VICKERS)</b>	Ref.
	2780114	<b>TORQUE HUB - 53.58:1 RATIO (4WD)</b>	Ref.
		Hub and Spindle Assembly	1
—1	7001937	Spindle, Cast (35:1 and 53.58:1 Ratios)	1
	7007644	Spindle, Steel (35:1 Ratio)	1
	7000291	Spindle, Cast (18:1 Ratio)	1
	7007656	Spindle, Steel (18:1 Ratio)	1
—2	7000236	Seal	1
—3	7000272	Cup, Bearing	1
—4	7000273	Cone, Bearing	1
—5	7000274	Cup, Bearing	1
—6	7000275	Cone, Bearing	1
—7	7000276	Hub (35:1 All and 18:1 with Cast Spindle Ratios)	1
	7002023	Hub (18:1 Ratio with Steel Spindle)	1
	7001941	Hub (53.58:1 Ratio)	1
—8	7000239	Spacer	1
—9	7000240	Ring, Retaining	1
—10	7001928	Plug	2
—11	7000265	Bolt, Wheel (All Except 18:1 Ratio with Steel Spindle)	10
	7002022	Bolt, Wheel (18:1 Ratio with Steel Spindle)	10
—12	7000277	Gear, Internal (35:1 and 18:1 Ratios)	1
	7001917	Gear, Internal (53.58:1 Ratio)	1
	7000278	Carrier Assembly (35:1 Ratio with Cast Spindle)	1
	7007659	Carrier Assembly (35:1 Ratio with Steel Spindle)	1
	7001933	Carrier Assembly (18:1 Ratio with Cast Spindle)	1
	7007680	Carrier Assembly (18:1 Ratio with Steel Spindle)	1
	7001918	Carrier Assembly (53.58:1 Ratio)	1
—13	7001900	Carrier	1
—14	7001901	Washer, Thrust (35:1 and 18:1 with Cast Spindle Ratios)	6
	7007645	Washer, Thrust (35:1 and 18:1 with Steel Spindle and 53.58:1 Ratios)	6
—15	7001902	Roller, Needle	84
—16	7001903	Spacer (35:1 and 18:1 with Cast Spindles and 53.58:1 Ratios)	3
	7007646	Spacer (35:1 and 18:1 with Steel Spindle Ratios)	3
—17	7001904	Shaft, Pinion	3
—18	7001936	Gear, Cluster (35:1 Ratio with Cast Spindle)	3
	7007660	Gear, Cluster (35:1 Ratio with Steel Spindle)	3
	7001905	Gear, Cluster (18:1 Ratio)	3
	7001927	Gear, Cluster (53.58:1 Ratio)	3
—19	7001906	Pin, Roll	3
—20	7007661	Washer, Thrust (35:1 and 18:1 with Steel Spindle Ratios Only)	6





**SECTION 2 — ILLUSTRATED PARTS LIST**

FIGURE & INDEX NO.	PART NUMBER	ITEMS & DESCRIPTION	QTY.
2-66		<b>DRIVE TORQUE HUB (CONTINUED)</b>	Ref.
-21	7000279	Gear, Ring (35:1 and 53.58:1 Ratios)	1
	7000299	Gear, Ring (18:1 Raio)	1
-22	7000224	O-Ring	2
	7000280	Cover Assembly	1
-23	7000218	Cover	1
-24	7000219	Cap, Cover	1
-25	7000220	Bolt	4
-26	7000231	Cap, Disconnect	1
-27	7000235	Rod, Disconnect	1
-28	7000213	O-Ring	1
-29	7000238	O-Ring	1
-30	7000243	Plug, Pipe	1
-31	7000282	Washer	2
-32	7000283	Spring	1
-33	7000284	Ring, Retaining	1
-34	7000285	Ring, Retaining	1
-35	7000222	Shaft, Input (35:1 and 53.58:1 Ratios)	1
	7000292	Shaft, Input (18:1 Ratio)	1
-36	7000286	Spacer, Thrust (35:1 and 53.58:1 Ratios)	1
	7000293	Spacer, Thrust (18:1 Ratio)	1
-37	7000221	Gear, Input (35:1 and 53.58:1 Ratios)	1
	7000294	Gear, Input (18:1 Ratio)	1
-38	7000295	Spacer, Thrust (18:1 Ratio Only)	1
-39	7000287	Washer, Thrust	4
-40	7000288	Bearing, Thrust	2
-41	7000289	Bolt	8
-42	7000225	Bolt, Shoulder	4
-43	7000290	Coupling (35:1 and 53.58:1 Ratios)	1
	7000296	Coupling (18:1 Ratio)	1
-44	7000297	Ring, Retaining (18:1 Ratio Only)	1
-45	7000298	Ring, Retaining (18:1 Ratio Only)	1

SECTION 2 — ILLUSTRATED PARTS LIST

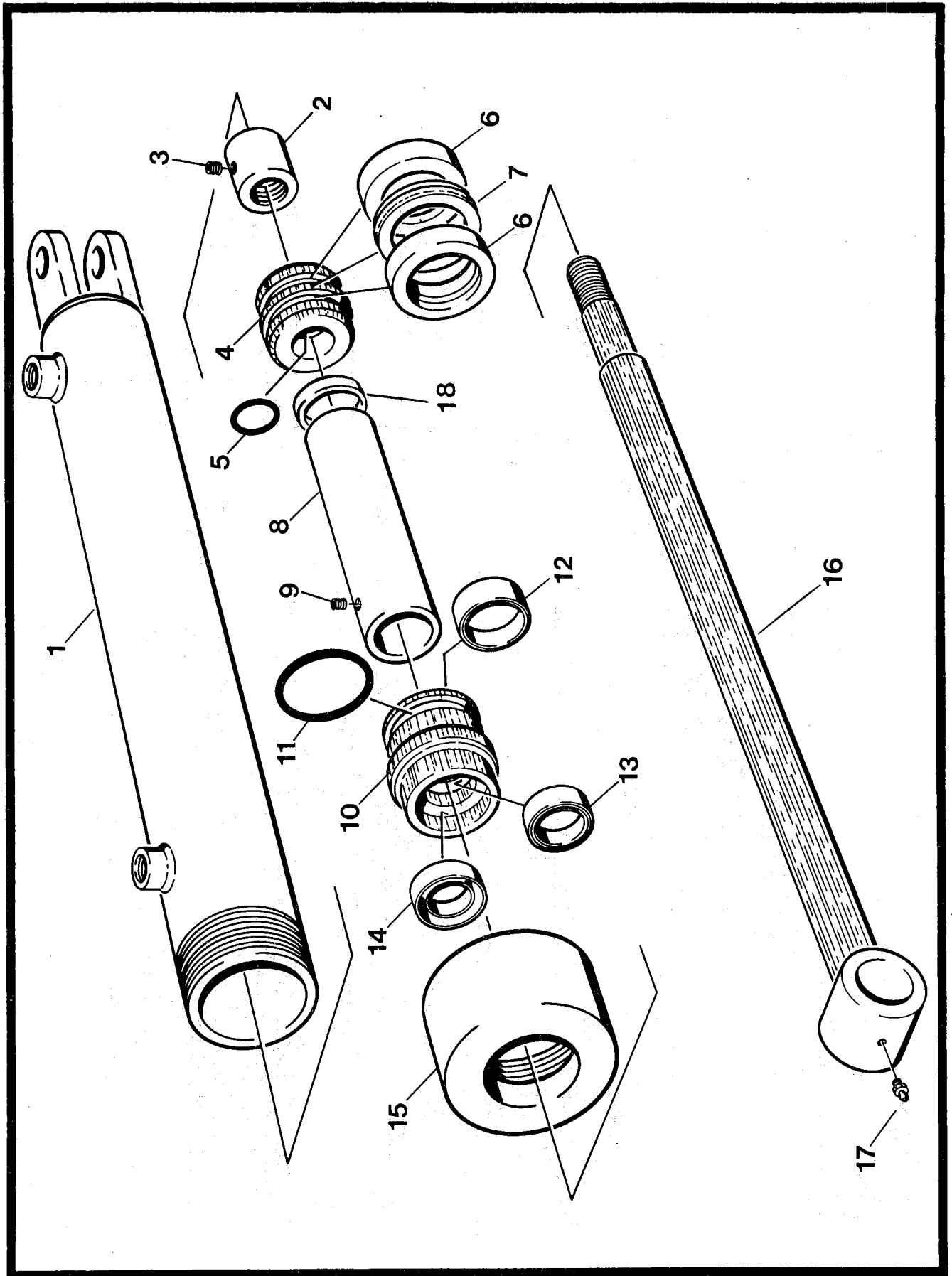


Figure 2-67. Steer Cylinder Assemblies.

**SECTION 2 — ILLUSTRATED PARTS LIST**

FIGURE & INDEX NO.	PART NUMBER	ITEMS & DESCRIPTION	QTY.
2-67		<b>STEER CYLINDER ASSEMBLIES</b>	Ref.
	1681567	<b>STEER CYLINDER - FIXED AXLE</b>	Ref.
	1681562	<b>STEER CYLINDER - OSCILLATING AXLE</b>	Ref.
	1681555	<b>STEER CYLINDER - 4WD</b>	Ref.
-1	1681433	Barrel	1
	1681413	Barrel (4WD)	1
-2	3300187	Nut	1
-3	3900141	Setscrew 1/4"-20NC x 3/8"	1
	0100011	Loctite	A/R
-4	3480101	Piston	1
-5	3780170	O-Ring	1
-6	3760198	Ring, Wear	2
-7	3960295	Seal, Wear	1
-8	4562925	Spacer (Fixed)	1
	4562687	Spacer (Oscillating)	1
	4562851	Spacer (4WD)	1
-9	3900141	Setscrew 1/4"-20NC x 3/8"	1
	0100011	Loctite	A/R
-10	1681322	Head	1
	1681344	Head (4WD)	1
-11	3780164	O-Ring	1
-12	3760112	Ring, Wear	1
	3760222	Ring, Wear (4WD)	1
-13	3960293	Seal, Rod	1
	3960121	Seal, Rod (4WD)	1
-14	3960128	Wiper, Rod	1
	3960122	Wiper, Rod (4WD)	1
-15	1120108	End, Cap	1
-16	1681435	Rod	1
	1681411	Rod (4WD)	1
-17	2160002	Fitting, Grease	1
	2160006	Fitting, Grease (4WD)	1
-18	4563162	Spacer (Fixed Only)	1
	2900364	Seal Kit - Fixed and Oscillating Axles (Includes Items 5, 6, 7, 11, 12, 13 and 14)	1
	2900094	Seal Kit - 4WD (Includes Items 5, 6, 7, 11, 12, 13 and 14)	1
	0460043	Bellows, Cylinder	1

SECTION 2 — ILLUSTRATED PARTS LIST

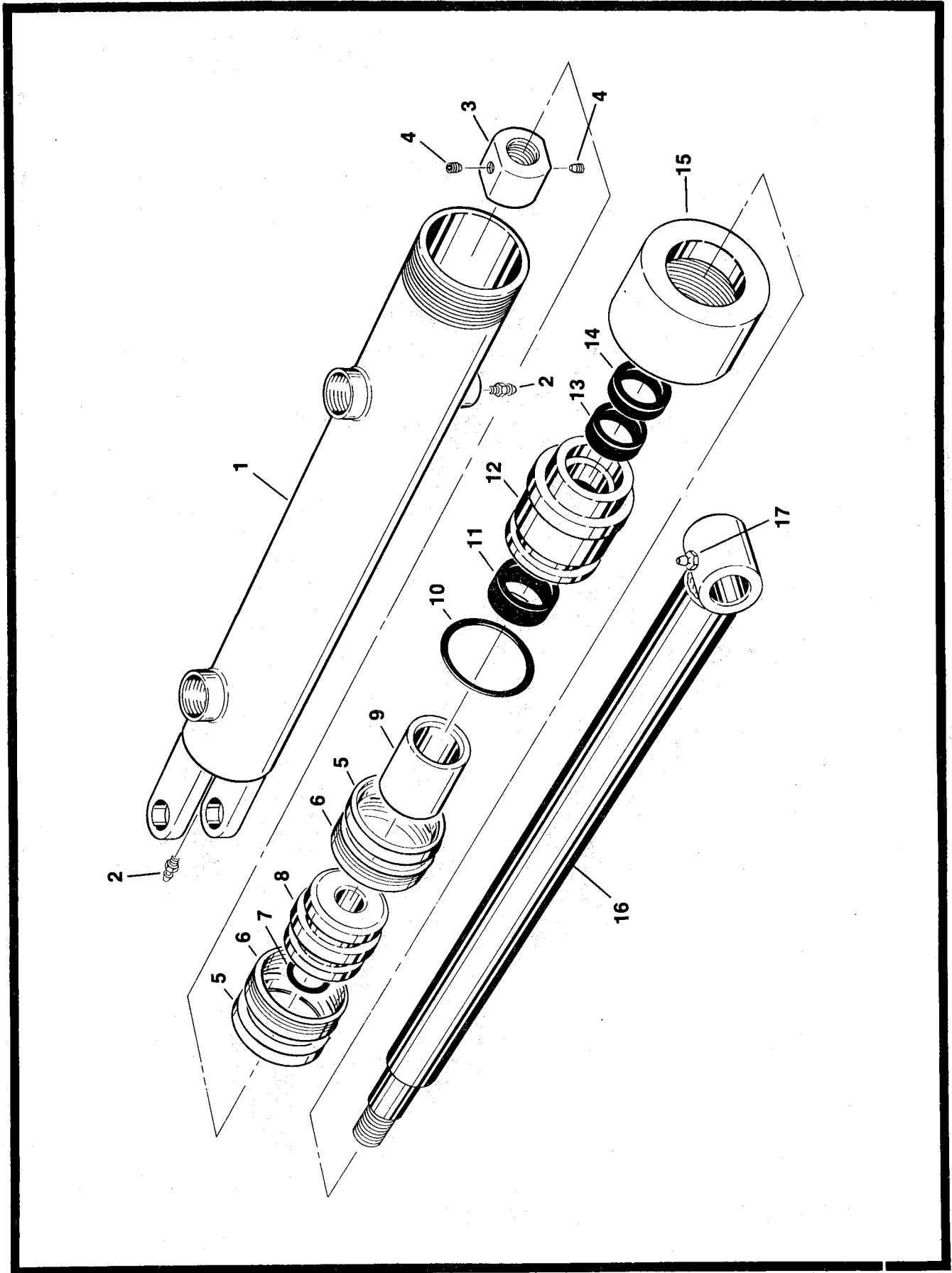


Figure 2-68. Lockout Cylinder Assemblies.

**SECTION 2 — ILLUSTRATED PARTS LIST**

FIGURE & INDEX NO.	PART NUMBER	ITEMS & DESCRIPTION	QTY.
2—68	1681569	<b>LOCKOUT CYLINDER ASSEMBLY - 2 WD</b>	Ref.
	1681568	<b>LOCKOUT CYLINDER ASSEMBLY - 4 WD</b>	Ref.
—1	1681444	Barrel (2 WD)	1
	1681449	Barrel (4 WD)	1
—2	4640273	Bleeder	3
—3	3300187	Nut	1
—4	3900139	Setscrew	2
	0100011	Loctite	A/R
—5	3760207	Ring, Guideloc	2
—6	3960313	Seal	2
—7	3790212	O-Ring	1
—8	3480114	Piston	1
—9	4562935	Spacer	1
—10	3780171	O-Ring	1
—11	3760112	Ring	1
—12	1681446	Head	1
—13	3960129	Seal, Rod	1
—14	3960128	Seal, Wiper	1
—15	1120094	Retainer, Head	1
	0100011	Loctite	A/R
—16	1681447	Rod (2 WD)	1
	1681450	Rod (4 WD)	1
—17	2160002	Fitting, Grease	1
	2900366	Kit, Seal (Includes Items 5, 6, 7, 10, 11, 13 and 14)	1
	0460047	Bellows, Cylinder	2

SECTION 2 — ILLUSTRATED PARTS LIST

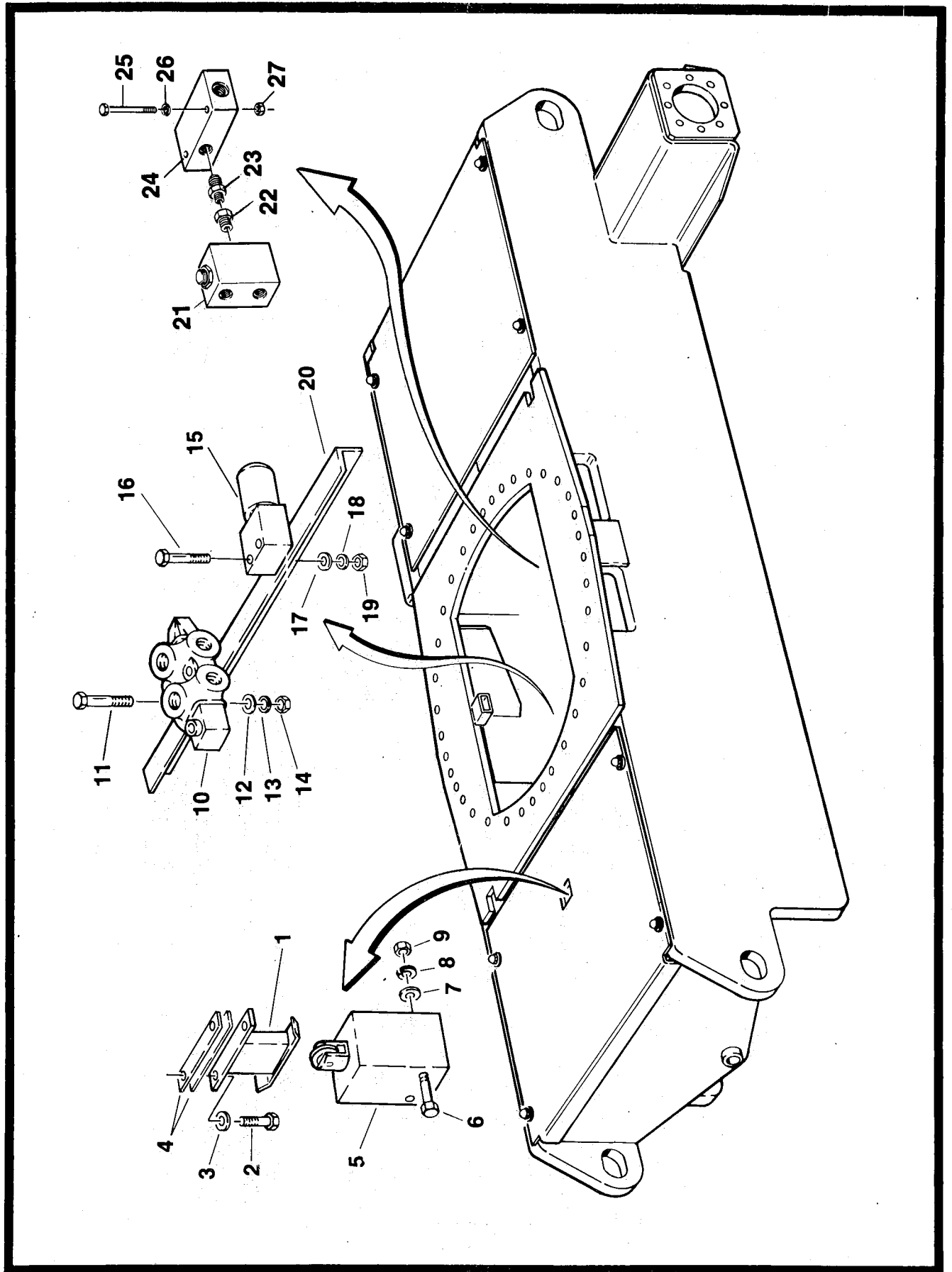


Figure 2-69. Valves Installation (Frame Mounted).

**SECTION 2 — ILLUSTRATED PARTS LIST**

FIGURE & INDEX NO.	PART NUMBER	ITEMS & DESCRIPTION	QTY.
2-69		<b>VALVES INSTALLATION (FRAME MOUNTED)</b>	Ref.
	0236404	<b>LOCKOUT VALVE INSTALLATION (OSCILLATING AXLE)</b>	Ref.
-1	1100037	Cam Assembly (Attaching Parts)	1
-2	0641612	Bolt 3/8"-16NC x 1 1/2"	2
-3	4761600	Lockwasher 3/8"	2
-4	4070570	Shim	A/R
	4070571	Shim	A/R
	4070572	Shim	A/R
-5	4640485	Valve, Axle Lockout (See Figure 2-70 For Breakdown) (Attaching Parts)	1
-6	0641634	Bolt 3/8"-16NC x 4 1/4"	2
-7	4751600	Flatwasher 3/8"	2
-8	4761600	Lockwasher 3/8"	2
-9	3311601	Nut 3/8"-16NC	2
	0236842	<b>2 WHEEL/4 WHEEL DRIVE VALVES INSTALLATION</b>	Ref.
-10	4640471	Valve (Attaching Parts)	1
-11	0641526	Bolt 5/16"-18NC x 3 1/4"	2
-12	4751500	Flatwasher 5/16"	2
-13	4761500	Lockwasher 5/16"	2
-14	3311501	Nut 5/16"-18NC	2
-15	4640363	Valve, Solenoid (Attaching Parts)	1
-16	0641522	Bolt 5/16"-18NC x 2 1/2"	2
-17	4751500	Flatwasher 5/16"	2
-18	4761500	Lockwasher 5/16"	2
-19	3311501	Nut 5/16"-18NC	2
-20	0181221	Angle (Welded On Part)	1
	0236590	<b>COUNTERBALANCE AND FLOW DIVIDER VALVES INSTALLATION (STANDARD AND 7' X 7')</b>	Ref.
	0238014	<b>COUNTERBALANCE AND FLOW DIVIDER VALVES INSTALLATION (VICKERS AND 60HTH)</b>	Ref.
-21	4640443	Divider, Flow (Standard and 7' x 7')	1
	4640260	Divider, Flow (Vickers and 60HTH)	1
-22	2220061	Fitting, Adapter	1
-23	2180134	Fitting	1
-24	4640451	Valve, Dual Counterbalance (Attaching Parts)	1
-25	0641626	Bolt 3/8"-16NC x 3 1/4"	2
-26	4761600	Lockwasher 3/8"	2
-27	3311601	Nut 3/8"-16NC	2

SECTION 2 — ILLUSTRATED PARTS LIST

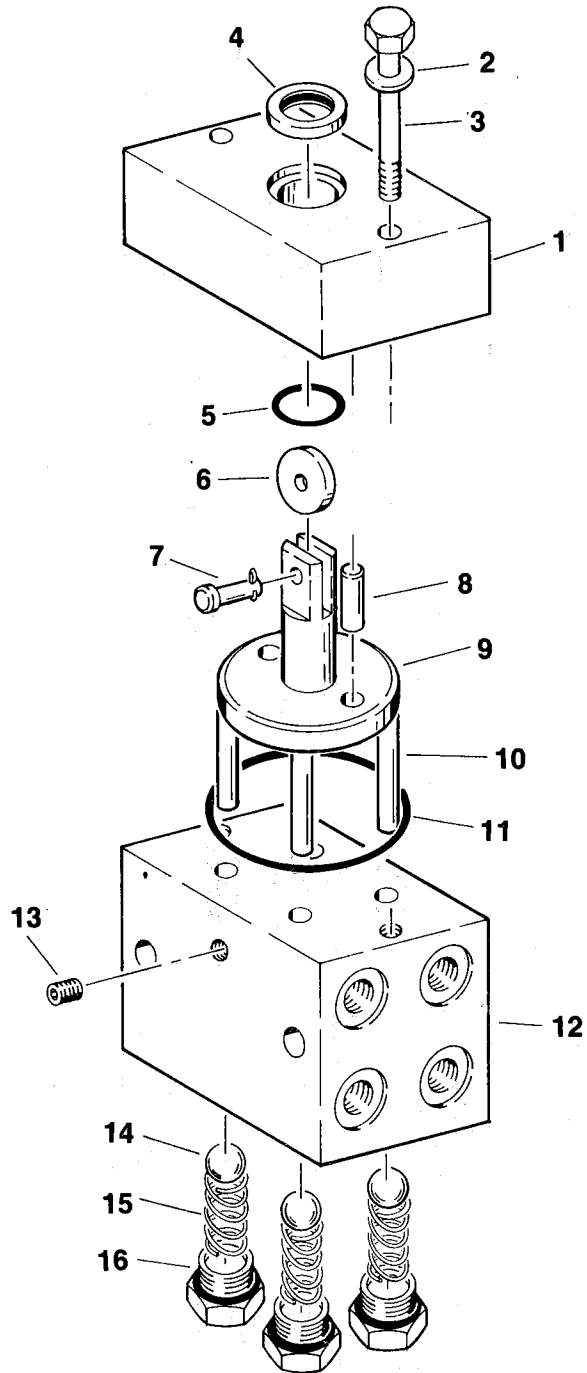


Figure 2-70. Lockout Valve Assembly.



## SECTION 2 — ILLUSTRATED PARTS LIST

FIGURE & INDEX NO.	PART NUMBER	ITEMS & DESCRIPTION	QTY.
2—70	4640485	<b>LOCKOUT VALVE ASSEMBLY</b>	Ref.
—1	0560679	Block, Top Valve (Attaching Parts)	1
—2	0641518	Bolt	2
—3	4761500	Lockwasher	2
—4	3960047	Seal, Rod	1
—5	3790116	O-Ring	1
—6	3860037	Roller, Cam (Attaching Parts)	1
—7	3430407	Clevis Pin with Cotter Pin	1
—8	3421284	Pin	2
—9	3840833	Plunger, Rod	1
—10	3840854	Rod	4
—11	3790231	O-Ring	1
—12	0560467	Block, Bottom Valve	1
—13	2200202	Plug	1
—14	0100011	Loctite	A/R
—14	0320008	Ball	4
—15	4160078	Spring	4
—16	2180658	Plug	4

SECTION 2 — ILLUSTRATED PARTS LIST

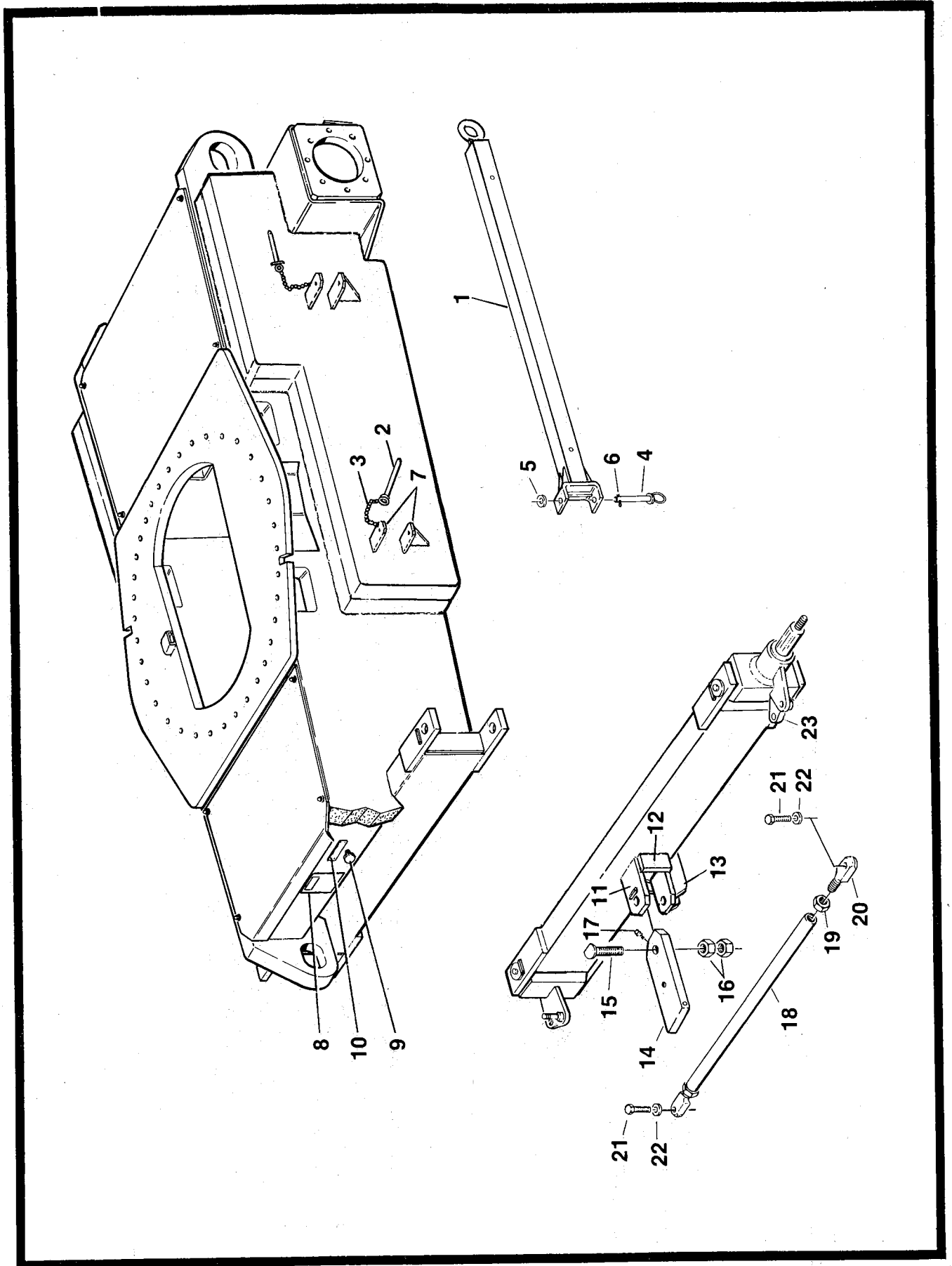


Figure 2-71. Tow Package Installation.

**SECTION 2 — ILLUSTRATED PARTS LIST**

FIGURE & INDEX NO.	PART NUMBER	ITEMS & DESCRIPTION	QTY.
2-71		<b>TOW PACKAGE INSTALLATION</b>	Ref.
	0236891	<b>TOW BAR STORAGE INSTALLATION</b>	Ref.
-1	0236893	Tow Bar (Attaching Parts)	1
-2	3421238	Pin	2
-3	1260017	Chain	2
-4	3420447	Pin, Tow	1
-5	4740036	Flatwasher, Special	1
-6	3420372	Hairpin	1
-7	4842252	Mount, Tow Bar	2
	0236878	<b>TOW BAR SELECTOR VALVE AND NAMEPLATES INSTALLATION</b>	Ref.
-8	3250840	Nameplate, Caution (Attaching Parts)	1
	3820005	Rivet, Pop	4
-9	4640261	Valve, Selector (Attaching Parts)	1
	0641507	Bolt 5/16"-18NC x 7/8"	2
	4751500	Flatwasher 5/16"	2
	4761500	Lockwasher 5/16"	2
	0900479	Bracket	1
-10	3250872	Nameplate - Tow Select (Attaching Parts)	1
	3820005	Rivet, Pop	4
-11	3530451	Plate	2
	2880410	Key	1
-12	2551050	Gusset, Side	2
-13	2551086	Gusset	2
-14	2620027	Hitch (Attaching Parts)	1
-15	3420860	Pin	1
-16	3300023	Nut 1 1/4"-12NF	2
-17	2160003	Fitting, Grease	1
-18	3840809	Tie Rod (Attaching Parts)	1
-19	3300023	Nut, Jam 1 1/4"-12NF	2
-20	1660114	End, Rod	2
-21	0642622	Bolt 1"-8NC x 2 3/4"	2
-22	4762600	Lockwasher 1"	2
-23	3040314	Lug	1

SECTION 2 — ILLUSTRATED PARTS LIST

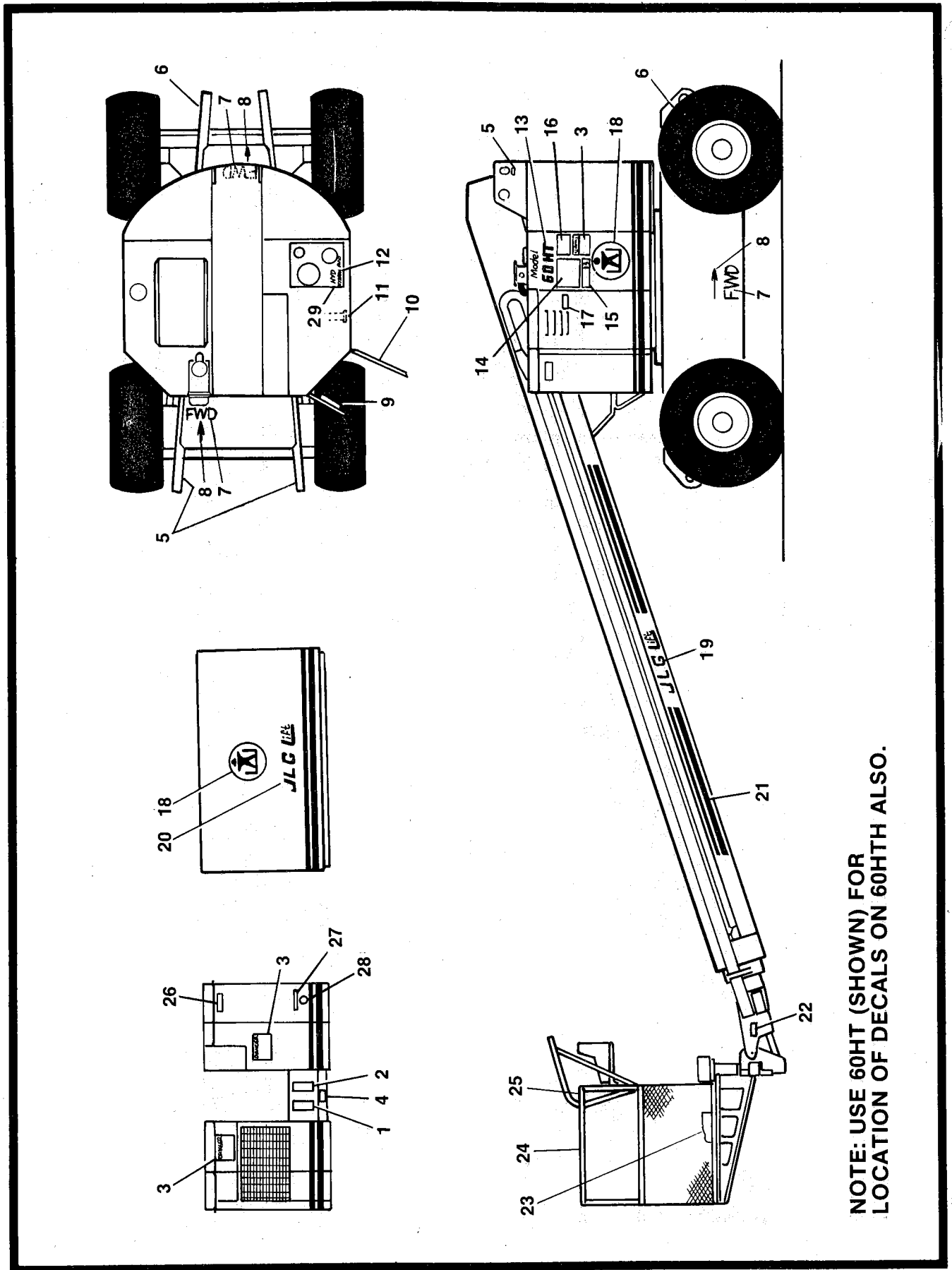


Figure 2-72. Nameplates and Decals Installations.

**SECTION 2 — ILLUSTRATED PARTS LIST**

FIGURE & INDEX NO.	PART NUMBER	ITEMS & DESCRIPTION	QTY.
2-72		<b>NAMEPLATES AND DECALS INSTALLATIONS</b>	Ref.
	0236648	<b>NAMEPLATES AND DECALS INSTALLATION - STANDARD</b>	Ref.
	0237385	<b>NAMEPLATES AND DECALS INSTALLATION - 7' X 7' AND VICKERS</b>	Ref.
	0238295	<b>NAMEPLATES AND DECALS INSTALLATION - 60HTH</b>	Ref.
-1	Consult Factory 3820001	Nameplate - Serial Number Rivet	1 8
-2	1700584	Decal - Patent	1
-3	1700585	Decal - Crushing	4
-4	1700593	Decal - Inspection	1
-5	1700377	Decal - Lift Here	4
-6	1700575	Decal - Tie Down	4
-7	1700423	Decal - Fwd	4
-8	1700568	Decal - Arrow	4
-9	1700157	Decal - Manual	1
	0860520	Box, Manual Storage (Attaching Parts)	1
	3311405	Locknut 1/4"-20NC	4
	1060279	Cable, Lanyard (Attaching Parts)	1
	0641408	Bolt 1/4"-20NC x 1"	1
	4751400	Flatwasher 1/4"	2
	3311405	Locknut 1/4"-20NC	1
-10	3251028	Decal - Caution (Dual Fuel Only)	1
	1700582	Decal - Ground Control Operation (All except standard 450 lbs. and 400 lbs. capacity machines.)	1
	1700650	Decal - Ground Control Operation (Standard 450 Lbs. Capacity)	1
	1700649	Decal - Ground Control Operation (Standard 400 Lbs. Capacity)	1
-11	1700430	Decal - Fuel - Gasoline	1
	1700428	Decal - Fuel - Diesel	1
	1700429	Decal - Fuel - Dual Fuel	1
-12	1700419	Decal - Hydraulic Oil	1
-13	1700620	Decal - Model 60HT	2
	1700898	Decal - Model 60HTH	2
-14	3251626	Nameplate - Reach (Standard 1.5 to 1 with Radius Limit System)	1
	3251639	Nameplate - Reach (Standard 2 to 1 with Radius Limit System)	1
	3251640	Nameplate - Reach (Standard 1.5 to 1 without Radius Limit System)	1
	3251682	Nameplate - Reach (7' x 7', Vickers Valves and 60HTH)	1
-15	1700580	Decal - Electrocution	2
-16	1700643	Decal - Caution	1
-17	1700583	Decal - Ground Control Location	1
-18	1700427	Decal - Logo	3
-19	1700422	Decal - JLG Lift (3")	2
-20	1700426	Decal - JLG Lift (5")	1
-21	1700431	Decal - Striping	30 Ft.
-22	1700640	Decal - Crushing	2

**SECTION 2 — ILLUSTRATED PARTS LIST**

FIGURE & INDEX NO.	PART NUMBER	ITEMS & DESCRIPTION	QTY.
2-72		<b>NAMEPLATES AND DECALS INSTALLATIONS (CONTINUED)</b>	Ref.
-23	3250453	Nameplate - Footswitch (Standard)	1
	3251766	Nameplate - Footswitch (7' x 7', Vickers Valve and 60HTH)	1
	3820001	Rivet	4
-24	1700476	Decal - No Hands	2
-25	1700477	Decal - Attach Here	1
-26	3251569	Decal - Manual	1
-27	3251243	Decal - 120 V	1
-28	0961127	Bushing, Snap	1
	0100010	Loctite	1
-29	1700756	Decal - Full/Add	1

SECTION 2 — ILLUSTRATED PARTS LIST

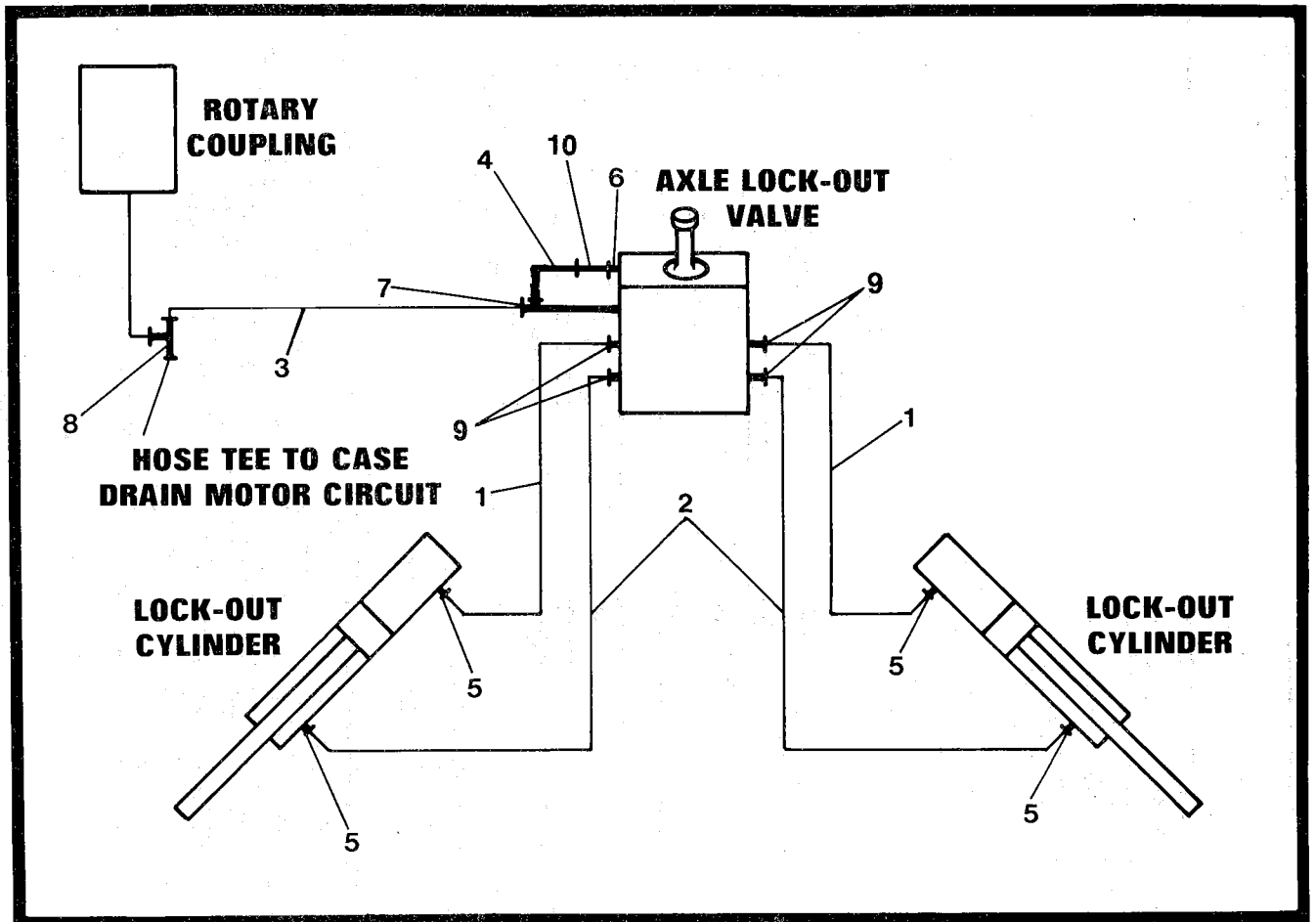


Figure 2-73. Axle Lockout Circuit, Hydraulic.

FIGURE & INDEX NO.	PART NUMBER	ITEMS & DESCRIPTION	QTY.
2-73	2790974	<b>AXLE LOCK-OUT CIRCUIT, HYDRAULIC</b>	Ref.
-1	2751113	Hose	2
-2	2750998	Hose	2
-3	2750990	Hose	1
-4	2750900	Hose	1
-5	2220773	Fitting, 90°	4
	0100020	Loctite	A/R
-6	2220582	Fitting	1
-7	2220606	Fitting, Tee	1
	0100020	Loctite	A/R
-8	2220702	Fitting, Tee	1
-9	2220371	Fitting	4
-10	2220515	Cap	1
	2220605	Fitting, Tee	1

SECTION 2 — ILLUSTRATED PARTS LIST

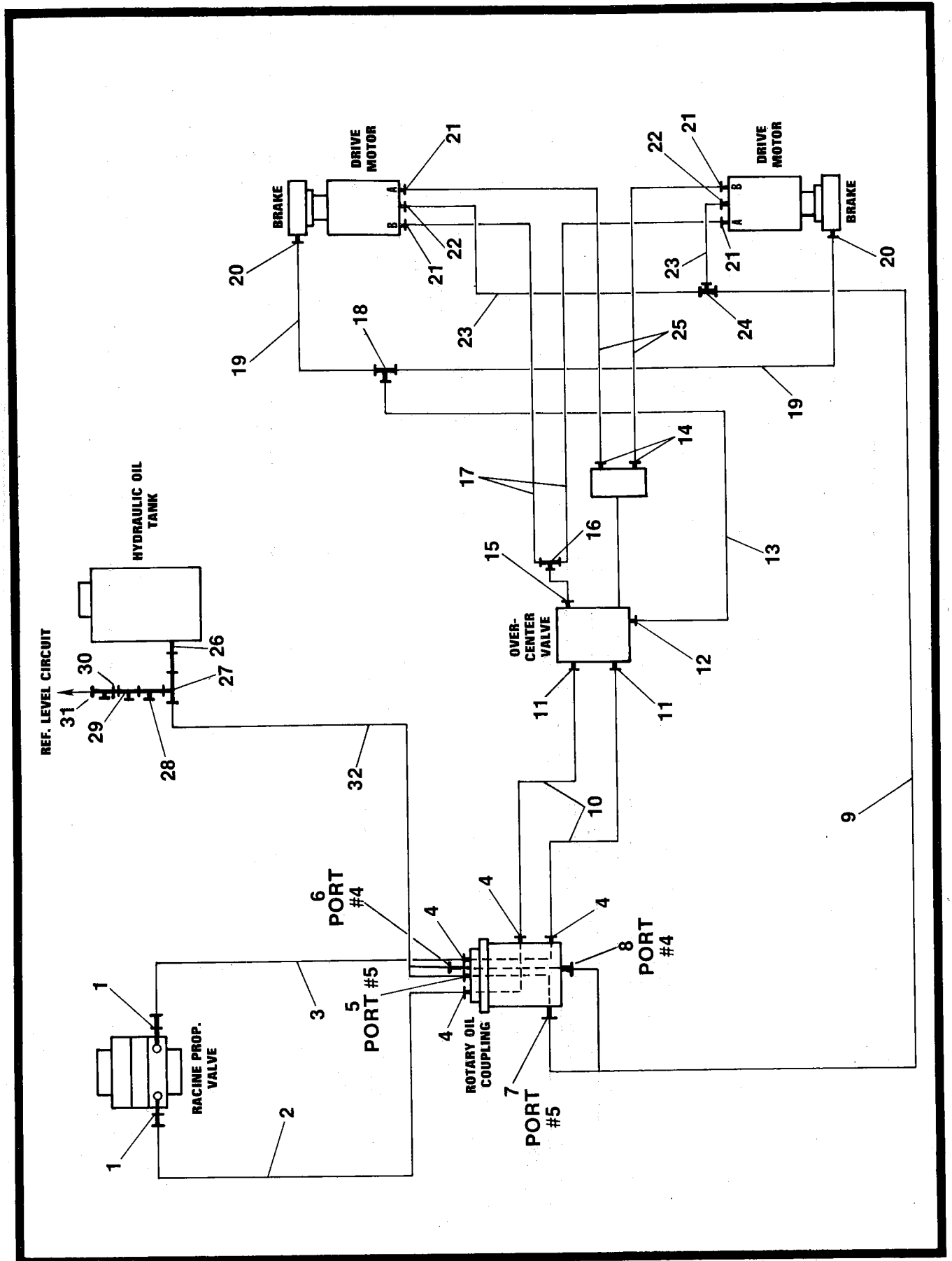


Figure 2-74. Drive Circuit, Hydraulic (Standard and 7'X 7').



**SECTION 2 — ILLUSTRATED PARTS LIST**

FIGURE & INDEX NO.	PART NUMBER	ITEMS & DESCRIPTION	QTY.
2-74	2790980	<b>DRIVE CIRCUIT, HYDRAULIC (STANDARD AND 7' X 7' PISTON PUMP)</b>	Ref.
	2791172	<b>DRIVE CIRCUIT, HYDRAULIC (7' X 7' GEAR PUMP)</b>	Ref.
-1	2220376	Fitting, Straight	2
	2220404	Fitting, 90°	2
-2	2751045	Hose	1
-3	2751555	Hose	1
-4	2220348	Fitting, Straight	4
-5	2180095	Fitting, Nipple (Standard and 7' x 7' Piston Pump)	1
	2220719	Fitting (Standard and 7' x 7' Piston Pump)	1
	2200052	Plug, Pipe (7' x 7' Gear Pump)	1
-6	2200052	Plug, Pipe (Standard and 7' x 7' Piston Pump)	1
	2220396	Fitting, Straight (7' x 7' Gear Pump)	1
	2220471	Fitting, 90° (7' x 7' Gear Pump)	1
-7	2220399	Fitting, Straight (Standard and 7' x 7' Piston Pump)	1
	2200052	Plug, Pipe (7' x 7' Gear Pump)	1
-8	2200052	Plug, Pipe (Standard and 7' x 7' Piston Pump)	1
	2220580	Fitting, 90° (7' x 7' Gear Pump)	1
-9	2751001	Hose (Standard and 7' x 7' Piston Pump)	1
	2750773	Hose (7' x 7' Gear Pump)	1
-10	2751553	Hose	2
-11	2220646	Fitting, 45°	2
-12	2220466	Fitting, 90°	1
-13	2751014	Hose	1
-14	2220451	Fitting, Straight	2
-15	2220465	Fitting, 90°	1
-16	2220682	Fitting, Tee	1
	2220407	Fitting, 90°	2
-17	2750874	Hose	2
-18	2220504	Fitting, Tee	1
-19	2751409	Hose	2
-20	2220466	Fitting, 90°	2
-21	2220451	Fitting, Straight	4
-22	2220371	Fitting, Straight (Standard and 7' x 7' Piston Pump)	1
	2220373	Fitting, Straight (7' x 7' Gear Pump)	1
-23	2750918	Hose (Standard and 7' x 7' Piston Pump)	2
	2751502	Hose (7' x 7' Gear Pump)	2
-24	2220490	Fitting, Tee (Standard and 7' x 7' Piston Pump)	1
	2220362	Fitting, Tee (7' x 7' Gear Pump)	1
-25	2751325	Hose	2
-26	2220069	Fitting, Straight	1
	2220280	Fitting, Nipple (7' x 7' Gear Pump Only)	1
-27	2220608	Fitting, Tee (Standard and 7' x 7' Piston Pump)	1
	2220402	Fitting, Tee (7' x 7' Gear Pump)	1
-28	2220609	Fitting, Reducer (Standard and 7' x 7' Piston Pump)	1
	2220444	Fitting, Tee (7' x 7' Gear Pump)	1
-29	2220605	Fitting, Tee (Standard and 7' x 7' Piston Pump)	1
	2220581	Fitting, Tee (7' x 7' Gear Pump)	1
-30	2220618	Fitting, Reducer (7' x 7' Gear Pump Only)	1
-31	2220605	Fitting, Tee (Standard and 7' x 7' Piston Pump Only)	1
-32	2751006	Hose (Standard and 7' x 7' Piston Pump)	1
	2751477	Hose (7' x 7' Gear Pump)	1



**SECTION 2 — ILLUSTRATED PARTS LIST**

FIGURE & INDEX NO.	PART NUMBER	ITEMS & DESCRIPTION	QTY.
2-75	2791256	<b>DRIVE CIRCUIT, HYDRAULIC - VICKERS VALVE</b>	Ref.
	2791299	<b>DRIVE CIRCUIT, HYDRAULIC - 60HTH</b>	Ref.
--1	2220070	Fitting, Straight (60HTH Only)	1
	2220432	Fitting, Cross (60HTH Only)	1
	2220679	Fitting, Tee (60HTH Only)	1
-2	2750766	Hose (54" length)	1
	2750776	Hose (60" length)	1
-3	2220451	Fitting, Straight	2
	2220407	Fitting, 90°	2
-4	2751343	Hose	2
-5	2220585	Fitting, 90°	1
-6	2751021	Hose	1
-7	2220347	Fitting, Straight	4
-8	2220414	Fitting, Straight (Vickers)	1
	2180217	Fitting, Straight (60HTH)	1
	2180651	Fitting, Modified (60HTH)	1
-9	2220345	Fitting, Straight	1
-10	2220414	Fitting, Straight (Vickers)	1
	2220355	Fitting, 45° (60HTH)	1
-11	2220345	Fitting, Straight (Vickers)	1
	2220416	Fitting, 90° (60HTH)	1
-12	2751391	Hose (48" length)	1
	2751011	Hose (60" length)	1
-13	2750977	Hose (48" length)	1
	2750776	Hose (60" length)	1
-14	2751323	Hose (30" length)	2
	2751339	Hose (32" length)	2
-15	2220465	Fitting, 90°	2
-16	2220466	Fitting, 90°	1
-17	2180134	Fitting	1
-18	2220061	Fitting, Straight	1
-19	2220375	Fitting, Straight	2
-20	2750763	Hose (36" length)	2
	2750773	Hose (48" length)	2
-21	2220800	Fitting, Straight	1
-22	2220383	Fitting, Tee	1
-23	2750979	Hose (42" length)	2
	2750766	Hose (54" length)	2
-24	2220362	Fitting, Tee	1
-25	2751490	Hose (14" length)	2
	2750976	Hose (21" length)	2
-26	2220504	Fitting, Tee	2
-27	2751018	Hose (15" length)	2
	2751412	Hose (21" length)	2
-28	2751015	Hose (24" length)	2
	2751013	Hose (30" length)	2
-29	2220466	Fitting, 90°	2
-30	2220671	Fitting, 90°	2
-31	2220800	Fitting, Straight	4
-32	2220415	Fitting, Straight	2
-33	2751014	Hose (36" length)	1
	2751021	Hose (42" length)	1

## SECTION 2 — ILLUSTRATED PARTS LIST

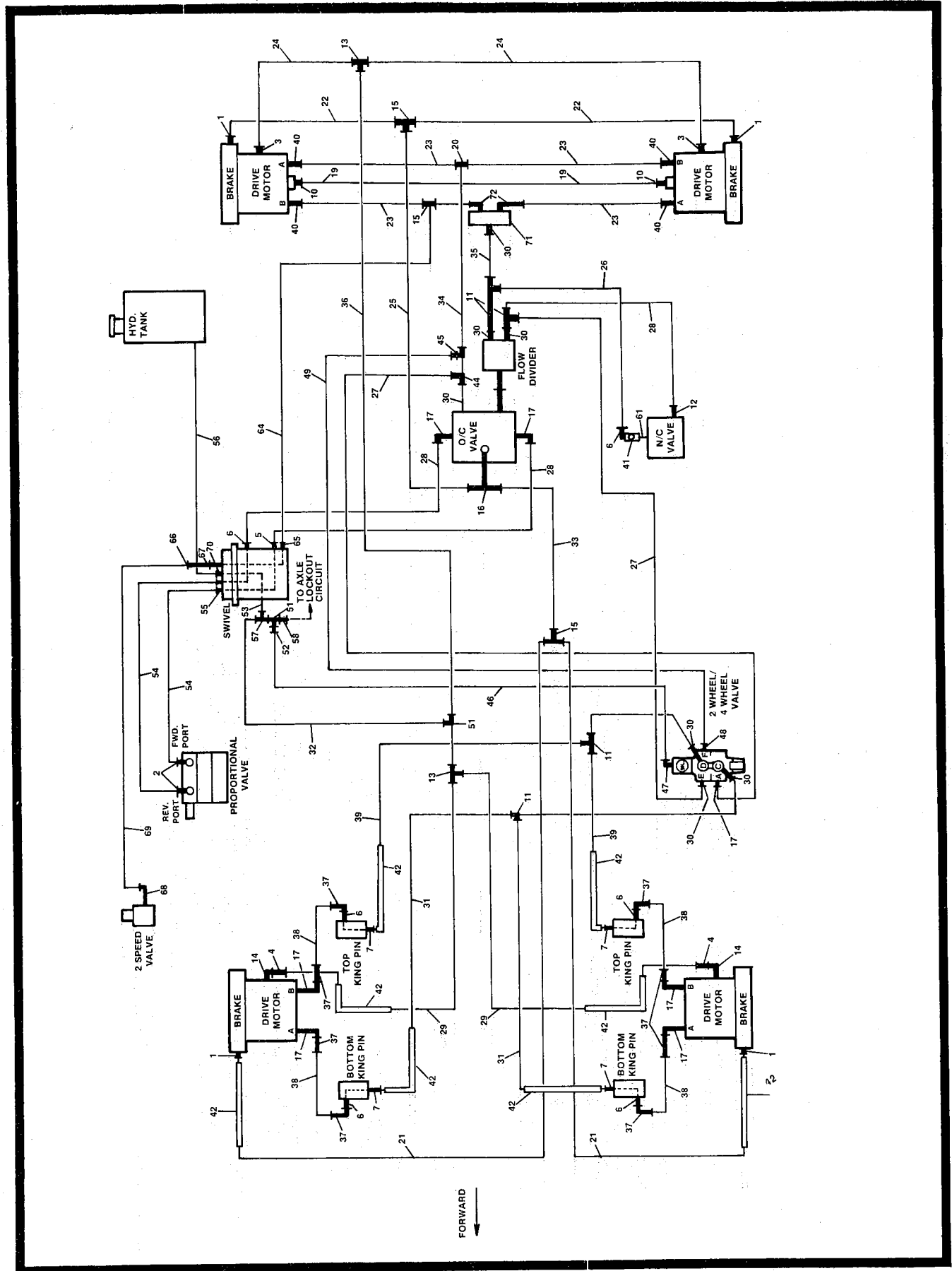


Figure 2-76. Drive Circuit, Hydraulic (4WD).

**SECTION 2 — ILLUSTRATED PARTS LIST**

FIGURE & INDEX NO.	PART NUMBER	ITEMS & DESCRIPTION	QTY.
2-76	2791342	<b>DRIVE CIRCUIT, HYDRAULIC - 60HTH 4 WHEEL DRIVE</b>	Ref.
-1	2220466	Fitting, 90°	4
-2	2220451	Fitting, Straight	3
-3	2220671	Fitting, Straight	1
-4	2220772	Fitting, 90°	2
-5	Not Used		
-6	2220347	Fitting, Straight	7
-7	2220709	Fitting, 90°	4
-8	Not Used		
-9	Not Used		
-10	2220415	Fitting, Reducer	2
-11	2220700	Fitting, Tee	4
-12	2220493	Fitting, 90°	1
-13	2220362	Fitting, Tee	2
-14	2220117	Fitting, 90°	2
-15	2220504	Fitting, Tee	3
-16	2220711	Fitting, Tee	1
-17	2220465	Fitting, 90°	7
-18	Not Used		
-19	2750888	Hose	2
-20	2220481	Fitting, Tee	1
-21	2750894	Hose	2
-22	2750794	Hose	2
-23	2751327	Hose	4
-24	2750929	Hose	2
-25	2751398	Hose	1
-26	2751359	Hose	1
-27	2750685	Hose	2
-28	2751339	Hose	3
-29	2751472	Hose	2
-30	2220435	Fitting, Straight	7
-31	2751332	Hose	2
-32	2750972	Hose	1
-33	2751020	Hose	1
-34	2750874	Hose	1
-35	2751331	Hose	1
-36	2750776	Hose	1
-37	2220407	Fitting, 90°	8
-38	4563751	Tube	4
-39	2751361	Hose	2
-40	2220435	Fitting, Straight	4
-41	4640033	Valve, Check	1
-42	4100026	Sleeve	12 Ft.
-43	Not Used		
-44	2180683	Fitting, Modified	1
-45	2220773	Fitting, 90°	1
-46	2751010	Hose	1
-47	2220002	Fitting, Straight	1
-48	2220603	Fitting, Straight	1
-49	2751125	Hose	1
-50	2180651	Fitting, Modified	1
-51	2220385	Fitting, Tee	2
-52	2220618	Fitting, Reducer	1
-53	2220355	Fitting, 45°	1
-54	2751343	Hose	2

**SECTION 2 — ILLUSTRATED PARTS LIST**

FIGURE & INDEX NO.	PART NUMBER	ITEMS & DESCRIPTION	QTY.
2-76	2791342	<b>DRIVE CIRCUIT, HYDRAULIC - 60HTH 4 WHEEL DRIVE (CONTINUED)</b>	Ref.
-55	2220347	Fitting, Straight	2
-56	2750766	Hose	1
-57	2220383	Fitting, Tee	1
-58	2220619	Fitting, Reducer	1
-59	Not Used		
-60	Not Used		
-61	2220281	Fitting, Nipple	1
-62	Not Used		
-63	Not Used		
-64	2751011	Hose	1
-65	2220416	Fitting, 90°	1
-66	2220414	Fitting, Straight	1
-67	2180217	Fitting, Orifice	2
-68	2220585	Fitting, 90°	1
-69	2751021	Hose	1
-70	2220345	Fitting, Straight	1
-71	4640260	Valve, Flow Divider	1
-72	2220578	Fitting, 90°	2
	0100020	Sealant	A/R

SECTION 2 — ILLUSTRATED PARTS LIST

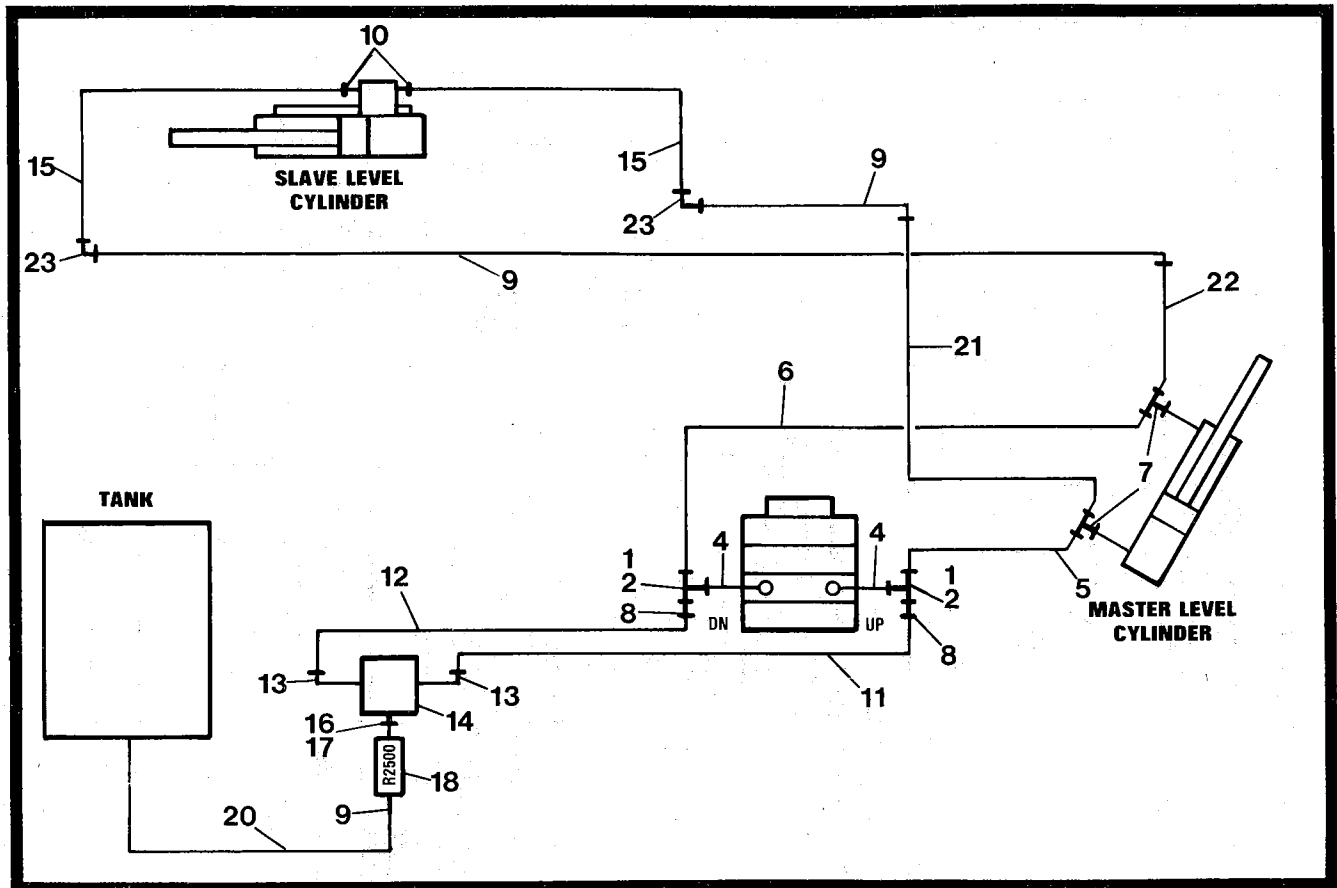


Figure 2-77. Level Circuit, Hydraulic.

FIGURE & INDEX NO.	PART NUMBER	ITEMS & DESCRIPTION	QTY.
2-77	2790979	<b>LEVEL CIRCUIT, HYDRAULIC</b>	Ref.
-1	2180379	Fitting, Tee	2
-2	2180615	Fitting, Modified Plug	2
	0100011	Loctite	A/R
-3	Not Used		
-4	2220591	Fitting, Reducer	2
-5	2751102	Hose	1
-6	2750908	Hose	1
-7	2220604	Fitting, Tee	2
-8	2220609	Fitting, Reducer	2
-9	4562843	Tube	2
-10	2220343	Fitting, Straight	2
-11	2751423	Hose	1
-12	2750900	Hose	1
-13	2220416	Fitting, 90°	2
-14	4640013	Valve, Shuttle	1
-15	2751832	Hose	2
-16	2220261	Fitting, Nipple	1
-17	2220322	Fitting, Straight	1
-18	4640165	Valve, Inline Relief	1
-19	2220417	Fitting, Straight	1
-20	2751398	Hose	1
-21	2751157	Hose	1
-22	2751158	Hose	1
-23	2220619	Fitting, Reducer	2

SECTION 2 — ILLUSTRATED PARTS LIST

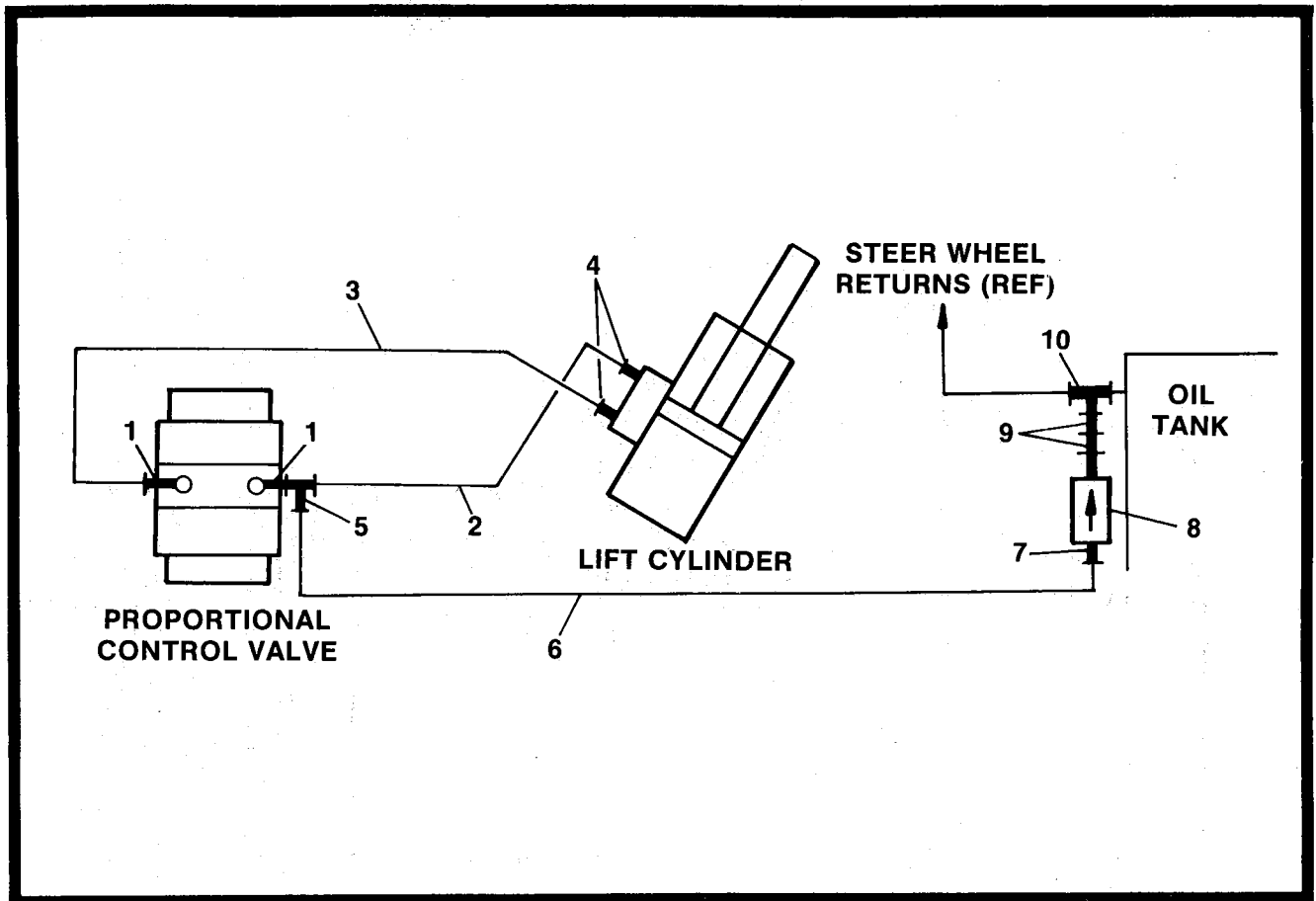


Figure 2-78. Lift Circuit, Hydraulic (Standard and 7' X 7').

FIGURE & INDEX NO.	PART NUMBER	ITEMS & DESCRIPTION	QTY.
2-78	2790964	<b>LIFT CIRCUIT, HYDRAULIC (STANDARD AND 7' X 7' WITH GEAR PUMP)</b>	Ref.
	2791047	<b>LIFT CIRCUIT, HYDRAULIC (STANDARD AND 7' X 7' WITH PISTON PUMP)</b>	Ref.
-1	2220374	Fitting	2
-2	2750721	Hose (66" length)	1
	2750758	Hose (72" length)	1
-3	2750759	Hose (72" length - straight/90° ends)	1
	2750758	Hose (72" length - straight/45° ends)	1
-4	2220659	Fitting, 90°	2
-5	2220385	Fitting, Tee	1
-6	2750929	Hose (24" length)	1
	2750791	Hose (17" length)	1
-7	2220351	Fitting, Adapter	1
-8	4640441	Valve, Relief	1
-9	2220280	Fitting, Adapter	1
	2220251	Fitting, Reducer	1
-10	2220444	Fitting, Tee (Gear Pump)	1
	2220432	Fitting, Tee (Piston Pump)	1



SECTION 2 — ILLUSTRATED PARTS LIST

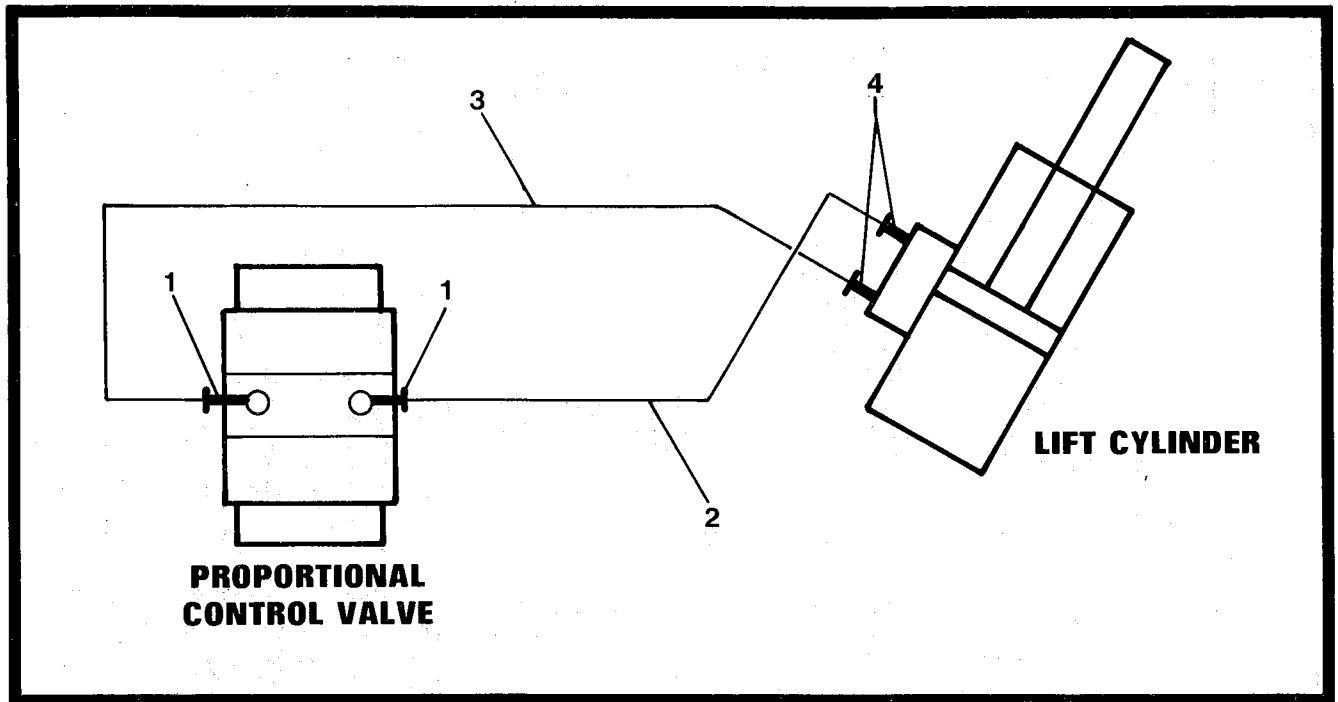


Figure 2-79. Lift Circuit, Hydraulic (Vickers and 60HTH).

FIGURE & INDEX NO.	PART NUMBER	ITEMS & DESCRIPTION	QTY.
2-79	2791235	<b>LIFT CIRCUIT, HYDRAULIC (VICKERS AND 60HTH)</b>	Ref.
-1	2220375	Fitting	2
-2	2750759	Hose	1
-3	2750759	Hose	1
-4	2220659	Fitting, 90°	2



SECTION 2 — ILLUSTRATED PARTS LIST

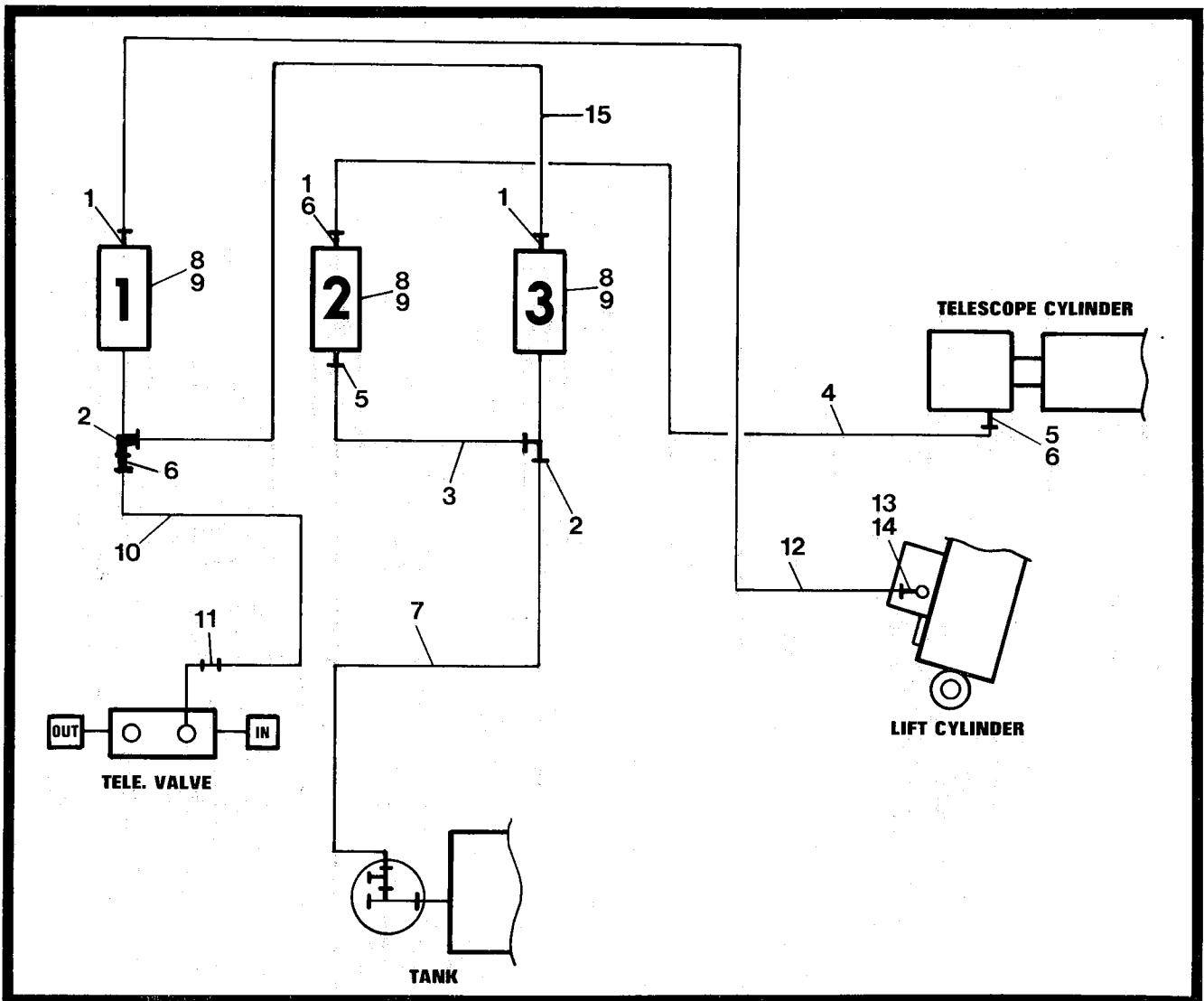


Figure 2-80. Manual Descent Circuit, Hydraulic.

FIGURE & INDEX NO.	PART NUMBER	ITEMS & DESCRIPTION	QTY.
2-80.	2790978	<b>MANUAL DESCENT CIRCUIT, HYDRAULIC</b>	Ref.
-1	2220416	Fitting, 90°	3
-2	2220684	Fitting, Tee	2
-3	2750901	Hose	1
-4	2750896	Hose	1
-5	2220414	Fitting, Straight	2
-6	2220462	Fitting, 90°	3
-7	2750903	Hose	1
-8	4640005	Valve, Needle	3
-9	2900062	Kit, Panel Mounting	3
-10	2751396	Hose	1
-11	2220609	Fitting, Reducer	1
-12	2751393	Hose	1
-13	2180630	Fitting, 90°	1
-14	2180631	Plug, Orifice	1
-15	2750902	Hose	1

SECTION 2 — ILLUSTRATED PARTS LIST

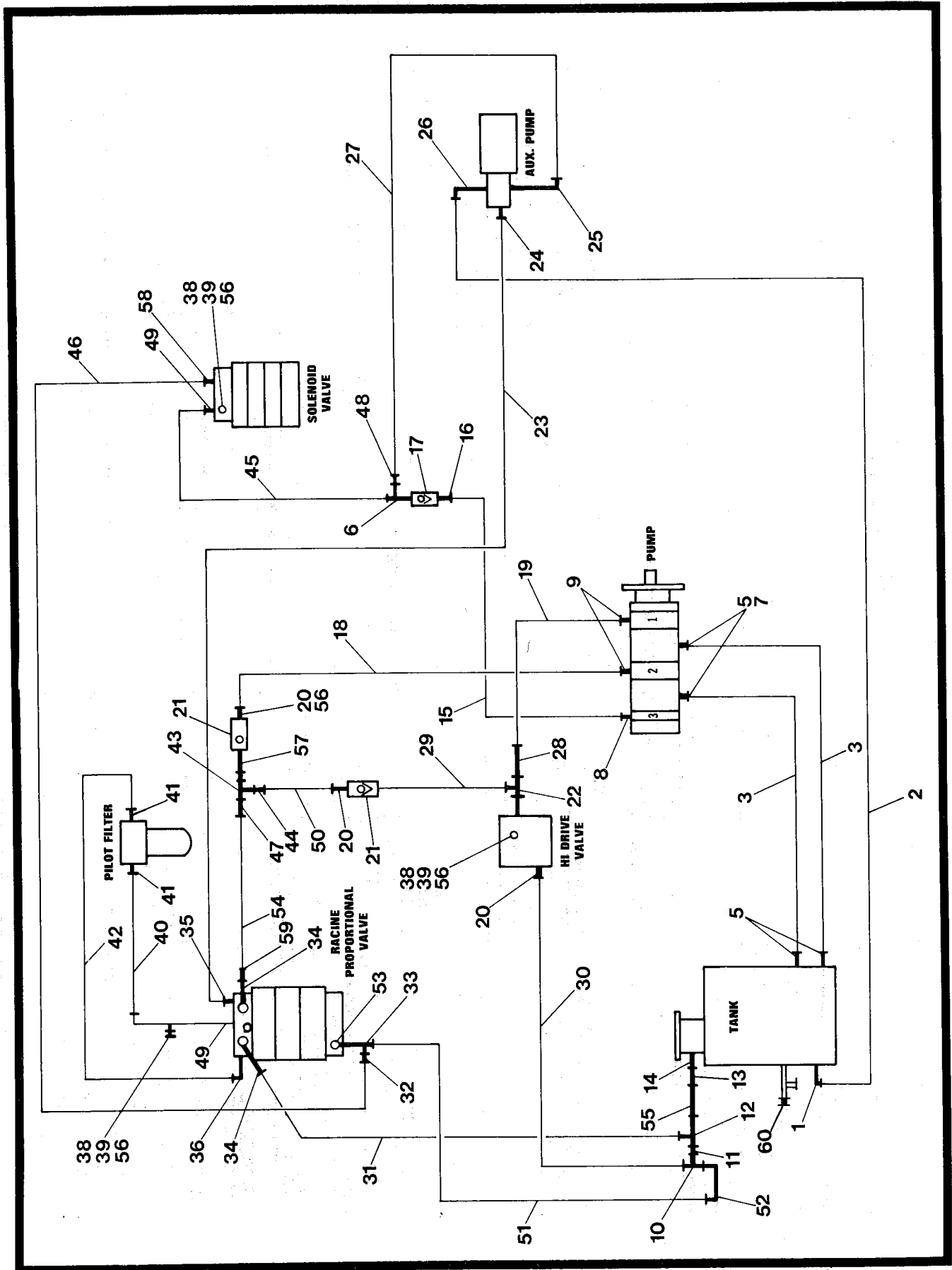


Figure 2-81. Pump Circuit, Hydraulic (Standard and 7'X 7' With Gear Pump and Without Steering Wheel).

**SECTION 2 — ILLUSTRATED PARTS LIST**

FIGURE & INDEX NO.	PART NUMBER	ITEMS & DESCRIPTION	QTY.
2—81	2790966	<b>PUMP CIRCUIT, HYDRAULIC - STANDARD AND 7' X 7' WITH GEAR PUMP AND WITHOUT STEERING WHEEL</b>	Ref.
—1	2220128	Fitting, 45°	1
—2	2750125	Hose	1
—3	2720246	Hose	1
—4	2720247	Hose	1
—5	1320012	Clamp, Hose	8
—6	2220679	Fitting, Tee	1
—7	2220763	Fitting, 45°	2
—8	2220375	Fitting, Straight	1
—9	2220451	Fitting, Straight	2
—10	2220682	Fitting, Tee	1
—11	2220710	Fitting, Reducer	1
—12	2220642	Fitting, Tee	1
—13	2220731	Fitting, 90°	1
—14	2220733	Fitting, Straight	1
—15	2750771	Hose	1
—16	2220345	Fitting, Straight	1
—17	4640009	Valve, Check	1
—18	2751353	Hose	1
—19	2751347	Hose	1
—20	2220347	Fitting, Straight	3
—21	4640033	Valve, Check	2
—22	2220369	Fitting, Tee	1
—23	2750997	Hose	1
—24	2220473	Fitting, 90°	1
—25	2220466	Fitting, 90°	1
—26	2220117	Fitting, 45°	1
—27	2751010	Hose	1
—28	2220356	Fitting, 45°	1
—29	2220281	Fitting, Pipe Nipple	2
—30	2751621	Hose	1
—31	2750867	Hose	1
—32	2220622	Fitting, Reducer	1
—33	2220700	Fitting, Tee	1
—34	2220376	Fitting, Straight	2
—35	2220372	Fitting, Straight	1
—36	2220473	Fitting, 90°	1
—37	2180516	Fitting, Modified 90°	1
—38	2220428	Fitting, Quick Connect	3
—39	2220429	Dust Cap	3
—40	2750926	Hose	1
—41	2220577	Fitting, Straight	2
—42	2750919	Hose	1
—43	2220337	Fitting, Tee	1
—44	2220411	Fitting, Straight	1
—45	2750774	Hose	1
—46	2750757	Hose	1
—47	2220349	Fitting, Straight	1
—48	2220618	Fitting, Reducer	1
—49	2220373	Fitting, Straight	2
—50	2751349	Hose	1
—51	2750842	Hose	1
—52	2220407	Fitting, 90°	1
—53	2220451	Fitting	1
—54	2751552	Hose	1



**SECTION 2 — ILLUSTRATED PARTS LIST**

FIGURE & INDEX NO.	PART NUMBER	ITEMS & DESCRIPTION	QTY.
2—81	2790966	<b>PUMP CIRCUIT, HYDRAULIC - STANDARD AND 7' X 7' WITH GEAR PUMP AND WITHOUT STEERING WHEEL (CONTINUED)</b>	Ref.
—55	2220626	Fitting, Reducer	1
	0100020	Loctite	A/R
—56	2220261	Fitting, Nipple	3
—57	2220676	Fitting	1
—58	2180357	Fitting	1
—59	2220404	Fitting	1
—60	2200203	Plug	1

SECTION 2 — ILLUSTRATED PARTS LIST

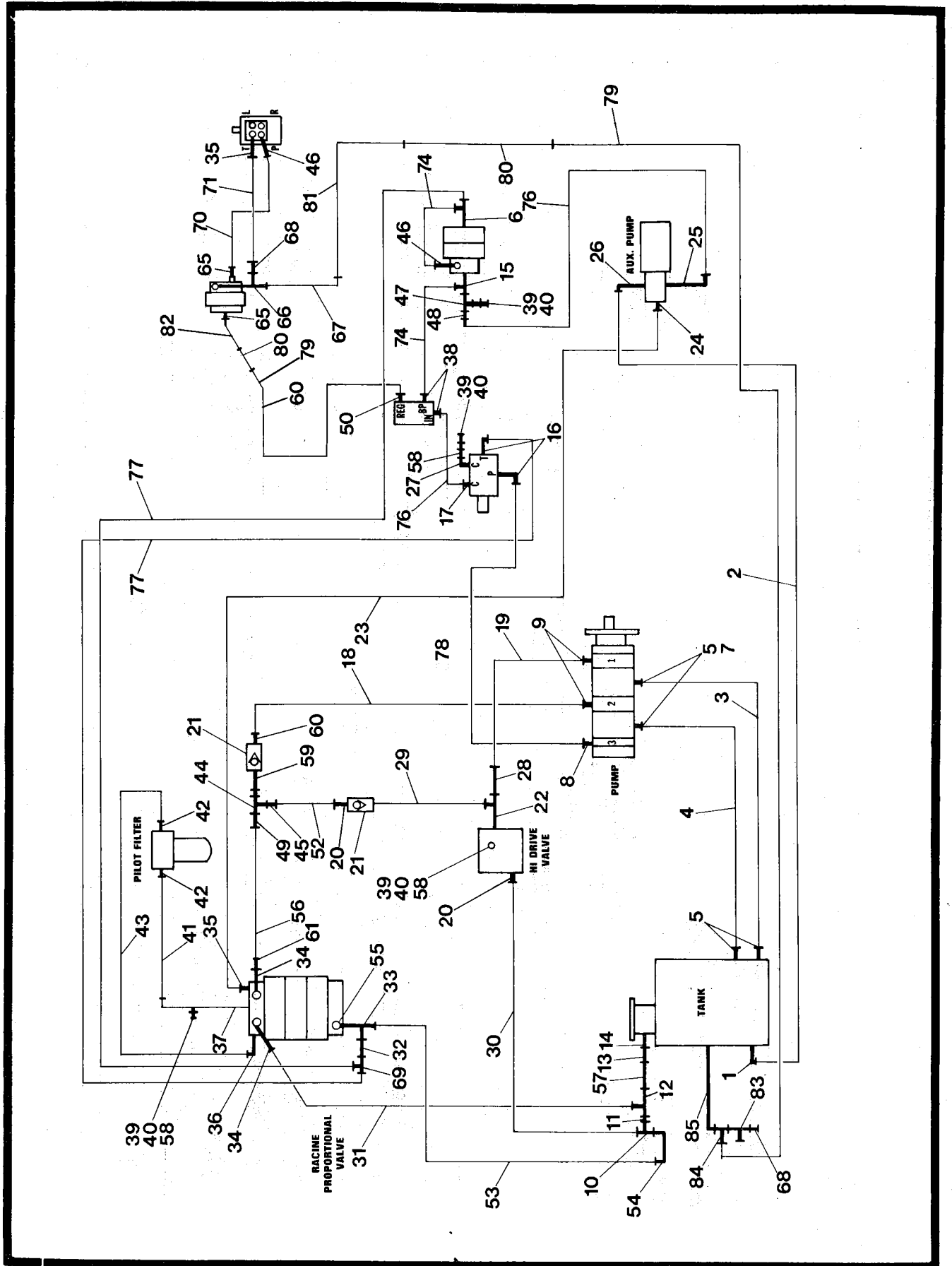
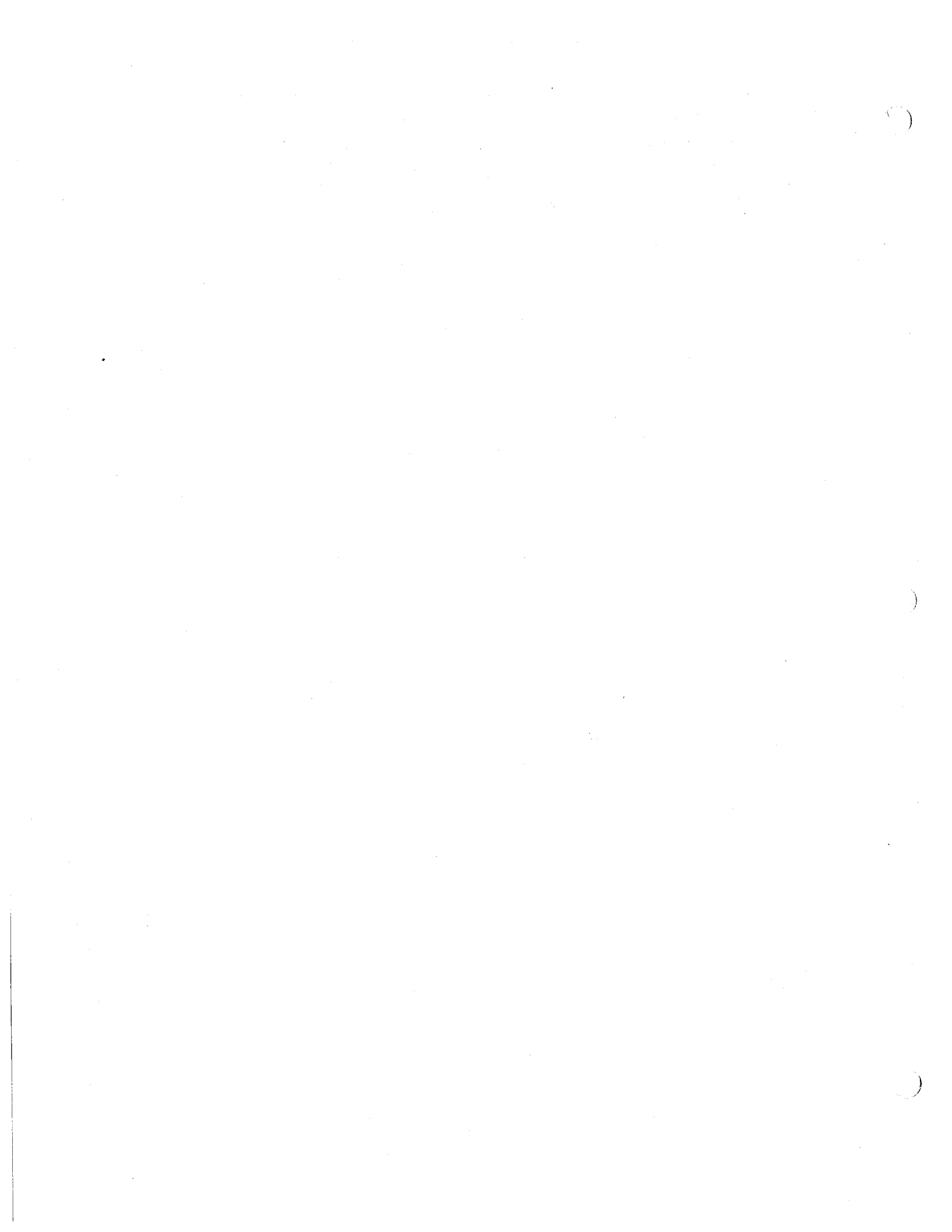


Figure 2-82. Pump Circuit, Hydraulic (Standard and 7'X 7' With Gear Pump and With Steering Wheel).



**SECTION 2 — ILLUSTRATED PARTS LIST**

FIGURE & INDEX NO.	PART NUMBER	ITEMS & DESCRIPTION	QTY.
2—82	2791045	<b>PUMP CIRCUIT, HYDRAULIC - STANDARD AND 7' X 7' WITH GEAR PUMP AND WITH STEERING WHEEL</b>	Ref.
—1	2220128	Fitting, 45°	1
—2	2750125	Hose	1
—3	2720246	Hose, Suction	1
—4	2720247	Hose, Suction	1
—5	1320012	Clamp, Hose	8
—6	2220602	Fitting, Tee	1
—7	2220763	Fitting, 45°	2
—8	2220375	Fitting, Straight	1
—9	2220451	Fitting, Straight	2
—10	2220682	Fitting, Tee	1
—11	2220710	Fitting, Reducer	1
—12	2220642	Fitting, Tee	1
—13	2220731	Fitting, 90°	1
—14	2220733	Fitting, Straight	1
—15	2220491	Fitting, Straight	1
—16	2220596	Fitting, 90°	2
—17	2220500	Fitting, Adjustable	1
—18	2751353	Hose	1
—19	2751329	Hose	1
—20	2220347	Fitting, Straight	3
—21	4640033	Valve, Check	2
—22	2220369	Fitting, Tee	1
—23	2750997	Hose	1
—24	2220473	Fitting, 90°	1
—25	2220466	Fitting, 90°	1
—26	2220117	Fitting, 45°	1
—27	2220111	Fitting, 90°	1
—28	2220356	Fitting, 45°	1
—29	2220281	Fitting, Pipe Nipple	2
—30	2751621	Hose	1
—31	2750867	Hose	1
—32	2220622	Fitting, Reducer	1
—33	2220700	Fitting, Tee	1
—34	2220376	Fitting, Straight	2
—35	2220372	Fitting, Straight	2
—36	2220473	Fitting, 90°	1
—37	2180516	Fitting, Modified 90°	1
—38	2220345	Fitting, Straight	2
—39	2220428	Fitting, Quick Connect	4
—40	2220429	Cap, Dust	4
—41	2750926	Hose	1
—42	2220577	Fitting, Straight	2
—43	2750919	Hose	1
—44	2220337	Fitting, Tee	1
—45	2220411	Fitting, Straight	1
—46	2220373	Fitting, Straight	2
—47	2220752	Fitting, Tee	1
—48	2220414	Fitting, Straight	1
—49	2220349	Fitting, Straight	1
—50	2220344	Fitting, Straight	1
—51	Not Used		
—52	2751349	Hose	1
—53	2750842	Hose	1
—54	2220407	Fitting, 90°	1



**SECTION 2 — ILLUSTRATED PARTS LIST**

FIGURE & INDEX NO.	PART NUMBER	ITEMS & DESCRIPTION	QTY.
2—82	2791045	<b>PUMP CIRCUIT, HYDRAULIC - STANDARD AND 7' X 7' WITH GEAR PUMP AND WITH STEERING WHEEL (CONTINUED)</b>	Ref.
—55	2220451	Fitting	1
—56	2751552	Hose	1
—57	2220626	Fitting, Reducer	1
	0100020	Loctite	A/R
—58	2220261	Fitting, Nipple	3
—59	2220676	Fitting	1
—60	2220353	Fitting, 45°	1
—61	2220404	Fitting	1
—62	Not Used		
—63	Not Used		
—64	Not Used		
—65	2220371	Fitting	2
—66	2220606	Fitting, Tee	1
—67	2220507	Fitting, 90°	1
—68	2220609	Fitting, Reducer	2
—69	2220385	Fitting, Tee	1
—70	2750913	Hose	1
—71	2751426	Hose	1
—72	Not Used		
—73	Not Used		
—74	2750968	Hose	2
—75	2750760	Hose	1
—76	2750788	Hose	1
—77	2750766	Hose	2
—78	2750759	Hose	1
—79	2751833	Hose	2
—80	4563651	Tube	2
—81	2751832	Hose	1
—82	2751831	Hose	1
—83	2220635	Fitting, Tee	1
—84	2220608	Fitting, Tee	1
—85	2220069	Fitting, 90°	1

SECTION 2 — ILLUSTRATED PARTS LIST

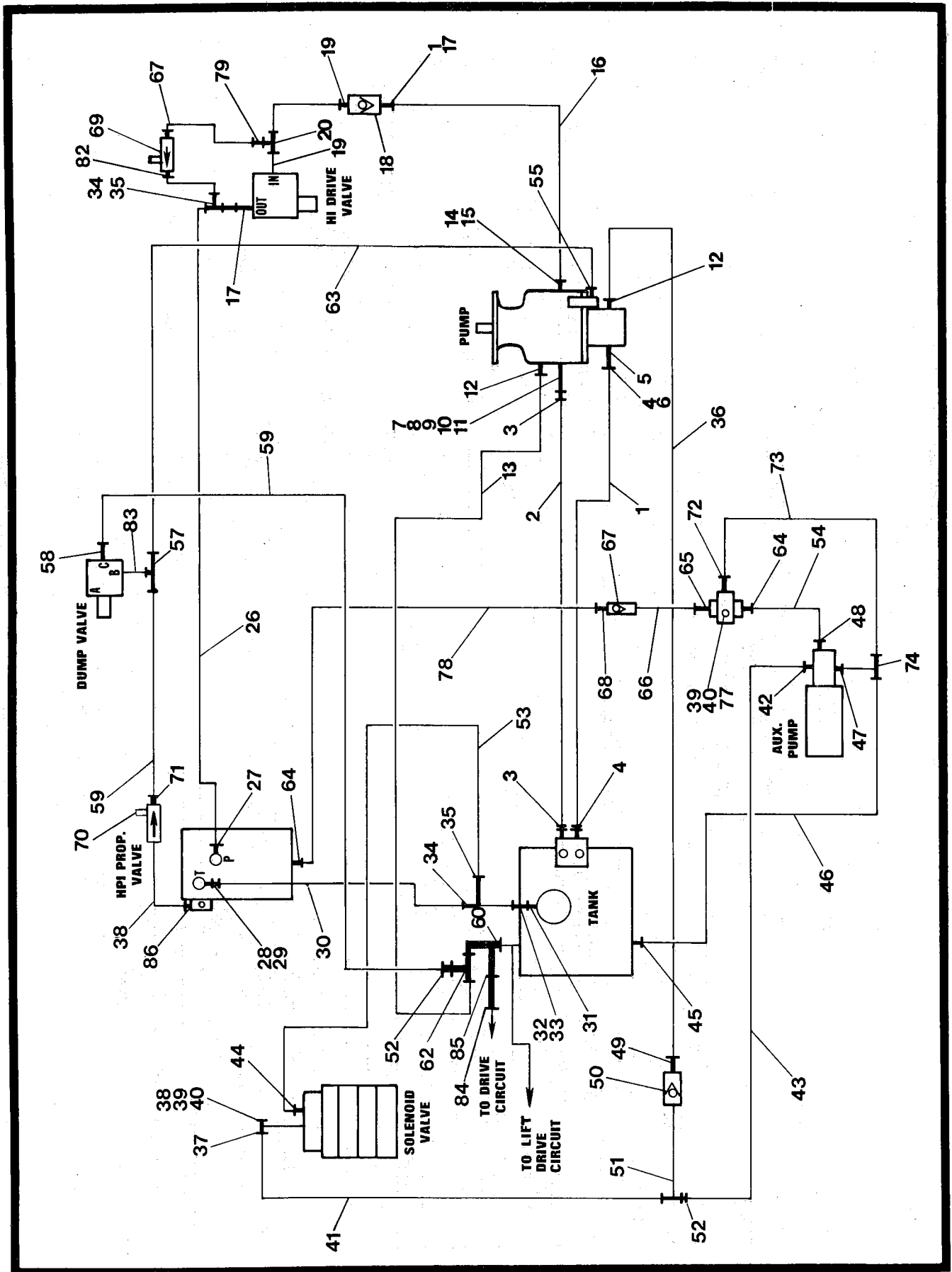
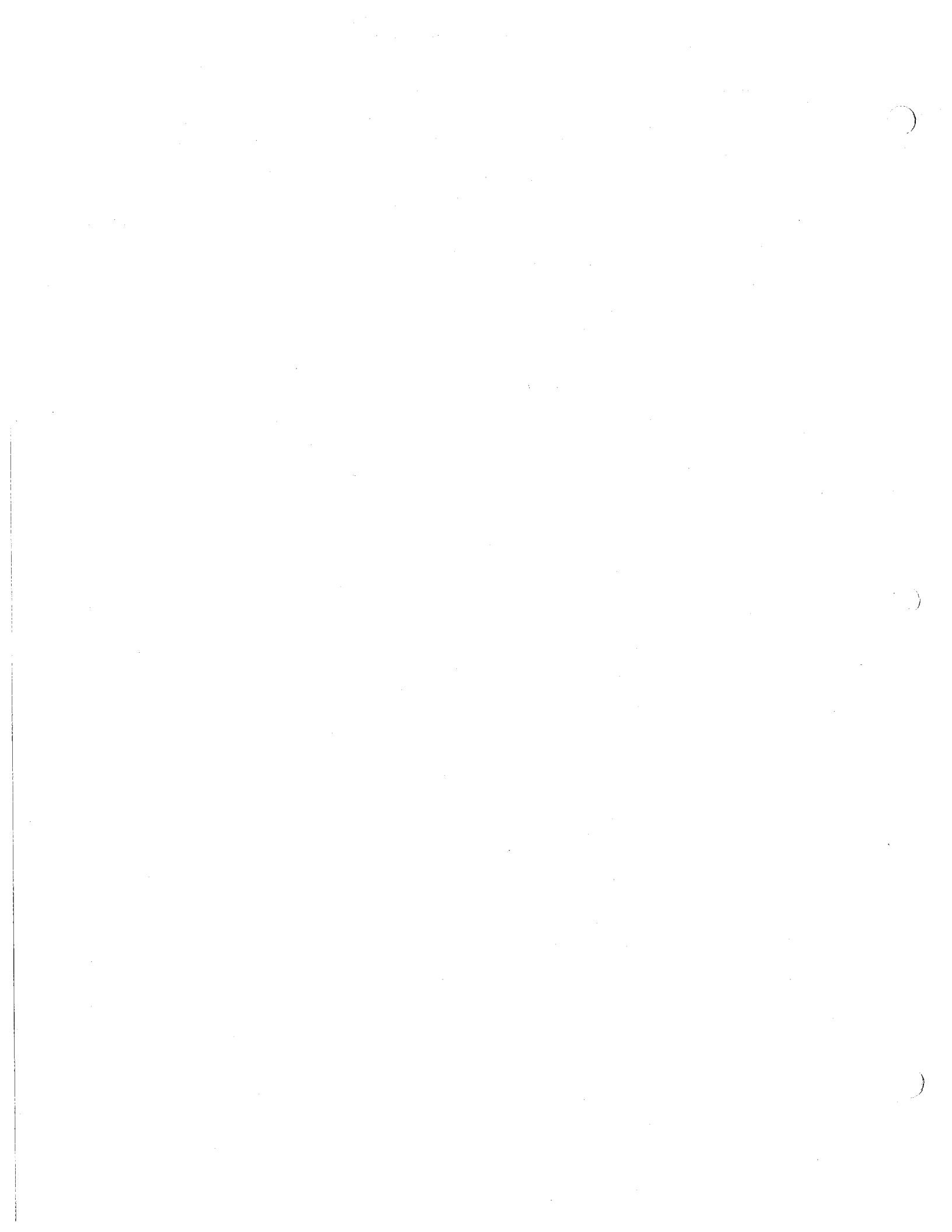


Figure 2-83. Pump Circuit, Hydraulic (Standard and 7'X 7' With Piston Pump).

**SECTION 2 — ILLUSTRATED PARTS LIST**

FIGURE & INDEX NO.	PART NUMBER	ITEMS & DESCRIPTION	QTY.
2—83	2791010	<b>PUMP CIRCUIT, HYDRAULIC - STANDARD AND 7' X 7' WITH PISTON PUMP</b>	Ref.
—1	2720025	Hose, Suction	2.8 Ft.
—2	2720138	Hose, Suction	2.25 Ft.
—3	1320016	Clamp, Hose	4
—4	1320030	Clamp, Hose	4
—5	2220451	Fitting	1
—6	2210027	Fitting, Suction Nipple	1
—7	2210049	Fitting, Suction Nipple	1
—8	2220707	Flange, Split Half	2
—9	3790228	O-Ring	1
—10	0641812	Cap Screw	4
—11	4761800	Lockwasher	4
—12	2220374	Fitting	2
—13	2750758	Hose	1
—14	2220478	Kit, Split Flange	1
—15	2220630	Fitting, 90°	1
—16	2751062	Hose	1
—17	2220349	Fitting	2
—18	0100020	Pipe, Sealant	A/R
—19	4640108	Valve, Check	1
—20	2220340	Fitting, Nipple	2
—21	2220337	Fitting, Tee	1
—22	Not Used		
—23	Not Used		
—24	Not Used		
—25	Not Used		
—26	2751547	Hose	1
—27	2220379	Fitting	1
—28	2220365	Fitting, 45°	1
—29	2220330	Fitting, Reducer	1
—30	2751041	Hose	1
—31	2220733	Fitting	1
—32	2220731	Fitting, 90°	1
—33	2220626	Fitting, Reducer	1
—34	2220642	Fitting, Tee	2
—35	2220624	Fitting, Reducer	2
—36	2750771	Hose	1
—37	2180456	Fitting, Modified	1
—38	2220261	Fitting, Nipple	3
—39	2220428	Fitting, Quick Connect	2
—40	2220429	Cap, Dust	2
—41	2750974	Hose	1
—42	2220466	Fitting, 90°	1
—43	2751020	Hose	1
—44	2220373	Fitting	1
—45	2220128	Fitting, 45°	1
—46	2750125	Hose	1
—47	2220117	Fitting, 90°	1
—48	2220473	Fitting, 90°	1
—49	2220659	Fitting, 90°	1
—50	4640009	Valve, Check	1
—51	2220665	Fitting, Tee	1
—52	2220618	Fitting, Reducer	2
—53	2750757	Hose	1



**SECTION 2 — ILLUSTRATED PARTS LIST**

FIGURE & INDEX NO.	PART NUMBER	ITEMS & DESCRIPTION	QTY.
2-83	2791010	<b>PUMP CIRCUIT, HYDRAULIC - STANDARD AND 7' X 7' WITH PISTON PUMP (CONTINUED)</b>	Ref.
-54	2750997	Hose	1
-55	2220415	Fitting	1
-56	Not Used		
-57	2220584	Fitting, Tee	1
-58	2220585	Fitting, 90°	1
-59	2751396	Hose	1
-60	2220679	Fitting, Tee	1
-61	Not Used		
-62	2220385	Fitting, Tee	1
-63	2751410	Hose	1
-64	2220497	Fitting	2
-65	2220056	Fitting	1
-66	2220280	Nipple, Pipe	2
-67	4640037	Valve, Check	1
-68	2220343	Fitting	1
-69	4640216	Valve, Color Flow	1
-70	4640484	Valve, Needle	1
-71	2220414	Fitting	1
-72	2220285	Fitting	1
-73	2750123	Hose	1
-74	2220143	Fitting, Tee	1
-75	Not Used		
-76	2750902	Hose	1
-77	2220302	Fitting, 90°	1
-78	2750910	Hose	1
-79	2220304	Fitting, Reducer	1
-80	Not Used		
-81	2750976	Hose	1
-82	2220396	Fitting, Straight	1
-83	2220250	Fitting, Reducer	1
-84	2220619	Fitting, Reducer	1
-85	2220635	Fitting, Tee	1
-86	2220110	Fitting, 90°	1

SECTION 2 — ILLUSTRATED PARTS LIST

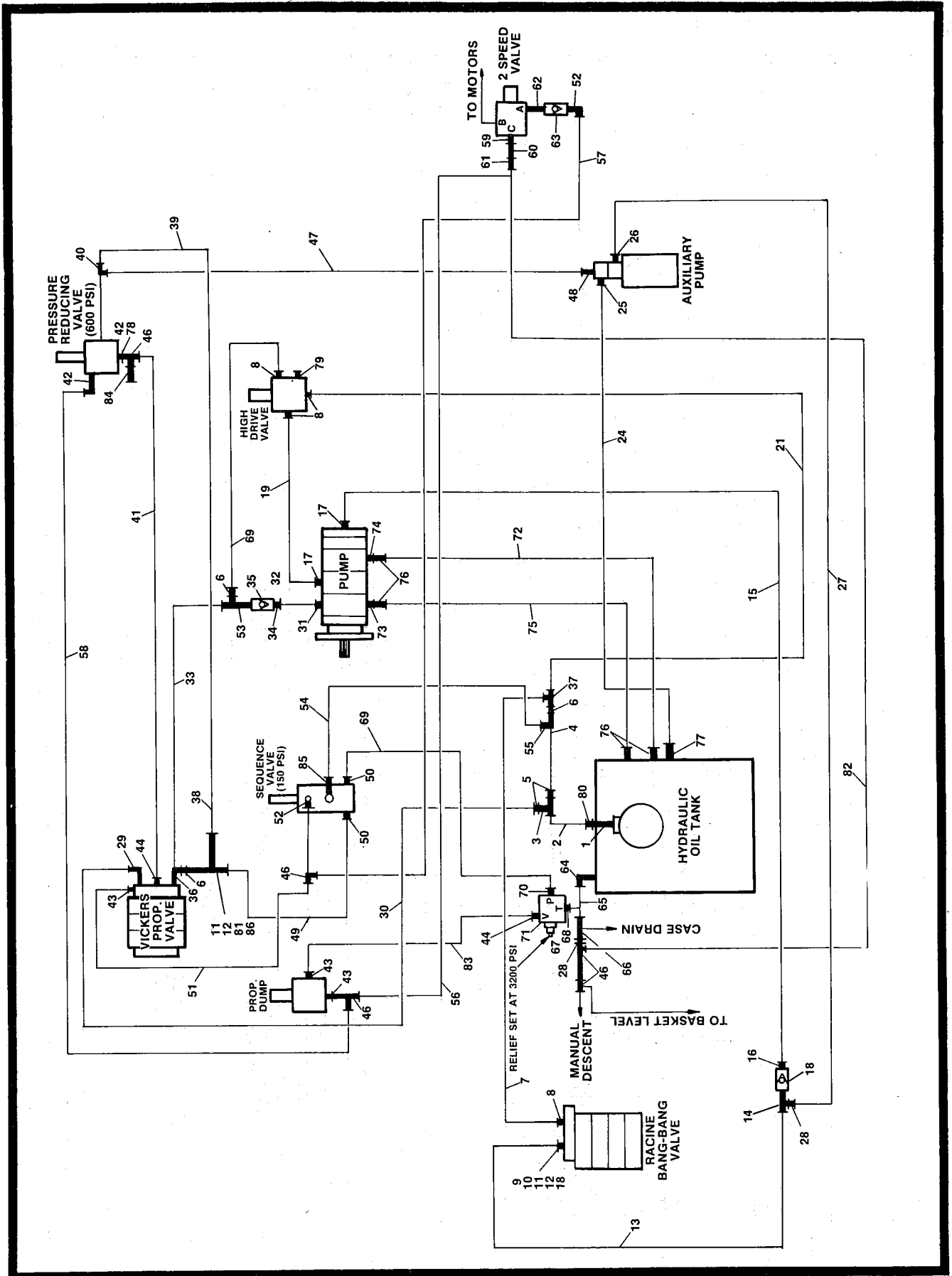


Figure 2-84. Pump Circuit, Hydraulic (Vickers and 60HTH Without Steering Wheel).



**SECTION 2 — ILLUSTRATED PARTS LIST**

FIGURE & INDEX NO.	PART NUMBER	ITEMS & DESCRIPTION	QTY.
2-84	2791250	<b>PUMP CIRCUIT, HYDRAULIC - VICKERS VALVE AND 60HTH WITHOUT STEER WHEEL</b>	Ref.
-1	2220733	Fitting, Straight	1
-2	2220626	Fitting, Reducer	1
-3	2220642	Fitting, Tee	1
-4	2220682	Fitting, Tee	1
-5	2220710	Fitting, Reducer	2
-6	2220622	Fitting, Reducer	3
-7	2750757	Hose	1
-8	2220373	Fitting, Straight	2
-9	2180357	Fitting, Modified	1
-10	2220261	Fitting, Nipple	1
-11	2220428	Fitting, Quick Disconnect	2
-12	2220429	Cap, Dust	2
-13	2750774	Hose	1
-14	2220679	Fitting, Tee	2
-15	2750766	Hose	1
-16	2220345	Fitting, Straight	1
-17	2220375	Fitting, Straight	2
-18	4640009	Valve, Check	1
-19	2750979	Hose	1
-20	Not Used		
-21	2750792	Hose	1
-22	Not Used		
-23	Not Used		
-24	2750125	Hose	1
-25	2220117	Fitting	1
-26	2220466	Fitting, 90°	1
-27	2751010	Hose	1
-28	2220618	Fitting, Reducer	2
-29	2220465	Fitting, 90°	1
-30	2751347	Hose	1
-31	2220451	Fitting, Straight	1
-32	2751353	Hose	1
-33	2750687	Hose	1
-34	2220347	Fitting	1
-35	4640033	Valve, Check	1
-36	2220738	Fitting, Tee	1
-37	2220385	Fitting, Tee	1
-38	2220619	Fitting, Reducer	1
-39	2750913	Hose	1
-40	2220608	Fitting, Tee	1
-41	2751409	Hose	1
-42	2220585	Fitting, 90°	3
-43	2220582	Fitting, Straight	3
-44	2220472	Fitting, 90°	1
-45	Not Used		
-46	2220605	Fitting, Tee	5
-47	2750919	Hose	1
-48	2220603	Fitting, Straight	1
-49	2751502	Hose	1
-50	2220470	Fitting, 90°	2
-51	2751018	Hose	1
-52	2220414	Fitting, Straight	1
-53	2220681	Fitting, Tee	1
-54	2751344	Hose	1



**SECTION 2 — ILLUSTRATED PARTS LIST**

FIGURE & INDEX NO.	PART NUMBER	ITEMS & DESCRIPTION	QTY.
2-84	2791250	<b>PUMP CIRCUIT, HYDRAULIC - VICKERS VALVE AND 60HTH WITHOUT STEER WHEEL (CONTINUED)</b>	Ref.
-55	2220407	Fitting, 90°	1
-56	2751017	Hose	1
-57	2751397	Hose	1
-58	2750900	Hose	1
-59	2220250	Fitting, Reducer	1
-60	2180217	Fitting, Modified	1
-61	2180684	Fitting, Tee	1
-62	2220673	Fitting, 90°	1
-63	4640197	Valve, Check	1
-64	2220070	Fitting, 90°	1
-65	Not Used		
-66	2220679	Fitting	1
-67	2220252	Fitting, Nipple	1
-68	2220057	Fitting	1
-69	2750972	Hose	2
-70	2220374	Fitting	1
-71	4640520	Valve, Relief	1
-72	2720247	Hose, Suction	1
-73	2220809	Fitting, 45°	1
-74	2220808	Fitting, 45°	1
-75	2720246	Hose, Suction	1
-76	1320012	Clamp	8
-77	2220128	Fitting, 45°	1
-78	Not Used		
-79	2220237	Fitting, Plug	1
-80	2220731	Fitting, 90°	1
-81	2220437	Fitting, Straight	1
-82	2751412	Hose	1
-83	2751022	Hose	1
-84	2220515	Fitting, Cap Nut	1
-85	2220493	Fitting, 90°	1
-86	2180506	Fitting	1
	0100020	Sealant	A/R

SECTION 2 — ILLUSTRATED PARTS LIST

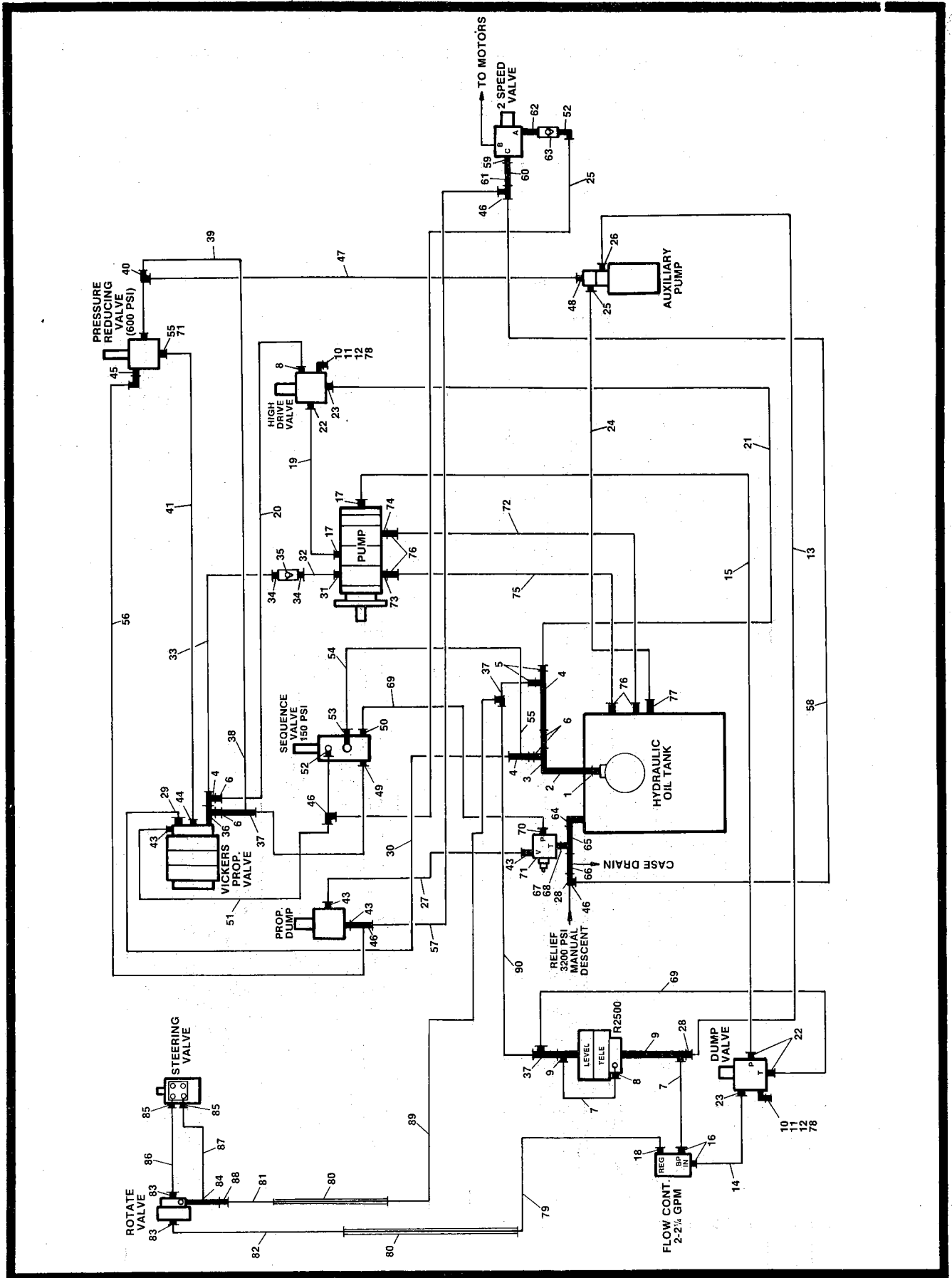


Figure 2-85. Pump Circuit, Hydraulic (Vickers and 60HTH With Steering Wheel).

## SECTION 2 — ILLUSTRATED PARTS LIST

FIGURE & INDEX NO.	PART NUMBER	ITEMS & DESCRIPTION	QTY.
2-85	2791251	<b>PUMP CIRCUIT, HYDRAULIC - VICKERS VALVE AND 60HTH WITH STEERING WHEEL</b>	Ref.
-1	2220733	Fitting, Straight	1
-2	2220626	Fitting, Reducer	1
-3	2220642	Fitting, Tee	1
-4	2220700	Fitting, Tee	3
-5	2220710	Fitting, Reducer	2
-6	2220622	Fitting, Reducer	4
-7	2750968	Hose	2
-8	2220373	Fitting, Straight	2
-9	2220602	Fitting, Tee	2
-10	2220261	Fitting, Nipple	2
-11	2220428	Fitting, Quick Disconnect	2
-12	2220429	Cap, Dust	2
-13	2750760	Hose	1
-14	2750788	Hose	1
-15	2750759	Hose	1
-16	2220345	Fitting, Straight	2
-17	2220375	Fitting, Straight	2
-18	2220344	Fitting	1
-19	2750979	Hose	1
-20	2751465	Hose	1
-21	2750792	Hose	1
-22	2220596	Fitting, 90°	3
-23	2220500	Fitting, 45°	2
-24	2750125	Hose	1
-25	2220156	Fitting, 45°	1
-26	2220466	Fitting, 90°	1
-27	2751010	Hose	1
-28	2220618	Fitting, Reducer	2
-29	2220465	Fitting, 90°	1
-30	2751347	Hose	1
-31	2220347	Fitting	1
-32	2751366	Hose	1
-33	2750688	Hose	1
-34	2220347	Fitting	2
-35	4640033	Valve, Check	1
-36	2220738	Fitting, Tee	1
-37	2220385	Fitting, Tee	3
-38	2220619	Fitting, Reducer	1
-39	2750913	Hose	1
-40	2220604	Fitting, Tee	1
-41	2751409	Hose	1
-42	2220585	Fitting, 90°	2
-43	2220582	Fitting, Straight	4
-44	2220472	Fitting, 90°	1
-45	2220417	Fitting, Straight	1
-46	2220605	Fitting, Tee	4
-47	2750918	Hose	1
-48	2220473	Fitting, 90°	1
-49	2220346	Fitting, Straight	1
-50	2220470	Fitting, 90°	1
-51	2750902	Hose	1
-52	2220414	Fitting, Straight	2
-53	2220493	Fitting, 90°	1
-54	2751344	Hose	1



**SECTION 2 — ILLUSTRATED PARTS LIST**

FIGURE & INDEX NO.	PART NUMBER	ITEMS & DESCRIPTION	QTY.
2—85	2791251	<b>PUMP CIRCUIT, HYDRAULIC - VICKERS VALVE AND 60HTH WITH STEERING WHEEL (CONTINUED)</b>	Ref.
—55	2220409	Fitting, 45°	1
—56	2751020	Hose	1
—57	2750889	Hose	1
—58	2750900	Hose	1
—59	2220250	Fitting, Reducer	1
—60	2180217	Fitting, Modified	1
—61	2180651	Fitting, Modified	1
—62	2220673	Fitting, 90°	1
—63	4640197	Valve, Check	1
—64	2220070	Fitting, 90°	1
—65	2220432	Fitting, Tee	1
—66	2220679	Fitting	1
—67	2220252	Fitting, Nipple	1
—68	2220057	Fitting	1
—69	2750972	Hose	2
—70	2220374	Fitting	1
—71	4640520	Valve, Relief	1
—72	2720247	Hose, Suction	1
—73	2220809	Fitting, 45°	1
—74	2220808	Fitting, 45°	1
—75	2720222	Hose, Suction	1
—76	1320012	Clamp	8
—77	2220128	Fitting, 45°	1
—78	2220111	Fitting, 90°	2
—79	2751833	Hose	1
—80	4563651	Tube	2
—81	2751832	Hose	1
—82	2751831	Hose	1
—83	2220371	Fitting, Straight	2
—84	2220606	Fitting, Tee	1
—85	2220371	Fitting, Straight	2
—86	2750913	Hose	1
—87	2750926	Hose	1
—88	2220507	Fitting, 90°	1
—89	2751833	Hose	2
—90	2750777	Hose	1
	0100020	----- Sealant	A/R

SECTION 2 — ILLUSTRATED PARTS LIST

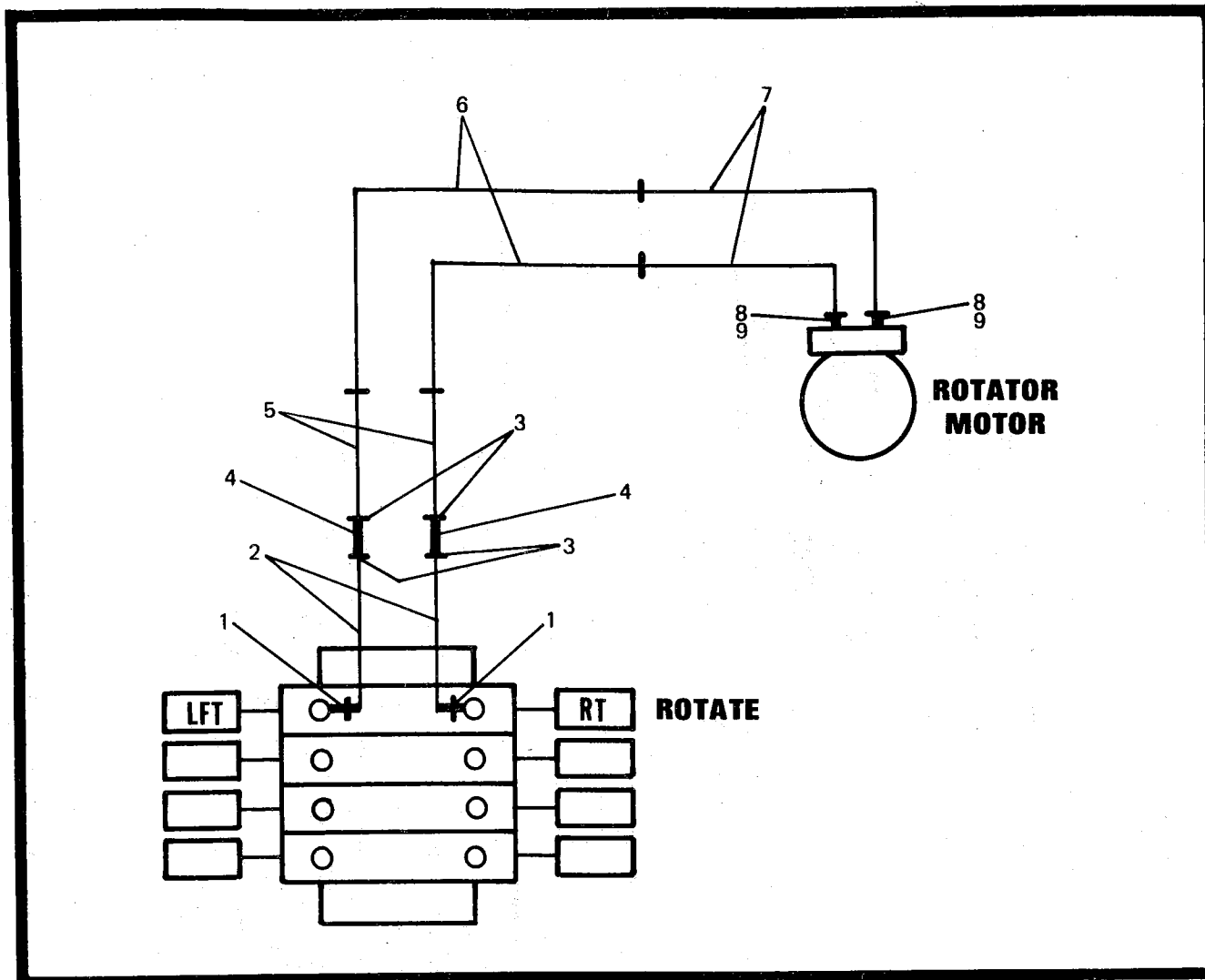


Figure 2-86. Rotate Circuit, Hydraulic.

FIGURE & INDEX NO.	PART NUMBER	ITEMS & DESCRIPTION	QTY.
2-86	2790977	<b>ROTATE CIRCUIT, HYDRAULIC</b>	Ref.
-1	2220468	Fitting, Straight	2
-2	2750889	Hose	2
-3	2220414	Fitting, Straight	4
-4	4640383	Valve, Restrictor	2
-5	2751448	Hose	2
-6	4562843	Tube	2
-7	2751880	Hose	2
-8	2220218	Fitting, Reducer	2
-9	2220472	Fitting, 90°	2



SECTION 2 — ILLUSTRATED PARTS LIST

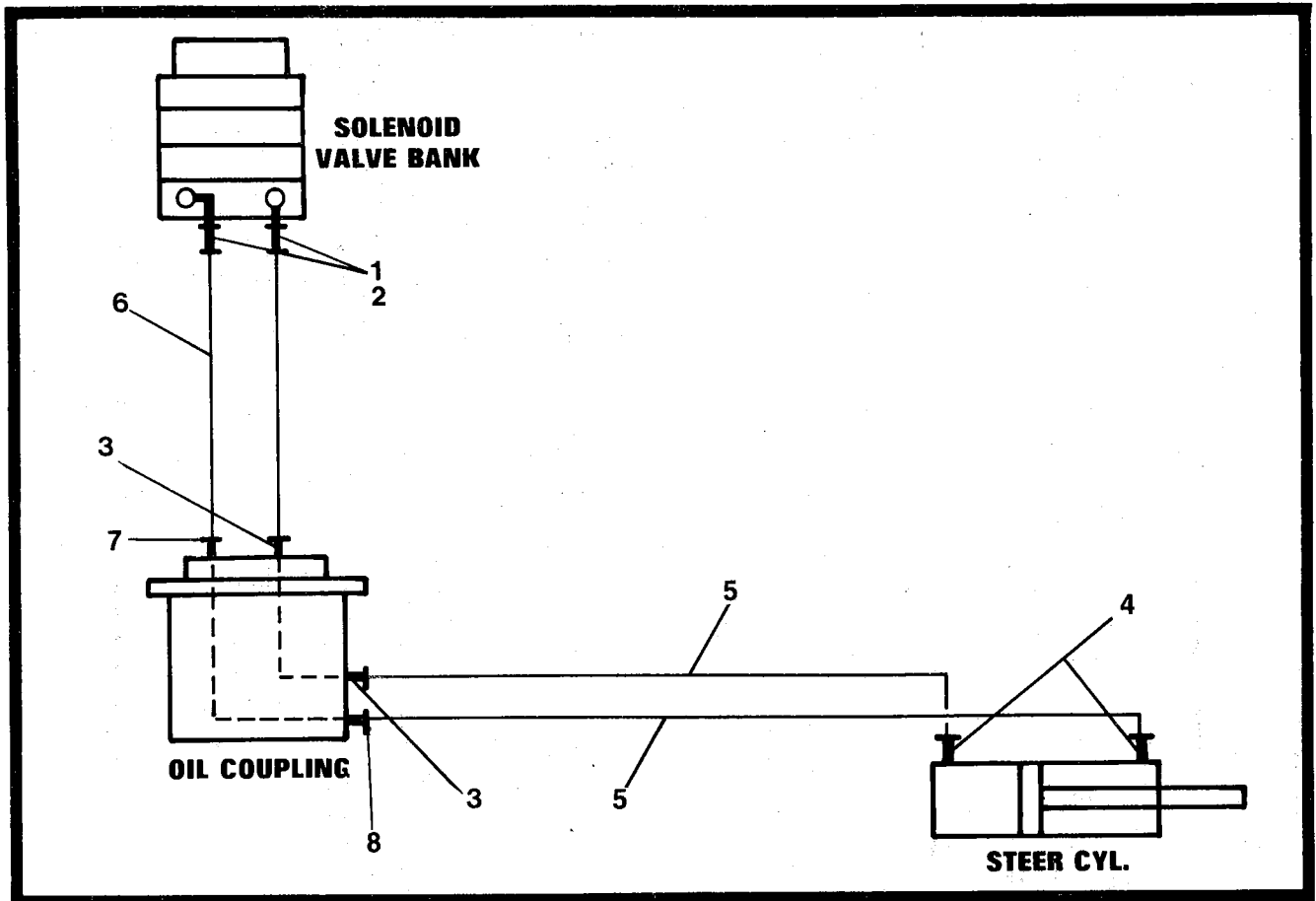


Figure 2-87. Steer Circuit, Hydraulic (Without Steering Wheel).

FIGURE & INDEX NO.	PART NUMBER	ITEMS & DESCRIPTION	QTY.
2-87	2790967	<b>STEER CIRCUIT, HYDRAULIC - FIXED AXLE WITHOUT STEERING WHEEL</b>	Ref.
	2791300	<b>STEER CIRCUIT, HYDRAULIC - OSCILLATING AXLE WITHOUT STEERING WHEEL</b>	Ref.
-1	2180540	Fitting, Modified	2
-2	2180422	Fitting, Orifice	2
-3	2220417	Fitting, Straight	2
-4	2220416	Fitting, 90°	2
-5	2750891	Hose	2
-6	2751391	Hose	2
-7	2220414	Fitting	1
-8	2220414	Fitting (Fixed Axle)	1
	2220417	Fitting (Oscillating Axle)	1
	0100020	Sealant	A/R
	0100011	Loctite	A/R

SECTION 2 — ILLUSTRATED PARTS LIST

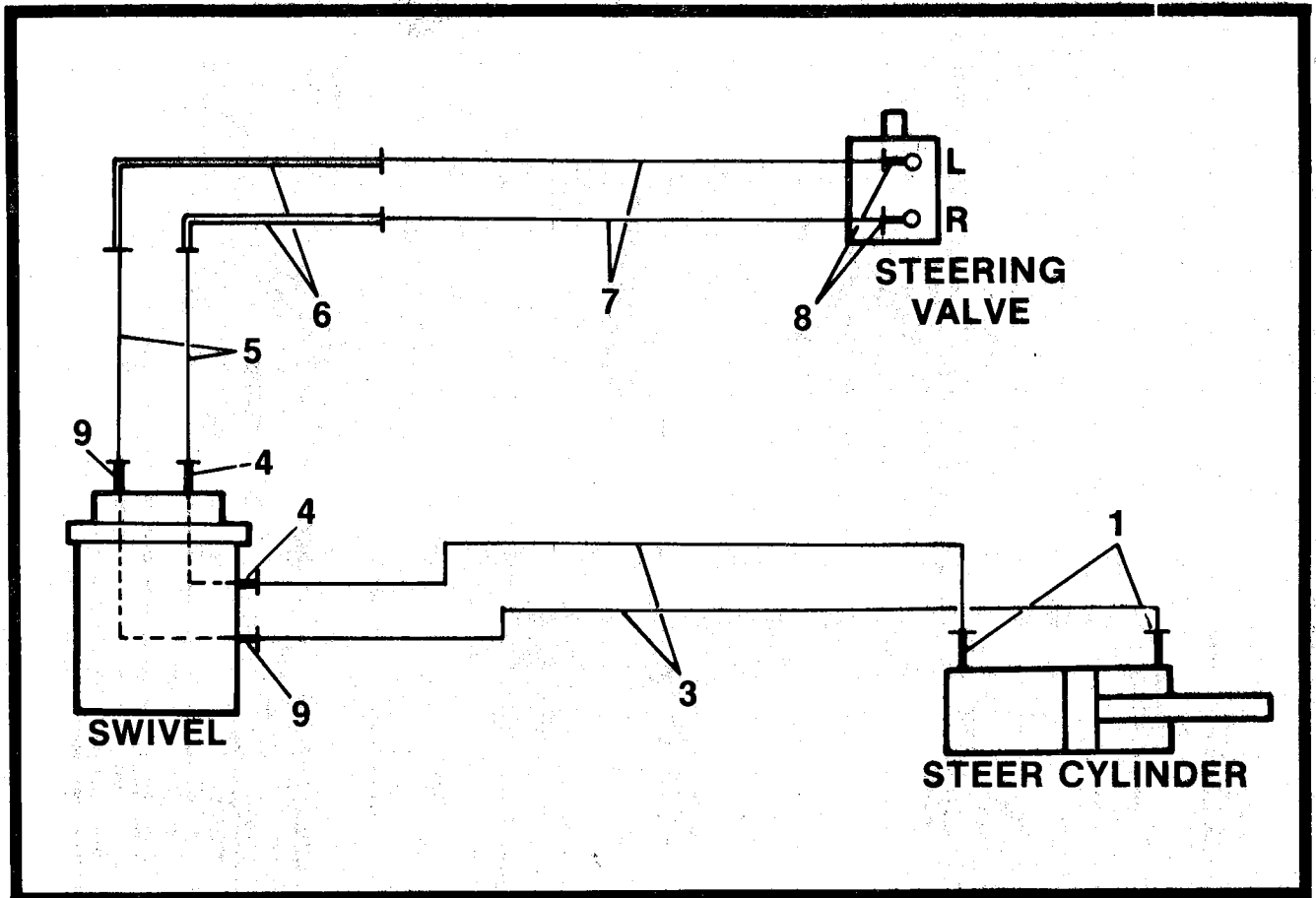


Figure 2-88. Steer Circuit, Hydraulic (With Steering Wheel).

FIGURE & INDEX NO.	PART NUMBER	ITEMS & DESCRIPTION	QTY.
2-88	2791014	<b>STEER CIRCUIT, HYDRAULIC - FIXED AXLE WITH STEERING WHEEL</b>	Ref.
-1	2220416	Fitting, 90°	2
-2	Not Used		
-3	2750891	Hose	2
-4	2220417	Fitting, Straight	2
-5	2751448	Hose	2
-6	4562843	Tube	2
-7	2751881	Hose	2
-8	2220468	Fitting, Straight	2
-9	2220414	Fitting, Straight	2
	0100020	Sealant	A/R



SECTION 2 — ILLUSTRATED PARTS LIST

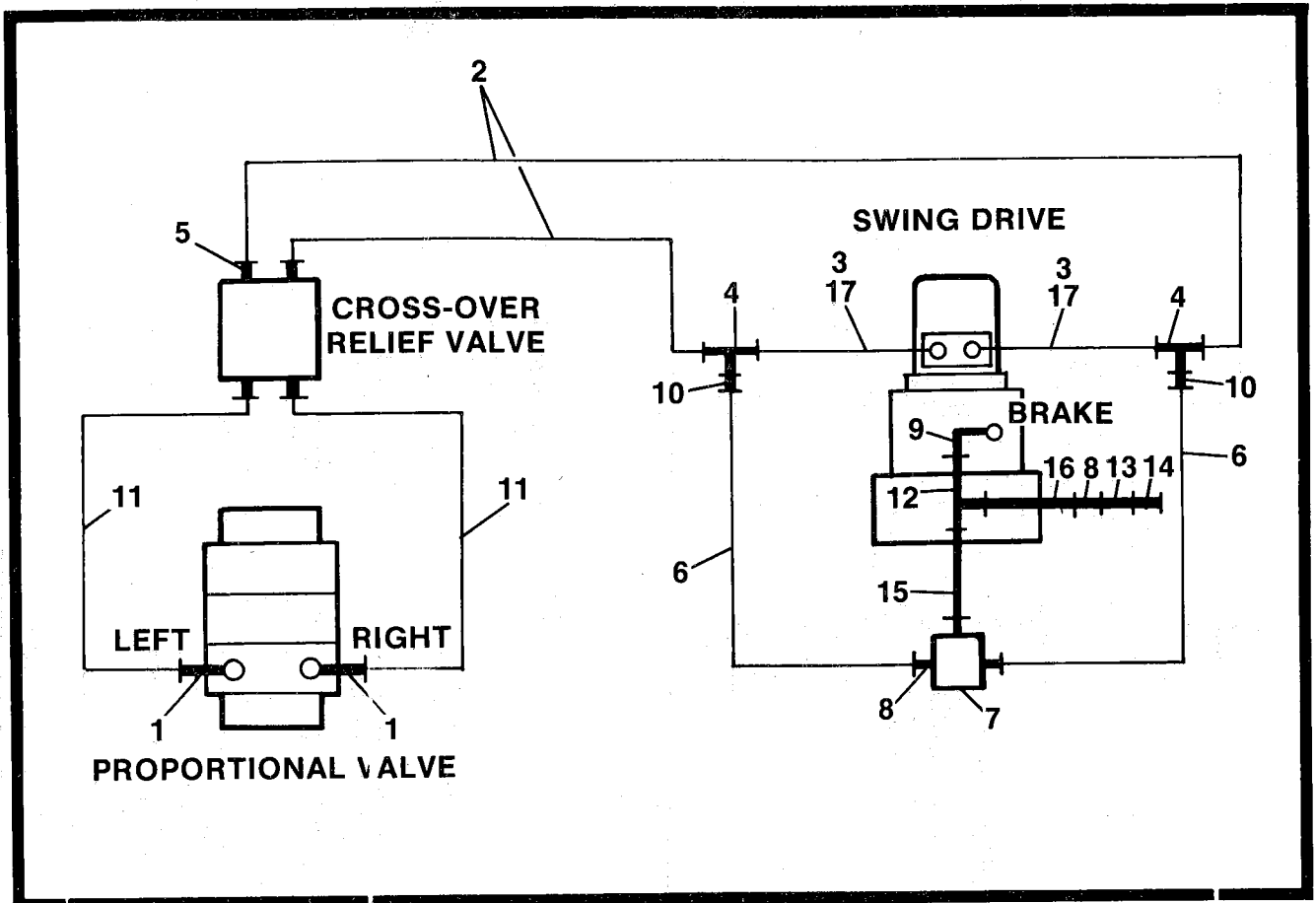


Figure 2-90. Swing Circuit, Hydraulic (Piston Pump).

FIG JRE & INDEX NO.	PART NUMBER	ITEMS & DESCRIPTION	QTY.
2-90	2791035	<b>SWING CIRCUIT, HYDRAULIC - STANDARD AND 7' X 7' WITH PISTON PUMP</b>	Ref.
-1	2220497	Fitting, Straight	2
-2	2751006	Hose	2
-3	2220757	Fitting, Modified	2
-4	2220635	Fitting, Tee	2
-5	2220343	Fitting, Straight	4
-6	2750902	Hose	2
-7	4640013	Valve, Shuttle	1
-8	2220414	Fitting, Straight	4
-9	2220110	Fitting, 90°	1
-10	2220609	Fitting, Reducer	2
-11	2750926	Hose	2
-12	2220684	Fitting, Tee	1
-13	2220428	Fitting, Quick Disconnect	1
-14	2220429	Cap, Dust	1
-15	2750900	Hose	1
-16	2751412	Hose	1
-7	2180082	Orifice	2

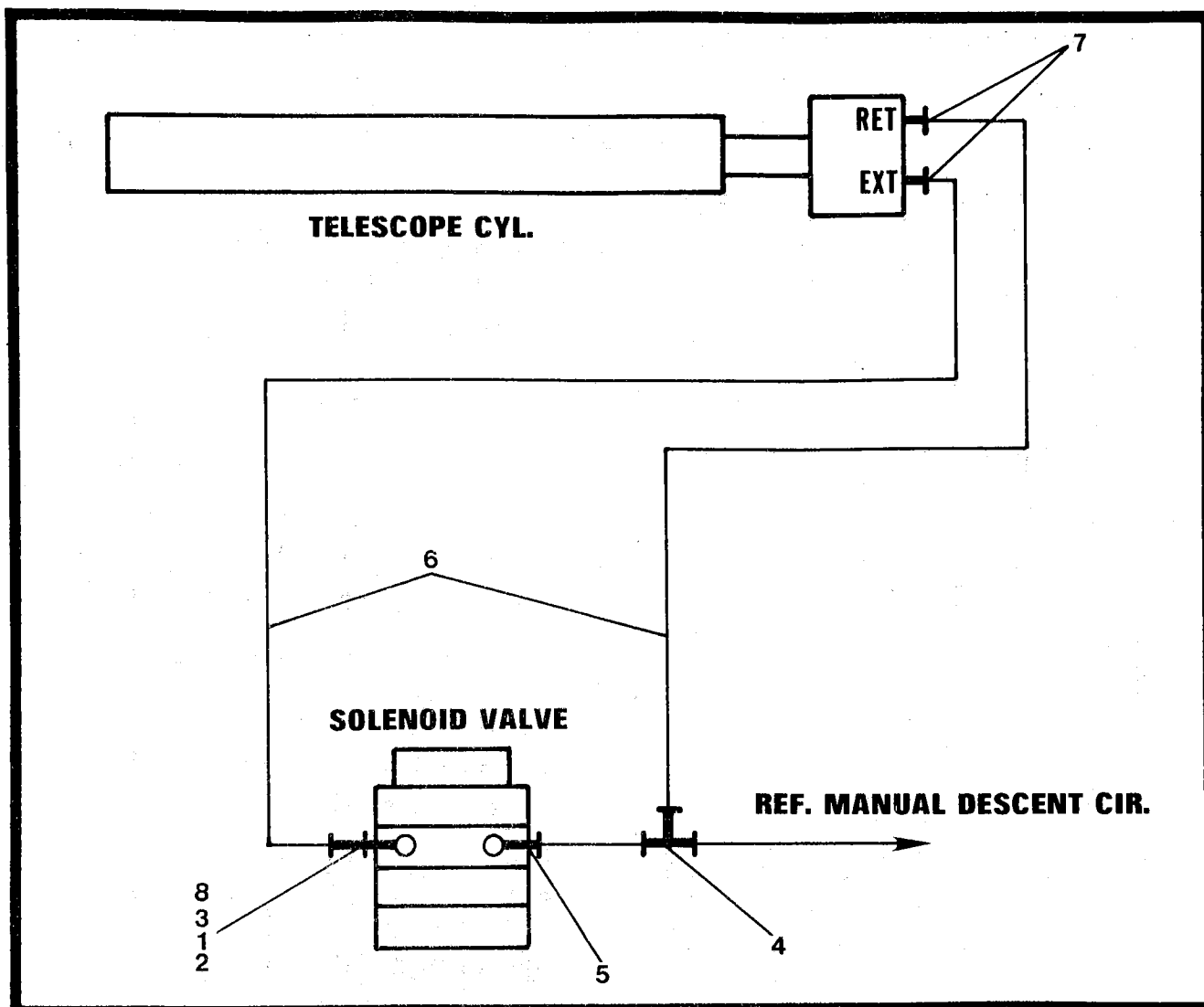


Figure 2-91. Telescope Circuit, Hydraulic (Standard/7'X 7' With Gear Pump and Vickers/60HTH With Prop Tele).

FIGURE & INDEX NO.	PART NUMBER	ITEMS & DESCRIPTION	QTY.
2-91	2790965	<b>TELESCOPE CIRCUIT, HYDRAULIC - STANDARD AND 7' X 7' GEAR PUMP</b>	Ref.
	2791238	<b>TELESCOPE CIRCUIT, HYDRAULIC - VICKERS VALVE AND 60HTH WITH PROPORTIONAL TELESCOPE</b>	Ref.
-1	2180479	Fitting, Modified (Standard and 7' x 7')	1
-2	2180486	Fitting, Orifice (Standard and 7' x 7')	1
-3	2220577	Fitting, Straight (Vickers and 60HTH)	1
-4	2220606	Fitting, Tee (Standard and 7' x 7')	1
	2220635	Fitting, Tee (Vickers and 60HTH)	1
-5	2220591	Fitting, Reducer (Standard and 7' x 7')	1
	2220577	Fitting, Straight (Vickers and 60HTH)	1
-6	2751129	Hose (114" length)	2
	2751114	Hose (86" length)	2
-7	2220343	Fitting, Straight	2
-8	2220507	Fitting (Standard and 7' x 7' only)	1



SECTION 2 — ILLUSTRATED PARTS LIST

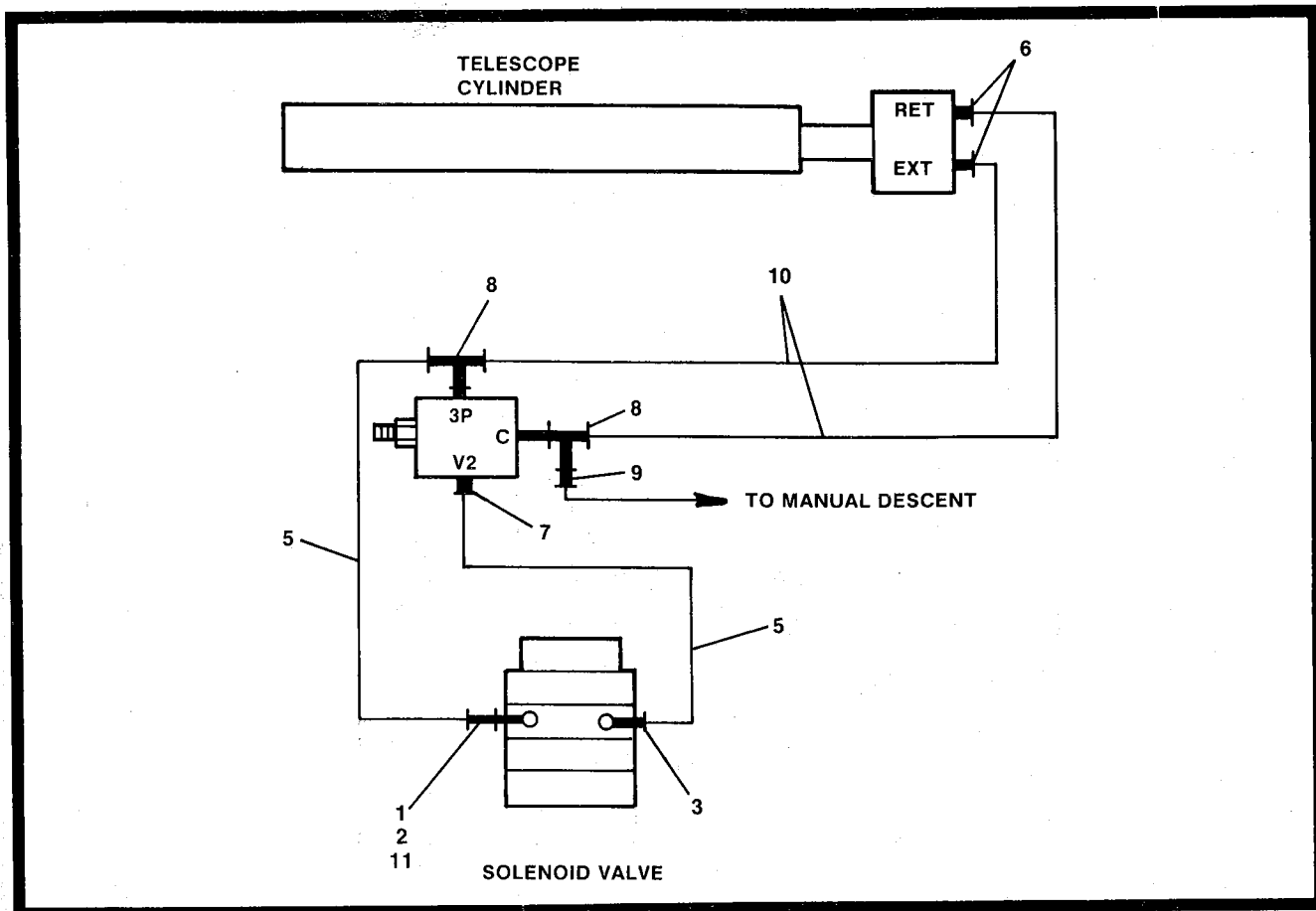


Figure 2-93. Telescope Circuit, Hydraulic (Vickers/60HTH Without Prop Tele).

FIGURE & INDEX NO.	PART NUMBER	ITEMS & DESCRIPTION	QTY.
2-93	2791255	<b>TELESCOPE CIRCUIT, HYDRAULIC - VICKERS VALVES AND 60HTH WITHOUT PROPORTIONAL TELESCOPE</b>	Ref.
-1	2180479	Fitting, Modified	1
-2	2180486	Fitting, Modified	1
-3	2220372	Fitting, Straight	1
-4	Not Used		
-5	2751004	Hose	1
-6	2220343	Fitting, Straight	2
-7	2220473	Fitting, 90°	1
-8	2220606	Fitting, Tee	2
-9	2220609	Fitting, Reducer	1
-10	2751129	Hose	2
-11	2220507	Fitting	1
	0100020	Sealant	A/R

SECTION 2 — ILLUSTRATED PARTS LIST

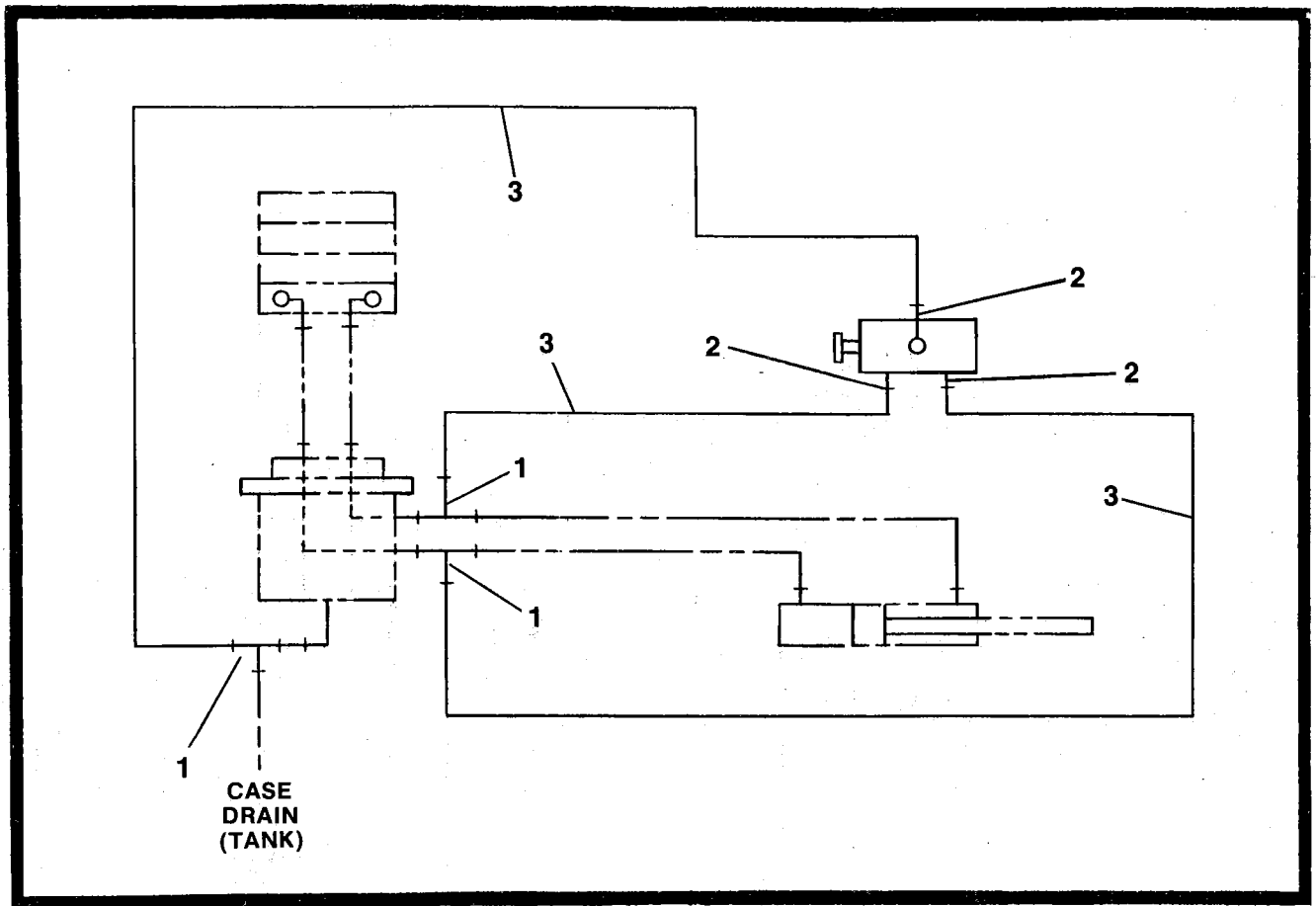


Figure 2-94. Towing Circuit, Hydraulic.

FIGURE & INDEX NO.	PART NUMBER	ITEMS & DESCRIPTION	QTY.
2-94	2791030	<b>TOWING CIRCUIT, HYDRAULIC</b>	Ref.
-1	2220605	Fitting, Tee	3
-2	2220468	Fitting	3
-3	2750891	Hose	3







Corporate Office  
JLG Industries, Inc.  
1 JLG Drive  
McConnellsburg PA. 17233-9533  
USA  
Phone: (717) 485-5161  
Customer Support Toll Free: (877) 554-5438  
Fax: (717) 485-6417

## JLG Worldwide Locations

---

JLG Industries (Australia)  
P.O. Box 5119  
11 Bolwarra Road  
Port Macquarie  
N.S.W. 2444  
Australia  
Phone: (61) 2 65 811111  
Fax: (61) 2 65 810122

JLG Industries (UK)  
Unit 12, Southside  
Bredbury Park Industrial Estate  
Bredbury  
Stockport  
SK6 2sP  
England  
Phone: (44) 870 200 7700  
Fax: (44) 870 200 7711

JLG Deutschland GmbH  
Max Planck Strasse 21  
D-27721 Ritterhude/Idpohl  
Bei Bremen  
Germany  
Phone: (49) 421 693 500  
Fax: (49) 421 693 5035

JLG Industries (Italia)  
Via Po. 22  
20010 Pregnana Milanese - MI  
Italy  
Phone: (39) 02 9359 5210  
Fax: (39) 02 9359 5845

JLG Latino Americana Ltda.  
Rua Eng. Carlos Stevenson,  
80-Suite 71  
13092-310 Campinas-SP  
Brazil  
Phone: (55) 19 3295 0407  
Fax: (55) 19 3295 1025

JLG Europe B.V.  
Jupiterstraat 234  
2132 HJ Foofddorp  
The Netherlands  
Phone: (31) 23 565 5665  
Fax: (31) 23 557 2493

JLG Industries (Norge AS)  
Sofeimyrveien 12  
N-1412 Sofienyr  
Norway  
Phone: (47) 6682 2000  
Fax: (47) 6682 2001

JLG Polska  
Ul. Krolewska  
00-060 Warszawa  
Poland  
Phone: (48) 91 4320 245  
Fax: (48) 91 4358 200

JLG Industries (Europe)  
Kilmartin Place,  
Tannochside Park  
Uddingston G71 5PH  
Scotland  
Phone: (44) 1 698 811005  
Fax: (44) 1 698 811055

JLG Industries (Pty) Ltd.  
Unit 1, 24 Industrial Complex  
Herman Street  
Meadowdale  
Germiston  
South Africa  
Phone: (27) 11 453 1334  
Fax: (27) 11 453 1342

Plataformas Elevadoras  
JLG Iberica, S.L.  
Trapadella, 2  
P.I. Castellbisbal Sur  
08755Castellbisbal  
Spain  
Phone: (34) 93 77 24700  
Fax: (34) 93 77 11762

JLG Industries (Sweden)  
Enkopingsvagen 150  
Box 704  
SE - 175 27 Jarfalla  
Sweden  
Phone: (46) 8 506 59500  
Fax: (46) 8 506 59534

---