



Illustrated Parts Manual

Models
80H
80HX
86HX
80HX+6

P/N
3120272

February 3, 2012

ANSI



An Oshkosh Corporation Company

REVISION LOG

November 1985 - Original Issue Of Manual

December 1987 - Revised

April 1991 - Revised

June 1995 - Revised (New Format)

September 1996 - Revised (Added Oscillating Axle Parts and Model 80H)

June 1997 - Revised

September 24, 1999 - Revised (Manual edited to 0010334 Revision 87)

June 30, 2000 - Revised (Manual edited to 0010334 Revision 89 & 0010333 Revision 43)

November 30, 2000 - Revised (Manual edited to 0010334 Revision 94 & 0010333 Revision 44)

April 16, 2003 - Revised (Manual edited to 0010334 Revision 101 & 0010333 Revision 44)

July 31, 2006 - Revised (Manual edited to 0010334 Revision 101 & 0010333 Revision 44)

March 5, 2009 - Revised

February 3, 2012 - Revised (Revision 1)

TABLE OF CONTENTS

SECTION 1 - FRAME.....	9
FIGURE 1-1. FRAME, STEERING AND AXLE INSTALLATIONS - 80HX 2WD FIXED AXLE MACHINES	10
FIGURE 1-2. FRAME, STEERING AND AXLE INSTALLATIONS - 80HX 4WD FIXED AXLE MACHINES	14
FIGURE 1-3. FRAME, STEERING AND AXLE INSTALLATIONS - 80HX 2WD AND 4WD OSCILLATING AXLE MACHINES.....	18
FIGURE 1-4. REAR, STEERING AND AXLE INSTALLATIONS - 80HX 4WS MACHINES.....	22
FIGURE 1-5. FRAME, STEERING AND AXLE INSTALLATIONS - 80H MACHINES	26
FIGURE 1-6. TIRE AND WHEEL DRIVE INSTALLATIONS	30
FIGURE 1-7. DRIVE MOTOR ASSEMBLY - VICKERS.....	38
FIGURE 1-8. DRIVE MOTOR ASSEMBLY - SAUER-DANFOSS.....	42
FIGURE 1-9. DRIVE MOTOR ASSEMBLY - CESSNA (TWO SPEED).....	44
FIGURE 1-10. DRIVE MOTOR ASSEMBLY - REXROTH.....	50
FIGURE 1-11. BRAKE ASSEMBLY - AUSCO AND MICO.....	52
FIGURE 1-12. BRAKE ASSEMBLY - AUSCO.....	56
FIGURE 1-13. BRAKE ASSEMBLY - MICO	58
FIGURE 1-14. BRAKE ASSEMBLY - MICO	60
FIGURE 1-15. GEAR REDUCER ASSEMBLY	64
FIGURE 1-16. DRIVE HUB ASSEMBLIES.....	66
FIGURE 1-17. VALVES AND SWITCHES INSTALLATIONS (FRAME MOUNTED)	70
FIGURE 1-18. AXLE LIFT CYLINDER INSTALLATIONS.....	74
FIGURE 1-19. TOW PACKAGE INSTALLATION	78
SECTION 2 - TURNTABLE	81
FIGURE 2-1. BOOM, TURNTABLE AND BEARING LUBE INSTALLATION	82
FIGURE 2-2. CONTROL VALVES INSTALLATION - RACINE PROPORTIONAL	86
FIGURE 2-3. CONTROL VALVE ASSEMBLY - OUTLET SECTION (RACINE).....	90
FIGURE 2-4. CONTROL VALVE ASSEMBLY - WORKING SECTION (RACINE)	92
FIGURE 2-5. CONTROL VALVE ASSEMBLY - INLET SECTION (RACINE).....	94
FIGURE 2-6. CONTROL VALVE ASSEMBLY - SERVO SECTION (RACINE)	98
FIGURE 2-7. CONTROL VALVES ASSEMBLY - VICKERS VALVES.....	102
FIGURE 2-8. CONTROL VALVE ASSEMBLY - VICKERS (PRIOR TO OCTOBER 1994).....	108
FIGURE 2-9. CONTROL VALVE ASSEMBLY - VICKERS (OCTOBER 1994 TO PRESENT)	112
FIGURE 2-10. VICKERS VALVE ASSEMBLY - HYDRAULIC CONTROLS (OCTOBER 1994 TO PRESENT)	116
FIGURE 2-11. CONTROL VALVE ASSEMBLY - RACINE BANG-BANG WITH DUMP SECTION	120
FIGURE 2-12. CONTROL VALVE ASSEMBLY - BANG-BANG WITH DUMP SECTION.....	124
FIGURE 2-13. CONTROL VALVE ASSEMBLY - BANG-BANG WITH INLET RELIEF	128
FIGURE 2-14. CONTROL VALVE ASSEMBLY - 1 SECTION BANG-BANG (80HX+6/86HX)	130
FIGURE 2-15. ACCESSORY VALVE ASSEMBLY (MILLER) (HYDRAULIC CONTROLS MACHINES BUILT THROUGH 1989).....	132
FIGURE 2-16. ACCESSORY VALVE ASSEMBLY	134
FIGURE 2-17. SWING DRIVE, BEARING AND LOCK INSTALLATIONS	136
FIGURE 2-18. SWING MOTOR ASSEMBLY - WHITE.....	140
FIGURE 2-19. SWING MOTOR ASSEMBLY - CHAR-LYNN	142
FIGURE 2-20. SWING MOTOR ASSEMBLY - EATON.....	144
FIGURE 2-21. SWING BRAKE ASSEMBLIES (PRIOR TO APRIL 1992)	146
FIGURE 2-22. SWING BRAKE ASSEMBLIES (APRIL 1992 TO PRESENT).....	150
FIGURE 2-23. SWING HUB ASSEMBLY	154
FIGURE 2-24. ROTARY COUPLING AND COLLECTOR RING ASSEMBLY AND INSTALLATION	156
FIGURE 2-25. DEUTZ ENGINE INSTALLATION WITHOUT NOISE REDUCTION (BUILT PRIOR TO FEBRUARY 1995).....	160
FIGURE 2-26. DEUTZ ENGINE INSTALLATION WITH NOISE REDUCTION (BUILT FEBRUARY 1995 TO PRESENT).....	168
FIGURE 2-27. ADECO THROTTLE COMPONENTS INSTALLATION - DEUTZ ENGINE MACHINES.....	174
FIGURE 2-28. GENERATOR INSTALLATION - DEUTZ ENGINE MACHINES	178
FIGURE 2-29. FORD LSG-423 ENGINE INSTALLATIONS - (PRIOR TO MARCH 1995)	182
FIGURE 2-30. ADECO THROTTLE INSTALLATIONS - FORD ENGINE MACHINES BUILT PRIOR TO MID 1987.....	192
FIGURE 2-31. PRECISION GOVERNOR INSTALLATIONS - FORD ENGINE MACHINES BUILT MID 1987 TO MARCH 1995.....	194
FIGURE 2-32. GENERATOR INSTALLATION - FORD ENGINE MACHINES BUILT PRIOR TO MARCH 1995 (OPTIONAL) ...	196
FIGURE 2-33. FORD LRG423/LRG425 ENGINE INSTALLATION (MARCH 1995 TO PRESENT).....	200
FIGURE 2-34. GENERATOR INSTALLATION - FORD MACHINES BUILT MARCH 1995 TO PRESENT	208
FIGURE 2-35. DUAL FUEL INSTALLATION - FORD ENGINE MACHINES	212
FIGURE 2-36. WISCONSIN ENGINE INSTALLATION	216
FIGURE 2-37. PUMP COUPLING INSTALLATIONS	222
FIGURE 2-38. MAIN PUMP ASSEMBLY (MACHINES WITH RACINE PROPORTIONAL VALVES)	226
FIGURE 2-39. MAIN PUMP ASSEMBLY (MACHINES WITH VICKERS PROPORTIONAL VALVES BUILT PRIOR TO MID 1987 - HAS ONE OUTLET IN END COVER)	230
FIGURE 2-40. MAIN PUMP ASSEMBLY (MACHINES WITH VICKERS PROPORTIONAL VALVES BUILT MID 1987 TO PRESENT- HAS TWO OUTLETS IN END COVER)	232

TABLE OF CONTENTS

FIGURE 2-41. TANKS INSTALLATION	234
FIGURE 2-42. LP TANKS INSTALLATION	238
FIGURE 2-43. GROUND CONTROL COMPONENTS INSTALLATION (MACHINES WITH RACINE PROPORTIONAL VALVES)	240
FIGURE 2-44. GROUND CONTROL INSTALLATION (MACHINES WITH VICKERS PROPORTIONAL VALVES AND STANDARD CONTROLS)	244
FIGURE 2-45. GROUND CONTROLS INSTALLATION (MACHINES WITH VICKERS PROPORTIONAL VALVES AND HYDRAULIC CONTROLS)	250
FIGURE 2-46. ELECTRICAL COMPONENTS INSTALLATION (TURNABLE MOUNTED)	256
FIGURE 2-47. HOODS INSTALLATION (PRIOR TO DECEMBER 1992)	260
FIGURE 2-48. HOODS INSTALLATION (MACHINES BUILT DECEMBER 1992 TO PRESENT)	264
 SECTION 3 - BOOM.....	 267
FIGURE 3-1. BOOM ASSEMBLIES	268
FIGURE 3-2. BOOM WIPERS INSTALLATION	278
FIGURE 3-3. EXTEND-A-REACH INSTALLATION	280
 SECTION 4 - PLATFORMS	 283
FIGURE 4-1. STANDARD PLATFORM AND FOOTSWITCH INSTALLATION	284
FIGURE 4-2. LOW MOUNT PLATFORM AND FOOTSWITCH INSTALLATION	290
FIGURE 4-3. ROTATOR MOTOR ASSEMBLY	296
FIGURE 4-4. CONSOLE BOX ASSEMBLIES - PQ CONTROLLERS WITHOUT PROP TELE (MACHINES BUILT PRIOR TO SEPTEMBER 1991)	298
FIGURE 4-5. CONSOLE BOX ASSEMBLIES - PQ CONTROLLERS WITH PROP TELE (MACHINES BUILT PRIOR TO SEPTEMBER 1991)	302
FIGURE 4-6. CONSOLE BOX ASSEMBLIES - PQ CONTROLLERS WITH PROP VALVE MACHINES BUILT SEPTEMBER 1991 TO PRESENT	306
FIGURE 4-7. CONSOLE BOX ASSEMBLY - OEM CONTROLLERS	310
FIGURE 4-8. CONSOLE BOX ASSEMBLY - HYDRAULIC CONTROLS	314
FIGURE 4-9. CAPACITY INDICATOR INSTALLATION (OPTIONAL)	318
FIGURE 4-10. OPTIONAL COMMON PLATFORM MOUNTED COMPONENTS	322
 SECTION 5 - CYLINDER.....	 325
FIGURE 5-1. AXLE EXTENSION CYLINDER ASSEMBLIES - 80HX WITH FIXED AXLE	326
FIGURE 5-2. AXLE EXTENSION CYLINDER ASSEMBLIES - 80HX WITH OSCILLATING AXLE	328
FIGURE 5-3. AXLE LIFT CYLINDER ASSEMBLY	330
FIGURE 5-4. AXLE LOCKOUT CYLINDER ASSEMBLY	332
FIGURE 5-5. PLATFORM LEVEL CYLINDER ASSEMBLIES (MODEL 80HX/80H BUILT THROUGH 1986).....	334
FIGURE 5-6. PLATFORM LEVEL CYLINDER ASSEMBLIES (MODEL 80HX/80H BUILT 1987 TO APRIL 1992)	336
FIGURE 5-7. PLATFORM LEVEL CYLINDER ASSEMBLIES (MODEL 80HX/80H BUILT APRIL 1992 TO PRESENT)	338
FIGURE 5-8. SLAVE LEVEL CYLINDER ASSEMBLIES (80HX+6/86HX EXTEND-A-REACH) (Prior to SN 29914)	340
FIGURE 5-9. SLAVE LEVEL CYLINDER ASSEMBLIES (80HX+6/86HX EXTEND-A-REACH) (SN 29914 to Present).....	342
FIGURE 5-10. LIFT CYLINDER ASSEMBLIES - BOOM	344
FIGURE 5-11. LIFT CYLINDER ASSEMBLY - EXTEND-A-REACH (80HX+6/86HX ONLY)	346
FIGURE 5-12. MASTER CYLINDER ASSEMBLY	348
FIGURE 5-13. STEER CYLINDER ASSEMBLIES (80HX/80HX+6 WITH FIXED FRONT AXLE).....	350
FIGURE 5-14. STEER CYLINDER ASSEMBLIES (80HX/80HX+6 WITH OSCILLATING FRONT AXLE)	352
FIGURE 5-15. STEER CYLINDER ASSEMBLY (80H 2WD)	354
FIGURE 5-16. STEER CYLINDER ASSEMBLIES (80H 4WD)	356
FIGURE 5-17. TELESCOPE CYLINDER ASSEMBLIES	358
FIGURE 5-18. TIE-ROD CYLINDER ASSEMBLY (80HX/80HX+6 WITH OSCILLATING AXLE ONLY).....	362
FIGURE 5-19. CYLINDER BELLOWS INSTALLATION	364
 SECTION 6 - HYDRAULICS.....	 367
FIGURE 6-1. HYDRAULIC DIAGRAM LIST - 80HX/80HX+6/86HX.....	368
FIGURE 6-2. HYDRAULIC DIAGRAM LIST - 80HX/80HX+6/86HX.....	370
FIGURE 6-3. HYDRAULIC DIAGRAM - AXLE EXTENSION AND STEER (80HX/80HX+6 2WS FIXED AXLE WITHOUT TOW PACKAGE).....	372
FIGURE 6-4. HYDRAULIC DIAGRAM - AXLE EXTENSION AND STEER (80HX/80HX+6 2WS OSCILLATING AXLE WITHOUT TOW PACKAGE)	374
FIGURE 6-5. HYDRAULIC DIAGRAM - BRAKE WITH PRESSURE REDUCING VALVE (USED WITH AUSCO DRIVE BRAKES)	376
FIGURE 6-6. HYDRAULIC DIAGRAM - DRIVE (2WD/2WS) - 80H-80HX-80HX+6	378

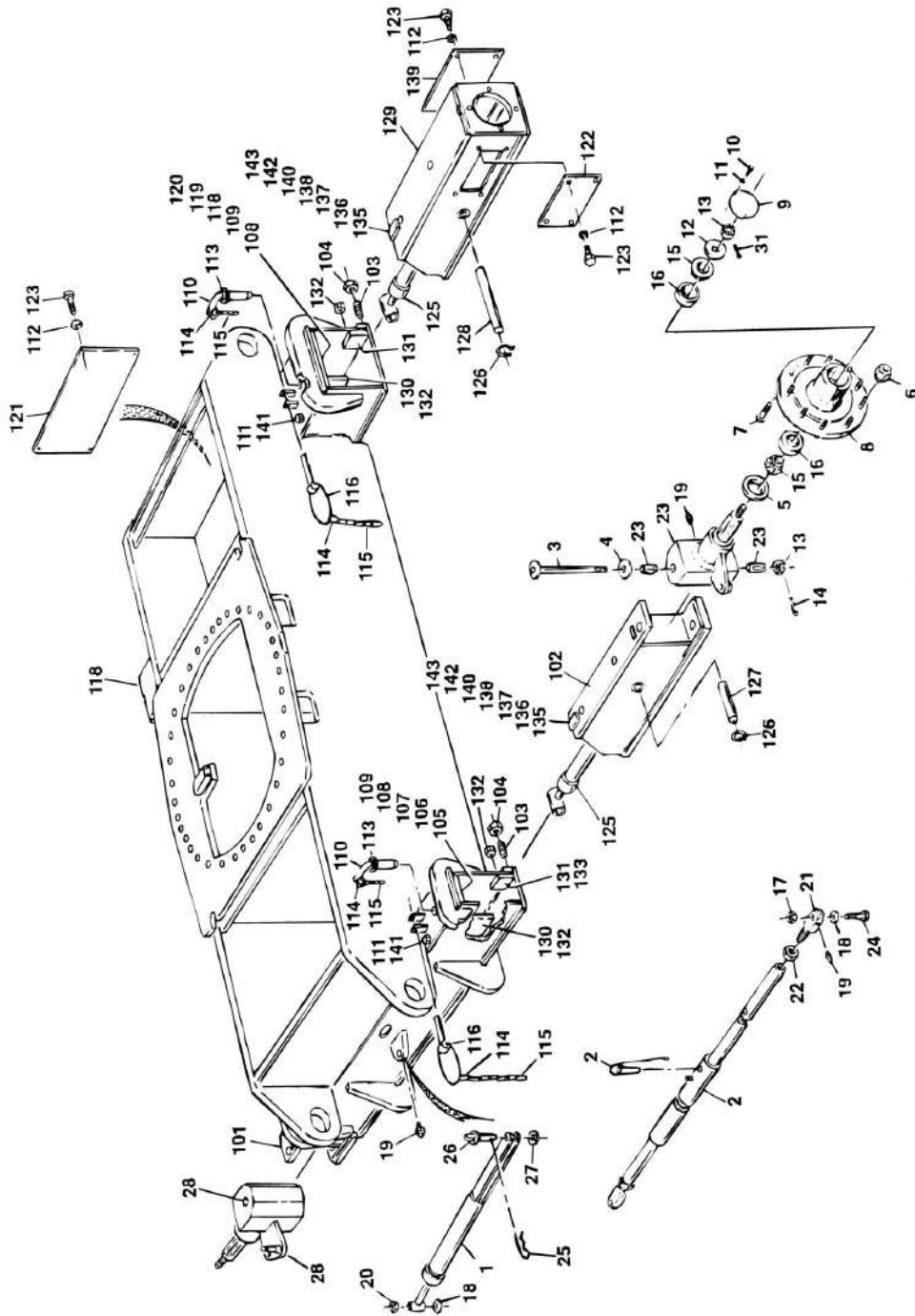
TABLE OF CONTENTS

FIGURE 6-7. HYDRAULIC DIAGRAM - DRIVE (4WD/2WS) - 80H-80HX-80HX+6	382
FIGURE 6-8. HYDRAULIC DIAGRAM - LEVEL (80HX AND 80H).....	386
FIGURE 6-9. HYDRAULIC DIAGRAM - LEVEL (80HX+6).....	388
FIGURE 6-10. HYDRAULIC DIAGRAM - LIFT - 80H-80HX-80HX+6	390
FIGURE 6-11. HYDRAULIC DIAGRAM - MANUAL DESCENT	392
FIGURE 6-12. HYDRAULIC DIAGRAM - OSCILLATING AXLE (80HX/80HX+6)	394
FIGURE 6-13. HYDRAULIC DIAGRAM - PUMP (STANDARD CONTROLS)	396
FIGURE 6-14. HYDRAULIC DIAGRAM - PUMP (HYDRAULIC CONTROLS)	400
FIGURE 6-15. HYDRAULIC DIAGRAM - ROTATE - 80H-80HX	404
FIGURE 6-16. HYDRAULIC DIAGRAM - SEQUENCE LINE	406
FIGURE 6-17. HYDRAULIC DIAGRAM - STEER (80H ONLY).....	408
FIGURE 6-18. HYDRAULIC DIAGRAM - SWING	410
FIGURE 6-19. HYDRAULIC DIAGRAM - TELESCOPE	412
SECTION 7 - ELECTRICAL	415
FIGURE 7-1. ELECTRICAL DIAGRAM LIST	416
FIGURE 7-2. WIRING DIAGRAM - DUAL FUEL	428
FIGURE 7-3. WIRING DIAGRAM - GENERATOR (DEUTZ ENGINES).....	430
FIGURE 7-4. WIRING DIAGRAM - GENERATOR (FORD ENGINES).....	432
FIGURE 7-5. WIRING DIAGRAM - PLATFORM CONSOLE STANDARD CONTROLS (SHEET 1 OF 2)	434
FIGURE 7-6. WIRING DIAGRAM - PLATFORM CONSOLE HYDRAULIC CONTROLS	436
FIGURE 7-7. WIRING DIAGRAM - STANDARD (DEUTZ ENGINE/FIXED AXLE/STANDARD CONTROLS) (SHEET 1 OF 2)..	438
FIGURE 7-8. WIRING DIAGRAM - STANDARD (DEUTZ ENGINE/OSCILLATING AXLE/STANDARD CONTROLS) (SHEET 1 OF 2)	440
FIGURE 7-9. WIRING DIAGRAM - STANDARD (DEUTZ ENGINE/HYDRAULIC CONTROLS) (SHEET 1 OF 2)	442
FIGURE 7-10. WIRING DIAGRAM - STANDARD (FORD ENGINE/FIXED AXLE/STANDARD CONTROLS) (SHEET 1 OF 2)..	444
FIGURE 7-11. WIRING DIAGRAM - STANDARD (FORD ENGINE/OSCILLATING AXLE/STANDARD CONTROLS) (SHEET 1 OF 2)	446
FIGURE 7-12. WIRING DIAGRAM - STANDARD (FORD ENGINE/HYDRAULIC CONTROLS) (SHEET 1 OF 2)	448
SECTION 8 - DECALS.....	451
FIGURE 8-1. DECALS INSTALLATION - DOMESTIC BROWN DECALS	452
FIGURE 8-2. DECALS INSTALLATION - DOMESTIC BLACK DECALS	458
FIGURE 8-3. DECALS INSTALLATION - COUNTRY SPEC BROWN DECALS.....	462
FIGURE 8-4. DECALS INSTALLATION - COUNTRY SPEC BLACK DECALS.....	468
SECTION 9 - RECOMMENDED SERVICE PARTS STOCK	471
FIGURE 9-1. MODELS 80HX/80HX+6 (STANDARD CONTROLS) STANDARD PARTS.....	472
FIGURE 9-2. MODELS 80HX/80HX+6 (STANDARD CONTROLS) VARIABLE PARTS.....	474
SECTION 10 - SPECIAL OPTIONS.....	475
FIGURE 10-1. SPECIAL OPTIONS.....	476
FIGURE 10-2. JAPANESE SPEC COMPONENTS.....	482
PART NUMBER INDEX	485

SECTION 1 - FRAME

SECTION 1 - FRAME

FIGURE 1-1. FRAME, STEERING AND AXLE INSTALLATIONS - 80HX 2WD FIXED AXLE MACHINES



SECTION 1 - FRAME

FIGURE 1-1. FRAME, STEERING AND AXLE INSTALLATIONS - 80HX 2WD FIXED AXLE MACHINES

ITEM	PART NUMBER	QTY	DESCRIPTION	REV
		Ref	FRAME WELDMENT OPTIONS:	
	2360182	Ref	Machines with Racine Valves Prior to May 1986	
	2360188	Ref	Machines with Racine Valves May 1986 to Present	
	2360256	Ref	Standard Capacity 2WS Machines with Vickers Valves and without 4in T/T Bearing Spacer	
	2360543	Ref	Standard Capacity 2WS Machines with Vickers Valves and with 4in T/T Bearing Spacer (Used After S/N 52839 Only)	
	2360335	Ref	750 Lb. Capacity 2WS Machines with Vickers Valves	
	2360341	Ref	Standard Capacity 4WS Machines with Vickers Valves	
		Ref	STEERING INSTALLATION	
	0236838	Ref	ANSI Spec 2WD/2WS	G
	0251846	Ref	CSA Spec 2WD/2WS	A
	0253170	Ref	ANSI Spec 2WD/4WS (Front Axle Only)	
	0253169	Ref	ANSI Spec 2WD/4WS (Front Axle Only)	
1	1681564	1	Steer Cylinder Assembly (See CYLINDER SECTION for Breakdown) (Note: For Machines with Tow Package FRAME SECTION Tow Package Installation)	
2	4842183	1	Tie-Rod Assembly	
2	3420620	1	Pin, Quick Release	
3	3421818	2	Kingpin	
4	0440161	4	Bearing, Thrust	
5	3960343	2	Seal, Hub	
6	3300007	20	Nut, Wheel	
7	0630078	20	Stud, Wheel	
8	2780109	2	Hub Assembly (Includes Item 7)	
9	1120304	2	Cap, Hub	
10	0721003	6	Bolt #10-24NC x 3/8in	
11	4761000	6	Lockwasher #10	
12	4740283	2	Washer, Hardened	
13	3322403	4	Nut, Slotted 1 1/2in-12NF	
14	3451012	2	Pin, Cotter 5/16in x 3in	
15	0440171	4	Cone, Bearing	
16	0440170	4	Cup, Bearing	
17	3312602	2	Nut, Jam 1in-8NC	
18	4740111	3	Washer, Thrust	
19	2160002	5	Fitting, Grease	
20	3300175	1	Locknut	
21	0560605	2	Block	
22	3323002	2	Nut, Jam 1 1/4in-12NF	
23		Ref	Spindle (Left Side) Options:	
23	4130156	1	Spindle ANSI Spec (Prior to June 1990)	
23	4130235	1	Spindle ANSI Spec (June 1990 to Present)	
23	4130245	1	Spindle CSA Spec	
23	0440172	2	Bushing, Bronze (Prior to October 1991)	
23	0960523	2	Bushing, Bronze (October 1991 to Present)	
24	0642630	2	Bolt 1in-8NC x 3 3/4in	
25	3420158	1	Hairpin	
26	3421330	1	Pin, Clevis (For Machines with Tow Package See FRAME SECTION Tow Package Installation)	
27	4712600	1	Flatwasher 1in	
28		Ref	Spindle (Right Side) Options:	

SECTION 1 - FRAME

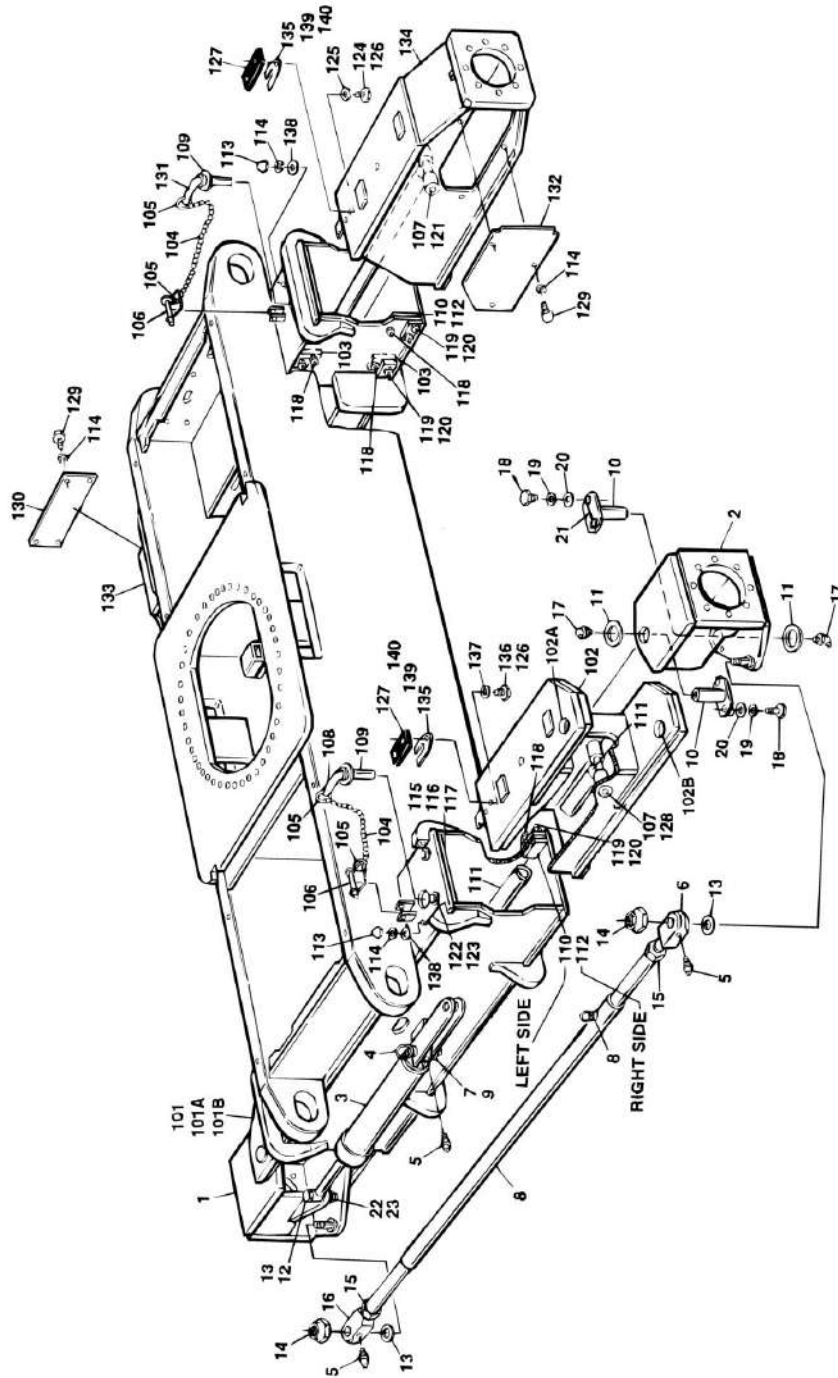
ITEM	PART NUMBER	QTY	DESCRIPTION	REV
28	4130155	1	Spindle ANSI Spec (Prior to June 1990)	
28	4130234	1	Spindle ANSI Spec (June 1990 to Present)	
28	4130244	1	Spindle CSA Spec	
28	0440172	2	Bushing, Bronze (Prior to October 1991)	
28	0960523	2	Bushing, Bronze (October 1991 to Present)	
30	0100011	AR	Loctite #242 (Not Shown)	
31	3450810	2	Pin, Cotter 1/4in x 2 1/2in	
		Ref	AXLE INSTALLATIONS	
	0236804	Ref	Machines with Racine Valves	F
	0238089	Ref	Machines with Vickers Valves	8
101	4842214	1	Axle Weldment (Right Side - Inner)	
102	4842186	1	Axle Weldment (Left Side - Outer)	
103	3972218	16	Setscrew 3/4in-10NC x 2 1/4in	
104	3312202	16	Nut, Jam 3/4in-10NC	
105	0361195	2	Bar	
106	4070576	2	Shim 1/32in	
107	4070577	2	Shim 1/16in	
108	0642008	8	Bolt 5/8in-11NC x 1in	
109	4712000	8	Flatwasher 5/8in	
110	3421275	4	Pin, Axle Lock	
111	3300151	4	Nut, Acorn	
111	4300032	4	Stud (Weldment on Part)	
112	4761400	20	Lockwasher 1/4in	
113	4842191	4	Bushing, Weldment	
114	3760106	4	D-Ring	
115	1260017	3 ft/.9m	Chain #3	
116	3421565	4	Snap-Pin	
117		Ref	Axle Weldment (Right Side - Inner) Options:	
117	4842190	1	Axle Weldment (Right Side - Inner) (Prior to October 1990)	
117	4842642	1	Axle Weldment (Right Side - Inner) (October 1990 to Present)	
118	4070574	2	Shim 1/16in	
119	4070575	2	Shim 1/32in	
120	0560654	2	Block	
121	3530381	1	Plate, Cover	
122	3530380	2	Plate, Cover	
123	0641404	20	Bolt 1/4in-20NC x 1/2in	
125		Ref	Axle Extension Cylinder Assembly Options (See CYLINDER SECTION For Breakdown):	
125	1681565	2	Axle Extension Cylinder Assembly (Prior to October 1985)	
125	1681581	2	Axle Extension Cylinder Assembly (October 1985 to Present)	
126	3760140	8	Ring, Retaining	
127	3421203	2	Pin	
128	3421204	2	Pin	
129		Ref	Axle Weldment (Left Side - Outer) Options:	
129	4842284	1	Axle Weldment (Left Side - Outer) (Prior to October 1990)	
129	4842644	1	Axle Weldment (Left Side - Outer) (October 1990 to Present)	
130	0560673	8	Block, Axle Shim	
131	0560675	2	Block, Axle Shim - Inner Axles	
132	3311505	12	Locknut 5/16in-18NC	
133	0560674	2	Block, Axle Shim - Outer Axles	
135	0641609	8	Bolt 3/8in-16NC x 1 1/8in	
136	4751600	8	Flatwasher 3/8in	

SECTION 1 - FRAME

ITEM	PART NUMBER	QTY	DESCRIPTION	REV
137	0100011	AR	LOCTITE #242	
138		Ref	Wear Pad Options:	
138	3340527	4	Wear Pad (Prior to October 1990)	
138	3340251	4	Wear Pad (October 1990 to Present)	
139	3531715	2	Plate, Cover (Vickers Machines Only)	
140	4070674	AR	Shim 1/16in	
141	4751400	4	Flatwasher 1/4in	
142	4070670	AR	Shim 1/8in	
143	4070672	AR	Shim 1/32in	

SECTION 1 - FRAME

FIGURE 1-2. FRAME, STEERING AND AXLE INSTALLATIONS - 80HX 4WD FIXED AXLE MACHINES



SECTION 1 - FRAME

FIGURE 1-2. FRAME, STEERING AND AXLE INSTALLATIONS - 80HX 4WD FIXED AXLE MACHINES

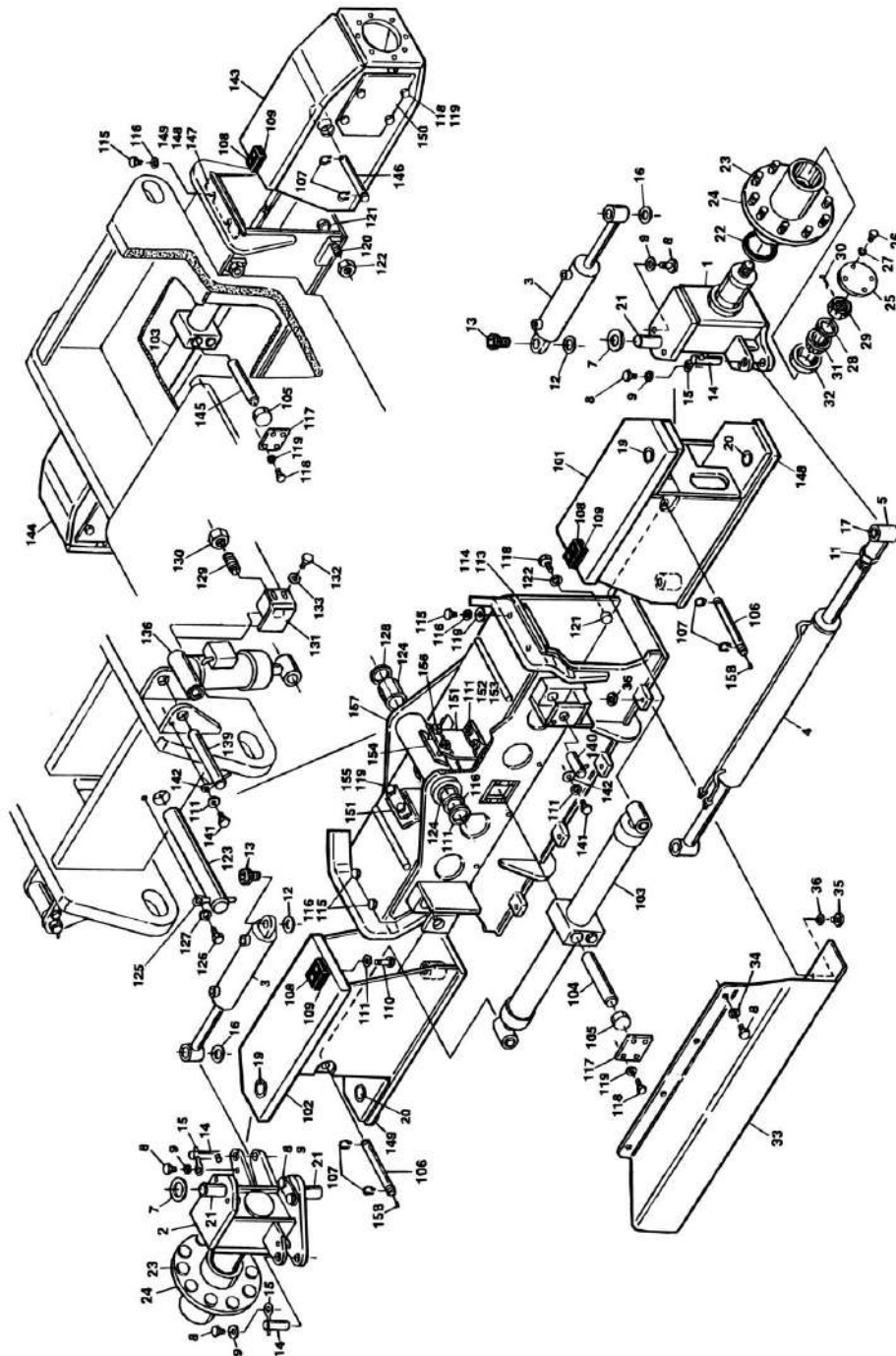
ITEM	PART NUMBER	QTY	DESCRIPTION	REV
		Ref	FRAME WELDMENT OPTIONS:	
	2360302	Ref	Machines with Vickers Valves Prior to August 1991	
	2360341	Ref	Machines with Vickers Valves August 1991 to Present	
		Ref	STEERING INSTALLATION	
	0250202	Ref	ANSI Spec 4WD/2WS	F
	0252178	Ref	ANSI Spec 4WD/4WS (Front Axle Only)	B
	0251847	Ref	CSA 4WD/2WS	D
	0255582	Ref	CSA 4WD/4WS	-
1	4130153	1	Spindle (Right Side)	
2	4130154	1	Spindle (Left Side)	
3	1682268	1	Steer Cylinder Assembly (See CYLINDER SECTION For Breakdown)	
4	3421330	1	Pin, Clevis	
5	2160002	3	Fitting, Grease	
6		Ref	Tie-Rod Block (Left Side) Options:	
6	0560714	1	Tie-Rod Block (Left Side) (Prior to May 1991)	
6	0560605	1	Tie-Rod Block (Left Side) (May 1991 to Present)	
7	4712600	1	Flatwasher 1in	
8	4843415	1	Tie-Rod Weldment	
8	3420620	1	Pin, Quick Release	
8	1260017	6 in/.9m	Chain, Tenso #3	
9	3420158	1	Hairpin	
10		Ref	Kingpin Options:	
10	3421713	4	Kingpin ANSI Spec	
10	3421906	4	Kingpin CSA Spec	
11	4740082	AR	Washer, Thrust	
12	0642634	1	Bolt 1in-8NC x 4 1/4in	
13	0440091	3	Washer, Thrust	
14	3300175	2	Locknut 1in-14NF	
15	3323002	2	Nut, Jam 1 1/4in-12NF	
16	0560605	1	Block, Tie-Rod (Right Side)	
17	2160001	4	Fitting, Grease 90	
18	0630449	8	Bolt 3/8in-16NC x 1in (Special)	
19	4761600	8	Lockwasher 3/8in	
20	4751600	8	Flatwasher 3/8in	
21	4920096	AR	Wire, Safety (4 Lengths of 16in/35cm)	
22	3312602	1	Nut, Jam 1in-8NC	
23	0100011	AR	Loctite #242 (Not Shown)	
		Ref	AXLE INSTALLATION	
	0250163	Ref	Axle Installation (Prior to October 1991)	D
	0252176	Ref	Axle Installation (October 1991 to Present)	D
101	4843389	1	Axle Weldment (Left Side)	
101A	0961417	1	Bushing, Bronze (Bottom)	
101B	0961416	1	Bushing, Bronze (Top)	
102	4843390	1	Axle Weldment (Right Side)	
102A	0961416	1	Bushing, Bronze (Top)	
102B	0961417	1	Bushing, Bronze (Bottom)	
103	0560673	8	Block, Axle Shim	
104	1260017	3 ft/.9m	Chain #3	
105	3760106	8	D-Ring	

SECTION 1 - FRAME

ITEM	PART NUMBER	QTY	DESCRIPTION	REV
106	3421565	4	Snap-Pin	
107	3760140	8	Ring, Retaining	
108	3421710	2	Pin, Axle Lock	
109	4842191	4	Bushing, Weldment	
110	0560675	2	Block, Axle Shim	
111	1682260	2	Axle Extension Cylinder Assembly (See CYLINDER SECTION For Breakdown)	
112	0560674	2	Block, Axle Shim	
113	3300151	4	Nut, Acorn	
113	4300032	4	Stud (Weldment on Part)	
114	4761400	20	Lockwasher 1/4in	
115	4070574	2	Shim 1/16in	
116	4070575	2	Shim 1/32in	
117	0560654	4	Block	
118	3311505	12	Locknut 5/16in-18NC	
119	3972218	16	Setscrew 3/4in-10NC x 2 1/4in	
120	3312202	16	Nut, Jam 3/4in-10NC	
121	3421204	2	Pin	
122	0642008	8	Bolt 5/8in-11NC x 1in	
123	4712000	8	Flatwasher 5/8in (Narrow)	
124	0641609	4	Bolt 3/8in-16NC x 1 1/8in	
125	4751600	4	Flatwasher 3/8in	
126	0100011	AR	LOCTITE #242	
127		Ref	Wear Pad Options:	
127	3340527	4	Wear Pad (Prior to October 1990)	
127	3340251	4	Wear Pad (October 1990 to Present)	
128	3421709	2	Pin	
129	0641404	20	Bolt 1/4in-20NC x 1/2in	
130	3530380	2	Plate, Cover	
131	3421275	2	Pin, Axle Lock	
132	3531715	2	Plate, Cover	
133		Ref	Axle Weldment (Right Side) Options:	
133	4843349	1	Axle Weldment (Right Side) (Prior to October 1991)	
133	4843972	1	Axle Weldment (Right Side) (October 1991 to Present)	
134		Ref	Axle Weldment (Left Side) Options:	
134	4843350	1	Axle Weldment (Left Side) (Prior to October 1991)	
134	4843971	1	Axle Weldment (Left Side) (October 1991 to Present)	
135	4070674	AR	Shim 1/16in	
136	0641615	4	Bolt 3/8in-16NC x 1 7/8in	
137	4711600	4	Flatwasher 3/8in (Narrow)	
138	4751400	4	Flatwasher 1/4in (Narrow)	
139	4070670	AR	Shim 1/8in	
140	4070672	AR	Shim 1/32in	

SECTION 1 - FRAME

FIGURE 1-3. FRAME, STEERING AND AXLE INSTALLATIONS - 80HX 2WD AND 4WD OSCILLATING AXLE MACHINES



SECTION 1 - FRAME

FIGURE 1-3. FRAME, STEERING AND AXLE INSTALLATIONS - 80HX 2WD AND 4WD OSCILLATING AXLE MACHINES

ITEM	PART NUMBER	QTY	DESCRIPTION	REV
	2360398	Ref	FRAME WELDMENT	
		Ref	STEERING INSTALLATION	
	0256107	Ref	ANSI Spec 2WD	A
	0255795	Ref	ANSI Spec 4WD	2
	0256555	Ref	CSA Spec 2WD	-
	0256554	Ref	CSA Spec4WD	2
1		Ref	Spindle (Left Side) Options:	
1	4130338	1	ANSI Spec 2WD	
1	4130333	1	ANSI Spec 4WD (Not Shown)	
1	4130343	1	CSA Spec 2WD	
1	4130333	1	CSA Spec 4WD (Not Shown)	
2		Ref	Spindle (Right Side) Options:	
2	4130337	1	ANSI Spec 2WD	
2	4130334	1	ANSI Spec 4WD (Not Shown)	
2	4130344	1	CSA Spec 2WD	
2	4130334	1	CSA Spec 4WD (Not Shown)	
3	1683389	2	Steer Cylinder Assembly (See CYLINDER SECTION For Breakdown)	
4	1683395	1	Tie-Rod Cylinder Assembly (See CYLINDER SECTION For Breakdown)	
5	4845141	1	End, Tie-Rod	
7	4740451	4	Washer, Thrust	
8	0641608	20	Bolt 3/8in-16NC x 1in	
9	4891600	20	Flatwasher, Hardened 3/8in	
10	0100019	AR	Loctite #271 (Not Shown)	
11	3323002	1	Nut, Jam 1 1/4in-12NF	
12	4740154	2	Washer, Thrust	
13	3900223	2	Bolt, Shoulder	
14	3422520	4	Pin	
15	3841143	4	Keeper, Pin	
16	4740446	4	Washer, Oilite Thrust	
17	0961890	2	Bushing, Gar-Max	
18	0100063	AR	Loctite #609 (Not Shown)	
19	0962035	2	Bushing, Gar-Max	
20	0962036	2	Bushing, Gar-Max	
21		Ref	Kingpin Options:	
21	3422522	4	Kingpin ANSI Spec	
21	3422606	4	Kingpin CSA Spec	
22		Ref	Seal, Hub Options:	
22	3960343	2	Seal, Hub 2WD	
22	Not Required	0	Seal, Hub 4WD	
23		Ref	Lugnut 3/4in-16NC Options:	
23	3300007	20	Lugnut 3/4"-16NC, 2WD	
23	Not Required	0	Lugnut 3/4"-16NC, 4WD	
24		Ref	Hub Assembly Options:	
24	2780109	2	Hub Assembly 2WD	
24	Not Required	0	Hub Assembly 4WD	
25		Ref	Cap, Hub Options:	
25	1120304	2	Cap, Hub 2WD	

SECTION 1 - FRAME

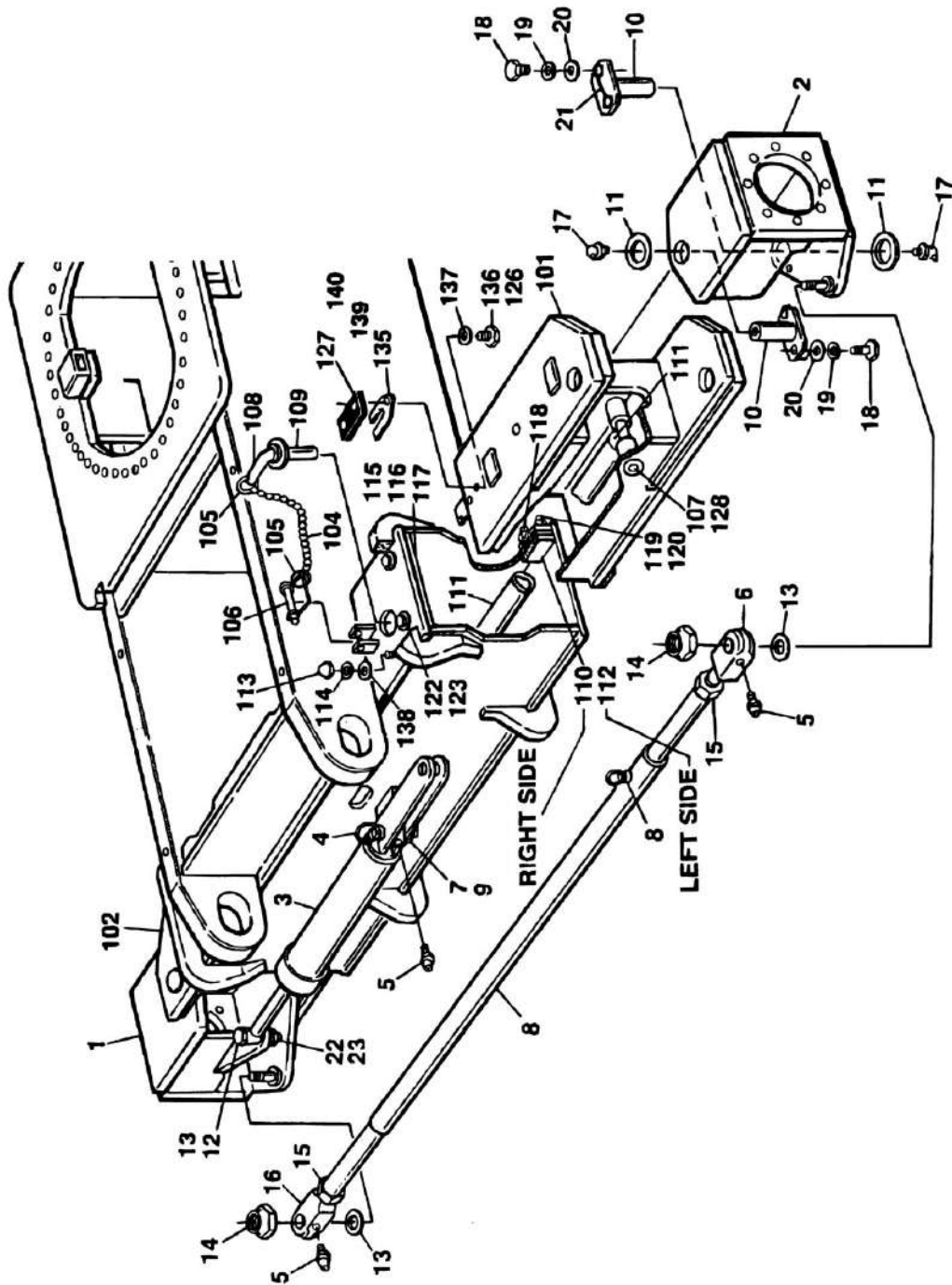
ITEM	PART NUMBER	QTY	DESCRIPTION	REV
25	Not Required	0	Cap, Hub 4WD	
26		Ref	Bolt #10-24NC x 3/8in Options:	
26	0641003	6	Bolt #10-24NC x 3/8in 2WD	
26	Not Required	0	Bolt #10-24NC x 3/8" 4WD	
27		Ref	Lockwasher #10 Options:	
27	4761000	6	Lockwasher #10 2WD	
27	Not Required	0	Lockwasher #10 4WD	
28		Ref	Washer, Hardened Options:	
28	4740283	2	Washer, Hardened 2WD	
28	Not Required	0	Washer, Hardened 4WD	
29		Ref	Nut, Slotted 1 1/2in-12NF Options:	
29	3300208	2	Nut, Slotted 1 1/2in-12NF, 2WD	
29	Not Required	0	Nut, Slotted 1 1/2in-12NF, 4WD	
30		Ref	Pin, Cotter 5/16in x 3in Options:	
30	3451012	2	Pin, Cotter 5/16in x 3in, 2WD	
30	Not Required	0	Pin, Cotter 5/16in x 3in, 4WD	
31		Ref	Cone, Bearing Options:	
31	0440171	4	Cone, Bearing 2WD	
31	Not Required	0	Cone, Bearing 4WD	
32		Ref	Cup, Bearing Options:	
32	0440170	4	Cup, Bearing 2WD	
32	Not Required	0	Cup, Bearing 4WD	
33	3539634	1	Plate, Cylinder Guard	
34	4751600	4	Flatwasher 3/8in	
35	0641814	4	Bolt 1/2in-13NC x 1 3/4in	
36	4751800	4	Flatwasher 1/2in	
37	3311805	4	Locknut 1/2in-13NC	
38	0100019	AR	Loctite #242 (Not Shown)	
		Ref	AXLE INSTALLATIONS	
	0255794	Ref	ANSI Spec	6
	0256553	Ref	CSA Spec	4
101	4845048	1	Axle Weldment (Left Side)	
102	4845049	1	Axle Weldment (Right Side)	
103	1683241	2	Axle Extension Cylinder Assembly (See CYLINDER SECTION For Breakdown)	
104		Ref	Pin, Axle Extension Cylinder (Front) Options:	
104	3422509	1	ANSI Spec	
104	3422599	1	CSA Spec	
105	0561227	4	Block, Pivot	
106		Ref	Pin, Axle (Front) Options:	
106	3422510	2	ANSI Spec	
106	3422600	2	CSA Spec	
107	3760140	8	Ring, Retaining	
108	3340251	4	Pad, Wear	
109	4070674	10	Shim 1/16in	
110	0641615	4	Bolt 3/8in-16NC x 1 7/8in	
111	4711600	12	Flatwasher 3/8in (Narrow)	
112	0100011	AR	LOCTITE #242	
113	3539244	2	Plate	
114	4070923	8	Shim	
115	0642008	8	Bolt 5/8in-11NC x 1in	
116	4712000	8	Flatwasher 5/8in (Narrow)	

SECTION 1 - FRAME

ITEM	PART NUMBER	QTY	DESCRIPTION	REV
117	3539240	4	Plate, Cover	
118	0641406	32	Bolt 1/4in-20NC x 3/4in	
119	4751400	36	Flatwasher 1/4in (Narrow)	
120	3900219	12	Setscrew 1in-8NC x 2 1/4in	
121	1120465	12	Cap	
122	3312602	12	Nut, Jam 1in-8NC	
123		Ref	Pin, Axle Pivot Options:	
123	3422512	1	ANSI Spec	
123	3422601	1	CSA Spec	
124	0962033	2	Bushing, Gar-Max	
125	3841287	1	Pin, Keeper	
126	0642216	1	Bolt 3/4in-10NC x 2in	
127	4712200	1	Flatwasher 3/4in (Narrow)	
128		Ref	Washer, Thrust Options:	
128	4740356	2	Washer, Thrust (Prior to SN 33913)	
128	4740461	2	Washer, Thrust (SN 33913 to Present)	
129	3900220	2	Setscrew 1 1/4in-7NC x 5in	
130	3313002	2	Nut, Jam 1 1/4in-7NC	
131	3539103	2	Plate	
132	0641812	4	Bolt 1/2in-13NC x 1 1/2in	
133	4891800	4	Washer, Hardened 1/2in	
136	1683390	2	Oscillating Axle Cylinder Assembly (See CYLINDER SECTION For Breakdown)	
139		Ref	Pin (Top) Options:	
139	3422422	2	ANSI Spec	
139	3422602	2	CSA Spec	
140		Ref	Pin (Bottom) Options:	
140	3422511	2	ANSI Spec	
140	3422603	2	CSA Spec	
141	0641610	8	Bolt 3/8in-16NC x 1 1/4in	
142	3841143	4	Pin, Keeper	
143	4845050	1	Inner Axle Weldment (Left Side - Rear)	
144	4845051	1	Inner Axle Weldment (Right Side - Rear)	
145		Ref	Pin, Axle Extension Cylinder (Rear) Options:	
145	3422507	1	ANSI Spec	
145	3422604	1	CSA Spec	
146		Ref	Pin, Axle (Rear) Options:	
146	3422508	2	ANSI Spec	
146	3422605	2	CSA Spec	
147	0560654	2	Block, Pivot	
148	4070574	2	Shim 1/16in	
149	4070575	4	Shim 1/32in	
150	3539241	4	Plate, Cover	
151	3539579	2	Plate, Hose Support	
152	3311601	4	Nut 3/8in-16NC	
153	4761600	4	Lockwasher 3/8in	
154	3539580	2	Plate, Hose Holddown	
155	0641412	4	Bolt 1/4in-20NC x 1 1/2in	
156	3311405	4	Locknut 1/4in-20NC	
157	4845052	1	Outer Axle Weldment (Front)	
158	3900263	4	Setscrew 1/4in-20NC (SN 38698 to Present)	

SECTION 1 - FRAME

FIGURE 1-4. REAR, STEERING AND AXLE INSTALLATIONS - 80HX 4WS MACHINES



SECTION 1 - FRAME

FIGURE 1-4. REAR, STEERING AND AXLE INSTALLATIONS - 80HX 4WS MACHINES

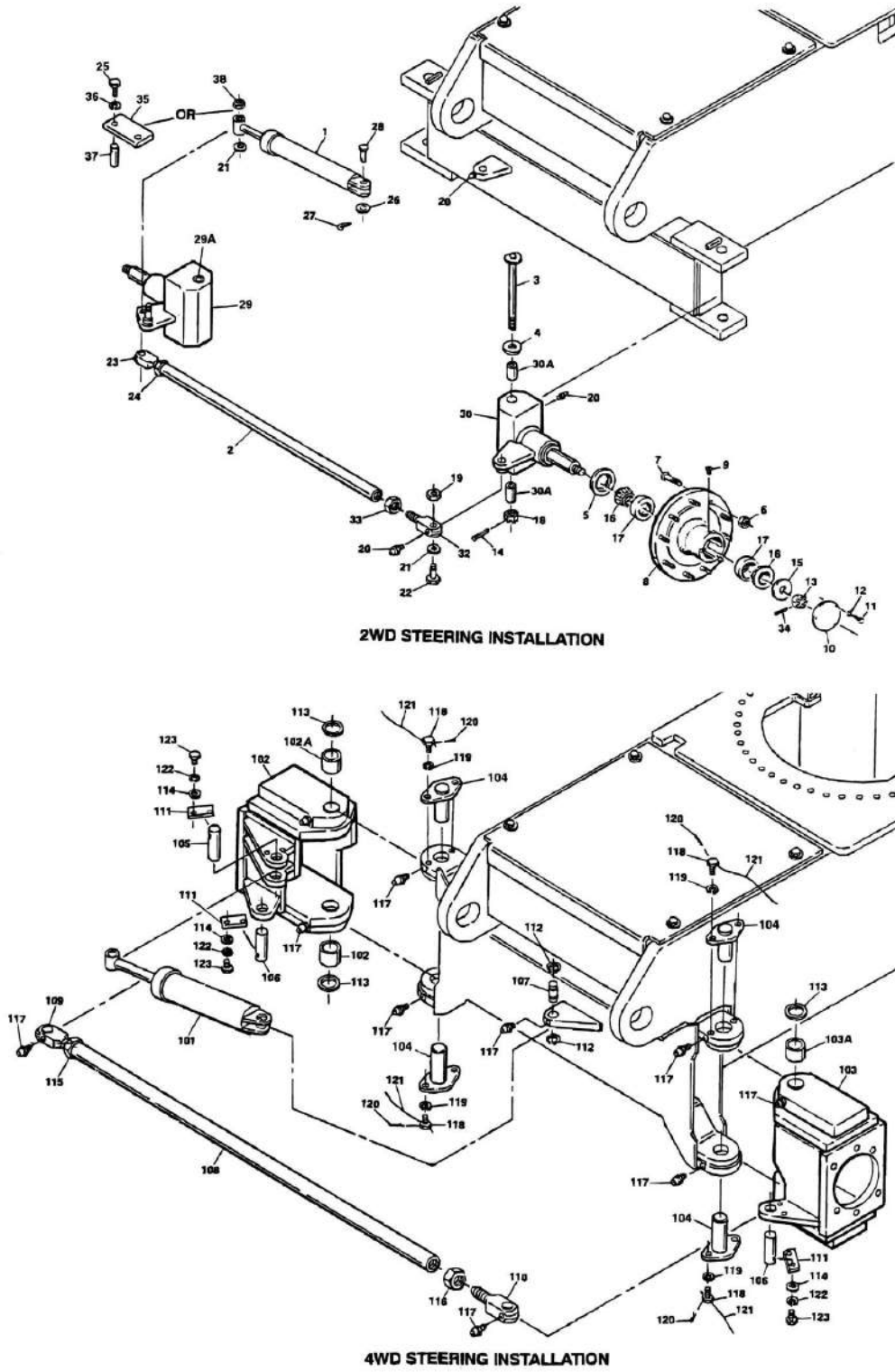
ITEM	PART NUMBER	QTY	DESCRIPTION	REV
		Ref	NOTE: REFER TO FIGURES 1-1, 1-2 & 1-3 FOR FRONT AXLE.	
		Ref	STEERING INSTALLATION	
	0250202	Ref	ANSI Spec - 2WD/4WS	F
	0252178	Ref	ANSI Spec - 4WD/4WS	B
	0251847	Ref	CSA Spec - 2WD/4WS	D
	0255582	Ref	CSA Spec - 4WD/4WS	-
1	4130153	1	Spindle (Left Side)	
2	4130154	1	Spindle (Right Side)	
3	1682268	1	Steer Cylinder Assembly (See CYLINDER SECTION For Breakdown)	
4	3421330	1	Pin, Clevis	
5	2160002	3	Fitting, Grease	
6		Ref	Tie-Rod Block (Left Side) Options:	
6	0560714	1	Tie-Rod Block (Left Side) (Prior to May 1991)	
6	0560605	1	Tie-Rod Block (Left Side) (May 1991 to Present)	
7	4712600	1	Flatwasher 1in	
8	4843415	1	Tie-Rod Weldment	
8	3420620	1	Pin, Quick Release	
8	1260017	6 in/9cm	Chain, Tenso #3	
9	3420158	1	Hairpin	
10		Ref	Kingpin Options:	
10	3421713	4	ANSI Spec	
10	3421906	4	CSA Spec	
11	4740082	4	Washer, Thrust	
12	0642634	1	Bolt 1in-8NC x 4 1/4in	
13	0440091	3	Washer, Thrust	
14	3300175	2	Locknut 1in-14NF	
15	3323002	2	Nut, Jam 1 1/4in-12NF	
16	0560605	1	Block, Tie-Rod (Right Side)	
17	2160001	4	Fitting, Grease 90	
18	0630449	8	Bolt 3/8in-16NC x 1in (Special)	
19	4761600	8	Lockwasher 3/8in	
20	4751600	8	Flatwasher 3/8in	
21	4920096	AR	Wire, Safety (4 Lengths of 16in/35cm)	
22	3312602	1	Nut, Jam 1in-8NC	
23	0100011	AR	Loctite #242 (Not Shown)	
	0252177	Ref	AXLE INSTALLATION - REAR	D
101	4843389	1	Axle Weldment (Left Side)	
101	0961417	1	Bushing, Bronze	
102	4843390	1	Axle Weldment (Right Side)	
102	0961416	1	Bushing, Bronze	
103	0560673	4	Block, Axle Shim	
104	1260017	18 in.	Chain #3	
105	3760106	4	D-Ring	
106	3421565	2	Snap-Pin	
107	3760140	4	Ring, Retaining	
108	3421710	2	Pin, Axle Lock	
109	4842191	2	Bushing, Weldment	
110	0560675	1	Block, Axle Shim	
111	1682260	1	Axle Extension Cylinder Assembly (See CYLINDER SECTION For	

SECTION 1 - FRAME

ITEM	PART NUMBER	QTY	DESCRIPTION	REV
			Breakdown)	
112	0560674	1	Block, Axle Shim	
113	3300151	2	Nut, Acorn	
113	4300032	2	Stud (Weldment on Part)	
115	4070574	2	Shim 1/16in	
116	4070575	2	Shim 1/32in	
117	0560654	4	Block	
118	3311505	6	Locknut 5/16in-18NC	
119	3972218	8	Setscrew 3/4in-10NC x 2 1/4in	
120	3312202	8	Nut, Jam 3/4in-10NC	
121	3421709	2	Pin	
122	0642008	4	Bolt 5/8in-11NC x 1in	
123	4712000	4	Flatwasher 5/8in (Narrow)	
126	0100011	AR	LOCTITE #242	
127	3340251	2	Wear Pad	
135	4070674	AR	Shim 1/16in	
136	0641615	4	Bolt 3/8in-16NC x 1 7/8in	
137	4711600	4	Flatwasher 3/8in Narrow	
138	4751400	4	Flatwasher 1/4in Narrow	
139	4070670	AR	Shim 1/8in	
140	4070672	AR	Shim 1/32in	

SECTION 1 - FRAME

FIGURE 1-5. FRAME, STEERING AND AXLE INSTALLATIONS - 80H MACHINES



SECTION 1 - FRAME

FIGURE 1-5. FRAME, STEERING AND AXLE INSTALLATIONS - 80H MACHINES

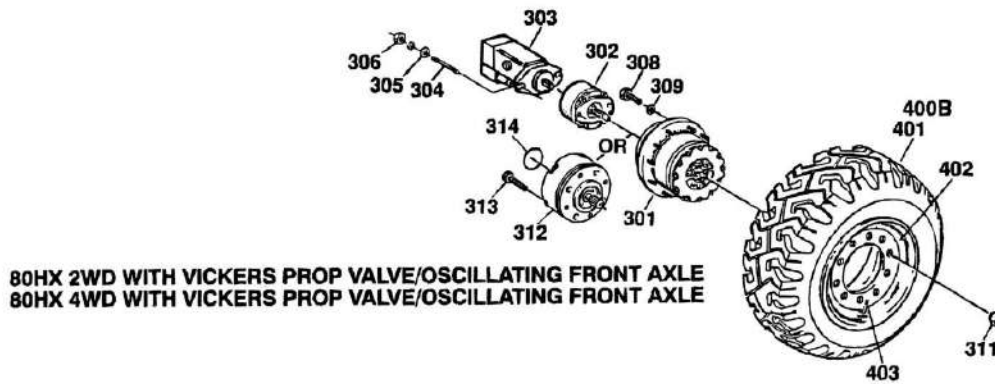
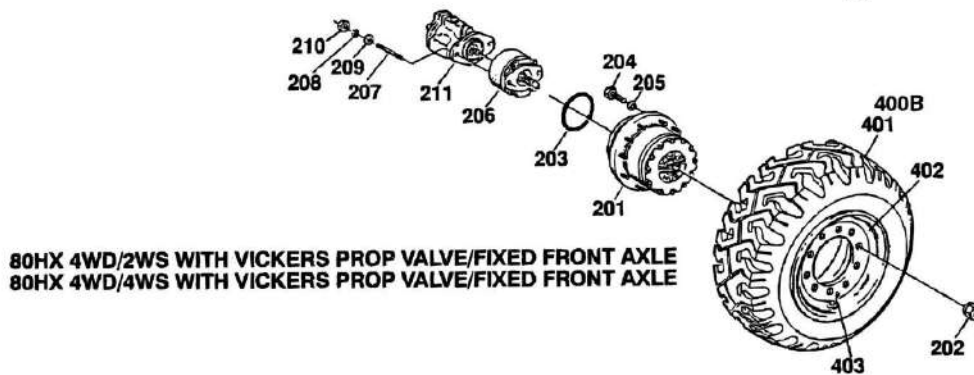
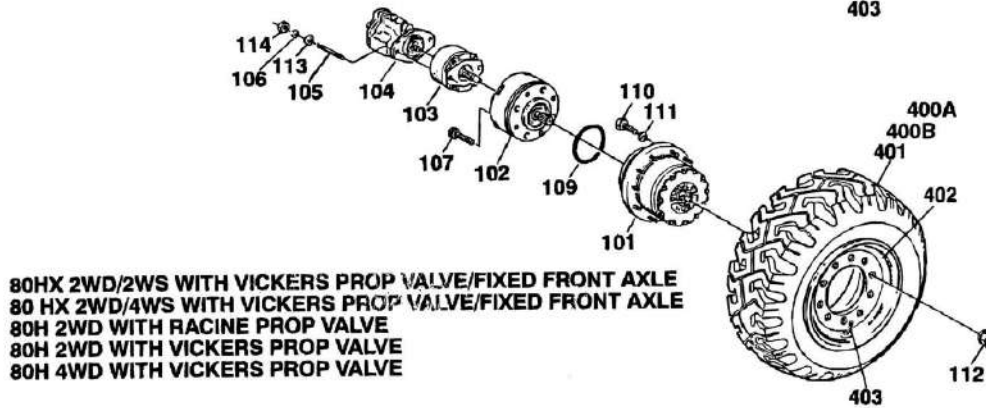
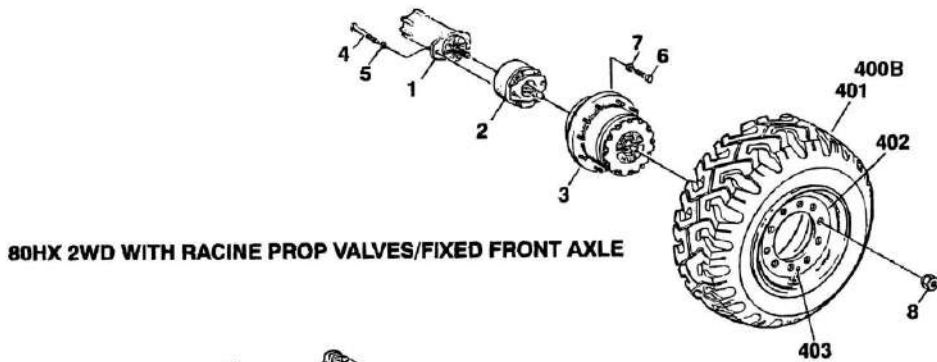
ITEM	PART NUMBER	QTY	DESCRIPTION	REV
		Ref	FRAME WELDMENT OPTIONS:	
	2360189	Ref	2WD Machines with Racine Valves	
	2360263	Ref	2WD Machines with Vickers Valves	
	2360273	Ref	4WD Machines with Vickers Valves	
		Ref	2WD STEERING INSTALLATION	
	0237314	Ref	ANSI Spec 2WD Built Prior to November 1988	B
	0238775	Ref	ANSI Spec 2WD Built November 1988 to Present	C
	0251707	Ref	CSA Spec 2WD	B
1	1681562	1	Steer Cylinder Assembly (See CYLINDER SECTION for Breakdown)	
2	3840856	1	Tie-Rod	
3		Ref	Kingpin Options:	
3	3421315	2	ANSI Spec	
3	3421876	2	CSA Spec	
4	4740314	2	Washer, Thrust	
5	3960343	2	Seal, Hub	
6	3300007	20	Nut, Wheel	
7	0630078	20	Stud, Wheel	
8	2780109	2	Hub Assembly (Includes Item 7)	
9	3520048	2	Plug, Tapered (Prior to November 1986 Only)	
10	1120304	2	Cap, Hub	
11	0721003	6	Bolt #10-24NC x 3/8in	
12	4761000	6	Lockwasher #10	
13	3322403	2	Nut, Slotted 1 1/2in-12NF	
14	3451012	2	Pin, Cotter 5/16in x 3in	
15	4740283	2	Washer, Hardened	
16	0440171	4	Cone, Bearing	
17	0440170	4	Cup, Bearing	
18	3324203	2	Nut, Slotted 2in-12NF	
19	3312602	2	Nut, Jam 1in-8NC	
20	2160002	5	Fitting, Grease	
21	0440091	3	Washer, Thrust	
22	0642628	2	Bolt 1in-8NC x 3 1/2in	
23	0560605	1	Block	
24	3323002	1	Nut, Jam 1 1/4in-12NF	
25	0641507	2	Bolt 5/16in-18NC x 7/8in	
26	4712600	1	Flatwasher 1in	
27	3450606	1	Pin, Cotter 3/16in x 1 1/2in	
28	3431622	1	Pin, Clevis 1in x 2 3/4in	
29		Ref	Spindle (Right Side) Options:	
29	4130165	1	ANSI Spec (Prior to November 1988)	
29	4130199	1	ANSI Spec (November 1988 to Present)	
29	4130199	1	CSA Spec	
29A	0960821	2	Bushing, Bronze	
30	4130166	1	Spindle (Left Side)	
30A	0960821	2	Bushing, Bronze	
31	0100011	AR	Loctite #242 (Not Shown)	
32	0560714	1	Block, Tie-Rod (LH Thread)	
33	3300229	1	Nut, Jam 1 1/4in-12NF (LH Thread)	
34	3450810	2	Pin, Cotter 1/4in x 2 1/2in	

SECTION 1 - FRAME

ITEM	PART NUMBER	QTY	DESCRIPTION	REV
35	3532341	1	Plate, Retainer	
36	4761500		Lockwasher 5/16in	
37	3421524	1	Pin	
38	3300175	1	Locknut 1in (Prior to November 1988)	
		Ref	4WD STEERING INSTALLATION	
	0238625	Ref	ANSI Spec	A
	0251712	Ref	CSA Spec	2
101		Ref	Steer Cylinder Assembly (See CYLINDER SECTION for Breakdown) Options:	
101	1681893	1	Without Tow Package	
101	1682489	1	With Tow Package	
102	4130191	1	Spindle (Right Side)	
102A	0961272	2	Bushing, Bronze	
103	4130192	1	Spindle (Left Side)	
103A	0961272	2	Bushing, Bronze	
104		Ref	Kingpin Options:	
104	3421508	4	ANSI Spec	
104	3421874	4	CSA Spec	
105	3421507	1	Pin	
106	3421506	2	Pin	
107	3421505	1	Pin	
108	3840935	1	Tie-Rod	
109	0560469	1	Block, Tie-Rod (Right Side)	
110	0560470	1	Block, Tie-Rod (Left Side) (LH Thread)	
111	3531946	3	Plate, Retainer	
112	3760143	2	Ring, Retaining	
113	4740342	4	Washer, Thrust	
114	4740307	8	Washer, Thrust	
115	3323402	1	Nut, Jam 1 1/2in-12NF	
116	3300247	1	Nut, Jam 1 1/2in-12NF (LH Thread)	
117	2160002	8	Fitting, Grease	
118	0641608	8	Bolt 3/8in-16NC x 1in	
119	4761600	8	Lockwasher 3/8in	
120	1380124	8	Clip, Retainer	
121	4920096	64 in.	Wire, Safety (4 pcs 16in Length)	
122	4761500	6	Lockwasher 5/16in	
123	0641506	6	Bolt 5/16in-18NC x 3/4in	

SECTION 1 - FRAME

FIGURE 1-6. TIRE AND WHEEL DRIVE INSTALLATIONS



SECTION 1 - FRAME

FIGURE 1-6. TIRE AND WHEEL DRIVE INSTALLATIONS

ITEM	PART NUMBER	QTY	DESCRIPTION	REV
	0236840	Ref	WHEEL DRIVE INSTALLATION - 80HX 2WD RACINE PROP VALVES MACHINES	
1	3160104	2	Motor Assembly - Cessna (See DRIVE MOTOR ASSEMBLY - CESSNA for Breakdown)	
2	0920027	2	Brake Assembly (See BRAKE ASSEMBLY - AUSCO AND MICO for Breakdown)	
3		Ref	Hub Assembly Options (See DRIVE HUB ASSEMBLIES for Breakdown):	
3	2780094	2	Prior to February 1988	
3	2780136	2	February 1988 to Present	
4	0641844	4	Bolt 1/2in-13NC x 5 1/2in	
5	4761800	4	Lockwasher 1/2in	
6	0642016	16	Bolt 5/8in-11NC x 2in	
7	4762000	16	Lockwasher 5/8in	
8	3300007	20	Lugnut 3/4in-16NF	
		Ref	WHEEL DRIVE INSTALLATIONS - ALL 80H	
		Ref	WHEEL DRIVE INSTALLATIONS - 80HX 2WD/2WS WITH FIXED FRONT AXLE	
	0237525	Ref	Wheel Drive Installations 80H 2WD Racine Prop Valves Machines	-
	0238093	Ref	Wheel Drive Installations 80H 2WD/2WS Fixed Front Axle/Vickers Prop Valves Machines Built (Prior to SN 51532)	3
	0270220	Ref	Wheel Drive Installations 80H 2WD/2WS Fixed Front Axle/Vickers Prop Valves Machines Built (SN 51532 to Present)	2
	0238020	Ref	Wheel Drive Installations 80H 2WD Vickers Prop Valves Machines Built Prior to October 1989	-
	0238314	Ref	Wheel Drive Installations 80H 2WD/2WS Vickers Prop Valve Built October 1989 to S/N 51532	4
	0270222	Ref	Wheel Drive Installations 80H 2WD/2WS Vickers Prop Valve Built (SN 51532 to Present)	2
	0238314	Ref	Wheel Drive Installations 80H 4WD Vickers Prop Valve Machines Built Prior To May 1988	4
	0239079	Ref	Wheel Drive Installations 80H 4WD Vickers Prop Valve Machines Built May 1988 to S/N 51532	5
	0270223	Ref	Wheel Drive Installations 80H 4WD Vickers Prop Valve Machines Built (SN 51532 to Present)	2
	0238093	Ref	Wheel Drive Installations 80HX 2WD/2WS Fixed Front Axle/Vickers Prop Valves Machines Built (Prior to SN 51532)	3
	0270220	Ref	Wheel Drive Installations 80HX 2WD/2WS Fixed Front Axle/Vickers Prop Valves Machines Built (SN 51532 to Present)	2
101		Ref	Hub Assembly Options (See DRIVE HUB ASSEMBLIES for Breakdown):	
101	2780093	2	Hub Assembly 80H 2WD Racine Prop Valves Machines	
101	2780142	2	Hub Assembly 80H 2WD/2WS Fixed Front Axle/Vickers Prop Valves Machines	
101	2780093	2	Hub Assembly 80H 2WD Vickers Prop Valves Machines Built Prior to October 1989	
101	2780146	2	Hub Assembly 80H 2WD/2WS Vickers Prop Valve Built October 1989 to Present	
101	2780146	2	Hub Assembly 80H 4WD Vickers Prop Valve Machines Built Prior To May 1988	
101	2780142	2	Hub Assembly 80H 4WD Vickers Prop Valve Machines Built May 1988 to Present	

SECTION 1 - FRAME

ITEM	PART NUMBER	QTY	DESCRIPTION	REV
101	2780142	2	Hub Assembly 80HX 2WD/2WS Fixed Front Axle/Vickers Prop Valves Machines	
102	2780138	2	Reducer Assembly (See GEAR REDUCER ASSEMBLY for Breakdown)	
103		Ref	Brake Assembly Options:	
103	0920027	2	Brake Assembly (Prior to October 1987) (See BRAKE ASSEMBLY - AUSCO AND MICO for Breakdown)	
103	0920072	2	Brake Assembly (October 1987 to January 1992) (See BRAKE ASSEMBLY - AUSCO for Breakdown)	
103	0920084	2	Brake Assembly (January 1992 to S/N 33476) (See BRAKE ASSEMBLY - MICO for Breakdown)	
103	0920110	2	Brake Assembly (See BRAKE ASSEMBLY - MICO for Breakdown) (SN 33476 through 51532)	
103	0920119	2	Brake Assembly Built (Was p/n 0920117) (See BRAKE ASSEMBLY - MICO for Breakdown) (SN 51532 through 57512)	
103	0920119	2	Brake Assembly Built (See BRAKE ASSEMBLY - MICO for Breakdown) (SN 57512 to Present)	
104		Ref	Motor Assembly Options:	
104		Ref	Vickers	
104	3160129	2	Vickers 2WD Racine Prop Valves Machines (See DRIVE MOTOR ASSEMBLY - CESSNA for Breakdown)	
104	1001096405	2	Vickers 2WD Vickers Prop Valves Machines (See DRIVE MOTOR ASSEMBLY - VICKERS for Breakdown) (was p/n 3160132)	
104	3160341	2	Vickers 4WD Vickers Prop Valves Machines (See DRIVE MOTOR ASSEMBLY - CESSNA for Breakdown) (was p/n 3160130)	
104		Ref	Sauer-Danfoss	
104	1001096405	2	Sauer-Danfoss 2WD Vickers Prop Valves Machines (See DRIVE MOTOR ASSEMBLY - SAUER-DANFOSS for Breakdown)	
105		Ref	Hardware Options:	
105	0641844	4	Bolt 1/2in-13NC x 5 1/2in	
105	4300092	4	Stud 1/2in-13NC x 5 1/2in	
105	4300097	4	Stud 1/2in-13NC x 5 1/8in	
106	4761800	4	Lockwasher 1/2in	
107		Ref	Bolt, Socket Head Options:	
107	3931840	8	1/2in-13NC x 2 1/2in	
107	3931852	8	1/2in-13NC x 3 1/4in	
108	0100011	AR	LOCTITE #242	
109	3790159	2	O-Ring	
110	0642016	16	Bolt 5/8in-11NC x 2in	
111	4762000	16	Lockwasher 5/8in	
112	3300007	20	Lugnut 3/4in-16NF	
113	4751800	4	Flatwasher 1/2in (Required When Item 105 is a Stud)	
114	3311801	4	Nut 1/2in-13NC (Required When Item 105 is a Stud)	
		Ref	WHEEL DRIVE INSTALLATION - 80HX 2WD/4WS, 4WD/2WS AND 4WD/4WS FIXED FRONT AXLE/ VICKERS PROP VALVE MACHINES	
	0253696	Ref	Wheel Drive Installation 80HX 2WD/4WS Fixed Axle/Vickers Prop Valve Machines Built (Prior to SN 51532)	2
	0270225	Ref	Wheel Drive Installation 80HX 2WD/4WS Fixed Axle/Vickers Prop Valve Machines Built (SN 51532 to Present)	2
	0250287	Ref	Wheel Drive Installation 80HX 4WD/2WS & 4WD/4WS Fixed Axle/Vickers Prop Valve Machines Built (Prior to SN 51532)	7

SECTION 1 - FRAME

ITEM	PART NUMBER	QTY	DESCRIPTION	REV
	0270224	Ref	Wheel Drive Installation 80HX 4WD/2WS & 4WD/4WS Fixed Axle/Vickers Prop Valve Machines (SN 51532 to Present)	2
201		Ref	Hub Assembly (See DRIVE HUB ASSEMBLIES for Breakdown)	
201	2780187	2	Hub Assembly 80HX 2WD/4WS Fixed Front Axle/Vickers Prop Valves Machines	
201	2780144	4	Hub Assembly 80HX 4WD/2WS & 4WD/4WS Fixed Front Axle/Vickers Prop Valves Machines Built Prior to June 1995	
201	2780114	4	Hub Assembly 80HX 4WD/2WS & 4WD/4WS Fixed Front Axle/Vickers Prop Valves Machines Built June 1995 to Present	
202	3300007	AR	Lugnut 3/4in-16NF	
202		Ref	2WD Machines	
202		Ref	4WD Machines	
203	3790159	AR	O-Ring	
203		Ref	2WD Machines	
203		Ref	4WD Machines	
204	0642016	AR	Bolt 5/8in-11NC x 2in	
205	4762000	AR	Lockwasher 5/8in	
206		Ref	Brake Assembly Options:	
206		Ref	2WD Machines:	
206	0920084	2	Brake Assembly 80HX 2WD/4WS Fixed Front Axle/Vickers Prop Valves Machines Built (See BRAKE ASSEMBLY - MICO for Breakdown) (Prior to SN 33476)	
206	0920110	2	Brake Assembly 80HX 2WD/4WS Fixed Front Axle/Vickers Prop Valves Machines Built (See BRAKE ASSEMBLY - MICO for Breakdown) (SN 33476 through 51532)	
206	0920119	2	Brake Assembly 80HX 2WD/4WS Fixed Front Axle/Vickers Prop Valves Machines Built (Was p/n 0920117) (See BRAKE ASSEMBLY - MICO for Breakdown) (SN 51532 through 57512)	
206	0920119	2	Brake Assembly 80HX 2WD/4WS Fixed Front Axle/Vickers Prop Valves Machines Built (See BRAKE ASSEMBLY - MICO for Breakdown) (SN 57512 to Present)	
206		Ref	4WD MACHINES:	
206	0920072	4	Brake Assembly 80HX 4WD/2WS & 4WD/4WS Fixed Front Axle/Vickers Prop Valves Machines Built Prior to February 1991 (See BRAKE ASSEMBLY - AUSCO for Breakdown)	
206	0920081	4	Brake Assembly 80HX 4WD/2WS & 4WD/4WS Fixed Front Axle/Vickers Prop Valves Machines Built February 1991 to July 1991 (See BRAKE ASSEMBLY - MICO for Breakdown)	
206	0920084	4	Brake Assembly 80HX 4WD/2WS & 4WD/4WS Fixed Front Axle/Vickers Prop Valves Machines Built July 1991 to S/N 33476 (See BRAKE ASSEMBLY - MICO for Breakdown)	
206	0920110	4	Brake Assembly 80HX 4WD/2WS & 4WD/4WS Fixed Front Axle/Vickers Prop Valves Machines Built (See BRAKE ASSEMBLY - MICO for Breakdown) (SN 33476 through 51532)	
206	0920119	4	Brake Assembly 80HX 4WD/2WS & 4WD/4WS Fixed Front Axle/Vickers Prop Valves Machines Built (Was p/n 0920117) (See BRAKE ASSEMBLY - MICO for Breakdown) (SN 51532 through 57512)	
206	0920119	4	Brake Assembly 80HX 4WD/2WS & 4WD/4WS Fixed Front Axle/Vickers Prop Valves Machines Built (See BRAKE ASSEMBLY - MICO for Breakdown) (SN 57512 to Present)	
207		Ref	Stud Options:	
207	4300092	AR	Stud 1/2in-13NC x 5 1/2 (Prior to SN 51532)	
207	4300097	AR	Stud 1/2in-13NC x 5 1/8 (SN 51532 to Present)	
208	4761800	AR	Lockwasher 1/2in	

SECTION 1 - FRAME

ITEM	PART NUMBER	QTY	DESCRIPTION	REV
209	4751800	AR	Flatwasher 1/2in	
210	3311801	AR	Nut 1/2in-13NC	
211		Ref	Motor Assembly - Cessna Options (See DRIVE MOTOR ASSEMBLY - CESSNA for Breakdown):	
211	3160342	2	Motor Assembly - Cessna 80HX 2WD/4WS Fixed Front Axle/Vickers Prop Valves Machines Built Prior to February 1995 (was p/n 3160179)	
211	3160343	2	Motor Assembly - Cessna 80HX 2WD/4WS Fixed Front Axle/Vickers Prop Valves Machines Built February 1995 to Present (was p/n 3160189)	
211	3160129	4	Motor Assembly - Cessna 80HX 4WD/2WS & 4WD/4WS Fixed Front Axle/Vickers Machines Prop Valves Built Prior to September 1991	
211	3160342	4	Motor Assembly - Cessna 80HX 4WD/2WS & 4WD/4WS Fixed Front Axle/Vickers Prop Valves Machines Built September 1991 to Present (was p/n 3160179)	
		Ref	WHEEL DRIVE INSTALLATION - 80HX 2WD OSCILLATING FRONT AXLE/VICKERS PROP VALVE MACHINES	
	0256298	Ref	Wheel Drive Installation 80HX 2WD Oscillating Front Axle/Vickers Prop Valve Machine Built (Prior to SN 51532)	2
	0270226	Ref	Wheel Drive Installation 80HX 2WD Oscillating Front Axle/Vickers Prop Valve Machine Built (SN 51532 to Present)	2
	0255983	Ref	Wheel Drive Installation 80HX 4WD Oscillating Front Axle/Vickers Prop Valve Machine Built (Prior to SN 51532)	2
	0270227	Ref	Wheel Drive Installation 80HX 4WD Oscillating Front Axle/Vickers Prop Valve Machine Built (SN 51532 to Present)	2
301		Ref	Hub Assembly Options (See DRIVE HUB ASSEMBLIES for Breakdown):	
301	2780142	2	Hub Assembly 80HX 2WD Oscillating Front Axle/Vickers Prop Valve Machine	
301	2780114	4	Hub Assembly 80HX 4WD Oscillating Front Axle/Vickers Prop Valve Machine	
302		Ref	Brake Assembly Options (Qty 2 Required for 2WD/Qty 4 Required for 4WD):	
302	0920084	AR	Brake Assembly (See BRAKE ASSEMBLY - MICO for Breakdown) (Prior to SN 33476)	
302	0920110	AR	Brake Assembly (See BRAKE ASSEMBLY - MICO for Breakdown) (SN 33476 through 51532)	
302	0920119	AR	Brake Assembly (Was p/n 0920117) (See BRAKE ASSEMBLY - MICO for Breakdown) (SN 51532 through 57512)	
302	0920119	AR	Brake Assembly (See BRAKE ASSEMBLY - MICO for Breakdown) (SN 57512 to Present)	
303	3160204	AR	Motor Assembly (Qty 2 Required for 2WD/Qty 4 Required for 4WD) (See DRIVE MOTOR ASSEMBLY - REXROTH for Breakdown)	
304		Ref	Stud Options:	
304	4300092	AR	Stud 1/2in-13NC x 5 1/2 (Prior to SN 51532)	
304	4300097	AR	Stud 1/2in-13NC x 5 1/8 (SN 51532 to Present)	
305	4751800	AR	Flatwasher 1/2in	
306	3311801	AR	Nut 1/2in-13NC	
307	0100011	AR	Loctite #242 (Not Shown)	
308	0642016	AR	Bolt 5/8in-11NC x 2in	
309	4712000	AR	Flatwasher 5/8in (Narrow)	
310	0100019	AR	Loctite #271 (Not Shown)	
311	3300007	AR	Lugnut 3/4in-16NF	
311		Ref	2WD Machines	
311		Ref	4WD Machines	

SECTION 1 - FRAME

ITEM	PART NUMBER	QTY	DESCRIPTION	REV
312		Ref	Reducer Assembly (SeeGEAR REDUCER ASSEMBLY for Breakdown)	
312	2780138	2	2WD Machines	
312	Not Required	0	4WD Machines	
313	3931852	AR	Bolt, Socket Head 1/2in-13NC x 3 1/4in	
314	3790159	AR	O-Ring	
400A		Ref	80H TIRE AND WHEEL INSTALLATIONS2WD AND 4WD MACHINES	
400A	0251666	Ref	Tire and Wheel Installation - 15 x 22.5 Foam-Filled (Goodyear Super Single) (Prior to February 1993)	-
400A	0253932	Ref	Tire and Wheel Installation - 385/65R 22.5 Foam-Filled (Goodyear Super Single) (February 1993 to Present)	3
400A	0257045	Ref	Tire and Wheel Installation - 38 x 12 x 20 Solid Non-Marking	A
400A	0257046	Ref	Tire and Wheel Installation - 38 x 12 x 20 Solid	A
		Ref	Note: Assemblies may require ballast/foam filling to manufacture's specifications prior to installing on a machine. Refer to Operation and Safety or Service and Maintenance Manuals.	
		Ref	Purchase individual tire and/or rim only if able to foam fill tire and wheel assembly, otherwise, purchase complete assembly.	
400A	0234329	AR	Tire and Wheel Assembly - 15 x 22.5 Foam-Filled Goodyear Super Single (Prior to February 1993)	
400A	0253931	AR	Tire and Wheel Assembly - 385/65R 22.5 Foam-Filled Goodyear Super Single (February 1993 to S/N 44997)	
400A	0259455	2	Tire and Wheel Assembly - 385/65R 22.5 Foam-Filled OTR Outrigger (Left Side) (SN 44997 to Present)	
400A	0259443	2	Tire and Wheel Assembly - 385/65R 22.5 Foam-Filled OTR Outrigger (Right Side) (SN 44997 to Present)	
400A	4520178	4	Tire and Wheel Assembly - 38 x 12 x 20 Solid Non-Marking	
400A	4520126	4	Tire and Wheel Assembly - 38 x 12 x 20 Solid	
400B		Ref	80HX TIRE AND WHEEL INSTALLATIONS	
400B		Ref	2WD Machines:	
400B	0236523	Ref	Tire and Wheel Installation - 15 x 19.5 Pneumatic (Firestone Transport)	B
400B	0236524	Ref	Tire and Wheel Installation - 15 x 19.5 Foam-Filled (Firestone Transport)	B
400B	0251666	Ref	Tire and Wheel Installation - 15 x 22.5 Foam-Filled (Goodyear Super Single) (750 Lb. Cap. Machines) (Prior to February 1993)	-
400B	0253932	Ref	Tire and Wheel Installation - 385/65R 22.5 Foam-Filled (Goodyear Super Single) (750 Lb. Cap. Machines) (February 1993 to Present)	2
400B	0257045	Ref	Tire and Wheel Installation - 38 x 12-20 Non-Marking (Monarch)	-
400B	0257046	Ref	Tire and Wheel Installation - Solid	-
400B		Ref	4WD MACHINES:	
400B	0251515	Ref	Tire and Wheel Installation - 15 x 19.5 Pneumatic (Standard)	A
400B	0251514	Ref	Tire and Wheel Installation - 15 x 19.5 Foam-Filled (Standard)	A
400B	0251361	Ref	Tire and Wheel Installation - 15 x 19.5 Pneumatic (Lug NHS) (Prior to November 1992)	-
400B	0252751	Ref	Tire and Wheel Installation - 15 x 19.5 Pneumatic (Lug NHS) (November 1992 to S/N 64484)	-
400B	0271618	Ref	Tire and Wheel Installation - 15 x 19.5 Pneumatic (Lug NHS) (SN 64484 to Present)	-
400B	0253572	Ref	Tire and Wheel Installation - 15 x 19.5 Foam-Filled (Lug NHS) (Prior to SN 64484)	-

SECTION 1 - FRAME

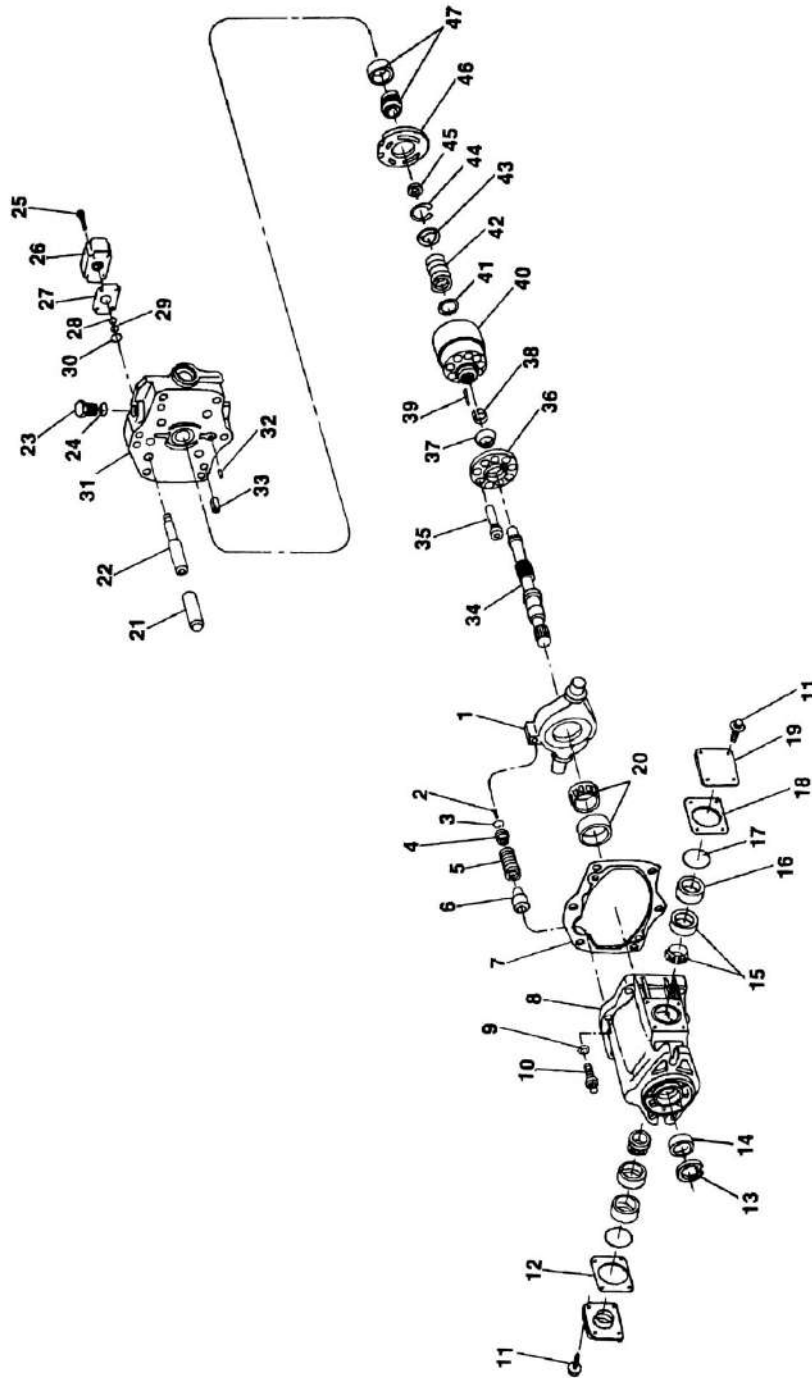
ITEM	PART NUMBER	QTY	DESCRIPTION	REV
400B	0271619	Ref	Tire and Wheel Installation - 15 x 19.5 Foam-Filled (Lug NHS) (SN 64484 to Present)	-
400B	0257045	Ref	Tire and Wheel Installation - 38 x 12-20 Non-Marking (Monarch)	-
400B	0257046	Ref	Tire and Wheel Installation - Solid	-
		Ref	(Note: Foam-Filled and Non-Marking Tire and Wheel Assemblies Sold as Assembly Only)	
400B	0234666	2	Tire and Wheel Assembly - 15 x 19.5 Pneumatic Firestone Transport (2WD Front Only)	
400B	0234744	2	Tire and Wheel Assembly - 15 x 19.5 Foam-Filled Firestone Transport (2WD Front Only)	
400B	0234667	AR	Tire and Wheel Assembly - 15 x 19.5 Pneumatic Firestone All Traction Duplex or General Jumbo (Right Side Drive Wheel)	
400B	0234746	AR	Tire and Wheel Assembly - 15 x 19.5 Foam-Filled Firestone All Traction Duplex or General Jumbo (Right Side Drive Wheel)	
400B	0234668	AR	Tire and Wheel Assembly - 15 x 19.5 Pneumatic Firestone All Traction Duplex or General Jumbo (Left Side Drive Wheel)	
400B	0234745	AR	Tire and Wheel Assembly - 15 x 19.5 Foam-Filled Firestone All Traction Duplex or General Jumbo (Left Side Drive Wheel)	
400B	0251359	2	Tire and Wheel Assembly - 15 x 19.5 Pneumatic 12 Ply Goodyear Loader Lug (Right Side Drive Wheel)	
400B	0271615	2	Tire and Wheel Assembly - 15 x 19.5 Pneumatic 14 Ply Goodyear Loader Lug (Right Side Drive Wheel) Options) (Was P/N 0252752) (Prior to SN 64484)	
400B	0271615	2	Tire and Wheel Assembly (SN 64484 to Present)	
400B	0271616	2	Tire and Wheel Assembly - 15 x 19.5 Foam-Filled 14 Ply Galaxy Loader Lug (Right Side Drive Wheel) Options) (Was P/N 0253570) (Prior to SN 64484)	
400B	0271616	2	Tire and Wheel Assembly (SN 64484 to Present)	
400B	0251360	2	Tire and Wheel Assembly - 15 x 19.5 Pneumatic 12 Ply Goodyear Loader Lug (Left Side Drive Wheel)	
400B	0271614	2	Tire and Wheel Assembly - 15 x 19.5 Pneumatic 14 Ply Galaxy Loader Lug (Left Side Drive Wheel) Options) (Was P/N 0252753) (Prior to SN 64484)	
400B	0271614	2	Tire and Wheel Assembly (SN 64484 to Present)	
400B	0271617	2	Tire and Wheel Assembly - 15 x 19.5 Foam-Filled 14 Ply Galaxy Loader Lug (Left Side Drive Wheel) Options) (Was P/N 0253571) (Prior to SN 64484)	
400B	0271617	2	Tire and Wheel Assembly (SN 64484 to Present)	
400B	0234329	AR	Tire and Wheel Assembly - 15 x 22.5 Foam-Filled Goodyear Super Single (750 LB. Capacity Machines) (Prior to February 1993)	
400B	0253931	AR	Tire and Wheel Assembly - 385/65R 22.5 Foam-Filled Goodyear Super Single (750 LB. Capacity Machines) (February 1993 to S/N 44997)	
400B	0259455	2	Tire and Wheel Assembly - 385/65R 22.5 Foam-Filled OTR Outrigger (750 LB. Capacity Machines) (Left Side) (SN 44997 to Present)	
400B	0259443	2	Tire and Wheel Assembly - 385/65R 22.5 Foam-Filled OTR Outrigger (750 LB. Capacity Machines) (Right Side) (SN 44997 to Present)	
400B	4520178	AR	Tire and Wheel Assembly - 30 x 12 x 20 Non-Marking	
400B	4520126	AR	Tire and Wheel Assembly - Solid	
401	4520009	1	Tire - Firestone 15 x 19.5	
401	4520007	1	Tire - Firestone All Traction Duplex or General Jumbo 15 x 19.5	
401	4520130	1	Tire - Goodyear 12 Ply Loader Lug 15 x 19.5 (Use 4520142)	
401	4520142	1	Tire - Denman 14 Ply Loader Lug 15 x 19.5	

SECTION 1 - FRAME

ITEM	PART NUMBER	QTY	DESCRIPTION	REV
401	4520060	1	Tire - Goodyear Super Single 15 x 22.5	
401	4520149	1	Tire - Goodyear Super Single 385/65R 22.5	
401	4520215	1	Tire - OTR Outrigger 16 Ply 385/65R 22.5	
401	4520258	1	Tire - 15 x 19.5 NHS Options (Was P/N 4520200) (Prior to SN 64484)	
401	4520258	1	Tire - 15 x 19.5 (SN 64484 to Present)	
402	4860108	1	Rim - 19.5 (Prior to SN 43874)	
402	4860148	1	Rim - 19.5 (SN 43874 to Present)	
402	4860060	1	Rim - 22.5	
403	4640113	1	Valve, Air	
404	1701643	1	Decal - Air Pressure - 70 psi (Not Shown - Located near Item 403)	
404	1702701	1	Decal - Air Pressure - 95 psi (Not Shown - Located near Item 403)	
404	1703504	1	Decal - Air Pressure - 95 psi (Not Shown - Located near Item 403)	
404	Not Required	0	Decal - Air Pressure - 65 psi	

SECTION 1 - FRAME

FIGURE 1-7. DRIVE MOTOR ASSEMBLY - VICKERS



SECTION 1 - FRAME

FIGURE 1-7. DRIVE MOTOR ASSEMBLY - VICKERS

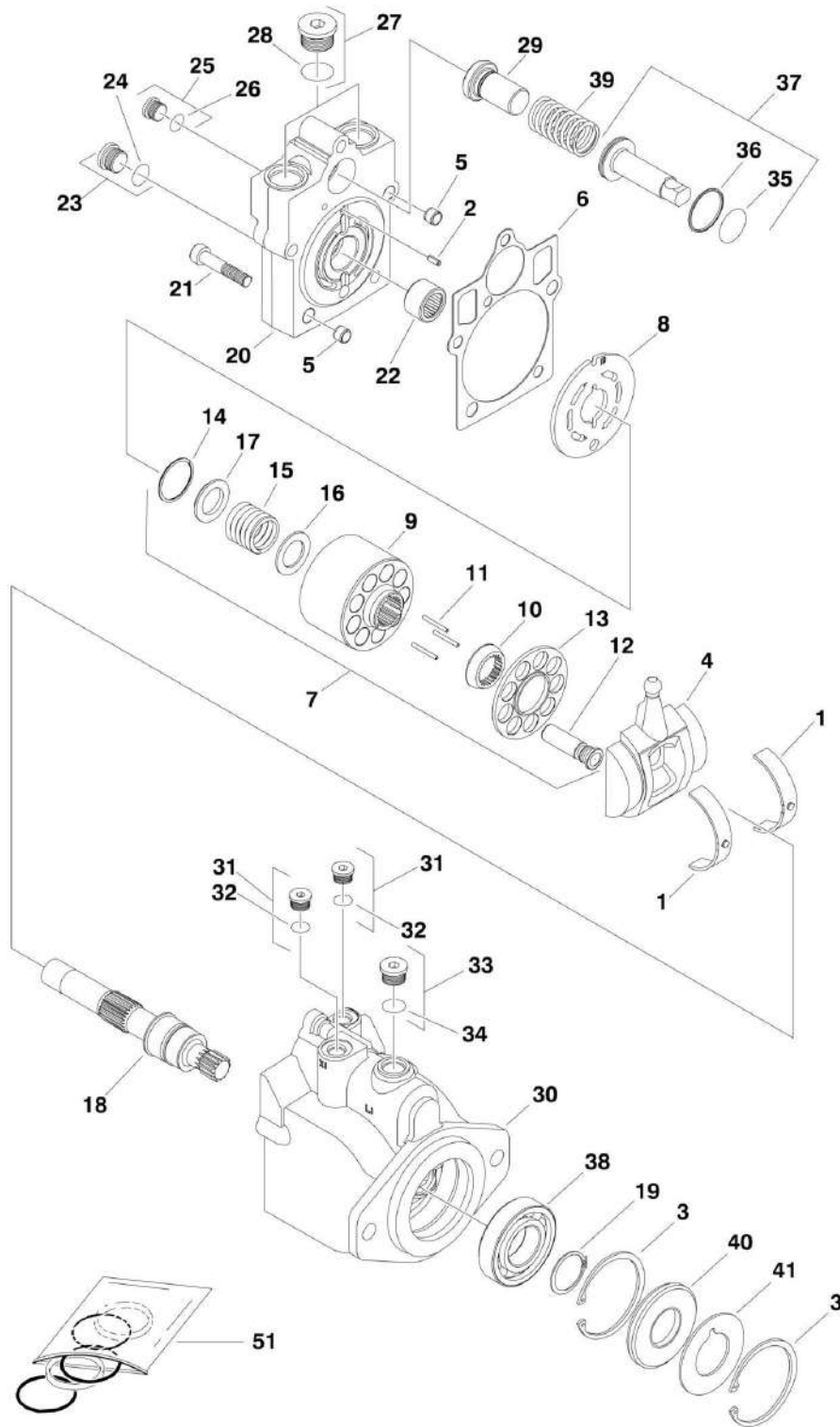
ITEM	PART NUMBER	QTY	DESCRIPTION	REV
	1001096405	Ref	DRIVE MOTOR ASSEMBLY - VICKERS	B
		Ref	Note: Used on 80HX 2WD/2WS Fixed Front Axle/Vickers Prop Valve Machines & 80H All 2WD Vickers Prop Valve Machines and 80H 4WD Machines Built Prior to May 1988.	
		Ref	Note: (was p/n 3160132) Drive Motor Assembly p/n 3160132 is no longer available. As replacement, order Drive Motor Kit p/n 1001096405.	
1	7006766	1	Yoke	
2	7006767	1	Pin, Roll	
3	7006768	1	Spherical Seat	
4	7006769	1	Spring, Seat	
5	7006774	1	Spring, Yoke	
6	7006776	1	Stop, Yoke	
7	Kit	1	Gasket	
8	7006786	1	Housing	
9	7006787	6	Washer	
10	7006788	6	Screw	
11	7006789	4	Screw	
12		Ref	Shim (Included with Item 18)	
13	7006721	1	Ring, Retaining	
14	7006796	1	Shaft	
15	7006791	2	Bearing	
16	7006792	2	Bearing, Pintle	
17	Kit	2	O-Ring	
18	7006794	1	Shim Kit (Includes Item 12)	
19	7006795	2	Cover	
20	7006719	1	Bearing	
21	7006797	1	Piston	
22	7006798	1	Piston Rod	
23	7006703	1	Plug	
24	Kit	1	O-Ring	
25	7009300	4	Screw	
26	7009301	1	Control Block	
27	Kit	1	Gasket	
28	Kit	1	O-Ring	
29	Kit	1	Back-Up Ring	
30	7009305	1	Ring, Retaining	
31	7009306	1	Valve Block	
32	7006706	1	Pin	
33	7009307	2	Pin	
34	7009308	1	Shaft	
35	7006717	9	Piston and Shoes	
36	7006716	1	Shoe Plate	
37	7006715	1	Spherical Washer	
38	7006714	1	Pin, Retainer	
39	7006713	3	Pin	
40	7006712	1	Cylinder, Block	
41	7006711	1	Washer, Spring	
42	7006710	1	Spring	
43	7006709	1	Washer, Spring	

SECTION 1 - FRAME

ITEM	PART NUMBER	QTY	DESCRIPTION	REV
44	7009309	1	Ring, Retaining	
45	7006707	1	Bearing Spacer Kit	
46	7009310	1	Plate, Wafer	
47	7006704		Bearing S/A	
	2900659	1	Seal Kit (Includes Items 7, 14, 17, 24, 27, 28 & 29)	

SECTION 1 - FRAME

FIGURE 1-8. DRIVE MOTOR ASSEMBLY - SAUER-DANFOSS



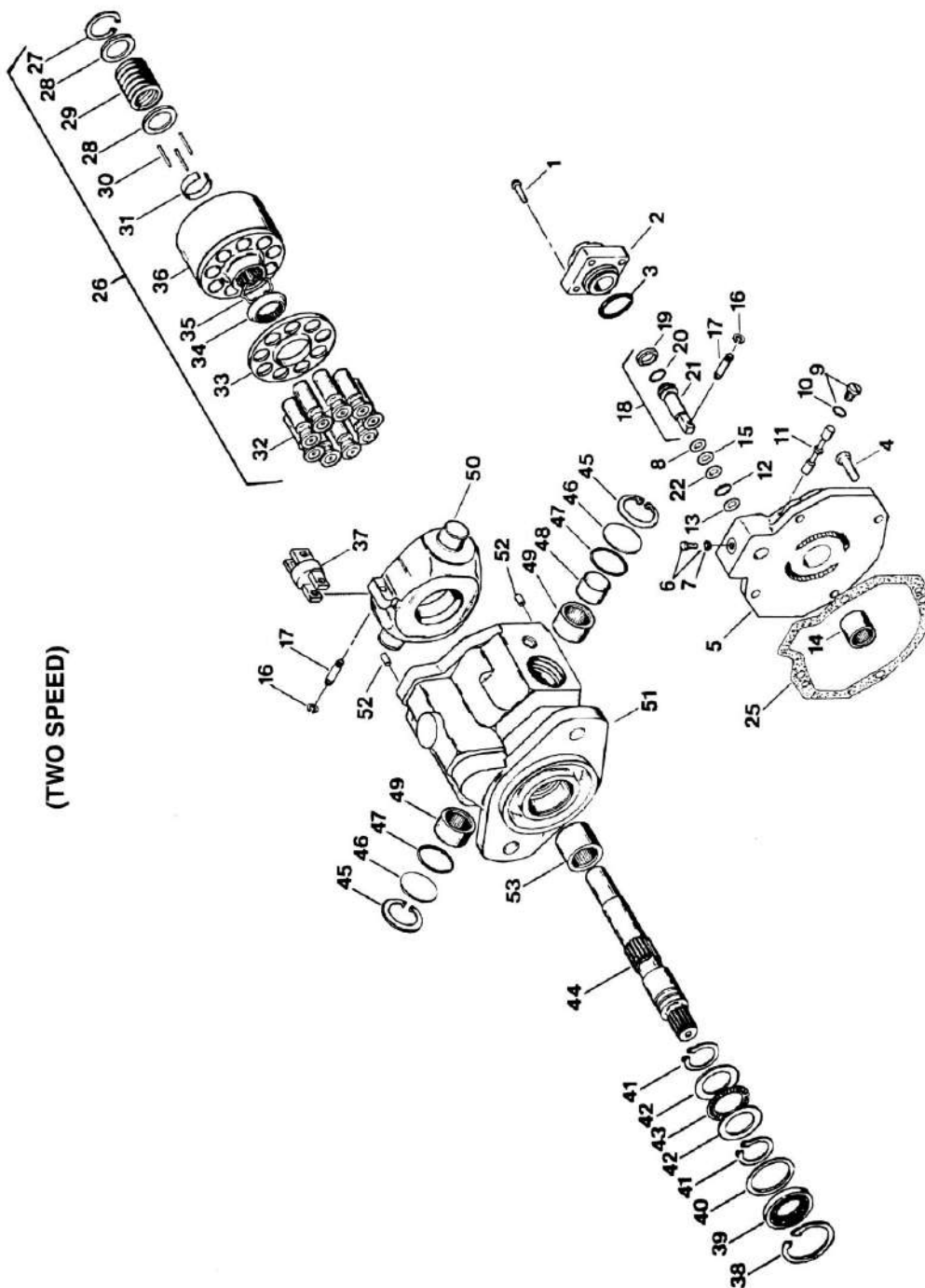
SECTION 1 - FRAME

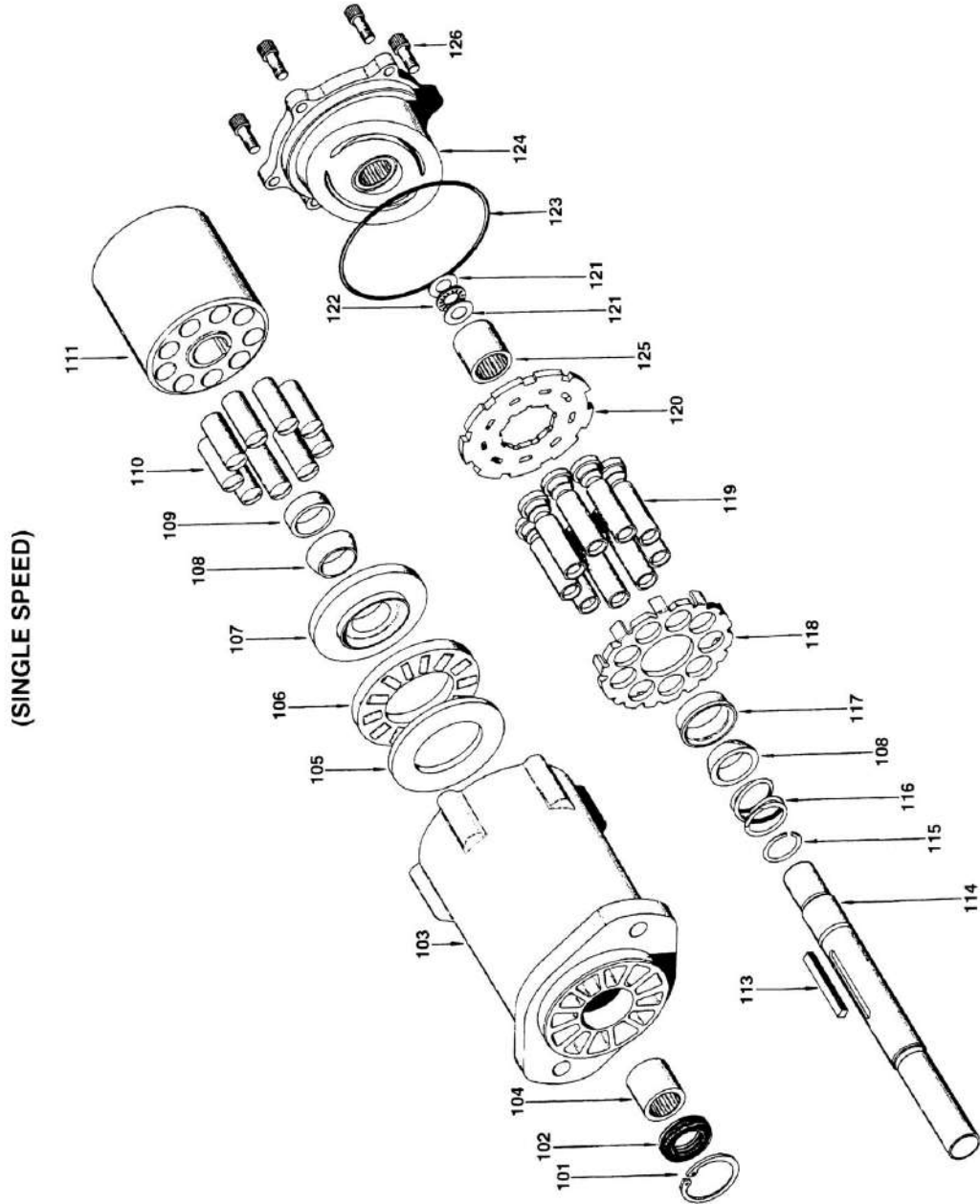
FIGURE 1-8. DRIVE MOTOR ASSEMBLY - SAUER-DANFOSS

ITEM	PART NUMBER	QTY	DESCRIPTION	REV
	1001096405	Ref	DRIVE MOTOR KIT - SAUER-DANFOSS	2
	1001096406	Ref	Drive Motor Assembly - Sauer-Danfoss	A
		Ref	Note: Used on 80HX 2WD/2WS Fixed Front Axle/Vickers Prop Valve Machines & 80H All 2WD Vickers Prop Valve Machines and 80H 4WD Machines Built Prior to May 1988.	
1	7022302	2	Bearing	
2	7007446	1	Pin	
3	7007438	2	Ring, Retaining	
4	70000794	1	Swashplate	
5		Ref	Dowel Locator	
6	Item 51	1	Gasket	
7	7027740	1	Cylinder Block Kit (Includes Items 10-17)	
8	7024862	1	Plate, Valve	
9	7027740		Cylinder Block	
10	70000856	1	Guide, Slipper Retainer	
11	7021275	3	Pin, Slipper Hold Down	
12	7024865	9	Piston Assembly	
13	70000857	1	Retainer, Slipper	
14	7022311	1	Ring, Retaining	
15	7024867	1	Spring	
16	7024868	1	Washer	
17	7022314	1	Retainer, Spring	
18	7023910	1	Shaft	
19	7007439	1	Ring, Retaining	
20	70000795	1	Cap, End - Axial	
21	7022368	5	Screw	
22	7021249	1	Bearing, Needle	
23	7022321	1	Plug (Includes Item 24)	
24	7022322	1	O-Ring	
25	7007420	1	Plug (Includes Item 26)	
26	7021256	1	O-Ring	
27	7007419	2	Plug (Includes Item 28)	
28	7007418	2	O-Ring	
29	Not Available	1	Seat, Spring	
30		Ref	HOUSING	
31	7007420	2	Plug (Items Item 32)	
32	7021256	2	O-Ring	
33	7022321	1	Plug (Items Item 34)	
34	7022322	1	O-Ring	
35	7022324	1	O-Ring	
36	7022325	1	Ring, Seal	
37	7024871	1	Piston, Servo	
38	7007437	1	Bearing	
39	7022326	1	Spring	
40	7007459	1	Seal, Lip	
41	7022371	1	Washer, Support	
51	7022328	1	Seal Kit (Includes Items 6, 24, 26, 28, 32, 34, 35, 36 & 40)	

SECTION 1 - FRAME

FIGURE 1-9. DRIVE MOTOR ASSEMBLY - CESSNA (TWO SPEED)





SECTION 1 - FRAME

FIGURE 1-9. DRIVE MOTOR ASSEMBLY - CESSNA (SINGLE SPEED)

ITEM	PART NUMBER	QTY	DESCRIPTION	REV
		Ref	DRIVE MOTOR ASSEMBLIES - CESSNA (TWO SPEED)	
		Ref	Note: Used on 80HX 2WD/4WS Fixed Front Axle/Vickers Prop Valve Machines & 80HX All 4WD Fixed Front Axle/Vickers Prop Valve Machines & 80H Racine Valve Machines & 80H 4WD Vickers Prop Valve Machines Built May 1988 to Present.	
		Ref	DRIVE MOTOR ASSEMBLIES - CESSNA (TWO SPEED) 80HX:	
	1001096405	Ref	2WD/2WS with Fixed Front Axle (Note: See DRIVE MOTOR ASSEMBLY VICKERS for Breakdown) (was p/n 3160132)	A
	1001096405	Ref	2WD/2WS with Fixed Front Axle (Note:See DRIVE MOTOR ASSEMBLY SAUER-DANFOSS for Breakdown)	A
	3160204	Ref	2WD/2WS with Oscillating Front Axle (Note: See DRIVE MOTOR ASSEMBLY REXROTH for Breakdown)	A
	3160179	Ref	2WD/4WS with Fixed Front Axle Prior to February 1995 (Original Equipment)	A
	3160342	Ref	2WD/4WS with Fixed Front Axle Prior to February 1995 (Service Replacement)	B
	3160189	Ref	2WD/4WS with Fixed Front Axle February 1995 to Present (Original Equipment)	A
	3160343	Ref	2WD/4WS with Fixed Front Axle February 1995 to Present (Service Replacement)	B
	3160204	Ref	2WD/4WS with Oscillating Front Axle (Note: See DRIVE MOTOR ASSEMBLY REXROTH for Breakdown)	A
	3160129	Ref	4WD with Fixed Front Axle Prior to September 1991	A
	3160179	Ref	4WD with Fixed Front Axle September 1991 to Present (Original Equipment)	A
	3160342	Ref	4WD with Fixed Front Axle September 1991 to Present (Service Replacement)	B
	3160204	Ref	4WD with Oscillating Front Axle (Note: See DRIVE MOTOR ASSEMBLY REXROTH for Breakdown)	A
		Ref	DRIVE MOTOR ASSEMBLIES - CESSNA (TWO SPEED) 80H:	
	3160129	Ref	2WD with Racine Prop Valves	-
	1001096405	Ref	2WD with Vickers Prop Valves (Note: See DRIVE MOTOR ASSEMBLY VICKERS for Breakdown) (was p/n 3160132)	A
	1001096405	Ref	2WD with Vickers Prop Valves (Note: See DRIVE MOTOR ASSEMBLY SAUER-DANFOSS for Breakdown)	A
	3160130	Ref	4WD (Original Equipment)	A
	3160341	Ref	4WD (Service Replacement)	B
1	7004938	4	Screw, Cap Socket Head	
2	7004939	1	Control Piston Housing Assembly (Includes Item 3)	
3	Kit	1	O-Ring	
4		Ref	Screw, Cap Hex Head Options:	
4	7004933	4	All Motors except Motor p/n 3160341/3120342/3160343	
4	7020323	4	Motor p/n 3160341/3120342/3160343	
5		Ref	Backplate Assembly (Includes Items 5-15) Options:	
5	7004941	1	All Motors except Motor p/n 3160341/3120342/3160343	
5	Not Available		Motor p/n 3160341/3120342/3160343	
6	7004942	1	Plug Assembly (Includes Item 7)	
7	Kit	1	O-Ring	
8	4100027	3	Spacer, Piston -.092in (Used on Motor p/n 3160179/3160130 Only)	
9	7004944	2	Plug Assembly (Shuttle Spool) (Includes Items 8 & 9)	
10	Kit	1	O-Ring (1 Per Plug)	
11	7004946	1	Spool, Shuttle	

SECTION 1 - FRAME

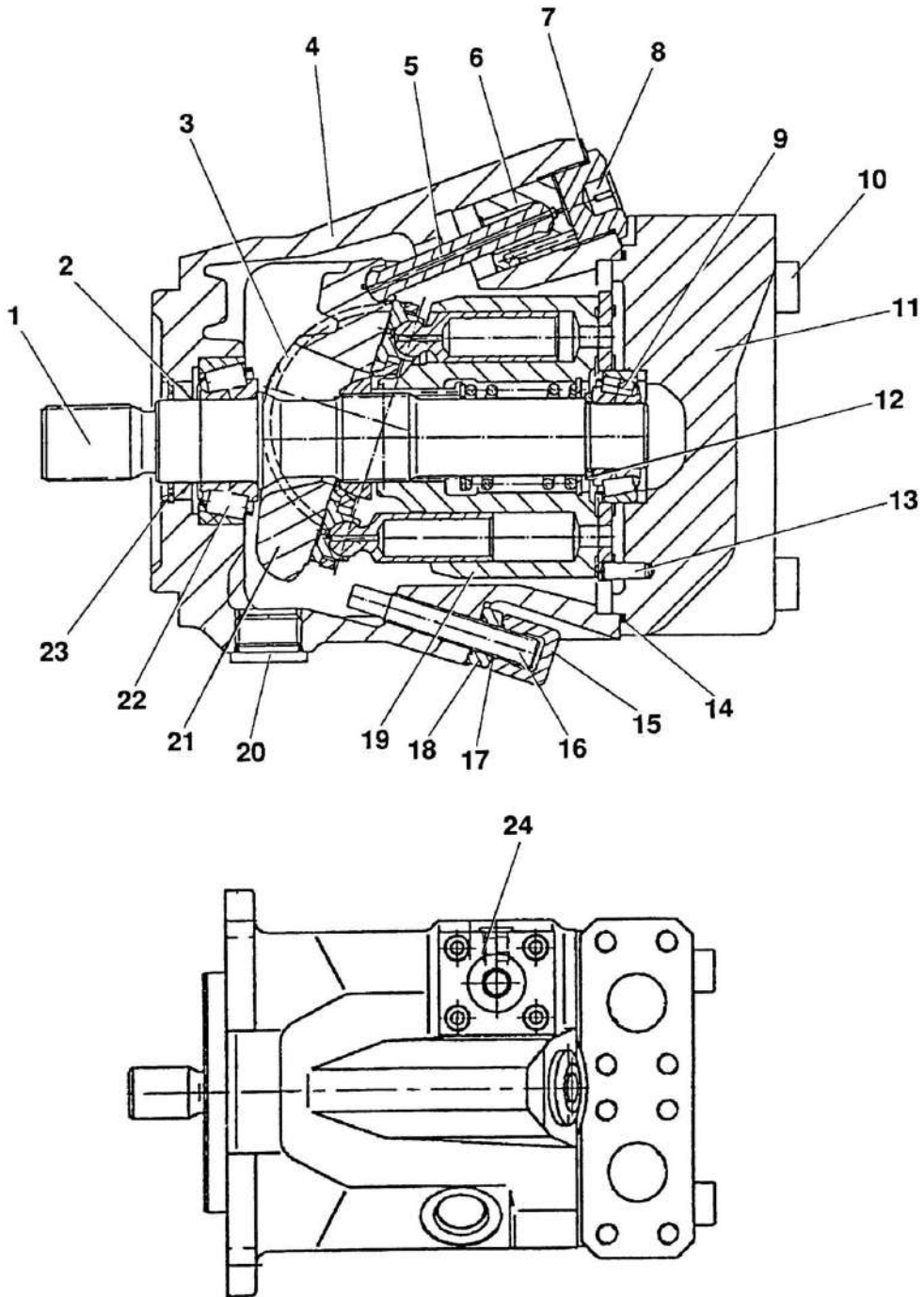
ITEM	PART NUMBER	QTY	DESCRIPTION	REV
12	Kit	1	O-Ring	
13	7004918	1	Washer, Back-up	
14	7004917	1	Bearing, Needle	
15	4100028	1	Spacer, Piston -.105in (Used on Motor p/n 3160129/3160130 Only)	
16	7004937	4	Ring, Retaining	
17	7004929	2	Pin, Connector	
18		Ref	Control Piston Assembly (Includes Items 19-21) Options:	
18	7004948	1	All Motors except Motor p/n 3160341/3120342/3160343	
18	Not Available		Motor p/n 3160341/3120342/3160343	
19	Kit	1	Ring, Slippery	
20	Kit	1	O-Ring	
21	Not Available	1	Piston, Control	
22	4100029	4	Spacer, Piston -.110in (Used on Motor p/n 3160189/3160130 Only)	
25	Kit	1	Gasket, Housing	
26	7004916	1	Rotating Kit Assembly (Includes Items 27-36)	
27	7004936	1	Ring, Retaining	
28	7004950	2	Washer, Machined	
29	7004951	1	Spring, Compression	
30	7004952	3	Pin, Loading	
31	7004953	1	Keeper, Pin	
32	7004954	9	Piston, Assembly	
33	7004955	1	Spider	
34	7004956	1	Pivot	
35	7004957	1	Washer, Wave	
36	Not Available	1	Block, Piston	
37	7004928	1	Connector, Camplate	
38	Kit	1	Ring, Retaining	
39	Kit	1	Seal, Shaft	
40	7004906	1	Washer	
41	Kit	2	Ring, Retaining	
42	7004907	2	Race, Thrust	
43	7004908	1	Bearing, Thrust	
44	7004912	1	Shaft, Drive	
45	Kit	2	Ring, Retaining	
46		Ref	Cover, Trunnion Options:	
46	7004913	2	All Motors except Motor p/n 3160341/3120342/3160343	
46	Not Available		Motor p/n 3160341/3120342/3160343	
47	Kit	2	O-Ring	
48	7004911	2	Race, Inner	
49	7004914	2	Bearing	
50		Ref	Camplate Options:	
50	7004927	1	All Motors except Motor p/n 3160341/3120342/3160343	
50	Not Available		Motor p/n 3160341/3120342/3160343	
51		Ref	Housing Assembly (Includes Items 52 & 53) Options:	
51	7004959	1	All Motors except Motor p/n 3160341/3120342/3160343	
51	Not Available		Motor p/n 3160341/3120342/3160343	
52	7004960	2	Pin, Roll (1/4in Dia. x 1/2in Long)	
53	7004910		Bearing	
	2900449	1	Seal Repair Kit (Includes Items 3, 7, 8, 10, 12, 19, 20, 25, 38, 39, 41, 45 & 47) (all Motors except Motor p/n	

SECTION 1 - FRAME

ITEM	PART NUMBER	QTY	DESCRIPTION	REV
	7020347	1	3160341/3120342/3160343) Seal Repair Kit (Includes Items 3, 12, 13, 16, 19, 20, 22, 25, 38, 39, 40, 41, 45 & 47) (Motor p/n 3160341/3120342/3160343)	
	3160104	Ref	DRIVE MOTOR ASSEMBLY - CESSNA (SINGLE SPEED) (Note: Used on 80HX with Racine Proportional Valves Machines Built Prior to May 1987)	A
		Ref		
101	Kit	1	Ring, Retaining	
102	Kit	1	Seal, Shaft	
103	7007594	1	Housing Assembly (With Bearing)	
104	7007593	1	Bearing	
105	7007595	1	Race, Bearing	
106	7007596	1	Bearing, Thrust	
107	7007597	1	Piston Race Assembly	
108	7007598	1	Pivot	
109	7007599	1	Spacer	
110	7007814	1	Kit, Piston Replacement	
111	7007800	1	Block, Piston	
113	7007801	1	Key	
114	7007802	1	Shaft, Drive	
115	7007803	1	Ring, Retaining	
116	7007804	1	Spring	
117	7007805	1	Pilot	
118	7007806	1	Spider	
119	7007807	1	Kit, Piston Replacement	
120	7007808	1	Plate, Connector	
121	7007809	2	Race, Thrust	
122	7007810	1	Bearing, Thrust	
123	Kit	1	O-Ring	
124	7007812	1	Back Plate Assembly (With Bearing)	
125	7007593	1	Bearing	
126	7007813	6	Bolt, Socket Head	
	2900627	1	Seal Kit (Includes Items 1, 2, & 23)	

SECTION 1 - FRAME

FIGURE 1-10. DRIVE MOTOR ASSEMBLY - REXROTH



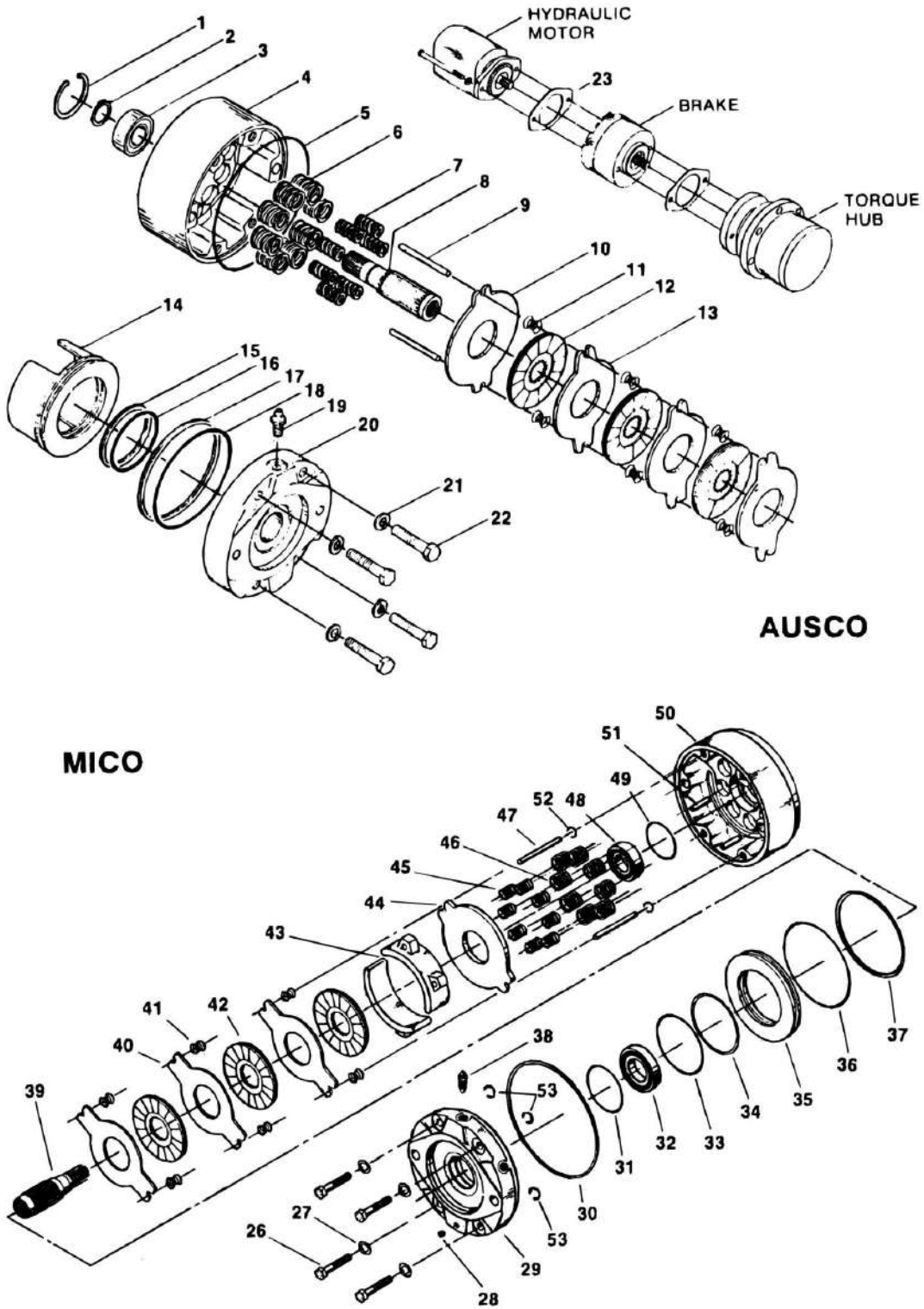
SECTION 1 - FRAME

FIGURE 1-10. DRIVE MOTOR ASSEMBLY - REXROTH

ITEM	PART NUMBER	QTY	DESCRIPTION	REV
	3160204	Ref	DRIVE MOTOR ASSEMBLY - REXROTH	A
		Ref	Note: Used on 80HX 2WD & 4WD Oscillating Axle/Vickers Prop Valve Machines	
1	7012701	1	Shaft	
2	Kit	1	Seal, Shaft	
3	7012702	2	Bearing, Cradle	
4	Not Serviced	1	Housing	
5	7012703	1	Rod, Piston	
6	7012704	1	Piston, Stroking	
7	Kit	1	O-Ring	
8	7012705	1	Nut, Adapter	
9	7012706	1	Bearing, Roller	
10	7012707	4	Bolt, Metric Socket Head M12 x 65mm	
11	7012708	1	Block, Port	
12	7012709	1	Shim	
13	7012710	1	Pin, Dowel M6 x 18mm	
14	Kit	2	O-Ring	
15	7012711	1	Nut, Cap M10	
16	7012712	1	Screw, Adjusting	
17	Kit	2	O-Ring	
18	7012713	1	Nut, Jam M10	
19	Kit	1	Rotary Group Assembly	
20	Not Serviced	1	Plug	
21	Kit	1	Plate, Swash	
22	7012714	1	Bearing, Roller	
23	7012715	1	V-Ring	
24	7012700	1	Control Plate Assembly Only Note: On S/N 29852 to Present #24 is incorporated into housing #4. (Prior to SN 29852)	
	2900788	1	Seal Kit (Includes Items 2, 7, 14, 17 & O-Rings under #24)	
	7012716	1	Rotary Group Kit (Includes Items 19 & 21)	

SECTION 1 - FRAME

FIGURE 1-11. BRAKE ASSEMBLY - AUSCO AND MICO



SECTION 1 - FRAME

FIGURE 1-11. BRAKE ASSEMBLY - AUSCO AND MICO

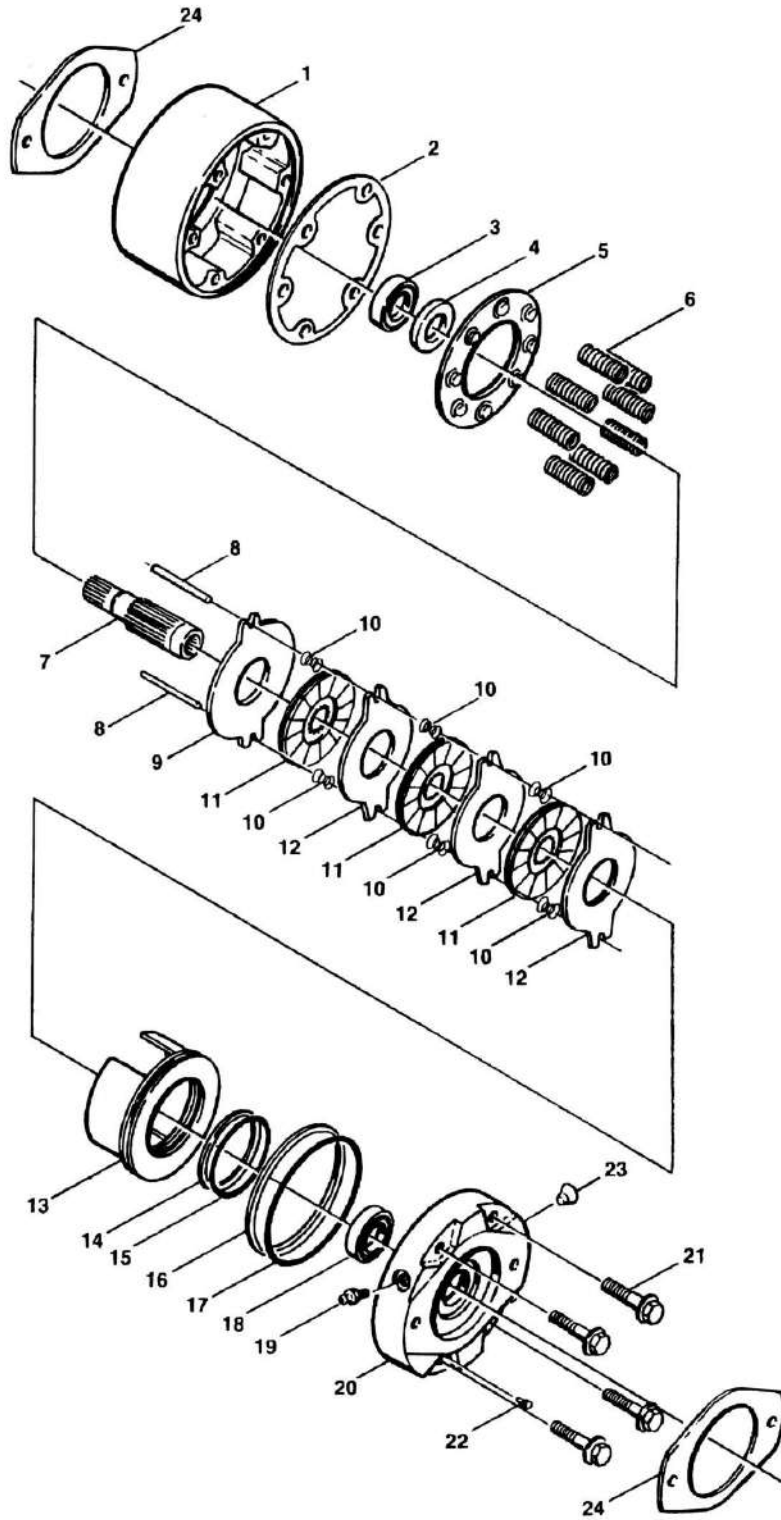
ITEM	PART NUMBER	QTY	DESCRIPTION	REV
	0920027	Ref	BRAKE ASSEMBLY - AUSCO AND MICO	G
		Ref	Note: Used on 80HX 2WD Prior to October 1987 and 80H 2WD & 4WD Prior to October 1987.	
		Ref	BRAKE ASSEMBLY - AUSCO	
1	Kit	1	Ring, Retaining	
2	Kit	1	Ring, Retaining	
3	7000713	1	Bearing, Ball	
4	7000714	1	Housing	
4	7003010	1	Retainer, Spring	
5	7000759	1	O-Ring	
6	7000782	8	Spring, Compression	
7	7000798	8	Spring, Compression	
8	7000716	1	Shaft	
9	7000717	2	Pin, Torque	
10	7000718	1	Disc, Primary	
11	7003006	6	Spring, Compression	
12	7000732	3	Disc, Rotating	
13	7000720	3	Disc, Stationary	
14	7000721	1	Piston	
15	Kit	1	Ring, Back-up	
16	Kit	1	O-Ring	
17	Kit	1	Ring, Back-up	
18	Kit	1	O-Ring	
19	7000796	1	Bleeder	
20	7000727	1	Plate, Power	
21	7000729	4	Lockwasher	
22	7000730	4	Bolt	
22	7003007	4	Bolt, Flanged	
23	7000731	2	Gasket	
	2900131	1	Seal Kit (Includes Items 1, 2, 15, 16, 17, 18 & 23)	
		Ref	BRAKE ASSEMBLY - MICO	
26	7007913	4	Screw, Cap	
27	7007912	4	Lockwasher	
28	7007924	1	Plug, Pipe	
29	7007975	1	Cover	
30	Kit	1	Ring, Square	
31	Kit	1	O-Ring	
32	7007920	1	Bearing	
33	Kit	1	O-Ring	
34	Kit	1	Ring, Back-up	
35	7007923	1	Piston	
36	Kit	1	O-Ring	
37	Kit	1	Ring, Back-up	
38	7007914	1	Bleeder Screw	
39	7007903	1	Shaft	
40	7007908	3	Disc	
41	7007916	6	Spring	
42	7007909	3	Friction Disc	
43	7007902	2	Separator	
44	7007907	1	Disc (Large Diameter)	

SECTION 1 - FRAME

ITEM	PART NUMBER	QTY	DESCRIPTION	REV
45	7007906	8	Spring	
46	7007905	8	Spring	
47	7007915	2	Pin, Dowel	
48	7007904	1	Bearing	
49	Kit	1	Seal, Oil	
50	7007976	1	Housing	
51	7007901	4	Pin, Spirol	
52	Kit	2	O-Ring	
53	Kit	4	O-Ring	
	7007933	1	Mounting Gasket (Not Shown)	
	2900641	1	Seal Kit (Includes Items 30, 31, 32, 33, 34, 36, 37, 49, 52 & 53)	

SECTION 1 - FRAME

FIGURE 1-12. BRAKE ASSEMBLY - AUSCO



SECTION 1 - FRAME

FIGURE 1-12. BRAKE ASSEMBLY - AUSCO

ITEM	PART NUMBER	QTY	DESCRIPTION	REV
	0920072	Ref	BRAKE ASSEMBLY - AUSCO Note: Used on 80HX 2WD October 1987 to January 1992, 80HX 4WD Prior to February 1991 and 80H 2WD & 4WD October 1987 to January 1992.	D
		Ref		
1	7003047	1	Housing	
2	Kit	1	Gasket	
3	7003049	1	Bearing	
4	Kit	1	Seal, Oil	
5	7003051	1	Spring, Retainer	
6	7003052	8	Spring, Compression	
7	7003070	1	Shaft, Splined	
8	7000717	2	Pin, Torque	
9	7003054	1	Disc, Primary	
10	7003006	6	Spring, Separator	
11	7003055	3	Disc, Rotating	
12	7003056	3	Disc, Stationary	
13	7003057	1	Piston	
14	Kit	1	Ring, Back-up	
15	Kit	1	O-Ring	
16	Kit	1	Ring, Back-up	
17	Kit	1	O-Ring	
18	7000760	1	Bearing	
19	7000796	1	Screw, Bleeder	
20	7003071	1	Plate, Power	
21	7003007	4	Screw	
22	7003059	1	Valve, Pressure	
23	7000728	1	Plug	
24	Kit	2	Gasket	
	2900662	1	Seal Kit (Includes Items 2, 4, 14, 15, 16, 17 & 24)	
	7003069	1	Gasket Kit (Includes Item 24)	

SECTION 1 - FRAME

FIGURE 1-13. BRAKE ASSEMBLY - MICO

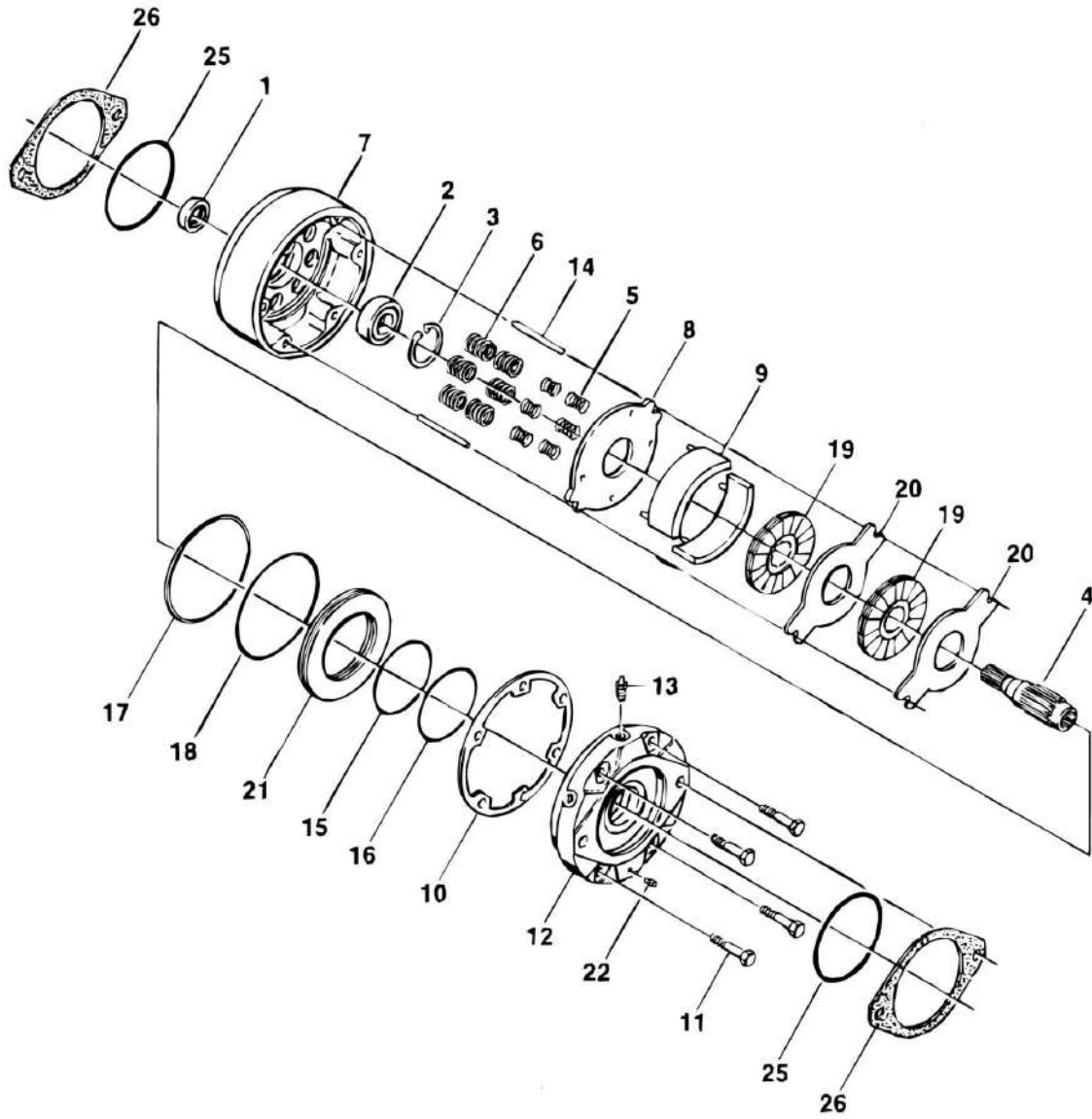
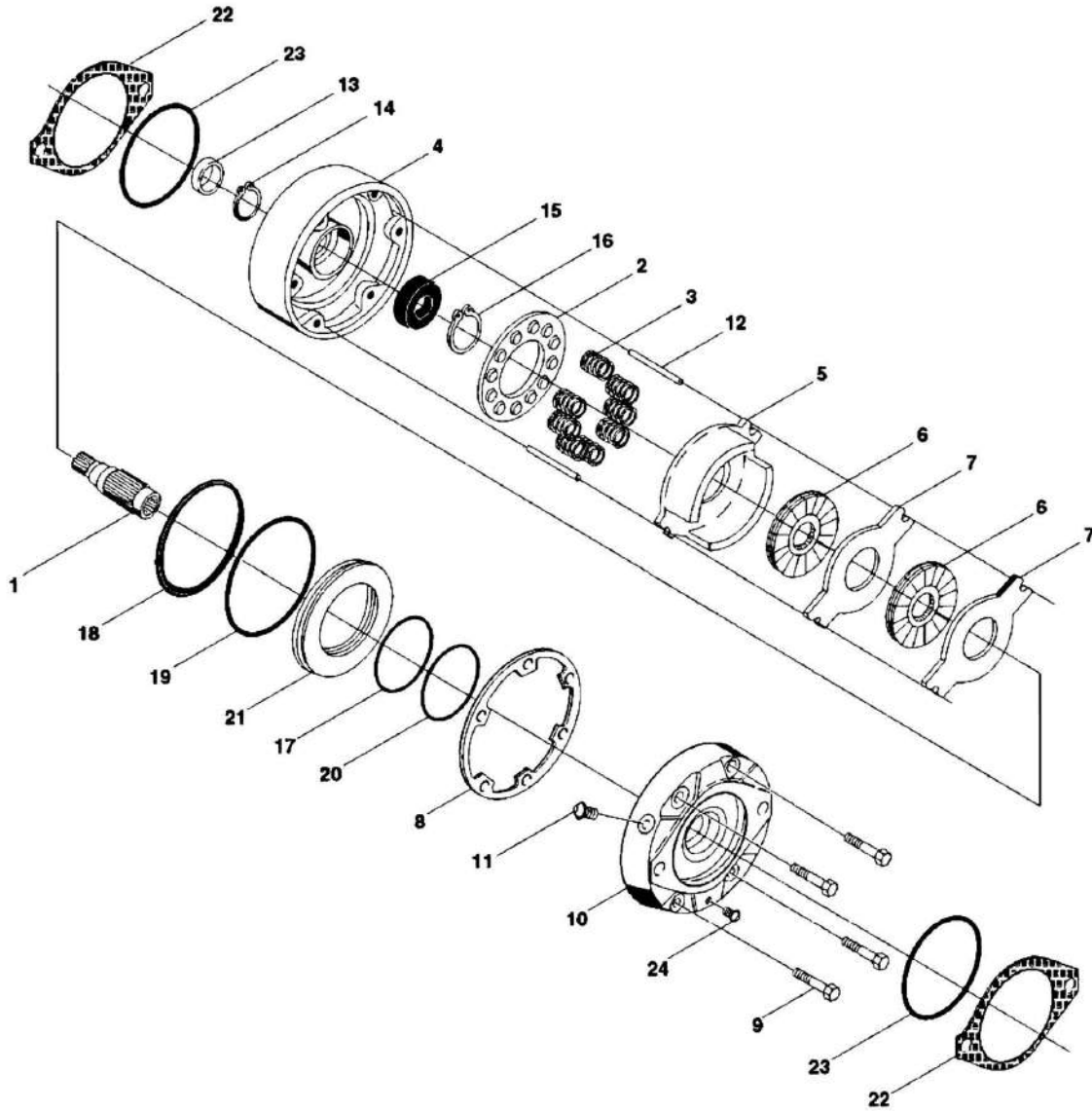


FIGURE 1-13. BRAKE ASSEMBLY - MICO

ITEM	PART NUMBER	QTY	DESCRIPTION	REV
	0920081	Ref	BRAKE ASSEMBLY - MICO	
		Ref	Note: Used on 80HX 4WD February 1991 to July 1991 Only.	
1	Kit	1	Seal, Oil	
2	Kit	1	Bearing	
3	7007977	1	Ring, Retaining	
4	7007978	1	Shaft	
5	7007979	6	Spring (Inner)	
6	7007980	6	Spring (Outer)	
7	7007981	1	Housing	
8	Kit	1	Plate, Return	
9	7007983	2	Separator	
10	Kit	1	Seal, Case	
11	7007985	4	Bolt, Washer Head	
12	7007986	1	Cover	
13	7007914	1	Screw, Bleeder	
14	7007987	2	Pin, Dowel	
15	Kit	1	Ring, Back-up (Inner)	
16	Kit	1	O-Ring (Inner)	
17	Kit	1	Ring, Back-up (Outer)	
18	Kit	1	O-Ring (Outer)	
19	Kit	2	Rotor	
20	Kit	2	Stator	
21	7007989	1	Piston	
22	7007924	1	Plug, Pipe	
25	Kit	1	O-Ring	
26	7007933	2	Gasket	
	2900767	1	Lining Kit (Includes Items 8, 10, 19, 20, 25 & 26)	
	2900766	1	Seal Kit (Includes Items 1, 10, 15, 16, 17, 18, 25 & 26)	
	2900768	1	Bearing Kit (Includes Items 1, 2, 10, 25 & 26)	

SECTION 1 - FRAME

FIGURE 1-14. BRAKE ASSEMBLY - MICO



SECTION 1 - FRAME

FIGURE 1-14. BRAKE ASSEMBLY - MICO

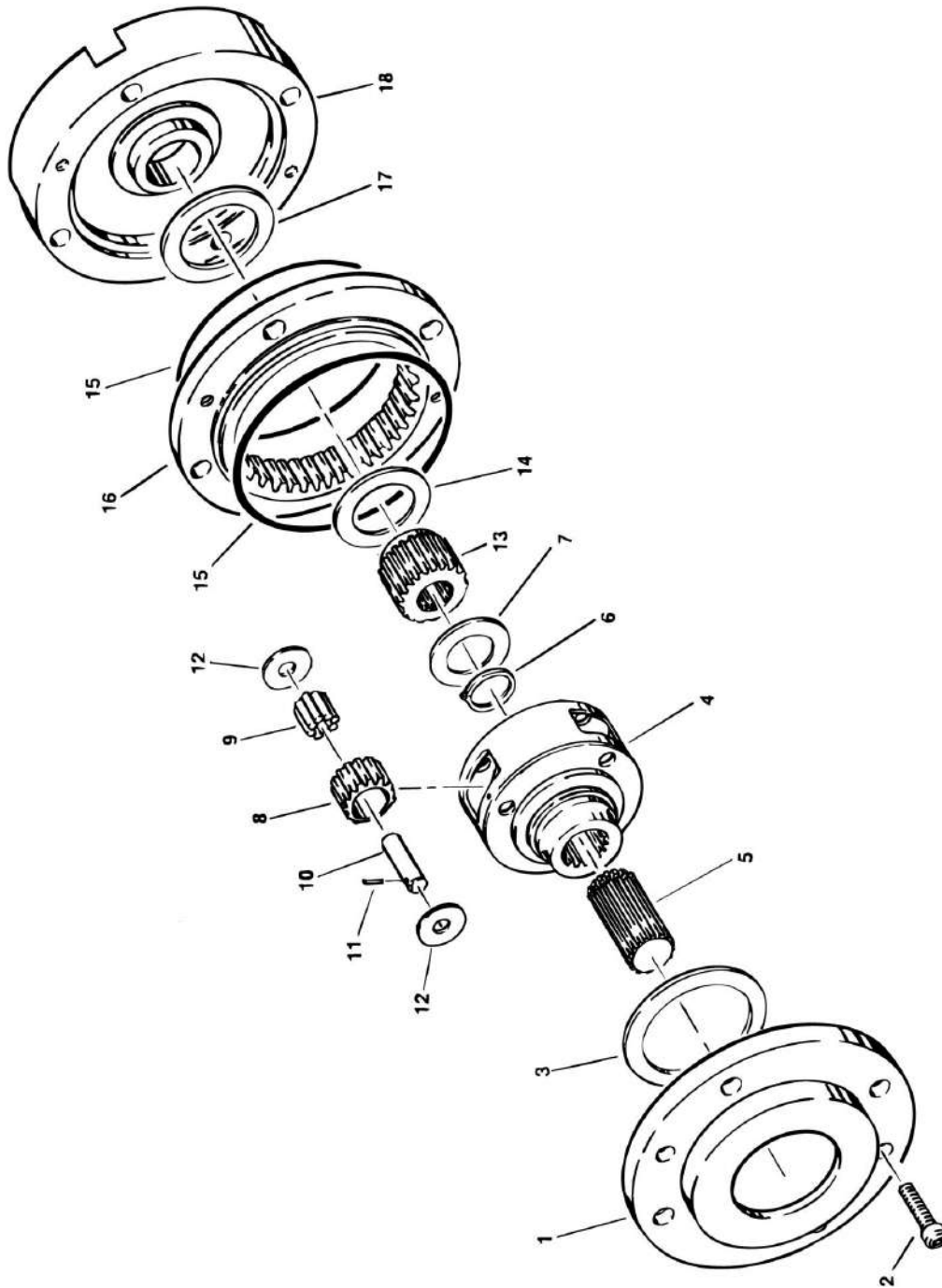
ITEM	PART NUMBER	QTY	DESCRIPTION	REV
		Ref	DRIVE BRAKE ASSEMBLY OPTIONS:	
	0920084	Ref	DRIVE BRAKE ASSEMBLY (Prior to SN 33476)	A
	0920110	Ref	DRIVE BRAKE ASSEMBLY (SN 33476 through 51532)	B
	0920117	Ref	SN 51532 through 57512 (Seal kit is the only part available) (Replace complete unit with p/n 0920119)	B
	0920119	Ref	DRIVE BRAKE ASSEMBLY (SN 57512 to Present)	A
		Ref	Note: Used on 80HX 2WD, 80HX 4WD & 80H 2WD & 4WD.	
1		Ref	Shaft Options:	
1	7011712	1	Shaft 0920084 Brake (Prior to SN 33476)	
1	7011712	1	Shaft 0920110 Brake (SN 33476 through 51532)	
1	Not Available		Shaft 0920119 Brake (SN 57512 to Present)	
2		Ref	Guide, Spring Options:	
2	7011717	1	Guide, Spring 0920084 Brake (Prior to SN 33476)	
2	7018606	1	Guide, Spring 0920110 Brake (SN 33476 through 51532)	
2	Not Available		Guide, Spring 0920119 Brake (SN 57512 to Present)	
3		Ref	Spring Options:	
3	7007979	6	Spring 0920084 Brake (Inner) (Prior to SN 33476)	
3	7007980	6	Spring 0920084 Brake (Outer) (Prior to SN 33476)	
3	7007970	6	Spring 0920110 Brake (Red) (SN 33476 through 51532)	
3	7018602	3	Spring 0920110 Brake (Blue) (SN 33476 through 51532)	
3	Kit	4	Spring 0920119 Brake (Red) (SN 57512 to Present)	
3	Kit	2	Spring 0920119 Brake (Blue) (SN 57512 to Present)	
4		Ref	Housing Options:	
4	7011713	1	Housing 0920084 Brake (Prior to SN 33476)	
4	7018605	1	Housing 0920110 Brake (SN 33476 through 51532)	
4	Not Available		Housing 0920119 Brake (SN 57512 to Present)	
5		Ref	Return Plate and Separator Assembly Options:	
5	Kit	1	Return, Plate - 0920084 Brake (Prior to SN 33476)	
5	7011715	2	Separator Assy - 0920084 Brake (Prior to SN 33476)	
5	7011714	4	Pin	
5	7007983	2	Separator	
5	Kit	1	Return Plate and Separator - 0920110 Brake (SN 33476 through 51532)	
5	Kit	AR	Return Plate and Separator - 0920119 Brake (SN 57512 to Present)	
6	Kit	2	Rotor	
7	Kit	2	Stator	
8	Kit	1	Seal, Case	
9		Ref	Bolt, Washer Head Options:	
9	7007985	4	Bolt, Washer Head 0920084 Brake (Prior to SN 33476)	
9	7018607	4	Bolt, Washer Head 0920110 Brake (SN 33476 through 51532)	
9	7018614	3	Bolt, Washer Head 0920119 Brake (SN 57512 to Present)	
10		Ref	Cover Options:	
10	7007986	1	Cover 0920084 Brake (Prior to SN 33476)	
10	7007986	1	Cover 0920110 Brake (SN 33476 through 51532)	
10	Not Available		Cover 0920119 Brake (SN 57512 to Present)	
11		Ref	Hardware Options:	
11	7000796	1	Screw, Bleeder (Prior to SN 33906)	
11	7018609	1	Plug, Pipe (SN 33906 through 51532)	
11	Not Required	0	Not Required (SN 57512 to Present)	

SECTION 1 - FRAME

ITEM	PART NUMBER	QTY	DESCRIPTION	REV
12		Ref	Pin, Dowel Options:	
12	7007987	2	Pin, Dowel 0920084 Brake (Prior to SN 33476)	
12	7007987	2	Pin, Dowel 0920110 Brake (SN 33476 through 51532)	
12	Not Available		Pin, Dowel 0920119 Brake (SN 57512 to Present)	
13	Kit	1	Seal, Oil	
14		Ref	Ring, Retaining Options:	
14	7011716	1	Ring, Retaining 0920084 Brake (Prior to SN 33476)	
14	7011716	1	Ring, Retaining 0920110 Brake (SN 33476 through 51532)	
14	Kit	1	Ring, Retaining 0920119 Brake (SN 57512 to Present)	
15	Kit	1	Bearing	
16		Ref	Ring, Retaining	
16	7007977	1	Ring, Retaining 0920084 Brake (Prior to SN 33476)	
16	7007977	1	Ring, Retaining 0920110 Brake (SN 33476 through 51532)	
16	Kit	1	Ring, Retaining 0920119 Brake (SN 57512 to Present)	
17	Kit	1	Ring, Back-up	
18	Kit	1	Ring, Back-up	
19	Kit	1	O-Ring	
20	Kit	1	O-Ring	
21		Ref	Piston Options:	
21	7007923	1	Piston 0920084 Brake (Prior to SN 33476)	
21	7018603	1	Piston 0920110 Brake (SN 33476 through 51532)	
21	Not Available		Piston 0920119 Brake (SN 57512 to Present)	
22	7007933	2	Gasket	
23	7007990	2	O-Ring	
24	7007924	1	Plug, Pipe	
		Ref	Repair Kits:	
		Ref	Repair Kits 0920084 Brake (Prior to SN 33476)	
	2900766	1	Seal Kit (Includes Items 8, 13, 17, 18, 19, 20, 22 & 23)	
	2900768	1	Seal Kit (Includes Items 8, 13, 15, 22 & 23)	
	2900767	1	Lining Kit Options: (Includes Items 5, 6, 7, 8, 22 & 23)	
		Ref	Lining Kit 0920110 Brake (SN 33476 through 51532)	
	2900766	1	Seal Kit (Includes Items 8, 13, 17, 18, 19, 20, 22 & 23)	
	2900768	1	Seal Kit (Includes Items 8, 13, 15, 22 & 23)	
	7018608	1	Lining Kit Options: (Includes Items 5, 6, 7, 8, 22 & 23)	
		Ref	Lining Kit 0920117 (SN 51532 through 57512)	
	7018612	1	Complete Repair Kit (Includes Items 5, 6, 7, 8, 13, 17, 18, 19, 20, 22 & 23)	
		Ref	Complete Repair Kit 0920119 (SN 57512 to Present)	
	7018612	1	Complete Repair Kit (Includes Items 5, 6, 7, 8, 13, 17, 18, 19, 20, 22 & 23)	

SECTION 1 - FRAME

FIGURE 1-15. GEAR REDUCER ASSEMBLY



SECTION 1 - FRAME

FIGURE 1-15. GEAR REDUCER ASSEMBLY

ITEM	PART NUMBER	QTY	DESCRIPTION	REV
	2780138	Ref	GEAR REDUCER ASSEMBLY	G
		Ref	Note: Used on 80HX 2WD/2WS with Vickers Prop Valves and All 80H 2WD & 4WD.	
1	7007663	1	Hub	
2	7007678	2	Bolt	
3	7007673	1	Washer, Thrust	
		Ref	Carrier Sub-Assembly Options:	
	7007665	1	Carrier Sub-Assembly (Prior to Mid 1989)	
	Not Available		Carrier Sub-Assembly (Mid 1989 to Present)	
4		Ref	Carrier Options:	
4	7007666	1	Carrier (Prior to Mid 1989)	
4	7010498	1	Carrier (Mid 1989 to Present)	
5		Ref	Shaft (Output) Options:	
5	7007672	1	Shaft (Prior to Mid 1989)	
5	7010497	1	Shaft (Mid 1989 to Present)	
6	7000285	1	Ring, Retaining	
7	7000270	1	Washer, Thrust	
8	7007671	3	Gear, Planet	
9	7007668	57	Roller, Needle	
10	7007670	3	Shaft, Planet	
11	7007669	3	Pin, Spring	
12	7007667	6	Washer, Thrust	
13	7007676	1	Gear, Input	
14	7007675	1	Washer, Thrust	
15	7007677	2	O-Ring	
16	7007664	1	Gear, Ring	
17	7000253	1	Washer, Thrust	
18	7007674	1	Cover	
19	7007679	3	Plug, Pipe (Not Shown)	

SECTION 1 - FRAME

FIGURE 1-16. DRIVE HUB ASSEMBLIES

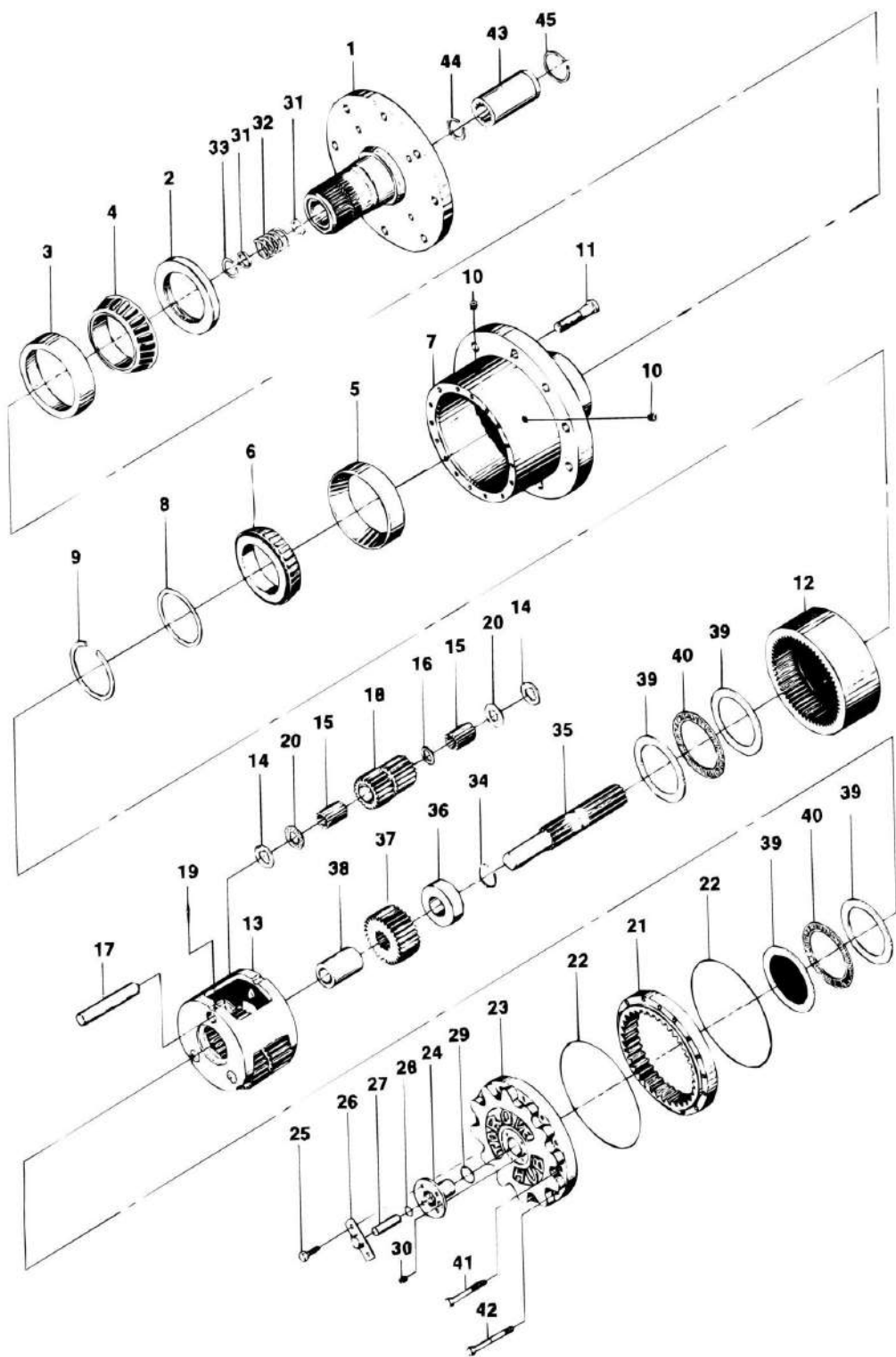


FIGURE 1-16. DRIVE HUB ASSEMBLIES

ITEM	PART NUMBER	QTY	DESCRIPTION	REV
		Ref	DRIVE HUB ASSEMBLIES	
	2780094	Ref	Drive Hub Assembly - 42.5:1 Ratio	A
		Ref	Drive Hub Assembly 80HX 2WD With Racine Prop Valves Built Prior to February 1988	
	2780136	Ref	Drive Hub Assembly - 43:1 Ratio	A
		Ref	Drive Hub Assembly 80HX 2WD With Racine Prop Valves Built February 1988 to Present	
	2780093	Ref	Drive Hub Assembly - 30.04:1 Ratio	-
		Ref	Drive Hub Assembly 80H 2WD With Racine Prop Valves	
		Ref	Drive Hub Assembly 80H 2WD With Vickers Prop Valves Built Prior to October 1989	
	2780142	Ref	Drive Hub Assembly - 24:1 Ratio	-
		Ref	Drive Hub Assembly 80HX 2WD/2WS With Fixed or Oscillating Front Axle/ Vickers Prop Valves	
		Ref	Drive Hub Assembly 80HX 2WD/4WS With Oscillating Front Axle/Vickers Prop Valves	
		Ref	Drive Hub Assembly 80H 4WD May 1988 to Present	
	2780187	Ref	Drive Hub Assembly - 73:1 Ratio	A
		Ref	Drive Hub Assembly 80HX 2WD/4WS With Fixed Front Axle/ Vickers Prop Valves	
	2780144	Ref	Drive Hub Assembly - 54:1 Ratio	-
		Ref	Drive Hub Assembly 80HX 4WD/2WS & 4WD/4WS Built Prior to June 1995	
	2780114	Ref	Drive Hub Assembly - 53.58:1 Ratio	-
		Ref	Drive Hub Assembly 80HX 4WD/2WS & 4WD/4WS Built June 1995 to Present	
	2780146	Ref	Drive Hub Assembly -30.04:1 Ratio	-
		Ref	Drive Hub Assembly 80H 4WD With Vickers Prop Valves	
	7001943	1	Hub and Spindle Assembly (2780094 & 2780114 Hubs)	
	7007662	1	Hub and Spindle Assembly (2780136 Hub)	
	7007665	1	Hub and Spindle Assembly (2780142 & 2780146 Hubs)	
	7007662	1	Hub and Spindle Assembly (2780144 Hub)	
	Not Available	1	Hub and Spindle Assembly (2780187 & 2780093 Hubs)	
1	7001937	1	Spindle (2780094 & 2780114 Hubs)	
1	7007644	1	Spindle (2780136 & 2780144 Hubs)	
1	7007656	1	Spindle (2780142 & 2780146 Hubs)	
1	7010464	1	Spindle (2780187 Hub)	
1	7002021	1	Spindle (2780093Hub)	
2	Kit	1	Seal	
3	7000272	1	Cup, Bearing	
4	7000273	1	Cone, Bearing	
5	7000274	1	Cup, Bearing	
6	7000275	1	Cone, Bearing	
7	7001941	1	Hub (2780094 Hub Only)	
7	7002023	1	Hub (2780093 Hub Only)	
7	7000276	1	Hub (All Others)	
8	Kit	1	Spacer	
9	Kit	1	Ring, Retaining	
10	7001928	2	Plug, Pipe	
11	7000265	10	Bolt (All Hubs Except 2780093)	
11	7002022	10	Bolt (2780093 Hub)	

SECTION 1 - FRAME

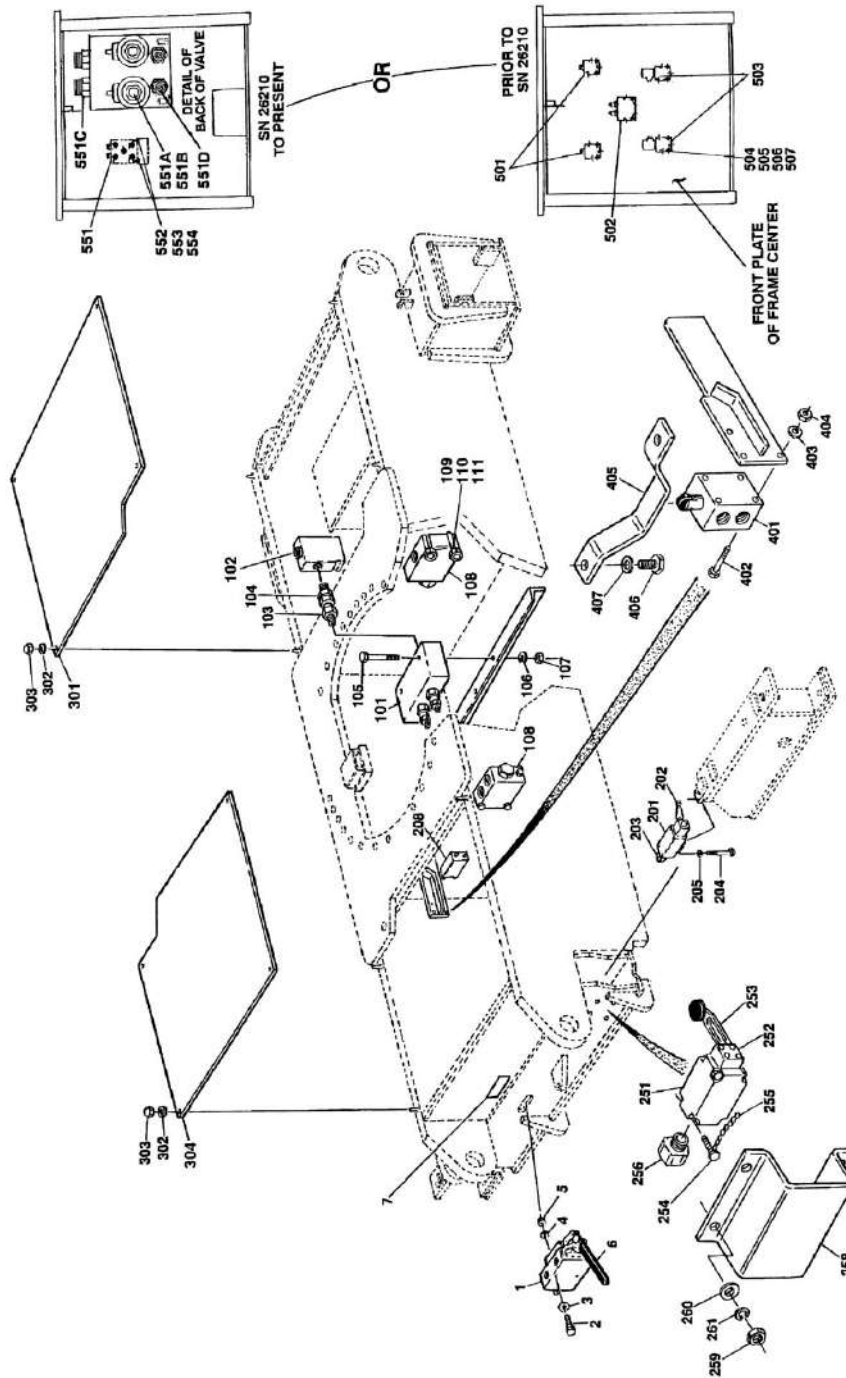
ITEM	PART NUMBER	QTY	DESCRIPTION	REV
12	7001917	1	Gear, Internal (2780094, 2780144 & 2780114 Hubs)	
12	7000277	1	Gear, Internal (2780142 & 2780093 Hubs)	
12	7010466	1	Gear, Internal (2780187 Hub)	
	7001918	1	Carrier Assembly (2780094, 2780144 & 2780114 Hubs)	
	7001933	1	Carrier Assembly (2780093 Hub)	
	7007694	1	Carrier Assembly (2780136 Hub)	
	7007659	1	Carrier Assembly (2780142 Hub)	
	7007680	1	Carrier Assembly (2780146 Hub)	
	Not Available	1	Carrier Assembly (2780187 Hub)	
13	7001900	1	Carrier	
14	7001901	6	Washer, Thrust (2780094, 2780093 & 2780114 Hubs)	
14	7007645	6	Washer, Thrust (2780136, 2780144, 2780146 & 2780187 Hubs)	
15	7001902	84	Roller, Needle	
16	7001903	3	Spacer (2780094, 2780093 & 2780114 Hubs)	
16	7007646	3	Spacer (2780136, 2780142, 2780144, 2780146 & 2780187 Hubs)	
17	7001904	3	Shaft, Pinion	
18	7001927	3	Gear, Cluster (2780094 & 2780114 Hubs)	
18	7007647	3	Gear, Cluster (2780136 & 2780144 Hubs)	
18	7001905	1	Gear Kit, Cluster (2780093 & 2780146 Hubs - Includes Items 14, 16, 19 & Cluster Gears)	
18	7007660	3	Gear, Cluster (2780142 Hub)	
18	7010465	3	Gear, Cluster (2780187 Hub)	
19	7001906	3	Pin, Roll	
20	7007648	6	Washer, Thrust (2780136, 2780144 & 2780187 Hubs)	
20	7007661	6	Washer, Thrust (2780142 & 2780146 Hubs)	
21	7000279	1	Gear, Ring	
22	Kit	2	O-Ring	
22	7000280	1	Cover Assembly	
23	7000218	1	Cover	
24	7000219	1	Cap, Cover	
25	7000220	4	Bolt	
26	Kit	1	Cap, Disconnect	
27	Kit	1	Rod, Disconnect	
28	Kit	1	O-Ring	
29	Kit	1	O-Ring	
30	7000243	1	Plug, Pipe	
31	7000282	2	Washer	
32	7000283	1	Spring	
33	7000284	1	Ring, Retaining	
34	7000285	1	Ring, Retaining	
35	7000222	1	Shaft, Input (2780094, 2780144 & 2780119 Hubs)	
35	7001938	1	Spacer, Thrust (2780093 & 2780146 Hubs)	
35	7007649	1	Shaft, Input (2780136 Hub)	
35	7000292	1	Shaft, Input (2780142 Hub)	
36	7000293	1	Spacer, Thrust (2780094, 2780136 & 2780142 Hubs)	
36	7000286	1	Spacer, Thrust (2780144, 2780093, 2780146 & 2780114 Hubs)	
36	7000468	1	Spacer, Thrust (2780187 Hub)	
37	7001940	1	Gear, Input (2780094 & 2780136 Hubs)	
37	7001939	1	Gear, Input (2780093 & 2780146 Hubs)	
37	7000294	1	Gear, Input (2780142 Hub)	

SECTION 1 - FRAME

ITEM	PART NUMBER	QTY	DESCRIPTION	REV
37	7000221	1	Gear, Input (2780187, 2780144 & 2780114 Hubs)	
38	7000295	1	Spacer, Thrust (2780094, 2780136 & 2780142 Hubs)	
39	7000287	4	Washer, Thrust	
40	7000288	2	Bearing, Thrust	
41	7000289	8	Bolt	
42	7000225	4	Bolt, Shoulder	
43	7000290	1	Coupling (All Except 2780093, 2780146 & 2780142 Hubs)	
43	7000299	1	Coupling (2780093 Hub)	
43	7000296	1	Coupling (2780142 & 2780146 Hubs)	
44	7000297	1	Ring, Retaining (2780093, 2780142 & 2780146 Hubs)	
45	7000298	1	Ring, Retaining (2780093, 2780142 & 2780146 Hubs)	
	2900202	1	Seal Kit (Includes Items 2, 8, 9 & 22)	
	2900138	1	Disconnect Kit (Includes Items 2, 22, 26, 27, 28 & 29)	

SECTION 1 - FRAME

FIGURE 1-17. VALVES AND SWITCHES INSTALLATIONS (FRAME MOUNTED)



SECTION 1 - FRAME

FIGURE 1-17. VALVES AND SWITCHES INSTALLATIONS (FRAME MOUNTED)

ITEM	PART NUMBER	QTY	DESCRIPTION	REV
	0236851	Ref	SELECTOR VALVE INSTALLATION	4
1	4640039	1	Valve, Selector	
1	7006851	2	O-Ring (Valve Seals)	
2	0641632	2	Bolt 3/8in-16NC x 4in	
3	4751600	2	Flatwasher 3/8in	
4	4761600	2	Lockwasher 3/8in	
5	3311601	2	Nut 3/8in-16NC	
5	4565166	1	Spacer (Not Shown)	
6	2980089	1	Lever (Part of Item #1)	
7	3251870	1	Nameplate - Selector Valve	
		Ref	VALVE INSTALLATIONS	
	0236590	Ref	Valve Installations 2WD - Racine Prop Valves (Prior to Mid 1987)	-
	0238014	Ref	Valve Installations 2WD/2WS - Vickers Prop Valves (Mid 1987 to March 1991)	-
	0253697	Ref	Valve Installations 2WD/4WS - Vickers Prop Valves	-
	0251823	Ref	Valve Installations 2WD/2WS March 1991 to Present	A
	0238785	Ref	Valve Installations 4WD/2WS & 4WD/4WS	E
101		Ref	Valve, Counterbalance Options:	
101	4640451	1	Used with Installations - 0236590, 0238014 & 0253697	
101	7010630	2	Cartridge	
101	7011317	2	Seal Kit - 7010630 Cartridge	
101	4640700	1	Used with Installation - 0251823	
101	7011316	1	Cartridge	
101	7011317	2	Seal Kit - 7011316 Cartridge	
101	4640682	1	Used with Installation - 0238785	
101	7011316	1	Cartridge	
101	7011317	2	Seal Kit - 7011316 Cartridge	
102		Ref	Valve, Flow Divider Options:	
102	4640443	1	Used with Installation - 0236590	
102	7009739	2	Seal Kit	
102	4640260	1	Used with Installations - 0238014, 0253697, 0251823 & 0238785	
102	Not Available	1	Cartridge (Vickers/Modular Control Version)	
102	7009739	1	Seal Kit (Vickers/Modular Control Version)	
102	7007321	1	Cartridge (Fluid Control Version)	
102	7007323	1	Seal Kit (Fluid Control Version)	
103	2180134	1	Fitting, Straight	
104	2220061	1	Fitting, Adapter	
105	0641626	2	Bolt 3/8in-16NC x 3 1/4in	
106	4761600	2	Lockwasher 3/8in	
107	3311601	2	Nut 3/8in-16NC	
108	4640671	2	Valve, Flow Divider (Used with installation 0238785 Only)	
108	70003445	1	Cartridge (was p/n 7007322)	
109	0641520	4	Bolt 5/16in-18NC x 2 1/2in	
110	4761500	4	Lockwasher 5/16in	
111	4751500	4	Flatwasher 5/16in	
	0237129	Ref	AXLE LIMIT SWITCH INSTALLATION (80HX FIXED FRONT AXLE)	F
201	4360057	4	Switch, Limit	

SECTION 1 - FRAME

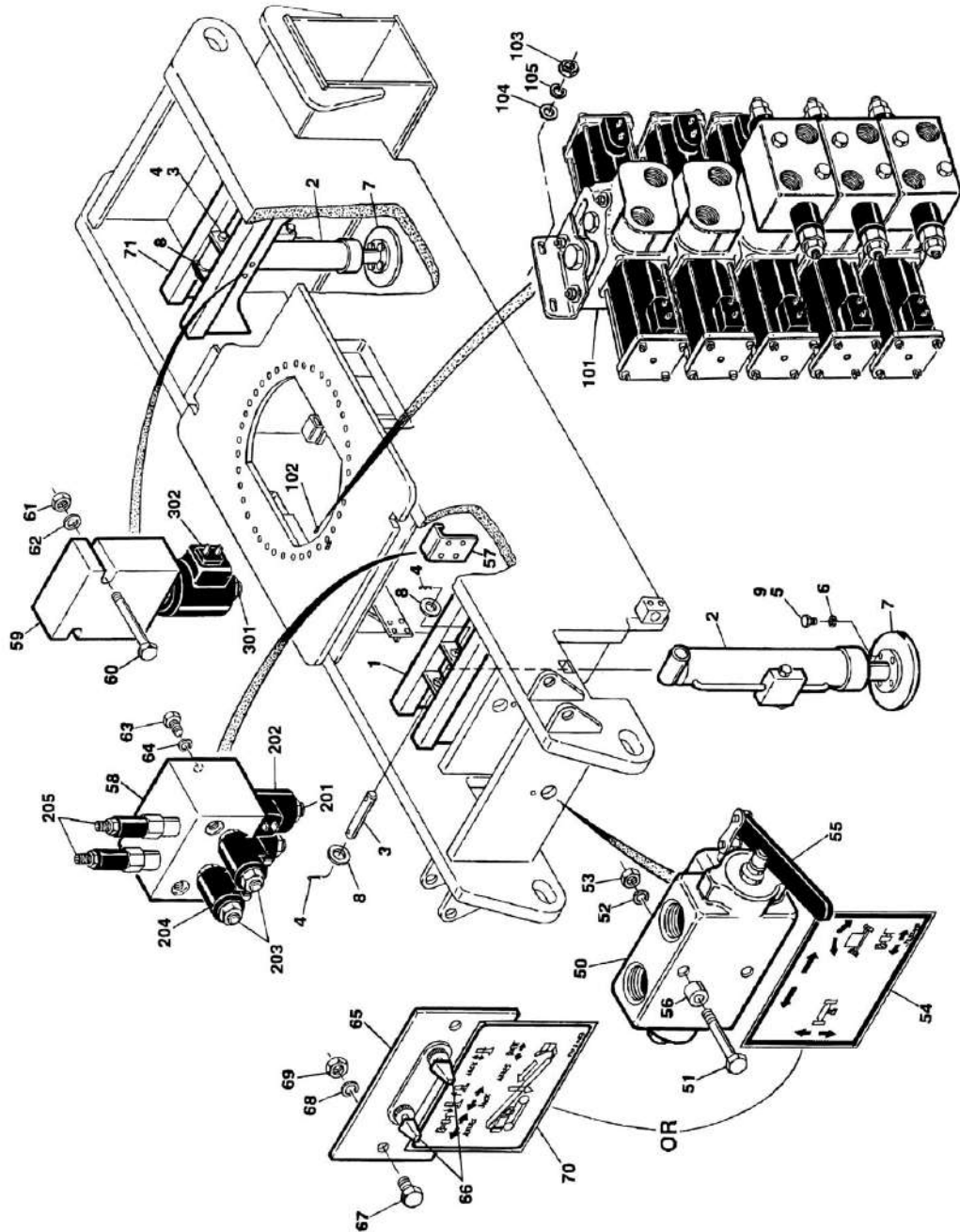
ITEM	PART NUMBER	QTY	DESCRIPTION	REV
202	0200189	4	Arm, Switch	
203	4460049	4	Connector, Strain Relief	
204	0721014	8	Bolt #10-24NC x 1 3/4in	
205	4761000	8	Lockwasher #10	
206	0100011	AR	Loctite #242 (Not Shown)	
208	0860037	1	Box, Electrical	
208	3500812	1	Cover	
208	4460023	5	Connector, Terminal	
208	4300031	2	Stud (Welded on Part)	
208	3311401	2	Nut 1/4in-20NC	
208	4761400	2	Lockwasher 1/4in	
	0255989	Ref	AXLE LIMIT SWITCH INSTALLATION (80HX OSCILLATING FRONT AXLE)	-
251	4360277	4	Switch, Limit	
252	4360236	4	Head, Switch	
253	4360237	4	Arm, Switch	
254	3900168	8	Bolt #10-24NC x 1 1/2in	
255	4920140	4	Lockwire	
256	4460049	4	Connector, Strain Relief	
258	3500812	1	Cover	
259	3311401	8	Nut 1/4in-20NC	
260	4751400	8	Flatwasher 1/4in	
261	4761400	8	Lockwasher 1/4in	
		Ref	FRAME SHIELDS INSTALLATIONS	
	0236876	Ref	Frame Shields Installations 80HX - 2WD Fixed Front Axle	A
	0250220	Ref	Frame Shields Installations 80HX - 4WD Fixed Front Axle (Prior to August 1991)	-
	0252234	Ref	Frame Shields Installations 80HX - 4WD Fixed Front Axle (August 1991 to Present)	A
	0255986	Ref	Frame Shields Installations 80HX - 2WD & 4WD Oscillating Front Axle	-
	0237321	Ref	Frame Shields Installations 80H - 2WD & 4WD	A
301		Ref	Shield - Rear Options:	
301	4060431	1	Used with Installations 0236876 & 0250220	
301	4060702	1	Used with Installation 0252234 & 0255986	
301	4060649	1	Used with Installation 0237321	
302	4761400	8	Lockwasher 1/4in	
303	3300151	8	Nut, Acorn 1/4in-20NC	
304		Ref	Shield - Front Options:	
304	4060432	1	Used with Installation 0236876	
304	4060702	1	Used with Installations 0250220 & 0252234	
304	4060908	1	Used with Installation 0255986	
304	4060649	1	Used with Installation 0237321	
	0255987	Ref	AXLE LOCKOUT VALVE INSTALLATION - REQUIRED FOR OSCILLATING AXLE	3
401	4640871	1	Valve, Axle Lockout	
401	7012693	1	Seal Kit	
401	7002840	1	Anti-Rotation Pin Removal Tool	
402	0641416	4	Bolt 1/4in-20NC x 2in	
403	4751400	4	Flatwasher 1/4in	
404	3311405	4	Locknut 1/4in-20NC	
405	1100099	1	Cam Assembly	

SECTION 1 - FRAME

ITEM	PART NUMBER	QTY	DESCRIPTION	REV
406	0641810	2	Bolt 1/2in-13NC x 1 1/4in	
407	4751800	2	Flatwasher 1/2in	
408	0100019	AR	Loctite #271 (Not Shown)	
	0256601	Ref	STEER/AXLE SELECT VALVES INSTALLATION - REQUIRED FOR OSCILLATING AXLE (Prior to SN 26210)	-
501	4640968	2	Valve, 2 Way	
501	7012996	2	Cartridge (1 Per Assembly)	
501	7012518	2	Seal Kit - 7012996 Cartridge (1 Per Assembly)	
502	4640479	1	Valve, Holding	
502	7011320	1	Cartridge	
502	2900770	1	Seal Kit	
503	4640967	2	Valve, 3 Way	
503	7012995	2	Cartridge Less Coil (1 Per Assembly)	
503	7012518	2	Seal Kit - 7012995 Cartridge (1 Per Assembly)	
503	7000645	2	Coil (1 Per Assembly)	
504	3311401	10	Nut 1/4in-20NC	
505	4751500	10	Flatwasher 5/16in	
506	4761500	10	Lockwasher 5/16in	
507	4560927	4	Spacer	
508	4921854	1	Harness - Extendable Axle (Not Shown)	
	0256611	Ref	STEER/AXLE SELECT VALVES INSTALLATION - REQUIRED FOR OSCILLATING AXLE (SN 26210 to Present)	2
551	4640986	1	Valve Assembly	
551A	7012995	2	Cartridge Less Coil	
551A	7012518	2	Seal Kit - 7012995 Cartridge (1 Per Assembly)	
551B	7000645	2	Coil	
551C	7017409	2	Cartridge, Directional	
551C	7012518	2	Seal Kit - 7017409 Cartridge (1 Per Assembly)	
551D	7011336	2	Cartridge	
551D	2900770	2	Seal Kit - 7011336 Cartridge (1 Per Assembly)	
552	0641506	2	Bolt 5/16in-18NC x 3/4in	
553	4751500	2	Flatwasher 5/16in	
554	0100019	AR	Loctite #271 (Not Shown)	
555	4921854	1	Harness - Extendable Axle (Not Shown)	

SECTION 1 - FRAME

FIGURE 1-18. AXLE LIFT CYLINDER INSTALLATIONS



SECTION 1 - FRAME

FIGURE 1-18. AXLE LIFT CYLINDER INSTALLATIONS

ITEM	PART NUMBER	QTY	DESCRIPTION	REV
		Ref	AXLE LIFT CYLINDER INSTALLATION (STANDARD PARTS - WHEN EQUIPPED)	
1	4843122	1	Bracket Weldment (Part of Frame Weldment July 2000 to Present)	
2		Ref	Axle Lift Cylinder Assembly Options: (See Section 5 for Breakdown)	
2	1681991	AR	Axle Lift Cylinder Assembly (Prior to SN 34133) (Prior to SN 34133)	
2	1683596	AR	Axle Lift Cylinder Assembly (SN 34133 to Present) (SN 34133 to Present)	
3	3421584	AR	Pin	
4	3450508	AR	Pin, Cotter	
5		Ref	Bolt Options:	
5	0641809	AR	Bolt 1/2in-13NC x 1 1/8 (Prior to SN 34133)	
5	0641844	AR	Bolt 1/2in-13NC x 5 1/2 (SN 34133 to Present)	
6		Ref	Hardware Options:	
6	4761800	AR	Lockwasher 1/2 (Prior to SN 34133)	
6	3311805	AR	Locknut 1/2in-13NC (SN 34133 to Present)	
7		Ref	Plate, Base Options:	
7	3532839	AR	Plate, Base (Prior to SN 34133) (Prior to SN 34133)	
7	3340831	AR	Plate, Base (SN 34133 to Present) (SN 34133 to Present)	
8	4713400	AR	Flatwasher 1 1/2in	
9	0100011	AR	Loctite #242 (Not Shown) (Prior to SN 34133)	
		Ref	AXLE LIFT CYLINDER INSTALLATION (VARIABLE PARTS)	
	0250926	Ref	Axle Lift Cylinder Installation 80HX with Fixed Front Axle/Single Axle Lift Cylinder	9
50	4640039	1	Valve, Control Options	
51	0641632	2	Bolt 3/8in-16NC x 4in	
52	4761600	2	Lockwasher 3/8in	
53	3311601	2	Nut 3/8in-16NC	
54	3252453	1	Nameplate	
55	2980089	AR	Lever Options	
55	4751400	6	Flatwasher 1/4in (Used with Lever when Required)	
56	4565166	AR	Tube, Spacer	
	0256666	Ref	Axle Lift Cylinder Installation 80HX 2WS with Fixed Front Axle/Dual Axle Lift Cylinders	3
	0256131	Ref	Axle Lift Cylinder Installation 80HX 4WS with Fixed Front Axle/Dual Axle Lift Cylinders	2
	0256580	Ref	Axle Lift Cylinder Installation 80HX 2WD with Oscillating Front Axle/Single Axle Lift Cylinder	4
	0256579	Ref	Axle Lift Cylinder Installation 80HX with Oscillating Front Axle/Dual Axle Lift Cylinders	4
57		Ref	Plate, Valve Mounting Options (Part of Frame July 2000 To Present When Required):	
57	3539843	1	Plate, Valve Mounting 80HX 2WS with Fixed Front Axle/Dual Axle Lift Cylinders	
57	Not Required	0	Plate, Valve Mounting 80HX 4WS with Fixed Front Axle/Dual Axle Lift Cylinders	
57	3539843	1	Plate, Valve Mounting 80HX 2WD with Oscillating Front Axle/Single Axle Lift Cylinder	
57	3539843	1	Plate, Valve Mounting 80HX with Oscillating Front Axle/Dual Axle Lift Cylinder	
58		Ref	Select Valve Assembly Options (See Items 201-205 for Brekdown)	

SECTION 1 - FRAME

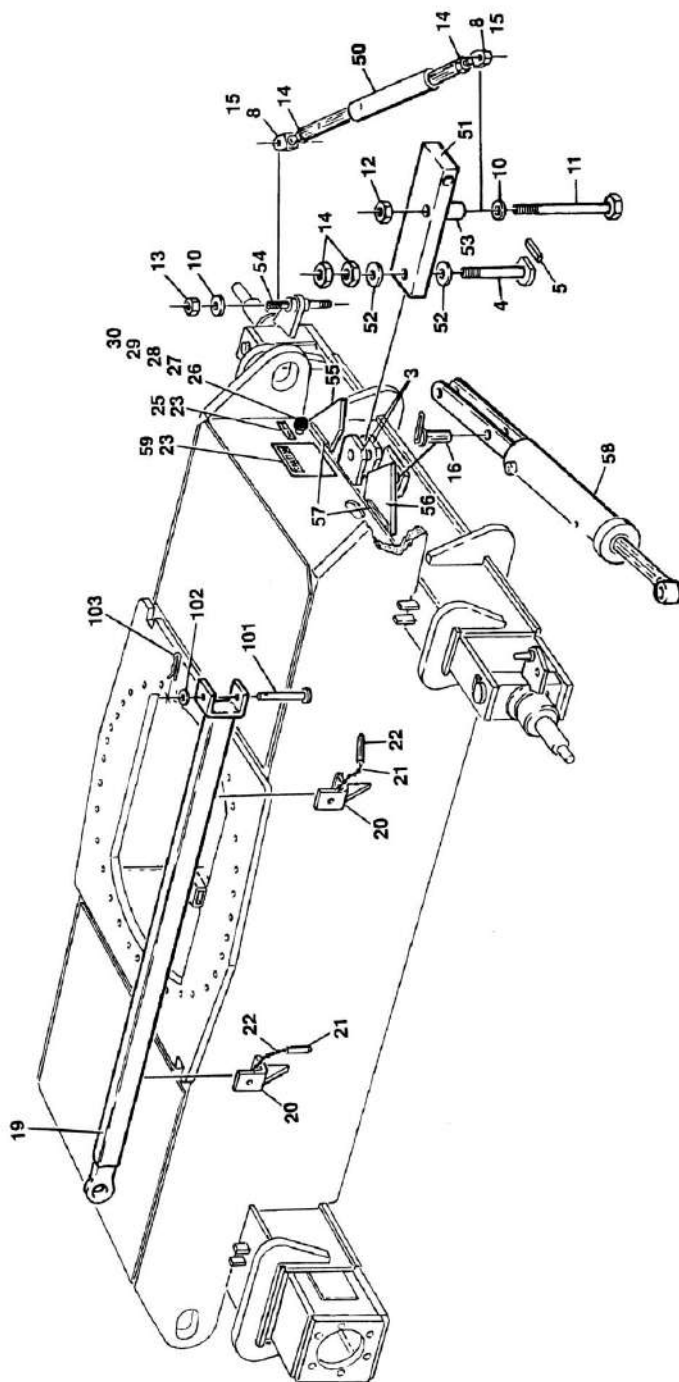
ITEM	PART NUMBER	QTY	DESCRIPTION	REV
58	4640987	1	Select Valve Assembly 80HX 2WS with Fixed Front Axle/Dual Axle Lift Cylinders	
58	Not Required	0	Select Valve Assembly 80HX 4WS with Fixed Front Axle/Dual Axle Lift Cylinders	
58	4640987	1	Select Valve Assembly 80HX 2WD with Oscillating Front Axle/Single Axle Lift Cylinder	
58	4640987	1	Select Valve Assembly 80HX with Oscillating Front Axle/Dual Axle Lift Cylinder	
59		Ref	3 Way Valve Assembly Options (See Items 301-302 for Breakdown)	
59	4640967	2	3 Way Valve Assembly 80HX 2WS with Fixed Front Axle/Dual Axle Lift Cylinders	
59	Not Required	0	3 Way Valve Assembly 80HX 4WS with Fixed Front Axle/Dual Axle Lift Cylinders	
59	Not Required	0	3 Way Valve Assembly 80HX 2WD with Oscillating Front Axle/Single Axle Lift Cylinder	
59	4640967	2	3 Way Valve Assembly 80HX with Oscillating Front Axle/Dual Axle Lift Cylinder	
60	0641414	AR	Bolt 1/4in-20NC x 1 3/4in	
61	4711400	AR	Flatwasher 1/4in (Narrow)	
62	3311405	AR	Locknut 1/4in-20NC	
63	0641506	AR	Bolt 5/16in-18NC x 3/4in	
64	4751500	AR	Flatwasher 5/16in	
65		Ref	Plate, Switch Mounting Options:	
65	3539631	2	Plate, Switch Mounting 80HX 2WS with Fixed Front Axle/Dual Axle Lift Cylinders	
65	3539631	2	Plate, Switch Mounting 80HX 4WS with Fixed Front Axle/Dual Axle Lift Cylinders)	
65	Not Required	0	Plate, Switch Mounting (80HX 2WD with Oscillating Front Axle/Single Axle Lift Cylinder)	
65	Not Required	0	Plate, Switch Mounting (80HX with Oscillating Front Axle/Dual Axle Lift Cylinder)	
66		Ref	Switch, Toggle - DPDT/MC/CO Options:	
66	4360314	4	Switch, Toggle (80HX 2WS with Fixed Front Axle/Dual Axle Lift Cylinders)	
66	4360314	4	Switch, Toggle (80HX 4WS with Fixed Front Axle/Dual Axle Lift Cylinders)	
66	Not Required	0	Switch, Toggle (80HX 2WD with Oscillating Front Axle/Single Axle Lift Cylinder)	
66	Not Required	0	Switch, Toggle (80HX with Oscillating Front Axle/Dual Axle Lift Cylinder)	
67	0641409	AR	Bolt 1/4in-20NC x 1 1/8in	
68	4761400	AR	Lockwasher 1/4in	
69	3311401	AR	Nut 1/4in-20NC	
70		Ref	Decal Options:	
70	1703083	2	Decal (80HX 2WS with Fixed Front Axle/Dual Axle Lift Cylinders)	
70	1703083	2	Decal (80HX 4WS with Fixed Front Axle/Dual Axle Lift Cylinders)	
70	Not Required	0	Decal (80HX 2WD with Oscillating Front Axle/Single Axle Lift Cylinder)	
70	Not Required	0	Decal (80HX with Oscillating Front Axle/Dual Axle Lift Cylinder)	
71		Ref	Bracket Weldment (Rear) Options:	
71	4845381	1	Bracket Weldment (80HX 2WS with Fixed Front Axle/Dual Axle Lift Cylinders)	
71	4845381	1	Bracket Weldment (80HX 4WS with Fixed Front Axle/Dual Axle	

SECTION 1 - FRAME

ITEM	PART NUMBER	QTY	DESCRIPTION	REV
71	Not Required	0	Lift Cylinders) Bracket Weldment (80HX 2WD with Oscillating Front Axle/Single Axle Lift Cylinder)	
71	4845381	1	Bracket Weldment (80HX with Oscillating Front Axle/Dual Axle Lift Cylinder)	
		Ref	CONTROL VALVES INSTALLATIONS	
	0256159	Ref	Machines without Prop Tele/without Rotate/with 4WS/with Jacks on Both Ends	-
	0256158	Ref	Machines without Prop Tele/with Rotate/with 4WS/with Jacks on Both Ends	-
	0256302	Ref	Machines with Prop Tele/without Rotate/with 4WS/with Jacks on Both Ends	2
	0256301	Ref	Machines with Prop Tele/with Rotate/with 4WS/with Jacks on Both Ends	2
101	4640973	1	Valve Assembly - 5 Stack Racine Bang-Bang	A
101	7002315	3	Valve Section with Crossover Relief Valve	
101	7000468	3	Crossover Relief Valve Block Assembly	
101	7004894	2	Valve Section	
101	7004859	10	Solenoid Assembly - Complete (2 per Section)	
101	7000418	10	Solenoid (1 per Assembly)	
101	7000414	5	Seal Kit - 7002315 & 7004894 Sections	
102	4300038	4	Stud (Welded on Part)	
103	3311501	4	Nut 5/16in-18NC	
104	4751500	4	Flatwasher 5/16in	
105	4761500	4	Lockwasher 5/16in	
	4640987	Ref	SELECT VALVE ASSEMBLY	
201	7012995	2	Cartridge Less Coil	
201	7012518	2	Seal Kit (1 Per Assembly)	
202	7000645	2	Coil (1 Per Assembly)	
203	7017408	2	Cartridge Less Coil	
203	7012967	2	Seal Kit (1 Per Assembly)	
204	7012539	2	Coil (1 Per Assembly)	
205	7012912	2	Cartridge, Relief	
205	7012998	2	Seal Kit (1 Per Assembly)	
	4640967	Ref	3 WAY VALVE ASSEMBLY	
301	7012995	1	Cartridge Less Coil	
301	7012518	1	Seal Kit (1 Per Assembly)	
302	7000645	1	Coil (1 Per Assembly)	

SECTION 1 - FRAME

FIGURE 1-19. TOW PACKAGE INSTALLATION



SECTION 1 - FRAME

FIGURE 1-19. TOW PACKAGE INSTALLATION

ITEM	PART NUMBER	QTY	DESCRIPTION	REV
		Ref	TOW PACKAGE INSTALLATION (STANDARD PARTS)	
3	3040145	2	Lug, Hitch	
4	3420860	1	Pin, Steer Pivot	
5	2880410	1	Key	
8	0560605	2	Block, Tie-Rod	
10	0440091	2	Washer, Bronze	
11	3900146	1	Bolt 1in- 8NC x 7 1/2in (Grade 8)	
12	3312601	1	Nut 1in- 8NC	
13	3312605	2	Locknut 1in- 8NC	
14	3323002	4	Nut, Jam 1 1/4in- 12NF	
15	2166003	3	Fitting, Grease	
16	3421892	1	Pin, Clevis	
19	0251221	1	Tow Bar Assembly (Includes Items 101-103)	
20	4841055	2	Mount, Tow Bar	
21	3420292	2	Pin, Quick Release	
22	1260017	16	Chain	
		in/41cm		
23	3820001	4	Rivet	
25	3250872	1	Nameplate - Tow Select	
26	4640261	1	Valve, Select	
27	0641507	2	Bolt 5/16in-18NC x 7/8in	
28	4751500	2	Flatwasher 5/16in	
29	4761500	2	Lockwasher 5/16in	
30	0900479	1	Bracket	
		Ref	TOW PACKAGE INSTALLATION (VARIABLE PARTS)	
	0237358	Ref	Tow Package Installation (80HX 2WD without Stops Includes):	A
	0237357	Ref	Tow Bar and Valve Installation	A
	0237355	Ref	Hitch and Tie-Rod Installation	5
	0251185	Ref	Tow Package Installation (80HX 2WD with Stops)	5
	0255073	Ref	Tow Package Installation (80HX 4WD with Stops) (Not Shown)	2
	0239165	Ref	Tow Package Installation (80H 2WD Includes):	-
	0237357	Ref	Tow Bar and Valve Installation	A
	0239164	Ref	Hitch and Tie-Rod Installation	A
	0251718	Ref	Tow Package Installation (80H 4WD)	B
50		Ref	Link, Steer Options:	
50	4842759	1	Link, Steer (80HX 2WD)	
50	4842759	1	Link, Steer (80HX 4WD Prior to May 1995)	
50	4845128	1	Link, Steer (80HX 4WD May 1995 to Present)	
50	4564066	1	Link, Steer (80H 2WD)	
50	3841115	1	Link, Steer (80H 4WD)	
51		Ref	Hitch, Steer Options:	
51	2620022	1	Hitch, Steer (80HX 2WD) (Prior to SN 29425)	
51	2620041	1	Hitch, Steer (80HX 2WD) (SN 29425 to Present)	
51	2620042	1	Hitch, Steer (80HX 4WD)	
51	2620022	1	Hitch, Steer (80H 2WD & 4WD)	
52		Ref	Washer, Bronze Options:	
52	4740311	2	Washer, Bronze (80HX 2WD without Stops)	
52	4740274	2	Washer, Bronze (80HX 2WD with Stops)	
52	4740311	2	Washer, Bronze (80HX 4WD with Stops)	
52	4753000	2	Washer, Bronze (80H 2WD & 4WD)	

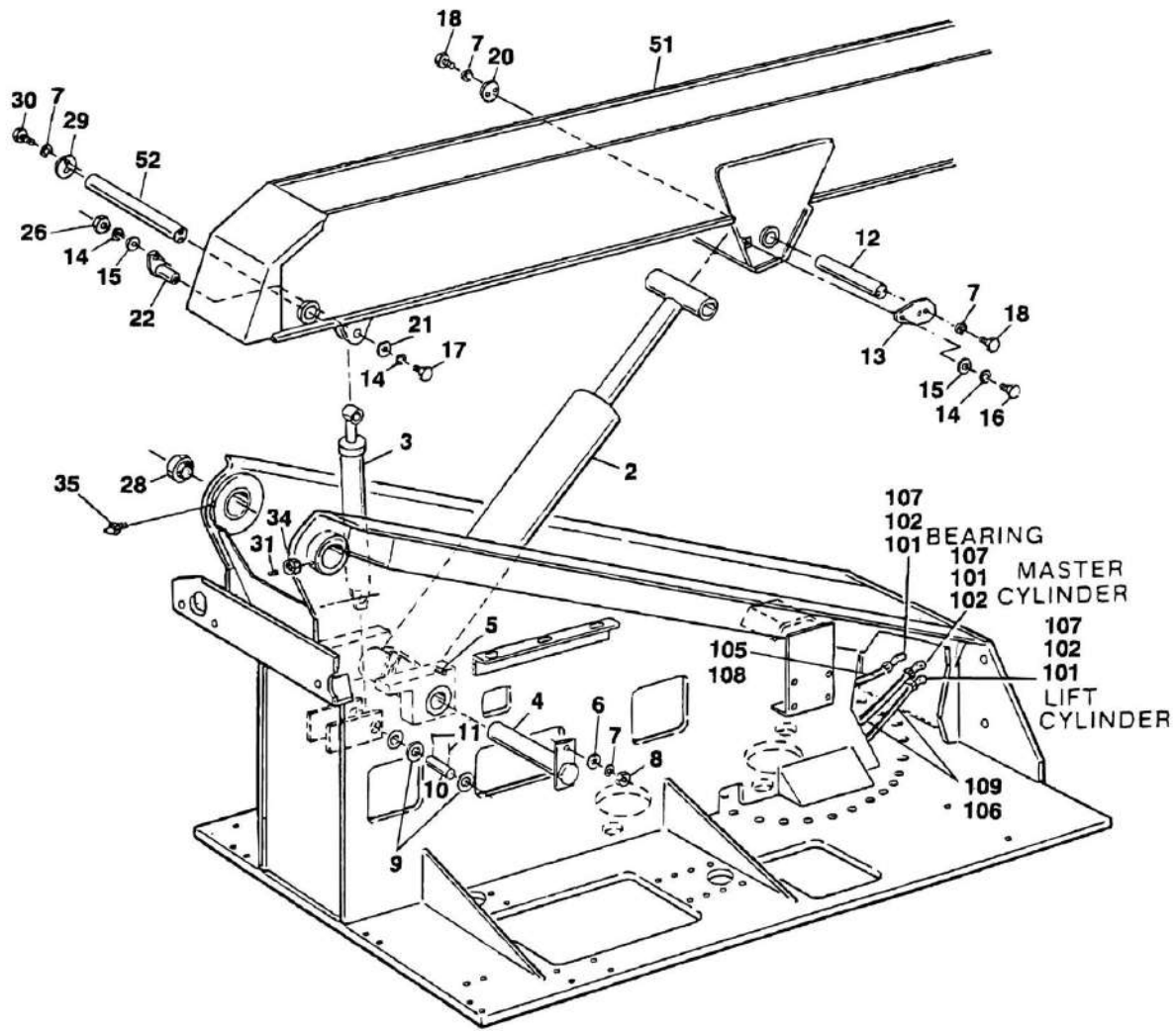
SECTION 1 - FRAME

ITEM	PART NUMBER	QTY	DESCRIPTION	REV
53		Ref	Bushing Options:	
53	0960071	1	Bushing (80HX 2WD) (Prior to SN 29425)	
53	Not Required	0	Bushing (80HX 2WD) (SN 29425 to Present)	
53	Not Required	0	Bushing (80HX 4WD)	
53	0960268	1	Bushing (80H 2WD & 4WD)	
54		Ref	Hardware Options:	
54	3421325	1	Pin - 80HX 2WD	
54	0642630	2	Bolt 1in-8NC x 3 3/4in - 80HX 4WD	
54	9982256	1	Pin - 80H 2WD	
54	3421880	1	Pin - 80H 4WD	
55		Ref	Stop (Left Side) Options:	
55	Not Required	0	Stop (Left Side) (80HX 2WD without Stops)	
55	3534605	1	Stop (Left Side) (80HX 2WD with Stops)	
55	0561175	1	Stop (Left Side) (80HX 4WD with Stops)	
55	Not Required	0	Stop (Left Side) (80H without Stops)	
55	Not Available	1	Stop (Left Side) (80H 2WD with Stops)	
56		Ref	Stop (Right Side) Options:	
56	Not Required	0	Stop (Right Side) (80HX 2WD without Stops)	
56	3534606	1	Stop (Right Side) (80HX 2WD with Stops)	
56	0561176	1	Stop (Right Side) (80HX 4WD with Stops)	
56	Not Required	0	Stop (Right Side) (80H without Stops)	
56	Not Available	1	Stop (Right Side) (80H 2WD with Stops)	
57		Ref	Bar Options:	
57	Not Required	0	Bar (80HX 2WD without Stops)	
57	0361922	2	Bar (80HX 2WD with Stops)	
57	Not Required	0	Bar (80HX 4WD with Stops)	
57	Not Required	0	Bar (80H without Stops)	
57	Not Available	2	Bar (80H 2WD with Stops)	
58		Ref	Steer Cylinder Assembly Options (See CYLINDER SECTION for Breakdown):	
58	1681564	1	Steer Cylinder Assembly Options (80HX 2WD without Stops)	
58	1682500	1	Steer Cylinder Assembly Options (80HX 2WD with Stops)	
58	1682268	1	Steer Cylinder Assembly Options (80HX 4WD with Stops)	
58	1681562	1	Steer Cylinder Assembly Options (80H 2WD)	
58	1682489	1	Steer Cylinder Assembly Options (80H 4WD)	
59		Ref	Decal - Caution Options:	
59	3250840	1	Decal (Prior to May 1994)	
59	1702305	1	Decal (May 1994 to S/N 39228)	
59	1702305	1	Decal (80HX 2WD without Stops and All 80H) (SN 39228 to Present)	
59	1702968	1	Decal (80HX 4WD & 80HX 2WD with Stops) (SN 39228 to Present)	
	0232121	Ref	TOW BAR ASSEMBLY	7
101	3420447	1	Pin, Tow	
102	4740036	1	Flatwasher, Special	
103	3420372	1	Pin, Cotter	

SECTION 2 - TURNTABLE

SECTION 2 - TURNTABLE

FIGURE 2-1. BOOM, TURNTABLE AND BEARING LUBE INSTALLATION



SECTION 2 - TURNTABLE

FIGURE 2-1. BOOM, TURNTABLE AND BEARING LUBE INSTALLATION

ITEM	PART NUMBER	QTY	DESCRIPTION	REV
		Ref	TURNTABLE OPTIONS:	
	4620017	1	Turntable (Racine Prop Valve)	
	4620022	1	Turntable (Vickers Prop Valve - Prior to December 1992)	
	4620083	1	Turntable (Vickers Prop Valve - December 1992 to Present)	
		Ref	BOOM INSTALLATIONS	
	0236816	Ref	ANSI Spec 80HX & 80H Built Prior To May 1992	L
	0253034	Ref	ANSI Spec 80HX & 80H Built May 1992 To Present	B
	0253051	Ref	ANSI Spec 80HX & 80H With Chip Covers	B
	0255182	Ref	ANSI Spec 80HX & 80H With Inverted Power Track	-
	0255056	Ref	ANSI Spec 80HX & 80H With 1 1/4in Waterline	A
	0251706	Ref	CSA Spec 80HX & 80H Built Prior To May 1992	C
	0253037	Ref	CSA Spec 80HX & 80H Built May 1992 To Present	B
	0250012	Ref	Hydraulic Controls 80HX & 80H Built Prior To May 1992	D
	0253035	Ref	Hydraulic Controls 80HX & 80H Built May 1992 To Present	B
	0254370	Ref	Hydraulic Controls 80HX & 80H With Chip Covers	A
	0258376	Ref	Modified 80HX	1
	0238153	Ref	ANSI Spec 80HX+6 Built Prior To May 1992	H
	0253038	Ref	ANSI Spec 80HX+6/86HX Built May 1992 To Present	B
	0253053	Ref	ANSI Spec 80HX+6/86HX With Chip Covers	B
	0254322	Ref	ANSI Spec 80HX+6/86HX With Inverted Powertrack	A
	0252634	Ref	ANSI Spec 80HX+6/86HX With Weld Leads Built Prior To May 1992	
	0253044	Ref	ANSI Spec 80HX+6/86HX With Weld Leads Built May 1992 To Present	B
	0240043	Ref	ANSI Spec U/L Listed 80HX+6/86HX Built Prior To May 1992	A
	0253040	Ref	ANSI Spec U/L Listed 80HX+6/86HX Built May 1992 To Present	B
	0251836	Ref	CSA Spec 80HX+6/86HX Built Prior To May 1992	B
	0253041	Ref	CSA Spec 80HX+6/86HX Built May 1992 To Present	A
	0271406	Ref	CSA Spec 80HX	1
2		Ref	Lift Cylinder Assembly Options (See CYLINDER SECTION for Breakdown):	
2	1681559	1	Lift Cylinder Assembly (Prior to May 1992)	
2	1682691	1	Lift Cylinder Assembly (May 1992 to Present) (TUV Style)	
3	1681580	1	Master Level Cylinder Assembly (See CYLINDER SECTION for Breakdown)	
4	4040126	1	Shaft	
5	4300045	2	Stud	
6	4751800	2	Flatwasher 1/2in	
7	4761800	10	Lockwasher 1/2in	
8	3311805	2	Locknut 1/2in-13NC	
9	4740040	2	Flatwasher	
10	3420085	1	Pin, Clevis 1 1/4in x 5/16in	
11	3450610	2	Pin, Cotter 3/16in x 2 1/2in	
12		Ref	Pin, Cross Options:	
12	3421165	1	Pin, Cross (Prior to January 1988)	
12	3421520	1	Pin, Cross (January 1988 to Present)	
13	3530120	1	Plate, Retainer	
14	4761600	3	Lockwasher 3/8in	
15	4751600	2	Flatwasher 3/8in	
16	0641606	1	Bolt 3/8in-16NC x 3/4in	

SECTION 2 - TURNTABLE

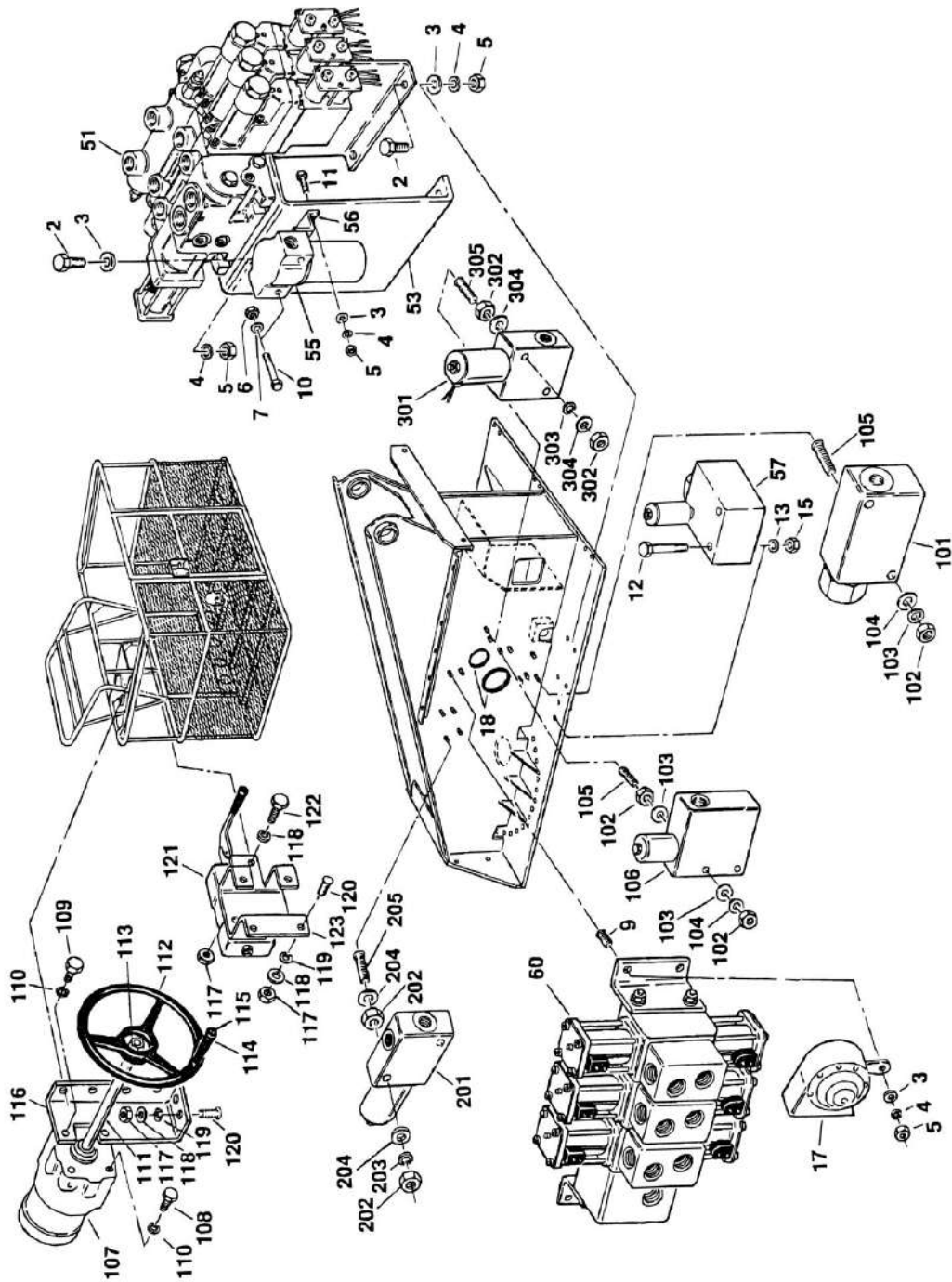
ITEM	PART NUMBER	QTY	DESCRIPTION	REV
17	0651608	1	Bolt 3/8in-24NF x 1in	
18	0641811	4	Bolt 1/2in-13NC x 1 3/8in	
19	0100019	AR	Loctite #271 (Not Shown)	
20	4740277	1	Flatwasher	
21	4740006	1	Flatwasher	
22	0236548	1	Pin	
23	4300034	1	Stud (Not Shown)	
26	3311601	1	Nut 3/8in-16NC	
28	0960562	2	Bushing, Self-Aligning (Part of Turntable Weldment)	
29	1120192	2	Cap, Boom Pivot	
30	0681808	4	Bolt 1/2in-13NC x 1in (Grade 8)	
31	3952016	2	Setscrew 5/8in-11NC x 2in	
34	3312002	2	Nut, Jam 5/8in-11NC	
35	2160006	2	Fitting, Grease	
51		Ref	Boom Assembly Options (See BOOM SECTION for Breakdown):	
51		Ref	80HX & 80H:	
51	0800662	1	ANSI Spec 80HX & 80H Built Prior To May 1992	
51	0800807	1	ANSI Spec 80HX & 80H Built May 1992 To Present	
51	0800814	1	ANSI Spec 80HX & 80H With Chip Covers	
51	0801016	1	ANSI Spec 80HX & 80H With Inverted Power Track	
51	0801005	1	ANSI Spec 80HX & 80H With 1 1/4in Waterline	
51	0800662	1	CSA Spec 80HX & 80H Built Prior To May 1992	
51	0800807	1	CSA Spec 80HX & 80H Built May 1992 To Present	
51	0800619	1	Hydraulic Controls 80HX & 80H Built Prior To May 1992	
51	0800808	1	Hydraulic Controls 80HX & 80H Built May 1992 To Present	
51	0800905	1	Hydraulic Controls 80HX & 80H With Chip Covers	
51	0801151	1	Modified 80HX	
51		Ref	80HX+6 & 86HX:	
51	0800663	1	ANSI Spec 80HX+6 Built Prior To May 1992	
51	0800810	1	ANSI Spec 80HX+6/86HX Built May 1992 To Present	
51	0800816	1	ANSI Spec 80HX+6/86HX With Chip Covers	
51	0800878	1	ANSI Spec 80HX+6/86HX With Inverted Powertrack	
51	0800776	1	ANSI Spec 80HX+6/86HX With Weld Leads Built Prior To May 1992	
51	0800813	1	ANSI Spec 80HX+6/86HX With Weld Leads Built May 1992 To Present	
51	0800664	1	ANSI Spec U/L Listed 80HX+6/86HX Built Prior To May 1992	
51	0800812	1	ANSI Spec U/L Listed 80HX+6/86HX Built May 1992 To Present	
51	0800662	1	CSA Spec 80HX+6/86HX Built Prior To May 1992	
51	0800810	1	CSA Spec 80HX+6/86HX Built May 1992 To Present	
52		Ref	Pin Options (Boom Pivot):	
52	4040129	1	ANSI Spec	
52	3421815	1	ANSI Spec with Inverted Power Track	
52	4040129	1	ANSI Spec with Hydraulic Controls	
52	3421815	1	ANSI Spec 80HX+6 Built Prior To May 1992	
52	3421815	1	CSA Spec	
	0237546	Ref	BEARING LUBE INSTALLATION	D
101	2160002	3	Fitting, Grease	
102	2220124	3	Fitting	
105	2750528	1	Hose (60in Length)	
106	2220063	2	Fitting, 90	

SECTION 2 - TURNTABLE

ITEM	PART NUMBER	QTY	DESCRIPTION	REV
107	2180344	3	Fitting, Bulkhead	
108	2220063	1	Fitting, 90	
109	2752427	2	Hose	

SECTION 2 - TURNTABLE

FIGURE 2-2. CONTROL VALVES INSTALLATION - RACINE PROPORTIONAL



SECTION 2 - TURNTABLE

FIGURE 2-2. CONTROL VALVES INSTALLATION - RACINE PROPORTIONAL

ITEM	PART NUMBER	QTY	DESCRIPTION	REV
		Ref	CONTROL VALVES INSTALLATION (STANDARD PARTS)	
2	0641612	AR	Bolt 3/8in-16NC x 1 1/2in	
3	4751600	AR	Flatwasher 3/8in	
4	4761600	AR	Lockwasher 3/8in	
5	3311601	AR	Nut 3/8in-16NC	
6	0641408	AR	Bolt 1/4in-20NC x 1in	
7	4761400	AR	Lockwasher 1/4in	
8	4751400	AR	Flatwasher 1/4in	
9	4300034	AR	Stud (Welded on Part)	
10	0641420	AR	Bolt 1/4in-20NC x 2 1/2in	
11	0641609	AR	Bolt 3/8in-16NC x 1 1/8in	
12	0641528	AR	Bolt 5/16in-18NC x 3 1/2in	
13	4761500	AR	Lockwasher 5/16in	
14	4751500	AR	Flatwasher 5/16in	
15	3311501	AR	Nut 5/16in-18NC	
16	4300033	AR	Stud (Welded on Part)	
17	0140001	1	Horn	
18	4060608	3.4 ft.	Flex-Guard	
		Ref	CONTROL VALVES INSTALLATION FOR MACHINES WITH GEAR PUMP (VARIABLE PARTS):	
	0236360	Ref	Valves Installation - With Prop Tele/ With Rotate/Without Steering Wheel	
	0236361	Ref	Valves Installation - With Prop Tele/Without Rotate/Without Steering Wheel	
	0236362	Ref	Valves Installation - Without Prop Tele/With Rotate/Without Steering Wheel	
	0236363	Ref	Valves Installation - Without Prop Tele/Without Rotate/Without Steering Wheel	
	0236621	Ref	Valves Installation - Without Prop Tele/With Rotate/With Steering Wheel	
	0236622	Ref	Valves Installation - With Prop Tele/With Rotate/With Steering Wheel	
	0236623	Ref	Valves Installation - Without Prop Tele/Without Rotate/With Steering Wheel	
	0236624	Ref	Valves Installation - With Prop Tele/Without Rotate/With Steering Wheel	
51		Ref	Racine Control Valve Options:	
51	4640456	1	Control Valve Assembly - 4 Section (See CONTROL VALVE ASSEMBLY - OUTLET SECTION (RACINE) for Breakdown)	
51	4640455	1	Control Valve Assembly - 3 Section (See CONTROL VALVE ASSEMBLY - OUTLET SECTION (RACINE) for Breakdown)	
53	0901157	1	Bracket, Mounting	
55	2120078	1	Filter Assembly	
55	2120079	1	Element	
56	0901159	1	Bracket, Filter	
57	4640136	1	Solenoid Valve Assembly	
57	7000522	1	Solenoid Cartridge Assembly (With Coil)	
57	7000548	1	Coil	
57	7007320	1	Adjustable Cartridge Assembly	
57	7001507	1	Seal Kit - 4640136 Valve	
60		Ref	Racine Bang-Bang Control Valve Options:	
60	4640247	1	4 Section Valve (See CONTROL VALVE ASSEMBLY -	

SECTION 2 - TURNTABLE

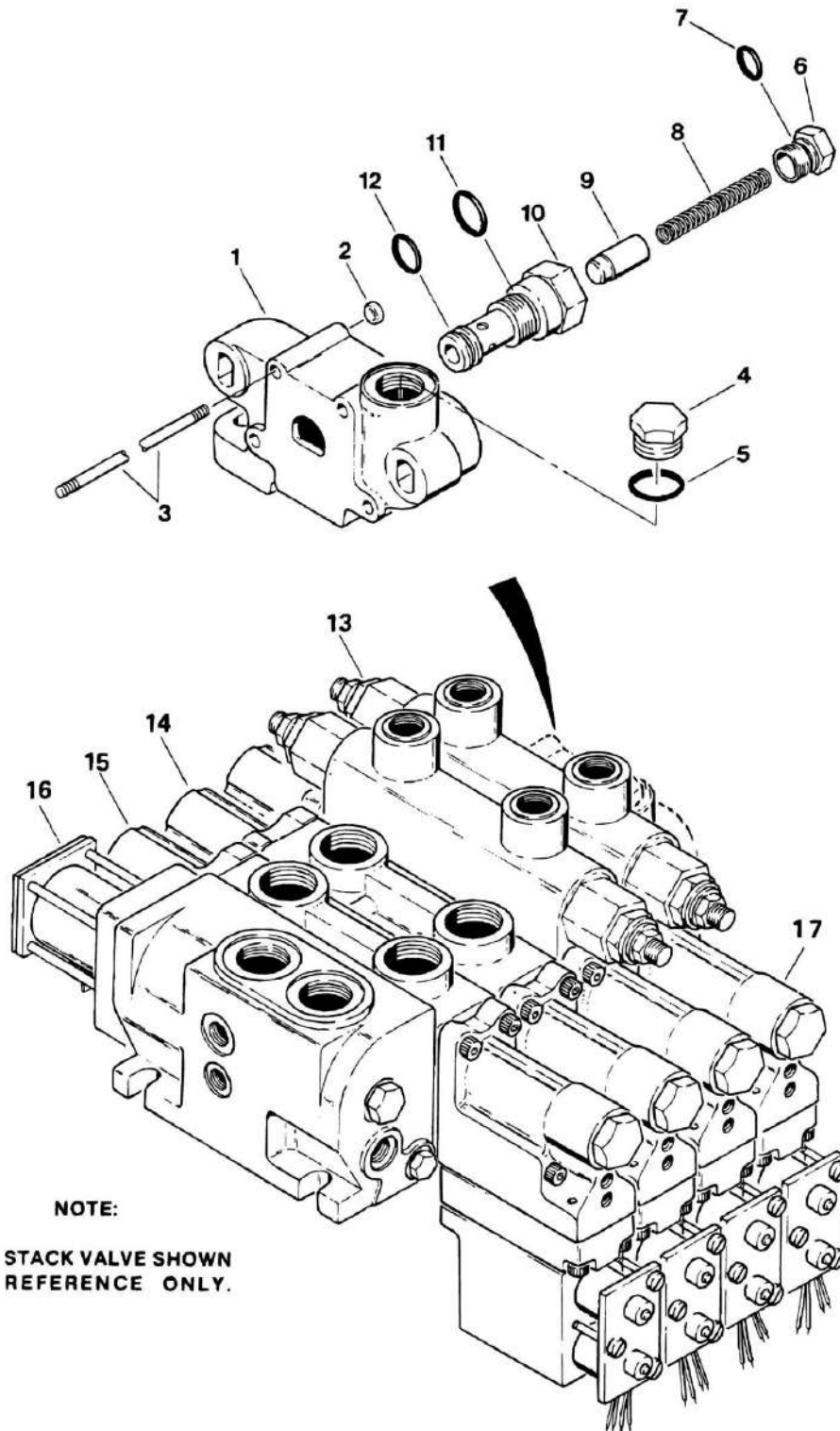
ITEM	PART NUMBER	QTY	DESCRIPTION	REV
60	4640246	1	RACINE BANG-BANG WITH DUMP for Breakdown) 3 Section Valve (See CONTROL VALVE ASSEMBLY - RACINE BANG-BANG WITH DUMP for Breakdown)	
60	4640447	1	2 Section Valve (With Rotate) (See CONTROL VALVE ASSEMBLY - BANG-BANG WITH INLET RELIEF for Breakdown)	
60	4640462	1	2 Section Valve (Without Rotate) (See CONTROL VALVE ASSEMBLY - RACINE BANG-BANG WITH DUMP for Breakdown)	
60	4640461	1	1 Section Valve (See CONTROL VALVE ASSEMBLY - BANG-BANG WITH INLET RELIEF for Breakdown)	
		Ref	CONTROL VALVES INSTALLATION - WITH OPTIONAL STEERING WHEEL	
101	4640151	1	Flow Divider Assembly	
102	3311501	AR	Nut 5/16in-18NC	
103	4751500	AR	Flatwasher 5/16in	
104	4761500	AR	Lockwasher 5/16in	
105	4300033	AR	Stud (Welded on Part)	
106	4640360	1	Dump Valve Assembly	
106	7009745	1	Coil (Vickers/Modular Controls Version)	
106	7004289	1	Solenoid Cartridge Less Coil (Vickers/Modular Controls Version)	
106	7003635	1	Check Valve Cartridge (Vickers/Modular Controls Version)	
106	7004368	1	Coil (Hydraforce Version)	
106	7012910	1	Solenoid Cartridge Less Coil (1989 to Present) (Hydraforce Version)	
106	7010635	1	Solenoid Cartridge Less Coil (Prior to 1989) (Hydraforce Version)	
106	7009798	1	Check Valve Cartridge (Hydraforce Version)	
107	4640408	1	Steer Valve Assembly	
108	0641606	2	Bolt 3/8in-16NC x 3/4in	
109	0641608	2	Bolt 3/8in-16NC x 1in	
110	4761600	4	Lockwasher 3/8in	
111	1460005	1	Column, Steering	
112	4860097	1	Wheel, Steering	
113	3300073	1	Nut, Special	
114	2560066	1	Knob	
115	3900060	1	Bolt, Shoulder	
116	0901255	1	Bracket, Steer Valve	
117	3311401	12	Nut 1/4in-20NC	
118	4761400	12	Lockwasher 1/4in	
119	4751400	12	Flatwasher 1/4in	
120	4300031	10	Stud (Welded on Part)	
121	4640434	1	Rotate Valve Assembly	
122	0641416	2	Bolt 1/4in-20NC x 2in	
123	0901416	1	Bracket, Rotate Valve	
	0236649	Ref	SHUTDOWN VALVE INSTALLATION	
201	4640123	1	Solenoid Valve Assembly	
201	7004368	1	Coil (Hydraforce Version)	
201	7012518	1	Seal Kit (Hydraforce Version)	
201	7000558	1	Coil (FPS Version)	
201	7006075	1	Seal Kit (FPS Version)	
202	3311501	4	Nut 5/16in-18NC	
203	4761500	2	Lockwasher 5/16in	
204	4751500	4	Flatwasher 5/16in	

SECTION 2 - TURNTABLE

ITEM	PART NUMBER	QTY	DESCRIPTION	REV
205	4300033	2	Stud (Welded on Part)	
	0236677	Ref	TWO SPEED DRIVE VALVE INSTALLATION	-
301	4640123	1	Solenoid Valve Assembly	
301	7004368	1	Coil (Hydraforce Version)	
301	7012518	1	Seal Kit (Hydraforce Version)	
301	7000558	1	Coil (FPS Version)	
301	7006075	1	Seal Kit (FPS Version)	
302	3311501	4	Nut 5/16in-18NC	
303	4761500	2	Lockwasher 5/16in	
304	4751500	2	Flatwasher 5/16in	
305	4300033	2	Stud (Welded on Part)	

SECTION 2 - TURNTABLE

FIGURE 2-3. CONTROL VALVE ASSEMBLY - OUTLET SECTION (RACINE)



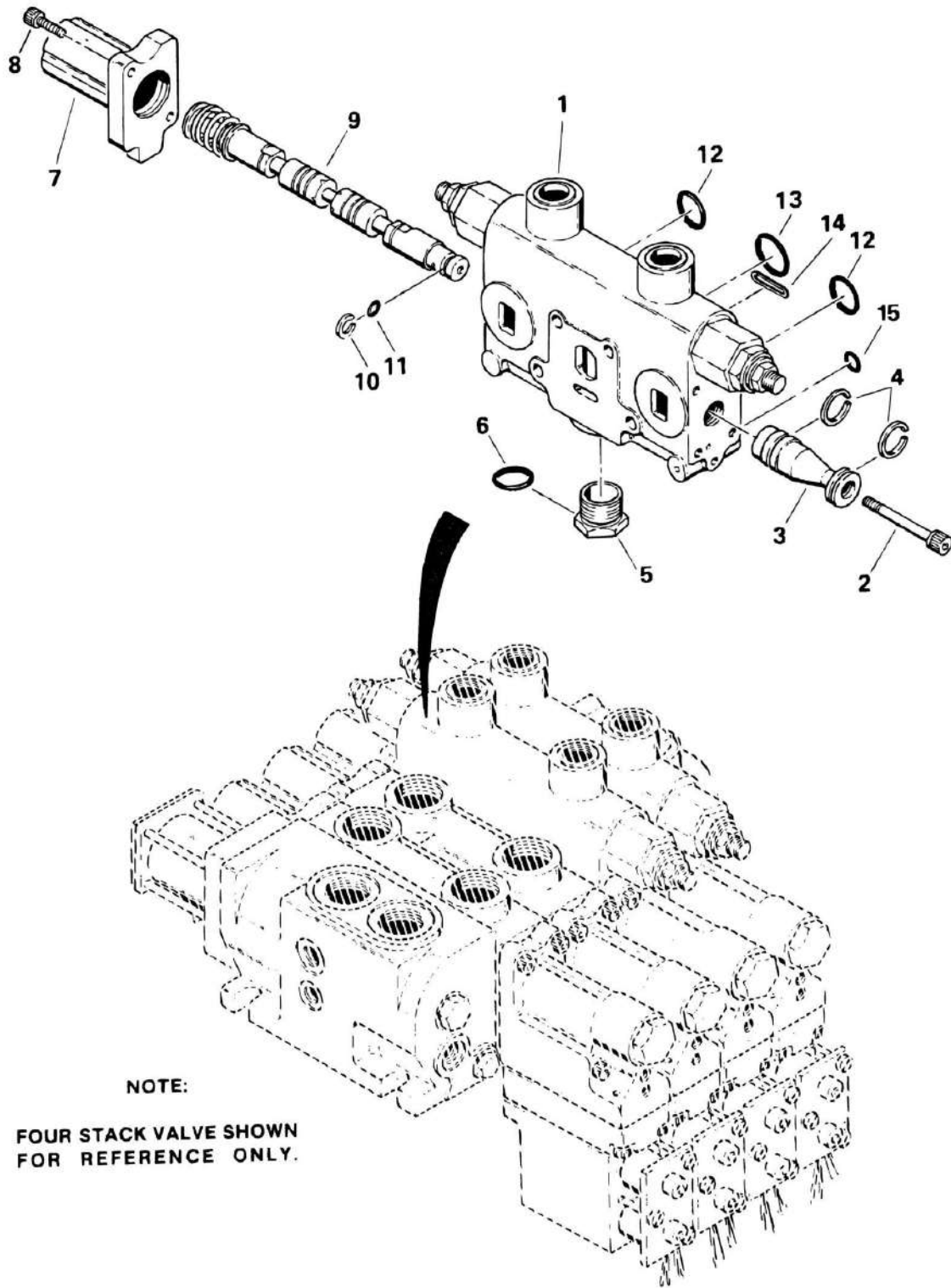
SECTION 2 - TURNTABLE

FIGURE 2-3. CONTROL VALVE ASSEMBLY - OUTLET SECTION (RACINE)

ITEM	PART NUMBER	QTY	DESCRIPTION	REV
	4640455	Ref	RACINE PROPORTIONAL CONTROL VALVE ASSEMBLY - OUTLET SECTION (3 SECTION)	-
	4640456	Ref	RACINE PROPORTIONAL CONTROL VALVE ASSEMBLY - OUTLET SECTION (4 SECTION)	-
1	7004885	1	Outlet Section (3 Section Valve) (Includes Items 4-12)	
1	7002368	1	Outlet Section (4 Section Valve) (Includes Items 4-12)	
2	7004869	4	Nut	
3	7004870	4	Stud	
4	7004871	1	Plug	
5	Kit	1	O-Ring	
	7004872	1	Cartridge Assembly, Pilot Pressure	
	7002288	1	Plug and O-Ring Assembly	
6	7004873	1	Plug	
7	Kit	1	O-Ring	
8	7004874	1	Spring	
9	7002287	1	Poppet	
10	7004875	1	Housing	
11	Kit	1	O-Ring	
12	Kit	1	O-Ring	
13	7004891	1	Swing and Telescope Valve Sections (See CONTROL VALVE ASSEMBLY - WORKING SECTION (RACINE) for Breakdown)	
14	7004888	1	Lift Valve Section (See CONTROL VALVE ASSEMBLY - WORKING SECTION (RACINE) for Breakdown)	
15	7004890	1	Drive Valve Section (See CONTROL VALVE ASSEMBLY - WORKING SECTION (RACINE) for Breakdown)	
16	7002364	1	Inlet Manifold (See CONTROL VALVE ASSEMBLY - INLET SECTION (RACINE) for Breakdown)	
17	7004884	1	Servo Assembly (See CONTROL VALVE ASSEMBLY - SERVO SECTION (RACINE) for Breakdown)	
	7004833	1	Seal Kit - 7002368 Outlet Section (Includes Items 5,7,11 & 12) (4 Section Valve)	

SECTION 2 - TURNTABLE

FIGURE 2-4. CONTROL VALVE ASSEMBLY - WORKING SECTION (RACINE)



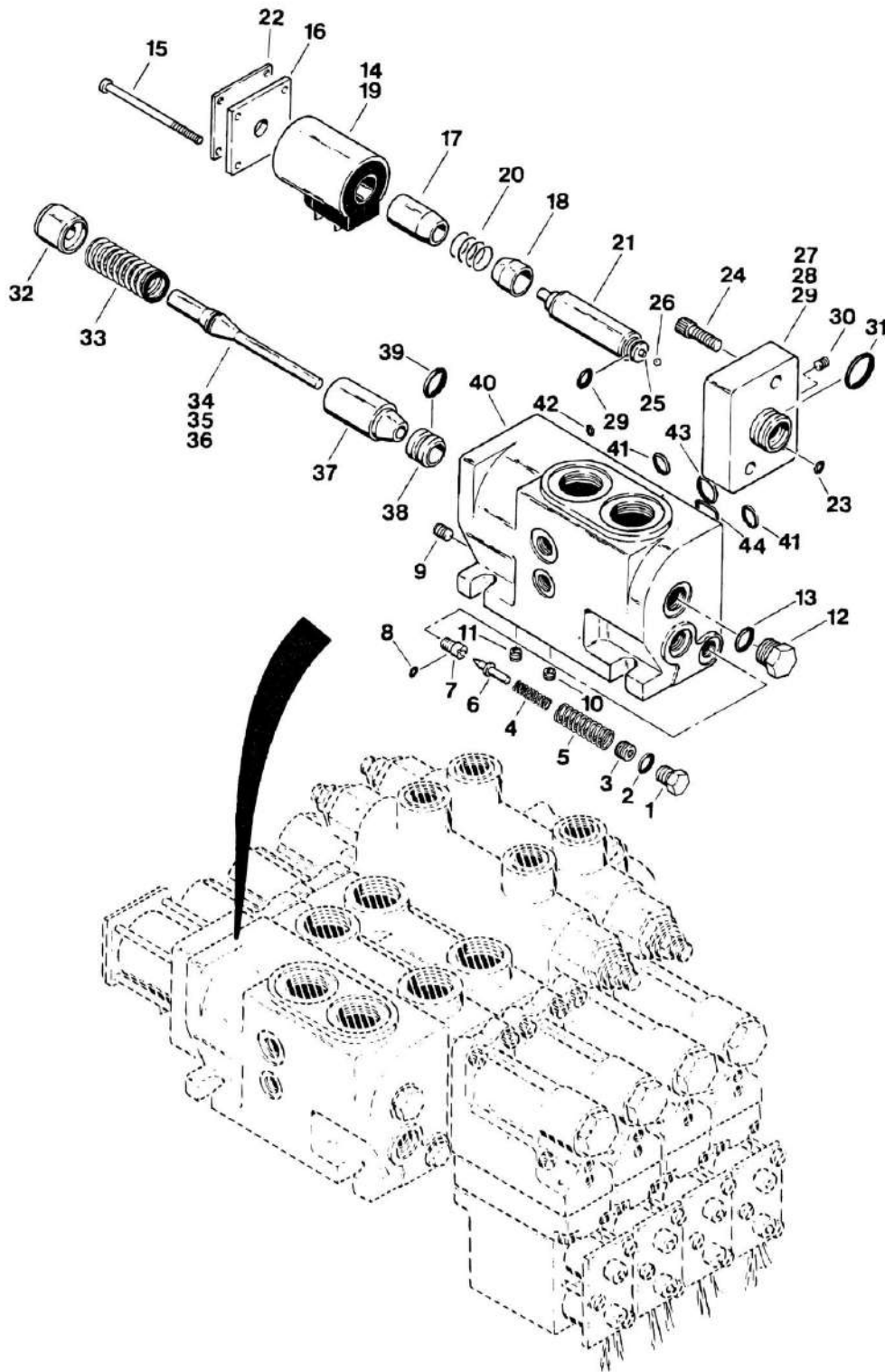
SECTION 2 - TURNTABLE

FIGURE 2-4. CONTROL VALVE ASSEMBLY - WORKING SECTION (RACINE)

ITEM	PART NUMBER	QTY	DESCRIPTION	REV
	7004888	Ref	LIFT VALVE SECTION (INCLUDING SERVO ASSEMBLY)	
	7004891	Ref	SWING VALVE SECTION (INCLUDING SERVO ASSEMBLY)	
	7004891	Ref	TELESCOPE VALVE SECTION (INCLUDING SERVO ASSEMBLY) (4 SECTION VALVE ONLY)	
	7004890	Ref	DRIVE VALVE SECTION (INCLUDING SERVO ASSEMBLY)	
1		Ref	Valve Body (Not Serviced - Purchase Complete Assembly)	
2	7002391	1	Screw, Socket Head	
3	7004808	Ref	Ramp (Supplied with Servo)	
4	7002233	Ref	Ring (Supplied with Servo)	
5	7004802	1	Plug Assembly	
6	Kit	1	O-Ring	
7	7002398	1	Cap End	
8	7002231	2	Screw, Socket Head	
9	7004805	1	Spool, Lift Section	
9	7004807	1	Spool, Swing Section	
9	4140010	1	Spool, Drive Section	
10	Kit	1	Ring, Piston	
11	Kit	1	O-Ring	
12	Kit	2	O-Ring	
13	Kit	1	O-Ring	
14	Kit	1	O-Ring	
15	7002378	1	O-Ring	
	7004832	4	Seal Kit (Includes Items 6, 10, 11, 12, 13 & 14)	

SECTION 2 - TURNTABLE

FIGURE 2-5. CONTROL VALVE ASSEMBLY - INLET SECTION (RACINE)



SECTION 2 - TURNTABLE

FIGURE 2-5. CONTROL VALVE ASSEMBLY - INLET SECTION (RACINE)

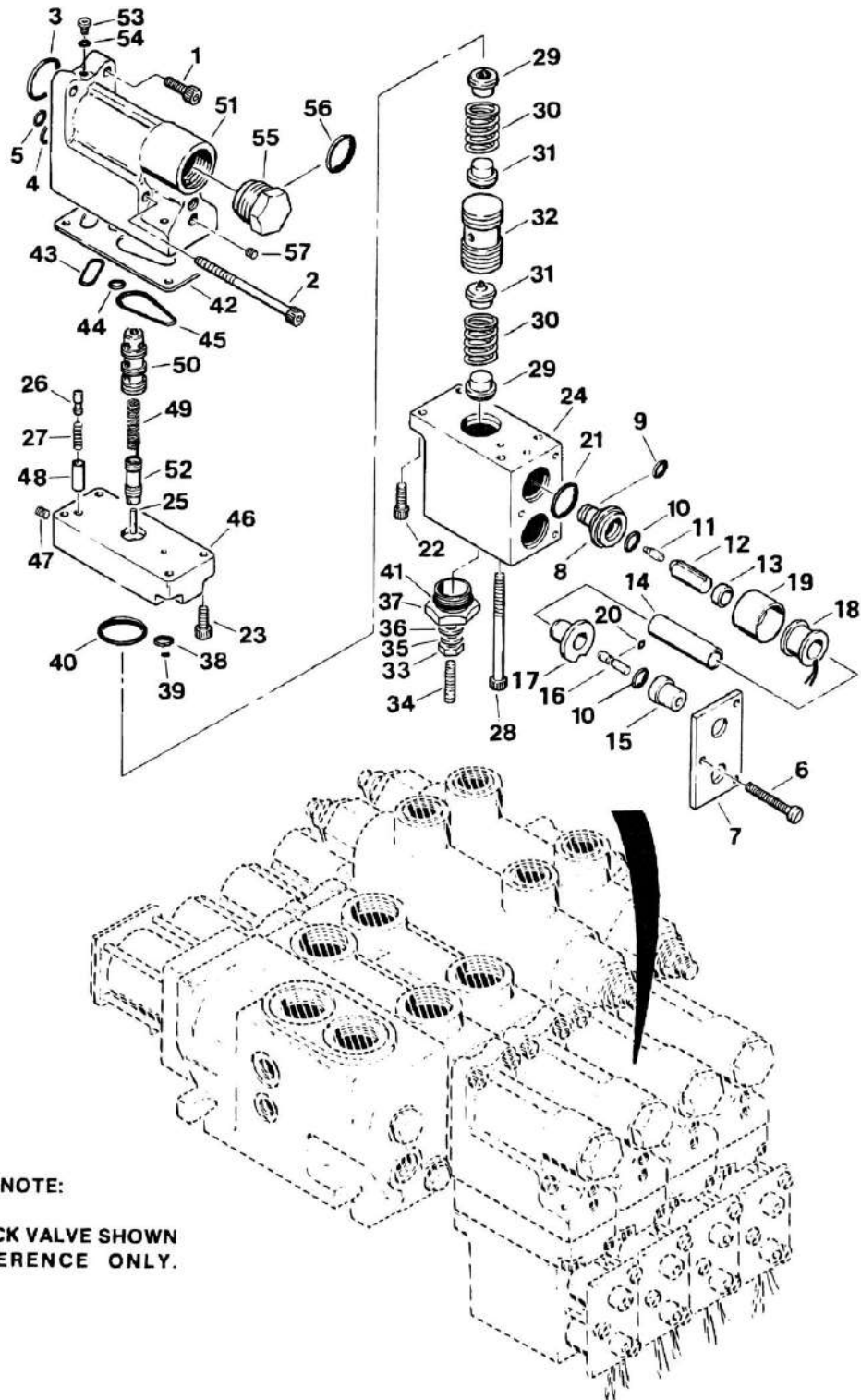
ITEM	PART NUMBER	QTY	DESCRIPTION	REV
	7002364	Ref	RACINE PROPORTIONAL CONTROL VALVE ASSEMBLY - INLET (DUMP) SECTION	
	7002385	1	Plug Assembly	
1	7004848	1	Plug	
2	Kit	1	O-Ring	
3	7002384	1	Screw, Socket Set	
4	7002377	1	Spring Compression, Helical	
5	7002376	1	Spring Compression, Helical	
6	7002371	1	Poppet	
	7004850	1	Seat Assembly	
7	7004851	1	Seat	
8	Kit	1	O-Ring	
9	7002324	4	Plug	
10	7002326	1	Orifice, 0.040	
11	7002375	1	Orifice, 0.062	
	7002386	1	Plug, Assembly	
12	7004853	1	Plug	
13	Kit		O-Ring	
	7004854		Solenoid Assembly	
14	7000417	1	Coil 12VDC	
15	7004837	4	Screw, Slotted, Pan Head	
16	7002338	1	Plate	
17	7004824	1	Sleeve	
18	7004835	1	Sleeve	
19	7004836	1	Case	
20	7002334	1	Spring	
21	7004855	1	Guide, Tube Assembly	
21	7004838	1	Tube	
21	7004839	1	Plunger	
21	7004856	1	Pin and Guide Assembly	
21	7002340	1	Guide	
21	Kit	1	Packing, Preformed, O-Ring	
21	7004857	1	Pin and Quad Ring Assembly	
21	7004841	1	Pin	
21	Kit	1	Quad Ring	
21	7004858	1	Cone and O-Ring Assembly	
21	7004822	1	Cone	
21	Kit	1	Packing, Preformed, O-Ring	
21	Kit	1	Packing, Preformed, O-Ring	
22	7002327	1	Nameplate	
23	Kit	1	O-Ring	
24	7002374	2	Screw, Socket Recessed	
25	7002319	1	Pin	
26	7002229	1	Ball	
	7002330	1	Seat Assembly	
27	7004823	1	Seat, Ball	
28	Kit	1	O-Ring	
	7004860	1	End Cap Assembly	
29	7004861	1	Cap	
30	7002223	1	Plug	

SECTION 2 - TURNTABLE

ITEM	PART NUMBER	QTY	DESCRIPTION	REV
31	Kit	1	O-Ring	
32	7002373	1	Spacer	
33	7002379	1	Spring	
	7004863	1	Stem Assembly	
34	7004864	1	Stem	
35	Kit	1	O-Ring	
36	Kit	1	Glyd Ring	
37	7002372	1	Poppet	
38	7002370	1	Seat	
39	Kit	1	O-Ring	
40	7002360	1	Housing, Inlet Manifold	
41	Kit	2	O-Ring	
42	Kit	1	O-Ring	
43	Kit	1	O-Ring	
44	Kit	1	O-Ring	
	7004833	4	Seal Kit (Includes Items, 2,8,13,23,28,31,35,36,39,41,42,43,44 & soft items listed under #21) (1 Per Section)	

SECTION 2 - TURNTABLE

FIGURE 2-6. CONTROL VALVE ASSEMBLY - SERVO SECTION (RACINE)



NOTE:

FOUR STACK VALVE SHOWN
FOR REFERENCE ONLY.

SECTION 2 - TURNTABLE

FIGURE 2-6. CONTROL VALVE ASSEMBLY - SERVO SECTION (RACINE)

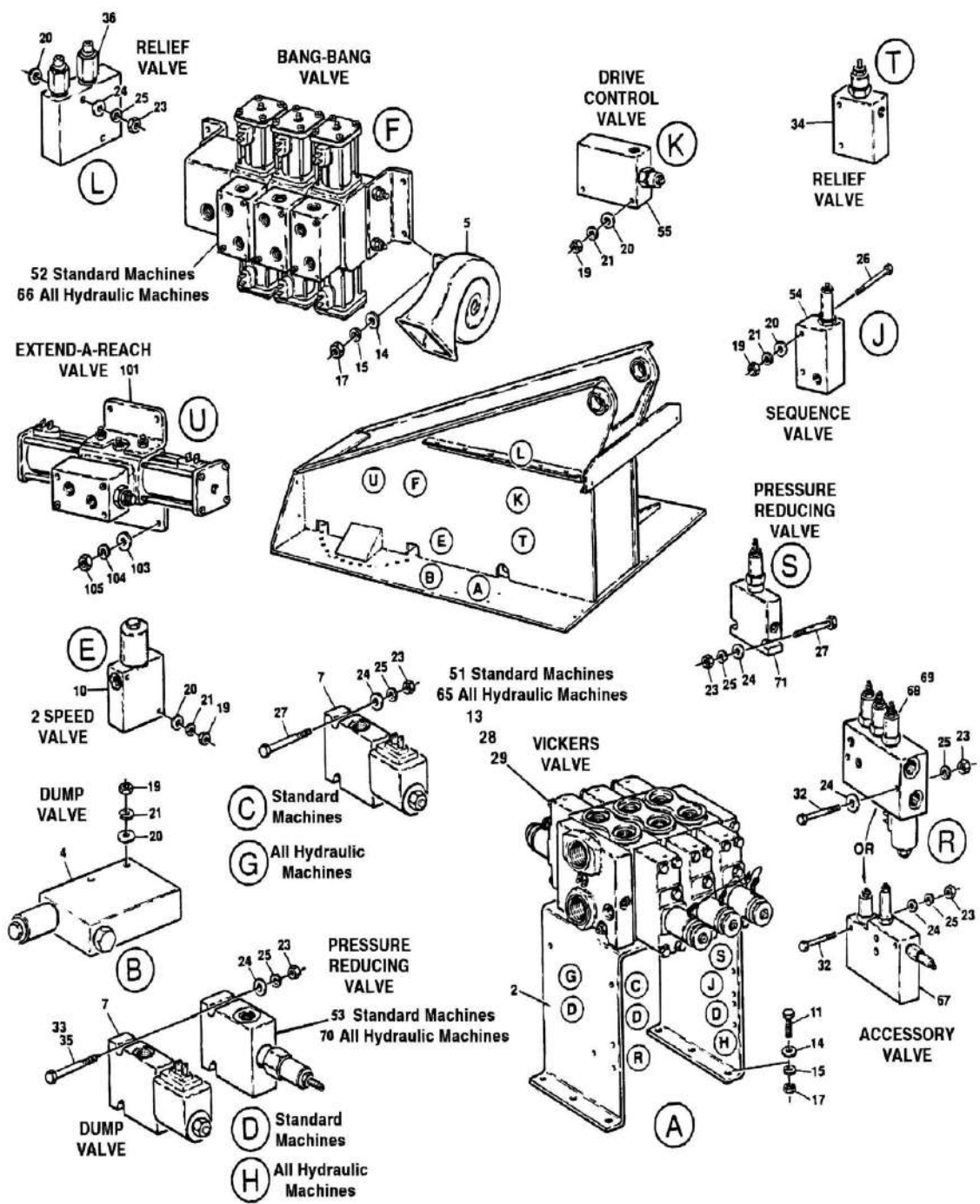
ITEM	PART NUMBER	QTY	DESCRIPTION	REV
		Ref	RACINE PROPORTIONAL CONTROL VALVE ASSEMBLY - SERVO ASSEMBLY	
	7004884	4	Servo Assembly	
1	7002231	2	Screw, Socket Head	
2	7004878	2	Screw, Socket Head	
3	Kit	1	O-Ring	
4	Kit	1	O-Ring	
5	Kit	1	O-Ring	
5	0100011	AR	Loctite #242	
	7004883	2	Nose Cone Assembly (Contains Items 8 thru 14)	
6	7002240	3	Screw, Slotted	
7	7002218	1	Plate	
8	7002210	1	Nose	
9	Kit	1	O-Ring	
10	Kit	2	O-Ring	
11	7000423	1	Poppet	
12	7002212	1	Plunger	
13	7002216	1	Sleeve	
14	7002215	1	Tube	
15	7002214	1	Retainer	
16	7002213	2	Pin	
17	7002211	1	Cover	
18	1420003	2	Coil, 7.5 Volt	
19	7002242	2	Case	
20	Kit	2	O-Ring	
21	Kit	2	Packing, Preformed, O-Ring	
22	7002222	2	Screw, Socket Head (Short)	
23	7002228	2	Screw, Socket Head (Long)	
24	8004818	1	Body, Control	
25	7002238	1	Pin	
26	7002220	1	Spool	
27	7002241	1	Spring, Compression, Helical	
28	7002228	2	Screw, Socket Head	
29	7004880	2	Spring Seat and Ball	
30	7002237	2	Spring, Contour	
31	7004881	2	Spring Seat and Ball	
32	7002206	1	Control Pilot Piston	
33	7002224	1	Nut, Jam	
34	7004813	1	Screw, Cup Point	
35	7004812	1	Washer	
36	Kit	1	Seal	
37	7002209	1	Plug	
38	Kit	1	Packing, Preformed, O-Ring	
39	Kit	1	Packing, Preformed, O-Ring	
40	Kit	1	Packing, Preformed, O-Ring	
41	Kit	1	Packing, Preformed, O-Ring	
42	Kit	1	Seal Plate	
43	Kit	1	Packing, Preformed, O-Ring	
44	Kit	1	Packing, Preformed, O-Ring	
45	Kit	1	Packing, Preformed, O-Ring	

SECTION 2 - TURNTABLE

ITEM	PART NUMBER	QTY	DESCRIPTION	REV
46	7004816	1	Plate, Adapter	
47	7004882	1	Screw, Socket Set	
48	7002217	1	Spool Stop	
49	7002234	1	Spring, Sleeve and Spool	
50	7002203	1	Sleeve Assembly	
51	7004817	1	Body, Servo	
52	7002205	1	Spool	
53	7004814	1	Plug	
54	Kit	1	O-Ring	
55	7002704	1	Plug	
56	Kit	1	O-Ring	
56	7004808	1	Ramp	
56	Kit	2	Ring	
57	7002223	2	Plug	
	7004831	4	Seal Kit (Includes Items 3,4,5,9,10,20,21,36,38-45,54 & soft items listed under #56)	

SECTION 2 - TURNTABLE

FIGURE 2-7. CONTROL VALVES ASSEMBLY - VICKERS VALVES



SECTION 2 - TURNTABLE

FIGURE 2-7. CONTROL VALVES ASSEMBLY - VICKERS VALVES

ITEM	PART NUMBER	QTY	DESCRIPTION	REV
		Ref	CONTROL VALVES INSTALLATIONS	
		Ref	CONTROL VALVES INSTALLATION - WITHOUT PROP TELE (STANDARD PARTS)	N
		Ref	CONTROL VALVES INSTALLATION - WITH PROP TELE (STANDARD PARTS)	G
2	0901399	1	Bracket, Mounting	
4	4640360	1	Dump Valve Assembly	
4	7009745	1	Coil (Vickers/Modular Controls Version)	
4	7004289	1	Solenoid Cartridge Less Coil (Vickers/Modular Controls Version)	
4	7003635	1	Check Valve Cartridge (Vickers/Modular Controls Version)	
4	7004368	1	Coil (Hydraforce Version)	
4	7012910	1	Solenoid Cartridge Less Coil (1989 to Present) (Hydraforce Version)	
4	7010635	1	Solenoid Cartridge Less Coil (Prior to 1989) (Hydraforce Version)	
4	7009798	1	Check Valve Cartridge (Hydraforce Version)	
5	0140001	1	Horn	
7	4640513	AR	Dump Valve Assembly	
7	7003640	AR	Coil (Modular Controls Version)	
7	7004289	AR	Cartridge Less Coil (Modular Controls Version)	
7	2900503	AR	Seal Kit (Modular Controls Version)	
7	7000645	AR	Coil (Hydraforce Version)	
7	7012910	AR	Cartridge Less Coil (Hydraforce Version)	
7	2900756	AR	Seal Kit (Hydraforce Version)	
7	7022390	AR	Nut (Holds Coil on Cartridge)	
10	4640123	1	Solenoid Valve Assembly	
10	7004368	1	Coil (Hydraforce Version)	
10	7012518	1	Seal Kit (Hydraforce Version)	
10	7000558	1	Coil (FPS Version)	
10	7006075	1	Seal Kit (FPS Version)	
11	0641614	AR	Bolt 3/8in-16NC x 1 3/4in	
12	4060808	AR	Shield	
13	0641708	AR	Bolt 7/16in-14NC x 1in	
14	4751600	AR	Flatwasher 3/8in	
15	4761600	AR	Lockwasher 3/8in	
16	4300034	AR	Stud (Welded on Part - Not Shown)	
17	3311601	AR	Nut 3/8in-16NC	
18	4300033	AR	Stud (Welded on Part)	
19	3311501	AR	Nut 5/16in-18NC	
20	4751500	AR	Flatwasher 5/16in	
21	4761500	AR	Lockwasher 5/16in	
23	3311401	AR	Nut 1/4in-20NC	
24	4751400	AR	Flatwasher 1/4in	
25	4761400	AR	Lockwasher 1/4in	
26	0641528	AR	Bolt 5/16in-18NC x 3 1/2in	
27	0641416	AR	Bolt 1/4in-20NC x 2in	
28	4751700	AR	Flatwasher 7/16in	
29	4761700	AR	Lockwasher 7/16in	
30	0641606	AR	Bolt 3/8in-16NC x 3/4in	
31	0641608	AR	Bolt 3/8in-16NC x 1in	

SECTION 2 - TURNTABLE

ITEM	PART NUMBER	QTY	DESCRIPTION	REV
32	0641424	AR	Bolt 1/4in-20NC x 3in	
33	0641430	AR	Bolt 1/4in-20NC x 3 3/4in	
34	4640520	1	Valve, Relief - Not Mounted is Called out on Pump Circuit	
35	0641426	AR	Bolt 1/4in-20NC x 3 1/4in	
36	4640839	1	Relief Valve Assembly (Machines Built May 1993 to Present)	
36	7012945	1	Cartridge, Relief	
36	7010542	1	Cartridge, Shuttle	
		Ref	STANDARD CONTROLS (ELECTRIC OVER HYDRAULIC):	
	0237771	Ref	CONTROL VALVES INSTALLATION - WITHOUT PROP TELE/WITHOUT ROTATE/WITHOUT 4WS PRIOR TO NOVEMBER 1990 (VARIABLE PARTS)	N
	0251312	Ref	CONTROL VALVES INSTALLATION - WITHOUT PROP TELE/WITHOUT ROTATE/WITHOUT 4WS NOVEMBER 1990 TO PRESENT (VARIABLE PARTS)	8
	0237772	Ref	CONTROL VALVES INSTALLATION - WITHOUT PROP TELE/WITH ROTATE/WITHOUT 4WS PRIOR TO NOVEMBER 1990 (VARIABLE PARTS)	N
	0231311	Ref	CONTROL VALVES INSTALLATION - WITHOUT PROP TELE/WITH ROTATE/WITHOUT 4WS NOVEMBER 1990 TO PRESENT (VARIABLE PARTS)	9
	0252184	Ref	CONTROL VALVES INSTALLATION - WITHOUT PROP TELE/WITHOUT ROTATE/WITH 4WS (VARIABLE PARTS)	6
	0252185	Ref	CONTROL VALVES INSTALLATION - WITHOUT PROP TELE/WITH ROTATE/WITH 4WS (VARIABLE PARTS)	6
	0256159	Ref	CONTROL VALVES INSTALLATION - WITHOUT PROP TELE/WITHOUT ROTATE/WITH 4WS/WITH JACKS ON BOTH ENDS (VARIABLE PARTS)	2
	0256158	Ref	CONTROL VALVES INSTALLATION - WITHOUT PROP TELE/WITH ROTATE/WITH 4WS/WITH JACKS ON BOTH ENDS (VARIABLE PARTS)	2
	0238206	Ref	CONTROL VALVES INSTALLATION - WITH PROP TELE/WITHOUT ROTATE/WITHOUT 4WS (VARIABLE PARTS)	5
	0238207	Ref	CONTROL VALVES INSTALLATION - WITH PROP TELE/WITH ROTATE/WITHOUT 4WS (VARIABLE PARTS)	6
	0252186	Ref	CONTROL VALVES INSTALLATION - WITH PROP TELE/WITHOUT ROTATE WITH 4WS (VARIABLE PARTS)	5
	0252187	Ref	CONTROL VALVES INSTALLATION - WITH PROP TELE/WITH ROTATE WITH 4WS (VARIABLE PARTS)	5
	0256302	Ref	CONTROL VALVES INSTALLATION - WITH PROP TELE/WITHOUT ROTATE/WITH 4WS/WITH JACKS ON BOTH ENDS (VARIABLE PARTS)	2
	0256301	Ref	CONTROL VALVES INSTALLATION - WITH PROP TELE/WITH ROTATE/WITH 4WS/WITH JACKS ON BOTH ENDS (VARIABLE PARTS)	2
51		Ref	Control Valve Assembly (Vickers) Options:	
51	4640514	1	3 Section - Prior to October 1994 (Without Prop Tele) (See CONTROL VALVE ASSEMBLY - VICKERS for Breakdown)	
51	4640913	1	3 Section - October 1994 to Present (Without Tele) (See CONTROL VALVE ASSEMBLY - VICKERS for Breakdown)	
51	4640524	1	4 Section - Prior to October 1994 (With Prop Tele) (See CONTROL VALVE ASSEMBLY - VICKERS for Breakdown)	
51	4640914	1	4 Section - October 1994 to Present (See CONTROL VALVE ASSEMBLY - VICKERS for Breakdown)	
52		Ref	Control Valve Assembly (Bang-Bang) Options:	
52	4640711	1	1 Section (0252186 Installation) (See CONTROL VALVE ASSEMBLY - RACINE BANG-BANG WITH DUMP for Breakdown)	

SECTION 2 - TURNTABLE

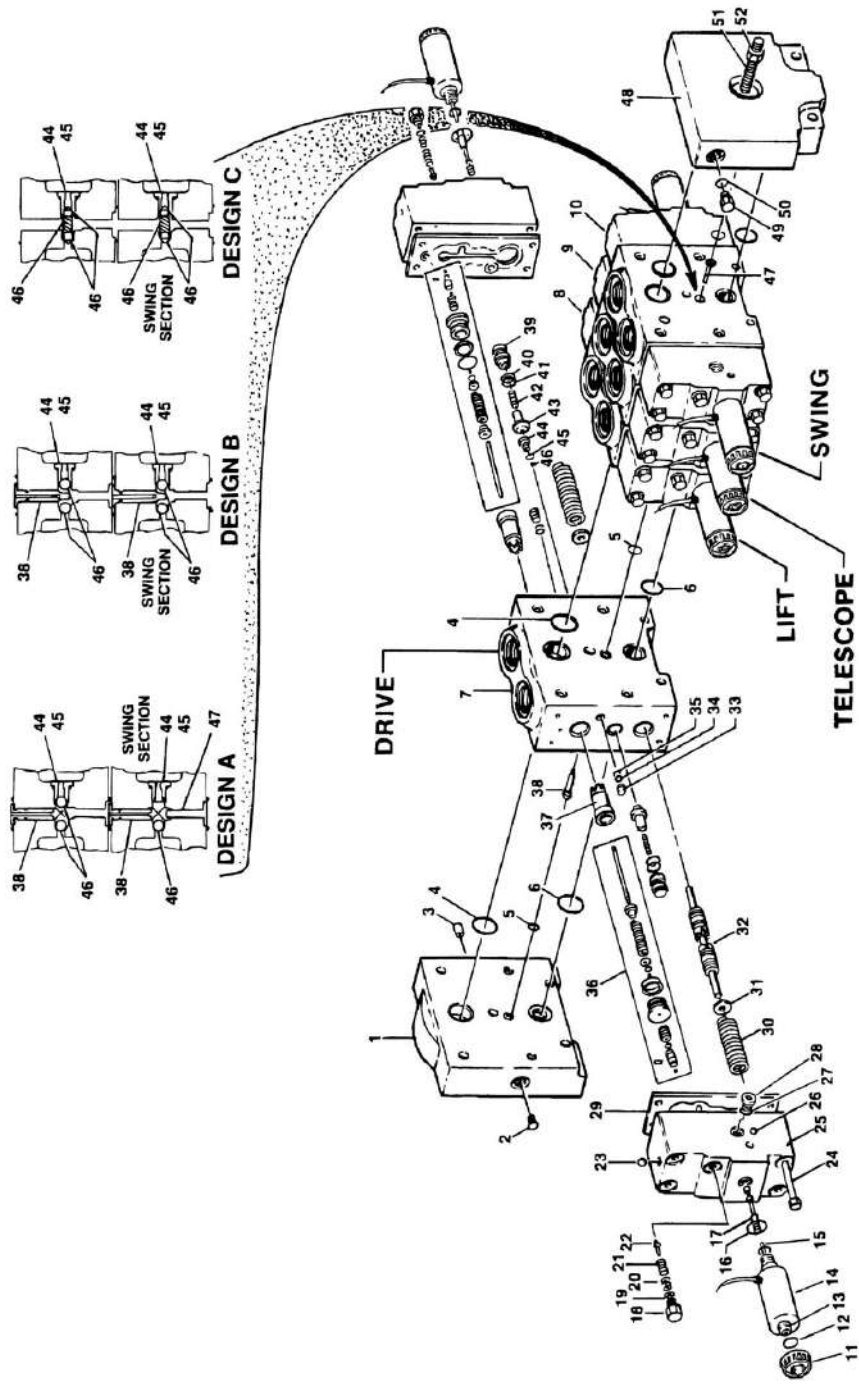
ITEM	PART NUMBER	QTY	DESCRIPTION	REV
52	4640710	1	2 Section (0252184 Installation) (See CONTROL VALVE ASSEMBLY - RACINE BANG-BANG WITH DUMP for Breakdown)	
52	4640447	1	2 Section (0238206 Installation Prior to May 1993) (See CONTROL VALVE ASSEMBLY - BANG-BANG WITH INLET RELIEF for Breakdown)	
52	4640734	1	2 Section (0238206 Installation May 1993 to Present) (See CONTROL VALVE ASSEMBLY - RACINE BANG-BANG WITH DUMP for Breakdown)	
52	4640730	1	2 Section (0252187 Installation) (See CONTROL VALVE ASSEMBLY - RACINE BANG-BANG WITH DUMP for Breakdown)	
52	4640246	1	3 Section (0237771 - Prior to November 1990 and 0238207 - Prior to June 1995 Installation) (See CONTROL VALVE ASSEMBLY - RACINE BANG-BANG WITH DUMP for Breakdown)	
52	4640941	1	3 Section (0238207 - June 1995 to Present) (See FRAME SECTION for Breakdown)	
52	4640646	1	3 Section (0251312 Installation) (See CONTROL VALVE ASSEMBLY - RACINE BANG-BANG WITH DUMP for Breakdown)	
52	4640692	1	3 Section (0252185 Installation) (See CONTROL VALVE ASSEMBLY - RACINE BANG-BANG WITH DUMP for Breakdown)	
52	4640247	1	4 Section (0257772 Installation - Prior to November 1990) (See CONTROL VALVE ASSEMBLY - RACINE BANG-BANG WITH DUMP for Breakdown)	
52	4640645	1	4 Section (0251311 Installation - November 1990 to January 1995) (See CONTROL VALVE ASSEMBLY - RACINE BANG-BANG WITH DUMP for Breakdown)	
52	4640909	1	4 Section (0251311 Installation - January 1995 to Present) (See CONTROL VALVE ASSEMBLY - BANG-BANG WITH DUMP for Breakdown)	
53	4640522	1	Pressure Reducing Valve Assembly	
53	4640523	1	Cartridge	
53	2900698	1	Seal Kit	
54	4640512	1	Sequence Valve Assembly	
54	7009756	1	Cartridge	
54		Ref	Not Seal Kit Available - Use:	
54	3790118	1	O-Ring	
54	3790211	1	O-Ring	
54	3790016	1	O-Ring	
55		Ref	Control Valve Assembly Options:	
55	4640521	AR	Valve (2WS Without Prop Tele Prior to November 1990)	
55	4640771	1	Cartridge	
55	2900770	1	Seal Kit	
55	Not Required	0	Valve (All Other Applications)	
56	4640929	1	Relief Valve Assembly (Machines without Prop Tele Built Only) (SN 48272 to Present)	
56	7012970	1	Cartridge, Relief	
56	7012953	1	Seal Kit - 7012970 Cartridge	
		Ref	HYDRAULIC CONTROLS (ALL HYDRAULIC):	
	0239221	Ref	CONTROL VALVES INSTALLATION - WITH PROP TELE/WITHOUT ROTATE/WITHOUT 4WS BUILT PRIOR TO MARCH 1992 (VARIABLE PARTS)	L
	0253031	Ref	CONTROL VALVES INSTALLATION - WITH PROP TELE/WITHOUT ROTATE/WITHOUT 4WS BUILT MARCH 1992	D

SECTION 2 - TURNTABLE

ITEM	PART NUMBER	QTY	DESCRIPTION	REV
			TO PRESENT (VARIABLE PARTS)	
	0239222	Ref	CONTROL VALVES INSTALLATION - WITH PROP TELE/WITH ROTATE/WITHOUT 4WS BUILT PRIOR TO MARCH 1992 (VARIABLE PARTS)	M
	0253032	Ref	CONTROL VALVES INSTALLATION - WITH PROP TELE/WITH ROTATE/ WITHOUT 4WS BUILT MARCH 1992 TO PRESENT (VARIABLE PARTS)	D
65		Ref	Control Valve Assembly (Vickers) Options:	
65	4640561	1	Control Valve Assembly (Prior to October 1994) (See CONTROL VALVE ASSEMBLY - VICKERS for Breakdown)	
65	4640918	1	Control Valve Assembly (October 1994 to Present) (See VICKERS VALVE ASSEMBLY - HYDRAULIC CONTROLS for Breakdown)	
66		Ref	Control Valve Assembly (Bang-Bang) Options:	
66	4640571	1	2 Section (See CONTROL VALVE ASSEMBLY - RACINE BANG-BANG WITH DUMP for Breakdown)	
66	4640246	1	3 Section - Prior to June 1995 (See CONTROL VALVE ASSEMBLY - RACINE BANG-BANG WITH DUMP for Breakdown)	
66	4640941	1	3 Section - June 1995 to Present (See CONTROL VALVE ASSEMBLY - BANG-BANG WITH DUMP for Breakdown)	
		Ref	Accessory Valve Options:	
67	4640535	1	Accessory Valve Assembly (Machines Built Through 1989) (See ACCESSORY VALVE ASSEMBLY (MILLER) for Breakdown)	
		Ref	Note: 4640535 Accessory Valve is no longer available as a complete assembly. See ACCESSORY VALVE ASSEMBLY (MILLER) for Individual parts.	
68	4640580	1	Accessory Valve Assembly (Machines Built 1989 to September 1991) (See ACCESSORY VALVE ASSEMBLY for Breakdown)	
		Ref	Note: 4640580 Accessory Valve is no longer available as a complete assembly. See ACCESSORY VALVE ASSEMBLY for Individual parts.	
69	4640716	1	Accessory Valve Assembly (Machines Built September 1991 to Present) (See ACCESSORY VALVE ASSEMBLY for Breakdown)	
		Ref	Note: Complete 4640716 Valves are available. See ACCESSORY VALVE ASSEMBLY for Individual parts.	
70	4640354	1	Relief Valve Assembly	
71	4640362	1	Pressure Reducing Valve Assembly	
71	7004278	1	Cartridge (Modular Controls Version)	
71	7012922	1	Cartridge (Hydraforce Version)	
	0238140	Ref	EXTEND-A-REACH VALVE INSTALLATION (80HX+6/86HX ONLY)	-
101	4640519	1	Control Valve Assembly (See CONTROL VALVE ASSEMBLY - 1 SECTION BANG-BANG for Breakdown)	
102	4300038	4	Stud (Welded on Part)	
103	4751500	4	Flatwasher 5/16in	
104	4761500	4	Lockwasher 5/16in	
105	3311501	4	Nut 5/16in-18NC	

SECTION 2 - TURNTABLE

FIGURE 2-8. CONTROL VALVE ASSEMBLY - VICKERS (PRIOR TO OCTOBER 1994)



SECTION 2 - TURNTABLE

FIGURE 2-8. CONTROL VALVE ASSEMBLY - VICKERS (PRIOR TO OCTOBER 1994)

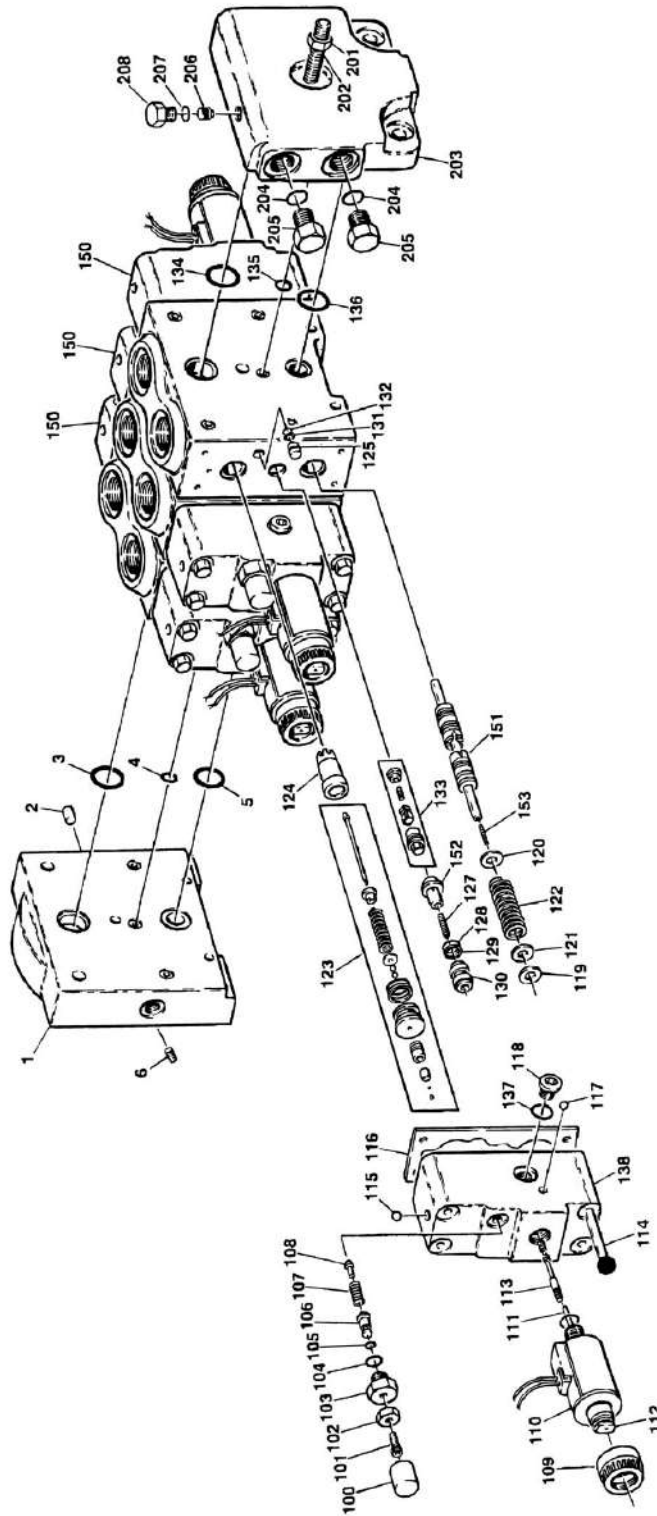
ITEM	PART NUMBER	QTY	DESCRIPTION	REV
	4640524	Ref	CONTROL VALVE ASSEMBLY (VICKERS 4 SECTION) (STANDARD) (PRIOR TO OCTOBER 1994)	-
	4640561	Ref	CONTROL VALVE ASSEMBLY (VICKERS 4 SECTION) (HYDRAULIC CONTROLS) (PRIOR TO OCTOBER 1994)	-
	4640514	Ref	CONTROL VALVE ASSEMBLY (VICKERS 3 SECTION) (PRIOR TO OCTOBER 1994)	-
1	7006747	1	Inlet Body (Standard)	
1	Not Available	1	Inlet Body (Hydraulic Controls)	
2	7006725	1	Setscrew (Standard Only)	
3	7006733	1	Plug	
4	Kit	5	O-Ring	
5	Kit	5	O-Ring	
6	Kit	5	O-Ring	
7	7009350	1	Working Section - Complete (Drive) (4 Section) (Standard)	
7	7009355	1	Working Section - Complete (Drive) (4 Section) (Hydraulic Controls)	
7	7006760	1	Working Section - Complete (Drive) (3 Section)	
8	7006762	1	Working Section - Complete (Lift) (Standard)	
8	7009356	1	Working Section - Complete (Lift) (Hydraulic Controls)	
9	7009351	1	Working Section - Complete (Telescope) (4 Section Only) (Standard)	
9	7009357	1	Working Section - Complete (Telescope) (4 Section Only) (Hydraulic Controls)	
10	7006763	1	Working Section - Complete (Swing) (Standard)	
10	7009358	1	Working Section - Complete (Swing) (Hydraulic Controls)	
11	7009317	2	Nut, Retaining	
12	Kit	2	O-Ring	
13	7009316	2	Core Tube (Includes O-Ring)	
14	7009315	2	Coil and Frame	
15	7009319	2	Pin	
16	Kit	2	O-Ring	
17	7006744	2	Spool	
18	7006726	2	Plug, Torque	
19	Kit	2	O-Ring	
20	7006728	2	Shim Kit	
21	7006729	2	Spring	
22	7006730	2	Poppet	
23	7006731	2	Ball	
24	7006745	8	Screw	
25		Ref	Cap, End (Not Sold Separately)	
26	7006746	2	Ball	
27	Kit	2	O-Ring	
28	7009323	2	Plug	
29	Kit	2	Gasket	
30	7009324	2	Spring	
31	7009325	2	Retainer	
32		Ref	Spool (Not Sold Separately)	
33	7006757	2	Seat	
34	Kit	2	Ring, Back-up	
35	Kit	2	O-Ring	
36	7006732	2	Servo Stem Assembly	

SECTION 2 - TURNTABLE

ITEM	PART NUMBER	QTY	DESCRIPTION	REV
37	7006737	2	Poppet	
38	7009321	1	Retainer (13/16in-2.1cm Length) (Design A)	
38	7009363	1	Retainer (1 3/16in-3cm Length) (Design B)	
38	Not Required	0	Retainer (Design C)	
38	Kit	1	O-Ring	
39	7006752	2	Retainer	
40	Kit	2	Ring, Back-up	
41	Kit	2	O-Ring	
42	7006773	2	Spring	
43	7006756	2	Poppet	
44	7006771	1	Plug, Torque	
45	Kit	1	O-Ring	
46	7006761	2	Ball (Design A - All Sections Except Swing)	
46	7006761	1	Ball (Design A - Swing Section)	
46	7006761	2	Ball (Design B - All Sections)	
46	7009369	2	Poppet (Design C - All Sections)	
46	7009368	1	Spring (Design C - All Sections)	
47	7006777	1	Pin, Solid (Design A - Swing Section Only)	
47	Not Required	0	Pin, Solid (Design B and Design C)	
48	7006780	1	Cover End	
49	7006778	1	Plug, Torque	
50	Kit	1	O-Ring	
51	7009329	3	Rod, Tie	
52	7006782	6	Nut	
	7009330	4	Seal Kit (Includes Items 4, 5, 6, 12, 16, 27, 29, 34, 35, 38, 40, 41, 45 50 & Servo Stem O-Rings)	
	7009395	5	Seal Kit - Valve Face (Includes Items 4, 5 & 6)	

SECTION 2 - TURNTABLE

FIGURE 2-9. CONTROL VALVE ASSEMBLY - VICKERS (OCTOBER 1994 TO PRESENT)



SECTION 2 - TURNTABLE

FIGURE 2-9. CONTROL VALVE ASSEMBLY - VICKERS (OCTOBER 1994 TO PRESENT)

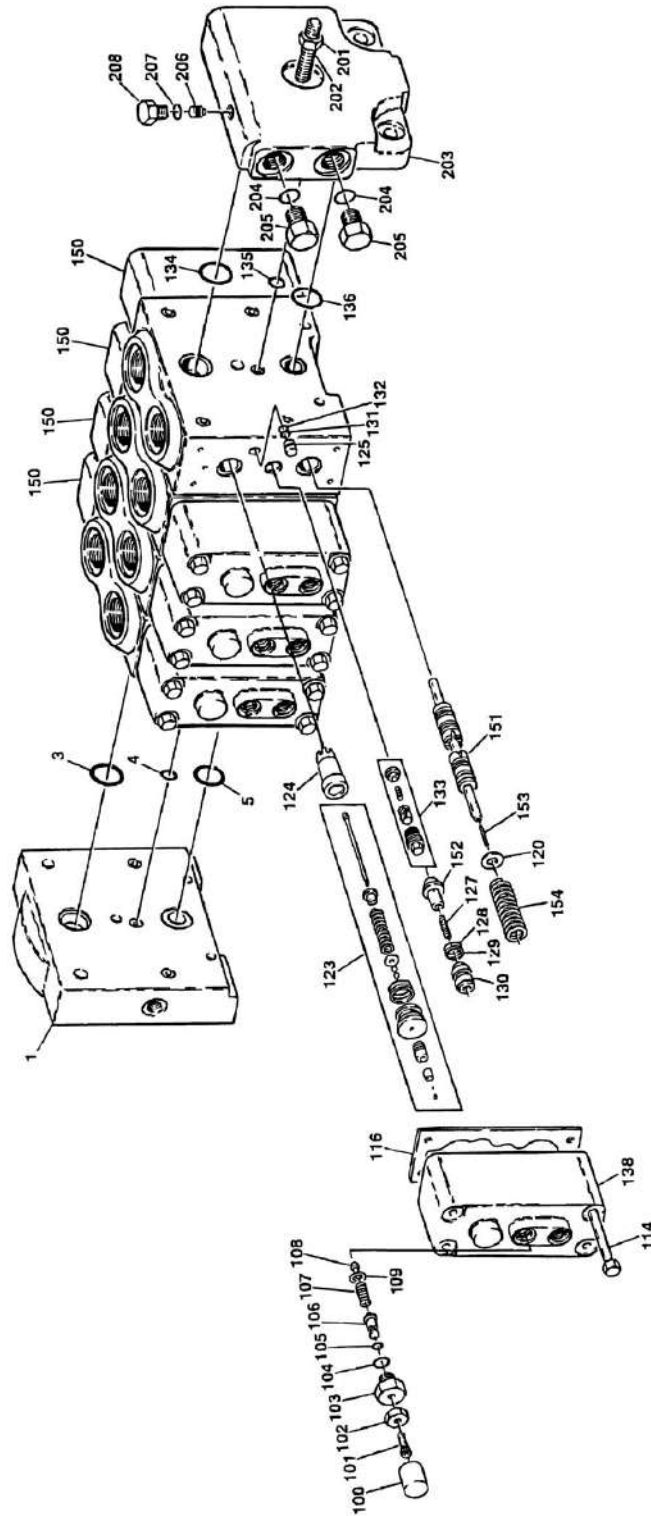
ITEM	PART NUMBER	QTY	DESCRIPTION	REV
		Ref	CONTROL VALVE ASSEMBLIES	
	4640913	Ref	VICKERS VALVE ASSEMBLY - 3 SECTION	-
	4640914	Ref	VICKERS VALVE ASSEMBLY - 4 SECTION	-
		Ref	Inlet Section	
1	7006724	1	Inlet Body	
2	7006733	1	Plug	
3	Kit	1	O-Ring	
4	Kit	1	O-Ring	
5	Kit	1	O-Ring	
6	7006725	1	Setscrew	
		Ref	Working Sections (Standard Parts)	
100	Kit	AR	Cap (2 Per Section)	
101	7012319	AR	Screw (2 Per Section)	
102	Kit	AR	Nut (2 Per Section)	
103	Kit	AR	Plug (2 Per Section)	
104	Kit	AR	Packing (2 Per Section)	
105	7012322	AR	Packing (2 Per Section)	
106	Kit	AR	Piston (2 Per Section)	
107	Kit	AR	Spring (2 Per Section)	
108	7006730	AR	Poppet (2 Per Section)	
109	7012325	AR	Nut, Retaining (2 Per Section)	
110	7012339	AR	Coil (2 Per Section)	
111	7009319	AR	Pin (2 Per Section)	
112	7012326	AR	Core Tube Sub Assembly (2 Per Section)	
113	7012327	AR	Spool	
114	7006745	AR	Screw (8 Per Section)	
115	7006731	AR	Ball	
116	7006748	AR	Gasket	
117	7006746	AR	Ball	
118	7009323	AR	Plug (2 Per Section)	
119	7012330	AR	Shim (AR Per Section)	
120	7012329	AR	Retainer (2 Per Section)	
121	7012328	AR	Shim (AR Per Section)	
122	7009324	AR	Spring (2 Per Section)	
123	7009320	AR	Stem Servo Sub Assembly (2 Per Section)	
124	7006737	AR	Poppet (2 Per Section)	
125	7006757	AR	Seat (2 Per Section)	
127	7006773	AR	Spring (2 Per Section)	
128	Kit	AR	O-Ring (2 Per Section)	
129	Kit	AR	Back-up (2 Per Section)	
130	7009398	AR	Retainer (2 Per Section)	
131	Kit	AR	Back-up Ring (2 Per Section)	
132	Kit	AR	O-Ring (2 Per Section)	
133	7012333	AR	Load Sense (2 Per Section)	
134	Kit	AR	O-Ring (2 Per Section)	
135	Kit	AR	O-Ring (2 Per Section)	
136	Kit	AR	O-Ring (5 Per Section)	
137	Kit	AR	O-Ring (2 Per Section)	
138	Not Serviced	AR	Cap, End (2 Per Section)	
	7009330	AR	Seal Kit (1 Per Section)	

SECTION 2 - TURNTABLE

ITEM	PART NUMBER	QTY	DESCRIPTION	REV
	7012383	AR	Piston/Spring Kit (Includes 1 each of 100, 102, 103, 106 & 107) (2 per Section)	
150		Ref	WORKING SECTION (VARIABLE PARTS)	
150	7012332	Ref	Drive Section	
150	7012334	Ref	Lift Section	
150	7012334	Ref	Telescope Section (With Prop Tele)	
150	7012335	Ref	Swing Section	
151		Ref	Spool Options:	
151	7012331	1	Drive, Lift and Telescope Sections	
151	7012340	1	Swing Section	
152		Ref	Poppet Options:	
152	7009399	2	Drive Section	
152	7009397	2	Lift and Telescope Sections	
152	7009399	2	Swing Section	
153		Ref	Piston Options:	
153	Not Required	0	Drive, Lift and Telescope Sections	
153	7012300	1	Swing Section	
		Ref	OUTLET SECTION	
201	7006782	6	Nut	
202	7009361	3	Rod, Tie	
203	7012337	1	Cover End	
204	Kit	2	O-Ring	
205	7006778	2	Plug	
206	7012338	1	Setscrew Orifice Sub-Assembly	
207	Kit	1	O-Ring	
208	7012336	1	Plug	

SECTION 2 - TURNTABLE

FIGURE 2-10. VICKERS VALVE ASSEMBLY - HYDRAULIC CONTROLS (OCTOBER 1994 TO PRESENT)



SECTION 2 - TURNTABLE

FIGURE 2-10. VICKERS VALVE ASSEMBLY - HYDRAULIC CONTROLS (OCTOBER 1994 TO PRESENT)

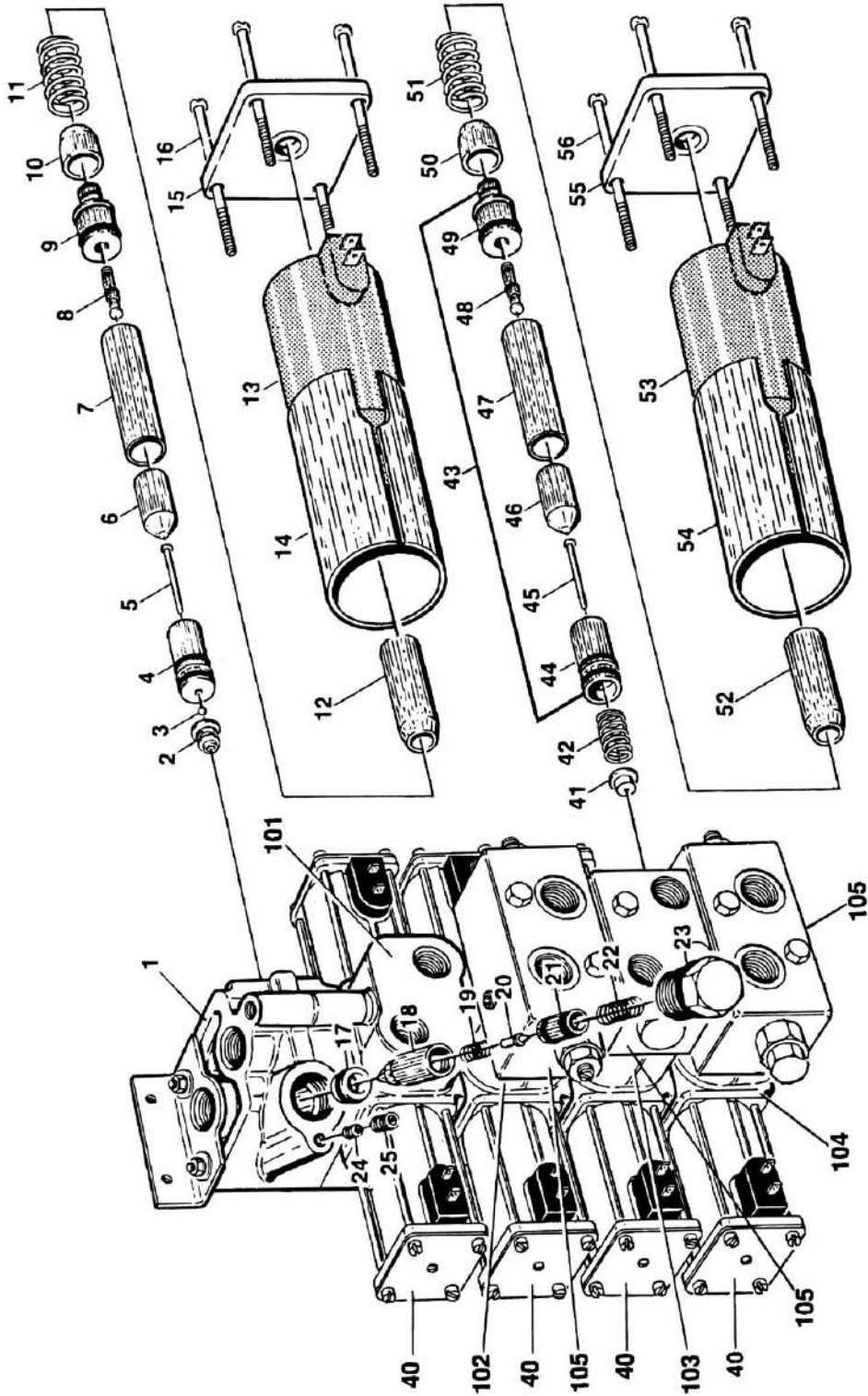
ITEM	PART NUMBER	QTY	DESCRIPTION	REV
	4640918	Ref	VICKERS VALVE ASSEMBLY - 4 SECTION	-
		Ref	INLET SECTION	
1	7012348	1	Inlet Body	
3	Kit	1	O-Ring	
4	Kit	1	O-Ring	
5	Kit	1	O-Ring	
		Ref	WORKING SECTIONS (STANDARD PARTS)	
100	7012343	AR	Cap (2 Per Section)	
101	7012342	AR	Screw (2 Per Section)	
102	7012341	AR	Nut (2 Per Section)	
103	7012344	AR	Plug (2 Per Section)	
104	Kit	AR	Packing (2 Per Section)	
105	7012322	AR	Packing (2 Per Section)	
106	7012323	AR	Piston (2 Per Section)	
107	7012346	AR	Spring (2 Per Section)	
108	7006730	AR	Poppet (2 Per Section)	
109	7006728	AR	Shim Kit (2 Per Section)	
114	7012347	AR	Screw (8 Per Section)	
116	Kit	AR	Gasket	
120	7012349	AR	Retainer (2 Per Section)	
123	7006732	AR	Stem Servo Sub Assembly (2 Per Section)	
124	7006737	AR	Poppet (2 Per Section)	
125	7012350	AR	Plug (2 Per Section)	
127	7006773	AR	Spring (2 Per Section)	
128	Kit	AR	O-Ring (2 Per Section)	
129	Kit	AR	Back-up (2 Per Section)	
130	7012353	AR	Retainer (2 Per Section)	
131	Kit	AR	Back-up Ring (2 Per Section)	
132	Kit	AR	O-Ring (2 Per Section)	
133	7012352	AR	Load Sense (2 Per Section)	
134	Kit	AR	O-Ring (2 Per Section)	
135	Kit	AR	O-Ring (2 Per Section)	
136	Kit	AR	O-Ring (5 Per Section)	
138	Not Serviced	AR	Cap, End (2 Per Section)	
	7009330	AR	Seal Kit (1 Per Section)	
150		Ref	Working Section Options:	
150	7012356	Ref	#1 Working Section (Drive)	
150	7012334	Ref	#2 Working Section (Lift)	
150	7012334	Ref	#3 Working Section (Telescope)	
150	7012335	Ref	#4 Working Section (Swing)	
151		Ref	Spool	
151	7012355	1	Drive Section	
151	7012331	1	Lift Section	
151	7012331	1	Telescope Section	
151	4640913	1	Swing Section	
152		Ref	Poppet Options:	
152	7009399	2	Drive Section	
152	7009397	2	Lift Section	
152	7009397	2	Telescope Section	

SECTION 2 - TURNTABLE

ITEM	PART NUMBER	QTY	DESCRIPTION	REV
152	7009399	2	Swing Section	
153	7012300	AR	Piston Options:	
153	7009399	2	Drive Section	
153	Not Required	0	Lift Section	
153	Not Required	0	Telescope Section	
153	7012300	2	Swing Section	
154		Ref	Spring Options:	
154	7012354	2	Drive Section	
154	7006749	2	Lift Section	
154	7006749	2	Telescope Section	
154	7006749	2	Swing Section	
		Ref	OUTLET SECTION	
201	7006782	6	Nut	
202	7009329	3	Rod, Tie	
203	7012337	1	Cover End	
204	Kit	2	O-Ring	
205	7006778	2	Plug	
206	7012338	1	Setscrew Orifice Sub-Assembly	
207	Kit	1	O-Ring	
208	7012336	1	Plug	

SECTION 2 - TURNTABLE

FIGURE 2-11. CONTROL VALVE ASSEMBLY - RACINE BANG-BANG WITH DUMP SECTION



SECTION 2 - TURNTABLE

FIGURE 2-11. CONTROL VALVE ASSEMBLY - RACINE BANG-BANG WITH DUMP SECTION

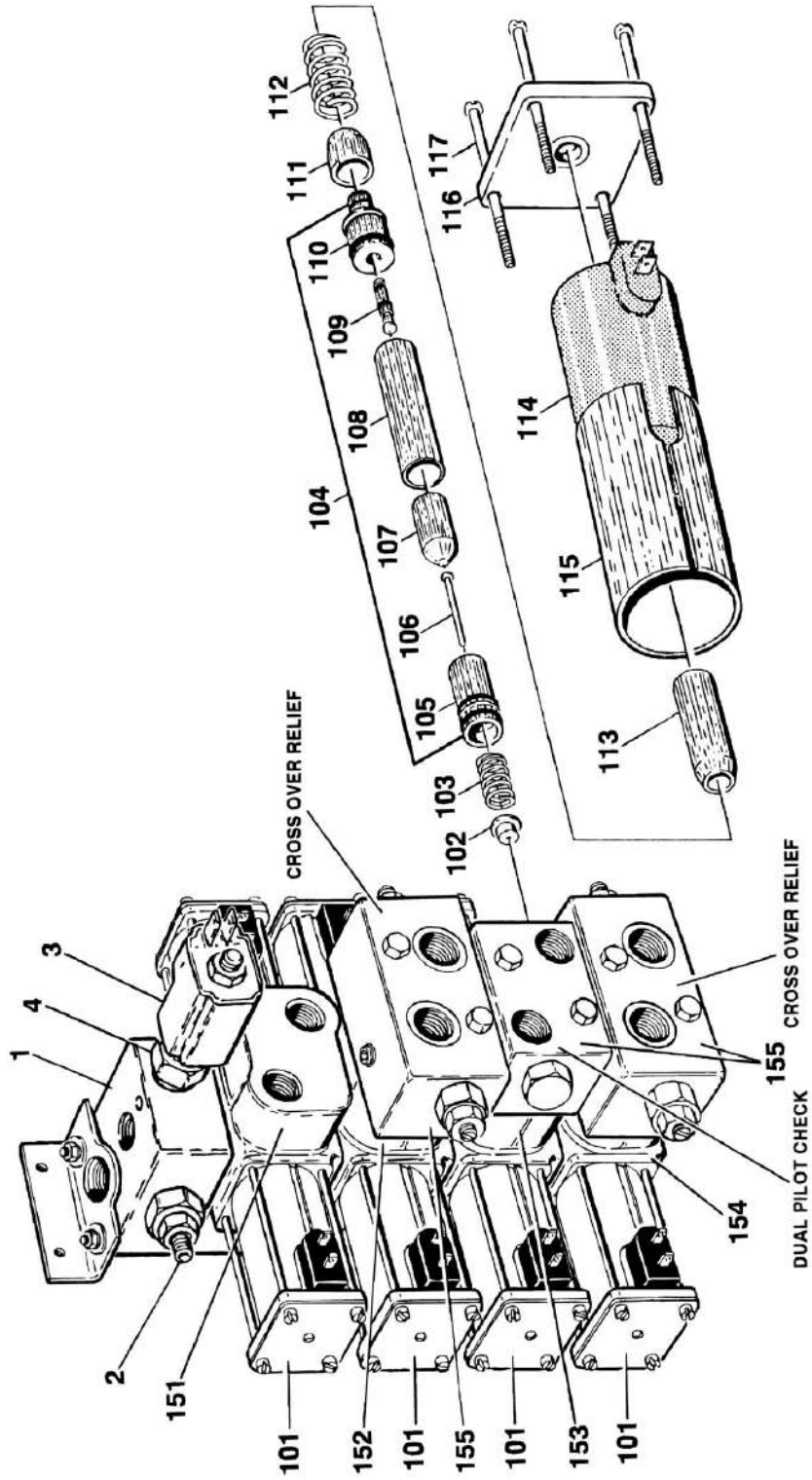
ITEM	PART NUMBER	QTY	DESCRIPTION	REV
		Ref	CONTROL VALVE ASSEMBLY - BANG-BANG WITH DUMP SECTION	
	4640711	Ref	Valve Assembly - 1 Section	-
	4640710	Ref	Valve Assembly - 2 Section	-
	4640734	Ref	Valve Assembly - 2 Section	-
	4640730	Ref	Valve Assembly - 2 Section	-
	4640571	Ref	Valve Assembly - 2 Section	B
	4640246	Ref	Valve Assembly - 3 Section	A
	4640646	Ref	Valve Assembly - 3 Section	-
	4640692	Ref	Valve Assembly - 3 Section	-
	4640247	Ref	Valve Assembly - 4 Section	A
	4640645	Ref	Valve Assembly - 4 Section	-
1	7002304	Ref	DUMP SECTION	
		Ref	Solenoid Assembly	
2	7004823	1	Seat	
2	7002378	1	O-Ring	
3	7002229	1	Ball	
3		Ref	Guide Tube Assembly	
4	7004822	1	Cone, Female	
4	7004840	1	O-Ring	
5	7002346	1	Pin, Push	
6	7004839	1	Plunger	
7	7004838	1	Tube, Guide	
8	7004841	1	Pin, Push	
8	7002342	1	O-Ring	
9	7002340	1	Guide, External Push Pln	
9	7002337	1	O-Ring	
10	7004834	1	Sleeve, Inner Flux	
11	7002334	1	Spring	
12	7004835	1	Sleeve, Outer Flux	
13	7000417	1	Coil	
14	7004836	1	Case, Solenoid	
15	7002338	1	Plate, End	
15	7002327	1	Nameplate	
16	7004837	4	Screw	
17	7002322	1	Seat	
17	7004826	1	O-Ring	
17		Ref	Main Relief (Poppet) Valve	
18	7002321	1	Case, Poppet	
19	7002328	1	Spring	
20	7002294	1	Poppet	
21	7002320	1	Seat, Adjustable	
21	7004842	1	O-Ring	
22	7002329	1	Spring	
23	7002323	1	Plug	
23	7000102	1	O-Ring	
24	7002326	1	Orifice	
25	7002324	1	Plug	
		Ref	WORKING SECTIONS (STANDARD PARTS)	
40	7004859	AR	Solenoid Assembly (2 Per Section) (Includes Items 43-56)	

SECTION 2 - TURNTABLE

ITEM	PART NUMBER	QTY	DESCRIPTION	REV
41	7002274	AR	Washer (7002315,7002316,7002317 Sections) (2 Per Section)	
41	7003825	AR	Washer (7003855 Sections) (2 Per Section)	
42	7002348	AR	Spring (2 Per Section)	
43	7002305	AR	Guide Tube Assembly (1 Per Solenoid Assembly)	
44	7002345	AR	Cone, Female (1 Per Solenoid Assembly)	
44	Kit	AR	O-Ring (1 Per Solenoid Assembly)	
44	Kit	AR	O-Ring (1 Per Solenoid Assembly)	
45	7002346	AR	Pin, Push (1 Per Solenoid Assembly)	
46	7002344	AR	Plunger (1 Per Solenoid Assembly)	
47	7000470	AR	Tube, Guide (1 Per Solenoid Assembly)	
48	7002341	AR	Pin, Actuator (1 Per Solenoid Assembly)	
48	Kit	AR	Ring, Quad (1 Per Solenoid Assembly)	
49	7002340	AR	Guide, External Push Pin (1 Per Solenoid Assembly)	
49	Kit	AR	O-Ring (1 Per Solenoid Assembly)	
50	7002333	AR	Sleeve, Inner Flux (1 Per Solenoid Assembly)	
51	7002334	AR	Spring (1 Per Solenoid Assembly)	
52	7002336	AR	Sleeve, Outer Flux (1 Per Solenoid Assembly)	
53	7000418	AR	Coil (1 Per Solenoid Assembly)	
54	7002335	AR	Case, Solenoid (1 Per Solenoid Assembly)	
55	7002338	AR	Plate, End (1 Per Solenoid Assembly)	
56	7002339	AR	Screw (4 Per Solenoid Assembly)	
		Ref	WORKING SECTION (VARIABLE PARTS)	
		Ref	Note: Complete Sections listed below include items 40-56 and relief valve assembly when equipped.	
101		Ref	Section #1 Options:	
101	7002316	1	Level Section (4640711, 4640710 & 4640734 Valves)	
101	7002317	1	Rotate Section (4640730, 4640692, 4640645 & 4640247 Valves)	
101	7002315	1	Steer/Tele Section (4640571, 4640246 & 4640646 Valves)	
102		Ref	Section #2 Options:	
102	Not Required	0	(4640711 Valves)	
102	7002315	1	Steer/Tele Section (4640734 & 4640645 Valves)	
102	7003855	1	Tele Section (4640710)	
102	7002316	1	Level Section (4640730, 4640571, 4640246, 4640646, 4640692 & 4640247 Valves)	
103		Ref	Section #3 Options:	
103	Not Required	0	(4640711, 4640710, 4640734, 4640730 & 4640571 Valves)	
103	7002315	1	Steer/Tele Section (4640246 & 4640692 Valves)	
103	7002316	1	Level Section (4640645 & 4640646 Valves)	
103	7003855	1	Tele Section (4640646 Valves)	
104		Ref	Section #4 Options:	
104	Not Required	0	(All except 464247 & 4640645 Valves)	
104	7002315	1	Steer/Tele Section (4640247 Valve Only)	
104	7003855	1	Tele Section (4640645 Valve Only)	
105		Ref	Relief Valve Options:	
105	7000468	AR	Crossover Relief Valve Assembly - 7002315 Steer/Tele and 7003855 Tele Sections (Due to various suppliers - internal components are no longer field serviceable)	
105	7002262	AR	Dual Pilot Check Valve Assembly - 7002316 Level Sections (Due to various suppliers - internal components are no longer field serviceable)	
	7000414	4	Seal Kit - Working Section	
	7000413	1	Seal Kit - Dump Section	

SECTION 2 - TURNTABLE

FIGURE 2-12. CONTROL VALVE ASSEMBLY - BANG-BANG WITH DUMP SECTION



SECTION 2 - TURNTABLE

FIGURE 2-12. CONTROL VALVE ASSEMBLY - BANG-BANG WITH DUMP SECTION

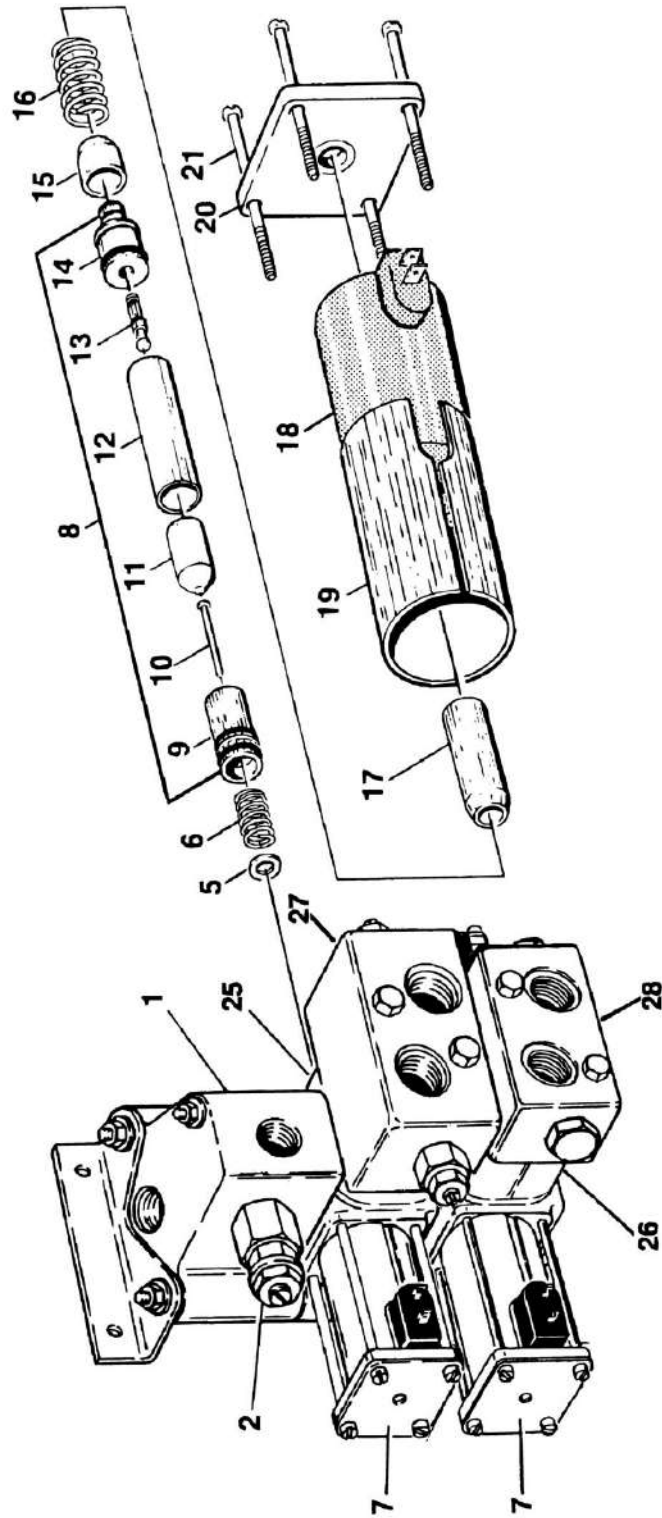
ITEM	PART NUMBER	QTY	DESCRIPTION	REV
		Ref	CONTROL VALVE ASSEMBLY - BANG-BANG	
	4640941	Ref	VALVE ASSEMBLY - 3 SECTION	B
	4640909	Ref	VALVE ASSEMBLY - 4 SECTION	A
		Ref	DUMP SECTION ASSEMBLY	
1	7002447	1	Dump Section - Complete	
2	7002448	1	Cartridge	
2	7002449	1	Seal Kit - 7002448 Cartridge	
3	7002450	1	Coil	
4	7002451	1	Cartridge without Coil	
4	7011118	1	Seal Kit - 7002451 Cartridge	
	7000448	2	O-Ring (Square Cut) (Between Sections)	
		Ref	WORKING SECTIONS (STANDARD PARTS)	
101	7004859	2	Solenoid Assembly	
102	7003825	1	Washer	
103	7002348	1	Spring	
104	7002305	1	Guide Tube Assembly	
105	7002345	1	Cone, Female	
105	Kit	1	O-Ring	
105	Kit	1	O-Ring	
106	7002346	1	Pin, Push	
107	7002344	1	Plunger	
108	7000470	1	Tube, Guide	
109	7002341	1	Pin Actuator	
109	Kit	1	Ring, Quad	
110	7002340	1	Guide, External Push Pln	
110	Kit	1	O-Ring	
111	7002333	1	Sleeve, Inner Flux	
112	7002334	1	Spring	
113	7002336	1	Sleeve, Outer Flux	
114	7000418	1	Coil	
115	7002335	1	Case, Solenoid	
116	7002338	1	Plate, End	
116	7002327	1	Nameplate	
117	7002339	4	Screw	
	7000414	2	Seal Kit - Working Section (1 Per Section)	
		Ref	WORKING SECTIONS - COMPLETE (INCLUDES ITEMS 101-117 AND RELIEF VALVE ASSEMBLY WHEN EQUIPPED)	
151		Ref	Section #1 Options:	
151	7002315	1	Steer Section (4640941 Valve)	
151	7002317	1	Rotate Section (4640909 Valve)	
152		Ref	Section #2 Options:	
152	7002316	1	Level Section (4640941 Valve) (Prior to SN 27357)	
152	7011183	1	Level Section (4640941 Valve) (SN 27357 to Present)	
152	7002315	1	Steer Section (4640909 Valve)	
153		Ref	Section #3 Options:	
153	7002315	1	Tele Section (4640941 Valve)	
153	7002316	1	Level Section (4640909 Valve) (Prior to SN 27357)	
153	7011183	1	Level Section (4640909 Valve) (SN 27357 to Present)	
154		Ref	Section #4 Options:	
154	7003855	1	Tele Section (4640909 Valve Only)	

SECTION 2 - TURNTABLE

ITEM	PART NUMBER	QTY	DESCRIPTION	REV
155		Ref	Relief Valve Options:	
155	7000468	AR	Crossover Relief Valve Assembly - 7002315 Steer/Tele and 7003855 Tele Sections (Due to various suppliers - internal components are no longer field serviceable)	
155	7002262	AR	Dual Pilot Check Valve Assembly - 7002316 Level Sections (Due to various suppliers - internal components are no longer field serviceable) (Prior to SN 27357)	
155	7011183	AR	Dual Pilot Check Valve Assembly - 7011182 Level Sections (Due to various suppliers - internal components are no longer field serviceable) (SN 27357 to Present)	

SECTION 2 - TURNTABLE

FIGURE 2-13. CONTROL VALVE ASSEMBLY - BANG-BANG WITH INLET RELIEF



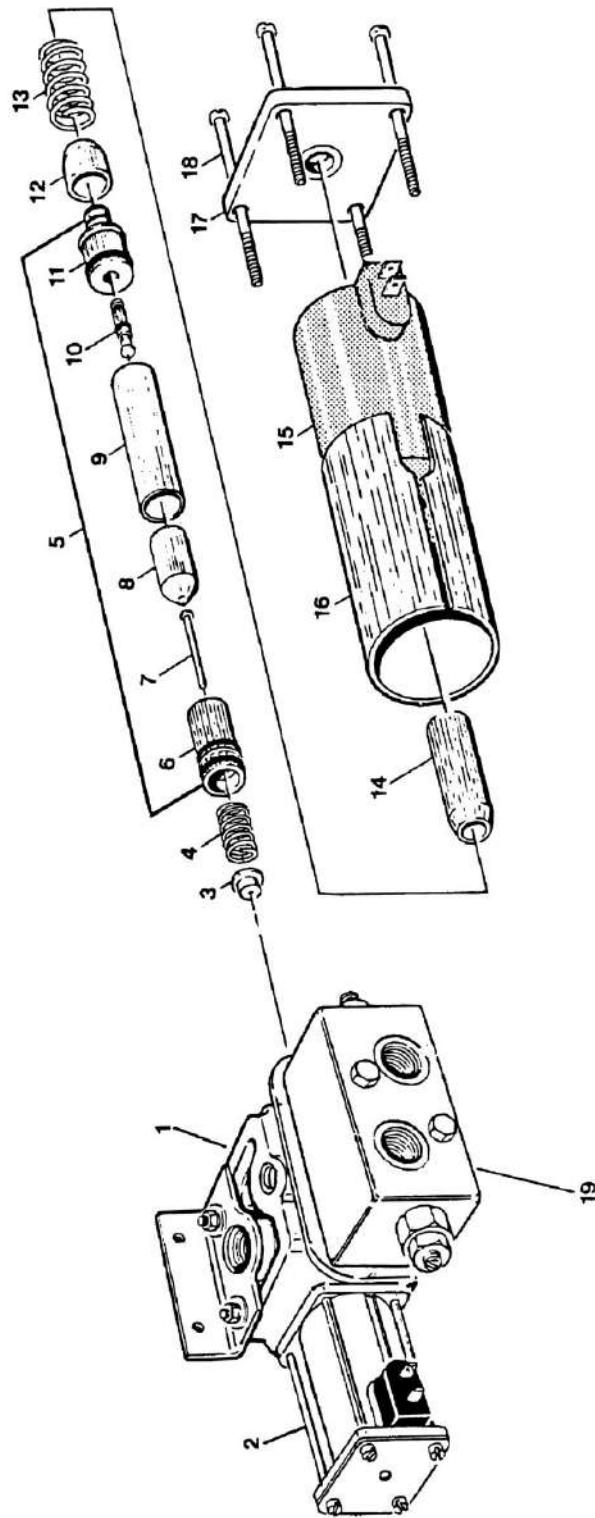
SECTION 2 - TURNTABLE

FIGURE 2-13. CONTROL VALVE ASSEMBLY - BANG-BANG WITH INLET RELIEF

ITEM	PART NUMBER	QTY	DESCRIPTION	REV
		Ref	CONTROL VALVE ASSEMBLY - BANG-BANG WITH INLET RELIEF	
	4640461	Ref	VALVE ASSEMBLY - 1 SECTION	A
	4640447	Ref	VALVE ASSEMBLY - 2 SECTION	A
1	4640820	Ref	INLET RELIEF SECTION ASSEMBLY	
2	7000447	1	Cartridge	
2	7000413	1	Seal Kit - 7002254 Section	
		Ref	WORKING SECTIONS ASSEMBLY (STANDARD PARTS)	
5	7002274	AR	Washer (2 Per Section)	
6	7002273	AR	Spring (2 Per Section)	
7	7004859	AR	Solenoid Assembly (2 Per Section)	
8	7002305	AR	Guide Tube Assembly (1 Per Solenoid Assembly)	
9	7002345	AR	Female Cone/O-Ring Assembly (1 Per Solenoid Assembly)	
10	7002346	AR	Pin, Push (1 Per Solenoid Assembly)	
11	7002344	AR	Plunger (1 Per Solenoid Assembly)	
12	7000470	AR	Tube, Guide (1 Per Solenoid Assembly)	
13	7002341	AR	Actuator Pin/Quad Ring Assembly (1 Per Solenoid Assembly)	
14	7002340	AR	Pin Guide/O-Ring Assembly (1 Per Solenoid Assembly)	
15	7002333	AR	Sleeve, Inner Flux (1 Per Solenoid Assembly)	
16	7002334	AR	Spring (1 Per Solenoid Assembly)	
17	7002336	AR	Sleeve, Outer Flux (1 Per Solenoid Assembly)	
18	7000418	AR	Coil (1 Per Solenoid Assembly)	
19	7002335	AR	Case, Solenoid (1 Per Solenoid Assembly)	
20	7002338	AR	Plate, End (1 Per Solenoid Assembly)	
21	7002339	AR	Screw (4 Per Solenoid Assembly)	
	7000414	AR	Seal Kit - Working Section (1 Per Section)	
		Ref	WORKING SECTIONS (VARIABLE PARTS)	
25		Ref	Section #1 Options:	
25	Not Required	0	4640461 Valve	
25	7000466	1	4640447 Valve (Includes Item 27)	
26		Ref	Section #2 Options:	
26	7002257	1	4640461 & 4640447 Valves (Includes Item 28)	
		Ref	Relief Valve Options:	
27	7000468	1	Crossover Relief Valve Assembly - 7000466 Section (Due to various suppliers - internal components are no longer field serviceable)	
28	7002262	1	Dual Pilot Check Valve Assembly 7002257 Section (Due to various suppliers - internal components are no longer field serviceable)	

SECTION 2 - TURNTABLE

FIGURE 2-14. CONTROL VALVE ASSEMBLY - 1 SECTION BANG-BANG (80HX+6/86HX)



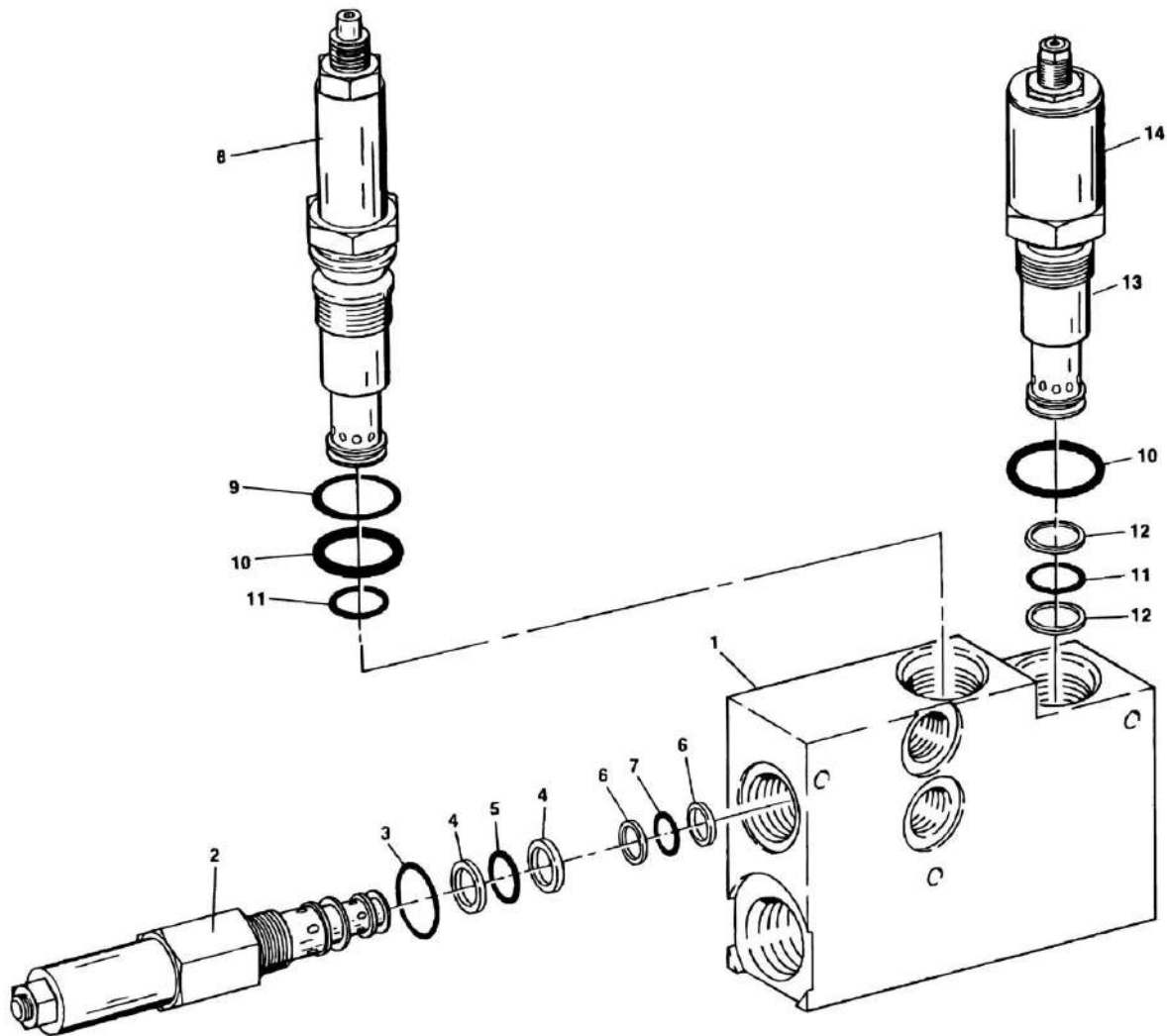
SECTION 2 - TURNTABLE

FIGURE 2-14. CONTROL VALVE ASSEMBLY - 1 SECTION BANG-BANG (80HX+6/86HX)

ITEM	PART NUMBER	QTY	DESCRIPTION	REV
	4640519	Ref	CONTROL VALVE ASSEMBLY - 1 SECTION BANG-BANG (80HX+6/86HX MACHINES)	-
1	7002315	1	Telescope Section - Complete	
2	7004859	2	Solenoid Assembly	
3	7002274	1	Washer	
4	7002348	1	Spring	
5	7002305	1	Guide Tube Assembly	
6	7002345	1	Cone, Female	
6	Kit	1	O-Ring	
6	Kit	1	O-Ring	
7	7002346	1	Pin, Push	
8	7002344	1	Plunger	
9	7000470	1	Tube, Guide	
10	7002341	1	Pin, Actuator	
10	Kit	1	Ring, Quad	
11	7002340	1	Guide, External Push Pln	
11	Kit	1	O-Ring	
12	7002333	1	Sleeve, Inner Flux	
13	7002334	1	Spring	
14	7002336	1	Sleeve, Outer Flux	
15	7000418	1	Coil	
16	7002335	1	Case, Solenoid	
17	7002338	1	Plate, End	
17	7002327	1	Nameplate	
18	7002339	4	Screw	
19	7000468	1	Crossover Relief Valve Block Assembly (Internal Parts are No Longer Field Serviceable)	
	7000414	1	Seal Kit - Working Section	

SECTION 2 - TURNTABLE

FIGURE 2-15. ACCESSORY VALVE ASSEMBLY (MILLER) (HYDRAULIC CONTROLS MACHINES BUILT THROUGH 1989)



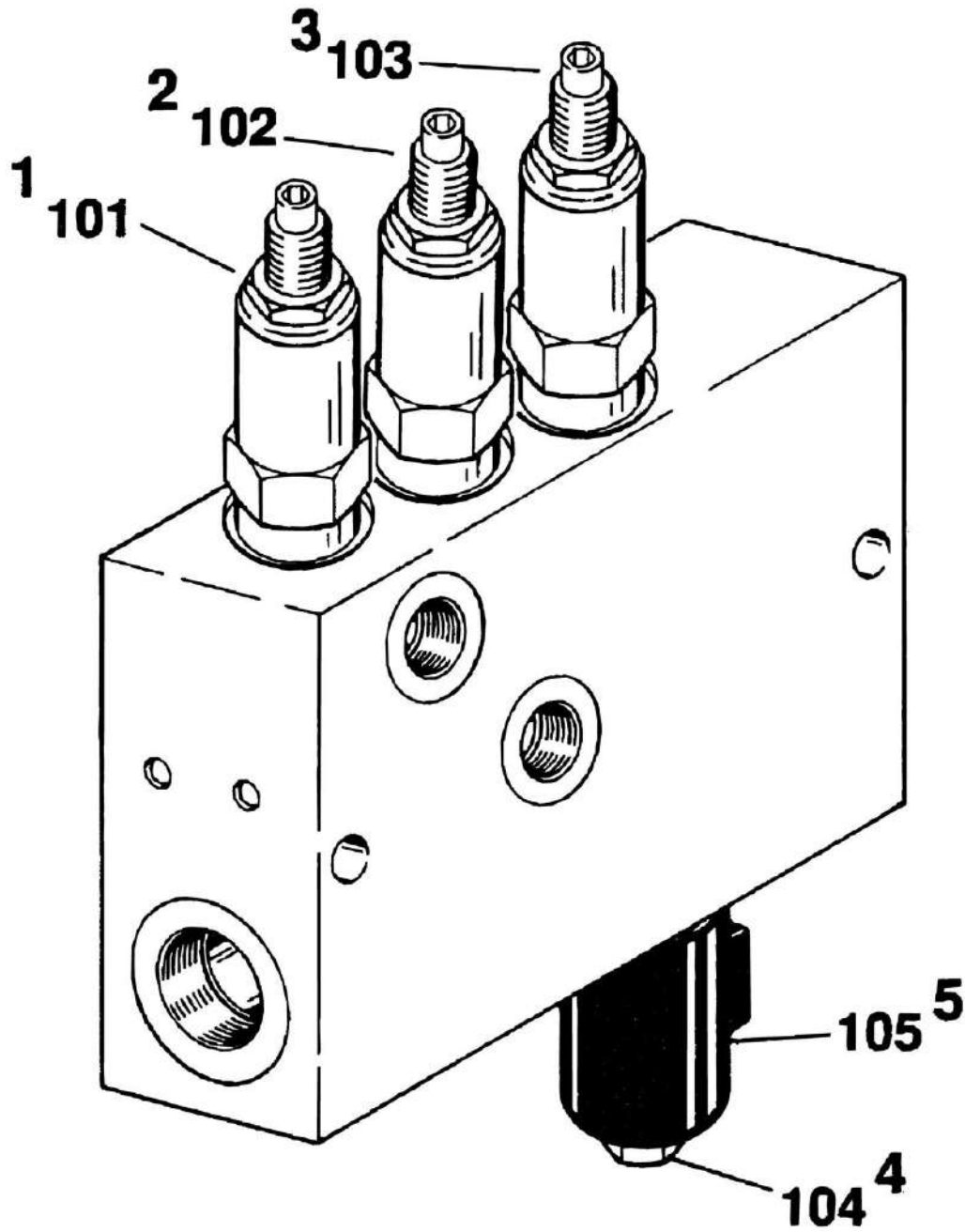
SECTION 2 - TURNTABLE

FIGURE 2-15. ACCESSORY VALVE ASSEMBLY (MILLER) (HYDRAULIC CONTROLS MACHINES BUILT THROUGH 1989)

ITEM	PART NUMBER	QTY	DESCRIPTION	REV
	4640535	Ref	ACCESSORY VALVE ASSEMBY (MILLER) (HYDRAULIC CONTROLS MACHINES BUILT THROUGH 1989)	A
		Ref	Note: Not sold as a complete assembly.	
1		Ref	Body (Not Sold Separately)	
2	7009755	1	Cartridge, Pressure Reducing/Relieving	
3	7009759	1	O-Ring	
4	7007760	2	Ring, Back-Up	
5	3790015	1	O-Ring	
6	7009761	2	Ring, Back-Up	
7	3790014	1	O-Ring	
8	7009756	1	Cartridge, Sequence	
9	3790118	1	O-Ring	
10	3790211	2	O-Ring	
11	3790016	2	O-Ring	
12	7009762	2	Ring, Back-Up	
13	7009757	1	Cartridge, 2-Position	
14	7009758	1	Coil (Includes Nut and Washer)	

SECTION 2 - TURNTABLE

FIGURE 2-16. ACCESSORY VALVE ASSEMBLY



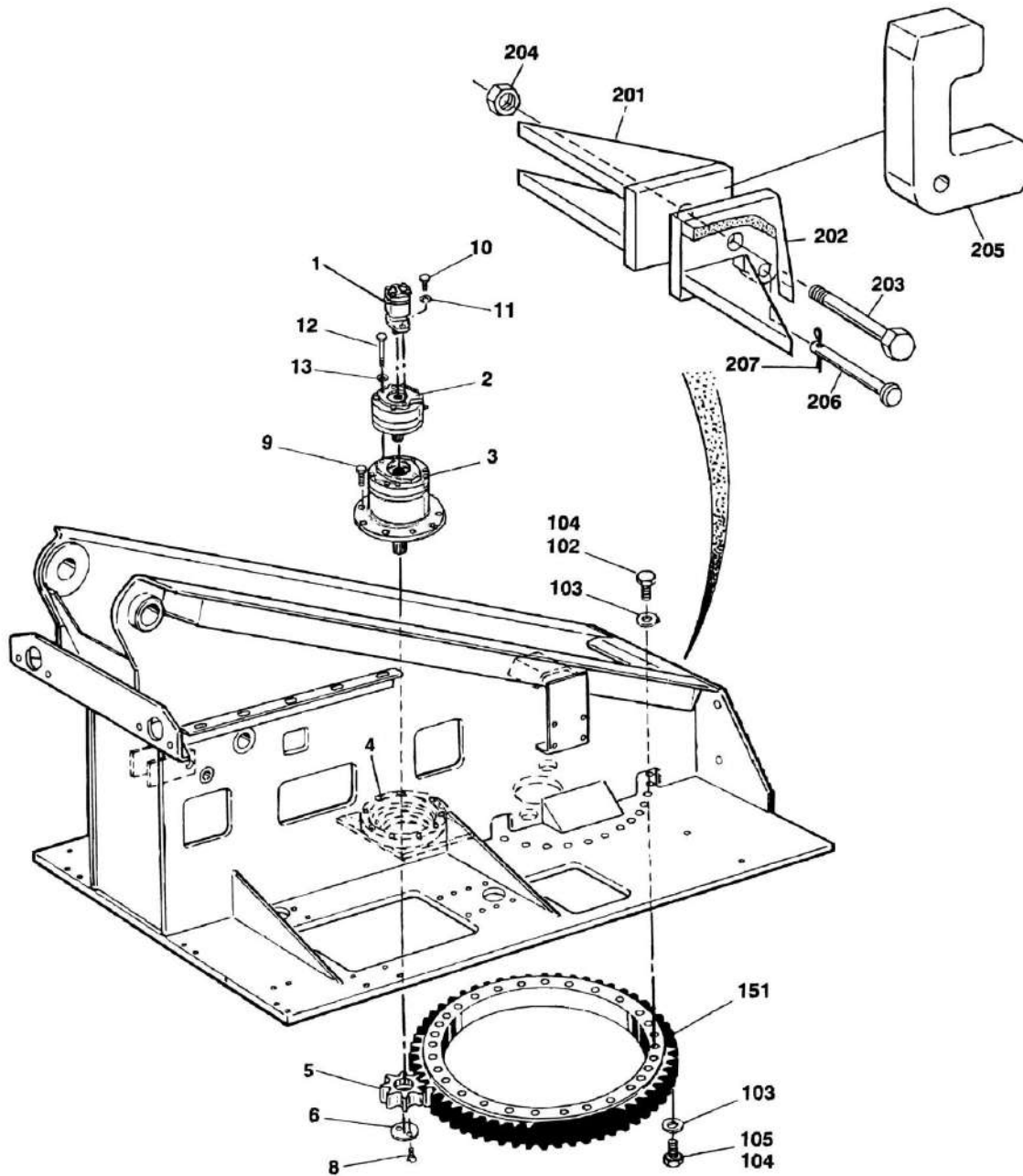
SECTION 2 - TURNTABLE

FIGURE 2-16. ACCESSORY VALVE ASSEMBLY

ITEM	PART NUMBER	QTY	DESCRIPTION	REV
	4640580	Ref	ACCESSORY VALVE ASSEMBLY (HYDRAULIC CONTROLS MACHINES BUILT 1990 TO SEPTEMBER 1991)	-
		Ref	Note: Not sold as a complete assembly.	
1	7004365	1	Cartridge - Sequence	
2	7004366	1	Cartridge - Pressure Reducing	
3	7004367	1	Cartridge - Main Relief	
4	7004369	1	Cartridge Less Coil - Dump	
5	7004368	1	Coil	
	2900707	2	Seal Kit (Sequence and Pressure Reducing)	
	2900708	1	Seal Kit (Main Relief)	
	2900709	1	Seal Kit (Dump)	
	4640716	Ref	ACCESSORY VALVE ASSEMBLY (HYDRAULIC CONTROLS MACHINES BUILT SEPTEMBER 1991 TO PRESENT)	-
		Ref	Note: Refer to P/N stamped on cartridge hex nut for identification.	
101	7012506	1	Cartridge - Sequence (Hydraforce PS10-34A)	
101	7010552	1	Cartridge - Sequence (Vickers/Modular Controls PSV7-10V)	
102	7012505	1	Cartridge - Pressure Reducing (Hydraforce PR10-32A)	
102	7010553	1	Cartridge - Pressure Reducing (Vickers/Modular Controls PRV1-10V)	
103	7012507	1	Cartridge - Main Relief (Hydraforce RV50-26A)	
103	7010554	1	Cartridge - Main Relief (Vickers/Modular Controls RV5-10V)	
104	7004369	1	Cartridge Less Coil - Dump (Hydraforce SV16-21)	
105	7004368	1	Coil (Hydraforce 6352012)	
104	7010556	1	Cartridge W/ Coil-Dump (Vickers/Modular Controls SV3-16V)	
105	7010555	1	Coil (Vickers/Modular Controls 565966)	
	7012509	1	Seal Kit (Sequence) (Hydraforce Version)	
	7010557	1	Seal Kit (Sequence) (Vickers/Modular Controls Version)	
	7012510	1	Seal Kit (Pressure Reducing) (Hydraforce Version)	
	7010558	1	Seal Kit (Pressure Reducing) (Vickers/Modular Controls Version)	
	7012511	1	Seal Kit (Main Relief) (Hydraforce Version)	
	7010559	1	Seal Kit (Main Relief) (Vickers/Modular Controls Version)	
	2900709	1	Seal Kit (Dump) (Hydraforce Version)	
	7010560	1	Seal Kit (Dump) (Vickers/Modular Controls Version)	

SECTION 2 - TURNTABLE

FIGURE 2-17. SWING DRIVE, BEARING AND LOCK INSTALLATIONS



SECTION 2 - TURNTABLE

FIGURE 2-17. SWING DRIVE, BEARING AND LOCK INSTALLATIONS

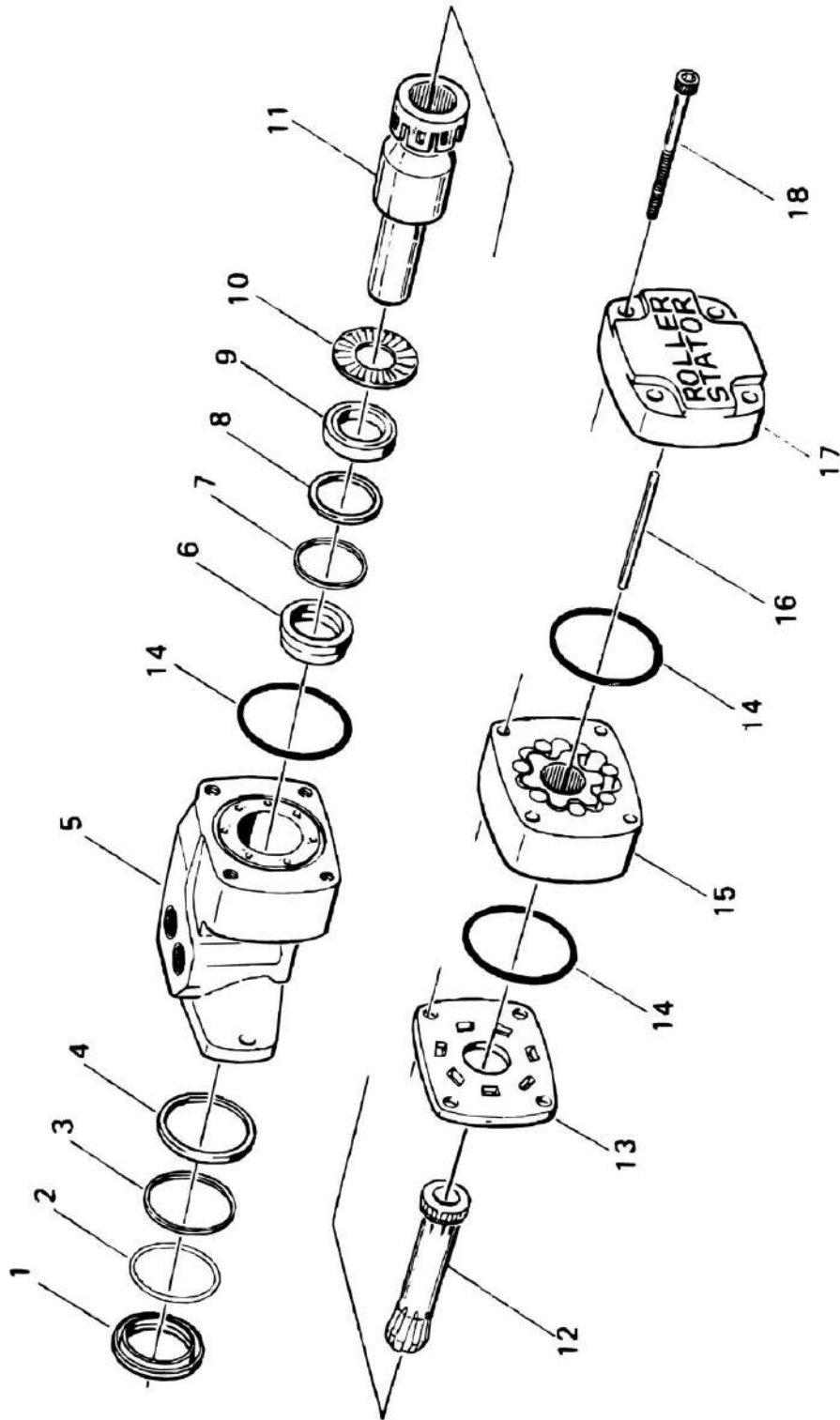
ITEM	PART NUMBER	QTY	DESCRIPTION	REV
		Ref	SWING DRIVE INSTALLATION OPTIONS:	
	0236810	Ref	Swing Drive Assembly (Prior To April 1986)	A
	0237544	Ref	Swing Drive Assembly (April 1986 To October 1987)	A
	0238630	Ref	Swing Drive Assembly (October 1987 S/N 64566)	7
	0270325	Ref	Swing Drive Assembly (SN 64566 to Present)	1
1		Ref	Swing Motor Assembly Options:	
1	3160115	1	Motor - Prior To October 1987 (See SWING MOTOR ASSEMBLY - WHITE for Breakdown)	
1	3160138	1	Motor - October 1987 to S/N 64566 (See SWING MOTOR ASSEMBLY - CHAR-LYNN for Breakdown)	
1	3160274	1	Motor (See SWING MOTOR ASSEMBLY - EATON for Breakdown) (SN 64566 to Present)	
2		Ref	Swing Brake Options:	
2	0920032	1	Brake - Prior to April 1992 (See SWING BRAKE ASSEMBLIES for Breakdown)	
2	0920083	1	Brake - April 1992 to S/N 33476 (See SWING BRAKE ASSEMBLIES for Breakdown)	
2	0920109	1	Brake (See SWING BRAKE ASSEMBLIES for Breakdown) (SN 33476 to Present)	
3	2780055	1	Swing Hub Assembly (See SWING HUB ASSEMBLY for Breakdown)	
4		Ref	Plate, Mounting Options:	
4	4842217	1	Plate, Mounting (Prior To April 1986)	
4	1001120496	1	Plate, Mounting (April 1986 to Present) (was p/n 0236421)	
		Ref	Note: Several Machines were built with a 1/4in Spacer p/n 3501918 between the Swing Hub Assembly and the Mounting Plate. Use this Spacer ONLY if Machine was originally equipped with a Spacer.	
5		Ref	Gear, Pinion Options:	
5	2440050	1	Gear, Pinion (Prior To April 1986)	
5	2440055	1	Gear, Pinion (April 1986 to October 1987)	
5	2440054	1	Gear, Pinion (October 1987 to Present)	
6	3501916	1	Plate, Retaining	
7	0100019	AR	Loctite #271 (Not Shown)	
8	0741606	2	Screw, Countersunk 3/8in-16NC x 3/4in	
9	0641912	9	Bolt 9/16in-12NC x 1 1/2in	
10	0641810	2	Bolt 1/2in-13NC x 1 1/4in	
11	4761800	2	Lockwasher 1/2in	
12	3931864	2	Bolt, Socket 1/2in-13NC x 4in (Grade 8)	
12	0681836	2	Bolt, Hex 1/2in-13NC x 4 1/2in (Grade 8)	
13	4740189	2	Washer, Special (Use with Socket Head Bolt)	
13	4740171	2	Washer, Special (Use with Hex Bolt)	
14	0100009	AR	Sealant RTB #738 (Not Shown)	
15	3790155	1	O-Ring - 4in (Not Shown)	
		Ref	TURNTABLE BEARING INSTALLATION (APRIL 1986)	
	0236814	Ref	Turntable Bearing Installation (Prior to April 1986)	A
	0237545	Ref	Turntable Bearing Installation (April 1986 To June 1988)	-
	0238921	Ref	June 1988 To Present	7
	0251695	Ref	750 Lbs Capacity Machines	7
102		Ref	Bolt Options:	
102	0682416	30	Bolt (7/8in-9NC x 2in) (Grade 8) (Prior to April 1986)	
102	0682015	40	Bolt (5/8in-11NC x 1 7/8in) (Grade 8) (April 1986 to Present)	

SECTION 2 - TURNTABLE

ITEM	PART NUMBER	QTY	DESCRIPTION	REV
102	0682014	40	Bolt (5/8in-11NC x 1 3/4in) (Grade 8) (April 1986 to Present)	D
103		Ref	Washer, Special Options:	
103	4740104	60	Washer (Prior to April 1986)	
103	4740004	80	Washer (April 1986 to S/N 64402)	
103	4892000	80	Washer (SN 64402 to Present)	
104	0100019	AR	Loctite #271	
105		Ref	Bolt Options:	
105	0682418	30	Bolt (7/8in-9NC x 2 1/4in) (Grade 8) (Prior to April 1986)	
105	0682016	40	Bolt (5/8in-11NC x 2in) (Grade 8) (April 1986 to Present)	
105	0682024	40	Bolt (5/8in-11NC x 3in) (Grade 8) (April 1986 to Present)	
106	0100004	AR	Devcon (Required Prior to December 1992)	
151		Ref	Bearing, Turntable Options:	
151	0440064	1	Bearing (Prior to April 1986)	
151	0440104	1	Bearing (April 1986 to June 1988)	
151	0440193	1	Bearing (June 1988 to Present)	
151	2160002	2	Fitting, Grease (Prior to April 1986 Only)	
151	2200341	2	Fitting, 90 (Prior to April 1986 Only)	
151	2180049	2	Fitting, Nipple (Prior to April 1986 Only)	
	0236106	Ref	TURNTABLE LOCK INSTALLATION	
201	4340398	1	Support Weldment (Right)	
202	4340397	1	Support Weldment (Left)	
203	0642022	1	Bolt 5/8in-11NC x 2 3/4in	
204	3312005	1	Locknut 5/8in-11NC	
205	3420761	1	Pin, Locking	
206	3430620	1	Pin, Clevis	
207	3420182	1	Pin, Cotter	

SECTION 2 - TURNTABLE

FIGURE 2-18. SWING MOTOR ASSEMBLY - WHITE



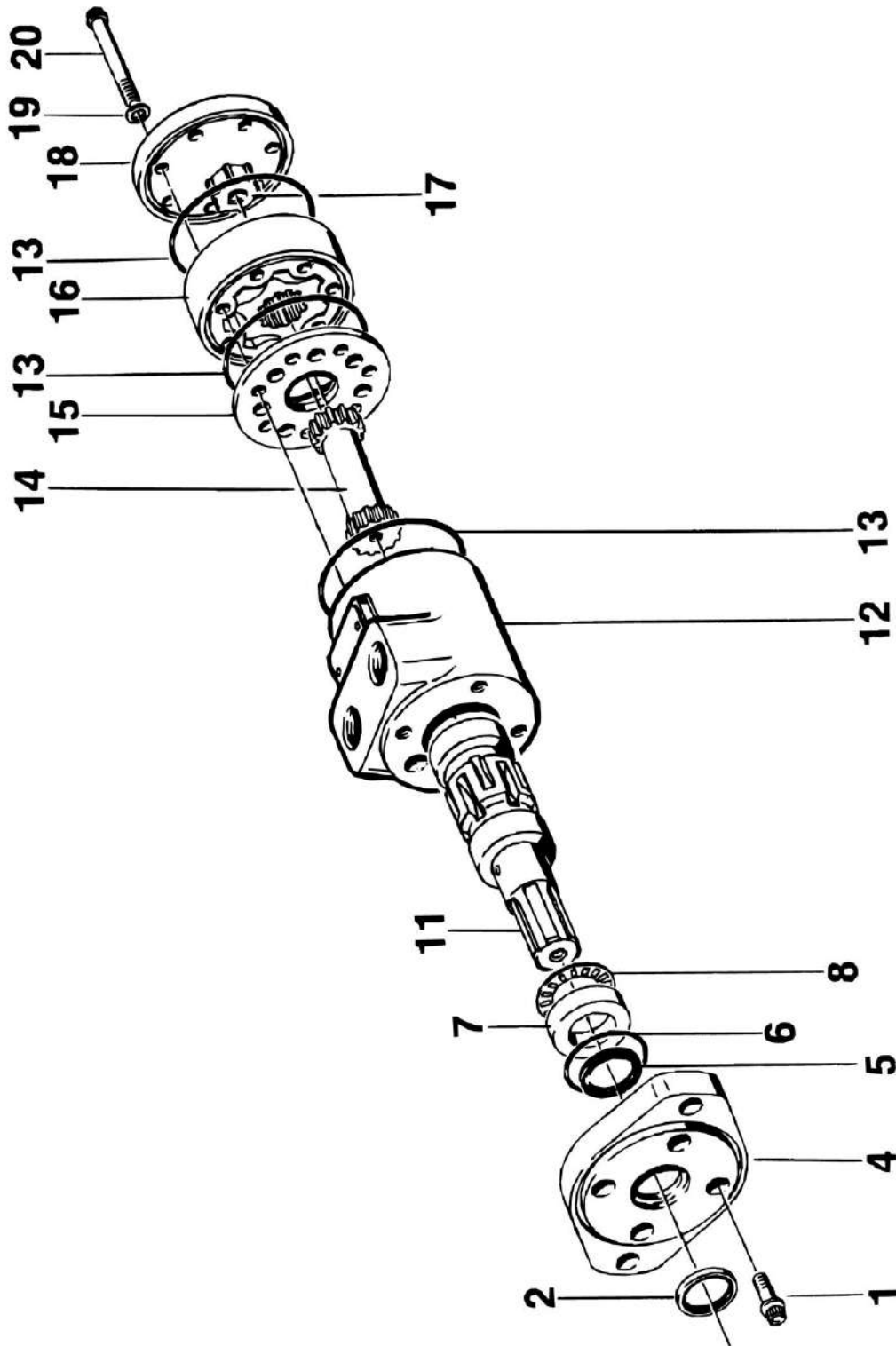
SECTION 2 - TURNTABLE

FIGURE 2-18. SWING MOTOR ASSEMBLY - WHITE

ITEM	PART NUMBER	QTY	DESCRIPTION	REV
	3160115	Ref	SWING MOTOR ASSEMBLY - WHITE	C
1	Kit	1	Seal Dust	
2	Kit	1	Ring, Wire	
3	Kit	1	Shim	
4	Kit	1	Seal	
5	7005804	1	Housing	
6	Kit	1	Seal, Carrier	
7	Kit	1	Shim	
8	Kit	1	Leather, Back-Up	
9	Kit	1	Seal, Shaft	
10	7005809	1	Bearing, Thrust	
11	7005810	1	Shaft	
12	7005811	1	Link, Drive	
13	7005812	1	Plate, Wear	
14	Kit	3	Seal	
15	7005822	1	Stator, Roller	
16	7005820	1	Pin, Dowel	
17	7005816	1	Cover, End	
18	7005821	4	Bolt	
	2900477	1	Seal Kit (Includes of items 1,2,3,4,6,7,8,9 & 14)	

SECTION 2 - TURNTABLE

FIGURE 2-19. SWING MOTOR ASSEMBLY - CHAR-LYNN



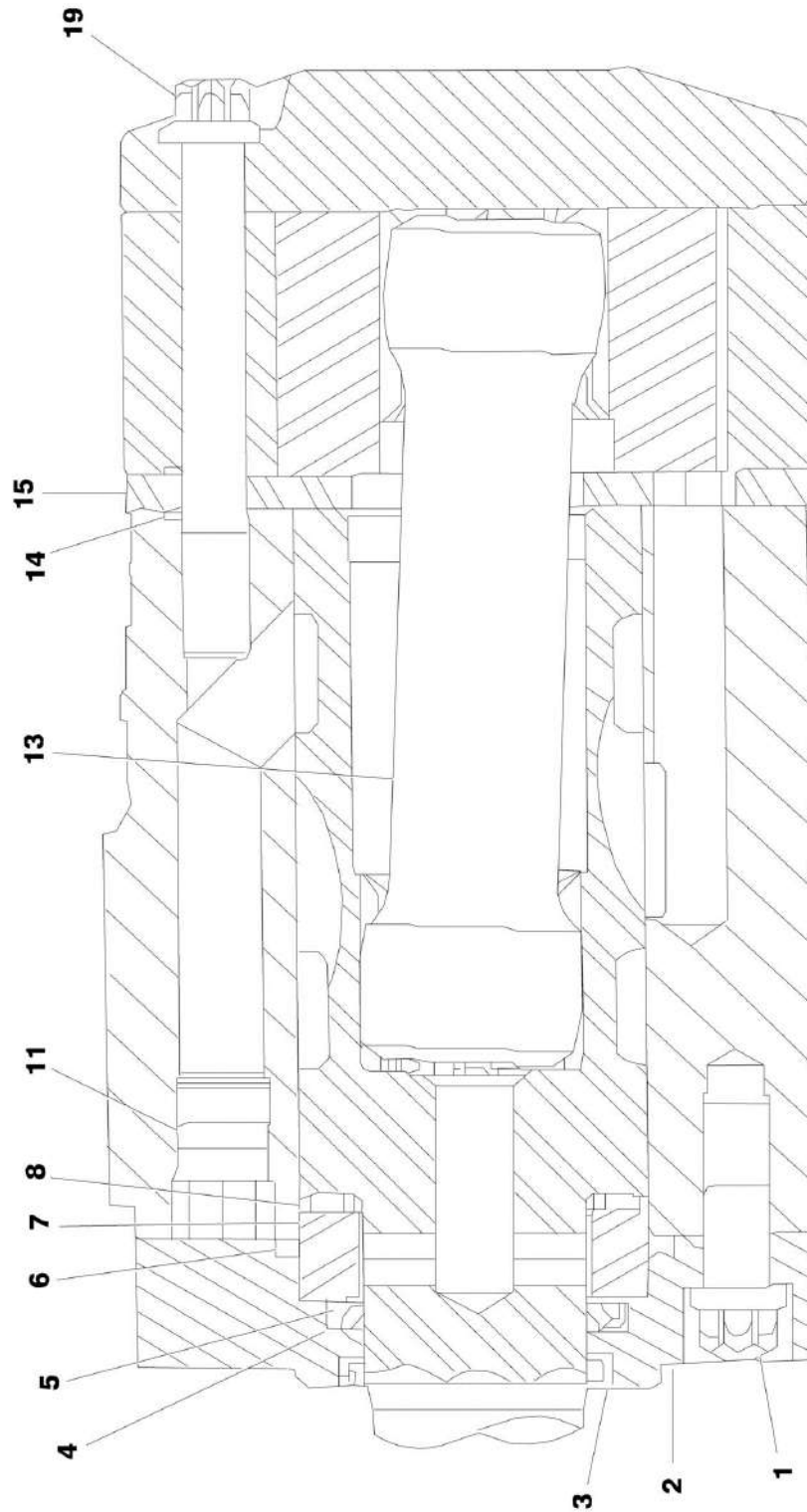
SECTION 2 - TURNTABLE

FIGURE 2-19. SWING MOTOR ASSEMBLY - CHAR-LYNN

ITEM	PART NUMBER	QTY	DESCRIPTION	REV
	3160138	Ref	SWING MOTOR ASSEMBLY - CHAR-LYNN	-
1	7002123	4	Capscrew	
2	Kit	1	Seal, Dust	
4	7002121	1	Flange, Mounting	
5	Kit	1	Seal, Pressure	
6	Kit	1	Seal	
7	7002117	1	Race, Bearing	
8	7002111	1	Bearing, Thrust Needle	
11	7002116	1	Shaft, Output	
12	7002103	1	Housing	
13	Kit	3	Seal	
14	7002189	1	Shaft, Drive	
15	7002110	1	Plate, Spacer	
16	7002130	2	Gerator Set	
17	7002193	1	Spacer	
18	7002107	1	Cap, End	
19	Kit	7	Seal, Washer	
20	7002200	7	Capscrew	
	2900455	1	Seal Kit (Includes Items 2,5,6,13 & 19)	

SECTION 2 - TURNTABLE

FIGURE 2-20. SWING MOTOR ASSEMBLY - EATON



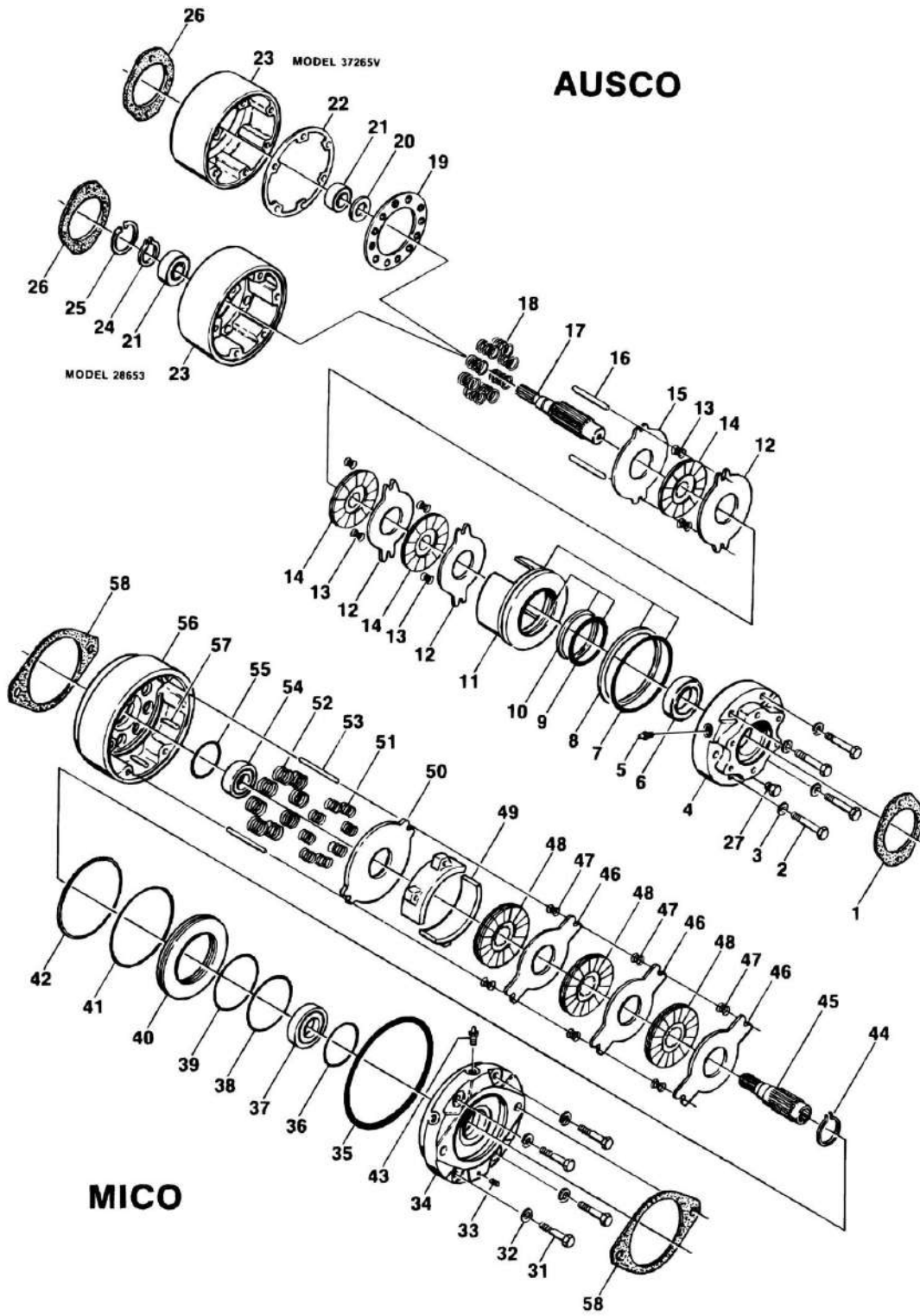
SECTION 2 - TURNTABLE

FIGURE 2-20. SWING MOTOR ASSEMBLY - EATON

ITEM	PART NUMBER	QTY	DESCRIPTION	REV
	3160274	Ref	SWING MOTOR ASSEMBLY - EATON	B
1	7002123	4	Capscrew	
2	7009974	1	Flange, Mounting	
3	Kit	1	Exclusion Seal	
4	7009975	1	Washer, Backup	
5	Kit	1	Seal, Pressure	
6	Kit	1	Seal	
7	7002117	1	Race, Bearing	
8	7002111	1	Bearing, Thrust Needle	
9	Not Required	0	Shaft, Output	
10	7009991	1	Housing	
11	Kit	1	O-Ring	
12	Not Serviced		Plug Housing	
13	7002112	3	Drive	
14	Kit	1	Seal	
15	7002110	1	Plate, Spacer	
16	Not Serviced		Gerator Set	
17	Not Serviced		Cap, End	
19	7014900	1	Cap, Screw	
20	Not Serviced		Plug Assembly	
22	Not Available		Nameplate	
23	Not Serviced		Rivet	
	2900733	1	Seal Kit (Includes Items 3,5,6,11 & 14)	

SECTION 2 - TURNTABLE

FIGURE 2-21. SWING BRAKE ASSEMBLIES (PRIOR TO APRIL 1992)



SECTION 2 - TURNTABLE

FIGURE 2-21. SWING BRAKE ASSEMBLIES (PRIOR TO APRIL 1992)

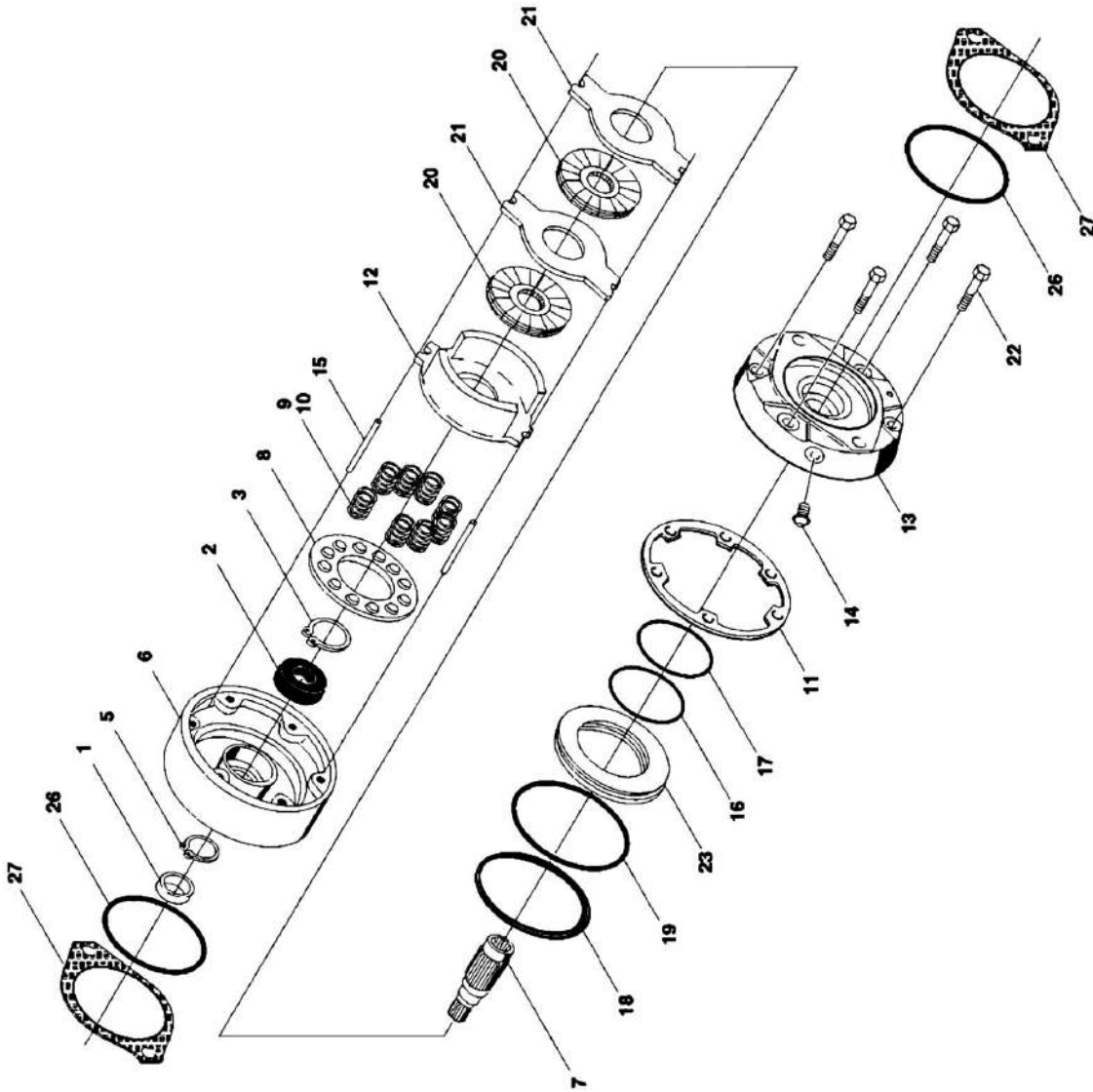
ITEM	PART NUMBER	QTY	DESCRIPTION	REV
		Ref	SWING BRAKE ASSEMBLIES (PRIOR TO APRIL 1992)	
	0920032	Ref	SWING BRAKE ASSEMBLY - AUSCO (MODEL 28653)	-
	0920032	Ref	SWING BRAKE ASSEMBLY - AUSCO (MODEL 37265V)	C
		Ref	Note: Refer to Model Number stamped on the front of the Housing item 23.	
1	7000731	1	Gasket	
2	7000730	4	Bolt (Model 38653)	
2	7003007	4	Bolt, Flanged (Model 37265V)	
3	7000729	4	Lockwasher (Model 28653 Only)	
4	7003012	1	Plate, Power (Model 38653)	
4	7003091	1	Plate, Power (Model 37265V)	
5	7000796	1	Bleeder	
6	7000760	1	Bearing, Ball (Model 37265V Only)	
7	Kit	1	O-Ring	
8	Kit	1	Ring, Back-up	
9	Kit	1	O-Ring	
10	Kit	1	Ring, Back-up	
11	7000721	1	Piston (Model 28653)	
11	7003057	1	Piston (Model 37265V)	
12	7000720	3	Disc, Stationary (Model 28653)	
12	7003056	3	Disc, Stationary (Model 37265V)	
13	7003006	6	Spring, Compression	
14	7000732	3	Disc, Rotating (Model 28653)	
14	7003055	3	Disc, Rotating (Model 37265V)	
15	7000718	1	Disc, Primary (Model 28653)	
15	7003054	1	Disc, Primary (Model 37265V)	
16	7000717	2	Pin, Torque	
17	7003013	1	Shaft, Splined (Model 28653)	
17	7003053	1	Shaft, Splined (Model 37265V)	
18	7000798	8	Spring, Compression (Model 28653)	
18	7003052	8	Spring, Compression (Model 37265V)	
19	7003051	1	Retainer, Spring (Model 37265V Only)	
20	Kit	1	Seal, Oil	
21	7000713	1	Bearing, Ball (Model 28653)	
21	7003049	1	Bearing, Ball (Model 37265V)	
22	Kit	1	Gasket (Model 37265V Only)	
23	7000714	1	Housing (Model 28653)	
23	7003090	1	Housing (Model 37265V)	
24	7000712	1	Ring, Retaining (Model 28653 Only)	
25	7000711	1	Ring, Retaining (Model 28653 Only)	
26	7000742	1	Gasket	
27	7003059	1	Valve, Pressure Relief (Model 37265V Only)	
	2900131		Seal Kit (Includes Items 1,7,8,9,10,20,22 & 26)	
	0920032	Ref	SWING BRAKE ASSEMBLY - MICO	B
31	7007913	4	Capscrew	
32	7007912	4	Lockwasher	
33	7007924	1	Plug	
34	7007928	1	Cover	
35	Kit	1	Ring, Square	
36	Kit	1	O-Ring	

SECTION 2 - TURNTABLE

ITEM	PART NUMBER	QTY	DESCRIPTION	REV
37	Kit	1	Bearing	
38	Kit	1	O-Ring	
39	Kit	1	Ring, Back-up	
40	7007923	1	Piston	
41	Kit	1	O-Ring	
42	Kit	1	Ring, Back-up	
43	7007914	1	Bleeder	
44	Kit	1	Ring, Retaining	
45	7007926	1	Shaft	
46	7007908	3	Disc	
47	7007916	6	Spring	
48	7007909	3	Disc, Friction	
49	7007902	2	Separator	
50	7007907	1	Disc	
51	7007906	8	Spring	
52	7007905	8	Spring	
53	7007915	2	Pin, Dowel	
54	Kit	1	Bearing	
55	Kit	1	O-Ring	
56	7007930	1	Housing	
57	7007901	4	Pin, Spiral	
58	7007933	1	Gasket	
58	7007934	1	Gasket	
	2900642	1	Seal Kit (Includes Items 35,36,38,39,41,42,55 & 58 Gaskets)	
	7007927	1	Bearing Kit (Includes Items 36,37,44,54,55 & 58 Gasket)	

SECTION 2 - TURNTABLE

FIGURE 2-22. SWING BRAKE ASSEMBLIES (APRIL 1992 TO PRESENT)



SECTION 2 - TURNTABLE

FIGURE 2-22. SWING BRAKE ASSEMBLIES (APRIL 1992 TO PRESENT)

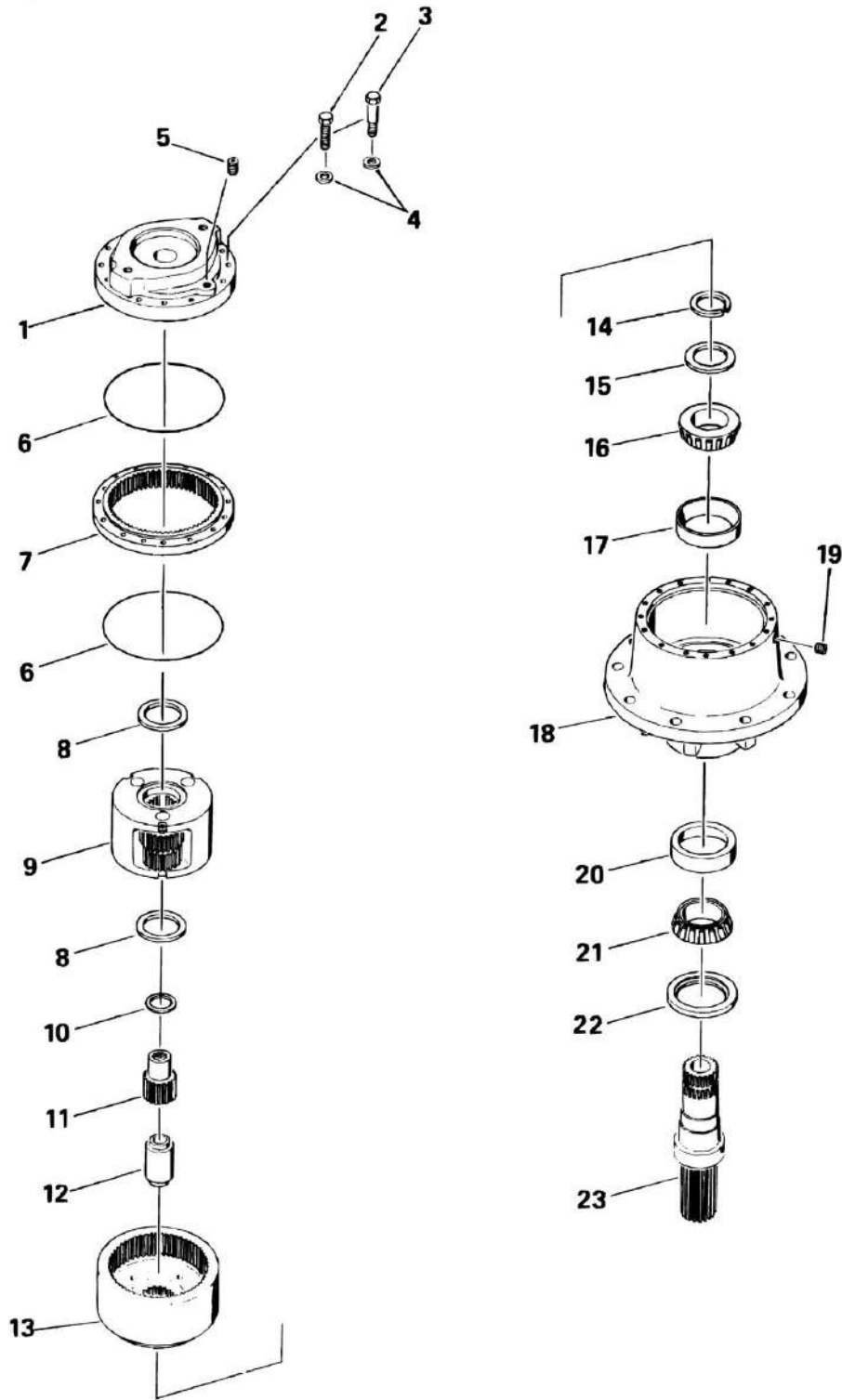
ITEM	PART NUMBER	QTY	DESCRIPTION	REV
		Ref	SWING BRAKE ASSEMBLIES	
	0920083	Ref	Machines Built Through 1992	
	0920083	Ref	Machines Built 1993 To S/N 33476	
	0920109	Ref	Machines Built (SN 33476 to Present)	
1	Kit	1	Seal, Oil	
2	Kit	1	Bearing	
3	7007977	1	Ring, Retaining	
5		Ref	Ring, Retaining Options:	
5	Not Required	0	Machines Built Through 1992	
5	7011716	1	Machines Built 1993 to Present	
6		Ref	Housing Options:	
6	7007981	1	Machines Built Through 1992	
6	7011713	1	Machines Built 1993 to S/N 33476	
6	7018605	1	Machines Built (SN 33476 to Present)	
7		Ref	Shaft Options:	
7	7011718	1	Machines Built Through 1992	
7	7011720	1	Machines Built 1993 to Present	
8		Ref	Guide, Spring Options:	
8	Not Required	0	Machines Built Through 1992	
8	7011717	1	Machines Built 1993 to S/N 33476	
8	7018606	1	Machines Built (SN 33476 to Present)	
9		Ref	Spring Options:	
9	7007979	6	Spring, (Small) Machines Built (Prior to SN 33476)	
9	7007970	6	Spring, (Red) Machines Built (SN 33476 to Present)	
10		Ref	Spring Options:	
10	7007980	6	Spring, (Large) Machines Built (Prior to SN 33476)	
10	7018602	3	Spring, (Blue) Machines Built (SN 33476 to Present)	
11	Kit	1	Seal, Case	
12		Ref	Plate Options:	
12		Ref	Machines Built (Prior to SN 33476)	
12	Kit	1	Plate, Return	
12	7011715	2	Separator Assembly	
12	7011714	4	Pin	
12	7007983	2	Separator	
12		Ref	Machines Built (SN 33476 to Present)	
12	Kit	1	Plate, Separator	
13	7011719	1	Cover	
14	7007914	1	Screw, Bleeder Only (Prior to SN 33906)	
15	7007987	2	Pin, Dowel	
16	Kit	1	Ring, Back-up (Inner)	
17	Kit	1	O-Ring (Inner)	
18	Kit	1	Ring, Back-up (Outer)	
19	Kit	1	O-Ring (Outer)	
20	Kit	2	Rotor	
21	Kit	2	Stator	
22		Ref	Bolt, Washer Head Options:	
22	7007985	4	Machines Built (Prior to SN 33476)	
22	7018607	4	Machines Built (SN 33476 to Present)	
23		Ref	Piston Options:	
23	7007923	1	Machines Built (Prior to SN 33476)	

SECTION 2 - TURNTABLE

ITEM	PART NUMBER	QTY	DESCRIPTION	REV
23	7018603	1	Machines Built (SN 33476 to Present)	
26	Kit	2	O-Ring	
27	7007933	2	Gasket	
	2900766	1	Seal Kit (Includes Items 1, 11, 16, 17, 18, 19, 26 & 27)	
	2900768	1	Bearing Kit (Includes Items 1, 2, 11, 26 & 27)	
		Ref	Lining Kit Options:	
	2900767		Machines Built - Lining Kit (Includes Items 11, 12, 20, 21, 26 & 27) (Prior to SN 33476)	
	7018608	1	Machines Built - Lining Kit (Includes Items 11, 12, 20, 21, 26 & 27) (SN 33476 to Present)	

SECTION 2 - TURNTABLE

FIGURE 2-23. SWING HUB ASSEMBLY



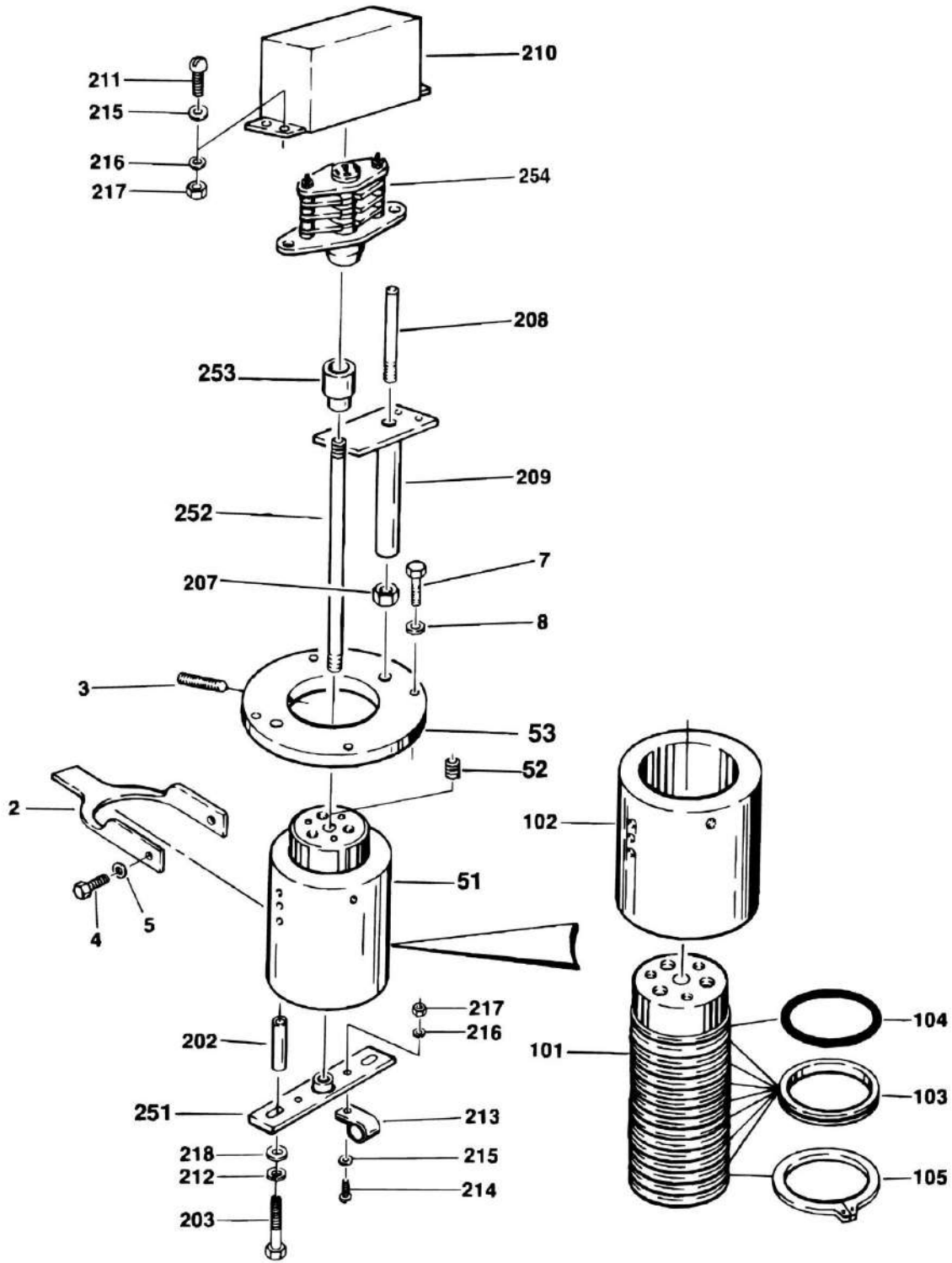
SECTION 2 - TURNTABLE

FIGURE 2-23. SWING HUB ASSEMBLY

ITEM	PART NUMBER	QTY	DESCRIPTION	REV
	2780055	Ref	SWING HUB ASSEMBLY	-
1	7000209	1	Cover	
2	7000217	8	Bolt, Hex Head	
3	7000214	4	Bolt, Hex Head, Shoulder	
4	4751500	12	Flatwasher	
5	7000242	1	Plug, Pipe	
6	Kit	2	O-Ring	
7	7000208	1	Gear, Ring	
8	7000253	2	Washer, Thrust	
9	7000207	1	Planet Carrier Assembly (No Service Breakdown Parts Purchase Entire Assembly)	
10	7000270	1	Washer, Thrust	
11	7000268	1	Gear, Sun-Input	
12	7000269	1	Spacer, Sun Gear	
13	7000246	1	Gear, Internal	
13	7000271	1	Hub Assembly	
14	Kit	1	Ring, Retaining	
15	Kit	1	Spacer	
16	7000258	1	Bearing, Tapered Roller	
17	7000257	1	Cup, Bearing	
18	7000210	1	Hub	
19	7000242	1	Plug, Pipe	
20	7000255	1	Cup, Bearing	
21	7000256	1	Bearing, Tapered Roller	
22	Kit	1	Seal	
23	7000233	1	Shaft, Output	
	2900034	1	Kit, Repair (Includes Items 6,14,15 & 22)	

SECTION 2 - TURNTABLE

FIGURE 2-24. ROTARY COUPLING AND COLLECTOR RING ASSEMBLY AND INSTALLATION



SECTION 2 - TURNTABLE

FIGURE 2-24. ROTARY COUPLING AND COLLECTOR RING ASSEMBLY AND INSTALLATION

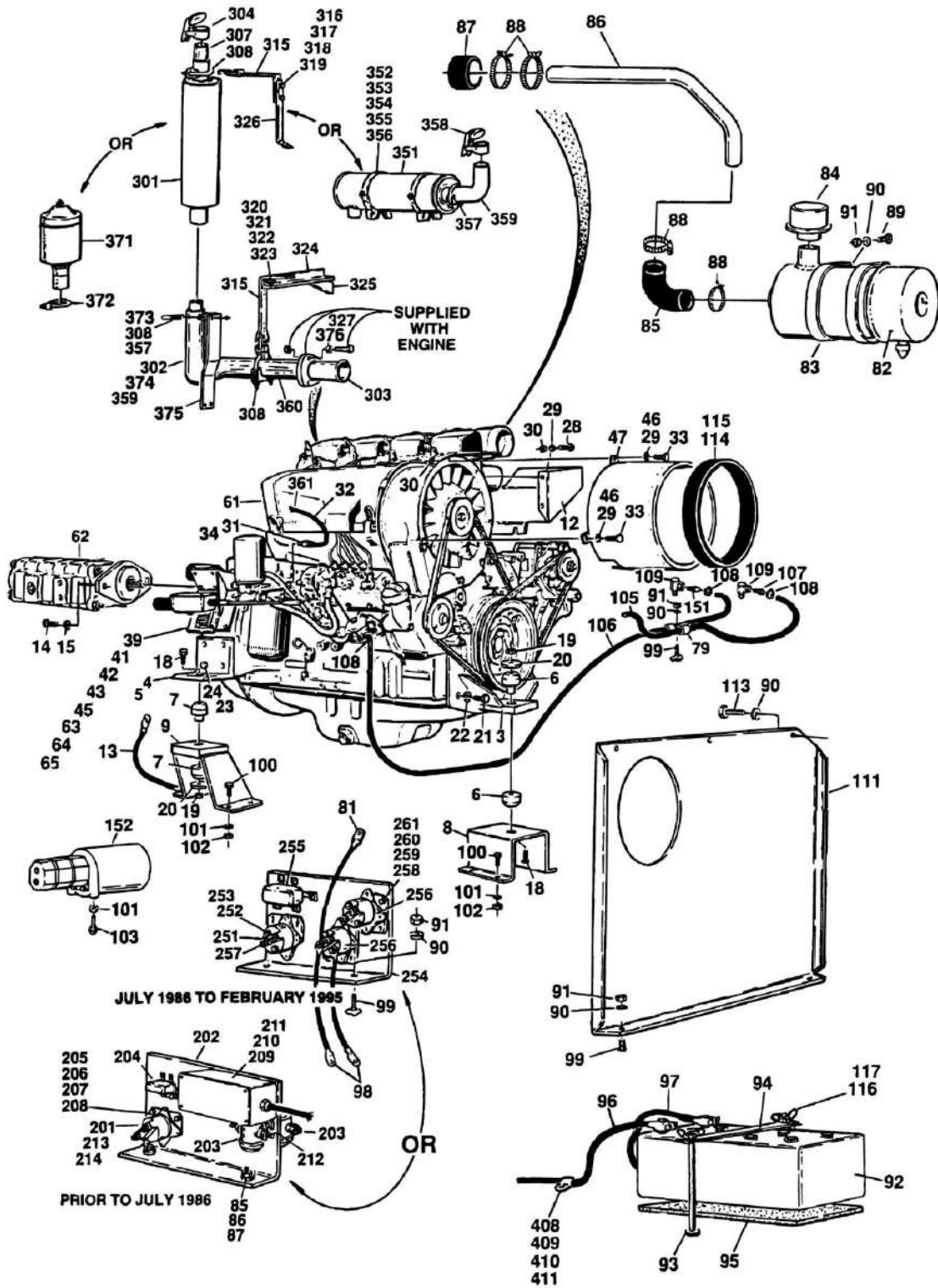
ITEM	PART NUMBER	QTY	DESCRIPTION	REV
		Ref	ROTARY OIL COUPLING INSTALLATION (STANDARD PARTS)	
2	3530403	1	Plate, Retaining	
3	3951820	2	Setscrew 1/2in-13NC x 2 1/2in	
4	0641807	2	Bolt 1/2in-13NC x 7/8in	
5	4761800	2	Lockwasher 1/2in	
7	0641514	4	Bolt 5/16in-18NC x 1 3/4in	
8	4761500	4	Lockwasher 5/16in	
9	0100011	AR	Loctite #242 (Not Shown)	
10	0100019	AR	Loctite #271 (Not Shown)	
		Ref	ROTARY OIL COUPLING INSTALLATION (VARIABLE PARTS)	
	0234479	Ref	Machines With Racine Valves (Prior To September 1985)	I
	0237222	Ref	Machines With Racine Valves (September 1985 To Present)	A
	0238021	Ref	Machines With Vickers Valves (Prior To June 1988)	-
	0238032	Ref	Machines With Vickers Valves (June 1988 To December 1990)	-
	0250611	Ref	Machines With Vickers Valves (December 1990 To September 1994)	C
	0254882	Ref	Machines With Vickers Valves (September 1994 To Present)	3
51		Ref	Oil Coupling Assembly Options (See Items 101-105 for Breakdown):	
51	1660154	1	Machines With Racine Valves (5 Port)	
51	1660160	1	Machines With Vickers Valves Built Prior to December 1990 (6 Port)	
51	1660185	1	Machines With Vickers Valves Built December 1990 to September 1994 (6 Port)	
51	1660213	1	Machines With Vickers Valves Built September 1994 to Present (6 Port)	
52		Ref	Plug, Pipe Options:	
52	Not Required	0	Without Collector Ring	
52	2200222	1	With Collector Ring	
53		Ref	Collar Options:	
53	1440154	1	Collar (Prior to September 1994)	
53	7019610	1	Collar (September 1994 to Present)	
		Ref	ROTARY OIL COUPLING ASSEMBLIES	
101		Ref	Swivel Body Options:	
101	0620055	1	Body for 1660154 Coupling	
101	0620058	1	Body for 1660160 Coupling	
101	0620106	1	Body for 1660185 Coupling	
101	Not Available		Body for 1660213 Coupling	
102		Ref	Swivel Housing Options:	
102	2760025	1	Housing for 1660154 Coupling	
102	2760091	1	Housing for 1660160 & 1660185 Couplings	
102	Not Available		Housing for 1660213 Coupling	
103	Kit	7	T-Seal	
104	3760004	1	Ring, Retaining (1660154, 1660160 & 1660185 Coupling)	
105	Kit	1	O-Ring	
		Ref	Seal Kit Options:	
	2901146	1	1660154, 1660160 & 1660185 Couplings (Includes Items 103 & 105)	
	1660213EX	NLA	1660213 Couplings (Was P/N 7013175) Note: Due to complexity of repair, seal kit no longer available. Use rebuilt unit as replacement.	

SECTION 2 - TURNTABLE

ITEM	PART NUMBER	QTY	DESCRIPTION	REV
		Ref	OPTIONAL COLLECTOR RING INSTALLATION (STANDARD PARTS)	
202	0960224	2	Bushing	
203	0641418	2	Bolt 1/4in-20NC x 2 1/4in	
207	3311801	2	Nut 1/2in-13NC	
208	3420290	2	Pin, Drive	
209	0231047	2	Guide, Drive	
211	0721005	4	Screw, Machine #10-24NC x 5/8in	
212	4761400	2	Lockwasher 1/4in	
213	1320040	2	Clamp, Cable	
214	3911012	1	Screw, Machine	
215	4751000	6	Flatwasher #10	
216	4761000	5	Lockwasher #10	
217	3311001	5	Nut #10-24NC	
218	4751400	2	Flatwasher 1/4in	
		Ref	COLLECTOR RING INSTALLATION (VARIABLE PARTS)	
	0232123	Ref	Machines With 2WS Fixed Axle and Single Or No Jack Only	7
	0255988	Ref	Machines With 2WS Oscillating Axle and No Jacks Only	-
	0252284	Ref	Machines With All Other Configurations	3
251		Ref	Bracket Weldment Options:	
251	0230470	1	Machines With 2WS Fixed Axle and Single Or No Jack Only	
251	4843822	1	Machines With 2WS Oscillating Axle and No Jacks Only	
251	4843822	1	Machines with all other Configurations	
252		Ref	Pipe Options:	
252	3460065	1	Machines With 2WS Fixed Axle and Single Or No Jack Only	
252	2180763	1	Machines With 2WS Oscillating Axle and No Jacks Only	
252	2180763	1	Machines with all other Configurations	
253		Ref	Bushing Options:	
253	0230435	1	Machines With 2WS Fixed Axle and Single Or No Jack Only	
253	0961531	1	Machines With 2WS Oscillating Axle and No Jacks Only	
253	0961531	1	Machines with all other Configurations	
254		Ref	Collector Ring Assembly Options:	
254	3760036	1	Machines With 2WS Fixed Axle and Single Or No Jack Only	
254	3760053	1	Machines With 2WS Oscillating Axle and No Jacks Only	
254	3760108	1	Machines with all other Configurations	
255		Ref	Cover Options:	
255	1670594	1	Machines With 2WS Fixed Axle and Single Or No Jack Only	
255	1670594	1	Machines With 2WS Oscillating Axle and No Jacks Only	
255	0234721	1	Machines with All Other Configurations	

SECTION 2 - TURNTABLE

FIGURE 2-25. DEUTZ ENGINE INSTALLATION WITHOUT NOISE REDUCTION (BUILT PRIOR TO FEBRUARY 1995)



SECTION 2 - TURNTABLE

FIGURE 2-25. DEUTZ ENGINE INSTALLATION WITHOUT NOISE REDUCTION (BUILT PRIOR TO FEBRUARY 1995)

ITEM	PART NUMBER	QTY	DESCRIPTION	REV
		Ref	DEUTZ ENGINE ASSEMBLY (STANDARD PARTS)	
3	4842079	1	Support, Motor (Front)	
4	0181158	1	Support, Motor (Rear Left Side)	
5	0181159	1	Support, Motor (Rear Right Side)	
6	3200133	1	Mount, Engine (Front)	
7	3200183	2	Mount, Engine (Rear)	
8	3200206	1	Bracket, Mounting (Front)	
9	4842167	2	Bracket, Mounting (Rear)	
12	4060610	1	Deflector (Prior to December 1990)	
13	1060044	1	Cable, Battery (Start Solenoid to Ground)	
14	0641810	2	Bolt 1/2in-18NC x 1 1/4in	
15	4761800	2	Lockwasher 1/2in	
18	0642032	3	Bolt 5/8in-20NC x 4in	
19	3312005	3	Locknut 5/8in-20NC	
20	4740242	3	Flatwasher, Special	
21	0701427	4	Bolt, Metric 14mm x 100mm	
22	4740191	4	Lockwasher, Metric 14mm	
23	0701215	8	Bolt, Metric 12mm x 35mm	
24	4832100	8	Lockwasher, Metric 12mm	
28	0641406	3	Bolt 1/4in-20NC x 3/4in	
29	4761400	3	Lockwasher 1/4in	
30	3311401	2	Nut 1/4in-20NC	
31	2220001	1	Fitting	
32	2750527	AR	Hose, Oil Pressure Gauge	
33	0700617	1	Bolt, Metric 6mm x 45mm	
34	4420001	AR	Tape, Sealant	
39	1320070	1	Clamp	
41	3910812	2	Screw, Machine #8-32NC x 3/4in	
42	4770800	2	Starwasher #8	
43	3310801	2	Nut #8-32NC	
45	4751800	2	Flatwasher 1/2in	
46	4751400	3	Flatwasher 1/4in	
47	4843384	1	Tube, Air Intake	
52	0641416	2	Bolt 1/4in-20NC x 2in	
		Ref	DEUTZ F4L912 ENGINE ASSEMBLY (VARIABLE PARTS)	
	0236798	Ref	Standard Engine Machines With Racine Proportional Valves And Cessna Drive Motors	I
	0237619	Ref	Standard Engine Machines With Racine Proportional Valves And Vickers Drive Motors	D
	0238022	Ref	Standard Engine Machines With Vickers Proportional Valves	J
	0251165	Ref	Clean Burn Engine Machines With Vickers Proportional Valves	F
61		Ref	Engine Assembly Options:	
61	2000083	1	Deutz F4L912 Standard Engine	
61	2000115	1	Deutz F4L912W Cleanburn Engine	
62		Ref	Pump Assembly Options:	
62	3600107	1	Machines With Racine Proportional Valves and Cessna Drive Motors Built Prior to September 1986 (See PUMP COUPLING INSTALLATIONS for Breakdown)	
62	3600113	1	Machines With Racine Proportional Valves and Cessna Drive	

SECTION 2 - TURNTABLE

ITEM	PART NUMBER	QTY	DESCRIPTION	REV
62	3600125	1	Motors Built September 1986 to Mid 1987 (See PUMP COUPLING INSTALLATIONS for Breakdown) Machines With Racine Proportional Valves and Vickers Drive Motors (See MAIN PUMP ASSEMBLY (MACHINES WITH RACINE PROPORTIONAL VALVES) for Breakdown)	
62	3600072	1	Machines With Vickers Proportional Valves (Prior to Mid 1987) (Pump has 1 Outlet in End Cover) (See MAIN PUMP ASSEMBLY (MACHINES WITH VICKERS PROPORTIONAL VALVES BUILT PRIOR TO MID 1987 - HAS ONE OUTLET IN END COVER) for Breakdown)	
62	3600139	1	Machines With Vickers Proportional Valves (Mid 1987 to February 1995) (Pump has 2 Outlets in End Cover) (See MAIN PUMP ASSEMBLY (MACHINES WITH VICKERS PROPORTIONAL VALVES BUILT MID 1987 TO PRESENT- HAS TWO OUTLETS IN END COVER) for Breakdown)	
63		Ref	Bracket, Terminal Strip Mounting Options:	
63	Not Required	0	Machines With Racine Proportional Valves	
63	0901402	1	Machines With Vickers Proportional Valves	
64		Ref	Cover, Terminal Strip Options:	
64	Not Required	0	Machines With Racine Proportional Valves	
64	1670414	1	Machines With Vickers Proportional Valves	
65		Ref	Decal - Wire Identification Options:	
65	Not Required	0	Machines With Racine Proportional Valves	
65	1700821	1	Machines With Vickers Proportional Valves	J
		Ref	DEUTZ ENGINE INSTALLATION (STANDARD PARTS)	
78	2200261	1	Fitting (Not Shown - Located at Oil Pressure Gauge)	
79	1320041	2	Clamp	
80	2220001	1	Fitting (Not Shown - Located at Oil Pressure Gauge)	
81	1060045	1	Cable, Battery (Aux. Relay to Start Relay)	
82		Ref	Air Cleaner/Filter Options:	
82	2120087	1	Air Cleaner Assembly (Used Prior to August 1986)	
82	7004214	1	Filter - 2120087 Air Cleaner	
82	1340020	1	Air Cleaner Assembly (Used August 1986 to February 1995)	
82	7004214	1	Filter - 1340020 Air Cleaner	
83	0340002	2	Band, Mounting	
84	1120161	1	Bonnet	
85	0080039	1	Elbow	
86	4562928	1	Tube, Air Intake	
87	2720224	1	Hose	
88	1320058	4	Clamp	
89	0641408	4	Bolt 1/4in-20NC x 1in	
90	4761400	4	Lockwasher 1/4in	
91	3311401	4	Nut 1/4in-20NC	
92	0400020	1	Battery	
93	0236768	2	Rod, Tie-Down	
94	0361027	1	Strap	
95	3980006	1	Seat, battery	
96	1060147	1	Cable, Battery (+ Battery to Starter)	
97	1060046	1	Cable, Battery (- Battery to Ground)	
98	1060149	2	Cable, Battery (Aux. Relay to Starter and Aux. Relay to Aux. Power)	
99	4300032	AR	Stud (Welded on Part)	
100	0641612	12	Bolt 3/8in - 16NC x 1 1/2in	
101	4761600	14	Lockwasher 3/8in	

SECTION 2 - TURNTABLE

ITEM	PART NUMBER	QTY	DESCRIPTION	REV
102	3311601	12	Nut 3/8in-16NC	
103	0641610	2	Bolt 3/8in-16NC x 1 1/4in	
105		Ref	Fuel Return Line Options:	
105	2720366	8 ft	Hose - 1/4in	
105	2720271	10.5 ft	Hose - 3/16in	
106		Ref	Fuel Supply Line Options:	
106	2750532	8.5 ft	Hose - 1/4in (Used 1991 to February 1995)	
106	2750015	8.5 ft	Hose - 1/4in (Used Through 1990)	
107	2220317	1	Fitting, Barbed	
108	1320022	4	Clamp	
109	2220302	2	Fitting, Adaptor	
110	4420001	AR	Tape, Sealant (Not Shown)	
111	3380320	1	Baffle	
112	2420030	1	Gauge, Oil Pressure (Not Shown - Located at Ground Control)	
113	3900022	3	Screw, Self-Tap 1/4in x 7/8in	
114	4280002	30	Strip, Neoprene	
		in/76cm		
115	1320059	1	Clamp	
116	4711600	2	Flatwasher 3/8in	
117	3300029	2	Wingnut 3/8in-16NC	
		Ref	DEUTZ F4L912 ENGINE INSTALLATION (VARIABLE PARTS)	
	0236799	Ref	Standard Engine Machines With Racine Proportional Valves And Cessna Drive Motors	F
	0237618	Ref	Standard Engine Machines With Racine Proportional Valves And Vickers Drive Motors	B
	0238023	Ref	Standard Engine Machines With Vickers Proportional Valves	K
	0251166	Ref	Clean Burn Engine Machines With Vickers Proportional Valves	G
151		Ref	Supply Line Fitting Options:	
151	2220317	1	Fitting (Prior to January 1991)	
151	2220720	1	Fitting (January 1991 to February 1995)	
152		Ref	Auxiliary Pump Assembly Options:	
152		Ref	Racine Proportional Valve Machines:	
152	See Note	1	Auxiliary Pump Assembly (Note: 3600115 Pump is no longer available. Use 3600071 Pump as replacement.)	
152	7013755	1	Replacement Motor	
152	7004412	1	Replacement Coupling	
152	Not Available	1	Replacement Pump (Purchase 3600071 Pump Assembly)	
152		Ref	Vickers Proportional Valve Machines:	
152		Ref	Auxiliary Pump Assembly Options:	
152	3600052	1	Stone-Fenner Pump (Used Prior to Mid 1989)	
152	7000483	1	Replacement Motor (Includes Coupling)	
152	7004412	1	Replacement Coupling	
152	7004416	1	Replacement Pump	
152	2900164	1	Pump Seal Kit	
152	3600071	1	Barnes Pump (Used Mid 1989 to February 1995)	
152	7004248	1	Replacement Motor Only	
152	7004436	1	Replacement Motor with Bracket	
152	7012576	1	Replacement Mounting Bracket Only	
152	7004249	1	Replacement Coupling	
152	7004247	1	Replacement Pump	
152	Not Available	1	Pump Seal Kit	

SECTION 2 - TURNTABLE

ITEM	PART NUMBER	QTY	DESCRIPTION	REV
	0236850	Ref	ELECTRICAL PANEL ASSEMBLY (MACHINES BUILT PRIOR TO JULY 1986)	E
201	3740059	1	Relay	
202	3530425	1	Plate, Mounting	
203	3740002	2	Relay	
204	3740030	1	Relay, Adlo	
205	0641006	6	Bolt #10-24NC x 3/4in	
206	4761000	6	Lockwasher #10	
207	3311001	6	Nut #10-24NC	
208	4751000	6	Flatwasher #10	
209	0060021	1	Module, Actuator	
210	0641406	2	Bolt 1/4in-20NC x 3/4in	
211	4761400	2	Lockwasher 1/4in	
212	3300220	6	Nut, Special	
213	3311001	3	Nut #10-24NC	
214	3310801	3	Nut #8-32NC	
	0237627	Ref	ELECTRICAL PANEL ASSEMBLY (MACHINES BUILT JULY 1986 TO FEBRUARY 1995)	F
251	3740059	1	Relay	
252	3321001	3	Nut #10-32NF	
253	3310801	1	Nut #8-32NC	
254	3530425	1	Plate, Mounting	
255		Ref	Relay Options:	
255	3740030	1	Relay, Adlo (Used Prior to April 1991)	
255	3740080	1	Relay, Sealed (Used April 1991 to February 1995)	
256	3740067	2	Relay	
257	3300220	6	Nut, Special	
258	0641405	7	Bolt 1/4in-20NC x 5/8in	
259	4761400	7	Lockwasher 1/4in	
260	3311401	7	Nut 1/4in-20NC	
261	4711400	6	Flatwasher 1/4in Narrow	
	0236388	Ref	EXHAUST INSTALLATION - VICKERS PROPORTIONAL MACHINES BUILT PRIOR TO DECEMBER 1991 (SEE SPECIAL OPTIONS SECTION FOR NON-STANDARD EXHAUST SYSTEMS)	I
301	3220077	1	Muffler	
302	4562664	1	Pipe, Exhaust	
303	0080117	1	Adaptor	
304	1120169	1	Rain Cap	
307	0960960	1	Tube	
308	1320019	4	Clamp	
314	4100025	15.6"	Sleeve, Fiberglass (Not Shown)	
		;		
315	0901387	2	Bracket, Hanger	
316	0641507	2	Bolt 5/16in-18NC x 7/8in	
317	4751500	2	Flatwasher 5/16in	
318	4761500	2	Lockwasher 5/16in	
319	3311501	2	Nut 5/16in-18NC	
320	0641607	1	Bolt 3/8in-16NC x 7/8in	
321	4751600	1	Flatwasher 3/8in	
322	4761600	1	Lockwasher 3/8in	
323	3311601	1	Nut 3/8in-16NC	
324	0181286	1	Angle, Support	

SECTION 2 - TURNTABLE

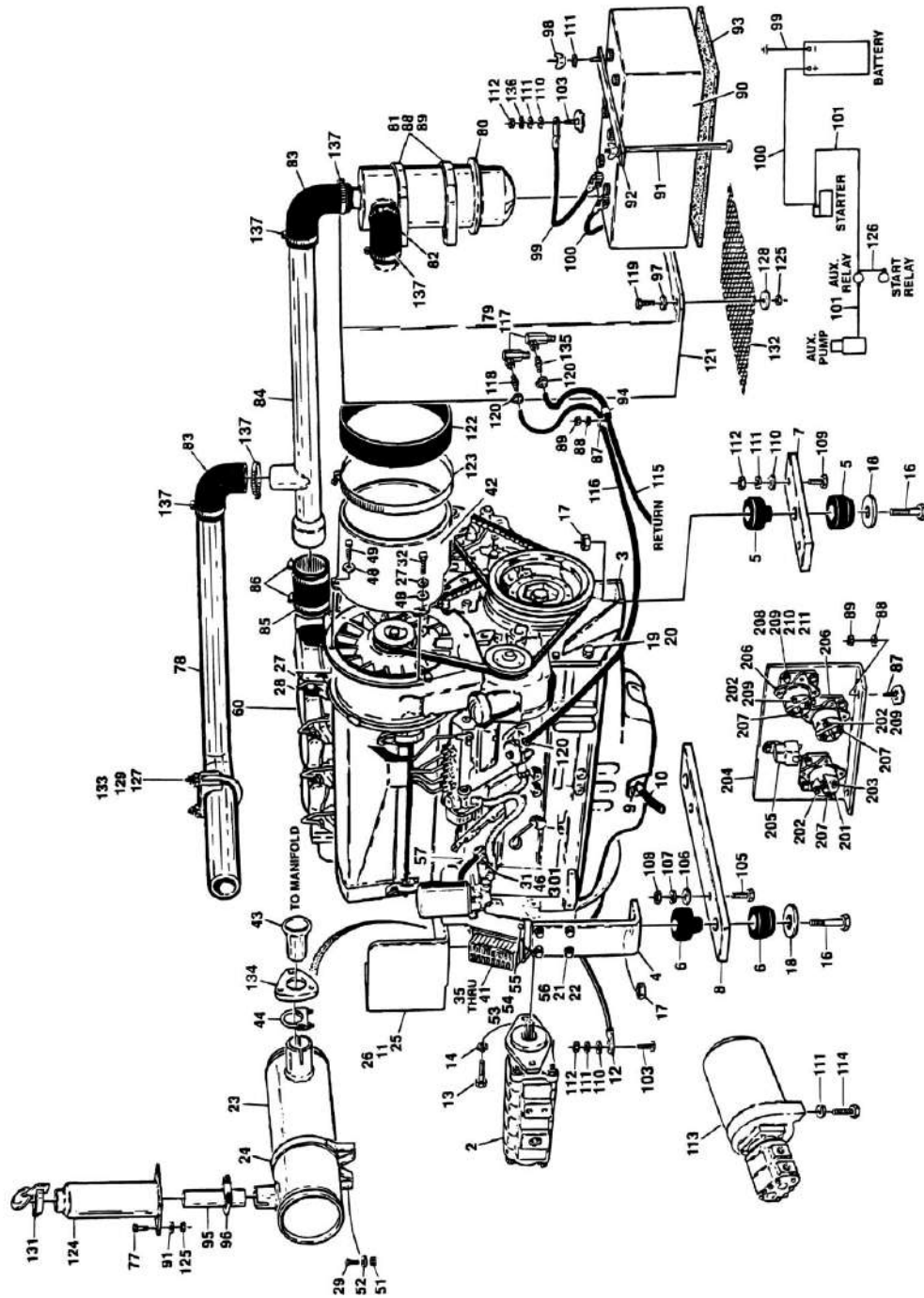
ITEM	PART NUMBER	QTY	DESCRIPTION	REV
325	2551030	1	Gusset	
326	0901719	1	Bracket, Support	
327	4740252	3	Flatwasher, Special	
	0252050	Ref	EXHAUST INSTALLATION - VICKERS PROPORTIONAL MACHINES BUILT DECEMBER 1991 TO FEBRUARY 1995 (SEE SPECIAL OPTIONS SECTION FOR NON-STANDARD EXHAUST SYSTEMS)	A
351	3220080	1	Muffler	
352	0340041	2	Band, Muffler	
353	0641406	4	Bolt 1/4in-20NC x 3/4in	
354	4751400	4	Flatwasher 1/4in	
355	4761400	4	Lockwasher 1/4in	
356	3311401	4	Nut 1/4in-20NC	
357	1320011	4	Clamp	
358	1120406	1	Rain-Cap	
359	4565267	2	Tube, Exhaust	
360	4565268	1	Tube, Flex Exhaust	
361	4565269	1	Adaptor, Exhaust	
	0237541	Ref	EXHAUST INSTALLATION - RACINE PROPORTIONAL MACHINES (SEE SPECIAL OPTIONS SECTION FOR NON-STANDARD EXHAUST SYSTEMS)	-
371	3220043	1	Muffler	
372	1320019	1	Clamp, Exhaust	
373	1320062	1	Clamp, Exhaust	
374	4562929	1	Pipe, Exhaust	
375	4340483	1	Support	
376	4740252	3	Flatwasher, Special	
		Ref	ENGINE COMPONENTS (NOT SHOWN)	
	2000083	Ref	Deutz F4L912 Standard Engine	
	2000115	Ref	Deutz F4L912W Clean Burn Engine	
	7014686	1	Gasket and Filter Kit - Deutz F4L912 (Includes 3 different Fuel Line Washers - 12 of each, 1 Oil Plug Washer, 1 Fuel Filter, 1 Oil Filter and 1 Gasket Set)	
	7029274	1	Filter, Fuel (was p/n 7000649)	
	7029276	1	Filter, Engine Oil (was p/n 7000648)	
	7000661	1	Starter	
	7000697	1	Belt, Blower	
	7000698	1	Belt, Alternator	
	7000699	1	Gasket, Doughnut	
	70001361	4	Pump, Fuel Injection	
	70001927	1	Manifold, Exhaust	
	70001928	1	Gasket, Exhaust Manifold	
	70002252	4	Ring, Head	
	70002253	1	Complete Engine Gasket Set	
	70002254	4	Piston/Cylinder Kit	
	70002258	4	Cylinder Head Bolt	
	70002259	4	Washer, Cylinder Head Bolt	
	7016309	1	Washer, Copper Sealing	
	7016330	1	Switch, Oil Pressure	
	7019607	1	Switch, Solenoid (was p/n 7016341)	
	7016364	2	Pump, Fuel Lift	
	7020407	1	Gasket, Lift Pump	
	7020432	1	Lift Pump Repair Kit	

SECTION 2 - TURNTABLE

ITEM	PART NUMBER	QTY	DESCRIPTION	REV
	7019607	1	Solenoid, Fuel Shutdown	
	7020208	1	Ring Gear (Flywheel)	
	7020400	1	Washer, Fuel Line	
	7020401	1	Washer	
	7020402	1	Washer, Fuel Line	
	7020403	1	Washer, Fuel Line	
	7020405	1	Washer/Oil Plug	
	7020409	1	Dipstick	
	7000663	1	Alternator (was p/n 7020410)	
	7020410	1	Alternator (Remanufactured) (was p/n 7020436)	
	7020413	1	Starter	
	7020420	1	Starter (Remanufactured)	
	7020421	1	Nozzle, Injector	
	7020422	1	Injector	
	7020423	1	Gasket, Injector Tip	
	7020433	1	Gasket	
	7020498	1	Fan	
	7026125	1	Flange, Exhaust	
	7026173	1	Switch, Broken Belt	
	7027250	1	Spring, Tension (Actuator)	

SECTION 2 - TURNTABLE

FIGURE 2-26. DEUTZ ENGINE INSTALLATION WITH NOISE REDUCTION (BUILT FEBRUARY 1995 TO PRESENT)



SECTION 2 - TURNTABLE

FIGURE 2-26. DEUTZ ENGINE INSTALLATION WITH NOISE REDUCTION (BUILT FEBRUARY 1995 TO PRESENT)

ITEM	PART NUMBER	QTY	DESCRIPTION	REV
		Ref	DEUTZ ENGINE ASSEMBLY (STANDARD PARTS)	
	0254243	Ref	EXHAUST INSTALLATION (STANDARD PARTS)	A
		Ref	Note: See Section 10 for U/L Approved Deutz Engine Installation	
2	3600139	1	Pump Assembly (See MAIN PUMP ASSEMBLY (MACHINES WITH VICKERS PROPORTIONAL VALVES BUILT MID 1987 TO PRESENT- HAS TWO OUTLETS IN END COVER) for Breakdown)	
3	3200229	1	Support, Motor (Front)	
4	3200228	2	Support, Motor (Rear)	
5	3200133	1	Mount, Motor (Front)	
6	3200183	2	Mount, Motor (Rear)	
7	3200227	1	Plate, Mounting (Front)	
8	3200306	1	Plate, Mounting (Rear)	
9	4640742	1	Valve, Drain	
10	2720042	6 in/15cm	Hose, Heater	
11	4832000	2	Lockwasher, Metric 10mm	
12	1060044	1	Cable, Battery (Engine to Ground)	
13	0641810	2	Bolt 1/2in-13NC x 1 1/4in	
14	4761800	2	Lockwasher 1/2in	
16	0642032	3	Bolt 5/8in-11NC x 4in	
17	3312005	3	Locknut 5/8in-11NC	
18	4740242	3	Flatwasher, Special	
19	0701427	4	Bolt, Metric 14mm x 100mm	
20	4740191	4	Lockwasher, Metric 14mm	
21	0701215	4	Bolt, Metric 12mm x 35mm	
22	4832100	8	Lockwasher 12mm	
23	3220082	1	Muffler	
24	0340041	1	Band, Muffler	
25	0901849	1	Bracket, Muffler	
26	0701015	2	Bolt, Metric 10mm x 35mm	
27	4761400	3	Lockwasher 1/4in	
28	3311405	2	Locknut 1/4in-20NC	
29	0641508	2	Bolt 5/16in-18NC x 1in	
31	4420001	AR	Tape, Sealing	
32	0700617	1	Bolt, Metric 6mm x 45mm	
35	0901402	1	Bracket, Terminal Strip	
36	1320060	1	Clamp	
37	1670414	1	Cover, Terminal Strip	
38	3910812	2	Screw, Machine #8-32NC x 3/4in	
39	4770800	2	Starwasher #8	
40	3310801	2	Nut #8-32NC	
41	1700821	1	Decal - Wire Identification	
42	4843384	1	Air Intake Weldment	
43	4565269	1	Adapter, Exhaust	
44	1320011	1	Clamp, Exhaust	
45		Ref	Engine Harness Options (Not Shown):	
45	4920852	1	Fixed Axle Machines	
45	4921389	1	Oscillating Axle Machines	
46	2750527	1	Hose, Oil Pressure Gauge	

SECTION 2 - TURNTABLE

ITEM	PART NUMBER	QTY	DESCRIPTION	REV
48	4751400	3	Flatwasher 1/4in	
49	0641416	2	Bolt 1/4in-20NC x 2in	
51	3311505	2	Locknut 5/16in-18NC	
52	4751500	4	Flatwasher 5/16in	
53	0700810	2	Bolt, Metric 8mm x 20mm	
54	4751500	2	Flatwasher 5/16in	
55	4761500	2	Lockwasher 5/16in	
56	0701217	4	Bolt, Metric 12mm x 45mm	
57	1320222	1	Clamp (SN 38256 to Present)	
		Ref	DEUTZ F4L912 ENGINE ASSEMBLY (VARIABLE PARTS)	
	0255649	Ref	Standard Engine/Fixed Axle	2
	0253331	Ref	Standard Engine/Oscillating Axle	6
	0255651	Ref	Clean Burn Engine/Fixed Axle	2
	0253333	Ref	Clean Burn Engine/Oscillating Axle	7
60		Ref	Deutz Engine Options:	
60	2000083	1	Deutz F4L912 Standard Engine	
60	2000115	1	Deutz F4L912W Clean Burn Engine	
		Ref	DEUTZ ENGINE INSTALLATION	
	0255650	Ref	Standard Engine/Fixed Axle	3
	0253332	Ref	Standard Engine/Oscillating Axle	6
	0255652	Ref	Clean Burn Engine/Fixed Axle	4
	0253334	Ref	Clean Burn Engine/Oscillating Axle	6
	0254243	Ref	EXHAUST INSTALLATION (STANDARD PARTS)	A
77	0641408	4	Bolt 1/4in-20NC x 1in	
78	4844238	1	Tube	
79	4420001	AR	Tape, Sealant	
80	1340020	1	Air Cleaner Assembly	
80	7004214	1	Filter	
81	0340002	2	Band, Mounting	
82	0080046	1	Elbow	
83	0080039	AR	Elbow	
84	4565655	1	Tube	
85	2720224	1	Hose	
86	1320058	2	Clamp	
87	4300032	8	Stud (Welded on Part)	
88	4761400	12	Lockwasher 1/4in	
89	3311401	12	Nut 1/4in-20NC	
90	0400020	1	Battery	
91	0236768	2	Rod, Tie-Down	
92	0361027	1	Strap, Tie-Down	
93	3980006	1	Seat, Masonite	
94	1320041	6	Clamp	
95	4565751	1	Pipe, Exhaust	
96	1320011	1	Clamp, Exhaust	
97	4751400	6	Flatwasher 1/4in	
98	3300029	2	Wingnut 3/8in-16NC	
99	1060046	1	Cable, Battery (- Batt to Ground)	
100	1060147	1	Cable, Battery (+ Batt to Start Solenoid)	
101	1060149	2	Cable, Battery (Start Solenoid to Aux Relay and Aux Relay to Aux Pump)	
102	2200261	1	Fitting, Coupling (Not Shown - Located at Ground Control with Item 130)	

SECTION 2 - TURNTABLE

ITEM	PART NUMBER	QTY	DESCRIPTION	REV
103	4300034	1	Stud (Welded on Part)	
104	2220001	1	Fitting, Swivel (Not Shown - Located at Ground Control with Item 130)	
105	0642020	2	Bolt 5/8in-20NC x 2 1/2in	
106	4752000	2	Flatwasher 5/8in	
107	4762000	2	Lockwasher 5/8in	
108	3312001	2	Nut 5/8in-20NC	
109	0641620	2	Bolt 3/8in-16NC x 2 1/2in	
110	4751600	4	Flatwasher 3/8in	
111	4761600	8	Lockwasher 3/8in	
112	3311601	4	Nut 3/8in-16NC	
113	3600071	1	Auxiliary Pump Assembly - Barnes	
113	7004248	1	Motor Assembly	
113	7004436	1	Motor Assembly With Mounting Bracket	
113	7012576	1	Bracket Only	
113	7004249	1	Coupling	
113	7004247	1	Pump Assembly	
113	Not Available	1	Seal Kit - 7004247 Pump	
114	0641614	3	Bolt 3/8in-16NC x 1 3/4in	
115	2720271	6.5 ft/2m	Hose, Fuel (Return)	
116	2750532	8 ft/2.4m	Hose, Fuel (Supply)	
117	2220063	2	Fitting, Swivel Adapter	
118	2220720	1	Fitting, Barbed	
119	0641410	6	Bolt 1/4in-20NC x 1 1/4in	
120	1320022	4	Clamp, Hose	
121	0253194	1	Inlet Box Assembly	
122	4280002	30 in/76cm	Neoprene	
123	1320059	1	Clamp	
124	4844235	1	Snorkel	
125	3311405	6	Locknut 1/4in-20NC	
126	1060045	1	Cable, Battery (Aux Relay to Start Relay)	
127	4751500	2	Flatwasher 5/16in	
128	4740362	6	Washer, Fender	
129	4761500	2	Lockwasher 5/16in	
130	2420030	1	Gauge, Oil Pressure (Not Shown - Locate at Ground Control)	
131	1120423	1	Raincap	
132	3536008	1	Plate, Cover	
133	1320021	1	Clamp, Muffler	
134	7026125	1	Flange, Exhaust	
135	2180536	1	Fitting, Barbed	
136	4791600	2	Starwasher 3/8in	
137	1320016	6	Clamp (SN 36946 to Present)	
	0237627	Ref	ELECTRICAL PANEL ASSEMBLY	7
201	3740059	1	Relay	
202	3321001	3	Nut #10-32NF	
203	3310801	1	Nut #8-32NC	
204	3530425	1	Plate, Mounting	
205	3740080	1	Relay, Sealed	
206	3740067	2	Relay	
207	3300220	6	Nut, Special	
208	0641405	7	Bolt 1/4in-20NC x 5/8in	

SECTION 2 - TURNTABLE

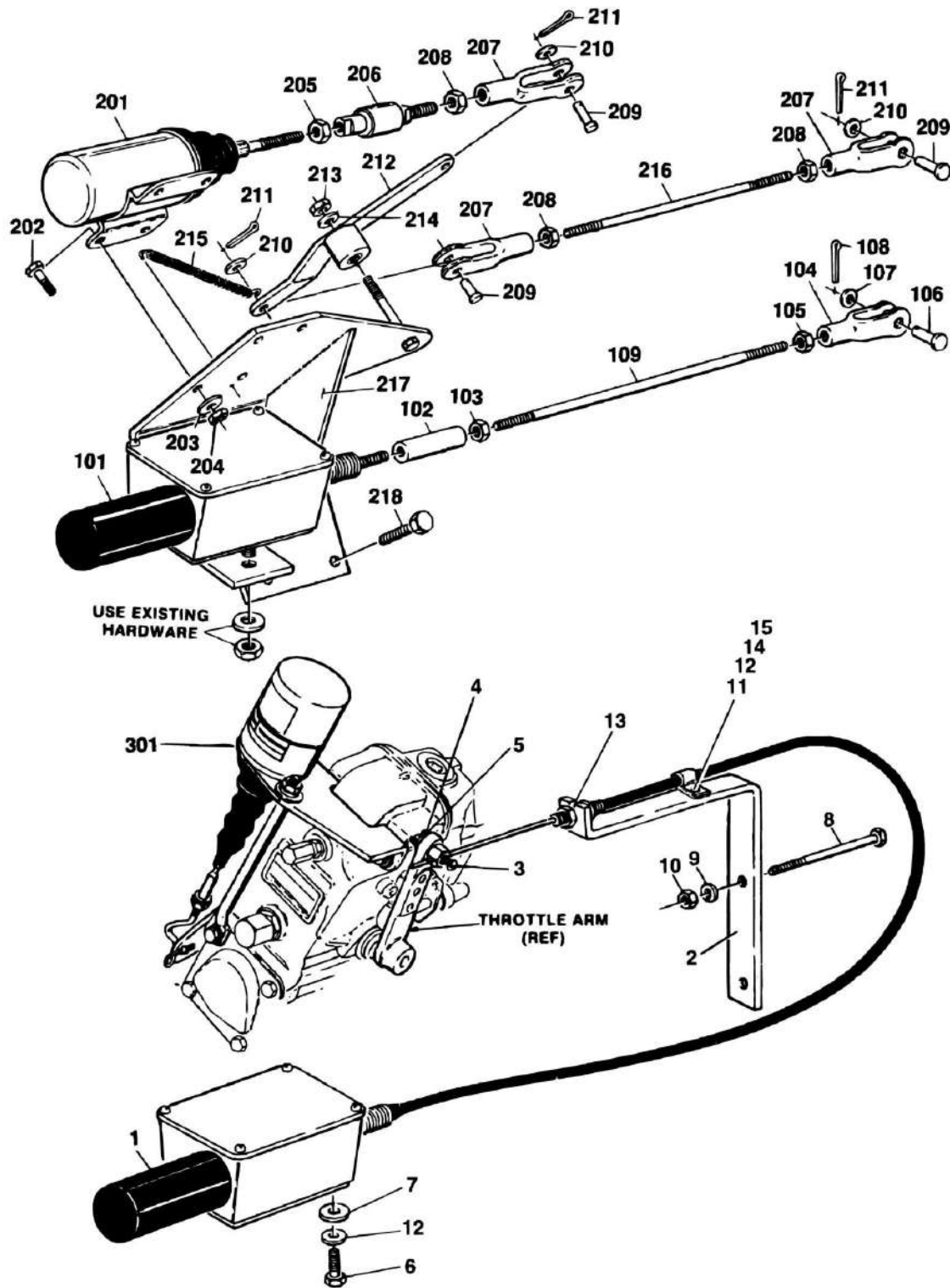
ITEM	PART NUMBER	QTY	DESCRIPTION	REV
209	4791400	7	Starwasher 1/4in	
210	3311401	7	Nut 1/4in-20NC	
211	4711400	6	Flatwasher 1/4in Narrow	
		Ref	SWITCH INSTALLATIONS (OPTIONAL)	
	0255152	Ref	Engine Distress Installation	3
	0251683	Ref	Engine Run Light Installation	B
	0255274	Ref	Low Oil Pressure Shutdown Installation	4
	0251422	Ref	Generator Installation (October 1990 To November 1990)	H
	0251562	Ref	Generator Installation (November 1990 To Present)	F
301	2180360	1	Fitting, Tee	
301		Ref	Switch, Oil Pressure Options:	
301	4360065	1	Engine Distress Installation	
301	4360037	1	Engine Run Light Installation	
301	4360037	1	Generator Installation (October 1990 to Present)	
301	4360065	1	Low Oil Pressure Shutdown Installation	
301	4360179	1	Switch, Temperature (Engine Distress Installation Only) (Not Shown- Located in Head Under Shroud)	
301	2180749	1	Fitting, 45 (Low Oil Pressure Shutdown Installation Only)	
301	2180730	1	Fitting, Adaptor (Generator Installation Only)	
		Ref	ENGINE COMPONENTS (NOT SHOWN)	
	2000083	Ref	Deutz F4L912 Standard Engine	
	2000115	Ref	Deutz F4L912W Clean Burn Engine	
	7014686	1	Gasket and Filter Kit - Deutz F4L912 (Includes 3 different Fuel Line Washers - 12 of each, 1 Oil Plug Washer, 1 Fuel Filter, 1 Oil Filter and 1 Gasket Set)	
	7029274	1	Filter, Fuel (was p/n 7000649)	
	7029276	1	Filter, Engine Oil (was p/n 7000648)	
	7000661	1	Starter	
	7000697	1	Belt, Blower	
	7000698	1	Belt, Alternator	
	7000699	1	Gasket, Doughnut	
	70001361	4	Pump, Fuel Injection	
	70001927	1	Manifold, Exhaust	
	70001928	1	Gasket, Exhaust Manifold	
	70002252	4	Ring, Head	
	70002253	1	Complete Engine Gasket Set	
	70002254	4	Piston/Cylinder Kit	
	70002258	4	Cylinder Head Bolt	
	70002259	4	Washer, Cylinder Head Bolt	
	7016309	1	Washer, Copper Sealing	
	7016330	1	Switch, Oil Pressure	
	7019607	1	Switch, Solenoid (was p/n 7016341)	
	7016364	2	Pump, Fuel Lift	
	7020407	1	Gasket, Lift Pump	
	7020432	1	Lift Pump Repair Kit	
	7019607	1	Solenoid, Fuel Shutdown	
	7020208	1	Ring Gear (Flywheel)	
	7020400	1	Washer, Fuel Line	
	7020401	1	Washer	
	7020402	1	Washer, Fuel Line	
	7020403	1	Washer, Fuel Line	
	7020405	1	Washer/Oil Plug	

SECTION 2 - TURNTABLE

ITEM	PART NUMBER	QTY	DESCRIPTION	REV
	7020409	1	Dipstick	
	7000663	1	Alternator (was p/n 7020410)	
	7020410	1	Alternator (Remanufactured) (was p/n 7020436)	
	7020413	1	Starter	
	7020420	1	Starter (Remanufactured)	
	7020421	1	Nozzle, Injector	
	7020422	1	Injector	
	7020423	1	Gasket, Injector Tip	
	7020433	1	Gasket	
	7020498	1	Fan	
	7026125	1	Flange, Exhaust	
	7026173	1	Switch, Broken Belt	
	7027250	1	Spring, Tension (Actuator)	

SECTION 2 - TURNTABLE

FIGURE 2-27. ADECO THROTTLE COMPONENTS INSTALLATION - DEUTZ ENGINE MACHINES



SECTION 2 - TURNTABLE

FIGURE 2-27. ADECO THROTTLE COMPONENTS INSTALLATION - DEUTZ ENGINE MACHINES

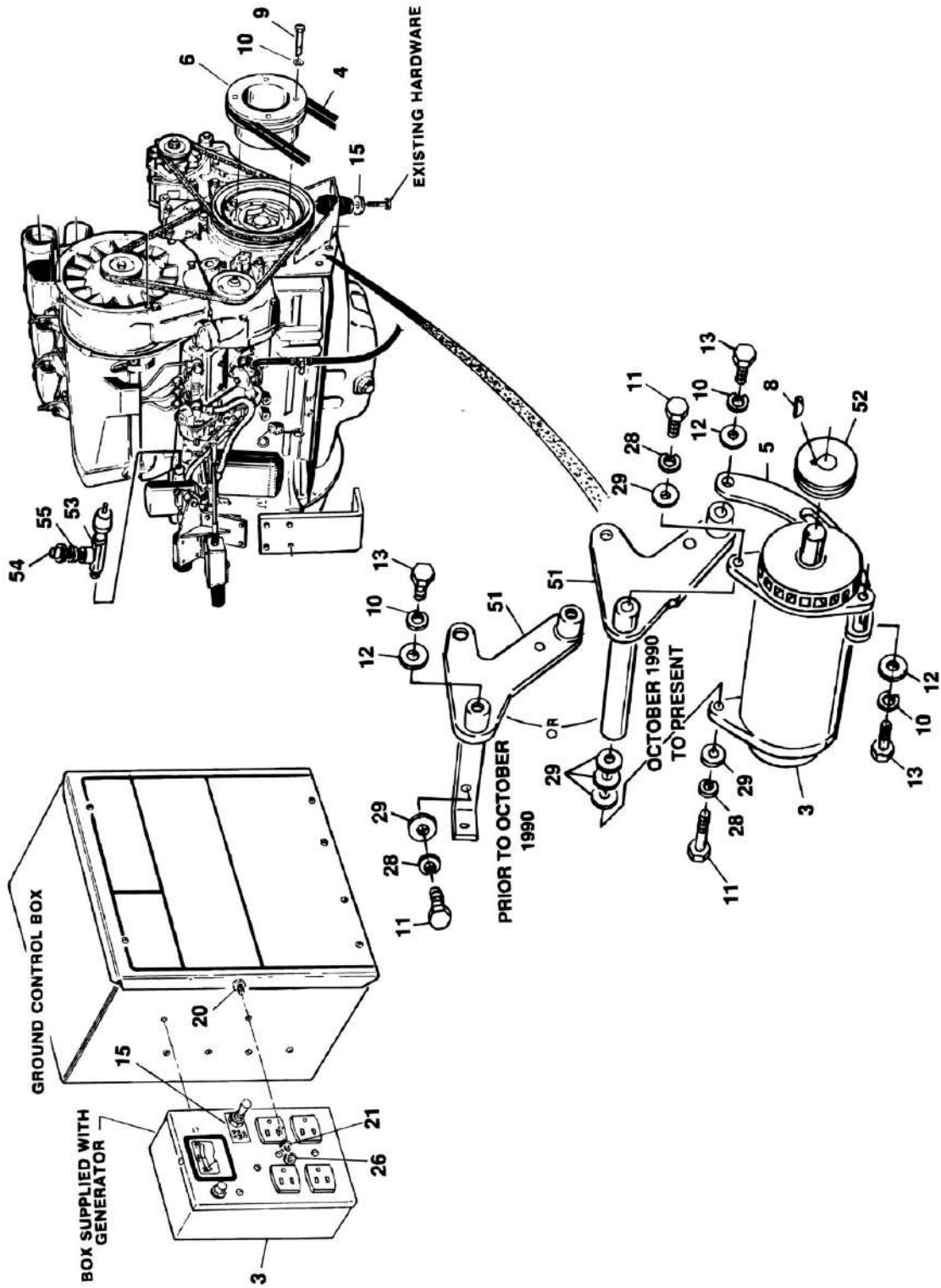
ITEM	PART NUMBER	QTY	DESCRIPTION	REV
	0237635	Ref	THROTTLE ACTUATOR INSTALLATION (TURNTABLE MOUNTED ACTUATOR)	4
1	0060023	1	Actuator	
1	7008804	1	Bellows, Rubber	
1	7008829	1	Board, Circuit	
1	7008821	1	Motor, Drive	
1	7008828	1	Cable, Throttle	
2	0901389	1	Bracket, Cable	
3	4460302	1	Stop, Cable	
4	3450203	1	Pin, Cotter 1/16in x 3/4in	
5	4711400	1	Flatwasher 1/4in Narrow	
6	0641409	2	Bolt 1/4in-20NC x 1 1/8in	
7	4751400	2	Flatwasher 1/4in	
8	0630400	2	Bolt, Metric M8-1.25 x 90mm	
9	4831900	2	Loclwasher, Metric 8mm	
10	3290801	2	Nut, Metric M8-1.25	
11	1320041	1	Clamp, Cable	
12	4761400	3	Lockwasher 1/4in	
13	4751600	1	Flatwasher 3/8in	
14	0641406	1	Bolt, 1/4in-20NC x 3/4in	
15	3311401	1	Nut 1/4in-20NC	
	0236953	Ref	THROTTLE ACTUATOR INSTALLATION (ENGINE BRACKET MOUNTED ACTUATOR)	A
101	0060020	1	Actuator (Use Existing Hardware)	
101	7008804	1	Bellows, Rubber	
101	7008807	1	Board, Circuit	
101	7008821	1	Motor, Drive	
102	3300218	1	Connector	
103	3321401	1	Nut 1/4in-28NF	
104	1360112	1	Clevis	
105	3321401	1	Nut 1/4in-28NF	
106	3430406	1	Pin, Clevis	
107	4751400	1	Flatwasher 1/4in	
108	3450203	1	Pin, Cotter 1/16in x 3/4in	
109	3840819	1	Rod	
	0237630	Ref	STOP-RUN SOLENOID INSTALLATION (TURNTABLE MOUNTED ACTUATOR)	-
	0236953	Ref	STOP-RUN SOLENOID INSTALLATION (ENGINE BRACKET MOUNTED ACTUATOR)	A
201	3740055	1	Solenoid	
202	0641406	4	Bolt 1/4in-20NC x 3/4in	
203	4751400	4	Flatwasher 1/4in	
204	3311401	4	Nut 1/4in-20NC	
205	3321401	1	Nut 1/4in-28NF	
206	4160086	1	Spring, Swivel	
207	1360112	3	Clevis	
208	3321401	1	Nut 1/4in-28NF	
209	3430406	1	Pin, Clevis	
210	4751400	1	Flatwasher 1/4in	
211	3450203	1	Pin, Cotter 1/16in x 3/4in	

SECTION 2 - TURNTABLE

ITEM	PART NUMBER	QTY	DESCRIPTION	REV
212	4842269	1	Arm	
213	3311605	1	Locknut 3/8in-16NC	
214	4751600	1	Flatwasher 3/8in	
215	4160024	1	Spring	
216	3840818	1	Rod	
217		Ref	Mounting Bracket Options:	
217	4842476	1	Bracket (Not Shown - Turntable Mounted Actuator)	
217	4842270	1	Bracket (Engine Bracket Mounted Actuator)	
218	0630136	4	Bolt, Metric 8mm x 24mm	
		Ref	STOP-RUN SOLENOID INSTALLATION (GOVERNOR MOUNTED)	-
301	0250069	1	Fuel Shutdown Kit (Includes Mounting Hardware)	

SECTION 2 - TURNTABLE

FIGURE 2-28. GENERATOR INSTALLATION - DEUTZ ENGINE MACHINES



SECTION 2 - TURNTABLE

FIGURE 2-28. GENERATOR INSTALLATION - DEUTZ ENGINE MACHINES

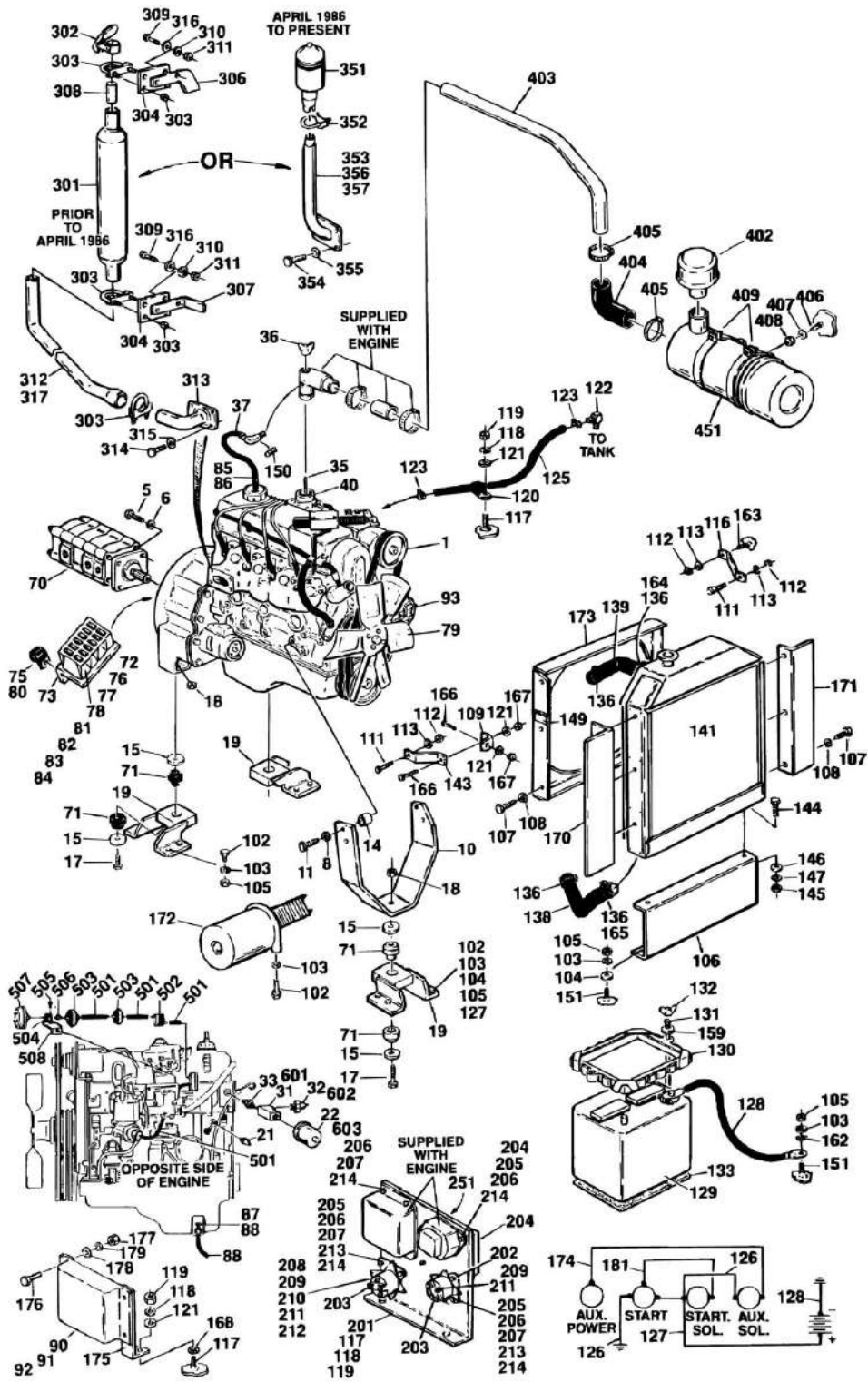
ITEM	PART NUMBER	QTY	DESCRIPTION	REV
		Ref	110V GENERATOR INSTALLATION (STANDARD PARTS)	
3	2460011	1	Generator and Control Box Assembly	
3	7012558	1	Generator Assembly	
3	7020193	1	Cable, Generator (Generator to Control Box)	
3	7026199	1	Armature	
3	7020108	4	Brush	
3	7020109	4	Holder, Brush	
3	7012513	4	Cap, Brush Holder	
3	7012514	1	Fan	
3	7020110	1	Bell, Front	
3	7020111	1	Bell Rear	
3	7020190	2	Bearing	
3	7003657	1	Control Box Assembly	
		Ref	Note: Replacement 110V Control Box comes with 2 std Receptacles p/n 4460190. Optional Industrial Twist Lock Receptacles p/n 4460027 must be ordered separately.	
3	4360542	1	Breaker, Circuit	
3	2420203	1	Voltmeter 110V (was p/n 7010699)	
3		Ref	Receptacle Options:	
3	4460190	AR	Receptacle, Standard 110V	
3	4460027	1	Receptacle, Twistlock 110V	
3	2920162	1	Lamp	
3	7020191	1	Switch, Toggle	
3	3520028	1	Plug, Hole	
4		Ref	V-Belt Options:	
4	0480043	1	Used Prior to June 1992	
4	0480050	1	Used June 1992 to Present	
5	4340511	1	Support, Adjustable	
6	3580109		Pulley	
8	2860012	1	Key, Woodruff	
9	0700821	4	Bolt, Metric 8mm x 65mm	
10	4761500	6	Lockwasher 5/16in	
11	0681510	2	Bolt 5/16in-18NC x 1 1/4in (Grade 8)	
12	4751500	AR	Flatwasher 5/16in	
13	0641507	2	Bolt 5/16in- 18NC x 7/8in	
14	3251476	1	Decal - On/Off	
15	4460023	1	Connector, Terminal	
19	4920039	12 ft	Wire - Red (Not Shown)	
20	0641406	2	Bolt 1/4in-20NC x 3/4in	
21	4761400	2	Lockwasher 1/4in	
26	3311401	2	Nut 1/4in-20NC	
28	4761600	2	Lockwasher 3/8in	
29	4751600	4	Flatwasher 3/8in	
		Ref	110V GENERATOR INSTALLATION (VARIABLE PARTS)	
	0237132	Ref	110v Generator Installation (Variable Parts) (Prior To October 1990)	B
	0251422	Ref	110v Generator Installation (Variable Parts) (October 1990 To November 1990)	H
	0251562	Ref	110v Generator Installation (Variable Parts) (November 1990 To Present)	F
51		Ref	Bracket, Support Options:	

SECTION 2 - TURNTABLE

ITEM	PART NUMBER	QTY	DESCRIPTION	REV
51	4842701	1	Bracket, Support (Prior to October 1990)	
51	4843133	1	Bracket, Support (October 1990 to Present)	
52		Ref	Pulley Options:	
52	3580100	1	Pulley (Prior to October 1990)	
52	3580134	1	Pulley (October 1990 to Present)	
53		Ref	Fitting, Tee Options:	
53	Not Required	0	Fitting, Tee (Prior to October 1990)	
53	2180360	1	Fitting, Tee (October 1990 to Present)	
54		Ref	Switch, Pressure Options:	
54	Not Required	0	Switch, Pressure (Prior to October 1990)	
54	4360037	1	Switch, Pressure (October 1990 to Present)	
55		Ref	Fitting, Adaptor Options:	
55	Not Required	0	Fitting, Adaptor (Prior to October 1990)	
55	2180730	1	Fitting, Adaptor (October 1990 to Present)	

SECTION 2 - TURNTABLE

FIGURE 2-29. FORD LSG-423 ENGINE INSTALLATIONS - (PRIOR TO MARCH 1995)



SECTION 2 - TURNTABLE

FIGURE 2-29. FORD LSG-423 ENGINE INSTALLATIONS - (PRIOR TO MARCH 1995)

ITEM	PART NUMBER	QTY	DESCRIPTION	REV
		Ref	FORD ENGINE ASSEMBLY (STANDARD PARTS)	
1	2000088	1	Engine, Ford LSG-423	
5	0641812	AR	Bolt 1/2in-13NC x 1 1/2in	
6	4761800	AR	Lockwasher 1/2in	
8	4761600	4	Lockwasher 3/16in	
10	3200198	1	Support, Engine (Front)	
11	0711014	3	Bolt, Metric 10mm x 30mm (Grade 8)	
13	0711020	1	Bolt, Metric 10mm x 60mm (Grade 8)	
14	4562637	1	Spacer	
15	4740242	5	Flatwasher, Special	
17	0642034	3	Bolt 5/8in-11NC x 4 1/4in	
18	3312005	3	Locknut 5/8in-11NC	
19	4842168	3	Support Weldment	
21	2420024	1	Sender, Temperature	
22	2420033	1	Sender, Oil Pressure	
30	0100020	AR	Sealant, Pipe (Not Shown)	
31	2180360	1	Fitting, Tee	
32	4360037	1	Switch, Oil Pressure	
33	2220273	1	Fitting, Reducer	
35	4300056	1	Stud, Carburetor	
36	3300202	1	Wingnut 1/4in-20NC	
37	2720160	18 in	Hose	
40	0080091	1	Adapter, Choke - Standard (See Dual Fuel Installation for Dual Fuel/LP Gas Units)	
		Ref	FORD ENGINE ASSEMBLY (VARIABLE PARTS)	
	0236843	Ref	Standard Machines with Racine Prop Valves and Single Speed Drive Built Prior To April 1986	B
	0236317	Ref	Standard Machines with Racine Prop Valves and Single Speed Drive Motors Built April 1986 To March 1995	H
	0237154	Ref	Standard Machines with Racine Prop Valves and Two Speed Drive Motors	B
	0236853	Ref	Dual Fuel Machines with Racine Prop Valves Built Prior To April 1986	B
	0236683	Ref	Dual Fuel Machines with Racine Prop Valves Built April 1986 To March 1995	G
	0237936	Ref	Standard Machines with Vickers Prop Valves	I
	0237938	Ref	Dual Fuel Machines with Vickers Prop Valves	K
	0254971	Ref	LP Gas Only Machines with Vickers Prop Valves	B
	0250168	Ref	U/L Dual Fuel Machines with Vickers Prop Valves	E
	0238657	Ref	U/L LP Gas Only Machines with Vickers Prop Valves	J
70		Ref	Pump Assembly Options:	
70	3600113	1	Machines with Racine Prop Valves and Single Speed Drive Motors (Pump has 1in - 1in - 1/2in Gear Set) (See PUMP COUPLING INSTALLATIONS for Breakdown)	
70	3600125	1	Machines with Racine Prop Valves and Two Speed Drive Motors (Pump has 1in - 3/4in - 1/2in Gear Set (See MAIN PUMP ASSEMBLY (MACHINES WITH RACINE PROPORTIONAL VALVES) for Breakdown)	
70	3600072	1	Machines with Vickers Prop Valves Built Prior to Mid 1987 (Pump has 1 Outlet in End Cover) (See MAIN PUMP ASSEMBLY (MACHINES WITH VICKERS PROPORTIONAL VALVES BUILT PRIOR TO MID 1987 - HAS ONE OUTLET IN END COVER) for Breakdown)	

SECTION 2 - TURNTABLE

ITEM	PART NUMBER	QTY	DESCRIPTION	REV
70	3600139	1	Machines with Vickers Prop Valves Built Mid 1987 to March 1995 (Pump with 2 Outlets in End Cover) (See MAIN PUMP ASSEMBLY (MACHINES WITH VICKERS PROPORTIONAL VALVES BUILT MID 1987 TO PRESENT- HAS TWO OUTLETS IN END COVER) for Breakdown)	
71		Ref	Mount, Motor Options:	
71	3200133	3	Machines with Racine Prop Valves (Color Coded Green and White)	
71	3200183	3	Machines with Vickers Prop Valves	
72		Ref	Bracket, Terminal Strip Options:	
72	Not Required	0	Machines with Racine Prop Valves	
72	0901401	1	Machines with Vickers Prop Valves Not U/L Listed	
72	Not Required	0	Machines with Vickers Prop Valves U/L Listed	
73		Ref	Decal - Terminal Strip Label Options:	
73	Not Required	0	Machines with Racine Prop Valves	
73	1700901	1	Machines with Vickers Prop Valves Not U/L Listed	
73	Not Required	0	Machines with Vickers Prop Valves U/L Listed	
74		Ref	Cover, Terminal Strip Options:	
74	Not Required	0	Machines with Racine Prop Valves	
74	1670414	1	Machines with Vickers Prop Valves Not U/L Listed	
74	Not Required	0	Machines with Vickers Prop Valves U/L Listed	
75	1320070	AR	Clamp	
76	3910812	AR	Screw, Round Head #8-32NC x 3/4in	
77	4770800	AR	Starwasher #8	
78	3310801	AR	Nut #8-32NC	
79		Ref	Fan Options:	
79	2060015	1	15in Machines with Racine Prop Valves	
79	2060016	1	16 5/8in Machines with Vickers Prop Valves	
80	4751800	AR	Flatwasher 1/2in	
81	0641406	AR	Bolt 1/4in-20NC x 3/4in	
82	3311401	AR	Nut 1/4in-20NC	
83	4751400	AR	Flatwasher 1/4in	
84	4761400	AR	Lockwasher 1/4in	
85		Ref	Tube, Plastic Options:	
85	Not Required	0	Machines with Racine Prop Valves	
85	4562516	1 in	Machines with Vickers Prop Valves	
86		Ref	Clamp Options:	
86	Not Required	0	Machines with Racine Prop Valves	
86	1320022	1	Machines with Vickers Prop Valves	
87		Ref	Valve, Oil Drain Options:	
87	Not Required	0	Machines with Racine Prop Valves	
87	4640750	1	Machines with Vickers Prop Valves	
88		Ref	Hose Options:	
88	Not Required	0	Machines with Racine Prop Valves	
88	2750532	9 in	Machines with Vickers Prop Valves	
89		Ref	Clamp Options:	
89	Not Required	0	Machines with Racine Prop Valves	
89	1320032	1	Machines with Vickers Prop Valves	
90		Ref	Controller, Precision Governor Options:	
90	Not Required	0	Machines with Racine Prop Valves	
90	1600098	1	Machines with Vickers Prop Valves	
91		Ref	Cover, Terminal Options:	

SECTION 2 - TURNTABLE

ITEM	PART NUMBER	QTY	DESCRIPTION	REV
91	Not Required	0	Non-U/L Listed Machines	
91	1670523	1	U/L Listed Machines	
92		Ref	Cover, Terminal Options:	
92	Not Required	0	Non-U/L Listed Machines	
92	1670523	1	U/L Listed Machines	
93		Ref	Alternator Options:	
93	See Note	1	Non-U/L Listed Machines (Note: See Ford Engine Manual)	
93	0160011	1	U/L Listed Machines	
		Ref	FORD ENGINE INSTALLATION (STANDARD PARTS)	
102	0641612	AR	Bolt 3/8in-16NC x 1 1/2in	
103	4761600	AR	Lockwasher 3/8in	
104	4751600	AR	Flatwasher 3/8in	
105	3311601	AR	Nut 3/8in-16NC	
106	4340343	1	Support, Radiator	
107	3941804	12	Screw, Self-Tapping #8-24NC x 1/2in	
108	4761800	12	Lockwasher #8	
109	0181234	1	Angle, Mounting	
111	0630360	2	Bolt, Carriage 5/16in-18NC x 1 1/4in	
112	3311501	4	Nut 5/16in-18NC	
113	4761500	4	Lockwasher 5/16in	
116	0880076	1	Brace	
117	4300032	AR	Stud (Welded on Part)	
118	4761400	AR	Lockwasher 1/4in	
119	3311401	AR	Nut 1/4in-20NC	
120	1320041	3	Clamp	
121	4751400	AR	Flatwasher 1/4in	
122	2220317	1	Fitting, Barbed 90	
123	1320022	2	Clamp	
124	2200051	1	Plug, Pipe (Not Shown Located at Fuel Tank)	
125	2720015	75 in	Hose, Fuel Line	
126	1060045	2	Cable, Battery (Starter to Ground and Start Relay to Aux Relay)	
127	1060147	1	Cable, Battery (+ Battery to Start Relay)	
128	1060046	1	Cable, Battery (- Battery to Ground)	
129	0400003	1	Battery	
130	0400002	1	Hold-Down, Battery	
130	2910479	2	Clip, Holddown	
131	0236768	2	Rod, Tie-Down	
132	3300029	2	Wingnut 3/8in-16NC	
133	3980003	1	Seat, Battery	
134		Ref	Gauge, Oil Pressure Options (Not Shown - Located at Ground Control Box):	
134	2420035	1	Gauge, Oil Pressure (Prior to August 1994)	
134	2420164	1	Gauge, Oil Pressure (August 1994 to March 1995)	
135		Ref	Gauge, Temperature Options (Not Shown - Located at Ground Control Box):	
135	2420019	1	Gauge, Temperature (Prior to August 1994)	
135	2420159	1	Gauge, Temperature (August 1994 to March 1995)	
136	1320012	4	Clamp	
138	2720232	1	Hose, Radiator (Bottom)	
139	2720254	1	Hose, Radiator (Top)	
141	3620026	1	Radiator	
143	4340525	1	Support, Radiator	

SECTION 2 - TURNTABLE

ITEM	PART NUMBER	QTY	DESCRIPTION	REV
144	0630375	2	Bolt, Carriage 7/16in-14NC x 1in	
145	3311701	2	Nut 1/16in-14NC x 1in	
146	4751700	2	Flatwasher 7/16in	
147	4761700	2	Lockwasher 7/16in	
149	3250914	1	Nameplate - Caution: Fan Blade	
150	2200053	1	Fitting, Plug	
151	4300034	4	Stud (Welded on Part)	
152	0641614	AR	Bolt 3/8in-16NC x 1 3/4in	
159	4711600	2	Flatwasher 3/8in Narrow	
162	4791600	4	Starwasher 3/8in	
163	4300038	1	Stud (Welded on Part)	
164	1320014	1	Clamp	
165	1320031	1	Clamp	
166	0641406	2	Bolt 1/4in-20NC x 3/4in	
167	3311405	2	Locknut 1/4in-20NC	
168	4791400	2	Starwasher 1/4in	
		Ref	FORD ENGINE INSTALLATION (VARIABLE PARTS)	
	0236844	Ref	Standard Machines With Racine Prop Valves and Single Speed Drive Motors Built Prior To April 1986	B
	0236318	Ref	Standard Machines With Racine Prop Valves and Single Speed Drive Motors Built April 1986 To March 1995	J
	0237155	Ref	Standard Machines With Racine Prop Valves and Two Speed Drive Motors	C
	0236854	Ref	Dual Fuel Machines With Racine Prop Valves and Single Speed Drive Motors Built Prior To April 1986	B
	0236684	Ref	Dual Fuel Machines With Racine Prop Valves and Single Speed Drive Motors Built April 1986 To March 1995	G
	0237157	Ref	Dual Fuel Machines With Racine Prop Valves and Two Speed Drive Motors	C
	0237937	Ref	Standard Machines With Vickers Prop Valves Built Prior To December 1992	F
	0237939	Ref	Dual Fuel Machines With Vickers Prop Valves Built Prior To December 1992	F
	0253596	Ref	Standard Machines With Vickers Prop Valves Built December 1992 To March 1995	D
	0253597	Ref	Dual Fuel Machines With Vickers Prop Valves Built December 1992 To March 1995	D
	0254972	Ref	LP Gas Only Machines With Vickers Prop Valves	-
	0250235	Ref	U/L Dual Fuel Machines Built Prior To December 1992	H
	0253599	Ref	U/L Dual Fuel Machines Built December 1992 To March 1995	B
	0238658	Ref	U/L LP Gas Only Machines Built Prior To December 1992	G
	0253598	Ref	U/L LP Gas Only Machines Built December 1992 To March 1995	B
170		Ref	Baffle Options:	
170	3380318	1	Machines with Racine Prop Valves	
170	3536244	1	Machines with Vickers Prop Valves Built Prior to December 1992	
170	3536549	1	Machines with Vickers Prop Valves Built December 1992 to March 1995	
171		Ref	Baffle Options:	
171	3380319	1	Machines with Racine Prop Valves	
171	3380319	1	Machines with Vickers Prop Valves Built Prior to December 1992	
171	3536549	1	Machines with Vickers Prop Valves Built December 1992 to March 1995	

SECTION 2 - TURNTABLE

ITEM	PART NUMBER	QTY	DESCRIPTION	REV
172		Ref	Auxiliary Pump Assembly	
172	3600071	1	Machines with Racine Prop Valves (Was p/n 3600115)	
172	3600071	1	Machines with Vickers Prop Valves	
172	7004436	1	3600071 Replacement Motor and Bracket Assembly	
172	7004248	1	3600071 Replacement Motor Only	
172	7012576	1	3600071 Replacement Bracket Only	
172	7004249	1	3600071 Replacement Coupling	
172	7004247	1	3600071 Replacement Pump	
172	Not Available	1	Seal Kit - 7004247 Pump	
173		Ref	Shroud, Fan Options:	
173	2680334	1	Machines with Racine Prop Valves	
173	2680386	1	Machines with Vickers Prop Valves	
174		Ref	Cable, Battery Options (Aux Relay to Aux Pump):	
174	1060129	1	Machines with Racine Prop Valves	
174	1060149	1	Non-U/L Listed Machines with Vickers Prop Valves	
174	1060030	1	U/L Listed Machines with Vickers Prop Valves Built Prior to August 1994	
174	1060197	1	U/L Listed Machines with Vickers Prop Valves Built August 1994 to March 1995	
175		Ref	Bracket, Controller	
175	Not Required	0	Machines with Racine Prop Valves	
175	0901419	2	Non-U/L Listed Machines with Vickers Prop Valves	
175	Not Required	0	U/L Listed Machines with Vickers Prop Valves	
176	3911012	AR	Screw #10-24NC x 3/4in	
177	3311001	AR	Nut #10-24NC	
178	4751000	AR	Flatwasher #10	
179	4761000	AR	Lockwasher #10	
180		Ref	Cable, Battery (Start Relay to Starter)	
180	Not Required	0	Machines with Racine Prop Valves	
180	1060093	1	Machines with Vickers Prop Valves	
181		Ref	Cable, Battery Options (Start Relay to Starter):	
181	1060045	1	Machines with Racine Prop Valves	
181	4920961	1	Machines with Vickers Prop Valves	
		Ref	Note: The items below are not shown, but required for U/L machines.	
	0860614	1	Box, Contactor	
	3740067	1	Relay, Contactor	
	3740049	1	Relay	
	4060701	9 ft	Shield, Hose	
	2120113	1	Base, Filter	
	2120114	1	Element, Filter	
	4640618	1	Valve, Fuel Shut-Off	
	1060092	1	Cable, Battery (Contactor Box to Aux Relay)	
	0840025	8	Boot, Cable	
	0840026	28	Boot, Cable	
	0840027	16	Boot, Cable	
	0840029	2	Boot, Cable	
	3730018	1	Resistor, Field (Prior to August 1994)	
		Ref	ELECTRICAL PANEL ASSEMBLY	
	0236321	Ref	MACHINES WITH RACINE PROP VALVES	I
	0237859	Ref	MACHINES WITH VICKERS PROP VALVES	E
201	3509714	1	Plate, Mounting	

SECTION 2 - TURNTABLE

ITEM	PART NUMBER	QTY	DESCRIPTION	REV
202	3740067	1	Relay, Prestolite	
203	3300220	4	Nut, Special	
204	3740061	1	Solenoid, Start Lockout	
205	3311401	7	Nut 1/4in-20NC	
206	0641405	10	Bolt 1/4in-20NC x 5/8in	
207	4761400	10	Lockwasher 1/4in	
208	3740059	1	Relay, Motorcraft	
209	3311001	2	Nut #10-24NC	
210	3310801	1	Nut #8-32NC	
211	4761000	2	Lockwasher #10	
212	4760800	1	Lockwasher #8	
213	4711400	4	Flatwasher 1/4in	
214	4791400	9	Starwasher 1/4in	
251		Ref	Actuator, Adeco Throttle Options:	
251	0060021	1	Machines With Racine Prop Valves	
251	Not Required	0	Machines With Vickers Prop Valves	
	0236319	Ref	EXHAUST INSTALLATION (USED PRIOR TO APRIL 1986) (SEE SPECIAL OPTIONS SECTION FOR NON STANDARD EXHAUST SYSTEMS)	C
301	3220058	1	Muffler	
302	1120169	1	Cap, Rain	
303	1320019	3	Clamp	
304	4340470	2	Plate, Support	
306	4340420	1	Bracket, Support	
307	4340421	1	Bracket, Support	
308	0960960	1	Tube	
309	0641408	4	Bolt 1/4in-20NC x 1in	
310	4761400	4	Lockwasher 1/4in	
311	3311401	4	Nut 1/4in-20NC	
312	4562636	1	Pipe, Exhaust	
313	4841950	1	Adaptor, Exhaust	
314	0701010	4	Bolt, Metric 10mm x 20mm	
315	4761600	4	Lockwasher 3/8in	
316	4751400	4	Flatwasher 1/4in	
317	4100025	42 in	Sleeve, Fiberglass	
	0237497	Ref	EXHAUST INSTALLATION (USED APRIL 1986 TO DECEMBER 1992)	-
	0253595	Ref	EXHAUST INSTALLATION (USED DECEMBER 1992 TO MARCH 1995)	A
		Ref	Note: See SPECIAL OPTIONS SECTION for Non-Standard Exhaust Systems	
351		Ref	Muffler Options:	
351	3220043	1	Muffler (Used April 1986 to December 1992)	
351	3220052	1	Muffler (Used December 1992 to March 1995)	
352	1320019	1	Clamp	
353	4842226	1	Tube, Exhaust	
354	0701010	4	Bolt 10mm x 20mm	
355	4832000	4	Lockwasher 10mm	
356	4920096	2 ft	Wire, Safety	
357	4100025	3 ft	Sleeve, Fiberglass	
		Ref	AIR CLEANER INSTALLATION	
	0236398	Ref	Non-U/L Listed Machines (Prior To September 1991)	F

SECTION 2 - TURNTABLE

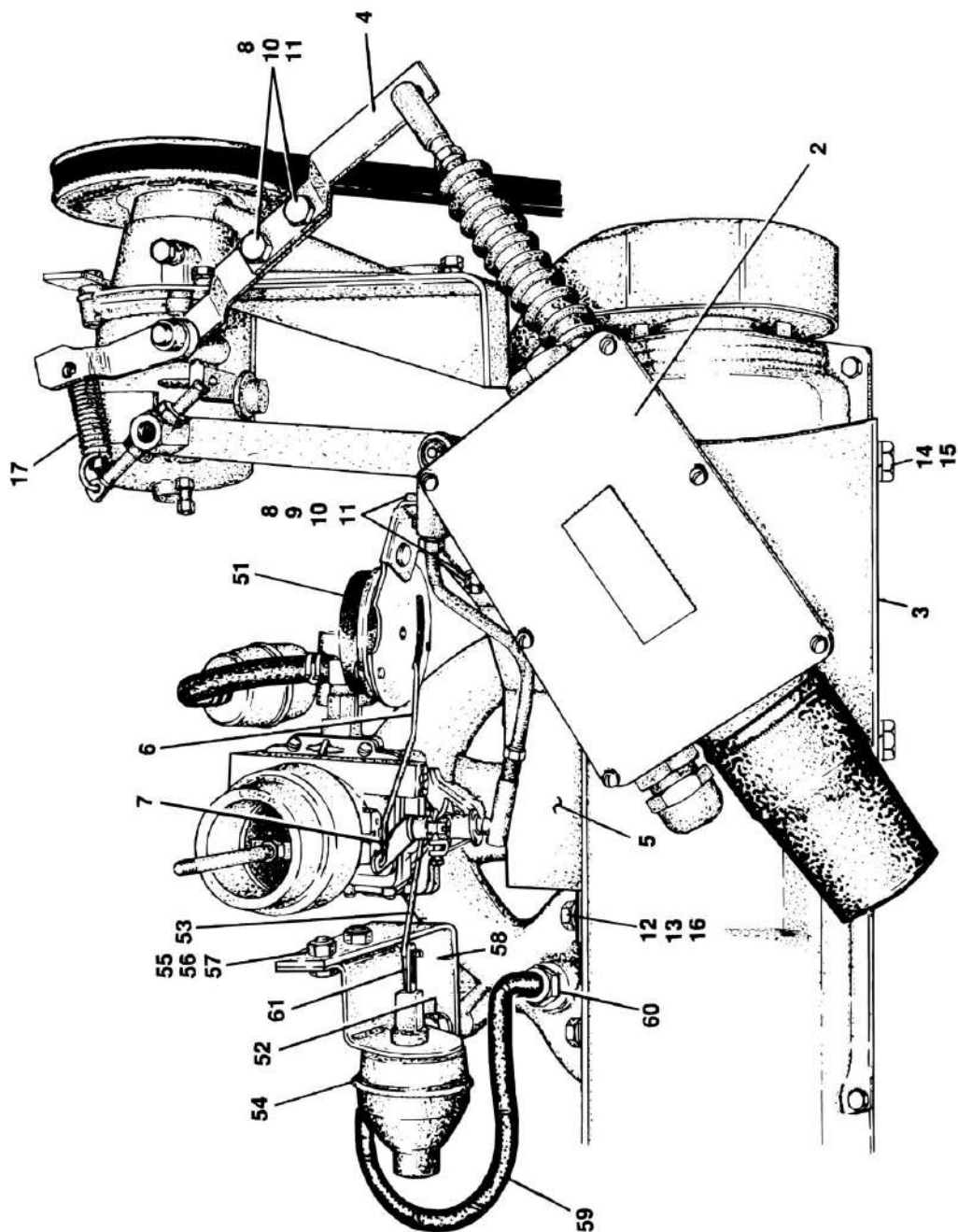
ITEM	PART NUMBER	QTY	DESCRIPTION	REV
	0252239	Ref	Non-U/L Listed Machines (September 1991 To March 1995)	-
	0252240	Ref	U/L Listed Machines	-
402	1120161	1	Bonnet	
403	4842362	1	Tube, Air Intake	
404	0080039	1	Elbow, Rubber	
405	1320016	2	Clamp	
406	0641406	4	Bolt 1/4in-20NC x 3/4in	
407	4761400	4	Lockwasher 1/4in	
408	3311401	4	Nut 1/4in-20NC	
409	0340002	2	Bands	
451		Ref	Air Cleaner Assembly Options:	
451	1340020	1	Air Cleaner for Non-U/L Listed Machines	
451	7004214	1	Element, Air Cleaner - 1340020 Air Cleaner	
451	1340050	1	Air Cleaner for U/L Listed Machines	
451	7010638	1	Element, Air Cleaner - 1340050 Air Cleaner	
		Ref	VACUUM SWITCH INSTALLATION (PRIOR TO APRIL 1986 ONLY)	
	0236988	Ref	Vacuum Switch Installation (Prior To September 1985)	-
	0237071	Ref	Vacuum Switch Installation (September 1985 To April 1986)	-
501	2720016	AR	Hose	
502	2120112	1	Filter	
503	4360195	2	Switch, Vacuum Delay	
504	1320041	2	Clamp	
505	0641405	1	Bolt 1/4in-20NC x 5/8in	
505	4761400	1	Lockwasher 1/4in	
505	3311401	1	Nut 1/4in-20NC	
506	2220295	1	Fitting, Coupling	
507	4360067	1	Switch, Vacuum	
508	0901306	1	Bracket (4in Long)	
508	0901333	1	Bracket (4 3/4in Long)	
		Ref	ENGINE DISTRESS INSTALLATIONS	
	4931589	Ref	Engine Distress Installations (Prior To July 1994)	B
	0255058	Ref	Engine Distress Installations (July 1994 To March 1995)	A
601	2180360	1	Fitting, Tee	
602	4360182	1	Switch, Oil Pressure	
603	4360157	1	Switch, Water Temperature	
		Ref	ENGINE COMPONENTS	
	9982700	1	Carburetor (Standard Gas) Without Built-in Choke (Machines Built through 1989)	
	7000643	1	Carburetor (Standard Gas) With Built-in Choke (Machines Built 1990 to March 1995)	
	7000646	1	Gasket, Carburetor	
	7024321	1	Gasket, Carburetor (Top)	
	7000878	1	Rebuilt Kit - 9982700 & 7000643 Carburetor	
	7000895	1	Choke Assembly	
	1140009	1	Carburetor - LP Gas	
	7000877	1	Fuel Shut-Off (With Wire)	
	7000884	1	Fuel Shut-Off (With Terminal Post)	
	7012577	1	Vacuum Line Fitting	
	7012578	1	Vacuum Line Tube Assembly	
	7000867	1	Engine Harness	
	7010633	1	Fuel Pump Assembly	

SECTION 2 - TURNTABLE

ITEM	PART NUMBER	QTY	DESCRIPTION	REV
	7019932	4	Spark Plug (was p/n 7012595)	
	7019931	1	Wire Set - Spark Plug	
	7014677	1	Major Components Kit (Includes 1 each of Standard Gas Carburetor, Water Pump, Fuel Pump, Starter and Standard Alternator)	
	7010633	1	Pump, Fuel	
	7012679	1	Starter (was p/n 7000868)	
	7000874	1	Alternator	
	7014678	1	Gasket/Electrical Kit (Includes Upper and Lower Gasket Kits, 1 each of Thermostat, Ring Gear, Belt, Coil, Ignition Module, Voltage Regulator, Starter Solenoid and Hose)	
	7000871	1	Coil	
	7000869	1	Module, Ignition	
	7000870	1	Regulator, Voltage	
	7014679	1	Tune-up Kit (Includes 4 Spark Plugs and 1 each of Oil Filter, Fuel Filter, Cap, Rotor and ignition Wire Set)	
	7022153	4	Water Pump Assembly	
	7021869	1	Filter, Engine Oil (Case of 12) (was p/n 7014501)	
	7022180	1	Ring Gear (Flywheel) (Not Shown)	
	7023667	1	Fitting, Tee (Water By-Pass) (Not Shown)	

SECTION 2 - TURNTABLE

FIGURE 2-30. ADECO THROTTLE INSTALLATIONS - FORD ENGINE MACHINES BUILT PRIOR TO MID 1987



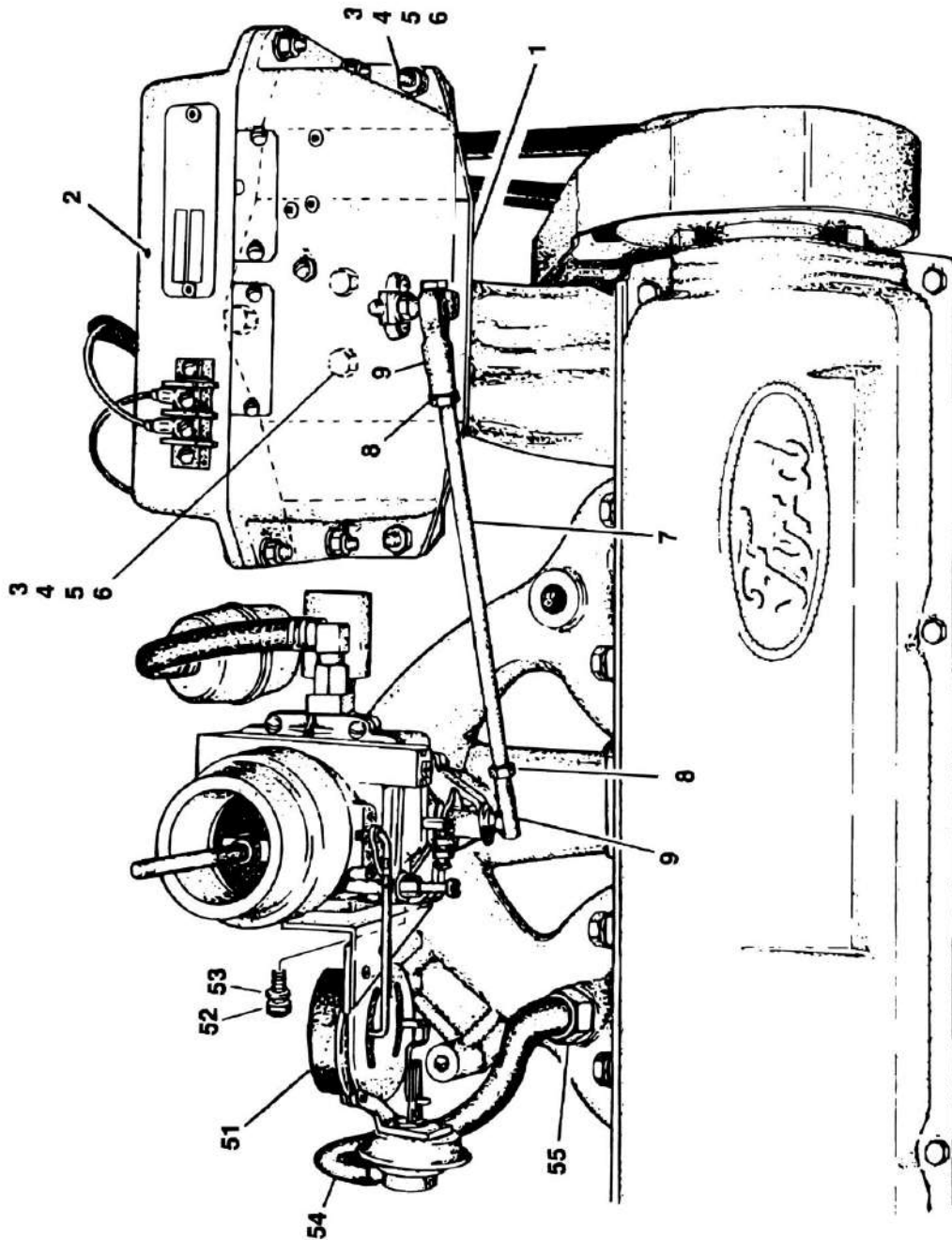
SECTION 2 - TURNTABLE

FIGURE 2-30. ADECO THROTTLE INSTALLATIONS - FORD ENGINE MACHINES BUILT PRIOR TO MID 1987

ITEM	PART NUMBER	QTY	DESCRIPTION	REV
		Ref	NOTE: For machines with solenoid controlled throttle (built prior to mid 1985) replace with Adeco throttle.	
		Ref	ADECO THROTTLE INSTALLATION	
	0236965	Ref	Machines Without Vacuum Pull-off Built Mid 1985 To April 1986	-
	0237356	Ref	Machines With Vacuum Pull-off Built April 1986 To Mid 1987	B
2	0060020	1	Actuator, Adeco	
2	7008807	1	Board, Circuit	
2	7008804	1	Bellows, Rubber	
2	7008821	1	Motor, Drive	
3	4842263	1	Bracket, Actuator Mounting	
4	3010081	1	Link, Throttle	
5	0901297	1	Bracket, Choke Mounting	
6	3840821	1	Rod, Choke	
7	1380111	1	Clip, Rod	
8	0641406	4	Bolt 1/4in-20NC x 3/4in	
9	4751400	2	Flatwasher 1/4in	
10	4761400	4	Lockwasher 1/4in	
11	3311401	4	Nut 1/4in-20NC	
12	0630384	2	Bolt, Metric 8mm x 40mm	
13	4751500	3	Flatwasher 5/16in	
14	0630135	2	Bolt, Metric 10mm x 30mm	
15	4740116	2	Lockwasher, Metric 10mm	
16	4761500	2	Lockwasher 5/16in	
17	4160084	1	Spring	
51		Ref	Choke Kit Options:	
51	2900097	1	Machines Without Vacuum Pull-off Built Mid 1985 To April 1986	
51	0237715	1	Machines With Vacuum Pull-off Built April 1986 Mid 1987	
52	0700810	1	Bolt, Metric 8mm x 20mm (April 1986 Mid 1987 Only)	
53	3840855	1	Rod, Choke Pull-Off (April 1986 Mid 1987 Only)	
54	0060022	1	Actuator, Vacuum Choke Pull-Off (April 1986 Mid 1987 Only)	
55	3910808	2	Screw, Round Head #8-32NC x 1/2in (April 1986 Mid 1987 Only)	
56	4760800	2	Lockwasher #8 (April 1986 Mid 1987 Only)	
57	3310801	2	Nut #8-32NC (April 1986 Mid 1987 Only)	
58	0901347	1	Bracket, Actuator (April 1986 Mid 1987 Only)	
59	2720016	12 in	Hose (April 1986 Mid 1987 Only)	
60	2180666	1	Fitting (April 1986 Mid 1987 Only)	
61	1380112	1	Clip (April 1986 Mid 1987 Only)	

SECTION 2 - TURNTABLE

FIGURE 2-31. PRECISION GOVERNOR INSTALLATIONS - FORD ENGINE MACHINES BUILT MID 1987 TO MARCH 1995



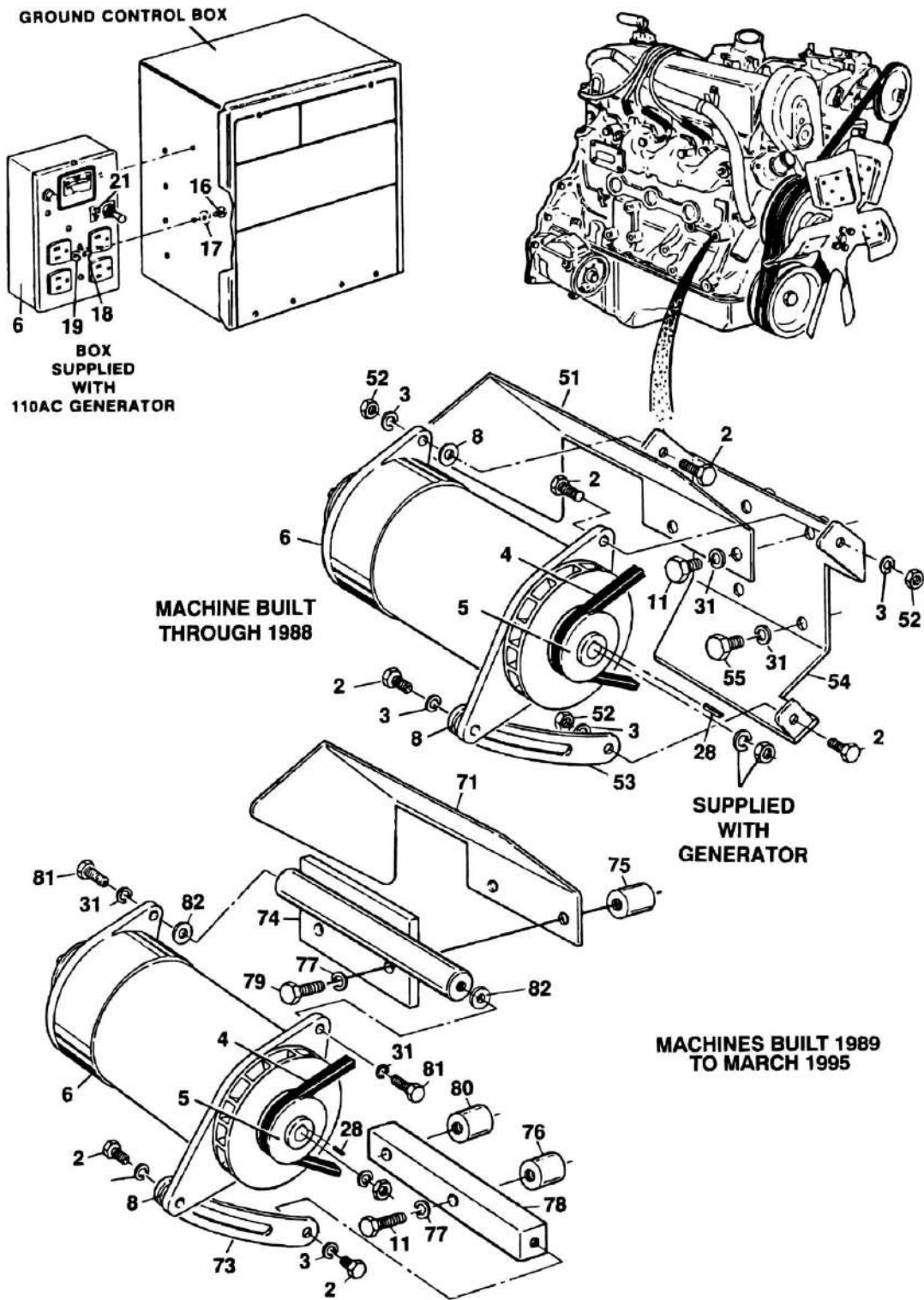
SECTION 2 - TURNTABLE

FIGURE 2-31. PRECISION GOVERNOR INSTALLATIONS - FORD ENGINE MACHINES BUILT MID 1987 TO MARCH 1995

ITEM	PART NUMBER	QTY	DESCRIPTION	REV
	0238044	Ref	PRECISION GOVERNOR INSTALLATION (STANDARD PARTS)	A
1	0901373	1	Bracket, Governor	
2	2500004	1	Governor	
3	0641408	7	Bolt 1/4in-20NC x 1in	
4	3311401	7	Nut 1/4in-20NC	
5	4751400	7	Flatwasher 1/4in	
6	4761400	7	Lockwasher 1/4in	
7	3840898	1	Rod	
8	3321401	2	Nut 1/4in-28NF	
9	1660157	2	Coupling, Ball - Joint	
	0238044	Ref	PRECISION GOVERNOR INSTALLATION (VARIABLE PARTS REQUIRED ON 1987-1989 MODELS WITHOUT BUILT-IN CHOKE. 1990 MODELS HAVE CARBURETOR WITH BUILT-IN CHOKE)	A
51	0237568	1	Choke and Vacuum Pull-Off Assembly (Includes Sensor)	
52	3910812	2	Screw, Round Head #8-32NC x 3/4in	
53	4760800	2	Lockwasher #8	
54	2720016	1 ft	Hose	
55	2180666	1	Fitting	

SECTION 2 - TURNTABLE

FIGURE 2-32. GENERATOR INSTALLATION - FORD ENGINE MACHINES BUILT PRIOR TO MARCH 1995 (OPTIONAL)



SECTION 2 - TURNTABLE

FIGURE 2-32. GENERATOR INSTALLATION - FORD ENGINE MACHINES BUILT PRIOR TO MARCH 1995 (OPTIONAL)

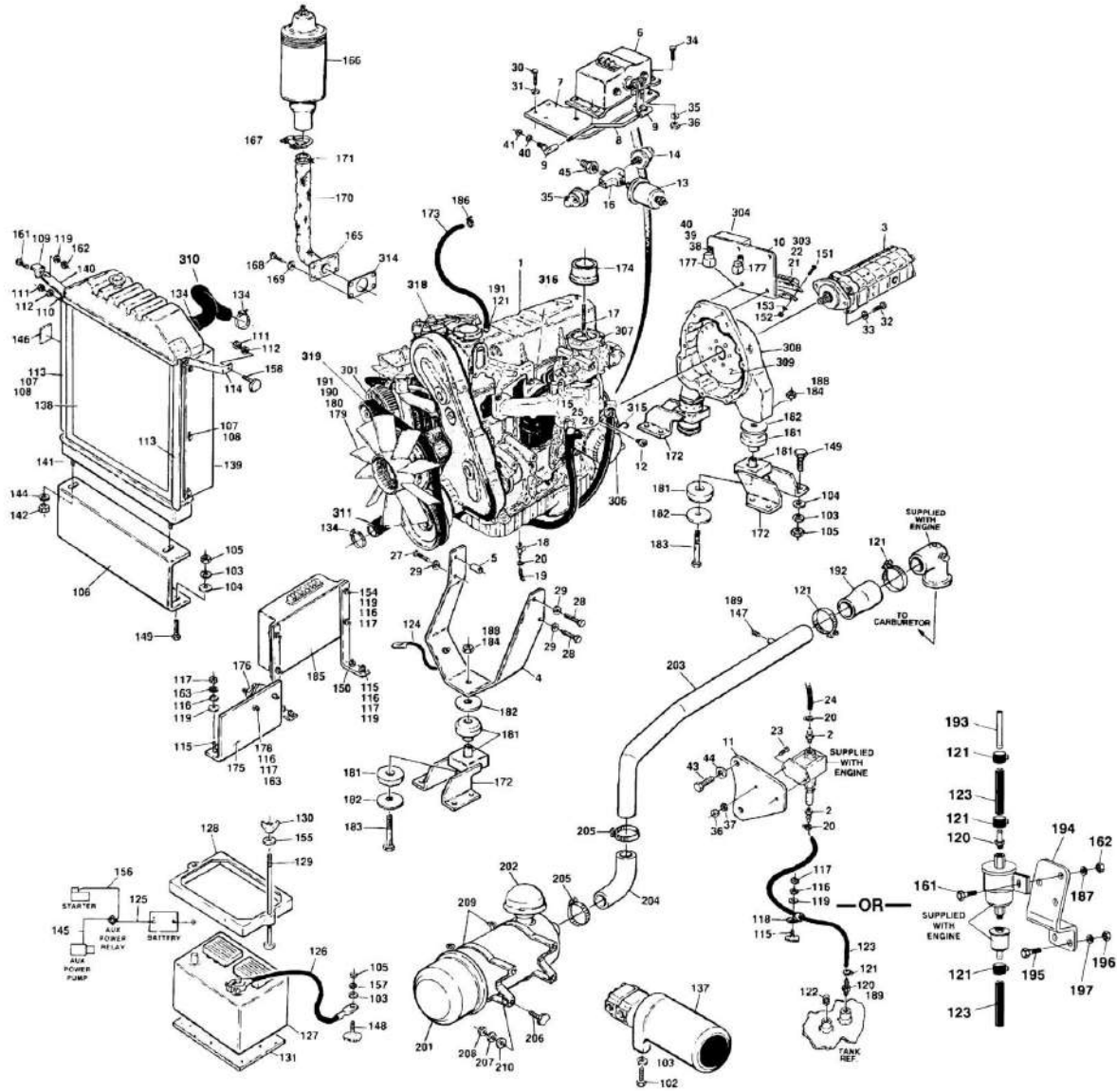
ITEM	PART NUMBER	QTY	DESCRIPTION	REV
		Ref	GENERATOR INSTALLATION (STANDARD PARTS)	
2	0641508	3	Bolt 5/16in-18NC x 1in	
3	4761500	4	Lockwasher 5/8in	
4		Ref	V-Belt Options:	
4	0480037	1	V-Belt (Prior to May 1987)	
4	0480048	1	V-Belt (May 1987 to March 1995)	
5	3580134	1	Pulley (Part of Item 6)	
6	2460011	1	Generator and Control Box Assembly	
6	7012558	1	Generator Assembly	
6	7020193	1	Cable, Generator (Generator to Control Box)	
6	7026199	1	Armature	
6	7020108	4	Brush	
6	7020109	4	Holder, Brush	
6	7012513	4	Cap, Brush Holder	
6	7012514	1	Fan	
6	7020110	1	Bell, Front	
6	7020111	1	Bell Rear	
6	7020190	2	Bearing	
6	7003657	1	Control Box Assembly	
		Ref	Note: Replacement 110V Control Box comes with 2 std Receptacles p/n 4460190. Optional Industrial Twist Lock Receptacles p/n 4460027 must be ordered separately.	
6	4360542	1	Breaker, Circuit	
6	2420203	1	Voltmeter 110V (was p/n 7010699)	
6		Ref	Receptacle Options:	
6	4460190	AR	Receptacle, Standard 110V	
6	4460027	1	Receptacle, Twistlock 110V	
6	2920162	1	Lamp	
6	7020191	1	Switch, Toggle	
6	3520028	1	Plug, Hole	
8	4751500	1	Flatwasher 5/16in	
11	0701021	2	Bolt, Metric 10mm x 65mm	
16	0721004	2	Screw, Machine #10-24NC x 1/2in	
17	4751000	4	Flatwasher #10	
18	4761000	2	Lockwasher #10	
19	3311001	2	Nut #10-24NC	
21	3251476	1	Decal - On/Off	
22	1060012	AR	Cable, Electrical - 12/4	
23	4460134	1	Connector (Not Shown - Located at Generator)	
24	4460071	1	Connector (Not Shown - Located at Ground Control Box)	
25	3300048	1	Locknut, Conduit (Not Shown - Located at Ground Control Box)	
26	0960238	1	Bushing (Not Shown - Located at Ground Control Box)	
27	4460023	1	Connector, Terminal (Not Shown - Located at Generator Control Box)	
28	2860012	1	Key	
31	4761600	AR	Lockwasher 3/8in	
		Ref	GENERATOR INSTALLATION - MACHINES BUILT PRIOR THROUGH 1988 (VARIABLE PARTS)	
	0236382	Ref	Generator Installation - Machines Built Prior Through 1988 (Variable Parts) (Prior To May 1987)	C

SECTION 2 - TURNTABLE

ITEM	PART NUMBER	QTY	DESCRIPTION	REV
	0236383	Ref	Generator Installation - Machines Built Prior Through 1988 (Variable Parts) (May 1987 Through 1988)	F
51	4060579	1	Shield, Heat	
52	3311501	4	Nut 5/16in-18NC	
53	4340436	1	Support, Adjustable	
54		Ref	Support Options:	
54	4340437	1	Support (Prior to May 1987)	
54	4340438	1	Support (May 1987 through 1988)	
55	0630135	2	Bolt, Metric 10mm x 30mm	
		Ref	GENERATOR INSTALLATION - MACHINES BUILT 1989 TO MARCH 1995	
	0239244	Ref	Generator Installation - Machines Built 1989 To March 1995 (1989 To May 1991)	I
	0251947	Ref	Generator Installation - Machines Built 1989 To March 1995 (May 1991 To March 1995)	C
71	4060696	1	Shield, Heat	
73	4340565	1	Support, Adjustable	
74	4843156	1	Support Weldment	
75	4564123	AR	Tube, Spacer	
76	4564329	1	Tube, Spacer	
77	4740116	4	Lockwasher, Metric 10mm	
78	0361704	1	Bar, Mounting	
79	0701023	4	Bolt, Metric 10mm x 70mm	
80	4564328	1	Tube, Spacer	
81	0681610	2	Bolt 3/8in-16NC x 1 1/4in (Grade 8)	
82	4751600	3	Flatwasher 3/8in	

SECTION 2 - TURNTABLE

FIGURE 2-33. FORD LRG423/LRG425 ENGINE INSTALLATION (MARCH 1995 TO PRESENT)



SECTION 2 - TURNTABLE

FIGURE 2-33. FORD LRG423/LRG425 ENGINE INSTALLATION (MARCH 1995 TO PRESENT)

ITEM	PART NUMBER	QTY	DESCRIPTION	REV
		Ref	FORD ENGINE ASSEMBLY	
	0255120	Ref	Ford LRG-423 Engine Assembly - Standard Gas (Prior to SN 36819)	D
	0256177	Ref	Ford LRG-423 Engine Assembly - Standard Gas (Prior to SN 36819)	A
	0257888	Ref	Ford LRG-425 Engine Assembly - Standard Gas (SN 36819 to Present)	4
	0257890	Ref	Ford LRG-425 Engine Assembly - Standard Gas (SN 36819 to Present)	4
	0255121	Ref	Ford LRG-423 Engine Assembly - Dual Fuel (Prior to SN 36819)	D
	0257889	Ref	Ford LRG-425 Engine Assembly - Dual Fuel (SN 36819 to Present)	6
1		Ref	Engine Options:	
1	2000126	1	Engine (Prior to SN 36819)	
1	2000153	1	Engine (SN 36819 through 37616)	
1	2000157	1	Engine (SN 37616 through 39226)	
1	2000159	1	Engine (SN 39226 to Present)	
2	2220315	1	Fitting, Barbed (Prior to SN 36819)	
3	3600139	1	Pump Assembly - Main (See MAIN PUMP ASSEMBLY (MACHINES WITH VICKERS PROPORTIONAL VALVES BUILT MID 1987 TO PRESENT- HAS TWO OUTLETS IN END COVER) for Breakdown)	
4	3200377	1	Mount, Engine (Front)	
5	4566605	1	Tube, Spacer	
6	2500005	1	Precision Governor Actuator	
7	0902088	1	Bracket, Governor Mounting	
8	3841255	1	Rod, Throttle	
9	1660157	2	Coupling, Ball joint	
10		Ref	Bracket, Terminal Strip Mounting Options:	
10	0902089	1	Bracket, Terminal Strip Mounting (Prior to SN 36819)	
10	0902447	1	Bracket, Terminal Strip Mounting (SN 36819 to Present)	
11	0902087	1	Bracket, Fuel Pump Mounting	
12	2420024	1	Sender, Water Temperature	
13	2420033	1	Sender, Oil Pressure	
14	4360037	1	Switch, Oil Pressure	
15	2220273	1	Fitting, Reducer	
16		Ref	Fitting Options:	
16	2180360	1	Fitting, Tee (Prior to June 1995)	
16	2220994	1	Fitting, Cross (June 1995 to Present)	
17	4300056	1	Stud, Carburetor	
18		Ref	Valve, Oil Drain Options:	
18	4640750	1	14mm (March 1995 to March 1996)	
18	4640989	1	12mm (March 1996 to Present)	
19	2750532	30	Hose	
		in/76cm		
20	1320022	3	Clamp, Hose	
21	1700901	1	Decal, Terminal Strip	
22	1670414	1	Cover, Terminal	
23	0641404	2	Bolt 1/4in-20NC x 1/2in	
24	2720058	18	Fuel Line	
		in/46cm		

SECTION 2 - TURNTABLE

ITEM	PART NUMBER	QTY	DESCRIPTION	REV
25	2180536	1	Fitting, Straight Pipe	
26	2720271	30 in/76cm	Hose, Vacuum	
27	0701022	2	Bolt 10mm x 70mm	
28	0701014	2	Bolt 10mm x 30mm	
29	4832000	4	Lockwasher 10mm	
30	0700810	3	Bolt 8mm x 20mm	
31	4831900	3	Lockwasher 8mm	
32	0641812	2	Bolt 1/2in-13NC x 1 1/2in	
33	4761800	2	Lockwasher 1/2in	
34	0641408	4	Bolt 1/4in-20NC x 1in	
35	4360405	1	Switch, Oil Pressure	
36	3311405	6	Locknut 1/4in-20NC	
37	4791400	2	Starwasher 1/4in	
38	0721014	2	Bolt #10-24NC	
39	3311001	2	Nut #10-24NC	
40	4761000	AR	Lockwasher #10	
41	3321401	1	Nut 1/4in-28NF	
42	0100020	AR	Sealant, Pipe (Not Shown)	
43	0701015	1	Bolt, Metric 10mm x 35mm (Prior to SN 36819)	
44	4791600	2	Starwasher 3/8 (Prior to SN 36819)	
45	2220437	1	Fitting, Reducer	
46	0100011	AR	Loctite #242 (Not Shown)	
		Ref	FORD ENGINE INSTALLATION	
	0255123	Ref	Standard Gas With Fixed Axle (Prior to SN 36819)	C
	0257947	Ref	Standard Gas With Fixed Axle (SN 36819 to Present)	5
	0256178	Ref	Standard Gas With Oscillating Axle (Prior to SN 36819)	B
	0257948	Ref	Standard Gas With Oscillating Axle (SN 36819 to Present)	5
	0255125	Ref	Dual Fuel With Fixed Axle (Prior to SN 36819)	C
	0257922	Ref	Dual Fuel With Fixed Axle (SN 36819 to Present)	6
	0256675	Ref	Dual Fuel With Oscillating Axle (Prior to SN 36819)	-
	0257923	Ref	Dual Fuel With Oscillating Axle (SN 36819 to Present)	6
102	0641612	2	Bolt 3/8in-16NC x 1 1/2in	
103	4751600	18	Flatwasher 3/8in	
104	4761600	14	Lockwasher 3/8in	
105	3311601	16	Nut 3/8in-16NC	
106	4340343	1	Support, Radiator	
107	3940804	12	Screw, Self-Tapping #10-24NC x 1/2in	
108	4750800	12	Lockwasher 3/16in	
109	0181234	1	Angle	
110	0630360	2	Bolt, Carriage 5/16in-18NC x 1 1/4in	
111	3311501	3	Nut 5/16in-18NC	
112	4761500	3	Lockwasher 5/16in	
113	3536549	2	Baffle	
114	0880076	1	Brace	
115	4300032	11	Stud (Welded on Part)	
116	4761400	17	Lockwasher 1/4in	
117	3311401	17	Nut 1/4in-20NC	
118	1320041	3	Clamp	
119	4751400	11	Flatwasher 1/4in	
120	2220315	AR	Fitting, Barbed	
121	1320022	AR	Clamp 1/4	

SECTION 2 - TURNTABLE

ITEM	PART NUMBER	QTY	DESCRIPTION	REV
122	2200051	1	Plug, Pipe	
123		Ref	Hose, Fuel Line Options:	
123	2720015	AR	Hose, Low Pressure Gas (Prior to SN 36819)	
123	2720058	AR	Hose, Low Press: .31x.51x1.00 (SN 36819 to Present)	
124	1060045	1	Cable, Battery (Engine to Ground)	
125	1060147	1	Cable, Battery (+ Battery to Aux Relay)	
126	1060046	1	Cable, Battery (- Battery to Ground)	
127		Ref	Battery Options:	
127	0400003	1	Battery, 12 Volt (Prior to SN 36819)	
127	0400075	1	Battery, 12v Group 31 (SN 36819 to Present)	
128		Ref	Hold-Down, Battery Options:	
128	0400002	1	Battery, Hold Down (Prior to SN 36819)	
128	0400002	1	Battery, Hold Down (SN 36819 to Present)	
128	2910479	2	Clip, Holddown	
129	0236768	2	Rod, Hold-down	
130	3300029	2	Wingnut 3/8in-16NC	
131		Ref	Seat, Battery Options:	
131	3980003	1	Seat, Battery (Prior to SN 36819)	
131	3980007	1	Seat, Battery (SN 36819 to Present)	
132	2420035	1	Gauge, Oil Pressure (Not Shown - Located at Ground Controls)	
133	2420019	1	Gauge, Temperature (Not Shown - Located at Ground Controls)	
134	1320012	4	Clamp	
137	3600071	1	Auxiliary Pump Assembly	
137	7004436	1	Motor with Bracket	
137	7004248	1	Motor	
137	7012576	1	Bracket	
137	7004249	1	Coupling	
137	7004247	1	Pump	
138	3620026	1	Radiator	
139	2680386	1	Hood, Fan Shroud	
140	4340525	1	Support, Radiator	
141	0630375	2	Bolt, Carriage 7/16in-14NC x 1in	
142	3311701	2	Nut 7/16in-14NC	
144	4761700	2	Lockwasher 7/16in	
145	1060149	1	Cable, Battery (Aux Relay to Aux Power)	
146	3250914	1	Decal, Caution	
147	2200053	1	Fitting, Plug - 3/8in NPT	
148	4300034	1	Stud (Welded on Part)	
149	0641614	14	Bolt 3/8in-16NC x 1 3/4in	
150	0901419	2	Bracket, Controller	
151	3910812	2	Screw, Machine #8-32NC x 3/4in	
152	3310801	2	Nut #8-32NC	
153	4770800	2	Starwasher #8	
154	0641408	4	Bolt 1/4in-20NC x 1in	
155	4711600	2	Flatwasher 3/8in Narrow	
156	1060093	1	Cable, Battery (Aux Relay to Starter)	
157	4791600	4	Starwasher 3/8in	
158	4300038	1	Stud (Welded on Part)	
161	0641406	5	Bolt 1/4in-20NC x 3/4in	
162	3311405	3	Locknut 1/4in-20NC	
163	4771400	4	Starwasher 1/4in	

SECTION 2 - TURNTABLE

ITEM	PART NUMBER	QTY	DESCRIPTION	REV
164	0641608	1	Bolt 3/8in-16NC x 1in	
165	4842226	1	Tube	
166	3220052	1	Muffler (Prior to SN 39228)	
167	1320019	1	Clamp (Prior to SN 39228)	
168	0701010	4	Bolt, Metric M10 x 1.5 x 20mm	
169	4832000	4	Lockwasher, Metric M10	
170	4100025	3 ft/.9m	Sock, Fiberglass	
171	4920096	2 ft/l.6m	Wire, Safety	
172	4842168	3	Support	
173	2720160	18 in/46cm	Hose 1/2in	
174	0080091	1	Adapter, Choke	
175	3538387	1	Panel, Electrical	
176	3740067	1	Relay, Auxiliary	
177	3740080	2	Relay, Bosch	
178	0641406	2	Bolt 1/4in-20NC x 3/4in	
179	0080210	1	Adaptor, Fan Spacer	
180	2060025	1	Fan, Suction	
181	3200183	3	Mount, Rubber	
182	4740242	5	Flatwasher, Special	
183	0642032	3	Bolt 5/8in-11NC x 4in	
184	3312005	3	Locknut 5/8in-11NC	
185	1600211	1	Controller, Precision Governor	
186	1320032	1	Clamp	
187	4791400	3	Lockwasher 1/4 (SN 36819 to Present)	
188	0100011	AR	Loctite #242	
189	0100020	AR	Sealant, Thread	
190	0630400	4	Bolt, Metric 8mm x 1.25 x 90mm	
191	4831900	4	Lockwasher 8mm	
192	4562516	1 in/2.5cm	Tube, Hose	
193	4567169	1	Tube, Fuel Line (SN 36819 to Present)	
194	3570697	1	Plate, Fuel Pump Mounting (SN 36819 to Present)	
195	0641507	2	Bolt 5/16in-18NC x 7/8 (SN 36819 to Present)	
196	3311505	2	Locknut 5/16in-18NC (SN 36819 to Present)	
197	4791500	2	Lockwasher 5/16 (SN 36819 to Present)	
	0255541	Ref	AIR CLEANER INSTALLATION	
201	1340020	1	Air Cleaner Assembly	
201	7004214	1	Element, Air Cleaner	
202	1120161	1	Cap	
203	4844996	1	Tube	
204	0080039	1	Elbow, Rubber	
205	1320016	2	Clamp	
206	4300032	4	Stud (Welded on Part)	
207	4761400	4	Lockwasher 1/4in	
208	3311401	4	Nut 1/4in-20NC	
209	0340002	2	Band, Mounting	
210	4751400	4	Flatwasher 1/4in	
		Ref	ENGINE COMPONENTS	
		Ref	Ford LRG-423 Engine	
	2000126	Ref	Engine (Prior to SN 36819)	
		Ref	Ford LRG-425 Engine	
	2000153	Ref	Engine (SN 36819 through 37616)	

SECTION 2 - TURNTABLE

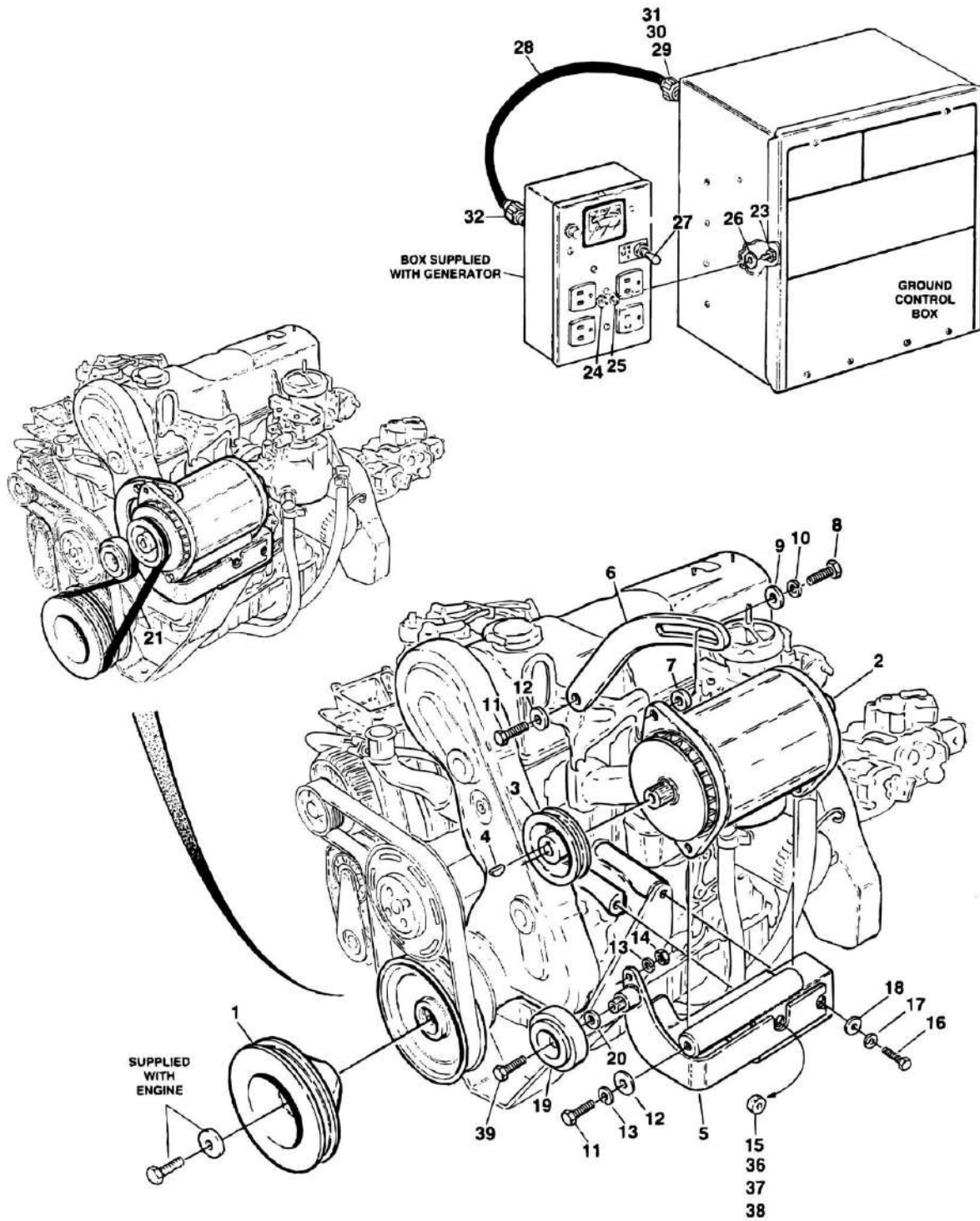
ITEM	PART NUMBER	QTY	DESCRIPTION	REV
	2000157	Ref	Engine (SN 37616 through 39226)	
	2000159	Ref	Engine (SN 39226 to Present)	
301		Ref	Alternator Options:	
301	7012680	1	LRG-423 Engine	
301	7019977	1	LRG-425 Engine	
301	7019997	1	Regulator	
302		Ref	Fuel Pump - Electric (Facet) Options:	
302	7016600	1	Engine - 2000126, 2000153 & 2000157	
302	7019983	1	Engines - 2000159	
302		Ref	Filter, Fuel (Used with Facet Pump) Options:	
302	7016601	1	Engine - 2000126, 2000153 & 2000157	
302	7027972	1	Engines - 2000159 (was p/n 7019928)	
303		Ref	Harness, Engine Options:	
303	7012682	1	LRG-423 Engine	
303	7019980	1	LRG-425 Engine	
304		Ref	Module, Ignition Options:	
304	7012681	1	LRG-423 Engine	
304	7023687	1	LRG-425 Engine (was p/n 7019961)	
305	7012679	1	Starter (Far Side - Not Shown)	
305	7025145	1	Solenoid, Start	
306	7021869	1	Filter, Oil (Case of 12) (was p/n 7014501)	
307		Ref	Carburetor Options:	
307	7012690	1	Engine - 2000126	
307	7000646	1	Gasket, Carburetor	
307	7024321	1	Gasket, Carburetor (Top)	
307	7000884	1	Solenoid, Fuel	
307	7012683	1	Spring	
307	7016605	1	Choke, Automatic	
307	7019933	1	Rebuilt Kit - Carburetor	
307	7023471	1	Float Assembly	
307	7019988	1	Engines - 2000153 & 2000157 (was p/n 7019974)	
307	7019988	1	Engine - 2000159	
307	7024321	1	Gasket, Carburetor (Top)	
307	70000163	1	Needle, Spring Loaded	
307	7016605	1	Choke, Automatic	
307	7019933	1	Rebuilt Kit - Carburetor	
307	70000646	1	Gasket, Carburetor (was p/n 7019975)	
307	7025122	1	Base, Carburetor	
307	7027292	1	Float Assembly	
308	7019976	1	Flywheel Housing and Coupling Assembly	
308	7022180	1	Ring Gear (Not Shown)	
308	7020120	1	Housing, Bell (Engine - 2000126)	
309	1660249	1	Coupling (was p/n 7012656)	
310	7019926	1	Hose, Radiator (Top) (was p/n 7016375)	
311	7019927	1	Hose, Radiator (Bottom) (was p/n 7016376)	
312		Ref	Water Pump Assembly Options (Not Shown):	
312	7022153	1	LRG-423 Engine (was p/n 7016638)	
312	7022153	1	LRG-425 Engine	
312	7019985	1	Pulley, Water Pump (LRG-425 Engine) (Not Shown)	
312	7019982	1	Inlet, Water Pump (Not Shown) (Engines - 2000153, 2000157, 2000159)	
312	7022156	1	Thermostat Assembly (Not Shown) (Engine - 2000159)	

SECTION 2 - TURNTABLE

ITEM	PART NUMBER	QTY	DESCRIPTION	REV
313	7022143	1	Exhaust Manifold to Head Gasket (Engine - 2000126) (Not Shown - Located on opposite side of engine)	
314	70002307	1	Exhaust Manifold to Exhaust Pipe	
315	2420109	1	Dipstick (Engine - 2000159)	
315	4564281	1	Tube, Dipstick	
316	7025126	1	Manifold, Intake (Was p/n 7019923)	
317	7019924	1	Manifold, Exhaust (Not Shown)	
318	7019930	1	Coil, Ignition (Engines - 2000126 & 2000159)	
318	7019931	1	Wire Set - Spark Plug	
318	7019932	4	Plug, Spark	
319		Ref	Belt, Drive Options:	
319	7019921	1	Engine - 2000126	
319	7027402	1	Engines - 2000153, 2000157 & 2000159 (was p/n 7019979)	
319		Ref	Tensioner, Belt Options (Not Shown):	
319	7019929	1	Engine - 2000126	
319	7019978	1	Engines - 2000153, 2000157 & 2000159	
320	7022139	1	Sensor, MAP (Not Shown) (Engine - 2000159)	
321	7022178	1	Sensor, Crank Shaft (Not Shown) (Engines - 2000126 & 2000159)	
322	7025134	1	Gasket, Water Outlet Connector (Not Shown) (Engine - 2000159)	
323	7019925	1	PCV Valve (Not Shown) (Engine - 2000126)	
		Ref	SWITCH INSTALLATIONS	
	0255058	Ref	Engine Distress Installation	B
	0255227	Ref	Generator Installation	6-F
401	2180360	1	Fitting, Tee	
401		Ref	Switch, Oil Pressure Options:	
401	4360182	1	Engine Distress Installation	
401	4360037	1	Generator Installation	
401	4360157	1	Switch, Water Temperature (Engine Distress Installation Only)	
		Ref	MUFFLER INSTALLATION OPTIONS:	
	0258793	Ref	Muffler Standard (SN 39228 to Present)	1
	0258794	Ref	Muffler Oxy/Cat Purifier (SN 39228 to Present)	1
501		Ref	Muffler Options:	
501	3220043	1	Standard	
501	3220115	1	Oxy/Cat Purifier (SN 39228 to Present)	
502	1320019	1	Clamp	
503	0641406	2	Bolt 1/4in-20NC x 3/4in (Oxy/Cat Purifier Only) (Not Shown)	
504	4751400	2	Flatwasher 1/4in (Oxy/Cat Purifier Only) (Not Shown)	
505	3311405	2	Locknut 1/4in-20NC (Oxy/Cat Purifier Only) (Not Shown)	

SECTION 2 - TURNTABLE

FIGURE 2-34. GENERATOR INSTALLATION - FORD MACHINES BUILT MARCH 1995 TO PRESENT



SECTION 2 - TURNTABLE

FIGURE 2-34. GENERATOR INSTALLATION - FORD MACHINES BUILT MARCH 1995 TO PRESENT

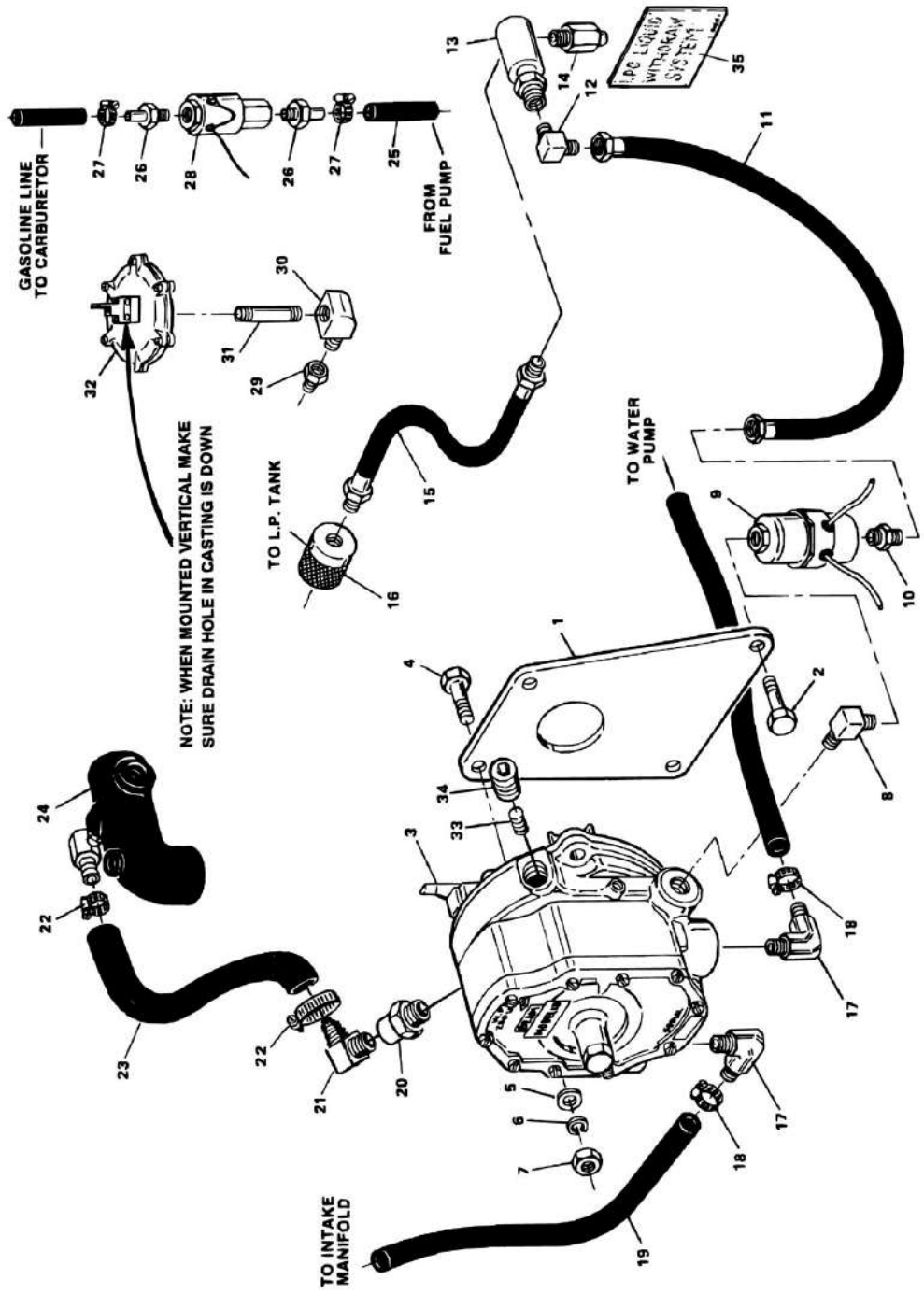
ITEM	PART NUMBER	QTY	DESCRIPTION	REV
	0255227	Ref	GENERATOR INSTALLATION	8-G
1	3580250	1	Pulley, Crankshaft	
2	2460011	1	Generator and Control Box Assembly	
2	7012558	1	Generator Assembly	
2	7020193	1	Cable, Generator (Generator to Control Box)	
2	7026199	1	Armature	
2	7020108	4	Brush	
2	7020109	4	Holder, Brush	
2	7012513	4	Cap, Brush Holder	
2	7012514	1	Fan	
2	7020110	1	Bell, Front	
2	7020111	1	Bell Rear	
2	7020190	2	Bearing	
2	7003657	1	Control Box Assembly	
		Ref	Note: Replacement 110V Control Box comes with 2 std Receptacles p/n 4460190. Optional Industrial Twist Lock Receptacles p/n 4460027 must be ordered separately.	
2	4360542	1	Breaker, Circuit	
2	2420203	1	Voltmeter 110V (was p/n 7010699)	
2		Ref	Receptacle Options:	
2	4460190	AR	Receptacle, Standard 110V	
2	4460027	1	Receptacle, Twistlock 110V	
2	2920162	1	Lamp	
2	7020191	1	Switch, Toggle	
2	3520028	1	Plug, Hole	
3	3580134	1	Pulley	
4	2860012	1	Key, Woodruff	
5	0902104	1	Bracket, Generator Mounting	
6	0200530	1	Arm, Adjusting	
7	4564417	1	Tube, Spacer	
8	0641508	1	Bolt 5/16in-18NC x 1in	
9	4751500	1	Flatwasher 5/16in	
10	4761500	1	Lockwasher 5/16in	
11	0641612	3	Bolt 3/8in-16NC x 1 1/2in	
12	4751600	3	Flatwasher 3/8in	
13	4761600	3	Lockwasher 3/8in	
14	3311601	1	Nut 3/8in-16NC	
15	4566650	1	Tube, Spacer	
16	0701015	2	Bolt 10mm - 1.5 x 35mm	
17	4812000	2	Flatwasher 10mm	
18	4832000	2	Lockwasher	
19	3580239	1	Pulley, Idler	
20	4740275	1	Washer	
21	0480090	1	Belt, Generator	
22	0100011	AR	Loctite (Not Shown)	
23	0721004	2	Bolt #10-24NC x 1/2in	
24	3311001	2	Nut #10-24NC	
25	4751000	6	Flatwasher #10	
26	4761000	2	Lockwasher #10	
27	3251476	1	Nameplate, Generator	

SECTION 2 - TURNTABLE

ITEM	PART NUMBER	QTY	DESCRIPTION	REV
28		Ref	Cable, Electrical - 12/4 Options:	
28	1060012	3 ft/.9m	Cable, 12-4 (Prior to SN 60653)	
28	1060515	3 ft/.9m	CABLE, CONTROL 12/4 (SN 60653 to Present)	
29	4460071	1	Connector, Strain Relief	
30	0960238	1	Bushing	
31	3300048	1	Nut, Conduit	
32	4460023	1	Connector, Strain Relief	
36	4070585	AR	Shim (.010)	
37	4070586	AR	Shim (.005)	
38	4070587	AR	Shim (.002)	
39	0641608	1	Bolt 3/8in-16NC x 1in	

SECTION 2 - TURNTABLE

FIGURE 2-35. DUAL FUEL INSTALLATION - FORD ENGINE MACHINES



SECTION 2 - TURNTABLE

FIGURE 2-35. DUAL FUEL INSTALLATION - FORD ENGINE MACHINES

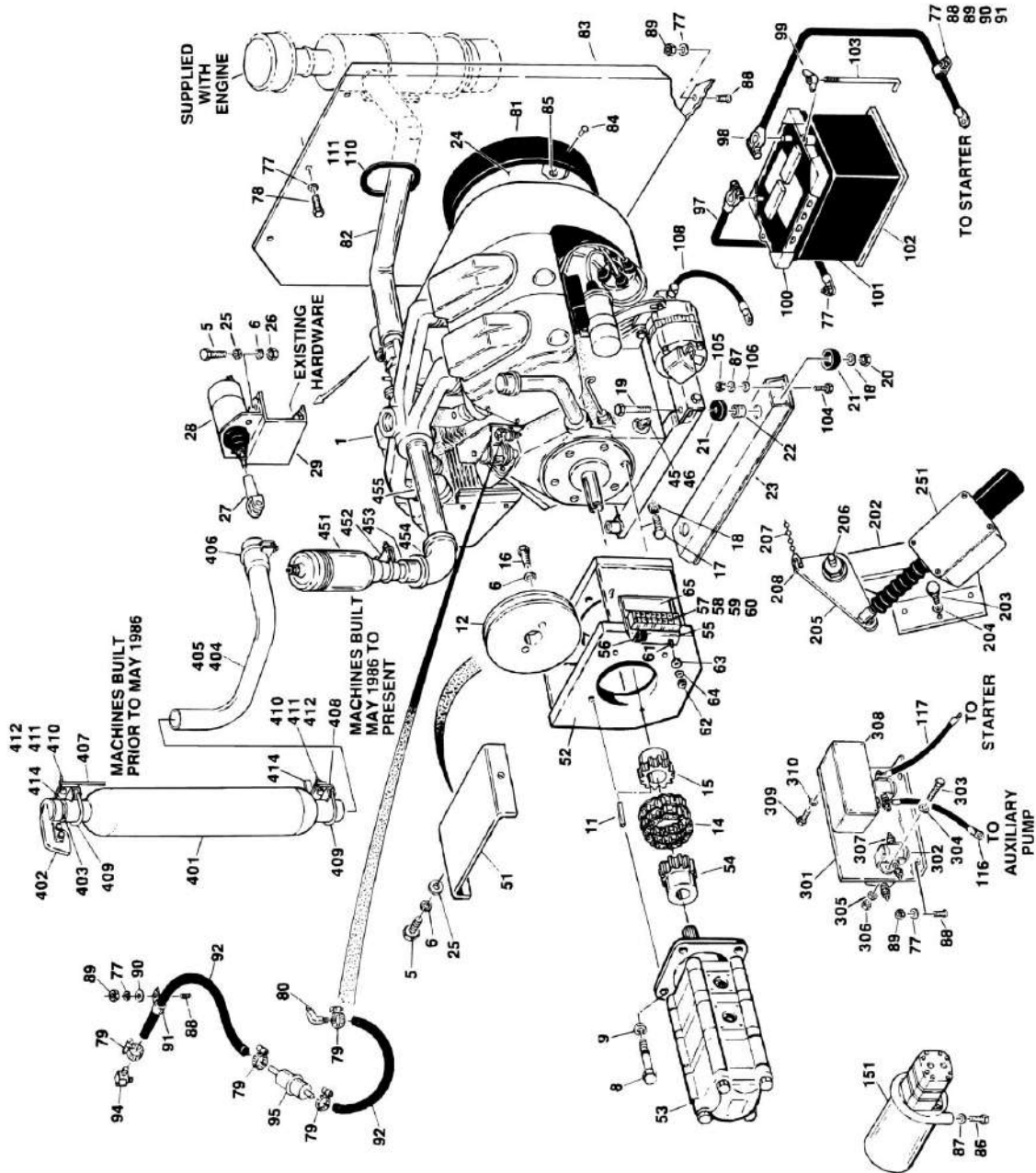
ITEM	PART NUMBER	QTY	DESCRIPTION	REV
		Ref	DUAL FUEL INSTALLATION - FORD ENGINE MACHINES	
1		Ref	Plate, Regulator Mounting Options:	
1	3530210	1	Plate, Regulator Mounting (Prior to March 1995)	
1	0902089	1	Plate, Regulator Mounting (Not Shown - March 1995 to S/N 36819)	
1	0902447	1	Plate, Regulator Mounting (Not Shown) (SN 36819 to Present)	
2	0641711	2	Bolt 7/16in-14NC x 1 3/8in	
3	4700005	1	Regulator	
3	7017515	1	Repair Kit	
4	0641416	2	Bolt 1/4in-20NC x 2in	
5	4751400	2	Flatwasher 1/4in (Prior to SN 36819)	
6	4761400	2	Lockwasher 1/4in (Prior to SN 36819)	
7		Ref	Nut Options:	
7	3311401	2	Nut 1/4in-20NC (Prior to SN 36819)	
7	3311405	2	Locknut 1/4in-20NC (SN 36819 to Present)	
8	2220082	1	Fitting, 90	
9	2120077	1	L.P. Filter Lock	
10	2180418	1	Fitting	
11	2720149	1	Hose	
12	2180504	1	Fitting, 90	
13	2180388	1	Filter	
14	2180389	1	Valve, Relief	
15	2720117	1	Hose	
16	2180387	1	Fitting, L.P. Tank	
17		Ref	Fitting, 90 Options:	
17	2220313	2	Fitting, 90 (Prior to March 1995)	
17	2220675	2	Fitting, 90 (March 1995 to Present)	
18	1320022	2	Clamp, Hose	
19	2750532	24 in	Hose	
20	2220251	1	Fitting, Reducer	
21		Ref	Fitting Options:	
21	2220675	1	Fitting, 90 (Prior to SN 36819)	
21	2210016	1	Fitting, Nipple (SN 36819 to Present)	
22	1320030	2	Clamp, Hose	
23	2720112	24 in	Hose	
24	0080124	1	Adapter, Carburetor	
25	2720058	9 in	Hose	
26	2220315	AR	Fitting, Barbed	
26	2220648	1	Fitting, 90 (Located at Fuel Pump - March 1995 to May 1995)	
26	2220437	1	Fitting, Reducer (Located at Fuel Pump - March 1995 to May 1995)	
27	1320022	2	Clamp, Hose (Prior to May 1995)	
28	4640391	1	Valve, Fuel Lock (Prior to May 1995)	
28	1320060	1	Clamp, Mounting (Not Shown)	
29		Ref	Fitting, Reducer Options:	
29	2220430	1	Fitting, Reducer (Prior to March 1995)	
29	2220273	1	Fitting, Reducer (March 1995 to Present)	
30	2200461	1	Fitting, 90 (Prior to March 1985)	
30	2180360	1	Fitting, Tee (March 1995 to Present)	
30	2720271	AR	Hose, Vacuum (March 1995 to Present)	

SECTION 2 - TURNTABLE

ITEM	PART NUMBER	QTY	DESCRIPTION	REV
30	2180536	1	Fitting, Barbed	
31	2180420	1	Fitting, Nipple (Prior to March 1995)	
31	2180104	1	Fitting, Nipple (March 1995 to Present)	
32	4360188	1	Switch, Vacuum	
33	2200221	1	Plug, 1/8in	
34	2200204	1	Plug, 3/4in	
35	1700818	1	Decal - LPG Liquid Withdraw System (Located on Hood Next to Item #14)	

SECTION 2 - TURNTABLE

FIGURE 2-36. WISCONSIN ENGINE INSTALLATION



SECTION 2 - TURNTABLE

FIGURE 2-36. WISCONSIN ENGINE INSTALLATION

ITEM	PART NUMBER	QTY	DESCRIPTION	REV
		Ref	ENGINE ASSEMBLY (STANDARD PARTS)	
1	2000070	1	Engine - Wisconsin V465D	
5	0641408	4	Bolt 1/4in-20NC x 1in	
6	4761400	7	Lockwasher 1/4in	
8	0641810	2	Bolt 1/2in-13NC x 1 1/4in	
9	4761800	2	Lockwasher 1/2in	
11	2880619	1	Key, Square	
12	3580079	1	Pulley	
14	1260026	1	Chain	
15	1660133	1	Coupling	
16	0641412	2	Bolt 1/4in-20NC x 1 1/2in	
17	0642014	4	Bolt 5/8in-11NC x 1 3/4in	
18	4762000	8	Lockwasher 5/8in	
19	0642034	4	Bolt 5/8in-11NC x 4 1/4in	
20	3312005	4	Locknut 5/8in-11NC	
21	3200062	8	Mount, Motor	
22	4560161	4	Tube	
23	4842285	2	Support, Engine	
24	3760235	1	Ring, Shroud	
25	4751400	5	Flatwasher 1/4in	
26	3311401	3	Nut 1/4in-20NC	
27	1360061	1	Clevis, Yoke	
28	3740028	1	Solenoid, Choice	
29	0901325	1	Bracket, Choke Solenoid	
45	2180450	1	Fitting, Straight	
46	2200345	1	Fitting, 90	
		Ref	ENGINE ASSEMBLY (VARIABLE PARTS)	
	0236985	Ref	Standard Machines With Single Speed Drive And Racine Prop Valves	E
	0237285	Ref	Standard Machines With 2 Speed Drive And Racine Prop Valves	C
	0238016	Ref	Standard Machines With Vickers Prop Valves	D
	0238997	Ref	Dual Fuel Machines With Vickers Valves Proportional (Refer To Ford Dual Fuel For LP Components)	A
51		Ref	Cover, Pump Adapter	
51	1670221	1	Cover, Pump Adapter (Prior to July 1988)	
51	1670478	1	Cover, Pump Adapter (July 1988 to Present)	
52		Ref	Adapter, Pump	
52	0080108	1	Machines with Racine Prop Valves	
52	0080143	1	Machines with Vickers Prop Valves	
53		Ref	Pump Assembly Options:	
53	3600107	1	Pump for Machines with Racine Prop Valves and Single Speed Drive (See PUMP COUPLING INSTALLATIONS for Breakdown)	
53	3600113	1	Pump for Machines with Racine Prop Valves and 2 Speed Drive (See PUMP COUPLING INSTALLATIONS for Breakdown)	
53	3600072	1	Pump for Machines with Vickers Prop Built Prior to July 1988 (See MAIN PUMP ASSEMBLY (MACHINES WITH VICKERS PROPORTIONAL VALVES BUILT PRIOR TO MID 1987 - HAS ONE OUTLET IN END COVER) for Breakdown)	
53	3600139	1	Pump for Machines with Vickers Prop Built July 1988 to Present (See MAIN PUMP ASSEMBLY (MACHINES WITH VICKERS	

SECTION 2 - TURNTABLE

ITEM	PART NUMBER	QTY	DESCRIPTION	REV
			PROPORTIONAL VALVES BUILT MID 1987 TO PRESENT- HAS TWO OUTLETS IN END COVER) for Breakdown)	
54		Ref	Coupling Options:	
54	1660020	1	Machines with Racine Prop Valves	
54	1660144	1	Machines with Vickers Prop Valves	
55	0901401	1	Bracket, Terminal Strip (Machines with Vickers Prop Valves Only)	
56	1320070	1	Clamp, Wire (Machines with Vickers Prop Valves Only)	
57	1670414	1	Cover, Terminal Strip (Machines with Vickers Prop Valves Only)	
58	3910812	2	Screw, Machine #8-32NC x 3/4in	
59	4770800	2	Starwasher #8	
60	3310801	2	Nut #8-32NC	
61	4300034	2	Stud (Welded on Part)	
62	3311601	2	Nut 3/8in-16NC	
63	4751600	2	Flatwasher 3/8in	
64	4761600	2	Lockwasher 3/8in	
65	1700820	1	Decal - Wire Identification (Machines with Vickers Prop Valves Only)	
		Ref	ENGINE INSTALLATION (STANDARD PARTS)	
77	4761400	16	Lockwasher 1/4in	
78	3900022	3	Screw, Self-Tapping 1/4in x 7/8in	
79	1320022	2	Clamp, Hose	
80	2220296	1	Fitting, 90	
81	4280252	47 in	Strip, Rubber	
82	2720262	1	Hose, Air Intake	
83	3380339	1	Baffle, Air	
84	3820009	12	Rivet	
85	4750600	12	Flatwasher #6	
86	0641612	2	Bolt 3/8in-16NC x 1 1/2in	
87	4761600	10	Lockwasher 3/8in	
88	4300032	13	Stud (Welded on Part)	
89	3311401	13	Nut 1/4in-20NC	
90	4751400	8	Flatwasher 1/4in	
91	1320041	7	Clamp	
92	2720015	80 in	Hose	
93	2200051	1	Plug, Pipe (Located at Tank - Not Shown)	
94	2220317	1	Fitting, 90	
95	2120042	1	Filter, In-Line (Includes 2 Clamps)	
96	4300038	4	Stud (Welded on Part) (Located on Turntable to Mount Air Cleaner - Not Shown)	
97	1060046	1	Cable, Battery (- Batt to Ground)	
98	1060147	1	Cable, Battery (+ Batt to Starter)	
99	3300029	2	Wingnut	
100	0400002	1	Hold-Down, Battery	
101	0400003	1	Battery	
102	3980003	1	Masonite	
103	0232573	2	Rod, Hold-Down	
104	0641614	8	Bolt 3/8in-16NC x 1 3/4in	
105	3311605	8	Locknut 3/8in	
106	4751600	8	Flatwasher 3/8in	
108	1060045	1	Cable, Battery (Engine to Ground)	
109	0100020	AR	Sealant, Pipe (Not Shown)	

SECTION 2 - TURNTABLE

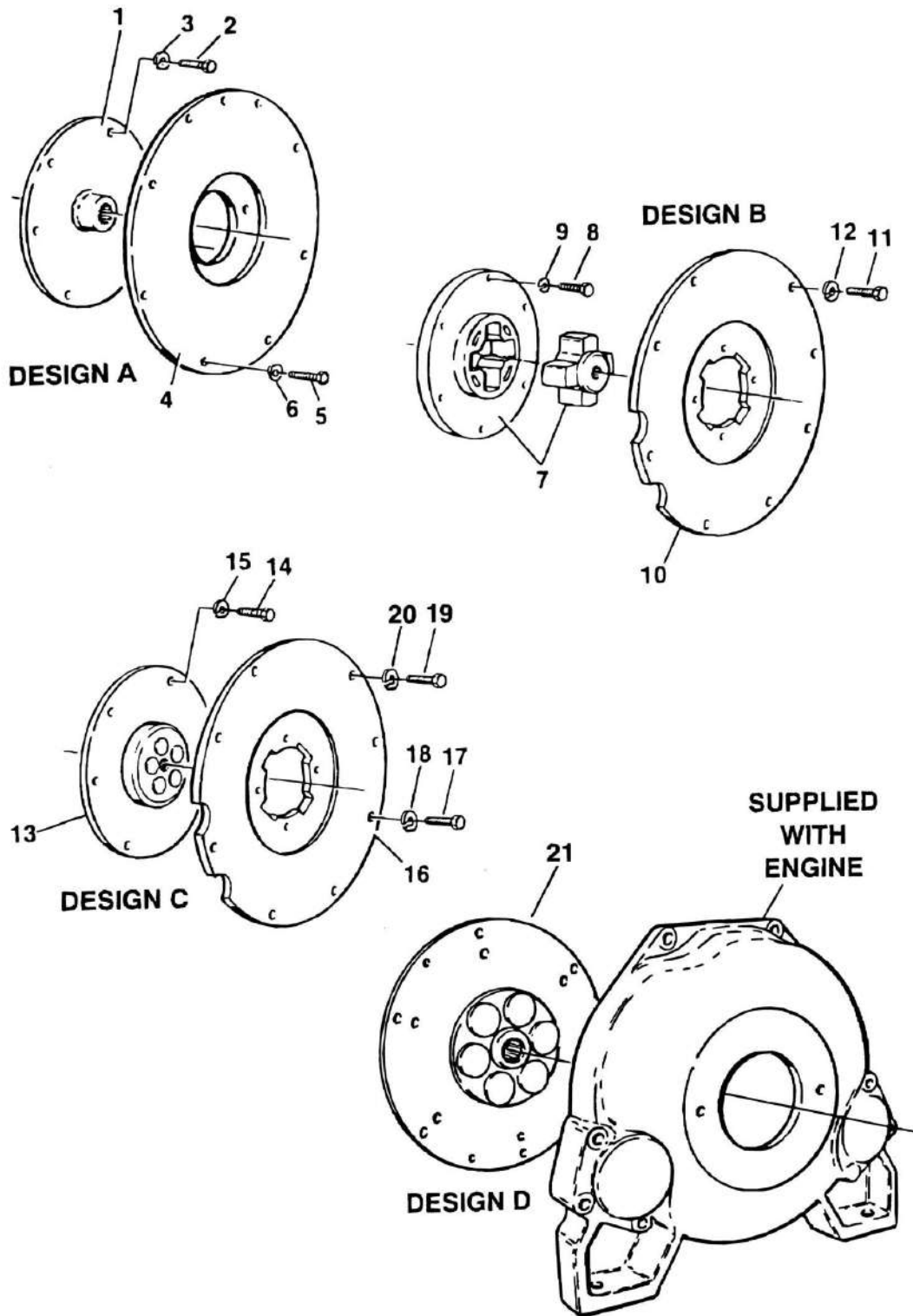
ITEM	PART NUMBER	QTY	DESCRIPTION	REV
110	2820001	1 ft	Protector, Edge	
111	0100001	AR	Adhesive #4061	
112	2750527	78 in	Hose (To Oil Pressure Gauge at Ground Control Box - Not Shown)	
113	2220001	1	Fitting, Swivel (Located at Oil Pressure Gauge near Ground Control Box)	
114	2200261	1	Fitting, Coupling (Located at Oil Pressure Gauge near Ground Control Box)	
115	4420001	AR	Tape, Sealant (Not Shown)	
116	0400008	1	Cable, Battery (Aux Relay to Aux Pump)	
117	1060054	1	Cable, Battery (Aux Relay to Starter)	
		Ref	ENGINE INSTALLATION (VARIABLEPARTS)	
	0236986	Ref	Standard Machines With Single Speed Drive And Racine Prop Valves	C
	0237286	Ref	Standard Machines With 2 Speed Drive And Racine Prop Valves	A
	0238017	Ref	Standard Machines With Vickers Prop Valves	A
	0238998	Ref	Dual Fuel Machines With Vickers Prop Valves (Refer To Ford Dual Fuel For LP Components)	C
		Ref	NOTE: When Pump Assembly cannot be identified or when replacing complete pump assembly recommend using 3600071.	
151		Ref	Auxiliary Pump Assembly Options:	
151	3600071		Racine Prop Valves (Was p/n 3600115)	
151		Ref	Vickers Prop Valves:	
151	3600052	1	Pump Assembly - Stone Model DB001198 (Used Prior to October 1990 on standard machine and Prior to June 1989 on dual fuel machines)	
151	7000483	1	Replacement Motor (Includes Coupling)	
151	7004412	1	Replacement Coupling	
151	7004416	1	Replacement Pump	
151	2900164	1	Seal Kit - 7004416 Pump	
151	3600141	1	Pump Assembly - JSB Model 1210429 (used June 1989 to October 1989) (Except coupling, all other replacement component must be custom built - recommend using 3600071)	
151	7004249	1	Replacement Coupling	
151	3600071		Pump Assembly - JSB 1210080 & 1210382 (used October 1990 to present)	
151	7004436	1	Replacement Motor with Bracket	
151	7004248	1	Replacement Motor without Bracket	
151	7012576	1	Replacement Bracket	
151	7004249	1	Replacement Coupling	
151	7004247	1	Replacement Pump	
151	Not Available	1	Seal Kit - 7004247 Pump	
		Ref	THROTTLE INSTALLATION (STANDARD PARTS)	
	0236992	Ref	Machines With Racine Proportional Valves	A
	0237687	Ref	Machines With Vickers Proportional Valves	-
202	4842288	1	Bracket	
203	0641406	3	Bolt 1/4in-20NC x 3/4in	
204	4761400	3	Lockwasher 1/4in	
205	0200291	1	Arm	
206	3311605	1	Locknut 3/8in-16NC	
206	4751600	2	Flatwasher 3/8in	
207	1260082	1 ft	Chain	

SECTION 2 - TURNTABLE

ITEM	PART NUMBER	QTY	DESCRIPTION	REV
208	1660083	2	Coupling	
208	3430304	1	Pin, Clevis	
208	3450203	1	Pin, Cotter	
251		Ref	Actuator Assembly Options:	
251	0060020	1	Actuator Assembly Used on Machines with Racine Prop Valves	
251	7008807	1	Board, Circuit	
251	7008821	1	Motor	
251	7008822	1	Cover, Motor	
251	7008804	1	Bellows, Rod	
251	0060024	1	Actuator Assembly Used on Machines with Vickers Prop Valves	
251	7008829	1	Board, Circuit	
251	7008821	1	Motor	
251	7008822	1	Cover, Motor	
251	7008804	1	Bellows, Rod	
		Ref	ELECTRICAL PANEL ASSEMBLY	
	0237297	Ref	Machines With Racine Prop Valves	-
	0237874	Ref	Machines With Vickers Proportional Valves(Not Shown)	B
301	3530425	1	Plate, Mounting	
302		Ref	Relay Options:	
302	3740002	3	Machines with Racine Prop Valves	
302	3740067	2	Machines with Vickers Prop Valves	
303	0721006	AR	Bolt #10-24NC x 3/4in	
304	4751000	AR	Flatwasher #10	
305	4761000	AR	Lockwasher #10	
306	3311001	AR	Nut #10-24NC	
307	3300220	AR	Nut, Special	
308	0060021	1	Module, Actuator (Machines with Racine Prop Valves Only)	
309	0641406	2	Bolt 1/4in-20NC x 3/4in	
310	4761400	2	Lockwasher 1/4in	
	0236990	Ref	EXHAUST INSTALLATION - MACHINES BUILT PRIOR TO MAY 1986	A
401	3220058	1	Muffler	
402	1120169	1	Raincap	
403	0960960	1	Bushing	
404	4563021	1	Pipe, Exhaust	
405	4100025	19 in	Sleeve, Fiberglass	
406	1320011	1	Clamp, Muffler	
407	4340420	1	Support (Upper)	
408	4340421	1	Support (Lower)	
409	1320019	2	Clamp	
410	0641408	4	Bolt 1/4in-20NC x 1in	
411	4761400	4	Lockwasher 1/4in	
412	3311401	4	Nut 1/4in-20NC	
414	4340470	2	Plate, Support	
	0237574	Ref	EXHAUST INSTALLATION - MACHINES BUILT MAY 1986 TO PRESENT	A
451	3220043	1	Muffler	
452	1320019	1	Clamp	
453	2180593	1	Nipple	
454	2200349	1	Fitting, 90	
455	2180671	1	Nipple	

SECTION 2 - TURNTABLE

FIGURE 2-37. PUMP COUPLING INSTALLATIONS



SECTION 2 - TURNTABLE

FIGURE 2-37. PUMP COUPLING INSTALLATIONS

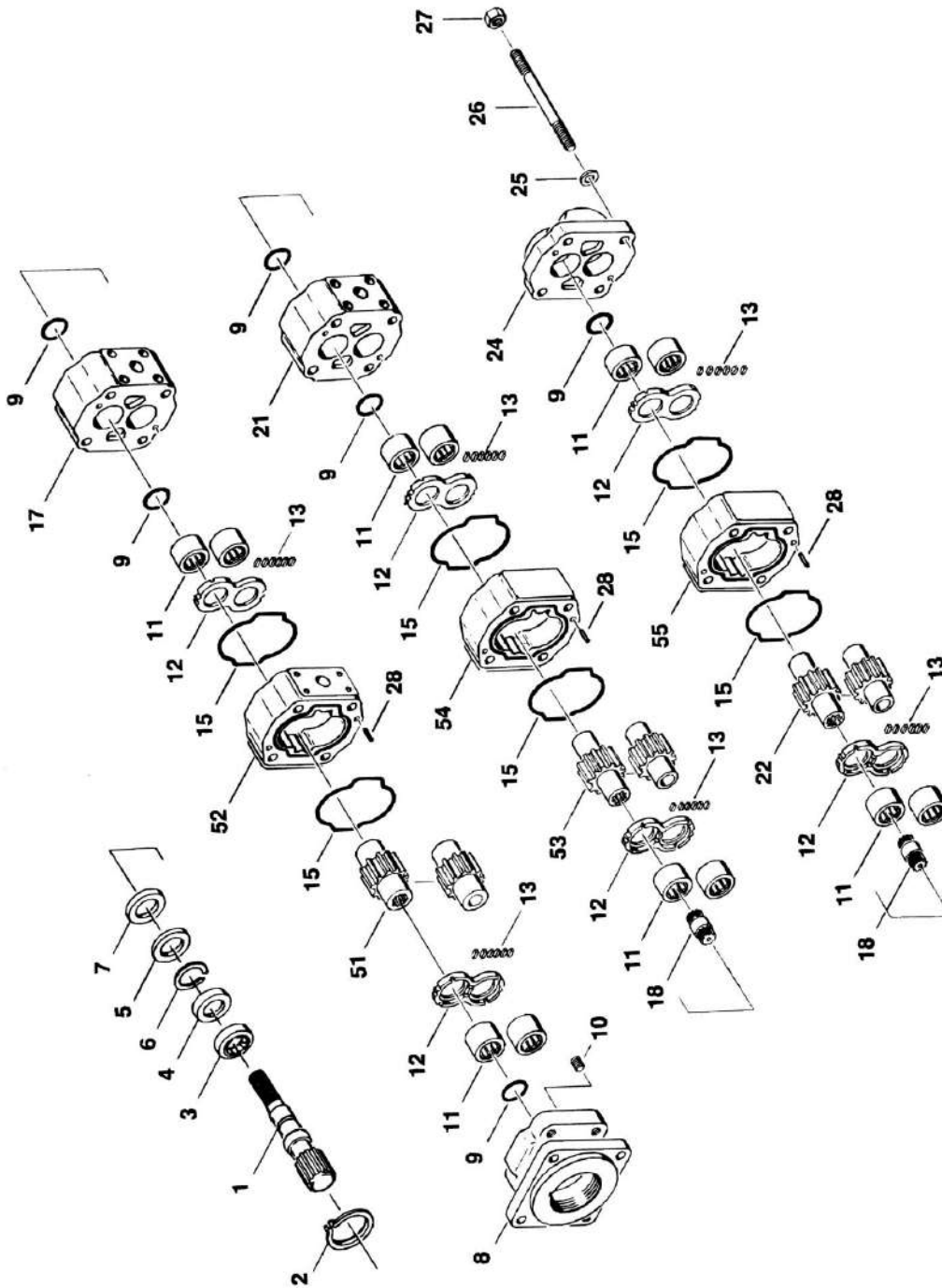
ITEM	PART NUMBER	QTY	DESCRIPTION	REV
		Ref	PUMP COUPLING INSTALLATIONS	
		Ref	JLG DISC INSTALLATION (DESIGN A)	
1	1760019	1	Disc Assembly (Machines with 4 Bolt Mount Pump)	
1	1760106	1	Disc Assembly (Machines with 2 Bolt Mount Pump)	
2		Ref	Bolt Options:	
2	0641606	6	Bolt 3/8in-16NC x 3/4in (Ford Engines)	
2	0701010	6	Bolt, Metric 10mm x 20mm (Deutz Engines)	
3		Ref	Lockwasher Options:	
3	4761600	6	Lockwasher 3/8in (Ford Engines)	
3	4832000	6	Lockwasher 10mm (Deutz Engines)	
4		Ref	Adapter, Pump Options:	
4	0080121	1	Ford Engine Machines with 4 Bolt Mount Pump	
4	0080119	1	Ford Engine Machines with 2 Bolt Mount Pump	
4	0080029	1	Deutz Engine Machines with 4 Bolt Mounted Pump	
4	0080087	1	Deutz Engine Machines with 2 Bolt Mounted Pump	
5		Ref	Bolt Options:	
5	0641608	8	Bolt 3/8in-16NC x 1in (Ford Engines)	
5	0701014	12	Bolt, Metric 10mm x 30mm (Deutz Engines)	
6		Ref	Lockwasher Options:	
6	4761600	8	Lockwasher 3/8in (Ford Engines)	
6	4832000	12	Lockwasher 10mm (Deutz Engines)	
		Ref	LOVEJOY COUPLING INSTALLATION (DESIGN B)	
	0239962	Ref	Ford Engine Machines	-
	0239954	Ref	Deutz Engine Machines	-
7	1660170	1	Coupling - Lovejoy	
7	1660174	1	Disc, Coupling	
7	1660175	1	Hub, Coupling	
8		Ref	Bolt Options:	
8	0641610	6	Bolt 3/8in-16NC x 1 1/4in (Ford Engines)	
8	0701014	6	Bolt, Metric 10mm x 30mm (Deutz Engines)	
9		Ref	Lockwasher Options:	
9	4761600	6	Lockwasher 3/8in (Ford Engines)	
9	4832000	6	Lockwasher 10mm (Deutz Engines)	
10		Ref	Adapter, Pump Options:	
10	0080163	1	Ford Engines	
10	0080164	1	Deutz Engines	
11		Ref	Bolt Options:	
11	0641610	8	Bolt 3/8in-16NC x 1 1/4in (Ford Engines)	
11	0701014	12	Bolt, Metric 10mm x 30mm (Deutz Engines)	
12		Ref	Lockwasher Options:	
12	4761600	8	Lockwasher 3/8in (Ford Engines)	
12	4832000	12	Lockwasher 10mm (Deutz Engines)	
		Ref	HAYES COUPLING INSTALLATION (DESIGN C)	
	0250599	Ref	Ford Engine Machines	-
	0250600	Ref	Deutz Engine Machines	2
13	1660183	1	Coupling (Design C)	
14		Ref	Bolt Options:	
14	0641607	6	Bolt 3/8in-16NC x 7/8in (Ford Engines)	
14	0701014	10	Bolt, Metric 10mm x 30mm (Deutz Engines)	
15		Ref	Lockwasher Options:	

SECTION 2 - TURNTABLE

ITEM	PART NUMBER	QTY	DESCRIPTION	REV
15	4761600	6	Lockwasher 3/8in (Ford Engines)	
15	4832000	10	Lockwasher 10mm (Deutz Engines)	
16		Ref	Adapter, Pump Mounting Options (Design C):	
16	0080163	1	Ford Engines	
16	0080164	1	Deutz Engines	
17		Ref	Bolt Options:	
17	0641610	8	Bolt 3/8in-16NC x 1 1/4in (Ford Engines)	
17	0701010	10	Bolt, Metric 10mm x 20mm (Deutz Engines)	
18		Ref	Lockwasher Options:	
18	4761600	8	Lockwasher 3/8in (Ford Engines)	
18	Not Required	0	Lockwasher 10mm (Deutz Engines)	
19		Ref	Bolt Options:	
19	Not Required	0	Bolt 3/8in-16NC x 1 1/4in (Ford Engines)	
19	0701015	2	Bolt, Metric 10mm x 35mm (Deutz Engines Built) (SN 36536 to Present)	
20		Ref	Flatwasher Options:	
20	Not Required	0	Ford Engines	
20	4751600	2	Deutz Engines Built (SN 36536 to Present)	
20	3020021	AR	Grease	
		Ref	HAYES COUPLING INSTALLATION (DESIGN D)	
	1660218	Ref	Ford Engine Machines	-
	Not Available	Ref	Deutz Engine Machines	
21		Ref	Coupling (Design D)	
21	7012656	1	Ford Engine Machines	
21	Not Available		Deutz Engine Machines	

SECTION 2 - TURNTABLE

FIGURE 2-38. MAIN PUMP ASSEMBLY (MACHINES WITH RACINE PROPORTIONAL VALVES)



SECTION 2 - TURNTABLE

FIGURE 2-38. MAIN PUMP ASSEMBLY (MACHINES WITH RACINE PROPORTIONAL VALVES)

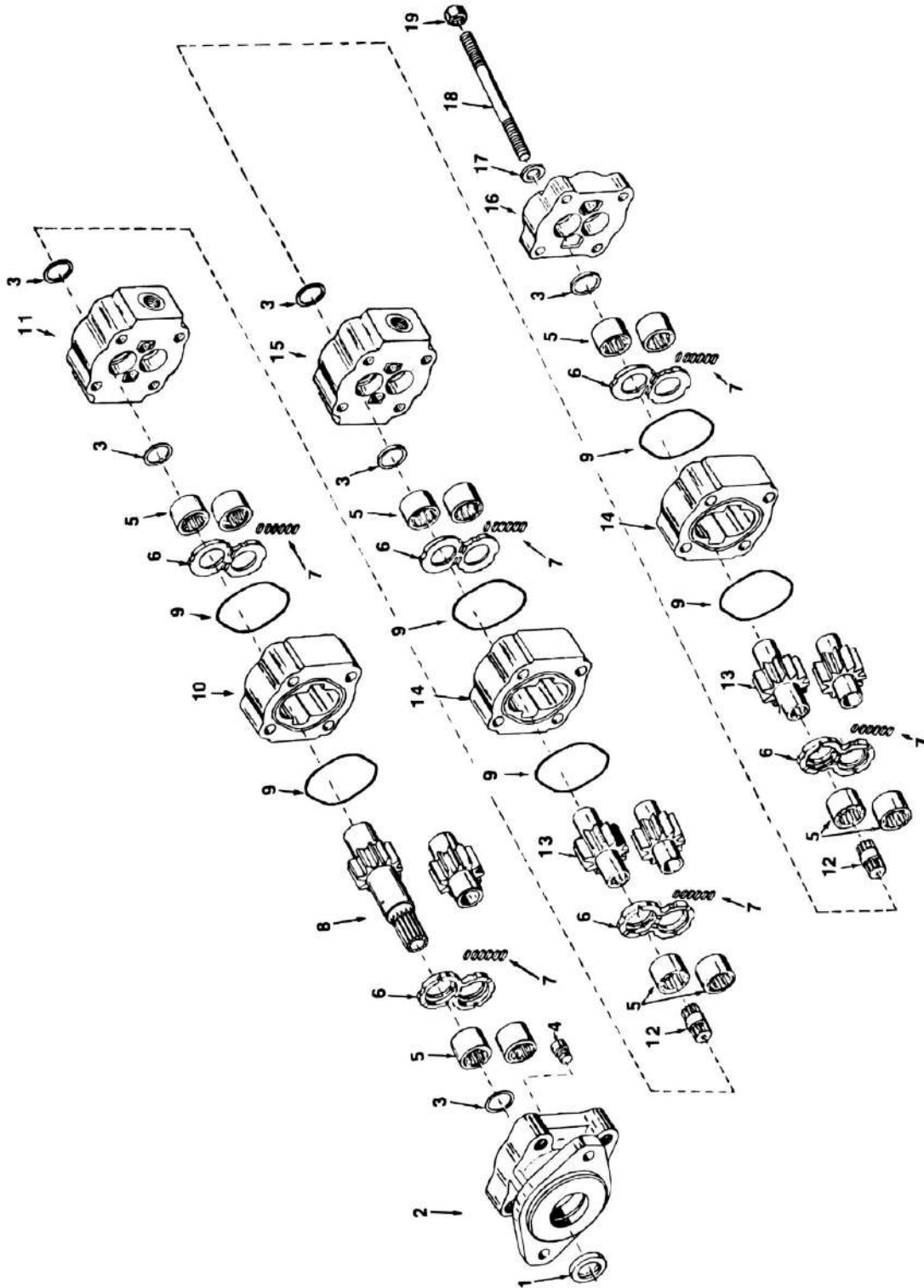
ITEM	PART NUMBER	QTY	DESCRIPTION	REV
		Ref	PUMP ASSEMBLY (STANDARD PARTS)	
1	7000501	1	Shaft, Input	
2	7003162	1	Ring, Snap	
3	7000505	1	Bearing	
4	7003164	1	Spacer	
5	7003165	1	Ring, Bearing Retainer	
6	7003166	1	Ring, Retaining	
7	Kit	1	Seal, Lip	
8	7005496	1	Cover, Shaft End	
9	Kit	6	Seal, Ring	
10	7003103	1	Plug	
11	7003168	12	Bearing, Roller	
12	7005436	6	Plate, Thrust	
13	Kit		Seal, Pocket	
15	Kit	6	Seal, Gasket	
17	7005498	1	Carrier, Bearing - Ported	
18	7003174	2	Shaft, Connecting	
21	7005498	1	Carrier, Bearing - Ported	
22	7003177	1	Gear Set	
24	7000479	1	Cover, Port End	
25	7001293	4	Washer	
26	7003180	4	Stud	
27	7003114	4	Nut	
28	7005447	8	Pin, Dowel	
	2900120	1	Seal Kit (Includes Items 7, 9, 13 & 15)	
		Ref	PUMP ASSEMBLY (VARIABLE PARTS)	
	3600107	Ref	Pump Assembly - 1 1/4in, 1 1/4in & 1/2in Gear Sets (Deutz and Wisconsin Machines With Single Speed Drive)	B
	3600113	Ref	Pump Assembly - 1in, 1in & 1/2in Gear Sets (Wisconsin Machines With 2 Speed Drive and Deutz Machines With Single Speed Drive)	A
	3600125	Ref	Pump Assembly - 1in, 3/4in & 1/2in Gear Sets (Deutz Machines With 2 Speed Drive)	A
51		Ref	Gear Set	
51	7003189	1	3600107 Pump Assembly	
51	7003171	1	3600113 Pump Assembly	
51	7003171	1	3600125 Pump Assembly	
52		Ref	Housing, Gear - With Ports Options:	
52	7000481	1	3600107 Pump Assembly	
52	7005497	1	3600113 Pump Assembly	
52	7005538	1	3600125 Pump Assembly	
53		Ref	Gear Set Options:	
53	7003189	1	3600107 Pump Assembly	
53	7003171	1	3600113 Pump Assembly	
53	7003175	1	3600125 Pump Assembly	
54		Ref	Housing, Gear - Without Ports Options:	
54	7005500	1	3600107 Pump Assembly	
54	7005439	1	3600113 Pump Assembly	
54	7005539	1	3600125 Pump Assembly	
55		Ref	Housing, Gear - Without Ports Options:	

SECTION 2 - TURNTABLE

ITEM	PART NUMBER	QTY	DESCRIPTION	REV
55	7003178	1	3600107 Pump Assembly	
55	7003178	1	3600113 Pump Assembly	
55	7005540	1	3600125 Pump Assembly	

SECTION 2 - TURNTABLE

FIGURE 2-39. MAIN PUMP ASSEMBLY (MACHINES WITH VICKERS PROPORTIONAL VALVES BUILT PRIOR TO MID 1987 - HAS ONE OUTLET IN END COVER)



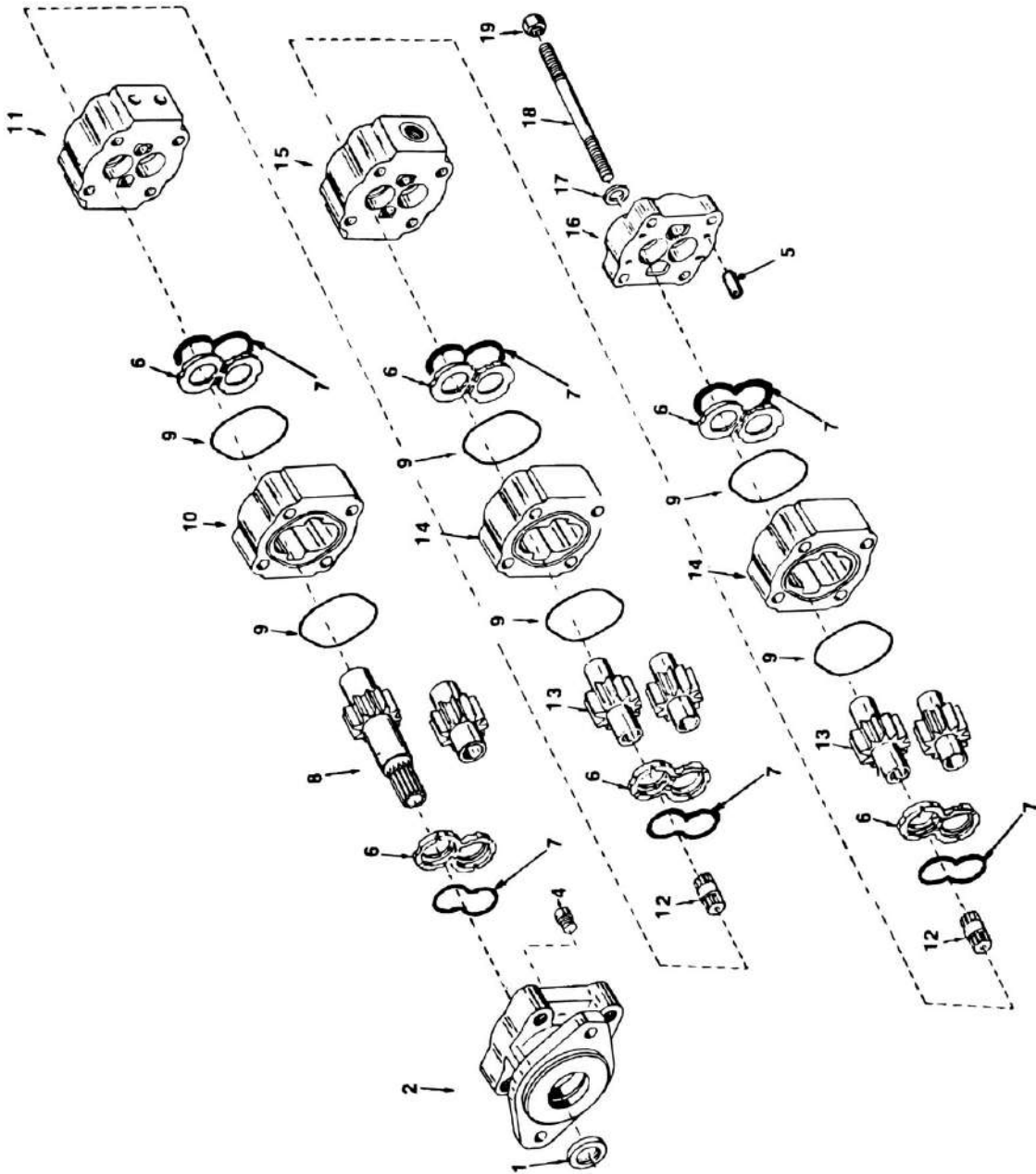
SECTION 2 - TURNTABLE

FIGURE 2-39. MAIN PUMP ASSEMBLY (MACHINES WITH VICKERS PROPORTIONAL VALVES BUILT PRIOR TO MID 1987 - HAS ONE OUTLET IN END COVER)

ITEM	PART NUMBER	QTY	DESCRIPTION	REV
	3600072	Ref	PUMP ASSEMBLY	C
1	Kit	1	Seal, Lip	
2	7005509	1	Cover, End	
3	Kit	6	Seal, Ring	
4	7003103	1	Plug	
5	7003168	12	Bearing, Roller	
6	7005511	6	Plate, Thrust	
7	Kit	3 strips	Seal, Pocket	
8	7005505	1 set	Shaft and Gear	
9	Kit	6	Seal, Gasket	
10	7003176	1	Housing, Gear	
11	7005512	1	Carrier, Bearing	
12	7003174	2	Shaft, Connecting	
13	7003177	2 Sets	Gear Set	
14	7003178	2	Housing, Gear	
15	7005513	1	Carrier, Bearing	
16	7005541	1	Cover, Rear	
17	7001293	4	Washer	
18	7005542	4	Stud	
19	7003114	4	Nut	
	2900120	1	Kit, Seal (Kit Includes Items 1, 3, 7 & 9)	

SECTION 2 - TURNTABLE

FIGURE 2-40. MAIN PUMP ASSEMBLY (MACHINES WITH VICKERS PROPORTIONAL VALVES BUILT MID 1987 TO PRESENT- HAS TWO OUTLETS IN END COVER)



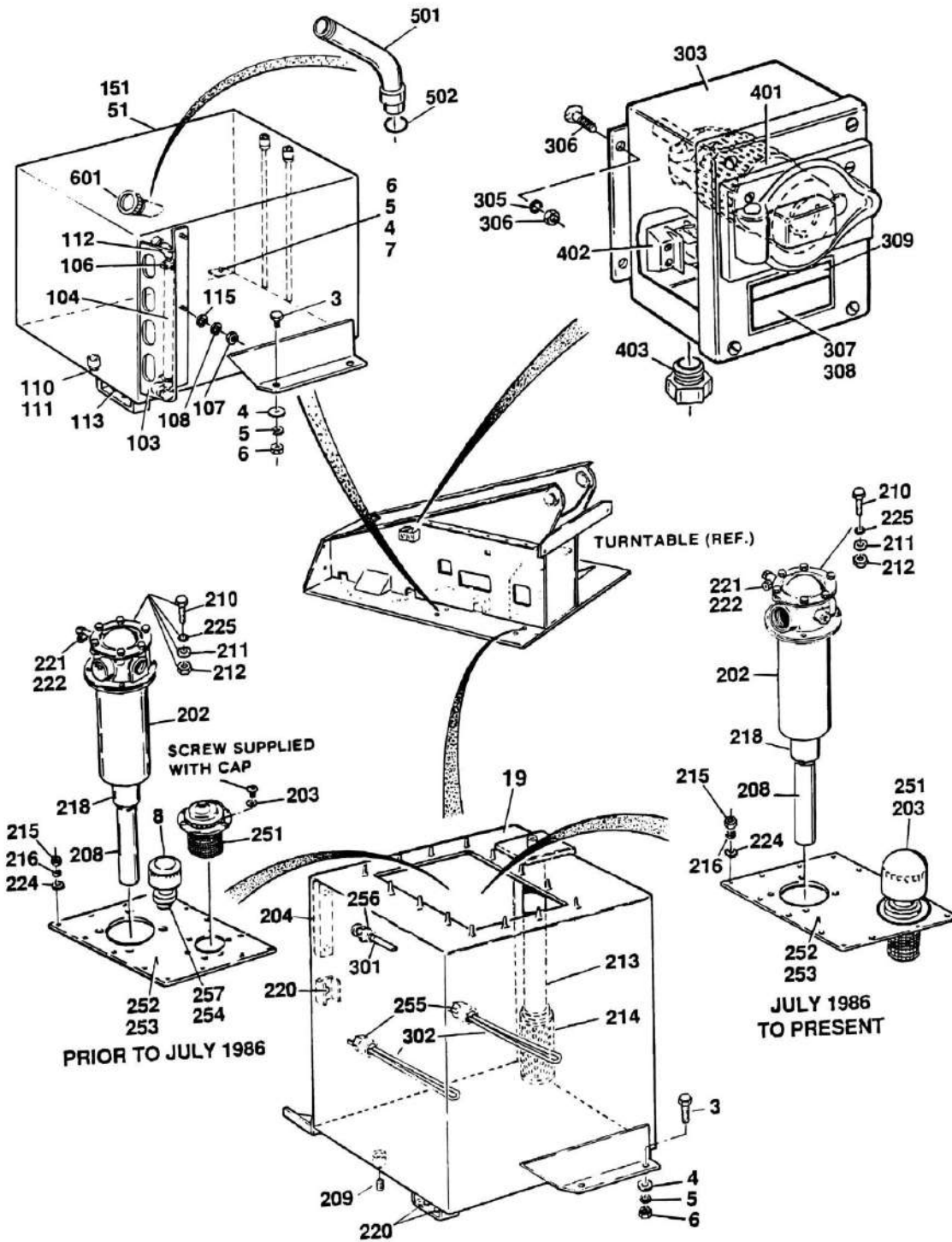
SECTION 2 - TURNTABLE

FIGURE 2-40. MAIN PUMP ASSEMBLY (MACHINES WITH VICKERS PROPORTIONAL VALVES BUILT MID 1987 TO PRESENT- HAS TWO OUTLETS IN END COVER)

ITEM	PART NUMBER	QTY	DESCRIPTION	REV
	3600139	Ref	MAIN PUMP ASSEMBLY (MACHINES WITH VICKERS PROPORTIONAL VALVES BUILT MID 1987 TO PRESENT - HAS 2 OUTLETS IN END COVER)	B
1	Kit	1	Seal, Lip	
2	7009513	1	Cover, End with Bushings	
4	7003103	1	Plug	
5	7009500	12	Dowel	
6	7009503	6	Plate, Thrust	
7	Kit	6	Seal, Channel	
8	7009509	1 Set	Shaft and Gear	
9	Kit	6	Seal, Gasket	
10	7009510	1	Housing, Gear	
11	7009508	1	Carrier, Bearing with Bushings	
12	7005599	2	Shaft, Connecting	
13	7005598	2	Gear Set	
14	7009504	1	Housing, Gear	
15	7009505	1	Carrier, Bearing with Bushings	
16	7009511	1	Cover, Rear with Bushings	
17	7005597	4	Washer	
18	7005562	4	Stud	
19	7005595	4	Nut	
	7016913	1	Seal Kit (Includes Items 1, 7 & 9)	

SECTION 2 - TURNTABLE

FIGURE 2-41. TANKS INSTALLATION



SECTION 2 - TURNTABLE

FIGURE 2-41. TANKS INSTALLATION

ITEM	PART NUMBER	QTY	DESCRIPTION	REV
		Ref	TANKS INSTALLATION	
		Ref	NOTE: For U/L Machines see SPECIAL OPTIONS SECTION.	
		Ref	FUEL AND HYDRAULIC TANK INSTALLATION	
	0236811	Ref	Standard Machines	D
	0254193	Ref	Machines With Heaters	B
	0251339	Ref	LP Only Machines (Hood Bracket and Hydraulic Tank Installation)	B
3	0641614	6	Bolt 3/8in-16NC x 1 3/4in	
4	4751600	8	Flatwasher 3/8in	
5	4761600	8	Lockwasher 3/8in	
6	3311601	8	Nut 3/8in-16NC	
7	4300034	2	Stud (Welded on Part)	
8		Ref	Breather Options:	
8	1340021	1	Breather - Standard (Prior to July 1986)	
8	2120039	1	Breather - Hostile Environment (Prior to July 1986)	
8	1340046	1	Breather - All (July 1986 to Present)	
51		Ref	Fuel Tank Assembly Options:	
51	0236285	1	Standard Machines Built Prior to June 1995 (See Items 101-151 for Breakdown)	
51	0255823	1	Standard Machines Built June 1995 to Present (See Items 101-151 for Breakdown)	
51	0901188	1	LP Only (Not Shown - Located in place of Fuel Tank)	
52		Ref	Hydraulic Tank Assembly (See Items 201-257 for Breakdown):	
52	4400216	1	Standard Machines	
52	4400267	1	Machines with Heaters Built Prior to July 1993 (Was p/n 4400216)	
52	4400267	1	Machines with Heaters Built July 1993 to Present	
52	4400216	1	LP Only	
		Ref	FUEL TANK ASSEMBLY	
	0236285	Ref	Fuel Tank Assembly (Prior to June 1995)	5-E
	0255823	Ref	Fuel Tank Assembly (June 1995 To Present)	2-B
	4400389	Ref	Oversize (52 Gallon) Tank	-
103	4060574	1	Protector, Gauge	
104	4562516	15	Tube, Sight	
		in/38cm		
106	1320022	2	Clamp, Hose	
107	3311401	3	Nut 1/4in-20NC	
108	4761400	3	Lockwasher 1/4in	
110	2200052	1	Plug, Pipe	
111	0100020	AR	Sealant, Pipe	
112	2180467	2	Fitting, Barbed 90	
113	3300205	3	Nut, Retainer	
115	4751400	3	Flatwasher 1/4in	
151		Ref	Tank, Fuel Options:	
151	4841917	1	Tank, Fuel (Prior to June 1995)	
151	4400385	1	Tank, Fuel (June 1995 to Present)	
151	4400390	1	Oversize (52 Gallon) Tank	
		Ref	HYDRAULIC TANK ASSEMBLY	
	0236748	Ref	Machines Without And With Heaters Built Prior To July 1986	B
	4400216	Ref	Machines Without Heaters Built July 1986 to Present	C
	4400267	Ref	Machines With Heaters Built July 1986 to Present	C

SECTION 2 - TURNTABLE

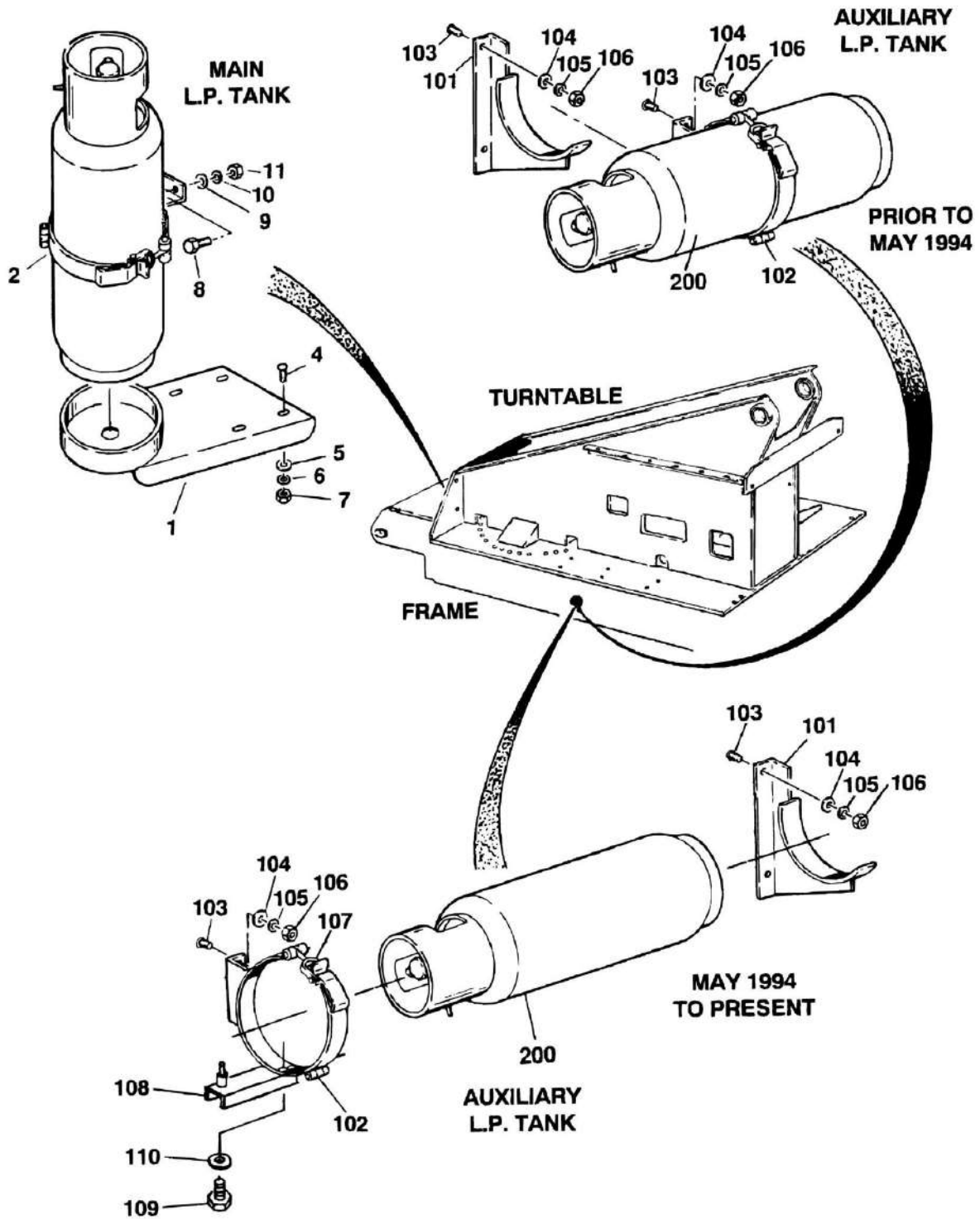
ITEM	PART NUMBER	QTY	DESCRIPTION	REV
202	2120103	1	Filter Assembly	
202	2120107	1	Element, Filter	
202	7004244	1	Indicator, Pressure	
202	7012559	1	Gasket - Between Tank and Filter	
202	7016333	1	O-Ring - Under Cap	
203	4740338	6	Washer, Sealing	
204	2420080	1	Gauge, Level	
204	7016664	1	Washer, Sealing	
208	2180605	1	Pipe	
209	3520022	1	Plug, Magnetic	
210	0641612	4	Bolt 3/8in-16NC x 1 1/2in	
211	4761600	4	Lockwasher 3/8in	
212	3311601	4	Nut 3/8in-16NC	
213	2180606	1	Nipple, Pipe	
214	2120104	1	Filter	
215	3311401	14	Nut 1/4in-20NC	
216	4761400	14	Lockwasher 1/4in	
217	0100020	AR	Sealant, Pipe	
218	2200268	1	Fitting, Coupling	
219	2200203	1	Plug, Pipe 1/2in	
220	3300205	3	Nut, Retainer 5/16in-18NC	
221	2180614	1	Fitting, Straight	
222	2220728	1	Fitting, Tee	
224	4751400	14	Flatwasher 1/4in	
225	4740322	4	Washer, Sealing	
250		Ref	Tank Weldment Options:	
250	4842170	1	Tank Weldment (Prior to July 1986)	
250	4842179	1	Tank Weldment (July 1986 to Present)	
251		Ref	Cap and Breather Options:	
251	1120287	1	Cap and Breather (Prior to July 1986)	
251	1340045	1	Cap and Breather (July 1986 to Present)	
252		Ref	Lid Options:	
252	4842375	1	Lid (Prior to July 1986)	
252	1670468	1	Lid (July 1986 to Present)	
253		Ref	Gasket Options:	
253	0100009	1	Gasket (Prior to July 1986)	
253	3960371	1	Gasket (July 1986 to Present)	
255	2180399	2	Fitting, Coupling (Machines with Heaters Built July 1986 to Present Only)	
256	2180398	1	Fitting, Coupling (Machines with Heaters Built July 1986 to Present Only)	
257	2180053	1	Nipple (Prior to July 1986 Only)	
		Ref	HEATERS AND CONTROLS INSTALLATION	
	0236874	Ref	Heaters and Controls Installation (Prior To March 1988)	G
	0238777	Ref	Heaters and Controls Installation (March 1988 To Present)	D
301	1600043	1	Control, Thermostat	
302	2580018	2	Heater, Immersion	
303	0231756	2	Junction Box Assembly (See Items 401-403 for Breakdown)	
304	3311401	4	Nut 1/4in-20NC	
305	4761400	4	Lockwasher	
306	4300031	4	Stud (Welded on Part)	
307	3251836	1	Nameplate - Engine/Battery Manifold Heater (Left Box)	

SECTION 2 - TURNTABLE

ITEM	PART NUMBER	QTY	DESCRIPTION	REV
308	3251272	1	Nameplate - Hydraulic Oil Tank Heater (Right Box)	
309	3251243	2	Nameplate - 120V-60Hz	
	0231756	Ref	JUNCTION BOX ASSEMBLY	C
401	4460137	1	Receptacle, Female (1 Per Assembly)	
401	4460082	1	Receptacle, Male (1 Per Assembly)	
402	4460007	1	Strip, Terminal (1 Per Assembly)	
403	4460049	3	Connector, Strain Relief (3 Per Assembly)	
	0255869	Ref	FUEL FILL EXTENSION KIT	A
		Ref	Note: For use on fuel tanks built prior to June 1995. Tanks built June 1995 to present are already equipped with extension.	
501	4845158	1	Fill Tube Extension Weldment	
502	3960465	1	Seal	
		Ref	FUEL CAP ASSEMBLY	
	0236285	Ref	Standard Non-Locking (Prior to June 1995)	5-E
	0255823	Ref	Standard Non-Locking (June 1995 to S/N 30382)	2-B
	0257365	Ref	Standard Non-Locking (SN 30382 to Present)	1
	0257366	Ref	Locking Protectoseal (Red)	2
	0258626	Ref	Locking Protectoseal (Blue)	1
601		Ref	Cap, Fill Options:	
601	1120314	1	Standard Non-Locking Cap	
601	1120367	1	Locking Protectoseal (Red)	
601	1120512	1	Locking Protectoseal (Blue)	

SECTION 2 - TURNTABLE

FIGURE 2-42. LP TANKS INSTALLATION



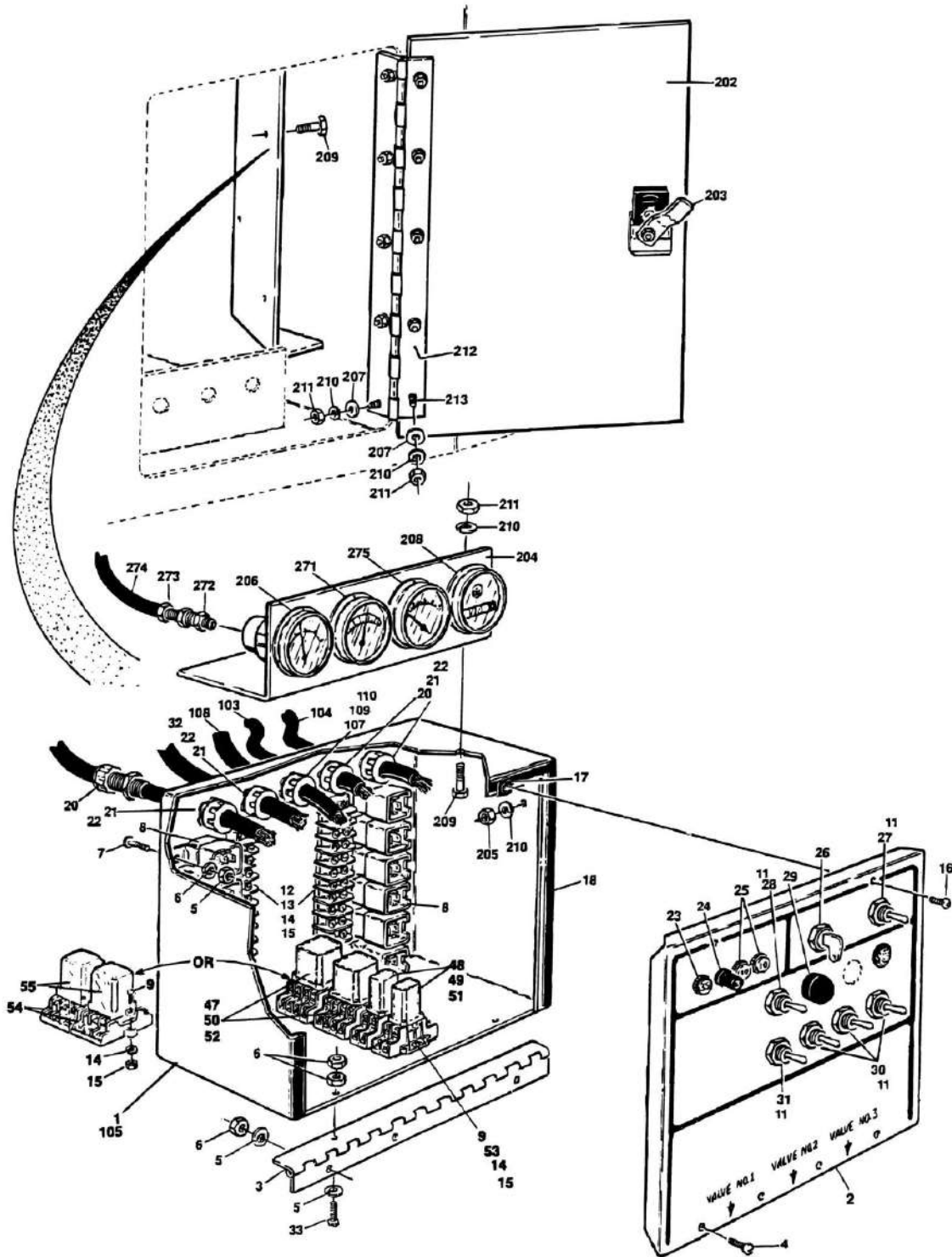
SECTION 2 - TURNTABLE

FIGURE 2-42. LP TANKS INSTALLATION

ITEM	PART NUMBER	QTY	DESCRIPTION	REV
		Ref	LP TANKS INSTALLATIONS	
		Ref	NOTE: For U/L Machines see SPECIAL OPTIONS SECTION.	
	0236674	Ref	LP TANKS INSTALLATION - TURNTABLE MOUNTED	F
1	0901345	1	Bracket	
2		Ref	Clamp Options:	
2	1320023	1	Clamp (Prior to May 1994)	
2	1320126	1	Clamp (May 1994 to Present)	
4	4300045	4	Stud (Welded on Part)	
5	4751800	8	Flatwasher 1/2in	
6	4761800	4	Lockwasher 1/2in	
7	3311801	4	Nut 1/2in-13NC	
8	0641508	2	Bolt 5/16in-18NC x 1in	
9	4751500	2	Flatwasher 5/16in	
10	4761500	2	Lockwasher 5/16in	
11	3311501	2	Nut 5/16in-18NC	
14	2540003	4 in./10cm	Grommet (Not Shown - Located in Hood)	
15	0100001	AR	Adhesive (Use with Item 14)	
	0238916	Ref	LP TANKS INSTALLATION - FRAME MOUNTED	D
	0236674	Ref	LP TANKS INSTALLATION - FRAME MOUNTED (80H ONLY)	F
101	0900935	1	Bracket	
102		Ref	Clamp Options:	
102	1320023	1	Use with 0238916 Installation	
102	1320126	1	Use with 0236674 Installation	
103	4300034	4	Stud (Welded on Part)	
104	4751600	4	Flatwasher 3/8in	
105	4761600	4	Lockwasher 3/8in	
106	3311601	4	Nut 3/8in-16NC	
107	1320127	1	Toggle and Nut Clamp (80H Only)	
108	3200332	1	Mount, LP Tank (80H Only)	
109	0641403	2	Bolt 1/4in-20NC x 3/8in (80H Only)	
110	4761400	2	Lockwasher 1/4in (80H Only)	
		Ref	LP Tank Options:	
200	4400275	2	Tank - 43.5 Lb. Liquid Withdrawal (Alum.)	
200	4400420	2	Tank - 43.5 Lb. Liquid Withdrawal (Steel)	
200	4400038	2	Tank - 43.5 Lb. Vapor Withdrawal	

SECTION 2 - TURNTABLE

FIGURE 2-43. GROUND CONTROL COMPONENTS INSTALLATION (MACHINES WITH RACINE PROPORTIONAL VALVES)



SECTION 2 - TURNTABLE

FIGURE 2-43. GROUND CONTROL COMPONENTS INSTALLATION (MACHINES WITH RACINE PROPORTIONAL VALVES)

ITEM	PART NUMBER	QTY	DESCRIPTION	REV
		Ref	GROUND CONTROL BOX ASSY (STANDARD PARTS)	
1	0860487	1	Box	
2	3251650	1	Lid	
3	2600093	1	Hinge	
4	3911006	4	Screw, Round Head #10-24NC x 3/8in	
5	4761000	19	Lockwasher #10	
6	3311001	22	Nut #10-24NC	
7	3911008	12	Screw, Round Head #10-24NC x 1/2in	
8	3740049	12	Relay - SPDT	
9	3910606	2	Screw, Machine #6-32NC x 3/8in	
11	3790012	6	O-Ring	
12	4460263	2	Strip, Terminal	
13	3910610	4	Screw, Round Head #6-32NC x 5/8in	
14	4760600	6	Lockwasher #6	
15	3310601	6	Nut #6-32NC	
16	0750806	2	Screw #8 x 3/4in	
17	3300177	2	Nut, Tinnerman	
18	4280237	33 in.	Strip, Rubber	
19	0100001	AR	Adhesive (Not Shown)	
20	4460051	3	Connector, Strain Relief	
21	3300048	4	Nut, Conduit	
22	0960238	4	Bushing	
23	4360186	1	Breaker, Circuit - 35 Amp	
24	4360212	1	Breaker, Circuit - 3 Amp	
25	4360069	3	Breaker, Circuit - 10 Amp	
26	4360003	1	Switch, Key	
26	2860002	1	Key, Replacement	
27	4360073	1	Switch, Toggle	
28	4360199	1	Switch, Toggle	
29	4360016	1	Switch, Push Button	
29	0840004	1	Boot	
30	4360202	3	Switch, Toggle	
31	4360204	1	Switch, Toggle	
32	4460071	1	Connector, Strain Relief	
33	3911012	3	Screw, Round Head #10-24NC x 3/4in	
	0237211	Ref	GROUND CONTROL BOX ASSEMBLY - 80HX & 80HX+6 (VARIABLE PARTS)	B
47	4120012	2	Socket, Relay - 2PST	
48	4120013	2	Socket, Relay - 4PDT	
49	3740057	2	Relay - 2PST	
50	3740058	2	Relay - 4PDT	
51	3740063	1	Spring, Relay - 4 Pole	
52	3740066	1	Spring, Relay - 2 Pole	
53	3640493	1	Rail, Mounting	
	0237067	Ref	GROUND CONTROL BOX ASSEMBLY - 80H	C
54	3740016	2	Relay - 3PST	
55	4120002	2	Socket, Relay - 3PST	
		Ref	HARNES INSTALLATIONS	
	0860511	Ref	Harness Installation 80HX & 80HX+6 Without Prop Tele	B

SECTION 2 - TURNTABLE

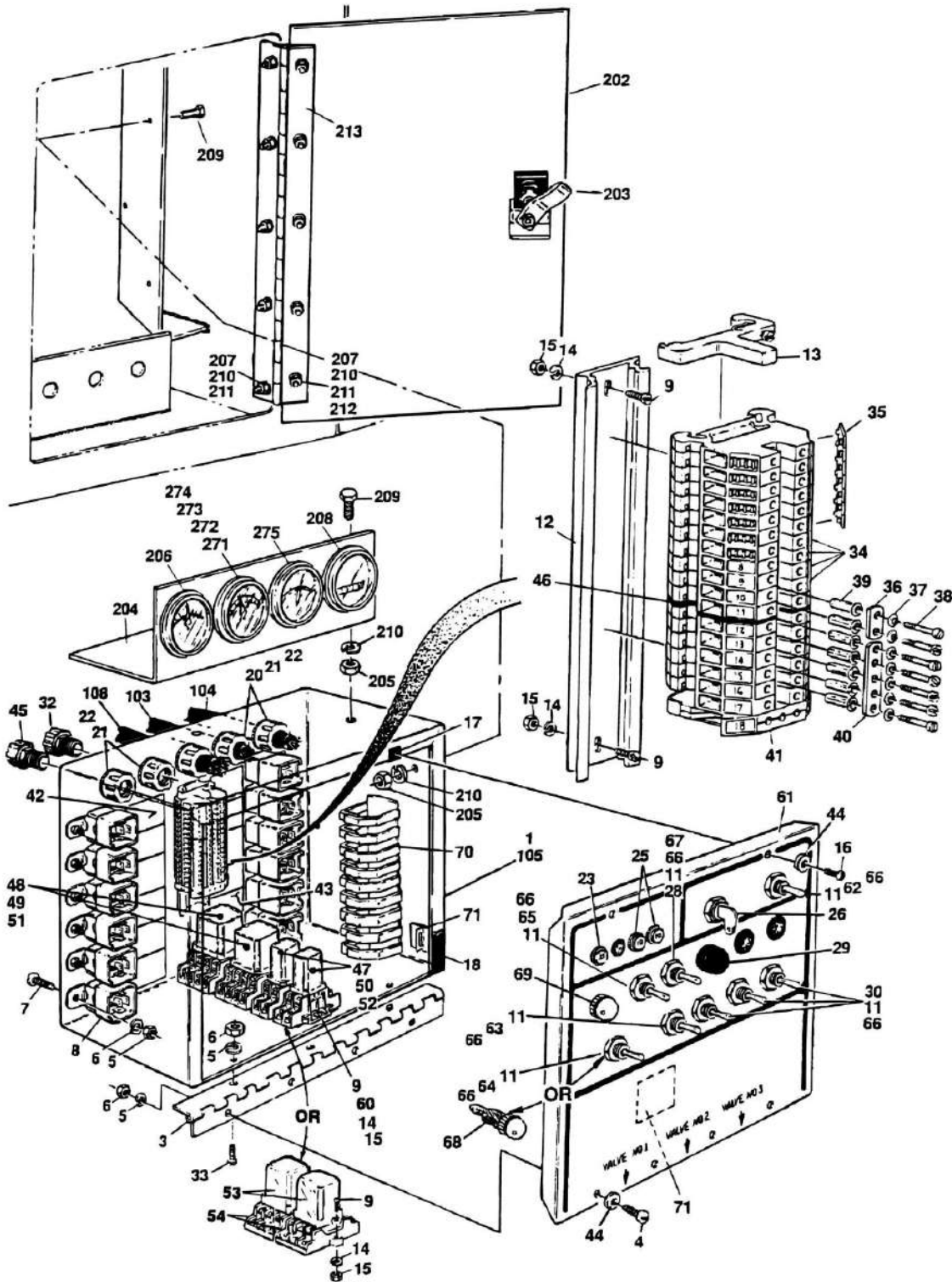
ITEM	PART NUMBER	QTY	DESCRIPTION	REV
	0860512	Ref	Harness Installation 80HX & 80HX+6 With Prop Tele	A
	0860518	Ref	Harness Installation 80H Without Prop Tele	-
	0860519	Ref	Harness Installation 80H With Prop Tele	-
103	4920528	1	Harness - Box to Engine	
104		Ref	Harness - Box to Valves Options:	
104	4920461	1	Harness - Box to Valves 80HX & 80HX+6 Without Prop Tele	
104	4920462	1	Harness - Box to Valves 80HX & 80HX+6 With Prop Tele	
104	4920461	1	Harness - Box to Valves 80H Without Prop Tele	
104	4920462	1	Harness - Box to Valves 80H With Prop Tele	
105		Ref	Ground Control Box Assembly (See Items 1-55 for Breakdown) Options:	
105	0237211	1	Ground Control Box Assembly 80HX & 80HX+6 Without Prop Tele	
105	0237211	1	Ground Control Box Assembly 80HX & 80HX+6 With Prop Tele	
105	0237067	1	Ground Control Box Assembly 80H Without Prop Tele	
105	0237067	1	Ground Control Box Assembly 80H With Prop Tele	
107		Ref	Connector, Strain Relief Options:	
107	Not Required	0	Connector, Strain Relief 80HX & 80HX+6 Without Prop Tele	
107	4460071	1	Connector, Strain Relief 80HX & 80HX+6 With Prop Tele	
107	Not Required	0	Connector, Strain Relief 80H Without Prop Tele	
107	Not Required	0	Connector, Strain Relief 80H With Prop Tele	
108	1060016	12 ft.	Cable, Electrical - 16/3 to Limit Switches	
109	3300048	1	Locknut	
110	0960238	1	Bushing	
		Ref	GROUND CONTROL INSTALLATIONS	
	0237219	Ref	Ground Control Installation 80HX & 80HX+6 With Prop Tele (Standard)	B
	0236290	Ref	Ground Control Installation 80H With Prop Tele (Standard)	J
	0237220	Ref	Ground Control Installation 80HX & 80HX+6 Without Prop Tele	B
	0236886	Ref	Ground Control Installation 80H Without Prop Tele	D
202		Ref	Door Options:	
202	1780184	1	Door - 14in W x 20 1/2in H (Prior to March 1991)	
202	1780234	1	Door - 17 5/8in W x 22 1/2in H (March 1991 to Present)	
203	2940042	1	Latch	
204	3380309	1	Panel, Gauge	
205	3300182	3	Nut, Retainer	
206	2420006	1	Ammeter	
207	4751400	10	Flatwasher 1/4in	
208	2420009	1	Hourmeter	
209	0641408	6	Bolt 1/4in-20NC x 1in	
210	4761400	16	Lockwasher 1/4in	
211	3311401	13	Nut 1/4in-20NC	
212	4300031	5	Stud (Welded on Part)	
213	2600094	1	Hinge	
214	0100011	AR	Loctite #242 (Not Shown)	
		Ref	GAUGES INSTALLATION (FROM ENGINE INSTALLATION)	
271		Ref	Oil Pressure Gauge Options:	
271	2420030	1	Deutz Powered Machines	
271	2420035	1	Ford Powered Machines	
271	Not Available		Wisconsin Powered Machines	
272	2420001	1	Fitting, Swivel	
273	2200261	1	Fitting, Coupling	

SECTION 2 - TURNTABLE

ITEM	PART NUMBER	QTY	DESCRIPTION	REV
274		Ref	Hose, Oil Pressure Gauge Options:	
274	Not Available		Ford Powered Machines	
274	2750527	AR	Deutz and Wisconsin Powered Machines	
275		Ref	Temperature Gauge Options:	
275	Not Required	0	Deutz and Wisconsin Powered Machines	
275	2420019	AR	Ford Powered Machines	

SECTION 2 - TURNTABLE

FIGURE 2-44. GROUND CONTROL INSTALLATION (MACHINES WITH VICKERS PROPORTIONAL VALVES AND STANDARD CONTROLS)



SECTION 2 - TURNTABLE

FIGURE 2-44. GROUND CONTROL INSTALLATION (MACHINES WITH VICKERS PROPORTIONAL VALVES AND STANDARD CONTROLS)

ITEM	PART NUMBER	QTY	DESCRIPTION	REV
		Ref	GROUND CONTROL BOX ASSEMBLIES	
		Ref	Note: See SPECIAL OPTIONS SECTION for U/L Approved Ground Control Box and Cummins Engine Machines.	
		Ref	GROUND CONTROL BOX ASSEMBLY (STANDARD PARTS)	
1	0860547	1	Box	
3	2600093	1	Hinge	
4	3911006	6	Screw, Round Head #10-24NC x 3/8in	
5	4761000	AR	Lockwasher #10	
6	3311001	AR	Nut #10-24NC	
7	3911008	AR	Screw, Round Head #10-24NC x 1/2in	
8	3740049	12	Relay - SPDT	
9	3910606	4	Screw, Round Head #6-32NC x 3/8in	
11	3790012	AR	O-Ring	
12		Ref	Rail Options:	
12	3640492	1	Rail (Prior to May 1995)	
12	3640555	1	Rail (May 1995 to Present)	
13	4460299	2	Stop, Terminal	
14	4760600	AR	Lockwasher #6	
15	3310601	AR	Nut #6-32NC	
16	0750806	2	Screw #8 x 3/4in	
17	3300177	2	Nut, Tinnerman	
18	4420037	33 in.	Strip, Rubber	
19	0100001	AR	Adhesive (Not Shown)	
20	4460051	3	Connector, Strain Relief	
21	3300048	AR	Nut, Conduit	
22	0960238	AR	Bushing	
23	4360186	1	Breaker, Circuit - 35 Amp	
25	4360069	2	Breaker, Circuit - 10 Amp	
26		Ref	Switch, Key Options:	
26	4360003	1	Switch, Key (Prior to SN 48804)	
26	4360466	1	Switch, Key (SN 48804 to Present)	
26		Ref	Key, Replacement Options:	
26	2860002	1	Key, Replacement (Prior to SN 48804)	
26	2860030	1	Key, Replacement (SN 48804 to Present)	
26	4070991	AR	Shim .125 Only (SN 48804 to Present)	
26	4070987	AR	Shim .015 Only (SN 48804 to Present)	
28	4360199	1	Switch, Toggle	
29	4360274	1	Switch, Push Button	
30	4360202	3	Switch, Toggle	
32	4460071	1	Connector, Strain Relief	
33	3911016	1	Screw, Round Head #10-24NC x 1in	
34	4460298	AR	Strip, Terminal	
35	4460301	1	Marker, Terminal	
36	4460308	1	Bar, Buss (2 Position)	
37	4460305	7	Screw, Terminal	
38	4460306	7	Washer, Terminal	
39	4460307	7	Sleeve, Terminal	
40	4460311	1	Bar, Buss (5 Position)	
41	4460303	1	Block, Ground	

SECTION 2 - TURNTABLE

ITEM	PART NUMBER	QTY	DESCRIPTION	REV
42	1700788	1	Decal, Relay Functions	
43	1700789	1	Decal, Relay Functions	
44	4740120	6	Washer, Nylon	
45	4460244	1	Connector, Strain Relief	
46	4460300	1	Barrier, Terminal	
		Ref	GROUND CONTROL BOX ASSEMBLY (VARIABLE PARTS)	
	0238008	Ref	Ground Control Box Assembly 80HX & 80HX+6 With Standard Capacity Built Prior To May 1994	J
	0860902	Ref	Ground Control Box Assembly 80HX & 80HX+6 With Standard Capacity Built May 1994 To Present	7-D
	0861139	Ref	Ground Control Box Assembly 80HX & 80HX+6 With Standard Capacity (Latin American/Brazil Spec)	5
	0237855	Ref	Ground Control Box Assembly 80H Built Prior To May 1994	G
	0860908	Ref	Ground Control Box Assembly 80H Built May 1994 To Present	4
	0251658	Ref	Ground Control Box Assembly 80HX & 80HX+6 With 750 LBS Capacity Built Prior To May 1994	B
	0860904	Ref	Ground Control Box Assembly 80HX & 80HX+6 With 750 LBS. Capacity Built May 1994 To Present	2-B
47		Ref	Socket, Relay - 2PST Options:	
47	4120012	2	Socket, Relay - 2PST 80HX & 80HX+6	
47	Not Required	0	Socket, Relay - 2PST 80H	
48		Ref	Socket, Relay - 4PDT Options:	
48	4120013	2	Socket, Relay - 4PDT 80HX & 80HX+6	
48	Not Required	0	Socket, Relay - 4PDT 80H	
49		Ref	Relay - 2PST Options:	
49	3740057	2	Relay - 2PST 80HX & 80HX+6	
49	Not Required	0	Relay - 2PST 80H	
50		Ref	Relay - 4PDT Options:	
50	3740058	2	Relay - 4PDT 80HX & 80HX+6	
50	Not Required	0	Relay - 4PDT 80H	
51		Ref	Spring, Relay - 4 Pole Options:	
51	3740063	1	Spring, Relay - 4 Pole 80HX & 80HX+6	
51	Not Required	0	Spring, Relay - 4 Pole 80H	
52		Ref	Spring, Relay - 2 Pole Options:	
52	3740066	1	Spring, Relay - 2 Pole 80HX & 80HX+6	
52	Not Required	0	Spring, Relay - 2 Pole 80H	
53		Ref	Socket, Relay - 3PST Options:	
53	Not Required	0	Socket, Relay - 3PST 80HX & 80HX+6	
53	4120002	2	Socket, Relay - 3PST 80H	
54		Ref	Relay - 3PST Options:	
54	Not Required	0	Relay - 3PST 80HX & 80HX+6	
54	3740016	2	Relay - 3PST 80H	
60		Ref	Rail, Mounting Options:	
60	3640493	1	Rail, Mounting 80HX & 80HX+6	
60	Not Required	0	Rail, Mounting 80H	
61		Ref	Lid Options:	
61	3251650	1	Lid 80HX & 80HX+6 With Standard Capacity Built Prior To May 1994	
61	3252343	1	Lid 80HX & 80HX+6 With Standard Capacity Built May 1994 To S/N 48804	
61	3252638	1	Lid 80HX & 80HX+6 With Standard Capacity Built (SN 48804 to Present)	
61	3252555	1	Lid 80HX & 80HX+6 With Standard Capacity Built (Latin	

SECTION 2 - TURNTABLE

ITEM	PART NUMBER	QTY	DESCRIPTION	REV
61	3252640	1	American/Brazil Spec) (Prior to SN 48804) Lid 80HX & 80HX+6 With Standard Capacity Built (Latin American/Brazil Spec) (SN 48804 to Present)	
61	3251650	1	Lid 80H Built Prior To May 1994	
61	3252343	1	Lid 80H Built May 1994 To S/N 48804	
61	3252638	1	Lid 80H Built (SN 48804 to Present)	
61	3252088	1	Lid 80HX & 80HX+6 With 750 LBS. Capacity Built Prior To May 1994	
61	3252344	1	Lid 80HX & 80HX+6 With 750 LBS Capacity Built May 1994 To S/N 48804	
61	3252637	1	Lid 80HX & 80HX+6 With 750 LBS Capacity Built (SN 48804 to Present)	
62		Ref	Switch, Toggle Options:	
62	4360073	1	Switch, Toggle (Prior to May 1994)	
62	4360201	1	Switch, Toggle (May 1994 to Present)	
63		Ref	Switch, Toggle Options:	
63	4360200	1	Switch, Toggle (Prior to May 1994)	
63	4360202	1	Switch, Toggle (May 1994 to Present)	
64		Ref	Switch, Toggle Options:	
64	Not Required	0	Switch, Toggle (Prior to May 1994)	
64	4360202	1	Switch (May 1994 to Present)	
65		Ref	Switch, Toggle Options:	
65	Not Required	0	Switch, Toggle (Prior to May 1994)	
65	4360200	5	Switch, Toggle (May 1994 to Present)	
66		Ref	Guard, Switch Options:	
66	Not Required	0	Guard, Switch (Prior to May 1994)	
66	4360802	7	Guard, Switch (May 1994 to Present)	
67		Ref	Cover, Switch - Red	
67	Not Required	0	Cover, Switch (Prior to May 1994)	
67	4360141	1	Cover Switch (May 1994 to Present)	
68	2920027	1	Lamp, Indicator - Green (80HX & 80HX+6 Built Prior To May 1994 Only)	
68	2920029	1	Bulb, Light (80HX & 80HX+6 Built Prior To May 1994 Only)	
69	2920027	1	Lamp, Indicator - Green (80HX & 80HX+6 Built May 1994 to Present Only)	
69	2920029	1	Bulb, Light (80HX & 80HX+6 Built May 1994 to Present Only)	
70	1840002	11	Duct (80HX & 80HX+6 Built Prior To May 1994 Only)	
		in./28cm		
71		Ref	Clamp, Cable Tie Down	
71	4460234	5	Clamp, Cable Tie Down 80HX & 80HX+6	
71	Not Required	0	Clamp, Cable Tie Down 80H	
		Ref	HARNES INSTALLATIONS	
	0860552	Ref	Harness Installation 80HX & 80HX+6 With Standard Capacity and Fixed Axle Built Prior To May 1994	A
	0860903	Ref	Harness Installation 80HX & 80HX+6 With Standard Capacity and Fixed Axle Built May 1994 To Present	-
	0861034	Ref	Harness Installation 80HX & 80HX+6 With Standard Capacity, Oscillating Axle and Deutz Engine	-
	0861033	Ref	Harness Installation 80HX & 80HX+6 With Standard Capacity, Oscillating Axle and Ford Engine	-
	0860713	Ref	Harness Installation 80HX & 80HX+6 With 750 Lbs Capacity Built Prior To May 1994	-
	0860905	Ref	Harness Installation 80HX & 80HX+6 With 750 Lbs Capacity Built May 1994 To Present	-

SECTION 2 - TURNTABLE

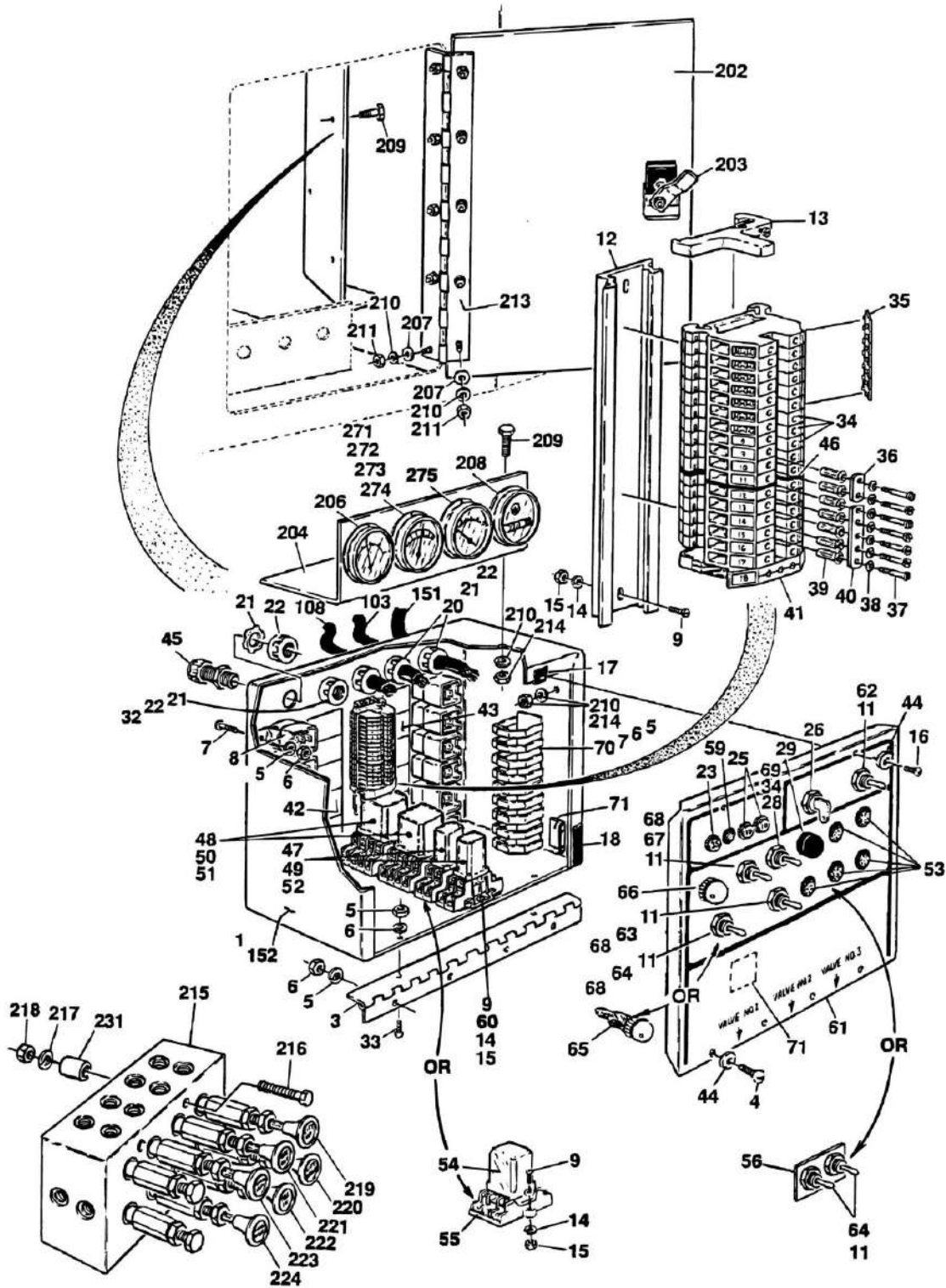
ITEM	PART NUMBER	QTY	DESCRIPTION	REV
	0860548	Ref	Harness Installation 80H Built Prior To May 1994	-
	0860909	Ref	Harness Installation 80H Built May 1994 To Present	-
103	4920845	1	Harness - Box to Engine	
104	4920842	1	Harness - Box to Valves	
105		Ref	Ground Control Box Assembly Options (See Items 1-71 for Breakdown):	
105	0238008	1	Ground Control Box Assembly 80HX & 80HX+6 With Standard Capacity Built Prior to May 1994	
105	0860902	1	Ground Control Box Assembly 80HX & 80HX+6 With Standard Capacity Built May 1994 to Present	
105	0251658	1	Ground Control Box Assembly 80HX & 80HX+6 With 750 Lbs Capacity Built Prior to May 1994	
105	0860904	1	Ground Control Box Assembly 80HX & 80HX+6 With 750 Lbs Capacity Built May 1994 to Present	
105	0237855	1	Ground Control Box Assembly 80H Built Prior to May 1994	
105	0860908	1	Ground Control Box Assembly 80H Built May 1994 to Present	
108		Ref	Cable, Electrical - 16/3 to Limit Switches Options:	
108	1060016	12 ft.	Cable, Electrical 80HX & 80HX+6 With Standard Capacity	
108	Not Required	0	Cable, Electrical 80HX & 80HX+6 With 750Lbs. Capacity	
108	1060016	12 ft.	Cable, Electrical 80H	
		Ref	GROUND CONTROL INSTALLATIONS	
	0238046	Ref	Ground Control Installation 80HX & 80HX+6 Standard Machines With Fixed Axle (Prior To November 1990)	-
	0250604	Ref	Ground Control Installation 80HX & 80HX+6 Standard Machines With Fixed Axle (November 1990 To Present)	F
	0257595	Ref	Ground Control Installation 80HX & 80HX+6 Standard Machines With Fixed Axle (Latin American/Brazil)	1
	0251676	Ref	Ground Control Installation 80HX & 80HX+6 750 Lbs Capacity Machines With Fixed Axle	F
	0256148	Ref	Ground Control Installation 80HX & 80HX+6 Standard Machines With Oscillating Axle and Deutz Engines	-
	0257596	Ref	Ground Control Installation 80HX & 80HX+6 Standard Machines With Oscillating Axle and Deutz Engines (Latin American/Brazil)	1
	0256149	Ref	Ground Control Installation 80HX & 80HX+6 Standard Machines With Oscillating Axle and Ford Engines	2
	0257597	Ref	Ground Control Installation 80HX & 80HX+6 Standard Machines With Oscillating Axle and Ford Engines (Latin American/Brazil)	1
	0238045	Ref	Ground Control Installation 80H (Prior To March 1991)	-
	0239215	Ref	Ground Control Installation 80H (March 1991 To Present)	F
202		Ref	Door Options:	
202	1780184	1	Door - 14in W x 20 1/2in H (Prior to March 1991)	
202	1780234	1	Door - 17 5/8in W x 22 1/2in H (March 1991 to Present)	
203	2940042	1	Latch	
204	3380309	1	Panel, Gauge	
205	3300182	3	Nut, Retainer	
206		Ref	Voltmeter Options:	
206	2420091	1	With Light Kit	
206	2420156	1	Without Light Kit	
207	4751400	10	Flatwasher 1/4in	
208	2420009	1	Hourmeter	
209	0641406	6	Bolt 1/4in-20NC x 3/4in	
210	4761400	16	Lockwasher 1/4in	
211	3311401	13	Nut 1/4in-20NC	

SECTION 2 - TURNTABLE

ITEM	PART NUMBER	QTY	DESCRIPTION	REV
212	4300031	5	Stud (Welded on Part)	
213	2600094	1	Hinge	
214	0100011	AR	Loctite #242 (Not Shown)	
		Ref	GAUGES INSTALLATION (FROM ENGINE INSTALLATION)	
271		Ref	Oil Pressure Gauge Options:	
271	2420030	1	Deutz Powered Machines	
271	2420035	1	Ford Powered Machines - Prior to August 1994 and March 1995 to Present	
271	2420164	1	Ford Powered Machines - August 1994 to March 1995	
271	Not Available		Wisconsin Powered Machines	
272	2420001	1	Fitting, Swivel	
273	2200261	1	Fitting, Coupling	
274		Ref	Hose, Oil Pressure Gauge Options:	
274	Not Available		Ford Powered Machines	
274	2750527	AR	Deutz and Wisconsin Powered Machines	
275		Ref	Temperature Gauge Options:	
275	2420019	AR	Ford Powered Machines - Prior to August 1994 and March 1995 to Present	
275	2420159	AR	Ford Powered Machines - August 1994 to March 1995	
275	Not Required	0	Deutz and Wisconsin Powered Machines	

SECTION 2 - TURNTABLE

FIGURE 2-45. GROUND CONTROLS INSTALLATION (MACHINES WITH VICKERS PROPORTIONAL VALVES AND HYDRAULIC CONTROLS)



SECTION 2 - TURNTABLE

FIGURE 2-45. GROUND CONTROLS INSTALLATION (MACHINES WITH VICKERS PROPORTIONAL VALVES AND HYDRAULIC CONTROLS)

ITEM	PART NUMBER	QTY	DESCRIPTION	REV
		Ref	GROUND CONTROL COMPONENTS INSTALLATIONS	
		Ref	Note: See SPECIAL OPTIONS SECTION for Cummins Engine Machines and 80H with 750Lbs Capacity.	
		Ref	GROUND CONTROL BOX ASSEMBLY (STANDARD PARTS)	
1	0860547	1	Box	
3	2600093	1	Hinge	
4	3911006	6	Screw, Round Head #10-24NC x 3/8in	
5	4761000	20	Lockwasher #10	
6	3311001	19	Nut #10-24NC	
7	3911008	12	Screw, Round Head #10-24NC x 1/2in	
8	3740049	13	Relay - SPDT	
9	3910606	4	Screw, Round Head #6-32NC x 3/8in	
11	3790012	AR	O-Ring	
12		Ref	Rail Options:	
12	3640492	1	Rail (Prior to May 1995)	
12	3640555	1	Rail (May 1995 to Present)	
13	4460299	1	Stop, Terminal	
14	4760600	AR	Lockwasher #6	
15	3310601	AR	Nut #6-32NC	
16	0750806	2	Screw #8 x 3/4in	
17	3300177	2	Nut, Tinnerman	
18	4420037	33 in.	Strip, Rubber	
20	4460051	3	Connector, Strain Relief	
21	3300048	4	Nut, Conduit	
22	0960238	4	Bushing	
23	4360186	1	Breaker, Circuit - 35 Amp	
25	4360069	2	Breaker, Circuit - 10 Amp	
26		Ref	Switch, Key Options:	
26	4360003	1	Switch, Key (Prior to SN 48804)	
26	4360466	1	Switch, Key (SN 48804 to Present)	
26		Ref	Key, Replacement Options:	
26	2860002	1	Key, Replacement (Prior to SN 48804)	
26	2860030	1	Key, Replacement (SN 48804 to Present)	
26	4070991	AR	Shim .125 Only (SN 48804 to Present)	
26	4070987	AR	Shim .015 Only (SN 48804 to Present)	
28	4360199	1	Switch, Toggle	
29	4360274	1	Switch, Push Button	
32	4460071	1	Connector, Strain Relief	
33	3911016	1	Screw, Round Head #10-24NC x 1in	
34	4460298	AR	Strip, Terminal	
35	4460301	1	Marker, Terminal	
36	4460308	1	Bar, Buss (2 Position)	
37	4460305	7	Screw, Terminal	
38	4460306	7	Washer, Terminal	
39	4460307	7	Sleeve, Terminal	
40	4460311	1	Bar, Buss (5 Position)	
41	4460303	1	Block, Ground	
42	1700788	1	Decal, Relay Functions	
43	1700789	1	Decal, Relay Functions	

SECTION 2 - TURNTABLE

ITEM	PART NUMBER	QTY	DESCRIPTION	REV
44	4740120	6	Washer, Nylon	
45	4460244	1	Connector	
46	4460300	1	Barrier, Terminal	
		Ref	GROUND CONTROL BOX ASSEMBLY (VARIABLE PARTS)	
	0251064	Ref	Ground Control Box Assembly 80HX & 80HX+6 Built Prior To May 1994	D
	0860906	Ref	Ground Control Box Assembly 80HX & 80HX+6 Built May 1994 To Present	A
	0239219	Ref	Ground Control Box Assembly 80H Built Prior To May 1994	D
	0860913	Ref	Ground Control Box Assembly 80H Built May 1994 To Present	3-C
47		Ref	Socket, Relay - 2PST Options:	
47	4120012	2	Socket, Relay - 2PST 80HX & 80HX+6	
47	Not Required	0	Socket, Relay - 2PST 80H	
48		Ref	Socket, Relay - 4PDT Options:	
48	4120013	2	Socket, Relay - 4PDT 80HX & 80HX+6	
48	Not Required	0	Socket, Relay - 4PDT 80H	
49		Ref	Relay - 2PST Options:	
49	3740057	2	Relay - 2PST 80HX & 80HX+6	
49	Not Required	0	Relay - 2PST 80H	
50		Ref	Relay - 4PDT Options:	
50	3740058	2	Relay - 4PDT 80HX & 80HX+6	
50	Not Required	0	Relay - 4PDT 80H	
51		Ref	Spring, Relay - 4 Pole Options:	
51	3740063	1	Spring, Relay - 4 Pole 80HX & 80HX+6	
51	Not Required	0	Spring, Relay - 4 Pole 80H	
52		Ref	Spring, Relay - 2 Pole Options:	
52	3740066	1	Spring, Relay - 2 Pole 80HX & 80HX+6	
52	Not Required	0	Spring, Relay - 2 Pole 80H	
53	3520028	AR	Plug, Hole	
54		Ref	Relay - 3PST Options:	
54	Not Required	0	Relay - 3PST 80HX & 80HX+6	
54	3740016	1	Relay - 3PST 80H	
55		Ref	Socket, Relay - 3PST Options:	
55	Not Required	0	Socket, Relay - 3PST 80HX & 80HX+6	
55	4120002	1	Socket, Relay - 3PST 80H	
56	3251880	1	Nameplate - Rotate/Level (80H Prior to May 1994 Only)	
60		Ref	Rail Options:	
60	3640493	1	Rail 80HX & 80HX+6	
60	Not Required	0	Rail 80H	
61		Ref	Lid Options:	
61	3251650	1	Lid 80HX & 80HX+6 Prior to May 1994	
61	3252343	1	Lid 80HX & 80HX+6 May 1994 to Present	
61	3251650	1	Lid 80H Prior to May 1994	
61	3252343	1	Lid 80H May 1994 to S/N 48804	
61	3252638	1	Lid 80H (SN 48804 to Present)	
62		Ref	Switch, Toggle Options:	
62	4360073	1	Switch, Toggle (Prior to May 1994)	
62	4360201	1	Switch, Toggle (May 1994 to Present)	
63		Ref	Switch, Toggle Options:	
63	4360200	1	Switch, Toggle (Prior to May 1994)	
63	4360202	1	Switch, Toggle (May 1994 to Present)	
64		Ref	Switch, Toggle Options:	

SECTION 2 - TURNTABLE

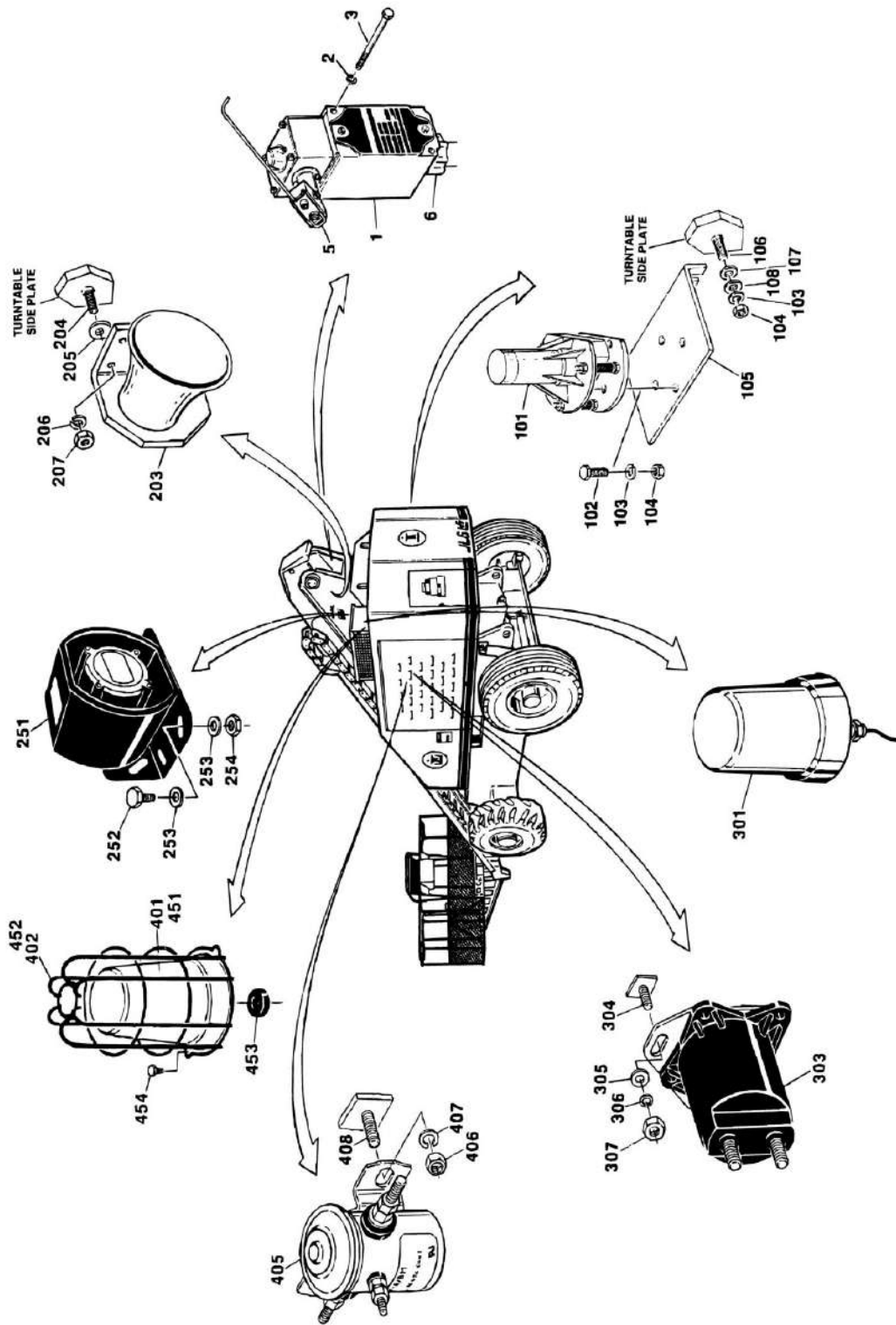
ITEM	PART NUMBER	QTY	DESCRIPTION	REV
64	Not Required	0	Switch, Toggle 80HX & 80HX+6 Prior to May 1994	
64	4360202	1	Switch, Toggle 80HX & 80HX+6 May 1994 to Present	
64	4360202	1	Switch, Toggle 80H	
65	2920027	1	Lamp, Indicator - Green (80HX & 80HX+6 Built Prior To May 1994 Only)	
65	2920029	1	Bulb, Light (80HX & 80HX+6 Built Prior To May 1994 Only)	
66	2920027	1	Lamp, Indicator - Green (80HX & 80HX+6 Built May 1994 to Present Only)	
66	2920029	1	Bulb, Light (80HX & 80HX+6 Built May 1994 to Present Only)	
67		Ref	Switch, Toggle Options:	
67	Not Required	0	Switch, Toggle (Prior to May 1994)	
67	4360200	1	Switch, Toggle (May 1994 to Present)	
68		Ref	Guard, Switch Options:	
68	Not Required	0	Guard, Switch (Prior to May 1994)	
68	4060802	4	Guard, Switch (May 1994 to Present)	
69		Ref	Cover, Switch - Red Options:	
69	Not Required	0	Cover, Switch - Red (Prior to May 1994)	
69	4360141	1	Cover, Switch - Red (May 1994 to Present)	
70		Ref	Duct Options:	
70	1840002	11 in.	Duct (Prior to May 1994)	
70	Not Required	0	Duct (May 1994 to Present)	
71		Ref	Clamp, Cable Tie-Down Options:	
71	4460234	5	Clamp, Cable Tie-Down (Prior to May 1994)	
71	4460488	7	Clamp, Cable Tie-Down (May 1994 to Present)	
		Ref	HARNES INSTALLATIONS	
	0860630	Ref	Harness Installation 80HX & 80HX+6 Built Prior to May 1994	-
	0860907	Ref	Harness Installation 80HX & 80HX+6 Built May 1994 To Present	-
	0860564	Ref	Harness Installation 80H Built Prior to May 1994	-
	0860912	Ref	Harness Installation 80H Built May 1994 to Present	-
103	4920845	1	Harness - Box to Engine	
108	1060016	12 ft.	Cable, Electrical - 16/3 to Limit Switches	
151		Ref	Harness - Box to Valves Options:	
151	4921241	1	Harness - Box to Valves 80HX & 80HX+6	
151	4921131	1	Harness - Box to Valves 80H	
152		Ref	Ground Control Box Assembly Options (See Items 1-71 for Breakdown):	
152	0251064	1	Ground Control Box Assembly 80HX & 80HX+6 (Prior to May 1994)	
152	0860906	1	Ground Control Box Assembly 80HX & 80HX+6 (May 1994 to Present)	
152	0239219	1	Ground Control Box Assembly 80H (Prior to May 1994)	
152	0860913	1	Ground Control Box Assembly 80H (May 1994 to Present)	
		Ref	GROUND CONTROL INSTALLATIONS	
	0250603	Ref	Ground Control Installation 80HX & 80HX+6	H
	0239214	Ref	Ground Control Installation 80H	I
202	1780234	1	Door	
203	2940042	1	Latch	
204	3380309	1	Panel, Gauge	
205	0100011	AR	Loctite #242 (Not Shown)	
206	2420091	1	Volt Meter	
207	4751400	10	Flatwasher 1/4in	
208	2420009	1	Hourmeter	

SECTION 2 - TURNTABLE

ITEM	PART NUMBER	QTY	DESCRIPTION	REV
209	0641406	6	Bolt 1/4in-20NC x 3/4in	
210	4761400	16	Lockwasher 1/4in	
211	3311401	13	Nut 1/4in-20NC	
212	4300031	5	Stud (Welded on Part)	
213	2600094	1	Hinge	
214	3300182	3	Nut, Retainer	
215	4640558	1	Valve Assembly - Ground Control	
215	7009353	6	Cartridge (With Knob)	
215	7009354	2	Cartridge (Without Knob)	
216	0641538	4	Bolt 5/16in-18NC x 4 3/4in	
217	4761500	4	Lockwasher 5/16in	
218	3311501	7	Nut 5/16in-18NC	
219	3251868	1	Decal - Lift Up	
220	3251869	1	Decal - Lift Down	
221	3251867	1	Decal - Tele Out	
222	3251866	1	Decal - Tele In	
223	3251864	1	Decal - Swivel Left	
224	3251865	1	Decal - Swivel Right	
225	4751500	3	Flatwasher 5/16in	
231	4563996	4	Spacer, Tube	
		Ref	GAUGES INSTALLATION (FROM ENGINE INSTALLATION)	
271		Ref	Oil Pressure Gauge Options:	
271	2420030	1	Deutz Powered Machines	
271	2420035	1	Ford Powered Machines - Prior to August 1994 and February 1995 to Present	
271	2420164	1	Ford Powered Machines - August 1994 to February 1995	
271	Not Available		Wisconsin Powered Machines	
272	2420001	1	Fitting, Swivel	
273	2200261	1	Fitting, Coupling	
274		Ref	Hose, Oil Pressure Gauge Options:	
274	Not Available		Ford Powered Machines	
274	2750527	AR	Deutz and Wisconsin Powered Machines	
275		Ref	Temperature Gauge Options:	
275	2420019	AR	Ford Powered Machines - Prior to August 1994 and February 1995 to Present	
275	2420159	AR	Ford Powered Machines - August 1994 to February 1995	
275	Not Required	0	Deutz and Wisconsin Powered Machines	

SECTION 2 - TURNTABLE

FIGURE 2-46. ELECTRICAL COMPONENTS INSTALLATION (TURNTABLE MOUNTED)



SECTION 2 - TURNTABLE

FIGURE 2-46. ELECTRICAL COMPONENTS INSTALLATION (TURNTABLE MOUNTED)

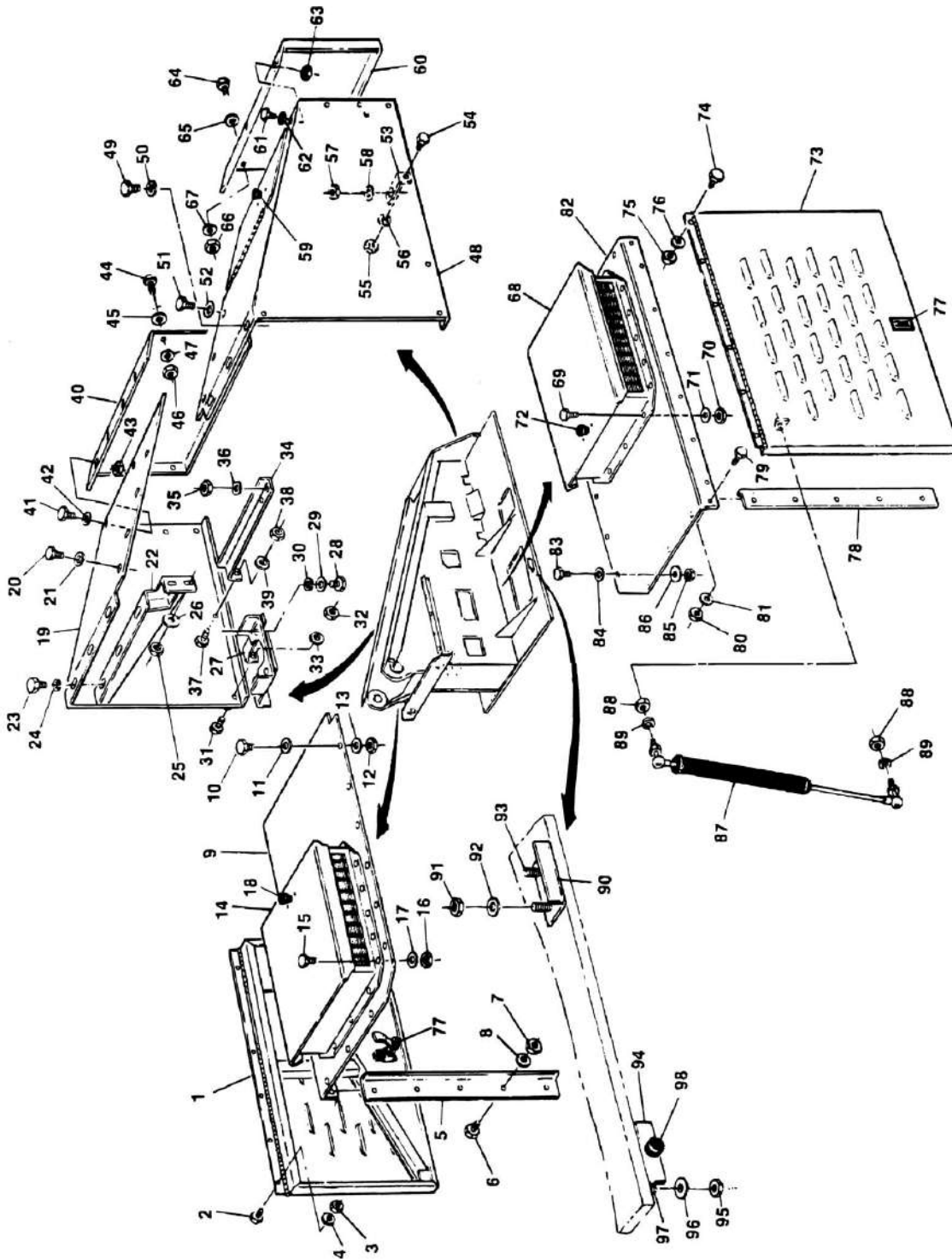
ITEM	PART NUMBER	QTY	DESCRIPTION	REV
	0236629	Ref	HORIZONTAL CUTOUT LIMIT SWITCH INSTALLATION	3
1	4360057	1	Switch, Limit	
2	4761000	2	Lockwasher #10	
3	0721014	2	Bolt #10-24NC x 1 3/4in	
5	0200048	1	Arm, Actuator	
6	4460049	1	Connector, Strain Relief	
		Ref	TILT INDICATOR INSTALLATIONS	
	0236632	Ref	Tilt Indicator Installation (Prior To July 1989)	-
	0238734	Ref	Tilt Indicator Installation (July 1989 To Present)	C
101	4360171	1	Indicator, Tilt	
102		Ref	Hardware Options:	
102	0641406	4	Bolt 1/4in-20NC x 3/4in (Prior To July 1989)	
102	4350106	2	Stud, Grooved (July 1989 to Present)	
103	4761400	6	Lockwasher 1/4in (Prior To July 1989 Only)	
104	3311401	6	Nut 1/4in-20NC (Prior To July 1989 Only)	
105	3508393	1	Plate, Mounting (Prior To July 1989 Only)	
106	4300032	2	Stud (Welded on Part) (Prior To July 1989 Only)	
107	4751500	2	Flatwasher 5/16in (Prior To July 1989 Only)	
108	4751400	2	Flatwasher 1/4in (Prior To July 1989 Only)	
		Ref	ALARMS INSTALLATIONS - MACHINES BUILT PRIOR TO APRIL 1992 (OPTIONAL)	
	0237054	Ref	Back-up Alarm	B
	0237056	Ref	Descent Alarm	B
	0239055	Ref	Motion Alarm	A
	0237055	Ref	Tilt Alarm	B
	0237012	Ref	Travel Alarm	A
203		Ref	Alarm Options:	
203	0140024	1	Alarm (Prior to July 1989) (Was p/n 0140012 - P/N 0140024 requires no cover)	
203	0140024	1	Alarm (July 1989 to April 1992)	
204	4300031	4	Stud (Welded on Part)	
205	4751400	4	Flatwasher 1/4in	
206	4761400	4	Lockwasher 1/4in	
207	3311401	4	Nut 1/4in-20NC	
		Ref	ALARMS INSTALLATIONS - MACHINES BUILT APRIL 1992 TO PRESENT (OPTIONAL)	
	0251543	Ref	Non-U/L Listed Machines	2
	0250122	Ref	U/L Listed Machines	B
251		Ref	Alarm Options:	
251	0140032	1	Non-U/L Listed Machines	
251	0140025	1	U/L Listed Machines Prior to September 1995	
251	0140024	1	U/L Listed Machines September 1995 to Present	
252	0641406	2	Bolt 1/4in-20NC x 3/4in	
253	4751400	4	Flatwasher 1/4in	
254	3311405	2	Locknut 1/4in-20NC	
		Ref	BEACON LIGHT INSTALLATION (OPTIONAL)	
	0237010	Ref	Amber (Single)	B
	0237011	Ref	Red (Single)	B
	0254186	Ref	Amber (Dual)	-
301		Ref	Beacon Light Options:	

SECTION 2 - TURNTABLE

ITEM	PART NUMBER	QTY	DESCRIPTION	REV
301	2920018	1	Amber (Single)	
301	2920018	2	Amber (Duals)	
301	2920019	1	Red (Single)	
302		Ref	Bracket Options (Not Shown)	
302	Not Required	0	(Single Beacons)	
302	0901973	1	(Dual Beacons)	
303	3740067	1	Relay	
304	4300031	2	Stud (Welded on Part)	
305	4751400	2	Flatwasher 1/4in	
306	4761400	2	Lockwasher 1/4in	
307	3311401	2	Nut 1/4in-20NC	
	0250584	Ref	STROBE LIGHT INSTALLATIONS (OPTIONAL ON MACHINES BUILT PRIOR TO FEBRUARY 1994)	-
401	2920081	1	Light, Strobe - Amber	
402	2920082	1	Guard, Light	
405	3740002	1	Relay	
406	3311401	2	Nut 1/4in-20NC	
407	4761400	2	Lockwasher	
408	4300031	2	Stud (Welded on Part)	
	0254457	Ref	STROBE LIGHT INSTALLATIONS (OPTIONAL ON MACHINES BUILT FEBRUARY 1994 TO PRESENT)	-
451		Ref	Strobe Light Options:	
451	2920105	1	Amber	
451	2920109	1	Red	
452	4060829	1	Guard, Light	
453	2540016	1	Grommet	
454	3941404	4	Screw, Self-Tapping 1/4in x 1/2in	

SECTION 2 - TURNTABLE

FIGURE 2-47. HOODS INSTALLATION (PRIOR TO DECEMBER 1992)



SECTION 2 - TURNTABLE

FIGURE 2-47. HOODS INSTALLATION (PRIOR TO DECEMBER 1992)

ITEM	PART NUMBER	QTY	DESCRIPTION	REV
		Ref	HOODS INSTALLATIONS	
	0236815	Ref	Deutz and Wisconsin	H
	0237246	Ref	Ford	H
		Ref	Note: Replacement Decals Must Be Ordered Separately - See DECALS SECTION.	
1	4842227	1	Door, Hood, Valve Side	
2	0641406	6	Bolt, 1/4in-20NC x 3/4in	
3	3311405	6	Locknut 1/4in-20NC	
4	4751400	6	Flatwasher 1/4in	
5	1780172	1	Panel, Door (R.H.)	
6	0641408	5	Bolt 1/4in-20NC x 1in	
7	3311405	5	Locknut 1/4in-20NC	
8	4751400	5	Flatwasher 1/4in	
9	1780219	1	Panel, Hood Top, Valve Side	
10	0641408	6	Bolt 1/4in-20NC x 1in	
11	4751500	6	Flatwasher 5/16in	
12	3311405	6	Locknut 1/4in-20NC	
13	4751400	6	Flatwasher 1/4in	
14	4842979	1	Hood Vent	
15	0641406	16	Bolt 1/4in-20NC x 3/4in	
16	3311405	16	Locknut 1/4in-20NC	
17	4751400	32	Flatwasher 1/4in	
18	2940050	1	Latch	
18	3820012	2	Pop Rivet	
19		Ref	Hood Panel, Fuel Tank Side (R.H.) Options:	
19	4841983	1	With Welded on Steel Manual Storage Box	
19	1780174	1	With Bolt on Plastic Manual Storage Box - Not Included	
20	3941405	5	Screw, Self Tap 1/4in-20NC x 5/8in	
21	4761400	5	Lockwasher 1/4in	
22	0901296	1	Bracket, Hood (R.H.)	
22	0900801	1	Bracket, Hood (L.H.)	
23	3941405	6	Screw, Self Tap 1/4in-20NC x 5/8in	
24	4761400	6	Lockwasher 1/4in	
25	3311605	2	Locknut 3/8in-16NC	
26	4751600	2	Flatwasher 3/8in	
26	4300034	2	Stud (Welded on Part) (Not Shown)	
27	0901199	2	Bracket, Hood Attachment, Valve Side	
28	0641508	3	Bolt 5/16in-18NC x 1in	
29	4761500	3	Lockwasher 5/16in	
30	4751500	3	Flatwasher 5/16in	
31	0641406	4	Bolt 1/4in-20NC x 3/4in	
32	3311405	4	Locknut 1/4in-20NC	
33	4751400	4	Flatwasher 1/4in	
34		Ref	Bracket, Hood Mounting Options:	
34	0901188	2	Standard Gas and Diesel Machines	
34	0901188	3	LP Only Machines	
35	3311505	2	Locknut 5/16in-18NC	
36	4751500	2	Flatwasher 5/16in	
36	4430038	2	Stud (Welded on Part) (Not Shown)	
37	0641406	1	Bolt 1/4in-20NC x 3/4in	

SECTION 2 - TURNTABLE

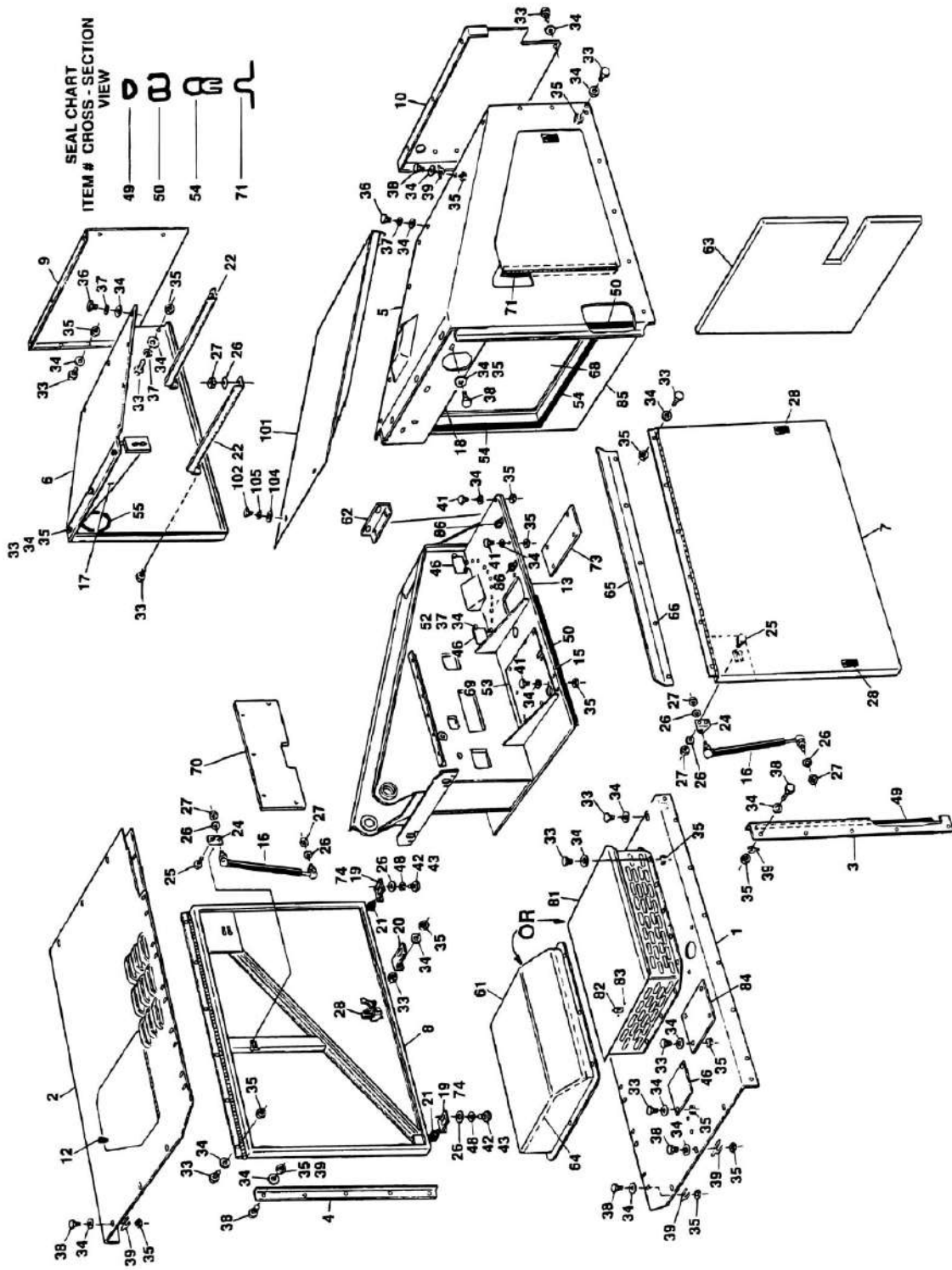
ITEM	PART NUMBER	QTY	DESCRIPTION	REV
38	3311405	1	Locknut 1/4in-20NC	
39	4751400	1	Flatwasher 1/4in	
40	1780147	1	Panel, End, Valve Side	
41	0641406	2	Bolt 1/4in-20NC x 3/4in	
42	4751400	2	Flatwasher 1/4in	
43	3311405	2	Locknut 1/4in-20NC	
44	0641510	2	Bolt 5/16in-18NC x 1 1/4in	
45	4751500	2	Flatwasher 5/16in	
46	3311505	2	Locknut 5/16in-18NC	
47	4751600	2	Flatwasher 3/8in	
48	4841974	1	Hood Panel, Hydraulic Tank Side (L.H.)	
49	3941405	6	Screw, Self Tap 1/4in-20NC x 5/8in	
50	4761400	6	Lockwasher 1/4in	
51	3941405	6	Screw, Self Tap 1/4in-20NC x 5/8in	
52	4761400	6	Lockwasher 1/4in	
53	0901199	2	Bracket, Hood Assembly, Hydraulic Tank Side	
54	0641406	3	Bolt 1/4in-20NC x 3/4in	
55	3311405	3	Locknut 1/4in-20NC	
56	4751400	3	Flatwasher 1/4in	
57	3311508	3	Nut, Hex 5/16in-18NC	
58	4751500	3	Flatwasher 5/16in	
58	4300038	3	Stud (Welded on Part) (Not Shown)	
59	2940050	1	Latch	
59	3820012	2	Pop Rivet	
60	1780148	1	Panel - End Engine Side	
61	0641406	2	Bolt 1/4in-20NC x 3/4in	
62	4751400	2	Flatwasher 1/4in	
63	3311405	2	Locknut 1/4in-20NC	
64	0641510	2	Bolt 5/16in-18NC x 1 1/4in	
65	4751500	2	Flatwasher 5/16in	
66	3311505	2	Locknut 5/16in-18NC	
67	4751600	2	Flatwasher 3/8in	
68	4842979	1	Hood Vent	
69	0641406	16	Bolt 1/4in-20NC x 3/4in	
70	3311405	16	Locknut 1/4in-20NC	
71	4751400	32	Flatwasher 1/4in	
72	2940050	1	Latch	
72	3820012	2	Pop Rivet	
73	4842227	1	Door Weldment, Engine Side	
74	0641406	6	Bolt 1/4in-20NC x 3/4in	
75	3311405	6	Locknut 1/4in-20NC	
76	4751400	6	Flatwasher 1/4in	
77	2940042	1	Latch	
78	1780171	1	Panel, Door	
79	0641408	5	Bolt 1/4in-20NC x 1in	
80	3311405	5	Locknut 1/4in-20NC	
81	4751400	5	Flatwasher 1/4in	
82	1780239	1	Panel, Hood Top, Engine Side	
83	0641408	6	Bolt 1/4in-20NC x 1in	
84	4751500	6	Flatwasher 5/16in	
85	3311405	6	Locknut 1/4in-20NC	

SECTION 2 - TURNTABLE

ITEM	PART NUMBER	QTY	DESCRIPTION	REV
86	4751400	6	Flatwasher 1/4in	
87	4160081	1	Gas Spring	
88	3311505	2	Locknut 5/16in-18NC	
89	4761500	2	Lockwasher 5/16in	
90	0901235	1	Bracket, Door Stop	
91	3311505	2	Locknut 5/16in-18NC	
92	4751500	2	Flatwasher 5/16in	
93	4300038	2	Stud (Welded on Part)	
94		Ref	Bracket, Door Stop (Engine Side) Options:	
94	0901198	2	Engine Side	
94	0901197	2	Valve Side - Not Shown	
95	3311505	2	Locknut 5/16in-18NC	
96	4751500	2	Flatwasher 5/16in	
97	4300038	2	Stud (Welded on Part)	
98	0940036	4	Bumper, Door	

SECTION 2 - TURNTABLE

FIGURE 2-48. HOODS INSTALLATION (MACHINES BUILT DECEMBER 1992 TO PRESENT)



SECTION 2 - TURNTABLE

FIGURE 2-48. HOODS INSTALLATION (MACHINES BUILT DECEMBER 1992 TO PRESENT)

ITEM	PART NUMBER	QTY	DESCRIPTION	REV
		Ref	HOODS INSTALLATIONS	
		Ref	Note: See SPECIAL OPTIONS SECTION for Cummins Engine Machines.	
		Ref	Note: Replacement Decals Must Be Ordered Separately - See SPECIAL OPTIONS SECTION.	
		Ref	HOODS INSTALLATION (STANDARD PARTS)	
1	1780270	1	Panel - Hood Top (Engine Side)	
2	4844391	1	Panel - Hood Top (Valve Side)	
3	1780271	1	Panel - Filler (Engine Side)	
4	1780172	1	Panel - Filler (Valve Side)	
5	4844180	1	Hood (Engine Side)	
6		Ref	Hood Options (Tank Side):	
6	1780174	1	Hood - Prior to June 1995 without Fill Extension Kit	
6	3380418	1	Hood - Prior to June 1995 with Fill Extension Kit	
6	3380418	1	Hood - June 1995 to Present	
7	4844074	1	Door (Engine Side)	
8	4844113	1	Door (Tank Side)	
9	4844252	1	Panel, End (Valve Side)	
10	1780148	1	Panel, End (Engine Side)	
12	2940051	1	Latch	
13	0901850	1	Bracket, Hood	
15	3536088	1	Plate, Stop	
16	4160081	2	Gas Spring	
17	0901296	1	Bracket, Support - Top (Tank Side)	
18	0901871	1	Bracket, Support - Top (Tank Side)	
19	0901197	2	Bracket, Door Stop	
20	0901199	1	Bracket, Hood Mounting	
21	0940036	2	Bumper, Door	
22	0901188	1	Bracket, Support - Bottom (Tank Side)	
24	3200222	2	Bracket, Gas Spring Mounting	
25	0630383	4	Bolt, Carriage 5/16in-18NC x 3/4in	
26	4751500	AR	Flatwasher 5/16in	
27	3311505	8	Locknut 5/16in-18NC	
28	2940042	4	Latch	
29	4300034	4	Stud (Welded on Part)	
30	4751600	12	Flatwasher 3/8in	
31	3311605	8	Locknut 3/8in-16NC	
32	4300038	4	Stud (Welded on Part)	
33	0641406	AR	Bolt 1/4in-20NC x 3/4in	
34	4751400	AR	Flatwasher 1/4in	
35	3311405	AR	Locknut 1/4in-20NC	
36	3941406	10	Screw, Self-Tapping 1/4in x 3/4in	
37	4761400	AR	Lockwasher 1/4in	
38	0641408	AR	Bolt 1/4in-20NC x 1in	
39	4740362	32	Washer, Fender	
40	0641610	4	Bolt 3/8in-16NC x 1 1/4in	
41	0641412	AR	Bolt 1/4in-20NC x 1 1/2in	
42	0641508	5	Bolt 5/16in-18NC x 1in	
43	0100011	AR	Loctite #242 (Not Shown)	
46	1670321	AR	Cover	

SECTION 2 - TURNTABLE

ITEM	PART NUMBER	QTY	DESCRIPTION	REV
47	4300031	AR	Stud (Welded on Part) (Not Shown)	
48	4761500	5	Lockwasher	
49	3960433	69 in.	Seal	
50	3960418	AR	Seal	
52	3311401	AR	Nut 14in-20NC	
53	1670644	1	Cover, Base Plate	
54	3960389	AR	Seal	
55	4060803	2 ft.	Flex-Trim (June 1995 to Present)	
	0253372	Ref	HOODS INSTALLATION - DEUTZ ENGINE MACHINES (VARIABLE PARTS)	6
61	4844236	1	Duct Weldment	
62	3536282	1	Panel, Filler	
63	2820056	1	Foam, Acoustical	
64	2820057	1	Foam Acoustical	
65	3535951	1	Plate, Shield	
66	3820018	5	Rivet	
67	2820053	1	Foam, Acoustical	
68	2820058	1	Foam, Acoustical	
70	1670647	1	Cover, Side Sheet	
71	3960429	21 in.	Seal (With Self-Stick Tape)	
73	1670668	1	Cover, Base Plate	
74	4070671	AR	Shim (0.08)	
	0253374	Ref	HOODS INSTALLATION - FORD ENGINE MACHINES (VARIABLE PARTS)	G
81	4680015	1	Ventilator	
82	2940050	1	Latch	
83	3820012	2	Rivet	
84	1670656	1	Cover, Hood	
85	4844323	1	Baffle	
86	1320041	1	Clamp	
	0253338	Ref	TURNTABLE SHIELD INSTALLATION	A
101	4060841	1	Shield	
102	3941406	6	Screw, Self-Tapping 1/4in x 3/4in	

SECTION 3 - BOOM

SECTION 3 - BOOM

FIGURE 3-1. BOOM ASSEMBLIES

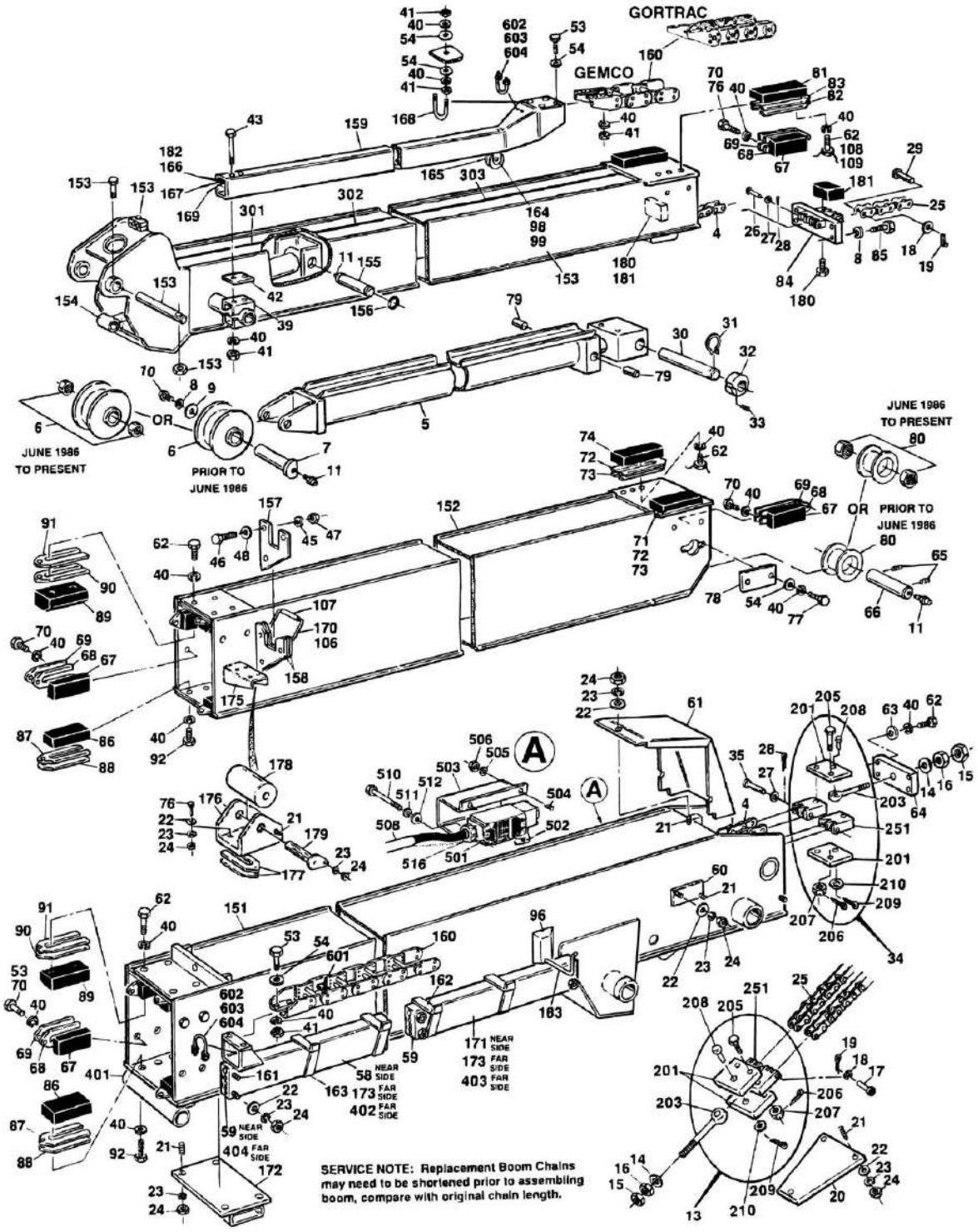


FIGURE 3-1. BOOM ASSEMBLIES

ITEM	PART NUMBER	QTY	DESCRIPTION	REV
		Ref	BOOM ASSEMBLIES	
		Ref	BOOM ASSEMBLY (STANDARD PARTS)	
4	1260168	1 Set	Chain, Extend	
5		Ref	Telescope Cylinder Assembly Options (See CYLINDER SECTION for Breakdown):	
5	1681560	1	Telescope Cylinder Assembly (Prior to November 1986)	
5	1681774	1	Telescope Cylinder Assembly (November 1986 to November 1990)	
5	1682258	1	Telescope Cylinder Assembly (November 1990 to Present)	
6		Ref	Sheave Assembly Options:	
6	0236699	1	Sheave - Prior to June 1986	-
6	0440173	2	Bearing, Needle	
6	3960212	2	Seal	
6	0237558	1	Sheave - June 1986 to Present	
6	0960406	2	Bushing	
7		Ref	Pin Options	
7	3421264	1	Pin (Prior to June 1986)	
7	3421350	1	Pin (June 1986 to Present)	
8	4761800	5	Lockwasher 1/2in	
9	4740003	1	Washer, Hardened	
10	0641808	1	Bolt 1/2in-13NC x 1in	
11	2160002	3	Fitting, Grease	
12	0100011	AR	Loctite #242 (Not Shown)	
13	0236294	1	Chain Adjuster Assembly (Retract) (See Items 201-251 for Breakdown)	
14	4740057	2	Washer, Hardened (Prior to SN 36919)	
15	3312202	2	Nut, Jam 3/4in-10NC	
16	3300241	2	Locknut 3/4in-10NC (Grade 8)	
17	3420414	2	Pin, Clevis	
18	4751000	3	Flatwasher #10	
19	3450203	3	Pin, Cotter 1/16in x 3/4in	
20	1670335	1	Cover, Plate	
21	4300031	11	Stud (Welded on Part)	
22	4751400	27	Flatwasher 1/4in	
23	4761400	21	Lockwasher 1/4in	
24	3311401	19	Nut 1/4in-20NC	
25		Ref	Retract Chain Options:	
25	1260169	1 set	Retract Chain (Prior to June 1995)	
25	1260319	1 set	Retract Chain (June 1995 to Present)	
26	3421206	1	Pin, Clevis	
27	4751500	3	Flatwasher 5/16in	
28	3450303	3	Pin, Cotter 3/32in x 3/4in	
29	3421029	1	Pin, Clevis	
30	3421209	1	Pin, Tele	
31	3760233	2	Ring, Retaining	
32	0960979	2	Bushing, Eccentric	
33	3951603	2	Setscrew 3/8in-16NC x 3/8in	
34	0236758	1	Chain Adjuster Assembly (Extend) (See Items 201-251 for Breakdown)	
35	3421205	2	Pin, Clevis	

SECTION 3 - BOOM

ITEM	PART NUMBER	QTY	DESCRIPTION	REV
39	1320121	2	Clamp, Power Track becomes part of Item 153 Fly Weldment (SN 75115 to Present)	
40	4761600	62	Lockwasher 3/8in	
41		Ref	Nut, Jam 3/8in-16NC Options:	
41	3311602	12	Nut, Jam 3/8"-16NC (Prior to SN 36919)	
41	3311601	12	Nut, Jam 3/8"-16NC (SN 36919 to Present)	
42	4280242	1	Strip, Reinforcement	
43		Ref	Bolt Options:	
43	0641636	2	Bolt 3/8in-16NC x 4 1/2 (Prior to SN 36919)	
43	0641634	2	Bolt 3/8in-16NC x 4 1/4 (SN 36919 to Present)	
45	4761500	3	Lockwasher 5/16in	
46		Ref	Bolt Options:	
46	0641510	3	Bolt 5/16in-18NC x 1 1/4 (Prior to SN 36919)	
46	0641512	3	Bolt 5/16in-18NC x 1 1/2 (SN 36919 to Present)	
47	3311501	3	Nut 5/16in-18NC	
48	4751500	6	Flatwasher 5/16in	
53	0641608	30	Bolt 3/8in-16NC x 1in	
54	4751600	16	Flatwasher 3/8in	
58	4060568	2	Shield (Without Notches)	
59	4340413	4	Support, Line	
60	1670321	2	Cover, Boom Base	
61	4060603	1	Shield, Boom End	
62	0641612	36	Bolt 3/8in-16NC x 1 1/2in	
63	4740185	4	Washer, Hardened	
64	0236766	1	Chain Attach Assembly	
65	3951608	2	Setscrew 3/8in-16NC x 1in	
66		Ref	Sheave Pin Options:	
66	3420600	1	Pin - Prior to June 1986	
66	3421349	1	Pin - June 1986 to Present	
67	3340394	12	Pad, Wear	
68	4070502	AR	Shim 1/16in	
69	4070501	AR	Shim 1/8in	
70	0641606	22	Bolt 3/8in-16NC x 3/4 (Prior to SN 36919)	
71	3340462	1	Pad, Wear	
72	4070556	AR	Shim 1/16in	
73	4070555	AR	Shim 1/8in	
74	3340460	1	Pad, Wear	
76	0641614	2	Bolt 3/8in-16NC x 1 3/4in	
77	0641605	4	Bolt 3/8in-16NC x 5/8in	
78	0360372	2	Bar	
79	3420410	2	Pin, Trunion	
80		Ref	Sheave Assembly Options:	
80	0236045	1	Sheave - Prior to June 1986	
80	0440081	2	Bearing, Needle	
80	3960212	2	Seal	
80	0237557	1	Sheave - June 1986 to Present	
80	0961857	2	Bushing	
81	3340401	2	Pad, Wear	
82	4070504	AR	Shim 1/16in	
83	4070503	AR	Shim 1/8in	
84		Ref	Chain Attach Assembly Options:	
84	0236698		Chain Attach Assembly (Prior to June 1995)	

SECTION 3 - BOOM

ITEM	PART NUMBER	QTY	DESCRIPTION	REV
84	4845095		Chain Attach Assembly (June 1995 to Present)	
85	0641816	4	Bolt 1/2in-13NC x 2in	
86	3340403	4	Pad, Wear	
87	4070508	AR	Shim 1/16in	
88	4070507	AR	Shim 1/8in	
89	3340399	4	Pad, Wear	
90	4070498	AR	Shim 1/16in	
91	4070497	AR	Shim 1/8in	
92	0641612	12	Bolt 3/8in-16NC x 1 1/2in	
96	2660042	1	Holder, Rod	
98	3450806	1	Pin, Cotter	
99		Ref	Bolt Options:	
99	0641404	1	Bolt 1/4in-20NC x 1/2 (Prior to SN 36919)	
99	0641405	1	Bolt 1/4in-20NC x 5/8 (SN 36919 to Present)	
106	0181175	2	Angle, Cable Guide	
107	4562516	AR	Tube, Poly	
108	1380121	12	Clip, Retainer (Prior to June 1995 Only)	
109	4920986	63	Wire, Safety (Prior to June 1995 Only)	
	2910002	1	Kit, Wear Pad - 80H & 80HX (Note: Items with * included in kit)	
		Ref	BOOM ASSEMBLY (VARIABLE PARTS)	
	0800411	Ref	Standard Controls 80HX & 80H (Prior To January 1990)	L
	0800662	Ref	Standard Controls 80HX & 80H (January 1990 To May 1992)	C
	0800807	Ref	Standard Controls 80HX & 80H (May 1992 To Present)	13
	0800814	Ref	Standard Controls 80HX & 80H With Chip Covers	14
	0801016	Ref	Standard Controls 80HX & 80H With Inverted Power	7
	0801005	Ref	Standard Controls 80HX & 80H With Waterline	9
	0800619	Ref	Hydraulic Controls 80HX & 80H (Prior To May 1992)	I
	0800808	Ref	Hydraulic Controls 80HX & 80H (May 1992 To Present)	10
	0800905	Ref	Hydraulic Controls 80HX & 80H With Sandblast Equipment and Chip Covers	10
	0800519	Ref	Standard Controls 80HX+6 & 86HX (Prior To January 1990)	F
	0800663	Ref	Standard Controls 80HX+6 & 86HX (January 1990 To May 1992)	A
	0800810	Ref	Standard Controls 80HX+6 & 86HX May 1992 To Present	10
	0800816	Ref	Standard Controls 80HX+6 & 86HX With Chip Covers	11
	0800878	Ref	Standard Controls 80HX+6 & 86HX With Sandblast Equipment	8
	0800776	Ref	Standard Controls 80HX+6 & 86HX With Weld Leads (Prior to May 1992)	-
	0800813	Ref	Standard Controls 80HX+6 & 86HX With Weld Leads (May 1992 to Present)	14
	0800628	Ref	Standard Controls 80HX+6 & 86HX U/L Listed (Prior to January 1990)	-
	0800664	Ref	Standard Controls 80HX+6 & 86HX U/L Listed (January 1990 to May 1992)	A
	0800812	Ref	Standard Controls 80HX+6 & 86HX U/L Listed (May 1992 to Present)	7
151		Ref	Base Weldment Options:	
151	0800414	1	Base Weldment (Prior To June 1987)	
151	0800518	1	Base Weldment (June 1987 To January 1990)	
151	0800669	1	Base Weldment (January 1990 To May 1992)	
151	0800806	1	Base Weldment (May 1992 To Present)	
151	0801006	1	Standard Controls 80HX & 80H With Waterline	

SECTION 3 - BOOM

ITEM	PART NUMBER	QTY	DESCRIPTION	REV
152		Ref	Mid Weldment Options:	
152	0800413	1	Mid Weldment (Prior To May 1992)	
152	0800679	1	Mid Weldment (May 1992 To Present)	
153		Ref	Fly Weldment Options:	
153	0800412	1	Fly Weldment 80HX & 80H (Prior To May 1992)	
153	0801015	1	Fly Weldment 80HX & 80H (May 1992 To Present)	
153	0800517	1	Fly Weldment 80HX+6 & 86HX (Prior To May 1992)	
153	0800682	1	Fly Weldment 80HX+6 & 86HX (May 1992 To Present)	
153	1320052	1	Clamp	
153	3421816	1	Pin, Nose	
153	0641622	1	Bolt 3/8in-16NC x 2 3/4in	
153	3311605	1	Locknut 3/8in-16NC	
154		Ref	Platform Level Cylinder Assembly Options (See Section CYLINDER for Breakdown):	
154	1681548	1	Platform Level Cylinder Assembly 80HX Built through 1986	
154	1681722	1	Platform Level Cylinder Assembly 80HX Built 1987 to April 1992	
154	1682602	1	Platform Level Cylinder Assembly 80HX April 1992 to S/N 33111	
154	1683534	1	Platform Level Cylinder Assembly (80HX SN 33111 to Present)	
154	Not Required	0	Platform Level Cylinder Assembly 80HX+6 & 86HX	
155		Ref	Pin Options:	
155	3421207	1	Pin 80HX	
155	Not Required	0	Pin 80HX+6 & 86HX	
156		Ref	Ring, Retaining Options:	
156	3760133	2	Ring, Retaining 80HX	
156	Not Required	0	Ring, Retaining 80HX+6 & 86HX	
157		Ref	Bracket, Support Options:	
157	4340453	1	Standard Controls Prior To May 1992	
157	4340635	1	Standard Controls May 1992 To Present	
157	4340562	1	Hydraulic Controls	
158		Ref	Support, Mid Boom Options:	
158	4340520	2	Standard Controls (Prior To May 1992)	
158	4340576	2	Standard Controls (May 1992 To Present)	
158	4340576	2	Hydraulic Controls	
159		Ref	Carrier Tube Options:	
159	1180133	1	Standard Controls 80HX & 80H (Prior to October 1988)	
159	1180189	1	Standard Controls 80HX & 80H (October 1988 to January 1990)	
159	1180254	1	Standard Controls 80HX & 80H (January 1990 To Present)	
159	1180200	1	Hydraulic Controls 80HX & 80H (Prior To September 1990)	
159	1180270	1	Hydraulic Controls 80HX & 80H (October 1990 To Present)	
159	1180113	1	Standard Controls 80HX+6 & 86HX (Prior To October 1988)	
159	1180189	1	Standard Controls 80HX+6 & 86HX (October 1988 To January 1990)	
159	1180254	1	Standard Controls 80HX+6 & 86HX (January 1990 To Present)	
159	1180270	1	Standard Controls 80HX+6 & 86HX With Weld Leads	
160		Ref	Power Track Options:	
160	1001119693	1	Standard Controls Prior To January 1990 (was p/n 1180106)	
160	1001099842	1	Standard Controls January 1990 To Present (was p/n 1180236)	
160	1180258	1	Standard Controls With Chip Covers	
160	1001119697	1	Standard Controls With Sandblast Equipment (was p/n 1180289)	

SECTION 3 - BOOM

ITEM	PART NUMBER	QTY	DESCRIPTION	REV
160	1001099842	1	Hydraulic Controls (was p/n 1180236)	
160	1180310	1	Hydraulic Controls With Sandblast Equipment and Chip Covers	
160		Ref	Power Track Repair Components:	
160		Ref	Gemco Replacement Parts:	
160		Ref	1 Foot Repair Section Options:	
160	7006178	AR	1180106 Power Track	
160	7006153	AR	1180236 Power Track	
160	7006145	AR	1180258 Power Track	
160	7006503	AR	1180289 Power Track	
160	7006507	AR	1180310 Power Track	
160	7006133	2 Pair	Feet, Mounting	
160	7006180	AR	Pin Kit	
160	7006159	1	Tool Kit - Powertrack	
160		Ref	Gortrac Replacement Parts:	
160		Ref	Power Track - 1 Section Repair Kit Options:	
160	70002008	AR	1001099842 Power Track	
160	70003149	AR	1001119693 Power Track	
160	70003145	AR	1001119697 Power Track	
160		Ref	Power Track - Bracket Kit Options:	
160	70002009	2 Pair	1001099842 Power Track	
160	70003150	2 Pair	1001119693 Power Track	
160	70003146	2 Pair	1001119697 Power Track	
161		Ref	Stud Options:	
161	4300036	8	Stud (Prior to May 1992)	
161	4300042	8	Stud (May 1992 to Present)	
162		Ref	Support, Power Track Options:	
162	4340519	4	Standard Controls	
162	4340578	4	Hydraulic Controls	
163		Ref	Brace Options:	
163	0880090	4	Standard Controls 80HX & 80H	
163	0880106	4	Hydraulic Controls 80HX & 80H (Prior to May 1992)	
163	0880090	4	Hydraulic Controls 80HX & 80H (May 1992 to Present)	
163	0880090	4	Standard Controls 80HX+6 & 86HX	
163	0880106	4	Standard Controls 80HX+6 & 86HX with Weld Leads (Prior to May 1992)	
163	0880090	4	Standard Controls 80HX+6 & 86HX with Weld Leads (May 1992 to Present)	
164		Ref	Rod, Roller Options:	
164	3840831	1	Standard Controls Prior To January 1990	
164	3841013	1	Standard Controls January 1990 To Present	
164	3841013	1	Hydraulic Controls	
165		Ref	Roller, Power Track Options:	
165	3860046	1	Standard Controls Prior To January 1990	
165	3860050	1	Standard Controls January 1990 To Present	
165	3860050	1	Hydraulic Controls	
165	3860046	1	Hydraulic Controls with Sandblast Equipment and Chip Covers	
166		Ref	Cable, Electrical Options:	
166	1060229	95 ft./29m	16/30 Cable - Standard Controls 80HX & 80H (Prior To May 1992)	
166	1060516	97 ft./29.6m	16/30 Cable - Standard Controls 80HX & 80H (May 1992 To Present)	
166	1060039	95 ft./29m	16/24 Cable - Hydraulic Controls 80HX & 80H (Prior To May	

SECTION 3 - BOOM

ITEM	PART NUMBER	QTY	DESCRIPTION	REV
166	1060516	100 ft/30.5m	1992) 16/30 Cable - Hydraulic Controls 80HX & 80H (May 1992 To Present)	
166	1060229	95 ft/29m	16/30 Cable - Standard Controls 80HX+6 & 86HX (Prior to May 1992)	
166	1060516	104 ft/31.7m	16/30 Cable - Standard Controls 80HX+6 & 86HX (May 1992 to Present)	
166	1060317	95 ft/29m	16/30 Cable - U/L Listed Standard Controls 80HX+6 & 86HX (Prior to May 1992)	
166	1060516	104 ft/31.7m	16/30 Cable - U/L Listed Standard Controls 80HX+6 & 86HX (May 1992 to Present)	
167		Ref	Cable, Electrical - 12/4 Options:	
167	1060012	96 ft./29.3m	Standard Controls 80HX & 80H (Prior To May 1992)	
167	1060515	97 ft./29.6m	Standard Controls 80HX & 80H (May 1992 To Present)	
167	1060012	96 ft./29.3m	Hydraulic Controls 80HX & 80H (Prior To May 1992)	
167	1060515	100 ft./30.5m	Hydraulic Controls 80HX & 80H (May 1992 To Present)	
167	1060012	96 ft./29.3m	Standard Controls 80HX+6 & 86HX (Prior to May 1992)	
167	1060515	104 ft./31.7m	Standard Controls 80HX+6 & 86HX (May 1992 To Present)	
168		Ref	Clamp, U-Bolt Options:	
168	1320072	1	Standard Controls Prior to January 1990	
168	1320155	1	Standard Controls January 1990 to Present	
168	1320171	1	Standard Controls with Weld Leads Prior to May 1992	
168	1320155	1	Standard Controls with Weld Leads May 1992 to Present	
168	1320171	1	Hydraulic Controls Prior to May 1992	
168	1320155	1	Hydraulic Controls May 1992 to Present	
168	1320072	1	Hydraulic Controls with Sandblast and Chip Covers	
169		Ref	Harness Options - 110V:	
169	4920617	1	Harness (80HX & 80H Prior to August 1994)	
169	1060268	96 ft./29.3m	Cable, Electrical (80HX & 80H August 1994 to Present)	
169	4921052	1	Harness (80HX+6 & 86HX Prior to August 1994)	
169	1060268	108 ft./33m	Cable, Electrical (80HX+6 & 86HX August 1994 to Present)	
169	4921211	1	Harness (80HX+6 & 86HX U/L Listed Prior to August 1994)	
169	1060268	108 ft./33m	Cable, Electrical (80HX+6 & 86HX U/L Listed August 1994 to Present)	
170		Ref	Rod, Tube Retainer Options:	
170	3840858	1	Rod, Tube Retainer (Prior to May 1992)	
170	3841012	1	Rod, Tube Retainer (May 1992 to Present)	
170	3841252	1	With Waterline	
171		Ref	Shield Options (With Notches):	
171	4060673	1	Standard Controls 80HX & 80H	
171	4060833	1	Standard Controls 80HX & 80H With Chip Covers	
171	4060833	1	Standard Controls 80HX & 80H With Inverted Power	
171	4060833	1	Standard Controls 80HX & 80H With Waterline	
171	4060673	1	Hydraulic Controls 80HX & 80H Prior to May 1992	
171	4060833	1	Hydraulic Controls 80HX & 80H May 1992 to Present	
171	4060673	1	Shield Options (With Notches) 80HX+6 Prior To May 1992	

SECTION 3 - BOOM

ITEM	PART NUMBER	QTY	DESCRIPTION	REV
171	4060833	1	Shield Options (With Notches) 80HX+6 May 1992 To Present	
172		Ref	Tube Options:	
172	Not Required	0	Standard Controls 80HX & 80H	
172	4843106	1	Hydraulic Controls 80HX & 80H	
172	Not Required	0	Standard Controls 80HX+6 & 86HX	
172	4843106	1	Standard Controls 80HX+6 & 86HX With Weld Leads	
173		Ref	Tube Options:	
173	Not Required	0	Standard Controls 80HX & 80H	
173	4843344	1	Hydraulic Controls 80HX & 80H Prior to May 1992	
173	4844452	1	Hydraulic Controls 80HX & 80H May 1992 to Present	
173	4843344	1	Hydraulic Controls 80HX & 80H with Sandblast Equipment and Chip Covers	
173	Not Required	0	Standard Controls 80HX+6 & 86HX	
173	4843344	1	Standard Controls 80HX+6 & 86HX With Weld Leads Prior to May 1992	
173	4844452	1	Standard Controls 80HX+6 & 86HX With Weld Leads May 1992 to Present	
174	0641412	AR	Bolt 1/4in-20NC x 1 1/2in	
175		Ref	Bracket, Roller Support Options:	
175	Not Required	0	Standard Controls 80HX & 80H	
175	0901744	1	Hydraulic Controls 80HX & 80H	
175	Not Required	0	Standard Controls 80HX+6 & 86HX	
175	0901744	1	Standard Controls 80HX+6 & 86HX With Weld Leads	
176		Ref	Support, Roller Options:	
176	Not Required	0	Standard Controls 80HX & 80H	
176	4340570	1	Hydraulic Controls 80HX & 80H	
176	Not Required	0	Standard Controls 80HX+6 & 86HX	
176	4340570	1	Standard Controls 80HX+6 & 86HX With Weld Leads	
177		Ref	Shim Options:	
177	Not Required	0	Standard Controls 80HX & 80H	
177	4070727	AR	Hydraulic Controls 80HX & 80H	
177	Not Required	0	Standard Controls 80HX+6 & 86HX	
177	4070727	AR	Standard Controls 80HX+6 & 86HX With Weld Leads	
178		Ref	Roller Options:	
178	Not Required	0	Standard Controls 80HX & 80H	
178	3860048	1	Hydraulic Controls 80HX & 80H	
178	Not Required	0	Standard Controls 80HX+6 & 86HX	
178	3860048	1	Standard Controls 80HX+6 & 86HX With Weld Leads	
179		Ref	Pin, Roller Options:	
179	Not Required	0	Standard Controls 80HX & 80H	
179	3421673	1	Hydraulic Controls 80HX & 80H	
179	Not Required	0	Standard Controls 80HX+6 & 86HX	
179	3421673	1	Standard Controls 80HX+6 & 86HX With Weld Leads	
180	0641610	2	Bolt 3/8in-16NC x 1 1/4in (August 1995 to Present)	
181	3340788	1	Pad, Wear (August 1995 to Present)	
182	4100026	30	Sleeve, Hose (August 1995 to Present)	
		in./76cm		
183		Ref	Rod, Hanger Options:	
183	3840844	1	Standard Controls 80HX & 80H	
183	3841014	1	Hydraulic Controls 80HX & 80H Prior to May 1992	
183	3840844	1	Hydraulic Controls 80HX & 80H May 1992 to Present	
183	3840844	1	Standard Controls 80HX+6 & 86HX	

SECTION 3 - BOOM

ITEM	PART NUMBER	QTY	DESCRIPTION	REV
184	1670836	6	Cover, Boom (Located on Bottom of Boom Sections) (Not Shown) (SN 34105 to Present)	
		Ref	CHAIN ADJUSTER ASSEMBLIES	
	0236758	Ref	Extend Chain	-
	0236294	Ref	Retract Chain	D
201	3509182	2	Plate	
203	0630374	1	Eyebolt	
205	0630347	2	Bolt 1/2in-13NC x 2 1/4in (Grade 8)	
206	3450405	2	Pin, Cotter 1/8in x 1 1/4in	
207	3311803	2	Nut, Slotted 1/2in-13NC	
208	3421142	1	Pin, Clevis 3/4in x 2in	
209	3450505	1	Pin, Cotter 5/32in x 1 1/4in	
210	4712200	1	Flatwasher 3/4in Narrow	
251		Ref	Block, Chain Attach Options:	
251	0560644	2	Extend Chain	
251	0560588	2	Retract Chain	
		Ref	BOOM TAPE INSTALLATION	
	0237241	Ref	Standard	A
	0250752	Ref	CSA/2:1 Stability (80HX)	-
	0238156	Ref	CSA/2:1 Stability (80H)	-
301	4420018	Ref	Tape - Blue	
301	4420018	193.9 in	Standard Spec	
301	4420018	171.8 in	CSA/2:1 Stability Spec (80HX)	
302	4420016	Ref	Tape - Yellow	
302	4420016	34 in	Standard Spec	
302	4420016	42 in	CSA/2:1 Stability Spec	
303	4420017	Ref	Tape - Red	
303	4420017	39 in	Standard Spec	
303	4420017	53 in	CSA/2:1 Stability Spec (80HX)	
303	4420017	45 in	CSA/2:1 Stability Spec (80H)	
	0238692	Ref	BOOM HOSE COVERS INSTALLATION (80HX+6 & 86HX ONLY)	2
401	4842968	1	Tube Weldment	
402	4060568	2	Shield (Without Notches)	
403	4060673	1	Shield (With Notches)	
404		Ref	Support, Line Options:	
404	4340413	4	SUPPORT, HYDRAULIC LINES (Prior to SN 34105)	
404	4340636	4	SUPPORT, HYDRAULIC LINES (SN 34105 to Present)	
405		Ref	Stud (Welded on Part - Not Shown) Options:	
405	4300036	8	Stud (Welded on Part) (Prior to SN 34105)	
405	4300042	8	STUD, WELD (SN 34105 to Present)	
406	4751400	8	Flatwasher 1/4in (Not Shown)	
407	4761400	8	Lockwasher 1/4in (Not Shown)	
408	3311401	8	Nut 1/4in-20NC (Not Shown)	
	0237192	Ref	BOOM LIMIT SWITCH INSTALLATION (80HX & 80HX+6)	G
501	4360057	1	Switch, Limit	
502	0200048	1	Arm, Actuator	
503	1670367	1	Cover	
504	4300032	4	Stud (Welded on Part)	
505	4761400	4	Lockwasher 1/4in	
506	3311401	4	Nut 1/4in-20NC	
508	4561061	1	Tube	

SECTION 3 - BOOM

ITEM	PART NUMBER	QTY	DESCRIPTION	REV
509	3530138	1	Plate, Mounting (Not Shown)	
510	0721014	2	Bolt #10-24NC x 1 3/4in	
511	4761000	2	Lockwasher #10	
512	4751000	2	Flatwasher #10	
516	4460049	1	Connector, Strain Relief	
	0253417	Ref	POWER TRACK CLAMPS INSTALLATION (MAY 1992 TO PRESENT)	2
601	1320182	2	Bar, Clamp	
602	0630458	2	U-Bolt	
603	4751400	4	Flatwasher 1/4in	
604	3311405	4	Locknut 1/4in-20 NC	
605	4240018	34	Tie-Strap (Not Shown)	

SECTION 3 - BOOM

FIGURE 3-2. BOOM WIPERS INSTALLATION

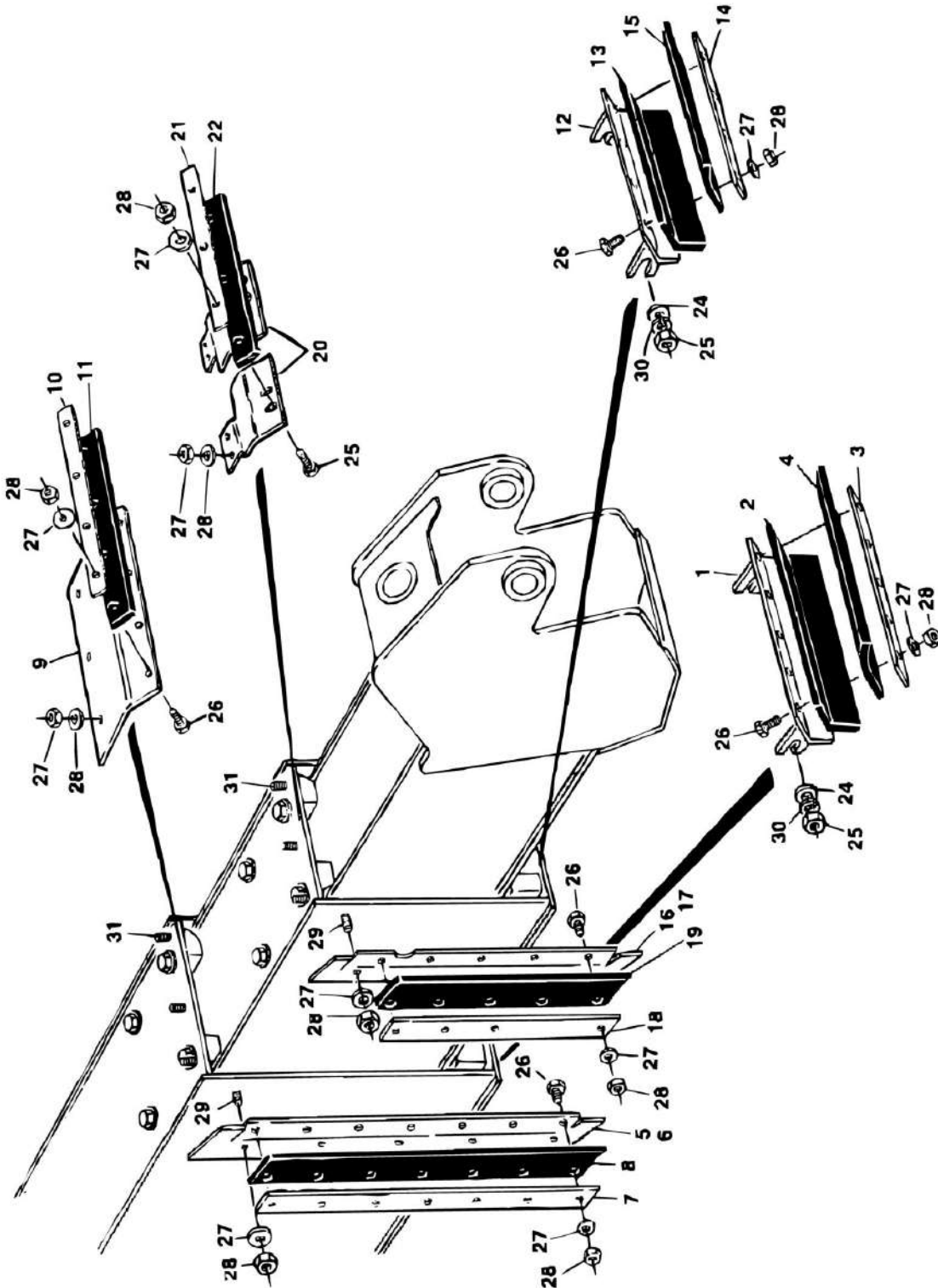


FIGURE 3-2. BOOM WIPERS INSTALLATION

ITEM	PART NUMBER	QTY	DESCRIPTION	REV
		Ref	BOOM WIPERS INSTALLATION OPTIONS:	
	0237345	Ref	BOOM WIPERS INSTALLATION (Prior To October 1992)	-
	0253245	Ref	BOOM WIPERS INSTALLATION (October 1992 To Present)	-
1	2660047	1	Holder (Base Bottom)	
2	3960357	1	Seal (Base Bottom)	
3	4280255	1	Retainer (Base Bottom)	
4	0540065	1	Wiper (Base Bottom)	
5	2660048	1	Holder (Base Right Side)	
6	2660049	1	Holder (Base Left Side)	
7	4280256	2	Retainer (Base Side)	
8	0540066	2	Wiper (Base Side)	
9	2660050	1	Holder (Base Top)	
10	4280197	1	Retainer (Base Top)	
11	0540047	1	Wiper (Base Top)	
12	2660054	1	Holder (Mid Bottom)	
13	3960356	1	Seal (Mid Bottom)	
14	4280258	1	Retainer (Mid Bottom)	
15	0540068	1	Wiper (Mid Bottom)	
16	2660052	1	Holder (Mid Right Side)	
17	2660051	1	Holder (Mid Left Side)	
18	4280257	2	Retainer (Mid Side)	
19	0540067	2	Wiper (Mid Side)	
20		Ref	Holder Options:	
20	2660055	1	Holder (1 Piece) (Mid Top) (Prior to October 1992)	
20	2660083	1	Holder (Mid Left Top) (October 1992 to Present)	
20	2660084	1	Holder (Mid Right Top) (October 1992 to Present)	
21		Ref	Retainer (Mid Top) Options:	
21	4280195	1	Retainer (Mid Top) Prior to October 1992	
21	4280282	1	Retainer (Mid Top) October 1992 to Present	
22		Ref	Wiper (Mid Top)	
22	0540045	1	Wiper (Mid Top) Prior to October 1992	
22	0540088	1	Wiper (Mid Top) October 1992 to Present	
23	4300034	8	Stud (Welded on Part) (Not Shown)	
24	4751600	8	Flatwasher 3/8in	
25	3311601	8	Nut 3/8in-16NC	
26	0641408	AR	Bolt 1/4in-20NC x 1in	
27	4761400	AR	Lockwasher 1/4in	
28	3311401	AR	Nut 1/4in-20NC	
29	4300031	22	Stud (Welded on Part)	
30	4761600	8	Lockwasher 3/8in	
31	4300032	7	Stud (Welded on Part)	

SECTION 3 - BOOM

FIGURE 3-3. EXTEND-A-REACH INSTALLATION

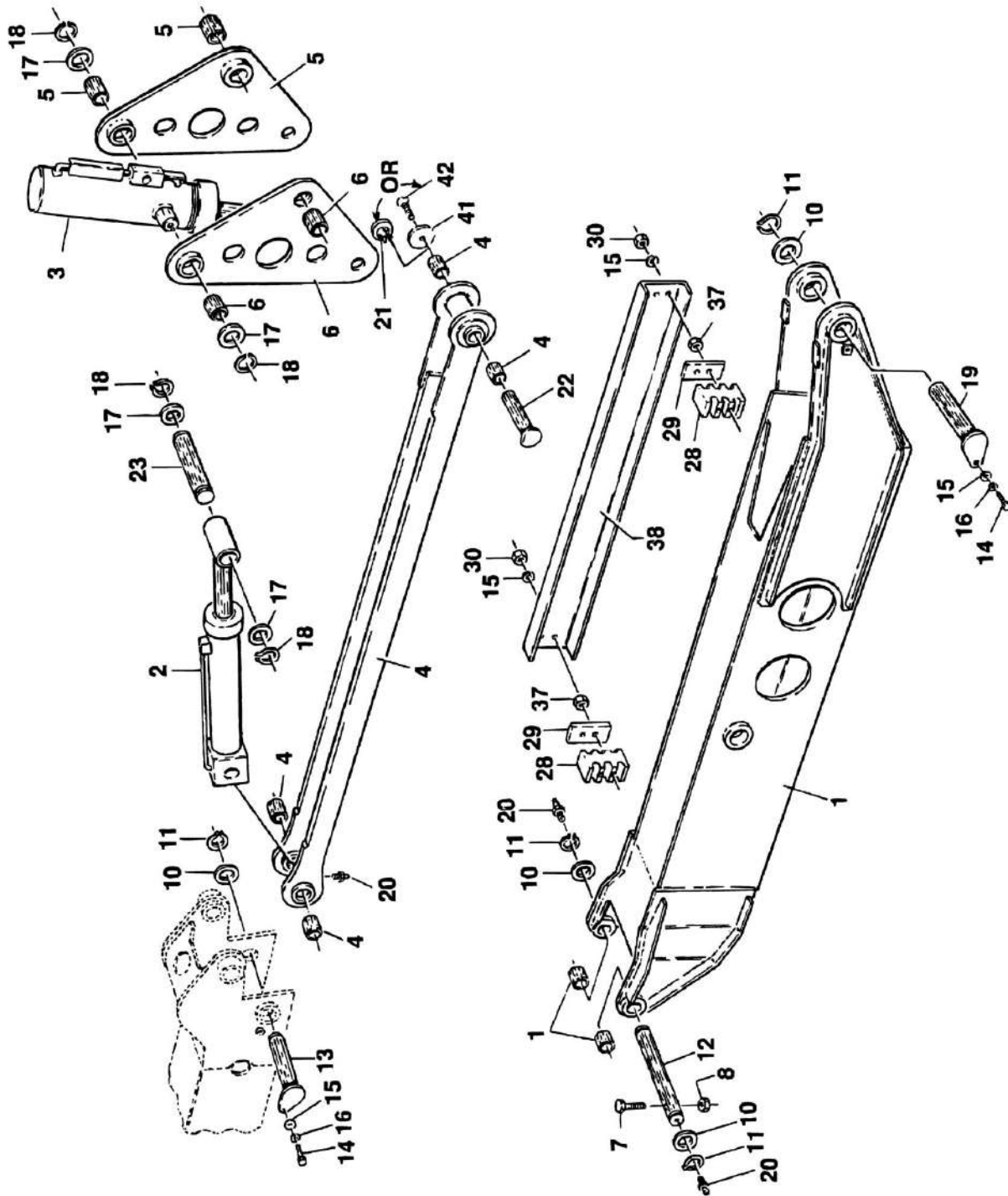


FIGURE 3-3. EXTEND-A-REACH INSTALLATION

ITEM	PART NUMBER	QTY	DESCRIPTION	REV
		Ref	EXTEND-A-REACH INSTALLATION OPTIONS:	
	0237673	Ref	Standard (Prior To February 1991)	J
	0251632	Ref	Standard (February 1991 To S/N 40677)	3
	0258949	Ref	Standard (SN 40677 to Present)	1
	0251494	Ref	CSA (Prior to SN 40677)	4
	0258950	Ref	CSA (SN 40677 to Present)	1
1	4842579	1	Snoot Weldment (Prior to SN 40677)	
1	0961528	2	Bushing, Bronze	
1	4845930	1	Snoot Weldment (SN 40677 to Present)	
1	0961654	2	Bushing, Bronze	
2	1681730	1	Extend-A-Reach Lift Cylinder Assembly (See CYLINDER SECTION for Breakdown)	
3		Ref	Extend-A-Reach Slave Level Cylinder Assembly Options (See CYLINDER SECTION for Breakdown)	
3	1681791	1	Cylinder (Prior to February 1991)	
3	1682459	1	Cylinder (February 1991 to S/N 29914)	
3	1683494	1	Cylinder (SN 29914 to Present)	
4	4842601	1	Link Weldment	
4	0961185	2	Bushing, Bronze (Boom Attach End)	
4	0961098	2	Bushing, Bronze (Pivot Plate Attach End)	
5	4842606	1	Plate, Pivot (Right Side)	
5	0961200	1	Bushing, Bronze (Front Center)	
5	0961201	1	Bushing, Bronze (Top)	
6	4842605	1	Plate, Pivot (Left Side)	
6	0961200	1	Bushing, Bronze (Front Center)	
6	0961201	1	Bushing, Bronze (Top)	
7	0641622	1	Bolt 3/8in-16NC x 2 3/4in	
8	3311605	1	Locknut 3/8in-16NC	
9	0100011	AR	Loctite #242 (Not Shown)	
10	4740332	4	Washer, Special	
11	3760233	4	Ring, Retaining	
12		Ref	Pin Options:	
12	3421428	1	Standard (Prior to February 1991)	
12	3421823	1	Standard (February 1991 to Present)	
12	3421819	1	CSA	
13	3421511	1	Pin	
14	0641606	2	Bolt 3/8in-16NC x 3/4in	
15	4751600	6	Flatwasher 3/8in	
16	4761600	2	Lockwasher 3/8in	
17	4740333	4	Washer, Special	
18	3760237	4	Ring, Retainer	
19		Ref	Pin Options:	
19	3421513	1	Standard (Prior to SN 40677)	
19	3422768	1	Standard (SN 40677 to Present)	
19	3421821	1	CSA (Prior to SN 40677)	
19	3422766	1	CSA (SN 40677 to Present)	
20	2160002	6	Fitting, Grease	
21	3760133	1	Ring, Retaining (Prior to February 1991)	
22		Ref	Pin Options:	
22	3421429	1	Standard (Prior to February 1991)	

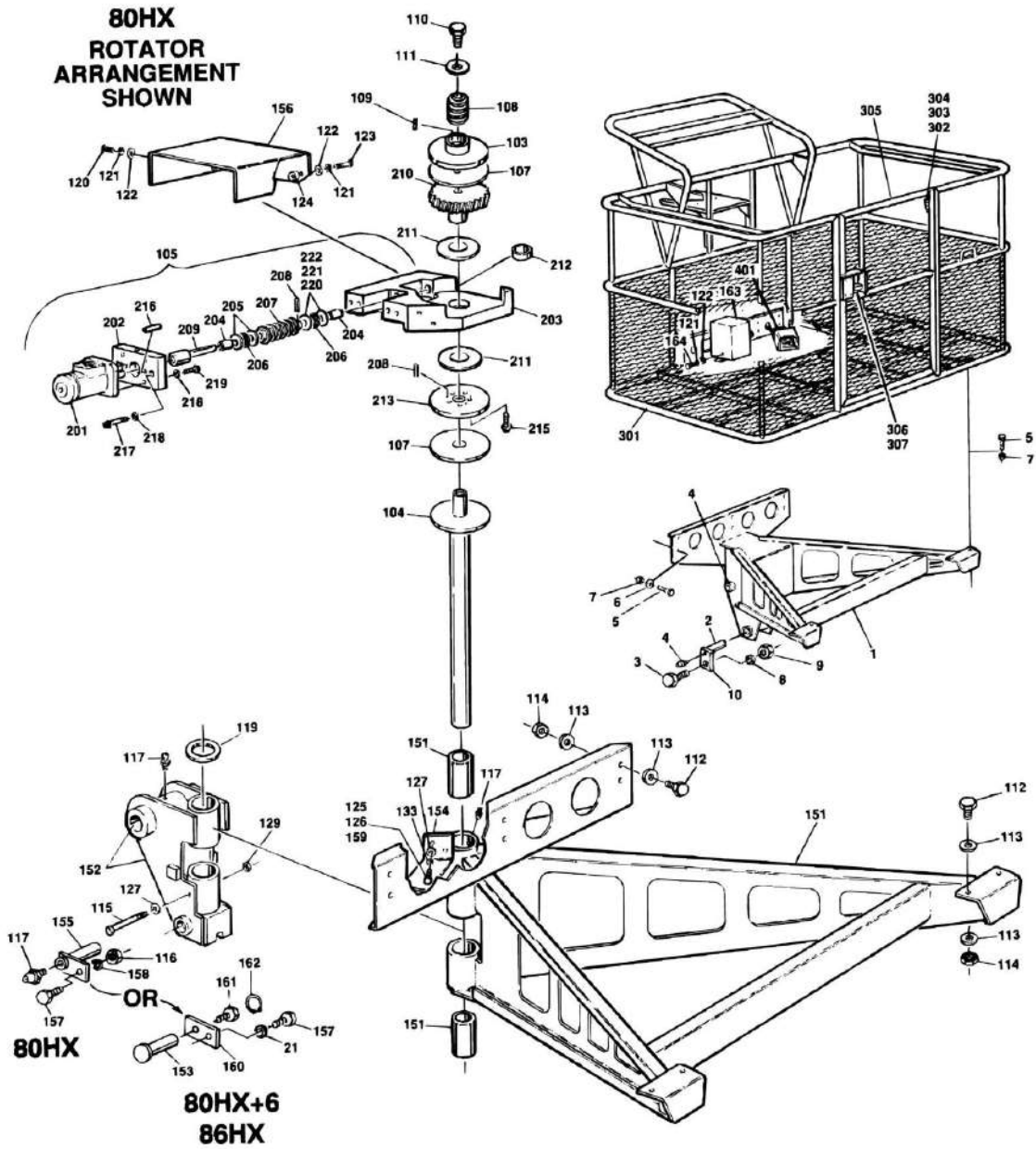
SECTION 3 - BOOM

ITEM	PART NUMBER	QTY	DESCRIPTION	REV
22	3421950	1	Standard (February 1991 to Present)	
22	3421950	1	CSA	
23	3421376	1	Pin	
28	1320145	2	Clamp	
29	0361524	2	Bar	
30	3311605	4	Locknut 3/8in-16NC	
36	4300076	4	Stud 3/8in-16NC x 3 (Welded on Parts) (Not Shown)	
37	3311602	4	Nut, Jam 3/8in-16NC	
38	1670456	1	Cover, Hose	
41	4740390	1	Washer	
42	0741606	1	Screw, Countersunk 3/8in-16NC x 3/4in	

SECTION 4 - PLATFORMS

SECTION 4 - PLATFORMS

FIGURE 4-1. STANDARD PLATFORM AND FOOTSWITCH INSTALLATION.



SECTION 4 - PLATFORMS

FIGURE 4-1. STANDARD PLATFORM AND FOOTSWITCH INSTALLATION.

ITEM	PART NUMBER	QTY	DESCRIPTION	REV
		Ref	FIXED SUPPORT INSTALLATION	
	0236830	Ref	Fixed Support Installation 80HX & 80H	A
	0238154	Ref	Fixed Support Installation 80HX+6 & 86HX	B
1		Ref	Support Weldment Options:	
1	4842403	1	Support Weldment 80HX & 80H	
1	4842817	1	Support Weldment 80HX+6 & 86HX (Not Shown)	
1		Ref	Bushing Options:	
1	0961024	2	Bushing 80HX & 80H	
1	0961185	2	Bushing 80HX+6 & 86HX	
2		Ref	Pin Options:	
2	3421176	1	Pin 80HX & 80H	
2	3421426	1	Pin 80HX+6 & 86HX (Prior to January 1991)	
2	3421825	1	Pin 80HX+6 & 86HX (January 1991 to November 1991)	
2	3422019	1	Pin 80HX+6 & 86HX (November 1991 to Present)	
3		Ref	Bolt Options:	
3	0641608	1	Bolt 80HX & 80H (Bolt 3/8in-16NC x 1in)	
3	Not Required	0	Bolt 80HX+6 & 86HX (Prior to November 1991)	
3	0641405	1	Bolt 80HX+6 & 86HX November 1991 to Present (Bolt 4-20NC x 5/8in)	
4	2160002	AR	Fitting, Grease	
5	0681610	10	Bolt 3/8in-16NC x 1 1/4in	
6	4751600	AR	Flatwasher 3/8in	
7	3311605	10	Locknut 3/8in-16NC	
8	4761600	1	Lockwasher 3/8in	
9		Ref	Nut 3/8in-16NC Options:	
9	3311601	1	Nut 3/8in-16NC 80HX & 80H	
9	Not Required	0	Nut 3/8in-16NC 80HX+6 & 86HX	
10		Ref	Retainer Options:	
10	Part of 2	1	Retainer 80HX & 80H	
10	Not Required	0	Retainer 80HX+6 & 86HX Prior to January 1991	
10	4740385	2	Retainer 80HX+6 & 86HX January 1991 to November 1991 (Washer)	
10	0362079	1	Retainer 80HX+6 & 86HX November 1991 to Present (Bar)	
10	3900159	1	Retainer 80HX+6 & 86HX Used After January 1991 (Screw, Countersunk 1/2in-13NC x 3/4in - Not Shown)	
10	3760237	1	Retainer 80HX+6 & 86HX Used Prior to January 1991 (Ring, Retaining - Not Shown)	
		Ref	ROTATOR AND SUPPORT INSTALLATION	
	0236831	Ref	Rotator and Support Installation 80HX & 80H ANSI Spec	F
	0251459	Ref	Rotator and Support Installation 80HX & 80H CSA Spec/2:15 Stability	B
	0237672	Ref	Rotator and Support Installation 80HX+6/86HX ANSI Spec	5
	0251488	Ref	Rotator and Support Installation 80HX+6/86HX CSA Spec/2:15 Stability	5
103	1120299	1	Cap	
104	4842046	1	Rotator Shaft	
105	0235238	1	Rotator Assembly (See Items 201-226 for Breakdown)	
107	3340454	2	Pad, Brake	
108	4160026	8	Washer, Belleville	
109	2880404	1	Key	
110	0652014	1	Bolt 5/8in-18NF x 1 3/4in	

SECTION 4 - PLATFORMS

ITEM	PART NUMBER	QTY	DESCRIPTION	REV
111	4752000	1	Flatwasher 5/8in	
112	0681610	10	Bolt 3/8in-16NC x 1 1/4in (Grade 8)	
113	4751600	21	Flatwasher 3/8in	
114	3300143	10	Locknut 3/8in-16NC	
115	0641836	1	Bolt 1/2in-13NC x 4 1/2in	
116	3311601	1	Nut 3/8in-16NC	
117	2160002	4	Fitting, Grease	
119	4740158	1	Washer, Thrust	
120	0641404	1	Bolt 1/4in-20NC x 1/2in	
121	4761400	AR	Lockwasher 1/4in	
122	4751400	AR	Flatwasher 1/4in	
123	0641408	1	Bolt 1/4in-20NC x 1in	
124	4562083	1	Spacer	
125	0641811	2	Bolt 1/2in-13NC x 1 3/8in	
126	1380137	2	Clip, Retainer	
127	4751800	1	Flatwasher 1/2in	
129	3311805	1	Locknut 1/2in-13NC	
133	4761800	2	Lockwasher 1/2in	
151		Ref	Support Weldment Options:	
151	0236261	1	Support Weldment 80HX & 80H	
151	4842609	1	Support Weldment 80HX+6 & 86HX	
151	0960564	2	Bushing, Bronze	
152		Ref	Pivot Weldment Options:	
152	0236741	1	Pivot Weldment 80HX & 80H	
152	0237975	1	Pivot Weldment 80HX+6 & 86HX Prior to January 1991	
152	0251512	1	Pivot Weldment 80HX+6 & 86HX January 1991 to Present	
152		Ref	Bushing, Bronze Options:	
152	0961024	2	Bushing 80HX & 80H	
152	0961185	2	Bushing 80HX+6 & 86HX	
153		Ref	Pin Options:	
153	Not Required	0	Pin 80HX & 80H	
153	3421426	1	Pin 80HX+6 & 86HX Prior to January 1991	
153	3421825	1	Pin 80HX+6 & 86HX January 1991 to November 1991	
153	3422019	1	Pin 80HX+6 & 86HX November 1991 to Present	
154		Ref	Mount Options:	
154	3200194	1	Mount 80HX & 80H	
154	0901411	1	Mount 80HX+6 & 86HX (Not Shown) (Prior to SN 36975)	
154	Not Required	0	Mount 80HX+6 & 86HX (SN 36975 to Present)	
155		Ref	Pin Options:	
155	3421176	1	Pin 80HX & 80H	
155	Not Required	0	Pin 80HX+6 & 86HX	
156		Ref	Cover, Rotator Options:	
156	1670322	1	Cover, Rotator 80HX & 80H	
156	1670421	1	Cover, Rotator 80HX+6 & 86HX	
157		Ref	Bolt Options:	
157	0641612	1	Bolt 80HX & 80H (Bolt 3/8in-16NC x 1 1/2in)	
157	Not Required	0	Bolt 80HX+6 & 86HX Prior to November 1991	
157	0641405	1	Bolt 80HX+6 & 86HX November 1991 to Present (Bolt 1/4in-20NC x 5/8in)	
157	0100011	AR	LOCTITE #242	
158	4761600	AR	Lockwasher 3/8in	
159		Ref	Wire, Mechanics Options:	

SECTION 4 - PLATFORMS

ITEM	PART NUMBER	QTY	DESCRIPTION	REV
159	4920986	AR	Wire, Mechanics 80HX & 80H	
159	4920385	AR	Wire, Mechanics 80HX+6 & 86HX	
160		Ref	Retainer Options:	
160	Not Required	0	Retainer 80HX & 80H	
160	Not Required	0	Retainer 80HX+6 & 86HX Prior to January 1991	
160	4740385	2	Retainer 80HX+6 & 86HX January 1991 to November 1991 (Washer)	
160	0362079	1	Retainer 80HX+6 & 86HX November 1991 to Present (Bar)	
161		Ref	Screw, Countersunk 1/2in-13NC x 3/4in Options:	
161	Not Required	0	Retainer 80HX & 80H	
161	Not Required	0	Retainer 80HX+6 & 86HX Prior to January 1991	
161	3900159	1	Retainer 80HX+6 & 86HX January 1991 to Present	
162		Ref	Ring, Retaining Options:	
162	Not Required	0	Ring, Retaining 80HX & 80H	
162	3760237	1	Ring, Retaining 80HX+6 & 86HX Prior to January 1991	
162	Not Required	0	Ring, Retaining 80HX+6 & 86HX January 1991 to Present	
163		Ref	Cover, Motor Options:	
163	Not Required	0	Cover, Motor 80HX & 80H	
163	1670422	1	Cover, Motor 80HX+6 & 86HX	
164	0641406	AR	Bolt 1/4in-20NC x 3/4in	
	0235238	Ref	ROTATOR ASSEMBLY	E
		Ref	Note: For Machines Built Prior to September 1991 refer to Service Information Bulletin #91-5 for required upgrade.	
201	3160083	1	Rotator Motor Assembly (See ROTATOR MOTOR ASSEMBLY for Breakdown)	
202	0080099	1	Adapter, Motor	
203	2760064	1	Housing, Gear	
204	0440134	2	Bearing, Sleeve	
205	4740199	4	Washer, Thrust	
206	0440120	2	Bearing, Thrust	
207	2440043	1	Gear, Worm	
208	3440816	4	Rollpin 1/4in x 1in	
209	0080098	1	Adapter, Motor to Worm Gear	
210	2440044	1	Gear, Worm	
211	4740256	2	Washer, Thrust	
212	0440135	1	Bearing, Sleeve	
213	1760068	1	Disc, Brake (Note: Bolt Holes Not Drilled In Replacement Disc)	
215	3931010	5	Bolt, Socket Head #10-24NC x 5/8in	
216	3441228	2	Rollpin 3/8in x 1 3/4in	
217	3931620	2	Bolt, Socket Head 3/8in-16NC x 1 1/4in	
218	4761600	6	Lockwasher 3/8in	
219	3931612	4	Bolt, Socket Head 3/8in-16NC x 3/4in	
220	4070585	AR	Shim.010	
221	4070586	AR	Shim.005	
222	4070587	AR	Shim.002	
223	0100019	AR	Loctite #271 (Not Shown)	
224	0100021	AR	Primer (Not Shown)	
225	2160001	1	Fitting, Grease - 90	
226	3020025	AR	Grease (Not Shown)	
		Ref	PLATFORM WELDMENTS	
		Ref	NOTE: REPLACEMENT DECALS MUST BE ORDERED SEPARATELY - SEE DECALS SECTION.	

SECTION 4 - PLATFORMS

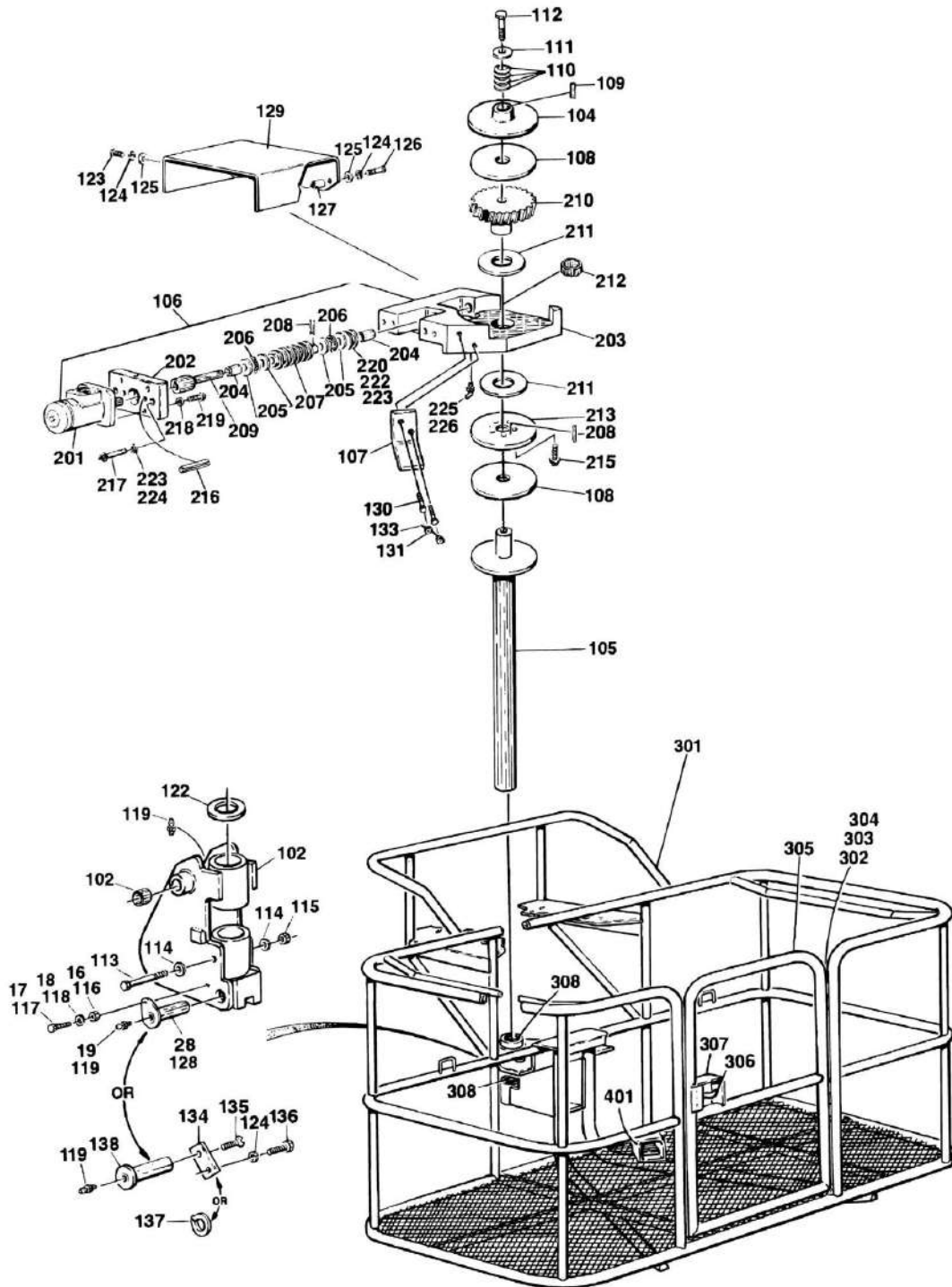
ITEM	PART NUMBER	QTY	DESCRIPTION	REV
301		Ref	Standard Platform Options:	
301		Ref	3' x 4' (91.5cm x 123cm):	
301		Ref	Standard Platform 80HX & 80H:	
301	3510138	1	Platform (Prior to July 1993)	
301	3510438	1	Platform (July 1993 to Present)	
301		Ref	Standard Platform (80HX+6/86HX)	
301	3510439	1	Platform	
301		Ref	3' X 5' (91.5cm x 152.5cm):	
301		Ref	Standard Platform (80HX & 80H)	
301	3510141	1	Platform with PQ Controllers (Prior to September 1990)	
301	3510150	1	Platform with OEM Controllers (Prior to September 1990)	
301	3510268	1	Platform (September 1990 to Present)	
301	3510353	1	Platform with Slide Bar and Kickplates	
301	3510234	1	Platform with Welded-on Bumper	
301	3510268	1	Platform with Chain-Attached Bumper	
301	3510512	1	Platform with Mesh to Top Rail	
301		Ref	Standard Platform (80HX+6/86HX)	
301	3510271	1	Platform	
301	3510319	1	Platform with Welded-on Bumper	
301	3510271	1	Platform with Chain Attached Bumper	
301		Ref	3' X 6' (91.5cm x 183cm):	
301		Ref	Standard Platform (80HX & 80H)	
301	3510148	1	Platform with PQ Controllers (Prior to September 1990)	
301	3510161	1	Platform with OEM Controllers (Prior to September 1990)	
301	3510269	1	Platform (September 1990 to Present)	
301	3510358	1	Platform with Slide Bar and Kickplates	
301	3510262	1	Platform with Welded-on Bumper	
301	3510269	1	Platform with Chain Attached Bumper	
301		Ref	Standard Platform (80HX+6/86HX)	
301	3510272	1	Platform	
301	3510320	1	Platform with Welded-on Bumper	
301	3510272	1	Platform with Chain Attached Bumper	
301		Ref	3' x 8' (91.5cm x 244cm):	
301		Ref	Standard Platform (80HX & 80H)	
301	3510139	1	Platform with PQ Controller (Prior to September 1990)	
301	3510153	1	Platform with OEM Controller (Prior to September 1990)	
301	3510270	1	Platform (September 1990 to Present)	
301	3510437	1	Platform with Slide Bar	
301	3510348	1	Platform with Welded-on Bumper	
301	3510270	1	Platform with Chain Attached Bumper	
301	3510506	1	Platform with Mesh to Top Rail	
301		Ref	Standard Platform Components:	
302	2600095	2	Pin, Hinge	
303	3311805	2	Locknut 1/2in-13NC	
304	2160006	2	Fitting, Grease	
305		Ref	Door Options:	
305	1780145	1	Standard Prior to September 1990	
305	1780252	1	Standard September 1990 to Present	
305	1780288	1	Door with Mesh to Top Rail	
306	2940006	1	Latch, Door	
307	2560010	1	Handle	

SECTION 4 - PLATFORMS

ITEM	PART NUMBER	QTY	DESCRIPTION	REV
	0237963	Ref	FOOTSWITCH INSTALLATION	7
401	0641408	3	Bolt 1/4in-20NC x 1in	
401	3311405	3	Locknut 1/4in-20NC	
401	4740362	3	Washer, Fender	
401	4360031	1	Footswitch	
401	7000625	2	Block, Contact	
401	4460071	1	Connector, Strain Relief	

SECTION 4 - PLATFORMS

FIGURE 4-2. LOW MOUNT PLATFORM AND FOOTSWITCH INSTALLATION



SECTION 4 - PLATFORMS

FIGURE 4-2. LOW MOUNT PLATFORM AND FOOTSWITCH INSTALLATION

ITEM	PART NUMBER	QTY	DESCRIPTION	REV
		Ref	FIXED SUPPORT INSTALLATION	
	0250248	Ref	Fixed Support Installation (Prior to SN 36331)	A
	0258404	Ref	Fixed Support Installation (SN 36331 to Present)	1
16	3322601	1	Nut 3/8in-16NC	
17	0641609	1	Bolt 3/8in-16NC x 1 1/8in	
18	4761600	1	Lockwasher 3/8in	
19	2160002	AR	Fitting, Grease	
28		Ref	Pin Weldment Options:	
28	3421176	1	Pin Weldment (Prior to SN 36331)	
28	3422403	1	Pin Weldment (SN 36331 to Present)	
		Ref	ROTATOR AND SUPPORT INSTALLATION	
	0239341	Ref	Rotator And Support Installation 80HX & 80H ANSI Spec	8
	0251769	Ref	Rotator And Support Installation 80HX & 80H CSA Spec/2:1 Stability	4
	0239342	Ref	Rotator And Support Installation 80HX+6 & 86HX ANSI Spec	G
	0251770	Ref	Rotator And Support Installation 80HX+6 & 86HX CSA Spec/2:1 Stability	D
102		Ref	Pivot Weldment Options:	
102	0236741	1	Pivot Weldment 80HX & 80H	
102	0961024	2	Bushing, Bronze	
102	0237975	1	Bushing, Bronze 80HX+6 & 86HX Prior to March 1991 (Not Shown)	
102	0251512	1	Bushing, Bronze 80HX+6 & 86HX March 1991 to Present (Not Shown)	
102	0961185	2	Bushing, Bronze	
104	1120299	1	Cap	
105		Ref	Shaft Options:	
105	4842046	1	ANSI Spec	
105	4040218	1	CSA Spec/2:1 Stability	
106	0235238	1	Rotator Assembly (See Items 201-226 for Breakdown)	
107		Ref	Mount Options:	
107	0901525	1	Mount 80HX & 80H Prior to July 1990	
107	0901721	1	Mount 80HX & 80H July 1990 to S/N 34229	
107	0902414	1	Mount 80HX & 80H (SN 34229 to Present)	
107	0901524	1	Mount 80HX+6 & 86HX	
108	3340454	2	Pad, Brake	
109	2880404	1	Key	
110	4160026	8	Washer, Belleville	
111	4752000	1	Flatwasher 5/8in	
112	0652014	1	Bolt 5/8in-18NF x 1 3/4in	
113	0641836	1	Bolt 1/2in-13NC x 4 1/2in	
114	4751800	1	Flatwasher 1/2in	
115	3311805	1	Locknut 1/2in-13NC	
116		Ref	Nut 3/8in-16NC Options:	
116	3311601	1	Nut 3/8in-16NC 80HX & 80H	
116	Not Required	0	Nut 3/8in-16NC 80HX+6 & 86HX	
117		Ref	Bolt 3/8in-16NC x 1in Options:	
117	0641608	1	Bolt 3/8in-16NC x 1in 80HX & 80H	
117	Not Required	0	Bolt 3/8in-16NC x 1in 80HX+6 & 86HX	
118		Ref	Lockwasher 3/8in Options:	

SECTION 4 - PLATFORMS

ITEM	PART NUMBER	QTY	DESCRIPTION	REV
118	4761600	1	Lockwasher 3/8in 80HX & 80H	
118	Not Required	0	Lockwasher 3/8in 80HX+6 & 86HX	
119	2160002	AR	Fitting, Grease	
122	4740158	1	Washer, Thrust	
123	0641404	1	Bolt 1/4in-20NC x 1/2in	
124	4761400	2	Lockwasher 1/4in	
125	4751400	2	Flatwasher 1/4in	
126	0641408	1	Bolt 1/4in-20NC x 1in	
127	4562083	1	Spacer, Tube	
128		Ref	Pin Options:	
128	3421176	1	Pin 80HX & 80H	
128	Not Required	0	Pin 80HX+6 & 86HX	
129		Ref	Cover Options:	
129	1670322	1	Cover 80HX & 80H Prior to July 1990	
129	1670519	1	Cover 80HX & 80H July 1990 to April 1992	
129	1670630	1	Cover 80HX & 80H April 1992 to Present	
129	1670421	1	Cover 80HX+6 & 86HX Prior to November 1992	
129	1670630	1	Cover 80HX+6 & 86HX November 1992 to Present	
130	0641811	2	Bolt 1/2in-13NC x 1 3/8in	
131	1380137	2	Clip, Retainer	
133	4920986	AR	Wire, Mechanics	
134		Ref	Retainer Options:	
134	Not Required	0	Retainer 80HX & 80H	
134	Not Required	0	Retainer 80HX+6 & 86HX Prior to March 1991	
134	4740385	1	Retainer 80HX+6 & 86HX March 1991 to November 1991	
134	0362079	1	Retainer 80HX+6 & 86HX November 1991 to Present	
135		Ref	Screw, Countersunk 1/2in-13NC x 3/4in Options:	
135	Not Required	0	Screw, Countersunk 1/2in-13NC x 3/4in 80HX & 80H	
135	3900159	1	Screw, Countersunk 1/2in-13NC x 3/4in 80HX+6 & 86HX Used March 1991 to Present	
135	0100011	AR	LOCTITE #242	
136		Ref	Bolt 1/4in-20NC x 5/8in Options:	
136	Not Required	0	Bolt 1/4in-20NC x 5/8in 80HX & 80H	
136	0641405	1	Bolt 1/4in-20NC x 5/8in 80HX+6 & 86HX	
137		Ref	Ring, Retainer Options:	
137	Not Required	0	Ring, Retainer 80HX & 80H	
137	3760237	1	Ring, Retainer 80HX+6 & 86HX Used Prior to March 1991	
138		Ref	Pin Options:	
138	Not Required	0	Pin 80HX & 80H	
138	3421426	1	Pin 80HX+6 & 86HX (Prior to March 1991)	
138	3421825	1	Pin 80HX+6 & 86HX (March 1991 to November 1991)	
138	3422019	1	Pin 80HX+6 & 86HX (November 1991 to Present)	
	0235238	Ref	ROTATOR ASSEMBLY	E
		Ref	Note: For Machines Built Prior to September 1991 refer to Service Information Bulletin #91-5 for required upgrade.	
201	3160083	1	Rotator Motor Assembly (See ROTATOR MOTOR ASSEMBLY for Breakdown)	
202	0080099	1	Adapter, Motor	
203	2760064	1	Housing, Gear	
204	0440134	2	Bearing, Sleeve	
205	4740199	4	Washer, Thrust	
206	0440120	2	Bearing, Thrust	

SECTION 4 - PLATFORMS

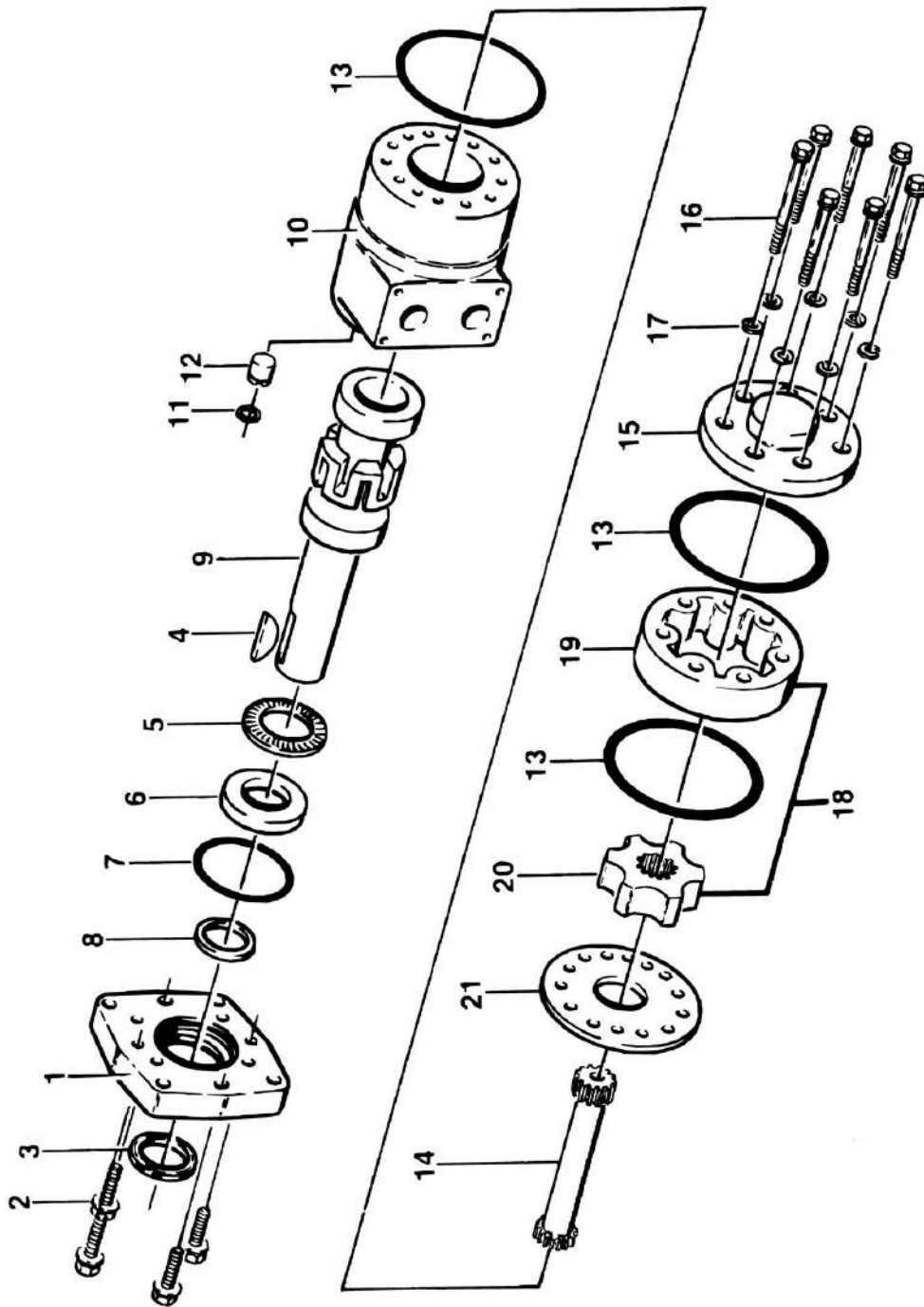
ITEM	PART NUMBER	QTY	DESCRIPTION	REV
207	2440043	1	Gear, Worm	
208	3440816	4	Rollpin 1/4in x 1in	
209	0080098	1	Adapter, Motor to Worm Gear	
210	2440044	1	Gear, Worm	
211	4740256	2	Washer, Thrust	
212	0440135	1	Bearing, Sleeve	
213	1760068	1	Disc, Brake (Note: Bolt Holes Not Drilled In Replacement Disc)	
215	3931010	5	Bolt, Socket Head #10-24NC x 5/8in	
216	3441228	2	Rollpin 3/8in x 1 3/4in	
217	3931620	2	Bolt, Socket Head 3/8in-16NC x 1 1/4in	
218	4761600	6	Lockwasher 3/8in	
219	3931612	4	Bolt, Socket Head 3/8in-16NC x 3/4in	
220	4070585	AR	Shim.010	
221	4070586	AR	Shim.005	
222	4070587	AR	Shim.002	
223	0100019	AR	Loctite #271	
224	0100021	AR	Primer	
225	2160001	1	Fitting, Grease - 90deg	
226	3020025	AR	Grease	
		Ref	PLATFORM WELDMENTS	
		Ref	NOTE: REPLACEMENT DECALS MUST BE ORDERED SEPARATELY - SEE DECALS SECTION.	
301		Ref	Low Mount Platform Options:	
301		Ref	3ft x 5ft (91.5cm x 152.5cm)	
301	3510231	1	Platform - Fixed Support	
301	3510194	1	Platform - Rotating Support (Prior to August 1990)	
301	3510276	1	Platform - Rotating Support (August 1990 to Present)	
301	3510254	1	Platform with Welded-on Bumpers (Standard Controls)	
301	3510279	1	Platform with Welded-on Bumpers (Hydraulic Controls)	
301	3510276	1	Platform with Chain Attached Bumpers	
301	3510512	1	Platform with Mesh to Top Rail	
301		Ref	3ft x 6ft (91.5cm x 183cm)	
301	3510652	1	Platform - Fixed Support (SN 36331 to Present)	
301	3510223	1	Platform - Rotating Support (Prior to August 1990)	
301	3510277	1	Platform - Rotating Support (August 1990 to Present)	
301	3510393	1	Platform with Welded-on Bumpers	
301	3510277	1	Platform with Chain-Attached Bumpers	
301	3510658	1	Platform with Mesh to Top Rail (SN 36331 to Present)	
301		Ref	3ft x 8ft (91.5cm x 244cm)	
301	3510211	1	Platform - Rotating Support (Prior to August 1990)	
301	3510278	1	Platform - Rotating Support (August 1990 to Present)	
301	3510380	1	Platform with Welded-on Bumpers	
301	3510278	1	Platform with Chain Attached Bumpers	
301		Ref	Standard Platform Components	
302	2600143	2	Pin, Hinge	
303	3311805	2	Locknut 1/2in-13NC	
304	2160006	2	Fitting, Grease	
305		Ref	Door Weldment Options:	
305	1780145	1	Standard Door Prior to August 1990	
305	1780252	1	Standard Door August 1990 to Present	
305	1780288	1	Door with Mesh to Top Rail	
306	2940006	1	Latch, Door	

SECTION 4 - PLATFORMS

ITEM	PART NUMBER	QTY	DESCRIPTION	REV
307	2560010	1	Handle	F
308	0960564	2	Bushing, Bronze	
	0237963	Ref	FOOTSWITCH INSTALLATION	
401	0641408	3	Bolt 1/4in-20NC x 1in	
401	3311405	3	Locknut 1/4in-20NC	
401	4740362	3	Washer, Fender	
401	4360031	1	Footswitch	
401	7000625	2	Block, Contact	
401	4460071	1	Connector, Strain Relief	

SECTION 4 - PLATFORMS

FIGURE 4-3. ROTATOR MOTOR ASSEMBLY



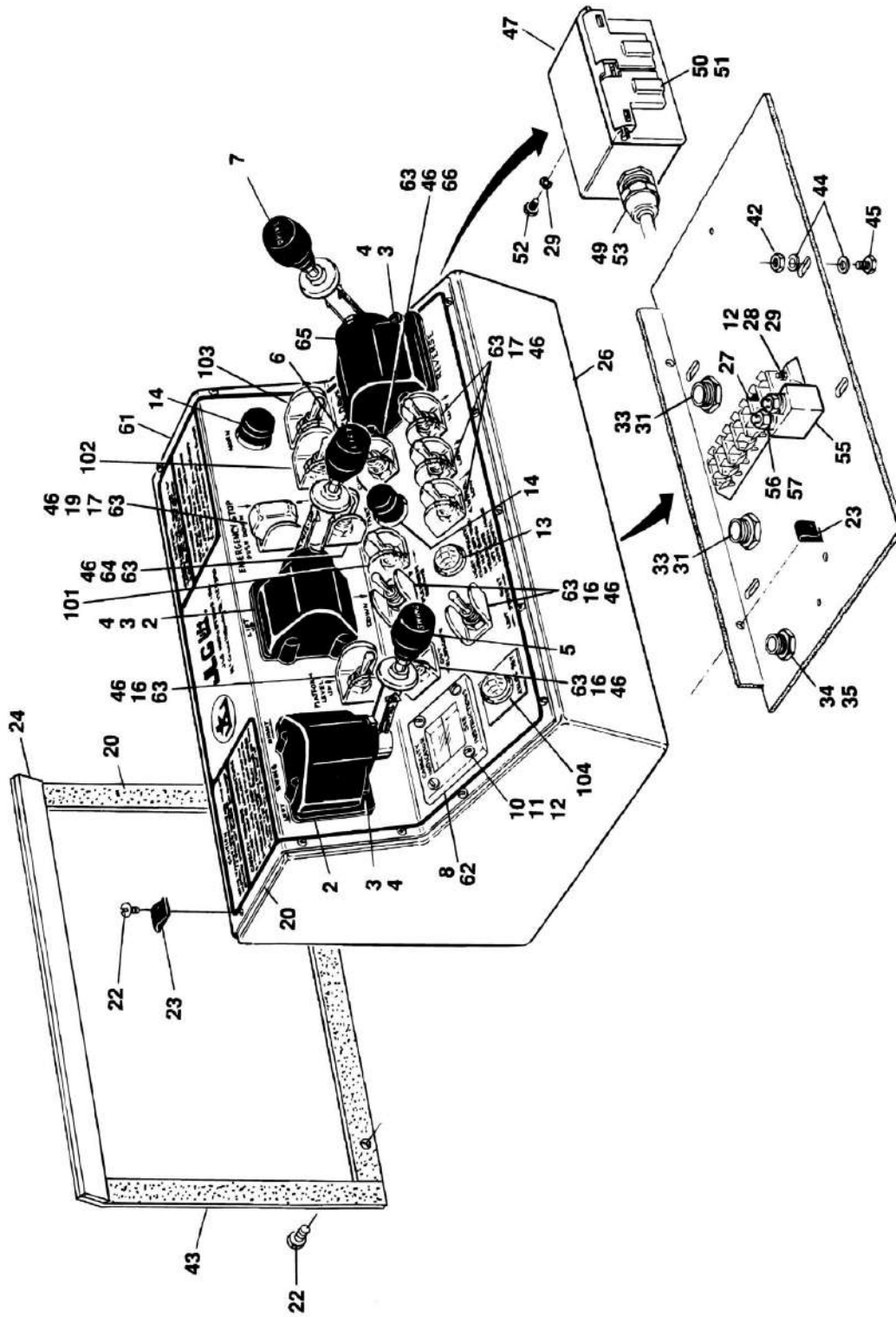
SECTION 4 - PLATFORMS

FIGURE 4-3. ROTATOR MOTOR ASSEMBLY

ITEM	PART NUMBER	QTY	DESCRIPTION	REV
	3160083	Ref	ROTATOR MOTOR ASSEMBLY	
1	7002105	1	Flange, Mounting	
2	7002123	4	Screw, Cap	
3	Kit	1	Seal, Dust	
4	7002104	1	Key, Woodruff	
5	7002111	1	Bearing, Thrust Needle	
6	7002117	1	Thrust, Bearing Race	
7	Kit	1	Seal, O-Ring	
8	Kit	1	Seal, Pressure	
9	7002116	1	Shaft, Output	
10	7002103	1	Housing	
11	Kit	1	Seal	
12	7009992	1	Plug, Housing	
13	Kit	3	Seal, O-Ring	
14	7002112	1	Drive	
15	7002107	1	Cap, End	
16	7002100	7	Screw, Cap	
17	7000166	7	Lockwasher	
18	7002125	1	Gerotor Sub-Assembly	
19	7002110	1	Plate, Spacer	
	2900455	1	Seal Kit (Includes Items 3, 7, 8, 11 & 13) (P/N 101-1009-007)	
	2900733	1	Seal Kit (Includes Items 3, 7, 8, 11 & 13) (P/N's 101-1009-008 & 101-1009-009)	
		Ref	Note: Identify by P/N stamped on nameplate located on Item 10.	

SECTION 4 - PLATFORMS

FIGURE 4-4. CONSOLE BOX ASSEMBLIES - PQ CONTROLLERS WITHOUT PROP TELE (MACHINES BUILT PRIOR TO SEPTEMBER 1991)



SECTION 4 - PLATFORMS

FIGURE 4-4. CONSOLE BOX ASSEMBLIES - PQ CONTROLLERS WITHOUT PROP TELE (MACHINES BUILT PRIOR TO SEPTEMBER 1991)

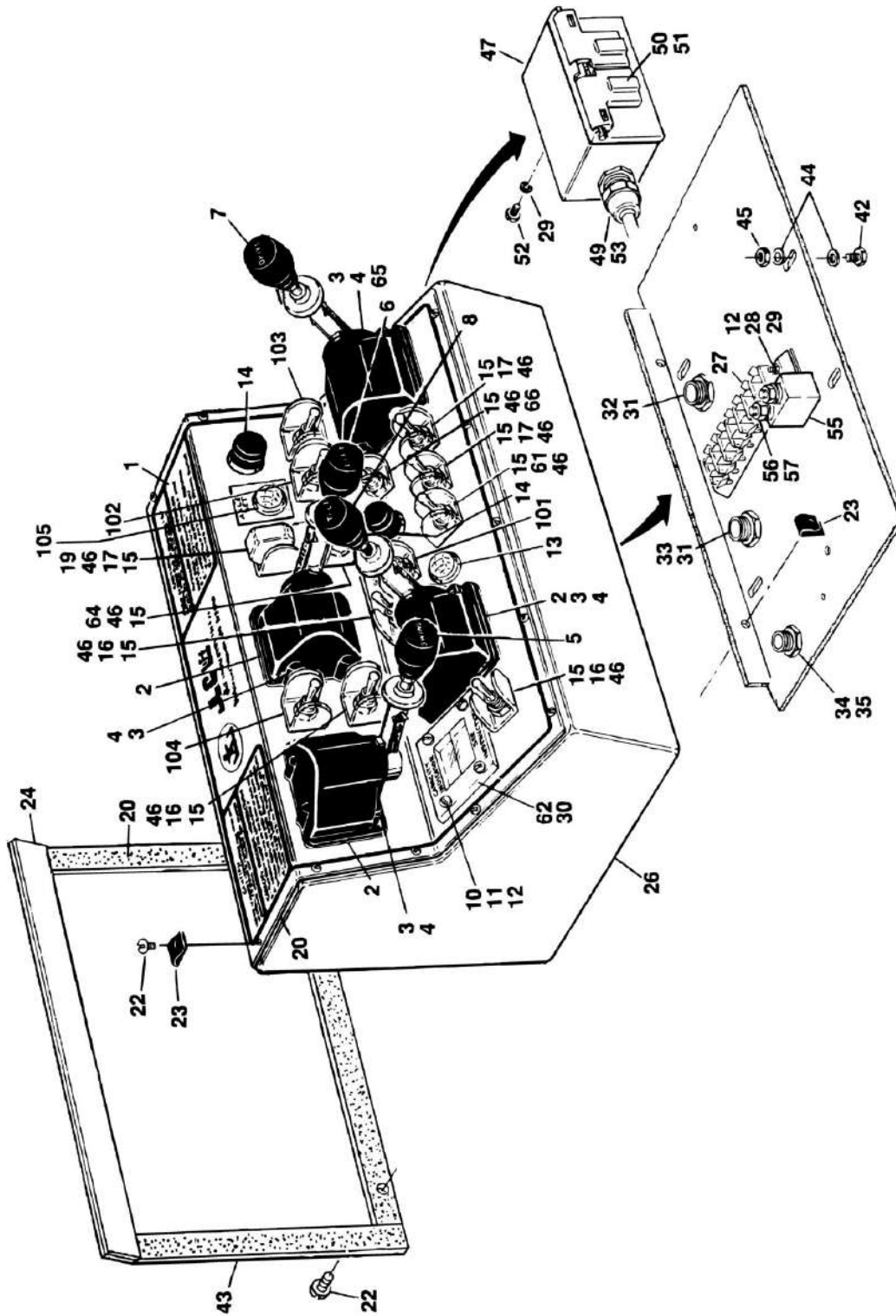
ITEM	PART NUMBER	QTY	DESCRIPTION	REV
		Ref	CONSOLE BOX ASSEMBLY (STANDARD PARTS)	
2	1600094	2	Controller, PQ	
2	7003737	2	Electrical Assembly	
3	0720803	12	Bolt #8-32NC x 3/8in	
4	4760800	12	Lockwasher #8	
5	2560040	1	Knob, Controller (Swing)	
6	2560038	1	Knob, Controller (Lift)	
7	2560041	1	Knob, Controller (Drive)	
8	3960251	1	Gasket	
10	3911014	4	Screw, Round Head #10-24NC x 7/8in	
11	4771000	4	Starwasher #10	
12	3311001	6	Nut #10-24NC	
13	2920015	1	Lamp	
14	4360274	2	Switch, Push Button	
16	4360202	4	Switch, Toggle	
17	4360199	4	Switch, Toggle	
19	4360141	1	Guard, Switch	
20	4420038	34 in.	Tape, Insulation	
21	0100001	AR	Adhesive (Not Shown)	
22	0751006	15	Screw #10-24NC x 3/4in	
23	3300177	15	Nut, Tinnerman	
24	3960250	16"	Weatherstrip	
25	0100009	AR	Silicone-RTV (Not Shown)	
26	0860472	1	Box, Weldment	
27	4460263	1	Strip, Terminal	
28	3911012	2	Screw, Round Head #10-24NC x 3/4in	
29	4761000	6	Lockwasher #10	
31	3300048	2	Locknut, Conduit	
32	4460071	1	Connector, Strain Relief	
33	4460051	1	Connector, Strain Relief	
34	3300047	1	Locknut, Conduit	
35	4460052	1	Connector, Strain Relief	
41	0100011	AR	Loctite #242 (Not Shown)	
42	3311405	4	Locknut 1/4in-20NC	
43	3509858	1	Plate, Rear Cover	
44	4751400	8	Flatwasher 1/4in	
45	0641407	4	Bolt 1/4in-20NC x 7/8in	
46	3790012	AR	O-Ring	
47	0860038	1	Box, Receptacle	
49	4460049	1	Connector, Strain Relief	
50	4460190	1	Receptacle	
51	4060092	1	Shield, Weatherproof	
52	3911008	4	Screw, Machine #10-24NC x 1/2in	
53	0960407	1	Bushing	
55	4360209	1	Breaker, Circuit 20 Amp	
56	3321001	2	Nut #10-32NF	
57	4751000	2	Flatwasher #10	
		Ref	CONSOLE BOX ASSEMBLY (VARIABLE PARTS)	
	0237041	Ref	Machines With Racine Prop Valves And Without Capacity	F

SECTION 4 - PLATFORMS

ITEM	PART NUMBER	QTY	DESCRIPTION	REV
	0237040	Ref	Indicator Machines With Racine Prop Valves And With Capacity Indicator	G
	0237943	Ref	Machines With Vickers Prop Valve And Without Capacity Indicators	E
	0237942	Ref	ANSI Spec Machines With Vickers Prop Valve And With Capacity Indicator	I
	0251667	Ref	CSA SpecMachines With Vickers Prop Valve And With Capacity Indicator	C
	0238199	Ref	CONSOLE BOX ASSEMBLY 80H 4WD Machines With Vickers Prop Valves And Without Capacity Indicator	E
	0238198	Ref	CONSOLE BOX ASSEMBLY 80H 4WD Machines With Vickers Prop Valves And With Capacity Indicator	G
61		Ref	Lid, Console Options:	
61	3251537	1	Machines With Racine Prop Valves	
61	3251741	1	ANSI Spec Machines With Vickers Prop Valve	
61	3252086	1	CSA Spec Machines With Vickers Prop Valve	
61	3251741	1	Lid, Console 80H 4WD Machines With Vickers Prop Valves	
62		Ref	Capacity Components Options:	
62	3251551	1	Decal - Without Capacity Indicator	
62	2960006	1	Lens - With Capacity Indicator	
63		Ref	Shield, Switch	
63	4060087	9	ANSI Spec	
63	4060229	9	CSA Spec	
64		Ref	Switch, Toggle Options:	
64	4360204	1	Machines With Racine Prop Valves	
64	4360200	1	Machines With Vickers Prop Valve	
64	4360200	1	Switch, Toggle 80H 4WD Machines With Vickers Prop Valves	
65		Ref	Controller, PQ Options:	
65	1600094	1	Controller, PQ 80H 2WD & All 80HX & 80HX+6 & 86HX	
65	1600095	1	Controller, PQ 80H 4WD Machines	
65		Ref	Controller Replacement Parts (Also Refer top/n 3120351 PQ Controller Supplement):	
65		Ref	Electrical Assembly Options:	
65	7003737	1	1600094 Controller	
65	7003746	1	1600095 Controller	
65	7003751	1	Potentiometer	
66		Ref	Switch, Toggle - 2WD/4WD Select Options:	
66	Not Required	0	Switch, Toggle 80H 2WD & All 80HX & 80HX+6 & 86HX	
66	4360199	1	Switch, Toggle 80H 4WD	
		Ref	OPTIONAL INSTALLATIONS	
101		Ref	Glow Plug Control Components (Location may vary)	
101	4360200	1	Switch, Toggle	
101	4060087	1	Shield, Switch	
101	3790012	1	O-Ring	
102		Ref	Beacon Lights Controls Components	
103		Ref	Lights Controls Components	
103	4360199	1	Switch, Toggle	
103	4060087	1	Shield, Switch	
103	3790012	1	O-Ring	
104		Ref	Axle Set Indicator Light Components	
104	2920015	1	Lamp, Indicator	
104	3251655	1	Nameplate	

SECTION 4 - PLATFORMS

FIGURE 4-5. CONSOLE BOX ASSEMBLIES - PQ CONTROLLERS WITH PROP TELE (MACHINES BUILT PRIOR TO SEPTEMBER 1991)



SECTION 4 - PLATFORMS

FIGURE 4-5. CONSOLE BOX ASSEMBLIES - PQ CONTROLLERS WITH PROP TELE (MACHINES BUILT PRIOR TO SEPTEMBER 1991)

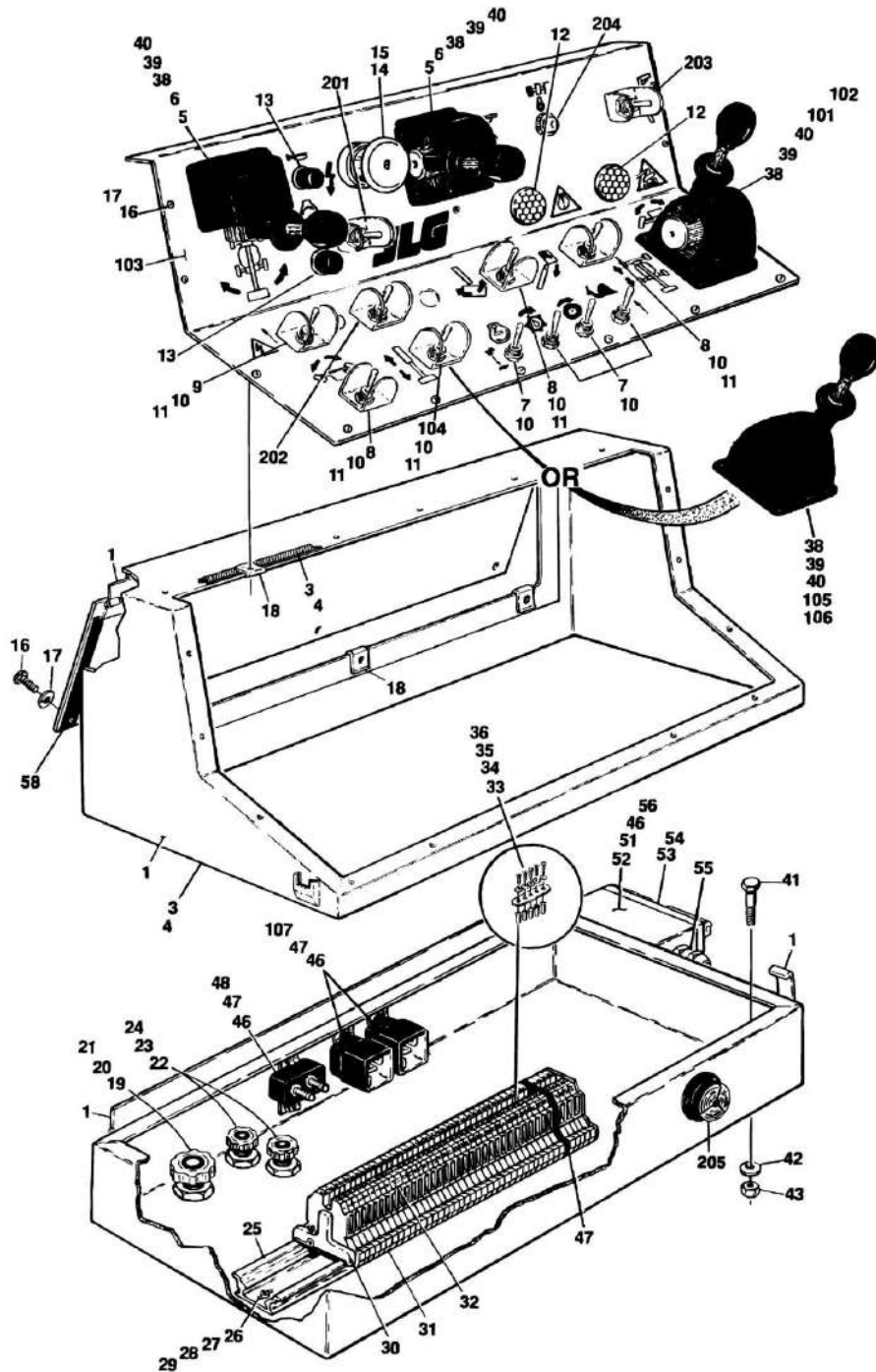
ITEM	PART NUMBER	QTY	DESCRIPTION	REV
		Ref	CONSOLE BOX ASSEMBLY (STANDARD PARTS)	
1	3251742	1	Lid, Console	
2	1600094	3	Controller, PQ	
2	7003737	3	Electrical Assembly	
2	7003751	3	Potentiometer	
3	0720803	12	Bolt #8-32NC x 3/8in	
4	4760800	12	Lockwasher #8	
5	2560040	1	Knob, Controller (Swing)	
6	2560038	1	Knob, Controller (Lift)	
7	2560041	1	Knob, Controller (Drive)	
8	2560039	1	Knob, Controller (Tele)	
10	3911014	4	Screw, Round Head #10-24NC x 7/8in	
11	4771000	4	Starwasher #10	
12	3311001	6	Nut #10-24NC	
13	2920015	1	Lamp	
14	4360274	2	Switch, Push Button	
15	4060087	7	Shield, Switch	
16	4360202	3	Switch, Toggle	
17	4360199	3	Switch, Toggle	
19	4360141	1	Guard, Switch	
20	4420038	34 in.	Tape, Insulation	
21	0100001	AR	Adhesive (Not Shown)	
22	0751006	15	Screw #10-24NC x 3/4in	
23	3300177	15	Nut, Tinnerman	
24	3960240	16"	Weatherstrip	
25	0100009	AR	Silicone - RTV (Not Shown)	
26	0860472	1	Box Weldment	
27	4460263	1	Strip, Terminal	
28	3911012	2	Screw, Round Head #10-24NC x 3/4in	
29	4761000	6	Lockwasher #10	
30	3960251	1	Gasket	
31	3300048	2	Locknut, Conduit	
32	4460071	1	Connector, Strain Relief	
33	4460051	1	Connector, Strain Relief	
34	3300047	1	Locknut, Conduit	
35	4460052	1	Connector, Strain Relief	
41	0100011	AR	Loctite #242 (Not Shown)	
42	3311405	4	Locknut 1/4in-20NC	
43	3509858	1	Plate, Rear Cover	
44	4751400	8	Flatwasher 1/4in	
45	0641407	4	Bolt 1/4in-20NC x 7/8in	
46	3790012	AR	O-Ring	
47	0860038	1	Box, Receptacle	
49	4460049	1	Connector, Strain Relief	
50	4460190	1	Receptacle	
51	4060092	1	Shield, Weatherproof	
52	3911008	4	Screw, Machine #10-24NC x 1/2in	
53	0960407	1	Bushing	
55	4360209	1	Breaker, Circuit - 20 Amp	

SECTION 4 - PLATFORMS

ITEM	PART NUMBER	QTY	DESCRIPTION	REV
56	3321001	2	Nut #10-32NF	
57	4751000	2	Flatwasher #10	
		Ref	CONSOLE BOX ASSEMBLY (VARIABLE PARTS)	
	0236821	Ref	Machines With Racine Valves & Without Capacity Indicator	J
	0236822	Ref	Machines With Racine Valves & With Capacity Indicator	J
	0237948	Ref	Machines With Racine Valves & Without Capacity Indicator	E
	0237947	Ref	Machines With Vickers Valve & With Capacity Indicator	F
61		Ref	Switch, Toggle (Wheel Speed) Options:	
61	Not Required	0	Machines With Racine Valves	
61	4360199	1	Machines With Vickers Valve	
62		Ref	Capacity Components Options:	
62	3251551	1	Decal - Without Capacity Indicator	
62	2960006	1	Lens - With Capacity Indicator	
64		Ref	Switch, Toggle Options:	
64	4360204	1	Switch, Toggle 80HX & 80HX+6 & 86HX With Racine Prop Valves	
64	4360200	1	Switch, Toggle 80HX & 80HX+6 & 86HX With Vickers Prop Valve	
65	1600094	1	Controller, PQ (Also Refer top/n 3120351 PQ Controller Supplement)	
65	7003737	1	Electrical Assembly Options:	
65	7003751	1	Potentiometer	
66	Not Required	0	Not Required	
		Ref	OPTIONAL INSTALLATIONS	
101		Ref	Glow Plug Control Components (Location may vary)	
101	4360200	1	Switch, Toggle	
101	4060087	1	Shield, Switch	
101	3790012	1	O-Ring	
102		Ref	Beacon Lights Controls Components	
103		Ref	Lights Controls Components	
103	4360199	1	Switch, Toggle	
103	4060087	1	Shield, Switch	
103	3790012	1	O-Ring	
104		Ref	Extend-A-Reach Control Components (80HX+6/86HX Only)	
104	4360202	1	Switch, Toggle	
104	4060087	1	Shield, Switch	
104	3790012	1	O-Ring	
104	3251746	1	Nameplate	
105		Ref	Axle Set Light Indicator Components	
105	2920015	1	Lamp, Indicator	
105	3251655	1	Nameplate	

SECTION 4 - PLATFORMS

FIGURE 4-6. CONSOLE BOX ASSEMBLIES - PQ CONTROLLERS WITH PROP VALVE MACHINES BUILT SEPTEMBER 1991 TO PRESENT



SECTION 4 - PLATFORMS

**FIGURE 4-6. CONSOLE BOX ASSEMBLIES - PQ CONTROLLERS WITH PROP VALVE MACHINES
BUILT SEPTEMBER 1991 TO PRESENT**

ITEM	PART NUMBER	QTY	DESCRIPTION	REV
		Ref	CONSOLE BOX ASSEMBLY (STANDARD PARTS)	
1	0860739	1	Box Weldment	
1	2940052	2	Latch	
1	2600105	1	Hinge (Top)	
1	2600132	1	Hinge (Bottom)	
1	3531023	1	Rear Access Door	
3	4420008	69 ft./1.75c	Tape, Insulation	
4	0100001	AR	Adhesive	
5	1600141	2	Controller, PQ	
5	7011907	2	Electrical Assembly	
5	7003751	2	Potentiometer	
6	2560112	2	Knob	
7	4360199	4	Switch, Toggle	
8	4360202	3	Switch, Toggle	
9	4360200	1	Switch, Toggle	
10	3790012	AR	O-Ring	
11	4060229	5	Shield	
12	2920015	2	Lamp	
13	4360274	2	Switch, Push Button	
14		Ref	Switch, Emergency Stop Options:	
14	4360289	1	SWITCH,E-STOP (Prior to SN 47996)	
14	4360475	1	SWITCH,E-STOP (SN 47996 to Present)	
14		Ref	Cap Options:	
14	7012611	1	Cap, Mushroom Head (Used on Switch p/n 4360289)	
14	7012612	1	Boot (Used on Switch p/n 4360289)	
14	7020175	1	Cap, Red (Used on Switch p/n 4360475)	
14	7020176	1	Contact Block (Used on Switch p/n 4360475)	
15		Ref	Block, Contact Options:	
15	4360282	1	Block, Contact (Prior to SN 47996)	
15	4360476	1	Block, Contact (SN 47996 to Present)	
16	4360314	4	Switch, Toggle	
16	0751006	21	Screw #10-24NC x 3/4in	
17	4740120	21	Washer, Nylon	
18	3300177	21	Nut, Tinnerman	
19	4460386	1	Connector, Strain Relief	
20	3300147	1	Nut, Conduit	
21	0960905	1	Bushing	
22	4460052	2	Connector, Strain Relief	
23	3300047	2	Nut, Conduit	
24	0960239	2	Bushing	
25	3640752	1	Track	
26	3910608	2	Screw #6-32NC x 1/2in	
27	4750600	2	Flatwasher #6	
28	4760600	2	Lockwasher #6	
29	3310601	2	Nut #6-32NC	
30	4460299	2	Stop, Terminal	
31	4460298	40	Block, Terminal	
32	4460301	1	Strip, Marking	

SECTION 4 - PLATFORMS

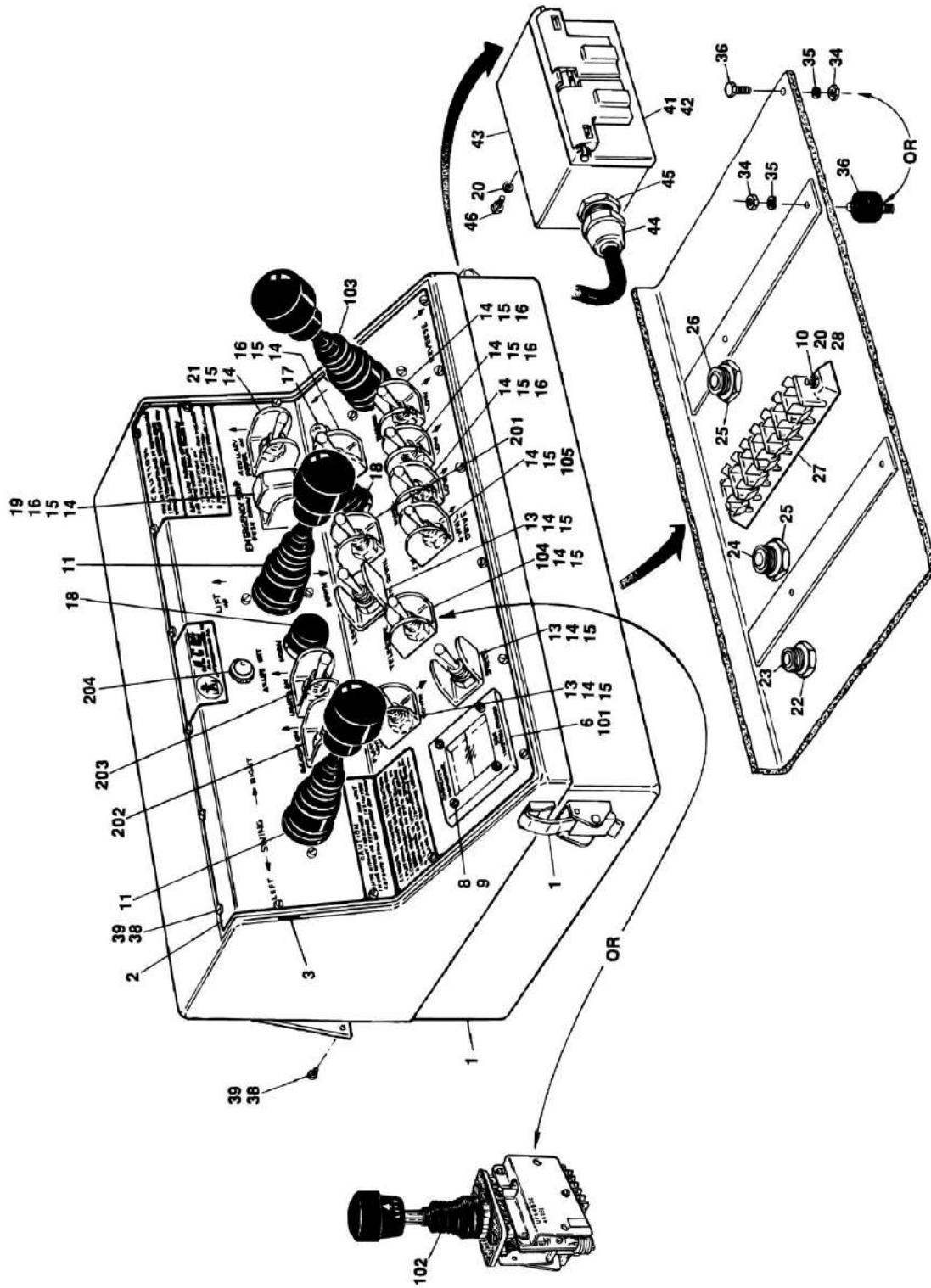
ITEM	PART NUMBER	QTY	DESCRIPTION	REV
33	4460311	1	Bar, Buss	
34	4460305	5	Screw, Terminal	
35	4460306	5	Washer, Terminal	
36	4460307	5	Sleeve, Terminal	
37	4460300	3	Barrier, Terminal	
38	0720803	16	Screw, Machine #8-32NC x 3/8in	
39	4750800	16	Flatwasher #8	
40	4760800	16	Lockwasher #8	
41	0641508	4	Bolt 5/16in- 18NC x 1in	
42	4751500	8	Flatwasher 5/16in	
43	3311505	4	Locknut 5/16in- 18NC	
46	4761000	AR	Lockwasher #10	
47	3311001	AR	Nut #10-24NC	
48	4360209	1	Breaker, Circuit - 20 Amp	
51	3900294	4	Screw #10-16 x 1in	
52	0860038	1	Box, Receptacle	
53	4460190	1	Receptacle (Standard) (See SPECIAL OPTIONS SECTION for Special Options)	
54	4060092	1	Cover, Receptacle (Standard) (See SPECIAL OPTIONS SECTION for Special Options)	
55	4460071	1	Connector, Strain Relief	
56	4751000	4	Flatwasher #10	
57	3520034	2	Plug (Not Shown)	
58	4420037	45	Tape, Insulation	
		in./38cm		
		Ref	CONSOLE BOX ASSEMBLY (VARIABLE PARTS)	
	0860743	Ref	Machines With 2WS & Without Prop Tele	8
	0860842	Ref	Machines With 2WS & Without Prop Tele (Steer Switch On Controller)	7
	0860745	Ref	Machines With 2WS & With Prop Tele	8
	0861260	Ref	U/L Listed Machines With 2WS & With Prop Tele (SN 39960 to Present)	5
	0860744	Ref	Machines With 4WS & Without Prop Tele	8
	0860746	Ref	Machines With 4WS & With Prop Tele	8
101		Ref	Controller, PQ Options:	
101	1600141	1	2WS	
101	1600140	1	4WS	
101		Ref	Controller Replacement Parts (Also Refer top/n 3120351 PQ Controller Supplement):	
101		Ref	Electrical Assembly Options:	
101	7011903	1	1600140 Controller	
101	7011907	1	1600141 Controller	
101	7003751	1	Potentiometer	
101		Ref	Switch, Rocker Options:	
101	7003789	1	1600140 Controller	
101	Not Required	0	1600141 Controller	
102		Ref	Knob Options:	
102	2560112	1	2WS	
102	Not Required	0	4WS	
103		Ref	Lid Options:	
103		Ref	Without Prop Tele:	
103	3252140	1	Prior to May 1994 (Printed Lid)	
103	3252353	1	May 1994 to November 1994 (Printed Lid)	

SECTION 4 - PLATFORMS

ITEM	PART NUMBER	QTY	DESCRIPTION	REV
103	3538394	1	Plate, Decal Mounting Used November 1994 to Present	
103	1702404	1	Decal Only November 1994 to Present	
103		Ref	With Prop Tele:	
103	3252139	1	Lid (Prior to May 1994)	
103	3252364	1	Lid (May 1994 to Present)	
104		Ref	Switch, Toggle Options:	
104	4360202	1	Without Prop Tele	
104	Not Required	0	With Prop Tele	
105		Ref	Controller, PQ Options:	
105	Not Required	0	Without Prop Tele	
105	1600141	1	With Prop Tele	
105		Ref	Controller Replacement Parts (Also Refer top/n 3120351 PQ Controller Supplement):	
105	7011907	1	Electrical Assembly	
105	7003751	1	Potentiometer	
106		Ref	Knob Options:	
106	Not Required	0	Without Prop Tele	
106	2560112	1	With Prop Tele	
107		Ref	Relay Options:	
107	Not Required	0	2WS	
107	3740049	1	4WS	
		Ref	OPTIONAL INSTALLATIONS	
201		Ref	Choke/Glow Plug Components	
201	4360200	1	Switch, Toggle	
201	3790012	1	O-Ring	
201	4060229	1	Shield	
202		Ref	Lights Components	
202	4360199	1	Switch, Toggle	
202	3790012	1	O-Ring	
202	4060229	1	Shield	
203		Ref	Extend-A-Reach Components	
203	4360202	1	Switch, Toggle	
203	3790012	1	O-Ring	
203	4060229	1	Shield	
204	0251210		Axle Set Light Components	A
204	2920026	1	Lamp, Indicator	
204	2920029	1	Bulb, Light	
205	0253077		Tilt Alarm Components	
205	0140026	1	Alarm	

SECTION 4 - PLATFORMS

FIGURE 4-7. CONSOLE BOX ASSEMBLY - OEM CONTROLLERS



SECTION 4 - PLATFORMS

FIGURE 4-7. CONSOLE BOX ASSEMBLY - OEM CONTROLLERS

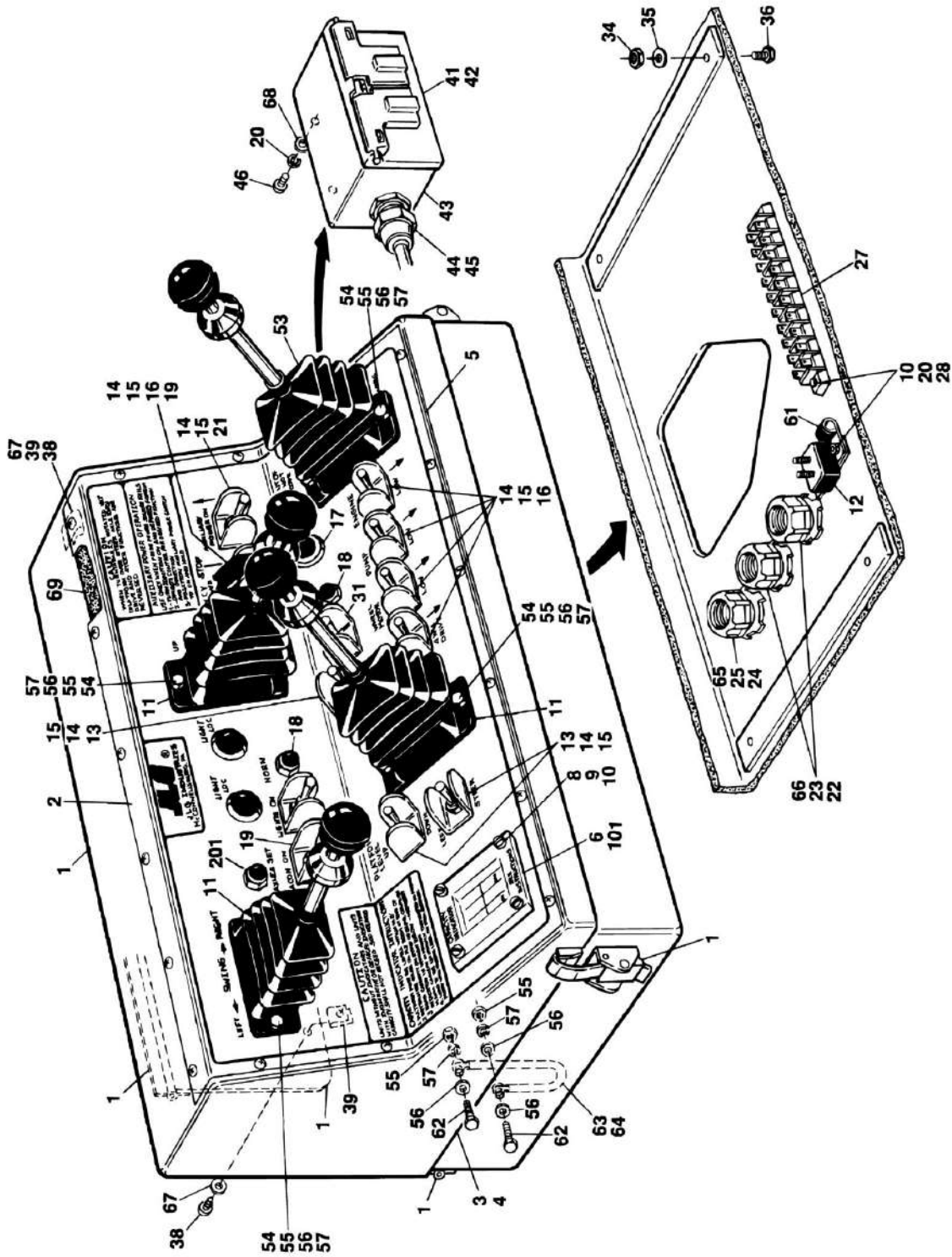
ITEM	PART NUMBER	QTY	DESCRIPTION	REV
		Ref	CONSOLE BOX ASSEMBLY (STANDARD PARTS)	
		Ref	Note: For Machines with 4 1/2in Height Handles see SPECIAL OPTIONS SECTION.	
1	0860538	1	Box Weldment	
1	2600132	1	Hinge (Top to Bottom)	
1	2600105	1	Hinge (Rear Access Door)	
1	2940052	2	Latch	
2	3251678	1	Lid	
3	4420038	45 in./38cm	Tape, Insulation	
4	0100001	AR	Adhesive (Not Shown)	
5	0100009	AR	Silicone, RTV (Not Shown)	
6	3960251	1	Gasket	
8	3911014	4	Screw, Round Head #10-24NC x 7/8in	
9	4771000	4	Starwasher #10	
10	3311001	6	Nut #10-24NC	
11		Ref	Controller, OEM Options:	
11	1600092	2	Controller, OEM (Prior to SN 27148)	
11	1600247	2	Controller, OEM (SN 27148 to Present)	
13	4360202	3	Switch, Toggle	
14	4060087	AR	Shield, Switch	
15	3790012	AR	O-Ring	
16	4360199	5	Switch, Toggle	
17	2920015	1	Lamp	
18	4360274	2	Switch, Push Button	
19	4360141	1	Guard, Switch	
20	4761000	6	Lockwasher #10	
21	4360200	1	Switch, Toggle	
22	3300047	1	Locknut, Conduit	
23	4460052	1	Connector, Strain Relief	
24	4460051	1	Connector, Strain Relief	
25	3300048	2	Locknut, Conduit	
26	4460071	1	Connector, Strain Relief	
27	4460263	1	Strip, Terminal	
28	0721008	2	Screw #10-24NC x 1/2in	
34	3311505	4	Locknut 5/16in-18NC	
35	4751500	8	Flatwasher 5/16in	
36		Ref	Mounting Hardware Option	
36	4320002	4	Stud with Rubber Mount (Prior to August 1990)	
36	0641508	4	Bolt 5/16in-18NC (August 1990 to Present)	
38	0791006	21	Screw, Pan Head #10-24NC x 3/4in	
39	3300177	21	Nut, Tinnerman	
41	4060092	1	Cover, Weathershield	
42	4460190	1	Receptacle, Electrical	
43	0860038	1	Box, Receptacle	
44	4460049	1	Connector, Strain Relief	
45	0960407	1	Bushing	
46	3911008	4	Screw #10-24NC x 1/2in	
		Ref	CONSOLE BOX ASSEMBLY (VARIABLE PARTS)	
	0238264	Ref	Machines Without Capacity Indicator & Without Prop Tele	7

SECTION 4 - PLATFORMS

ITEM	PART NUMBER	QTY	DESCRIPTION	REV
	0238179	Ref	Machines With Capacity Indicator & Without Prop Tele	11
	0238263	Ref	Machines Without Capacity Indicator & With Prop Tele	7
	0238180	Ref	Machines With Capacity Indicator & With Prop Tele	8
	0238290	Ref	80H 4WD Machines Only With Capacity Indicator & Without Prop Tele	7
	0238289	Ref	80H 4WD Machines Only With Capacity Indicator & With Prop Tele	7
101		Ref	Capacity Components Options:	
101	3251551	1	Decal - Without Capacity Indicator	
101	2960006	1	Lens - With Capacity Indicator	
102		Ref	Controller, OEM (Tele) Options:	
102	Not Required	1	Without Prop Tele	
102	1600092	1	With Prop Tele (Prior to SN 27148)	
102	1600247	1	With Prop Tele (SN 27148 to Present)	
103		Ref	Controller, OEM (Drive) Options:	
103	1600092	1	Controller, OEM (Drive) 80H 2WD & All 80HX/80HX+6/86HX Built (Prior to SN 27148)	
103	1600247	1	Controller, OEM (Drive) 80H 2WD & All 80HX/80HX+6/86HX Built (SN 27148 to Present)	
103	1600096	1	80H 4WD Only	
104		Ref	Switch, Toggle (Tele) Options:	
104	4360202	1	Without Prop Tele	
104	Not Required	1	With Prop Tele	
105		Ref	Switch, Toggle (2WD/4WD Select) Options:	
105	Not Required	1	Switch, Toggle 80H 2WD & All 80HX/80HX+6/86HX	
105	4360199	1	Switch, Toggle 80H 4WD Only	
		Ref	OPTIONAL INSTALLATIONS	
201		Ref	Glow Plug/Choke Components	
201	4360199	1	Switch, Toggle	
201	4060087	1	Shield, Switch	
201	3790012	1	O-Ring	
202		Ref	Beacon Components	
202	4360199	1	Switch, Toggle	
202	4060087	1	Shield, Switch	
202	3790012	1	O-Ring	
203		Ref	Lights Components	
203	4360199	1	Switch, Toggle	
203	4060087	1	Shield, Switch	
203	3790012	1	O-Ring	
204	0251210		Axle Set Light Components	A
204	2920026	1	Lamp, Indicator	
204	2920029	1	Bulb, Light	

SECTION 4 - PLATFORMS

FIGURE 4-8. CONSOLE BOX ASSEMBLY - HYDRAULIC CONTROLS



SECTION 4 - PLATFORMS

FIGURE 4-8. CONSOLE BOX ASSEMBLY - HYDRAULIC CONTROLS

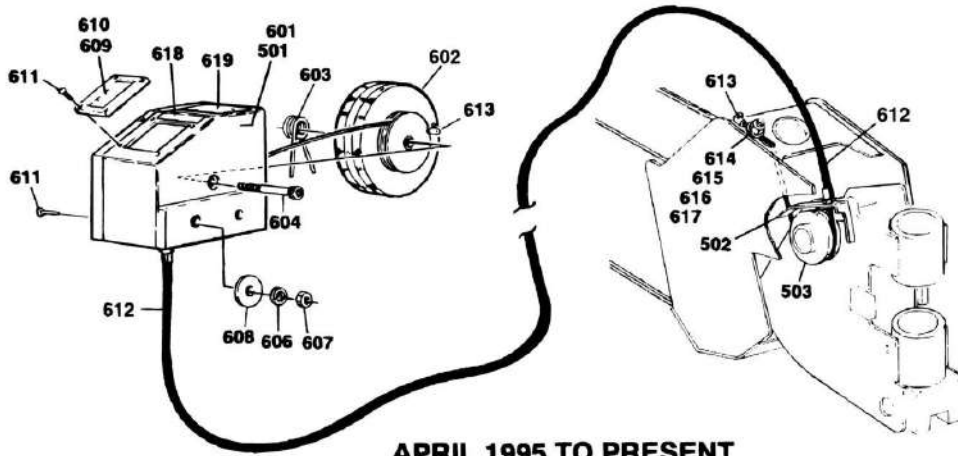
ITEM	PART NUMBER	QTY	DESCRIPTION	REV
		Ref	CONSOLE BOX ASSEMBLY (STANDARD PARTS)	
1	0860565	1	Box Weldment	
1	2950052	1	Latch	
1	2600132	1	Hinge (Top to Bottom)	
1	2600105	1	Hinge (Access Door)	
1	3531023	1	Door, Access (Rear)	
2		Ref	Lid Options:	
2	3251858	1	Lid (Prior to May 1994)	
2	3252374	1	Lid (May 1994 to November 1994)	
2	3538391	1	Plate, Console Decal Mounting (November 1994 to Present)	
2	1702401	1	Decal, Console (November 1994 to Present)	
3	4420008	69 in./1.75m	Tape, Insulation	
4	0100001	AR	Adhesive (Not Shown)	
5	0100009	AR	Silicone, RTV (Not Shown)	
6	3960251	1	Gasket	
8	3911014	4	Screw, Round Head #10-24NC x 7/8in	
9	4771000	4	Starwasher #10	
10	3311001	8	Nut #10-24NC	
11		Ref	Controller Options:	
11	4640559	3	Controller (Prior February 1992)	
11	4640748	3	Controller (February 1992 to Present)	
11	7009352	AR	Boot (1 Per Assembly)	
11	7012314	AR	Lever Kit (1 Per Assembly)	
11	7012316	AR	Spring, Handle Lock (1 Per Assembly)	
12	4360209	1	Breaker, Circuit - 20 Amp	
13	4360202	3	Switch, Toggle	
14		Ref	Switch, Shield Options:	
14	4060087	AR	Shield (Prior to May 1994)	
14	4060229	AR	Shield (May 1994 to Present)	
15	3790012	AR	O-Ring	
16	4360199	4	Switch, Toggle	
17	2920015	1	Lamp	
18	4360274	2	Switch, Push Button	
19	4360141	1	Cover, Switch	
20	4761000	8	Lockwasher #10	
21	4360200	1	Switch, Toggle	
22	3300047	2	Locknut, Conduit	
23	4460052	2	Connector, Strain Relief	
24	4460051	1	Connector, Strain Relief	
25	3300048	1	Locknut, Conduit	
27	4460263	1	Strip, Terminal	
28	3911012	4	Screw #10-24NC x 3/4in	
34	3311505	4	Locknut 5/16in-18NC	
35	4751500	8	Flatwasher 5/16in	
36	0641508	4	Bolt 5/16in-18NC	
38	0751006	21	Screw #10-24NC x 3/4in	
39	3300177	21	Nut, Tinnerman	
41	4060092	1	Shield, Weatherproof (See SPECIAL OPTIONS SECTION for Options)	

SECTION 4 - PLATFORMS

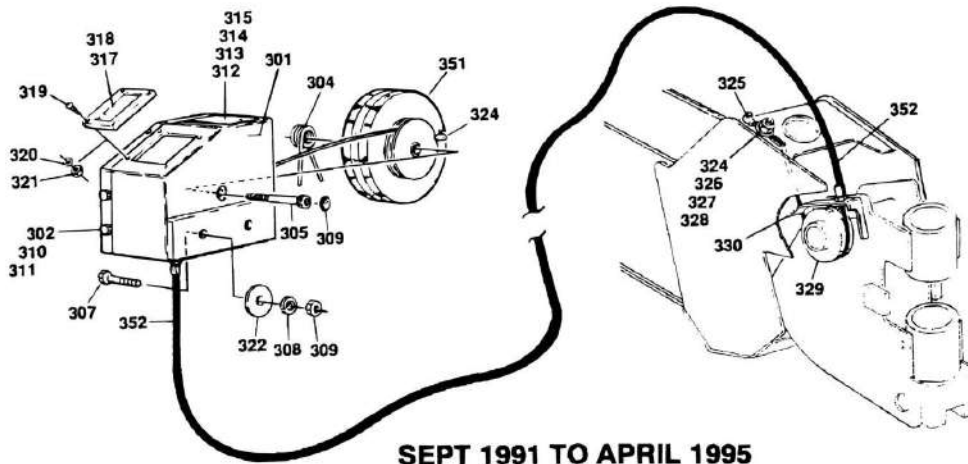
ITEM	PART NUMBER	QTY	DESCRIPTION	REV
42	4460190	1	Receptacle, Electrical (See SPECIAL OPTIONS SECTION for Options)	
43	0860038	1	Box, Electrical	
44	4460071	1	Connector, Strain Relief	
45	0960407	1	Reducer	
46	3900294	4	Screw #10-16 x 1in	
53		Ref	Controller Options:	
53	4640560	1	Controller (Prior to February 1992)	
53	4640749	1	Controller (February 1992 to Present)	
53	7009352	AR	Boot (1 Per Assembly)	
53	7012314	AR	Lever Kit (1 Per Assembly)	
53	7012316	AR	Spring, Handle Lock (1 Per Assembly)	
54	0641406	8	Bolt 1/4in-20NC x 3/4in	
55	3311401	20	Nut 1/4in-20NC	
56	4751400	16	Flatwasher 1/4in	
57	4761400	12	Lockwasher 1/4in	
61	1320041	1	Clamp	
62	0641409	4	Bolt 1/4in-20NC x 1 1/8in	
63	1260017	16	Chain	
		in./41cm		
64	2820022	15	Tubing	
		in./39cm		
65	0960238	1	Bushing	
66	0960239	2	Bushing	
67	4741000	21	Washer, Nylon	
68	4751000	4	Flatwasher #10	
69	4420037	12	Tape, Insulation	
		in./27cm		
		Ref	CONSOLE BOX ASSEMBLY (VARIABLE PARTS)	
	0239229	Ref	Machines With Capacity Indicator & Standard Platform (Prior To December 1989)	16
	0250606	Ref	Machines With Capacity Indicator & Standard Platform (December 1989 To Present)	H
	0254246	Ref	Machines With Capacity Indicator & Low Mount Platform	D
101	2960006	1	Lens, Capacity Indicator	
	0251210	Ref	AXLE SET LIGHT INSTALLATION (80HX/80HX+6/86HX)	A
201	2920026	1	Lamp, Indicator	
201	2920029	1	Bulb, Light	

SECTION 4 - PLATFORMS

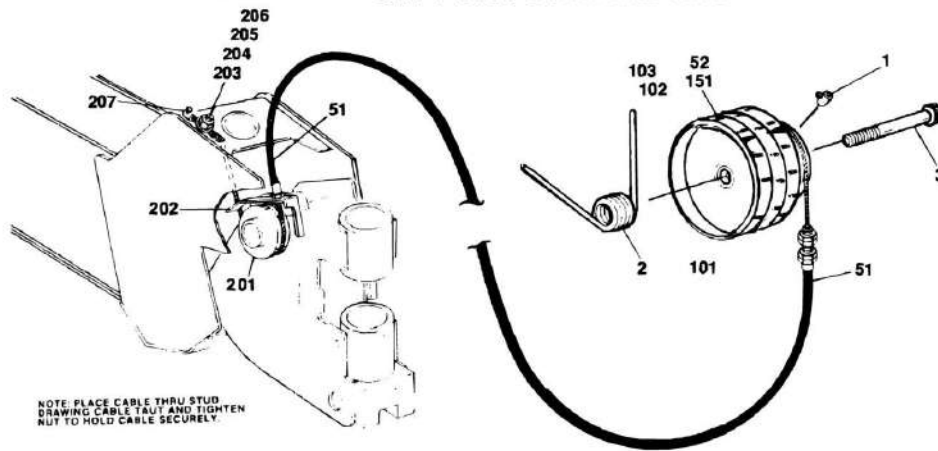
FIGURE 4-9. CAPACITY INDICATOR INSTALLATION (OPTIONAL)



APRIL 1995 TO PRESENT



SEPT 1991 TO APRIL 1995



NOTE: PLACE CABLE THRU STUD
DRAWING CABLE TIGHT AND TIGHTEN
NUT TO HOLD CABLE SECURELY.

PRIOR TO SEPT 1991

SECTION 4 - PLATFORMS

FIGURE 4-9. CAPACITY INDICATOR INSTALLATION (OPTIONAL)

ITEM	PART NUMBER	QTY	DESCRIPTION	REV
		Ref	Note: Use 1-207 for machines with standard controls built prior to September 1991 and all machines with hydraulic controls.	
		Ref	Use 301-403 for machines with standard controls built September 1991 to April 1995. Use 501-652 for machines with standard controls built April 1995 to present.	
		Ref	GAGE INSTALLATIONS (STANDARD PARTS) (SEE NOTE FOR USAGE)	
1	4220044	2	Stop, Throttle	
2	4160058	1	Spring, Torsion	
3	3900111	1	Screw, Shoulder 3/8in-16NC x 1 3/4in	
	0100011	AR	LOCTITE #242	
		Ref	GAGE INSTALLATIONS (VARIABLE PARTS) (SEE NOTE FOR USAGE)	
51		Ref	Cable Options:	
51	1060168	1	Cable (80HX with Racine Prop Valves)	
51	1060168	1	Cable (80HX/80HX+6 with Vickers Prop Valves, with Prop Tele and with Standard Platform)	
51	1060369	1	Cable (80HX/80HX+6 with Vickers Prop Valves, without Prop Tele and with Standard Platforms)	
51	1060417	1	Cable (80HX with Vickers Prop Valves and Low Mount Platforms)	
51	1060369	1	Cable (80HX+6 without Prop Tele and with Low Mount Platform)	
51	1060168	1	Cable (80HX+6 with Prop Tele and with Low Mount Platform)	
52		Ref	Capacity Indicator Gage Options (See Items 101-151 for Breakdown):	
52	2420055	1	Gage (Domestic/Standard)	
52	2420050	1	Gage (CSA/2:1 Stability)	
		Ref	CAPACITY INDICATOR GAGE ASSEMBLY (SEE NOTE FOR USAGE) (STANDARD PARTS)	
101	2420057	1	Housing	
102	0440042	2	Bearing, Ball	
103	4561774	1	Tube, Spacer	
		Ref	CAPACITY INDICATOR GAGE ASSEMBLY (SEE NOTE FOR USAGE) (VARIABLE PARTS)	
	2420055	Ref	ANSI Spec	
	2420050	Ref	CSA Spec/2:1 Stability	
151		Ref	Nameplate - Capacity	
151	1700503	1	ANSI Spec	
151	1700502	1	CSA Spec/2:1 Stability	
	0236834	Ref	CAPACITY INDICATOR INSTALLATION (SEE NOTE for usage)	C
201	3580092	1	Pulley	
202	1670340	1	Cover	
203	1320109	1	Cable	
204	4751600	3	Flatwasher 3/8in	
205	4761600	1	Lockwasher 3/8in	
206	3321601	1	Nut 3/8in-24NF	
207	4220044	1	Stop, Throttle	
	1281750	Ref	CAPACITY INDICATOR INSTALLATION (SEE NOTE FOR USAGE) (STANDARD PARTS)	D
301	4843851	1	Box Weldment	
302	4843852	1	Sideplate Weldment	

SECTION 4 - PLATFORMS

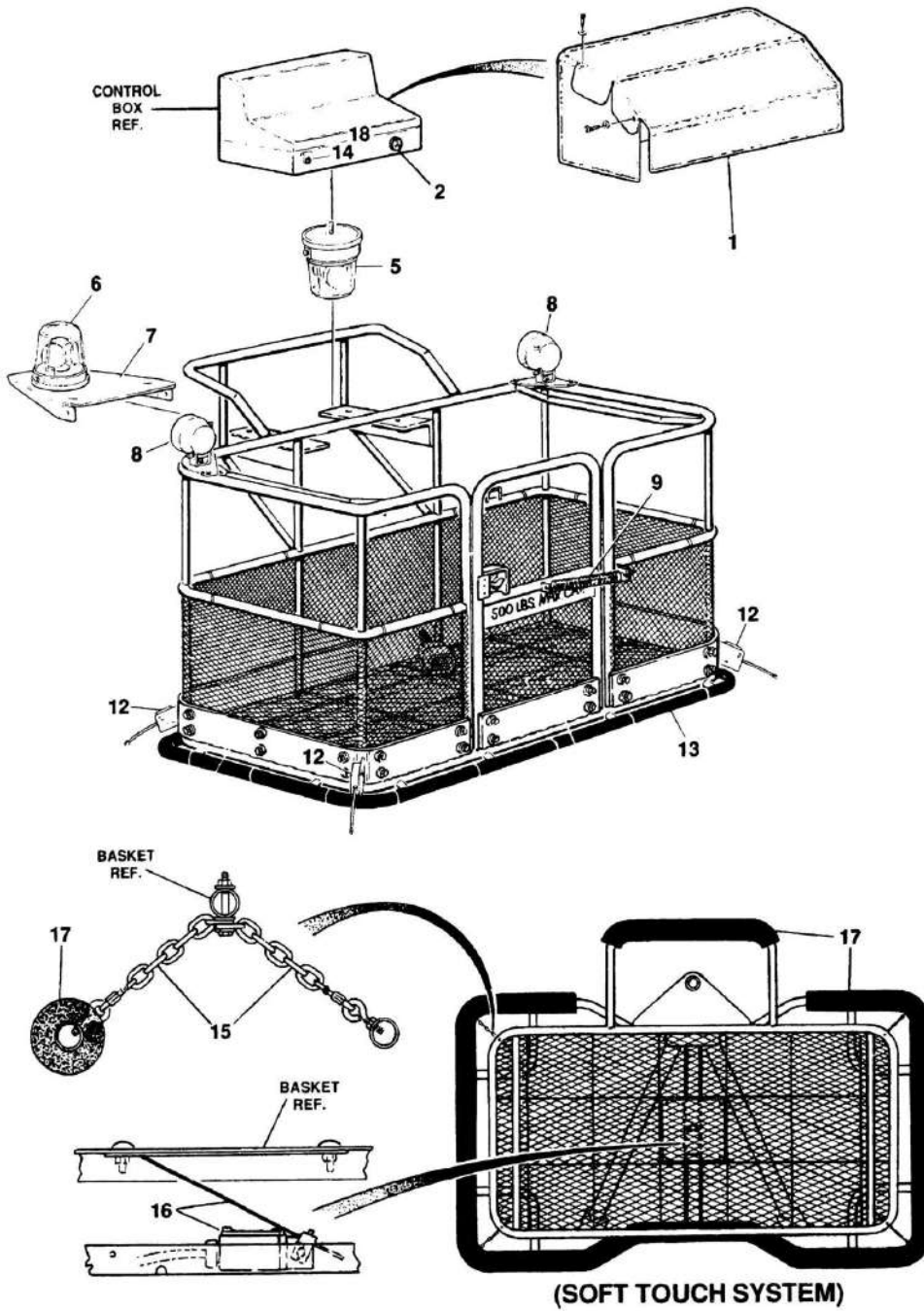
ITEM	PART NUMBER	QTY	DESCRIPTION	REV
304	4160058	1	Spring, Torsion	
305	3900111	1	Bolt, Shoulder 3/8in-16NC x 1 3/4in	
306	0100011	AR	Loctite #242 (Not Shown)	
307	0641408	2	Bolt 1/4in-20NC x 1in	
308	4751400	2	Flatwasher 1/4in	
309	3311405	2	Locknut 1/4in-20NC	
310	4761400	4	Lockwasher 1/4in	
311	0641404	4	Bolt 1/4in-20NC x 1/2in	
312		Ref	Nameplate Options:	
312	3252084	1	Nameplate (Prior to May 1994)	
312	3252346	1	Nameplate (May 1994 to Present)	
313	3300177	6	Nut, Tinnerman	
314	0751006	6	Screw #10-24NC x 3/8in	
315	0100001	AR	Adhesive (Not Shown)	
316	4420008	24 in./61cm	Tape, Insulation	
317	3960251	1	Gasket	
318	2960006	1	Lens	
319	3911014	4	Screw #10-24NC x 7/8in	
320	4771000	4	Starwasher #10	
321	3311001	4	Nut #10-24NC	
322	4740362	2	Washer, Fender	
324	4220044	2	Stop, Throttle	
325	1320109	1	Clamp, Cable	
326	4751600	1	Flatwasher 3/8in	
327	4761600	1	Lockwasher 3/8in	
328	3321601	1	Nut 3/8in-24NF	
329	3580183	1	Pulley	
330	1670340	1	Cover, Pulley	
	0252285	Ref	CAPACITY INDICATOR INSTALLATION (SEE NOTE FOR USAGE) (VARIABLE PARTS)	
	0252285	Ref	ANSI Spec Standard Platform	C
	0252510	Ref	CSA Spec Standard Platform	B
	0253437	Ref	ANSI Spec Low Mount Platform	B
	0253438	Ref	CSA Spec Low Mount Platform	C
351		Ref	Capacity Indicator Gage Options (See Items 401-403 for Breakdown):	
351	2420055	1	ANSI Spec	
351	2420050	1	CSA Spec/2:1 Stability	
352		Ref	Cable Options:	
352	1060369	1	Standard Platform	
352	1060417	1	Low Mount Platform	
		Ref	CAPACITY INDICATOR GAGE ASSEMBLY (SEE NOTE FOR USAGE)	
401	2420057	1	Housing	
402	0440042	2	Bearing, Ball	
403	4561774	1	Tube, Spacer	
		Ref	CAPACITY INDICATOR INSTALLATION (SEE NOTE FOR USAGE)	
	0255729	Ref	ANSI Spec Standard Platform	-
	0255730	Ref	CSA Spec Standard Platform	-
	0255731	Ref	ANSI Spec Low Mount Platform	-

SECTION 4 - PLATFORMS

ITEM	PART NUMBER	QTY	DESCRIPTION	REV
	0255732	Ref	CSA Spec Low Mount Platform	-
501		Ref	Capacity Indicator Assembly Options (See Items 601- 619 for Breakdown):	
501	0255725	1	ANSI Spec Standard Platform	
501	0255726	1	CSA Spec Standard Platform	
501	0255727	1	ANSI Spec Low Mount Platform	
501	0255728	1	CSA Spec Low Mount Platform	
502	1670340	1	Cover	
503	3580183	1	Pulley	
		Ref	CAPACITY INDICATOR ASSEMBLIES (SEE NOTE FOR USAGE)	
	0255725	Ref	ANSI Spec Standard Platform	-
	0255726	Ref	CSA Spec Standard Platform	-
	0257605	Ref	Brazil Spec Standard Platform	1
	0257845	Ref	Latin America Spec Standard Platform	1
	0255727	Ref	ANSI Spec Low Mount Platform	-
	0255725	Ref	CSA Spec Low Mount Platform	-
	0257606	Ref	Brazil Spec Low Mount Platform	1
	0257847	Ref	Latin America Spec Low Mount Platform	1
601	4845039	1	Box Assembly	
602		Ref	Gauge, Capacity Indicator	
602	2420055	1	ANSI Spec	
602	2420050	1	CSA Spec	
602	2420184	1	Brazil & Latin America Spec (Standard)	
602	2420185	1	Brazil & Latin America Spec (Low Mount)	
603	4160058	1	Spring	
604	3900111	1	Bolt, Shoulder	
605	0100011	AR	Loctite #242 (Not Shown)	
606	4751400	2	Flatwasher 1/4in	
607	3311405	2	Locknut 1/4in-20NC	
608	4740362	2	Washer, Fender	
609	3960251	1	Gasket	
610		Ref	Lens, Indicator Options:	
610	2960006	1	ANSI & CSA Spec	
610	2960010	1	Brazil Spec	
610	2960011	1	Latin America Spec	
611	3910812	10	Screw, Machine #8-32NC x 3/4in	
612		Ref	Cable Options:	
612	1060369		Standard Platform	
612	1060417		Low Mount Platform	
613	4220044	2	Stop, Throttle	
614	1320109	1	Clamp, Cable	
615	4751600	3	Flatwasher 3/8in	
616	4761600	1	Lockwasher 3/8in	
617	3321601	1	Nut 3/8in-24NC	
618		Ref	Decal - Instructions Options:	
618	7012662	1	ANSI & CSA Spec	
618	1703667	1	Brazil Spec	
618	3252556	1	Latin American Spec	
619		Ref	Decal - Warning Options:	
619	7012672	1	ANSI & CSA Spec	
619	1703668	1	Brazil Spec	
619	3252554	1	Latin American Spec	

SECTION 4 - PLATFORMS

FIGURE 4-10. OPTIONAL COMMON PLATFORM MOUNTED COMPONENTS



SECTION 4 - PLATFORMS

FIGURE 4-10. OPTIONAL COMMON PLATFORM MOUNTED COMPONENTS

ITEM	PART NUMBER	QTY	DESCRIPTION	REV
		Ref	OPTIONAL COMMON PLATFORM MOUNTED COMPONENTS OPTIONS:	
		Ref	CONSOLE BOX COVER INSTALLATIONS	
	0237171	Ref	Console Box Cover Installations (Prior To September 1990)	A
	0239254	Ref	Console Box Cover Installations (Prior To September 1990)	-
	0252054	Ref	Console Box Cover Installations (September 1990 To Present)	2
	0251203	Ref	Console Box Cover Installations (September 1990 To Present)	2
		Ref	Note: See SPECIAL OPTIONS SECTION for Metal Console Covers.	
1		Ref	Cover Options:	
1	1670366	1	PQ Controllers/Prior to September 1990	
1	1670482	1	OEM Controllers/Prior to September 1990	
1	1670607	1	Cover Black/September 1990 to Present	
1	1670526	1	Cover Yellow/September 1990 to Present	
	0254203	Ref	ALARM INSTALLATIONS	B
	0253077	Ref	ALARM INSTALLATIONS	5
2	0140026	1	Alarm	
		Ref	Beacon Light Options:	
5	0252210	Ref	Mounted Under Console (September 1991 to Present)	3
5	0252211	Ref	Mounted Under Console (September 1991 to Present)	3
6	0235980	Ref	Mounted in Front of Console (Prior to September 1991)	A
6	0235981	Ref	Mounted in Front of Console (Prior to September 1991)	A
		Ref	Beacon Options:	
	2920009	1	Red Beacon	
	2920100	1	Red Beacon (U/L)	
	2920018	1	Amber Beacon	
	2920096	1	Amber Beacon (U/L)	
		Ref	Len, Replacement Options:	
	7004238	1	2920018 Light	
	Not Available		2920009/2920100/2920096 Lights	
7	0901449	1	Bracket, Mounting (Prior to September 1991)	
		Ref	WORKLIGHT OPTIONS	
	2900068	Ref	Worklight Options (Prior To November 1992)	F
	0253686	Ref	Worklight Options (November 1992 To May 1995)	-
	0253987	Ref	Worklight Options (May 1995 To Present)	4
	0254748	Ref	With Padded Platform	2
8		Ref	Light Options:	
8	2920013	2	Floodlight (Prior to November 1992)	
8	7004392	2	Bulb, Replacement for p/n 2920013 Light	
8	2920111	2	Halogen Light (November 1992 to Present) (Uses P/N 3536089 Mounting Plate)	
8	7006627	2	Bulb, Replacement for p/n 2920111 Light	
	0250143	Ref	SELF-CLOSING GATE INSTALLATION	A
9	4160028	1	Spring	
9	0900232	1	Bracket (Door Mounted)	
9	0901056	1	Bracket (Platform Mounted)	
9	4220007	1	Stop, Door	
		Ref	PLATFORM BUMPERS INSTALLATION (WELDED-ON TYPE)	
	0250689	Ref	3ft x 5ft STANDARD PLATFORM WITH STANDARD CONTROLS	C

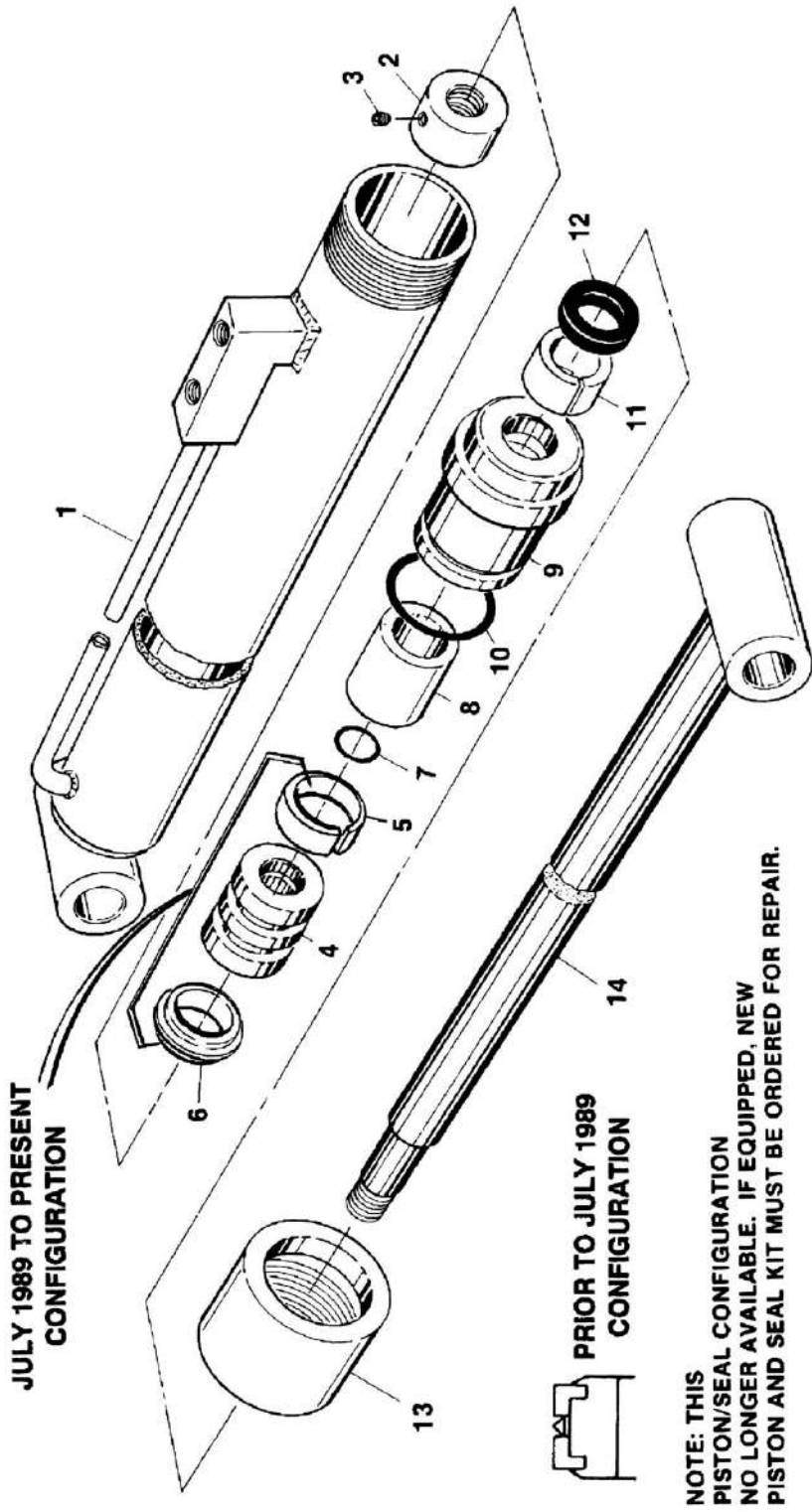
SECTION 4 - PLATFORMS

ITEM	PART NUMBER	QTY	DESCRIPTION	REV
	0251162	Ref	3ft x 5ft STANDARD PLATFORM WITH HYDRAULIC CONTROLS	C
	0251035	Ref	3ft x 6ft STANDARD PLATFORM	C
	0251348	Ref	3ft X 8ft Standard Platform	B
	0251349	Ref	3ft X 5ft Extend-a-reach Platform	B
	0251350	Ref	3ft X 6ft Extend-a-reach Platform	B
	0250919	Ref	3ft X 5ft Low Mount Platform	C
	0253462	Ref	3ft x 6ft LOW MOUNT PLATFORM	A
	0252902	Ref	3ft x 8ft LOW MOUNT PLATFORM	A
12	4360305	4	Switch, Proximity - U/L Machines	
12	4360215	4	Switch, Proximity - Standard Machines	
12	4460521	4	Connector, Strain Relief	
13	0940038	AR	Padding, Bumper	
14	4360274	1	Switch, Push Button (Override)	
14	3251596	1	Nameplate - Override	
14	3740049	1	Relay (Not Shown)	
		Ref	PLATFORM BUMPERS INSTALLATION - SOFT TOUCH SYSTEM (CHAIN MOUNTED TYPE)	
	0254463	Ref	3ft x 5ft LOW MOUNT PLATFORM	6
	0254464	Ref	3ft x 6ft LOW MOUNT PLATFORM	7
	0254465	Ref	3ft x 8ft LOW MOUNT PLATFORM	7
15	0630440	8	Eyebolt	
15	3010088	8	Link, Quick	
15	1260136	AR	Chain	
16	4360057	1	Switch, Limit	
16	0200048	1	Arm, Actuator	
17	0940038	AR	Padding (Bottom Rail)	
17	1670663	1	Padding (Rail Behind Console Box) (Prior to SN 44770)	
17	1670664	1	Padding (LH Top Rail - 36in x 60in Platform)	
17	1670715	1	Padding (LH Top Rail - 36in x 72in Platform)	
17	1670720	1	Padding (LH Top Rail - 36in x 96in Platform)	
17	1670665	4	Padding (Vertical Rails)	
17	1670666	1	Padding (Gate)	
17	1670667	1	Padding (RH Top Rail - 36in x 60in Platform)	
17	1670716	1	Padding (RH Top Rail - 36in x 72in Platform)	
17	1670721	1	Padding (RH Top Rail - 36in x 96in Platform)	
17	1670671	1	Padding (LH Mid Rail - 36in x 60in Platform)	
17	1670717	1	Padding (LH Mid Rail - 36in x 72in Platform)	
17	1670722	1	Padding (LH Mid Rail - 36in x 96in Platform)	
17	1670672	1	Padding (RH Mid Rail - 36in x 60in Platform)	
17	1670718	1	Padding (RH Mid Rail - 36in x 72in Platform)	
17	1670723	1	Padding (RH Mid Rail - 36in x 96in Platform)	
17	1670673	1	Padding (Bumper Rail - 36in x 60in Platform)	
17	1670719	1	Padding (Bumper Rail - 36in x 72in Platform)	
17	1670724	1	Padding (Bumper Rail - 36in x 96in Platform)	
18	4360274	1	Switch, Push Button	
18	3252238	1	Decal - Soft Touch System	

SECTION 5 - CYLINDER

SECTION 5 - CYLINDER

FIGURE 5-1. AXLE EXTENSION CYLINDER ASSEMBLIES - 80HX WITH FIXED AXLE



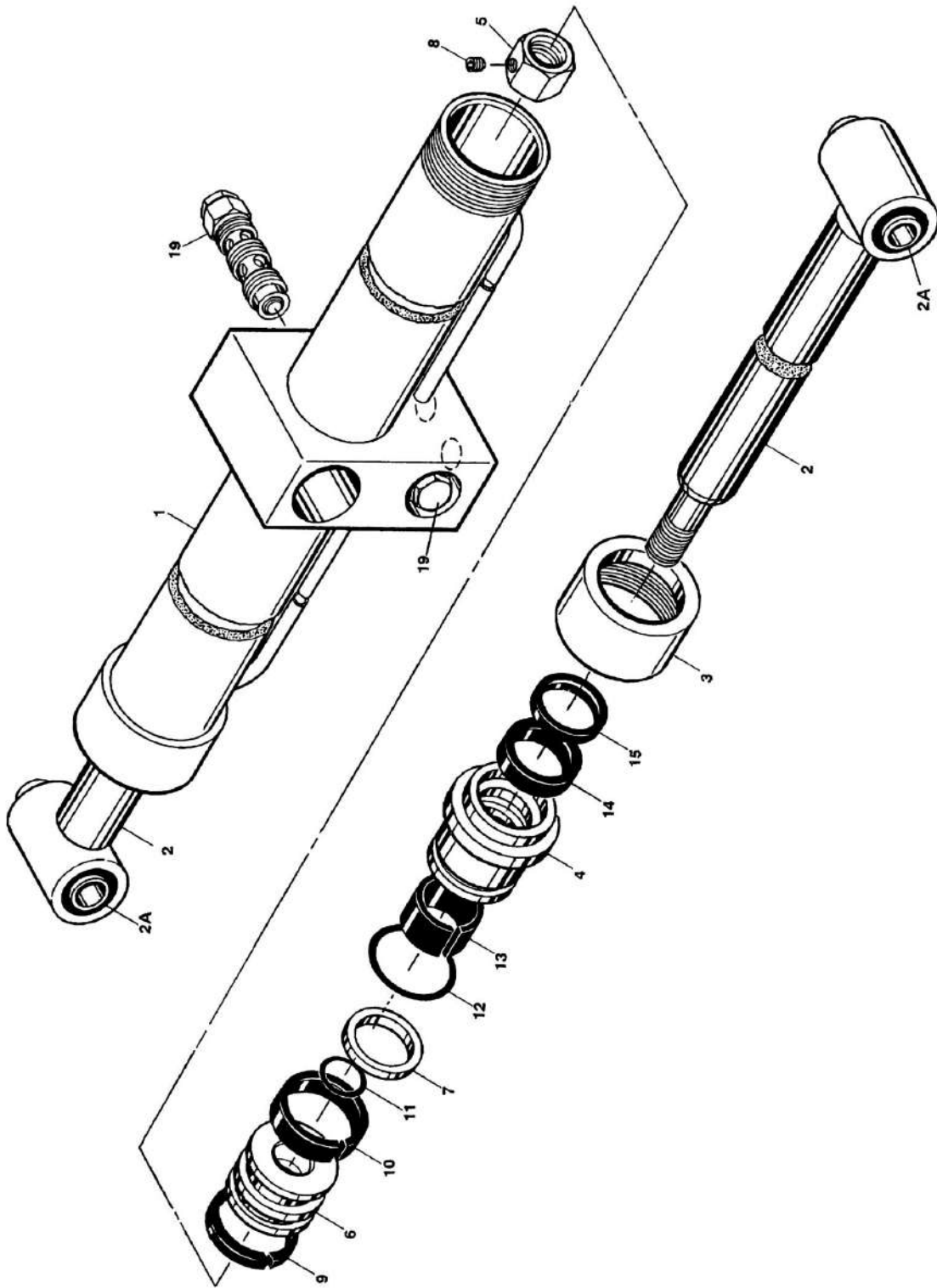
SECTION 5 - CYLINDER

FIGURE 5-1. AXLE EXTENSION CYLINDER ASSEMBLIES - 80HX WITH FIXED AXLE

ITEM	PART NUMBER	QTY	DESCRIPTION	REV
		Ref	AXLE EXTENSION CYLINDER ASSEMBLIES - 80HX WITH FIXED AXLE	
	1681565	Ref	Axle Extension Cylinder Assemblies 80HX 2WD Built Prior To October 1985	B
	1681581	Ref	Axle Extension Cylinder Assemblies 80HX 2WD Built October 1985 To Present	E
	1682260	Ref	Axle Extension Cylinder Assemblies 80HX 4WD	B
		Ref	Note: Refer to P/N stamped on barrel for identification.	
1	1681440	1	Barrel (1681565 Cylinder)	
1	1681491	1	Barrel (1681581 & 1682260 Cylinders)	
2	3300184	1	Nut, Special (1/4in Dia. Setscrew)	
2	3300270	1	Nut, Special Hex (3/8in Dia. Setscrew)	
2	0100011	AR	Loctite	
2	0100038	AR	Primer	
3	3951403	1	Setscrew 1/4in-20NC x 3/8in	
3	3900170	1	Setscrew 3/8in-16NC x 3/8in	
3	0100011	AR	Loctite	
4	3480123	1	Piston	
5	Kit	1	Ring, Wear	
6	Kit	1	Seal, Piston	
7	Kit	1	O-Ring	
8	4562910	1	Spacer, Tube (1681565 Cylinder)	
8	4565351	1	Spacer, Tube (1681581 Cylinder)	
8	4564745	1	Spacer, Tube (1682260 Cylinder)	
9	1680899	1	Head	
10	Kit	1	O-Ring	
11	Kit	1	Seal, Rod	
12	Kit	1	Wiper, Rod	
13	1120110	1	Cap	
13	0100035	AR	Locking Compound	
14	1681438	1	Rod Assembly (1681565 Cylinder)	
14	1681492	1	Rod Assembly (1681581 Cylinder)	
14	1682261	1	Rod Assembly (1682260 Cylinder)	
	2901121	1	Seal Kit (Includes Items 5,6,7,10,11 & 12)	

SECTION 5 - CYLINDER

FIGURE 5-2. AXLE EXTENSION CYLINDER ASSEMBLIES - 80HX WITH OSCILLATING AXLE



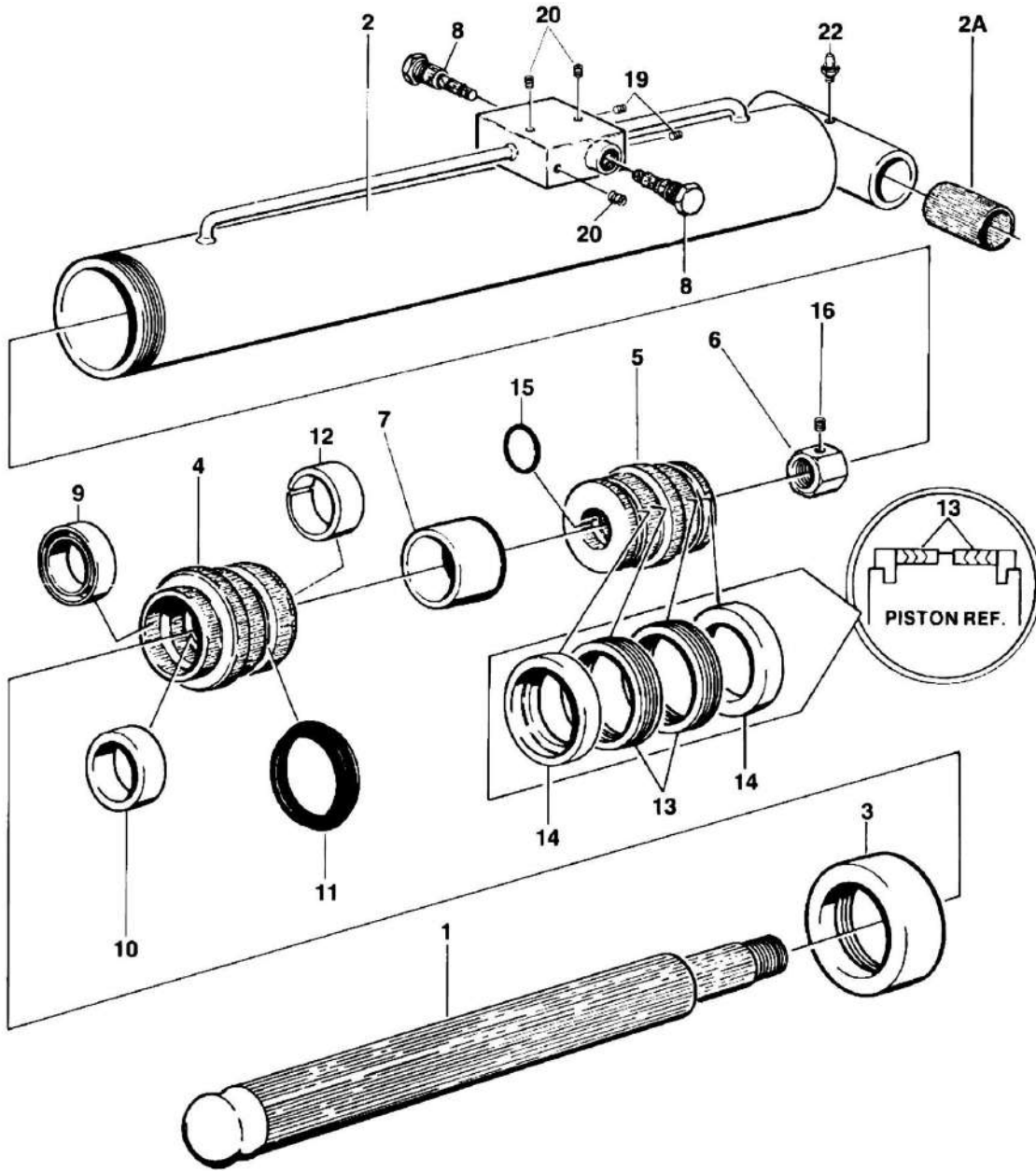
SECTION 5 - CYLINDER

FIGURE 5-2. AXLE EXTENSION CYLINDER ASSEMBLIES - 80HX WITH OSCILLATING AXLE

ITEM	PART NUMBER	QTY	DESCRIPTION	REV
	1683241	Ref	AXLE EXTENSION CYLINDER ASSEMBLIES - 80HX WITH OSCILLATING AXLE	2
1	1683242	1	Barrel Weldment	
2	1683243	2	Rod Weldment	
2A	0962039	2	Bushing, Steel Cased Rubber (1 Per Rod)	
3	1120108	2	Retainer	
4	1681283	2	Head	
5	3300280	2	Nut, Hex	
6	3480122	2	Piston	
7	4565099	2	Spacer	
8	3900170	2	Setscrew 3/8in-16NC x 3/8in	
9	Kit	2	T-Seal (1 Per Kit)	
10	Kit	2	Ring, Wear (1 Per Kit)	
11	Kit	2	O-Ring (1 Per Kit)	
12	Kit	2	O-Ring (1 Per Kit)	
13	Kit	2	Ring, Wear (1 Per Kit)	
14	Kit	2	Seal, Rod (1 Per Kit)	
15	Kit	2	Wiper, Rod (1 Per Kit)	
16	0100035	AR	Loctite #222 (Not Shown)	
17	0100011	AR	Loctite #242 (Not Shown)	
18	0100038	AR	Primer, Locking (Not Shown)	
19	4640509	2	Cartridge, Valve	
19	2900792	2	Seal Kit - 4640509 Valve (1 Per Cartridge)	
	2900383	2	Seal Kit - 1683241 Cylinder (Includes Items 9-15)	

SECTION 5 - CYLINDER

FIGURE 5-3. AXLE LIFT CYLINDER ASSEMBLY



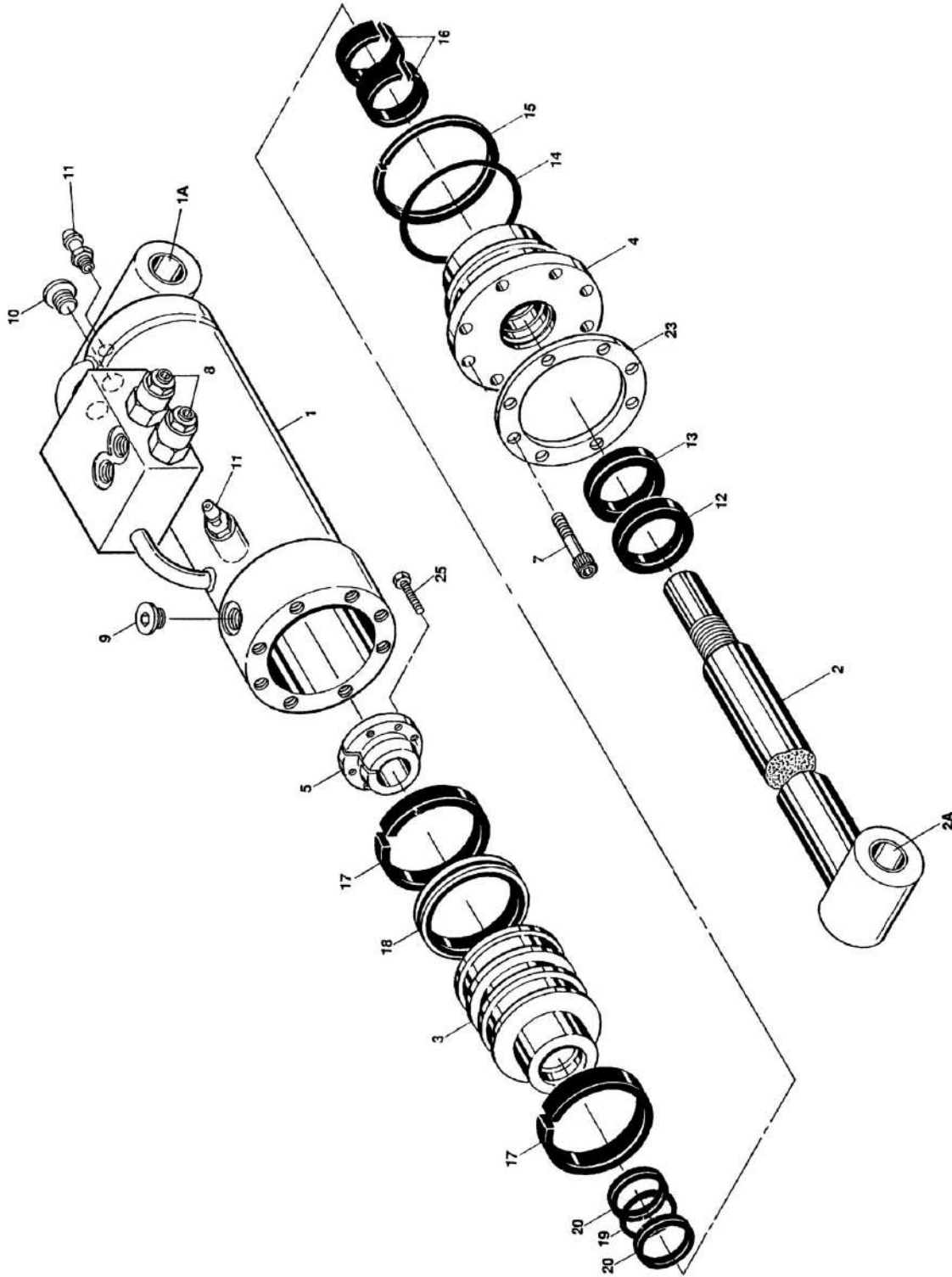
SECTION 5 - CYLINDER

FIGURE 5-3. AXLE LIFT CYLINDER ASSEMBLY

ITEM	PART NUMBER	QTY	DESCRIPTION	REV
		Ref	AXLE LIFT CYLINDER ASSEMBLIES	
	1681991	Ref	Axle Lift Cylinder Assembly (Prior to SN 34133)	B
	1683596	Ref	Axle Lift Cylinder Assembly (SN 34133 to Present)	2
1		Ref	Rod Assembly Options:	
1	1681992	1	Rod Assembly (Prior to SN 34133)	
1	1683597	1	Rod Assembly (SN 34133 to Present)	
2	1681963	1	Barrel Assembly	
2A	0960946	2	Bushing, Bronze	
3	1120336	1	Cap	
3	0100035	AR	Loctite #222	
4	1681843	1	Head	
5	3480102	1	Piston	
6	3300281	1	Nut, Special	
6	0100011	AR	Loctite #242	
6	0100038	AR	Primer	
7	4564128	1	Spacer	
8	4640509	2	Valve	
9	Kit	1	Ring, Wiper	
10	Kit	1	Seal	
11	Kit	1	T-Seal	
12	Kit	1	Ring, Wear	
13	Kit	2	Seal	
14	Kit	2	Ring, Guidelock	
15	Kit	1	O-Ring	
16	3900170	1	Setscrew 3/8in-16NC x 3/8in	
19		Ref	Plug 1/4in Options:	
19	2200202	2	Plug (Prior to SN 34133)	
19	2200222	2	Plug (SN 34133 to Present)	
19	0100020	AR	Loctite	
20		Ref	Plug 1/8in Options:	
20	2200201	4	Plug (Prior to SN 34133)	
20	2200221	4	Plug (SN 34133 to Present)	
20	0100020	AR	Loctite	
22	2160002	1	Fitting, Grease	
	2901102	1	Seal Kit (Includes Items 9 - 15)	

SECTION 5 - CYLINDER

FIGURE 5-4. AXLE LOCKOUT CYLINDER ASSEMBLY



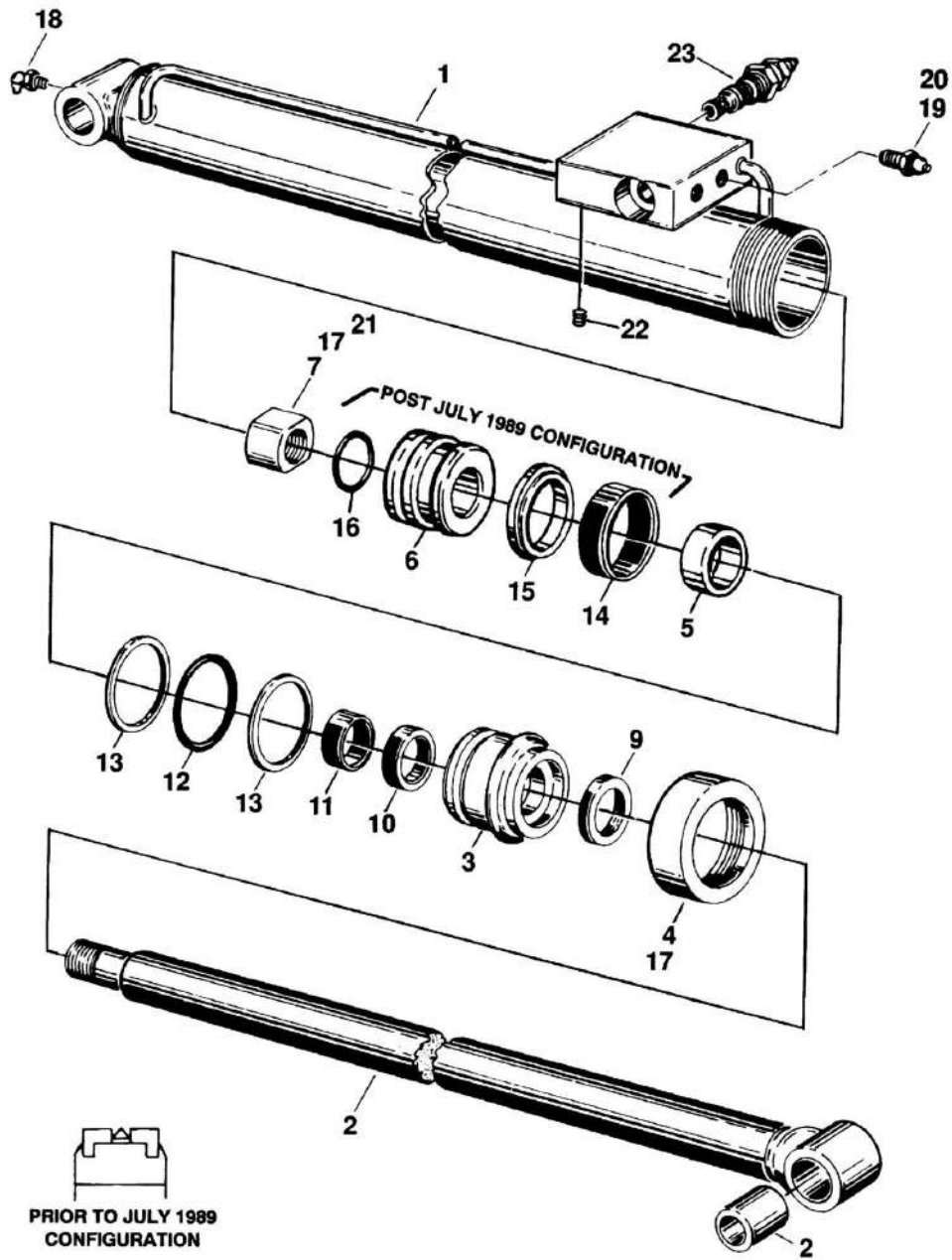
SECTION 5 - CYLINDER

FIGURE 5-4. AXLE LOCKOUT CYLINDER ASSEMBLY

ITEM	PART NUMBER	QTY	DESCRIPTION	REV
	1683390	Ref	AXLE LOCKOUT CYLINDER ASSEMBLY	F
1		Ref	Barrel Weldment Options:	
1	1683391	1	Barrel Weldment (Prior to SN 56910)	
1	1683991	1	Barrel Weldment (SN 56910 to Present)	
1A	0961816	2	Bushing, Garmax	
2		Ref	Rod Weldment Options:	
2	1683392	1	Rod Weldment (Prior to SN 56910)	
2	1683992	1	Rod Weldment (SN 56910 to Present)	
2A	0961816	2	Bushing, Garmax	
3	3480176	1	Piston	
4	1683059	1	Head	
5	0961895	1	Bushing, Tapered	
7	3931720	8	Capscrew, Socket Head 7/16in-14NC x 1 1/4in	
8		Ref	Cartridge, Valve	
8	4640525	2	Cartridge, Valve (Prior to SN 56910)	
8	4641162	2	Cartridge, Valve (SN 56910 to Present)	
8	2900770	2	Seal Kit - Cartridge (1 Per Cartridge)	
9	2220886	1	Plug, O-Ring	
10	2220885	2	Plug, O-Ring	
11	4640858	3	Valve, Bleeder	
12	Kit	1	Wiper, Rod	
13	Kit	1	Seal, Rod	
14	Kit	1	O-Ring	
15	Kit	1	Ring, Back-up	
16	Kit	2	Ring, Wear	
17	Kit	2	Ring, Wear	
18	Kit	1	T-Seal	
19	Kit	1	O-Ring	
20	Kit	2	Ring, Back-up	
21	0100011	AR	Loctite #242 (Not Shown)	
22	0100038	AR	Primer, Locking (Not Shown)	
23	3760370	1	Ring, Washer	
25		Ref	Bolt Options:	
25	0641409	3	Bolt 1/4in-20NC x 1 1/8in	
25	0630535	3	Screw, Socket Head 1/4in-20NC x 1 1/8in	
	2901271	1	Seal Kit (Includes Items 12-20)	

SECTION 5 - CYLINDER

FIGURE 5-5. PLATFORM LEVEL CYLINDER ASSEMBLIES (MODEL 80HX/80H BUILT THROUGH 1986)



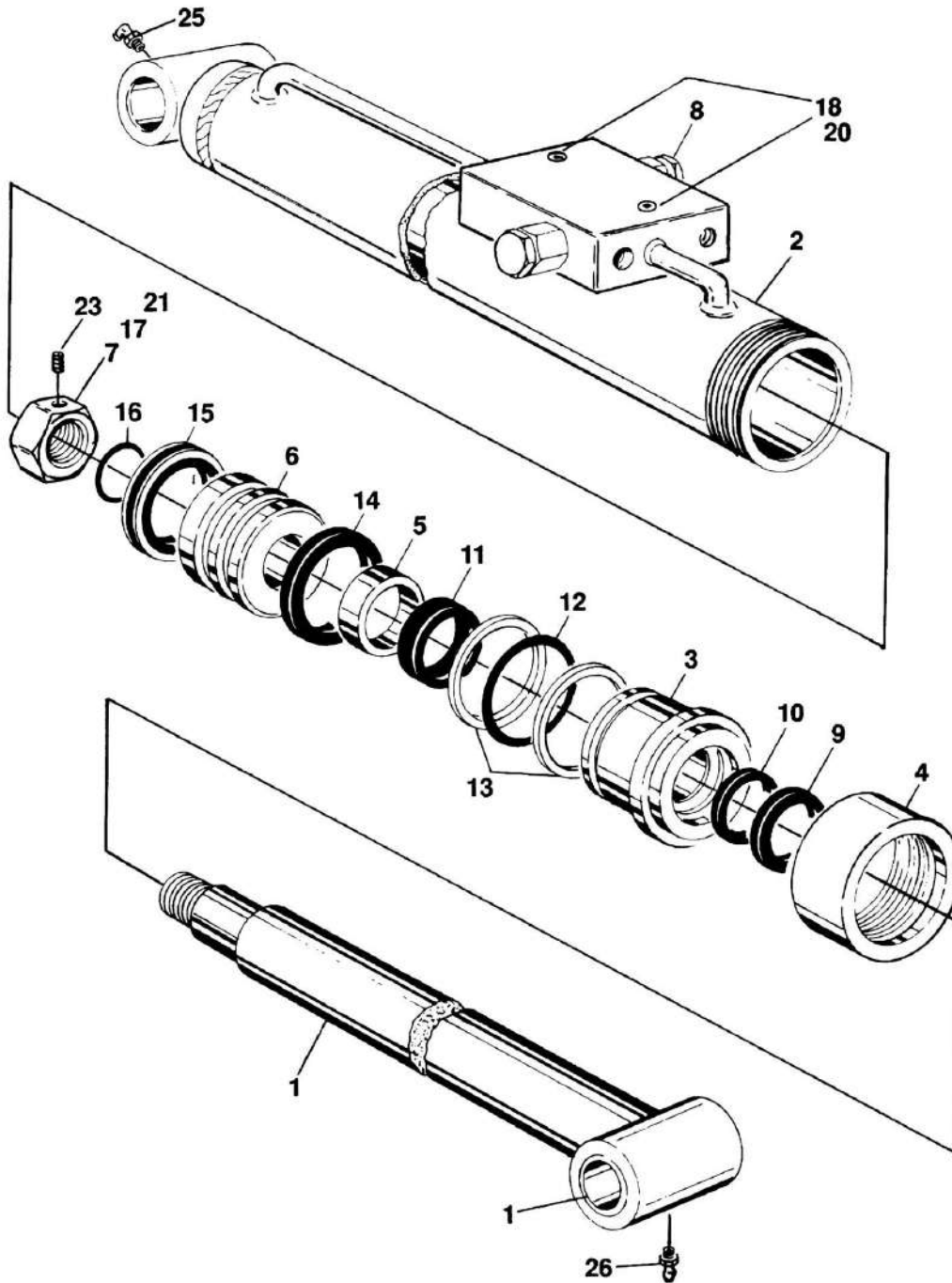
SECTION 5 - CYLINDER

FIGURE 5-5. PLATFORM LEVEL CYLINDER ASSEMBLIES (MODEL 80HX/80H BUILT THROUGH 1986)

ITEM	PART NUMBER	QTY	DESCRIPTION	REV
	1681548	Ref	PLATFORM LEVEL CYLINDER ASSEMBLY - 80HX/80H	F
1	1680751	1	Barrel Assembly	
2	1681331	1	Rod Assembly	
2	0960097	1	Bushing	
3	1681635	1	Head	
4	1120179	1	Retainer	
5	1440142	1	Spacer	
6	3480120		Piston	
7	3300101	1	Nut	
9	Kit	1	Seal, Wiper	
10	Kit	1	Seal, Rod	
11	Kit	1	Ring, Wear	
12	Kit	1	O-Ring	
13	Kit	2	Ring, Back-up	
14	Kit	1	Ring, Wear	
15	Kit	1	Seal, Piston	
16	Kit	1	O-Ring	
17	0100011	AR	Loctite #242	
18	2160001	1	Fitting, Grease - 90	
19	2200213	2	Plug, Pipe - 3/8in	
20	0100020	AR	Sealant, Pipe	
21	0100021	AR	Primer, Locking	
22	2200201	2	Plug, Pipe 1/8in	
23	4640495	2	Valve, Cartridge	
23	2900770	2	Seal Kit - 4640495 Valve (1 per cartridge)	
	2901120	1	Seal Kit - 1681548 Cylinder (Includes Items 9-16)	

SECTION 5 - CYLINDER

FIGURE 5-6. PLATFORM LEVEL CYLINDER ASSEMBLIES (MODEL 80HX/80H BUILT 1987 TO APRIL 1992)



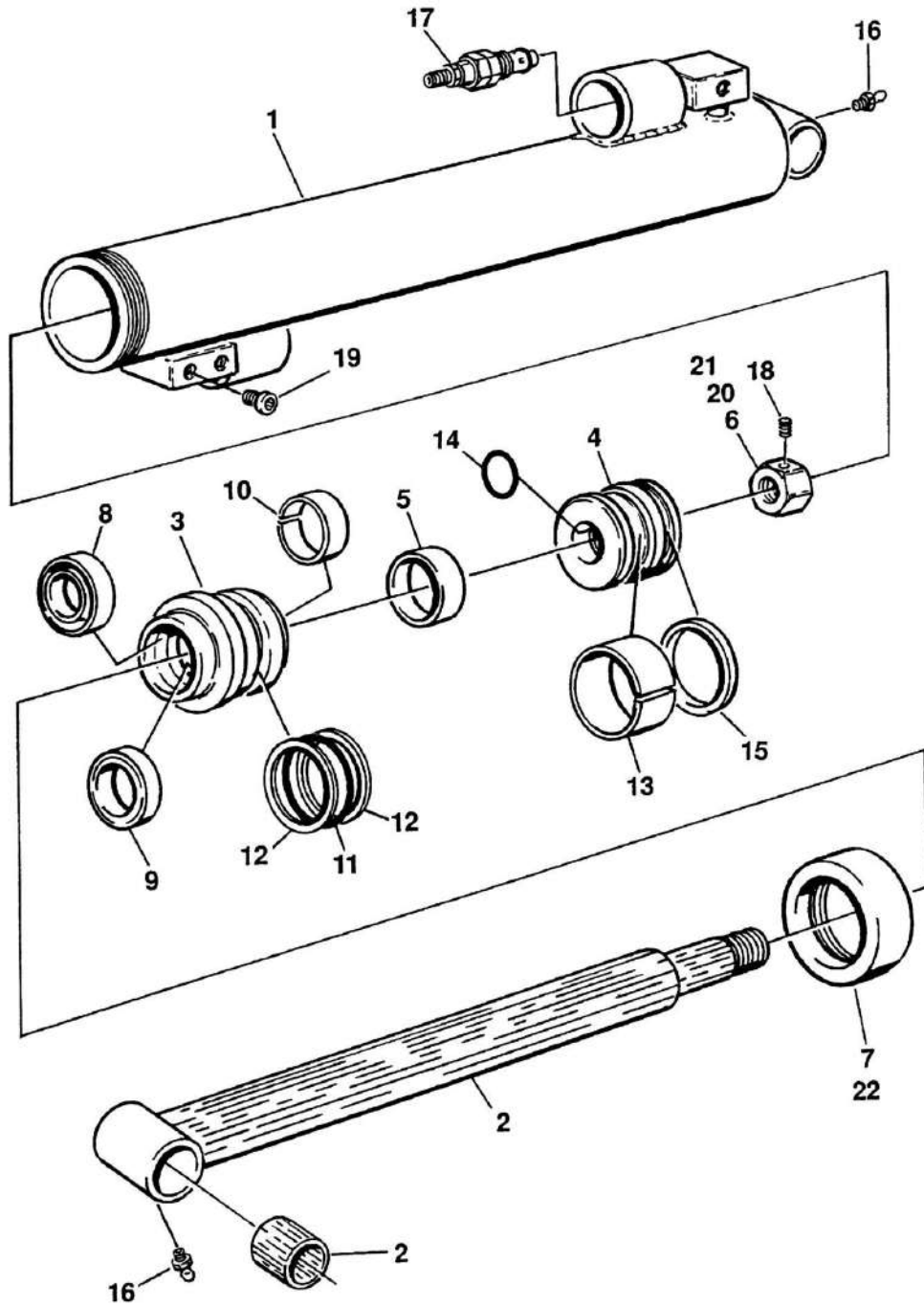
SECTION 5 - CYLINDER

FIGURE 5-6. PLATFORM LEVEL CYLINDER ASSEMBLIES (MODEL 80HX/80H BUILT 1987 TO APRIL 1992)

ITEM	PART NUMBER	QTY	DESCRIPTION	REV
	1681722	Ref	PLATFORM LEVEL CYLINDER ASSEMBLY - 80HX/80H	D
1	1681331	1	Rod Assembly	
1	0960097	1	Bushing, Bronze	
2	1681721	1	Barrel Assembly	
3	1680892	1	Head	
4	1120179	1	Retainer	
5	1440142	1	Spacer	
6	3480120	1	Piston	
7		Ref	Nut Options:	
7	3300101	1	Nut (Prior to January 1991)	
7	3300272	1	Nut, Hex (January 1991 to April 1992)	
8	4640509	2	Valve, Cartridge	
8	2900792	2	Seal Kit - 4640509 Valve	
9	Kit	1	Seal, Wiper	
10	Kit	1	Seal, Rod	
11	Kit	1	Ring, Wear	
12	Kit	1	O-Ring	
13	Kit	2	Ring, Back-up	
14	Kit	1	Ring, Wear	
15	Kit	1	Seal, Piston	
16	Kit	1	O-Ring	
17	0100011	AR	Loctite #242	
18	2200201	2	Plug 1/8in	
19	2200202	2	Plug 1/4in	
20	0100020	AR	Sealant, Thread	
21	0100038	AR	Primer, Locking	
23	3900170	1	Setscrew 3/8in-16NC x 3/8in	
24	0100035	AR	Locking Compound	
25	2160001	1	Fitting, Grease - 90	
26	2160002	1	Fitting, Grease	
	2900381	1	Seal Kit - 1681722 Cylinder (Includes Items 9-16)	

SECTION 5 - CYLINDER

FIGURE 5-7. PLATFORM LEVEL CYLINDER ASSEMBLIES (MODEL 80HX/80H BUILT APRIL 1992 TO PRESENT)



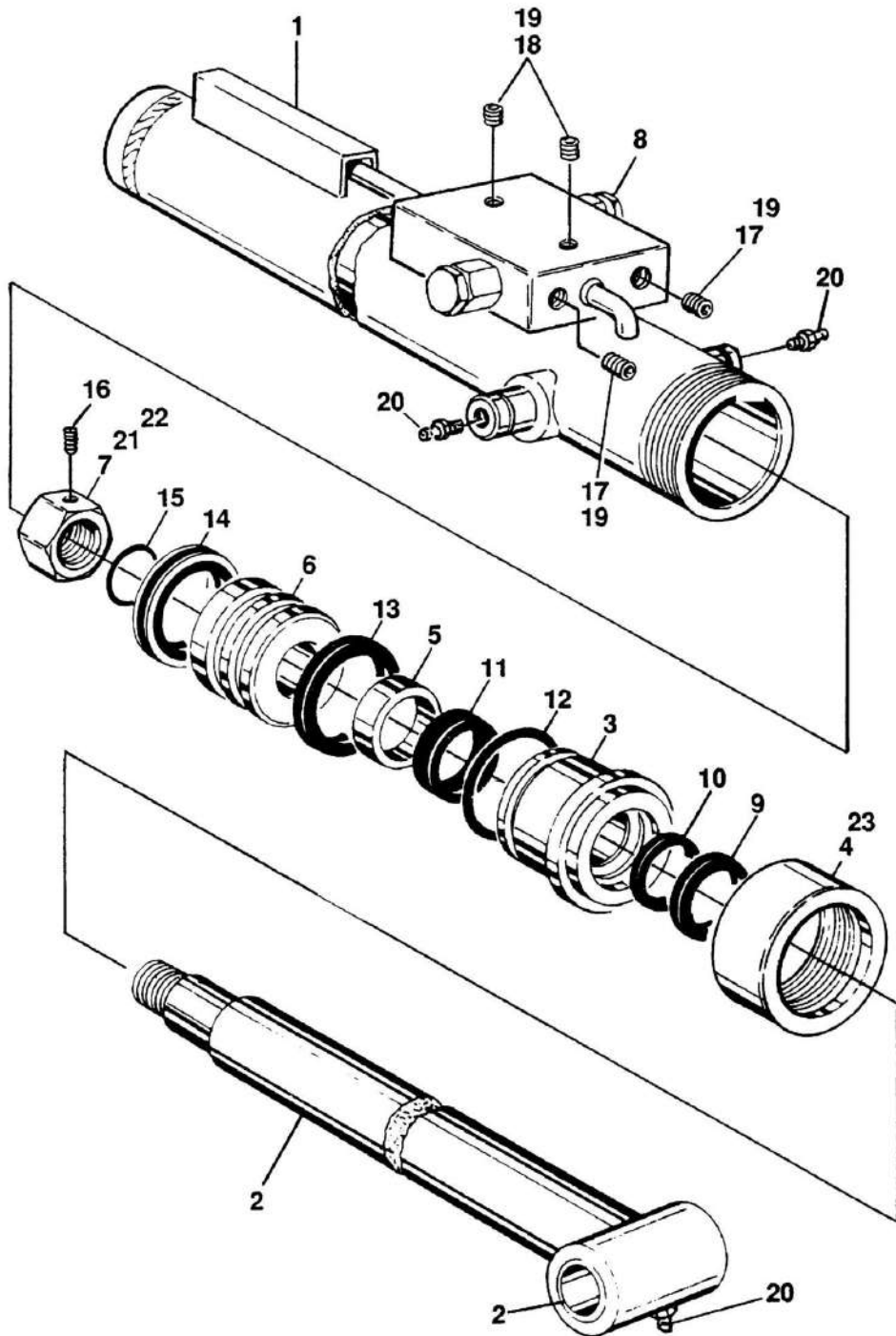
SECTION 5 - CYLINDER

FIGURE 5-7. PLATFORM LEVEL CYLINDER ASSEMBLIES (MODEL 80HX/80H BUILT APRIL 1992 TO PRESENT)

ITEM	PART NUMBER	QTY	DESCRIPTION	REV
		Ref	PLATFORM LEVEL CYLINDER ASSEMBLIES	
	1682602	Ref	Platform Level Cylinder Assemblies (Prior to SN 33111)	B
	1683534	Ref	Platform Level Cylinder Assemblies (SN 33111 to Present)	2
1		Ref	Barrel Assembly Options:	
1	1682603	1	Barrel Assembly (Prior to SN 33111)	
1	1683533	1	Barrel Assembly (SN 33111 to Present)	
2	1681331	1	Rod Assembly	
2	0960097	1	Bushing	
3	1680892	1	Head	
4	3480120	1	Piston	
5	4564046	1	Spacer	
6	3300272	1	Nut	
7	1120179	1	Retainer	
8	Kit	1	Seal, Wiper	
9	Kit	1	Seal, Rod	
10	Kit	1	Ring, Wear	
11	Kit	1	O-Ring	
12	Kit	2	Ring, Back-up	
13	Kit	1	Ring, Wear	
14	Kit	1	O-Ring	
15	Kit	1	Seal, Piston	
16	2160002	2	Fitting, Grease	
17	4640634	2	Valve, Cartridge - Holding	
17	2900770	1	Seal Kit - 4640634 Valve (1 Per Assembly)	
18	3900170	1	Setscrew 3/8in-16NC x 3/8in	
19	2220885	2	Plug, Socket head #6	
20	0100011	AR	Loctite #242	
21	0100038	AR	Primer, Locking	
22	0100035	AR	Loctite #222	
	2900381	1	Seal Kit - 1682602 Cylinder (Includes Items 8-14)	

SECTION 5 - CYLINDER

FIGURE 5-8. SLAVE LEVEL CYLINDER ASSEMBLIES (80HX+6/86HX EXTEND-A-REACH) (Prior to SN 29914)



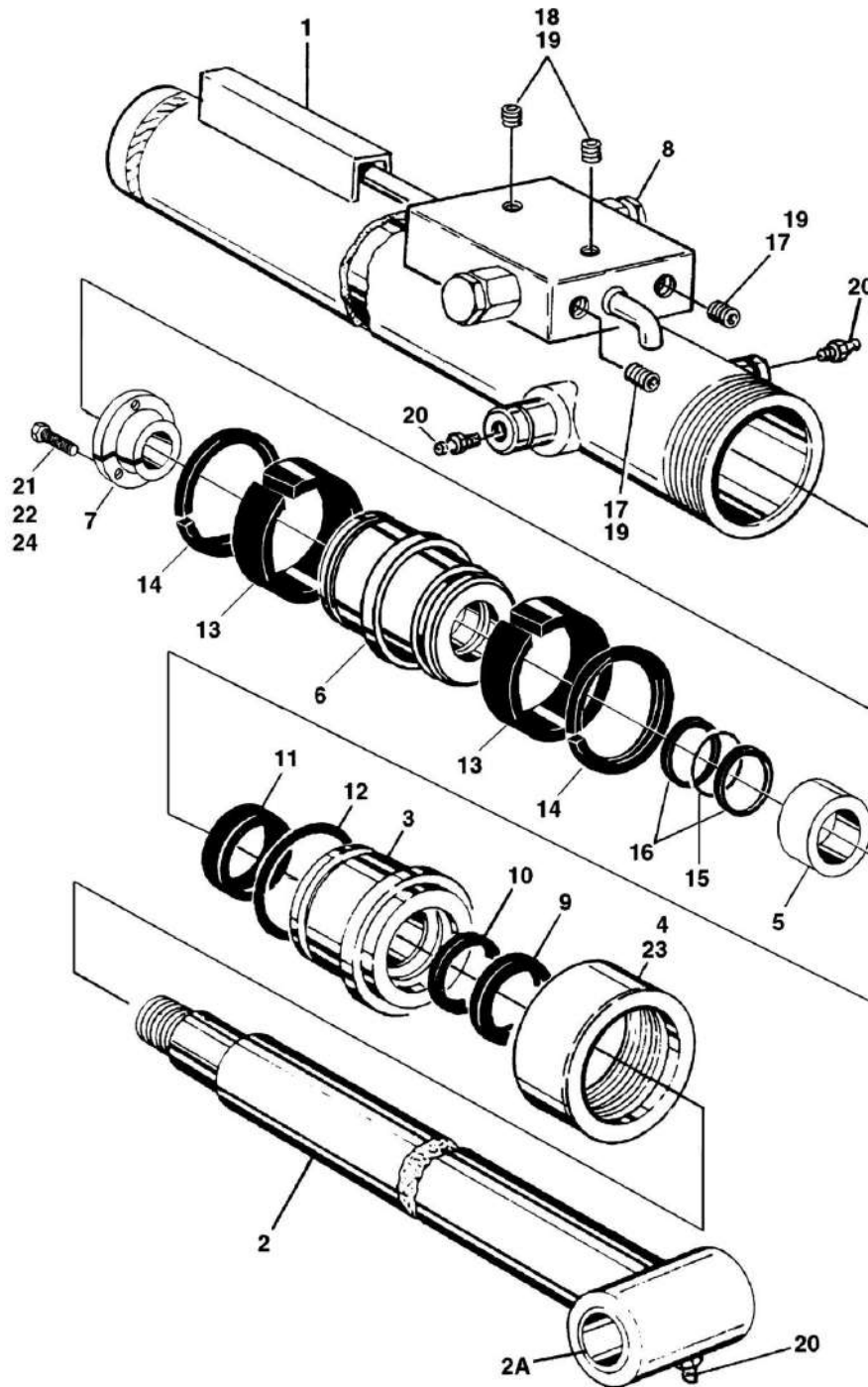
SECTION 5 - CYLINDER

FIGURE 5-8. SLAVE LEVEL CYLINDER ASSEMBLIES (80HX+6/86HX EXTEND-A-REACH) (Prior to SN 29914)

ITEM	PART NUMBER	QTY	DESCRIPTION	REV
		Ref	SLAVE LEVEL ASSEMBLIES	
	1681791	Ref	Slave Level Assemblies (Prior To February 1991)	F
	1682459	Ref	Slave Level Assemblies (February 1991 To S/N 29914)	2
1		Ref	Barrel Assembly Options:	
1	1681796	1	Barrel Assembly (Prior to February 1991)	
1	1682460	1	Barrel Assembly (February 1991 to S/N 29914)	
2	1681797	1	Rod Assembly	
2	0961182	2	Bushing, Bronze	
3	1681792	1	Head	
4	1120305	1	Retainer	
5	4563657	1	Spacer	
6	3480124	1	Piston	
7		Ref	Nut Options:	
7	3300234	1	Nut (Prior to January 1991)	
7	3300276	1	Nut, Hex (January 1991 to S/N 29914)	
8	4640509	2	Valve, Cartridge - Holding	
8	2900792	2	Seal Kit - 4640509 Valve (1 Per Cartridge)	
9	Kit	1	Seal, Wiper	
10	Kit	1	Seal, Rod	
11	Kit	1	Ring, Wear	
12	Kit	1	O-Ring	
13	Kit	1	Ring, Wear	
14	Kit	1	T-Seal	
15	Kit	1	O-Ring	
16		Ref	Setscrew Options:	
16	3951403	2	Setscrew 1/4in-20NC x 3/8in	
16	3900170	1	Setscrew 3/8in-16NC x 3/8in	
17		Ref	Plug, Pipe 1/4in Options:	
17	2200213	2	Plug, Pipe (Prior to SN 39439)	
17	2200233	2	Plug, Pipe (SN 39439 through 29914)	
18		Ref	Plug, Pipe 1/8in Options:	
18	2200201	2	Plug, Pipe (Prior to SN 39439)	
18	2200221	2	Plug, Pipe (SN 39439 through 29914)	
19	0100020	AR	Sealant, Thread	
20	2160002	3	Fitting, Grease	
21	0100011	AR	Loctite #242	
22	0100038	AR	Primer, Locking	
23	0100035	AR	Loctite #222	
	2900394	1	Seal Kit - Cylinder (Includes Items 9-15)	

SECTION 5 - CYLINDER

FIGURE 5-9. SLAVE LEVEL CYLINDER ASSEMBLIES (80HX+6/86HX EXTEND-A-REACH) (SN 29914 to Present)



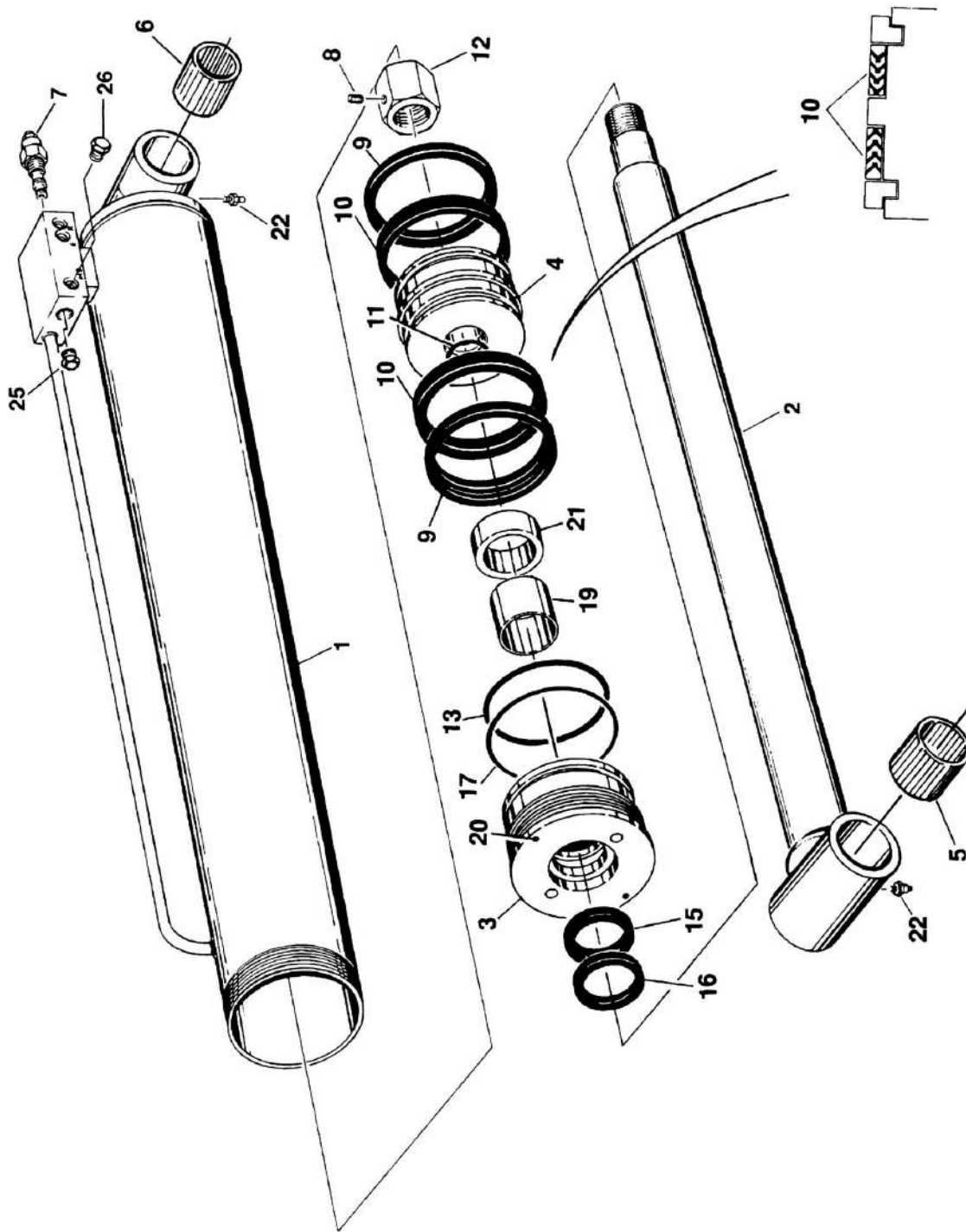
SECTION 5 - CYLINDER

FIGURE 5-9. SLAVE LEVEL CYLINDER ASSEMBLIES (80HX+6/86HX EXTEND-A-REACH) (SN 29914 to Present)

ITEM	PART NUMBER	QTY	DESCRIPTION	REV
	1683494	Ref	SLAVE LEVEL CYLINDER ASSEMBLY - 80HX+6/86HX	2
1	1683495	1	Barrel Assembly	
2	1683497	1	Rod Assembly	
2A	0961182	2	Bushing, Bronze	
3	1681792	1	Head	
4	1120305	1	Retainer	
5	4563657	1	Spacer	
6	3480188	1	Piston	
7	0961894	1	Bushing, Tapered	
8	4640509	2	Valve, Cartridge - Holding	
8	2900792	2	Seal Kit - 4640509 Valve (1 Per Cartridge)	
9	Kit	1	Seal, Wiper	
10	Kit	1	Seal, Rod	
11	Kit	1	Ring, Wear	
12	Kit	1	O-Ring	
13	Kit	1	Ring, Wear	
14	Kit	1	T-Seal	
15	Kit	1	O-Ring	
16	Kit	1	Ring Back-up	
17	2200213	2	Plug, Pipe 1/4in	
18	2200201	2	Plug, Pipe 1/8in	
19	0100020	AR	Sealant, Thread	
20	2160002	3	Fitting, Grease	
21	0100011	AR	Loctite #242 (Prior to SN 44769)	
22	0100038	AR	Primer, Locking (Prior to SN 44769)	
23	0100035	AR	Loctite #222	
24		Ref	Bolt Options:	
24	0641408	3	Bolt 1/4-20 NC x 1 (Prior to SN 44769)	
24	0630535	3	Screw, Socket Head 1/4in-20NC x 1 1/8 (SN 44769 to Present)	
	2901480	1	Seal Kit - Cylinder (Includes Items 9-16)	

SECTION 5 - CYLINDER

FIGURE 5-10. LIFT CYLINDER ASSEMBLIES - BOOM



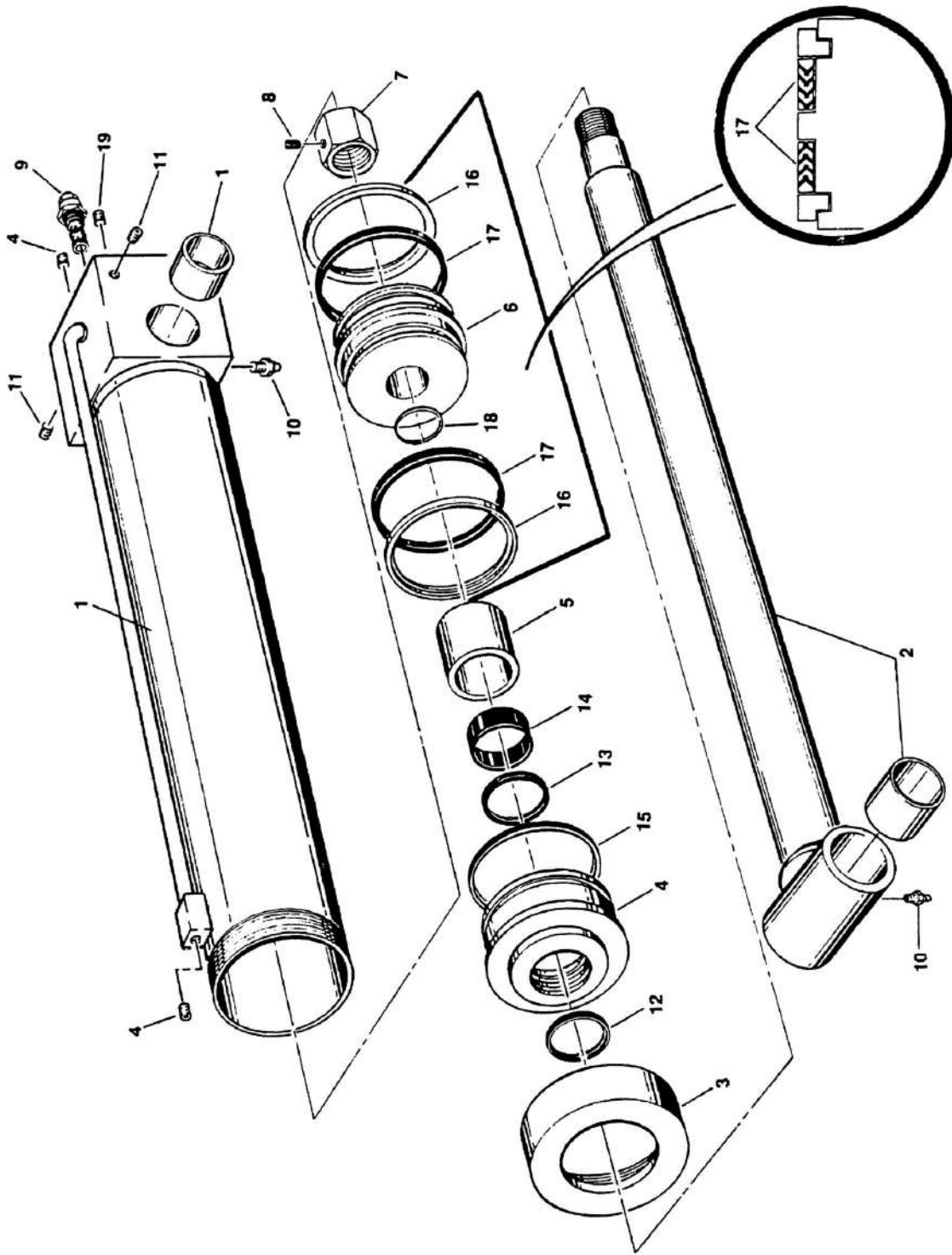
SECTION 5 - CYLINDER

FIGURE 5-10. LIFT CYLINDER ASSEMBLIES - BOOM

ITEM	PART NUMBER	QTY	DESCRIPTION	REV
		Ref	LIFT CYLINDER ASSEMBLIES - BOOM	
	1681559	Ref	Lift Cylinder Assemblies (Prior To May 1992)	C
	1682691	Ref	Lift Cylinder Assemblies (May 1992 To Present)	A
1		Ref	Barrel Assembly Options:	
1	1681420	1	Barrel Assembly (Prior to May 1992)	
1	1682692	1	Barrel Assembly (May 1992 to Present) (Includes Item 6)	
2		Ref	Rod Assembly Options:	
2	1681421	1	Rod Assembly (Prior to May 1992)	
2	1682694	1	Rod Assembly (May 1992 to Present) (Includes Item 5)	
3	1680898	1	Head	
4	3480093	1	Piston	
5	0960911	2	Bushing, Bronze	
6	0960705	2	Bushing, Bronze	
7	4640210	1	Cartridge, Valve (Prior to May 1992)	
7	2900793	1	Seal Kit - 4640210 Cartridge	
7	4640495	1	Cartridge, Valve (May 1992 to Present)	
7	2900770	1	Seal Kit - 4640495 Cartridge	
8		Ref	Setscrew Options:	
8	3900139	1	Setscrew (Prior to January 1991)	
8	3900172	1	Setscrew (January 1991 to Present)	
9	Kit	2	Ring	
10	Kit	2	Seal, Piston	
11	Kit	1	O-Ring	
12		Ref	Nut Options:	
12	3300207	1	Nut, Special (Prior to January 1991)	
12	3300295	1	Nut, Hex (January 1991 to Present)	
13	Kit	1	O-Ring	
15	Kit	1	O-Ring	
16	Kit	1	Wiper	
17	Kit	1	O-Ring	
18	0100011	AR	Loctite #242 (Not Shown)	
19	Kit	1	Ring	
20	3900140	2	Setscrew 1/4in-20NC x 3/8in	
21	4562902	1	Spacer	
22	2160002	2	Fitting, Grease	
23	0100038	AR	Primer, Locking (Not Shown)	
24	0100035	AR	Loctite	
25		Ref	Plug, O-Ring #10 Options:	
25	Not Required	1	Plug (Prior to May 1992)	
25	2220887	1	Plug (May 1992 to Present)	
26		Ref	Plug, O-Ring #4 Options:	
26	Not Required	1	Plug (Prior to May 1992)	
26	2220883	1	Plug (May 1992 to Present)	
	2900088	1	Seal Kit (Includes Items 9,10,11,13,15,16 & 17)	

SECTION 5 - CYLINDER

FIGURE 5-11. LIFT CYLINDER ASSEMBLY - EXTEND-A-REACH (80HX+6/86HX ONLY)



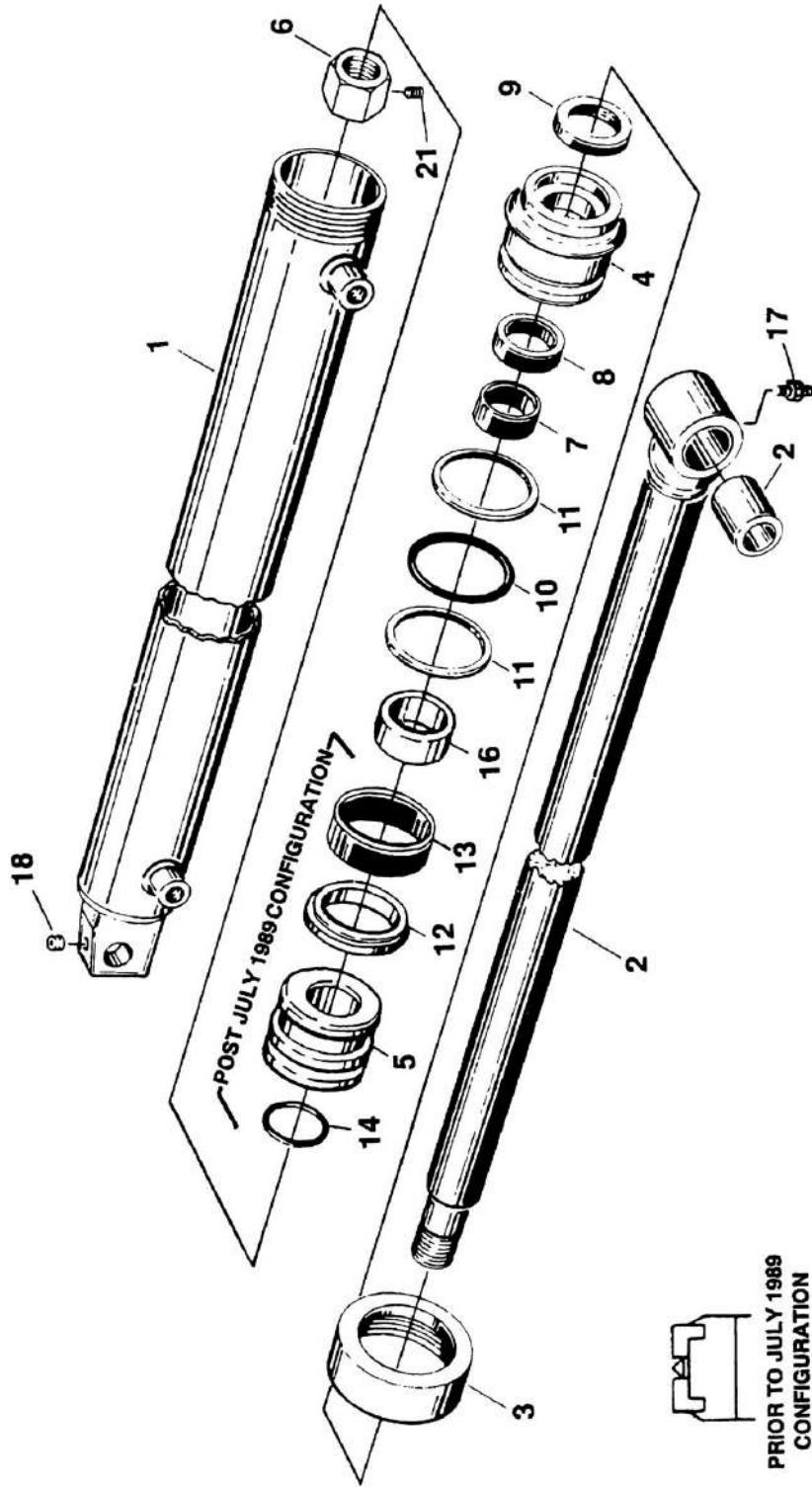
SECTION 5 - CYLINDER

FIGURE 5-11. LIFT CYLINDER ASSEMBLY - EXTEND-A-REACH (80HX+6/86HX ONLY)

ITEM	PART NUMBER	QTY	DESCRIPTION	REV
	1681730	Ref	LIFT CYLINDER ASSEMBLY - EXTEND-A-REACH (80HX+6/86HX ONLY)	E
1	1681731	1	Barrel Weldment	
1	0961185	2	Bushing, Bronze	
2	1681732	1	Rod Weldment	
2	0961024	2	Bushing, Bronze	
3	1120108	1	Retainer	
4	1681283	1	Head	
5	4563577	1	Spacer	
6	3480126	1	Piston	
7	3300278	1	Nut	
8	3900170	1	Setscrew 3/8in-16NC x 3/8in	
9		Ref	Cartridge, Holding Valve Options:	
9	4640495	1	Cartridge, Holding Valve (Prior to August 1995)	
9	4640771	1	Cartridge, Holding Valve (August 1995 to Present)	
9	2900770	1	Seal Kit - 4640495 & 4640771	
10	2160002	2	Fitting, Grease	
11	2200201	3	Plug, Pipe 1/8in NPT	
12	Kit	1	Wiper, Rod	
13	Kit	1	Seal, Rod	
14	Kit	1	Ring, Wear	
15	Kit	1	O-Ring	
16	Kit	2	Ring, Guide	
17	Kit	2	Ring, Lock	
18	Kit	1	O-Ring	
19	2200222	2	Plug, Pipe 1/4in NPT	
	0100020	AR	Sealant, Pipe	
	0100011	AR	Loctite #242	
	0100038	AR	Primer, Locking	
	0100035	AR	Loctite #222	
	2901113	1	Seal Kit (Includes Items 12-18)	

SECTION 5 - CYLINDER

FIGURE 5-12. MASTER CYLINDER ASSEMBLY



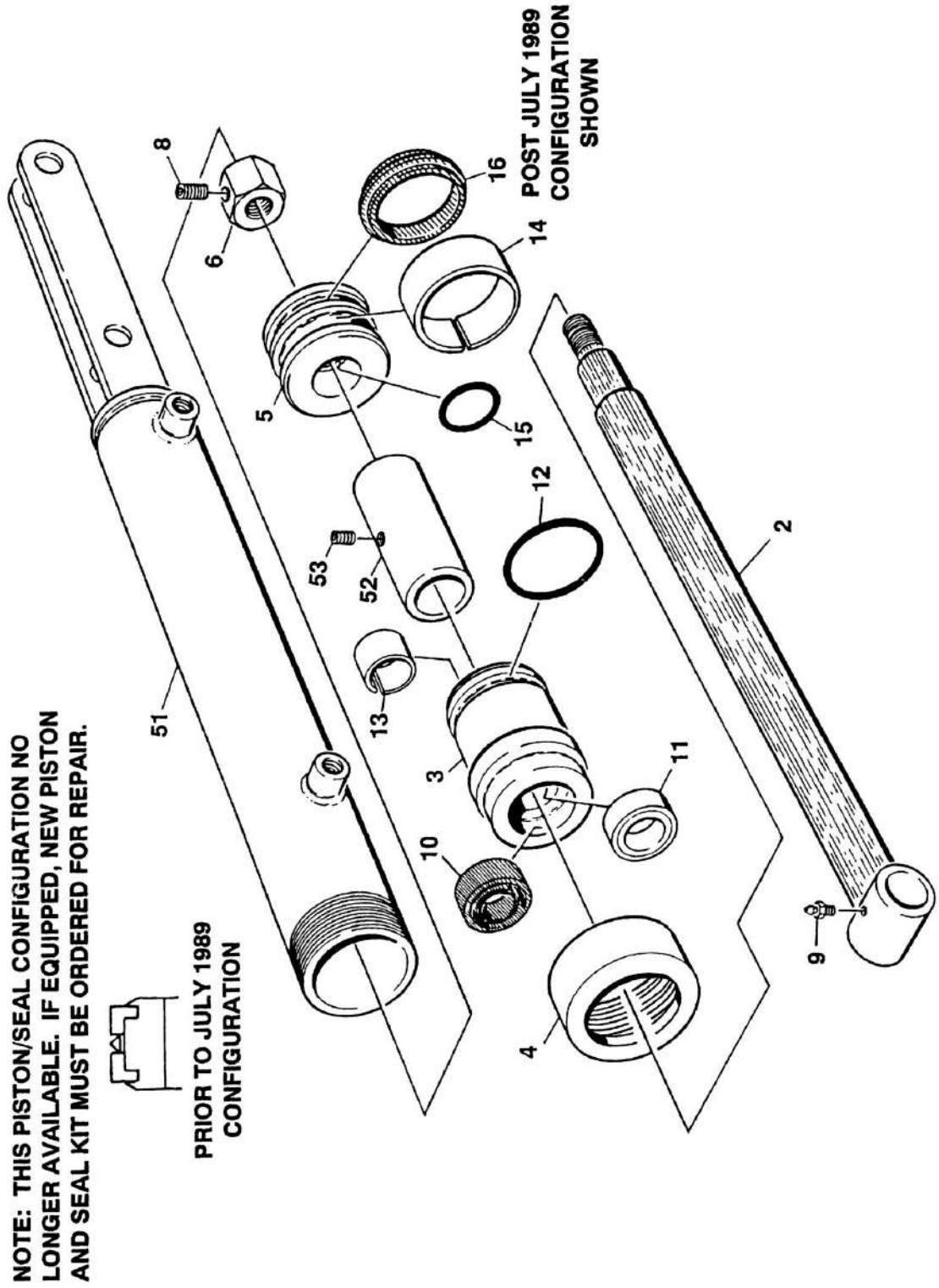
SECTION 5 - CYLINDER

FIGURE 5-12. MASTER CYLINDER ASSEMBLY

ITEM	PART NUMBER	QTY	DESCRIPTION	REV
	1681580	Ref	MASTER CYLINDER ASSEMBLY	F
1	1681490	1	Barrel Weldment	
2	1681488	1	Rod Weldment	
2	0960097	1	Bushing, Bronze	
3	1120179	1	Retainer	
4	1680892	1	Head	
5	3480120	1	Piston	
6	3300272	1	Nut	
7	Kit	1	Ring, Wear	
8	Kit	1	Z-Seal	
9	Kit	1	Wiper, Rod	
10	Kit	1	O-Ring	
11	Kit	2	Ring, Back-up	
12	Kit	1	Seal, Piston	
13	Kit	1	Ring, Wear	
14	Kit	1	O-Ring	
16	4563031	1	Tube, Spacer	
17	2160002	1	Fitting, Grease	
18	2200201	1	Plug, Pipe 1/8in NPT	
21	3900170	1	Setscrew 3/8in-16NC x 3/8in	
	0100011	AR	Loctite #242	
	0100038	AR	Primer, Locking	
	0100035	AR	Loctite #222	
	2900381	1	Seal Kit (Includes Items 7-14)	

SECTION 5 - CYLINDER

FIGURE 5-13. STEER CYLINDER ASSEMBLIES (80HX/80HX+6 WITH FIXED FRONT AXLE)



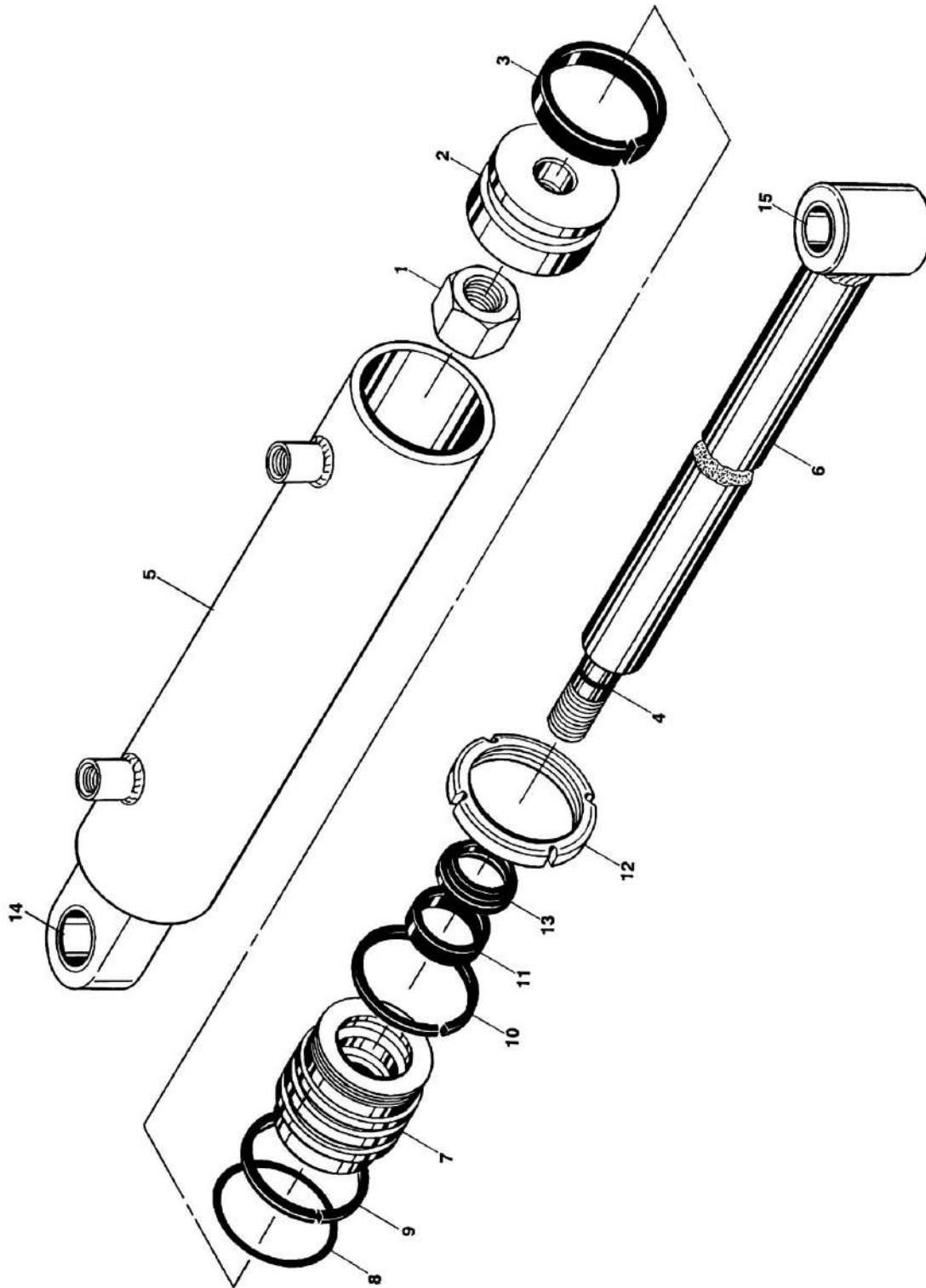
SECTION 5 - CYLINDER

FIGURE 5-13. STEER CYLINDER ASSEMBLIES (80HX/80HX+6 WITH FIXED FRONT AXLE)

ITEM	PART NUMBER	QTY	DESCRIPTION	REV
		Ref	STEER CYLINDER ASSEMBLIES (80HX/80HX+6 WITH FIXED AXLE)	
		Ref	Usage Chart:	
	1681564	Ref	2WD Front Without Tow Package	
	1681564	Ref	2WD Front With Tow Package Without Tow Stops	
	1682500	Ref	2WD Front With Tow Package With Tow Stops	
	1682268	Ref	4WD Front	
	1682268	Ref	2WD/4WD Rear (4WS Option)	
		Ref	STEER CYLINDER ASSEMBLY (STANDARD PARTS)	
2	1681411	1	Rod Weldment	
3	1681344	1	Head	
4	1120108	1	Retainer	
5	3480134	1	Piston	
6		Ref	Nut Options (Changed January 1991 on 2WD Models and August 1992 on 4WD Models):	
6	3300187	1	Nut, Special	
6	3300301	1	Nut, Hex	
8		Ref	Setscrew Options (Changed January 1991 on 2WD Models and August 1992 on 4WD Models):	
8	3900141	2	Setscrew 1/4in-20NC x 3/8in	
8	3900170	1	Setscrew 3/8in-16NC x 3/8in	
9	2160002	1	Fitting, Grease	
10	Kit	1	Wiper, Rod	
11	Kit	1	Seal, Rod	
12	Kit	1	O-Ring	
13	Kit	1	Ring, Wear	
14	Kit	1	Ring, Wear	
15	Kit	1	O-Ring	
16	Kit	1	T-Seal	
18	0100011	AR	Loctite #242 (Not Shown)	
19	0100038	AR	Primer, Locking (Not Shown)	
20	0100035	AR	Loctite #272 (not Shown)	
	2901123	1	Seal Kit (Includes Items 10-16)	
		Ref	STEER CYLINDER ASSEMBLY (VARIABLE PARTS)	
	1681564	Ref	STEER CYLINDER ASSEMBLY	D
	1682500	Ref	STEER CYLINDER ASSEMBLY	B
	1682268	Ref	STEER CYLINDER ASSEMBLY	B
51		Ref	Barrel Assembly Options:	
51	1681437	1	1681564 Steer Cylinder Assembly	
51	1682439	1	1682500 Steer Cylinder Assembly	
51	1682269	1	1682268 Steer Cylinder Assembly	
52		Ref	Spacer	
52	4563004	1	1681564 Steer Cylinder Assembly	
52	4563004	1	1682500 Steer Cylinder Assembly	
52	4564757	1	1682268 Steer Cylinder Assembly	
53		Ref	Setscrew	
53	3900141	1	1681564 Steer Cylinder Assembly	
53	Not Required	1	1682500 Steer Cylinder Assembly	
53	Not Required	1	1682268 Steer Cylinder Assembly	

SECTION 5 - CYLINDER

FIGURE 5-14. STEER CYLINDER ASSEMBLIES (80HX/80HX+6 WITH OSCILLATING FRONT AXLE)



SECTION 5 - CYLINDER

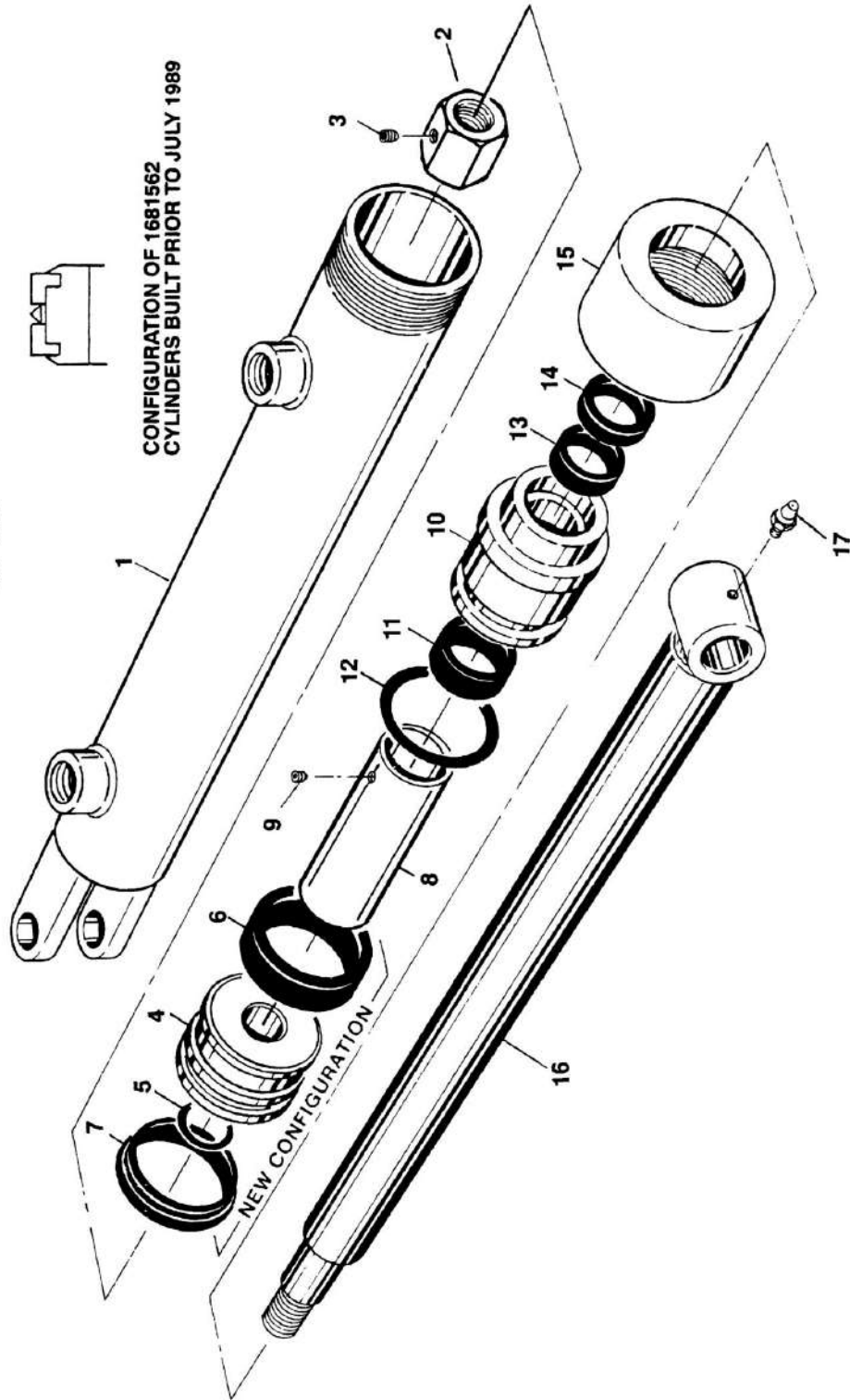
FIGURE 5-14. STEER CYLINDER ASSEMBLIES (80HX/80HX+6 WITH OSCILLATING FRONT AXLE)

ITEM	PART NUMBER	QTY	DESCRIPTION	REV
	1683389	Ref	STEER CYLINDER ASSEMBLY (80HX/80HX+6 WITH OSCILLATING AXLE)	
1	7017210	1	Locknut	
2	7017211	1	Piston	
3	Kit	1	Seal, Piston	
4	Kit	1	O-Ring	
5	Not Serviced	1	Barrel	
6	7017212	1	Rod	
7	7017213	1	Guide	
8	Kit	1	O-Ring	
9	Kit	1	Ring, Back-up	
10	Kit	1	Ring, Retaining	
11	Kit	1	U-Cup	
12	7017214	1	Nut, Spanner	
13	Kit	1	Ring, Wiper	
14	0961816	1	Bushing	
15	0961890	2	Bushing	
	7017215	1	Seal Kit - 1683389 Cylinder (Includes Items 3, 4, 8-11 & 13)	

SECTION 5 - CYLINDER

FIGURE 5-15. STEER CYLINDER ASSEMBLY (80H 2WD)

NOTE: THIS PISTON/SEAL CONFIGURATION NO LONGER AVAILABLE. IF EQUIPPED, NEW PISTON AND SEAL KIT MUST BE ORDERED FOR REPAIR.



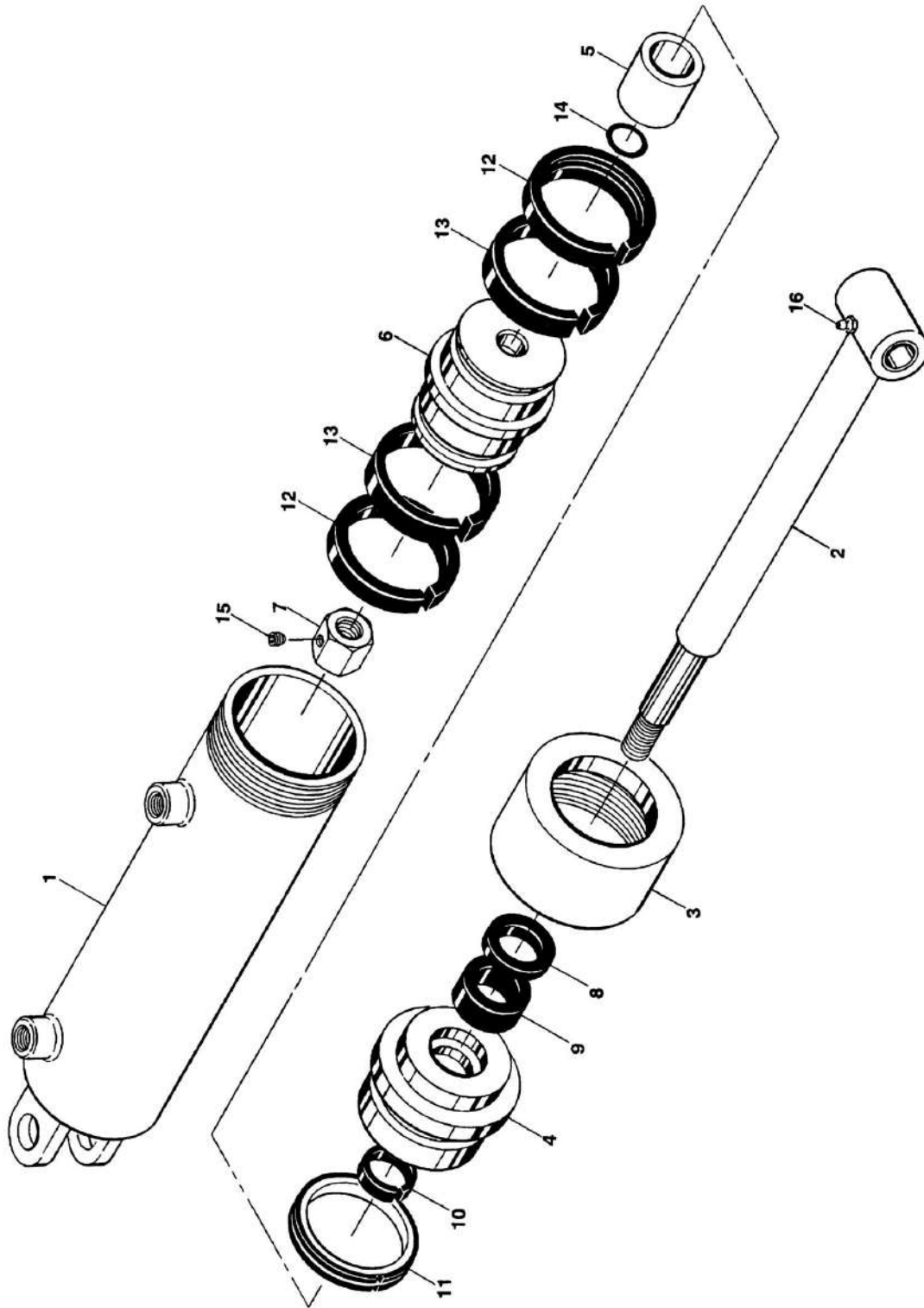
SECTION 5 - CYLINDER

FIGURE 5-15. STEER CYLINDER ASSEMBLY (80H 2WD)

ITEM	PART NUMBER	QTY	DESCRIPTION	REV
	1681562	Ref	STEER CYLINDER ASSEMBLY (80H 2WD)	H
1	1681433	1	Barrel	
2	3300273	1	Nut, Hex	
3	3900170	1	Setscrew 3/8in-16NC x 3/8in	
4	3480134	1	Piston	
5	Kit	1	O-Ring	
6	Kit	1	Ring	
7	Kit	1	Seal	
8	4562687	1	Spacer	
9	3900141	1	Setscrew	
10	1681322	1	Head	
11	Kit	1	Ring, Wear	
12	Kit	1	O-Ring	
13	Kit	1	Seal, Rod	
14	Kit	1	Wiper, Rod	
15	1120108	1	Retainer	
16	1681435	1	Rod	
17	2160001	1	Fitting, Grease	
	0100011	AR	Loctite #242	
	0100038	AR	Loctite, Primer	
	0100035	AR	Compound, Thread Locking	
	2901148	1	Seal Kit (Includes Items 5-7, 11-14)	

SECTION 5 - CYLINDER

FIGURE 5-16. STEER CYLINDER ASSEMBLIES (80H 4WD)



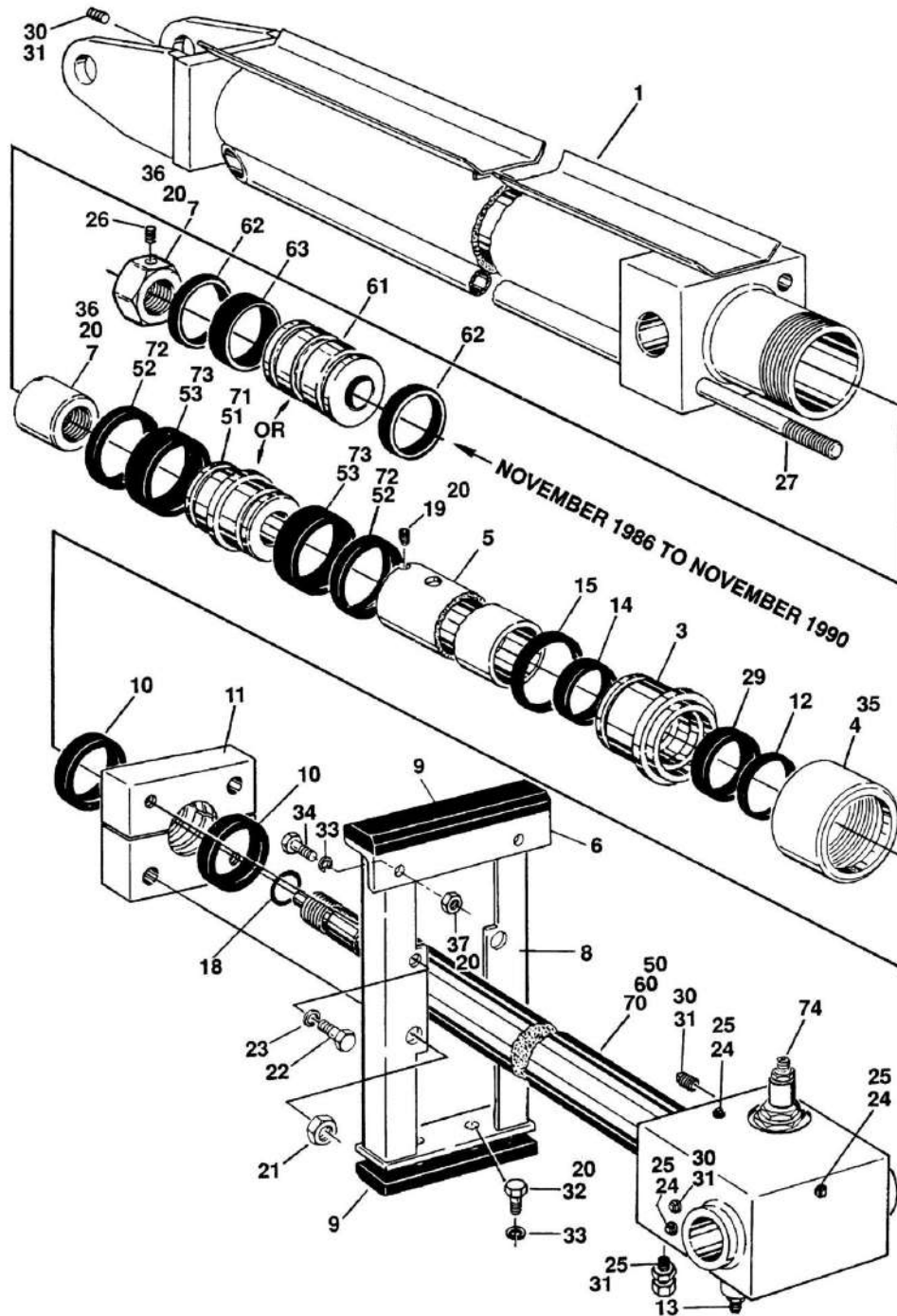
SECTION 5 - CYLINDER

FIGURE 5-16. STEER CYLINDER ASSEMBLIES (80H 4WD)

ITEM	PART NUMBER	QTY	DESCRIPTION	REV
		Ref	STEER CYLINDER ASSEMBLIES (80H 4WD)	
	1681893	Ref	Steer Cylinder Assemblies (80H 4WD Without Tow Package)	D
	1682489	Ref	Steer Cylinder Assemblies (80H 4WD With Tow Package)	A
1		Ref	Barrel Options:	
1	1681896	1	Without Tow	
1	1682488	1	With Tow	
2	1681894	1	Rod Assembly	
2	0961275	1	Bushing	
3	1120336	1	Retainer	
4	1681847	1	Head	
5	4563869	1	Spacer	
6	3480130	1	Piston	
7		Ref	Nut Options:	
7	3300245	1	Round - Prior to August 1991	
7	3300271	1	Hex - August 1991 to Present	
8	Kit	1	Seal	
9	Kit	1	Seal, Rod	
10	Kit	1	Ring	
11	Kit	1	T-Seal	
12	Kit	2	Ring, Lock	
13	Kit	2	Seal	
14	Kit	1	O-Ring	
15		Ref	Setscrew Options:	
15	3900139	1	Setscrew 1/4in-20NC x 1/2in	
15	3900170	1	Setscrew 3/8in-16NC x 3/8in	
16	2160002	1	Fitting, Grease	
18	0100011	AR	Loctite #242 (Not Shown)	
19	0100035	AR	Compound, Thread Locking (Not Shown)	
20	0100038	AR	Loctite, Primer (Not Shown)	
	2901103	1	Seal Kit (Includes Items 8-15)	

SECTION 5 - CYLINDER

FIGURE 5-17. TELESCOPE CYLINDER ASSEMBLIES



SECTION 5 - CYLINDER

FIGURE 5-17. TELESCOPE CYLINDER ASSEMBLIES

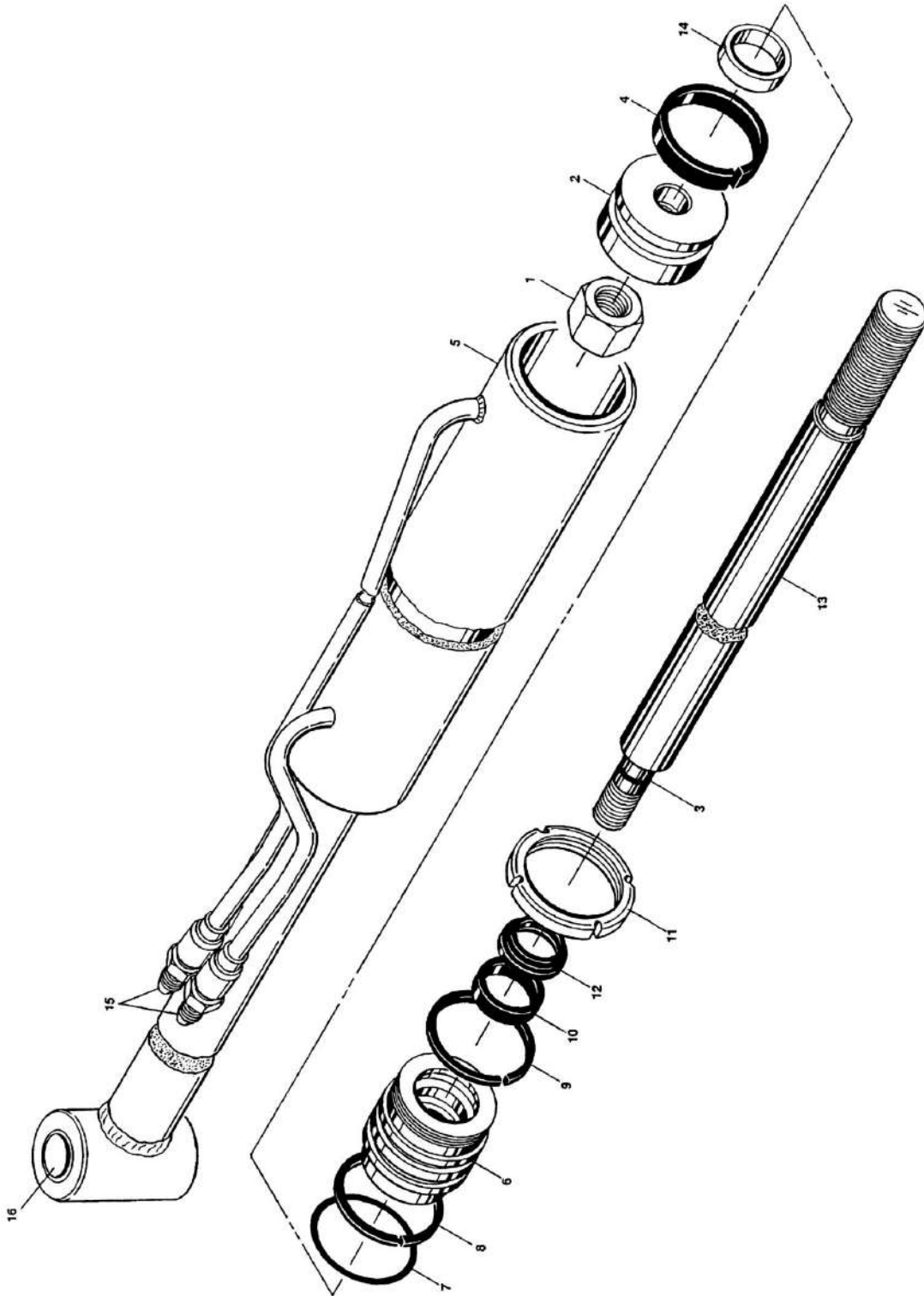
ITEM	PART NUMBER	QTY	DESCRIPTION	REV
		Ref	TELESCOPE CYLINDER ASSEMBLY (STANDARD PARTS)	
1	1681427	1	Barrel Assembly	
3	1681423	1	Head	
4	1120305	1	Retainer	
5	4562877	1	Spacer	
6	0181218	1	Angle, Rod	
7		Ref	Nut Options:	
7	3300194	1	Nut (Prior to April 1991)	
7	3300294	1	Nut, Hex (April 1991 to Present)	
8	4842207	1	Support, Rod	
9	3340383	2	Pad, Wear	
10	Kit	2	Seal, Rod	
11	0560650	1	Block	
12	Kit	1	Seal, Wiper	
13	4640212	1	Valve, Cartridge - Holding	
13	2900793	1	Seal Kit - 4640212 Valve	
14	Kit	1	Ring, Wear	
15	Kit	1	Seal	
18	Kit	1	T-Seal	
19	3951405	1	Setscrew 1/4in-20NC x 5/8in	
20	0100011	AR	Loctite #242	
21	3312202	2	Nut, Jam 3/4in-10NC	
22	0641812	2	Bolt 1/2in-13NC x 1 1/2in	
23	4761800	2	Lockwasher 1/2in	
24	2200102	5	Plug, Pipe 1/4in	
25	0100020	AR	Sealant, Pipe	
26		Ref	Setscrew Options:	
26	Not Required	0	Setscrew (Prior to April 1991)	
26	3900170	1	Setscrew 1/2in-13NC x 1/2in (April 1991 to Present)	
27	3840800	2	Rod, Guide	
28	2200414	2	Fitting	
28	2220515	2	Cap, Fitting	
29	Kit	1	Seal, Rod	
30	2200221	1	Plug, Pipe 1/8in	
31	0100020	AR	Sealant, Pipe	
32	0641605	4	Bolt 3/8in-16NC x 5/8in	
33	4761600	6	Lockwasher 3/8in	
34	0641607	2	Bolt 3/8in-16NC x 7/8in	
35	0100035	AR	Loctite #222	
36	0100038	AR	Primer, Locking	
37	3311601	2	Nut 3/8in-16NC	
	1681560	Ref	TELESCOPE CYLINDER ASSEMBLY (PRIOR TO DECEMBER 1986) (VARIABLE PARTS)	E
50	1681431	1	Rod Assembly	
51	3480113	1	Piston	
52	Kit	2	Ring, Lock	
53	Kit	2	Seal	
	2900365		Seal Kit - 1681560 Cylinder (Includes Items 10,14,15,18,29,52 & 53)	
	1681774	Ref	TELESCOPE CYLINDER ASSEMBLY (NOVEMBER 1986 JUNE	A

SECTION 5 - CYLINDER

ITEM	PART NUMBER	QTY	DESCRIPTION	REV
			1990) (VARIABLE PARTS)	
60	1681431	1	Rod Assembly	
61	3480127	1	Piston	
62	Kit	2	Ring, Wear	
63	Kit	1	Seal	
	2900389	1	Seal Kit - 1681774 Cylinder (Includes Items 10,14,15,18,29,62 & 63)	
	1682258	Ref	TELESCOPE CYLINDER ASSEMBLY (JUNE 1990 TO PRESENT) (VARIABLE PARTS)	F
70	1682259	1	Rod Assembly	
71	3480113	1	Piston	
72	Kit	2	Ring, Lock	
73	Kit	2	Seal	
74		Ref	Valve, Cartridge Options:	
74	4640212	1	Valve, Cartridge (Prior to November 1990)	
74	4640210	1	Valve, Cartridge (November 1990 to Present)	
74	2900793	1	Seal Kit	
	2900365	1	Seal Kit - 1682258 Cylinder (Includes Items 10, 14, 15, 18, 29, 52 & 53)	

SECTION 5 - CYLINDER

FIGURE 5-18. TIE-ROD CYLINDER ASSEMBLY (80HX/80HX+6 WITH OSCILLATING AXLE ONLY)



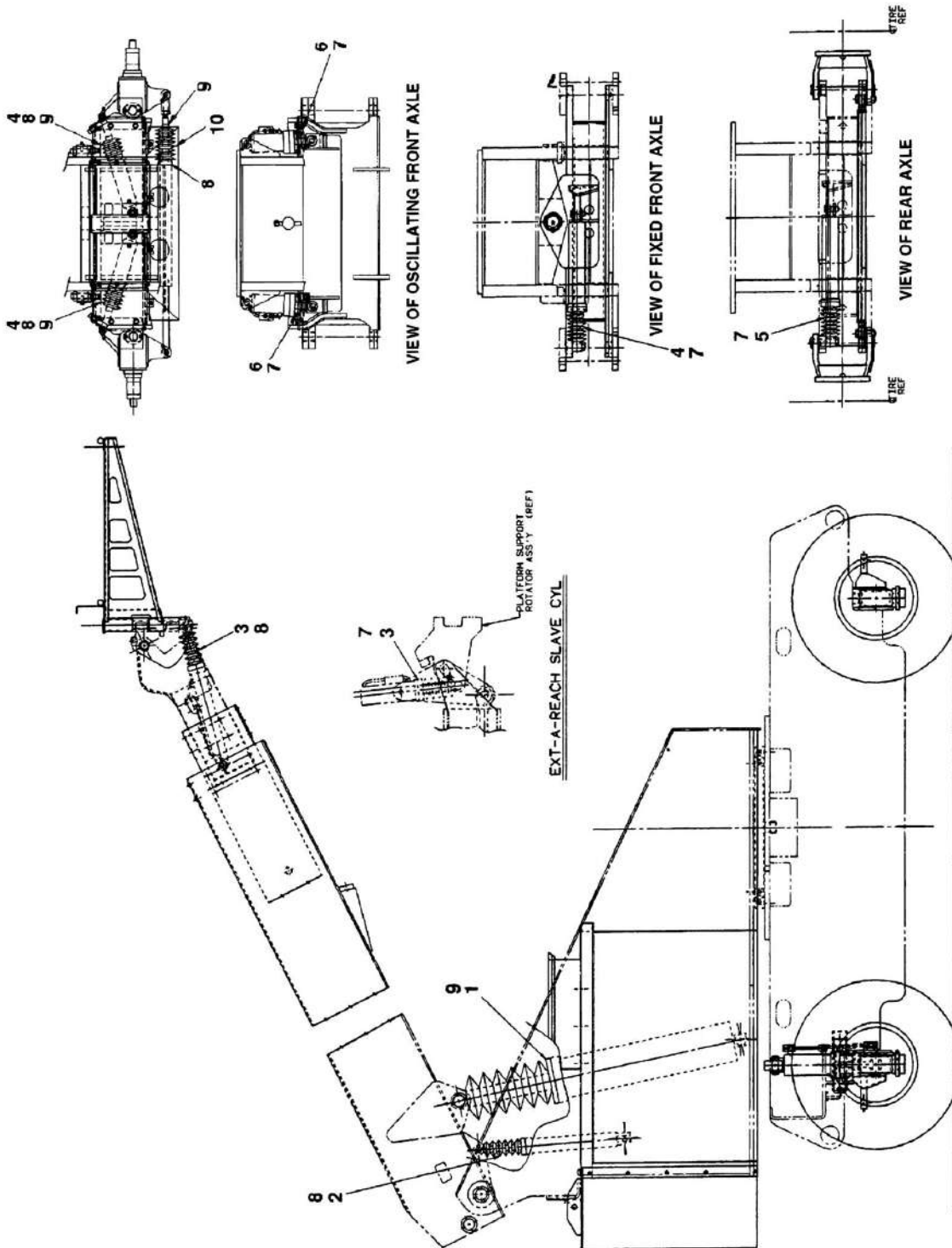
SECTION 5 - CYLINDER

FIGURE 5-18. TIE-ROD CYLINDER ASSEMBLY (80HX/80HX+6 WITH OSCILLATING AXLE ONLY)

ITEM	PART NUMBER	QTY	DESCRIPTION	REV
	1683395	Ref	TIE-ROD CYLINDER ASSEMBLY (80HX/80HX+6 WITH OSCILLATING AXLE ONLY)	B
1	7001626	1	Locknut	
2	7001627	1	Piston	
3	Kit	1	O-Ring	
4	Kit	1	Seal, Piston	
5	Not Serviced	1	Barrel	
6	7017216	1	Guide	
7	Kit	1	O-Ring	
8	Kit	1	Ring, Back-up	
9	Kit	1	Ring, Retaining	
10	Kit	1	U-Cup	
11	7001630	1	Nut, Spanner	
12	Kit	1	Ring, Wiper	
13	7017217	1	Rod	
14	7017218	1	Tube	
15	7010788	2	Fitting	
16	0961890	2	Bushing	
	7017219	1	Seal Kit - 1683395 Cylinder (Includes Items 3, 4, 7-10 & 12)	

SECTION 5 - CYLINDER

FIGURE 5-19. CYLINDER BELLOWS INSTALLATION



SECTION 5 - CYLINDER

FIGURE 5-19. CYLINDER BELLOWS INSTALLATION

ITEM	PART NUMBER	QTY	DESCRIPTION	REV
		Ref	Cylinder Bellows Installations	
	0237182	Ref	80HX Without Oscillating Axle	E
	0257093	Ref	80HX With Oscillating Axle	-
	0238726	Ref	80HX+6 & 86HX Without Oscillating Axle	D
	0257094	Ref	80HX+6 & 86HX With Oscillating Axle	-
	0254205	Ref	80H	-
1	0460095	1	Bellows with Zipper (Lift Cylinder)	
2	0460071	1	Bellows with Zipper (Master Cylinder)	
3		Ref	Bellows with Zipper Options (Slave Cylinder):	
3	0460101	1	Bellows with Zipper 80HX & 80H	
3	0460081	1	Bellows with Zipper 80HX+6 & 86HX	
4		Ref	Bellows with Zipper Options (Front Steer Cylinder)	
4	0460075	1	Bellows with Zipper 80HX & 80HX+6 Without Oscillating Axle	
4	0460170	1	Bellows with Zipper 80HX & 80HX+6 With Oscillating Axle	
4	0460078	1	Bellows with Zipper 80H	
5	0460075	1	Bellows with Zipper (Rear Steer Cylinder)	
6	0460171	2	Bellows with Zipper (Axle Lockout Cylinders) (With Oscillating Axle Only)	
7	1320122	AR	Clamp, Worm Gear 5 1/8in- 6in Dia	
8	1320037	AR	Clamp, Worm Gear 3in - 4 1/8in Dia	
9	1320059	AR	Clamp, Worm Gear 2 1/2in - 12 1/4in	
10	0460172	1	Bellows with Zipper (Tie Rod Cylinder) (With Oscillating Axle Only)	

SECTION 6 - HYDRAULICS

SECTION 6 - HYDRAULICS

FIGURE 6-1. HYDRAULIC DIAGRAM LIST - 80HX/80HX+6/86HX

ITEM	PART NUMBER	QTY	DESCRIPTION	REV
		Ref	HYDRAULIC DIAGRAM LIST - 80HX	
		Ref	Note: Diagrams not shown are available from the JLG Service Department.	
	2791684		Axle Jack Hydraulic Diagram (Single Jack with Fixed Axle) (For other options see Axle Extension Hydraulic Diagrams)	
		Ref	Axle Extension/Steering/Jack/Tow Hydraulic Diagrams:	
	2791055		2WS Fixed Axle without Tow Package	
	2792293		2WS Fixed Axle without Tow Package and with Dual Axle Jacks	
	2791099		2WS Fixed Axle with Tow Package	
	2792261		2WS Oscillating Axle without Tow Package (Prior to SN 26210)	
	2792282		2WS Oscillating Axle without Tow Package (SN 26210 to Present)	
	2792274		2WS Oscillating Axle without Tow Package and with Single Axle Jack	
	2792280		2WS Oscillating Axle without Tow Package and with Single Axle Jack	
	2792281		2WS Oscillating Axle without Tow Package and with Dual Axle Jacks	
	2791871		4WS Fixed Axle without Tow Package	
	2792267		4WS Fixed Axle without Tow Package and with Dual Axle Jacks	
	2791873		4WS Fixed Axle with Tow Package	
	2791553		Brake with Pressure Reducing Valve (Used with Ausco Drive Brakes)	
		Ref	Drive Hydraulic Diagrams:	
		Ref	Racine Proportional Valve Machines:	
	2791054		2WD (Tank Pressure Supplied after Spit Valves) (Prior to September 1986)	
	2791177		2WD (Tank pressure Supplied before Spit Valves) (September 1986 to Mid 1987)	
		Ref	Vickers Proportional Valve Machines:	
	2791239		2WD/2WS with Fixed Axle	
	2792263		2WD/2WS with Oscillating Axle	
	2791955		2WD/4WS	
	2791725		4WD/2WS with Fixed Axle	
	2792262		4WD/2WS with Oscillating Axle	
	2791870		4WD/4WS	
		Ref	Level Hydraulic Diagrams:	
		Ref	Level Hydraulic Diagrams 80HX:	
	2791060		Standard (Prior to June 1993)	
	2792067		Standard (June 1993 to present)	
	2792207		Stainless Steel Tubing (Prior to SN 42356)	
		Ref	Level Hydraulic Diagrams 80HX+6/86HX:	
	2791234		Fixed Platform (Prior to June 1993)	
	2792069		Fixed Platform (June 1993 to Present)	
	2791233		Rotating Platform (Prior to June 1993)	
	2792068		Rotating Platform (June 1993 to Present)	
		Ref	Lift Hydraulic Diagrams:	
	2791052		Machines with Racine Proportional Valves	
	2791249		Machines with Vickers Proportional Valves	
		Ref	Manual Descent Hydraulic Diagram	

SECTION 6 - HYDRAULICS

ITEM	PART NUMBER	QTY	DESCRIPTION	REV
	2791053		Manual Descent Hydraulic Diagram (Prior to November 1990)	
	2791799		Manual Descent Hydraulic Diagram (November 1990 to Present)	
		Ref	Oil Cooler Hydraulic Diagrams:	
	2791448		Oil Cooler at Rear of T/T	
	0254853		Oil Cooler Inside T/T	
	2792264		Oscillating Axle Hydraulic Diagram	
		Ref	Pump Hydraulic Diagrams:	
		Ref	Racine Proportional Valves and Standard Controls:	
	2791056		Machines without Steering Wheel	
	2791266		Machines with Steering Wheel	
		Ref	Vickers Proportional Valves and Standard Controls:	
	2791263		Machines Built 1985-1990	
	2791816		Machines Built 1991 to Present	
		Ref	Vickers Proportional Valves and Hydraulic Controls:	
	2791590		Machines Built Prior to April 1991	
	2791985		Machines Built April 1991 to Present	
		Ref	Rotate Hydraulic Diagrams (See Level Hydraulic Diagrams for 80HX+6 & 86HX):	
	2791061		Rotate Hydraulic Diagrams 80HX with Standard Tubing	
	2792206		Rotate Hydraulic Diagrams 80HX with Stainless Steel Tubing (Prior to SN 42356)	
	2792231		Schematic - Hydraulic	
	1281353		Sequence Hydraulic Diagrams:	
	2791698		Standard Controls	
	2791700		Hydraulic Controls	
		Ref	Steer Hydraulic Diagrams (See Axle Extension Hydraulic Diagrams)	
		Ref	Swing Hydraulic Diagrams:	
	2791063		Racine Proportional Valve Machines	
	2791285		Vickers Proportional Valve Machines	
		Ref	Telescope Hydraulic Diagrams:	
	2790949		Machines without Prop Tele (Racine Proportional Valves)	
	2791257		Machines without Prop Tele (Vickers Proportional Valves) (Prior to November 1990)	
	2791758		Machines without Prop Tele (Vickers Proportional Valves) (November 1990 to Present)	
	2791057		Machines with Prop Tele (Racine Proportional Valves)	
	2791254		Machines with Prop Tele (Vickers Proportional Valves) (Prior to November 1992)	
	2791991		Machines with Prop Tele (Vickers Proportional Valves) (November 1992 to Present)	
	2791935		Machines with Hydraulic Controls	
		Ref	Tow Hydraulic Diagram (See Axle Extension Hydraulic Diagrams)	
	2791880		Valjar Hydraulic Pressure Chart	

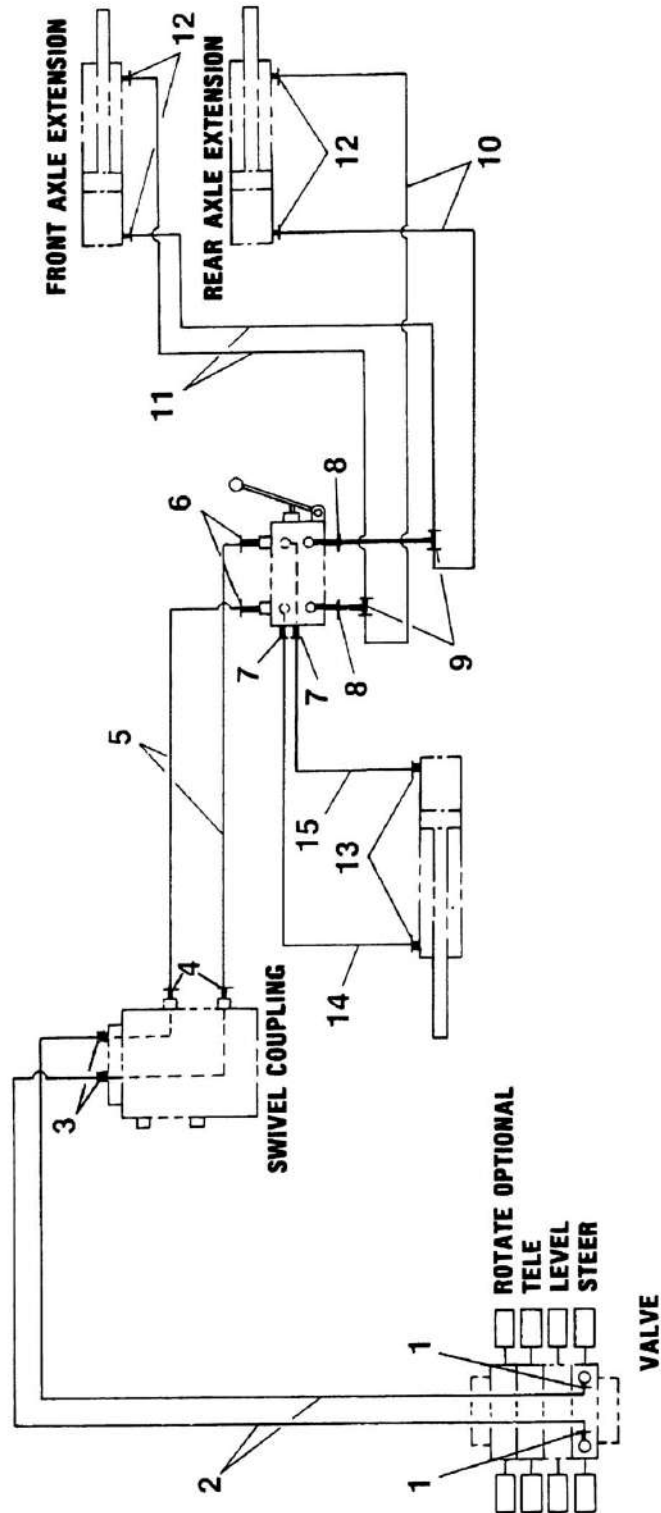
SECTION 6 - HYDRAULICS

FIGURE 6-2. HYDRAULIC DIAGRAM LIST - 80HX/80HX+6/86HX

ITEM	PART NUMBER	QTY	DESCRIPTION	REV
		Ref	HYDRAULIC DIAGRAM LIST - 80H	
		Ref	Note: Diagrams not shown are available from JLG Service/Parts Departments.	
	2791553		Brake with Pressure Reducing Valve (Used with Ausco Drive Brakes)	
		Ref	Drive Hydraulic Diagrams:	
	2791103		2WD Racine Proportional Valve Machines	
	2791265		2WD Vickers Proportional Valve Machines	
	2791385		4WD Vickers Proportional Valve Machines	
		Ref	Level Hydraulic Diagrams:	
	2791112		Standard (Prior to May 1993)	
	2792055		Standard (May 1993 to Present)	
		Ref	Lift Hydraulic Diagrams:	
	2791104		Machines with Racine Proportional Valves	
	2791253		Machines with Vickers Proportional Valves	
		Ref	Manual Descent Hydraulic Diagram	
	2791110		Racine Proportional Valve Machines	
	2790946		Vickers Proportional Valve Machines Prior to November 1990	
	2791799		Vickers Proportional Valve Machines November 1990 to Present	
		Ref	Pump Hydraulic Diagrams:	
	2791102		Racine Proportional Valve Machines	
	2791263		Vickers Prop Valve and Standard Controls Machines Built Prior to 1990	
	2791816		Vickers Prop Valve and Standard Controls Machines Built 1991 to Present	
	2791590		Vickers Prop Valves and Hydraulic Controls Machines Built Prior to Sept. 1989	
	2791931		Vickers Prop Valves and Hydraulic Controls Machines Built Sept. 1989 to Present	
	2791111		Rotate Hydraulic Diagram	
	1281353		Sequence Hydraulic Diagrams:	
	2791698		Standard Controls	
	2791700		Hydraulic Controls	
		Ref	Steer Hydraulic Diagrams	
	2791108		Without Tow Package	
	2791109		With Tow Package	
		Ref	Swing Hydraulic Diagrams:	
	2791107		Racine Proportional Valve Machines	
	2791285		Vickers Proportional Valve Machines	
		Ref	Telescope Hydraulic Diagrams:	
	2791105		Machines without Prop Tele (Racine Prop Valves)	
	2791257		Machines without Prop Tele (Vickers Prop Valves) (Prior to Nov. 1990)	
	2791758		Machines without Prop Tele (Vickers Prop Valves) (Nov. 1990 to Present)	
	2791106		Machines with Prop Tele (Racine Prop Valves)	
	2791254		Machines with Prop Tele (Vickers Prop Valves) (Prior to November 1992)	
	2791991		Machines with Prop Tele (Vickers Prop Valves) (Nov. 1992 to Present)	
	2791935		Machines with Hydraulic Controls	

SECTION 6 - HYDRAULICS

FIGURE 6-3. HYDRAULIC DIAGRAM - AXLE EXTENSION AND STEER (80HX/80HX+6 2WS FIXED AXLE WITHOUT TOW PACKAGE)



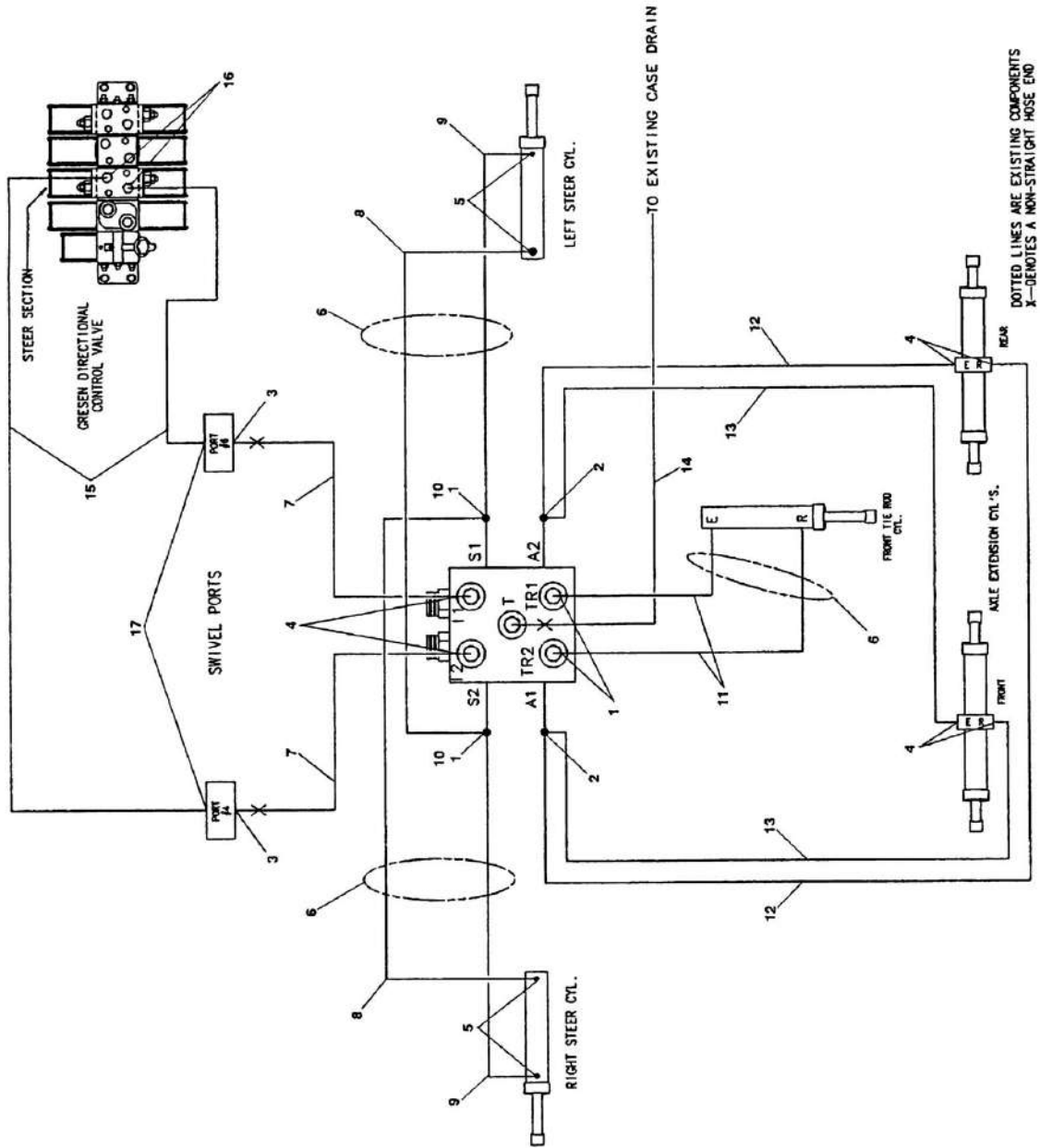
SECTION 6 - HYDRAULICS

FIGURE 6-3. HYDRAULIC DIAGRAM - AXLE EXTENSION AND STEER (80HX/80HX+6 2WS FIXED AXLE WITHOUT TOW PACKAGE)

ITEM	PART NUMBER	QTY	DESCRIPTION	REV
	2791055	Ref	HYDRAULIC DIAGRAM - AXLE EXTENSION AND STEER (80HX/80HX+6 2WS FIXED AXLE WITHOUT TOW PACKAGE)	F
1	2220372	2	Fitting	
2	2750916	2	Hose	
3	2220501	2	Fitting, 45	
4	2220371	2	Fitting, Straight	
5	2751114	2	Hose	
6	2220492	2	Fitting, Straight	
7	2220416	2	Fitting, 90	
8	2220416	2	Fitting, 90	
8	2220270	2	Fitting, Reducer	
9	2220605	2	Fitting, Tee	
10	2750784	2	Hose	
11	2751391	2	Hose	
12	2220416	4	Fitting, 90	
13	2220414	2	Fitting, Straight	
14	2750894	1	Hose	
15	2750891	1	Hose	
	0100020	AR	Sealant, Pipe	

SECTION 6 - HYDRAULICS

FIGURE 6-4. HYDRAULIC DIAGRAM - AXLE EXTENSION AND STEER (80HX/80HX+6 2WS OSCILLATING AXLE WITHOUT TOW PACKAGE)



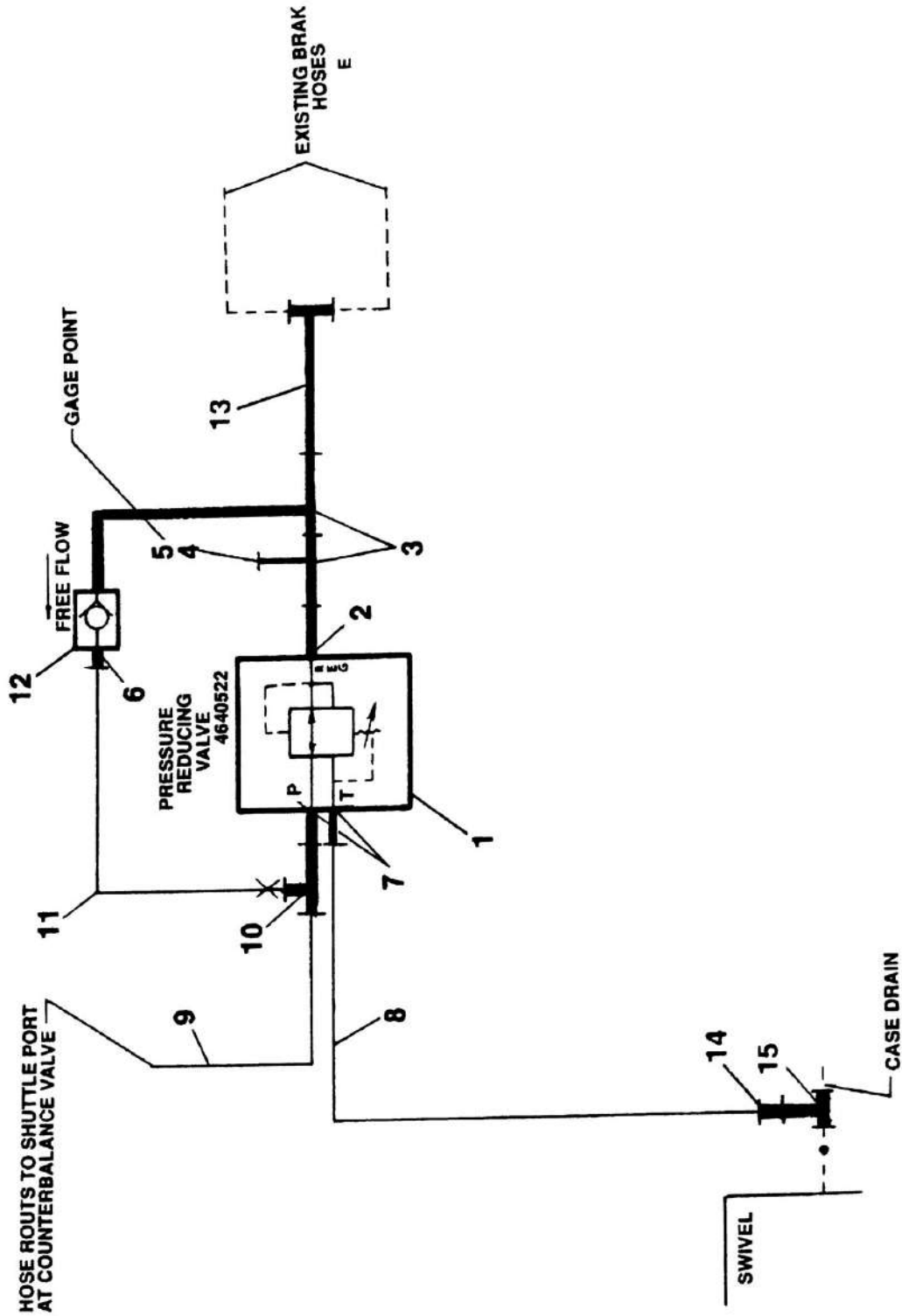
SECTION 6 - HYDRAULICS

FIGURE 6-4. HYDRAULIC DIAGRAM - AXLE EXTENSION AND STEER (80HX/80HX+6 2WS OSCILLATING AXLE WITHOUT TOW PACKAGE)

ITEM	PART NUMBER	QTY	DESCRIPTION	REV
	2792282	Ref	HYDRAULIC DIAGRAM - AXLE EXTENSION AND STEER (80HX/80HX+6 2WS OSCILLATING AXLE WITHOUT TOW PACKAGE)	B
1	2220582	4	Fitting, Straight	
2	2220606	2	Fitting, Tee	
3	2220371	3	Fitting, Straight	
4	2220473	6	Fitting, 90	
5	2220472	4	Fitting, 90	
6	4100026	3	Sleeve, Nylon	
7	2751834	2	Hose	
8	2751404	2	Hose	
9	2751406	2	Hose	
10	2220605	2	Fitting, Tee	
11	2752979	2	Hose	
12	2751129	2	Hose	
13	2752480	2	Hose	
14	2752471	2	Hose	
15	2750916	2	Hose	
16	2220372	2	Fitting, Straight	
17	2220501	2	Fitting, 49	

SECTION 6 - HYDRAULICS

FIGURE 6-5. HYDRAULIC DIAGRAM - BRAKE WITH PRESSURE REDUCING VALVE (USED WITH AUSCO DRIVE BRAKES)



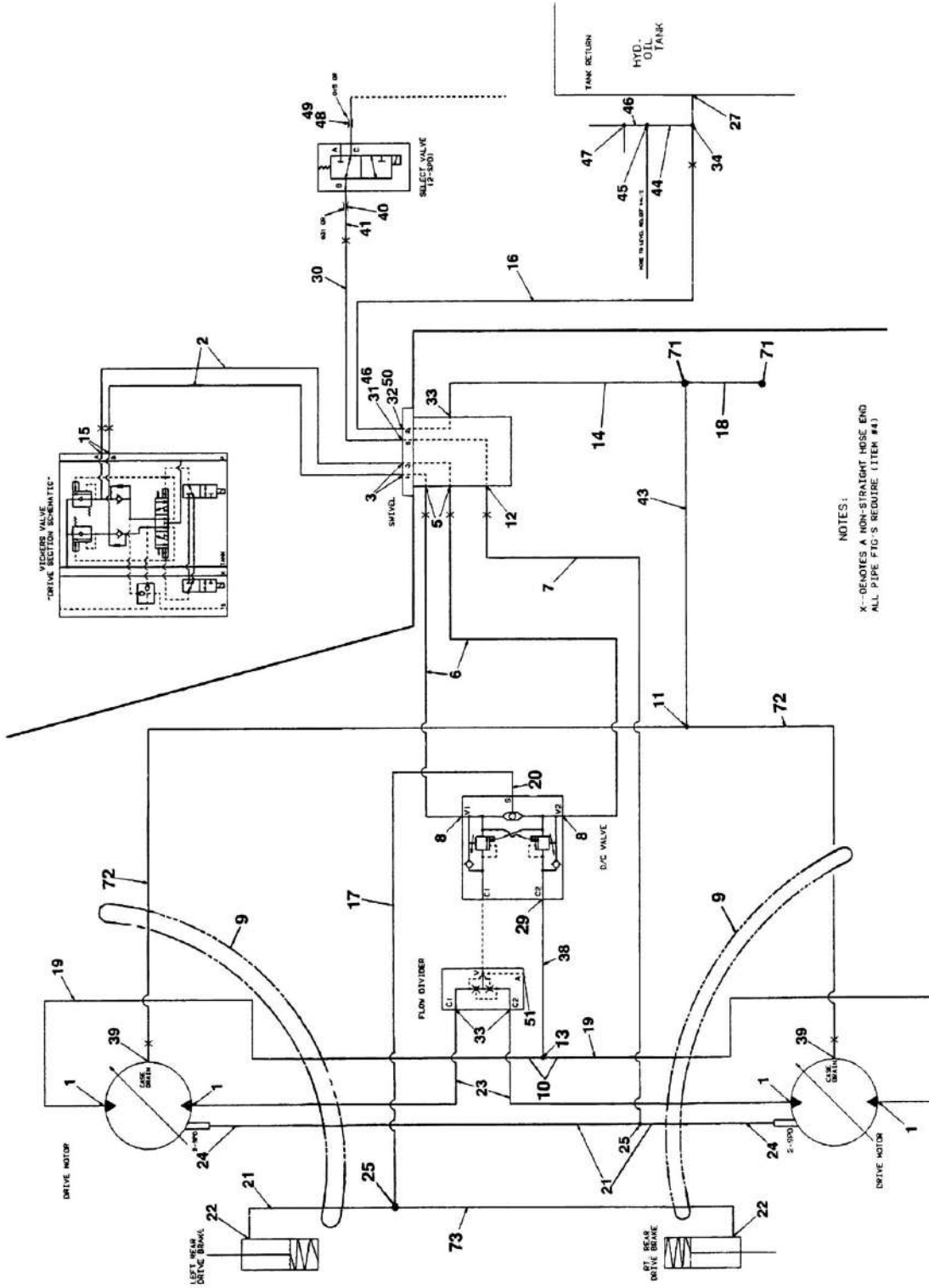
SECTION 6 - HYDRAULICS

FIGURE 6-5. HYDRAULIC DIAGRAM - BRAKE WITH PRESSURE REDUCING VALVE (USED WITH AUSCO DRIVE BRAKES)

ITEM	PART NUMBER	QTY	DESCRIPTION	REV
	2791553	Ref	HYDRAULIC DIAGRAM - BRAKE WITH PRESSURE REDUCING VALVE (USED WITH AUSCO DRIVE BRAKES)	B
1	4640522	1	Valve, Pressure Reducing	
1	3311401	2	Nut 1/4in-20NC	
1	4761400	2	Lockwasher 1/4in	
1	4751400	2	Flatwasher 1/4in	
1	4300036	2	Stud (Welded on Part)	
2	2220250	1	Fitting, Reducer	
3	2220752	2	Fitting, Tee	
4	2220428	1	Fitting, Quick Disconnect	
5	2220429	1	Cap, Dust	
6	2220414	1	Fitting	
7	2220585	2	Fitting, 90	
8	2751010	1	Hose	
9	2751397	1	Hose	
10	2220605	1	Fitting, Tee	
11	2751018	1	Hose	
12	4640197	1	Valve, Check	
13	2220584	1	Fitting	
14	2220618	1	Fitting, Reducer	
15	2220679	1	Fitting, Tee	

SECTION 6 - HYDRAULICS

FIGURE 6-6. HYDRAULIC DIAGRAM - DRIVE (2WD/2WS) - 80H-80HX-80HX+6



SECTION 6 - HYDRAULICS

FIGURE 6-6. HYDRAULIC DIAGRAM - DRIVE (2WD/2WS) - 80H-80HX-80HX+6

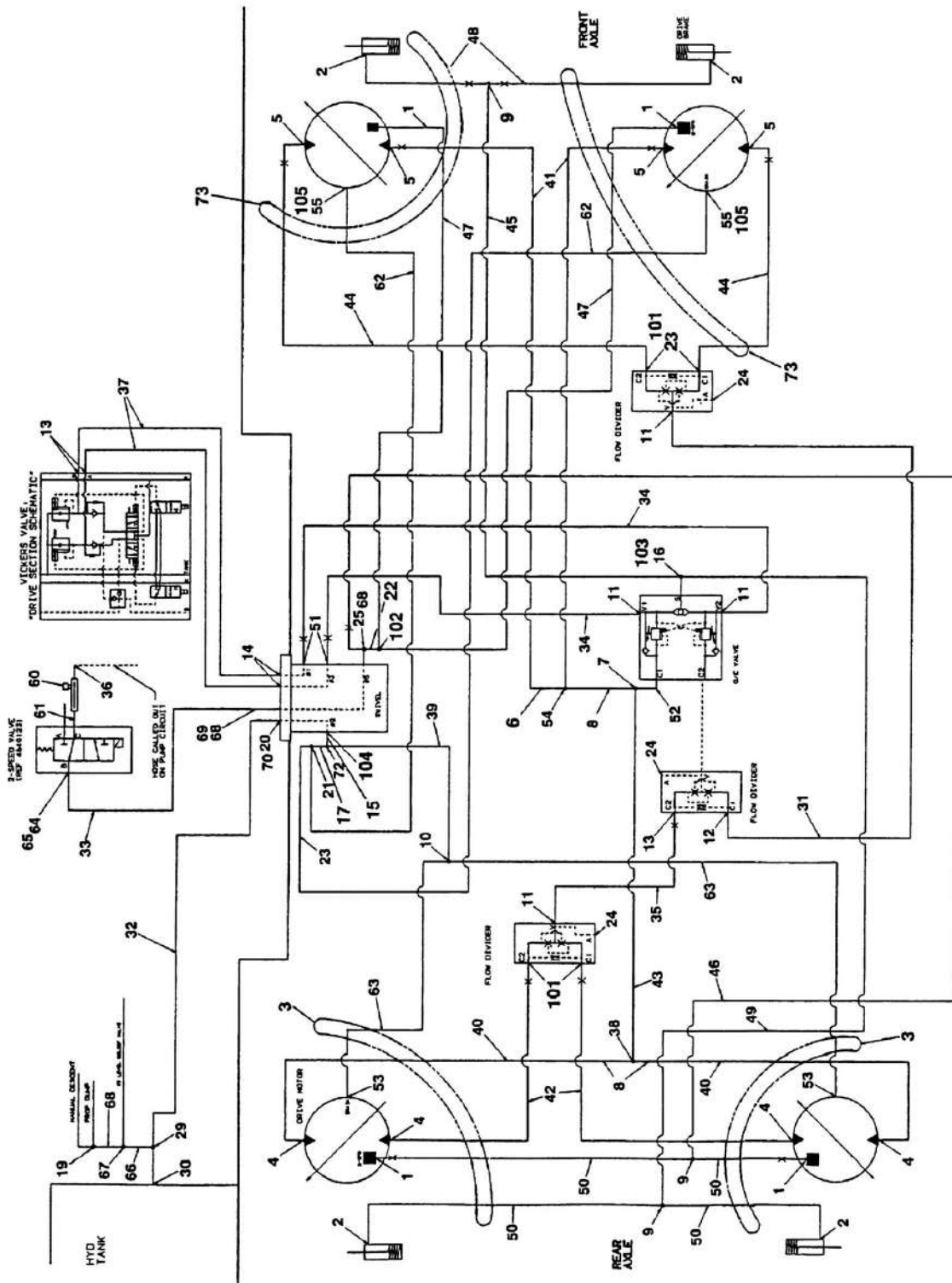
ITEM	PART NUMBER	QTY	DESCRIPTION	REV
	2791239	Ref	HYDRAULIC DIAGRAM - DRIVE (80HX/80HX+6 2WD/2WS FIXED AXLE)	H
	2792263	Ref	HYDRAULIC DIAGRAM - DRIVE (80HX/80HX+6 2WD/2WS OSCILLATING AXLE)	A
	2791265	Ref	HYDRAULIC DIAGRAM - DRIVE (80H 2WD/2WS)	G
1	2220800	5	Fitting, Straight (Fixed Axle)	
1	2220833	4	Fitting, Straight (Oscillating Axle)	
2	2751321	2	Hose	
3	2220568	2	Fitting, 45	
4	0100020	AR	Sealant, Thread (Not Shown)	
5	2220435	2	Fitting	
6	2751339	2	Hose	
7	2750760	1	Hose (80HX/80HX+6 Fixed Axle)	
7	2752454	1	Hose (80HX/80HX+6 Oscillating Axle)	
7	2750891	1	Hose (80H)	
8	2220465	2	Fitting, 90	
9	4100051	2	Sleeve, Nylon (Oscillating Axle Only)	
10	2220622	2	Fitting, Reducer (Oscillating Axle Only)	
11	2220362	1	Fitting, Tee	
12	2220582	1	Fitting, Straight	
13	2220481	1	Fitting, Tee (Oscillating Axle)	
13	2220362	1	Fitting, Tee (Fixed Axle)	
14	2750762	1	Hose (Oscillating Axle Only)	
15	2220451	2	Fitting, Straight	
16	2752500	1	Hose	
17	2751013	1	Hose (80HX/80HX+6 Fixed Axle)	
17	2751398	1	Hose (80HX/80HX+6 Oscillating Axle)	
17	2751021	1	Hose (80H)	
18	2750791	1	Hose (Oscillating Axle Only)	
19	2750977	2	Hose (80HX/80HX+6 Fixed Axle)	
19	2750777	2	Hose (80HX/80HX+6 Oscillating Axle)	
19	2750774	2	Hose (80H)	
20	2220466	1	Fitting, 90 (Fixed Axle)	
20	2220711	1	Fitting, Tee (Oscillating Axle)	
21	2750891	2	Hose (80HX/80HX+6 Fixed Axle)	
21	2750894	2	Hose (80HX/80HX+6 Oscillating Axle)	
21	2751010	2	Hose (80H)	
22	2220466	2	Fitting, 90	
23	2751472	2	Hose (80HX/80HX+6 Fixed Axle)	
23	2751465	2	Hose (80HX/80HX+6 Oscillating Axle)	
23	2750776	2	Hose (80H)	
24	2220415	2	Fitting, Straight (Fixed Axle)	
24	2220466	2	Fitting, 90 (Oscillating Axle)	
25	2220504	2	Fitting, Tee	
27	2220868	1	Fitting	
29	2220800	1	Fitting, Straight	
30	2751026	1	Hose	
31	2220501	1	Fitting, 45	
32	2220500	1	Fitting, 45	
33	2220375	3	Fitting, Straight (Fixed Axle)	

SECTION 6 - HYDRAULICS

ITEM	PART NUMBER	QTY	DESCRIPTION	REV
33	2220366	3	Fitting, 90 (Oscillating Axle)	
34	2220362	1	Fitting, Tee	
38	2750774	1	Hose (80HX/80HX+6 Fixed Axle)	
38	2752247	1	Hose (80HX/80HX+6 Oscillating Axle)	
38	2750762	1	Hose (80H)	
39	2220374	2	Fitting, Straight (Fixed Axle)	
39	2220596	2	Fitting, Tee (Oscillating Axle)	
40	2220822	1	Fitting, Restrictor	
41	2220585	1	Fitting, 90	
43	2752503	1	Hose (80HX/80HX+6 Fixed Axle)	
43	2750776	1	Hose (80HX/80HX+6 Oscillating Axle)	
43	2750777	1	Hose (80H)	
44	2220619	1	Fitting	
45	2220635	1	Fitting, Tee	
46	2220609	2	Fitting	
47	2220605	1	Fitting, Tee	
48	2220909	1	Orifice (.015)	
49	2220417	1	Fitting, Straight	
50	2220811	1	Fitting, Reducer	
51	Not Available	1	Fitting, Plug	
71	2220362	2	Fitting, Tee (Oscillating Axle Only)	
72	2752503	2	Hose (80HX/80HX+6 Fixed Axle)	
72	2750777	2	Hose (80HX/80HX+6 Oscillating Axle)	
72	2750774	2	Hose (80H)	
73	2750891	2	Hose (80HX/80HX+6 Fixed Axle)	
73	2750894	2	Hose (80HX/80HX+6 Oscillating Axle)	
73	2751014	2	Hose (80H)	

SECTION 6 - HYDRAULICS

FIGURE 6-7. HYDRAULIC DIAGRAM - DRIVE (4WD/2WS) - 80H-80HX-80HX+6



SECTION 6 - HYDRAULICS

FIGURE 6-7. HYDRAULIC DIAGRAM - DRIVE (4WD/2WS) - 80H-80HX-80HX+6

ITEM	PART NUMBER	QTY	DESCRIPTION	REV
	2791725	Ref	HYDRAULIC DIAGRAM - DRIVE (80HX/80HX+6 4WD/2WS FIXED AXLE)	11-J
	2792262	Ref	HYDRAULIC DIAGRAM - DRIVE (80HX/80HX+6 4WD/2WS OSCILLATING AXLE)	3-B
	2791385	Ref	HYDRAULIC DIAGRAM - DRIVE (80H 4WD/2WS)	8-G
1	2220415	4	Fitting, Straight (Fixed Axle)	
1	2220466	4	Fitting, 90 (Oscillating Axle)	
2	2220466	4	Fitting, 90	
3	4100051	2	Sleeve, Nylon (Oscillating Axle Only)	
4	2220375	4	Fitting, Straight (Fixed Axle)	
4	2220833	4	Fitting, 90 (Oscillating Axle)	
4	2220596	4	Fitting, Reducer (Oscillating Axle Only)	
5	2220366	4	Fitting, 90 (Fixed Axle)	
5	2220833	4	Fitting, 90 (Oscillating Axle)	
5	2220596	4	Fitting, Reducer (Oscillating Axle Only)	
6	Not Required	0	Fitting (80HX/80HX+6 Fixed Axle)	
6	2220386	1	Fitting, 90 (80HX/80HX+6 Oscillating Axle)	
6	2220622	2	Fitting, Reducer (80H)	
7	2220700	1	Fitting, Tee	
8	2220622	3	Fitting, Reducer	
9	2220504	3	Fitting, Tee	
10	2220362	1	Fitting, Tee	
11	2220465	4	Fitting, 90	
12	2220578	1	Fitting, 90	
13	2220451	3	Fitting, Straight	
14	2220568	2	Fitting, 45	
15	2750762	1	Hose (Oscillating Axle Only)	
16	2220711	1	Fitting, Tee	
17	2750791	1	Hose (Oscillating Axle Only)	
19	2220605	1	Fitting, Tee	
20	2220500	1	Fitting, 45	
21	2220385	1	Fitting, Tee (Fixed Axle)	
21	2220469	1	Fitting, 4-Way (Oscillating Axle)	
22	2752574	1	Hose (Oscillating Axle Only)	
23	2220386	3	Fitting, 90 (Fixed Axle Only)	
24	2220235	3	Orifice	
25	2220606	1	Fitting, Tee (80HX/80HX+6)	
25	2220899	1	Fitting, Tee (80H)	
29	2220362	1	Fitting, Tee	
30	2220868	1	Fitting	
31	2750874	1	Hose	
32	2752500	1	Hose	
33	2751026	1	Hose	
34	2751339	2	Hose	
35	2750872	1	Hose	
36	2220414	1	Fitting, Straight	
37	2751321	2	Hose	
38	2220481	1	Fitting, Tee	
39	2750927	1	Hose (80HX/80HX+6 Fixed Axle)	
39	2750766	1	Hose (80HX/80HX+6 Oscillating Axle)	

SECTION 6 - HYDRAULICS

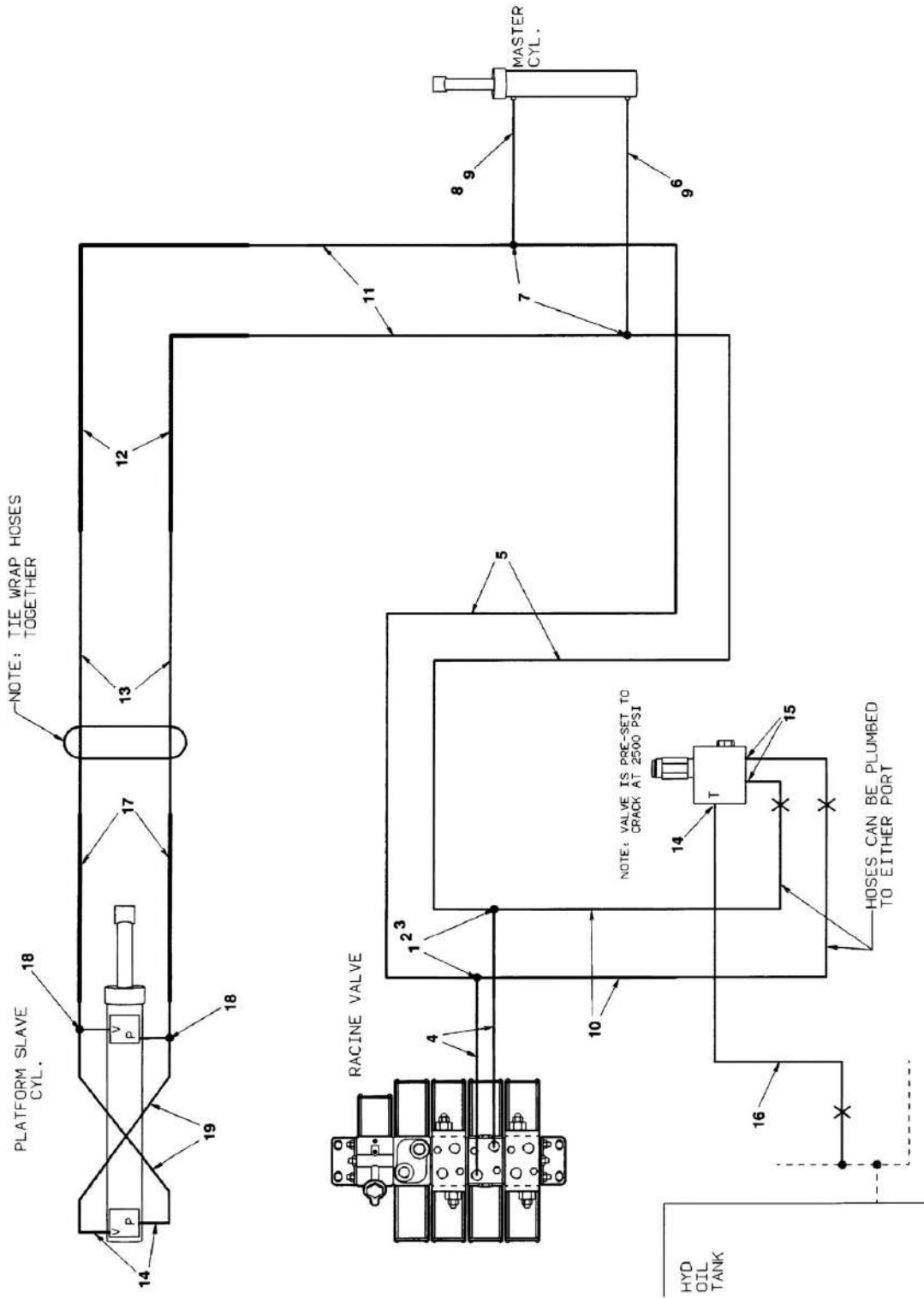
ITEM	PART NUMBER	QTY	DESCRIPTION	REV
39	2750776	1	Hose (80H)	
40	2750977	2	Hose (80HX/80HX+6 Fixed Axle)	
40	2750777	2	Hose (80HX/80HX+6 Oscillating Axle)	
40	2750929	2	Hose (80H)	
41	2751468	2	Hose (80HX/80HX+6 Fixed Axle)	
41	2752401	2	Hose (80HX/80HX+6 Oscillating Axle)	
41	2751507	2	Hose (80H)	
42	2750759	2	Hose (80HX/80HX+6 Fixed Axle)	
42	2751465	2	Hose (80HX/80HX+6 Oscillating Axle)	
42	2750766	2	Hose (80H)	
43	2751345	1	Hose (80HX/80HX+6 Fixed Axle)	
43	2752247	1	Hose (80HX/80HX+6 Oscillating Axle)	
43	2750874	1	Hose (80H)	
44	2750792	2	Hose (80HX/80HX+6 Fixed Axle)	
44	2752402	2	Hose (80HX/80HX+6 Oscillating Axle)	
44	2751467	2	Hose (80H)	
45	2751014	1	Hose (80HX/80HX+6 Fixed Axle)	
45	2752592	1	Hose (80HX/80HX+6 Oscillating Axle)	
45	2751310	1	Hose (80H)	
46	2750760	1	Hose (80HX/80HX+6 Fixed Axle)	
46	2752454	1	Hose (80HX/80HX+6 Oscillating Axle)	
46	2750891	1	Hose (80H)	
47	2751395	2	Hose (80HX/80HX+6 Fixed Axle)	
47	2751404	2	Hose (80HX/80HX+6 Oscillating Axle)	
47	2751419	2	Hose (80H)	
48	2750894	2	Hose (80HX/80HX+6 Fixed Axle)	
48	2751404	2	Hose (80HX/80HX+6 Oscillating Axle)	
48	2750892	2	Hose (80H)	
49	2751013	1	Hose (80HX/80HX+6 Fixed Axle)	
49	2751398	1	Hose (80HX/80HX+6 Oscillating Axle)	
49	2751398	1	Hose (80H)	
50	2750891	4	Hose (80HX/80HX+6 Fixed Axle)	
50	2750894	4	Hose (80HX/80HX+6 Oscillating Axle)	
50	2750794	2	Hose (80H to Brake)	
50	2751010	2	Hose (80H to 2 Speed Motor)	
51	2220435	2	Fitting, Straight	
52	2220435	1	Fitting, Straight	
53	2220596	2	Fitting, 90 (80HX/80HX+6 Fixed Axle)	
53	2220671	2	Fitting, 90 (80HX/80HX+6 Oscillating Axle)	
53	2220396	2	Fitting, 90 (80H)	
54	2220383	1	Fitting, Tee (80HX/80HX+6 Fixed Axle)	
54	2220385	1	Fitting, Tee (80HX/80HX+6 Oscillating Axle)	
54	2220700	1	Fitting, Tee (80H)	
55	2220373	2	Fitting, Straight (Fixed Axle)	
55	2220671	2	Fitting, 90 (Oscillating Axle)	
60	4640128	1	Valve	
61	2220438	1	Fitting, Reducer	
62	2752501	2	Hose (80HX/80HX+6 Fixed Axle)	
62	2752402	2	Hose (80HX/80HX+6 Oscillating Axle)	
62	2751507	2	Hose (80H)	
63	2752503	2	Hose (80HX/80HX+6 Fixed Axle)	

SECTION 6 - HYDRAULICS

ITEM	PART NUMBER	QTY	DESCRIPTION	REV
63	2750777	2	Hose (80HX/80HX+6 Oscillating Axle)	
63	2750774	2	Hose (80H)	
64	2220585	1	Fitting, 90	
65	2220914	1	Orifice (.043)	
66	2220619	1	Fitting, Reducer	
67	2220635	1	Fitting, Tee	
68	2220609	4	Fitting, Reducer	
69	2220501	1	Fitting, 45 (80HX/80HX+6)	
69	2220582	1	Fitting, Straight (80H)	
70	2220811	2	Fitting, Reducer	
71	0100020	AR	Sealant, Thread	
72	2220602	1	Fitting, Tee (Fixed Axle)	
72	2220362	1	Fitting, Tee (Oscillating Axle)	
73	4100026	5	Sleeve, Nylon (Fixed Axle)	
73	4100052	2	Sleeve, Nylon (Oscillating Axle)	
74	2820031	8 ft/2.4m	Heatshrink (Not Shown - Use with #73 at Front Motors)	
101	2220375	4	Fitting, Straight (Fixed Axle)	
101	2220366	4	Fitting, 90 (Oscillating Axle)	
102	2220504	1	Fitting, Tee (80HX/80HX+6 Fixed Axle)	
102	2220605	1	Fitting, Tee (80HX/80HX+6 Oscillating Axle)	
102	2220605	1	Fitting, Tee (80H)	
103	2220605	1	Fitting, Tee (Oscillating Axle Only)	
104	2220811	1	Fitting, Reducer (Fixed Axle)	
104	2220366	1	Fitting, 90 (Oscillating Axle)	
105	2220386	2	Fitting, 90 (80H Only)	

SECTION 6 - HYDRAULICS

FIGURE 6-8. HYDRAULIC DIAGRAM - LEVEL (80HX AND 80H)



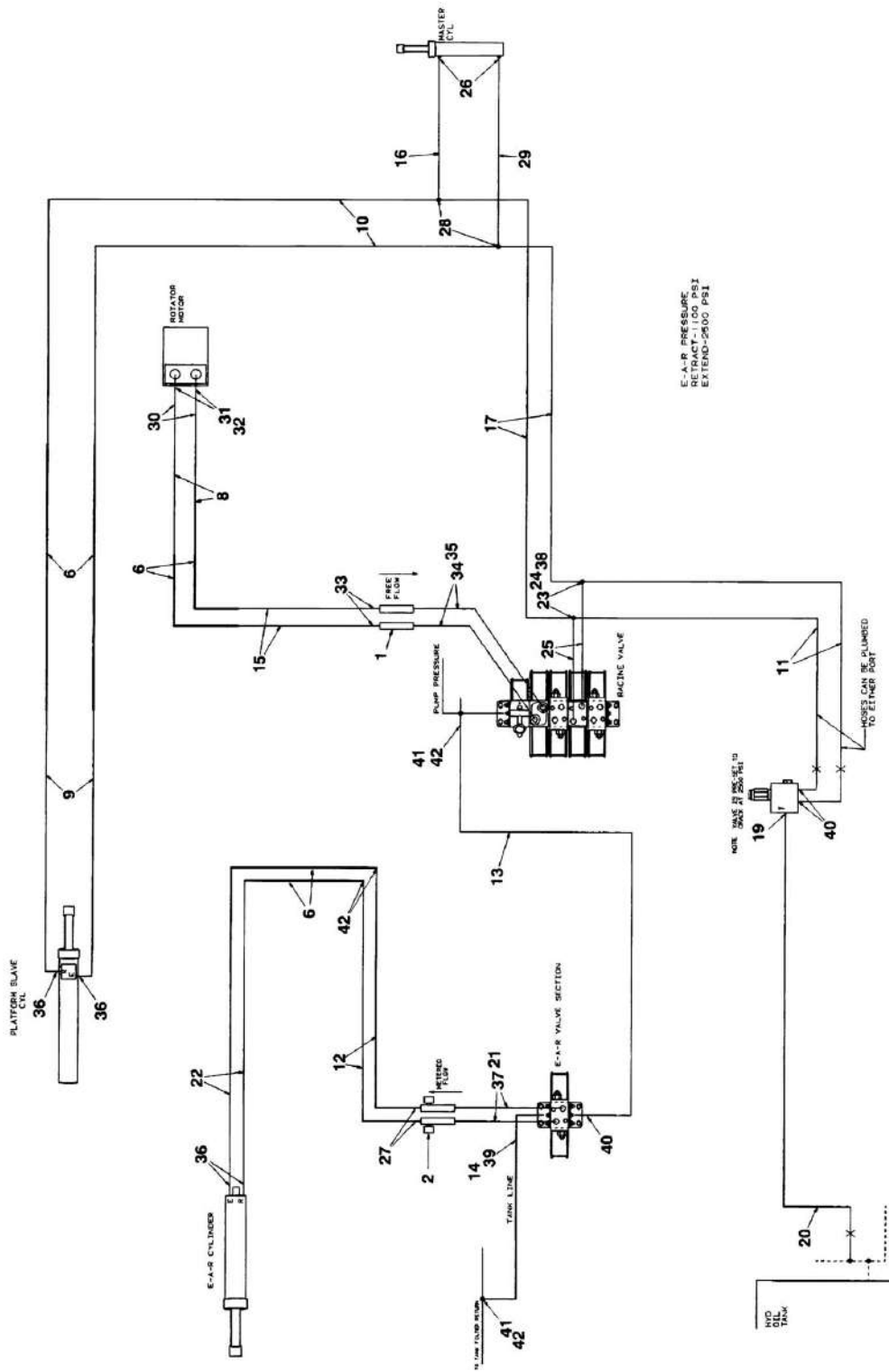
SECTION 6 - HYDRAULICS

FIGURE 6-8. HYDRAULIC DIAGRAM - LEVEL (80HX AND 80H)

ITEM	PART NUMBER	QTY	DESCRIPTION	REV
	2792067	Ref	HYDRAULIC DIAGRAM - LEVEL (80HX)	-
	2792055	Ref	HYDRAULIC DIAGRAM - LEVEL (80H)	-
1	2180379	2	Fitting, Tee Modified	
2	2180615	2	Orifice (.047)	
3	0100011	AR	Loctite	
4	2220591	2	Fitting, 90	
5	2750998	2	Hose	
6	2750779	1	Hose	
7	2220490	2	Fitting, Tee	
8	2750785	1	Hose	
9	2220353	2	Fitting, 90	
10	2750990	2	Hose	
11	2751151	2	Hose	
12	4563167	2	Tube	
13	2751838	2	Hose	
14	2220473	3	Fitting, 90	
15	2220371	2	Fitting, Straight	
16	2750910	1	Hose	
17	4565873	2	Tube	
18	2220899	2	Fitting, Tee	
19	2750918	2	Hose	

SECTION 6 - HYDRAULICS

FIGURE 6-9. HYDRAULIC DIAGRAM - LEVEL (80HX+6)



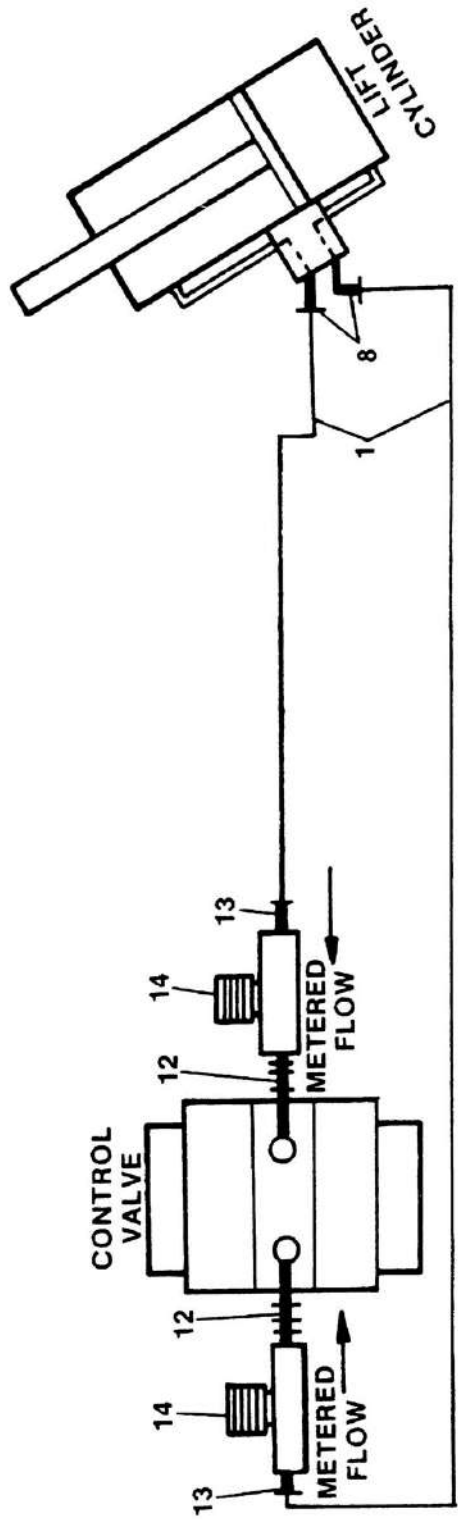
SECTION 6 - HYDRAULICS

FIGURE 6-9. HYDRAULIC DIAGRAM - LEVEL (80HX+6)

ITEM	PART NUMBER	QTY	DESCRIPTION	REV
	2792068	Ref	HYDRAULIC DIAGRAM - LEVEL (80HX+6)	A
1	4640383	2	Valve	
2	4640216	2	Valve	
6	4563167	6	Tube	
8	2751905	2	Hose	
9	2751857	2	Hose	
10	2751151	2	Hose	
11	2750990	2	Hose	
12	2751833	2	Hose	
13	2750919	1	Hose	
14	2750997	1	Hose	
15	2751455	2	Hose	
16	2750785	1	Hose	
17	2750998	2	Hose	
19	2220473	1	Fitting, 90	
20	2750910	1	Hose	
21	2220280	2	Fitting, 90	
22	2751869	2	Hose	
23	2180379	2	Fitting, Tee Modified	
24	2180615	2	Orifice (.047)	
25	2220591	2	Fitting, 90	
26	2220353	2	Fitting	
27	2220343	2	Fitting, Straight	
28	2220490	2	Fitting, Tee	
29	2750779	1	Hose	
30	2220507	2	Fitting, 90	
31	2220609	2	Fitting, Reducer	
32	2220497	2	Fitting, Straight	
33	2220414	2	Fitting, Straight	
34	2220446	2	Fitting	
35	2220438	2	Fitting, Nipple	
36	2220399	4	Fitting, Straight	
37	2220113	2	Fitting, 90	
38	0100011	AR	Loctite	
39	2220372	1	Fitting, Straight	
40	2220371	3	Fitting, Straight	
41	2220385	2	Fitting, Tee	
42	2220619	4	Fitting, Reducer	

SECTION 6 - HYDRAULICS

FIGURE 6-10. HYDRAULIC DIAGRAM - LIFT - 80H-80HX-80HX+6



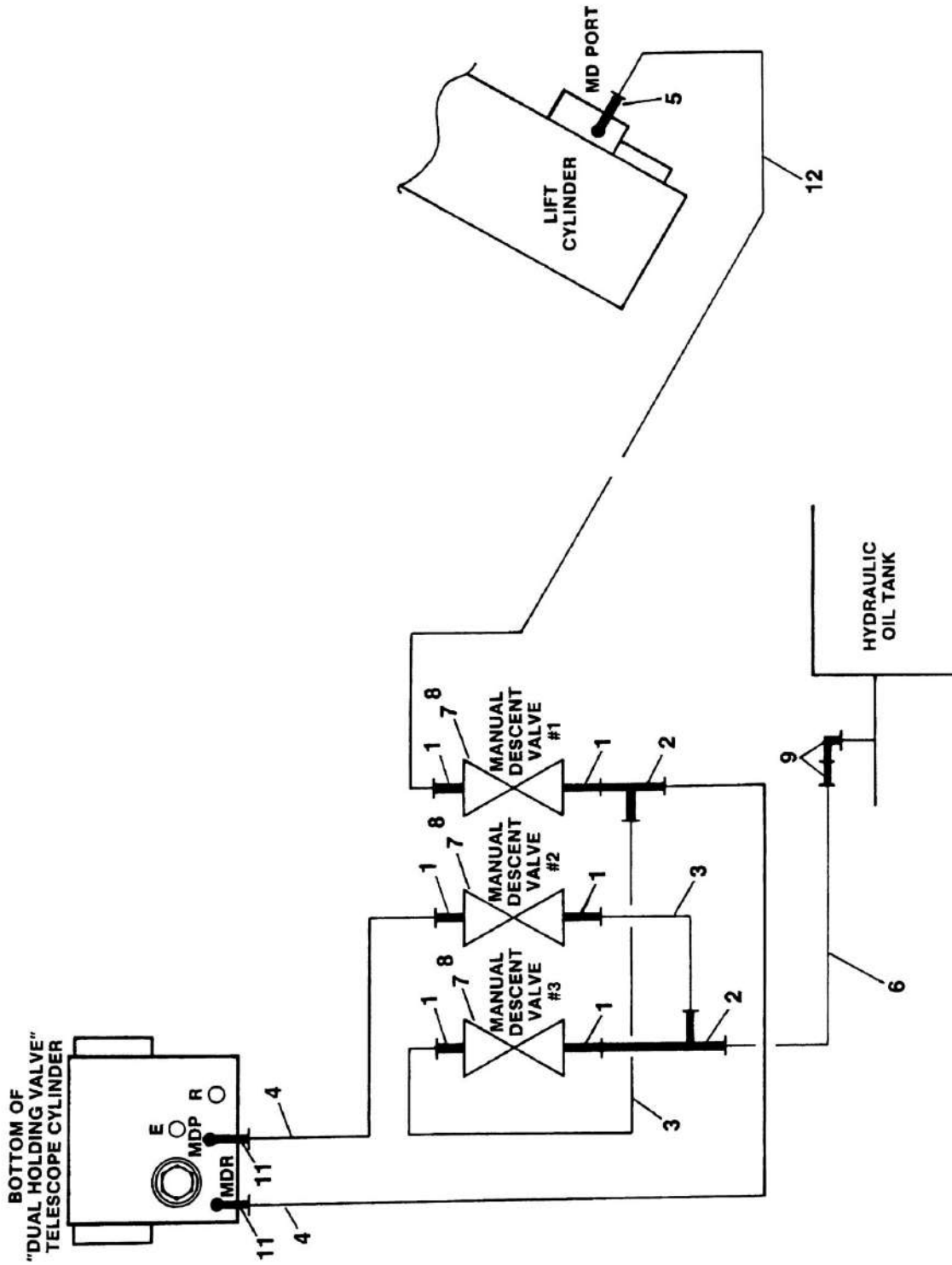
SECTION 6 - HYDRAULICS

FIGURE 6-10. HYDRAULIC DIAGRAM - LIFT - 80H-80HX-80HX+6

ITEM	PART NUMBER	QTY	DESCRIPTION	REV
	2791249	Ref	HYDRAULIC DIAGRAM - LIFT (80HX/80HX+6)	D
	2791253	Ref	HYDRAULIC DIAGRAM - LIFT (80H)	B
1	2750766	2	Hose	
8	2220371	3	Fitting, 90	
12	2220221	2	Fitting	
12	2220758	2	Fitting, Union	
12	2220396	2	Fitting, Straight (80HX/80HX+6)	
12	2220280	2	Fitting, Nipple (80H)	
13	2220396	2	Fitting, Straight	
14	4640216	2	Valve	
	0100020	AR	Sealant	

SECTION 6 - HYDRAULICS

FIGURE 6-11. HYDRAULIC DIAGRAM - MANUAL DESCENT



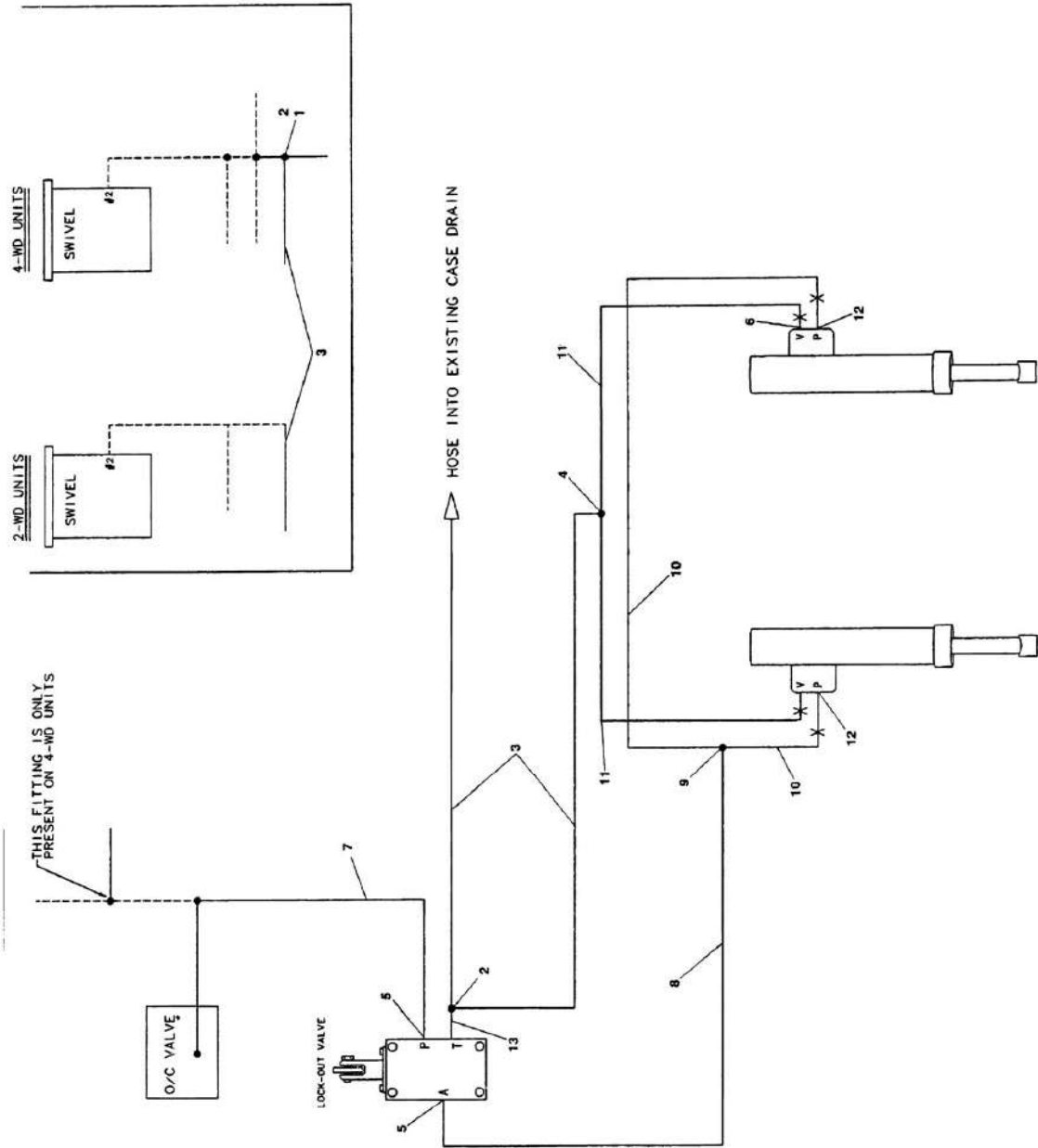
SECTION 6 - HYDRAULICS

FIGURE 6-11. HYDRAULIC DIAGRAM - MANUAL DESCENT

ITEM	PART NUMBER	QTY	DESCRIPTION	REV
	2791799	Ref	HYDRAULIC DIAGRAM - MANUAL DESCENT	B
1	2220416	6	Fitting, 90	
2	2220605	2	Fitting, Tee	
3	2750900	2	Hose	
4	2750896	2	Hose	
5	2220466	1	Fitting, 90	
6	2750895	1	Hose	
7	4640005	3	Valve, Needle	
8	2900062	3	Panel Mounting Kit	
11	2220414	2	Fitting, Straight	
12	2751410	1	Hose	
	0100020	AR	Sealant	

SECTION 6 - HYDRAULICS

FIGURE 6-12. HYDRAULIC DIAGRAM - OSCILLATING AXLE (80HX/80HX+6)



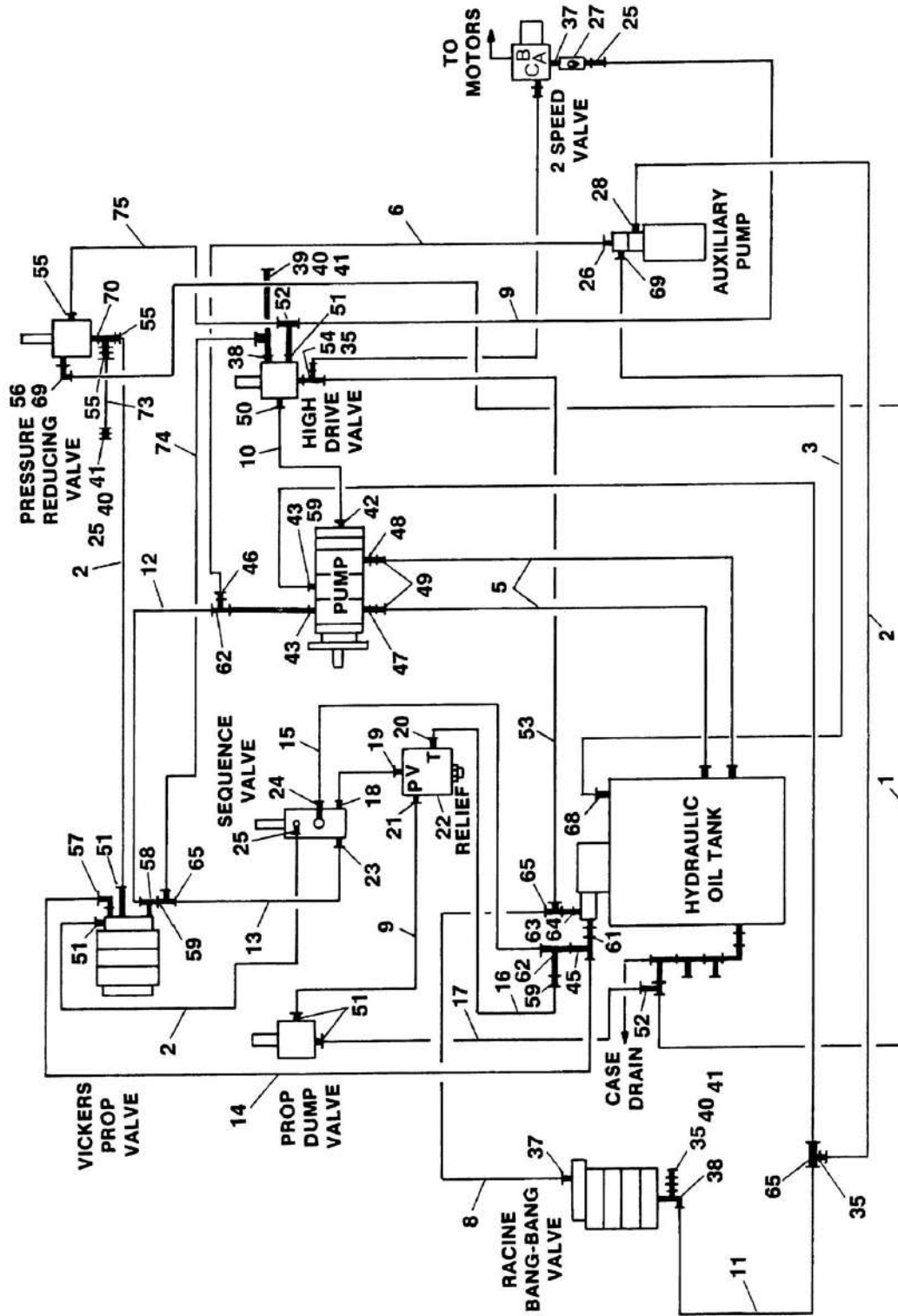
SECTION 6 - HYDRAULICS

FIGURE 6-12. HYDRAULIC DIAGRAM - OSCILLATING AXLE (80HX/80HX+6)

ITEM	PART NUMBER	QTY	DESCRIPTION	REV
	2792264	Ref	HYDRAULIC DIAGRAM - OSCILLATING AXLE (80HX/80HX+6)	B
1	2220619	1	Fitting, Reducer	
2	2220635	2	Fitting, Tee	
3	2752480	2	Hose	
4	2220490	1	Fitting, Tee	
5	2220466	2	Fitting, 90	
6	2220371	2	Fitting, Straight	
7	2752584	1	Hose	
8	2751398	1	Hose	
9	2220504	1	Fitting, Tee	
10	2751435	2	Hose	
11	2752630	2	Hose	
12	2220582	2	Fitting, Straight	
13	2220603	1	Fitting, Straight	

SECTION 6 - HYDRAULICS

FIGURE 6-13. HYDRAULIC DIAGRAM - PUMP (STANDARD CONTROLS)



SECTION 6 - HYDRAULICS

FIGURE 6-13. HYDRAULIC DIAGRAM - PUMP (STANDARD CONTROLS)

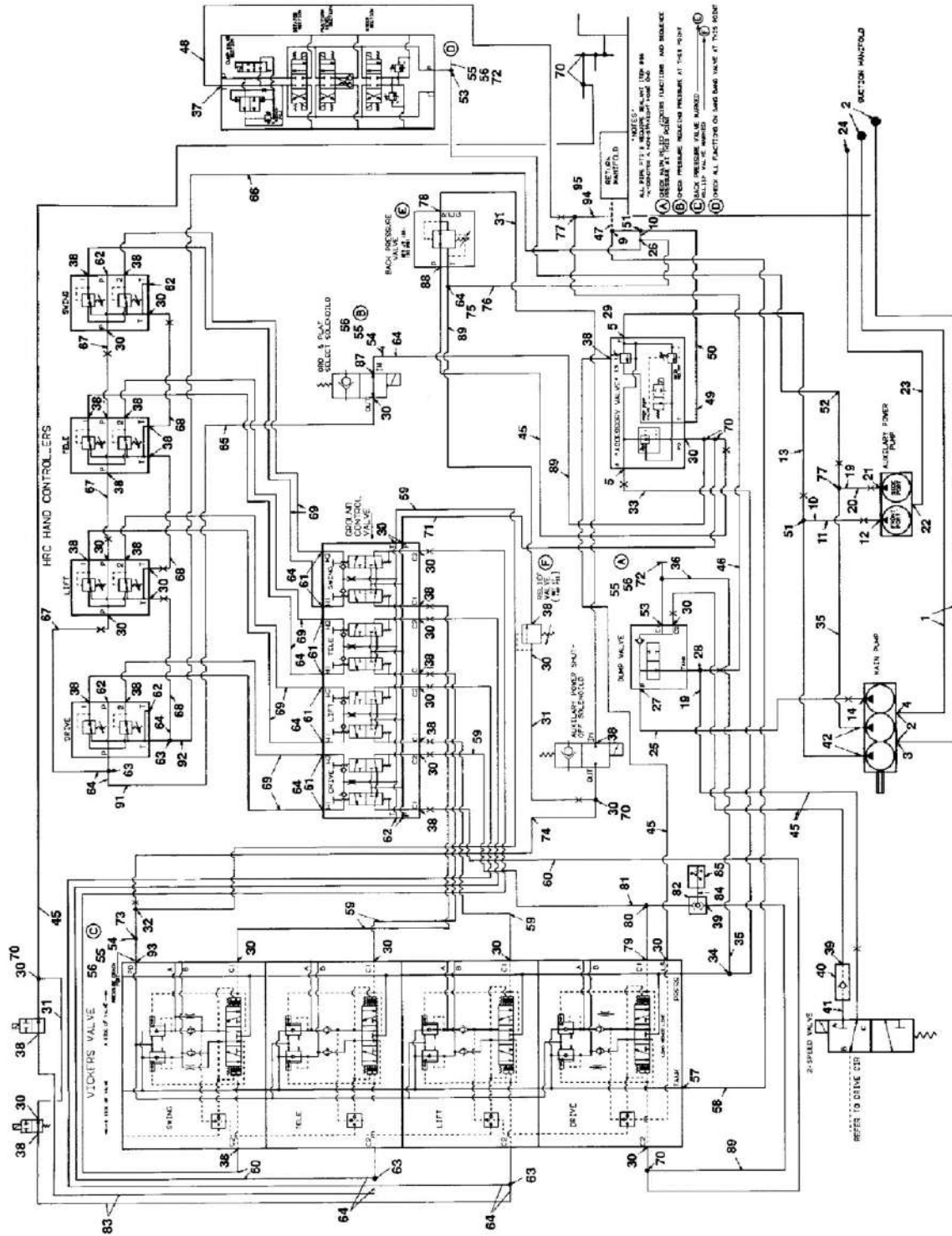
ITEM	PART NUMBER	QTY	DESCRIPTION	REV
	2791816	Ref	HYDRAULIC DIAGRAM - PUMP (STANDARD CONTROLS)	G
1	2751015	1	Hose	
2	2750889	3	Hose	
3	2750127	1	Hose	
5	2720244	2	Hose, Suction	
6	2751004	1	Hose	
8	2751482	1	Hose	
9	2750902	3	Hose	
10	2751467	1	Hose	
11	2751484	1	Hose	
12	2751337	1	Hose	
13	2751494	1	Hose	
14	2751359	1	Hose	
15	2750874	1	Hose	
16	2750970	1	Hose	
17	2751017	1	Hose	
18	2220847	1	Fitting, 90	
19	2220898	1	Fitting, Swivel	
20	2220374	1	Fitting, Straight	
21	2220472	1	Fitting, 90	
22	4640520	1	Valve, Relief	
23	2220346	1	Fitting, Straight	
24	2220347	1	Fitting, Straight	
25	2220414	3	Fitting, Straight	
26	2220371	1	Fitting, Straight	
27	4640197	1	Valve, Check	
28	2220415	1	Fitting, Straight	
29	2220673	1	Fitting, 90	
35	2220618	2	Fitting, Reducer	
37	2220373	1	Fitting, Straight	
38	2180491	2	Fitting, 90 Modified	
39	2220820	2	Fitting, Nipple	
40	2220428	3	Fitting	
41	2220429	3	Cap, Dust	
42	2220375	2	Fitting, Straight	
43	4640575	2	Valve, Check	
45	2220681	1	Fitting, Tee	
46	2220621	1	Fitting, Reducer	
47	2220809	1	Fitting, 45	
48	2220808	1	Fitting, 45	
49	1320031	8	Clamp	
50	2220596	1	Fitting, 90	
51	2220582	5	Fitting, Straight	
52	2220605	2	Fitting, Tee	
53	2750977	1	Hose	
54	2220602	1	Fitting, Tee	
55	2220417	3	Fitting, Straight	
56	2220585	1	Fitting, 90	
57	2220465	1	Fitting, 90	
58	2220695	1	Fitting, Tee	

SECTION 6 - HYDRAULICS

ITEM	PART NUMBER	QTY	DESCRIPTION	REV
59	2220622	3	Fitting, Reducer	
61	2220696	1	Fitting, Reducer	
62	2220700	2	Fitting, Tee	
63	2220491	1	Fitting, Straight	
64	2220624	1	Fitting, Reducer	
65	2220385	3	Fitting, Tee	
67	0100020	AR	Sealant	
68	2220070	1	Fitting	
69	2220114	1	Fitting, 90	
70	2220444	1	Fitting, Tee	
73	2751397	1	Hose	
74	2751506	1	Hose	
75	2751018	1	Hose	

SECTION 6 - HYDRAULICS

FIGURE 6-14. HYDRAULIC DIAGRAM - PUMP (HYDRAULIC CONTROLS)



SECTION 6 - HYDRAULICS

FIGURE 6-14. HYDRAULIC DIAGRAM - PUMP (HYDRAULIC CONTROLS)

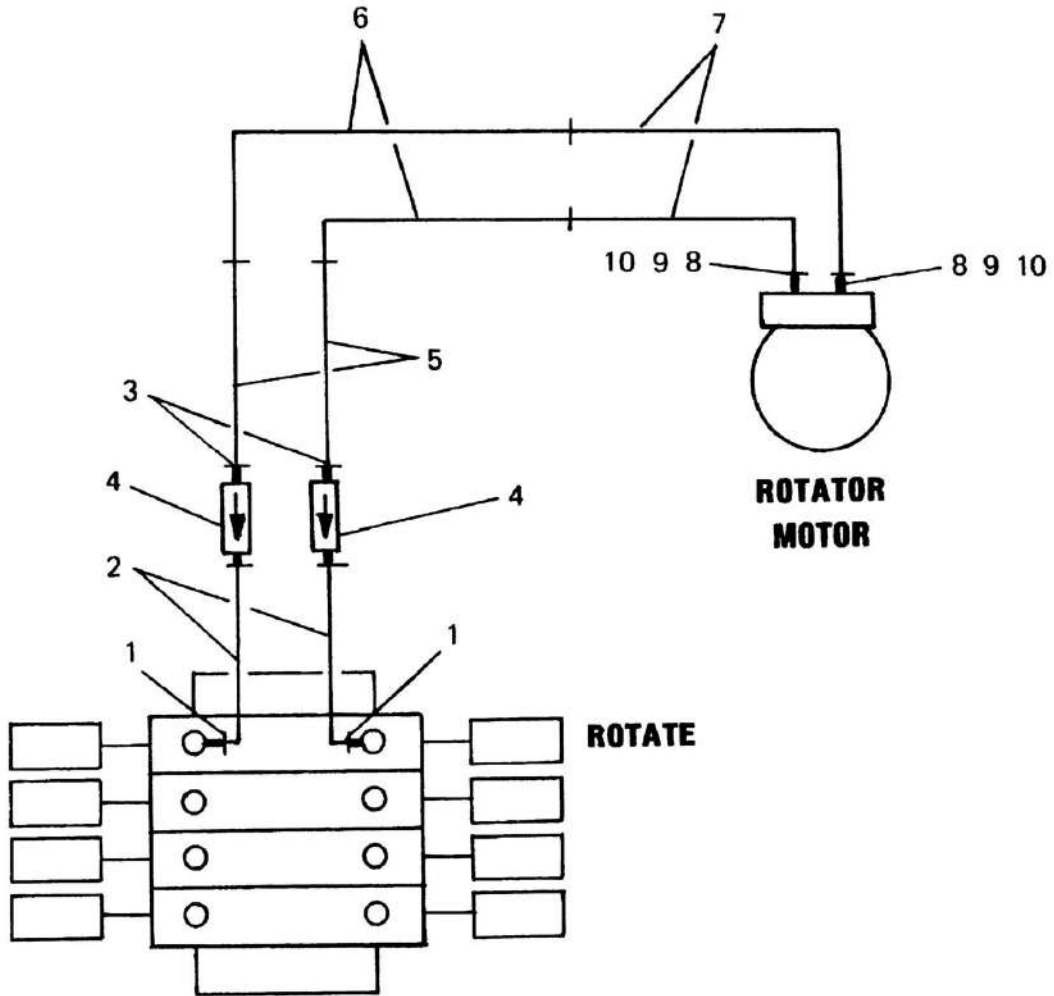
ITEM	PART NUMBER	QTY	DESCRIPTION	REV
	2791985	Ref	HYDRAULIC DIAGRAM - PUMP (HYDRAULIC CONTROLS)	A
1	2720244	AR	Hose, Suction (2 Sections - 30in Each Length)	
2	1320031	8	Clamp	
3	2220809	1	Fitting, 45	
4	2220808	1	Fitting, 45	
5	2220451	2	Fitting, Straight	
9	2220681	1	Fitting, Tee	
10	2220621	2	Fitting, Reducer	
11	2751004	1	Hose	
12	2220371	1	Fitting, Straight	
13	2751337	1	Hose	
14	2220375	1	Fitting, Straight	
19	2220618	2	Fitting, Reducer	
20	2750889	1	Hose	
21	2220415	1	Fitting, Straight	
22	2220114	1	Fitting, 90	
23	2750127	1	Hose	
24	2220070	1	Fitting, 90	
25	2751467	1	Hose	
26	2220635	1	Fitting, Tee	
27	2220596	1	Fitting, 90	
28	2220902	1	Fitting, Tee	
29	2220413	1	Fitting, 90	
30	2220582	24	Fitting, Straight	
31	2750900	3	Hose	
32	2220684	1	Fitting, Tee	
33	2750872	1	Hose	
34	2220738	1	Fitting, Tee	
35	2220622	2	Fitting, Reducer	
36	2751494	1	Hose	
37	2220373	1	Fitting, Straight	
38	2220472	22	Fitting, 90	
39	2220414	2	Fitting, Straight	
40	4640197	1	Valve, Check	
41	2220673	1	Fitting, 90	
42	4640575	2	Valve, Check	
45	2750902	5	Hose	
46	2750977	1	Hose	
47	2220696	1	Fitting, Reducer	
48	2751482	1	Hose	
49	2220498	1	Fitting, 45	
50	2750874	1	Hose	
51	2220700	2	Fitting, Tee	
52	2751482	1	Hose	
53	2180491	2	Fitting, 90 Modified	
54	2220261	2	Fitting, Nipple	
55	2220428	4	Fitting, Quick Disconnect	
56	2220429	4	Cap, Dust	
57	2220465	1	Fitting, 90	
58	2751359	1	Hose	

SECTION 6 - HYDRAULICS

ITEM	PART NUMBER	QTY	DESCRIPTION	REV
59	2751391	4	Hose	
60	2751396	5	Hose	
61	2220819	4	Fitting, 90	
62	2220237	6	Fitting, Plug	
63	2220606	4	Fitting, Tee	
64	2220609	9	Fitting, Reducer	
65	2752015	1	Hose	
66	2752084	1	Hose	
67	2751424	4	Hose	
68	2750901	3	Hose	
69	2752016	8	Hose	
70	2220605	9	Fitting, Tee	
71	2752011	1	Hose	
72	2220820	2	Fitting, 90	
73	2220290	1	Fitting, Tee	
74	2751017	1	Hose	
75	2220608	1	Fitting, Tee	
76	2750778	1	Hose	
77	2220385	2	Fitting, Tee	
78	2220417	1	Fitting, Straight	
79	2220727	1	Fitting, Adapter	
80	2220752	1	Fitting, Tee	
81	2220416	1	Fitting, 90	
82	4640013	1	Valve, Shuttle	
83	2751014	2	Hose	
84	2220437	1	Fitting, Reducer	
85	4360184	1	Switch, Pressure	
86	0100020	AR	Sealant	
87	2180516	1	Fitting, Modified	
88	2220585	1	Fitting, 90	
89	2751397	3	Hose	
91	2220677	1	Fitting, 45	
92	2220657	1	Fitting, 45	
93	2220052	1	Fitting, Swivel	
94	2220491	1	Fitting, Straight	
95	2220624	1	Fitting, Reducer	

SECTION 6 - HYDRAULICS

FIGURE 6-15. HYDRAULIC DIAGRAM - ROTATE - 80H-80HX



SECTION 6 - HYDRAULICS

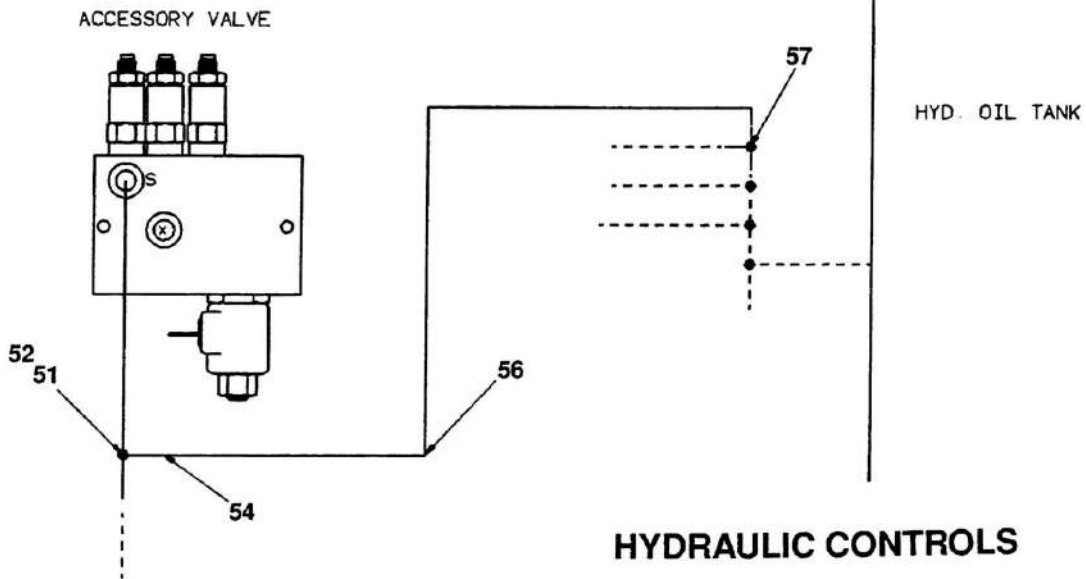
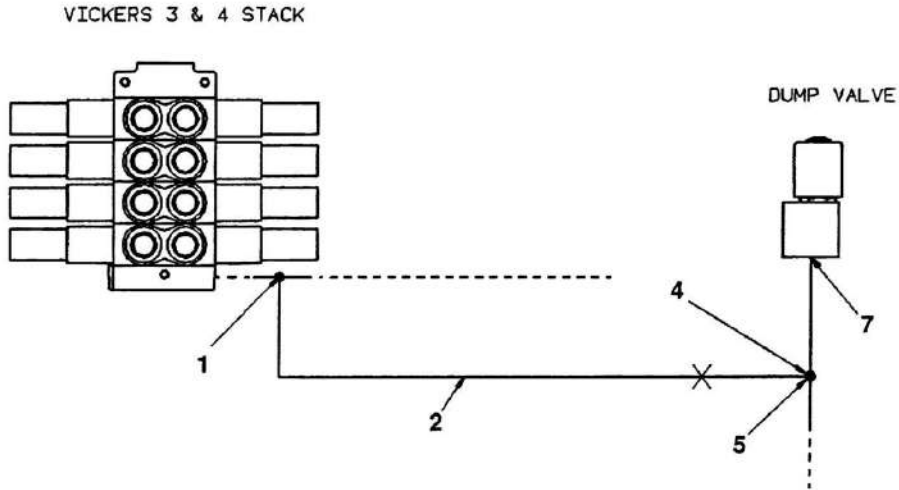
FIGURE 6-15. HYDRAULIC DIAGRAM - ROTATE - 80H-80HX

ITEM	PART NUMBER	QTY	DESCRIPTION	REV
	2791061	Ref	HYDRAULIC DIAGRAM - ROTATE (80HX)	E
	2791111	Ref	HYDRAULIC DIAGRAM - ROTATE (80H)	D
1	2220446	2	Fitting	
2	2220438	2	Fitting, Nipple	
3	2220414	2	Fitting, Straight (80HX)	
3	2220416	2	Fitting, Straight (80H)	
4	4640383	2	Valve, Restrictor	
5	2751455	2	Hose	
6	4563167	2	Tube	
7	2751887	2	Hose	
8	2220609	2	Fitting, Reducer	
9	2220507	2	Fitting, 90	
10	2220497	2	Fitting, Straight	
	0100020	AR	Sealant	

SECTION 6 - HYDRAULICS

FIGURE 6-16. HYDRAULIC DIAGRAM - SEQUENCE LINE

STANDARD CONTROLS



HYDRAULIC CONTROLS

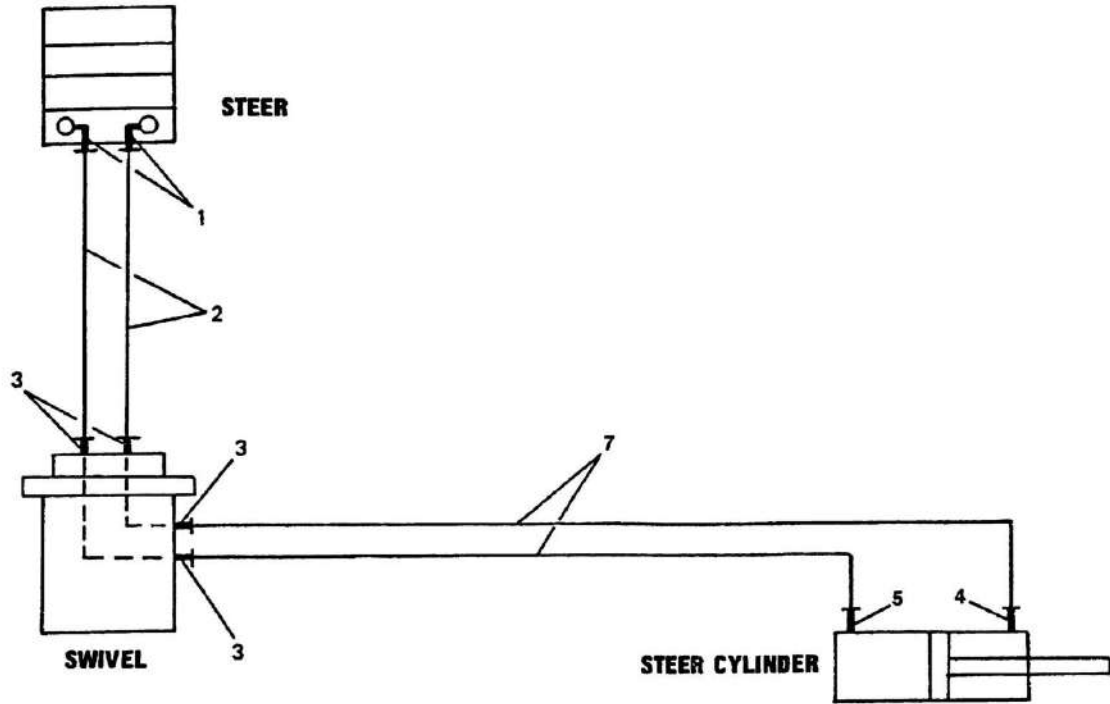
SECTION 6 - HYDRAULICS

FIGURE 6-16. HYDRAULIC DIAGRAM - SEQUENCE LINE

ITEM	PART NUMBER	QTY	DESCRIPTION	REV
	2791698	Ref	HYDRAULIC DIAGRAM - SEQUENCE LINE (STANDARD CONTROLS)	A
1	2220605	1	Fitting, Tee	
2	2750889	1	Hose	
4	2220909	1	Orifice (.015)	
5	2220605	1	Fitting, Tee	
7	2220582	1	Fitting, Straight	
	2791700	Ref	HYDRAULIC DIAGRAM - SEQUENCE LINE (HYDRAULIC CONTROLS)	B
51	2220582	1	Fitting, Straight	
52	2220861	1	Fitting, Tee	
54	2220909	1	Orifice (.015)	
56	2751015	1	Hose	

SECTION 6 - HYDRAULICS

FIGURE 6-17. HYDRAULIC DIAGRAM - STEER (80H ONLY)



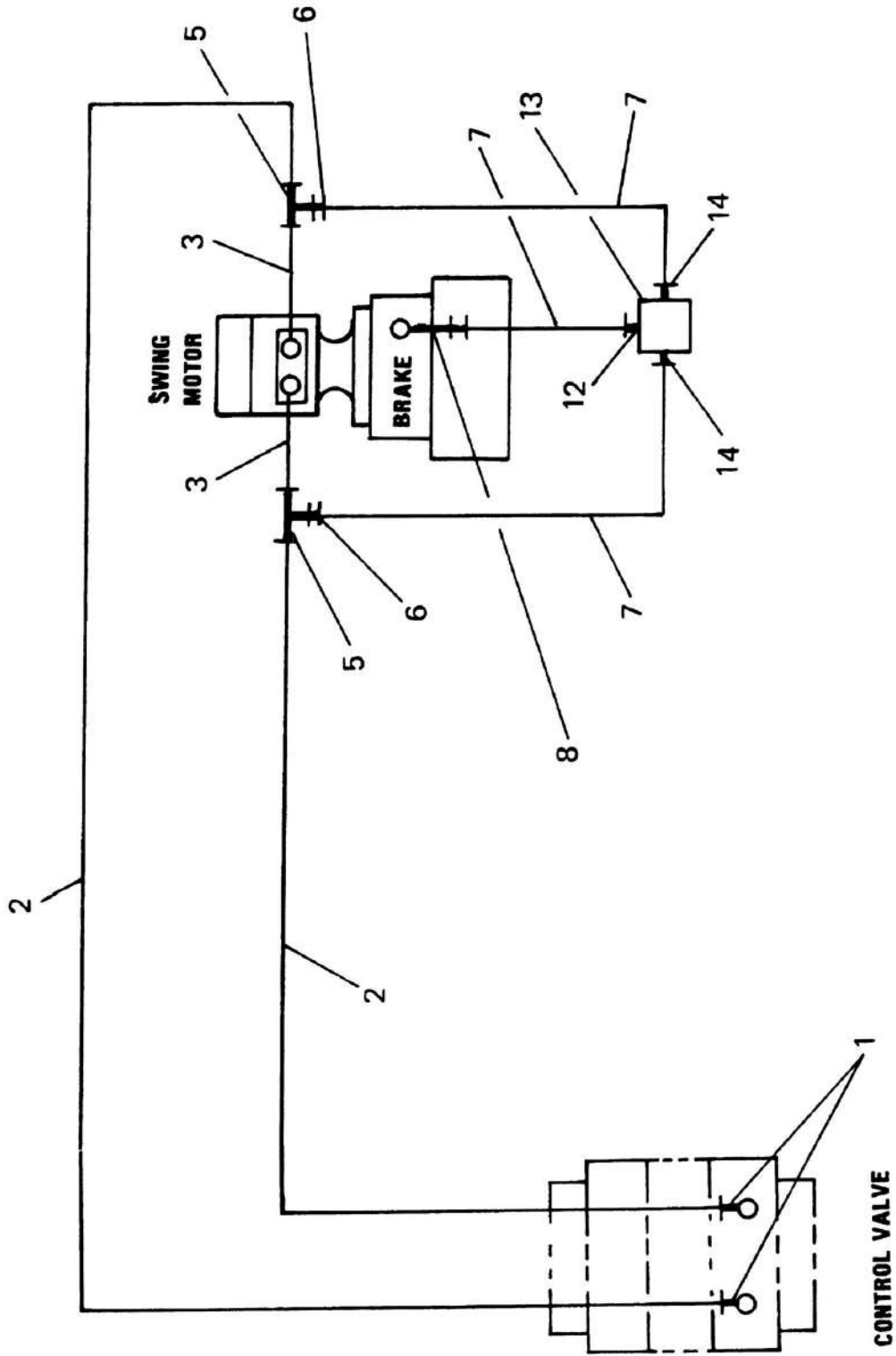
SECTION 6 - HYDRAULICS

FIGURE 6-17. HYDRAULIC DIAGRAM - STEER (80H ONLY)

ITEM	PART NUMBER	QTY	DESCRIPTION	REV
	2791108	Ref	HYDRAULIC DIAGRAM - STEER (80H ONLY)	4-C
1	2220468	2	Fitting, Straight	
2	2751899	2	Hose	
3	2220582	4	Fitting, Straight	
4	2220496	1	Fitting, 45	
5	2220416	1	Fitting, 90	
6	0100020	AR	Sealant, Pipe (Not Shown)	
7	2750896	2	Hose	

SECTION 6 - HYDRAULICS

FIGURE 6-18. HYDRAULIC DIAGRAM - SWING



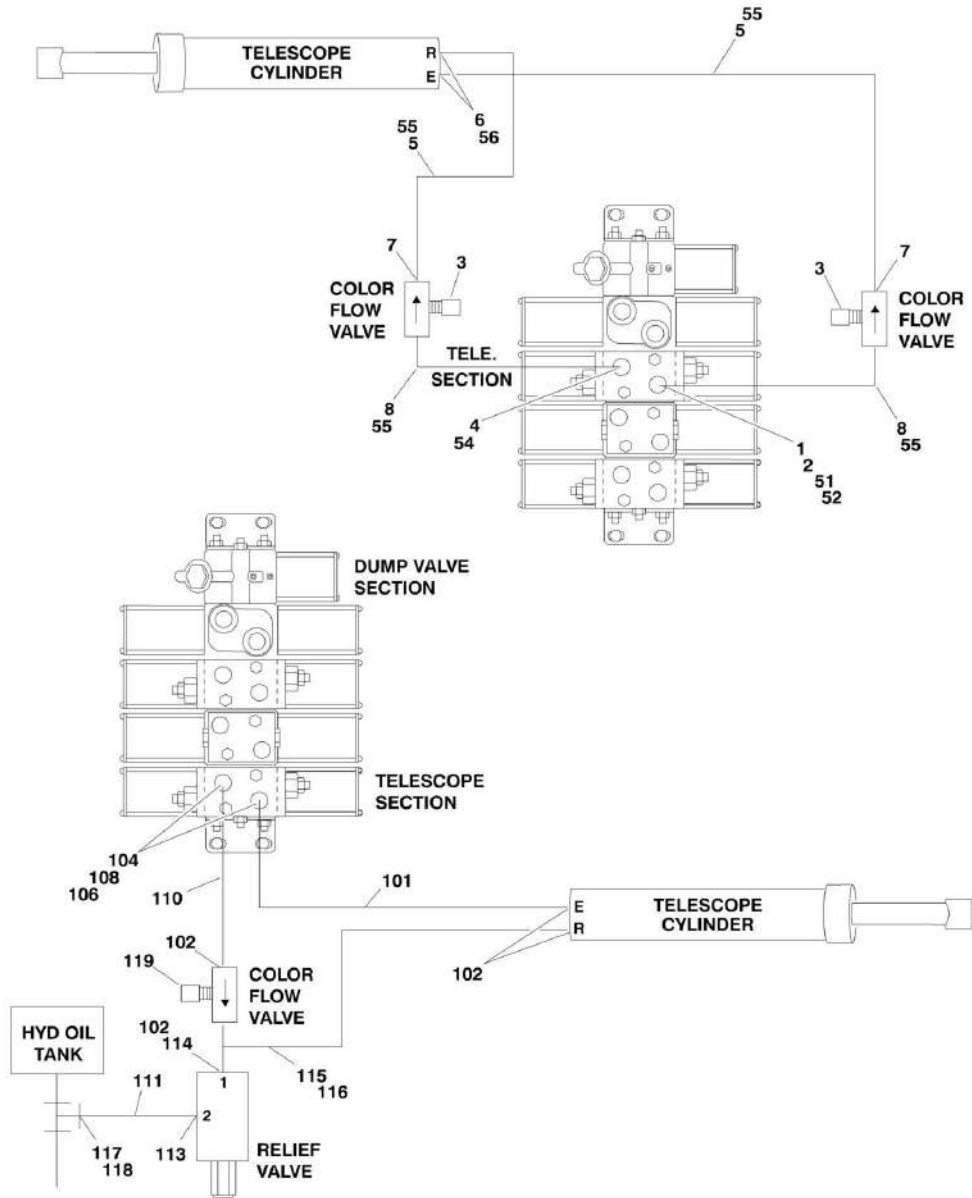
SECTION 6 - HYDRAULICS

FIGURE 6-18. HYDRAULIC DIAGRAM - SWING

ITEM	PART NUMBER	QTY	DESCRIPTION	REV
	2791285	Ref	HYDRAULIC DIAGRAM - SWING	B
1	2220577	2	Fitting, Straight	
2	2750785	2	Hose	
3	2220497	2	Fitting	
5	2220635	2	Fitting, Tee	
6	2220609	2	Fitting, Reducer	
7	2750900	3	Hose	
8	2220466	1	Fitting, 90	
12	2220414	2	Fitting, Straight	
13	4640013	1	Valve, Shuttle	
14	2220416	2	Fitting, 90	
	0100011	AR	Loctite	
	0100020	AR	Sealant	

SECTION 6 - HYDRAULICS

FIGURE 6-19. HYDRAULIC DIAGRAM - TELESCOPE



SECTION 6 - HYDRAULICS

FIGURE 6-19. HYDRAULIC DIAGRAM - TELESCOPE

ITEM	PART NUMBER	QTY	DESCRIPTION	REV
		Ref	HYDRAULIC DIAGRAM - TELESCOPE	
	2791991	Ref	HYDRAULIC DIAGRAM - WITH PROP TELE (STANDARD CONTROLS)	A
1	2220221	1	Fitting, Reducer	
2	2220758	1	Fitting	
3	4640216	2	Valve, Flow Control	
4	2220221	1	Fitting, Reducer	
4	2220758	1	Fitting	
5	2751114	2	Hose	
6	2220343	2	Fitting, Straight	
7	2220343	2	Fitting, Straight	
8	2220396	2	Fitting	
	2791935	Ref	HYDRAULIC DIAGRAM (HYDRAULIC CONTROLS)	-
51	2220577	1	Fitting, Straight	
52	2220635	1	Fitting, Tee	
54	2220577	1	Fitting, Straight	
55	2751114	2	Hose	
56	2220343	2	Fitting, Straight	
	2791758	Ref	HYDRAULIC DIAGRAM - WITHOUT PROP TELE (STANDARD CONTROLS)	6
101	2751114	2	Hose	
102	2220343	4	Fitting, Straight	
104	2180479	2	Fitting, Straight Modified	
106	0100011	AR	Sealant	
108	2180776	2	Orifice (.015)	
109	2751104	1	Hose (Prior to SN 61842)	
110	2751003	1	Hose	
111	2753327	1	Hose	
113	2220372	1	Fitting, Straight	
114	2220651	1	Fitting	
115	2220444	1	Fitting, Tee	
116	2220396	1	Fitting, Pipe	
117	220619	1	Fitting, Reducer	
118	220385	1	Fitting, Tee	
119	4640216	1	Valve, Colorflow	

SECTION 7 - ELECTRICAL

SECTION 7 - ELECTRICAL

FIGURE 7-1. ELECTRICAL DIAGRAM LIST

ITEM	PART NUMBER	QTY	DESCRIPTION	REV
		Ref	ELECTRICAL DIAGRAM LIST	
		Ref	Note: Diagrams not shown are available from the JLG Service Department.	
		Ref	Alarm Wiring Diagrams	
		Ref	Standard and Hydraulic Controls (Prior to April 1992)	
	4931472	Ref	Back-up Alarm Wiring Diagram	A
	1280555	Ref	Back-up Alarm Wiring Diagram	B
	4931468	Ref	Descent Alarm Wiring Diagram	A
	1280555	Ref	Descent Alarm Wiring Diagram	B
	0239055	Ref	Motion Alarm Wiring Diagram	A
	4931520	Ref	Swing Alarm Wiring Diagram	A
	1280555	Ref	Swing Alarm Wiring Diagram	B
	4931470	Ref	Tilt Alarm Wiring Diagram	A
	1280555	Ref	Tilt Alarm Wiring Diagram	B
	4931399	Ref	Travel Alarm Wiring Diagram	B
	1280555	Ref	Travel Alarm Wiring Diagram	B
	3990010	AR	Diode - 6 Amp	
	3740049	1	Relay - SPST	
		Ref	Standard Controls (April 1992 to April 1993)	
	4932507	Ref	Back-up Alarm Wiring Diagram	-
	1281840	Ref	Back-up Alarm Wiring Diagram	-
	4932507	Ref	Descent Alarm Wiring Diagram	-
	1281840	Ref	Descent Alarm Wiring Diagram	-
	4932508	Ref	Motion Alarm Wiring Diagram	-
	1281840	Ref	Motion Alarm Wiring Diagram	-
	4932507	Ref	Swing Alarm Wiring Diagram	-
	1281840	Ref	Swing Alarm Wiring Diagram	-
	0253077	Ref	Tilt Alarm Wiring Diagram	-
	4932507	Ref	Travel Alarm Wiring Diagram	-
	1281840	Ref	Travel Alarm Wiring Diagram	-
	0610091	1	Card, Circuit	
	3740049	1	Relay	
	3990010	AR	Diode - 6 Amp	
	0140026	AR	Alarm (Tilt Only - Located at Console)	
		Ref	Standard Controls (April 1993 to Present)	
	4932638	Ref	Back-up Alarm Wiring Diagram	2
	1282091	Ref	Back-up Alarm Wiring Diagram	C
	4932637	Ref	Descent Alarm Wiring Diagram	2
	1282091	Ref	Descent Alarm Wiring Diagram	C
	4932639	Ref	Motion Alarm Wiring Diagram	2
	1282091	Ref	Motion Alarm Wiring Diagram	C
	4932637	Ref	Swing Alarm Wiring Diagram	2
	1282091	Ref	Swing Alarm Wiring Diagram	C
	0253077	Ref	Tilt Alarm Without Cutout Wiring Diagram	5
	0254203	Ref	Tilt Alarm With Cutout Wiring Diagram	B
	4932638	Ref	Travel Alarm Wiring Diagram	2
	1282091	Ref	Travel Alarm Wiring Diagram	C
	3740049	1	Relay	
	3990010	AR	Diode - 6 Amp	

SECTION 7 - ELECTRICAL

ITEM	PART NUMBER	QTY	DESCRIPTION	REV
	0610104	AR	Card, Circuit	
	0140026	AR	Alarm (Tilt Alarm Only - Located at Console)	
	1540002	1	Capacitor (Tilt Alarm Only - Located at Console)	
	4360274	1	Switch, Push Button (Tilt Alarm Only - Located at Console)	
	3252321	1	Nameplate - Override (Tilt Alarm Only - Located at Console)	
		Ref	Hydraulic Controls (April 1992 to Present)	
	4932347	Ref	Back-up Alarm Wiring Diagram	-
	1281503	Ref	Back-up Alarm Wiring Diagram	-
	4932346	Ref	Descend Alarm Wiring Diagram	-
	1281503	Ref	Descend Alarm Wiring Diagram	-
	4932345	Ref	Motion Alarm Wiring Diagram	-
	1281503	Ref	Motion Alarm Wiring Diagram	-
	4932349	Ref	Swing Alarm Wiring Diagram	-
	1281503	Ref	Swing Alarm Wiring Diagram	-
	0253077	Ref	Tilt Alarm Wiring Diagram	5
	4932348	Ref	Travel Alarm Wiring Diagram	-
	1281503	Ref	Travel Alarm Wiring Diagram	-
	4360184	1	Switch, Pressure	
	3740049	1	Relay - SPST	
	3990010	AR	Diode - 6 Amp	
	0140026	AR	Alarm (Tilt Alarm Only - Located at Console)	
	4932840	Ref	Axle Extend From Platform Wiring Diagram	2
	4921818	1	Harness, Switch (Located in Platform Box)	
	4931463	Ref	Axle Limit Switch Wiring Diagram (80HX/80HX+6 Fixed Axle)	D
	1060079	38	Cable, Electrical - 16/4	
		ft/11.6m		
	1060016	25 ft/7m	Cable, Electrical - 16/3	
	4932829	Ref	Axle Limit Switch Wiring Diagram (80HX/80HX+6 Oscillating Axle)	-
	4921796	2	Harness	
	4931866	Ref	Battery Disconnect Wiring Diagram (U/L Listed)	B
	2400008	1	Fuse - 3/4 Amp	
	4360085	1	Switch, Select - 4PDT/CO	
	4360075	2	Switch, Ignition - DPST	
		Ref	Beacon/Strobe Light Wiring Diagrams	
	4931085	Ref	Beacon Light - Platform Mounted (Prior to September 1991)	-
	4931740	Ref	Beacon Light - Platform Mounted (September 1991 to Present)	A
	4931674	Ref	Beacon/Strobe Light - Turntable Mounted (Prior to February 1994)	-
	4932673	Ref	Beacon/Strobe Light - Turntable Mounted (February 1994 to Present)	3-B
	4931444	Ref	Dual Fuel Wiring Diagram (Prior to March 1995)	F
	1281738	Ref	Dual Fuel Wiring Diagram (Prior to March 1995)	G
	4921305	1	Harness	
	4360201	1	Switch, Toggle (Located at Ground Control Box)	
	4932813	Ref	Dual Fuel Wiring Diagram (March 1995 to Present)	-
	4921763	1	Harness	
	4360201	1	Switch, Harness	
	0270678	Ref	Engine Shut-Down Wiring Diagram - Cummins Engines	1-B
	4922457	1	Harness	
	2740080	1	Relay, Bosch	

SECTION 7 - ELECTRICAL

ITEM	PART NUMBER	QTY	DESCRIPTION	REV
	4360182	1	Switch, Oil Pressure	
	4360157	1	Switch, Water Temperature	
	4931671	Ref	Engine Distress Wiring Diagram - Deutz Engines (Prior to September 1994)	B
	4360179	1	Switch, Temperature	
	4360089	1	Flasher	
	3740013	1	Relay	
	4360065	1	Switch, Pressure	
	2920034	1	Lamp (Located at Platform Console)	
	3251695	1	Nameplate - Engine Distress	
	0255152	Ref	Engine Distress Wiring Diagram - Deutz Engines (September 1994 to Present)	3
	2920026	1	Lamp, Indicator	
	2920029	1	Bulb, Light	
	4360065	1	Switch, Oil Pressure	
	4360179	1	Switch, Temperature	
	3740099	1	Relay	
	4931598	Ref	Engine Distress Wiring Diagram - Ford Engines (Prior to July 1994)	B
	3740013	1	Relay	
	4360089	1	Flasher	
	2920034	1	Lamp (Located at Platform Console)	
	3251695	1	Nameplate - Engine Distress	
	4360182	1	Switch, Oil Pressure	
	4360157	1	Switch, Water Temperature	
	0255058	Ref	Engine Distress Wiring Diagram - Ford Engines (July 1994 to Present)	B
	2920026	1	Lamp, Indicator	
	2920029	1	Bulb, Light	
	4360182	1	Switch, Oil Pressure	
	4360157	1	Switch, Water Temperature	
	3740044	1	Relay	
	0251683	Ref	Engine Run Light Wiring Diagram - Deutz Engines	B
	2920027	1	Lamp, Indicator	
	2920029	1	Bulb, Light	
	4360037	1	Switch, Pressure	
	1702528	1	Decal - Engine Run	
	0256598	Ref	Engine Run Light Wiring Diagram - Ford Engines	2
	2920027	1	Lamp, Indicator	
	2920029	1	Bulb, Light	
	3990010	1	Diode	
	3252239	1	Decal - Engine Run	
	4932892	Ref	Engine Shut-Down Wiring Diagram - Deutz Engines	-
	4931640	Ref	Extend-A-Reach Wiring Diagram (80HX+6/86HX Only)	C
	4360202	2	Switch, Toggle - DPDT/MC (Located at Both Control Boxes)	
	3251747	2	Nameplate - Articulate (When Required)	
	4932434	Ref	4WS Wiring Diagram (Without Axle Jacks)	-
	1281684	Ref	4WS Wiring Diagram (Without Axle Jacks)	A
	1060042	15 ft	Cable, Electrical - 16/5	
	4932847	Ref	4WS Wiring Diagram (With Dual Axle Jacks)	B
	1060341	20 ft	Cable, Electrical - 16/2	
	4921902	1	Harness, Axle Switches	

SECTION 7 - ELECTRICAL

ITEM	PART NUMBER	QTY	DESCRIPTION	REV
	4931693	Ref	Generator Wiring Diagram - 110V (Deutz)	E
	3990001	1	Diode - 3.5 Amp	
	3740049	1	Relay	
	4360294	1	Breaker, Circuit - 30 Amp	
	4931314	Ref	Generator Wiring Diagram - 110V (Ford) (Prior to March 1995)	C
	4931692	Ref	Generator Wiring Diagram - 110V (Ford) (Prior to March 1995)	D
	3990001	2	Diode - 3.5 Amp	
	3740049	1	Relay	
	4360294	1	Breaker, Circuit - 30 Amp	
	4932806	Ref	Generator Wiring Diagram - 110V (Ford) (March 1995 to Present)	3-B
	3990010	3	Diode - 6 Amp	
	4360294	1	Breaker, Circuit - 30 Amp	
	4932333	Ref	Glow Plugs Wiring Diagram	A
	3740067	1	Solenoid	
	4360274	1	Switch, Push Button	
	3252345	1	Nameplate - Choke/Glow Plug	
	4931691	Ref	Heaters Wiring Diagram (Deutz) (Prior to January 1992)	D
	1060300	50 ft	Cable, Electrical - 16/3	
	1060515	20 ft	Cable, Electrical - 12/4	
	4932469	Ref	Heaters Wiring Diagram (Deutz) (January 1992 to Present)	4
	1060016	40 ft	Cable, Electrical - 16/3 (Black - Red- Blue)	
	1060494	10 ft	Cable, Electrical - 12/3 (Was P/N 1060514) (Prior to SN 61842)	
	4931411	Ref	Heaters Wiring Diagram (Ford)	A
	1060016	30 ft	Cable, Electrical - 16/3	
	1060515	10 ft	Cable, Electrical - 12/4	
	4932879	Ref	Jack (Axle) Wiring Diagram (With 80HX/80HX+6 2WD Fixed Axle Dual Jacks)	-
	1060042	15 ft	Cable, Electrical - 16/5	
	3740049	1	Relay	
	4921877	1	Harness - Lift	
	4921873	1	Harness - Negative Circuit	
	4921876	1	Harness - Ground Circuit	
	4932847	Ref	Jack (Axle) Wiring Diagram (With 80HX/80HX+6 Fixed Axle 4WS Dual Jacks)	B
	1060341	20 ft	Cable, Electrical - 16/2	
	4921902	1	Harness, Axle Switches	
	4932875	Ref	Jack (Axle) Wiring Diagram (With 80HX/80HX+6 Oscillating Axle Single Jack)	2-B
	4921851	1	Harness - Switch	
	3740049	1	Relay	
	4921872	1	Harness - Lift	
	4921873	1	Harness - Negative Circuit	
	4932864	Ref	Jack (Axle) Wiring Diagram (With 80HX/80HX+6 Oscillating Axle Dual Jacks) (Prior to SN 26210)	-
	4921851	1	Harness - Switch	
	3740049	1	Relay	
	4921855	1	Harness - Lift	
	4932873	Ref	Jack (Axle) Wiring Diagram (With 80HX/80HX+6 Oscillating Axle Dual Jack) (SN 26210 to Present)	-

SECTION 7 - ELECTRICAL

ITEM	PART NUMBER	QTY	DESCRIPTION	REV
	4921875	1	Harness - Switch	
	3740049	1	Relay	
	4921874	1	Harness - Lift	
	4921873	1	Harness - Negative Circuit	
	4931413	Ref	Lights Wiring Diagram - Headlights and Taillights (Prior to June 1987)	A
	4931680	Ref	Lights Wiring Diagram - Headlight and Taillights (June 1987 to March 1993)	D
	4932651	Ref	Lights Wiring Diagram - Headlights and Taillights (March 1993 to April 1994)	-
	0254084	Ref	Lights Wiring Diagram - Headlights and Taillights (April 1994)	A
	1282112	Ref	Lights Wiring Diagram - Headlights and Taillights (April 1994)	D
	4932080	Ref	Lights Wiring Diagram - Headlights and Taillights Front and Rear	-
	4360199	1	Switch, Toggle - SPST	
	2920110	AR	Headlight	
	2920113	AR	Light, Stop/Turn/Tail	
	3740080	1	Relay	
	0255274	Ref	Low Oil Pressure Shutdown Wiring Diagram - Deutz Engines	4
	2920026	1	Lamp, Indicator	
	2920029	1	Bulb, Light	
	4360065	1	Switch, Oil Pressure	
	3740049	1	Relay (In Platform Console Box)	
	3990010	1	Diode - 6 Amp	
	3740080	1	Relay (In Platform Console Box)	
	4932737	Ref	LP Gas Only Wiring Diagram	-
	4921305	1	Harness - LP Gas	
	4931269	Ref	Oil Cooler Wiring Diagram - Rear of Turntable	2-B
	0254853	Ref	Oil Cooler Wiring Diagram - Inside Turntable	5
	2400005	1	Fuse - 20 Amp	
	3740080	1	Relay	
	4931713	Ref	Overload Wiring Diagram (Standard Controls)	H
	4932073	Ref	Overload Wiring Diagram (Hydraulic Controls)	D
	4933007	Ref	Overload Sensing System Wiring Diagram (French Spec.)	1
		Ref	Platform Wiring Diagrams	
		Ref	Racine Prop Valve Machines:	
	4931422	Ref	Wiring Diagram - Adeco Throttle and Without Prop Tele (Prior to Mid 1987)	B
	4931424	Ref	Wiring Diagram - Adeco Throttle and With Prop Tele (Prior to Mid 1987)	A
	4360209	1	Breaker, Circuit - 20 Amp	
	1540002	1	Capacitor - 1000MF/25VDC	
	3990010	Ref	Diode - 6 Amp	
		Ref	Vickers Prop Valve Machines With Standard PQ Controllers and Without Prop Tele:	
	4931625	Ref	Wiring Diagram (Mid 1987 to September 1991)	5-E
	4932432	Ref	Wiring Diagram - 2WS With Creep (September 1991 to Present)	A
	1281682	Ref	Wiring Diagram - 2WS With Creep (September 1991 to Present)	-
	9983524	Ref	Wiring Diagram - 2WS With Creep and With 2 Steer Switches	-

SECTION 7 - ELECTRICAL

ITEM	PART NUMBER	QTY	DESCRIPTION	REV
	4932433	Ref	Wiring Diagram - 4WS With Creep (September 1991 to Present)	A
	1281682	Ref	Wiring Diagram - 4WS With Creep (September 1991 to Present)	-
	4931667	Ref	Wiring Diagram - 80H 4WD Only (September 1991 to Present)	C
	3990010	AR	Diode - 6 Amp	
	1540002	1	Capacitor - 1000MF/25VDC	
	1060012	9 ft	Cable, Electrical - 12/4 (To Footswitch) (Prior to July 1989)	
	1060309	7 ft	Cable, Electrical - 12/4 (To Footswitch) (July 1989 to Present)	
	Ref		Vickers Prop Valve Machines With Standard PQ Controllers and With Prop Tele:	
	4931672	Ref	Wiring Diagram (Mid 1987 to September 1991)	B
	4932435	Ref	Wiring Diagram - 2WS With Creep (September 1991 to Present)	A
	1281682	Ref	Wiring Diagram - 2WS With Creep (September 1991to Present)	-
	4933071	Ref	Wiring Diagram - 2WS With Creep (UL)	-
	9983524	Ref	Wiring Diagram - 2WS With Creep and With 2 Steer Switches	-
	4932436	Ref	Wiring Diagram - 4WS With Creep (September 1991 to Present)	A
	1281682	Ref	Wiring Diagram - 4WS With Creep (September 1991to Present)	-
	3990010	AR	Diode - 6 Amp	
	1540002	1	Capacitor - 1000MF/25VDC	
	1060515	9 ft	Cable, Electrical - 12/4 (To Footswitch)	
	Ref		Vickers Prop Valve Machines With Hydraulic PQ Controllers:	
	4931842	Ref	Wiring Diagram (Prior to December 1989)	C
	1280994	Ref	Wiring Diagram (Prior to December 1989)	D
	1060012	7 ft	Cable, Electrical - 12/4 (To Footswitch)	
	4921132	1	Harness, Capacitor	
	4932027	Ref	Wiring Diagram (December 1989 to Present)	D
	1060309	8 ft	Cable, Electrical 12/4 (To Footswitch)	
	1540002	1	Capacitor	
	4460264	4	Strip, Terminal	
	Ref		Vickers Prop Valve Machines With OEM Controllers:	
	4931665	Ref	Wiring Diagram - 2WD Without Prop Tele	B
	1280803	Ref	Wiring Diagram - 2WD Without Prop Tele	-
	4931666	Ref	Wiring Diagram - 2WD With Prop Tele	-
	1280804	Ref	Wiring Diagram - 2WD With Prop Tele	-
	4933046	Ref	Wiring Diagram - 2WD With Prop Tele (UL)	2
	4931677	Ref	Wiring Diagram - 80H 4WD Without Prop Tele	A
	4931676	Ref	Wiring Diagram - 80H 4WD With Prop Tele	-
	4360216	1	Breaker, Circuit - 30 Amp	
	1060012	7 ft	Cable, Electrical - 12/4	
	4920630	1	Harness, Capacitor	
	Ref		Platform Bumper Wiring Diagram	
	1282197	Ref.	Wiring Diagram - Chain Mounted (Soft-Touch) Bumper	-
	4932059	Ref	Wiring Diagram - Welded on Bumper	A
	Ref		Platform Work Lights Wiring Diagram	
	2900068	Ref	Wiring Diagram (Prior to November 1992)	F
	2920013	2	Worklight	

SECTION 7 - ELECTRICAL

ITEM	PART NUMBER	QTY	DESCRIPTION	REV
	0253686	Ref	Wiring Diagram (November 1992 to May 1995)	-
	0253987	Ref	Wiring Diagram (May 1995 to Present)	4
	0254748	Ref	Wiring Diagram With Padded Platform	2
	2920111	2	Worklight	
		Ref	Standard Wiring Diagrams (Racine Valve Machines) (Prior to Mid 1987)	
		Ref	Wiring Diagram - Deutz	
	4931485	Ref	Engine Wiring Diagram With 3 Stack Racine Prop Valve (80HX/80HX+6)	A
	1280590	Ref	Engine Wiring Diagram With 3 Stack Racine Prop Valve (80HX/80HX+6)	D
	4931499	Ref	Engine Wiring Diagram With 3 Stack Racine Prop Valve (80H)	A
	1280584	Ref	Engine Wiring Diagram With 3 Stack Racine Prop Valve (80H)	B
	4931485	Ref	Engine Wiring Diagram With 4 Stack Racine Prop Valve (80HX/80HX+6)	A
	1280591	Ref	Engine Wiring Diagram With 4 Stack Racine Prop Valve (80HX/80HX+6)	C
	4920581	1	Harness, Engine	
	4931474	Ref	Ground Control Box Wiring Diagram (80HX) (See Ground Control Box for Harnesses)	E
	4931476	Ref	Ground Control Box Wiring Diagram (80H) (See Ground Control Box for Harnesses)	E
	4931463	Ref	Axle Lockout Wiring Diagram	
	4931464	Ref	Boom Length Switch Wiring Diagram	3-C
	4931487	Ref	Valve Wiring Diagram - Without Steering Wheel	A
	1280590	Ref	Valve Wiring Diagram - Without Steering Wheel	A
	1280584	Ref	Valve Wiring Diagram - Without Steering Wheel	B
	4931488	Ref	Valve Wiring Diagram - With Steering Wheel	B
	1280591	Ref	Valve Wiring Diagram - With Steering Wheel	A
	1280584	Ref	Valve Wiring Diagram - With Steering Wheel	B
		Ref	Wiring Diagram - Ford Without Prop Tele	
	4931467	Ref	Engine Wiring Diagram (80HX/80HX+6)	A
	1280551	Ref	Engine Wiring Diagram (80HX/80HX+6)	F
	4931528	Ref	Engine Wiring Diagram (80H)	A
	1280601	Ref	Engine Wiring Diagram (80H)	B
	4920601	1	Harness, Engine	
	4931474	Ref	Ground Control Box Wiring Diagram (80HX) (See Ground Control Box for Harnesses)	E
	4931476	Ref	Ground Control Box Wiring Diagram (80H) (See Ground Control Box for Harnesses)	E
	4931463	Ref	Axle Lockout Wiring Diagram	
	4931464	Ref	Boom Length Switch Wiring Diagram	3-C
	4931487	Ref	Valve Wiring Diagram - Without Steering Wheel	A
	1280551	Ref	Valve Wiring Diagram - Without Steering Wheel	A
	1280601	Ref	Valve Wiring Diagram - Without Steering Wheel	B
	4931488	Ref	Valve Wiring Diagram - With Steering Wheel Wiring Diagram - Ford With Prop Tele	-
	1280551	Ref	Valve Wiring Diagram - With Steering Wheel Wiring Diagram - Ford With Prop Tele	A
	1280601	Ref	Valve Wiring Diagram - With Steering Wheel Wiring Diagram - Ford With Prop Tele	B
	4931467	Ref	Engine Wiring Diagram (80HX/80HX+6)	A

SECTION 7 - ELECTRICAL

ITEM	PART NUMBER	QTY	DESCRIPTION	REV
	1280556	Ref	Engine Wiring Diagram (80HX/80HX+6)	B
	4931528	Ref	Engine Wiring Diagram (80H)	A
	1280602	Ref	Engine Wiring Diagram (80H)	B
	4920601	1	Harness, Engine	
	4931474	Ref	Ground Control Box Wiring Diagram (80HX) (See Ground Control Box for Harnesses)	E
	4931476	Ref	Ground Control Box Wiring Diagram (80H) (See Ground Control Box for Harnesses)	E
	4931463	Ref	Axle Lockout Wiring Diagram	
	4931464	Ref	Boom Length Switch Wiring Diagram	3-C
	4931489	Ref	Valve Wiring Diagram - Without Steering Wheel	-
	1280556	Ref	Valve Wiring Diagram - Without Steering Wheel	B
	1280602	Ref	Valve Wiring Diagram - Without Steering Wheel	B
	4931490	Ref	Valve Wiring Diagram - With Steering Wheel	-
	1280556	Ref	Valve Wiring Diagram - With Steering Wheel	B
	1280602	Ref	Valve Wiring Diagram - With Steering Wheel	B
		Ref	Wiring Diagram - Wisconsin Without Prop Tele	
	4931440	Ref	Engine Wiring Diagram	C
	1280577	Ref	Engine Wiring Diagram	C
	4931474	Ref	Ground Control Box Wiring Diagram (80HX) (See Ground Control Box for Harness)	E
	4931476	Ref	Ground Control Box Wiring Diagram (80H) (See Ground Control Box for Harnesses)	E
	4931463	Ref	Axle Lockout Wiring Diagram	
	4931464	Ref	Boom Length Switch Wiring Diagram	3-C
	4931487	Ref	Valve Wiring Diagram - Without Steering Wheel	A
	1280577	Ref	Valve Wiring Diagram - Without Steering Wheel	C
	4931488	Ref	Valve Wiring Diagram - With Steering Wheel	-
	1280577	Ref	Valve Wiring Diagram - With Steering Wheel	C
		Ref	Wiring Diagram - Wisconsin With Prop Tele	
	4931440	Ref	Engine Wiring Diagram	C
	1280578	Ref	Engine Wiring Diagram	-
	4931474	Ref	Ground Control Box Wiring Diagram (80HX) (See Ground Control Box for Harnesses)	E
	4931476	Ref	Ground Control Box Wiring Diagram (80H) (See Ground Control Box for Harnesses)	E
	4931463	Ref	Axle Lockout Wiring Diagram	
	4931464	Ref	Boom Length Switch Wiring Diagram	3/C
	4931489	Ref	Valve Wiring Diagram - Without Steering Wheel	-
	1280578	Ref	Valve Wiring Diagram - Without Steering Wheel	-
	4931490	Ref	Valve Wiring Diagram - With Steering Wheel	-
	1280578	Ref	Valve Wiring Diagram - With Steering Wheel	-
		Ref	Standard Wiring Diagrams (Vickers Prop Valve Machines) (Mid 1987 to Present) (Standard Controls)	
		Ref	Wiring Diagrams - Deutz, Cummins and Wisconsin:	
	4931627	Ref	Engine Wiring Diagram - Deutz/Fixed Axle (80HX)	D
	1280750	Ref	Engine Wiring Diagram - Deutz/Fixed Axle (80HX)	G
	4931623	Ref	Engine Wiring Diagram - Deutz/Fixed Axle (80H)	H
	1280727	Ref	Engine Wiring Diagram - Deutz/Fixed Axle (80H)	K
	4920852	1	Harness, Engine	
	4360212	1	Breaker, Circuit - 3 Amp	
	3990010	1	Diode - 6 Amp	
	4932833	Ref	Engine Wiring Diagram - Deutz/Oscillating Axle	4-E

SECTION 7 - ELECTRICAL

ITEM	PART NUMBER	QTY	DESCRIPTION	REV
	1060016	30 ft	Cable, Electrical -16/3 (To Boom Limit Switches)	
	1060042	14 ft	Cable, Electrical -16/5 (To Axle Limit Switches)	
	4360212	1	Breaker, Circuit - 3 Amp	
	3990010	6	Diode - 6 Amp	
	3740049	1	Relay - Lift Up Cutout (Ground Control Box)	
	4932802	Ref	Engine Wiring Diagram - Cummins/Fixed Axle	-
	1282409	Ref	Engine Wiring Diagram - Cummins/Fixed Axle	-
	4360212	1	Breaker, Circuit - 3 Amp	
	3990010	1	Diode - 6 Amp	
	4932830	Ref	Engine Wiring Diagram-Cummins/Oscillating Axle	3
	1060016	30 ft	Cable, Electrical -16/3 (To Boom Limit Switches)	
	1060042	14 ft	Cable, Electrical -16/5 (To Axle Limit Switches)	
	4360212	1	Breaker, Circuit - 3 Amp	
	3990010	6	Diode - 6 Amp	
	3740049	1	Relay - Lift Up Cutout (Ground Control Box)	
	4931622	Ref	Engine Wiring Diagram - Wisconsin (Prior to July 1988) (80HX)	E
	1280750	Ref	Engine Wiring Diagram - Wisconsin (Prior to July 1988) (80HX)	J
	4931622	Ref	Engine Wiring Diagram - Wisconsin (Prior to July 1988) (80H)	E
	1280727	Ref	Engine Wiring Diagram - Wisconsin (Prior to July 1988) (80H)	K
	4920850	1	Harness, Engine	
	Ref		Wiring Diagrams - Deutz, Cummins and Wisconsin	
	4931826	Ref	Engine Wiring Diagram - Wisconsin (July 1988 to Present) (80HX)	D
	1280750	Ref	Engine Wiring Diagram - Wisconsin (July 1988 to Present) (80HX)	J
	4931826	Ref	Engine Wiring Diagram - Wisconsin (July 1988 to Present) (80H)	D
	1280727	Ref	Engine Wiring Diagram - Wisconsin (July 1988 to Present) (80H)	K
	4921128	1	Harness, Engine	
	3990010	1	Diode - 6 Amp	
	4931626	Ref	Ground Control Box Wiring Diagram (80HX) (Prior to May 1994) (See Ground Control Box Installation for Harnesses)	G
	4932700	Ref	Ground Control Box Wiring Diagram (80HX) (May 1994 to Present) (See Ground Control Box Installation for Harnesses)	3
	4931620	Ref	Ground Control Box Wiring Diagram (80H) (Prior to May 1994) (See Ground Control Box Installation for Harnesses)	G
	4932704	Ref	Ground Control Box Wiring Diagram (80H) (May 1994 to March 1995) (See Ground Control Box Installation for Harnesses)	6
	4932880	Ref	Ground Control Box Wiring Diagram (80H) (March 1995 to Present) (See Ground Control Box Installation for Harnesses)	A
	4932736	Ref	Proportional Telescope Wiring Diagram (80HX) (August 1994 to Present)	-
	Ref		Wiring Diagrams - Ford:	-
	4931685	Ref	Engine Wiring Diagram - Std (Prior to March 1995)	F
	1280826	Ref	Engine Wiring Diagram - Std (Prior to March 1995)	H

SECTION 7 - ELECTRICAL

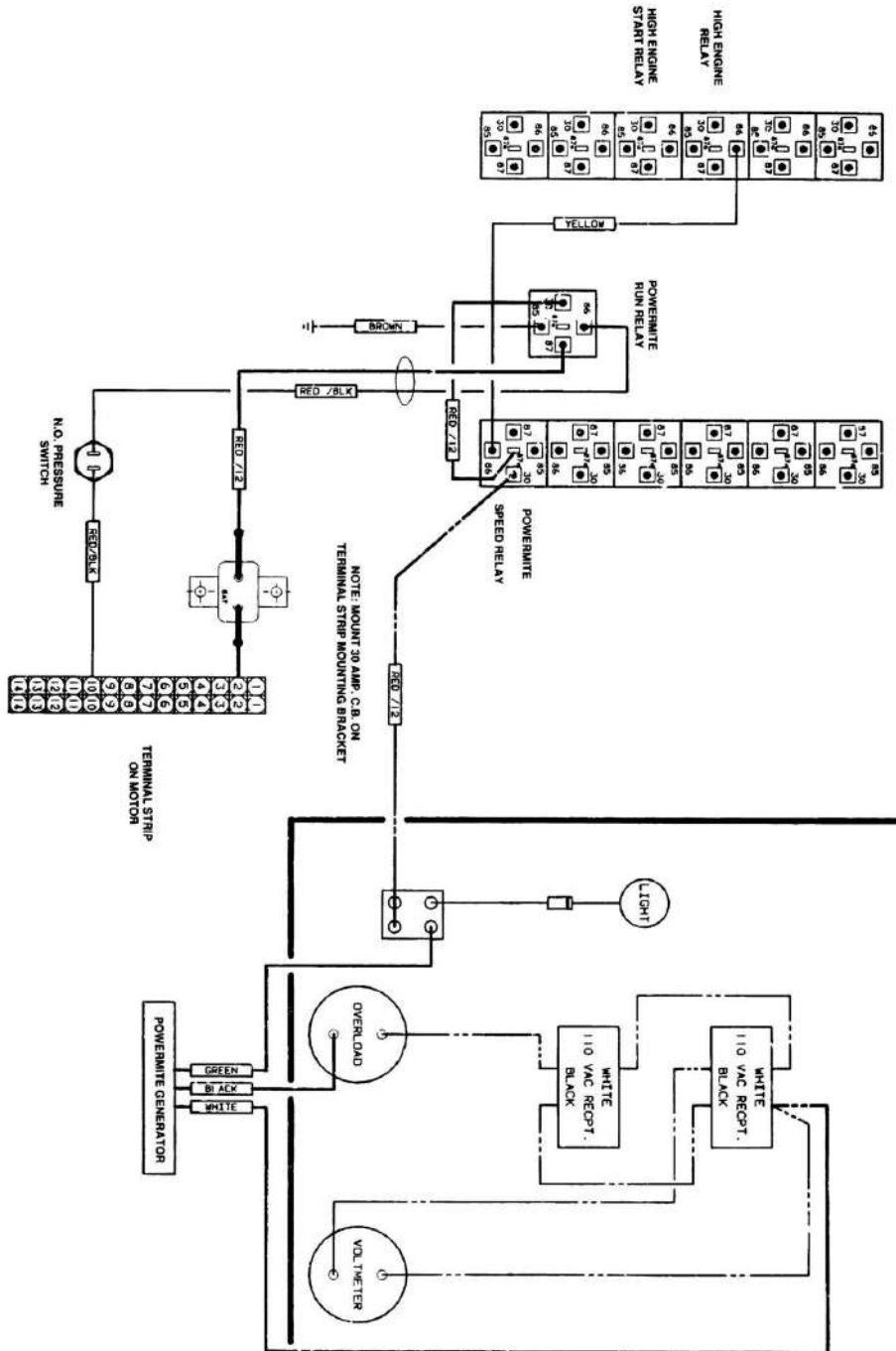
ITEM	PART NUMBER	QTY	DESCRIPTION	REV
	4360228	1	Switch, Remote Speed Set	
	4920997	1	Harness, Engine (June 1987 to March 1991)	
	4921309	1	Harness, Engine (March 1991 to March 1995)	
	4932745	Ref	Engine Wiring Diagram-Std (March 1995 to June 1995)	-
	1282353	Ref	Engine Wiring Diagram-Std (March 1995 to June 1995)	B
	4921716	1	Harness, Engine	
	4932811	Ref	Engine Wiring Diagram - Std/Fixed Axle (June 1995 to Present)	A
	1282458	Ref	Engine Wiring Diagram - Std/Fixed Axle (June 1995 to Present)	C
	4921761	1	Harness, Engine	
	4932834	Ref	Engine Wiring Diagram - Std/Oscillating Axle (June 1995 to Present)	4-E
	1060016	30 ft	Cable, Electrical -16/3 (To Boom Limit Switches)	
	1060042	14 ft	Cable, Electrical -16/5 (To Axle Limit Switches)	
	3990010	6	Diode - 6 Amp	
	3740049	1	Relay - Lift Up Cutout (Ground Control Box)	
	4931738	Ref	Engine Wiring Diagram - UL LP Gas Only With Battery Disconnect	B
	1281129	Ref	Engine Wiring Diagram - UL LP Gas Only With Battery Disconnect	C
	4360228	1	Switch, Remote Speed Set	
	2400008	1	Fuse 3/4 Amp	
	2400006	1	Fuse 5 Amp	
	3990010	6	Diode - 6 Amp	
	4931626	Ref	Ground Control Box Wiring Diagram (80HX) (Prior to May 1994) (See Ground Control Box Installation for Harnesses)	G
	4932700	Ref	Ground Control Box Wiring Diagram (80HX) (May 1994 to Present) (See Ground Control Box Installation for Harnesses)	3
	4931620	Ref	Ground Control Box Wiring Diagram (80H) (Prior to May 1994) (See Ground Control Box Installation for Harnesses)	G
	4932704	Ref	Ground Control Box Wiring Diagram (80H) (May 1994 to March 1995) (See Ground Control Box Installation for Harnesses)	6-E
	4932880	Ref	Ground Control Box Wiring Diagram (80H) (March 1995 to Present) (See Ground Control Box Installation for Harnesses)	A
	4932768	Ref	Ground Control Box Wiring Diagram (80H U/L Only) (See Ground Control Box Installation for Harnesses)	A
	4932736	Ref	Proportional Telescope Wiring Diagram (August 1994 to Present)	-
		Ref	Standard Wiring Diagrams - Hydraulic Controls	
		Ref	Wiring Diagrams - Deutz and Wisconsin:	
	4931623	Ref	Engine Wiring Diagram - Deutz	H
	1280992	Ref	Engine Wiring Diagram - Deutz	F
	4920852	1	Harness, Engine	
	4360212	1	Breaker, Circuit - 3 Amp	
	3990010	1	Diode - 6 Amp	
	4931622	Ref	Engine Wiring Diagram - Wisconsin (Prior to July 1988)	E
	1280992	Ref	Engine Wiring Diagram - Wisconsin (Prior to July 1988)	E
	4920850	1	Harness, Engine	
	4931826	Ref	Engine Wiring Diagram - Wisconsin (July 1988 to Present)	D

SECTION 7 - ELECTRICAL

ITEM	PART NUMBER	QTY	DESCRIPTION	REV
	1280992	Ref	Engine Wiring Diagram - Wisconsin (July 1988 to Present)	E
	4921128	1	Harness, Engine	
	4932028	Ref	Ground Control Box Wiring Diagram (80HX) (Prior to May 1994) (See Ground Control Box Installation for Harnesses)	B
	4932028	Ref	Ground Control Box Wiring Diagram (80HX) (Prior to May 1994) (See Ground Control Box Installation for Harnesses)	B
	4931836	Ref	Ground Control Box Wiring Diagram (80H) (See Grd Control Box Installations for Harnesses)	4
		Ref	Wiring Diagrams - Ford:	
	4931685	Ref	Engine Wiring Diagram (June 1987 to March 1995)	E
	1280991	Ref	Engine Wiring Diagram (June 1987 to March 1995)	D
	4360228	1	Switch, Remote Speed Set	
	4920997	1	Harness, Engine (June 1987 to March 1991)	
	4921309	1	Harness, Engine (March 1991 to March 1995)	
	4932811	Ref	Engine Wiring Diagram (March 1995 to Present)	B
	1282616	Ref	Engine Wiring Diagram (March 1995 to Present)	-
	4921761	1	Harness, Engine (March 1995 to Present)	
	4932028	Ref	Ground Control Box Wiring Diagram (80HX) (Prior to May 1994) See Ground Control Box Installation for Harnesses)	B
	4932703	Ref	Ground Control Box Wiring Diagram (80HX) (May 1994 to Present) (See Ground Control Box Installation for Harnesses)	A
	4931836	Ref	Ground Control Box Wiring Diagram (80H) (See Grd Control Box Installations for Harnesses)	4
	2791879	Ref	Valjar Machines Wiring Diagram	-
	4931349	Ref	WCBC Machines Wiring Diagram	C
	0239194	Ref	Winterization Wiring Diagram (Deutz)	B
	1870003	Ref	Wiring Schematic	A

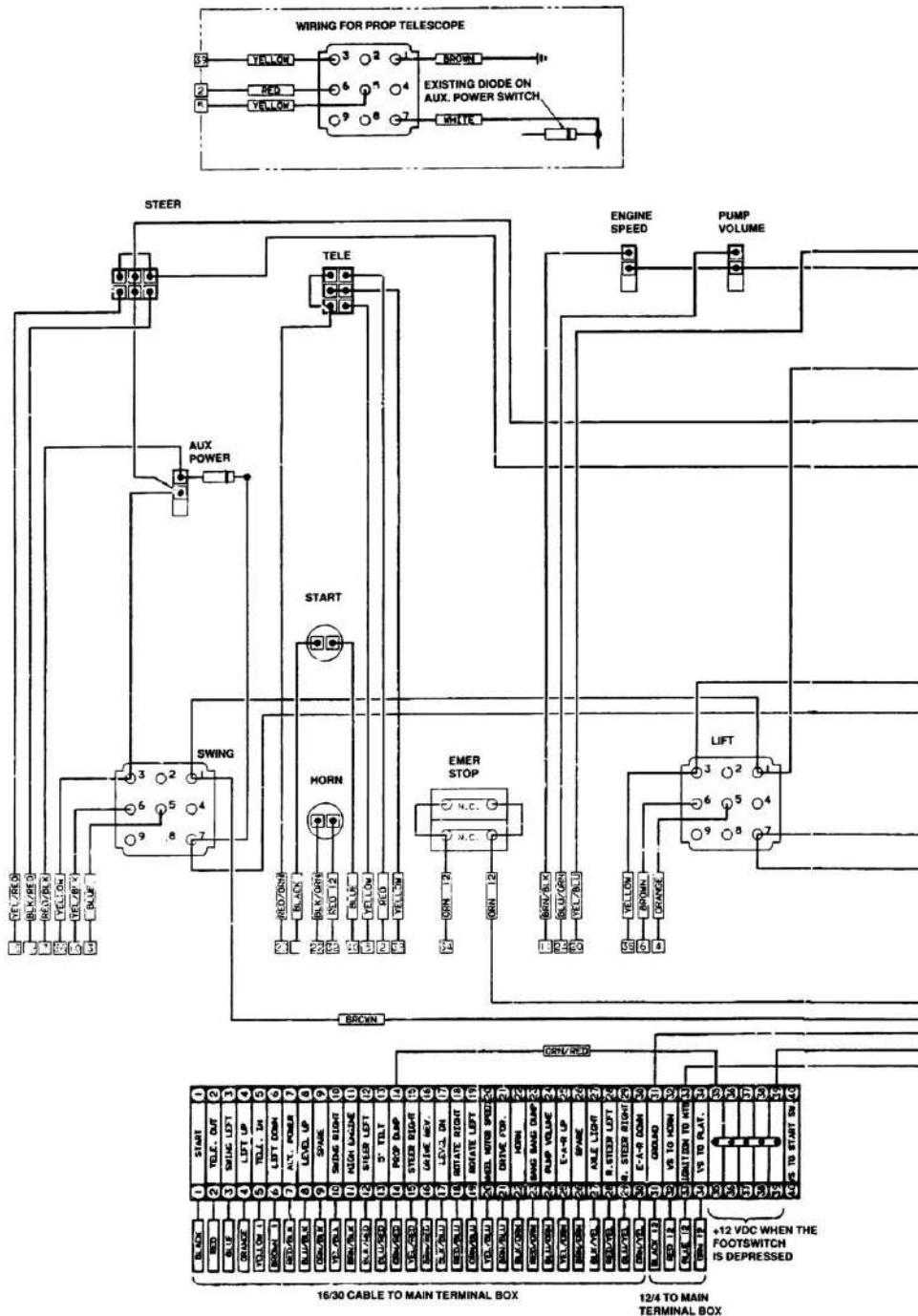
SECTION 7 - ELECTRICAL

FIGURE 7-3. WIRING DIAGRAM - GENERATOR (DEUTZ ENGINES)

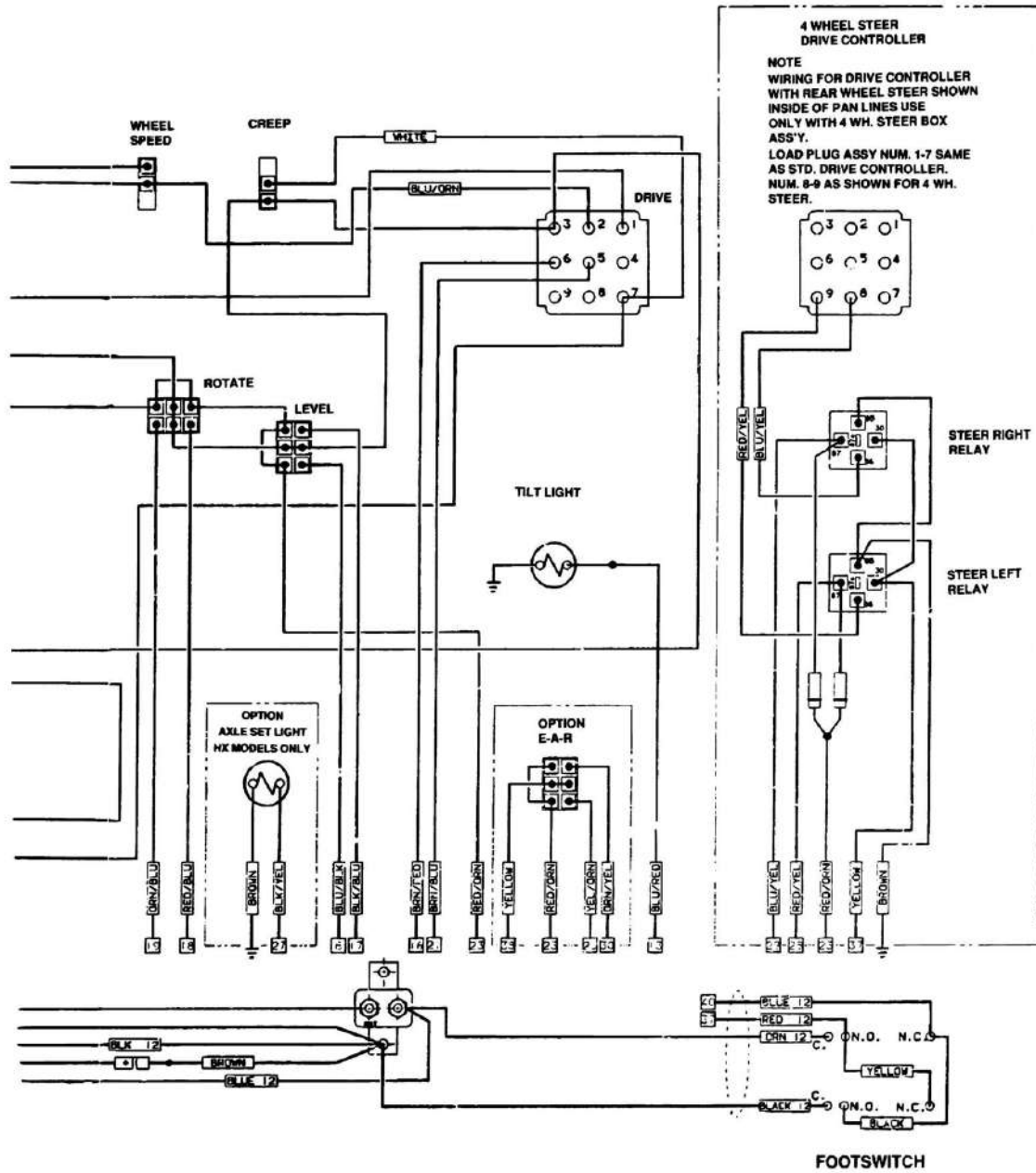


SECTION 7 - ELECTRICAL

FIGURE 7-5. WIRING DIAGRAM - PLATFORM CONSOLE STANDARD CONTROLS (SHEET 1 OF 2)



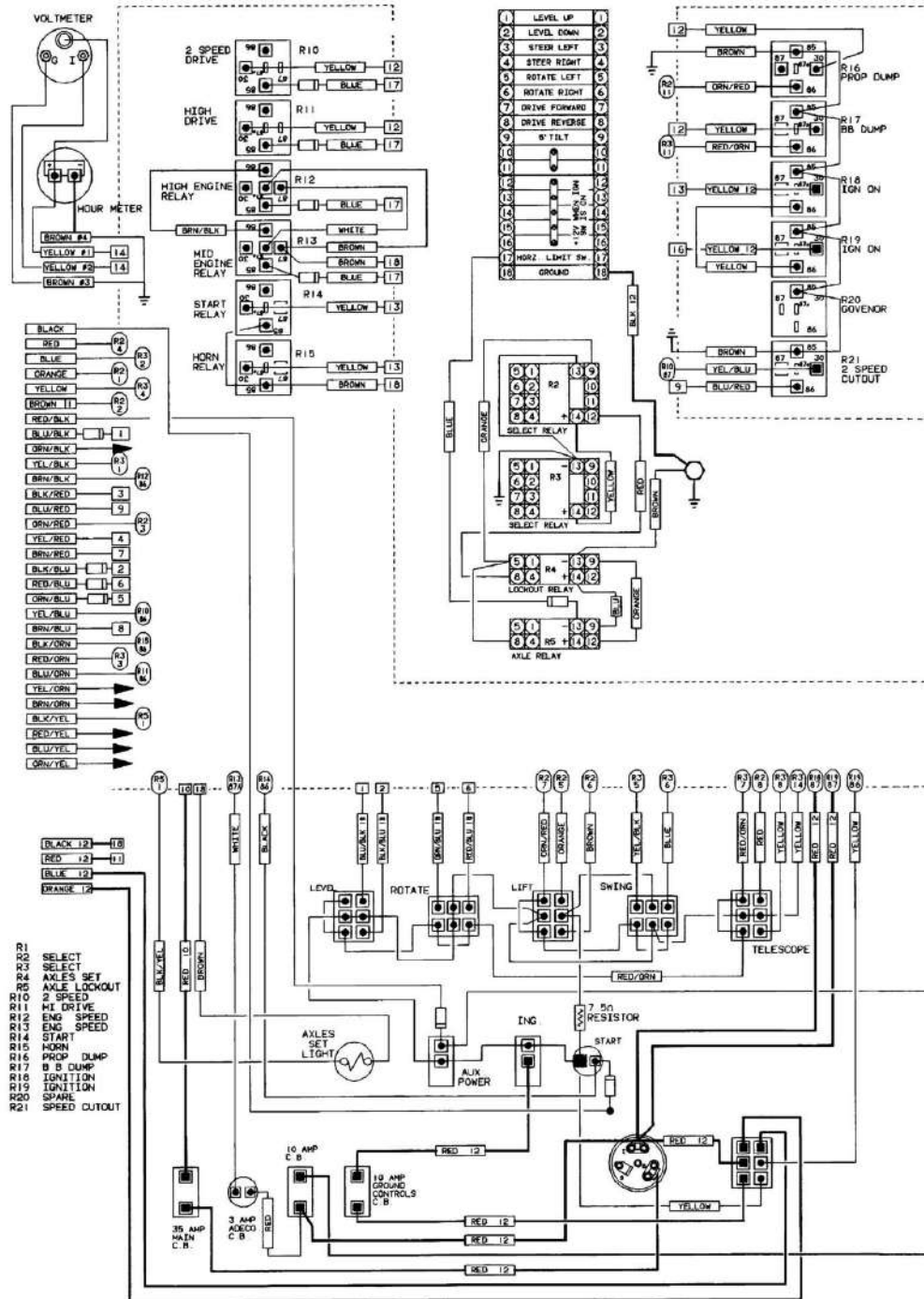
SECTION 7 - ELECTRICAL



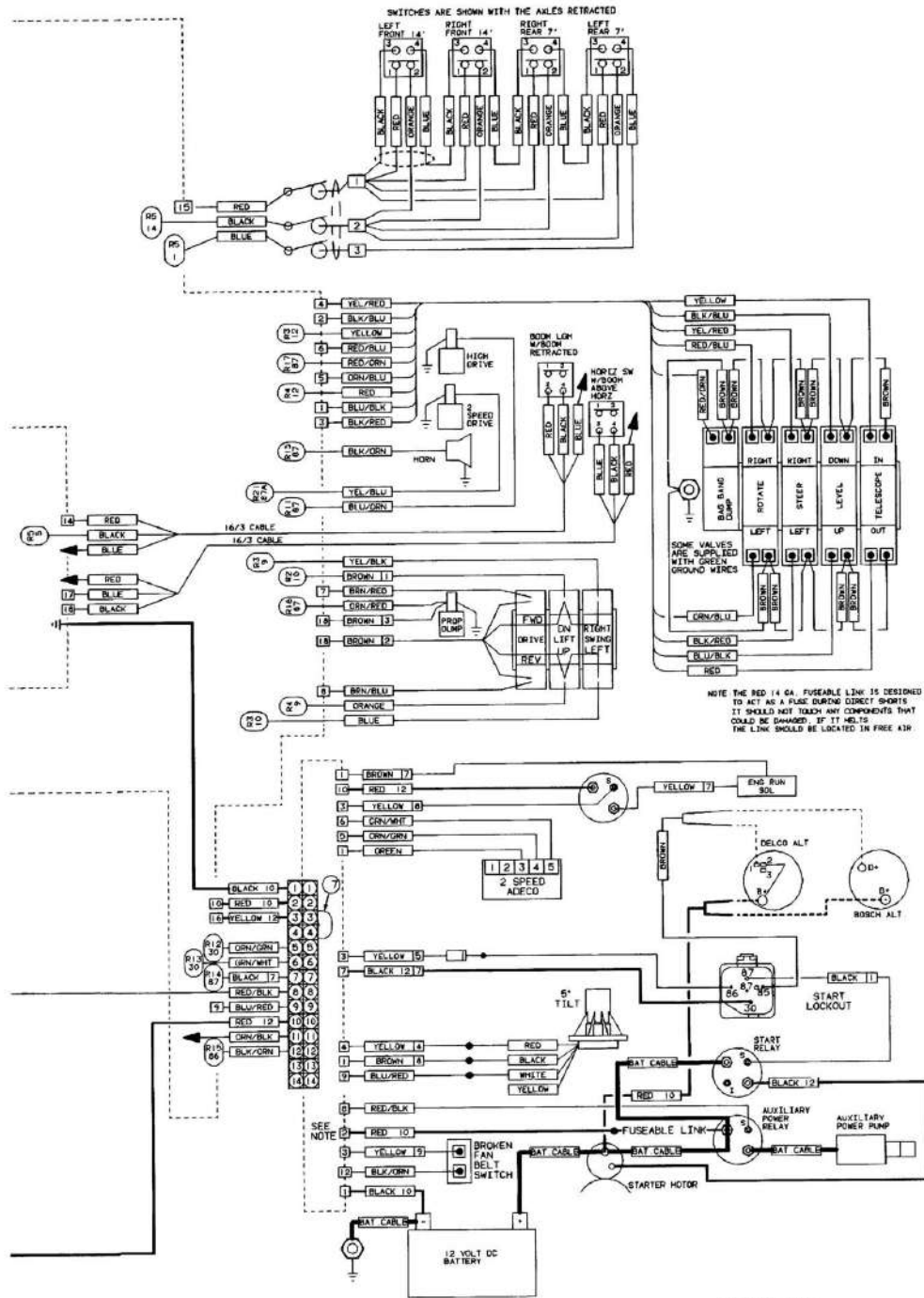
1281682 —

SECTION 7 - ELECTRICAL

FIGURE 7-7. WIRING DIAGRAM - STANDARD (DEUTZ ENGINE/FIXED AXLE/STANDARD CONTROLS) (SHEET 1 OF 2)

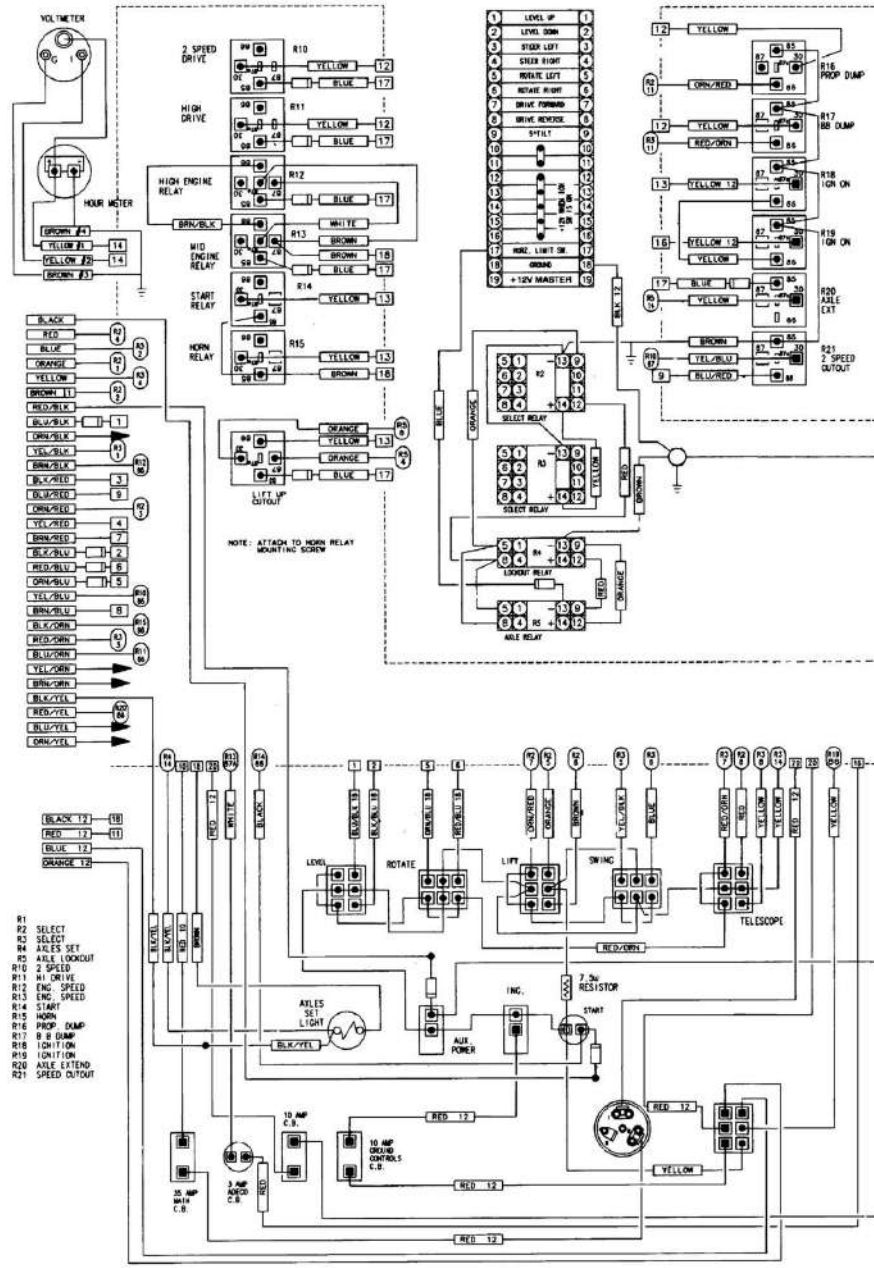


SECTION 7 - ELECTRICAL

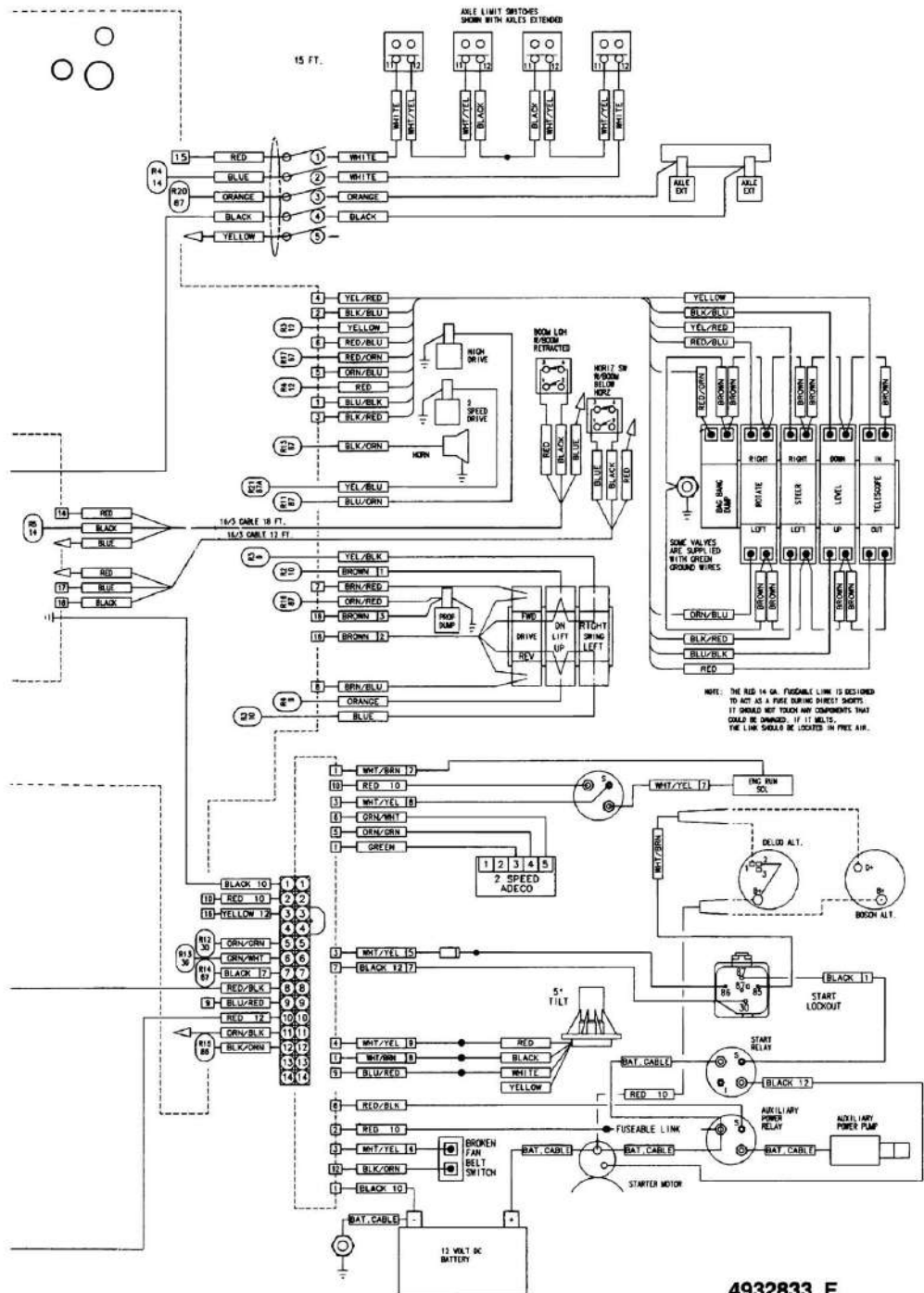


SECTION 7 - ELECTRICAL

FIGURE 7-8. WIRING DIAGRAM - STANDARD (DEUTZ ENGINE/OSCILLATING AXLE/STANDARD CONTROLS) (SHEET 1 OF 2)

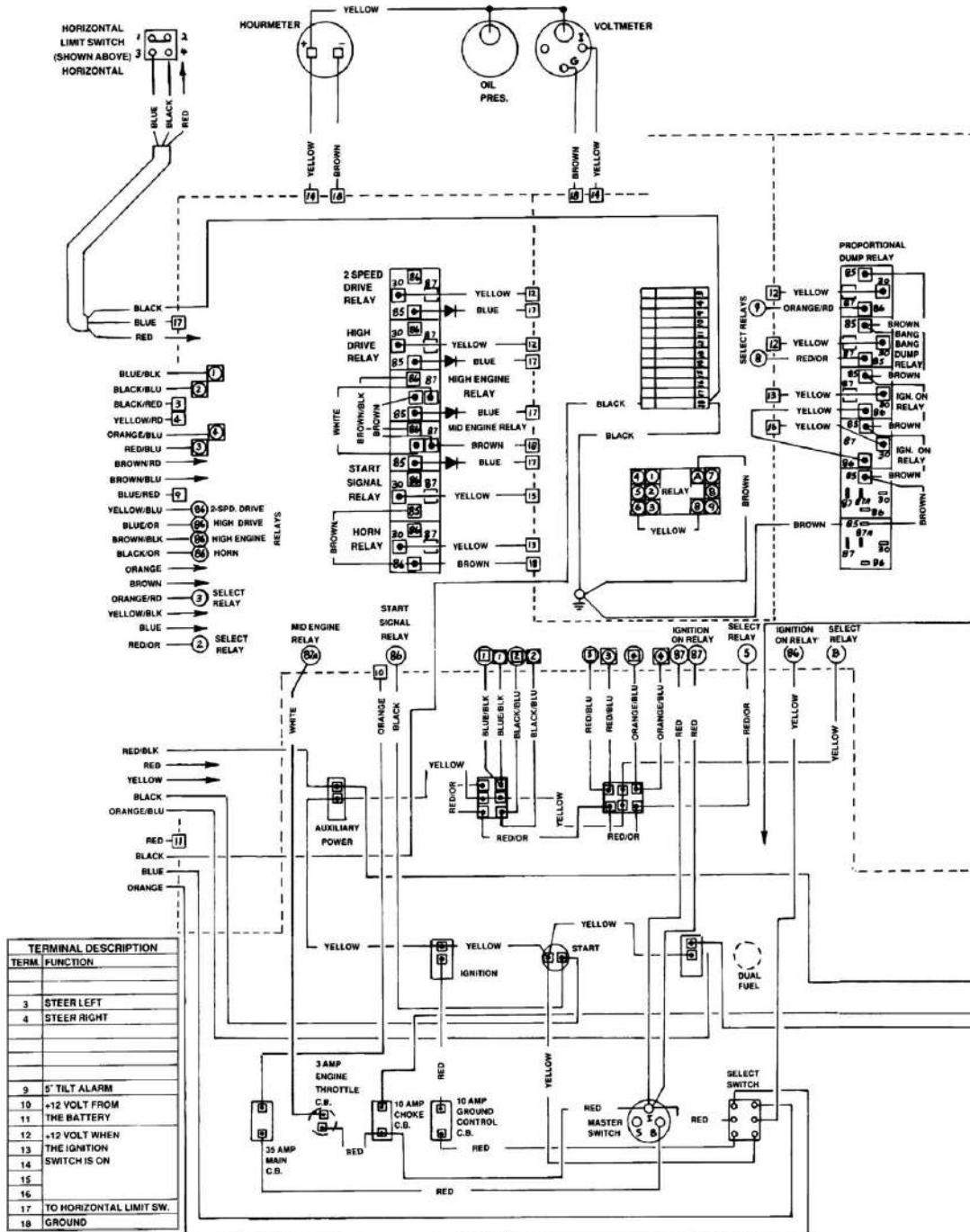


SECTION 7 - ELECTRICAL

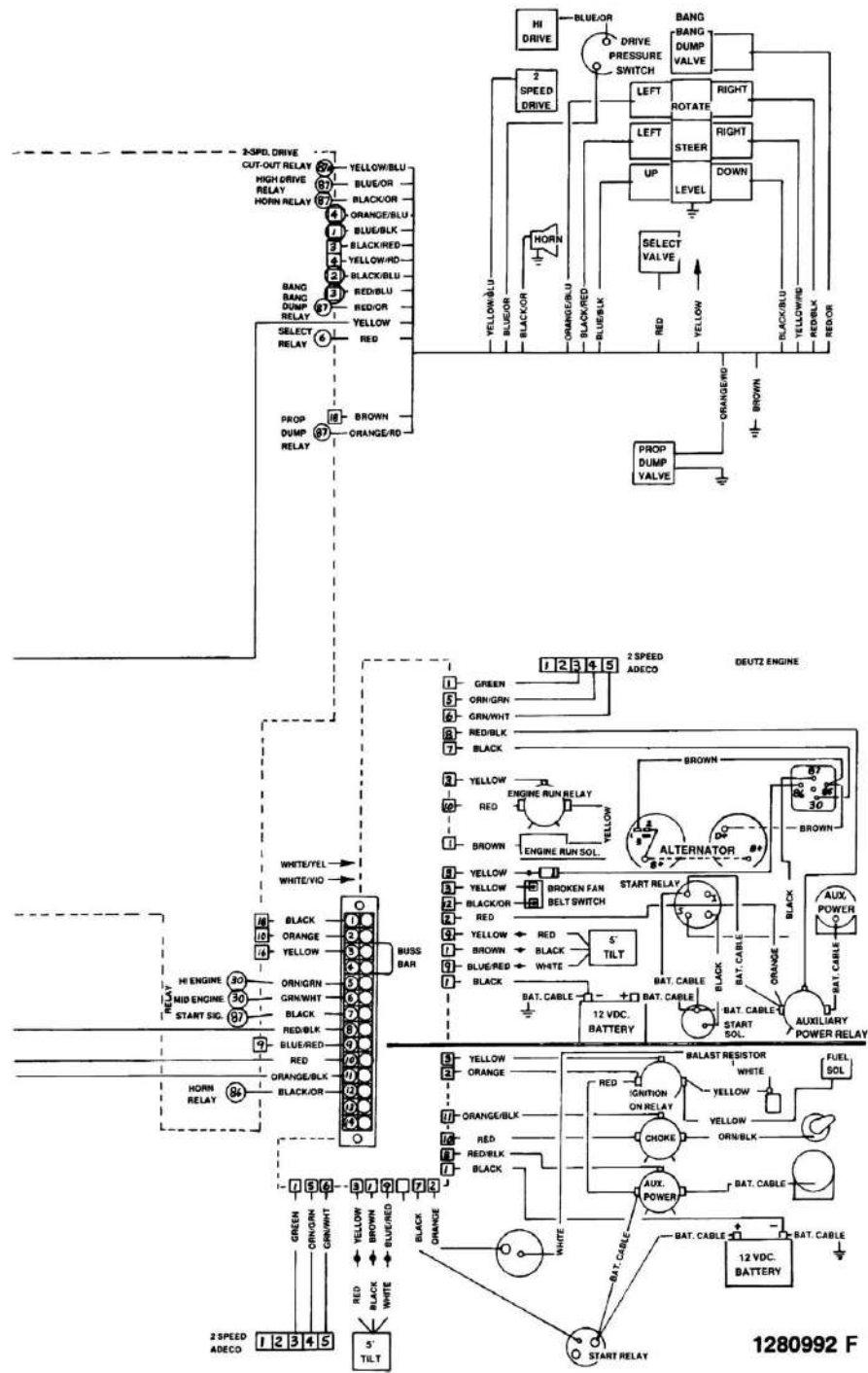


SECTION 7 - ELECTRICAL

FIGURE 7-9. WIRING DIAGRAM - STANDARD (DEUTZ ENGINE/HYDRAULIC CONTROLS) (SHEET 1 OF 2)

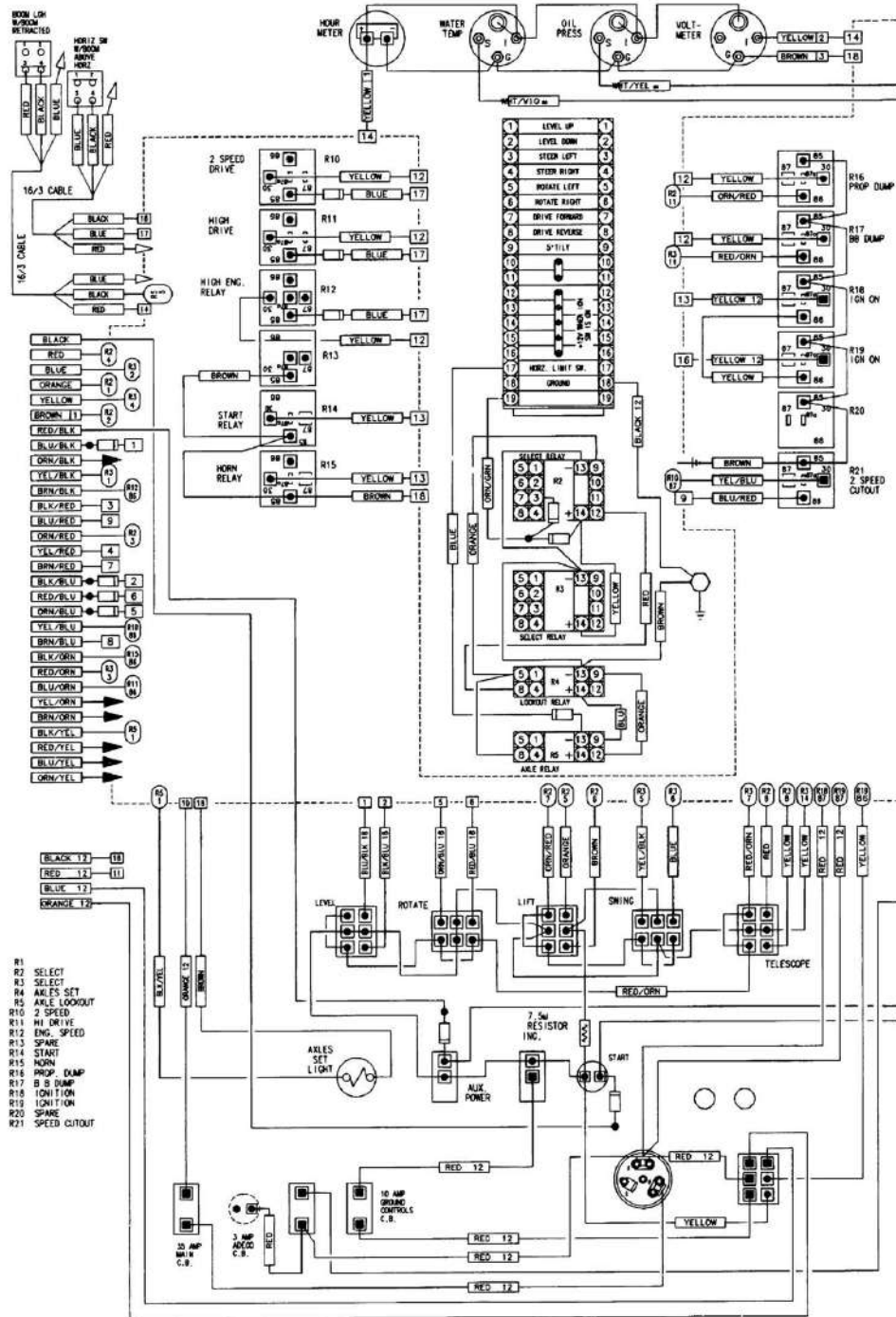


SECTION 7 - ELECTRICAL



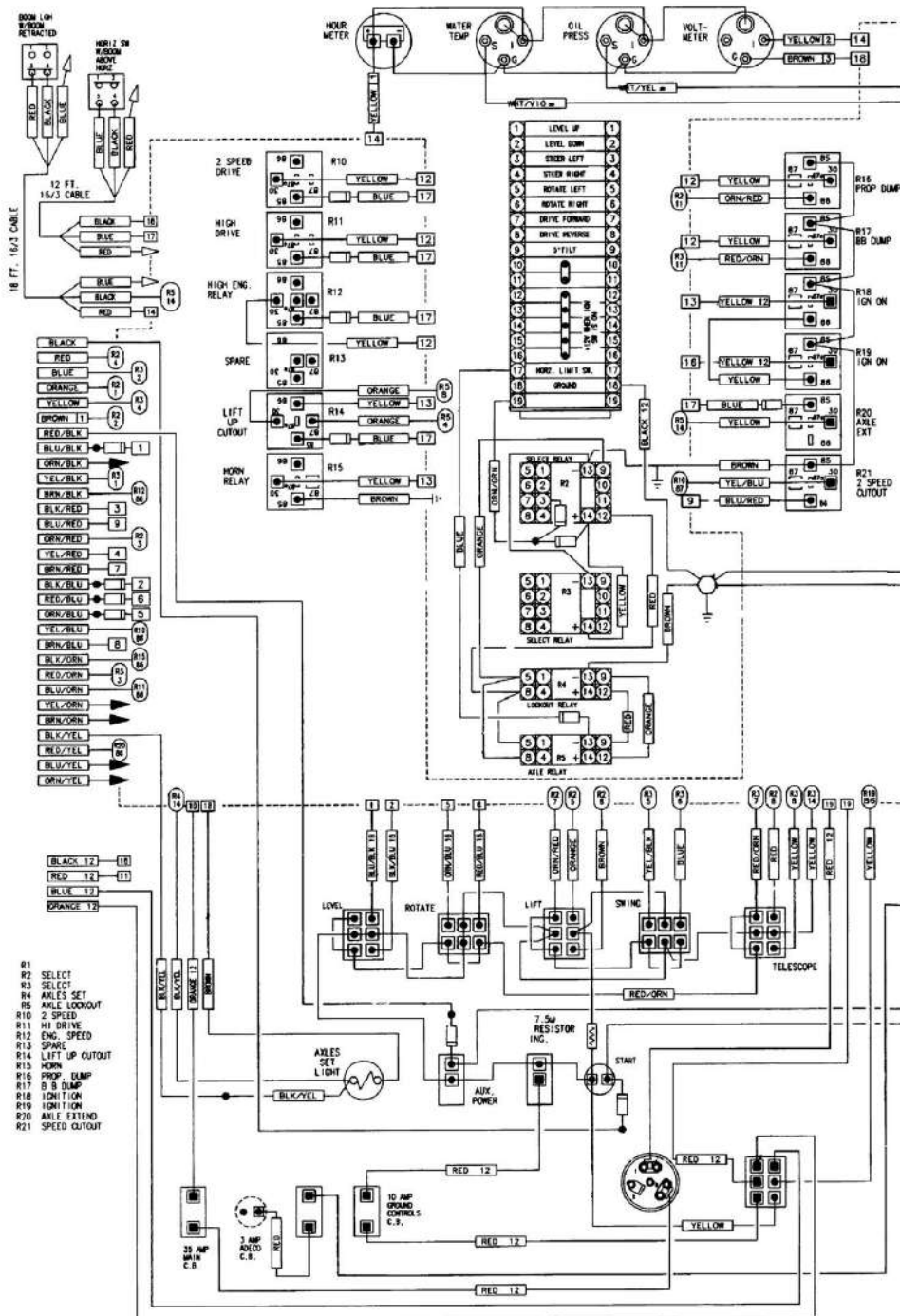
SECTION 7 - ELECTRICAL

FIGURE 7-10. WIRING DIAGRAM - STANDARD (FORD ENGINE/FIXED AXLE/STANDARD CONTROLS) (SHEET 1 OF 2)

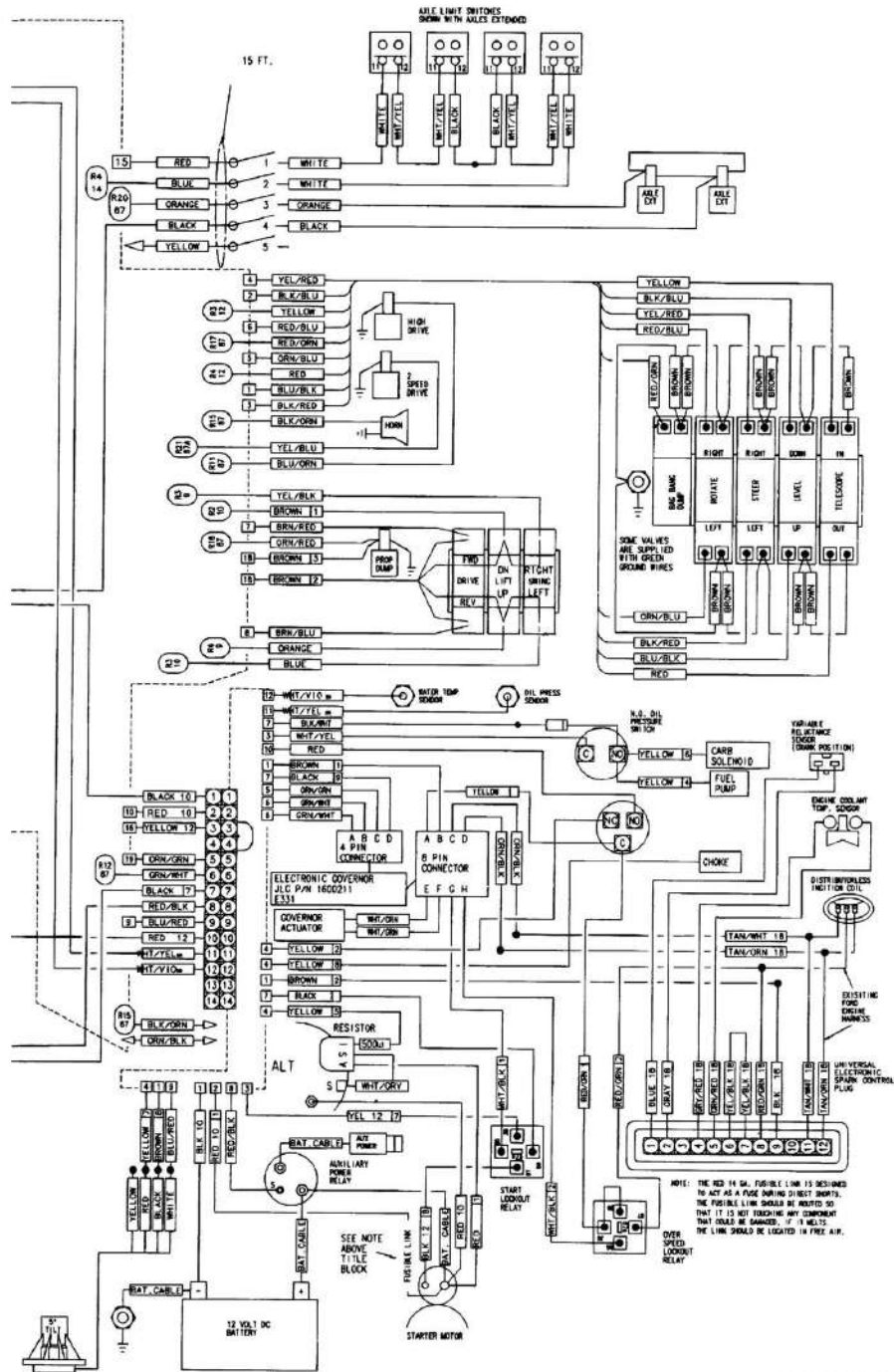


SECTION 7 - ELECTRICAL

FIGURE 7-11. WIRING DIAGRAM - STANDARD (FORD ENGINE/OSCILLATING AXLE/STANDARD CONTROLS) (SHEET 1 OF 2)



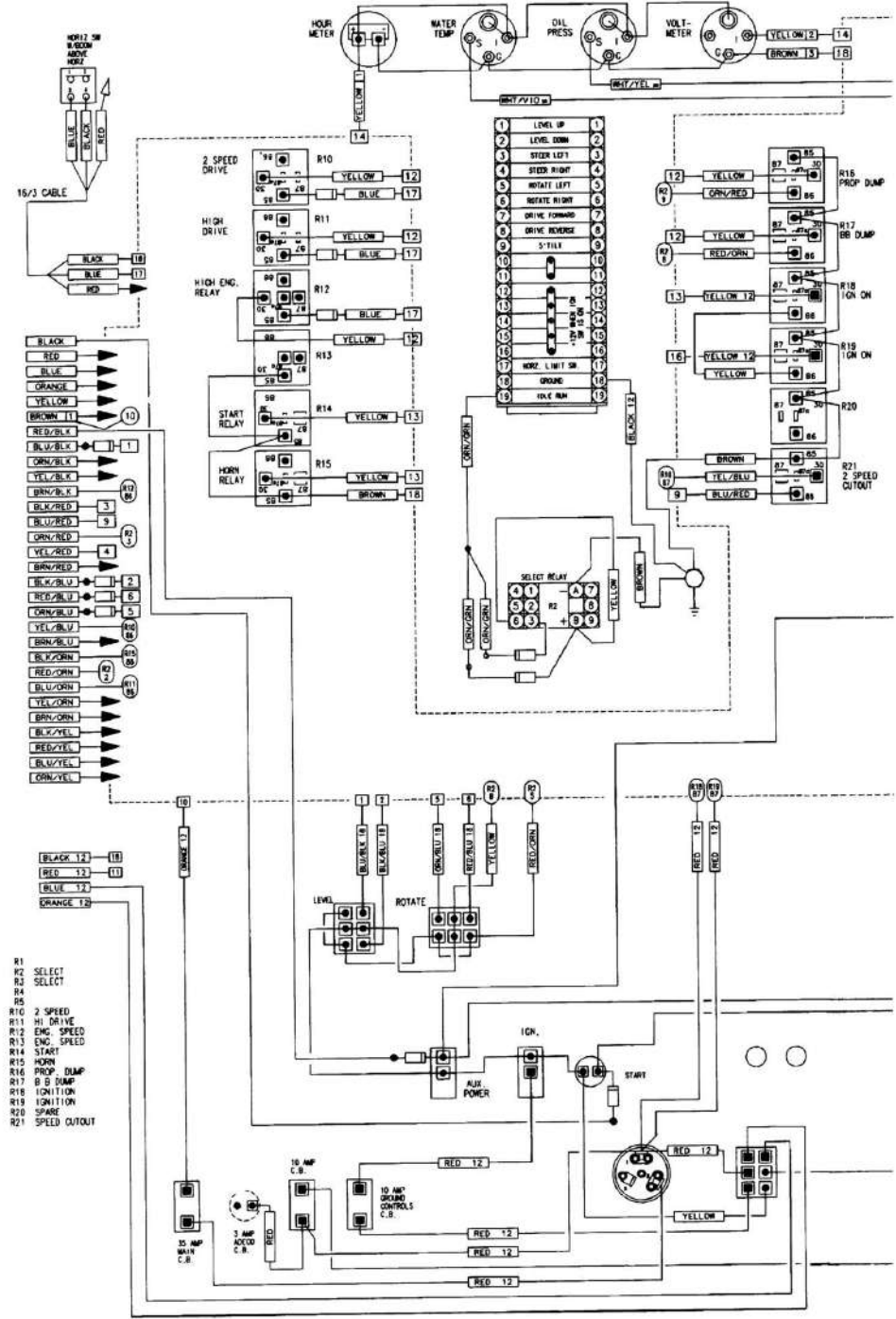
SECTION 7 - ELECTRICAL



4932834 D

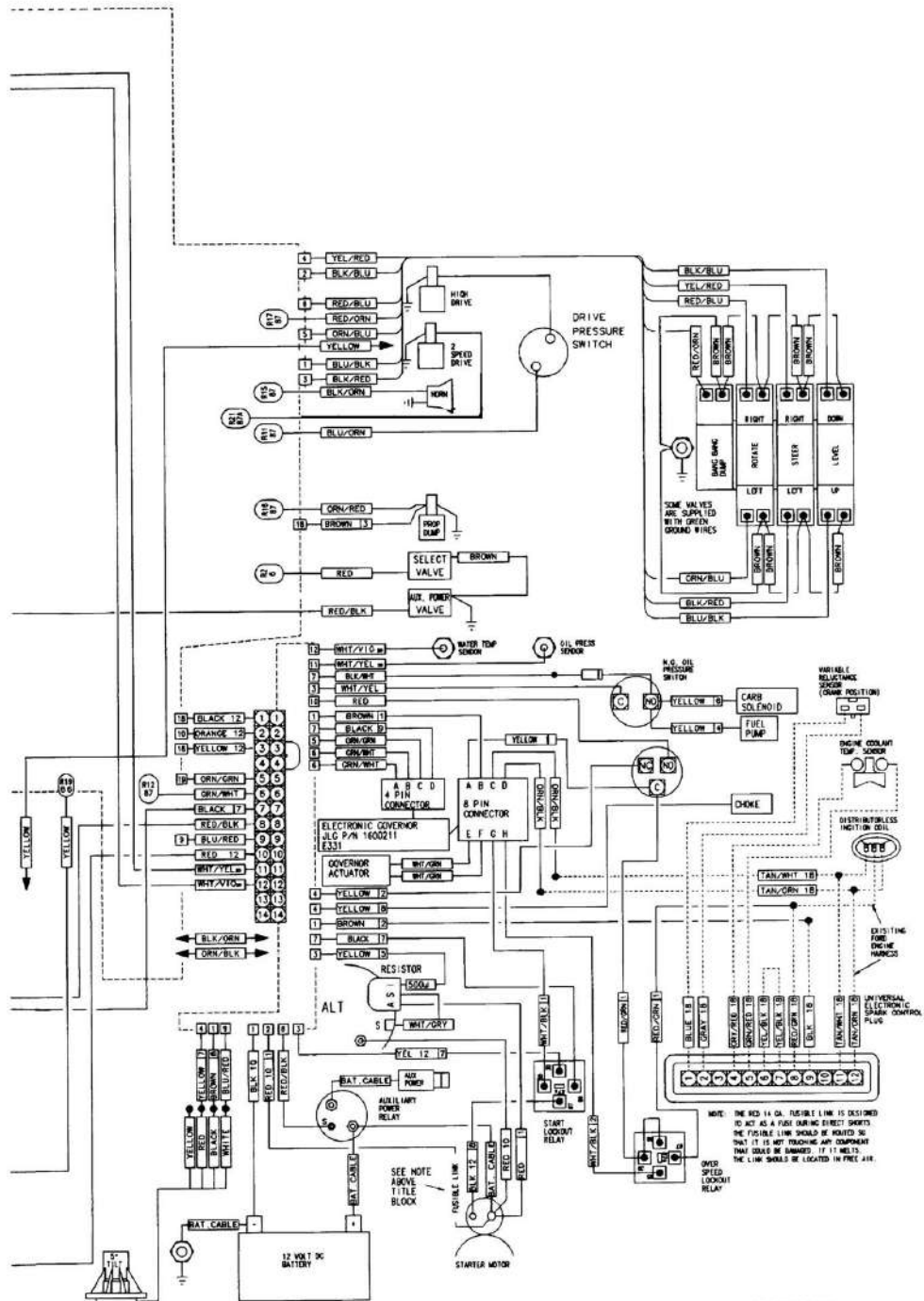
SECTION 7 - ELECTRICAL

FIGURE 7-12. WIRING DIAGRAM - STANDARD (FORD ENGINE/HYDRAULIC CONTROLS) (SHEET 1 OF 2)



- R1 SELECT
- R2 SELECT
- R3 SELECT
- R4
- R5
- R10 2 SPEED
- R11 HI DRIVE
- R12 ENG. SPEED
- R13 ENG. SPEED
- R14 START
- R15 HORN
- R16 PROP. DUMP
- R17 B D DUMP
- R18 IGNITION
- R19 IGNITION
- R20 SPARE
- R21 SPEED OUTPUT

SECTION 7 - ELECTRICAL



1282616 —

SECTION 8 - DECALS

SECTION 8 - DECALS

FIGURE 8-1. DECALS INSTALLATION - DOMESTIC BROWN DECALS

ITEM	PART NUMBER	QTY	DESCRIPTION	REV
		Ref	DECALS INSTALLATIONS - BROWN	
	0237438	Ref	Decals Installation (80H With Standard Controls)	14
	9983550	Ref	Decals Installation (80H With Hydraulic Controls)	B
	0236845	Ref	Decals Installations (80HX With Standard Controls)	26
	9983551	Ref	Decals Installation (80HX With Hydraulic Controls)	B
	0238660	Ref	Decals Installations (80HX+6 With Standard Controls)	22
	9983552	Ref	Decals Installations (80HX+6 With Hydraulic Controls)	B
	0271156	Ref	Decals Installations (80HX JLG Logo (Brown))	1
	0271157	Ref	Decals Installations (86HX JLG Logo (Brown))	1
1	Not Available	1	Nameplate - Serial Number	
2	1700584	1	Decal - Patent	
3		Ref	Decal - Manual Options:	
3	3251569	1	Located on Engine Side - Used Prior to July 1987	
3	1700157	1	Mounted on Manual Storage Box at Rear - July 1987 to May 1994	
3	1701509	1	Mounted on Manual Storage Box at Rear - May 1994 to Present	
4		Ref	Decal - Ground Control Options:	
4	1700582	1	Decal - Ground Control (Prior to May 1994)	
4	1702293	1	Decal - Ground Control (May 1994 to Present)	
5		Ref	Decal - Caution Options:	
5	1700643	1	Decal - Caution (Prior to May 1994)	
5	1702299	1	Decal - Caution (May 1994 to Present)	
6		Ref	Nameplate - Load/Reach Options:	
6	3251665	1	Nameplate - Load/Reach 80H & 80HX	
6	3251786	1	Nameplate - Load/Reach 80HX+6	
7		Ref	Decal - Attach Belt Options:	
7	1700477	2	Decal - Attach Belt (Prior to May 1994)	
7	1702276	2	Decal - Attach Belt (May 1994 to September 1995)	
7	1702612	2	Decal - Attach Belt (September 1995 to S/N 61083)	
7	1704277	2	Decal - Attach Belt (SN 61083 to Present)	
10		Ref	Nameplate - Footswitch Options:	
10	3250453	1	Nameplate - Footswitch (Prior to July 1987)	
10	3251766	1	Nameplate - Footswitch (July 1987 to June 1992)	
10	3252347	1	Nameplate - Footswitch (June 1992 to Present)	
11		Ref	Decal - No Hands Options:	
11	1700476	2	Decal - No Hands (Prior to May 1994)	
11	1702294		Decal - No Hands (May 1994 to Present)	
12		Ref	Nameplate - Valve Select Options (Fixed Axle Only) Located on top of Frame Prior to October 1995/Located on front of Frame October 1995 to Present:	
12	3250444	1	Nameplate - Valve Select (Prior to September 1990)	
12	3251870	1	Nameplate - Valve Select (September 1990 to Present)	
13		Ref	Decal - Crushing Options:	
13	1700585	4	Decal - Crushing (Prior to May 1994)	
13	1702277	4	Decal - Crushing (May 1994 to Present)	
14		Ref	Decal - FWD Options:	
14	1700423	4	Brown (Prior to November 1989)	
14	1700977	4	Creme (November 1989 to November 1992)	
14	Not Required	0	Decal (November 1992 to Present)	
15		Ref	Decal - Arrow Options:	

SECTION 8 - DECALS

ITEM	PART NUMBER	QTY	DESCRIPTION	REV
15	1700568	4	Brown (Prior to November 1989)	
15	1700978	4	Creme (November 1989 to November 1992)	
15	1701501	4	Black/White (November 1992 to Present)	
17		Ref	Decal - Hydraulic	
17	1700419	1	Decal - Hydraulic (Prior to SN 59048)	
17	1701504	1	Decal - Hydraulic (SN 59048 to Present)	
18		Ref	Decal - Tie-Down Options:	
18	1700575	4	Brown (Prior to November 1989)	
18	1700976	4	Creme (November 1992 to S/N 45888)	
18	1702300	1	Decal (SN 45888 to Present)	
20		Ref	Decal - Brown/Orange Stripe Options:	
20	1700431	40 ft.	Decal - Brown/Orange Stripe (Prior to September 1995)	
20	1701703	40 ft.	Decal - Brown/Orange Stripe (September 1995 to Present)	
21		Ref	Decal - Crushing Options:	
21	1700640	2	Decal - Crushing (Prior to May 1994)	
21	1702284	2	Decal - Crushing (May 1994 to Present)	
22	3820001	AR	Rivet	
25		Ref	Decal - Electrocutation Hazard	
25	1700580	3	Decal - Electrocutation Hazard (Prior to May 1994)	
25	1702292	3	Decal - Electrocutation Hazard (May 1994 to Present)	
27		Ref	Decal - Model Options:	
27	1700735	2	Decal - Model 80H (Prior to March 1992)	
27	1701742	2	Decal - Model 80H (March 1992 to Present)	
27	1700639	2	Decal - Model 80HX (Prior to March 1992)	
27	1701741	2	Decal - Model 80HX (March 1992 to Present)	
27	1700959	2	Decal - Model 80HX+6 (Prior to July 1990)	
27	1701379	2	Decal - Model 80HX+6 (July 1990 to Present)	
28		Ref	Decal - JLG Lift Options:	
28	1700422	3	Decal - JLG Lift 80HX (Prior to April 1992)	
28	1701684	3	Decal - JLG Lift 80HX (April 1992 to Present)	
28	1701376	1	Decal - JLG Lift 80HX+6 (April 1992 to Present)	
29	1700583	1	Decal - Ground Control Location	
30		Ref	Nameplate - Axle Extend/Retract Options:	
30	3251637	1	Nameplate - Axle Extend/Retract (Prior to May 1994)	
30	1702301	1	Nameplate - Axle Extend/Retract (May 1994 to October 1995)	
30	1702888	1	Nameplate - Axle Extend/Retract (October 1995 to Present)	
31		Ref	Decal - Inspection Options:	
31	1700593	1	Decal - Inspection (Prior to May 1994)	
31	1702153	1	Decal - Inspection (May 1994 to Present)	
32	3251243	1	Nameplate - 120V	
33	0961127	1	Bushing, Snap	
34	0100010	AR	Loctite, Adhesive (Not Shown)	
35		Ref	Decal - Hydraulic Tank Levels	
35	1700756	1	Full/Add (Brown) (Prior to SN 59048)	
35	1701502	1	High Oil Level (SN 59048 to Present)	
35	1701503	1	Low Oil Level (SN 59048 to Present)	
37	0860520	1	Box, Manual Storage (Used July 1987 to Present)	
38	3311405	5	Locknut 1/4in-20NC	
39	4751400	6	Flatwasher 1/4in	
40	1060279	1	Cable, Lanyard	
41	0641408	1	Bolt 1/4in-20NC x 1in	

SECTION 8 - DECALS

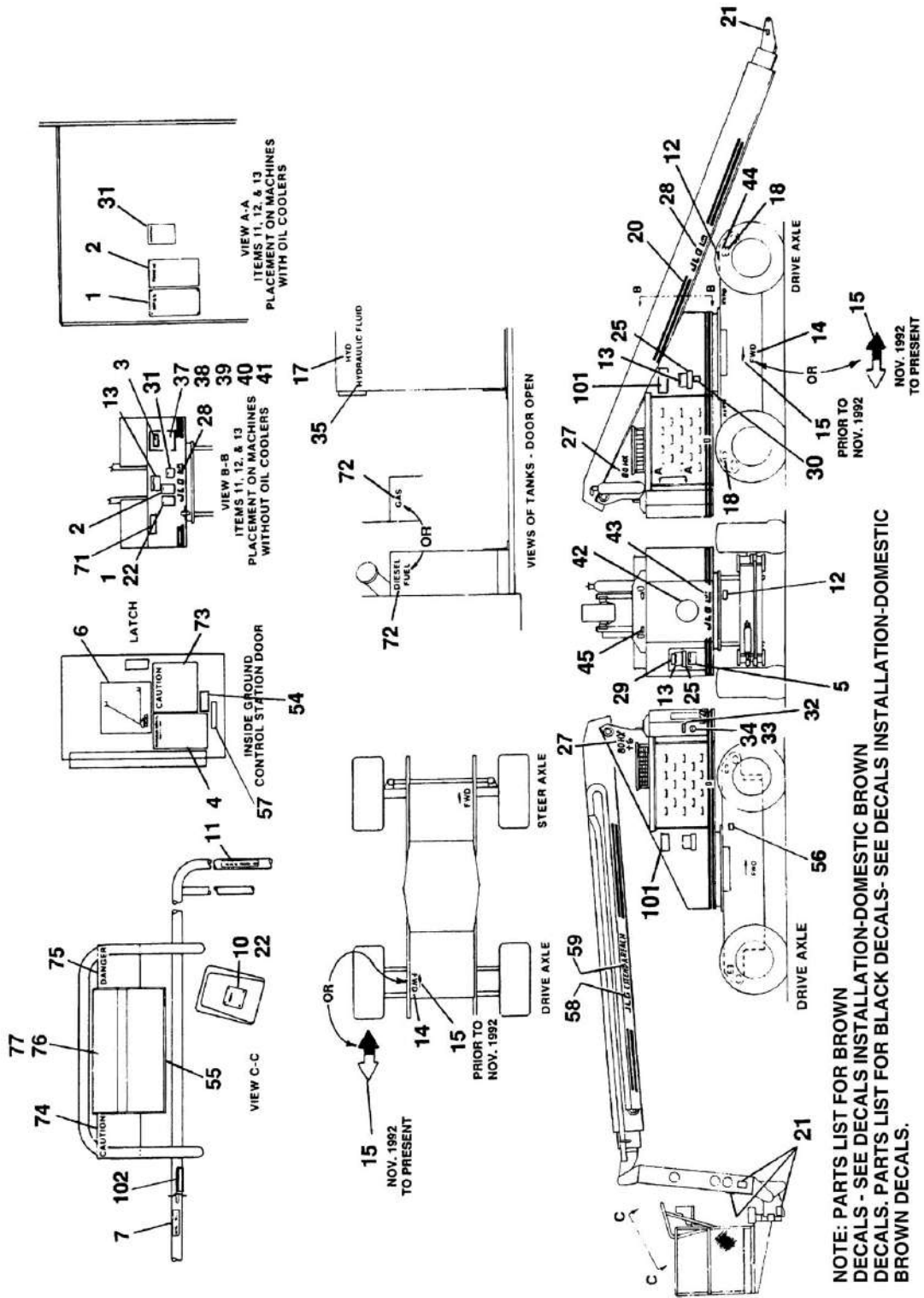
ITEM	PART NUMBER	QTY	DESCRIPTION	REV
42	3251813	1	Decal - USA (November 1989 to Present Only)	
43		Ref	Decal Options:	
43	1700422	1	JLG Lift (Prior to November 1989)	
43	1700981	1	JLG (November 1989 to Present)	
44		Ref	Decal - Lift Here Options:	
44	1700377	2	Decal (Brown) (Prior to November 1989)	
44	1700975	2	Decal (Creme) (November 1989 to S/N 45888)	
44	1701500	2	Decal (SN 45888 to Present)	
45		Ref	Decal - Lift Here (Brown) Options:	
45	1700377	2	Decal - Lift (Prior to SN 45888)	
45	1701500	2	Decal - Lift (SN 45888 to Present)	
54	1702282	1	Decal - Warning (Used May 1994 to Present)	
55	1701678	1	Decal - 500 Lbs	
55	1701680	1	Decal - 650 Lbs	
55	1701681	1	Decal - 750 Lbs	
56	Not Available	1	Decal - Bar Code (Used September 1995 to Present)	
57	1702966	1	Decal - Capacity (SN 46314 to Present)	
58	1701110	2	Decal - JLG 3 1/2in (80HX+6 Only)	
59	1701375	2	Decal - Extend-A-Reach (80HX+6 Only)	
65	1702663	1	Decal - Fan Blade (Prior to SN 61083)	
		Ref	DECALS INSTALLATION (OPTIONAL PARTS)	
71		Ref	Decal - Fuel LP Gas Options:	
71	1700429	1	Decal (Brown) (Prior to SN 59050)	
71	1701543	1	Decal, LPG (SN 59050 to Present)	
72		Ref	Decal - Fuel Options:	
72	1700430	1	Gas Machines (Prior to SN 59050)	
72	1701542	1	Gas Machines (SN 59050 to Present)	
72	1700428	1	Diesel Machines (Prior to SN 59050)	
72	1701505	1	Diesel Machines (SN 59050 to Present)	
73		Ref	Decal - Caution LP Gas Options:	
73	3251028	1	Decal - Caution LP Gas (Prior to May 1994)	
73	3252356	1	Decal - Caution LP Gas (May 1994 to Present)	
74		Ref	Nameplate - Caution Options:	
74	3251607	1	500 Lb. Machines with PQ Controllers Built Prior to March 1991	
74	3251548	1	Machines with PQ Controllers Built March 1991 to May 1991	
74	3252087	1	750 Lb. Machines with PQ Controllers Built Prior to May 1991	
75		Ref	Nameplate - Danger Options:	
75	3251780	1	Nameplate - Danger (80HX Prior to May 1991)	
75	3251549	1	Nameplate - Danger (86HX & 80HX+6 Prior to May 1991)	
76		Ref	Nameplate - Caution/Danger Options:	
76	3252144	1	Machines with PQ Controllers Built May 1991 to May 1994	
76	3252369	1	Machines with PQ Controllers Built May 1994 to Present	
76	3252107	1	Machines with OEM Controllers Built Through May 1991	
76	3252144	1	Machines with OEM Controllers Built May 1991 to May 1994	
76	3252369	1	Machines with OEM Controllers Built May 1994 to Present	
77		Ref	Mounting Bracket Options:	
77	3530997	1	Bracket (Machines Built May 1991 to March 1993)	
77	3536671	1	Bracket (Machines Built March 1993 to Present)	
78		Ref	Decal - LP Gas Liquid System Options:	
78	Not Required	0	Without LP Gas	
78	Not Required	0	With LP Gas (Prior to SN 59048)	

SECTION 8 - DECALS

ITEM	PART NUMBER	QTY	DESCRIPTION	REV
78	1702720	1	With LP Gas (SN 59048 to Present)	
		Ref	Decal Kit Options - Brown:	
	2900677	1	Decal Kit 80HX & 80H (Includes Items 2-5, 7, 11-13, 15, 17, 18, 21, 25, 28-32, 35, 42-45, 54, 76 & 77)	
	2900928	1	Decal Kit 80HX+6 (Includes Items 2-7, 11-13, 15, 17, 18, 21, 25, 28-32, 35, 42-45, 54, 55, 58, 76 & 77)	
	0251685	Ref	LIFTING DIAGRAM INSTALLATION	-
101	3252095	2	Decal - Lifting Diagram	
101	3820001	8	Rivet	
	0256488	Ref	PROP 65 DECAL INSTALLATION - GAS MACHINES	-
	0256487	Ref	PROP 65 DECAL INSTALLATION - DIESEL MACHINES	-
102		Ref	Decal - prop 65 options::	
102	1702961	1	Gas Machines	
102	1702962	1	Diesel Machines	

SECTION 8 - DECALS

FIGURE 8-2. DECALS INSTALLATION - DOMESTIC BLACK DECALS



SECTION 8 - DECALS

FIGURE 8-2. DECALS INSTALLATION - DOMESTIC BLACK DECALS

ITEM	PART NUMBER	QTY	DESCRIPTION	REV
		Ref	DECALS INSTALLATIONS - BLACK	
	0239187	Ref	Decals Installation 80HX With Standard Controls	17
	0251638	Ref	Decals Installation 80HX+6 With Standard Controls	14
1	Not Available	1	Nameplate - Serial Number	
2	1700584	1	Decal - Patent	
3		Ref	Decal - Manual Options:	
3	1700157	1	Mounted on Manual Storage Box at Rear - Prior to May 1994	
3	1701509	1	Mounted on Manual Storage Box at Rear - May 1994 to Present	
4		Ref	Decal - Ground Control Options:	
4	1700582		Decal - Ground Control (Prior to May 1994)	
4	1702293		Decal - Ground Control (May 1994 to Present)	
5		Ref	Decal - Caution Options:	
5	1700643	1	Decal - Caution (Prior to May 1994)	
5	1702299	1	Decal - Caution (May 1994 to Present)	
6		Ref	Nameplate - Load/Reach Options:	
6	3251665	1	Nameplate - Load/Reach 80H & 80HX	
6	3251786	1	Nameplate - Load/Reach 80HX+6	
7		Ref	Decal - Attach Belt Options:	
7	1700477	2	Decal - Attach Belt (Prior to May 1994)	
7	1702276	2	Decal - Attach Belt (May 1994 to September 1995)	
7	1702612	2	Decal - Attach Belt (September 1995 to S/N 61083)	
7	1704277	2	Decal - Attach Belt (SN 61083 to Present)	
10		Ref	Nameplate - Footswitch Options:	
10	3250453	1	Nameplate - Footswitch (Prior to July 1987)	
10	3251766	1	Nameplate - Footswitch (July 1987 to June 1992)	
10	3252347	1	Nameplate - Footswitch (June 1992 to Present)	
11		Ref	Decal - No Hands Options:	
11	1700476	2	Decal - No Hands (Prior to May 1994)	
11	1702294	2	Decal - No Hands (May 1994 to Present)	
12		Ref	Nameplate - Valve Select Options (Fixed Axle Only) Located on top of Frame Prior to October 1995/Located on front of Frame October 1995 to Present:	
12	3250444	1	Nameplate - Valve Select (Prior to September 1990)	
12	3251870	1	Nameplate - Valve Select (September 1990 to Present)	
13		Ref	Decal - Crushing Options:	
13	1700585	4	Decal - Crushing (Prior to May 1994)	
13	1702277	4	Decal - Crushing (May 1994 to Present)	
14		Ref	Decal - FWD Options:	
14	1700053	4	Decal - FWD (Prior to November 1992)	
14	Not Required	0	Decal - FWD (November 1992 to Present)	
15		Ref	Decal - Arrow Options:	
15	1700058	4	Black (Prior to November 1992)	
15	1701501	4	Black/White (November 1992 to Present)	
17	1700195	1	Decal - Hydraulic (Black)	
18	1701326	4	Decal - Tie-Down	
20	1701334	40 ft.	Decal - Black Stripe	
21		Ref	Decal - Crushing Options:	
21	1700640	2	Decal - Crushing (Prior to May 1994)	
21	1702284	2	Decal - Crushing (May 1994 to Present)	
22	3820001	AR	Rivet	

SECTION 8 - DECALS

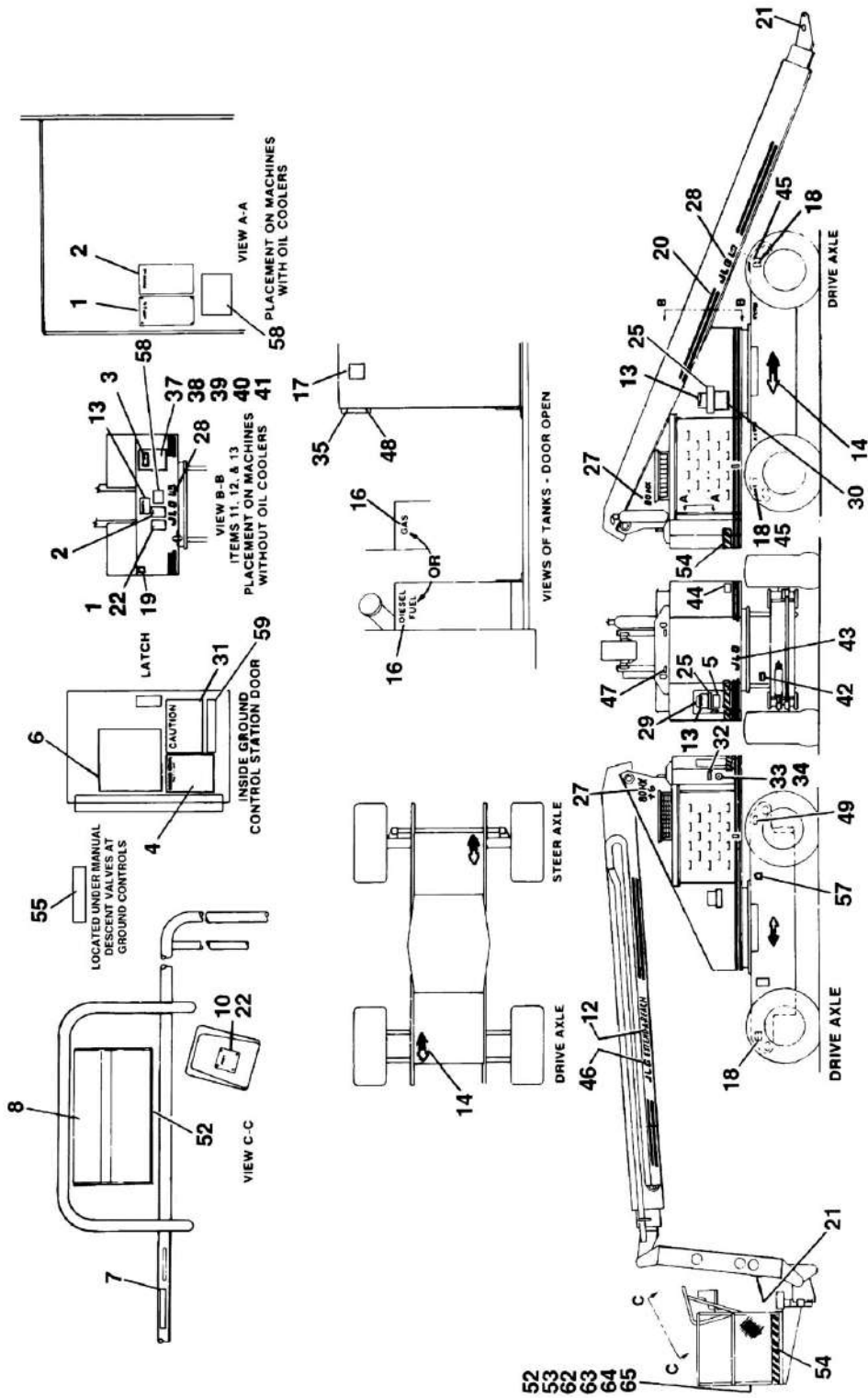
ITEM	PART NUMBER	QTY	DESCRIPTION	REV
25		Ref	Decal - Electrocutation Hazard	
25	1700580	3	Decal - Electrocutation (Prior to May 1994)	
25	1702292	3	Decal - Electrocutation (May 1994 to Present)	
27		Ref	Decal - Model Options:	
27	1701026	2	Decal - Model (80HX Prior to March 1992)	
27	1701747	2	Decal - Model (80HX March 1992 to Present)	
27	1701432	2	Decal - Model 80HX+6	
28		Ref	Decal - JLG Lift Options:	
28	1700349	3	Decal - JLG Lift (80HX Prior to April 1992)	
28	1701685	3	Decal - JLG Lift (80HX April 1992 to Present)	
28	1701548	1	Decal - JLG Lift (80HX+6 April 1992 to Present)	
29	1700583	1	Decal - Ground Control Location	
30		Ref	Nameplate - Axle Extend/Retract Options:	
30	3251637	1	Nameplate - Axle Extend/Retract (Prior to May 1994)	
30	1702301	1	Nameplate - Axle Extend/Retract (May 1994 to October 1995)	
30	1702888	1	Nameplate - Axle Extend/Retract (October 1995 to Present)	
31		Ref	Decal - Inspection Options:	
31	1700593	1	Decal - Inspection (Prior to May 1994)	
31	1702153	1	Decal - Inspection (May 1994 to Present)	
32	3251243	1	Nameplate - 120V	
33	0961127	1	Bushing, Snap	
34	0100010	AR	Loctite, Adhesive (Not Shown)	
35	1701336	1	Decal - Full/Add (Black)	
37	0860520	1	Box, Manual Storage (Used July 1987 to Present)	
38	3311405	5	Locknut 1/4in-20NC	
39	4751400	6	Flatwasher 1/4in	
40	1060279	1	Cable, Lanyard	
41	0641408	1	Bolt 1/4in-20NC x 1in	
42	3251813	1	Decal - USA (November 1989 to Present Only)	
43		Ref	Decal Options:	
43	1700349	1	JLG Lift (Prior to November 1989)	
43	1701321	1	JLG (November 1989 to Present)	
44	1700232	2	Decal - Lift Here (Black)	
45	1700232	2	Decal - Lift Here (Black)	
54	1702282		Decal - Warning (Used May 1994 to Present)	
55	1701678	1	Decal - 500 Lbs	
55	1701680	1	Decal - 650 Lbs	
55	1701681	1	Decal - 750 Lbs	
56	Not Available	1	Decal - Bar Code (Used September 1995 to Present)	
57	1702966	1	Decal - Capacity (SN 46314 to Present)	
58	1701435	2	Decal - JLG 3 1/2in (80HX+6 Only)	
59	1701431	2	Decal - Extend-A-Reach (80HX+6 Only)	
		Ref	DECALS INSTALLATION (OPTIONAL PARTS)	
71		Ref	Decal - Fuel LP Gas Options:	
71	1700197	1	Decal - Fuel LP Gas (Prior to SN 59050)	
71	1701543	1	Decal - Fuel LP Gas (SN 59050 to Present)	
72		Ref	Decal - Fuel Options:	
72	1700194	1	Gas Machines (Prior to SN 59050)	
72	1701542	1	Gas Machines (SN 59050 to Present)	
72	1700196	1	Diesel Machines (Prior to SN 59050)	
72	1701505	1	Diesel Machines (SN 59050 to Present)	

SECTION 8 - DECALS

ITEM	PART NUMBER	QTY	DESCRIPTION	REV
73		Ref	Decal - Caution LP Gas Options:	
73	3251028	1	Decal - Caution LP (Prior to May 1994)	
73	3252356	1	Decal - Caution LP (May 1994 to Present)	
74		Ref	Nameplate - Caution Options:	
74	3251607	1	500 Lbs Machines with PQ Controllers Built Prior to March 1991	
74	3251548	1	500 Lbs Machines with PQ Controllers Built March 1991 to May 1991	
74	3252087	1	750 Lbs Machines with PQ Controllers Built Prior to May 1991	
75		Ref	Nameplate - Danger Options:	
75	3251780	1	Nameplate - Danger (80HX Prior to May 1991)	
75	3251549	1	Nameplate - Danger (86HX & 80HX+6 Prior to May 1991)	
76		Ref	Nameplate - Caution/Danger Options:	
76	3252144	1	Machines with PQ Controllers Built May 1991 to May 1994	
76	3252369	1	Machines with PQ Controllers Built May 1994 to Present	
76	3252107	1	Machines with OEM Controllers Built Through May 1991	
76	3252144	1	Machines with OEM Controllers Built May 1991 to May 1994	
76	3252369	1	Machines with OEM Controllers Built May 1994 to Present	
77		Ref	Mounting Bracket Options:	
77	3530997	1	Machines Built May 1991 to March 1993	
77	3536671	1	Machines Built March 1993 to Present	
		Ref	Decal Kit Options - Black	
	2900678	1	Decal Kit 80HX (Includes Items 2-5, 7, 11-13, 15, 17, 18, 21, 25, 28-32, 35, 42-45, 54, 76 & 77)	
	2900929	1	Decal Kit 80HX+6 (Includes Items 2-5, 7, 11-13, 15, 17, 18, 21, 25, 28-32, 35, 42-45, 54, 55, 58, 76 & 77)	
	0251685	Ref	LIFTING DIAGRAM INSTALLATION	-
101	3252095	2	Decal - Lifting Diagram	
101	3820001	8	Rivet	
	0256488	Ref	PROP 65 DECAL INSTALLATION - GAS MACHINES	-
	0256487	Ref	PROP 65 DECAL INSTALLATION - DIESEL MACHINES	-
102		Ref	Decal - Prop 65 Options:	
102	1702961	1	Gas Machines	
102	1702962	1	Diesel Machines	

SECTION 8 - DECALS

FIGURE 8-3. DECALS INSTALLATION - COUNTRY SPEC BROWN DECALS



SECTION 8 - DECALS

FIGURE 8-3. DECALS INSTALLATION - COUNTRY SPEC BROWN DECALS

ITEM	PART NUMBER	QTY	DESCRIPTION	REV
		Ref	DECALS INSTALLATIONS	
	0257519	Ref	BRAZIL - 80HX	2
	0257521	Ref	BRAZIL - 80HX+6	2
	0252100	Ref	JAPANESE - 80H	E
	0257197	Ref	JAPANESE - 80HX	1
	0257199	Ref	JAPANESE - 80HX+6	1
	0255848	Ref	LATIN AMERICAN - 80H	5
	0255849	Ref	LATIN AMERICAN - 80HX	8
	0255850	Ref	LATIN AMERICAN - 80HX+6	6
1	Not Available	1	Nameplate - Serial Number	
2		Ref	Decal - Patent Options:	
2	1700584	1	Brazil	
2	Not Required	0	Japanese	
2	1702573	1	Latin American	
3	1701509	1	Decal - Manual	
4	Not Required	0	Not Required	
5		Ref	Decal - Caution Options:	
5	Not Required	0	Brazil	
5	Not Required	0	Japanese	
5	1702607	1	Latin American	
6		Ref	Decal - Load/Reach Options:	
6	Not Required	0	Brazil	
6	Not Required	0	Japanese	
6	1702666	1	Latin American - 80H & 80HX	
6	1702668	1	Latin American - 80HX+6	
7		Ref	Decal - Attach Lanyard Options:	
7	1703900	1	Brazil	
7	Not Required	0	Japanese	
7		Ref	Latin American	
7	1702690	1	Latin American (Prior to SN 61083)	
7	1704277	1	DECAL,LANYARD ATTACH (SN 61083 to Present)	
8		Ref	Decal - Caution/Danger Options:	
8	1703538	1	Brazil	
8	1701922	1	Japanese	
8	1702608	1	Latin American	
9	Not Required	0	Latin American	
10		Ref	Nameplate, Footswitch Options:	
10	3252540	1	Brazil	
10	3252220	1	Japanese	
10	3252489	1	Latin American	
11		Ref	Decal - No Hands Options:	
11	1703899	1	Brazil	
11	Not Required	0	Japanese	
11	1702586	1	Latin American	
12		Ref	Decal, Extend-A-Reach (80HX+6 Only) Options:	
12	1701375	2	Brazil	
12	1701375	2	Japanese	
12	1702660	2	Latin American	
13		Ref	Decal - Crushing Options:	
13	1701518	AR	Brazil	

SECTION 8 - DECALS

ITEM	PART NUMBER	QTY	DESCRIPTION	REV
13	1701518	AR	Japanese	
13	1702609	AR	Latin American	
14	1701501	4	Decal - Arrow	
15	Not Required	0	Not Required	
16		Ref	Decal Fuel Options:	
16	1702722	1	Gas Machines (Prior to SN 59050)	
16	1701542	1	Gas Machines (SN 59050 to Present)	
16	1702600	1	Diesel Machines (Prior to SN 59050)	
16	1701505	1	Diesel Machines (SN 59050 to Present)	
17		Ref	Decal - Hydraulic Options:	
17	1701504	1	Brazil	
17	1701504	1	Japanese	
17	1702599	1	Latin American (Prior to SN 59048)	
17	1701504	1	Latin American (SN 59048 to Present)	
18		Ref	Decal - Tie-Down Options:	
18	1701500	8	Brazil	
18	1701500	8	Japanese	
18	1702604	8	Latin American (Prior to SN 59048)	
18	1701500	8	Latin American (SN 59048 to Present)	
19		Ref	Decal - LP Gas Options:	
19	1700429	1	Decal (Brown) (Prior to SN 59050)	
19	1701543	1	Decal, LPG (SN 59050 to Present)	
20	1701703		Decal - Brown Stripe Options:	
20		Ref	Decal - Brown Stripe 80HX	
20		Ref	Decal - Brown Stripe 80HX+6	
21		Ref	Decal - Crushing Options:	
21	Not Required	0	Brazil	
21	Not Required	0	Japanese	
21	1702583	AR	Latin American	
22	3820001	AR	Rivet	
23	Not Required	0	Not Required	
24	Not Required	0	Not Required	
25		Ref	Decal - Electrocutation Hazard Options:	
25	Not Required	0	Brazil	
25	Not Required	0	Japanese	
25	1702585	3	Latin American	
26	Not Required	0	Not Required	
27		Ref	Decal - Model Options:	
27	1701742	2	Decal - Model 80H	
27	1701741	2	Decal - Model 80HX	
27	1701379	2	Decal - Model 80HX+6	
28		Ref	Decal - JLG Lift Options:	
28	1701684	3	JLG Lift 3in (80HX)	
28	1701376	1	JLG Lift 5in (80HX+6)	
29		Ref	Decal - Ground Control Options:	
29	Not Required	0	Brazil	
29	1701920	1	Japanese	
29	1702601	1	Latin American	
30		Ref	Decal - Axle Ext/Ret (80HX Only) Options:	
30	1703535	1	Brazil	
30	1701929	1	Japanese	

SECTION 8 - DECALS

ITEM	PART NUMBER	QTY	DESCRIPTION	REV
30	1702662	1	Latin American	
31	1702669	1	Decal - Dual Fuel Caution	
32		Ref	Decal - AC to Platform Options:	
32	Not Required	0	Brazil	
32	Not Required	0	Japanese	
32	1703453	1	Latin American	
33	0961127	1	Bushing, Snap	
34	0100010	AR	Loctite, Adhesive	
35		Ref	Decal - Hydraulic Oil (High) Options:	
35	1701502	1	Brazil	
35	1701502	1	Japanese	
35	1702602	1	Latin American	
37	0860520	1	Box, Manual Storage	
38	3311405	5	Locknut 1/4in-20NC	
39	4751400	6	Flatwasher 1/4in	
40	1060279	1	Cable, Lanyard	
41	0641408	1	Bolt 1/4in-20NC x 1in	
42		Ref	Decal - Select Valve Options:	
42	1703537	1	Brazil	
42	1701930	1	Japanese	
42	1701795	1	Latin American	
43	1700981	1	Decal - JLG 5in	
44		Ref	Decal - USA Options:	
44	Not Required	0	Brazil	
44	Not Required	0	Japanese	
44	3251813	1	Latin American	
45		Ref	Decal - Lift Here (Cream) Options:	
45	Not Required	0	Brazil	
45	Not Required	0	Japanese	
45	1702835	2	Latin American (Prior to SN 59048)	
45	1701500	2	Latin American (SN 59048 to Present)	
46		Ref	Decal - JLG 3 1/2in Options:	
46	Not Required	0	Decal - JLG 80H	
46	Not Required	0	Decal - JLG 80HX	
46	1701110	2	Decal - JLG 80HX+6	
47		Ref	Decal - Lift Here (Brown) Options:	
47	Not Required	0	Brazil	
47	Not Required	0	Japanese	
47	1702603	2	Latin American (Prior to SN 59048)	
47	1701500	2	Latin American (SN 59048 to Present)	
48		Ref	Decal - Hydraulic Oil (Low) Options:	
48	1701503	1	Brazil	
48	1701503	1	Japanese	
48	Not Required	0	Latin American (Prior to SN 59048)	
48	1701503	1	Latin American (SN 59048 to Present)	
49		Ref	Decal - Don't Lift Up/Tie Down	
49	1701499	2	Brazil	
49	1701499	2	Japanese	
49	Not Required	0	Latin American	
52		Ref	Decal - Capacity Options:	
52	Not Required	0	Brazil	

SECTION 8 - DECALS

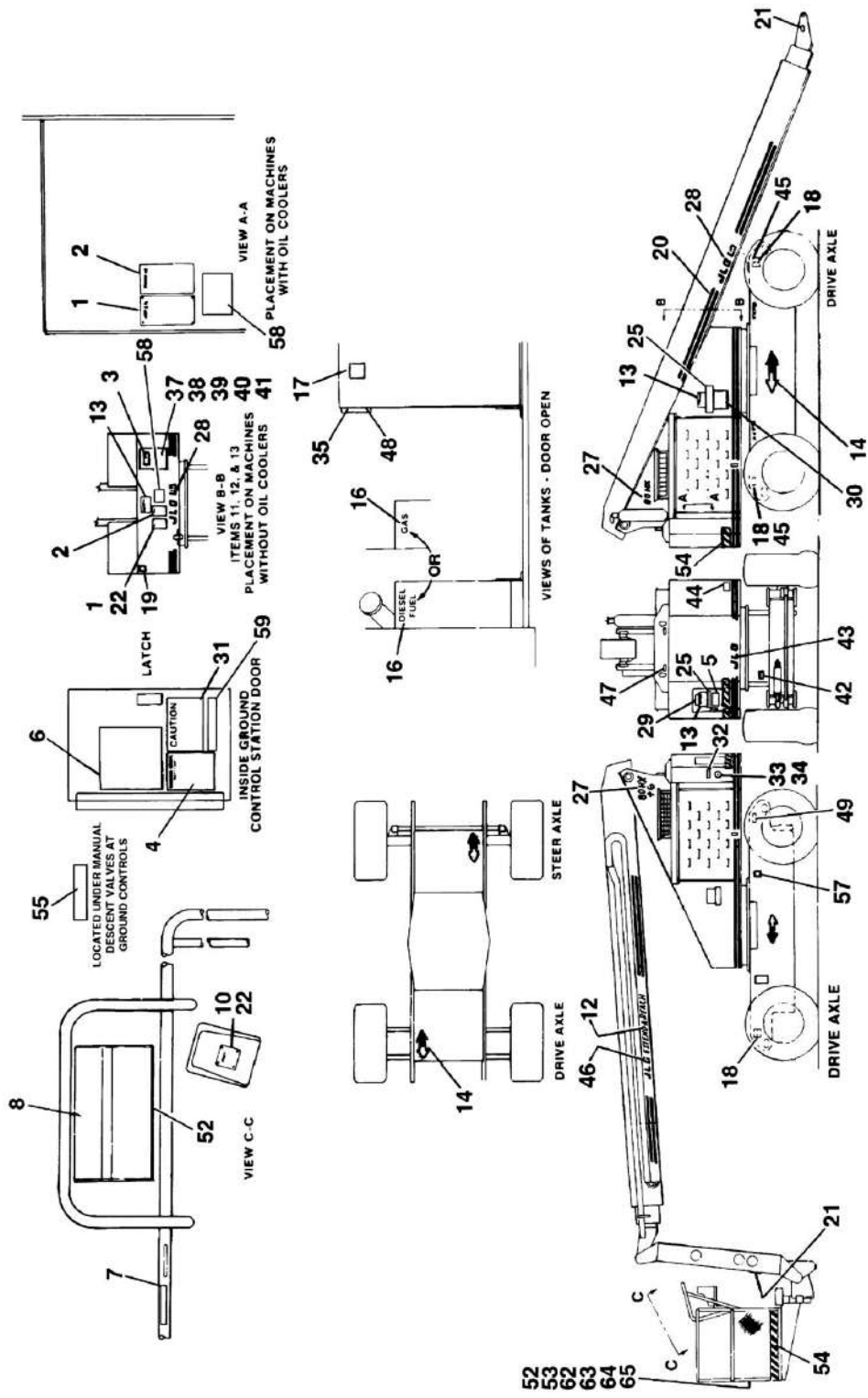
ITEM	PART NUMBER	QTY	DESCRIPTION	REV
52	1701924	1	Japanese	
52	1702661	1	Latin American	
53		Ref	Decal - Caution Options:	
53	1703548	1	Brazil	
53	1701923	1	Japanese	
53	Not Required	0	Latin American	
54		Ref	Tape, Safety Options:	
54	Not Required	0	Brazil	
54	4420052	19 ft	Japanese	
54	Not Required	0	Latin American	
55		Ref	Nameplate, Manual Descent Options:	
55	1703614	1	Brazil	
55	3252341	1	Japanese	
55	1703666	1	Latin American	
56	Not Required	0	Not Required	
57	Not Available	1	Decal - Bar Code	
58		Ref	Decal - Inspection Options:	
58	Not Required	0	Brazil	
58	Not Required	0	Japanese	
58	1702552	1	Latin American	
59		Ref	Decal - Warning Options:	
59	Not Required	0	Brazil	
59	Not Required	0	Japanese	
59	1702581	1	Latin American	
60		Ref	Decal - Fan Blade (Not Shown) Options:	
60	Not Required	0	Brazil	
60	Not Required	0	Japanese	
60	1702663	1	Latin American	
61		Ref	Decal - LP Gas System (80H & 80HX Only) (Not Shown) Options:	
61	Not Required	0	Brazil	
61	Not Required	0	Japanese	
61	1702720	1	Latin American	
62	3570376	1	Plate (Latin American - 80HX+6 Only)	
63	0641505	4	Bolt 5/16in-18NC x 5/8in (Latin American - 80HX+6 Only)	
64	4751500	8	Flatwasher 5/16in (Latin American - 80HX+6 Only)	
65	3311505	4	Nut 5/16in-18NC (Latin American - 80HX+6 Only)	
66		Ref	Decal - G.C. Location Options:	
66	1703546	1	Brazil	
66	Not Required	0	Japanese	
66	1702606	1	Latin American	
67		Ref	Decal - Fan Blade (Not Shown) Options:	
67	Not Required	0	Brazil	
67	Not Required	0	Japanese	
67	1702663	1	Latin American	
		Ref	Decal Kit Options:	
	2900939	AR	Brazil Spec 80HX (Includes Items 2, 3, 8, 10, 13, 14, 17, 18, 21, 27, 28, 30, 35, 43, 48, 49, 53, 55 & 66)	
	2910047	AR	Brazil Spec 80HX+6 (Includes Items 7, 11, 30, 42, 53, 55 & 66)	
	Not Available	AR	Japanese Spec 80HX & 80HX+6	
	2910016	AR	Latin American Spec 80HX (Includes Items 2, 3, 5, 7, 8, 10, 13, 14, 17, 18, 25, 27-30, 32, 35, 42-44, 47, 55 & 66)	

SECTION 8 - DECALS

ITEM	PART NUMBER	QTY	DESCRIPTION	REV
	2910017	AR	Latin American Spec 80HX+6 (Includes Items 2, 3, 5-8, 10, 12-14, 17, 18, 21, 25, 27-30, 32, 35, 42-46, 52, 55, 58-61 & 66)	

SECTION 8 - DECALS

FIGURE 8-4. DECALS INSTALLATION - COUNTRY SPEC BLACK DECALS



SECTION 8 - DECALS

FIGURE 8-4. DECALS INSTALLATION - COUNTRY SPEC BLACK DECALS

ITEM	PART NUMBER	QTY	DESCRIPTION	REV
		Ref	DECALS INSTALLATION - BLACK OPTIONS:	
	0257520	Ref	BRAZIL - 80HX	2
	0257522	Ref	BRAZIL - 80HX+6	2
	0257196	Ref	JAPANESE - 80HX	1
	0257198	Ref	JAPANESE - 80HX+6	7
1	Not Available	1	Nameplate - Serial Number	
2	1700584	1	Decal - Patent	
3	1701509	1	Decal - Manual	
4		Ref	Decal - Manual Descent Options:	
4	Not Required	0	Brazil	
4	1703480	1	Japanese	
5	Not Required	0	Not Required	
6	Not Required	0	Not Required	
7		Ref	Decal - Attach Lanyard Options:	
7	1703900	1	Brazil	
7	Not Required	0	Japanese	
8		Ref	Decal - Caution Options:	
8	1703538	1	Brazil	
8	Not Required	0	Japanese	
9	Not Required	0	Not Required	
10		Ref	Nameplate - Footswitch Options:	
10	3252540	1	Brazil	
10	3252220	1	Japanese	
11		Ref	Decal - No Hands Options:	
11	1703899	1	Brazil	
11	Not Required	0	Japanese	
12		Ref	Decal, Extend-A-Reach (80HX+6 Only) Options:	
12	1701375	2	Brazil	
12	1701431	2	Japanese	
13	1701518	AR	Decal - Crushing	
14	1701501	4	Decal - Arrow	
15	Not Required	0	Not Required	
16		Ref	Decal Fuel Options:	
16	1701542	1	Gas	
16	1701505	1	Diesel	
17	1701504	1	Decal - Hydraulic	
18	1701500	4	Decal - Tie-Down	
19		Ref	Decal - LP Gas Options:	
19	1700197	1	Decal (Black) (Prior to SN 59050)	
19	1701543	1	Decal, LPG (SN 59050 to Present)	
20	1701334		Decal - Black Stripe Options:	
20		Ref	Decal - Black Stripe 80HX	
20		Ref	Decal - Black Stripe 80HX+6	
21	Not Required	0	Not Required	
22	3820001	AR	Rivet	
23 to 26	Not Required	0	Not Required	
27		Ref	Decal - Model Options:	
27	1701747	2	Decal - Model 80HX	
27	1701432	2	Decal - Model 80HX+6	
28		Ref	Decal - JLG Lift Options:	

SECTION 8 - DECALS

ITEM	PART NUMBER	QTY	DESCRIPTION	REV
28	1701685	3	JLG Lift 3in (80HX)	
28	1701548	1	JLG Lift 5in (80HX+6)	
29		Ref	Decal - Ground Control	
29	Not Required	0	Brazil	
29	1701920	1	Japanese	
30		Ref	Decal - Axle Ext/Ret (80HX Only) Options:	
30	1703535	1	Brazil	
30	1701929	1	Japanese	
31	1702669	1	Decal - Dual Fuel Caution	
32	Not Required	0	Not Required	
33	0961127	1	Bushing, Snap	
34	0100010	AR	Loctite, Adhesive (Not Shown)	
35	1701502	1	Decal - Hydraulic Oil (High)	
37	0860520	1	Box, Manual Storage	
38	3311405	5	Locknut 1/4in-20NC	
39	4751400	6	Flatwasher 1/4in	
40	1060279	1	Cable, Lanyard	
41	0641408	1	Bolt 1/4in-20NC x 1in	
42		Ref	Decal - Select Valve Options:	
42	1703537	1	Brazil	
42	1701930	1	Japanese	
43	Not Required	0	Not Required	
44	1701321	1	Decal - JLG	
45	Not Required	0	Not Required	
46		Ref	Decal - JLG Options:	
46	Not Required	0	Decal - JLG 80HX	
46	1701435	2	Decal - JLG 80HX+6	
47	Not Required	0	Not Required	
48	1701503	1	Decal - Hydraulic Oil (Low)	
49	1701499	2	Decal - Don't Lift Up/Tie Down	
52		Ref	Decal - Capacity Options:	
52	Not Required	0	Brazil	
52	1701924	1	Japanese	
53		Ref	Decal - Caution Options:	
53	1703548	1	Brazil	
53	1701923	1	Japanese	
54		Ref	Tape, Safety Options:	
54	Not Required	0	Brazil	
54	4420052	19 ft	Japanese	
55		Ref	Nameplate, Manual Descent Options:	
55	1703614	1	Brazil	
55	3252341	1	Japanese	
56	Not Required	0	Not Required	
57	Not Available	1	Decal - Bar Code	
62 to 65	Not Required	0	Not Required	
66		Ref	Decal - G.C. Location Options:	
66	1703546	1	Brazil	
66	Not Required	0	Japanese	

SECTION 9 - RECOMMENDED SERVICE PARTS STOCK

SECTION 9 - RECOMMENDED SERVICE PARTS STOCK

SECTION 9 - RECOMMENDED SERVICE PARTS STOCK

FIGURE 9-1. MODELS 80HX/80HX+6 (STANDARD CONTROLS) STANDARD PARTS

ITEM	PART NUMBER	QTY	DESCRIPTION	REV
	Note	Ref	Note: The following list will service fleets of machines (built to current production per date on the front cover) with emergency repair parts which can be installed in the field. Parts from the list should be replaced when inventory is depleted to keep service parts stock supplied. For further information, contact your JLG dealer or the JLG Industries Parts Department.	
		Ref	STANDARD PARTS	
	7012339	1	Coil - Vickers Valve, (for fleets of 1 to 10)	
	7012339	1	Coil - Vickers Valve, (for fleets of 10 to 20)	
	7012339	1	Coil - Vickers Valve, (for fleets of 20 of more)	
	7000417	1	Coil - Bang-Bang Valve (Dump), (for fleets of 1 to 10)	
	7000417	1	Coil - Bang-Bang Valve (Dump), (for fleets of 10 to 20)	
	7000417	1	Coil - Bang-Bang Valve (Dump), (for fleets of 20 of more)	
	7002450	1	Coil - Bang-Bang Valve (Dump), (for fleets of 1 to 10)	
	7002450	1	Coil - Bang-Bang Valve (Dump), (for fleets of 10 to 20)	
	7002450	1	Coil - Bang-Bang Valve (Dump), (for fleets of 20 of more)	
	7000418	1	Coil - Bang-Bang Valve (Working), (for fleets of 1 to 10)	
	7000418	1	Coil - Bang-Bang Valve (Working), (for fleets of 10 to 20)	
	7000418	1	Coil - Bang-Bang Valve (Working), (for fleets of 20 of more)	
	7004214	4	Element, Air Filter, (for fleets of 1 to 10)	
	7004214	8	Element, Air Filter, (for fleets of 10 to 20)	
	7004214	12	Element, Air Filter, (for fleets of 20 of more)	
	3740067	1	Relay, (for fleets of 1 to 10)	
	3740067	1	Relay, (for fleets of 10 to 20)	
	3740067	1	Relay, (for fleets of 20 of more)	
	1340046	4	Breather, Hydraulic Tank, (for fleets of 1 to 10)	
	1340046	8	Breather, Hydraulic Tank, (for fleets of 10 to 20)	
	1340046	12	Breather, Hydraulic Tank, (for fleets of 20 of more)	
	2120107	4	Element, Hydraulic Oil Filter, (for fleets of 1 to 10)	
	2120107	8	Element, Hydraulic Oil Filter, (for fleets of 10 to 20)	
	2120107	12	Element, Hydraulic Oil Filter, (for fleets of 20 of more)	
	3740049	1	Relay - SPDT, (for fleets of 1 to 10)	
	3740049	1	Relay - SPDT, (for fleets of 10 to 20)	
	3740049	1	Relay - SPDT, (for fleets of 20 of more)	
	3740016	1	Relay - 3PDT, (for fleets of 1 to 10)	
	3740016	1	Relay - 3PDT, (for fleets of 10 to 20)	
	3740016	1	Relay - 3PDT, (for fleets of 20 of more)	
	4360186	1	Breaker, Circuit - 35 Amp, (for fleets of 1 to 10)	
	4360186	1	Breaker, Circuit - 35 Amp, (for fleets of 10 to 20)	
	4360186	1	Breaker, Circuit - 35 Amp, (for fleets of 20 of more)	
	4360069	1	Breaker, Circuit - 10 Amp, (for fleets of 1 to 10)	
	4360069	1	Breaker, Circuit - 10 Amp, (for fleets of 10 to 20)	
	4360069	1	Breaker, Circuit - 10 Amp, (for fleets of 20 of more)	
	4360466	1	Switch, Key, (for fleets of 1 to 10)	
	4360466	1	Switch, Key, (for fleets of 10 to 20)	
	4360466	1	Switch, Key, (for fleets of 20 of more)	
	2860030	2	Key, (for fleets of 1 to 10)	
	2860030	4	Key, (for fleets of 10 to 20)	
	2860030	6	Key, (for fleets of 20 of more)	

SECTION 9 - RECOMMENDED SERVICE PARTS STOCK

ITEM	PART NUMBER	QTY	DESCRIPTION	REV
	4360199	1	Switch, Toggle - SPDT, (for fleets of 1 to 10)	
	4360199	1	Switch, Toggle - SPDT, (for fleets of 10 to 20)	
	4360199	1	Switch, Toggle - SPDT, (for fleets of 20 of more)	
	4360274	1	Switch, Push Button - SPST/MC, (for fleets of 1 to 10)	
	4360274	1	Switch, Push Button - SPST/MC, (for fleets of 10 to 20)	
	4360274	1	Switch, Push Button - SPST/MC, (for fleets of 20 of more)	
	4360202	1	Switch, Toggle - DPDT/MC/CO, (for fleets of 1 to 10)	
	4360202	1	Switch, Toggle - DPDT/MC/CO, (for fleets of 10 to 20)	
	4360202	1	Switch, Toggle - DPDT/MC/CO, (for fleets of 20 of more)	
	4360201	1	Switch, Toggle - DPDT, (for fleets of 1 to 10)	
	4360201	1	Switch, Toggle - DPDT, (for fleets of 10 to 20)	
	4360201	1	Switch, Toggle - DPDT, (for fleets of 20 of more)	
	4360200	1	Switch, Toggle - DPDT/MC, (for fleets of 1 to 10)	
	4360200	1	Switch, Toggle - DPDT/MC, (for fleets of 10 to 20)	
	4360200	1	Switch, Toggle - DPDT/MC, (for fleets of 20 of more)	
	3740057	1	Relay - 2PST, (for fleets of 1 to 10)	
	3740057	1	Relay - 2PST, (for fleets of 10 to 20)	
	3740057	1	Relay - 2PST, (for fleets of 20 of more)	
	3740058	1	Relay - 4PDT, (for fleets of 1 to 10)	
	3740058	1	Relay - 4PDT, (for fleets of 10 to 20)	
	3740058	1	Relay - 4PDT, (for fleets of 20 of more)	
	70002008	2	Power Track - 1 Foot Section, (for fleets of 1 to 10)	
	70002008	2	Power Track - 1 Foot Section, (for fleets of 10 to 20)	
	70002008	2	Power Track - 1 Foot Section, (for fleets of 20 of more)	
	2940006	1	Latch, Platform Door, (for fleets of 1 to 10)	
	2940006	1	Latch, Platform Door, (for fleets of 10 to 20)	
	2940006	1	Latch, Platform Door, (for fleets of 20 of more)	
	4360209	1	Breaker, Circuit - 20 Amp, (for fleets of 1 to 10)	
	4360209	1	Breaker, Circuit - 20 Amp, (for fleets of 10 to 20)	
	4360209	1	Breaker, Circuit - 20 Amp, (for fleets of 20 of more)	
	7011907	1	Electrical Assembly - 1600141 Controller, (for fleets of 1 to 10)	
	7011907	1	Electrical Assembly - 1600141 Controller, (for fleets of 10 to 20)	
	7011907	1	Electrical Assembly - 1600141 Controller, (for fleets of 20 of more)	
	7003751	1	Potentiometer, (for fleets of 1 to 10)	
	7003751	1	Potentiometer, (for fleets of 10 to 20)	
	7003751	1	Potentiometer, (for fleets of 20 of more)	
	4360475	1	Switch, Mushroom, (for fleets of 1 to 10)	
	4360475	1	Switch, Mushroom, (for fleets of 10 to 20)	
	4360475	1	Switch, Mushroom, (for fleets of 20 of more)	
	4360476	1	Contact, Switch Block, (for fleets of 1 to 10)	
	4360476	1	Contact, Switch Block, (for fleets of 10 to 20)	
	4360476	1	Contact, Switch Block, (for fleets of 20 of more)	
	3990010	2	Diode - 6 Amp, (for fleets of 1 to 10)	
	3990010	2	Diode - 6 Amp, (for fleets of 10 to 20)	
	3990010	2	Diode - 6 Amp, (for fleets of 20 of more)	

SECTION 9 - RECOMMENDED SERVICE PARTS STOCK

FIGURE 9-2. MODELS 80HX/80HX+6 (STANDARD CONTROLS) VARIABLE PARTS

ITEM	PART NUMBER	QTY	DESCRIPTION	REV
	Note	Ref	Note: The following list will service fleets of machines (built to current production per date on the front cover) with emergency repair parts which can be installed in the field. Parts from the list should be replaced when inventory is depleted to keep service parts stock supplied. For further information, contact your JLG dealer or the JLG Industries Parts Department.	
		Ref	VARIABLE PARTS	
	3740059	1	Relay (Deutz), (for fleets of 1 to 10)	
	3740059	1	Relay (Deutz), (for fleets of 10 to 20)	
	3740059	1	Relay (Deutz), (for fleets of 20 of more)	
	7029276	1 Dozen	Filter, Oil (Deutz Engine Machines), (for fleets of 1 to 10)	
	7029276	1 Dozen	Filter, Oil (Deutz Engine Machines), (for fleets of 10 to 20)	
	7029276	1 Dozen	Filter, Oil (Deutz Engine Machines), (for fleets of 20 of more)	
	3740080	1	Relay (Ford Engine Machines), (for fleets of 1 to 10)	
	3740080	1	Relay (Ford Engine Machines), (for fleets of 10 to 20)	
	3740080	1	Relay (Ford Engine Machines), (for fleets of 20 of more)	
	7021869	1 Dozen	Filter, Engine Oil (Ford Engine Machines), (for fleets of 1 to 10)	
	7021869	1 Dozen	Filter, Engine Oil (Ford Engine Machines), (for fleets of 10 to 20)	
	7021869	1 Dozen	Filter, Engine Oil (Ford Engine Machines), (for fleets of 20 of more)	
	4360212	1	Breaker, Circuit - 3 Amp (Deutz), (for fleets of 1 to 10)	
	4360212	1	Breaker, Circuit - 3 Amp (Deutz), (for fleets of 10 to 20)	
	4360212	2	Breaker, Circuit - 3 Amp (Deutz), (for fleets of 20 of more)	
	4360057	1	Switch, Limit, (for fleets of 1 to 10)	
	4360057	2	Switch, Limit, (for fleets of 10 to 20)	
	4360057	2	Switch, Limit, (for fleets of 20 of more)	
	4360277	1	Switch, Limit, (for fleets of 1 to 10)	
	4360277	1	Switch, Limit, (for fleets of 10 to 20)	
	4360277	1	Switch, Limit, (for fleets of 20 of more)	

SECTION 10 - SPECIAL OPTIONS

SECTION 10 - SPECIAL OPTIONS

FIGURE 10-1. SPECIAL OPTIONS

ITEM	PART NUMBER	QTY	DESCRIPTION	REV
	0237063	Ref	AIR CLEANER SERVICE INDICATOR INSTALLATION	
	Note	Ref	Note: This list is to accommodate machines ordered with special equipment. Options may not be applicable to all models. For more specific parts information contact JLG Parts Department.	
		Ref	AIRLINE TO PLATFORM INSTALLATIONS	
	0237142	Ref	1/2in Airline Installation - 80HX & 80H	
	0250330	Ref	1/2in Airline Installation - 80HX+6 & 86HX	
	0237143	Ref	3/4in Airline Installation - 80HX & 80H	
	0252569	Ref	ALTERNATOR INSTALLATION - TOTALLY ENCLOSED (CUMMINS)	
	0270723	Ref	BEACON MOUNTED UNDER PLATFORM INSTALLATION	
		Ref	BIODEGRADABLE HYDRAULIC FLUID DECALS	
	1702788	Ref	Decal - Biodegradable Hydraulic Fluid (Used with Mobile EAL 224 H)	
	1704174	Ref	Decal - Biodegradable Hydraulic Fluid (Used with Mobile SYN)	
	0251223	Ref	BOEING SPECIAL EQUIPMENT INSTALLATION	
	0251185	Ref	Tow Package Installation	
	0251042	Ref	Bubble Level Installation	
	0251053	Ref	Airline Fittings Installation	
	0251220	Ref	Battery Disconnect Switch Installation	
	0251222	Ref	Keyed Start Switch Installation	
	2901171	Ref	Torque Hub Disconnect Kit	
	0251223	Ref	Miscellaneous Boeing Components	
	0258376	Ref	BOOM INSTALLATION - SPECIAL MODIFIED	
	0801151	Ref	Boom Assembly	
	0239121	Ref	BRUSH INSTALLATION - T/T BEARING	
	0254834	Ref	4IN SPACER INSTALLATION - T/T BEARING	
	0256789	Ref	CAMERA MOUNTING INSTALLATION	
	0250729	Ref	CAPACITY DECALS INSTALLATION - PLATFORM MOUNTED (500LBS)	
		Ref	CAPACITY DECALS INSTALLATION - PLATFORM GATE AND CONSOLE BOX MOUNTED	
	0239776	Ref	Capacity Decals Installation (650Lbs)	
	0251982	Ref	Capacity Decals Installation (750Lbs)	
	0239418	Ref	CONTACTOR BOX AND RELAY INSTALLATION - U/L MACHINES	
	0254161	Ref	CHIP COVERS INSTALLATION - POWER TRACK	
	0253634	Ref	COVER INSTALLATION - METAL CONSOLE (80HX)	
	0256620	Ref	COVER INSTALLATION - METAL CONSOLE (80HX+6)	
	0272190	Ref	COVER INSTALLATION - RUBBER CONSOLE (80HX)	
	0253550	Ref	CSA DECALS INSTALLATION	
	3252221	1	Decal - CSA	
		Ref	CUMMINS ENGINE ASSEMBLY AND INSTALLATIONS	
	0239497	Ref	With Fixed Axle Built Prior to March 1994	
	0239498	Ref	With Fixed Axle Built Prior to March 1994	
	0254749	Ref	With Fixed Axle Built March 1994 To Present	
	0254750	Ref	With Fixed Axle Built March 1994 To Present	
	0256168	Ref	With Oscillating Axle	
	0256297	Ref	With Oscillating Axle	

SECTION 10 - SPECIAL OPTIONS

ITEM	PART NUMBER	QTY	DESCRIPTION	REV
	0258832	Ref	DEUTZ ENGINE ASSEMBLY AND INSTALLATION U/L MACHINES WITH OSCILLATING AXLE	
	0258833	Ref	DEUTZ ENGINE ASSEMBLY AND INSTALLATION U/L MACHINES WITH OSCILLATING AXLE	
	0256956	Ref	DECAL INSTALLATION - LANYARD ATTACHMENT (GM K-1 SPEC)	
	0270678	Ref	ENGINE SHUTDOWN INSTALLATION - CUMMINS DIESEL MACHINES	
		Ref	EXHAUST INSTALLATION - SPECIAL	
		Ref	Deutz Engines:	
	0250632	Ref	Exhaust Purifier Installation (Prior to April 1993)	
	0254109	Ref	Exhaust Purifier Installation (April 1993 to Present)	
	0235110	Ref	Spark Arrester Installation (Prior to January 1992)	
	0252736	Ref	Spark Arrester Installation (January 1992 to Present)	
	0258911	Ref	Spark Arrester Installation (U/L Machines)	
		Ref	Ford Engines:	
	0237014	Ref	Oxy Catalyst Purifier Installation	
	0255072	Ref	FAN SHIELD INSTALLATION - FORD ENGINES	
		Ref	Filter Kits:	
	1001110984	1	Combined Filter Kit (Hydraulic/Air and Fuel/Engine Oil)	
	1001109671	1	Hydraulic/Air Filter	
	1001110131	1	Engine - Fuel/Engine Oil Filter	
	0256150	Ref	GROUND CONTROLS INSTALLATION (CUMMINS DIESEL MACHINES)	
	0861035	Ref	Control Box and Harness Assy	
	0257598	Ref	GROUND CONTROLS INSTALLATION (CUMMINS DIESEL MACHINES WITH OSCILLATING AXLE) (LATIN AMERICAN/BRAZIL)	
	0861143	Ref	Control Box and Harness Assy	
	0258926	Ref	GROUND CONTROLS INSTALLATION (DEUTZ DIESEL U/L MACHINES WITH OSCILLATING AXLE)	
	0861261	Ref	Control Box and Harness Assy	
	0254062	Ref	GROUND CONTROLS INSTALLATION (80H 750LBS MACHINE WITH HYDRAULIC CONTROLS)	
	0860866	Ref	Control Box and Harness Assy (Prior to May 1994)	
	0860931	Ref	Control Box and Harness Assy (May 1994 to Present)	
	0860867	Ref	Control Box Assy (Prior to May 1994)	
	0860930	Ref	Control Box Assy (May 1994 to Present)	
	0255542	Ref	GROUND CONTROLS INSTALLATION (80H U/L MACHINES)	
	0860927	Ref	Control Box and Harness Assy	
	0860926	Ref	Control Box Assy	
		Ref	HEATERS INSTALLATION	
		Ref	Deutz Engines:	
	0238779	Ref	Oil Heater Installation (Prior to January 1992)	
	0238784	Ref	Oil Heater Installation (January 1992 to Present)	
	0252654	Ref	Oil Heater Installation (January 1992 to Present)	
	2580024	Ref	Battery Heater Installation	
	0239194	Ref	Cold Weather Start Kit Installation	
		Ref	Ford Engines:	
	0236873	Ref	Battery and Engine Heaters Installation - LSG-423	
	0256337	Ref	Battery and Engine Heaters Installation - LRG-423	
	0254752	Ref	HOOD INSTALLATION - CUMMINS ENGINE MACHINES	
	4360295	Ref	IGNITION SWITCH WITH INDIVIDUAL CODED KEYS	
		Ref	JAPANESE SPEC (SEE JAPANESE SPEC COMPONENTS FOR BREAKDOWN)	

SECTION 10 - SPECIAL OPTIONS

ITEM	PART NUMBER	QTY	DESCRIPTION	REV
	1702721	Ref	LATIN AMERICAN DUAL FUEL DECAL	
	0251686	Ref	LIFTING DECALS INSTALLATION - VALJAR	
		Ref	LIGHTS INSTALLATION - SPECIAL	
	0254097	Ref	Brake Lights Installation	
	0236662	Ref	Headlights and Taillights Installation (Prior to March 1993)	
	0254084	Ref	Headlights and Taillights Installation (March 1993 to Present)	
	0257591	Ref	Forward and Reverse Installation (SN 33000 to Present)	
	0237064	Ref	Panel Lights Installation (On Ground and Platform Control Boxes)	
	0254096	Ref	Turn Signals Installation	
	0251509	Ref	LOCKS INSTALLATION - TURNTABLE (90) (S/N 11028 & S/N 13487)	
		Ref	OIL COOLER INSTALLATIONS	
	0236610	Ref	Oil Cooler Installation - Mounted at Rear of T/T	
	0254853	Ref	Oil Cooler Installation - Mounted Inside of T/T	
	0252126	Ref	OVERLOAD SYSTEM FOR EXTEND-A-REACH INSTALLATION (80HX+6 OPTION) (LOCATED ON EAR LEVEL CYLINDER)	
	0258039	Ref	OVERLOAD SENSING SYSTEM INSTALLATION (FRENCH SPEC.)	
	0251080	Ref	OXY-ACETYLENE LINES INSTALLATION - 80HX	
	0252649	Ref	OXY-ACETYLENE LINES INSTALLATION - 80HX+6 & 86HX	
	0256436	Ref	PIPE RACK INSTALLATION (PRIOR TO NOVEMBER 1997)	
	0257728	Ref	PIPE RACK INSTALLATION (NOVEMBER 1997 TO PRESENT)	
	0256829	Ref	PLATFORM DOOR (SPRING LOADED) INSTALLATION (GM SPEC)	
	0254057	Ref	PLATFORM CONSOLE BOX INSTALLATION (80H 750LBS MACHINE WITH HYDRAULIC CONTROLS)	
	0861202	Ref	PLATFORM CONSOLE BOX ASSEMBLY WITH OEM CONTROLS (VICKERS)	
		Ref	PLATFORM (WELDED-ON) KICKPLATES INSTALLATION - LOW MOUNT PLATFORM	
	0250257	Ref	3ft x 5ft Platform	
	0250261	Ref	3ft x 6ft Platform	
	0250262	Ref	3ft x 8ft Platform	
		Ref	PLATFORM (BOLT-ON) KICKPLATES INSTALLATION	
	0250707	Ref	3ft x 5ft Standard Platform	
	0250708	Ref	3ft x 6ft Standard Platform	
	0250709	Ref	3ft x 8ft Standard Platform	
	0250731	Ref	3ft x 5ft Low Mount Platform	
	0250730	Ref	3ft x 6ft Low Mount Platform	
	0250732	Ref	3ft x 8ft Low Mount Platform	
	0238442	Ref	PLATFORM STEP INSTALLATION	
	0251140	Ref	RECEPTACLE AT GROUND CONTROLS INSTALLATION (GFI)	
		Ref	RECEPTACLE AT PLATFORM INSTALLATION	
	0254428	Ref	Receptacle 80HX & 80H - All Except Latin America	
	0254429	Ref	Receptacle 80HX & 80H - Latin America	
	0254430	Ref	Receptacle 80HX+6 & 86HX - All Except Latin America	
	0254431	Ref	Receptacle 80HX+6 & 86HX - Latin America	
	0254793	Ref	RECEPTACLE MOUNTING PLATE INSTALLATION - ARGENTINA	
	0237411	Ref	REMOTE OIL FILTER AND DRAIN INSTALLATION - FORD ENGINES	
	1282977	Ref	SUNBELT DECALS INSTALLATION	
		Ref	TANK INSTALLATIONS - FUEL AND OIL (SPECIAL)	

SECTION 10 - SPECIAL OPTIONS

ITEM	PART NUMBER	QTY	DESCRIPTION	REV
	0258836	Ref	U/L 25 Gallon Tank Fuel Installation	
	0256390	1	Tank - 25 Gallon	
	0255937	Ref	52 Gallon Tank Fuel Installation	
	4400389	1	Tank - 52 Gallon	
	0239511	Ref	60 Gallon Tank Fuel Installation	
	4843197	1	Tank - 60 Gallon	
	0250193	Ref	U/L Tanks Installation - Dual Fuel Machines	
	0239140	Ref	U/L Tanks Installation - Diesel Machines	
	0254180	Ref	Tanks Installation - Westing house Machines	
	0238661		TANK SHROUDS INSTALLATION - LP TANKS (U/L)	
		Ref	TOOLS FOR SERVICE:	
	7002821	Ref	Crimper, Wire	
	2900838	Ref	Fastener Kit - U.S. Standards	
	7002823	Ref	Pin Extractor - Universal (For Electrical Connectors with Pins and Sockets)	
	7016654	Ref	Screwdriver, Magnetic	
	7002822	Ref	Screwdriver, Pontimeter	
	7004275	Ref	Seal Tool 1in (For Cylinders)	
	7004276	Ref	Seal Tool 1 1/2in (For Cylinders)	
	7002828	Ref	Stripper, Wire	
	7014676	Ref	Tool Kit - U.S. Standards	
	9900443	Ref	Tool Box and Tools	
		Ref	TURBO PRE-AIR CLEANER INSTALLATIONS	
	0270487		Deutz Engines	
	0270488		Cummins Engines	
	1340064	1	Turbo, Pre-Cleaner	
	1340063	1	Air Cleaner Assembly	
	7015009	1	Element, Primary	
	7015010	1	Element, Secondary	
	0254709	Ref	TURNTABLE PINION SHIELD INSTALLATION	
	1281028	Ref	U/L TAGS INSTALLATION	
	0250180	Ref	Dual Fuel Machines	
	0239506	Ref	LP Only Machines	
	0239507	Ref	Diesel Machines	
	0257501	Ref	UNITED AIRLINES OPTIONS INSTALLATION	
	0254968	Ref	Decal Installation	
	0255072	Ref	Radiator Shield Installation	
	0270955	Ref	UNITED RENTALS DECAL INSTALLATION	
	0258918	Ref	UTILITY RACK OPTIONS INSTALLATION	
	0252322	Ref	VALJAR SPECS INSTALLATION	
	0251765	Ref	Decals Installation	
	0251683	Ref	Engine Run Light Installation	
	0251665	Ref	Lights Installation	
	4360295	Ref	Switch, Ignition - Special	
	0252050	Ref	Muffler Installation	
	0250123	Ref	WATERLINE TO PLATFORM INSTALLATION (S/N 12452) (80HX)	
	0255173	Ref	WATERLINE TO PLATFORM INSTALLATION (80H)	
	0254982	Ref	WATERLINE TO PLATFORM INSTALLATION (80HX)	
	0236529	Ref	W.C.B.C. SPECS INSTALLATION	
	0251078	Ref	WELD CABLES INSTALLATION - 80HX	
	0252648	Ref	WELD CABLES INSTALLATION - 80HX+6 & 86HX	
		Ref	WHEEL DRIVE INSTALLATION - 4.5MPH	

SECTION 10 - SPECIAL OPTIONS

ITEM	PART NUMBER	QTY	DESCRIPTION	REV
	0238313	Ref	Wheel Drive Installation (Prior to SN 51532)	
	0270221	Ref	Wheel Drive Installation (SN 51532 to Present)	

SECTION 10 - SPECIAL OPTIONS

FIGURE 10-2. JAPANESE SPEC COMPONENTS

ITEM	PART NUMBER	QTY	DESCRIPTION	REV
	Note	Ref	Note: This list is to accommodate machines ordered with special equipment. Options may not be applicable to all models. For more specific parts information contact JLG Parts Department.	
		Ref	JAPANESE SPEC COMPONENTS	
		Ref	SECTION 2 - TURNTABLE	
	0253034	Ref	Boom Installation - 80HX	
	1280793	Ref	Boom Installation - 80HX	
	0253038	Ref	Boom Installation - 80HX+6	
	1280793	Ref	Boom Installation - 80HX+6	
	0255748	Ref	Boom Limit Switch Installation	
	0253332	Ref	Engine Installation - Deutz F4L912 (Standard)	
	0253334	Ref	Engine Installation - Deutz F4L912 (Clean Burn)	
	0252488	Ref	Ground Control Box Installation (Prior to SN 25609)	
	1280988	Ref	Ground Control Box Installation (Prior to SN 25609)	
	0257163	Ref	Ground Control Box Installation (SN 25609 to Present)	
	1280988	Ref	Ground Control Box Installation (SN 25609 to Present)	
	0251114	Ref	Horizontal Cutout Switch Installation	
	0254313	Ref	Tilt Indicator Installation (July 1995 to Present Only)	
		Ref	(Note: Prior to July 1995 Uses Std Domestic)	
		Ref	SECTION 3 - BOOM	
	0255748	Ref	Boom Limit Switch Installation	
		Ref	SECTION 4 - PLATFORM	
	0861078	Ref	Console Box Assembly Standard (2WS)	
	1282723	Ref	Console Box Assembly Standard (2WS)	
	0860820	Ref	Console Box Assembly with Prop Tele (2WS) (Prior to SN 25609)	
	1281673	Ref	Console Box Assembly with Prop Tele (2WS) (Prior to SN 25609)	
	0861079	Ref	Console Box Assembly with Prop Tele (2WS) (SN 25609 to Present)	
	1282723	Ref	Console Box Assembly with Prop Tele (2WS) (SN 25609 to Present)	
	0861080	Ref	Console Box Assembly Standard (4WS)	
	1282723	Ref	Console Box Assembly Standard (4WS)	
	0860821	Ref	Console Box Assembly with Prop Tele (4WS) (Prior to SN 25609)	
	1281673	Ref	Console Box Assembly with Prop Tele (4WS) (Prior to SN 25609)	
	0861081	Ref	Console Box Assembly with Prop Tele (4WS) (SN 25609 to Present)	
	1282723	Ref	Console Box Assembly with Prop Tele (4WS) (SN 25609 to Present)	
	0255566	Ref	Overload Installation - Standard Controls	
	1282411	Ref	Overload Installation - Standard Controls	
	0255567	Ref	Overload Installation - Hydraulic Controls	
	1282411	Ref	Overload Installation - Hydraulic Controls	
	3510296	Ref	Platform - Standard Mount 36inx60in (80HX)	
	3510297	Ref	Platform - Standard Mount 36inx72in (80HX)	
	3510298	Ref	Platform - Standard Mount 36inx96in (80HX)	
	3510304	Ref	Platform - Low Mount 36inx60in (80HX)	

SECTION 10 - SPECIAL OPTIONS

ITEM	PART NUMBER	QTY	DESCRIPTION	REV
	3510305	Ref	Platform - Low Mount 36inx72in (80HX)	
	3510306	Ref	Platform - Low Mount 36inx96in (80HX)	
	3510299	Ref	Platform - 36inx60in (80HX+6)	
	3510300	Ref	Platform - 36inx72in (80HX+6)	
	0254314	Ref	Power Cord at Console Box (80HX) (Prior to July 1995)	
	1282163	Ref	Power Cord at Console Box (80HX) (Prior to July 1995)	
	0254428	Ref	Power Cord at Console Box (80HX) (July 1995 to Present)	
	1282163	Ref	Power Cord at Console Box (80HX) (July 1995 to Present)	
	0254430	Ref	Power Cord at Console Box (80HX+6)	
	1282163	Ref	Power Cord at Console Box (80HX+6)	
	0255975	Ref	AC Receptacle Box Installation (July 1995 to Present)	
		Ref	SECTION 7 - ELECTRICAL	
	4931713	Ref	Electrical Diagram - Platform Overload (Standard Controls)	
	4932073	Ref	Electrical Diagram - Platform Overload (Hydraulic Controls)	
	4932635	Ref	Wiring Modification - Japanese	
	4932564	Ref	Wiring Diagram - Japanese	
	1870003	Ref	Wiring Schematic - Japanese	
		Ref	SECTION 8 - DECALS	
	0252146	Ref	Decal Installation - 80HX Brown (Prior to SN 25609)	
	1281019	Ref	Decal Installation - 80HX Brown (Prior to SN 25609)	
	0257197	Ref	Decal Installation - 80HX Brown (SN 25609 to Present)	
	1281019	Ref	Decal Installation - 80HX Brown (SN 25609 to Present)	
	0252147	Ref	Decal Installation - 80HX Black (Prior to SN 25609)	
	1281019	Ref	Decal Installation - 80HX Black (Prior to SN 25609)	
	0257196	Ref	Decal Installation - 80HX Black (SN 25609 to Present)	
	1281019	Ref	Decal Installation - 80HX Black (SN 25609 to Present)	
	0253252	Ref	Decal Installation - 80HX Brown (Japanese Spec) (Prior to SN 25609)	
	1281019	Ref	Decal Installation - 80HX Brown (Japanese Spec) (Prior to SN 25609)	
	0252140	Ref	Decal Installation - 80HX+6 Brown (Prior to SN 25609)	
	1281534	Ref	Decal Installation - 80HX+6 Brown (Prior to SN 25609)	
	0257199	Ref	Decal Installation - 80HX+6 Brown (SN 25609 to Present)	
	1281534	Ref	Decal Installation - 80HX+6 Brown (SN 25609 to Present)	
	0252138	Ref	Decal Installation - 80HX+6 Black (Prior to SN 25609)	
	1281534	Ref	Decal Installation - 80HX+6 Black (Prior to SN 25609)	
	0257198	Ref	Decal Installation - 80HX+6 Black (SN 25609 to Present)	
	1281534	Ref	Decal Installation - 80HX+6 Black (SN 25609 to Present)	
	0253276	Ref	Decal Installation - 80HX+6 Brown (Japanese Spec) (Prior to SN 25609)	
	1281534	Ref	Decal Installation - 80HX+6 Brown (Japanese Spec) (Prior to SN 25609)	

PART NUMBER INDEX

PART NUMBER INDEX

0060020.....175, 193, 220	0140032.....257	0236674.....239	0237182.....365
0060021.....164, 188, 220	0160011.....185	0236677.....89	0237192.....276
0060022.....193	0181158.....161	0236683.....183	0237211.....241, 242
0060023.....175	0181159.....161	0236684.....186	0237219.....242
0060024.....220	0181175.....271	0236698.....270	0237220.....242
0080029.....223	0181218.....359	0236699.....269	0237222.....157
0080039....162, 170, 189, 204	0181234.....185, 202	0236741.....286, 291	0237241.....276
0080046.....170	0181286.....164	0236748.....235	0237246.....261
0080087.....223	0200048....257, 276, 324	0236758.....269, 276	0237285.....217
0080091.....183, 204	0200189.....72	0236766.....270	0237286.....219
0080098.....287, 293	0200291.....219	0236768...162, 170, 185, 203	0237297.....220
0080099.....287, 292	0200530.....209	0236798.....161	0237314.....27
0080108.....217	0230435.....158	0236799.....163	0237321.....72
0080117.....164	0230470.....158	0236804.....12	0237345.....279
0080119.....223	0231047.....158	0236810.....137	0237355.....79
0080121.....223	0231311.....104	0236811.....235	0237356.....193
0080124.....213	0231756.....236, 237	0236814.....137	0237357.....79
0080143.....217	0232121.....80	0236815.....261	0237358.....79
0080163.....223, 224	0232123.....158	0236816.....83	0237411.....478
0080164.....223, 224	0232573.....218	0236821.....304	0237438.....453
0080210.....204	0234329.....35, 36	0236822.....304	0237497.....188
0100001....219, 239, 241, 245, 299, 303, 307, 311, 315, 320	0234479.....157	0236830.....285	0237525.....31
0100004.....138	0234666.....36	0236831.....285	0237541.....165
0100009....137, 236, 299, 303, 311, 315	0234667.....36	0236834.....319	0237544.....137
0100010....454, 460, 465, 470	0234668.....36	0236838.....11	0237545.....137
0100011....12, 13, 15, 16, 20, 23, 24, 27, 32, 34, 72, 75, 99, 157, 202, 204, 209, 242, 249, 253, 265, 269, 281, 286, 292, 299, 303, 319, 320, 321, 327, 329, 331, 333, 335, 337, 339, 341, 343, 345, 347, 349, 351, 355, 357, 359, 387, 389, 411, 413	0234721.....158	0236840.....31	0237546.....84
0100019....19, 20, 34, 73, 84, 137, 138, 157, 287, 293	0234744.....36	0236843.....183	0237557.....270
0100020....183, 202, 204, 218, 235, 236, 331, 335, 337, 341, 343, 347, 359, 373, 379, 385, 391, 393, 398, 402, 405, 409, 411	0234745.....36	0236844.....186	0237558.....269
0100021....287, 293, 335	0234746.....36	0236845.....453	0237568.....220
0100035....327, 329, 331, 337, 339, 341, 343, 345, 347, 349, 351, 355, 357, 359	0235110.....477	0236850.....164	0237618.....163
0100038....327, 329, 331, 333, 337, 339, 341, 343, 345, 347, 349, 351, 355, 357, 359	0235238...285, 287, 291, 292	0236851.....71	0237619.....161
0100063.....19	0235980.....323	0236853.....183	0237627.....164, 171
0140001.....87, 103	0235981.....323	0236854.....186	0237630.....175
0140024.....257	0236045.....270	0236873.....477	0237635.....175
0140025.....257	0236106.....138	0236874.....236	0237672.....285
0140026....309, 323, 416, 417	0236261.....286	0236876.....72	0237673.....281
	0236285.....235, 237	0236886.....242	0237687.....219
	0236290.....242	0236953.....175	0237715.....193
	0236294.....269, 276	0236965.....193	0237771.....104
	0236317.....183	0236985.....217	0237772.....104
	0236318.....186	0236986.....219	0237855.....246, 248
	0236319.....188	0236988.....189	0237859.....187
	0236321.....187	0236990.....220	0237874.....220
	0236360.....87	0236992.....219	0237936.....183
	0236361.....87	0237010.....257	0237937.....186
	0236362.....87	0237011.....257	0237938.....183
	0236363.....87	0237012.....257	0237939.....186
	0236382.....197	0237014.....477	0237942.....300
	0236383.....198	0237040.....300	0237943.....300
	0236388.....164	0237041.....299	0237947.....304
	0236398.....188	0237054.....257	0237948.....304
	0236523.....35	0237055.....257	0237963.....289, 294
	0236524.....35	0237056.....257	0237975.....286, 291
	0236529.....479	0237063.....476	0238008.....246, 248
	0236548.....84	0237064.....478	0238014.....71
	0236590.....71	0237067.....241, 242	0238016.....217
	0236610.....478	0237071.....189	0238017.....219
	0236621.....87	0237129.....71	0238020.....31
	0236622.....87	0237132.....179	0238021.....157
	0236623.....87	0237142.....476	0238022.....161
	0236624.....87	0237143.....476	0238023.....163
	0236629.....257	0237154.....183	0238032.....157
	0236632.....257	0237155.....186	0238044.....195
	0236649.....88	0237157.....186	0238045.....248
	0236662.....478	0237171.....323	0238046.....248

PART NUMBER INDEX

0238089.....	12	0250122.....	257	0251514.....	35	0253040.....	83
0238093.....	31	0250123.....	479	0251515.....	35	0253041.....	83
0238140.....	106	0250143.....	323	0251543.....	257	0253044.....	83
0238153.....	83	0250163.....	15	0251562.....	172, 179	0253051.....	83
0238154.....	285	0250168.....	183	0251632.....	281	0253053.....	83
0238156.....	276	0250180.....	479	0251638.....	459	0253077... 309, 323, 416,	
0238179.....	312	0250193.....	479	0251658.....	246, 248	417	
0238180.....	312	0250202.....	15, 23	0251665.....	479	0253169.....	11
0238198.....	300	0250220.....	72	0251666.....	35	0253170.....	11
0238199.....	300	0250235.....	186	0251667.....	300	0253194.....	171
0238206.....	104	0250248.....	291	0251676.....	248	0253245.....	279
0238207.....	104	0250257.....	478	0251683.....	172, 418, 479	0253252.....	483
0238263.....	312	0250261.....	478	0251685.....	456, 461	0253276.....	483
0238264.....	311	0250262.....	478	0251686.....	478	0253331.....	170
0238289.....	312	0250287.....	32	0251695.....	137	0253332.....	170, 482
0238290.....	312	0250330.....	476	0251706.....	83	0253333.....	170
0238313.....	480	0250584.....	258	0251707.....	27	0253334.....	170, 482
0238314.....	31	0250599.....	223	0251712.....	28	0253338.....	266
0238442.....	478	0250600.....	223	0251718.....	79	0253372.....	266
0238625.....	28	0250603.....	253	0251765.....	479	0253374.....	266
0238630.....	137	0250604.....	248	0251769.....	291	0253417.....	277
0238657.....	183	0250606.....	316	0251770.....	291	0253437.....	320
0238658.....	186	0250611.....	157	0251823.....	71	0253438.....	320
0238660.....	453	0250632.....	477	0251836.....	83	0253462.....	324
0238661.....	479	0250689.....	323	0251846.....	11	0253550.....	476
0238692.....	276	0250707.....	478	0251847.....	15, 23	0253572.....	35
0238726.....	365	0250708.....	478	0251947.....	198	0253595.....	188
0238734.....	257	0250709.....	478	0251982.....	476	0253596.....	186
0238775.....	27	0250729.....	476	0252050.....	165, 479	0253597.....	186
0238777.....	236	0250730.....	478	0252054.....	323	0253598.....	186
0238779.....	477	0250731.....	478	0252100.....	463	0253599.....	186
0238784.....	477	0250732.....	478	0252126.....	478	0253634.....	476
0238785.....	71	0250752.....	276	0252138.....	483	0253686.....	323, 422
0238916.....	239	0250919.....	324	0252140.....	483	0253696.....	32
0238921.....	137	0250926.....	75	0252146.....	483	0253697.....	71
0238997.....	217	0251035.....	324	0252147.....	483	0253931.....	35, 36
0238998.....	219	0251042.....	476	0252176.....	15	0253932.....	35
0239055.....	257, 416	0251053.....	476	0252177.....	23	0253987.....	323, 422
0239079.....	31	0251064.....	252, 253	0252178.....	15, 23	0254057.....	478
0239121.....	476	0251078.....	479	0252184.....	104	0254062.....	477
0239140.....	479	0251080.....	478	0252185.....	104	0254084.....	420, 478
0239164.....	79	0251114.....	482	0252186.....	104	0254096.....	478
0239165.....	79	0251140.....	478	0252187.....	104	0254097.....	478
0239187.....	459	0251162.....	324	0252210.....	323	0254109.....	477
0239194.....	426, 477	0251165.....	161	0252211.....	323	0254161.....	476
0239214.....	253	0251166.....	163	0252234.....	72	0254180.....	479
0239215.....	248	0251185.....	79, 476	0252239.....	189	0254186.....	257
0239219.....	252, 253	0251203.....	323	0252240.....	189	0254193.....	235
0239221.....	105	0251210... 309, 312, 316		0252284.....	158	0254203.....	323, 416
0239222.....	106	0251220.....	476	0252285.....	320	0254205.....	365
0239229.....	316	0251221.....	79	0252322.....	479	0254243.....	169, 170
0239244.....	198	0251222.....	476	0252488.....	482	0254246.....	316
0239254.....	323	0251223.....	476	0252510.....	320	0254313.....	482
0239341.....	291	0251312.....	104	0252569.....	476	0254314.....	483
0239342.....	291	0251339.....	235	0252634.....	83	0254322.....	83
0239418.....	476	0251348.....	324	0252648.....	479	0254370.....	83
0239497.....	476	0251349.....	324	0252649.....	478	0254428.....	478, 483
0239498.....	476	0251350.....	324	0252654.....	477	0254429.....	478
0239506.....	479	0251359.....	36	0252736.....	477	0254430.....	478, 483
0239507.....	479	0251360.....	36	0252751.....	35	0254431.....	478
0239511.....	479	0251361.....	35	0252902.....	324	0254457.....	258
0239776.....	476	0251422.....	172, 179	0253031.....	105	0254463.....	324
0239954.....	223	0251459.....	285	0253032.....	106	0254464.....	324
0239962.....	223	0251488.....	285	0253034.....	83, 482	0254465.....	324
0240043.....	83	0251494.....	281	0253035.....	83	0254709.....	479
0250012.....	83	0251509.....	478	0253037.....	83	0254748.....	323, 422
0250069.....	176	0251512.....	286, 291	0253038.....	83, 482	0254749.....	476

PART NUMBER INDEX

0254750.....476	0256301..... 77, 104	0258950.....281	0480048.....197
0254752.....477	0256302..... 77, 104	0259443..... 35, 36	0480050.....179
0254793.....478	0256337.....477	0259455..... 35, 36	0480090.....209
0254834.....476	0256390.....479	0270220..... 31	0540045.....279
0254853.....369, 420, 478	0256436.....478	0270221.....480	0540047.....279
0254882.....157	0256487.....456, 461	0270222..... 31	0540065.....279
0254968.....479	0256488.....456, 461	0270223..... 31	0540066.....279
0254971.....183	0256553..... 20	0270224.....33	0540067.....279
0254972.....186	0256554..... 19	0270225.....32	0540068.....279
0254982.....479	0256555..... 19	0270226..... 34	0540088.....279
0255056..... 83	0256579..... 75	0270227..... 34	0560469.....28
0255058.....189, 206, 418	0256580..... 75	0270325.....137	0560470.....28
0255072.....477, 479	0256598.....418	0270487.....479	0560588.....276
0255073..... 79	0256601..... 73	0270488.....479	0560605.....11, 15, 23, 27, 79
0255120.....201	0256611..... 73	0270678.....417, 477	0560644.....276
0255121.....201	0256620.....476	0270723.....476	0560650.....359
0255123.....202	0256666..... 75	0270955.....479	0560654.....12, 16, 21, 24
0255125.....202	0256675.....202	0271156.....453	0560673.....12, 15, 23
0255152.....172, 418	0256789.....476	0271157.....453	0560674.....12, 16, 24
0255173.....479	0256829.....478	0271406..... 83	0560675.....12, 16, 23
0255182..... 83	0256956.....477	0271614..... 36	0560714.....15, 23, 27
0255227.....206, 209	0257045..... 35, 36	0271615..... 36	0561175.....80
0255274.....172, 420	0257046..... 35, 36	0271616..... 36	0561176.....80
0255541.....204	0257093.....365	0271617..... 36	0561227.....20
0255542.....477	0257094.....365	0271618..... 35	0610091.....416
0255566.....482	0257163.....482	0271619..... 36	0610104.....417
0255567.....482	0257196.....469, 483	0272190.....476	0620055.....157
0255582.....15, 23	0257197.....463, 483	0340002...162, 170, 189, 204	0620058.....157
0255649.....170	0257198.....469, 483	0340041.....165, 169	0630078.....11, 27
0255650.....170	0257199.....463, 483	0360372.....270	0630135.....193, 198
0255651.....170	0257365.....237	0361027.....162, 170	0630136.....176
0255652.....170	0257366.....237	0361195..... 12	0630347.....276
0255725.....321	0257501.....479	0361524.....282	0630360.....185, 202
0255726.....321	0257519.....463	0361704.....198	0630374.....276
0255727.....321	0257520.....469	0361922..... 80	0630375.....186, 203
0255728.....321	0257521.....463	0362079...285, 287, 292	0630383.....265
0255729.....320	0257522.....469	0400002...185, 203, 218	0630384.....193
0255730.....320	0257591.....478	0400003...185, 203, 218	0630400.....175, 204
0255731.....320	0257595.....248	0400008.....219	0630440.....324
0255732.....321	0257596.....248	0400020.....162, 170	0630449.....15, 23
0255748.....482	0257597.....248	0400075.....203	0630458.....277
0255794..... 20	0257598.....477	0440042.....319, 320	0630535.....333, 343
0255795..... 19	0257605.....321	0440064.....138	0641003.....20
0255823.....235, 237	0257606.....321	0440081.....270	0641006.....164
0255848.....463	0257728.....478	0440091...15, 23, 27, 79	0641403.....239
0255849.....463	0257845.....321	0440104.....138	0641404 12, 16, 201, 271, 286, 292, 320
0255850.....463	0257847.....321	0440120.....287, 292	0641405...164, 171, 188, 189, 271, 285, 286, 292
0255869.....237	0257888.....201	0440134.....287, 292	0641406...21, 161, 164, 165, 175, 179, 184, 186, 189, 193, 203, 204, 206, 219, 220, 248, 254, 257, 261, 262, 265, 287, 316
0255937.....479	0257889.....201	0440135.....287, 293	0641407.....299, 303
0255975.....483	0257890.....201	0440161..... 11	0641408...87, 162, 170, 188, 195, 202, 203, 217, 220, 242, 261, 262, 265, 279, 286, 289, 292, 294, 320, 343, 454, 460, 465, 470
0255983..... 34	0257922.....202	0440170.....11, 20, 27	0641409...76, 175, 316, 333
0255986.....72	0257923.....202	0440171.....11, 20, 27	0641410.....171
0255987.....72	0257947.....202	0440172.....11, 12	
0255988.....158	0257948.....202	0440173.....269	
0255989.....72	0258039.....478	0440193.....138	
0256107..... 19	0258376..... 83, 476	0460071.....365	
0256131..... 75	0258404.....291	0460075.....365	
0256148.....248	0258626.....237	0460078.....365	
0256149.....248	0258793.....206	0460081.....365	
0256150.....477	0258794.....206	0460095.....365	
0256158.....77, 104	0258832.....477	0460101.....365	
0256159.....77, 104	0258833.....477	0460170.....365	
0256168.....476	0258836.....479	0460171.....365	
0256177.....201	0258911.....477	0460172.....365	
0256178.....202	0258918.....479	0480037.....197	
0256297.....476	0258926.....477	0480043.....179	
0256298..... 34	0258949.....281		

PART NUMBER INDEX

0641412 21, 217, 265, 275	0642216 21	0800814 84, 271	0861202 478
0641414 76	0642628 27	0800816 84, 271	0861260 308
064141672, 88, 103, 161, 170, 213	0642630 11, 80	0800878 84, 271	0861261 477
0641418 158	0642634 15, 23	0800905 84, 271	0880076 185, 202
0641420 87	0651608 84	0801005 84, 271	0880090 273
0641424 104	0652014 285, 291	0801006 271	0880106 273
0641426 104	0681510 179	0801015 272	0900232 323
0641430 104	0681610 198, 285, 286	0801016 84, 271	0900479 79
0641505 466	0681808 84	0801151 84, 476	0900801 261
0641506 28, 73, 76	0681836 137	0840004 241	0900935 239
0641507 27, 79, 164, 179, 204	0682014 138	0840025 187	0901056 323
0641508 ... 169, 197, 209, 239, 261, 265, 308, 311, 315	0682015 137	0840026 187	0901157 87
0641510 262, 270	0682016 138	0840027 187	0901159 87
0641512 270	0682024 138	0840029 187	0901188 235, 261, 265
0641514 157	0682416 137	0860037 72	0901197 263, 265
0641520 71	0682418 138	0860038 299, 303, 308, 311, 316	0901198 263
0641528 87, 103	0700617 161, 169	0860472 299, 303	0901199 261, 262, 265
0641538 254	0700810 170, 193, 202	0860487 241	0901235 263
0641605 270, 359	0700821 179	0860511 241	0901255 88
064160683, 88, 103, 223, 270, 281	0701010 ... 188, 204, 223, 224	0860512 242	0901296 261, 265
0641607 164, 223, 359	0701014 202, 223	0860518 242	0901297 193
0641608 . 19, 28, 88, 103, 204, 210, 223, 270, 285, 291	0701015 ... 169, 202, 209, 224	0860519 242	0901306 189
0641609 .. 12, 16, 87, 291	0701021 197	0860520 454, 460, 465, 470	0901325 217
0641610 21, 163, 223, 224, 265, 275	0701022 202	0860538 311	0901333 189
0641612 87, 162, 185, 202, 209, 218, 236, 270, 271, 286	0701023 198	0860547 245, 251	0901345 239
0641614 ... 103, 171, 186, 203, 218, 235, 270	0701215 161, 169	0860548 248	0901347 193
0641615 16, 20, 24	0701217 170	0860552 247	0901373 195
0641620 171	0701427 161, 169	0860564 253	0901387 164
0641622 272, 281	0711014 183	0860565 315	0901389 175
0641626 71	0711020 183	0860614 187	0901399 103
0641632 71, 75	0720803 ... 299, 303, 308	0860630 253	0901401 184, 218
0641634 270	0721003 11, 27	0860713 247	0901402 162, 169
0641636 270	0721004 197, 209	0860739 307	0901411 286
0641708 103	0721005 158	0860743 308	0901416 88
0641711 213	0721006 220	0860744 308	0901419 187, 203
0641807 157	0721008 311	0860745 308	0901449 323
0641808 269	0721014 72, 202, 257, 277	0860746 308	0901524 291
0641809 75	0741606 137, 282	0860820 482	0901525 291
0641810 73, 137, 161, 169, 217	0750806 241, 245, 251	0860821 482	0901719 165
0641811 84, 286, 292	0751006 ... 299, 303, 307, 315, 320	0860842 308	0901721 291
0641812 21, 183, 202, 359	0791006 311	0860866 477	0901744 275
0641814 20	0800411 271	0860867 477	0901849 169
0641816 271	0800412 272	0860902 246, 248	0901850 265
0641836 286, 291	0800413 272	0860903 247	0901871 265
0641844 31, 32, 75	0800414 271	0860904 246, 248	0901973 258
0641912 137	0800517 272	0860905 247	0902087 201
0642008 12, 16, 20, 24	0800518 271	0860906 252, 253	0902088 201
0642014 217	0800519 271	0860907 253	0902089 201, 213
0642016 31, 32, 33, 34	0800619 84, 271	0860908 246, 248	0902104 209
0642020 171	0800628 271	0860909 248	0902414 291
0642022 138	0800662 84, 271	0860912 253	0902447 201, 213
0642032 161, 169, 204	0800663 84, 271	0860913 252, 253	0920027 31, 32, 53
0642034 183, 217	0800664 84, 271	0860926 477	0920032 137, 147
	0800669 271	0860927 477	0920072 32, 33, 57
	0800679 272	0860930 477	0920081 33, 59
	0800682 272	0860931 477	0920083 137, 151
	0800776 84, 271	0861033 247	0920084 32, 33, 34, 61
	0800806 271	0861034 247	0920109 137, 151
	0800807 84, 271	0861035 477	0920110 32, 33, 34, 61
	0800808 84, 271	0861078 482	0920117 61
	0800810 84, 271	0861079 482	0920119 32, 33, 34, 61
	0800812 84, 271	0861080 482	0940036 263, 265
	0800813 84, 271	0861081 482	0940038 324
		0861139 246	0960071 80
		0861143 477	0960097 ... 335, 337, 339, 349
			0960224 158

PART NUMBER INDEX

0960238.....197, 210, 241, 242, 245, 251, 316	1060079 417	1280590 422	1320126.....239
0960239.....307, 316	1060092 187	1280591 422	1320127.....239
0960268.....80	1060093 187, 203	1280601 422	1320145.....282
0960406.....269	1060129 187	1280602 423	1320155.....274
0960407....299, 303, 311, 316	1060147 ... 162, 170, 185, 203, 218	1280727 423, 424	1320171.....274
0960523.....11, 12	1060149 ... 162, 170, 187, 203	1280750 423, 424	1320182.....277
0960562.....84	1060168 319	1280793 482	1320222.....170
0960564.....286, 294	1060197 187	1280803 421	1340020....162, 170, 189, 204
0960705.....345	1060229 273, 274	1280804 421	1340021.....235
0960821.....27	1060268 274	1280826 424	1340045.....236
0960905.....307	1060279 ... 454, 460, 465, 470	1280988 482	1340046.....235, 472
0960911.....345	1060300 419	1280991 426	1340050.....189
0960946.....331	1060309 421	1280992 425, 426	1340063.....479
0960960.....164, 188, 220	1060317 274	1280994 421	1340064.....479
0960979.....269	1060341 418, 419	1281019 483	1360061.....217
0961024....285, 286, 291, 347	1060369 ... 319, 320, 321	1281028 479	1360112.....175
0961098.....281	1060417 ... 319, 320, 321	1281129 425	1380111.....193
0961127....454, 460, 465, 470	1060494 419	1281353 369, 370	1380112.....193
0961182.....341, 343	1060515 ... 210, 274, 419, 421	1281503 417	1380121.....271
0961185....281, 285, 286, 291, 347	1060516 273, 274	1281534 483	1380124.....28
0961200.....281	1100099 72	1281673 482	1380137.....286, 292
0961201.....281	1120108 ... 329, 347, 351, 355	1281682 420, 421	1420003.....99
0961272.....28	1120110 327	1281684 418	1440142.....335, 337
0961275.....357	1120161 ... 162, 189, 204	1281738 417	1440154.....157
0961416.....15, 23	1120169 ... 164, 188, 220	1281750 319	1460005.....88
0961417.....15, 23	1120179 ... 335, 337, 339, 349	1281840 416	1540002....417, 420, 421
0961528.....281	1120192 84	1282091 416	1600043.....236
0961531.....158	1120287 236	1282112 420	1600092.....311, 312
0961654.....281	1120299 285, 291	1282163 483	1600094....299, 300, 303, 304
0961816.....333, 353	1120304 11, 19, 27	1282197 421	1600095.....300
0961857.....270	1120305 ... 341, 343, 359	1282353 425	1600096.....312
0961890.....19, 353, 363	1120314 237	1282409 424	1600098.....184
0961894.....343	1120336 331, 357	1282411 482	1600140.....308
0961895.....333	1120367 237	1282458 425	1600141....307, 308, 309
0962033.....21	1120406 165	1282616 426	1600211.....204
0962035.....19	1120423 171	1282723 482	1600247.....311, 312
0962036.....19	1120465 21	1282977 478	1660020.....218
0962039.....329	1120512 237	1320011 ... 165, 169, 170, 220	1660083.....220
1001096405....32, 39, 43, 46	1140009 189	1320012 185, 203	1660133.....217
1001096406.....43	1180113 272	1320014 186	1660144.....218
1001099842.....272, 273	1180133 272	1320016 ... 171, 189, 204	1660154.....157
1001109671477	1180189 272	1320019 ... 164, 165, 188, 204, 206, 220	1660157.....195, 201
1001110131477	1180200 272	1320021 171	1660160.....157
1001110984477	1180254 272	1320022 ... 163, 171, 184, 185, 201, 202, 213, 218, 235	1660170.....223
1001119693272	1180258 272	1320023 239	1660174.....223
1001119697272	1180270 272	1320030 213	1660175.....223
1001120496.....137	1180310 273	1320031 ... 186, 397, 401	1660183.....223
1060012....197, 210, 274, 421	1260017 ... 12, 15, 23, 79, 316	1320032 184, 204	1660185.....157
1060016....242, 248, 253, 417, 419, 424, 425	1260026 217	1320037 365	1660213.....157
1060030.....187	1260082 219	1320040 158	1660218.....224
1060039.....273	1260136 324	1320041 ... 162, 170, 175, 185, 189, 202, 218, 266, 316	1660249.....205
1060042....418, 419, 424, 425	1260168 269	1320042 171	1670221.....217
1060044.....161, 169	1260169 269	1320052 272	1670321.....265, 270
1060045....162, 171, 185, 187, 203, 218	1260319 269	1320058 162, 170	1670322.....286, 292
1060046....162, 170, 185, 203, 218	1280551 422	1320059 ... 163, 171, 365	1670335.....269
1060054.....219	1280555 416	1320060 169, 213	1670340....319, 320, 321
	1280556 423	1320062 165	1670366.....323
	1280577 423	1320070 ... 161, 184, 218	1670367.....276
	1280578 423	1320072 274	1670414....162, 169, 184, 201, 218
	1280584 422	1320109 ... 319, 320, 321	1670421.....286, 292
		1320121 270	1670422.....287
		1320122 365	1670456.....282
			1670468.....236

PART NUMBER INDEX

1670478.....	217	1681732.....	347	1700477.....	453, 459	1701742.....	454, 464
1670482.....	323	1681774.....	269, 359	1700502.....	319	1701747.....	460, 469
1670519.....	292	1681791.....	281, 341	1700503.....	319	1701795.....	465
1670523.....	185	1681792.....	341, 343	1700568.....	454	1701920.....	464, 470
1670526.....	323	1681796.....	341	1700575.....	454	1701922.....	463
1670594.....	158	1681797.....	341	1700580.....	454, 460	1701923.....	466, 470
1670607.....	323	1681843.....	331	1700582.....	453, 459	1701924.....	466, 470
1670630.....	292	1681847.....	357	1700583.....	454, 460	1701929.....	464, 470
1670644.....	266	1681893.....	28, 357	1700584.....	453, 459, 463, 469	1701930.....	465, 470
1670647.....	266	1681894.....	357	1700585.....	453, 459	1702153.....	454, 460
1670656.....	266	1681896.....	357	1700593.....	454, 460	1702276.....	453, 459
1670663.....	324	1681963.....	331	1700639.....	454	1702277.....	453, 459
1670664.....	324	1681991.....	75, 331	1700640.....	454, 459	1702282.....	455, 460
1670665.....	324	1681992.....	331	1700643.....	453, 459	1702284.....	454, 459
1670666.....	324	1682258.....	269, 360	1700735.....	454	1702292.....	454, 460
1670667.....	324	1682259.....	360	1700756.....	454	1702293.....	453, 459
1670668.....	266	1682260.....	16, 23, 327	1700788.....	246, 251	1702294.....	453, 459
1670671.....	324	1682261.....	327	1700789.....	246, 251	1702299.....	453, 459
1670672.....	324	1682268.....	15, 23, 80, 351	1700818.....	214	1702300.....	454
1670673.....	324	1682269.....	351	1700820.....	218	1702301.....	454, 460
1670715.....	324	1682439.....	351	1700821.....	162, 169	1702305.....	80
1670716.....	324	1682459.....	281, 341	1700901.....	184, 201	1702401.....	315
1670717.....	324	1682460.....	341	1700959.....	454	1702404.....	309
1670718.....	324	1682488.....	357	1700975.....	455	1702528.....	418
1670719.....	324	1682489.....	28, 80, 357	1700976.....	454	1702552.....	466
1670720.....	324	1682500.....	80, 351	1700977.....	453	1702573.....	463
1670721.....	324	1682602.....	272, 339	1700978.....	454	1702581.....	466
1670722.....	324	1682603.....	339	1700981.....	455, 465	1702583.....	464
1670723.....	324	1682691.....	83, 345	1701026.....	460	1702585.....	464
1670724.....	324	1682692.....	345	1701110.....	455, 465	1702586.....	463
1670836.....	276	1682694.....	345	1701321.....	460, 470	1702599.....	464
1680751.....	335	1683059.....	333	1701326.....	459	1702600.....	464
1680892.....	337, 339, 349	1683241.....	20, 329	1701334.....	459, 469	1702601.....	464
1680898.....	345	1683242.....	329	1701336.....	460	1702602.....	465
1680899.....	327	1683243.....	329	1701375.....	455, 463, 469	1702603.....	465
1681283.....	329, 347	1683389.....	19, 353	1701376.....	454, 464	1702604.....	464
1681322.....	355	1683390.....	21, 333	1701379.....	454, 464	1702606.....	466
1681331.....	335, 337, 339	1683391.....	333	1701431.....	460, 469	1702607.....	463
1681344.....	351	1683392.....	333	1701432.....	460, 469	1702608.....	463
1681411.....	351	1683395.....	19, 363	1701433.....	460, 469	1702609.....	464
1681420.....	345	1683494.....	281, 343	1701435.....	460, 470	1702612.....	453, 459
1681421.....	345	1683495.....	343	1701499.....	465, 470	1702660.....	463
1681423.....	359	1683497.....	343	1701500.....	455, 464, 465, 469	1702661.....	466
1681427.....	359	1683533.....	339	1701501.....	454, 459, 464, 469	1702662.....	465
1681431.....	359, 360	1683534.....	272, 339	1701502.....	454, 465, 470	1702663.....	455, 466
1681433.....	355	1683596.....	75, 331	1701503.....	454, 465, 470	1702666.....	463
1681435.....	355	1683597.....	331	1701504.....	454, 464, 469	1702668.....	463
1681437.....	351	1683991.....	333	1701505.....	455, 460, 464, 469	1702669.....	465, 470
1681438.....	327	1683992.....	333	1701509.....	453, 459, 463, 469	1702690.....	463
1681440.....	327	1700053.....	459	1701518.....	463, 464, 469	1702701.....	37
1681488.....	349	1700058.....	459	1701542.....	455, 460, 464, 469	1702720.....	456, 466
1681490.....	349	1700157.....	453, 459	1701543.....	455, 460, 464, 469	1702721.....	478
1681491.....	327	1700194.....	460	1701548.....	460, 470	1702722.....	464
1681492.....	327	1700195.....	459	1701643.....	37	1702788.....	476
1681548.....	272, 335	1700196.....	460	1701678.....	455, 460	1702835.....	465
1681559.....	83, 345	1700197.....	460, 469	1701680.....	455, 460	1702888.....	454, 460
1681560.....	269, 359	1700232.....	460	1701681.....	455, 460	1702961.....	456, 461
1681562.....	27, 80, 355	1700349.....	460	1701684.....	454, 464	1702962.....	456, 461
1681564.....	11, 80, 351	1700377.....	455	1701685.....	460, 470	1702966.....	455, 460
1681565.....	12, 327	1700419.....	454	1701703.....	454, 464	1702968.....	80
1681580.....	83, 349	1700422.....	454, 455	1701741.....	454, 464	1703083.....	76
1681581.....	12, 327	1700423.....	453			1703453.....	465
1681635.....	335	1700428.....	455			1703480.....	469
1681721.....	337	1700429.....	455, 464			1703504.....	37
1681722.....	272, 337	1700430.....	455			1703535.....	464, 470
1681730.....	281, 347	1700431.....	454			1703537.....	465, 470
1681731.....	347	1700476.....	453, 459			1703538.....	463, 469

PART NUMBER INDEX

1703546.....466, 470	2180134 71	2220237 402	2220498.....401
1703548.....466, 470	2180344 85	2220250 377	2220500.....379, 383
1703614.....466, 470	2180360 ... 172, 180, 183,	2220251 213	2220501....373, 375, 379,
1703666.....466	189, 201, 206, 213	2220261 401	385
1703667.....321	2180379 387, 389	2220270 373	2220504....379, 383, 385,
1703668.....321	2180387 213	2220273 ... 183, 201, 213	395
1703899.....463, 469	2180388 213	2220280 389, 391	2220507.....389, 405
1703900.....463, 469	2180389 213	2220290 402	2220515.....359
1704174.....476	2180398 236	2220295 189	2220568.....379, 383
1704277....453, 459, 463	2180399 236	2220296 218	2220577.....411, 413
1760019.....223	2180418 213	2220302 163	2220578.....383
1760068.....287, 293	2180420 214	2220313 213	2220582....375, 379, 385,
1760106.....223	2180450 217	2220315 ... 201, 202, 213	395, 397, 401, 407, 409
1780145.....288, 293	2180467 235	2220317 ... 163, 185, 218	2220584.....377
1780147.....262	2180479 413	2220343 389, 413	2220585....377, 380, 385,
1780148.....262, 265	2180491 397, 401	2220346 397	397, 402
1780171.....262	2180504 213	2220347 397	2220591.....387, 389
1780172.....261, 265	2180516 402	2220353 387, 389	2220596....380, 383, 384,
1780174.....261, 265	2180536 ... 171, 202, 214	2220362 ... 379, 380, 383,	397, 401
1780184.....242, 248	2180593 220	385	2220602.....385, 397
1780219.....261	2180605 236	2220366 380, 383, 385	2220603.....395
1780234....242, 248, 253	2180606 236	2220371 ... 373, 375, 387,	2220605....373, 375, 377,
1780239.....262	2180614 236	389, 391, 395, 397, 401	380, 383, 385, 393,
1780252.....288, 293	2180615 387, 389	2220372 ... 373, 375, 389,	397, 402, 407
1780270.....265	2180666 193, 195	413	2220606....375, 383, 402
1780271.....265	2180671 220	2220373 384, 397, 401	2220608.....402
1780288.....288, 293	2180730 172, 180	2220374 380, 397	2220609....380, 385, 389,
1840002.....247, 253	2180749 172	2220375 ... 379, 383, 385,	402, 405, 411
1870003.....426, 483	2180763 158	397, 401	2220618....377, 397, 401
2000070.....217	2180776 413	2220383 384	2220619....380, 385, 389,
2000083....161, 165, 170,	2200051 ... 185, 203, 218	2220385 ... 383, 384, 389,	395
172	2200052 235	398, 402	2220621.....397, 401
2000088.....183	2200053 186, 203	2220386 383, 385	2220622....379, 383, 398,
2000115....161, 165, 170,	2200102 359	2220396 384, 391, 413	401
172	2200201 ... 331, 335, 337,	2220399 389	2220624.....398, 402
2000126.....201, 204	341, 343, 347, 349	2220413 401	2220635....380, 385, 395,
2000153.....201, 204	2200202 331, 337	2220414 ... 373, 377, 383,	401, 411, 413
2000157.....201, 205	2200203 236	389, 393, 397, 401,	2220648.....213
2000159.....201, 205	2200204 214	405, 411	2220651.....413
2060015.....184	2200213 ... 335, 341, 343	2220415 ... 379, 383, 397,	2220657.....402
2060016.....184	2200221 ... 214, 331, 341,	401	2220671.....384
2060025.....204	359	2220416 ... 373, 393, 402,	2220673.....397, 401
2120039.....235	2200222 ... 157, 331, 347	405, 409, 411	2220675.....213
2120042.....218	2200233 341	2220417 380, 397, 402	2220677.....402
2120077.....213	2200261 ... 162, 170, 219,	2220428 377, 397, 401	2220679.....377
2120078.....87	242, 249, 254	2220429 377, 397, 401	2220681.....397, 401
2120079.....87	2200268 236	2220430 213	2220684.....401
2120087.....162	2200341 138	2220435 379, 384	2220695.....397
2120103.....236	2200345 217	2220437 ... 202, 213, 402	2220696.....398, 401
2120104.....236	2200349 220	2220438 384, 389, 405	2220700....383, 384, 398,
2120107.....236, 472	2200414 359	2220444 398, 413	401
2120112.....189	2200461 213	2220446 389, 405	2220711.....379, 383
2120113.....187	220385 413	2220451 379, 383, 401	2220720.....163, 171
2120114.....187	220619 413	2220465 ... 379, 383, 397,	2220727.....402
2160001 15, 23, 287, 293,	2210016 213	401	2220728.....236
335, 337, 355	2220001 ... 161, 162, 171,	2220466 ... 379, 383, 393,	2220738.....401
2160002....11, 15, 23, 27,	219	395, 411	2220752.....377, 402
28, 84, 138, 269, 281,	2220052 402	2220468 409	2220758.....391, 413
285, 286, 291, 292,	2220061 71	2220469 383	2220800.....379
331, 337, 339, 341,	2220063 84, 85, 171	2220472 375, 397, 401	2220808.....397, 401
343, 345, 347, 349,	2220070 398, 401	2220473 375, 387, 389	2220809.....397, 401
351, 357	2220082 213	2220481 379, 383	2220811.....380, 385
2160006.....84, 288, 293	2220113 389	2220490 387, 389, 395	2220819.....402
2166003.....79	2220114 398, 401	2220491 398, 402	2220820.....397, 402
2180049.....138	2220124 84	2220492 373	2220822.....380
2180053.....236	2220221 391, 413	2220496 409	2220833.....379, 383
2180104.....214	2220235 383	2220497 389, 405, 411	2220847.....397

PART NUMBER INDEX

2220861 407	2580018 236	2750891 373, 379, 380,	2751869 389
2220868 379, 383	2580024 477	384	2751887 405
2220883 345	2600093 241, 245, 251	2750892 384	2751899 409
2220885 333, 339	2600094 242, 249, 254	2750894 373, 379, 380,	2751905 389
2220886 333	2600095 288	384	2752011 402
2220887 345	2600105 307, 311, 315	2750895 393	2752015 402
2220898 397	2600132 307, 311, 315	2750896 393, 409	2752016 402
2220899 383, 387	2600143 293	2750900 393, 401, 411	2752084 402
2220902 401	2620022 79	2750901 402	2752247 380, 384
2220909 380, 407	2620041 79	2750902 397, 401	2752401 384
2220914 385	2620042 79	2750910 387, 389	2752402 384
2220994 201	2660042 271	2750916 373, 375	2752427 85
2360182 11	2660047 279	2750918 387	2752454 379, 384
2360188 11	2660048 279	2750919 389	2752471 375
2360189 27	2660049 279	2750927 383	2752480 375, 395
2360256 11	2660050 279	2750929 384	2752500 379, 383
2360263 27	2660051 279	2750970 397	2752501 384
2360273 27	2660052 279	2750977 379, 384, 397,	2752503 380, 384
2360302 15	2660054 279	401	2752574 383
2360335 11	2660055 279	2750990 387, 389	2752584 395
2360341 11, 15	2660083 279	2750997 389	2752592 384
2360398 19	2660084 279	2750998 387, 389	2752630 395
2360543 11	2680334 187	2751003 413	2752979 375
2400005 420	2680386 187, 203	2751004 397, 401	2753327 413
2400006 425	2720015 185, 203, 218	2751010 377, 379, 384	2760025 157
2400008 417, 425	2720016 189, 193, 195	2751013 379, 384	2760064 287, 292
2420001 242, 249, 254	2720042 169	2751014 380, 384, 402	2760091 157
2420006 242	2720058 201, 203, 213	2751015 397, 407	2780055 137, 155
2420009 242, 248, 253	2720112 213	2751017 397, 402	2780093 31, 67
2420019 ... 185, 203, 243,	2720117 213	2751018 377, 398	2780094 31, 67
249, 254	2720149 213	2751021 379	2780109 11, 19, 27
2420024 183, 201	2720160 183, 204	2751026 379, 383	2780114 33, 34, 67
2420030 ... 163, 171, 242,	2720224 162, 170	2751104 413	2780136 31, 67
249, 254	2720232 185	2751114 373, 413	2780138 32, 35, 65
2420033 183, 201	2720244 397, 401	2751129 375	2780142 ... 31, 32, 34, 67
2420035 ... 185, 203, 242,	2720254 185	2751151 387, 389	2780144 33, 67
249, 254	2720262 218	2751310 384	2780146 31, 67
2420050 319, 320, 321	2720271 ... 163, 171, 202,	2751321 379, 383	2780187 33, 67
2420055 319, 320, 321	213	2751337 397, 401	2790946 370
2420057 319, 320	2720366 163	2751339 379, 383	2790949 369
2420080 236	2740080 417	2751345 384	2791052 368
2420091 248, 253	2750015 163	2751359 397, 401	2791053 369
2420109 206	2750127 397, 401	2751391 373, 402	2791054 368
2420156 248	2750527 ... 161, 169, 219,	2751395 384	2791055 368, 373
2420159 185, 249, 254	243, 249, 254	2751396 402	2791056 369
2420164 185, 249, 254	2750528 84	2751397 377, 398, 402	2791057 369
2420184 321	2750532 ... 163, 171, 184,	2751398 379, 384, 395	2791060 368
2420185 321	201, 213	2751404 375, 384	2791061 369, 405
2420203 179, 197, 209	2750759 384	2751406 375	2791063 369
2440043 287, 293	2750760 379, 384	2751410 393	2791099 368
2440044 287, 293	2750762 379, 380, 383	2751419 384	2791102 370
2440050 137	2750766 383, 384, 391	2751424 402	2791103 370
2440054 137	2750774 379, 380, 385	2751435 395	2791104 370
2440055 137	2750776 379, 380, 384	2751455 389, 405	2791105 370
2460011 179, 197, 209	2750777 ... 379, 380, 384,	2751465 379, 384	2791106 370
2500004 195	385	2751467 384, 397, 401	2791107 370
2500005 201	2750778 402	2751468 384	2791108 370, 409
2540003 239	2750779 387, 389	2751472 379	2791109 370
2540016 258	2750784 373	2751482 397, 401	2791110 370
2551030 165	2750785 387, 389, 411	2751484 397	2791111 370, 405
2560010 288, 294	2750791 379, 383	2751494 397, 401	2791112 370
2560038 299, 303	2750792 384	2751506 398	2791177 368
2560039 303	2750794 384	2751507 384	2791233 368
2560040 299, 303	2750872 383, 401	2751833 389	2791234 368
2560041 299, 303	2750874 ... 383, 384, 397,	2751834 375	2791239 368, 379
2560066 88	401	2751838 387	2791249 368, 391
2560112 307, 308, 309	2750889 ... 397, 401, 407	2751857 389	2791253 370, 391

PART NUMBER INDEX

2791254.....369, 370	2900365..... 359, 360	2920105.....258	3251537.....300
2791257.....369, 370	2900381 ... 337, 339, 349	2920109.....258	3251548.....455, 461
2791263.....369, 370	2900383.....329	2920110.....420	3251549.....455, 461
2791265.....370, 379	2900389.....360	2920111.....323, 422	3251551....300, 304, 312
2791266.....369	2900394.....341	2920113.....420	3251569.....453
2791285.....369, 370, 411	2900449.....47	2920162 ... 179, 197, 209	3251596.....324
2791385.....370, 383	2900455.....143, 297	2940006 ... 288, 293, 473	3251607.....455, 461
2791448.....369	2900477.....141	2940042 ... 242, 248, 253, 262, 265	3251637.....454, 460
2791553.....368, 370, 377	2900503.....103	2940050 ... 261, 262, 266	3251650....241, 246, 247, 252
2791590.....369, 370	2900627.....48	2940051.....265	3251655.....300, 304
2791684.....368	2900641.....54	2940052.....307, 311	3251665.....453, 459
2791698.....369, 370, 407	2900642.....148	2950052.....315	3251678.....311
2791700.....369, 370, 407	2900659.....40	2960006 ... 300, 304, 312, 316, 320, 321	3251695.....418
2791725.....368, 383	2900662.....57	2960010.....321	3251741.....300
2791758.....369, 370, 413	2900677.....456	2960011.....321	3251742.....303
2791799.....369, 370, 393	2900678.....461	2980089.....71, 75	3251746.....304
2791816.....369, 370, 397	2900698.....105	3010081.....193	3251747.....418
2791870.....368	2900707.....135	3010088.....324	3251766.....453, 459
2791871.....368	2900708.....135	3020021.....224	3251780.....455, 461
2791873.....368	2900709.....135	3020025.....287, 293	3251786.....453, 459
2791879.....426	2900733.....145, 297	3040145.....79	3251813....455, 460, 465
2791880.....369	2900756.....103	3160083 ... 287, 292, 297	3251836.....236
2791931.....370	2900766.....59, 62, 152	3160104.....31, 48	3251858.....315
2791935.....369, 370, 413	2900767.....59, 62, 152	3160115.....137, 141	3251864.....254
2791955.....368	2900768.....59, 62, 152	3160129.....32, 34, 46	3251865.....254
2791985.....369, 401	2900770 ... 73, 105, 333, 335, 339, 345, 347	3160130.....46	3251866.....254
2791991.....369, 370, 413	2900788.....51	3160138.....137, 143	3251867.....254
2792055.....370, 387	2900792 ... 329, 337, 341, 343	3160179.....46	3251868.....254
2792067.....368, 387	2900793 ... 345, 359, 360	3160189.....46	3251869.....254
2792068.....368, 389	2900838.....479	3160204.....34, 46, 51	3251870.....71, 453, 459
2792069.....368	2900928.....456	3160274.....137, 145	3251880.....252
2792206.....369	2900929.....461	3160341.....32, 46	3252084.....320
2792207.....368	2900939.....466	3160342.....34, 46	3252086.....300
2792231.....369	2901102.....331	3160343.....34, 46	3252087.....455, 461
2792261.....368	2901103.....357	3200062.....217	3252088.....247
2792262.....368, 383	2901103.....357	3200133 ... 161, 169, 184	3252095.....456, 461
2792263.....368, 379	2901113.....347	3200183 ... 161, 169, 184, 204	3252107.....455, 461
2792264.....369, 395	2901120.....335	3200194.....286	3252139.....309
2792267.....368	2901121.....327	3200198.....183	3252140.....308
2792274.....368	2901123.....351	3200206.....161	3252144.....455, 461
2792280.....368	2901146.....157	3200222.....265	3252220.....463, 469
2792281.....368	2901148.....355	3200227.....169	3252221.....476
2792282.....368, 375	2901171.....476	3200228.....169	3252238.....324
2792293.....368	2901271.....333	3200229.....169	3252321.....417
2820001.....219	2901480.....343	3200306.....169	3252341.....466, 470
2820022.....316	2910002.....271	3200332.....239	3252343....246, 247, 252
2820031.....385	2910016.....466	3200377.....201	3252344.....247
2820053.....266	2910017.....467	3220043 ... 165, 188, 206, 220	3252345.....419
2820056.....266	2910047.....466	3220052.....188, 204	3252346.....320
2820057.....266	2910479.....185, 203	3220058.....188, 220	3252347.....453, 459
2820058.....266	2920009.....323	3220077.....164	3252353.....308
2860002....241, 245, 251	2920013.....323, 421	3220080.....165	3252356.....455, 461
2860012....179, 197, 209	2920015 ... 299, 300, 303, 304, 307, 311, 315	3220082.....169	3252364.....309
2860030....245, 251, 472	2920018.....258, 323	3220115.....206	3252369.....455, 461
2880404.....285, 291	2920019.....258	3250444.....453, 459	3252374.....315
2880410.....79	2920026 ... 309, 312, 316, 418, 420	3250453.....453, 459	3252453.....75
2880419.....217	2920027 ... 247, 253, 418	3250840.....80	3252489.....463
2900034.....155	2920029 ... 247, 253, 309, 312, 316, 418, 420	3250872.....79	3252540.....463, 469
2900062.....393	2920034.....418	3250914.....186, 203	3252554.....321
2900068.....323, 421	2920081.....258	3251028.....455, 461	3252555.....246
2900088.....345	2920082.....258	3251243 ... 237, 454, 460	3252556.....321
2900097.....193	2920096.....323	3251272.....237	3252637.....247
2900120.....227, 231	2920100.....323	3251476 ... 179, 197, 209	3252638....246, 247, 252
2900131.....53, 147			3252640.....247
2900138.....69			3290801.....175
2900164.....163, 219			
2900202.....69			

PART NUMBER INDEX

3300007 ... 11, 19, 27, 31, 32, 33, 34	206, 213, 257, 261, 262, 265, 277, 289, 294, 299, 303, 320, 321, 454, 460, 465, 470	3420290.....158	3422512..... 21
3300029 ... 163, 170, 185, 203, 218	3311501 ... 77, 87, 88, 89, 103, 106, 164, 185, 198, 202, 239, 254, 270	3420292.....79	3422520..... 19
3300047 ... 299, 303, 307, 311, 315	3311505 . 12, 16, 24, 170, 204, 261, 262, 263, 265, 308, 311, 315, 466	3420372.....80	3422522..... 19
3300048 ... 197, 210, 241, 242, 245, 251, 299, 303, 311, 315	3311508262	3420410.....270	3422599..... 20
3300073 88	3311601 ... 21, 71, 75, 84, 87, 103, 163, 164, 171, 185, 202, 209, 218, 235, 236, 239, 270, 279, 285, 286, 291, 359	3420414.....269	3422600..... 20
3300101 335, 337	3311602270, 282	3420447.....80	3422601..... 21
3300143 286	3311605 ... 176, 218, 219, 261, 265, 272, 281, 282, 285	3420600.....270	3422602..... 21
3300147 307	3311701 186, 203	3420620..... 11, 15, 23	3422603..... 21
3300151 12, 16, 24, 72	3311801 32, 34, 158, 239	3420761.....138	3422604..... 21
3300175 11, 15, 23, 28	3311803276	3420860.....79	3422605..... 21
3300177 ... 241, 245, 251, 299, 303, 307, 311, 315, 320	3311805 . 20, 75, 83, 286, 288, 291, 293	3421029.....269	3422606..... 19
3300182 242, 248, 254	3312001 171	3421142.....276	3422766..... 281
3300184 327	3312002 84	3421165.....83	3422768 281
3300187 351	3312005 ... 138, 161, 169, 183, 204, 217	3421176....285, 286, 291, 292	3430304..... 220
3300194 359	3312202 . 12, 16, 24, 269, 359	3421203.....12	3430406..... 175
3300202 183	3312601 79	3421204..... 12, 16	3430620..... 138
3300205 235, 236	3312602 ... 11, 15, 21, 23, 27	3421205.....269	3431622..... 27
3300207 345	3312605 79	3421206.....269	3440816..... 287, 293
3300208 20	3313002 21	3421207.....272	3441228 287, 293
3300218 175	3321001 ... 164, 171, 299, 304	3421209.....269	3450203 ... 175, 220, 269
3300220 ... 164, 171, 188, 220	3321401 ... 175, 195, 202	3421264.....269	3450303..... 269
3300229 27	3321601 ... 319, 320, 321	3421275..... 12, 16	3450405..... 276
3300234 341	3322403 11, 27	3421315.....27	3450505..... 276
3300241 269	3322601291	3421325.....80	3450508 75
3300245 357	3323002 ... 11, 15, 19, 23, 27, 79	3421330..... 11, 15, 23	3450606..... 27
3300247 28	332340228	3421349.....270	3450610..... 83
3300270 327	332420327	3421350.....269	3450806..... 271
3300271 357	3340251 ... 13, 16, 20, 24	3421376.....282	3450810..... 12, 27
3300272 337, 339, 349	3340383 359	3421426....285, 286, 292	3451012..... 11, 20, 27
3300273 355	3340394270	3421428.....281	3460065..... 158
3300276 341	3340399271	3421429.....281	3480093..... 345
3300278 347	3340401270	3421505.....28	3480102..... 331
3300280 329	3340403271	3421506.....28	3480113..... 359, 360
3300281 331	3340454 285, 291	3421507.....28	3480120 ... 335, 337, 339, 349
3300294 359	3340460270	3421508.....28	3480122..... 329
3300295 345	3340462270	3421511.....281	3480123..... 327
3300301 351	3340527 13, 16	3421513.....281	3480124..... 341
3310601 ... 241, 245, 251, 307	3340788275	3421520.....83	3480126..... 347
3310801 ... 161, 164, 169, 171, 184, 188, 193, 203, 218	3340831 75	3421524.....28	3480127..... 360
3311001 ... 158, 164, 187, 188, 197, 202, 209, 220, 241, 245, 251, 299, 303, 308, 311, 315, 320	3380309 ... 242, 248, 253	3421565..... 12, 16, 23	3480130..... 357
3311401 ... 72, 73, 76, 88, 103, 161, 162, 164, 165, 170, 172, 175, 179, 184, 185, 188, 189, 193, 195, 202, 204, 213, 217, 218, 220, 235, 236, 242, 248, 254, 257, 258, 266, 269, 276, 279, 316, 377	3380318 186	3421584.....75	3480134..... 351, 355
3311405 . 21, 72, 76, 169, 171, 186, 202, 203,	3380319 186	3421673.....275	3480176..... 333
	3380320 163	3421709..... 16, 24	3480188..... 343
	3380339218	3421710..... 16, 23	3500812..... 72
	3380418265	3421713..... 15, 23	3501916..... 137
	3420085 83	3421815.....84	3508393..... 257
	3420158 11, 15, 23	3421816.....272	3509182..... 276
	3420182 138	3421818.....11	3509714..... 187
		3421819.....281	3509858..... 299, 303
		3421821.....281	3510138..... 288
		3421823.....281	3510139..... 288
		3421825....285, 286, 292	3510141..... 288
		3421874.....28	3510148..... 288
		3421876.....27	3510150..... 288
		3421880.....80	3510153..... 288
		3421892.....79	3510161..... 288
		3421906..... 15, 23	3510194..... 293
		3421950.....282	3510211..... 293
		3422019....285, 286, 292	3510223..... 293
		3422403.....291	3510231..... 293
		3422422.....21	3510234..... 288
		3422507.....21	3510254..... 293
		3422508.....21	3510262..... 288
		3422509.....20	3510268..... 288
		3422510.....20	3510269..... 288
		3422511.....21	3510270..... 288

PART NUMBER INDEX

3510271.....288	3570376.....466	3760370.....333	3911014....299, 303, 311, 315, 320
3510272.....288	3570697.....204	3790012 ... 241, 245, 251, 299, 300, 303, 304, 307, 309, 311, 312, 315	3911016.....245, 251
3510276.....293	3580079.....217	3790014.....133	3931010.....287, 293
3510277.....293	3580092.....319	3790015.....133	3931612.....287, 293
3510278.....293	3580100.....180	3790016.....105, 133	3931620.....287, 293
3510279.....293	3580109.....179	3790118.....105, 133	3931720.....333
3510296.....482	3580134.... 180, 197, 209	3790155.....137	3931840.....32
3510297.....482	3580183.....320, 321	3790159.....32, 33, 35	3931852.....32, 35
3510298.....482	3580239.....209	3790211.....105, 133	3931864.....137
3510299.....483	3580250.....209	3820001.....79, 454, 456, 459, 461, 464, 469	3940804.....202
3510300.....483	3600052.....163, 219	3820009.....218	3941404.....258
3510304.....482	3600071 ... 163, 171, 187, 203, 219	3820012.... 261, 262, 266	3941405.....261, 262
3510305.....483	3600072 ... 162, 183, 217, 231	3820018.....266	3941406.....265, 266
3510306.....483	3600107.... 161, 217, 227	3840800.....359	3941804.....185
3510319.....288	3600113.... 161, 183, 217, 227	3840818.....176	3951403.....327, 341
3510320.....288	3600125.... 162, 183, 227	3840819.....175	3951405.....359
3510329.....288	3600139... 162, 169, 184, 201, 217, 233	3840821.....193	3951603.....269
3510348.....288	3600141.....219	3840821.....193	3951608.....270
3510353.....288	3620026.....185, 203	3840831.....273	3951820.....157
3510358.....288	3640492.....245, 251	3840844.....275	3952016.....84
3510380.....293	3640493.... 241, 246, 252	3840855.....193	3960212.....269, 270
3510393.....293	3640555.....245, 251	3840856.....27	3960240.....303
3510437.....288	3640752.....307	3840858.....274	3960250.....299
3510439.....288	3730018.....187	3840898.....195	3960251....299, 303, 311, 315, 320, 321
3510506.....288	3740002.... 164, 220, 258	3840935.....28	3960343.....11, 19, 27
3510512.....288, 293	3740013.....418	3841012.....274	3960356.....279
3510652.....293	3740016 ... 241, 246, 252, 472	3841013.....273	3960357.....279
3510658.....293	3740028.....217	3841014.....275	3960371.....236
3520022.....236	3740030.....164	3841115.....79	3960389.....266
3520028.... 179, 197, 209, 252	3740044.....418	3841143.....19, 21	3960418.....266
3520034.....308	3740049... 187, 241, 245, 251, 309, 324, 416, 417, 419, 420, 424, 425, 472	3841252.....274	3960429.....266
3520048.....27	3740055.....175	3841255.....201	3960433.....266
3530120.....83	3740057 ... 241, 246, 252, 473	3841287.....21	3960465.....237
3530138.....277	3740058 ... 241, 246, 252, 473	3860046.....273	3972218.....12, 16, 24
3530210.....213	3740059 ... 164, 171, 188, 474	3860048.....275	3980003.... 185, 203, 218
3530380.....12, 16	3740061.....188	3860050.....273	3980006.....162, 170
3530381.....12	3740063.... 241, 246, 252	3900022.....163, 218	3980007.....203
3530403.....157	3740066.... 241, 246, 252	3900060.....88	3990001.....419
3530425.... 164, 171, 220	3740067 ... 164, 171, 187, 188, 204, 220, 258, 419, 472	3900111.... 319, 320, 321	3990010.... 416, 417, 418, 419, 420, 421, 423, 424, 425, 473
3530997.....455, 461	3740080 ... 164, 171, 204, 420, 474	3900139.....345, 357	4040126.....83
3531023.....307, 315	3740099.....418	3900140.....345	4040129.....84
3531715.....13, 16	3760004.....157	3900141.....351, 355	4040218.....291
3531946.....28	3760006.....158	3900146.....79	4060087.... 300, 303, 304, 311, 312, 315
3532341.....28	37600036.....158	3900159.... 285, 287, 292	4060092....299, 303, 308, 311, 315
3532839.....75	3760053.....158	3900168.....72	4060229.... 300, 307, 309, 315
3534605.....80	3760106.....12, 15, 23	3900170 ... 327, 329, 331, 337, 339, 341, 347, 349, 351, 355, 357, 359	4060431.....72
3534606.....80	3760108.....158	3900172.....345	4060432.....72
3535951.....266	3760133.....272, 281	3900219.....21	4060568.....270, 276
3536008.....171	3760140.... 12, 16, 20, 23	3900220.....21	4060574.....235
3536088.....265	3760143.....28	3900223.....19	4060579.....198
3536244.....186	3760233.....269, 281	3900263.....21	4060603.....270
3536282.....266	3760235.....217	3900294.....308, 316	4060608.....87
3536549.....186, 202	3760237 ... 281, 285, 287, 292	3910606.... 241, 245, 251	4060610.....161
3536671.....455, 461		3910608.....307	4060649.....72
3538387.....204		3910610.....241	4060673.....274, 276
3538391.....315		3910808.....193	4060696.....198
3538394.....309		3910812 ... 161, 169, 184, 195, 203, 218, 321	4060701.....187
3539103.....21		3911006.... 241, 245, 251	4060702.....72
3539240.....21		3911008 ... 241, 245, 251, 299, 303, 311	4060802.....253
3539241.....21		3911012 ... 158, 187, 241, 299, 303, 315	4060803.....266
3539244.....20			
3539579.....21			
3539580.....21			
3539631.....76			
3539634.....20			
3539843.....75			

PART NUMBER INDEX

4060808 103	4160086 175	4360067 189	4420008 307, 315, 320
4060829 258	4220007 323	4360069....241, 245, 251, 472	4420016 276
4060833 274, 275	4220044 319, 320, 321	4360073....241, 247, 252	4420017 276
4060841 266	4240018 277	4360075.....417	4420018 276
4060908 72	4280002 163, 171	4360085.....417	4420037 ... 245, 251, 308, 316
4070497 271	4280195 279	4360089.....418	4420038 299, 303, 311
4070498 271	4280197 279	4360141....247, 253, 299, 303, 311, 315	4420052 466, 470
4070501 270	4280237 241	4360157 189, 206, 418	4430038 261
4070502 270	4280242 270	4360171 257	4460007 237
4070503 270	4280252 218	4360179..... 172, 418	4460023 72, 179, 197, 210
4070504 270	4280255 279	4360182.... 189, 206, 418	4460027 179, 197, 209
4070507 271	4280256 279	4360184..... 402, 417	4460049 72, 237, 257, 277, 299, 303, 311
4070508 271	4280257 279	4360186....241, 245, 251, 472	4460051 ... 241, 245, 251, 299, 303, 311, 315
4070555 270	4280258 279	4360188.....214	4460052 ... 299, 303, 307, 311, 315
4070556 270	4280282 279	4360199....241, 245, 251, 299, 300, 303, 304, 307, 309, 311, 312, 315, 420, 473	4460071 ... 197, 210, 241, 242, 245, 251, 289, 294, 299, 303, 308, 311, 316
4070574 12, 16, 21, 24	4300031 72, 88, 236, 242, 249, 254, 257, 258, 266, 269, 279	4360200....247, 252, 253, 300, 304, 307, 309, 311, 315, 473	4460082 237
4070575 12, 16, 21, 24	4300032 . 12, 16, 24, 162, 170, 185, 202, 204, 218, 257, 276, 279	4360201....247, 252, 417, 473	4460134 197
4070576 12	4300033 .. 87, 88, 89, 103	4360202....241, 245, 247, 252, 253, 299, 303, 304, 307, 309, 311, 312, 315, 418, 473	4460137 237
4070577 12	4300034 84, 87, 103, 171, 186, 203, 218, 235, 239, 261, 265, 279	4360204....241, 300, 304	4460190 ... 179, 197, 209, 299, 303, 308, 311, 316
4070585 210, 287, 293	4300036 273, 276, 377	4360209....299, 303, 308, 315, 420, 473	4460234 247, 253
4070586 210, 287, 293	4300038 77, 106, 186, 203, 218, 262, 263, 265	4360212....241, 423, 424, 425, 474	4460244 246, 252
4070587 210, 287, 293	4300042 273, 276	4360215.....324	4460263 ... 241, 299, 303, 311, 315
4070670 13, 16, 24	4300045 83, 239	4360216.....421	4460264 421
4070671 266	4300056 183, 201	4360228.....425, 426	4460298 245, 251, 307
4070672 13, 16, 24	4300076 282	4360236.....72	4460299 245, 251, 307
4070674 13, 16, 20, 24	4300092 32, 33, 34	4360237.....72	4460300 246, 252, 308
4070727 275	4300097 32, 33, 34	4360274....245, 251, 299, 303, 307, 311, 315, 324, 417, 419, 473	4460301 245, 251, 307
4070923 20	4320002 311	4360277 72, 474	4460302 175
4070987 245, 251	4340343 185, 202	4360282.....307	4460303 245, 251
4070991 245, 251	4340397 138	4360289.....307	4460305 245, 251, 308
4100025 ... 164, 188, 204, 220	4340398 138	4360294.....419	4460306 245, 251, 308
4100026 275, 375, 385	4340413 270, 276	4360295.....477, 479	4460307 245, 251, 308
4100027 46	4340420 188, 220	4360305.....324	4460308 245, 251
4100028 47	4340421 188, 220	4360314.....76, 307	4460311 245, 251, 308
4100029 47	4340436 198	4360405.....202	4460386 307
4100051 379, 383	4340437 198	4360466....245, 251, 472	4460488 253
4100052 385	4340438 198	4360475.....307, 473	4460521 324
4120002 241, 246, 252	4340453 272	4360476.....307, 473	4520007 36
4120012 241, 246, 252	4340470 188, 220	4360542.... 179, 197, 209	4520009 36
4120013 241, 246, 252	4340483 165	4360802.....247	4520060 37
4130153 15, 23	4340511 179	4400038.....239	4520126 35, 36
4130154 15, 23	4340519 273	4400216.....235	4520130 36
4130155 12	4340520 272	4400275.....239	4520142 36
4130156 11	4340525 185, 203	4400385.....235	4520149 37
4130165 27	4340562 272	4400389.....235, 479	4520178 35, 36
4130166 27	4340565 198	4400390.....235	4520215 37
4130191 28	4340570 275	4400420.....239	4520258 37
4130192 28	4340576 272	4420001.... 161, 163, 169, 170, 219	4560161 217
4130199 27	4340578 273		4560927 73
4130234 12	4340635 272		4561061 276
4130235 11	4340636 276		4561774 319, 320
4130244 12	4350106 257		4562083 286, 292
4130245 11	4360003 241, 245, 251		4562516 ... 184, 204, 235, 271
4130333 19	4360016 241		4562636 188
4130334 19	4360031 289, 294		4562637 183
4130337 19	4360037 ... 172, 180, 183, 201, 206, 418		4562664 164
4130338 19	4360057 71, 257, 276, 324, 474		
4130343 19	4360065 172, 418, 420		
4130344 19			
4140010 93			
4160024 176			
4160026 285, 291			
4160028 323			
4160058 319, 320, 321			
4160081 263, 265			
4160084 193			

PART NUMBER INDEX

4562687.....355	4640456 87, 91	4712000 ... 12, 16, 20, 24, 34	4751500....71, 73, 76, 77, 79, 87, 88, 89, 103, 106, 155, 164, 170, 171, 179, 193, 197, 209, 239, 254, 257, 261, 262, 263, 265, 269, 270, 308, 311, 315, 466
4562877.....359	4640461 88, 129	4712200 21, 276	4751600....12, 15, 16, 20, 23, 71, 83, 87, 103, 164, 171, 175, 176, 179, 185, 198, 202, 209, 218, 219, 224, 235, 239, 261, 262, 265, 270, 279, 281, 285, 286, 319, 320, 321
4562902.....345	4640462 88	4712600 11, 15, 23, 27	4751700.....103, 186
4562910.....327	4640479 73	4713400 75	4751800....20, 32, 34, 73, 83, 161, 184, 239, 286, 291
4562928.....162	4640495 ... 335, 345, 347	4740003 269	4752000....171, 286, 291
4562929.....165	4640509 ... 329, 331, 337, 341, 343	4740004 138	4753000.....79
4563004.....351	4640512 105	4740006 84	4760600....241, 245, 251, 307
4563021.....220	4640513 103	4740036 80	4760800....188, 193, 195, 299, 303, 308
4563031.....349	4640514 104, 109	4740040 83	4761000....11, 20, 27, 72, 158, 164, 187, 188, 197, 202, 209, 220, 241, 245, 251, 257, 277, 299, 303, 308, 311, 315
4563167.....387, 389, 405	4640519 106, 131	4740057 269	4761400....12, 16, 72, 76, 87, 88, 103, 158, 161, 162, 164, 165, 169, 170, 175, 179, 184, 185, 188, 189, 193, 195, 202, 204, 213, 217, 218, 219, 220, 235, 236, 239, 242, 248, 254, 257, 258, 261, 262, 265, 269, 276, 279, 286, 292, 316, 320, 377
4563577.....347	4640520 104, 397	4740082 15, 23	4761500....28, 71, 73, 77, 79, 87, 88, 89, 103, 106, 157, 164, 170, 171, 179, 185, 193, 197, 202, 209, 239, 254, 261, 263, 266, 270
4563657.....341, 343	4640521 105	4740104 138	4761600....15, 21, 23, 28, 71, 75, 83, 87, 88, 103, 162, 164, 171, 179, 202, 209, 218, 223, 224, 235, 236, 239, 270, 279, 281, 285, 286, 287, 291, 292, 293, 319, 320, 321, 359
4563869.....357	4640522 105, 377	4740111 11	4761700....103, 186, 203
4563996.....254	4640523 105	4740116 193, 198	4761800....31, 32, 33, 75, 83, 137, 157, 161, 169, 183, 185, 202, 217, 239, 269, 286, 359
4564046.....339	4640524 104, 109	4740120 ... 246, 252, 307	4762000..31, 32, 33, 171, 217
4564066.....79	4640525 333	4740154 19	
4564123.....198	4640535 106, 133	4740158 286, 292	
4564128.....331	4640558 254	4740171 137	
4564281.....206	4640559 315	4740185 270	
4564328.....198	4640560 316	4740189 137	
4564329.....198	4640561 106, 109	4740191 161, 169	
4564417.....209	4640571 106, 121	4740199 287, 292	
4564745.....327	4640575 397, 401	4740242 ... 161, 169, 183, 204	
4564757.....351	4640580 106, 135	4740252 165	
4565099.....329	4640618 187	4740256 287, 293	
4565166.....71, 75	4640634 339	4740274 79	
4565267.....165	4640645 105, 121	4740275 209	
4565268.....165	4640646 105, 121	4740277 84	
4565269.....165, 169	4640671 71	4740283 11, 20, 27	
4565351.....327	4640682 71	4740307 28	
4565655.....170	4640692 105, 121	4740311 79	
4565751.....170	4640700 71	4740314 27	
4565873.....387	4640710 105, 121	4740322 236	
4566605.....201	4640711 104, 121	4740332 281	
4566650.....209	4640716 106, 135	4740333 281	
4567169.....204	4640730 105, 121	4740338 236	
4620017.....83	4640734 105, 121	4740342 28	
4620022.....83	4640742 169	4740356 21	
4620083.....83	4640748 315	4740362 ... 171, 265, 289, 294, 320, 321	
4640005.....393	4640749 316	4740385 285, 287, 292	
4640013.....402, 411	4640750 184, 201	4740390 282	
4640039.....71, 75	4640771 105, 347	4740446 19	
4640113.....37	4640820 129	4740451 19	
4640123.....88, 89, 103	4640839 104	4740461 21	
4640128.....384	4640858 333	4741000 316	
4640136.....87	4640871 72	4750600 218, 307	
4640151.....88	4640909 105, 125	4750800 202, 308	
4640197.....377, 397, 401	4640913 ... 104, 113, 117	4751000 ... 158, 164, 187, 197, 209, 220, 269, 277, 299, 304, 308, 316	
4640210.....345, 360	4640914 104, 113	4751400 ... 13, 16, 21, 24, 72, 75, 87, 88, 103, 158, 161, 165, 170, 175, 184, 185, 188, 193, 195, 202, 204, 206, 213, 217, 218, 235, 236, 242, 248, 253, 257, 258, 261, 262, 263, 265, 269, 276, 277, 286, 292, 299, 303, 316, 320, 321, 377, 454, 460, 465, 470	
4640212.....359, 360	4640918 106, 117		
4640216.....389, 391, 413	4640929 105		
4640246.....88, 105, 106, 121	4640941 ... 105, 106, 125		
4640247.....87, 105, 121	4640967 73, 76, 77		
4640260.....71	4640968 73		
4640261.....79	4640973 77		
4640354.....106	4640986 73		
4640360.....88, 103	4640987 76, 77		
4640362.....106	4640989 201		
4640383.....389, 405	4641162 333		
4640391.....213	4680015 266		
4640408.....88	4700005 213		
4640434.....88	4711400 76, 164, 172, 175, 188		
4640443.....71	4711600. 16, 20, 24, 163, 186, 203		
4640447.....88, 105, 129			
4640451.....71			
4640455.....87, 91			

PART NUMBER INDEX

4770800 ... 161, 169, 184, 203, 218	4843390 15, 23	4921763.....417	4931836 426
4771000 ... 299, 303, 311, 315, 320	4843415 15, 23	4921796.....417	4931842 421
4771400 203	4843822 158	4921818.....417	4931866 417
4791400 ... 172, 186, 188, 202, 204	4843851 319	4921851.....419	4932027 421
4791500 204	4843852 319	4921854.....73	4932028 426
4791600 ... 171, 186, 202, 203	4843971 16	4921855.....419	4932059 421
4812000 209	4843972 16	4921872.....419	4932073 420, 483
4831900 ... 175, 202, 204	4844074 265	4921873..... 419, 420	4932080 420
4832000 ... 169, 188, 202, 204, 209, 223, 224	4844113 265	4921874 420	4932333 419
4832100 161, 169	4844180 265	4921875.....420	4932345 417
4841055 79	4844235 171	4921876.....419	4932346 417
4841917 235	4844236 266	4921877.....419	4932347 417
4841950 188	4844238 170	4921902..... 418, 419	4932348 417
4841974 262	4844252 265	4922457 417	4932349 417
4841983 261	4844323 266	4931085 417	4932432 420
4842046 285, 291	4844391 265	4931269 420	4932433 421
4842079 161	4844452 275	4931314.....419	4932434 418
4842167 161	4844996 204	4931349.....426	4932435 421
4842168 183, 204	4845039 321	4931399.....416	4932436 421
4842170 236	4845048 20	4931411 419	4932469 419
4842179 236	4845049 20	4931413 420	4932507 416
4842183 11	4845050 21	4931422 420	4932508 416
4842186 12	4845051 21	4931424 420	4932564 483
4842190 12	4845052 21	4931440.....423	4932635 483
4842191 12, 16, 23	4845095 271	4931444.....417	4932637 416
4842207 359	4845128 79	4931463..... 417, 422, 423	4932638 416
4842214 12	4845141 19	4931464 422, 423	4932639 416
4842217 137	4845158 237	4931467 422	4932651 420
4842226 188, 204	4845381 76, 77	4931468 416	4932673 417
4842227 261, 262	4845930 281	4931470 416	4932700 424, 425
4842263 193	4860060 37	4931472 416	4932703 426
4842269 176	4860097 88	4931474 422, 423	4932704 424, 425
4842270 176	4860108 37	4931476 422, 423	4932736 424, 425
4842284 12	4860148 37	4931485 422	4932737 420
4842285 217	4891600 19	4931487 422, 423	4932745 425
4842288 219	4891800 21	4931488 422, 423	4932768 425
4842362 189	4892000 138	4931489 423	4932802 424
4842375 236	4920039 179	4931490 423	4932806 419
4842403 285	4920096 . 15, 23, 28, 188, 204	4931499 422	4932811 425, 426
4842476 176	4920140 72	4931520 416	4932813 417
4842579 281	4920385 287	4931528 422, 423	4932829 417
4842601 281	4920461 242	4931589 189	4932830 424
4842605 281	4920462 242	4931598 418	4932833 423
4842606 281	4920528 242	4931620 424, 425	4932834 425
4842609 286	4920581 422	4931622 424, 425	4932840 417
4842642 12	4920601 422, 423	4931623 423, 425	4932847 418, 419
4842644 12	4920617 274	4931625 420	4932864 419
4842701 180	4920630 421	4931626 424, 425	4932873 419
4842759 79	4920842 248	4931627 423	4932875 419
4842817 285	4920845 248, 253	4931640 418	4932879 419
4842968 276	4920850 424, 425	4931665 421	4932880 424, 425
4842979 261, 262	4920852 ... 169, 423, 425	4931666 421	4932892 418
4843106 275	4920961 187	4931667 421	4933007 420
4843122 75	4920986 ... 271, 287, 292	4931671 418	4933046 421
4843133 180	4920997 425, 426	4931672 421	4933071 421
4843156 198	4921052 274	4931674 417	70000163 205
4843197 479	4921128 424, 426	4931676 421	70000646 205
4843344 275	4921131 253	4931677 421	70000794 43
4843349 16	4921132 421	4931680 420	70000795 43
4843350 16	4921211 274	4931685 424, 426	70000856 43
4843384 161, 169	4921241 253	4931691 419	70000857 43
4843389 15, 23	4921241 253	4931692 419	7000102 121
	4921305 417, 420	4931693 419	70001361 165, 172
	4921309 425, 426	4931713 420, 483	7000166 297
	4921389 169	4931738 425	70001927 165, 172
	4921716 425	4931740 417	70001928 165, 172
	4921761 425, 426	4931826 424, 425	70002008 273, 473

PART NUMBER INDEX

70002009.....273	7000418..... 77, 122, 125, 129, 131, 472	7001905 68	7002304.....121
7000207.....155	7000423..... 99	7001906 68	7002305.... 122, 125, 129, 131
7000208.....155	7000447 129	7001917 68	7002315..... 77, 122, 125, 131
7000209.....155	7000448 125	7001918 68	7002316..... 122, 125
7000210.....155	7000466 129	7001927 68	7002317..... 122, 125
7000214.....155	7000468 68, 77, 122, 126, 129, 131	7001928 67	7002319..... 95
7000217.....68	7000470 ... 122, 125, 129, 131	7001933 68	7002320..... 121
7000218.....68	7000479 227	7001937 67	7002321..... 121
7000219.....68	7000481 227	7001938 68	7002322..... 121
7000220.....68	7000483 163, 219	7001939 68	7002323..... 121
7000221.....69	7000501 227	7001940 68	7002324..... 95, 121
7000222.....68	7000505 227	7001941 67	7002326..... 95, 121
7000225.....69	7000522 87	7001943 67	7002327..... 95, 121, 125, 131
70002252..... 165, 172	7000548 87	7002021 67	7002328..... 121
70002253..... 165, 172	7000558 88, 89, 103	7002022 67	7002329..... 121
70002254..... 165, 172	7000625 289, 294	7002023 67	7002330..... 95
70002258..... 165, 172	7000643 189	7002100 297	7002333.... 122, 125, 129, 131
70002259..... 165, 172	7000645 73, 77, 103	7002103 143, 297	7002334..... 95, 121, 122, 125, 129, 131
70002307.....206	7000646 189, 205	7002104 297	7002335.... 122, 125, 129, 131
7000233.....155	7000661 165, 172	7002105 297	7002336.... 122, 125, 129, 131
7000242.....155	7000663 166, 173	7002107 143, 297	7002337..... 121
7000243.....68	7000697 165, 172	7002110 ... 143, 145, 297	7002338..... 95, 121, 122, 125, 129, 131
7000246.....155	7000698 165, 172	7002111 ... 143, 145, 297	7002339.... 122, 125, 129, 131
7000253..... 65, 155	7000699 165, 172	7002112 145, 297	7002340..... 95, 121, 122, 125, 129, 131
7000255.....155	7000711 147	7002116 143, 297	7002341.... 122, 125, 129, 131
7000256.....155	7000712 147	7002117 ... 143, 145, 297	7002342..... 121
7000257.....155	7000713 53, 147	7002121 143	7002344.... 122, 125, 129, 131
7000258.....155	7000714 53, 147	7002123 ... 143, 145, 297	7002345.... 122, 125, 129, 131
7000265.....67	7000716 53	7002125 297	7002346.... 121, 122, 125, 129, 131
7000268.....155	7000717 53, 57, 147	7002130 143	7002348.... 122, 125, 131
7000269.....155	7000718 53, 147	7002189 143	7002360..... 96
7000270..... 65, 155	7000720 53, 147	7002193 143	7002364..... 91, 95
7000271.....155	7000721 53, 147	7002200 143	7002368..... 91
7000272.....67	7000722 53	7002203 100	7002370..... 96
7000273.....67	7000727 53	7002205 100	7002371..... 95
7000274.....67	7000728 57	7002206 99	7002372..... 96
7000275.....67	7000729 53, 147	7002209 99	7002373..... 96
7000276.....67	7000730 53, 147	7002210 99	7002374..... 95
7000277.....68	7000731 53, 147	7002211 99	7002375..... 95
7000279.....68	7000732 53, 147	7002212 99	7002376..... 95
7000280.....68	7000742 147	7002213 99	7002377..... 95
7000282.....68	7000759 53	7002214 99	7002378..... 93, 121
7000283.....68	7000760 57, 147	7002215 99	7002379..... 96
7000284.....68	7000782 53	7002216 99	7002384..... 95
7000285..... 65, 68	7000796 ... 53, 57, 61, 147	7002217 100	7002385..... 95
7000286.....68	7000798 53, 147	7002218 99	7002386..... 95
7000287.....69	7000867 189	7002220 99	7002391..... 93
7000288.....69	7000869 190	7002222 99	7002398..... 93
7000289.....69	7000870 190	7002223 95, 100	7002447..... 125
7000290.....69	7000871 190	7002224 99	7002448..... 125
7000292.....68	7000874 190	7002228 99	7002449..... 125
7000293.....68	7000877 189	7002229 95, 121	7002450..... 125, 472
7000294.....68	7000878 189	7002231 93, 99	7002451..... 125
7000295.....69	7000884 189, 205	7002233 93	
7000296.....69	7000885 189	7002234 100	
7000297.....69	7001293 227, 231	7002237 99	
7000298.....69	7001507 87	7002238 99	
7000299.....69	7001626 363	7002240 99	
70003145.....273	7001627 363	7002241 99	
70003146.....273	7001630 363	7002242 99	
70003149.....273	7001900 68	7002257 129	
70003150.....273	7001901 68	7002262 ... 122, 126, 129	
70003445.....71	7001902 68	7002273 129	
7000413..... 122, 129	7001903 68	7002274 ... 122, 129, 131	
7000414..... 77, 122, 125, 129, 131	7001904 68	7002287 91	
7000417..... 95, 121, 472		7002288 91	
		7002294 121	

PART NUMBER INDEX

7002704	100	7004366	135	7004906	47	7006145	273
7002821	479	7004367	135	7004907	47	7006153	273
7002822	479	7004368	88, 89, 103, 135	7004908	47	7006159	273
7002823	479	7004369	135	7004910	47	7006178	273
7002828	479	7004392	323	7004911	47	7006180	273
7002840	72	7004412	163, 219	7004912	47	7006503	273
7003006	53, 57, 147	7004416	163, 219	7004913	47	7006507	273
7003007	53, 57, 147	7004436	163, 171, 187, 203, 219	7004914	47	7006627	323
7003010	53	7004802	93	7004916	47	7006703	39
7003012	147	7004805	93	7004917	47	7006704	40
7003013	147	7004807	93	7004918	47	7006706	39
7003047	57	7004808	93, 100	7004927	47	7006707	40
7003049	57, 147	7004812	99	7004928	47	7006709	39
7003051	57, 147	7004813	99	7004929	47	7006710	39
7003052	57, 147	7004814	100	7004933	46	7006711	39
7003053	147	7004816	100	7004936	47	7006712	39
7003054	57, 147	7004817	100	7004937	47	7006713	39
7003055	57, 147	7004822	95, 121	7004938	46	7006714	39
7003056	57, 147	7004823	95, 121	7004939	46	7006715	39
7003057	57, 147	7004824	95	7004941	46	7006716	39
7003059	57, 147	7004826	121	7004942	46	7006717	39
7003069	57	7004831	100	7004944	46	7006719	39
7003070	57	7004832	93	7004946	46	7006721	39
7003071	57	7004833	91, 96	7004948	47	7006724	113
7003090	147	7004834	121	7004950	47	7006725	109, 113
7003091	147	7004835	95, 121	7004951	47	7006726	109
7003103	227, 231, 233	7004836	95, 121	7004952	47	7006728	109, 117
7003114	227, 231	7004837	95, 121	7004953	47	7006729	109
7003162	227	7004838	95, 121	7004954	47	7006730	109, 113, 117
7003164	227	7004839	95, 121	7004955	47	7006731	109, 113
7003165	227	7004840	121	7004956	47	7006732	109, 117
7003166	227	7004841	95, 121	7004957	47	7006733	109, 113
7003168	227, 231	7004842	121	7004959	47	7006737	110, 113, 117
7003171	227	7004848	95	7004960	47	7006744	109
7003174	227, 231	7004850	95	7005436	227	7006745	109, 113
7003175	227	7004851	95	7005439	227	7006746	109, 113
7003176	231	7004853	95	7005447	227	7006747	109
7003177	227, 231	7004854	95	7005496	227	7006748	113
7003178	228, 231	7004855	95	7005497	227	7006749	118
7003180	227	7004856	95	7005498	227	7006752	110
7003189	227	7004857	95	7005500	227	7006756	110
7003635	88, 103	7004858	95	7005505	231	7006757	109, 113
7003640	103	7004859	77, 121, 125, 129, 131	7005509	231	7006760	109
7003657	179, 197, 209	7004860	95	7005511	231	7006761	110
7003737	299, 300, 303, 304	7004861	95	7005512	231	7006762	109
7003746	300	7004863	96	7005513	231	7006763	109
7003751	300, 303, 304, 307, 308, 309, 473	7004864	96	7005538	227	7006766	39
7003789	308	7004869	91	7005539	227	7006767	39
7003825	122, 125	7004870	91	7005540	228	7006768	39
7003855	122, 125	7004871	91	7005541	231	7006769	39
7004214	162, 170, 189, 204, 472	7004872	91	7005542	231	7006771	110
7004238	323	7004873	91	7005562	233	7006773	110, 113, 117
7004244	236	7004874	91	7005595	233	7006774	39
7004247	163, 171, 187, 203, 219	7004875	91	7005597	233	7006776	39
7004248	163, 171, 187, 203, 219	7004878	99	7005598	233	7006777	110
7004249	163, 171, 187, 203, 219	7004880	99	7005599	233	7006778	110, 114, 118
7004275	479	7004881	99	7005804	141	7006780	110
7004276	479	7004882	100	7005809	141	7006782	110, 114, 118
7004278	106	7004883	99	7005810	141	7006786	39
7004289	88, 103	7004884	91, 99	7005811	141	7006787	39
7004365	135	7004885	91	7005812	141	7006788	39
		7004888	91, 93	7005816	141	7006789	39
		7004890	91, 93	7005820	141	7006791	39
		7004891	91, 93	7005821	141	7006792	39
		7004894	77	7005822	141	7006794	39
				7006075	88, 89, 103	7006795	39
				7006133	273	7006796	39

PART NUMBER INDEX

7006797.....39	7007902..... 53, 148	7009355..... 109	7011718..... 151
7006798.....39	7007903..... 53	7009356..... 109	7011719..... 151
7006851.....71	7007904..... 54	7009357..... 109	7011720..... 151
7007320.....87	7007905..... 54, 148	7009358..... 109	7011903..... 308
7007321.....71	7007906..... 54, 148	7009361..... 114	7011907.... 307, 308, 309, 473
7007323.....71	7007907..... 53, 148	7009363..... 110	7012300..... 114, 118
7007418.....43	7007908..... 53, 148	7009368..... 110	7012314..... 315, 316
7007419.....43	7007909..... 53, 148	7009369..... 110	7012316..... 315, 316
7007420.....43	7007912..... 53, 147	7009395..... 110	7012319..... 113
7007437.....43	7007913..... 53, 147	7009397..... 114, 117	7012322..... 113, 117
7007438.....43	7007914..... 53, 59, 148, 151	7009398..... 113	7012323..... 117
7007439.....43	7007915..... 54, 148	7009399.... 114, 117, 118	7012325..... 113
7007446.....43	7007916..... 53, 148	7009500..... 233	7012326..... 113
7007459.....43	7007920..... 53	7009503..... 233	7012327..... 113
7007593.....48	7007923..... 53, 62, 148, 151	7009504..... 233	7012328..... 113
7007594.....48	7007924..... 53, 59, 62, 147	7009505..... 233	7012329..... 113
7007595.....48	7007926..... 148	7009508..... 233	7012330..... 113
7007596.....48	7007927..... 148	7009509..... 233	7012331..... 114, 117
7007597.....48	7007928..... 147	7009510..... 233	7012332..... 114
7007598.....48	7007930..... 148	7009511..... 233	7012333..... 113
7007599.....48	7007933..... 54, 59, 62, 148, 152	7009513..... 233	7012334..... 114, 117
7007644.....67	7007934..... 148	7009739..... 71	7012335..... 114, 117
7007645.....68	7007970..... 61, 151	7009745..... 88, 103	7012336..... 114, 118
7007646.....68	7007975..... 53	7009755..... 133	7012337..... 114, 118
7007647.....68	7007976..... 54	7009756..... 105, 133	7012338..... 114, 118
7007648.....68	7007977..... 59, 62, 151	7009757..... 133	7012339..... 113, 472
7007649.....68	7007978..... 59	7009758..... 133	7012340..... 114
7007656.....67	7007979..... 59, 61, 151	7009759..... 133	7012341..... 117
7007659.....68	7007980..... 59, 61, 151	7009761..... 133	7012342..... 117
7007660.....68	7007981..... 59, 151	7009762..... 133	7012343..... 117
7007661.....68	7007983..... 59, 61, 151	7009798..... 88, 103	7012344..... 117
7007662.....67	7007985..... 59, 61, 151	7009974..... 145	7012346..... 117
7007663.....65	7007986..... 59, 61	7009975..... 145	7012347..... 117
7007664.....65	7007987..... 59, 62, 151	7009991..... 145	7012348..... 117
7007665..... 65, 67	7007989..... 59	7009992..... 297	7012349..... 117
7007666.....65	7007990..... 62	7010464..... 67	7012350..... 117
7007667.....65	7008804.... 175, 193, 220	7010465..... 68	7012352..... 117
7007668.....65	7008807.... 175, 193, 220	7010466..... 68	7012353..... 117
7007669.....65	7008821.... 175, 193, 220	7010497..... 65	7012354..... 118
7007670.....65	7008822..... 220	7010498..... 65	7012355..... 117
7007671.....65	7008828..... 175	7010542..... 104	7012356..... 117
7007672.....65	7008829..... 175, 220	7010552..... 135	7012383..... 114
7007673.....65	7009300..... 39	7010553..... 135	7012505..... 135
7007674.....65	7009301..... 39	7010554..... 135	7012506..... 135
7007675.....65	7009305..... 39	7010555..... 135	7012507..... 135
7007676.....65	7009306..... 39	7010556..... 135	7012509..... 135
7007677.....65	7009307..... 39	7010557..... 135	7012510..... 135
7007678.....65	7009308..... 39	7010558..... 135	7012511..... 135
7007679.....65	7009309..... 40	7010559..... 135	7012513.... 179, 197, 209
7007680.....68	7009310..... 40	7010560..... 135	7012514.... 179, 197, 209
7007694.....68	7009315..... 109	7010630..... 71	7012518.... 73, 77, 88, 89, 103
7007760..... 133	7009316..... 109	7010633..... 189, 190	7012539..... 77
7007800.....48	7009317..... 109	7010635..... 88, 103	7012558.... 179, 197, 209
7007801.....48	7009319..... 109, 113	7010638..... 189	7012559..... 236
7007802.....48	7009320..... 113	7010788..... 363	7012576.... 163, 171, 187, 203, 219
7007803.....48	7009321..... 110	7011118..... 125	7012577..... 189
7007804.....48	7009323..... 109, 113	7011183..... 125, 126	7012578..... 189
7007805.....48	7009324..... 109, 113	7011316..... 71	7012611..... 307
7007806.....48	7009325..... 109	7011317..... 71	7012612..... 307
7007807.....48	7009329..... 110, 118	7011320..... 73	7012656..... 224
7007808.....48	7009330.... 110, 113, 117	7011336..... 73	7012662..... 321
7007809.....48	7009350..... 109	7011712..... 61	7012672..... 321
7007810.....48	7009351..... 109	7011713..... 61, 151	7012679..... 190, 205
7007812.....48	7009352..... 315, 316	7011714..... 61, 151	7012680..... 205
7007813.....48	7009353..... 254	7011715..... 61, 151	
7007814.....48	7009354..... 254	7011716..... 62, 151	
7007901..... 54, 148		7011717..... 61, 151	

PART NUMBER INDEX

7012681	205	7016600	205	7019983.....	205	7022314.....	43
7012682	205	7016601	205	7019985.....	205	7022321.....	43
7012683	205	7016605	205	7019988.....	205	7022322.....	43
7012690	205	7016654	479	7019997.....	205	7022324.....	43
7012693	72	7016664	236	7020108.....	179, 197, 209	7022325.....	43
7012700	51	7016913	233	7020109.....	179, 197, 209	7022326.....	43
7012701	51	7017210	353	7020110.....	179, 197, 209	7022328.....	43
7012702	51	7017211	353	7020111.....	179, 197, 209	7022368.....	43
7012703	51	7017212	353	7020120.....	205	7022371.....	43
7012704	51	7017213	353	7020175.....	307	7022390.....	103
7012705	51	7017214	353	7020176.....	307	7023471.....	205
7012706	51	7017215	353	7020190.....	179, 197, 209	7023667.....	190
7012707	51	7017216	363	7020191.....	179, 197, 209	7023687.....	205
7012708	51	7017217	363	7020193.....	179, 197, 209	7023910.....	43
7012709	51	7017218	363	7020208.....	166, 172	7024321.....	189, 205
7012710	51	7017219	363	7020323.....	46	7024862.....	43
7012711	51	7017408	77	7020347.....	48	7024865.....	43
7012712	51	7017409	73	7020400.....	166, 172	7024867.....	43
7012713	51	7017515	213	7020401.....	166, 172	7024868.....	43
7012714	51	7018602	61, 151	7020402.....	166, 172	7024871.....	43
7012715	51	7018603	62, 152	7020403.....	166, 172	7025122.....	205
7012716	51	7018605	61, 151	7020405.....	166, 172	7025126.....	206
7012910	88, 103	7018606	61, 151	7020407.....	165, 172	7025134.....	206
7012912	77	7018607	61, 151	7020409.....	166, 173	7025145.....	205
7012922	106	7018608	62, 152	7020410.....	166, 173	7026125....	166, 171, 173
7012945	104	7018609	61	7020413.....	166, 173	7026173.....	166, 173
7012953	105	7018612	62	7020420.....	166, 173	7026199....	179, 197, 209
7012967	77	7018614	61	7020421.....	166, 173	7027250.....	166, 173
7012970	105	7019607	165, 166, 172	7020422.....	166, 173	7027292.....	205
7012995	73, 77	7019610	157	7020423.....	166, 173	7027402.....	206
7012996	73	7019921	206	7020432.....	165, 172	7027740.....	43
7012998	77	7019924	206	7020433.....	166, 173	7027972.....	205
7013755	163	7019925	206	7020498.....	166, 173	7029274.....	165, 172
7014676	479	7019926	205	7021249.....	43	7029276....	165, 172, 474
7014677	190	7019927	205	7021256.....	43	8004818.....	99
7014678	190	7019929	206	7021275.....	43	9900443.....	479
7014679	190	7019930	206	7021869.....	190, 205, 474	9982256.....	80
7014686	165, 172	7019931	190, 206	7022139.....	206	9982700.....	189
7014900	145	7019932	190, 206	7022143.....	206	9983524.....	420, 421
7015009	479	7019933	205	7022153.....	190, 205	9983550.....	453
7015010	479	7019976	205	7022156.....	205	9983551.....	453
7016309	165, 172	7019977	205	7022178.....	206	9983552.....	453
7016330	165, 172	7019978	206	7022180.....	190, 205		
7016333	236	7019980	205	7022302.....	43		
7016364	165, 172	7019982	205	7022311.....	43		



Corporate Office
JLG Industries, Inc.
1 JLG Drive
McConnellsburg, PA 17233-9533 USA
☎ (717) 485-5161 (Corporate)
☎ (877) 554-5438 (Customer Support)
☎ (717) 485-6417

Visit our website for JLG Worldwide Locations.
www.jlg.com