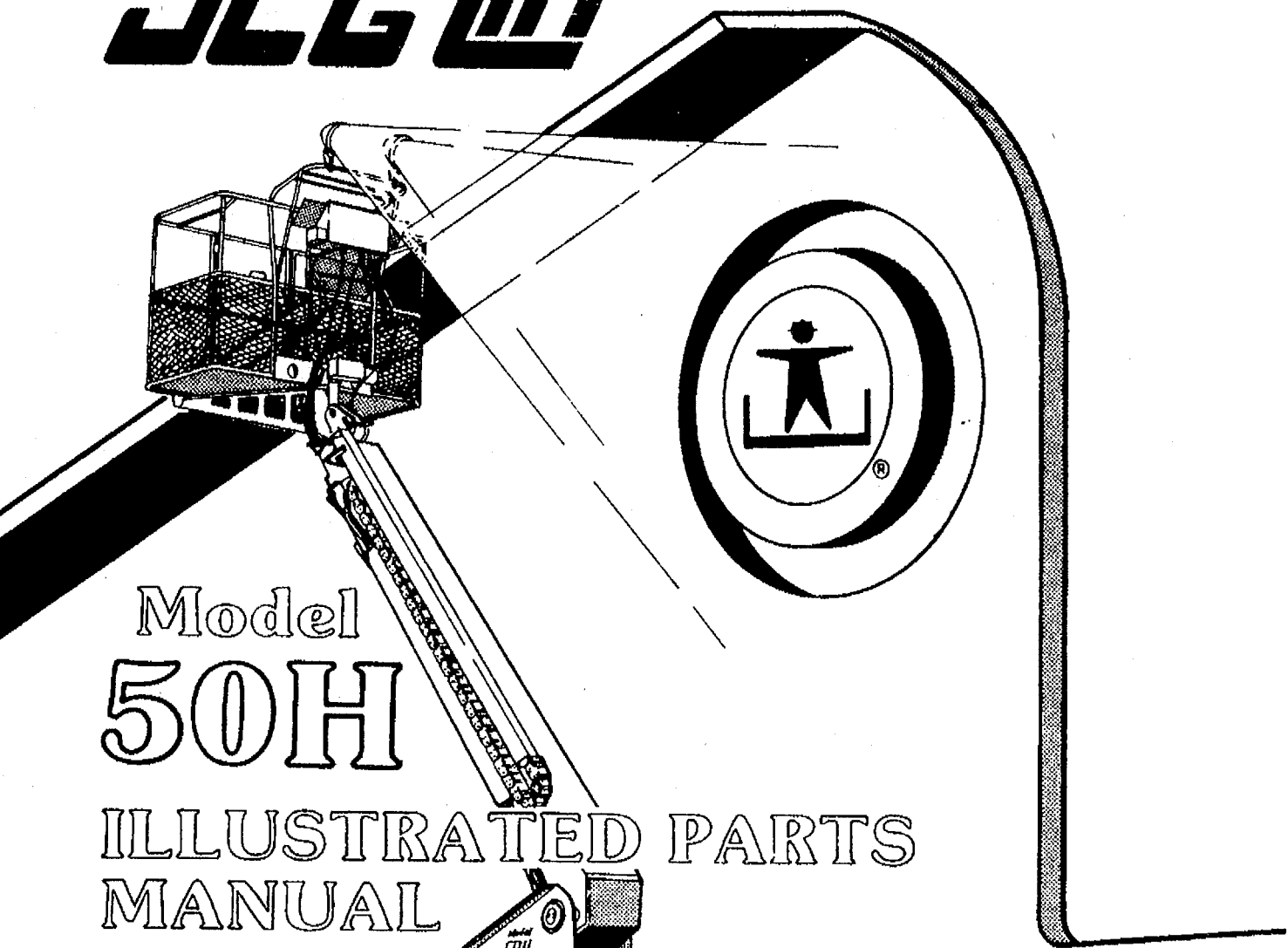
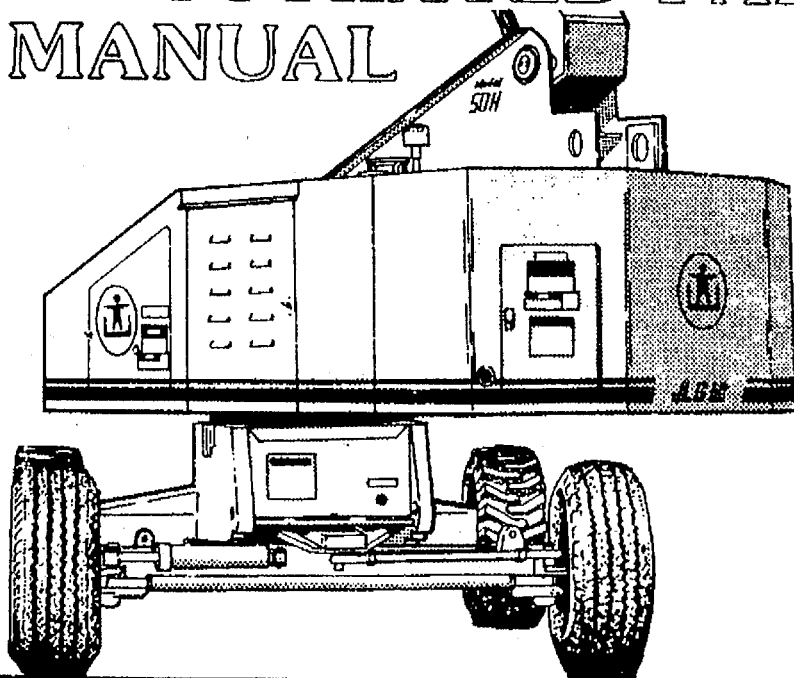


# JLG lift



Model  
**50H**

ILLUSTRATED PARTS  
MANUAL



**JLG INDUSTRIES, INC.**

JLG Drive  
McConnellsburg, PA 17233-9502  
Telephone (717) 485-5161  
Telex 6854803JLG UW

3120296

PRINTED IN USA

15 OCTOBER 1986



# NEW EQUIPMENT WARRANTY

**1. Warranty.** JLG Industries, Inc., ("Manufacturer") warrants each new product made by it to be free from defects in material or workmanship for six months from the date of initial sale, lease, rental, or other disposition of such product, and agrees only to repair or replace at its own expense, f.o.b. the place or places of manufacture, any part or parts of the product found to be defective in material or workmanship, provided Manufacturer is notified of such defect or defects within the six-month warranty period and given a reasonable time to correct the defect. In no case shall the warranty extend to defects in materials, components, or services furnished by third parties or to the erection or installation of the product performed by third parties. Defects caused by chemical action, or the presence of abrasive materials and defects arising following the operation beyond rated capacity or the improper use or application of any Products shall not be considered defects within the scope of the foregoing warranty. If any repairs or alterations are made or any parts are replaced during the period covered by any warranty above mentioned by other than an authorized Manufacturer's Distributor in accordance with authorized Manufacturer's service manuals or with other than parts, accessories, or attachments authorized by Manufacturer for use in its products, customer shall pay for such repairs or parts without recourse against Manufacturer, and Manufacturer shall be relieved of responsibility for fulfillment of this warranty with respect to parts or components of all repairs, alterations, or replacements so made.

**2. Disclaimer as to Consequential or Special Damages.** Under no circumstances shall Manufacturer be liable for any consequential or special damage which any person, firm, corporation, or other entity may suffer or claim to suffer or incur or claim to incur as a result of any defect in the product or in any correction or alteration thereof made or furnished by Manufacturer or others. "Consequential" or "special damages" as used herein includes but is not limited to costs of transportation, lost sales, lost orders, lost profits, lost income, increased overhead, labor and material costs, and costs of manufacturing variances and operational inefficiencies.

**3. Maximum Liability.** The maximum liability of Manufacturer under the exclusive warranty set forth herein shall be the amount paid to Manufacturer with respect to the product to which such warranty applies.

**4. Exclusive and Entire Warranty.** This warranty constitutes Manufacturer's entire warranty as to the product and it is expressly agreed that the remedies of customer and those claiming under customer as stated in this warranty are exclusive. Manufacturer does not assume (and has not authorized any other person to assume on its behalf) any other warranty or liability in connection with any product covered by this warranty. MANUFACTURER EXPRESSLY DISCLAIMS ANY AND ALL OTHER WARRANTIES OF ANY KIND WHATSOEVER AS TO THE PRODUCT FURNISHED HEREUNDER, INCLUDING BUT NOT LIMITED TO EXPRESS OR IMPLIED WARRANTIES AS TO MERCHANTABILITY, FITNESS FOR PARTICULAR PURPOSES SOLD, DESCRIPTION OR QUALITY OF THE PRODUCT FURNISHED HEREUNDER.

**5. Notice of Occurrence.** This warranty shall be void if, upon the occurrence of any incident involving any product made by Manufacturer and resulting in any personal injury or property damage, customer shall fail to notify Manufacturer within 48 hours of such occurrence or permit Manufacturer and its representatives to have immediate access to such product and to all records of or within the control of customer relating to the product and the occurrence.

**6. Limitation of Liability.** The limitation of liability provisions herein shall apply to any and all claims or suits brought against Manufacturer including any claim based upon negligence, breach of contract, breach of warranty, strict liability or any other legal theories upon which liability may be asserted against Manufacturer.

Manufacturer may at any time amend the foregoing form of warranty without prior notice.



**JLG INDUSTRIES, INC.**

JLG Drive, McConnellsburg, PA 17233

## TABLE OF CONTENTS

SUBJECT	PAGE NO.
SECTION 1 — RECOMMENDED SERVICE PARTS STOCK .....	1-1
SECTION 2 — ILLUSTRATED PARTS LIST .....	2-1

FIG. NO.	TITLE	PAGE NO.
2-1	Boom, Turntable, Bearing Lube and Related Components Installations .....	2-2
2-2	Boom Assembly .....	2-4
2-3	Master Cylinder Assembly .....	2-11
2-4	Lift Cylinder Assembly .....	2-12
2-5	Telescope Cylinder Assembly .....	2-14
2-6	Slave Cylinder Assembly .....	2-17
2-7	Platforms and Control Stands Assemblies and Installations .....	2-18
2-8	Hydraulic Motor Assembly .....	2-23
2-9	Console Box Assembly .....	2-24
2-10	Console Box Assembly with Proportional Telescope Control .....	2-28
2-11	Ground Controls and Related Components Installation .....	2-32
2-12	Ford LSG-423 Engine Assembly and Installation .....	2-36
2-13	Precision Governor Installation .....	2-42
2-14	Dual Fuel Installation .....	2-44
2-15	Remote Oil Filter and Drain - Ford .....	2-47
2-16	Deutz Engine and Components Assemblies and Installation .....	2-48
2-17	Air Cleaner and Service Indicator Installation .....	2-55
2-18	Main Pump Assembly .....	2-56
2-19	Rotary Oil Coupling Installation .....	2-58
2-20	Swing Drive and Swing Bearing Assemblies and Installations .....	2-60
2-21	Swing Drive Motor Assembly .....	2-63
2-22	Swing Drive Brake Assembly - Ausco .....	2-64
2-23	Swing Drive Brake Assembly - Mico .....	2-65
2-24	Swing Drive Hub Assembly .....	2-68
2-25	Control Valves Installation .....	2-70
2-26	Proportional Control Valve Assembly - Outlet Section .....	2-74
2-27	Working Sections - Proportional Control Valve .....	2-76
2-28	Inlet Valve Section - Proportional Control Valve .....	2-78
2-29	Servo Assembly - Proportional Control Valve .....	2-82
2-30	Hydraulic Oil, Fuel and LP Tanks Assemblies, Components and Installation .....	2-86
2-31	Hood Installation .....	2-90
2-32	Indicators and Switches Installation .....	2-94
2-33	Turntable Lock Installation .....	2-97
2-34	Frame, Steering and Drive Components, Assemblies and Installation .....	2-98
2-35	Lockout Cylinder Assembly .....	2-102
2-36	Steer Cylinder Assembly .....	2-104
2-37	Two Speed Drive Motor Assembly .....	2-106
2-38	Drive Brake Assembly - Ausco .....	2-110
2-39	Drive Brake Assembly - Mico .....	2-111
2-40	Drive Hub Assembly - Wheel .....	2-114
2-41	Tow Package Installation .....	2-116
2-42	Valves Installation (Frame Mounted) .....	2-118
2-43	Lockout Valve Assembly .....	2-120
2-44	Placards and Decals Installation .....	2-122
2-45	Hydraulic Axle Lockout Circuit .....	2-125
2-46	Hydraulic Drive Circuit .....	2-126
2-47	Hydraulic Level Circuit .....	2-128
2-48	Hydraulic Lift Circuit .....	2-131
2-49	Hydraulic Manual Descent Circuit .....	2-132
2-50	Hydraulic Pump Circuit .....	2-134
2-51	Hydraulic Rotate Circuit .....	2-138

## TABLE OF CONTENTS

<u>FIG. NO.</u>	<u>TITLE</u>	<u>PAGE NO.</u>
2-52	Hydraulic Steer Circuit without Steering Wheel .....	2-139
2-53	Hydraulic Steer Circuit with Steering Wheel and Tow Package .....	2-140
2-54	Hydraulic Steer Circuit without Steering Wheel and with Tow Package .....	2-141
2-55	Hydraulic Swing Circuit .....	2-142
2-56	Hydraulic Telescope Circuit.....	2-143



## SECTION 1 — RECOMMENDED SERVICE PARTS STOCK

### MODEL 50H LIFT

The following list will service each Model 50H Lift with the most commonly used parts. For further information, contact the JLG Industries Parts Department at Area Code (717) 485-5104.

**Note: The following Parts are integral of Section 2 — Illustrated Parts List.**

DESCRIPTION	PART NO.	QTY.
<b>ELECTRICAL</b>		
Footswitch (Figure 2-7)	4360031	1
Switch - Platform Level, Telescope, Rotate, Steer (Figures 2-9, 2-10 and 2-11)	4360202	1
Switch - Emergency Stop, Choke, 2/4 Wheel Drive, Drive Speed, Engine Speed (Figures 2-9, 2-10 and 2-11)	4360199	2
Switch - Horn, Start (Figures 2-9, 2-10 and 2-11)	4360016	1
Switch - Auxiliary Power (Figures 2-9, 2-10 and 2-11)	4360204	1
Circuit Breaker (Figures 2-9 and 2-10)	4360209	1
Controller - Drive, Lift, Swing, Telescope (Figures 2-9 and 2-10)	1600094	1
Relay (with bracket) (Figure 2-11)	3740049	1
Relay (Figure 2-11)	3740016	1
Circuit Breaker 35 Amp (Figure 2-11)	4360186	1
Switch, Circuit Breaker 3 Amp (Figure 2-11)	4360212	1
Circuit Breaker 10 Amp (Figure 2-11)	4360069	1
Switch, Master (Figure 2-11)	4360003	1
Switch, Toggle DPDT (Figure 2-11)	4360073	1
Actuator (Figure 2-12)	0060020	1
Relay, Start Lockout - Ford (Figure 2-12)	3740061	1
Relay, Starter - Ford, Deutz (Figure 2-12 and 2-13)	3740059	1
Relay, Auxiliary Power - Ford, Deutz (Figures 2-12 and 2-13)	3740002	1
Module, Actuator - Ford (Figure 2-12)	0060021	1
Sender, Oil Pressure - Ford (Figure 2-12)	2420033	1
Switch, Oil Pressure - Ford (Figure 2-12)	4360037	1
Sender, Temperature - Ford (Figure 2-12)	2420024	1
Relay, Adlo - Deutz (Figure 2-13)	3740030	1
Actuator - Deutz (Figure 2-13)	0060023	1
Coil 12VDC - Dump Section Prop Valve (Figure 2-28)	7000417	1
Tilt Indicator (Figure 2-32)	4360171	1
Switch, Limit (Horizontal Cutout) (Figure 2-32)	4360057	1
<b>HYDRAULIC</b>		
Seal Kit - Master Cylinder, Slave Cylinder (Figures 2-3 and 2-6)	2900352	2
Seal Kit - Lift Cylinder (Figure 2-4)	2900375	1
Seal Kit - Telescope Cylinder (Figure 2-5)	2900347	1
Seal Kit - Platform Rotator Motor (Figure 2-8)	2900455	1
Pump, Auxiliary Power (Figures 2-12 and 2-16)	3600115	1
Seal Kit - Main Pump - Ford, Deutz (Figure 2-18)	2900120	1
Seal Kit - Swing Drive Motor (Figure 2-21)	2900477	1
Seal Kit - Drive Brake (Ausco) - Swing, Wheel (Figures 2-23 and 2-38)	2900131	1
Seal Kit - Drive Brake (Mico) - Swing (Figure 2-23)	2900642	1
Seal Kit - Drive Hub - Swing, Wheel (Figures 2-24 and 2-40)	2900034	1
Element, Hydraulic (Figure 2-25)	2120079	6
Seal Kit - Outlet Section, Inlet Section - Prop Valve (Figures 2-26 and 2-28)	7004833	1
Seal Kit - Working Sections - Prop Valve (Figure 2-27)	7004832	4
Seal Kit - Servo Assembly - Prop Valve (Figure 2-29)	7004831	1

**SECTION 1 — RECOMMENDED SERVICE PARTS STOCK**

DESCRIPTION	PART NO.	QTY.
<b>HYDRAULIC (CONTINUED)</b>		
Hydraulic Filter, Return (Figure 2-30)	2120107	1
Seal Kit - Lockout Cylinder (Figure 2-35)	2900379	1
Seal Kit - Steer Cylinder (Figure 2-36)	2900364	1
Seal Kit - Two Speed Drive Motor (Figure 2-37)	2900449	1
Seal Kit - Drive Brake (Mico) - Wheel (Figure 2-39)	2900641	1
<b>MISCELLANEOUS</b>		
Pad, Wear - Base, Top, Midside (Figure 2-2)	3340263	2
Pad, Wear - Base, Side and Mid, Outside (Figure 2-2)	3340404	6
Pad, Wear - Base, Bottom (Figure 2-2)	3340515	2
Pad, Wear - Carrier (Figure 2-2)	3340481	1
Pad, Wear - Mid, Top Outside (Figure 2-2)	3340520	2
Pad, Wear - Mid, Top Inside (Figure 2-2)	3340263	2
Pad, Wear - Mid, Inside and Fly, Side (Figure 2-2)	3340450	6
Pad, Wear - Mid, Bottom (Figure 2-2)	3340517	2
Pad, Wear - Fly Top (Figure 2-2)	3340453	2
Chain, Retract (Figure 2-2)	1260190	2
Chain, Extend (Figure 2-2)	1260191	2
Carrier (Figure 2-2)	1180159	1
Pin, Boom Pivot (Figure 2-1)	3420643	1
Bearing, Boom Pivot (Figure 2-1)	0440084	2
Shaft, Lift Cylinder Rod (Figure 2-1)	4842383	1
Shaft, Lift Cylinder Barrel (Figure 2-1)	4842382	1
Platform Door Latch (Figure 2-7)	2940006	1
Knob, Swing (Figures 2-9 and 2-10)	2560040	1
Knob, Lift (Figures 2-9 and 2-10)	2560038	1
Knob, Drive (Figures 2-9 and 2-10)	2560041	1
Knob, Telescope (Figure 2-10)	2560039	1
Cable Capacity Indicator (Figures 2-9 and 2-10)	1060168	1
Element, Air Cleaner - Ford, Deutz (Figure 2-17)	7003655	1
Cap, Fuel Tank (Figure 2-30)	1120314	1

**SECTION 2**  
**ILLUSTRATED PARTS LIST**

SECTION 2 — ILLUSTRATED PARTS LIST

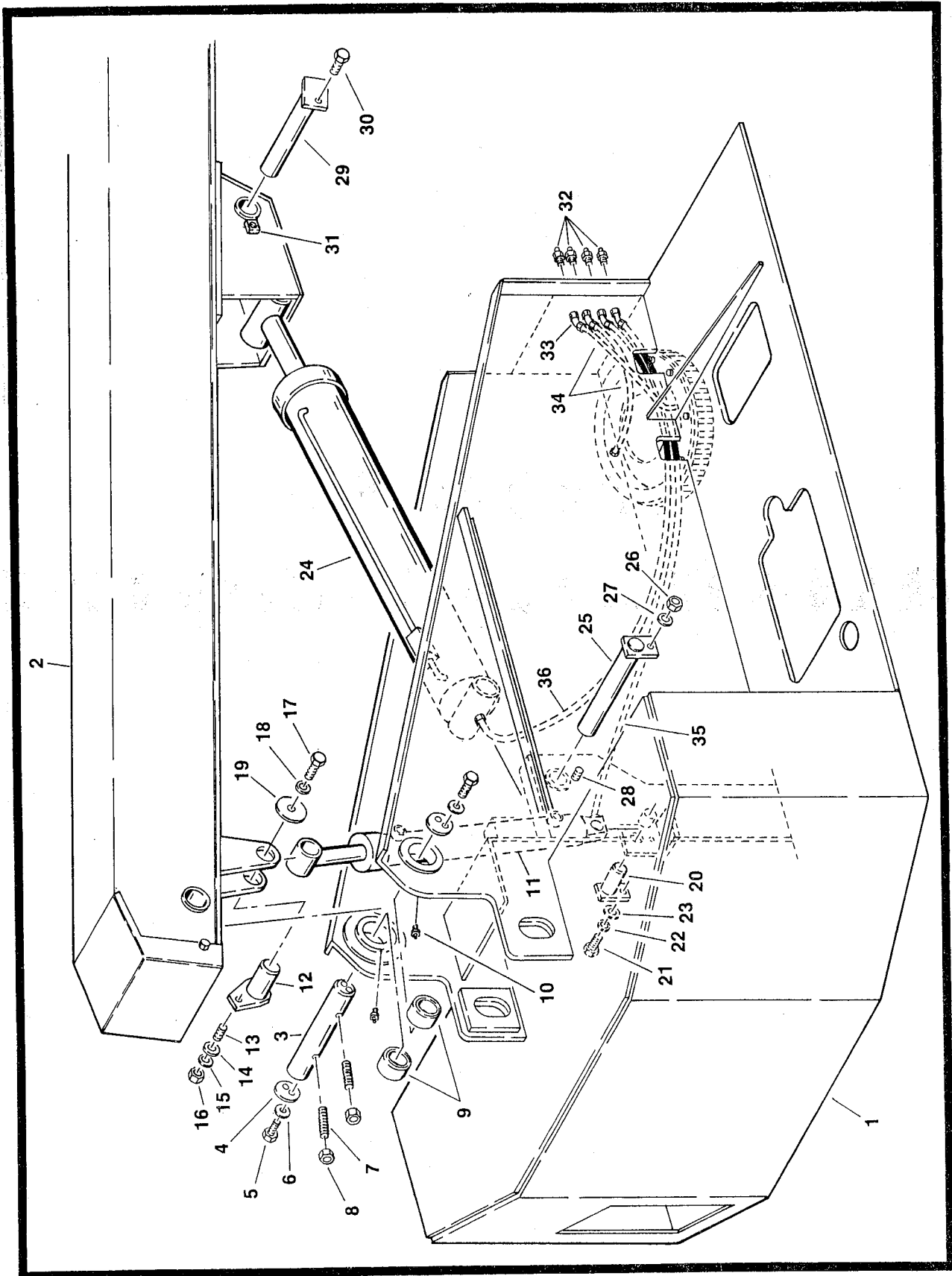


Figure 2-1. Boom, Turntable, Bearing Lube and Related Components Installation.

**SECTION 2 — ILLUSTRATED PARTS LIST**

FIGURE & INDEX NO.	PART NUMBER	ITEMS & DESCRIPTION	QTY.
2—1		<b>BOOM, TURNABLE, BEARING LUBE AND RELATED COMPONENTS INSTALLATIONS</b>	Ref.
—1	4620021	Turntable Weldment	1
	0237212	<b>BOOM INSTALLATION</b>	Ref.
—2	0800435	Boom Assembly (See Figure 2-2 For Breakdown) (Attaching Parts)	1
—3	3420643	Pin, Boom Pivot	1
—4	1120198	Cap	2
—5	0681812	Bolt	4
—6	4740171	Washer	4
	0100019	Loctite	A/R
—7	3952014	Setscrew	2
—8	3312002	Nut, Jam	2
—9	0440084	Bearing	2
—10	2160006	Fitting, Grease	2
—11	1681580	Cylinder, Master (See Figure 2-3 For Breakdown) (Attaching Parts)	1
—12	0236548	Pin (Top)	1
—13	4300038	Stud (Welded On Part)	1
—14	4751500	Flatwasher	1
—15	4761500	Lockwasher	1
—16	3311501	Nut	1
—17	0651608	Bolt	1
—18	4761600	Lockwasher	1
—19	4740006	Flatwasher	1
—20	4842253	Pin (Bottom)	1
—21	0641506	Bolt	1
—22	4751500	Flatwasher	1
—23	4761500	Lockwasher	1
—24	1681612	Cylinder, Lift (See Figure 2-4 For Breakdown) (Attaching Parts)	1
—25	4842382	Shaft (Bottom)	1
—26	3311805	Nut	1
—27	4761800	Lockwasher	1
—28	4300048	Stud (Welded On Part)	1
—29	4842383	Shaft (Top)	1
—30	3900159	Bolt	1
—31	0560752	Block, Tapped	1
	0237239	<b>BEARING LUBRICATION INSTALLATION</b>	Ref.
—32	2160002	Fitting, Grease	4
—33	2220124	Fitting, 45°	4
—34	2751095	Hose	2
—35	2750528	Hose	1
—36	2750527	Hose	1

## SECTION 2 — ILLUSTRATED PARTS LIST

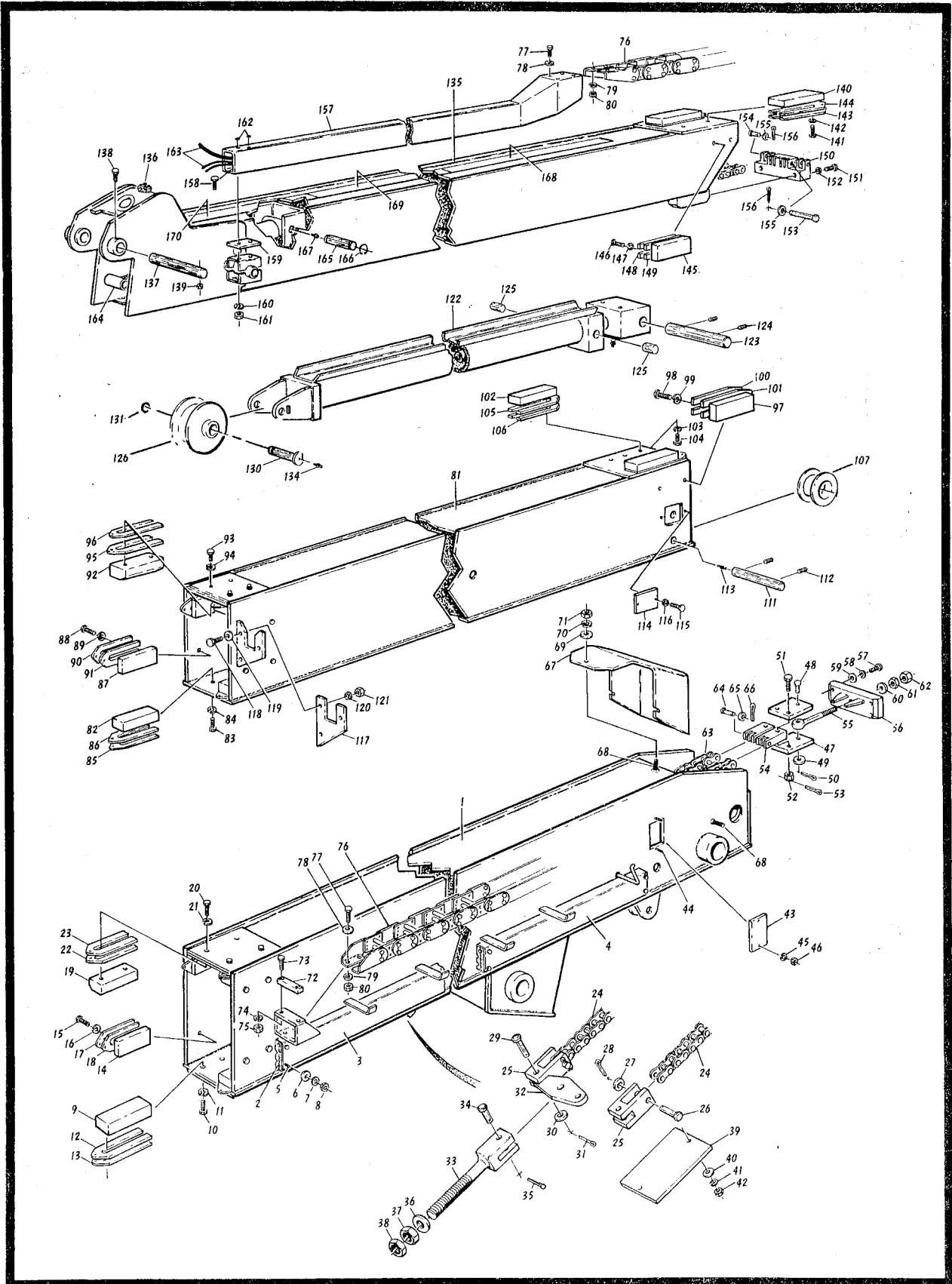


Figure 2-2. Boom Installation.

**SECTION 2 — ILLUSTRATED PARTS LIST**

FIGURE & INDEX NO.	PART NUMBER	ITEMS & DESCRIPTION	QTY.
2—2	0800435	<b>BOOM ASSEMBLY</b>	Ref.
—1	0800438	Base Section	1
—2	4340413	Support, Hydraulic Lines	3
—3	4060638	Shield - 14 Gauge	1
—4	4060635	Shield - 11 Gauge (Attaching Parts)	1
—5	4300042	Stud (Welded On Part)	6
—6	4751400	Flatwasher	6
—7	4761400	Lockwasher	6
—8	3311401	Nut	6
—9	3340515	Pad, Wear (Attaching Parts)	2
—10	0641612	Bolt	6
—11	4761600	Lockwasher	6
—12	4070507	Shim (.12)	A/R
—13	4070508	Shim (.06)	A/R
	0100011	Loctite	A/R
—14	3340404	Pad, Wear (Attaching Parts)	4
—15	0641605	Bolt	8
—16	4761600	Lockwasher	8
—17	4070546	Shim (.036)	A/R
—18	4070547	Shim (.06)	A/R
	0100011	Loctite	A/R
—19	3340263	Pad, Wear (Attaching Parts)	2
—20	0641605	Bolt	4
—21	4761600	Lockwasher	4
—22	4070544	Shim (.06)	A/R
—23	4070545	Shim (.12)	A/R
	0100011	Loctite	A/R
—24	1260190	Chain, Retract	2
—25	1360160	Clevis, Chain Attach	2
—26	3420414	Pin, Clevis	2
—27	4751000	Flatwasher	2
—28	3450203	Pin, Cotter	2
—29	3420867	Pin, Clevis Chain Adjust	2
—30	4751500	Flatwasher	2
—31	3450403	Pin, Cotter	2
—32	3509928	Plate, Clevis Attach	1
—33	1360100	Clevis, Chain Adjust	1
—34	3420865	Pin, Clevis Chain Adjust	1
—35	3450403	Pin, Cotter	1
—36	4740177	Washer, Hardened	1
—37	3312202	Nut, Jam	1
—38	3272201	Nut, Regular	1
—39	1670319	Cover Plate (Attaching Parts)	1
—40	4751400	Flatwasher	2
—41	4761400	Lockwasher	2
—42	3311401	Nut	2
	4300031	Stud (Welded On Part - Not Shown)	2

**SECTION 2 — ILLUSTRATED PARTS LIST**

FIGURE & INDEX NO.	PART NUMBER	ITEMS & DESCRIPTION	QTY.
2—2	0800435	<b>BOOM ASSEMBLY (CONTINUED)</b>	Ref.
—43	1670321	Cover, Base Boom Side (Attaching Parts)	2
—44	4300031	Stud (Welded On Part)	4
—45	4761400	Lockwasher	4
—46	3311401	Nut	4
	0236044	<b>CHAIN ADJUSTER ASSEMBLY</b>	Ref.
—47	3509182	Plate, Chain Adjuster	2
—48	3421142	Pin, Clevis	1
—49	4740276	Flatwasher	1
—50	3450505	Pin, Cotter	1
—51	0630347	Bolt	2
—52	3311803	Nut, Slotted	2
—53	3450405	Pin, Cotter	2
—54	0560554	Block, Chain Adjuster	2
—55	0630374	Eyebolt	1
—56	4842043	Chain Attach Block (Attaching Parts)	1
—57	0641616	Bolt	4
—58	4761600	Lockwasher	4
—59	4740185	Flatwasher	4
—60	4740057	Washer, Hardened	1
—61	3312201	Nut	1
—62	3312202	Nut, Jam	1
—63	1260191	Chain, Extend (Attaching Parts)	2
—64	3420414	Pin, Clevis	2
—65	4751000	Flatwasher	2
—66	3450203	Pin, Cotter	2
—67	4060636	Boom Cover (Attaching Parts)	1
—68	4300031	Stud (Welded On Part)	3
—69	4751400	Flatwasher	3
—70	4761400	Lockwasher	3
—71	3311401	Nut	3
—72	3340481	Pad, Wear (Attaching Parts)	1
—73	0641408	Bolt	2
—74	4761400	Lockwasher	2
—75	3311401	Nut	2
—76	1180159	Carrier (Attaching Parts)	1
—77	0641408	Bolt	8
—78	4751400	Flatwasher	8
—79	4761400	Lockwasher	8
—80	3311401	Nut	8
—81	0800437	Mid-Section	1



SECTION 2 — ILLUSTRATED PARTS LIST

FIGURE & INDEX NO.	PART NUMBER	ITEMS & DESCRIPTION	QTY.
2-2	0800435	<b>BOOM ASSEMBLY (CONTINUED)</b>	Ref.
-82	3340517	Pad, Wear (Attaching Parts)	2
-83	0641609	Bolt	6
-84	4761600	Lockwasher	6
-85	4070507	Shim (.12)	A/R
-86	4070508	Shim (.06)	A/R
	0100011	Loctite	A/R
-87	3340450	Pad, Wear (Attaching Parts)	4
-88	0641607	Bolt	8
-89	4761600	Lockwasher	8
-90	4070546	Shim (.036)	A/R
-91	4070547	Shim (.06)	A/R
	0100011	Loctite	A/R
-92	3340263	Pad, Wear (Attaching Parts)	2
-93	0641605	Bolt	4
-94	4761600	Lockwasher	4
-95	4070544	Shim (.06)	A/R
-96	4070545	Shim (.12)	A/R
	0100011	Loctite	A/R
-97	3340404	Pad, Wear (Attaching Parts)	2
-98	0641608	Bolt	4
-99	4761600	Lockwasher	4
-100	4070546	Shim (.036)	A/R
-101	4070547	Shim (.06)	A/R
	0100011	Loctite	A/R
-102	3340520	Pad, Wear (Attaching Parts)	2
-103	0641606	Bolt	6
-104	4761600	Lockwasher	6
-105	4070556	Shim (.06)	A/R
-106	4070557	Shim (.12)	A/R
	0100011	Loctite	A/R
-107	3580114	Sheave	1
-108	Not Used		
-109	Not Used		
-110	Not Used		
-111	3421347	Pin, Sheave (Attaching Parts)	1
-112	3951608	Setscrew	2
	0100011	Loctite	A/R
-113	2160002	Fitting, Grease	1
-114	0360372	Bar (Attaching Parts)	2
-115	0641608	Bolt	4
-116	4761600	Lockwasher	4
	0100011	Loctite	A/R

**SECTION 2 — ILLUSTRATED PARTS LIST**

FIGURE & INDEX NO.	PART NUMBER	ITEMS & DESCRIPTION	QTY.
2-2	0800435	<b>BOOM ASSEMBLY (CONTINUED)</b>	Ref.
-117	4340454	Support, Mid Boom (Attaching Parts)	1
-118	0641410	Bolt	3
-119	4751400	Flatwasher	3
-120	4761400	Lockwasher	3
-121	3311401	Nut	3
-122	1681617	Cylinder, Telescope (See Figure 2-5 For Breakdown) (Attaching Parts)	1
-123	3420420	Pin	1
-124	3951608	Setscrew	2
	0100011	Loctite	A/R
-125	3420645	Pin, Trunion	2
-126	3580118	Sheave	1
-127	Not Used		
-128	Not Used		
-129	Not Used		
-130	3421346	Pin, Sheave (Attaching Parts)	1
-131	3760233	Ring, Retainer	1
-132	Not Used		
-133	Not Used		
	0100011	Loctite	1
-134	2160002	Fitting, Grease	1
-135	0800436	Fly Section	1
-136	1320052	Clamp (Welded On Part)	1
-137	3421088	Pin, Boom Nose (Attaching Parts)	1
-138	0641622	Bolt	1
-139	3311605	Nut	1
	0100011	Loctite	A/R
-140	3340453	Pad, Wear (Attaching Parts)	2
-141	3931612	Bolt	4
-142	4761600	Lockwasher	4
-143	4070507	Shim (.12)	A/R
-144	4070508	Shim (.06)	A/R
	0100011	Loctite	A/R
-145	3340450	Pad, Wear (Attaching Parts)	2
-146	0641605	Bolt	4
-147	4761600	Lockwasher	4
-148	4070546	Shim (.036)	A/R
-149	4070547	Shim (.06)	A/R
	0100011	Loctite	A/R
-150	0560690	Block Chain Adjustment (Attaching Parts)	1
-151	0630163	Bolt	2
-152	4761800	Lockwasher	2
	0100011	Loctite	A/R

**SECTION 2 — ILLUSTRATED PARTS LIST**

FIGURE & INDEX NO.	PART NUMBER	ITEMS & DESCRIPTION	QTY.
2—2	0800435	<b>BOOM ASSEMBLY (CONTINUED)</b>	Ref.
	1260191	Chain Extend (Attaching Parts)	1
—153	3421029	Pin, Clevis	2
—154	3420414	Pin, Clevis	1
—155	4751000	Flatwasher	3
—156	3450203	Pin, Cotter	3
—157	1180111	Carrier Tube (Attaching Parts)	1
—158	0641644	Bolt	2
—159	4280242	Strip, Reinforcing	1
—160	4751600	Flatwasher	2
—161	3311605	Nut	2
—162	3520029	Plug, Hole	2
—163	1060229	Cable (16/30 - 1 Piece)	67'
	1060012	Cable (12/4 - 2 Pieces)	134'
—164	1681548	Cylinder, Slave (See Figure 2—6 For Breakdown) (Attaching Parts)	1
—165	3421207	Pin, Slave Level	1
—166	3760133	Ring, Retainer	2
—167	2160002	Fitting, Grease	1
	4920641	Harness, 110 Volt	1



## SECTION 2 — ILLUSTRATED PARTS LIST

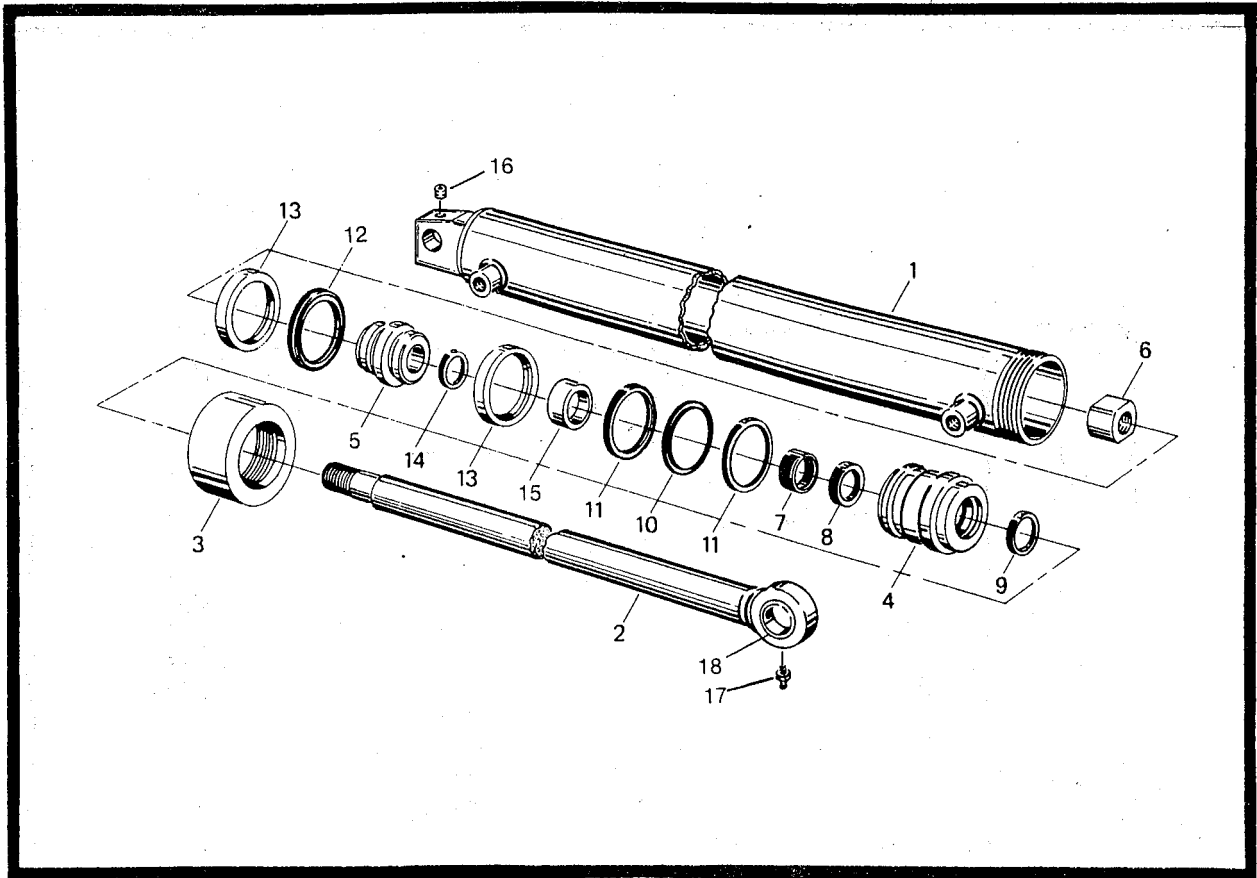


Figure 2-3. Master Cylinder Assembly.

FIGURE & INDEX NO.	PART NUMBER	ITEMS & DESCRIPTION	QTY.
2—3	1681580	<b>MASTER CYLINDER ASSEMBLY</b>	Ref.
—1	1681490	Barrel	1
—2	1681488	Rod Assembly	1
—3	1120179	Head, Retainer	1
—4	1680892	Head	1
—5	3480107	Piston	1
—6	3300101	Nut	1
—7	3760112	Ring, Wear	1
—8	3960349	Seal, Rod	1
—9	3960128	Wiper, Rod	1
—10	3790330	O-Ring	1
—11	3760176	Ring, Back-Up	2
—12	3960329	Seal, Piston	1
—13	3760220	Ring, Guidelock	2
—14	3790212	O-Ring	1
—15	0100011	Loctite	A/R
—15	4563031	Spacer	1
—16	2160002	Fitting, Grease	1
—17	2200201	Plug	1
—18	0960097	Bushing, Bronze	1
	2900352	Kit, Seal (Includes Items 7, 8, 9, 10, 11, 12, 13 and 14)	1

## SECTION 2 — ILLUSTRATED PARTS LIST

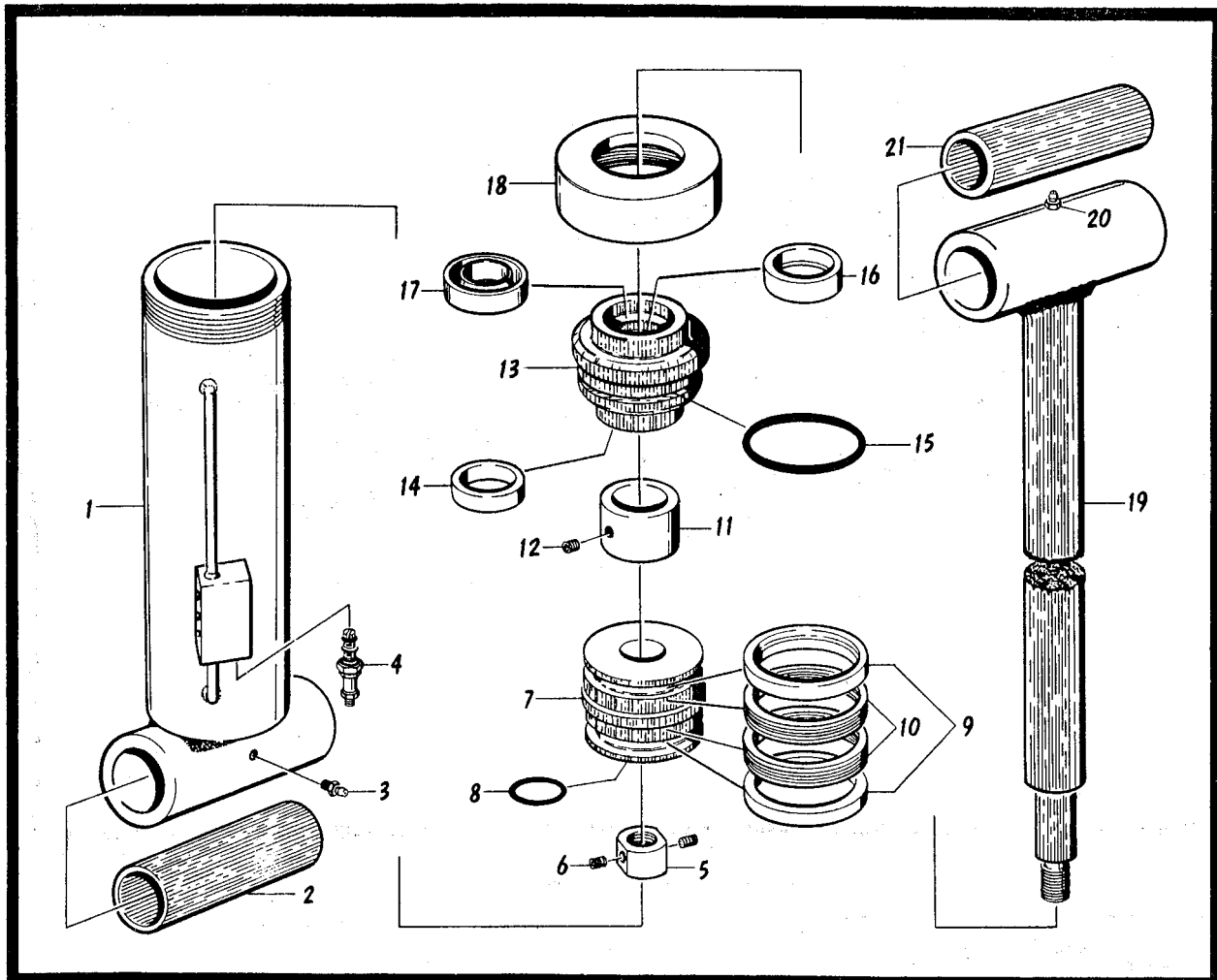


Figure 2-4. Lift Cylinder Assembly.

FIGURE & INDEX NO.	PART NUMBER	ITEMS & DESCRIPTION	QTY.
2-4	1681612	<b>LIFT CYLINDER ASSEMBLY</b>	Ref.
-1	1681615	Barrel Assembly	1
-2	0961086	Bushing	1
-3	2160002	Fitting, Grease	1
-4	4640489	Valve	1
-5	3300210	Nut	1
-6	3900139	Set Screw	2
	0100011	Loctite	A/R
-7	3480105	Piston	1
-8	3780165	O-Ring	1
-9	3760208	Ring, Lock	2
-10	3960314	Seal, Piston	2
-11	4563153	Spacer	1
-12	3900139	Set Screw	1
	0100011	Loctite	A/R
-13	1681618	Head	1
-14	3760132	Wear Band	1
-15	3780172	O-Ring	1

**SECTION 2 — ILLUSTRATED PARTS LIST**

FIGURE & INDEX NO.	PART NUMBER	ITEMS & DESCRIPTION	QTY.
2-4	1681612	<b>LIFT CYLINDER ASSEMBLY (CONTINUED)</b>	Ref.
-16	3960351	Rod Seal	1
-17	3960158	Wiper Seal	1
-18	1120160	Head	1
-19	1681613	Rod Assembly	1
-20	2160002	Fitting, Grease	1
-21	0961086	Bushing	1
	2900375	Seal Kit (Includes Items 8, 9, 10, 14, 15, 16 and 17)	1

SECTION 2 — ILLUSTRATED PARTS LIST

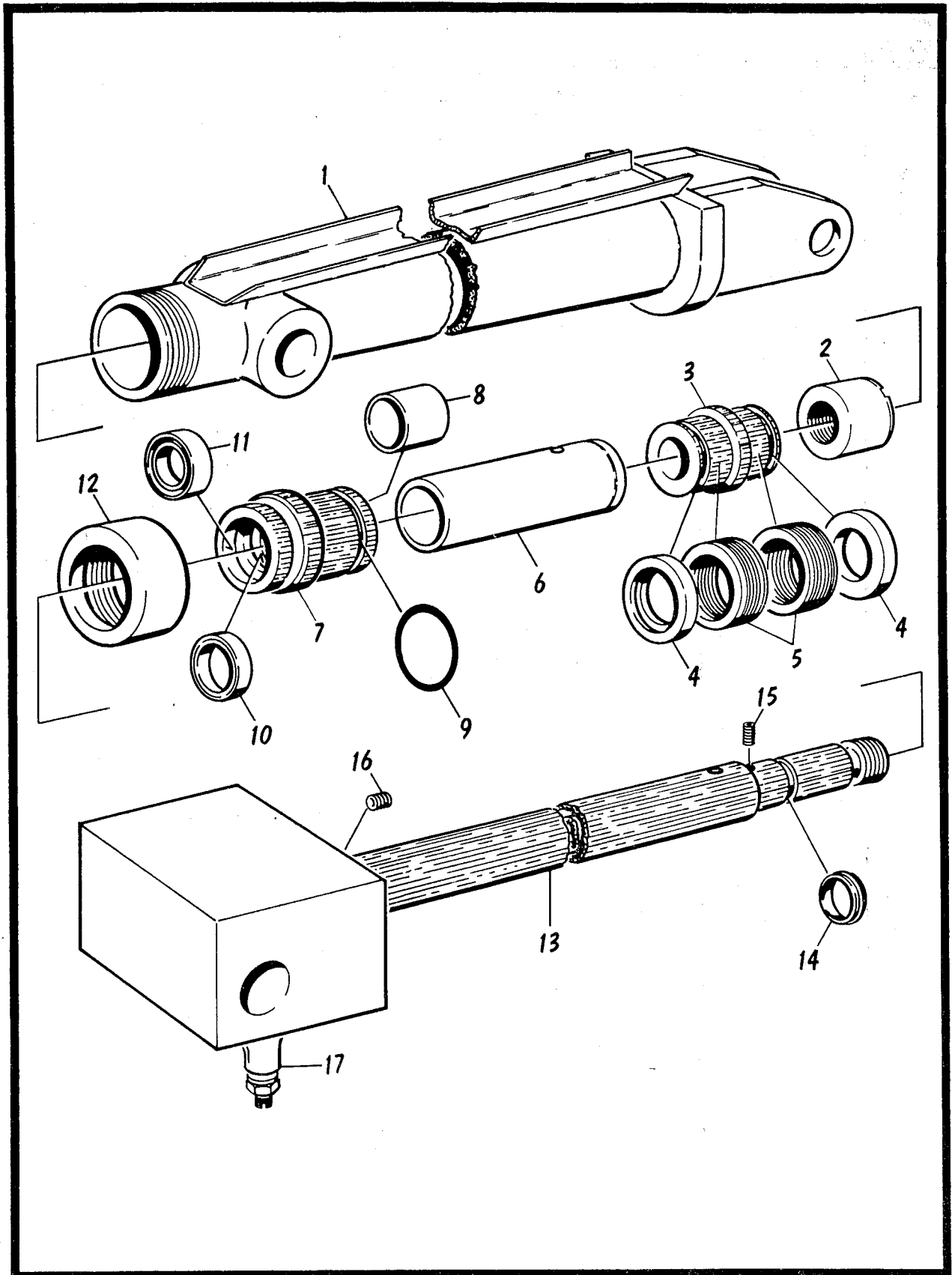


Figure 2-5. Telescope Cylinder Assembly.



**SECTION 2 — ILLUSTRATED PARTS LIST**

FIGURE & INDEX NO.	PART NUMBER	ITEMS & DESCRIPTION	QTY.
2-5.	1681617	<b>TELESCOPE CYLINDER ASSEMBLY</b>	Ref.
-1	1681619	Barrel	1
-2	3300086	Nut	1
	0100011	Loctite	A/R
-3	3480092	Piston	1
-4	3760198	Ring, Piston	2
-5	3960285	Seal, Piston	2
-6	4562756	Spacer	1
-7	1681283	Head	1
-8	3760197	Band, Wear	1
-9	3780164	O-Ring	1
-10	3960350	Seal, Rod	1
-11	3960134	Wiper, Rod	1
-12	1120108	End Cap	1
-13	1681621	Rod	1
-14	3960179	Seal	1
-15	3951405	Screw, Set	1
	0100011	Loctite	A/R
-16	2200222	Plug, Pipe	1
-17	4640212	Valve	1
	2900347	Seal Kit (Includes Items 4, 5, 8, 9, 10, 11 and 14)	1

THE UNIVERSITY OF CHICAGO  
DIVISION OF THE PHYSICAL SCIENCES  
DEPARTMENT OF CHEMISTRY

REPORT OF THE RESEARCH GROUP ON  
THE CHEMISTRY OF THE SOLID STATE  
FOR THE YEAR 1964

1. Introduction  
2. Research in Progress  
3. Publications  
4. Summary

1. Introduction  
2. Research in Progress  
3. Publications  
4. Summary

## SECTION 2 — ILLUSTRATED PARTS LIST

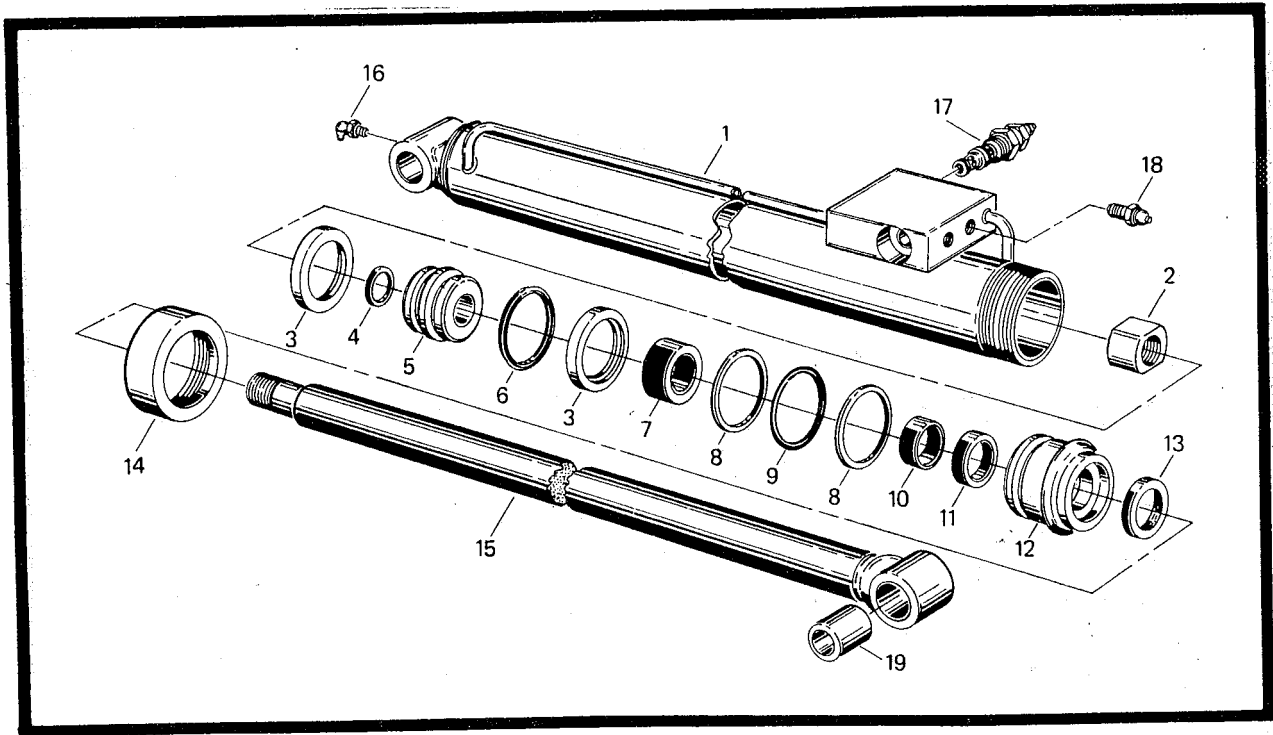


Figure 2-6. Slave Cylinder Assembly.

FIGURE & INDEX NO.	PART NUMBER	ITEMS & DESCRIPTION	QTY.
2—6	1681548	<b>SLAVE CYLINDER ASSEMBLY</b>	Ref.
—1	1680751	Barrel	1
—2	3300101	Nut	1
—3	3760220	Ring, Lock	2
—4	3790212	O-Ring	1
—5	3480107	Piston	1
—6	3960329	Seal, Piston	1
—7	1440142	Spacer	1
—8	3760176	Ring, Back-Up	2
—9	3790330	O-Ring	1
—10	3760112	Ring, Wear	1
—11	3960349	Seal, Rod	1
—12	1681635	Head	1
—13	3960128	Wiper, Rod	1
—14	1120179	Head, Retainer	1
—15	1681331	Rod Assembly	1
—16	2160001	Fitting	1
—17	4640495	Valve	2
—18	2200213	Fitting	2
	0100011	Loctite	A/R
	0100020	Sealant, Pipe	A/R
—19	0960097	Bushing	1
	2900352	Kit, Seal (Includes Items 3, 4, 6, 8, 9, 10, 11 and 13)	1
			1

SECTION 2 — ILLUSTRATED PARTS LIST

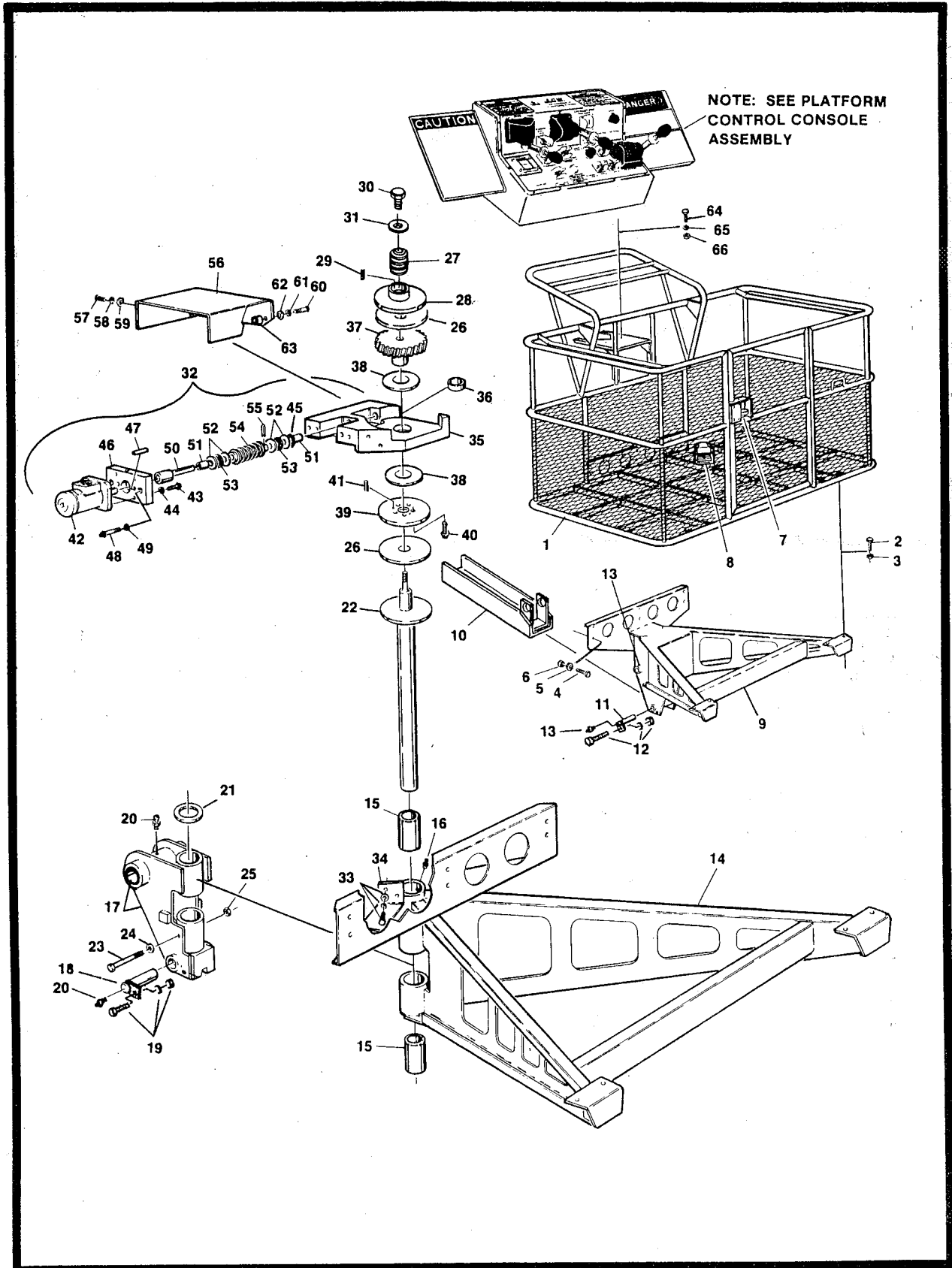


Figure 2-7. Platforms and Controls Stands Assemblies and Installations.

**SECTION 2 — ILLUSTRATED PARTS LIST**

FIGURE & INDEX NO.	PART NUMBER	ITEMS & DESCRIPTION	QTY.
2-7..		<b>PLATFORMS AND CONTROL STANDS ASSEMBLIES AND INSTALLATIONS</b>	Ref.
-1	3510138 3510141 3510148 3510139	Platform - 3' x 4' Platform - 3' x 5' Platform - 3' x 6' Platform - 3' x 8' (Attaching Parts)	1 1 1 1
-2	0630068 0681610	Bolt (Rotating Support) Bolt (Fixed Support)	4 4
-3	3300143	Locknut	4
-4	0630068 0681610	Bolt (Rotating Support) Bolt (Fixed Support)	6 6
-5	4751600	Flatwasher	12
-6	3300143	Locknut	6
-7	2560010 2940006  3911012 4751000 4761000 3311001	Handle, Latch Latch, Door (Attaching Parts) Screw, Round Head Flatwasher Lockwasher Nut	1 1  4 4 4 4
-8	0233861  4360031  0641510 4751500 4761500 3311501	<b>FOOTSWITCH INSTALLATION</b>  Footswitch (Attaching Parts) Bolt Flatwasher Lockwasher Nut	Ref.  1  3 3 3 3
-9	7000625	Block, Contact	1
-10 -11 -12	0236830  4842403  1270907 3421176 0641608 4761600 3311601	<b>FIXED SUPPORT INSTALLATION</b>  Support, Fixed (Attaching Parts) Channel Weldment Pin Weldment Bolt Lockwasher Nut	Ref.  1  1 1 1 1 1
-13	2160002	Fitting, Grease	2
-14 -15 -16 -17 -18	0236831  0236261 0960564 2160002 0236741 0961024 3421176	<b>SUPPORT AND ROTATOR INSTALLATION</b>  Support, Rotating Bushing, Bronze Fitting, Grease Pivot, Attachment Bushing, Bronze Pin Weldment (Attaching Parts)	Ref.  1 2 2 1 2 1

SECTION 2 — ILLUSTRATED PARTS LIST

FIGURE & INDEX NO.	PART NUMBER	ITEMS & DESCRIPTION	QTY.
2-7		<b>PLATFORMS AND CONTROL STANDS ASSEMBLIES AND INSTALLATIONS</b>	Ref.
-19	0641608	Bolt	1
	4761600	Lockwasher	1
	3311601	Nut	1
-20	2160002	Fitting, Grease	2
-21	4740158	Washer, Thrust	1
-22	4842046	Shaft (Attaching Parts)	1
-23	0641836	Bolt	1
-24	4751800	Flatwasher	1
-25	3311805	Nut	1
-26	3340454	Pad, Brake	2
-27	4160026	Washer, Belleville	8
-28	1120299	Cap	1
-29	2880404	Key Stock, Square	1
-30	0652014	Bolt	1
-31	4752000	Flatwasher	1
-32		Rotator Assembly (Attaching Parts)	1
-33	0641811	Bolt	2
	4761800	Lockwasher	2
	4751800	Flatwasher	2
-34	3200194	Mount	1
-35	2760064	Housing, Gear	1
-36	0440135	Bearing, Sleeve	1
-37	2440044	Gear	1
-38	4740256	Washer, Thrust	2
-39	1760068	Disc, Brake	1
-40	3931010	Capscrew, Socket Head	5
	0100019	Loctite	A/R
-41	3440616	Pin, Roll	1
-42	3160083	Motor, Hydraulic (See Figure 2-8 For Breakdown) (Attaching Parts)	1
-43	3931612	Screw, Socket Head	4
-44	4761600	Lockwasher	4
-45	4070585	Shim	A/R
	4070586	Shim	A/R
	4070587	Shim	A/R
-46	0080099	Adapter, Motor (Attaching Parts)	1
-47	3441228	Pin, Roll	2
-48	3931620	Screw, Socket Head	2
-49	4761600	Lockwasher	2
-50	0080098	Shaft, Adapter	1
-51	0440134	Bearing, Sleeve	2
-52	4740199	Washer, Thrust	4
-53	0440120	Bearing, Needle	2

**SECTION 2 — ILLUSTRATED PARTS LIST**

FIGURE & INDEX NO.	PART NUMBER	ITEMS & DESCRIPTION	QTY.
2-7-		<b>PLATFORMS AND CONTROL STANDS ASSEMBLIES AND INSTALLATIONS</b>	Ref.
-54	2440043	Gear, Worm (Attaching Parts)	1
-55	3440816	Pin, Roll	1
-56	1670322	Cover (Attaching Parts)	1
-57	0641404	Bolt	1
-58	4761400	Lockwasher	1
-59	4751400	Flatwasher	1
-60	0641408	Bolt	1
-61	4761400	Lockwasher	1
-62	4751400	Flatwasher	1
-63	4562083	Spacer	1
		<b>CONSOLE INSTALLATION</b>	Ref.
-64	0641407	Bolt	4
-65	4751400	Lockwasher	8
-66	3311405	Nut	4





SECTION 2 — ILLUSTRATED PARTS LIST

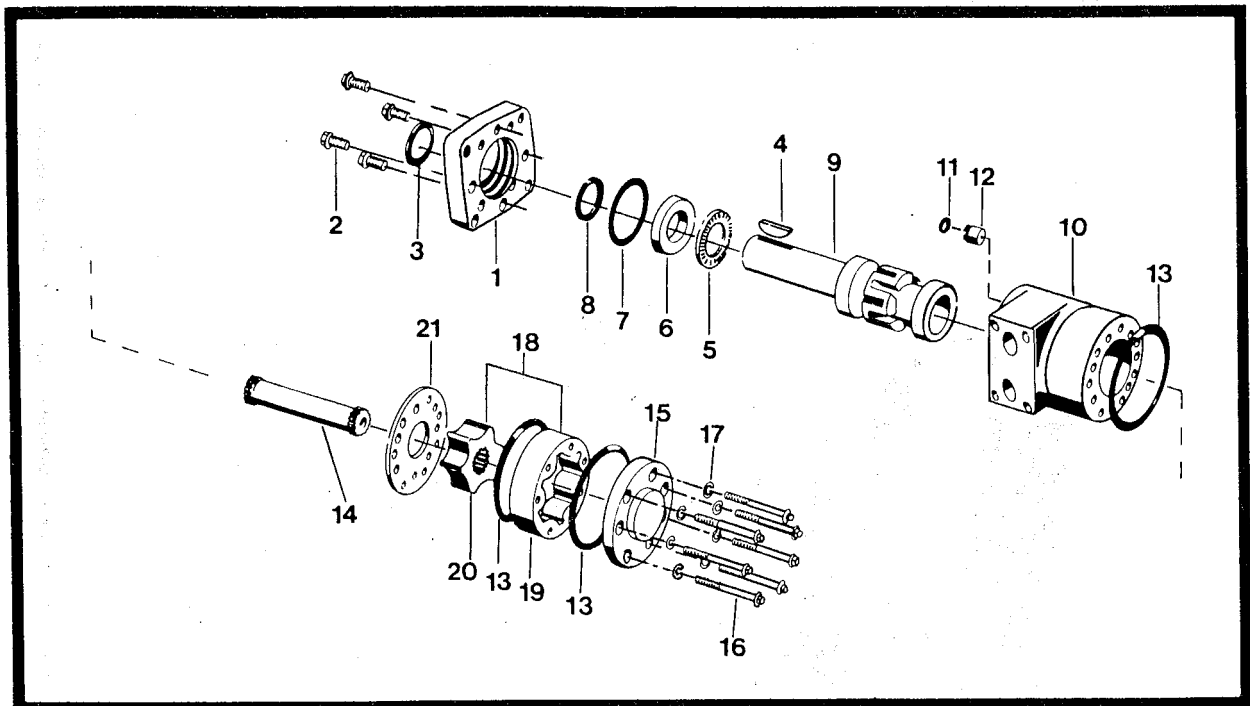


Figure 2-8. Hydraulic Motor Assembly.

FIGURE & INDEX NO.	PART NUMBER	ITEMS & DESCRIPTION	QTY.
2-8	3160083	<b>HYDRAULIC MOTOR ASSEMBLY</b>	Ref.
-1	7002105	Flange, Mounting (Attaching Parts)	1
-2	7002123	Screw, Cap	4
-3	7002124	Seal, Dust	1
-4	7002104	Key, Woodruff	1
-5	7002111	Bearing, Thrust Needle	1
-6	7002117	Thrust, Bearing Race	1
-7	7002119	Seal, O-Ring	1
-8	7002120	Seal, Pressure	1
-9	7002116	Shaft, Output	1
-10	7002103	Housing	1
-11	7002118	Seal	1
-12	7002114	Plug, Housing	1
-13	7002115	Seal, O-Ring	3
-14	7002112	Drive	1
-15	7002107	Cap, End (Attaching Parts)	1
-16	7002100	Screw, Cap	7
-17	7000166	Lockwasher	7
-18	7002125	Gerotor Sub-Assembly	1
-19	7002101	Ring	1
-20	7002102	Star	1
-21	7002110	Plate, Spacer	1
	2900455	Seal Kit (Includes Items 3, 7, 8, 11 and 12).	1

SECTION 2 — ILLUSTRATED PARTS LIST

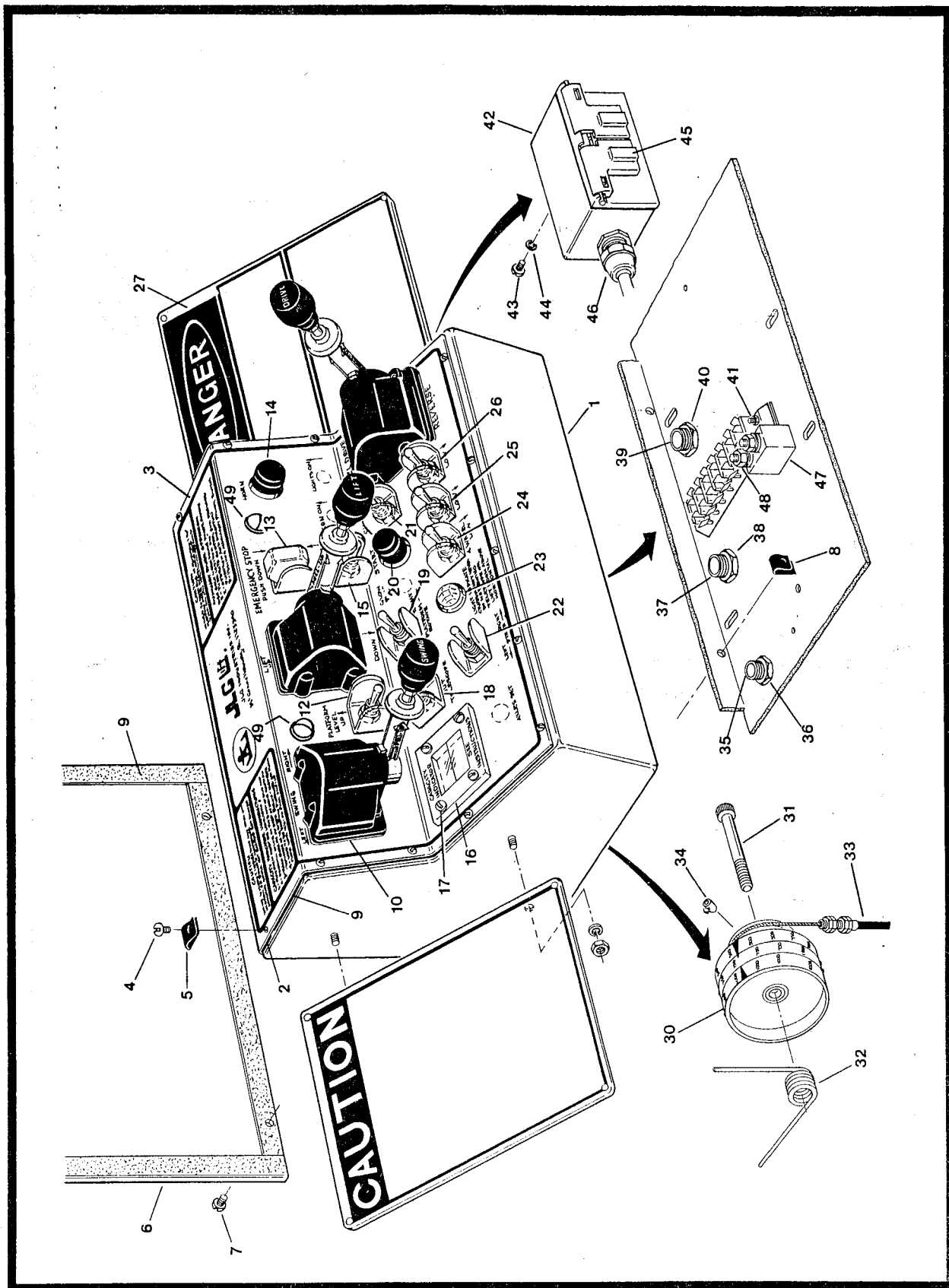


Figure 2-9. Console Box Assembly.

**SECTION 2 — ILLUSTRATED PARTS LIST**

FIGURE & INDEX NO.	PART NUMBER	ITEMS & DESCRIPTION	QTY.
2-9	0237040	<b>CONSOLE BOX ASSEMBLY WITH CAPACITY INDICATOR</b>	Ref.
	0237041	<b>CONSOLE BOX ASSEMBLY WITHOUT CAPACITY INDICATORS</b>	Ref.
-1	0860472	Box, Console	1
-2	3960250	Weather Strip	A/R
	0100001	Adhesive	A/R
-3	3251537	Decal, Console (Attaching Parts)	1
-4	0751006	Screw	13
-5	3300177	Nut	13
-6	3509858	Cover, Rear (Attaching Parts)	1
-7	0751006	Screw	2
-8	3300177	Nut	2
-9	4420038	Tape, Insulation	A/R
-10	1600094	Controller (Attaching Parts)	3
	0640803	Bolt	12
	4760800	Lockwasher	12
	2560040	Knob, Swing	1
	2560038	Knob, Lift	1
	2560041	Knob, Drive	1
	0100009	Silicone	A/R
-11	Not Used		
-12	4360202	Switch, Platform Level	1
	4060087	Shield	1
	3790012	O-Ring	1
-13	4360199	Switch, Emergency Stop	1
	4060087	Shield	1
	4360141	Guard, Switch	1
	3790012	O-Ring	1
-14	4360016	Switch, Horn	1
-15	4360204	Switch, Auxiliary Power	1
	4060087	Shield	1
	3790012	O-Ring	1
-16	2960006	Lens, Capacity Indicator (With Capacity Indicator)	1
	3251551	Decal 500 Pounds Capacity (Without Capacity Indicator) (Not Shown)	1
	3960251	Gasket (Attaching Parts)	1
-17	3911014	Screw, Round Head	4
	4771000	Lockwasher	4
	3311001	Nut	4
-18	4360202	Switch, Telescope	1
	4060087	Shield	1
	3790012	O-Ring	1
-19	4360202	Switch, Platform Rotate	1
	4060087	Shield	1
	3790012	O-Ring	1
-20	4360016	Switch, Start	1

**SECTION 2 — ILLUSTRATED PARTS LIST**

FIGURE & INDEX NO.	PART NUMBER	ITEMS & DESCRIPTION	QTY.
2-9		<b>CONSOLE BOX ASSEMBLY (CONTINUED)</b>	Ref.
--21	4360199	Switch, Choke	1
	4060087	Shield	1
	3790012	O-Ring	1
--22	4360202	Switch, Steer	1
	4060087	Shield	1
	3790012	O-Ring	1
--23	2920015	Light, Level	1
--24	4360199	Switch, 2/4 Wheel Drive	1
	4060087	Shield	1
	3790012	O-Ring	1
--25	4360199	Switch, Drive Speed	1
	4060087	Shield	1
	3790012	O-Ring	1
--26	4360199	Switch, Engine Speed	1
	4060087	Shield	1
	3790012	O-Ring	1
--27	3251549	Decal, Danger	1
		(Attaching Parts)	
	3311401	Nut	2
	4761400	Lockwasher	2
--28	Not Used		
--29	Not Used		
--30	2420055	Gauge, Capacity Indicator (Standard)	1
		(Attaching Parts)	
--31	3900111	Bolt, Special	1
	0100011	Loctite	A/R
	2420057	Housing, Capacity Indicator	1
	0440042	Bearing, Ball	2
	4561774	Tube, Spacer	1
	1700503	Nameplate, Capacity (Standard)	1
--32	4160058	Spring, Torsion	1
--33	1060168	Cable	1
		(Attaching Parts)	
--34	4220044	Stop, Throttle	2
--35	4460052	Connector	1
		(Attaching Parts)	
--36	3300047	Nut	1
--37	4460051	Connector	1
		(Attaching Parts)	
--38	3300048	Nut	1
--39	4460071	Connector	1
		(Attaching Parts)	
--40	3300048	Nut	1
--41	4460263	Terminal Strip	1
		(Attaching Parts)	
	3921016	Screw	2
	4761000	Lockwasher	2
	3311001	Nut	2

**SECTION 2 — ILLUSTRATED PARTS LIST**

FIGURE & INDEX NO.	PART NUMBER	ITEMS & DESCRIPTION	QTY.
2—9		<b>CONSOLE BOX ASSEMBLY (CONTINUED)</b>	Ref.
—42	0860038	Box, Switch (Attaching Parts)	1
—43	3911008	Screw, Round Head	4
—44	4761000	Lockwasher	4
—45	4060092	Shield, Weather Proof	1
	4460190	Receptacle	1
—46	4460049	Connector	1
	0960407	Bushing, Reducing	1
—47	4360209	Breaker, Circuit (Attaching Parts)	1
—48	3321001	Nut	2
	4751000	Flatwasher	2
—49	2920024	Light, Panel	2

SECTION 2 — ILLUSTRATED PARTS LIST

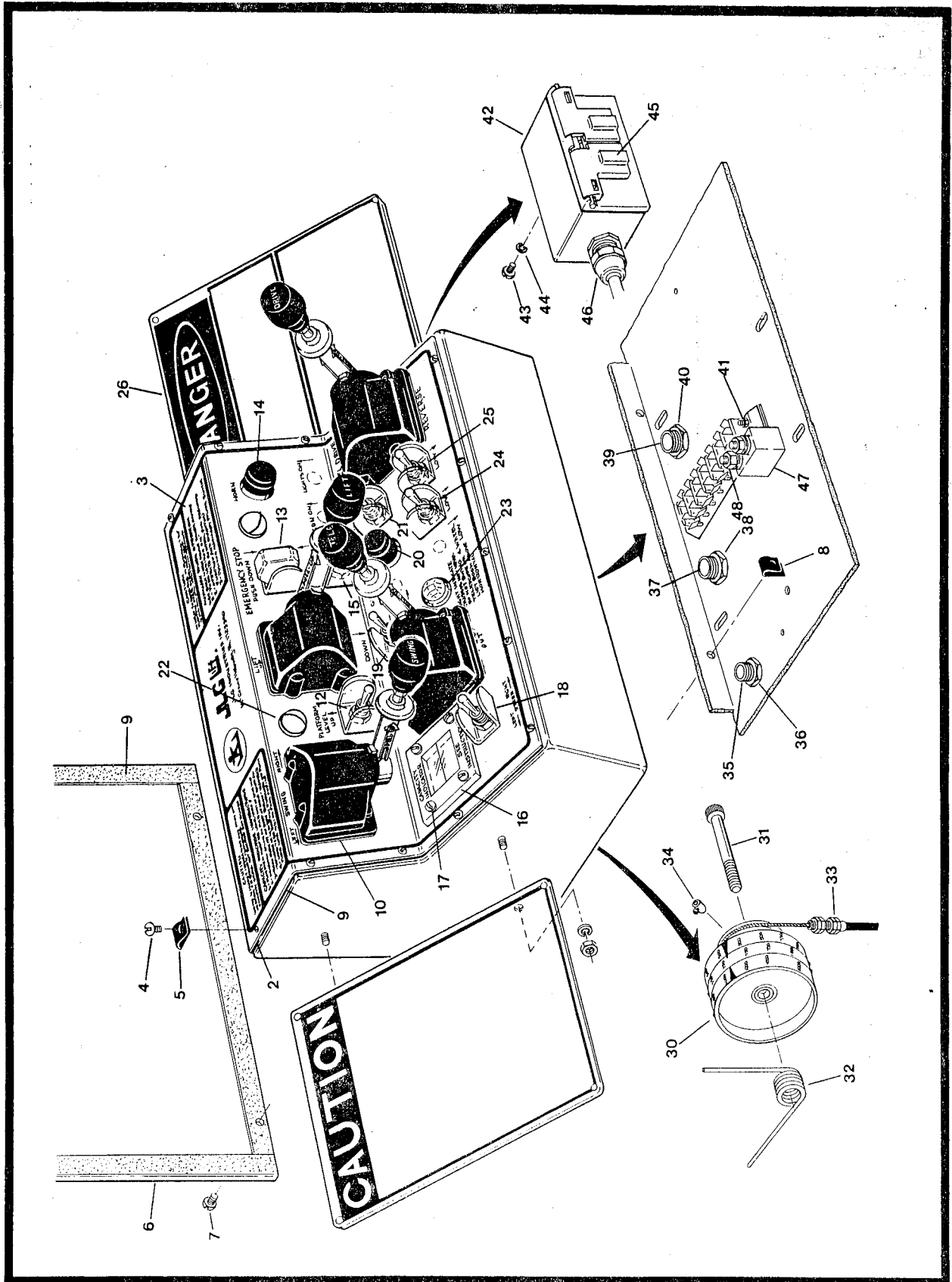


Figure 2-10. Console Box Assembly with Proportional Telescope Control.

**SECTION 2 — ILLUSTRATED PARTS LIST**

FIGURE & INDEX NO.	PART NUMBER	ITEMS & DESCRIPTION	QTY.
2—10	0236822	<b>CONSOLE BOX ASSEMBLY WITH PROPORTIONAL TELESCOPE CONTROL AND CAPACITY INDICATOR</b>	Ref.
	0236821	<b>CONSOLE BOX ASSEMBLY WITH PROPORTIONAL TELESCOPE CONTROL AND WITHOUT CAPACITY INDICATORS</b>	Ref.
—1	0860472	Box, Console	1
—2	3960250	Weather Strip	A/R
	0100001	Adhesive	A/R
—3	3251620	Decal, Console (Attaching Parts)	1
—4	0751006	Screw	13
—5	3300177	Nut	13
—6	3509858	Cover, Rear (Attaching Parts)	1
—7	0751006	Screw	2
—8	3300177	Nut	2
—9	4420038	Tape, Insulation	A/R
—10	1600094	Controller (Attaching Parts)	4
	0640803	Bolt	16
	4760800	Lockwasher	16
	2560039	Knob, Telescope	1
	2560040	Knob, Swing	1
	2560038	Knob, Lift	1
	2560041	Knob, Drive	1
	0100009	Silicone	A/R
—11	Not Used		
—12	4360202	Switch, Platform Level	1
	4060087	Shield	1
	3790012	O-Ring	1
—13	4360199	Switch, Emergency Stop	1
	4060087	Shield	1
	4360141	Guard, Switch	1
	3790012	O-Ring	1
—14	4360016	Switch, Horn	1
—15	4360204	Switch, Auxiliary Power	1
	4060087	Shield	1
	3790012	O-Ring	1
—16	2960006	Lens, Capacity Indicator (With Capacity Indicator)	1
	3251551	Decal, 500 Pound Capacity (Without Capacity Indicator) (Not Shown)	1
	3960251	Gasket (Attaching Parts)	1
—17	3911014	Screw, Round Head	4
	4771000	Lockwasher	4
	3311001	Nut	4
—18	4360202	Switch, Steer	1
	4060087	Shield	1
	3790012	O-Ring	1

**SECTION 2 — ILLUSTRATED PARTS LIST**

FIGURE & INDEX NO.	PART NUMBER	ITEMS & DESCRIPTION	QTY.
2-10		<b>CONSOLE BOX ASSEMBLY WITH PROPORTIONAL TELESCOPE CONTROL (CONTINUED)</b>	Ref.
-19	4360202	Switch, Platform Rotate	1
	4060087	Shield	1
	3790012	O-Ring	1
-20	4360016	Switch, Start	1
-21	4360199	Switch, Choke	1
	4060087	Shield	1
	3790012	O-Ring	1
-22	2920024	Light, Panel	2
-23	2920015	Light, Level	1
-24	4360199	Switch, Drive Speed	1
	4060087	Shield	1
	3790012	O-Ring	1
-25	4360199	Switch, Engine Speed	1
	4060087	Shield	1
	3790012	O-Ring	1
-26	3251549	Decal, Danger (Attaching Parts)	1
	3311401	Nut	2
	4761400	Lockwasher	2
-27	Not Used		
-28	Not Used		
-29	Not Used		
-30	2420055	Gauge, Capacity Indicator (Attaching Parts)	1
-31	3900111	Bolt, Special	1
	0100011	Loctite	A/R
	2420057	Housing, Capacity Indicator	1
	0440042	Bearing, Ball	2
	4561774	Tube, Spacer	1
	1700503	Nameplate, Capacity	1
-32	4160058	Spring, Torsion	1
-33	1060168	Cable (Attaching Parts)	1
-34	4220044	Stop, Throttle	2
-35	4460052	Connector (Attaching Parts)	1
-36	3300047	Nut	1
-37	4460051	Connector (Attaching Parts)	1
-38	3300048	Nut	1
-39	4460071	Connector (Attaching Parts)	1
-40	3300048	Nut	1
-41	4460263	Terminal Strip (Attaching Parts)	1
	3921016	Screw	2
	4761000	Lockwasher	2
	3311001	Nut	2



**SECTION 2 — ILLUSTRATED PARTS LIST**

FIGURE & INDEX NO.	PART NUMBER	ITEMS & DESCRIPTION	QTY.
2—10		<b>CONSOLE BOX ASSEMBLY WITH PROPORTIONAL TELESCOPE CONTROL (CONTINUED)</b>	Ref.
—42	0860038	Box, Switch (Attaching Parts)	1
—43	3911008	Screw, Round Head	4
—44	4761000	Lockwasher	4
—45	4060092	Shield, Weather Proof	1
	4460190	Receptacle	1
—46	4460049	Connector	1
	0960407	Bushing, Reducing	1
—47	4360209	Breaker, Circuit (Attaching Parts)	1
—48	3321001	Nut	2
	4751000	Flatwasher	2

SECTION 2 — ILLUSTRATED PARTS LIST

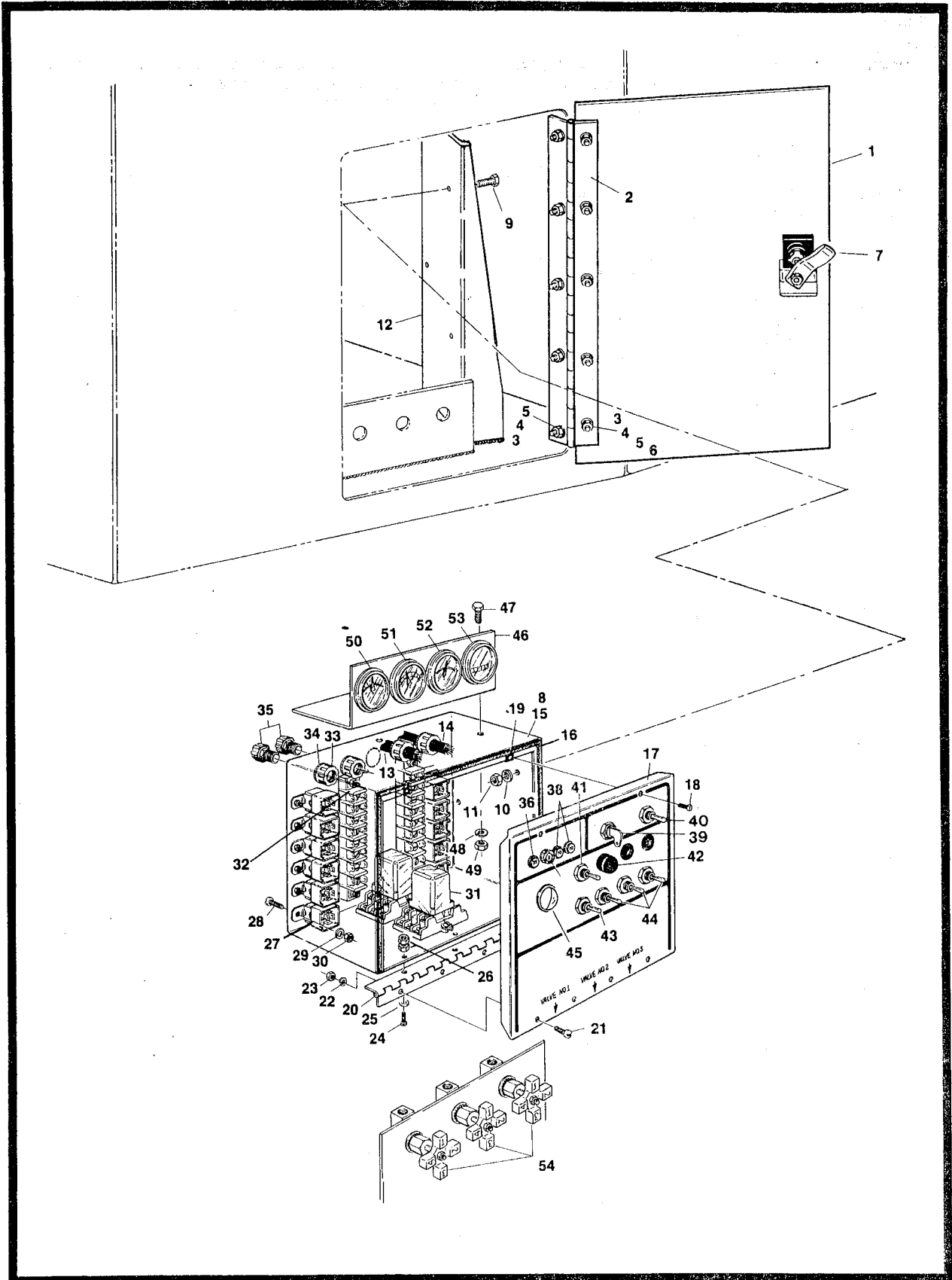


Figure 2-11. Ground Controls and Related Components Installation.

**SECTION 2 — ILLUSTRATED PARTS LIST**

FIGURE & INDEX NO.	PART NUMBER	ITEMS & DESCRIPTION	QTY.
2-11		<b>GROUND CONTROLS AND RELATED COMPONENTS INSTALLATION</b>	Ref.
		<b>DOOR INSTALLATION ON COUNTERWEIGHT</b>	Ref.
-1	1780184	Door (Attaching Parts)	1
-2	2600094	Hinge	1
-3	3311401	Nut, Hex	10
-4	4761400	Lockwasher	10
-5	4751400	Flatwasher	10
-6	4300031	Stud (Welded—on Part)	5
-7	2940042	Latch	1
	0100011	Loctite	A/R
	0236290	<b>GROUND CONTROL BOX INSTALLATION WITH PROPORTIONAL CONTROL</b>	Ref.
	0236886	<b>GROUND CONTROL BOX INSTALLATION WITHOUT PROPORTIONAL CONTROL</b>	Ref.
-8	0860519	Ground Control Box Assembly with Proportional Control	1
	0860518	Ground Control Box Assembly Without Proportional Control	1
		<b>NOTE:</b> For Best Reference Order Complete Ground Control Box Assembly By Model And Serial Number Of Machine. (Attaching Parts)	
-9	0641408	Bolt, Hex Head	3
-10	4761400	Lockwasher	3
-11	3300182	Nut, Retainer	3
-12	0901356	Bracket, Box Mounting (Welded On Part)	1
-13	4920528	Harness	1
	1060016	Cable, Control	12 Ft.
-14	4920462	Harness (With Proportional Control)	1
	4920461	Harness (Without Proportional Control)	1
-15		Box Assembly	1
	0860487	Box	1
-16	4280237	Strip, Rubber	1
	0100001	Adhesive	A/R
-17	3251650	L/D (Attaching Parts)	1
-18	2080018	Screw	2
-19	3300177	Nut, Tinnerman	2
-20	2600093	Hinge (Attaching Parts)	1
-21	3911006	Screw	4
-22	4761000	Lockwasher	4
-23	3311001	Nut	4
-24	3911012	Screw	3
-25	4761000	Lockwasher	3
-26	3311001	Nut	6

**SECTION 2 — ILLUSTRATED PARTS LIST**

FIGURE & INDEX NO.	PART NUMBER	ITEMS & DESCRIPTION	QTY.
2-11		<b>GROUND CONTROLS AND RELATED COMPONENTS INSTALLATION (CONTINUED)</b>	Ref.
-27	3740049	Relay (With Bracket) (Attaching Parts)	12
-28	3911008	Screw	12
-29	4761000	Lockwasher	12
-30	33110001	Nut	12
-31	3740016	Relay (Attaching Parts)	2
	4120002	Socket, Relay	2
	3910610	Screw	3
	4760600	Lockwasher	3
	4751000	Flatwasher	3
	3310601	Nut	3
-32	4460263	Strip, Terminal (Attaching Parts)	2
	3910610	Screw	4
	4760600	Lockwasher	4
	3310601	Nut	4
-33	0960238	Bushing	4
-34	3300048	Locknut, Conduit	4
-35	4460051	Connector	3
	4460071	Connector (Not Shown)	1
-36	4360186	Breaker, Circuit (35 AMP)	1
-37	4360212	Switch, Circuit Breaker (3 AMP)	1
-38	4360069	Breaker, Circuit (10 AMP)	2
-39	4360003	Switch, Master	1
-40	4360073	Switch, Toggle (DPDT)	1
	3790012	O-Ring	1
-41	4360199	Switch, Toggle (SPST)	1
	3790012	O-Ring	1
-42	4360016	Switch, Push Button	1
-43	4360204	Switch, Toggle (DPST)	1
	3790012	O-Ring	1
-44	4360202	Switch, Toggle (DPDT)	3
	3790012	O-Ring	3
-45	2920024	Light, Panel	1
		<b>GAUGES INSTALLATION</b>	Ref.
-46	3380309	Panel, Gauge Mounting (Attaching Parts)	1
-47	0641408	Bolt, Hex Head	3
-48	4761400	Lockwasher	3
-49	3311401	Nut, Hex	3
-50	2420006	Gauge, Ammeter	1
-51	2420035	Gauge, Oil Pressure — Ford	1
	2420030	Gauge, Oil Pressure, Deutz	1
	2220261	Fitting, Coupling — Deutz Only (Not Shown)	1
	2220001	Fitting, Swivel — Deutz Only (Not Shown)	1
	4420001	Dope, Ribbon Pipe	A/R
-52	2420019	Gauge, Water Temperature — Ford Only	1
-53	2420009	Hourmeter	

**SECTION 2 — ILLUSTRATED PARTS LIST**

FIGURE & INDEX NO.	PART NUMBER	ITEMS & DESCRIPTION	QTY.
2-11		<b>GROUND CONTROLS AND RELATED COMPONENTS INSTALLATION (CONTINUED)</b>	Ref.
		<b>MANUAL DESCENT CIRCUIT</b>	Ref.
-54	2900062 4640005	Kit, Panel Mounting Valve Valve, Needle	3 3

SECTION 2 — ILLUSTRATED PARTS LIST

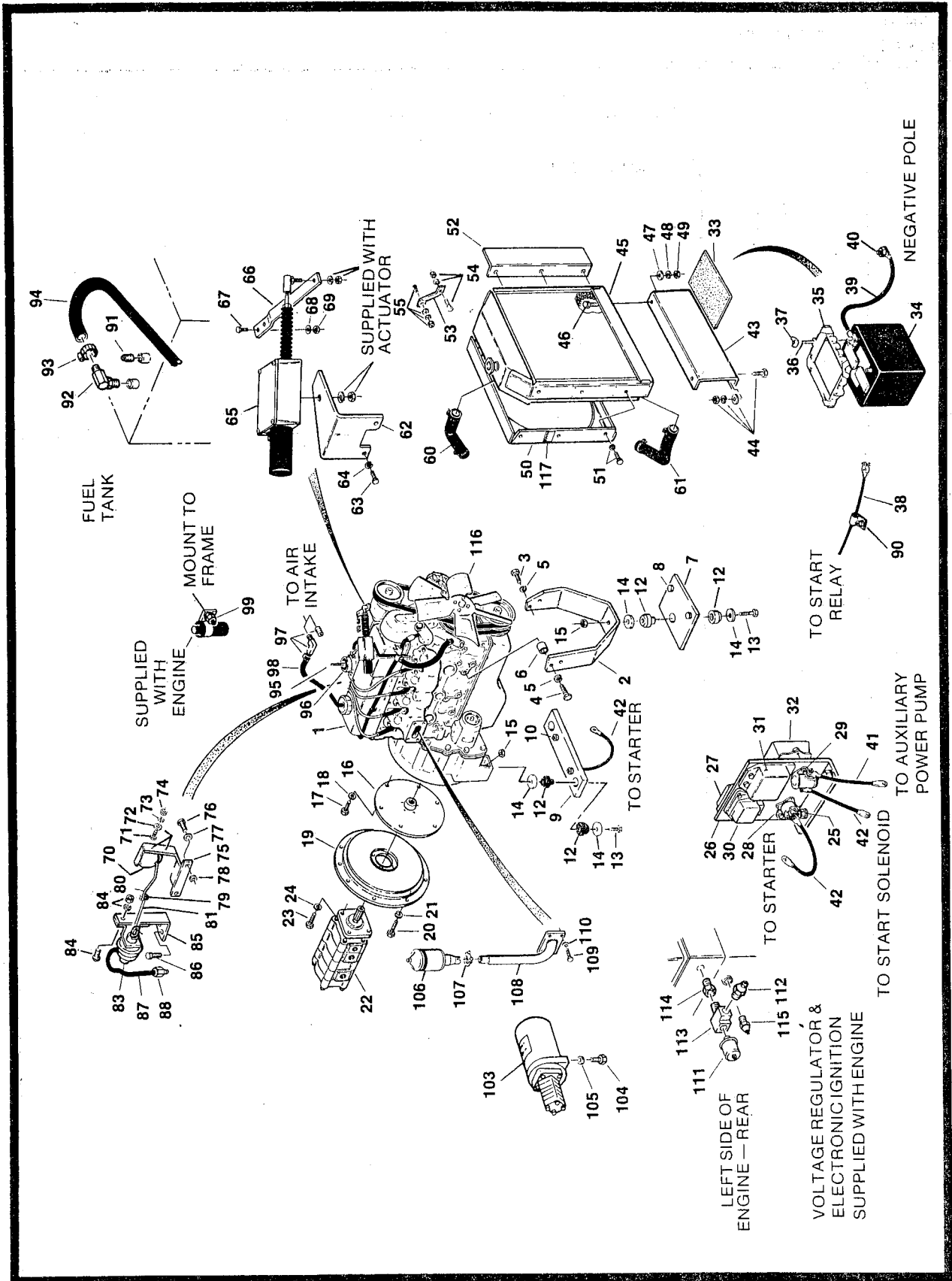


Figure 2-12. Ford LSG-423 Engine Assembly and Installation.

**SECTION 2 — ILLUSTRATED PARTS LIST**

FIGURE & INDEX NO.	PART NUMBER	ITEMS & DESCRIPTION	QTY.
2-12	0237456	<b>FORD LSG-423 GASOLINE ENGINE ASSEMBLY AND INSTALLATION - GEAR PUMP</b>	Ref.
	0237454	<b>FORD LSG-423 DUAL FUEL ENGINE ASSEMBLY AND INSTALLATION - GEAR PUMP</b>	Ref.
-1	2000086	Engine, Ford LSG-423 (Attaching Parts)	1
-2	3200198	Mount, Front	1
-3	0711014	Bolt, Metric	3
-4	0711020	Bolt, Metric	1
-5	4761600	Lockwasher	4
-6	4562637	Spacer	1
-7	3200230	Mount, Engine (Front) (Attaching Parts)	1
-8	0641622	Bolt	2
	4751600	Flatwasher	2
	4761600	Lockwasher	2
	3311601	Nut	2
-9	3200226	Mount, Engine (Rear) (Attaching Parts)	1
-10	0642024	Bolt	2
	4752000	Flatwasher	2
	4762000	Lockwasher	2
	3312001	Nut	2
-11	Not Used		
-12	3200133	Mount, Rubber (Attaching Parts)	3
-13	0642032	Bolt	1
-14	4740242	Flatwasher	2
-15	3312005	Locknut	1
-16	1760106	Drive Plate Assembly (Attaching Parts)	1
-17	0641606	Bolt	6
-18	4761600	Lockwasher	6
-19	0080119	Pump Adapter (Attaching Parts)	1
-20	0641608	Bolt	8
-21	4761600	Lockwasher	8
-22	3600072	Pump - Gear (See Figure 2-18 For Breakdown) (Attaching Parts)	1
-23	0641812	Bolt	2
-24	4761800	Lockwasher	2
		Electrical Panel Assembly (Attaching Parts)	1
-25	3311401	Nut	2
	4761400	Lockwasher	2
	4300032	Stud (Welded On Part)	2
-26	3509714	Panel	1

**SECTION 2 — ILLUSTRATED PARTS LIST**

FIGURE & INDEX NO.	PART NUMBER	ITEMS & DESCRIPTION	QTY.
2—12		<b>FORD LSG-423 ENGINE ASSEMBLY AND INSTALLATION (CONTINUED)</b>	Ref.
—27	3740061 0641006 4761000 3311001	Lockout Start (Attaching Parts) Bolt Lockwasher Nut	1 2 2 2
—28	3740059 0641006 4761000 3311001 0641405 4761400 3310801	Relay, Starter (Attaching Parts) Bolt Lockwasher Nut Bolt Lockwasher Nut	1 1 1 1 1 1 1
—29	3740002 0641405 4761400 3311401 3300220	Relay, Auxiliary Power (Attaching Parts) Bolt Lockwasher Nut Nut, Special	1 2 2 1 1
—30	0641006 4761000 3311001	Voltage Regulator (Supplied with Engine) (Attaching Parts) Bolt Lockwasher Nut	1 2 2 2
—31	0641405 4761400	Electronic Ignition (Supplied with Engine) (Attaching Parts) Bolt Lockwasher	1 3 3
—32	0060021 0641405 4761400	Module, Actuator (Attaching Parts) Bolt Lockwasher	1 2 2
—33	3980003	Masonite	1
—34	0400003	Battery	1
—35	0400002	Tie Down (Attaching Parts)	1
—36	0232573	Rod, Tie Down	2
—37	3300029	Wing Nut	2
—38	1060147	Cable, Battery 78" (Battery to Solenoid)	1
—39	1060046	Cable, Battery 15" (Battery to Ground) (Attaching Parts)	1
—40	3311401 4761400 4300032	Nut Lockwasher Stud	1 1 1
—41	1060129	Cable, Battery 40" (Auxiliary Solenoid to Auxiliary Power Pump)	1



**SECTION 2 — ILLUSTRATED PARTS LIST**

FIGURE & INDEX NO.	PART NUMBER	ITEMS & DESCRIPTION	QTY.
2-12		<b>FORD LSG-423 ENGINE ASSEMBLY AND INSTALLATION (CONTINUED)</b>	Ref.
-42	1060045	Cable, Battery 10" (Starter to Ground), (Start Solenoid to Starter) and (Start Solenoid to Auxiliary Solenoid)	3
-43	4340509	Radiator Support (Attaching Parts)	1
-44	0641612	Bolt	2
	4761600	Lockwasher	2
	4751600	Flatwasher	2
	3311601	Nut	2
-45	3620026	Radiator (Attaching Parts)	1
-46	0630375	Bolt	2
-47	4751700	Flatwasher	2
-48	4761700	Lockwasher	2
-49	3311701	Nut	2
-50	2680334	Shroud (Attaching Parts)	1
-51	3941004	Screw, Self-Tapping	6
	4761000	Lockwasher	6
-52	3380354	Baffle (Attaching Parts)	2
	3941004	Screw, Self-Tapping (Not Shown)	6
	4761000	Lockwasher (Not Shown)	6
-53	0880076	Brace (Attaching Parts)	1
-54	0630360	Bolt	1
	4761400	Flatwasher	1
	4761500	Lockwasher	1
	3311501	Nut	1
-55	4751400	Flatwasher	1
	4761400	Lockwasher	1
	3311401	Nut	1
	4300032	Stud (Welded On Part)	1
-56	Not Used		
-57	Not Used		
-58	Not Used		
-59	Not Used		
-60	2720254	Hose, Radiator (Top) (Attaching Parts)	1
	1320012	Clamp	2
-61	2720232	Hose, Radiator (Bottom) (Attaching Parts)	1
	1320012	Clamp	2
-62	4842263	Throttle and Choke Installation Bracket, Throttle (Attaching Parts)	1
-63	0630135	Bolt, Metric	2
-64	4740116	Lockwasher	2

**SECTION 2 — ILLUSTRATED PARTS LIST**

FIGURE & INDEX NO.	PART NUMBER	ITEMS & DESCRIPTION	QTY.
2-12		<b>FORD LSG-423 ENGINE ASSEMBLY AND INSTALLATION (CONTINUED)</b>	Ref.
-65	0060020	Actuator	1
-66	3010081	Link (Attaching Parts)	1
-67	0641406	Bolt	2
-68	4761400	Lockwasher	2
-69	3311401	Nut	2
-70	2900097	Choke Kit (Attaching Parts)	1
-71	0641406	Bolt	2
-72	4761400	Lockwasher	2
-73	4751400	Flatwasher	2
-74	3311401	Nut	2
-75	0901297	Bracket, Automatic Choke (Attaching Parts)	1
-76	0630384	Bolt, Metric	2
-77	4761500	Lockwasher	2
-78	4751500	Flatwasher	2
-79	3840821	Rod, Choke	1
-80	1380111	Clip	1
-81	3840855	Rod, Pull-Off	1
-82	1380112	Clip	1
-83	0060022	Actuator, Vacuum Pull-Off (Attaching Parts)	1
-84	3910808	Screw	2
	4760800	Lockwasher	2
	3310801	Nut	2
-85	0901347	Bracket, Choke Pull-Off (Attaching Parts)	1
-86	0700810	Bolt, Metric	2
-87	2720016	Hose	1
-88	2180666	Fitting	1
-89	Not Used		
-90	1320041	Clamp (Attaching Parts)	2
	4300032	Stud (Welded On Part)	2
	4761400	Lockwasher	2
	3311400	Nut	2
-91	2200051	Plug, Pipe	1
-92	2220317	Fitting	1
-93	2220015	Hose, Fuel	1
-94	1320022	Clamp, Hose	2
-95	4300056	Stud, Carburetor	1
	3311405	Locknut	1
-96	0080091	Adapter, Choke (All Machines)	1
-97	2220314	Fitting, 90° (Dual Fuel Engines)	1
	1320022	Clamp (Dual Fuel Engines)	2
	2200053	Plug (Gasoline Engines)	1

**SECTION 2 — ILLUSTRATED PARTS LIST**

FIGURE & INDEX NO.	PART NUMBER	ITEMS & DESCRIPTION	QTY.
2-12		<b>FORD LSG-423 ENGINE ASSEMBLY AND INSTALLATION (CONTINUED)</b>	Ref.
-98	2720160	Hose	1
-99	4300032	Stud	1
	4751400	Flatwasher	1
	4761400	Lockwasher	1
	3311401	Nut	1
-100	Not Used		
-101	Not Used		
-102	Not Used		
-103	3600115	Pump, Auxiliary	1
		(Attaching Parts)	
-104	0641612	Bolt	2
-105	4761600	Lockwasher	2
		-----	
		Exhaust Installation	1
-106	3220043	Muffler	1
-107	1320019	Clamp	1
-108	4842226	Tube Weldment	1
	4100025	Sleeve, Fiberglass	1.5 Ft.
		(Attaching Parts)	
-109	0701010	Bolt, Metric	4
-110	4761700	Lockwasher	4
		-----	
-111	2420033	Sender, Oil Pressure	1
-112	4360037	Switch, Oil Pressure	1
-113	2180360	Fitting, Tee	1
-114	2220273	Fitting, Reducer	1
	0100020	Loctite	A/R
-115	2420024	Sender, Temperature	1
-116	2060015	Fan	1
-117	3250914	Decal, Caution	1

SECTION 2 — ILLUSTRATED PARTS LIST

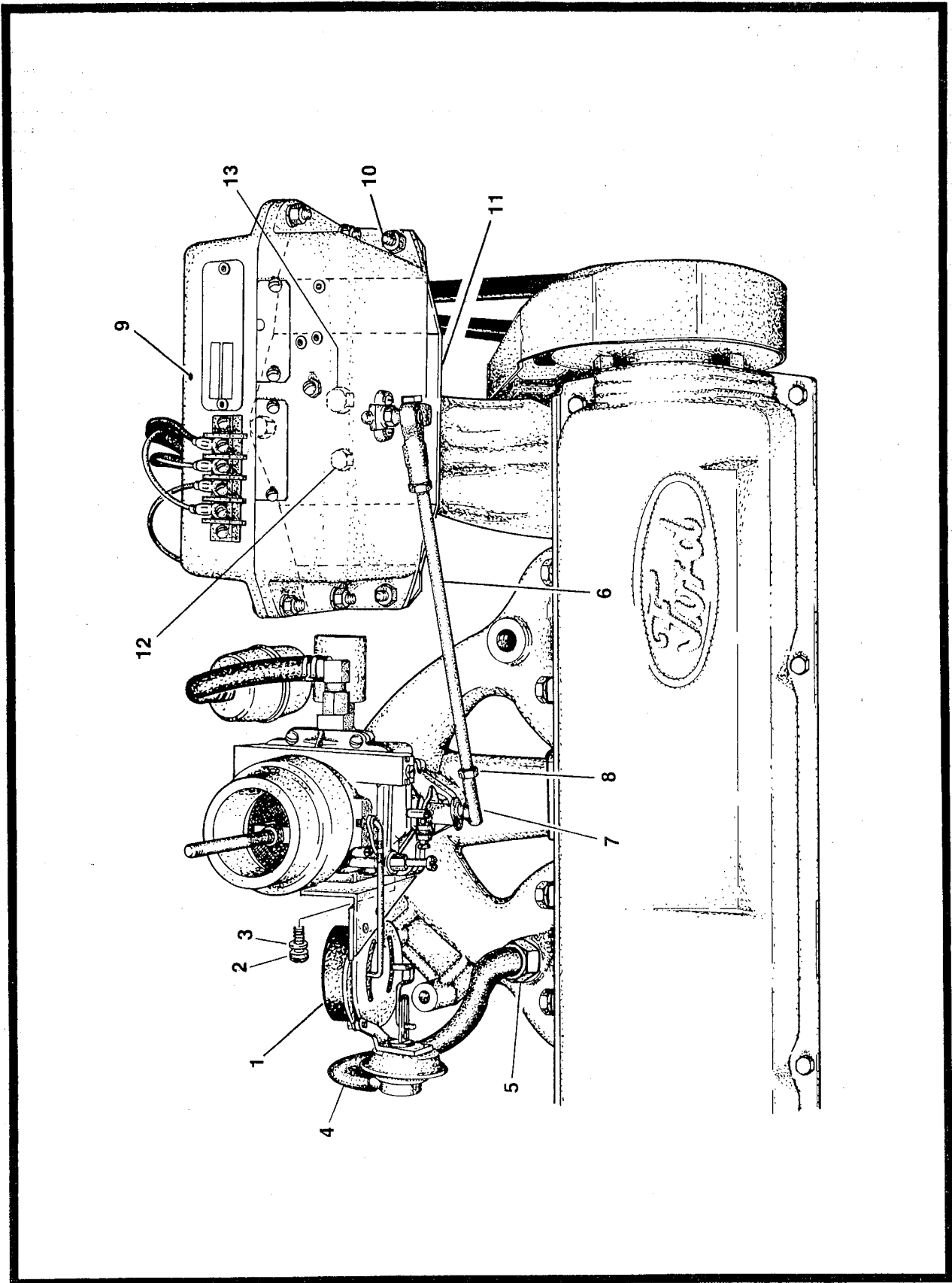


Figure 2-13. Precision Governor Installation.

**SECTION 2 — ILLUSTRATED PARTS LIST**

FIGURE & INDEX NO.	PART NUMBER	ITEMS & DESCRIPTION	QTY.
2—13	0237852	<b>PRECISION GOVERNOR INSTALLATION</b>	Ref.
—1	0237568	Choke and Vacuum Pull-Off Assembly (Includes Sensor) (Attaching Parts)	1
—2	3910812	Screw	2
—3	4760800	Lockwasher	2
—4	2720016	Hose	1
—5	2180666	Fitting	1
—6	3840898	Rod (Attaching Parts)	1
—7	1660157	Coupling, Ball Joint	2
—8	3321401	Nut	2
—9	2500003	Governor (Attaching Parts)	1
—10	0641408	Bolt	4
—10	4751400	Flatwasher	4
—10	4761400	Lockwasher	4
—10	3311401	Nut	4
—11	0901373	Bracket, Governor (Attaching Parts)	1
—12	0641408	Bolt	2
—12	4751400	Flatwasher	2
—12	4761400	Lockwasher	2
—12	3311401	Nut	2
—13	0641608	Bolt	1
—13	4761600	Lockwasher	1
—13	3311601	Nut	1

SECTION 2 — ILLUSTRATED PARTS LIST

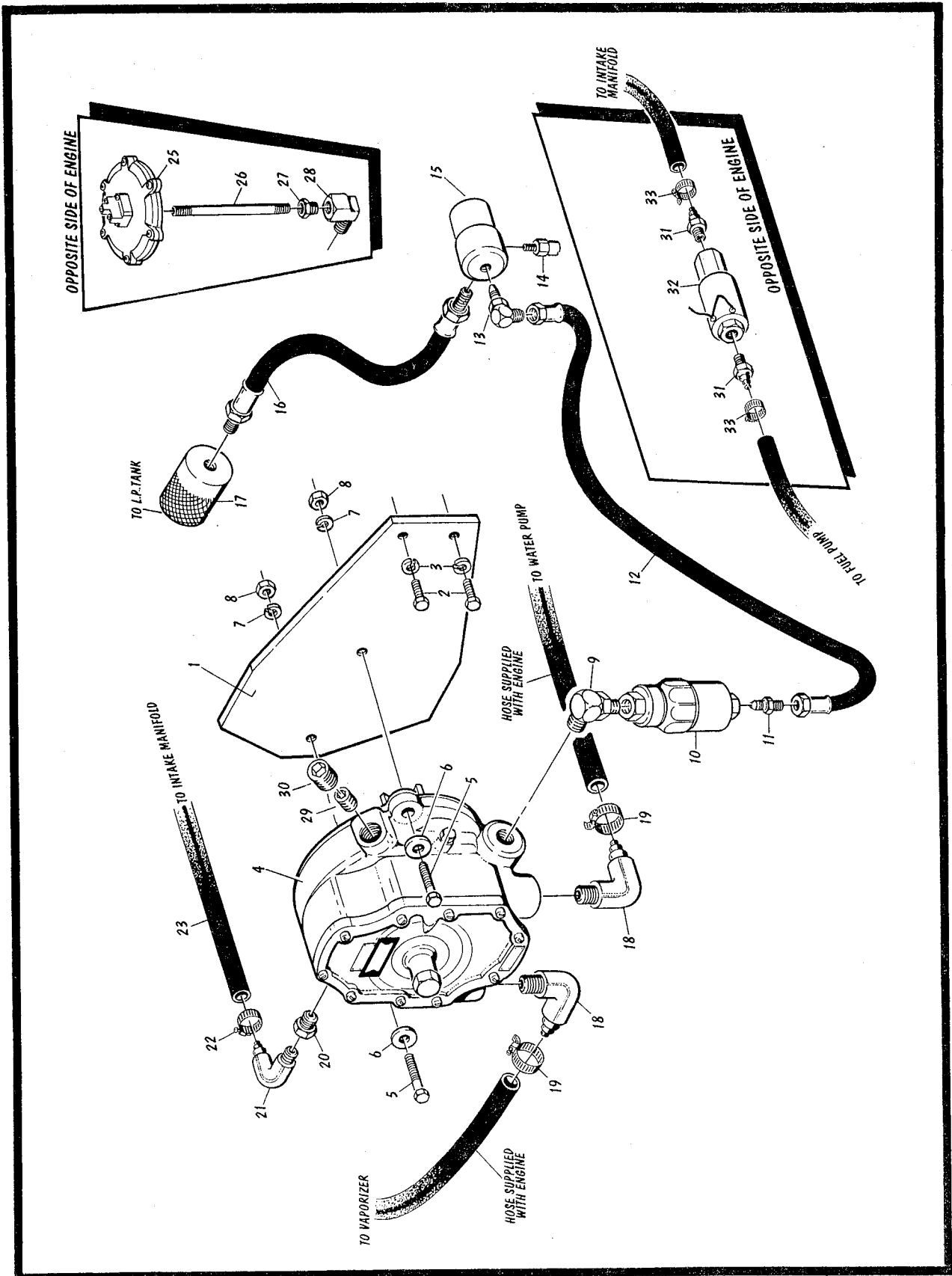


Figure 2-14. Dual Fuel Installation.

**SECTION 2 — ILLUSTRATED PARTS LIST**

FIGURE & INDEX NO.	PART NUMBER	ITEMS & DESCRIPTION	QTY.
2—14		<b>DUAL FUEL INSTALLATION</b>	Ref.
—1	0901236	Plate, Regulator Mounting (Attaching Parts)	1
—2	0701014	Bolt, Metric	2
—3	4761800	Lockwasher	2
—4	4700005	Regulator (Attaching Parts)	1
—5	0641416	Bolt	2
—6	4751400	Flatwasher	2
—7	4761400	Lockwasher	2
—8	3311401	Nut	2
—9	2220064	Fitting, 90°	1
—10	2120077	LP Filterlock	1
—11	2180418	Fitting	1
—12	2720149	Hose	1
—13	2180504	Fitting, 90°	1
—14	2180389	Valve, Relief	1
—15	2180388	Filter	1
—16	2720117	Hose	1
—17	2180387	Fitting, LP Tank	1
—18	2220313	Fitting, 90°	2
—19	1320022	Clamp, Hose	2
—20	2220251	Fitting, Reducer	1
—21	2220675	Fitting, 90°	1
—22	1320030	Clamp, Hose	2
—23	2720112	Hose	24"
—24	Not Used		
—25	4360188	Switch, Vacuum	1
—26	2180420	Nipple, Pipe	1
—27	2220430	Fitting, Reducer	1
—28	2220652	Fitting, 90°	1
—29	2200221	Plug	1
—30	2200224	Plug	1
—31	2220315	Fitting	2
—32	4640391	Fuel Lock	1
—33	1320022	Clamp, Hose	2





SECTION 2 — ILLUSTRATED PARTS LIST

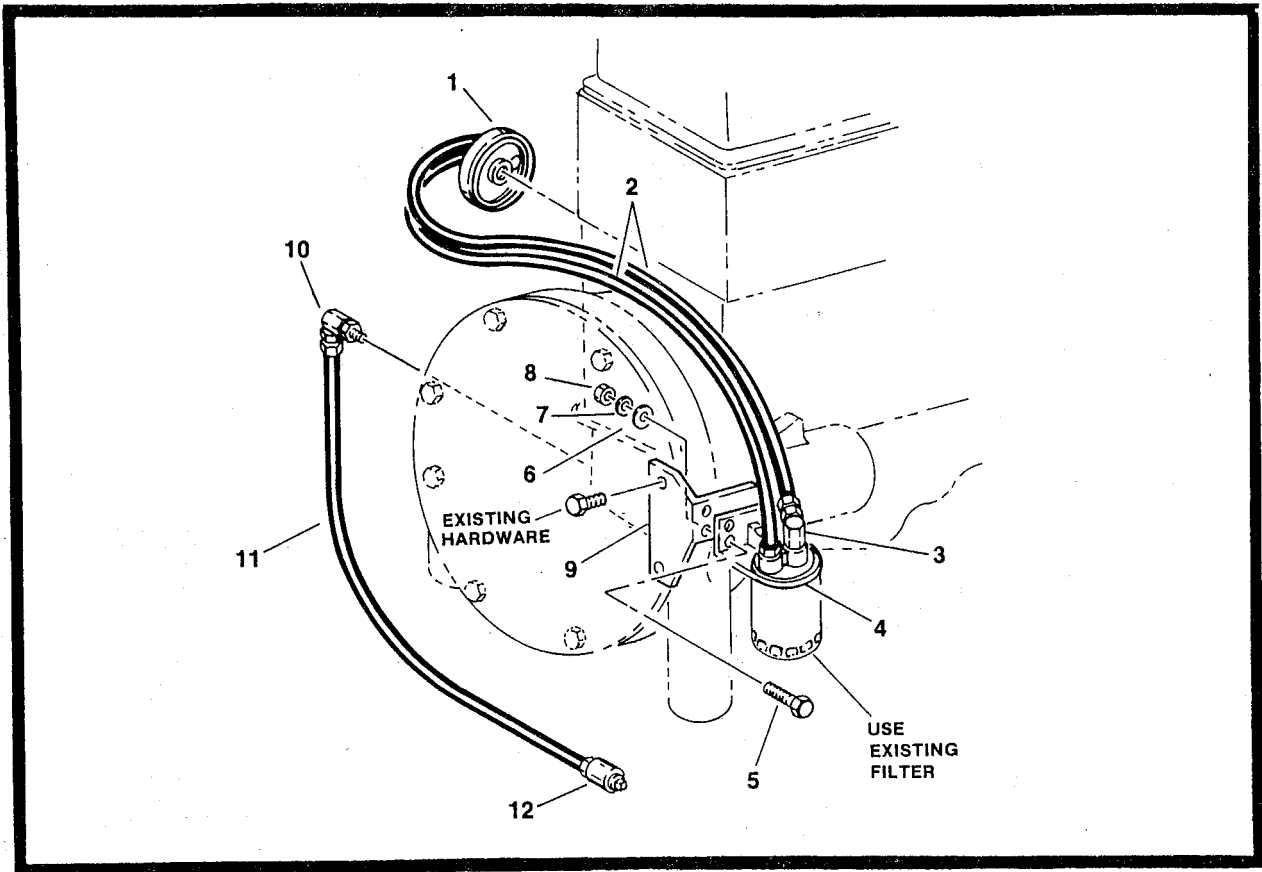


Figure 2-15. Remote Oil Filter and Drain Installation.

FIGURE & INDEX NO.	PART NUMBER	ITEMS & DESCRIPTION	QTY.
2-15	0237411	<b>REMOTE OIL FILTER AND DRAIN - FORD</b>	Ref.
-1	0080133	Adapter (Includes O-Ring)	1
-2	2750123	Hose	2
	0010020	Sealant	A/R
-3	2220128	Fitting, 45°	1
-4	0080132	Adapter (Attaching Parts)	1
-5	0641408	Bolt	3
-6	4751400	Flatwasher	3
-7	4761400	Lockwasher	3
-8	3311401	Nut	3
-9	0901361	Bracket (Use Existing Hardware)	1
-10	3520066	Fitting	1
	2180669	Fitting	1
-11	2750354	Hose	1
-12	2200262	Coupling	1
	2200102	Plug	1

## SECTION 2 — ILLUSTRATED PARTS LIST

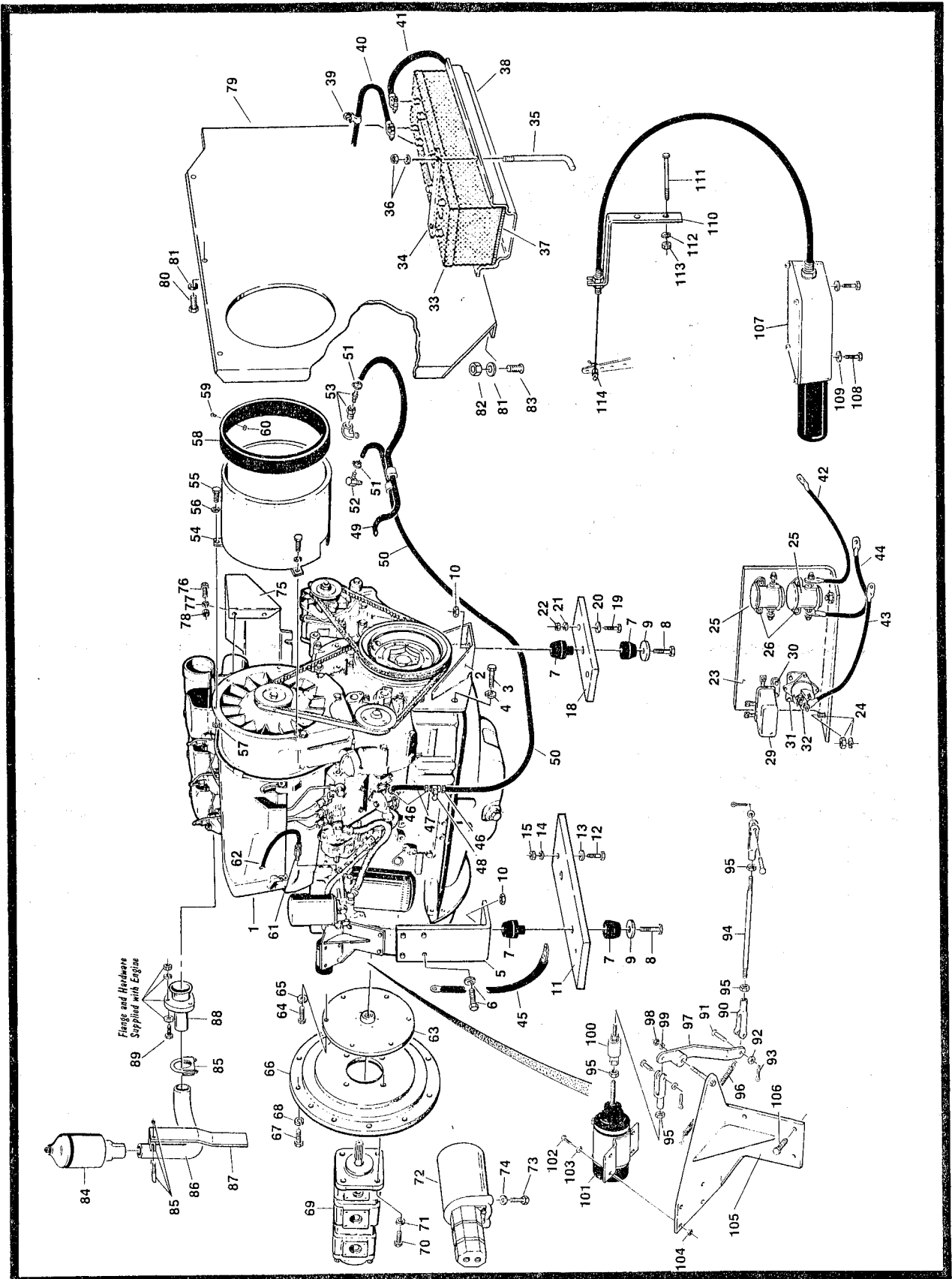


Figure 2-16. Deutz Engine and Components Assemblies and Installation.

**SECTION 2 — ILLUSTRATED PARTS LIST**

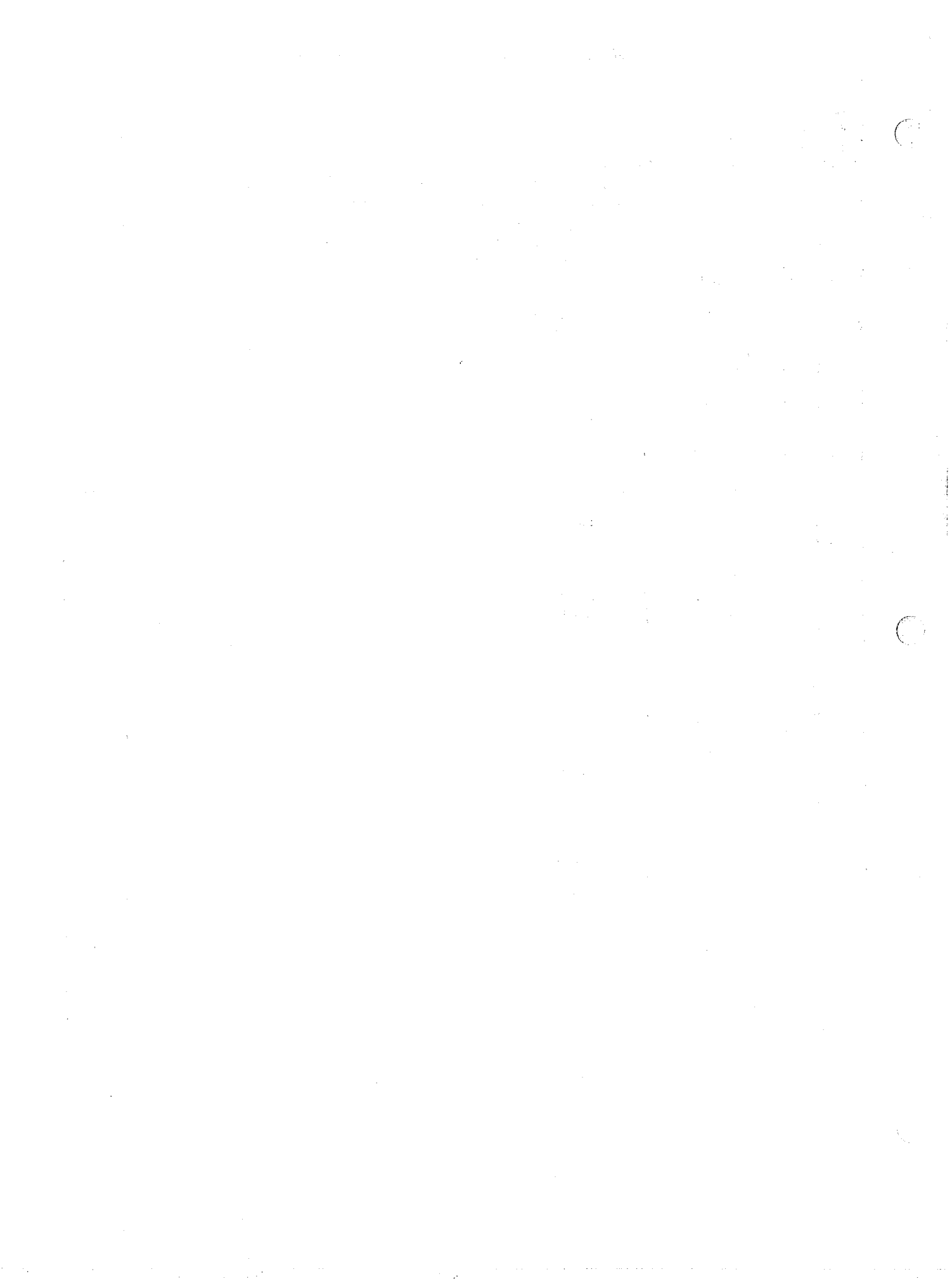
FIGURE & INDEX NO.	PART NUMBER	ITEMS & DESCRIPTION	QTY.
2-16		<b>DEUTZ ENGINE AND COMPONENTS ASSEMBLIES AND INSTALLATION</b>	Ref.
	0237460	<b>DEUTZ ENGINE ASSEMBLY AND INSTALLATION - STANDARD</b>	Ref.
-1	2000066	Engine (Deutz F3L912)	1
-2	3200229	Mount, Motor (Front) (Attaching Parts)	1
-3	0701427	Bolt, Metric	4
-4	4740191	Lockwasher	4
-5	3200228	Mount, Engine Support (Rear) (Attaching Parts)	2
-6	0701215	Bolt, Metric	8
	4740117	Lockwasher	8
-7	3200133	Mount, Rubber (Attaching Parts)	3
-8	0642032	Bolt	3
-9	4740242	Flatwasher	3
-10	3312005	Locknut	3
-11	3200225	Plate, Mounting (Rear) (Attaching Parts)	1
-12	0641618	Bolt	2
-13	4751600	Flatwasher	2
-14	4761600	Lockwasher	2
-15	3311601	Nut	2
-16	Not Used		
-17	Not Used		
-18	3200227	Plate, Mounting (Front) (Attaching Parts)	1
-19	0642020	Bolt	2
-20	4752000	Flatwasher	2
-21	4762000	Lockwasher	2
-22	3312001	Nut	2
-23	3530425	Electrical Panel Assembly Panel (Attaching Parts)	1 1
-24	4300031	Stud (Welded On Part)	2
	4761400	Lockwasher	2
	3311401	Nut	2
-25	3300220	Nut, Special	4
	3740002	Relay (Attaching Parts)	2
-26	0641006	Bolt	4
	4751000	Flatwasher	4
	4761000	Lockwasher	4
	3311001	Nut	4
-27	Not Used		
-28	Not Used		

**SECTION 2 — ILLUSTRATED PARTS LIST**

FIGURE & INDEX NO.	PART NUMBER	ITEMS & DESCRIPTION	QTY.
2-16		<b>DEUTZ ENGINE AND COMPONENTS ASSEMBLIES AND INSTALLATION (CONTINUED)</b>	Ref.
-29	3740030	Relay, Adlo (Attaching Parts)	1
-30	0641006	Bolt	2
	4751000	Flatwasher	2
	4761000	Lockwasher	2
	3311001	Nut	2
-31	3300220	Nut, Special	3
	3311001	Nut	3
	3310801	Nut	3
	3740059	Relay (Attaching Parts)	1
-32	0641006	Bolt	2
	4751000	Flatwasher	2
	4761000	Lockwasher	2
	3311001	Nut	2
-33	0400020	Battery Installation Battery (Attaching Parts)	1 1
-34	0361027	Bar	1
-35	0630003	Tie Down	2
-36	4751600	Flatwasher	2
	3311601	Nut	2
-37	3980006	Masonite	1
-38	3509770	Tray, Battery (Attaching Parts)	1
	4300032	Stud (Welded On Part) (Not Shown)	3
	4751600	Flatwasher (Not Shown)	3
	4761400	Lockwasher (Not Shown)	3
	3311401	Nut (Not Shown)	3
-39	1320041	Clamp (Attaching Parts)	3
	4300032	Stud (Welded On Part)	3
	4761400	Lockwasher	3
	3311401	Nut	3
-40	1060147	Cable, Battery (Positive Terminate to Starter)	1
-41	1060046	Cable, Battery (Negative to Ground)	1
-42	1060149	Cable, Battery (Auxiliary Relay to Auxiliary Pump)	1
-43	1060045	Cable, Battery (Auxiliary Relay to Starter Relay)	1
-44	1060149	Cable, Battery (Auxiliary Relay to Starter)	1
-45	1060044	Cable (Starter Solenoid to Ground)	1
-46	1320022	Clamp	3
-47	2720015	Hose, Fuel Line	3"
-48	4640380	Valve, Shut-Off	1
	2180249	Fitting	2

**SECTION 2 — ILLUSTRATED PARTS LIST**

FIGURE & INDEX NO.	PART NUMBER	ITEMS & DESCRIPTION	QTY.
2-16		<b>DEUTZ ENGINE AND COMPONENTS ASSEMBLIES AND INSTALLATION (CONTINUED)</b>	Ref.
-49	2720271	Line, Fuel Return	100"
-50	2720015	Line, Fuel Supply	77"
-51	1320022	Clamp	3
-52	2220317	Fitting, 90°	1
-53	2200462	Fitting, 90°	1
	2220273	Fitting, Reducer	1
	2180536	Fitting, Barbed	1
-54	4563232	----- Tube, Air Intake (Attaching Parts)	1
-55	0641406	Bolt	2
	0700610	Bolt, Metric	1
-56	4761400	Lockwasher	3
-57	3311401	Nut	2
-58	4280002	----- Band, Neoprene (Attaching Parts)	2.5 Ft.
-59	3820009	Rivet, Pop	10
-60	4750600	Flatwasher	10
-61	2220001	Fitting	1
	4420001	Dope, Ribbon	A/R
-62	2750527	Hose	1
-63	1760019	Disc Assembly (Attaching Parts)	1
-64	0701010	Bolt, Metric	6
-65	4740116	Lockwasher	6
-66	0080029	----- Plate, Adapter (Attaching Parts)	1
-67	0701014	Bolt, Metric	12
-68	4740116	Lockwasher	12
-69	3600072	----- Pump (See Figure 2-18 For Breakdown) (Attaching Parts)	1
-70	0641810	Capscrew	4
-71	4761800	Lockwasher	4
-72	3600115	----- Pump, Auxiliary (Attaching Parts)	1
-73	0641610	Bolt	2
-74	4761600	Lockwasher	2
-75	4060580	----- Deflector (Attaching Parts)	1
-76	0641406	Bolt	3
-77	4761400	Lockwasher	3
-78	3311401	Nut	3
-79	3380355	----- Baffle (Attaching Parts)	1
-80	3900022	Screw, Self-Tapping	3
-81	4761400	Lockwasher	5
-82	3311401	Nut	3
-83	4300031	Stud (Welded On Part)	3



**SECTION 2 — ILLUSTRATED PARTS LIST**

FIGURE & INDEX NO.	PART NUMBER	ITEMS & DESCRIPTION	QTY.
2—16		<b>DEUTZ ENGINE AND COMPONENTS ASSEMBLIES AND INSTALLATION (CONTINUED)</b>	Ref.
		<b>EXHAUST INSTALLATION</b>	Ref.
—84	3220043	Muffler	1
—85	1320019	Clamp	2
—86	4563092	Tube, Exhaust	1
—87	4340517	Support	1
—88	0080117	Adapter	1
—89	0641606	Bolt	3
	0237630	<b>STOP-RUN SOLENOID INSTALLATION</b>	Ref.
—90	1360112	Clevis (Attaching Parts)	3
—91	3430406	Pin, Clevis	3
—92	4761400	Flatwasher	3
—93	3450203	Pin, Cotter	3
—94	3480818	Rod	1
—95	3321401	Nut	4
—96	4160024	Spring	1
—97	4842269	Arm (Attaching Parts)	1
—98	3311605	Locknut	1
—99	4751600	Flatwasher	1
—100	4160086	Swivel, Spring	1
—101	3740055	Solenoid (Attaching Parts)	1
—102	0641406	Bolt	4
—103	4761400	Lockwasher	4
—104	3311401	Nut	4
—105	4842476	Bracket (Attaching Parts)	1
—106	0630136	Bolt	4
	0237635	<b>THROTTLE CABLE INSTALLATION</b>	Ref.
—107	0060023	Actuator (Attaching Parts)	1
—108	0641409	Bolt	2
—109	4751400	Flatwasher	2
—110	0901379	Bracket (Attaching Parts)	1
—111	0630400	Bolt, Special Metric	2
—112	4761500	Lockwasher	2
—113	3290801	Nut, Metric	2
—114	4460302	Stop, Terminal (Attaching Parts)	1
	3450203	Pin, Cotter	1
	4711400	Flatwasher	1





SECTION 2 — ILLUSTRATED PARTS LIST

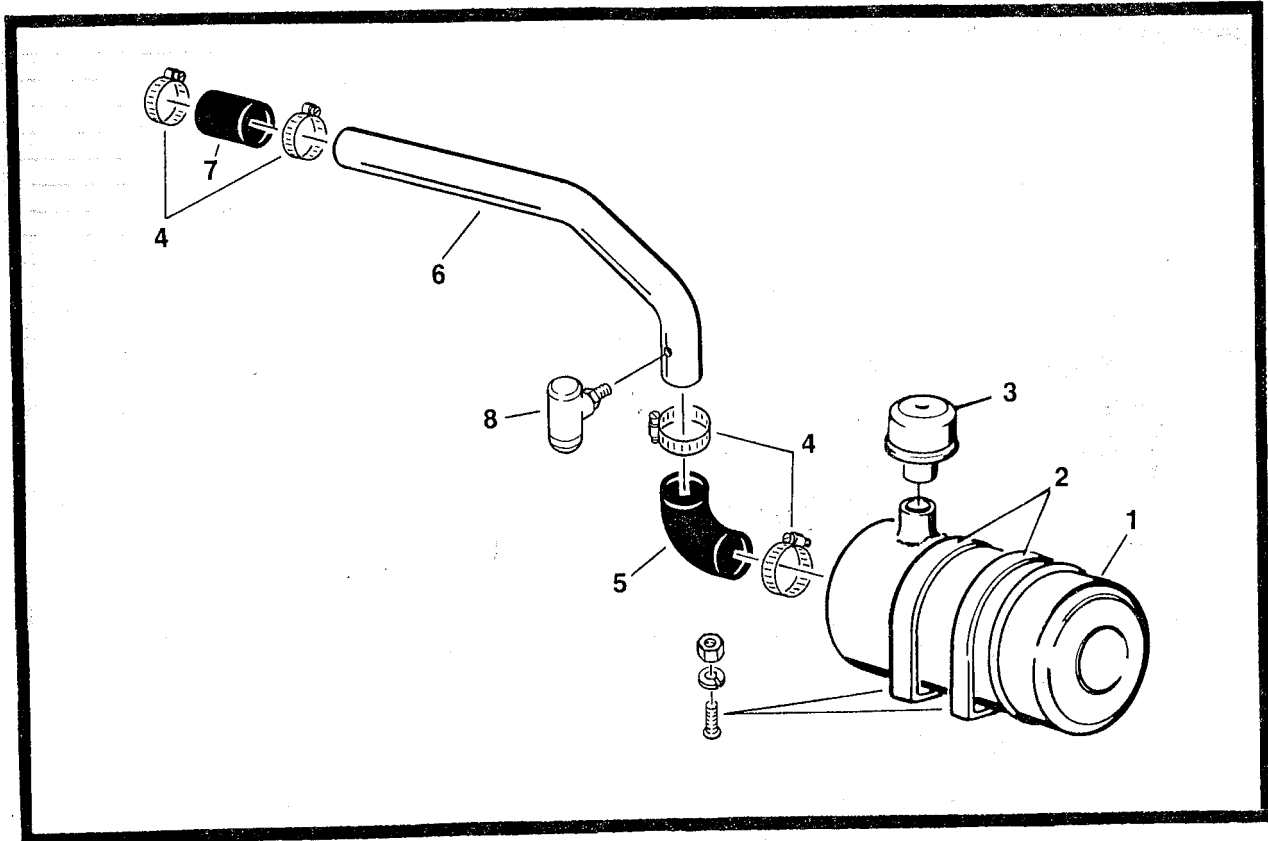


Figure 2-17. Air Cleaner and Service Indicator Installation.

FIGURE & INDEX NO.	PART NUMBER	ITEMS & DESCRIPTION	QTY.
2-17		<b>AIR CLEANER AND SERVICE INDICATOR INSTALLATION</b>	Ref.
	0236390	<b>AIR CLEANER INSTALLATION - DEUTZ</b>	Ref.
	0236398	<b>AIR CLEANER INSTALLATION - FORD</b>	Ref.
-1	1340020	Air Cleaner Assembly (Attaching Parts)	1
-2	0340002	Band	2
	4300032	Stud	4
	4761400	Lockwasher	4
	3311401	Nut	4
	7003655	Element	1
-3	1120161	Cap, Air Cleaner	1
-4	1320016	Clamp, Hose - Ford	2
	1320016	Clamp, Hose - Deutz	4
-5	0080039	Elbow, Rubber	1
-6	4842362	Tube - Ford	1
	4562667	Tube - Deutz	1
-7	2720224	Hose - Deutz Only	1
	0237063	<b>SERVICE INDICATOR INSTALLATION</b>	Ref.
-8	2420047	Gauge, Indicator	1
	0100020	Sealant	A/R

SECTION 2 — ILLUSTRATED PARTS LIST

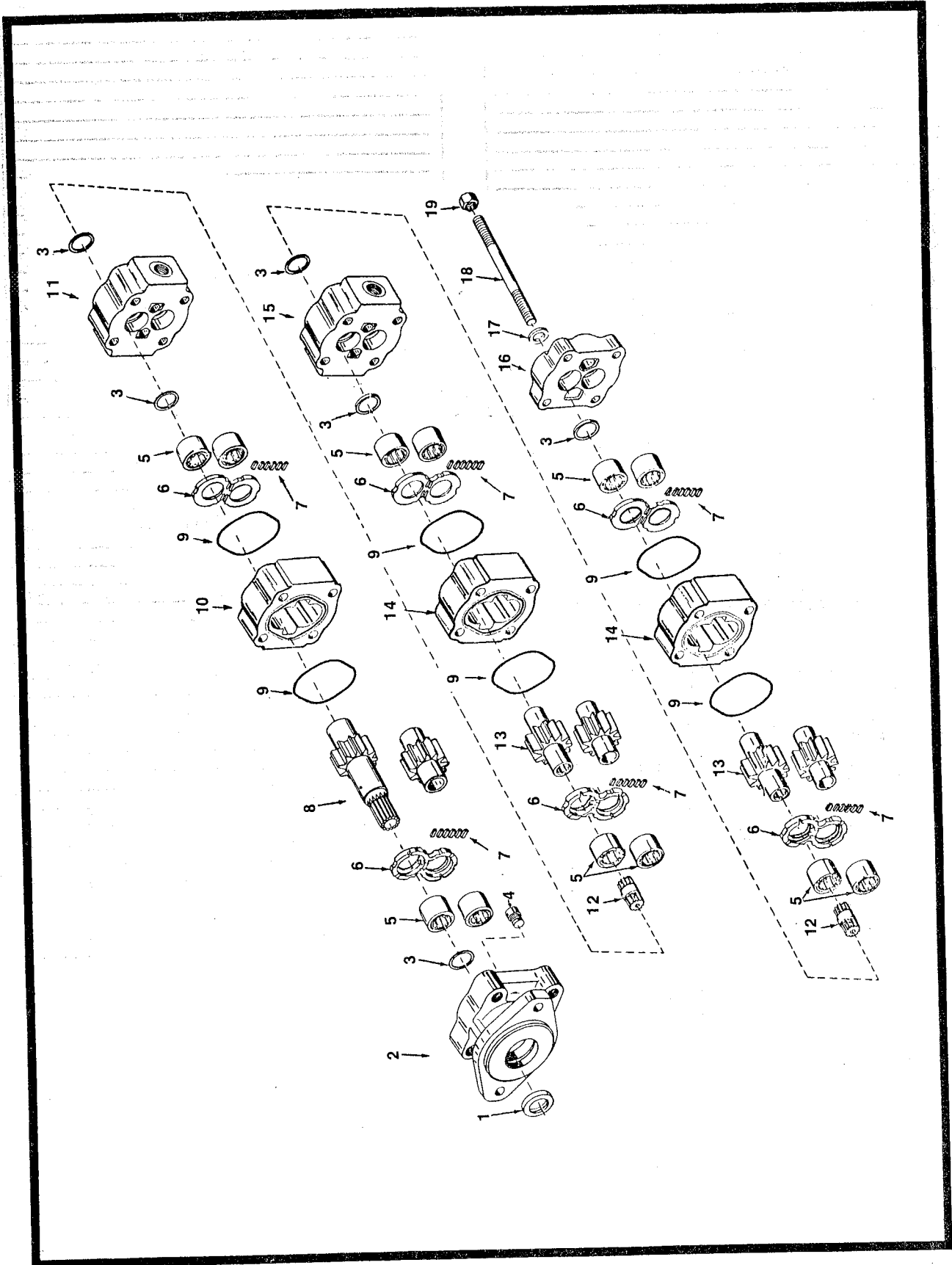


Figure 2-18. Main Pump Assembly.

**SECTION 2 — ILLUSTRATED PARTS LIST**

FIGURE & INDEX NO.	PART NUMBER	ITEMS & DESCRIPTION	QTY.
2—18		<b>MAIN PUMP ASSEMBLY</b>	Ref.
	3600072	<b>GEAR PUMP ASSEMBLY</b>	Ref.
—1	7003192	Seal, Lip	1
—2	7005509	Cover, End	1
—3	7000475	Seal, Ring	6
—4	7003103	Plug	1
—5	7005510	Bearing, Roller	12
—6	7005511	Plate, Thrust	6
—7	7000476	Seal, Pocket	3 strips
—8	7005505	Shaft and Gear	1 set
—9	7000477	Seal, Gasket	6
—10	7003176	Housing, Gear	1
—11	7005512	Carrier, Bearing	1
—12	7003174	Shaft, Connecting	2
—13	7003177	Gear Set	2 Sets
—14	7003178	Housing, Gear	2
—15	7005513	Carrier, Bearing	1
—16	7005541	Cover, Rear	1
—17	7001293	Washer	4
—18	7005542	Stud	4
—19	7003114	Nut	4
	2900120	Kit, Seal (Kit Includes Items 1, 3, 7 and 9)	1

SECTION 2 — ILLUSTRATED PARTS LIST

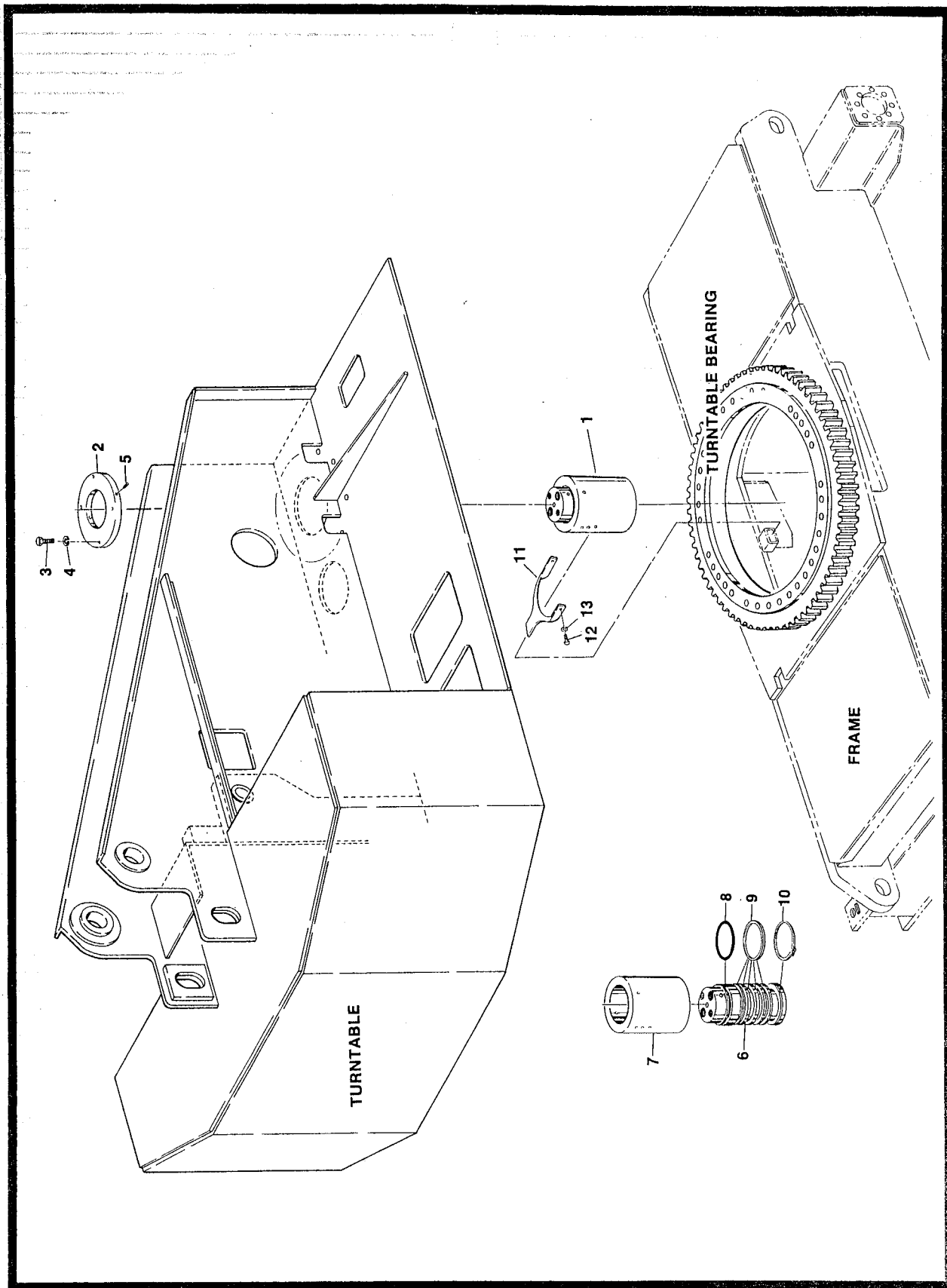


Figure 2-19. Rotary Oil Coupling Installation.

**SECTION 2 — ILLUSTRATED PARTS LIST**

FIGURE & INDEX NO.	PART NUMBER	ITEMS & DESCRIPTION	QTY.
2-19	0234479	<b>ROTARY OIL COUPLING INSTALLATION</b>	Ref.
-1	1660154	Oil Coupling Assembly (Attaching Parts)	1
-2	1440026	Collar	1
-3	0641512	Bolt	4
-4	4761500	Lockwasher	4
-5	3951820	Setscrew, Socket	2
-5	0100011	Loctite	A/R
-6	0620055	----- Body, Swivel	1
-7	2760025	Housing, Swivel	1
-8	3790425	O-Ring	1
-9	3960013	Seal	6
-10	3760004	Ring, Retaining	1
-11	3530403	----- Fork, Retaining (Attaching Parts)	1
-12	0641807	Capscrew, Hex Head	2
-13	4761800	Lockwasher	2
-13	0100003	Loctite	A/R

SECTION 2 — ILLUSTRATED PARTS LIST

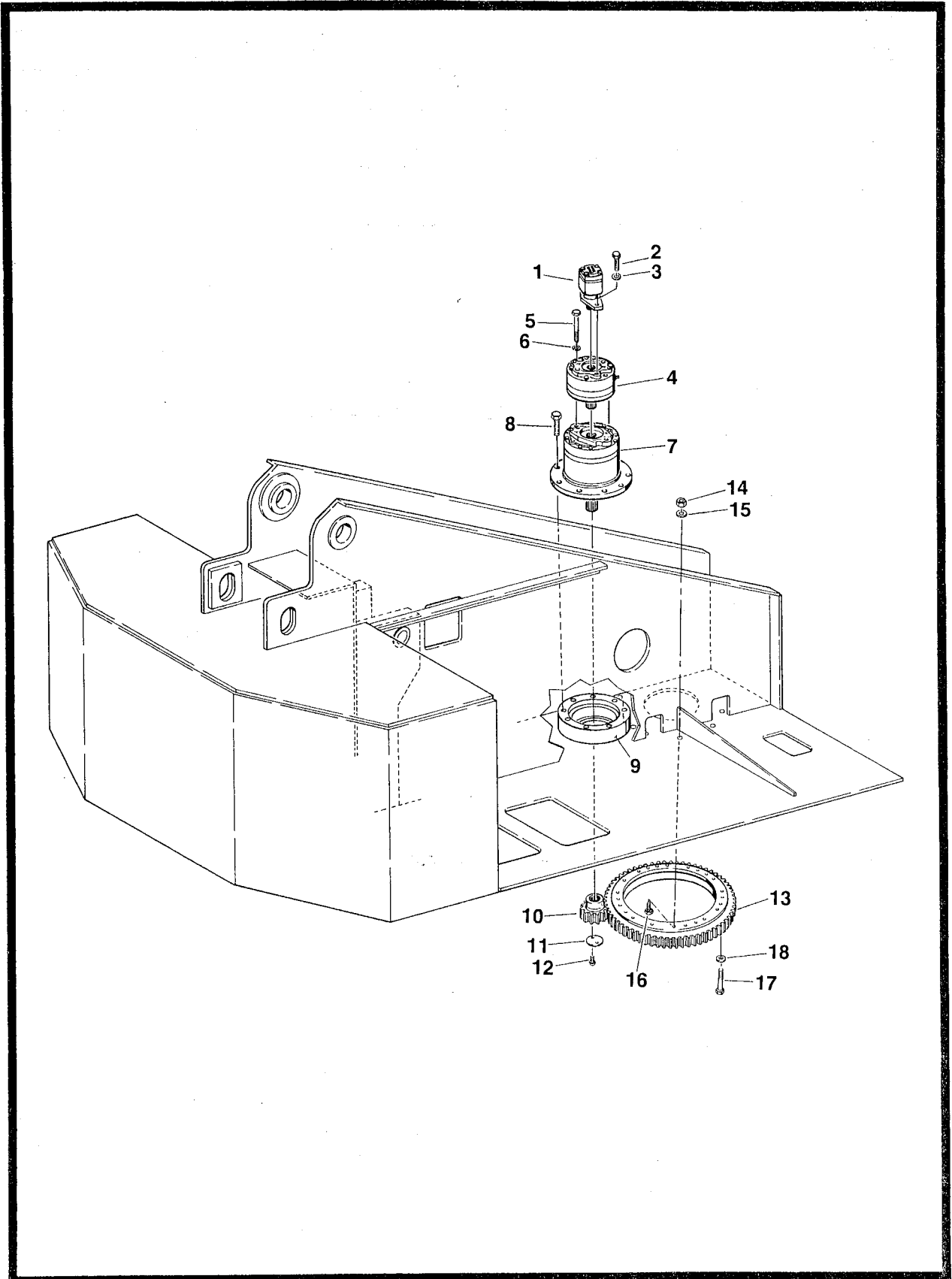


Figure 2-20. Swing Drive and Swing Bearing Assemblies and Installations.

**SECTION 2 — ILLUSTRATED PARTS LIST**

FIGURE & INDEX NO.	PART NUMBER	ITEMS & DESCRIPTION	QTY.
2—20		<b>SWING DRIVE AND SWING BEARING ASSEMBLIES AND INSTALLATIONS</b>	Ref.
	0237392	<b>SWING DRIVE ASSEMBLY</b>	Ref.
—1	3160114	Motor, Swing (See Figure 2-21 For Breakdown) (Attaching Parts)	1
—2	0641810	Bolt, Hex Head	2
—3	4761800	Lockwasher	2
—4	0920032	----- Brake (See Figures 2—22 & 2—23 For Breakdown) (Attaching Parts)	1
—5	0641836	Bolt, Hex Head	2
—6	4740171	Washer	2
	0100009	Sealant	A/R
—7	2780055	----- Drive Hub (See Figure 2-24 For Breakdown) (Attaching Parts)	1
—8	0641912	Bolt, Hex Head	9
	0100019	Loctite	A/R
—9	3200249	Plate, Drive Mounting (Welded On Part)	1
—10	2440022	Gear, Pinion (Attaching Parts)	1
—11	3501916	Plate, Retaining	1
—12	3900031	Screw, Flat Head	2
	0100019	Loctite	A/R
	0234219	----- <b>TURNTABLE BEARING INSTALLATION</b>	Ref.
—13	0440067	Turntable Bearing (Attaching Parts)	1
—14	3300183	Nut, Hex	23
—15	4740004	Washer, Hardened	17
	4740048	Washer, Special	6
—16	0682018	Bolt, Hex	23
	0100019	Loctite	A/R
—17	0681816	Bolt, Special	23
—18	4740003	Washer, Hardened	18
	4740144	Washer, Special	5
	0100019	Loctite	A/R
	0100004	Devcon (Use between bearing and both frame and turntable to insure contact area.)	A/R





SECTION 2 — ILLUSTRATED PARTS LIST

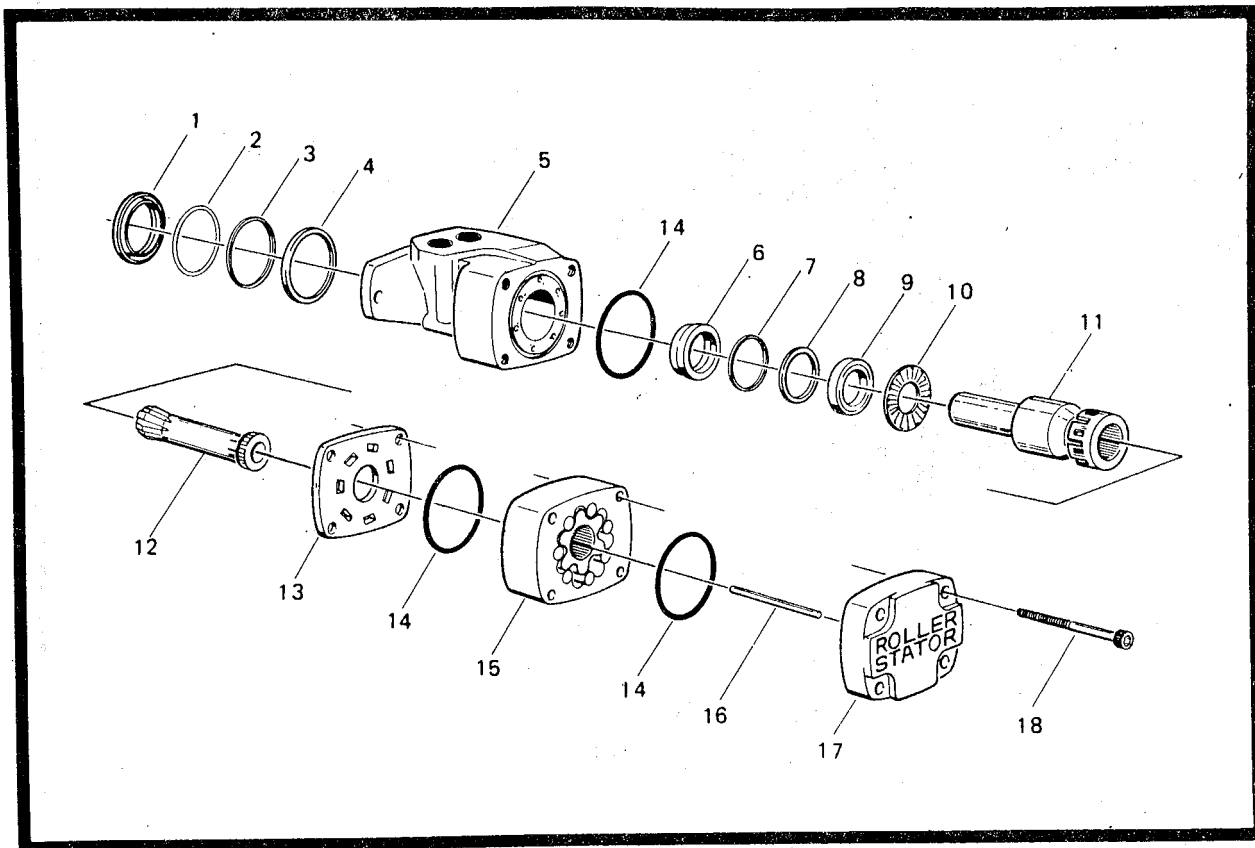


Figure 2-21. Swing Drive Motor Assembly.

FIGURE & INDEX NO.	PART NUMBER	ITEMS & DESCRIPTION	QTY.
2-21	3160114	<b>SWING DRIVE MOTOR ASSEMBLY</b>	Ref.
-1	7005800	Seal, Dust	1
-2	7005801	Ring, Wire	1
-3	7005802	Shim	1
-4	7005803	Seal	1
-5	7005818	Housing	1
-6	7005805	Seal, Carrier	1
-7	7005806	Shim	1
-8	7005807	Leather Back-up	1
-9	7005808	Seal, Shaft	1
-10	7005809	Bearing, Thrust	1
-11	7005810	Shaft RS	1
-12	7005811	Link, Drive	1
-13	7005812	Plate, Wear	1
-14	7005813	Seal	3
-15	7005819	Stator, Roller	1
-16	7005820	Pin, Dowel	1
-17	7005816	Cover, End	1
-18	7005821	Bolt	4
	2900477	Seal Kit Consisting of Items 1, 2, 3, 4, 6, 7, 8, 9, and 14	1

SECTION 2 — ILLUSTRATED PARTS LIST

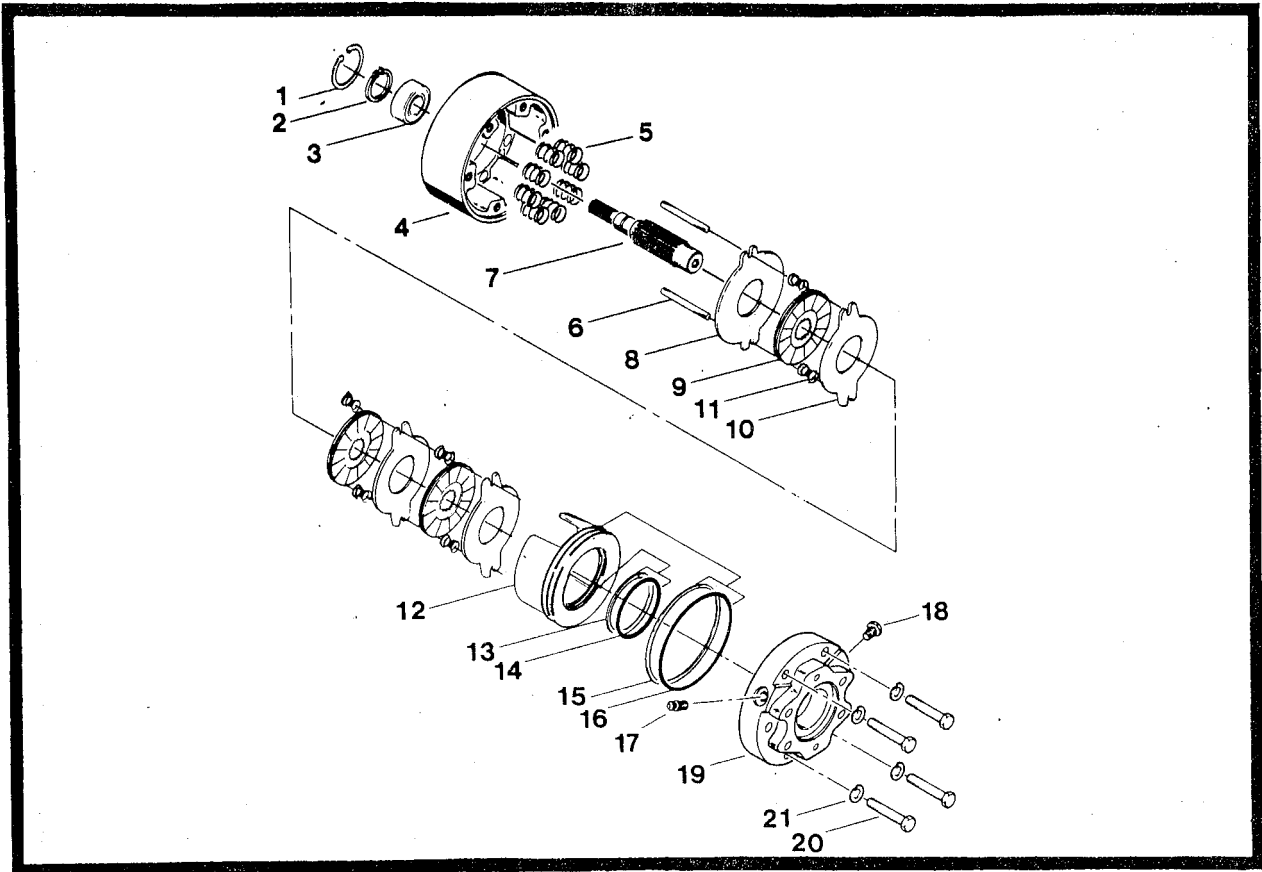


Figure 2-22. Swing Drive Brake Assembly - Ausco.

FIGURE & INDEX NO.	PART NUMBER	ITEMS & DESCRIPTION	QTY.
2-22	0920032	<b>SWING DRIVE BRAKE ASSEMBLY - AUSCO</b>	Ref.
-1	7000711	Ring, Retaining	1
-2	7000712	Ring, Retaining	1
-3	7000713	Bearing, Ball	1
-4	7000714	Housing, Brake	1
-5	7000798	Spring, Compression	8
-6	7000717	Pin, Torque	2
-7	7003013	Shaft, Splined	1
-8	7000718	Disc, Primary	1
-9	7000732	Disc, Rotating	3
-10	7000720	Disc, Stationary	3
-11	7003006	Spring, Compression	6
-12	7000721	Piston	1
-13	7000722	Ring, Backup, Packing	1
-14	7000723	O-Ring	1
-15	7000724	Ring, Backup, Packing	1
-16	7000725	O-Ring	1
-17	7000796	Screw, Bleeder	1
-18	7000728	Plug, Protective	1
-19	7003012	Plate, Power	1
-20	7000730	Screw, Cap	4
-21	7000729	Lockwasher	4
	2900131	Seal Kit (Includes Items 13 thru 16)	1

SECTION 2 — ILLUSTRATED PARTS LIST

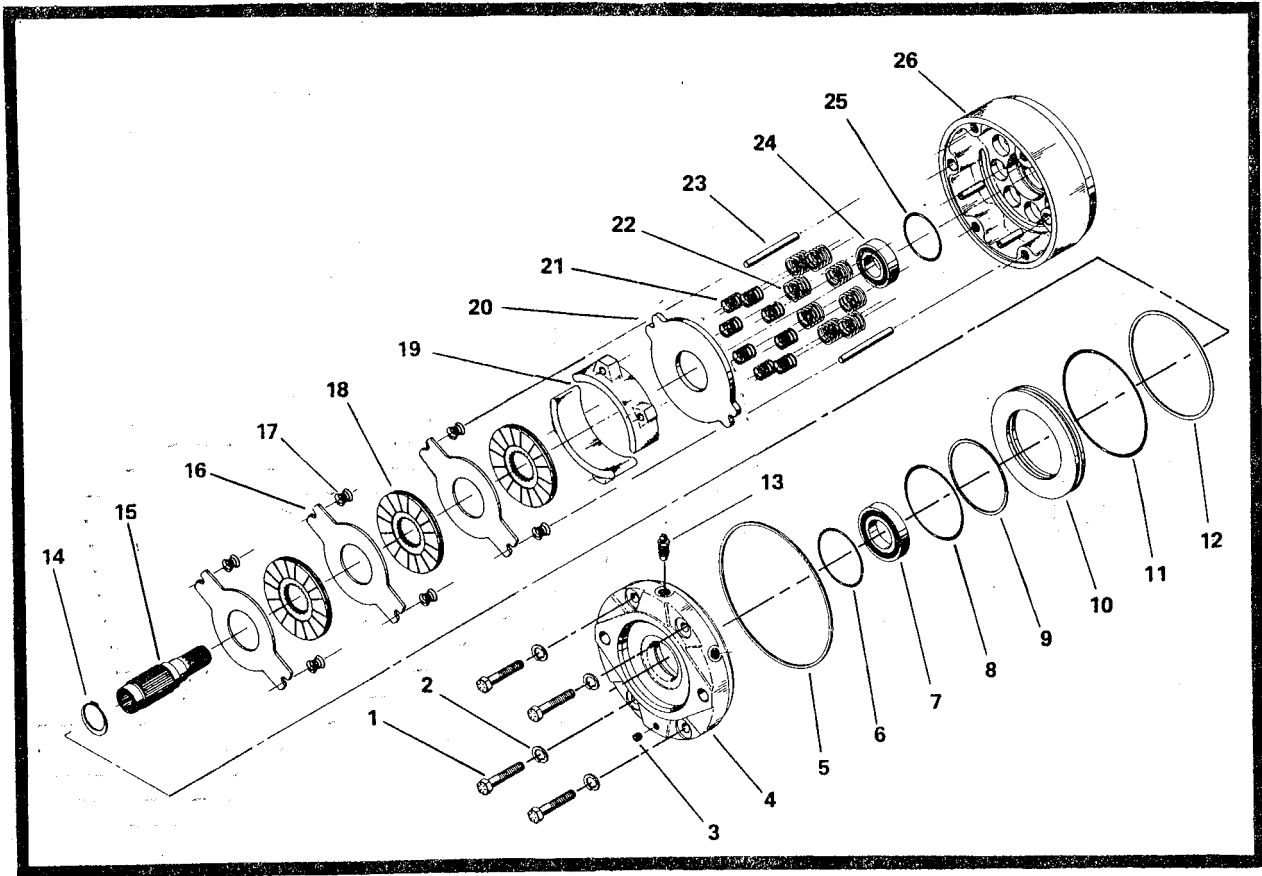


Figure 2-23. Swing Drive Brake Assembly - Mico.

FIGURE & INDEX NO.	PART NUMBER	ITEMS & DESCRIPTION	QTY.
'2-23	0920032	<b>SWING DRIVE BRAKE ASSEMBLY - MICO</b>	Ref.
-1	7007913	Capscrew	4
-2	7007912	Lockwasher	4
-3	7007924	Plug	1
-4	7007928	Cover	1
-5	7007910	Ring, Square	1
-6	7007932	O-Ring	1
-7	7007931	Bearing	1
-8	7007918	O-Ring	1
-9	7007917	Ring, Back-Up	1
-10	7007923	Piston	1
-11	7007922	O-Ring	1
-12	7007921	Ring, Back-Up	1
-13	7007914	Bleeder	1
-14	7007935	Ring, Retaining	1
-15	7007926	Shaft	1
-16	7007908	Disc	3
-17	7007916	Spring	6
-18	7007909	Disc, Friction	3
-19	7007902	Separator	2
-20	7007907	Disc	1
-21	7007906	Spring	8
-22	7007905	Spring	8



**SECTION 2 — ILLUSTRATED PARTS LIST**

FIGURE & INDEX NO.	PART NUMBER	ITEMS & DESCRIPTION	QTY.
2—23..	0920032	<b>SWING DRIVE BRAKE ASSEMBLY - MICO (CONTINUED)</b>	Ref.
—23	7007915	Pin, Dowel	2
—24	7007927	Bearing	1
—25	7007929	O-Ring	1
—26	7007930	Housing	1
	7007933	Gasket (Not Shown)	1
	7007934	Gasket (Not Shown)	1
	7007901	Pin, Spiral (Not Shown)	4
	2900642	Seal Kit (Includes Items 5, 6, 8, 9, 11, 12, 25 and Gaskets)	1

SECTION 2 — ILLUSTRATED PARTS LIST

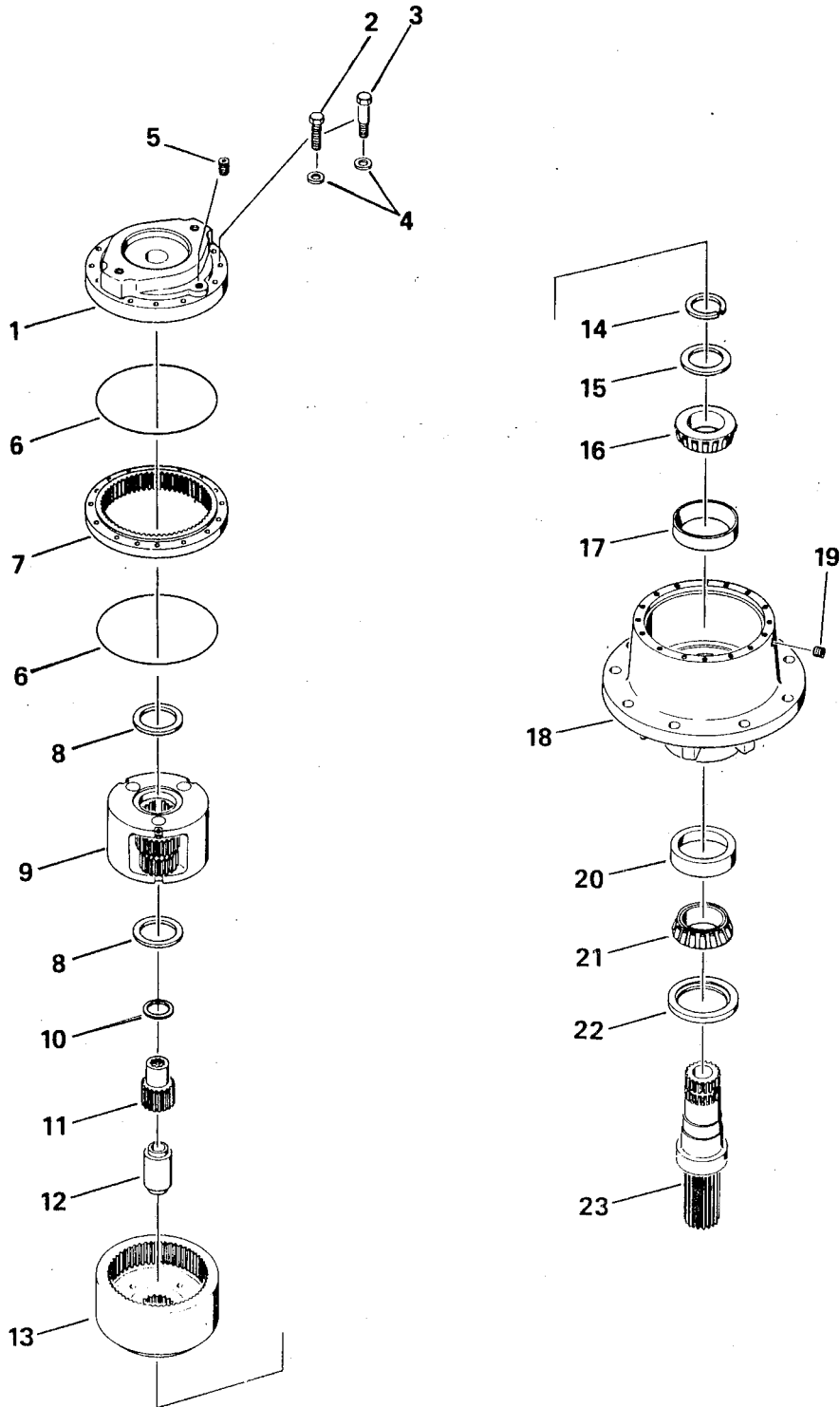


Figure 2-24. Swing Drive Hub Assembly.

**SECTION 2 — ILLUSTRATED PARTS LIST**

FIGURE & INDEX NO.	PART NUMBER	ITEMS & DESCRIPTION	QTY.
2-24	2780055	<b>DRIVE HUB ASSEMBLY - SWING</b>	Ref.
-1	7000209	Cover (Attaching Parts)	1
-2	7000217	Bolt, Hex Head	8
-3	7000214	Bolt, Hex Head, Shoulder	4
-4	4751500	Flatwasher	12
-5	7000242	Plug, Pipe	1
-6	7000230	O-Ring	2
-7	7000208	Gear, Ring	1
-8	7000253	Washer, Thrust	2
-9	7000207	Planet Carrier Assembly (No Service Breakdown Parts Purchase Entire Assembly)	1
-10	7000270	Washer, Thrust	1
-11	7000268	Gear, Sun-Input	1
-12	7000269	Spacer, Sun Gear	1
-13	7000246	Gear, Internal	1
	7000271	<b>HUB ASSEMBLY</b>	Ref.
-14	7000229	Ring, Retaining	1
-15	7000232	Spacer	1
-16	7000258	Bearing, Tapered Roller	1
-17	7000257	Cup, Bearing	1
-18	7000210	Hub	1
-19	7000242	Plug, Pipe	1
-20	7000255	Cup, Bearing	1
-21	7000256	Bearing, Tapered Roller	1
-22	7000228	Seal	1
-23	7000233	Shaft, Output	1
	2900034	Kit, Repair (Includes Items 6, 14, 15 and 22).	1

SECTION 2 — ILLUSTRATED PARTS LIST

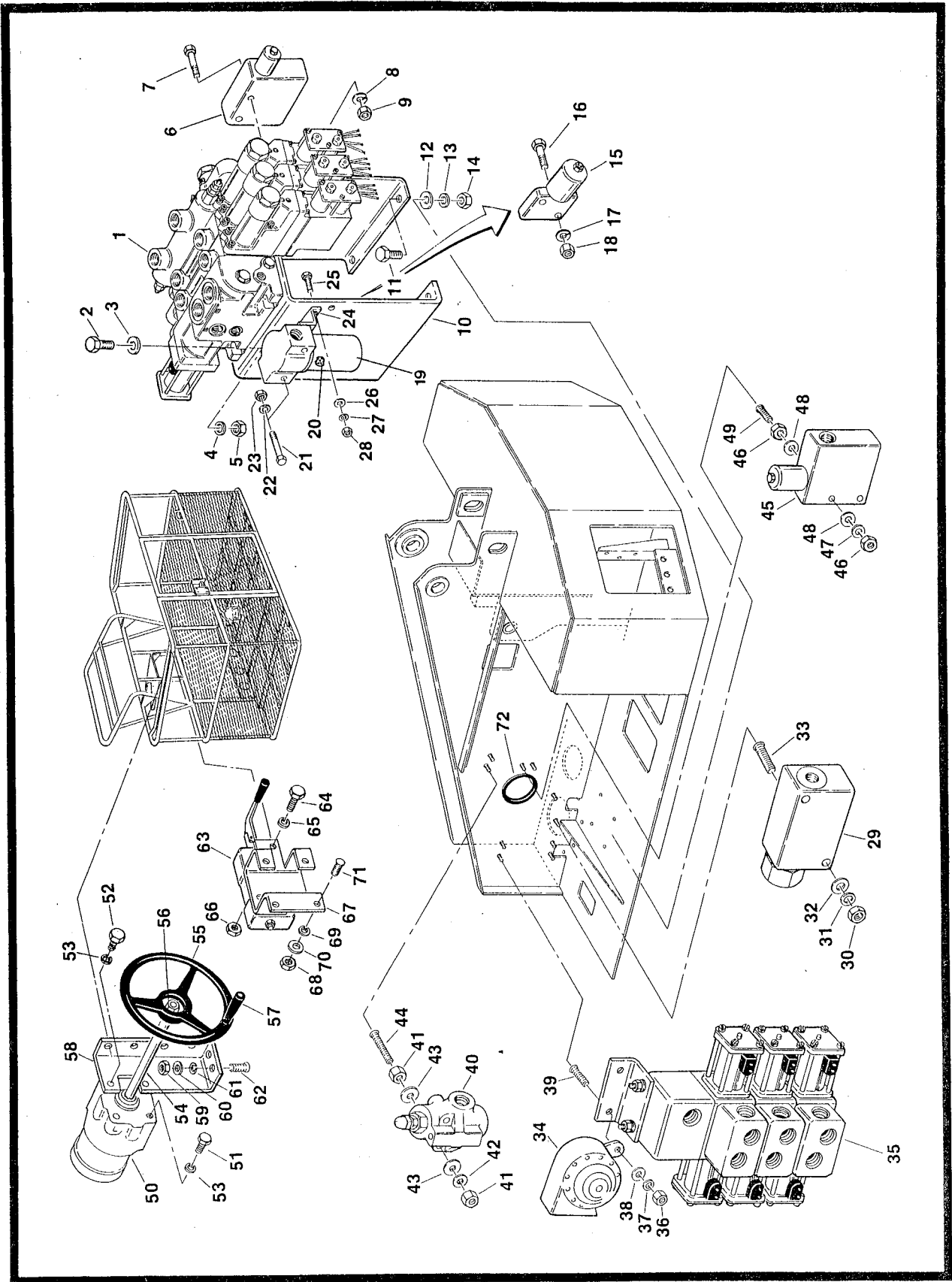


Figure 2-25. Controls Valves Installation.



**SECTION 2 — ILLUSTRATED PARTS LIST**

FIGURE & INDEX NO.	PART NUMBER	ITEMS & DESCRIPTION	QTY.
2—25		<b>CONTROL VALVES INSTALLATION</b>	Ref.
	0237420	<b>VALVE INSTALLATION, WITH ROTATOR, WITHOUT PROPORTIONAL TELE AND WITH STEERING WHEEL</b>	Ref.
	0237421	<b>VALVE INSTALLATION, WITH ROTATOR, WITHOUT PROPORTIONAL TELE AND WITHOUT STEERING WHEEL</b>	Ref.
	0237422	<b>VALVE INSTALLATION, WITHOUT ROTATOR, WITHOUT PROPORTIONAL TELE AND WITHOUT STEERING WHEEL</b>	Ref.
	0237423	<b>VALVE INSTALLATION, WITHOUT ROTATOR, WITHOUT PROPORTIONAL TELE AND WITH STEERING WHEEL</b>	Ref.
	0237424	<b>VALVE INSTALLATION, WITH ROTATOR, WITH PROPORTIONAL TELE AND WITH STEERING WHEEL</b>	Ref.
	0237425	<b>VALVE INSTALLATION, WITH ROTATOR, WITH PROPORTIONAL TELE AND WITHOUT STEERING WHEEL</b>	Ref.
	0237426	<b>VALVE INSTALLATION, WITHOUT ROTATOR, WITH PROPORTIONAL TELE AND WITHOUT STEERING WHEEL</b>	Ref.
	0237427	<b>VALVE INSTALLATION, WITHOUT ROTATOR, WITH PROPORTIONAL TELE AND WITH STEERING WHEEL</b>	Ref.
—1	4640367	Valve, Control - Three Section Proportional (See Figure 2-26 For Breakdown)	1
	4640456	Valve, Control - Four Section Proportional (Attaching Parts)	1
—2	0641613	Bolt	3
—3	4751600	Flatwasher	3
—4	4761600	Lockwasher	3
—5	3311601	Nut	3
—6	4640360	Valve, Dump (Attaching Parts)	1
—7	0641610	Bolt	2
—8	4761600	Lockwasher	2
—9	3311601	Nut	2
—10	0901157	Bracket, Control Valve Mounting (Attaching Parts)	1
—11	0641613	Bolt	4
—12	4751600	Flatwasher	4
—13	4761600	Lockwasher	4
—14	3311601	Nut	4
—15	4640123	Valve, Selector (Attaching Parts)	1
—16	0641610	Bolt	2
—17	4761600	Lockwasher	2
—18	3311601	Nut	2
—19	2120078	Filter	1
—20	2120079	Element	1

**SECTION 2 — ILLUSTRATED PARTS LIST**

FIGURE & INDEX NO.	PART NUMBER	ITEMS & DESCRIPTION	QTY.
2—25		<b>CONTROL VALVES INSTALLATION (CONTINUED)</b>	Ref.
		(Attaching Parts)	
—21	0641420	Bolt	2
—22	4761400	Lockwasher	2
—23	3311401	Nut	2
—24	0901159	Bracket, Filter Mounting (Attaching Parts)	1
—25	0641609	Bolt	2
—26	4751600	Flatwasher	2
—27	4761600	Lockwasher	2
—28	3311601	Nut	2
—29	4640151	Divider, Flow (Steering Wheel Equipped Models Only) (Attaching Parts)	1
—30	3311501	Nut	2
—31	4761500	Lockwasher	2
—32	4751500	Flatwasher	2
—33	4300033	Stud (Welded On Part)	2
—34	0140001	Horn	1
—35	4640461	Valve, Control (Bang-Bang) (1 Section)	1
	4640462	Valve, Control (Bang-Bang) (2 Section without Steering Wheel)	1
	4640447	Valve, Control (Bang-Bang) (2 Section with Steering Wheel)	1
	4640246	Valve, Control (Bang-Bang) (3 Section)	1
	4640247	Valve, Control (Bang-Bang) (4 Section) (Attaching Parts)	1
—36	3311601	Nut	4
—37	4761600	Lockwasher	4
—38	4751600	Flatwasher	4
—39	4300034	Stud (Welded On Part)	4
—40	4640047	Valve, By-Pass (Attaching Parts)	1
—41	3311501	Nut	4
—42	4761500	Lockwasher	2
—43	4751500	Flatwasher	4
—44	4300033	Stud (Welded On Part)	2
—45	4640360	Valve, Dump (Attaching Parts)	1
—46	3311501	Nut	4
—47	4761500	Lockwasher	2
—48	4751500	Flatwasher	4
—49	4300034	Stud (Welded On Part)	2
—50	4640408	Valve, Steer (Attaching Parts)	1
—51	0641606	Bolt	2
—52	0641609	Bolt	2
—53	4761600	Lockwasher	4

**SECTION 2 — ILLUSTRATED PARTS LIST**

FIGURE & INDEX NO.	PART NUMBER	ITEMS & DESCRIPTION	QTY.
2—25		<b>CONTROL VALVES INSTALLATION (CONTINUED)</b>	Ref.
—54	1460005	Column, Steering	1
—55	4860097	Wheel, Steering (Attaching Parts)	1
—56	3300073	Nut	1
—57	2560066	Handle, Steering Wheel (Attaching Parts)	1
	3900060	Bolt, Shoulder	1
	0100011	Loctite	A/R
—58	0901255	Bracket, Steering Valve (Attaching Parts)	1
—59	3311401	Nut	5
—60	4761400	Lockwasher	5
—61	4751400	Flatwasher	5
—62	4300031	Stud (Welded On Part)	5
—63	4640434	Valve, Rotator (Attaching Parts)	1
—64	0641416	Bolt	2
—65	4761400	Lockwasher	2
—66	3311401	Nut	2
—67	0901201	Bracket, Rotator Valve (Attaching Parts)	1
—68	3311401	Nut	4
—69	4761400	Lockwasher	4
—70	4751400	Flatwasher	4
—71	4300031	Stud (Welded On Part)	4
—72	4060608	Flex-Guard	A/R

SECTION 2 — ILLUSTRATED PARTS LIST

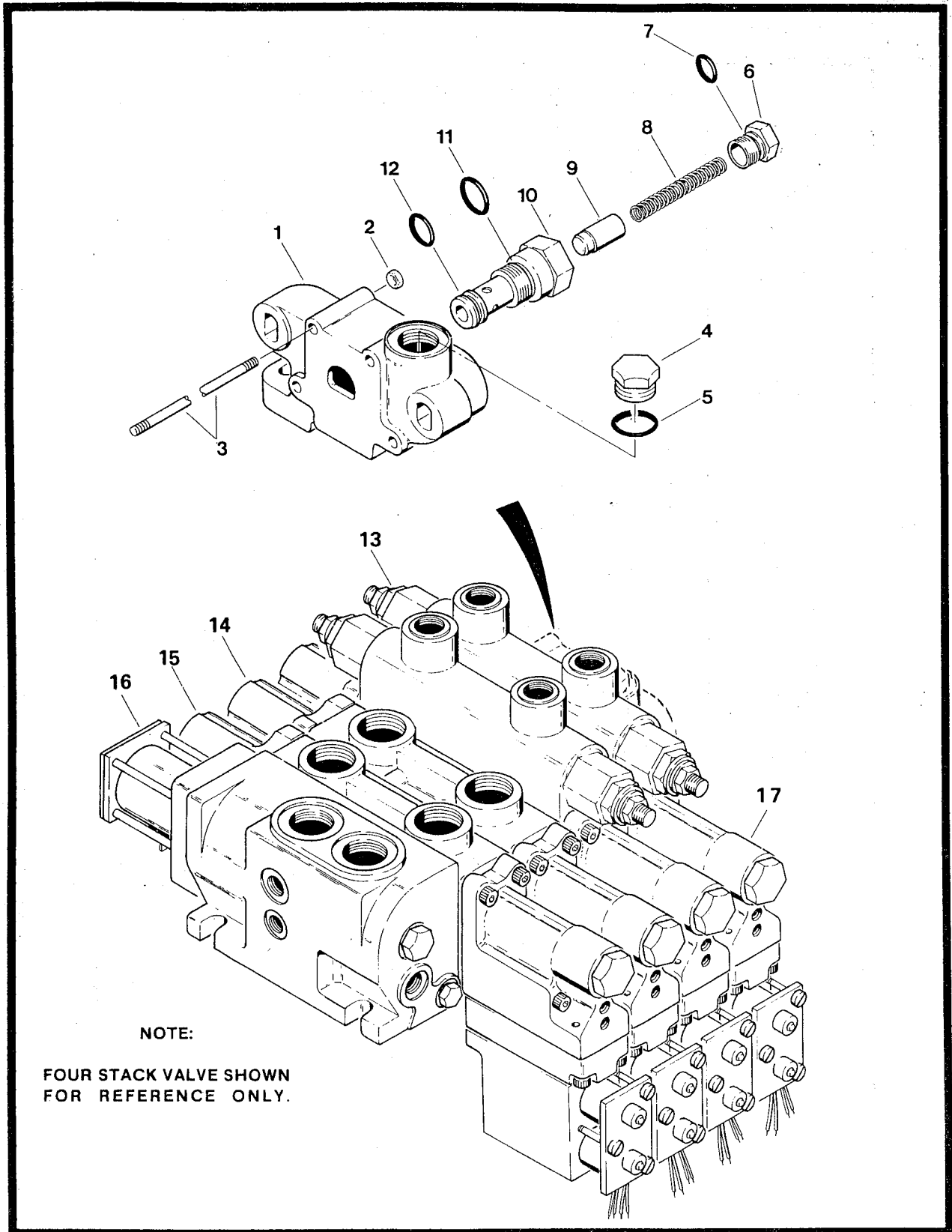


Figure 2-26. Proportional Control Valve Assembly - Outlet Section.

**SECTION 2 — ILLUSTRATED PARTS LIST**

FIGURE & INDEX NO.	PART NUMBER	ITEMS & DESCRIPTION	QTY.
2-26	4640367	<b>PROPORTIONAL CONTROL VALVE ASSEMBLY - OUTLET SECTION</b>	Ref.
-1	7002368	Outlet Section	1
-2	7004869	Nut	4
-3	7004870	Stud	4
-4	7004871	Plug	1
-5	7002298	O-Ring	1
	7004872	Cartridge Assembly, Pilot Pressure	1
	7002288	Plug and O-Ring Assembly	1
-6	7004873	Plug	1
-7	7000102	O-Ring	1
-8	7004874	Spring	1
-9	7002287	Poppet	1
-10	7004875	Housing	1
-11	7004876	O-Ring	1
-12	7002227	O-Ring	1
-13	7004886	Swing Valve Section (See Figure 2-27)	1
-14	7004888	Lift Valve Section (See Figure 2-27)	1
-15	7004890	Drive Valve Section (See Figure 2-27)	1
-16	7002364	Inlet Manifold (See Figure 2-28)	1
-17	7004884	Servo Assembly (See Figure 2-29)	1
	7004833	Seal Kit for 7002368	

SECTION 2 — ILLUSTRATED PARTS LIST

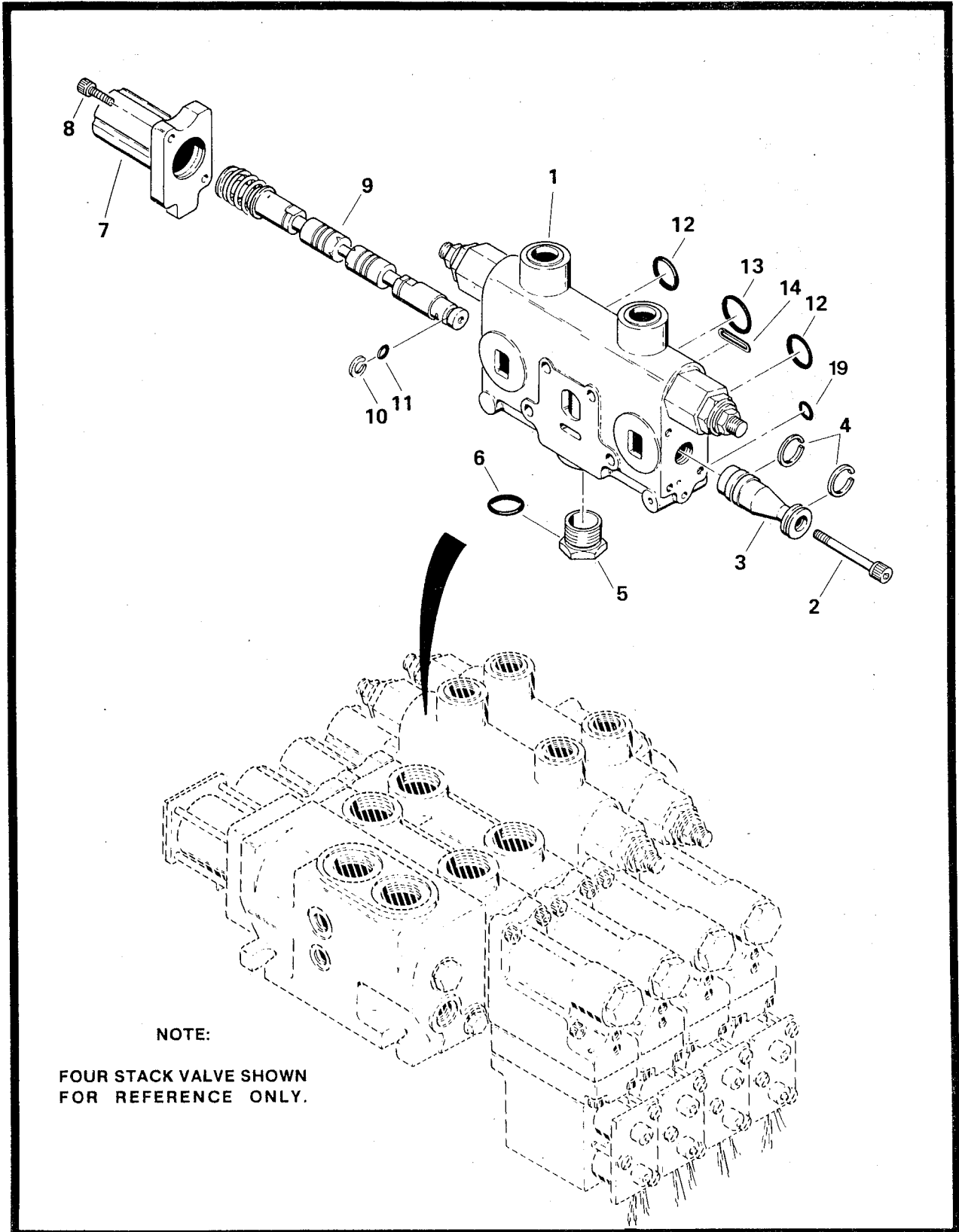


Figure 2-27. Working Sections - Proportional Control Valve.

**SECTION 2 — ILLUSTRATED PARTS LIST**

FIGURE & INDEX NO.	PART NUMBER	ITEMS & DESCRIPTION	QTY.
2—27	7004888	<b>LIFT VALVE SECTION (INCLUDING SERVO ASSEMBLY)</b>	Ref.
	7004886	<b>SWING VALVE SECTION (INCLUDING SERVO ASSEMBLY)</b>	Ref.
	7004887	<b>DRIVE VALVE SECTION (INCLUDING SERVO ASSEMBLY)</b>	Ref.
—1		<b>VALVE BODY (NOT SERVICED - PURCHASE COMPLETE ASSEMBLY)</b>	1
—2	7002391	Screw, Socket Head	1
—3	7004808	Ramp (Supplied With Servo)	Ref.
—4	7002233	Ring (Supplied With Servo)	Ref.
—5	7004802	Plug Assembly	1
—6	7004867	O-Ring	1
—7	7002398	Cap End	1
—8	7002231	(Attaching Parts) Screw, Socket Head	2
—9		Spool, (Not Serviced - Purchase Complete Assembly)	1
—10	7002394	Piston Ring	1
—11	7002388	O-Ring	1
—12	7002381	O-Ring	2
—13	7002393	O-Ring	1
—14	7002380	O-Ring	1
—15	7002378	O-Ring	1
	7004832	Seal Kit	4

SECTION 2 — ILLUSTRATED PARTS LIST

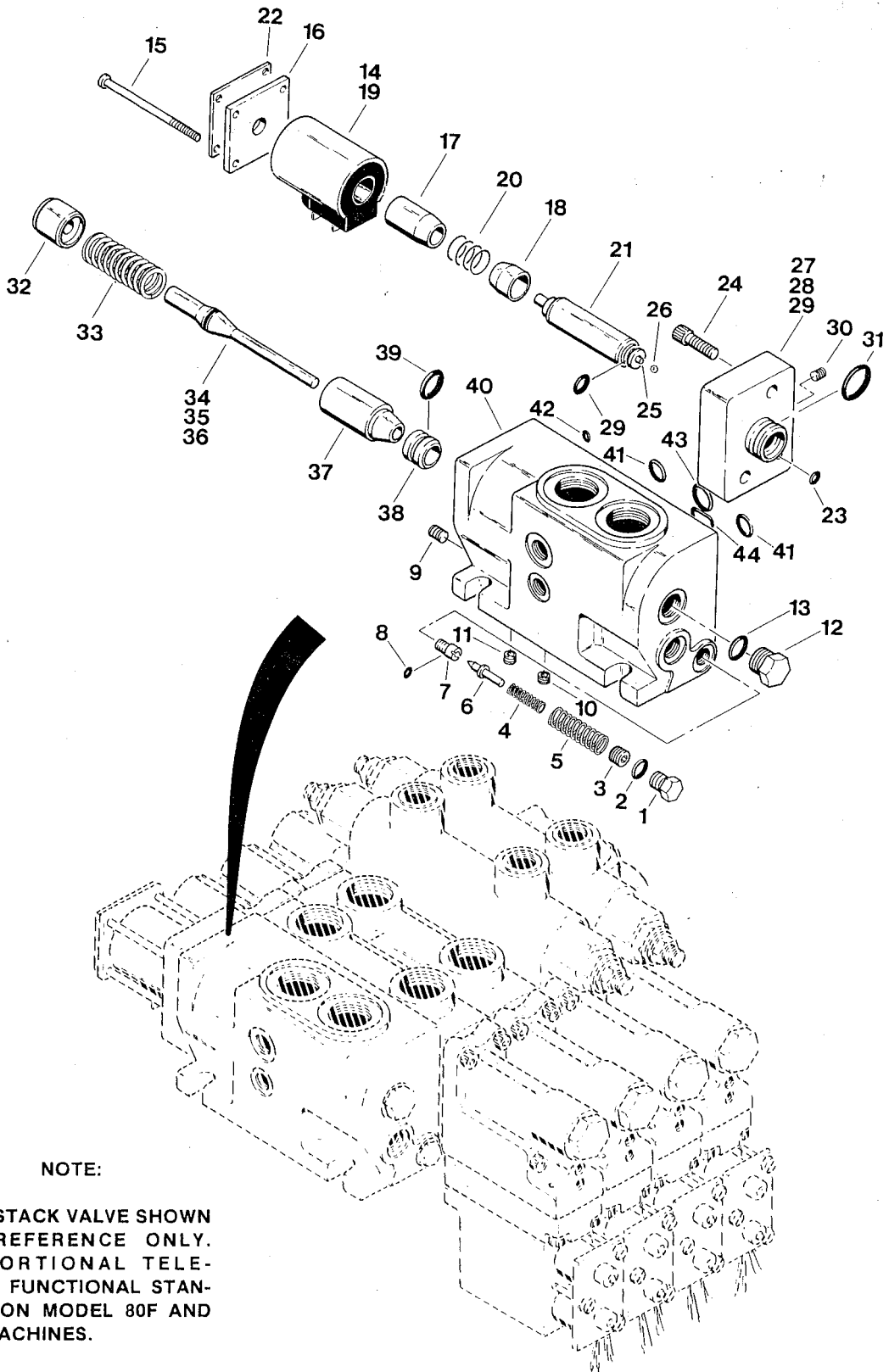


Figure 2-28. Inlet Section - Proportional Control Valve.



**SECTION 2 — ILLUSTRATED PARTS LIST**

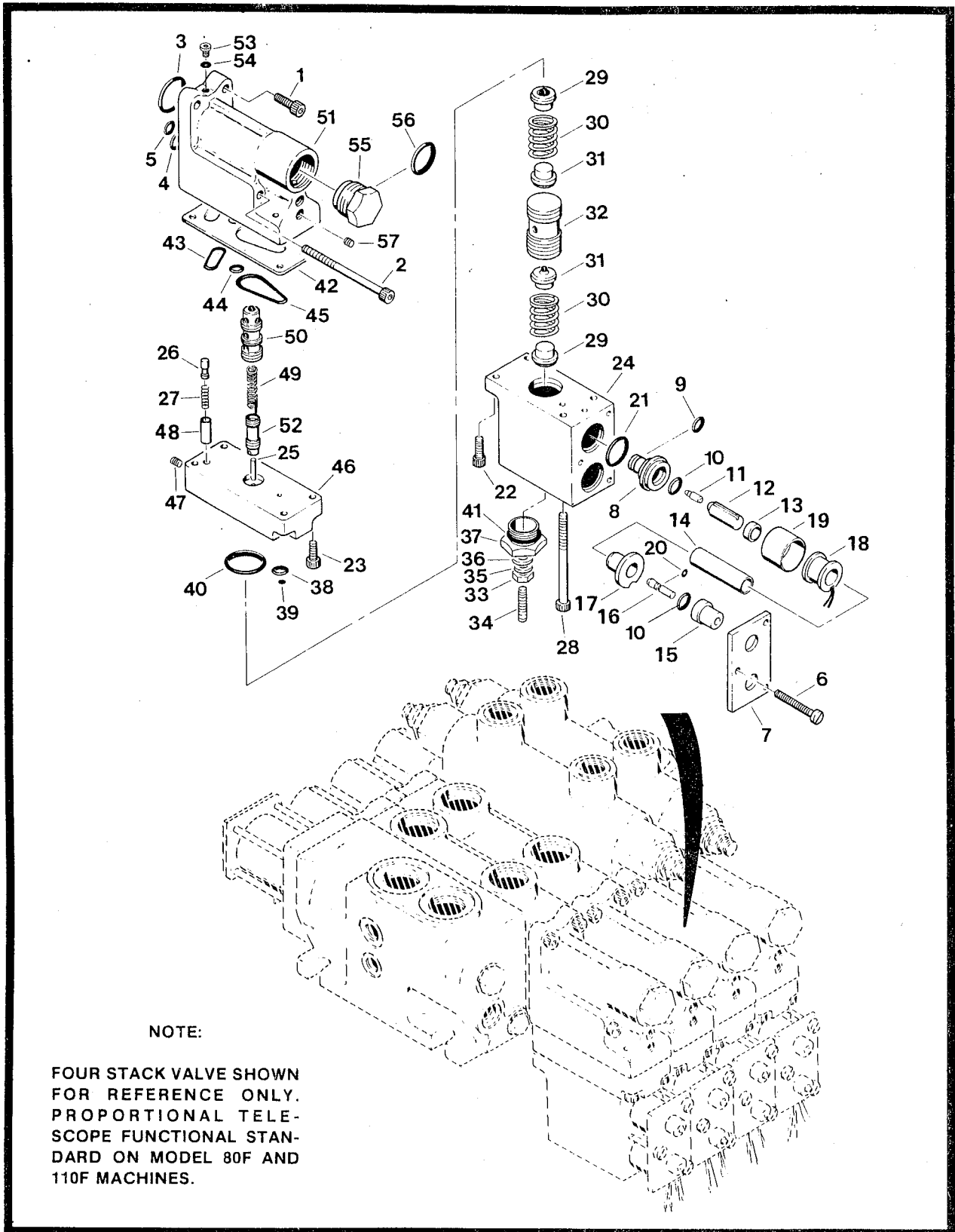
FIGURE & INDEX NO.	PART NUMBER	ITEMS & DESCRIPTION	QTY.
2—28	7002364	<b>INLET VALVE SECTION (Dump Section)</b>	Ref.
	7002385	<b>PLUG ASSEMBLY</b>	1
—1	7004848	Plug	1
—2	7004849	O-Ring	1
—3	7002384	Screw, Socket Set	1
—4	7002377	Spring Compression, Helical	1
—5	7002376	Spring Compression, Helical	1
—6	7002371	Poppet	1
	7004850	Seat Assembly	1
—7	7004851	Seat	1
—8	7004811	O-Ring	1
—9	7002324	Plug	4
—10	7002326	Orifice, 0.040	1
—11	7002375	Orifice, 0.062	1
	7002386	Plug Assembly	1
—12	7004853	Plug	1
—13	7002351	O-Ring	1
—14	7000417	Coil, 12 Volt DC	1
	7004854	Solenoid Assembly	1
—15	7004837	Screw, Slotted, Pan Head	4
—16	7002338	Plate	1
—17	7004824	Sleeve	1
—18	7004835	Sleeve	1
—19	7004836	Case	1
—20	7002334	Spring	1
—21	7004855	Guide, Tube Assembly	1
	7004838	Tube	1
	7004839	Plunger	1
	7004856	Pin and Guide Assembly	1
	7002340	Guide	1
	7002337	Packing, Preformed, O-Ring	1
	7004857	Pin and Quad Ring Assembly	1
	7004841	Pin	1
	7002342	Quad Ring	1
	7004858	Cone and O-Ring Assembly	1
	7004822	Cone	1
	7002337	Packing, Preformed, O-Ring	1
	7004824	Packing, Preformed, O-Ring	1
—22	7002327	Nameplate	1
—23	7002226	O-Ring	1
—24	7002374	Screw, Socket Recessed	2
—25	7002319	Pin	1
—26	7002229	Ball	1
	7002330	Seat Assembly	1
—27	7004823	Seat, Ball	1
—28	7002378	O-Ring	1
	7004860	End Cap Assembly	1
—29	7004861	Cap	1
—30	7002223	Plug	1
—31	7004862	O-Ring	1
—32	7002373	Spacer	1
—33	7002379	Spring	1
	7004863	Stem Assembly	1
—34	7004864	Stem	1
—35	7004842	O-Ring	1
—36	7004865	Glyd Ring	1



**SECTION 2 — ILLUSTRATED PARTS LIST**

FIGURE & INDEX NO.	PART NUMBER	ITEMS & DESCRIPTION	QTY.
2—28	7002364	<b>INLET VALVE SECTION (Dump Section) (CONTINUED)</b>	Ref.
—37	7002372	Poppet	1
—38	7002370	Seat	1
—39	7002383	O-Ring	1
—40	7002360	Housing, Inlet Manifold	1
—41	7002381	O-Ring	2
—42	7002378	O-Ring	1
—43	7002382	O-Ring	1
—44	7002380	O-Ring	1
	7004833	Seal Kit	1

SECTION 2 — ILLUSTRATED PARTS LIST



NOTE:

FOUR STACK VALVE SHOWN FOR REFERENCE ONLY. PROPORTIONAL TELESCOPE FUNCTIONAL STANDARD ON MODEL 80F AND 110F MACHINES.

Figure 2-29. Servo Assembly - Proportional Control Valve.

**SECTION 2 — ILLUSTRATED PARTS LIST**

FIGURE & INDEX NO.	PART NUMBER	ITEMS & DESCRIPTION	QTY.
2—29		<b>SERVO ASSEMBLY - PROPORTIONAL VALVE</b>	Ref.
	7004884	Servo Assembly (Attaching Parts)	3
—1	7002231	Screw, Socket Head	2
—2	7004878	Screw, Socket Head	2
—3	7002390	O-Ring	1
—4	7002389	O-Ring	1
—5	7002392	O-Ring	1
	0100011	Locktite #242	A/R
	7004883	Nose Cone Assembly (Contains Items 8 thru 14) (Attaching Parts)	2
—6	7002240	Screw, Slotted	3
—7	7002218	Plate	1
—8	7002210	Nose	1
—9	7000463	O-Ring	1
—10	7004826	O-Ring	2
—11	7000423	Poppet	1
—12	7002212	Plunger	1
—13	7002216	Sleeve	1
—14	7002215	Tube	1
—15	7002214	Retainer	1
—16	7002213	Pin	2
—17	7002211	Cover	1
—18	1420003	Coil, 7.5 Volt	2
—19	7002242	Case	2
—20	7000434	O-Ring	2
—21	7002247	Packing, Preformed, O-Ring	2
—22	7002222	Screw, Socket Head (Short)	2
—23	7002228	Screw, Socket Head (Long)	2
—24	8004818	Body, Control	1
—25	7002238	Pin	1
—26	7002220	Spool	1
—27	7002241	Spring, Compression, Helical	1
—28	7002228	Screw, Socket Head	2
—29	7004880	Spring Seat and Ball	2
—30	7002237	Spring, Contour	2
—31	7004881	Spring Seat and Ball	2
—32	7002206	Control Pilot Piston	1
—33	7002224	Nut, Jam	1
—34	7004813	Screw, Cup Point	1
—35	7004812	Washer	1
—36	7004809	Seal	1
—37	7002209	Plug	1
—38	7004810	Packing, Preformed, O-Ring	1
—39	7002392	Packing, Preformed, O-Ring	1
—40	7002382	Packing, Preformed, O-Ring	1
—41	7002227	Packing, Preformed, O-Ring	1
—42	7004815	Seal Plate	1
—43	7002282	Packing, Preformed, O-Ring	1
—44	7002389	Packing, Preformed, O-Ring	1
—45	7002393	Packing, Preformed, O-Ring	1
—46	7004816	Plate, Adapter	1



**SECTION 2 — ILLUSTRATED PARTS LIST**

FIGURE & INDEX NO.	PART NUMBER	ITEMS & DESCRIPTION	QTY.
2—29		<b>SERVO ASSEMBLY - PROPORTIONAL VALVE (CONTINUED)</b>	Ref.
—47	7004882	Screw, Socket Set	1
—48	7002217	Spool Stop	1
—49	7002234	Spring, Sleeve and Spool	1
—50	7002203	Sleeve Assembly	1
—51	7004817	Body, Servo	1
—52	7002205	Spool	1
—53	7004814	Plug	1
—54	7004811	O-Ring	1
—55	7002704	Plug	1
—56	7000110	O-Ring	1
	7004808	Ramp	1
	7002233	Ring	2
—57	7002223	Plug	2
	7004831	Seal Kit	1

SECTION 2 — ILLUSTRATED PARTS LIST

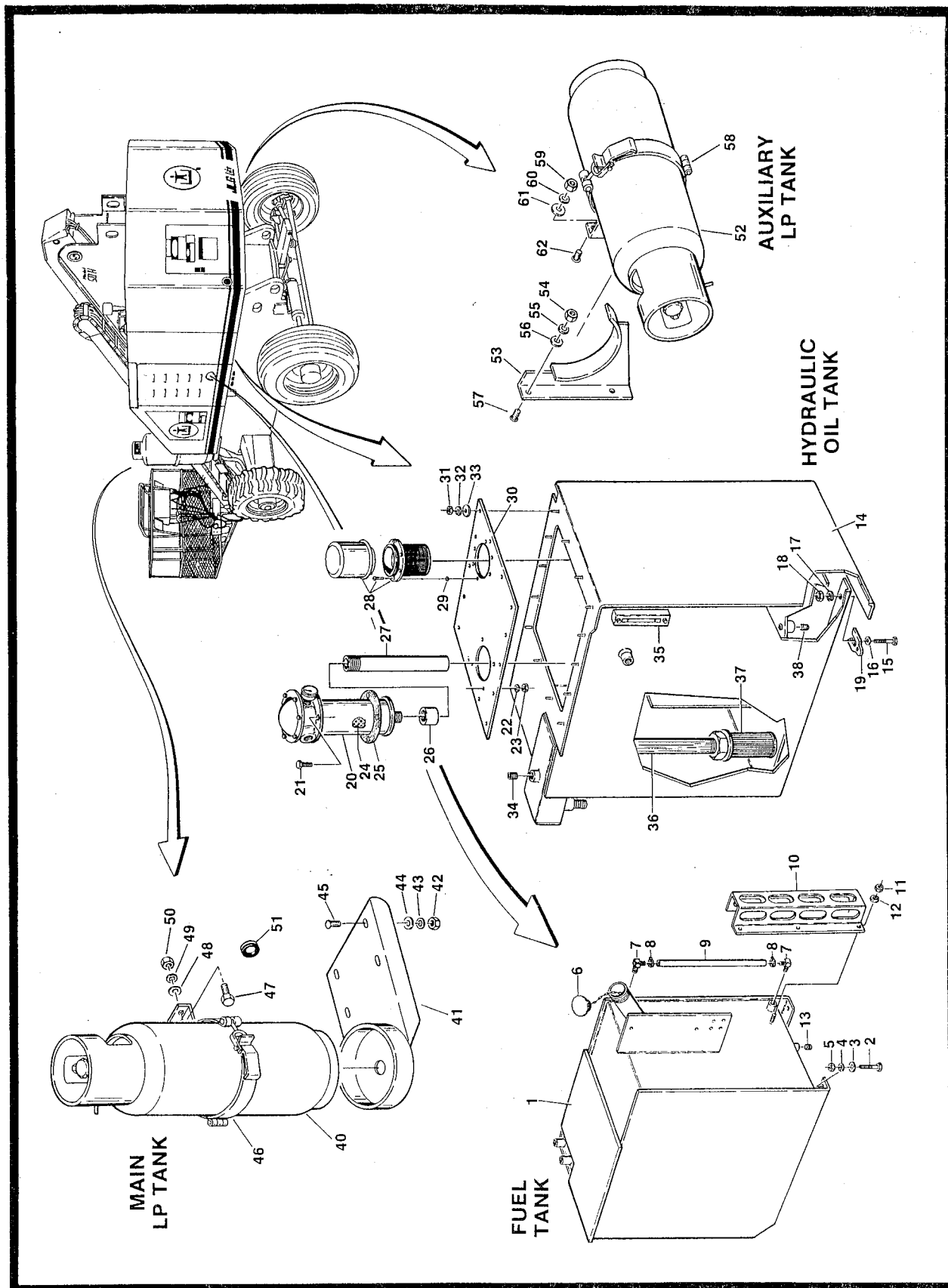


Figure 2-30. Hydraulic Oil, Fuel and LP Tanks Assemblies, Components and Installations.



**SECTION 2 — ILLUSTRATED PARTS LIST**

FIGURE & INDEX NO.	PART NUMBER	ITEMS & DESCRIPTION	QTY.
2-30		<b>HYDRAULIC OIL, FUEL AND LP TANKS ASSEMBLIES, COMPONENTS AND INSTALLATIONS</b>	Ref.
	0237842	<b>FUEL TANK INSTALLATION</b>	Ref.
-1	4400198	Fuel Tank Assembly (Attaching Parts)	1
-2	0641618	Bolt	4
-3	4751600	Flatwasher	4
-4	4761600	Lockwasher	4
-5	3311601	Nut	4
-6	1120314	Cap	1
-7	2180467	Fitting, 90°	2
	0100020	Sealant, Pipe	A/R
-8	1320022	Clamp	2
-9	4562516	Tube	18.25 in.
-10	4060613	Shield	1
		(Attaching Parts)	
-11	3311401	Nut	3
-12	4761400	Lockwasher	3
-13	2200052	Plug	1
	0237842	<b>HYDRAULIC OIL TANK INSTALLATION</b>	Ref.
-14	4400217	Hydraulic Oil Tank Assembly (Attaching Parts)	1
-15	0641618	Bolt	4
-16	4751600	Flatwasher	4
-17	4761600	Lockwasher	4
-18	3311601	Nut	4
-19	4070410	Shim - 1/16"	A/R
	4070411	Shim - 1/8"	A/R
	4070412	Shim - 3/16"	A/R
-20	2120103	Filter, Return (Attaching Parts)	1
-21	0641612	Bolt	1
-22	4761600	Lockwasher	4
-23	3311601	Nut	4
	0100009	Sealant	A/R
-24	2120107	Element	1
-25	4740322	Seal	1
-26	2200268	Coupling	1
-27	2180649	Pipe	1
-28	1340045	Breather and Filler Cap	1
-29	4740326	Washer, Sealing	6

**SECTION 2 — ILLUSTRATED PARTS LIST**

FIGURE & INDEX NO.	PART NUMBER	ITEMS & DESCRIPTION	QTY.
2—30		<b>HYDRAULIC OIL, FUEL AND LP TANKS ASSEMBLIES, COMPONENTS AND INSTALLATIONS (CONTINUED)</b>	Ref.
—30	1670394	Lid	1
	0100028	Sealant, Joint (Attaching Parts)	A/R
—31	3311401	Nut	14
—32	4761400	Lockwasher	14
—33	4751400	Flatwasher	14
—34	2200203	Plug	1
	0100020	Sealant, Pipe	A/R
—35	2420080	Gauge, Sight	1
—36	2180606	Nipple, Pipe	1
	0100020	Sealant, Pipe	A/R
—37	2120104	Filter, Suction	1
—38	3520022	Plug	1
—39	Not Used		
	0236674	<b>MAIN LP TANK INSTALLATION</b>	Ref.
—40	4400038	Tank	1
—41	0901345	Bracket, Carrier (Attaching Parts)	1
—42	3311801	Nut	4
—43	4761800	Lockwasher	4
—44	4751800	Flatwasher	4
—45	4300045	Stud	4
—46	1320023	Clamp <b>NOTE: Sold in sets of 2. One clamp required for each LP Tank.</b> (Attaching parts)	1
—47	0641508	Bolt	2
—48	4751500	Flatwasher	2
—49	4761500	Lockwasher	2
—50	3311501	Nut	2
—51	2540003	Grommet	.33 Ft.
	0100001	Adhesive	A/R
	0236674	<b>AUXILIARY LP TANK INSTALLATION</b>	Ref.
—52	4400038	Tank	1
—53	0900935	Bracket (Attaching Parts)	1
—54	3311501	Nut	2
—55	4761500	Lockwasher	2
—56	4751500	Flatwasher	2
—57	4300038	Stud (Welded On Part)	2

**SECTION 2 — ILLUSTRATED PARTS LIST**

FIGURE & INDEX NO.	PART NUMBER	ITEMS & DESCRIPTION	QTY.
2—30		<b>HYDRAULIC OIL, FUEL AND LP TANKS ASSEMBLIES, COMPONENTS AND INSTALLATIONS (CONTINUED)</b>	Ref.
—58	1320023	Clamp <b>NOTE: Sold in sets of 2. One clamp required for each LP Tank. (Attaching Parts)</b>	1
—59	3311501	Nut	2
—60	4761500	Lockwasher	2
—61	4751500	Flatwasher	2
—62	4300038	Stud (Welded On Part)	2

SECTION 2 — ILLUSTRATED PARTS LIST

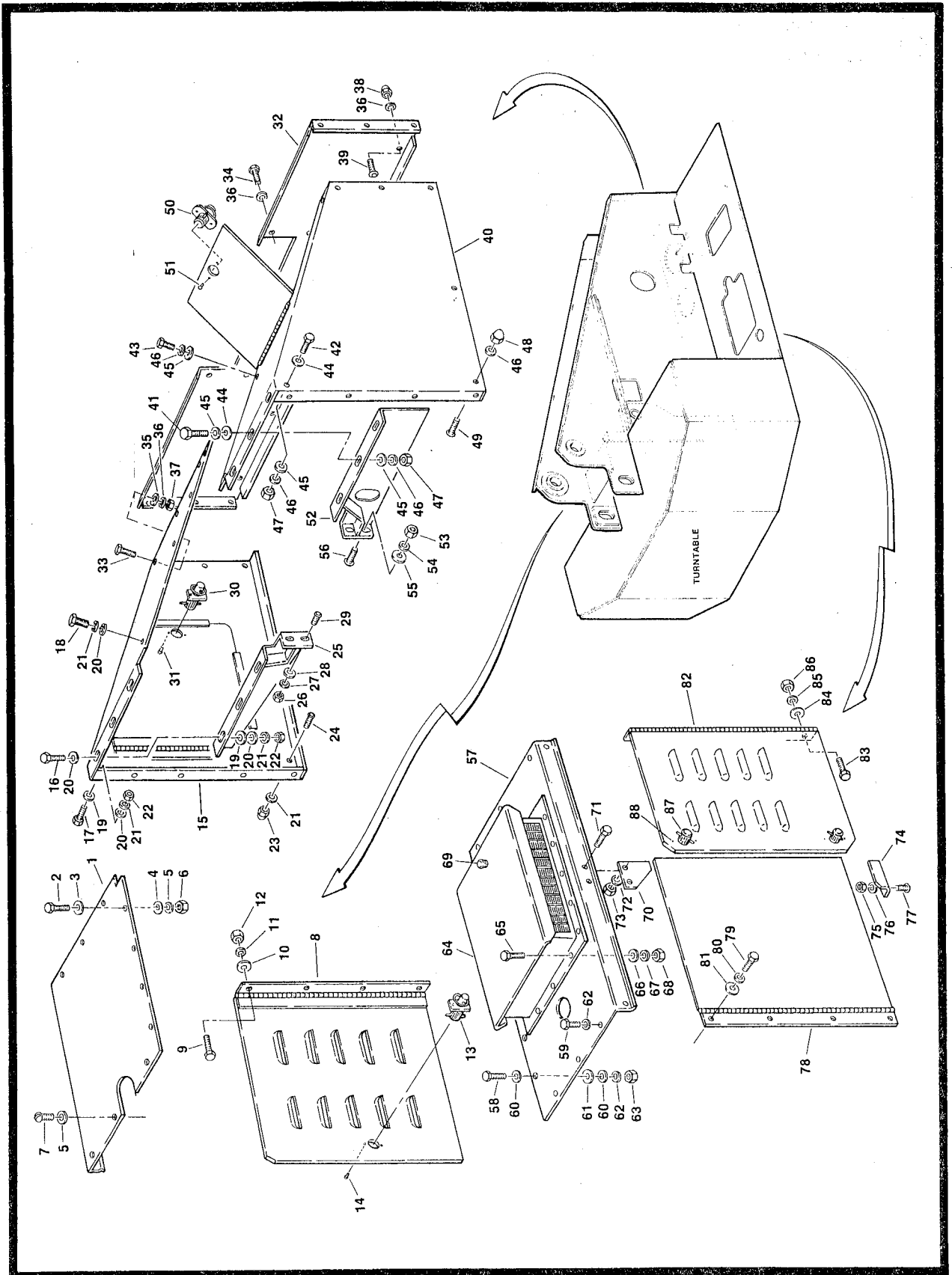


Figure 2-31. Hood Installation.

**SECTION 2 — ILLUSTRATED PARTS LIST**

FIGURE & INDEX NO.	PART NUMBER	ITEMS & DESCRIPTION	QTY.
2-31	0237373	<b>HOOD INSTALLATION - FORD</b>	Ref.
	0237374	<b>HOOD INSTALLATION - DEUTZ</b>	Ref.
-1	3380352	Panel, Top Hood (Tank Side) (Attaching Parts)	1
-2	0641408	Bolt	4
-3	4751500	Flatwasher	4
-4	4751400	Flatwasher	8
-5	4761400	Lockwasher	7
-6	3311405	Locknut	4
-7	3941406	Screw, Self-Tapping	3
-8	4842761	Door Weldment (Tank Side) (Attaching Parts)	1
-9	0641406	Bolt	4
-10	4751400	Flatwasher	4
-11	4761400	Lockwasher	4
-12	3311405	Nut	4
-13	2940048	Latch (Attaching Parts)	1
-14	3820019	Rivet	2
-15	4842764	Hood Side Weldment (Tank Side) (Attaching Parts)	1
-16	0641408	Bolt	3
-17	0641406	Bolt	1
-18	3941406	Screw, Self-Tapping	4
-19	4751500	Flatwasher	4
-20	4751400	Flatwasher	11
-21	4761400	Lockwasher	10
-22	3311405	Locknut	4
-23	3300151	Nut, Acorn	2
-24	4300031	Stud (Welded On Part)	2
-25	4842052	Bracket Weldment - Hood (Tank Side) (Attaching Parts)	1
-26	3311605	Locknut	2
-27	4761600	Lockwasher	2
-28	4751600	Flatwasher	2
-29	4300034	Stud (Welded On Part)	2
-30	2940048	Latch (Attaching Parts)	1
-31	3820019	Rivet	2
-32	3380350	Panel, Front Hood (Attaching Parts)	1
-33	0641406	Bolt	8
-34	3941406	Screw, Self-Tapping	6
-35	4751400	Flatwasher	8
-36	4761400	Lockwasher	21
-37	3311405	Locknut	8
-38	3300151	Nut, Acorn	7
-39	4300031	Stud (Welded On Part)	7

**SECTION 2 — ILLUSTRATED PARTS LIST**

FIGURE & INDEX NO.	PART NUMBER	ITEMS & DESCRIPTION	QTY.
2-31		<b>HOOD INSTALLATION (CONTINUED)</b>	Ref.
-40	4842763	Hood Side Weldment (Engine Side) (Attaching Parts)	1
-41	0641408	Bolt	3
-42	0641406	Bolt	4
-43	3941406	Screw, Self-Tapping	2
-44	4751500	Flatwasher	4
-45	4751400	Flatwasher	12
-46	4761400	Lockwasher	11
-47	3311405	Locknut	7
-48	3300151	Nut, Acorn	2
-49	4300031	Stud (Welded On Part)	2
-50	2940050	Latch (Attaching Parts)	1
-51	3820012	Rivet	2
-52	4842051	Bracket Weldment - Hood (Engine Side) (Used Only On Ford - Powered Machines) (Attaching Parts)	1
-53	3311605	Locknut	2
-54	4761600	Lockwasher	2
-55	4751600	Flatwasher	2
-56	4300034	Stud (Welded On Part)	2
-57	3380353	Panel, Top (Engine Side) (Deutz)	1
	4842414	Panel, Top (Engine Side) (Ford - Not Shown) (Attaching Parts)	1
-58	0641408	Bolt	6
-59	3941406	Screw, Self-Tapping	4
-60	4751400	Flatwasher	12
-61	4751500	Flatwasher	6
-62	4761400	Lockwasher	10
-63	3311405	Locknut	6
-64	4841882	Ventilator Weldment (Attaching Parts)	1
-65	0641406	Bolt	16
-66	4751400	Flatwasher	16
-67	4761400	Lockwasher	16
-68	3311405	Locknut	16
-69	2940051	Latch, Slam (Ford - Powered Machines)	1
	2940050	Latch (Deutz - Powered Machines) (Attaching Parts)	1
	3820012	Rivet	2
-70	3530601	Plate, Latch (Top) (Attaching Parts)	1
-71	0641406	Bolt	2
-72	4761400	Lockwasher	2
-73	3311405	Locknut	2

**SECTION 2 — ILLUSTRATED PARTS LIST**

FIGURE & INDEX NO.	PART NUMBER	ITEMS & DESCRIPTION	QTY.
2—31		<b>HOOD INSTALLATION (CONTINUED)</b>	Ref.
—74	3530602	Plate, Latch (Bottom) (Attaching Parts)	1
—75	3311405	Locknut	2
—76	4751400	Lockwasher	2
—77	4300032	Stud (Welded On Parts)	2
—78	4842762	Door, Engine Side (Left) (Attaching Parts)	1
—79	3941406	Screw, Self-Tapping	4
—80	4761400	Lockwasher	4
—81	4751400	Flatwasher	4
—82	4842713	Door, Engine Side (Right) (Attaching Parts)	1
—83	0641406	Bolt	4
—84	4751400	Flatwasher	4
—85	4761400	Lockwasher	4
—86	3311405	Locknut	4
—87	2940048	Latch (Attaching Parts)	2
—88	3820019	Rivet	4

SECTION 2 — ILLUSTRATED PARTS LIST

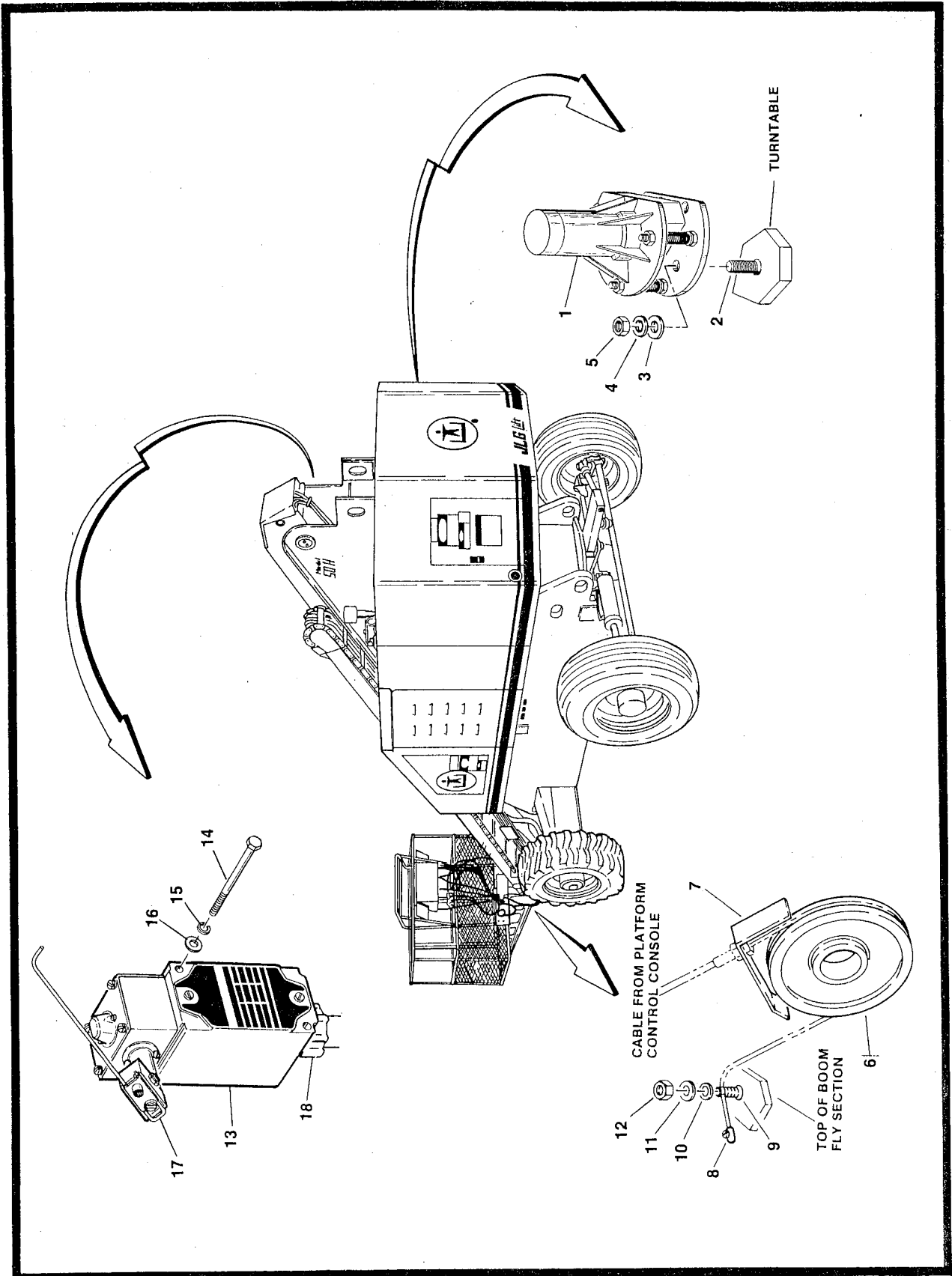


Figure 2-32. Indicators and Switches Installation.



**SECTION 2 — ILLUSTRATED PARTS LIST**

FIGURE & INDEX NO.	PART NUMBER	ITEMS & DESCRIPTION	QTY.
2—32		<b>INDICATORS AND SWITCHES INSTALLATION</b>	Ref.
	0237461	<b>TILT INDICATOR INSTALLATION</b>	Ref.
—1	4360171	Indicator, Tilt (Attaching Parts)	1
—2	4300032	Stud	2
—3	4751400	Flatwasher	2
—4	4761400	Lockwasher	2
—5	3311401	Nut	2
		-----	
	0236834	<b>CAPACITY INDICATOR INSTALLATION</b>	Ref.
—6	3580092	Pulley	1
—7	1670340	Cover, Pulley	1
—8	4220044	Stop, Throttle (Attaching Parts)	1
—9	4300041	Stud (Welded On Part)	1
—10	4761800	Flatwasher	1
—11	4751600	Lockwasher	1
—12	3311605	Nut	1
		-----	
	0237395	<b>HORIZONTAL CUTOUT SWITCH</b>	Ref.
—13	4360057	Switch, Limit (Attaching Parts)	1
—14	0641014	Bolt	2
—15	4761000	Lockwasher	2
—16	4751000	Flatwasher	2
		-----	
—17	0200048	Arm, Switch-Actuator	1
—18	4460049	Connector	1



SECTION 2 — ILLUSTRATED PARTS LIST

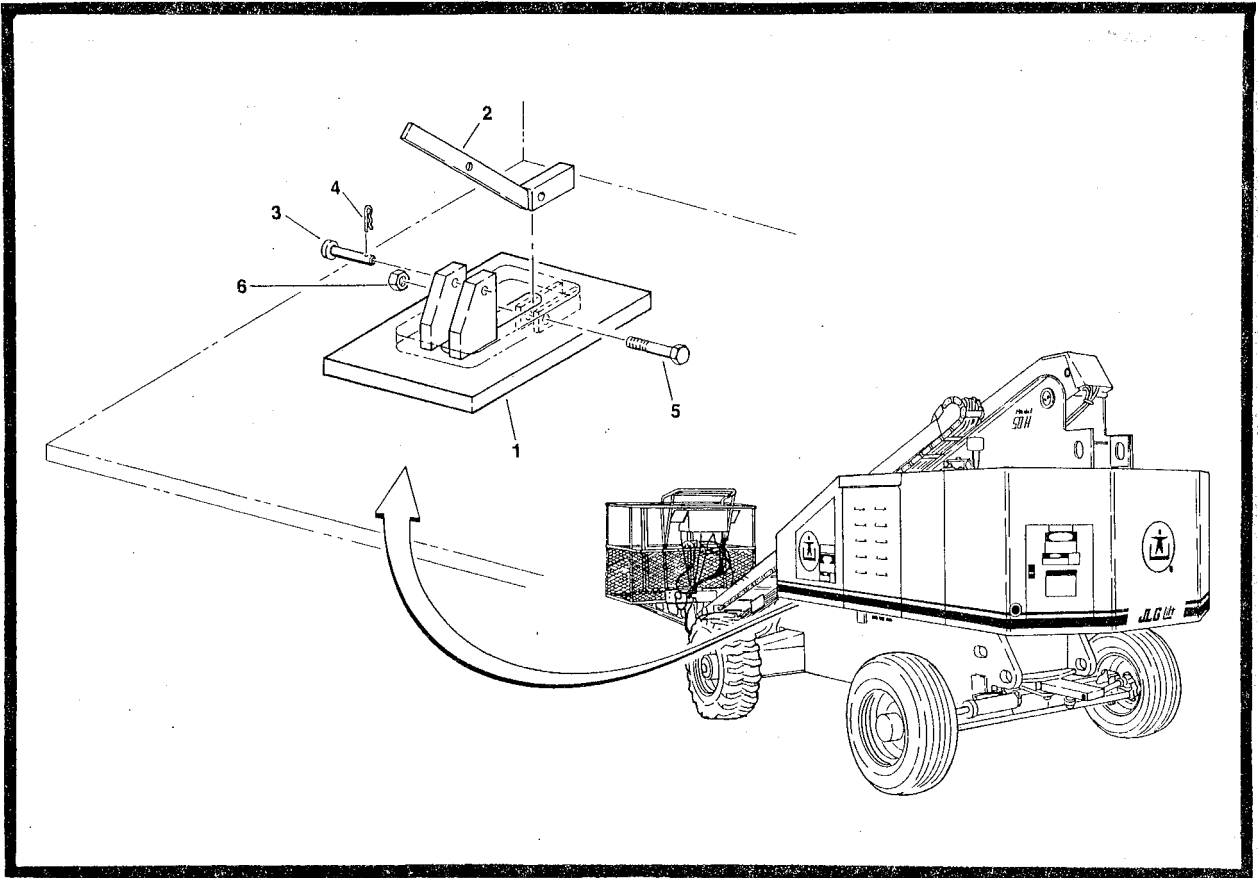


Figure 2-33. Turntable Lock Installation.

FIGURE & INDEX NO.	PART NUMBER	ITEMS & DESCRIPTION	QTY.
2-33	0237433	<b>TURNTABLE LOCK INSTALLATION</b>	Ref.
-1	4842124	Base Weldment	1
-2	4842123	Lever, Locking (Attaching Parts)	1
-3	3430620	Pin, Clevis	1
-4	3420156	Pin, Cotter	1
-5	0641618	Bolt	1
-6	3311605	Locknut	1

SECTION 2 — ILLUSTRATED PARTS LIST

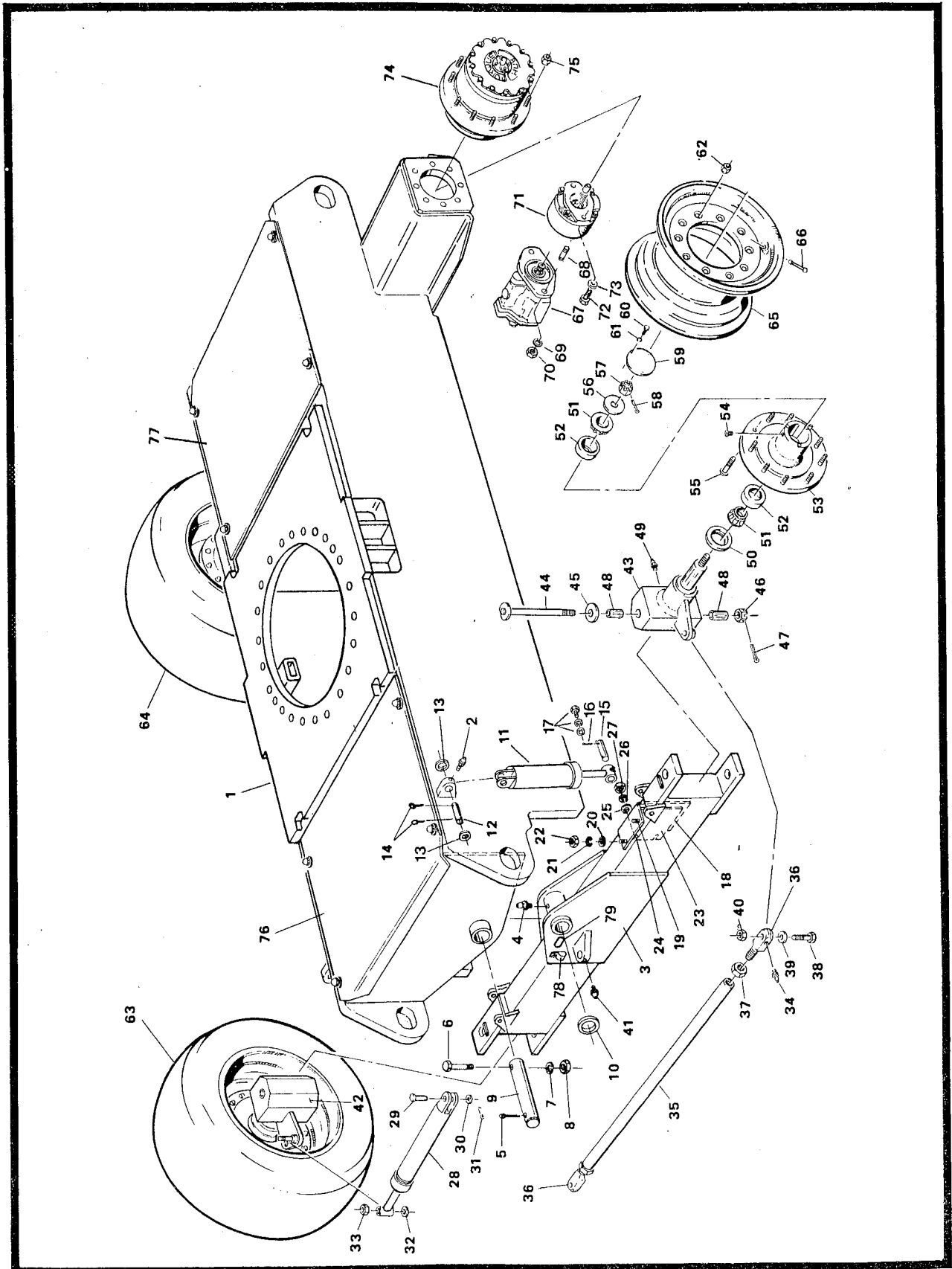


Figure 2-34. Frame, Steering and Drive Components, Assemblies and Installations.

**SECTION 2 — ILLUSTRATED PARTS LIST**

FIGURE & INDEX NO.	PART NUMBER	ITEMS & DESCRIPTION	QTY.
2-34		<b>FRAME, STEERING AND DRIVE COMPONENTS, ASSEMBLIES AND INSTALLATIONS</b>	Ref.
-1	2360186	Frame (Oscillating Axle)	1
	2360245	Frame (Fixed Axle)	1
-2	2160002	Fitting, Grease	2
	0236868	<b>FRONT AXLE INSTALLATION (OSCILLATING AXLE ONLY)</b>	Ref.
-3	4842691	Front Axle Weldment (Attaching Parts)	1
-4	2160002	Fitting, Grease	1
-5	3451214	Pin, Cotter	1
-6	0641636	Capscrew	1
-7	4751600	Flatwasher	1
-8	3311605	Locknut	1
-9	3421128	Pin, Front Axle	1
-10	4740158	Washer, Thrust	2
-11	1681572	Cylinder, Lockout (See Figure 2-35 For Breakdown)	2
	2160002	Fitting, Grease (Attaching Parts)	2
-12	3421227	Pin, Clevis	2
-13	4740230	Flatwasher	4
-14	3450606	Pin, Cotter	4
-15	3421224	Pin	2
-16	3450808	Pin, Cotter	4
-17	4751600	Flatwasher	2
	4761600	Lockwasher	2
	0641606	Capscrew	2
-18	4220098	Stop, Axle (Attaching Parts)	2
-19	4300048	Stud (Welded On Part)	4
-20	4751800	Flatwasher	4
-21	4761800	Lockwasher	4
-22	3311801	Nut	4
-23	4070528	Shim, Axle (Attaching Parts)	A/R
-24	4300034	Stud (Welded On Part)	2
-25	4751600	Flatwasher	2
-26	4761600	Lockwasher	2
-27	3311601	Nut	2
	0236449	<b>STEERING AND SPINDLE INSTALLATION</b>	Ref.
-28	1681562	Cylinder, Steer (See Figure 2-36 For Breakdown) (Attaching Parts)	1
-29	3431622	Pin, Clevis	1
-30	4740230	Flatwasher	1
-31	3450606	Pin, Cotter	1
-32	0440091	Washer, Thrust	1
-33	3300175	Locknut	1
-34	2160003	Fitting, Grease	2

**SECTION 2 — ILLUSTRATED PARTS LIST**

FIGURE & INDEX NO.	PART NUMBER	ITEMS & DESCRIPTION	QTY.
2-34		<b>FRAME, STEERING AND DRIVE COMPONENTS, ASSEMBLIES AND INSTALLATIONS (CONTINUED)</b>	Ref.
-35	3840863	Tie Rod (Attaching Parts)	1
-36	0560714	Block, Tie Rod (Left Side)	1
	0560605	Block, Tie Rod (Right Side)	1
-37	3300229	Nut, Jam (Left Side)	1
	3300023	Nut, Jam (Right Side)	1
-38	0642628	Bolt	2
-39	0440091	Washer, Thrust	2
-40	3312602	Nut, Jam	2
	0100011	Loctite	A/R
-41	2160002	Fitting, Grease	1
-42	4130160	Spindle (Right Side)	1
-43	4130161	Spindle (Left Side) (Attaching Parts)	1
-44	3521243	Pin, King	1
-45	0440183	Washer, Thrust	1
-46	3300208	Nut, Slotted	1
-47	3451012	Pin, Cotter	1
-48	0960523	Bushing, Bronze	2
-49	2160002	Fitting, Grease	1
-50	3960098	Seal, Hub	1
-51	0440019	Cone, Bearing	2
-52	0440018	Cup, Bearing	2
-53	2780091	Hub	1
-54	3520048	Plug, Tapered	1
-55	0630137	Stud, Wheel	9
-56	4740016	Washer, Hardened	1
-57	3300208	Nut, Slotted	1
-58	3451012	Pin, Cotter	1
-59	1120032	Cap, Hub (Attaching Parts)	1
-60	0641003	Bolt	3
-61	4761000	Lockwasher	3
-62	3300012	Nut, Wheel	9
	0237334	Tire and Wheel Assembly - 12" Front - Pneumatic	2
	0237335	Tire and Wheel Assembly - 12" Left Rear - Pneumatic	1
	0237798	Tire and Wheel Assembly - 12" Right Rear - Pneumatic	1
-63	4520096	Tire - 12" Front	2
-64	4520097	Tire - 12" Rear	2
-65	0237168	Rim, Front	2
	0237277	Rim, Rear	2
-66	4640113	Valve	4
	0237646	<b>WHEEL DRIVE INSTALLATION</b>	Ref.
-67	3160133	Motor, Drive (See Figure 2-37 For Breakdown) (Attaching Parts)	2
-68	4320008	Stud	4
-69	4761800	Lockwasher	4
-70	3311801	Nut	4

**SECTION 2 — ILLUSTRATED PARTS LIST**

FIGURE & INDEX NO.	PART NUMBER	ITEMS & DESCRIPTION	QTY.
2—34		<b>FRAME, STEERING AND DRIVE COMPONENTS, ASSEMBLIES AND INSTALLATIONS (CONTINUED)</b>	Ref.
—71	0920027	Brake (See Figures 2—38 & 2—39 For Breakdown) (Attaching Parts)	2
—72	0642016	Bolt	12
—73	4762000	Lockwasher	12
—74	2780106	Hub, Torque (See Figure 2-40 For Breakdown)	2
—75	3300106	Nut, Wheel	18
	0236450	<b>FRAME SHIELDS INSTALLATION</b>	Ref.
—76	4060585	Shield, Frame (Front) (Attaching Parts)	1
	4300031	Stud (Welded On Part)	4
	4751400	Flatwasher	4
	3300151	Nut, Acorn	4
—77	4060586	Shield, Frame (Attaching Parts)	1
	4300031	Stud (Welded On Part)	4
	4751400	Flatwasher	4
	3300151	Nut, Acorn	4
—78	1320125	Clamp, Hose (Attaching Parts)	1
	4300030	Stud	1
	4761600	Lockwasher	1
	3311601	Nut	1
—79	2540002	Grommet	6"

SECTION 2 — ILLUSTRATED PARTS LIST

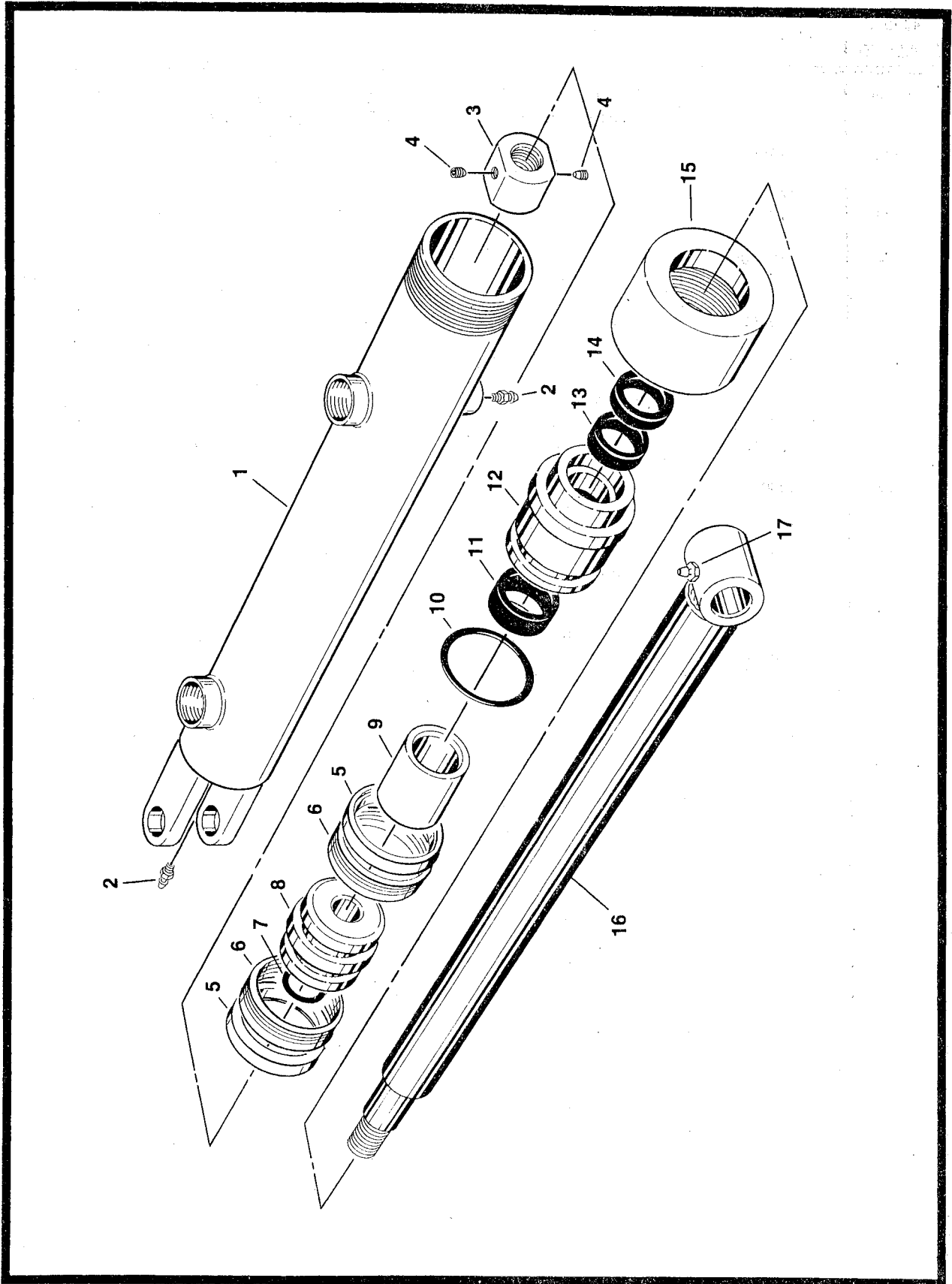


Figure 2-35. Lockout Cylinder Assembly.



**SECTION 2 — ILLUSTRATED PARTS LIST**

FIGURE & INDEX NO.	PART NUMBER	ITEMS & DESCRIPTION	QTY.
2—35	1681572	<b>LOCKOUT CYLINDER ASSEMBLY</b>	Ref.
—1	1681461	Barrel	1
—2	4640273	Bleeder	2
—3	3300187	Nut	1
—4	3900141	Setscrew	2
	0100011	Loctite	A/R
—5	3760198	Ring, Guideloc	2
—6	3960285	Seal	2
—7	3780170	O-Ring	1
—8	3480116	Piston	1
—9	4562859	Spacer	1
—10	3780164	O-Ring	1
—11	3760112	Ring	1
—12	1681322	Head	1
—13	3960293	Seal, Rod	1
—14	3960128	Seal, Wiper	1
—15	1120108	Retainer, Head	1
	0100011	Loctite	A/R
—16	1681462	Rod	1
—17	2160002	Fitting, Grease	1
	2900379	Kit, Seal (Includes Items 5, 6, 7, 10, 11, 13 and 14)	1

SECTION 2 — ILLUSTRATED PARTS LIST

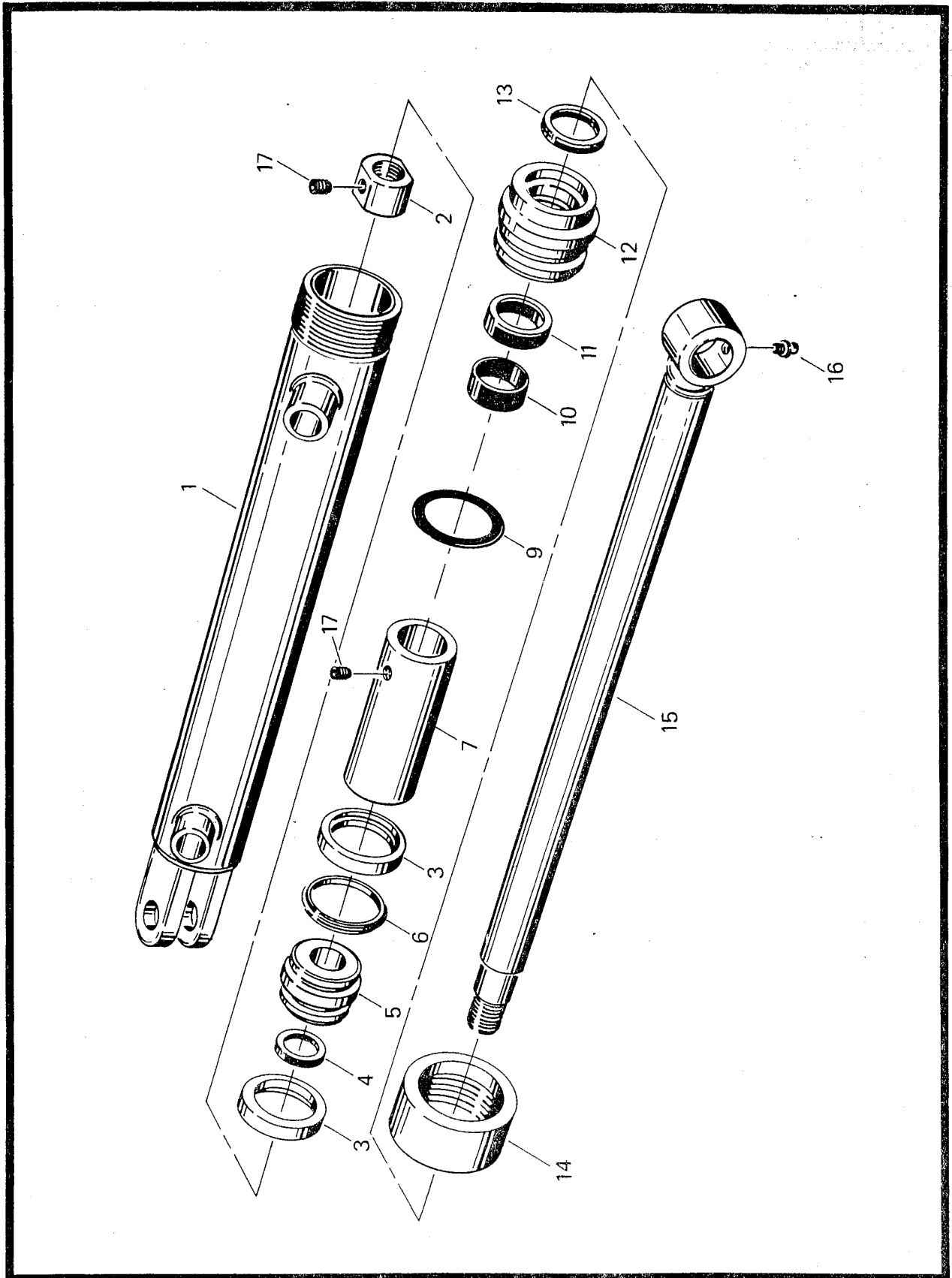


Figure 2-36. Steer Cylinder Assembly.

**SECTION 2 — ILLUSTRATED PARTS LIST**

FIGURE & INDEX NO.	PART NUMBER	ITEMS & DESCRIPTION	QTY.
2—36	1691562	<b>STEER CYLINDER ASSEMBLY</b>	Ref.
—1	1681433	Barrel	1
—2	3300187	Nut	1
—3	3760198	Ring	2
—4	3780170	O-Ring	1
—5	3480101	Piston	1
—6	3960295	Seal	1
—7	4562687	Spacer	1
—8	Not Used		
—9	3780164	O-Ring	1
—10	3760112	Ring, Wear	1
—11	3960293	Seal, Rod	1
—12	1681322	Head, Cylinder	1
—13	3960128	Wiper, Rod	1
—14	1120108	Head	1
—15	1681435	Rod	1
—16	2160002	Fitting, Grease	1
—17	3900141	Setscrew	3
	0100011	Loctite	A/R
	2900364	Kit, Seal (Includes Items 3, 4, 6, 9, 10, 11 and 12.)	1

SECTION 2 — ILLUSTRATED PARTS LIST

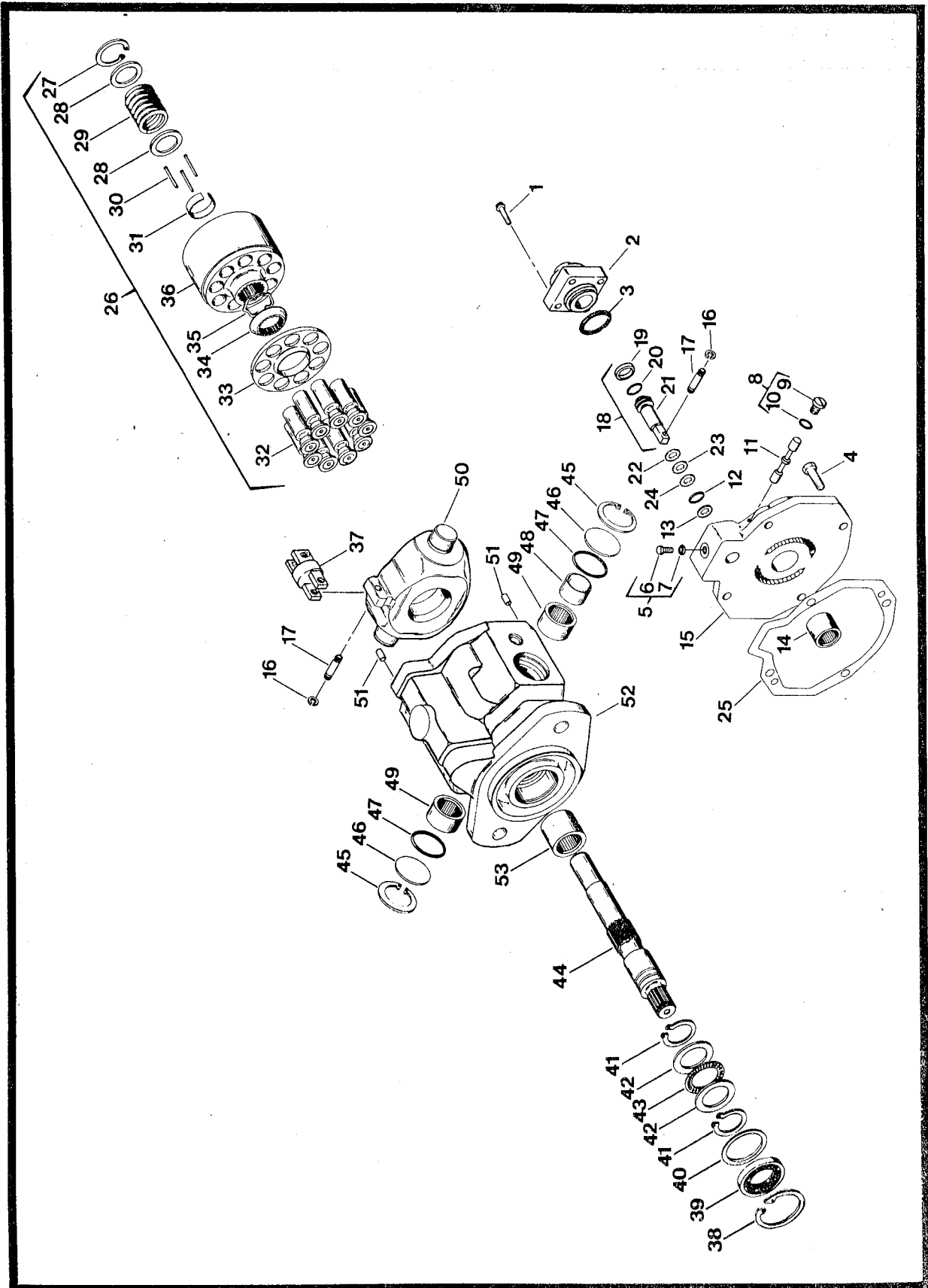


Figure 2-37. Two-Speed Drive Motor Assembly.

**SECTION 2 — ILLUSTRATED PARTS LIST**

FIGURE & INDEX NO.	PART NUMBER	ITEMS & DESCRIPTION	QTY.
2—37	3160133	<b>TWO SPEED DRIVE MOTOR ASSEMBLY</b>	Ref.
	7004939	<b>CONTROL PISTON HOUSING ASSEMBLY</b>	1
		(Attaching Parts)	
—1	7004938	Screw, Cap, Socket Head	4
—2	7004940	Housing, Control Piston	1
—3	7004921	O-Ring	1
	7004941	<b>BACKPLATE ASSEMBLY</b>	1
		(Attaching Parts)	
—4	7004933	Screw, Cap, Hex Head	4
—5	7004942	Plug Assembly	1
—6	7004943	Plug	1
—7	7004920	O-Ring	1
—8	7004944	Plug Assembly (Shuttle Spool)	2
—9	7004945	Plug	1
—10	7004920	O-Ring	1
—11	7004946	Spool, Shuttle	1
—12	7004919	O-Ring	1
—13	7004918	Washer, Backup	1
—14	7004917	Bearing, Needle	1
—15	7004947	Backplate	1
—16	7004937	Ring, Retaining	4
—17	7004929	Pin, Connector	2
—18	7004948	<b>CONTROL PISTON ASSEMBLY</b>	1
—19	7004923	Ring, Slippery	1
—20	7004922	O-Ring	1
—21	7004949	Piston, Control	1
—22	7004925	Spacer, Piston	A/R
—23	7004924	Spacer, Piston	A/R
—24	7004926	Spacer, Piston	A/R
—25	7004915	Gasket, Housing	1
—26	7004916	<b>ROTATING KIT ASSEMBLY</b>	1
—27	7004936	Ring, Retaining	1
—28	7004950	Washer, Machined	2
—29	7004951	Spring, Compression	1
—30	7004952	Pin, Loading	3
—31	7004953	Keeper, Pin	1
—32	7004954	Piston Assembly	9
—33	7004955	Spider	1
—34	7004956	Pivot	1
—35	7004957	Washer, Wave	1
—36	7004958	Block, Piston	1
—37	7004928	Connector, Camplate	1
—38	7004904	Ring, Retaining	1
—39	7004905	Seal, Shaft	1



**SECTION 2 — ILLUSTRATED PARTS LIST**

FIGURE & INDEX NO.	PART NUMBER	ITEMS & DESCRIPTION	QTY.
2—37	3160133	<b>TWO SPEED DRIVE MOTOR ASSEMBLY (CONTINUED)</b>	Ref.
—40	7004906	Washer	1
—41	7004909	Ring, Retaining	2
—42	7004907	Race, Thrust	2
—43	7004908	Bearing, Thrust	1
—44	7004912	Shaft, Drive	1
—45	7004935	Ring, Retaining	2
—46	7004913	Cover, Trunnion	2
—47	7004932	O-Ring	2
—48	7004911	Race, Inner	1
—49	7004914	Bearing	2
—50	7004927	Camplate	1
	7004959	<b>HOUSING ASSEMBLY</b>	1
—51	7004960	Pin, Roll (¼" Dia. x ½" Long)	2
—52	7004961	Housing	1
—53	7004910	Bearing	1
	2900449	Seal Repair Kit Includes Item Numbers 3, 7, 10, 12, 19 20, 25, 38, 39, 41, 45, 47	Ref.

SECTION 2 — ILLUSTRATED PARTS LIST

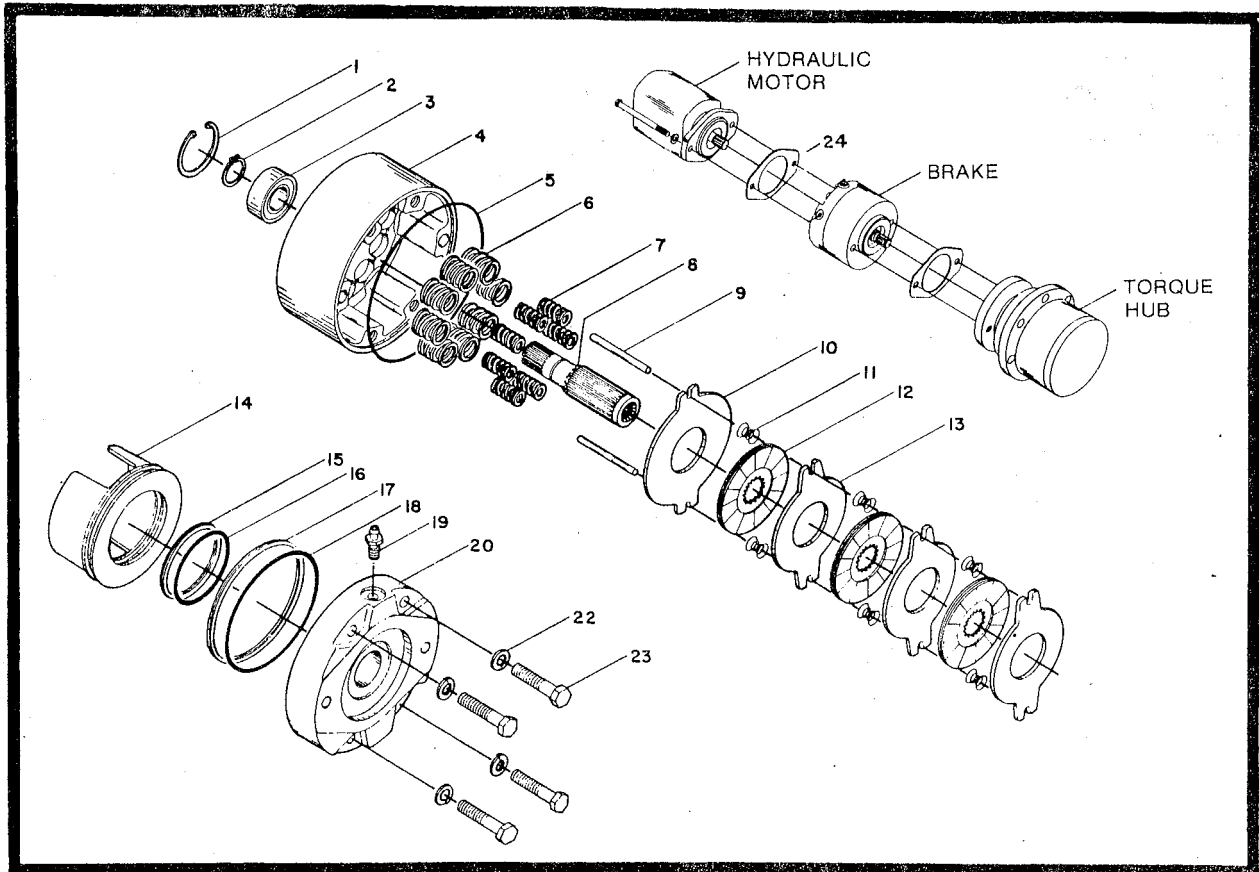


Figure 2-38. Drive Brake Assembly - Ausco.

FIGURE & INDEX NO.	PART NUMBER	ITEMS & DESCRIPTION	QTY.
2-38	0920027	<b>DRIVE BRAKE ASSEMBLY - AUSCO</b>	Ref.
-1	7000711	Ring, Retaining	1
-2	7000712	Ring, Retaining	1
-3	7000713	Bearing, Ball	1
-4	7000714	Housing	1
	7003010	Retainer, Spring	1
-5	7000759	O-Ring	1
-6	7000782	Spring, Compression	8
-7	7000798	Spring, Compression	8
-8	7000716	Shaft	1
-9	7000717	Pin, Torque	2
-10	7000718	Disc, Primary	1
-11	7003006	Spring, Compression	6
-12	7000732	Disc, Rotating	3
-13	7000720	Disc, Stationary	3
-14	7000721	Piston	1
-15	7000722	Ring, Back-Up	1
-16	7000723	O-Ring	1
-17	7000724	Ring, Back-Up	1
-18	7000725	O-Ring	1
-19	7000796	Bleeder	1
-20	7000727	Plate, Power	1
-21	Not Used		
-22	7000729	Lockwasher	4
-23	7000730	Bolt	4
	7003007	Bolt, Flanged	4
-24	7000731	Gasket	2
	2900131	Kit, Seal (Includes Items 1, 2, 15, 16, 17, 18 and 24)	1



## SECTION 2 — ILLUSTRATED PARTS LIST

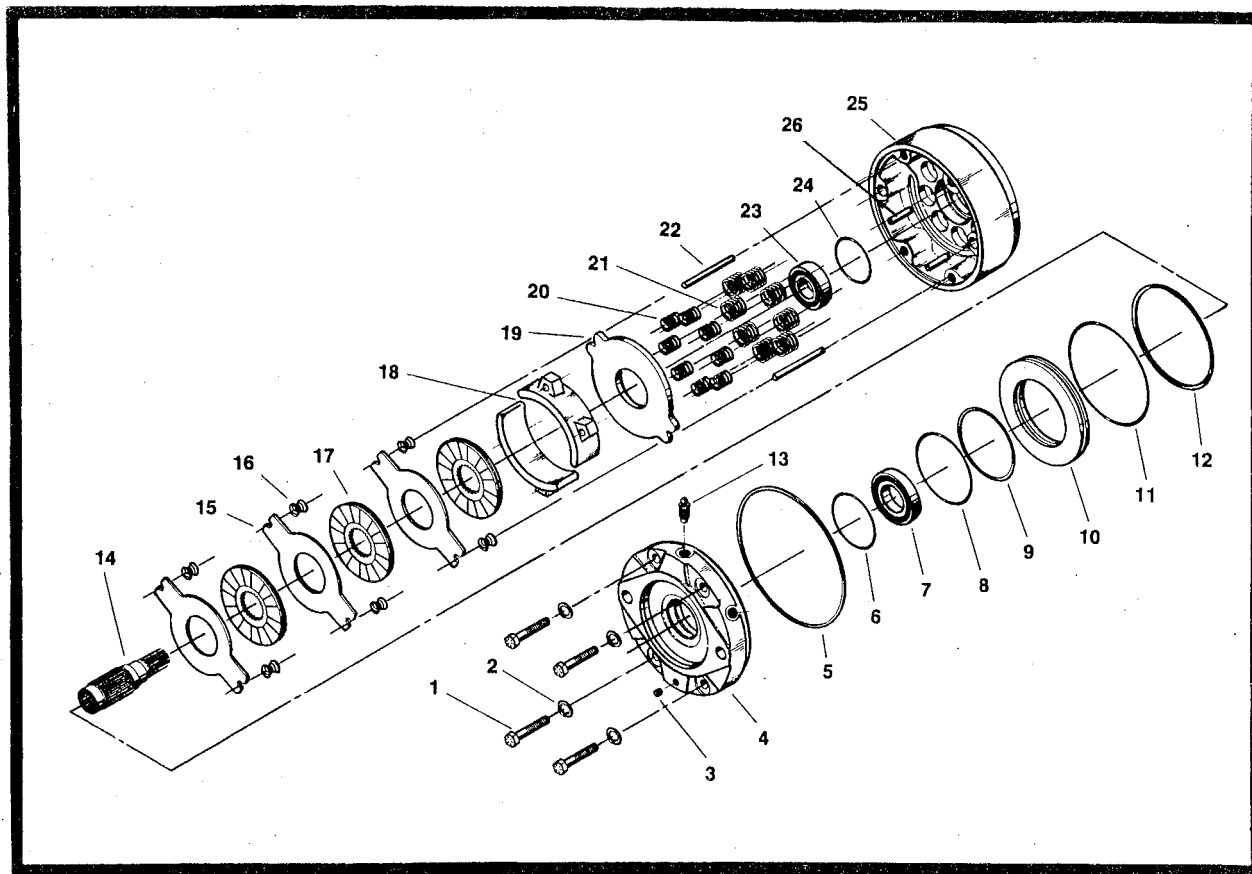
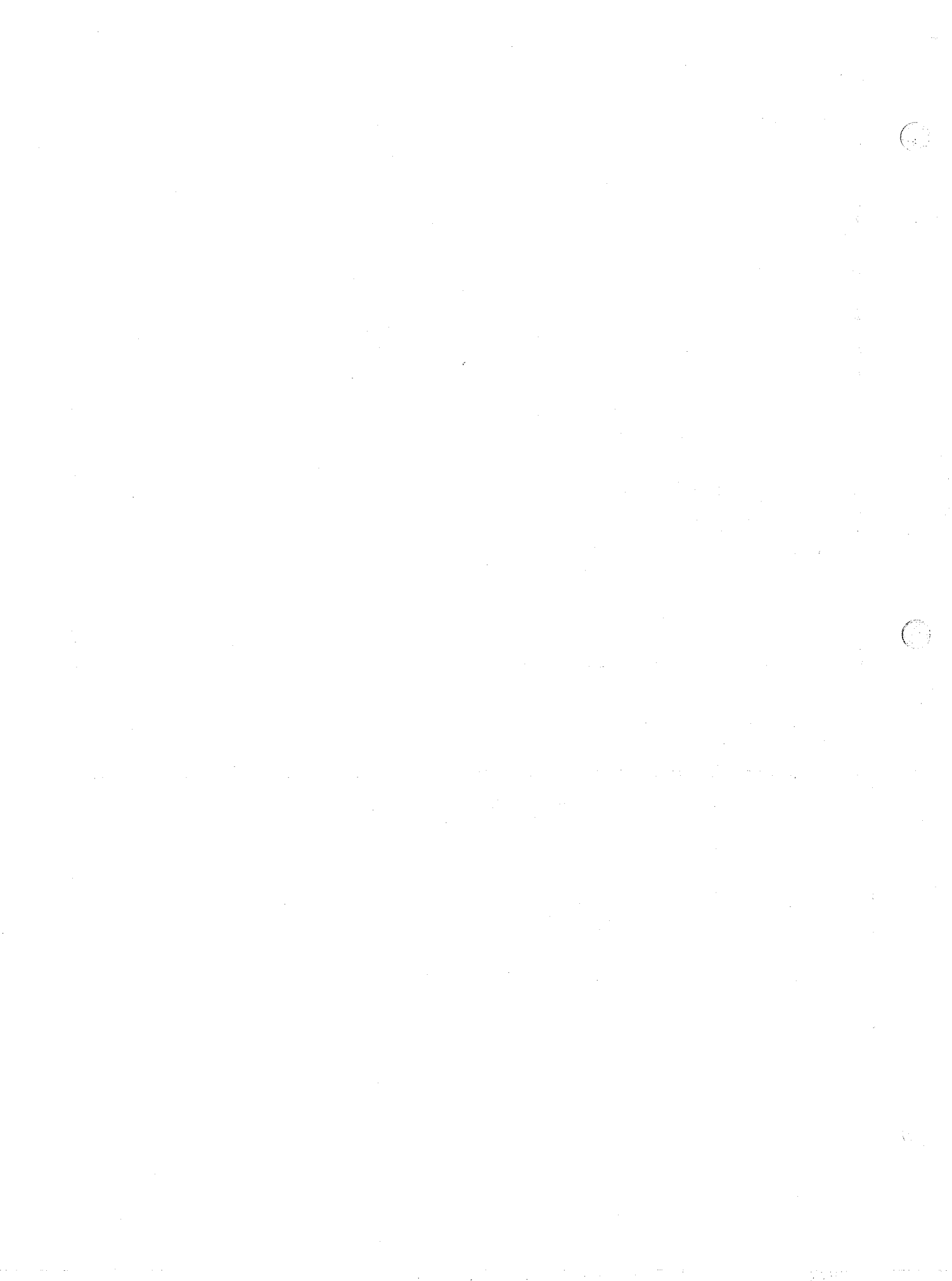


Figure 2-39. Drive Brake Assembly - Mico.

FIGURE & INDEX NO.	PART NUMBER	ITEMS & DESCRIPTION	QTY.
2—39	0920027	<b>DRIVE BRAKE ASSEMBLY, MICO</b>	Ref.
—1	7007913	Cap, Screw	4
—2	7007912	Lockwasher	4
—3	7007924	Pipe Plug	1
—4	7007911	Cover	1
—5	7007910	Square Ring	1
—6	7007925	O-Ring	1
—7	7007920	Bearing	1
—8	7007918	O-Ring	1
—9	7007917	Back-Up Ring	1
—10	7007923	Piston	1
—11	7007922	O-Ring	1
—12	7007921	Back-Up Ring	1
—13	7007914	Bleeder Screw	1
—14	7007903	Shaft	1
—15	7007908	Disc	3
—16	7007916	Spring	6
—17	7007909	Friction Disc	3
—18	7007902	Separator	2
—19	7007907	Disc (Large Diameter)	1
—20	7007906	Spring	8
—21	7007905	Spring	8



**SECTION 2 — ILLUSTRATED PARTS LIST**

FIGURE & INDEX NO.	PART NUMBER	ITEMS & DESCRIPTION	QTY.
2—39	0920027	<b>DRIVE BRAKE ASSEMBLY, MICO (CONTINUED)</b>	Ref.
—22	7007915	Pin, Dowel	2
—23	7007904	Bearing	1
—24	7007900	Oil Seal	1
—25	7007919	Housing	1
—26	7007901	Spirol Pin	4
	7007933	Mounting Gasket (Not Shown)	1
	2900641	Kit, Seal (Includes Items 5, 6, 8, 9, 11, 12 and 24)	1

SECTION 2 - ILLUSTRATED PARTS LIST

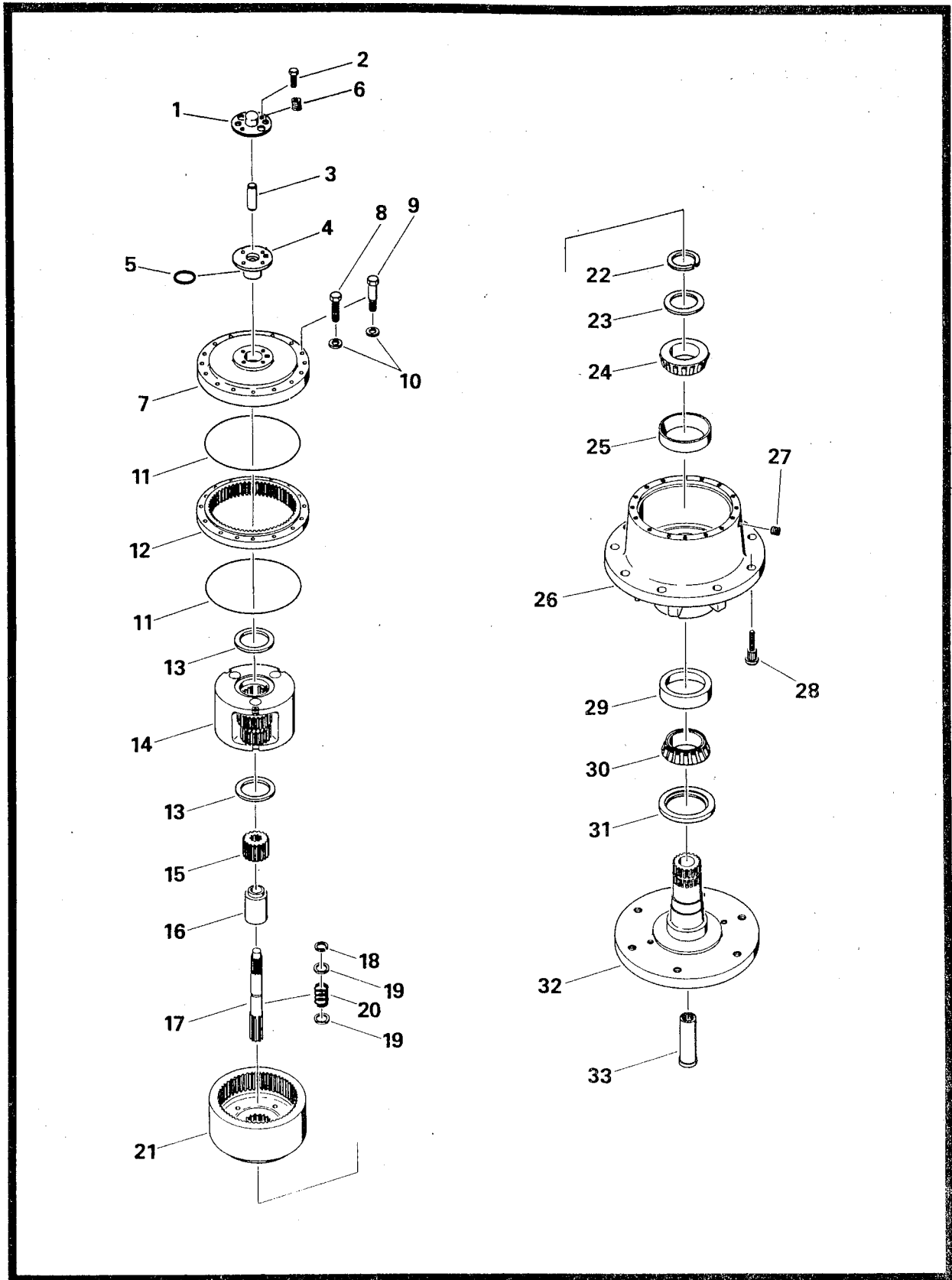


Figure 2-40. Drive Hub Assembly - Wheel.

**SECTION 2 — ILLUSTRATED PARTS LIST**

FIGURE & INDEX NO.	PART NUMBER	ITEMS & DESCRIPTION	QTY.
2—40	2780106	<b>DRIVE HUB ASSEMBLY — WHEEL</b>	Ref.
	7000249	<b>COVER ASSEMBLY - CONSISTS OF ITEMS 1 THRU 9</b>	1
—1	7000211	Cap, Disconnect (Attaching Parts)	1
—2	7000220	Bolt, Hex Head	4
—3	7000212	Rod, Disconnect	1
—4	7000227	Cap, Cover	1
—5	7000215	O-Ring	1
—6	7000243	Plug, Pipe	1
—7	7000226	Cover (Attaching Parts)	1
—8	7000217	Bolt, Hex Head	12
—9	7000214	Bolt, Hex Head - Shoulder	4
—10	4751500	Flatwasher	16
—11	7000230	O-Ring	2
—12	7000208	Gear, Ring	1
—13	7000253	Washer, Thrust	2
—14	7000207	Planet Carrier Assembly (No Service Breakdown Parts - Purchase Entire Assembly.)	1
—15	7007602	Gear, Sun	1
—16	7000252	Spacer, Sun Gear	1
	7000250	<b>INPUT SHAFT ASSEMBLY</b>	1
—17	7000260	Shaft, Input	1
—18	7000261	Ring, Retaining	1
—19	7000263	Spacer	2
—20	7000262	Spring	1
—21	7000246	Gear, Stationary Internal	1
	7001996	<b>HUB ASSEMBLY</b>	1
—22	7000229	Ring, Retaining	1
—23	7000232	Spacer	1
—24	7000257	Bearing, Tapered Roller	1
—25	7000258	Cup, Bearing	1
—26	7007601	Hub	1
—27	7000242	Plug, Pipe	1
—28	7007640	Stud, Wheel	9
—29	7001999	Cup, Bearing	1
—30	7007600	Bearing, Tapered Roller	1
—31	7001998	Seal	1
—32	7001997	Spindle	1
—33	7000206	Coupling, Input	1
	2900034	Kit, Seal (Includes Items 13, 24, 25 and 33.)	1

SECTION 2 — ILLUSTRATED PARTS LIST

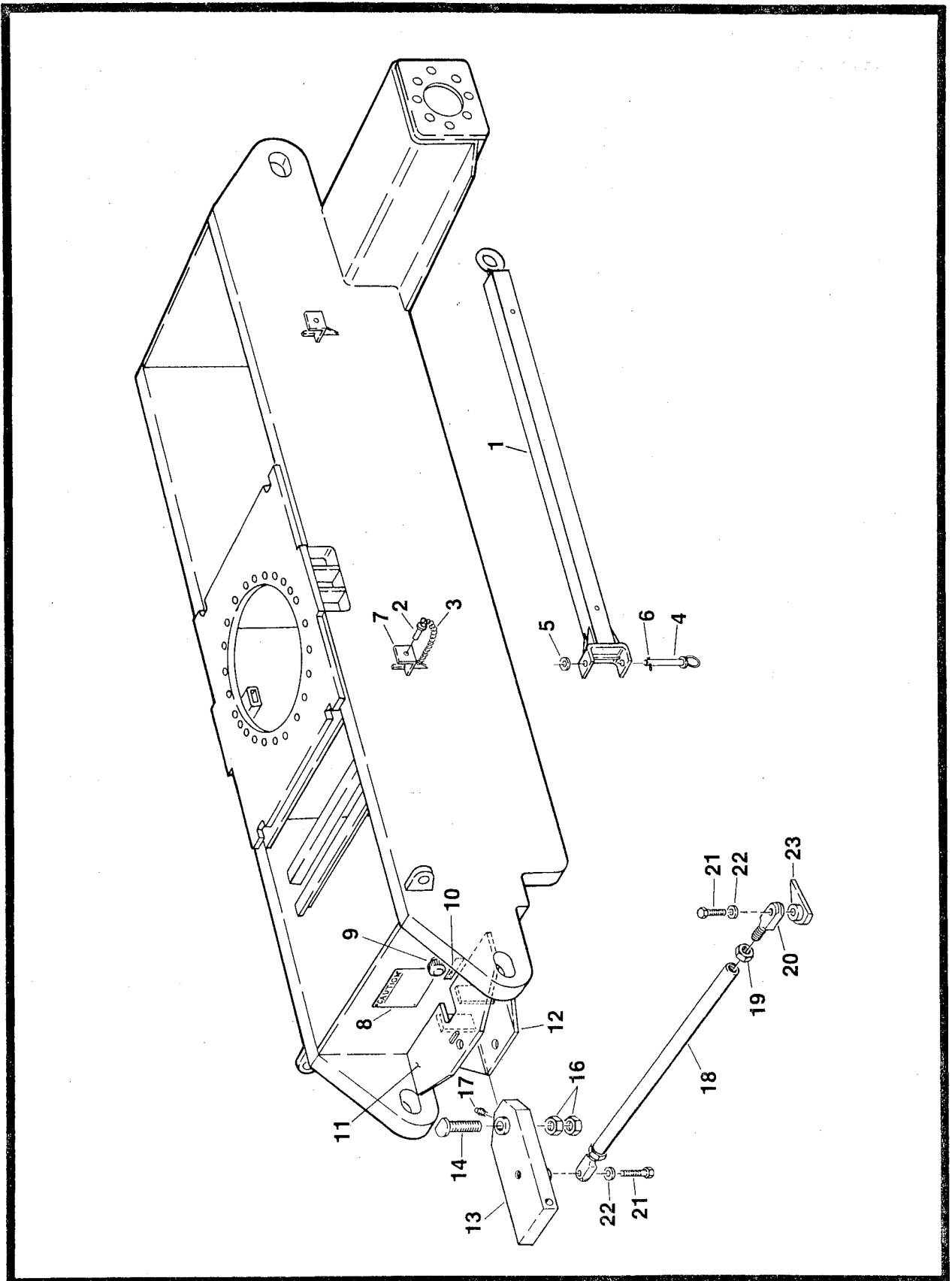


Figure 2-41. Tow Package Installation.

**SECTION 2 — ILLUSTRATED PARTS LIST**

FIGURE & INDEX NO.	PART NUMBER	ITEMS & DESCRIPTION	QTY.
2-41		<b>TOW PACKAGE INSTALLATION</b>	Ref.
	0236568	<b>TOW BAR STORAGE INSTALLATION</b>	Ref.
-1	0232121	Tow Bar (Attaching Parts)	1
-2	3420292	Pin	2
-3	1260017	Chain	2
-4	3420447	Pin, Tow	1
-5	4740036	Flatwasher	1
-6	3420372	Pin, Cotter	1
-7	4841055	Mount, Tow Bar	2
	0236880	<b>TOW BAR SELECTOR VALVE AND NAME- PLATES INSTALLATION (FIXED AXLE)</b>	Ref.
	9982255	<b>HITCH AND TIE ROD INSTALLATION (FIXED AXLE)</b>	Ref.
	0236966	<b>TOW HITCH, SELECTOR VALVE AND NAMEPLATE INSTALLATION (OSCILLATING AXLE)</b>	Ref.
-8	3250840	Nameplate - Caution (Attaching Parts)	1
	3820001	Rivet, Pop	4
-9	4640261	Valve, Selector (Attaching Parts)	1
	0641507	Bolt	2
	4751500	Flatwasher	2
	4761500	Lockwasher	2
	0900479	Bracket	1
-10	3250872	Nameplate - Tow Select (Attaching Parts)	1
	3820001	Rivet, Pop	4
-11	3530016	Plate, Hitch - Upper (Welded On Part)	1
	2880410	Key	1
-12	3530015	Plate, Hitch - Lower (Welded On Part)	1
	2551050	Gusset (Welded On Part)	2
-13	2620025	Hitch (Attaching Parts)	1
-14	3421151	Pin	1
-15	Not Used		
-16	3300023	Nut	2
-17	2160003	Fitting, Grease	1
-18	3840643	Tie Rod	1
-19	3300023	Nut, Jam	2
-20	1660114	End, Tie Rod	2
-21	0642628	Bolt	2
-22	4762600	Lockwasher	2
-23	3040293	Lug, Spindle	1

SECTION 2 — ILLUSTRATED PARTS LIST

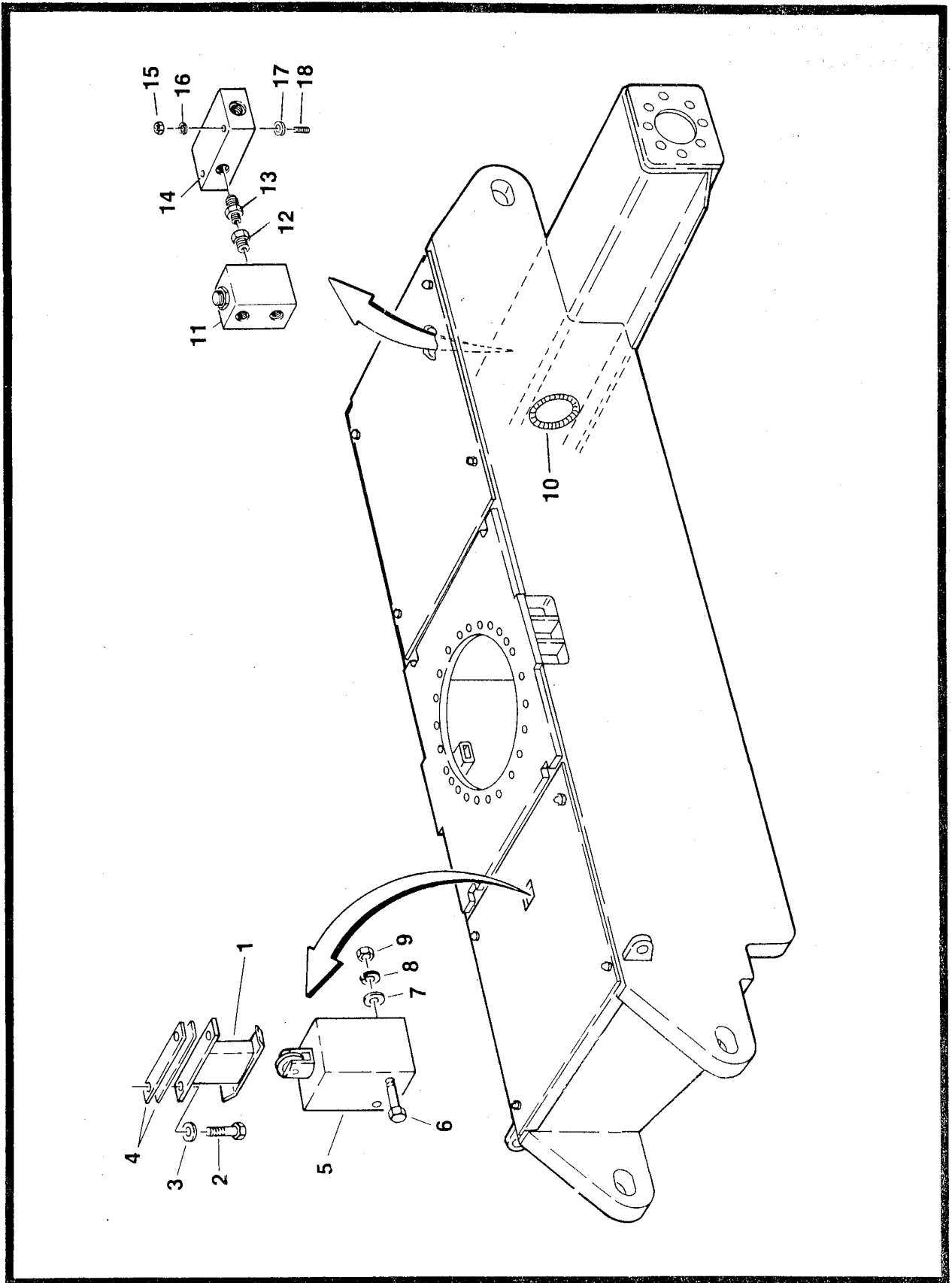


Figure 2-42. Valves Installation (Frame Mounted).



**SECTION 2 — ILLUSTRATED PARTS LIST**

FIGURE & INDEX NO.	PART NUMBER	ITEMS & DESCRIPTION	QTY.
2-42		<b>VALVES INSTALLATION (FRAME MOUNTED)</b>	Ref.
	0236404	<b>LOCKOUT VALVE INSTALLATION (OSCILLATING AXLE)</b>	Ref.
-1	1100037	Cam Assembly (Attaching Parts)	1
-2	0641612	Bolt	2
-3	4761600	Lockwasher	2
-4	4070570	Shim	A/R
	4070571	Shim	A/R
	4070572	Shim	A/R
-5	4640485	Valve, Axle Lockout (See Figure 2-43 For Breakdown) (Attaching Parts)	1
-6	0641634	Bolt	2
-7	4751600	Flatwasher	2
-8	4761600	Lockwasher	2
-9	3311601	Nut	2
	0237436	<b>COUNTERBALANCE AND FLOW DIVIDER VALVES INSTALLATION</b>	Ref.
-10	4060608	Flex-Guard	1 Ft.
-11	4640260	Divider, Flow	1
-12	2220435	Fitting	1
-13	2220594	Fitting, Adapter	1
-14	4640454	Valve, Dual Counterbalance (Attaching Parts)	1
-15	3311501	Nut	2
-16	4761500	Lockwasher	2
-17	4751500	Flatwasher	2
-18	4300033	Stud (Welded On Part)	2

SECTION 2 — ILLUSTRATED PARTS LIST

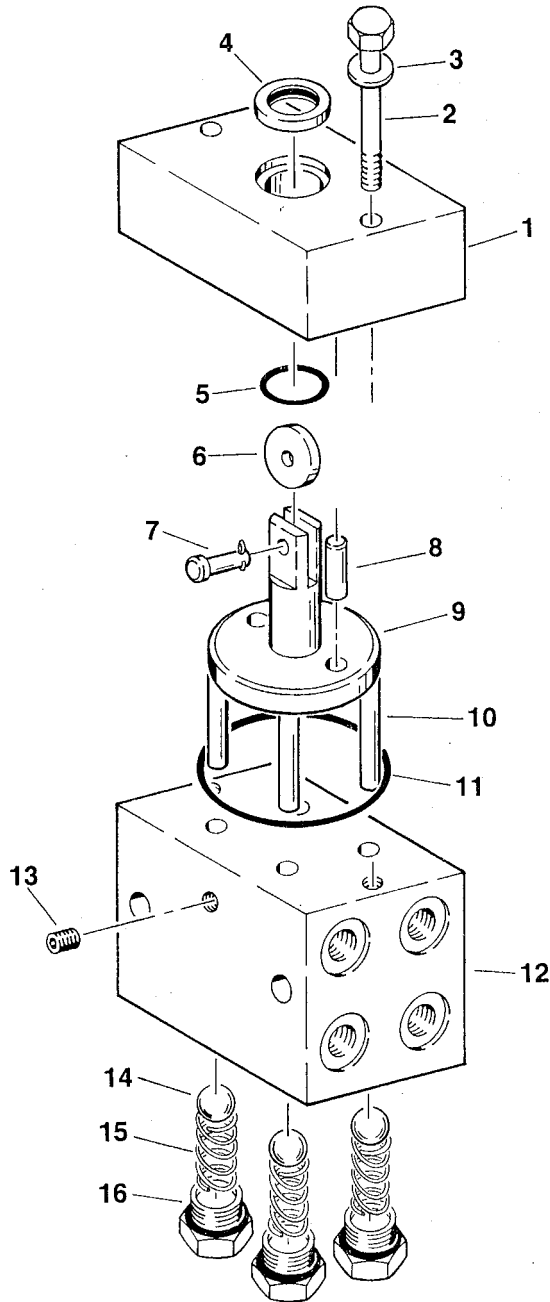


Figure 2-43. Lockout Valve Assembly.

**SECTION 2 — ILLUSTRATED PARTS LIST**

FIGURE & INDEX NO.	PART NUMBER	ITEMS & DESCRIPTION	QTY.
2-43	4640485	<b>LOCKOUT VALVE ASSEMBLY</b>	Ref.
-1	0560679	Block, Top Valve (Attaching Parts)	1
-2	0641518	Bolt	2
-3	4761500	Lockwasher	2
-4	3960047	Seal, Rod	1
-5	3790116	O-Ring	1
-6	3860037	Roller, Cam (Attaching Parts)	1
-7	3430407	Clevis Pin with Cotter Pin	1
-8	3421284	Pin	2
-9	3840833	Plunger, Rod	1
-10	3840854	Rod	4
-11	3790231	O-Ring	1
-12	0560467	Block, Bottom Valve	1
-13	2200202	Plug	1
-14	0100011	Loctite	A/R
-15	0320008	Ball	4
-16	4160078	Spring	4
-16	2180658	Plug	4

SECTION 2 — ILLUSTRATED PARTS LIST

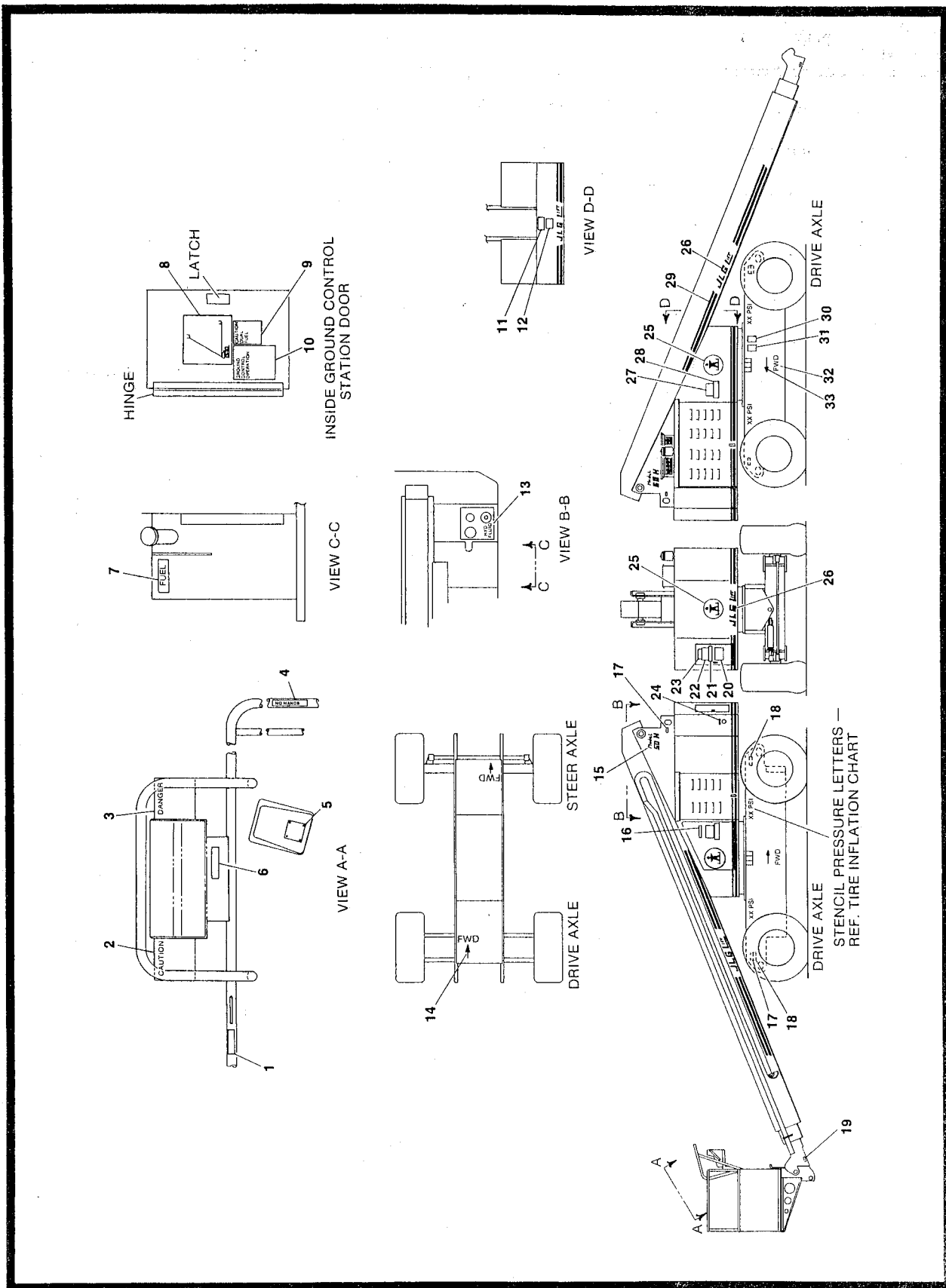


Figure 2-44. Placards and Decals Installation.

**SECTION 2 — ILLUSTRATED PARTS LIST**

FIGURE & INDEX NO.	PART NUMBER	ITEMS & DESCRIPTION	QTY.
2—44	0237611	<b>PLACARDS AND DECALS INSTALLATION</b>	Ref.
—1	1700477	Decal - Attach Belt	1
—2	Consult Factory	Decal - Caution (Attaching Parts)	1
	4761400	Lockwasher	2
	3311401	Nut	2
—3	3251549	Decal - Danger (Attaching Parts)	1
	4761400	Lockwasher	2
	3311401	Nut	2
—4	1700476	Decal - No Hands	2
—5	3250453	Nameplate, Footswitch	1
	3820001	Rivet	4
—6	3251579	Nameplate - Platform Rotate (Machines with Steering Wheel)	1
	3820001	Rivet	2
—7	1700428	Decal - Fuel (Diesel)	1
	1700429	Decal - Fuel (L.P.)	1
	1700430	Decal - Fuel (Gas)	1
—8	Consult Factory	Decal - Load/Reach	1
—9	1701028	Decal - Dual Fuel Caution (Machines with Dual Fuel)	1
—10	1700582	Decal - Ground Control Operation	1
—11	1700585	Decal - Crushing	1
—12	1700593	Decal - Inspection	1
—13	1700419	Decal - Hydraulic Fluid	1
—14	1700423	Decal - FWD	2
	1700568	Decal - Arrow	2
—15	1700753	Decal - Model 50H	2
—16	3251569	Decal - Manual	1
—17	1700377	Decal - Lift Here	4
—18	1700575	Decal - Tie Down	4
—19	1700640	Decal - Crushing	2
—20	1700643	Decal - Caution	1
—21	1700580	Decal - Electrocutation Hazard	1
—22	1700585	Decal - Crushing	1
—23	1700583	Decal - Ground Control Location	1
—24	3251243	Nameplate - 120V	1
—25	1700427	Decal - Logo	3
—26	1700422	Decal - JLG Lift	4
—27	1700585	Decal - Crushing	2
—28	1700580	Decal - Electrocutation Hazard	2
—29	1700431	Decal - Orange Brown Strip	A/R
—30	1700584	Decal - Patent	1
—31	Consult Factory	Nameplate - Serial Number	1
—32	1700423	Decal - FWD	2
—33	1700568	Decal - Arrow	2



SECTION 2 — ILLUSTRATED PARTS LIST

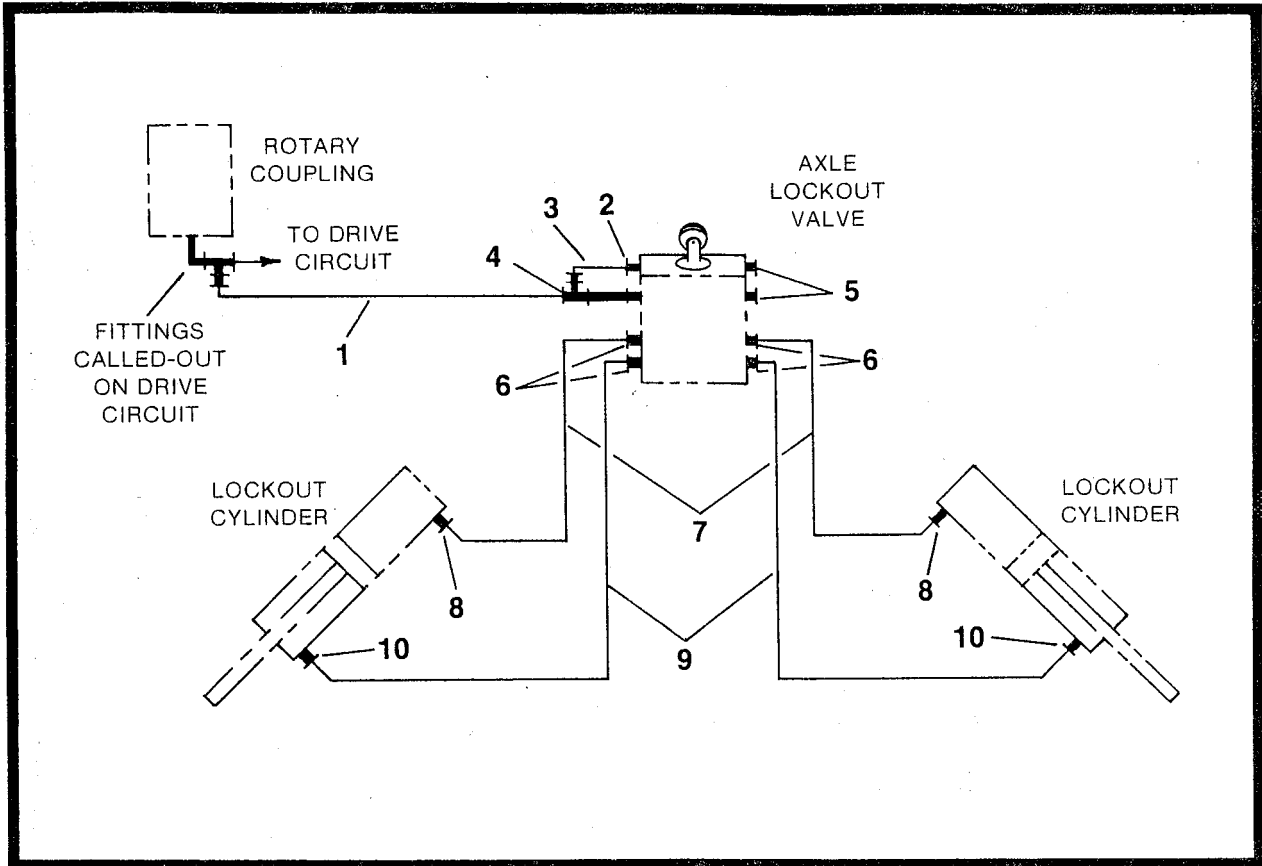


Figure 2-45. Hydraulic Axle Lockout Circuit.

FIGURE & INDEX NO.	PART NUMBER	ITEMS & DESCRIPTION	QTY.
2-45	2791139	<b>HYDRAULIC AXLE LOCKOUT CIRCUIT</b>	Ref.
-1	2751155	Hose	1
-2	2220582	Fitting	1
-3	2750900	Hose	1
-4	2220371	Fitting	1
	2220635	Fitting, Tee	1
	2220609	Fitting, Reducer	1
-5	2220237	Plug	2
-6	2220473	Fitting, 90°	4
-7	2750785	Hose	2
-8	2220399	Fitting, Straight	2
-9	2751155	Hose	2
-10	2220773	Fitting, 90°	2
	0100020	Sealant, Pipe	A/R

SECTION 2 — ILLUSTRATED PARTS LIST

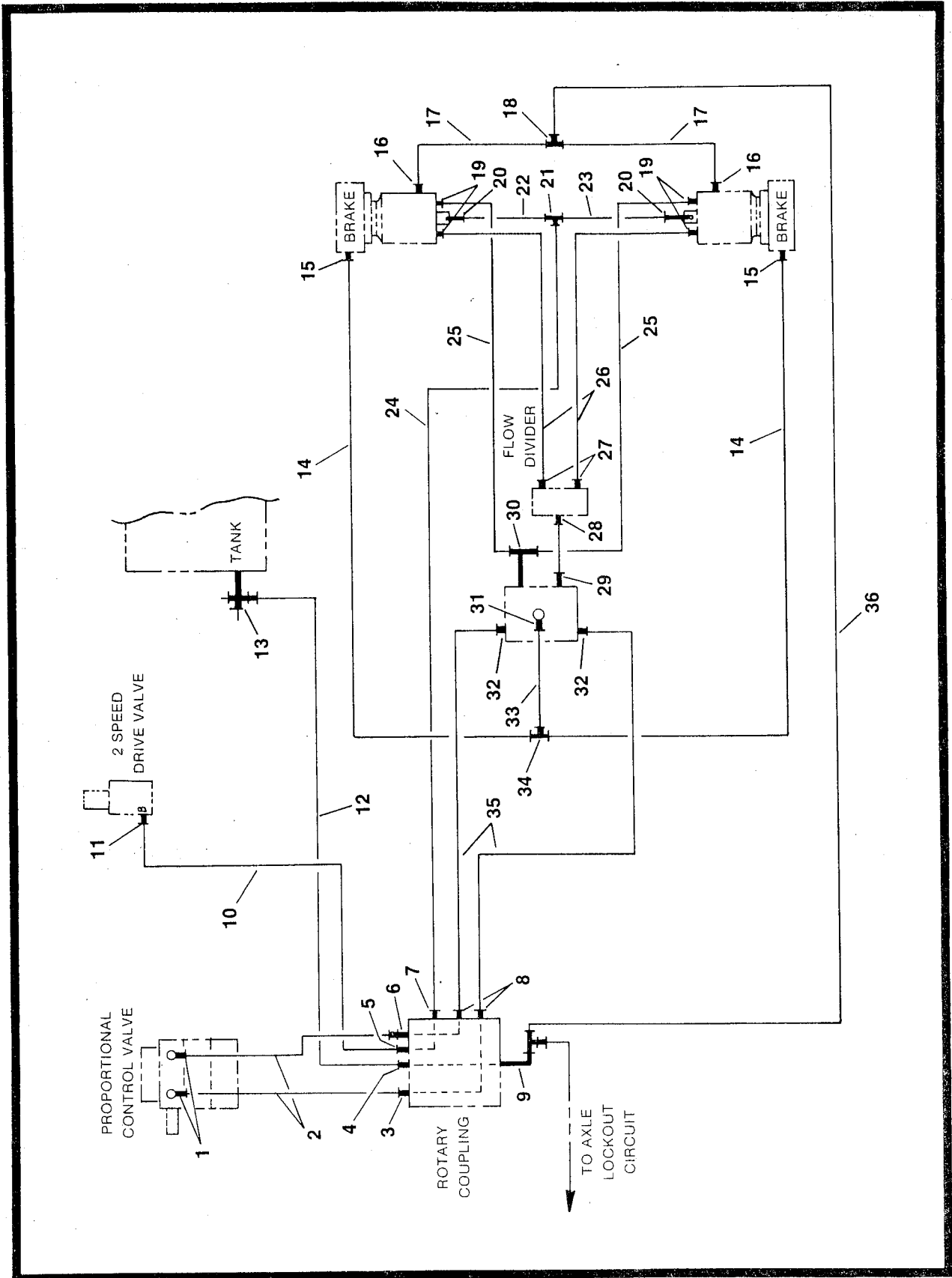


Figure 2-46. Hydraulic Drive Circuit.



## SECTION 2 — ILLUSTRATED PARTS LIST

FIGURE & INDEX NO.	PART NUMBER	ITEMS & DESCRIPTION	QTY.
2-46	2791137	<b>HYRAULIC DRIVE CIRCUIT</b>	Ref.
-1	2220451	Fitting, Straight	2
-2	2750692	Hose	2
-3	2220347	Fitting	1
-4	2220345	Fitting	1
-5	2180217	Fitting, Orifice	1
	2180651	Fitting, Straight	1
-6	2220347	Fitting	1
-7	2220414	Fitting	1
-8	2220347	Fitting	2
-9	2220772	Fitting, 90°	1
	2220385	Fitting, Tee	1
	2220619	Fitting, Reducer	1
-10	2750899	Hose	1
-11	2220417	Fitting, 90°	1
-12	2751489	Hose	1
-13	2220439	Fitting	1
	2220345	Fitting, Straight	1
-14	2750889	Hose	2
-15	2220466	Fitting, 90°	2
-16	2220596	Fitting, 90°	2
-17	2750774	Hose	2
-18	2220362	Fitting, Tee	1
-19	2220375	Fitting	4
-20	2220415	Fitting	2
-21	2220504	Fitting, Tee	1
-22	2751017	Hose	1
-23	2751010	Hose	1
-24	2751011	Hose	1
-25	2750970	Hose	2
-26	2750972	Hose	2
-27	2220375	Fitting	2
-28	2220594	Fitting	1
-29	2220435	Fitting	1
-30	2220383	Fitting	1
-31	2220415	Fitting	1
-32	2220578	Fitting, 90°	2
-33	2751394	Hose	1
-34	2220504	Fitting, Tee	1
-35	2750690	Hose	2
-36	2750998	Hose	1
	0100020	Sealant, Pipe	A/R

SECTION 2 — ILLUSTRATED PARTS LIST

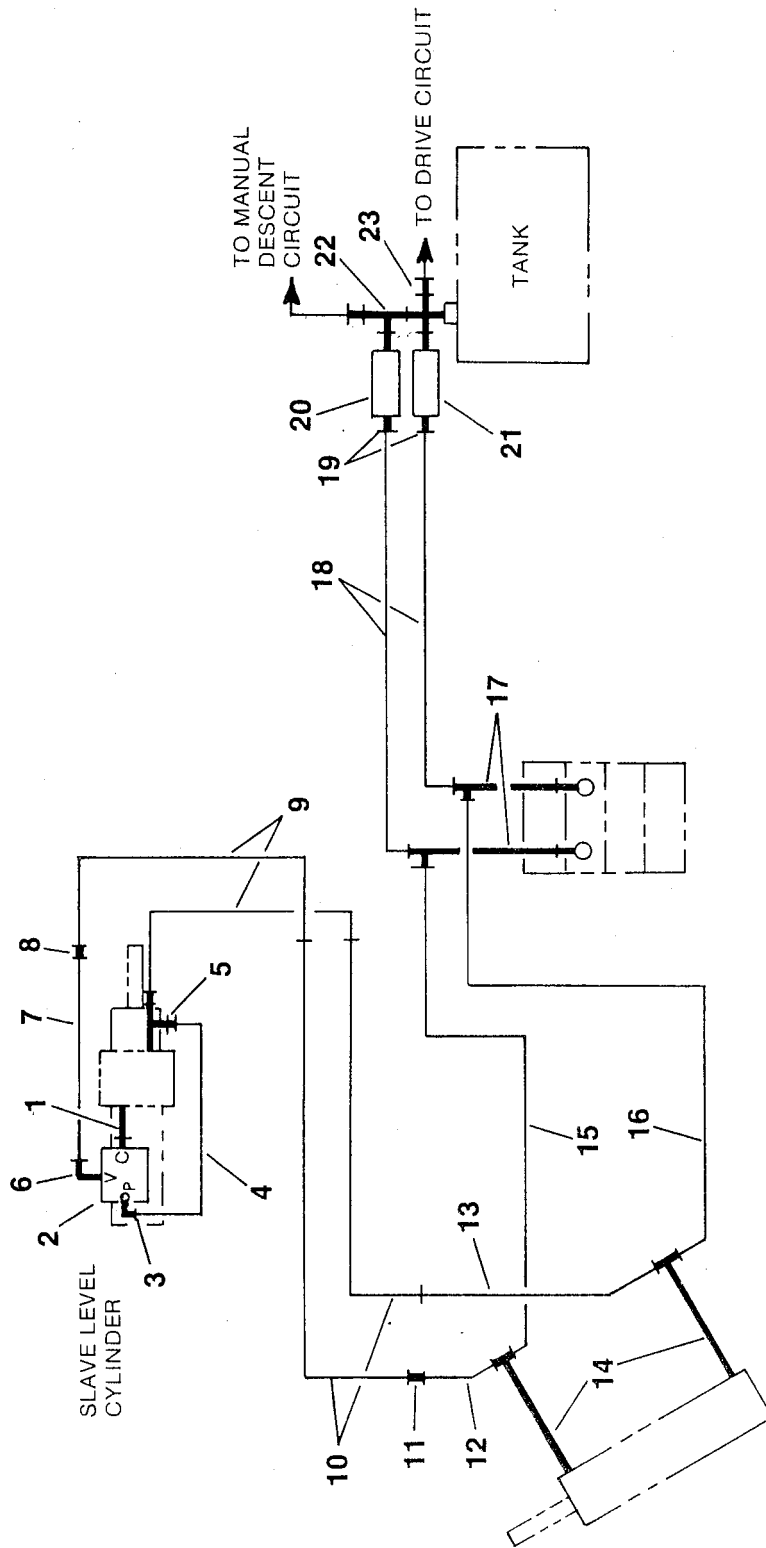


Figure 2-47. Hydraulic Level Circuit.

**SECTION 2 — ILLUSTRATED PARTS LIST**

FIGURE & INDEX NO.	PART NUMBER	ITEMS & DESCRIPTION	QTY.
2—47	2791144	<b>HYDRAULIC LEVEL CIRCUIT</b>	Ref.
—1	2220250	Fitting, Reducer	1
	2750350	Hose	1
—2	4640436	Valve, Check	1
—3	2220585	Fitting	1
—4	2751018	Hose	1
—5	2220444	Fitting, Tee	1
	2220585	Fitting	1
	2220343	Fitting	1
—6	2220343	Fitting	1
—7	2750917	Hose	1
—8	2220511	Fitting	1
—9	2751841	Hose	2
—10	4563311	Tube	2
—11	2220619	Adapter	1
—12	2751158	Hose	1
—13	2751146	Hose	1
—14	2220604	Fitting, Tee	2
—15	2750908	Hose	1
—16	2751102	Hose	1
—17	2220591	Fitting, Reducer	2
	2180379	Fitting, Tee	2
	2180621	Fitting, Orifice	2
—18	2750994	Hose	2
—19	2220607	Fitting	2
—20	4640012	Valve, Relief	1
—21	4640165	Valve, Relief	1
—22	2220400	Fitting, Reducer	1
	2220432	Fitting, Tee	1
—23	2220400	Fitting, Reducer	1
	0100011	Loctite	A/R
	0100020	Sealant, Pipe	A/R



SECTION 2 — ILLUSTRATED PARTS LIST

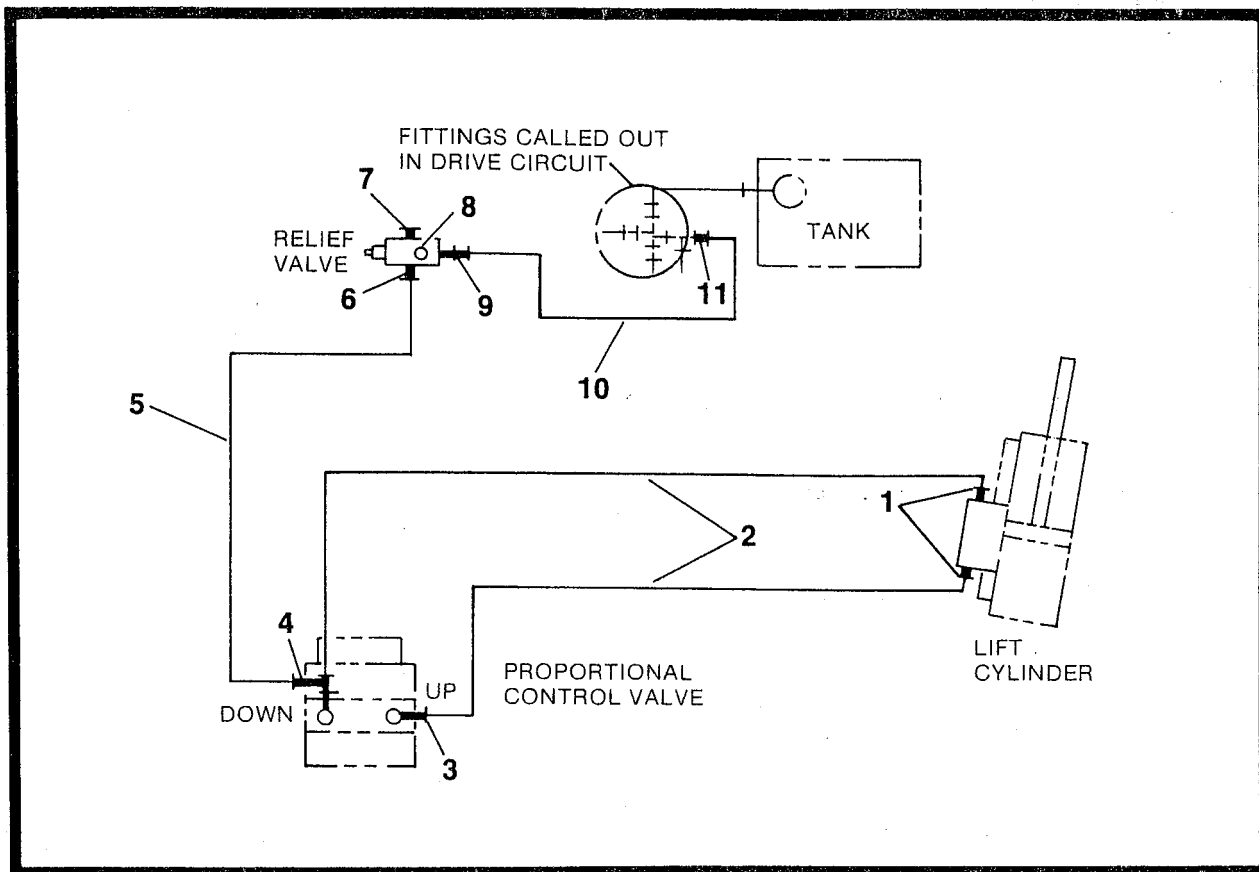


Figure 2-48. Hydraulic Lift Circuit.

FIGURE & INDEX NO.	PART NUMBER	ITEMS & DESCRIPTION	QTY.
2-48	2791145	<b>HYDRAULIC LIFT CIRCUIT</b>	Ref.
-1	2220397	Fitting	2
-2	2750908	Hose	2
-3	2220497	Fitting	1
-4	2220497	Fitting	1
	2220635	Fitting, Tee	1
-5	2751125	Hose	1
-6	2220497	Fitting	1
-7	2220239	Plug	1
-8	2220437	Fitting	1
	2220428	Fitting, Quick Disconnect	1
	2220429	Fitting, Dust Cap	1
-9	2220343	Fitting	1
	2180267	Fitting	1
-10	2751155	Hose	1
-11	2220619	Fitting, Reducer	1
	0100020	Sealant, Pipe	A/R

SECTION 2 — ILLUSTRATED PARTS LIST

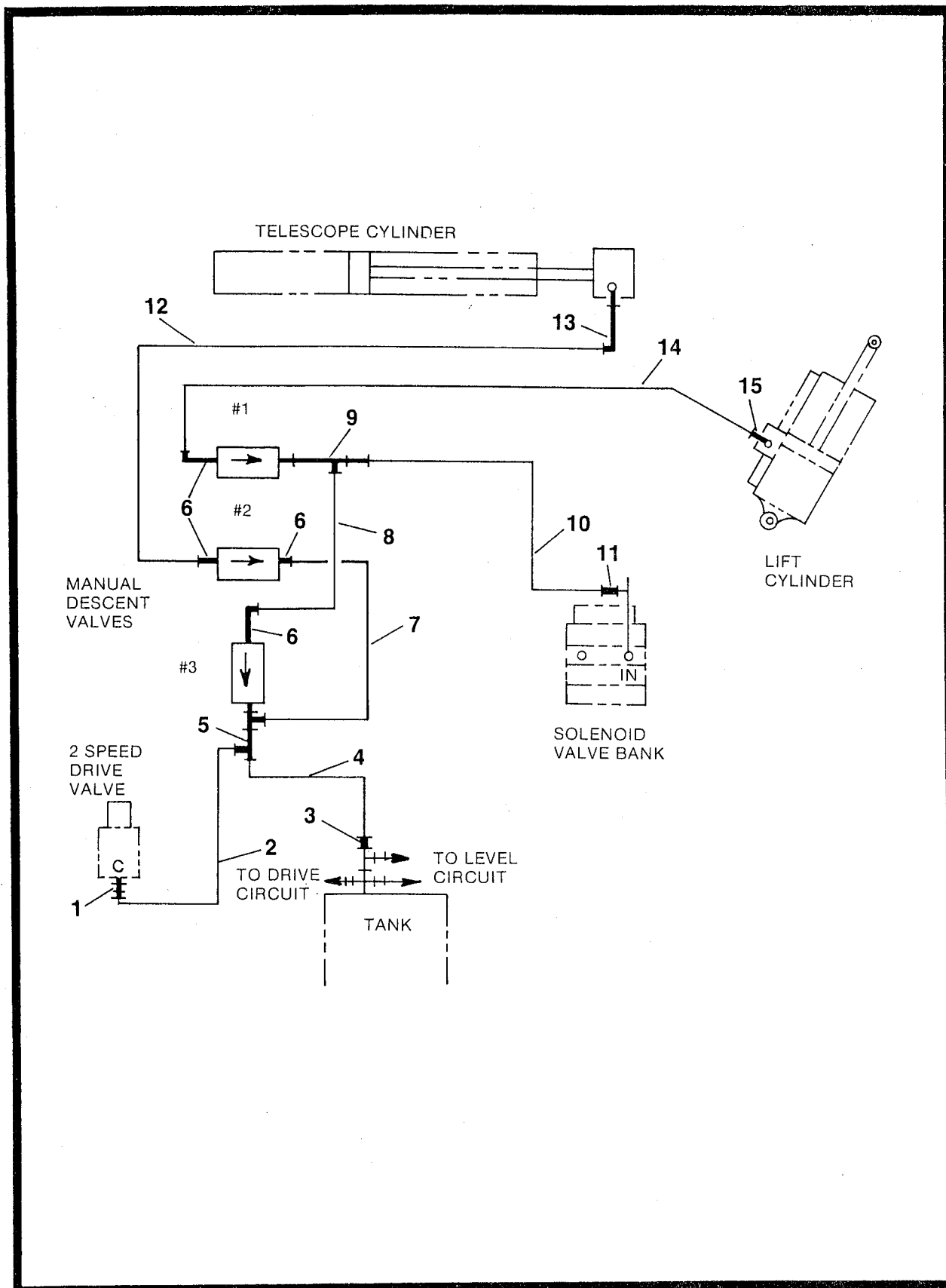


Figure 2-49. Hydraulic Manual Descent Circuit.

**SECTION 2 — ILLUSTRATED PARTS LIST**

FIGURE & INDEX NO.	PART NUMBER	ITEMS & DESCRIPTION	QTY.
2-49	2791143	<b>HYDRAULIC MANUAL DESCENT CIRCUIT</b>	Ref.
-1	2220250	Fitting, Reducer	1
	2180217	Fitting	1
	2180651	Fitting	1
-2	2750896	Hose	1
-3	2220586	Fitting, Straight	1
-4	2751419	Hose	1
-5	2220414	Fitting, Straight	1
	2220605	Fitting, Tee	2
-6	2220416	Fitting, 90°	4
-7	2750900	Hose	1
-8	2751397	Hose	1
-9	2220414	Fitting, Straight	1
	2220605	Fitting, Tee	1
	2220462	Fitting, 90°	1
-10	2750905	Hose	1
-11	2220609	Fitting, Reducer	1
-12	2750895	Hose	1
-13	2220416	Fitting, 90°	1
	2220508	Fitting, 90°	1
-14	2750895	Hose	1
-15	2220414	Fitting, Straight	1
	0100020	Sealant, Pipe	A/R

SECTION 2 — ILLUSTRATED PARTS LIST

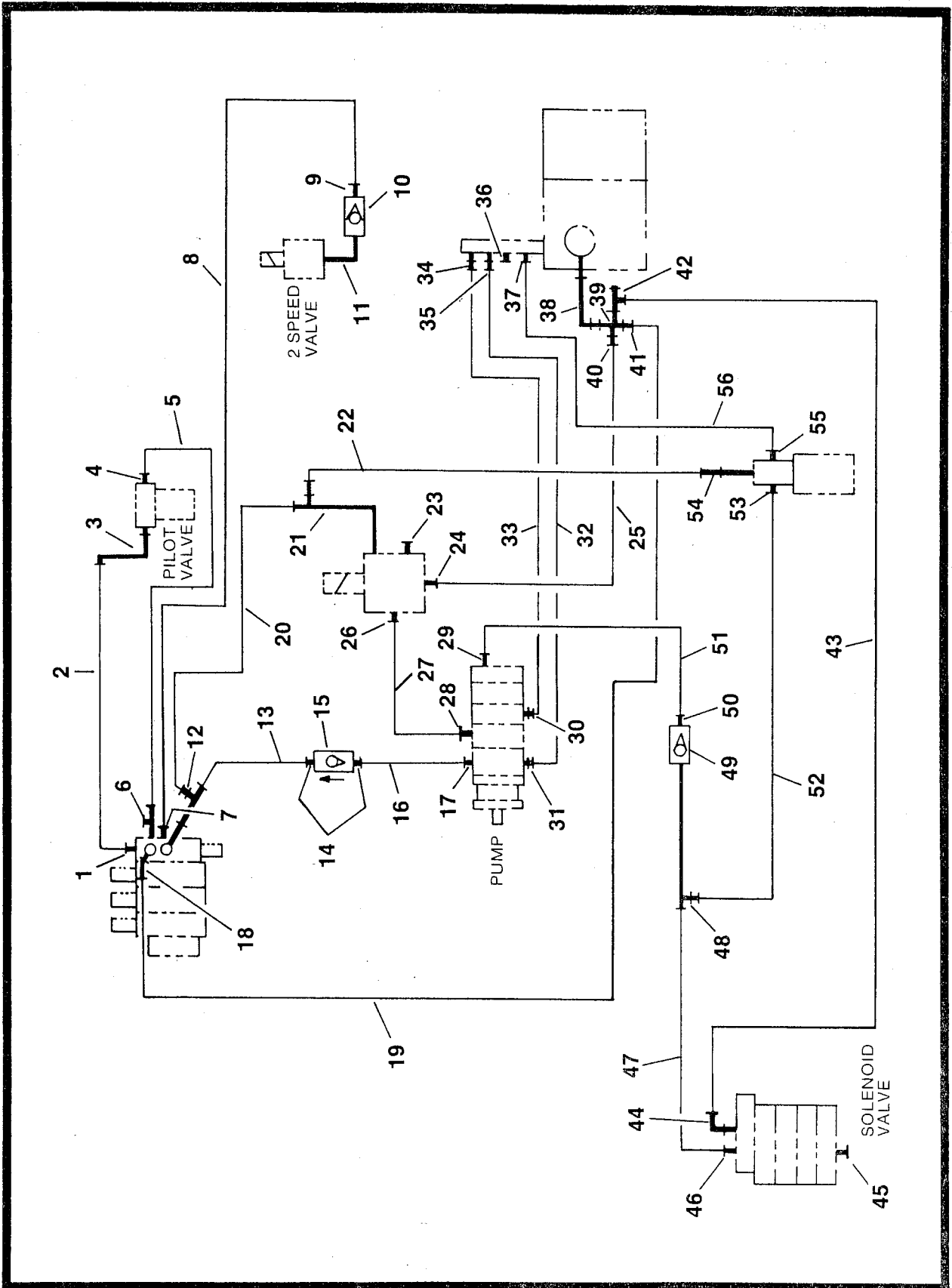


Figure 2-50. Hydraulic Pump Circuit.



**SECTION 2 — ILLUSTRATED PARTS LIST**

FIGURE & INDEX NO.	PART NUMBER	ITEMS & DESCRIPTION	QTY.
2-50	2791136	<b>HYDRAULIC PUMP CIRCUIT</b>	Ref.
-1	2220473	Fitting, 90°	1
-2	2750918	Hose	1
-3	2220577	Fitting, Straight	1
	2220507	Fitting, 90°	1
-4	2220577	Fitting, Straight	1
-5	2750917	Hose	1
-6	2180516	Fitting	1
	2220428	Fitting, Quick Disconnect	1
	2220429	Fitting, Dust Cap	1
	2220261	Fitting	1
-7	2220468	Fitting	1
-8	2751018	Hose	1
-9	2220414	Fitting	1
-10	4640197	Valve, Check	1
-11	2220673	Fitting, 90°	1
-12	2220451	Fitting, Straight	1
	2220700	Fitting, Tee	1
	2220622	Fitting, Reducer	1
-13	2750835	Hose	1
-14	2220347	Fitting, Straight	2
-15	4640033	Valve, Check	1
-16	2751326	Hose	1
-17	2220451	Fitting, Straight	1
-18	2220451	Fitting, Straight	1
	2220413	Fitting, 90°	1
-19	2750692	Hose	1
-20	2750979	Hose	1
-21	2220619	Fitting, Reducer	1
	2220602	Fitting, Tee	1
-22	2750918	Hose	1
-23	2220237	Plug	1
-24	2220373	Fitting, Straight	1
-25	2750773	Hose	1
-26	2220596	Fitting, 90°	1
-27	2750759	Hose	1
-28	2220375	Fitting, Straight	1
-29	2220375	Fitting, Straight	1
-30	2220380	Fitting, Straight	1
	2210025	Fitting	1
	1320012	Clamp	2
-31	2220377	Fitting, Straight	1
	2210014	Fitting	1
	1320014	Clamp	2
-32	2720283	Hose	1
-33	2720284	Hose	1
-34	2220730	Fitting, Reducer	1
	2220258	Fitting, Reducer	1
	1320012	Clamp	2
-35	2220730	Fitting, Reducer	1
	2220275	Fitting, Reducer	1
	2220257	Fitting	1
	1320014	Clamp	2
-36	3520022	Plug	1
-37	2220070	Fitting, Straight	1
-38	2220733	Fitting, Straight	1
	2220731	Fitting, 90°	1
	2220626	Fitting, Reducer	1



**SECTION 2 — ILLUSTRATED PARTS LIST**

FIGURE & INDEX NO.	PART NUMBER	ITEMS & DESCRIPTION	QTY.
2-50	2791136	<b>HYDRAULIC PUMP CIRCUIT (CONTINUED)</b>	Ref.
-39	2180667	Fitting, Tee	1
-40	2220624	Fitting, Reducer	1
-41	2220710	Fitting, Reducer	1
-42	2220396	Fitting, Straight	1
	2220385	Fitting, Tee	1
-43	2750977	Hose	1
-44	2220386	Fitting, 90°	1
	2220373	Fitting, Straight	1
-45	2220238	Plug	1
-46	2180491	Fitting	1
	2220428	Fitting, Quick Disconnect	1
	2220429	Fitting, Dust Cap	1
	2220261	Fitting	1
	2220064	Fitting, 90°	1
-47	2751472	Hose	1
-48	2220679	Fitting, Tee	1
	2220618	Fitting, Reducer	1
-49	4640009	Valve, Check	1
-50	2220345	Fitting, Straight	1
-51	2750968	Hose	1
-52	2751017	Hose	1
-53	2220466	Fitting, 90°	1
-54	2220473	Fitting, 90°	1
-55	2220117	Fitting, 90°	1
-56	2750128	Hose	1
	0100020	Sealant, Pipe	A/R

SECTION 2 — ILLUSTRATED PARTS LIST

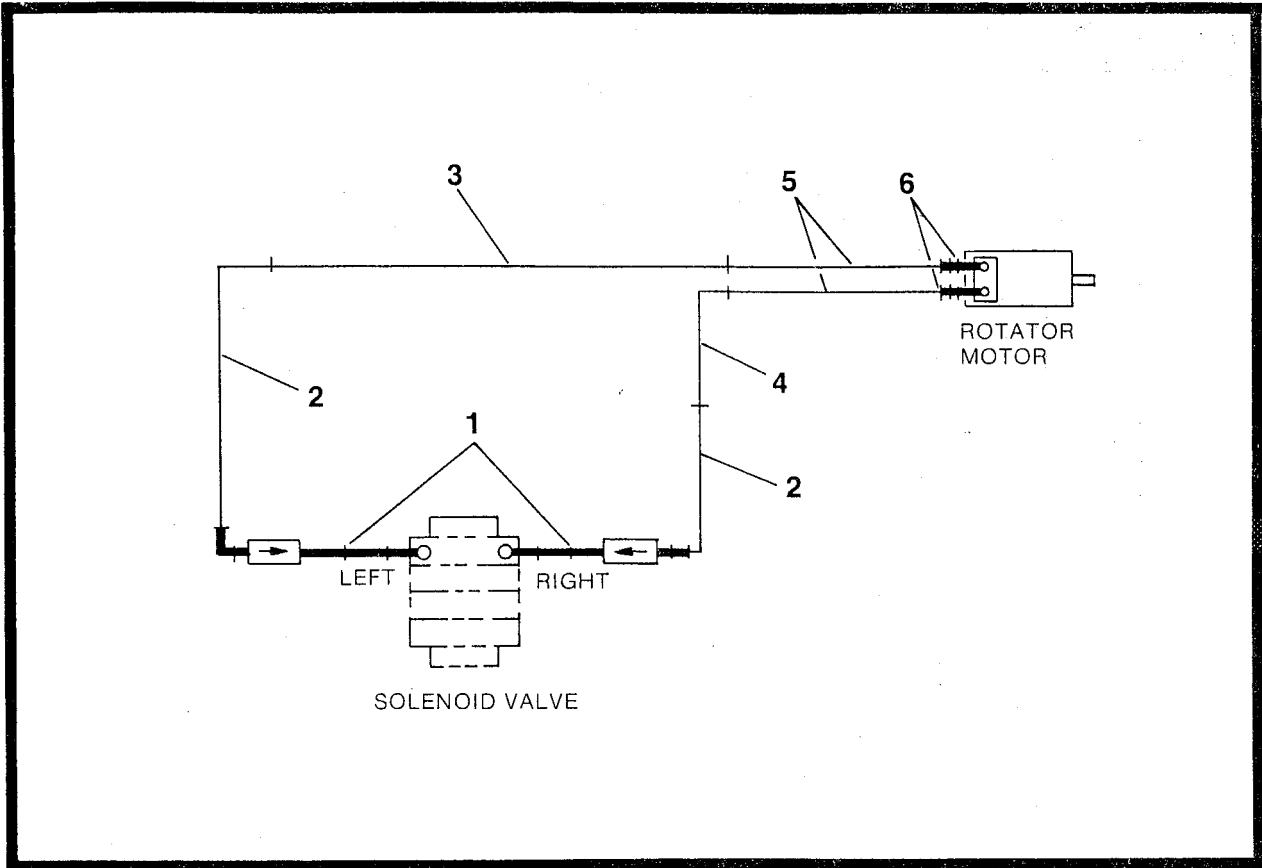


Figure 2-51. Hydraulic Rotate Circuit.

FIGURE & INDEX NO.	PART NUMBER	ITEMS & DESCRIPTION	QTY.
2-51	2791141	<b>HYDRAULIC ROTATE CIRCUIT</b>	Ref.
-1	2180029	Fitting	2
	2220261	Fitting	2
	4640383	Valve	2
	2220414	Fitting, Straight	2
	2220462	Fitting, 90°	2
-2	2751444	Hose	2
-3	4562531	Tube	1
-4	4562532	Tube	1
-5	2751436	Hose	2
-6	2220609	Fitting, Straight	2
	2220507	Fitting, 90°	2
	2220497	Fitting, Straight	2

SECTION 2 — ILLUSTRATED PARTS LIST

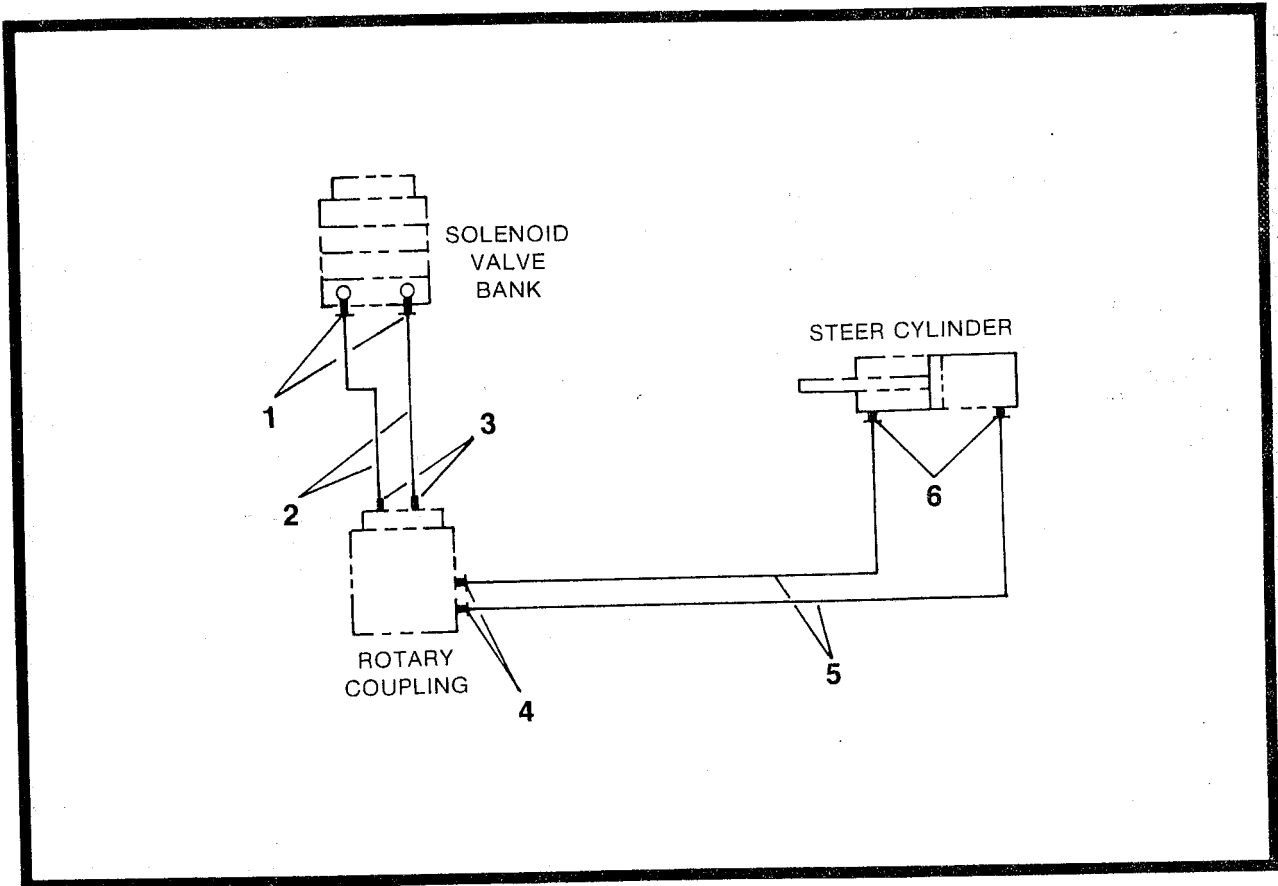


Figure 2-52. Hydraulic Steer Circuit (without Steering Wheel).

FIGURE & INDEX NO.	PART NUMBER	ITEMS & DESCRIPTION	QTY.
2-52	2791140	<b>HYDRAULIC STEER CIRCUIT (Without Steering Wheel)</b>	Ref.
-1	2180540	Fitting	2
	2180380	Fitting, Orifice	2
-2	2751391	Hose	2
-3	2220417	Fitting, Straight	2
-4	2220585	Fitting, 90°	2
-5	2750756	Hose	2
-6	2220416	Fitting, 90°	2
	0100020	Sealant, Pipe	A/R
	0100011	Loctite	A/R

SECTION 2 — ILLUSTRATED PARTS LIST

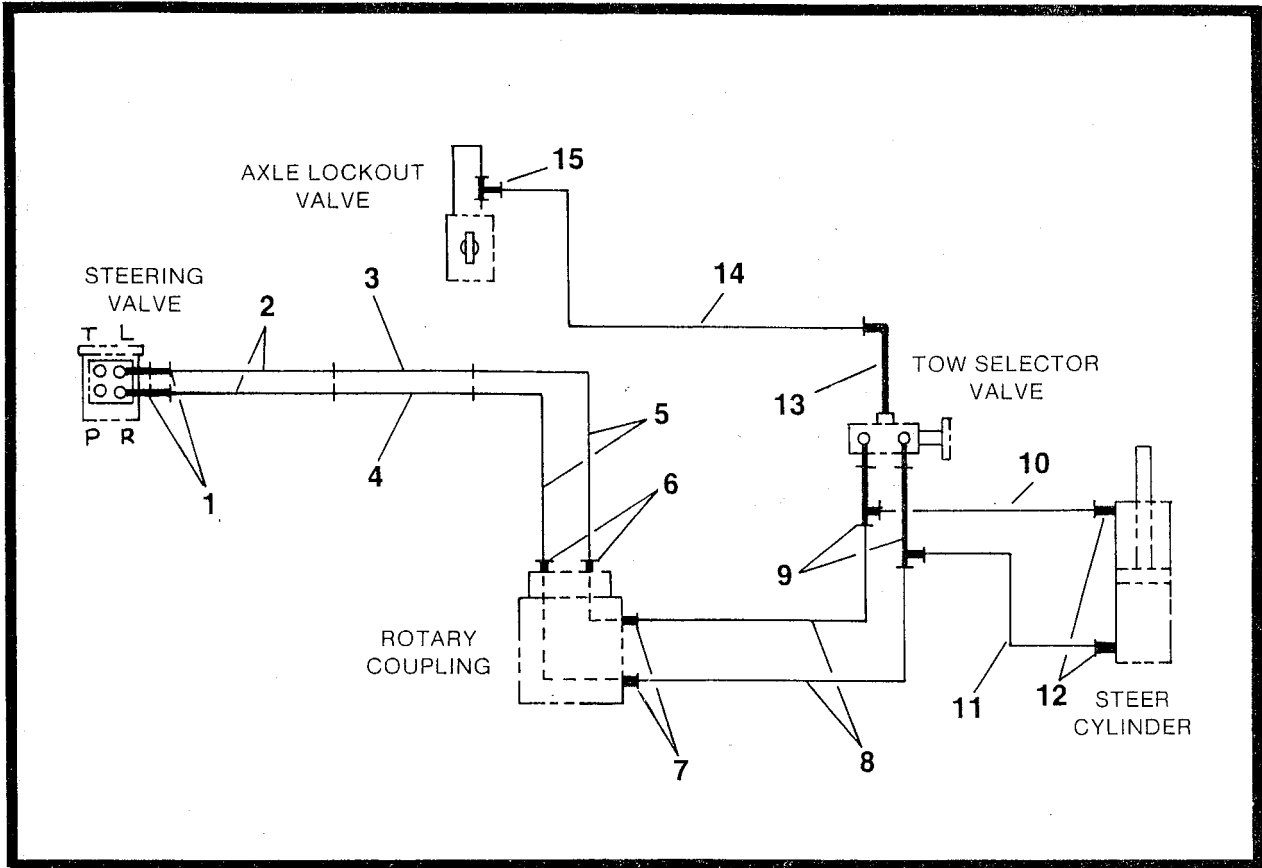


Figure 2-53. Hydraulic Steer Circuit (with Steering Wheel and Tow Package).

FIGURE & INDEX NO.	PART NUMBER	ITEMS & DESCRIPTION	QTY.
2-53	2790968	<b>HYDRAULIC STEER CIRCUIT (With Steering Wheel and Tow Package)</b>	Ref.
-1	2220468	Fitting	2
	2220462	Fitting, Orifice	2
-2	2751446	Hose	2
-3	4562531	Tube	1
-4	4562532	Tube	1
-5	2751447	Hose	2
-6	2220417	Fitting	2
-7	2220585	Fitting, 90°	2
-8	2751391	Hose	2
-9	2220586	Fitting	2
	2220605	Fitting, Tee	2
-10	2750899	Hose	1
-11	2751391	Hose	1
-12	2220416	Fitting, 90°	2
-13	2220583	Fitting, 90°	1
-14	2751017	Hose	1
-15	2220605	Fitting, Tee	1
	0100020	Loctite	A/R

SECTION 2 — ILLUSTRATED PARTS LIST

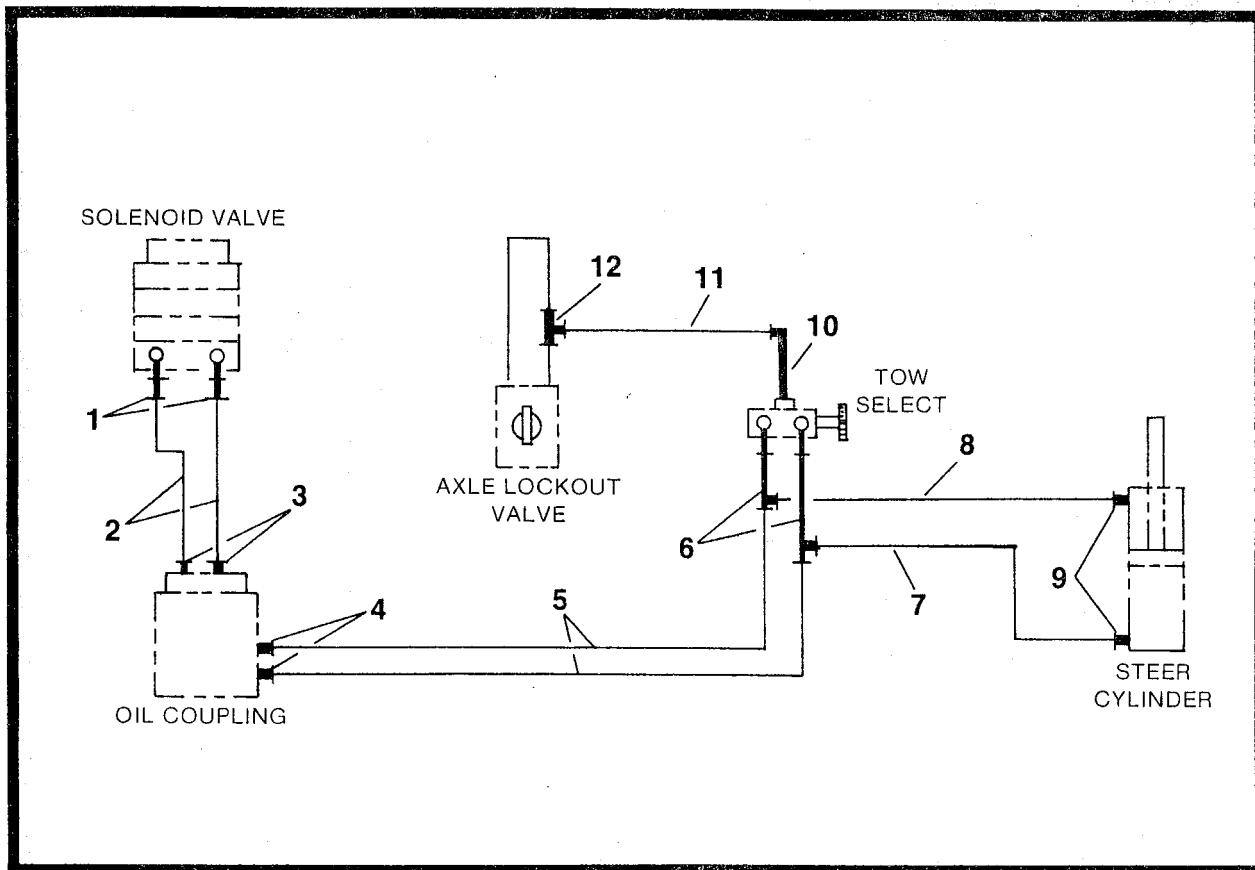


Figure 2-54. Hydraulic Steer Circuit (without Steering Wheel and with Tow Package).

FIGURE & INDEX NO.	PART NUMBER	ITEMS & DESCRIPTION	QTY.
2-54	2790969	<b>HYDRAULIC STEER CIRCUIT (Without Steering Wheel and With Tow Package)</b>	Ref.
-1	2180540	Fitting	2
	2180380	Fitting, Orifice	2
-2	2751011	Hose	2
-3	2220417	Fitting	2
-4	2220585	Fitting, 90°	2
-5	2751391	Hose	2
-6	2220586	Fitting	2
	2220605	Fitting, Tee	2
-7	2751391	Hose	1
-8	2750899	Hose	1
-9	2220416	Fitting, 90°	2
-10	2220583	Fitting, 90°	1
-11	2751017	Hose	1
-12	2220605	Fitting, Tee	1
	0100011	Loctite	A/R
	0100020	Sealant, Pipe	A/R

SECTION 2 — ILLUSTRATED PARTS LIST

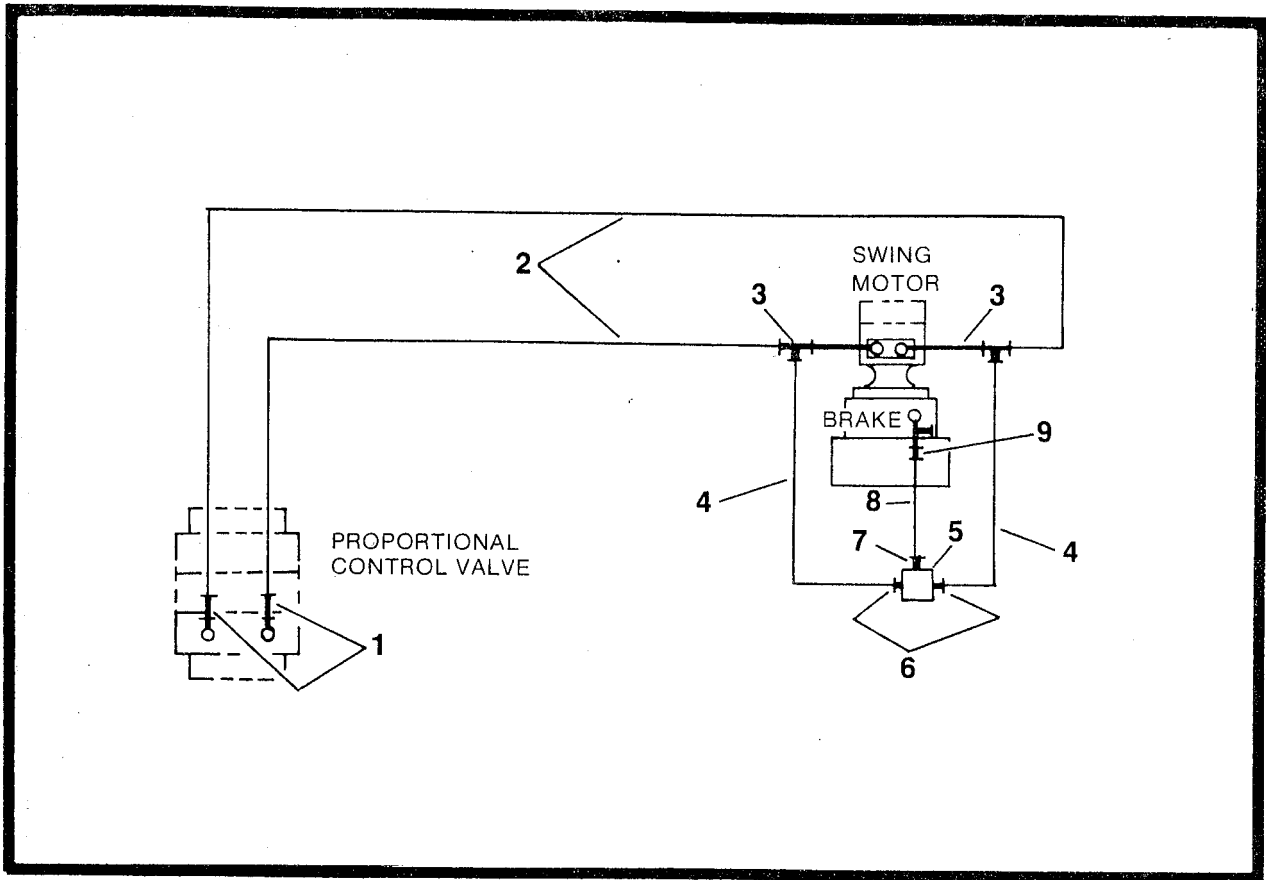
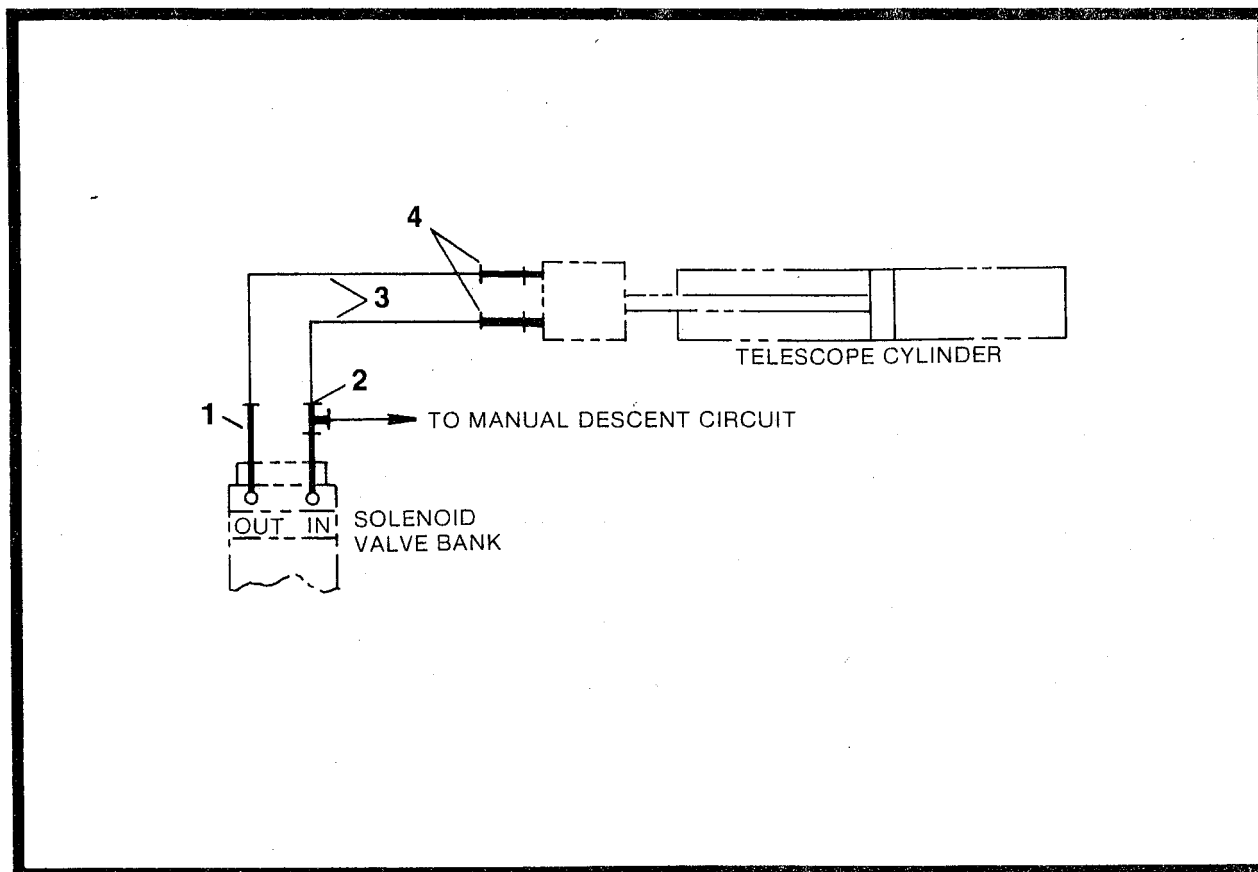


Figure 2-55. Hydraulic Swing Circuit.

FIGURE & INDEX NO.	PART NUMBER	ITEMS & DESCRIPTION	QTY.
2-55	2791142	<b>HYDRAULIC SWING CIRCUIT</b>	Ref.
-1	2220218	Fitting, Reducer	2
	2220582	Fitting, Straight	2
-2	2751409	Hose	2
-3	2220586	Fitting, Straight	2
	2220605	Fitting, Tee	2
-4	2750900	Hose	2
-5	4640013	Valve, Shuttle	1
-6	2220416	Fitting, 90°	2
-7	2220414	Fitting	1
-8	2750900	Hose	1
-9	2220110	Fitting, 90°	1
	2180166	Fitting, Tee	1
	2220428	Fitting, Quick Disconnect	1
	2220429	Fitting, Dust Cap	1
	2220414	Fitting	1
	0100020	Sealant, Pipe	A/R



## SECTION 2 — ILLUSTRATED PARTS LIST



— Figure 2-56. Hydraulic Telescope Circuit.

FIGURE & INDEX NO.	PART NUMBER	ITEMS & DESCRIPTION	QTY.
2-56	2791138	<b>HYDRAULIC TELESCOPE CIRCUIT</b>	Ref.
-1	2180479	Fitting, Straight	1
	2180422	Fitting, Plug	1
-2	2220591	Fitting, Reducer	1
	2180379	Fitting, Tee	1
	2180380	Fitting, Plug	1
-3	2751129	Hose	2
-4	2220343	Fitting, Adapter	2
	2220507	Fitting, 90°	2
	0100011	Loctite	A/R







Corporate Office  
JLG Industries, Inc.  
1 JLG Drive  
McConnellsburg PA. 17233-9533  
USA  
Phone: (717) 485-5161  
Customer Support Toll Free: (877) 554-5438  
Fax: (717) 485-6417

## JLG Worldwide Locations

---

JLG Industries (Australia)  
P.O. Box 5119  
11 Bolwarra Road  
Port Macquarie  
N.S.W. 2444  
Australia  
Phone: (61) 2 65 811111  
Fax: (61) 2 65 810122

JLG Industries (UK)  
Unit 12, Southside  
Bredbury Park Industrial Estate  
Bredbury  
Stockport  
SK6 2sP  
England  
Phone: (44) 870 200 7700  
Fax: (44) 870 200 7711

JLG Deutschland GmbH  
Max Planck Strasse 21  
D-27721 Ritterhude/Idpohl  
Bei Bremen  
Germany  
Phone: (49) 421 693 500  
Fax: (49) 421 693 5035

JLG Industries (Italia)  
Via Po. 22  
20010 Pregnana Milanese - MI  
Italy  
Phone: (39) 02 9359 5210  
Fax: (39) 02 9359 5845

JLG Latino Americana Ltda.  
Rua Eng. Carlos Stevenson,  
80-Suite 71  
13092-310 Campinas-SP  
Brazil  
Phone: (55) 19 3295 0407  
Fax: (55) 19 3295 1025

JLG Europe B.V.  
Jupiterstraat 234  
2132 HJ Foofddorp  
The Netherlands  
Phone: (31) 23 565 5665  
Fax: (31) 23 557 2493

JLG Industries (Norge AS)  
Sofeimyrveien 12  
N-1412 Sofienyr  
Norway  
Phone: (47) 6682 2000  
Fax: (47) 6682 2001

JLG Polska  
Ul. Krolewska  
00-060 Warszawa  
Poland  
Phone: (48) 91 4320 245  
Fax: (48) 91 4358 200

JLG Industries (Europe)  
Kilmartin Place,  
Tannochside Park  
Uddingston G71 5PH  
Scotland  
Phone: (44) 1 698 811005  
Fax: (44) 1 698 811055

JLG Industries (Pty) Ltd.  
Unit 1, 24 Industrial Complex  
Herman Street  
Meadowdale  
Germiston  
South Africa  
Phone: (27) 11 453 1334  
Fax: (27) 11 453 1342

Plataformas Elevadoras  
JLG Iberica, S.L.  
Trapadella, 2  
P.I. Castellbisbal Sur  
08755Castellbisbal  
Spain  
Phone: (34) 93 77 24700  
Fax: (34) 93 77 11762

JLG Industries (Sweden)  
Enkopingsvagen 150  
Box 704  
SE - 175 27 Jarfalla  
Sweden  
Phone: (46) 8 506 59500  
Fax: (46) 8 506 59534

---