



Illustrated Parts Manual

**Model
60HA**

P/N
3120656

March 1, 2017

ANSI



An Oshkosh Corporation Company

REVISION LOG

February 1990 - Original Issue Of Manual
March 1990 - Change 1
May 1991 - Revised Manual
September 1994 - Revised Manual (Format Change)
April 1995 - Revised Manual
November 5, 2003 - Revised Manual (Edited to 0010400 Revision 21)
November 15, 2006 - Revised Manual (Edited to 0010400 Revision 21)
September 8, 2010 - Revised Manual
October 5, 2012 - Revised Manual
March 1, 2017 - Revised Manual

TABLE OF CONTENTS

SECTION 1 - FRAME.....	9
FIGURE 1-1. FRAME, STEERING AND AXLE INSTALLATIONS - 2WD AND 4WD (WITH 2 WHEEL STEER).....	10
FIGURE 1-2. FRAME, STEERING AND AXLE INSTALLATIONS - 2WD AND 4WD (WITH 4 WHEEL STEER).....	16
FIGURE 1-3. TIRE AND WHEEL DRIVE INSTALLATIONS.....	22
FIGURE 1-4. DRIVE MOTOR ASSEMBLY - VICKERS (2WD/2WS).....	28
FIGURE 1-5. DRIVE MOTOR ASSEMBLY - CESSNA (4WD/2WS).....	30
FIGURE 1-6. DRIVE MOTOR ASSEMBLY - REXROTH (2WD/4WS AND 4WD/4WS).....	34
FIGURE 1-7. DRIVE BRAKE ASSEMBLY - AUSCO.....	36
FIGURE 1-8. DRIVE BRAKE ASSEMBLY - MICO (PRIOR TO JULY 1991).....	38
FIGURE 1-9. DRIVE BRAKE ASSEMBLY - MICO (JULY 1991 TO PRESENT).....	40
FIGURE 1-10. DRIVE HUB ASSEMBLY (2WD).....	44
FIGURE 1-11. DRIVE HUB ASSEMBLY (2WD).....	46
FIGURE 1-12. DRIVE HUB ASSEMBLY (4WD REAR WITH 2WS AND 4WD FRONT AND REAR WITH 4WS).....	50
FIGURE 1-13. DRIVE HUB/BRAKE ASSEMBLY.....	52
FIGURE 1-14. VALVES INSTALLATION (FRAME MOUNTED).....	56
FIGURE 1-15. LOCKOUT VALVE ASSEMBLY (PRIOR TO OCTOBER 1992 ONLY).....	60
FIGURE 1-16. CONTROL VALVE ASSEMBLY - 2 SECTION BANG-BANG.....	62
FIGURE 1-17. TOW INSTALLATION.....	64
SECTION 2 - TURNTABLE.....	67
FIGURE 2-1. CONTROL VALVES INSTALLATION.....	68
FIGURE 2-2. CONTROL VALVE ASSEMBLY (VICKERS) (PRIOR TO OCTOBER 1994).....	74
FIGURE 2-3. CONTROL VALVE ASSEMBLY - (VICKERS) (OCTOBER 1994 TO PRESENT).....	78
FIGURE 2-4. CONTROL VALVE ASSEMBLY - 3 SECTION BANG-BANG.....	82
FIGURE 2-5. CONTROL VALVE ASSEMBLY - 3 SECTION BANG-BANG (JUNE 1995 TO PRESENT).....	86
FIGURE 2-6. ACCESSORY VALVE ASSEMBLY.....	88
FIGURE 2-7. CONTROL VALVE ASSEMBLY - 3 AND 4 SECTION BANG-BANG.....	90
FIGURE 2-8. TURNTABLE, SWING DRIVE AND BEARING INSTALLATIONS.....	94
FIGURE 2-9. SWING MOTOR ASSEMBLY (PRIOR TO AUGUST 1991).....	98
FIGURE 2-10. SWING MOTOR ASSEMBLY (AUGUST 1991 TO PRESENT).....	100
FIGURE 2-11. BRAKE ASSEMBLY (PRIOR TO AUGUST 1991).....	102
FIGURE 2-12. BRAKE ASSEMBLY - AUSCO 37845 (AUGUST 1991 TO PRESENT).....	104
FIGURE 2-13. SWING HUB ASSEMBLY.....	106
FIGURE 2-14. DEUTZ ENGINE INSTALLATION.....	108
FIGURE 2-15. 110 VOLT GENERATOR INSTALLATION - DEUTZ.....	114
FIGURE 2-16. FORD LSG423 ENGINE INSTALLATIONS - WITHOUT NOISE REDUCTION (PRIOR TO FEBRUARY 1993).....	118
FIGURE 2-17. FORD LSG423 ENGINE INSTALLATION - WITH NOISE REDUCTION (FEBRUARY 1993 TO FEBRUARY 1995).....	124
FIGURE 2-18. PRECISION GOVRNOR INSTALLATION - FORD MACHINES BUILT PRIOR TO FEBRUARY 1995.....	130
FIGURE 2-19. 110 VOLT GENERATOR INSTALLATION - FORD MACHINES BUILT PRIOR TO FEBRUARY 1995.....	132
FIGURE 2-20. FORD LRG423 ENGINE INSTALLATION (FEBRUARY 1995 TO PRESENT).....	136
FIGURE 2-21. 110 VOLT GENERATOR INSTALLATION - FORD MACHINES BUILT FEBRUARY 1995 TO PRESENT.....	142
FIGURE 2-22. DUAL FUEL INSTALLATION (OPTION ON FORD MACHINES).....	146
FIGURE 2-23. KUBOTA V1902B ENGINE INSTALLATION.....	148
FIGURE 2-24. 110 VOLT GENERATOR INSTALLATION - KUBOTA.....	152
FIGURE 2-25. MAIN PUMP ASSEMBLY - GEAR.....	154
FIGURE 2-26. TANKS INSTALLATION.....	156
FIGURE 2-27. ROTARY COUPLING AND COLLECTOR ASSEMBLY AND INSTALLATION.....	160
FIGURE 2-28. GROUND CONTROL BOX ASSEMBLY.....	162
FIGURE 2-29. LIGHTS AND ALARMS INSTALLATION.....	166
FIGURE 2-30. HOODS INSTALLATIONS - STANDARD.....	168
FIGURE 2-31. HOODS INSTALLATIONS - STANDARD.....	172
FIGURE 2-32. HOODS INSTALLATIONS - NOISE REDUCTION PACKAGE.....	174
SECTION 3 - BOOM.....	177
FIGURE 3-1. BOOMS AND LIMIT SWITCHES INSTALLATIONS.....	178
FIGURE 3-2. MAIN BOOM ASSEMBLY.....	182
FIGURE 3-3. TOWER BOOM ASSEMBLY.....	186
FIGURE 3-4. BOOM WIPERS INSTALLATION.....	190
SECTION 4 - PLATFORM.....	193
FIGURE 4-1. STANDARD PLATFORM AND FOOTSWITCH INSTALLATION.....	194

TABLE OF CONTENTS

FIGURE 4-2. LOW MOUNT PLATFORMS AND FOOTSWITCH INSTALLATIONS	198
FIGURE 4-3. ROTATOR MOTOR ASSEMBLY	202
FIGURE 4-4. CONSOLE BOX ASSEMBLY - PQ CONTROLLERS (PRIOR TO JANUARY 1993)	204
FIGURE 4-5. CONSOLE BOX ASSEMBLY - PQ CONTROLLERS (JANUARY 1993 TO PRESENT)	208
FIGURE 4-6. CONSOLE BOX ASSEMBLY WITH OEM CONTROLLERS AND VICKERS VALVES	212
FIGURE 4-7. OPTIONAL COMMON PLATFORM MOUNTED COMPONENTS	216
SECTION 5 - CYLINDER	219
FIGURE 5-1. AXLE LOCKOUT CYLINDER ASSEMBLIES - 2WD (USE WITH OPTIONAL OSCILLATING AXLE)	220
FIGURE 5-2. AXLE LOCKOUT CYLINDER ASSEMBLY - 4WD/2WS (PRIOR TO SEPTEMBER 1992) (USE WITH OPTIONAL OSCILLATING AXLE)	222
FIGURE 5-3. AXLE LOCKOUT CYLINDER ASSEMBLY - 4WD/2WS (SEPTEMBER 1992 TO PRESENT) (USE WITH OPTIONAL OSCILLATING AXLE)	224
FIGURE 5-4. AXLE LOCKOUT CYLINDER ASSEMBLIES - 4WD/4WS (STANDARD PARTS) (USE WITH OPTIONAL OSCILLATING AXLE)	226
FIGURE 5-5. LEVEL (UPRIGHT) CYLINDER ASSEMBLY (PRIOR TO APRIL 1992)	228
FIGURE 5-6. LEVEL (UPRIGHT) CYLINDER ASSEMBLY (APRIL 1992 TO PRESENT)	230
FIGURE 5-7. MAIN LIFT CYLINDER ASSEMBLY (PRIOR TO APRIL 1992)	232
FIGURE 5-8. MAIN LIFT CYLINDER ASSEMBLY (APRIL 1992 TO PRESENT)	234
FIGURE 5-9. TOWER LIFT CYLINDER ASSEMBLIES (PRIOR TO APRIL 1992)	236
FIGURE 5-10. TOWER LIFT CYLINDER ASSEMBLIES (APRIL 1992 TO PRESENT)	238
FIGURE 5-11. MASTER CYLINDER ASSEMBLY	240
FIGURE 5-12. SLAVE (PLATFORM LEVEL) CYLINDER ASSEMBLIES (PRIOR TO APRIL 1992)	242
FIGURE 5-13. SLAVE (PLATFORM LEVEL) CYLINDER ASSEMBLY (APRIL 1992 TO PRESENT)	244
FIGURE 5-14. STEER CYLINDER ASSEMBLIES	246
FIGURE 5-15. TELESCOPE CYLINDER ASSEMBLIES - MAIN BOOM	248
FIGURE 5-16. TELESCOPE CYLINDER ASSEMBLY - TOWER BOOM	250
FIGURE 5-17. CYLINDER BELLOWS INSTALLATION (OPTIONAL)	254
SECTION 6 - HYDRAULIC	257
FIGURE 6-1. HYDRAULIC DIAGRAM LIST	258
FIGURE 6-2. AXLE LOCKOUT HYDRAULIC DIAGRAM	260
FIGURE 6-3. HYDRAULIC DIAGRAM - DRIVE (2WD/2WS)	262
FIGURE 6-4. HYDRAULIC DIAGRAM - DRIVE (4WD/2WS)	264
FIGURE 6-5. HYDRAULIC DIAGRAM - LIFT (MAIN BOOM)	268
FIGURE 6-6. HYDRAULIC DIAGRAM - LIFT (TOWER BOOM)	270
FIGURE 6-7. HYDRAULIC DIAGRAM - PUMPS	272
FIGURE 6-8. HYDRAULIC DIAGRAM - ROTATOR	276
FIGURE 6-9. HYDRAULIC DIAGRAM - SEQUENCE	278
FIGURE 6-10. HYDRAULIC DIAGRAM - STEER	280
FIGURE 6-11. HYDRAULIC DIAGRAM - SWING	282
FIGURE 6-12. HYDRAULIC DIAGRAM - TELESCOPE (MAIN BOOM)	284
FIGURE 6-13. HYDRAULIC DIAGRAM - TELESCOPE (TOWER BOOM)	286
SECTION 7 - ELECTRICAL	289
FIGURE 7-1. ELECTRICAL DIAGRAM LIST	290
FIGURE 7-2. ELECTRICAL DIAGRAM - DUAL FUEL (FORD ENGINES)	296
FIGURE 7-3. ELECTRICAL DIAGRAM - GENERATOR - (DEUTZ AND KUBOTA MACHINES)	298
FIGURE 7-4. ELECTRICAL DIAGRAM - GENERATOR (FORD ENGINES)	300
FIGURE 7-5. ELECTRICAL DIAGRAM - PLATFORM (2WD/2WS WITH CREEP)	302
FIGURE 7-6. ELECTRICAL DIAGRAM - PLATFORM (4WD/2WS WITH CREEP)	304
FIGURE 7-7. ELECTRICAL DIAGRAM - STANDARD (DEUTZ) (SHEET 1 OF 2)	306
FIGURE 7-8. ELECTRICAL DIAGRAM - STANDARD (KUBOTA) (SHEET 1 OF 2)	308
FIGURE 7-9. ELECTRICAL DIAGRAM - STANDARD (FORD) (SHEET 1 OF 2)	310
SECTION 8 - DECALS	313
FIGURE 8-1. DECALS INSTALLATION (PRIOR TO FEBRUARY 1992)	314
FIGURE 8-2. DECALS INSTALLATION (FEBRUARY 1992 TO PRESENT)	316
SECTION 9 - RECOMMENDED SERVICE PARTS STOCK	319
FIGURE 9-1. MODEL 60HA STANDARD PARTS	320
FIGURE 9-2. MODEL 60HA VARIABLE PARTS	322

TABLE OF CONTENTS

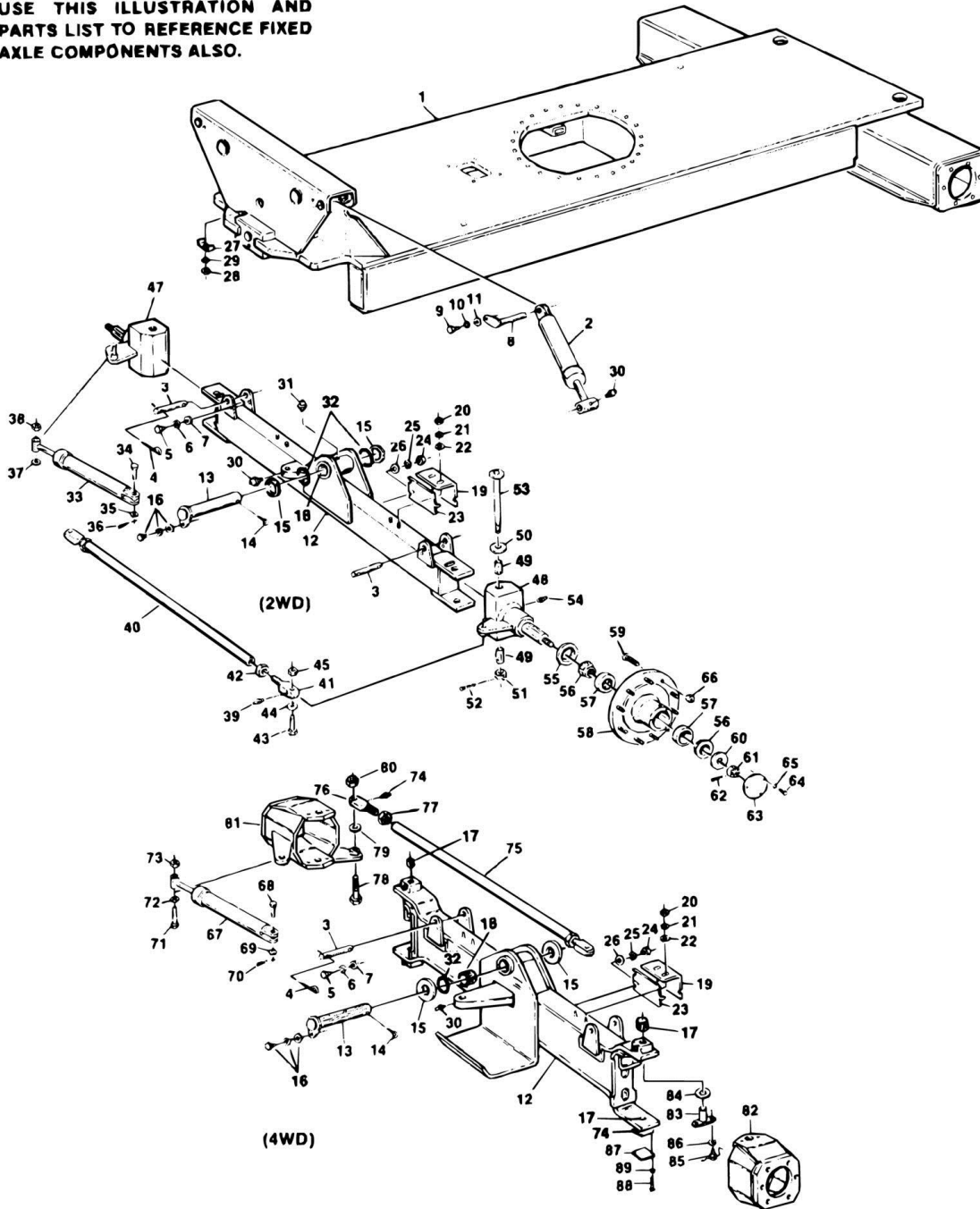
SECTION 10 - SPECIAL OPTIONS.....	325
FIGURE 10-1. SPECIAL OPTIONS.....	326
PART NUMBER INDEX	329

SECTION 1 - FRAME

SECTION 1 - FRAME

FIGURE 1-1. FRAME, STEERING AND AXLE INSTALLATIONS - 2WD AND 4WD (WITH 2 WHEEL STEER)

NOTE: OSCILLATING AXLE SHOWN.
USE THIS ILLUSTRATION AND
PARTS LIST TO REFERENCE FIXED
AXLE COMPONENTS ALSO.



SECTION 1 - FRAME

FIGURE 1-1. FRAME, STEERING AND AXLE INSTALLATIONS - 2WD AND 4WD (WITH 2 WHEEL STEER)

ITEM	PART NUMBER	QTY	DESCRIPTION	REV
		Ref	FRAME, STEERING AND AXLE INSTALLATIONS - 2WD AND 4WD (WITH 2 WHEEL STEER)	
1	2360287	1	Frame (2WD Fixed Axle)	
1	2360297	1	Frame (2WD Oscillating Axle)	
		Ref	Note: Above Frames are for machines with sn's up to 12670 & 12676-12678, 12781, 12686-12688, 12691-12699, 12812-12817, 12819, 12821 & 12823	
1	2360304	1	Frame (2WD Fixed Axle)	
1	2360311	1	Frame (2WD Oscillating Axle)	
1	2360312	1	Frame (4WD Fixed Axle)	
1	2360303	1	Frame (4WD Oscillating Axle)	
		Ref	Note: Above Frames are for machines with sn's 12671-12675, 12679, 12680, 12689, 12690, 12811, 12818, 12820, 12822, 12824 and up.	
	0239679	Ref	OSCILLATING AXLE INSTALLATION - 2WD (OPTIONAL) (PRIOR TO SEPTEMBER 1992)	C
	0253120	Ref	OSCILLATING AXLE INSTALLATION - 2WD (OPTIONAL) (SEPTEMBER 1992 TO PRESENT)	A
	0250250	Ref	OSCILLATING AXLE INSTALLATION - STANDARD 4WD (OPTIONAL) (PRIOR TO SEPTEMBER 1992)	D
	0253121	Ref	OSCILLATING AXLE INSTALLATION - STANDARD 4WD (OPTIONAL) (SEPTEMBER 1992 TO PRESENT)	A
	0251522	Ref	OSCILLATING AXLE INSTALLATION - CSA 4WD (OPTIONAL) (PRIOR TO SEPTEMBER 1992)	C
	0253122	Ref	OSCILLATING AXLE INSTALLATION - CSA 4WD (OPTIONAL) (SEPTEMBER 1992 TO PRESENT)	A
2		Ref	Lockout Cylinder Assembly Options (See CYLINDER SECTION for Breakdown):	
2	1681572	2	2WD (Prior to September 1992)	
2	1682724	2	2WD (TUV) (September 1992 to Present)	
2	1681571	2	4WD (Prior to September 1992)	
2	1682727	2	4WD (TUV) (September 1992 to Present)	
3	3421224	2	Pin (Bottom)	
4	3450808	4	Pin, Cotter 1/4in x 2in	
5	0641406	2	Bolt 1/4in-20NC x 3/4in	
6	4761400	2	Lockwasher 1/4in	
7	4751400	2	Flatwasher 1/4in	
8	4843269	2	Pin (Top)	
9	0641508	2	Bolt 5/16in-18NC x 1in	
10	4761500	2	Lockwasher 5/16in	
11	4751500	2	Flatwasher 5/16in	
12	4842691	1	Axle Weldment (2WD)	
12	4842153	1	Axle Weldment (4WD)	
13	4843271	1	Pin (Standard)	
13	3421836	1	Pin (CSA)	
14	3450814	1	Pin, Cotter 1/4in x 3 1/2in	
15	4740158	2	Washer, Thrust	
16	0641608	1	Bolt 3/8in-16NC x 1in	
16	4740185	1	Flatwasher, Hardened	
17	0961029	4	Bushing (Spindle Pivot Point) (4WD) (Prior to February 1994 to Present)	

SECTION 1 - FRAME

ITEM	PART NUMBER	QTY	DESCRIPTION	REV
18	0961003	2	Bushing (Axle Pivot Point) (Prior to February 1994)	
18	0961771	2	Bushing (Axle Pivot Point) (February 1994 to Present)	
19	4220098	2	Stop, Axle	
20	3311801	4	Nut 1/2in-13NC	
21	4761800	4	Lockwasher 1/2in	
22	4751800	4	Flatwasher 1/2in	
22	4300045	4	Stud (Welded on Part)	
23	4070528	AR	Shim, Stop	
23	4070800	AR	Shim, Stop (.125)	
24	3311601	4	Nut 3/8in-16NC	
25	4761800	4	Lockwasher 12in	
26	4751800	4	Flatwasher	
26	4300034	4	Stud (Welded on Part)	
27	1320125	1	Clamp	
28	3311601	1	Nut 3/8in-16NC	
29	4761600	1	Lockwasher 3/8in	
29	4300030	1	Stud (Welded on Part)	
30	2160002	3	Fitting, Grease	
31	2160003	1	Fitting, Grease - 45	
32	3780184	2	O-Ring	
	0236449	Ref	STEERING AND SPINDLES INSTALLATION (STANDARD 2WD)	O
	0251521	Ref	STEERING AND SPINDLES INSTALLATION (CSA 2WD)	F
33	1681562	1	Steer Cylinder Assembly (See CYLINDER SECTION for Breakdown)	
34	3431622	1	Pin, Clevis	
35	4712600	1	Flatwasher	
36	3450606	1	Pin, Cotter	
37	0440091	1	Washer, Thrust	
38	3300175	1	Locknut, Special	
39	2160003	2	Fitting, Grease - 45	
40	3840863	1	Rod, Tie	
41	0560714	1	Block, Tie Rod (Left Side)	
41	0560605	1	Block, Tie Rod (Right Side)	
42	3300229	1	Nut, Jam (Left Side)	
42	3323002	1	Nut, Jam (Right Side)	
43	0630425	2	Bolt, Special	
44	0440091	2	Washer, Thrust	
45	3312601	2	Nut 1in-8NC	
45	0100011	AR	Loctite	
47	4130160	1	Spindle (R.H.)	
48	4130161	1	Spindle (L.H.)	
49	0960523	4	Bushing, Bronze (Prior to February 1994)	
49	0961778	4	Bushing, Bronze (February 1994 to Present)	
50	0440183	2	Bearing, Thrust	
51	3300208	2	Nut, Slotted	
51	3313403	2	Nut, Slotted 1 1/2in-6NC	
52	3451012	2	Pin, Cotter 5/16in x 3in	
53		Ref	Kingpin Options:	
53	3421243		Standard (Prior to February 1994)	
53	3421835		CSA (Prior to February 1994)	
53	3422261		Standard and CSA (February 1994 to Present)	
53	3780183	4	O-Ring (February 1994 to Present Only)	

SECTION 1 - FRAME

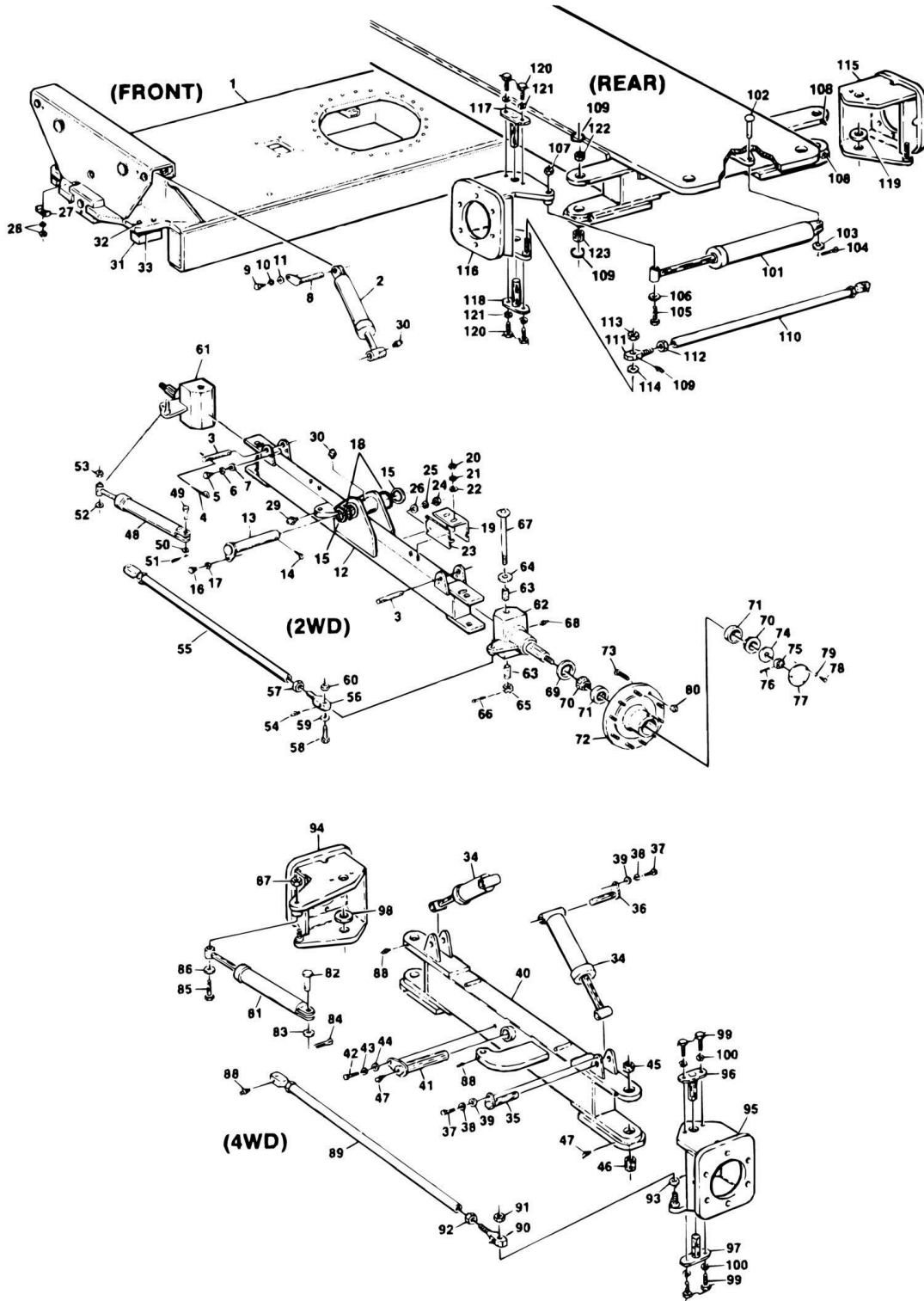
ITEM	PART NUMBER	QTY	DESCRIPTION	REV
54	2160002	2	Fitting, Grease	
54	4640812	2	Valve, Relief	
55	3960098	2	Seal, Hub	
56	0440019	4	Cone, Bearing	
57	0440018	4	Cup, Bearing	
58	2780091	2	Hub	
59	0630137	20	Stud, Wheel	
60	4740016	2	Washer, Hardened	
61	3323403	2	Nut, Slotted 1 1/2in-12NF	
61	3313403	2	Nut, Slotted 1 1/2in - 6NC	
62	3450810	2	Pin, Cotter 1/4in x 2 1/2in	
62	3451012	2	Pin, Cotter 5/16in x 3in	
63	1120032	2	Cap, Hub	
64	0721003	6	Bolt #10-24NC x 3/8in	
65	4761000	6	Lockwasher #10	
66	3300012	20	Nut, Wheel	
	0250255	Ref	STEERING AND SPINDLES INSTALLATION (STANDARD 4WD BUILT PRIOR TO FEBRUARY 1994)	E
	0251520	Ref	STEERING AND SPINDLES INSTALLATION (ALL CSA 4WD AND STANDARD 4WD BUILT FEBRUARY 1994 TO PRESENT)	C
67	1681555	1	Steer Cylinder Assembly (See CYLINDER SECTION for Breakdown)	
68	3431622	1	Pin, Clevis	
69	4712600	1	Flatwasher	
70	3450606	1	Pin, Cotter	
71	0630369	1	Bolt, Special	
72	0440091	1	Washer, Thrust	
73	3312602	1	Nut, Jam 1in-8NC	
73	0100011	AR	Loctite #242	
74	2160003	6	Fitting, Grease	
74	4640812	4	Valve, Relief	
75	3841029	1	Rod, Tie	
76	0560714	1	Block, Tie Rod (Left Side)	
76	0560605	1	Block, Tie Rod (Right Side - Not Shown)	
77	3300229	1	Nut, Jam (Left Side)	
77	3300023	1	Nut, Jam (Right Side - Not Shown)	
78	0642628	2	Bolt 1in-9NC x 3 1/2in	
79	0440091	2	Washer, Thrust	
80	3312601	2	Nut 1in-8NC	
80	0100011	AR	Loctite	
81	4130223	1	Spindle (R.H.)	
82	4130224	1	Spindle (L.H.)	
83	3422221	4	Kingpin (All Machines built February 1994 to Present)	
83	3421190	4	Kingpin (Standard Machines Built Prior to February 1994)	
83	3421833	4	Kingpin (CSA Machines Built Prior to February 1994)	
83		Ref	O-Ring (February 1994 to Present Only)	
84	0440161	4	Bearing, Thrust	
85	0630083	8	Bolt, Special	
86	4761600	8	Lockwasher 3/8in	
86	4920096	AR	Wire, Safety	
87	3530244	4	Plate, Cover (Prior to September 1992)	
87	3536410	4	Plate, Cover (September 1992 to February 1994)	

SECTION 1 - FRAME

ITEM	PART NUMBER	QTY	DESCRIPTION	REV
88	0641404	8	Bolt 1/4in-20NC x 1/2in (Prior to September 1992)	
88	2080026	8	Tack (September 1992 to February 1994)	
89	4761400	2	Lockwasher 1/4in (Prior to September 1992)	

SECTION 1 - FRAME

FIGURE 1-2. FRAME, STEERING AND AXLE INSTALLATIONS - 2WD AND 4WD (WITH 4 WHEEL STEER)



SECTION 1 - FRAME

FIGURE 1-2. FRAME, STEERING AND AXLE INSTALLATIONS - 2WD AND 4WD (WITH 4 WHEEL STEER)

ITEM	PART NUMBER	QTY	DESCRIPTION	REV
		Ref	FRAME, STEERING AND AXLE INSTALLATIONS - 2WD AND 4WD (WITH 4 WHEEL STEER)	
1	2360332	1	Frame (2WD)	
1	2360333	1	Frame (4WD)	
	0251773	Ref	FIXED FRONT AXLE INSTALLATION -2WD	B
	0239679	Ref	OSCILLATING FRONT AXLE INSTALLATION - 2WD (PRIOR TO SEPTEMBER 1992)	C
	0253120	Ref	OSCILLATING FRONT AXLE INSTALLATION - 2WD (SEPTEMBER 1992 TO PRESENT)	A
2		Ref	Lockout Cylinder Assembly Options (2WD with Oscillating Front Axle) (See CYLINDER SECTION for Breakdown)	
2	1681572	2	Cylinder (Prior to September 1992)	
2	1682724	2	Cylinder (TUV) (September 1992 to Present)	
3	3421224	2	Pin (Bottom)	
4	3450808	4	Pin, Cotter 1/4in x 2in	
5	0641406	2	Bolt 1/4in-20NC x 3/4in	
6	4761400	2	Lockwasher 1/4in	
7	4751400	2	Flatwasher 1/4in	
8	4843269	2	Pin (Top)	
9	0641508	2	Bolt 5/16in-18NC x 1in	
10	4761500	2	Lockwasher 5/16in	
11	4751500	2	Flatwasher 5/16in	
12	4642691	1	Axle Weldment (2WD)	
12	0961003	2	Bushing, Bronze (Axle Pivot Point) (Prior to February 1994)	
12	0961771	2	Bushing, Bronze (Axle Pivot Point) (February 1994 to Present)	
13	4843271	1	Pin	
14	3450814	1	Pin, Cotter 1/4in x 3 1/2in	
15	4740158	2	Washer, Thrust	
16	0641608	1	Bolt 3/8in-16NC x 1in	
17	4751600	1	Flatwasher Hardened	
18	3780184	2	O-Ring	
19	4220098	2	Stop, Axle (2WD)	
20	3311801	4	Nut 1/2in-13NC	
21	4761800	4	Lockwasher 1/2in	
22	4751800	4	Flatwasher 1/2in	
22	4300045	4	Stud (Welded on Part)	
23	4070528	AR	Shim, Stop (2WD)	
23	4070800	AR	Shim, Stop (2WD) (.125)	
24	3311601	4	Nut 3/8in-16NC	
25	4761800	4	Lockwasher 1/2in	
26	4751800	4	Flatwasher 1/2in	
27	1320125	1	Clamp (2WD)	
28	3311601	1	Nut 3/8in-16NC	
28	4761600	1	Lockwasher 3/8in	
28	4300030	1	Stud (Welded on Parts)	
29	2160002	3	Fitting, Grease	
30	2160003	1	Fitting, Grease - 45	
31	0560951	2	Block, Axle (2WD with Fixed Front Axle)	
32	0641616	4	Bolt 3/8in-16NC x 2in	
32	4751600	4	Flatwasher 3/8in	

SECTION 1 - FRAME

ITEM	PART NUMBER	QTY	DESCRIPTION	REV
33	4070224	AR	Shim -.12	
33	4070225	AR	Shim -.06	
33	0100019	AR	Loctite #271	
	0254294	Ref	FIXED FRONT AXLE INSTALLATION - 4WD	A
	0251591	Ref	OSCILLATING FRONT AXLE INSTALLATION - 4WD (DOMESTIC) (PRIOR TO SEPTEMBER 1992)	C
	0251916	Ref	OSCILLATING FRONT AXLE INSTALLATION - 4WD (CSA) (PRIOR TO SEPTEMBER 1992)	B
	0253123	Ref	OSCILLATING FRONT AXLE INSTALLATION - 4WD (SEPTEMBER 1992 TO PRESENT)	D
34		Ref	Lockout Cylinder Assembly Options (4WD with Oscillating Axle) (See CYLINDER SECTION for Breakdown):	
34	1681785	2	Cylinder (Prior to September 1992)	
34	1682757	2	Cylinder (TUV) (September 1992 to Present)	
35	3421861	2	Pin (Bottom)	
36	4843286	2	Pin (Top)	
37	0641407	4	Bolt 1/4in-20NC x 7/8in	
38	4761400	4	Lockwasher 1/4in	
39	4751400	4	Flatwasher 1/4in	
40	4843826	1	Axle Weldment (4WD)	
41	3422064	1	Pin (Domestic) (Prior to February 1994)	
41	3422360	1	Pin (Domestic) (February 1994 to Present)	
41	3421940	1	Pin (CSA) (Prior to February 1992) (Use 3422066 as Replacement)	
41	3422066	1	Pin (CSA) (February 1992 to September 1992)	
41	3422064	1	Pin (CSA) (September 1992 to February 1994)	
41	3422360	1	Pin (CSA) (February 1994 to Present)	
41	3780187	2	O-Ring (September 1992 to Present Only) (Not Shown)	
42	0641610	1	Bolt 3/8in-16NC x 1 1/4in	
43	4761600	1	Lockwasher 3/8in	
44	4740185	1	Flatwasher, Hardened	
45	0961529	2	Bushing, Bronze (Top) (Prior to May 1992)	
45	0961686	2	Bushing, Bronze (Top) (May 1992 to February 1994)	
45	0961776	2	Bushing, Bronze (Top) (February 1994 to Present)	
46	0961509	2	Bushing, Bronze (Bottom) (Prior to May 1992)	
46	0961687	2	Bushing, Bronze (Bottom) (May 1992 to February 1994)	
46	0961777	2	Bushing, Bronze (Bottom) (February 1994 to Present)	
47	2160003	3	Fitting, Grease - 45	
47	2160002	4	Fitting, Grease - Straight	
47	3780184	8	O-Ring (Not Shown)	
47	4640812	5	Valve, Relief Fitting (Not Shown)	
	0236449	Ref	FRONT STEERING AND SPINDLES INSTALLATION (STANDARD) (2WD)	O
	0251521	Ref	FRONT STEERING AND SPINDLES INSTALLATION (CSA) (2WD)	F
48	1681562	1	Steer Cylinder Assembly (2WD Front) (See CYLINDER SECTION for Breakdown)	
49	3431622	1	Pin, Clevis	
50	4712600	1	Flatwasher	
51	3450606	1	Pin, Cotter	
52	0440091	1	Washer, Thrust	
53	3300175	1	Locknut, Special	
54	2160003	2	Fitting, Grease - 45	

SECTION 1 - FRAME

ITEM	PART NUMBER	QTY	DESCRIPTION	REV
55	3840863	1	Rod, Tie (2Wd Front)	
56	0560714	1	Block, Tie Rod (Left Side)	
56	0560605	1	Block, Tie Rod (Right Side)	
57	3300229	1	Nut, Jam (Left Side)	
57	3323002	1	Nut, Jam (Right Side)	
58	0630425	2	Bolt, Special	
59	0440091	2	Washer, Thrust	
60	3312601	2	Nut 1in-8NC	
60	0100011	AR	Loctite	
61	4130160	1	Spindle (Right Side) (2Wd Front)	
62	4130161	1	Spindle (Left Side) (2WD Front)	
63	0960523	4	Bushing, Bronze (Prior to February 1994)	
63	0961778	4	Bushing, Bronze (February 1994 to Present)	
64	0440183	2	Bearing, Thrust	
65	3300208	2	Nut, Slotted	
65	3313403	2	Nut, Slotted 1 1/2in-6NC	
66	3451012	2	Pin, Cotter 5/16in x 3in	
67		Ref	Kingpin Options:	
67	3421243	2	Standard (Prior to February 1994)	
67	3421835	2	CSA (Prior to February 1994)	
67	3422261	2	Standard and CSA (February 1994 to Present)	
67	3780183	4	O-Ring (February 1994 to Present Only)	
68	2160002	2	Fitting, Grease	
68	4640812	2	Valve, Relief	
69	3960098	2	Seal, Hub	
70	0440019	4	Cone, Bearing	
71	0440018	4	Cup, Bearing	
72	2780091	2	Hub	
73	0630137	20	Stud, Wheel	
74	4740016	2	Washer, Hardened	
75	3323403	2	Nut, Slotted 1 1/2in-12NF	
75	3313403	2	Nut, Slotted 1 1/2in-6NC	
76	3450810	2	Pin, Cotter 1/4in x 2 1/2in	
76	3451012	2	Pin, Cotter 5/16in x 3in	
77	1120032	2	Cap, Hub	
78	0721003	6	Bolt #10-24NC x 3/8in	
79	4761000	8	Lockwasher #10	
80	3300012	20	Nut, Wheel	
	0251594	Ref	FRONT STEERING AND SPINDLES INSTALLATION - 4WD (DOMESTIC BUILT PRIOR TO FEBRUARY 1994)	E
	0251913	Ref	FRONT STEERING AND SPINDLES INSTALLATION - 4WD (DOMESTIC BUILT FEBRUARY 1994 TO PRESENT AND ALL CSA)	D
81	1681555	1	Steer Cylinder Assembly (4WD Front) (See CYLINDER SECTION for Breakdown)	
82	3431622	1	Pin, Clevis	
83	4712600	1	Flatwasher	
84	3450606	1	Pin, Cotter	
85	0630439	1	Bolt, Special	
86	0440091	1	Washer, Thrust	
87	3312602	1	Nut, Jam 1in-8NC	
87	0100011	AR	Loctite #242	

SECTION 1 - FRAME

ITEM	PART NUMBER	QTY	DESCRIPTION	REV
88	2160002	1	Fitting, Grease	
88	2160003	4	Fitting, Grease - 45	
88	4640182	4	Valve, Relief	
89	3840868	1	Rod, Tie (4WD Front)	
90	0560714	1	Block, Tie Rod (Left Side)	
90	0560605	1	Block, Tie Rod (Right Side - Not Shown)	
91	3300229	1	Nut, Jam (Left Side)	
91	3323402	1	Nut, Jam (Right Side - Not Shown)	
92	3312601	2	Nut 1in-8NC	
93	0440091	2	Washer, Thrust	
93	0100011	AR	Loctite	
94	4130255	1	Spindle (Right Side) (4WD Front)	
95	4130256	1	Spindle (Left Side) (4WD Front)	
96	3421856	4	Kingpin (Top) (Domestic Built Prior to February 1994)	
96	3421927	4	Kingpin (Top) (Domestic Built February 1994 to Present and all CSA)	
96	3780184	4	O-Ring	
97	3421858	4	Kingpin (Bottom) (Domestic Built Prior to February 1994)	
97	3421929	4	Kingpin (Bottom) (Domestic Built February 1994 to Present and all CSA)	
97	3780184	4	O-Ring	
98	0440082	2	Bearing, Thrust (When Equipped)	
99	0630083	8	Bolt, Special	
100	4761600	8	Lockwasher 3/8in	
100	4920096	AR	Wire, Safety	
	0251541	Ref	REAR STEERING AND SPINDLES INSTALLATION - 2WD (DOMESTIC)	C
	0254220	Ref	REAR STEERING AND SPINDLES INSTALLATION - 2WD (CSA)	-
	0251593	Ref	REAR STEERING AND SPINDLES INSTALLATION - 4WD (DOMESTIC BUILT PRIOR TO FEBRUARY 1994)	E
	0251914	Ref	REAR STEERING AND SPINDLES INSTALLATION - 4WD (DOMESTIC BUILT FEBRUARY 1994 TO PRESENT AND ALL CSA)	C
101	1682203	1	Steer Cylinder Assembly (2WD Rear) (See CYLINDER SECTION for Breakdown)	
101	1681555	1	Steer Cylinder Assembly (4WD Rear) (See CYLINDER SECTION for Breakdown)	
102	3431622	1	Pin, Clevis	
103	4712600	1	Flatwasher 1in Narrow	
104	3450606	1	Pin, Cotter 3/16in x 1 1/2in	
105	0630439	1	Bolt, Special	
106	0440091	1	Bearing, Thrust	
107	3312602	1	Nut, Jam 1in-8NC	
107	0100011	AR	Loctite #242	
108	2160003	6	Fitting, Grease - 45	
108	4640812	4	Valve, Relief	
109	3780184	8	O-Ring	
110	3840868	1	Tie-Rod (Rear)	
111	0560714	1	Block, Tie-Rod (Left Side)	
111	0560605	1	Block, Tie-Rod (Right Side)	
112	3300229	1	Nut, Jam (Left Side)	
112	3323002	1	Nut, Jam (Right Side)	

SECTION 1 - FRAME

ITEM	PART NUMBER	QTY	DESCRIPTION	REV
113	3300175	2	Locknut, Special	
114	0440091	2	Bearing, Thrust	
115	4130254	1	Spindle (Left Side) (2WD Rear)	
115	4130256	1	Spindle (Left Side) (4WD Rear)	
116	4130253	1	Spindle (Right Side) (2WD Rear)	
116	4130255	1	Spindle (Right Side) (4WD Rear)	
117	3421856	2	Kingpin (Top) (Domestic Built Prior to February 1994)	
117	3421927	2	Kingpin (Top) (CSA and Domestic Built February 1994 to Present)	
118	3421858	2	Kingpin (Bottom) (Domestic Built Prior to February 1994)	
118	3421929	2	Kingpin (Bottom) (CSA and Domestic Built February 1994 to Present)	
119	4740082	2	Washer, Thrust (When Equipped)	
120	0630083	4	Bolt, Special	
121	4761600	4	Lockwasher 3/8in	
121	4920096	AR	Wire, Safety	
122	0961529	2	Bushing, Bronze (Top) (Prior to May 1992)	
122	0961686	2	Bushing, Bronze (Top) (May 1992 to February 1994)	
122	0961776	2	Bushing, Bronze (Top) (February 1994 to Present)	
123	0961509	2	Bushing, Bronze (Bottom) (Prior to May 1992)	
123	0961687	2	Bushing, Bronze (Bottom) (May 1992 to February 1994)	
123	0961777	2	Bushing, Bronze (Bottom) (February 1994 to Present)	

SECTION 1 - FRAME

FIGURE 1-3. TIRE AND WHEEL DRIVE INSTALLATIONS

ITEM	PART NUMBER	QTY	DESCRIPTION	REV
		Ref	TIRE AND WHEEL DRIVE INSTALLATIONS	
	0239283	Ref	WHEEL DRIVE INSTALLATION (2WD/2WS)	-
	0250217	Ref	WHEEL DRIVE INSTALLATION (2WD/2WS)	B
		Ref	Note: Above Installations are for machines with sn's up to 12670 & 12676-12678, 12681, 12686-12688, 12691-12699, 12812-12817, 12819, 12821 & 12823.	
	0250313	Ref	WHEEL DRIVE INSTALLATION (2WD/2WS)	5
	0251540	Ref	WHEEL DRIVE INSTALLATION (2WD/2WS)	5
	0250272	Ref	WHEEL DRIVE INSTALLATION (4WD/2WS)	5
	0251592	Ref	WHEEL DRIVE INSTALLATION (4WD/4WS)	7
		Ref	Note: Above Installation are for machines with sn's 12671-12675, 12679, 12680, 12689, 12690, 12811, 12818, 12820, 12822, 12824 and up.	
1	3160140	2	Drive Motor Assembly - Vickers (2WD/2WS) (See DRIVE MOTOR ASSEMBLY - VICKERS (2WD/2WS) for Breakdown)	
2	3160080	2	Drive Motor Assembly - Cessna (4WD/2WS Rear) (See DRIVE MOTOR ASSEMBLY - CESSNA (4WD/2WS) for Breakdown)	
3	See Note	2/4	Drive Motor Assembly - Rexroth (was p/n 3160176) (All 4WS) (See DRIVE MOTOR ASSEMBLY - REXROTH (2WD/4WS AND 4WD/4WS) for Breakdown)) Note: All 4WS - Use p/n 3160204 Motor Plus p/n 2900869 Conversion Kit as Replacement.)	
4	0920072	2	Drive Brake Assembly - Ausco (See DRIVE BRAKE ASSEMBLY - AUSCO for Breakdown)	
4	0920081	2	Drive Brake Assembly - Mico (Prior to July 1991) (See DRIVE BRAKE ASSEMBLY - MICO for Breakdown)	
4		Ref	Drive Brake Assembly - Mico Options (July 1991 to Present) (See DRIVE BRAKE ASSEMBLY - MICO for Breakdown):	
4	0920084	2	Production	
4	0920110	2	Post Production Alternative	
5	3311801	4	Nut 1/2in-13NC	
6	4761800	4	Lockwasher 1/2in	
7	4740252	4	Washer, Hardened (When Equipped)	
8	4320008	4	Stud (Use With Ausco Brake)	
8	4300092	4	Stud (Use With Mico Brake)	
8	0100011	AR	Loctite #242	
9	2780173	2	Drive Hub Assembly (0239283/0250217 Installations - 2WD) (See DRIVE HUB ASSEMBLY (2WD) for Breakdown)	
9	2780114	2	Drive Hub Assembly (0250313/0251540 Installations - 2WD) (See DRIVE HUB ASSEMBLY (2WD) for Breakdown)	
9	2780170	2	Drive Hub Assembly (0250272 Installations - 4WD Rear) (See DRIVE HUB ASSEMBLY for Breakdown)	
9	2780170	4	Drive Hub Assembly (0251592 Installations -4WD/4WS Front and Rear) (See DRIVE HUB ASSEMBLY for Breakdown)	
10	0642014	16	Bolt 5/8in-11NC x 1 3/4in	
10	3932028	16	Bolt, Socket Head 5/8in-11NC x 1 3/4in	
11	4762000	16	Lockwasher 5/8in	
11	0100011	AR	Loctite #242	
12	3300012	20	Lug Nut (2WD - 10 Per Wheel)	
12	3300012	36	Lug Nut (4WD - 9 Per Wheel)	
13	3160080	2	Drive Motor Assembly - Cessna (4WD/2WS) (See DRIVE MOTOR ASSEMBLY - CESSNA (4WD/2WS) for Breakdown)	
14	0641810	4	Bolt 1/2in-13NC x 1 1/4in	
15	4761800	4	Lockwasher 1/2in	

SECTION 1 - FRAME

ITEM	PART NUMBER	QTY	DESCRIPTION	REV
16	4751800	4	Flatwasher 1/2in	
17	2780151	2	Drive Hub/Brake Assembly (4WD/2WS - Front Only - Built Prior to February 1992) (See DRIVE HUB/BRAKE ASSEMBLY for Breakdown)	
17	2780192	2	Drive Hub/Brake Assembly (4WD/2WS - Front Only -Build February 1992 to Present) (See DRIVE HUB/BRAKE ASSEMBLY for Breakdown)	
18	0642014	6	Bolt 5/8in-11NC x 1 3/4in	
19	4762000	6	Lockwasher 5/8in	
	0250102	Ref	TIRE AND WHEEL INSTALLATIONS (PNEUMATIC) (2WD/2WS)	-
	0250217	Ref	TIRE AND WHEEL INSTALLATIONS (PNEUMATIC) (2WD/2WS)	B
		Ref	Note: Above Installations are for machines withsn's up to 12670 & 12676-12678, 12681, 12686-12688, 12691-12699, 12812-12817, 12819, 12821 & 12823.	
	0250316	Ref	TIRE AND WHEEL INSTALLATIONS (PNEUMATIC 14 X 17.5) (2WD/2WS)	A
	0254386	Ref	TIRE AND WHEEL INSTALLATIONS (PNEUMATIC 14 X 17.5) (2WD/2WS WITH 4 STEER TIRES)	-
	0251835	Ref	TIRE AND WHEEL INSTALLATIONS (PNEUMATIC 14 X 17.5) (2WD/4WS)	-
	0250100	Ref	TIRE AND WHEEL INSTALLATIONS (PNEUMATIC 14 X 17.5) (4WD/2WS)	A
	0251598	Ref	TIRE AND WHEEL INSTALLATIONS (PNEUMATIC 14 X 17.5) (4WD/4WS)	A
	0250548	Ref	TIRE AND WHEEL INSTALLATIONS (FOAM-FILLED 14 X 17.5) (2WD/2WS)	A
	0250172	Ref	TIRE AND WHEEL INSTALLATIONS (FOAM-FILLED 14 X 17.5) (4WD/2WS)	A
	0251865	Ref	TIRE AND WHEEL INSTALLATIONS (FOAM-FILLED 14 X 17.5) (4WD/4WS)	A
	0251255	Ref	TIRE AND WHEEL INSTALLATIONS (PNEUMATIC 15 X 19.5) (2WD/2WS)	A
	0251772	Ref	TIRE AND WHEEL INSTALLATIONS (PNEUMATIC 15 x 19.5) (2WD/4WS)	-
	0250972	Ref	TIRE AND WHEEL INSTALLATIONS (PNEUMATIC 15 x 19.5) (4WD/2WS)	-
	0251622	Ref	TIRE AND WHEEL INSTALLATIONS (PNEUMATIC 15 x 19.5) (4WD/4WS)	-
	0254769	Ref	TIRE AND WHEEL INSTALLATIONS (FOAM-FILLED 15 X 19.5) (2WD/2WS)	-
	0253832	Ref	TIRE AND WHEEL INSTALLATIONS (FOAM-FILLED 15 X 19.5) (4WD/2WS)	A
	0251700	Ref	TIRE AND WHEEL INSTALLATIONS (FOAM-FILLED 15 x 19.5) (4WD/4WS)	-
		Ref	Note: Above Installations are for machines with sn's 12671-12675, 12679, 12680, 12689, 12690, 12811, 12818, 12820, 12822, 12824 and up.	
		Ref	2WD Options:	
	0239287	1	Tire and Wheel Assembly - 2WD Left Side Front (Pneumatic 14 x 17.5)	B
	0239288	1	Tire and Wheel Assembly - 2WD Right Side Front (Pneumatic 14 x 17.5)	B
	0250170	1	Tire and Wheel Assembly - 2WD Left Side Front (Foam-Filled 14 x 17.5)	A
	0250171	1	Tire and Wheel Assembly - 2WD Right Side Front (Foam-Filled 14 x 17.5)	A
	0251771	2	Tire and Wheel Assembly - 2WD Front (Pneumatic 15 x 19.5)	B

SECTION 1 - FRAME

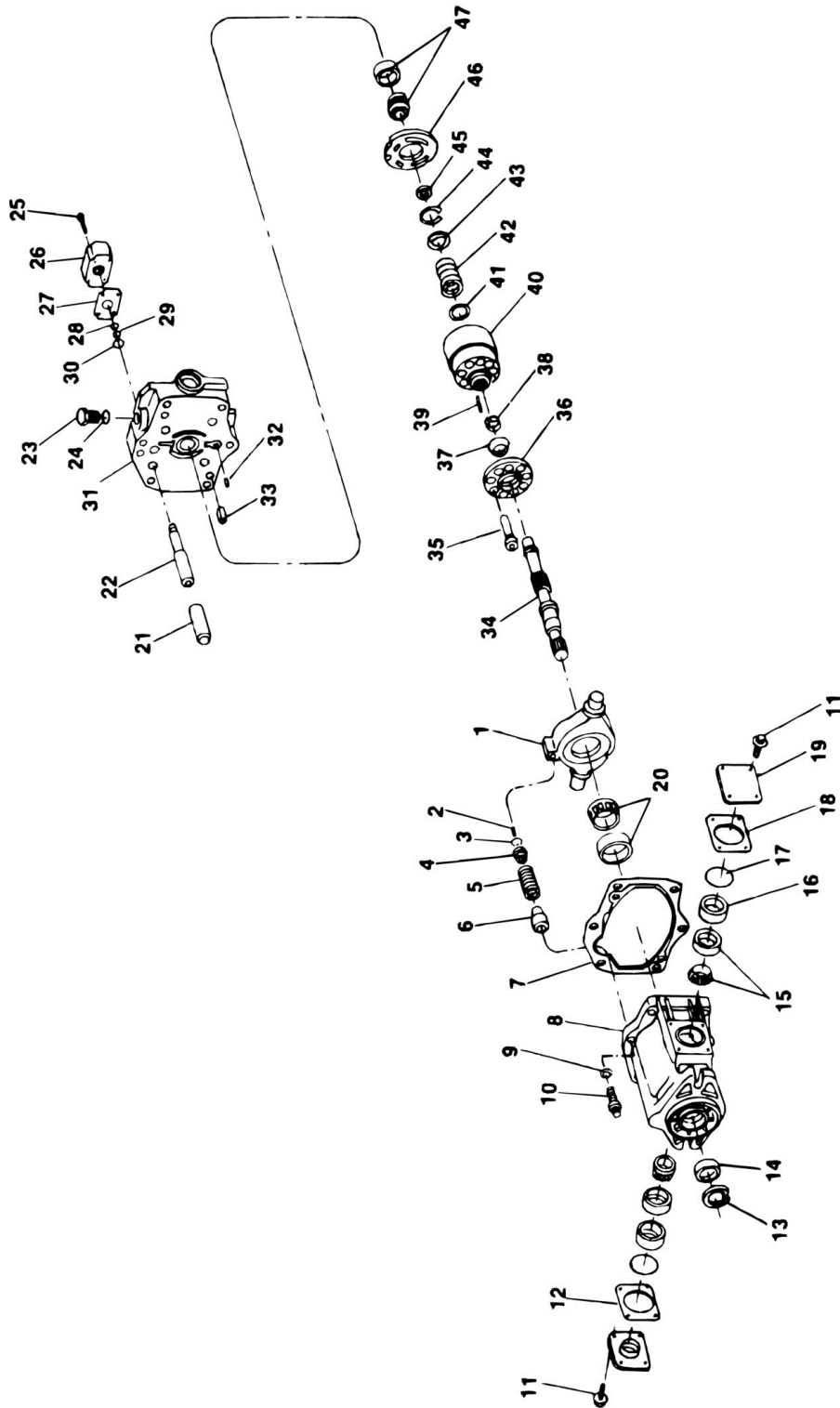
ITEM	PART NUMBER	QTY	DESCRIPTION	REV
	0236817	Ref	General Jumbo Cargo Tire and Wheel Assembly - 2WD Rear (Pneumatic 14 x 17.5 Goodyear Hi-Miller)	-
	0250296	2	Tire and Wheel Assembly - 2WD Rear (Pneumatic 14 x 17.5 Goodyear X-Tra Grip) (All 0250102/0250217 Installations)	A
	0236819	1	Tire and Wheel Assembly - 2WD/2WS Left Side Rear (Pneumatic 14 x 17.5)	C
	0236818	1	Tire and Wheel Assembly - 2WD/2WS Right Side Rear (Pneumatic 14 x 17.5)	C
	0251596	2	Tire and Wheel Assembly - 2WD/2WS Rear (Pneumatic 14 x 17.5)	B
	0236626	1	Tire and Wheel Assembly - 2WD/2WS Left Side Rear (Foam-Filled 14 x 17.5)	A
	0236625	1	Tire and Wheel Assembly - 2WD/2WS Right Side Rear (Foam-Filled 14 x 17.5)	-
	0234667	2	Tire and Wheel Assembly - 2WD/2WS Rear (Pneumatic 15 x 1.5 General Jumbo All Grip)	-
	0250970	1	Tire and Wheel Assembly - 2WD/2WS Right Side Front (Pneumatic 15 x 19.5)	5
	0250971	1	Tire and Wheel Assembly - 2WD/2WS Left Side Front (Pneumatic 15 x 19.5)	5
	0251256	1	Tire and Wheel Assembly - 2WD/4WS Right Side Rear (Pneumatic 15 x 19.5)	4
	0251257	1	Tire and Wheel Assembly - 2WD/4WS Left Side Rear (Pneumatic 15 x 19.5)	4
	0253833	1	Tire and Wheel Assembly - 2WD/4WS Right Side Front (Foam-Filled 15 x 19.5)	2
	0253834	1	Tire and Wheel Assembly - 2WD/2WS Left Side Front (Foam-Filled 15 x 19.5)	2
	0254770	1	Tire and Wheel Assembly - 2WD/2WS Right Side Rear (Foam-Filled 15 x 19.5)	3
	0254771	1	Tire and Wheel Assembly - 2WD/2WS Left Side Rear (Foam-Filled 15 x 19.5)	3
		Ref	4WD Options:	
	0239287	2	Tire and Wheel Assembly - 4WD/2WS Left Side Front and Rear (Pneumatic 14 x 17.5)	B
	0239288	2	Tire and Wheel Assembly - 4WD/2WS Right Side Front and Rear (Pneumatic 14 x 17.5)	B
	0251596	2	Tire and Wheel Assembly - 4WD/4WS Left Side Front and Rear (Pneumatic 14 x 17.5)	B
	0255804	2	Tire and Wheel Assembly - 4WD/4WS Right Side Front and Rear (Pneumatic 14 x 17.5)	A
	0250171	2	Tire and Wheel Assembly - 4WD/2WS Left Side Front and Rear (Foam-Filled 14 x 17.5)	A
	0250170	2	Tire and Wheel Assembly - 4WD/2WS Right Side Front and Rear (Foam-Filled 14 x 17.5)	A
	0251866	2	Tire and Wheel Assembly - 4WD/4WS Left Side Front and Rear (Foam-Filled 14 x 17.5)	A
	0255803	2	Tire and Wheel Assembly - 4WD/4WS Right Side Front and Rear (Foam-Filled 14 x 17.5)	-
	0250970	2	Tire and Wheel Assembly - 4WD/2WS Right Side (Pneumatic 15 x 19.5)	5
	0250971	2	Tire and Wheel Assembly - 4WD/2WS Left Side (Pneumatic 15 x 19.5)	5
	0251621	2	Tire and Wheel Assembly - 4WD/4WS Right Side (Pneumatic 15 x 19.5 Goodyear Sure Grip Loader)	3
	0251620	2	Tire and Wheel Assembly - 4WD/4WS Left Side (Pneumatic 15	3

SECTION 1 - FRAME

ITEM	PART NUMBER	QTY	DESCRIPTION	REV
			x 19.5 Goodyear Sure Grip Loader)	
	0253833	2	Tire and Wheel Assembly - 4WD/2WS Right Side (Foam-Filled 15 x 19.5)	2
	0253834	2	Tire and Wheel Assembly - 4WD/2WS Left Side (Foam-Filled 15 x 19.5)	2
	0251701	2	Tire and Wheel Assembly - 4WD/4WS Right Side (Foam-Filled 15 x 19.5)	2
	0251702	2	Tire and Wheel Assembly - 4WD/4WS Left Side (Foam-Filled 15 x 19.5)	2
		Ref	Note: Assemblies may require ballast/foam filling to manufacturer's specifications prior to installing on machine. Refer to Operation and Safety or Service and Maintenance Manuals.	
		Ref	Purchase individual tire and/or rim only if able to foam fill tire and wheel assembly, otherwise purchase complete assembly.	
101		Ref	Tire Options (Prior to May 1995):	
101	4520024	1	Tire - 14 x 17.5 Goodyear Hi-Miller	
101	4520025	1	Tire - 14 x 17.5 Goodyear X-Tra Grip	
101	4520009	1	Tire - 15 x 19.5 General Jumbo Cargo	
101	4520007	1	Tire - 15 x 19.5 General Jumbo All Grip	
101	4520125	1	Tire - 15 x 19.5 Goodyear Sure Grip Loader	
101		Ref	Tire Options (May 1995 to Present):	
101	4520171	1	Tire - 14 x 17.5 Galaxy	
101	4520142	1	Tire - 15 x 19.5 Denman E M Loader	
101	4520200	1	Tire - 15 x 19.5 Galaxy Super Sidewall	
102	4860115	1	Rim, Wheel (14 x 17.5 Tires) (2WD Front With 2WS/4WD Front and Rear With 2WS)	
102	4860119	1	Rim, Wheel (14 x 17.5 Tires) (2WD Rear for 0250102 & 0250217 Installations Only)	
102	0236539	1	Rim, Wheel (14 x 17.5 Tires) (2WD Rear With 2WS for all except 0250102 & 0250217 Installations)	
102	4860129	1	Rim, Wheel (14 x 17.5 Tires) (4WD Front and Rear With 4WS)	
102	4860130	1	Rim, Wheel (15 x 19.5 Tires) (2WD Front With 4WS and 4WD Front and Rear With 4WS)	
102	4860108	1	Rim, Wheel (15 x 19.5 Tires) (2WD Rear With 4WS) (Production)	
102	4860148	1	Rim, Wheel (15 x 19.5 Tires) (2WD Rear With 4WS) (Post Production Alternative)	
102	4860123	1	Rim, Wheel (15 x 19.5) (4WD Front and Rear With 2WS)	
103	4640113	1	Valve, Air	
104		Ref	Decal Options:	
104		Ref	Tire - 14 x 17.5	
104	1702643	1	Tire - 14 x 17.5 (May 1995 to September 1995)	
104	1702739	1	Tire - 14 x 17.5 (September 1995 to Present)	
104		Ref	Tire - 15 x 19.5	
104	1702642	1	Tire - 15 x 19.5 (May 1995 to September 1995)	
104	1702738	1	Tire - 15 x 19.5 (September 1995 to Present)	
104	1702701	1	Tire - 15 x 19.5 General Jumbo Cargo	

SECTION 1 - FRAME

FIGURE 1-4. DRIVE MOTOR ASSEMBLY - VICKERS (2WD/2WS)



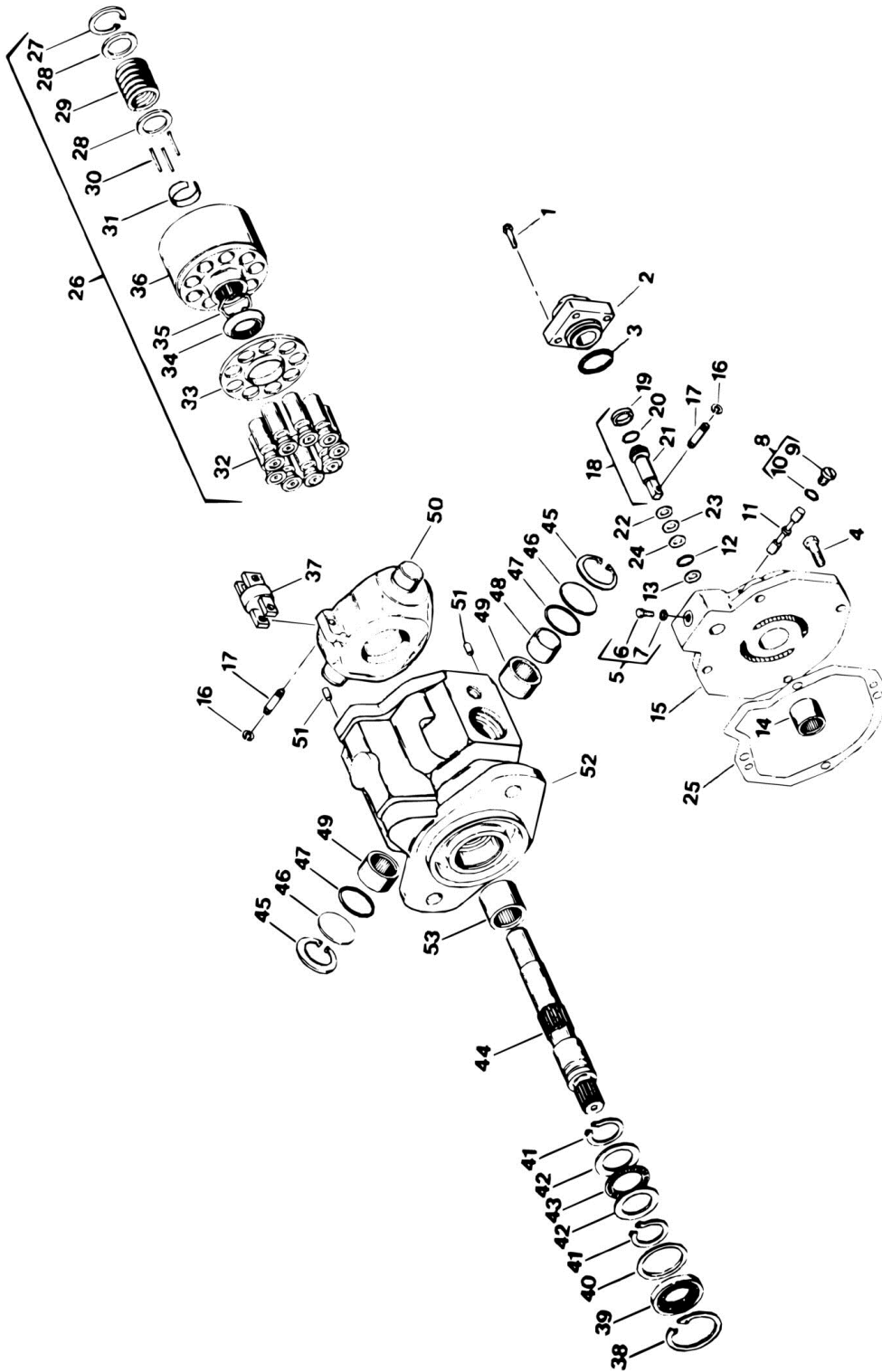
SECTION 1 - FRAME

FIGURE 1-4. DRIVE MOTOR ASSEMBLY - VICKERS (2WD/2WS)

ITEM	PART NUMBER	QTY	DESCRIPTION	REV
	3160140	Ref	DRIVE MOTOR ASSEMBLY - VICKERS (2WD/2WS)	A
1	7006766	1	Yoke	
2	7006767	1	Roll Pin	
3	7006768	1	Spherical Seat	
4	7006772	1	Spring Seat	
5	7006774	1	Yoke Spring	
6	7006776	1	Yoke Stop	
7	Kit	1	Gasket	
8	7006786	1	Housing	
9	7006787	6	Washer	
10	7006788	6	Screw	
11	7006789	4	Screw	
12	Kit	1	Shim (Included in Kit 7006794)	
13	7006721	1	Retaining Ring	
14	7006796	1	Shaft Steel	
15	7006791	2	Bearing	
16	7006792	2	Pintle Bearing	
17	Kit	2	O-Ring	
18	7006794	1	Shim Kit	
19	7006795	2	Cover	
20	7996719	1	Bearing	
21	7006797	1	Piston	
22	7006798	1	Piston Rod	
23	7006703	1	Plug	
24	Kit	1	O-Ring	
25	7009300	4	Screw	
26	7009301	1	Control Block	
27	Kit	1	Gasket	
28	Kit	1	O-Ring	
29	Kit	1	Back-Up Ring	
30	7009305	1	Retaining Ring	
31	7009306	1	Valve Block	
32	7006706	1	Pin	
33	7009307	2	Pin	
34	7009308	1	Shaft	
35	7006717	9	Piston and Shoes	
36	7006716	1	Shoe Plate	
37	7006715	1	Spherical Washer	
38	7006714	1	Pin, Retainer	
39	7006713	3	Pin	
40	7006712	1	Cylinder, Block	
41	7006711	1	Spring Washer	
42	7006710	1	Spring	
43	7006709	1	Spring Washer	
44	7009309	1	Retaining Ring	
45	7006707	1	Bearing Spacer Kit	
46	7009310	1	Wafer Plate	
47	7006704	1	Bearing S/A	
47	2900659	1	Seal Kit (Includes 7, 14, 17, 24, 27, 28 & 29)	

SECTION 1 - FRAME

FIGURE 1-5. DRIVE MOTOR ASSEMBLY - CESSNA (4WD/2WS)



SECTION 1 - FRAME

FIGURE 1-5. DRIVE MOTOR ASSEMBLY - CESSNA (4WD/2WS)

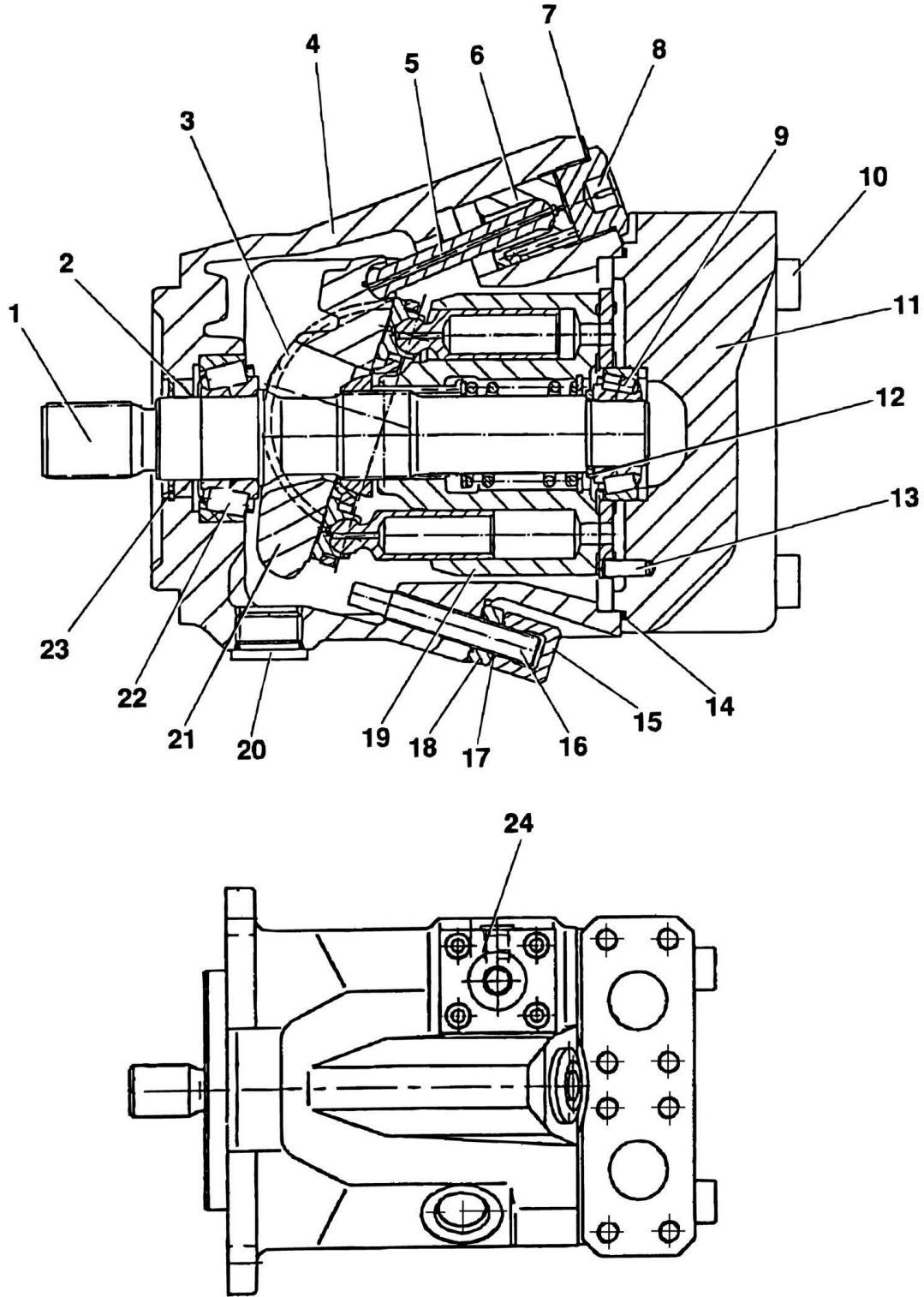
ITEM	PART NUMBER	QTY	DESCRIPTION	REV
	3160080	Ref	DRIVE MOTOR ASSEMBLY - CESSNA (4WD/2WS)	A
	7004939	1	Control Piston Housing Assembly	
1	7004938	4	Screw, Cap, Socket Head	
2		Ref	Housing, Control Piston (Not Sold Separately - Part of Item 26)	
3	Kit	1	O-Ring	
	7004941	1	Backplate Assembly	
4	7004933	4	Screw, Cap, Hex Head	
5	7004942	1	Plug Assembly	
6	7004943	1	Plug	
7	Kit	1	O-Ring	
8	7004944	2	Plug Assembly (Shuttle Spool)	
9	7004945	1	Plug	
10	Kit	1	O-Ring	
11	7004946	1	Spool, Shuttle	
12	Kit	1	O-Ring	
13	7004918	1	Washer, Backup	
14	7004917	1	Bearing, Needle	
15	7004947	1	Backplate	
16	7004937	4	Ring, Retaining	
17	7004929	2	Pin, Connector	
18	7004948	1	Control Piston Assembly	
19	Kit	1	Ring, Slippery	
20	Kit	1	O-Ring	
21		Ref	Piston, Control (Not Sold Separately)	
22	4100028	AR	Spacer, Piston -.105	
23	4100027	AR	Spacer, Piston -.092	
24	4100029	AR	Spacer, Piston -.110	
25	Kit	1	Gasket, Housing	
26	7004916	1	Rotating Kit Assembly	
27	7004936	1	Ring, Retaining	
28	7004950	2	Washer, Machined	
29	7004951	1	Spring, Compression	
30	7004952	3	Pin, Loading	
31	7004953	1	Keeper, Pin	
32	7004954	9	Piston, Assembly	
33	7004955	1	Spider	
34	7004956	1	Pivot	
35	7004957	1	Washer, Wave	
36	7004958	1	Block, Piston	
37	7004928	1	Connector, Camplate	
38	Kit	1	Ring, Retaining	
39	Kit	1	Seal, Shaft	
40	7004906	1	Washer	
41	Kit	2	Ring, Retaining	
42	7004907	2	Race, Thrust	
43	7004908	1	Bearing, Thrust	
44	7004912	1	Shaft, Drive	
45	Kit	2	Ring, Retaining	
46	7004913	2	Cover, Trunnion	
47	Kit	2	O-Ring	

SECTION 1 - FRAME

ITEM	PART NUMBER	QTY	DESCRIPTION	REV
48	7004911	1	Race, Inner	
49	7004914	2	Bearing	
50	7004927	1	Camplate	
	7004959	1	Housing Assembly	
51	7004960	2	Pin, Roll (1/4in Dia X .1/2in Long)	
52	7004961	1	Housing	
53	7004910	1	Bearing	
	2900449	1	Seal Repair Kit (Includes Items 3, 7, 10, 12, 19, 20, 25, 38, 39, 41, 45 & 47)	

SECTION 1 - FRAME

FIGURE 1-6. DRIVE MOTOR ASSEMBLY - REXROTH (2WD/4WS AND 4WD/4WS)



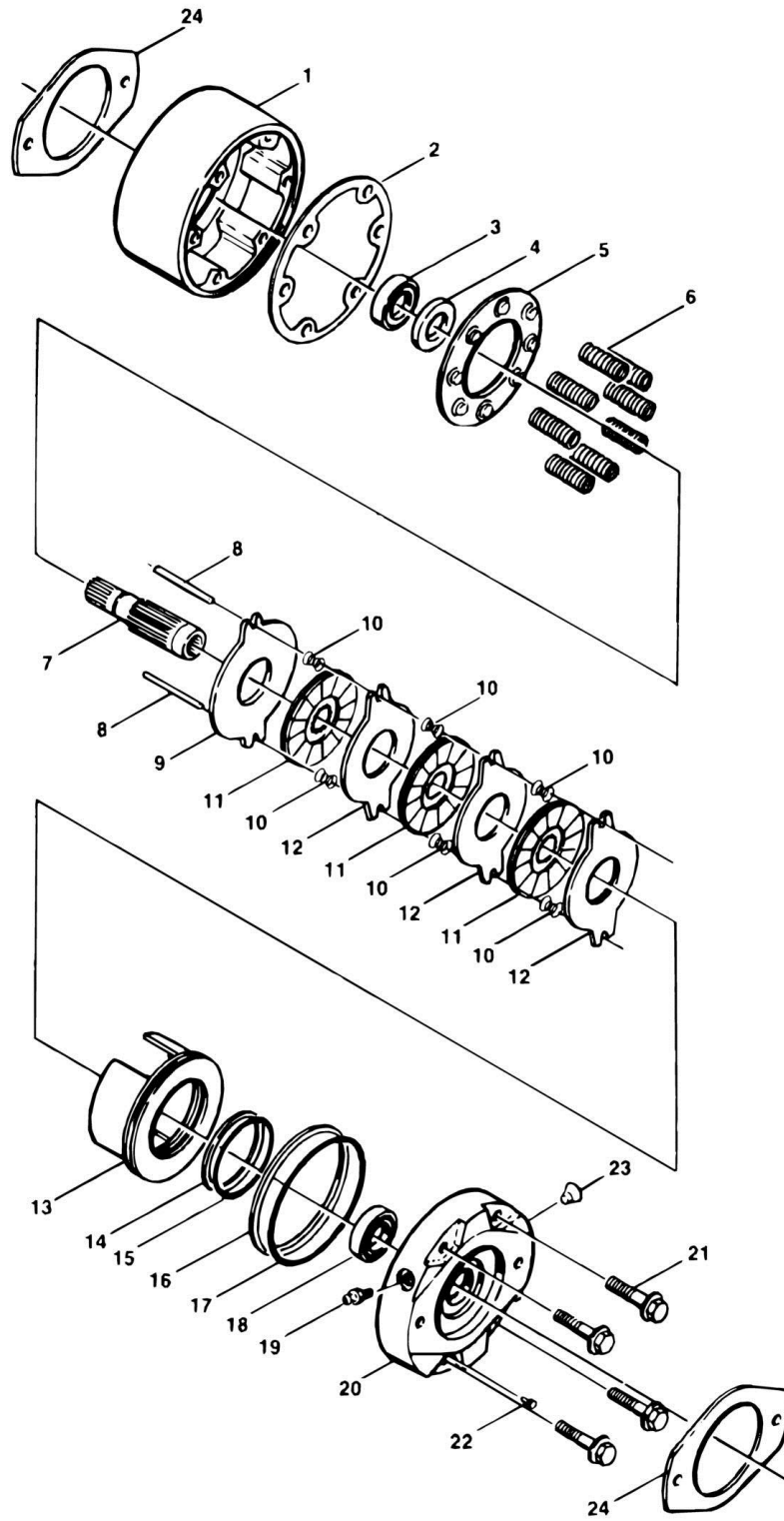
SECTION 1 - FRAME

FIGURE 1-6. DRIVE MOTOR ASSEMBLY - REXROTH (2WD/4WS AND 4WD/4WS)

ITEM	PART NUMBER	QTY	DESCRIPTION	REV
	3160176	Ref	DRIVE MOTOR ASSEMBLY - REXROTH (2WD/4WS AND 4WD/4WS)	-
1	7012701	1	Shaft - 13 Teeth	
2	Kit	1	Seal, Shaft	
3	2012702	2	Bearing, Cradle	
4	Not Available	1	Housing	
5	7012703	1	Rod, Piston	
6	7012704	1	Piston, Stroking	
7	Kit	1	O-Ring	
8	7012705	1	Nut, Adaptor	
9	7012706	1	Bearing, Roller	
10	7012707	4	Bolt, Metric Socket Head M12 x 65	
11	7012708	1	Block, Port	
12	7012709	1	Shim	
13	7012710	1	Pin, Dowel M6 x 18	
14	Kit	1	O-Ring	
15	7012711	1	Nut, Cap M10 x 1	
16	7012712	1	Screw, Adjusting	
17	Kit	2	O-Ring	
18	7012713	1	Nut, Jam M10 x 1	
19	Kit	1	Rotary Group Assembly	
20	Not Available	1	Plug	
21	Kit	1	Plate, Swash	
22	7012714	1	Bearing, Roller	
23	7012715	1	V-Ring	
24	7012700	1	Control Plate Assembly	
	2900788	1	Seal Kit (Includes Items 2, 7, 14, 17 and O-Rings under Item 24)	
	7012716	1	Rotary Group Kit (Includes Items 19 & 21)	

SECTION 1 - FRAME

FIGURE 1-7. DRIVE BRAKE ASSEMBLY - AUSCO



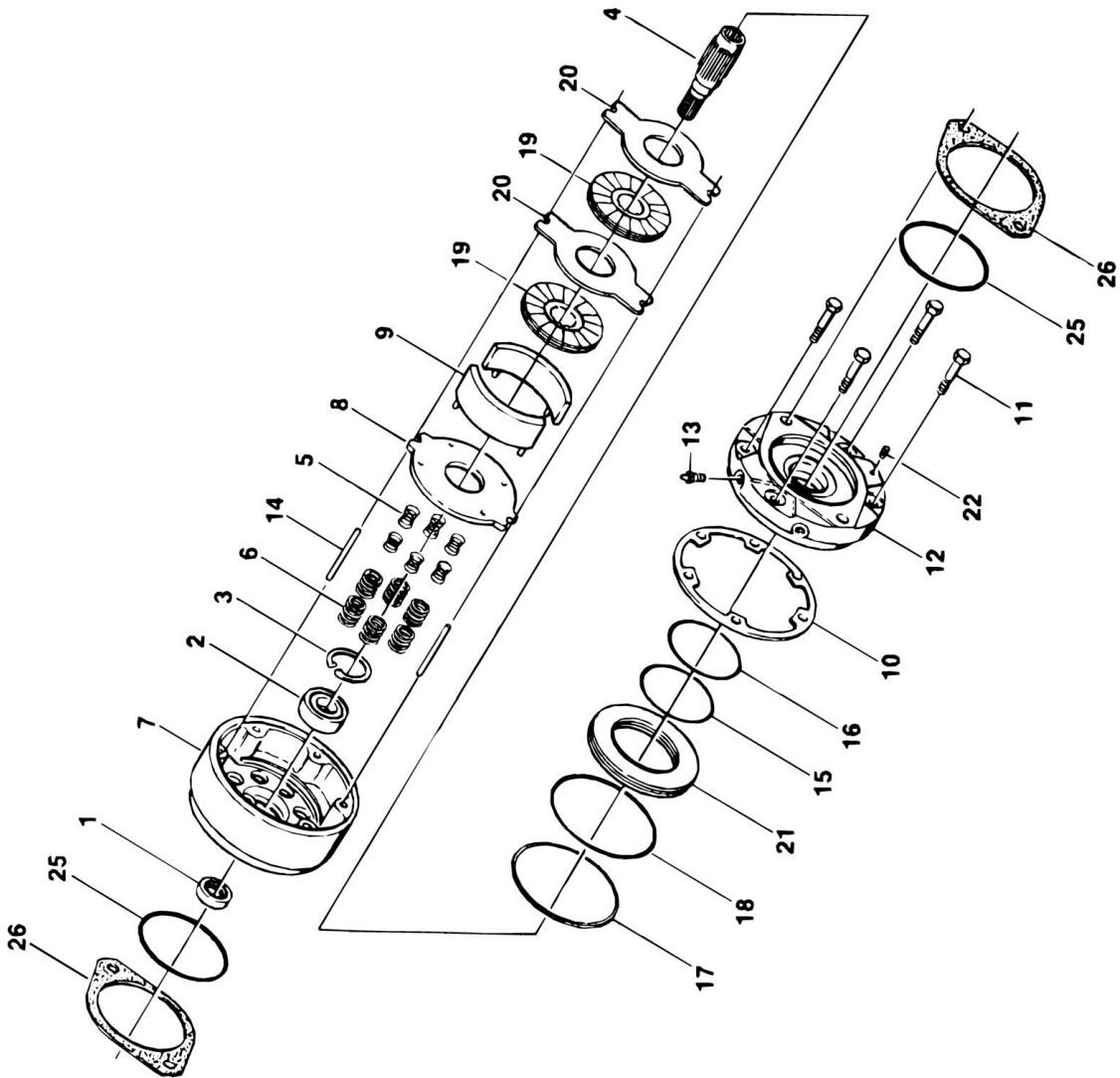
SECTION 1 - FRAME

FIGURE 1-7. DRIVE BRAKE ASSEMBLY - AUSCO

ITEM	PART NUMBER	QTY	DESCRIPTION	REV
	0920072	Ref	DRIVE BRAKE ASSEMBLY - AUSCO	D
1	7003047	1	Housing	
2	Kit	1	Gasket	
3	7003049	1	Bearing	
4	Kit	1	Seal, Oil	
5	7003051	1	Retainer, Spring	
6	7003052	8	Spring, Compression	
7	7003070	1	Shaft, Splined	
8	7000717	2	Pin, Torque	
9	7003054	1	Disc, Primary	
10	7003006	6	Spring, Separator	
11	7003055	3	Disc, Rotating	
12	7003056	3	Disc, Stationary	
13	7003057	1	Piston	
14	Kit	1	Ring, Backup	
15	Kit	1	O-Ring	
16	Kit	1	Ring, Backup	
17	Kit	1	O-Ring	
18	7000760	1	Bearing	
19	7000796	1	Screw, Bleeder	
20	7003071	1	Plate, Power	
21	7003007	4	Screw	
22	7003059	1	Valve, Pressure	
23	7000728	1	Plug	
24	Kit	2	Gasket	
24	2900662	1	Seal Kit (Includes Items 2, 4, 14, 15, 16, 17 & 24)	

SECTION 1 - FRAME

FIGURE 1-8. DRIVE BRAKE ASSEMBLY - MICO (PRIOR TO JULY 1991)



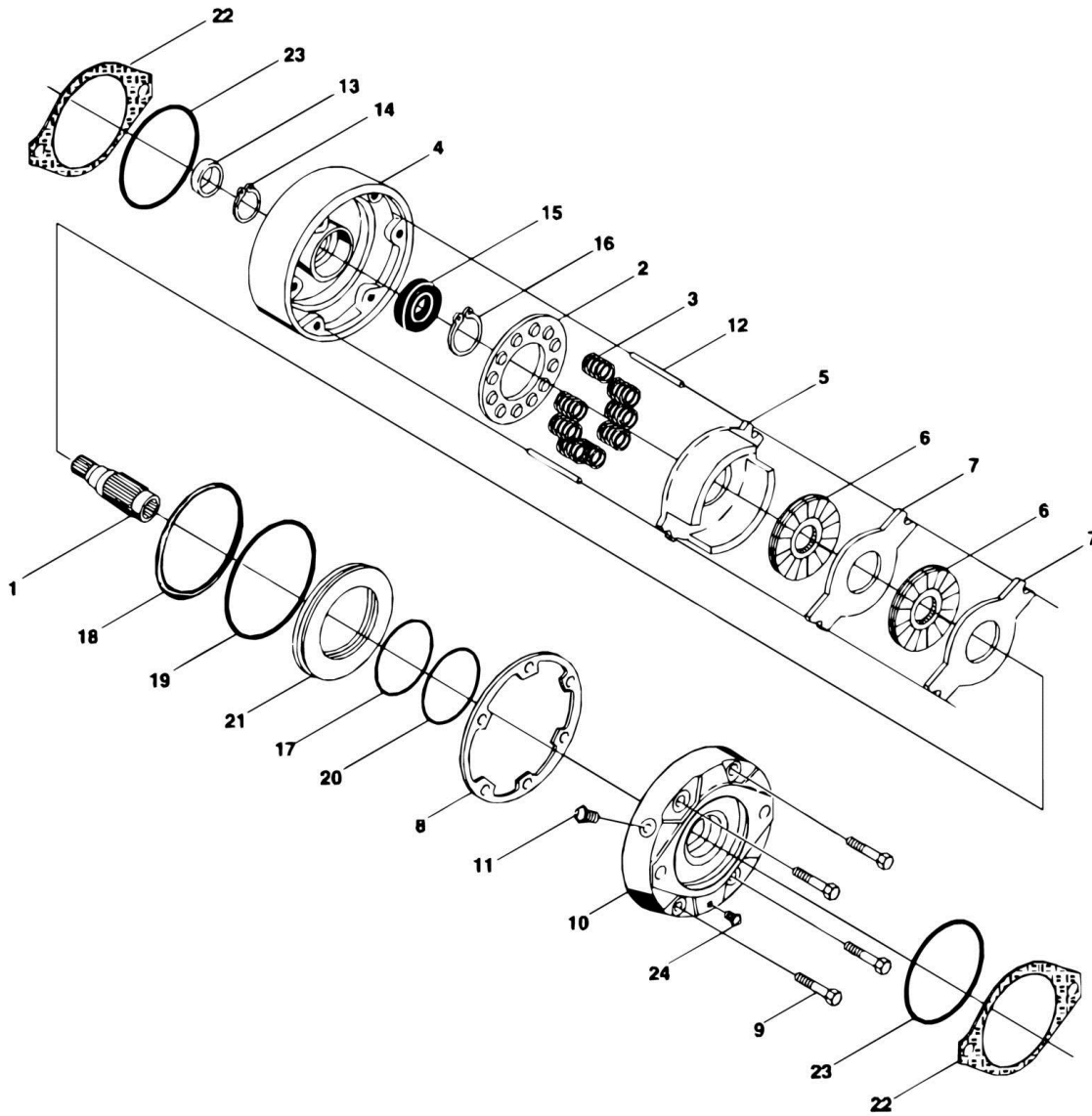
SECTION 1 - FRAME

FIGURE 1-8. DRIVE BRAKE ASSEMBLY - MICO (PRIOR TO JULY 1991)

ITEM	PART NUMBER	QTY	DESCRIPTION	REV
	0920081	Ref	DRIVE BRAKE ASSEMBLY - MICO (PRIOR TO JULY 1991)	-
1	Kit	1	Seal, Oil	
2	Kit	1	Bearing	
3	7007977	1	Ring, Retaining	
4	7007978	1	Shaft	
5	7007979	6	Spring (Small)	
6	7007980	6	Spring (Large)	
7	7007981	1	Housing	
8	Kit	1	Plate, Return	
9	7007983	2	Separator	
10	Kit	1	Seal, Case	
11	7007985	4	Bolt, Washer Head	
12	7007986	1	Cover	
13	7007914	1	Screw, Bleeder	
14	7007987	2	Pin, Dowel	
15	Kit	1	Ring, Back-up (Inner)	
16	Kit	1	O-Ring (Inner)	
17	Kit	1	Ring, Back-up (Outer)	
18	Kit	1	O-Ring (Outer)	
19	Kit	2	Rotor	
20	Kit	2	Stator	
21	7007989	1	Piston	
22	7007924	1	Plug, Pipe	
25	Kit	2	O-Ring	
26	Kit	2	Gasket	
	2900767	1	Lining Kit (Includes Items 8, 10, 19, 20, 25 & 26)	
	2900766	1	Seal Kit (Includes Items 1, 10, 15, 16, 17, 18, 25 & 26)	
	2900768	1	Bearing Kit (Includes Items 1, 2, 10, 25 & 26)	

SECTION 1 - FRAME

FIGURE 1-9. DRIVE BRAKE ASSEMBLY - MICO (JULY 1991 TO PRESENT)



SECTION 1 - FRAME

FIGURE 1-9. DRIVE BRAKE ASSEMBLY - MICO (JULY 1991 TO PRESENT)

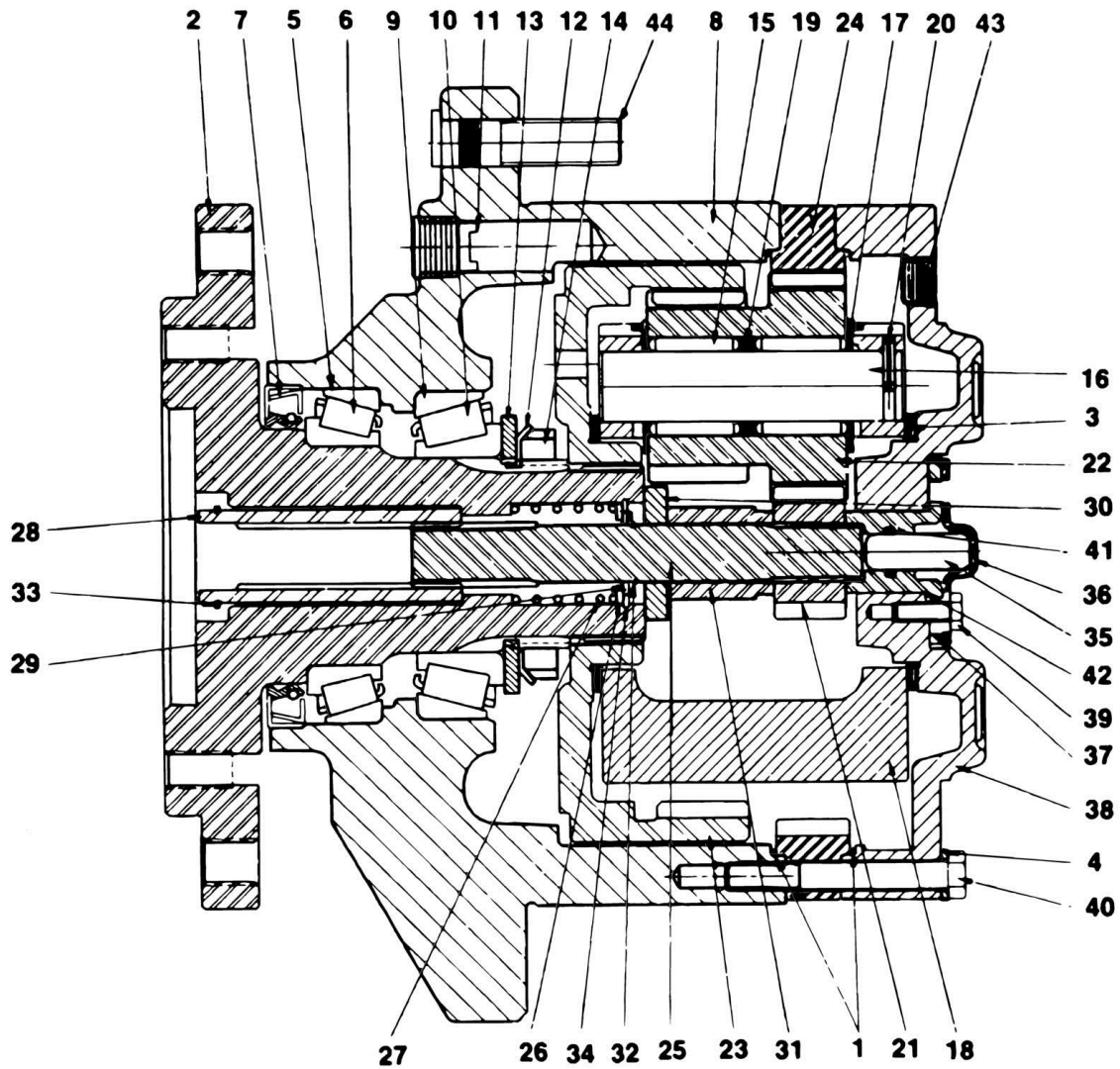
ITEM	PART NUMBER	QTY	DESCRIPTION	REV
		Ref	DRIVE BRAKE ASSEMBLY OPTIONS:	
	0920084	Ref	Production	A
	0920110	Ref	Post Production Alternative	C
1	7011712	1	Shaft	
2		Ref	Guide, Spring Options:	
2	7011717	1	0920084 Brake	
2	7018606	1	0920110 Brake	
3		Ref	Spring Options:	
3	7007979	6	0920084 Brake (Inner)	
3	7007980	6	0920084 Brake (Outer)	
3	7007970	6	0920110 Brake (Red)	
3	7018602	3	0920110 Brake (Blue)	
4		Ref	Housing Options:	
4	7011713	1	0920084 Brake	
4	7018605	1	0920110 Brake	
5		Ref	Return Plate and Separator Assembly Options:	
5	Kit	1	Return, Plate - 0920084 Brake	
5	7011715	2	Separator Assy - 0920084 Brake	
5	7011714	4	Pin	
5	7007983	2	Separator	
5	Kit	1	Return Plate and Separator - 0920110 Brake	
6	Kit	2	Rotor	
7	Kit	2	Stator	
8	Kit	1	Seal, Case	
9		Ref	Bolt, Washer Head Options:	
9	7007985	4	0920084 Brake	
9	7018607	4	0920110 Brake	
10	7007986	1	Cover	
11		Ref	Hardware Options:	
11	7000796	1	Screw, Bleeder	
11	7018609	1	Plug, Pipe	
12	7007987	2	Pin, Dowel	
13	Kit	1	Seal, Oil	
14	7011716	1	Ring, Retaining	
15	Kit	1	Bearing	
16	7007977	1	Ring, Retaining	
17	Kit	1	Ring, Back-up	
18	Kit	1	Ring, Back-up	
19	Kit	1	O-Ring	
20	Kit	1	O-Ring	
21		Ref	Piston Options:	
21	7007923	1	0920084 Brake	
21	7018603	1	0920110 Brake	
22	7007933	2	Gasket	
23	Kit	2	O-Ring	
24	7007924	1	Plug, Pipe	
	2900766	1	Seal Kit (Includes Items 8, 13, 17, 18, 19, 20, 22 & 23)	
	2900768	1	Seal Kit (Includes Items 8, 13, 15, 22 & 23)	
		Ref	Lining Kit Options: (Includes Items 5, 6, 7, 8, 22 & 23)	
	2900767	1	0920084 Brake	

SECTION 1 - FRAME

ITEM	PART NUMBER	QTY	DESCRIPTION	REV
	7018608	1	0920110 Brake	

SECTION 1 - FRAME

FIGURE 1-10. DRIVE HUB ASSEMBLY (2WD)



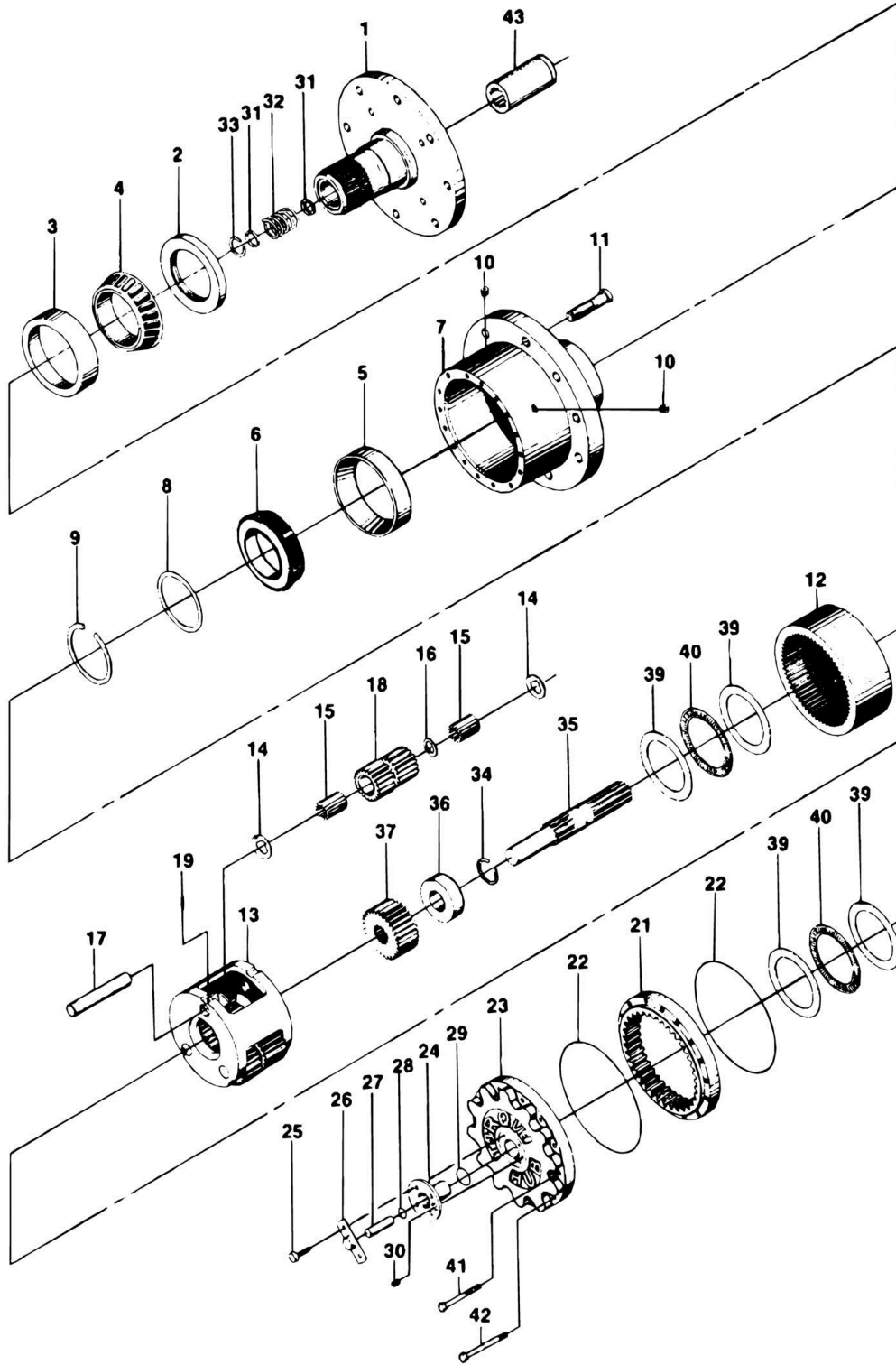
SECTION 1 - FRAME

FIGURE 1-10. DRIVE HUB ASSEMBLY (2WD)

ITEM	PART NUMBER	QTY	DESCRIPTION	REV
	2780173	Ref	DRIVE HUB ASSEMBLY (2WD)	-
		Ref	Note: Use above Assembly for machines with sn's up to 12670 & 12681, 12686-12688, 12691-12699, 12812-12817, 12819, 12821 & 12823.	
1	Kit	2	O-Ring	
2	7010402	1	Spindle	
3	7007673	2	Washer, Thrust	
4	7010403	20	Lockwasher	
5	7010404	1	Cup, Bearing	
6	7010405	1	Cone, Bearing	
7	Kit	1	Seal, Lip	
8	7010407	1	Housing	
9	7010408	1	Cup, Bearing	
10	7010409	1	Cone, Bearing	
11	7010401	2	Plug, Pipe	
12	7007689	1	Lockwasher, Special	
13	7010411	1	Flatwasher, Special	
14	7010412	1	Nut, Bearing	
15	7001909	114	Bearing, Needle	
16	7010413	3	Shaft, Planet	
17	7010414	6	Washer, Thrust	
18	7010415	1	Carrier	
19	7010416	3	Spacer, Thrust	
20	7001913	3	Pin, Roll	
21	7010417	1	Gear, Sun	
22	7010418	3	Gear, Cluster	
23	7010419	1	Gear, Internal	
24	7010420	1	Gear, Ring	
25	7000260	1	Shaft, Input	
26	7010421	1	Washer, Thrust	
27	7010422	1	Spring	
28	7010423	1	Coupling	
29	7010424	1	Washer, Thrust	
30	7010425	1	Spacer, Input	
31	7010426	1	Spacer, Input	
32	7000261	1	Ring, Retaining	
33	7000285	1	Ring, Retaining	
34	7007620	1	Ring, Retaining	
35	7000212	1	Rod, Disengage	
36	7000211	1	Cap, Disengage	
37	7000227	1	Cap, Cover	
38	7010427	1	Plate, Cover	
39	7000220	4	Bolt	
40	7001923	20	Bolt	
41	Kit	1	O-Ring	
42	Kit	1	O-Ring	
43	7001928	2	Plug, Pipe	
44	7007640		Stud, Wheel	
	2900749	1	Seal Kit (Includes Items 1, 7, 41 & 42)	

SECTION 1 - FRAME

FIGURE 1-11. DRIVE HUB ASSEMBLY (2WD)



SECTION 1 - FRAME

FIGURE 1-11. DRIVE HUB ASSEMBLY (2WD)

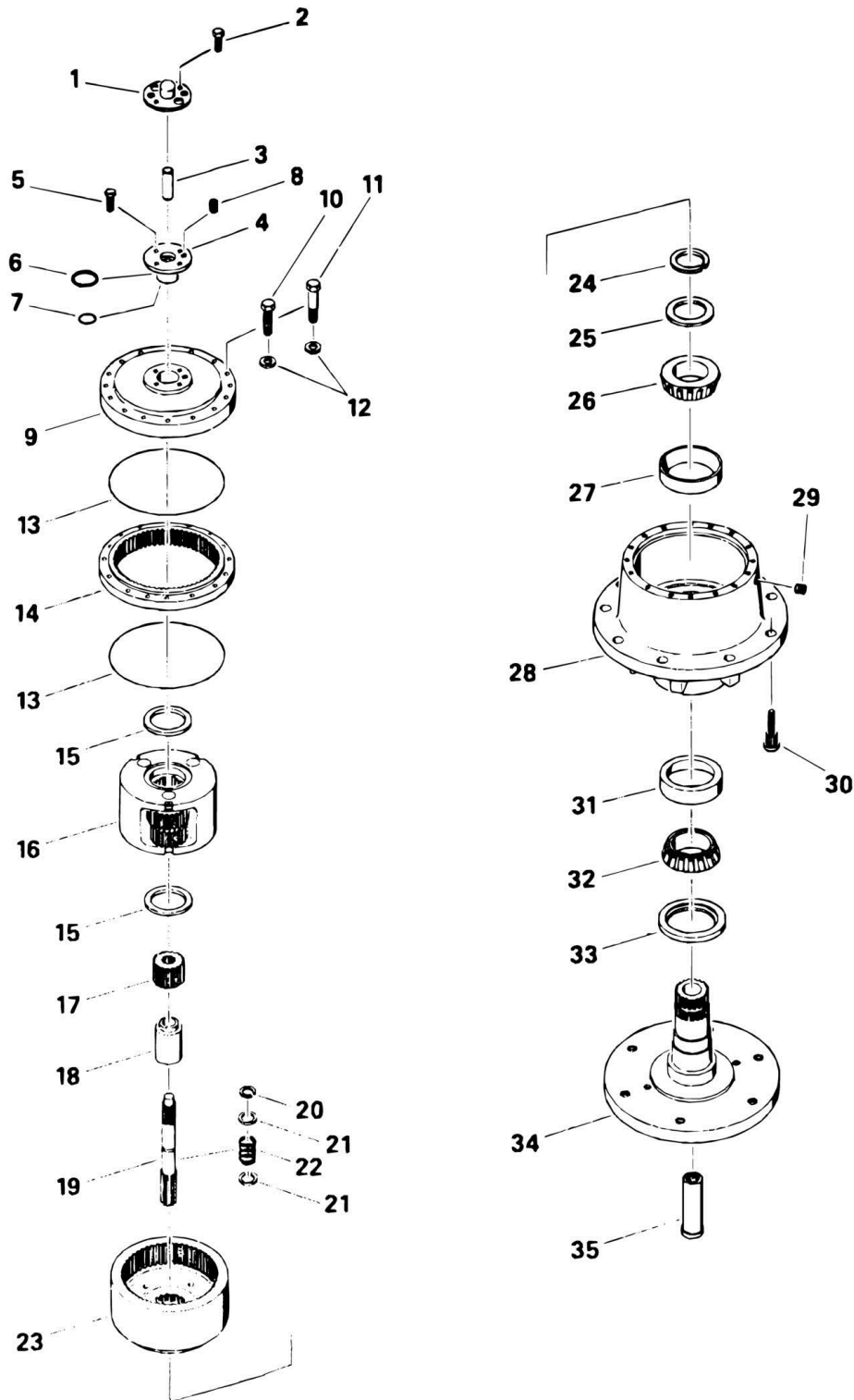
ITEM	PART NUMBER	QTY	DESCRIPTION	REV
	2780114	Ref	DRIVE HUB ASSEMBLY (2WD)	A
		Ref	Note: Use above Assembly for machines with sn's 12671-12675, 12679, 12680, 12690, 12811, 12818, 12820, 12822, 12824 and up.	
		Ref	Hub and Spindle Assembly	
1	7001937	1	Hub and Spindle Assembly	
2	Kit	1	Seal	
3	7000272	1	Cup, Bearing	
4	7000273	1	Cone, Bearing	
5	7000274	1	Cup, Bearing	
6	7000275	1	Cone, Bearing	
7	7000276	1	Hub	
8	Kit	1	Spacer	
9	Kit	1	Ring, Retaining	
10	7001928	2	Plug	
11	7000265	10	Bolt, Wheel	
12	7001917	1	Gear, Internal	
	7001918	1	Carrier Assembly	
13	7001900	1	Carrier	
14	7007645	6	Washer, Thrust	
15	7001902	84	Roller, Needle	
16	7001903	3	Spacer	
17	7001904	3	Shaft, Pinion	
18	7001927	3	Gear, Cluster	
19	7001906	3	Pin, Roll	
21	7000279	1	Gear, Ring	
22	Kit	2	O-Ring	
	7000280	1	Cover Assembly	
23	7000218	1	Cover	
24	7000219	1	Cap, Cover	
25	7000220	4	Bolt	
26	Kit	1	Cap, Disconnect	
27	Kit	1	Rod, Disconnect	
28	Kit	1	O-Ring	
29	Kit	1	O-Ring	
30	7000243	1	Plug, Pipe	
31	7000282	2	Washer	
32	7000283	1	Spring	
33	7000284	1	Ring, Retaining	
34	7000285	1	Ring, Retaining	
35	7000222	1	Shaft, Input	
36	7000286	1	Spacer, Thrust	
37	7000221	1	Gear, Input	
39	7000287	4	Washer, Thrust	
40	7000288	2	Bearing, Thrust	
41	7000289	8	Bolt	
42	7000225	4	Bolt, Shoulder	
43	7000290	1	Coupling	
	2900202	1	Seal Kit (Includes Items 2, 8, 9 & 22)	
	2900138	1	Cover Repair Kit (Includes Items 2, 8, 9, 22, 26, 27, 28, 29 and	

SECTION 1 - FRAME

ITEM	PART NUMBER	QTY	DESCRIPTION	REV
			New Style Cover)	

SECTION 1 - FRAME

FIGURE 1-12. DRIVE HUB ASSEMBLY (4WD REAR WITH 2WS AND 4WD FRONT AND REAR WITH 4WS)



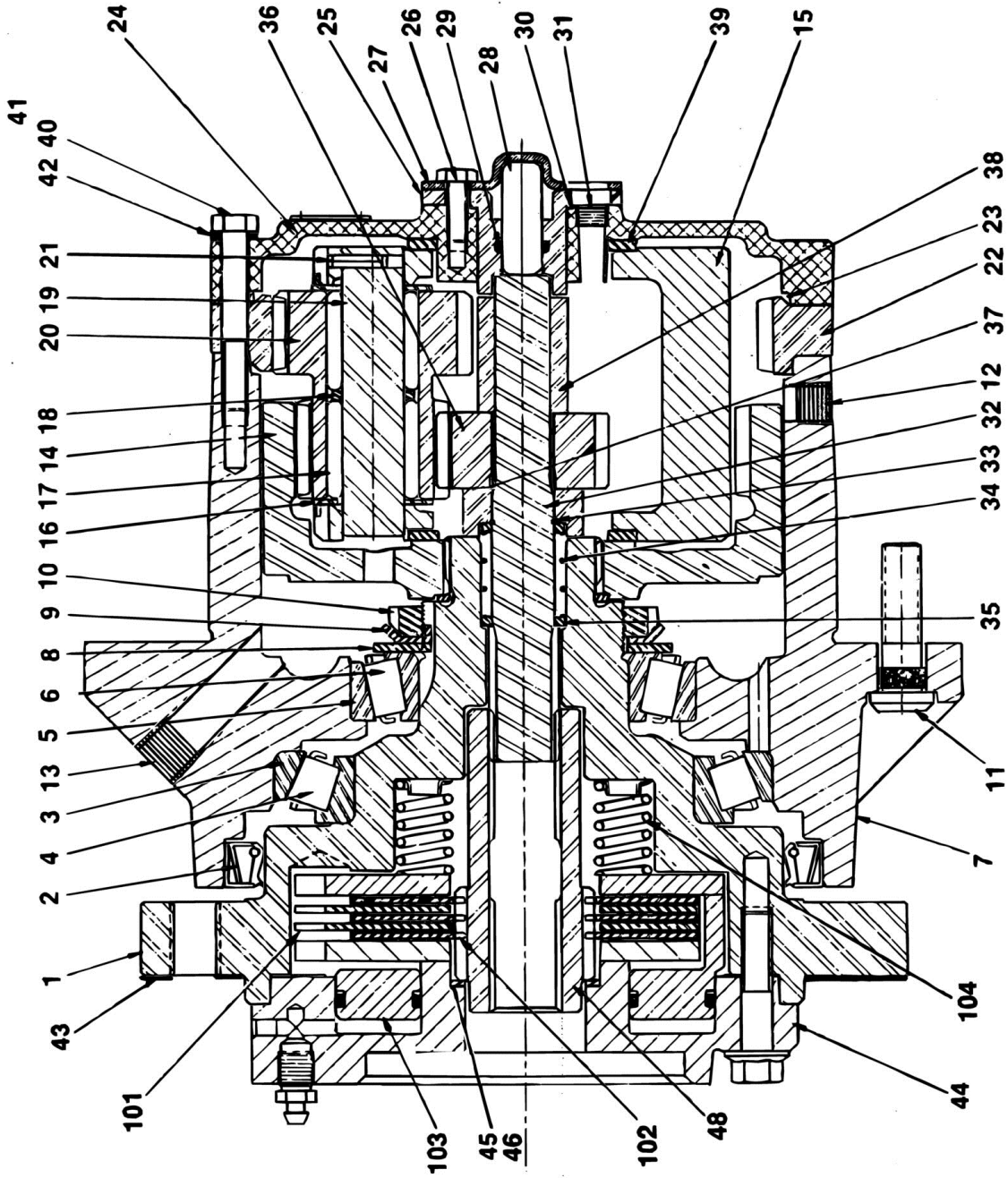
SECTION 1 - FRAME

FIGURE 1-12. DRIVE HUB ASSEMBLY (4WD REAR WITH 2WS AND 4WD FRONT AND REAR WITH 4WS)

ITEM	PART NUMBER	QTY	DESCRIPTION	REV
	2780170	Ref	DRIVE HUB ASSEMBLY (4WD REAR WITH 2WS AND 4WD FRONT AND REAR WITH 4WS)	-
	70001111	1	Cover Assembly (was p/n 7001989)	
1	70001111	1	Cap, Disconnect (was p/n 7000211)	
2	7000220	2	Bolt, Hex Head	
3	70001111	1	Rod, Disconnect (was p/n 7000212)	
4	70001111	1	Cap, Cover (was p/n 7000227)	
5	7000220	2	Bolt, Hex Head	
6	7000215	1	O-Ring	
7	7000213	1	O-Ring	
8	7000243	1	Plug, Pipe	
9	70001111	1	Cover (was p/n 7000226)	
10	7000217	12	Bolt, Hex Head	
11	7000214	4	Bolt, Hex Head - Shoulder	
12	4751500	16	Flatwasher	
13	7000230	2	O-Ring	
14	7001988	1	Gear, Ring	
15	7000253	2	Washer, Thrust	
16	7001984	1	Planet Carrier Assembly	
16	7001931	1	Carrier	
16	7001985	6	Washer, Thrust	
16	7001909	96	Bearing, Needle Roller	
16	7000263	3	Spacer	
16	7001911	3	Shaft, Planet	
16	7001987	3	Gear, Cluster	
16	7001913	3	Rollpin	
17	7001990	1	Gear, Input	
18	7000252	1	Spacer, Sun Gear	
	7000250	1	Input Shaft Assembly	
19	7000260	1	Shaft, Input	
20	7000261	1	Ring, Retaining	
21	7000263	2	Spacer	
22	7000262	1	Spring	
23	7000246	1	Gear, Stationary Internal	
		Ref	Hub Assembly	
24	7000229	1	Ring, Retaining	
25	7000232	1	Spacer	
26	7000257	1	Bearing, Tapered Roller	
27	7000258	1	Cone, Bearing	
28	7007601	1	Hub	
29	7000242	1	Plug, Pipe	
30	7007697	9	Stud, Wheel	
31	Kit	1	Cone, Bearing	
32	Kit	1	Bearing, Tapered Roller	
33	7001998	1	Seal	
34	7001997	1	Spindle	
35	7000206	1	Coupling, Input	
	7010429	1	Bearing Kit (Includes Items 31 & 32)	

SECTION 1 - FRAME

FIGURE 1-13. DRIVE HUB/BRAKE ASSEMBLY



SECTION 1 - FRAME

FIGURE 1-13. DRIVE HUB/BRAKE ASSEMBLY

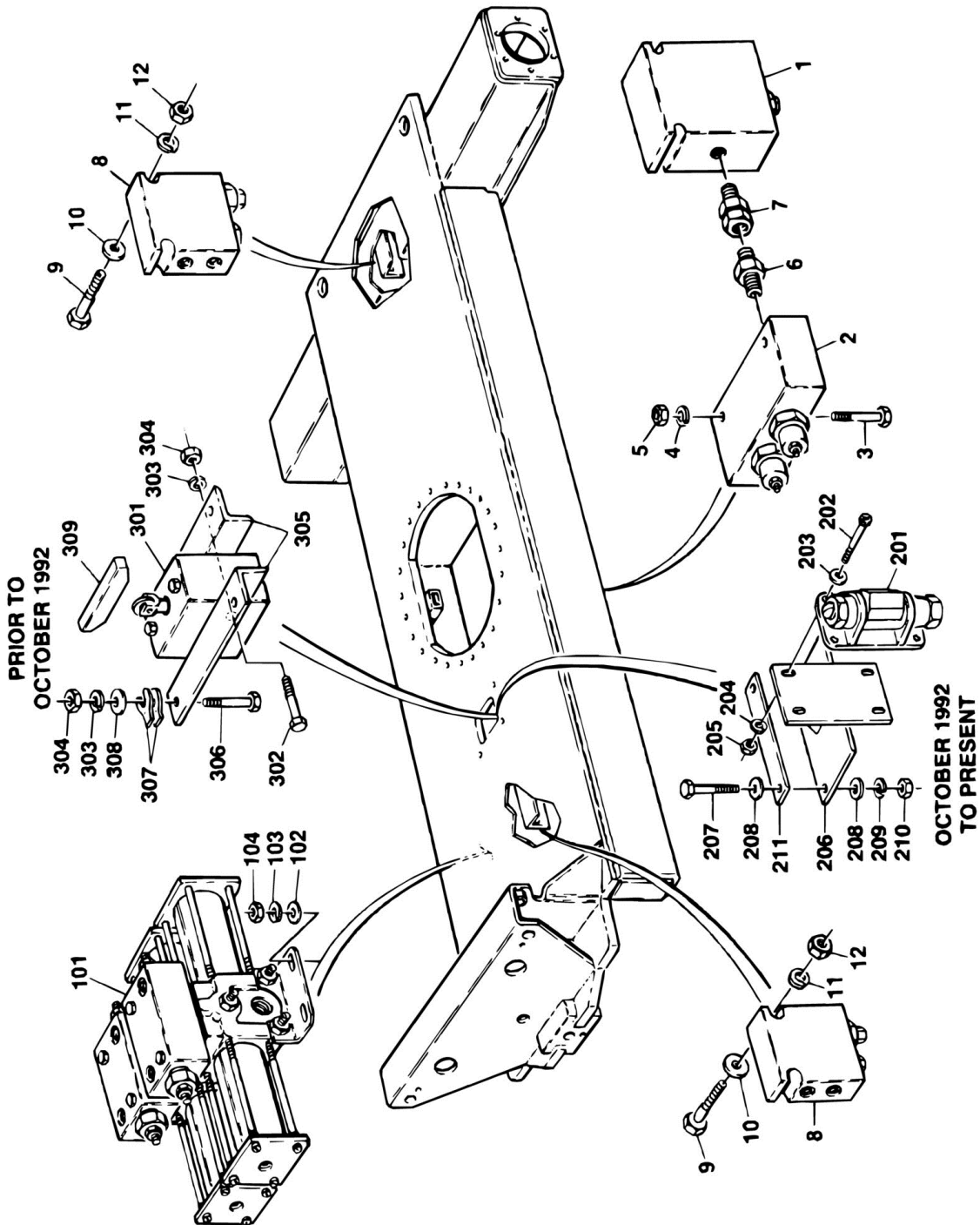
ITEM	PART NUMBER	QTY	DESCRIPTION	REV
	2780151	Ref	DRIVE HUB/BRAKE ASSEMBLY (4WD/2WS FRONT ONLY BUILT PRIOR TO FEBRUARY 1992)	A
	2780192	Ref	DRIVE HUB/BRAKE ASSEMBLY (4WD/2WS FRONT ONLY BUILT FEBRUARY 1992 TO PRESENT)	-
1	Not Available	Ref NLA	Hub/Spindle Assembly Spindle (No Longer Available Due to Changes in Spindle Machining to Accommodate New Brake - Must Purchase Spindle/Brake Assembly)	
2	Kit	1	Seal	
3	7007683	1	Cup, Bearing	
4	7007684	1	Cone, Bearing	
5	7007685	1	Cup, Bearing	
6	7007686	1	Cone, Bearing	
7	7007687	1	Hub	
8	7007688	1	Washer, Tongued	
9	7007689	1	Lockwasher	
10	7007690	1	Locknut	
11	7000241	9	Stud	
12	7000242	2	Plug, Pipe	
13	7007617	2	Plug, Magnetic	
14	7007691	1	Gear, Internal	
14	7001984	1	Carrier Assembly	
15	7001931	1	Carrier	
16	7001985	6	Washer, Thrust	
17	7001909	96	Roller, Needle	
18	7000263	3	Spacer	
19	7001911	3	Shaft, Planet	
20	7001987	3	Gear, Cluster	
21	7001913	3	Pin, Roll (2780151 Hub)	
21	7010474	3	Pin, Roll (2780192 Hub)	
22	7001988	1	Gear, Ring	
23	Kit	2	O-Ring	
23	70001111	1	Cover Assembly (was p/n 7001989)	
24	70001111	1	Cover (was p/n 7000226)	
25	70001111	1	Cap, Cover (was p/n 7000227)	
26	7000220	4	Bolt	
27	70001111	1	Cap, Disconnect (was p/n 7000211)	
28	70001111	1	Rod, Disconnect (was p/n 7000212)	
29	Kit	1	O-Ring	
30	Kit	1	O-Ring	
31	7000243	1	Plug, Pipe	
	7000250	1	Input Shaft Assembly	
32	7000260	1	Shaft, Input	
33	7000261	1	Ring, Retaining	
34	7000262	1	Spring	
35	7000263	2	Spacer	
36	7001990	1	Gear, Input	
37	7000252	1	Spacer, Thrust (2780151 Hub)	
37	7007653	1	Spacer, Thrust (2780192 Hub)	
39	7000253	2	Washer, Thrust	

SECTION 1 - FRAME

ITEM	PART NUMBER	QTY	DESCRIPTION	REV
40	7000217	12	Bolt	
41	7000214	4	Bolt, Shoulder	
42	7007603	16	Flatwasher	
43	7007692	1	Gasket	
44	7010453	1	Brake Assembly (2780151 Hub Model W1BJ4Y349)	
44	7010452	1	Brake Assembly (2780151 Hub Model W1BJ4U349)	
44	7010473	1	Brake Assembly (2780192 Hub)	
45	7001922	1	Washer, Thrust	
46	7010459	1	Ring, Retaining	
48	7010455	1	Coupling (2780151 Hub)	
48	7010470	1	Coupling (2780192 Hub)	
	2900754	1	Seal Kit - Hub (Includes Items 2, 23, 29, 30, 43)	
	7010453	Ref	BRAKE ASSEMBLY (2780151 HUB MODEL W1BJ4Y349)	
	7010452	Ref	BRAKE ASSEMBLY (2780151 HUB MODEL W1BJ4U349)	
101	7003087	2	Disc, Stationary	
102	7003089	3	Disc, Rotating	
103	7003088	1	Piston	
104	Not Serviced	10	Spring	
	2900755	1	Seal Kit - Brake (Includes Piston Rings and Gaskets)	
	7010473	Ref	BRAKE ASSEMBLY (2780192 HUB)	
101	Kit	7	Disc, Stationary	
102	Kit	6	Disc, Rotating	
103	Kit	1	Piston	
104	Kit	8	Spring	
	7010475	1	Brake Lining Repair Kit (Includes Items 101, 102 & 5 O-Rings)	
	7010476	1	Brake O-Ring Kit (Includes all 5 O-Rings)	
	7010477	1	Brake Spring Kit (Includes Item 104 and Cover O-Ring)	
	7010478	1	Piston Repair Kit (Includes Item 103 and All 5 O-Rings)	

SECTION 1 - FRAME

FIGURE 1-14. VALVES INSTALLATION (FRAME MOUNTED)



SECTION 1 - FRAME

FIGURE 1-14. VALVES INSTALLATION (FRAME MOUNTED)

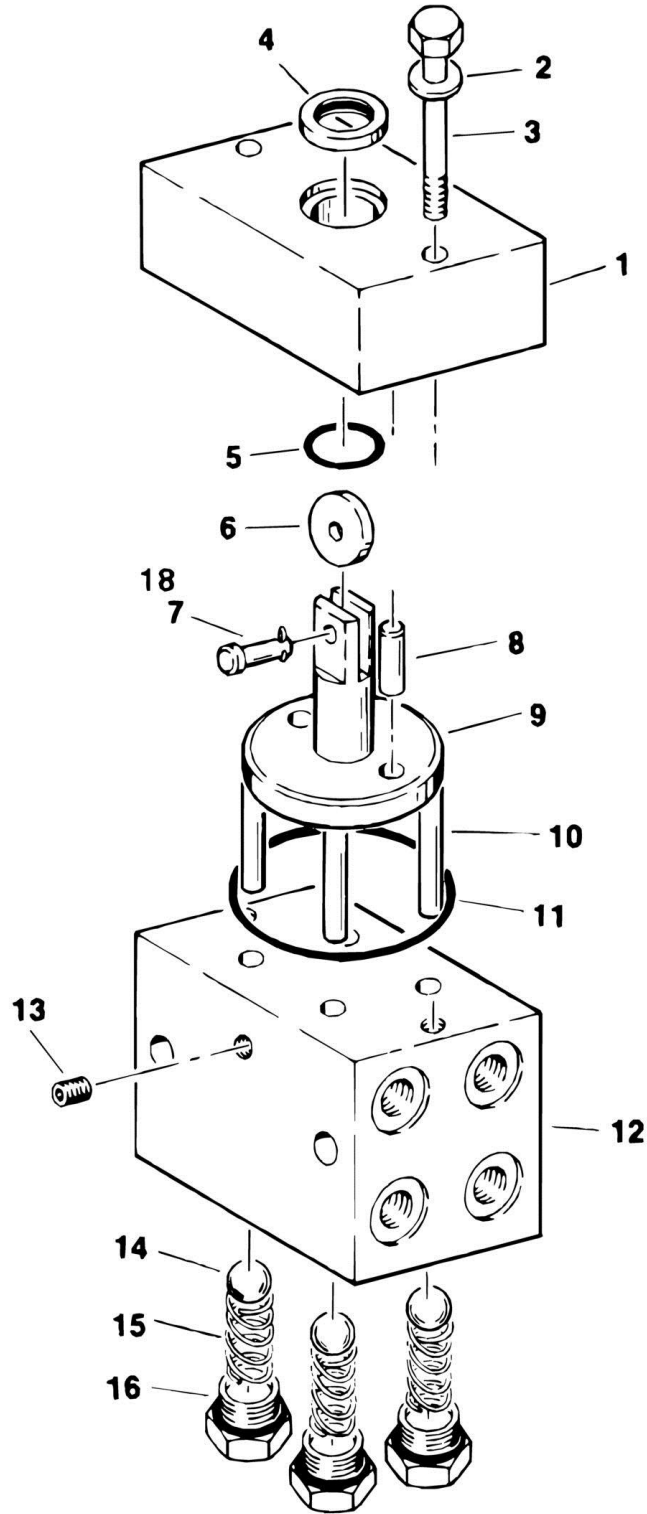
ITEM	PART NUMBER	QTY	DESCRIPTION	REV
		Ref	VALVES INSTALLATION (FRAME MOUNTED	
	0239523	Ref	COUNTERBALANCE AND FLOW DIVIDER INSTALLATION - 2WD	-
	0251000	Ref	COUNTERBALANCE AND FLOW DIVIDER INSTALLATION - 4WD	C
1	4640260	1	Valve, Flow Divider	
1		Ref	Cartridge (Vickers/Modular Controls Version)	
1	7009739	1	Seal Kit (Vickers/Modular Controls Version)	
1	7007321	1	Cartridge (Fluid Controls Version)	
1	7007323	1	Seal Kit (Fluid Controls Version)	
2	4640451	1	Valve, Counterbalance (2WD)	
2	7010630	2	Cartridge	
2	7011317	2	Seal Kit	
2	4640682	1	Valve, Counterbalance (4WD)	
2	7011316	2	Cartridge	
2	7011317	2	Seal Kit	
3	0641626	2	Bolt 3/8in-16NC x 3 1/4in	
4	4761600	2	Lockwasher 3/8in	
5	3311601	2	Nut 3/8in-16NC	
6	2220061	1	Fitting, Adapter (2WD)	
6	2220844	1	Fitting, Adapter (4WD)	
7	2220377	1	Fitting	
8	4640671	2	Valve, Flow Divider (4WD Only)	
8	7010510	1	Cartridge (Vickers/Modular Controls Version)	
8	7009739	1	Seal Kit (Vickers/Modular Controls Version)	
8	70003445	1	Cartridge (Fluid Controls Version) (was p/n 7007322)	
8	See Note	1	Seal Kit (Fluid Controls Version) (was p/n 7007373) (Note: No Longer Available)	
9	0641522	2	Bolt 5/16in-18NC x 2 3/4in	
10	4751500	2	Flatwasher 5/16in	
11	4761500	2	Lockwasher 5/16in	
12	3311501	2	Nut 5/16in-18NC	
	0251546	Ref	CONTROL VALVE INSTALLATION (4WS WITHOUT ROTATE)	D
	0251547	Ref	CONTROL VALVE INSTALLATION (4WS WITH ROTATE)	D
101	4640684	1	Control Valve Assembly - Bang-Bang 2 Section (See CONTROL VALVE ASSEMBLY - 2 SECTION BANG-BANG for Breakdown)	
102	3311501	4	Nut 5/16in-18NC	
103	4761500	4	Lockwasher 5/16in	
104	4751500	4	Flatwasher 5/16in	
104	4300038	4	Stud (Welded on Part)	
	0251310	Ref	OSCILLATION LOCKOUT VALVE INSTALLATION (MACHINES WITH OSCILLATING AXLE BUILT OCTOBER 1992 TO PRESENT)	D
201	4640668	1	Valve, Lockout	
201	7012516	1	Repair Kit	
202	3931016	4	Bolt, Socket Head #10-24NC x 1in	
203	4751000	4	Flatwasher #10	
204	4761000	4	Lockwasher #10-24NC	
205	3311001	4	Nut #10-24NC	
206	4843742	1	Plate, Mounting	
207	0641620	2	Bolt 3/8in-16NC x 2 1/2in	

SECTION 1 - FRAME

ITEM	PART NUMBER	QTY	DESCRIPTION	REV
208	4751600	2	Flatwasher 3/8in	C
209	4761600	2	Lockwasher 3/8in	
210	3311601	2	Nut 3/8in-16NC	
211	3534778	1	Spacer	
	0238908	Ref	OSCILLATION LOCKOUT VALVE INSTALLATION (MACHINES WITH OSCILLATING AXLE BUILT PRIOR TO OCTOBER 1992)	
301	4640485	1	Valve, Lockout (See LOCKOUT VALVE ASSEMBLY for Breakdown)	
302	0641634	2	Bolt 3/8in-16NC x 4 1/4in	
303	4761600	6	Lockwasher 3/8in	
304	3311601	6	Nut 3/8in-16NC	
305	0181333	2	Angle, Mounting	
306	0641622	4	Bolt 3/8in-16NC x 2 3/4in	
307	4070410	AR	Shim 1/16in	
307	4070411	AR	Shim 1/8in	
307	4070412	AR	Shim 3/16in	
308	4751600	4	Flatwasher 3/8in	
309	1100041	1	Cam (Weld to Turntable) (When Equipped)	

SECTION 1 - FRAME

FIGURE 1-15. LOCKOUT VALVE ASSEMBLY (PRIOR TO OCTOBER 1992 ONLY)



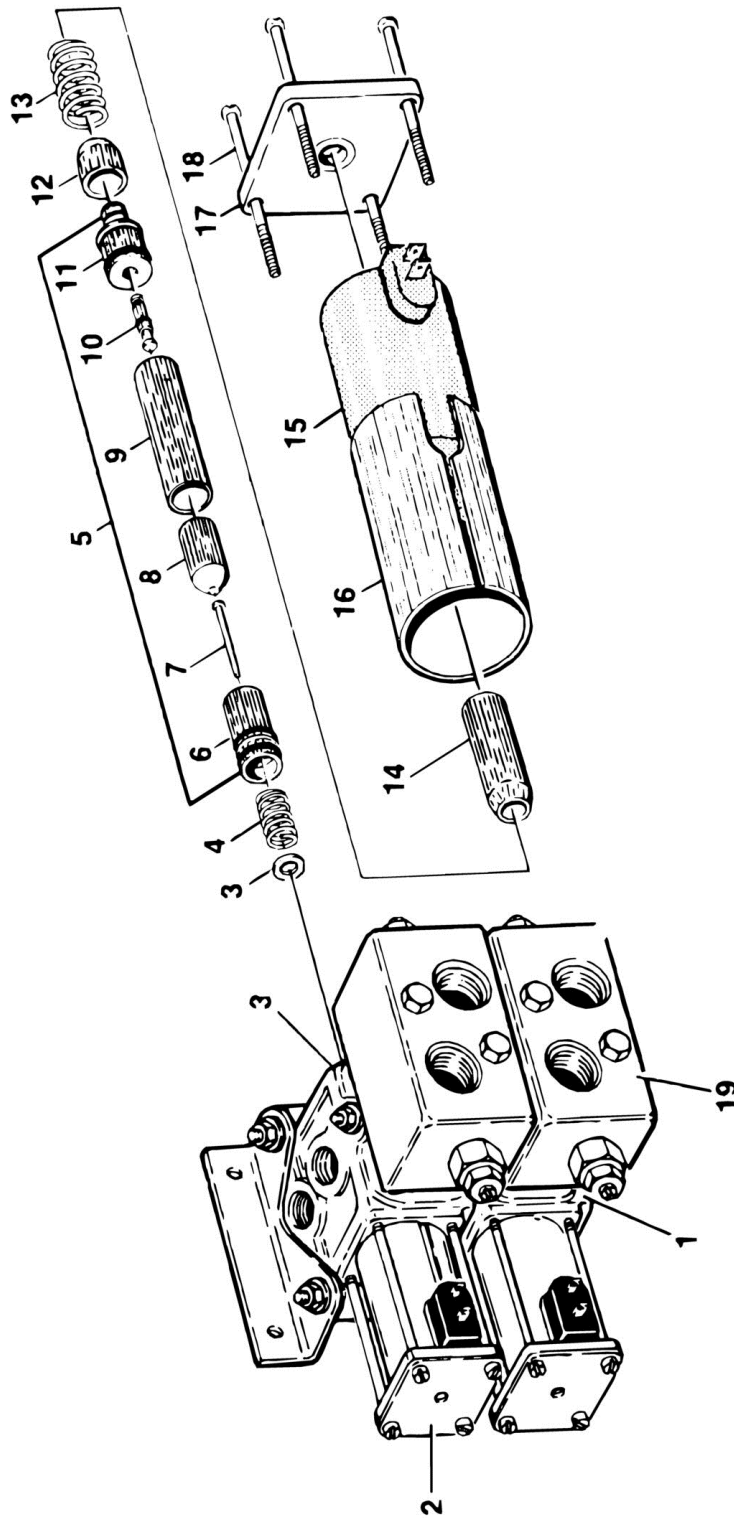
SECTION 1 - FRAME

FIGURE 1-15. LOCKOUT VALVE ASSEMBLY (PRIOR TO OCTOBER 1992 ONLY)

ITEM	PART NUMBER	QTY	DESCRIPTION	REV
	4640485	Ref	LOCKOUT VALVE ASSEMBLY (PRIOR TO OCTOBER 1992 ONLY)	B
1	0560679	1	Block, Top Valve	
2	0641518	2	Bolt 5/16in-18NC x 2 1/4in	
3	4761500	2	Lockwasher 5/16in	
4	3960047	1	Seal, Rod	
5	3790116	1	O-Ring	
6	3860037	1	Roller, Cam	
7	3430407	1	Clevis Pin	
8	3421284	2	Pin	
9	3840833	1	Plunger, Rod	
10	3840854	4	Rod	
11	3790231	1	O-Ring	
12	0560467	1	Block, Bottom Valve	
13	2200222	1	Plug	
14	0320008	4	Ball	
15	4160078	4	Spring	
16	2180658	4	Plug	
17	0100011	AR	Loctite (Not Shown)	
18	3450203	1	Pin, Cotter	

SECTION 1 - FRAME

FIGURE 1-16. CONTROL VALVE ASSEMBLY - 2 SECTION BANG-BANG



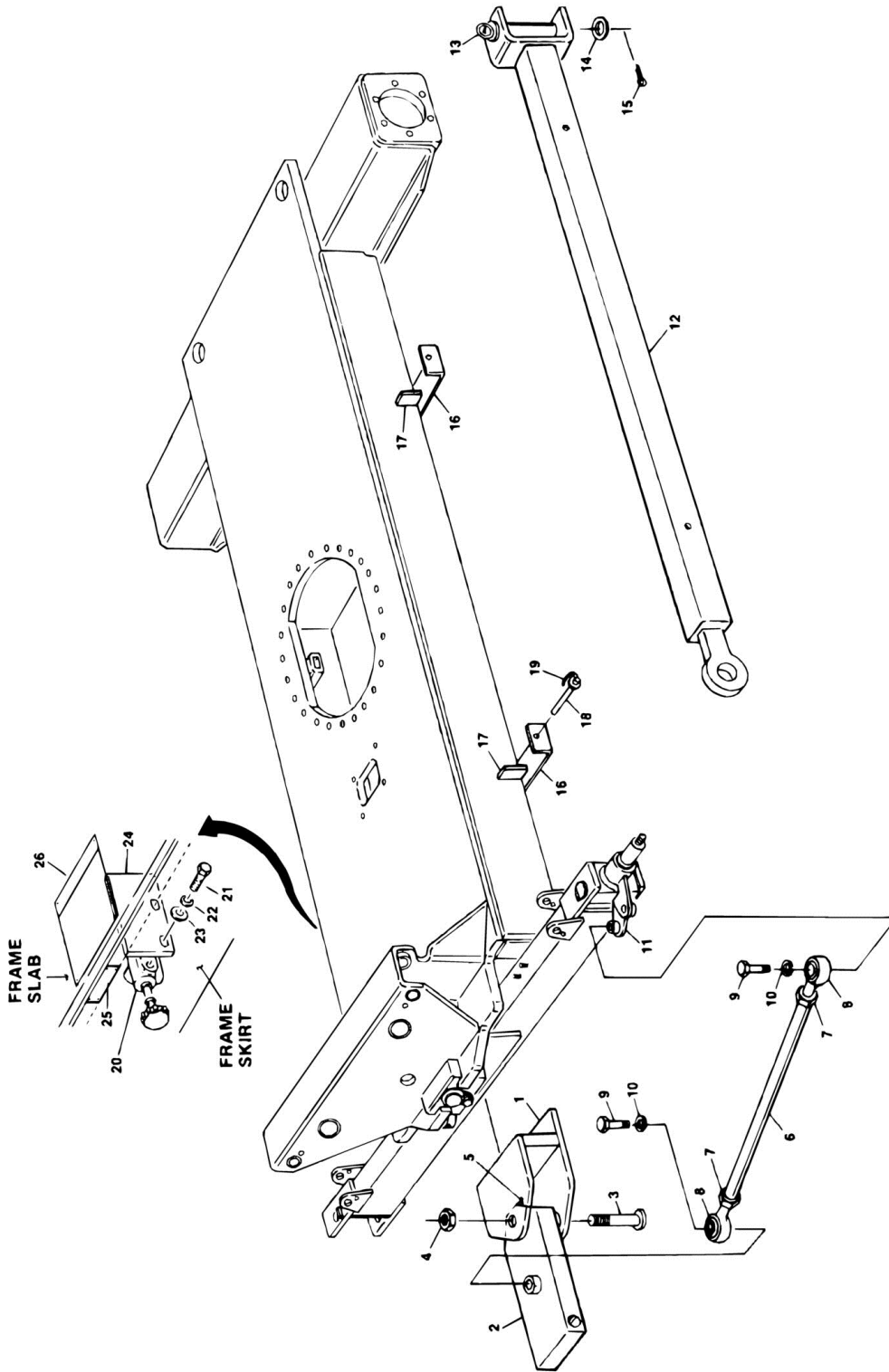
SECTION 1 - FRAME

FIGURE 1-16. CONTROL VALVE ASSEMBLY - 2 SECTION BANG-BANG

ITEM	PART NUMBER	QTY	DESCRIPTION	REV
	4640684	Ref	CONTROL VALVE ASSEMBLY - 2 SECTION BANG-BANG	-
1	7002315	2	Steer Section - Complete (Front and Rear)	
2	7004859	2	Solenoid Assembly	
3	7002274	1	Washer	
4	7002348	1	Spring	
5	7002305	1	Guide Tube Assembly	
6	7002345	1	Cone, Female	
6	Kit	1	O-Ring	
6	Kit	1	O-Ring	
7	7002346	1	Pin, Push	
8	7002344	1	Plunger	
9	7000470	1	Tube, Guide	
10	7002341	1	Pin, Actuator	
10	Kit	1	Ring, Quad	
11	7002340	1	Guide, External Push Pln	
11	Kit	1	O-Ring	
12	7002333	1	Sleeve, Inner Flux	
13	7002334	1	Spring	
14	7002336	1	Sleeve, Outer Flux	
15	7000418	1	Coil	
16	7002335	1	Case, Solenoid	
17	7002338	1	Plate, End	
17	7002327	1	Nameplate	
18	7002339	4	Screw	
19	7000468	1	Crossover Relief Valve Assembly (Due to various suppliers, internal components are no longer field serviceable)	
	7000414	2	Seal Kit - Working Section	

SECTION 1 - FRAME

FIGURE 1-17. TOW INSTALLATION



SECTION 1 - FRAME

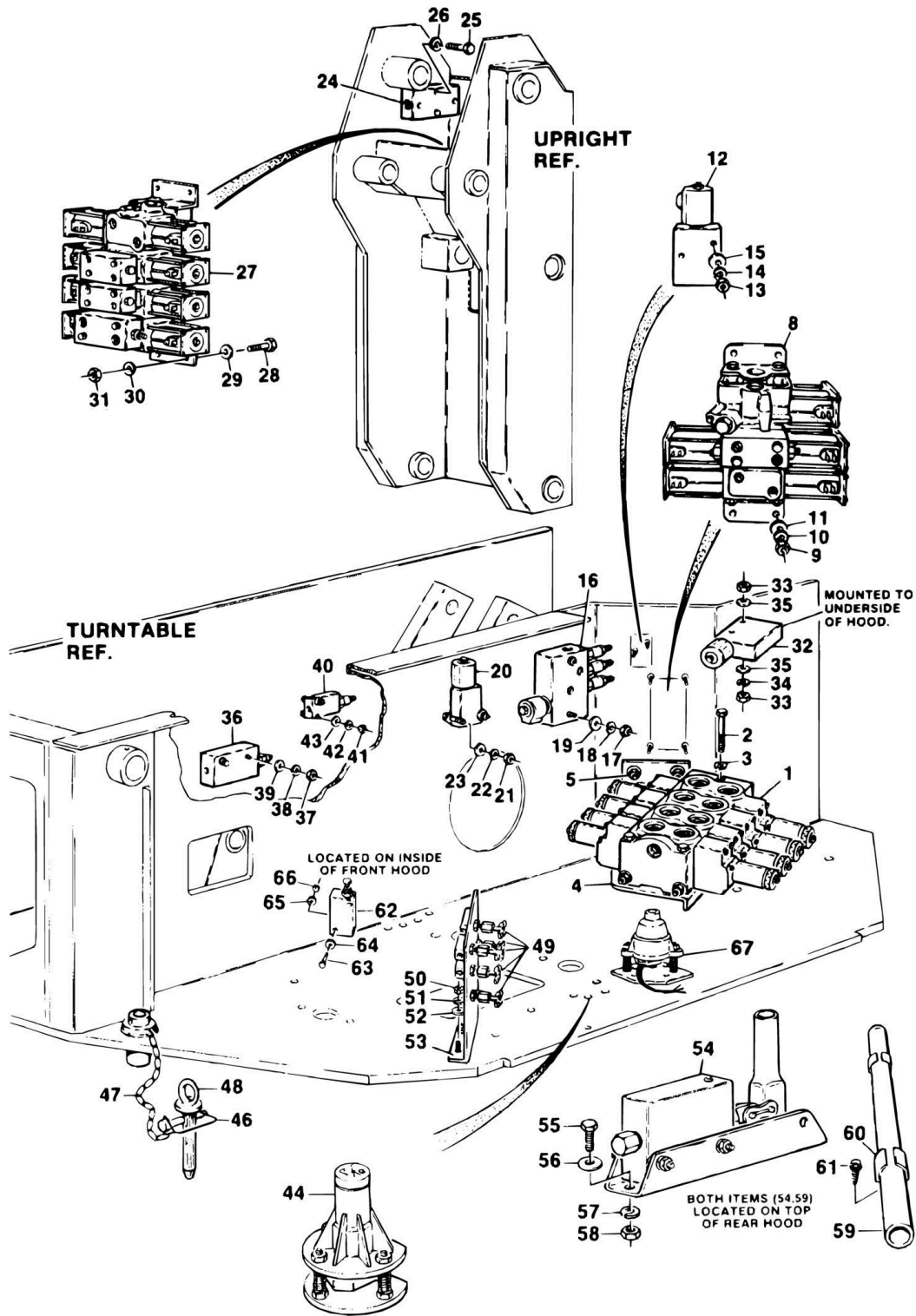
FIGURE 1-17. TOW INSTALLATION

ITEM	PART NUMBER	QTY	DESCRIPTION	REV
	0239990	Ref	TOW INSTALLATION (2WD/2WS)	D
	0250673	Ref	TOW INSTALLATION (4WD/2WS)	D
	0254389	Ref	TOW INSTALLATION (2WD/4WS)	A
1	4843481	1	Mount Weldment - Hitch (Welded on Part) (2WD)	
1	4843566	1	Mount Weldment - Hitch (Welded on Part) (4WD)	
1	2551279	2	Gusset (4WD Only)	
1	0361852	2	Bar, Support (4WD Only)	
2	2620032	1	Hitch, Tow	
3	3421151	1	Pin	
4	3323002	1	Nut, Jam 1 1/4in-12NF	
4	2880410	1	Keystock 1/4in Sq. X. 1 1/4in (Welded on Part)	
5	2160001	1	Fitting, Grease	
6	3840643	1	Tie-Rod (2WD)	
6	3841048	1	Tie-Rod (4WD)	
7	3323002	2	Nut, Jam 1 1/4in-12NF	
8	1660114	2	End, Toe-Rod	
9	0642628	1	Bolt 1in-8NC x 3 1/2in	
10	4762600	1	Lockwasher 1in	
11	3040293	1	Lug, Spindle (Welded on Part) (2WD)	
11	3040382	1	Lug, Spindle (Welded on Part) (4WD)	
12	0253413	1	Tow Bar Assembly	-
13	3420477	1	Pin, Towing	
14	4740036	1	Flatwasher, Special	
15	3420372	1	Hairpin	
16	3533498	2	Bracket, Storage	
17	3507049	2	Bar	
18	3420292	2	Pin, Quick Release	
19	1260017	2	Chain	
20	4640261	1	Valve, Select	
21	0641507	2	Bolt 5/16in-18NC x 3/4in	
22	4761500	2	Lockwasher 5/16in	
23	4751500	2	Flatwasher 5/16in	
24	0900479	1	Bracket, Mounting - Valve	
25	3250872	1	Nameplate - Tow Select	
25	3820001	4	Rivet	
26	3250840	1	Nameplate - Tow Instructions (Prior to May 1994)	
26	1702305	1	Nameplate - Tow Instructions (May 1994 to Present)	
26	3820001	4	Rivet	

SECTION 2 - TURNTABLE

SECTION 2 - TURNTABLE

FIGURE 2-1. CONTROL VALVES INSTALLATION



SECTION 2 - TURNTABLE

FIGURE 2-1. CONTROL VALVES INSTALLATION

ITEM	PART NUMBER	QTY	DESCRIPTION	REV
	0239536	Ref	CONTROL VALVES INSTALLATION (WITHOUT ROTATE)	C
	0239535	Ref	CONTROL VALVES INSTALLATION (WITH ROTATE)	C
	0250215	Ref	VALVE BRACKET INSTALLATION	-
		Ref	NOTE: ABOVE INSTALLATIONS ARE USED ON MACHINES WITH SN'S UP TO 12670 & 12676-12678, 12681, 12686-12688,12691-12699, 12812-12817, 12819, 12821 & 12823.	-
	0250282	Ref	CONTROL VALVES INSTALLATION (WITHOUT ROTATE AND WITHOUT 4WS) (PRIOR TO FEBRUARY 1991)	B
	0251410	Ref	CONTROL VALVES INSTALLATION (WITHOUT ROTATE AND WITHOUT 4WS) (FEBRUARY 1991 TO PRESENT)	D
	0251546	Ref	CONTROL VALVES INSTALLATION (WITHOUT ROTATE AND WITH 4WS)	D
	0250281	Ref	CONTROL VALVES INSTALLATION (WITH ROTATE AND WITHOUT 4WS) (PRIOR TO FEBRUARY 1991)	B
	0251411	Ref	CONTROL VALVES INSTALLATION (WITH ROTATE AND WITHOUT 4WS) (FEBRUARY 1991 TO PRESENT)	D
	0251547	Ref	CONTROL VALVES INSTALLATION (WITH ROTATE AND WITH 4Ws)	D
		Ref	Note: Above Installations are used on machines with sn's 12671-12675, 12679, 12680, 12689, 12690, 12811, 12818, 12820, 12822, 12824 and up.	
1	4640554	1	Valve, Assembly - 4 Section (Vickers) (Prior to October 1994) (See CONTROL VALVE ASSEMBLY (VICKERS) (PRIOR TO OCTOBER 1994) for Breakdown)	
1	4640914	1	Valve, Assembly - 4 Section (Vickers) (October 1994 to Present) (See CONTROL VALVE ASSEMBLY (VICKERS) (PRIOR TO OCTOBER 1994) for Breakdown)	
2	0641708	3	Bolt 7/16in-14NC x 1in	
3	4761700	3	Lockwasher 7/16in	
4	0901616	1	Bracket	
5	3311601	2	Nut 3/8in-16NC	
5	4761600	2	Lockwasher 3/8in	
5	4751600	2	Flatwasher 3/8in	
5	4300034	2	Stud (Welded on Part)	
8	4640578	1	3 Section Valve Assembly - Bang-Bang (2WS) (Prior to June 1995) (See CONTROL VALVE ASSEMBLY - 3 SECTION BANG-BANG for Breakdown)	
8	4640942	1	3 Section Valve Assembly - Bang-Bang (2WS) (June 1995 to Present) (See CONTROL VALVE ASSEMBLY - 3 SECTION BANG-BANG (JUNE 1995 TO PRESENT) for Breakdown)	
8	4640249	1	2 Section Valve Assembly - Bang-Bang (4WS) (Prior to September 1995) (See CONTROL VALVE ASSEMBLY - 3 SECTION BANG-BANG for Breakdown)	
8	4640945	1	2 Section Valve Assembly - Bang-Bang (4WS) (September 1995 to Present) (See CONTROL VALVE ASSEMBLY - 3 SECTION BANG-BANG (JUNE 1995 TO PRESENT) for Breakdown)	
9	3311501	4	Nut 5/16in-18NC	
10	4761500	4	Lockwasher 5/16in	
11	4751500	4	Flatwasher 5/16in	
11	4300038	4	Stud (Welded on Part)	
12	4640123	1	Valve, Solenoid - Selector	
12	7006075	1	Seal Kit (FPS Version)	
12	7012518	1	Seal Kit (Hydraforce Version)	
12	7000558	1	Coil (FPS Version)	

SECTION 2 - TURNTABLE

ITEM	PART NUMBER	QTY	DESCRIPTION	REV
12	7004368	1	Coil (Hydraforce Version)	
13	3311401	2	Nut 1/4in-20NC	
14	4761400	2	Lockwasher 1/4in	
15	4751400	2	Flatwasher 1/4in	
16		Ref	Accessory Valve Options: (See ACCESSORY VALVE ASSEMBLY for Breakdown)	
16	4640580	1	Valve (Prior to September 1991)	
16	4640716	1	Valve (September 1991 to Present)	
17	3311501	4	Nut 5/16in-18NC	
18	4761500	2	Lockwasher 5/16in	
19	4751500	2	Flatwasher 5/16in	
19	0641528	2	Bolt 5/16in-18NC x 3 1/2in	
20	4640543	1	Valve, Solenoid (Upright Level Blocking Valve)	
20	7009745	1	Coil, Solenoid (Vickers/Modular Controls Version)	
20	7004368	1	Coil, Solenoid (Hydrafore Version)	
21	3311401	4	Nut 1/4in-20NC	
22	4761400	2	Lockwasher 1/4in	
23	4751400	4	Flatwasher 1/4in	
23	4300042	2	Stud (Welded on Part)	
24	4640150	1	Valve, Check	
25	0641514	2	Bolt 5/16in-18NC x 1 3/4in	
26	4761500	2	Lockwasher 5/16in	
27	4640585	1	3 Section Valve Assembly - Bang-Bang (Without Rotator) (Prior to February 1991) (See CONTROL VALVE ASSEMBLY - 3 & 4 SECTION BANG-BANG for Breakdown)	
27	4640681	1	3 Section Valve Assembly - Bang-Bang (Without Rotator) (February 1991 to Present) (See CONTROL VALVE ASSEMBLY - 3 & 4 SECTION BANG-BANG for Breakdown)	
27	4640577	1	4 Section Valve Assembly - Bang-Bang (With Rotator) (Prior to February 1991) (See CONTROL VALVE ASSEMBLY - 3 & 4 SECTION BANG-BANG for Breakdown)	
27	4640680	1	4 Section Valve Assembly - Bang-Bang (With Rotator) (February 1991 to Present) (See CONTROL VALVE ASSEMBLY - 3 & 4 SECTION BANG-BANG for Breakdown)	
28	0641610	4	Bolt 3/8in-16NC x 1 1/4in	
29	4751600	4	Flatwasher 3/8in	
30	4761600	4	Lockwasher 3/8in	
31	3311601	4	Nut 3/8in-16NC	
32	4640360	1	Valve, Solenoid Dump (Pump Volume)	
32	7003647	1	Coil (Vickers/Modular Controls Version)	
32	7004368	1	Coil (Hydraforce Version)	
32	7003634	1	Cartridge with Coil (Vickers/Modular Controls Version)	
32	7004289	1	Cartridge Without Coil (Vickers/Modular Controls Version)	
32	7010635	1	Cartridge without Coil (Hydraforce Version)	
32	7003635	1	Cartridge, Check Valve (Vickers/Modular Controls Version)	
32	7010637	1	Seal Kit (Hydraforce Version)	
33	3311501	4	Nut 5/16in-18NC	
34	4761500	2	Lockwasher 5/16in	
35	4751500	4	Flatwasher 5/16in	
35	4300033	2	Stud (Welded on Part)	
36	4640603	1	Valve, Pilot Operated Relief	
36	2900770	1	Seal Kit	
37	3311401	2	Nut 1/4in-20NC	

SECTION 2 - TURNTABLE

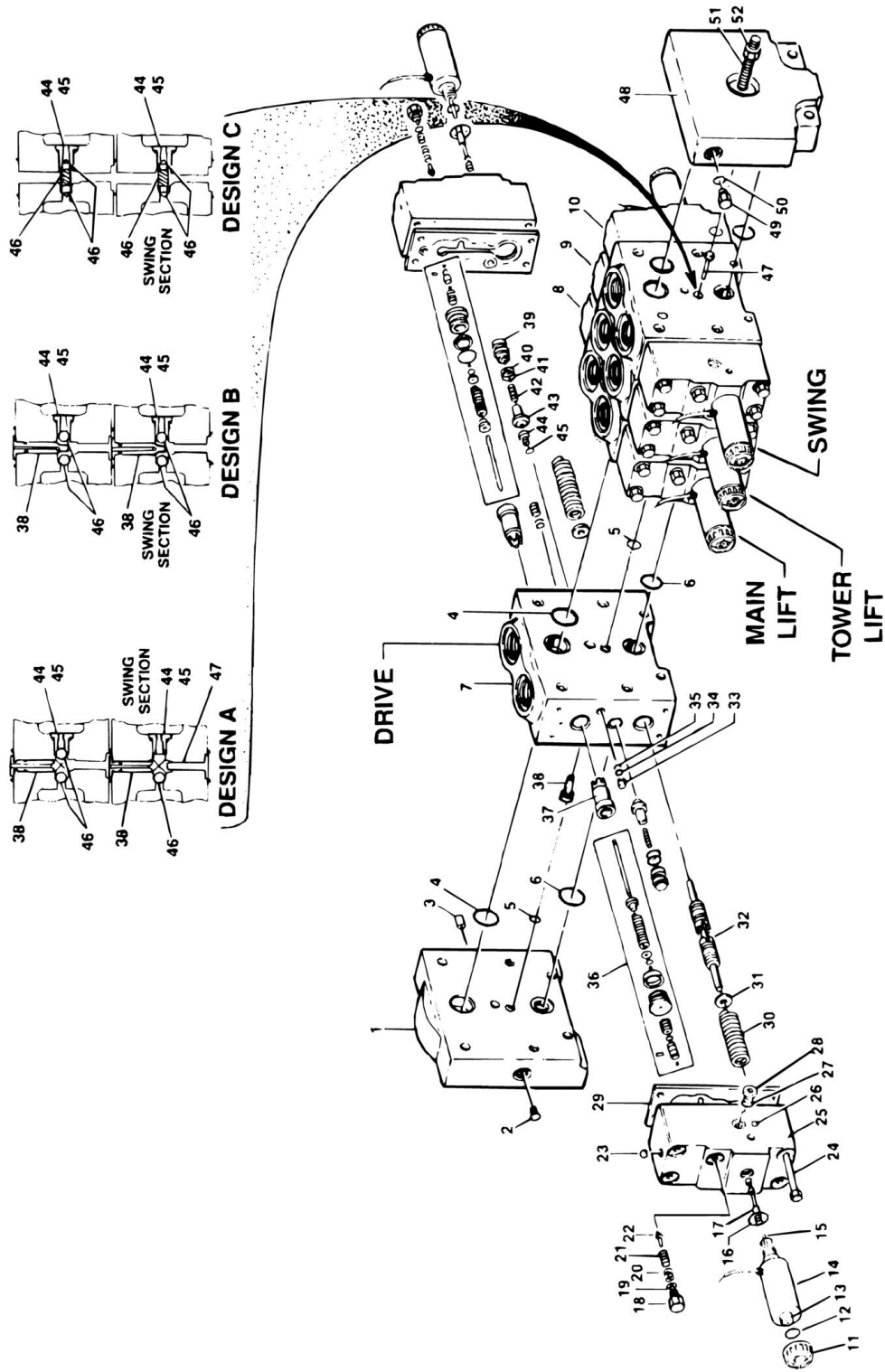
ITEM	PART NUMBER	QTY	DESCRIPTION	REV
38	4761400	2	Lockwasher 1/4in	
39	4751400	2	Flatwasher 1/4in	
39	4300042	2	Stud (Welded on Part)	
40	4640626	1	Valve, Counterbalance	
40	7011339	1	Cartridge Valve	
40	2900770	1	Seal Kit	
41	3311401	2	Nut 1/4in-20NC	
42	4761400	2	Lockwasher 1/4in	
43	4751400	2	Flatwasher 1/4in	
43	4300042	2	Stud (Welded on Part)	
	0239586	Ref	5 TILT INDICATOR INSTALLATION	C
	0251119	Ref	3 TILT INDICATOR INSTALLATION	B
44	4360171	1	Sensor, Level - 5	
44	4360279	1	Sensor, Level - 3	
44	2820022	6 in	Tubing, Vinyl	
44	4300106	2	Stud, Grooved	
	0239585	Ref	TURNTABLE LOCK INSTALLATION	B
46	3421565	1	Pin, Snapper	
47	3421565	2	Pin, Quick Release	
47	1260017	9 in	Chain	
48	3421627	1	Pin, Lock	
	0251240	Ref	MANUAL DESCENT INSTALLATION - OPTIONAL (PRIOR TO SEPTEMBER 1992)	B
	0253167	Ref	MANUAL DESCENT INSTALLATION - OPTIONAL (SEPTEMBER 1992 TO PRESENT)	B
49	4640005	AR	Valve, Needle	
49	2900062	4	Valve, Kit	
50	0901732	1	Bracket	
51	3311601	2	Nut 3/8in-16NC	
52	4761600	2	Lockwasher 3/8in	
53	4751600	2	Flatwasher 3/8in	
53	4300034	2	Stud (Welded on Part)	
	1701428	1	Nametag - 1	
	1701426	1	Nametag - 3	
	1701463	1	Nametag - 4	
	1701462	1	Nametag - 5	
	1701778	1	Nametag - 6	
	0251415	Ref	HAND PUMP INSTALLATION (USE WITH OPTIONAL MANUAL DESCENT)	C
54	3600179	1	Pump, Manual with Handle (Includes Item 59)	
54	7016673	1	Pump, Manual - w/o Handle	
54	2900779	1	Seal Kit	
55	0641609	2	Bolt 3/8in-16NC x 1 1/8in	
56	4751600	2	Flatwasher 3/8in	
57	4761600	2	Lockwasher 3/8in	
58	3311601	2	Nut 3/8in-16NC	
59	7010652	1	Handle, Pump	
60	1380136	2	Clip, Gripper	
61	3941003	2	Screw, Self-Tapping #10	
62	4640603	1	Valve, Relief	
62	2900770		Seal Kit	
63	0641414	1	Bolt 1/4in-20NC x 1 3/4in	

SECTION 2 - TURNTABLE

ITEM	PART NUMBER	QTY	DESCRIPTION	REV
64	4751400	1	Flatwasher 1/4in	A
65	4761400	1	Lockwasher 1/4in	
66	3311401	1	Nut 1/4in-20NC	
	0255504	Ref	TILT INDICATOR INSTALLATION - 4WD BUILT AFTER JANUARY 1995 ONLY	
67	4360386	1	Sensor, Level - 8.5	
67	2820032	6 in/15cm	Tubing, Vinyl	
67	4300106	2	Stud, Grooved	

SECTION 2 - TURNTABLE

FIGURE 2-2. CONTROL VALVE ASSEMBLY (VICKERS) (PRIOR TO OCTOBER 1994)



SECTION 2 - TURNTABLE

FIGURE 2-2. CONTROL VALVE ASSEMBLY (VICKERS) (PRIOR TO OCTOBER 1994)

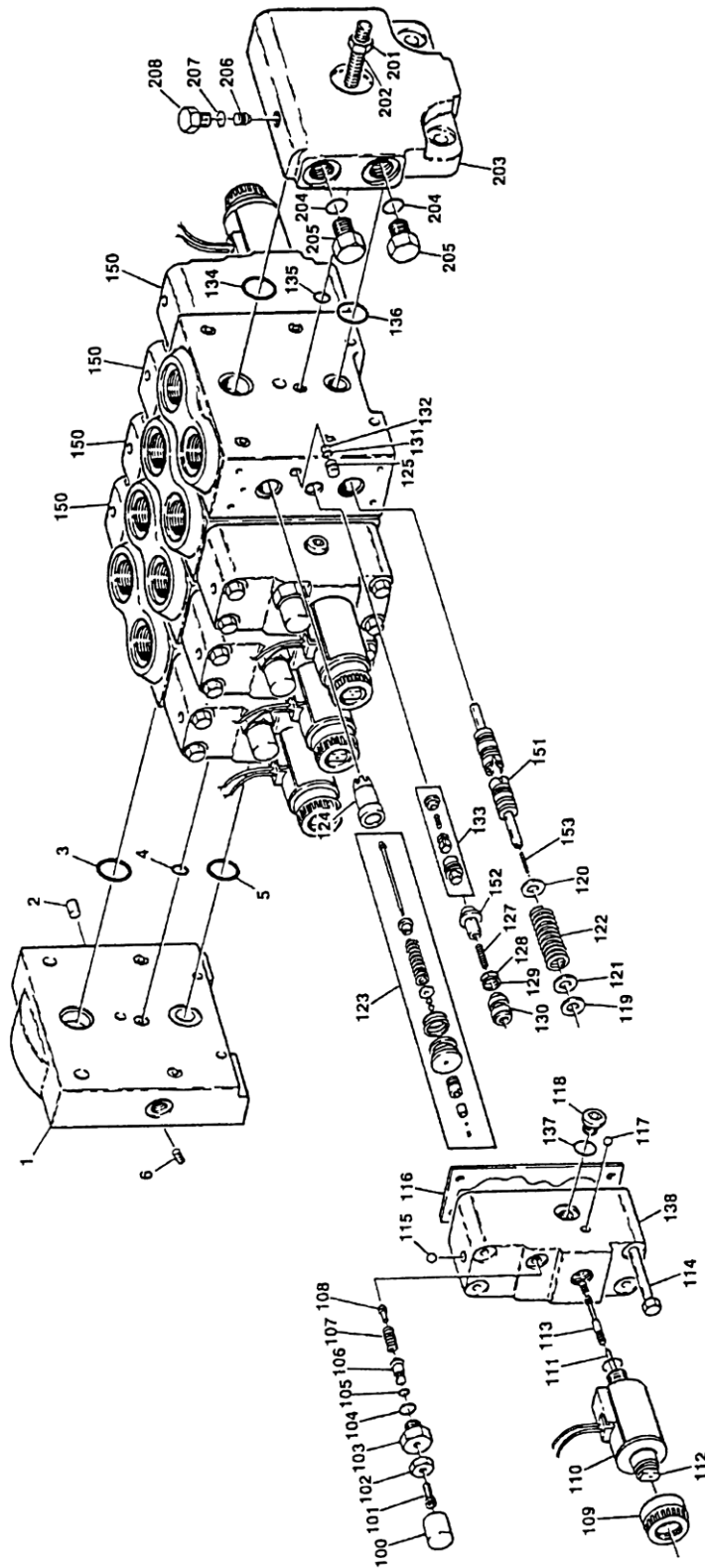
ITEM	PART NUMBER	QTY	DESCRIPTION	REV
	4640554	Ref	CONTROL VALVE ASSEMBLY (VICKERS) (PRIOR TO OCTOBER 1994)	A
1	7006724	1	Inlet Body	
2	7006725	1	Setscrew	
3	7006733	1	Plug	
4	Kit	1	O-Ring	
5	Kit	5	O-Ring	
6	Kit	1	O-Ring	
7	7006760	1	Working Section - Complete (Drive) (Includes Items 11-47)	
8	7009327	1	Working Section - Complete (Main Lift) (Includes Items 11-47)	
9	7009327	1	Working Section - Complete (Tower Lift) (Includes Items 11-47)	
10	7006763	1	Working Section - Complete (Swing) (Includes Items 11-47)	
11	7012325 & 7020361	8	Nut, Retaining (2 Per Section) (was p/n 7009317)	
12	Kit	8	O-Ring (2 Per Section)	
13	7009316	8	Core Tube (Includes O-Ring) (2 Per Section)	
14	7009315	8	Coil and Frame (2 Per Section)	
15	7009319	8	Pin (2 Per Section)	
16	Kit	8	O-Ring (2 Per Section)	
17	7006744	8	Spool (2 Per Section)	
18	7006726	8	Plug, Torque (2 Per Section)	
19	7006727	8	O-Ring (2 Per Section)	
20	7006728	8	Shim Kit (2 Per Section)	
21	7006729	8	Spring (2 Per Section)	
22	7006730	8	Poppet (2 Per Section)	
23	7006731	8	Ball (2 Per Section)	
24	7006745	32	Screw (8 Per Section)	
25		Ref	Cap, End (Not Sold Separately) (2 Per Section)	
26	7006746	8	Ball (2 Per Section)	
27	Kit	8	O-Ring (2 Per Section)	
28	7009323	8	Plug (2 Per Section)	
29	7006748	8	Gasket (2 Per Section)	
30	7009324	8	Spring (2 Per Section)	
31	7009325	8	Retainer (2 Per Section)	
32		Ref	Spool (Not Sold Separately) (1 Per Section)	
33	7006757	8	Seal (2 Per Section)	
34	Kit	8	Ring, Back-Up (2 Per Section)	
35	Kit	8	O-Ring (2 Per Section)	
36	7009320	8	Servo Stem Assembly (2 Per Section)	
37	7006737	8	Poppet (2 Per Section)	
38	7009321	4	Retainer (13/16in-2.11cm Length) (Design A) (1 Per Section)	
38	7009363	4	Retainer (1 3/16in-3cm Length) (Design B) (1 Per Section)	
38	Not Required	0	Retainer (Design C)	
38	Kit	4	O-Ring (1 Per Section)	
39	7006752	8	Retainer (2 Per Section)	
40	Kit	8	Ring, Back-Up (2 Per Section)	
41	Kit	8	O-Ring (2 Per Section)	
42	7006773	8	Spring (2 Per Section)	
43	7006756	6	Poppet (Drive and Swing Sections) (2 Per Section)	
43	7009328	2	Poppet (Lift Sections) (2 Per Section)	

SECTION 2 - TURNTABLE

ITEM	PART NUMBER	QTY	DESCRIPTION	REV
44	7006771	8	Plug, Torque (2 Per Section)	
45	Kit	8	O-Ring (2 Per Section)	
46	7006761	6	Ball (Design A - All Sections Except Swing) (2 Per Section)	
46	7006761	4	Ball (Design A - Swing Section) (4 Per Section)	
46	7006761	8	Ball (Design B - All Sections) (8 Per Section)	
46	7009369	8	Poppet (Design C - All Sections) (8 Per Section)	
46	7009368	4	Spring (Design C - All Sections) (4 Per Section)	
47	7006777	1	Pin, Solid (Design A - Swing Section Only)	
47	Not Required	0	Pin, Solid (Design B and Design C)	
48	7006780	1	Cover, End	
49	7006778	1	Plug, Torque	
50	Kit	1	O-Ring	
51	7009329	3	Rod, Tie	
52	7006782	6	Nut	
	7009330	4	Seal Kit (Includes Items 4, 5, 6, 12, 16, 27, 34, 35, 38, 40, 41, 45, 50 and Servo Stem O-Rings)	
	7009395	5	Seal Kit - Valve Face (Includes Items 4, 5 & 6)	

SECTION 2 - TURNTABLE

FIGURE 2-3. CONTROL VALVE ASSEMBLY - (VICKERS) (OCTOBER 1994 TO PRESENT)



SECTION 2 - TURNTABLE

FIGURE 2-3. CONTROL VALVE ASSEMBLY - (VICKERS) (OCTOBER 1994 TO PRESENT)

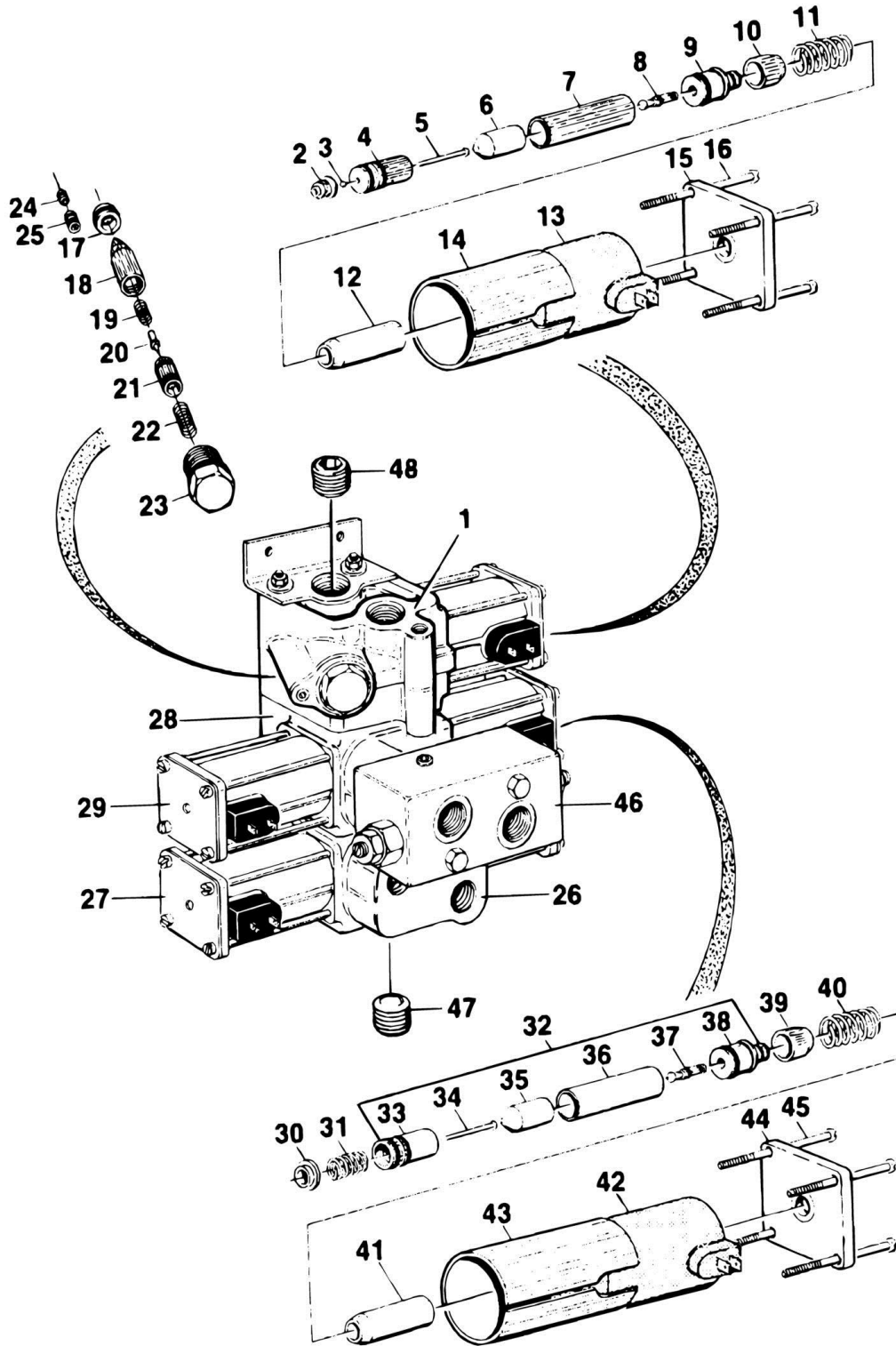
ITEM	PART NUMBER	QTY	DESCRIPTION	REV
	4640914	Ref	VICKERS VALVE ASSEMBLY - 4 SECTION	
		Ref	Inlet Section	
1	7006724	1	Inlet Body	
2	7006733	1	Plug	
3	Kit	1	O-Ring	
4	Kit	1	O-Ring	
5	Kit	1	O-Ring	
6	7006725	1	Setscrew	
		Ref	Working Sections (Standard Parts)	
100	Kit	AR	Cap (2 Per Section)	
101	7012319	AR	Screw (2 Per Section)	
102	Kit	AR	Nut (2 Per Section)	
103	Kit	AR	Plug (2 Per Section)	
104	Kit	AR	Packing (2 Per Section)	
105	7012322	AR	Packing (2 Per Section)	
106	Kit	AR	Piston (2 Per Section)	
107	Kit	AR	Spring (2 Per Section)	
108	7006730	AR	Poppet (2 Per Section)	
109	7012325	AR	Nut, Retaining (2 Per Section)	
110	7012339	AR	Coil (2 Per Section)	
111	7009319	AR	Pin (2 Per Section)	
112	7012326	AR	Core Tube Sub Assembly (2 Per Section)	
113	7012327	AR	Spool	
114	7006745	AR	Screw (8 Per Section)	
115	7006731	AR	Ball	
116	7006748	AR	Gasket	
117	7006746	AR	Ball	
118	7009323	AR	Plug (2 Per Section)	
119	7012330	AR	Shim (AR Per Section)	
120	7012329	AR	Retainer (2 Per Section)	
121	7012328	AR	Shim (AR Per Section)	
122	7009324	AR	Spring (2 Per Section)	
123	7009320	AR	Stem Servo Sub Assembly (2 Per Section)	
124	7006737	AR	Poppet (2 Per Section)	
125	7006757	AR	Seat (2 Per Section)	
127	7006773	AR	Spring (2 Per Section)	
128	Kit	AR	O-Ring (2 Per Section)	
129	Kit	AR	Back-up (2 Per Section)	
130	7009398	AR	Retainer (2 Per Section)	
131	Kit	AR	Back-up Ring (2 Per Section)	
132	Kit	AR	O-Ring (2 Per Section)	
133	7012333	AR	Load Sense (2 Per Section)	
134	Kit	AR	O-Ring (2 Per Section)	
135	Kit	AR	O-Ring (2 Per Section)	
136	Kit	AR	O-Ring (5 Per Section)	
137	Kit	AR	O-Ring (2 Per Section)	
138	Not Serviced	AR	Cap, End (2 Per Section)	
	7009330	AR	Seal Kit (1 Per Section)	
	7012383	AR	Piston/Spring Kit (Includes Items 1 ea of Items 100, 102, 103, 106 & 107) (2 Per Section)	

SECTION 2 - TURNTABLE

ITEM	PART NUMBER	QTY	DESCRIPTION	REV
150		Ref	#1 WORKING SECTION OPTIONS:	
150	7012332	Ref	Drive (All Models)	
151	7012331	1	Spool	
152	7009399	2	Poppet	
153	Not Required	0	Not Required	
150		Ref	#2 WORKING SECTION OPTIONS:	
150	7012334	Ref	Lift (All Models)	
151	7012331	1	Spool	
152	7009397	2	Poppet	
153	Not Required	0	Not Required	
		Ref	#3 WORKING SECTION OPTIONS:	
150	7012335	Ref	Swing ("H" and "HX" Models Without Prop Tele)	
151	7012340	1	Spool	
152	7009399	2	Poppet	
153	7012300	2	Piston	
150	7012334	Ref	Telescope ("H" and "HX" Models With Prop Tele)	
150	7012334	Ref	Lift ("HA" Models)	
151	7012331	1	Spool	
152	7009397	2	Poppet	
153	7012300	2	Piston	
		Ref	OUTLET SECTION	
201	7006782	6	Nut	
202	7009361	3	Rod, Tie	
203	7012337	1	Cover End	
204	Kit	2	O-Ring	
205	7006778	2	Plug	
206	7012338	1	Setscrew Orifice Sub-Assembly	
207	Kit	1	O-Ring	
208	7012336	1	Plug	

SECTION 2 - TURNTABLE

FIGURE 2-4. CONTROL VALVE ASSEMBLY - 3 SECTION BANG-BANG



SECTION 2 - TURNTABLE

FIGURE 2-4. CONTROL VALVE ASSEMBLY - 3 SECTION BANG-BANG

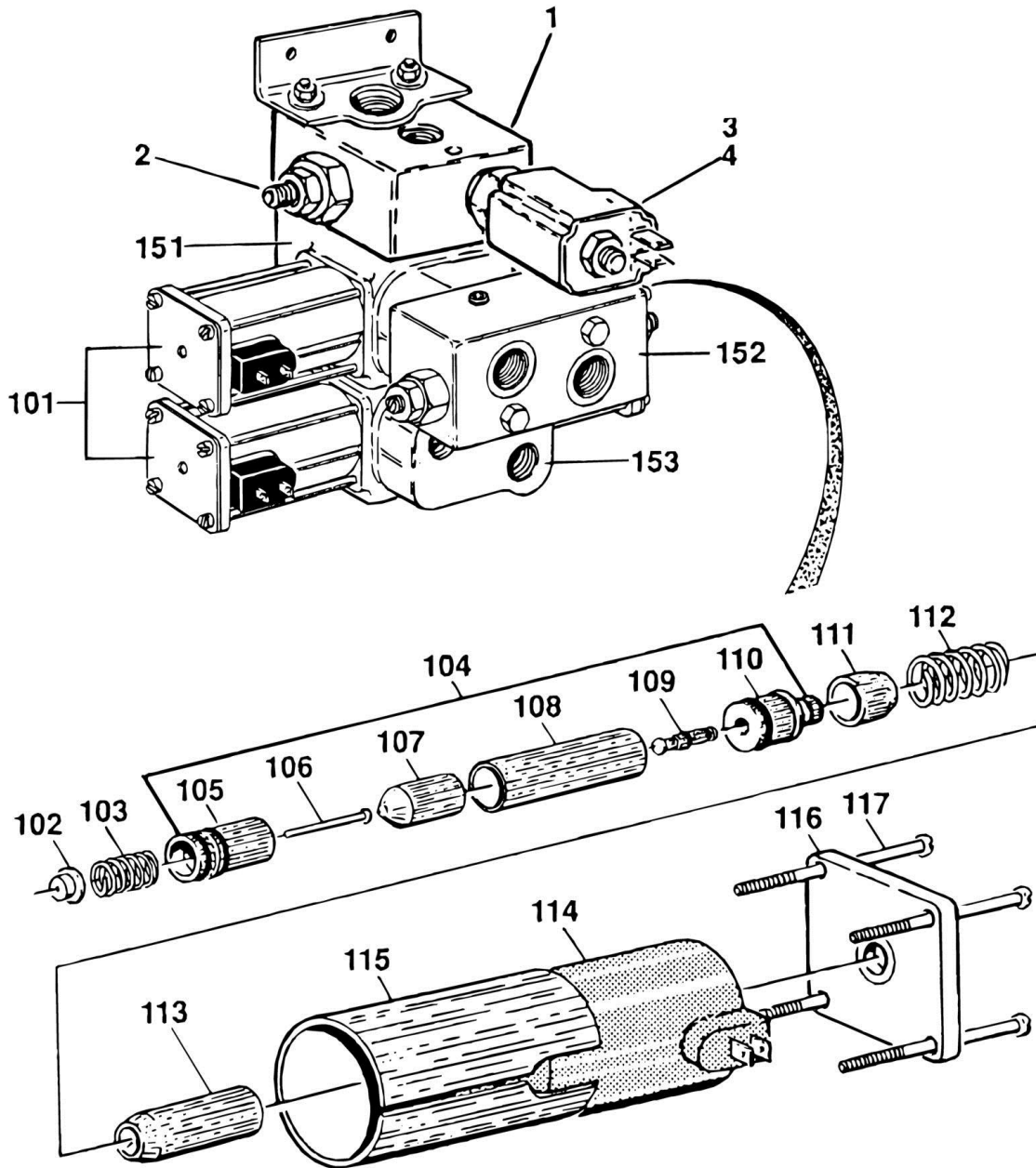
ITEM	PART NUMBER	QTY	DESCRIPTION	REV
	4640578	Ref	CONTROL VALVE ASSEMBLY - 3 SECTION BANG-BANG (2WS) (PRIOR TO JUNE 1995)	
	4640249	Ref	CONTROL VALVE ASSEMBLY - 2 SECTION BANG-BANG (4WS) (PRIOR TO SEPTEMBER 1995) (NOT SHOWN)	B
1	7002304	1	Dump Section - Complete	
1		Ref	Solenoid Assembly	
2	7004823	1	Seat	
2	Kit	1	O-Ring	
3	7002229	1	Ball	
		Ref	Guide Tube Assembly	
4	7004822	1	Cone, Female	
4	Kit	1	O-Ring	
5	7002346	1	Pin, Push	
6	7004839	1	Plunger	
7	7004838	1	Tube, Guide	
8	7004841	1	Pin, Push	
8	Kit	1	O-Ring	
9	7002340	1	Guide, External Push Pln	
9	Kit	1	O-Ring	
10	7004834	1	Sleeve, Inner Flux	
11	7002334	1	Spring	
12	7004835	1	Sleeve, Outer Flux	
13	7000417	1	Coil	
14	7004836	1	Case, Solenoid	
15	7002338	1	Plate, End	
16	7004837	4	Screw	
17	7002322	1	Seat	
17	Kit	1	O-Ring	
		Ref	Main Relief (Poppet) Valve	
18	7002321	1	Case, Poppet	
19	7002328	1	Spring	
20	7002294	1	Poppet	
21	7002320	1	Seat, Adjustable	
21	Kit	1	O-Ring	
22	7002329	1	Spring	
23	7002323	1	Plug	
23	Kit	1	O-Ring	
24	7002326	1	Orifice	
25	7002324	1	Plug	
26	7004894	1	Working Section - Complete (Tower Tele)	
27	7004859	2	Solenoid Assembly (Refer to Items 30-45 for Serviced Parts)	
28	7002315	1	Working Section - Complete (Steer) (3 Section Valve Only)	
29	7004859	2	Solenoid Assembly	
30	7003825	4	Washer, Hat (2 Per Section)	
31	7002348	4	Spring (2 Per Section)	
32	7002305	4	Guide Tube Assembly (2 Per Section)	
33	7002345	4	Cone, Female (2 Per Section)	
33	Kit	4	O-Ring	
33	Kit	4	O-Ring	
34	7002346	4	Pin, Push (2 Per Section)	

SECTION 2 - TURNTABLE

ITEM	PART NUMBER	QTY	DESCRIPTION	REV
35	7002344	4	Plunger (2 Per Section)	
36	7000470	4	Tube, Guide (2 Per Section)	
37	7002341	4	Pin, Actuator (2 Per Section)	
37	Kit	4	Ring, Quad (2 Per Section)	
38	7002340	4	Guide, External Push Pin (2 Per Section)	
38	Kit	4	O-Ring (2 Per Section)	
39	7002333	4	Sleeve, Inner Flux (2 Per Section)	
40	7002334	4	Spring (2 Per Section)	
41	7002336	4	Sleeve, Outer Flux (2 Per Section)	
42	7000418	4	Coil (2 Per Section)	
43	7002335	4	Case, Solenoid (2 Per Section)	
44	7002338	4	Plate, End (2 Per Section)	
45	7002339	4	Screw (4 Per Section)	
46	7000468	1	Relief Valve Block Assembly (No Longer Field Serviceable)	
47	2220237	1	Plug	
48	2220238	1	Plug	
	7000414	2	Seal Kit - Working Section	
	7000413	1	Seal Kit - Dump Section	

SECTION 2 - TURNTABLE

FIGURE 2-5. CONTROL VALVE ASSEMBLY - 3 SECTION BANG-BANG (JUNE 1995 TO PRESENT)



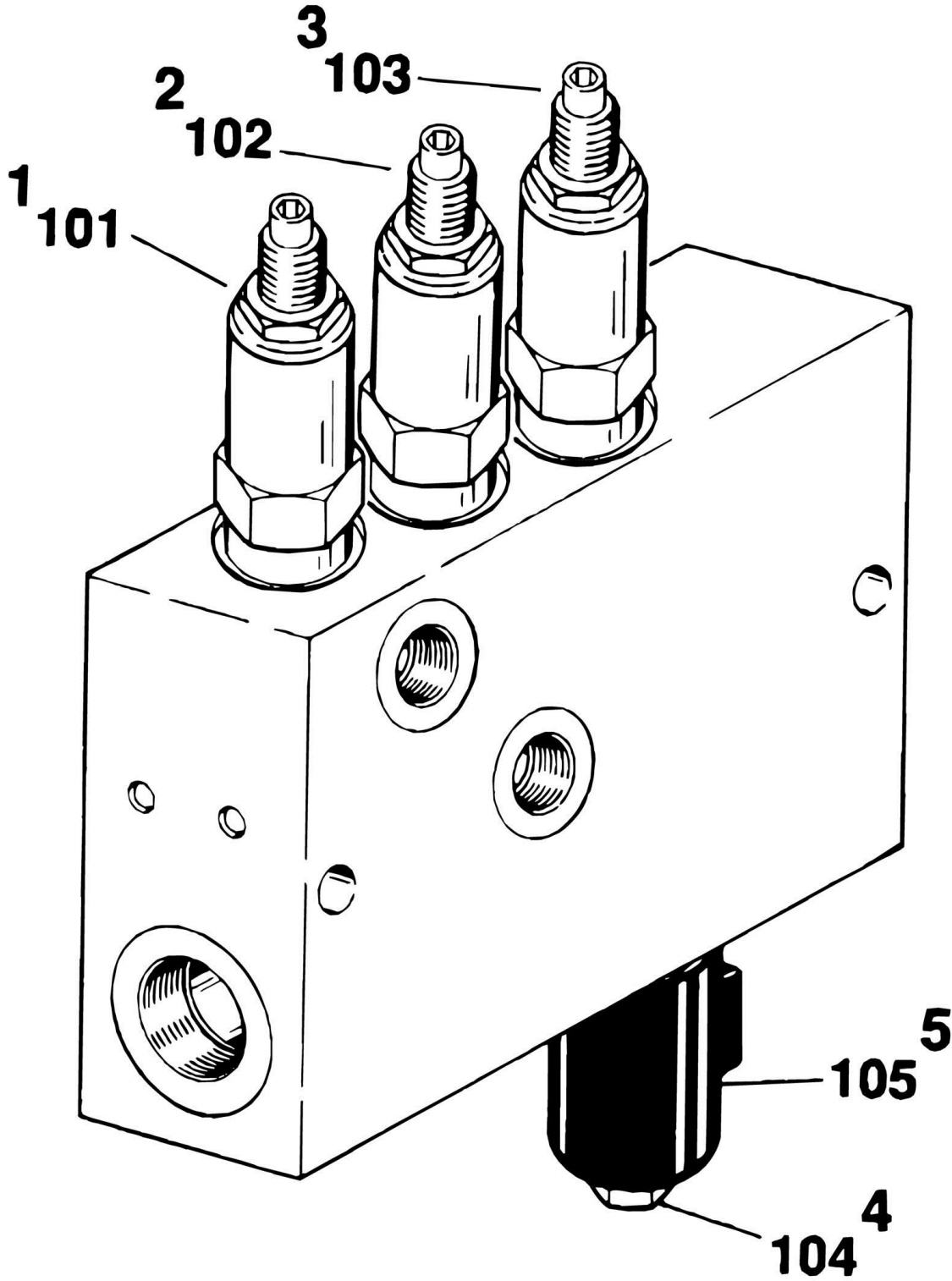
SECTION 2 - TURNTABLE

FIGURE 2-5. CONTROL VALVE ASSEMBLY - 3 SECTION BANG-BANG (JUNE 1995 TO PRESENT)

ITEM	PART NUMBER	QTY	DESCRIPTION	REV
	4640942	Ref	CONTROL VALVE ASSEMBLY - 3 SECTION BANG-BANG (2WS) (JUNE 1995 TO PRESENT)	-
	4640945	Ref	CONTROL VALVE ASSEMBLY - 2 SECTION BANG-BANG (4WS) (SEPTEMBER 1995 TO PRESENT) (NOT SHOWN)	-
		Ref	DUMP SECTION ASSEMBLY	
1	7002447	1	Dump Section - Complete	
2	7002448	1	Cartridge	
2	7002449	1	Seal Kit - 7002448 Cartridge	
3	7002450	1	Coil	
4	7002451	1	Cartridge without Coil	
4	7011118	1	Seal Kit - 7002451 Cartridge	
	7000448	2	O-Ring (Between Sections)	
		Ref	Working Sections (Standard Parts)	
101	7004859	2	Solenoid Assembly	
102	7003825	1	Washer	
103	7002348	1	Spring	
104	7002305	1	Guide Tube Assembly	
105	7002345	1	Cone, Female	
105	Kit	1	O-Ring	
105	Kit	1	O-Ring	
106	7002346	1	Pin, Push	
107	7002344	1	Plunger	
108	7000470	1	Tube, Guide	
109	7002341	1	Pin, Actuator	
109	Kit	1	Ring, Quad	
110	7002340	1	Guide, External Push Pln	
110	Kit	1	O-Ring	
111	7002333	1	Sleeve, Inner Flux	
112	7002334	1	Spring	
113	7002336	1	Sleeve, Outer Flux	
114	7000418	1	Coil	
115	7002335	1	Case, Solenoid	
116	7002338	1	Plate, End	
116	7002327	1	Nameplate	
117	7002339	4	Screw	
	7000414	2	Seal Kit - Working Section (1 Per Section)	
	7004600	1	Stacking Kit	
		Ref	WORKING SECTIONS - COMPLETE (INCLUDES ITEMS 101-117)	
151	7002315	1	Steer Section	
152	7000468	1	Crossover Relief Valve Assembly (Due to various suppliers, internal components are no longer field serviceable)	
153	7004894	1	Tower Tele Section	

SECTION 2 - TURNTABLE

FIGURE 2-6. ACCESSORY VALVE ASSEMBLY



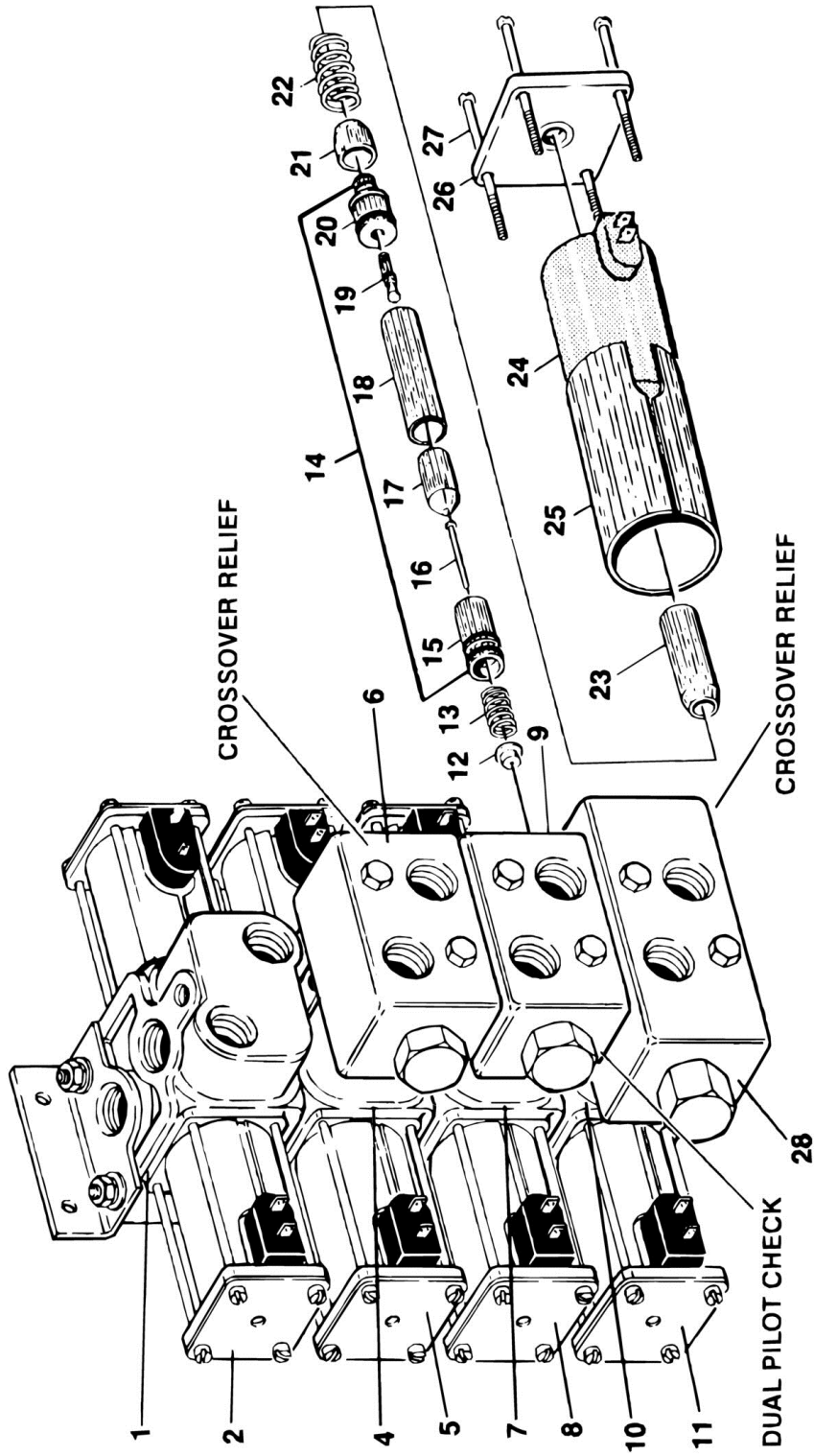
SECTION 2 - TURNTABLE

FIGURE 2-6. ACCESSORY VALVE ASSEMBLY

ITEM	PART NUMBER	QTY	DESCRIPTION	REV
	4640580	Ref	ACCESSORY VALVE ASSEMBLY (MACHINES BUILT PRIOR TO SEPTEMBER 1991)	-
		Ref	Note: Not sold as a complete assembly.	
1	7004365	1	Cartridge - Sequence	
2	7004366	1	Cartridge - Pressure Reducing	
3	7004367	1	Cartridge - Main Relief	
4	7004369	1	Cartridge Less Coil - Dump	
5	7004368	1	Coil	
	2900707	2	Seal Kit (Sequence and Pressure Reducing)	
	2900708	1	Seal Kit (Main Relief)	
	2900709	1	Seal Kit (Dump)	
	4640716	Ref	ACCESSORY VALVE ASSEMBLY (MACHINES BUILT SEPTEMBER 1991 TO PRESENT)	-
		Ref	Note: Refer to P/N stamped on cartridge hex nut for identification.	
101	7012506	1	Cartridge - Sequence (Hydraforce PS10-34A)	
101	7010552	1	Cartridge - Sequence (Vickers/Modular Controls PSV7-10V)	
102	7012505	1	Cartridge - Pressure Reducing (Hydraforce PR10-32A)	
102	7010553	1	Cartridge - Pressure Reducing (Vickers/Modular Controls PRV1-10V)	
103	7012507	1	Cartridge - Main Relief (Hydraforce RV50-26A)	
103	7010554	1	Cartridge - Main Relief (Vickers/Modular Controls RV5-10V)	
104	7004369	1	Cartridge Less Coil - Dump (Hydraforce SV16-21)	
105	7004368	1	Coil (Hydraforce 6352012)	
104	7010556	1	Cartridge w/Coil - Dump (Vickers/Modular Controls SV3-16V)	
105	7009745	1	Coil (Vickers/Modular Controls 565966)	
	7012509	1	Seal Kit (Sequence) (Hydraforce Version)	
	7010557	1	Seal Kit (Sequence) (Vickers/Modular Controls Version)	
	7012510	1	Seal Kit (Pressure Reducing) (Hydraforce Version)	
	7010558	1	Seal Kit (Pressure Reducing) (Vickers/Modular Controls Version)	
	7012511	1	Seal Kit (Main Relief) (Hydraforce Version)	
	7010559	1	Seal Kit (Main Relief) (Vickers/Modular Controls Version)	
	2900709	1	Seal Kit (Dump) (Hydraforce Version)	
	7010560	1	Seal Kit (Dump) (Vickers/Modular Controls Version)	

SECTION 2 - TURNTABLE

FIGURE 2-7. CONTROL VALVE ASSEMBLY - 3 AND 4 SECTION BANG-BANG



SECTION 2 - TURNTABLE

FIGURE 2-7. CONTROL VALVE ASSEMBLY - 3 AND 4 SECTION BANG-BANG

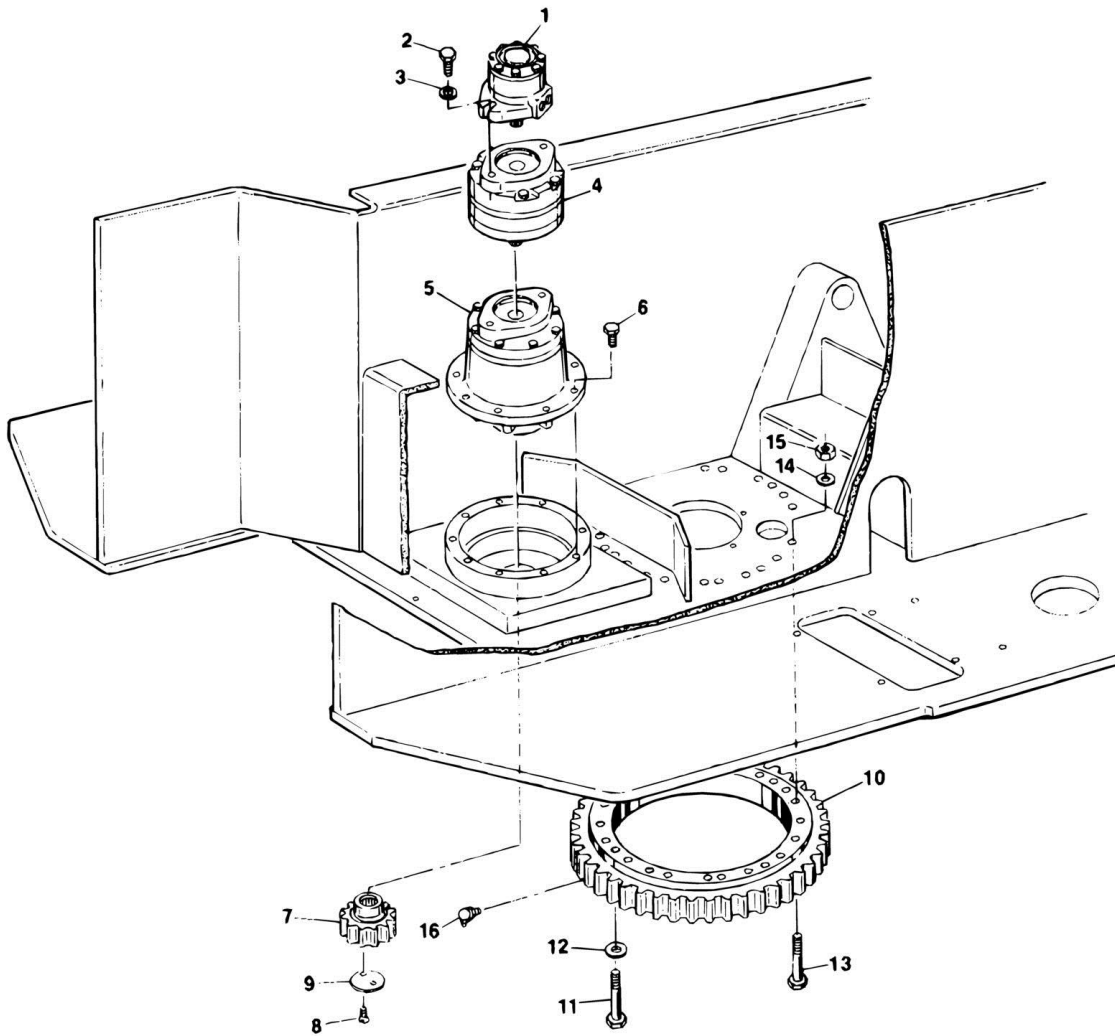
ITEM	PART NUMBER	QTY	DESCRIPTION	REV
	4640577	Ref	CONTROL VALVE ASSEMBLY - 4 SECTION BANG-BANG (PRIOR TO FEBRUARY 1991)	C
	4640680	Ref	CONTROL VALVE ASSEMBLY - 4 SECTION BANG-BANG (FEBRUARY 1991 TO PRESENT)	B
	4640585	Ref	CONTROL VALVE ASSEMBLY - 3 SECTION BANG-BANG (PRIOR TO FEBRUARY 1991)	B
	4640681	Ref	CONTROL VALVE ASSEMBLY - 3 SECTION BANG-BANG (FEBRUARY 1991 TO PRESENT)	A
1	7002317	1	Working Section - Complete (Rotate) (4 Section Only)	
1	7002347	AR	Ring, Quad (Located Between Sections 1 ea)	
1	7000448	AR	Ring, Quad (Located Between Sections 1 ea)	
2	7004859	1	Solenoid Assembly (Refer to Items 12-27 for Serviced Parts)	
4	7002316	1	Working Section - Complete (Platform Level)	
4	7002347	AR	Ring, Quad (Located Between Sections 1 ea)	
4	7000448	AR	Ring, Quad (Located Between Sections 1 ea)	
5	7004859	1	Solenoid Assembly (Refer to Items 12-27 Serviced Parts)	
6	7002262	1	Dual Pilot Check Valve Assembly (Due to various suppliers, internal components are no longer field serviceable)	
6	7002325		O-Ring (Located Between Dual Pilot Check Valve Assembly and Working Section 2 ea)	
7	7002316	1	Working Section - Complete (Upright Level)	
7	7002347	AR	Ring, Quad (Located Between Sections 1 ea)	
7	7000448	AR	Ring, Quad (Located Between Sections 1 ea)	
8	7004859	2	Solenoid Assembly (Refer to Items 12-27 for Serviced Parts)	
9	7002262	1	Dual Pilot Check Valve Assembly (Due to various suppliers, internal components are no longer field serviceable)	
9	7002325		O-Ring (Located Between Dual Pilot Check Valve Assembly and Working Section 2 ea)	
10	7002315	1	Working Section - Complete (Main Tele) (Prior to February 1991)	
10	7003855	1	Working Section - Complete (Main Tele) (February 1991 to Present)	
10	7002347	AR	Ring, Quad (Located Between Sections 1 ea)	
10	7000448	AR	Ring, Quad (Located Between Sections 1 ea)	
11	7004859	2	Solenoid Assembly (Refer to Items 12-27 for Serviced Parts)	
12	7003825	1	Washer	
13	7002348	1	Spring	
14	7002305	1	Guide Tube Assembly	
15	7002345	1	Cone, Female	
15	Kit	1	O-Ring	
15	Kit	1	O-Ring	
16	7002346	1	Pin, Push	
17	7002344	1	Plunger	
18	7000470	1	Tube, Guide	
19	7002341	1	Pin, Actuator	
19	Kit	1	Ring, Quad	
20	7002340	1	Guide, External Push Pln	
20	Kit	1	O-Ring	
21	7002333	1	Sleeve, Inner Flux	
22	7002334	1	Spring	
23	7002336	1	Sleeve, Outer Flux	
24	7000418	1	Coil	
25	7002335	1	Case, Solenoid	

SECTION 2 - TURNTABLE

ITEM	PART NUMBER	QTY	DESCRIPTION	REV
26	7002338	1	Plate, End	
27	7002339	4	Screw	
28	7000468	1	Crossover Relief Valve Assembly (Due to various suppliers, internal components are no longer field serviceable)	
28	7002325		O-Ring (Located Between Crossover Relief Valve Assembly and Working Section 2 ea)	
	7000414	4	Seal Kit - Working Section	

SECTION 2 - TURNTABLE

FIGURE 2-8. TURNTABLE, SWING DRIVE AND BEARING INSTALLATIONS



SECTION 2 - TURNTABLE

FIGURE 2-8. TURNTABLE, SWING DRIVE AND BEARING INSTALLATIONS

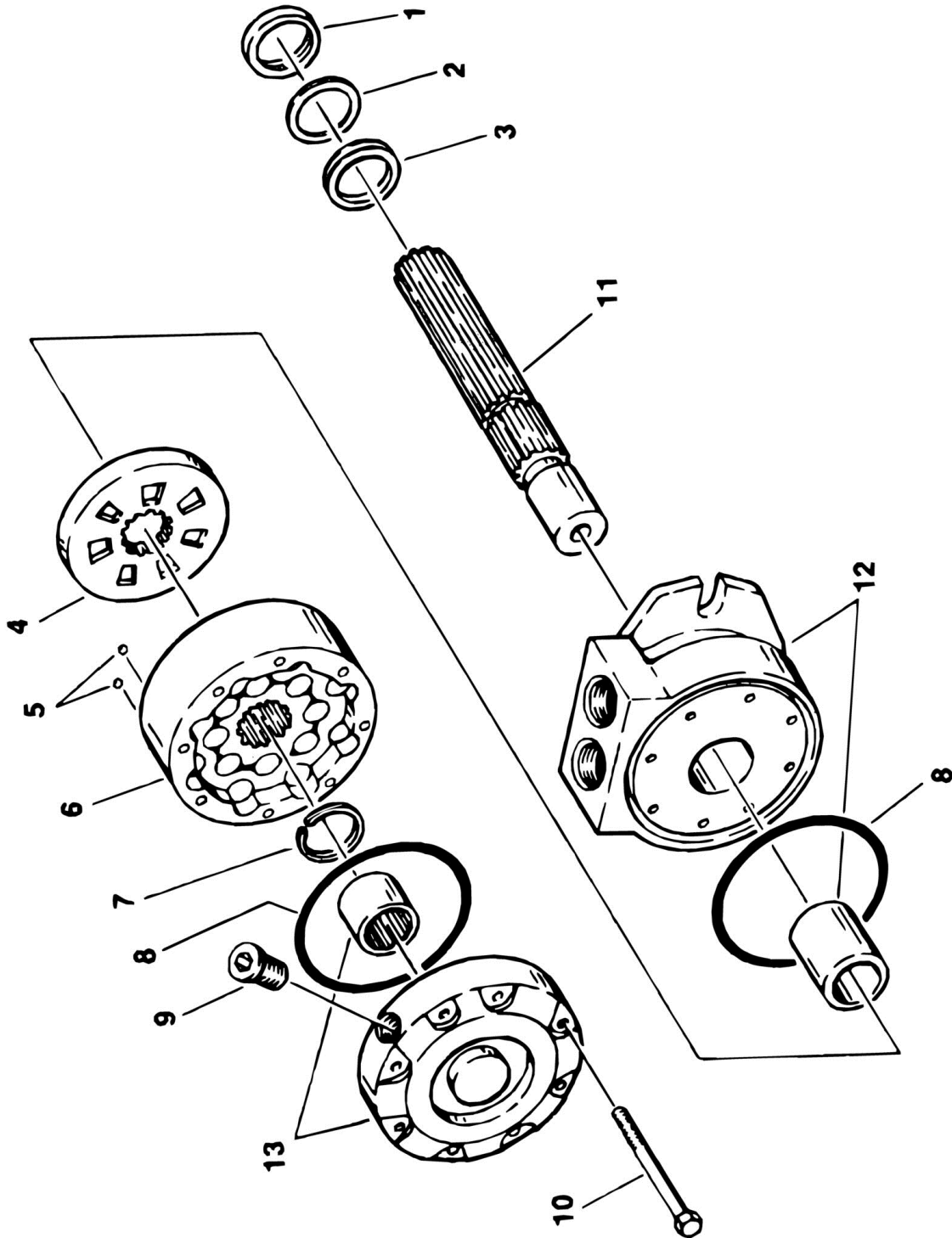
ITEM	PART NUMBER	QTY	DESCRIPTION	REV
		Ref	TURNTABLE, SWING DRIVE AND BEARING INSTALLATIONS	
	0239488	Ref	SWING DRIVE INSTALLATION	A
		Ref	Note: Above Installation is for machines with sn's up to 12670 & 12676-12678, 12681, 12688-12688, 12691-12699, 12812-12817, 12819, 12821 & 12823.	
	0250315	Ref	SWING DRIVE INSTALLATION	D
		Ref	Note: Above Installation is for machines with sn's 12671-12675, 12679, 12680, 12689, 12690, 12811, 12818, 12820, 12822, 12824 and up.	
1	3160156	1	Swing Motor Assembly (Prior to August 1991) (See SWING MOTOR ASSEMBLY (PRIOR TO AUGUST 1991) for Breakdown)	
1	3160181	1	Swing Motor Assembly (August 1991 to Present) (See SWING MOTOR ASSEMBLY (AUGUST 1991 TO PRESENT) for Breakdown)	
		Ref	Note: When replacing complete motor recommend using p/n 3160181 motor.	
2	0681836	2	Bolt 1/2in-13NC x 4 1/2in (Grade 8)	
3	4740171	2	Washer, Hardened	
3	0100009	AR	Sealant	
4	0920068	1	Swing Brake Assembly (Prior to August 1991) (See BRAKE ASSEMBLY (PRIOR TO AUGUST 1991) for Breakdown)	
4	0920086	1	Swing Brake Assembly (August 1991 to Present) (See BRAKE ASSEMBLY - AUSCO 37845 (AUGUST 1991 TO PRESENT) for Breakdown)	
5	2780055	1	Swing Hub Assembly (See SWING HUB ASSEMBLY for Breakdown)	
6	0641912	9	Bolt 9/16in-12NC x 1 1/2in	
6	0100019	AR	Loctite #271	
7	2440022	1	Gear, Pinion (0239488 Installation)	
7	2440059	1	Gear, Pinion (0250315 Installation)	
8	0741606	2	Screw, Flat Head 3/8in-16NC x 3/4in	
9	3501916	1	Plate, Retaining (0239488 Installation)	
9	4740367	1	Plate, Retaining (0250315 Installation)	
9	0100019	AR	Loctite	
	0239725	Ref	TURNTABLE BEARING INSTALLATION	F
10	2915092	1	Bearing Kit (was p/n 0440055) (Kit Includes Bearing and Mounting Hardware)	
11	0681818	24	Bolt 1/2in-13NC x 2 1/4in (Grade 8)	
12	4740003	24	Washer, Hardened	
13	0682032	20	Bolt 5/8in-11NC x 4in (Grade 8)	
13	0682028	3	Bolt 5/8in-11NC x 3 1/2in (Grade 8)	
14	4740004	16	Washer, Hardened	
14	4740048	7	Washer, Special	
15	3300183	23	Nut 5/8in-11NC (Grade 8)	
15	0100019	AR	Loctite #271	
15	0100004	AR	Devcon	
16	2160001	1	Fitting, Grease	
		Ref	TURNTABLE WELDMENTS	
	4620043	1	Turntable (Up to sn 12670 & 12676-12678, 12681, 12686-12688, 12691-12699, 12812-12817, 12819, 12821 & 12823)	
	4620047	1	Turntable (sn 12671-12675, 12679, 12680, 12689, 12690, 12811, 12818, 12820, 12822, 12824 and up built thru October	

SECTION 2 - TURNTABLE

ITEM	PART NUMBER	QTY	DESCRIPTION	REV
	4620084	1	1992) Turntable (October 1992 to Present without Noise Reduction Package)	
	4620091	1	Turntable (February 1993 to Present with Noise Reduction Package)	

SECTION 2 - TURNTABLE

FIGURE 2-9. SWING MOTOR ASSEMBLY (PRIOR TO AUGUST 1991)



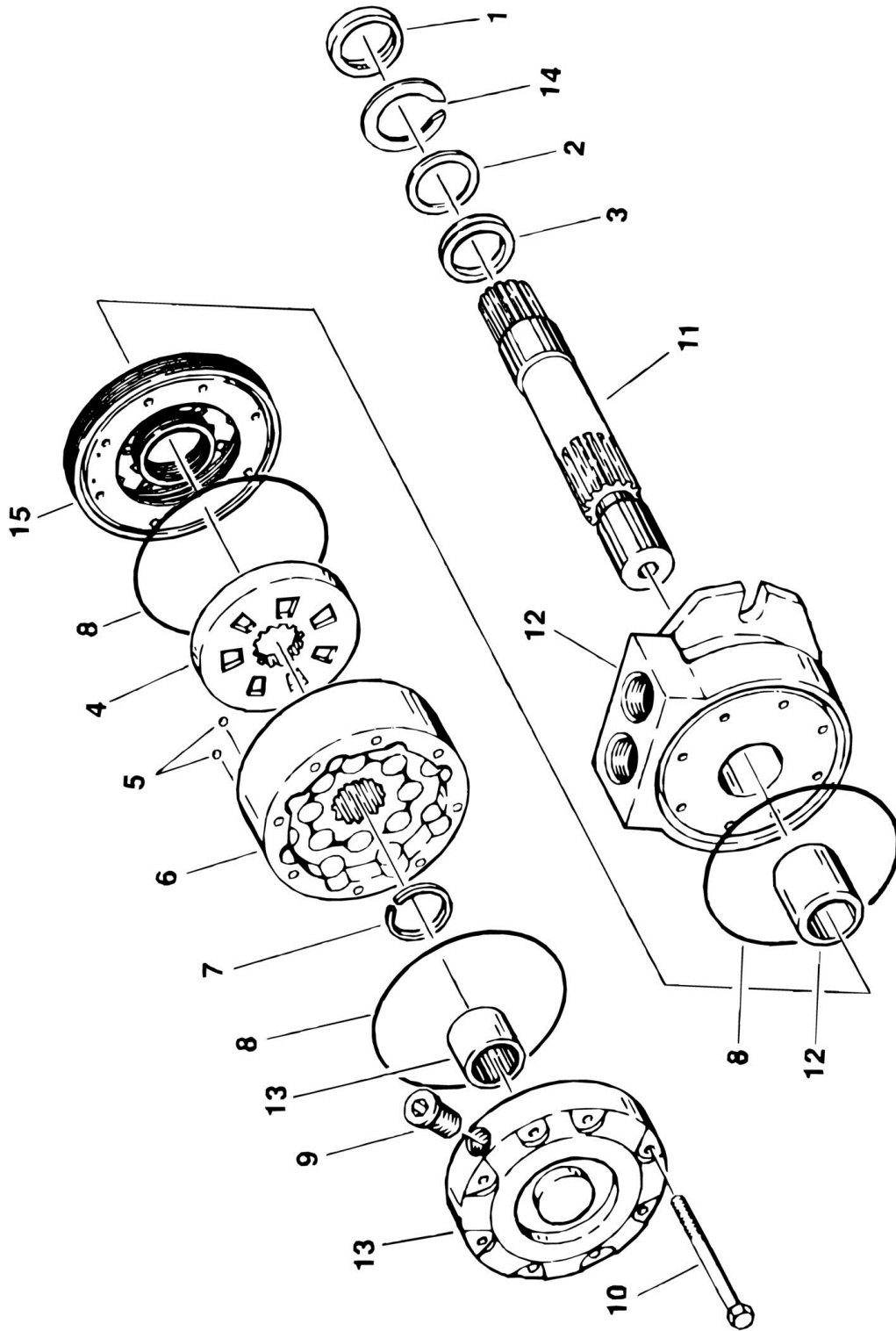
SECTION 2 - TURNTABLE

FIGURE 2-9. SWING MOTOR ASSEMBLY (PRIOR TO AUGUST 1991)

ITEM	PART NUMBER	QTY	DESCRIPTION	REV
	3160156	Ref	SWING MOTOR ASSEMBLY (PRIOR TO AUGUST 1991)	-
1	Kit	1	Seal, Dust	
2	Kit	1	Ring, Back-up	
3	Kit	1	Seal, Quad Ring	
4	7004166	1	Valve, Rotary	
5	7004167	2	Ball, Check Valve	
6	7004193	1	IGR Assembly	
7	7004191	1	Ring, Snap (Standard)	
8	Kit	2	Seal, Ring	
9	7004171	1	Plug, Vent (Includes O-Ring)	
10	7004173	8	Bolt	
11	7004194	1	Shaft, Spline	
12	7004195	1	Body/Bearing Assembly	
13	7004192	1	Cover/Bearing Assembly	
	7004177	1	Seal Kit (Includes Items 1,2,3,8 and Vent Plug O-Ring)	

SECTION 2 - TURNTABLE

FIGURE 2-10. SWING MOTOR ASSEMBLY (AUGUST 1991 TO PRESENT)



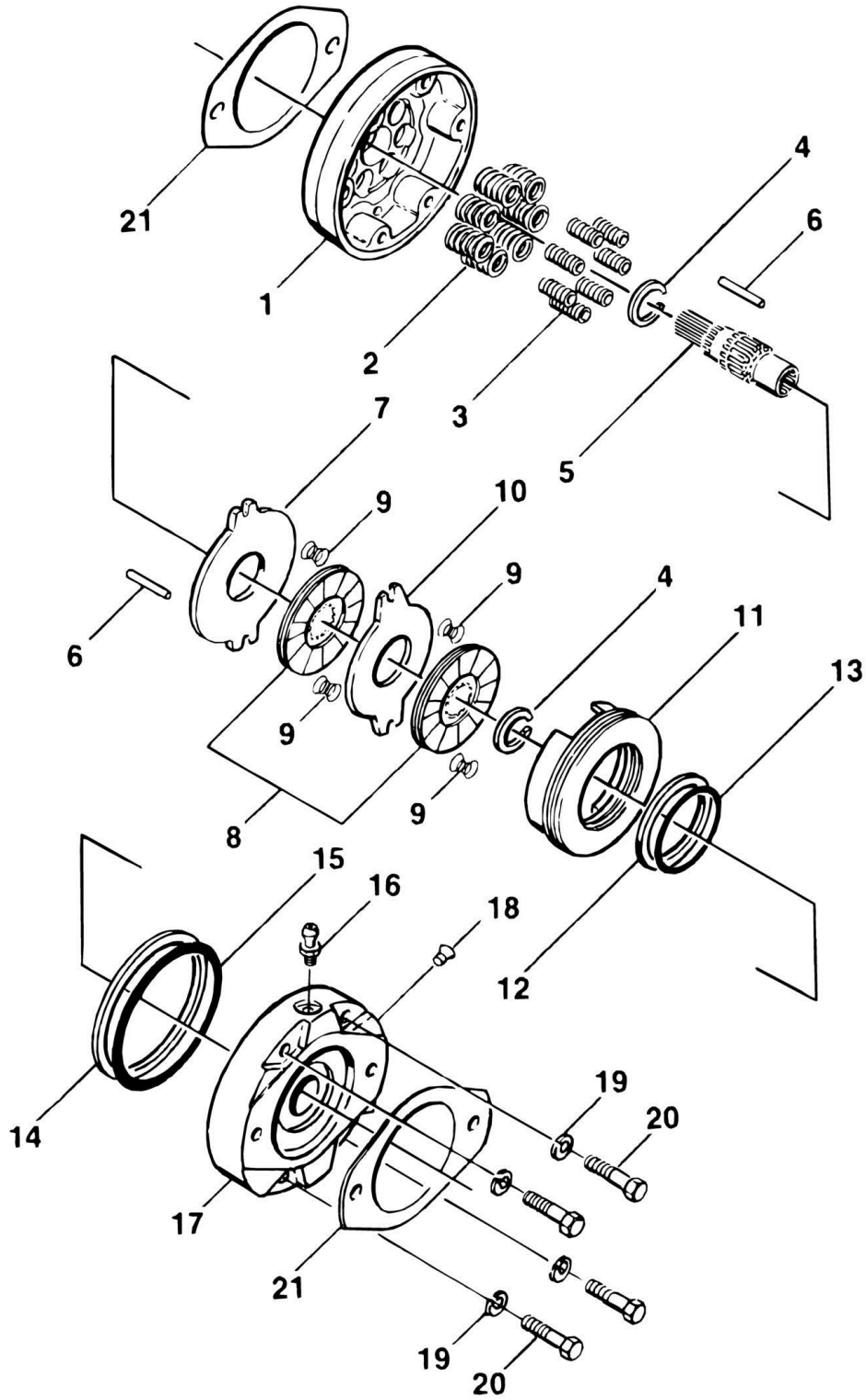
SECTION 2 - TURNTABLE

FIGURE 2-10. SWING MOTOR ASSEMBLY (AUGUST 1991 TO PRESENT)

ITEM	PART NUMBER	QTY	DESCRIPTION	REV
	3160181	Ref	SWING MOTOR ASSEMBLY (AUGUST 1991 TO PRESENT)	A
1	Kit	1	Seal, Dust	
2	7010775	1	Ring, Back-Up	
3	Kit	1	Seal, Quad Ring	
4	7004196	1	Valve, Rotary	
5	7004167	2	Ball, Check Valve	
6	7004193	1	IGR Assembly	
7	Kit	1	Ring, Snap	
8	Kit	3	Seal, Ring	
9	7004171	1	Plug, Vent (Includes O-Ring)	
10	7010777	8	Bolt	
11	7010779	1	Shaft, Spline	
12	7010778	1	Body/Bearing Assembly	
13	7004192	1	Cover/Bearing Assembly	
14	Kit	1	Ring, Snap	
15	7010776	1	Plate, Commutator	
	2900798	1	Seal Kit (Includes Items 1,2,3,7 & 8)	

SECTION 2 - TURNTABLE

FIGURE 2-11. BRAKE ASSEMBLY (PRIOR TO AUGUST 1991)



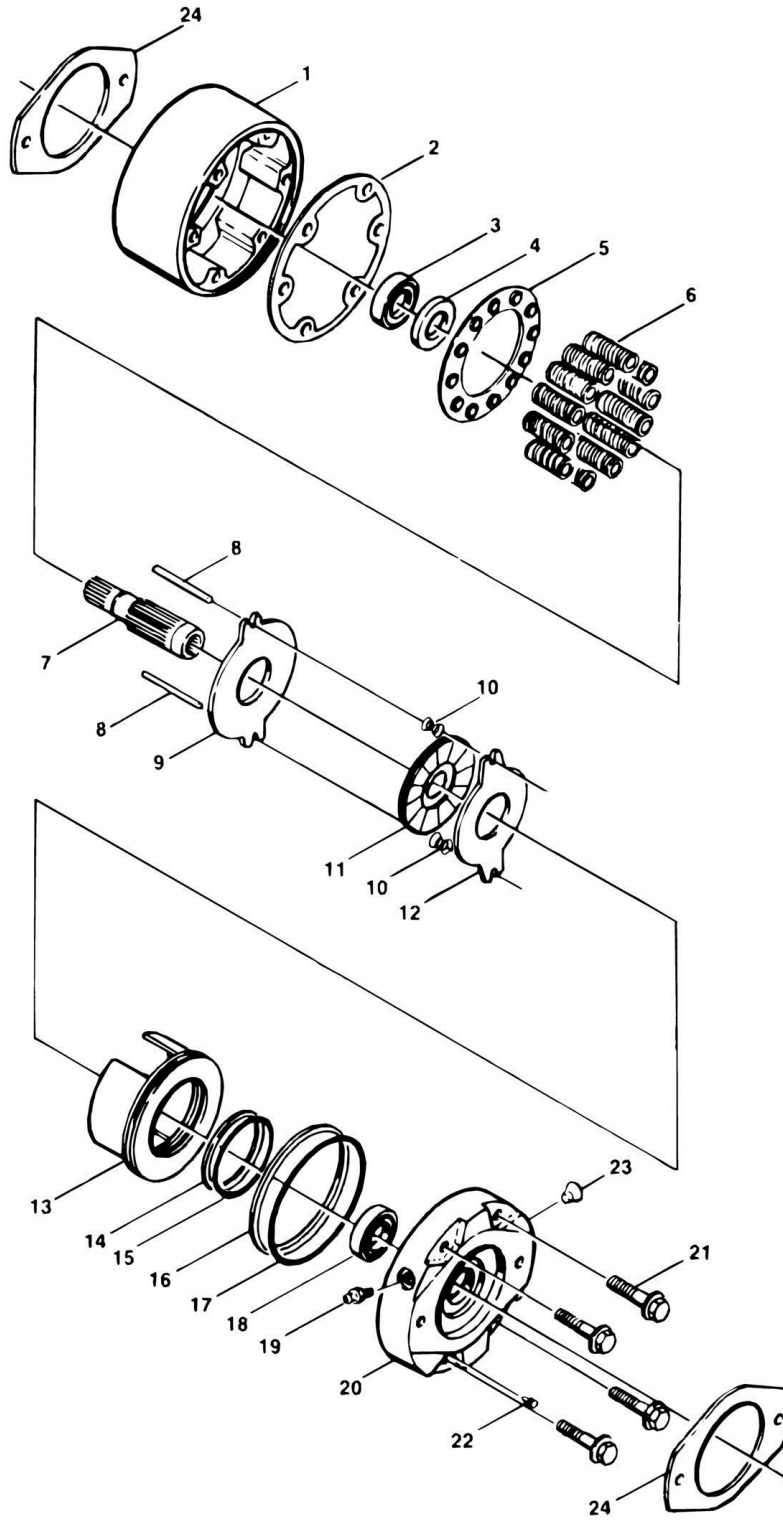
SECTION 2 - TURNTABLE

FIGURE 2-11. BRAKE ASSEMBLY (PRIOR TO AUGUST 1991)

ITEM	PART NUMBER	QTY	DESCRIPTION	REV
	0920068	Ref	BRAKE ASSEMBLY (PRIOR TO AUGUST 1991)	-
1	7003067	1	Housing	
2	7000782	7	Spring, Compression	
3	7000798	7	Spring, Compression	
4	7003060	2	Ring, Retaining	
5	7003061	1	Shaft, Splined	
6	7003062	2	Pin, Torque	
7	7000718	1	Disc, Primary	
8	7000732	2	Disc, Rotating	
9	7003006	4	Spring, Compression	
10	7003063	1	Disc, Stationary	
11	7003064	1	Piston	
12	Kit	1	Ring, Back-up	
13	Kit	1	O-Ring	
14	Kit	1	Ring, Back-up	
15	Kit	1	O-Ring	
16	7000796	1	Bleeder	
17	7003065	1	Plate, Power	
18	7000728	1	Plug	
19	7000729	4	Lockwasher	
20	7003066	4	Bolt	
21	Kit	2	Gasket	
	2900649	1	Seal Kit (Includes Items 12, 13, 14, 15 & 21)	

SECTION 2 - TURNTABLE

FIGURE 2-12. BRAKE ASSEMBLY - AUSCO 37845 (AUGUST 1991 TO PRESENT)



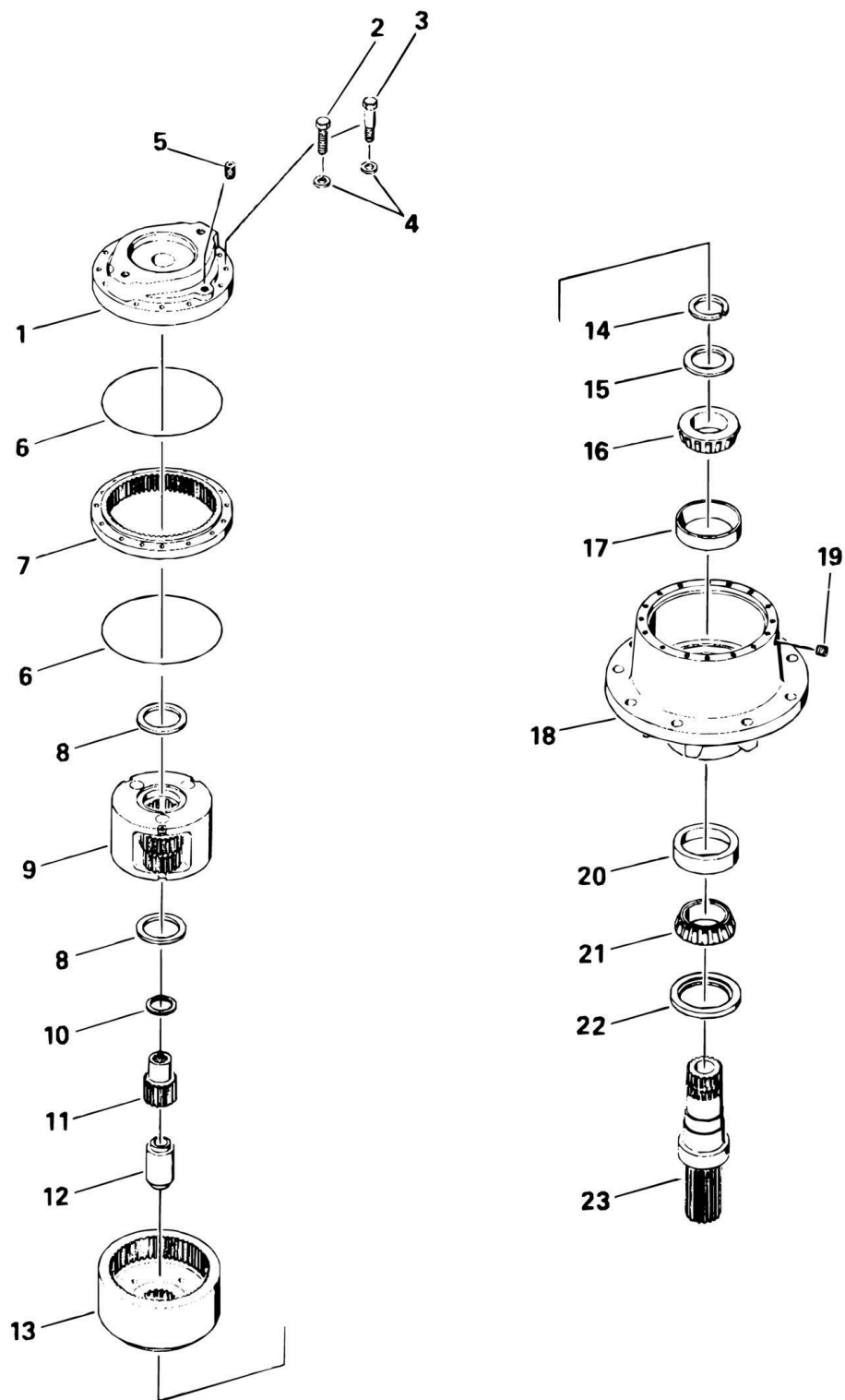
SECTION 2 - TURNTABLE

FIGURE 2-12. BRAKE ASSEMBLY - AUSCO 37845 (AUGUST 1991 TO PRESENT)

ITEM	PART NUMBER	QTY	DESCRIPTION	REV
	0920086	Ref	BRAKE ASSEMBLY - AUSCO 37845 (AUGUST 1991 TO PRESENT)	A
1	7003092	1	Housing	
2	Kit	1	Gasket	
3	7003049	1	Ball Bearing	
4	7003050	1	Oil Seal	
5	7003051	1	Spring Retainer	
6	7003052	12	Compression Spring	
7	7003093	1	Shaft	
8	7003094	2	Torque Pin	
9	7003054	1	Primary Disc	
10	7003006	2	Compression Spring	
11	7003055	1	Rotating Disc	
12	7003056	1	Stationary Disc	
13	7003095	1	Piston	
14	Kit	1	Backup Ring	
15	Kit	1	O-Ring	
16	Kit	1	Backup Ring	
17	Kit	1	O-Ring	
18	7000760	1	Ball Bearing	
19	7000796	1	Bleeder Screw	
20	7003096	1	Power Plate	
21	7003007	4	Hex Screw	
22	7003059	1	Pressure Relief Valve	
23	N.S.	1	Plug, Shipping	
24	Kit	2	Gasket	
	2900662	1	O-Ring Kit (Includes Items 2, 14-17 & 24)	
	7003069	1	Gasket Kit (Includes Item 24)	

SECTION 2 - TURNTABLE

FIGURE 2-13. SWING HUB ASSEMBLY



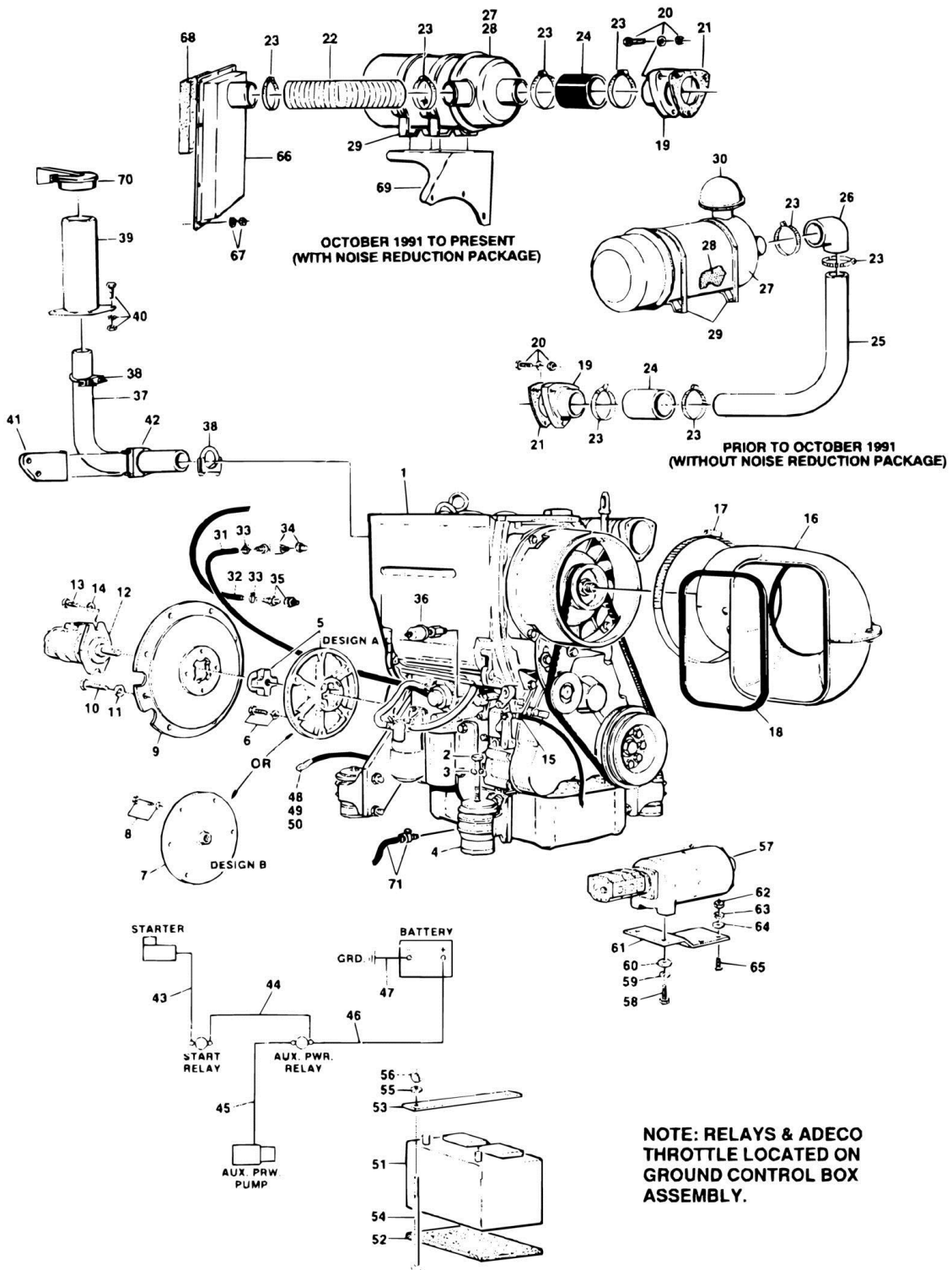
SECTION 2 - TURNTABLE

FIGURE 2-13. SWING HUB ASSEMBLY

ITEM	PART NUMBER	QTY	DESCRIPTION	REV
	2780055	Ref	SWING HUB ASSEMBLY	-
1	7000209	1	Cover	
2	7000217	8	Bolt, Hex Head	
3	7000214	4	Bolt, Hex Head, Shoulder	
4	4751500	12	Flatwasher	
5	7000242	1	Plug, Pipe	
6	Kit	2	O-Ring	
7	7000208	1	Gear, Ring	
8	7000253	2	Washer, Thrust	
9	7000207	1	Planet Carrier Assembly (No Service Breakdown Parts Purchase Entire Assembly)	
10	7000270	1	Washer, Thrust	
11	7000268	1	Gear, Sun-Input	
12	7000269	1	Spacer, Sun Gear	
13	7000246	1	Gear, Internal	
13	7000271	1	Hub Assembly	
14	Kit	1	Ring, Retaining	
15	Kit	1	Spacer	
16	7000258	1	Bearing, Tapered Roller	
17	7000257	1	Cup, Bearing	
18	7000210	1	Hub	
19	7000242	1	Plug, Pipe	
20	7000255	1	Cup, Bearing	
21	7000256	1	Bearing, Tapered Roller	
22	Kit	1	Seal	
23	7000233	1	Shaft, Output	
	2900034	1	Kit, Repair (Includes Items 6, 14,15 & 22)	

SECTION 2 - TURNTABLE

FIGURE 2-14. DEUTZ ENGINE INSTALLATION



SECTION 2 - TURNTABLE

FIGURE 2-14. DEUTZ ENGINE INSTALLATION

ITEM	PART NUMBER	QTY	DESCRIPTION	REV
	0250037	Ref	DEUTZ ENGINE INSTALLATION - F3L-1011 (WITHOUT NOISE REDUCTION PACKAGE/PRIOR TO OCTOBER 1991)	F
	0252297	Ref	DEUTZ ENGINE INSTALLATION - F3L-1011 (WITH NOISE REDUCTION/OCTOBER 1991 TO PRESENT)	E
1		Ref	Engine Deutz - F3L-1011 Diesel Options:	
1	2000107	1	Prior to August 1995	
1	2000138	1	August 1995 to Present	
2	0641844	4	Bolt 1/2in-13NC x 45 1/2in	
3	4761800	4	Lockwasher 1/2in	
4	0080174	4	Adapter	
	0250125	1	Coupling Installation - Lovejoy (Design A)	-
	0250597	1	Coupling Installation - Hayes (Design B)	-
5	1660169	1	Coupling, Lovejoy (Design A)	
5	1660172	1	Hub, Coupling (Lovejoy)	
5	1660173	1	Disc, Coupling (Lovejoy)	
6	0700812	6	Bolt, Metric 8mm x 25mm	
6	4831900	6	Lockwasher, Metric 8mm	
7	1660184	1	Coupling, Hayes (Design B)	
8	0700810	6	Bolt, Metric 8mm x 20mm	
8	4831900	6	Lockwasher, Metric 8mm	
9	0080163	1	Plate, Adapter	
10	0701014	8	Bolt, Metric 10mm x 30mm	
11	4832000	8	Lockwasher, Metric 10mm	
12	3600139	1	Pump Assembly (See MAIN PUMP ASSEMBLY - GEAR for Breakdown)	
13	0641810	2	Bolt 1/2in-13NC x 1 1/4in	
14	4761800	2	Lockwasher 1/2in	
15	0080172	1	Adapter, Throttle (Prior to September 1995)	
15	4460302	1	Adapter, Throttle (September 1995 to Present)	
15	3951003	1	Setscrew #10-24NC x 3/8in (Prior to September 1995)	
15	0902244	1	Bracket, Throttle (September 1995 to Present)	
15	3450202	1	Pin, Cotter 1/16in x 1/2in	
15	4711400	1	Flatwasher 1/4in (September 1995 to Present)	
15	0700605	2	Bolt 6mm x 10mm (September 1995 to Present)	
16	1840004	1	Scoop, Intake (Prior to March 1995)	
16	1840010	1	Scoop, Intake (March 1995 to Present)	
17	1320059	1	Clamp (Prior to March 1995 Only)	
18	3960389	1	Seal	
19	0080177	1	Adapter, Air Intake	
20	0641510	3	Bolt 5/16in-18NC x 1 1/4in	
20	4761500	3	Lockwasher 5/16in	
20	3311501	3	Nut 5/16in-18NC	
21	3960407	1	Gasket, Adapter	
22	2720334	1	Hose, Air Intake (0252297 Installation Only)	
23	1320031	4	Clamp, Hose	
24	2720178	1	Hose, Rubber (0250037 Installation)	
24	2720351	1	Hose, Rubber (0252297 Installation)	
25	4564493	1	Tube, Air Intake (0250037 Installation Only)	
26	0080039	1	Elbow (0250037 Installation Only)	
27	1340020	1	Air Cleaner Assembly	

SECTION 2 - TURNTABLE

ITEM	PART NUMBER	QTY	DESCRIPTION	REV
28	7004214	1	Element	
29	0340002	2	Band, Mounting	
29	0641406	4	Bolt 1/4in-20NC x 3/4in	
29	4751400	4	Flatwasher 1/4in	
29	3311405	4	Locknut 1/4in-20NC	
30	1120161	1	Cap, Inlet (0250037 Installation Only)	
31	2720058	10 ft	Hose, Fuel Line (Supply)	
32	2720271	10 ft	Hose, Fuel Line (Return)	
33	1320022	4	Clamp, Hose	
34	2200805	1	Fitting, 90 Barbed (Fuel Supply)	
34	2220273	1	Fitting, Reducer (Fuel Supply)	
35	2180536	1	Fitting, Barbed (Fuel Return)	
35	2220273	1	Fitting, Reducer (Fuel Return)	
35	4420001	AR	Tape, Sealant	
36	2420110	1	Sender, Oil Pressure (See end of this parts list for options)	
36	2180730	1	Fitting, Straight Connector	
36	2200261	1	Fitting, Straight	
36	2180104	1	Fitting, Nipple	
37	4564413	1	Tailpipe (Standard - 0250037 Installation)	
37	4565278	1	Tailpipe (Standard - 0252297 Installation)	
37	4565988	1	Tube, Exhaust (Standard - 0252297 Installation)	
37	4100025	2 ft/.6m	Sleeve, Fiberglass (Standard - 0252297 Installation)	
37	4565162	1	Tube, Exhaust (With Spark Arrestor)	
37	4565163	1	Tailpipe (With Spark Arrestor)	
37	7000694	1	Muffler (Standard - Not Shown)	
37	3220036	1	Arrestor, Spark (Optional - Not Shown)	
38	1320019	2	Clamp, Muffler	
39	4843372	1	Snorkel, Exhaust	
40	0641406	4	Bolt 1/4in-20NC x 3/4in	
40	4761400	4	Lockwasher 1/4in	
40	3311405	4	Locknut 1/4in-20NC	
41	0901705	1	Bracket, Muffler (Standard)	
41	0901759	1	Bracket, Muffler (With Spark Arrestor Only)	
42	1320176	1	Clamp, Muffler	
43	1060099	1	Cable, Battery (Starter to Start Relay)	
44	1060092	1	Cable, Battery (Start Relay to Aux Relay)	
45	1060129	1	Cable, Battery (Aux Relay to Aux Pump)	
46	1060074	1	Cable, Battery (Positive - Battery to Aux Relay)	
47	1060172	1	Cable, Battery (Negative - Battery to Ground)	
48	1060045	1	Cable, Battery (Engine to Ground)	
49	3311601	1	Nut 3/8in-16NC	
50	4761600	1	Lockwasher 3/8in	
50	4300034	1	Stud (Welded on Part)	
51	0400075	1	Battery	
52	3980007	1	Seat, Masonite	
53	0361810	1	Holddown, Battery	
54	0236768	2	Rod, Tie-Down (10in)	
54	3841026	2	Rod, Tie-Down (11in)	
55	4711600	2	Flatwasher 3/8in Narrow	
56	3300029	2	Wingnut	
57	3600141	1	Auxiliary Pump Assembly - John S. Barnes (Prior to October 1990)	

SECTION 2 - TURNTABLE

ITEM	PART NUMBER	QTY	DESCRIPTION	REV
57	7004290	1	Motor	
57	7004291	1	Pump	
57	7004249	1	Coupling	
57	3600071	1	Auxiliary Pump Assembly - John S. Barnes, Motor (Alt Haldex Barnes, Inc) (October 1990 to Present)	
57	7004248	1	Motor	
57	7004436	1	Motor with Mounting Bracket	
57	7004247	1	Pump	
57	7004249	1	Coupling	
57	7012576	1	Bracket	
58	0641608	2	Bolt 3/8in-16NC x 1in	
59	4761600	2	Lockwasher 3/8in	
60	4711600	2	Flatwasher 3/8in Narrow	
61	0901307	1	Bracket, Auxiliary Pump	
62	3311601	2	Nut 3/8in-16NC	
63	4761600	2	Lockwasher 3/8in	
64	4711601	2	Flatwasher 3/8in Narrow	
65	4300034	2	Stud (Welded on Parts)	
66	4844312	1	Box, Intake (0252297 Installation Only)	
67	3311405	10	Lockout 1/4in-20NC (0252297 Installation Only)	
67	4751400	AR	Flatwasher 1/4in (0252297 Installation Only)	
68	2820060	1	Foam, Acoustical (0252297 Installation Only)	
69	0901800	1	Bracket, Air Cleaner (0252297 Installation Only)	
70	1120405	1	Rain Cap (0252297 Installation Only)	
71	4640751	1	Valve, Oil Drain (0252297 Installation Only)	
71	2750532	6 in/15cm	Hose, Drain (0252297 Installation Only)	
71	1320022	1	Clamp (0252297 Installation Only)	
	0250233	Ref	COLD WEATHER PACKAGE INSTALLATION (OPTIONAL - NOT SHOWN)	B
	1281186	Ref	COLD WEATHER PACKAGE INSTALLATION (OPTIONAL - NOT SHOWN)	F
	2901111	1	Kit, Cold Weather Start	
	0700808	1	Bolt, Metric M8 x 16 Grade 8.8	
	4761500	1	Lockwasher 5/16in	
	3311401	4	Nut 1/4in-20NC	
	4761400	4	Lockwasher 1/4in	
	4300031	4	Stud (Welded on Part)	
	2580001	1	Heater, Battery	
	0251682	Ref	ENGINE SHUTDOWN INSTALLATION (NOT SHOWN)	-
		Ref	Note: The following items located at Item 36.	
	4360065	1	Switch, Pressure	
	2220318	1	Fitting, 90	
	2180643	1	Fitting, Nipple	
	2180360	1	Fitting, Tee	
	3740049	1	Relay (Located in Ground Control Box - Not Shown)	
	0250229	Ref	ENGINE PRESSURE SWITCH INSTALLATION (USE WITH 110V GENERATOR OPTION - NOT SHOWN)	L
		Ref	Note: The following items located at Item 36	
	4360037	1	Switch, Pressure	
	2200261	1	Fitting, Connector (Prior to SN 23615)	
	2180360	1	Fitting, Tee (Prior to SN 23615)	
		Ref	Fitting Options:	

SECTION 2 - TURNTABLE

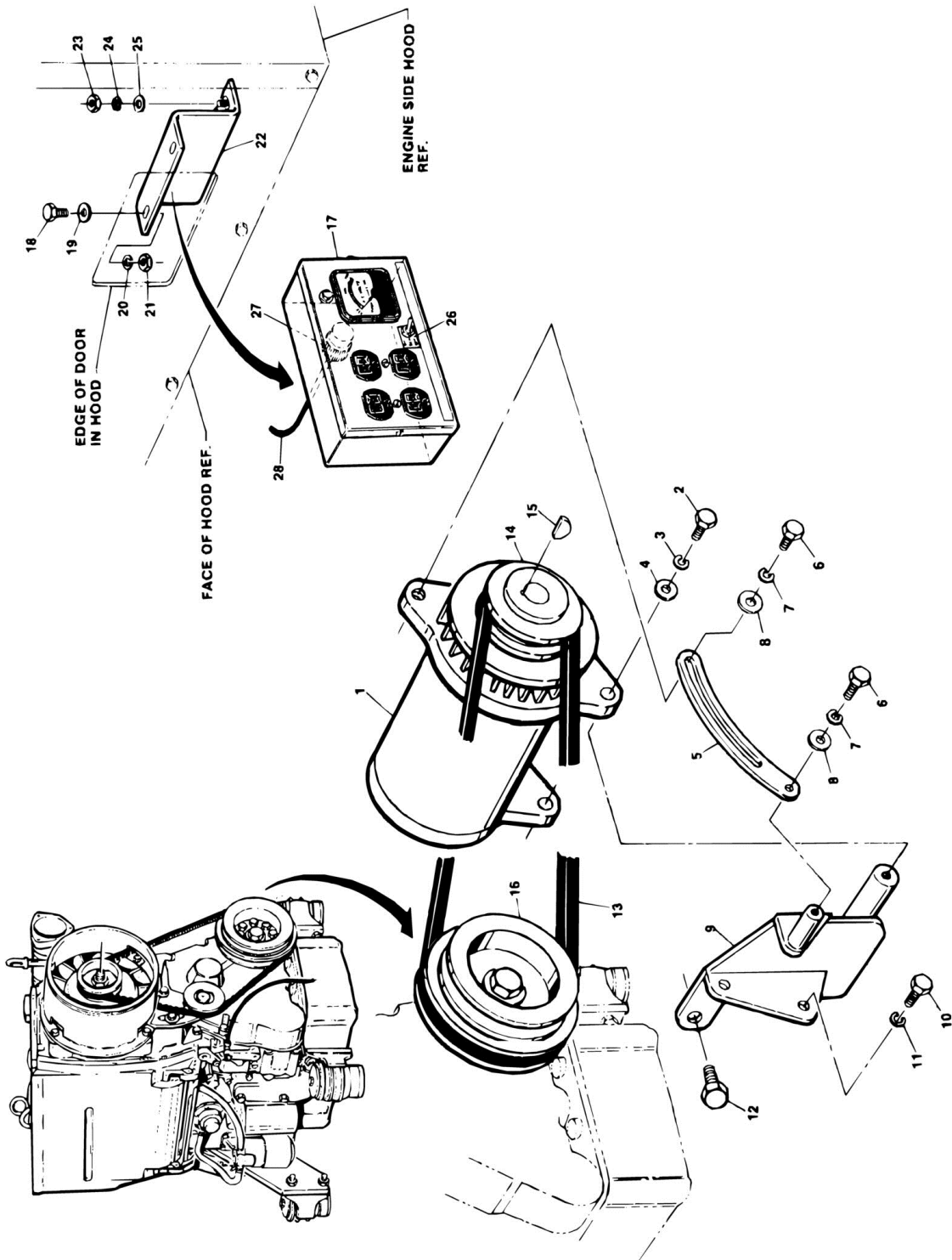
ITEM	PART NUMBER	QTY	DESCRIPTION	REV
	2180537		Fitting, Brass Nipple (Prior to SN 23615)	
	2180730		Fitting, Adapter (SN 23615 to Present)	
	2180749	1	Fitting, 45	
		Ref	ENGINE COMPONENTS	
		Ref	Deutz F3L1011 Engine	
	2000107	Ref		
	7020457	1	Alternator	
	7020023	1	Filter, Fuel (was p/n 7012598)	
	7014502	1	Filter, Oil (Case of 12)	
		Ref	Gasket Options:	
	7020471	3	Exhaust Manifold	
	7020424	3	Injector Tip	
	70003622	3	Injector	
	7020455	1	Muffler	
	7012698	1	Pump, Fuel	
	7020477	1	Ring, Gear (Flywheel)	
	7016308	1	Ring, Plastic Air Intake	
	7027250	1	Spring, Tension (Actuator)	
	7012626	1	Starter	
	7027210	1	Switch, Oil Temp Sender	
	7019607	1	Switch, Solenoid (was p/n 7016341)	
	7019607	2	Shutdown Device (was p/n 7016359)	
	7014684	1	Tune-up Kit (Includes fuel line and oil plug washers, oil and fuel filters, valve cover and injector tip gaskets)	
	7016309	1	Washer, Copper Sealing	
	2000138	Ref	Deutz F3L1011F Engine	
	7020417	1	Alternator	
	70000851	1	Bracket, Alternator Mounting	
	7020024	1	Breather Cap (Crankcase)	
	7020435	1	Dipstick	
	7000699	1	Exhaust Seal (Doughnut)	
	7016331	1	Filter, Oil	
	7020412	1	Fitting, Tee	
	8320270	1	Fuel, Filter (Thumbscrew Mounted)	
	7020023	1	Fuel, Filter (Spin-On)	
		Ref	Gasket Options:	
	7020471	3	Exhaust Manifold	
	7020411	1	Lift Pump	
	7020424	3	Injector Tip	
	7020430	1	Valve Cover	
	7020220	1	Harness	
	7020419	1	Hose, Fuel Return	
	7020426	1	Injector	
	7020455	1	Muffler	
	7020425	1	Nozzle, Injector	
	7019607	1	Throttle Shutdown	
	7012599	1	Pump, Fuel Injector	
	7020463	1	Pump, Fuel Supply	
	7024579	1	Ring, Gear (Flywheel) (110 Teeth)	
	7020208	1	Ring, Gear (Flywheel) (129 Teeth)	
	7020477	1	Ring, Gear (Flywheel) (133 Teeth)	
	7020406	1	Ring, Sealing	
	7016359	2	Shutdown Device	

SECTION 2 - TURNTABLE

ITEM	PART NUMBER	QTY	DESCRIPTION	REV
	7027250	1	Spring, Tension (Actuator)	
	7016332	1	Starter (11 Teeth)	
	7020479	1	Starter (9 Teeth)	
	7020168	1	Switch, Oil Pressure Sender	
	7020414	1	V-Belt	
	0251537	Ref	ENGINE DISTRESS INSTALLATION (OPTIONAL - NOT SHOWN)	D
		Ref	Note: The following Items located at Item 36.	
	2180360	1	Fitting, Tee	
	2180749	1	Fitting, 45	
	4360065	1	Switch, Pressure	

SECTION 2 - TURNTABLE

FIGURE 2-15. 110 VOLT GENERATOR INSTALLATION - DEUTZ



SECTION 2 - TURNTABLE

FIGURE 2-15. 110 VOLT GENERATOR INSTALLATION - DEUTZ

ITEM	PART NUMBER	QTY	DESCRIPTION	REV
	0250229	Ref	110 VOLT GENERATOR INSTALLATION (DEUTZ)	L
1	2460011	1	Generator Assembly with Control Box	
1	7012558	1	Generator Assembly	
1	7020109	4	Holder, Brush	
1	7020108	4	Brush	
1	7012513	4	Cap, Brush Holder	
1	7012514	1	Fan	
1	7020190	2	Bearing	
1	7020110	1	End Bell, Front	
1	7020111	1	End Bell, Rear	
1	7020193	1	Cord, Power	
1	7003657	1	Control Box Assembly	
		Ref	Note: Replacement 110V Control Box comes with 2 std receptacles p/n 4460190. Optional Twist Lock receptacles p/n 4460027 must be ordered separately.	
1	2420203	1	meter (was p/n 7010699)	
1	4360542	1	Breaker, Circuit (was p/n 7020194)	
1	4460190	1	Receptacle, Double (110V Box)	
1	4460027	1	Receptacle, Double Twist Lock (110V Box)	
1	2920162	1	Lamp	
1	7020191	1	Switch, Toggle	
1	3520028	1	Plug, Hole	
2	0681610	2	Bolt 3/8in-16NC x 1 1/4in (Grade 8)	
3	4761600	2	Lockwasher 3/8in	
4	4751600	2	Flatwasher 3/8in	
5	0361815	1	Arm, Adjustable	
6	0681510	2	Bolt 5/16in-18NC x 1 1/4in (Grade 8)	
7	4761500	2	Lockwasher 5/16in	
8	4751500	2	Flatwasher 5/16in	
9	4843410	1	Bracket, Mounting - Generator	
10	0701012	2	Bolt, Metric 10MM x 25M	
11	4812000	2	Flatwasher, Metric 10MM	
11	0100011	AR	Loctite	
12	0701414	1	Bolt, Metric 14MM x 30MM	
13	0480059	1	V-Belt	
14	3580134	1	Pulley (Included with Item #2)	
15	7027887	1	KEY	
16	3580158	1	Pulley	
17	See Item 1	1	Box, Control	
18	0641406	2	Bolt 1/4in-20NC x 3/4in	
19	4751400	2	Flatwasher 1/4in	
20	4761400	2	Lockwasher 1/4in	
21	3311401	2	Nut 1/4in-20NC	
22	0901633	1	Bracket, Mounting - Box	
23	3311401	2	Nut 1/4in-20NC	
24	4761400	2	Lockwasher 1/4in	
25	4751400	2	Flatwasher 1/4in	
25	4300068	2	Stud (Welded on Part)	
26	3251476	1	Decal - Generator	
27	4460023	1	Terminal	

SECTION 2 - TURNTABLE

ITEM	PART NUMBER	QTY	DESCRIPTION	REV
28	1060012	AR	Cable - 12/4	

SECTION 2 - TURNTABLE

FIGURE 2-16. FORD LSG423 ENGINE INSTALLATIONS - WITHOUT NOISE REDUCTION (PRIOR TO FEBRUARY 1993)

ITEM	PART NUMBER	QTY	DESCRIPTION	REV
		Ref	FORD LSG423 ENGINE INSTALLATIONS - WITHOUT NOISE REDUCTION (PRIOR TO FEBRUARY 1993)	
	0239621	Ref	FORD ENGINE INSTALLATION - LSG-423 (STANDARD)	B
	0239665	Ref	FORD ENGINE INSTALLATION - LSG-4213 (DUAL FUEL)	A
		Ref	Note: Above Installations are for machines with sn's up to 12670 & 12676-12678, 12681, 12686-12688, 12691-12699, 12812-12817, 12819, 12821 & 12823.	
	0250278	Ref	FORD ENGINE INSTALLATION - LSG-423 (STANDARD)	F
	0250311	Ref	FORD ENGINE INSTALLATION - LSG-423 (DUAL FUEL)	H
		Ref	Note: Above Installations are for machines with sn's 12671-12675, 12679, 12680, 12689, 12690, 12811, 12818, 12820, 12822, 12824 and up.	
1	2000088	1	Engine (Ford LSG-423)	
2	3200198	1	Engine Mount, Front	
3	0711014	3	Bolt, Metric M10 x 30 (Grade 8)	
4	0711020	1	Bolt, Metric M10 x 60 (Grade 8)	
5	4761600	4	Lockwasher 3/8in	
6	4562637	1	Spacer	
7	3200227	1	Support, Engine (Front)	
8	0641622	2	Bolt 3/8in-16NC x 2 3/4in	
9	4761600	2	Lockwasher 3/8in	
9	4751600	2	Flatwasher 3/8in	
10	3311601	2	Nut 3/8in-16NC	
11	3200260	3	Mount, Engine	
12	0642032	3	Bolt 5/8in-11NC x 4 1/4in	
13	4740242	5	Washer, Special	
14	4563674	3	Spacer, Tube	
15	3312005	3	Locknut 5/8in-11NC	
16	3200226	1	Support, Engine (Rear)	
17	0642022	2	Bolt 5/8in-11NC x 2 3/4in	
18	4752000	2	Flatwasher 5/8in	
19	4762000	2	Lockwasher 5/8in	
20	3312001	2	Nut 5/8in-11NC	
	0239962	1	Coupling Installation - Love Joy (Design A)	-
	0250599	1	Coupling Installation - Hayes (Design B)	-
21	1660170	1	Coupling Assembly - Love Joy (Design A)	
21	1660175	1	Disc Coupling	
21	1660174	1	Hub, Coupling	
22	0641610	6	Bolt 3/8in-16NC x 1 1/4in	
22	4761600	6	Lockwasher 3/8in	
23	1660183	1	Coupling Assembly - Hayes (Design B)	
24	0641607	6	Bolt 3/8in-16NC x 7/8in	
24	4761600	6	Lockwasher 3/8in	
25	0080163	1	Adapter, Pump	
26	0641610	8	Bolt 3/8in-16NC x 1 1/4	
27	4761600	8	Lockwasher 3/8in	
28	3600139	1	Pump Assembly - Gear (See MAIN PUMP ASSEMBLY - GEAR for Breakdown)	
29	0641812	4	Bolt 1/2in-13NC x 1 1/2in	
30	4761800	4	Lockwasher 1/2in	

SECTION 2 - TURNTABLE

ITEM	PART NUMBER	QTY	DESCRIPTION	REV
31	0901401	1	Bracket, Terminal Strip	
31	1670414	1	Cover, Strip	
32	1700901	1	Decal - Terminal Strip Label	
33	1320070	2	Clamp, Wiring	
33	3910812	1	Screw, Round Head #8-32NC x 3/4in	
33	4770800	1	Starwasher #8	
33	3310801	1	Nut #8-32NC	
34	3980003	1	Masonite	
35	0400025	1	Battery - 13in Length	
35	0400003	1	Battery - 10in Length	
36	0400002	1	Holddown (Design A)	
36	2910479	2	Clips Holddown (Design A)	
37	0361810	1	Holddown (Design B)	
38	0236768	2	Rod, Tie Down - 11in Rod	
38	3841026	2	Rod, Tie Down - 10in Rod	
39	4751600	2	Flatwasher 3/8in	
40	3300029	2	Wingnut 3/8in-16NC	
41	1060093	1	Cable, Battery (Positive to Aux Relay) (19in Length)	
41	1060129	1	Cable, Battery (Positive to Aux Relay) (40in Length)	
41	1060119	1	Cable, Battery (Positive to Aux Relay) (48in Length)	
42	1060093	1	Cable, Battery (Negative to Ground) (13in Length)	
42	1060172	1	Cable, Battery (Negative to Ground) (18in Length)	
43	1060045	1	Cable, Battery (Engine to Ground)	
44	1060129	1	Cable, Battery (Aux Relay to Aux Power)	
45	1060092	1	Cable, Battery (Aux Relay to Start Relay)	
46	1060099	1	Cable, Battery (Starter to Start Relay)	
47	0181488	1	Angle, Radiator Support (Front)	
48	0641408	1	Bolt 1/4in-20NC x 1in	
49	4751400	1	Flatwasher 1/4in	
50	4761400	1	Lockwasher 1/4in	
51	3311401	1	Nut 1/4in-20NC	
52	3620026	1	Radiator (Specify when ordering: Modine or Long)	
53	0630360	2	Bolt, Carriage 5/16in-18NC x 1 1/4in	
54	4761500	3	Lockwasher 5/16in	
55	3311501	3	Nut 5/16in-18NC	
56	0630375	2	Bolt, Carriage 7/16in-14NC x 1in	
57	4751700	2	Flatwasher 7/16in	
58	4761700	2	Lockwasher 7/16in	
59	3311701	2	Nut 7/16in-18NC	
60	4340509	1	Support, Radiator	
61	3311601	2	Nut 3/8in-16NC	
62	4761600	2	Lockwasher 3/8in	
62	4300034	2	Stud (Welded on Part)	
63	2680356	1	Shroud, Fan (Use with Long Radiator)	
63	2680386	1	Shroud, Fan (Use with Modine Radiator)	
64	3940804	6	Screw, Self-Tapping #8-32NC x 1/2in	
65	4760800	6	Lockwasher #8	
66	2060014	1	Fan	
67	3250914	1	Decal - Caution Fan	
68	2720254	1	Hose, Radiator (Top)	
69	1320012	2	Clamp	

SECTION 2 - TURNTABLE

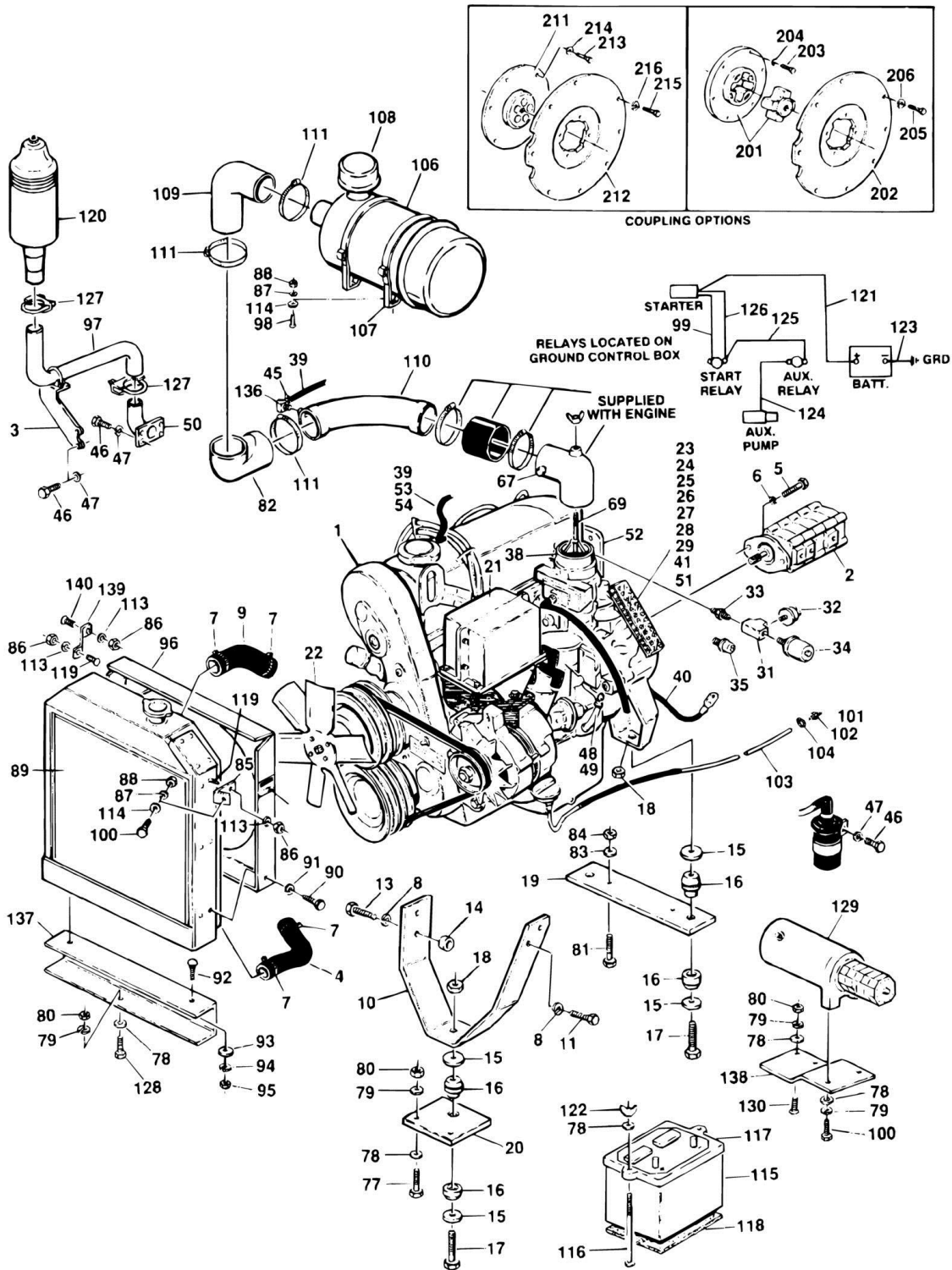
ITEM	PART NUMBER	QTY	DESCRIPTION	REV
70	2720232	1	Hose, Radiator (Bottom)	
71	1320012	2	Clamp	
72	0238044	1	Choke and Throttle Installation - Precision Governor (See PRECISION GOVERNOR INSTALLATION - FORD MACHINES BUILT PRIOR TO FEBRUARY 1995 for Breakdown)	
73	2720160	AR	Hose	
74	0080092	1	Adapter, Choke	
75	4300056	1	Stud, Carburetor	
76	3311405	1	Locknut 1/4in-20NC	
77	2200053	1	Plug (Standard Machines)	
78	4843260	1	Tube, Intake	
79	1320058	4	Clamp	
80	0080039	2	Elbow, Rubber	
81	4561815	1	Tube, Connector	
82	1120161	1	Cap, Air Cleaner	
83	1340020	1	Air Cleaner Assembly (Includes Item 88 Element)	
84	0340002	2	Band	
85	3311401	4	Nut 1/4in-20NC	
86	4761400	4	Lockwasher 1/4in	
87	0641408	4	Bolt 1/4in-20NC x 1in	
88	7004214	1	Element, Air Cleaner (Part of Item 88)	
88	2420047	1	Service Indicator (Optional - Not Shown)	
88	0100020	1	Sealant	
89	0901569	1	Plate, Support	
90	4564167	1	Tube, Weldment	
91	0701010	4	Bolt, Metric M10 x 20mm	
92	4740116	4	Lockwasher 10mm	
93	1320019	1	Clamp	
94	1320019	1	Clamp	
95	3220043	1	Muffler	
96	2220273	1	Fitting, Reducer	
97	2180360	1	Fitting, Tee	
98	4360037	1	Switch, Oil Pressure (Standard)	
98	4360182	1	Switch, Oil Pressure (With Engine Distress Light)	
99	2420033	1	Sender, Oil Pressure (Prior to June 1992)	
99	2420131	1	Sender, Oil Pressure (June 1992 to Present)	
100	2420024	1	Sender, Temperature (Prior to June 1992)	
100	2420140	1	Sender, Temperature (June 1992 to Present)	
101	4564281	1	Tube, Dipstick	
101	2420109	1	Dipstick	
102	3600141	1	Auxiliary Pump Assembly - John S. Barnes (Prior to October 1990)	
102	7004290	1	Motor	
102	7004291	1	Pump	
102	7004249	1	Coupling	
102	3600071	1	Auxiliary Pump Assembly - John S. Barnes, Motor (Alt Haldex Barnes, Inc) (October 1990 to Present)	
102	7004248	1	Motor	
102	7004436	1	Motor with Mounting Bracket	
102	7004247	1	Pump	
102	7004249	1	Coupling	
102	7012576	1	Bracket	
103	0641612	2	Bolt 3/8in-16NC x 1 1/2in	

SECTION 2 - TURNTABLE

ITEM	PART NUMBER	QTY	DESCRIPTION	REV
104	4761600	2	Lockwasher 3/8in	
105	0901307	1	Bracket, Mounting - Auxiliary Power	
106	3311601	2	Nut 3/8in-16NC	
107	4761600	2	Lockwasher 3/8in	
108	4711600	2	Flatwasher 3/8in	
108	4300034	2	Stud (Welded on Parts)	
109	2720015	10 ft	Hose, Fuel Line	
110	1320022	2	Clamp	
111	2220317	1	Fitting, Barbed	
111	4420001	AR	Tape, Sealant	
112	0901708	1	Bracket, Radiator Support (Rear)	
	4920959	1	Harness (Not Shown)	
	0250232	Ref	COLD WEATHER PACKAGE INSTALLATION (NOT SHOWN)	B
	2580022	1	Heater, Engine Block	
	2580001	1	Heater, Battery	
	2000088	Ref	ENGINE COMPONENTS	
	7023667	1	Fitting, Tee (Water By-Pass)	
	7000867	1	Harness, Engine	
	7014677	1	Major Components Kit (Include 1 each of standardcarburetor, water pump, fuel pump, starter and alternator) (See PRECISION GOVRNOR INSTALLATION - FORD MACHINES BUILT PRIOR TO FEBRUARY 1995 for carburetor replacement parts)	
	7010633	1	Pump, Fuel	
	7012679	1	Starter (was p/n 7000868)	
	7000874	1	Alternator	
	7014678	1	Gasket and Ignition Kit (Includes upper and lower gasket sets, thermostat, ring gear, belt, coil, ignition module, voltage regulator, starter solenoid and hoses)	
	7000871	1	Coil	
	7000869	1	Module, Ignition	
	7000870	1	Regulation, Voltage	
	7022180	1	Ring Gear (132 Teeth)	
	7014679		Tune-up Kit (Includes 4 spark plugs, and 1 each of oil filter, fuel filter, cap, rotor and wire set)	
	7019932	4	Plugs, Spark (was p/n 7012595)	
	7021869	1	Filter, Oil (was p/n 7014501)	
	7000646	1	Gasket, Carburetor	
	7024321	1	Gasket, Carburetor (Top)	
	7022153	1	Water Pump Assembly	
	7019931	2	Wire Set - Spark Plug	
	0252626	Ref	ENGINE DISTRESS INSTALLATION	B
	2180360	1	Fitting, Tee	
	4360182	1	Switch, Oil Pressure (Located at Item 98)	
	4360157	1	Switch, Water Temperature (Located on far side of engine block)	

SECTION 2 - TURNTABLE

FIGURE 2-17. FORD LSG423 ENGINE INSTALLATION - WITH NOISE REDUCTION (FEBRUARY 1993 TO FEBRUARY 1995)



SECTION 2 - TURNTABLE

FIGURE 2-17. FORD LSG423 ENGINE INSTALLATION - WITH NOISE REDUCTION (FEBRUARY 1993 TO FEBRUARY 1995)

ITEM	PART NUMBER	QTY	DESCRIPTION	REV
	0253710	Ref	ENGINE ASSEMBLY - STANDARD GAS'	B
	0253712	Ref	ENGINE ASSEMBLY -DUAL FUEL	B
1	2000088	1	Engine	
2	3600139	1	Pump Assembly (See MAIN PUMP ASSEMBLY - GEAR for Breakdown)	
3	0901912	1	Bracket, Exhaust	
4	2720232	1	Hose, Radiator (Bottom)	
5	0641812	2	Bolt 1/2in-13NC x 1 1/2in	
6	4761800	2	Lockwasher 1/2in	
7	1320012	4	Clamp, Hose	
8	4832000	4	Lockwasher, Metric 10mm	
9	2720254	1	Hose, Radiator (Top)	
10	3200198	1	Support, Engine (Front)	
11	0701014	2	Bolt, Metric 10mm x 30mm	
13	0701020	1	Bolt, Metric 10mm x 60mm	
14	4562637	1	Spacer	
15	4740242	5	Flatwasher	
16	3200183	3	Mount, Motor	
17	0642032	3	Bolt 5/8in-20NC x 4in	
18	3312005	3	Locknut 5/8in-20NC	
19	3200226	1	Plate, Engine Mounting (Rear)	
20	3200227	1	Plate, Engine Mounting (Front)	
21	0238044	1	Throttle and Choke Installation (See PRECISION GOVRNOR INSTALLATION - FORD for Breakdown)	
22	2060014	1	Fan	
23	0901401	1	Bracket, Terminal Strip	
24	1700901	1	Decal - Terminal Label	
25	1670414	1	Cover, Terminal Strip	
26	1320060	2	Clamp, Wire	
27	3910812	2	Screw #8-32NC x 3/4in	
28	4770800	2	Starwasher #8	
29	3310801	2	Nut #8-32NC	
30	0100020	AR	Sealant, Thread (Not Shown)	
31	2180360	1	Fitting, Tee	
32	4360037	1	Switch, Oil Pressure	
33	2220273	1	Fitting, Reducer	
34	2420131	1	Sender, Oil Pressure	
35	2420149	1	Sender, Water Temperature	
38	0080092	1	Adapter, Choke	
39	2720160	1 ft/.3m	Hose	
40	1060045	1	Cable, Battery (Engine to Ground)	
41	4751800	2	Flatwasher 1/2in	
46	0701010	7	Bolt, Metric 10mm x 20mm	
47	4740116	7	Lockwasher, Metric 10mm	
48	4564281	1	Tube, Oil Dipstick	
49	2420109	1	Dipstick	
50	4844337	1	Adapter, Exhaust	
51	4921160	1	Harness	
52	0901896	1	Bracket	

SECTION 2 - TURNTABLE

ITEM	PART NUMBER	QTY	DESCRIPTION	REV
53	2720015	1 in/2.5cm	Hose	
54	1320022	1	Clamp, Hose	
67	1120432	1	Cap, Vacuum	
69	4300056	1	Stud, Carburetor	
	0253711	Ref	ENGINE INSTALLATION - STANDARD GASINSTALLATION	A
	0253713	Ref	ENGINE INSTALLATION - DUAL FUEL	B
	0254218	Ref	EXHAUST INSTALLATION	-
77	0641622	2	Bolt 3/8in-16NC x 2 3/4in	
78	4751600	10	Flatwasher 3/8in	
79	4761600	8	Lockwasher 3/8in	
80	3311601	6	Nut 3/8in-16NC	
81	0642022	2	Bolt 5/8in-11NC x 2 3/4in	
82	0080201	1	Elbow	
83	4762000	2	Lockwasher 5/8in	
84	3312001	2	Nut 5/8in-11NC	
85	0181691	1	Angle	
86	3271501	3	Nut 5/16in-18NC (Grade 8)	
87	4761400	5	Lockwasher 1/4in	
88	3311401	5	Nut 5/16in-18NC	
89	3620026	1	Radiator	
90	3940804	6	Screw, Self-Tapping #8-32NC x 1/2in	
91	4750800	6	Flatwasher #8	
92	0630375	2	Bolt, Carriage 7/16in-14NC x 1in	
93	4751700	2	Flatwasher 7/16in	
94	4761700	2	Lockwasher 7/16in	
95	3311701	2	Nut 7/16in-14NC	
96	2680386	1	Shroud, Fan	
97	4566007	1	Tube, Exhaust	
98	4300031	4	Stud (Welded on Part)	
99	4920959	1	Harness (Starter to Start Relay)	
100	0641408	3	Bolt 1/4in-20NC x 1in	
101	2220317	1	Fitting, Barbed	
102	4420001	AR	Tape, Sealant	
103	2720015	10 ft/3m	Fuel Line	
104	1320022	2	Clamp	
105	2200051	1	Plug, Pipe (Not Shown - Located on Tank)	
106	1340020	1	Air Cleaner Assembly	
106	7004214	1	Element, Air Cleaner	
107	0340002	2	Band, Mounting	
108	1120161	1	Bonnet	
109	0080039	1	Elbow	
110	4844291	1	Tube	
111	1320058	4	Clamp	
113	4761500	3	Lockwasher 5/16in	
114	4751400	5	Flatwasher 1/4in	
115	0400003	1	Battery	
116	0236768	2	Rod, Tie-Down	
117	0400002	1	Hold-Down, Battery	
118	3980003	1	Masonite	
119	0630360	2	Bolt, Carriage 5/16in-18NC x 1 1/4in	
120	3220043	1	Muffler (was p/n 3220052)	

SECTION 2 - TURNTABLE

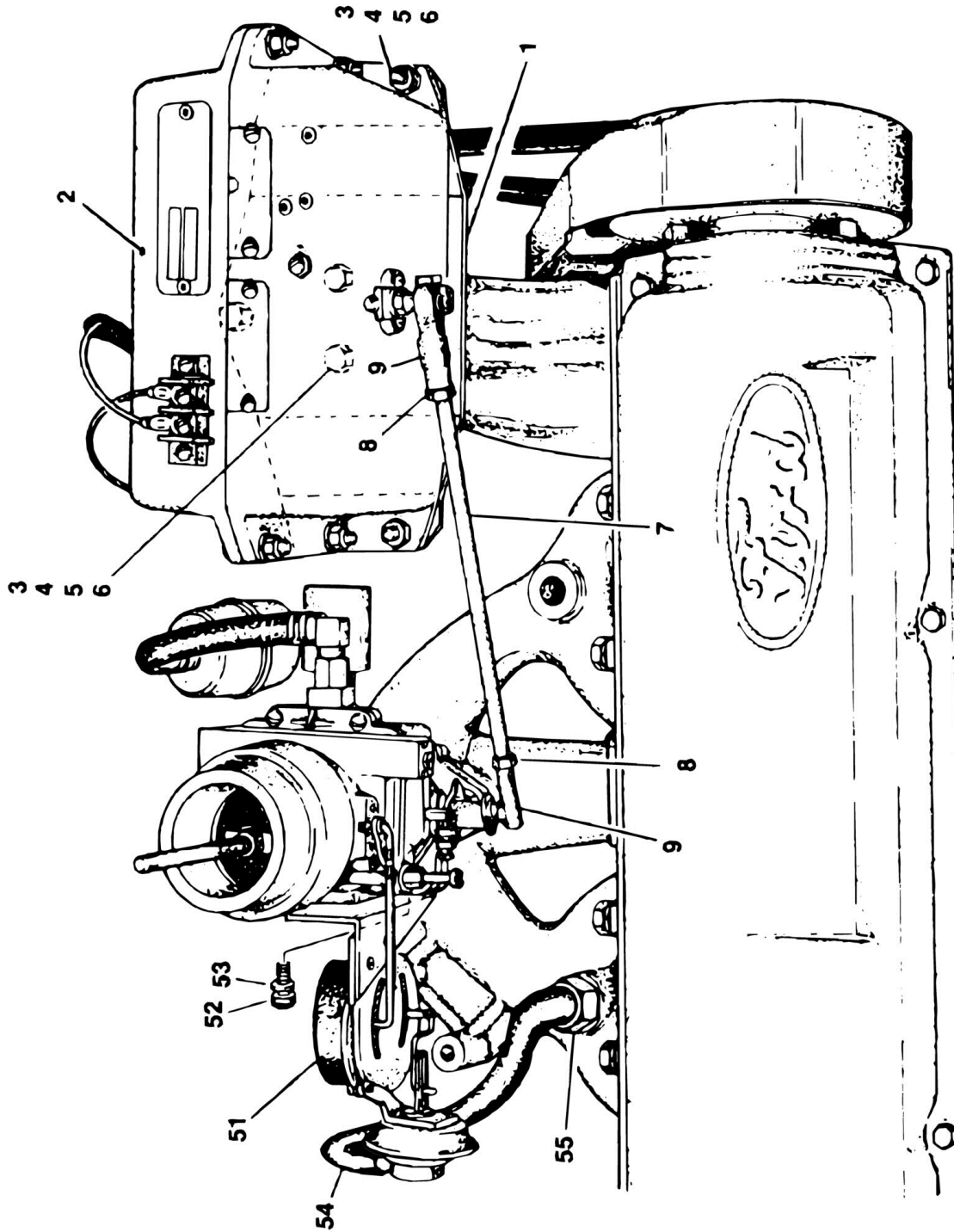
ITEM	PART NUMBER	QTY	DESCRIPTION	REV
121	1060119	1	Cable, Battery (+ Battery to Starter)	
122	3300029	2	Wingnut 3/8in-16NC	
123	1060172	1	Cable, Battery (- Battery to Ground)	
124	1060129	1	Cable, Battery (Aux Pump to Aux Relay)	
125	1060092	1	Cable, Battery (Aux Relay to Start Relay)	
126	1060099	1	Cable, Battery (Start Relay to Starter)	
127	1320019	3	Clamp	
128	0641614	4	Bolt 3/8in-16NC x 1 3/4in	
129	3600071	1	Auxiliary Pump Assembly - John S. Barnes, Motor (Alt. Haldex Barnes, Inc.)	
129	7004248	1	Motor	
129	7004436	1	Motor with Mounting Bracket	
129	7004247	1	Pump	
129	7004249	1	Coupling	
129	7012576	1	Bracket	
130	4300034	2	Stud (Welded on Part)	
136	2220314	1	Fitting, Barbed - 90	
137	4340509	1	Support, Radiator	
138	0901307	1	Bracket, Auxiliary Pump	
139	0901708	1	Bracket	
140	4300038	1	Stud (Welded on Part)	
	0239962	Ref	PUMP COUPLING INSTALLATION - LOVEJOY OPTION	-
201	1660170	1	Coupling	
201	1660175	1	Disc, Coupling	
201	1660174	1	Hub, Coupling	
202	0080163	1	Adapter, Pump	
203	0641610	6	Bolt 3/8in-16NC x 1 1/4in	
204	4761600	6	Lockwasher 3/8in	
205	0641610	8	Bolt 3/8in-16NC x 1 1/4in	
206	4761600	8	Lockwasher 3/8in	
	0250599	Ref	PUMP COUPLING INSTALLATION - HAYES OPTION	-
211	1660183	1	Coupling	
		Ref	Note: Coupling Internal spines must be lubed with Lithium based grease prior to installation.	
212	0080163	1	Adapter, Pump	
213	0641607	6	Bolt 3/8in-16NC x 7/8	
214	4761600	6	Lockwasher 3/8in	
215	0641610	8	Bolt 3/8in-16NC x 1 1/4in	
216	4761600	8	Lockwasher 3/8in	
216	3020021	AR	Grease, Coupling	
	0250232	Ref	COLD WEATHER PACKAGE INSTALLATION (NOT SHOWN)	B
	2580022	1	Heater, Engine Block	
	2580001	1	Heater, Battery	
	2000088	Ref	ENGINE COMPONENTS	
	7023667	1	Fitting, Tee (Water By-Pass)	
	7000867	1	Harness, Engine	
	7014677	1	Major Components Kit (Include 1 each of standardcarburetor, water pump, fuel pump, starter and alternator) (See figure 2-18 for carburetor replacement parts)	
	7010633	1	Pump, Fuel	
	7012679	1	Starter (was p/n 7000868)	
	7000874	1	Alternator	

SECTION 2 - TURNTABLE

ITEM	PART NUMBER	QTY	DESCRIPTION	REV
	7014678	1	Gasket and Ignition Kit (Includes upper and lower gasket sets, thermostat, ring gear, belt, coil, ignition module, voltage regulator, starter solenoid and hoses)	
	7000871	1	Coil	
	7000869	1	Module, Ignition	
	7000870	1	Regulation, Voltage	
	7022180	1	Ring Gear (132 Teeth)	
	7014679		Tune-up Kit (Includes 4 spark plugs, and 1 each of oil filter, fuel filter, cap, rotor and wire set)	
	7019932	4	Plugs, Spark (was p/n 7012595)	
	7021869	1	Filter, Oil (was p/n 7014501)	
	7000646	1	Gasket, Carburetor	
	7024321	1	Gasket, Carburetor (Top)	
	7022153	1	Water Pump Assembly	
	7019931	2	Wire Set - Spark Plug	
	0252626	Ref	ENGINE DISTRESS INSTALLATION	B
	2180360	1	Fitting, Tee	
	4360182	1	Switch, Oil Pressure (Located at Item 32)	
	4360157	1	Switch, Water Temperature (Located on far side of engine block)	

SECTION 2 - TURNTABLE

FIGURE 2-18. PRECISION GOVERNOR INSTALLATION - FORD MACHINES BUILT PRIOR TO FEBRUARY 1995



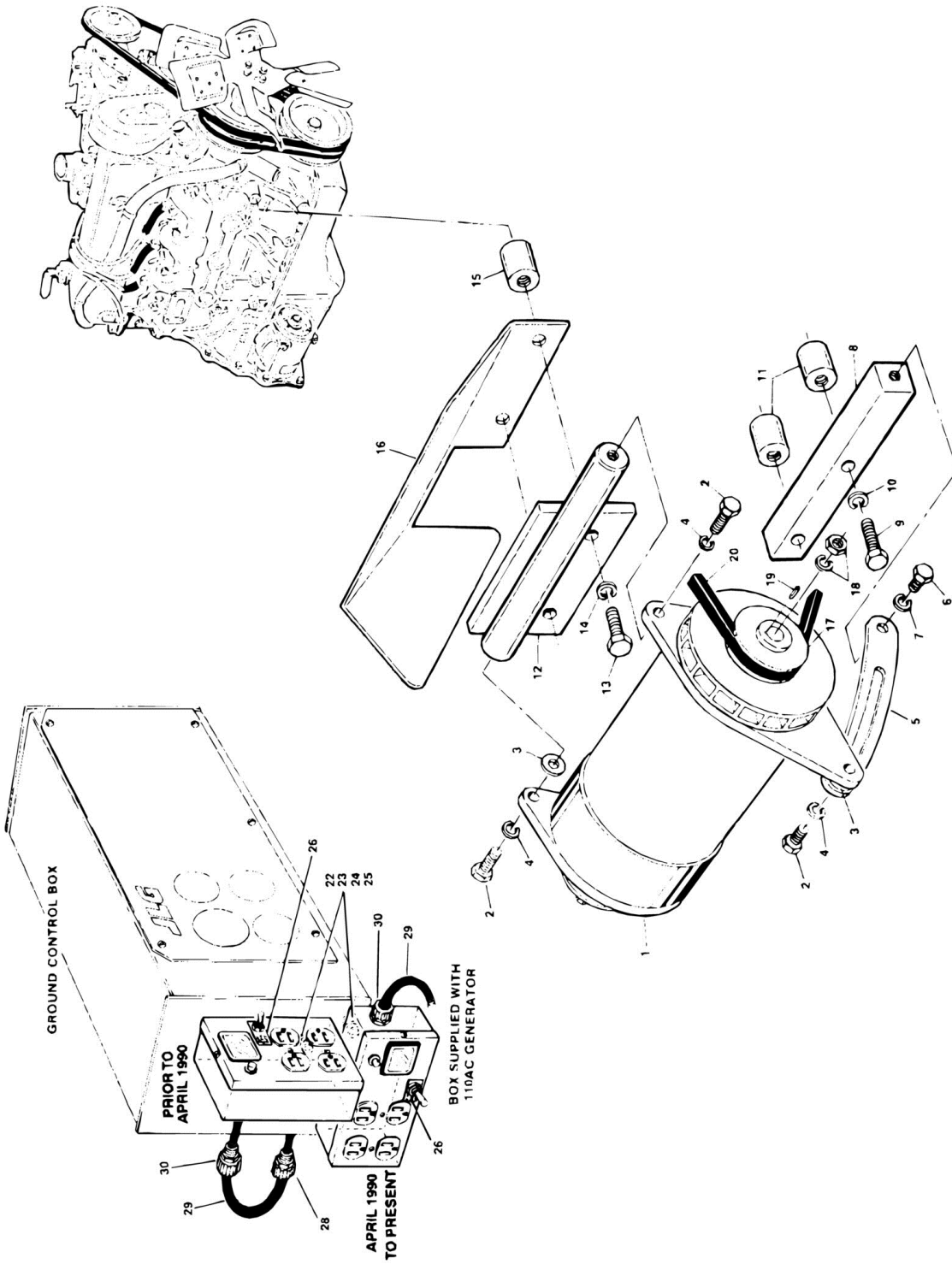
SECTION 2 - TURNTABLE

FIGURE 2-18. PRECISION GOVERNOR INSTALLATION - FORD MACHINES BUILT PRIOR TO FEBRUARY 1995

ITEM	PART NUMBER	QTY	DESCRIPTION	REV
	0238044	Ref	PRECISION GOVERNOR INSTALLATION (STANDARD PARTS)	A
1	0901373	1	Bracket, Governor	
2	2500004	1	Governor	
3	0641408	7	Bolt 1/4in-20NC x 1in	
4	3311401	7	Nut 1/4in-20NC	
5	4751400	7	Flatwasher 1/4in	
6	4761400	7	Lockwasher 1/4in	
7	3840898	1	Rod	
8	3321401	2	Nut 1/4in-28NF	
9	1660157	2	Coupling, Ball - Joint	
	0238044	Ref	PRECISION GOVERNOR INSTALLATION (VARIABLE PARTS REQUIRED ON 1987-1989 MODELS WITHOUT BUILT-IN CHOKE. 1990 MODELS HAVE CARBURETOR WITH BUILT-IN CHOKE)	A
51	0237568	1	Choke and Vacuum Pull-Off Assembly (Includes Sensor)	
52	3910812	2	Screw, Round Head #8-32NC x 3/4in	
53	4760800	2	Lockwasher #8	
54	2720016	1 ft	Hose	
55	2180666	1	Fitting	
		Ref	CARBURETOR REPLACEMENT PARTS	
	9982700	1	Carburetor without built-in choke (1987-1989 models)	
	7000643	1	Carburetor with built-in choke (1990 to February 1995)	
	7000878	1	Rebuilt Kit - Carburetor (Standard Gas)	
	1140009	1	Carburetor (LPG)	
	7000877	1	Fuel Shut-Off with Wire	
	7000884	1	Fuel Shut-Off with Terminal Post	
	7012578	1	Vacuum Line Assembly (1990 to February 1995 only)	
	7012577	1	Fitting, Vacuum Line (1990 to February 1995 only)	
	7000894	1	Automatic Choke (1990 to February 1995 only)	

SECTION 2 - TURNTABLE

FIGURE 2-19. 110 VOLT GENERATOR INSTALLATION - FORD MACHINES BUILT PRIOR TO FEBRUARY 1995



SECTION 2 - TURNTABLE

FIGURE 2-19. 110 VOLT GENERATOR INSTALLATION - FORD MACHINES BUILT PRIOR TO FEBRUARY 1995

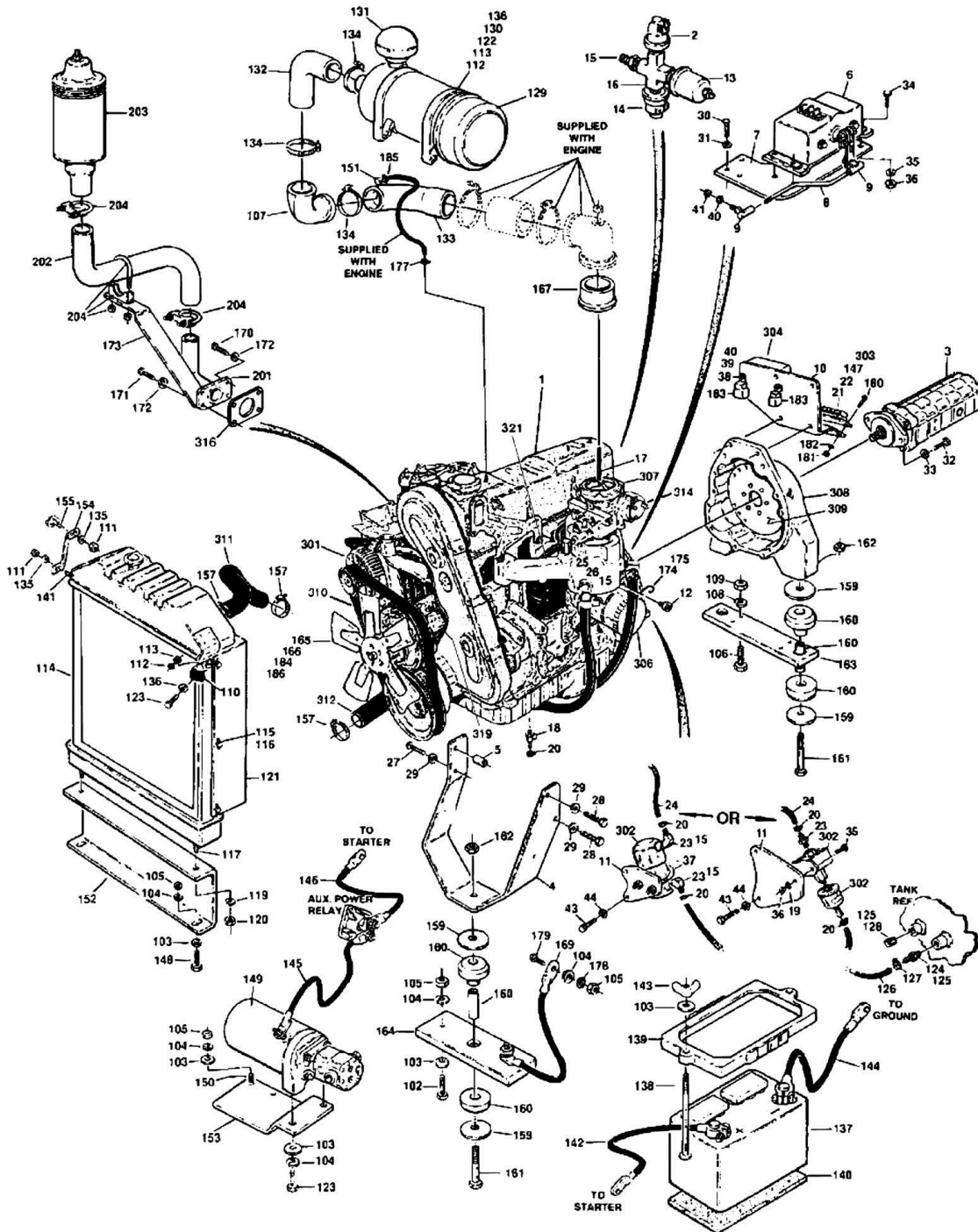
ITEM	PART NUMBER	QTY	DESCRIPTION	REV
		Ref	110 VOLT GENERATOR INSTALLATIONS	
	0239244	Ref	110 Volt Generator Installations (Prior to April 1990)	I
	0251004	Ref	110 Volt Generator Installations (April 1990 to February 1995)	C
1	2460011	1	Generator Assembly with Control Box	
1	7012558	1	Generator Assembly	
1	7020109	4	Holder, Brush	
1	7020108	4	Brush	
1	7012513	4	Cap, Brush Holder	
1	7012514	1	Fan	
1	7020190	2	Bearing	
1	7020110	1	End Bell, Front	
1	7020111	1	End Bell, Rear	
1	7020193	1	Cord, Power	
1	7003657	1	Control Box Assembly	
		Ref	Note: Replacement 110V Control Box comes with 2 std receptacles p/n 4460190. Optional Twist Lock receptacles p/n 4460027 must be ordered separately.	
1	2420203	1	Meter (was p/n 7010699)	
1	4360542	1	Breaker, Circuit (was p/n 7020194)	
1	4460190	1	Receptacle, Double (110V Box)	
1	4460027	1	Receptacle, Double Twist Lock (110V Box)	
1	2920162	1	Lamp	
1	7020191	1	Switch, Toggle	
1	3520028	1	Plug, Hole	
2	0681610	2	Bolt 3/8in-16NC x 1 1/4in (Grade 8)	
3	4751600	2	Flatwasher 3/8in	
4	4761600	2	Lockwasher 3/8in	
5	4340565	1	Adjusting Bracket	
6	0641508	2	Bolt 5/16in-18NC x 1in	
7	4761500	2	Lockwasher 5/16in	
7	4751500	1	Flatwasher 5/16in	
8	0361704	1	Bar, Mounting	
9	0701021	2	Bolt, Metric 10mm - 1.5mm x 65mm	
10	4740116	2	Lockwasher, Metric - 10mm	
11	4564329	1	Spacer, Tube (Front)	
11	4564328	1	Spacer, Tube (Rear)	
12	4843156	1	Bracket, Mounting	
13	0701022	2	Bolt, Metric 10mm - 1.50mm x 70mm	
14	4740116	2	Lockwasher, Metric - 10mm	
15	4564123	2	Spacer, Tube	
16	4060696	1	Shield, Heat	
17	3580134	1	Pulley (Included with Item #2)	
18		Ref	Nut (Supplied with Generator)	
18		Ref	Lockwasher (Supplied with Generator)	
19	2860012	1	Key Woodruff	
20	0480048	1	Belt	
21	See Item 1	1	Box, Control	
22	0641406	2	Bolt 1/4in-20NC x 3/4in	
23	4751400	2	Flatwasher 1/4in	

SECTION 2 - TURNTABLE

ITEM	PART NUMBER	QTY	DESCRIPTION	REV
24	4761400	2	Lockwasher 1/4in	
25	3311401	2	Nut 1/4in-20NC	
26	3251476	1	Nameplate - Generator	
27	4460023	1	Connector (Not Shown)	
28	4460071	1	Connector	
28	0960238	1	Bushing	
28	3300048	1	Locknut, Conduit	
29	1060012	1	Cable, Electrical	
30	4460052	1	Connector	
30	0960239	1	Bushing	
30	3300047	1	Locknut, Conduit	

SECTION 2 - TURNTABLE

FIGURE 2-20. FORD LRG423 ENGINE INSTALLATION (FEBRUARY 1995 TO PRESENT)



SECTION 2 - TURNTABLE

FIGURE 2-20. FORD LRG423 ENGINE INSTALLATION (FEBRUARY 1995 TO PRESENT)

ITEM	PART NUMBER	QTY	DESCRIPTION	REV
	0255675	Ref	FORD ENGINE ASSEMBLY - STANDARD GAS	C
	0255676	Ref	FORD ENGINE ASSEMBLY - DUAL FUEL	C
1	2000126	1	Engine	
2	4360405	1	Switch, Oil Pressure (July 1995 to Present)	
3	3600139	1	Pump Assembly - Main (See MAIN PUMP ASSEMBLY - GEAR for Breakdown)	
4	3200377	1	Mount, Engine (Front)	
5	4566605	1	Tube, Spacer	
6	2500005	1	Precision Governor Actuator	
7	0902088	1	Bracket, Governor Mounting	
8	3841255	1	Rod, Throttle	
9	1660157	2	Coupling, Ball joint	
10	0902089	1	Bracket, Terminal Strip Mounting	
11	0902087	1	Bracket, Fuel Pump Mounting	
12	2420024	1	Sender, Water Temperature	
13	2420131	1	Sender, Oil Pressure	
14	4360037	1	Switch, Oil Pressure	
15	2220273	1	Fitting, Reducer	
16		Ref	Fitting Options:	
16	2180360	1	Fitting (Prior to July 1995)	
16	2180994	1	Fitting (July 1995 to Present)	
17	4300057	1	Stud, Carburetor	
18		Ref	Valve, Oil Drain Options:	
18	4640750	1	Valve, Oil Drain (Prior to SN 34331)	
18	4640989	1	Valve, Oil Drain (SN 34331 to Present)	
19	4791400	2	Lockwasher 1/4in (July 1995 to Present)	
20	1320022	2	Clamp, Hose	
21	1700901	1	Decal, Terminal Strip	
22	1670414	1	Cover, Terminal	
23		Ref	Fitting Options:	
23	2220805	2	Fitting, 90 (Prior to July 1995)	
23	2220315	1	Fitting, Straight Pipe (July 1995 to Present)	
24	2720058	18 in/48cm	Fuel Line	
25	2180536	1	Fitting, Straight Pipe	
26	2720271	30 in/78cm	Hose, Vacuum	
27	0701022	2	Bolt 10mm x 70mm	
28	0701014	2	Bolt 10mm x 30mm	
29	4832000	4	Lockwasher 10mm	
30	0700810	3	Bolt 8mm x 20mm	
31	4831900	3	Lockwasher 8mm	
32	0641812	2	Bolt 1/2in-13NC x 1 1/2in	
33	4761800	2	Lockwasher 1/2in	
34	0641408	4	Bolt 1/4in-20NC x 1in	
35		Ref	Hardware Options:	
35	4761400	4	Lockwasher 1/4in (Prior to July 1995)	
35	0641404	2	Bolt 1/4in-20NC x 1/2 (July 1995 to Present)	
36		Ref	Nut Options:	
36	3311401	4	Nut 1/4in-20NC (Prior to July 1995)	

SECTION 2 - TURNTABLE

ITEM	PART NUMBER	QTY	DESCRIPTION	REV
36	3311405	6	Locknut 1/4in-20NC (July 1995 to Present)	
37		Ref	Hardware Options:	
37	1320019	1	Clamp (Prior to July 1995)	
37	2220437	1	Fitting (July 1995 to Present)	
38	0721014	2	Bolt #10-24NC x 1 3/4in	
39	3311001	2	Nut #10-24NC	
40	4761000	2	Lockwasher #10	
41	3321401	1	Nut 1/4in-28NF	
42	0100020	AR	Sealant, Pipe (Not Shown)	
43	0701015	1	Bolt, Metric 10mm x 35mm	
44	4791600	2	Starwasher 3/8in	
	0255138	Ref	FORD ENGINE INSTALLATION - STANDARD GAS	C
	0255146	Ref	FORD ENGINE INSTALLATION - DUAL FUEL	E
102	0641622	2	Bolt 3/8in-16NC x 2 3/4in	
103	4751600	10	Flatwasher 3/8in	
104	4761600	9	Lockwasher 3/8in	
105	3311601	7	Nut 3/8in-16NC	
106	0642022	2	Bolt 5/8in-11NC x 2 3/4in	
107	0080201	1	Fitting, 90	
108	4762000	2	Lockwasher 5/8in	
109	3312001	2	Nut 5/8in-11NC	
110	0181691	1	Angle, Support	
111	3311501	3	Nut 5/16in-18NC	
112	4761400	5	Lockwasher 1/4in	
113	3311401	5	Nut 1/4in-20NC	
114	3620026	1	Radiator	
115	3940804	6	Screw, Self-Tapping #8-32NC x 1/2in	
116	4750800	6	Flatwasher #8	
117	0630375	2	Bolt, Carriage 7/16in-14NC x 1in	
119	4761700	2	Lockwasher 7/16in	
120	3311701	2	Nut 7/16in-14NC	
121	2680386	1	Shroud, Fan	
122	4300031	4	Stud (Welded on Part)	
123	0641408	3	Bolt 1/4in-20NC x 1in	
124	2220315	1	Fitting, Barbed	
125	4420001	AR	Tape, Sealant	
126		Ref	Line, Fuel Options:	
126	2720015	10 ft/3m	Line, Fuel (Prior to August 1995)	
126	2720058	7 ft/2.1m	Line, Fuel (August 1995 to Present)	
127	1320022	2	Clamp, Hose	
128	2200051	1	Plug, Pipe	
129	1340020	1	Air Cleaner Assembly	
129	7004214	1	Element, Air Cleaner	
130	0340002	2	Band, Mounting	
131	1120161	1	Cap, Air	
132	0080039	1	Elbow	
133	4844903	1	Tube, Air Intake	
134	1320058	4	Clamp	
135	4761500	3	Lockwasher 5/16in	
136	4751400	5	Flatwasher 1/4in	
137	0400003	1	Battery	

SECTION 2 - TURNTABLE

ITEM	PART NUMBER	QTY	DESCRIPTION	REV
138	0236768	2	Rod, Tie-Down	
139	0400002	1	Hold-Down, Battery	
140	3980003	1	Seat, Battery	
141	0630360	2	Bolt, Carriage 5/16in-18NC x 1 1/4in	
142	1060119	1	Cable, Battery (Battery To Starter)	
143	3300029	2	Wingnut 3/8in-16NC	
144	1060172	1	Cable, Battery (Battery to Ground)	
145	1060129	1	Cable, Battery (Aux Relay to Aux. Pump)	
146	1060099	1	Cable, Battery (Aux Relay to Starter)	
147		Ref	Harness, Wiring Options:	
147	4921717	1	Harness, Wiring (Prior to June 1995)	
147	4921764	1	Harness, Wiring (June 1995 to Present)	
148	0641614	2	Bolt 3/8in-16NC x 1 3/4in	
149	3600071	1	Auxiliary Pump Assembly - John S. Barnes, Motor (Alt. Haldex Barnes, Inc.)	
149	7004248	1	Motor	
149	7004436	1	Motor with Mounting Bracket	
149	7004247	1	Pump	
149	7004249	1	Coupling	
149	7012576	1	Bracket	
150	4300034	2	Stud (Welded on Part)	
151	2220314	1	Fitting, 90 Barbed	
152	4340509	1	Bracket, Support	
153	0901307	1	Bracket, Auxiliary Pump	
154	0901708	1	Bracket	
155	4300038	1	Stud (Welded on Part)	
157	1320012	4	Clamp, Hose	
159	4740242	5	Flatwasher, Special	
160	3200183	3	Mount, Engine	
161	0642032	3	Bolt 5/8in-11NC x 4in	
162	3312005	3	Locknut 5/8in-11NC	
163	3200226	1	Plate, Mounting (Rear)	
164	3200227	1	Plate, Mounting (Front)	
165	2060014	1	Fan	
166	0080211	1	Spacer, Fan	
167	0080092	1	Adapter, Choke	
168	2720160	AR	Hose 1/2in (Not Shown) (Prior to August 1995)	
169	1060045	1	Cable, Battery (Engine to Ground)	
170	0701010	2	Bolt, Metric 10mm x 20mm	
171	0701012	2	Bolt, Metric 10mm x 25mm	
172	4832000	4	Lockwasher, Metric 10mm	
173	0902096	1	Bracket, Exhaust	
174	4564281	1	Tube, Dipstick	
175	2420171	1	Dipstick	
176	2720015	AR	Hose 1/4in (Not Shown) (Prior to August 1995)	
177	1320022	AR	Clamp	
178	4791600	2	Starwasher 3/8in	
179	0641610	1	Bolt 3/8in-16NC x 1 1/4in	
180		Ref	Screw, Machine Options:	
180	3911012	2	Screw, Machine #10-24NC x 3/4in (Prior to August 1995)	
180	3910812	2	Screw, Machine #8-32NC x 3/4in (August 1995 to Present)	
181		Ref	Nut Options:	

SECTION 2 - TURNTABLE

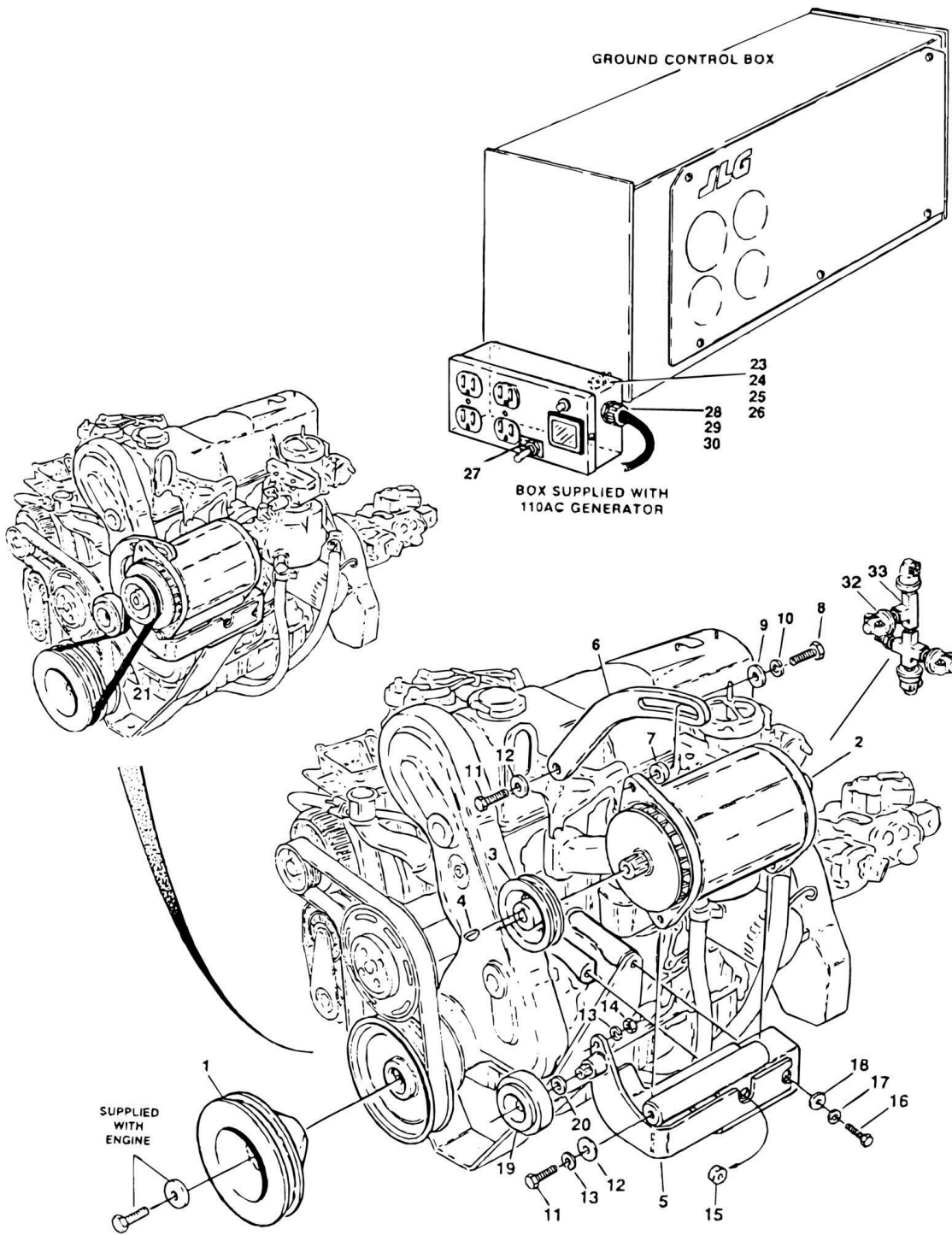
ITEM	PART NUMBER	QTY	DESCRIPTION	REV
181	3311001	2	Nut #10-24NC (Prior to August 1995)	
181	3310801	2	Nut #8-32NC (August 1995 to Present)	
182		Ref	Lockwasher Options:	
182	4761000	2	Lockwasher #10 (Prior to August 1995)	
182	4760800	2	Lockwasher #8 (August 1995 to Present)	
183	3740080	2	Relay, Bosch	
184	0630400	4	Bolt, Metric 8mm x 90mm	
185	1320032	1	Clamp	
186	4831900	4	Lockwasher, Metric 8mm	
	0255147	Ref	EXHAUST INSTALLATION	A
201	4844337	1	Tube, Exhaust	
202	4566625	1	Tube, Exhaust	
203	3220043	1	Muffler (was p/n 3220052)	
204	1320019	3	Clamp, Exhaust	
	2000126	Ref	ENGINE COMPONENTS:	
301	7012680	1	Alternator	
302	7016600	1	Fuel Pump - Electric	
302	7016601	1	Filter, Fuel (Used with Facet Pump)	
303	7012682	1	Harness, Engine	
304	7012681	1	Module, Ignition	
305	7012679	1	Starter (Far Side - Not Shown)	
305	7025145	1	Solenoid, Start	
306	7021869	1	Filter, Oil (was p/n 7014501)	
307	7012690	1	Carburetor	
307	7019933	1	Carburetor Repair Kit	
307	7012683	1	Spring	
307	7023471	1	Float Assembly	
307	7024321	1	Gasket, Carburetor (Top)	
308	1660218	1	Flywheel Housing and Coupling Assembly	
309	1660249	1	Coupling (was p/n 7012656)	
309	7020120	1	Housing, Flywheel	
309	7019976	1	Flywheel (Not Shown)	
309	7022180	1	Ring Gear (132 Teeth) (Not Shown)	
310	7019921	1	Belt	
310	7019929	1	Pulley, Idler (Tensioner Assembly)	
311	7019926	1	Hose, Radiator (Top) (was p/n 7016375)	
312	7019927	1	Hose, Radiator (Bottom) (was p/n 7016376)	
313	7000884	1	Solenoid, Fuel	
314	7016605	1	Choke, Automatic	
315	7022143	1	Gasket (Not Shown - Exhaust Manifold to Head)	
316	70002307	1	Gasket (Exhaust Manifold to Exhaust Pipe)	
317	4360157	1	Switch, Water Temperature (Not Shown)	
318	7000646	1	Gasket, Carburetor (Not Shown)	
319	7022153	1	Water Pump (was p/n 7016638)	
320	7019924	1	Manifold, Exhaust (Not Shown)	
321	7025126	1	Manifold, Intake (Was p/n 7019923)	
322	7019925	1	PCV Valve (Not Shown)	
323	7019930	1	Coil, Ignition (Not Shown)	
323	7019931	1	Wire Set - Spark Plug (Not Shown)	
323	7019932	4	Plug, Spark (Not Shown)	
324	7022178	1	Sensor, Crank (Not Shown)	

SECTION 2 - TURNTABLE

ITEM	PART NUMBER	QTY	DESCRIPTION	REV
	0256338	Ref	COLD WEATHER PACKAGE INSTALLATION (OPTIONAL - NOT SHOWN)	-/F
	2580048	1	Kit, Cold Weather Start	
	3311401	4	Nut 1/4in-20NC	
	4761400	4	Lockwasher 1/4in	
	4300031	4	Stud (Welded on Part)	
	2580001	1	Heater, Battery	

SECTION 2 - TURNTABLE

FIGURE 2-21. 110 VOLT GENERATOR INSTALLATION - FORD MACHINES BUILT FEBRUARY 1995 TO PRESENT



SECTION 2 - TURNTABLE

FIGURE 2-21. 110 VOLT GENERATOR INSTALLATION - FORD MACHINES BUILT FEBRUARY 1995 TO PRESENT

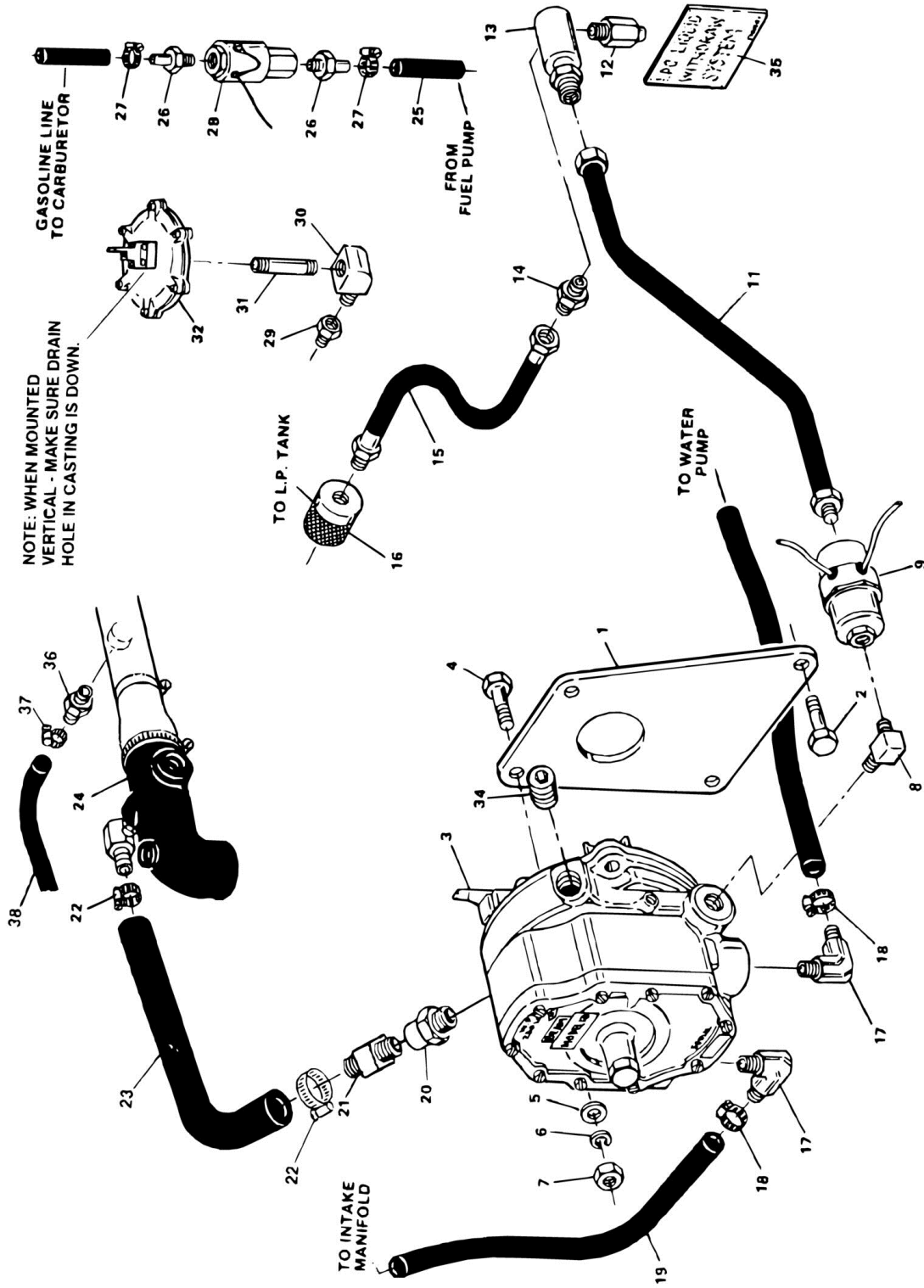
ITEM	PART NUMBER	QTY	DESCRIPTION	REV
	0255226	Ref	GENERATOR INSTALLATION	D
1	3580250	1	Pulley, Crankshaft	
2	2460011	1	Generator Assembly with Control Box	
2	7012558	1	Generator Assembly	
2	7020109	4	Holder, Brush	
2	7020108	4	Brush	
2	7012513	4	Cap, Brush Holder	
2	7012514	1	Fan	
2	7020190	2	Bearing	
2	7020110	1	End Bell, Front	
2	7020111	1	End Bell, Rear	
2	7020193	1	Cord, Power	
2	7003657	1	Control Box Assembly	
		Ref	Note: Replacement 110V Control Box comes with 2 std receptacles p/n 4460190. Optional Twist Lock receptacles p/n 4460027 must be ordered separately.	
2	2420203	1	Meter (was p/n 7010699)	
2	4360542	1	Breaker, Circuit (was p/n 7020194)	
2	4460190	1	Receptacle, Double (110V Box)	
2	4460027	1	Receptacle, Double Twist Lock (110V Box)	
2	2920162	1	Lamp	
2	7020191	1	Switch, Toggle	
2	3520028	1	Plug, Hole	
3	3580134	1	Pulley (Included with Item #2)	
4	2860012	1	Key, Woodruff	
5	0902104	1	Bracket, Generator Mounting	
6	0200530	1	Arm, Adjusting	
7	4564417	1	Tube, Spacer	
8	0641508	1	Bolt 5/16in-18NC x 1in	
9	4751500	1	Flatwasher 5/16in	
10	4761500	1	Lockwasher 5/16in	
11	0641612	3	Bolt 3/8in-16NC x 1 1/2in	
12	4751600	3	Flatwasher 3/8in	
13	4761600	3	Lockwasher 3/8in	
14	3311601	1	Nut 3/8in-16NC	
15	4566650	1	Tube, Spacer	
16	0701015	2	Bolt 10mm - 1.5 x 35mm	
17	4812000	2	Flatwasher 10mm	
18	4832000	2	Lockwasher	
19	3580239	1	Pulley, Idler	
20	4740275	1	Washer	
21	0480090	1	Belt, Generator	
22	0100011	AR	Loctite (Not Shown)	
23	0641406	2	Bolt 1/4in-20NC x 3/4in	
24	3311401	2	Nut 1/4in-20NC	
25	4751400	6	Flatwasher 1/4in	
26	4761400	2	Lockwasher 1/4in	
27	3251476	1	Nameplate, Generator	
28	4460052	1	Connector, Strain Relief	

SECTION 2 - TURNTABLE

ITEM	PART NUMBER	QTY	DESCRIPTION	REV
29	0960239	1	Bushing	
30	3300047	1	Nut, Conduit	
32	2180360	1	Fitting, Tee (June 1995 to Present)	
33	4360037	1	Switch, Oil Pressure (June 1995 to Present)	

SECTION 2 - TURNTABLE

FIGURE 2-22. DUAL FUEL INSTALLATION (OPTION ON FORD MACHINES)



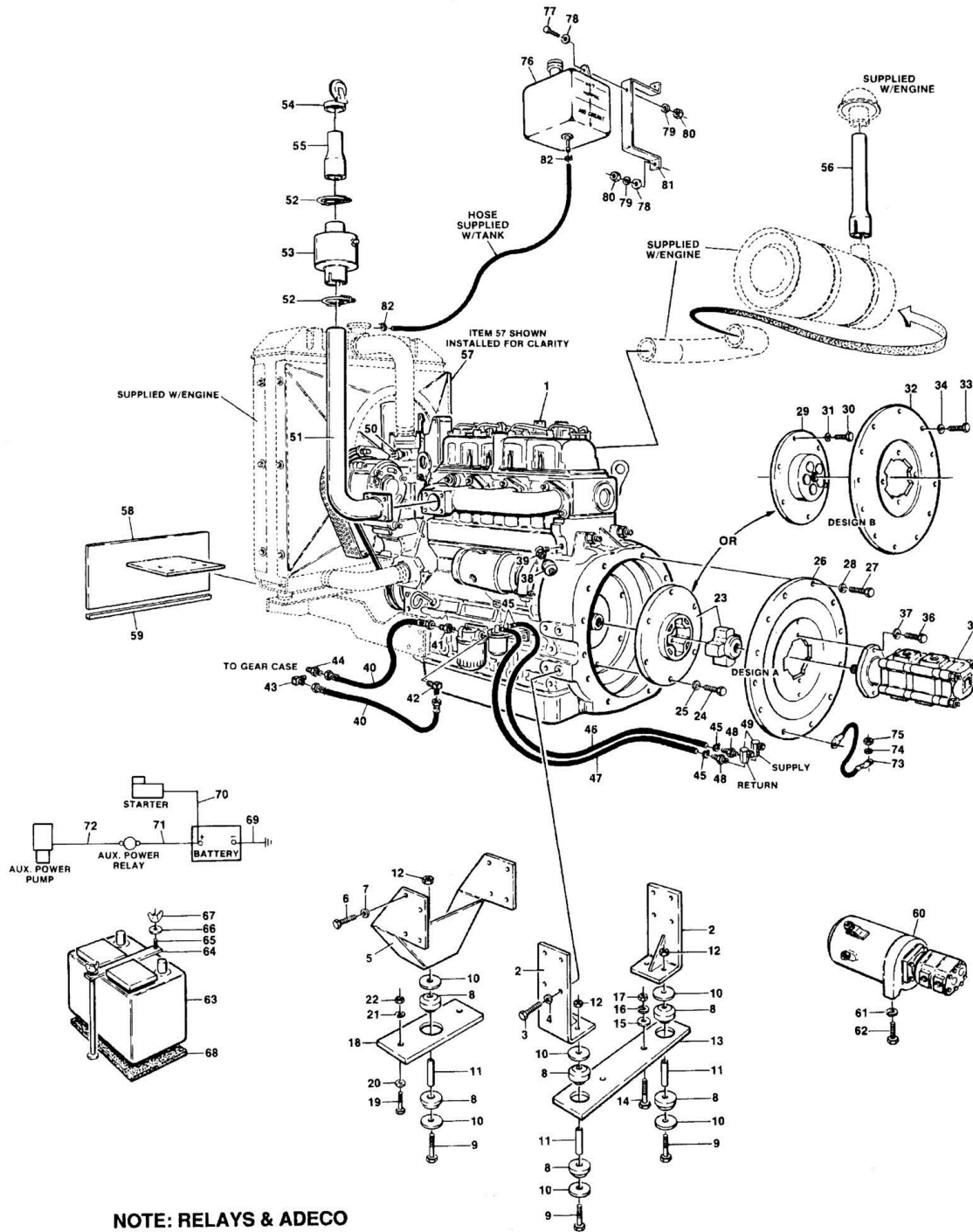
SECTION 2 - TURNTABLE

FIGURE 2-22. DUAL FUEL INSTALLATION (OPTION ON FORD MACHINES)

ITEM	PART NUMBER	QTY	DESCRIPTION	REV
		Ref	DUAL FUEL INSTALLATION	
1	3530210	1	Plate, Regulator Mounting (Prior to February 1995)	
1	0902089	1	Plate, Regulator Mounting (February 1995 to Present - Not Shown)	
2	0641711	2	Bolt 7/16 -14NC x 1 3/8in	
3	4700005	1	Regulator	
3	7017515	1	Repair Kit	
4	0641416	2	Bolt 1/4in-20NC x 2in	
5	4751400	2	Flatwasher 1/4in	
6	4761400	2	Lockwasher 1/4in	
7	3311401	2	Nut 1/4in-20NC	
8	2220082	1	Fitting, 90	
9	2120077	1	L.P. Filter Lock	
11	2720249	1	Hose	
12	2180389	1	Valve, Relief	
13	2180388	1	Filter	
14	2180418	1	Fitting, Straight	
15	2720144	1	Hose	
16	2180387	1	Fitting, L.P. Tank	
17	2220313	2	Fitting, 90 (Prior to February 1995)	
17	2220675	2	Fitting, 90 (February 1995 to Present)	
18	1320022	2	Clamp, Hose	
19	2750532	24 in	Hose	
20	2220251	1	Fitting, Reducer	
21	2180535	1	Fitting, Straight	
22	1320030	2	Clamp, Hose	
23	2720112	AR	Hose	
24	0080124	1	Adapter, Carburetor	
25	2720058	9 in	Hose	
26	2220315	2	Fitting, Barbed	
26	2220648	1	Fitting, 90 (Located at Fuel Pump - Feb. 1995 to Present)	
26	2220437	1	Fitting, Reducer (Located at Fuel Pump - Feb. 1995 to Present)	
27	1320022	2	Clamp, Hose	
28	4640391	1	Valve, Fuel Lock	
28	1320095	1	Clamp, Mounting (Not Shown)	
29	2220430	1	Fitting, Reducer (Prior to February 1995)	
29	2220273	1	Fitting, Reducer (February 1995 to Present)	
30	2200652	1	Fitting, 90 (Prior to February 1995)	
30	2180360	1	Fitting, Tee (February 1995 to Present)	
31	3460132	1	Fitting, Nipple (Prior to February 1995)	
31	2180104	1	Fitting, Nipple (February 1995 to Present)	
32	4360188	1	Switch, Vacuum	
34	2200204	1	Plug, 3/4in	
35	1700818	1	Decal - LPG Liquid Withdraw System	
36	2220633	1	Fitting, Straight Barbed (Prior to February 1995)	
36	2220314	1	Fitting, 90 Barbed (February 1995 to Present)	
37	1320032	1	Clamp	
38	2720160	1	Hose	

SECTION 2 - TURNTABLE

FIGURE 2-23. KUBOTA V1902B ENGINE INSTALLATION



SECTION 2 - TURNTABLE

FIGURE 2-23. KUBOTA V1902B ENGINE INSTALLATION

ITEM	PART NUMBER	QTY	DESCRIPTION	REV
	0250771	Ref	ENGINE INSTALLATION (KUBOTA V1902-B)	F
1	2000114	1	Engine (Kubota V1902-B)	
2	4843595	2	Bracket, Engine Mounting	
3	0641809	8	Bolt, 1/2in-13NC x 1 1/8in	
4	4761800	8	Lockwasher 1/2in	
5	4843604	1	Bracket, Engine Mounting (Right Front)	
6	0630161	7	Bolt, Metric 12MM - 1.25 x 30MM	
6	0630394	1	Bolt, Metric 10MM - 1.25 x 25MM	
7	4832100	7	Lockwasher, Metric 12mm	
7	4832000	1	Lockwasher, Metric 10mm	
8	3200183	3	Mount, Engine	
9	0642030	3	Bolt 5/8in-11NC x 3 3/4in	
10	4740242	6	Washer, Snubbing	
11	4563614	3	Spacer, Tube	
12	3312002	3	Nut 5/8in-11NC	
13	3200226	1	Plate, Mounting - Engine (Rear)	
14	0642022	2	Bolt 5/8in-11NC x 2 3/4in	
15	4752000	2	Flatwasher 5/8in	
16	4762000	2	Lockwasher 5/8in	
17	3312001	2	Nut 5/8in-11NC	
18	3200227	1	Plate, Mounting - Engine (Front)	
19	0641622	2	Bolt 3/8in-16NC x 2 3/4in	
20	4751600	2	Flatwasher 3/8in	
21	4761600	2	Lockwasher 3/8in	
22	3311601	2	Nut 3/8in-16NC	
	0250881	1	Coupling Installation - Lovejoy (Design A)	-
23	Not Available	1	Coupling Assembly - Lovejoy (Design A)	
24	0641508	8	Bolt 5/16in-18NC x 1in	
25	4761500	8	Lockwasher 5/16in	
26	0080181	1	Adaptor, Pump Mounting (Design A)	
27	0641609	12	Bolt 3/8in-16NC x 1 1/8in	
28	4761600	12	Lockwasher 3/8in	
	0250880	1	Coupling Installation - Hayes (Design B)	-
29	1660188	1	Coupling Assembly - Hayes	
30	0641505	8	Bolt 5/16in-18NC x 5/8in	
31	4761500	8	Lockwasher 5/16in	
31	3020021	AR	Grease, Coupling	
32	0080181	1	Adaptor, Pump Mounting	
33	0641609	12	Bolt 3/8in-16NC x 1 1/8in	
34	4761600	12	Lockwasher 3/8in	
35	3600139	1	Pump Assembly - Gear (See MAIN PUMP ASSEMBLY - GEAR for Breakdown)	
36	0641808	2	Bolt 1/2in-13NC x 1in	
37	4761800	2	Lockwasher 1/2in	
38	2420033	1	Sender, Oil Pressure (Standard)	
38	2420182	1	Sender, Oil Pressure (With Engine Distress)	
39	2180749	1	Fitting, 45	
39	2180730	1	Fitting, Adaptor (Prior to August 1994 Only)	
39	4420001	AR	Tape, Sealant	
40	2750785	2	Hose	

SECTION 2 - TURNTABLE

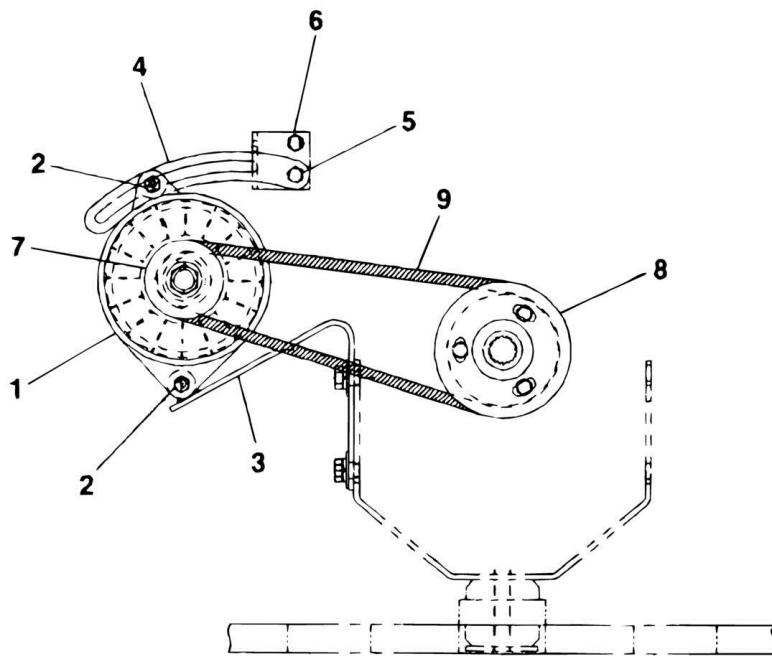
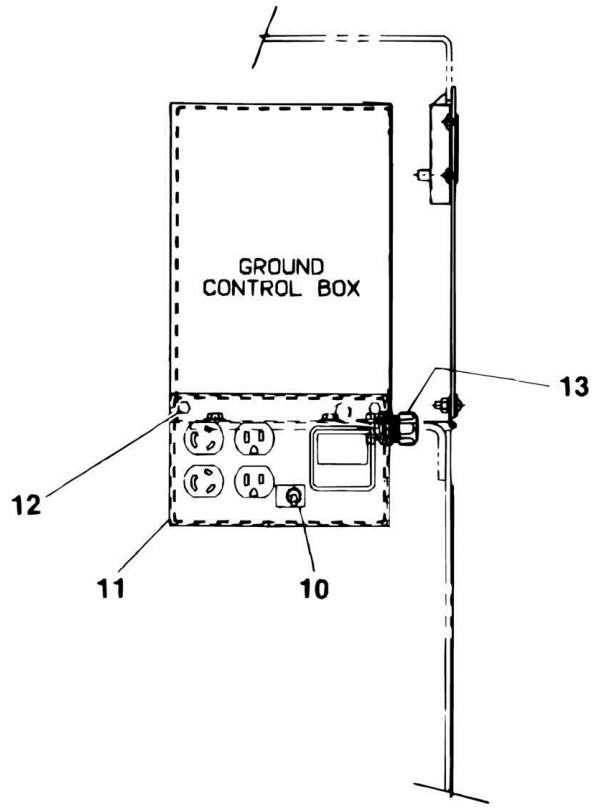
ITEM	PART NUMBER	QTY	DESCRIPTION	REV
41	2220344	1	Fitting, Straight	
42	2220703	1	Fitting, 90	
43	2220495	1	Fitting, 90	
44	2220343	1	Fitting, Straight	
45	1320033	4	Clamp	
45	1320041	3	Clamp (Not Shown)	
46	2720058	AR	Hose (Fuel Supply)	
47	2720271	AR	Hose (Fuel Return)	
48	2220805	1	Fitting (Supply Line)	
48	2220063	1	Fitting (Return Line)	
48	2180536	1	Fitting (Return Line)	
49	2220273	2	Fitting	
49	4420001	AR	Tape, Sealant	
50	2420126	1	Sender, Water Temperature	
50	4420001	AR	Tape, Sealant	
51	4843639	1	Exhaust Weldment	
51	4100025	AR	Sleeve, Exhaust	
52	1320020	1	Clamp, Muffler	
53	3220076	1	Muffler	
54	1120218	1	Cap, Exhaust	
55	4564711	1	Tube, Adapter	
56	4564718	1	Tube, Air Intake	
56	1320072	1	Clamp, Muffler	
57	4060740	1	Shroud, Radiator	
57	0700608	3	Screw Metric 6mm x 16mm	
57	4751400	3	Flatwasher 1/4in	
57	2540014	2.5 ft	Flex - Trim	
58	4843644	1	Shield	
58	0641508	4	Bolt 5/16in-18NC x 1in	
58	4761500	4	Lockwasher 5/16in	
58	3311501	4	Nut 5/16in-18NC	
59	3960389	2 ft	Trim, Flexible	
60	3600141	1	Auxiliary Pump Assembly - John S. Barnes (Prior to October 1990)	
60	7004290	1	Motor	
60	7004291	1	Pump	
60	7004249	1	Coupling	
60	3600071	1	Auxiliary Pump Assembly - John S. Barnes, Motor (Alt Haldex Barnes, Inc) (October 1990 to Present)	
60	7004248	1	Motor	
60	7004436	1	Motor with Mounting Bracket	
60	7004247	1	Pump	
60	7004249	1	Coupling	
60	7012576	1	Bracket	
61	0641614	2	Bolt 3/8in-16NC x 1 3/4in	
62	4761600	2	Lockwasher 3/8in	
63	0400075	1	Battery	
64	0361810	1	Hold-down	
65	0236768	1	Rod, Hold-down	
66	4711600	2	Flatwasher 3/8in Narrow	
67	3300029	2	Wingnut 3/8in-16NC	
68	3980007	1	Seat, Battery	
69	1060046	1	Cable (Negative to Ground)	

SECTION 2 - TURNTABLE

ITEM	PART NUMBER	QTY	DESCRIPTION	REV
70	1060046	1	Cable (Positive to Starter)	
71	1060099	1	Cable (Positive to Aux Relay)	
72	1060099	1	Cable (Aux Relay to Aux Power)	
73	1060044	1	Cable (Engine to Ground)	
74	3311601	1	Nut 3/8in-16NC	
75	4761600	1	Lockwasher 3/8in	
75	4300034	1	Stud (Welded on Part)	
75	3740074	1	Shutdown Kit (Not Shown)	
75	0901687	1	Bracket, Governor Cable (Not Shown)	
75	4460302	1	Pivot, Throttle Cable (Not Shown)	
76	4400327	1	Tank, Coolant Recovery	
77	0641408	1	Bolt 1/4in-20NC x 1in	
78	4751400	3	Flatwasher 1/4in	
79	4761400	3	Lockwasher 1/4in	
80	3311401	3	Nut 1/4in-20NC	
80	4300032	2	Stud (Welded on Part)	
81	0901736	1	Bracket, Tank	
82	1320022	2	Clamp	
	0251001	Ref	COLD WEATHER PACKAGE INSTALLATION (NOT SHOWN)	B
	2580001	1	Heater, Battery	
	0250995	Ref	PRESSURE SWITCH INSTALLATION (USE WITH 110V GENERATOR) (NOT SHOWN)	D
		Ref	Note: These Items located near Items 38 & 39.	
	4360037	1	Switch, Pressure	
	2180360	1	Fitting, Tee	
	0252394	Ref	ENGINE DISTRESS INSTALLATION (OPTION - NOT SHOWN)	-
	2180360	1	Fitting, Tee	
	4360182	1	Switch, Oil Pressure (Located at Item 38)	
	4360157	1	Switch, Water Temperature (Located above Item 50)	
	0080194	1	Adapter, Water Line (Located above Item 50)	
	3960421	1	Gasket (Located above Item 50)	
	2000114	Ref	ENGINE COMPONENTS	
	70002214	1	Radiator W/Cap	
	7016200	1	Element, Air Filter	
	7016201	1	Filter, Fuel	
	7016202	1	Element, Oil Filter	
	7016203	4	Glow-Plug	
	7016204	1	Belt, Alternator	
	7016205	1	Thermostat	
	7026208	1	Starter	

SECTION 2 - TURNTABLE

FIGURE 2-24. 110 VOLT GENERATOR INSTALLATION - KUBOTA



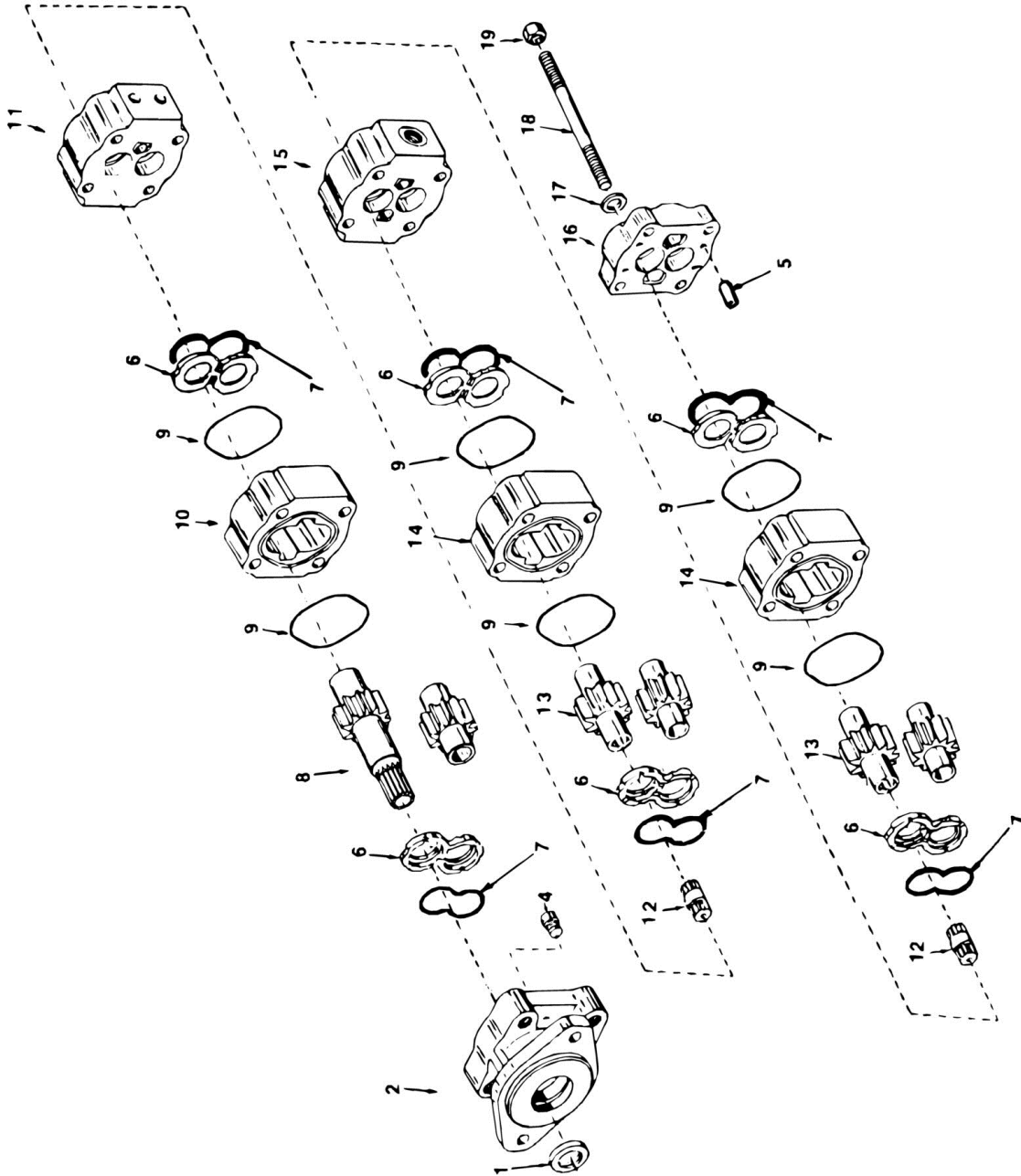
SECTION 2 - TURNTABLE

FIGURE 2-24. 110 VOLT GENERATOR INSTALLATION - KUBOTA

ITEM	PART NUMBER	QTY	DESCRIPTION	REV
	0250995	Ref	110 VOLT GENERATOR INSTALLATION - KUBOTA	D
1	2460011	1	Generator Assembly with Control Box	
1	7012558	1	Generator Assembly	
1	7020109	4	Holder, Brush	
1	7020108	4	Brush	
1	7012513	4	Cap, Brush Holder	
1	7012514	1	Fan	
1	7020190	2	Bearing	
1	7020110	1	End Bell, Front	
1	7020111	1	End Bell, Rear	
1	7020193	1	Cord, Power	
1	7003657	1	Control Box Assembly	
		Ref	Note: Replacement 110V Control Box comes with 2 std receptacles p/n 4460190. Optional Twist Lock receptacles p/n 4460027 must be ordered separately.	
1	2420203	1	Meter (was p/n 7010699)	
1	4360542	1	Breaker, Circuit (was p/n 7020194)	
1	4460190	1	Receptacle, Double (110V Box)	
1	4460027	1	Receptacle, Double Twist Lock (110V Box)	
1	2920162	1	Lamp	
1	7020191	1	Switch, Toggle	
1	3520028	1	Plug, Hole	
2	0641610	2	Bolt 3/8in-16NC x 1 1/4in	
2	4751600	2	Flatwasher 3/8in	
2	4761600	2	Lockwasher 3/8in	
3	0901703	1	Bracket (Bottom)	
4	0361815	1	Bar, Adjustable	
5	0641508	1	Bolt 5/16in-18NC x 1in	
5	4751500	1	Flatwasher 5/16in	
5	4761500	1	Lockwasher 5/16in	
5	3311501	1	Nut 5/16in-18NC	
6	0181574	1	Clip, Angle	
6	0630461	3	Bolt, Metric 12mm x 1.25mm x 35mm	
6	0630460	1	Bolt, Metric 10mm x 1.25mm x 35mm	
6	4751700	4	Lockwasher 7/16in	
7	3580160	1	Sheave, Generator	
7	2860012	1	Key, Woodruff	
8	3580162	1	Sheave, Engine	
9	0480060	1	V-Belt	
10	3251476	1	Nametag - Generator	
11	See Item 1	1	Box, Control	
12	0641406	2	Bolt 1/4in-20NC x 3/4in	
12	4751400	2	Flatwasher 1/4in	
12	4761400	2	Lockwasher 1/4in	
12	3311401	2	Nut 1/4in-20NC	
13	4460052	1	Connector, Terminal	
13	0960239	1	Bushing	
13	3300047	1	Nut, Conduit	

SECTION 2 - TURNTABLE

FIGURE 2-25. MAIN PUMP ASSEMBLY - GEAR



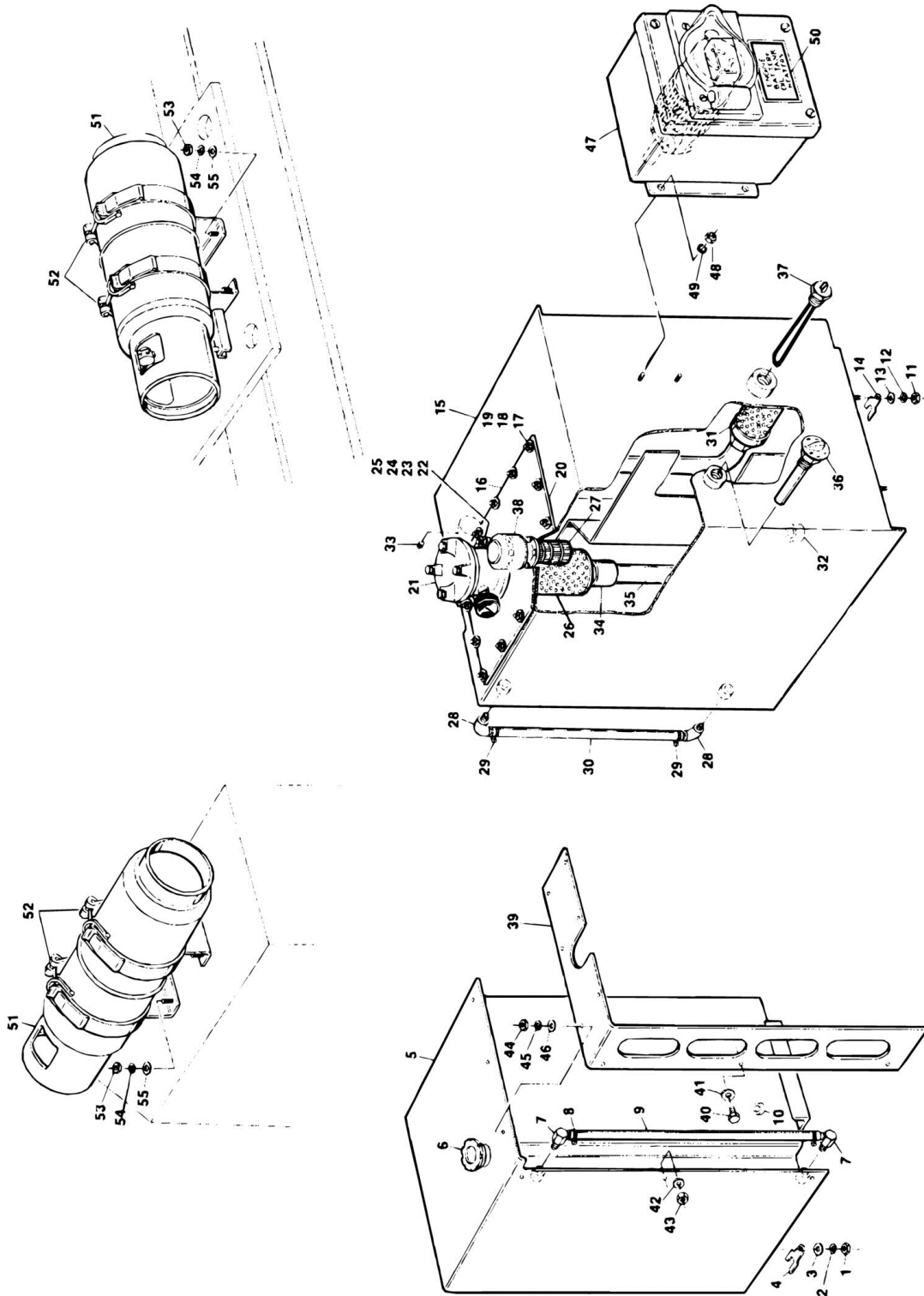
SECTION 2 - TURNTABLE

FIGURE 2-25. MAIN PUMP ASSEMBLY - GEAR

ITEM	PART NUMBER	QTY	DESCRIPTION	REV
	3600139	Ref	MAIN PUMP ASSEMBLY - GEAR	B
1	Kit	1	Seal, Lip	
2	7009513	1	Cover, End with Bushings	
4	7003103	1	Plug	
5	7009500	12	Dowel	
6	7009503	6	Plate, Thrust	
7	Kit	6	Seal, Channel	
8	7009509	1 Set	Shaft and Gear	
9	Kit	6	Seal, Gasket	
10	7009510	1	Housing, Gear	
11	7009508	1	Carrier, Bearing with Bushings	
12	7005599	2	Shaft, Connecting	
13	7005598	2	Gear Set	
14	7009504	1	Housing, Gear	
15	7009505	1	Carrier, Bearing with Bushings	
16	7009511	1	Cover, Rear with Bushings	
17	7005597	4	Washer	
18	7005562	4	Stud	
19	7005595	3	Nut	
	2900673	1	Kit, Seal (Includes Items 1, 7 & 9)	

SECTION 2 - TURNTABLE

FIGURE 2-26. TANKS INSTALLATION



SECTION 2 - TURNTABLE

FIGURE 2-26. TANKS INSTALLATION

ITEM	PART NUMBER	QTY	DESCRIPTION	REV
	0239417	Ref	FUEL AND HYDRAULIC TANKS INSTALLATION (STANDARD)	A
	0250231	Ref	FUEL AND HYDRAULIC TANKS INSTALLATION (WITH HEATERS)	-
		Ref	Note: Above Installations are used on machines with sn's up to 12670 & 12676-12678, 12681, 12686-12688, 12691-12699, 12812-12817, 12819, 12821 & 12823.	
	0250243	Ref	FUEL AND HYDRAULIC TANKS INSTALLATION (STANDARD - PRIOR TO OCTOBER 1992)	-
	0253109	Ref	FUEL AND HYDRAULIC TANKS INSTALLATION (STANDARD - OCTOBER 1992 TO PRESENT)	-
	0250319	Ref	FUEL AND HYDRAULIC TANKS INSTALLATION (WITH HEATERS - PRIOR TO OCTOBER 1992)	-
	0253110	Ref	FUEL AND HYDRAULIC TANKS INSTALLATION (WITH HEATERS - OCTOBER 1992 TO PRESENT)	-
	0251374	Ref	HYDRAULIC TANK INSTALLATION (LPG ONLY MACHINES)	2
	0255604	Ref	FUEL AND HYDRAULIC TANKS INSTALLATION (WITH LOW FUEL INDICATOR)	A
		Ref	Note: Above Installations are used on machines with sn's 12671-12675, 12679, 12680, 12689, 12690, 12811, 12818, 12820, 12822, 12824 and up.	
1	3311505	4	Locknut 5/16in-18NC	
2	4761500	4	Lockwasher 5/16in	
3	4751500	4	Flatwasher 5/16in	
3	4300073	4	Stud (Welded on Part)	
3	0641514	AR	Bolt 5/16in-18NC x 1 3/4in	
4	4070410	AR	Shim (1/16in)	
4	4070411	AR	Shim (1/8in)	
4	4070412	AR	Shim (3/16in)	
	4400264	1	Fuel Tank Assembly (0239417 & 0250231 Installations)	A
	4400294	1	Fuel Tank Assembly (0250243 & 0250319 Installations)	-
	4400344	1	Fuel Tank Assembly (0253109 & 0253110 Installations)	-
	4400381	1	Fuel Tank Assembly (0255604 Installation)	-
5	4400263	1	Fuel Tank Weldment (0239417 & 0250231 Installations)	
5	4400295	1	Fuel Tank Weldment (0250243 & 0250319 Installations)	
5	4400345	1	Fuel Tank Weldment (0253109 & 0253110 Installations)	
5	4400382	1	Fuel Tank Weldment (0255604 Installation)	
6	1120314	1	Cap	
7	2180467	2	Fitting, 90	
7	0100020	AR	Sealant	
8	1320022	2	Clamp	
9	4562516	26 in	Tube, Sight	
10	2200052	1	Plug, Pipe - 1/4in	
10	2200223	AR	Plug, Pipe - 1/2in (0255604 Installation Only - Not Shown)	
11	3311505	4	Locknut 5/16in-18NC	
12	4761500	4	Lockwasher 5/16in	
13	4751500	4	Flatwasher 5/16in	
13	4300073	4	Stud (Welded on Part)	
13	0641514	AR	Bolt 5/16in-18NC x 1 3/4in	
14	4070410	AR	Shim (1/16in)	
14	4070411	AR	Shim (1/8in)	
14	4070412	AR	Shim (3/16in)	
	4400266	1	Hydraulic Tank Assembly (Standard)	C

SECTION 2 - TURNTABLE

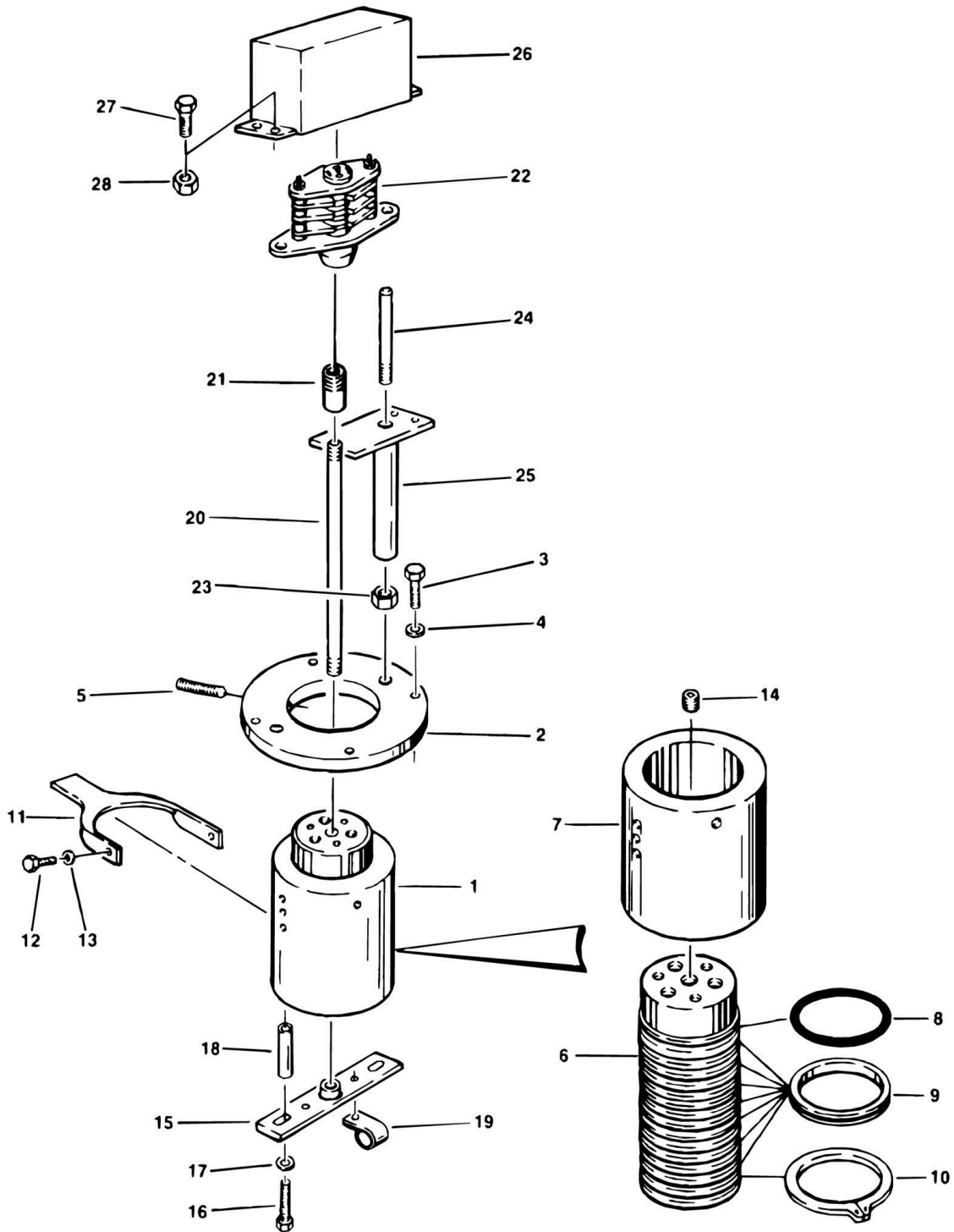
ITEM	PART NUMBER	QTY	DESCRIPTION	REV
	4400291	1	Hydraulic Tank Assembly (With Heater)	B
15	4400265	1	Hydraulic Tank Weldment (Standard)	
15	4400290	1	Hydraulic Tank Weldment (With Heater)	
16	1670468	1	Lid	
17	3311401	14	Nut 1/4in-20NC	
18	4761400	14	Lockwasher 1/4in	A
19	4751400	14	Flatwasher 1/4in	
20	3960371	1	Gasket	-
21	2120103	1	Filter, Return (Includes Item 26)	
21	7004244	1	Indicator, Pressure	
21	7012559	1	Gasket (Between the Filter and Tank)	
21	7016333	1	O-Ring (Under Cap)	
22	0641612	4	Bolt 3/8in-16NC x 1 1/2in	
23	4761600	4	Lockwasher 3/8in	
24	4740322	4	Washer, Sealing	
25	3311601	4	Nut 3/8in-16NC	
26	2120107	1	Element (Part of Item 21)	
27	1340045	1	Filler, Strainer	
27	4740338	6	Washer, Sealing	
28	2180467	2	Fitting, 90	
28	0100020	AR	Sealant	
29	1320022	2	Clamp	
30	4562516	26 in	Tube, Sight	
31	2120104	1	Filter, Suction	
31	0100020	AR	Sealant	
32	3520022	1	Plug - 3/4in	
32	0100020	AR	Sealant	
33	2180527	1	Plug - 1/16in	
33	0100020	AR	Sealant	
34	2200268	1	Fitting, Coupling	
34	0100020	AR	Sealant	
35	2180711	1	Pipe, Return	
36	1600043	1	Controller, Thermostat (With Heater Only)	
37	2580018	1	Heater, Immersion (With Heater Only)	
38	1340046	1	Breather	
39	4060695	1	Filler/Shield (Standard)	
39	4060767	1	Filler/Shield (LPG Only) (Production)	
39	4060849	1	Filler/Shield (LPG Only) (Post Production Alternative)	
40	0721005	6	Screw, Machine #10-24NC x 5/8in	
41	4751000	12	Flatwasher #10	
42	4761000	6	Lockwasher #10	
43	3311001	6	Nut #10-24NC	
44	3311405	6	Locknut 1/4in-20NC	
45	4761400	6	Lockwasher 1/4in	
46	4751400	6	Flatwasher 1/4in	
	0250232	Ref	COLD WEATHER PACKAGE INSTALLATION - FORD LSG 423	B
	0256338	Ref	COLD WEATHER PACKAGE INSTALLATION - FORD LRG 423	-
	0250233	Ref	COLD WEATHER PACKAGE INSTALLATION - DEUTZ	B
	0251001	Ref	COLD WEATHER PACKAGE INSTALLATION - KUBOTA	B
47	0231756	1	Junction Box Assembly	C
47	1670199	1	Cover	

SECTION 2 - TURNTABLE

ITEM	PART NUMBER	QTY	DESCRIPTION	REV
47	4460049	3	Connector, Strain Relief	
48	3311401	4	Nut 1/4in-20NC	
49	4761400	4	Lockwasher 1/4in	
50	3251837	1	Decal - Battery and Oil Tank Heaters (Ford LSG 423, Deutz and Kubota)	
50	3251228	1	Decal - Battery and Oil Tank Heaters (Ford LRG 423 Only)	
50	3251243	1	Decal - 120V/60HZ	
	0239594	Ref	LP TANK AND BRACKETS INSTALLATION - STANDARD	B
	0252729	Ref	LP TANK AND BRACKETS INSTALLATION - U/L	B
51	4400275	2	Tank, LP	
52	1320023	2 sets	Bracket - Standard	
52	0901675	2	Bracket - U/L (Prior to April 1994) (Not Shown)	
52	0902062	2	Bracket - U/L (April 1994 to Present) (Not Shown)	
53	3311605	8	Locknut 3/8in-16NC	
54	4761600	8	Lockwasher 3/8in (When Equipped)	
55	4751600	8	Flatwasher 3/8in	
55	4300034	8	Stud (Welded on Part)	
55	4070774	AR	Shim (Not Shown)	

SECTION 2 - TURNTABLE

FIGURE 2-27. ROTARY COUPLING AND COLLECTOR ASSEMBLY AND INSTALLATION



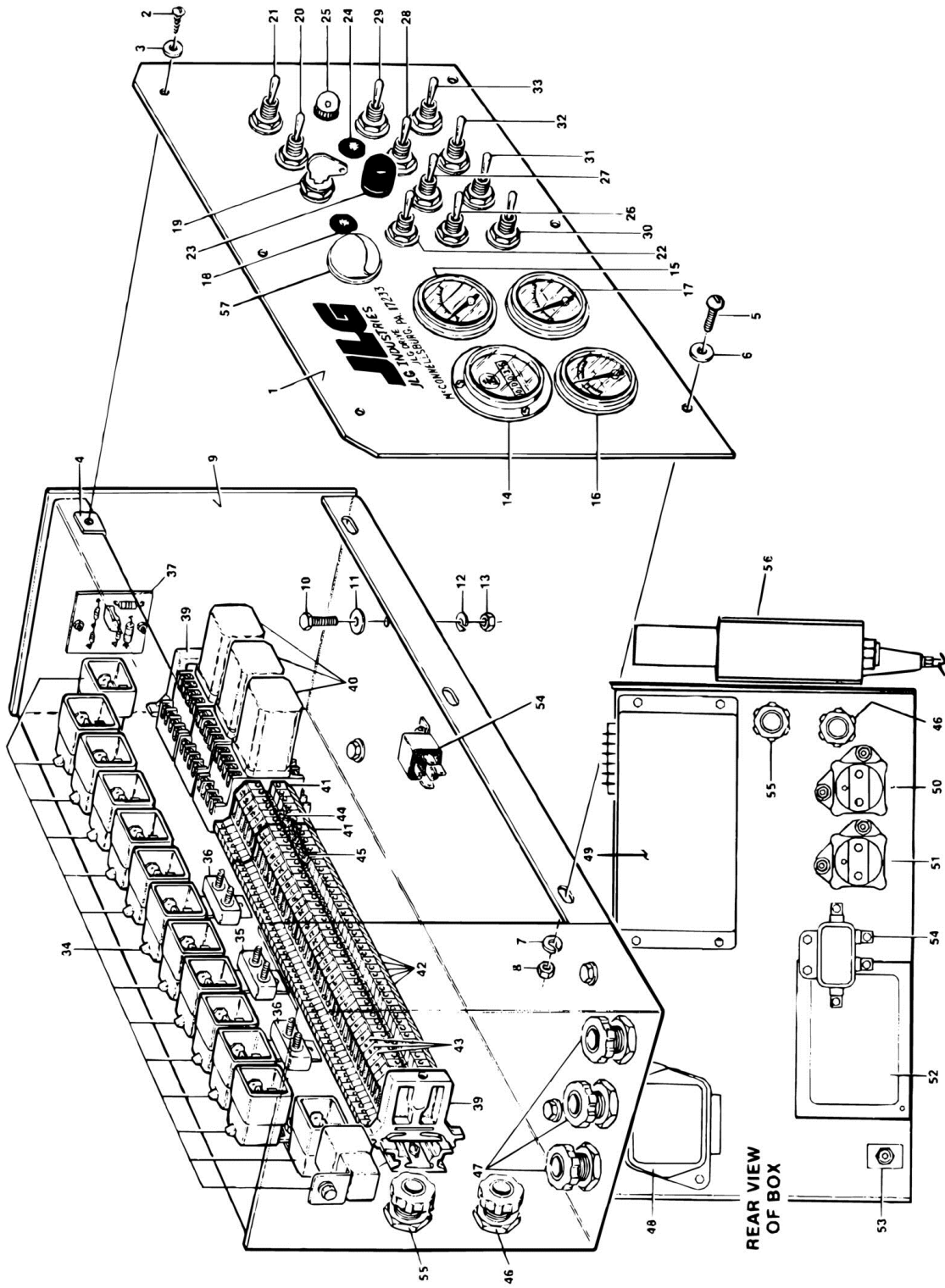
SECTION 2 - TURNTABLE

FIGURE 2-27. ROTARY COUPLING AND COLLECTOR ASSEMBLY AND INSTALLATION

ITEM	PART NUMBER	QTY	DESCRIPTION	REV
	0238032	Ref	ROTARY OIL COUPLING INSTALLATION (2WS)	B
	0250611	Ref	ROTARY OIL COUPLING INSTALLATION (4WS)	C
1	1660160	1	Oil Coupling Assembly (2WS) (Includes Items 6-10)	B
1	1660185	1	Oil Coupling Assembly (4WS) (Includes Items 6-10)	B
2	1440154	1	Collar	
3	0641512	4	Bolt 5/16in-18NC x 1 1/2in	
4	4761500	4	Lockwasher 5/16in	
5	3951820	2	Setscrew, Socket 1/2in-13NC x 2 1/2in	
5	0100011	AR	Loctite #242	
6	0620058	1	Body, Swivel (2WS)	
6	0620106	1	Body, Swivel (4WS)	
7	2760091	1	Housing, Swivel	
8	Kit	1	O-Ring	
9	Kit	7	Seal	
9	2901146	1	Seal Kit (Includes Items 8 & 9)	
10	3760004	1	Ring, Retaining	
11	3530403	1	Fork, Retaining	
12	0641807	2	Bolt 1/2in-13NC x 7/8in	
13	4761800	2	Lockwasher 1/2in	
13	0100019	AR	Loctite #271	
14	2200222	1	Plug, Pipe - 1/4in (2WS Only)	
	0251561	Ref	COLLECTOR RING ASSEMBLY (4WS ONLY)	B
15	4843822	1	Bracket Weldment	
16	0641418	2	Bolt 1/4in-20NC x 2 1/4in	
17	4761400	2	Lockwasher 1/4in	
17	4751400	2	Flatwasher 1/4in	
18	0960224	2	Bushing	
19	1320040	1	Clamp	
19	3911012	1	Screw, Machine #10-24NC x 3/4in	
19	4751000	1	Flatwasher #10	
19	4761000	1	Lockwasher #10	
19	3311001	1	Nut #10-24NC	
20	2180763	1	Pipe	
21	0961531	1	Bushing, Collector Ring	
22	3760053	1	Collector Ring Assembly	
23	3311801	2	Nut 1/2in-13NC	
24	3420290	2	Pin, Drive	
25	0231047	2	Guide, Drive	
26	1670594	1	Cover	
27	0721004	4	Screw, Round Head #10-24NC x 1/2in	
28	3311001	4	Nut #10-24NC	

SECTION 2 - TURNTABLE

FIGURE 2-28. GROUND CONTROL BOX ASSEMBLY



SECTION 2 - TURNTABLE

FIGURE 2-28. GROUND CONTROL BOX ASSEMBLY

ITEM	PART NUMBER	QTY	DESCRIPTION	REV
	0860578	Ref	GROUND CONTROL BOX ASSEMBLY - FORD LSG-423 (PRIOR TO FEBRUARY 1995)	J
	0860951	Ref	GROUND CONTROL BOX ASSEMBLY - FORD LRG-423 (FEBRUARY 1995 TO PRESENT)	B
	0860579	Ref	GROUND CONTROL BOX ASSEMBLY - DEUTZ F3L1011	J
	0860648	Ref	GROUND CONTROL BOX ASSEMBLY - KUBOTA V1902B (SEE SPECIAL OPTIONS SECTION FOR ADDITIONAL U/L COMPONENTS)	F
1	3251895	1	Lid	
2	0750806	2	Screw, Self-Tapping #8 x 3/4in	
3	4740120	2	Washer, Fiber	
4	3300177	2	Nut, Tinnerman	
5	3911412	3	Screw, Round Head 1/4in-20NC x 3/4in	
6	4751400	3	Flatwasher 1/4in	
7	4761400	3	Lockwasher 1/4in	
8	3311401	3	Nut 1/4in-20NC	
8	4420037	38 in	Strip, Rubber (Not Shown)	
9	0860576	1	Box	
10	0641405	4	Bolt 1/4in-20NC x 5/8in	
11	4751400	4	Flatwasher 1/4in	
12	4761400	4	Lockwasher 1/4in	
13	3311401	4	Nut 1/4in-20NC	
14	2420009	1	Hourmeter	
15	2420091	1	Voltmeter (Ford Machines built prior to May 1992 and all Deutz/Kubota machines)	
15	2420129	1	Voltmeter (Ford Machines built May 1992 to present)	
16	2420089	1	Gage, Oil Pressure (Ford Machines prior to February 1992)	
16	2420128	1	Gage, Oil Pressure (Ford Machines February 1992 to present)	
17	2420087	1	Gage, Water Temperature (Ford Machines February 1992 to Present)	
17	2420019	1	Gage, Water Temperature (Kubota)	
17	2420125	1	Gage, Oil Temperature (Deutz)	
17	3990001	2	Diode - 3.5 Amp	
18	3520026	1	Plug, Hole (Ford)	
18	4360212	1	Breaker, Circuit (Deutz and Kubota)	
19	4360003	1	Switch, Key (Master Switch)	
19	2860002	1	Key, Replacement	
20	4360073	1	Switch, Toggle (Select)	
20	3790012	1	O-Ring	
21	3520028	1	Plug, Hole	
21	4360201	1	Switch, Toggle (Dual Fuel)	
22	4360199	1	Switch, Toggle (Ignition)	
22	4360141	1	Guard, Switch	
22	3790012	1	O-Ring	
23	4360274	1	Switch, Push Button (Start)	
23	3790015	1	O-Ring	
24	3520028	1	Plug, Hole (Ford and Deutz)	
24	4360199	1	Switch, Toggle (Glow Plug) (Kubota)	
24	3790012	1	O-Ring (Kubota)	
25	3520026	1	Plug, Hole (Ford and Kubota)	
25	2920026	1	Light, Red (Broken Fan Belt) (Deutz)	

SECTION 2 - TURNTABLE

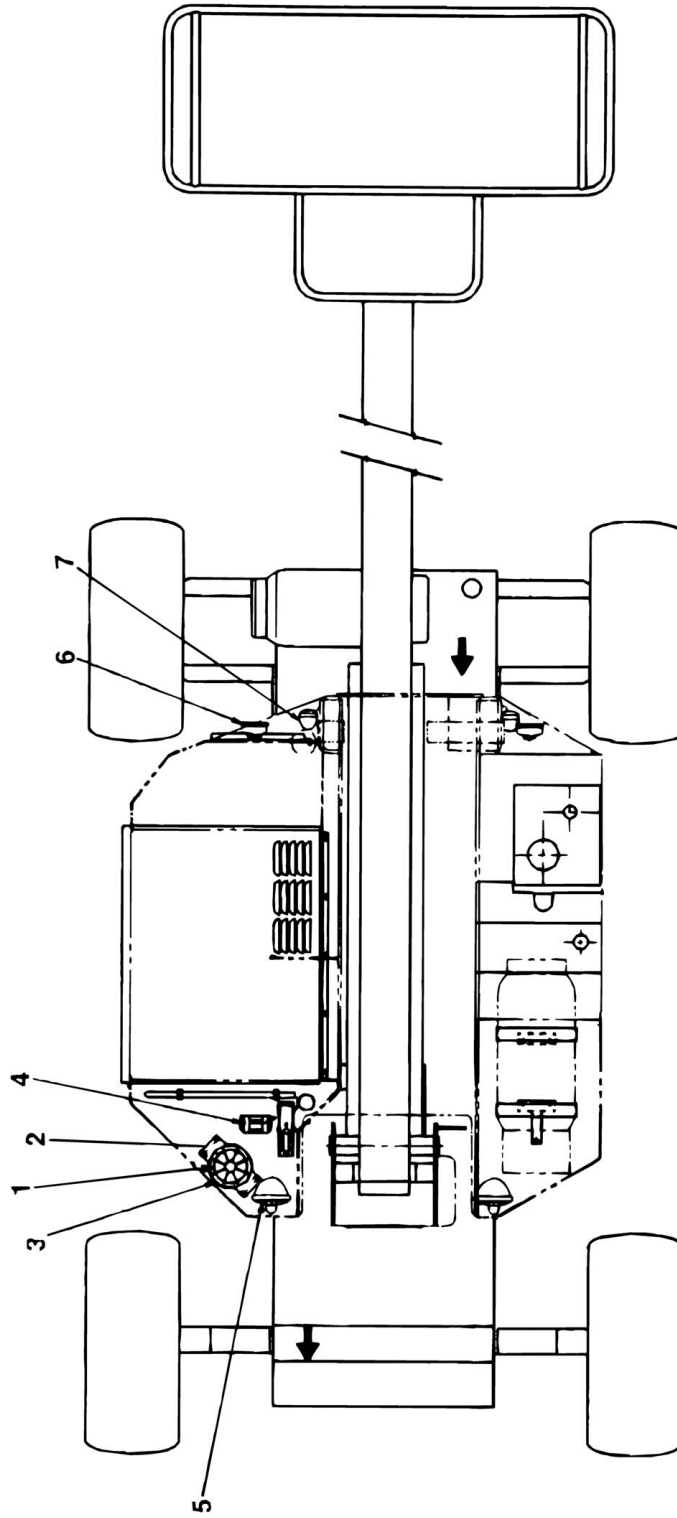
ITEM	PART NUMBER	QTY	DESCRIPTION	REV
25	2920026	1	Light, Red (Clogged Oil Filter) (Optional)	
25	2920029	1	Bulb, Light	
25	3252096	1	Nametag - Clogged Filter	
26	4360202	1	Switch, Toggle (Tower Lift)	
26	3790012	1	O-Ring	
27	4360202	1	Switch, Toggle (Main Lift)	
27	3790012	1	O-Ring	
28	4360202	1	Switch, Toggle (Swing)	
28	3790012	1	O-Ring	
29	4360202	1	Switch, Toggle (Platform Level)	
29	3790012	1	O-Ring	
30	4360202	1	Switch, Toggle (Tower Tele)	
30	3790012	1	O-Ring	
31	4360202	1	Switch, Toggle (Main Tele)	
31	3790012	1	O-Ring	
32	4360202	1	Switch, Toggle (Platform Rotate)	
32	3790012	1	O-Ring	
33	4360200	1	Switch, Toggle (Auxiliary Power)	
33	3790012	1	O-Ring	
34	3740049	14	Relay	
34	3311001	11	Nut #10-24NC	
34	4761000	11	Lockwasher #10	
34	4751000	11	Flatwasher #10	
35	4360216	1	Switch, Circuit Breaker - 30 Amp	
36	4360232	1	Switch, Circuit Breaker - 15 Amp (Ford and Kubota)	
36	4360232	2	Switch, Circuit Breaker - 15 Amp (Deutz)	
37	4360228	1	Switch, Mid Engine (Ford Prior to February 1995 Only)	
37	3310601	2	Nut #6-32NC	
37	4760600	2	Lockwasher #6	
37	4564088	2	Stand-Off	
38	3640711	16 5/8in	Rail	
38	3910606	2	Screw #6-32NC x 3/8in	
38	4750600	2	Flatwasher #6	
38	4760600	2	Lockwasher #6	
38	3310601	2	Nut #6-32NC	
39	4460299	2	Stop, Terminal	
40	3740058	3	Relay	
40	4120013	3	Base, Relay	
40	3740063	3	Spring	
41	4460300	2	Barrier, Terminal	
42	4460298	45	Block, Terminal	
43	4460301	1	Marker, Terminal	
44	4460308	2	Bar, Buss	
44	4460305	4	Screw	
44	4460306	4	Washer	
44	4460307	4	Sleeve	
45	4460311	1	Bar, Buss	
45	4460305	5	Screw	
45	4460306	5	Washer	
45	4460307	5	Sleeve	
46	4460071	1	Connector Strain Relief (3/8in-1/2)	

SECTION 2 - TURNTABLE

ITEM	PART NUMBER	QTY	DESCRIPTION	REV
46	0960238	1	Bushing	
46	3300048	1	Nut, Conduit	
47	4460051	3	Connector, Strain Relief (5/8ft-3/4in)	
47	0960238	3	Bushing	
47	3300048	3	Nut, Conduit	
48		Ref	Regulator, Voltage (Ford Prior to February 1995 Only) (Supplied with Engine)	
48	3311001	2	Nut #10-24NC	
48	4761000	2	Lockwasher #10	
48	4751000	2	Flatwasher #10	
49	1600098	1	Controller (Ford Prior to February 1995 Only)	
49	1600211	1	Controller (Ford February 1995 to Present Only)	
49	3311001	4	Nut #10-24NC	
49	4761000	4	Lockwasher #10	
49	4751000	4	Flatwasher #10	
50	3740067	AR	Relay (Continuous Duty)	
51	3740059	1	Relay (Start)	
51	3311001	3	Nut #10-24NC	
51	4761000	3	Lockwasher #10	
51	4751000	3	Flatwasher #10	
52	3740061	1	Relay (Start Lockout) (Ford Prior to February 1995 Only)	
52	3311001	2	Nut #10-24NC	
52	4761000	2	Lockwasher #10	
52	4751000	2	Flatwasher #10	
53	4360202	1	Switch, Toggle (Platform Level Override)	
53	4060229	1	Shield	
53	3790012	1	O-Ring	
53	3251903	1	Decal - Platform Level Override	
54	3740030	1	Relay, Adlo (Deutz and Kubota Only) (Prior to September 1990 - Located on Back of Box)	
54	3740077	1	Relay, Bosch (Deutz Only) (September 1990 to Present - Located Inside Box)	
54	3740049	1	Relay (Kubota Only) (September 1990 to Present - Located Inside Box)	
54	3311001	1	Nut #10-24NC	
54	4761000	1	Lockwasher #10	
54	4751000	1	Flatwasher #10	
55	4460244	1	Connector, Strain Relief (3/4in-7/8in)	
55	0960238	1	Bushing	
55	3300048	1	Nut, Conduit	
56	0060023	1	Actuator, Adeco Throttle (Deutz and Kubota Only)	
56	7008804	1	Bellows, Rubber	
56	7008829	1	Board, Circuit	
56	7008821	1	Motor, Drive	
56	7008828	1	Cable, Throttle	
57	2420024	1	Light, Panel (Optional)	

SECTION 2 - TURNTABLE

FIGURE 2-29. LIGHTS AND ALARMS INSTALLATION



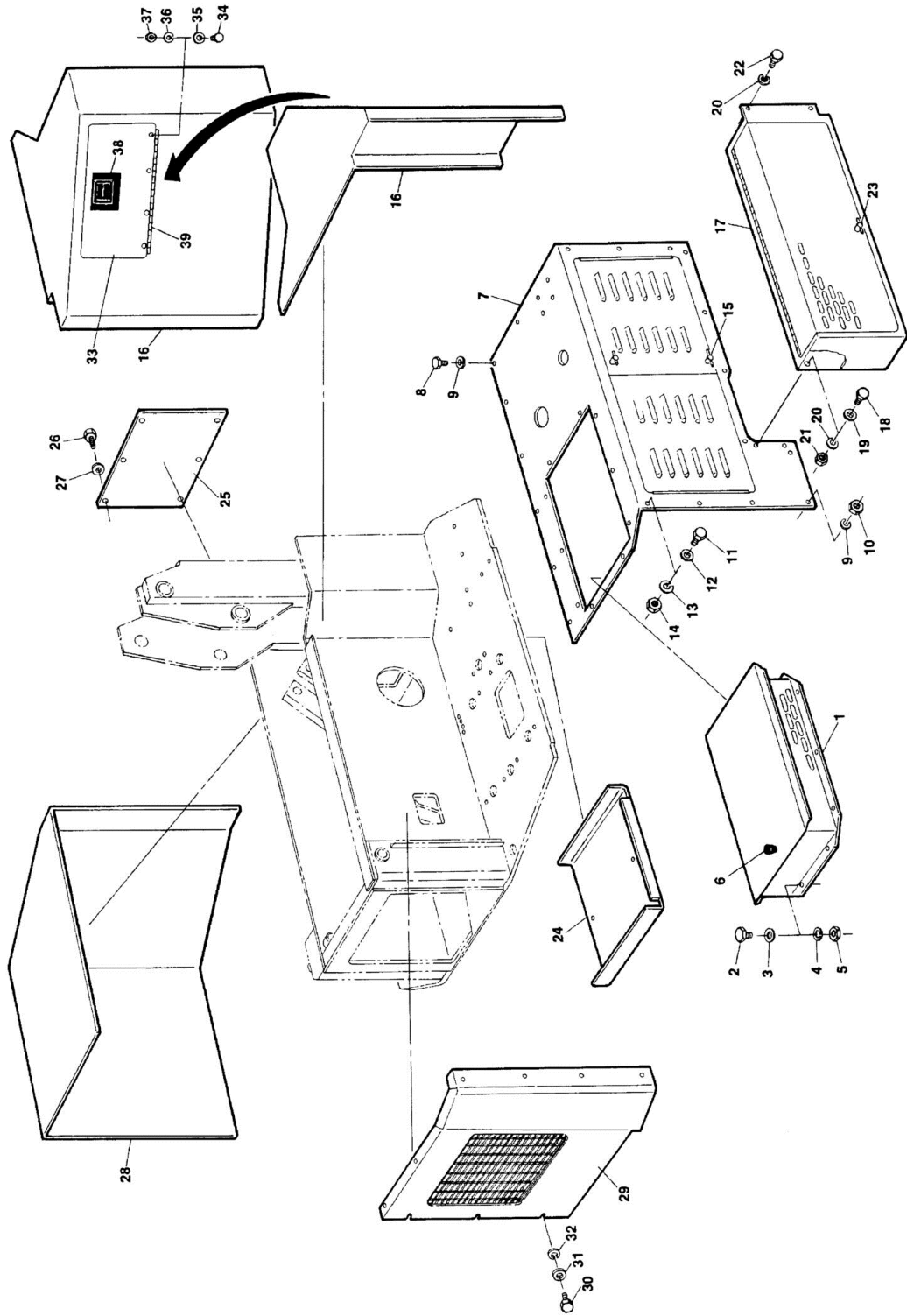
SECTION 2 - TURNTABLE

FIGURE 2-29. LIGHTS AND ALARMS INSTALLATION

ITEM	PART NUMBER	QTY	DESCRIPTION	REV
	0250013	Ref	STROBE LIGHT INSTALLATION - AMBER (OPTIONAL)	B
	0250014	Ref	STROBE LIGHT INSTALLATION - RED (OPTIONAL)	B
	0252730	Ref	STROBE LIGHT INSTALLATION - AMBER (U/L)	B
1	2920018	1	Light, Beacon - Amber (Optional - Prior to January 1993)	
1	2920105	1	Light, Beacon - Amber (Optional - January 1993 to Present)	
1	2920081	1	Light, Beacon - Amber (U/L)	
1	2920009	1	Light, Beacon - Red (Optional - Prior to January 1993)	
1	2920109	1	Light, Beacon - Red (Optional - January 1993 to Present)	
1	3941404	2	Screw, Self-Tapping 1/4in x 1/2in	
1	2540016	2	Grommet	
2	3536597	1	Plate, Mounting (Optional Only - January 1993 to Present)	
2	3941404	4	Screw, Self-Tapping 1/4in x 1/2in	
3	4060829	1	Guard, Light (Optional Only - January 1993 to Present)	
3	0641405	2	Bolt 1/4in-20NC x 5/8in	
3	3311405	2	Locknut 1/4in-20NC	
	0250015	Ref	TRAVEL ALARM INSTALLATION (OPTIONAL)	C
	0252731	Ref	TRAVEL ALARM INSTALLATION (U/L)	B
4	0140024	1	Alarm (Optional - Prior to January 1993)	
4	0140032	1	Alarm (Optional - January 1993 to Present)	
4	0140025	1	Alarm (U/L) (Prior to September 1995)	
4	0140024	1	Alarm (U/L) (September 1995 to Present)	
4	2540016	1	Grommet	
4	3941404	4	Screw, Self-Tap 1/4in x 1/2in	
4	4751400	4	Flatwasher 1/4in	
	0250016	Ref	HEADLIGHT AND TAILLIGHT INSTALLATION	2
	0253910	Ref	HEADLIGHT AND TAILLIGHT INSTALLATION (HALOGEN)	2
5		Ref	Headlight Options:	
5	2920001	2	Production	
5	2920152	2	Post Production Alternative	
5	2920079	2	Bulb (Halogen)	
5	3941406	4	Screw, Self-tap 1/4in x 3/4in	
5	4751400	4	Flatwasher 1/4in	
6	2920019	2	Taillight	
6	0181386	2	Angle, Mounting	
	0250476	Ref	BACK-UP LIGHTS INSTALLATION	2
7		Ref	Light, Back-Up Options:	
7	2920001	2	Production	
7	2920152	2	Post Production Alternative	
7	0641608	4	Bolt 3/8in-16NC x 1in	
7	4761600	4	Lockwasher 3/8in	
7	3311601	4	Nut 3/8in-16NC	

SECTION 2 - TURNTABLE

FIGURE 2-30. HOODS INSTALLATIONS - STANDARD



SECTION 2 - TURNTABLE

FIGURE 2-30. HOODS INSTALLATIONS - STANDARD

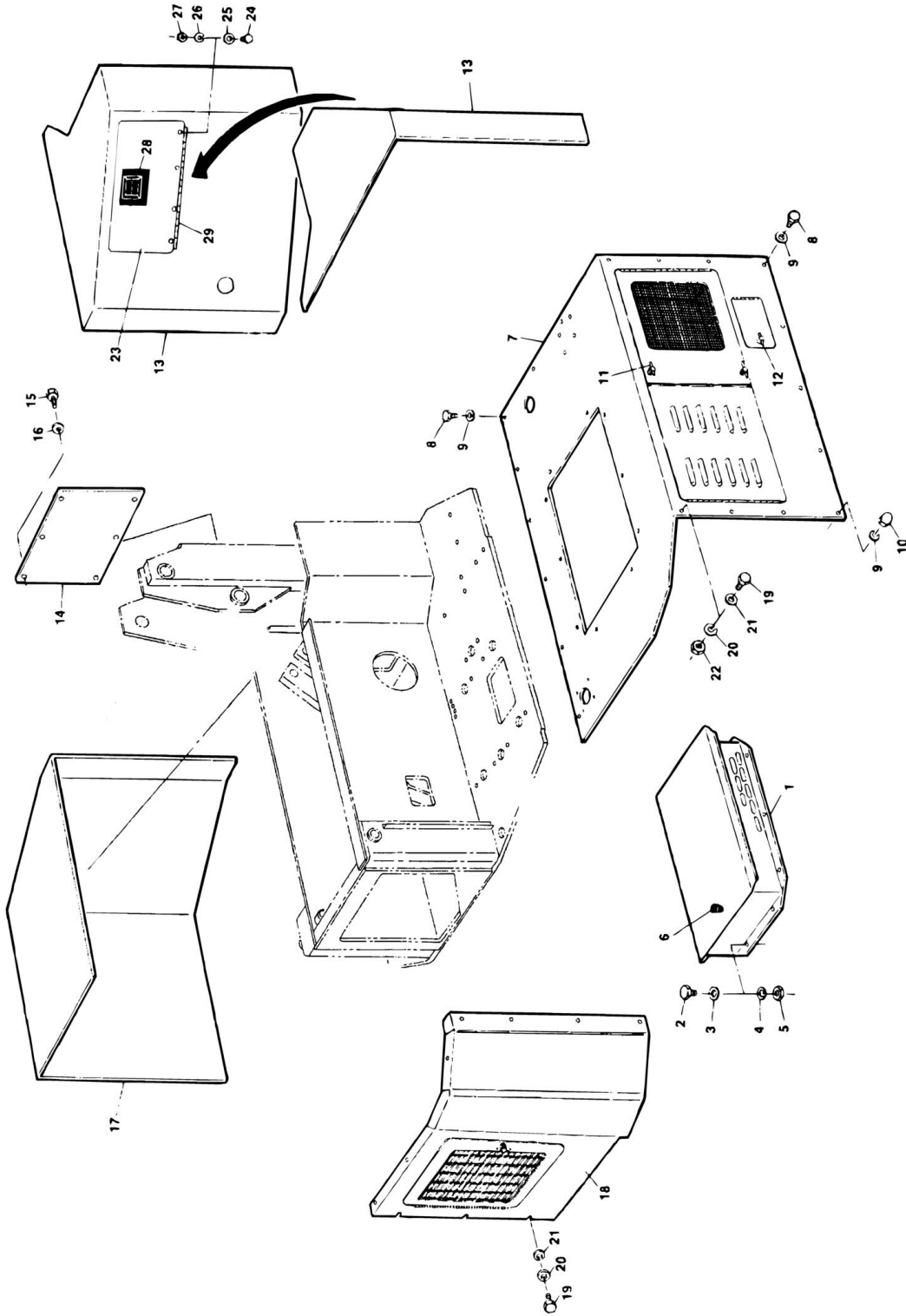
ITEM	PART NUMBER	QTY	DESCRIPTION	REV
		Ref	HOODS INSTALLATIONS - STANDARD	
		Ref	Note: Used for machines with sn's up to 12574 & 12681, 12686-12688, 12692, 12694-12699 & 12813-12815	
		Ref	Note: Replacement decals must be ordered separately - See DECALS SECTION for Breakdown.	
	0239629	Ref	HOODS INSTALLATION	A
	0250204	Ref	HOODS INSTALLATION	-
1	4843255	1	Ventilator	
2	0641408	10	Bolt 1/4in-20NC x 1in	
3	4751400	10	Flatwasher 1/4in	
4	4761400	10	Lockwasher 1/4in	
5	3311401	10	Nut 1/4in-20NC	
6	2940051	1	Latch	
7	9983228	1	Cover, Engine	
8	3941406	11	Screw, Self-Tapping 1/4in x 3/4in	
9	4761400	13	Lockwasher 1/4in	
10	3300151	3	Nut, Acorn 1/4in-20NC	
10	4300031	3	Stud (Welded on Part)	
11	0641408	3	Bolt 1/4in-20NC x 1in	
12	4751400	3	Flatwasher 1/4in	
13	4761400	3	Lockwasher 1/4in	
14	3311401	3	Nut 1/4in-20NC	
15	2940048	2	Latch	
15	3820019	4	Rivet	
16	4843408	1	Cover, Ground Control	
17	4843413	1	Cover, Battery	
18	0641406	6	Bolt 1/4in-20NC x 3/4in	
19	4751400	6	Flatwasher 1/4in	
20	4761400	8	Lockwasher 1/4in	
21	3311405	6	Locknut 1/4in-20NC	
22	3941406	2	Screw, Self-tap 1/4in x 3/4in	
23	2940048	1	Latch	
23	3820019	2	Rivet	
24	3533654	1	Tray, Battery	
25	3532202	1	Plate, Cover	
26	3941406	6	Screw, Self-Tapping 1/4in x 3/4in	
27	4751400	6	Flatwasher 1/4in	
28	4843256	1	Cover - Counterweight	
29	4843257	1	Grill	
30	0641408	3	Bolt 1/4in-20NC x 1in	
31	4761400	3	Lockwasher 1/4in	
32	4751400	3	Flatwasher 1/4in	
	0239628	Ref	GROUND CONTROL DOOR INSTALLATION - GAS	-
	0239630	Ref	GROUND CONTROL DOOR INSTALLATION -DIESEL	-
33	1780245	1	Door - Ground Control	
34	3911412	4	Screw, Machine 1/4in-20NC x 3/4in	
35	4751400	4	Flatwasher 1/4in	
36	4761400	4	Lockwasher 1/4in	
37	3311401	4	Nut 1/4in-20NC	
38	2940057	1	Latch, Sliding	

SECTION 2 - TURNTABLE

ITEM	PART NUMBER	QTY	DESCRIPTION	REV
39	2600157	1	Hinge	

SECTION 2 - TURNTABLE

FIGURE 2-31. HOODS INSTALLATIONS - STANDARD



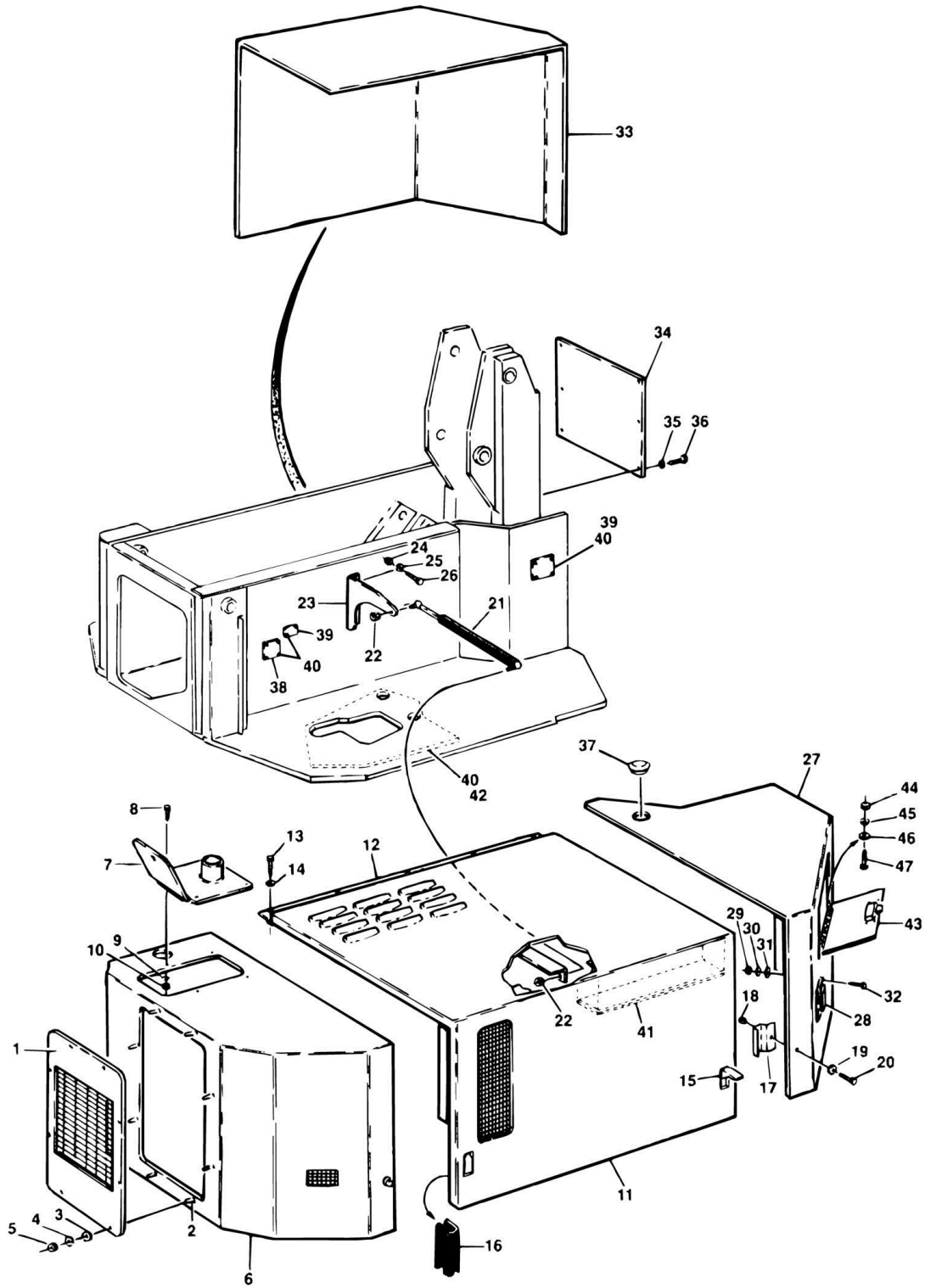
SECTION 2 - TURNTABLE

FIGURE 2-31. HOODS INSTALLATIONS - STANDARD

ITEM	PART NUMBER	QTY	DESCRIPTION	REV
		Ref	HOODS INSTALLATIONS - STANDARD	
		Ref	Note: Used for machines with sn's 12575-12579, 12671-12680, 12689, 12690, 12693, 12812, 12816 and up.	
		Ref	Note: Replacement decals must be ordered separately - See DECALS SECTION for Breakdown.	
	0250240	Ref	HOODS INSTALLATION - FORD	D
	0250188	Ref	HOODS INSTALLATION - DEUTZ	C
	0250918	Ref	HOODS INSTALLATION - KUBOTA	D
1	4843371	1	Ventilator	
1	1260017	15 in	Chain	
2	0641408	10	Bolt 1/4in-20NC x 1in	
3	4751400	10	Flatwasher 1/4in	
4	4761400	10	Lockwasher 1/4in	
5	3311401	10	Nut 1/4in-20NC	
6	2940051	1	Latch	
7	4843424	1	Top, Hood (Ford and Kubota)	
7	4843448	1	Top, Hood (Deutz)	
8	3941406	12	Screw, Self-Tapping 1/4in x 3/4in	
9	4761400	16	Lockwasher 1/4in	
10	3300151	5	Nut, Acorn 1/4in-20NC	
10	4300031	5	Stud (Welded on Part)	
11	2940048	2	Latch	
11	3820019	2	Rivet	
12	2940050	1	Latch	
12	3820012	2	Rivet	
13	4843423	1	Cover, Ground Control	
14	3532202	1	Plate, Cover	
15	3941406	6	Screw, Self-Tapping 1/4in x 3/4in	
16	4751400	6	Flatwasher 1/4in	
17	4843256	1	Cover - Counterweight (Turntable Side Length - 38 15/16in)	
17	4843426	1	Cover - Counterweight (Turntable Side Length - 31 13/16in)	
18	4843425	1	Cover - Front (Ford)	
18	4843643	1	Cover - Front (Deutz and Kubota)	
19	0641408	6	Bolt 1/4in-20NC x 1in	
20	4761400	6	Lockwasher 1/4in	
21	4751400	6	Flatwasher 1/4in	
22	3311401	3	Nut 1/4in-20NC	
22	2940048	1	Latch (Front Cover Only)	
22	3820019	2	Rivet	
	0250263	Ref	GROUND CONTROL DOOR INSTALLATION - FORD	B
	0250267	Ref	GROUND CONTROL DOOR INSTALLATION - DEUTZ	A
	0250925	Ref	GROUND CONTROL DOOR INSTALLATION - KUBOTA	-
23	1780245	1	Door - Ground Control	
24	0641405	4	Bolt 1/4in-20NC x 5/8in	
25	4751400	4	Flatwasher 1/4in	
26	4761400	4	Lockwasher 1/4in	
27	3311401	4	Nut 1/4in-20NC	
28	2940057	1	Latch, Sliding	
29	2600157	1	Hinge	

SECTION 2 - TURNTABLE

FIGURE 2-32. HOODS INSTALLATIONS - NOISE REDUCTION PACKAGE



SECTION 2 - TURNTABLE

FIGURE 2-32. HOODS INSTALLATIONS - NOISE REDUCTION PACKAGE

ITEM	PART NUMBER	QTY	DESCRIPTION	REV
	0252294	Ref	HOODS INSTALLATION - DEUTZ (PRIOR TO FEBRUARY 1993)	
	0253692	Ref	HOODS INSTALLATION - DEUTZ (FEBRUARY 1993 TO PRESENT)	2
	0253707	Ref	HOODS INSTALLATION - FORD	A
		Ref	Note: Replacement decals must be ordered separately - See DECALS SECTION.	
1	4844295	1	Shield Weldment (Ford)	
1	4844345	1	Door Weldment (Deutz) (Not Shown)	
1	3960417	5 ft	Seal (Deutz)	
1	4844357	1	Panel, Filler (Deutz - October 1993 to Present) (Not Shown)	
2	4300031	8	Weld Stud - 1/4in-20NC x 5/8in (Ford) (Prior to June 1994)	
2	3941406	8	Self Tapping - 1/4in-20NC (Ford) (June 1994 to Present)	
2	0641408	4	Bolt 1/4in-20NC x 1in (Deutz)	
3	4751400	AR	Flatwasher 1/4in	
4	4761400	AR	Lockwasher 1/4in	
5	3300151	AR	Acorn Nut 1/4in-20NC (Prior to June 1994)	
5	4070798	AR	Shim (Deutz)	
6	4844294	1	Hood Support Weldment	
7	4844293	1	Cover (Ford)	
7	1670662	1	Cover (Deutz - October 1993 to Present) (Not Shown)	
8	0641408	4	Hex Head Capscrew 1/4in-20NC x 1in	
9	4751400	4	Flatwasher 1/4in	
10	3311405	4	Locknut 1/4in-20NC	
11	4844296	1	Door Weldment (Ford)	
11	4844015	1	Door Weldment (Deutz)	
12	2600180	1	Hinge (Welded to Door)	
13	3941406	5	Screw, Self-Tapping 1/4in x 3/4in	
14	4751400	5	Lockwasher 1/4in	
15	2940042	2	Latch (Ford)	
15	2940042	3	Latch (Deutz) (Production)	
15	2940113	3	Latch (Deutz) (Post Production Alternative)	
15	2940070	1	Pawl, Latch (Deutz - Front Door Item 1 only)	
16	3960418	15 ft	Seal Door	
17	4060832	2	Shield	
18	3311405	2	Locknut 1/4in-20	
19	4751400	2	Flatwasher 1/4in	
20	0641406	2	Bolt 1/4in-20NC x 3/4in	
21	4160106	1	Gas Spring	
22	3311505	2	Locknut 5/16in-18	
23	0901920	1	Bracket, Gas Spring	
24	3311605	3	Locknut 3/8in-16NC	
25	4751600	3	Flatwasher 3/8in	
26	0641610	3	Bolt 3/8in-16NC x 1 1/4in	
27	4843423	1	Ground Control Cover (Welded on)	
28	1670612	1	Cover, 110V Access	
29	3310801	4	Hex Nut #8-32	
30	4760800	4	Lockwasher #8	
31	4750800	4	Flatwasher #8	
32	3910812	4	Machine Screw #8-32NC x 3/4in	
33	4844226	1	Counterweight Cover (Welded on)	

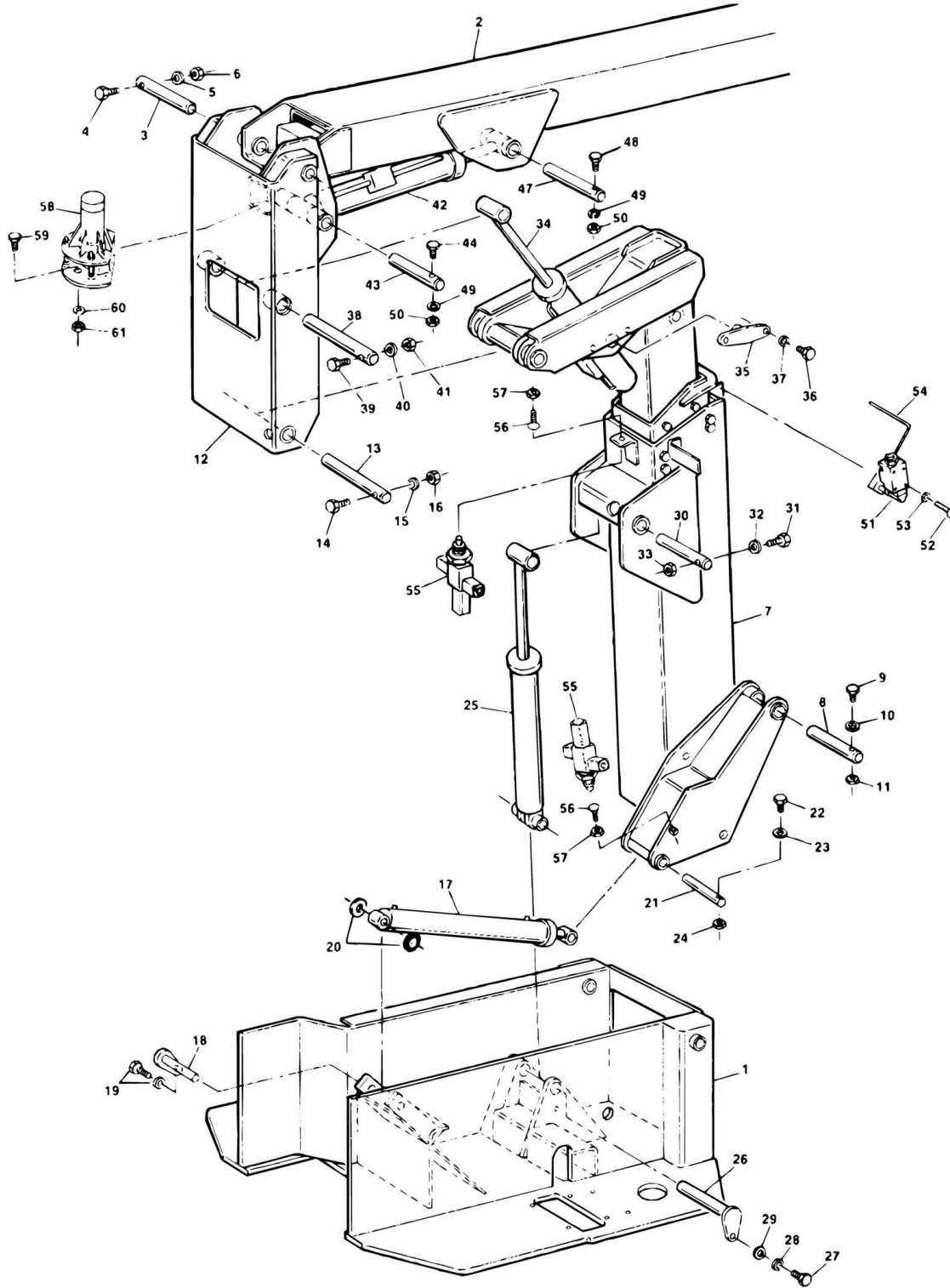
SECTION 2 - TURNTABLE

ITEM	PART NUMBER	QTY	DESCRIPTION	REV
34	3532202	1	Cover Plate	
35	4751400	6	Flatwasher 1/4in	
36	3941406	6	Self-Tapping Screw 1/4in-20NC x 3/4in	
37	3520064	1	Plug, Hole	
38	1670616	1	Cover (Deutz)	
39	1670321	2	Cover (Deutz)	
40	4300031	17	Stud (Welded on Part)	
40	4751400	17	Flatwasher 1/4in	
40	4761400	17	Lockwasher 1/4in	
40	3311401	17	Nut 1/4in-20NC	
41	1670613	1	Cover, Inlet Box (Deutz)	
41	2820044	1	Foam, Acoustical - Bottom (Deutz)	
41	2820045	1	Foam, Acoustical- Side (Deutz)	
41	3820012	10	Rivet	
42	1670615	1	Cover - Base (Deutz)	
	0250263	Ref	GROUND CONTROL DOOR INSTALLATION (FORD PRIOR TO FEBRUARY 1995 AND ALL KUBOTA)	-
	0250267	Ref	GROUND CONTROL DOOR INSTALLATION (DEUTZ)	C
	0255129	Ref	GROUND CONTROL DOOR INSTALLATIO (FORD - FEBRUARY 1995 TO PRESENT)	-
43	1780245	1	Door	
43	2940057	1	Latch, Sliding	
43	2600157	1	Hinge	
44	3311401	4	Nut 1/4in-20NC	
45	4761400	4	Lockwasher 1/4in	
46	4751400	4	Flatwasher 1/4in	
47	0641405	4	Bolt 1/4in-20NC x 5/8in	

SECTION 3 - BOOM

SECTION 3 - BOOM

FIGURE 3-1. BOOMS AND LIMIT SWITCHES INSTALLATIONS



SECTION 3 - BOOM

FIGURE 3-1. BOOMS AND LIMIT SWITCHES INSTALLATIONS

ITEM	PART NUMBER	QTY	DESCRIPTION	REV
		Ref	BOOMS AND LIMIT SWITCHES INSTALLATIONS	
	0239447	Ref	BOOM INSTALLATION (STANDARD - PRIOR TO FEBRUARY 1991)	D
	0251412	Ref	BOOM INSTALLATIO (STANDARD - FEBRUARY 1991 TO APRIL 1992)	D
	0253117	Ref	BOOM INSTALLATION (STANDARD - APRIL 1992 TO PRESENT)	A
	0251519	Ref	BOOM INSTALLATION (CSA - PRIOR TO APRIL 1992)	C
	0253118	Ref	BOOM INSTALLATION (CSA - APRIL 1992 TO PRESENT)	A
		Ref	(Note: See SPECIAL OPTIONS SECTION for Boeing Machines)	
2	0800584	1	Main Boom Assembly (Prior to February 1991) (See MAIN BOOM ASSEMBLY for Breakdown)	
2	0800711	1	Main Boom Assembly (February 1991 to Present) (See MAIN BOOM ASSEMBLY for Breakdown)	
3	3421603	1	Pin	
4	0641832	1	Bolt 1/2in-13NC x 4in	
5	4751800	1	Flatwasher 1/2in (When Equipped)	
6	3311805	1	Locknut 1/2in-13NC	
7	0800585	1	Tower Boom Assembly (See TOWER BOOM ASSEMBLY for Breakdown)	
8		Ref	Pin Options:	
8	3421614	1	Standard	
8	3421830	1	CSA	
9	0641832	1	Bolt 1/2in-13NC x 4in	
10	4751800	1	Flatwasher 1/2in (When Equipped)	
11	3311805	1	Locknut 1/2in-13NC	
12	4843132	1	Upright Weldment	
13	3421617	1	Pin	
14	0641840	1	Bolt 1/2in-13NC x 5in	
15	4751800	1	Flatwasher 1/2in (When Equipped)	
16	3311805	1	Locknut 1/2in-13NC	
17	1682013	1	Master Level Cylinder Assembly (See CYLINDER SECTION for Breakdown)	
18	3421616	1	Pin (Turntable Attach)	
19	0681810	1	Bolt 1/2in-13NC x 1 1/4in (Grade 8)	
19	4761800	1	Lockwasher 1/2in	
20	4740307	1	Washer, Thrust	
21	3421598	1	Pin (Tower Boom Attach)	
22	0641528	1	Bolt 5/16in-18NC x 3 1/2in	
23	4751500	1	Flatwasher 5/16in (When Equipped)	
24	3311505	1	Locknut 5/16in-18NC	
25	1682053	1	Tower Lift Cylinder Assembly (Standard) (See CYLINDER SECTION for Breakdown) (Prior to April 1992)	
25	1682739	1	Tower Lift Cylinder Assembly - TUV (Standard) (See CYLINDER SECTION for Breakdown) (April 1992 to Present)	
25	1682458	1	Tower Lift Cylinder Assembly (CSA) (See CYLINDER SECTION for Breakdown) (Prior to April 1992)	
25	1682763	1	Tower Lift Cylinder Assembly - TUV (CSA) (See CYLINDER SECTION for Breakdown) (April 1992 to Present)	
26	3421615	1	Pin (Turntable Attach)	
27	0641814	1	Bolt 1/2in-13NC x 1 3/4in	
28	4761800	1	Lockwasher 1/2in	

SECTION 3 - BOOM

ITEM	PART NUMBER	QTY	DESCRIPTION	REV
29	4751800	1	Flatwasher 1/2in (When Equipped)	
30	3421599	1	Pin (Tower Boom Attach) (Prior to February 1991)	
30	3422075	1	Pin (Tower Boom Attach) (February 1991 to Present)	
31	0641528	1	Bolt 5/16in-18NC x 3 1/2in	
32	4751500	1	Flatwasher 5/16in (When Equipped)	
33	3311505	1	Locknut 5/16in-18NC	
34	1682019	1	Upright Level Cylinder Assembly (See CYLINDER SECTION for Breakdown) (Prior to April 1992)	
34	1682745	1	Upright Level Cylinder Assembly - TUV (See CYLINDER SECTION for Breakdown) (April 1992 to Present)	
35	3421605	2	Pin (Tower Boom Attach)	
35	2160002	1	Fitting, Grease	
35	4640812	1	Valve, Relief	
36	0681810	4	Bolt 1/2in-13NC x 1 1/4in	
37	4761800	4	Lockwasher 1/2in	
38	3421618	1	Pin (Upright Attach)	
39	0641840	1	Bolt 1/2in-13NC x 5in	
40	4751800	1	Flatwasher 1/2in (When Equipped)	
41	3311805	1	Locknut 1/2in-13NC	
42	1682072	1	Main Lift Cylinder Assembly (See CYLINDER SECTION for Breakdown) (Prior to April 1992)	
42	1682764	1	Main Lift Cylinder Assembly - TUV (See CYLINDER SECTION for Breakdown) (April 1992 to Present)	
43	3421619	1	Pin (Upright Attach)	
44	0641832	1	Bolt 1/2in-13NC x 4in	
45	4751800	1	Flatwasher 1/2in (When Equipped)	
46	3311805	1	Locknut 1/2in -13NC	
47	3421602	1	Pin (Main Boom Attach)	
48	0641528	1	Bolt 5/16in-18NC x 3 1/2in	
49	4751500	1	Flatwasher 5/16in (When Equipped)	
50	3311505	1	Locknut 5/16in-18NC	
	0239499	Ref	BOOM VALVES AND SWITCHES INSTALLATIONS	C
51	4360057	1	Switch, Limit	
52	3911028	2	Screw, Round Head #10-24NC x 1 3/4in	
53	4761000	2	Lockwasher #10	
54	0200333	1	Arm	
55	4640310	2	Valve, Plunger	
55	7012649	2	Seal Kit - 4640310 Valve (1 Per Valve)	
56	0630415	2	Screw, Plow (3/8in Threads)	
56	0630427	2	Screw, Plow (1/2in Threads)	
57	3311605	2	Locknut 3/8in-16NC	
57	3311805	2	Locknut 1/2in-13NC	
	0239603	Ref	LEVEL SENSOR INSTALLATION	-
58	1600110	1	Sensor, Level	
59	0641406	2	Bolt 1/4in-20NC x 3/4in	
60	4761400	2	Lockwasher 1/4in	
61	3311401	2	Nut 1/4in-20NC	
	0254068	Ref	CABLE INSTALLATION - 4WS AND LIGHTS OPTIONS (KUBOTA MACHINES ONLY) (NOT SHOWN)	-
	1060016	83 ft	Cable, Electrical - 16/3	

SECTION 3 - BOOM

FIGURE 3-2. MAIN BOOM ASSEMBLY

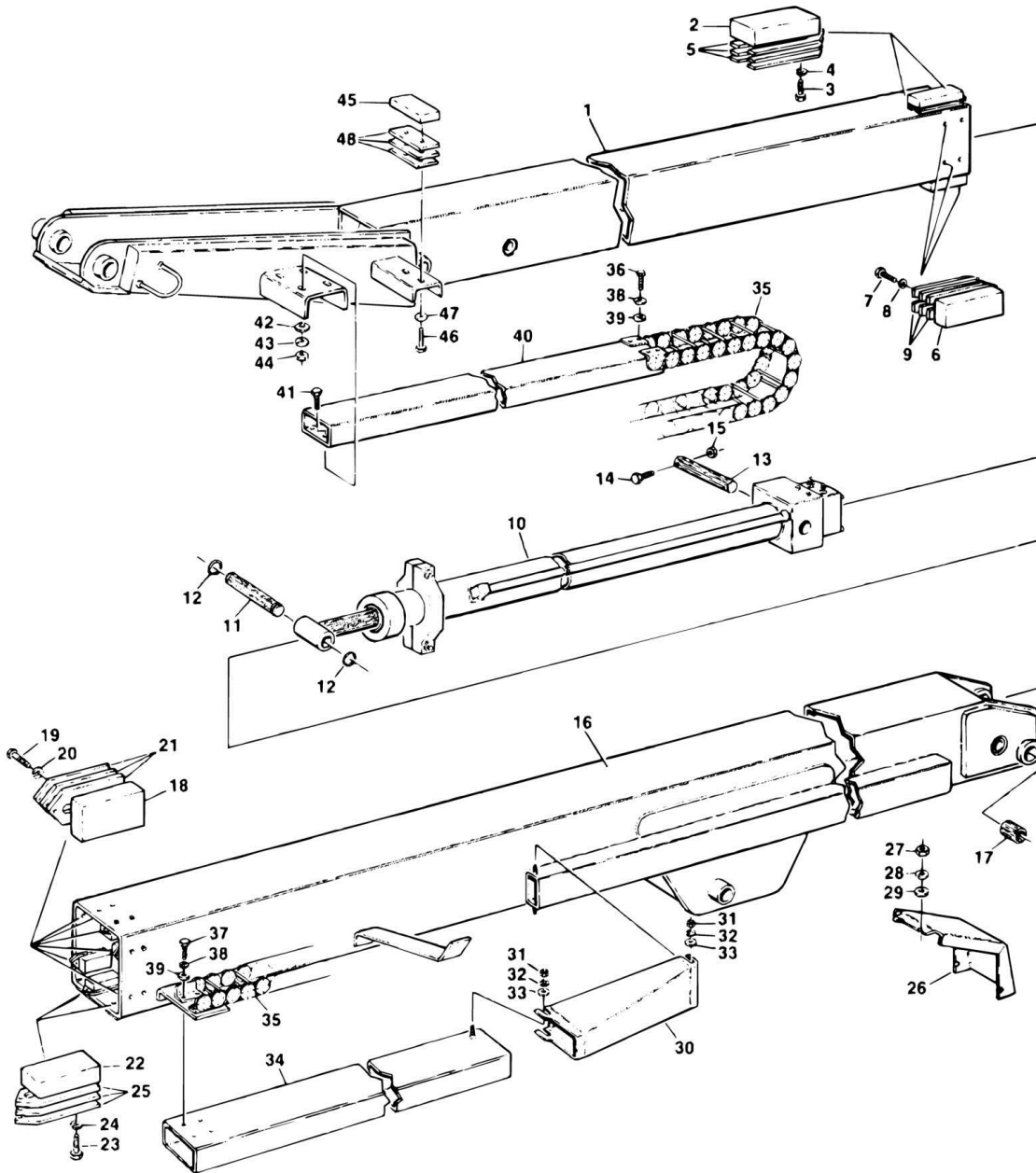


FIGURE 3-2. MAIN BOOM ASSEMBLY

ITEM	PART NUMBER	QTY	DESCRIPTION	REV
	0800584	Ref	MAIN BOOM ASSEMBLY (PRIOR TO FEBRUARY 1991)	C
	0800711	Ref	MAIN BOOM ASSEMBLY (FEBRUARY 1991 TO PRESENT) (SEE SPECIAL OPTIONS SECTION FOR BOEING MACHINES)	H
1	0800582	1	Boom Fly Weldment (Prior to February 1991)	
1	0800717	1	Boom Fly Weldment (February 1991 to Present)	
2	3340473	2	Pad, Wear (Fly Rear Top)	
3	0641608	3	Bolt 3/8in-16NC x 1in	
4	4761600	3	Lockwasher 3/8in	
4	0100019	AR	Loctite	
5	4070678	AR	Shim 1/32in	
5	4070677	AR	Shim 1/16in	
5	4070676	AR	Shim 1/8in	
6	3340552	6	Pad, Wear (Fly Rear Side and Bottom)	
7	0641607	3	Bolt 3/8in-16NC x 7/8in	
8	4761600	3	Lockwasher 3/8in	
8	0100019	AR	Loctite	
9	4070670	AR	Shim 1/32in	
9	4070671	AR	Shim 5/64in	
9	4070672	AR	Shim 1/8in	
10	1682037	1	Telescope Cylinder Assembly (Prior to February 1991) (See CYLINDER SECTION for Breakdown)	
10	1682415	1	Telescope Cylinder Assembly (February 1991 to Present) (See CYLINDER SECTION for Breakdown)	
11	3421601	1	Pin (Fly Attach)	
12	3760133	2	Ring, Retaining	
13	3421604	1	Pin (Base Attach) (Prior to March 1992)	
13	3422043	1	Pin (Base Attach) (March 1992 to Present)	
13	3760133	2	Ring, Retaining (March 1992 to Present Only)	
14	0681520	1	Bolt 5/16in-18NC x 2 1/2in (Grade 8) (Prior to March 1992 Only)	
15	3271501	1	Nut 5/16in-18NC (Prior to March 1992 Only)	
16	0800581	1	Boom Base Weldment	K
17	0961593	2	Bushing, Bronze (Boom Pivot) (Prior to February 1994)	
17	0961768	2	Bushing, Bronze (Boom Pivot) (February 1994 to Present)	
17	2160002	2	Fitting, Grease	
17	4640812	2	Valve, Relief (February 1994 to Present)	
17	3780184	4	O-Ring (February 1994 to Present)	
18	3340552	6	Pad, Wear (Base Front Top and Sides)	
19	0641607	2	Bolt 3/8in-16NC x 7/8in (Sides)	
19	0641608	2	Bolt 3/8in-16NC x 1in (Top)	
20	4761600	2	Lockwasher 3/8in	
20	0100019	AR	Loctite	
21	4070670	AR	Shim 1/32in	
21	4070671	AR	Shim 5/64in	
21	4070672	AR	Shim 1/8in	
22	3340473	2	Pad, Wear (Base Front Bottom)	
23	0641609	3	Bolt 3/8in-16NC x 1 1/8in	
24	4761600	3	Lockwasher 3/8in	
24	0100019	AR	Loctite	
25	4070678	AR	Shim 1/32in	
25	4070677	AR	Shim 1/16in	

SECTION 3 - BOOM

ITEM	PART NUMBER	QTY	DESCRIPTION	REV
25	4070676	AR	Shim 1/8in	
26	4843468	1	Cover, Boom	
27	3311405	4	Locknut 1/4in-20NC	
28	4761400	4	Lockwasher 1/4in	
29	4751400	4	Flatwasher 1/4in	
29	4300031	4	Stud (Welded on Part - Not Shown)	
30	1670450	1	Cover, Hose	
31	3311405	4	Locknut 1/4in-20NC	
32	4761400	4	Lockwasher 1/4in	
33	4751400	4	Flatwasher 1/4in	
33	4300031	4	Stud (Welded on Part - Not Shown)	
34	4843147	1	Cover, Hose	
35	1180190	1	Carrier, Hose and Cable	
		Ref	Note: Original Equipment Power Track may have been replaced with a Service Replacement. Visually identify the power track before ordering parts.	
35	7006126	AR	Powertrack - 1 Ft Section (Used Through 1989)	
35	7006127	AR	Powertrack - 1 Ft Section With Mounting Feet (Used Through 1989)	
35	7006133	2 Pair	Feet, Mounting (Used Through 1989)	
35	7006138	AR	Pin Kit (Used Through 1989)	
35	7006139	AR	Powertrack - 1 Ft Section (1990 to Present)	
35	7006151	2 Pair	Feet, Mounting (1990 to Present)	
35	7006152	AR	Pin Kit (Includes 1 pin, 1 Retaining Ring and 4 Washers) (1990 to Present)	
35	7006162	AR	Spacer (1990 to Present)	
35	7006163	AR	Shim, Nylon (1990 to Present)	
35	7006156	AR	Rod (1990 to Present)	
35	7006158	AR	Screw (1990 to Present)	
36	0641405	4	Bolt 1/4in-20NC x 5/8in	
37	0641405	4	Bolt 1/4in-20NC x 5/8in	
38	4761400	8	Lockwasher 1/4in	
39	4751400	8	Flatwasher 1/4in	
40	4843146	1	Cover	
41	0641608	4	Bolt 3/8in-16NC x 1in	
42	4751600	8	Flatwasher 3/8in	
43	4761600	4	Lockwasher 3/8in	
44	3311605	4	Locknut 3/8in-16NC	
44	1060516	82 ft/25m	Cable, Control - 16/30	
44	1060515	82 ft/25m	Cable, Control - 12/4	
44	1060514	82 ft/25m	Cable, Control - 12/3 (Prior to September 1993)	
44	1700598	2	Decal - Ground (Prior to September 1993)	
44	1700599	2	Decal - Neutral (Prior to September 1993)	
45	0560923	1	Block, Cover Support (February 1991 to Present Only)	
46	0641608	2	Bolt 3/8in-16NC x 1in	
47	4761600	2	Lockwasher 3/8in	
48	4070559	AR	Shim	
	0251396	Ref	BOOM NOSE PROTECTOR INSTALLATION - OPTIONAL (NOT SHOWN)	-
	3534745	1	Plate, Skid (Welded to end of Item 1)	

SECTION 3 - BOOM

FIGURE 3-3. TOWER BOOM ASSEMBLY

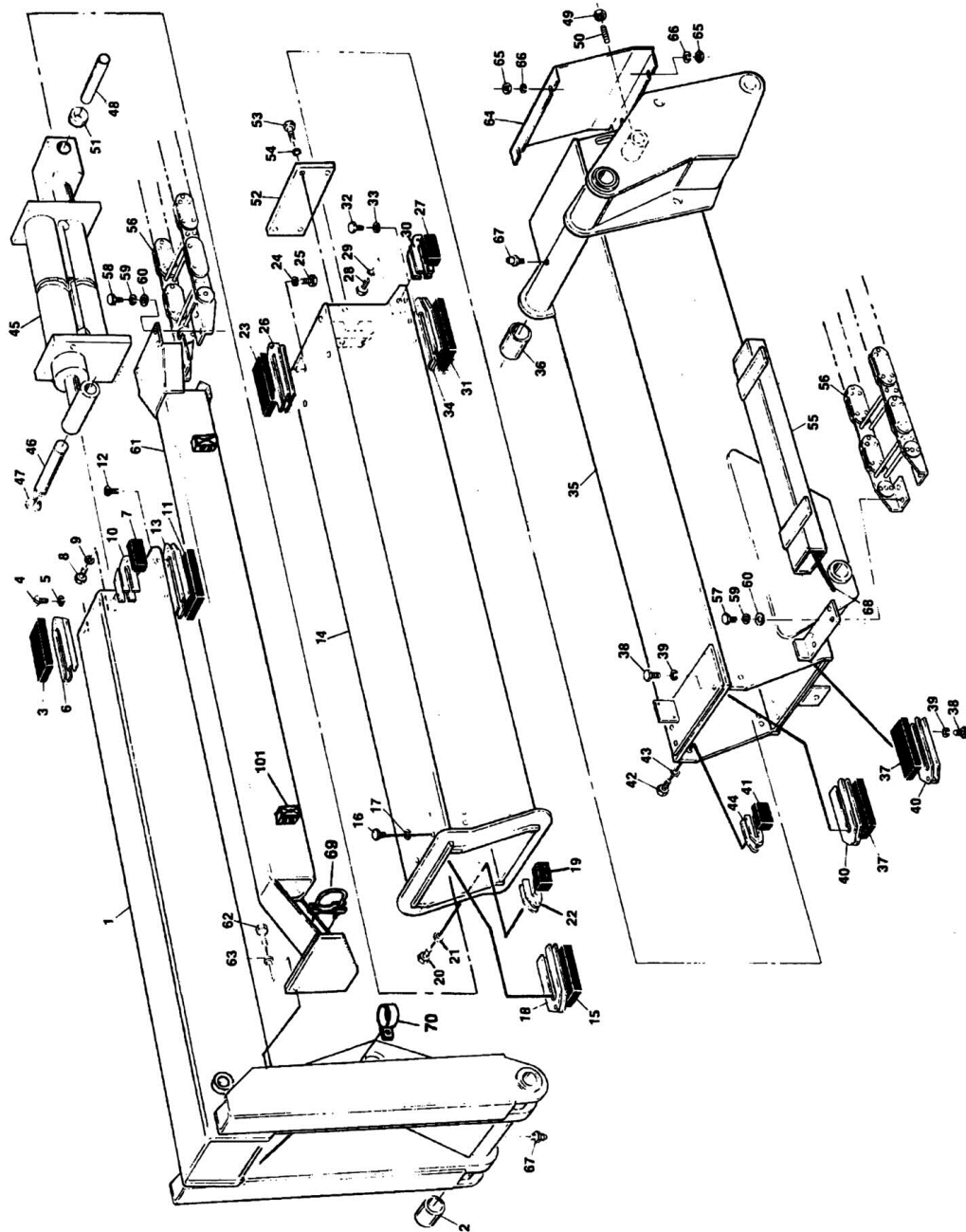


FIGURE 3-3. TOWER BOOM ASSEMBLY

ITEM	PART NUMBER	QTY	DESCRIPTION	REV
	0800585	Ref	TOWER BOOM ASSEMBLY (SEE SPECIAL OPTIONS SECTION FOR BOEING MACHINES)	H
1	0800588	1	Boom Fly Weldment	
2	0960929	2	Bushing, Bronze (Prior to February 1994)	
2	0961770	2	Bushing, Bronze (February 1994 to Present)	
3	3340580	2	Pad, Wear (Fly Rear Top)	
4	0641609	3	Bolt 3/8in-16NC x 1 1/8in	
5	4761600	3	Lockwasher 3/8in	
5	0100019	AR	Loctite	
6	4070555	AR	Shim 1/8in (Prior to December 1992)	
6	4070838	AR	Shim 1/8in (December 1992 to Present)	
6	4070556	AR	Shim 1/16in (Prior to December 1992)	
6	4070837	AR	Shim 1/16in (December 1992 to Present)	
7	3340550	4	Pad, Wear (Fly Rear Side)	
8	0641610	2	Bolt 3/8in-16NC x 1 1/4in	
9	4761600	2	Lockwasher 3/8in	
9	0100019	AR	Loctite	
10	4070670	AR	Shim 1/32in	
10	4070671	AR	Shim 5/64in (Prior to February 1994)	
10	4070854	AR	Shim 5/64in (February 1994 to Present)	
10	4070672	AR	Shim 1/8in (Prior to February 1994)	
10	4070855	AR	Shim 1/8in (February 1994 to Present)	
11	3340580	2	Pad, Wear (Fly Rear Bottom)	
12	3900166	3	Screw, Countersink Socket 3/8in-16NC x 1in	
12	0100019	AR	Loctite	
13	4070555	AR	Shim 1/8in (Prior to December 1992)	
13	4070838	AR	Shim 1/8in (December 1992 to Present)	
13	4070556	AR	Shim 1/16in (Prior to December 1992)	
13	4070837	AR	Shim 1/16in (December 1992 to Present)	
14	0800587	1	Boom Mid Weldment	
15	3340580	4	Pad, Wear (Mid Front Top and Bottom)	
16	0641609	12	Bolt 3/8in-16NC x 1 1/8in	
17	4761600	12	Lockwasher 3/8in	
17	0100019	AR	Loctite	
18	4070555	AR	Shim 1/8in (Prior to December 1992)	
18	4070838	AR	Shim 1/8in (December 1992 to Present)	
18	4070556	AR	Shim 1/16in (Prior to December 1992)	
18	4070837	AR	Shim 1/16in (December 1992 to Present)	
19	3340550	4	Pad, Wear (Mid Front Side)	
20	0641609	8	Bolt 3/8in-16NC x 1in	
21	4761600	8	Lockwasher 3/8in	
21	0100019	AR	Loctite	
22	4070670	AR	Shim 1/32in	
22	4070671	AR	Shim 5/64in (Prior to February 1994)	
22	4070854	AR	Shim 5/64in (February 1994 to Present)	
22	4070672	AR	Shim 1/8in (Prior to February 1994)	
22	4070855	AR	Shim 1/8in (February 1994 to Present)	
23	3340500	2	Pad, Wear (Mid Rear Top)	
24	0641608	2	Bolt 3/8in-16NC x 1in	
25	4761600	2	Lockwasher 3/8in	

SECTION 3 - BOOM

ITEM	PART NUMBER	QTY	DESCRIPTION	REV
25	0100019	AR	Loctite	
26	4070786	AR	Shim 1/16in	
26	4070787	AR	Shim 1/8in	
27	3340550	4	Pad, Wear (Mid Rear Sides)	
28	0641609	2	Bolt 3/8in-16NC x 1 1/8in	
29	4761600	2	Lockwasher 3/8in	
29	0100019	AR	Loctite	
30	4070670	AR	Shim 1/32in	
30	4070671	AR	Shim 5/64in (Prior to February 1994)	
30	4070854	AR	Shim 5/64in (February 1994 to Present)	
30	4070672	AR	Shim 1/8in (Prior to February 1994)	
30	4070855	AR	Shim 1/8in (February 1994 to Present)	
31	3340580	2	Pad, Wear (Mid Rear Bottom)	
32	0641608	3	Bolt 3/8in-16NC x 1in	
33	4761600	3	Lockwasher 3/8in	
33	0100019	AR	Loctite	
34	4070555	AR	Shim 1/8in (Prior to December 1992)	
34	4070838	AR	Shim 1/8in (December 1992 to Present)	
34	4070556	AR	Shim 1/16in (Prior to December 1992)	
34	4070837	AR	Shim 1/16in (December 1992 to Present)	
35	0800586	1	Boom Base Weldment	
36	0960929	2	Bushing, Bronze (Prior to February 1994)	
36	0961770	2	Bushing, Bronze (February 1994 to Present)	
37	3340580	4	Pad, Wear (Base Front Top and Bottom)	
38	0641610	12	Bolt 3/8in-16NC x 1 1/4in	
39	4761600	12	Lockwasher 3/8in	
39	0100019	AR	Loctite	
40	4070555	AR	Shim 1/8in (Prior to December 1992)	
40	4070838	AR	Shim 1/8in (December 1992 to Present)	
40	4070556	AR	Shim 1/16in (Prior to December 1992)	
40	4070837	AR	Shim 1/16in (December 1992 to Present)	
41	3340550	4	Pad, Wear (Base Front Side)	
42	0641607	8	Bolt 3/8in-16NC x 7/8in	
43	4761600	8	Lockwasher 3/8in	
43	0100019	AR	Loctite	
44	4070670	AR	Shim 1/32in	
44	4070671	AR	Shim 5/64in (Prior to February 1992)	
44	4070854	AR	Shim 5/64in (February 1994 to Present)	
44	4070672	AR	Shim 1/8in (Prior to February 1994)	
44	4070855	AR	Shim 1/8in (February 1994 to Present)	
45	1681997	1	Telescope Cylinder Assembly (See CYLINDER SECTION for Breakdown)	
46	3421597	1	Pin (Fly Attach)	
47	3760257	2	Ring, Retaining	
48	3421596	1	Pin (Base Attach)	
49	3311801	2	Nut 1/2in-13NC	
50	3951810	2	Setscrew 1/2in-13NC x 1 1/4in	
51	0961355	2	Spacer	
52	3532976	1	Plate, Mounting - Telescope Cylinder	
53	0641811	4	Bolt 1/2in-13NC x 1 3/8in	
54	4761800	4	Lockwasher 1/2in	
55	4843160	1	Cover, Hose	

SECTION 3 - BOOM

ITEM	PART NUMBER	QTY	DESCRIPTION	REV
56	1180192	1	Carrier	
		Ref	Note: Original Equipment Power Track may have been replaced with a Service Replacement. Visually identify the power track before ordering parts.	
56	7006126	AR	Powertrack - 1 Ft Section (Used Through 1989)	
56	7006127	AR	Powertrack - 1 Ft Section with Mounting Fee (Used through 1989)	
56	7006133	2 Pair	Feet, Mounting (Used Through 1989)	
56	7006138	AR	Pin Kit (Used Through 1989)	
56	7006139	AR	Powertrack - 1 Ft Section (1990 to Present)	
56	7006151	2 Pair	Feet, Mounting (1990 to Present)	
56	7006152	AR	Pin Kit (1990 to Present)	
57	0641406	4	Bolt 1/4in-20NC x 3/4in	
58	0641408	4	Bolt 1/4in-20NC x 1in	
59	4761400	8	Lockwasher 1/4in	
60	4751400	12	Flatwasher 1/4in	
61	1180191	1	Carrier	
62	3311801	3	Nut 1/2in-13NC	
63	4761800	3	Flatwasher 1/2in	
63	4300045	3	Stud (Welded on Part - Not Shown)	
64	1670487	1	Cover, Boom	
65	3311401	4	Nut 1/4in-20NC	
66	4761400	4	Lockwasher 1/4in	
67	2160002	2	Fitting, Grease	
67	4640812	2	Valve, Relief (February 1994 to Present)	
67	3780185	4	O-Ring (February 1994 to Present)	
68	1060267	42	Cable, Control - 16/16 (Prior to December 1992)	
		ft/12.8m		
68	4921567	1	Harness (December 1992 to Present)	
69	1320103	1	Clamp	
69	4740368	2	Lockwasher, Special	
69	3311601	2	Nut 3/8in-16NC	
70	1320131	1	Clamp (Mount with Existing Hardware)	
	0251421	Ref	HOSE CLAMPS INSTALLATION	
101	1320050	4	Clamp	-

SECTION 3 - BOOM

FIGURE 3-4. BOOM WIPERS INSTALLATION

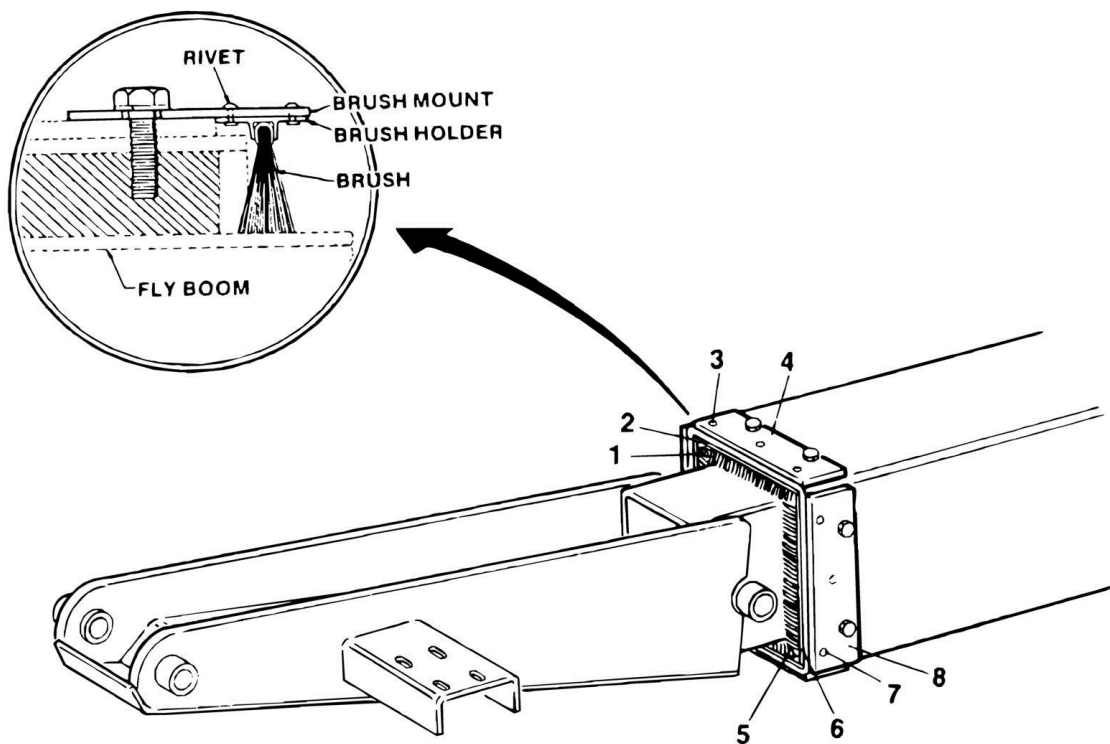


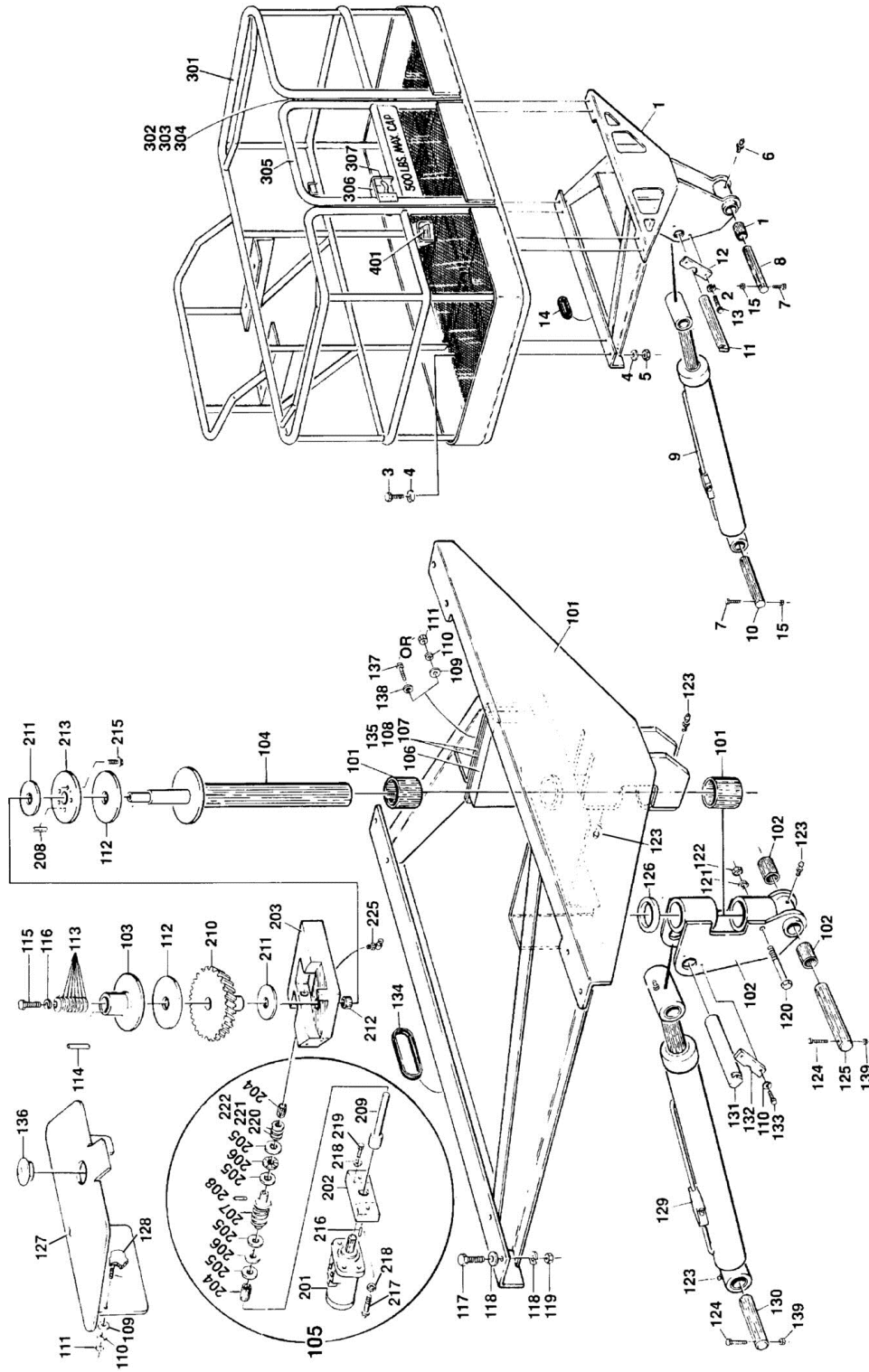
FIGURE 3-4. BOOM WIPERS INSTALLATION

ITEM	PART NUMBER	QTY	DESCRIPTION	REV
	0250196	Ref	BOOM WIPERS INSTALLATION	B
1	0540081	1	Brush, Wiper (Top)	
1	0540083	1	Brush, Wiper (Bottom) (Not Shown)	
2	2660075	1	Holder, Brush (Top)	
2	2660080	1	Holder, Brush (Bottom) (Not Shown)	
3	3820001	3	Rivet	
4	3200308	2	Mount (Top and Bottom) (Use Existing Hardware to Attach)	
5	0540082	2	Brush, Wiper (Side)	
6	2660076	2	Holder, Brush (Side)	
7	3820001	6	Rivet	
8	3200309	2	Mount (Side) (Use Existing Hardware to Attach)	

SECTION 4 - PLATFORM

SECTION 4 - PLATFORM

FIGURE 4-1. STANDARD PLATFORM AND FOOTSWITCH INSTALLATION



SECTION 4 - PLATFORM

FIGURE 4-1. STANDARD PLATFORM AND FOOTSWITCH INSTALLATION

ITEM	PART NUMBER	QTY	DESCRIPTION	REV
	0239701	Ref	FIXED SUPPORT INSTALLATION (PRIOR TO APRIL 1992)	B
	0253114	Ref	FIXED SUPPORT INSTALLATION - TUV (APRIL 1992 TO PRESENT)	A
1	4843280	1	Support Weldment	
1	0960565	2	Bushing, Bronze	
2	4761500	2	Lockwasher 5/16in	
3	0681610	8	Bolt 3/8in-16NC x 1 1/4in (Grade 8)	
4	4751600	16	Flatwasher 3/8in	
5	3300143	8	Locknut 3/8in-16NC	
6	2160002	1	Fitting, Grease	
7	0641520	1	Bolt 5/16in-18NC x 2 1/2in	
7	0641524	1	Bolt 5/16in-18NC x 3in	
8	3421613	1	Pin, Nose	
9	1682057	1	Slave Cylinder Assembly (machines Built Prior to April 1992) (See CYLINDER SECTION for Breakdown)	
9	1682742	1	Slave Cylinder Assembly - TUV (Machines Built April 1992 to Present) (See CYLINDER SECTION for Breakdown)	
10	3421600	1	Pin, Attach (Lower)	
11	3421612	1	Pin, Attach (Upper)	
12	3532054	1	Plate, Retainer	
13	0641506	2	Bolt 5/16in-18NC x 3/4in	
14	4060804	10	Shield, Hose (3/16in Flex-Guard)	
15	3311501	2	Nut 5/16in-18NC	
	0239514	Ref	ROTATING SUPPORT INSTALLATION (STANDARD - PRIOR TO APRIL 1992)	F
	0253112	Ref	ROTATING SUPPORT INSTALLATION (STANDARD - APRIL 1992 TO PRESENT)	A
	0251518	Ref	ROTATING SUPPORT INSTALLATION (CSA - PRIOR TO APRIL 1992)	R
	0253113	Ref	ROTATING SUPPORT INSTALLATION (CSA - APRIL 1992 TO PRESENT)	2
101	4843636	1	Support Weldment	
101	0961259	2	Bushing, Bronze	
102	0239512	1	Pivot Attach Weldment	
102	0960565	2	Bushing, Bronze	
103	1120299	1	Cap	
104	4842915	1	Shaft Weldment (Standard)	
104	4040220	1	Shaft Weldment (CSA) (Production)	
104	4842915	1	Shaft Weldment (CSA) (Post Production Alternative)	
105	0235238	1	Rotator Assembly (See Items 201-225 for Breakdown)	
106	0361675	1	Block, Stop	
107	4070705	AR	Shim 1/8in	
108	4070706	AR	Shim 1/16in	
109	4751500	2	Flatwasher 5/16in	
110	4761500	4	Lockwasher 5/16in	
111	3311501	2	Nut 5/16in-18NC	
112	3340454	2	Pad, Brake	
113	4160026	8	Washer, Bellville	
114	2880404	1	Key, Square	
115	0652014	1	Bolt 5/8in-18NF x 1 3/4in	

SECTION 4 - PLATFORM

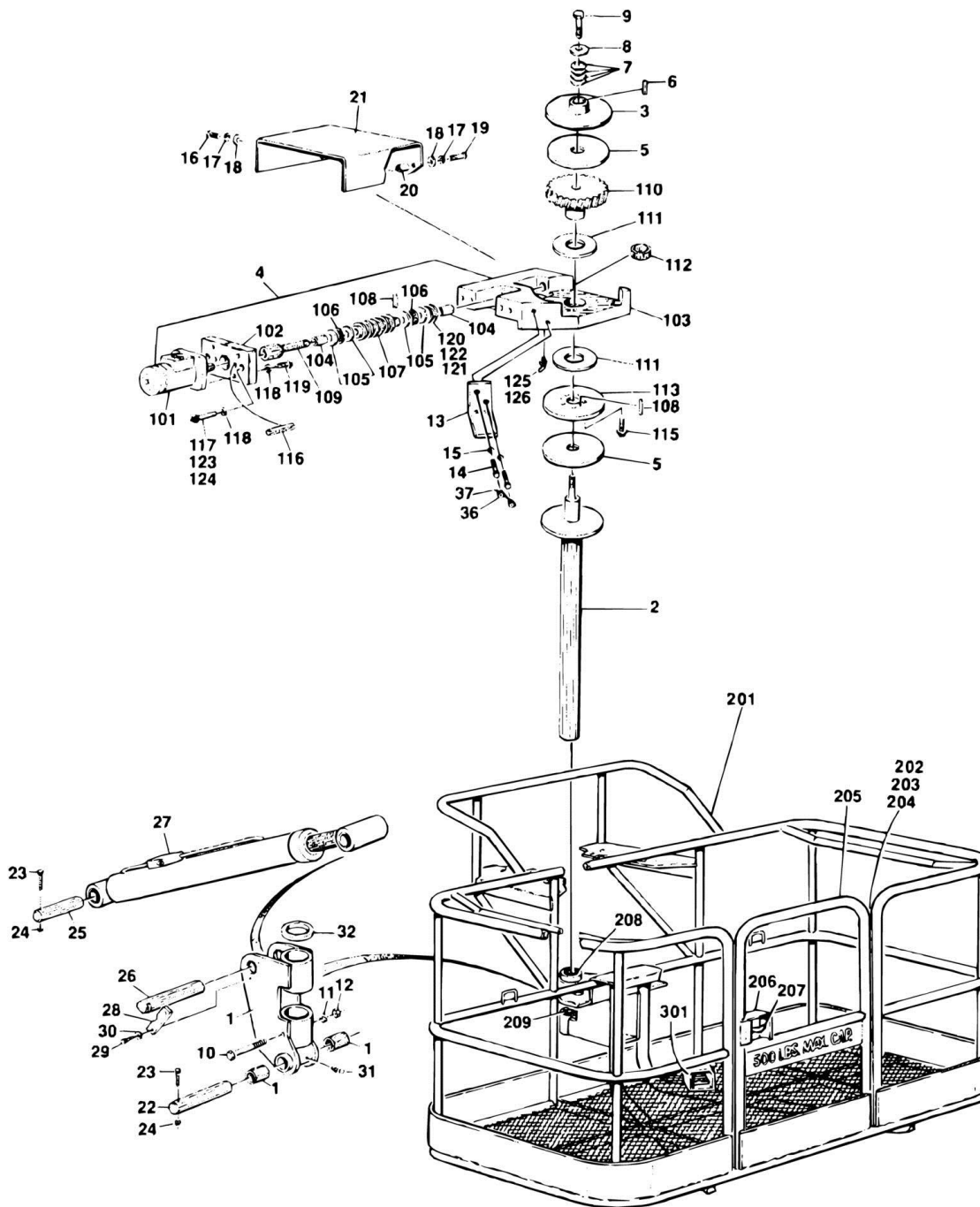
ITEM	PART NUMBER	QTY	DESCRIPTION	REV
116	4752000	1	Flatwasher 5/8in	
117	0681610	8	Bolt 3/8in-16NC x 1 1/4in	
118	4751600	16	Flatwasher 3/8in	
119	3300143	8	Locknut 3/8in-16NC	
120	0641840	1	Bolt 1/2in-13NC x 5in	
121	4751800	1	Flatwasher 1/2in	
122	3311805	1	Locknut 1/2in-13NC	
123	2160002	3	Fitting, Grease	
124	0641522	2	Bolt 5/16in-18NC x 2 3/4in	
125	3421613	1	Pin, Attach (Standard)	
125	3421829	1	Pin, Attach (CSA)	
126	4740158	1	Washer, Thrust	
127	1670451	1	Cover, Rotator	
128	4300038	2	Stud (Welded on Part)	
129	1682057	1	Slave Cylinder Assembly (machines Built Prior to April 1992) (See CYLINDER SECTION for Breakdown)	
129	1682742	1	Slave Cylinder Assembly - TUV (Machines Built April 1992 to Present) (See CYLINDER SECTION for Breakdown)	
130	3421600	1	Pin, Attach (Lower)	
131	3421612	1	Pin, Attach (Upper)	
132	3532054	1	Plate, Retainer	
133	0641506	2	Bolt 5/16in-18NC x 3/4in	
134	4060804	10	Shield, Hose (3/16in Flexguard)	
135	4070707	AR	Shim 1/32in	
136	3520035	1	Plug	
137	0641816	2	Bolt 1/2in-13NC x 2in	
138	4761800	2	Lockwasher 1/2in	
139	3311505	2	Locknut 5/16in-18NC	
	0235238	Ref	ROTATOR ASSEMBLY	E
		Ref	Note: For Machines Built Prior to September 1991 refer to Service Information Bulletin #91-5 for required upgrade.	
201	3160083	1	Rotator Motor Assembly (See ROTATOR MOTOR ASSEMBLY for Breakdown)	
202	0080099	1	Adapter, Motor	
203	2760064	1	Housing, Gear	
204	0440134	2	Bearing, Sleeve	
205	4740199	4	Washer, Thrust	
206	0440120	2	Bearing, Thrust	
207	2440043	1	Gear, Worm	
208	3440816	4	Rollpin 1/4in x 1in	
209	0080098	1	Adapter, Motor to Worm Gear	
210	2440044	1	Gear, Worm	
211	4740256	2	Washer, Thrust	
212	0440135	1	Bearing, Sleeve	
213	1760068	1	Disc, Brake	
215	3931010	5	Bolt, Socket Head #10-24NC x 5/8in	
216	3441228	2	Rollpin 3/8in x 1 3/4in	
217	3931620	2	Bolt, Socket Head 3/8in-16NC x 1 1/4in	
218	4761600	6	Lockwasher 3/8in	
219	3931612	4	Bolt, Socket Head 3/8in-16NC x 3/4in	
220	4070585	AR	Shim .010	

SECTION 4 - PLATFORM

ITEM	PART NUMBER	QTY	DESCRIPTION	REV
221	4070586	AR	Shim .005	
222	4070587	AR	Shim .002	
223	0100019	AR	Loctite #271 (Not Shown)	
224	0100021	AR	Primer (Not Shown)	
225	2160001	1	Fitting, Grease - 90	
226	3020025	AR	Grease (Not Shown)	
		Ref	PLATFORM WELDMENTS	
		Ref	Note: Replacement decals must be ordered separately See DECALS SECTION	
301		Ref	Standard Platform Options:	
301		Ref	30in x 48in Platforms:	
301	3510180	1	Platform for Machines Built Prior to October 1990 (Use 3510236)	
301	3510236	1	Platform for Machines Built October 1990 to Present	
301		Ref	30in x 60in Platforms:	
301	3510181	1	Platform for Machines Built Prior to October 1990 (Use 3510237)	
301	3510237	1	Platform for Machines Built October 1990 to Present	
301	3510441	1	Platform with 600 Lb Capacity	
301	3510481	1	Platform for Machines with Mesh to Mid-Rail	
301	3510483	1	Platform for Machines with Mesh to Top-Rail	
301		Ref	30in x 72in Platforms:	
301	3510182	1	Platform for Machines Built Prior to October 1990 (Use 3510238)	
301	3510238	1	Platform for Machines Built October 1990 to Present	
301		Ref	30in x 96in Platforms:	
301	3510205	1	Platform for Machines Built Prior to October 1990 (Use 3510253)	
301	3510253	1	Platform for Machines Built October 1990 to Present	
301	3510288	1	Platform with Bumpers	
301		Ref	Standard Platform Components	
302	2600143	2	Pin, Hinge	
303	3311805	2	Locknut 1/2in-13NC	
304	2160006	2	Fitting, Grease	
305	1780224	1	Door Weldment (Machines Built Prior to October 1990)	
305	1780250	1	Door Weldment (Machines October 1990 to Present)	
306	2940006	1	Latch, Door	
307	2560010	1	Handle	
	0237963	Ref	FOOTSWITCH INSTALLATION	7
401	0641408	3	Bolt 1/4in-20NC x 1in	
401	3311405	3	Locknut 1/4in-20NC	
401	4740362	3	Washer, Fender	
401	4360031	1	Footswitch	
401	7000625	2	Block, Contact	
401	4460071	1	Connector, Strain Relief	

SECTION 4 - PLATFORM

FIGURE 4-2. LOW MOUNT PLATFORMS AND FOOTSWITCH INSTALLATIONS



SECTION 4 - PLATFORM

FIGURE 4-2. LOW MOUNT PLATFORMS AND FOOTSWITCH INSTALLATIONS

ITEM	PART NUMBER	QTY	DESCRIPTION	REV
	0250593	Ref	ROTATING SUPPORT INSTALLATION (PRIOR TO AUGUST 1990)	H
	1281433	Ref	ROTATING SUPPORT INSTALLATION (AUGUST 1990 TO FEB. 1991)	C
	0251711	Ref	ROTATING SUPPORT INSTALLATION (FEBRUARY 1991 TO APRIL 1992)	A
	0253115	Ref	ROTATING SUPPORT INSTALLATION (APRIL 1992 TO PRESENT)	-
1	0238540	1	Pivot Attach Weldment (Prior to August 1990)	
1	0239512	1	Pivot Attach Weldment (August 1990 to Present)	
1	0961257	2	Bushing, Bronze (0238540 Pivot)	
1	0960565	2	Bushing, Bronze (0239512 Pivot)	
2	4040215	1	Shaft Weldment (Standard - Prior to February 1991)	
2	4040222	1	Shaft Weldment (Standard - February 1991 to Present and all CSA)	
3	1120299	1	Cap	
4	0235238	1	Rotator Assembly (See Items 101-126 for Breakdown)	
5	3340454	2	Pad, Brake	
6	2880404	1	Key	
7	4160026	8	Washer, Belleville	
8	4752000	1	Flatwasher 5/8in	
9	0652014	1	Bolt 5/8in-18NF x 1 3/4in	
10	0641836	1	Bolt 1/2in-13NC x 4 1/2in	
11	4751800	1	Flatwasher 1/2in	
12	3311805	1	Locknut 1/2in-13NC	
13	0901525	1	Bracket (Prior to August 1990)	
13	0901756	1	Bracket (August 1990 to Present)	
14	0641811	2	Bolt 1/2in-13NC x 1 3/8in	
15	4761800	2	Lockwasher 1/2in	
16	0641404	1	Bolt 1/4in-20NC x 1/2in	
17	4761400	2	Lockwasher 1/4in	
18	4751400	2	Flatwasher 1/4in	
19	0641408	1	Bolt 1/4in-20NC x 1in	
20	4562083	1	Tube, Spacer	
21	1670322	1	Cover (Prior to June 1990)	
21	1670519	1	Cover (June 1990 to January 1992)	
21	1670630	1	Cover (January 1992 to Present)	
22	3421490	1	Pin, Nose (Standard - Prior to February 1991)	
22	3421829	1	Pin, Nose (Standard - February 1991 to Present)	
23	0641522	2	Bolt 5/16in-18NC x 2 3/4in	
24	3311505	2	Locknut 5/16in-18NC	
25	3421491	1	Pin, Attach (Lower) (Prior to August 1990)	
25	3421600	1	Pin, Attach (Lower) (August 1990 to Present)	
26	3421494	1	Pin, Attach (Upper) (Prior to August 1990)	
26	3421612	1	Pin, Attach (Upper) (August 1990 to Present)	
27	1682178	1	Slave Cylinder Assembly (Machines Built Prior to August 1990) (See CYLINDER SECTION for Breakdown)	
27	1682057	1	Slave Cylinder Assembly (Machines Built August 1990 to April 1992) (See CYLINDER SECTION for Breakdown)	
27	1682793	1	Slave Cylinder Assembly - TUV (Machines Built April 1992 to Present)	

SECTION 4 - PLATFORM

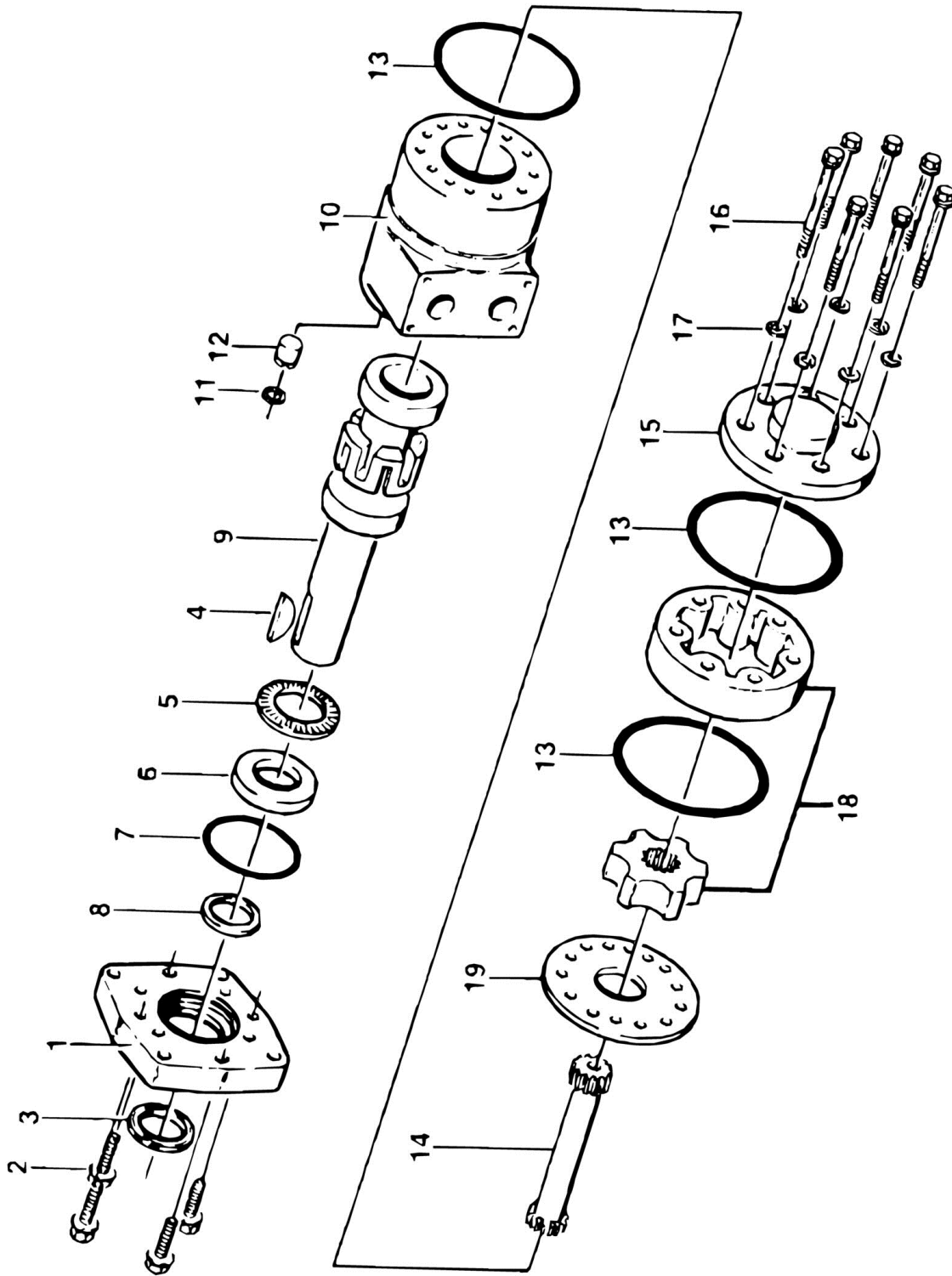
ITEM	PART NUMBER	QTY	DESCRIPTION	REV
28	3532054	1	Plate, Retainer	
29	0641506	2	Bolt 5/16in-18NC x 3/4in	
30	4761500	2	Lockwasher 5/16in	
31	2160002	3	Fitting, Grease	
32	4740158	1	Washer, Thrust	
33 to 35	Not Required	0	Not Required	
36	1380137	1	Clip Retainer	
37	4920986	1 ft/.3m	Wire, Mechanics	
	0251254	Ref	FIXED SUPPORT INSTALLATION (PRIOR TO APRIL 1992) (NOT SHOWN)	B
	0253116	Ref	FIXED SUPPORT INSTALLATIO (APRIL 1992 TO PRESENT) (NOT SHOWN)	-
1	0239512	1	Pivot Attach Weldment	
1	0960565	2	Bushing, Bronze	
2	4564579	1	Shaft	
3 to 9	Not Required	0	Not Required	
10	0641836	1	Bolt 1/2in-13NC x 4 1/2in	
11	4751800	1	Flatwasher 1/2in	
12	3311805	1	Locknut 1/2in-13NC	
13 to 21	Not Required	0	Not Required	
22	3421490	1	Pin, Nose (Standard - Prior to February 1991)	
22	3421613	1	Pin, Nose (Standard - February 1991 to Present and All CSA)	
23	0641522	2	Bolt 5/16in-18NC x 2 3/4in	
24	3311505	2	Locknut 5/16in-18NC	
25	3421600	1	Pin, Attach (Lower)	
26	3421612	1	Pin, Attach (Upper)	
27	1682057	1	Slave Cylinder Assembly (machines Built Prior to April 1992) (See CYLINDER SECTION for Breakdown)	
27	1682742	1	Slave Cylinder Assembly - TUV (Machines Built April 1992 to Present)	
28	3532054	1	Plate, Retainer	
29	0641506	2	Bolt 5/16in-18NC x 3/4in	
30	4761500	2	Lockwasher 5/16in	
31	2160002	3	Fitting, Grease	
32	4740158	1	Washer, Thrust	
33	4220137	2	Bar, Stop	
34	1320160	1	Clamp (Not Shown)	
35	3520035	1	Plug	
	0235238	Ref	ROTATOR ASSEMBLY:	E
		Ref	Note: For Machines Built Prior to September 1991 refer to Service Information Bulletin #91-5 for required upgrade.	
101	3160083	1	Rotator Motor Assembly (See ROTATOR MOTOR ASSEMBLY for Breakdown)	
102	0080099	1	Adapter, Motor	
103	2760064	1	Housing, Gear	
104	0440134	2	Bearing, Sleeve	
105	4740199	4	Washer, Thrust	
106	0440120	2	Bearing, Thrust	
107	2440043	1	Gear, Worm	
108	3440816	4	Rollpin 1/4in x 1in	
109	0080098	1	Adapter, Motor to Worm Gear	
110	2440044	1	Gear, Worm	
111	4740256	2	Washer, Thrust	

SECTION 4 - PLATFORM

ITEM	PART NUMBER	QTY	DESCRIPTION	REV
112	0440135	1	Bearing, Sleeve	
113	1760068	1	Disc, Brake	
115	3931010	5	Bolt, Socket Head #10-24NC x 5/8in	
116	3441228	2	Rollpin 3/8in x 1 3/4in	
117	3931620	2	Bolt, Socket Head 3/8in-16NC x 1 1/4in	
118	4761600	6	Lockwasher 3/8in	
119	3931612	4	Bolt, Socket Head 3/8in-16NC x 3/4in	
120	4070585	AR	Shim .010	
121	4070586	AR	Shim .005	
122	4070587	AR	Shim .002	
123	0100019	AR	Loctite #271	
124	0100021	AR	Primer	
125	2160001	1	Fitting, Grease - 90	
126	3020025	AR	Grease	
		Ref	PLATFORM WELDMENTS	
		Ref	Note: Replacement decals must be ordered separately See DECALS SECTION	
201		Ref	Low Mount Platform Options:	
		Ref	Note: Use Regular Platform for Machines with soft-touch (Chain-Attached Bumper) System	
201		Ref	30in x 48in Platforms:	
201	3510239	1	Platform	
201	3510323	1	Platform with Welded-on Bumpers	
201		Ref	30in x 60in Platforms:	
201	3510240	1	Platform	
201	3510480	1	Platform with Mesh to Mid Rail	
201	3510482	1	Platform with Mesh to Top Rail	
201	3510261	1	Platform with Welded-on Bumpers	
201		Ref	30in x 72in Platforms:	
201	3510241	1	Platform	
201	3510511	1	Platform with Mesh to Mid Rail	
201		Ref	36in x 72in Platforms:	
201	3510330	1	Platform	
201		Ref	30in x 96in Platforms:	
201	3510242	1	Platform	
201	3510315	1	Platform with Welded-on Bumpers	
		Ref	Standard Platform Components	
202	2600143	2	Pin, Hinge	
203	3311805	2	Locknut 1/2in-13NC	
204	2160006	2	Fitting, Grease	
205	1780250	1	Door Weldment	
206	2940006	1	Latch, Door	
207	2560010	1	Handle	
208	0961450	1	Bushing, Bronze (Top)	
209	0961259	1	Bushing, Bronze (Bottom)	
	0237963	Ref	FOOTSWITCH INSTALLATION	7
301	0641408	3	Bolt 1/4in-20NC x 1in	
301	3311405	3	Locknut 1/4in-20NC	
301	4740362	3	Washer, Fender	
301	4360031	1	Footswitch	
301	7000625	2	Block, Contact	
301	4460071	1	Connector, Strain Relief	

SECTION 4 - PLATFORM

FIGURE 4-3. ROTATOR MOTOR ASSEMBLY



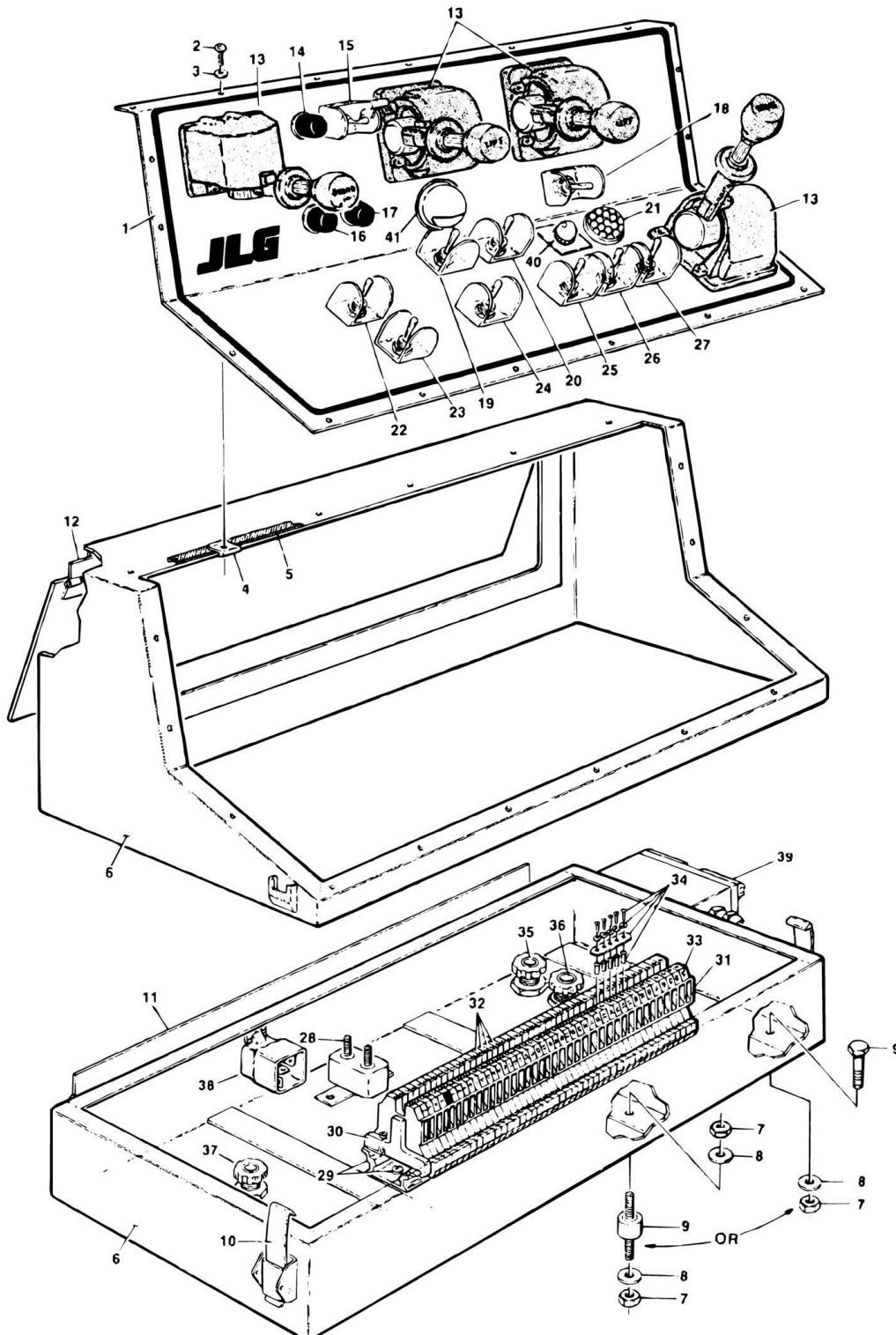
SECTION 4 - PLATFORM

FIGURE 4-3. ROTATOR MOTOR ASSEMBLY

ITEM	PART NUMBER	QTY	DESCRIPTION	REV
	3160083	Ref	ROTATOR MOTOR ASSEMBLY	B
1	7002105	1	Flange, Mounting	
2	7002123	4	Screw, Cap	
3	Kit	1	Seal, Dust	
4	7002104	1	Key, Woodruff	
5	7002111	1	Bearing, Thrust Needle	
6	7002117	1	Thrust, Bearing Race	
7	Kit	1	Seal, O-Ring	
8	Kit	1	Seal, Pressure	
9	7002116	1	Shaft, Output	
10	7002103	1	Housing	
11	Kit	1	Seal	
12	7009992	1	Plug, Housing	
13	Kit	3	Seal, O-Ring	
14	7002112	1	Drive	
15	7002107	1	Cap, End	
16	7002100	7	Screw, Cap	
17	7000166	7	Lockwasher	
18	7002125	1	Gerotor Sub-Assembly	
19	7002110	1	Plate, Spacer	
	2900455	1	Seal Kit (Includes Items 3,7,8,11 and 13) (P/N 101-1009-007)	
	2900733	1	Seal Kit (Includes Items 3,7,8,11 and 13) (P/N's 101-1009-008 and 101-1009-009)	
		Ref	Note: Identify by P/N stamped on nameplate located on Item 10.	

SECTION 4 - PLATFORM

FIGURE 4-4. CONSOLE BOX ASSEMBLY - PQ CONTROLLERS (PRIOR TO JANUARY 1993)



SECTION 4 - PLATFORM

FIGURE 4-4. CONSOLE BOX ASSEMBLY - PQ CONTROLLERS (PRIOR TO JANUARY 1993)

ITEM	PART NUMBER	QTY	DESCRIPTION	REV
	0860581	Ref	CONSOLE BOX ASSEMBLY (FORD AND DEUTZ ENGINES WITH 2WS)	G
	0860685	Ref	CONSOLE BOX ASSEMBLY (KUBOTA ENGINES WITH 2WS)	E
	0860809	Ref	CONSOLE BOX ASSEMBLY (KUBOTA ENGINES WITH 2WS AND CREEP)	A
	0860704	Ref	CONSOLE BOX ASSEMBLY (FORD AND DEUTZ ENGINES WITH 4WS)	A
	0860797	Ref	CONSOLE BOX ASSEMBLY (FORD AND DEUTZ ENGINES WITH 4WS AND CREEP)	3
	0860705	Ref	CONSOLE BOX ASSEMBLY (KUBOTA ENGINES WITH 4WS)	A
		Ref	Note: See Section 10 for U/L Approved Console Box.	
1	3251894	1	Lid	
2	0751006	18	Screw, Pan Head #10-24NC x 3/4in	
3	4740120	18	Washer, Nylon	
4	3300177	18	Nut, Tinnerman	
5	4420038	3 1/4 ft	Tape, Insulation	
5	0100001	AR	Adhesive (Not Shown)	
6	0860538	1	Box, Control (Includes Items 10-12)	F
7	3311505	8	Nut 5/16in-18NC	
8	4751500	8	Flatwasher 5/16in	
9	4320002	4	Stud, Mounting	
9	0641508	4	Bolt 5/16in-18NC x 1in	
10	2940052	2	Latch (Part of Item 6)	
11	2600132	1	Hinge (Top to Bottom) (Part of Item 6)	
12	2600105	1	Hinge (Access Door) (Part of Item 6)	
13	1600094	4	Controller, PQ (With 2WS and Without Creep)	
13	7011903	4	Electrical Assembly	
13	1600094	3	Controller, PQ (With 4WS and Without Creep)	
13	7011903	3	Electrical Assembly	
13	1600134	1	Controller, PQ - Drive (With 4WS and Without Creep)	
13	7003796	1	Electrical Assembly	
13	7003789	2	Switch, Roller	
13	1600141	3	Controller, PQ (With Creep)	
13	7011907	3	Electrical Assembly	
13	1600140	1	Controller, PQ - Drive (With Creep)	
13	7011903	1	Electrical Assembly	
13	7003789	2	Switch, Roller	
13	2560038	2	Knob, Controller - Lift	
13	2560040	1	Knob, Controller - Swing	
13	2560041	1	Knob, Controller - Drive (With 2WS Only)	
13	2560112	3	Knob, Controller (With Creep Only)	
14	4360274	1	Switch, Push Button (Horn)	
14	3790015	1	O-Ring	
15	4360199	1	Switch, Toggle - SPST (Ignition)	
15	3790012	1	O-Ring	
15	4360141	1	Guard, Switch	
16	4360274	1	Switch, Push Button (Start)	
16	3790015	1	O-Ring	
17	3520026	1	Plug, Hole (Ford and Deutz)	
17	4360274	1	Switch, Push Button (Glow Plugs) (Kubota)	

SECTION 4 - PLATFORM

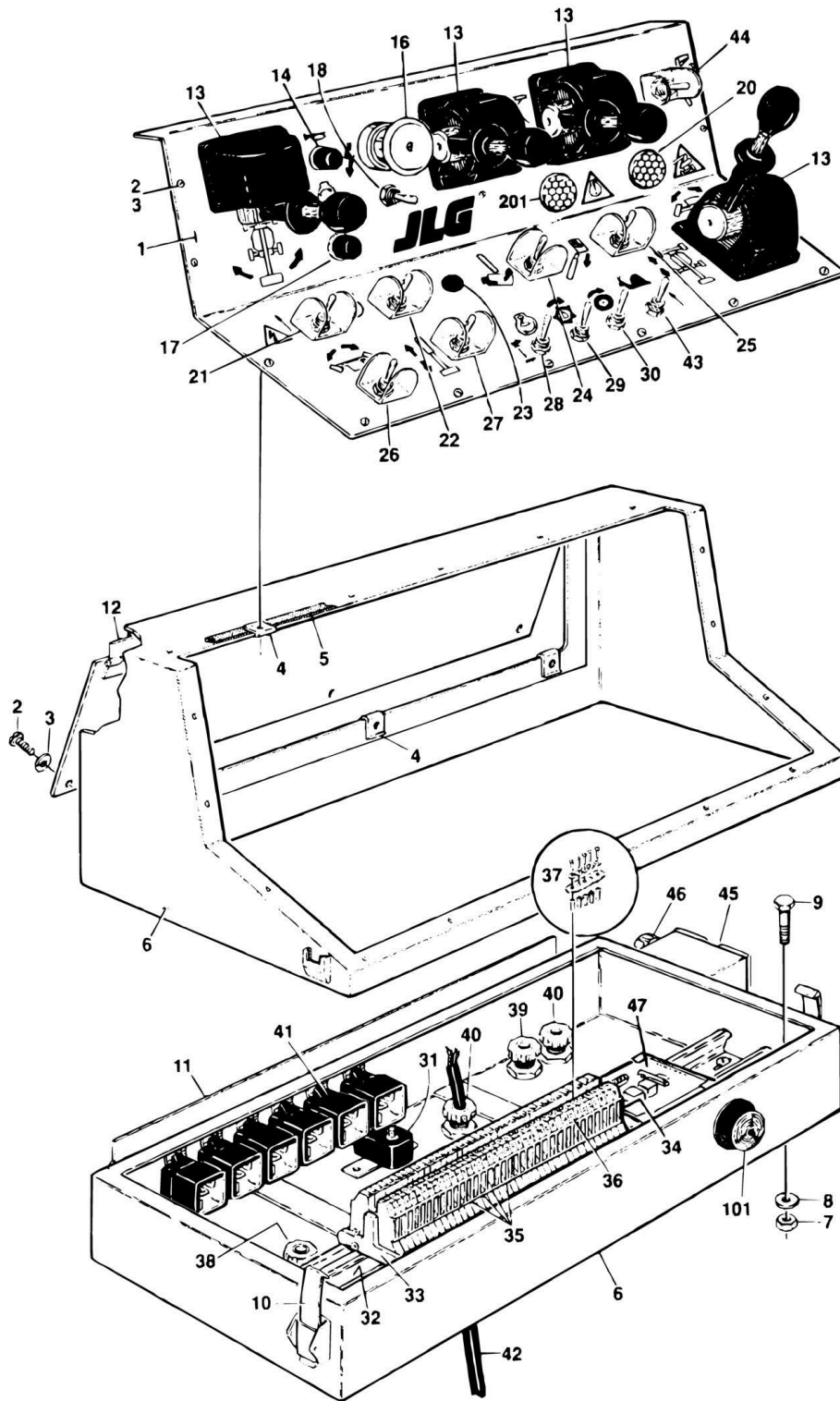
ITEM	PART NUMBER	QTY	DESCRIPTION	REV
17	3790015	1	O-Ring	
17	3251872	1	Nametag - Glow Plugs (Kubota Only)	
17	2920026	1	Light, Indicator (Engine Distress - Optional on Deutz)	
17	3252074	1	Nametag - Engine Distress	
18	4360202	1	Switch, Toggle (Tower Tele) (Ford and Deutz)	
18	4060229	1	Shield	
18	3790012	1	O-Ring	
18	3520026	1	Plug, Hole (Kubota)	
19	4360202	1	Switch, Toggle (Rotate)	
19	4060229	1	Shield	
19	3790012	1	O-Ring	
20	4360202	1	Switch, Toggle (Level)	
20	4060229	1	Shield	
20	3790012	1	O-Ring	
21	2920015	1	Lamp (Chassis Out of Level)	
22	4360200	1	Switch, Toggle (Auxiliary Power)	
22	4060229	1	Shield	
22	3790012	1	O-Ring	
23	4360202	1	Switch, Toggle (Steer)	
23	4060229	1	Shield	
23	3790012	1	O-Ring	
24	4360202	1	Switch, Toggle (Main Tele)	
24	4060229	1	Shield	
24	3790012	1	O-Ring	
25	4360199	1	Switch, Toggle (High Engine)	
25	3790012	1	O-Ring	
26	4360199	1	Switch, Toggle (Pump Volume)	
26	3790012	1	O-Ring	
27	4360199	1	Switch, Toggle (Wheel Motor Speed)	
27	3790012	1	O-Ring	
28	4360209	1	Breaker, Circuit - 20 Amp	
28	3910608	1	Screw #6-32NC x 1/2in	
28	4750600	1	Flatwasher #6	
28	4760600	1	Lockwasher #6	
28	3310601	1	Nut #6-32NC	
29	3640492	1	Rail, Mounting	
29	3910608	2	Screw, Round Head #6-32NC x 1/2in	
29	4750600	2	Flatwasher #6	
29	4760600	2	Lockwasher #6	
29	3310601	2	Nut #6-32NC	
30	4460299	2	Stop, Terminal Strip	
31	4460300	1	Barrier, Terminal End	
32	4460298	45	Block, Terminal	
33	4460301	1	Strip, Marking	
34	4460311	1	Bar, Buss	
34	4460305	3	Screw, Terminal Block	
34	4460306	3	Washer, Terminal Block	
34	4460307	3	Sleeve, Terminal Block	
35	4460244	1	Connector, Strain Relief	
35	0960238	1	Bushing, Insulating	
35	3300048	1	Nut, Conduit	

SECTION 4 - PLATFORM

ITEM	PART NUMBER	QTY	DESCRIPTION	REV
36	4460071	1	Connector, Strain Relief	
36	0960238	1	Bushing, Insulating	
36	3300048	1	Nut, Conduit	
37	4460052	1	Connector, Strain Relief	
37	0960239	1	Bushing, Insulating	
37	3300047	1	Nut, Conduit	
38	3740049	AR	Relay	
38	3311001	AR	Nut #10-24NC	
38	4761000	AR	Lockwasher #10	
39	0860038	1	Box, Receptacle	
39	4460190	1	Receptacle (Not Shown)	
39	3900294	4	Screw, Round Head #10-16NC x 1in	
39	4761000	4	Lockwasher #10	
39	4060092	1	Shield, Weatherproof	
39	4460071	1	Connector, Terminal	
39	1060309	8 ft	Cable, Control - 12/4 (To Footswitch)	
40	2920026	1	Light, Indicator (Clogged Filter - Optional)	
40	2920029	1	Bulb	
40	3252096	1	Nametag - Clogged Filter	
40	4360199	1	Switch, Toggle - SPST (Creep Optional) (Not Shown)	
40	1701776	1	Decal - Creep (Not Shown)	
41	2920024	1	Light, Panel (Optional)	
41	2920026	1	Light, Indicator - Red (Optional - Engine Distress)	
41	3252074	1	Nameplate - Engine Distress	

SECTION 4 - PLATFORM

FIGURE 4-5. CONSOLE BOX ASSEMBLY - PQ CONTROLLERS (JANUARY 1993 TO PRESENT)



SECTION 4 - PLATFORM

FIGURE 4-5. CONSOLE BOX ASSEMBLY - PQ CONTROLLERS (JANUARY 1993 TO PRESENT)

ITEM	PART NUMBER	QTY	DESCRIPTION	REV
	0860837	Ref	CONSOLE BOX ASSEMBLY - 2WS WITH CREEP (4WD - JANUARY 1993 TO JANUARY 1995/2WD - JANUARY 1993 TO PRESENT)	5
	0860973	Ref	CONSOLE BOX ASSEMBLY - 2WS WITH CREEP (4WD - JANUARY 1995 TO PRESENT)	3
	0860850	Ref	CONSOLE BOX ASSEMBLY - 2WS WITH THUMB STEER AND CREEP	6
	0860838	Ref	CONSOLE BOX ASSEMBLY - 4WS WITH CREEP (4WD - JANUARY 1993 TO JANUARY 1995/2WD - JANUARY 1993 TO PRESENT)	5
	0860975	Ref	CONSOLE BOX ASSEMBLY - 4WS WITH CREEP (4WD - JANUARY 1995 TO PRESENT)	3
		Ref	Note: See SPECIAL OPTION SECTION for U/L Approved Console Box.	
1	3252224	1	Lid (January 1993 to May 1994)	
1	3252382	1	Lid (International Symbols) (May 1994 to January 1995)	
1	3538392	1	Plate, Cover (January 1995 to Present)	
1	1702402	1	Decal, Lid (January 1995 to Present)	
2	0751006	18	Screw, Pan Head #10-24NC x 3/4in	
3	4740120	18	Washer, Nylon	
4	3300177	18	Nut, Tinnerman	
5	4420037	14 ft/2m	Tape, Insulation	
6	0860538	1	Box, Control (Includes Items 10, 11 & 12)	
7	3311505	4	Nut 5/16in-18NC	
8	4751500	4	Flatwasher 5/16in	
9	0641508	4	Bolt 5/16in-18NC x 1in	
10	2940052	2	Latch	
11	2600132	1	Hinge (Top to Bottom)	
12	2600105	1	Hinge (Access Door)	
13	1600141	3	Controller, PQ (Swing and Lift)	
13	7011907	3	Electrical Assembly	
13	1600140	1	Controller, PQ - With Steer Switch in Controller (Drive)	
13	7011903	1	Electrical Assembly	
13	7003798	2	Switch, Roller	
13	1600141	1	Controller, PQ - Without Steer Switch in Controller (Drive)	
13	7011907	1	Electrical Assembly	
13	7003751	1	Potentiometer	
13	2560112	AR	Knob (Plain)	
14	4360274	1	Switch, Push Button (Horn)	
14	3790015	1	O-Ring	
15	4360289	1	Switch, Push-Pull (Emergency Stop)	
15	7012611	1	Mushroom Head	
15	7012612	1	Boot	
16	4360282	1	Block, Contact - 2 P.N.C.	
17	4360274	1	Switch, Push Button (Start)	
17	3790015	1	O-Ring	
18	3520026	1	Plug, Hole (Standard)	
18	4360199	1	Switch, Toggle (Glow Plug - Optional)	
18	3790012	1	O-Ring (Glow Plug - Option)	
18	3251872	1	Nameplate (Glow Plug Option)	
20	2920015	1	Lamp (Chassis Out of Level)	

SECTION 4 - PLATFORM

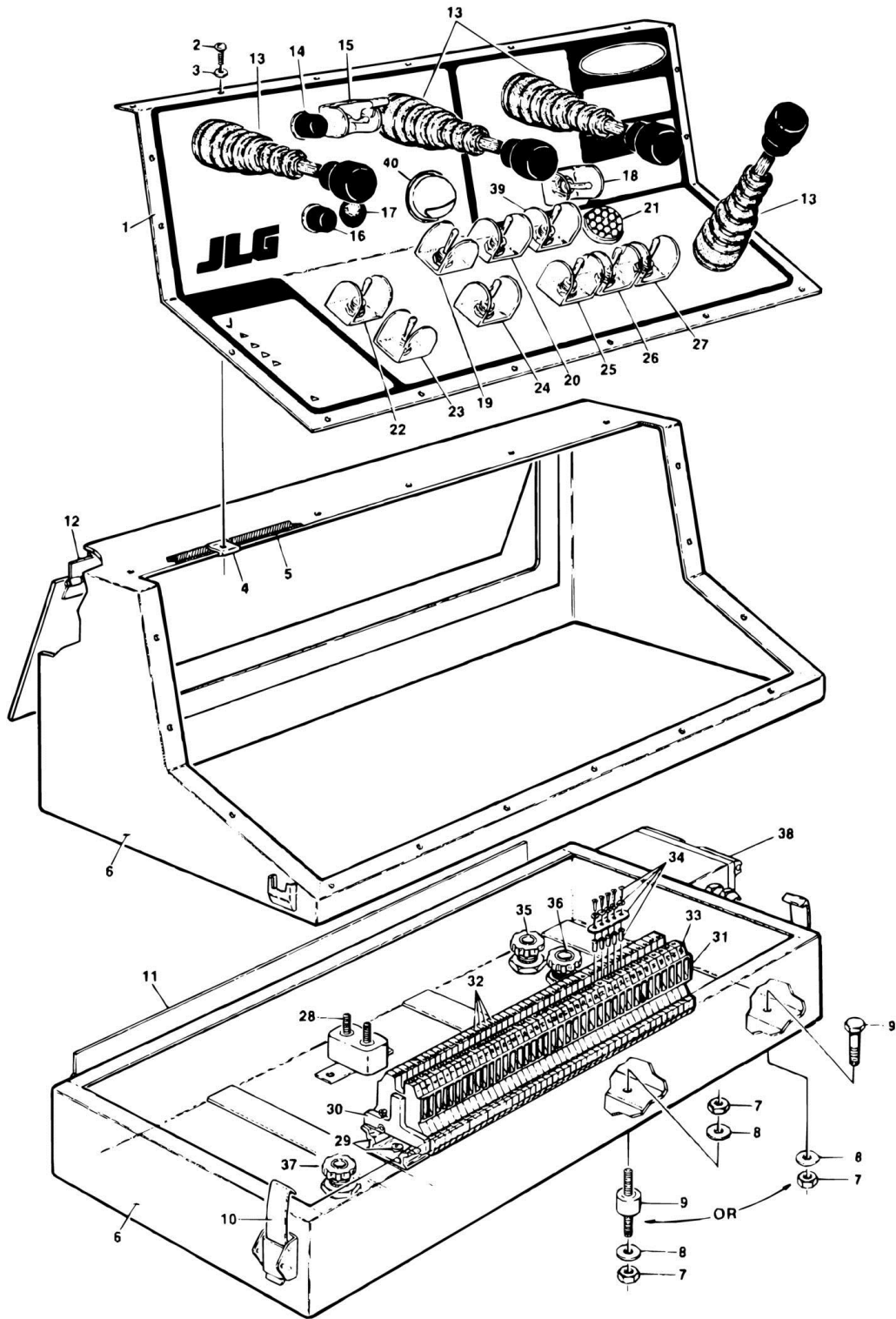
ITEM	PART NUMBER	QTY	DESCRIPTION	REV
21	4360200	1	Switch, Toggle (Auxiliary Power)	
21	3790012	1	O-Ring	
21	4060229	1	Shield	
22	4360199	1	Switch, Toggle (Lights) (Optional)	
22	3790012	1	O-Ring	
23	3520028	1	Plug, Hole	
24	4360202	1	Switch, Toggle (Rotate) (Optional)	
24	4060229	1	Shield	
24	3790012	1	O-Ring	
25	4360202	1	Switch, Toggle (Level)	
25	4060229	1	Shield	
25	3790012	1	O-Ring	
26	4360202	1	Switch, Toggle (Steer)	
26	4060229	1	Shield	
26	3790012	1	O-Ring	
27	4360202	1	Switch, Toggle (Main Tele)	
27	4060229	1	Shield	
27	3790012	1	O-Ring	
28	4360199	1	Switch, Toggle (Engine Speed)	
28	3790012	1	O-Ring	
29	4360199	1	Switch, Toggle (Pump Volume)	
29	3790012	1	O-Ring	
30	4360199	1	Switch, Toggle (Wheel Speed)	
30	3790012	1	O-Ring	
31	4360209	1	Breaker, Circuit - 20 Amp	
32	3640500	1	Rail, Mounting (4WD - January 1993 to January 1995/2WD - January 1993 to Present)	
32	3641032	1	Rail, Mounting (4WD - January 1995 to Present)	
32	3910608	2	Screw, Round Head #6-32NC x 1/2in	
32	4750600	2	Flatwasher #6	
32	4760600	2	Lockwasher #6	
32	3310601	NC	Nut #6-32	
33	4460299	2	Stop, Terminal Strip	
34	4460300	1	Barrier, Terminal End	
35	4460298	AR	Block, Terminal	
36	4460301	1	Strip, Marking	
37	4460311	1	Bar, Buss	
37	4460305	3	Screw, Terminal Block	
37	4460306	3	Washer, Terminal Block	
37	4460307	3	Sleeve, Terminal Block	
38	4460052	1	Connector	
38	0960239	1	Bushing, Insulating	
38	3300047	1	Nut, Conduit	
39	4460244	1	Connector	
39	0960238	1	Bushing, Insulating	
39	3300048	1	Nut, Conduit	
40	4460071	2	Connector	
40	0960238	2	Bushing, Insulating	
40	3300048	2	Nut, Conduit	
41	3740049	AR	Relay	
41	3311001	1	Nut #10-24NC	
41	4761000	1	Lockwasher #10	

SECTION 4 - PLATFORM

ITEM	PART NUMBER	QTY	DESCRIPTION	REV
42	1060309	2.4 m	Cable, Control - 12/4 (To Footswitch)	
43	4360199	1	Switch, Toggle (Creep) (Machines Built January 1993 to Present Only)	
43	4060229	1	Shield	
43	3790012	1	O-Ring	
44	4360202	1	Switch, Toggle (Tower Tele)	
44	4060229	1	Shield	
44	3790012	1	O-Ring	
45	0860038	1	Box, Receptacle	
45	4460190	1	Receptacle - 110VAC (Consult Factory for Optional Voltages)	
45	4060092	1	Cover, Weatherproof - 110VAC (Consult Factory for Optional Voltages)	
45	3900294	4	Screw #10-16NC x 1in	
45	4751000	4	Flatwasher #10	
45	4761000	4	Lockwasher #10	
46	4460071	1	Connector, Strain Relief	
47	0610111	1	Board, PC (4WD - January 1995 to Present)	
47	7016307	1	Fuse - 7 Amp	
	0253077	Ref	TILT ALARM INSTALLATION	5
101	0140026	1	Alarm	
101	1540002	1	Capacitor	
	0251537	Ref	ENGINE DISTRESS INSTALLATION - DEUTZ (OPTIONAL - NOT SHOWN)	D
	0252625	Ref	ENGINE DISTRESS INSTALLATION - FORD (OPTIONAL - NOT SHOWN)	5
	0252394	Ref	ENGINE DISTRESS INSTALLATION - KUBOTA (OPTIONAL - NOT SHOWN)	A
201	2920026	1	Light, Indicator	
201	3252074	1	Nameplate - Engine Distress	

SECTION 4 - PLATFORM

FIGURE 4-6. CONSOLE BOX ASSEMBLY WITH OEM CONTROLLERS AND VICKERS VALVES



SECTION 4 - PLATFORM

FIGURE 4-6. CONSOLE BOX ASSEMBLY WITH OEM CONTROLLERS AND VICKERS VALVES

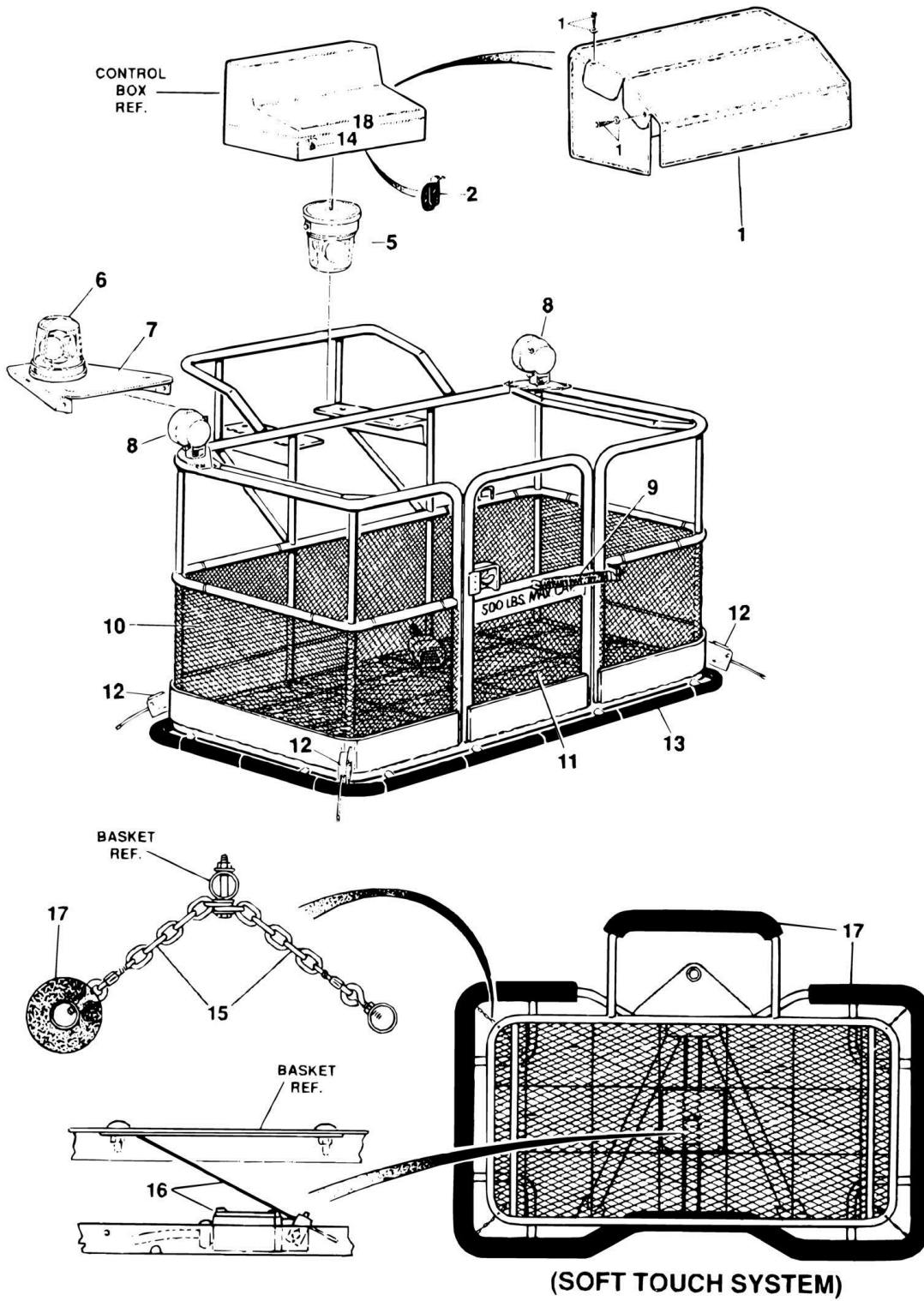
ITEM	PART NUMBER	QTY	DESCRIPTION	REV
	0860583	Ref	CONSOLE BOX ASSEMBLY (WITH OEM CONTROLLERS, BANG-BANG TELE AND VICKERS VALVE)	6
	0860608	Ref	CONSOLE BOX ASSEMBLY (WITH OEM CONTROLLERS, PROPORTIONAL TELE AND VICKERS VALVE)	6
1	3251843	1	Lid	
2	0751006	18	Screw, Pan Head #10-24NC x 3/4in	
3	4740120	18	Washer, Nylon	
4	3300177	18	Nut, Tinnerman	
5	4420038	3 1/4 ft	Tape, Insulation	
5	0100001	AR	Adhesive	
6	0860538	1	Box, Control	
7	3311505	8	Nut 5/16in-18NC	
8	4751500	8	Flatwasher 5/16in	
9	4320002	4	Stud, Mounting	
9	0641508	4	Bolt 5/16in-18NC x 1in	
10	2940052	2	Latch	
11	2600132	1	Hinge (Top to Bottom)	
12	2600105	1	Hinge (Access Door)	
13	1600092	4	Controller, OEM (Production)	
13	1600247	4	Controller, OEM (Post Production Alternative)	
14	4360274	1	Switch, Push Button (Horn)	
14	3790015	1	O-Ring	
15	4360199	1	Switch, Toggle (Ignition)	
15	3790012	1	O-Ring	
15	4360141	1	Guard, Switch	
16	4360274	1	Switch, Push Button (Start)	
16	3790015	1	O-Ring	
17	3520026	1	Plug, Hole	
17	2920026	1	Light, Indicator - Red (Engine Distress - Optional on Deutz) (Not Shown)	
17	3252074	1	Nametag - Engine Distress	
18	4360202	1	Switch, Toggle (Tower Tele)	
18	4060229	1	Shield	
18	3790012	1	O-Ring	
19	4360202	1	Switch, Toggle (Rotate)	
19	4060229	1	Shield	
19	3790012	1	O-Ring	
20	4360202	1	Switch, Toggle (Level)	
20	4060229	1	Shield	
20	3790012	1	O-Ring	
21	2920015	1	Lamp (Chassis Out of Level)	
22	4360200	1	Switch, Toggle (Auxiliary Power)	
22	4060229	1	Shield	
22	3790012	1	O-Ring	
23	4360202	1	Switch, Toggle (Steer)	
23	4060229	1	Shield	
23	3790012	1	O-Ring	
24	4360202	1	Switch, Toggle (Main Tele) (Bang-Bang Tele)	
24	4060229	1	Shield	
24	3790012	1	O-Ring	

SECTION 4 - PLATFORM

ITEM	PART NUMBER	QTY	DESCRIPTION	REV
24	1600092	1	Controller, OEM (Main Tele) (Proportional Tele - Not Shown)	
25	4360199	1	Switch, Toggle (High Engine)	
25	3790012	1	O-Ring	
26	4360199	1	Switch, Toggle (Pump Volume)	
26	3790012	1	O-Ring	
27	4360199	1	Switch, Toggle (Wheel Motor Speed)	
27	3790012	1	O-Ring	
28	4360209	1	Breaker, Circuit - 20 Amp	
28	3910608	1	Screw #6-32NC x 1/2in	
28	4750600	1	Flatwasher #6	
28	4760600	1	Lockwasher #6	
28	3310601	1	Nut #6-32NC	
29	3640492	1	Rail, Mounting	
29	3910608	2	Screw, Round Head #6-32NC x 1/2in	
29	4750600	2	Flatwasher #6	
29	4760600	2	Lockwasher #6	
29	3310601	2	Nut #6-32NC	
30	4460299	2	Stop, Terminal Strip	
31	4460300	1	Barrier, Terminal End	
32	4460298	45	Block, Terminal	
33	4460301	1	Strip, Marking	
34	4460311	1	Bar, Buss	
34	4460305	3	Screw, Terminal Block	
34	4460306	3	Washer, Terminal Block	
34	4460307	3	Sleeve, Terminal Block	
35	4460244	1	Connector, Strain Relief	
35	0960238	1	Bushing, Insulating	
35	3300048	1	Nut, Conduit	
36	4460071	1	Connector, Strain Relief	
36	0960238	1	Bushing, Insulating	
36	3300048	1	Nut, Conduit	
37	4460052	1	Connector, Strain Relief	
37	0960239	1	Bushing, Insulating	
37	3300047	1	Nut, Conduit	
38	0860038	1	Box, Receptacle	
38	4460190	1	Receptacle (Not Shown)	
38	3911008	4	Screw, Round Head #10-24NC x 1/2in	
38	4761000	4	Lockwasher #10	
38	4060092	1	Shield, Weatherproof	
38	4460071	1	Connector, Terminal	
39	4360199	1	Switch, Toggle (Creep)	
39	4060229	1	Shield	
39	3790012	1	O-Ring	
39	1060309	8 ft	Cable, Control - 12/4 (To Footswitch)	
40	2920024	1	Light, Panel (Optional)	

SECTION 4 - PLATFORM

FIGURE 4-7. OPTIONAL COMMON PLATFORM MOUNTED COMPONENTS



SECTION 4 - PLATFORM

FIGURE 4-7. OPTIONAL COMMON PLATFORM MOUNTED COMPONENTS

ITEM	PART NUMBER	QTY	DESCRIPTION	REV
	0252054	Ref	CONSOLE BOX COVER INSTALLATION (BLACK)	2
	0251203	Ref	CONSOLE BOX COVER INSTALLATION (YELLOW)	2
	0252848	Ref	CONSOLE BOX COVER INSTALLATION (CLEAR PLEXI-GLASS)	-
1	1670607	1	Cover (Black)	
1	1670526	1	Cover (Yellow)	
1	1670641	1	Cover, Plexi-Glass (Not Shown)	
1	3941406	4	Screw, Self-Tapping 1/4-20	
1	4751400	4	Flatwasher 1/4in	
1	0901842	1	Bracket (Right Side) (Use with Plexi-Glass Cover Only)	
1	0901843	1	Bracket (Left Side) (Use with Plexi-Glass Cover Only)	
	0239762	Ref	HORN INSTALLATION (OEM CONTROLLERS)	-
2	0140001	1	Horn	
		Ref	BEACON LIGHT OPTIONS	
5	0252210	AR	Beacon Mounted Under Console (September 1991 to Present)	3
5	0252211	AR	Beacon Mounted Under Console (September 1991 to Present)	3
5	2920009	AR	Beacon (Red)	
5	2920018	AR	Beacon (Amber)	
6	0238864	AR	Beacon Mounted in Front of Console (Prior to September 1991)	-
6	0238865	AR	Beacon Mounted in Front of Console (Prior to September 1991)	-
6	2920009	AR	Beacon (Red)	
6	2920100	AR	Beacon (Red) (U/L)	
6	2920018	AR	Beacon (Amber)	
6	2920096	AR	Beacon (Amber) (U/L)	
7	0901449	AR	Bracket, Mounting	
	2900068	Ref	WORKLIGHT OPTIONS (PRIOR TO NOVEMBER 1992)	F
	0253987	Ref	WORKLIGHT OPTIONS (NOVEMBER 1992 TO PRESENT)	4
	0254748	Ref	WORKLIGHT OPTIONS WITH PADDING	2
8	2920013	2	Floodlight (Electric/Gas/Diesel Machines)	
8	2920111	2	Halogen Light (Electric/Gas/Diesel Machines) (Uses P/N 3536089 Mounting Plate)	
	0250143	Ref	SELF-CLOSING GATE INSTALLATION	A
9	4160028	1	Spring	
9	0900232	1	Bracket (Door Mounted)	
9	0901056	1	Bracket (Platform Mounted)	
9	4220007	1	Stop, Door	
	0253846	Ref	MESH TO MIDRAIL INSTALLATION (LOW MOUNT PLATFORM)	-
	0254130	Ref	MESH TO MIDRAIL INSTALLATION (STANDARD PLATFORM)	-
10	0480083	2	Mesh (Sides) (Low-Mount Platform)	
10	0480086	2	Mesh (Sides) (Standard Platform)	
11	0480084	1	Mesh (Door)	
	1281083	Ref	PLATFORM BUMPERS INSTALLATION	I
	0251611	Ref	PLATFORM BUMPERS INSTALLATION (30IN x 48IN PLATFORM)	
	0254178	Ref	PLATFORM BUMPERS INSTALLATION (30IN x 60IN FIXED PLATFORM)	
	0251024	Ref	PLATFORM BUMPERS INSTALLATION (30IN x 60IN ROTATING PLATFORM)	
	0251239	Ref	PLATFORM BUMPERS INSTALLATION (30IN x 96IN PLATFORM)	
12	4360305	4	Switch, Proximity - U/L Machines	
12	4360215	4	Switch, Proximity - Standard Machines	

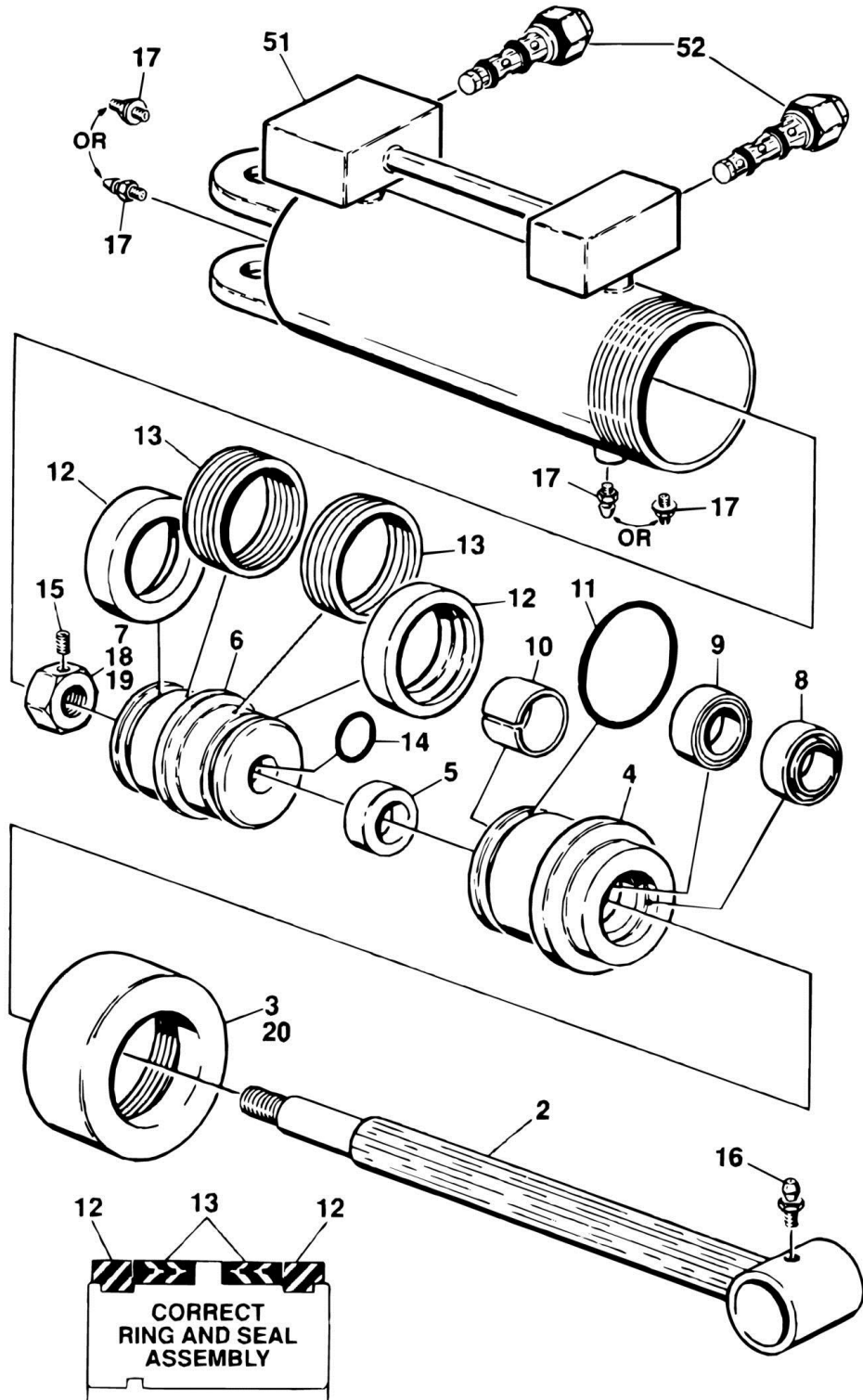
SECTION 4 - PLATFORM

ITEM	PART NUMBER	QTY	DESCRIPTION	REV
12	4460521	4	Connector, Strain Relief	
13	0940038	AR	Padding, Bumper	
14	4360274	1	Switch, Push Button (Override)	
14	3251596	1	Nameplate - Override	
14	3740049	1	Relay (Not Shown)	
	1282190	Ref	PLATFORM BUMPERS INSTALLATION - SOFT TOUCH SYSTEM (CHAIN MOUNTED TYPE)	C
	0254728	Ref	PLATFORM BUMPERS INSTALLATION (30IN x 96IN PLATFORM)	
	0254948	Ref	PLATFORM BUMPERS INSTALLATION (30IN x 72IN PLATFORM)	
	0255745	Ref	PLATFORM BUMPERS INSTALLATION (30IN x 60IN PLATFORM)	
15	0630440	8	Eyebolt	
15	3010088	8	Link, Quick	
15	1260136	AR	Chain	
16	4360057	1	Switch, Limit	
16	0200048	1	Arm, Actuator	
17	0940038	AR	Padding (Bottom Rail)	
17	1670663	1	Padding (Rail Behind Console Box)	
17	1670753	1	Padding (LH Top Rail - 30in x 60in Platform)	
17	1670733	1	Padding (LH Top Rail - 30in x 72in Platform)	
17	1670699	1	Padding (LH Top Rail - 30in x 96in Platform)	
17	1670665	4	Padding (Vertical Rails)	
17	1670666	1	Padding (Gate)	
17	1670754	1	Padding (RH Top Rail - 30in x 60in Platform)	
17	1670734	1	Padding (RH Top Rail - 30in x 72in Platform)	
17	1670700	1	Padding (RH Top Rail - 30in x 96in Platform)	
17	1670755	1	Padding (LH Mid Rail - 30in x 60in Platform)	
17	1670735	1	Padding (LH Mid Rail - 30in x 72in Platform)	
17	1670701	1	Padding (LH Mid Rail - 30in x 96in Platform)	
17	1670756	1	Padding (RH Mid Rail - 30in x 60in Platform)	
17	1670736	1	Padding (RH Mid Rail - 30in x 72in Platform)	
17	1670702	1	Padding (RH Mid Rail - 30in x 96in Platform)	
17	1670757	1	Padding (Bumper Rail - 30in x 60in Platform)	
17	1670737	1	Padding (Bumper Rail - 30in x 72in Platform)	
17	1670703	1	Padding (Bumper Rail - 30in x 96in Platform)	
18	4360274	1	Switch, Push Button	
18	3252238	1	Decal - Soft Touch System	

SECTION 5 - CYLINDER

SECTION 5 - CYLINDER

FIGURE 5-1. AXLE LOCKOUT CYLINDER ASSEMBLIES - 2WD (USE WITH OPTIONAL OSCILLATING AXLE)



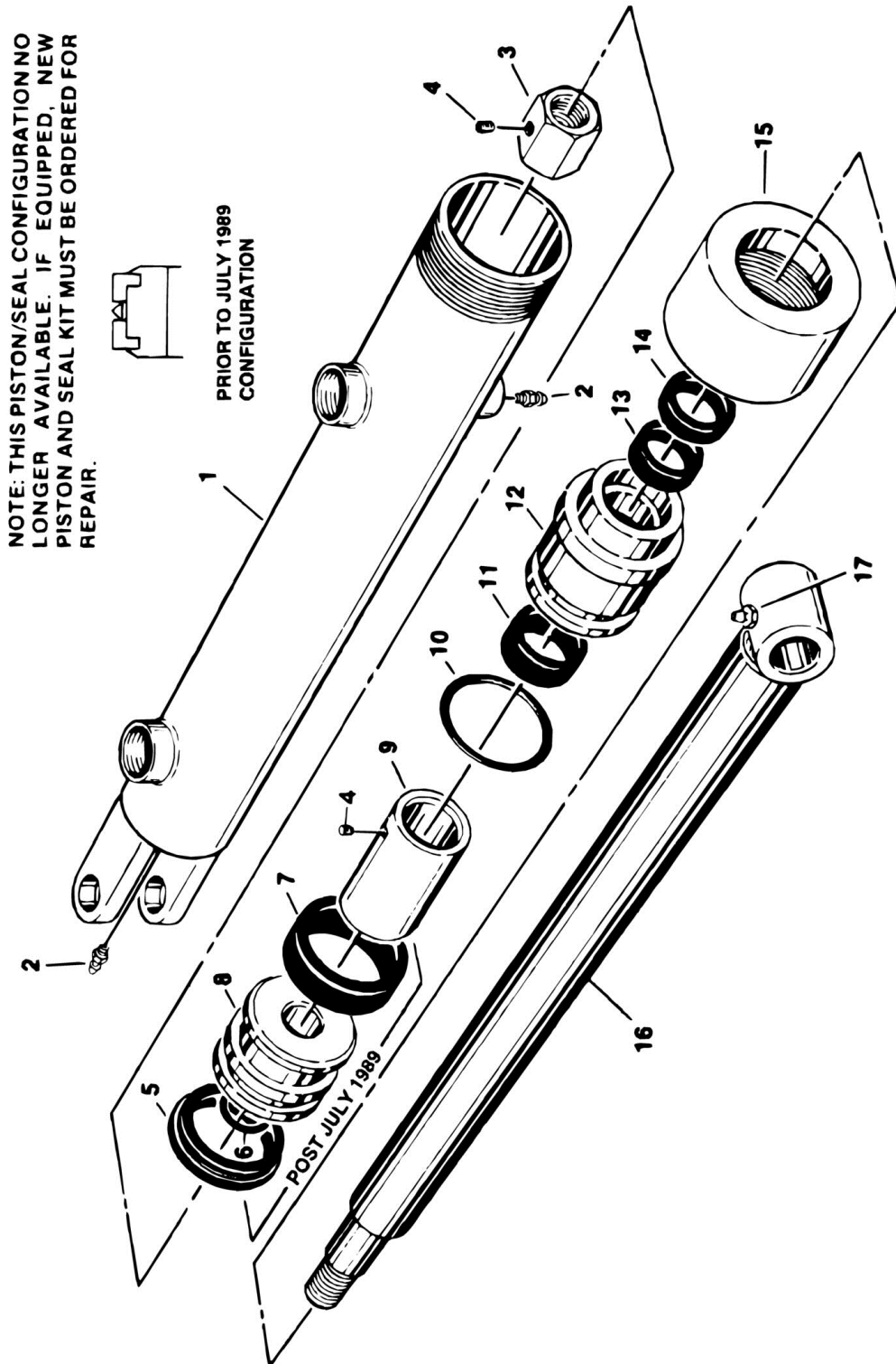
SECTION 5 - CYLINDER

FIGURE 5-1. AXLE LOCKOUT CYLINDER ASSEMBLIES - 2WD (USE WITH OPTIONAL OSCILLATING AXLE)

ITEM	PART NUMBER	QTY	DESCRIPTION	REV
		Ref	AXLE LOCKOUT CYLINDER ASSEMBLY (STANDARD PARTS)	
2	1681462	1	Rod	
3	1120108	1	Retainer	
4	1681322	1	Head	
5	4562859	1	Spacer	
6	3480116	1	Piston	
7		Ref	Nut Options:	
7	3300187	1	Nut (Prior to February 1991)	
7	3300273	1	Nut, Hex (February 1991 to Present)	
8	Kit	1	Seal, Wiper	
9	Kit	1	Seal, Rod	
10	Kit	1	Ring, Wear	
11	Kit	1	O-Ring	
12	Kit	2	Ring, Lock	
13	Kit	2	Seal, Piston	
14	Kit	1	O-Ring	
15		Ref	Setscrew Options:	
15	3900139	2	Setscrew 1/4in-20NC x 1/2in (Prior to January 1991)	
15	3900170	1	Setscrew 3/8in-16NC x 3/8in (January 1991 to Present)	
16	2160003	1	Fitting, Grease - 45	
16	2160002	1	Fitting, Grease - 45	
17	4640273	3	Bleeder (Prior to April 1992)	
17	3900175	3	Setscrew 1/4in-28NF x 3/4in (April 1992 to Present)	
17	3960416	3	Seal, Thread (April 1992 to Present)	
17	3321401	3	Nut 1/4in-28NF (April 1992 to Present)	
18	0100011	AR	Loctite #242	
19	0100038	AR	Primer, Locking	
20	0100035	AR	Loctite #222	
	2900379	1	Seal Kit - Lockout Cylinders (Includes Items 8-14)	
	1681572	Ref	AXLE LOCKOUT CYLINDER ASSEMBLY (PRIOR TO SEPTEMBER) (NOT SHOWN) (VARIABLE PARTS)	F
51	1681461	1	Barrel Assembly	
52	Not Required	0	Not Required	
	1682724	Ref	AXLE LOCKOUT CYLINDER ASSEMBLY (SEPTEMBER 1992 TO PRESENT) (VARIABLE PARTS)	C
51	1682725	1	Barrel Assembly	
52	4640509	2	Valve, Cartridge (Counterbalance)	
52	2900792	2	Seal Kit - 4640509 Valve (1 Per Cartridge)	

SECTION 5 - CYLINDER

FIGURE 5-2. AXLE LOCKOUT CYLINDER ASSEMBLY - 4WD/2WS (PRIOR TO SEPTEMBER 1992)
(USE WITH OPTIONAL OSCILLATING AXLE)



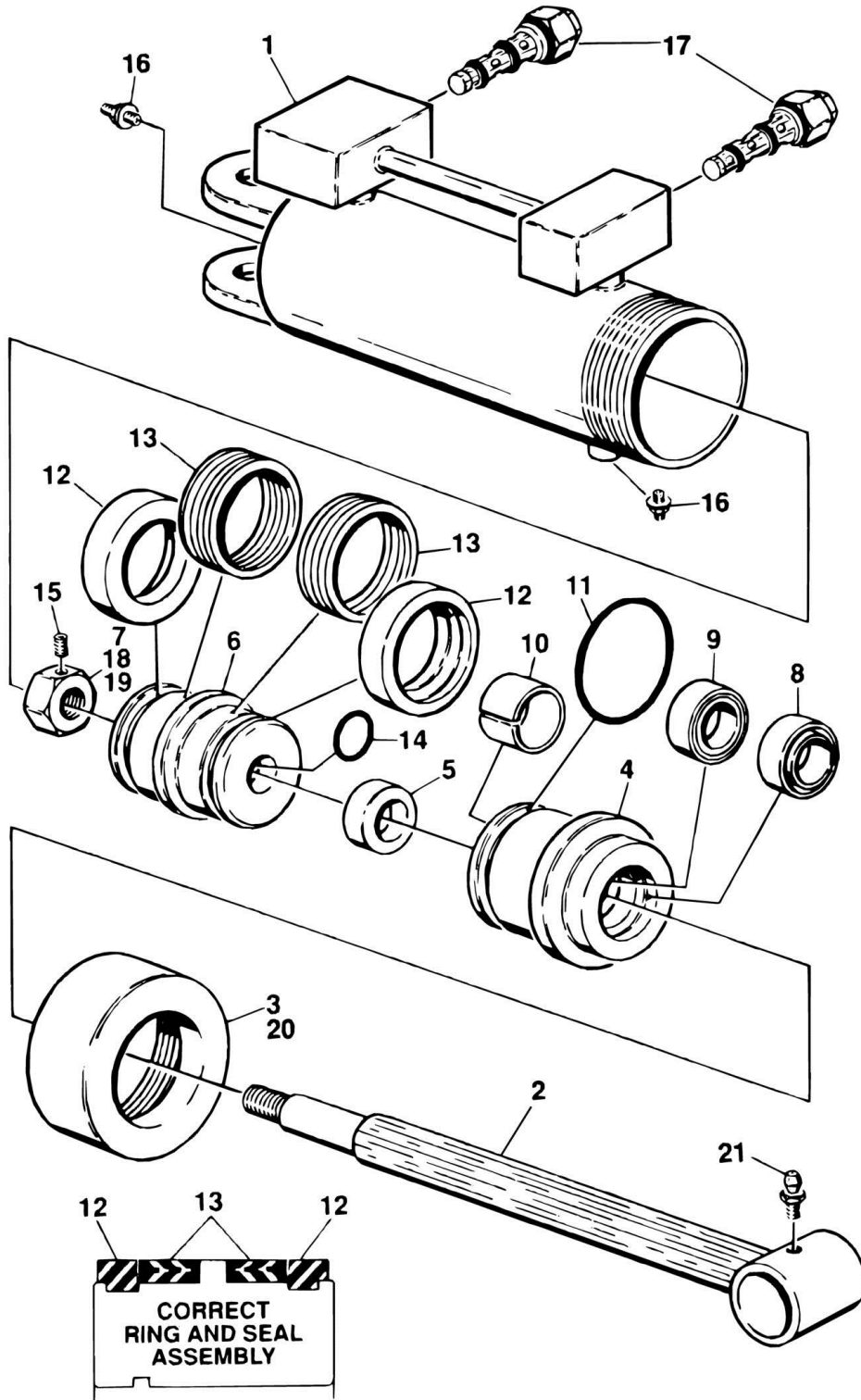
SECTION 5 - CYLINDER

**FIGURE 5-2. AXLE LOCKOUT CYLINDER ASSEMBLY - 4WD/2WS (PRIOR TO SEPTEMBER 1992)
(USE WITH OPTIONAL OSCILLATING AXLE)**

ITEM	PART NUMBER	QTY	DESCRIPTION	REV
	1681571	Ref	AXLE LOCKOUT CYLINDER ASSEMBLY - 4WD/2WS (PRIOR TO SEPTEMBER 1992) (USE WITH OPTIONAL OSCILLATING AXLE)	G
1	1681458	1	Barrel	
2	4640273	2	Bleeder (Prior to April 1992)	
2	3900175	4	Setscrew 1/4in-28NF x 3/4in (April 1992 to Present)	
2	3960416	4	Seal, Thread (April 1992 to Present)	
2	3321401	4	Nut 1/4in-28NF (April 1992 to Present)	
3	3300187	1	Nut (Prior to April 1992)	
3	3300273	1	Nut, Hex (August 1992 to Present)	
4	3900141	AR	Setscrew 1/4in-20NC x 3/8in	
4	3900170	AR	Setscrew 3/8in-16NC x 3/8in	
5	Kit	1	Seal	
6	Kit	1	O-Ring	
7	Kit	1	Ring, Wear	
8	3480134	1	Piston	
9	4562859	1	Spacer	
10	Kit	1	O-Ring	
11	Kit	1	Ring	
12	1681322	1	Head	
13	Kit	1	Seal, Rod	
14	Kit	1	Seal, Wiper	
15	1120108	1	Retainer, Head	
16	1681460	1	Rod	
17	2160002	1	Fitting, Grease (Prior to April 1992)	
17	2160003	1	Fitting, Grease - 45 (April 1992 to Present)	
	0100011	AR	Loctite #242	
	0100038	AR	Primer, Locking	
	0100035	AR	Loctite #222	
	2901148	1	Kit, Seal (Includes Items 5, 6, 7, 10, 11, 13 & 14)	

SECTION 5 - CYLINDER

FIGURE 5-3. AXLE LOCKOUT CYLINDER ASSEMBLY - 4WD/2WS (SEPTEMBER 1992 TO PRESENT)
(USE WITH OPTIONAL OSCILLATING AXLE)



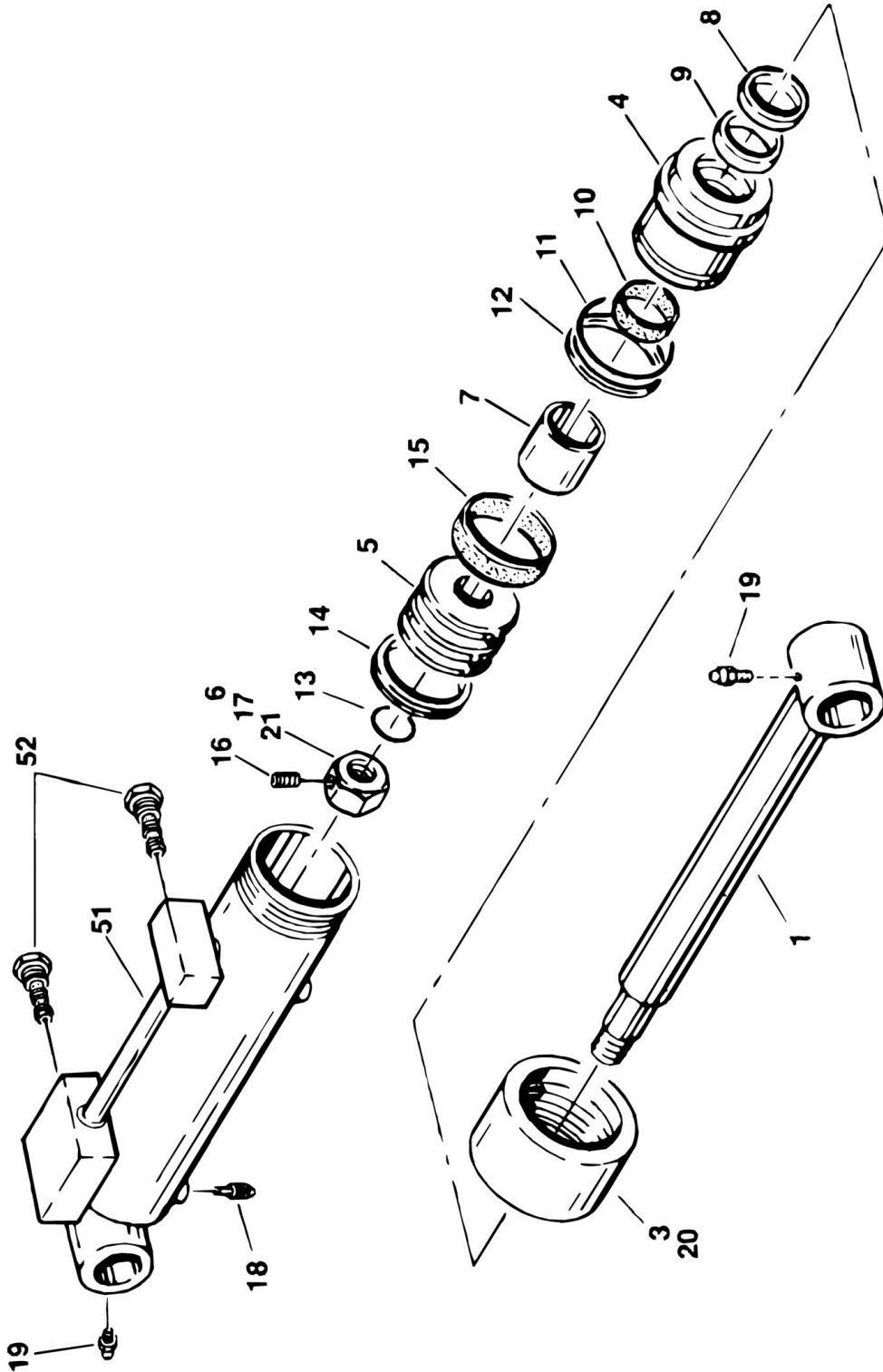
SECTION 5 - CYLINDER

**FIGURE 5-3. AXLE LOCKOUT CYLINDER ASSEMBLY - 4WD/2WS (SEPTEMBER 1992 TO PRESENT)
(USE WITH OPTIONAL OSCILLATING AXLE)**

ITEM	PART NUMBER	QTY	DESCRIPTION	REV
	1682727	Ref	AXLE LOCKOUT CYLINDER ASSEMBLY - 4WD/2WS (SEPTEMBER 1992 TO PRESENT) (USE WITH OPTIONAL OSCILLATING AXLE)	B
1	1682728	1	Barrel Weldment	
2	1682730	1	Rod Weldment	
3	1120108	1	Retainer	
4	1681332	1	Head	
5	4565816	1	Spacer	
6	3480116	1	Piston	
7	3300273	1	Nut, Hex	
8	Kit	1	Seal, Wiper	
9	Kit	1	Seal, Rod	
10	Kit	1	Ring, Wear	
11	Kit	1	O-Ring	
12	Kit	2	Ring, Lock	
13	Kit	2	Seal, Piston	
14	Kit	1	O-Ring	
15	3900170	1	Setscrew 3/8in-16NC x 3/8in	
16	3900175	3	Setscrew 1/4in-28NF x 3/4in	
16	3321401	3	Nut 1/4in-28NF	
16	3960416	3	Seal, Thread	
17	4640509	2	Valve, Cartridge (Counterbalance)	
17	2900792	2	Seal Kit - 4640509 Valve (1 Per Cartridge)	
18	0100011	AR	Loctite	
19	0100038	AR	Primer, Locking	
20	0100035	AR	Locking Compound	
21	2160002	1	Fitting, Grease	
	2900379	1	Seal Kit - Lockout Cylinders (Includes Items 8-14)	

SECTION 5 - CYLINDER

FIGURE 5-4. AXLE LOCKOUT CYLINDER ASSEMBLIES - 4WD/4WS (STANDARD PARTS) (USE WITH OPTIONAL OSCILLATING AXLE)



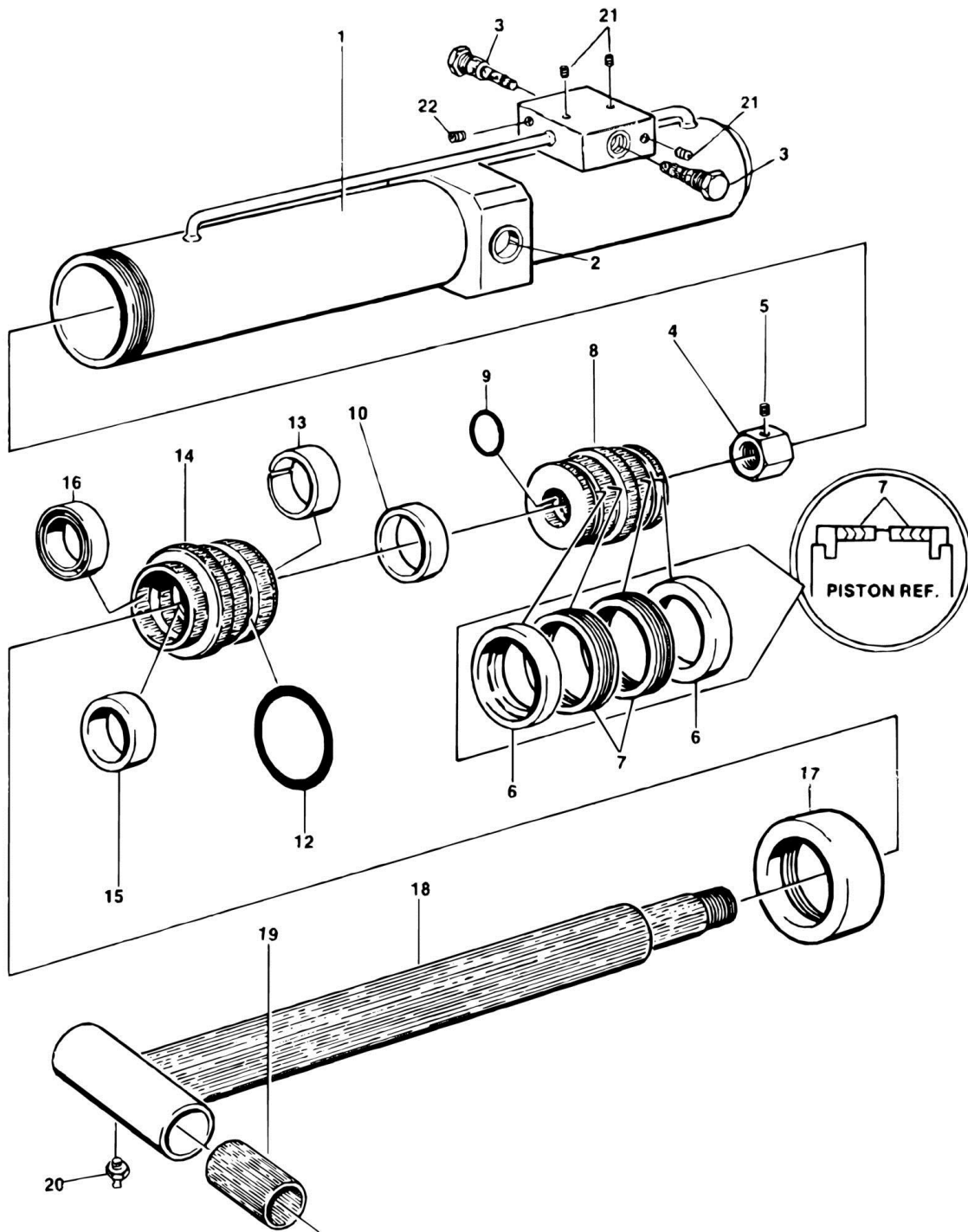
SECTION 5 - CYLINDER

FIGURE 5-4. AXLE LOCKOUT CYLINDER ASSEMBLIES - 4WD/4WS (STANDARD PARTS) (USE WITH OPTIONAL OSCILLATING AXLE)

ITEM	PART NUMBER	QTY	DESCRIPTION	REV
		Ref	AXLE LOCKOUT CYLINDER ASSEMBLIES - 4WD/4WS (STANDARD PARTS) (USE WITH OPTIONAL OSCILLATING AXLE)	
1	1681787	1	Rod	
3	1120179	1	Retainer	
4	1680892	1	Head	
5	3480120	1	Piston	
6	3300187	1	Nut (Prior to April 1992)	
6	3300273	1	Nut, Hex (April 1992 to Present)	
7	4563647	1	Tube, Spacer	
8	Kit	1	Seal, Wiper	
9	Kit	1	Seal, Rod	
10	Kit	1	Ring, Wear	
11	Kit	1	O-Ring	
12	Kit	2	Ring, Back-up	
13	Kit	1	O-Ring	
14	Kit	1	Seal, Piston	
15	Kit	1	Ring, Wear	
16	3900141	2	Setscrew 1/4in-20NC x 3/8in (Prior to April 1992)	
16	3900170	1	Setscrew 3/8in-16NC x 3/8in (April 1992 to Present)	
17	0100010	AR	Loctite #242	
18	3900175	2	Setscrew 1/4in-28NF x 3/4in	
18	3960416	2	Seal, Thread	
18	3321401	2	Nut 1/4in-28NF	
		Ref	Note: Replace existing bleeders with these components when ordering parts.	
19	2160002	2	Fitting, Grease	
20	0100035	AR	Compound, Locking	
21	0100038	AR	Primer, Locking	
	2900381	1	Seal Kit (Includes Items 8-15)	
	1681785	Ref	AXLE LOCKOUT CYLINDER ASSEMBLY (PRIOR TO SEPTEMBER 1992) (VARIABLE PARTS)	D
51	1681788	1	Barrel	
	1682757	Ref	AXLE LOCKOUT CYLINDER ASSEMBLY (SEPTEMBER 1992 TO PRESENT) (VARIABLE PARTS)	A
51	1682758	1	Barrel	
52	4640509	2	Valve, Holding	
52	2900792	2	Seal Kit - 4640509 Valve	

SECTION 5 - CYLINDER

FIGURE 5-5. LEVEL (UPRIGHT) CYLINDER ASSEMBLY (PRIOR TO APRIL 1992)



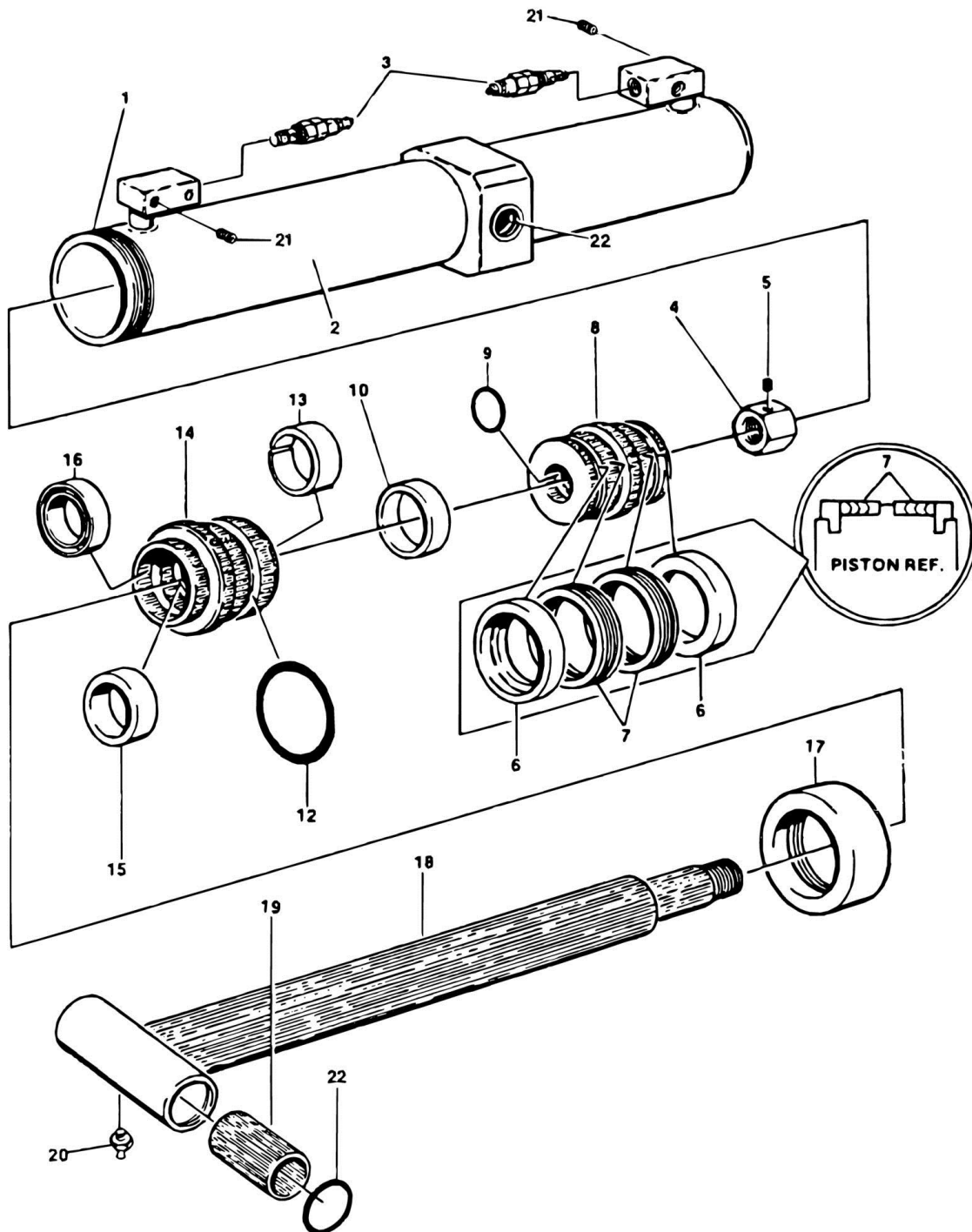
SECTION 5 - CYLINDER

FIGURE 5-5. LEVEL (UPRIGHT) CYLINDER ASSEMBLY (PRIOR TO APRIL 1992)

ITEM	PART NUMBER	QTY	DESCRIPTION	REV
	1682019	Ref	LEVEL (UPRIGHT) CYLINDER ASSEMBLY (PRIOR TO APRIL 1992) (SEE SECTION 10 FOR BOEING MACHINES)	E
1	1682042	1	Barrel Assembly	
2	0961338	2	Bushing, Bronze (Prior to February 1994)	
2	0961762	2	Bushing, Bronze (February 1994 to Present)	
3	4640509	2	Valve	
3	2900792	2	Seal Kit - 4640509 Valve	
4	3300190	1	Nut, Special (Uses 1/4in Setscrew) (Prior to February 1991)	
4	3300281	1	Nut, Special (Uses 3/8in Setscrew) (February 1991 to April 1992)	
5	3900139	2	Setscrew 1/4in-20NC x 1/2in	
5	3900170	1	Setscrew 3/8in-16NC x 3/8in	
5	0100011	AR	Loctite #242	
5	0100038	AR	Primer, Locking	
6	Kit	2	Lock-Ring	
7	Kit	2	Seal, Piston	
8	3480105	1	Piston	
9	Kit	1	O-Ring	
10	4564158	1	Spacer, Tube	
12	Kit	1	O-Ring	
13	Kit	1	Ring, Wear	
14	1682027	1	Head	
15	Kit	1	Seal, Rod	
16	Kit	1	Wiper, Rod	
17	1120160	1	Cap	
17	0100035	AR	Loctite #222	
18	1682028	1	Rod Assembly	
19	0961329	2	Bushing, Bronze (Prior to February 1994)	
19	0961763	2	Bushing, Bronze (February 1994 to Present)	
20	2160002	1	Fitting, Grease	
21	2200201	4	Plug 1/8in	
22	2200213	2	Plug 3/8in	
22	0100020	AR	Sealant, Pipe	
	2900375	1	Seal Kit (Includes Items 6, 7, 9, 12, 13, 15 & 16)	

SECTION 5 - CYLINDER

FIGURE 5-6. LEVEL (UPRIGHT) CYLINDER ASSEMBLY (APRIL 1992 TO PRESENT)



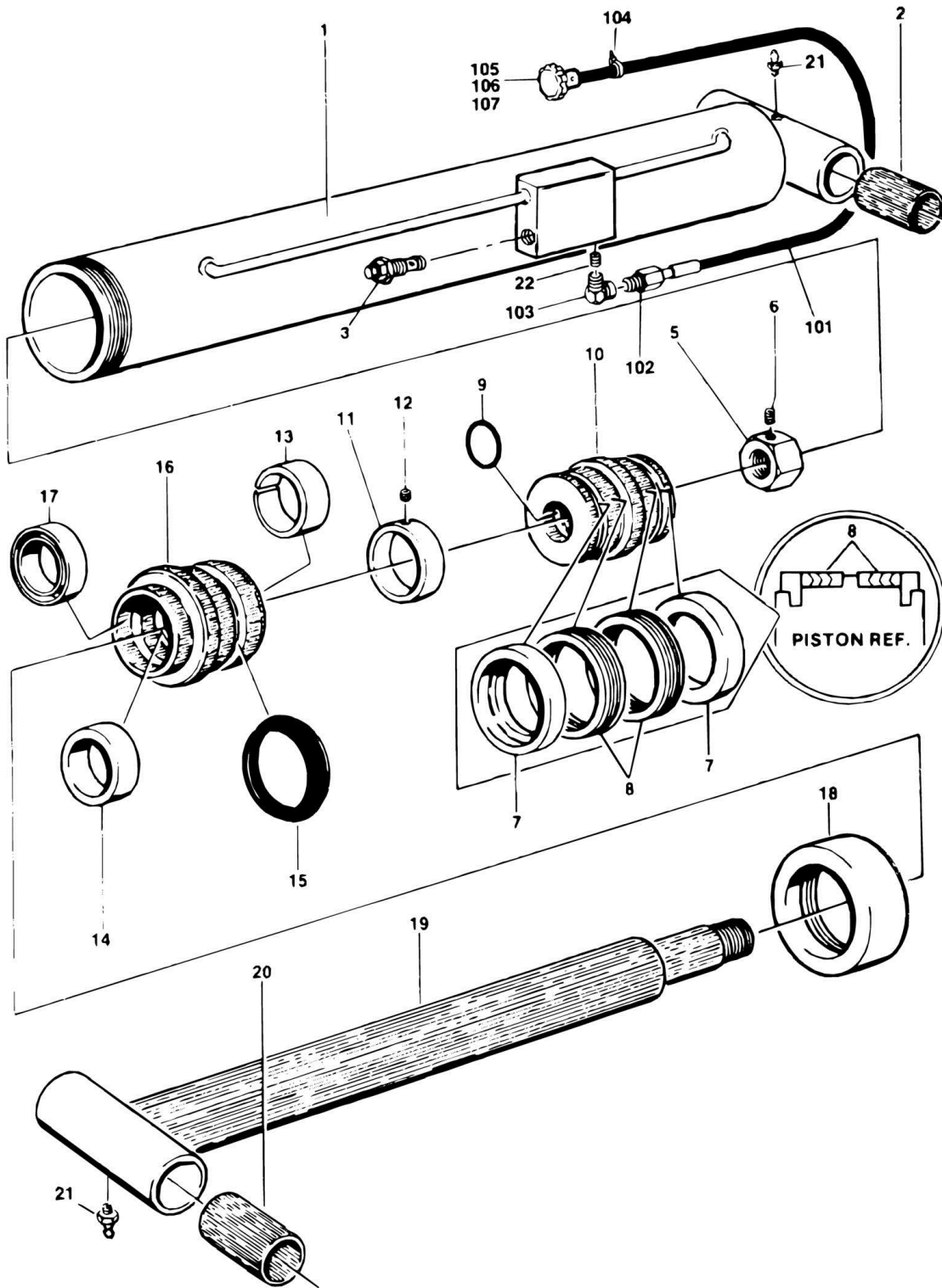
SECTION 5 - CYLINDER

FIGURE 5-6. LEVEL (UPRIGHT) CYLINDER ASSEMBLY (APRIL 1992 TO PRESENT)

ITEM	PART NUMBER	QTY	DESCRIPTION	REV
	1682745	Ref	LEVEL (UPRIGHT) CYLINDER ASSEMBLY (APRIL 1992 TO PRESENT)	B
1	1682746	1	Barrel Assembly	
2	0961338	2	Bushing, Bronze (Prior to February 1994)	
2	0961762	2	Bushing, Bronze (February 1994 to Present)	
3	4640634	2	Valve, Counterbalance	
3	2900770	2	Seal Kit - 4640634 Valve	
4	3300281	1	Nut	
5	3900170	1	Setscrew 3/8in-16NC x 3/8in	
5	0100011	AR	Loctite #242	
5	0100038	AR	Primer, Locking	
6	Kit	2	Lock Ring	
7	Kit	2	Seal, Piston	
8	3480105	1	Piston	
9	Kit	1	O-Ring	
10	4564158	1	Spacer, Tube	
12	Kit	1	O-Ring	
13	Kit	1	Ring, Wear	
14	1682027	1	Head	
15	Kit	1	Seal, Rod	
16	Kit	1	Wiper, Rod	
17	1120160	1	Cap	
17	0100035	AR	Loctite #222	
18	1682028	1	Rod Assembly	
19	0961329	2	Bushing, Bronze (Prior to February 1992)	
19	0961763	2	Bushing, Bronze (February 1994 to Present)	
20	2160002	1	Fitting, Grease	
20	4640812	1	Valve, Relief Fitting (February 1994 to Present Only)	
21	2220885	2	Plug, O-Ring	
22	3780185	4	O-Ring (February 1994 to Present Only)	
	2900375	1	Seal Kit (Includes Items 6, 7, 9, 12, 13, 15 & 16)	

SECTION 5 - CYLINDER

FIGURE 5-7. MAIN LIFT CYLINDER ASSEMBLY (PRIOR TO APRIL 1992)



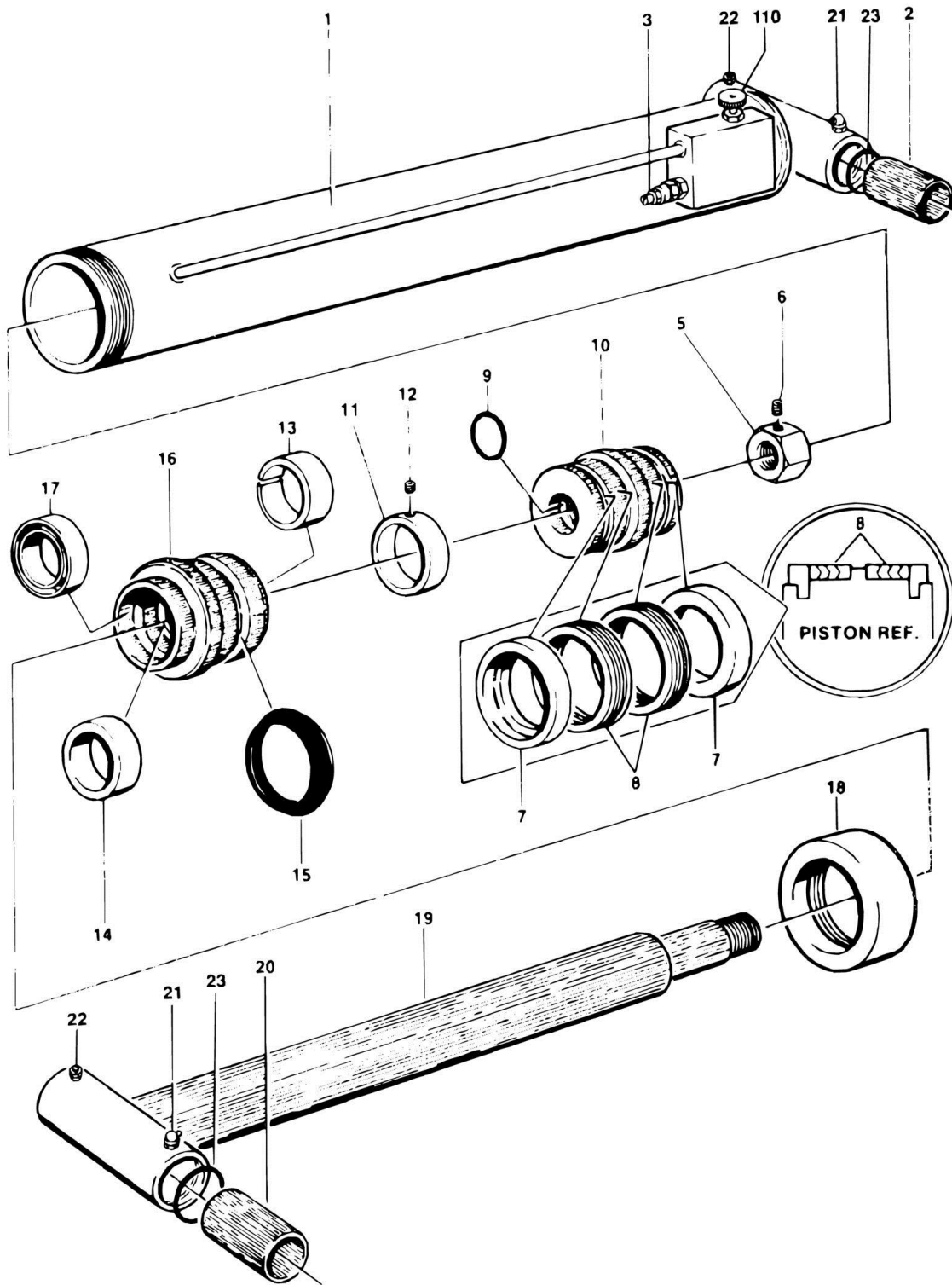
SECTION 5 - CYLINDER

FIGURE 5-7. MAIN LIFT CYLINDER ASSEMBLY (PRIOR TO APRIL 1992)

ITEM	PART NUMBER	QTY	DESCRIPTION	REV
	1682072	Ref	MAIN LIFT CYLINDER ASSEMBLY (PRIOR TO APRIL 1992) (SEE SECTION 10 FOR BOEING MACHINES)	F
1	1682073	1	Barrel Assembly	
2	0961361	2	Bushing, Bronze	
3	4640452	1	Valve, Holding	
3	2900770	1	Seal Kit - 4640452 Valve	
5	3300256	1	Nut (Prior to February 1991)	
5	3300287	1	Nut Hex (February 1991 to April 1992)	
6	3951405	2	Setscrew 1/4in-20NC x 5/8in (Prior to February 1991)	
6	3900170	1	Setscrew 3/8in-16NC x 3/8in (February 1991 to April 1992)	
6	0100011	AR	Loctite #242	
6	0100038	AR	Primer, Locking	
7	Kit	2	Ring, Guidelock	
8	Kit	2	Seal	
9	Kit	1	O-Ring	
10	3480136	1	Piston	
11	4564473	1	Spacer	
13	Kit	1	Ring, Wear	
14	Kit	1	Seal	
15	Kit	1	O-Ring	
16	1682076	1	Head	
17	Kit	1	Ring, Wiper	
18	1120358	1	Cap	
18	0100035	AR	Loctite #222	
19	1682074	1	Rod Assembly	
20	0961361	2	Bushing, Bronze	
21	2160002	2	Fitting, Grease - Straight (Prior to May 1991)	
21	2160001	2	Fitting, Grease - 90 (May 1991 to Present)	
22	2180448	1	Orifice (.062) (May 1991 to April 1992 Only)	
22	0100034	AR	Sealant	
	2901144	1	Seal Kit (Includes items 7,8,9,13,14,15 & 17)	
	0251387	Ref	MANUAL DESCENT INSTALLATION (OPTIONAL)	E
101	1060373	1	Cable, Flex	
102	4640677	1	Valve	
103	2220820	1	Fitting, 90	
104	4240033	8	Strap, Hose	
105	0080189	1	Adapter (Prior to SN 047563)	
105	0080226	1	Adapter (SN 047563 to Present)	
106	2560109	1	Knob	
107	3951403	1	Setscrew 1/4-20NC x 3/8 (Prior to SN 047563)	
107	3900230	1	Setscrew #10-32NC x 3/8 (SN 047563 to Present)	

SECTION 5 - CYLINDER

FIGURE 5-8. MAIN LIFT CYLINDER ASSEMBLY (APRIL 1992 TO PRESENT)



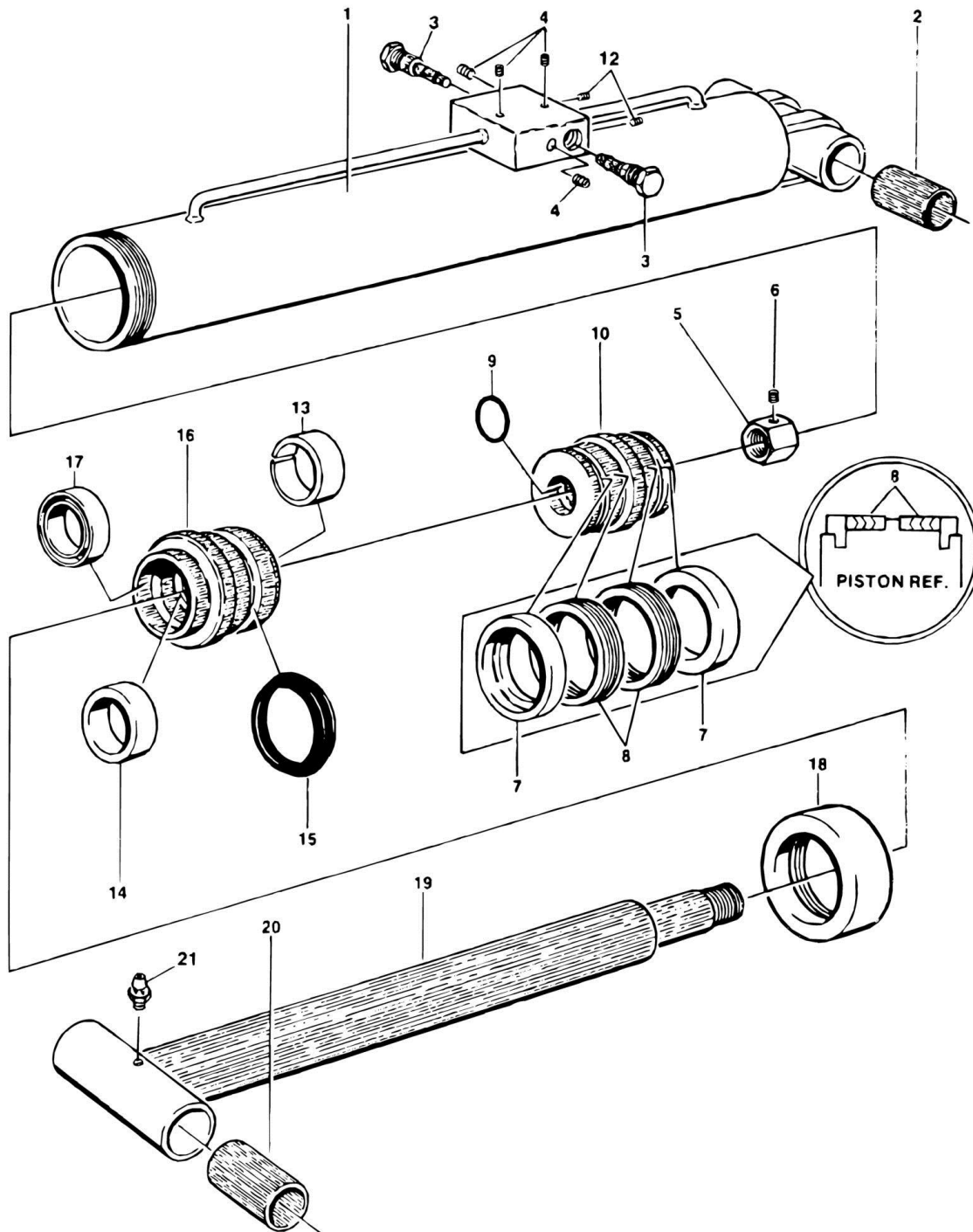
SECTION 5 - CYLINDER

FIGURE 5-8. MAIN LIFT CYLINDER ASSEMBLY (APRIL 1992 TO PRESENT)

ITEM	PART NUMBER	QTY	DESCRIPTION	REV
	1682764	Ref	MAIN LIFT CYLINDER ASSEMBLY (APRIL 1992 TO PRESENT) (SEE SECTION 10 FOR BOEING MACHINES)	A
1	1682765	1	Barrel Assembly	
2	0961361	2	Bushing, Bronze (Prior to February 1994)	
2	0961760	2	Bushing, Bronze (February 1994 to Present)	
3	4640634	1	Valve, Holding	
3	2900770	1	Seal Kit - 4640634 Valve	
5	3300295	1	Nut, Special	
6	3900172	1	Setscrew 1/4in-20NC x 3/8in	
6	0100011	AR	Loctite #242	
6	0100038	AR	Primer, Locking	
7	Kit	2	Ring, Guidelock	
8	Kit	2	Seal	
9	Kit	1	O-Ring	
10	3480103	1	Piston	
11	4565846	1	Spacer	
13	Kit	1	Ring, Wear	
14	Kit	1	Seal	
15	Kit	1	O-Ring	
16	1682076	1	Head	
17	Kit	1	Ring, Wiper	
18	1120358	1	Cap	
18	0100035	AR	Loctite #222	
19	1682767	1	Rod Assembly	
20	0961361	2	Bushing, Bronze (Prior to February 1994)	
20	0961760	2	Bushing, Bronze (February 1994 to Present)	
21	2160001	2	Fitting, Grease 90	
22	4640812	2	Valve, Relief Valve (February 1994 to Present)	
23	3780184	4	O-Ring	
	2901227	1	Seal Kit (Includes Items 7,8,9,13,14,15 & 17)	
	0253167	Ref	MANUAL DESCENT INSTALLATION	B
110	4640747	1	Valve, Lowering (Prior to July 1995)	
110	4640799	1	Valve, Lowering (July 1995 to Present)	
110	7010545	1	Seal Kit - 4640747 Valve	

SECTION 5 - CYLINDER

FIGURE 5-9. TOWER LIFT CYLINDER ASSEMBLIES (PRIOR TO APRIL 1992)



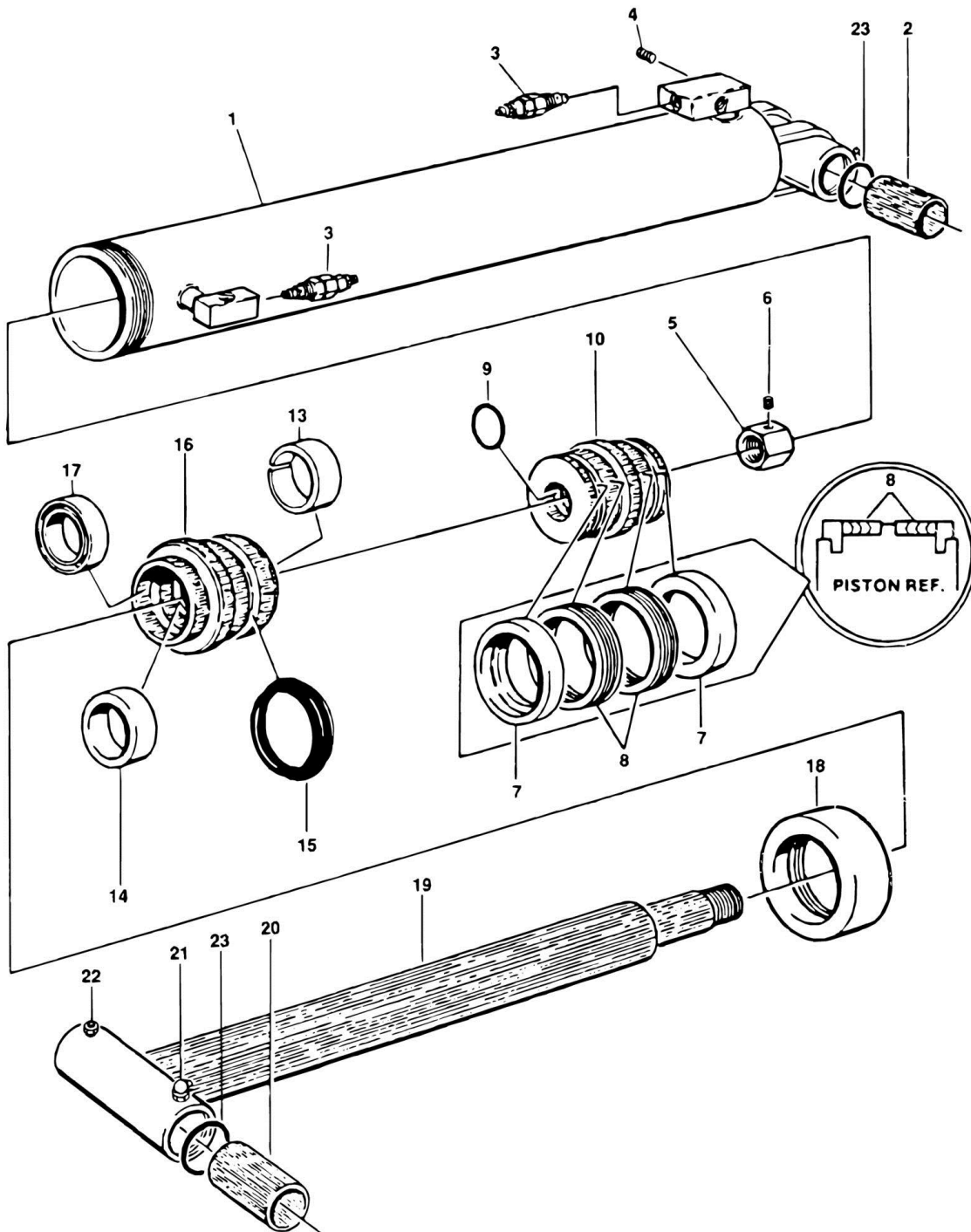
SECTION 5 - CYLINDER

FIGURE 5-9. TOWER LIFT CYLINDER ASSEMBLIES (PRIOR TO APRIL 1992)

ITEM	PART NUMBER	QTY	DESCRIPTION	REV
	1682053	Ref	TOWER LIFT CYLINDER ASSEMBLY (STANDARD)	I
	1682458	Ref	TOWER LIFT CYLINDER ASSEMBLY (CSA)	A
1	1682054	1	Barrel Assembly	
2	0961361	2	Bushing, Bronze	
3	4640509	2	Valve, Cartridge	
3	2900792	2	Seal Kit - 4640509 Valve	
4	2200201	4	Plug 1/8in	
4	0100020	AR	Sealant	
5	3300256	1	Nut, Special (Prior to February 1991)	
5	3300287	1	Nut, Hex (February 1991 to April 1992)	
6	3900139	1	Setscrew 1/4in-20NC x 1/2in (Prior to February 1991)	
6	3300170	1	Setscrew 3/8in-16NC x 3/8in (February 1991 to April 1992)	
6	0100011	AR	Loctite #242	
6	0100038	AR	Primer, Locking	
7	Kit	2	Ring, Guidelock	
8	Kit	2	Seal	
9	Kit	1	O-Ring	
10	3480136	1	Piston	
12	2200213	2	Plug 3/8in	
12	0100020	AR	Sealant	
13	Kit	1	Ring, Wear	
14	Kit	1	Seal	
15	Kit	1	O-Ring	
16	1682083	1	Head	
17	Kit	1	Ring, Wear	
18	1120160	1	Cap	
18	0100035	AR	Loctite #222	
19	1682078	1	Rod Assembly (Standard)	
19	1682457	1	Rod Assembly (CSA)	
20	0961361	2	Bushing, Bronze (Prior to February 1994)	
20	0961760	2	Bushing, Bronze (February 1994 to Present)	
21	2160002	1	Fitting, Grease (Prior to September 1991)	
21	2160001	1	Fitting, Grease - 90 (September 1991 to April 1992)	
	2900375	1	Seal Kit (Includes Items 7, 8, 9, 13, 14, 15 & 17)	

SECTION 5 - CYLINDER

FIGURE 5-10. TOWER LIFT CYLINDER ASSEMBLIES (APRIL 1992 TO PRESENT)



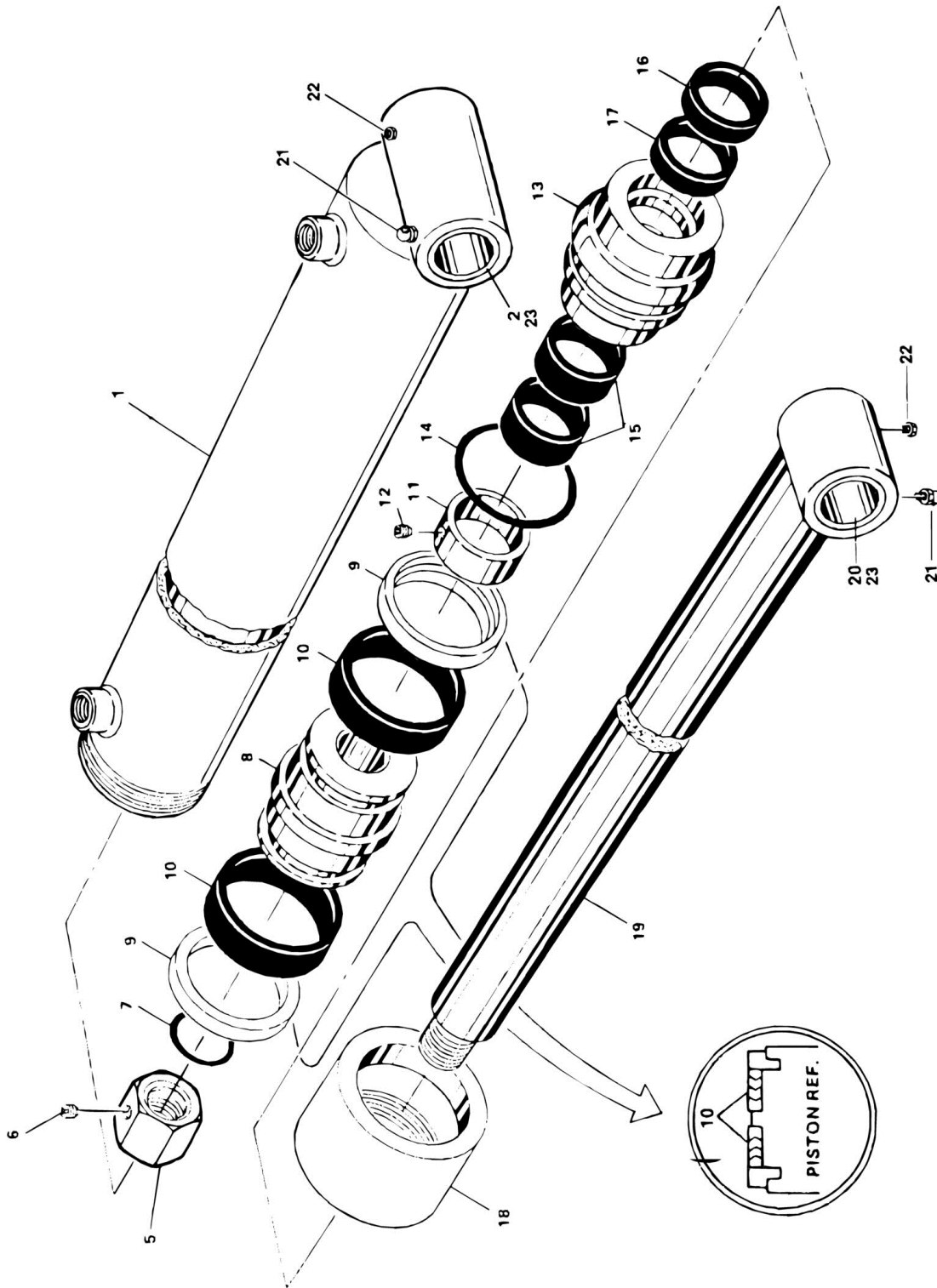
SECTION 5 - CYLINDER

FIGURE 5-10. TOWER LIFT CYLINDER ASSEMBLIES (APRIL 1992 TO PRESENT)

ITEM	PART NUMBER	QTY	DESCRIPTION	REV
	1682739	Ref	TOWER LIFT CYLINDER ASSEMBLY (STANDARD)	B
	1682763	Ref	TOWER LIFT CYLINDER ASSEMBLY (CSA)	B
1	1682740	1	Barrel Assembly	
2	0961361	2	Bushing, Bronze (Prior to February 1994)	
2	0961760	2	Bushing, Bronze (February 1994 to Present)	
3	4640634	2	Valve, Counterbalance	
3	2900770	2	Seal Kit - 4640634 Valve	
4	2220885	2	Plug, O-Ring	
5	3300287	1	Nut, Special (Used 3/8in Setscrew)	
6	3300170	1	Setscrew 3/8in-16NC x 3/8	
6	0100011	AR	Loctite #242	
6	0100038	AR	Primer, Locking	
7	Kit	2	Ring, Guidelock	
8	Kit	2	Seal	
9	Kit	1	O-Ring	
10	3480136	1	Piston	
13	Kit	1	Ring, Wear	
14	Kit	1	Seal	
15	Kit	1	O-Ring	
16	1682083	1	Head	
17	Kit	1	Ring, Wiper	
18	1120160	1	Cap	
18	0100035	AR	Loctite #222	
19	1682078	1	Rod Assembly (Standard)	
19	1682457	1	Rod Assembly (CSA)	
20	0961361	2	Bushing, Bronze (Prior to February 1994)	
20	0961760	2	Bushing, Bronze (February 1994 to Present)	
21	2160001	1	Fitting, Grease - 90	
22	4640812	2	Valve, Relief Fitting	
23	3780184	4	O-Ring	
	2900375	1	Seal Kit (Includes Items 7, 8, 9, 13, 14, 15 & 17)	

SECTION 5 - CYLINDER

FIGURE 5-11. MASTER CYLINDER ASSEMBLY



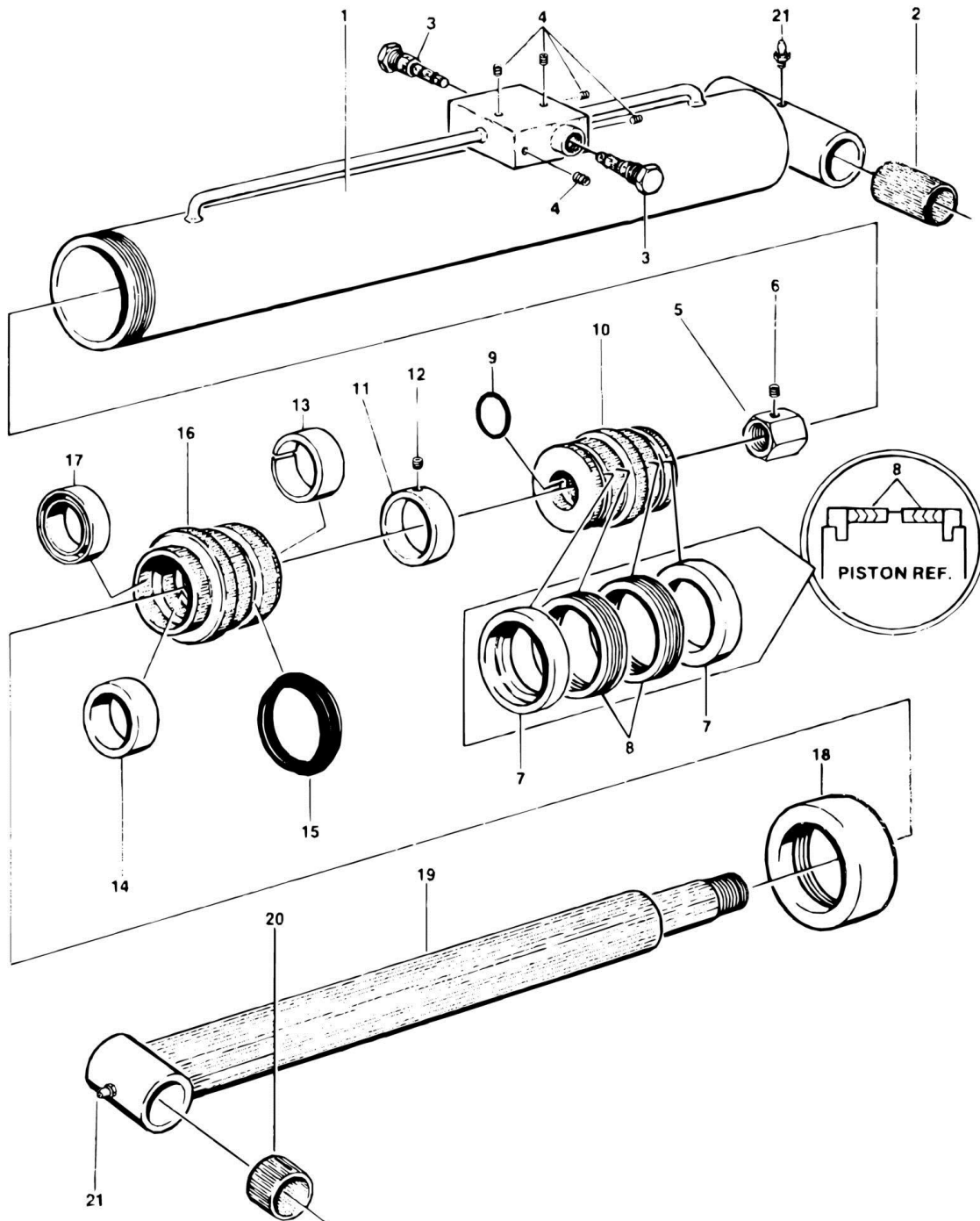
SECTION 5 - CYLINDER

FIGURE 5-11. MASTER CYLINDER ASSEMBLY

ITEM	PART NUMBER	QTY	DESCRIPTION	REV
	1682013	Ref	MASTER CYLINDER ASSEMBLY	F
1	1682016	1	Barrel Assembly	
2	0960846	2	Bushing (Prior to June 1989)	
2	0961328	2	Bushing, Bronze (June 1989 to October 1990)	
2	0961356	2	Bushing, Bronze (October 1990 to February 1994)	
2	0961758	2	Bushing, Bronze (February 1994 to Present)	
5	3300190	1	Nut, Special (Prior to February 1991)	
5	3300281	1	Nut, Hex (February 1991 to Present)	
6	3900139	2	Setscrew 1/4in-20NC x 1/2in (Prior to February 1991)	
6	3900170	1	Setscrew 3/8in-16NC x 3/8in (February 1991 to Present)	
6	0100011	AR	Loctite #242	
6	0100038	AR	Primer, Locking	
7	Kit	1	O-Ring	
8	3480102	1	Piston	
9	Kit	2	Guidelock Ring	
10	Kit	2	Seal, Piston	
11	4564132	1	Spacer	
12	3900141	1	Setscrew 1/4in-20NC x 3/8in	
12	0100011	AR	Loctite	
13	1681294	1	Head	
14	Kit	1	O-Ring	
15	Kit	2	Ring, Wear	
16	Kit	1	Wiper, Rod	
17	Kit	1	Seal, Rod	
18	1120286	1	Cap	
18	0100035	AR	Loctite #222	
19	1682014	1	Rod Assembly	
20	0961328	1	Bushing (Prior to February 1994)	
20	0961759	1	Bushing (February 1994 to Present)	
21	2160001	2	Fitting, Grease	
22	4640812	2	Valve, Relief Fitting	
23	3780183	4	O-Ring	
	2900340	1	Seal Kit (Includes Items 7, 9, 10, 14, 15, 16 & 17)	

SECTION 5 - CYLINDER

FIGURE 5-12. SLAVE (PLATFORM LEVEL) CYLINDER ASSEMBLIES (PRIOR TO APRIL 1992)



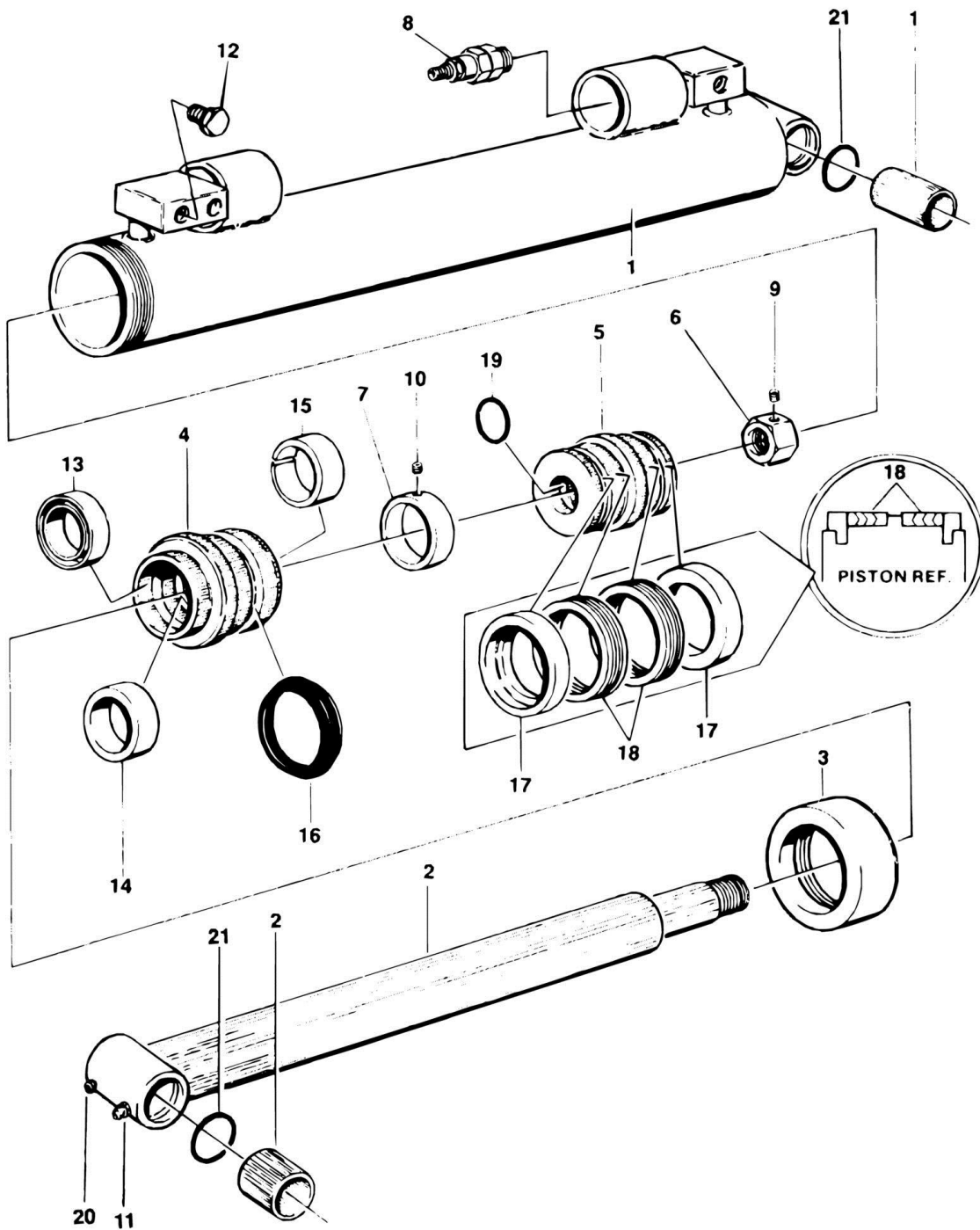
SECTION 5 - CYLINDER

FIGURE 5-12. SLAVE (PLATFORM LEVEL) CYLINDER ASSEMBLIES (PRIOR TO APRIL 1992)

ITEM	PART NUMBER	QTY	DESCRIPTION	REV
	1682057	Ref	SLAVE CYLINDER ASSEMBLY (ALL STANDARD PLATFORM MACHINES BUILT PRIOR TO APRIL 1992/FIXED LOW MOUNT PLATFORM MACHINES BUILT PRIOR TO APRIL 1992/ROTATING LOW MOUNT PLATFORM MACHINES BUILT AUGUST 1990 TO APRIL 1992)	B
	1682178	Ref	SLAVE CYLINDER ASSEMBLY (ROTATING LOW MOUNT PLATFORM MACHINES BUILT PRIOR TO AUGUST 1990)	C
		Ref	Note: Refer to number stamped on barrel for identification.	
1	1682058	1	Barrel Assembly (1682057 Cylinder)	
1	1681869	1	Barrel Assembly (1682178 Cylinder)	
2	0960613	2	Bushing, Bronze	
3	4640509	2	Valve	
3	2900792	2	Seal Kit - 4640509 Valve	
4	2200202	2	Plug 1/4in (Location May Vary)	
4	2200201	4	Plug 1/8in (Location may vary)	
4	0100020	AR	Sealant	
5	3300245	1	Nut, Special (1682057 Cylinder - Prior to February 1991)	
5	3300271	1	Nut, Hex (1682057 Cylinder - February 1991 to Present)	
5	3300263	1	Nut, Special (1682178 Cylinder - Prior to February 1991)	
5	3300284	1	Nut, Hex (1682178 Cylinder - February 1991 to Present)	
6	3951404	2	Setscrew 1/4in-20NC x 1/2in	
6	3300170	1	Setscrew 3/8in-16NC x 3/8in	
6	0100011	AR	Loctite k#242	
6	0100038	AR	Primer, Locking	
7	Kit	2	Ring, Guidelock	
8	Kit	2	Seal	
9	Kit	1	O-Ring	
10	3480130	1	Piston (1682057 Cylinder)	
10	3480141	1	Piston (1682178 Cylinder)	
11	4563771	1	Spacer	
12	3951403	1	Setscrew 1/4in-20NC x 3/8in	
12	0100011	AR	Loctite	
13	Kit	1	Ring, Wear	
14	Kit	1	Seal	
15	Kit	1	T-Seal	
16	1681847	1	Head	
17	Kit	1	Ring, Wiper	
18	1120336	1	Cap	
18	0100035	AR	Loctite #222	
19	1682060	1	Rod Assembly (1682057 Cylinder)	
19	1682177	1	Rod Assembly (1682178 Cylinder)	
20	0961254	2	Bushing, Bronze (Prior to February 1994)	
20	0961765	2	Bushing, Bronze (February 1994 to Present)	
21	2160002	2	Fitting, Grease	
	2901103	1	Seal Kit (Includes Items 7,8,9,13,14,15 & 17)	

SECTION 5 - CYLINDER

FIGURE 5-13. SLAVE (PLATFORM LEVEL) CYLINDER ASSEMBLY (APRIL 1992 TO PRESENT)



SECTION 5 - CYLINDER

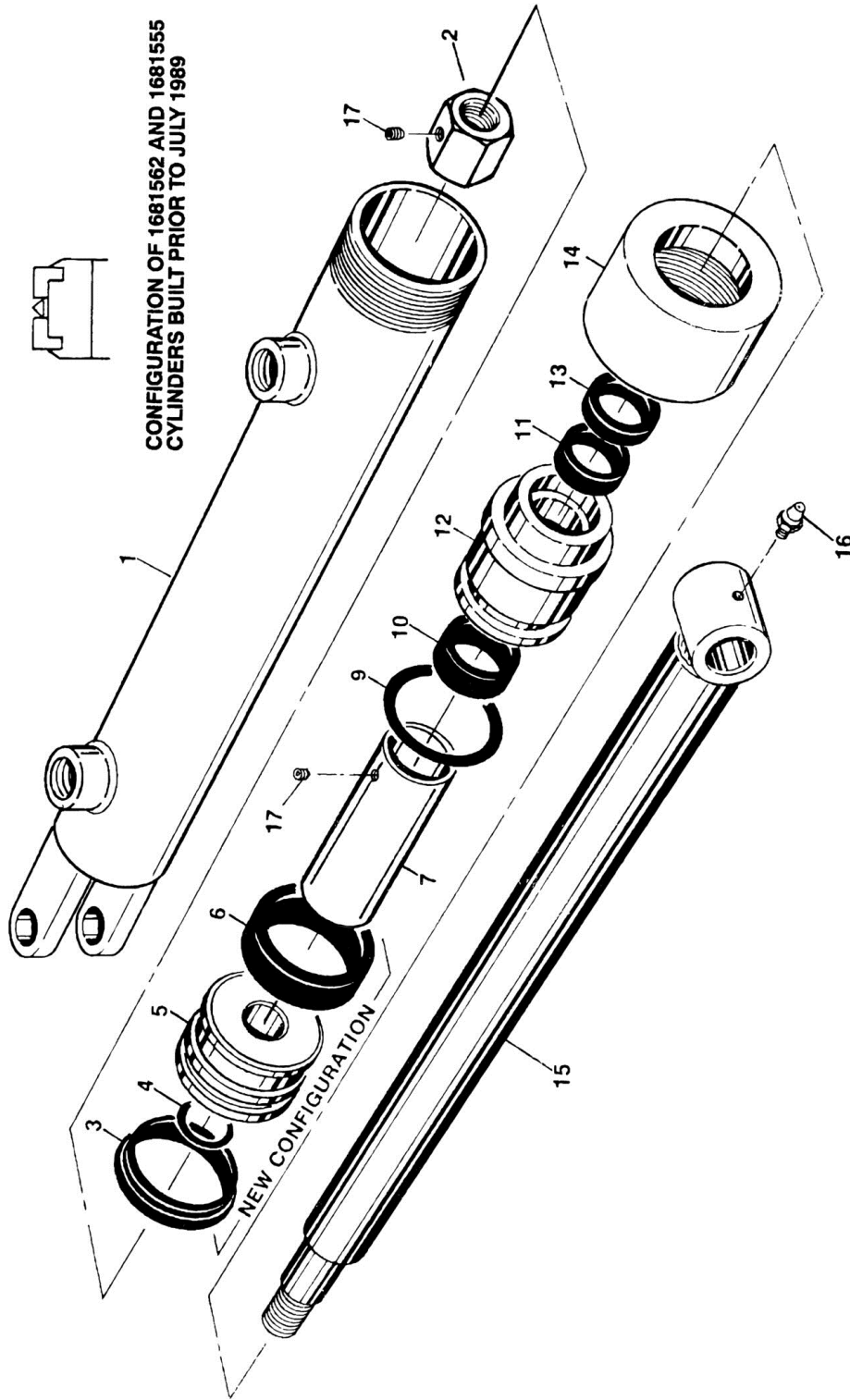
FIGURE 5-13. SLAVE (PLATFORM LEVEL) CYLINDER ASSEMBLY (APRIL 1992 TO PRESENT)

ITEM	PART NUMBER	QTY	DESCRIPTION	REV
	1682742	Ref	SLAVE CYLINDER ASSEMBLY (APRIL 1992 TO PRESENT)	B
1	1682793	1	Barrel Weldment	
1	0960613	2	Bushing, Bronze (Prior to February 1994)	
1	0961764	2	Bushing, Bronze (February 1994 to Present)	
2	1682060	1	Rod Weldment	
2	0961254	2	Bushing, Bronze (Prior to February 1994)	
2	0961765	2	Bushing, Bronze (February 1994 to Present)	
3	1120336	1	Cap	
3	0100035	AR	Loctite #222	
4	1681847	1	Head	
5	3480130	1	Piston	
6	3300271	1	Nut, Hex	
6	0100011	AR	Loctite #222	
6	0100038	AR	Primer, Loctite	
7	4563771	1	Spacer	
8	4640634	1	Cartridge, Vented Valve	
8	2900770	1	Seal Kit - 4640634 Valve	
9	3900170	1	Setscrew 3/8in-16NC x 3/8in	
10	3951403	1	Setscrew 1/4in-20NC x 3/8in	
10	0100011	AR	Loctite #242	
11	2160002	2	Fitting, Grease	
12	2220885	2	Plug, O-Ring	
13	Kit	1	Wiper, Rod	
14	Kit	1	Seal, Rod	
15	Kit	1	Ring, Wear	
16	Kit	1	T-Seal	
17	Kit	2	Ring, Lock	
18	Kit	2	Seal	
19	Kit	1	O-Ring	
20	4640812	2	Valve, Relief Fitting (February 1994 to Present Only)	
21	3780183	4	O-Ring (February 1994 to Present Only)	
	2901103	1	Seal Kit - Cylinder (Includes Item 13-19)	

SECTION 5 - CYLINDER

FIGURE 5-14. STEER CYLINDER ASSEMBLIES

NOTE: THIS PISTON/SEAL CONFIGURATION NO LONGER AVAILABLE. IF EQUIPPED, NEW PISTON AND SEAL KIT MUST BE ORDERED FOR REPAIR.



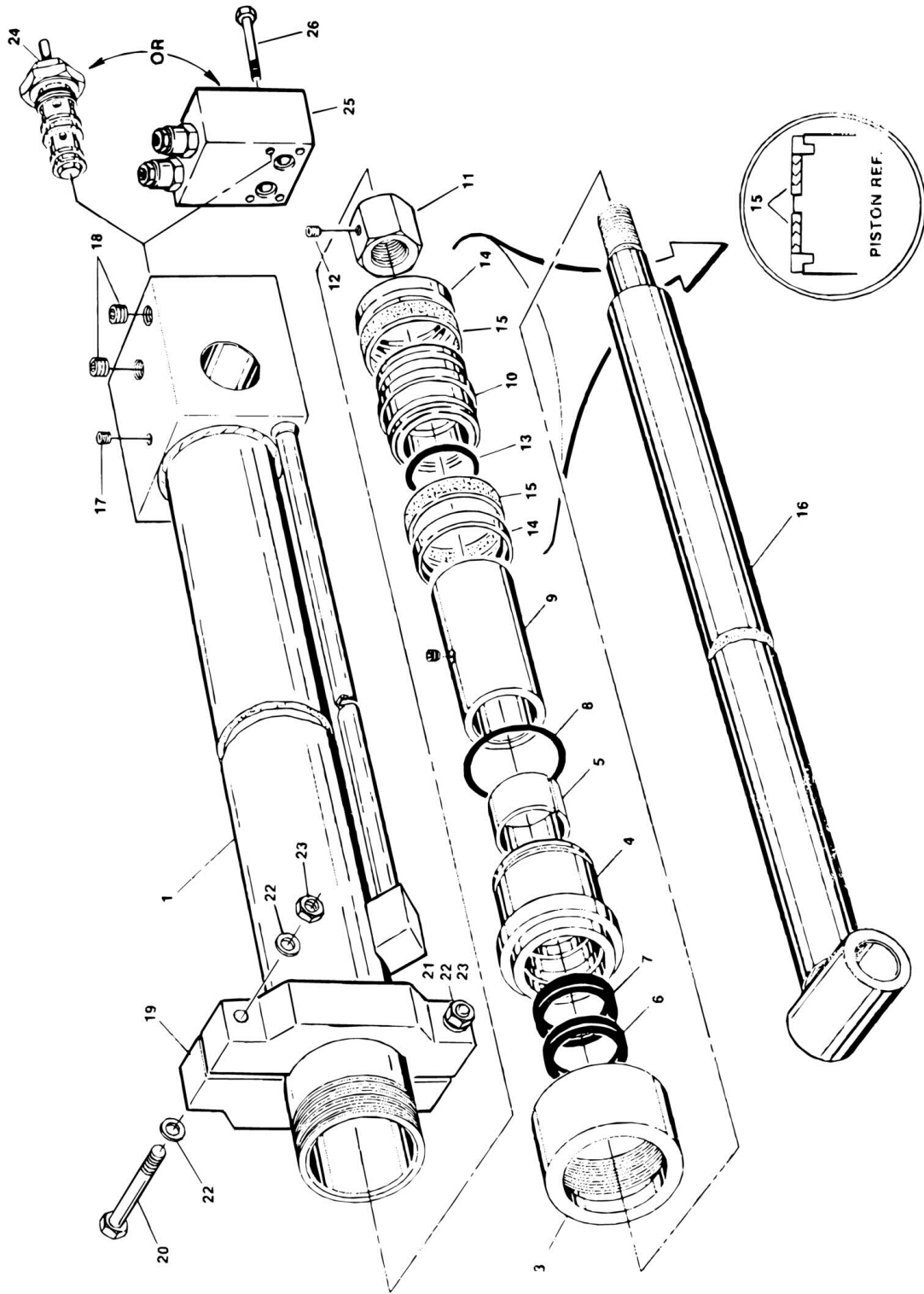
SECTION 5 - CYLINDER

FIGURE 5-14. STEER CYLINDER ASSEMBLIES

ITEM	PART NUMBER	QTY	DESCRIPTION	REV
	1681562	Ref	STEER CYLINDER ASSEMBLY (2WD FRONT AXLE)	H
	1682203	Ref	STEER CYLINDER ASSEMBLY (2WD REAR AXLE)	C
	1681555	Ref	STEER CYLINDER ASSEMBLY (4WD FRONT AND REAR AXLE)	D
1	1681433	1	Barrel (1681562 Cylinder)	
1	1681413	1	Barrel (1682203/1681555 Cylinders)	
2	3300273	1	Nut, Hex (1681562/1681555 February 1991 to Present and 1682203 - August 1992 to Present)	
2	3300187	1	Nut, Special (1681562/1681555 - Prior to February 1991 and 1682203 - Prior to August 1992)	
2	0100011	AR	Loctite #242	
2	0100038	AR	Primer, Locking	
3	Kit	1	Seal	
4	Kit	1	O-Ring	
5	3480134	1	Piston	
6	Kit	1	Ring, Wear	
7	4562687	1	Spacer (1681562 Cylinder)	
7	4564637	1	Spacer (1682203 Cylinder)	
7	4562851	1	Spacer (1681555 Cylinder)	
9	Kit	1	O-Ring	
10	Kit	1	Ring, Wear	
11	Kit	1	Seal, Rod	
12	1681322	1	Head, Cylinder (1681562 Cylinder)	
12	1681344	1	Head, Cylinder (1682203/1681555 Cylinder)	
13	Kit	1	Wiper, Rod	
14	1120108	1	Cap	
15	1681435	1	Rod (1681562 Cylinder)	
15	1682202	1	Rod (1682203 Cylinder)	
15	1681411	1	Rod (1681555 Cylinder)	
16	2160002	1	Fitting, Grease - Straight	
16	2160001	1	Fitting, Grease - 90	
16	2160006	1	Fitting, Grease (4WD/4WS Only)	
17	3900141	3	Setscrew 1/4in-20NC x 3/8in (1681562/1681555 - Prior to February 1991 and 1682203 - Prior to August 1992)	
17	3900170	1	Setscrew 3/8in-16NC x 3/8in (1681562/168155 - February 1991 to Present and 1682203 - August 1992 to Present)	
17	0100011	AR	Loctite #242	
	2901148	1	Kit, Seal (Includes Items 3, 4, 6, 9, 10, 11 & 13) (1681562 Cylinder)	
	2901123	1	Kit, Seal (Includes Items 3, 4, 6, 9, 10, 11 & 13) (1682203/1681555 Cylinders)	

SECTION 5 - CYLINDER

FIGURE 5-15. TELESCOPE CYLINDER ASSEMBLIES - MAIN BOOM



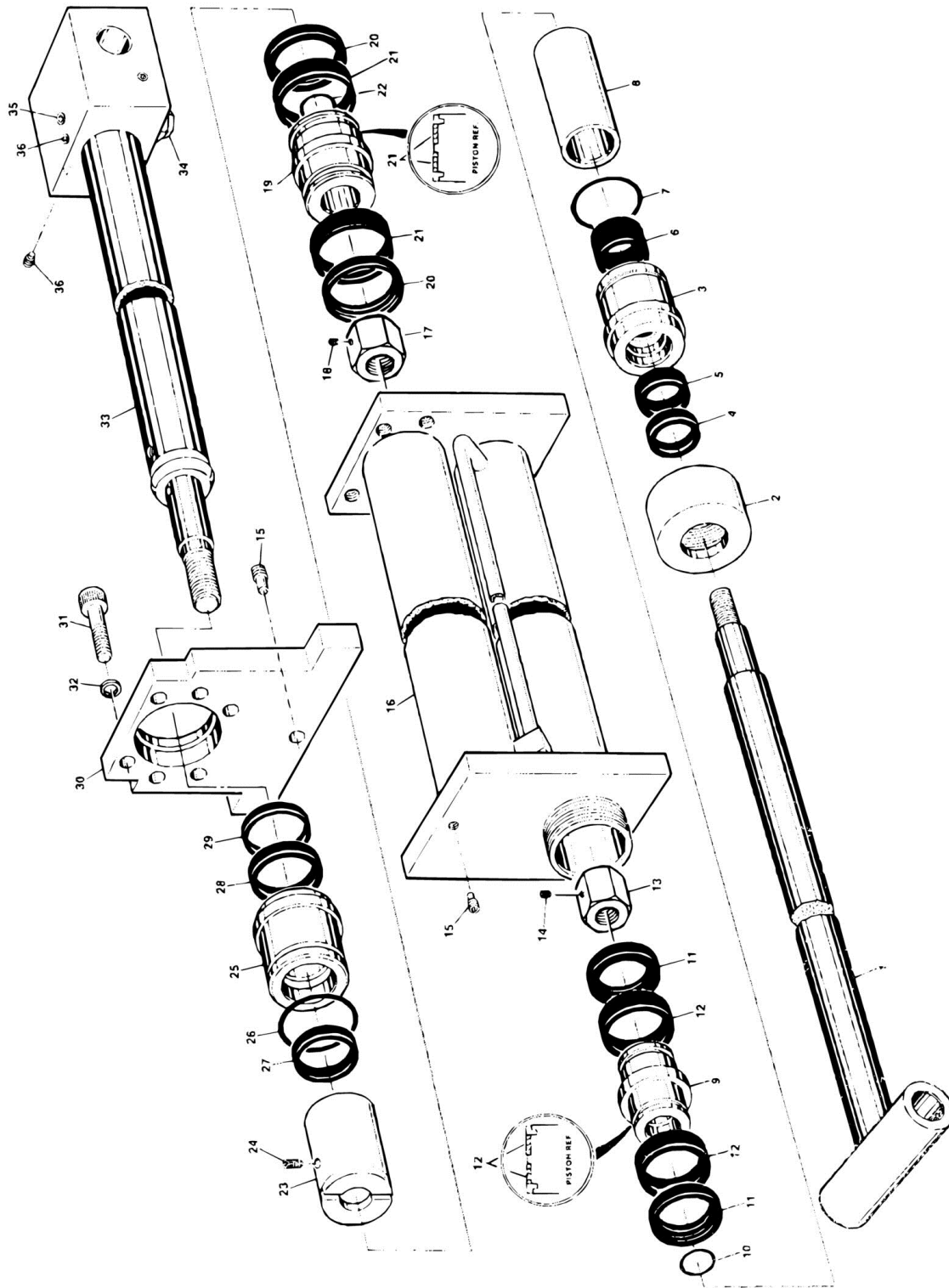
SECTION 5 - CYLINDER

FIGURE 5-15. TELESCOPE CYLINDER ASSEMBLIES - MAIN BOOM

ITEM	PART NUMBER	QTY	DESCRIPTION	REV
	1682037	Ref	TELESCOPE CYLINDER ASSEMBLY - MAIN BOOM (PRIOR TO FEBRUARY 1991)	A
	1682415	Ref	TELESCOPE CYLINDER ASSEMBLY - MAIN BOOM (FEBRUARY 1991 TO PRESENT)	B
1	1682041	1	Barrel Assembly (1682037 Cylinder)	
1	1682416	1	Barrel Assembly (1682415 Cylinder)	
3	1120108	1	End Cap	
3	0100035	AR	Loctite #222	
4	1681283	1	Head	
5	Kit	1	Ring, Wear	
6	Kit	1	Seal, Wiper	
7	Kit	1	Seal, Rod	
8	Kit	1	O-Ring	
9	4564275	1	Spacer, Tube	
9	3951603	2	Setscrew 3/8in-26NC x 3/8in	
9	0100011	AR	Loctite #242	
10	3480092	1	Piston	
11	3300213	1	Nut, Special (Prior to February 1991)	
11	3300282	1	Nut, Hex (February 1991 to Present)	
11	0100011	AR	Loctite #242	
11	0100038	AR	Primer, Locking	
12	3900141	2	Setscrew 1/4in-20NC x 3/8in (Prior to February 1991)	
12	3900170	1	Setscrew 3/8in-16NC x 3/8in (February 1991 to Present)	
13	Kit	1	O-Ring	
14	Kit	2	Ring, Guidelock	
15	Kit	2	Seal, Piston	
16	1682039	1	Rod Assembly	
17	2200201	1	Plug 1/8in	
18	2200222	2	Plug 1/4in	
18	0100020	AR	Sealant, Pipe	
19	0560810	1	Block, Support	
20	0641628	1	Bolt 3/8in-16NC x 3 1/2in	
21	0641632	1	Bolt 3/8in-16NC x 4in	
22	4751600	4	Flatwasher 3/8in	
23	3311601	2	Nut 3/8in-16NC	
24	4640495	1	Cartridge, Pilot Check (Prior to February 1991)	
24	2900770	1	Seal Kit - 4640495 Valve	
25	4640675	1	Valve, Dual Counterbalance (Not Field Repairable - Replace Complete Valve) (February 1991 to Present)	
26	0641520	4	Bolt 5/16in-18NC x 2 1/2in	
26	0100011	AR	Loctite #242	
	2900396	Ref	Seal Kit (Includes Items 5, 6, 7, 8, 13, 14 & 15)	
		Ref	Note: Refer to number stamped on cylinder barrel for identification.	

SECTION 5 - CYLINDER

FIGURE 5-16. TELESCOPE CYLINDER ASSEMBLY - TOWER BOOM



SECTION 5 - CYLINDER

FIGURE 5-16. TELESCOPE CYLINDER ASSEMBLY - TOWER BOOM

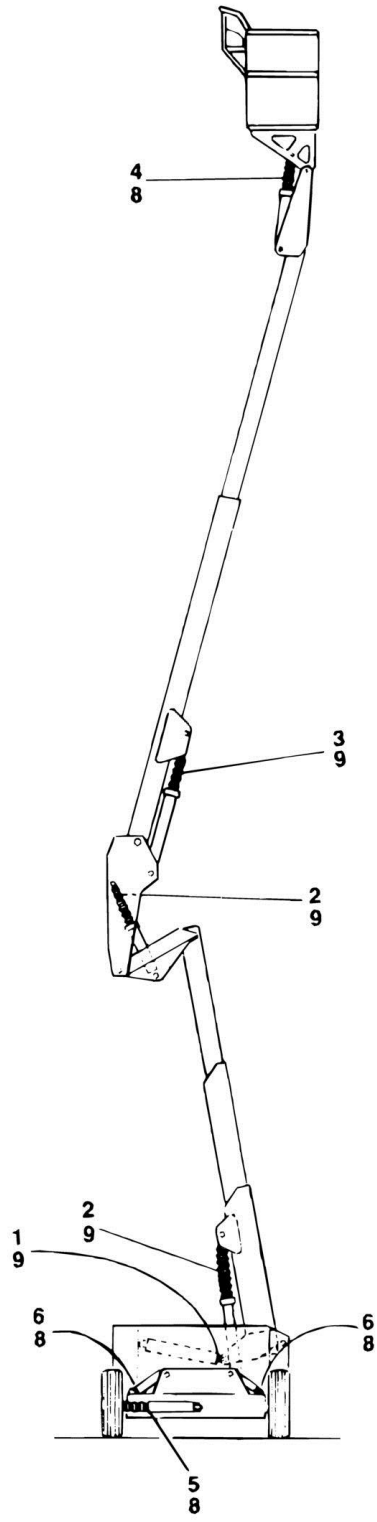
ITEM	PART NUMBER	QTY	DESCRIPTION	REV
	1681997	Ref	TELESCOPE CYLINDER ASSEMBLY - TOWER BOOM (SEE SECTION FOR BOEING MACHINES)	H
1	1682001	1	Rod - 2in (Top)	
2	1120108	1	Cap, End	
2	0100035	AR	Loctite #222	
3	1681283	1	Head - 3in Cylinder Bore (Top)	
4	Kit	1	Seal, Wiper	
5	Kit	1	Seal, Rod	
6	Kit	1	Ring, Wear	
7	Kit	1	O-Ring	
8	4564117	1	Spacer, Tube - 3in Cylinder Bore (Top)	
9	3480126	1	Piston - 3in Cylinder Bore (Top)	
10	Kit	1	O-Ring	
11	Kit	2	Ring, Lock	
12	Kit	2	Seal, Piston	
13	3300253	1	Nut, Special (Uses 1/4in Setscrew) (Prior to February 1991)	
13	3300277	1	Nut, Hex (Uses 3/8in Setscrew) (February 1991 to Present)	
14	3951404	1	Setscrew 1/4in-20NC x 1/2in (Prior to February 1991)	
14	3900170	1	Setscrew 3/8in-16NC x 3/8in (February 1991 to Present)	
14	0100011	AR	LOCTITE #242	
14	0100038	AR	Primer, Locking	
15	2200201	2	Plug, Pipe -1/8in	
15	0100020	AR	Sealant	
16	1682051	1	Barrel	
17	3300231	1	Nut, Special (Uses 1/4in Setscrew) (Prior to February 1991)	
17	3300287	1	Nut, Hex (Uses 3/8in Setscrew) (February 1991 to August 1991 - Use 3300302 as replacement)	
17	3300302	1	Nut, Hex (Uses 3/8in Setscrew) (August 1991 to Present)	
18	3951404	1	Setscrew 1/4in-20NC x 1/2in (Prior to February 1991)	
18	0100011	AR	LOCTITE #242	
18	0100038	AR	Primer, Locking	
19	3480113	1	Piston - 3 1/2in Cylinder Bore (Bottom)	
20	Kit	2	Ring, Lock	
21	Kit	2	Seal, Piston	
22	Kit	1	O-Ring	
23	4563636	1	Spacer	
24	3951405	2	Setscrew 1/4in-20NC x 5/8in	
25	1681423	1	Head - 3 1/2in Cylinder Bore (Bottom)	
26	Kit	1	O-Ring	
27	Kit	1	Ring, Wear	
28	Kit	1	Z-Seal	
29	Kit	1	Seal, Wiper	
30	1120351	1	Cap, End	
31	3932032	6	Bolt, Socket Head 5/8in-11NC x 2in	
32	4762000	6	Lockwasher 5/8in	
33	1682005	1	Rod - 2 1/2in (Bottom)	
34	4640509	1	Valve	
34	2900792	1	Seal Kit - 4640509 Valve	
35	2200201	1	Plug, Pipe - 1/8in	
35	0100020	1	Sealant	

SECTION 5 - CYLINDER

ITEM	PART NUMBER	QTY	DESCRIPTION	REV
36	2180527	AR	Plug, Pipe - 1/16in	
36	0100020	3	Sealant	
	2901143	1	Seal Kit (Includes Items 4, 5, 6, 7, 10, 11, 12, 20, 21, 22, 26, 27, 28 & 29)	

SECTION 5 - CYLINDER

FIGURE 5-17. CYLINDER BELLOWS INSTALLATION (OPTIONAL)



SECTION 5 - CYLINDER

FIGURE 5-17. CYLINDER BELLOWS INSTALLATION (OPTIONAL)

ITEM	PART NUMBER	QTY	DESCRIPTION	REV
	1281146	Ref	BELLOWS INSTALLATION	C
1	0460092	1	Bellows (With Zipper) (Master Cylinder)	
2	0460090	2	Bellows (With Zipper) (Tower Lift and Upright Level Cylinders)	
3	0460091	1	Bellows (With Zipper) (Main Lift Cylinder)	
4	0460085	1	Bellows (With Zipper) (Slave Cylinder)	
5	0460073	1	Bellows (With Zipper) (2WD - Front Steer Cylinder)	
5	0460075	1	Bellows (With Zipper) (4WD - Front Steer Cylinder)	
6	0460077	2	Bellows (With Zipper) (Optional on 2WD/2WS,2WD/4WS and 4WD/2WS with Oscillating Axle)	
6	0460083	2	Bellows (With Zipper) (Optional on 4WD/4WS with Oscillating Axle)	
7	0460075	1	Bellows (With Zipper) (Optional on 4WS - Rear Steer Cylinder)	
8	1320122	AR	Clamp, Worm Gear (5 1/8in-6in Dia)	
9	1320059	4	Clamp, Worm Gear (2 1/2in-12 1/2in Dia)	

SECTION 6 - HYDRAULIC

SECTION 6 - HYDRAULIC

FIGURE 6-1. HYDRAULIC DIAGRAM LIST

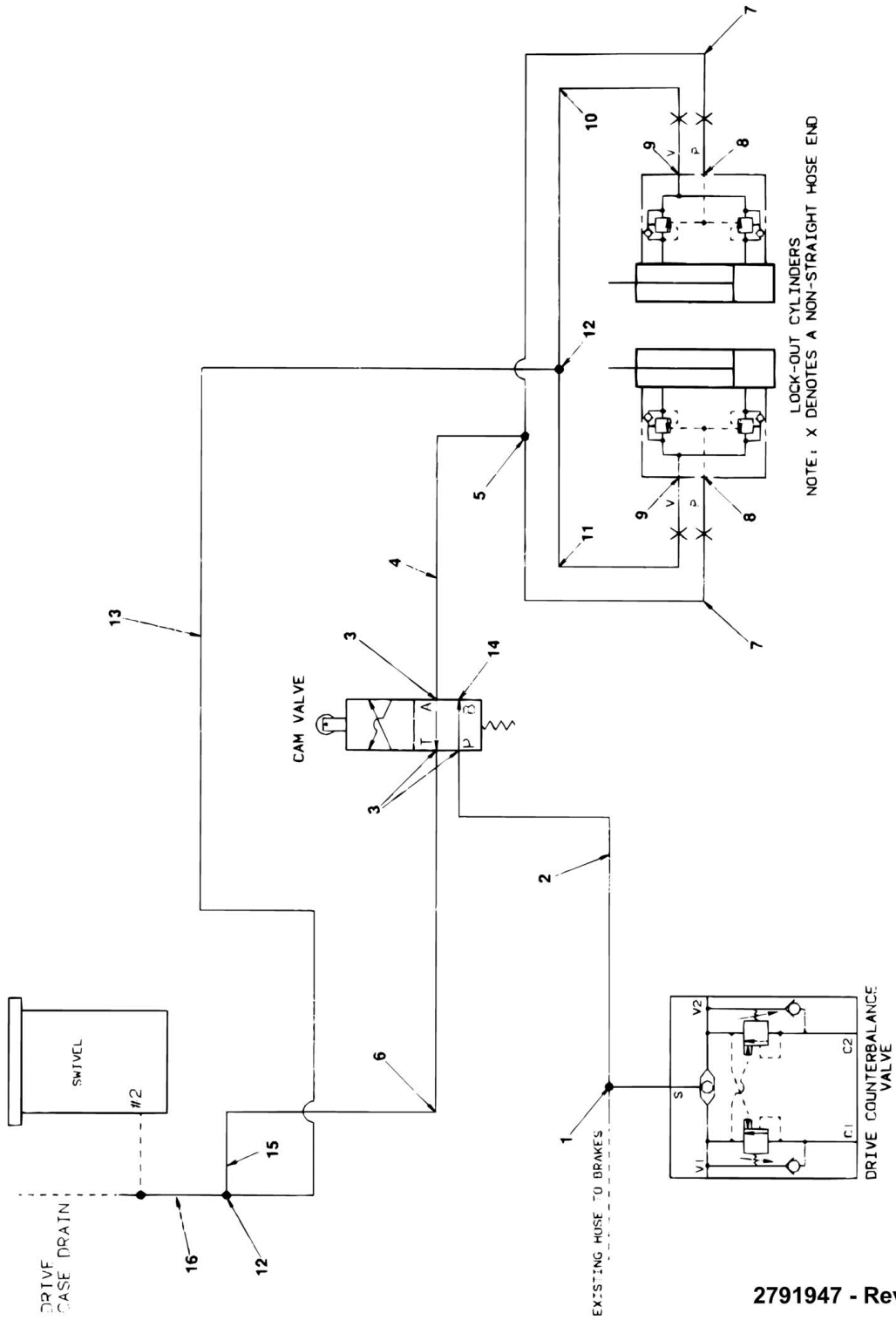
ITEM	PART NUMBER	QTY	DESCRIPTION	REV
		Ref	Note: Diagrams not shown is available from JLG Service/Parts departments.	
		Ref	Axle Lockout Hydraulic Diagrams:	
	2791495	Ref	All Machines Built (Prior to April 1992) except 4WD/4WS	
	2791947	Ref	All Machines Built (April 1992 to Present) except 4WD/4WS	A
	2791851	Ref	4WD/4WS Machines Built (Prior to April 1992)	A
	2791852	Ref	4WD/4WS Machines Built (April 1992 to Present)	
		Ref	Brake With Pressure Reducing Valve Hydraulic Diagrams:	
	2791549	Ref	2WD Machines with Ausco Brake	B
	2791692	Ref	4WD Machines with Ausco Brake	B
	4640632	Ref	Valve, Pressure Reducing	
	4640523	Ref	Cartridge	
	2900698	Ref	Seal Kit	
		Ref	Drive Hydraulic Diagrams:	
	2791496 Rev. A Only	Ref	2WD/2WS (Use for machines with S/N's up to 12670 & 12676-12678, 12681, 12686-12688, 12691-12699, 12812-12819, 12821 & 12823 Only)	A
	2791496	Ref	2WD/2WS	E
	2791796	Ref	2WD/4WS	6
	2791593	Ref	4WD/2WS	I
	2791795	Ref	4WD/4WS	F
		Ref	Lift and Level (Tower Boom) Hydraulic Diagrams:	
	2791595	Ref	Lift and Level (Tower Boom) Hydraulic Diagrams (Prior to April 1992)	D
	2791949	Ref	Lift and Level (Tower Boom) Hydraulic Diagrams (April 1992 to Present)	B-3
		Ref	Lift and Slave (Main Boom) Hydraulic Diagrams:	
	2791498	Ref	Lift and Slave (Main Boom) Hydraulic Diagrams (Prior to April 1992)	C
	2791950	Ref	Lift and Slave (Main Boom) Hydraulic Diagrams (April 1992 to Present)	B
		Ref	Manual Descent Hydraulic Diagrams:	
	2791780	Ref	Manual Descent Hydraulic Diagrams (Prior to April 1992)	B
	2791954	Ref	Manual Descent Hydraulic Diagrams (April 1992 to Present)	A
	0253433	Ref	Oil Cooler Hydraulic Diagram	-
	2792149	Ref	Power Tool Hydraulic Diagram - 1/2in Lines	A
	2791648	Ref	Power Tool Hydraulic Diagram - 3/8in Lines	A
		Ref	Pump Hydraulic Diagrams:	
	2791608	Ref	Deutz Machines	E
	2791494	Ref	Ford Machines	E
	2791675	Ref	Kubota Machines	G
	2791503	Ref	Rotate Hydraulic Diagram	B
	2791696	Ref	Sequence Line Hydraulic Diagram (Ford Machines)	A
	1281353	Ref	Sequence Line Hydraulic Diagram (Ford Machines)	B
		Ref	Steer Hydraulic Diagrams:	
	2791505	Ref	2WS Machines with Fixed Axle	A
	1281049	Ref	2WS Machines with Fixed Axle	C
	2791579	Ref	2WS Machines with Oscillating Axle	B
	1281049	Ref	2WS Machines with Oscillating Axle	C
	2791798	Ref	4WS Machines with Fixed Axle	A

SECTION 6 - HYDRAULIC

ITEM	PART NUMBER	QTY	DESCRIPTION	REV
	1281519	Ref	4WS Machines with Fixed Axle	A
	2791797	Ref	4WS Machines with Oscillating Axle	B
	1281519	Ref	4WS Machines with Oscillating Axle	A
	2791501	Ref	Swing Hydraulic Diagram	A
	2791500	Ref	Telescope (Main Boom) Hydraulic Diagram	6-E
	2791499	Ref	Telescope (Tower Boom) Hydraulic Diagram	C
	2791542	Ref	Tow Hydraulic Diagram	-

SECTION 6 - HYDRAULIC

FIGURE 6-2. AXLE LOCKOUT HYDRAULIC DIAGRAM



2791947 - Rev A

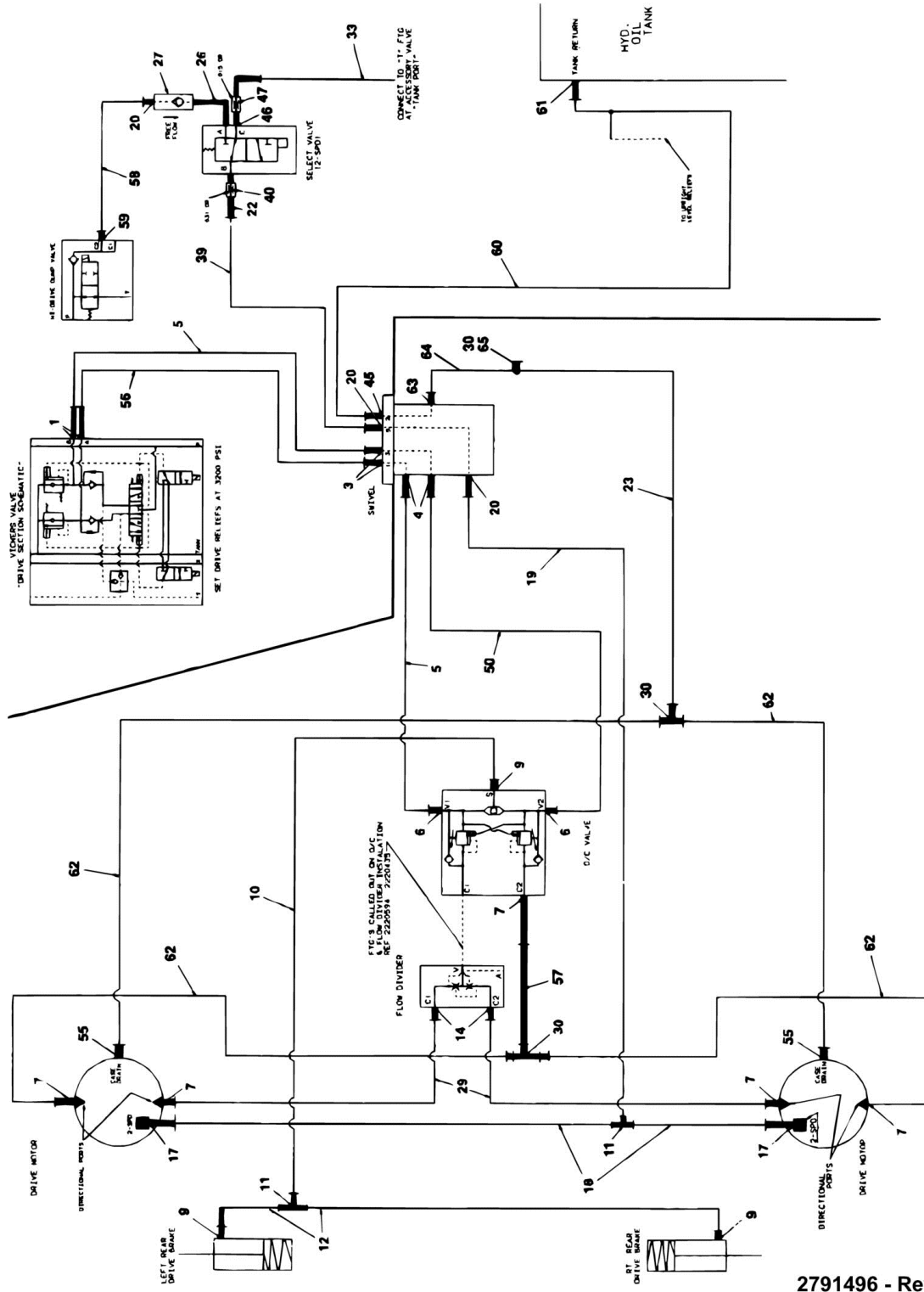
SECTION 6 - HYDRAULIC

FIGURE 6-2. AXLE LOCKOUT HYDRAULIC DIAGRAM

ITEM	PART NUMBER	QTY	DESCRIPTION	REV
	2791947	Ref	AXLE LOCKOUT HYDRAULIC DIAGRAM	A
1	2220711	1	Fitting, Tee	
2	2750756	1	Hose	
3	2220466	3	Fitting, Straight	
4	2751026	1	Hose	
5	2220504	1	Fitting, Tee	
6	2750900	1	Hose	
7	2751010	2	Hose	
8	2220472	2	Fitting, 90	
9	2220473	2	Fitting, 90	
10	2751003	1	Hose	
11	2750921	1	Hose	
12	2220490	2	Fitting, Tee	
13	2750786	1	Hose	
14	2220235	1	Plug	
15	2220609	1	Fitting, Reducer	
16	2751122	1	Hose	

SECTION 6 - HYDRAULIC

FIGURE 6-3. HYDRAULIC DIAGRAM - DRIVE (2WD/2WS)



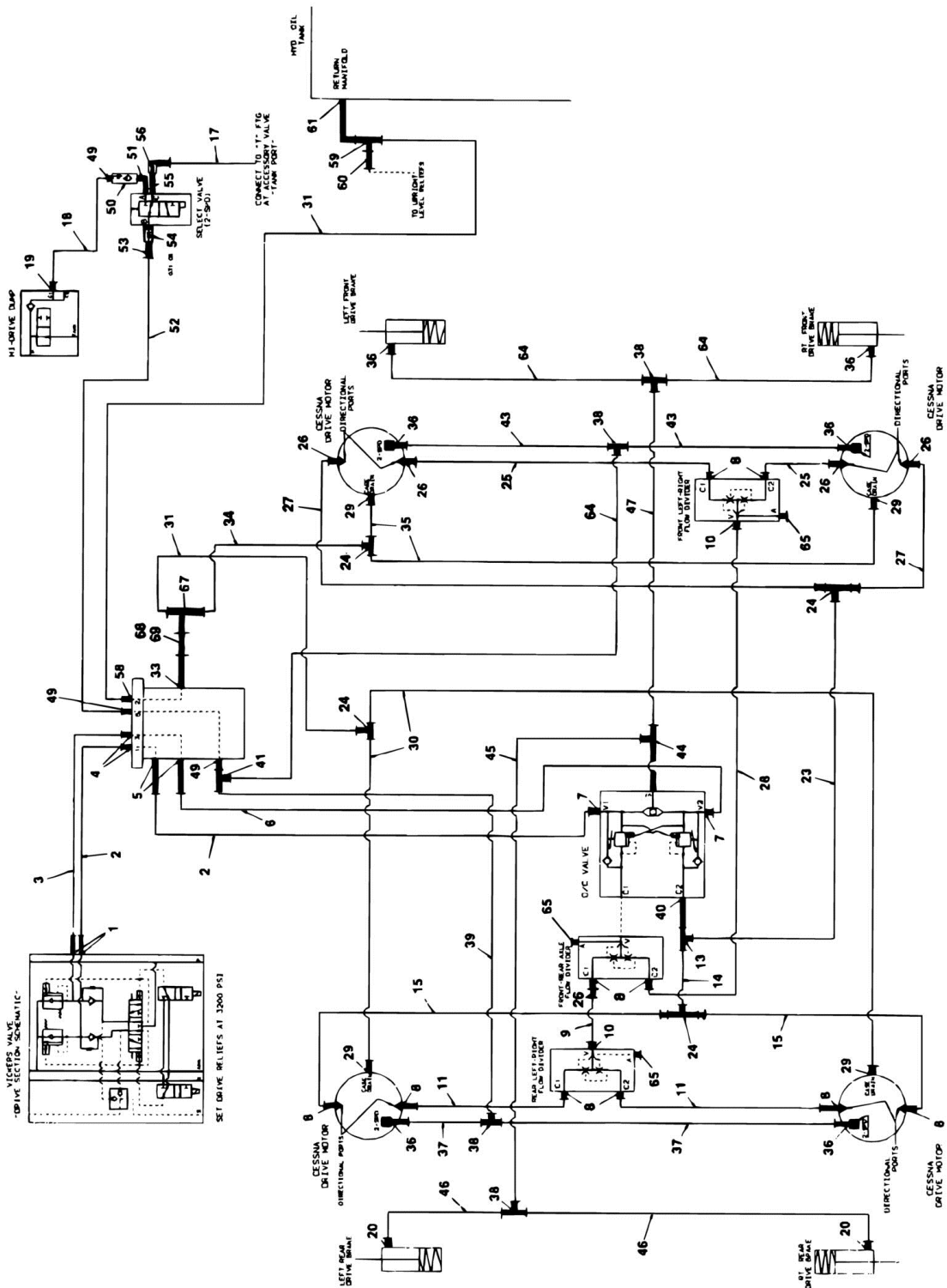
SECTION 6 - HYDRAULIC

FIGURE 6-3. HYDRAULIC DIAGRAM - DRIVE (2WD/2WS)

ITEM	PART NUMBER	QTY	DESCRIPTION	REV
	2791496	Ref	HYDRAULIC DIAGRAM - DRIVE (2WD/2WS)	E
		Ref	Note: Use for Machines with sn's 12671-12675, 12679, 12680, 12689, 12690, 12811, 12828, 12820, 12822, 12824 & up.	
1	2220451	2	Fitting, Straight	
3	2220356	2	Fitting, 45	
4	2220347	2	Fitting, Straight	
5	2750692	2	Hose	
6	2220465	2	Fitting 90	
7	2220800	5	Fitting, Straight	
9	2220466	2	Fitting, 90	
10	2751397	1	Hose	
11	2220504	2	Fitting, Tee	
12	2751014	2	Hose	
14	2220375	2	Fitting	
17	2220415	2	Fitting, Straight	
18	2751010	2	Hose	
19	2751428	1	Hose	
20	2220414	3	Fitting, Straight	
22	2220585	1	Fitting, 90	
23	2751483	1	Hose	
26	2220673	1	Fitting, 90	
27	4640197	1	Valve, Check	
29	2750774	2	Hose	
30	2220362	3	Fitting, Tee	
33	2750902	1	Hose	
39	2751415	1	Hose	
40	2220822	1	Fitting	
45	2220355	1	Fitting, 45	
46	2220417	1	Fitting, Straight	
47	2220909	1	Fitting, Straight	
50	2751341	1	Hose	
54	0100020	AR	Sealant, Thread (Not Shown)	
55	2220374	2	Fitting, Straight	
56	2751357	1	Hose	
57	2751491	1	Hose	
58	2751391	1	Hose	
59	2220582	1	Fitting, Straight	
60	2750776	1	Hose	
61	2220659	1	Fitting, 90	
62	2750929	4	Hose	
63	2220345	1	Fitting, Straight	
64	2750970	1	Hose	
65	2220517	1	Cap	

SECTION 6 - HYDRAULIC

FIGURE 6-4. HYDRAULIC DIAGRAM - DRIVE (4WD/2WS)



2791593 - Rev I

SECTION 6 - HYDRAULIC

FIGURE 6-4. HYDRAULIC DIAGRAM - DRIVE (4WD/2WS)

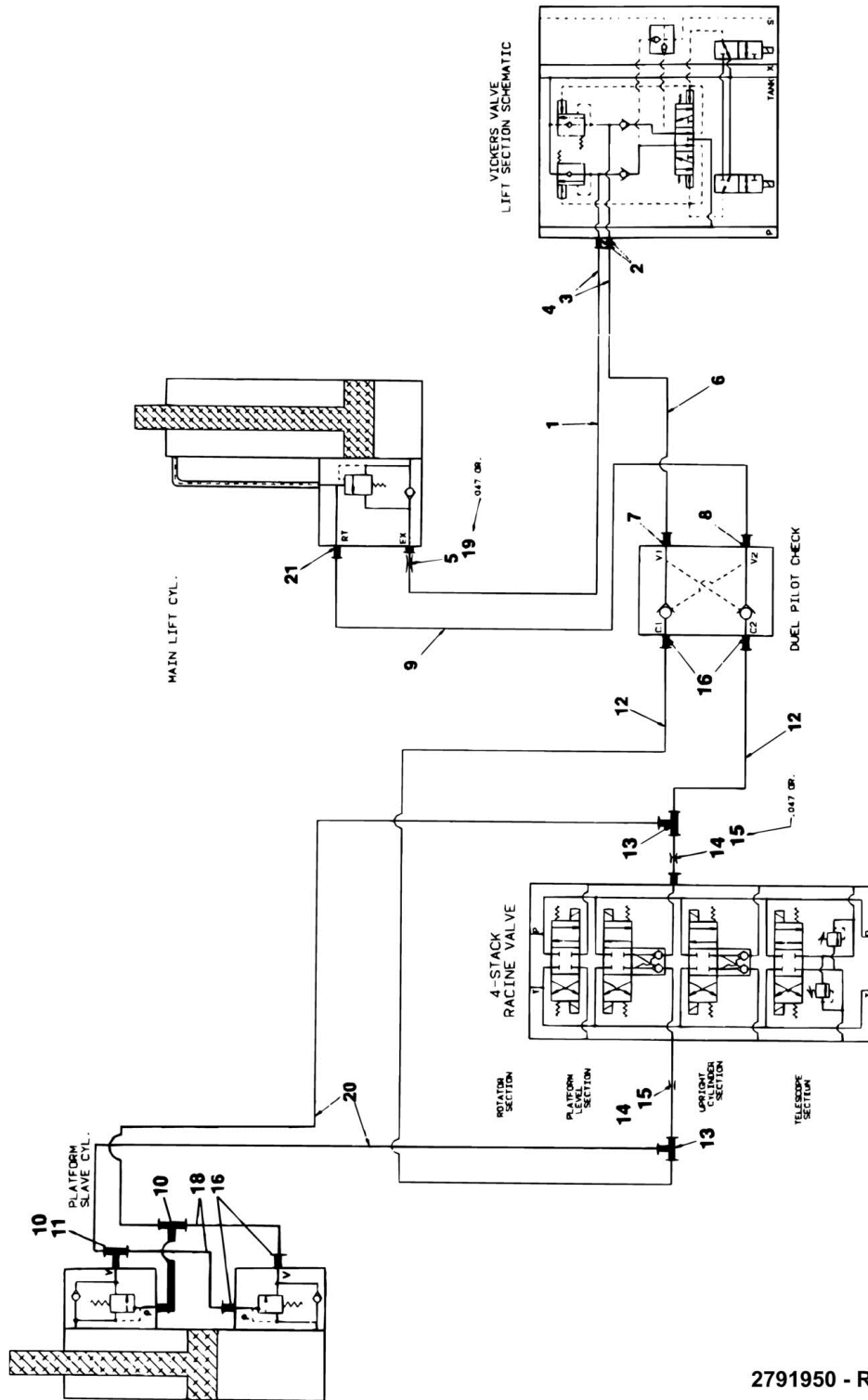
ITEM	PART NUMBER	QTY	DESCRIPTION	REV
	2791593	Ref	HYDRAULIC DIAGRAM - DRIVE (4WD/2WS)	1
1	2220451	2	Fitting	
2	2750692	2	Hose	
3	2751357	1	Hose	
4	2220356	2	Fitting, 45	
5	2220347	2	Fitting	
6	2751341	1	Hose	
7	2220465	2	Fitting	
8	2220375	9	Fitting	
9	2750969	1	Hose	
10	2220800	2	Fitting, Straight	
11	2750972	2	Hose	
13	2220602	1	Fitting, Tee	
14	2751502	1	Hose	
15	2751517	2	Hose	
17	2750902	1	Hose	
18	2751391	1	Hose	
19	2220582	1	Fitting, Straight	
20	2220466	2	Fitting, 90	
23	2750792	1	Hose	
24	2220362	4	Fitting, Tee	
25	2750771	2	Hose	
26	2220366	6	Fitting, 90	
27	2750777	2	Hose	
28	2751484	1	Hose	
29	2220596	4	Fitting, 90	
30	2750774	2	Hose	
31	2751483	2	Hose	
33	2220345	1	Fitting, Straight	
34	2750762	1	Hose	
35	2751472	2	Hose	
36	2220415	6	Fitting	
37	2751010	2	Hose	
38	2220504	4	Fitting, Tee	
39	2751428	1	Hose	
40	2220833	1	Fitting, Reducer	
41	2220605	1	Fitting, Tee	
43	2751011	2	Hose	
44	2220711	1	Fitting, Tee	
45	2751397	1	Hose	
46	2751014	2	Hose	
47	2750904	1	Hose	
49	2220414	3	Fitting	
50	4640197	1	Valve, Check	
51	2220673	1	Fitting, 90	
52	2751415	1	Hose	
53	2220585	1	Fitting, 90	
54	2220822	1	Fitting	
55	2220417	1	Fitting, Reducer	
56	2220909	1	Fitting, Straight	

SECTION 6 - HYDRAULIC

ITEM	PART NUMBER	QTY	DESCRIPTION	REV
58	2220355	1	Fitting, 45	
59	2220679	1	Fitting, Tee	
60	2220618	1	Fitting, Reducer	
61	2220070	1	Fitting, 90	
64	2751398	3	Hose	
65	2220235	3	Fitting, Plug	
67	2220469	1	Fitting, 4 Way	
68	2750970	1	Hose	
69	2220517	1	Cap	
	0100020	AR	Sealant, Thread	

SECTION 6 - HYDRAULIC

FIGURE 6-5. HYDRAULIC DIAGRAM - LIFT (MAIN BOOM)



2791950 - Rev B

SECTION 6 - HYDRAULIC

FIGURE 6-5. HYDRAULIC DIAGRAM - LIFT (MAIN BOOM)

ITEM	PART NUMBER	QTY	DESCRIPTION	REV
	2791950	Ref	HYDRAULIC DIAGRAM - LIFT (MAIN BOOM)	B
1	2751452	1	Hose	
2	2220221	2	Fitting, Reducer	
3	2220501	2	Fitting, 45	
4	2220609	2	Fitting, Reducer	
5	2180699	1	Fitting, Modified	
6	2751450	1	Hose	
7	2220582	1	Fitting	
8	2220472	1	Fitting, 90	
9	2751412	1	Hose	
10	2220899	2	Fitting, Tee	
11	2220657	1	Fitting, 45	
12	2750997	2	Hose	
13	2180379	2	Fitting, Tee	
14	2180615	2	Orifice (.047)	
15	2220591	2	Fitting, Reducer	
16	2220473	4	Fitting, 90	
18	2750778	2	Hose	
19		Ref	Orifice (.062) Options:	
19	2180448	1	Orifice (.062) (Prior to May 1995)	
19	2180380	1	Orifice (.062) (May 1995 to Present)	
20	2752468	2	Hose	
21	2220582	1	Fitting, Straight	
	0100020	AR	Sealant, Thread	

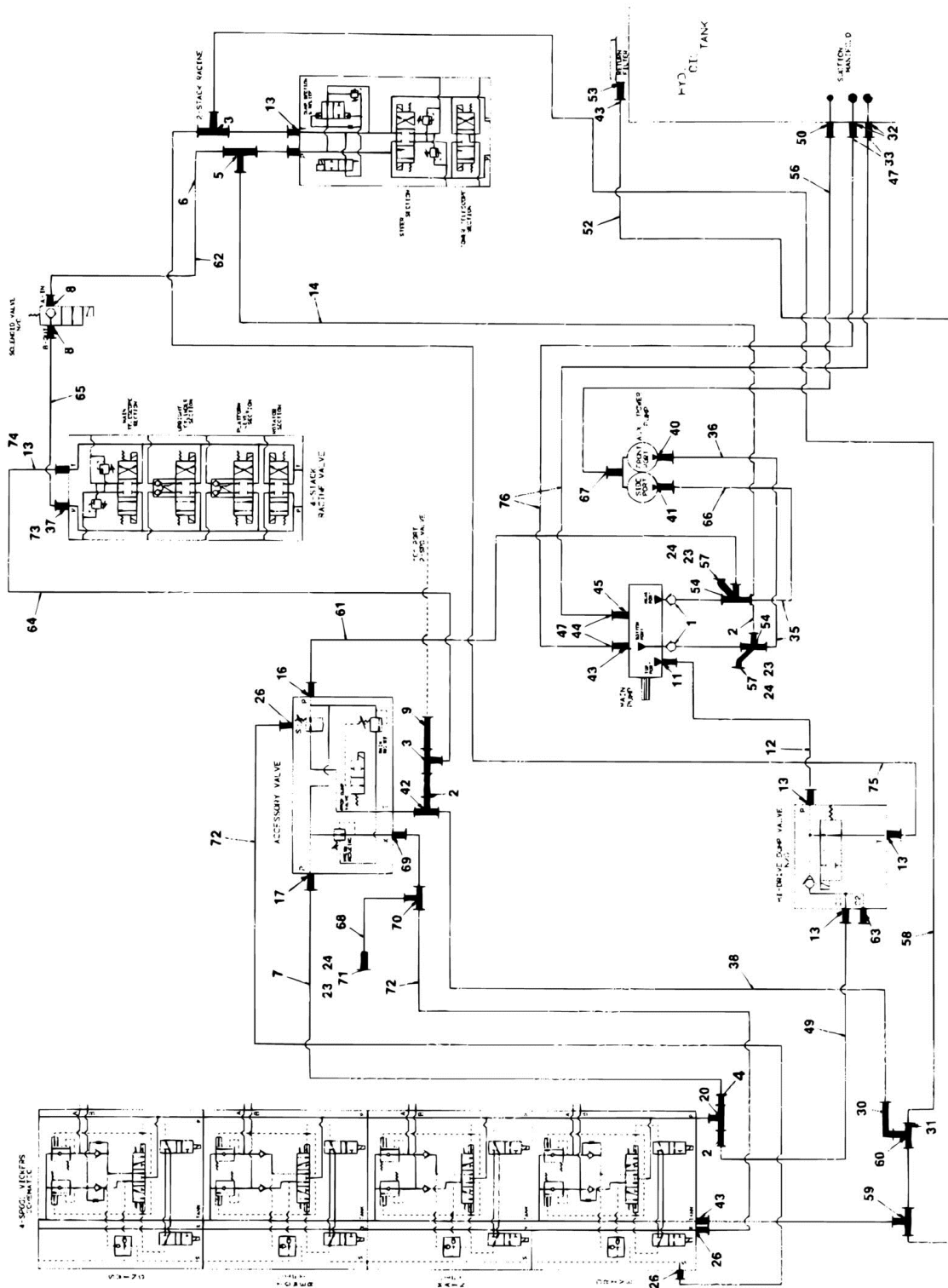
SECTION 6 - HYDRAULIC

FIGURE 6-6. HYDRAULIC DIAGRAM - LIFT (TOWER BOOM)

ITEM	PART NUMBER	QTY	DESCRIPTION	REV
	2791949	Ref	HYDRAULIC DIAGRAM - LIFT (TOWER BOOM)	B
1	2220577	2	Fitting, Straight	
2	2750921	2	Hose	
3	2751111	1	Hose	
4	2220635	2	Fitting, Tee	
5	2220371	1	Fitting	
6	2750999	1	Hose	
7	2180379	1	Fitting, Modified	
8		Ref	Orifice (.062) Options:	
8	2180448	1	Orifice (.062) (Prior to May 1995)	
8	2180380	1	Orifice (.062) (May 1995 to Present)	
9	2220606	2	Fitting	
10	2750911	1	Hose	
11	2220344	1	Fitting	
12	2220703	1	Fitting, 90	
13	2751142	1	Hose	
14	2220372	1	Fitting	
15	2751006	1	Hose	
17	2751166	2	Hose	
18	2180379	2	Fitting, Modified Tee	
19	2180621	2	Orifice (.031)	
20	2220591	2	Fitting, Reducer	
21	2751906	2	Hose	
22	2220472	4	Fitting	
23	2220628	1	Fitting, 90	
24	2750997	1	Hose	
25	2220609	7	Fitting, Reducer	
26	2750760	1	Hose	
27	2220582	1	Fitting	
28	2220473	3	Fitting, 90	
29	2750786	1	Hose	
30	2220773	1	Fitting, 90	
31	2220579	1	Fitting, Tee	
32	2220702	1	Fitting, Tee	
33	2220605	2	Fitting, Tee	
34	2751412	2	Hose	
35	4100026	5 ft/1.5m	Sleeve, Nylon	

SECTION 6 - HYDRAULIC

FIGURE 6-7. HYDRAULIC DIAGRAM - PUMPS



SECTION 6 - HYDRAULIC

FIGURE 6-7. HYDRAULIC DIAGRAM - PUMPS

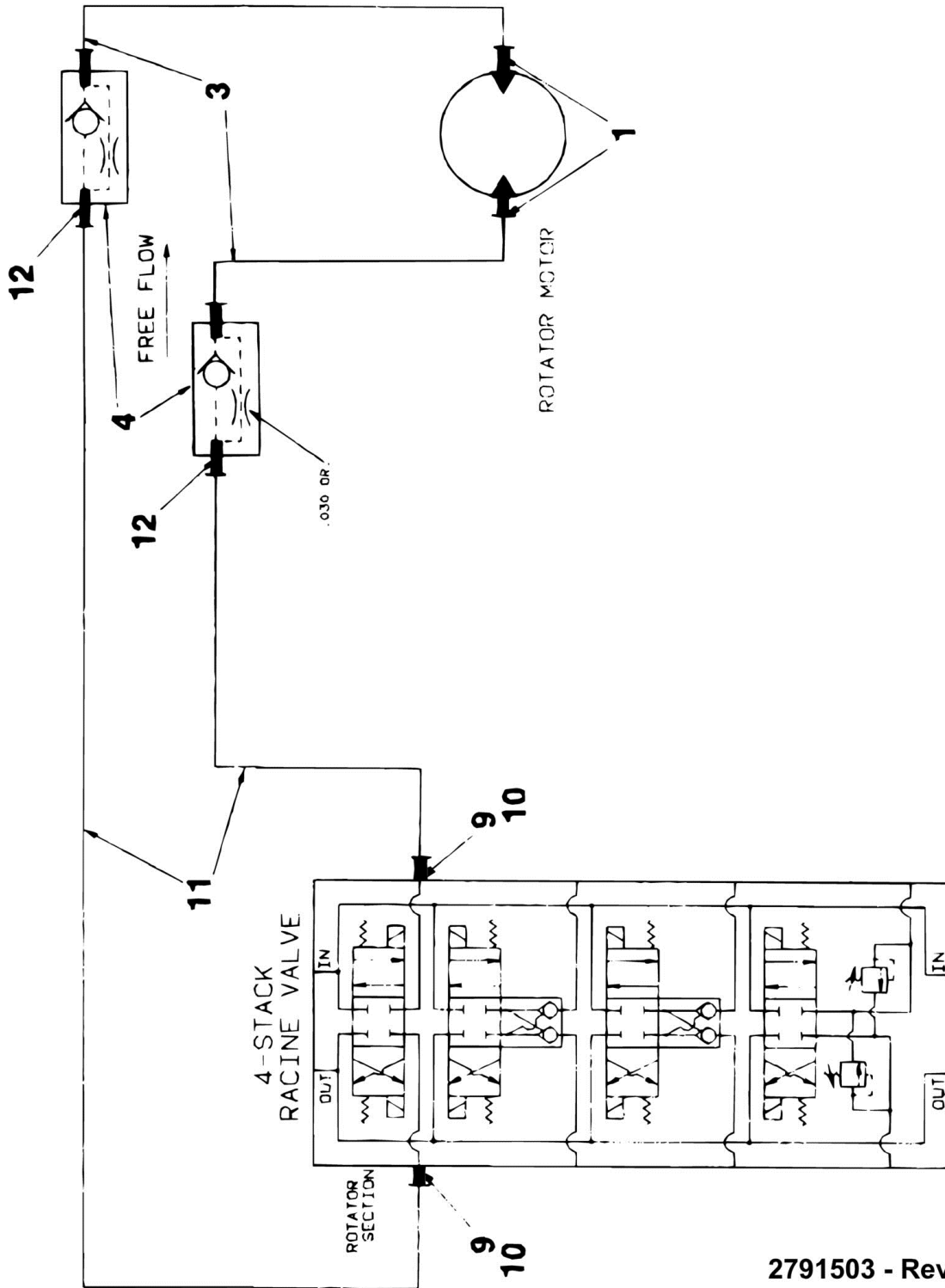
ITEM	PART NUMBER	QTY	DESCRIPTION	REV
	2791494	Ref	HYDRAULIC DIAGRAM - PUMO (FORD)	E
	2791675	Ref	HYDRAULIC DIAGRAM - PUMP (KUBOTA)	G
	2791608	Ref	HYDRAULIC DIAGRAM - PUMP (DEUTZ)	E
1	4640575	2	Valve, Check	
2	2220622	3	Fitting, Reducer	
3	2220385	2	Fitting, Tee	
4	2220409	1	Fitting, 45 (Ford and Deutz)	
5	2220602	1	Fitting, Tee	
6	2220619	1	Fitting, Reducer	
7	2751331	1	Hose	
8	2220372	2	Fitting	
9	2220618	1	Fitting, Reducer	
11	2220366	1	Fitting, 90 (Kubota)	
11	2220375	1	Fitting, Straight (Ford and Deutz)	
12	2750757	1	Hose (Ford)	
12	2750979	1	Hose (Kubota)	
12	2750792	1	Hose (Deutz)	
13	2220373	5	Fitting (Ford and Kubota)	
13	2220373	4	Fitting (Deutz)	
13	2220500	1	Fitting, 45 (Deutz)	
14	2750763	1	Hose (Ford and Kubota)	
14	2751489	1	Hose (Deutz)	
16	2220578	1	Fitting, 90	
17	2220451	1	Fitting	
20	2220695	1	Fitting, Tee	
23	2220428	3	Fitting, Quick Disconnect	
24	2220429	3	Cap, Dust	
26	2220582	3	Fitting	
30	2220710	1	Fitting, Reducer	
31	2220624	1	Fitting, Reducer	
32	2220349	2	Fitting	
33	2210014	2	Fitting, 90 Barbed	
35	2220621	2	Fitting, Reducer	
36	2751004	1	Hose (Ford)	
36	2750997	1	Hose (Kubota)	
36	2750908	1	Hose (Deutz)	
37	2220371	1	Fitting	
38	2751373	1	Hose	
40	2220603	1	Fitting (Ford)	
40	2220371	1	Fitting (Kubota)	
40	2220473	1	Fitting, 90 (Deutz)	
41	2220603	1	Fitting (Ford and Deutz)	
41	2220775	1	Fitting, 90 (Kubota)	
42	2220738	1	Fitting, Tee	
43	2220377	3	Fitting	
44	2210003	2	Fitting, Barbed (Ford)	
44	2210014	2	Fitting, Barbed (Kubota)	
44	2210028	2	Fitting, Barbed (Deutz)	
45	2220379	1	Fitting	
47	1320033	8	Clamp	

SECTION 6 - HYDRAULIC

ITEM	PART NUMBER	QTY	DESCRIPTION	REV
49	2750777	1	Hose	
50	2220346	1	Fitting	
52	2751931	1	Hose	
53	2220329	1	Fitting, Reducer	
54	2180683	2	Fitting, Modified Tee	
56	2751469	1	Hose	
57	2220820	2	Fitting, 90	
58	2750757	1	Hose	
59	2220384	1	Fitting, Tee	
60	2220642	1	Fitting, Tee	
61	2751331	1	Hose (Ford and Kubota)	
61	2751322	1	Hose (Deutz)	
62	2751113	1	Hose	
63	2220237	1	Fitting (Ford and Deutz Only)	
64	2751509	1	Hose	
65	2751839	1	Hose	
66	2751002	1	Hose (Ford)	
66	2750997	1	Hose (Kubota)	
66	2750908	1	Hose (Deutz)	
67	2220671	1	Fitting, 90 (Ford and Kubota)	
67	2220596	1	Fitting, 90 (Deutz)	
68	2751010	1	Hose	
69	2220727	1	Fitting	
70	2220584	1	Fitting, Tee	
71	2220414	1	Fitting	
72	2751391	2	Hose	
73	2220507	2	Fitting, 90	
74	2220386	1	Fitting, 90	
75	2750928	1	Hose	
76	2720332	2	Hose, Suction (Ford)	
76	2720335	2	Hose, Suction (Kubota)	
76	2720343	2	Hose, Suction (Deutz)	
	0100020	AR	Sealant, Thread	

SECTION 6 - HYDRAULIC

FIGURE 6-8. HYDRAULIC DIAGRAM - ROTATOR



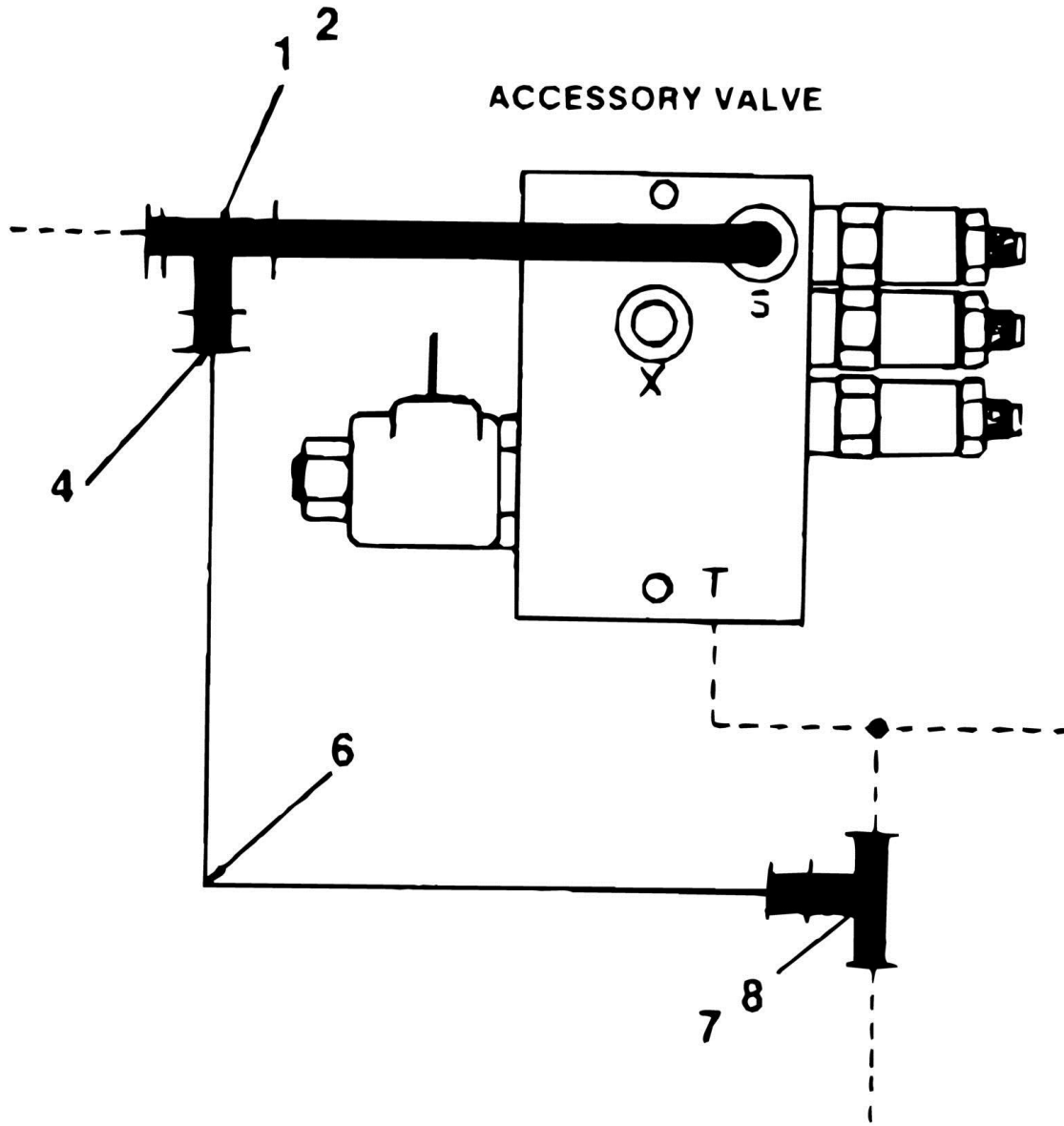
SECTION 6 - HYDRAULIC

FIGURE 6-8. HYDRAULIC DIAGRAM - ROTATOR

ITEM	PART NUMBER	QTY	DESCRIPTION	REV
	2791503	Ref	HYDRAULIC DIAGRAM - ROTATOR	B
1	2220218	2	Fitting, Adapter	
3	2220895	2	Fitting, Straight	
4	4640778	2	Valve, Restrictor	
9	2220214	2	Fitting, Reducer	
10	2220502	2	Fitting, 45	
11	2751920	2	Hose	
12	2220466	2	Fitting, 90	
	0100020	AR	Sealant, Thread	

SECTION 6 - HYDRAULIC

FIGURE 6-9. HYDRAULIC DIAGRAM - SEQUENCE



2791696 - Rev A

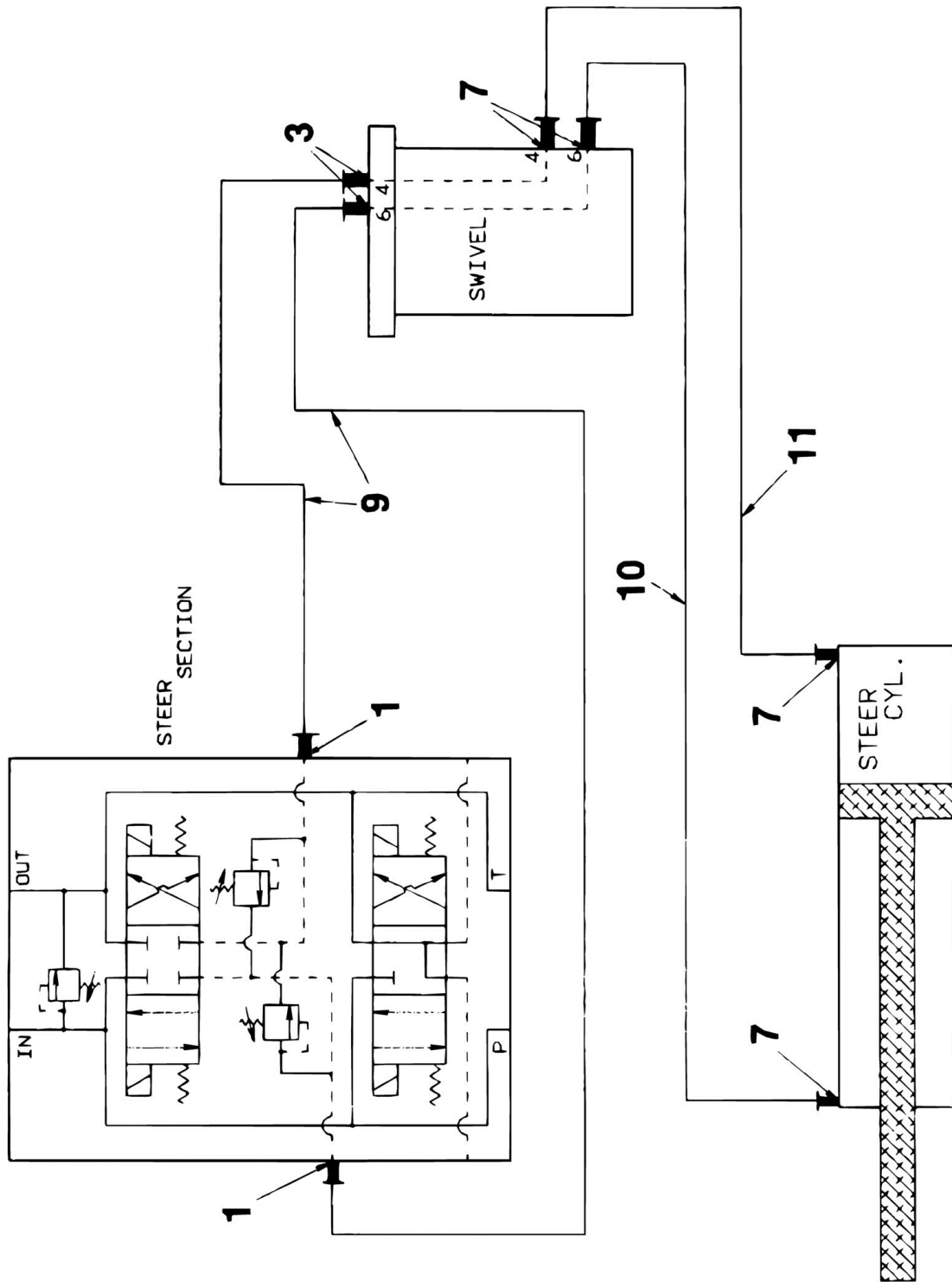
SECTION 6 - HYDRAULIC

FIGURE 6-9. HYDRAULIC DIAGRAM - SEQUENCE

ITEM	PART NUMBER	QTY	DESCRIPTION	REV
	2791696	Ref	HYDRAULIC DIAGRAM - SEQUENCE	A
1	2220582	1	Fitting, Adapter	
2	2220605	1	Fitting, Tee	
4	2220909	1	Fitting, Restrictor (.015)	
6	2751018	1	Hose	
7	2220618	1	Fitting, Reducer	
8	2220385	1	Fitting, Tee	

SECTION 6 - HYDRAULIC

FIGURE 6-10. HYDRAULIC DIAGRAM - STEER



1281049 - Rev C

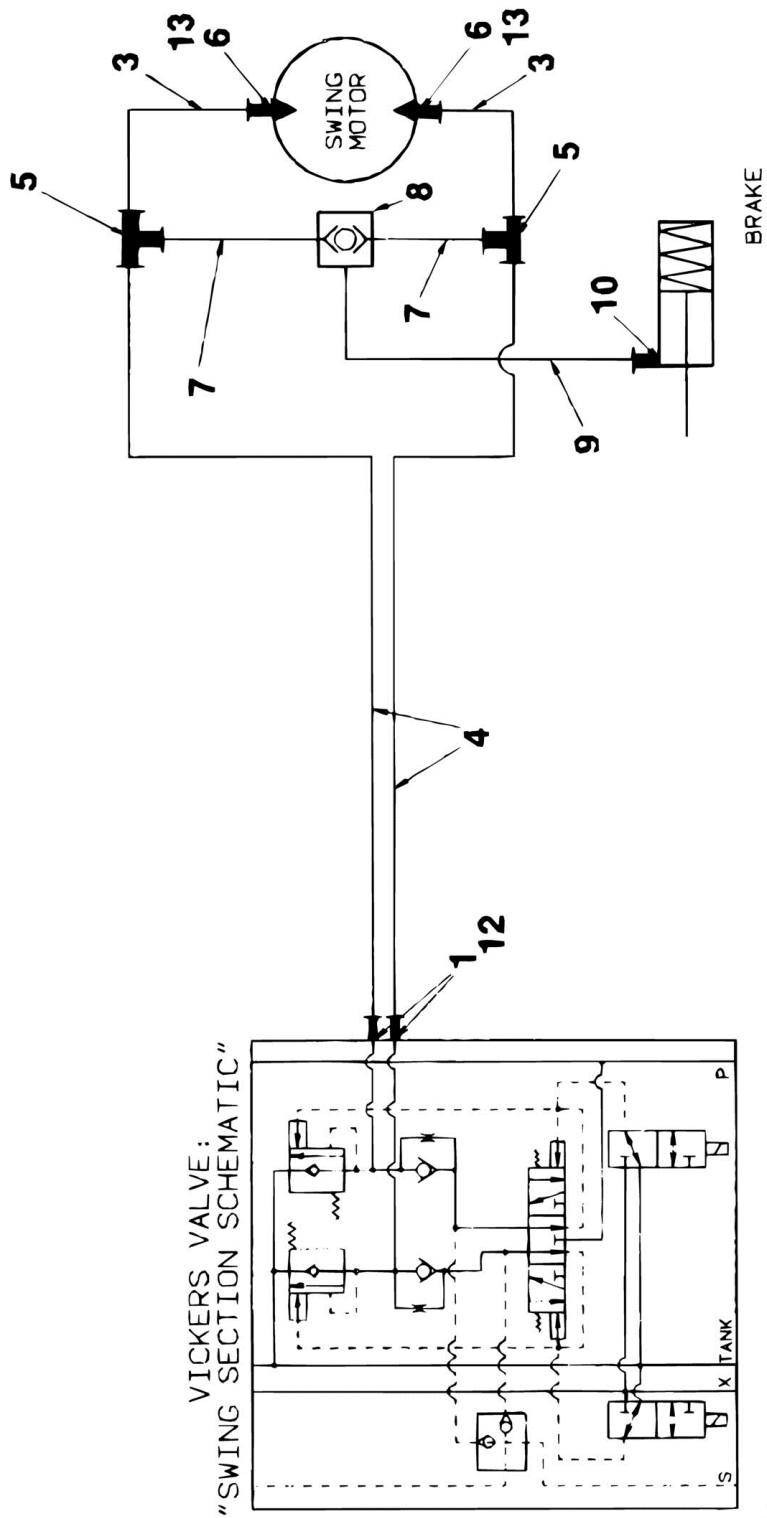
SECTION 6 - HYDRAULIC

FIGURE 6-10. HYDRAULIC DIAGRAM - STEER

ITEM	PART NUMBER	QTY	DESCRIPTION	REV
	2791505	Ref	HYDRAULIC DIAGRAM - STEER (FIXED AXLE) (2WS)	A
	2791579	Ref	HYDRAULIC DIAGRAM - STEER (OSCILLATING AXLE) (2WS)	B
1	2220468	2	Fitting	
3	2220496	2	Fitting, 45	
7	2220416	4	Fitting, 90	
9	2750903	2	Hose	
10	2750904	1	Hose (Fixed Axle)	
10	2751406	1	Hose (Oscillating Axle)	
11	2751899	1	Hose (Fixed Axle)	
11	2751406	1	Hose (Oscillating Axle)	
	0100020	AR	Sealant, Thread	

SECTION 6 - HYDRAULIC

FIGURE 6-11. HYDRAULIC DIAGRAM - SWING



2791501 - Rev A

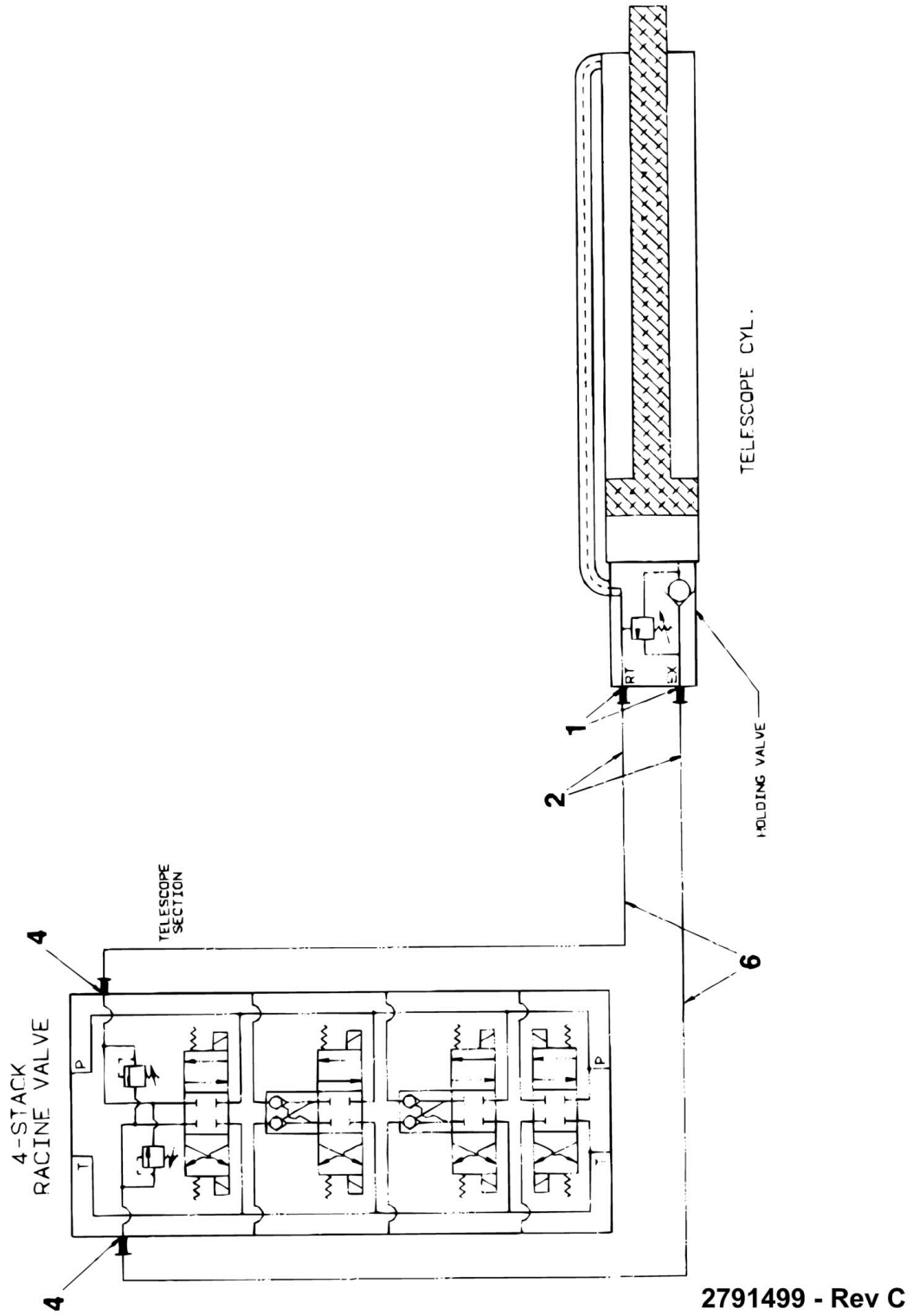
SECTION 6 - HYDRAULIC

FIGURE 6-11. HYDRAULIC DIAGRAM - SWING

ITEM	PART NUMBER	QTY	DESCRIPTION	REV
	2791501	Ref	HYDRAULIC DIAGRAM - SWING	A
1	2220221	2	Fitting, Reducer	
3	2220609	2	Fitting, Reducer	
4	2751012	2	Hose	
5	2220605	2	Fitting, Tee	
6	2180377	2	Fitting, Modified	
7	2750901	2	Hose	
8	4640574	1	Valve, Shuttle	
9	2750900	1	Hose	
10	2220466	1	Fitting, 90	
12	2220472	2	Fitting, 90	
13	2180732	2	Fitting, Orifice (.093)	
	0100020	AR	Sealant, Thread	

SECTION 6 - HYDRAULIC

FIGURE 6-12. HYDRAULIC DIAGRAM - TELESCOPE (MAIN BOOM)



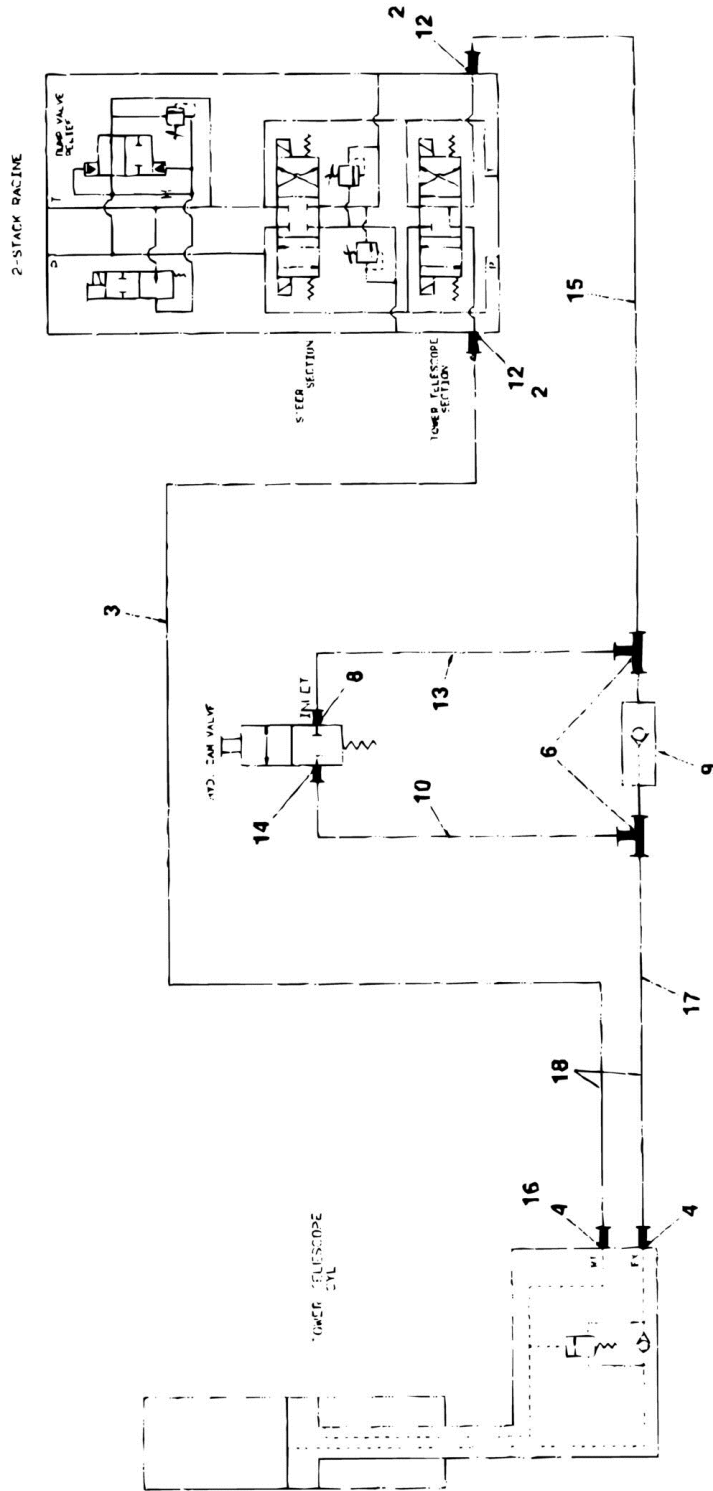
SECTION 6 - HYDRAULIC

FIGURE 6-12. HYDRAULIC DIAGRAM - TELESCOPE (MAIN BOOM)

ITEM	PART NUMBER	QTY	DESCRIPTION	REV
	2791499	Ref	HYDRAULIC DIAGRAM - TELESCOPE (MAIN BOOM)	C
1	2220773	2	Fitting, 90	
2	2220507	2	Fitting, 90	
4	2220372	2	Fitting	
6	2750910	2	Hose	
	0100020	AR	Sealant, Thread	

SECTION 6 - HYDRAULIC

FIGURE 6-13. HYDRAULIC DIAGRAM - TELESCOPE (TOWER BOOM)



2791500 - Rev E

SECTION 6 - HYDRAULIC

FIGURE 6-13. HYDRAULIC DIAGRAM - TELESCOPE (TOWER BOOM)

ITEM	PART NUMBER	QTY	DESCRIPTION	REV
	2791500	Ref	HYDRAULIC DIAGRAM - TELESCOPE (TOWER BOOM)	6-E
2	2220501	2	Fitting, 45	
3	2751114	1	Hose	
4	2220343	2	Fitting	
6	2220606	2	Fitting, Tee	
8	2220703	1	Fitting, 90	
9	4640774	1	Valve, Check	
10	2750998	1	Hose	
12	2220591	2	Fitting, Reducer	
13	2750992	1	Hose	
14	2220344	1	Fitting	
15	2750785	1	Hose	
17	2751110	1	Hose	
18	4100026	10 ft/3.0m	Sleeve, Hose	
	0100020	AR	Sealant, Thread	

SECTION 7 - ELECTRICAL

SECTION 7 - ELECTRICAL

FIGURE 7-1. ELECTRICAL DIAGRAM LIST

ITEM	PART NUMBER	QTY	DESCRIPTION	REV
		Ref	ELECTRICAL DIAGRAM LIST	
		Ref	Note: Diagrams not shown in manual are available from the JLG Service/Parts Department.	
		Ref	Alarm Electrical Diagrams Options	
		Ref	Alarm Electrical Diagrams (Machines Built Prior to January 1993)	
	4932024	Ref	Back-up Alarm with Lights Electrical Diagram	-
	0610091	1	Card, Circuit	
	3740049	1	Relay	
	4931947	Ref	Travel/Back-up/Swing Descent Electrical Diagram	G
	1281985	Ref	Travel/Back-up/Swing Descent Electrical Diagram	G
	0610091	1	Card, Circuit	
	3740049	1	Relay	
	4931946	Ref	Motion Electrical Diagram	-
	3990010	2	Diode - 6 Amp	
	3740049	1	Relay, Bosch - SPDT	
	0140016	1	Alarm, Horn	
	4932063	Ref	Tilt Electrical Diagram (3)	A
	4931954	Ref	Tilt Electrical Diagram (5)	3-C
	4931950	Ref	Tilt Electrical Diagram (5 With Cut-Out)	-
	0140016	1	Alarm, Horn	
	3740049	1	Relay, Bosch - SPDT	
	4360089	1	Flasher - 12V (Without Cut-Out)	
	4360229	1	Switch, Toggle - SPDT M/C Override (With Cut-Out)	
		Ref	Switch, Toggle - SPDT M/C Override) (With Cut-Out) (Machines Built January 1993 to Present)	
	4932637	Ref	Travel Electrical Diagram	2
	1282091	Ref	Travel Electrical Diagram	D
	0610104	1	Card, Circuit	
	4932639	Ref	Motion Electrical Diagram	2
	1282091	Ref	Motion Electrical Diagram	D
	3740049	1	Relay	
	3990010	2	Diode - 6 Amp	
	1060341	11 ft/3.4m	Cable, Electrical - 16/2	
	0253077	Ref	Tilt Electrical Diagram	5
	0140026	1	Alarm	
	1540002	1	Capacitor	
	1281186	Ref	Cold Weather Electrical Diagram (Deutz)	G
	4932362	Ref	Collector Ring Electrical Diagram (4WS)	A
	1281526	Ref	Collector Ring Electrical Diagram (4WS)	C
	1060042	14 ft	Cable, Electrical - 16/5	
	4460260	1	Connector, Strain Relief (At Ground Control Box)	
	0960239	1	Bushing	
	3300047	1	Nut, Conduit	
	4931444	Ref	Dual Fuel Electrical Diagram (Ford) (Prior to June 1995)	E
	1281738	Ref	Dual Fuel Electrical Diagram (Ford) (Prior to June 1995)	H
	4921305	1	Harness (M.T.B. to Gas and LP Solenoid Valves)	
	4360201	1	Switch, Toggle - DPDT	
	4932813	Ref	Dual Fuel Electrical Diagram (Ford) (June 1995 to Present)	-

SECTION 7 - ELECTRICAL

ITEM	PART NUMBER	QTY	DESCRIPTION	REV
	4921763	1	Harness (M.T.B. to Gas and LP Solenoid Valves)	
	4360201	1	Switch, Toggle - DPDT	
	0251537	Ref	Engine Distress Electrical Diagram - Deutz Machines	D
	1281525	Ref	Engine Distress Electrical Diagram - Deutz Machines	E
	4921361	1	Harness	
	4360065	1	Switch, Pressure	
	2920026	1	Lamp, Indicator (At Platform Console)	
	0252625	Ref	Engine Distress Electrical Diagram - Ford Machines	5-E
	2920026	1	Light (At Platform Console)	
	4360182	1	Switch, Oil Pressure	
	4360157	1	Switch, Water Temperature	
	3740049	1	Relay	
	2920029	1	Bulb	
	0252394	Ref	Engine Distress Electrical Diagram - Kubota Machines	A
	2920026	1	Lamp, Indicator (At Platform Console)	
	4360182	1	Switch, Oil Pressure	
	4360157	1	Switch, Water Temperature	
	3740049	1	Relay	
	4931940	Ref	Engine Shutdown Electrical Diagram (Deutz) (Up to 1990)	A
	4360179	1	Switch, Engine Temperature (On Cylinder Head)	
	4360022	1	Switch, Oil Pressure	
	2180089	1	Fitting, Tee	
	2750529	1	Hose (To Engine Filter)	
	3740033	1	Relay - Engine Shutdown	
	0251682	Ref	Engine Shutdown Electrical Diagram (Deutz) (1991 to Present)	-
	3990010	1	Diode - 6 Amp	
	3740049	1	Relay, Bosch - SPDT	
	4360065	1	Switch, Pressure - N.C.	
	4931945	Ref	110V (Deutz and Kubota)	A
	4932806	Ref	110V (Feb. 1995 to Present)	3-B
	4931692	Ref	110V (Ford) (All Machines Built to Date When Factory Installed) (Prior to Feb. 1995)	D
	4931944	Ref	110V (Ford) (Never used)	A
	4460027	1	Outlet, Electrical - Female Twist Lock	
	3990001	1	Diode - 3.5 Amp (Deutz and Kubota)	
	3990010	3	Diode - 6.5 Amp (Ford)	
	3740049	2	Relay, Bosch - SPDT	
	4360294	1	Breaker, Circuit - 30 Amp Marine Type	
		Ref	Glow Plug Electrical Diagram (Kubota Engines)	
	4921555	1	Harness	
	4931998	Ref	Heaters Electrical Diagram	2-A
	1060016	20 ft	Cable, Electrical - 16/3 (Heaters to Junction Box)	
	1060515	3 ft	Cable, Electrical - 12/4 (Thermostat to Junction Box) (p/n was 1060012)	
	0251757	Ref	Horn Switch at Ground Control Electrical Diagram	-
	4360274	1	Switch, Push Button - SPST	
	3740049	1	Relay, Bosch - SPDT	
	3252102	1	Nameplate - Horn	
	0251696	Ref	Hydraulic Filter Indicator Electrical Diagram	-
	4360219	1	Switch, Clogged Filter	
	2920026	1	Lamp, Indicator - Red	
	2920029	1	Bulb	

SECTION 7 - ELECTRICAL

ITEM	PART NUMBER	QTY	DESCRIPTION	REV
	3252096	1	Decal - Indicates Clogged Filter	
	4932490	Ref	Japanese Electrical Modification	-
		Ref	LIGHTS ELECTRICAL DIAGRAM OPTIONS	
	4931085	Ref	All (Prior to July 1989)	-
	4932024	Ref	Back-up Lights Electrical Diagram	-
	0610091	1	Card, Circuit	
	3740049	1	Relay	
	4931942	Ref	Beacon Light On Hood Electrical Diagram	5-C
	0238864	Ref	Beacon Light On Platform Electrical Diagram (In Front of Console)	-
	0238865	Ref	Beacon Light On Platform Electrical Diagram (In Front of Console)	-
	1281671	Ref	Beacon Light On Platform Electrical Diagram (Under Console)	D
	2920018	1	Light, Beacon - Amber	
	2920009	1	Light, Beacon - Red	
	4931941	Ref	Headlights and Taillights Electrical Diagram	E
	3740049	1	Relay, Bosch - SPDT (At Ground Control Box)	
	4360199	1	Switch, Toggle - SPST (At Platform Console Box)	
	3251019	1	Nametag - Light On	
	1060016	AR	Cable, Electrical - 16/3	
	2920019	2	Taillight/Clearance Light	
	3740002	1	Relay, Power	
	0251619	Ref	Panel Lights Electrical Diagram	A
	1281525	Ref	Panel Lights Electrical Diagram	E
	0251690	Ref	Panel Lights Electrical Diagram (Hydraulic Controls)	B
	2920024	3	Light, Panel	
	4931943	Ref	Worklights Electrical Diagram (July 1989 to January 1993)	-
	4360232	1	Breaker, Circuit - 15 Amp	
	2920013	2	Worklight	
	0253987	Ref	Worklights Electrical Diagram - Without Platform Padding (January 1993 to Present)	4-C
	0254748	Ref	Worklights Electrical Diagram - With Platform Padding (January 1993 to Present)	2/-
	2920111	2	Worklight, Halogen	
	0253433	Ref	Oil Cooler Electrical Diagram	-
	4921529	1	Harness	
		Ref	Platform Electrical Diagrams Options	
		Ref	OEM Controllers:	
	4931917	Ref	Platform Electrical Diagram Without Prop Tele	A
	4931972	Ref	Platform Electrical Diagram With Prop Tele	-
	1060309	8 ft/2.4m	Cable, Electrical - 12/4 (To Footswitch)	
	3990010	2	Diode - 6 Amp	
	1540002	1	Capacitor 1000mf/25VDC	
		Ref	PQ Controllers - Prior to January 1993	
	4931918	Ref	2WS	F
	1281522	Ref	2WS	H
	4932569	Ref	2WS With Creep	A
	1281863	Ref	2WS With Creep	A
	4932361	Ref	4WS	A
	1281522	Ref	4WS	H
	4932515	Ref	4WD With Creep	A

SECTION 7 - ELECTRICAL

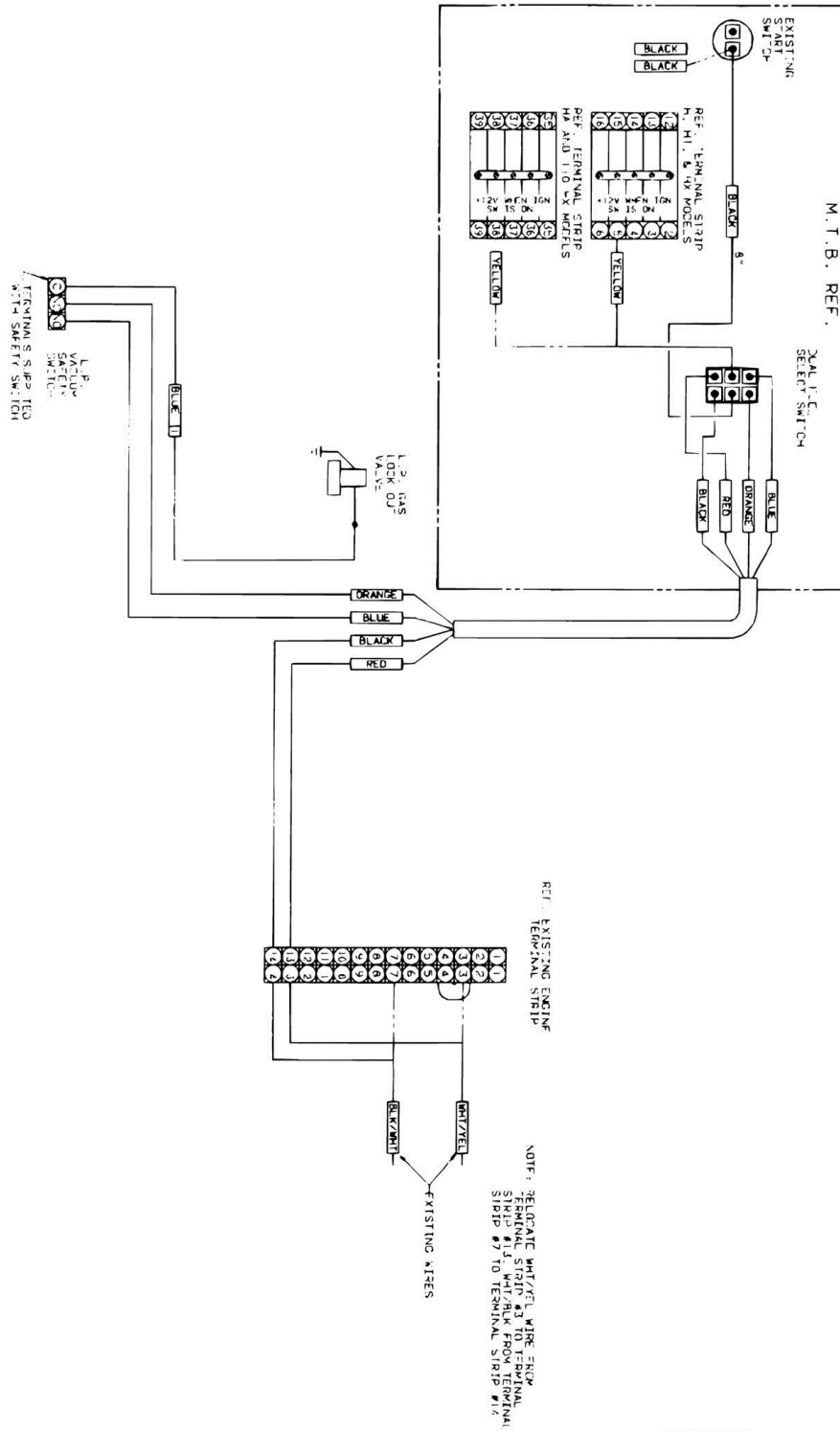
ITEM	PART NUMBER	QTY	DESCRIPTION	REV
	1281863	Ref	4WD With Creep	A
	4932488	Ref	U/L	C
	3990010	2	Diode - 6 Amp (2WS)	
	3990010	4	Diode - 6 Amp (4WS)	
	1540002	1	Capacitor - 1000MF/25VDC	
	1060515	10 ft/3.0m	Cable, Electrical - 12/4 (To Footswitch) (was p/n 1060309)	
	2400026	1	Fuse - 5 Amp (U/L Only)	
	Ref		PQ Controllers - January 1993 to Present	
	4932598	Ref	2WS With Creep (2WD - Jan. 1993 to Present/4WD - Jan. 1993 to Jan. 1995)	B
	1282002	Ref	2WS With Creep (2WD - Jan. 1993 to Present/4WD - Jan. 1993 to Jan. 1995)	-
	4932785	Ref	2WS With Creep (2WD - January 1995 to Present)	A
	1282387	Ref	2WS With Creep (2WD - January 1995 to Present)	-
	9983562	Ref	2WS With Thumb Steer and Creep	-
	4932599	Ref	4WS With Creep (2WD - Jan. 1993 to Present/4WD - Jan. 1993 to Jan. 1995)	A
	1282002	Ref	4WS With Creep (2WD - Jan. 1993 to Present/4WD - Jan. 1993 to Jan. 1995)	-
	4932786	Ref	4WS With Creep (4WD - Jan. 1993 to Jan. 1995)	A
	1282387	Ref	4WS With Creep (4WD - Jan. 1993 to Jan. 1995)	-
	1060515	8 ft;2.4m	Cable, Electrical - 12/4 (To Footswitch) (was p/n 1060309)	
	3990010	3	Diode - 6 Amp (2WD/2WS)	
	3990010	5	Diode - 6 Amp (2WD/4WS)	
	3990010	4	Diode - 6 Amp (4WD/2WS)	
	3990010	6	Diode - 6 Amp (4WD/4WS)	
	1540002	1	Capacitor - 1000MF/25V	
	Ref		Platform Bumper Proximity Switches Electrical Diagram Options	
	1282190	Ref	Chain Attach Bumper Proximity Switch (Soft Touch System) Electrical Diagram	C
	4360057	1	Switch, Limit	
	4360274	1	Switch, Push-Button (Override)	
	3740049	2	Relay	
	4932075	Ref	Welded-on Bumper Proximity Switch Electrical Diagram	B
	3740045	1	Relay	
	4360274	1	Switch, Push Button (Override)	
	4932340	Ref	Platform Safe-Load System Electrical Diagram (Japanese Spec)	C
	3740049	2	Relay	
	3990010	1	Diode - 6 Amp	
	1693405	1	Timer	
	4932052	Ref	Power Tool Electrical Diagram	-
	Ref		Remote Control Electrical Diagram Options	
	0238954	Ref	Remote Control Box Electrical Diagram	D
	0251687	Ref	Remote Control Electrical Diagram (Box to Ground Control)	-
	4931980	Ref	Standard Electrical Diagram (Deutz) (Prior to September 1990)	B
	4931979	Ref	Standard Electrical Diagram (Deutz) (September 1990 to Present)	M
	Ref		Harness - Engine	
	4921208	1	Harness - Engine (Prior to SN 34339)	
	4921767	1	Harness - Engine (SN 34339 to Present)	
	4921161	1	Harness - Valves	

SECTION 7 - ELECTRICAL

ITEM	PART NUMBER	QTY	DESCRIPTION	REV
	1060300	20 ft/6m	Cable, Electrical - 16/3 (To Horizontal Limit Switch)	
	3990010	8	Diode - 6 Amp	
	3730095	1	Resistor - 7.5 Ohms/10 Watt	
	4931920	Ref	Ford (Engines and Valves) (Prior to February 1995)	A
	4931919	Ref	Ford - LSG (Engine and Main Terminal Box) (Prior to February 1995)	F
	4932761	Ref	Ford - LRG (February 1995 to June 1995)	B
	4932814	Ref	Ford - LRG (June 1995 to Present)	B
	4932489	Ref	Ford U/L	D
	3990010	9	Diode - 6 Amp	
	4921161	1	Harness - Valves	
	1060300	20 ft/6m	Cable, Electrical - 16/3 (To Horizontal Limit Switch)	
		Ref	Harness - Engine (Standard Ford) Options:	
	4921162	1	Ford - LSG (Prior to February 1995)	
	4921721	1	Ford - LRG (February 1995 to June 1995)	
	4921765	1	Ford - LRG (June 1995 to Present)	
	4921421	1	Harness - Engine (U/L Ford)	
		Ref	Resistor - 7.5 Ohms/8 Watt Options:	
	3730004	1	Resistor - 7.5 Ohms/8 Watt (Prior to June 1995)	
	3730095	1	Resistor - 7.5 Ohms/8 Watt (June 1995 to Present)	
	4932050	Ref	Standard Electrical Diagram (Kubota)	G
	3990010	8	Diode - 6 Amp	
	4921257	1	Harness - Engine and Valves	
	1060300	20 ft/6m	Cable, Electrical - 16/3 (To Horizontal Limit Switch)	
	3730095	1	Resistor - 7.5 Ohms/10 Watts	
	3730003	1	Resistor - 20 Ohms/8 Watts	I
	4932362	Ref	Steer Electrical Diagram (4WS)	A
	1281526	Ref	Steer Electrical Diagram (4WS)	C
	1060042	15 ft/4.5m	Cable, Electrical - 16/5	
	4460260	1	Connector, Strain Relief (At Ground Control Box)	
	0960239	1	Bushing	
	3300047	1	Nut, Conduit	
	4932793	Ref	Tilt Indicator Electrical Diagram - 4WD Machines Built After January 1995	-
	4921743	1	Harness	
	4932052	Ref	Tool Circuit Electrical Diagram	-
	4360199	1	Switch, Toggle - SPST	

SECTION 7 - ELECTRICAL

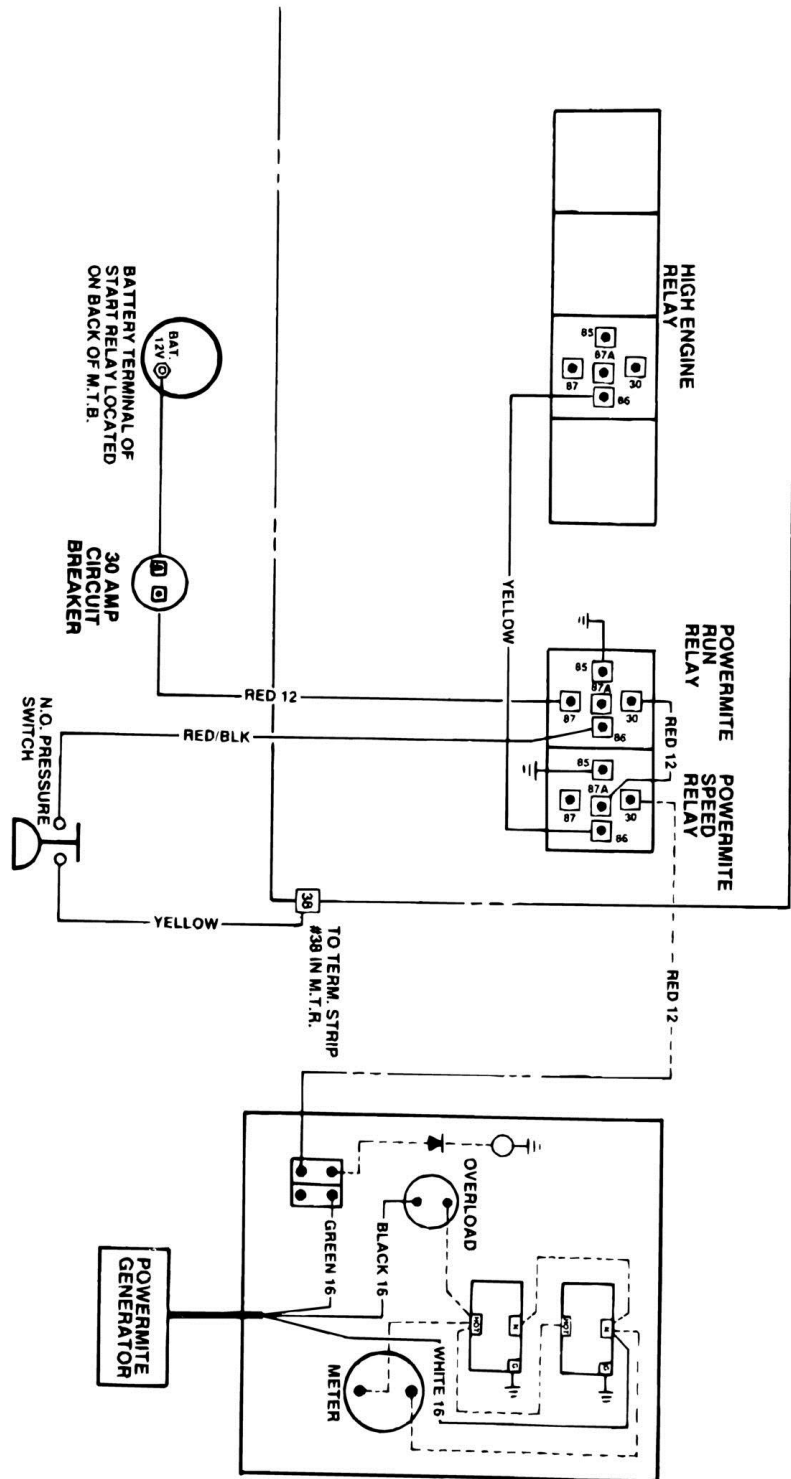
FIGURE 7-2. ELECTRICAL DIAGRAM - DUAL FUEL (FORD ENGINES)



4932813 —

SECTION 7 - ELECTRICAL

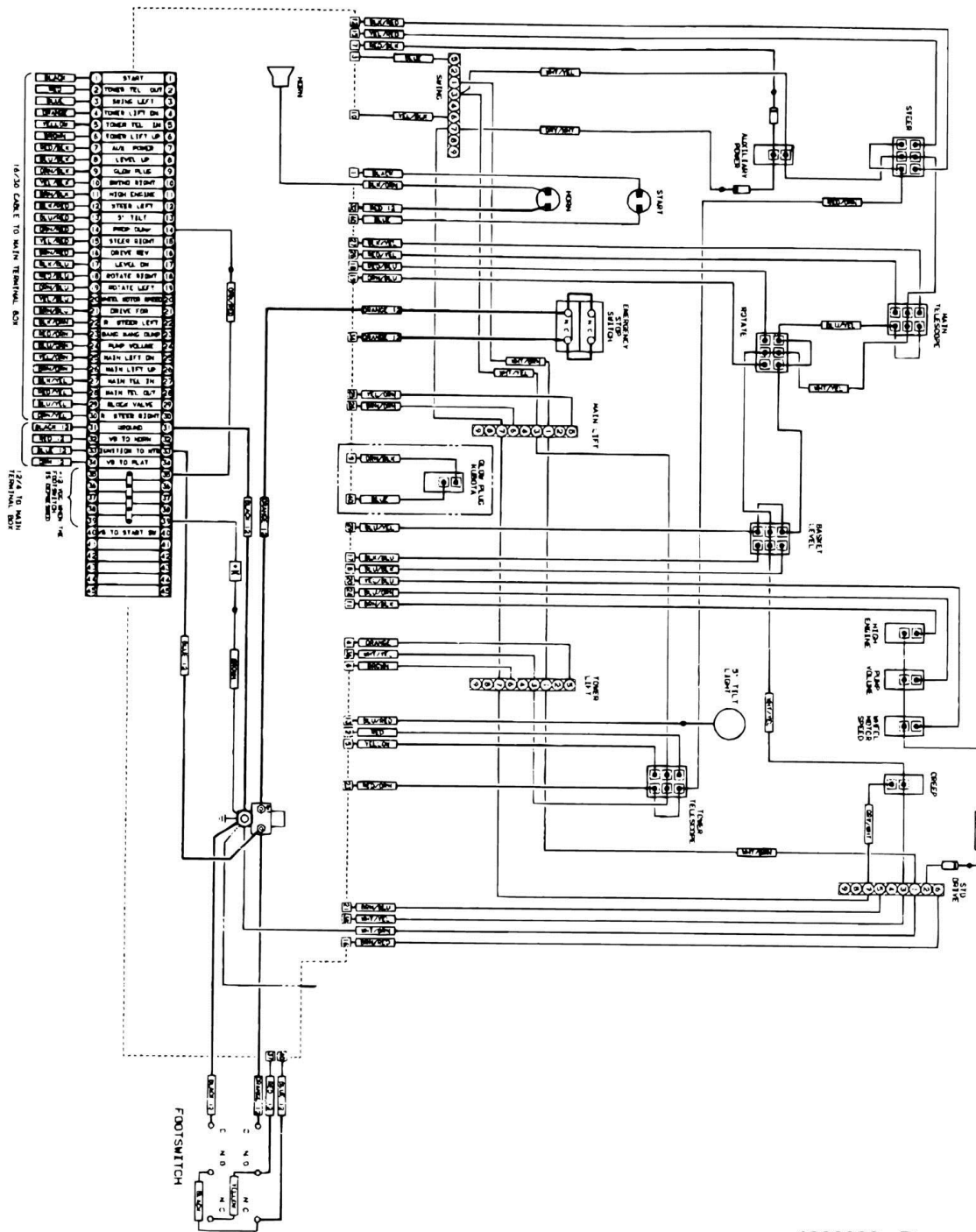
FIGURE 7-3. ELECTRICAL DIAGRAM - GENERATOR - (DEUTZ AND KUBOTA MACHINES)



4931945 - REV A

SECTION 7 - ELECTRICAL

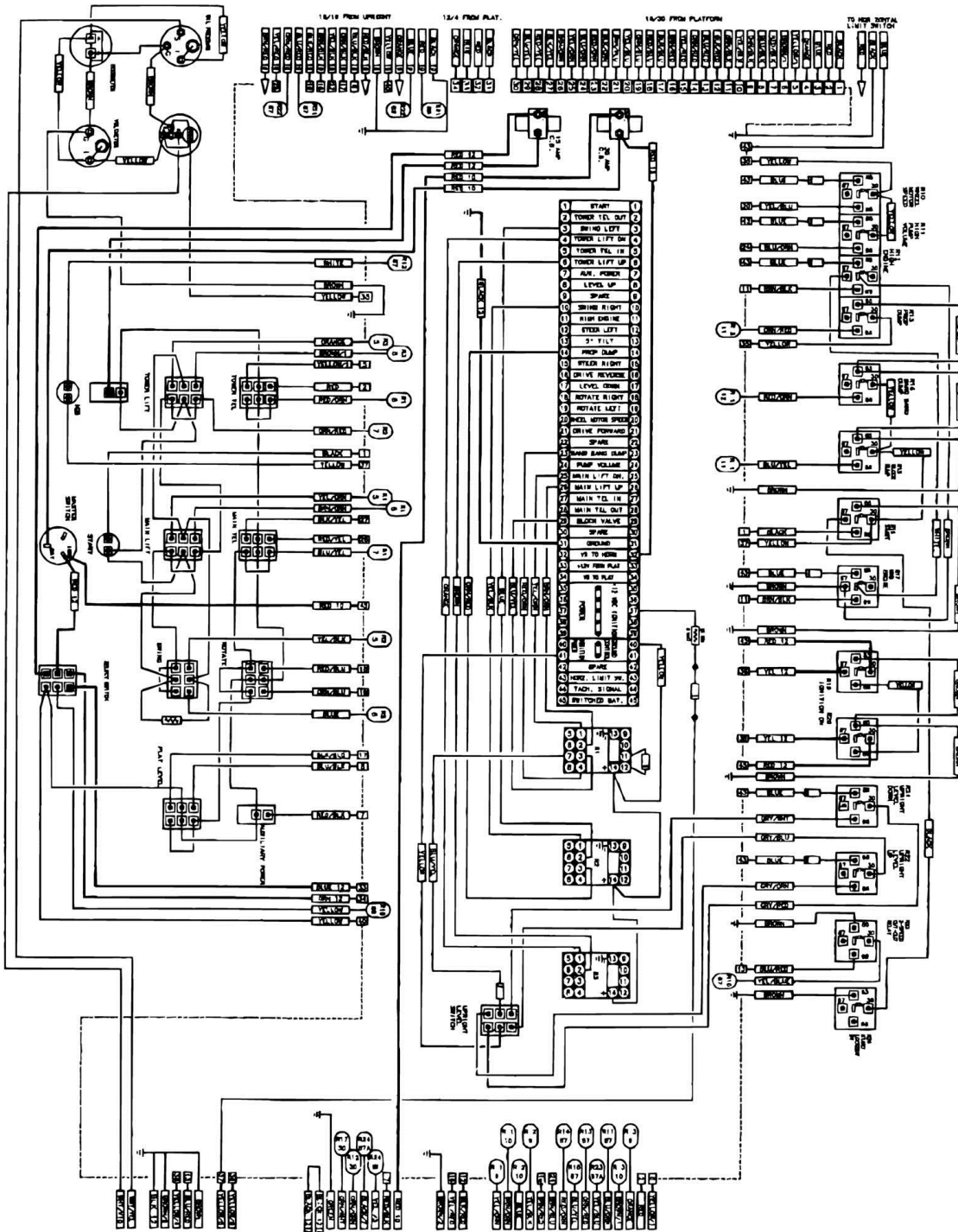
FIGURE 7-5. ELECTRICAL DIAGRAM - PLATFORM (2WD/2WS WITH CREEP)



1282002 - Rev —

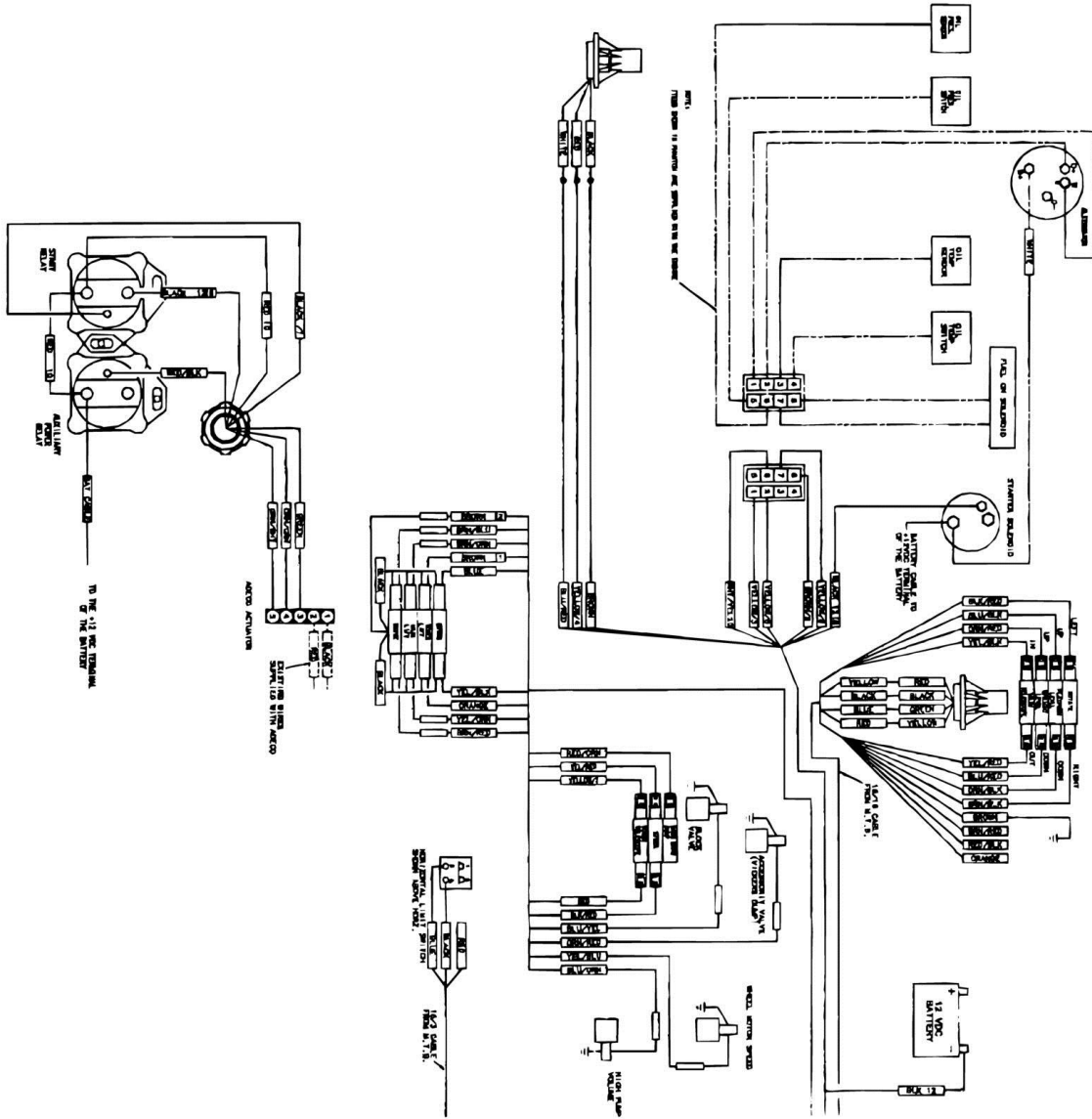
SECTION 7 - ELECTRICAL

FIGURE 7-7. ELECTRICAL DIAGRAM - STANDARD (DEUTZ) (SHEET 1 OF 2)



4931979 - Rev M

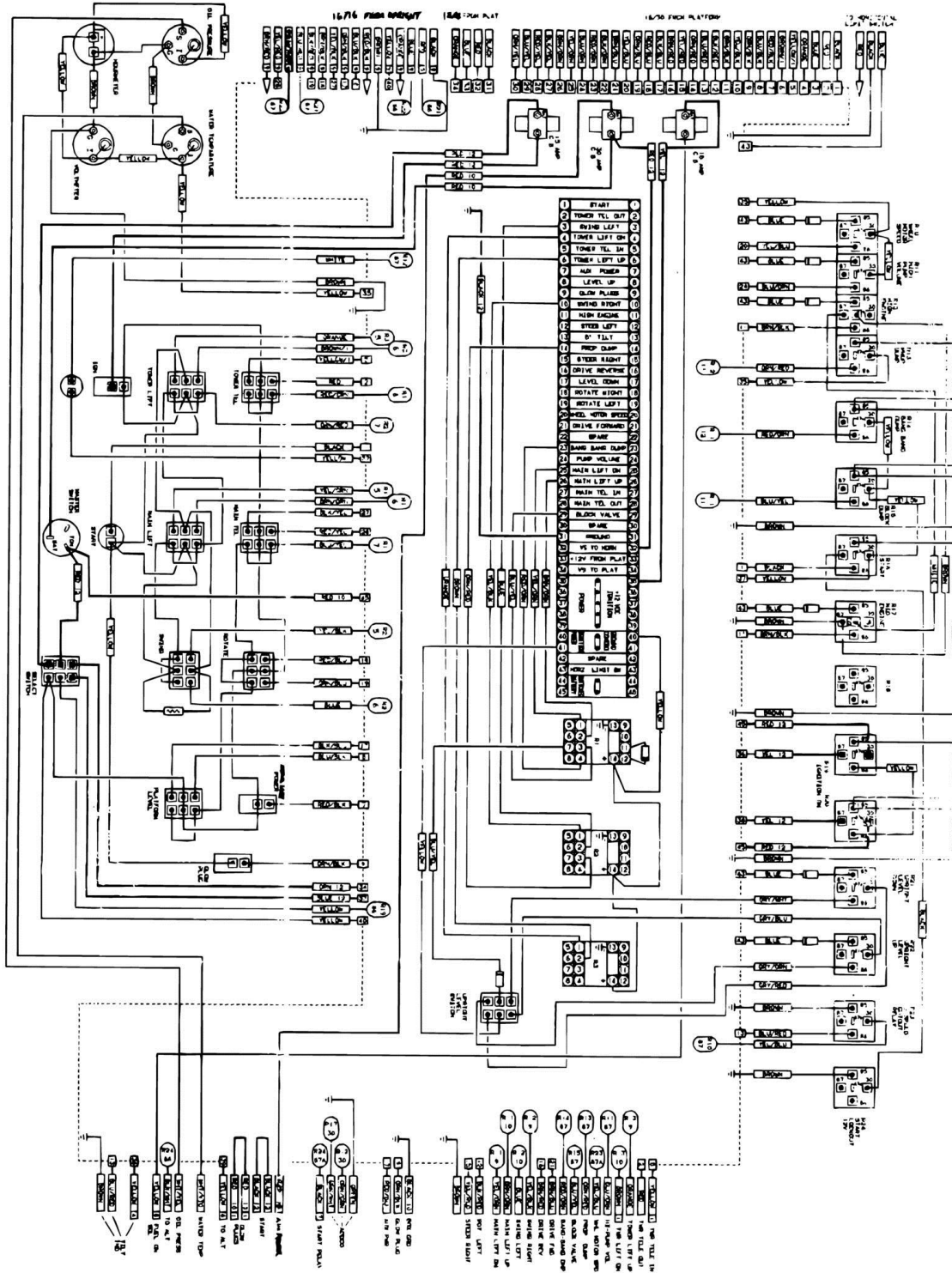
SECTION 7 - ELECTRICAL



4931979 - Rev M

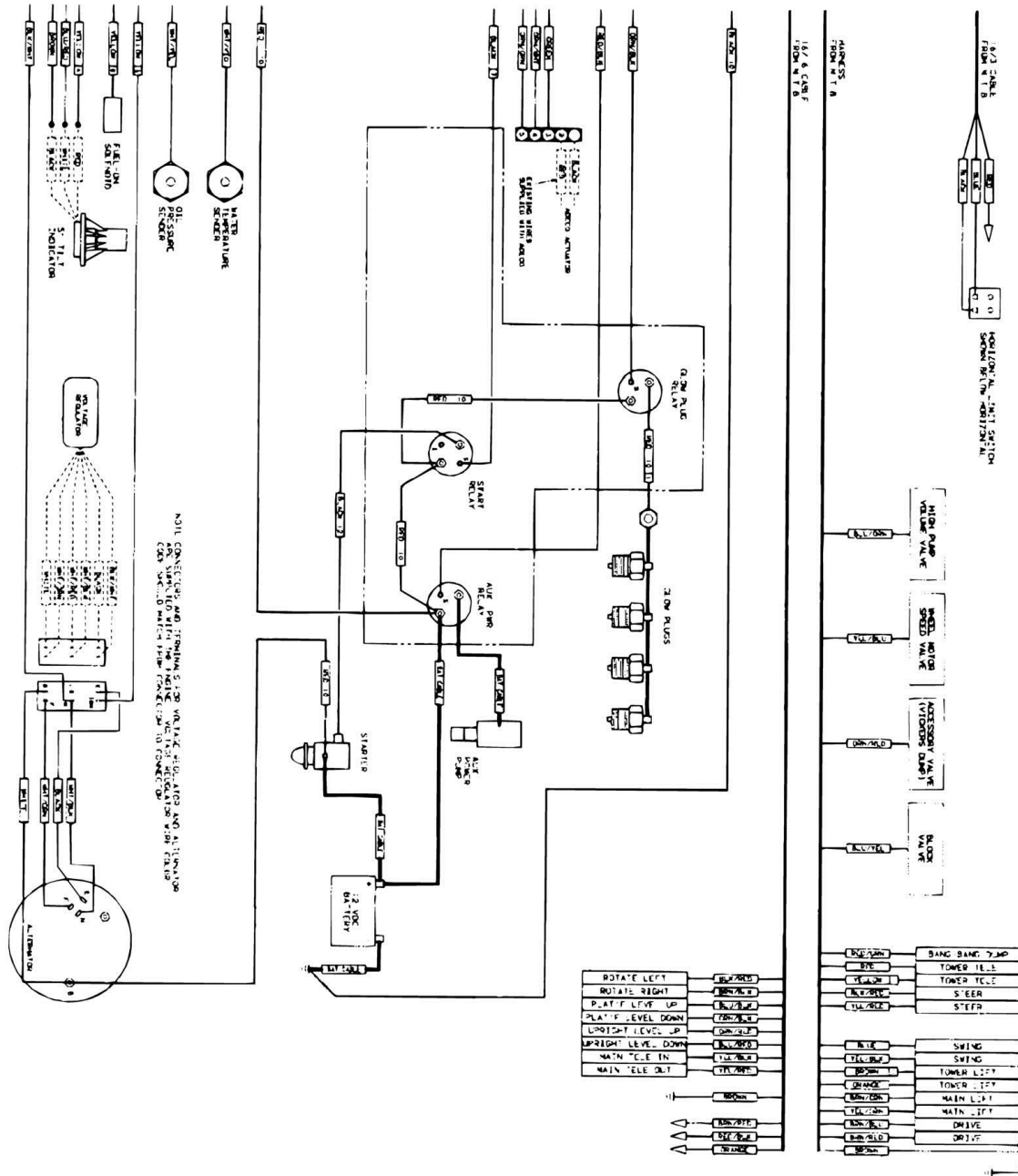
SECTION 7 - ELECTRICAL

FIGURE 7-8. ELECTRICAL DIAGRAM - STANDARD (KUBOTA) (SHEET 1 OF 2)



4932050 - Rev G

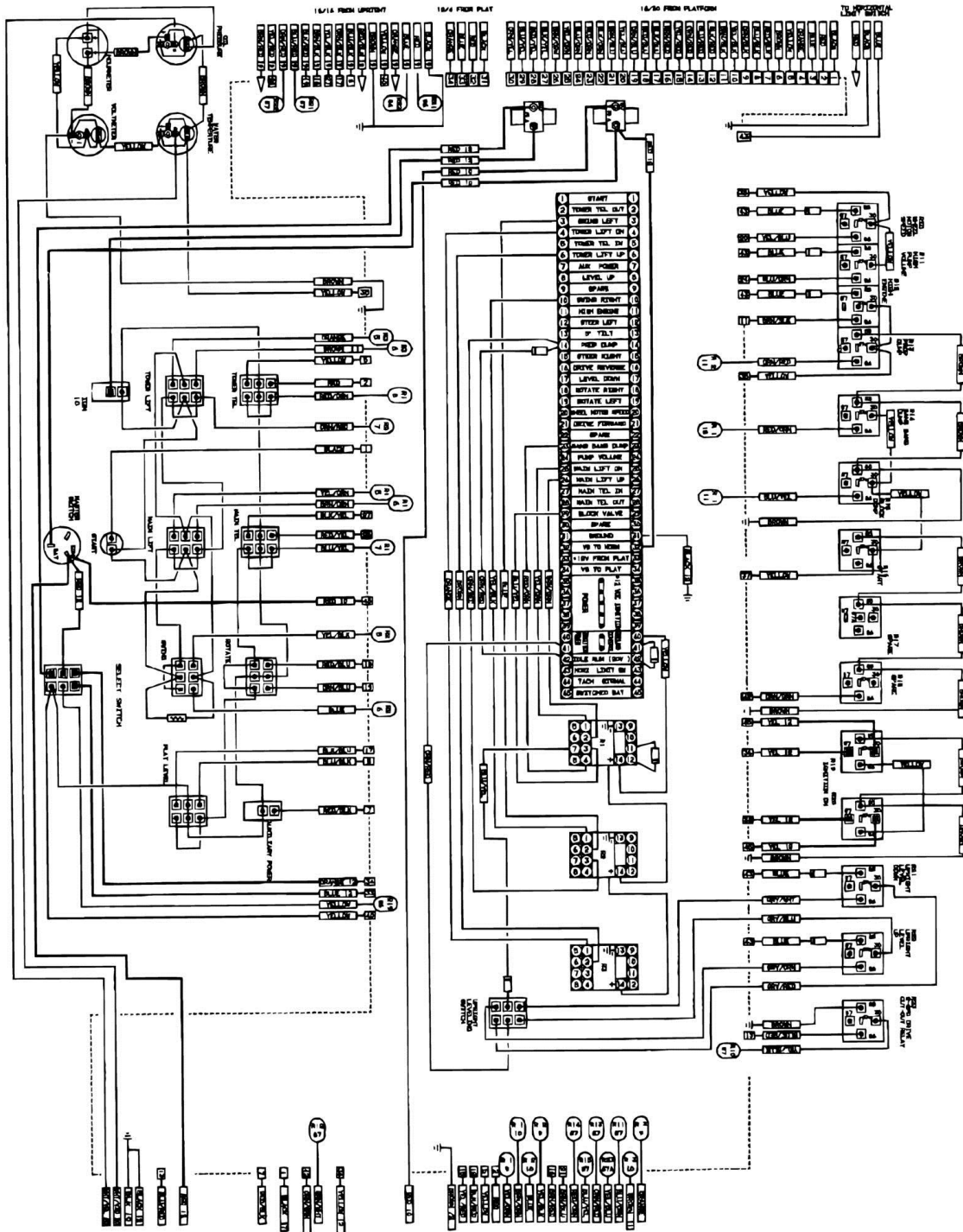
SECTION 7 - ELECTRICAL



4932050 - Rev G

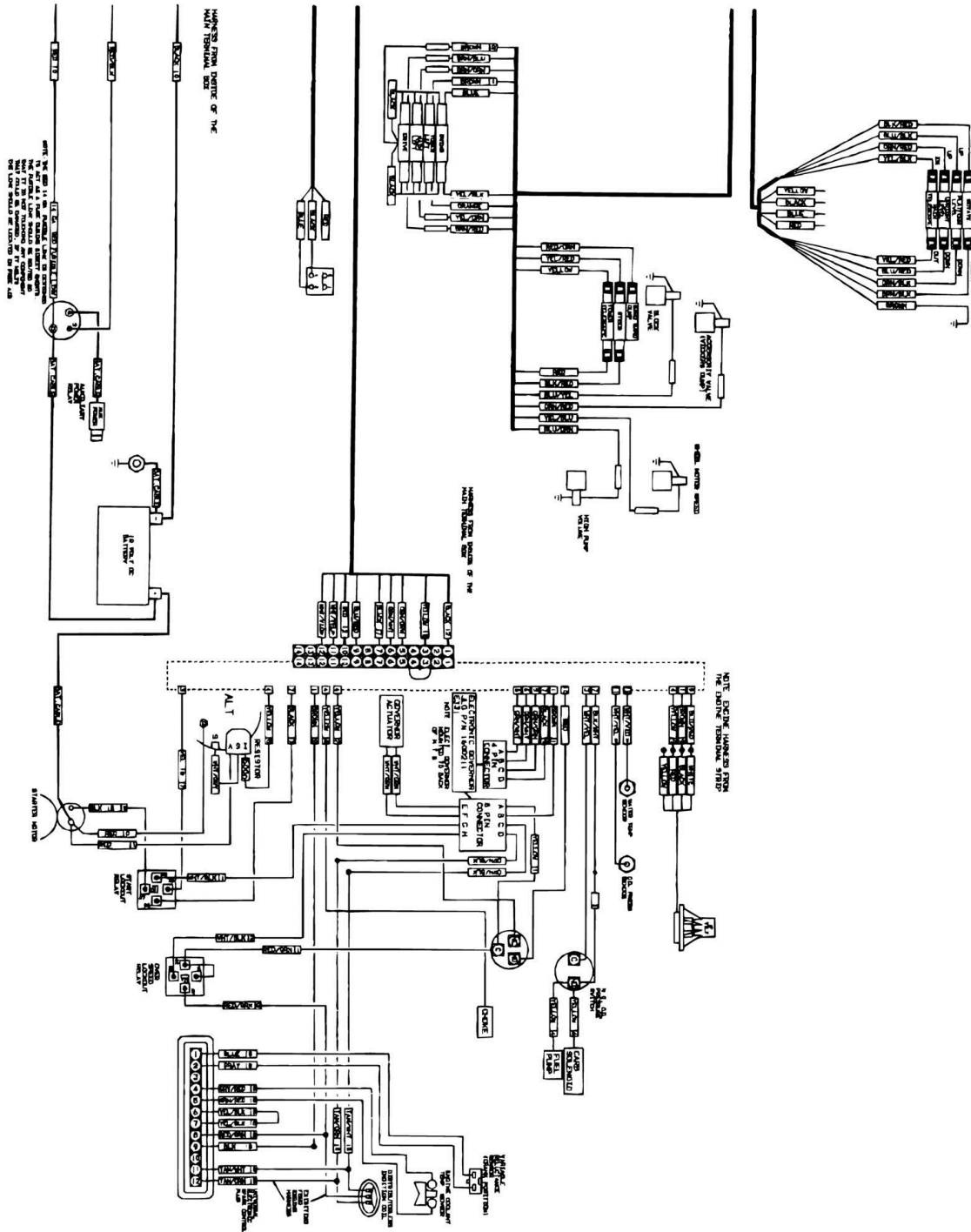
SECTION 7 - ELECTRICAL

FIGURE 7-9. ELECTRICAL DIAGRAM - STANDARD (FORD) (SHEET 1 OF 2)



4932814 - Rev B

SECTION 7 - ELECTRICAL

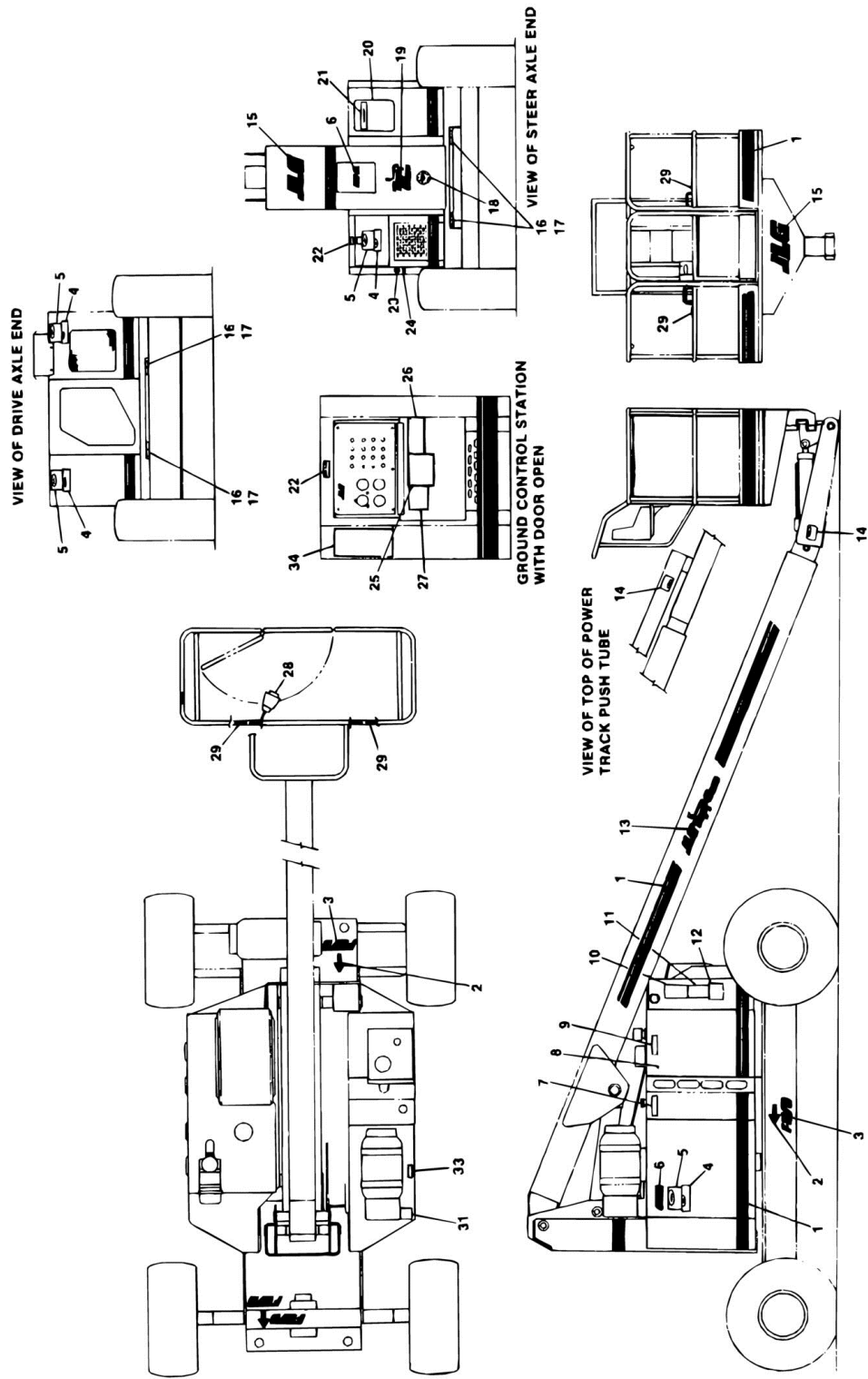


4932814 - Rev B

SECTION 8 - DECALS

SECTION 8 - DECALS

FIGURE 8-1. DECALS INSTALLATION (PRIOR TO FEBRUARY 1992)



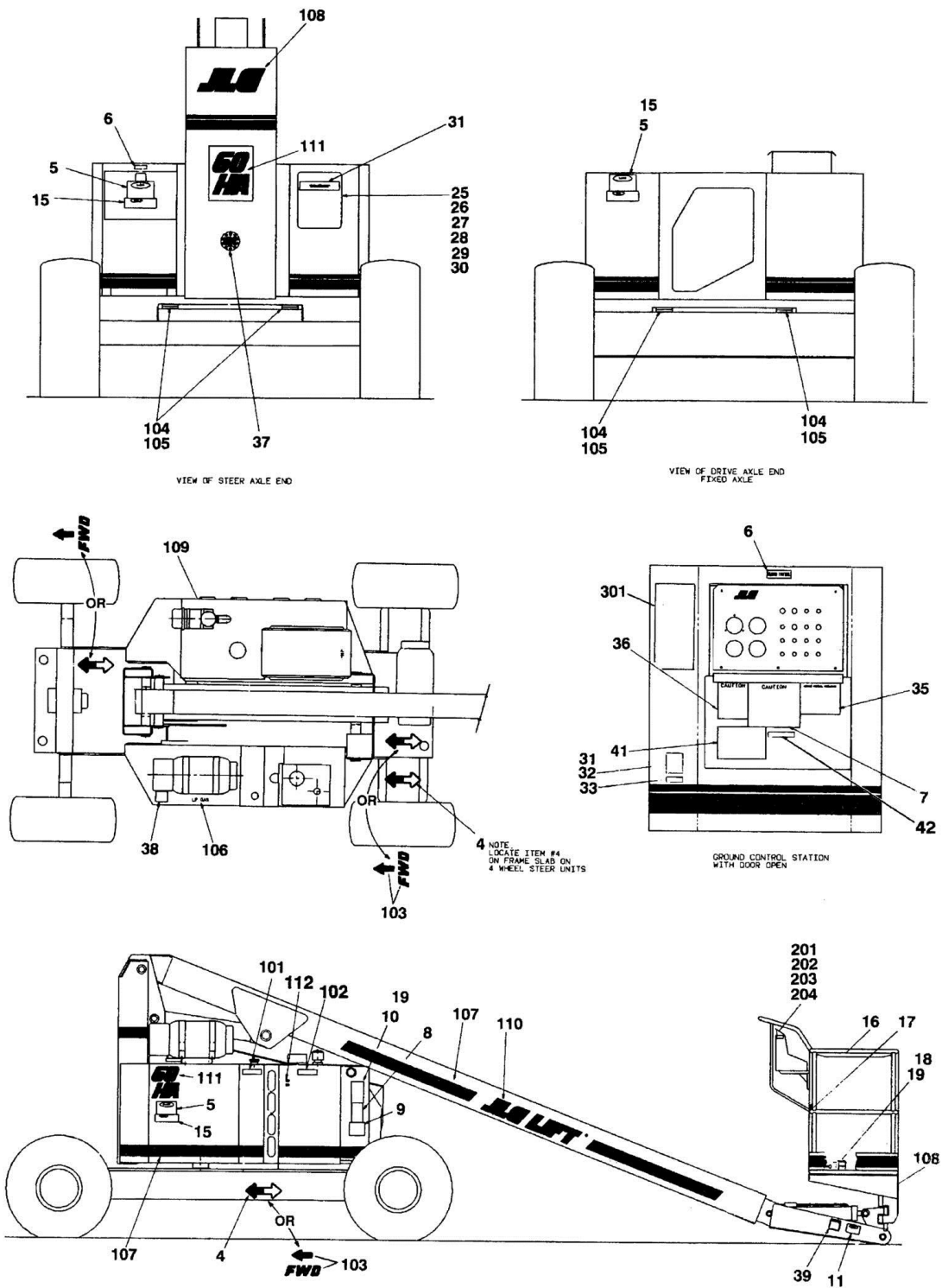
SECTION 8 - DECALS

FIGURE 8-1. DECALS INSTALLATION (PRIOR TO FEBRUARY 1992)

ITEM	PART NUMBER	QTY	DESCRIPTION	REV
	0239627	Ref	DECAL INSTALLATION (PRIOR TO FEBRUARY 1992)	D
1	1700431	57 ft	Decal - Stripe	
2	1700978	4	Decal - Arrow	
3	1700977	4	Decal - FWD	
4	1700580	5	Decal - Electrocution	
5	1700585	5	Decal - Crushing	
6	1701205	3	Decal - 60HA	
7	1700430	1	Decal - Fuel - Gasoline	
7	1700428	1	Decal - Fuel - Diesel	
8	1700756	1	Decal - Full/Add	
9	1700419	1	Decal - Hydraulic Oil	
10	Not Available	1	Nameplate - Serial Number	
10	3820001	4	Rivet	
11	1700584	1	Decal - Patent	
12	1700593	1	Decal - Inspection	
13	1700979	2	Decal - Top Gun (Boom Location)	
14	1700640	3	Decal - Crushing	
15	1700981	2	Decal - JLG	
16	1700975	4	Decal - Lift Here	
17	1700976	4	Decal - Tie Down	
18	3251813	1	Nameplate - Made In USA	
19	1700980	1	Decal - Top gun (Upright Location)	
20	0860520	1	Box, Manual Storage	
20	3311405	4	Locknut 1/4in-20NC	
20	4751400	4	Flatwasher 1/4in	
20	1060279	1	Cable, Lanyard	
20	0641408	1	Bolt 1/4in-20NC x 1in	
20	4751400	2	Flatwasher 1/4in	
20	3311405	1	Locknut 1/4in-20NC	
21	1700157	1	Decal - Manual	
22	1700037	1	Decal - Ground Controls	
23	0961127	1	Bushing, Snap	
23	0100010	AR	Loctite	
24	3251243	1	Nameplate - 120V	
25	1700643	1	Decal - Important	
26	1700582	1	Decal - Ground Control Operation	
27	3251028	1	Decal - Dual Fuel	
28	3251766	1	Nameplate - Footswitch	
28	3820001	4	Rivet	
29	1700477	2	Decal - Attach Belt	
30	1700476	1	Decal - No Hands	
31	1700818	1	Decal - LP Gas Liquid Withdraw System	
33	1700429	1	Decal - LP Gas	
34	1701464	1	Decal - Manual Descent (Optional)	
	2900750	1	Decal Kit (Includes Latest Decals - See DECALS INSTALLATION (FEBRUARY 1992 TO PRESENT) for Breakdown)	

SECTION 8 - DECALS

FIGURE 8-2. DECALS INSTALLATION (FEBRUARY 1992 TO PRESENT)



SECTION 8 - DECALS

FIGURE 8-2. DECALS INSTALLATION (FEBRUARY 1992 TO PRESENT)

ITEM	PART NUMBER	QTY	DESCRIPTION	REV
	1281796	Ref	DECALS INSTALLATION (STANDARD PARTS)	I
4	1701529	4	Decal - Arrow (January 1993 to Present)	
5	1700585	5	Decal - Crushing (February 1992 to May 1994)	
5	1702277	5	Decal - Crushing (May 1994 to Present)	
6	1700037	1	Decal - Ground Control	
7	1700643	1	Decal - Important (February 1992 to May 1994)	
7	1702299	1	Decal - Important (May 1994 to Present)	
8	1700584	1	Decal - Patent	
9	1700593	1	Decal - Inspection (February 1992 to May 1994)	
9	1702153	1	Decal - Inspection (May 1994 to Present)	
10	Not Available	1	Nameplate - Serial Number	
11	1700640	3	Decal - Crushing (February 1992 to May 1994)	
11	1702284	3	Decal - Crushing (May 1994 to Present)	
15	1700580	5	Decal - Electrocution (February 1992 to May 1994)	
15	1702292	5	Decal - Electrocution (May 1994 to Present)	
16	1700476	2	Decal - No Hands (February 1992 to May 1994)	
16	1702294	2	Decal - No Hands (May 1994 to Present)	
17	1700477	2	Decal - Attach Belt (February 1992 to May 1994)	
17	1702276	2	Decal - Attach Belt (May 1994 to September 1995)	
17	1702612	2	Decal - Attach Belt (September 1995 to Present)	
18	3251766	1	Nameplate - Footswitch (February 1992 to July 1992 Only)	
19	3820001	AR	Rivet	
25	0860520	1	Box, Manual Storage	
26	4751400	6	Flatwasher 1/4in	
27	3311405	5	Locknut 1/4in-20NC	
28	1060279	1	Cable, Lanyard	
29	0641408	1	Bolt 1/4in-20NC x 1in	
30	1700157	1	DECAL - MANUAL	
31	0961127	1	Bushing, Snap	
32	0100010	AR	Loctite	
33	3251243	1	Nameplate - 120V	
35	1700582	1	Decal - Ground Control Operation (February 1992 to May 1994)	
35	1702293	1	Decal - Ground Control Operation (May 1994 to Present)	
36	3251028	1	Decal - Dual Fuel (February 1992 to May 1994)	
36	3252356	1	Decal - Dual Fuel (May 1994 to Present)	
37	3251813	1	Decal - USA	
38	1700818	1	Decal - LP Gas Liquid Withdrawn System	
39	1701460	2	Decal - Caution (February 1992 to May 1994)	
39	1702280	2	Decal - Caution (May 1994 to Present)	
41	1702282	1	Decal - Warning (May 1994 to Present)	
42	1702688	1	Decal - 500 LB Max Capacity (September 1995 to Present)	
43	Not Available	1	Decal - Bar Code (Not Shown) (September 1995 to Present)	
	0239627	Ref	DECALS INSTALLATION - BROWN (VARIABLE PARTS)	I
101		Ref	Decal - Fuel Options:	
101	1700428	1	Diesel	
101	1700430	1	Gasoline	
102	1700419	1	Decal - Hydraulic Fluid	
103	1700977	4	Decal - FWD (February 1992 to January 1993)	
103	1700978	4	Decal - Arrow (February 1992 to January 1993)	
104	1700975	4	Decal - Lift Here	

SECTION 8 - DECALS

ITEM	PART NUMBER	QTY	DESCRIPTION	REV
105	1700976	4	Decal - Tie Down	
106	1700429	1	Decal - LP Gas	
107	1701703	57 ft	Decal - Stripe (was p/n 1700431)	
108	1700981	2	DECAL - JLG	
109	1701205	1	Decal - Model 60HA (Small)	
110	1701443	2	DECAL - JLG LIFT	
111	1701444	2	Decal - Model 60HA (Large)	
112	1700756	1	Decal - Full/Add	
	2900750	1	Decal and Placard Kit - Brown (Includes items 4, 5, 6, 7, 8, 9, 11, 15, 16, 17, 30, 33, 35, 36, 37, 39, 41, 101, 102, 103, 104, 105, 106, 108, 109, 110, 111, 112, 202 & 203)	
	2910041	1	Decal Kit - Brown (Includes items 4, 5, 6, 7, 8, 9, 11, 15, 16, 17, 30, 102, 108, 109, 110 & 111)	
	0252798	Ref	DECALS INSTALLATION - BLACK (VARIABLE PARTS)	E
101		Ref	Decal - Fuel Options:	
101	1700196	1	Diesel	
101	1700194	1	Gasoline	
102	1700195	1	Decal - Hydraulic Fluid	
103	1700053	4	Decal - FWD (February 1992 to January 1993)	
103	1700978	4	Decal - Arrow (February 1992 to January 1993)	
104	1700232	4	Decal - Lift Here	
105	1701326	4	Decal - Tie Down	
106	1700197	1	Decal - LP Gas	
107	1701334	57 ft	Decal - Stripe	
108	1701321	2	Decal - JLG	
109	1701724	1	Decal - Model 60HA (Small)	
110	1701551	2	Decal - JLG Lift	
111	1701595	2	Decal - Model 60HA (Large)	
112	1701336	1	Decal - Full/Add	
	0253639	Ref	CAUTION AND DANGER NAMEPLATE INSTALLATION	A
201	3536671	1	Plate, Mounting	
202	3252144	1	Nameplate (October 1992 - May 1994)	
202	3252369	1	Nameplate (May 1994 to Present)	
203	3251881	1	Decal - Symbols (October 1992 to May 1994)	
203	1702289	1	Decal - Symbols (May 1994 to Present)	
204	3820019	4	Rivet	
	2910025	1	Decal Kit - CAUTION AND DANGER (Includes items 4, 5, 6, 7, 8, 9, 11, 15, 16, 17, 30, 33, 35, 36, 37, 39, 41, 101, 102, 103, 104, 105, 106, 108, 109, 110, 111, 112, 202 & 203)	
	1281687	Ref	MANUAL DESCENT DECALS INSTALLATION (OPTIONAL)	B
301	1701464	1	Decal - Instructions (Prior to April 1992)	
301	1701780	1	Decal - Instructions (April 1992 to Present)	

SECTION 9 - RECOMMENDED SERVICE PARTS STOCK

SECTION 9 - RECOMMENDED SERVICE PARTS STOCK

SECTION 9 - RECOMMENDED SERVICE PARTS STOCK

FIGURE 9-1. MODEL 60HA STANDARD PARTS

ITEM	PART NUMBER	QTY	DESCRIPTION	REV
	Note	Ref	Note: The following lists will service fleets of machines (built to current production per date on the front cover with emergency repair parts which can be installed in the field. Parts from the list should be replaced when inventory is depleted to keep service parts stock supplied. For further information, contact your JLG dealer or the JLG Industries Parts Department.	
		Ref	STANDARD PARTS	
	4360171	1	Sensor, Level - 5 (for fleets of 1 to 4)	
	4360171	1	Sensor, Level - 5 (for fleets of 5 to 9)	
	4360171	1	Sensor, Level - 5 (for fleets of 10 or more)	
	7012339	1	Coil (for fleets of 1 to 4)	
	7012339	1	Coil (for fleets of 5 to 9)	
	7012339	1	Coil (for fleets of 10 or more)	
	7000418	1	Coil (for fleets of 1 to 4)	
	7000418	1	Coil (for fleets of 5 to 9)	
	7000418	1	Coil (for fleets of 10 or more)	
	7002450	1	Coil (for fleets of 1 to 4)	
	7002450	1	Coil (for fleets of 5 to 9)	
	7002450	1	Coil (for fleets of 10 or more)	
	2120107	4	Element, Hydraulic Oil (for fleets of 1 to 4)	
	2120107	8	Element, Hydraulic Oil (for fleets of 5 to 9)	
	2120107	12	Element, Hydraulic Oil (for fleets of 10 or more)	
	1340046	1	Breather, Hydraulic Oil (for fleets of 1 to 4)	
	1340046	2	Breather, Hydraulic Oil (for fleets of 5 to 9)	
	1340046	3	Breather, Hydraulic Oil (for fleets of 10 or more)	
	4360003	1	Switch, Key (for fleets of 1 to 4)	
	4360003	1	Switch, Key (for fleets of 5 to 9)	
	4360003	1	Switch, Key (for fleets of 10 or more)	
	2860002	1	Key, Replacement (for fleets of 1 to 4)	
	2860002	1	Key, Replacement (for fleets of 5 to 9)	
	2860002	1	Key, Replacement (for fleets of 10 or more)	
	4360073	1	Switch, Toggle (for fleets of 1 to 4)	
	4360073	1	Switch, Toggle (for fleets of 5 to 9)	
	4360073	1	Switch, Toggle (for fleets of 10 or more)	
	4360199	1	Switch, Toggle (for fleets of 1 to 4)	
	4360199	1	Switch, Toggle (for fleets of 5 to 9)	
	4360199	1	Switch, Toggle (for fleets of 10 or more)	
	4360202	1	Switch, Toggle (for fleets of 1 to 4)	
	4360202	1	Switch, Toggle (for fleets of 5 to 9)	
	4360202	1	Switch, Toggle (for fleets of 10 or more)	
	4360200	1	Switch, Toggle (for fleets of 1 to 4)	
	4360200	1	Switch, Toggle (for fleets of 5 to 9)	
	4360200	1	Switch, Toggle (for fleets of 10 or more)	
	3740049	1	Relay (for fleets of 1 to 4)	
	3740049	1	Relay (for fleets of 5 to 9)	
	3740049	1	Relay (for fleets of 10 or more)	
	4360216	1	Breaker, Circuit (for fleets of 1 to 4)	
	4360216	1	Breaker, Circuit (for fleets of 5 to 9)	
	4360216	1	Breaker, Circuit (for fleets of 10 or more)	

SECTION 9 - RECOMMENDED SERVICE PARTS STOCK

ITEM	PART NUMBER	QTY	DESCRIPTION	REV
	4360232	1	Breaker, Circuit (for fleets of 1 to 4)	
	4360232	1	Breaker, Circuit (for fleets of 5 to 9)	
	4360232	1	Breaker, Circuit (for fleets of 10 or more)	
	3740058	1	Relay (for fleets of 1 to 4)	
	3740058	1	Relay (for fleets of 5 to 9)	
	3740058	1	Relay (for fleets of 10 or more)	
	3740059	1	Relay (for fleets of 1 to 4)	
	3740059	1	Relay (for fleets of 5 to 9)	
	3740059	1	Relay (for fleets of 10 or more)	
	3740067	1	Relay (for fleets of 1 to 4)	
	3740067	1	Relay (for fleets of 5 to 9)	
	3740067	1	Relay (for fleets of 10 or more)	
	4360274	1	Switch, Push Button (for fleets of 1 to 4)	
	4360274	1	Switch, Push Button (for fleets of 5 to 9)	
	4360274	1	Switch, Push Button (for fleets of 10 or more)	
	1600110	1	Sensor, Level (for fleets of 1 to 4)	
	1600110	1	Sensor, Level (for fleets of 5 to 9)	
	1600110	1	Sensor, Level (for fleets of 10 or more)	
	7006139	2	Powertrack - 1 Foot Section (for fleets of 1 to 4)	
	7006139	2	Powertrack - 1 Foot Section (for fleets of 5 to 9)	
	7006139	2	Powertrack - 1 Foot Section (for fleets of 10 or more)	
	7006152	24	Pin Kit - Powertrack (for fleets of 1 to 4)	
	7006152	24	Pin Kit - Powertrack (for fleets of 5 to 9)	
	7006152	24	Pin Kit - Powertrack (for fleets of 10 or more)	
	2940006	1	Latch, Platform Door (for fleets of 1 to 4)	
	2940006	1	Latch, Platform Door (for fleets of 5 to 9)	
	2940006	1	Latch, Platform Door (for fleets of 10 or more)	
	4360031	1	Footswitch (for fleets of 1 to 4)	
	4360031	1	Footswitch (for fleets of 5 to 9)	
	4360031	1	Footswitch (for fleets of 10 or more)	
	1600141	1	Controller, PQ (for fleets of 1 to 4)	
	1600141	1	Controller, PQ (for fleets of 5 to 9)	
	1600141	1	Controller, PQ (for fleets of 10 or more)	
	7011907	1	Electrical Assembly - 1600141 Controller (for fleets of 1 to 4)	
	7011907	1	Electrical Assembly - 1600141 Controller (for fleets of 5 to 9)	
	7011907	1	Electrical Assembly - 1600141 Controller (for fleets of 10 or more)	
	7003751	1	Potentiometer - 1600141 Controller (for fleets of 1 to 4)	
	7003751	1	Potentiometer - 1600141 Controller (for fleets of 5 to 9)	
	7003751	1	Potentiometer - 1600141 Controller (for fleets of 10 or more)	
	4360289	1	Switch, Emergency Stop (for fleets of 1 to 4)	
	4360289	1	Switch, Emergency Stop (for fleets of 5 to 9)	
	4360289	1	Switch, Emergency Stop (for fleets of 10 or more)	
	4360282	1	Block, Contact (for fleets of 1 to 4)	
	4360282	1	Block, Contact (for fleets of 5 to 9)	
	4360282	1	Block, Contact (for fleets of 10 or more)	
	4360209	1	Breaker, Circuit (for fleets of 1 to 4)	
	4360209	1	Breaker, Circuit (for fleets of 5 to 9)	
	4360209	1	Breaker, Circuit (for fleets of 10 or more)	
	3990010	2	Diode - 6 Amp (for fleets of 1 to 4)	
	3990010	2	Diode - 6 Amp (for fleets of 5 to 9)	
	3990010	2	Diode - 6 Amp (for fleets of 10 or more)	

SECTION 9 - RECOMMENDED SERVICE PARTS STOCK

FIGURE 9-2. MODEL 60HA VARIABLE PARTS

ITEM	PART NUMBER	QTY	DESCRIPTION	REV
	Note	Ref	Note: The following lists will service fleets of machines (built to current production per date on the front cover with emergency repair parts which can be installed in the field. Parts from the list should be replaced when inventory is depleted to keep service parts stock supplied. For further information, contact your JLG dealer or the JLG Industries Parts Department.	
		Ref	VARIABLE PARTS	
	4360386	1	Switch, Level Sensor (4WD) (for fleets of 1 to 4)	
	4360386	1	Switch, Level Sensor (4WD) (for fleets of 5 to 9)	
	4360386	1	Switch, Level Sensor (4WD) (for fleets of 10 or more)	
	1660184	1	Coupling, Engine (Deutz Machines) (for fleets of 1 to 4)	
	1660184	1	Coupling, Engine (Deutz Machines) (for fleets of 5 to 9)	
	1660184	1	Coupling, Engine (Deutz Machines) (for fleets of 10 or more)	
	7016331	1 case	Engine Oil Filters (Deutz Machines) (for fleets of 1 to 4)	
	7016331	1 case	Engine Oil Filters (Deutz Machines) (for fleets of 5 to 9)	
	7016331	1 case	Engine Oil Filters (Deutz Machines) (for fleets of 10 or more)	
	7020023	1	Engine Fuel Filters (Deutz Machines) (for fleets of 1 to 4)	
	7020023	1	Engine Fuel Filters (Deutz Machines) (for fleets of 5 to 9)	
	7020023	1	Engine Fuel Filters (Deutz Machines) (for fleets of 10 or more)	
	7004214	12	Element, Air Cleaner (Ford and Deutz Machines) (for fleets of 1 to 4)	
	7004214	12	Element, Air Cleaner (Ford and Deutz Machines) (for fleets of 5 to 9)	
	7004214	12	Element, Air Cleaner (Ford and Deutz Machines) (for fleets of 10 or more)	
	7012656	1	Coupling, Engine (Ford Machines) (for fleets of 1 to 4)	
	7012656	1	Coupling, Engine (Ford Machines) (for fleets of 5 to 9)	
	7012656	1	Coupling, Engine (Ford Machines) (for fleets of 10 or more)	
	7021869	1 case	Engine Oil Filters (Ford Machines) (for fleets of 1 to 4)	
	7021869	1 case	Engine Oil Filters (Ford Machines) (for fleets of 5 to 9)	
	7021869	1 case	Engine Oil Filters (Ford Machines) (for fleets of 10 or more)	
	3740080	1	Relay (Ford Machines) (for fleets of 1 to 4)	
	3740080	1	Relay (Ford Machines) (for fleets of 5 to 9)	
	3740080	1	Relay (Ford Machines) (for fleets of 10 or more)	
	1660188	1	Coupling, Engine (Kubota Machines) (for fleets of 1 to 4)	
	1660188	1	Coupling, Engine (Kubota Machines) (for fleets of 5 to 9)	
	1660188	1	Coupling, Engine (Kubota Machines) (for fleets of 10 or more)	
	7016202	12	Engine Oil Filters (Kubota Machines) (for fleets of 1 to 4)	
	7016202	12	Engine Oil Filters (Kubota Machines) (for fleets of 5 to 9)	
	7016202	12	Engine Oil Filters (Kubota Machines) (for fleets of 10 or more)	
	7016201	1	Engine Fuel Filters (Kubota Machines) (for fleets of 1 to 4)	
	7016201	1	Engine Fuel Filters (Kubota Machines) (for fleets of 5 to 9)	
	7016201	1	Engine Fuel Filters (Kubota Machines) (for fleets of 10 or more)	
	7016200	12	Element, Air Cleaner (Kubota Machines) (for fleets of 1 to 4)	
	7016200	12	Element, Air Cleaner (Kubota Machines) (for fleets of 5 to 9)	
	7016200	12	Element, Air Cleaner (Kubota Machines) (for fleets of 10 or more)	
	4360201	1	Switch, Toggle (With Dual Fuel) (for fleets of 1 to 4)	
	4360201	1	Switch, Toggle (With Dual Fuel) (for fleets of 5 to 9)	
	4360201	1	Switch, Toggle (With Dual Fuel) (for fleets of 10 or more)	
	1600211	1	Controller, Engine (Ford Machines) (for fleets of 1 to 4)	
	1600211	1	Controller, Engine (Ford Machines) (for fleets of 5 to 9)	
	1600211	1	Controller, Engine (Ford Machines) (for fleets of 10 or more)	

SECTION 9 - RECOMMENDED SERVICE PARTS STOCK

ITEM	PART NUMBER	QTY	DESCRIPTION	REV
	7008829	1	Adeco PC Board (Deutz Machines) (for fleets of 1 to 4)	
	7008829	1	Adeco PC Board (Deutz Machines) (for fleets of 5 to 9)	
	7008829	1	Adeco PC Board (Deutz Machines) (for fleets of 10 or more)	
	7008828	1	Adeco Cable (Deutz and Kubota Machines) (for fleets of 1 to 4)	
	7008828	1	Adeco Cable (Deutz and Kubota Machines) (for fleets of 5 to 9)	
	7008828	1	Adeco Cable (Deutz and Kubota Machines) (for fleets of 10 or more)	
	4360212	1	Breaker, Circuit (Deutz and Kubota Machines) (for fleets of 1 to 4)	
	4360212	1	Breaker, Circuit (Deutz and Kubota Machines) (for fleets of 5 to 9)	
	4360212	1	Breaker, Circuit (Deutz and Kubota Machines) (for fleets of 10 or more)	
	4360057	1	Switch, Limit (for fleets of 1 to 4)	
	4360057	1	Switch, Limit (for fleets of 5 to 9)	
	4360057	1	Switch, Limit (for fleets of 10 or more)	
	7016307	2	Fuse (4WD Machines) (for fleets of 1 to 4)	
	7016307	2	Fuse (4WD Machines) (for fleets of 5 to 9)	
	7016307	2	Fuse (4WD Machines) (for fleets of 10 or more)	

SECTION 10 - SPECIAL OPTIONS

SECTION 10 - SPECIAL OPTIONS

FIGURE 10-1. SPECIAL OPTIONS

ITEM	PART NUMBER	QTY	DESCRIPTION	REV
	Note	Ref	Note: This list is to accommodate machines ordered with special equipment. Options may not be applicable to all models. For more specific parts information contact JLG Parts Department.	
		Ref	MISCELLANEOUS SPECIAL OPTIONS	
	0250400	Ref	AIRLINE INSTALLATION - 1/2IN	C
	0252735	Ref	AIRLINE INSTALLATION - 1/2IN (BOEING SPEC)	-
	0270723	Ref	AMBER BEACON ON PLATFORM INSTALLATION	1
	0253158	Ref	BOOMS AND CYLINDERS INSTALLATION (BOEING SPECS) (ONLY NON-STANDARD PARTS LISTED BELOW)	-
	1281508	Ref	BOOMS AND CYLINDERS INSTALLATION (BOEING SPECS) (ONLY NON-STANDARD PARTS LISTED BELOW)	
	0800880	1	Tower Boom Assembly	
	1682611	1	Telescope Cylinder Assembly	
	2901143	1	Seal Kit	
	4640509	1	Holding Valve Assembly	
	0800884	1	Main Boom Assembly	
	1682772	1	Lift Cylinder Assembly - Tower	
	2900375	1	Seal Kit	
	4640634	1	Counterbalance Valve	
	1682773	1	Lift Cylinder Assembly - Main	
	2901227	1	Seal Kit	
	4640634	1	Counterbalance Valve	
	1682803	1	Level (Upright) Cylinder Assembly)	
	2900375	1	Seal Kit	
	4640634	1	Counterbalance Valve	
	0251042	Ref	BUBBLE LEVEL INSTALLATION - AT PLATFORM	-
	2420038	1	Gage, Level	
	0256789	Ref	CAMERA MOUNT ASSEMBLY	
	0250733	Ref	CAPACITY NAMEPLATES INSTALLATION - AT PLATFORM	-
	1700919	3	Decal - 500 Lb	
	0253550	Ref	DECALS INSTALLATION - CSA	2
	1705514	1	Decal - CSA	
	0256487	Ref	DECALS INSTALLATION - PROP 65 (DIESEL)	2
	0256488	Ref	DECALS INSTALLATION - PROP 65 (GAS)	-
	0255738	Ref	DECALS INSTALLATION - LATIN AMERICAN SPEC	B
	1281796	Ref	DECALS INSTALLATION - LATIN AMERICAN SPEC	K
		Ref	DECALS - LATIN AMERICAN SPEC	-
	1702720	Ref	Decal - LP Gas Liquid Withdraw System	-
	1702721	Ref	Decal - LP Gas (Brown)	-
	1702600	Ref	Decal - Fuel Diesel	-
	1702722	Ref	Decal - Fuel Gas	-
	1702669	Ref	Decal - Fuel Gas (IMPORTANT)	-
	0253259	Ref	DECALS INSTALLATION - JAPANESE SPEC	-
	1281796	Ref	DECALS INSTALLATION - JAPANESE SPEC	K
	0252799	Ref	DECALS INSTALLATION - JAPANESE COMMON (BROWN)	C
	1281796	Ref	DECALS INSTALLATION - JAPANESE COMMON (BROWN)	K
	0252800	Ref	DECALS INSTALLATION - JAPANESE COMMON (BLACK)	C
	1281796	Ref	DECALS INSTALLATION - JAPANESE COMMON (BLACK)	K

SECTION 10 - SPECIAL OPTIONS

ITEM	PART NUMBER	QTY	DESCRIPTION	REV
	0253163	Ref	DECALS INSTALLATION - MANUAL DESCENT (JAPANESE SPEC)	-
	1281687	Ref	DECALS INSTALLATION - MANUAL DESCENT (JAPANESE SPEC)	-
		Ref	ELECTRICAL CONNECTOR KITS	
	1001148902	Ref	Amp Connector Kit	
	1001148903	Ref	Deutsch DT Connector Kit	
	1001148904	Ref	Deutsch HD Connector Kit	
	1001148905	Ref	Packard Connector Kit	
	1001148906	Ref	Various Connector Kit	
	0251682	Ref	ENGINE SHUTDOWN INSTALLATION - DEUTZ MACHINES	-
	0254213	Ref	EXHAUST PURIFIER INSTALLATION - FORD MACHINES BUILT PRIOR TO FEBRUARY 1995 (ONLY NON-STANDARD ITEMS LISTED BELOW)	-
	4844592	1	Exhaust Weldment (Mounted To Engine)	
	4566267	1	Tube, Exhaust (Before Purifier)	
	3220053	1	Purifier, Exhaust	
	0860782	Ref	GROUND CONTROL BOX ASSEMBLY - U/L	B
	0251757	Ref	HORN CONTROL INSTALLATION - AT GROUND (SN'S 14608, 14615, 14616, 14639 & 14640)	-
	0251696	Ref	HYDRAULIC FILTER INDICATOR LIGHT INSTALLATION	-
	0253433	Ref	OIL COOLER INSTALLATION	-
	3620003	1	Oil Cooler Assembly	
	2060012	1	Fan	
	0251693	Ref	OXY-ACETYLENE LINE INSTALLATION	-
	0251619	Ref	PANEL LIGHTS INSTALLATION	A
	1281525	Ref	PANEL LIGHTS INSTALLATION	E
	2920024	3	Light, Panel	
	0250424	Ref	PIPE JACKS INSTALLATION	2
	0860783	Ref	PLATFORM CONSOLE BOX ASSEMBLY - U/L	D
	1692979	Ref	PLATFORM SAFE-LOAD SYSTEM - JAPANESE SPEC (PRIOR TO JUNE 1995)	D
	0251921	Ref	OVERLOAD PROTECTION INSTALLATION - JAPANESE SPEC (JUNE 1995 TO PRESENT)	A
	0254873	Ref	POWER TOOL CIRCUIT - 1/2IN	-
	1281218	Ref	POWER TOOL CIRCUIT - 1/2IN	E
	0250827	Ref	POWER TOOL CIRCUIT - 3/8IN	-
	1281218	Ref	POWER TOOL CIRCUIT - 3/8IN	E
	0250838	Ref	POWER TOOL VALVES INSTALLATION	B
	4640047	2	Valve, Relief	
	7004146	2	Relief Cartridge (1 Per Assembly)	
	4640123	1	Valve, Solenoid	
	4640151	1	Valve, Flow Divider	
	0254442	Ref	RECEPTACLE INSTALLATION (AT PLATFORM)	A
	1282163	Ref	RECEPTACLE INSTALLATION (AT PLATFORM)	C
	0254314	Ref	RECEPTACLE INSTALLATION (AT PLATFORM) - JAPANESE SPEC (PRIOR TO JULY 1995)	-
	1282147	Ref	RECEPTACLE INSTALLATION (AT PLATFORM) - JAPANESE SPEC (PRIOR TO JULY 1995)	-
	0255975	Ref	RECEPTACLE INSTALLATION (AT PLATFORM) - JAPANESE SPEC (JULY 1995 TO PRESENT)	3
	0254443	Ref	RECEPTACLE INSTALLATION (AT PLATFORM) - LATIN AMERICAN SPEC	A
	1282163	Ref	RECEPTACLE INSTALLATION (AT PLATFORM) - LATIN	C

SECTION 10 - SPECIAL OPTIONS

ITEM	PART NUMBER	QTY	DESCRIPTION	REV
			AMERICAN SPEC	
	0254793	Ref	RECEPTACLE MOUNTING PLATE INSTALLATION (AT PLATFORM) - LATIN AMERICAN SPEC	A
	0251140	Ref	RECEPTACLE INSTALLATION - GFI (AT GROUND)	5
	0238954	Ref	REMOTE CONTROL BOX ASSEMBLY	D
	0251687	Ref	REMOTE CONTROL INSTALLATION	-
	0251675	Ref	SPARK ARRESTOR INSTALLATION - DEUTZ ENGINES	A
	3220036	1	Arrestor, Spark	
		Ref	TECHNICAL PUBLICATION SUPPLEMENTS	
	3120044	1	Engine Manual - Deutz FL1011	
	3120089	1	Engine Manual - Ford LSG-423	
	3120048	1	Engine Manual - Ford LRG-423	
	3120046	1	Engine Manual - Kubota V1902	
	3120344	1	OEM Controller Supplement	
	3120351	1	PQ Controller Supplement	
	3120322	1	Spec Data Handbook	
		Ref	Tools for Service	
	7002828	1	Wire Stripper	
	7002821	1	Wire Crimper (To install wire ends to wires)	
	7002823	1	Pin/Socket Extractor - Universal (To Remove Pins/Sockets from Connectors)	
	7002822	1	Screwdriver, Potentiometer (To Adjust Drive Controllers)	
	7016654	1	Screwdriver, Magnetic	
	7004275	1	Seal Installation Tool - 1in	
	7004276	1	Seal Installation Tool - 1 1/2in	
	7002826	1	Seal Installation Tool - 2in	
	0254452	Ref	TILT INDICATOR INSTALLATION - JAPANESE SPEC	-
		Ref	TUBE RACK INSTALLATIONS	
	0256436	Ref	PRODUCTION	2
	0257728	Ref	POST PRODUCTION ALTERNATIVE	2
	0250401	Ref	WELD LEADS INSTALLATION	C
	1281218	Ref	WELD LEADS INSTALLATION	D

PART NUMBER INDEX

PART NUMBER INDEX

0060023.....165	0236626.....25	0250243.....157	0251540.....23
0080039....109, 121, 126, 138	0236768...110, 120, 126, 139, 150	0250250.....11	0251541.....20
0080092....121, 125, 139	0236817.....25	0250255.....13	0251546.....57, 69
0080098.....196, 200	0236818.....25	0250263.....173, 176	0251547.....57, 69
0080099.....196, 200	0236819.....25	0250267.....173, 176	0251561.....161
0080124.....147	0237568.....131	0250272.....23	0251591.....18
0080163....109, 119, 127	0237963.....197, 201	0250278.....119	0251592.....23
0080172.....109	0238032.....161	0250281.....69	0251593.....20
0080174.....109	0238044...121, 125, 131	0250282.....69	0251594.....19
0080177.....109	0238540.....199	0250296.....25	0251596.....25
0080181.....149	0238864.....217, 292	0250311.....119	0251598.....24
0080189.....233	0238865.....217, 292	0250313.....23	0251611.....217
0080194.....151	0238908.....58	0250315.....95	0251619.....292, 327
0080201.....126, 138	0238954.....293, 328	0250316.....24	0251620.....25
0080211.....139	0239244.....133	0250319.....157	0251621.....25
0080226.....233	0239283.....23	0250400.....326	0251622.....24
0100001.....205, 213	0239287.....24, 25	0250401.....328	0251675.....328
0100004.....95	0239288.....24, 25	0250424.....327	0251682....111, 291, 327
0100009.....95	0239417.....157	0250476.....167	0251687.....293, 328
0100010....227, 315, 317	0239447.....179	0250548.....24	0251690.....292
0100011....12, 13, 19, 20, 23, 61, 115, 143, 161, 221, 223, 225, 229, 231, 233, 235, 237, 239, 241, 243, 245, 247, 249, 251	0239488.....95	0250593.....199	0251693.....327
0100019 18, 95, 161, 183, 187, 188, 197, 201	0239499.....180	0250597.....109	0251696.....291, 327
0100020....121, 125, 138, 157, 158, 229, 237, 243, 249, 251, 252, 263, 266, 269, 274, 277, 281, 283, 285, 287	0239512....195, 199, 200	0250599.....119, 127	0251700.....24
0100021.....197, 201	0239514.....195	0250611.....161	0251701.....26
0100034.....233	0239523.....57	0250673.....65	0251702.....26
0100035....221, 223, 225, 227, 229, 231, 233, 235, 237, 239, 241, 243, 245, 249, 251	0239523.....57	0250733.....326	0251711.....199
0100038....221, 223, 225, 227, 229, 231, 233, 235, 237, 239, 241, 243, 245, 247, 249, 251	0239535.....69	0250771.....149	0251757.....291, 327
0140001.....217	0239536.....69	0250827.....327	0251771.....24
0140016.....290	0239585.....71	0250838.....327	0251772.....24
0140024.....167	0239586.....71	0250880.....149	0251773.....17
0140025.....167	0239594.....159	0250881.....149	0251835.....24
0140026.....211, 290	0239603.....180	0250918.....173	0251865.....24
0140032.....167	0239621.....119	0250925.....173	0251866.....25
0181333.....58	0239627.....315, 317	0250970.....25	0251913.....19
0181386.....167	0239628.....169	0250971.....25	0251914.....20
0181488.....120	0239629.....169	0250972.....24	0251916.....18
0181574.....153	0239630.....169	0250995.....151, 153	0251921.....327
0181691.....126, 138	0239665.....119	0251000.....57	0252054.....217
0200048.....218	0239679.....11, 17	0251001.....151, 158	0252210.....217
0200333.....180	0239701.....195	0251004.....133	0252211.....217
0200530.....143	0239725.....95	0251024.....217	0252294.....175
0231047.....161	0239762.....217	0251042.....326	0252297.....109
0231756.....158	0239962.....119, 127	0251042.....326	0252297.....109
0234667.....25	0239990.....65	0251119.....71	0252394....151, 211, 291
0235238....195, 196, 199, 200	0250013.....167	0251140.....328	0252625.....211, 291
0236449.....12, 18	0250014.....167	0251203.....217	0252626.....122, 128
0236539.....26	0250015.....167	0251239.....217	0252729.....159
0236625.....25	0250016.....167	0251240.....71	0252730.....167
	0250016.....167	0251254.....200	0252731.....167
	0250037.....109	0251255.....24	0252735.....326
	0250100.....24	0251256.....25	0252798.....318
	0250102.....24	0251257.....25	0252799.....326
	0250125.....109	0251310.....57	0252800.....326
	0250143.....217	0251374.....157	0252848.....217
	0250170.....24, 25	0251387.....233	0253077.....211, 290
	0250171.....24, 25	0251396.....184	0253109.....157
	0250172.....24	0251410.....69	0253110.....157
	0250188.....173	0251411.....69	0253112.....195
	0250196.....191	0251412.....179	0253113.....195
	0250204.....169	0251415.....71	0253114.....195
	0250215.....69	0251421.....189	0253115.....199
	0250217.....23, 24	0251518.....195	0253116.....200
	0250229.....111, 115	0251519.....179	0253117.....179
	0250231.....157	0251520.....13	0253118.....179
	0250232....122, 127, 158	0251521.....12, 18	0253120.....11, 17
	0250233.....111, 158	0251522.....11	0253121.....11
	0250240.....173	0251537....113, 211, 291	0253122.....11

PART NUMBER INDEX

0253123 18	0361704 133	0641406 11, 17, 110, 115, 133, 143, 153, 169, 175, 180, 189	0681520 183
0253158 326	0361810 110, 120, 150	0641407 18	0681610 ... 115, 133, 195, 196
0253163 327	0361815 115, 153	0641408.... 120, 121, 126, 131, 137, 138, 151, 169, 173, 175, 189, 197, 199, 201, 315, 317	0681810 179, 180
0253167 71, 235	0361852 65	0641414..... 71	0681818 95
0253259 326	0400002 120, 126, 139	0641416..... 147	0681836 95
0253413 65	0400003 120, 126, 138	0641418..... 161	0682028 95
0253433 ... 258, 292, 327	0400025 120	0641505..... 149	0682032 95
0253550 326	0400075 110, 150	0641506.... 195, 196, 200	0700605 109
0253639 318	0440018 13, 19	0641507..... 65	0700608 150
0253692 175	0440019 13, 19	0641508 11, 17, 133, 143, 149, 150, 153, 205, 209, 213	0700808 111
0253707 175	0440082 20	0641510..... 109	0700810 109, 137
0253710 125	0440091 ... 12, 13, 18, 19, 20, 21	0641512..... 161	0700812 109
0253711 126	0440120 196, 200	0641514..... 70, 157	0701010 121, 125, 139
0253712 125	0440134 196, 200	0641518..... 61	0701012 115, 139
0253713 126	0440135 196, 201	0641520..... 195, 249	0701014 109, 125, 137
0253832 24	0440161 13	0641522..... 57, 196, 199, 200	0701015 138, 143
0253833 25, 26	0440183 12, 19	0641524..... 195	0701020 125
0253834 25, 26	0460073 255	0641528..... 70, 179, 180	0701021 133
0253846 217	0460075 255	0641607 119, 127, 183, 188	0701022 133, 137
0253910 167	0460077 255	0641608 11, 17, 111, 167, 183, 184, 187, 188	0701414 115
0253987 217, 292	0460083 255	0641609..... 71, 149, 183, 187, 188	0711014 119
0254068 180	0460085 255	0641610 18, 70, 119, 127, 139, 153, 175, 187, 188	0711020 119
0254130 217	0460085 255	0641612.... 121, 143, 158	0721003 13, 19
0254178 217	0460090 255	0641614.... 127, 139, 150	0721004 161
0254213 327	0460091 255	0641616..... 17	0721005 158
0254218 126	0460092 255	0641620..... 57	0721014 138
0254220 20	0480048 133	0641622..... 58, 119, 126, 138, 149	0741606 95
0254294 18	0480059 115	0641626..... 57	0750806 163
0254314 327	0480060 153	0641628..... 249	0751006 205, 209, 213
0254386 24	0480083 217	0641632..... 249	0800581 183
0254389 65	0480084 217	0641634..... 58	0800582 183
0254442 327	0480086 217	0641708..... 69	0800584 179, 183
0254443 327	0480090 143	0641711..... 147	0800585 179, 187
0254452 328	0540081 191	0641807..... 161	0800586 188
0254728 218	0540082 191	0641808..... 149	0800587 187
0254748 217, 292	0540083 191	0641809..... 149	0800588 187
0254769 24	0560467 61	0641810..... 23, 109	0800711 179, 183
0254770 25	0560605 12, 13, 19, 20	0641811..... 188, 199	0800717 183
0254771 25	0560679 61	0641812.... 119, 125, 137	0800880 326
0254793 328	0560714 12, 13, 19, 20	0641814..... 179	0800884 326
0254873 327	0560810 249	0641816..... 196	0860038 ... 207, 211, 214
0254948 218	0560923 184	0641832..... 179, 180	0860520 315, 317
0255129 176	0560951 17	0641836..... 199, 200	0860538 ... 205, 209, 213
0255138 138	0610091 290, 292	0641840.... 179, 180, 196	0860576 163
0255146 138	0610104 290	0641844..... 109	0860578 163
0255147 140	0610111 211	0641912..... 95	0860579 163
0255226 143	0620058 161	0642014..... 23, 24	0860581 205
0255504 72	0620106 161	0642022.... 119, 126, 138, 149	0860583 213
0255604 157	0630083 13, 20, 21	0642030..... 149	0860608 213
0255675 137	0630137 13, 19	0642032.... 119, 125, 139	0860648 163
0255676 137	0630161 149	0642628..... 13, 65	0860685 205
0255738 326	0630360 120, 126, 139	0652014..... 195, 199	0860704 205
0255745 218	0630369 13	0681510..... 115	0860705 205
0255803 25	0630375 120, 126, 138		0860782 327
0255804 25	0630394 149		0860783 327
0255975 327	0630400 140		0860797 205
0256338 141, 158	0630415 180		0860809 205
0256436 328	0630425 12, 19		0860837 209
0256487 326	0630427 180		0860838 209
0256488 326	0630439 19, 20		0860850 209
0256789 326	0630440 218		0860951 163
0257728 328	0630460 153		0860973 209
0270723 326	0630461 153		0860975 209
0320008 61	0641404 14, 137, 199		0900232 217
0340002 ... 110, 121, 126, 138	0641405 ... 163, 167, 173, 176, 184		0900479 65
0361675 195			0901056 217

PART NUMBER INDEX

0901307 111, 122, 127, 139	0961687 18, 21	1180192 189	1600098..... 165
0901373..... 131	0961758 241	1260017 65, 71, 173	1600110..... 180, 321
0901401..... 120, 125	0961759 241	1260136 218	1600134..... 205
0901449..... 217	0961760 ... 235, 237, 239	1281049 258	1600140..... 205, 209
0901525..... 199	0961762 229, 231	1281083 217	1600141.... 205, 209, 321
0901569..... 121	0961763 229, 231	1281146 255	1600211..... 165, 322
0901616..... 69	0961764 245	1281186 111, 290	1600247..... 213
0901633..... 115	0961765 243, 245	1281218 327, 328	1660114..... 65
0901675..... 159	0961768 183	1281353 258	1660157..... 131, 137
0901687..... 151	0961770 187, 188	1281433 199	1660160..... 161
0901703..... 153	0961771 12, 17	1281508 326	1660169..... 109
0901705..... 110	0961776 18, 21	1281519 259	1660170..... 119, 127
0901708.... 122, 127, 139	0961777 18, 21	1281522 292	1660172..... 109
0901732..... 71	0961778 12, 19	1281525 ... 291, 292, 327	1660173..... 109
0901736..... 151	1001148902 327	1281526 290, 294	1660174..... 119, 127
0901756..... 199	1001148903 327	1281671 292	1660175..... 119, 127
0901759..... 110	1001148904 327	1281687 318, 327	1660183..... 119, 127
0901800..... 111	1001148905 327	1281738 290	1660184..... 109, 322
0901842..... 217	1001148906 327	1281796 317, 326	1660185..... 161
0901843..... 217	1060012 116, 134	1281863 292, 293	1660188..... 149, 322
0901896..... 125	1060016 ... 180, 291, 292	1281985 290	1660218..... 140
0901912..... 125	1060042 290, 294	1282002 293	1660249..... 140
0901920..... 175	1060044 151	1282091 290	1670199..... 158
0902062..... 159	1060045 ... 110, 120, 125, 139	1282147 327	1670321..... 176
0902087..... 137	1060046 150, 151	1282163 327	1670322..... 199
0902088..... 137	1060074 110	1282190 218, 293	1670414.... 120, 125, 137
0902089..... 137, 147	1060092 ... 110, 120, 127	1282387 293	1670450..... 184
0902096..... 139	1060093 120	1320012 ... 120, 121, 125, 139	1670451..... 196
0902104..... 143	1060099 ... 110, 120, 127, 139, 151	1320019 ... 110, 121, 127, 138, 140	1670468..... 158
0902244..... 109	1060119 ... 120, 127, 139	1320020 150	1670487..... 189
0920068..... 95, 103	1060129 ... 110, 120, 127, 139	1320022 ... 110, 111, 122, 126, 137, 138, 139, 147, 151, 157, 158	1670519..... 199
0920072..... 23, 37	1060172 ... 110, 120, 127, 139	1320023 159	1670526..... 217
0920081..... 23, 39	1060267 189	1320030 147	1670594..... 161
0920084..... 23, 41	1060279 315, 317	1320031 109	1670607..... 217
0920086..... 95, 105	1060300 294	1320032 140, 147	1670612..... 175
0920110..... 23, 41	1060309 ... 207, 211, 214, 292	1320033 150, 273	1670613..... 176
0940038..... 218	1060341 290	1320040 161	1670615..... 176
0960224..... 161	1060373 233	1320041 150	1670616..... 176
0960238.... 134, 165, 206, 207, 210, 214	1060514 184	1320050 189	1670630..... 199
0960239.... 134, 144, 153, 207, 210, 214, 290, 294	1060515 ... 184, 291, 293	1320058 ... 121, 126, 138	1670641..... 217
0960523..... 12, 19	1060516 184	1320059 109, 255	1670662..... 175
0960565.... 195, 199, 200	1100041 58	1320060 125	1670663..... 218
0960613..... 243, 245	1120032 13, 19	1320070 120	1670665..... 218
0960846..... 241	1120108 ... 221, 223, 225, 247, 249, 251	1320072 150	1670666..... 218
0960929..... 187, 188	1120160 ... 229, 231, 237, 239	1320075 147	1670699..... 218
0961003..... 12, 17	1120161 ... 110, 121, 126, 138	1320095 189	1670700..... 218
0961029..... 11	1120179 227	1320103 189	1670701..... 218
0961127..... 315, 317	1120218 150	1320122 255	1670702..... 218
0961254..... 243, 245	1120286 241	1320125 12, 17	1670703..... 218
0961257..... 199	1120299 195, 199	1320131 189	1670733..... 218
0961259..... 195, 201	1120314 157	1320160 200	1670734..... 218
0961328..... 241	1120336 243, 245	1320176 110	1670735..... 218
0961329..... 229, 231	1120351 251	1340020 ... 109, 121, 126, 138	1670736..... 218
0961338..... 229, 231	1120358 233, 235	1340045 158	1670737..... 218
0961355..... 188	1120405 111	1340046 158, 320	1670753..... 218
0961356..... 241	1120432 126	1380136 71	1670754..... 218
0961361.... 233, 235, 237, 239	1140009 131	1380137 200	1670755..... 218
0961450..... 201	1180190 184	1440154 161	1670756..... 218
0961509..... 18, 21	1180191 189	1540002 ... 211, 290, 292, 293	1670757..... 218
0961529..... 18, 21		1600043 158	1680892..... 227
0961531..... 161		1600092 213, 214	1681283..... 249, 251
0961593..... 183		1600094 205	1681294..... 241
0961686..... 18, 21			1681322.... 221, 223, 247
			1681332..... 225
			1681344..... 247
			1681411..... 247
			1681413..... 247

PART NUMBER INDEX

1681423	251	1682767	235	1702282.....	317	2180467	157, 158
1681433	247	1682772	326	1702284.....	317	2180527	158, 252
1681435	247	1682773	326	1702289.....	318	2180535	147
1681458	223	1682793	199, 245	1702292.....	317	2180536	110, 137, 150
1681460	223	1682803	326	1702293.....	317	2180537	112
1681461	221	1692979	327	1702294.....	317	2180615	269
1681462	221	1693405	293	1702299.....	317	2180621	271
1681555 .. 13, 19, 20, 247		1700037	315, 317	1702305.....	65	2180643	111
1681562	12, 18, 247	1700053	318	1702402.....	209	2180658	61
1681571	11, 223	1700157	315, 317	1702600.....	326	2180666	131
1681572	11, 17, 221	1700194	318	1702612.....	317	2180683	274
1681785	18, 227	1700195	318	1702642.....	26	2180699	269
1681787	227	1700196	318	1702643.....	26	2180711	158
1681788	227	1700197	318	1702669.....	326	2180730	110, 112, 149
1681847	243, 245	1700232	318	1702688.....	317	2180732	283
1681869	243	1700419	315, 317	1702701.....	26	2180749	112, 113, 149
1681997	188, 251	1700428	315, 317	1702720.....	326	2180763	161
1682001	251	1700429	315, 318	1702721.....	326	2180994	137
1682005	251	1700430	315, 317	1702722.....	326	2200051	126, 138
1682013	179, 241	1700431	315	1702738.....	26	2200052	157
1682014	241	1700476	315, 317	1702739.....	26	2200053	121
1682016	241	1700477	315, 317	1705514.....	326	2200201 ...	229, 237, 243, 249, 251
1682019	180, 229	1700580	315, 317	1760068.....	196, 201	2200202	243
1682027	229, 231	1700582	315, 317	1780224.....	197	2200204	147
1682028	229, 231	1700584	315, 317	1780245	169, 173, 176	2200213	229, 237
1682037	183, 249	1700585	315, 317	1780250.....	197, 201	2200222	61, 161, 249
1682039	249	1700593	315, 317	1840004.....	109	2200223	157
1682041	249	1700598	184	1840010.....	109	2200261	110, 111
1682042	229	1700599	184	2000088....	119, 122, 125, 127	2200268	158
1682051	251	1700640	315, 317	2000107.....	109, 112	2200652	147
1682053	179, 237	1700643	315, 317	2000114.....	149, 151	2200805	110
1682054	237	1700756	315, 318	2000126.....	137, 140	2210003	273
1682057 ... 195, 196, 199, 200, 243		1700818	147, 315, 317	2000138.....	109, 112	2210014	273
1682058	243	1700901	120, 125, 137	2012702.....	35	2210028	273
1682060	243, 245	1700919	326	2060012.....	327	2220061	57
1682072	180, 233	1700975	315, 317	2060014	120, 125, 139	2220063	150
1682073	233	1700976	315, 318	2080026.....	14	2220070	266
1682074	233	1700977	315, 317	2120077.....	147	2220082	147
1682076	233, 235	1700978	315, 317, 318	2120103.....	158	2220214	277
1682078	237, 239	1700979	315	2120104.....	158	2220218	277
1682083	237, 239	1700980	315	2120107.....	158, 320	2220221	269, 283
1682177	243	1700981	315, 318	2160001 65, 95, 197, 201, 233, 235, 237, 239, 241, 247		2220235	261, 266
1682178	199, 243	1701205	315, 318	2160002 ...	12, 13, 17, 18, 19, 20, 180, 183, 189, 195, 196, 200, 221, 223, 225, 227, 229, 231, 233, 237, 243, 245, 247	2220237	84, 274
1682202	247	1701326	318	2160003	12, 13, 17, 18, 20, 221, 223	2220238	84
1682203	20, 247	1701334	318	2160006	197, 201, 247	2220251	147
1682415	183, 249	1701336	318	2180089.....	291	2220273 ...	110, 121, 125, 137, 147, 150
1682416	249	1701426	71	2180104.....	110, 147	2220313	147
1682457	237, 239	1701428	71	2180360....	111, 113, 121, 122, 125, 128, 137, 144, 147, 151	2220314	127, 139, 147
1682458	179, 237	1701443	318	2180377.....	283	2220315	137, 138, 147
1682458	179, 237	1701444	318	2180379.....	269, 271	2220317	122, 126
1682611	326	1701460	317	2180380.....	269, 271	2220318	111
1682724	11, 17, 221	1701462	71	2180387.....	147	2220329	274
1682725	221	1701463	71	2180388.....	147	2220343	150, 287
1682727	11, 225	1701464	315, 318	2180389.....	147	2220344	150, 271, 287
1682728	225	1701529	317	2180418.....	147	2220345	263, 265
1682730	225	1701551	318	2180448....	233, 269, 271	2220346	274
1682739	179, 239	1701595	318			2220347	263, 265
1682740	239	1701703	318			2220349	273
1682742 ... 195, 196, 200, 245		1701724	318			2220355	263, 266
1682745	180, 231	1701776	207			2220356	263, 265
1682746	231	1701778	71			2220362	263, 265
1682757	18, 227	1701780	318			2220366	265, 273
1682758	227	1702153	317			2220371	271, 273
1682763	179, 239	1702276	317			2220372	271, 273, 285
1682764	180, 235	1702277	317			2220373	273
1682765	235	1702280	317				

PART NUMBER INDEX

2220374.....263	2220695 273	2580001 ... 111, 122, 127, 141, 151	2750997....269, 271, 273, 274
2220375.....263, 265, 273	2220702 271	2580018 158	2750998.....287
2220377.....57, 273	2220703 150, 271, 287	2580022 122, 127	2750999.....271
2220379.....273	2220710 273	2580048 141	2751002.....274
2220384.....274	2220711 261, 265	2600105 ... 205, 209, 213	2751003.....261
2220385.....273, 279	2220727 274	2600132 ... 205, 209, 213	2751004.....273
2220386.....274	2220738 273	2600143 197, 201	2751006.....271
2220409.....273	2220773 271, 285	2600157 ... 170, 173, 176	2751010....261, 263, 265, 274
2220414....263, 265, 274	2220775 273	2600180 175	2751011.....265
2220415.....263, 265	2220800 263, 265	2620032 65	2751012.....283
2220416.....281	2220805 137, 150	2660075 191	2751014.....263, 265
2220417263, 265	2220820 233, 274	2660076 191	2751018.....279
2220428.....273	2220822 263, 265	2660080 191	2751026.....261
2220429.....273	2220833 265	2680356 120	2751110.....287
2220430.....147	2220844 57	2680386 ... 120, 126, 138	2751111.....271
2220437 138, 147	2220885 ... 231, 239, 245	2720015 ... 122, 126, 138, 139	2751113.....274
2220451263, 265, 273	2220895 277	2720016 131	2751114.....287
2220465.....263, 265	2220899 269	2720058 ... 110, 137, 138, 147, 150	2751122.....261
2220466....261, 263, 265, 277, 283	2220909 ... 263, 265, 279	2720112 147	2751142.....271
2220468.....281	2360287 11	2720144 147	2751166.....271
2220469.....266	2360297 11	2720160 ... 121, 125, 139, 147	2751322.....274
2220472....261, 269, 271, 283	2360303 11	2720178 109	2751331.....273, 274
2220473....261, 269, 271, 273	2360304 11	2720232 121, 125	2751341.....263, 265
2220490.....261	2360311 11	2720249 147	2751357.....263, 265
2220495.....150	2360312 11	2720254 120, 125	2751373.....273
2220496.....281	2360332 17	2720271 ... 110, 137, 150	2751391....263, 265, 274
2220500.....273	2360333 17	2720332 274	2751397.....263, 265
2220501.....269, 287	2400026 293	2720334 109	2751406.....281
2220502.....277	2420009 163	2720335 274	2751412.....269, 271
2220504....261, 263, 265	2420019 163	2720343 274	2751415.....263, 265
2220507274, 285	2420024 ... 121, 137, 165	2720351 109	2751428.....263, 265
2220517263, 266	2420033 121, 149	2750529 291	2751450.....269
2220577.....271	2420038 326	2750532 111, 147	2751452.....269
2220578.....273	2420047 121	2750692 263, 265	2751469.....274
2220579.....271	2420087 163	2750756 261	2751472.....265
2220582....263, 265, 269, 271, 273, 279	2420089 163	2750757 273, 274	2751483.....263, 265
2220584.....274	2420091 163	2750760 271	2751484.....265
2220585.....263, 265	2420109 121, 125	2750762 265	2751489.....273
2220591269, 271, 287	2420110 110	2750763 273	2751491.....263
2220596.....265, 274	2420125 163	2750766 265	2751502.....265
2220602.....265, 273	2420126 150	2750771 265	2751509.....274
2220603.....273	2420128 163	2750774 263, 265	2751517.....265
2220605....265, 271, 279, 283	2420129 163	2750776 263	2751839.....274
2220606.....271, 287	2420131 ... 121, 125, 137	2750777 265, 274	2751899.....281
2220609....261, 269, 271, 283	2420140 121	2750778 269	2751906.....271
2220618....266, 273, 279	2420149 125	2750785 149, 287	2751920.....277
2220619.....273	2420171 139	2750786 261, 271	2751931.....274
2220621.....273	2420182 149	2750788 261, 271	2752468.....269
2220622.....273	2420203 ... 115, 133, 143, 153	2750792 265, 273	2760064.....196, 200
2220624.....273	2440022 95	2750900 261, 283	2760091.....161
2220628.....271	2440043 196, 200	2750901 283	2780055.....95, 107
2220633.....147	2440044 196, 200	2750902 263, 265	2780091.....13, 19
2220635.....271	2440059 95	2750903 281	2780114.....23, 47
2220642.....274	2460011 ... 115, 133, 143, 153	2750904 265, 281	2780151.....24, 53
2220648.....147	2500004 131	2750908 273, 274	2780170.....23, 51
2220657.....269	2500005 137	2750910 285	2780173.....23, 45
2220659.....263	2540014 150	2750911 271	2780192.....24, 53
2220671.....274	2540016 167	2750921 261, 271	2791494.....258, 273
2220673.....263, 265	2551279 65	2750928 274	2791495.....258
2220675.....147	2560010 197, 201	2750929 263	2791496.....258, 263
2220679.....266	2560038 205	2750969 265	2791498.....258
	2560040 205	2750970 263, 266	2791499.....259, 285
	2560041 205	2750972 265	2791500.....259, 287
	2560109 233	2750979 273	2791501.....259, 283
	2560112 205, 209	2750992 287	

PART NUMBER INDEX

2791503 258, 277	2900792 ... 221, 225, 227, 229, 237, 243, 251	3200227 119, 125, 139, 149	3300273 ... 221, 223, 225, 227, 247
2791505 258, 281	2900798 101	3200260 119	3300277 251
2791542 259	2901103 243, 245	3200308 191	3300281 229, 231, 241
2791549 258	2901111 111	3200309 191	3300282 249
2791579 258, 281	2901123 247	3200377 137	3300284 243
2791593 258, 265	2901143 252, 326	3220036 110, 328	3300287 ... 233, 237, 239, 251
2791595 258	2901144 233	3220043 121, 126, 140	3300295 235
2791608 258, 273	2901146 161	3220053 327	3300302 251
2791648 258	2901148 223, 247	3220076 150	3310601 ... 164, 206, 210, 214
2791675 258, 273	2901227 235, 326	3250840 65	3310801 ... 120, 125, 140, 175
2791692 258	2910025 318	3250872 65	3311001 57, 138, 140, 158, 161, 164, 165, 207, 210
2791696 258, 279	2910041 318	3250914 120	3311401 . 70, 71, 72, 111, 115, 120, 121, 126, 131, 134, 137, 138, 141, 143, 147, 151, 153, 158, 159, 163, 169, 173, 176, 180, 189
2791780 258	2910479 120	3251019 292	3311405 ... 110, 111, 121, 138, 158, 167, 169, 175, 184, 197, 201, 315, 317
2791795 258	2915092 95	3251028 315, 317	3311501 . 57, 69, 70, 109, 120, 138, 150, 153, 195
2791796 258	2920001 167	3251228 159	3311505 ... 157, 175, 179, 180, 196, 199, 200, 205, 209, 213
2791797 259	2920009 ... 167, 217, 292	3251243 159, 315, 317	3311601 ... 12, 17, 57, 58, 69, 70, 71, 110, 111, 119, 120, 122, 126, 138, 143, 149, 151, 158, 167, 189, 249
2791798 258	2920013 217, 292	3251476 115, 134, 143, 153	3311605 ... 159, 175, 180, 184
2791851 258	2920015 ... 206, 209, 213	3251596 218	3311701 120, 126, 138
2791852 258	2920018 ... 167, 217, 292	3251766 315, 317	3311801 . 12, 17, 23, 161, 188, 189
2791947 258, 261	2920019 167, 292	3251813 315, 317	3311805 ... 179, 180, 196, 197, 199, 200, 201
2791949 258, 271	2920024 ... 207, 214, 292, 327	3251837 159	3312001 ... 119, 126, 138, 149
2791950 258, 269	2920026 ... 163, 164, 206, 207, 211, 213, 291	3251843 213	3312002 149
2791954 258	2920029 ... 164, 207, 291	3251872 206, 209	3312005 119, 125, 139
2792149 258	2920079 167	3251881 318	3312601 12, 13, 19, 20
2820022 71	2920081 167	3251894 205	3312602 13, 19, 20
2820032 72	2920096 217	3251895 163	3313403 12, 13, 19
2820044 176	2920100 217	3251903 165	3321401 ... 131, 138, 221, 223, 225, 227
2820045 176	2920105 167	3252074 206, 207, 211, 213	3323002 12, 19, 20, 65
2820060 111	2920109 167	3252096 164, 207, 292	3323402 20
2860002 163, 320	2920111 217, 292	3252102 291	3323403 13, 19
2860012 ... 133, 143, 153	2920152 167	3252144 318	3340454 195, 199
2880404 195, 199	2920162 ... 115, 133, 143, 153	3252224 209	3340473 183
2880410 65	2940006 ... 197, 201, 321	3252238 218	3340500 187
2900034 107	2940042 175	3252356 317	3340550 187, 188
2900062 71	2940048 169, 173	3252369 318	3340552 183
2900068 217	2940050 173	3252382 209	3340580 187, 188
2900138 47	2940051 169, 173	3271501 126, 183	3420290 161
2900202 47	2940052 ... 205, 209, 213	3300012 13, 19, 23	3420292 65
2900340 241	2940057 ... 169, 173, 176	3300023 13	3420372 65
2900375 ... 229, 231, 237, 239, 326	2940070 175	3300029 110, 120, 127, 139, 150	3420477 65
2900379 221, 225	2940113 175	3300047 134, 144, 153, 207, 210, 214, 290, 294	3421151 65
2900381 227	3010088 218	3300048 134, 165, 206, 207, 210, 214	
2900396 249	3020021 127, 149	3300143 195, 196	
2900449 32	3020025 197, 201	3300151 169, 173, 175	
2900455 203	3040293 65	3300170 237, 239, 243	
2900649 103	3040382 65	3300175 12, 18, 21	
2900659 29	3120044 328	3300177 163, 205, 209, 213	
2900662 37, 105	3120046 328	3300183 95	
2900673 155	3120048 328	3300187 221, 223, 227, 247	
2900698 258	3120089 328	3300190 229, 241	
2900707 89	3120322 328	3300208 12, 19	
2900708 89	3120344 328	3300213 249	
2900709 89	3120351 328	3300229 12, 13, 19, 20	
2900733 203	3160080 23, 31	3300231 251	
2900749 45	3160083 ... 196, 200, 203	3300245 243	
2900750 315, 318	3160140 23, 29	3300253 251	
2900754 54	3160156 95, 99	3300256 233, 237	
2900755 54	3160176 35	3300263 243	
2900766 39, 41	3160181 95, 101	3300271 243, 245	
2900767 39, 41	3200183 ... 125, 139, 149		
2900768 39, 41	3200198 119, 125		
2900770 70, 71, 231, 233, 235, 239, 245, 249	3200226 ... 119, 125, 139, 149		
2900779 71			
2900788 35			

PART NUMBER INDEX

3421190.....13	3480120.....227	3640500.....210	3910812....120, 125, 131,
3421224.....11, 17	3480126.....251	3640711.....164	139, 175
3421243.....12, 19	3480130.....243, 245	3641032.....210	3911008.....214
3421284.....61	3480134.....223, 247	3730003.....294	3911012.....139, 161
3421490.....199, 200	3480136....233, 237, 239	3730004.....294	3911028.....180
3421491.....199	3480141.....243	3730095.....294	3911412.....163, 169
3421494.....199	3501916.....95	3740002.....292	3931010.....196, 201
3421565.....71	3507049.....65	3740030.....165	3931016.....57
3421596.....188	3510180.....197	3740033.....291	3931612.....196, 201
3421597.....188	3510181.....197	3740045.....293	3931620.....196, 201
3421598.....179	3510182.....197	3740049...111, 164, 165,	3932028.....23
3421599.....180	3510205.....197	207, 210, 218, 290,	3932032.....251
3421600....195, 196, 199,	3510236.....197	291, 292, 293, 320	3940804....120, 126, 138
200	3510237.....197	3740058.....164, 321	3941003.....71
3421601.....183	3510238.....197	3740059.....165, 321	3941404.....167
3421602.....180	3510239.....201	3740061.....165	3941406....167, 169, 173,
3421603.....179	3510240.....201	3740063.....164	175, 176, 217
3421604.....183	3510241.....201	3740067.....165, 321	3951003.....109
3421605.....180	3510242.....201	3740074.....151	3951403....233, 243, 245
3421612....195, 196, 199,	3510253.....197	3740077.....165	3951404.....243, 251
200	3510261.....201	3740080.....140, 322	3951405.....233, 251
3421613....195, 196, 200	3510288.....197	3760004.....161	3951603.....249
3421614.....179	3510315.....201	3760053.....161	3951810.....188
3421615.....179	3510323.....201	3760133.....183	3951820.....161
3421616.....179	3510330.....201	3760257.....188	3960047.....61
3421617.....179	3510441.....197	3780183 12, 19, 241, 245	3960098.....13, 19
3421618.....180	3510480.....201	3780184 ...12, 17, 18, 20,	3960371.....158
3421619.....180	3510481.....197	183, 235, 239	3960389.....109, 150
3421627.....71	3510482.....201	3780185.....189, 231	3960407.....109
3421829.....196, 199	3510483.....197	3780187.....18	3960416....221, 223, 225,
3421830.....179	3510511.....201	3790012 ...163, 164, 165,	227
3421833.....13	3520022.....158	205, 206, 209, 210,	3960417.....175
3421835.....12, 19	3520026 ...163, 205, 206,	211, 213, 214	3960418.....175
3421836.....11	209, 213	3790015 ...163, 205, 206,	3960421.....151
3421856.....20, 21	3520028 ...115, 133, 143,	209, 213	3980003....120, 126, 139
3421858.....20, 21	153, 163, 210	3790116.....61	3980007.....110, 150
3421861.....18	3520035.....196, 200	3790231.....61	3990001.....163, 291
3421927.....20, 21	3520064.....176	382000165, 191, 315,	3990010....290, 291, 292,
3421929.....20, 21	3530210.....147	317	293, 294, 321
3421940.....18	3530244.....13	3820012.....173, 176	4040215.....199
3422043.....183	3530403.....161	3820019 ...169, 173, 318	4040220.....195
3422064.....18	3532054 ...195, 196, 200	3840643.....65	4040222.....199
3422066.....18	3532202 ...169, 173, 176	3840833.....61	4060092....207, 211, 214
3422075.....180	3532976.....188	3840854.....61	4060229....165, 206, 210,
3422221.....13	3533498.....65	3840863.....12, 19	211, 213, 214
3422261.....12, 19	3533654.....169	3840868.....20	4060695.....158
3422360.....18	3534745.....184	3840898.....131	4060696.....133
3430407.....61	3534778.....58	3841026.....110, 120	4060740.....150
3431622....12, 13, 18, 19,	3536410.....13	3841029.....13	4060767.....158
20	3536597.....167	3841048.....65	4060804.....195, 196
3440816.....196, 200	3536671.....318	3841255.....137	4060829.....167
3441228.....196, 201	3538392.....209	3860037.....61	4060832.....175
3450202.....109	3580134 ...115, 133, 143	3900139 ...221, 229, 237,	4060849.....158
3450203.....61	3580158.....115	241	4070224.....18
3450606....12, 13, 18, 19,	3580160.....153	3900141 ...223, 227, 241,	4070225.....18
20	3580162.....153	247, 249	4070410.....58, 157
3450808.....11, 17	3580239.....143	3900166.....187	4070411.....58, 157
3450810.....13, 19	3580250.....143	3900170 ...221, 223, 225,	4070412.....58, 157
3450814.....11, 17	3600071 ...111, 121, 127,	227, 229, 231, 233,	4070528.....12, 17
3451012.....12, 13, 19	139, 150	241, 245, 247, 249, 251	4070555.....187, 188
3460132.....147	3600139 ...109, 119, 125,	3900172.....235	4070556.....187, 188
3480092.....249	137, 149, 155	3900175 ...221, 223, 225,	4070559.....184
3480102.....241	3600141 ...110, 121, 150	227	4070585.....196, 201
3480103.....235	3600179.....71	3900230.....233	4070586.....197, 201
3480105.....229, 231	3620003.....327	3900294.....207, 211	4070587.....197, 201
3480113.....251	3620026 ...120, 126, 138	3910606.....164	4070670....183, 187, 188
3480116.....221, 225	3640492.....206, 214	3910608206, 210, 214	4070671....183, 187, 188

PART NUMBER INDEX

4070672 183, 187, 188	4360057 ... 180, 218, 293, 323	4460071 134, 164, 197, 201, 207, 210, 211, 214	4565816 225
4070676 183, 184	4360065 111, 113, 291	4460190 115, 133, 143, 153, 207, 211, 214	4565846 235
4070677 183	4360073 163, 320	4460244 165, 206, 210, 214	4565988 110
4070678 183	4360089 290	4460260 290, 294	4566007 126
4070705 195	4360141 163, 205, 213	4460298 164, 206, 210, 214	4566267 327
4070706 195	4360157 ... 122, 128, 140, 151, 291	4460300 164, 206, 210, 214	4566605 137
4070707 196	4360171 71, 320	4460301 164, 206, 210, 214	4566625 140
4070774 159	4360179 291	4460302 109, 151	4566650 143
4070786 188	4360182 ... 121, 122, 128, 151, 291	4460305 164, 206, 210, 214	4620043 95
4070787 188	4360188 147	4460307 164, 206, 210, 214	4620047 95
4070798 175	4360199 ... 163, 205, 206, 207, 209, 210, 211, 213, 214, 292, 294, 320	4460308 164	4620084 96
4070800 12, 17	4360200 ... 164, 206, 210, 213, 320	4460311 164, 206, 210, 214	4620091 96
4070837 187, 188	4360201 ... 163, 290, 291, 322	4460311 164, 206, 210, 214	4640005 71
4070838 187, 188	4360202 ... 164, 165, 206, 210, 211, 213, 320	4460521 218	4640047 327
4070854 187, 188	4360209 ... 206, 210, 214, 321	4520007 26	4640113 26
4070855 187, 188	4360212 163, 323	4520009 26	4640123 69, 327
4100025 110, 150	4360215 217	4520024 26	4640150 70
4100026 271, 287	4360216 164, 320	4520025 26	4640151 327
4100027 31	4360219 291	4520025 26	4640182 20
4100028 31	4360228 164	4520125 26	4640197 263, 265
4100029 31	4360229 290	4520142 26	4640249 69, 83
4120013 164	4360232 ... 164, 292, 321	4520171 26	4640260 57
4130160 12, 19	4360274 ... 163, 205, 209, 213, 218, 291, 293, 321	4520200 26	4640261 65
4130161 12, 19	4360279 71	4561815 121	4640273 221, 223
4130223 13	4360282 209, 321	4562083 199	4640310 180
4130224 13	4360289 209, 321	4562516 157, 158	4640360 70
4130253 21	4360294 291	4562637 119, 125	4640391 147
4130254 21	4360305 217	4562687 247	4640451 57
4130255 20, 21	4360386 72, 322	4562851 247	4640452 233
4130256 20, 21	4360405 137	4562859 221, 223	4640485 58, 61
4160026 195, 199	4360542 ... 115, 133, 143, 153	4563614 149	4640495 249
4160028 217	4400263 157	4563636 251	4640509 ... 221, 225, 227, 229, 237, 243, 251, 326
4160078 61	4400264 157	4563647 227	4640523 258
4160106 175	4400265 158	4563674 119	4640543 70
4220007 217	4400266 157	4563771 243, 245	4640554 69, 75
4220098 12, 17	4400275 159	4564088 164	4640574 283
4220137 200	4400290 158	4564117 251	4640575 273
4240033 233	4400291 158	4564123 133	4640577 70, 91
4300030 12, 17	4400294 157	4564132 241	4640578 69, 83
4300031 ... 111, 126, 138, 141, 169, 173, 175, 176, 184	4400295 157	4564158 229, 231	4640580 70, 89
4300032 151	4400327 151	4564167 121	4640585 70, 91
4300033 70	4400344 157	4564275 249	4640603 70, 71
4300034 ... 12, 69, 71, 110, 111, 120, 122, 127, 139, 151, 159	4400345 157	4564281 121, 125, 139	4640626 71
4300038 57, 69, 127, 139, 196	4400381 157	4564328 133	4640632 258
4300042 70, 71	4400382 157	4564329 133	4640634 ... 231, 235, 239, 245, 326
4300045 12, 17, 189	4420001 ... 110, 122, 126, 138, 149, 150	4564413 110	4640668 57
4300056 121, 126	4420037 163, 209	4564417 143	4640671 57
4300057 137	4420038 205, 213	4564473 233	4640675 249
4300068 115	4460023 115, 134	4564493 109	4640677 233
4300073 157	4460027 ... 115, 133, 143, 153, 291	4564579 200	4640680 70, 91
4300092 23	4460049 159	4564637 247	4640681 70, 91
4300106 71, 72	4460051 165	4564711 150	4640682 57
4320002 205, 213	4460052 ... 134, 143, 153, 207, 210, 214	4564718 150	4640684 57, 63
4320008 23		4565162 110	4640716 70, 89
4340509 ... 120, 127, 139		4565163 110	4640747 235
4340565 133		4565278 110	4640750 137
4360003 163, 320			4640751 111
4360022 291			4640774 287
4360031 197, 201, 321			4640778 277
4360037 ... 111, 121, 125, 137, 144, 151			4640799 235
			4640812 ... 13, 18, 19, 20, 180, 183, 189, 231, 235, 239, 241, 245
			4640914 69, 79
			4640942 69, 87

PART NUMBER INDEX

4640945.....	69, 87	4761000. 13, 19, 57, 138,	4843448	173	4931946.....	290
4640989.....	137	140, 158, 161, 164,	4843468	184	4931947.....	290
4642691.....	17	165, 180, 207, 210,	4843481	65	4931950.....	290
4700005.....	147	211, 214	4843566	65	4931954.....	290
4711400.....	109	4761400... 11, 14, 17, 18,	4843595	149	4931972.....	292
4711600....	110, 111, 122,	70, 71, 72, 110, 111,	4843604	149	4931979.....	293
150		115, 120, 121, 126,	4843636	195	4931980.....	293
4711601.....	111	131, 134, 137, 138,	4843639	150	4931998.....	291
4712600....	12, 13, 18, 19,	141, 143, 147, 151,	4843643	173	4932024.....	290, 292
20		153, 158, 159, 161,	4843644	150	4932050.....	294
4740003.....	95	163, 169, 173, 175,	4843742	57	4932052.....	293, 294
4740004.....	95	176, 180, 184, 189, 199	4843822	161	4932063.....	290
4740016.....	13, 19	4761500... 11, 17, 57, 61,	4843826	18	4932075.....	293
4740036.....	65	65, 69, 70, 109, 111,	4844015	175	4932340.....	293
4740048.....	95	115, 120, 126, 133,	4844226	175	4932361.....	292
4740082.....	21	138, 143, 149, 150,	4844291	126	4932362.....	290, 294
4740116....	121, 125, 133	153, 157, 161, 195, 200	4844293	175	4932488.....	293
4740120....	163, 205, 209,	4761600... 12, 13, 17, 18,	4844294	175	4932489.....	294
213		20, 21, 57, 58, 69, 70,	4844295	175	4932490.....	292
4740158. 11, 17, 196, 200		71, 110, 111, 115, 119,	4844296	175	4932515.....	292
4740171.....	95	120, 122, 126, 127,	4844312	111	4932569.....	292
4740185.....	11, 18	133, 138, 143, 149,	4844337	125, 140	4932598.....	293
4740199.....	196, 200	150, 151, 153, 158,	4844345	175	4932599.....	293
4740242....	119, 125, 139,	159, 167, 183, 184,	4844357	175	4932637.....	290
149		187, 188, 196, 201	4844592	327	4932639.....	290
4740252.....	23	4761700 69, 120, 126,	4844903	138	4932761.....	294
4740256.....	196, 200	138	4860108	26	4932785.....	293
4740275.....	143	4761800. 12, 17, 23, 109,	4860115	26	4932786.....	293
4740307.....	179	119, 125, 137, 149,	4860119	26	4932793.....	294
4740322.....	158	161, 179, 180, 188,	4860123	26	4932806.....	291
4740338.....	158	189, 196, 199	4860129	26	4932813.....	290
4740362.....	197, 201	4762000 23, 24, 119, 126,	4860130	26	4932814.....	294
4740367.....	95	138, 149, 251	4860148	26	70000851.....	112
4740368.....	189	4762600	4920096	13, 20, 21	70001111.....	51, 53
4750600....	164, 206, 210,	4770800	4920959	122, 126	7000166.....	203
214		4791400	4920986	200	7000206.....	51
4750800....	126, 138, 175	4791600	4921160	125	7000207.....	107
4751000....	57, 158, 161,	4812000	4921161	293, 294	7000208.....	107
164, 165, 211		4831900	4921162	294	7000209.....	107
4751400....	11, 17, 18, 70,	4832000 ...	4921208	293	7000210.....	107
71, 72, 110, 111, 115,		139, 143, 149	4921257	294	7000211.....	45
120, 126, 131, 133,		4832100	4921305	290	7000212.....	45
138, 143, 147, 150,		4842153	4921361	291	7000213.....	51
151, 153, 158, 161,		4842691	4921421	294	7000214.....	51, 54, 107
163, 167, 169, 173,		4842915	4921529	292	7000215.....	51
175, 176, 184, 189,		4843132	4921555	291	7000217.....	51, 54, 107
199, 217, 315, 317		4843146	4921567	189	7000218.....	47
4751500....	11, 17, 51, 57,	4843147	4921717	139	7000219.....	47
65, 69, 70, 107, 115,		4843156	4921721	294	7000220....	45, 47, 51, 53
133, 143, 153, 157,		4843160	4921743	294	7000221.....	47
179, 180, 195, 205,		4843255	4921763	291	7000224.....	151
209, 213		4843256	4921764	139	7000222.....	47
4751600....	17, 58, 69, 70,	4843257	4921765	294	7000225.....	47
71, 115, 119, 120, 126,		4843260	4921767	293	7000227.....	45
133, 138, 143, 149,		4843269	4931085	292	7000229.....	51
153, 159, 175, 184,		4843271	4931444	290	7000230.....	51
195, 196, 249		4843280	4931692	291	70002307.....	140
4751700....	120, 126, 153	4843286	4931917	292	7000232.....	51
4751800... 12, 17, 24, 125,		4843371	4931918	292	7000233.....	107
179, 180, 196, 199, 200		4843372	4931919	294	7000241.....	53
4752000....	119, 149, 196,	4843408	4931920	294	7000242.....	51, 53, 107
199		4843410	4931940	291	7000243.....	47, 51, 53
4760600....	164, 206, 210,	4843413	4931941	292	7000246.....	51, 107
214		4843423	4931942	292	7000250.....	51, 53
4760800....	120, 131, 140,	4843424	4931943	292	7000252.....	51, 53
175		4843425	4931944	291	7000253.....	51, 53, 107
		4843426	4931945	291	7000255.....	107

PART NUMBER INDEX

7000256	107	7001909	45, 51, 53	7002449	87	7004247 ...	111, 121, 127, 139, 150
7000257	51, 107	7001911	51, 53	7002450	87, 320	7004248 ...	111, 121, 127, 139, 150
7000258	51, 107	7001913	45, 51, 53	7002451	87	7004249 ...	111, 121, 127, 139, 150
7000260	45, 51, 53	7001917	47	7002821	328	7004275	328
7000261	45, 51, 53	7001918	47	7002822	328	7004276	328
7000262	51, 53	7001922	54	7002823	328	7004289	70
7000263	51, 53	7001923	45	7002826	328	7004290 ...	111, 121, 150
7000265	47	7001927	47	7002828	328	7004291 ...	111, 121, 150
7000268	107	7001928	45, 47	7003006	37, 103, 105	7004365	89
7000269	107	7001931	51, 53	7003007	37, 105	7004366	89
7000270	107	7001937	47	7003047	37	7004367	89
7000271	107	7001984	51, 53	7003049	37, 105	7004368	70, 89
7000272	47	7001985	51, 53	7003050	105	7004369	89
7000273	47	7001987	51, 53	7003051	37, 105	7004436 ...	111, 121, 127, 139, 150
7000274	47	7001988	51, 53	7003052	37, 105	7004600	87
7000275	47	7001990	51, 53	7003054	37, 105	7004822	83
7000276	47	7001997	51	7003055	37, 105	7004823	83
7000279	47	7001998	51	7003056	37, 105	7004834	83
7000280	47	7002100	203	7003057	37	7004835	83
7000282	47	7002103	203	7003059	37, 105	7004836	83
7000283	47	7002104	203	7003060	103	7004837	83
7000284	47	7002105	203	7003061	103	7004838	83
7000285	45, 47	7002107	203	7003062	103	7004839	83
7000286	47	7002110	203	7003063	103	7004841	83
7000287	47	7002111	203	7003064	103	7004859 ...	63, 83, 87, 91
7000288	47	7002112	203	7003065	103	7004894	83, 87
7000289	47	7002116	203	7003066	103	7004906	31
7000290	47	7002117	203	7003067	103	7004907	31
70003445	57	7002123	203	7003069	105	7004908	31
70003622	112	7002125	203	7003070	37	7004910	32
7000413	84	7002229	83	7003071	37	7004911	32
7000414 ...	63, 84, 87, 92	7002262	91	7003087	54	7004912	31
7000417	83	7002274	63	7003088	54	7004913	31
7000418 ...	63, 84, 87, 91, 320	7002294	83	7003089	54	7004914	32
7000448	87, 91	7002304	83	7003092	105	7004916	31
7000468 ...	63, 84, 87, 92	7002305 ...	63, 83, 87, 91	7003093	105	7004917	31
7000470 ...	63, 84, 87, 91	7002315 ...	63, 83, 87, 91	7003094	105	7004918	31
7000558	69	7002316	91	7003095	105	7004927	32
7000625	197, 201	7002317	91	7003096	105	7004928	31
7000643	131	7002320	83	7003103	155	7004929	31
7000646 ...	122, 128, 140	7002321	83	7003634	70	7004933	31
7000694	110	7002322	83	7003635	70	7004936	31
7000699	112	7002323	83	7003647	70	7004937	31
7000717	37	7002324	83	7003657 ...	115, 133, 143, 153	7004938	31
7000718	103	7002325	91, 92	7003751	209, 321	7004939	31
7000728	37, 103	7002326	83	7003789	205	7004941	31
7000729	103	7002327	63, 87	7003796	205	7004942	31
7000732	103	7002328	83	7003798	209	7004943	31
7000760	37, 105	7002329	83	7003825	83, 87, 91	7004944	31
7000782	103	7002333 ...	63, 84, 87, 91	7003855	91	7004945	31
7000796	37, 41, 103, 105	7002334 ...	63, 83, 84, 87, 91	7004146	327	7004946	31
7000798	103	7002335 ...	63, 84, 87, 91	7004166	99	7004947	31
7000867	122, 127	7002336 ...	63, 84, 87, 91	7004167	99, 101	7004948	31
7000869	122, 128	7002338 ...	63, 83, 84, 87, 92	7004171	99, 101	7004950	31
7000870	122, 128	7002339 ...	63, 84, 87, 92	7004173	99	7004951	31
7000871	122, 128	7002340 ...	63, 83, 84, 87, 91	7004177	99	7004952	31
7000874	122, 127	7002341 ...	63, 84, 87, 91	7004191	99	7004953	31
7000877	131	7002344 ...	63, 84, 87, 91	7004192	99, 101	7004954	31
7000878	131	7002345 ...	63, 83, 87, 91	7004193	99, 101	7004955	31
7000884	131, 140	7002346 ...	63, 83, 87, 91	7004194	99	7004956	31
7000894	131	7002347	91	7004195	99	7004957	31
7001900	47	7002348 ...	63, 83, 87, 91	7004196	101	7004958	31
7001902	47	7002447	87	7004214 ...	110, 121, 126, 138, 322	7004959	32
7001903	47	7002448	87	7004244	158		

PART NUMBER INDEX

7004960.....	32	7006788.....	29	7009329.....	76	7010559.....	89
7004961.....	32	7006789.....	29	7009330.....	76, 79	7010560.....	89
7005562.....	155	7006791.....	29	7009361.....	80	7010630.....	57
7005595.....	155	7006792.....	29	7009363.....	75	7010633.....	122, 127
7005597.....	155	7006794.....	29	7009368.....	76	7010635.....	70
7005598.....	155	7006795.....	29	7009369.....	76	7010637.....	70
7005599.....	155	7006796.....	29	7009395.....	76	7010652.....	71
7006075.....	69	7006797.....	29	7009397.....	80	7010775.....	101
7006126.....	184, 189	7006798.....	29	7009398.....	79	7010776.....	101
7006127.....	184, 189	7007321.....	57	7009399.....	80	7010777.....	101
7006133.....	184, 189	7007323.....	57	7009500.....	155	7010778.....	101
7006138.....	184, 189	7007601.....	51	7009503.....	155	7010779.....	101
7006139.....	184, 189, 321	7007603.....	54	7009504.....	155	7011118.....	87
7006151.....	184, 189	7007617.....	53	7009505.....	155	7011316.....	57
7006152.....	184, 189, 321	7007620.....	45	7009508.....	155	7011317.....	57
7006156.....	184	7007640.....	45	7009509.....	155	7011339.....	71
7006158.....	184	7007645.....	47	7009510.....	155	7011712.....	41
7006162.....	184	7007653.....	53	7009511.....	155	7011713.....	41
7006163.....	184	7007673.....	45	7009513.....	155	7011714.....	41
7006703.....	29	7007683.....	53	7009739.....	57	7011715.....	41
7006704.....	29	7007684.....	53	7009745.....	70, 89	7011716.....	41
7006706.....	29	7007685.....	53	7009992.....	203	7011717.....	41
7006707.....	29	7007686.....	53	7010401.....	45	7011903.....	205, 209
7006709.....	29	7007687.....	53	7010402.....	45	7011907.....	205, 209, 321
7006710.....	29	7007688.....	53	7010403.....	45	7012300.....	80
7006711.....	29	7007689.....	45, 53	7010404.....	45	7012319.....	79
7006712.....	29	7007690.....	53	7010405.....	45	7012322.....	79
7006713.....	29	7007691.....	53	7010407.....	45	7012325.....	79
7006714.....	29	7007692.....	54	7010408.....	45	7012326.....	79
7006715.....	29	7007697.....	51	7010409.....	45	7012327.....	79
7006716.....	29	7007914.....	39	7010411.....	45	7012328.....	79
7006717.....	29	7007923.....	41	7010412.....	45	7012329.....	79
7006721.....	29	7007924.....	39, 41	7010413.....	45	7012330.....	79
7006724.....	75, 79	7007933.....	41	7010414.....	45	7012331.....	80
7006725.....	75, 79	7007970.....	41	7010415.....	45	7012332.....	80
7006726.....	75	7007977.....	39, 41	7010416.....	45	7012333.....	79
7006727.....	75	7007978.....	39	7010417.....	45	7012334.....	80
7006728.....	75	7007979.....	39, 41	7010418.....	45	7012335.....	80
7006729.....	75	7007980.....	39, 41	7010419.....	45	7012336.....	80
7006730.....	75, 79	7007981.....	39	7010420.....	45	7012337.....	80
7006731.....	75, 79	7007983.....	39, 41	7010421.....	45	7012338.....	80
7006733.....	75, 79	7007985.....	39, 41	7010422.....	45	7012339.....	79, 320
7006737.....	75, 79	7007986.....	39, 41	7010423.....	45	7012340.....	80
7006744.....	75	7007987.....	39, 41	7010424.....	45	7012383.....	79
7006745.....	75, 79	7007989.....	39	7010425.....	45	7012505.....	89
7006746.....	75, 79	7008804.....	165	7010426.....	45	7012506.....	89
7006748.....	75, 79	7008821.....	165	7010427.....	45	7012507.....	89
7006752.....	75	7008828.....	165, 323	7010429.....	51	7012509.....	89
7006756.....	75	7008829.....	165, 323	7010452.....	54	7012510.....	89
7006757.....	75, 79	7009300.....	29	7010453.....	54	7012511.....	89
7006760.....	75	7009301.....	29	7010455.....	54	7012513.....	115, 133, 143, 153
7006761.....	76	7009305.....	29	7010459.....	54	7012514.....	115, 133, 143, 153
7006763.....	75	7009306.....	29	7010470.....	54	7012516.....	57
7006766.....	29	7009307.....	29	7010473.....	54	7012518.....	69
7006767.....	29	7009308.....	29	7010474.....	53	7012558.....	115, 133, 143, 153
7006768.....	29	7009309.....	29	7010475.....	54	7012559.....	158
7006771.....	76	7009310.....	29	7010476.....	54	7012576.....	111, 121, 127, 139, 150
7006772.....	29	7009315.....	75	7010477.....	54	7012577.....	131
7006773.....	75, 79	7009316.....	75	7010478.....	54	7012578.....	131
7006774.....	29	7009319.....	75, 79	7010510.....	57	7012599.....	112
7006776.....	29	7009320.....	75, 79	7010545.....	235	7012611.....	209
7006777.....	76	7009321.....	75	7010552.....	89	7012612.....	209
7006778.....	76, 80	7009323.....	75, 79	7010553.....	89	7012626.....	112
7006780.....	76	7009324.....	75, 79	7010554.....	89		
7006782.....	76, 80	7009325.....	75	7010556.....	89		
7006786.....	29	7009327.....	75	7010557.....	89		
7006787.....	29	7009328.....	75	7010558.....	89		

PART NUMBER INDEX

7012649	180	7016202	151, 322	7019931.....	122, 128, 140	7020426	112
7012656	322	7016203	151	7019932.....	122, 128, 140	7020430	112
7012679	122, 127, 140	7016204	151	7019933.....	140	7020435	112
7012680	140	7016205	151	7019976.....	140	7020455	112
7012681	140	7016307	211, 323	7020023.....	112, 322	7020457	112
7012682	140	7016308	112	7020024.....	112	7020463	112
7012683	140	7016309	112	7020108.....	115, 133, 143,	7020471	112
7012690	140	7016331	112, 322	153		7020477	112
7012698	112	7016332	113	7020109.....	115, 133, 143,	7020479	113
7012700	35	7016333	158	153		7021869 ...	122, 128, 140,
7012701	35	7016359	112	7020110.....	115, 133, 143,	322	
7012703	35	7016600	140	153		7022143	140
7012704	35	7016601	140	7020111.....	115, 133, 143,	7022153	122, 128, 140
7012705	35	7016605	140	153		7022178	140
7012706	35	7016654	328	7020120.....	140	7022180	122, 128, 140
7012707	35	7016673	71	7020168.....	113	7023471	140
7012708	35	7017515	147	7020190.....	115, 133, 143,	7023667	122, 127
7012709	35	7018602	41	153		7024321	122, 128, 140
7012710	35	7018603	41	7020191.....	115, 133, 143,	7024579	112
7012711	35	7018605	41	153		7025126	140
7012712	35	7018606	41	7020193.....	115, 133, 143,	7025145	140
7012713	35	7018607	41	153		7026208	151
7012714	35	7018608	42	7020208.....	112	7027210	112
7012715	35	7018609	41	7020220.....	112	7027250	112, 113
7012716	35	7019607	112	7020406.....	112	7027887	115
7014502	112	7019921	140	7020411.....	112	7996719	29
7014677	122, 127	7019924	140	7020412.....	112	8320270	112
7014678	122, 128	7019925	140	7020414.....	113	9982700	131
7014679	122, 128	7019926	140	7020417.....	112	9983228	169
7014684	112	7019927	140	7020419.....	112	9983562	293
7016200	151, 322	7019929	140	7020424.....	112	N.S.	105
7016201	151, 322	7019930	140	7020425.....	112		



3120656



An Oshkosh Corporation Company

Corporate Office
JLG Industries, Inc.
1 JLG Drive
McConnellsburg, PA 17233-9533
USA

+1-717-485-5161 (Corporate)
+1-877-554-5438 (Customer Support Toll Free)
+1-717-485-6417

JLG Worldwide Locations

JLG Industries
358 Park Road
Regents Park
NSW 2143
Sydney 2143
Australia
+6 (12) 87186300
+6 (12) 65813058
Email: techservicesaus@jlg.com

JLG Ground Support Oude
Bunders 1034
Breitwaterstraat 12A
3630 Maasmechelen
Belgium
+32 (0)89 84 82 26
Email: emeaservice@jlg.com

JLG Latino Americana LTDA
Rua Antonia Martins Luiz, 580
Distrito Industrial Joao Narezzi
Indaiatuba-SP 13347-404
Brasil
+55 (19) 3936 7664 (Parts)
+55 (19) 3936 9049 (Service)
Email: comercialpecas@jlg.com
Email: servicios@jlg.com

Oshkosh-JLG (Tianjin)
Equipment Technology LTD
Shanghai Branch
No 465 Xiao Nan Road
Feng Xian District
Shanghai 201204
China
+86 (21) 800 819 0050

JLG Industries Dubai
Jafza View
PO Box 262728, LB 19
20th Floor, Office 05
Jebel Ali, Dubai
+971 (0) 4 884 1131
+971 (0) 4 884 7683
Email: emeaservice@jlg.com

JLG France SAS
Z.I. Guillaume Mon Amy
30204 Fauillet
47400 Tonniens
France
+33 (0) 553 84 85 86
+33 (0) 553 84 85 74
Email: pieces@jlg.com

JLG Deutschland GmbH
Max Planck Str. 21
27721 Ritterhude-Ihlpohl
Germany
+49 (0) 421 69350-0
+49 (0) 421 69350-45
Email: german-parts@jlg.com

JLG Equipment Services Ltd.
Rm 1107 Landmark North
39 Lung Sum Avenue
Sheung Shui N. T.
Hong Kong
+(852) 2639 5783
+(852) 2639 5797

JLG Industries (Italia) S. R. L.
Via Po, 22
IT-20010 Pregnana Milanese (MI)
Italy
+39 (0) 2 9359 5210
+39 (0) 2 9359 5211
Email: ricambi@jlg.com

JLG EMEA B.V.
Polaris Avenue 63
2132 JH Hoofddorp
The Netherlands
+31 (0) 23 565 5665
Email: emeaservice@jlg.com

JLG NZ Access Equipment & Services
2B Fisher Crescent
Mt Wellington 1060
Auckland, New Zealand
+6 (12) 87186300
+6 (12) 65813058
Email: techservicesaus@jlg.com

JLG Industries
Vahutinskoe shosse 24b
Khimki,
Moscow Region 141400
Russia Federation
+7 (499) 922 06 99
+7 (499) 922 06 99

Oshkosh-JLG Singapore
Technology Equipment P te Ltd.
35 Tuas Avenue 2
Jurong Industrial Estate
Singapore 639454
+65 6591 9030
+65 6591 9045
Email: SEA@jlg.com

JLG Iberica S. L.
Trapadella, 2
Pol. Ind. Castellbisbal Sur
08755 Castellbisbal
Barcelona
Spain
+34 (0) 93 772 47 00
+34 (0) 93 77 117 62
Email: parts_iberica@jlg.com

JLG Sverige AB
Enkopingsvagen 150
17627 Jarfalla
Sweden
+46 (0) 8 506 595 00
+46 (0) 8 506 595 27
Email: nordicsupport@jlg.com

JLG Industries (UK) Ltd.
Bentley House
Bentley Avenue
Middleton, Greater Manchester
M24 2GP
United Kingdom
+44 (0) 161 654 1000
+44 (0) 161 654 1003
Email: ukparts@jlg.com

www.jlg.com