



Illustrated Parts Manual

Model 40HA

P/N
3120673

October 10, 2012

ANSI



An Oshkosh Corporation Company

REVISION LOG

June 15, 1990 - Original Issue Of Manual

April, 1995 - Revised Manual

August 22, 2003 - Revised Manual (Edited to 0010392 Revision 42)

August 1, 2006 - Revised Manual (Edited to 0010392 Revision 42)

October 26, 2010 - Revised Manual

October 10, 2012 - Revised Manual (Revision 1)

TABLE OF CONTENTS

| | |
|---|-----|
| SECTION 1 - FRAME..... | 7 |
| FIGURE 1-1. FRAME, STEERING AND AXLE INSTALLATIONS - 2WD AND 4WD (WITH 2 WHEEL STEER)..... | 8 |
| FIGURE 1-2. FRAME, STEERING AND AXLE INSTALLATIONS - 2WD AND 4WD (WITH 4 WHEEL STEER)..... | 12 |
| FIGURE 1-3. TIRE AND WHEEL DRIVE INSTALLATIONS..... | 18 |
| FIGURE 1-4. DRIVE MOTOR ASSEMBLY..... | 22 |
| FIGURE 1-5. DRIVE BRAKE ASSEMBLY - AUSCO (PRIOR TO MARCH 1992)..... | 24 |
| FIGURE 1-6. DRIVE BRAKE ASSEMBLY - MICO (MARCH 1992 TO PRESENT)..... | 26 |
| FIGURE 1-7. DRIVE HUB ASSEMBLY..... | 30 |
| FIGURE 1-8. DRIVE HUB ASSEMBLY..... | 34 |
| FIGURE 1-9. DRIVE HUB/BRAKE ASSEMBLIES (THROUGH 1992)..... | 36 |
| FIGURE 1-10. DRIVE HUB/BRAKE ASSEMBLIES (1992 TO PRESENT)..... | 40 |
| FIGURE 1-11. VALVES INSTALLATION - FRAME-MOUNTED..... | 44 |
| FIGURE 1-12. LOCKOUT VALVE ASSEMBLY..... | 48 |
| FIGURE 1-13. VALVE ASSEMBLY (USED WITH OPTIONAL 4WS)..... | 50 |
| FIGURE 1-14. TOW PACKAGE INSTALLATIONS..... | 52 |
| SECTION 2 - TURNTABLE..... | 55 |
| FIGURE 2-1. CONTROL VALVES INSTALLATION (DEUTZ ENGINES WITH STANDARD BANG-BANG OR PROPORTIONAL VALVES)..... | 56 |
| FIGURE 2-2. CONTROL VALVES INSTALLATION (FORD/KUBOTA ENGINES WITH STANDARD BANG-BANG OR PROPORTIONAL VALVES)..... | 62 |
| FIGURE 2-3. CONTROL VALVE ASSEMBLY - BANG-BANG WITH DUMP SECTION..... | 68 |
| FIGURE 2-4. CONTROL VALVE ASSEMBLY - BANG-BANG (STANDARD CONTROLS)..... | 72 |
| FIGURE 2-5. CONTROL VALVE ASSEMBLY - PROPORTIONAL..... | 74 |
| FIGURE 2-6. CONTROL VALVES INSTALLATION (HYDRAULIC CONTROLS)..... | 78 |
| FIGURE 2-7. VALVE ASSEMBLY - GROUND CONTROL (HYDRAULIC CONTROLS)..... | 80 |
| FIGURE 2-8. TURNTABLE, BEARING AND SWING DRIVE INSTALLATION..... | 82 |
| FIGURE 2-9. SWING MOTOR ASSEMBLY (PRIOR TO AUGUST 1991)..... | 86 |
| FIGURE 2-10. SWING MOTOR ASSEMBLY (AUGUST 1991 THROUGH 1992)..... | 88 |
| FIGURE 2-11. SWING MOTOR ASSEMBLY (1993 TO PRESENT)..... | 90 |
| FIGURE 2-12. SWING BRAKE ASSEMBLY (PRIOR TO AUGUST 1991)..... | 92 |
| FIGURE 2-13. BRAKE ASSEMBLY - AUSCO 37845 (AUGUST 1991 THROUGH 1992)..... | 94 |
| FIGURE 2-14. SWING HUB ASSEMBLY (MACHINES BUILT THROUGH 1992 ONLY)..... | 96 |
| FIGURE 2-15. DEUTZ ENGINE INSTALLATION..... | 98 |
| FIGURE 2-16. 110 VOLT GENERATOR INSTALLATION (DEUTZ)..... | 106 |
| FIGURE 2-17. FORD ENGINE INSTALLATION..... | 110 |
| FIGURE 2-18. DUAL FUEL INSTALLATION (FORD)..... | 120 |
| FIGURE 2-19. 110 VOLT GENERATOR INSTALLATION (FORD)..... | 122 |
| FIGURE 2-20. KUBOTA V1200B DIESEL ENGINE INSTALLATION..... | 126 |
| FIGURE 2-21. PUMP ASSEMBLY - SUNSTRAND..... | 132 |
| FIGURE 2-22. PUMP ASSEMBLY - BARNES (USED ON STANDARD BANG-BANG AND PROPORTIONAL CONTROLS MACHINES BUILT APRIL/MAY 1990 TO JANUARY 1993)..... | 136 |
| FIGURE 2-23. PUMP ASSEMBLY - BARNES (USED ON STANDARD BANG-BANG AND PROPORTIONAL CONTROLS MACHINES BUILT JANUARY 1993 TO PRESENT)..... | 138 |
| FIGURE 2-24. PUMP ASSEMBLY - BARNES (USED ON HYDRAULIC CONTROL MACHINES WITH DEUTZ POWER BUILT PRIOR TO OCTOBER 1991)..... | 140 |
| FIGURE 2-25. PUMP ASSEMBLY - BARNES (USED ON HYDRAULIC CONTROLS MACHINES WITH DEUTZ POWER BUILT APRIL 1993 TO PRESENT AND FORD POWER BUILT FEBRUARY 1993 TO PRESENT)..... | 142 |
| FIGURE 2-26. TANKS INSTALLATION..... | 144 |
| FIGURE 2-27. ROTARY COUPLING AND COLLECTOR ASSEMBLY AND INSTALLATION..... | 148 |
| FIGURE 2-28. GROUND CONTROL BOX INSTALLATIONS..... | 150 |
| FIGURE 2-29. ELECTRICAL COMPONENTS INSTALLATION (TURNTABLE MOUNTED)..... | 156 |
| FIGURE 2-30. HOODS INSTALLATIONS (WITH 2 DOORS AT GROUND CONTROL BUILT PRIOR TO AUGUST 1990)..... | 158 |
| FIGURE 2-31. HOODS INSTALLATIONS (WITH SINGLE DOOR AT GROUND CONTROL) (AUGUST 1990 TO PRESENT WITHOUT NOISE REDUCTION OPTION)..... | 162 |
| FIGURE 2-32. HOODS INSTALLATIONS (WITH NOISE REDUCTION OPTION)..... | 166 |
| SECTION 3 - BOOM..... | 169 |
| FIGURE 3-1. BOOMS AND LIMIT SWITCHES INSTALLATIONS..... | 170 |
| FIGURE 3-2. MAIN BOOM ASSEMBLY..... | 174 |
| FIGURE 3-3. BOOM WIPERS INSTALLATION..... | 178 |
| SECTION 4 - PLATFORM..... | 181 |

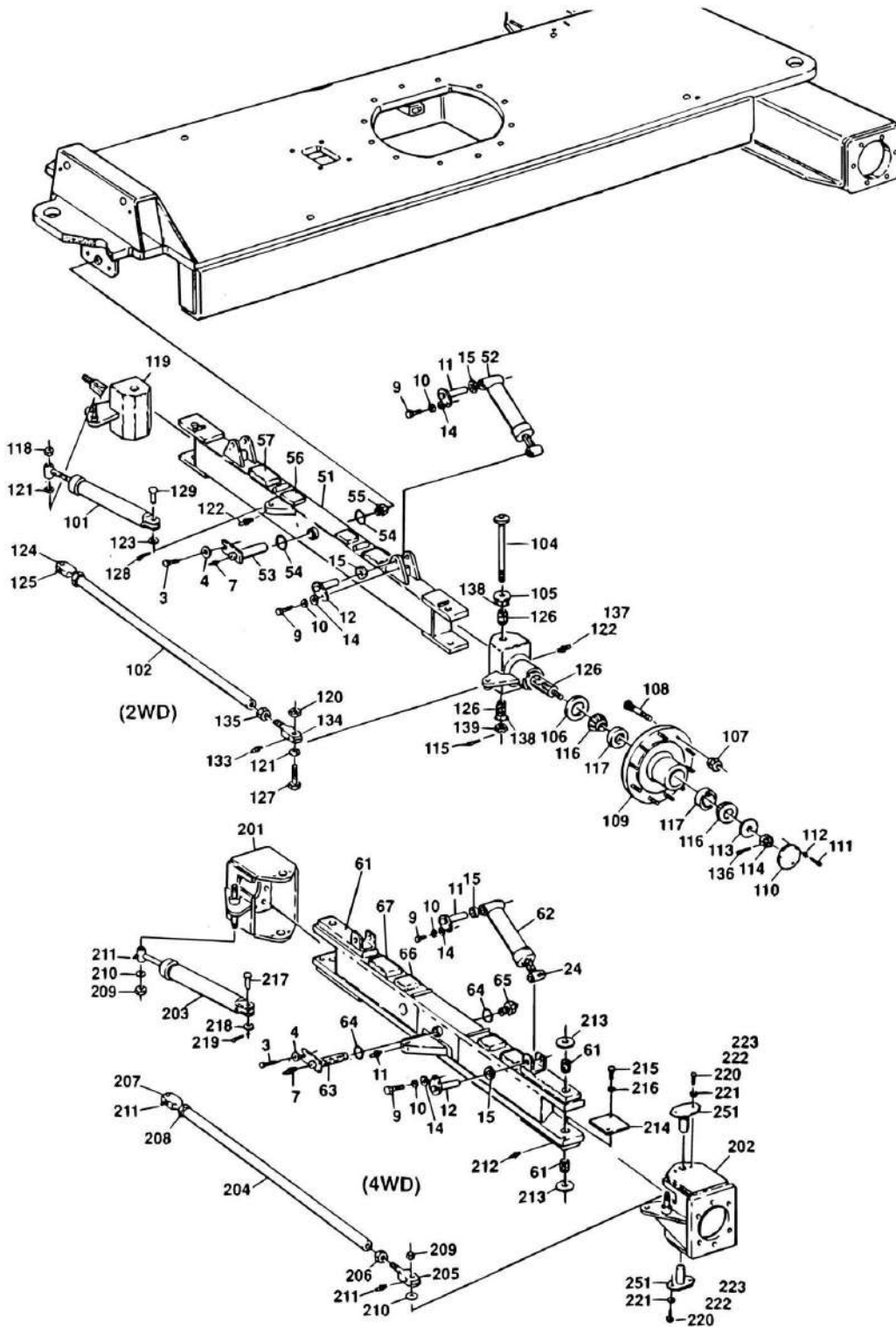
TABLE OF CONTENTS

| | |
|---|-----|
| FIGURE 4-1. STANDARD PLATFORM AND FOOTSWITCH INSTALLATION | 182 |
| FIGURE 4-2. LOW MOUNT PLATFORMS AND FOOTSWITCH INSTALLATIONS | 188 |
| FIGURE 4-3. ROTATOR MOTOR ASSEMBLY | 192 |
| FIGURE 4-4. CONSOLE BOX ASSEMBLY (STANDARD BANG-BANG CONTROLS) | 194 |
| FIGURE 4-5. CONSOLE BOX ASSEMBLY (PROPORTIONAL CONTROLS - PRIOR TO FEBRUARY 1993) | 198 |
| FIGURE 4-6. CONSOLE BOX ASSEMBLY (PROPORTIONAL CONTROLS - FEBRUARY 1993 TO PRESENT) | 202 |
| FIGURE 4-7. CONTROL BOX ASSEMBLY (HYDRAULIC CONTROLS) | 206 |
| FIGURE 4-8. CONTROL VALVE ASSEMBLY - GRESEN (6-STACK) (HYDRAULIC CONTROLS ONLY) | 210 |
| FIGURE 4-9. OPTIONAL COMMON PLATFORM MOUNTED COMPONENTS | 214 |
| SECTION 5 - CYLINDER | 217 |
| FIGURE 5-1. AXLE LOCKOUT CYLINDER ASSEMBLIES - 4WD/4WS (STANDARD PARTS) (USE WITH OPTIONAL OSCILLATING AXLE) | 218 |
| FIGURE 5-2. PLATFORM LEVEL CYLINDER ASSEMBLY (MACHINES BUILT PRIOR TO JANUARY 1990) | 220 |
| FIGURE 5-3. PLATFORM LEVEL CYLINDER ASSEMBLY (MACHINES BUILT OCTOBER 1992 TO PRESENT) | 222 |
| FIGURE 5-4. LEVEL (UPRIGHT) CYLINDER ASSEMBLY (STANDARD PARTS) | 224 |
| FIGURE 5-5. LIFT CYLINDER ASSEMBLY - MAIN BOOM (STANDARD PARTS) | 226 |
| FIGURE 5-6. LIFT CYLINDER ASSEMBLY - TOWER BOOM (STANDARD PARTS) | 230 |
| FIGURE 5-7. STEER CYLINDER ASSEMBLIES | 232 |
| FIGURE 5-8. TELESCOPE CYLINDER ASSEMBLY - MAIN BOOM (STANDARD PARTS) | 234 |
| FIGURE 5-9. CLYINDER BELLOWS INSTALLATION (OPTIONAL) | 238 |
| SECTION 6 - HYDRAULIC | 241 |
| FIGURE 6-1. HYDRAULIC DIAGRAM - AXLE LOCKOUT (2WD) | 242 |
| FIGURE 6-2. HYDRAULIC DIAGRAM - AXLE LOCKOUT (4WD) | 244 |
| FIGURE 6-3. HYDRAULIC DIAGRAM - DRIVE (2WD) | 246 |
| FIGURE 6-4. HYDRAULIC DIAGRAM - DRIVE (4WD) | 250 |
| FIGURE 6-5. HYDRAULIC DIAGRAM - ROTATE | 254 |
| FIGURE 6-6. HYDRAULIC DIAGRAM - STANDARD (STANDARD BANG-BANG CONTROLS/DEUTZ MACHINES) | 256 |
| FIGURE 6-7. HYDRAULIC DIAGRAM - STANDARD (STANDARD BANG-BANG CONTROLS/FORD AND KUBOTA MACHINES) | 260 |
| FIGURE 6-8. HYDRAULIC DIAGRAM - STANDARD (HYDRAULIC CONTROLS) | 264 |
| FIGURE 6-9. HYDRAULIC DIAGRAM - STEER | 268 |
| FIGURE 6-10. HYDRAULIC DIAGRAM LIST | 270 |
| SECTION 7 - ELECTRICAL | 273 |
| FIGURE 7-1. ELECTRICAL DIAGRAM LIST | 274 |
| FIGURE 7-2. DUAL FUEL ELECTRICAL DIAGRAM (FORD) | 280 |
| FIGURE 7-3. GENERATOR ELECTRICAL DIAGRAM (110V) (DEUTZ) | 282 |
| FIGURE 7-4. GENERATOR ELECTRICAL DIAGRAM (110V) (FORD) | 284 |
| FIGURE 7-5. PLATFORM ELECTRICAL DIAGRAM - BANG-BANG (STANDARD) CONTROLS | 286 |
| FIGURE 7-6. PLATFORM ELECTRICAL DIAGRAM - HYDRAULIC CONTROLS | 288 |
| FIGURE 7-7. STANDARD ELECTRICAL DIAGRAM - DEUTZ WITH STANDARD BANG-BANG CONTROLS | 290 |
| FIGURE 7-8. STANDARD ELECTRICAL DIAGRAM - DEUTZ WITH HYDRAULIC CONTROLS | 292 |
| FIGURE 7-9. STANDARD ELECTRICAL DIAGRAM - FORD WITH STANDARD BANG-BANG CONTROLS | 294 |
| FIGURE 7-10. STANDARD ELECTRICAL DIAGRAM - FORD WITH HYDRAULIC CONTROLS | 296 |
| SECTION 8 - DECALS | 299 |
| FIGURE 8-1. DECALS INSTALLATION | 300 |
| SECTION 9 - RECOMMENDED SERVICE PARTS STOCK | 305 |
| FIGURE 9-1. MODEL 40HA WITH STANDARD BANG-BANG CONTROLS STANDARD PARTS | 306 |
| FIGURE 9-2. MODEL 40HA WITH STANDARD BANG-BANG CONTROLS VARIABLE PARTS | 308 |
| SECTION 10 - SPECIAL OPTIONS | 311 |
| FIGURE 10-1. SPECIAL OPTIONS | 312 |
| PART NUMBER INDEX | 315 |

SECTION 1 - FRAME

SECTION 1 - FRAME

FIGURE 1-1. FRAME, STEERING AND AXLE INSTALLATIONS - 2WD AND 4WD (WITH 2 WHEEL STEER)



SECTION 1 - FRAME

FIGURE 1-1. FRAME, STEERING AND AXLE INSTALLATIONS - 2WD AND 4WD (WITH 2 WHEEL STEER)

| ITEM | PART NUMBER | QTY | DESCRIPTION | REV |
|------|--------------|-----|---|-----|
| | | Ref | FRAME, STEERING AND AXLE INSTALLATIONS - 2WD & 4WD (WITH 2 WHEEL STEER) | |
| | 2360299 | 1 | Frame (2WD Fixed Axle) | |
| | 2360300 | 1 | Frame (4WD Fixed Axle) | |
| | 2360305 | 1 | Frame (All With Oscillating Axle - Prior to October 1994) | |
| | 2360386 | 1 | Frame (All With Oscillating Axle - October 1994 to Present) | |
| | | Ref | AXLE INSTALLATION - MACHINES WITH OPTIONAL OSCILLATING AXLE (STANDARD PARTS) | |
| 3 | 0641610 | AR | Bolt 3/8in-16NC x 1 1/4in | |
| 4 | 4740185 | AR | Washer, Hardened | |
| 5 | 0100019 | AR | Loctite #271 (Not Shown) | |
| 7 | 2160002 | 1 | Fitting, Grease | |
| 9 | 0641406 | 4 | Bolt 1/4in-20NC x 3/4in | |
| 10 | 4761400 | 4 | Lockwasher 1/4in | |
| 11 | 4843286 | 2 | Pin | |
| 12 | 4842794 | 2 | Pin | |
| 14 | 4751400 | 4 | Flatwasher 1/4in | |
| 15 | 4712600 | AR | Flatwasher 1in | |
| | | Ref | AXLE INSTALLATION - 2WD MACHINES WITH OPTIONAL OSCILLATING AXLE (VARIABLE PARTS) | |
| | 0250382 | Ref | BUILT PRIOR TO SEPTEMBER 1990 | D |
| | 0251330 | Ref | BUILT SEPTEMBER 1990 TO OCTOBER 1994 | C |
| | 0255069 | Ref | BUILT OCTOBER 1994 TO PRESENT | C |
| 51 | | Ref | Front Axle Weldment Options: | |
| 51 | 4843477 | 1 | Front Axle Weldment (Prior to October 1994) | |
| 51 | 4844848 | 1 | Front Axle Weldment (October 1994 to Present) | |
| 52 | | Ref | Lockout Cylinder Assembly Options (See CYLINDER SECTION for Breakdown): | |
| 52 | 1681785 | 2 | Lockout Cylinder Assembly (Built Prior to September 1990) | |
| 52 | 1682406 | 2 | Lockout Cylinder Assembly (September 1990 to June 1992) | |
| 52 | 1682757 | 2 | Lockout Cylinder Assembly (June 1992 to October 1994) | |
| 53 | | Ref | Pin Options: | |
| 53 | 4842621 | 1 | Pin (Prior to October 1994) | |
| 53 | 3422401 | 1 | Pin (October 1994 to Present) | |
| 54 | | Ref | O-Ring Options: | |
| 54 | Not Required | 2 | O-Ring (Prior to October 1994) | |
| 54 | 3780183 | 2 | O-Ring (October 1994 to Present) | |
| 55 | | Ref | Valve, Relief Options: | |
| 55 | Not Required | 1 | Valve, Relief (Prior to October 1994) | |
| 55 | 4640812 | 1 | Valve, Relief (October 1994 to Present) | |
| | | Ref | AXLE INSTALLATION - 4WD MACHINES WITH OPTIONAL OSCILLATING AXLE (VARIABLE PARTS) | |
| | 0250334 | Ref | BUILT PRIOR TO SEPTEMBER 1990 | E |
| | 0251329 | Ref | BUILT SEPTEMBER 1990 TO OCTOBER 1994 | D |
| | 0255070 | Ref | BUILT OCTOBER 1994 TO PRESENT | - |
| 61 | | Ref | Front Axle Weldment Options: | |
| 61 | 4843447 | 1 | Front Axle Weldment (Prior to October 1994) | |
| 61 | 4844849 | 1 | Front Axle Weldment (October 1994 to Present) | |
| 61 | 0961029 | 4 | Bushing, Bronze | |
| 62 | | Ref | Lockout Cylinder Assembly Options (See CYLINDER SECTION | |

SECTION 1 - FRAME

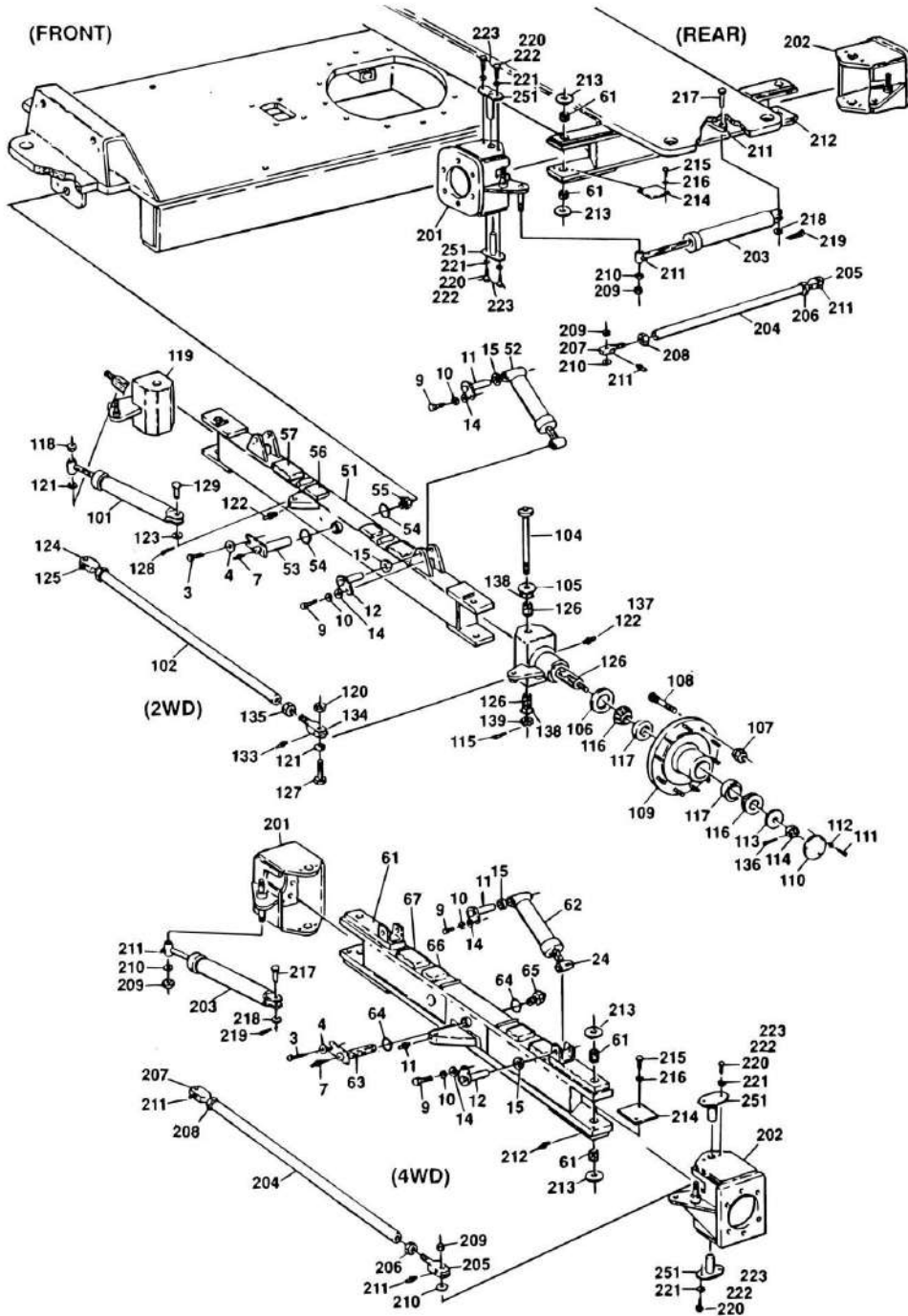
| ITEM | PART NUMBER | QTY | DESCRIPTION | REV |
|------|--------------|-----|--|-----|
| | | | for Breakdown): | |
| 62 | 1681785 | 2 | Cylinder - (Prior to September 1990) | |
| 62 | 1682406 | 2 | Cylinder - (September 1990 to June 1992) | |
| 62 | 1682757 | 2 | Cylinder - (June 1992 to Present) | |
| 63 | | Ref | Pin Options: | |
| 63 | 4842621 | 1 | Pin (Prior to October 1994) | |
| 63 | 3422401 | 1 | Pin (October 1994 to Present) | |
| 64 | | Ref | O-Ring Options: | |
| 64 | Not Required | 2 | O-Ring (Prior to October 1994) | |
| 64 | 3780183 | 2 | O-Ring (October 1994 to Present) | |
| 65 | | Ref | Valve, Relief Options: | |
| 65 | Not Required | 1 | Valve, Relief (Prior to October 1994) | |
| 65 | 4640812 | 1 | Valve, Relief (October 1994 to Present) | |
| | | Ref | STEERING AND SPINDLES INSTALLATION - 2WD MACHINES | |
| | 0236449 | Ref | STANDARD | |
| | 0251521 | Ref | CSA | O |
| 101 | 1681562 | 1 | Steer Cylinder Assembly (See CYLINDER SECTION for Breakdown) | F |
| 102 | 3840863 | 1 | Tie-Rod | |
| 104 | | Ref | Kingpin Options: | |
| 104 | 3421243 | 2 | Domestic (Prior to February 1994) | |
| 104 | 3421835 | 2 | CSA (Prior to February 1994) | |
| 104 | 3422261 | 2 | All (February 1994 to Present) | |
| 105 | 0440183 | 2 | Bearing, Thrust | |
| 106 | 3960098 | 2 | Seal, Hub | |
| 107 | 3300012 | 18 | Nut, Wheel | |
| 108 | 0630137 | 18 | Stud, Wheel | |
| 109 | 2780091 | 2 | Hub Assembly | |
| 110 | 1120032 | 2 | Cap, Hub | |
| 111 | 0721003 | 6 | Bolt #10-24NC x 3/8in | |
| 112 | 4761000 | 6 | Lockwasher #10 | |
| 113 | 4740016 | 2 | Washer, Hardened | |
| 114 | 3323403 | 2 | Nut 1 1/2in- 6NF | |
| 115 | 3451012 | 2 | Pin, Cotter 5/16in x 3in | |
| 116 | 0440019 | 4 | Cone, Bearing | |
| 117 | 0440018 | 4 | Cup, Bearing | |
| 118 | 3300175 | 1 | Locknut | |
| 119 | 4130160 | 1 | Spindle (Right Side) | |
| 119 | 0961778 | 2 | Bushing, Excel | |
| 120 | 3312602 | 2 | Nut, Jam 1in-8NC | |
| 121 | 0440091 | 3 | Bearing, Thrust | |
| 122 | 2160002 | 3 | Fitting, Grease | |
| 123 | 4712600 | 1 | Flatwasher 1in Narrow | |
| 124 | 0560605 | 1 | Block, Tie-Rod (Right Side) | |
| 125 | 3323002 | 1 | Nut, Jam 1 1/4in-12NF (Right Side) | |
| 126 | 4130161 | 1 | Spindle (Left Side) | |
| 126 | 0961778 | 2 | Bushing, Excel | |
| 127 | 0630425 | 2 | Bolt 1in-8NC x 3 3/4in | |
| 128 | 3450606 | 1 | Pin, Cotter 3/16in x 1 1/2in | |
| 129 | 3431622 | 1 | Pin, Clevis 1in x 2 3/4in | |
| 132 | 0100011 | AR | Loctite #242 (Not Shown) | |
| 133 | 2160003 | 2 | Fitting, Grease - 45 | |

SECTION 1 - FRAME

| ITEM | PART NUMBER | QTY | DESCRIPTION | REV |
|------|-------------|------------|--|-----|
| 134 | 0560714 | 1 | Block, Tie-Rod (Left Side) | |
| 135 | 3300229 | 1 | Nut, Jam 1 1/4in-12NF LH (Left Side) | |
| 136 | 3450810 | 2 | Pin, Cotter 1/4in x 2 1/2in | |
| 137 | 4640812 | 2 | Valve, Relief (February 1994 to Present) | |
| 138 | 3780183 | 4 | O-Ring (February 1994 to Present) | |
| 139 | 3323403 | 2 | Nut, Slotted 1 1/2in - 6NF (Prior to May 1994) | |
| 139 | 3313403 | 2 | Nut, Slotted 1 1/2in - 6NC (May 1994 to Present) | |
| | | Ref | STEERING AND SPINDLES INSTALLATION - 4WD MACHINES (STANDARD PARTS) | |
| 201 | 4130221 | 1 | Spindle (Right Side) | |
| 202 | 4130222 | 1 | Spindle (Left Side) | |
| 203 | 1681555 | 1 | Steer Cylinder Assembly (See CYLINDER SECTION for Breakdown) | |
| 204 | 3841018 | 1 | Tie-Rod | |
| 205 | 0560714 | 1 | Block, Tie-Rod (Left Side) | |
| 206 | 3300229 | 1 | Nut, Jam 1 1/4in-12NF (Left Side) | |
| 207 | 0560605 | 1 | Block, Tie-Rod (Right Side) | |
| 208 | 3323002 | 1 | Nut, Jam 1 1/4in-12NF | |
| 209 | 3300175 | 3 | Locknut | |
| 210 | 0440091 | 3 | Bearing, Thrust | |
| 211 | 2160002 | 4 | Fitting, Grease | |
| 212 | 2160003 | 4 | Fitting, Grease - 45 | |
| 213 | 0440161 | 4 | Bearing, Thrust | |
| 214 | | Ref | Cover Options: | |
| 214 | 3530244 | 4 | Cover (Prior to August 1992) | |
| 214 | 3536411 | 4 | Cover (August 1992 to Present) | |
| 215 | | Ref | Fastener Options: | |
| 215 | 0641404 | AR | Bolt 1/4in-20NC x 1/2in (Prior to August 1992) | |
| 215 | 2080026 | AR | Stud, Drive (August 1992 to May 1994) | |
| 215 | 4300106 | AR | Stud, Drive (May 1994 to Present) | |
| 216 | 4761400 | 8 | Lockwasher 1/4in (Prior to August 1992 Only) | |
| 217 | 3431622 | 1 | Pin, Clevis | |
| 218 | 4712600 | 1 | Flatwasher, 1in | |
| 219 | 3450606 | 1 | Pin, Cotter 3/16in x 1 1/2in | |
| 220 | 0641608 | 8 | Bolt 3/8in-16NC x 1in | |
| 221 | 4751600 | 8 | Flatwasher 3/8in | |
| 222 | 1380124 | 8 | Clip, Retainer | |
| 223 | 4920096 | 4 ft/1.22m | Wire, Safety | |
| | 0250085 | Ref | STEERING AND SPINDLES INSTALLATION - 4WD DOMESTIC MACHINES (VARIABLE PARTS) | E |
| | 0252333 | Ref | STEERING AND SPINDLES INSTALLATION - CSA 4WD MACHINES (VARIABLE PARTS) | B |
| 251 | | Ref | Kingpin Options: | |
| 251 | 3421190 | 4 | Standard | |
| 251 | 3421887 | 4 | CSA | B |

SECTION 1 - FRAME

FIGURE 1-2. FRAME, STEERING AND AXLE INSTALLATIONS - 2WD AND 4WD (WITH 4 WHEEL STEER)



SECTION 1 - FRAME

FIGURE 1-2. FRAME, STEERING AND AXLE INSTALLATIONS - 2WD AND 4WD (WITH 4 WHEEL STEER)

| ITEM | PART NUMBER | QTY | DESCRIPTION | REV |
|------|--------------|-----|--|-----|
| | | Ref | FRAME, STEERING AND AXLE INSTALLATIONS - 2WD & 4WD (WITH 4 WHEEL STEER) | |
| | 2360380 | 1 | Frame (2WD Fixed Axle) | |
| | 2360381 | 1 | Frame (4WD Fixed Axle) | |
| | 2360334 | 1 | Frame (All With Oscillating Axle - Prior to October 1994) | |
| | 2360385 | 1 | Frame (All With Oscillating Axle - October 1994 to Present) | |
| | 0961029 | 4 | Bushing, Bronze (Rear Axle) | |
| | | Ref | FRONT AXLE INSTALLATION (STANDARD PARTS) | |
| 3 | 0641610 | AR | Bolt 3/8in-16NC x 1 1/4in | |
| 4 | 4740185 | AR | Washer, Hardened | |
| 5 | 0100019 | AR | Loctite #271 (Not Shown) | |
| 7 | 2160002 | 1 | Fitting, Grease | |
| 9 | 0641406 | 4 | Bolt 1/4in-20NC x 3/4in | |
| 10 | 4761400 | 4 | Lockwasher 1/4in | |
| 11 | 4843286 | 2 | Pin (Oscillating Axle Only) | |
| 12 | 4842794 | 2 | Pin (Oscillating Axle Only) | |
| 14 | 4751400 | 4 | Flatwasher 1/4in | |
| 15 | 4712600 | AR | Flatwasher 1in | |
| | | Ref | FRONT AXLE INSTALLATION - 2WD MACHINES WITH FIXED AXLE (VARIABLE PARTS) | |
| | 0253173 | Ref | BUILT PRIOR TO OCTOBER 1994 | - |
| | 0255075 | Ref | BUILT OCTOBER 1994 TO PRESENT | - |
| | | Ref | FRONT AXLE INSTALLATION - 2WD MACHINES WITH OSCILLATING AXLE (VARIABLE PARTS) | |
| | 0250382 | Ref | BUILT PRIOR TO SEPTEMBER 1990 | D |
| | 0251330 | Ref | BUILT SEPTEMBER 1990 TO OCTOBER 1994 | C |
| | 0255069 | Ref | BUILT OCTOBER 1994 TO PRESENT | - |
| 51 | | Ref | Front Axle Weldment Options: | |
| 51 | 4843477 | 1 | Front Axle Weldment (Prior to October 1994) | |
| 51 | 4844848 | 1 | Front Axle Weldment (October 1994 to Present) | |
| 52 | | Ref | Lockout Cylinder Assembly Options (See CYLINDER SECTION for Breakdown): | |
| 52 | Not Required | 2 | Fixed Axle | |
| 52 | | Ref | Oscillating Axle | |
| 52 | 1681785 | 2 | Lockout Cylinder Assembly (Prior to September 1990) | |
| 52 | 1682406 | 2 | Lockout Cylinder Assembly (September 1990 to June 1992) | |
| 52 | 1682757 | 2 | Lockout Cylinder Assembly (June 1992 to October 1994) | |
| 53 | | Ref | Pin Options: | |
| 53 | 4842621 | 1 | Pin (Prior to October 1994) | |
| 53 | 3422401 | 1 | Pin (October 1994 to Present) | |
| 54 | | Ref | O-Ring Options: | |
| 54 | Not Required | 2 | Fixed Axle | |
| 54 | | Ref | Oscillating Axle | |
| 54 | Not Required | 2 | O-Ring (Prior to October 1994) | |
| 54 | 3780183 | 2 | O-Ring (October 1994 to Present) | |
| 55 | | Ref | Valve, Relief Options: | |
| 55 | Not Required | 1 | Valve, Relief (Prior to October 1994) | |
| 55 | 4640812 | 1 | Valve, Relief (October 1994 to Present) | |
| 56 | | Ref | Bar, Axle Block Options: | |
| 56 | 0361953 | 2 | Fixed Axle | |

SECTION 1 - FRAME

| ITEM | PART NUMBER | QTY | DESCRIPTION | REV |
|------|--------------|-----|--|-----|
| 56 | Not Required | 2 | Oscillating Axle | |
| 57 | | Ref | Bar, Axle Block Options: | |
| 57 | 0361954 | 2 | Fixed Axle | |
| 57 | Not Required | 2 | Oscillating Axle | |
| | | Ref | FRONT AXLE INSTALLATION - 4WD MACHINES WITH FIXED AXLE (VARIABLE PARTS) | |
| | 0253174 | Ref | BUILT PRIOR TO OCTOBER 1994 | - |
| | 0255076 | Ref | BUILT OCTOBER 1994 TO PRESENT | B |
| | | Ref | FRONT AXLE INSTALLATION - 4WD MACHINES WITH OSCILLATING AXLE (VARIABLE PARTS) | |
| | 0250334 | Ref | BUILT PRIOR TO SEPTEMBER 1990 | E |
| | 0251329 | Ref | BUILT SEPTEMBER 1990 TO OCTOBER 1994 | D |
| | 0255070 | Ref | BUILT OCTOBER 1994 TO PRESENT | - |
| 61 | | Ref | Front Axle Weldment Options: | |
| 61 | 4843447 | 1 | Front Axle Weldment (Prior to October 1994) | |
| 61 | 4844849 | 1 | Front Axle Weldment (October 1994 to Present) | |
| 61 | 0961029 | 4 | Bushing, Bronze | |
| 62 | | Ref | Lockout Cylinder Assembly Options (See CYLINDER SECTION for Breakdown): | |
| 62 | Not Required | 2 | Fixed Axle | |
| 62 | | Ref | Oscillating Axle | |
| 62 | 1681785 | 2 | Lockout Cylinder Assembly (Prior to September 1990) | |
| 62 | 1682406 | 2 | Lockout Cylinder Assembly (September 1990 to June 1992) | |
| 62 | 1682757 | 2 | Lockout Cylinder Assembly (June 1992 to October 1994) | |
| 63 | | Ref | Pin Options: | |
| 63 | 4842621 | 1 | Pin (Prior to October 1994) | |
| 63 | 3422401 | 1 | Pin (October 1994 to Present) | |
| 64 | | Ref | O-Ring Options: | |
| 64 | Not Required | 2 | Fixed Axle | |
| 64 | | Ref | Oscillating Axle | |
| 64 | Not Required | 2 | O-Ring (Prior to October 1994) | |
| 64 | 3780183 | 2 | O-Ring (October 1994 to Present) | |
| 65 | | Ref | Valve, Relief Options: | |
| 65 | Not Required | 0 | Valve, Relief (Prior to October 1994) | |
| 65 | 4640812 | 1 | Valve, Relief (October 1994 to Present) | |
| 66 | | Ref | Bar, Axle Blocking Options: | |
| 66 | 0361951 | 2 | Fixed Axle (Prior to October 1994) | |
| 66 | 0361953 | 2 | Fixed Axle (October 1994 to March 1995) | |
| 66 | 0362531 | 2 | Fixed Axle (March 1995 to Present) | |
| 66 | Not Required | 2 | Oscillating Axle | |
| 67 | | Ref | Bar, Axle Blocking Options: | |
| 67 | 0361952 | 2 | Fixed Axle (Prior to October 1994) | |
| 67 | 0361954 | 2 | Fixed Axle (October 1994 to August 1995) | |
| 67 | 0361952 | 2 | Fixed Axle (August 1995 to Present) | |
| 67 | Not Required | 2 | Oscillating Axle | |
| | 0236449 | Ref | STEERING AND SPINDLES INSTALLATION - 2WD FRONT (STANDARD) | O |
| | 0251521 | Ref | STEERING AND SPINDLES INSTALLATION - 2WD FRONT (CSA) | F |
| 101 | 1681562 | 1 | Steer Cylinder Assembly (See CYLINDER SECTION for Breakdown) | |
| 102 | 3840863 | 1 | Tie-Rod | |
| 104 | | Ref | Kingpin Options: | |

SECTION 1 - FRAME

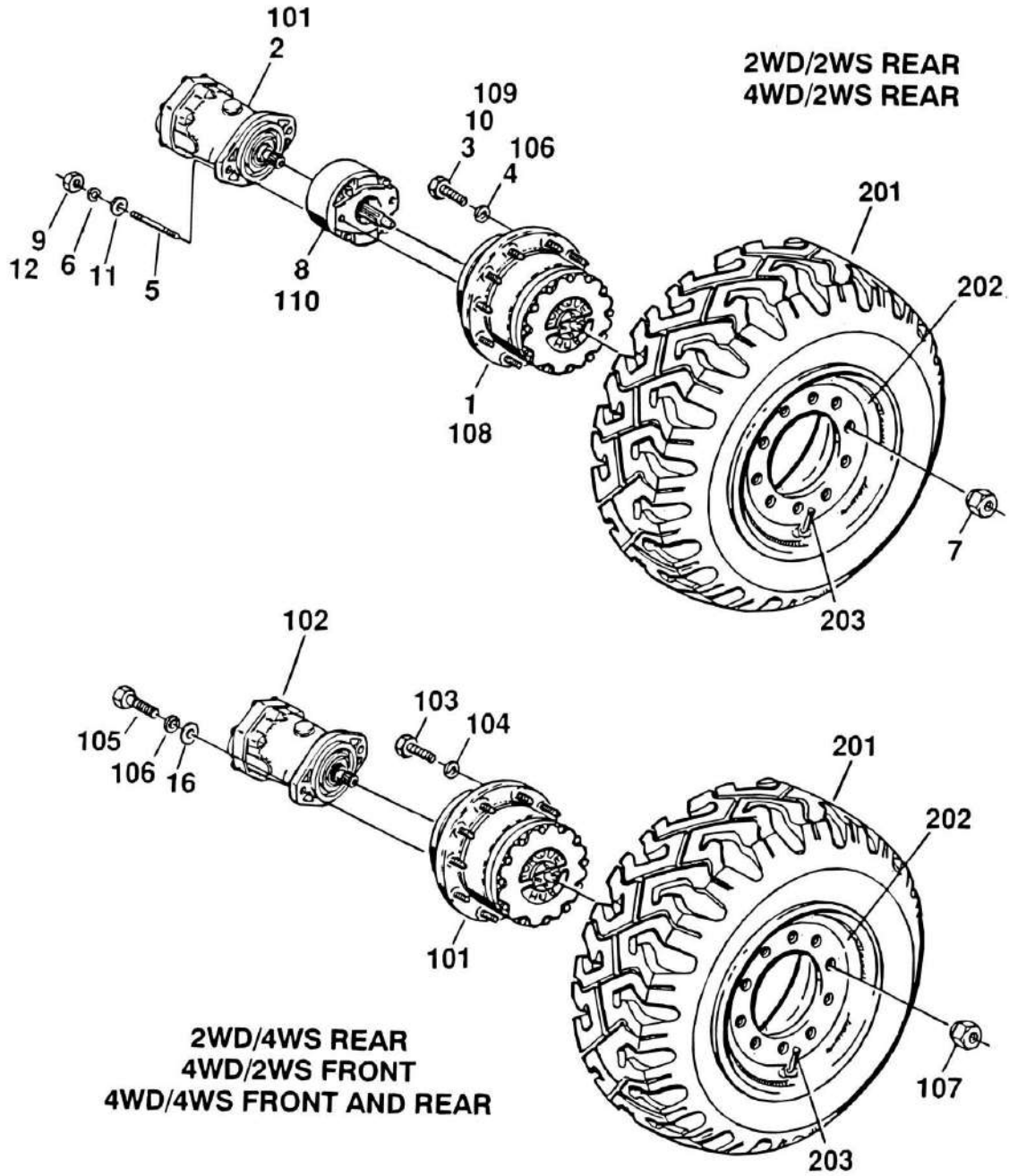
| ITEM | PART NUMBER | QTY | DESCRIPTION | REV |
|------|-------------|-----|---|-----|
| 104 | 3421243 | 2 | Domestic (Prior to February 1994) | |
| 104 | 3421835 | 2 | CSA (Prior to February 1994) | |
| 104 | 3422261 | 2 | All (February 1994 to Present) | |
| 105 | 0440183 | 2 | Bearing, Thrust | |
| 106 | 3960098 | 2 | Seal, Hub | |
| 107 | 3300012 | 18 | Nut, Wheel | |
| 108 | 0630137 | 18 | Stud, Wheel | |
| 109 | 2780091 | 2 | Hub Assembly | |
| 110 | 1120032 | 2 | Cap, Hub | |
| 111 | 0721003 | 6 | Bolt #10-24NC x 3/8in | |
| 112 | 4761000 | 6 | Lockwasher #10 | |
| 113 | 4740016 | 2 | Washer, Hardened | |
| 114 | 3323403 | 2 | Nut 1 1/2in-6NF | |
| 115 | 3451012 | 2 | Pin, Cotter 5/16in x 3in | |
| 116 | 0440019 | 4 | Cone, Bearing | |
| 117 | 0440018 | 4 | Cup, Bearing | |
| 118 | 3300175 | 1 | Locknut | |
| 119 | 4130160 | 1 | Spindle (Right Side) | |
| 119 | 0961778 | 2 | Bushing, Excel | |
| 120 | 3312602 | 2 | Nut, Jam 1in- 8NC | |
| 121 | 0440091 | 3 | Bearing, Thrust | |
| 122 | 2160002 | 3 | Fitting, Grease | |
| 123 | 4712600 | 1 | Flatwasher 1in Narrow | |
| 124 | 0560605 | 1 | Block, Tie-Rod (Right Side) | |
| 125 | 3323002 | 1 | Nut, Jam 1 1/4in-12NF (Right Side) | |
| 126 | 4130161 | 1 | Spindle (Left Side) | |
| 126 | 0961778 | 2 | Bushing, Excel | |
| 127 | 0630425 | 2 | Bolt 1in-8NC x 3 3/4in | |
| 128 | 3450606 | 1 | Pin, Cotter 3/16in x 1 1/2in | |
| 129 | 3431622 | 1 | Pin, Clevis 1in x 2 3/4in | |
| 132 | 0100011 | AR | Loctite #242 (Not Shown) | |
| 133 | 2160003 | 2 | Fitting, Grease - 45 | |
| 134 | 0560714 | 1 | Block, Tie-Rod (Left Side) | |
| 135 | 3300229 | 1 | Nut, Jam 1 1/4in-12NF LH (Left Side) | |
| 136 | 3450810 | 2 | Pin, Cotter 1/4in x 2 1/2in | |
| 137 | 4640812 | 2 | Valve, Relief (February 1994 to Present) | |
| 138 | 3780183 | 4 | O-Ring (February 1994 to Present) | |
| 139 | 3323403 | 2 | Nut, Slotted 1 1/2in-6NF (Prior to May 1994) | |
| 139 | 3313403 | 2 | Nut, Slotted 1 1/2in-6NC (May 1994 to Present) | |
| | | Ref | STEERING AND SPINDLES INSTALLATION - 4WD FRONT AND ALL REAR STEER (STANDARD PARTS) | |
| 201 | 4130221 | 1 | Spindle (Front Right Side and Rear Left Side) | |
| 202 | 4130222 | 1 | Spindle (Front Left Side and Front Right Side) | |
| 203 | 1681555 | 1 | Steer Cylinder Assembly (See CYLINDER SECTION for Breakdown) | |
| 204 | 3841018 | 1 | Tie-Rod | |
| 205 | 0560714 | 1 | Block, Tie-Rod (Left Side) | |
| 206 | 3300229 | 1 | Nut, Jam 1 1/4in-12NF (Left Side) | |
| 207 | 0560605 | 1 | Block, Tie-Rod (Right Side) | |
| 208 | 3323002 | 1 | Nut, Jam 1 1/4in-12NF | |
| 209 | 3300175 | 3 | Locknut | |
| 210 | 0440091 | 3 | Bearing, Thrust | |

SECTION 1 - FRAME

| ITEM | PART NUMBER | QTY | DESCRIPTION | REV |
|------|-------------|------------|---|-----|
| 211 | 2160002 | 4 | Fitting, Grease | |
| 212 | 2160003 | 4 | Fitting, Grease - 45 | |
| 213 | 0440161 | 4 | Bearing, Thrust | |
| 214 | | Ref | Cover Options: | |
| 214 | 3530244 | 4 | Cover (Prior to August 1992) | |
| 214 | 3536411 | 4 | Cover (August 1992 to Present) | |
| 215 | | Ref | Fastener Options: | |
| 215 | 0641404 | AR | Bolt 1/4in-20NC x 1/2in (Prior to August 1992) | |
| 215 | 2080026 | AR | Stud, Drive (August 1992 to May 1994) | |
| 215 | 4300106 | AR | Stud, Drive (May 1994 to Present) | |
| 216 | 4761400 | 8 | Lockwasher 1/4in (Prior to August 1992 Only) | |
| 217 | 3431622 | 1 | Pin, Clevis | |
| 218 | 4712600 | 1 | Flatwasher 1in | |
| 219 | 3450606 | 1 | Pin, Cotter 3/16in x 1 1/2in | |
| 220 | 0641608 | 8 | Bolt 3/8in-16NC x 1in | |
| 221 | 4751600 | 8 | Flatwasher 3/8in | |
| 222 | 1380124 | 8 | Clip, Retainer | |
| 223 | 4920096 | 4 ft/1.22m | Wire, Safety | |
| | | Ref | STEERING AND SPINDLES INSTALLATION - DOMESTIC 4WD FRONT AND DOMESTIC REAR (VARIABLE PARTS) | |
| | 0250085 | Ref | DOMESTIC 4WD FRONT AND DOMESTIC REAR | E |
| | 0252333 | Ref | CSA 4WD FRONT AND CSA REAR | C |
| 251 | | Ref | Kingpin | |
| 251 | 3421190 | 4 | Standard | |
| 251 | 3421887 | 4 | CSA (Prior to SN 24769) | |
| 251 | 3421190 | 4 | CSA (SN 24769 to Present) | |
| | 0251662 | Ref | STEERING AND SPINDLES INSTALLATION - 2WD Uses: 0256449 (Front) & 0250085 (Rear) Installations | - |
| | 0251663 | Ref | STEERING AND SPINDLES INSTALLATION - 4WD DOMESTIC Uses: (2) 0250085 (Front and Rear) Installations | - |
| | 0253986 | Ref | STEERING AND SPINDLES INSTALLATION - 4WD CSA Uses: (2) 0252333 (Front and Rear) Installations | - |

SECTION 1 - FRAME

FIGURE 1-3. TIRE AND WHEEL DRIVE INSTALLATIONS



SECTION 1 - FRAME

FIGURE 1-3. TIRE AND WHEEL DRIVE INSTALLATIONS

| ITEM | PART NUMBER | QTY | DESCRIPTION | REV |
|------|-------------|-----|---|-----|
| | 0250148 | Ref | WHEEL DRIVE INSTALLATION - 2WD/2WS | 6 |
| | 0270215 | Ref | WHEEL DRIVE INSTALLATION - 2WD/2WS (SERVICE REPLACEMENT ALTERNATIVE) | 1 |
| 1 | 2780169 | 2 | Drive Hub Assembly (See DRIVE HUB ASSEMBLY for Breakdown) | |
| 2 | 3160158 | 2 | Drive Motor Assembly (See DRIVE MOTOR ASSEMBLY for Breakdown) | |
| 3 | 0642016 | 12 | Bolt 5/8in-11NC x 2in | |
| 4 | 4762000 | 12 | Lockwasher 5/8in | |
| 5 | 4300092 | 4 | Stud 1/2in-13NC x 5 1/2in | |
| 6 | 4761800 | 4 | Lockwasher 1/2in | |
| 7 | 3300012 | 18 | Lugnut 1/2in-20NF | |
| 8 | | Ref | Drive Brake Options: | |
| 8 | 0920072 | 2 | Brake (Prior to March 1992) (See DRIVE BRAKE ASSEMBLY - AUSCO for Breakdown) | |
| 8 | | Ref | Brake (March 1992 to Present) (See DRIVE BRAKE ASSEMBLY - MICO for Breakdown) | |
| 8 | 0920084 | 2 | Drive Brake (March 1992 to SN 33895) | |
| 8 | 0920110 | 2 | Drive Brake (SN 33896 to Present) | |
| 8 | 0920117 | 2 | Service Replacement Alternative | |
| 9 | 3311801 | 4 | Nut 1/2in-13NC | |
| 10 | 0100011 | AR | Loctite #242 (Not Shown) | |
| 11 | 4751800 | 4 | Flatwasher 1/2in | |
| 12 | 0100019 | AR | Loctite #271 | |
| | | Ref | WHEEL DRIVE INSTALLATIONS | |
| | 0251661 | Ref | 2WD/4WS | B |
| | 0250093 | Ref | 4WD/2WS | H |
| | 0270122 | Ref | 4WD/2WS (Service Replacement alternative) | 1 |
| | 0251660 | Ref | 4WD/4WS | B |
| 101 | | Ref | Drive Hub/Brake Assembly Options: | |
| 101 | | Ref | Hub/Brake (See DRIVE HUB/BRAKE ASSEMBLIES for Breakdown) | |
| 101 | 2780157 | 2 | 2WD/4WS (Prior to September 1992) | |
| 101 | 2780172 | 2 | 4WD/2WS & 4WD/4WS (Prior to February 1992) | |
| 101 | | Ref | Hub/Brake (See DRIVE HUB/BRAKE ASSEMBLIES for Breakdown) | |
| 101 | 2780195 | 2 | 2WD/4WS (September 1992 to Present) | |
| 101 | 2780191 | 2 | 4WD/2WS & 4WD/4WS (February 1992 to Present) | |
| 102 | 3160158 | AR | Drive Motor Assembly (See DRIVE MOTOR ASSEMBLY for Breakdown) | |
| 102 | 3160158 | 2 | 2WD/4WS & 4WD/2WS | |
| 102 | 3160158 | 4 | 4WD/4WS | |
| 103 | | Ref | Bolt Options: | |
| 103 | 0642014 | AR | 2WD/4WS & 4WD/4WS - Bolt 5/8in-11NC x 1 3/4in | |
| 103 | 0642016 | AR | 4WD/2WS - Bolt 5/8in-11NC x 2in | |
| 104 | 4762000 | AR | Lockwasher 5/8in | |
| 105 | 0641810 | 4 | Bolt 1/2in-13NC | |
| 106 | 4761800 | 4 | Lockwasher 1/2in | |
| 107 | 3300012 | AR | Lugnut 1/2in-20NF | |
| | | Ref | Note: Items 108-110 Not Required on 2WD/4WS Machines. | |
| 108 | 2780167 | 2 | Drive Hub Assembly (Rear) (See DRIVE HUB ASSEMBLY for Breakdown) | |

SECTION 1 - FRAME

| ITEM | PART NUMBER | QTY | DESCRIPTION | REV |
|------|-------------|-----|--|-----|
| 109 | 0641844 | 4 | Bolt 1/2in-20NC x 5 1/2in | |
| 110 | | Ref | Drive Brake (Rear) Options: | |
| 110 | 0920072 | 2 | Brake (Prior to March 1992) (See DRIVE BRAKE ASSEMBLY - AUSCO for Breakdown) | |
| 110 | | Ref | Brake (See DRIVE BRAKE ASSEMBLY - MICO for Breakdown) | |
| 110 | 0920084 | 2 | Drive Brake (Rear) (March 1992 to SN 33895) | |
| 110 | 0920110 | 2 | Drive Brake (Rear) (SN 33896 to Present) | |
| 110 | 0920117 | 2 | Service Replacement Alternative | |
| | 0254486 | Ref | TIRE AND WHEEL INSTALLATION - 7.50 x 15-30 NON-MARKING (2WD) | - |
| | 0253132 | Ref | TIRE AND WHEEL INSTALLATION - 8.75 x 16.5 PNEUMATIC (2WD) | - |
| | 0253133 | Ref | TIRE AND WHEEL INSTALLATION - 8.75 x 16.5 FOAM-FILLED (2WD & 4WD) | - |
| | 0250102 | Ref | TIRE AND WHEEL INSTALLATION - 14 x 17.5 PNEUMATIC (2WD) | - |
| | 0250100 | Ref | TIRE AND WHEEL INSTALLATION - 14 x 17.5 PNEUMATIC (4WD) (PRIOR TO JULY 1995) | - |
| | 0255805 | Ref | TIRE AND WHEEL INSTALLATION - 14 x 17.5 PNEUMATIC (4WD) (JULY 1995 TO PRESENT) | - |
| | 0250975 | Ref | TIRE AND WHEEL INSTALLATION - 14 x 17.5 NHS PNEUMATIC (4WD) | - |
| | 0250930 | Ref | TIRE AND WHEEL INSTALLATION - 14 x 17.5 FOAM-FILLED (2WD) | - |
| | 0250172 | Ref | TIRE AND WHEEL INSTALLATION - 14 x 17.5 FOAM-FILLED (4WD) (PRIOR TO JULY 1995) | - |
| | 0255808 | Ref | TIRE AND WHEEL INSTALLATION - 14 x 17.5 FOAM-FILLED (4WD) (JULY 1995 TO PRESENT) | - |
| | 0254860 | Ref | TIRE AND WHEEL INSTALLATION - 14 x 17.5 FOAM-FILLED (4WD) | - |
| | | Ref | 2WD Options: | |
| | 4520133 | 4 | Tire and Wheel Assembly - 7.50 x 15-30 Non-Marking | |
| | 0253130 | 4 | Tire and Wheel Assembly - 8.75 x 16.5 LT Pneumatic Goodyear Unisteel | |
| | 0253131 | 4 | Tire and Wheel Assembly - 8.75 x 16.5 LT Foam-Filled Goodyear Unisteel | |
| | 0239287 | 2 | Tire and Wheel Assembly - 14 x 17.5 Pneumatic Goodyear Hi-Miler | |
| | 0239288 | 2 | Tire and Wheel Assembly - 14 x 17.5 Pneumatic Goodyear X-Tra Grip (Prior to July 1995) | |
| | 0255806 | 2 | Tire and Wheel Assembly - 14 x 17.5 Pneumatic Galaxy (Right Side) (July 1995 to Present) | |
| | 0255807 | 2 | Tire and Wheel Assembly - 14 x 17.5 Pneumatic Galaxy (Left Side) (July 1995 to Present) | |
| | 0250929 | 2 | Tire and Wheel Assembly - 14 x 17.5 Foam-Filled Goodyear Hi-Miler | |
| | 0250171 | 2 | Tire and Wheel Assembly - 14 x 17.5 Foam-Filled Goodyear X-Tra Grip | |
| | | Ref | 4WD Options: | |
| | 0253131 | 4 | Tire and Wheel Assembly - 8.75 x 16.5 LT Foam-Filled Goodyear Unisteel | |
| | 0239288 | 4 | Tire and Wheel Assembly - 14 x 17.5 Pneumatic Goodyear X-Tra Grip | |
| | 0250973 | 2 | Tire and Wheel Assembly - 14 x 17.5 Pneumatic Non-Highway Style (NHS) (Left Side) | |
| | 0250974 | 2 | Tire and Wheel Assembly - 14 x 17.5 Pneumatic Non-Highway | |

SECTION 1 - FRAME

| ITEM | PART NUMBER | QTY | DESCRIPTION | REV |
|------|-------------|-----|---|-----|
| | 0250171 | 2 | Style (NHS) (Right Side) Tire and Wheel Assembly - 14 x 17.5 Foam-Filled Traction Tread (Right Side) | |
| | 0250170 | 2 | Tire and Wheel Assembly - 14 x 17.5 Foam-Filled Traction Tread (Left Side) | |
| | 0254859 | 2 | Tire and Wheel Assembly - 14 x 17.5 Foam-Filled Non-Highway Style (NHS) (Left Side) | |
| | 0254858 | 2 | Tire and Wheel Assembly - 14 x 17.5 Foam-Filled Non-Highway Style (NHS) (Right Side) | |
| | | Ref | Note: Assemblies may require ballast/foam filling to manufacturer's specifications prior to installing on a machine. Refer to Operators and Safety or Service and Maintenance Manuals. Purchase individual tire and/or rim only if able to foam fill tire and wheel assembly, otherwise, purchase complete assembly. | |
| 201 | 4520143 | 1 | Tire 8.75 x 16.5 LT Goodyear Unisteel | |
| 201 | 4520024 | 1 | Tire 14 x 17.5 Goodyear Hi-Miler | |
| 201 | 4520025 | 1 | Tire 14 x 17.5 Goodyear X-Tra Grip | |
| 201 | 4520124 | 1 | Tire 14 x 17.5 Non-Highway Style | |
| 201 | 4520171 | 1 | Tire 14 x 17.5 Galaxy | |
| 202 | 4842561 | 1 | Rim, Wheel - 16.5in | |
| 202 | 4860115 | 1 | Rim, Wheel - 17.5in | |
| 203 | 4640392 | 1 | Stem, Valve 8.75 x 16.5 Tires | |
| 203 | 4640113 | 1 | Stem, Valve 14 x 17.5 Tires | |
| 204 | 1702738 | 1 | Decal - Tire Pressure (Not Shown) | |

SECTION 1 - FRAME

FIGURE 1-4. DRIVE MOTOR ASSEMBLY

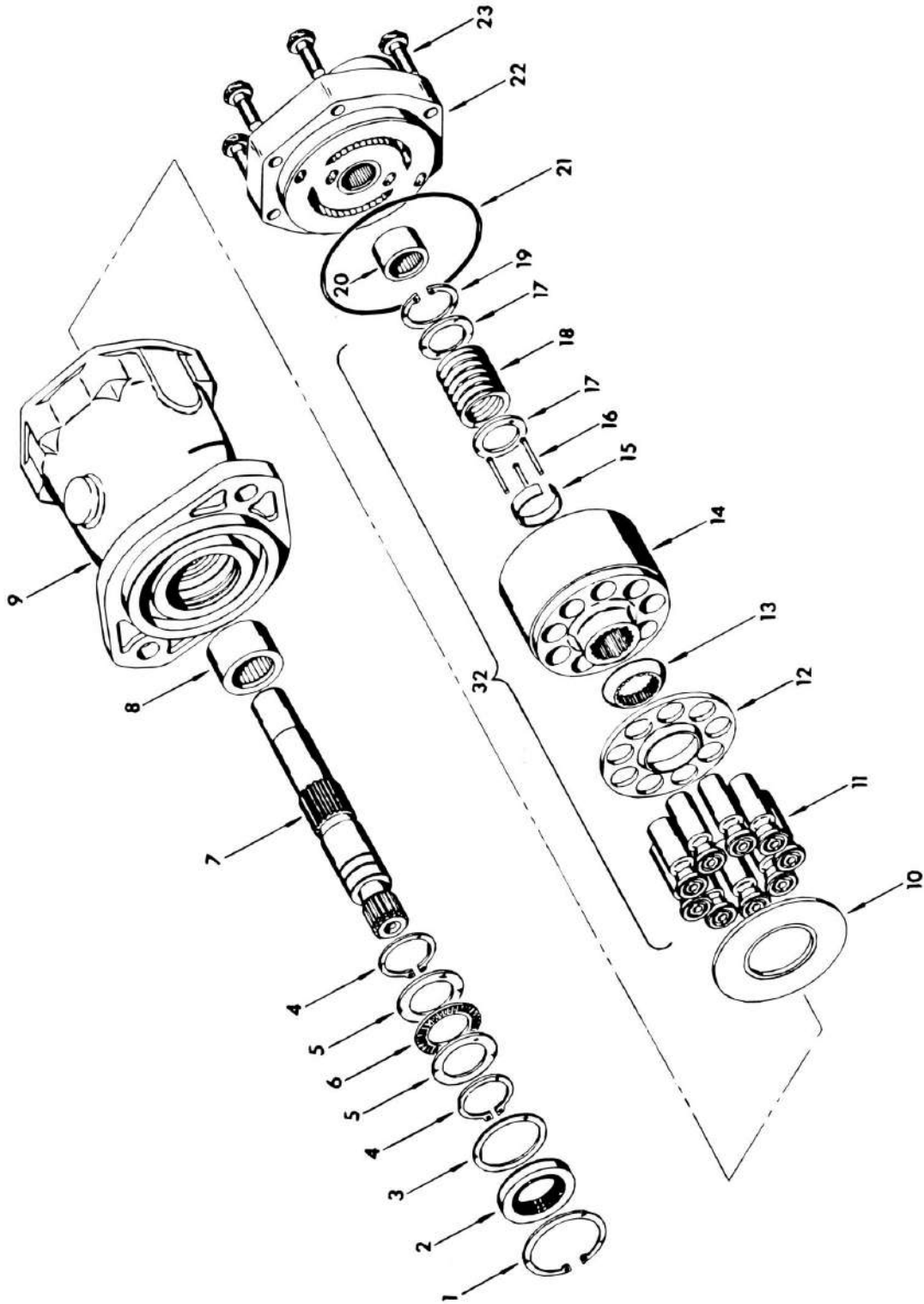
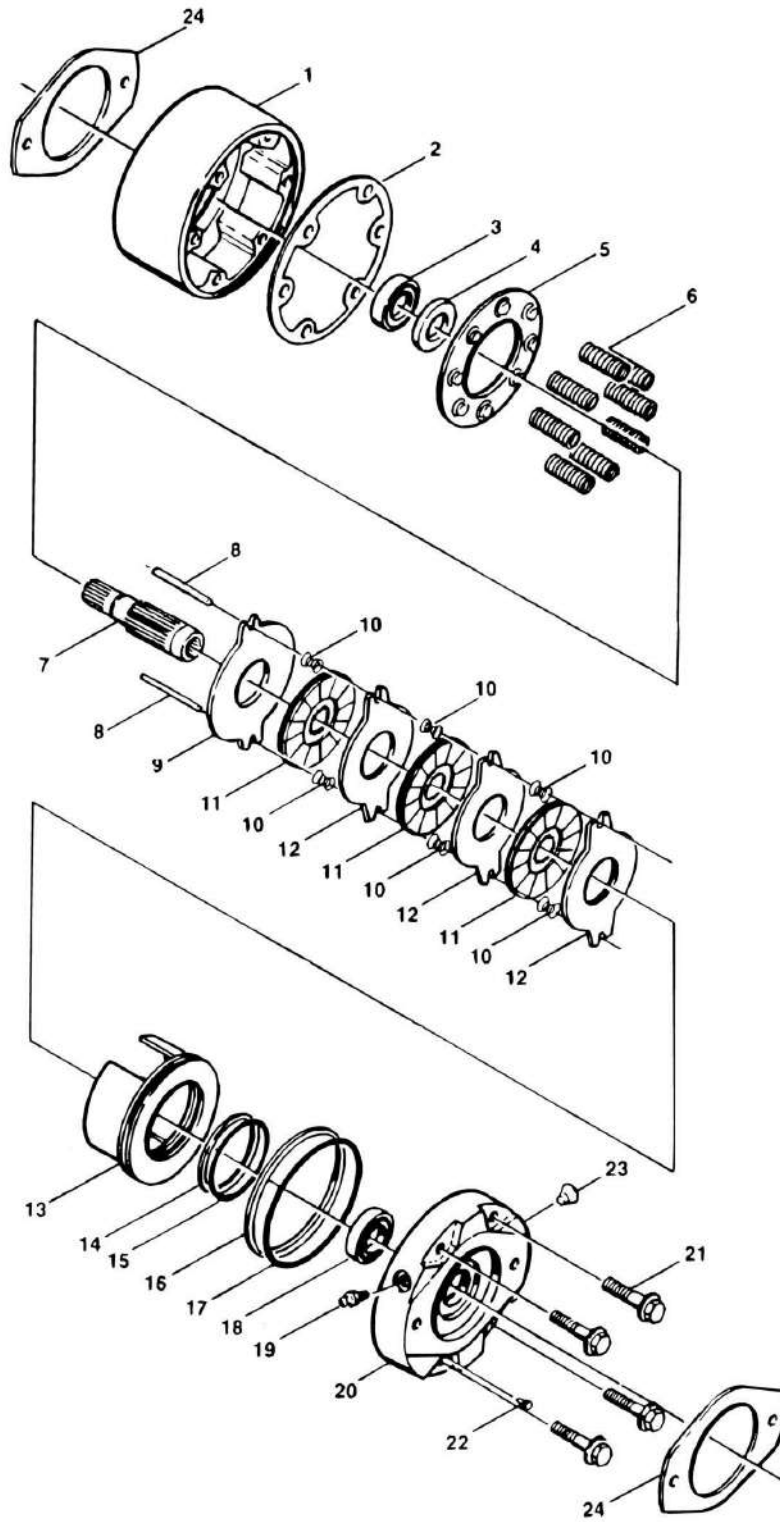


FIGURE 1-4. DRIVE MOTOR ASSEMBLY

| ITEM | PART NUMBER | QTY | DESCRIPTION | REV |
|------|-------------|-----|--|-----|
| | 3160158 | Ref | DRIVE MOTOR ASSEMBLY | - |
| 1 | Kit | 1 | Ring, Retaining | |
| 2 | Kit | 1 | Seal, Shaft | |
| 3 | 7004906 | 1 | Washer | |
| 4 | Kit | 2 | Ring, Retaining | |
| 5 | 7004907 | 2 | Race, Thrust | |
| 6 | 7004908 | 1 | Bearing | |
| 7 | 7007874 | 1 | Shaft, Drive | |
| 8 | 7004910 | 1 | Bearing | |
| 9 | 7007875 | 1 | Housing Assembly (Includes Item 8) | |
| 10 | 7007876 | 1 | Camplate | |
| 11 | 7007880 | 1 | Rotating Kit Assembly | |
| 12 | 7004917 | 1 | Bearing | |
| 13 | Kit | 1 | O-Ring | |
| 14 | 7007878 | 1 | Backplate Assembly (Includes Item 12) | |
| 15 | 7007879 | 6 | Bolt | |
| | 2900714 | 1 | Repair Kit Includes Items (1, 2, 4 & 13) | |

SECTION 1 - FRAME

FIGURE 1-5. DRIVE BRAKE ASSEMBLY - AUSCO (PRIOR TO MARCH 1992)



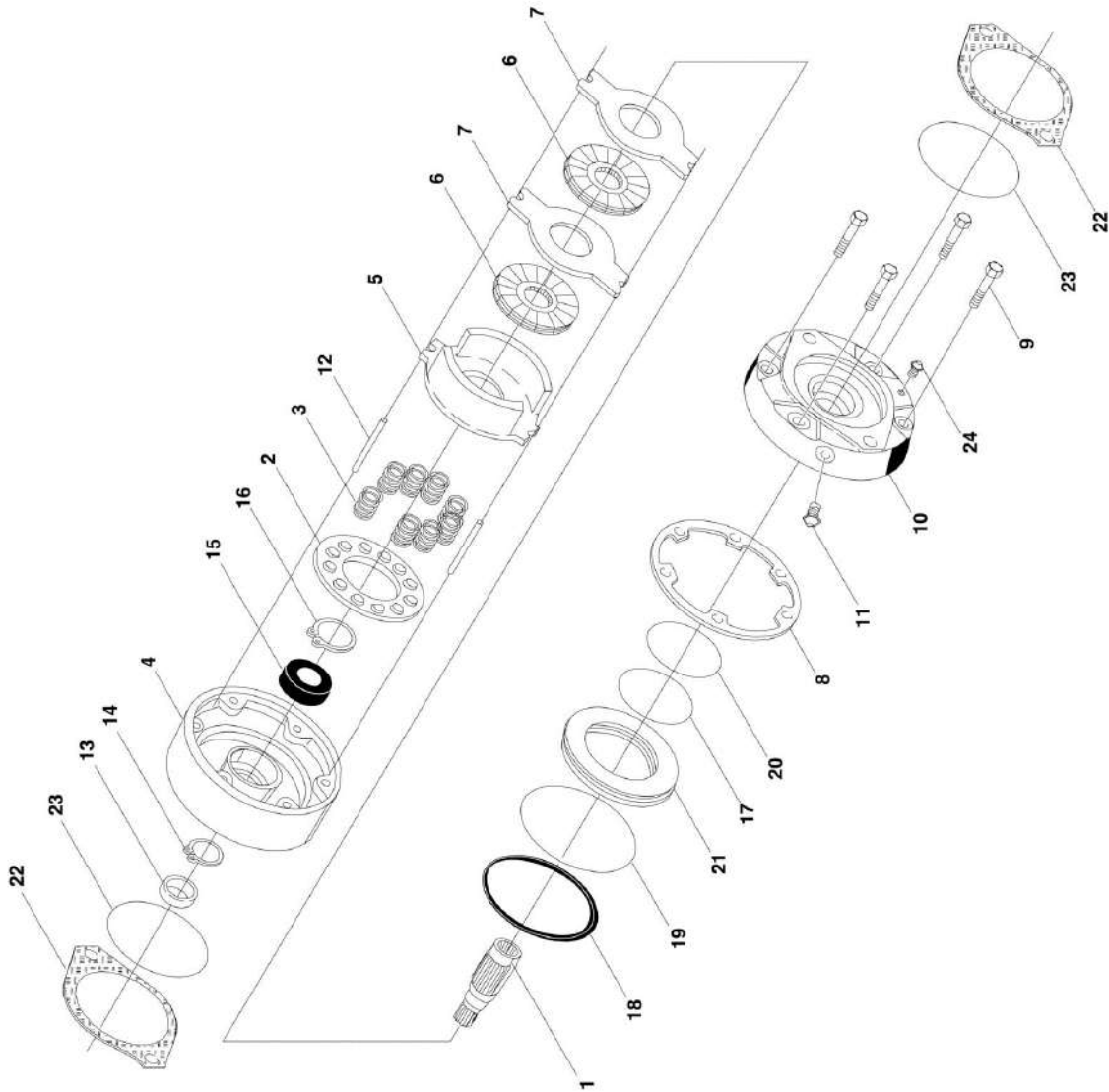
SECTION 1 - FRAME

FIGURE 1-5. DRIVE BRAKE ASSEMBLY - AUSCO (PRIOR TO MARCH 1992)

| ITEM | PART NUMBER | QTY | DESCRIPTION | REV |
|------|-------------|-----|---|-----|
| | 0920072 | Ref | DRIVE BRAKE ASSEMBLY - AUSCO (PRIOR TO MARCH 1992) | D |
| 1 | 7003047 | 1 | Housing | |
| 2 | Kit | 1 | Gasket | |
| 3 | 7003049 | 1 | Bearing | |
| 4 | Kit | 1 | Seal, Oil | |
| 5 | 7003051 | 1 | Retainer, Spring | |
| 6 | 7003052 | 8 | Spring, Compression | |
| 7 | 7003070 | 1 | Shaft, Splined | |
| 8 | 7000717 | 2 | Pin, Torque | |
| 9 | 7003054 | 1 | Disc, Primary | |
| 10 | 7003006 | 6 | Spring, Separator | |
| 11 | 7003055 | 3 | Disc, Rotating | |
| 12 | 7003056 | 3 | Disc, Stationary | |
| 13 | 7003057 | 1 | Piston | |
| 14 | Kit | 1 | Ring, Backup | |
| 15 | Kit | 1 | O-Ring | |
| 16 | Kit | 1 | Ring, Backup | |
| 17 | Kit | 1 | O-Ring | |
| 18 | 7000760 | 1 | Bearing | |
| 19 | 7000796 | 1 | Screw, Bleeder | |
| 20 | 7003071 | 1 | Plate, Power | |
| 21 | 7003007 | 4 | Screw | |
| 22 | 7003059 | 1 | Valve, Pressure | |
| 23 | 7000728 | 1 | Plug | |
| 24 | Kit | 2 | Gasket | |
| | 2900662 | 1 | Seal Kit (Includes Items 2, 4, 14, 15, 16, 17 & 24) | |

SECTION 1 - FRAME

FIGURE 1-6. DRIVE BRAKE ASSEMBLY - MICO (MARCH 1992 TO PRESENT)



SECTION 1 - FRAME

FIGURE 1-6. DRIVE BRAKE ASSEMBLY - MICO (MARCH 1992 TO PRESENT)

| ITEM | PART NUMBER | QTY | DESCRIPTION | REV |
|------|-------------|-----|---|-----|
| | | Ref | DRIVE BRAKE ASSEMBLY OPTIONS: | |
| | 0920084 | Ref | Drive Brake Assembly (March 1992 to SN 33895) | A |
| | 0920110 | Ref | Drive Brake Assembly (SN 33896 to Present) | C |
| 1 | 7011712 | 1 | Shaft | |
| 2 | | Ref | Guide, Spring Options: | |
| 2 | 7011717 | 1 | 0920084 Brake (March 1992 to SN 33895) | |
| 2 | 7018606 | 1 | 0920110 Brake (SN 33896 to Present) | |
| 3 | | Ref | Spring Options: | |
| 3 | 7007979 | 6 | 0920084 Brake (Inner) (March 1992 to SN 33895) | |
| 3 | 7007980 | 6 | 0920084 Brake (Outer) (March 1992 to SN 33895) | |
| 3 | 7007970 | 6 | 0920110 Brake (Red) (SN 33896 to Present) | |
| 3 | 7018602 | 3 | 0920110 Brake (Blue) (SN 33896 to Present) | |
| 4 | | Ref | Housing Options: | |
| 4 | 7011713 | 1 | 0920084 Brake (March 1992 to SN 33895) | |
| 4 | 7018605 | 1 | 0920110 Brake (SN 33896 to Present) | |
| 5 | | Ref | Return Plate and Separator Assembly Options: | |
| 5 | Kit | 1 | Return, Plate - 0920084 Brake (March 1992 to SN 33895) | |
| 5 | 7011715 | 2 | Separator Assy - 0920084 Brake (March 1992 to SN 33895) | |
| 5 | 7011714 | 4 | Pin | |
| 5 | 7007983 | 2 | Separator | |
| 5 | Kit | 1 | Return Plate and Separator - 0920110 Brake (SN 33896 to Present) | |
| 6 | Kit | 2 | Rotor | |
| 7 | Kit | 2 | Stator | |
| 8 | Kit | 1 | Seal, Case | |
| 9 | | Ref | Bolt, Washer Head Options: | |
| 9 | 7007985 | 4 | 0920084 Brake (March 1992 to SN 33895) | |
| 9 | 7018607 | 4 | 0920110 Brake (SN 33896 to Present) | |
| 10 | 7007986 | 1 | Cover | |
| 11 | | Ref | Hardware Options: | |
| 11 | 7000796 | 1 | Screw, Bleeder (Prior to SN 33906) | |
| 11 | 7018609 | 1 | Plug, Pipe (SN 33906 through 56536) | |
| 12 | 7007987 | 2 | Pin, Dowel | |
| 13 | Kit | 1 | Seal, Oil | |
| 14 | 7011716 | 1 | Ring, Retaining | |
| 15 | Kit | 1 | Bearing | |
| 16 | 7007977 | 1 | Ring, Retaining | |
| 17 | Kit | 1 | Ring, Back-up | |
| 18 | Kit | 1 | Ring, Back-up | |
| 19 | Kit | 1 | O-Ring | |
| 20 | Kit | 1 | O-Ring | |
| 21 | | Ref | Piston Options: | |
| 21 | 7007923 | 1 | 0920084 Brake (March 1992 to SN 33895) | |
| 21 | 7018603 | 1 | 0920110 Brake (SN 33896 to Present) | |
| 22 | 7007933 | 2 | Gasket | |
| 23 | Kit | 2 | O-Ring | |
| 24 | 7007924 | 1 | Plug, Pipe | |
| | 2900766 | 1 | Seal Kit (Includes Items 8, 13, 17, 18, 19, 20, 22 & 23) | |
| | 2900768 | 1 | Seal Kit (Includes Items 8, 13, 15, 22 & 23) | |
| | | Ref | Lining Kit Options: (Includes Items 5, 6, 7, 8, 22 & 23) | |

SECTION 1 - FRAME

| ITEM | PART NUMBER | QTY | DESCRIPTION | REV |
|------|-------------|-----|---|-----|
| | 2900767 | 1 | 0920084 Brake (March 1992 to SN 33895) | B |
| | 7018608 | 1 | 0920110 Brake (SN 33896 to Present) | |
| | 0920117 | Ref | DRIVE BRAKE ASSEMBLY (NOT SHOWN) (Service Replacement Alternative) | |
| | 7018612 | 1 | Kit, Repair | |
| | | Ref | Note: Repair Kit is the only thing available | |

SECTION 1 - FRAME

FIGURE 1-7. DRIVE HUB ASSEMBLY

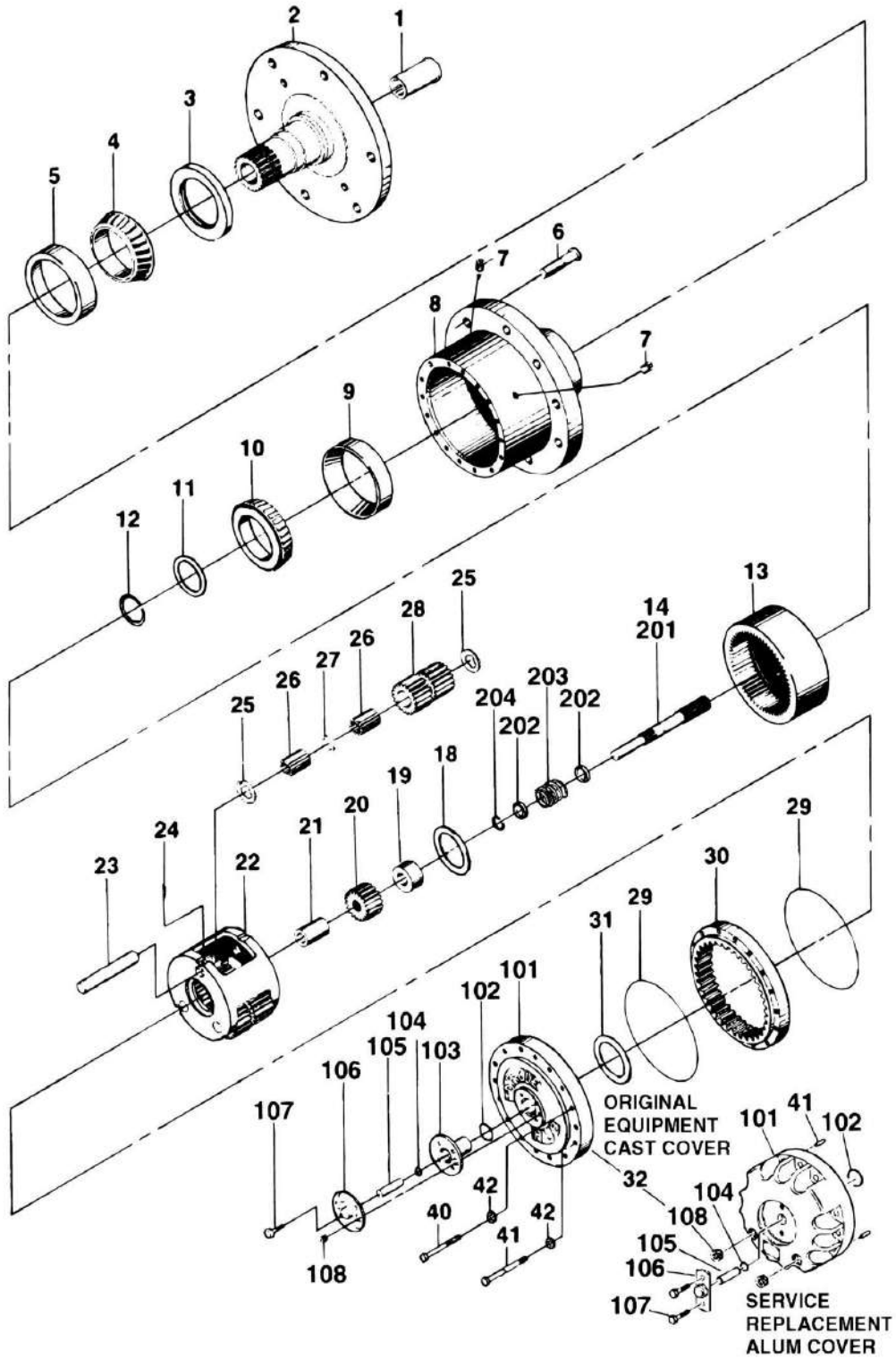


FIGURE 1-7. DRIVE HUB ASSEMBLY

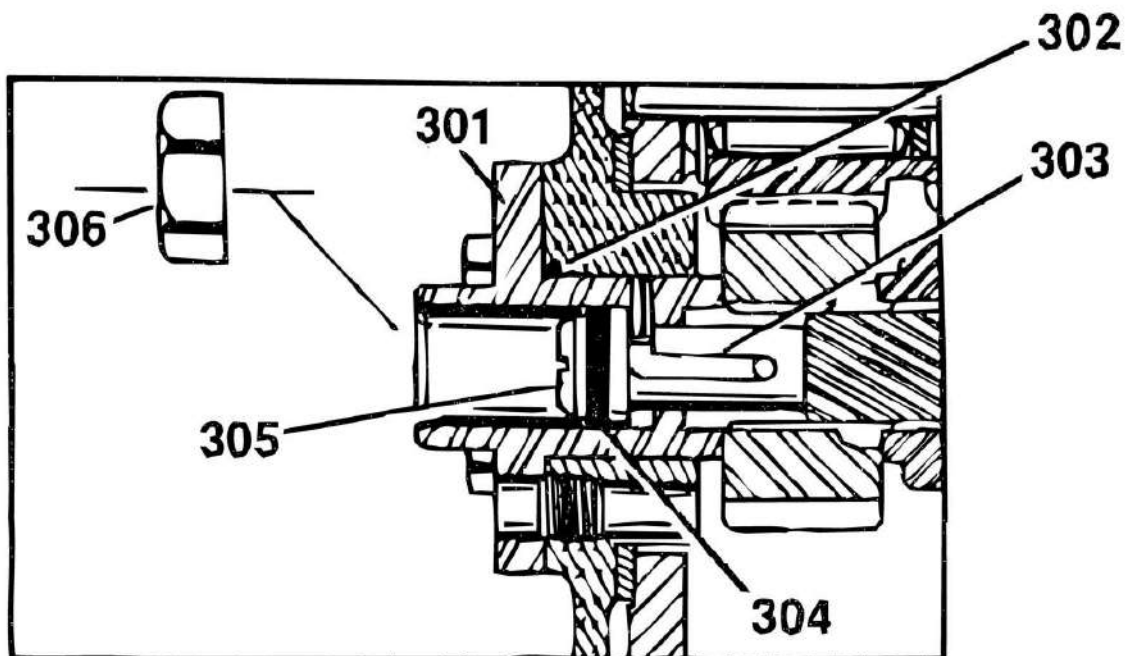
| ITEM | PART NUMBER | QTY | DESCRIPTION | REV |
|------|-------------|-----|---|-----|
| | 2780169 | Ref | DRIVE HUB ASSEMBLY (2WD/2WS) | - |
| | 2780167 | Ref | DRIVE HUB ASSEMBLY (4WD/2WS REAR) | - |
| 1 | 7000206 | 1 | Coupling | |
| | | Ref | Hub-Spindle Sub-Assembly | |
| 2 | 7001997 | 1 | Spindle | |
| 3 | 7001998 | 1 | Seal | |
| 4 | Kit | 1 | Cone, Bearing | |
| 5 | Kit | 1 | Cup, Bearing | |
| 6 | 7007697 | 9 | Bolt, Wheel | |
| 7 | 7000242 | 2 | Plug, Pipe | |
| 8 | 7007601 | 1 | Hub | |
| 9 | 7000257 | 1 | Cup, Bearing | |
| 10 | 7000258 | 1 | Cone, Bearing | |
| 11 | 7000232 | 1 | Spacer | |
| 12 | 7000229 | 1 | Ring, Retaining | |
| 13 | 7000246 | 1 | Gear, Internal | |
| 14 | | Ref | Input Shaft Assembly Options: (See Items 201-204 for Breakdown) | |
| 18 | 7000253 | 1 | Washer, Thrust | |
| 19 | 7000252 | 1 | Spacer (2780169) | |
| 19 | 7007653 | 1 | Spacer | |
| 20 | 7000251 | 1 | Gear, Input (2780169) | |
| 20 | 7007652 | 1 | Gear, Input (2780167) | |
| 21 | 7007654 | 1 | Spacer (1780167 Only) | |
| 21 | 7000247 | 1 | Carrier Assembly | |
| 22 | 7001931 | 1 | Carrier | |
| 23 | 7001911 | 3 | Shaft | |
| 24 | 7001913 | 3 | Pin, Roll | |
| 25 | 7001985 | 6 | Washer, Thrust | |
| 26 | 7001909 | 96 | Roller, Needle | |
| 27 | 7000263 | 3 | Spacer | |
| 28 | 7001912 | 3 | Gear, Cluster | |
| 29 | 7000230 | 2 | O-Ring | |
| 30 | 7000248 | 1 | Gear, Ring | |
| 31 | 7000253 | 1 | Washer, Thrust | |
| 32 | | Ref | Cover Assembly (Includes Items 101-108) | |
| 40 | | Ref | Bolt Options: | |
| 40 | 7000217 | 12 | Original Equipment Cast Cover | |
| 40 | 7017067 | 12 | Service Replacement Aluminum Cover | |
| 41 | | Ref | Hardware Options: | |
| 41 | 7000214 | 4 | Bolt, Shoulder (Original Equipment Cast Cover) | |
| 41 | 7017080 | 4 | Dowel Pin (Service Replacement Aluminum Cover) | |
| 42 | 7007603 | 16 | Flatwasher | |
| | 7010429 | 1 | Bearing Kit (Includes Items 4 & 5) | |
| | | Ref | COVER ASSEMBLY | |
| | 70001111 | 1 | Original Equipment Cast Cover | |
| | 70001349 | 1 | Service Replacement Aluminum Cover | |
| 101 | | Ref | Cover Options: | |
| 101 | 70001111 | 1 | Original Equipment Cast Cover (was p/n 7000226) | |
| 101 | 70001349 | 1 | Service Replacement Aluminum Cover (was p/n 7017091) | |
| 102 | | Ref | O-Ring Options: | |

SECTION 1 - FRAME

| ITEM | PART NUMBER | QTY | DESCRIPTION | REV |
|------|--------------|-----|--|-----|
| 102 | Kit | 1 | Original Equipment Cast Cover | |
| 102 | 7017070 | 1 | Service Replacement Aluminum Cover | |
| 103 | | Ref | Cap, Cover | |
| 103 | 70001111 | 1 | Original Equipment Cast Cover | |
| 103 | Not Required | 0 | Service Replacement Aluminum Cover | |
| 104 | | Ref | O-Ring Options: | |
| 104 | Kit | 1 | Original Equipment Cast Cover | |
| 104 | 7017095 | 1 | Service Replacement Aluminum Cover | |
| 105 | | Ref | Rod, Disconnect Options: | |
| 105 | 70001111 | 1 | Original Equipment Cast Cover | |
| 105 | 70001349 | 1 | Service Replacement Aluminum Cover (was p/n 7017092) | |
| 106 | | Ref | Cap, Disconnect | |
| 106 | 70001111 | 1 | Original Equipment Cast Cover | |
| 106 | 70001349 | 1 | Service Replacement Aluminum Cover (was p/n 7017093) | |
| 107 | | Ref | Bolt Options: | |
| 107 | 7000216 | 1 | Original Equipment Cast Cover | |
| 107 | 7000216 | 2 | Service Replacement Aluminum Cover | |
| 108 | | Ref | Plug, Pipe Options: | |
| 108 | 7000243 | 1 | Original Equipment Cast Cover | |
| 108 | 7017094 | 2 | Service Replacement Aluminum Cover | |
| | | Ref | INPUT SHAFT ASSEMBLY | |
| | 7000250 | Ref | 2WD | |
| | 7007650 | Ref | 4WD | |
| 201 | | Ref | Shaft Options: | |
| 201 | 7000260 | 1 | 2WD | |
| 201 | 7007651 | 1 | 4WD | |
| 202 | 7000263 | 2 | Spacer | |
| 203 | 7000262 | 1 | Spring | |
| 204 | 7000261 | 1 | Ring, Retaining | |
| | | Ref | Kit Options: | |
| | 7010429 | 1 | Bearing Kit (Includes Items 4 & 5) | |
| | 2900034 | 1 | Seal Kit (Includes Items 3, 11, 12 & 29) | |
| | | Ref | Cover Kit Options: | |
| | 70001111 | 1 | Original Equipment Cast Cover (was p/n 7001989) | |
| | 70001111 | 1 | Aluminum Replacement for Original Equipment Cast Cover (Includes 29, 31 (Spacer), 40, 41 (Dowel Pins), 101, 102 & 104-108) (was p/n 7017099) | |
| | 70001349 | 1 | Service Replacement Aluminum Cover (Includes 29, 101 & 104-107) (was p/n 7017090) | |

SECTION 1 - FRAME

FIGURE 1-8. DRIVE HUB ASSEMBLY



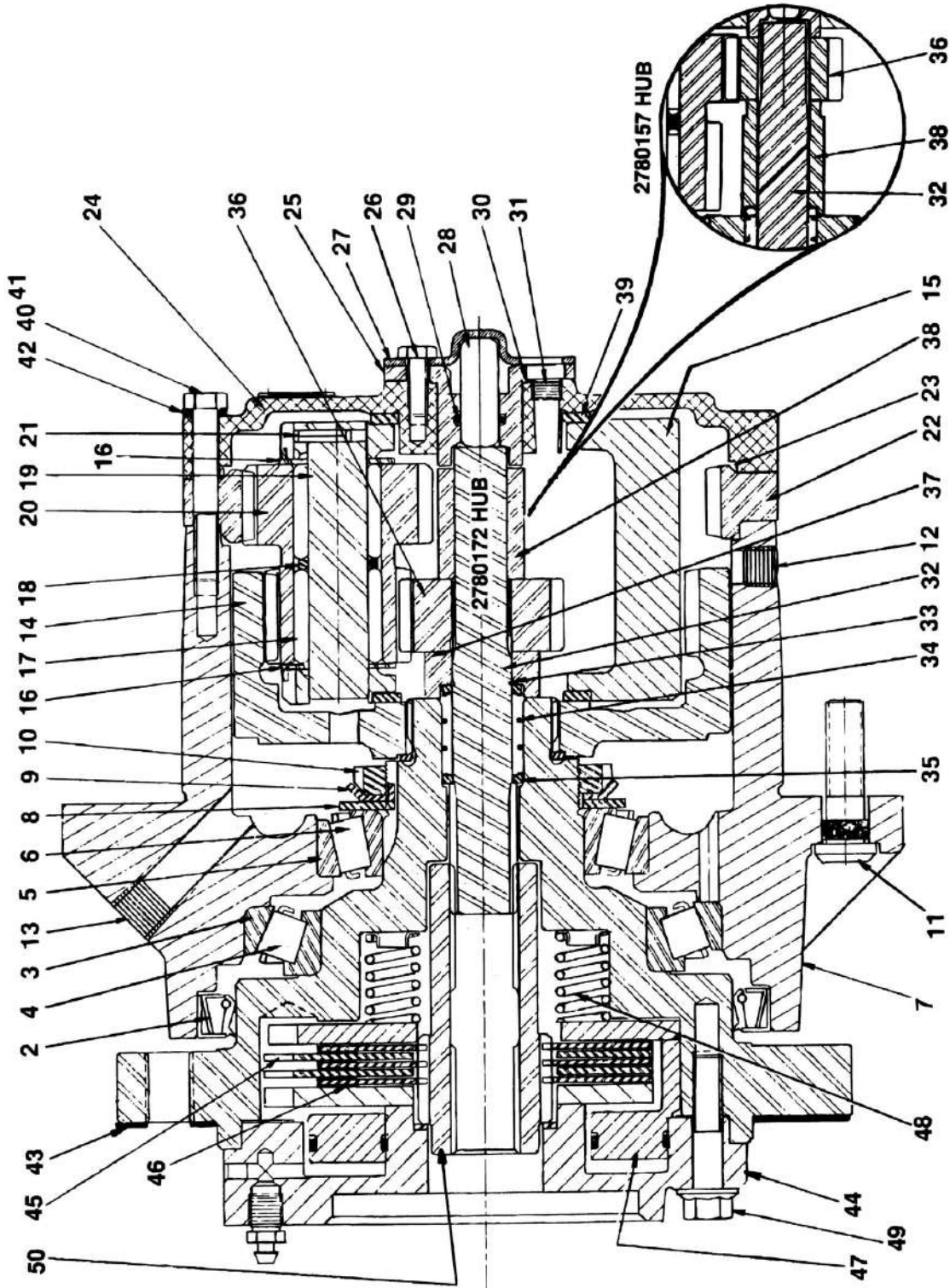
LOCATED ON FRONT OF TORQUE HUB

FIGURE 1-8. DRIVE HUB ASSEMBLY

| ITEM | PART NUMBER | QTY | DESCRIPTION | REV |
|-------------|--------------------|------------|---|------------|
| | 2901157 | Ref | DISCONNECT HUB ASSEMBLY (OPTIONAL) | |
| 301 | 7002025 | 1 | Cover | |
| 302 | 7000215 | 1 | O-Ring | |
| 303 | 7007669 | 1 | Pin, Spring | |
| 304 | 7010446 | 1 | Seal | |
| 305 | 7010444 | 1 | Rod, Disconnect | |
| 306 | 7010447 | 1 | Cap, Dust | |
| 306 | 7010448 | 1 | O-Ring | |

SECTION 1 - FRAME

FIGURE 1-9. DRIVE HUB/BRAKE ASSEMBLIES (THROUGH 1992)



SECTION 1 - FRAME

FIGURE 1-9. DRIVE HUB/BRAKE ASSEMBLIES (THROUGH 1992)

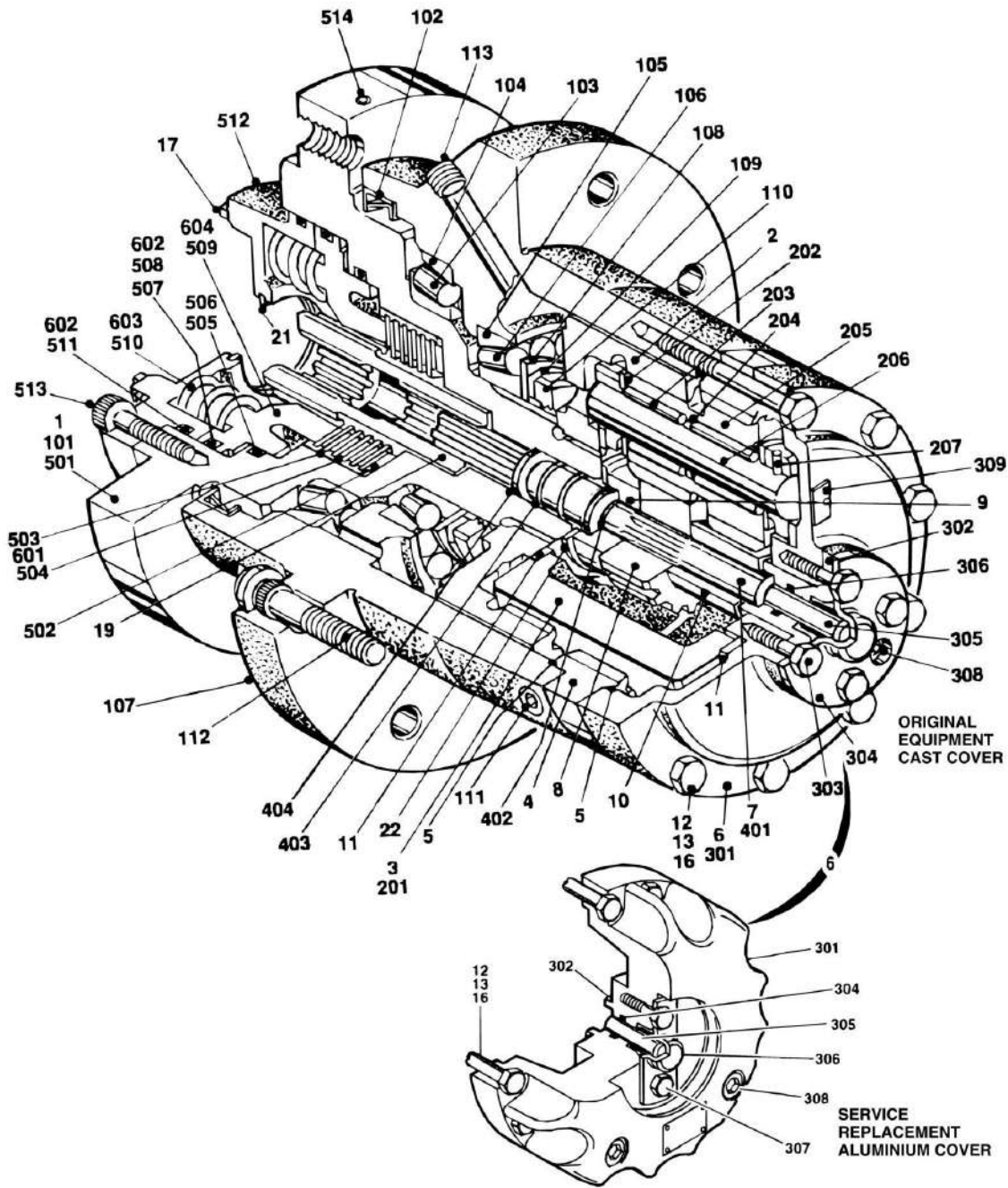
| ITEM | PART NUMBER | QTY | DESCRIPTION | REV |
|------|--------------|-----|---|-----|
| | | Ref | DRIVE HUB/BRAKE ASSEMBLIES (THROUGH 1992) | |
| | 2780172 | Ref | DRIVE HUB/BRAKE ASSEMBLIES - 4WD (PRIOR TO FEBRUARY 1992) | - |
| | 2780157 | Ref | DRIVE HUB/BRAKE ASSEMBLIES - 2WD/4WS (PRIOR TO SEPTEMBER 1992) | A |
| | | Ref | Hub Assembly | |
| 2 | Kit | 1 | Seal | |
| 3 | 7007683 | 1 | Cup, Bearing | |
| 4 | 7007684 | 1 | Cone, Bearing | |
| 5 | 7007685 | 1 | Cup, Bearing | |
| 6 | 7007686 | 1 | Cone, Bearing | |
| 7 | 7007687 | 1 | Hub | |
| 8 | 7007688 | 1 | Washer, Tongued | |
| 9 | 7007689 | 1 | Lockwasher | |
| 10 | 7007690 | 1 | Locknut | |
| 11 | 7000241 | 9 | Stud | |
| 12 | 7000242 | 2 | Plug, Pipe | |
| 13 | 7007617 | 2 | Plug, Magnetic | |
| 14 | 7007691 | 1 | Gear, Internal | |
| | | Ref | Carrier Assembly | |
| 15 | 7001931 | 1 | Carrier | |
| 16 | 7001985 | 6 | Washer, Thrust | |
| 17 | 7001909 | 96 | Roller, Needle | |
| 18 | 7000263 | 3 | Spacer | |
| 19 | 7001911 | 3 | Shaft, Planet | |
| 20 | 7001912 | 3 | Gear, Cluster | |
| 21 | 7001913 | 3 | Pin, Roll | |
| 22 | 7000248 | 1 | Gear, Ring | |
| 23 | Kit | 2 | O-Ring | |
| | 70001111 | 1 | Cover Assembly (was p/n 7001989) | |
| 24 | 70001111 | 1 | Cover (was p/n 7000226) | |
| 25 | 70001111 | 1 | Cap, Cover (was p/n 7000227) | |
| 26 | 7000220 | 4 | Bolt | |
| 27 | 70001111 | 1 | Cap, Disconnect (was p/n 7000211) | |
| 28 | 70001111 | 1 | Rod, Disconnect (was p/n 7000212) | |
| 29 | Kit | 1 | O-Ring | |
| 30 | Kit | 1 | O-Ring | |
| 31 | 7000243 | 2 | Plug, Pipe | |
| | 7007650 | 1 | Input Shaft Assembly (2780172) | |
| | 7000250 | 1 | Input Shaft Assembly (2780157) | |
| 32 | 7007651 | 1 | Shaft, Input (2780172) | |
| 32 | 7000260 | 1 | Shaft, Input (2780157) | |
| 33 | 7000261 | 1 | Ring, Retaining | |
| 34 | 7000262 | 1 | Spring | |
| 35 | 7000263 | 2 | Spacer | |
| 36 | 7007652 | 1 | Gear, Input (2780172) | |
| 36 | 7000251 | 1 | Gear, Input (2780157) | |
| 37 | 7007653 | 1 | Spacer, Input (2780172) | |
| 37 | Not Required | 0 | Spacer, Input (2780157) | |
| 38 | 7000252 | 1 | Spacer, Input (2780157) | |

SECTION 1 - FRAME

| ITEM | PART NUMBER | QTY | DESCRIPTION | REV |
|------|-------------|-----|---|-----|
| 39 | 7000253 | 2 | Washer, Thrust | |
| 40 | 7000217 | 12 | Bolt | |
| 41 | 7000215 | 4 | Bolt, Shoulder | |
| 42 | 7007603 | 16 | Flatwasher | |
| 43 | Kit | 1 | Gasket | |
| 44 | 7010454 | NLA | Spindle (No longer available - purchase 7010473 as replacement) | |
| | | Ref | Brake Assembly Options (No Longer available - purchase 7010473 as replacement): | |
| | 7010453 | 1 | Brake Assembly (Hub Model W1BJ4Y) | |
| | 7010452 | 1 | Brake Assembly (Hub Model W1BJ4U) | |
| 45 | 7003087 | 2 | Disc, Stationary | |
| 46 | 7003089 | 3 | Disc, Rotating | |
| 47 | 7003088 | 1 | Piston | |
| 48 | 7003432 | 10 | Spring | |
| 49 | 7003433 | 8 | Screw | |
| 50 | 7010455 | 1 | Coupling | |
| | 2900754 | 1 | Seal Kit - Hub (Includes Items 2, 23, 29, 30 & 43) | |
| | 2900755 | 1 | Seal Kit - Brake (Includes Piston Rings and Gaskets) | |

SECTION 1 - FRAME

FIGURE 1-10. DRIVE HUB/BRAKE ASSEMBLIES (1992 TO PRESENT)



SECTION 1 - FRAME

FIGURE 1-10. DRIVE HUB/BRAKE ASSEMBLIES (1992 TO PRESENT)

| ITEM | PART NUMBER | QTY | DESCRIPTION | REV |
|------|--------------|-----|--|-----|
| | | Ref | DRIVE HUB/BRAKE ASSEMBLIES (1992 TO PRESENT) | |
| | | Ref | DRIVE HUB/BRAKE ASSEMBLIES (STANDARD PARTS) | |
| 1 | | Ref | Hub/spindle/Brake Assembly (See Items 101-113 for Breakdown) | |
| 2 | 7007691 | 1 | Gear, Internal | |
| 3 | | Ref | Carrier Assembly (See Variable Parts) | |
| 4 | 7000248 | 1 | Gear, Internal | |
| 5 | Kit | 2 | O-Ring | |
| 6 | | Ref | Cover Assembly (See Items 301-308 for Breakdown) | |
| 7 | | Ref | Input Shaft Assembly (See Variable Parts) | |
| 8 | | Ref | Gear, Input (See Variable Parts) | |
| 9 | | Ref | Spacer, Input (See Variable Parts) | |
| 10 | | Ref | Spacer, Input (See Variable Parts) | |
| 11 | 7000253 | 2 | Washer, Thrust | |
| 11 | 7017096 | 1 | Spacer (Service Replacement Aluminum Cover Only) | |
| 12 | | Ref | Bolt Options: | |
| 12 | 7000217 | 12 | Original Equipment Cast Cover | |
| 12 | 7017067 | 12 | Service Replacement Aluminum Cover | |
| 13 | | Ref | Hardware Options: | |
| 13 | 7000214 | 4 | Bolt Used on Original Equipment Cast Cover | |
| 13 | 7017067 | 4 | Dowel Pin Used on Service Replacement Aluminum Cover | |
| 16 | 7007603 | 16 | Flatwasher | |
| 17 | 7007692 | 1 | Gasket | |
| 19 | 7010470 | 1 | Coupling | |
| 21 | 7010459 | 1 | Ring, Retainer | |
| 22 | 7001922 | 1 | Washer, Thrust | |
| | 2780191 | Ref | DRIVE HUB/BRAKE ASSEMBLY - 4WD FEBRUARY 1992 TO PRESENT (VARIABLE PARTS) | - |
| | 2780195 | Ref | DRIVE HUB/BRAKE ASSEMBLY - 2WD/4WS SEPTEMBER TO PRESENT (VARIABLE PARTS) | - |
| 53 | 7000247 | 1 | Carrier Assembly (2780191) (See Items 201-207 for Breakdown) | |
| 53 | NPN | 1 | Carrier Assembly (2780195) (See Items 201-207 for Breakdown) | |
| 57 | 7007650 | 1 | Input Shaft Assembly (2780191) (See Items 401-404 for Breakdown) | |
| 57 | 7000250 | 1 | Input Shaft Assembly (2780195) (See items 401-404 for Breakdown) | |
| 58 | 7007652 | 1 | Gear, Input (2780191) | |
| 58 | 7000251 | 1 | Gear, Input (2780195) | |
| 59 | 7007653 | 1 | Spacer, Input (2780191) | |
| 59 | 7000252 | 1 | Spacer, Input (2780195) | |
| 60 | 7007654 | 1 | Spacer, Input (2780191) | |
| 60 | Not Required | 0 | Spacer, Input (2780195) | |
| | | Ref | SPINDLE/BRAKE SUB-ASSEMBLY | |
| 101 | 7010469 | 1 | Brake Assembly With ID Plate (Item 309) Stamped June 1992 or Earlier (See Items 501-514 for Breakdown) | |
| 101 | 7010473 | 1 | Brake Assembly With ID Plate (Item 309) Stamped July 1992 or Later (See Items 601-604 for Breakdown) | |
| 102 | Kit | 1 | Seal, Lip | |
| 103 | 7007683 | 1 | Cup, Bearing | |
| 104 | 7007684 | 1 | Cone, Bearing | |
| 105 | 7007685 | 1 | Cup, Bearing | |
| 106 | 7007686 | 1 | Cone, Bearing | |

SECTION 1 - FRAME

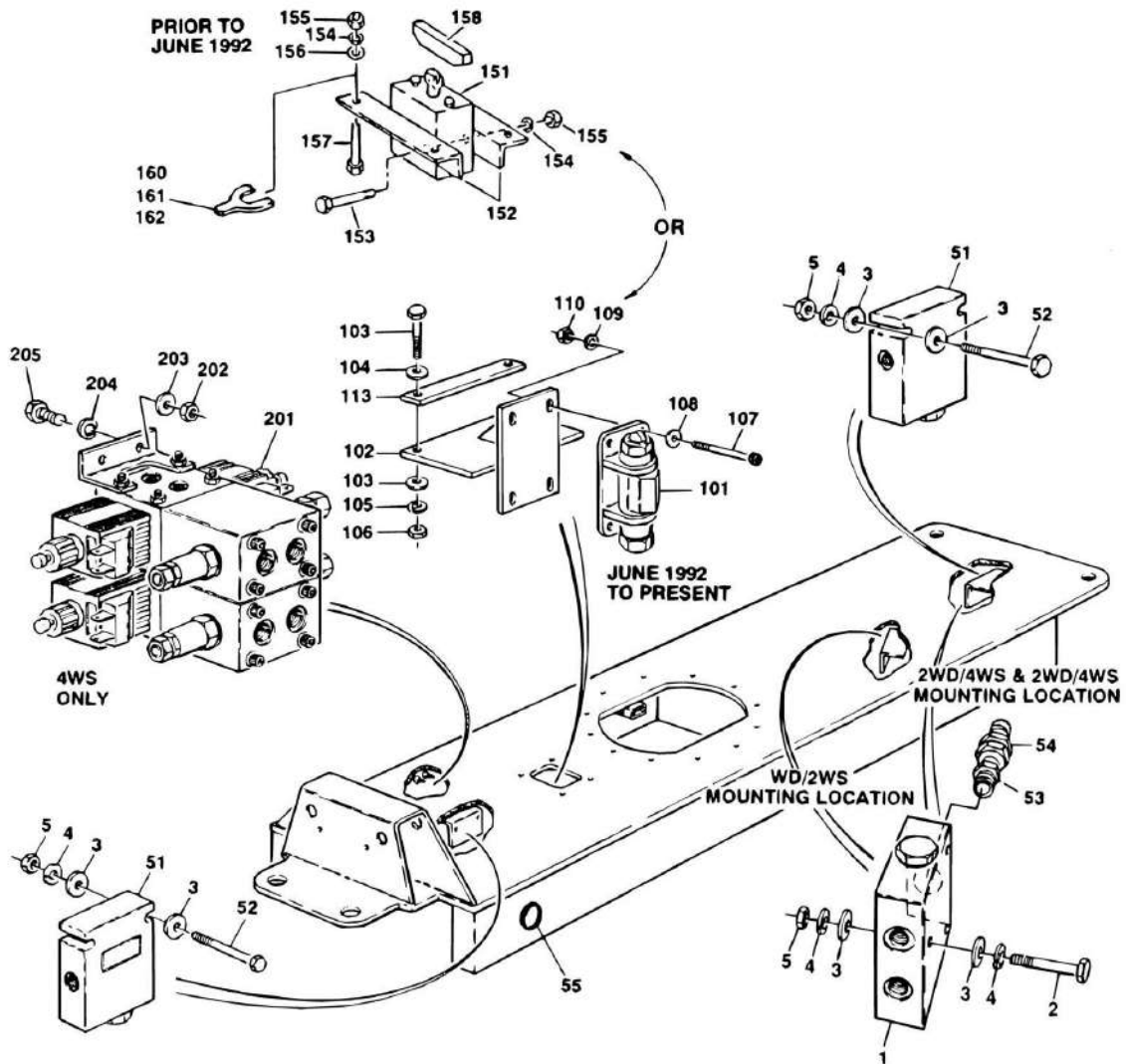
| ITEM | PART NUMBER | QTY | DESCRIPTION | REV |
|------|-----------------|-----|---|-----|
| 107 | 7007687 | 1 | Housing | |
| 108 | 7007688 | 1 | Flatwasher, Tanged | |
| 109 | 7007689 | 1 | Flatwasher, Tanged | |
| 110 | 7007690 | 1 | Nut, Bearing | |
| 111 | 7000242 | 2 | Plug, Pipe 1/4in NPT | |
| 112 | 7000241 | 9 | Stud, Wheel | |
| 113 | 7007617 | 2 | Plug, Pipe 3/8in NPT (Magnetic) | |
| | 7000247 | Ref | CARRIER ASSEMBLY (2780191) | |
| | NPN | Ref | CARRIER ASSEMBLY (2780195) | |
| 201 | 7001931 | 1 | Carrier | |
| 202 | 7001985 | 6 | Washer, Thrust - Tanged | |
| 203 | 7001909 | 96 | Bearing, Needle | |
| 204 | 7000263 | 3 | Spacer, Thrust | |
| 205 | 7001911 | 3 | Shaft, Planet | |
| 206 | 7001912 | 3 | Gear, Cluster | |
| 207 | 7001913 | 3 | Rollpin (2780191) | |
| 207 | 7010474 | 3 | Rollpin (1780195) | |
| | | Ref | COVER ASSEMBLY | |
| | See Kit Options | Ref | Original Equipment Cast Cover | |
| | See Kit Options | Ref | Service Replacement Aluminum Cover | |
| 301 | | Ref | Cover Options: | |
| 301 | 70001111 | 1 | Original Equipment Cast Cover (was p/n 7000226) | |
| 301 | 70001349 | 1 | Service Replacement Aluminum Cover (was p/n 7017091) | |
| 302 | | Ref | O-Ring Options: | |
| 302 | Kit | 1 | Original Equipment Cast Cover | |
| 302 | 7017070 | 1 | Service Replacement Aluminum Cover | |
| 303 | | Ref | Cap, Cover | |
| 303 | 70001111 | 1 | Original Equipment Cast Cover | |
| 303 | Not Required | 1 | Service Replacement Aluminum Cover | |
| 304 | | Ref | O-Ring Options: | |
| 304 | Kit | 1 | Original Equipment Cast Cover | |
| 304 | 7017095 | 1 | Service Replacement Aluminum Cover | |
| 305 | | Ref | Rod, Disconnect Options: | |
| 305 | 70001111 | 1 | Original Equipment Cast Cover (was p/n 7000212) | |
| 305 | 70001349 | 1 | Service Replacement Aluminum Cover (was p/n 7017092) | |
| 306 | | Ref | Cap, Disconnect Options: | |
| 306 | 70001111 | 1 | Original Equipment Cast Cover (was p/n 7000211) | |
| 306 | 70001349 | 1 | Service Replacement Aluminum Cover (was p/n 7017093) | |
| 307 | | Ref | Bolt Options: | |
| 307 | 7000220 | 4 | Original Equipment Cast Cover | |
| 307 | 7000216 | 2 | Service Replacement Aluminum Cover | |
| 308 | | Ref | Plug, Pipe Options: | |
| 308 | 7000243 | 1 | Original Equipment Cast Cover | |
| 308 | 7017094 | 2 | Service Replacement Aluminum Cover | |
| | | Ref | Cover Kit Options: | |
| | 70001111 | 1 | Original Equipment Cast Cover (was p/n 7001989) | |
| | 70001111 | 1 | Aluminum Replacement for Original Equipment Cast Cover (Includes 5, 11 (Spacer), 12, 13 (Dowel Pins), 301, 302 & 304-308) (was p/n 7017099) | |
| | 70001349 | 1 | Service Replacement Aluminum Cover (Includes 5, 301 & 304-307) (was p/n 7017090) | |
| | 7007650 | Ref | INPUT SHAFT ASSEMBLY (2780191) | |

SECTION 1 - FRAME

| ITEM | PART NUMBER | QTY | DESCRIPTION | REV |
|------|---------------|-----|---|-----|
| | 7000250 | Ref | INPUT SHAFT ASSEMBLY (2780195) | |
| 401 | 7007651 | 1 | Shaft (2780191) | |
| 401 | 7000260 | 1 | Shaft (2780195) | |
| 402 | 7000261 | 1 | Ring, Retaining | |
| 403 | 7000262 | 1 | Spring | |
| 404 | 7000263 | 2 | Spacer, Thrust | |
| | 7010469 | Ref | BRAKE/SPINDLE ASSEMBLY WITH ID PLATE (ITEM 309) STAMPED JUNE 1992 OR EARLIER | |
| 501 | 7014100 | 1 | Spindle | |
| 502 | 7014101 | 1 | Spacer | |
| 503 | 7014102 | 7 | Disc, Stationary | |
| 504 | 7014103 | 6 | Disc, Rotating | |
| 505 | Kit | 1 | Ring, Back-up | |
| 506 | Kit | 1 | O-Ring | |
| 507 | Kit | 1 | Ring, Back-up Ring | |
| 508 | Kit | 1 | O-Ring | |
| 509 | 7014108 | 1 | Piston | |
| 510 | 7014109 | 6 | Spring | |
| 510 | 7014110 | 2 | Spring | |
| 511 | Kit | 1 | O-Ring | |
| 512 | 7014112 | 1 | Cover | |
| 513 | Not Available | 8 | Bolt, Socket Head 3/8in-16NC x 1 1/4in | |
| 514 | 7014113 | 1 | Expander | |
| | 2900816 | 1 | Brake O-Ring Kit (Includes Items 505-508 & 511) | |
| | 7010473 | Ref | BRAKE/SPINDLE ASSEMBLY WITH ID PLATE (ITEM 309) STAMPED JULY 1992 OR LATER | |
| 601 | 7010475 | 1 | Brake Lining Kit | |
| 602 | 7010476 | 1 | Brake O-Ring Kit | |
| 603 | 7010477 | 1 | Brake Spring Repair Kit | |
| 604 | 7010478 | 1 | Brake Piston Repair Kit | |
| | 2900754 | 1 | Seal Kit - Hub (Includes items 5, 17, 102, 306 & 307) | |

SECTION 1 - FRAME

FIGURE 1-11. VALVES INSTALLATION - FRAME-MOUNTED



SECTION 1 - FRAME

FIGURE 1-11. VALVES INSTALLATION - FRAME-MOUNTED

| ITEM | PART NUMBER | QTY | DESCRIPTION | REV |
|----------|---------------|-----------|--|-----|
| | | Ref | DRIVE VALVES INSTALLATION (STANDARD PARTS) | |
| 1 | 4640629 | 1 | Positive Traction Valve Assembly | |
| 1 | 2900745 | 1 | Seal Kit - 4640629 Valve | |
| 2 | 0641528 | 2 | Bolt 5/16in-18NC x 3 1/2in | |
| 3 | 4751500 | AR | Flatwasher 5/16in | |
| 4 | 4761500 | AR | Lockwasher 5/16in | |
| 5 | 3311501 | AR | Nut 5/16in-18NC | |
| | 0250144 | Ref | DRIVE VALVES INSTALLATION - 2WD/2WS (VARIABLE PARTS) | B |
| 51 to 56 | Not Required | 0 | Not Required | |
| | 0250109 | Ref | DRIVE VALVES INSTALLATION - 4WD/2WS (VARIABLE PARTS) | C |
| 51 | 4640260 | 2 | Flow Divider Valve Assembly | |
| 51 | Not Available | 1 | Cartridge (Vickers/Modular Controls) | |
| 51 | 7009739 | 1 | Seal Kit (Vickers/Modular Controls) | |
| 51 | 7007321 | 1 | Cartridge (Fluid Controls) | |
| 51 | 7003723 | 1 | Seal Kit (Fluid Controls) | |
| 52 | 0641522 | 4 | Bolt 5/16in-18NC x 2 3/4in | |
| 53 to 56 | Not Required | 0 | Not Required | |
| | 0251668 | Ref | DRIVE VALVES INSTALLATION - 2WD/4WS (VARIABLE PARTS) | B |
| 51 to 54 | Not Required | 0 | Not Required | |
| 55 | 4060806 | 6 ft/1.8m | Flex-Guard | |
| 56 | Not Required | 0 | Not Required | |
| | 0251669 | Ref | DRIVE VALVES INSTALLATION - 4WD/4WS (VARIABLE PARTS) | B |
| 51 | 4640260 | 2 | Flow Divider Valve Assembly | |
| 51 | Not Available | 1 | Cartridge (Vickers/Modular Controls) | |
| 51 | 7009739 | 1 | Seal Kit (Vickers/Modular Controls) | |
| 51 | 7007321 | 1 | Cartridge (Fluid Controls) | |
| 51 | 7007323 | 1 | Seal Kit (Fluid Controls) | |
| 52 | 0641522 | 2 | Bolt 5/16in-18NC x 2 3/4in | |
| 53 | 2220844 | 1 | Fitting | |
| 54 | 2220376 | 1 | Fitting | |
| 55 | 4060806 | 3 ft/.9m | Flex-Guard | |
| 56 | 4060808 | 6 ft/1.8m | Flex-Guard (Not Shown) | |
| | 0251310 | Ref | OSCILLATION LOCKOUT VALVE INSTALLATION - (USED ON OPTIONAL OSCILLATING AXLE) (JUNE 1992 TO PRESENT) | D |
| 101 | 4640668 | 1 | Valve Assembly | |
| 101 | 7012516 | 1 | Repair Kit - 4640668 Valve | |
| 102 | 4643742 | 1 | Mounting Weldment | |
| 103 | 0641620 | 2 | Bolt 3/8in-16NC x 2 1/2in | |
| 104 | 4751600 | 4 | Flatwasher 3/8in | |
| 105 | 4761600 | 2 | Lockwasher 3/8in | |
| 106 | 3311601 | 2 | Nut 3/8in-16NC | |
| 107 | 3931016 | 4 | Bolt, Socket Head #10-24NC x 1in | |
| 108 | 4751000 | 8 | Flatwasher #10 | |
| 109 | 4761000 | 4 | Lockwasher #10 | |
| 110 | 3311001 | 4 | Nut #10-24NC | |
| 113 | 3534778 | 1 | Plate, Spacer | |
| | 0238908 | Ref | OSCILLATION LOCKOUT VALVE INSTALLATION (USED | C |

SECTION 1 - FRAME

| ITEM | PART NUMBER | QTY | DESCRIPTION | REV |
|------|-------------|-----|--|-----|
| | | | OPTIONAL OSCILLATING AXLE (PRIOR TO JUNE 1992) | |
| 151 | 4640485 | 1 | Lockout Valve Assembly (See LOCKOUT VALVE ASSEMBLY for Breakdown) | |
| 152 | 0181333 | 2 | Angle, Mounting | |
| 153 | 0641634 | 2 | Bolt 3/8in-16NC x 4 1/4in | |
| 154 | 4761600 | 6 | Lockwasher 3/8in | |
| 155 | 3311601 | 6 | Nut 3/8in-16NC | |
| 156 | 4751600 | 4 | Flatwasher 3/8in | |
| 157 | 0641626 | 4 | Bolt 3/8in-16NC x 3 1/4in | |
| 158 | 1100041 | 1 | Cam (Welded to T/T) | |
| 159 | 4070410 | AR | Shim (1/16in-1.6mm) | |
| 160 | 4070411 | AR | Shim (1/8in-3.1mm) | |
| 161 | 4070412 | AR | Shim (3/16in-4.8mm) | |
| | | Ref | CONTROL VALVES INSTALLATION - 4WD | |
| | 0251716 | Ref | MACHINES WITH BANG-BANG VALVES WITHOUT ROTATE | B |
| | 0253774 | Ref | MACHINES WITH BANG-BANG VALVES WITHOUT ROTATE | D |
| | 0251717 | Ref | MACHINES WITH BANG-BANG VALVES WITH ROTATE | B |
| | 0253773 | Ref | MACHINES WITH BANG-BANG VALVES WITH ROTATE | E |
| | 0252099 | Ref | MACHINES WITH PARKER PROPORTIONAL VALVES WITHOUT ROTATE | C |
| | 0252098 | Ref | MACHINES WITH PARKER PROPORTIONAL VALVES WITH ROTATE | D |
| 201 | 4640693 | 1 | Valve Assembly - 4WS Valve (See VALVE ASSEMBLY (USED WITH OPTIONAL 4WS) for Breakdown) | |
| 202 | 3311401 | 4 | Nut 1/4in-20NC | |
| 203 | 4761400 | 4 | Lockwasher 1/4in | |
| 204 | 4751400 | 4 | Flatwasher 1/4in | |
| 205 | 0641407 | 4 | Bolt 1/4in-20NC x 7/8in | |

SECTION 1 - FRAME

FIGURE 1-12. LOCKOUT VALVE ASSEMBLY

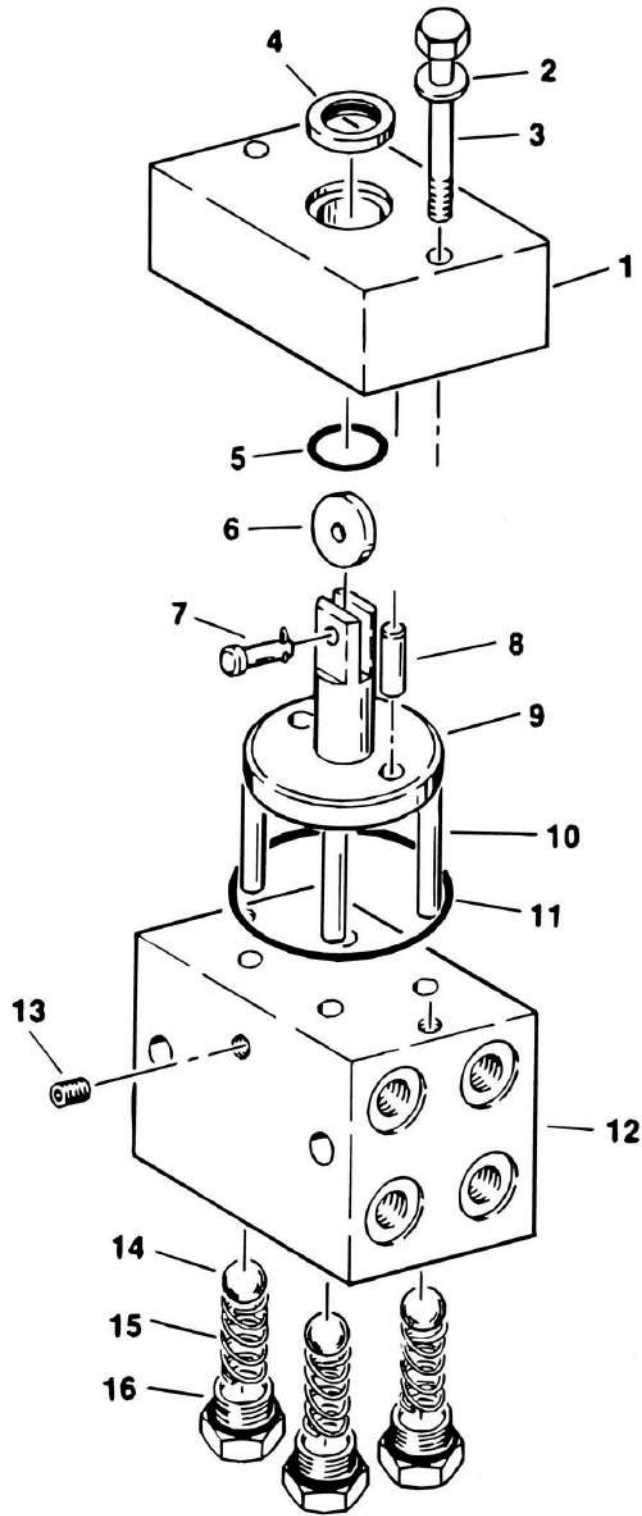
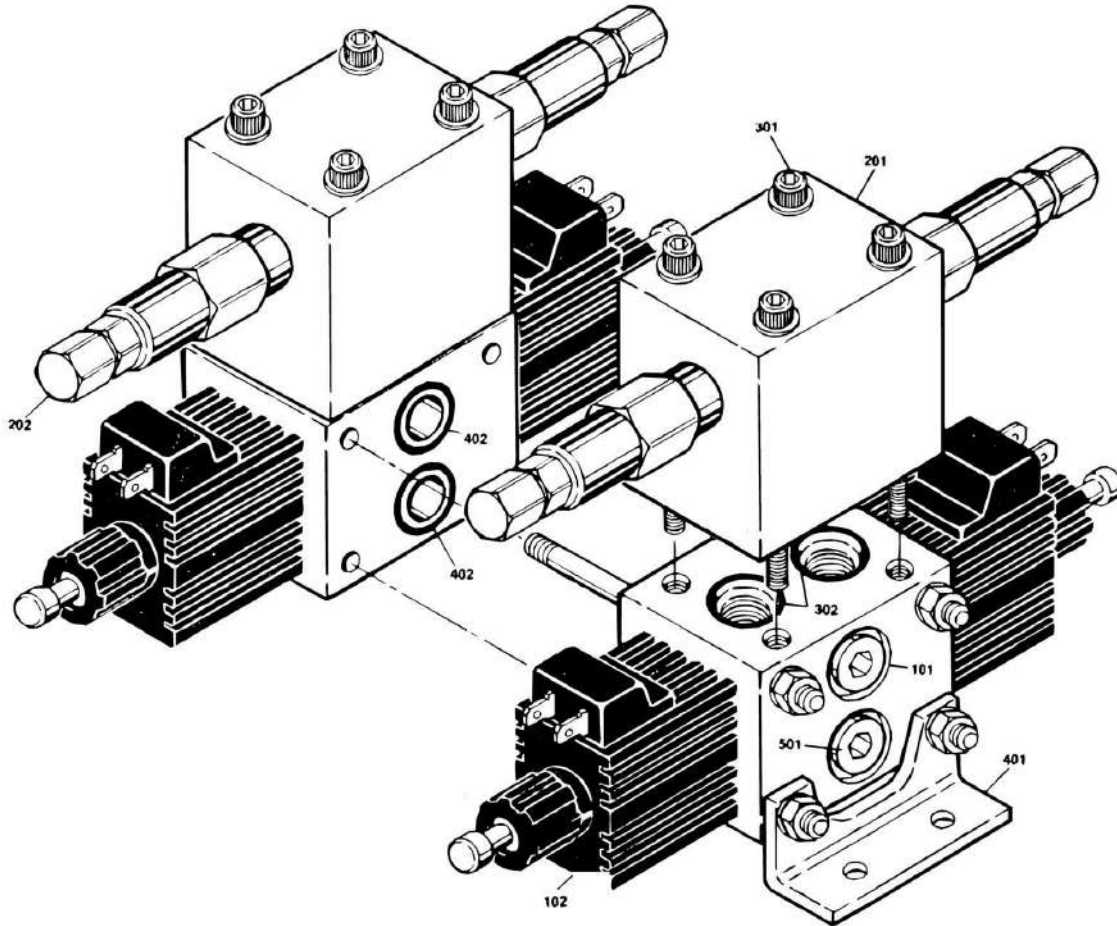


FIGURE 1-12. LOCKOUT VALVE ASSEMBLY

| ITEM | PART NUMBER | QTY | DESCRIPTION | REV |
|------|-------------|-----|---|-----|
| | 4640485 | Ref | LOCKOUT VALVE ASSEMBLY (PRIOR TO JUNE 1992 ONLY) | |
| 1 | 0560679 | 1 | Block, Top Valve | |
| 2 | 0641518 | 2 | Bolt 5/16in-18NC x 2 1/4in | |
| 3 | 4761500 | 2 | Lockwasher 5/16in | |
| 4 | 3960047 | 1 | Seal, Rod | |
| 5 | 3790116 | 1 | O-Ring | |
| 6 | 3860037 | 1 | Roller, Cam | |
| 7 | 3430407 | 1 | Clevis Pin with Cotter Pin | |
| 8 | 3421284 | 2 | Pin | |
| 9 | 3840833 | 1 | Plunger, Rod | |
| 10 | 3840854 | 4 | Rod | |
| 11 | 3790231 | 1 | O-Ring | |
| 12 | 0560467 | 1 | Block, Bottom Valve | |
| 13 | 2200202 | 1 | Plug | |
| 13 | 0100011 | AR | Loctite | |
| 14 | 0320008 | 4 | Ball | |
| 15 | 4160078 | 4 | Spring | |
| 16 | 2180658 | 4 | Plug | |

SECTION 1 - FRAME

FIGURE 1-13. VALVE ASSEMBLY (USED WITH OPTIONAL 4WS)



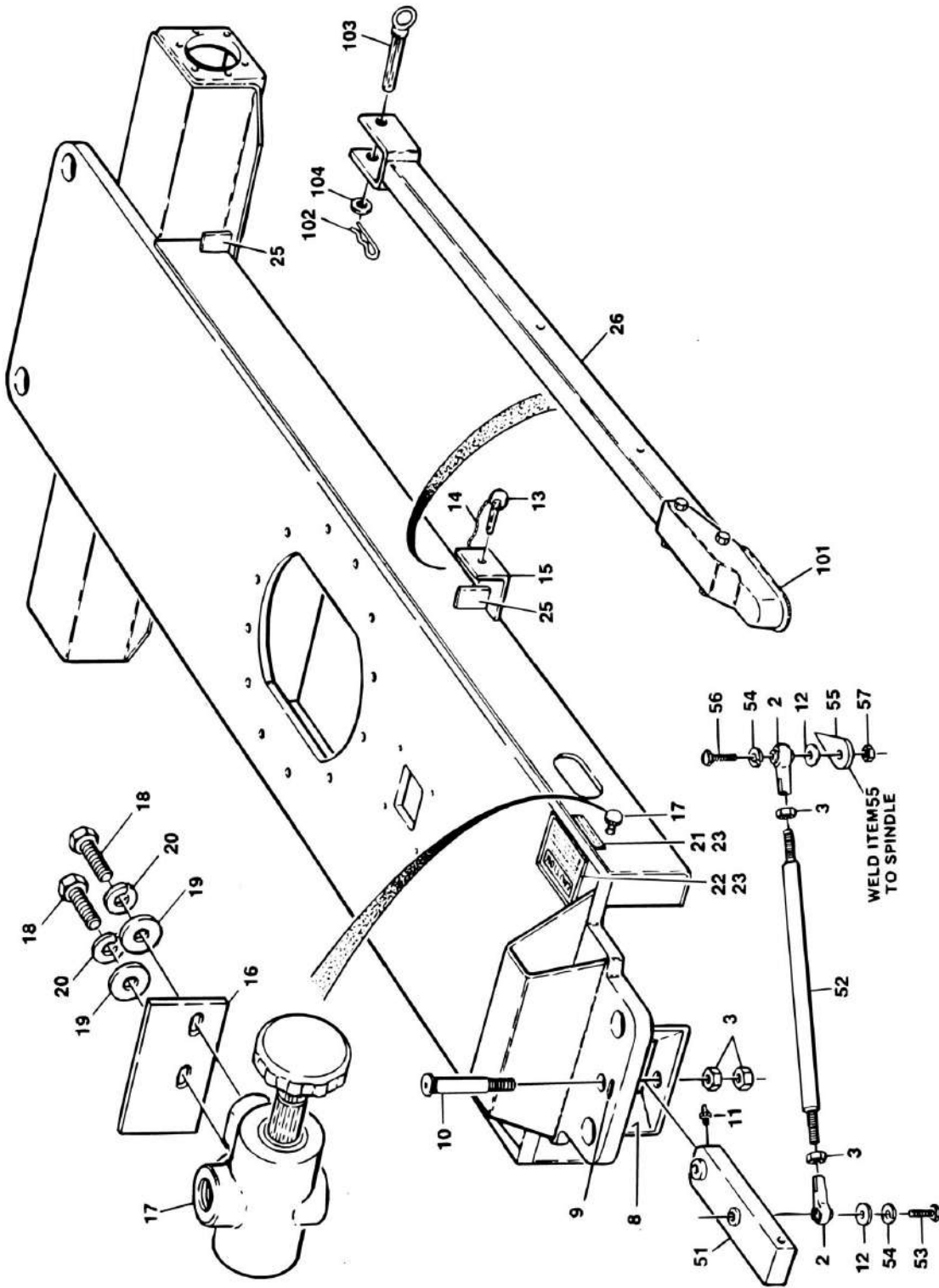
SECTION 1 - FRAME

FIGURE 1-13. VALVE ASSEMBLY (USED WITH OPTIONAL 4WS)

| ITEM | PART NUMBER | QTY | DESCRIPTION | REV |
|------|-------------|-----|--|-----|
| | 4640693 | Ref | VALVE ASSEMBLY (USED WITH OPTIONAL 4WS) | - |
| 101 | 7010766 | 2 | Valve Section Without Relief Valve | |
| 102 | 7010772 | 4 | Coil (2 Per Section) | |
| 201 | 7010767 | 2 | Valve, Relief Block | |
| 202 | 7010768 | 4 | Cartridge, Valve (2 Per Block) | |
| 203 | 7010769 | 4 | Seal Kit - 7010768 (1 Per Cartridge) | |
| 301 | 7010763 | 2 | Stacking Kit | |
| 302 | 7010773 | 4 | O-Ring (Between Valve Section and Relief Block) (2 Per Kit) | |
| 401 | 7010770 | 1 | Mounting Kit | |
| 402 | 7010774 | 2 | O-Ring | |
| 501 | 7010771 | 2 | Plug | |
| | 2900794 | 1 | Seal Kit - 4640693 Valve (Includes Quantity 4 of Items 203, 302 & 402) | |

SECTION 1 - FRAME

FIGURE 1-14. TOW PACKAGE INSTALLATIONS



SECTION 1 - FRAME

FIGURE 1-14. TOW PACKAGE INSTALLATIONS

| ITEM | PART NUMBER | QTY | DESCRIPTION | REV |
|------|--------------|-----------|--|-----|
| | | Ref | Note: See SPECIAL OPTIONS SECTION for Boeing Spec Machines | |
| | | Ref | TOW PACKAGE INSTALLATION (STANDARD PARTS) | |
| 2 | 1660114 | 2 | Coupling, Tie-Rod | |
| 3 | 3323002 | 4 | Nut, Jam 1 1/4in-12NF | |
| 8 | 4340575 | 1 | Plate, Support | |
| 9 | 2880410 | 1 | Keystock | |
| 10 | 3421151 | 1 | Pin | |
| 11 | 2160001 | 1 | Fitting, Grease | |
| 12 | 4712600 | 2 | Flatwasher 1in | |
| 13 | 3420292 | 1 | Pin, Quick Release | |
| 14 | 1260017 | 8 in/20cm | Chain | |
| 15 | 3532649 | 1 | Plate | |
| 16 | 0900479 | 1 | Bracket, Valve Mounting | |
| 17 | 4640261 | 1 | Valve, Select | |
| 18 | 0641507 | 2 | Bolt 5/16in-18NC x 7/8in | |
| 19 | 4751500 | 2 | Flatwasher 5/16in | |
| 20 | 4761500 | 2 | Lockwasher 5/16in | |
| 21 | 3250872 | 1 | Nameplate - Tow Select | |
| 22 | | Ref | Nameplate - Instructions | |
| 22 | 3250840 | 1 | Nameplate - Instructions (Prior to May 1994) | |
| 22 | 1702305 | 1 | Nameplate - Instructions (May 1994 to Present) | |
| 23 | 3820001 | 8 | Rivet | |
| 25 | 0361651 | 2 | Bar | |
| 26 | 0360016 | 1 | Tow Bar Assembly (See Items 101-104 for Breakdown) | |
| 27 | 0100003 | AR | Loctite (#277) (Not Shown) | |
| | 0250384 | Ref | TOW PACKAGE INSTALLATION (2WD) (VARIABLE PARTS) | C |
| 51 | 2620034 | 1 | Hitch, Tow | |
| 52 | 3840643 | 1 | Tie-Rod | |
| 53 | 0642628 | 1 | Bolt 1in-8NC x 3 1/2in | |
| 54 | 4762600 | 2 | Lockwasher 1in | |
| 55 | 3040464 | 1 | Lug, Spindle | |
| 56 | 0642622 | 1 | Bolt 1in-8NC x 2 3/4in | |
| 57 | 3312602 | 1 | Nut, Jam 1in-8NC (Prior to October 1990 Only) | |
| | 0251753 | Ref | TOW PACKAGE INSTALLATION (4WD - PRIOR TO MARCH 1993) (VARIABLE PARTS) | A |
| 51 | 2620034 | 1 | Hitch, Tow | |
| 52 | 3840822 | 1 | Tie-Rod | |
| 53 | 0642628 | 1 | Bolt 1in-8NC x 3 1/2in | |
| 54 | 4562346 | 3 | Spacer | |
| 55 | Not Required | 0 | Not Required | |
| 56 | 0642636 | 1 | Bolt 1in-8NC x 4 1/2in | |
| 57 | 3312605 | 1 | Locknut, 1in-8NC | |
| | 0254095 | Ref | TOW PACKAGE INSTALLATION (4WD - MARCH 1993 TO PRESENT) (VARIABLE PARTS) | A |
| 51 | 2620038 | 1 | Hitch, Tow | |
| 52 | 3841048 | 1 | Tie-Rod | |
| 53 | 0642636 | 1 | Bolt 1in-8NC x 4 1/2in | |
| 54 | 4562346 | 2 | Spacer | |
| 55 | Not Required | 0 | Not Required | |

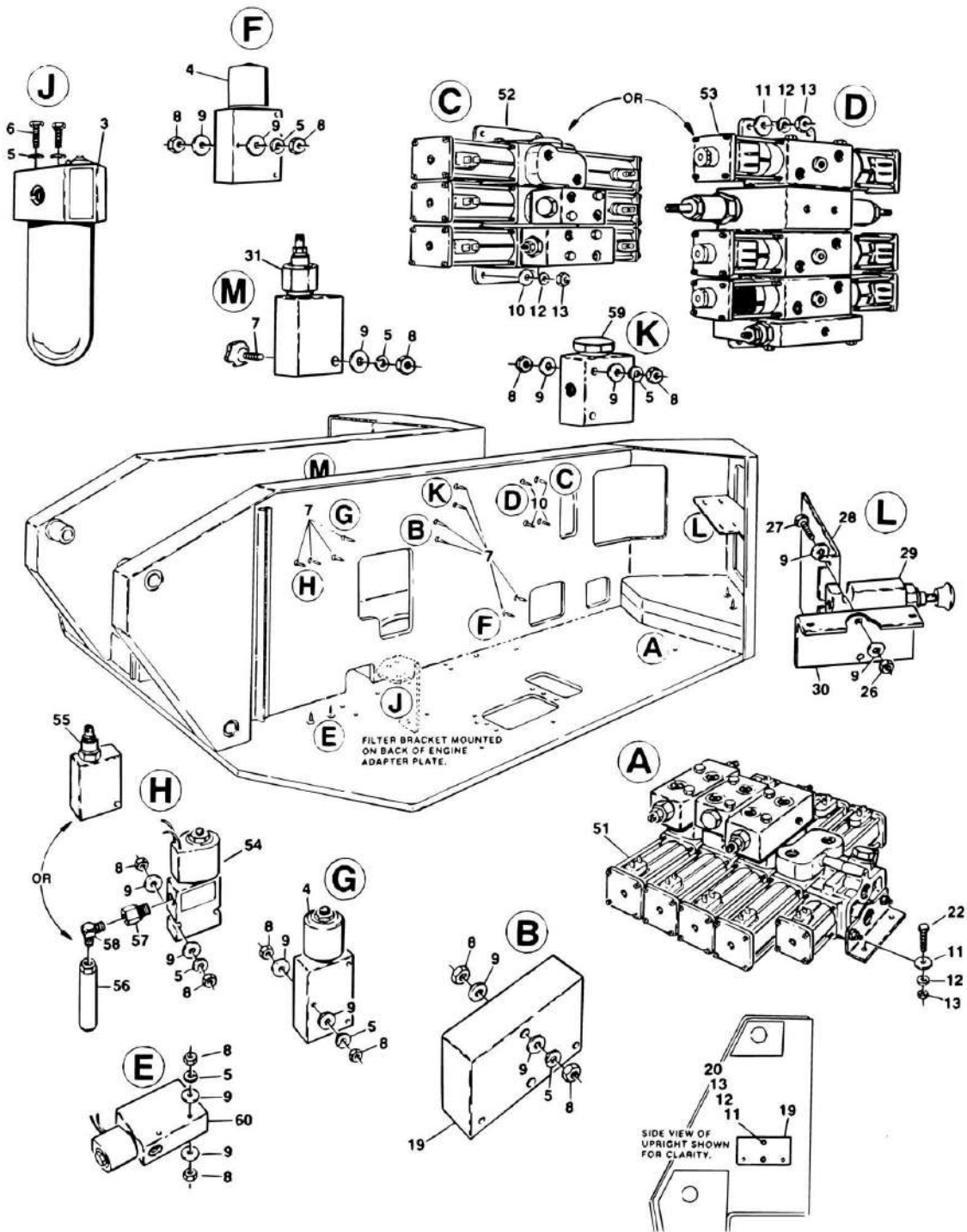
SECTION 1 - FRAME

| ITEM | PART NUMBER | QTY | DESCRIPTION | REV |
|------|-------------|-----|-------------------------|-----|
| 56 | 0642636 | 1 | Bolt 1in-8NC x 4 1/2in | |
| 57 | 3312605 | 2 | Locknut 1in-8NC | |
| | 0360016 | Ref | TOW BAR ASSEMBLY | I |
| 101 | 1660009 | 1 | Coupling | |
| 102 | 3420158 | 1 | Hairpin | |
| 103 | 3420352 | 1 | Pin, Tow | |
| 104 | 4751900 | 1 | Flatwasher | |

SECTION 2 - TURNTABLE

SECTION 2 - TURNTABLE

FIGURE 2-1. CONTROL VALVES INSTALLATION (DEUTZ ENGINES WITH STANDARD BANG-BANG OR PROPORTIONAL VALVES)



SECTION 2 - TURNTABLE

FIGURE 2-1. CONTROL VALVES INSTALLATION (DEUTZ ENGINES WITH STANDARD BANG-BANG OR PROPORTIONAL VALVES)

| ITEM | PART NUMBER | QTY | DESCRIPTION | REV |
|------|--------------|-----------|--|-----|
| | 1281170 | Ref | CONTROL VALVES INSTALLATION - STANDARD BANG-BANG (STANDARD PARTS) | I |
| | 1281347 | Ref | CONTROL VALVES INSTALLATION - PROPORTIONAL (STANDARD PARTS) | C |
| 3 | 2120122 | 1 | Filter, Pressure | |
| 3 | 2120125 | 1 | Element | |
| 4 | 4640123 | 2 | Solenoid Valve Assembly | |
| 4 | 7004368 | | Coil (Hydraforce Version) | |
| 4 | 7000558 | | Coil (FPS Version) | |
| 4 | 7012518 | | Seal Kit (Hydraforce Version) | |
| 4 | 7006075 | | Seal Kit (FPS Version) | |
| 5 | 4761400 | AR | Lockwasher 1/4in | |
| 6 | 0641406 | 2 | Bolt 1/4in-20NC x 3/4in | |
| 7 | 4300042 | 8 | Stud (Welded on Part) | |
| 8 | 3311401 | AR | Nut 1/4in-20NC | |
| 9 | 4751400 | AR | Flatwasher 1/4in | |
| 10 | 4300038 | 4 | Stud (Welded on Part) | |
| 11 | 4751500 | AR | Flatwasher 5/16in | |
| 12 | 4761500 | AR | Lockwasher 5/16in | |
| 13 | 3311501 | AR | Nut 5/16in-18NC | |
| 19 | 4640150 | AR | Valve, Check (Standard Bang-Bang Qty 1/Proportional Qty 2) | |
| 20 | 4300033 | 2 | Stud (Welded on Part) | |
| 22 | 0641514 | 4 | Bolt 5/16in-18NC x 1 3/4in | |
| 24 | 4060804 | 6 ft/1.8m | Flex-Guard - 3/16in (Not Shown) | |
| 25 | 4060808 | 6 ft/1.8m | Flex-Guard - 1/2in (Not Shown) | |
| 26 | 3311405 | 2 | Locknut 1/4in-20NC | |
| 27 | 0641416 | 2 | Bolt 1/4in-20NC x 2 1/4in | |
| 28 | 0902051 | 1 | Bracket - Decal (November 1994 to Present Only) | |
| 29 | 4640866 | 1 | Valve, Manual Descent (November 1994 to Present Only) | |
| 29 | 2900708 | 1 | Seal Kit | |
| 29 | 7012959 | 1 | Knob | |
| 30 | 0902090 | 1 | Bracket - Valve (November 1994 to Present Only) | |
| 31 | 4640818 | 1 | Valve (November 1994 to Present Only) | |
| 31 | 7011321 | 1 | Cartridge | |
| 31 | 7024574 | 1 | Seal Kit – 7011321 Cartridge | |
| | | Ref | CONTROL VALVES INSTALLATION - STANDARD BANG-BANG (2WS) (PRIOR TO MAY 1993) (VARIABLE PARTS) | |
| | 0250132 | Ref | CONTROL VALVES - NON-ROTATE | C |
| | 0250133 | Ref | CONTROL VALVES - WITH ROTATE | C |
| 51 | | Ref | Control Valve Assembly Options (See CONTROL VALVE ASSEMBLY - BANG-BANG WITH DUMP SECTION for Breakdown): | |
| 51 | 4640246 | 1 | 3 Stack (Non-Rotate) (Prior to August 1992) | |
| 51 | 4640646 | 1 | 3 Stack (Non-Rotate) (August 1992 to Present) | |
| 51 | 4640247 | 1 | 4 Stack (With Rotate) (Prior to August 1992) | |
| 51 | 4640645 | 1 | 4 Stack (With Rotate) (August 1992 to Present) | |
| 52 | 4640601 | 1 | Control Valve Assembly (See CONTROL VALVE ASSEMBLY - BANG-BANG (STANDARD CONTROLS) for Breakdown) | |
| 53 | Not Required | 0 | Not Required | |
| 54 | 4640543 | 1 | Valve, Dump | |

SECTION 2 - TURNTABLE

| ITEM | PART NUMBER | QTY | DESCRIPTION | REV |
|------|--------------|-----|--|-----|
| 54 | 7004368 | 1 | Coil (Hydraforce Version) | |
| 54 | 7009745 | 1 | Coil (Vickers/Modular Controls Versions) | |
| 55 | Not Required | 0 | Not Required | |
| 56 | 4640627 | 1 | Valve, Flow Control | |
| 56 | 7001508 | | Seal Kit | |
| 57 | 2180029 | 1 | Fitting | |
| 58 | 2220820 | 1 | Fitting, 90 | |
| 59 | Not Required | 0 | Not Required | |
| 60 | Not Required | 0 | Not Required | |
| | | Ref | CONTROL VALVES INSTALLATION - STANDARD BANG-BANG (2WS) (MAY 1993 TO PRESENT) (VARIABLE PARTS) | |
| | 0253772 | Ref | CONTROL VALVES - NON-ROTATE | D |
| | 0253771 | Ref | CONTROL VALVES - WITH ROTATE | E |
| 51 | | Ref | Control Valve Assembly Options (See CONTROL VALVE ASSEMBLY - BANG-BANG WITH DUMP SECTION for Breakdown): | |
| 51 | 4640646 | 1 | 3 Stack (Non-Rotate) | |
| 51 | 4640645 | 1 | 4 Stack (With Rotate) (Prior to January 1995) | |
| 51 | 4640909 | 1 | 4 Stack (With Rotate) (January 1995 to Present) | |
| 52 | | Ref | Control Valve Assembly (See CONTROL VALVE ASSEMBLY - BANG-BANG (STANDARD CONTROLS) for Breakdown) | |
| 52 | 4640601 | 1 | Control Valve Assembly (Prior to October 1993) | |
| 52 | 4640850 | 1 | Control Valve Assembly (October 1993 to Present) | |
| 53 | Not Required | 0 | Not Required | |
| 54 | 4640543 | 1 | Valve, Dump | |
| 54 | 7004368 | 1 | Coil (Hydraforce Version) | |
| 54 | 7009745 | 1 | Coil (Vickers/Modular Controls Version) | |
| 55 | 4640623 | 1 | Valve, Flow Control | |
| 56 | Not Required | 0 | Not Required | |
| 57 | 2220651 | 1 | Fitting | |
| 58 | 2220373 | 1 | Fitting | |
| 59 | 4640673 | 1 | Valve, Check | |
| 59 | 7011325 | 1 | Cartridge | |
| 60 | Not Required | 0 | Not Required | |
| | | Ref | CONTROL VALVES INSTALLATION - STANDARD BANG-BANG (4WS) (PRIOR TO MAY 1993) (VARIABLE PARTS) | |
| | 0251716 | Ref | CONTROL VALVES - NON-ROTATE | B |
| | 0251717 | Ref | CONTROL VALVES - WITH ROTATE | B |
| 51 | | Ref | Control Valve Assembly Options (See CONTROL VALVE ASSEMBLY - BANG-BANG WITH DUMP SECTION for Breakdown): | |
| 51 | 4640462 | 1 | 2 Stack (Non-Rotate) (Prior to August 1992) | |
| 51 | 4640710 | 1 | 2 Stack (Non-Rotate) (August 1992 to Present) | |
| 51 | 4640692 | 1 | 3 Stack (With Rotate) (Prior to August 1992) | |
| 51 | 4640720 | 1 | 3 Stack (With Rotate) (August 1992 to Present) | |
| 52 | 4640601 | 1 | Control Valve Assembly (See CONTROL VALVE ASSEMBLY - BANG-BANG (STANDARD CONTROLS) for Breakdown) | |
| 53 | Not Required | 0 | Not Required | |
| 54 | 4640543 | 1 | Valve, Dump | |
| 54 | 7004368 | 1 | Coil (Hydraforce Version) | |
| 54 | 7009745 | 1 | Coil (Vickers/Modular Controls Version) | |
| 55 | Not Required | 0 | Not Required | |
| 56 | 4640627 | 1 | Valve, Flow Control | |

SECTION 2 - TURNTABLE

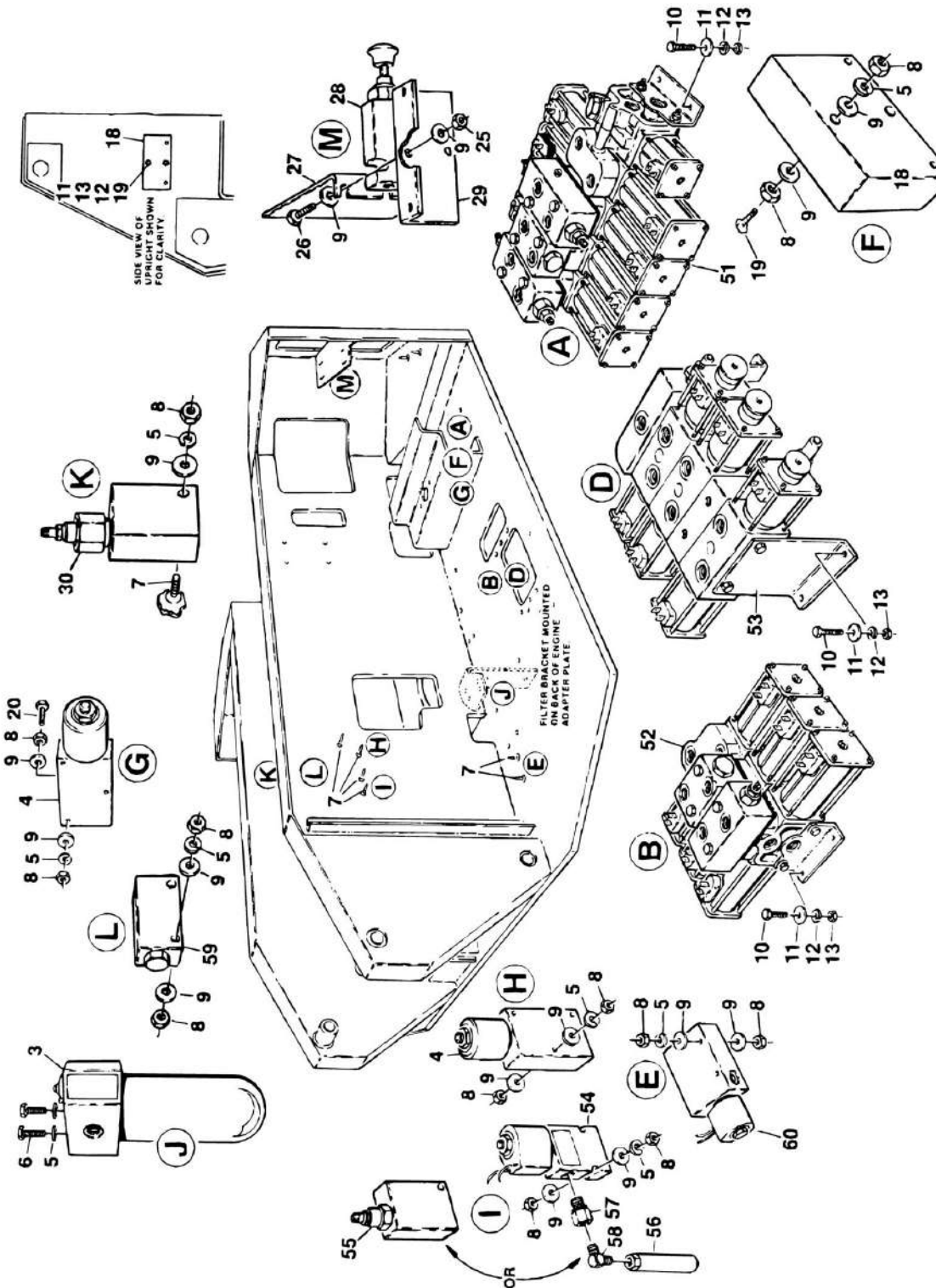
| ITEM | PART NUMBER | QTY | DESCRIPTION | REV |
|----------|---------------|-----|--|-----|
| 56 | 7001508 | 1 | Seal Kit | |
| 57 | 2180029 | 1 | Fitting | |
| 58 | 2220820 | 1 | Fitting, 90 | |
| 59 | Not Required | 0 | Not Required | |
| 60 | Not Required | 0 | Not Required | |
| | | Ref | CONTROL VALVES INSTALLATION - STANDARD BANG-BANG (4WS) (MAY 1993 TO PRESENT) (VARIABLE PARTS) | |
| | 0253774 | Ref | CONTROL VALVES - NON-ROTATE | D |
| | 0253773 | Ref | CONTROL VALVES - WITH ROTATE | E |
| 51 | | Ref | Control Valve Assembly Options (See CONTROL VALVE ASSEMBLY - BANG-BANG WITH DUMP SECTION for Breakdown): | |
| 51 | 4640710 | 1 | 2 Stack (Non-Rotate) | |
| 51 | 4640720 | 1 | 3 Stack (With Rotate) (Prior to August 1995) | |
| 51 | 4640950 | 1 | 3 Stack (With Rotate) (August 1995 to Present) | |
| 52 | | Ref | Control Valve Assembly (See CONTROL VALVE ASSEMBLY - BANG-BANG (STANDARD CONTROLS) for Breakdown) | |
| 52 | 4640601 | | Control Valve Assembly (Prior to October 1993) | |
| 52 | 4640850 | | Control Valve Assembly (October 1993 to Present) | |
| 53 | Not Required | 0 | Not Required | |
| 54 | 4640543 | 1 | Valve, Dump | |
| 54 | 7004368 | 1 | Coil (Hydraforce Version) | |
| 54 | 7009745 | 1 | Coil (Vickers/Modular Controls Version) | |
| 55 | 4640623 | 1 | Valve, Flow Control | |
| 56 | Not Required | 0 | Not Required | |
| 57 | 2220651 | 1 | Fitting | |
| 58 | 2220373 | 1 | Fitting | |
| 59 | 4640673 | 1 | Valve, Check | |
| 59 | 7011325 | 1 | Cartridge | |
| 60 | Not Required | 0 | Not Required | |
| | | Ref | CONTROL VALVES INSTALLATION - PROPORTIONAL (2WS) (VARIABLE PARTS) | |
| | 0250985 | Ref | CONTROL VALVES - NON-ROTATE | C |
| | 0250984 | Ref | CONTROL VALVES - WITH ROTATE | D |
| 51 | | Ref | Control Valve Assembly Options (See CONTROL VALVE ASSEMBLY - BANG-BANG WITH DUMP SECTION for breakdown) | |
| 51 | 4640246 | 1 | 3 Stack (Non-Rotate) (Prior to June 1991) | |
| 51 | 4640646 | 1 | 3 Stack (Non-Rotate) (June 1991 to Present) | |
| 51 | 4640247 | 1 | 4 Stack (With Rotate) (Prior to June 1991) | |
| 51 | 4640645 | 1 | 4 Stack (With Rotate) (June 1991 to January 1995) | |
| 51 | 4640909 | 1 | 4 Stack (With Rotate) (January 1995 to Present) | |
| 52 | Not Required | 0 | Not Required | |
| 53 | 4640643 | 1 | Control Valve Assembly (See CONTROL VALVE ASSEMBLY - PROPORTIONAL for Breakdown) | |
| 54 to 59 | Not Required | 0 | Not Required | |
| 60 | 4640360 | 1 | Dump Valve Assembly | |
| 60 | 7009745 | 1 | Coil (Vickers/Modular Controls Version) | |
| 60 | 7004368 | 1 | Coil (Hydraforce Version) | |
| 60 | 7004289 | 1 | Cartridge Without Coil (Vickers/Modular Controls Version) | |
| 60 | Not Available | | Seal Kit - 7004289 Cartridge (Vickers Modular Controls Version) | |
| 60 | 7012910 | 1 | Cartridge Without Coil (Hydraforce Version) | |

SECTION 2 - TURNTABLE

| ITEM | PART NUMBER | QTY | DESCRIPTION | REV |
|----------|---------------|-----|---|-----|
| 60 | 2900708 | 1 | Seal Kit - 7012910 Cartridge (Hydraforce Version) | |
| 60 | 7003635 | 1 | Cartridge, Check (Vickers/Modular Controls Version) | |
| 60 | 7012930 | 1 | Cartridge, Check (Hydraforce Version) | |
| | | Ref | CONTROL VALVES INSTALLATION - PROPORTIONAL (4WS) (VARIABLE PARTS) | |
| | 0252099 | Ref | CONTROL VALVES - NON-ROTATE | C |
| | 0252098 | Ref | CONTROL VALVES - WITH ROTATE | D |
| 51 | | Ref | Control Valve Assembly Options (See CONTROL VALVE ASSEMBLY - BANG-BANG WITH DUMP SECTION for breakdown) | |
| 51 | 4640462 | 1 | 3 Stack (Non-Rotate) (Prior to August 1992) | |
| 51 | 4640710 | 1 | 3 Stack (Non-Rotate) (August 1992 to Present) | |
| 51 | 4640692 | 1 | 4 Stack (With Rotate) (Prior to August 1992) | |
| 51 | 4640720 | 1 | 4 Stack (With Rotate) (August 1992 to August 1995) | |
| 51 | 4640950 | 1 | 4 Stack (With Rotate) (August 1995 to Present) | |
| 52 | Not Required | 0 | Not Required | |
| 53 | 4640643 | 1 | Control Valve Assembly (See CONTROL VALVE ASSEMBLY - PROPORTIONAL for Breakdown) | |
| 54 to 59 | Not Required | 0 | Not Required | |
| 60 | 4640360 | 1 | Dump Valve Assembly | |
| 60 | 7009745 | 1 | Coil (Vickers/Modular Controls Version) | |
| 60 | 7004368 | 1 | Coil (Hydraforce Version) | |
| 60 | 7004289 | | Cartridge Without Coil (Vickers/Modular Controls Version) | |
| 60 | Not Available | | Seal Kit - 7004289 Cartridge (Vickers/Modular Controls Version) | |
| 60 | 7012910 | | Cartridge Without Coil (Hydraforce Version) | |
| 60 | 2900708 | | Seal Kit - 7012910 Cartridge (Hydraforce Version) | |
| 60 | 7003635 | | Cartridge, Check (Vickers/Modular Controls Version) | |
| 60 | 7012930 | | Cartridge, Check (Hydraforce Version) | |

SECTION 2 - TURNTABLE

FIGURE 2-2. CONTROL VALVES INSTALLATION (FORD/KUBOTA ENGINES WITH STANDARD BANG-BANG OR PROPORTIONAL VALVES)



SECTION 2 - TURNTABLE

FIGURE 2-2. CONTROL VALVES INSTALLATION (FORD/KUBOTA ENGINES WITH STANDARD BANG-BANG OR PROPORTIONAL VALVES)

| ITEM | PART NUMBER | QTY | DESCRIPTION | REV |
|------|--------------|-----|--|-----|
| | 1281168 | Ref | CONTROL VALVES INSTALLATION - STANDARD BANG-BANG (STANDARD PARTS) | H |
| | 1281345 | Ref | CONTROL VALVES INSTALLATION - PROPORTIONAL (STANDARD PARTS) | D |
| 3 | 2120122 | 1 | Filter, Pressure | |
| 3 | 2120125 | 1 | Element | |
| 4 | 4640123 | 2 | Solenoid Valve Assembly | |
| 4 | 7004368 | 2 | Coil (Hydraforce Version) | |
| 4 | 7000558 | 2 | Coil (FPS Version) | |
| 4 | 7012518 | 2 | Seal Kit (Hydraforce Version) | |
| 4 | 7006075 | 2 | Seal Kit (FPS Version) | |
| 5 | 4761400 | AR | Lockwasher 1/4in | |
| 6 | 0641406 | 2 | Bolt 1/4in-20NC x 3/4in | |
| 7 | 4300042 | 8 | Stud (Welded on Part) | |
| 8 | 3311401 | AR | Nut 1/4in-20NC | |
| 9 | 4751400 | AR | Flatwasher 1/4in | |
| 10 | 0641514 | 8 | Bolt 5/16in-18NC x 1 3/4in | |
| 11 | 4751500 | AR | Flatwasher 5/16in | |
| 12 | 4761500 | AR | Lockwasher 5/16in | |
| 13 | 3311501 | AR | Nut 5/16in-18NC | |
| 18 | 4640150 | AR | Valve, Check (Standard Bang-Bang Qty 1/Proportional Qty 2) | |
| 19 | 4300033 | 2 | Stud (Welded on Part) | |
| 20 | 0641420 | 2 | Bolt 1/4in-20NC x 2 1/2in | |
| 25 | 3311405 | 2 | Locknut 1/4in-20NC | |
| 26 | 0641416 | 2 | Bolt 1/4in-20NC x 2 1/4in | |
| 27 | 0902051 | 1 | Bracket - Decal (November 1994 to Present Only) | |
| 28 | 4640866 | 1 | Valve, Manual Descent (November 1994 to Present Only) | |
| 28 | 2900708 | 1 | Seal Kit | |
| 28 | 7012959 | 1 | Knob | |
| 29 | 0902090 | 1 | Bracket - Valve (November 1994 to Present Only) | |
| 30 | 4640818 | 1 | Valve (November 1994 to Present Only) | |
| 30 | 7011321 | 1 | Cartridge | |
| 30 | 7024574 | 1 | Seal Kit - 7011321 Cartridge | |
| | | Ref | CONTROL VALVES INSTALLATION - STANDARD BANG-BANG (2WS) (PRIOR TO MAY 1993) (VARIABLE PARTS) | |
| | 0250121 | Ref | CONTROL VALVES - NON-ROTATE | D |
| | 0250131 | Ref | CONTROL VALVES - WITH ROTATE | D |
| 51 | | Ref | Control Valve Assembly Options (See CONTROL VALVE ASSEMBLY - BANG-BANG WITH DUMP SECTION for Breakdown): | |
| 51 | 4640246 | 1 | 3 Stack (Non-Rotate) (Prior to August 1992) | |
| 51 | 4640646 | 1 | 3 Stack (Non-Rotate) (August 1992 to Present) | |
| 51 | 4640247 | 1 | 4 Stack (With Rotate) (Prior to August 1992) | |
| 51 | 4640645 | 1 | 4 Stack (With Rotate) (August 1992 to Present) | |
| 52 | 4640601 | 1 | Control Valve Assembly (See CONTROL VALVE ASSEMBLY - BANG-BANG (STANDARD CONTROLS) for Breakdown) | |
| 53 | Not Required | 0 | Not Required | |
| 54 | 4640543 | 1 | Valve, Dump | |
| 54 | 7004368 | 1 | Coil (Hydraforce Version) | |
| 54 | 7009745 | 1 | Coil (Vickers/Modular Controls Versions) | |

SECTION 2 - TURNTABLE

| ITEM | PART NUMBER | QTY | DESCRIPTION | REV |
|------|--------------|-----|--|-----|
| 55 | Not Required | 0 | Not Required | |
| 56 | 4640627 | 1 | Valve, Flow Control | |
| 56 | 7001508 | 1 | Seal Kit | |
| 57 | 2180029 | 1 | Fitting | |
| 58 | 2220820 | 1 | Fitting, 90 | |
| 59 | Not Required | 0 | Not Required | |
| 60 | Not Required | 0 | Not Required | |
| | | Ref | CONTROL VALVES INSTALLATION - STANDARD BANG-BANG (2WS) (MAY 1993 TO PRESENT) (VARIABLE PARTS) | |
| | 0253768 | Ref | CONTROL VALVES - NON-ROTATE | D |
| | 0253767 | Ref | CONTROL VALVES - WITH ROTATE | E |
| 51 | | Ref | Control Valve Assembly Options (See CONTROL VALVE ASSEMBLY - BANG-BANG WITH DUMP SECTION for Breakdown): | |
| 51 | 4640646 | 1 | 3 Stack (Non-Rotate) | |
| 51 | 4640645 | 1 | 4 Stack (With Rotate) (Prior to January 1995) | |
| 51 | 4640909 | 1 | 4 Stack (With Rotate) (January 1995 to Present) | |
| 52 | | Ref | Control Valve Assembly (See CONTROL VALVE ASSEMBLY - BANG-BANG (STANDARD CONTROLS) for Breakdown) | |
| 52 | 4640601 | 1 | Control Valve Assembly (Prior to October 1993) | |
| 52 | 4640850 | 1 | Control Valve Assembly (October 1993 to Present) | |
| 53 | Not Required | 0 | Not Required | |
| 54 | 4640543 | 1 | Valve, Dump | |
| 54 | 7004368 | 1 | Coil (Hydraforce Version) | |
| 54 | 7009745 | 1 | Coil (Vickers/Modular Controls Version) | |
| 55 | 4640623 | 1 | Valve, Flow Control | |
| 56 | Not Required | 0 | Not Required | |
| 57 | 2220651 | 1 | Fitting | |
| 58 | 2220373 | 1 | Fitting | |
| 59 | 4640673 | 1 | Valve, Check | |
| 59 | 7011325 | 1 | Cartridge | |
| 60 | Not Required | 0 | Not Required | |
| | | Ref | CONTROL VALVES INSTALLATION - STANDARD BANG-BANG (4WS) (PRIOR TO MAY 1993) (VARIABLE PARTS) | |
| | 0251710 | Ref | CONTROL VALVES - NON-ROTATE | B |
| | 0251709 | Ref | CONTROL VALVES - WITH ROTATE | B |
| 51 | | Ref | Control Valve Assembly Options (See CONTROL VALVE ASSEMBLY - BANG-BANG WITH DUMP SECTION for Breakdown): | |
| 51 | 4640462 | 1 | 2 Stack (Non-Rotate) (Prior to August 1992) | |
| 51 | 4640710 | 1 | 2 Stack (Non-Rotate) (August 1992 to Present) | |
| 51 | 4640692 | 1 | 3 Stack (With Rotate) (Prior to August 1992) | |
| 51 | 4640720 | 1 | 3 Stack (With Rotate) (August 1992 to Present) | |
| 52 | 4640601 | 1 | Control Valve Assembly (See CONTROL VALVE ASSEMBLY - BANG-BANG (STANDARD CONTROLS) for Breakdown) | |
| 53 | Not Required | 0 | Not Required | |
| 54 | 4640543 | 1 | Valve, Dump | |
| 54 | 7004368 | 1 | Coil (Hydraforce Version) | |
| 54 | 7009745 | 1 | Coil (Vickers/Modular Controls Version) | |
| 55 | Not Required | 0 | Not Required | |
| 56 | 4640627 | 1 | Valve, Flow Control | |
| 56 | 7001508 | 1 | Seal Kit | |
| 57 | 2180029 | 1 | Fitting | |

SECTION 2 - TURNTABLE

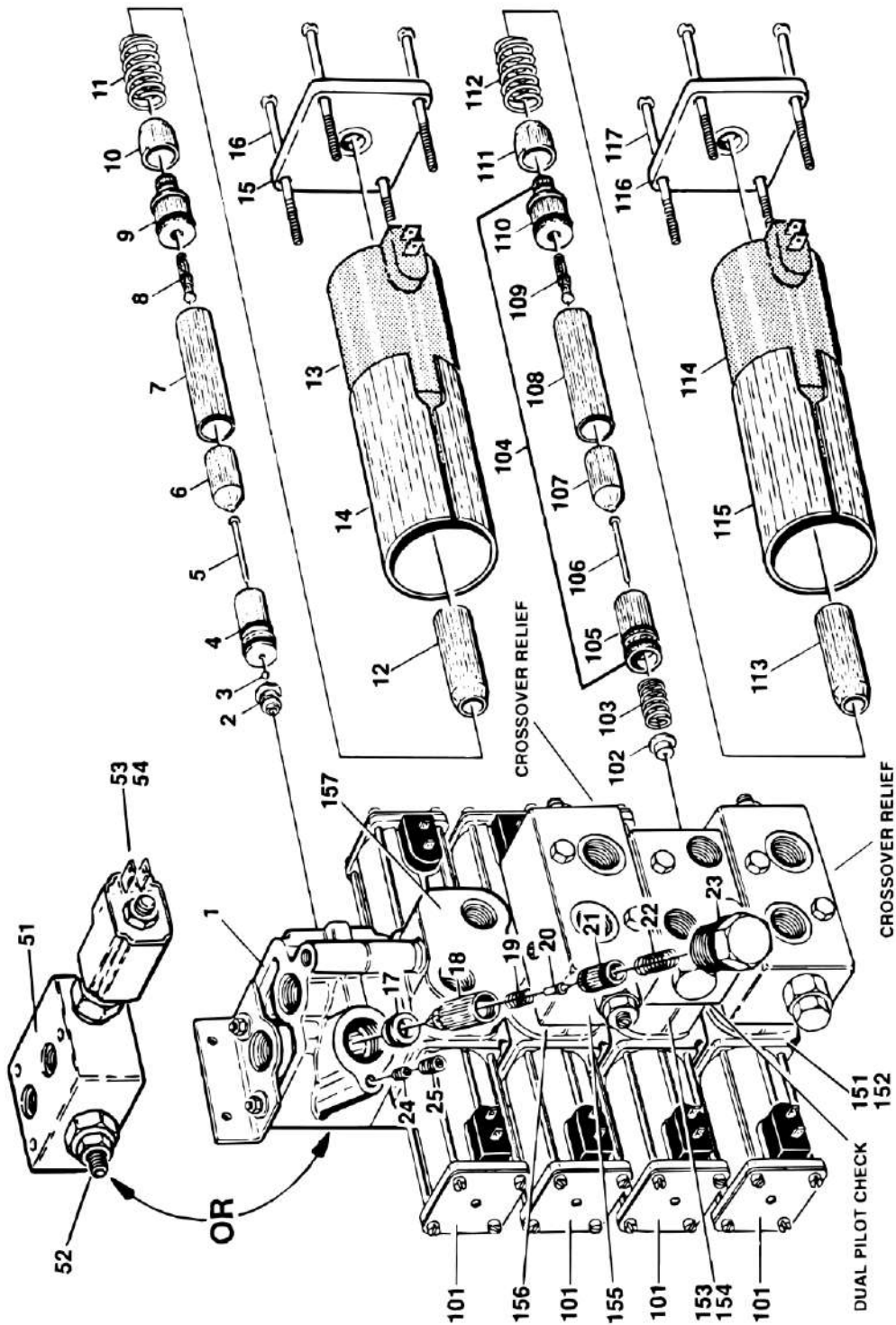
| ITEM | PART NUMBER | QTY | DESCRIPTION | REV |
|----------|---------------|-----|--|-----|
| 58 | 2220820 | 1 | Fitting, 90 | |
| 59 | Not Required | 0 | Not Required | |
| 60 | Not Required | 0 | Not Required | |
| | | Ref | CONTROL VALVES INSTALLATION - STANDARD BANG-BANG (4WS) (MAY 1993 TO PRESENT) (VARIABLE PARTS) | |
| | 0253769 | Ref | CONTROL VALVES - NON-ROTATE | D |
| | 0253770 | Ref | CONTROL VALVES - WITH ROTATE | E |
| 51 | | Ref | Control Valve Assembly Options (See CONTROL VALVE ASSEMBLY - BANG-BANG WITH DUMP SECTION for Breakdown): | |
| 51 | 4640710 | 1 | 2 Stack (Non-Rotate) | |
| 51 | 4640720 | 1 | 3 Stack (With Rotate) (Prior to August 1995) | |
| 51 | 4640950 | 1 | 3 Stack (With Rotate) (August 1995 to Present) | |
| 52 | | Ref | Control Valve Assembly (See CONTROL VALVE ASSEMBLY - BANG-BANG (STANDARD CONTROLS) for Breakdown) | |
| 52 | 4640601 | | Control Valve Assembly (Prior to October 1993) | |
| 52 | 4640850 | | Control Valve Assembly (October 1993 to Present) | |
| 53 | Not Required | 0 | Not Required | |
| 54 | 4640543 | 1 | Valve, Dump | |
| 54 | 7004368 | 1 | Coil (Hydraforce Version) | |
| 54 | 7009745 | 1 | Coil (Vickers/Modular Controls Version) | |
| 55 | 4640623 | 1 | Valve, Flow Control | |
| 56 | Not Required | 0 | Not Required | |
| 57 | 2220651 | 1 | Fitting | |
| 58 | 2220373 | 1 | Fitting | |
| 59 | 4640673 | 1 | Valve, Check | |
| 59 | 7011325 | 1 | Cartridge | |
| 60 | Not Required | 0 | Not Required | |
| | | Ref | CONTROL VALVES INSTALLATION - PROPORTIONAL (2WS) (VARIABLE PARTS) | |
| | 0250980 | Ref | CONTROL VALVES - NON-ROTATE | E |
| | 0250979 | Ref | CONTROL VALVES - WITH ROTATE | F |
| 51 | | Ref | Control Valve Assembly Options (See CONTROL VALVE ASSEMBLY - BANG-BANG WITH DUMP SECTION for breakdown) | |
| 51 | 4640246 | 1 | 3 Stack (Non-Rotate) (Prior to June 1991) | |
| 51 | 4640646 | 1 | 3 Stack (Non-Rotate) (June 1991 to Present) | |
| 51 | 4640247 | 1 | 4 Stack (With Rotate) (Prior to June 1991) | |
| 51 | 4640645 | 1 | 4 Stack (With Rotate) (June 1991 to January 1995) | |
| 51 | 4640909 | 1 | 4 Stack (With Rotate) (January 1995 to Present) | |
| 52 | Not Required | 0 | Not Required | |
| 53 | 4640643 | 1 | Control Valve Assembly (See CONTROL VALVE ASSEMBLY - BANG-BANG WITH DUMP SECTION for Breakdown) | |
| 54 to 59 | Not Required | 0 | Not Required | |
| 60 | 4640360 | 1 | Dump Valve Assembly | |
| 60 | 7009745 | 1 | Coil (Vickers/Modular Controls Version) | |
| 60 | 7004368 | 1 | Coil (Hydraforce Version) | |
| 60 | 7004289 | 1 | Cartridge Without Coil (Vickers/Modular Controls Version) | |
| 60 | Not Available | | Seal Kit - 7004289 Cartridge (Vickers Modular Controls Version) | |
| 60 | 7012910 | 1 | Cartridge Without Coil (Hydraforce Version) | |
| 60 | 2900708 | 1 | Seal Kit - 7012910 Cartridge (Hydraforce Version) | |
| 60 | 7003635 | 1 | Cartridge, Check (Vickers/Modular Controls Version) | |

SECTION 2 - TURNTABLE

| ITEM | PART NUMBER | QTY | DESCRIPTION | REV |
|----------|---------------|-----|---|-----|
| 60 | 7012930 | 1 | Cartridge, Check (Hydraforce Version) | |
| | | Ref | CONTROL VALVES INSTALLATION - PROPORTIONAL (4WS) (VARIABLE PARTS) | |
| | 0252723 | Ref | CONTROL VALVES - NON-ROTATE | C |
| | 0252722 | Ref | CONTROL VALVES - WITH ROTATE | D |
| 51 | | Ref | Control Valve Assembly Options (See CONTROL VALVE ASSEMBLY - BANG-BANG WITH DUMP SECTION for breakdown) | |
| 51 | 4640710 | 1 | 3 Stack (Non-Rotate) | |
| 51 | 4640720 | 1 | 3 Stack (With Rotate) (Prior to August 1995) | |
| 51 | 4640950 | 1 | 3 Stack (With Rotate) (August 1995 to Present) | |
| 52 | Not Required | 0 | Not Required | |
| 53 | 4640643 | 1 | Control Valve Assembly (See CONTROL VALVE ASSEMBLY - PROPORTIONAL for Breakdown) | |
| 54 to 59 | Not Required | 0 | Not Required | |
| 60 | 4640360 | 1 | Dump Valve Assembly | |
| 60 | 7009745 | 1 | Coil (Vickers/Modular Controls Version) | |
| 60 | 7004368 | 1 | Coil (Hydraforce Version) | |
| 60 | 7004289 | 1 | Cartridge Without Coil (Vickers/Modular Controls Version) | |
| 60 | Not Available | | Seal Kit - 7004289 Cartridge (Vickers/Modular Controls Version) | |
| 60 | 7012910 | 1 | Cartridge Without Coil (Hydraforce Version) | |
| 60 | 2900708 | 1 | Seal Kit - 7012910 Cartridge (Hydraforce Version) | |
| 60 | 7003635 | 1 | Cartridge, Check (Vickers/Modular Controls Version) | |
| 60 | 7012930 | 1 | Cartridge, Check (Hydraforce Version) | |

SECTION 2 - TURNTABLE

FIGURE 2-3. CONTROL VALVE ASSEMBLY - BANG-BANG WITH DUMP SECTION



SECTION 2 - TURNTABLE

FIGURE 2-3. CONTROL VALVE ASSEMBLY - BANG-BANG WITH DUMP SECTION

| ITEM | PART NUMBER | QTY | DESCRIPTION | REV |
|------|-------------|-----|---|-----|
| | | Ref | Usage Chart: | |
| | | Ref | 2WS Without Rotate | |
| | 4640246 | | 3 Stack (Prior to August 1992) | |
| | 4640646 | | 3 Stack (August 1992 to Present) | |
| | | Ref | 2WS With Rotate | |
| | 4640247 | | 4 Stack (Prior to August 1992) | |
| | 4640645 | | 4 Stack (August 1992 to January 1995) | |
| | 4640909 | | 4 Stack (January 1995 to Present) | |
| | | Ref | 4WS Without Rotate | |
| | 4640462 | | 2 Stack (Prior to August 1992) | |
| | 4640710 | | 2 Stack (August 1992 to Present) | |
| | | Ref | 4WS With Rotate | |
| | 4640692 | | 3 Stack (Prior to August 1992) | |
| | 4640720 | | 3 Stack (August 1992 to August 1995) | |
| | 4640950 | | 3 Stack (August 1995 to Present) | |
| 1 | 7002304 | Ref | DUMP SECTION - COMPLETE (ALL EXCEPT 4640909 & 4640950) | |
| | | Ref | Solenoid Assembly | |
| 2 | 7004823 | 1 | Seat | |
| 2 | Kit | 1 | O-Ring | |
| 3 | 7002229 | 1 | Ball | |
| 3 | | Ref | Guide Tube Assembly | |
| 4 | 7004822 | 1 | Cone, Female | |
| 4 | Kit | 1 | O-Ring | |
| 5 | 7002346 | 1 | Pin, Push | |
| 6 | 7004839 | 1 | Plunger | |
| 7 | 7004838 | 1 | Tube, Guide | |
| 8 | 7004841 | 1 | Pin, Push | |
| 8 | Kit | 1 | O-Ring | |
| 9 | 7002340 | 1 | Guide, External Push Pln | |
| 9 | Kit | 1 | O-Ring | |
| 10 | 7004834 | 1 | Sleeve, Inner Flux | |
| 11 | 7002334 | 1 | Spring | |
| 12 | 7004835 | 1 | Sleeve, Outer, Flux | |
| 13 | 7000417 | 1 | Coil | |
| 14 | 7004836 | 1 | Case, Solenoid | |
| 15 | 7002338 | 1 | Plate, End | |
| 15 | 7002327 | 1 | Nameplate | |
| 16 | 7004837 | 4 | Screw | |
| 17 | 7002322 | 1 | Seat | |
| 17 | Kit | 1 | O-Ring | |
| 17 | | Ref | Main Relief (Poppet) Valve | |
| 18 | 7002321 | 1 | Case, Poppet | |
| 19 | 7002328 | 1 | Spring | |
| 20 | 7002294 | 1 | Poppet | |
| 21 | 7002320 | 1 | Seat, Adjustable | |
| 21 | Kit | 1 | O-Ring | |
| 22 | 7002329 | 1 | Spring | |
| 23 | 7002323 | 1 | Plug | |
| 23 | Kit | 1 | O-Ring | |

SECTION 2 - TURNTABLE

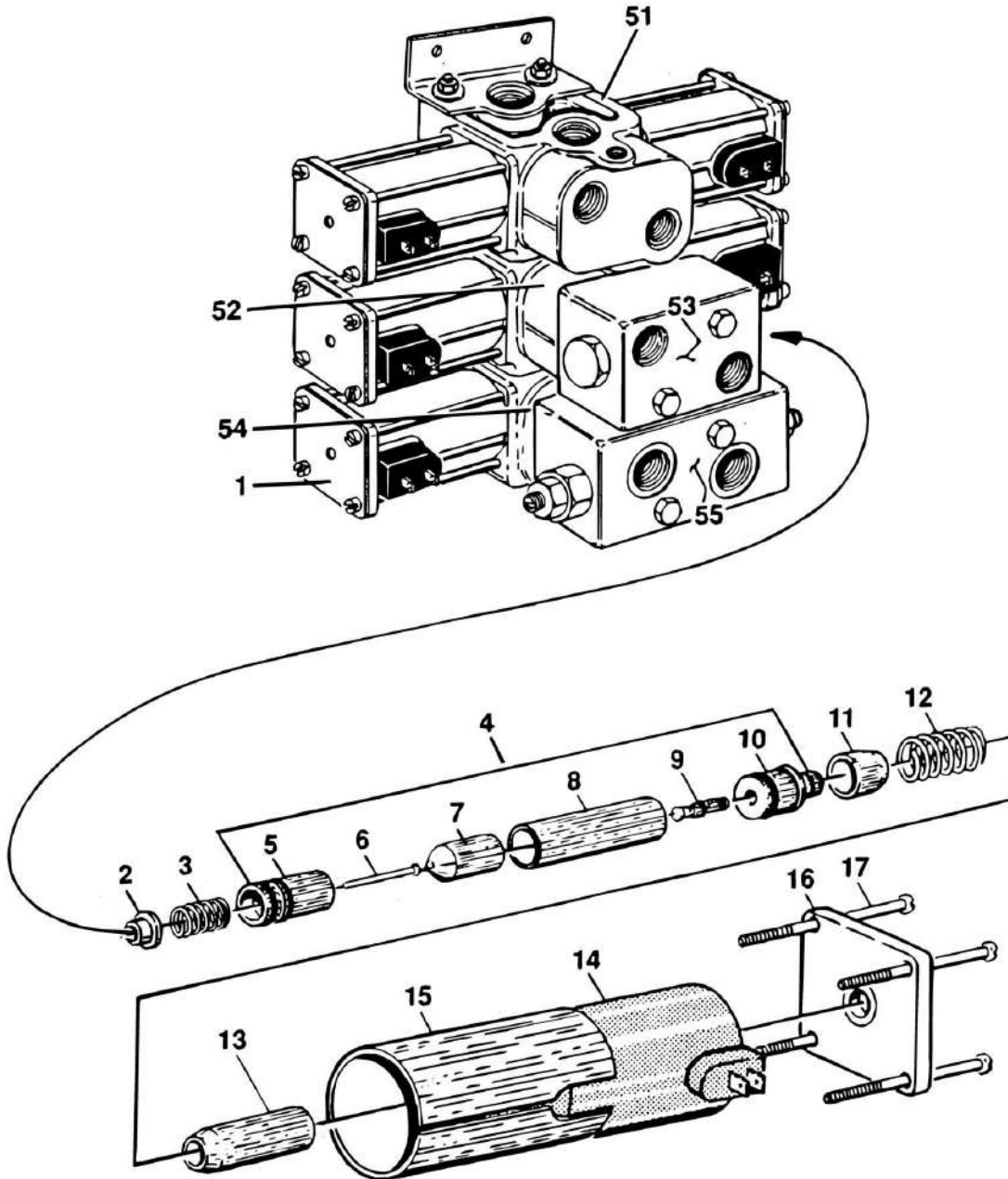
| ITEM | PART NUMBER | QTY | DESCRIPTION | REV |
|------|--------------|-----|---|-----|
| 24 | 7002326 | 1 | Orifice | |
| 25 | 7002324 | 1 | Plug | |
| | 7000413 | 1 | Seal Kit - 7002304 Dump Section | |
| 51 | 7002447 | Ref | DUMP SECTION - COMPLETE (4640909 & 4640950) | |
| 52 | 7002448 | 1 | Cartridge | |
| 52 | 7002449 | 1 | Seal Kit - 7002448 Cartridge | |
| 53 | 7002450 | 1 | Coil | |
| 54 | 7002451 | 1 | Cartridge without Coil | |
| 54 | 7011118 | 1 | Seal Kit - 7002451 Cartridge | |
| | 7000448 | 2 | O-Ring (Between Sections) | |
| | | Ref | WORKING SECTIONS (STANDARD PARTS) | |
| 101 | 7004859 | 2 | Solenoid Assembly | |
| 102 | 7002274 | 1 | Washer (4640246, 4640247) | |
| 102 | 7003825 | 1 | Washer (4640646, 4640645, 4640909, 4640462, 4640710, 4640692, 4640720, 4640950) | |
| 103 | 7002348 | 1 | Spring | |
| 104 | 7002305 | 1 | Guide Tube Assembly | |
| 105 | 7002345 | 1 | Cone, Female | |
| 105 | Kit | 1 | O-Ring | |
| 105 | Kit | 1 | O-Ring | |
| 106 | 7002346 | 1 | Pin, Push | |
| 107 | 7002344 | 1 | Plunger | |
| 108 | 7000470 | 1 | Tube, Guide | |
| 109 | 7002341 | 1 | Pin, Actuator | |
| 109 | Kit | 1 | Ring, Quad | |
| 110 | 7002340 | 1 | Guide, External Push Pln | |
| 110 | Kit | 1 | O-Ring | |
| 111 | 7002333 | 1 | Sleeve, Inner Flux | |
| 112 | 7002334 | 1 | Spring | |
| 113 | 7002336 | 1 | Sleeve, Outer Flux | |
| 114 | 7000418 | 1 | Coil | |
| 115 | 7002335 | 1 | Case, Solenoid | |
| 116 | 7002338 | 1 | Plate, End | |
| 116 | 7002327 | 1 | Nameplate | |
| 117 | 7002339 | 4 | Screw | |
| | 7000414 | AR | Seal Kit - Working Section (1 Per Section) | |
| | | Ref | WORKING SECTIONS - COMPLETE (INCLUDES ITEMS 101-117) | |
| 151 | 7002315 | 1 | Steer Section (4640246, 4640247, 4640462, 4640692) | |
| 151 | 7003855 | | Telescope Section (4640646, 4640645, 4640909, 4640710, 4640720, 4640950) | |
| 152 | 7000468 | 1 | Crossover Relief Valve Assembly (Due to various suppliers, internal components are longer field serviceable) | |
| 153 | 7011182 | 1 | Level Section (All Models) (was p/n 7002316) | |
| 154 | 7011183 | 1 | Dual Pilot Check Valve (Due to various suppliers, internal components are longer field serviceable) (was p/n 7002262) | |
| 155 | 7002315 | 1 | Telescope Section (4640246, 4640247) | |
| 155 | 7002315 | 1 | Steer Section (4640645, 4640646, 4640909) | |
| 155 | Not Required | 0 | Not Used (4640462, 4640692, 4640710, 4640720, 4640950) | |
| 156 | 7000468 | 1 | Crossover Relief Valve Assembly (Due to various suppliers, internal components are longer field serviceable) (4640246, 4640247, 4640645, 4640646, 4640909 Only) | |
| 157 | 7002317 | | Rotate Section (4640247, 4640645, 4640909, 4640692, | |

SECTION 2 - TURNTABLE

| ITEM | PART NUMBER | QTY | DESCRIPTION | REV |
|------|--------------|-----|--|-----|
| 157 | Not Required | 0 | 4640720, 4640950) Not Used (4640246, 4640646, 4640462, 4640710) | |

SECTION 2 - TURNTABLE

FIGURE 2-4. CONTROL VALVE ASSEMBLY - BANG-BANG (STANDARD CONTROLS)



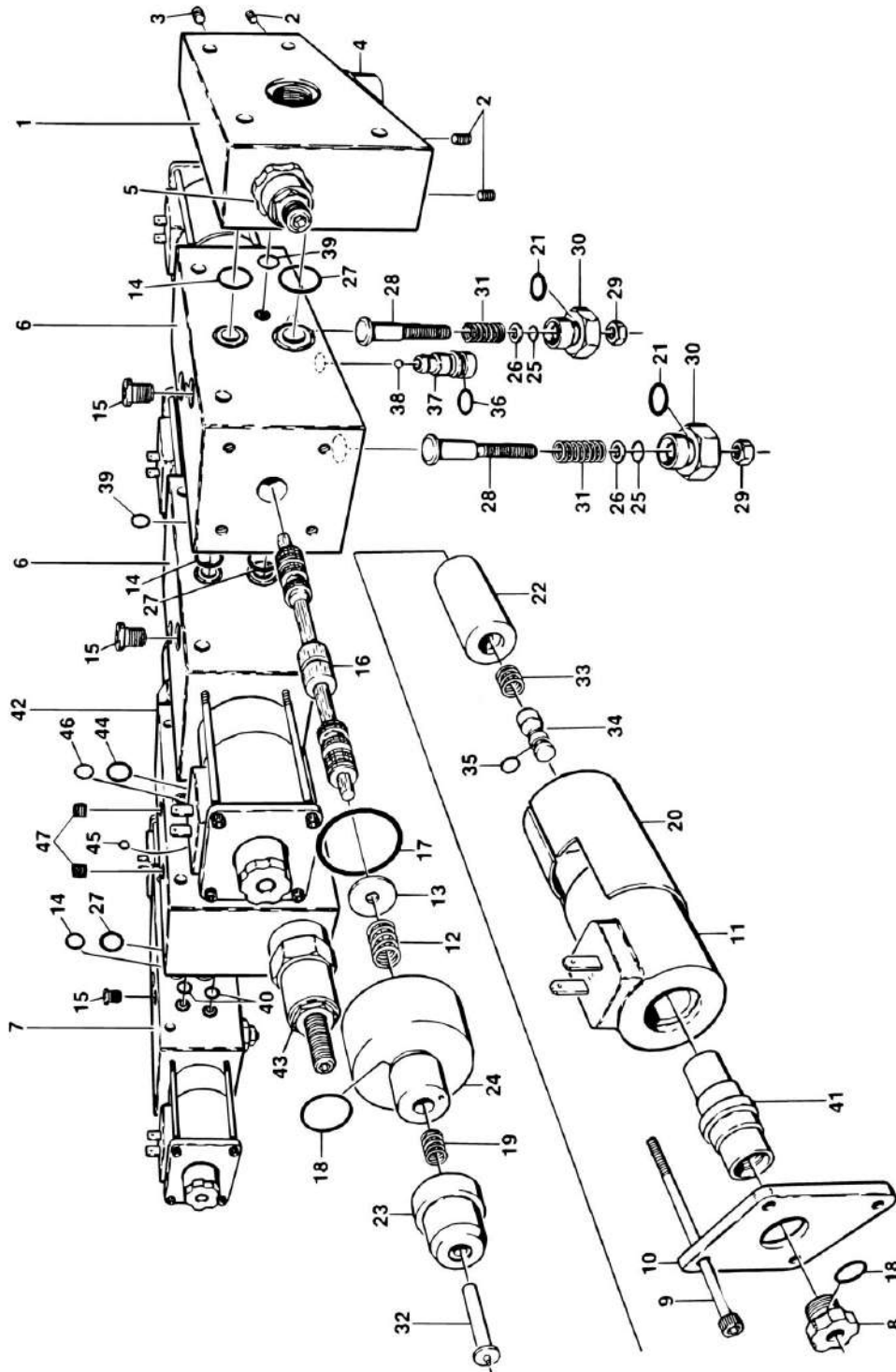
SECTION 2 - TURNTABLE

FIGURE 2-4. CONTROL VALVE ASSEMBLY - BANG-BANG (STANDARD CONTROLS)

| ITEM | PART NUMBER | QTY | DESCRIPTION | REV |
|------|-------------|-----|---|-----|
| | | Ref | USAGE CHART: | |
| | 4640601 | Ref | 3 Stack (Prior to October 1993) | |
| | 4640850 | Ref | 3 Stack (October 1993 to Present) | |
| | | Ref | WORKING SECTIONS (STANDARD PARTS) | |
| 1 | 7004859 | 2 | Solenoid Assembly | |
| 2 | 7003825 | 1 | Washer | |
| 3 | 7002348 | 1 | Spring | |
| 4 | 7002305 | 1 | Guide Tube Assembly | |
| 5 | 7002345 | 1 | Cone, Female | |
| 5 | Kit | 1 | O-Ring | |
| 5 | Kit | 1 | O-Ring | |
| 6 | 7002346 | 1 | Pin, Push | |
| 7 | 7002344 | 1 | Plunger | |
| 8 | 7000470 | 1 | Tube, Guide | |
| 9 | 7002341 | 1 | Pin, Actuator | |
| 9 | Kit | 1 | Ring, Quad | |
| 10 | 7002340 | 1 | Guide, External Push Pln | |
| 10 | Kit | 1 | O-Ring | |
| 11 | 7002333 | 1 | Sleeve, Inner Flux | |
| 12 | 7002334 | 1 | Spring | |
| 13 | 7002336 | 1 | Sleeve, Outer Flux | |
| 14 | 7000418 | 1 | Coil | |
| 15 | 7002335 | 1 | Case, Solenoid | |
| 16 | 7002338 | 1 | Plate, End | |
| 17 | 7002339 | 4 | Screw | |
| | 7000414 | 3 | Seal Kit - Working Section | |
| | | Ref | WORKING SECTIONS - COMPLETE (INCLUDES ITEMS 1-17) | |
| 51 | 7002317 | 1 | Main Lift Section | |
| 52 | 7003841 | 1 | Tower Lift Section (4640601) | |
| 52 | 7003855 | 1 | Tower Lift Section (4640850) | |
| 53 | 7011183 | 1 | Dual Pilot Check Valve (Due to various suppliers, internal components are longer field serviceable) (4640601) (was p/n 7002262) | |
| 53 | 7000468 | 1 | Crossover Relief Valve Assembly (Due to various suppliers, internal components are longer field serviceable) (4640850) | |
| 54 | 7003855 | 1 | Swing Section | |
| 55 | 7000468 | 1 | Crossover Relief Valve Assembly (Due to various suppliers, internal components are longer field serviceable) | |

SECTION 2 - TURNTABLE

FIGURE 2-5. CONTROL VALVE ASSEMBLY - PROPORTIONAL



SECTION 2 - TURNTABLE

FIGURE 2-5. CONTROL VALVE ASSEMBLY - PROPORTIONAL

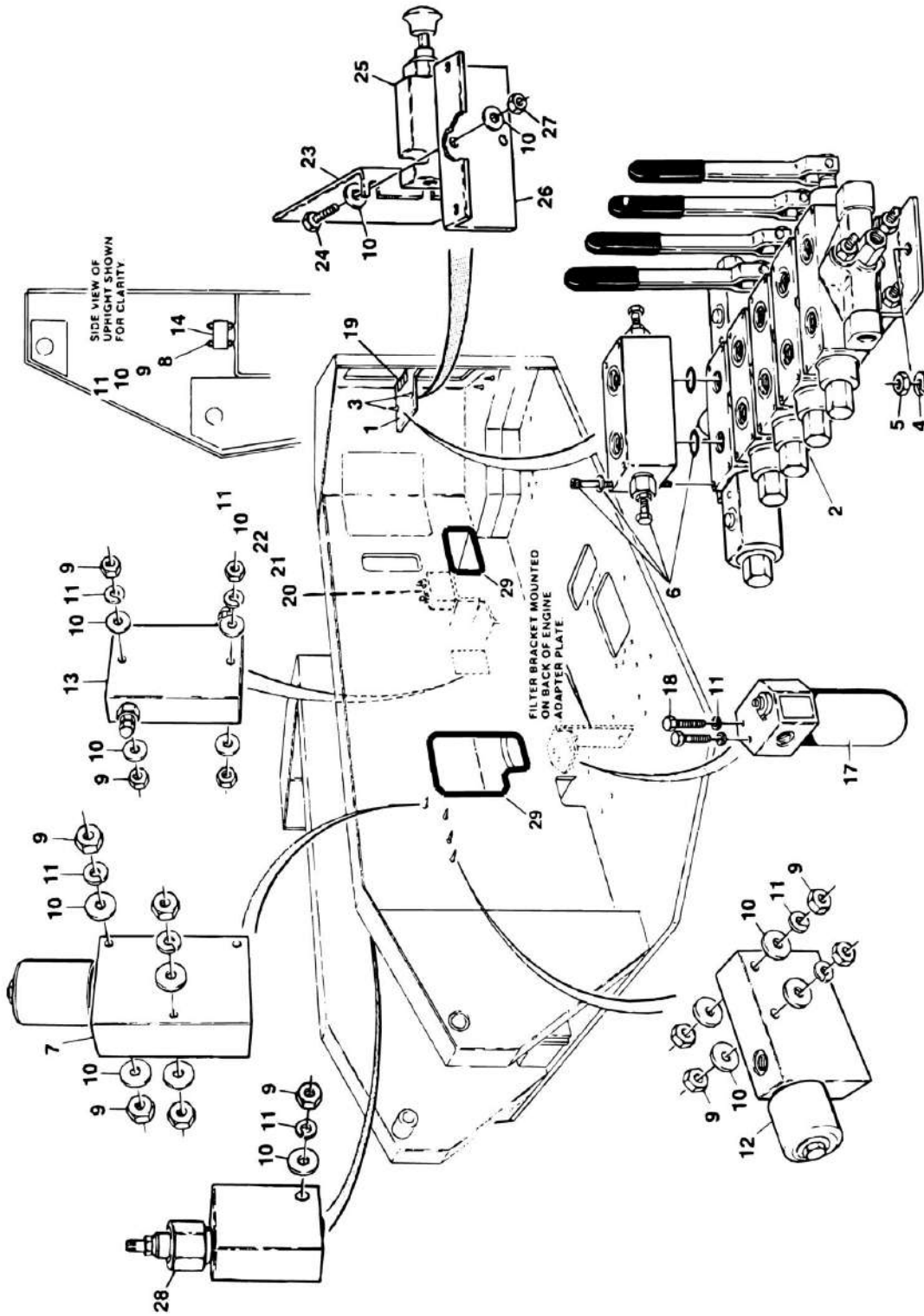
| ITEM | PART NUMBER | QTY | DESCRIPTION | REV |
|------|-------------|-----|--|-----|
| | 4640643 | Ref | CONTROL VALVE ASSEMBLY - PROPORTIONAL | B |
| 1 | 7010701 | 1 | Inlet Section Assembly | |
| 2 | 7010703 | 3 | Plug | |
| 3 | 7010704 | 1 | Plug | |
| 4 | 7010705 | 1 | Cartridge, Unloader Spool | |
| 5 | 7010706 | 1 | Cartridge, System Relief | |
| 6 | 7010707 | 1 | Working Section Assembly (Tower Lift) | |
| 6 | 7010785 | 1 | Working Section Assembly (Main Lift) | |
| 7 | 7010743 | 1 | Working Section Assembly (Swing) | |
| 8 | 7010708 | 2 | Plug | |
| 9 | 7010709 | 8 | Bolt, Socket Head | |
| 10 | 7010710 | 2 | Plate, End | |
| 11 | 7010711 | 2 | Coil | |
| 12 | 7010712 | 2 | Spring | |
| 13 | 7010713 | 2 | Washer | |
| 14 | Kit | 2 | O-Ring | |
| 15 | 7010716 | 1 | Plug | |
| 16 | 7010717 | 1 | Spool (Swing and Tower Lift) | |
| 16 | 7010784 | 1 | Spool (Main Lift) | |
| 17 | Kit | 2 | O-Ring | |
| 18 | Kit | 4 | O-Ring | |
| 19 | 7010720 | 2 | Spring (Main Lift and Tower Lift) | |
| 19 | 7010745 | 2 | Spring (Swing) | |
| 20 | 7010721 | 2 | Case, Solenoid | |
| 21 | Kit | 2 | O-Ring | |
| 22 | 7010723 | 2 | Armature | |
| 23 | 7010724 | 2 | Tube, Flux | |
| 24 | 7010725 | 2 | Armature | |
| 25 | Kit | 2 | O-Ring | |
| 26 | 7010727 | 2 | Washer | |
| 27 | Kit | 1 | O-Ring | |
| 28 | 7010729 | 2 | Needle | |
| 29 | 7010730 | 2 | Nut | |
| 30 | 7010731 | 2 | Body, Cartridge | |
| 31 | 7010732 | 2 | Spring | |
| 32 | 7010733 | 2 | Pin, Push | |
| 33 | 7010734 | 2 | Spring | |
| 34 | 7010735 | 2 | Pin, Push | |
| 35 | Kit | 2 | Ring, Quad | |
| 36 | Kit | 1 | O-Ring | |
| 37 | 7010738 | 1 | Body, Shuttle Cartridge | |
| 38 | 7010739 | 1 | Ball | |
| 39 | Kit | 2 | O-Ring | |
| 40 | Kit | 4 | O-Ring (Swing Only) | |
| 41 | 7010724 | 2 | Guide | |
| 42 | 7010741 | 1 | Crossover Relief Section Assembly | |
| 43 | 7010742 | 2 | Cartridge, System Relief | |
| 44 | Kit | 2 | O-Ring | |
| 45 | Kit | 2 | O-Ring | |
| 46 | Kit | 2 | O-Ring | |

SECTION 2 - TURNTABLE

| ITEM | PART NUMBER | QTY | DESCRIPTION | REV |
|------|-------------|-----|-------------------------------------|-----|
| 47 | 7010704 | 2 | Plug | |
| | 2900761 | 1 | Seal Kit - Inlet Section | |
| | 2900759 | 3 | Seal Kit - Working Section | |
| | 2900760 | 1 | Seal Kit - Crossover Relief Section | |

SECTION 2 - TURNTABLE

FIGURE 2-6. CONTROL VALVES INSTALLATION (HYDRAULIC CONTROLS)



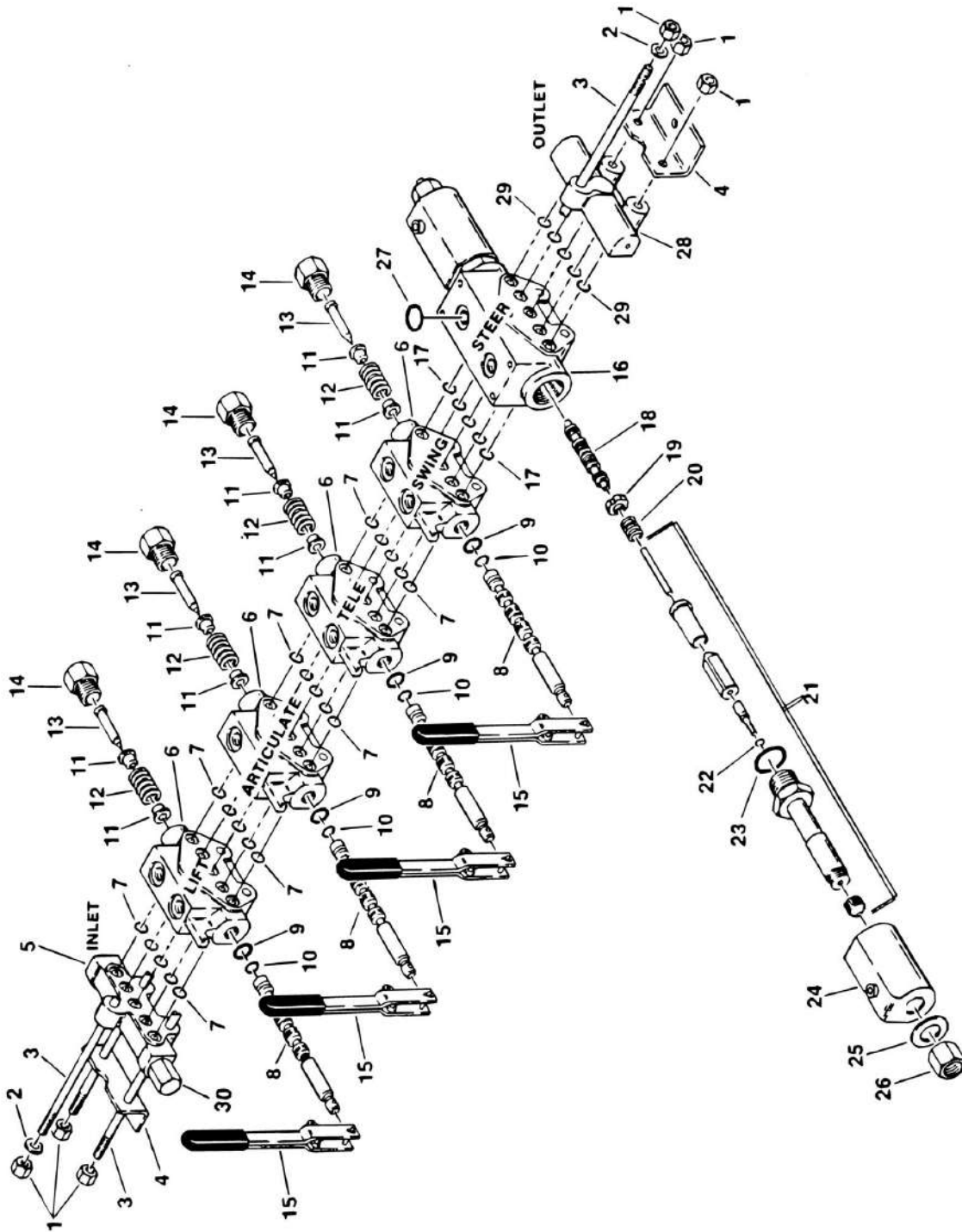
SECTION 2 - TURNTABLE

FIGURE 2-6. CONTROL VALVES INSTALLATION (HYDRAULIC CONTROLS)

| ITEM | PART NUMBER | QTY | DESCRIPTION | REV |
|------|---------------|------|--|-----|
| | 0250873 | Ref | CONTROL VALVES INSTALLATION - HYDRAULIC CONTROLS (FORD MACHINES) | E |
| 1 | 3534263 | 1 | Plate, Valve Mounting | |
| 2 | 4640506 | 1 | Ground Control Valve Assembly (See VALVE ASSEMBLY - GROUND CONTROL (HYDRAULIC CONTROLS) for Breakdown) | |
| 4 | 4761500 | 2 | Lockwasher 5/16in | |
| 5 | 3311501 | 2 | Nut 5/16in-18NC | |
| 6 | 4640122 | 1 | Valve Block Assembly | |
| 7 | 4640123 | 1 | Solenoid Valve Assembly | |
| 7 | 7004368 | 1 | Coil (Hydraforce Version) | |
| 7 | 7000558 | 1 | Coil (FPS Version) | |
| 7 | 7012518 | 1 | Seal Kit (Hydraforce Version) | |
| 7 | 7006075 | 1 | Seal Kit (FPS Version) | |
| 8 | 4300042 | 9 | Stud (Welded on Part) | |
| 9 | 3311401 | 15 | Nut 1/4in-20NC | |
| 10 | 4751400 | 21 | Flatwasher 1/4in | |
| 11 | 4761400 | 13 | Lockwasher 1/4in | |
| 12 | 4640360 | 1 | Dump Valve Assembly | |
| 12 | 7009745 | 1 | Coil (Vickers/Modular Controls Version) | |
| 12 | 7004368 | 1 | Coil (Hydraforce Version) | |
| 12 | 7004289 | 1 | Cartridge Without Coil (Vickers/Modular Controls Version) | |
| 12 | Not Available | | Seal Kit - 7004289 Cartridge | |
| 12 | 7012910 | 1 | Cartridge Without Coil (Hydraforce Version) | |
| 12 | 2900708 | 1 | Seal Kit (7012910 Cartridge) | |
| 12 | 7003635 | 1 | Cartridge, Check (Vickers/Modular Controls Version) | |
| 12 | 7012930 | 1 | Cartridge, Check (Hydraforce Version) | |
| 13 | 4640035 | 1 | Valve, Relief | |
| 14 | 4640150 | 1 | Valve, Check | |
| 17 | 2120122 | 1 | Hydraulic Filter Assembly | |
| 17 | 2120125 | 1 | Element, Filter | |
| 18 | 0641406 | 2 | Bolt 1/4in-20NC x 3/4in | |
| 19 | 1700853 | 1 | Decal - Ground Control Selection | |
| 20 | 4640479 | 1 | Valve, Control | |
| 20 | 7011320 | 2 | Cartridge | |
| 20 | 2900770 | 2 | Seal Kit (1 Per Cartridge) | |
| 21 | 4300036 | 2 | Stud (Welded on Part) | |
| 22 | 3311401 | 2 | Nut 1/4in-20NC | |
| 23 | 0902051 | 1 | Bracket - Decal (November 1994 to Present Only) | |
| 24 | 0641416 | 2 | Bolt 1/4in-20NC x 2in | |
| 25 | 4640866 | 1 | Valve, Manual Descent (November 1994 to Present Only) | |
| 25 | 2900708 | 1 | Seal Kit | |
| 25 | 7012959 | 1 | Knob | |
| 26 | 0902090 | 1 | Bracket - Valve (November 1994 to Present Only) | |
| 27 | 3311405 | 2 | Locknut 1/4in-20NC | |
| 28 | 4640818 | 1 | Valve (November 1994 to Present Only) | |
| 28 | 7011321 | 1 | Cartridge | |
| 28 | 7024574 | 1 | Seal Kit - 7011321 Cartridge | |
| 29 | 4060806 | 9 ft | Shield, Flex Trim | |

SECTION 2 - TURNTABLE

FIGURE 2-7. VALVE ASSEMBLY - GROUND CONTROL (HYDRAULIC CONTROLS)



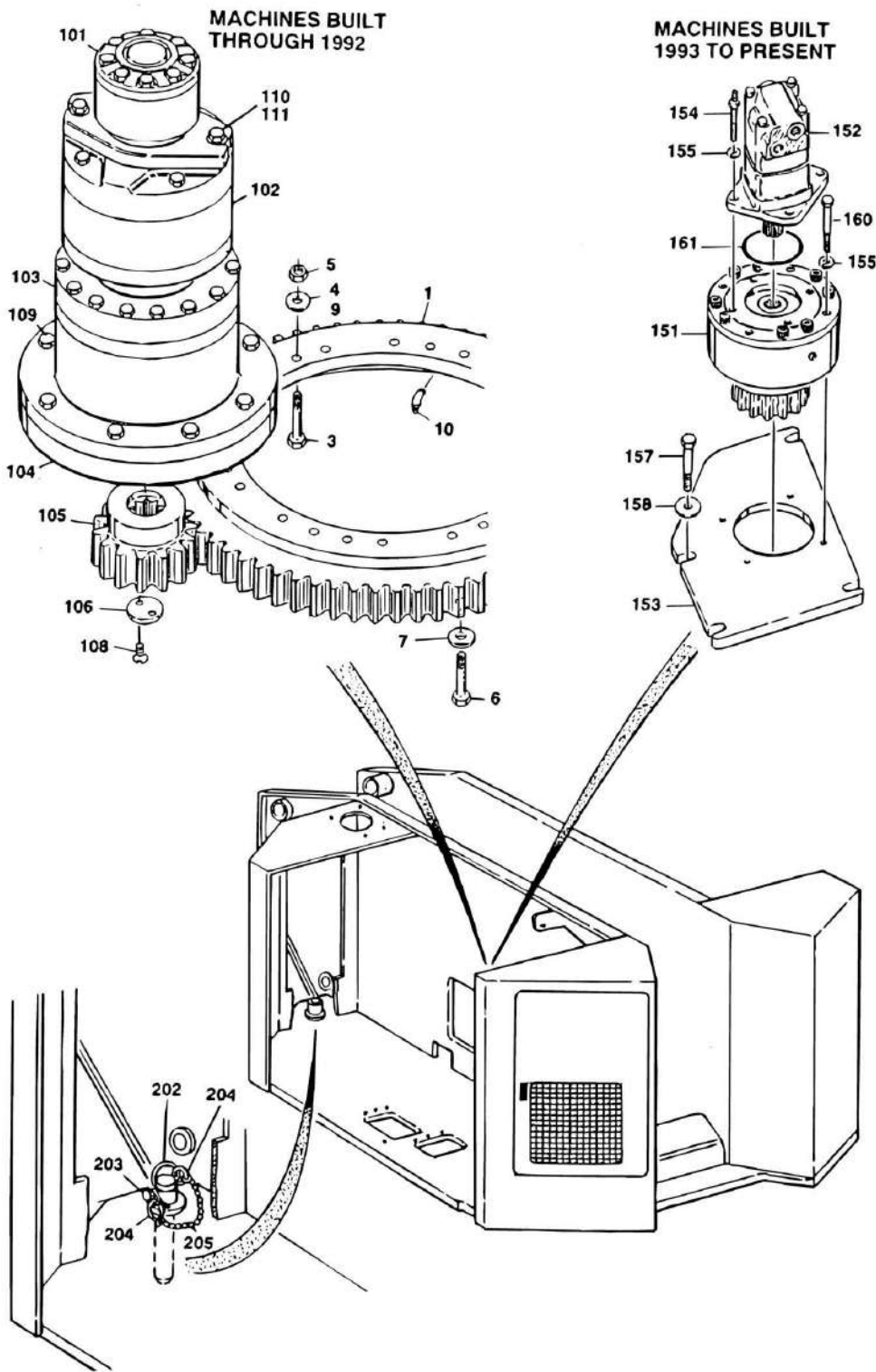
SECTION 2 - TURNTABLE

FIGURE 2-7. VALVE ASSEMBLY - GROUND CONTROL (HYDRAULIC CONTROLS)

| ITEM | PART NUMBER | QTY | DESCRIPTION | REV |
|------|-------------|-----|--|-----|
| | 4640506 | Ref | VALVE ASSEMBLY - GROUND CONTROL (HYDRUALIC CONTROLS) | |
| 1 | 7000585 | 6 | Nut | |
| 2 | 7000586 | 2 | Washer | |
| 3 | 7006052 | 3 | Rod, Threaded | |
| 4 | 7006039 | 2 | Bracket | |
| 5 | 7006040 | 1 | Section, Valve - Inlet | |
| 5 | 7000588 | 1 | O-Ring | |
| 5 | 7006050 | 2 | O-Ring | |
| 6 | 7006046 | 4 | Section, Valve - Lift, Articulate, Tele and Swing | |
| 7 | 7000589 | 20 | O-Ring | |
| 8 | N.S.S. | 4 | Spool | |
| 9 | 7006029 | 4 | O-Ring | |
| 10 | 7000588 | 4 | O-Ring | |
| 11 | 7006022 | 8 | Guide | |
| 12 | 7006020 | 4 | Spring | |
| 13 | 7006021 | 4 | Shaft | |
| 14 | 7006019 | 4 | Cap | |
| 15 | 7006012 | 4 | Handle (With Linkage and Hardware) | |
| 16 | 7006041 | 1 | Section, Valve with Coils - Steer | |
| 17 | 7000588 | 5 | O-Ring | |
| 18 | N.S.S. | 1 | Spool | |
| 19 | 7006037 | 2 | Retainer | |
| 20 | 7006036 | 2 | Spring | |
| 21 | 7006049 | 2 | Tube Assembly | |
| 22 | 7006048 | 2 | O-Ring | |
| 23 | 7006035 | 2 | O-Ring | |
| 24 | 4640049 | 2 | Coil, Solenoid | |
| 25 | | Ref | Nameplate | |
| 26 | 7006033 | 2 | Nut | |
| 27 | 7000596 | 2 | O-Ring | |
| 28 | 7000600 | 1 | Section, Valve - Outlet | |
| 29 | 7000588 | 5 | O-Ring | |
| 30 | 7006053 | 1 | Valve, Cartridge Relief | |
| | 7006051 | 1 | Seal Kit - Complete (Includes Qty 1 of 7000550, 7000549 & 7006047 Seal Kits & Qty 4 of 7000556 Seal Kit) | |
| | 7000550 | 1 | Seal Kit - Inlet Section (Includes O-Rings Listed in Item 5) | |
| | 7000556 | | Seal Kit - Manual Valve Section (Includes Qty 5 of Item 7, 4 Qty 1 of Item 9 & Qty 1 of Item 10) | |
| | 7000549 | 1 | Seal Kit - Valve Section with Coils (Includes Qty 10 of Item 17, Qty 2 of Items 22, 23 & 27) | |
| | 7006047 | 1 | Seal Kit - Outlet Section (Includes Qty 5 of item 29) | |

SECTION 2 - TURNTABLE

FIGURE 2-8. TURNTABLE, BEARING AND SWING DRIVE INSTALLATION



SECTION 2 - TURNTABLE

FIGURE 2-8. TURNTABLE, BEARING AND SWING DRIVE INSTALLATION

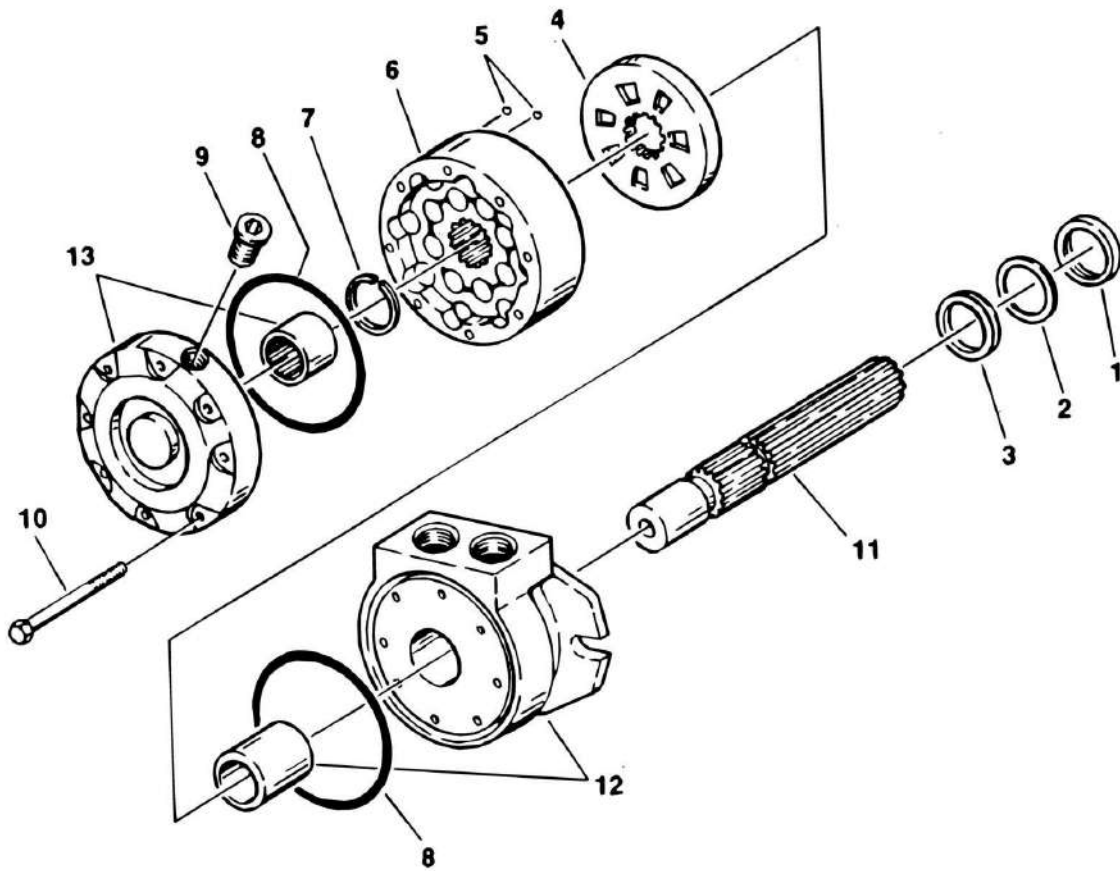
| ITEM | PART NUMBER | QTY | DESCRIPTION | REV |
|------|-------------|-----|--|-----|
| | | Ref | TURNTABLE OPTIONS (DEUTZ POWERED MACHINES) | |
| | 4620073 | 1 | Turntable - Domestic Machines Built Prior to May 1993 | |
| | 4620094 | 1 | Turntable - Domestic Machines Built May 1993 to Present | |
| | 4620074 | 1 | Turntable - CSA Machines Built Prior to May 1993 | |
| | 4620095 | 1 | Turntable - CSA Machines Built May 1993 to Present | |
| | | Ref | TURNTABLE OPTIONS (FORD AND KOBUTA POWERED MACHINES) | |
| | 4620059 | 1 | Turntable - Domestic Standard Bang-Bang or Proportional Machines Built Prior to May 1993 | |
| | 4920092 | 1 | Turntable - Domestic Standard Bang-Bang or Proportional Machines Built May 1993 to Present | |
| | 4620060 | 1 | Turntable - Domestic Hydraulic Controls and All CSA Built Prior to May 1993 | |
| | 4620093 | 1 | Turntable - Domestic Hydraulic Controls and All CSA Built May 1993 to Present | |
| | 0250136 | Ref | TURNTABLE BEARING INSTALLATION | F |
| 1 | 2915080 | 1 | Bearing Kit (was p/n 0440067) (Kit Includes Bearing and Mounting Hardware) | |
| 3 | 0682020 | 15 | Bolt 5/8in-11NC x 2 1/2in (Grade 8) | |
| 4 | 4740004 | 9 | Washer, Hardened | |
| 5 | 3300183 | 15 | Nut 5/8in-11NC (Grade 8) | |
| 6 | 0681818 | 12 | Bolt 1/2in-13NC x 2 1/4in (Grade 8) | |
| 7 | 4740003 | 12 | Washer, Hardened | |
| 9 | 4740048 | 3 | Washer, Special | |
| 10 | 2160001 | 3 | Fitting, Grease - 90 | |
| | 0100019 | AR | Loctite #271 | |
| | 0100004 | AR | Devcon (Not Required on Machines with Milled Frame and Turntable) | |
| | 0250139 | Ref | SWING DRIVE INSTALLATION - MACHINES BUILT THROUGH 1992 | C |
| 101 | | Ref | Swing Motor Options: | |
| 101 | 3160156 | 1 | Motor - (Prior to August 1991) (See SWING MOTOR ASSEMBLY for Breakdown) | |
| 101 | 3160181 | 1 | Motor - (August 1991 Through 1992) (See SWING MOTOR ASSEMBLY for Breakdown) | |
| 102 | | Ref | Swing Brake Options: | |
| 102 | 0920068 | 1 | Brake - (Prior to August 1991) (See SWING BRAKE ASSEMBLY for Breakdown) | |
| 102 | 0920086 | 1 | Brake - (August 1991 Through 1992) (See BRAKE ASSEMBLY - AUSCO 37845 for Breakdown) | |
| 103 | 2780055 | 1 | Swing Hub Assembly (See SWING HUB ASSEMBLY for Breakdown) | |
| 104 | 3200249 | 1 | Plate, Swing Drive Mounting | |
| 105 | 2440059 | 1 | Gear, Pinion | |
| 106 | 4740367 | 1 | Washer, Special | |
| 107 | 0100019 | AR | Loctite #271 (Not Shown) | |
| 108 | 0741606 | 2 | Screw, Countersunk 3/8in-16NC x 3/4in | |
| 109 | 0641912 | 9 | Bolt 9/16in-12NC x 1 1/2in | |
| 110 | 0681836 | 2 | Bolt 1/2in-13NC x 4 1/2in (Grade 8) | |
| 111 | 4740171 | 2 | Washer, Hardened | |
| 112 | 0100009 | AR | Sealant - RTV #738 (Not Shown) | |
| | | Ref | SWING DRIVE INSTALLATIONS: | |

SECTION 2 - TURNTABLE

| ITEM | PART NUMBER | QTY | DESCRIPTION | REV |
|------|-------------|-----------|---|-----|
| | 0252578 | Ref | MACHINES BUILT 1993 TO MAY 1994 | D |
| | 0255010 | Ref | MACHINES BUILT MAY 1994 TO PRESENT | - |
| 151 | | Ref | Swing Brake Assembly Options: | |
| 151 | 0920089 | 1 | Machines Built 1993 to May 1994 | |
| 151 | 7012570 | 1 | Seal Kit - 0920089 Brake (Includes Seals, O-Rings, 1 Back-up Rings and Retaining Ring) | |
| 151 | 7012571 | 1 | Rebuild Kit - 0920089 Brake (Includes 7012570 Seal Kit, Inner and Outer Discs and Pressure Plate) | |
| 151 | 0920095 | 1 | Machines Built May 1994 to Present | |
| 151 | 7012651 | 1 | Seal Kit - 0920095 Brake (Includes Seals, O-Rings, Back-up Rings and Retaining Ring) | |
| 151 | 7012650 | 1 | Rebuild Kit - 0920095 Brake (Includes 7012651 Seal Kit, Inner and Outer Discs and Pressure Plate) | |
| 152 | 3160183 | 1 | Swing Motor Assembly (See SWING MOTOR ASSEMBLY for Breakdown) | |
| 153 | 3535607 | 1 | Plate, Mounting | |
| 154 | 4300107 | 4 | Stud 1/2in-13NC x 2in | |
| 154 | 3311801 | 4 | Nut 1/2in-13NC | |
| 155 | | Ref | Hardware Options: | |
| 155 | 4761800 | 8 | Lockwasher 1/2in (Machines Built 1993 to May 1994) | |
| 155 | 4740252 | 8 | Washer, Hardened (Machines Built May 1994 to Present) | |
| 157 | 0642014 | 4 | Bolt 5/8in-11NC x 1 3/4in | |
| 158 | 4740004 | 4 | Washer, Hardened | |
| 160 | | Ref | Bolt Options: | |
| 160 | 0641830 | 4 | Bolt 1/2in-13NC x 3 3/4in (Machines Built 1993 to May 1994) | |
| 160 | 0641834 | 4 | Bolt 1/2in-13NC x 4 1/4in (Machines Built May 1994 to Present) | |
| 161 | 3790155 | 1 | O-Ring | |
| | 0100019 | AR | Loctite #271 | |
| | 0100021 | AR | Primer | |
| | 0239585 | Ref | TURNTABLE LOCK INSTALLATION | B |
| 202 | 3421627 | 1 | Pin, Lock | |
| 203 | 3421565 | 1 | Snap - Pin | |
| 204 | 3760170 | 2 | Ring, Quick Release | |
| 205 | 1260017 | 9 in/23cm | Chain | |

SECTION 2 - TURNTABLE

FIGURE 2-9. SWING MOTOR ASSEMBLY (PRIOR TO AUGUST 1991)



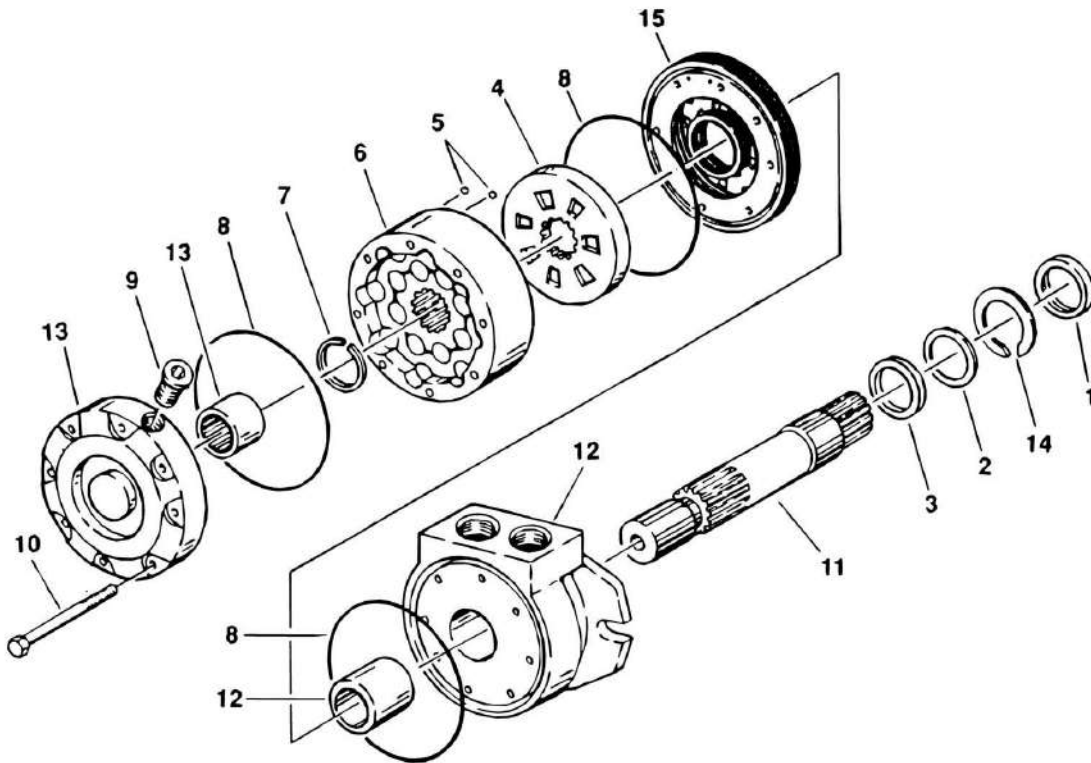
SECTION 2 - TURNTABLE

FIGURE 2-9. SWING MOTOR ASSEMBLY (PRIOR TO AUGUST 1991)

| ITEM | PART NUMBER | QTY | DESCRIPTION | REV |
|------|-------------|-----|--|-----|
| | 3160156 | Ref | SWING MOTOR ASSEMBLY (PRIOR TO AUGUST 1991) | - |
| 1 | Kit | 1 | Seal, Dust | |
| 2 | Kit | 1 | Ring, Back-up | |
| 3 | Kit | 1 | Seal, Quad Ring | |
| 4 | 7004166 | 1 | Valve, Rotary | |
| 5 | 7004167 | 2 | Ball, Check Valve | |
| 6 | 7004193 | 1 | IGR Assembly | |
| 7 | 7004191 | 1 | Ring, Snap (Standard) | |
| 8 | Kit | 2 | Seal, Ring | |
| 9 | 7004171 | 1 | Plug, Vent (Includes O-Ring) | |
| 10 | 7004173 | 8 | Bolt | |
| 11 | 7004194 | 1 | Shaft, Spline | |
| 12 | 7004195 | 1 | Body/Bearing Assembly | |
| 13 | 7004192 | 1 | Cover/Bearing Assembly | |
| | 7004177 | 1 | Seal Kit (Includes Items 1,2,3,8 & Vent Plug O-Ring) | |

SECTION 2 - TURNTABLE

FIGURE 2-10. SWING MOTOR ASSEMBLY (AUGUST 1991 THROUGH 1992)



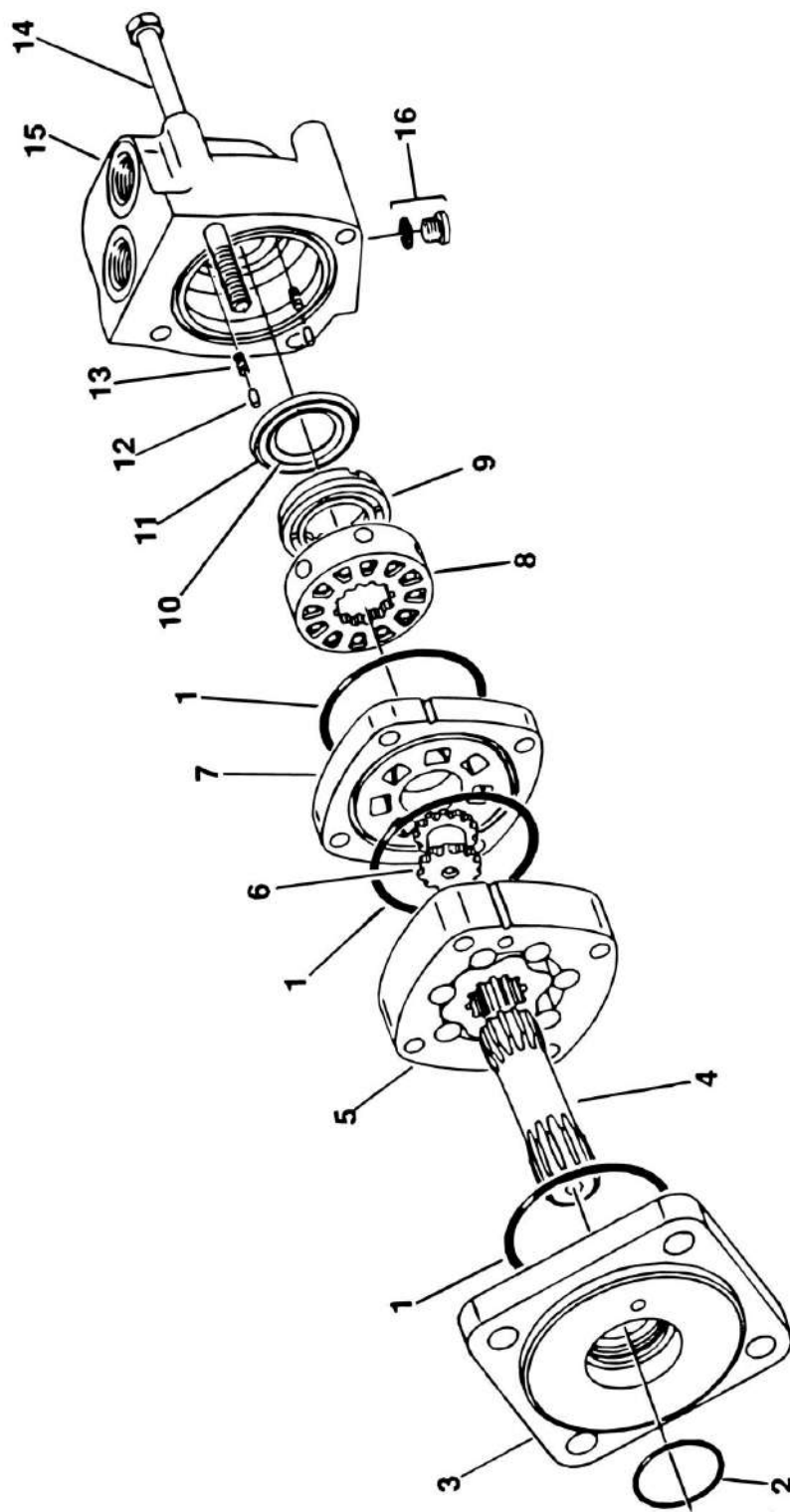
SECTION 2 - TURNTABLE

FIGURE 2-10. SWING MOTOR ASSEMBLY (AUGUST 1991 THROUGH 1992)

| ITEM | PART NUMBER | QTY | DESCRIPTION | REV |
|------|-------------|-----|--|-----|
| | 3160181 | Ref | SWING MOTOR ASSEMBLY (AUGUST 1991 THROUGH 1992) | - |
| 1 | Kit | 1 | Seal, Dust | |
| 2 | 7010775 | 1 | Ring, Back-Up | |
| 3 | Kit | 1 | Seal, Quad Ring | |
| 4 | 7004196 | 1 | Valve, Rotary | |
| 5 | 7004167 | 2 | Ball, Check Valve | |
| 6 | 7004193 | 1 | IGR Assembly | |
| 7 | Kit | 1 | Ring, Snap | |
| 8 | Kit | 3 | Seal, Ring | |
| 9 | 7004171 | 1 | Plug, Vent (Includes O-Ring) | |
| 10 | 7010777 | 8 | Bolt | |
| 11 | 7010779 | 1 | Shaft, Spline | |
| 12 | 7010778 | 1 | Body/Bearing Assembly | |
| 13 | 7004192 | 1 | Cover/Bearing Assembly | |
| 14 | Kit | 1 | Ring, Snap | |
| 15 | 7010776 | 1 | Plate, Commutator | |
| | 2900798 | 1 | Seal Kit (Includes Items 1,3,7 & 8) | |

SECTION 2 - TURNTABLE

FIGURE 2-11. SWING MOTOR ASSEMBLY (1993 TO PRESENT)



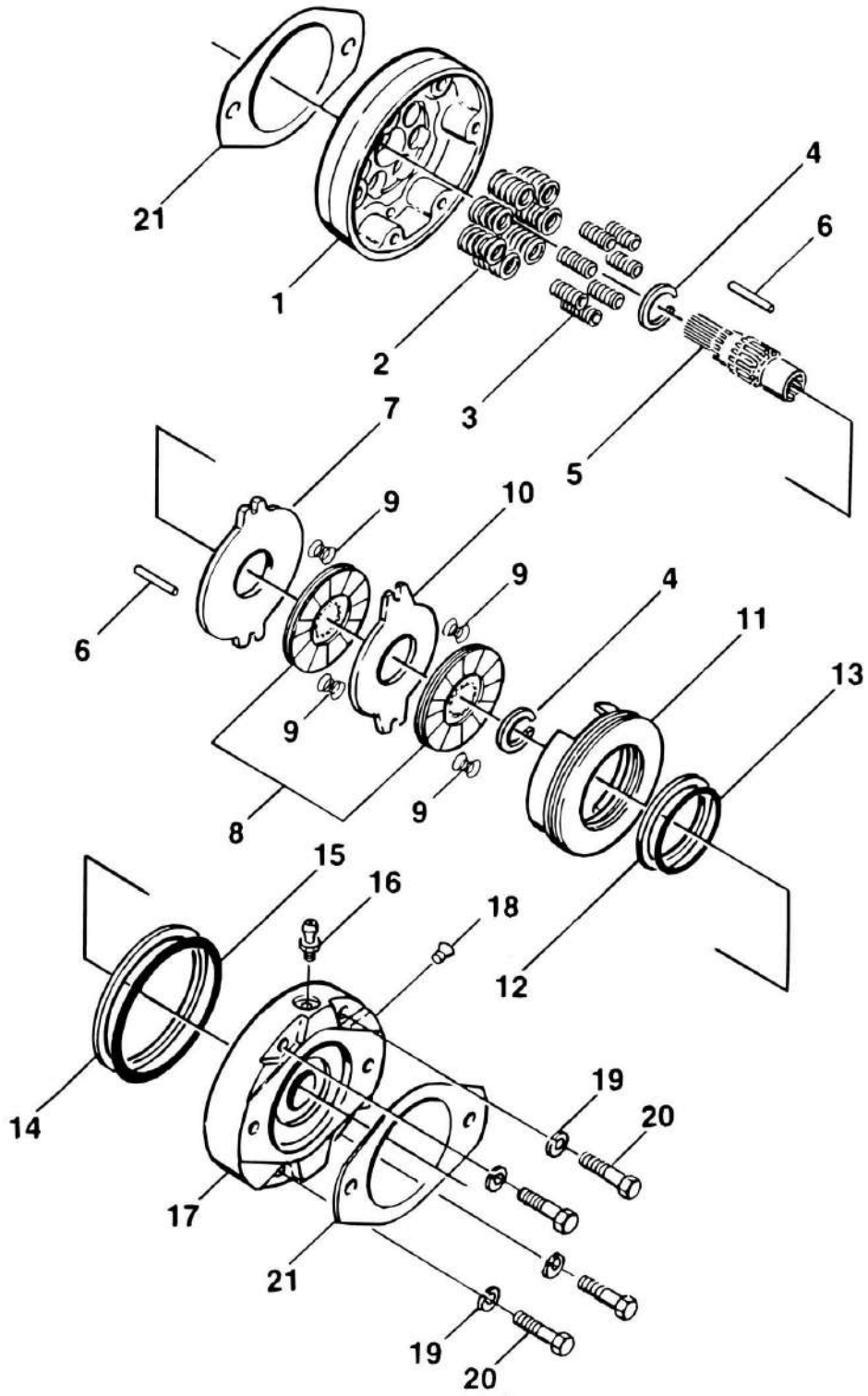
SECTION 2 - TURNTABLE

FIGURE 2-11. SWING MOTOR ASSEMBLY (1993 TO PRESENT)

| ITEM | PART NUMBER | QTY | DESCRIPTION | REV |
|------|-------------|-----|--|-----|
| | 3160183 | Ref | SWING MOTOR ASSEMBLY (1993 TO PRESENT) | - |
| 1 | Kit | 3 | Seal | |
| 2 | Kit | 1 | O-Ring | |
| 3 | 7009984 | 1 | Flange, Mounting | |
| 4 | 7009988 | 1 | Drive | |
| 5 | 7009989 | 1 | Geroler | |
| 6 | 7009905 | 1 | Drive, Valve | |
| 7 | 7009983 | 1 | Plate, Valve | |
| 8 | 7009927 | 1 | Valve | |
| 9 | 7009909 | 1 | Ring, Balance | |
| 10 | Kit | 1 | Seal, Face - Inner | |
| 11 | Kit | 1 | Seal, Face - Outer | |
| 12 | 7009912 | 2 | Pin | |
| 13 | 7009913 | 2 | Spring | |
| 14 | 7009990 | 4 | Bolt | |
| 15 | 7009930 | 1 | Housing, Valve | |
| 16 | 7002157 | 1 | Plug Assembly | |
| 16 | Kit | 1 | O-Ring | |
| | 7009987 | 1 | Seal Kit (Includes Items 1, 2, 10, 11 & 19 O-Ring) | |

SECTION 2 - TURNTABLE

FIGURE 2-12. SWING BRAKE ASSEMBLY (PRIOR TO AUGUST 1991)



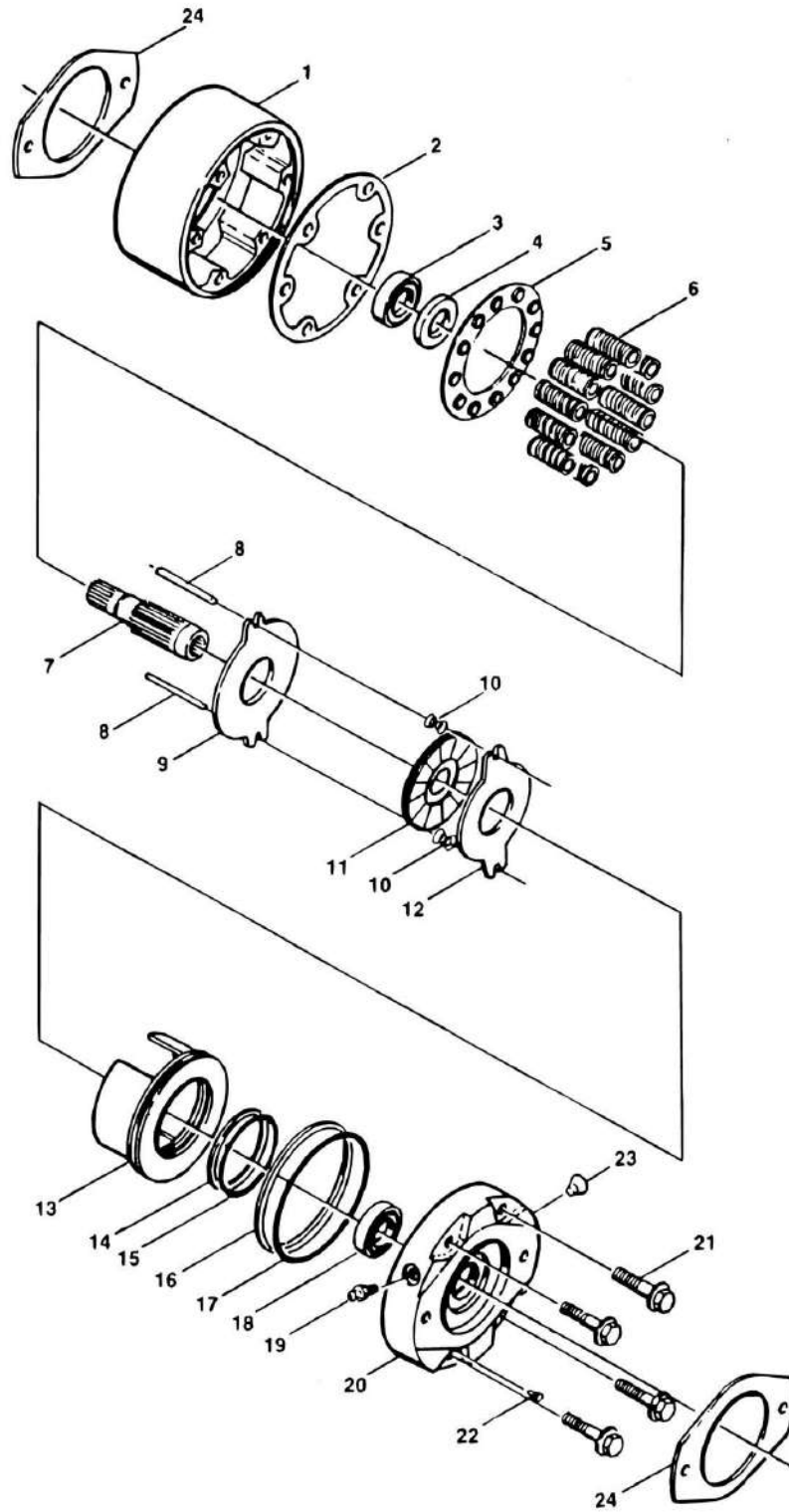
SECTION 2 - TURNTABLE

FIGURE 2-12. SWING BRAKE ASSEMBLY (PRIOR TO AUGUST 1991)

| ITEM | PART NUMBER | QTY | DESCRIPTION | REV |
|------|-------------|-----|--|-----|
| | 0920068 | Ref | SWING BRAKE ASSEMBLY (PRIOR TO AUGUST 1991) | - |
| 1 | 7003067 | 1 | Housing | |
| 2 | 7000782 | 7 | Spring, Compression | |
| 3 | 7000798 | 7 | Spring, Compression | |
| 4 | Kit | 2 | Ring, Retaining | |
| 5 | 7003061 | 1 | Shaft, Splined | |
| 6 | 7003062 | 2 | Pin, Torque | |
| 7 | 7000718 | 1 | Disc, Primary | |
| 8 | 7000732 | 2 | Disc, Rotating | |
| 9 | 7003006 | 4 | Spring, Compression | |
| 10 | 7003063 | 1 | Disc, Stationary | |
| 11 | 7003064 | 1 | Piston | |
| 12 | Kit | 1 | Ring, Back-up | |
| 13 | Kit | 1 | O-Ring | |
| 14 | Kit | 1 | Ring, Back-up | |
| 15 | Kit | 1 | O-Ring | |
| 16 | 7000796 | 1 | Bleeder | |
| 17 | 7003065 | 1 | Plate, Power | |
| 18 | 7000728 | 1 | Plug | |
| 19 | 7000729 | 4 | Lockwasher | |
| 20 | 7003066 | 4 | Bolt | |
| 21 | Kit | 2 | Gasket | |
| | 2900649 | 1 | Seal Kit (Includes Items 4, 12, 13, 14, 15 & 21) | |

SECTION 2 - TURNTABLE

FIGURE 2-13. BRAKE ASSEMBLY - AUSCO 37845 (AUGUST 1991 THROUGH 1992)



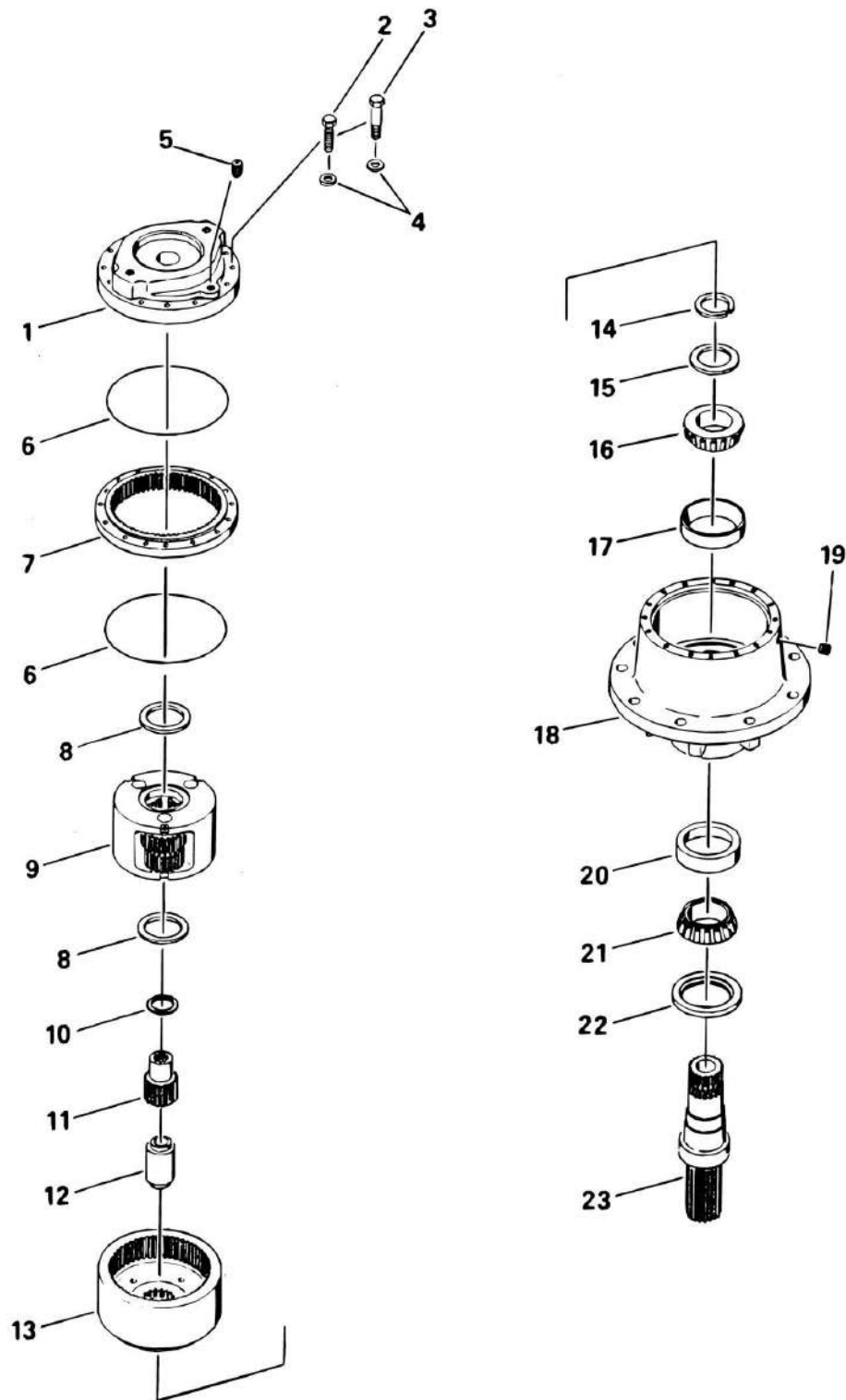
SECTION 2 - TURNTABLE

FIGURE 2-13. BRAKE ASSEMBLY - AUSCO 37845 (AUGUST 1991 THROUGH 1992)

| ITEM | PART NUMBER | QTY | DESCRIPTION | REV |
|------|-------------|-----|--|-----|
| | 0920086 | Ref | BRAKE ASSEMBLY - AUSCO 37845 (AUGUST 1991 THROUGH 1992) | A |
| 1 | 7003092 | 1 | Housing | |
| 2 | Kit | 1 | Gasket | |
| 3 | 7003049 | 1 | Ball Bearing | |
| 4 | 7003050 | 1 | Oil Seal | |
| 5 | 7003051 | 1 | Spring Retainer | |
| 6 | 7003052 | 12 | Compression Spring | |
| 7 | 7003093 | 1 | Shaft | |
| 8 | 7003094 | 2 | Torque Pin | |
| 9 | 7003054 | 1 | Primary Disc | |
| 10 | 7003006 | 2 | Compression Spring | |
| 11 | 7003055 | 1 | Rotating Disc | |
| 12 | 7003056 | 1 | Stationary Disc | |
| 13 | 7003095 | 1 | Piston | |
| 14 | Kit | 1 | Back-Up Ring | |
| 15 | Kit | 1 | O-Ring | |
| 16 | Kit | 1 | Back-Up Ring | |
| 17 | Kit | 1 | O-Ring | |
| 18 | 7000760 | 1 | Ball Bearing | |
| 19 | 7000796 | 1 | Bleeder Screw | |
| 20 | 7003096 | 1 | Power Plate | |
| 21 | 7003007 | 4 | Hex Screw | |
| 22 | 7003059 | 1 | Pressure Relief Valve | |
| 23 | N.S.S. | 1 | Plug, Shipping | |
| 24 | Kit | 2 | Gasket | |
| | 2900662 | 1 | O-Ring Kit (Includes Items 2, 14-17 & 24) | |
| | 7003069 | 1 | Gasket Kit (Includes Item 24) | |

SECTION 2 - TURNTABLE

FIGURE 2-14. SWING HUB ASSEMBLY (MACHINES BUILT THROUGH 1992 ONLY)



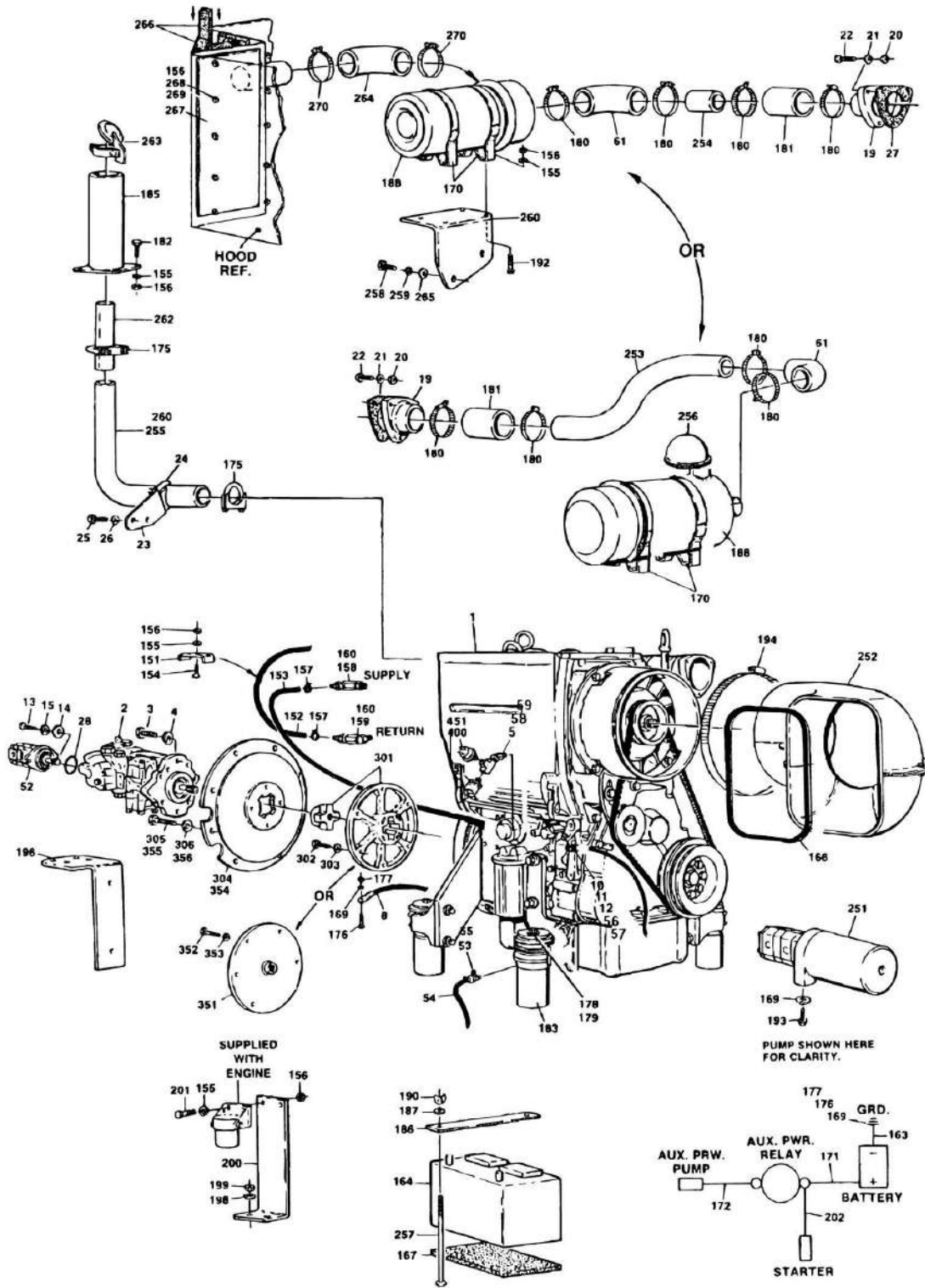
SECTION 2 - TURNTABLE

FIGURE 2-14. SWING HUB ASSEMBLY (MACHINES BUILT THROUGH 1992 ONLY)

| ITEM | PART NUMBER | QTY | DESCRIPTION | REV |
|------|-------------|-----|---|-----|
| | 2780055 | Ref | SWING HUB ASSEMBLY (MACHINES BUILT THROUGH 1992 ONLY) | - |
| 1 | 7000209 | 1 | Cover | |
| 2 | 7000217 | 8 | Bolt, Hex Head | |
| 3 | 7000214 | 4 | Bolt, Hex Head, Shoulder | |
| 4 | 4751500 | 12 | Flatwasher | |
| 5 | 7000242 | 1 | Plug, Pipe | |
| 6 | Kit | 2 | O-Ring | |
| 7 | 7000208 | 1 | Gear, Ring | |
| 8 | 7000253 | 2 | Washer, Thrust | |
| 9 | 7000207 | 1 | Planet Carrier Assembly (No Service Breakdown Parts Purchase Entire Assembly) | |
| 10 | 7000270 | 1 | Washer, Thrust | |
| 11 | 7000268 | 1 | Gear, Sun-Input | |
| 12 | 7000269 | 1 | Spacer, Sun Gear | |
| 13 | 7000246 | 1 | Gear, Internal | |
| | 7000271 | Ref | HUB ASSEMBLY | |
| 14 | Kit | 1 | Ring, Retaining | |
| 15 | Kit | 1 | Spacer | |
| 16 | 7000258 | 1 | Bearing, Tapered Roller | |
| 17 | 7000257 | 1 | Cup, Bearing | |
| 18 | 7000210 | 1 | Hub | |
| 19 | 7000242 | 1 | Plug, Pipe | |
| 20 | 7000255 | 1 | Cup, Bearing | |
| 21 | 7000256 | 1 | Bearing, Tapered Roller | |
| 22 | Kit | 1 | Seal | |
| 23 | 7000233 | 1 | Shaft, Output | |
| | 2900034 | 1 | Kit, Repair (Includes Items 6, 14, 15 & 22) | |

SECTION 2 - TURNTABLE

FIGURE 2-15. DEUTZ ENGINE INSTALLATION



SECTION 2 - TURNTABLE

FIGURE 2-15. DEUTZ ENGINE INSTALLATION

| ITEM | PART NUMBER | QTY | DESCRIPTION | REV |
|------|-------------|-----|---|-----|
| | | Ref | Note: See SPECIAL OPTIONS SECTION for Machines with Hydraulic Tool Circuit and Deutz Engine Combination or Special UCON Hydraulic Fluid. | |
| | | Ref | DEUTZ ENGINE ASSEMBLY (STANDARD PARTS) | |
| | | Ref | Engine - Deutz F2L-1011 Diesel Options: | |
| 1 | | 1 | Engine - Deutz F2L-1011 (Prior to August 1995) | |
| 1 | 2000106 | 1 | Engine - Deutz F2L-1011 (Prior to August 1995) | |
| 1 | 2000137 | 1 | Engine - Deutz F2L-1011 (August 1995 to Present) | |
| 2 | | Ref | Pump Assembly - Sunstrand Options (See PUMP ASSEMBLY - SUNSTRAND for Breakdown): | |
| 2 | 3600164 | 1 | Pump Assembly - Sunstrand (Prior to SN 27991) | |
| 2 | 3600260 | 1 | Pump Assembly - Sunstrand (SN 27991 to Present) | |
| 3 | 0641812 | 2 | Bolt 1/2in-13NC x 1 1/2in | |
| 4 | 4761800 | 2 | Lockwasher 1/2in | |
| 5 | 2180730 | 1 | Fitting, Special | |
| 8 | 1060221 | 1 | Cable, Battery (Engine to Ground) | |
| 10 | | Ref | Adapter, Throttle Options: | |
| 10 | 0080172 | 1 | Adapter, Throttle (Prior to August 1995) | |
| 10 | 4460302 | 1 | Adapter, Throttle (August 1995 to Present) | |
| 11 | 3450202 | 1 | Pin, Cotter 1/16in x 1/2in | |
| 12 | | Ref | Hardware Options: | |
| 12 | 3951003 | 1 | Setscrew #10-24NC x 3/8in (Prior to August 1995) | |
| 12 | 0902244 | 1 | Bracket, Throttle (August 1995 to Present) | |
| 13 | 0641610 | 2 | Bolt 3/8in-16NC x 1 1/4in | |
| 14 | 4751600 | 2 | Flatwasher 3/8in | |
| 15 | 4761600 | 2 | Lockwasher 3/8in | |
| 19 | 0080177 | 1 | Adapter Weldment | |
| 20 | 3311501 | 3 | Nut 5/16in-18NC | |
| 21 | 4761500 | 3 | Lockwasher 5/16in | |
| 22 | 0641512 | 3 | Bolt 5/16in-18NC x 1 1/2in | |
| 23 | 0901705 | 1 | Bracket, Exhaust | |
| 24 | 1320176 | 1 | Clamp, Muffler | |
| 25 | 0701010 | 2 | Bolt, Metric 10mm x 20mm | |
| 26 | 4832000 | 2 | Lockwasher, Metric 10mm | |
| 27 | 3960407 | 1 | Gasket, Intake Adapter | |
| 28 | 3790152 | 1 | O-Ring | |
| | 0250377 | Ref | STANDARD BANG-BANG OR PROPORTIONAL CONTROLS AND WITHOUT NOISE REDUCTION PACKAGE PRIOR TO OCTOBER 1991 | E |
| 51 | 2420131 | 1 | Sender, Oil Pressure | |
| 52 | | Ref | Pump Assembly Options: | |
| 52 | 3600165 | 1 | Pump - Vickers (Not Field Serviceable) (Prior to April 1990) | |
| 52 | 2900660 | 1 | Shaft Seal Kit - 3600165 Pump | |
| 52 | 3600172 | 1 | Pump - Barnes (April 1990 to October 1991) (See PUMP ASSEMBLY - BARNES for Breakdown) | |
| 52 | 3600176 | 1 | Pump Assembly - Barnes (See PUMP ASSEMBLY - BARNES for Breakdown) | |
| | 0251056 | Ref | DEUTZ ENGINE ASSEMBLY - HYDRAULIC CONTROLS AND WITHOUT NOISE REDUCTION PACKAGE PRIOR TO OCTOBER 1991 (VARIABLE PARTS) | D |
| 51 | 2420131 | 1 | Sender, Oil Pressure | |
| 52 | 3600176 | 1 | Pump Assembly - Barnes (See PUMP ASSEMBLY - BARNES for Breakdown) | |

SECTION 2 - TURNTABLE

| ITEM | PART NUMBER | QTY | DESCRIPTION | REV |
|------|-------------|------------|--|-----|
| | 0252106 | Ref | DEUTZ ENGINE ASSEMBLY - STANDARD BANG-BANG OR PROPORTIONAL CONTROLS AND WITH NOISE REDUCTION PACKAGE OCTOBER 1991 TO PRESENT (VARIABLE PARTS) | G |
| 51 | 2420110 | 1 | Sender, Oil Pressure | |
| 52 | | Ref | Pump Assembly Options: | |
| 52 | 3600172 | 1 | Pump-Barnes (October 1991 to January 1993) (See PUMP ASSEMBLY - BARNES for Breakdown) | |
| 52 | 3600199 | 1 | Pump-Barnes (January 1993 to Present) (See PUMP ASSEMBLY - BARNES for Breakdown) | |
| 53 | 4640751 | 1 | Valve, Oil Drain | |
| 54 | 2750532 | 1 ft/.3m | Hose | |
| 55 | 1320022 | 1 | Clamp | |
| 56 | 4711400 | 1 | Flatwasher 1/4in (August 1995 to Present) | |
| 57 | 0700605 | 2 | Bolt Metric 6mm x 10mm (August 1995 to Present) | |
| 58 | 2180104 | 1 | Fitting, Nipple (August 1995 to Present) | |
| 59 | 2200261 | 1 | Fitting, Coupling (August 1995 to Present) | |
| | 0252108 | Ref | DEUTZ ENGINE ASSEMBLY - HYDRAULIC CONTROLS AND WITH NOISE REDUCTION PACKAGE OCTOBER 1991 TO PRESENT (VARIABLE PARTS) | H |
| 51 | 2420110 | 1 | Sender, Oil Pressure | |
| 52 | | Ref | Pump Assembly Options: | |
| 52 | 3600143 | 1 | Pump-Vickers (Not Field Serviceable) (October 1991 to April 1993) | |
| 52 | 2900660 | 1 | Shaft Seal Kit - 3600143 Pump | |
| 52 | 3600202 | 1 | Pump-Barnes (April 1993 to Present) (See PUMP ASSEMBLY - BARNES for Breakdown) | |
| 53 | 4640751 | 1 | Valve, Oil Drain | |
| 54 | 2750532 | 1 ft/.3m | Hose | |
| 55 | 1320022 | 1 | Clamp | |
| 56 | 4711400 | 1 | Flatwasher 1/4in (August 1995 to Present) | |
| 57 | 0700605 | 2 | Bolt Metric 6mm x 10mm (August 1995 to Present) | |
| 58 | 2180104 | 1 | Fitting, Nipple (August 1995 to Present) | |
| 59 | 2200261 | 1 | Fitting, Coupling (August 1995 to Present) | |
| | | Ref | DEUTZ ENGINE INSTALLATION (STANDARD PARTS) | |
| 151 | 1320041 | 1 | Clamp | |
| 152 | 2720271 | 10 ft/3m | Line, Fuel Return | |
| 153 | 2720058 | 10 ft/3m | Line, Fuel Supply | |
| 154 | 4300032 | AR | Stud (Welded on Part) | |
| 155 | 4761400 | AR | Lockwasher 1/4in | |
| 156 | 3311401 | AR | Nut 1/4in-20NC | |
| 157 | 1320022 | 4 | Clamp | |
| 158 | 2220805 | 1 | Fitting, 90 | |
| 159 | 2220063 | 1 | Fitting, 90 Swivel | |
| 160 | 4420001 | AR | Tape, Sealant | |
| 161 | 0080039 | 1 | Adaptor, Elbow | |
| 163 | 1060172 | 1 | Cable, Battery | |
| 164 | 0400075 | 1 | Battery | |
| 166 | 3960389 | 51 in/1.3m | Seal, Rubber Grip | |
| 167 | 3980007 | 1 | Seat, Battery | |
| 169 | 4761600 | 4 | Lockwasher 3/8in | |
| 170 | 0340002 | 2 | Band, Air Cleaner | |
| 171 | 1060273 | 1 | Cable, Battery (Battery to Auxiliary Relay) | |
| 172 | 1060099 | 1 | Cable, Battery (Starter to Auxiliary Power Relay) | |

SECTION 2 - TURNTABLE

| ITEM | PART NUMBER | QTY | DESCRIPTION | REV |
|------------|---------------|------------|---|-----|
| 175 | 1320019 | AR | Clamp, Exhaust | |
| 176 | 4300034 | 2 | Stud (Welded on Parts) | |
| 177 | 3311601 | 2 | Nut 3/8in-16NC | |
| 178 | 0641856 | 4 | Bolt 1/2in-13NC x 7in | |
| 179 | 4761800 | 4 | Lockwasher 1/2in | |
| 180 | 1320031 | 4 | Clamp | |
| 181 | 2720351 | 3 in/7.6cm | Hose | |
| 182 | 0641406 | 4 | Bolt 1/4in-20NC x 3/4in | |
| 183 | 0080178 | 4 | Adapter, Engine Mounting | |
| 185 | 4843372 | 1 | Snorkel, Exhaust | |
| 186 | 0361810 | 1 | Holddown, Battery | |
| 187 | 4751600 | 4 | Flatwasher 3/8in | |
| 188 | 1340020 | 1 | Air Cleaner Assembly | |
| 188 | 7004214 | 1 | Element | |
| 190 | 3300029 | 2 | Wingnut 3/8in-16NC | |
| 192 | 0641406 | 4 | Bolt 1/4in-20NC x 3/4in | |
| 193 | 0641614 | 2 | Bolt 3/8in-16NC x 1 3/4in | |
| 194 | 1320059 | 1 | Clamp | |
| 196 | 0961664 | 1 | Bracket - Hydraulic Filter | |
| 197 | 4300038 | 2 | Stud (Welded on Parts) | |
| 198 | 4761500 | 2 | Lockwasher 5/16in | |
| 199 | 3311501 | 2 | Nut 5/16in-18NC | |
| 200 | 0901673 | 1 | Bracket, Fuel Filter | |
| 201 | 0641418 | 2 | Bolt 1/4in-20NC x 2 1/4in | |
| 202 | 1060149 | 1 | Cable, Battery (Auxiliary Relay to Starter) | |
| 203 | 2220273 | 2 | Reducer, Bushing | |
| 204 | 2180536 | 1 | Fitting | |
| | 0250378 | Ref | DEUTZ ENGINE INSTALLATION - STANDARD BANG-BANG OR PROPORTIONAL CONTROLS AND WITHOUT NOISE REDUCTION PACKAGE PRIOR TO OCTOBER 1991 (VARIABLE PARTS) | E |
| 251 | 3600050 | 1 | Auxiliary Pump Assembly | |
| 251 | | Ref | Barnes Version Components: | |
| 251 | 7004249 | 1 | Coupling | |
| 251 | 7004248 | 1 | Motor | |
| 251 | 7010923 | 1 | Pump | |
| 251 | | Ref | Stone/Fenner Version Components: | |
| 251 | 7004412 | 1 | Coupling | |
| 251 | 7000482 | 1 | Motor | |
| 251 | Not Available | | Pump (Purchase Complete Assembly) | |
| 252 | 1840005 | 1 | Scoop, Air Intake | |
| 253 | 4564558 | 1 | Tube, Air Intake | |
| 254 | Not Required | 0 | Not Required | |
| 255 | 4564557 | 1 | Tube, Exhaust | |
| 256 | 1120161 | 1 | Cap, Air Inlet | |
| 257 | 0630370 | 2 | Rod, Holddown | |
| 257 | 1380032 | 2 | Clip, Battery (Not Shown) | |
| 258 to 270 | Not Required | 0 | Not Required | |
| | 0251057 | Ref | DEUTZ ENGINE INSTALLATION - HYDRAULIC CONTROLS AND WITHOUT NOISE REDUCTION PACKAGE PRIOR TO OCTOBER 1991 (VARIABLE PARTS) | D |
| 251 | | Ref | Auxiliary Pump Options: | |

SECTION 2 - TURNTABLE

| ITEM | PART NUMBER | QTY | DESCRIPTION | REV |
|------------|---------------|----------|--|-----|
| 251 | 3600141 | 1 | Auxiliary Pump (Prior to January 1991 - Purchase 3600071 as replacement) | |
| 251 | 3600071 | 1 | Auxiliary Pump (January 1991 to October 1991) | |
| 251 | 7004249 | 1 | Coupling | |
| 251 | 7004248 | 1 | Motor | |
| 251 | 7004436 | 1 | Motor with Mounting Bracket | |
| 251 | 7012576 | 1 | Bracket | |
| 251 | 7004247 | 1 | Pump Only | |
| 252 | 1840005 | 1 | Scoop, Air Intake | |
| 253 | 4564558 | 1 | Tube, Air Intake | |
| 254 | Not Required | 0 | Not Required | |
| 255 | 4564557 | 1 | Tube, Exhaust | |
| 256 | 1120161 | 1 | Cap, Air Inlet | |
| 257 | 0236768 | 2 | Rod, Holddown | |
| 258 to 270 | Not Required | 0 | Not Required | |
| | 0252107 | Ref | DEUTZ ENGINE INSTALLATION - STANDARD BANG-BANG OR PROPORTIONAL CONTROLS AND WITH NOISE REDUCTION PACKAGE OCTOBER 1991 TO PRESENT (VARIABLE PARTS) | F |
| 251 | | Ref | Auxiliary Pump Options: | |
| 251 | 3600050 | 1 | Auxiliary Pump (October 1991 to April 1993) | |
| 251 | | Ref | Barnes Version Components: | |
| 251 | 7004249 | 1 | Coupling | |
| 251 | 7004248 | 1 | Motor | |
| 251 | 7010923 | 1 | Pump | |
| 251 | | Ref | Stone/Fenner Version Components: | |
| 251 | 7004412 | 1 | Coupling | |
| 251 | 7000482 | 1 | Motor | |
| 251 | Not Available | | Pump (Purchase Complete Assembly) | |
| 251 | 3600208 | 1 | Auxiliary Pump (April 1993 to Present) | |
| 251 | 7013711 | 1 | Coupling | |
| 251 | 7013710 | 1 | Motor | |
| 251 | 7013712 | 1 | Pump | |
| 251 | 7013753 | 1 | Seal Kit - 7013712 Pump | |
| 252 | | Ref | Scoop (Air Intake) Options: | |
| 252 | 1840005 | 1 | Scoop (Prior to March 1995) | |
| 252 | 1840011 | 1 | Scoop (March 1995 to Present) | |
| 253 | Not Required | 0 | Not Required | |
| 254 | 4565301 | 1 | Tube | |
| 255 | 4565271 | 1 | Tube, Exhaust | |
| 256 | Not Required | 0 | Not Required | |
| 257 | 0630370 | 2 | Rod, Holddown | |
| 257 | 1380032 | 2 | Clip, Battery (Not Shown) | |
| 258 | 0701010 | 2 | Bolt, Metric 10mm x 20mm | |
| 259 | 4832000 | 2 | Lockwasher, Metric 10mm | |
| 260 | 0901781 | 1 | Bracket, Air Cleaner | |
| 261 | 4100025 | 2 ft/.6m | Sleeve, Exhaust | |
| 262 | 4565278 | 1 | Extension, Exhaust | |
| 263 | 1120405 | 1 | Raincap | |
| 264 | 0080046 | 1 | Elbow | |
| 265 | 4711600 | 2 | Flatwasher 3/8in | |
| 266 | 2820042 | 4 | Foam, Acoustical | |

SECTION 2 - TURNTABLE

| ITEM | PART NUMBER | QTY | DESCRIPTION | REV |
|------|--------------|----------|---|-----|
| 267 | 1670608 | 1 | Cover, Intake Box | |
| 268 | 3941406 | 10 | Screw, Self-Tapping 1/4in x 3/4in | |
| 269 | 4761400 | 16 | Lockwasher 1/4in | |
| 270 | 1320016 | 2 | Clamp | |
| | 0252109 | Ref | DEUTZ ENGINE INSTALLATION - HYDRAULIC CONTROLS AND WITH NOISE REDUCTION PACKAGE OCTOBER 1991 TO PRESENT (VARIABLE PARTS) | E |
| 251 | | Ref | Auxiliary Pump Options: | |
| 251 | 3600071 | 1 | Auxiliary Pump (October 1991 to April 1993) | |
| 251 | 7004249 | 1 | Coupling | |
| 251 | 7004248 | 1 | Motor | |
| 251 | 7004436 | 1 | Motor with Mounting Bracket | |
| 251 | 7012576 | 1 | Bracket | |
| 251 | 7004247 | 1 | Pump Only | |
| 251 | 3600210 | 1 | Auxiliary Pump (April 1993 to Present) | |
| 251 | 7013711 | 1 | Coupling | |
| 251 | 7013710 | 1 | Motor | |
| 251 | 7013757 | 1 | Brush and Spring Kit - 7013710 Motor | |
| 251 | 7013771 | 1 | Pump | |
| 251 | 7016701 | 4 | O-Ring | |
| 251 | 7000754 | 1 | Seal, Shaft | |
| 252 | | Ref | Scoop (Air Intake) Options: | |
| 252 | 1840005 | 1 | Scoop (Prior to March 1995) | |
| 252 | 1840011 | 1 | Scoop (March 1995 to Present) | |
| 253 | Not Required | 0 | Not Required | |
| 254 | 4565301 | 1 | Tube | |
| 255 | 4565271 | 1 | Tube, Exhaust | |
| 256 | Not Required | 0 | Not Required | |
| 257 | 0236768 | 2 | Rod, Holddown | |
| 258 | 0701010 | 2 | Bolt, Metric 10mm x 20mm | |
| 259 | 4832000 | 2 | Lockwasher, Metric 10mm | |
| 260 | 0901781 | 1 | Bracket, Air Cleaner | |
| 261 | 4100025 | 2 ft/.6m | Sleeve, Exhaust | |
| 262 | 4565278 | 1 | Extension, Exhaust | |
| 263 | 1120405 | 1 | Raincap | |
| 264 | 0080046 | 1 | Elbow | |
| 265 | 4711600 | 2 | Flatwasher 3/8in | |
| 266 | 2820042 | 4 | Foam, Acoustical | |
| 267 | 1670608 | 1 | Cover, Intake Box | |
| 268 | | Ref | Hardware Options: | |
| 268 | 3941406 | 10 | Screw, Self-Tapping 1/4in x 3/4in (Prior to September 1995) | |
| 268 | 4751400 | 16 | Flatwasher 1/4in (September 1995 to Present) | |
| 269 | 4761400 | 10 | Lockwasher 1/4in | |
| 270 | 1320016 | 2 | Clamp | |
| | 0250125 | Ref | COUPLING INSTALLATION - LOVEJOY OPTION | - |
| 301 | | Ref | Coupling Options: | |
| 301 | 1660169 | 1 | Coupling - 13 Teeth | |
| 301 | 1660234 | 1 | Coupling - 15 Teeth | |
| 302 | 0700814 | 6 | Bolt, Metric 8mm x 30MM | |
| 303 | 4831900 | 6 | Lockwasher, Metric 8mm | |
| 304 | 0080163 | 1 | Plate, Adapter | |
| 305 | 0701013 | 8 | Bolt, Metric 10mm x 28mm | |

SECTION 2 - TURNTABLE

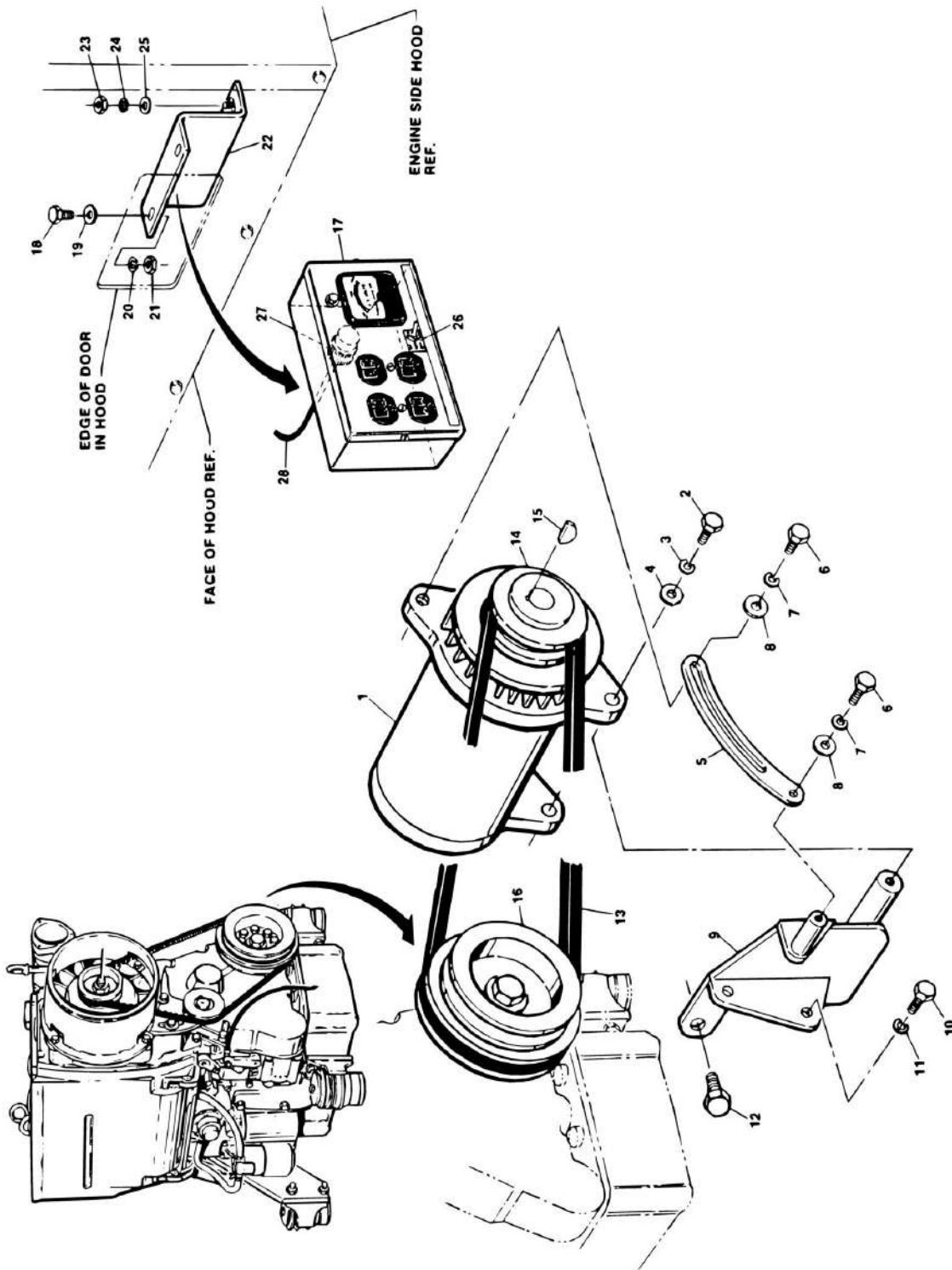
| ITEM | PART NUMBER | QTY | DESCRIPTION | REV |
|------|-------------|-----|--|-----|
| 306 | 4832000 | 8 | Lockwasher, Metric 10mm | |
| | | Ref | COUPLING INSTALLATION - HAYES OPTION | |
| | 0250597 | Ref | HAYES 13 TEETH | - |
| | 0256848 | Ref | HAYES 15 TEETH | 2 |
| 351 | | Ref | Coupling Options: | |
| 351 | 1660184 | 1 | Coupling - 13 Teeth | |
| 351 | 1660234 | 1 | Coupling - 15 Teeth | |
| | | Ref | Note: Coupling Internal spines must be lubed with Lithium based grease prior to installation. | |
| 352 | 0700810 | 6 | Bolt, Metric 8mm x 20mm | |
| 353 | 4831900 | 6 | Lockwasher, Metric 8mm | |
| 354 | 0080163 | 1 | Plate, Adapter | |
| 355 | 0701013 | 8 | Bolt, Metric 10mm x 28mm | |
| 356 | 4832000 | 8 | Lockwasher, Metric 10mm | |
| | | Ref | ENGINE COMPONENTS - DEUTZ F2L1011 | |
| | 2000106 | Ref | Engine Components - Deutz F2L1011 (Prior to August 1995) | |
| | 7000693 | 1 | Muffler - Deutz F2L1011 | |
| | 3600213 | 1 | Pump, Drive (was p/n 7012572) | |
| | 3520078 | 1 | Plug (was p/n 7012573) | |
| | 1670680 | 1 | Cover, Timing Chain (was p/n 7012574) | |
| | 7012575 | 1 | Pulley, Crankshaft | |
| | 7020023 | 1 | Filter, Fuel (was p/n 7012598) | |
| | 7012599 | 1 | Pump, Fuel Injector | |
| | 7012698 | 1 | Pump, Fuel | |
| | 1670680 | 1 | Cover, Timing Belt | |
| | 7012626 | 1 | Starter | |
| | 7014502 | 1 | Filter, Oil (Case of 12) (Kit Includes 1 Filter) | |
| | 7014683 | 1 | Oil Change and Gasket Kit (Includes Fuel Line Washer or Plug Washer, Oil Filter, Fuel Filter Injector Tip Gasket and Valve Cover Gasket) | |
| | 7020417 | 1 | Alternator | |
| | 7016308 | 1 | Ring, Plastic Air Intake | |
| | 7019607 | 2 | Shutdown Device (was p/n 7016359) | |
| | 7020414 | 1 | V-Belt | |
| | 7020437 | 1 | Flywheel | |
| | 7020496 | 1 | Gear, Ring (Flywheel) | |
| | 7020456 | 1 | Dipstick | |
| | 2000137 | Ref | Engine Components - Deutz F2L1011 (August 1995 to Present) | |
| | 7020417 | 1 | Alternator | |
| | 7000693 | 1 | Muffler - Deutz F2L1011 | |
| | 8320270 | 1 | Filter, Fuel (was p/n7016328) | |
| | 7012599 | 1 | Pump, Fuel Injector | |
| | 7016309 | 1 | Washer, Copper (Engine p/n 2000137) | |
| | | Ref | Gasket, Cylinder Head Options: | |
| | 70003160 | 1 | 1 Notch | |
| | 70003161 | 1 | 2 Notches | |
| | 70003162 | 1 | 3 Notches | |
| | 7000699 | 1 | Gasket, Exhaust (Doughnut) (Fits Between Pipe Flange and Manifold) | |
| | 7016332 | 1 | Starter (was p/n 7020416) | |
| | 7016331 | 1 | Filter, Oil | |

SECTION 2 - TURNTABLE

| ITEM | PART NUMBER | QTY | DESCRIPTION | REV |
|------|-------------|-----|--|-----|
| | 7019607 | 2 | Shutdown Device (was p/n 7016359) | |
| | 7020414 | 1 | V-Belt | |
| | 7020027 | 1 | Assy, Flywheel/Ring Gear | |
| | 7020477 | | Ring Gear Only | |
| | 7020404 | 1 | Ring, Sealing - Oil Drain | |
| | 7020406 | 1 | Ring, Sealing | |
| | 7020411 | 1 | Gasket, Fuel Supply Lift Pump | |
| | 7020415 | 1 | Fitting, Tee | |
| | 7020419 | 1 | Hose, Fuel Return | |
| | 7020424 | 2 | Gasket, Injector Tip | |
| | 7020425 | 2 | Nozzle, Injector | |
| | 7020426 | 2 | Injector | |
| | 7024413 | 1 | Pump, Fuel Lift (was p/n 7020428) | |
| | 7020429 | 1 | Gasket, Valve Cover | |
| | 7020434 | 1 | Dipstick | |
| | 7020465 | 1 | Cap, Oil Fill | |
| | 0251682 | Ref | OPTIONAL ENGINE SHUTDOWN INSTALLATION | - |
| 400 | 2180360 | 1 | Fitting, Tee | |
| 400 | 2180643 | 1 | Fitting, Nipple | |
| 400 | 2220318 | 1 | Fitting, 90 | |
| 400 | 4360065 | 1 | Switch, Pressure | |
| | 0251537 | Ref | OPTIONAL ENGINE DISTRESS INSTALLATION | D |
| | 0250229 | Ref | OPTIONAL 110V GENERATOR INSTALLATION (PRIOR TO AUGUST 1994) | L |
| | 0255102 | Ref | OPTIONAL 110V GENERATOR INSTALLATION (AUGUST 1994 TO PRESENT) | B |
| 451 | 4360037 | 1 | Switch, Pressure | |
| 451 | 2180360 | 1 | Fitting, Tee (Prior to SN 23615) | |
| 451 | 2180749 | 1 | Fitting, 45 | |
| 451 | | Ref | Fitting Options: | |
| 451 | 2180537 | 1 | Fitting, Nipple (Prior to SN 23615) | |
| 451 | 2180730 | 1 | Fitting, Adapter (SN 23615 to Present) | |
| 451 | 2200261 | 1 | Fitting, Adapter (Prior to SN 23615) | |
| | 0252301 | Ref | OPTIONAL COLD WEATHER START INSTALLATION (NOT SHOWN) | B |
| | 0254240 | Ref | OPTIONAL ETHER ASSIST SYSTEM INSTALLATION (NOT SHOWN) | - |
| | 2901111 | Ref | Cold Weather Start Kit | |
| | 0256127 | Ref | OPTIONAL SPARK ARRESTOR INSTALLATION (NOT SHOWN) | - |

SECTION 2 - TURNTABLE

FIGURE 2-16. 110 VOLT GENERATOR INSTALLATION (DEUTZ)



SECTION 2 - TURNTABLE

FIGURE 2-16. 110 VOLT GENERATOR INSTALLATION (DEUTZ)

| ITEM | PART NUMBER | QTY | DESCRIPTION | REV |
|------|-------------|-----|--|-----|
| | 0250229 | Ref | 110 VOLT GENERATOR INSTALLATION (DEUTZ) (PRIOR TO AUGUST 1994) | L |
| | 0255102 | Ref | 110 VOLT GENERATOR INSTALLATION (DEUTZ) (AUGUST 1994 TO PRESENT) | B |
| 1 | 2460011 | 1 | Generator Assembly with Control Box | |
| 1 | 7012558 | 1 | Generator Assembly | |
| 1 | 7026199 | 1 | Armature with Slip Rings | |
| 1 | 7012513 | 4 | Holder, Brush | |
| 1 | 7012514 | 1 | Fan | |
| 1 | 7020108 | 4 | Brush | |
| 1 | 7020109 | 4 | Holder, Brush | |
| 1 | 7020110 | 1 | Bell, Front | |
| 1 | 7020111 | 1 | Bell, Rear | |
| 1 | 7020190 | 2 | Bearing | |
| 1 | 7020193 | 1 | Cord, Power | |
| 1 | 7003657 | 1 | Control Box Assembly | |
| | | Ref | Note: Replacement 110V Control Box comes with 2 std Receptacles p/n 4460190. Optional Industrial Twist Lock Receptacles p/n 4460027 must be ordered separately. | |
| 1 | 2420203 | 1 | Voltmeter | |
| 1 | 3520028 | 1 | Plug, Hole | |
| 1 | 4360542 | 1 | Breaker, Circuit | |
| 1 | 2920162 | 1 | Lamp Assembly | |
| 1 | 7020191 | 1 | Switch, Toggle | |
| 2 | 0681610 | 2 | Bolt 3/8in-16NC x 1 1/4in (Grade 8) | |
| 3 | 4761600 | 2 | Lockwasher 3/8in | |
| 4 | 4751600 | 2 | Flatwasher 3/8in | |
| 5 | 0361815 | 1 | Arm, Adjustable | |
| 6 | 0681510 | 2 | Bolt 5/16in-18NC x 1 1/4in (Grade 8) | |
| 7 | 4761500 | 2 | Lockwasher 5/16in | |
| 8 | 4751500 | 2 | Flatwasher 5/16in | |
| 9 | 4843410 | 1 | Bracket, Mounting - Generator | |
| 10 | 0701012 | 2 | Bolt, Metric 10MM x 25M | |
| 11 | 4812000 | 2 | Flatwasher, Metric 10MM | |
| 11 | 0100011 | AR | Loctite | |
| 12 | 0701414 | 1 | Bolt, Metric 14MM x 30MM | |
| 13 | 0480059 | 1 | V-Belt | |
| 14 | 3580134 | 1 | Pulley | |
| 15 | 7027887 | 1 | Key | |
| 16 | 3580158 | 1 | Pulley | |
| 17 | See Item 1 | 1 | Box, Control | |
| 18 | 0641406 | 2 | Bolt 1/4in-20NC x 3/4in (Prior to August 1994 Only) | |
| 19 | 4751400 | 2 | Flatwasher 1/4in (Prior to August 1994 Only) | |
| 20 | 4761400 | 2 | Lockwasher 1/4in (Prior to August 1994 Only) | |
| 21 | 3311401 | 2 | Nut 1/4in-20NC (Prior to August 1994 Only) | |
| 22 | 0901633 | 1 | Bracket, mounting - Box (Prior to August 1994 Only) | |
| 23 | 3311401 | 2 | Nut 1/4in-20NC (Prior to August 1994 Only) | |
| 24 | 4761400 | 2 | Lockwasher 1/4in (Prior to August 1994 Only) | |
| 25 | 4751400 | 2 | Flatwasher 1/4in (Prior to August 1994 Only) | |
| 25 | 4300068 | 2 | Stud (Welded on Part) (Prior to August 1994 Only) | |

SECTION 2 - TURNTABLE

| ITEM | PART NUMBER | QTY | DESCRIPTION | REV |
|------|-------------|-----|-------------------|-----|
| 26 | 3251476 | 1 | Decal - Generator | |
| 27 | 4460023 | 1 | Terminal | |
| 28 | 1060012 | AR | Cable - 12/4 | |

SECTION 2 - TURNTABLE

FIGURE 2-17. FORD ENGINE INSTALLATION

| ITEM | PART NUMBER | QTY | DESCRIPTION | REV |
|------|-------------|-----|--|-----|
| | | Ref | FORD ENGINE ASSEMBLY (STANDARD PARTS) | |
| 1 | | Ref | Engine Options: | |
| 1 | 2000109 | 1 | Engine - Ford VSG-411 (Industrial Flywheel) (Prior to November 1992) | |
| 1 | 2000117 | 1 | Engine - Ford VSG-411 (Automotive Flywheel) (November 1992 to October 1994) | |
| 1 | 2000129 | 1 | Engine - Ford VSG-411 (October 1994 to March 1995) | |
| 1 | 2000130 | 1 | Engine - Ford VSG-411 (March 1995 to SN 4331) | |
| 1 | 2000147 | 1 | Engine - Ford VSG-411 (SN 43319 to Present) | |
| 2 | | Ref | Pump Assembly - Sunstrand Options (See PUMP ASSEMBLY - SUNSTRAND for Breakdown): | |
| 2 | 3600164 | 1 | Pump Assembly - Sunstrand (Prior to SN 43319) | |
| 2 | 3600260 | 1 | Pump Assembly - Sunstrand (SN 43319 to Present) | |
| 5 | 3533445 | 1 | Plate, Mounting - Governor and Carburetor | |
| 7 | 2500005 | 1 | Governor, Precision | |
| 8 | 0641410 | 4 | Bolt 1/4in-20NC x 1 1/4in | |
| 9 | 4761400 | 4 | Lockwasher 1/4in | |
| 10 | 3311401 | 4 | Nut 1/4in-20NC | |
| 11 | 4740185 | 2 | Flatwasher 3/8in (Hardened) | |
| 12 | 0641610 | 2 | Bolt 3/8in-16NC x 1 1/4in | |
| 13 | 0641812 | 4 | Bolt 1/2in-13NC x 1 1/2in | |
| 14 | 4761800 | 4 | Lockwasher 1/2in | |
| 15 | 0700814 | 3 | Bolt, Metric 8mm x 30mm | |
| 16 | 4831900 | 3 | Lockwasher, Metric 8mm | |
| 17 | 1060149 | 1 | Cable, Battery (Auxiliary Relay to Starter) | |
| 18 | 4843497 | 1 | Bracket, Engine Mounting - Front | |
| 19 | 3533291 | 1 | Plate | |
| 20 | 0701014 | 5 | Bolt, Metric 10mm x 30mm | |
| 21 | 4832000 | 5 | Lockwasher, Metric 10mm | |
| 22 | 3200202 | 2 | Mount, Engine - Rear | |
| 23 | 3200201 | 1 | Mount, Engine - Front | |
| 24 | 4740273 | 2 | Washer, Snubbing | |
| 25 | 4751700 | 4 | Flatwasher 7/16in | |
| 26 | 0641728 | 2 | Bolt 7/16in-14NC x 3 1/2in | |
| 27 | 3311705 | 2 | Locknut 7/16in-14NC | |
| 28 | 4740274 | 1 | Washer, Snubbing | |
| 29 | 0641826 | 1 | Bolt 1/2in-13NC x 3 1/4in | |
| 30 | 4751800 | 1 | Flatwasher 1/2in | |
| 31 | 3311805 | 1 | Locknut 1/2in-13NC | |
| 32 | 0641608 | 8 | Bolt 3/8in-16NC x 1in | |
| 33 | 4761600 | 8 | Lockwasher 38 (Prior to SN 43319) | |
| 34 | 3311605 | 8 | Locknut 3/8in-16NC | |
| 35 | 1060093 | 1 | Cable, Battery (Engine to Ground) | |
| 39 | 3941005 | 6 | Screw, Self-Tapping #10 x 5/8in | |
| 40 | 0901635 | 1 | Bracket, Mounting - Engine (Front) | |
| 41 | 0080092 | 1 | Adapter, Carburetor | |
| 42 | 3911012 | 2 | Bolt #10-24NC x 3/4in | |
| 43 | 4761000 | 8 | Lockwasher #10 | |
| 44 | 3841049 | 1 | Rod, Throttle | |
| 45 | 3321401 | 2 | Nut, Jam 1/4in-20NC | |

SECTION 2 - TURNTABLE

| ITEM | PART NUMBER | QTY | DESCRIPTION | REV |
|------|-------------|-----|--|-----|
| 46 | 1660157 | 2 | Balljoint | |
| 47 | 3311801 | 2 | Nut 1/2in-13NC | |
| 48 | 2220273 | 1 | Fitting, Reducer | |
| 49 | 2180360 | 1 | Fitting, Tee | |
| 50 | | Ref | Oil Pressure Sender Options: | |
| 50 | 2420033 | 1 | Sender (Prior to May 1990) | |
| 50 | 2420131 | 1 | Sender (May 1990 to Present) | |
| 52 | 3790152 | 1 | O-Ring | |
| 53 | 1320014 | 4 | Clamp, Hose | |
| 54 | 3620027 | 1 | Radiator | |
| 55 | | Ref | Bracket, Filter Options: | |
| 55 | 0901664 | 1 | Bracket, Filter (Prior to SN 43319) | |
| 55 | 0902184 | 1 | Bracket, Filter (SN 43319 to Present) | |
| 56 | 2720341 | 1 | Hose, Air Cleaner | |
| 57 | 1320058 | 1 | Clamp, Hose | |
| 58 | | Ref | Temperature Sender Options: | |
| 58 | 2420118 | 1 | Sender (Prior to May 1990) | |
| 58 | 2420130 | 1 | Sender (May 1990 to Present) | |
| 59 | 0100011 | AR | Loctite #242 (Not Shown) | |
| 60 | 4360037 | 1 | Switch, Oil Pressure | |
| 63 | 0630360 | 1 | Bolt, Carriage | |
| 64 | 4761500 | 1 | Lockwasher 5/16in | |
| 65 | 3311501 | 1 | Nut 5/16in-18NC | |
| | | Ref | FORD ENGINE ASSEMBLIES (VARIABLE PARTS): | |
| | 0250040 | Ref | STANDARD BANG-BANG PROPORTIONAL CONTROLS AND WITHOUT NOISE REDUCTION PACKAGE (MACHINES BUILT PRIOR TO MAY 1993) | H |
| | 0250588 | Ref | STANDARD BANG-BANG PROPORTIONAL CONTROLS AND WITHOUT NOISE REDUCTION PACKAGE (MACHINES BUILT PRIOR TO MAY 1993) | I |
| | 0250851 | Ref | HYDRAULIC CONTROLS AND WITHOUT NOISE REDUCTION PACKAGE (MACHINES BUILT PRIOR TO MAY1993) | H |
| | 0250902 | Ref | HYDRAULIC CONTROLS AND WITHOUT NOISE REDUCTION PACKAGE (MACHINES BUILT PRIOR TO MAY1993) | I |
| 70 | | Ref | Pump Assembly Options: | |
| 70 | | Ref | Standard Bang-Bang: | |
| 70 | 3600165 | 1 | Pump - Vickers (Not Field Serviceable) (Recommend using 3600199 as Replacement) (Prior to May 1990) | |
| 70 | 2900660 | 1 | Shaft Seal Kit - 3600165 Pump | |
| 70 | 3600172 | 1 | Pump - Barnes (See PUMP ASSEMBLY - BARNES for Breakdown) (May 1990 to January 1993) | |
| 70 | 3600199 | 1 | Pump - Barnes (See PUMP ASSEMBLY - BARNES for Breakdown) (January 1993 to May 1993) | |
| 70 | | Ref | Hydraulic Controls: | |
| 70 | 3600143 | 1 | Pump - Vickers (Not Field Serviceable) (Recommend using 3600202 as Replacement) (Prior to February 1993) | |
| 70 | 2900660 | 1 | Shaft Seal Kit - 3600145 Pump | |
| 70 | 3600202 | 1 | Pump - Barnes (See PUMP ASSEMBLY - BARNES for Breakdown) (February 1993 to May 1993) | |
| 71 | | Ref | Mount, Engine - Rear Options: | |
| 71 | 0901634 | 1 | Standard Bang-Bang | |
| 71 | 0901689 | 1 | Hydraulic Controls | |
| 72 | 2060016 | 1 | Fan | |
| 73 | 4240096 | 1 | Strap, Fan | |

SECTION 2 - TURNTABLE

| ITEM | PART NUMBER | QTY | DESCRIPTION | REV |
|------|-------------|-----|--|-----|
| 74 | 4564623 | 1 | Tube, Exhaust | |
| 75 | 0080168 | 1 | Adapter, Fan Spacer | |
| 76 | 4031713 | 3 | Capscrew, Socket Head 6mm x 45mm | |
| | | Ref | FORD ENGINE ASSEMBLIES (VARIABLE PARTS): | |
| | 0253748 | Ref | STANDARD BANG-BANG OR PROPORTIONAL CONTROLS AND WITH NOISE REDUCTION PACKAGE (MACHINES BUILT MAY 1993 TO JULY 1995) | B |
| | 0253750 | Ref | STANDARD BANG-BANG OR PROPORTIONAL CONTROLS AND WITH NOISE REDUCTION PACKAGE (MACHINES BUILT MAY 1993 TO JULY 1995) | B |
| | 0255752 | Ref | STANDARD BANG-BANG OR PROPORTIONAL CONTROLS AND WITH NOISE REDUCTION PACKAGE (MACHINES BUILT JULY 1995 TO PRESENT) | A |
| | 0255754 | Ref | STANDARD BANG-BANG OR PROPORTIONAL CONTROLS AND WITH NOISE REDUCTION PACKAGE (MACHINES BUILT JULY 1995 TO PRESENT) | A |
| | 0253752 | Ref | HYDRAULIC CONTROLS AND WITH NOISE REDUCTION PACKAGE (MACHINES BUILT MAY 1993 TO JULY 1995) | D |
| | 0253754 | Ref | HYDRAULIC CONTROLS AND WITH NOISE REDUCTION PACKAGE (MACHINES BUILT MAY 1993 TO JULY 1995) | D |
| | 0255758 | Ref | HYDRAULIC CONTROLS AND WITH NOISE REDUCTION PACKAGE (MACHINES BUILT JULY 1995 TO PRESENT) | A |
| | 0255760 | Ref | HYDRAULIC CONTROLS AND WITH NOISE REDUCTION PACKAGE (MACHINES BUILT JULY 1995 TO PRESENT) | B |
| 80 | | Ref | Pump Assembly Options: | |
| 80 | 3600199 | 1 | Standard Bang-Bang - Barnes (See PUMP ASSEMBLY - BARNES for Breakdown) | |
| 80 | 3600202 | 1 | Hydraulic Controls - Barnes (See PUMP ASSEMBLY - BARNES for Breakdown) | |
| 81 | | Ref | Mount, Engine - Rear Options: | |
| 81 | 0901634 | 1 | Standard Bang-Bang | |
| 81 | 0901689 | 1 | Hydraulic Controls | |
| 82 | 2060019 | 1 | Fan Kit | |
| 83 | 4566039 | 1 | Tube, Exhaust | |
| 83 | 3100073 | 1 | Manifold, Exhaust (Not Shown) | |
| 84 | 2680402 | 1 | Shroud, Radiator (July 1995 to Present) | |
| | | Ref | FORD ENGINE INSTALLATION (STANDARD PARTS) | |
| 102 | 4300034 | 2 | Stud (Welded on Part) | |
| 104 | 1320020 | 1 | U-Clamp | |
| 107 | 1320031 | 3 | Clamp, Hose | |
| 109 | 0080039 | 1 | Elbow | |
| 110 | 1340020 | 1 | Air Cleaner Assembly | |
| 110 | 7004214 | 1 | Element, Filter | |
| 111 | 0340002 | 2 | Band, Air Cleaner | |
| 112 | 1120161 | 1 | Cap, Air Inlet | |
| 113 | 0641406 | 4 | Bolt 1/4in-20NC x 3/4in | |
| 114 | 4761400 | 4 | Lockwasher 1/4in | |
| 115 | 3311401 | 4 | Nut 1/4in-20NC | |
| 116 | 1320026 | 2 | Clamp, Muffler | |
| 118 | 0641810 | 5 | Bolt 1/2in-13NC x 1 1/4in | |
| 119 | 4751800 | 5 | Flatwasher 1/2in | |
| 120 | 4761800 | 5 | Lockwasher 1/2in | |
| 121 | 0630403 | 2 | Bolt, Carriage 7/16in-14NC x 1 1/2in | |
| 122 | 4751700 | 2 | Flatwasher 7/16in | |

SECTION 2 - TURNTABLE

| ITEM | PART NUMBER | QTY | DESCRIPTION | REV |
|------|--------------|-----------|---|-----|
| 123 | 3311705 | 2 | Locknut 7/16in-14NC | |
| 124 | 1060046 | 1 | Cable, Battery (Battery to Ground) | |
| 125 | 0400003 | 1 | Battery | |
| 126 | 0400002 | 1 | Holddown, Battery | |
| 126A | 2910479 | 2 | Clips, Hold-Down (Not Shown) | |
| 127 | 0630370 | 2 | Rod, Holddown | |
| 128 | 1060273 | 1 | Cable, Battery (Battery to Auxiliary Relay) | |
| 129 | 1060099 | 1 | Cable, Battery (Auxiliary Relay to Auxiliary Pump) | |
| 130 | 4060727 | 1 | Shield | |
| 131 | 1380032 | 2 | Clip, Battery Box (Not Shown) | |
| 132 | 3980003 | 1 | Seat, Battery | |
| 133 | 3300029 | 2 | Wingnut 3/8in-16NC | |
| 134 | 2220273 | 1 | Fitting, Reducer | |
| 135 | 2220805 | 1 | Fitting, 90 | |
| 136 | 1320022 | 2 | Clamp | |
| 137 | 2720058 | 9 ft/2.7m | Hose, Fuel Line | |
| 139 | 4751600 | 4 | Flatwasher 3/8in | |
| 141 | 4761600 | 4 | Lockwasher 3/8in | |
| 142 | 0641614 | 2 | Bolt 3/8in-16NC x 1 3/4in | |
| 143 | 3311601 | 2 | Nut 3/8in-16NC | |
| 144 | 2720042 | 3 in/8cm | Hose, Heater | |
| 145 | 1320032 | 2 | Clamp, Hose | |
| 146 | 2220296 | 1 | Fitting, 90 | |
| 149 | 3911008 | 3 | Screw, Machine #10-24NC x 1/2in | |
| 150 | 4761000 | 3 | Lockwasher #10 | |
| 151 | 3311001 | 3 | Nut #10-24NC | |
| 152 | 4751000 | 3 | Flatwasher #10 | |
| | | Ref | FORD ENGINE INSTALLATION (VARIABLE PARTS) | |
| | 0250041 | Ref | STANDARD BANG-BANG AND PROPORTIONAL CONTROLS (WITHOUT NOISE REDUCTION PACKAGE - BUILT PRIOR TO MAY 1993) | H |
| | 0250589 | Ref | STANDARD BANG-BANG AND PROPORTIONAL CONTROLS (WITHOUT NOISE REDUCTION PACKAGE - BUILT PRIOR TO MAY 1993) | F |
| | 0250852 | Ref | HYDRAULIC CONTROLS (WITHOUT NOISE REDUCTION PACKAGE - BUILT PRIOR TO MAY 1993) | D |
| | 0250903 | Ref | HYDRAULIC CONTROLS (WITHOUT NOISE REDUCTION PACKAGE - BUILT PRIOR TO MAY 1993) | F |
| 160 | | Ref | Muffler Options: | |
| 160 | 3220067 | 1 | Muffler (Dual Fuel Machines) | |
| 160 | 3220061 | 1 | Muffler (Standard Gas Built Prior to October 1991) | |
| 161 | | Ref | Muffler Options (Standard Gas Built October 1991 to May 1993): | |
| 161 | 3220076 | 1 | Standard Bang-Bang | |
| 161 | Not Required | 0 | Hydraulic Controls | |
| 162 | 0901387 | 1 | Bracket, Exhaust | |
| 163 | 3311501 | 1 | Nut 5/16in-18NC | |
| 164 | 4751500 | 1 | Flatwasher 5/16in | |
| 165 | | Ref | Air Intake Tube Options: | |
| 165 | 4564523 | 1 | Tube (Standard Gas) | |
| 165 | 4843552 | 1 | Tube (Dual Fuel) | |
| 166 | | Ref | Auxiliary Pump Options: | |
| 166 | | Ref | Standard Bang-Bang: | |

SECTION 2 - TURNTABLE

| ITEM | PART NUMBER | QTY | DESCRIPTION | REV |
|------|--------------|-----|---|-----|
| 166 | 3600050 | 1 | Pump Assembly (When Replacing Complete Unit Recommend using 3600208) (Prior to April 1993) | |
| 166 | | Ref | Barnes Version Replacement Parts: | |
| 166 | 7004249 | 1 | Coupling | |
| 166 | 7004248 | 1 | Motor | |
| 166 | 7010923 | 1 | Pump | |
| 166 | | Ref | Stone/Fenner Version Replacement Parts: | |
| 166 | 7004412 | 1 | Coupling | |
| 166 | 7000482 | 1 | Motor | |
| 166 | 7004414 | 1 | Pump | |
| 166 | 3600208 | 1 | Pump Assembly (April 1993 to May 1993) | |
| 166 | 7013711 | 1 | Coupling | |
| 166 | 7013710 | 1 | Motor | |
| 166 | 7013753 | 1 | Brush Kit | |
| 166 | 7013712 | 1 | Pump | |
| 166 | | Ref | Hydraulic Controls: | |
| 166 | 3600141 | 1 | Pump Assembly (When Replacing or Repairing Unit Recommend Using 3600071) (Used on Standard Gas Prior to January 1991 and Duel Fuel Prior to May 1993) | |
| 166 | 3600071 | 1 | Pump Assembly (Standard Gas January 1991 to May 1993) | |
| 166 | 7004249 | 1 | Coupling | |
| 166 | 7004436 | 1 | Motor with Bracket | |
| 166 | 7004248 | 1 | Motor | |
| 166 | 7004247 | 1 | Pump | |
| 166 | 7012576 | 1 | Bracket | |
| 167 | | Ref | Cap, Exhaust Rain Options (Standard Gas October 1991 to May 1993 Only): | |
| 167 | 1120218 | | Standard Bang-Bang | |
| 167 | Not Required | 0 | Hydraulic Controls | |
| 168 | 0701010 | 2 | Bolt, Metric 10mm x 20mm | |
| 169 | 3291001 | 2 | Nut, Metric 10mm | |
| | | Ref | FORD ENGINE INSTALLATION (VARIABLE PARTS) | |
| | 0253749 | Ref | STANDARD BANG-BANG AND PROPORTIONAL CONTROLS (WITH NOISE REDUCTION PACKAGE - BUILT MAY 1993 TO JULY 1995) | B |
| | 0253751 | Ref | STANDARD BANG-BANG AND PROPORTIONAL CONTROLS (WITH NOISE REDUCTION PACKAGE - BUILT MAY 1993 TO JULY 1995) | A |
| | 0255753 | Ref | STANDARD BANG-BANG AND PROPORTIONAL CONTROLS (WITH NOISE REDUCTION PACKAGE - BUILT JULY 1995 TO PRESENT) | A |
| | 0255757 | Ref | STANDARD BANG-BANG AND PROPORTIONAL CONTROLS (WITH NOISE REDUCTION PACKAGE - BUILT JULY 1995 TO PRESENT) | A |
| | 0253753 | Ref | HYDRAULIC CONTROLS (WITH NOISE REDUCTION PACKAGE - BUILT MAY 1993 TO JULY 1995) | B |
| | 0253755 | Ref | HYDRAULIC CONTROLS (WITH NOISE REDUCTION PACKAGE - BUILT MAY 1993 TO JULY 1995) | A |
| | 0255759 | Ref | HYDRAULIC CONTROLS (WITH NOISE REDUCTION PACKAGE - BUILT JULY 1995 TO PRESENT) | A |
| | 0255761 | Ref | HYDRAULIC CONTROLS (WITH NOISE REDUCTION PACKAGE - BUILT JULY 1995 TO PRESENT) | A |
| 180 | 3220084 | 1 | Muffler | |
| 181 | 0901924 | 1 | Bracket, Muffler | |
| 182 | 4843552 | 1 | Tube, Air Intake | |

SECTION 2 - TURNTABLE

| ITEM | PART NUMBER | QTY | DESCRIPTION | REV |
|------|-------------|-----|--|-----|
| 183 | 1320037 | 1 | Clamp | |
| 184 | 4565829 | 1 | Tube, Exhaust | |
| 185 | 3220087 | 1 | Arrestor, Spark | |
| 186 | | Ref | Auxiliary Pump Assembly Options: | |
| 186 | | Ref | Standard Bang-Bang: | |
| 186 | 3600208 | 1 | Auxiliary Pump Assembly | |
| 186 | 7013711 | 1 | Coupling | |
| 186 | 7013710 | 1 | Motor | |
| 186 | 7013753 | 1 | Brush Kit | |
| 186 | 7013712 | 1 | Pump | |
| 186 | | Ref | Hydraulic Controls: | |
| 186 | 3600210 | 1 | Auxiliary Pump Assembly | |
| 186 | 7013711 | 1 | Coupling | |
| 186 | 7013710 | 1 | Motor | |
| 186 | 7013757 | 1 | Brush Kit | |
| 186 | 7013771 | 1 | Pump | |
| 186 | 7016701 | 4 | O-Ring | |
| 186 | 7000754 | 1 | Seal, Shaft | |
| 187 | 2200213 | 1 | Plug, Pipe (Standard Gas Only) | |
| | 0250324 | Ref | PUMP COUPLING INSTALLATION - LOVEJOY OPTION WITH INDUSTRIAL FLYWHEEL (PRIOR TO AUGUST 1992) | - |
| 201 | 1660169 | 1 | Coupling | |
| 202 | 0080163 | 1 | Adapter, Pump | |
| 203 | 0641510 | 6 | Bolt 5/16in-18NC x 1 1/4in | |
| 204 | 4761500 | 6 | Lockwasher 5/16in | |
| 205 | 0641610 | 8 | Bolt 3/8in-16NC x 1 1/4in | |
| 206 | 4761600 | 8 | Lockwasher 3/8in | |
| | | Ref | PUMP COUPLING INSTALLATION - HAYES OPTIONS: | |
| | 0250598 | Ref | OPTION WITH INDUSTRIAL FLYWHEEL (PRIOR TO NOVEMBER 1992) | - |
| | 0252808 | Ref | STANDARD WITH AUTOMOTIVE FLYWHEEL (NOVEMBER 1992 TO PRESENT) | - |
| 211 | | Ref | Coupling Options: | |
| 211 | | Ref | Industrial Flywheel: | |
| 211 | 1660184 | 1 | Coupling - 13 Teeth | |
| 211 | 1660234 | 1 | Coupling - 15 Teeth | |
| 211 | | Ref | Automotive Flywheel: | |
| 211 | 1660207 | 1 | Coupling - 13 Teeth | |
| 211 | 7019684 | 1 | Coupling - 15 Teeth | |
| | | Ref | Note: Coupling Internal spines must be lubed with Lithium based grease prior to installation. | |
| 212 | 0080163 | 1 | Adapter, Pump | |
| 213 | | Ref | Bolt Options: | |
| 213 | 0641507 | 6 | Industrial Flywheel - Bolt 5/16in-18NC x 7/8in | |
| 213 | 0700808 | 6 | Automotive Flywheel - Bolt, Metric 8mm x 16mm | |
| 214 | | Ref | Lockwasher Options: | |
| 214 | 4761500 | 6 | Industrial Flywheel - Lockwasher 5/16in | |
| 214 | 4831900 | 6 | Automotive Flywheel - Lockwasher, Metric 8mm | |
| 215 | 0641610 | 8 | Bolt 3/8in-16NC x 1 1/4in | |
| 216 | 4761600 | 8 | Lockwasher 3/8in | |
| | 3020021 | AR | Grease, Coupling | |
| | | Ref | ENGINE COMPONENTS | |

SECTION 2 - TURNTABLE

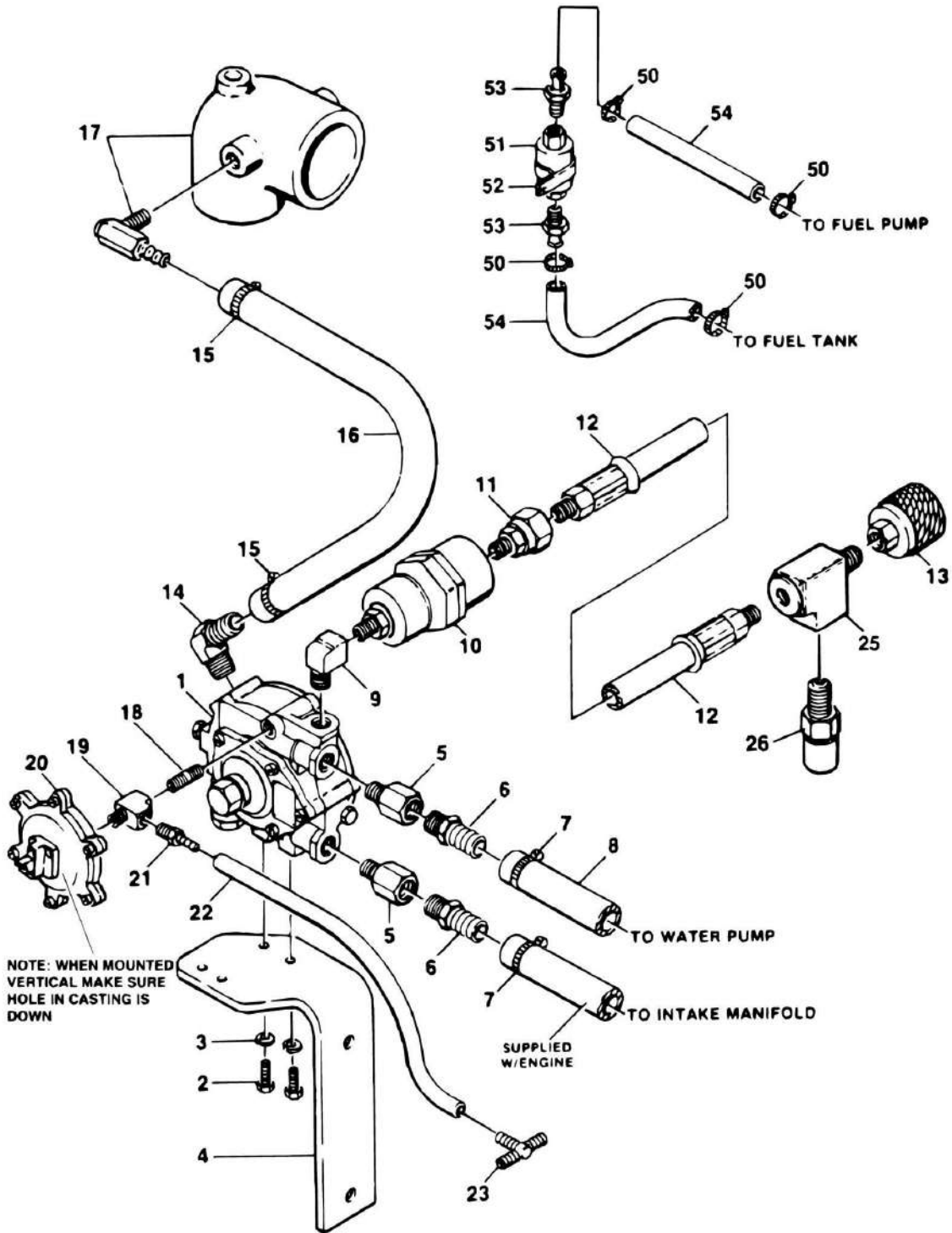
| ITEM | PART NUMBER | QTY | DESCRIPTION | REV |
|------|-------------|-----|---|-----|
| | 2000109 | Ref | Engine - Ford VSG-411 (Industrial Flywheel) (Prior to November 1992) | |
| | 2000117 | Ref | Engine - Ford VSG-411 (Automotive Flywheel) (November 1992 to October 1994) | |
| | 2000129 | Ref | Engine - Ford VSG-411 (October 1994 to March 1995) | |
| | 2000130 | Ref | Engine - Ford VSG-411 (March 1995 to SN 4331) | |
| | 2000147 | Ref | Engine - Ford VSG-411 (SN 43319 to Present) | |
| 301 | 7000892 | 1 | Carburetor - Ford LSG-411 | |
| 301 | 7019933 | 1 | Rebuild Kit - 7000892 Carburetor (was p/n 7000878) | |
| 301 | 7012577 | 1 | Fitting, Carburetor Vacuum Line | |
| 301 | 7012578 | 1 | Carburetor Vacuum Line Assembly | |
| 301 | 70000163 | 1 | Needle, Spring Loaded | |
| 301 | 7023471 | 1 | Float Assembly | |
| 301 | 7024321 | 1 | Gasket, Carburetor (Top) | |
| 301 | 7027607 | 1 | Gasket, Carburetor (Bottom) | |
| 301 | 7000646 | 1 | Gasket, Carburetor | |
| 301 | 7000894 | 1 | Choke, Automatic | |
| 301 | 7000877 | 1 | Fuel Shut-Off - Has Wire Connection | |
| 301 | 7000884 | 1 | Fuel Shut-Off - Has Terminal Post | |
| 302 | | Ref | Alternator Options: | |
| 302 | 7000893 | 1 | Alternator - Bosch | |
| 302 | 7012653 | 1 | Alternator - Prestolite | |
| 302 | 7019670 | 1 | Alternator - Leece-Neville | |
| 302 | 7019935 | 1 | Pulley, Alternator | |
| 302 | 7019954 | 1 | Engine Wiring Harness (was p/n 7012564) | |
| 302 | 7019944 | 1 | Block Assy, 11-Stud Terminal | |
| 302 | 7014682 | 1 | Tune-Up Kit (Includes Oil and Fuel Filters, Spark Plugs and Wire Set) ("Push On" Spark Plug Wires) | |
| 302 | 7019998 | 1 | Coil Pack ("Push On" Spark Plug Wires) (Engines p/n 2000109 & p/n 2000147) | |
| 302 | 7023669 | 1 | Plug Wire Set ("Push On" Spark Plug Wires) (Engine p/n 2000147) | |
| 302 | 7023668 | 1 | Tune-Up Kit (Includes Oil and Fuel Filters, Spark Plugs and Wire Set) ("Clip On" Spark Plug Wires) | |
| 302 | 7019987 | 1 | Coil Pack ("Clip On" Spark Plug Wires) | |
| 302 | 7019989 | 1 | Plug Wire Set ("Clip On" Spark Plug Wires) | |
| 302 | | Ref | Main Components Kit Options: (Includes 1 each of Carburetor, Fuel and Water Pumps, Alternator, Starter, and Ignition Control) | |
| 302 | 7014680 | 1 | Kit With Bosch Alternator | |
| 302 | 7014687 | 1 | Kit With Prestolite Alternator | |
| 302 | 7014681 | 1 | Engine Kit (Includes Hoses, Gasket St, Thermostat, V-Belt and Coil) | |
| 302 | 7023670 | 1 | Ignition Control (was p/n 7019665) | |
| 303 | 7019949 | 1 | Filter, Oil (Case of 12) | |
| 303 | 3960423 | 1 | Gasket, Thermostat | |
| 303 | 7019667 | 1 | Cap, Oil Fill | |
| 303 | 7019917 | 1 | Pump, Oil (Engines p/n 2000130 & p/n 2000147) | |
| 303 | 7019666 | 1 | Pump, Fuel | |
| 303 | 7025153 | 1 | Gasket, Fuel Pump | |
| 303 | 7019939 | 1 | Filter, Fuel | |
| 303 | 7019668 | 1 | Starter | |
| 303 | 7016602 | 1 | Flywheel (Engine p/n 2000130) | |
| 303 | 7022180 | 1 | Gear, Ring (132 Teeth) (Engine p/n 2000130) | |

SECTION 2 - TURNTABLE

| ITEM | PART NUMBER | QTY | DESCRIPTION | REV |
|------|-------------|-----|---|-----|
| 303 | 7019919 | 1 | Gear, Ring (Flywheel) (Engines p/n 2000109, p/n 2000117 & p/n 2000147) | |
| 303 | 7016661 | 1 | Coupling, 15 Tooth Pump (Engine p/n 2000147) | |
| 303 | 7019936 | 1 | Pulley, Crankshaft | |
| 303 | 7019937 | 1 | Pulley, Water Pump | |
| 303 | 7019938 | 1 | Outlet, Water | |
| 303 | 7019945 | 1 | Hose, Bypass | |
| 303 | 7019946 | 1 | Flange, Exhaust Pipe | |
| 303 | 7019947 | 1 | Gasket, Exhaust Pipe Flange | |
| 303 | 7019948 | 1 | Manifold, Exhaust Outlet | |
| 303 | 7019951 | 1 | Pump, Water | |
| 303 | 2120112 | 1 | Separator, Fuel | |
| 303 | 7019959 | 1 | Dipstick | |
| 303 | 7019960 | 1 | Tube, Dipstick | |
| 303 | 70000929 | 1 | Sensor, Crankshaft (Engines p/n 2000130 & p/n 2000147) | |
| 303 | 7020119 | 1 | Housing, Bell (Engine p/n 2000147) | |
| 303 | 7020121 | 1 | Plate, Starter (Engine p/n 2000147) | |
| 303 | 7023676 | 1 | Sensor, Water Temperature (Engine p/n 2000147) | |
| 303 | 7019941 | 1 | Hose, Radiator (Upper) | |
| 303 | 7019942 | 1 | Hose, Water Pump/Intake Inlet | |
| 303 | 7019934 | 1 | Belt, Alternator | |
| 303 | 7019943 | 1 | Hose, Radiator (Lower) | |
| 303 | 7020029 | 1 | Gasket Set, Upper | |
| 303 | 7025149 | 1 | Gasket Set, Lower | |
| 303 | 7019950 | 1 | Thermostat, 160 | |
| | 0250806 | Ref | AIR HORN INSTALLATION (STANDARD GAS ONLY) | B |
| | | Ref | Note: See Dual Fuel Installation for Dual Fuel and Straight LP Machines. | |
| 401 | 0080175 | 1 | Horn, Air | |
| 402 | 3960388 | 1 | Gasket | |
| 403 | 4300057 | 1 | Stud | |
| 404 | 3311405 | | Locknut 1/4in-20NC | |
| | 0252625 | Ref | OPTIONAL ENGINE DISTRESS INSTALLATION | 5 |
| 503 | 2180360 | 1 | Fitting, Tee | |
| 504 | 4360182 | 1 | Switch, Oil Pressure | |
| 505 | 0080200 | 1 | Fitting, Adapter | |
| 506 | 3960423 | 1 | Gasket | |
| 507 | 0700819 | 2 | Bolt, Metric 8mm x 55mm | |
| 508 | 4831900 | 2 | Lockwasher 8mm | |
| 509 | 4360157 | 1 | Switch, Water Temperature | |
| | 0252300 | Ref | OPTIONAL COLD WEATHER PACKAGE INSTALLATION | B |
| | 2580026 | 1 | Heater, Engine Block | |
| | 2580001 | 1 | Heater, Battery | |

SECTION 2 - TURNTABLE

FIGURE 2-18. DUAL FUEL INSTALLATION (FORD)



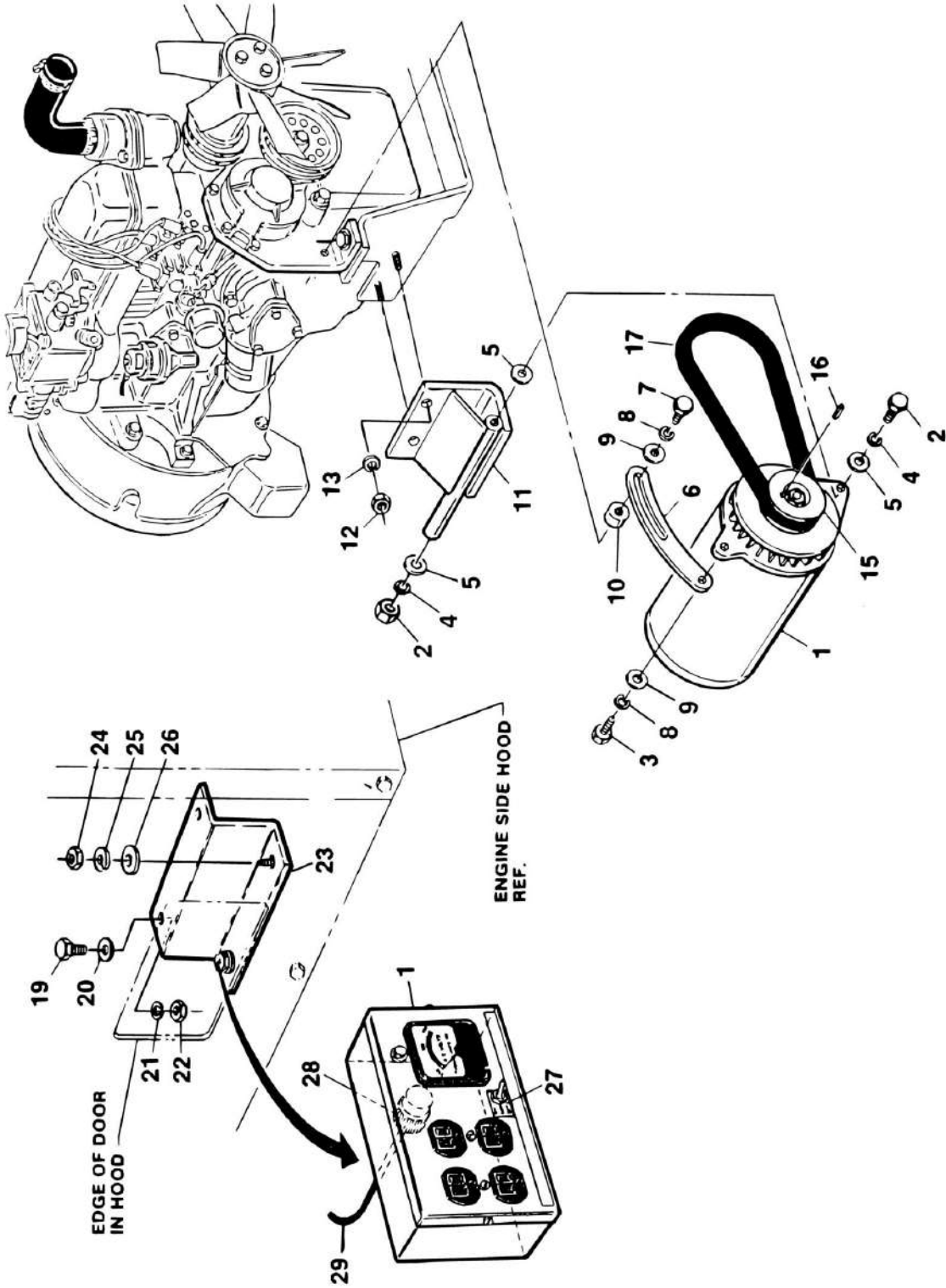
SECTION 2 - TURNTABLE

FIGURE 2-18. DUAL FUEL INSTALLATION (FORD)

| ITEM | PART NUMBER | QTY | DESCRIPTION | REV |
|------|-------------|-----------|---|-----|
| | 1281296 | Ref | DUAL FUEL INSTALLATION (FORD) | G |
| 1 | 3720011 | 1 | Regulator | |
| 1 | 7017516 | 1 | Rebuilt Kit | |
| 2 | 0641405 | 2 | Bolt 1/4in-20NC x 5/8in | |
| 3 | 4761400 | 2 | Lockwasher 1/4in | |
| 4 | 0901664 | 1 | Bracket | |
| 5 | 2220364 | 2 | Fitting, Adapter | |
| 6 | 2180535 | 2 | Fitting, Barbed | |
| 7 | 1320032 | 4 | Clamp | |
| 8 | 2720042 | 32 | Hose | |
| | | in/82cm | | |
| 9 | 2220648 | 1 | Fitting, 90 | |
| 10 | 2120077 | 1 | Filterlock | |
| 11 | 2220003 | 1 | Fitting, Swivel | |
| 12 | 2720170 | 1 | Hose | |
| 13 | 2180387 | 1 | Fitting, Tank | |
| 14 | 2220675 | 1 | Fitting, 90 Barbed | |
| 15 | 1320017 | 2 | Clamp | |
| 16 | 2720112 | 2 ft/61cm | Hose | |
| 17 | 0080167 | 1 | Adapter | |
| 17 | 3960388 | 1 | Gasket | |
| 17 | 3840979 | 1 | Rod, Adaptor | |
| 18 | 2180104 | 1 | Fitting, Nipple | |
| 19 | 2180360 | 1 | Fitting, Tee | |
| 20 | 4360188 | 1 | Switch, Vacuum | |
| 21 | 2180536 | 1 | Fitting, Barbed | |
| 22 | | Ref | Hose (Supplied With Engine) | |
| 23 | 2180623 | 1 | Fitting, Tee | |
| 25 | 2220290 | 1 | Fitting, Tee | |
| 26 | 2180389 | 1 | Fitting, Pressure Relief | |
| | 0250772 | Ref | DUAL FUEL INSTALLATION | H |
| 50 | 1320022 | 4 | Clamp | |
| 51 | 4640391 | 1 | Valve, Gas Lock | |
| 52 | 1320095 | 1 | Clamp, Mounting | |
| 53 | 2220315 | 2 | Fitting, Barbed | |
| 54 | 2720058 | 6 ft/1.8m | Hose, Fuel Line | |
| | 0251417 | Ref | STRAIGHT LP GAS INSTALLATION | C |
| | 2901184 | 1 | Blanking Plate Kit (Cover Fuel Pump Location) (Not Shown) | |

SECTION 2 - TURNTABLE

FIGURE 2-19. 110 VOLT GENERATOR INSTALLATION (FORD)



SECTION 2 - TURNTABLE

FIGURE 2-19. 110 VOLT GENERATOR INSTALLATION (FORD)

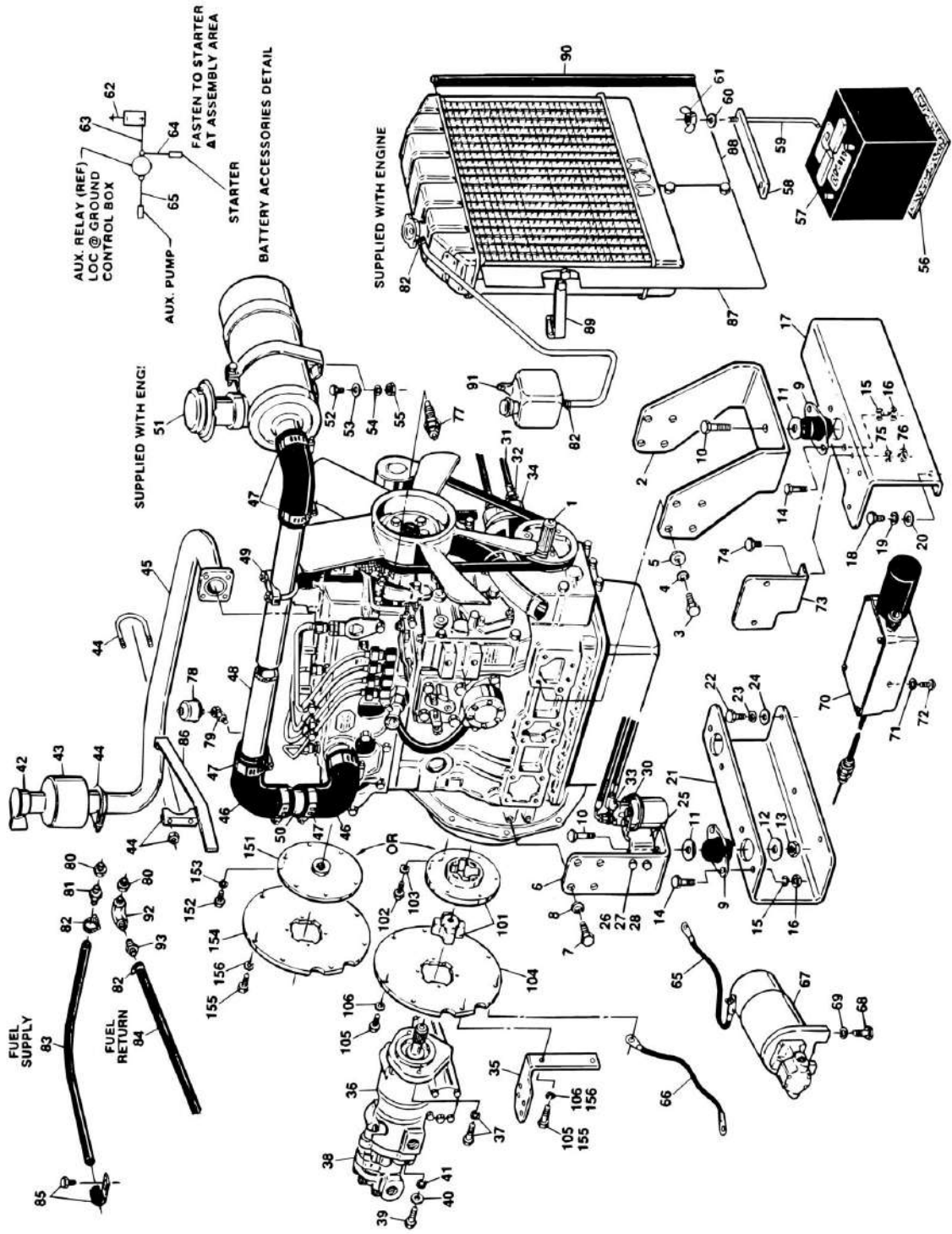
| ITEM | PART NUMBER | QTY | DESCRIPTION | REV |
|------|-------------|-----|--|-----|
| | 0250668 | Ref | 110 VOLT GENERATOR INSTALLATION | G |
| 1 | 2460011 | 1 | Generator Assembly with Control Box | |
| 1 | 7012558 | 1 | Generator Assembly | |
| 1 | 7026199 | 1 | Armature with Slip Rings | |
| 1 | 7012513 | 4 | Holder, Brush | |
| 1 | 7012514 | 1 | Fan | |
| 1 | 7020108 | 4 | Brush | |
| 1 | 7020109 | 4 | Holder, Brush | |
| 1 | 7020110 | 1 | Bell, Front | |
| 1 | 7020111 | 1 | Bell, Rear | |
| 1 | 7020190 | 2 | Bearing | |
| 1 | 7020193 | 1 | Cord, Power | |
| 1 | 7003657 | 1 | Control Box Assembly | |
| | | Ref | Note: Replacement 110V Control Box comes with 2 std Receptacles p/n 4460190. Optional Industrial Twist Lock Receptacles p/n 4460027 must be ordered separately. | |
| 1 | 2420203 | 1 | Voltmeter | |
| 1 | 3520028 | 1 | Plug, Hole | |
| 1 | 4360542 | 1 | Breaker, Circuit | |
| 1 | 2920162 | 1 | Lamp Assembly | |
| 1 | 7020191 | 1 | Switch, Toggle | |
| 2 | 0681610 | 2 | Bolt 3/8in-16NC x 1 1/4in (Grade 8) | |
| 3 | 0641507 | 1 | Bolt 5/16in-18NC x 7/8in | |
| 4 | 4761600 | 2 | Lockwasher 3/8in | |
| 5 | 4751600 | 3 | Flatwasher 3/8in | |
| 6 | 4340569 | 1 | Support | |
| 7 | 0641511 | 1 | Bolt 5/16in-18NC x 1 3/8in | |
| 8 | 4761500 | 2 | Lockwasher 5/16in | |
| 9 | 4751500 | 2 | Flatwasher 5/16in | |
| 10 | 0961247 | 1 | Bushing | |
| 11 | | Ref | Mounting Bracket Options: | |
| 11 | 0901650 | 1 | Bracket (Prior to May 1991) | |
| 11 | 0901774 | 1 | Bracket (May 1991 to Present) | |
| 12 | 3311601 | 2 | Nut 3/8in-16NC | |
| 13 | 4761600 | 2 | Lockwasher 3/8in | |
| 15 | 3580134 | 1 | Pulley (Attaching Hardware Supplied With Generator) | |
| 16 | 2860012 | 1 | Key, Woodruff | |
| 17 | 0480057 | 1 | V-Belt | |
| 19 | 0721006 | 2 | Bolt #10-24NC x 3/4in | |
| 20 | 4751000 | 2 | Flatwasher #10 | |
| 21 | 4761100 | 2 | Lockwasher #10 | |
| 22 | 3311001 | 2 | Nut #10-24NC | |
| 23 | 0901633 | 1 | Bracket, Mounting - Box | |
| 24 | 3311401 | 2 | Nut 1/4in-20NC | |
| 25 | 4761400 | 2 | Lockwasher 1/4in | |
| 26 | 4751400 | 2 | Flatwasher 1/4in | |
| 26 | 4300068 | 2 | Stud (Welded on Part) | |
| 27 | 3251476 | 1 | Decal - Generator | |
| 28 | 4460027 | 1 | Connector | |
| 28 | 4460023 | 1 | Terminal | |

SECTION 2 - TURNTABLE

| ITEM | PART NUMBER | QTY | DESCRIPTION | REV |
|------|-------------|-----|--------------|-----|
| 29 | 1060012 | AR | Cable - 12/4 | |

SECTION 2 - TURNTABLE

FIGURE 2-20. KUBOTA V1200B DIESEL ENGINE INSTALLATION



SECTION 2 - TURNTABLE

FIGURE 2-20. KUBOTA V1200B DIESEL ENGINE INSTALLATION

| ITEM | PART NUMBER | QTY | DESCRIPTION | REV |
|------|-------------|-----|---|-----|
| | 0250961 | Ref | KUBOTA V1200B DIESEL ENGINE INSTALLATION | F |
| 1 | 2000113 | 1 | Engine, Kubota V1200-B Diesel | |
| 2 | 3200312 | 1 | Bracket, Mounting - Engine (Front) | |
| 3 | 0630394 | 8 | Bolt, Metric 10MM - 1.25 x 25MM | |
| 4 | 4832000 | 8 | Lockwasher 10MM | |
| 5 | 4812000 | 8 | Flatwasher 10MM | |
| 6 | 0901698 | 2 | Bracket, Mounting - Engine (Rear) | |
| 7 | 0630161 | 4 | Bolt, Metric 12MM - 1.25 x 30MM | |
| 8 | 4832100 | 4 | Lockwasher 12MM | |
| 9 | 3200318 | 3 | Mount, Resilient | |
| 10 | 0641728 | 1 | Bolt 7/16in-14NC x 3 1/2in | |
| 11 | 4740273 | 1 | Washer, Special | |
| 12 | 4751700 | 1 | Flatwasher 7/16in | |
| 13 | 3311705 | 1 | Locknut 7/16in-14NC | |
| 14 | 0641610 | 2 | Bolt 3/8in-16NC x 1 1/4in | |
| 15 | 4761600 | 2 | Lockwasher 3/8in | |
| 16 | 3311601 | 2 | Nut 3/8in-16NC | |
| 17 | 0901696 | 1 | Support, Engine (Front) | |
| 18 | 0641810 | 2 | Bolt 1/2in-13NC x 1 1/4in | |
| 19 | 4761800 | 2 | Lockwasher 1/2in | |
| 20 | 4751800 | 2 | Flatwasher 1/2in | |
| 21 | 0901665 | 1 | Support, Engine (Rear) | |
| 22 | 0641810 | 3 | Bolt 1/2in-13NC x 1 1/4in | |
| 23 | 4761800 | 3 | Lockwasher 1/2in | |
| 24 | 4751800 | 3 | Flatwasher 1/2in | |
| 25 | 0901733 | 1 | Bracket, Remote Engine Oil Filter | |
| 26 | 0641508 | 2 | Bolt 5/16in-18NC x 1in | |
| 27 | 4761500 | 2 | Lockwasher 5/16in | |
| 28 | 3311501 | 2 | Nut 5/16in-18NC | |
| 30 | 0080188 | 1 | Adapter, Remote Filter Head | |
| 31 | 2750757 | 2 | Hose | |
| 32 | 2220346 | 2 | Fitting, Reducer | |
| 33 | 2220470 | 2 | Fitting, 90 | |
| 34 | 0080187 | 1 | Adapter, Remote | |
| 35 | 0901664 | 1 | Bracket, Filter | |
| 36 | 3600164 | 1 | Pump Assembly - Sunstrand (See PUMP ASSEMBLY - SUNSTRAND for Breakdown) | |
| 37 | 0641812 | 2 | Bolt 1/2in-13NC x 1 1/2in | |
| 37 | 4761800 | 2 | Lockwasher 1/2in | |
| 38 | | Ref | Pump Assembly Options: | |
| 38 | 3600172 | 1 | Pump (Prior to January 1993) (See PUMP ASSEMBLY - BARNES for Breakdown) | |
| 38 | 3600199 | 1 | Pump (January 1993 to Present) (See PUMP ASSEMBLY - BARNES for Breakdown) | |
| 39 | 0641610 | 2 | Bolt 3/8in-16NC x 1 1/8in | |
| 40 | 4761600 | 2 | Lockwasher 3/8in | |
| 41 | 4751600 | 2 | Flatwasher 3/8in | |
| 42 | 1120218 | 1 | Raincap | |
| 43 | 3220076 | 1 | Muffler | |
| 44 | 1320020 | 2 | Clamp, Muffler | |

SECTION 2 - TURNTABLE

| ITEM | PART NUMBER | QTY | DESCRIPTION | REV |
|------|-------------|--------|--|-----|
| 45 | 4843691 | 1 | Pipe, Exhaust | |
| 45 | 4100025 | 2.5 ft | Sleeve, Exhaust | |
| 46 | 2720084 | 2 | Elbow, Rubber | |
| 47 | 1320031 | 5 | Clamp | |
| 48 | 4564685 | 1 | Tube, Air Intake | |
| 49 | 1320026 | 1 | Clamp, Muffler | |
| 50 | 4564696 | 1 | Tube | |
| 51 | | Ref | Air Cleaner Assembly (Supplied with Engine - Refer to Engine Dealer for Parts) | |
| 51 | 3538254 | 1 | Spacer (Not Shown - Located Under Bracket) | |
| 52 | 0641408 | 2 | Bolt 1/4in-20NC x 1in | |
| 53 | 4711400 | 2 | Flatwasher 1/4in Narrow | |
| 54 | 4761400 | 2 | Lockwasher 1/4in | |
| 55 | 3311401 | 2 | Nut 1/4in-20NC | |
| 56 | 3980007 | 1 | Seat, Battery | |
| 57 | 0400075 | 1 | Battery | |
| 58 | 0361810 | 1 | Hold-Down, Battery | |
| 59 | 0630370 | 2 | Rod, Hold-Down | |
| 60 | 4751600 | 2 | Flatwasher 3/8in | |
| 61 | 3300029 | 2 | Wingnut 3/8in-16NC | |
| 61 | 1380032 | 2 | Clip, Battery (Welded on Part - Not Shown) | |
| 62 | 1060172 | 1 | Cable, Battery (Negative to Ground) | |
| 63 | 1060273 | 1 | Cable, Battery (Positive to Aux Relay) | |
| 64 | 1060149 | 1 | Cable, Battery (Aux Relay to Starter) | |
| 65 | 1060099 | 1 | Cable, Battery (Aux Relay to Aux Power) | |
| 66 | 1060093 | 1 | Cable, Battery (Engine to Ground) | |
| 67 | | Ref | Auxiliary Pump Options: | |
| 67 | 3600050 | 1 | Pump Assembly (Prior to April 1993) | |
| 67 | | Ref | Replacement Parts: | |
| 67 | 7004412 | 1 | Coupling (Stone/Fenner Industries Version) | |
| 67 | 7004249 | 1 | Coupling (John S. Barnes Version) | |
| 67 | 7000482 | 1 | Motor (Stone/Fenner Industries Version) | |
| 67 | 7004248 | 1 | Motor (John S. Barnes Version) | |
| 67 | 7004414 | 1 | Pump (Stone/Fenner Industries Version) | |
| 67 | 7010923 | 1 | Pump (John S. Barnes Version) | |
| 67 | 3600208 | 1 | Pump Assembly (April 1993 to Present) | |
| 67 | | Ref | Replacement Parts: | |
| 67 | 7013711 | 1 | Coupling | |
| 67 | 7013710 | 1 | Motor | |
| 67 | 7013753 | 1 | Brush Kit | |
| 67 | 7013712 | 1 | Pump | |
| 68 | 0641614 | 2 | Bolt 3/8in-16NC x 1 3/4in | |
| 69 | 4761600 | 2 | Lockwasher 3/8in | |
| 70 | 0060023 | 1 | Actuator, Adeco | |
| 70 | 7008804 | 1 | Bellows | |
| 70 | 7008829 | 1 | PC Board | |
| 70 | 7008821 | 1 | Motor | |
| 70 | 7008828 | 1 | Cable | |
| 70 | 3740074 | 1 | Engine Shutdown Kit (Not Shown) | |
| 70 | 0901686 | 1 | Bracket, Governor Cable (Not Shown) | |
| 71 | 0641408 | 2 | Bolt 1/4in-20NC x 1in | |
| 72 | 4761400 | 2 | Lockwasher 1/4in | |

SECTION 2 - TURNTABLE

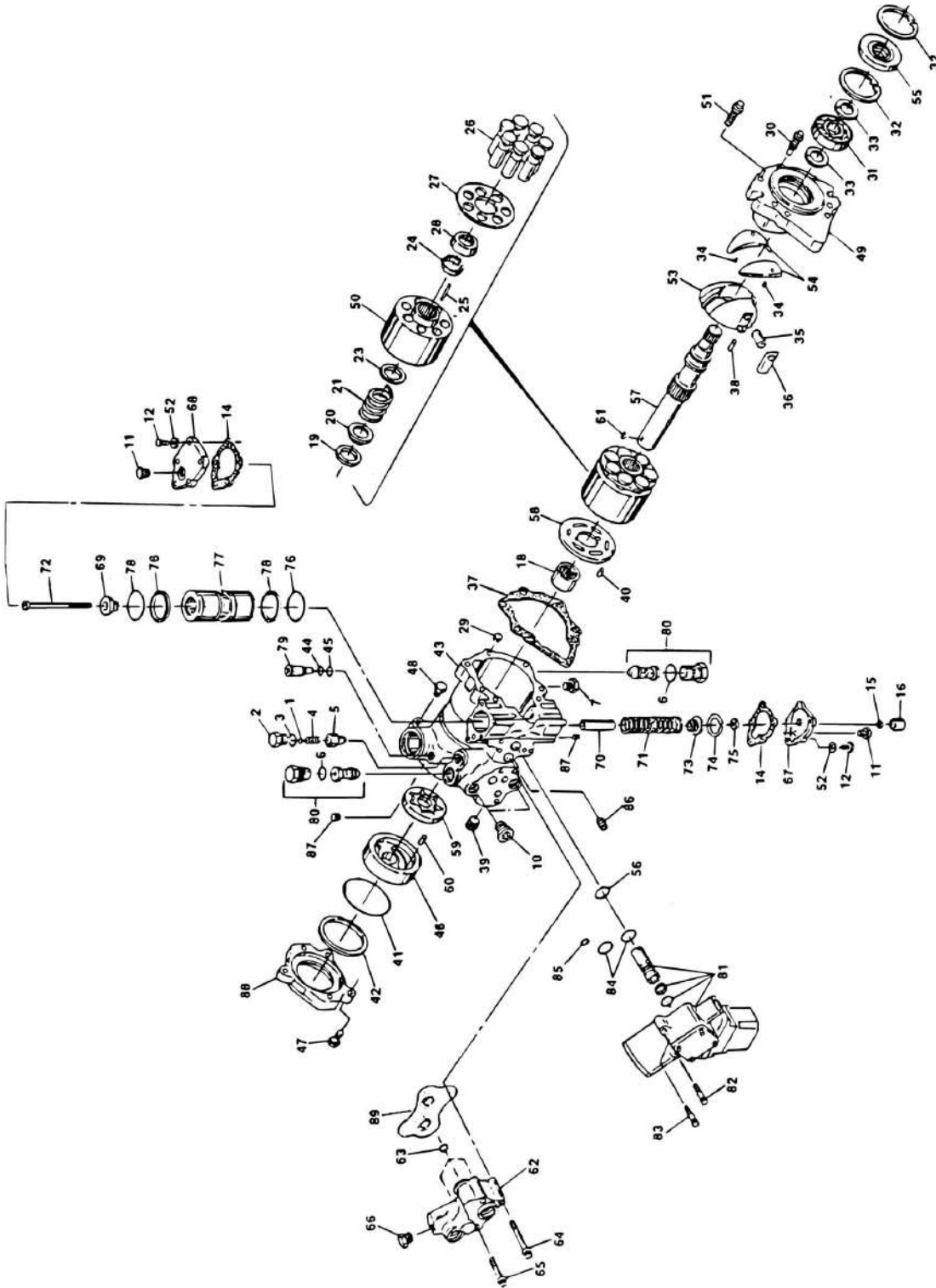
| ITEM | PART NUMBER | QTY | DESCRIPTION | REV |
|------|-------------|---------|---|-----|
| 73 | 0901699 | 1 | Bracket (Prior to March 1992 Only) | |
| 74 | 0641408 | 2 | Bolt 1/4in-20NC x 1in | |
| 75 | 4761400 | 2 | Lockwasher 1/4in | |
| 76 | 3311401 | 2 | Nut 1/4in-20NC | |
| 77 | 2420024 | 1 | Sender, Water Temperature | |
| 78 | 2420033 | 1 | Sender, Oil Pressure | |
| 79 | 2180749 | 1 | Fitting | |
| 79 | 2180730 | 1 | Fitting | |
| 80 | 2220273 | 2 | Fitting, Reducer | |
| 81 | 2220805 | 1 | Fitting, Barbed | |
| 82 | 1320022 | 6 | Clamp | |
| 83 | 2720058 | 11.5 ft | Hose (Fuel Supply) | |
| 84 | 2720271 | 10 ft | Hose (Fuel Return) | |
| 85 | 1320041 | 2 | Clamp | |
| 85 | 3311401 | 1 | Nut 1/4in-20NC | |
| 85 | 4761400 | 1 | Lockwasher 1/4in | |
| 85 | 4300032 | 1 | Stud (Welded on Part) | |
| 86 | 0901702 | 1 | Bracket, Support - Exhaust | |
| 87 | 4060742 | 1 | Shield, Radiator - RH Side | |
| 88 | 4060743 | 1 | Shield, Radiator - LH Side | |
| 89 | 0901674 | 1 | Support, Radiator | |
| 90 | 3960389 | 22 in | Seal (Attach to Radiator Shield) | |
| 91 | 4400327 | 1 | Tank, Recovery (June 1994 to Present Only) | |
| 92 | 2220063 | 1 | Fitting, 90 | |
| 93 | 2180536 | 1 | Fitting, Straight | |
| | 0250324 | Ref | COUPLING INSTALLATION - LOVEJOY OPTION | |
| 101 | | Ref | Coupling Options: | |
| 101 | 1660169 | 1 | Lovejoy Coupling - 13 Teeth | |
| 101 | 1660173 | 1 | Disc, Coupling | |
| 101 | 1660172 | 1 | Hub, Coupling | |
| 101 | 1660234 | 1 | Hayes Coupling - 15 Teeth | |
| 102 | 0641510 | 6 | Bolt 5/16in-18NC x 1 1/4in | |
| 103 | 4761500 | 6 | Lockwasher 5/16in | |
| 104 | 0080163 | 1 | Adapter, Pump Mounting | |
| 105 | 0641610 | 8 | Bolt 3/8in-16NC x 1 1/4in | |
| 106 | 4761600 | 8 | Lockwasher 3/8in | |
| | 0250598 | Ref | COUPLING INSTALLATION - HAYES OPTION | - |
| 151 | | Ref | Coupling Options: | |
| 151 | 1660184 | 1 | Coupling - 13 Teeth | |
| 151 | 1660234 | 1 | Coupling - 15 Teeth | |
| 152 | 0641507 | 6 | Bolt 5/16in-18NC x 7/8in | |
| 153 | 4761500 | 6 | Lockwasher 5/16in | |
| 154 | 0080163 | 1 | Adapter, Pump Mounting | |
| 155 | 0641607 | 8 | Bolt 3/8in-16NC x 7/8in | |
| 156 | 4761600 | 8 | Lockwasher 3/8in | |
| | 0232302 | Ref | COLD WEATHER PACKAGE INSTALLATION | B |
| | 2580001 | 1 | Heater, Battery | |
| | 2580029 | 1 | Heater, Engine Block | |
| | 2000113 | Ref | ENGINE COMPONENTS | |
| | 7026200 | 1 | Alternator | |
| | 70000600 | 1 | Belt, Fan | |

SECTION 2 - TURNTABLE

| ITEM | PART NUMBER | QTY | DESCRIPTION | REV |
|------|-------------|-----|---------------------|-----|
| | 70000617 | 1 | Filter, Oil | |
| | 70000618 | 1 | Filter, Fuel | |
| | 7000898 | 1 | Fuel Filter Kit | |
| | 7016200 | 1 | Filter, Air | |
| | 7017903 | 1 | Plug, Drain | |
| | 7017904 | 1 | Seal, Drain Plug | |
| | 7023113 | | Thermostat Assembly | |

SECTION 2 - TURNTABLE

FIGURE 2-21. PUMP ASSEMBLY - SUNSTRAND



SECTION 2 - TURNTABLE

FIGURE 2-21. PUMP ASSEMBLY - SUNSTRAND

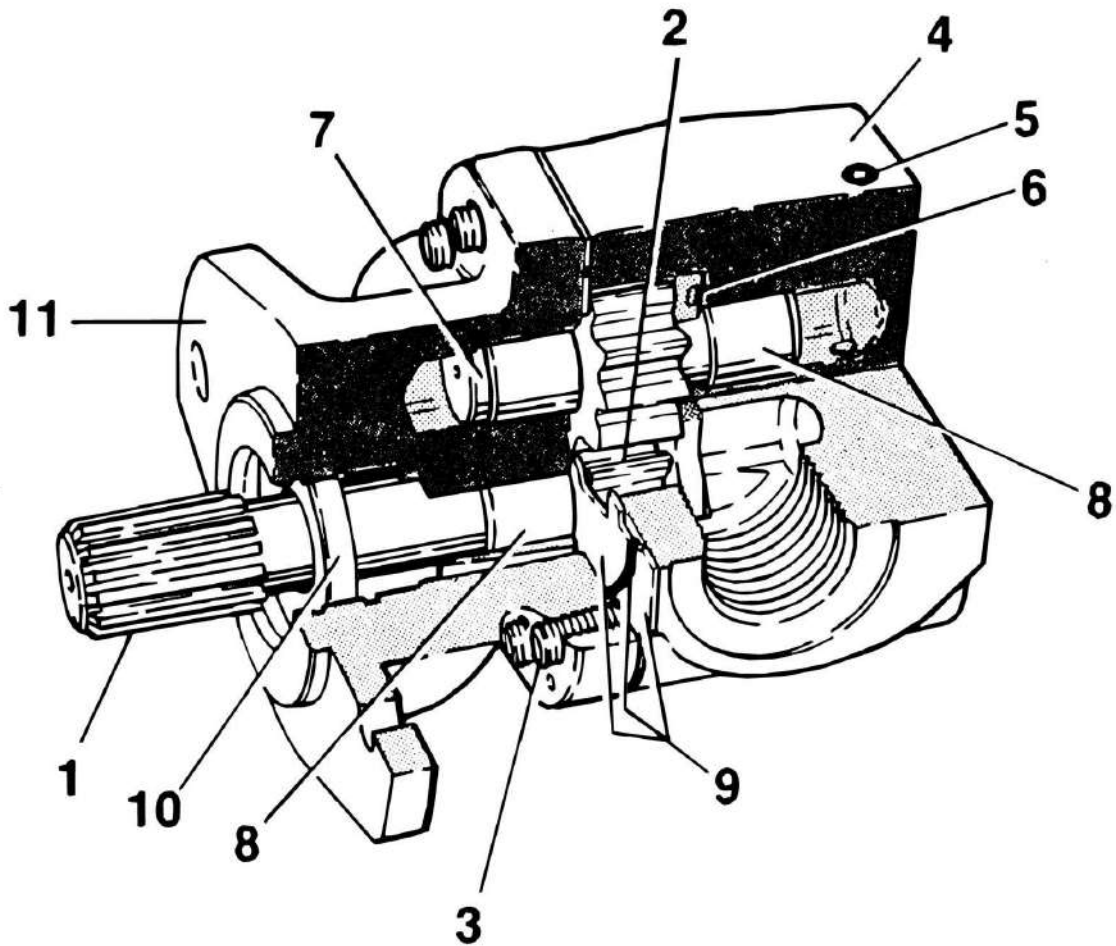
| ITEM | PART NUMBER | QTY | DESCRIPTION | REV |
|------|-------------|-----|--|-----|
| | | Ref | PISTON PUMP ASSEMBLIES | |
| | 3600164 | Ref | 13 Tooth Pump Spline (Prior to SN 29318) | A |
| | 3600260 | Ref | 15 Tooth Pump Spline (SN 29318 through 69000) | - |
| 1 | 7007413 | 1 | Shim Kit | |
| 2 | 7007414 | 1 | Plug | |
| 3 | Kit | 1 | O-Ring | |
| 4 | 7007416 | 1 | Spring, Relief Valve | |
| 5 | 7007417 | 1 | Valve, Relief | |
| 6 | Kit | 2 | O-Ring | |
| 7 | 7007419 | 2 | Plug | |
| 10 | 7007420 | 2 | Plug | |
| 11 | 7007208 | 2 | Plug | |
| 12 | 7007421 | 10 | Screw | |
| 14 | Kit | 2 | Gasket, Servo Cover | |
| 15 | 7007423 | 1 | Nut, Special | |
| 16 | 7007424 | 1 | Cover, Adjustment | |
| 18 | 7007425 | 1 | Bearing, Needle | |
| 19 | Kit | 1 | Ring, Retaining | |
| 20 | Kit | 1 | Washer | |
| 21 | Kit | 1 | Spring | |
| 23 | Kit | 1 | Washer | |
| 24 | Kit | 1 | Retainer | |
| 25 | Kit | 3 | Pin, Slipper Holddown | |
| 26 | Kit | 7 | Piston Assembly | |
| 27 | Kit | 1 | Retainer, Slipper | |
| 28 | Kit | 1 | Guide, Retainer | |
| 29 | 7007435 | 1 | Pin, Spring | |
| 30 | 7007436 | 1 | Screw, 12 Point Head | |
| 31 | 7007437 | 1 | Bearing, Ball | |
| 32 | 7007438 | 2 | Ring, Retainer | |
| 33 | 7007439 | 2 | Ring | |
| 34 | 7007440 | 2 | Pin, Spring | |
| 35 | 7007441 | 1 | Handle, Pin | |
| 36 | 7007442 | 1 | Sleeve, Bearing | |
| 37 | Kit | 1 | Gasket, Front Cover | |
| 38 | 7007444 | 1 | Pin | |
| 39 | 7007445 | 1 | Plug, Expansion | |
| 40 | Kit | 1 | Pin | |
| 41 | Kit | 1 | O-Ring | |
| 42 | Kit | 1 | Ring, Load Temper | |
| 43 | 7007449 | 1 | Housing, Pump | |
| 44 | Kit | 1 | Ring, Back-up | |
| 45 | Kit | 1 | O-Ring | |
| 46 | Kit | 1 | Cover, Gerotor | |
| 47 | 7007453 | 3 | Bolt, Hex | |
| 48 | 7007208 | 1 | Plug | |
| 49 | 7007454 | 1 | Cover, Front | |
| 50 | Kit | 1 | Block, Cylinder | |
| 51 | 7007456 | 6 | Screw | |
| 52 | 7001438 | 10 | Washer | |

SECTION 2 - TURNTABLE

| ITEM | PART NUMBER | QTY | DESCRIPTION | REV |
|------|-------------|-----|--|-----|
| 53 | Kit | 1 | Swashplate | |
| 54 | 7007458 | 1 | Journal, Bearing | |
| 55 | Kit | 1 | Seal, Lip | |
| 56 | Kit | 1 | O-Ring | |
| 57 | | Ref | Shaft, Main Pump Options: | |
| 57 | 7007461 | 1 | 13 Tooth Spline (Prior to SN 29318) | |
| 57 | 7010121 | 1 | 15 Tooth Spline (SN 29318 through 69000) | |
| 58 | 7021214 | 1 | Plate, Valve | |
| 59 | 7007463 | 1 | Gerotor Assembly | |
| 60 | Kit | 1 | Pin | |
| 61 | Kit | 1 | Key, Woodruff | |
| 62 | 7007466 | 1 | Adaptor, Remote Filtration (Without By-Pass) | |
| 63 | Kit | 3 | O-Ring | |
| 64 | 7007468 | 2 | Screw | |
| 65 | 7007469 | 2 | Screw | |
| 66 | 7007470 | 1 | Plug | |
| 67 | 7007471 | 1 | Cover, Servo (With Adjuster) | |
| 67 | 7007490 | 2 | Stop, Servo (Not Shown) | |
| 67 | 7007491 | 2 | Nut, Special (Not Shown) | |
| 67 | 7007492 | 2 | Ring, External (Not Shown) | |
| 68 | 7007482 | 1 | Cover, Servo (Without Adjuster) | |
| 69 | 7007483 | 1 | Guide, Spring | |
| 70 | 7007484 | 1 | Stop, Servo | |
| 71 | 7007485 | 1 | Spring | |
| 72 | 7007486 | 1 | Screw | |
| 73 | 7007487 | 1 | Guide, Spring | |
| 74 | 7007488 | 1 | Ring, Retaining | |
| 75 | 7007499 | 1 | Locknut | |
| 76 | Kit | 2 | Ring, Piston | |
| 77 | 7007494 | 1 | Piston, Servo | |
| 78 | Kit | 2 | O-Ring | |
| 79 | 7007472 | 1 | Valve, Bypass | |
| 80 | 7010122 | 2 | Valve, Pressure Relief (Includes Item 6) (was p/n 7007473) | |
| 81 | 7007474 | 1 | Control, Dual Oil-Filled | |
| 81 | 7007496 | 1 | Coil Assembly (Pilot) | |
| 81 | 7007497 | 1 | Plug (Pump) | |
| 81 | 7007498 | 1 | Plug (Valve Harness) | |
| 82 | 7007478 | 2 | Screw | |
| 83 | 7001498 | 2 | Screw | |
| 84 | Kit | 2 | O-Ring | |
| 85 | Kit | 1 | O-Ring | |
| 86 | 7007475 | 1 | Plug, Orifice/Screen (.156) | |
| 87 | 7007477 | 2 | Plug, Orifice (.37) | |
| 88 | 7007476 | 1 | Adapter, Auxiliary Pump | |
| 89 | 7010120 | 1 | Spacer/Gasket | |
| | 2900752 | 1 | Seal Kit - Complete (Includes Items 3, 6, 14, 37, 41, 42, 44, 45, 55, 56, 63, 76, 78, 84 & 85) | |
| | 7007412 | 1 | Seal Kit - Servo Piston (Includes Items 76 & 78) | |
| | 2900826 | 1 | Charge Pump Kit (Includes Items 41, 42, 46, 59, 60 & 61) | |
| | 2900827 | 1 | Cylinder Block Kit (Includes Items 19-28, 40-50, 53, 55 & 58) | |

SECTION 2 - TURNTABLE

FIGURE 2-22. PUMP ASSEMBLY - BARNES (USED ON STANDARD BANG-BANG AND PROPORTIONAL CONTROLS MACHINES BUILT APRIL/MAY 1990 TO JANUARY 1993)



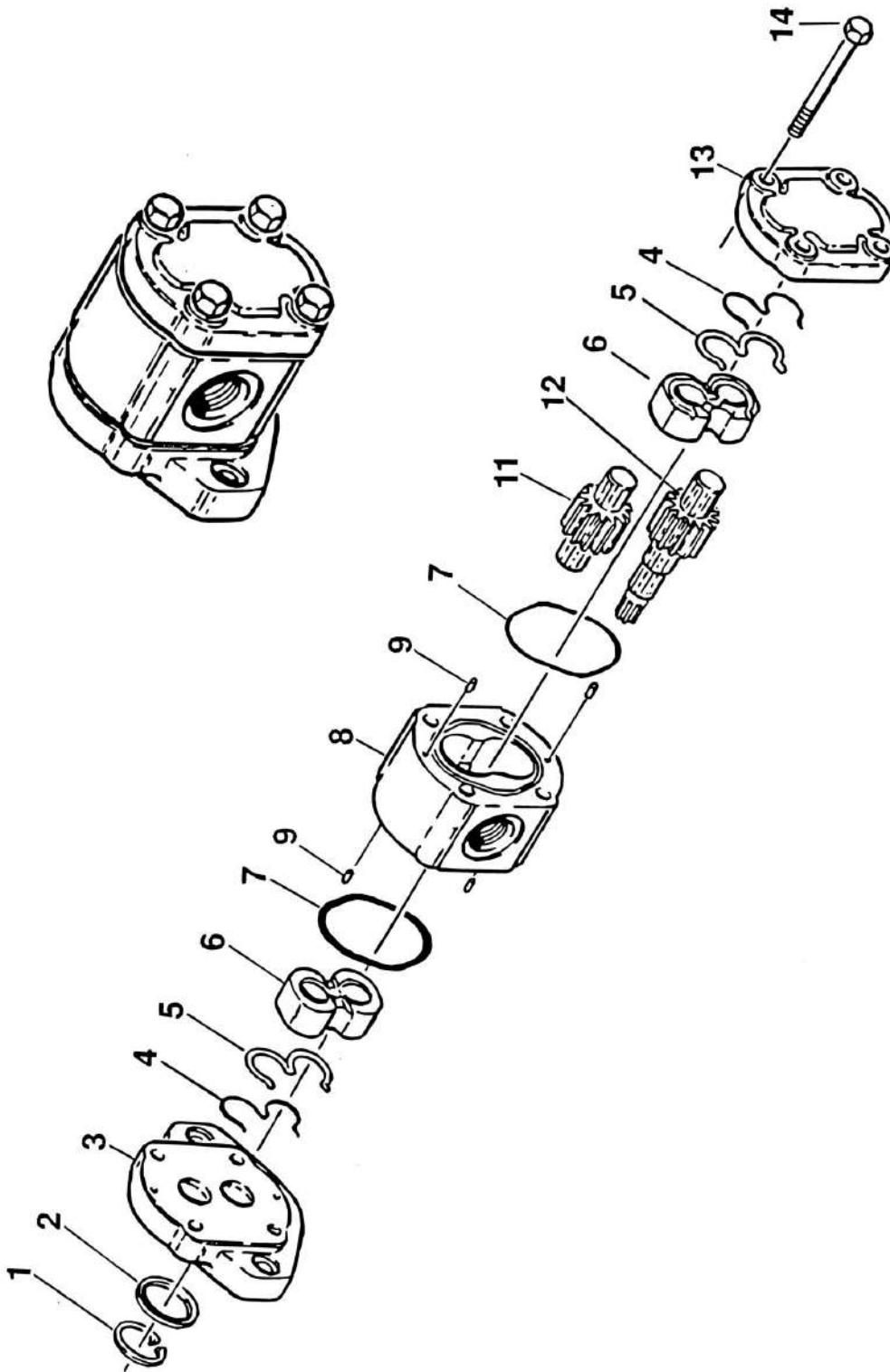
SECTION 2 - TURNTABLE

FIGURE 2-22. PUMP ASSEMBLY - BARNES (USED ON STANDARD BANG-BANG AND PROPORTIONAL CONTROLS MACHINES BUILT APRIL/MAY 1990 TO JANUARY 1993)

| ITEM | PART NUMBER | QTY | DESCRIPTION | REV |
|------|-------------|-----|-------------------------------|-----|
| | 3600172 | Ref | PUMP ASSEMBLY - BARNES | |
| 1 | 7010925 | 1 | Shaft, Drive | |
| 2 | 7010926 | 1 | Gear (.750) | |
| 2 | 7010927 | 1 | Pin, Shear .093 x .750 Lg | |
| 3 | 7010928 | 8 | Screw | |
| 4 | 7010929 | 1 | Housing, Gear | |
| 5 | 7010905 | 1 | Plug | |
| 6 | 7010914 | 1 | Plate, Pressure | |
| 6 | Kit | 1 | Seal | |
| 6 | Kit | 1 | Back-Up | |
| 7 | 7010930 | 1 | Idler Shaft | |
| 7 | 7010926 | 1 | Gear (.750) | |
| 7 | 7010918 | 1 | Ball, Steel (.094) | |
| 8 | 7010907 | 4 | Bearing | |
| 9 | 7010919 | 1 | Plate, Wear | |
| 9 | Kit | 1 | Plate, Seal | |
| 9 | 7010902 | 4 | Ring, Crescent | |
| 9 | Kit | 1 | Seal | |
| 10 | Kit | 1 | Seal, Shaft | |
| 11 | 7010909 | 1 | Stator | |
| 11 | 7010911 | 2 | Pin, Shear .210 x .50 Lg | |
| | 2900740 | 1 | Seal Kit | |

SECTION 2 - TURNTABLE

FIGURE 2-23. PUMP ASSEMBLY - BARNES (USED ON STANDARD BANG-BANG AND PROPORTIONAL CONTROLS MACHINES BUILT JANUARY 1993 TO PRESENT)



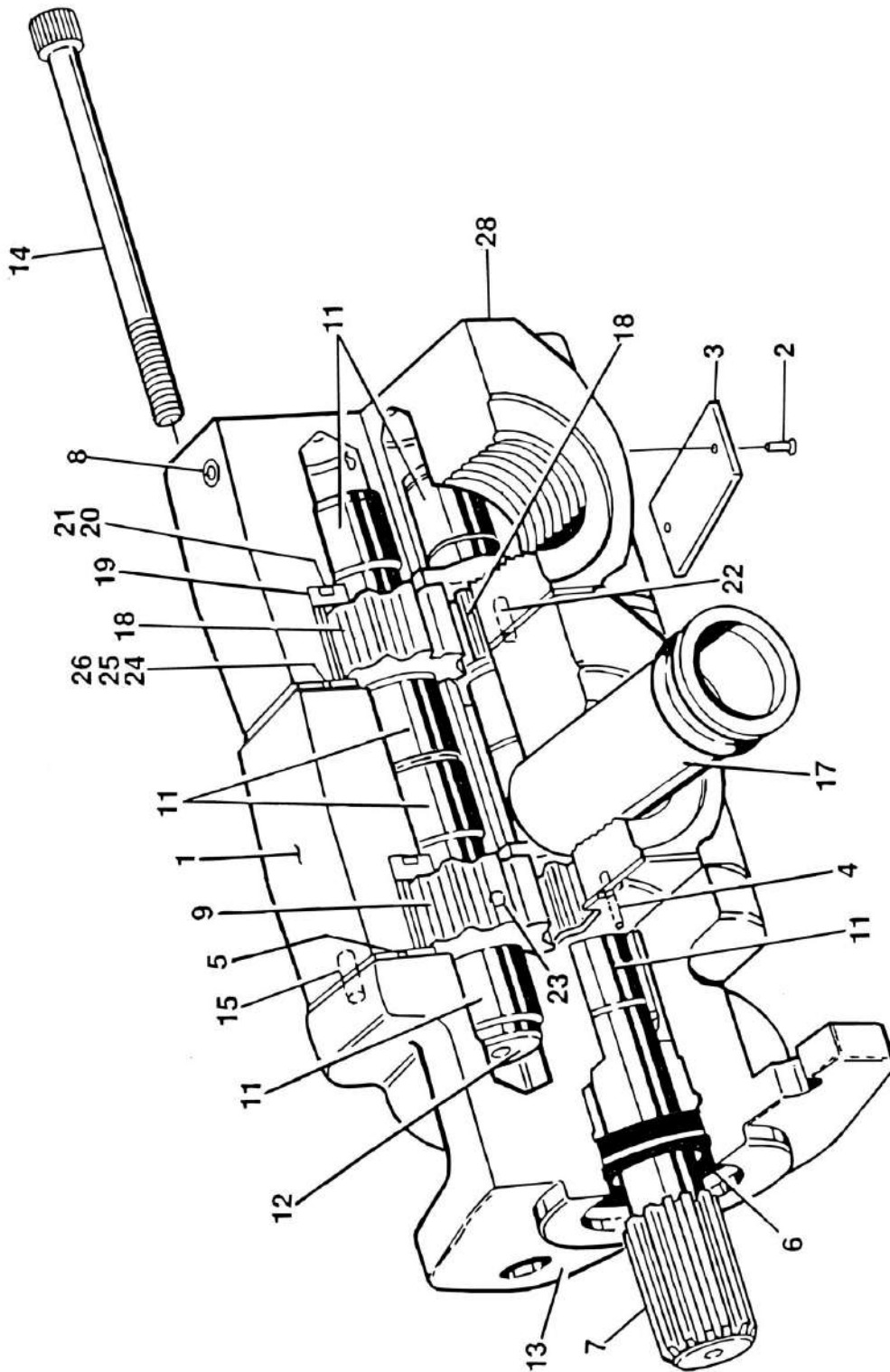
SECTION 2 - TURNTABLE

FIGURE 2-23. PUMP ASSEMBLY - BARNES (USED ON STANDARD BANG-BANG AND PROPORTIONAL CONTROLS MACHINES BUILT JANUARY 1993 TO PRESENT)

| ITEM | PART NUMBER | QTY | DESCRIPTION | REV |
|------|-------------|-----|---------------------------------------|-----|
| | 3600199 | Ref | PUMP ASSEMBLY - BARNES | - |
| 1 | 7010955 | 1 | Ring, Retaining | |
| 2 | Kit | 1 | Seal, Shaft | |
| 3 | 7010956 | 1 | Flange, Mounting | |
| 4 | Kit | 2 | Ring, Backup | |
| 5 | Kit | 2 | E-Seal | |
| 6 | 7010957 | 2 | Bearing | |
| 7 | Kit | 2 | O-Ring | |
| 8 | 7010958 | 1 | Housing | |
| 9 | 7010959 | 4 | Pin, Dowel | |
| 11 | 7010954 | 1 | Gear, Idler | |
| 12 | 7010978 | 1 | Gear, Drive | |
| 13 | 7010960 | 1 | Cover, End | |
| 14 | 7010961 | 4 | Bolt | |
| | 7010953 | 1 | Seal Kit (Includes Items 2, 4, 5 & 7) | |

SECTION 2 - TURNTABLE

FIGURE 2-24. PUMP ASSEMBLY - BARNES (USED ON HYDRAULIC CONTROL MACHINES WITH DEUTZ POWER BUILT PRIOR TO OCTOBER 1991)



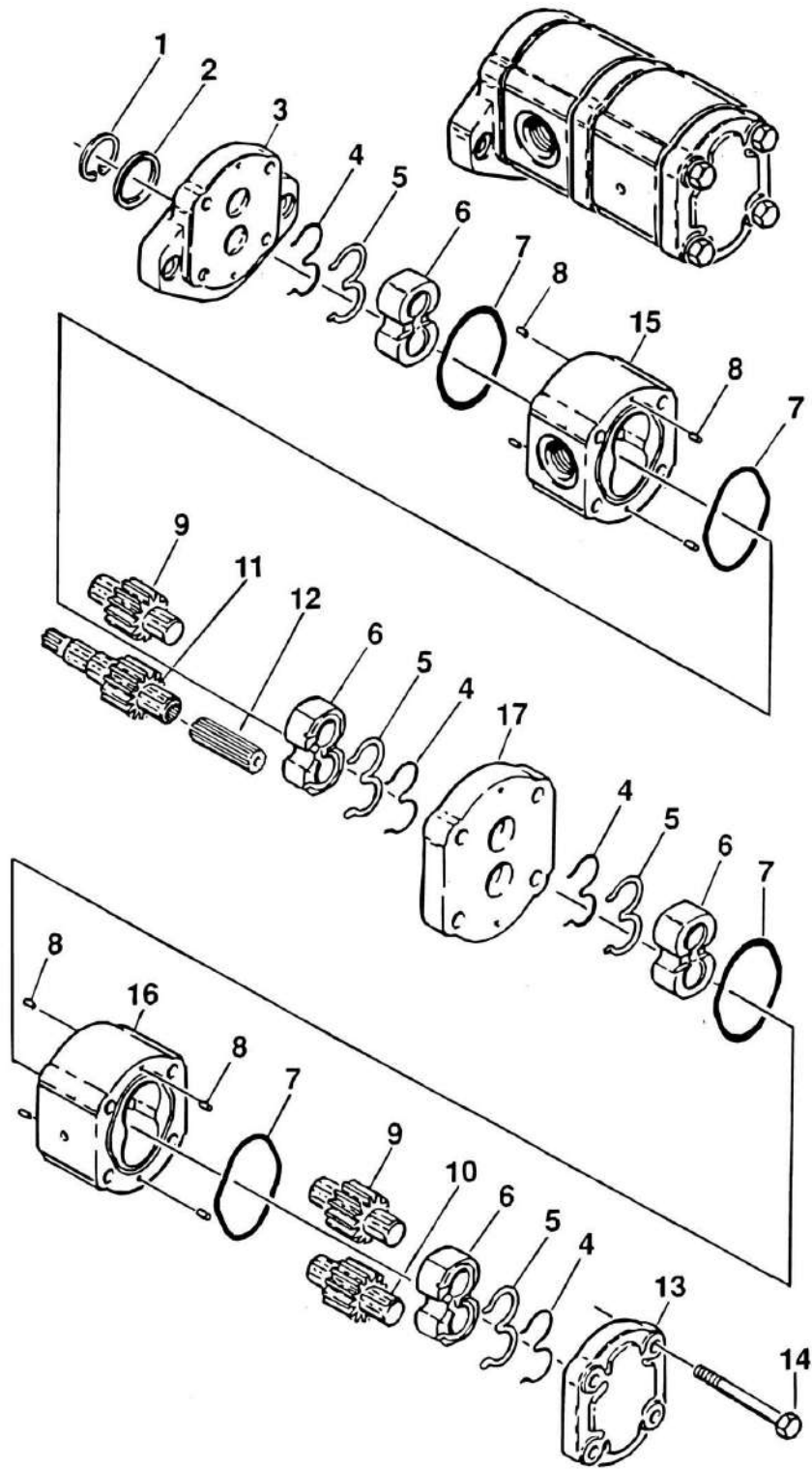
SECTION 2 - TURNTABLE

FIGURE 2-24. PUMP ASSEMBLY - BARNES (USED ON HYDRAULIC CONTROL MACHINES WITH DEUTZ POWER BUILT PRIOR TO OCTOBER 1991)

| ITEM | PART NUMBER | QTY | DESCRIPTION | REV |
|------|--------------|-----|--|-----|
| | 3600176 | Ref | PUMP ASSEMBLY - BARNES | - |
| 1 | Not Serviced | 1 | Housing, Gear - Center | |
| 2 | 7004435 | 2 | Rivet, Tag | |
| 3 | Not Serviced | 1 | Nameplate | |
| 4 | 7010901 | 1 | Pin, Shear (1in Length) | |
| 5 | 7010902 | 4 | Ring, Crescent | |
| 6 | Kit | 1 | Seal, Oil | |
| 7 | Not Serviced | 1 | Shaft, Drive | |
| 8 | 7010905 | 1 | Plug, Lee | |
| 9 | 7010906 | 1 | Gear Set | |
| 11 | 7010907 | 8 | Bearing | |
| 12 | Not Serviced | 1 | Shaft, Idler | |
| 13 | 7010909 | 1 | Stator | |
| 14 | 7010910 | 8 | Bolt, Socket Head | |
| 15 | 7010911 | 4 | Pin, Shear (1/2in Length) | |
| 17 | 7010912 | 1 | Tube | |
| 18 | 7010913 | 2 | Gear (Not a Set) | |
| 19 | 7010938 | 2 | Plate, Pressure | |
| 20 | Kit | 2 | Seal, Back-up (Pressure Plate) | |
| 21 | Kit | 2 | Seal | |
| 22 | 7010917 | 1 | Pin, Shear (5/8in Length) | |
| 23 | 7010918 | 1 | Ball | |
| 24 | 7010937 | 2 | Plate, Wear | |
| 25 | Kit | 2 | Seal, Wear Plate | |
| 26 | Kit | 2 | Seal, Wear Plate | |
| 27 | 7010922 | 1 | Shaft, Idler | |
| 28 | Not Serviced | 1 | Housing, Gear - End | |
| | 2900740 | 1 | Seal Kit (Includes Items 6, 20, 21, 25 & 26) | |

SECTION 2 - TURNTABLE

FIGURE 2-25. PUMP ASSEMBLY - BARNES (USED ON HYDRAULIC CONTROLS MACHINES WITH DEUTZ POWER BUILT APRIL 1993 TO PRESENT AND FORD POWER BUILT FEBRUARY 1993 TO PRESENT)



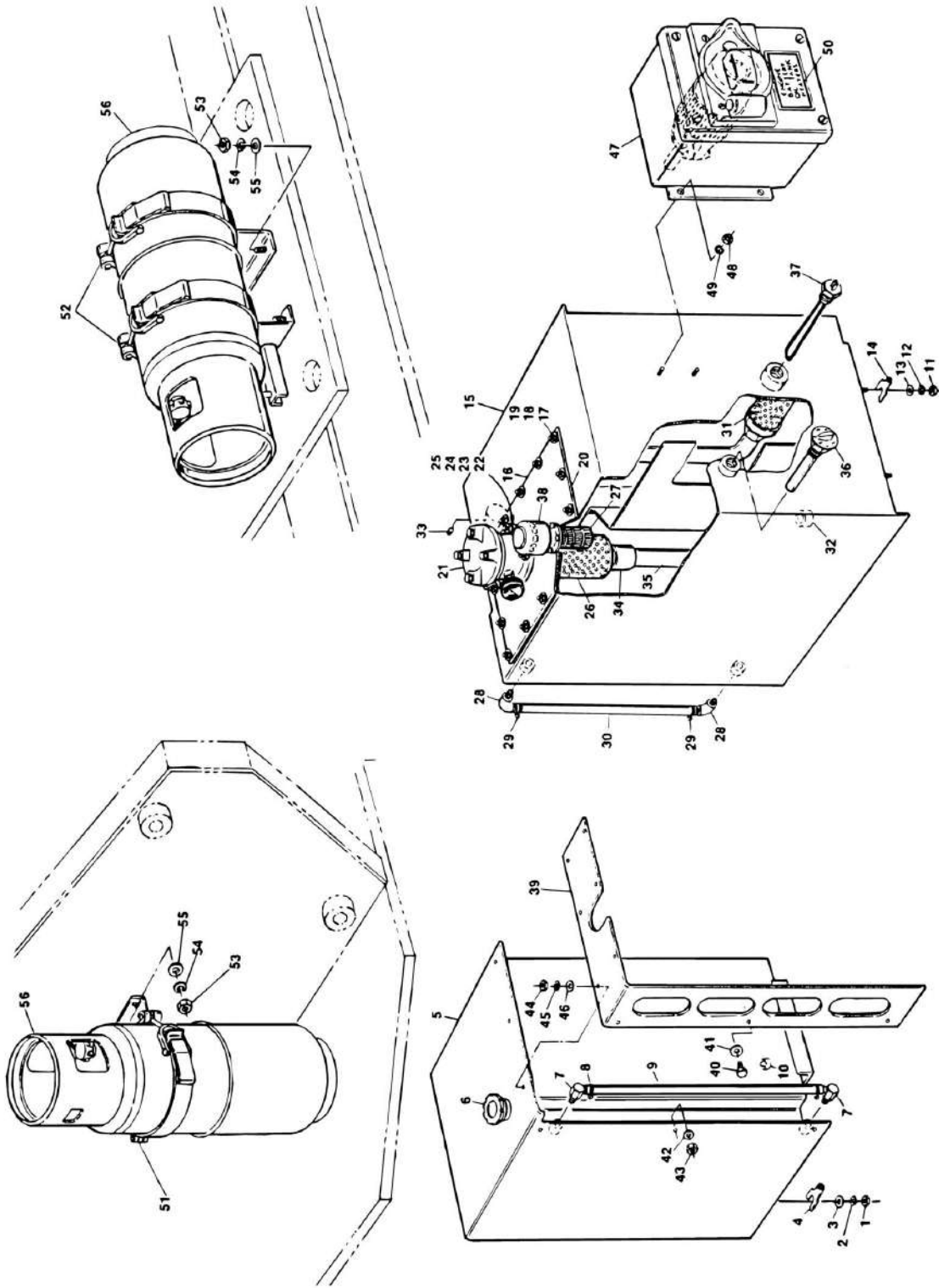
SECTION 2 - TURNTABLE

FIGURE 2-25. PUMP ASSEMBLY - BARNES (USED ON HYDRAULIC CONTROLS MACHINES WITH DEUTZ POWER BUILT APRIL 1993 TO PRESENT AND FORD POWER BUILT FEBRUARY 1993 TO PRESENT

| ITEM | PART NUMBER | QTY | DESCRIPTION | REV |
|------|-------------|-----|---------------------------------------|-----|
| | 3600202 | Ref | PUMP ASSEMBLY - BARNES | |
| 1 | 7010955 | 1 | Ring, Retaining | |
| 2 | Kit | 1 | Seal, Shaft | |
| 3 | 7010956 | 1 | Flange, Mounting | |
| 4 | Kit | 4 | Ring, Backup | |
| 5 | Kit | 4 | E-Seal | |
| 6 | 7010957 | 4 | Bearing | |
| 7 | Kit | 4 | O-Ring | |
| 8 | 7010959 | 8 | Pin, Dowel | |
| 9 | 7010983 | 2 | Gear, Idler (Section 1) | |
| 10 | 7010984 | 1 | Gear, Idler (Section 2) | |
| 11 | 7010985 | 1 | Gear, Drive | |
| 12 | 7010965 | 1 | Coupling | |
| 13 | 7010960 | 1 | Cover, End | |
| 14 | 7010986 | 4 | Bolt | |
| 15 | 7010987 | 1 | Housing (Section 1) | |
| 16 | 7010988 | 1 | Housing (Section 2) | |
| 17 | 7010970 | 1 | Plate, Distance (Section 2) | |
| | 7010962 | 1 | Seal Kit (Includes Items 2, 4, 5 & 7) | |

SECTION 2 - TURNTABLE

FIGURE 2-26. TANKS INSTALLATION



SECTION 2 - TURNTABLE

FIGURE 2-26. TANKS INSTALLATION

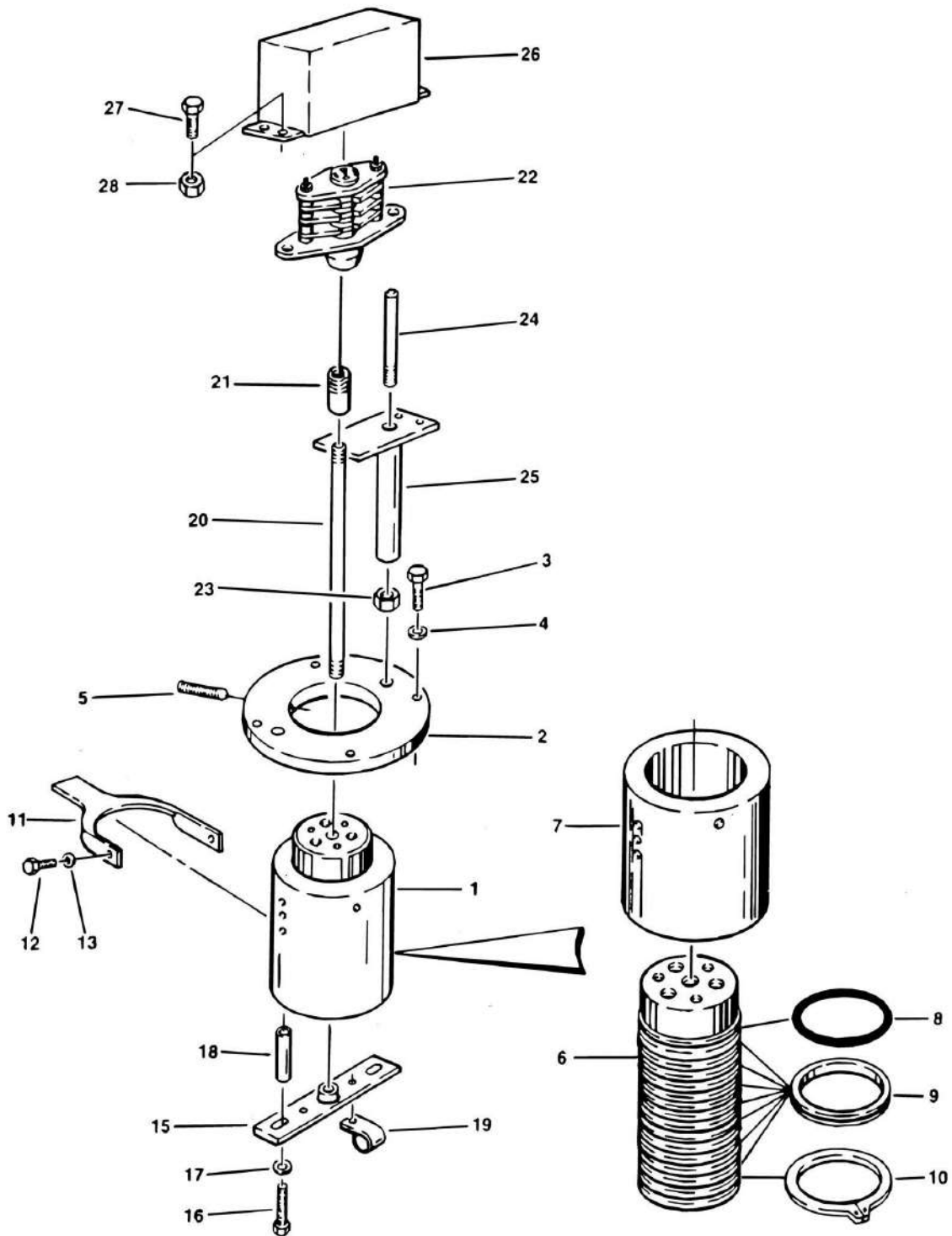
| ITEM | PART NUMBER | QTY | DESCRIPTION | REV |
|------|-------------|-------|---|-----|
| | | Ref | TANKS INSTALLATION | |
| | 0239417 | Ref | FUEL AND HYDRAULIC TANKS INSTALLATION (STANDARD) | C |
| | 0250231 | Ref | FUEL AND HYDRAULIC TANKS INSTALLATION (WITH HEATERS) | B |
| | 0253822 | Ref | HYDRAULIC TANK INSTALLATION (LP ONLY MACHINES) | - |
| 1 | 3311501 | 4 | Nut 5/16in-18NC | |
| 2 | 4761500 | 4 | Lockwasher 5/16in | |
| 3 | 4751500 | 4 | Flatwasher 5/16in | |
| 3 | 4300073 | 4 | Stud (Welded on Part) | |
| 4 | 4070410 | AR | Shim (1/16in) | |
| 4 | 4070411 | AR | Shim (1/8in) | |
| 4 | 4070412 | AR | Shim (3/16in) | |
| | 4400264 | 1 | Fuel Tank Assembly | 2 |
| 5 | 4400263 | 1 | Fuel Tank Weldment | |
| 6 | 1120314 | 1 | Cap | |
| 7 | 2180467 | 2 | Fitting, 90 | |
| 7 | 0100020 | AR | Sealant | |
| 8 | 1320022 | 2 | Clamp | |
| 9 | 4562516 | 26 in | Tube, Sight | |
| 10 | 2200222 | 1 | Plug, Pipe - 1/4in | |
| 11 | 3311501 | 4 | Nut 5/16in-18NC | |
| 12 | 4761500 | 4 | Lockwasher 5/16in | |
| 13 | 4751500 | 4 | Flatwasher 5/16in | |
| 13 | 0641516 | 4 | Bolt 5/16in-18NC x 2in | |
| 14 | 4070410 | AR | Shim (1/16in) | |
| 14 | 4070411 | AR | Shim (1/8in) | |
| 14 | 4070412 | AR | Shim (3/16in) | |
| | 4400266 | 1 | Hydraulic Tank Assembly (Standard) | C |
| | 4400291 | 1 | Hydraulic Tank Assembly (With Heater) | B |
| 15 | 4400265 | 1 | Hydraulic Tank Weldment (Standard) | |
| 15 | 4400290 | 1 | Hydraulic Tank Weldment (With Heater) | |
| 16 | 1670468 | 1 | Lid | |
| 17 | 3311401 | 14 | Nut 1/4in-20NC | |
| 18 | 4761400 | 14 | Lockwasher 1/4in | A |
| 19 | 4751400 | 14 | Flatwasher 1/4in | |
| 20 | 3960371 | 1 | Gasket | - |
| 21 | 2120103 | 1 | Filter, Return (Includes Item 26) | |
| 21 | 7004244 | 1 | Gauge, Sight | |
| 21 | 7012559 | 1 | Gasket (Located Between Filter and Tank) | |
| 21 | 7016333 | 1 | O-Ring (Located Under Cap) | |
| 22 | 0641612 | 4 | Bolt 3/8in-16NC x 1 1/2in | |
| 23 | 4761600 | 4 | Lockwasher 3/8in | |
| 24 | 4740322 | 4 | Washer, Sealing | |
| 25 | 3311601 | 4 | Nut 3/8in-16NC | |
| 26 | 2120107 | 1 | Element (Part of Item 26) | |
| 27 | 1340045 | 1 | Filler, Strainer | |
| 27 | 4740338 | 6 | Washer, Sealing | |
| 28 | 2180467 | 2 | Fitting, 90 | |
| 28 | 0100020 | AR | Sealant | |
| 29 | 1320022 | 2 | Clamp | |

SECTION 2 - TURNTABLE

| ITEM | PART NUMBER | QTY | DESCRIPTION | REV |
|------|-------------|-------|--|-----|
| 30 | 4562516 | 26 in | Tube, Sight | |
| 31 | 2120104 | 1 | Filter, Suction | |
| 31 | 0100020 | AR | Sealant | |
| 32 | 3520022 | 1 | Plug - 3/4in | |
| 32 | 0100020 | AR | Sealant | |
| 33 | 2180527 | 1 | Plug - 1/16in | |
| 33 | 0100020 | AR | Sealant | |
| 34 | 2200268 | 1 | Fitting, Coupling | |
| 34 | 0100020 | AR | Sealant | |
| 35 | 2180711 | 1 | Pipe, Return | |
| 36 | 1600043 | 1 | Controller, Thermostat (With Heater Only) | |
| 37 | 2580018 | 1 | Heater, Immersion (With Heater Only) | |
| 38 | 1340046 | 1 | Breather | |
| 39 | 4060695 | 1 | Filler/Shield (Standard) | |
| 39 | 4060849 | 1 | Filler/Shield (LPG Only) | |
| 40 | 0721005 | 6 | Screw, Machine #10-24NC x 5/8in | |
| 41 | 4751000 | 12 | Flatwasher #10 | |
| 42 | 4761000 | 6 | Lockwasher #10 | |
| 43 | 3311001 | 6 | Nut #10-24NC | |
| 44 | 3311401 | 6 | Nut 1/4in-20NC | |
| 45 | 4761400 | 6 | Lockwasher 1/4in | |
| 46 | 4751400 | 6 | Flatwasher 1/4in | |
| | 0252300 | Ref | COLD WEATHER PACKAGE INSTALLATION - FORD | B |
| | 0252301 | Ref | COLD WEATHER PACKAGE INSTALLATION - DEUTZ | B |
| | 0252302 | Ref | COLD WEATHER PACKAGE INSTALLATION - KUBOTA | B |
| 47 | 0231756 | 1 | JUNCTION BOX ASSEMBLY | C |
| 47 | 1670199 | 1 | Cover | |
| 47 | 4460049 | 3 | Connector, Strain Relief | |
| 48 | 3311401 | 4 | Nut 1/4in-20NC | |
| 49 | 4761400 | 4 | Lockwasher 1/4in | |
| 50 | 3251837 | 1 | Decal - Battery and Oil Tank Heaters | |
| 50 | 3251243 | 1 | Decal - 120V/60HZ | |
| | 0250149 | Ref | LP TANK AND BRACKETS INSTALLATION | D |
| 51 | 1320126 | 1 | Bracket | |
| 51 | 1320127 | 1 | Clamp, Latch | |
| 52 | 1320023 | 1 set | Bracket | |
| 53 | 3311601 | 4 | Nut 3/8in-16NC | |
| 54 | 4761600 | 4 | Lockwasher 3/8in | |
| 55 | 4751600 | 4 | Flatwasher 3/8in | |
| 56 | 4400164 | 2 | Tank, LP (20 Lb) | |
| 56 | 4400040 | 2 | Tank, LP (33.5 Lb) | |
| 56 | 4400275 | 2 | Tank, LP (43.5 Lb) | |
| 58 | 4751800 | 6 | Flatwasher 1/2in (Not Shown - Located between clamp and turntable) | |

SECTION 2 - TURNTABLE

FIGURE 2-27. ROTARY COUPLING AND COLLECTOR ASSEMBLY AND INSTALLATION



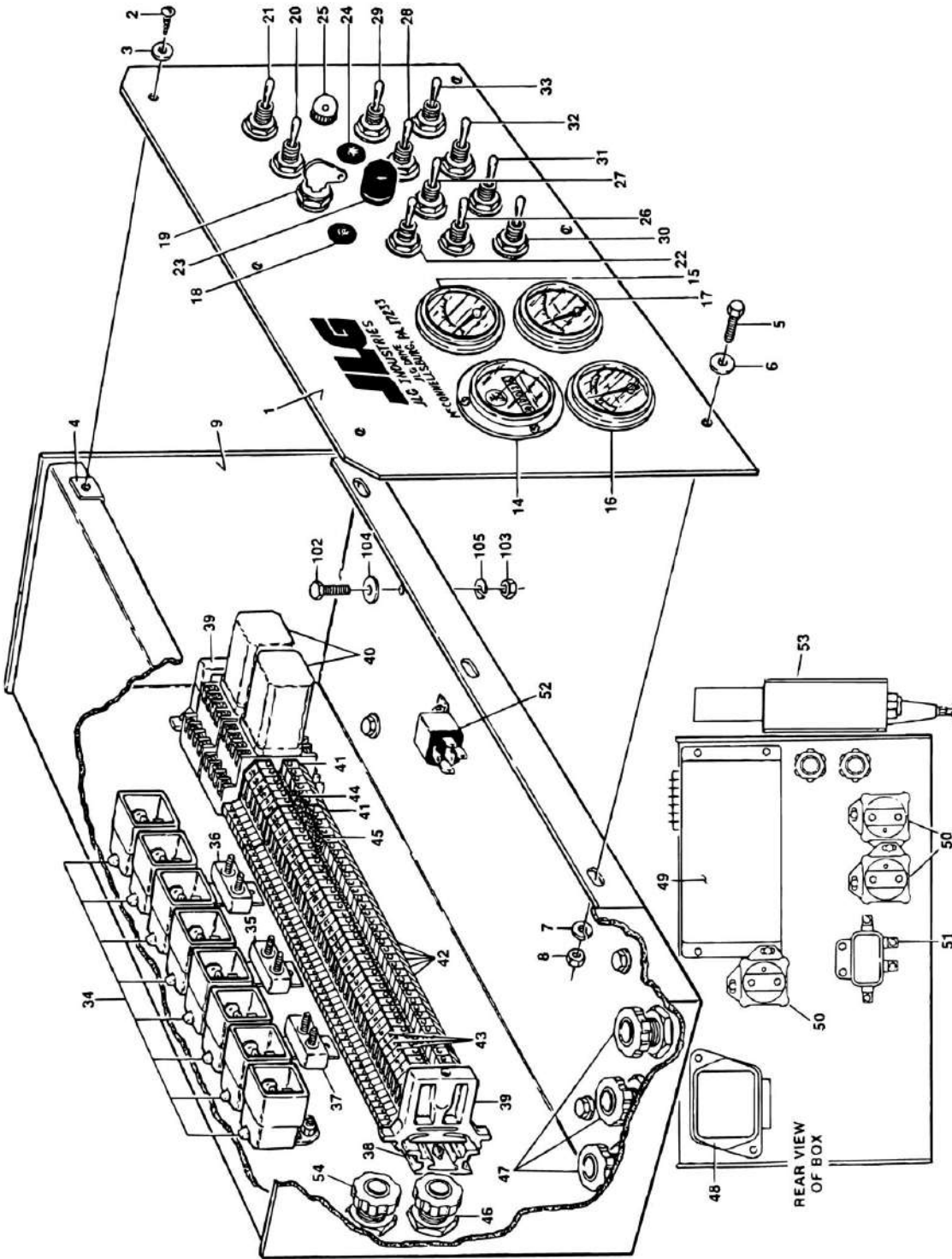
SECTION 2 - TURNTABLE

FIGURE 2-27. ROTARY COUPLING AND COLLECTOR ASSEMBLY AND INSTALLATION

| ITEM | PART NUMBER | QTY | DESCRIPTION | REV |
|------|-------------|-----|--|-----|
| | 0238615 | Ref | ROTARY OIL COUPLING INSTALLATION (2WS) | A |
| | 0250611 | Ref | ROTARY OIL COUPLING INSTALLATION (4WS) | C |
| 1 | 1660160 | 1 | Oil Coupling Assembly (2WS) (Includes Items 6-10) | B |
| 1 | 1660185 | 1 | Oil Coupling Assembly (4WS) (Includes Items 6-10) | B |
| 2 | 1440154 | 1 | Collar | |
| 3 | 0641512 | 4 | Bolt 5/16in-18NC x 1 1/2in | |
| 4 | 4761500 | 4 | Lockwasher 5/16in | |
| 5 | 3951820 | 2 | Setscrew, Socket 1/2in-13NC x 2 1/2in | |
| 5 | 0100011 | AR | Loctite #242 | |
| 6 | 0620058 | 1 | Body, Swivel (2WS) | |
| 6 | 0620106 | 1 | Body, Swivel (4WS) | |
| 7 | 2760091 | 1 | Housing, Swivel | |
| 8 | Kit | 1 | O-Ring | |
| 9 | Kit | 7 | Seal | |
| 10 | 3760004 | 1 | Ring, Retaining | |
| 10 | | Ref | Seal Kit Options: | |
| 10 | 2901146 | 1 | 1660160 & 1660185 Couplings (Includes items 8 & 9) | |
| 10 | 1660213EX | 1 | 1660213 Couplings (was p/n 7013175) | |
| | | Ref | Note: Due to complexity of repair, seal kit no longer available. Use rebuilt unit as replacement. | |
| 11 | 3530403 | 1 | Fork, Retaining | |
| 12 | 0641807 | 2 | Bolt 1/2in-13NC x 7/8in | |
| 13 | 4761800 | 2 | Lockwasher 1/2in | |
| 13 | 0100019 | AR | Loctite #271 | |
| | 0251561 | Ref | COLLECTOR RING ASSEMBLY (4WS ONLY) (PRIOR TO JULY 1991) | B |
| | 0252059 | Ref | COLLECTOR RING ASSEMBLY (4WS ONLY) (JULY 1991 TO PRESENT) | A |
| 15 | 4843822 | 1 | Bracket Weldment | |
| 16 | 0641418 | 2 | Bolt 1/4in-20NC x 2 1/4in | |
| 17 | 4761400 | 2 | Lockwasher 1/4in | |
| 17 | 4751400 | 2 | Flatwasher 1/4in | |
| 18 | 0960224 | 2 | Bushing | |
| 19 | 1320040 | 1 | Clamp | |
| 19 | 3911012 | 1 | Screw, Machine #10-24NC x 3/4in | |
| 19 | 4751000 | 1 | Flatwasher #10 | |
| 19 | 4761000 | 1 | Lockwasher #10 | |
| 19 | 3311001 | 1 | Nut #10-24NC | |
| 20 | 2180763 | 1 | Pipe | |
| 21 | 0961531 | 1 | Bushing, Collector Ring | |
| 22 | 3760053 | 1 | Collector Ring Assembly | |
| 23 | 3311801 | 2 | Nut 1/2in-13NC | |
| 24 | 3420290 | 2 | Pin, Drive | |
| 25 | 0231047 | 2 | Guide, Drive (Prior to July 1991) | |
| 25 | 4844033 | 2 | Guide, Drive (July 1991 to Present) | |
| 26 | 1670594 | 1 | Cover | |
| 27 | 0721004 | 4 | Screw, Round Head #10-24NC x 1/2in | |
| 28 | 3311001 | 4 | Nut #10-24NC | |

SECTION 2 - TURNTABLE

FIGURE 2-28. GROUND CONTROL BOX INSTALLATIONS



SECTION 2 - TURNTABLE

FIGURE 2-28. GROUND CONTROL BOX INSTALLATIONS

| ITEM | PART NUMBER | QTY | DESCRIPTION | REV |
|------|-------------|-----|--|-----|
| | 1281180 | Ref | GROUND CONTROL BOX ASSEMBLIES | X |
| | 0860613 | Ref | DEUTZ WITH STANDARD BANG-BANG CONTROLS | 12 |
| | 0860751 | Ref | DEUTZ WITH PROPORTIONAL CONTROLS | 4 |
| | 0860663 | Ref | DEUTZ WITH HYDRAULIC CONTROLS | 7 |
| | 0860612 | Ref | FORD WITH STANDARD BANG-BANG CONTROLS AND BOSCH ALTERNATOR (PRIOR TO SEPTEMBER 1994) | 1 |
| | 0860959 | Ref | FORD WITH STANDARD BANG-BANG CONTROLS AND PRESTOLITE ALTERNATOR (SEPTEMBER 1994 TO PRESENT) | 2 |
| | 0860780 | Ref | FORD WITH PROPORTIONAL CONTROLS AND BOSCH ALTERNATOR (PRIOR TO FEBRUARY 1993) | A |
| | 0860843 | Ref | FORD WITH PROPORTIONAL CONTROLS AND BOSCH ALTERNATOR (FEBRUARY 1993 TO SEPTEMBER 1994) | B |
| | 0860957 | Ref | FORD WITH PROPORTIONAL CONTROLS AND PRESTOLITE ALTERNATOR (SEPTEMBER 1994 TO PRESENT) | 2 |
| | 0860652 | Ref | FORD WITH HYDRAULIC CONTROLS AND BOSCH ALTERNATOR (PRIOR TO SEPTEMBER 1994) | F |
| | 0860958 | Ref | FORD WITH HYDRAULIC CONTROLS AND PRESTOLITE ALTERNATOR (SEPTEMBER 1994 TO PRESENT) | 2 |
| | 0860661 | Ref | KUBOTA WITH STANDARD BANG-BANG CONTROLS | F |
| | 0860656 | Ref | KUBOTA WITH PROPORTIONAL CONTROLS | F |
| 1 | 3251895 | | Lid | |
| 1 | 4420037 | | Strip, Rubber (Not Shown) | |
| 2 | 0750806 | | Screw, Self-Tapping #8 x 3/4in | |
| 3 | 4740120 | | Washer, Fiber | |
| 4 | 3300177 | | Nut, Tinnerman | |
| 5 | 3911412 | | Screw, Round Head 1/4in-20NC x 3/4in | |
| 6 | 4751400 | | Flatwasher 1/4in | |
| 7 | 4761400 | | Lockwasher 1/4in | |
| 8 | 3311401 | | Nut 1/4in-20NC | |
| 9 | 0860576 | | Box | |
| 14 | 2420009 | | Hourmeter | |
| 15 | 2420129 | | Voltmeter (Ford) | |
| 15 | 2420091 | | Voltmeter (Deutz and Kubota) | |
| 16 | 2420128 | | Gage, Oil Pressure (Ford) | |
| 16 | 2420111 | | Gage, Oil Pressure (Deutz) | |
| 16 | 2420035 | | Gage, Oil Pressure (Kubota) | |
| 17 | 2420127 | | Gage, Water Temperature (Ford) | |
| 17 | 2420019 | | Gage, Water Temperature (Kubota) | |
| 17 | 2420125 | | Gage, Water Temperature (Deutz) | |
| 18 | 3520026 | | Plug, Hole (Ford) | |
| 18 | 4360212 | | Breaker, Circuit (Deutz and Kubota) | |
| 19 | 4360003 | 1 | Switch, Key (Master Switch) | |
| 19 | 2860002 | 1 | Key | |
| 20 | 4360073 | 1 | Switch, Toggle (Select) | |
| 20 | 3790012 | 1 | O-Ring | |
| 21 | 3520028 | 1 | Plug, Hole | |
| 21 | 4360201 | 1 | Switch, Toggle (Dual Fuel) | |
| 22 | 4360199 | 1 | Switch, Toggle (Ignition) | |
| 22 | 4360141 | 1 | Guard, Switch (Not Shown) | |
| 22 | 3790012 | 1 | O-Ring | |

SECTION 2 - TURNTABLE

| ITEM | PART NUMBER | QTY | DESCRIPTION | REV |
|------|-------------|----------|---|-----|
| 23 | 4360274 | 1 | Switch, Push Button (Start) | |
| 23 | 3790015 | 1 | O-Ring | |
| 24 | 3520028 | 1 | Plug, Hole | |
| 24 | 4360199 | 1 | Switch, Toggle (Choke/Glow Plugs) (Kubota) | |
| 24 | 3790012 | 1 | O-Ring (Kubota) | |
| 25 | 3520026 | 1 | Plug, Hole | |
| 26 | 4360202 | 1 | Switch, Toggle (Tower Lift) (Standard and Proportional Controls) | |
| 26 | 3790012 | 1 | O-Ring | |
| 26 | 3520028 | 1 | Plug (Hydraulic Controls) | |
| 27 | 4360202 | 1 | Switch, Toggle (Main Lift) (Standard and Proportional Controls) | |
| 27 | 3790012 | 1 | O-Ring | |
| 27 | 3520028 | 1 | Plug (Hydraulic Controls) | |
| 28 | 4360202 | 1 | Switch, Toggle (Swing) (Standard and Proportional Controls) | |
| 28 | 3790012 | 1 | O-Ring | |
| 28 | 3520028 | 1 | Plug (Hydraulic Controls) | |
| 29 | 4360202 | 1 | Switch, Toggle (Platform Level) (Standard and Proportional Controls) | |
| 29 | 3790012 | 1 | O-Ring | |
| 29 | 3520028 | 1 | Plug (Hydraulic Controls) | |
| 30 | 3520028 | 1 | Plug, Hole | |
| 31 | 4360202 | 1 | Switch, Toggle (Main Tele) (Standard and Proportional Controls) | |
| 31 | 3790012 | 1 | O-Ring | |
| 31 | 3520028 | 1 | Plug (Hydraulic Controls) | |
| 32 | 4360202 | 1 | Switch, Toggle (Platform Rotate) (Standard and Proportional Controls) | |
| 32 | 3790012 | 1 | O-Ring | |
| 32 | 3520028 | 1 | Plug (Hydraulic Controls) | |
| 33 | 4360200 | 1 | Switch, Toggle (Auxiliary Power) | |
| 33 | 3790012 | 1 | O-Ring | |
| 34 | 3740049 | AR | Relay - SPDT | |
| 34 | 3311001 | AR | Nut #10-24NC | |
| 34 | 4761000 | AR | Lockwasher #10 | |
| 34 | 4751000 | AR | Flatwasher #10 | |
| 35 | 4360216 | 1 | Switch, Circuit Breaker - 30 Amp | |
| 36 | 4360232 | 1 | Switch, Circuit Breaker - 15 Amp | |
| 37 | 4360232 | 1 | Switch, Circuit Breaker - 15 Amp (Kubota) | |
| 38 | 3640711 | 16 5/8in | Rail | |
| 38 | 3910606 | 2 | Screw #6-32NC x 3/8in | |
| 38 | 4750600 | 2 | Flatwasher #6 | |
| 38 | 4760600 | 2 | Lockwasher #6 | |
| 38 | 3310601 | 2 | Nut #6-32NC | |
| 39 | 4460299 | 2 | Stop, Terminal | |
| 40 | 3740058 | AR | Relay - 4PDT | |
| 40 | 4120013 | AR | Base, Relay | |
| 40 | 3740063 | AR | Spring | |
| 41 | 4460300 | 2 | Barrier, Terminal | |
| 42 | 4460298 | 45 | Block, Terminal | |
| 43 | 4460301 | 1 | Marker, Terminal | |
| 44 | 4460308 | AR | Bar, Buss - 2 Position (Bang-Bang and Proportional Controls - Qty 1 and Hydraulic Controls - Qty 2) | |
| 44 | 4460305 | AR | Screw | |
| 44 | 4460306 | AR | Washer | |

SECTION 2 - TURNTABLE

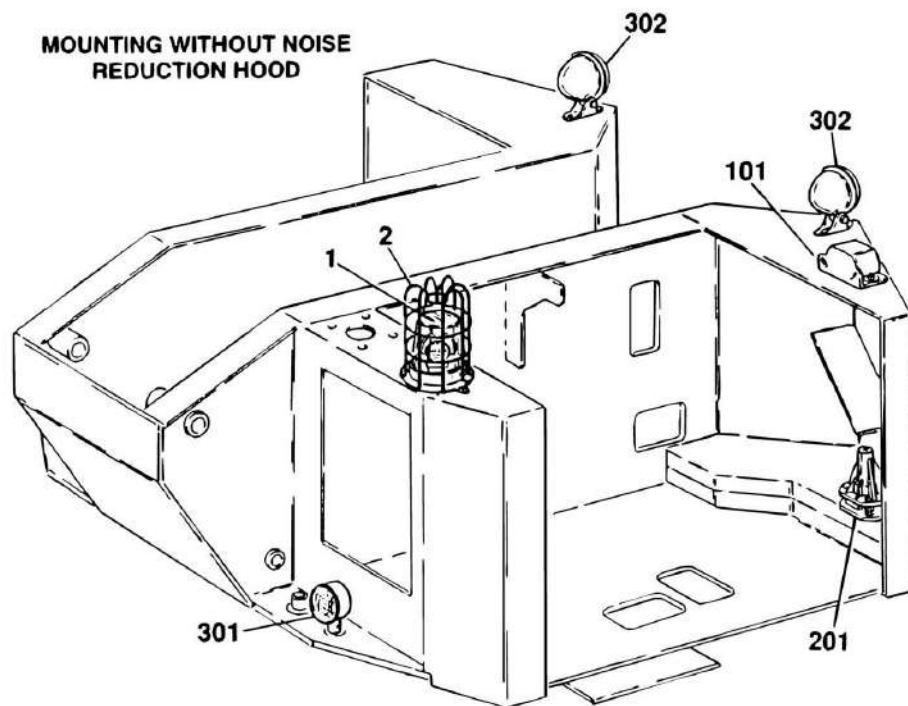
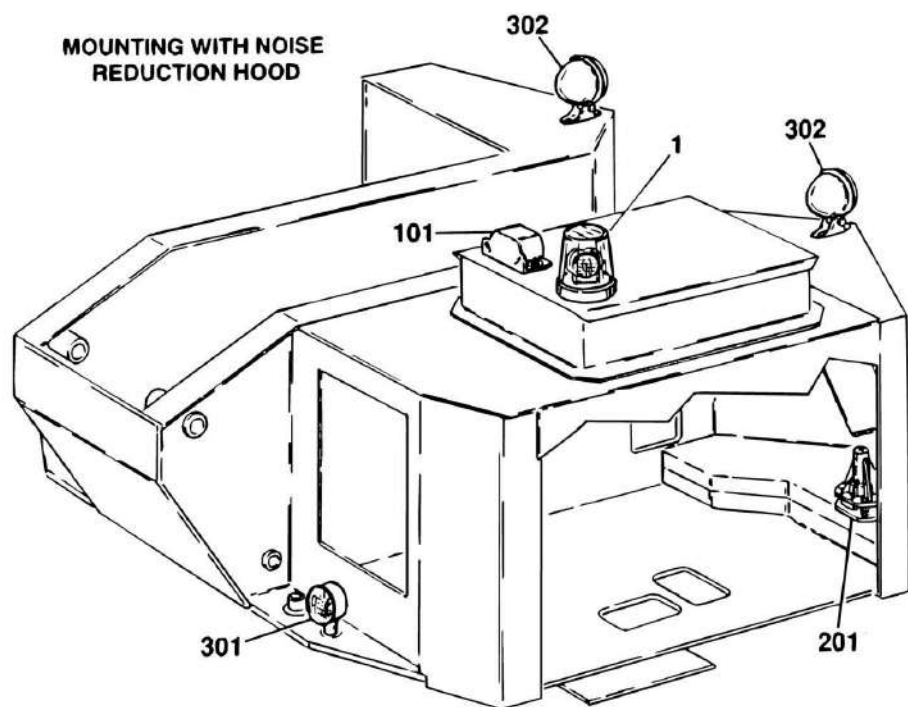
| ITEM | PART NUMBER | QTY | DESCRIPTION | REV |
|------|-------------|-----|--|-----|
| 44 | 4460307 | AR | Sleeve | |
| 45 | 4460311 | 1 | Bar, Buss - 5 Position | |
| 45 | 4460305 | 5 | Screw | |
| 45 | 4460306 | 5 | Washer | |
| 45 | 4460307 | 5 | Sleeve | |
| 46 | | Ref | Connector, Strain Relief Options: | |
| 46 | 4460244 | 1 | Connector, Strain Relief (Prior to SN 33813) | |
| 46 | 4460071 | 1 | Connector, Strain Relief (SN 33813 to Present) | |
| 46 | 0960238 | 1 | Bushing | |
| 46 | 3300048 | 1 | Nut, Conduit | |
| 47 | 4460051 | 3 | Connector, Strain Relief | |
| 47 | 0960238 | 3 | Bushing | |
| 47 | 3300048 | 3 | Nut, Conduit | |
| 48 | | Ref | Regulator, Voltage (Ford Only) (Supplied with Engine) | |
| 48 | 3311001 | 2 | Nut #10-24NC | |
| 48 | 4761000 | 2 | Lockwasher #10 | |
| 48 | 4751000 | 2 | Flatwasher #10 | |
| 49 | 1600117 | 1 | Controller (Ford Only) | |
| 49 | 3311001 | 4 | Nut #10-24NC | |
| 49 | 4761000 | 4 | Lockwasher #10 | |
| 49 | 4751000 | 4 | Flatwasher #10 | |
| 50 | 3740067 | 1 | Relay (Auxiliary Power) (Ford and Deutz) | |
| 50 | 3740067 | 2 | Relay (Auxiliary Power and Glow Plug) (Kubota) | |
| 50 | 3740059 | 1 | Relay (Start) (Kubota Only) | |
| 50 | 3311001 | 3 | Nut #10-24NC | |
| 50 | 4761000 | 3 | Lockwasher #10 | |
| 50 | 4751000 | 3 | Flatwasher #10 | |
| 51 | 3740029 | 1 | Relay, Adlo (Ford and Kubota) (Prior to August 1991) | |
| 51 | 3740030 | 1 | Relay, Adlo (Deutz) (Prior to August 1991) | |
| 52 | 3740077 | 1 | Relay, Bosch (Deutz and Ford) (August 1991 to Present) | |
| 52 | 3740049 | 1 | Relay (Kubota) (August 1991 to Present) | |
| 52 | 3311001 | 2 | Nut #10-24NC | |
| 52 | 4761000 | 2 | Lockwasher #10 | |
| 52 | 4751000 | 2 | Flatwasher #10 | |
| 53 | 0060023 | 1 | Actuator, Adeco Throttle (Deutz Only) | |
| 53 | 7008804 | 1 | Bellows | |
| 53 | 7008829 | 1 | PC Board | |
| 53 | 7008821 | 1 | Motor | |
| 53 | 7008828 | 1 | Cable | |
| 54 | 4460244 | 1 | Connector, Strain Relief (SN 33813 to Present) | |
| 54 | 0960238 | 1 | Bushing | |
| 54 | 3300048 | 1 | Nut, Conduit | |
| 55 | | Ref | Plug Options (Not Shown): | |
| 55 | 3520034 | 2 | Plug - 5/16in | |
| 55 | 3520054 | 4 | Plug - 7/16in | |
| 55 | 3520028 | 1 | Plug - 1/2in | |
| 55 | 3520026 | 1 | Plug - 5/8in | |
| 55 | 3520168 | 3 | Plug - 3/16in | |
| | 1281317 | Ref | GROUND CONTROL BOX ASSEMBLIES | J |
| | 0250911 | Ref | DEUTZ WITH STANDARD BANG-BANG CONTROLS | B |
| | 0252334 | Ref | DEUTZ WITH PROPORTIONAL CONTROLS | A |

SECTION 2 - TURNTABLE

| ITEM | PART NUMBER | QTY | DESCRIPTION | REV |
|------|-------------|-----|---|-----|
| | 0251120 | Ref | DEUTZ WITH HYDRAULIC CONTROLS | B |
| | 0250910 | Ref | FORD WITH STANDARD BANG-BANG CONTROLS AND BOSCH ALTERNATOR (PRIOR TO SEPTEMBER 1994) | A |
| | 0255142 | Ref | FORD WITH STANDARD BANG-BANG CONTROLS AND PRESTOLITE ALTERNATOR (SEPTEMBER 1994 TO PRESENT) | A |
| | 0252719 | Ref | FORD WITH PROPORTIONAL CONTROLS AND BOSCH ALTERNATOR (PRIOR TO FEBRUARY 1993) | - |
| | 0253780 | Ref | FORD WITH PROPORTIONAL CONTROLS AND BOSCH ALTERNATOR (FEBRUARY 1993 TO SEPTEMBER 1994) | - |
| | 0255140 | Ref | FORD WITH PROPORTIONAL CONTROLS AND PRESTOLITE ALTERNATOR (SEPTEMBER 1994 TO PRESENT) | A |
| | 0250841 | Ref | FORD WITH HYDRAULIC CONTROLS AND BOSCH ALTERNATOR (PRIOR TO SEPTEMBER 1994) | A |
| | 0255139 | Ref | FORD WITH HYDRAULIC CONTROLS AND PRESTOLITE ALTERNATOR (SEPTEMBER 1994 TO PRESENT) | A |
| | 0251031 | Ref | KUBOTA WITH STANDARD BANG-BANG CONTROLS | C |
| | 0250986 | Ref | KUBOTA WITH PROPORTIONAL CONTROLS | B |
| 102 | 0641408 | 4 | Bolt 1/4in-20NC x 1in | |
| 103 | 3311401 | 4 | Nut 1/4in-20NC | |
| 104 | 4751400 | 8 | Flatwasher 1/4in | |
| 105 | 4761400 | 4 | Lockwasher 1/4in | |

SECTION 2 - TURNTABLE

FIGURE 2-29. ELECTRICAL COMPONENTS INSTALLATION (TURNTABLE MOUNTED)



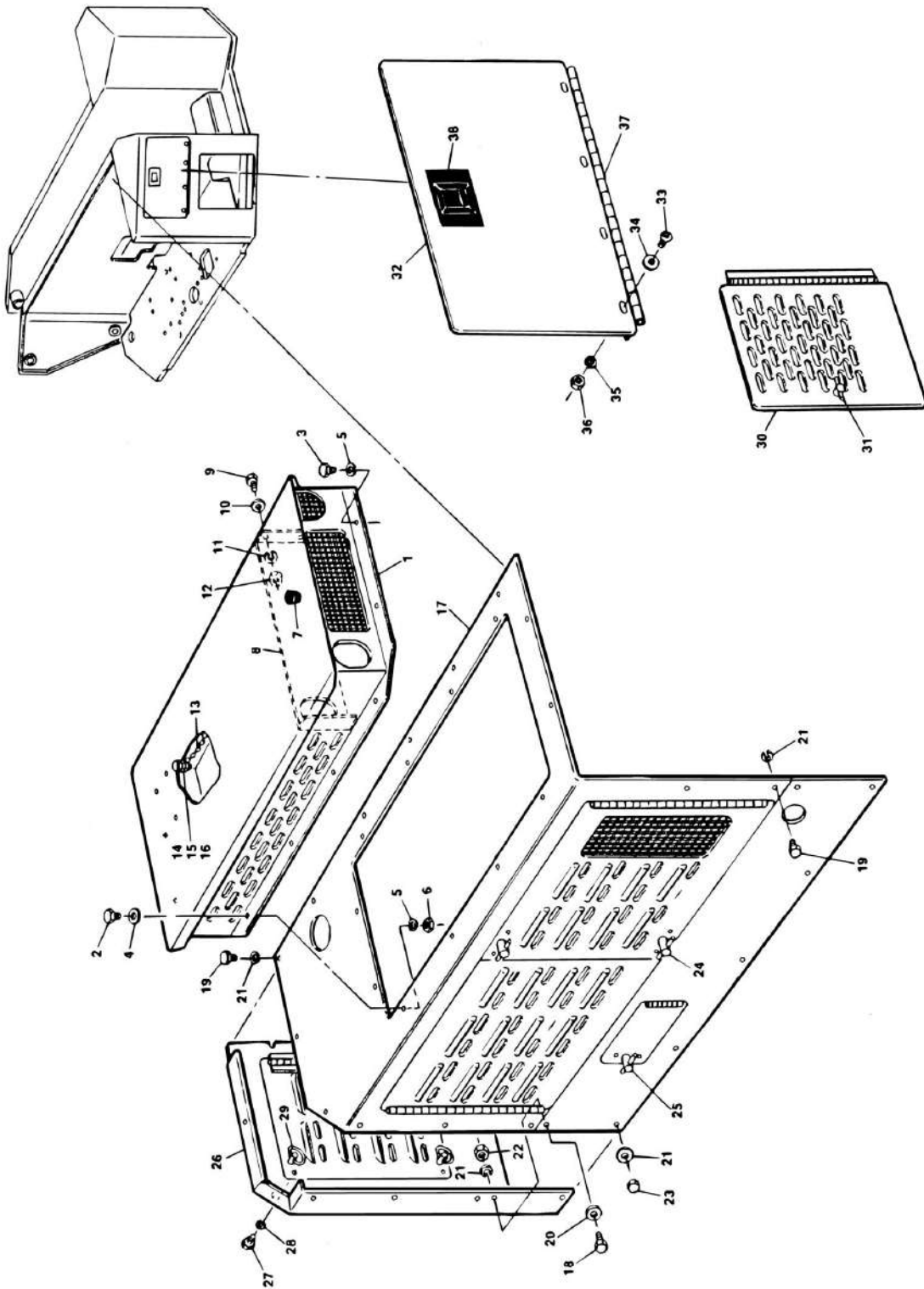
SECTION 2 - TURNTABLE

FIGURE 2-29. ELECTRICAL COMPONENTS INSTALLATION (TURNTABLE MOUNTED)

| ITEM | PART NUMBER | QTY | DESCRIPTION | REV |
|------|-------------|-----------|--|-----|
| | | Ref | ELECTRICAL COMPONENTS INSTALLATION | |
| | 0238864 | Ref | BEACON LIGHT INSTALLATION (AMBER) (PRIOR TO DECEMBER 1990) | - |
| | 0251639 | Ref | BEACON LIGHT INSTALLATION (AMBER) (JANUARY 1990 TO PRESENT) | C |
| | 0238865 | Ref | BEACON LIGHT INSTALLATION (RED) (PRIOR TO DECEMBER 1990) | - |
| | 0251640 | Ref | BEACON LIGHT INSTALLATION (RED) (DECEMBER 1990 TO PRESENT) | C |
| 1 | | Ref | Beacon/Strobe Light Options: | |
| 1 | 2920018 | 1 | Beacon - Amber (Prior to January 1993) | |
| 1 | 2920105 | 1 | Strobe - Amber (January 1993 to Present) | |
| 1 | 2920009 | 1 | Beacon - Red (Prior to January 1993) | |
| 1 | 2920109 | 1 | Strobe - Red (January 1993 to Present) | |
| 1 | 2540016 | 1 | Grommet | |
| 1 | 3941404 | 2 | Screw, Self-Tapping 1/4in x 1/2in | |
| 2 | 4060829 | 1 | Guard, Beacon (January 1993 to Present Only) | |
| 2 | 0641406 | 2 | Bolt 1/4in-20NC x 3/4in | |
| 2 | 3311405 | 2 | Locknut 1/4in-20NC | |
| 2 | 4751400 | 4 | Flatwasher 1/4 (SN 27521 to Present) | |
| | 0250878 | Ref | ALARM INSTALLATION | E |
| 101 | | Ref | Alarm Options: | |
| 101 | 0140024 | 1 | Alarm (Prior to February 1993) | |
| 101 | 0140032 | 1 | Alarm (February 1993 to Present) | |
| 101 | 0641406 | 4 | Bolt 1/4in-20NC x 3/4in | |
| 101 | 3311405 | 4 | Locknut 1/4in-20NC | |
| 101 | 4751400 | 4 | Flatwasher 1/4in | |
| 101 | 2540016 | 1 | Grommet | |
| | 0250164 | Ref | TILT INDICATOR INSTALLATION | D |
| 201 | 4360171 | 1 | Sensor, Level | |
| 201 | 2820022 | 6 in/21cm | Tubing, Vinyl | |
| 201 | 4300106 | 2 | Stud, Grooved | |
| | 0251697 | Ref | HEADLIGHTS AND TAILLIGHTS INSTALLATION | 3 |
| | | Ref | Note: See SPECIAL OPTIONS SECTION for Boeing Machines. | |
| 301 | 2920019 | 2 | Taillight | |
| 301 | 0181739 | 2 | Angle, Mounting | |
| 301 | 4300106 | 6 | Stud, Drive | |
| 302 | 2920152 | 2 | Headlight (was p/n 2920001) | |
| 302 | 4300031 | 4 | Stud (Welded on Part) | |
| 302 | 4751400 | 4 | Flatwasher 1/4in | |
| 302 | 4761400 | 4 | Lockwasher 1/4in | |
| 302 | 3311401 | 4 | Nut 1/4in-20NC | |

SECTION 2 - TURNTABLE

FIGURE 2-30. HOODS INSTALLATIONS (WITH 2 DOORS AT GROUND CONTROL BUILT PRIOR TO AUGUST 1990)



SECTION 2 - TURNTABLE

FIGURE 2-30. HOODS INSTALLATIONS (WITH 2 DOORS AT GROUND CONTROL BUILT PRIOR TO AUGUST 1990)

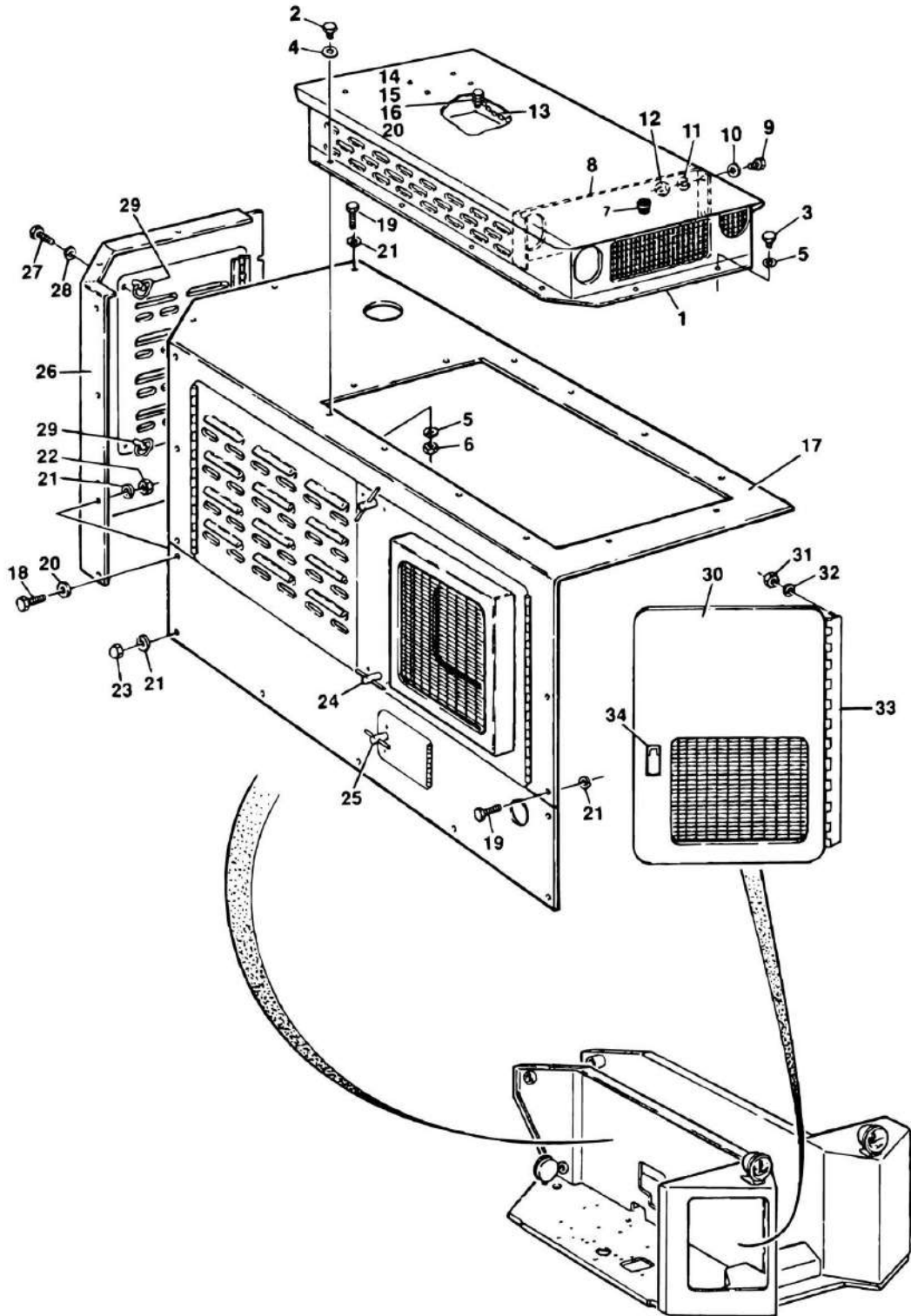
| ITEM | PART NUMBER | QTY | DESCRIPTION | REV |
|------|-------------|-------|--|-----|
| | 1281172 | Ref | HOODS INSTALLATIONS | D |
| | 0250166 | Ref | HOODS INSTALLATION - FORD | B |
| | 0250497 | Ref | HOODS INSTALLATION - DEUTZ | B |
| 1 | 4843567 | 1 | Ventilator | |
| 2 | 0641406 | 6 | Bolt 1/4in-20NC x 3/4in | |
| 3 | 3941406 | 6 | Screw, Self-Tapping 1/4in x 3/4in | |
| 4 | 4751400 | 6 | Flatwasher 1/4in | |
| 5 | 4761400 | 12 | Lockwasher 1/4in | |
| 6 | 3311405 | 6 | Locknut 1/4in-20NC | |
| 7 | 2940051 | 1 | Latch | |
| 8 | 3533788 | 1 | Plate, Baffle (Ford Only) | |
| 9 | 0641406 | 4 | Bolt 1/4in-20NC x 3/4in | |
| 10 | 4751400 | 4 | Flatwasher 1/4in | |
| 11 | 4761400 | 4 | Lockwasher 1/4in | |
| 12 | 3311405 | 4 | Locknut 1/4in-20NC | |
| 13 | 1260017 | 15 in | Chain | |
| 14 | 0641406 | 2 | Bolt 1/4in-20NC x 3/4in | |
| 15 | 3311401 | 2 | Nut 1/4in-20NC | |
| 16 | 3311405 | 2 | Locknut 1/4in-20NC | |
| 17 | 4843395 | 1 | Hood (Ford) | |
| 17 | 4843517 | 1 | Hood (Deutz) (Not Shown) | |
| | | Ref | Note: Replacement Decals Must be Ordered Separately - See DECALS SECTION. | |
| 18 | 0641406 | 6 | Bolt 1/4in-20NC x 3/4in | |
| 19 | 3941406 | 5 | Screw, Self-Tapping 1/4in x 3/4in | |
| 20 | 4751400 | 6 | Flatwasher 1/4in | |
| 21 | 4761400 | 16 | Lockwasher 1/4in | |
| 22 | 3311405 | 6 | Locknut 1/4in-20NC | |
| 23 | 3300151 | 5 | Nut, Acorn | |
| 23 | 4300031 | 5 | Stud (Welded on Part) | |
| 24 | 2940048 | 2 | Latch (Main Doors) | |
| 24 | 3820019 | 4 | Rivet | |
| 25 | 2940050 | 1 | Latch (Access Door) | |
| 25 | 3820012 | 2 | Rivet | |
| 26 | 4843396 | 1 | Cover, Front (Standard and Proportional Controls) | |
| 26 | 4843701 | 1 | Cover, Front (Hydraulic Controls) | |
| 27 | 3941406 | 3 | Screw, Self-Tapping 1/4in x 3/4iin | |
| 28 | 4761400 | 3 | Lockwasher 1/4in | |
| 29 | 2940048 | 2 | Latch | |
| 29 | 3820019 | 4 | Rivet | |
| 30 | 4843398 | 1 | Door, Battery Access | |
| 31 | 2940048 | 1 | Latch | |
| 31 | 3820019 | 2 | Rivet | |
| 32 | 1780245 | 1 | Door, Ground Control | |
| 33 | 3911412 | 4 | Screw, Machine 1/4in-20NC x 3/4in | |
| 34 | 4751400 | 4 | Flatwasher 1/4in | |
| 35 | 4761400 | 4 | Lockwasher 1/4in | |
| 36 | 3311401 | 4 | Nut 1/4in-20NC | |
| 37 | 2600157 | 1 | Hinge | |

SECTION 2 - TURNTABLE

| ITEM | PART NUMBER | QTY | DESCRIPTION | REV |
|------|-------------|-----|----------------|-----|
| 38 | 2940057 | 1 | Latch, Sliding | |

SECTION 2 - TURNTABLE

FIGURE 2-31. HOODS INSTALLATIONS (WITH SINGLE DOOR AT GROUND CONTROL) (AUGUST 1990 TO PRESENT WITHOUT NOISE REDUCTION OPTION)



SECTION 2 - TURNTABLE

FIGURE 2-31. HOODS INSTALLATIONS (WITH SINGLE DOOR AT GROUND CONTROL) (AUGUST 1990 TO PRESENT WITHOUT NOISE REDUCTION OPTION)

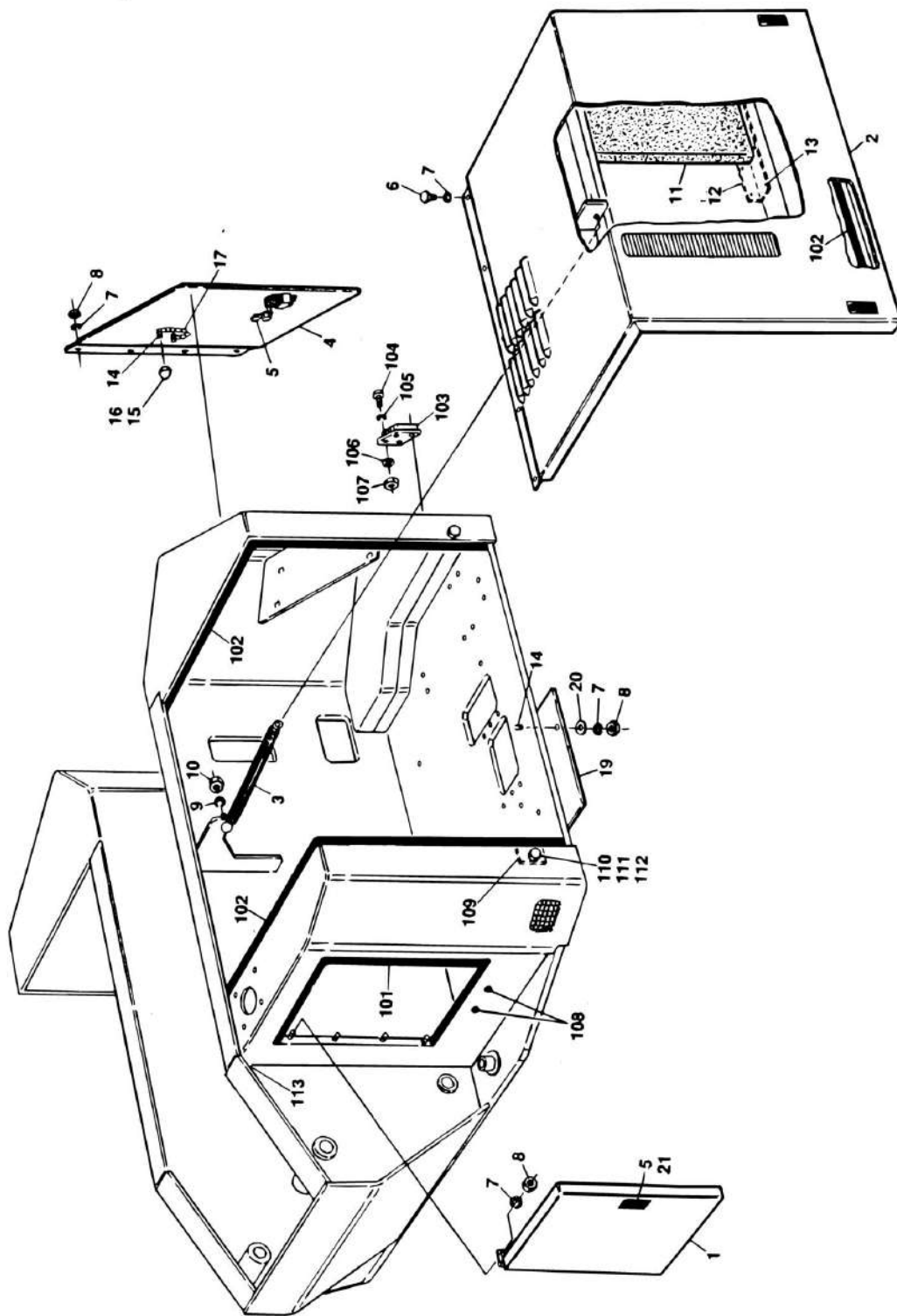
| ITEM | PART NUMBER | QTY | DESCRIPTION | REV |
|------|-------------|---------|--|-----|
| | 1281318 | Ref | HOODS INSTALLATIONS | E |
| | 0250857 | Ref | HOODS INSTALLATION - DEUTZ (STANDARD BANG-BANG AND PROPORTIONAL CONTROLS) | D |
| | 0250858 | Ref | HOODS INSTALLATION - DEUTZ (HYDRAULIC CONTROLS) | E |
| | 0250856 | Ref | HOODS INSTALLATION - FORD/KUBOTA (STANDARD BANG-BANG AND PROPORTIONAL CONTROLS) | D |
| | 0250842 | Ref | HOODS INSTALLATION - FORD/KUBOTA (HYDRAULIC CONTROLS) (AUGUST 1990 TO MAY 1993) | E |
| | 0253619 | Ref | HOOD INSTALLATION - FORD/KUBOTA (MAY 1993 TO PRESENT) | 2 |
| 1 | 4843567 | 1 | Ventilator (Deutz - August 1990 to October 1991) | |
| 1 | 4843567 | 1 | Ventilator (Ford/Kubota - August 1990 to May 1993) | |
| 1 | 4843744 | 1 | Ventilator (Ford/Kubota - May 1993 to Present) | |
| 2 | 0641406 | 6 | Bolt 1/4in-20NC x 3/4in | |
| 3 | 3941406 | 6 | Screw, Self-Tapping 1/4in x 3/4in | |
| 4 | 4751400 | 12 | Flatwasher 1/4in | |
| 5 | 4761400 | 12 | Lockwasher 1/4in | |
| 6 | 3311405 | AR | Locknut 1/4in-20NC | |
| 7 | 2940051 | 1 | Latch | |
| 8 | 4843788 | 1 | Plate, Baffle (Ford/Kubota August 1990 to May 1993 Only) | |
| 9 | 0641406 | 4 | Bolt 1/4in-20NC x 3/4in | |
| 10 | 4751400 | 4 | Flatwasher 1/4in | |
| 11 | 4761400 | 4 | Lockwasher 1/4in | |
| 12 | 3311405 | 4 | Locknut 1/4in-20NC | |
| 13 | 1260017 | 15 | Chain | |
| | | in/38cm | | |
| 14 | 0641408 | AR | Bolt 1/4in-20NC x 7/8in | |
| 15 | 3311405 | AR | Locknut 1/4in-20NC | |
| 16 | 4711400 | AR | Flatwasher 1/4in | |
| 17 | 4843517 | 1 | Hood (Deutz - August 1990 to October 1991) | |
| 17 | 4843585 | 1 | Hood (Ford, Kubota - August 1990 to May 1993) | |
| 17 | 4843746 | 1 | Hood (Ford/Kubota - May 1993 to Present) | |
| | | Ref | Note: Replacement Decals Must be Ordered Separately - See DECALS SECTION. | |
| 18 | 0641406 | AR | Bolt 1/4in-20NC x 3/4in | |
| 19 | 3941406 | 5 | Screw, Self-Tapping 1/4in x 3/4in | |
| 20 | 4751400 | AR | Flatwasher 1/4in | |
| 21 | 4761400 | 16 | Lockwasher 1/4in | |
| 22 | 3311405 | AR | Locknut 1/4in-20NC | |
| 23 | 3300151 | AR | Nut, Acorn | |
| 23 | 4300031 | 5 | Stud (Welded on Part) | |
| 24 | 2940048 | 2 | Latch (Main Doors) | |
| 24 | 3820019 | 4 | Rivet | |
| 25 | 2940050 | 1 | Latch (Access Door) | |
| 25 | 3820012 | 2 | Rivet | |
| 26 | | Ref | Cover Options: | |
| 26 | 4843396 | 1 | Deutz with Standard Bang-Bang and Proportional Controls (August 1990 to October 1991) | |
| 26 | 4843701 | 1 | Deutz with Hydraulic Controls (August 1990 to October 1991) | |
| 26 | 4843396 | 1 | Ford with Standard Bang-Bang and Proportional Controls | |

SECTION 2 - TURNTABLE

| ITEM | PART NUMBER | QTY | DESCRIPTION | REV |
|------|-------------|-----------|--|-----|
| | | | (August 1990 to May 1993) | |
| 26 | 4843701 | 1 | Ford with Hydraulic Controls (August 1990 to May 1993) | |
| 26 | 4843701 | 1 | Ford May 1993 to Present (All Types) | |
| 27 | 3941406 | 3 | Screw, Self-Tapping 1/4in x 3/4in | |
| 28 | 4761400 | 3 | Lockwasher 1/4in | |
| 29 | 2940048 | 2 | Latch | |
| 29 | 3820019 | 4 | Rivet | |
| 30 | 4843621 | 1 | Door, Ground Control | |
| 31 | 3311405 | 8 | Locknut 1/4in-20NC | |
| 32 | 4751400 | 8 | Flatwasher 1/4in | |
| 32 | 4300031 | 4 | Stud (Welded on Part) | |
| 33 | 2600170 | 1 | Hinge | |
| 33 | 1260017 | 6 in/15cm | Chain (Not Shown) | |
| 33 | 4300031 | 2 | Stud (Welded on Part) | |
| 33 | 3300151 | 2 | Nut, Acorn 1/4in-20NC | |
| 34 | 2940042 | 1 | Latch (Includes Mounting Hardware) | |

SECTION 2 - TURNTABLE

FIGURE 2-32. HOODS INSTALLATIONS (WITH NOISE REDUCTION OPTION)



SECTION 2 - TURNTABLE

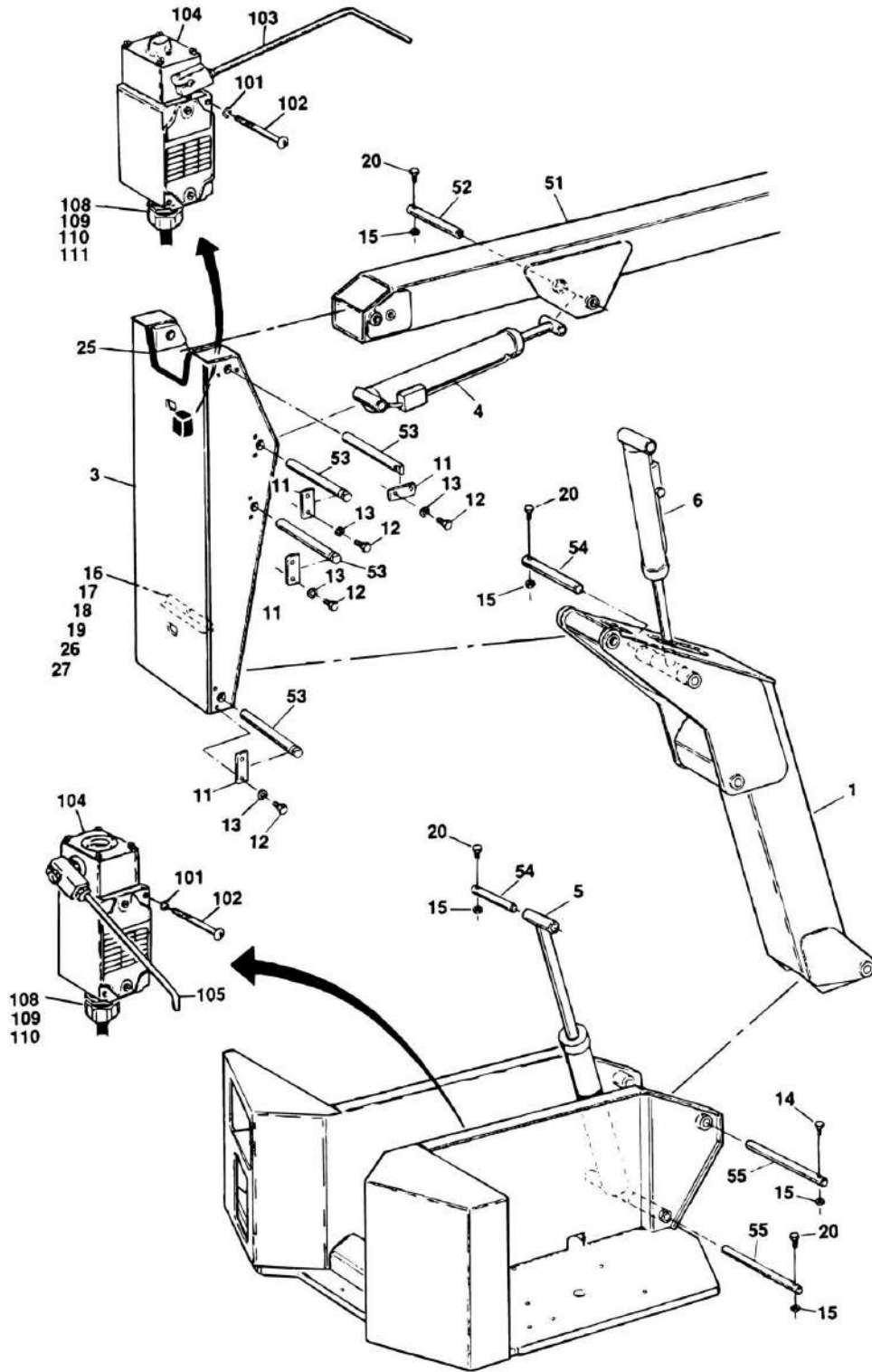
FIGURE 2-32. HOODS INSTALLATIONS (WITH NOISE REDUCTION OPTION)

| ITEM | PART NUMBER | QTY | DESCRIPTION | REV |
|------|-------------|------------|--|-----|
| | 0252223 | Ref | HOODS INSTALLATION - DEUTZ OCTOBER 1991 TO PRESENT | 2 |
| 1 | 4843945 | 1 | Door | |
| 2 | 4843944 | 1 | Hood | |
| | | Ref | Note: Replacement Decals Must be Ordered Separately - See DECALS SECTION. | |
| 3 | 4160105 | 1 | Spring, Gas | |
| 4 | 4843948 | 1 | Door, Ground Control | |
| 5 | | Ref | Latch Options: | |
| 5 | 2940042 | 4 | Latch (Prior to SN 33711) | |
| 5 | 2940113 | 4 | Latch (SN 33711 to Present) | |
| 6 | 3941406 | 5 | Screw, Self-Tapping 1/4in x 3/4in | |
| 7 | 4761400 | 17 | Lockwasher 1/4in | |
| 8 | 3311401 | 12 | Nut 1/4in-20NC | |
| 9 | 4761500 | 2 | Lockwasher 5/16in | |
| 10 | 3311501 | 2 | Nut 5/16in-18NC | |
| 11 | 2820043 | 1 | Foam, Acoustical | |
| 12 | 3535519 | 1 | Plate, Cover | |
| 13 | 2820012 | 8 | Rivet | |
| 14 | 4300031 | 6 | Stud (Welded on Part) | |
| 15 | 0100011 | AR | Loctite #242 (Not Shown) | |
| 16 | 3300151 | 2 | Nut, Acorn 1/4in-20NC | |
| 17 | 1260017 | 6 in/21cm | Chain | |
| 19 | 1670609 | 1 | Cover | |
| 20 | 4751400 | 4 | Flatwasher 1/4in | |
| 21 | 2940070 | 1 | Pawl, Latch (Prior to SN 33711) | |
| | 0252231 | Ref | HARDWARE INSTALLATION | C |
| 101 | 3960417 | 10 ft/3m | Seal, Door | |
| 102 | 3960418 | 14 ft/4.3m | Seal | |
| 103 | 1670612 | 1 | Cover, Access | |
| 104 | 0721008 | 4 | Screw, Machine #10-24NC x 1in | |
| 105 | 4761000 | 4 | Lockwasher #10 | |
| 106 | 4751000 | 4 | Flatwasher #10 | |
| 107 | 3311001 | 4 | Nut #10-24NC | |
| 108 | 3520030 | 2 | Plug, Hole | |
| 109 | 4060832 | 2 | Shield, Seal | |
| 110 | 0641404 | 2 | Bolt 1/4in-20NC x 1/2in | |
| 111 | 4751400 | 2 | Flatwasher 1/4in | |
| 112 | 3311405 | 2 | Locknut 1/4in-20NC | |
| 113 | 0100040 | AR | Sealant | |

SECTION 3 - BOOM

SECTION 3 - BOOM

FIGURE 3-1. BOOMS AND LIMIT SWITCHES INSTALLATIONS



SECTION 3 - BOOM

FIGURE 3-1. BOOMS AND LIMIT SWITCHES INSTALLATIONS

| ITEM | PART NUMBER | QTY | DESCRIPTION | REV |
|------|-------------|-----------|--|-----|
| | | Ref | BOOM INSTALLATION (STANDARD PARTS) | |
| 1 | 0800618 | 1 | Boom, Tower | D |
| 1 | 0960827 | 4 | Bushing, Bronze | |
| 3 | | Ref | Upright Weldment Options: | |
| 3 | 4843330 | 1 | Upright (Prior to October 1992) | |
| 3 | 4844453 | 1 | Upright (October 1992 to Present) | |
| 4 | | Ref | Main Lift Cylinder Assembly Options (See CYLINDER SECTION for Breakdown): | |
| 4 | 1682124 | 1 | Cylinder (Prior to October 1992) | |
| 4 | 1682799 | 1 | Cylinder - 4 ft, 5 ft & 6 ft (1.2m, 1.5m, 1.8m) | |
| 4 | | Ref | Wide Platform (October 1992 to Present) | |
| 4 | 9983275 | 1 | Cylinder - 8 ft (2.4m) Wide Platform (Prior to October 1992) | |
| 4 | 9983596 | 1 | Cylinder - 8 ft (2.4m) Wide Platform (October 1992 to Present) | |
| 5 | | Ref | Tower Lift Cylinder Assembly Options (See CYLINDER SECTION for Breakdown): | |
| 5 | 1682085 | 1 | Cylinder (Prior to October 1992) | |
| 5 | 1682785 | 1 | Cylinder (October 1992 to Present) | |
| 5 | 1683528 | 1 | Cylinder (Service Replacement Alternative) | |
| 6 | | Ref | Upright Level Cylinder Assembly Options (See CYLINDER SECTION for Breakdown): | |
| 6 | 1682255 | 1 | Cylinder (Prior to October 1992) | |
| 6 | 1683524 | 1 | Cylinder (October 1992 to Present) (was p/n 1682796) | |
| 11 | 3532054 | 4 | Plate, Retainer | |
| 12 | 0641508 | 8 | Bolt 5/16in-18NC x 1in | |
| 13 | 4761500 | 8 | Lockwasher 5/16in | |
| 14 | 0641528 | 1 | Bolt 5/16in-18NC x 3 1/2in | |
| 15 | 3311505 | 5 | Locknut 5/16in-19NC | |
| 16 | 0181565 | 1 | Angle, Hose Retainer | |
| 17 | 4300033 | 2 | Stud (Welded on Part) | |
| 18 | 3311501 | 2 | Nut 5/16in-18NC | |
| 19 | 4761600 | 2 | Lockwasher 3/8in | |
| 20 | 0641522 | 4 | Bolt 5/16in-18NC x 2 3/4in | |
| 25 | 4060808 | 6 ft/1.8m | Flex-Guard | |
| 26 | 2720058 | 6 in/15cm | Hose | |
| 27 | 4420038 | 1 | Rubber, Self-Stick | |
| | | ft/30.5cm | | |
| | | Ref | BOOM INSTALLATION (VARIABLE PARTS): | |
| | 0239965 | Ref | DOMESTIC STANDARD BANG-BANG AND PROPORTIONAL CONTROLS WITH 4 FT, 5 FT & 6 FT (1.2m, 1.5m & 1.8m) WIDE PLATFORMS | J |
| | 0254222 | Ref | DOMESTIC STANDARD BANG-BANG AND PROPORTIONAL CONTROLS WITH 8 FT, (2.4m) WIDE PLATFORM | B |
| | 0252331 | Ref | CSA BANG-BANG AND PROPORTIONAL CONTROLS | D |
| | 0257467 | Ref | STANDARD BANG-BANG AND PROPORTIONAL CONTROLS WITH WIDE POWER TRACK | 3 |
| | 0250763 | Ref | DOMESTIC HYDRAULIC CONTROLS | O |
| | 0252332 | Ref | CSA HYDRAULIC CONTROLS | D |
| 51 | | Ref | Main Boom Assembly Options (See MAIN BOOM ASSEMBLY for Breakdown): | |
| 51 | 0800623 | 1 | Domestic/CSA - Standard Bang-Bang | |
| 51 | 0800676 | 1 | Domestic/CSA - Standard Bang-Bang W/Wide Power Track and Hydraulic Controls | |

SECTION 3 - BOOM

| ITEM | PART NUMBER | QTY | DESCRIPTION | REV |
|------|-------------|-------|--|-----|
| 51 | 0800676 | 1 | Standard Bang-Bang W/Wide Power Track | |
| 52 | | Ref | Pin Options: | |
| 52 | 3421780 | 1 | Standard | |
| 52 | 3421994 | 1 | CSA | |
| 53 | | Ref | Pin Options: | |
| 53 | 3421686 | 4 | Standard | |
| 53 | 3422007 | 4 | CSA | |
| 54 | | Ref | Pin Options: | |
| 54 | 3421687 | 2 | Standard | |
| 54 | 3422008 | 2 | CSA | |
| 55 | | Ref | Pin Options: | |
| 55 | 3421688 | 2 | Standard | |
| 55 | 3422009 | 2 | CSA | |
| | 0250154 | Ref | BOOM LIMIT SWITCHES INSTALLATION (ABOVE HORIZONTAL) | D |
| 101 | 4761000 | 4 | Lockwasher #10 | |
| 102 | 0721014 | 4 | Screw, Machine #10-24NC x 1 3/4in | |
| 103 | 0200333 | 1 | Arm | |
| 104 | 4360057 | 2 | Switch, Limit | |
| 105 | 4360056 | 1 | Lever | |
| 108 | 4460049 | 2 | Connector, Strain Relief | |
| 109 | 3300047 | 2 | Locknut, Conduit | |
| 110 | 0960239 | 2 | Bushing | |
| 111 | 1060300 | 30 ft | Cable, Electrical 16/3 (August 1995 to Present) | |

SECTION 3 - BOOM

FIGURE 3-2. MAIN BOOM ASSEMBLY

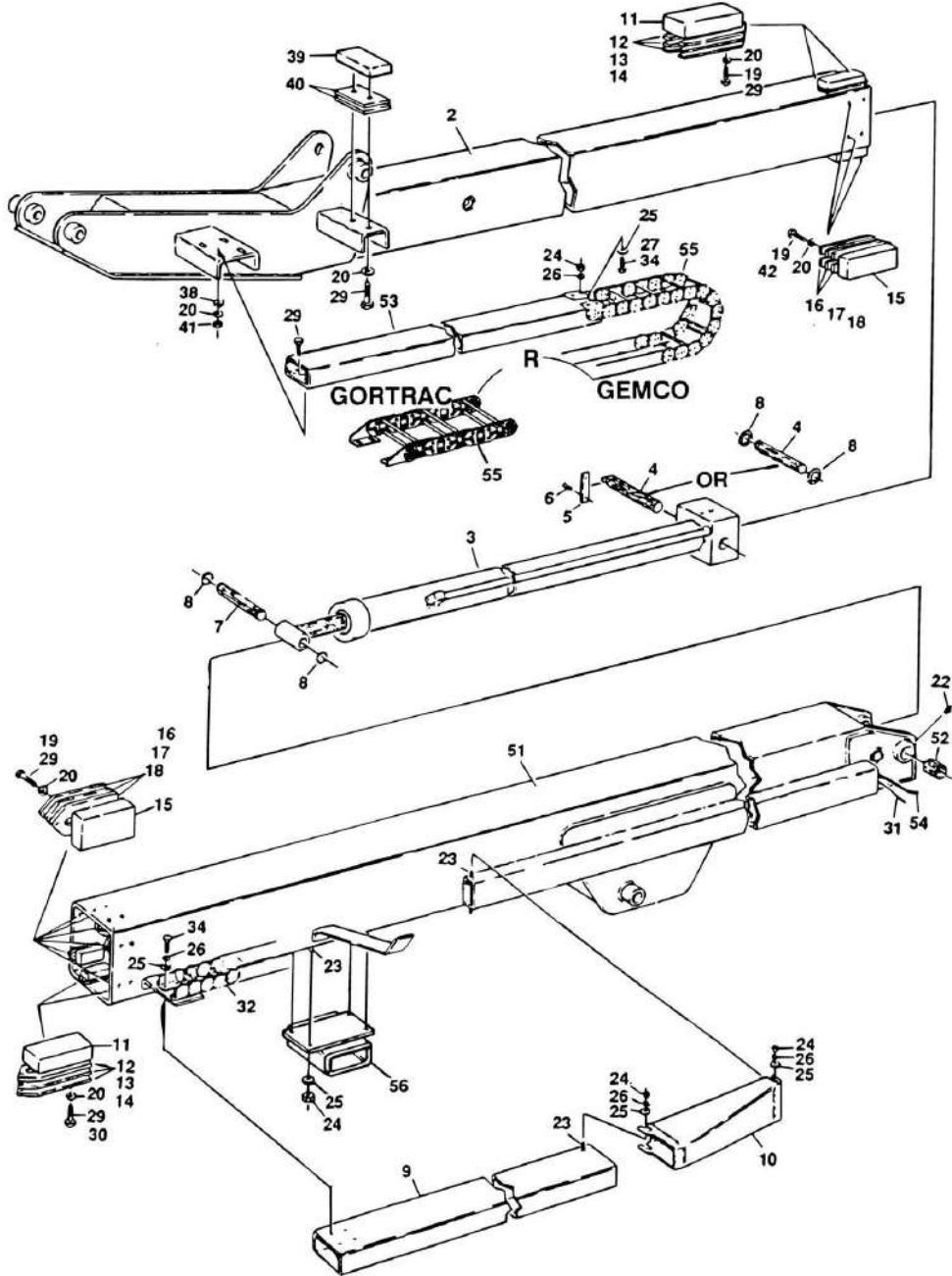


FIGURE 3-2. MAIN BOOM ASSEMBLY

| ITEM | PART NUMBER | QTY | DESCRIPTION | REV |
|------|-------------|------------------|---|-----|
| | | Ref | BOOM ASSEMBLY (STANDARD PARTS) | |
| 2 | 0800714 | 1 | Fly Weldment | |
| 3 | 1681880 | 1 | Telescope Cylinder Assembly (Machines Built Prior to June 1991) (See CYLINDER SECTION for Breakdown) | |
| 3 | 1682492 | 1 | Telescope Cylinder Assembly (Machines Built June 1991 to Present) (See CYLINDER SECTION for Breakdown) | |
| 4 | 3421493 | 1 | Pin, Attach (Machines Built Prior to February 1992) | |
| 4 | 3421771 | 1 | Pin, Attach (Machines Built February 1992 to Present) | |
| 5 | 3532054 | 1 | Plate, Retainer (Machines Built Prior to February 1992 Only) | |
| 6 | 0641506 | 2 | Bolt 5/16in-18NC x 3/4in (Machines Built Prior to February 1992 Only) | |
| 7 | 3421492 | 1 | Pin, Attach | |
| 8 | 3760133 | AR | Ring, Retaining | |
| 9 | 4843076 | 1 | Tube, Hose | |
| 10 | 1670450 | 1 | Cover, Hose (Machines Built Prior to March 1990) | |
| 10 | 1670576 | 1 | Cover, Hose (Machines Built March 1990 to Present) | |
| 11 | 3340473 | 4 | Pad, Wear | |
| 12 | 4070676 | AR | Shim - 1/8in | |
| 13 | 4070677 | AR | Shim - 1/16in | |
| 14 | 4070678 | AR | Shim - 1/32in | |
| 15 | 3340552 | 12 | Pad, Wear | |
| 16 | 4070670 | AR | Shim - 1/32in | |
| 17 | 4070671 | AR | Shim - 1/16in | |
| 18 | 4070672 | AR | Shim - 1/8in | |
| 19 | 0641607 | 16 | Bolt 3/8in-16NC x 7/8in | |
| 20 | 4761600 | 46 | Lockwasher 3/8in | |
| 22 | 2160007 | 2 | Fitting, Grease | |
| 23 | 4300031 | AR | Stud (Welded on Part) | |
| 24 | 3311405 | AR | Locknut 1/4in-20NC | |
| 25 | 4751400 | AR | Flatwasher 1/4in | |
| 26 | 4761400 | 16 | Lockwasher 1/4in | |
| 29 | 0641608 | 22 | Bolt 3/8in-16NC x 1in | |
| 31 | | Ref | Cable/Harness Options: | |
| 31 | 4920865 | 1 | Harness (Prior to August 1990) | |
| 31 | 1060268 | 89.3 ft/2.27m | Cable - 12/3 (August 1990 to July 1993) | |
| 31 | 1060514 | 89.3 ft/2.27m | Cable - 12/3 (July 1993 to SN 33218) | |
| 33 | 0641609 | 6 | Bolt 3/8in-16NC x 1 1/8in | |
| 34 | 0641405 | 8 | Bolt 1/4in-20NC x 5/8in | |
| 36 | | Ref | Cable, Electrical - 12/4 | |
| 36 | 1060012 | 65 ft/31.8m | Cable (Prior to July 1993) | |
| 36 | 1060515 | 65 ft/31.8m | Cable (July 1993 to Present) | |
| 38 | 4751600 | 12 | Flatwasher 3/8in | |
| 39 | 0560923 | 1 | Block | |
| 40 | 4070559 | AR | Shim | |
| 41 | 3311605 | 8 | Locknut 3/8in-16NC | |
| 42 | 0641606 | 4 | Bolt 3/8in-16NC x 3/4in | |
| 43 | 4460052 | 1 | Connector | |

SECTION 3 - BOOM

| ITEM | PART NUMBER | QTY | DESCRIPTION | REV |
|------|--------------|----------------|---|-----|
| 44 | 3300047 | 1 | Nut, Conduit | |
| 45 | 0960239 | 1 | Bushing | |
| | 0100011 | AR | Loctite #242 | |
| | 0800623 | Ref | BOOM ASSEMBLY - STANDARD BANG-BANG AND PROPORTIONAL CONTROLS (VARIABLE PARTS) | 12 |
| | 0800676 | Ref | BOOM ASSEMBLY - HYDRAULIC CONTROLS (VARIABLE PARTS) | 10 |
| 51 | | Ref | Base Weldment Options: | |
| 51 | 0800573 | 1 | Standard Bang-Bang and Proportional Controls | |
| 51 | 0800675 | 1 | Hydraulic Controls | |
| 52 | 0961597 | 2 | Bushing, Pivot | |
| 53 | | Ref | Cover, Hose Options: | |
| 53 | 4843068 | 1 | Standard Bang-Bang and Proportional Controls | |
| 53 | 4843901 | 1 | Hydraulic Controls | |
| 54 | | Ref | Cable Options: | |
| 54 | | Ref | Standard Bang-Bang and Proportional Controls | |
| 54 | 1060229 | 65 ft/31.8m | Cable - 16/30 (Prior to July 1993) | |
| 54 | 1060516 | 65 ft/31.8m | Cable - 16/30 (July 1993 to Present) | |
| 54 | | Ref | Hydraulic Controls | |
| 54 | 1060019 | 65 ft/31.8m | Cable - 16/12 | |
| 55 | | Ref | Carrier Options: | |
| 55 | | Ref | Standard Bang-Bang and Proportional Controls | |
| | | Ref | Note: Original Equipment Power Track may have been replaced with a Service Replacement. Visually identify the power track before ordering parts. | |
| | | Ref | Original Equipment (Gemco) | |
| 55 | 1180179 | 1 | Carrier | |
| 55 | 7006139 | AR | One Foot Section of Powertrack | |
| 55 | 7006151 | 2 pr | Mounting Feet - Powertrack | |
| 55 | 7006152 | AR | Pin Kit (Includes 1 pin, set of 4 washers (different sizes and 1 retaining ring) | |
| | | Ref | Service Replacement (Gortrac) | |
| 55 | 100119695 | 1 | Carrier | |
| 55 | 70003153 | 1 | Repair Kit (Included 8 Links, 8 Screws, 4 Spacers, 18 Pins, 18 Washers and 18 Snap Rings) | |
| 55 | 70003154 | 1 | Mounting Feet - Powertrack | |
| 55 | | Ref | Hydraulic Controls | |
| 55 | 1180256 | 1 | Carrier | |
| 55 | 7006141 | AR | One Foot Section of Powertrack | |
| 55 | 7006151 | 2 pr | Mounting Feet - Powertrack | |
| 55 | 7006152 | AR | Pin Kit | |
| 56 | | Ref | Tube, Crossover Options: | |
| 56 | Not Required | 1 | Standard Bang-Bang and Proportional Controls | |
| 56 | 4843609 | 1 | Hydraulic Controls | |

SECTION 3 - BOOM

FIGURE 3-3. BOOM WIPERS INSTALLATION

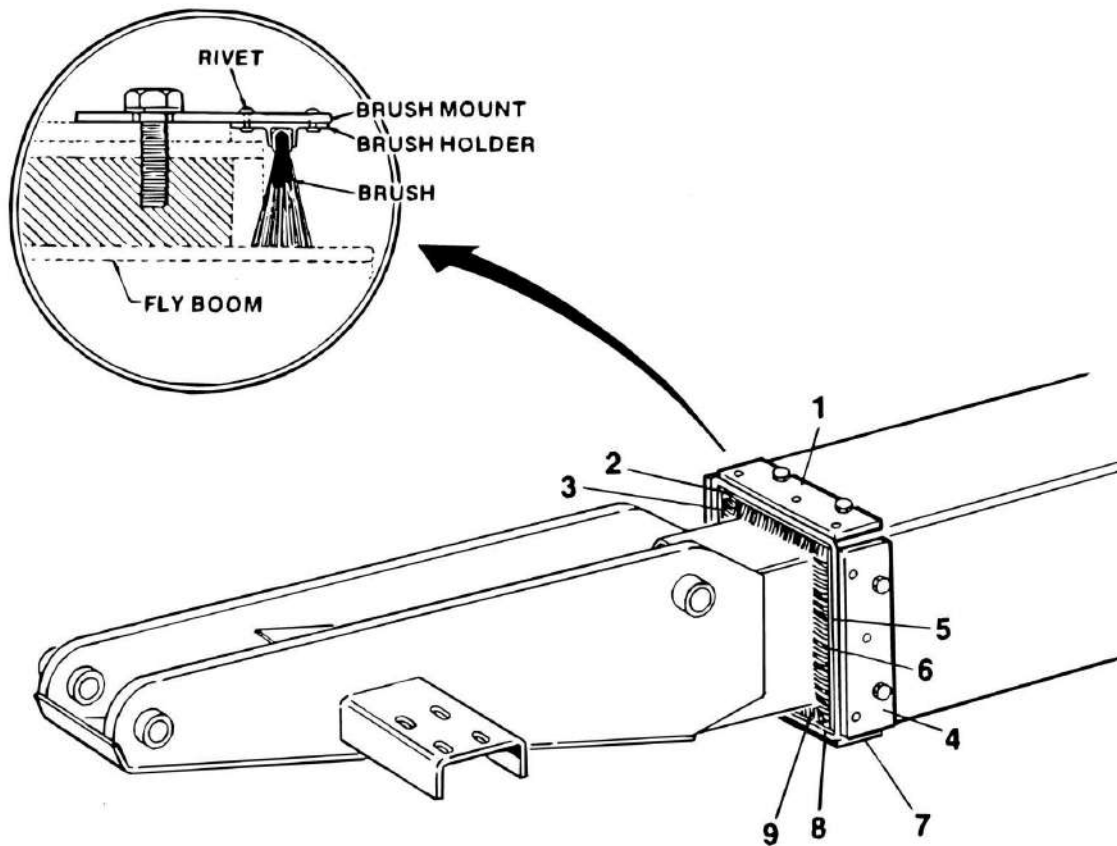


FIGURE 3-3. BOOM WIPERS INSTALLATION

| ITEM | PART NUMBER | QTY | DESCRIPTION | REV |
|------|-------------|-----|---------------------------------|-----|
| | 0250861 | Ref | BOOM WIPERS INSTALLATION | - |
| 1 | 3200316 | 1 | Mount, Wiper (Top) | |
| 2 | 2660080 | 1 | Holder, Blade (Top) | |
| 3 | 0540084 | 1 | Blade, Wiper (Top) | |
| 3 | 3820001 | 3 | Rivet | |
| 4 | 3200317 | 2 | Mount, Wiper (Sides) | |
| 5 | 2660081 | 2 | Holder, Blade (Sides) | |
| 6 | 0540085 | 2 | Blade, Wiper (Sides) | |
| 6 | 3820001 | 6 | Rivet | |
| 7 | 3200316 | 1 | Mount, Wiper (Bottom) | |
| 8 | 2660082 | 1 | Holder, Blade (Bottom) | |
| 9 | 0540086 | 1 | Blade, Wiper (Bottom) | |
| 9 | 3820001 | 3 | Rivet | |

SECTION 4 - PLATFORM

SECTION 4 - PLATFORM

FIGURE 4-1. STANDARD PLATFORM AND FOOTSWITCH INSTALLATION

| ITEM | PART NUMBER | QTY | DESCRIPTION | REV |
|------|-------------|---------|--|-----|
| | 0238727 | Ref | FIXED SUPPORT INSTALLATION (STANDARD BANG-BANG AND PROPORTIONAL CONTROLS) | E |
| | 0251037 | Ref | FIXED SUPPORT INSTALLATION (HYDRAULIC CONTROLS) | B |
| 1 | 4842978 | 1 | Support Weldment | |
| 1 | 0961257 | 2 | Bushing, Bronze | |
| 2 | 4761500 | 2 | Lockwasher 5/16in | |
| 3 | 0681610 | 8 | Bolt 3/8in-16NC x 1 1/4in (Grade 8) | |
| 4 | 4751600 | 16 | Flatwasher 3/8in | |
| 5 | 3300143 | 8 | Locknut 3/8in-16NC | |
| 6 | 2160002 | 1 | Fitting, Grease | |
| 7 | 0641522 | 2 | Bolt 5/16in-18NC x 2 3/4in | |
| 8 | 3421490 | 1 | Pin, Nose | |
| 9 | 1681866 | 1 | Platform Level Cylinder Assembly (Machines Built Prior to January 1990) (See CYLINDER SECTION for Breakdown) | |
| 9 | 1682178 | 1 | Platform Level Cylinder Assembly (Machines Built January 1990 to October 1992) (See CYLINDER SECTION for Breakdown) | |
| 9 | 1682793 | 1 | Platform Level Cylinder Assembly - TUV (Machines Built October 1992 to Present) (See CYLINDER SECTION for Breakdown) | |
| 10 | 3421491 | 1 | Pin, Attach (Lower) | |
| 11 | 3421494 | 1 | Pin, Attach (Upper) | |
| 12 | 3532054 | 1 | Plate, Retainer | |
| 13 | 0641506 | 2 | Bolt 5/16in-18NC x 3/4in | |
| 14 | 4060804 | 10 | Shield, Hose (1/2in Flex-Guard) | |
| | | in/26cm | | |
| 15 | 3311505 | 2 | Locknut 5/16in-18NC | |
| 16 | 4340596 | 1 | Support, Hose (Hydraulic Controls Only) | |
| 16 | 4300031 | 2 | Stud (Welded on Part) | |
| 16 | 4751400 | 2 | Flatwasher 1/4in | |
| 16 | 3311405 | 2 | Locknut 1/4in-20NC | |
| | 0238568 | Ref | ROTATING SUPPORT INSTALLATION DOMESTIC (STANDARD BANG-BANG AND PROPORTIONAL CONTROLS) | M |
| | 0252220 | Ref | ROTATING SUPPORT INSTALLATION (CSA STANDARD BANG-BANG AND PROPORTIONAL CONTROLS) | 5 |
| | 0251038 | Ref | ROTATING SUPPORT INSTALLATION (DOMESTIC HYDRAULIC CONTROLS) | D |
| | 0252404 | Ref | ROTATING SUPPORT INSTALLATION (CSA HYDRAULIC CONTROLS) | 4 |
| 101 | 4843636 | 1 | Support Weldment | |
| 101 | 0961259 | 2 | Bushing, Bronze | |
| 102 | 0238540 | 1 | Pivot Attach Weldment (Machines Built Prior to October 1992) | |
| 102 | 0253730 | 1 | Pivot Attach Weldment (TUV Cylinders) (Machines Built October 1992 to Present) | |
| 102 | 0961257 | 2 | Bushing, Bronze | |
| 103 | 1120299 | 1 | Cap | |
| 104 | 4842915 | 1 | Shaft Weldment (Standard) | |
| 104 | 4842915 | 1 | Shaft Weldment (C.S.A.) (was p/n 4040220) | |
| 105 | 0235238 | 1 | Rotator Assembly (See Items 201-225 for Breakdown) | |
| 106 | 0361675 | 1 | Block, Stop | |
| 107 | 4070705 | AR | Shim 1/8in | |
| 108 | 4070706 | AR | Shim 1/16in | |
| 109 | 4751500 | 2 | Flatwasher 5/16in | |
| 110 | 4761500 | 4 | Lockwasher 5/16in | |

SECTION 4 - PLATFORM

| ITEM | PART NUMBER | QTY | DESCRIPTION | REV |
|------|-------------|----------|---|-----|
| 111 | 3311501 | 2 | Nut 5/16in-18NC | |
| 112 | 3340454 | 2 | Pad, Brake | |
| 113 | 4160026 | 8 | Washer, Bellville | |
| 114 | 2880404 | 1 | Key, Square | |
| 115 | 0652014 | 1 | Bolt 5/8in-18NF x 1 3/4in | |
| 116 | 4752000 | 1 | Flatwasher 5/8in | |
| 117 | 0681610 | 8 | Bolt 3/8in-16NC x 1 1/4in | |
| 118 | 4751600 | 16 | Flatwasher 3/8in | |
| 119 | 3300143 | 8 | Locknut 3/8in-16NC | |
| 120 | 0641836 | 1 | Bolt 1/2in-13NC x 4 1/2in | |
| 121 | 4751800 | 1 | Flatwasher 1/2in | |
| 122 | 3311805 | 1 | Locknut 1/2in-13NC | |
| 123 | 2160002 | 4 | Fitting, Grease | |
| 124 | 0641522 | 2 | Bolt 5/16in-18NC x 2 3/4in | |
| 125 | 3421490 | 1 | Pin, Attach (Standard) | |
| 125 | 3421968 | 1 | Pin, Attach (C.S.A.) | |
| 126 | 4740158 | 1 | Washer, Thrust | |
| 127 | 1670451 | 1 | Cover, Rotator | |
| 128 | 4300038 | 2 | Stud (Welded on Part) | |
| 129 | 1681866 | 1 | Slave Cylinder Assembly (Machines Built Prior to January 1990) (See CYLINDER SECTION for Breakdown) | |
| 129 | 1682178 | 1 | Slave Cylinder Assembly (Machines Built January 1990 to October 1992) (See CYLINDER SECTION for Breakdown) | |
| 129 | 1682793 | 1 | Slave Cylinder Assembly - TUV (Machines Built October 1992 to Present) (See CYLINDER SECTION for Breakdown) | |
| 130 | 3421491 | 1 | Pin, Attach (Lower) | |
| 131 | 3421494 | 1 | Pin, Attach (Upper) | |
| 132 | 3532054 | 1 | Plate, Retainer | |
| 133 | 0641506 | 2 | Bolt 5/16in-18NC x 3/4in | |
| 134 | 4060804 | 10 | Shield, Hose (Flexguard) | |
| | | in/2.6cm | | |
| 135 | 4070707 | AR | Shim 1/32in | |
| 136 | 3520035 | 1 | Plug | |
| 137 | 0641816 | 2 | Bolt 1/2in-13NC x 2in | |
| 138 | 4761800 | 2 | Lockwasher 1/2in | |
| 139 | 3311505 | 2 | Locknut 5/16in-18NC | |
| 140 | 2160001 | 1 | Fitting, Grease | |
| 141 | 4340596 | 1 | Support, Hose (Hydraulic Controls Only) | |
| 141 | 4300031 | 2 | Stud (Welded on Part) | |
| 141 | 4751400 | 2 | Flatwasher 1/4in | |
| 141 | 3311405 | 2 | Locknut 1/4in-20NC | |
| | 0235238 | Ref | ROTATOR ASSEMBLY | E |
| | | Ref | Note: For Machines Built Prior to September 1991 refer to Service Information Bulletin #91-5 for required upgrade. | |
| 201 | 3160083 | 1 | Rotator Motor Assembly (See CONSOLE BOX ASSEMBLY (STANDARD BANG-BANG CONTROLS) for Breakdown) | |
| 202 | 0080099 | 1 | Adapter, Motor | |
| 203 | 2760064 | 1 | Housing, Gear | |
| 204 | 0440134 | 2 | Bearing, Sleeve | |
| 205 | 4740199 | 4 | Washer, Thrust | |
| 206 | 0440120 | 2 | Bearing, Thrust | |
| 207 | 2440043 | 1 | Gear, Worm | |
| 208 | 3440816 | 4 | Rollpin 1/4in x 1in | |

SECTION 4 - PLATFORM

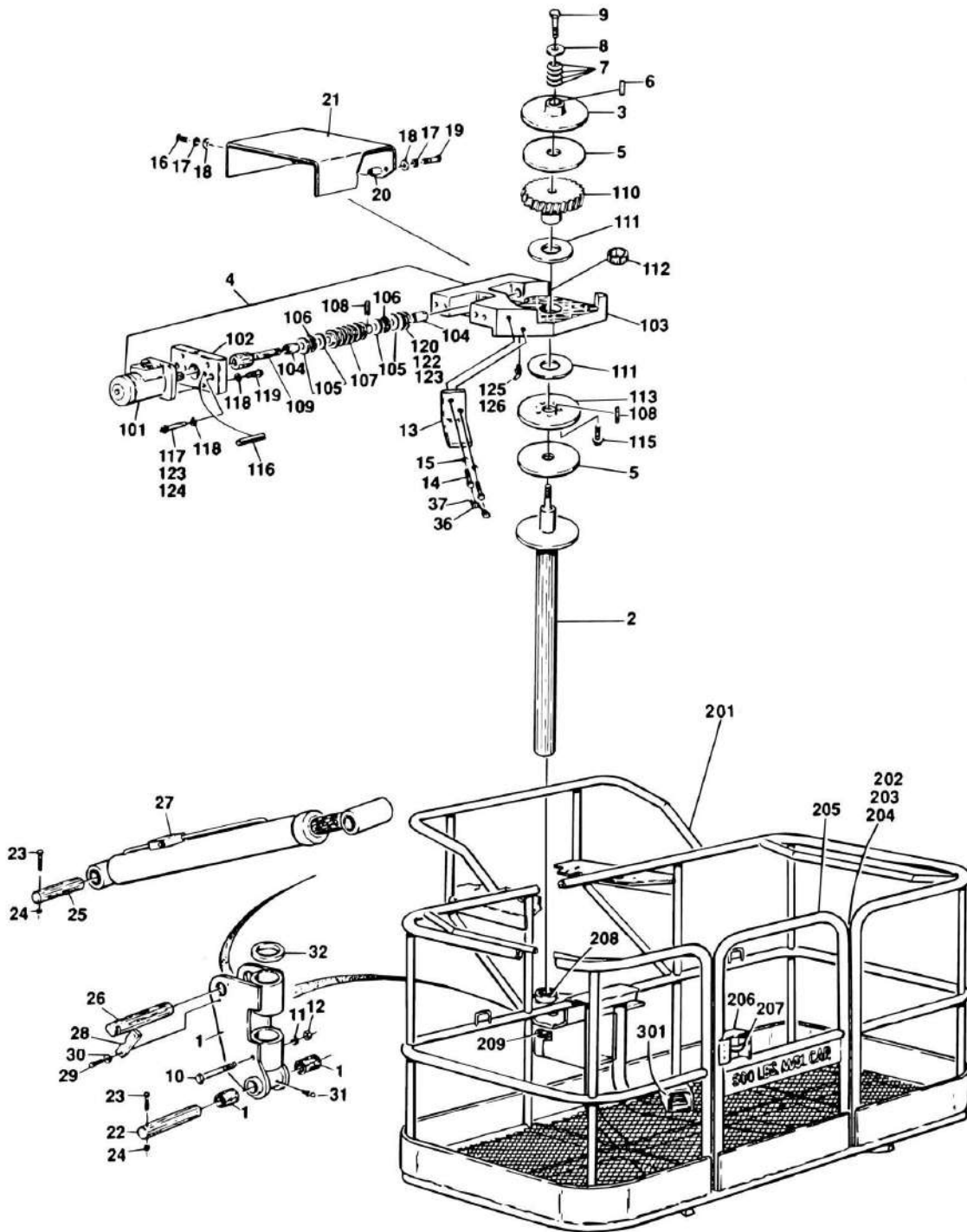
| ITEM | PART NUMBER | QTY | DESCRIPTION | REV |
|------|-------------|-----|---|-----|
| 209 | 0080098 | 1 | Adapter, Motor to Worm Gear | |
| 210 | 2440044 | 1 | Gear, Worm | |
| 211 | 4740256 | 2 | Washer, Thrust | |
| 212 | 0440135 | 1 | Bearing, Sleeve | |
| 213 | 1760068 | 1 | Disc, Brake | |
| 215 | 3931010 | 5 | Bolt, Socket Head #10-24NC x 5/8in | |
| 216 | 3441228 | 2 | Rollpin 3/8in x 1 3/4in | |
| 217 | 3931620 | 2 | Bolt, Socket Head 3/8in-16NC x 1 1/4in | |
| 218 | 4761600 | 6 | Lockwasher 3/8in | |
| 219 | 3931612 | 4 | Bolt, Socket Head 3/8in-16NC x 3/4in | |
| 220 | 4070585 | AR | Shim .010 | |
| 221 | 4070586 | AR | Shim .005 | |
| 222 | 4070587 | AR | Shim .002 | |
| 223 | 0100019 | AR | Loctite #271 (Not Shown) | |
| 224 | 0100021 | AR | Primer (Not Shown) | |
| 225 | 2160001 | 1 | Fitting, Grease - 90 | |
| 226 | 3020025 | AR | Grease (Not Shown) | |
| | | Ref | PLATFORM WELDMENTS | |
| | | Ref | Note: Replacement Decals Must be Ordered Separately - See DECALS SECTION. | |
| 301 | | Ref | Standard Platform Options: | |
| 301 | | Ref | 30in x 48in Platforms: | |
| 301 | 3510176 | 1 | Platform for Machines Built Prior to October 1990 (Use 3510236) | |
| 301 | 3510236 | 1 | Platform for Machines Built October 1990 to Present | |
| 301 | | Ref | 30in x 60in Platforms: | |
| 301 | 3510170 | 1 | Platform for Machines with Standard Bang-Bang and Proportional Controls Built Prior to October 1990 (Use 3510237) | |
| 301 | 3510237 | 1 | Platform for Machines with Standard Bang-Bang and Proportional Controls Built October 1990 to Present | |
| 301 | 3510406 | 1 | Platform with Slide Bar Gate | |
| 301 | 3510483 | 1 | Platform for Machines with Standard Bang-Bang and Proportional Controls with Mesh from Bottom to Top Rail | |
| 301 | 3510247 | 1 | Platform for Machines with Hydraulic Controls | |
| 301 | 3510307 | 1 | Platform for Machines with Hydraulic Controls with Mesh to Mid-Rail Built April 1991 to Present | |
| 301 | 3510481 | 1 | Platform for Machines with Hydraulic Controls with Mesh from Bottom Rail to Midrail Built April 1991 to Present | |
| 301 | 3510386 | 1 | Platform for Ford Spec Machines with Hydraulic Controls | |
| 301 | | Ref | 30in x 72in Platforms: | |
| 301 | 3510177 | 1 | Platform for Machines with Standard Bang-Bang and Proportional Controls Built Prior to October 1990 (Use 3510238) | |
| 301 | 3510238 | 1 | Platform for Machines with Standard Bang-Bang and Proportional Controls Built October 1990 to Present | |
| 301 | 3510656 | 1 | Platform for Machines with Standard Bang-Bang and Proportional Controls with Mesh from Bottom to Top Rail | |
| 301 | 3510356 | 1 | Platform for Machines with Hydraulic Controls | |
| 301 | | Ref | 30in x 96in Platforms: | |
| 301 | 3510253 | 1 | Platform for Machines with Standard Bang-Bang and Proportional Controls | |
| 301 | | Ref | Standard Platform Components | |
| 302 | 2600143 | 2 | Pin, Hinge | |

SECTION 4 - PLATFORM

| ITEM | PART NUMBER | QTY | DESCRIPTION | REV |
|------|-------------|-----|--|-----|
| 303 | 3311805 | 2 | Locknut 1/2in-13NC | |
| 304 | 2160006 | 2 | Fitting, Grease | |
| 305 | 1780224 | | Door Weldment (Machines Built Prior to October 1990) | |
| 305 | 1780250 | | Door Weldment (Machines October 1990 to Present) | |
| 306 | 2940006 | 1 | Latch, Door | |
| 307 | 2560010 | 1 | Handle | |
| | 0237963 | Ref | FOOTSWITCH INSTALLATION | 7 |
| 401 | 0641408 | 3 | Bolt 1/4in-20NC x 1in | |
| 401 | 3311405 | 3 | Locknut 1/4in-20NC | |
| 401 | 4740362 | 3 | Washer, Fender | |
| 401 | 4360031 | 1 | Footswitch | |
| 401 | 7000625 | 2 | Block, Contact | |
| 401 | 4460071 | 1 | Connector, Strain Relief | |

SECTION 4 - PLATFORM

FIGURE 4-2. LOW MOUNT PLATFORMS AND FOOTSWITCH INSTALLATIONS



SECTION 4 - PLATFORM

FIGURE 4-2. LOW MOUNT PLATFORMS AND FOOTSWITCH INSTALLATIONS

| ITEM | PART NUMBER | QTY | DESCRIPTION | REV |
|------|-------------|-----|--|-----|
| | | Ref | SUPPORT INSTALLATIONS | |
| | 0250593 | Ref | ROTATING SUPPORT INSTALLATION - DOMESTIC | H |
| | 0252135 | Ref | ROTATING SUPPORT INSTALLATION - CSA | C |
| | 0251252 | Ref | FIXED SUPPORT INSTALLATION - DOMESTIC (NOT SHOWN) | B |
| | 0252136 | Ref | FIXED SUPPORT INSTALLATION - CSA (NOT SHOWN) | A |
| 1 | 0238540 | 1 | Pivot Attach Weldment | |
| 1 | 0961257 | 2 | Bushing, Bronze | |
| 2 | | Ref | Shaft Weldment Options: | |
| 2 | | Ref | Rotating Support | |
| 2 | 4040215 | 1 | Standard | |
| 2 | 4040222 | 1 | C.S.A. | |
| 2 | | Ref | Fixed Support | |
| 2 | 4564579 | 1 | Standard | |
| 2 | 4040227 | 1 | C.S.A. | |
| | | Ref | Note: Items 3-9 Rotating Support Installation Only. | |
| 3 | 1120299 | 1 | Cap | |
| 4 | 0235238 | 1 | Rotator Assembly (See Items 101-126 for Breakdown) | |
| 5 | 3340454 | 2 | Pad, Brake | |
| 6 | 2880404 | 1 | Key | |
| 7 | 4160026 | 8 | Washer, Belleville | |
| 8 | 4752000 | 1 | Flatwasher 5/8in | |
| 9 | 0652014 | 1 | Bolt 5/8in-18NF x 1 3/4in | |
| 10 | 0641836 | 1 | Bolt 1/2in-13NC x 4 1/2in | |
| 11 | 4751800 | 3 | Flatwasher 1/2in | |
| 12 | 3311805 | 1 | Locknut 1/2in-13NC | |
| | | Ref | Note: Items 13-21 Rotating Support Installation Only. | |
| 13 | 0901756 | 1 | Bracket | |
| 14 | 0641811 | 2 | Bolt 1/2in-13NC x 1 3/8in | |
| 15 | 4761800 | 2 | Lockwasher 1/2in | |
| 16 | 0641404 | 1 | Bolt 1/4in-20NC x 1/2in | |
| 17 | 4761400 | 2 | Lockwasher 1/4in | |
| 18 | 4751400 | 2 | Flatwasher 1/4in | |
| 19 | 0641408 | 1 | Bolt 1/4in-20NC x 1in | |
| 20 | 4562083 | 1 | Tube, Spacer | |
| 21 | 1670630 | 1 | Cover | |
| 22 | 3421490 | 1 | Pin, Nose (Standard) | |
| 22 | 3421968 | 1 | Pin, Nose (C.S.A.) | |
| 23 | 0641522 | 2 | Bolt 5/16in-18NC x 2 3/4in | |
| 24 | 3311505 | 2 | Locknut 5/16in-18NC | |
| 25 | 3421491 | 1 | Pin, Attach (Lower) | |
| 26 | 3421494 | 1 | Pin, Attach (Upper) | |
| 27 | 1682178 | 1 | Slave Cylinder Assembly (Machines Built Prior to October 1992) (See CYLINDER SECTION for Breakdown) | |
| 27 | 1682793 | 1 | Slave Cylinder Assembly - TUV (Machines Built October 1992 to Present) | |
| 28 | 3532054 | 1 | Plate, Retainer | |
| 29 | 0741506 | 2 | Bolt 5/16in-18NC x 3/4in | |
| 30 | 4761500 | 2 | Lockwasher 5/16in | |
| 31 | 2160002 | 3 | Fitting, Grease | |
| 32 | 4740158 | 1 | Washer, Thrust | |

SECTION 4 - PLATFORM

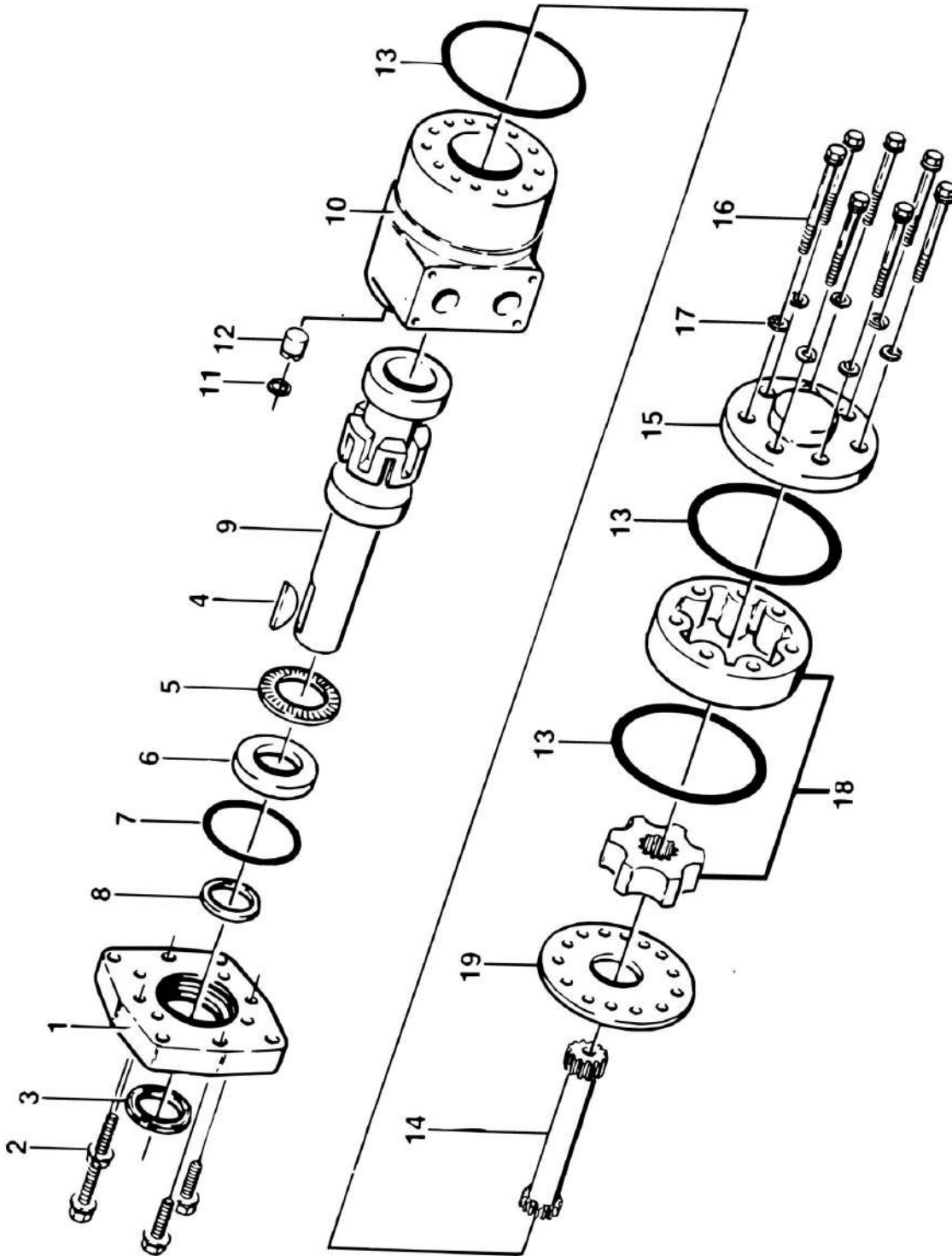
| ITEM | PART NUMBER | QTY | DESCRIPTION | REV |
|------|-------------|----------|---|-----|
| | | Ref | Note: Items 33-35 Fixed Support Installation Only. | |
| 33 | 4220137 | 2 | Bar, Stop | |
| 34 | 1320160 | 1 | Clamp (Not Shown) | |
| 35 | 3520035 | 1 | Plug | |
| | | Ref | Note: Items 36-37 Rotating Support Installation Only. | |
| 36 | 1380137 | 1 | Clip Retainer | |
| 37 | 4920986 | 1 ft/.3m | Wire, Mechanics | |
| | 0235238 | Ref | ROTATOR ASSEMBLY: | E |
| | | Ref | Note: For Machines Built Prior to September 1991 refer to Service Information Bulletin #91-5 for required upgrade. | |
| 101 | 3160083 | 1 | Rotator Motor Assembly (See CONSOLE BOX ASSEMBLY (STANDARD BANG-BANG CONTROLS) for Breakdown) | |
| 102 | 0080099 | 1 | Adapter, Motor | |
| 103 | 2760064 | 1 | Housing, Gear | |
| 104 | 0440134 | 2 | Bearing, Sleeve | |
| 105 | 4740199 | 4 | Washer, Thrust | |
| 106 | 0440120 | 2 | Bearing, Thrust | |
| 107 | 2440043 | 1 | Gear, Worm | |
| 108 | 3440816 | 4 | Rollpin 1/4in x 1in | |
| 109 | 0080098 | 1 | Adapter, Motor to Worm Gear | |
| 110 | 2440044 | 1 | Gear, Worm | |
| 111 | 4740256 | 2 | Washer, Thrust | |
| 112 | 0440135 | 1 | Bearing, Sleeve | |
| 113 | 1760068 | 1 | Disc, Brake | |
| 115 | 3931010 | 5 | Bolt, Socket Head #10-24NC x 5/8in | |
| 116 | 3441228 | 2 | Rollpin 3/8in x 1 3/4in | |
| 117 | 3931620 | 2 | Bolt, Socket Head 3/8in-16NC x 1 1/4in | |
| 118 | 4761600 | 6 | Lockwasher 3/8in | |
| 119 | 3931612 | 4 | Bolt, Socket Head 3/8in-16NC x 3/4in | |
| 120 | 4070585 | AR | Shim .010 | |
| 121 | 4070586 | AR | Shim .005 | |
| 122 | 4070587 | AR | Shim .002 | |
| 123 | 0100019 | AR | Loctite #271 | |
| 124 | 0100021 | AR | Primer | |
| 125 | 2160001 | 1 | Fitting, Grease - 90 | |
| 126 | 3020025 | AR | Grease | |
| | | Ref | PLATFORM WELDMENTS | |
| | | Ref | Note: Replacement Decals Must be Ordered Separately -See DECALS SECTION | |
| 201 | | Ref | Low Mount Platform Options: | |
| 201 | | Ref | 30in x 48in Platforms: | |
| 201 | 3510239 | 1 | Platform | |
| 201 | 3510323 | 1 | Platform with Bumpers | |
| 201 | | Ref | 30in x 60in Platforms: | |
| 201 | 3510240 | 1 | Platform | |
| 201 | 3510261 | 1 | Platform with Bumpers | |
| 201 | 3510480 | 1 | Platform with Mesh to Mid-Rail | |
| 201 | 3510482 | 1 | Platform with Mesh to Top Rail | |
| 201 | | Ref | 30in x 72in Platforms: | |
| 201 | 3510241 | 1 | Platform | |
| 201 | | Ref | 30in x 96in Platforms: | |
| 201 | 3510242 | 1 | Platform with Bumpers | |

SECTION 4 - PLATFORM

| ITEM | PART NUMBER | QTY | DESCRIPTION | REV |
|------|-------------|-----|--|-----|
| 201 | | Ref | Standard Platform Components | |
| 202 | 2600143 | 2 | Pin, Hinge | |
| 203 | 3311805 | 2 | Locknut 1/2in-13NC | |
| 204 | 2160006 | 2 | Fitting, Grease | |
| 205 | 1780224 | 1 | Door Weldment (Machines Built Prior to April 1990) | |
| 205 | 1780250 | 1 | Door Weldment (Machines Built April 1990 to Present) | |
| 205 | 1780285 | 1 | Door Weldment (Mesh to Mid Rail) | |
| 205 | 1780286 | 1 | Door Weldment (Mesh to Top Rail) | |
| 206 | 2940006 | 1 | Latch, Door | |
| 207 | 2560010 | 1 | Handle | |
| 208 | 0961450 | 1 | Bushing, Bronze (Top) | |
| 209 | 0961259 | 1 | Bushing, Bronze (Bottom) | |
| | 0237963 | Ref | FOOTSWITCH INSTALLATION | F |
| 301 | 0641408 | 3 | Bolt 1/4in-20NC x 1in | |
| 301 | 3311401 | 3 | Nut 1/4in-20NC | |
| 301 | 4740362 | 3 | Washer, Fender | |
| 301 | 4360031 | 1 | Footswitch | |
| 301 | 7000625 | 2 | Block, Contact | |
| 301 | 4460071 | 1 | Connector, Strain Relief | |

SECTION 4 - PLATFORM

FIGURE 4-3. ROTATOR MOTOR ASSEMBLY



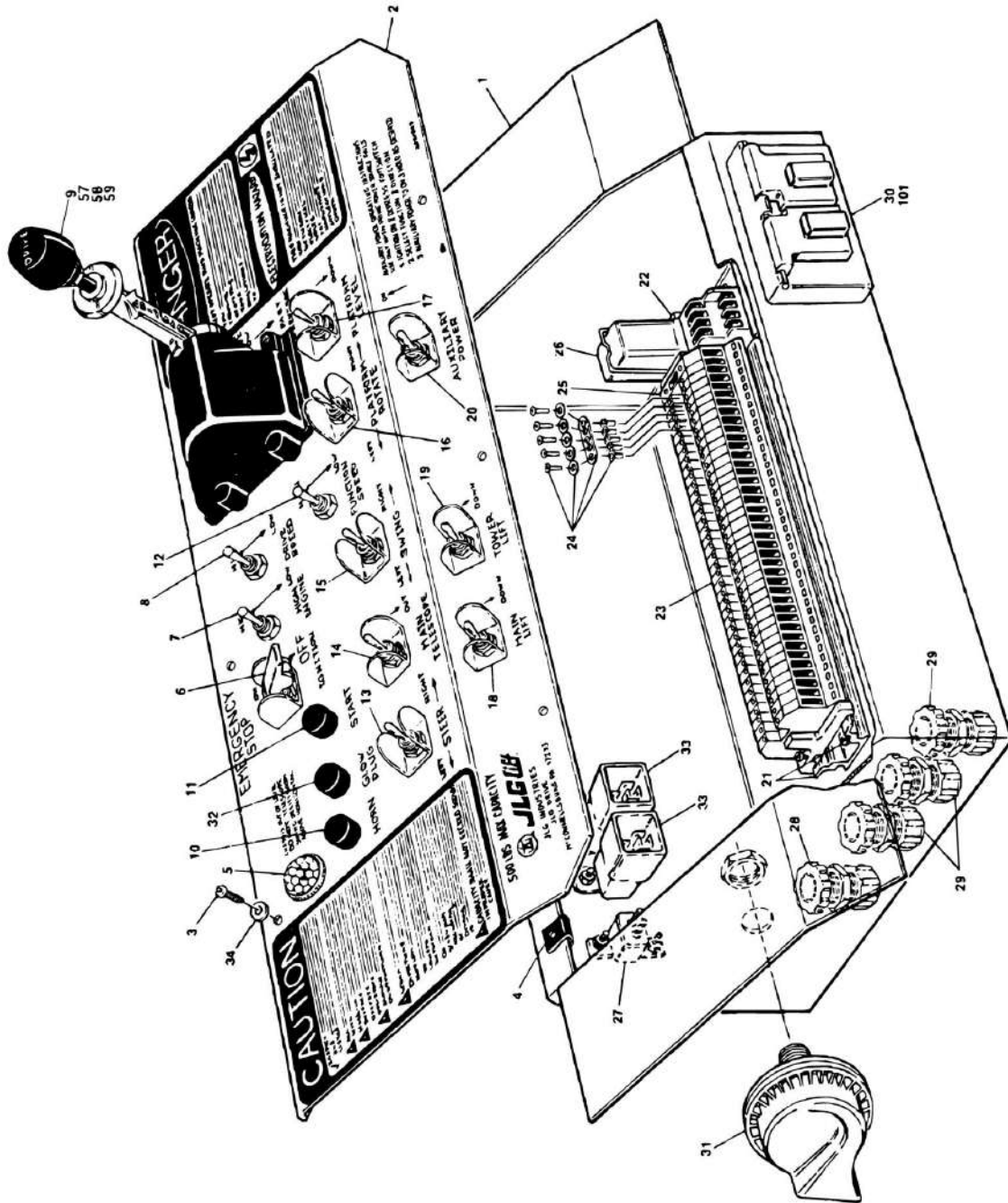
SECTION 4 - PLATFORM

FIGURE 4-3. ROTATOR MOTOR ASSEMBLY

| ITEM | PART NUMBER | QTY | DESCRIPTION | REV |
|------|-------------|-----|---|-----|
| | 3160083 | Ref | ROTATOR MOTOR ASSEMBLY | B |
| 1 | 7002105 | 1 | Flange, Mounting | |
| 2 | 7002123 | 4 | Screw, Cap | |
| 3 | Kit | 1 | Seal, Dust | |
| 4 | 7002104 | 1 | Key, Woodruff | |
| 5 | 7002111 | 1 | Bearing, Thrust Needle | |
| 6 | 7002117 | 1 | Thrust, Bearing Race | |
| 7 | Kit | 1 | Seal, O-Ring | |
| 8 | Kit | 1 | Seal, Pressure | |
| 9 | 7002116 | 1 | Shaft, Output | |
| 10 | 7002103 | 1 | Housing | |
| 11 | Kit | 1 | Seal | |
| 12 | 7009992 | 1 | Plug, Housing | |
| 13 | Kit | 3 | Seal, O-Ring | |
| 14 | 7002112 | 1 | Drive | |
| 15 | 7002107 | 1 | Cap, End | |
| 16 | 7002100 | 7 | Screw, Cap | |
| 17 | 7000166 | 7 | Lockwasher | |
| 18 | 7002125 | 1 | Gerotor Sub-Assembly | |
| 19 | 7002110 | 1 | Plate, Spacer | |
| | 2900455 | 1 | Seal Kit (Includes Items 3,7,8,11 & 13) (P/N 101-1009-007) | |
| | 2900733 | 1 | Seal Kit (Includes Items 3,7,8,11 & 13) (P/N 101-1009-008 & 101-1009-009) | |
| | | Ref | Note: Identify by P/N stamped on nameplate located on Item 10. | |

SECTION 4 - PLATFORM

FIGURE 4-4. CONSOLE BOX ASSEMBLY (STANDARD BANG-BANG CONTROLS)



SECTION 4 - PLATFORM

FIGURE 4-4. CONSOLE BOX ASSEMBLY (STANDARD BANG-BANG CONTROLS)

| ITEM | PART NUMBER | QTY | DESCRIPTION | REV |
|------|-------------|------------|--|-----|
| | | Ref | CONSOLE BOX ASSEMBLIES | |
| | 0860622 | Ref | CONSOLE BOX ASSEMBLY - 2WS FORD/DEUTZ | L |
| | 0860660 | Ref | CONSOLE BOX ASSEMBLY - 2WS KUBOTA | I |
| | 0860714 | Ref | CONSOLE BOX ASSEMBLY - 4WS FORD/DEUTZ | F |
| | 0860715 | Ref | CONSOLE BOX ASSEMBLY - 4WS KUBOTA | F |
| 1 | 4842892 | 1 | Box, Console | |
| 2 | | Ref | Lid Options: | |
| 2 | 3251909 | 1 | Lid (Prior to May 1994) | |
| 2 | 3252362 | 1 | Lid (May 1994 to November 1994) | |
| 2 | 1702399 | 1 | Decal, Lid (November 1994 to Present) | |
| 2 | 3538389 | 1 | Lid, Plate (November 1994 to Present) | |
| 2 | 4420008 | 52 in/1.3m | Tape, Insulation | |
| 3 | 0751006 | 6 | Screw, Pan Head #10-24NC x 3/4in | |
| 4 | 3300177 | 6 | Nut, Tinnerman | |
| 5 | 2920015 | 1 | Lamp (Out of Level) | |
| 6 | 4360199 | 1 | Switch, Toggle (Ignition/Emergency Stop) | |
| 6 | 3790012 | 1 | O-Ring | |
| 6 | 4360141 | 1 | Guard, Switch | |
| 7 | 4360199 | 1 | Switch, Toggle (High Engine) | |
| 7 | 3790012 | 1 | O-Ring | |
| 8 | 4360199 | 1 | Switch, Toggle (Drive Speed) | |
| 8 | 3790012 | 1 | O-Ring | |
| 9 | | Ref | Controller Options: | |
| 9 | 1600116 | 1 | Controller (2WS) | |
| 9 | 7003783 | 1 | Electrical Assembly | |
| 9 | 2560041 | 1 | Knob (2WS) | |
| 9 | 1600135 | 1 | Controller (4WS) | |
| 9 | 7003797 | 1 | Electrical Assembly | |
| 9 | 7003789 | 2 | Switch, Roller | |
| 10 | 4360274 | 1 | Switch, Push Button (Horn) | |
| 10 | 3790015 | 1 | O-Ring | |
| 11 | 4360274 | 1 | Switch, Push Button (Start) | |
| 11 | 3790015 | 1 | O-Ring | |
| 12 | 4360199 | 1 | Switch, Toggle (Function Speed) | |
| 12 | 3790012 | 1 | O-Ring | |
| 13 | 4360202 | 1 | Switch, Toggle (Steer) | |
| 13 | 4060229 | 1 | Guard, Switch | |
| 13 | 3790012 | 1 | O-Ring | |
| 14 | 4360202 | 1 | Switch, Toggle (Main Telescope) | |
| 14 | 4060229 | 1 | Guard, Switch | |
| 14 | 3790012 | 1 | O-Ring | |
| 15 | 4360202 | 1 | Switch, Toggle (Swing) | |
| 15 | 4060229 | 1 | Guard, Switch | |
| 15 | 3790012 | 1 | O-Ring | |
| 16 | 4360202 | 1 | Switch, Toggle (Platform Rotate) (With Rotating Platform Only) | |
| 16 | 4060229 | 1 | Guard, Switch | |
| 16 | 3790012 | 1 | O-Ring | |
| 17 | 4360202 | 1 | Switch, Toggle (Platform Level) | |
| 17 | 4060229 | 1 | Guard, Switch | |
| 17 | 3790012 | 1 | O-Ring | |

SECTION 4 - PLATFORM

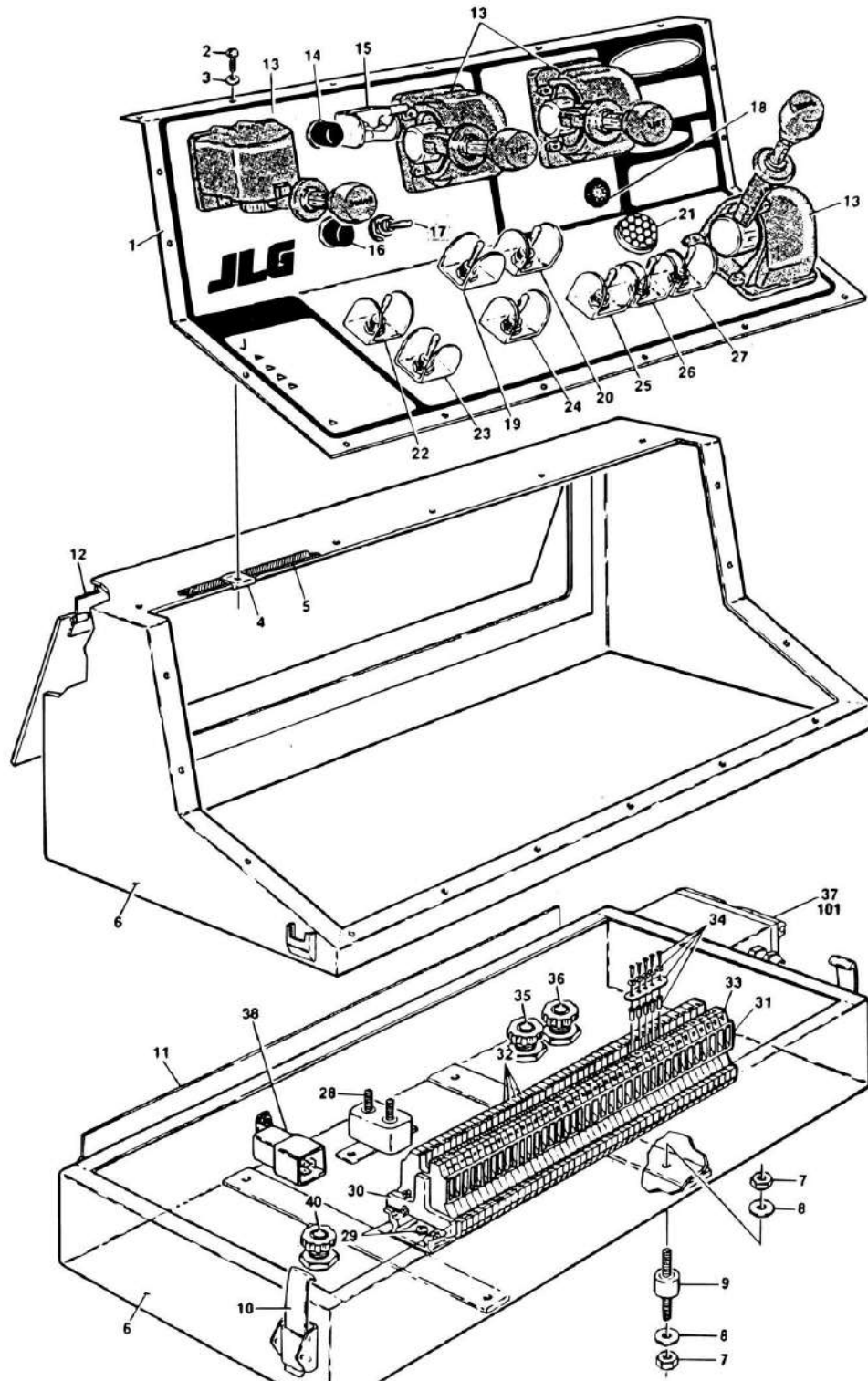
| ITEM | PART NUMBER | QTY | DESCRIPTION | REV |
|------|-------------|-----|--|-----|
| 18 | 4360202 | 1 | Switch, Toggle (Main Lift) | |
| 18 | 4060229 | 1 | Guard, Switch | |
| 18 | 3790012 | 1 | O-Ring | |
| 19 | 4360202 | 1 | Switch, Toggle (Tower Lift) | |
| 19 | 4060229 | 1 | Guard, Switch | |
| 19 | 3790012 | 1 | O-Ring | |
| 20 | 4360200 | 1 | Switch, Toggle (Auxiliary Power) | |
| 20 | 4060229 | 1 | Guard, Switch | |
| 20 | 3790012 | 1 | O-Ring | |
| 21 | | Ref | Rail Options: | |
| 21 | 3640500 | 1 | Rail (2WS) | |
| 21 | 3640970 | 1 | Rail (4WS) | |
| 21 | 3910606 | 2 | Screw, Machine #6-32NC x 3/8in | |
| 21 | 4760600 | 2 | Lockwasher #6 | |
| 21 | 3310601 | 2 | Nut #6-32NC | |
| 22 | 4460299 | 2 | Stop, Terminal | |
| 23 | 4460298 | Ref | Block, Terminal | |
| 23 | 4460298 | AR | 2WS - Qty. 40 | |
| 23 | 4460298 | AR | 4WS - Qty. 45 | |
| 23 | 4460301 | 1 | Strip, Marking | |
| 24 | 4460311 | 1 | Bar, Buss - 5 Position | |
| 24 | 4460305 | 5 | Screw | |
| 24 | 4460306 | 5 | Washer | |
| 24 | 4460307 | 5 | Sleeve | |
| 25 | 4460300 | 1 | Barrier, Terminal | |
| 26 | 3740058 | 1 | Relay | |
| 26 | 4120013 | 1 | Socket, Relay | |
| 26 | 3740063 | 1 | Spring, Relay | |
| 27 | 4360209 | 1 | Breaker, Circuit - 20 Amp | |
| 27 | 3311001 | 1 | Nut #10-24NC | |
| 27 | 4761000 | 1 | Lockwasher #10 | |
| 28 | 4460244 | 1 | Connector | |
| 28 | 0960238 | 1 | Bushing | |
| 28 | 3300048 | 1 | Nut, Conduit | |
| 29 | 4460052 | 3 | Connector | |
| 29 | 0960239 | 3 | Bushing | |
| 29 | 3300047 | 3 | Nut, Conduit | |
| 30 | 0860038 | 1 | Box | |
| 30 | 4460190 | 1 | Receptacle | |
| 30 | 4060092 | 1 | Cover | |
| 30 | 3910608 | 4 | Screw, Machine #6-32NC x 1/2in | |
| 30 | 4760600 | 4 | Lockwasher #6 | |
| 30 | 4460071 | 1 | Connector | |
| 31 | 0140001 | 1 | Horn | |
| 32 | 4360274 | 1 | Switch, Push Button (Glow Plugs) (Kubota) | |
| 32 | 3520026 | 1 | Plug, Hole (Ford and Deutz) | |
| 33 | 3740049 | 2 | Relay (4WS Only) | |
| 33 | 4761000 | 2 | Lockwasher #10 | |
| 33 | 3311001 | 2 | Nut #10-24NC | |
| 34 | 4740120 | 6 | Washer, Nylon | |
| 57 | 0720804 | 4 | Screw, Machine #8-32NC x 1/2 (October 1995 to Present) | |

SECTION 4 - PLATFORM

| ITEM | PART NUMBER | QTY | DESCRIPTION | REV |
|------|-------------|-------------|---|-----|
| 58 | 4750800 | 4 | Flatwasher #8 (October 1995 to Present) | |
| 59 | 4760800 | 4 | Lockwasher #8 (October 1995 to Present) | |
| | | Ref | 110V POWER CORD INSTALLATIONS | |
| | 0252405 | Ref | 110V POWER CORD INSTALLATIONS (PRIOR TO OCTOBER 1993) | - |
| | 0254438 | Ref | 110V POWER CORD INSTALLATIONS (OCTOBER 1993 PRESENT) | 3 |
| 101 | | Ref | Cable, Electrical - 12/3 Options: | |
| 101 | 1060300 | 32 ft/9.8m | Cable, Electrical (Prior to October 1993) | |
| 101 | 1060514 | 70 ft/21.3m | Cable, Electrical (October 1993 to Present) (was p/n 1060268) | |
| 101 | 4460205 | 1 | Plug | |

SECTION 4 - PLATFORM

FIGURE 4-5. CONSOLE BOX ASSEMBLY (PROPORTIONAL CONTROLS - PRIOR TO FEBRUARY 1993)



SECTION 4 - PLATFORM

FIGURE 4-5. CONSOLE BOX ASSEMBLY (PROPORTIONAL CONTROLS - PRIOR TO FEBRUARY 1993)

| ITEM | PART NUMBER | QTY | DESCRIPTION | REV |
|------|-------------|----------|--|-----|
| | | Ref | CONSOLE BOX ASSEMBLIES | |
| | 0860752 | Ref | CONSOLE BOX ASSEMBLY - 2WS DEUTZ | B |
| | 0860753 | Ref | CONSOLE BOX ASSEMBLY - 4WS DEUTZ | A |
| | 0860779 | Ref | CONSOLE BOX ASSEMBLY - 2WS FORD | A |
| | 0860777 | Ref | CONSOLE BOX ASSEMBLY - 4WS FORD | - |
| | 0860655 | Ref | CONSOLE BOX ASSEMBLY - 2WS KUBOTA | F |
| | 0860718 | Ref | CONSOLE BOX ASSEMBLY - 4WS KUBOTA | - |
| 1 | 3251894 | 1 | Lid | |
| 2 | 0751006 | 18 | Screw, Pan Head #10-24NC x 3/4in | |
| 3 | 4740120 | 18 | Washer, Nylon | |
| 4 | 3300177 | 18 | Nut, Tinnerman | |
| 5 | 4420038 | 37 in/1m | Tape, Insulation | |
| 5 | 0100001 | AR | Adhesive | |
| 6 | 0860538 | 1 | Box, Control (Includes Items 10-12) | |
| 7 | 3311505 | 8 | Nut 5/16in-18NC | |
| 8 | 4751500 | 8 | Flatwasher 5/16in | |
| 9 | 4320002 | 4 | Stud, Mounting | |
| 10 | 2940052 | 2 | Latch | |
| 11 | 2600132 | 1 | Hinge (Top to Bottom) | |
| 12 | 2600105 | 1 | Hinge (Access Door) | |
| 13 | 1600126 | 3 | Controller, PQ (Swing and Lifts) | |
| 13 | 7003782 | 1 | Electrical Assembly | |
| 13 | 1600116 | 1 | Controller, PQ (Drive) | |
| 13 | 7003783 | 1 | Electrical Assembly | |
| 13 | 2560038 | 2 | Knob (Lift) | |
| 13 | 2560040 | 1 | Knob (Swing) | |
| 13 | 2560041 | 1 | Knob (Drive) | |
| 14 | 4360274 | 1 | Switch, Push Button (Horn) | |
| 14 | 3790015 | 1 | O-Ring | |
| 15 | 4360199 | 1 | Switch, Toggle (Ignition) | |
| 15 | 3790012 | 1 | O-Ring | |
| 15 | 4360141 | 1 | Guard, Switch | |
| 16 | 4360274 | 1 | Switch, Push Button (Start) | |
| 16 | 3790015 | 1 | O-Ring | |
| 17 | 4360199 | 1 | Switch, Toggle (Glow Plug - Kubota/Choke - Ford) | |
| 17 | 3790012 | 1 | O-Ring | |
| 17 | 3251872 | 1 | Nameplate - Glow Plug (Kubota Only) | |
| 18 | 3520026 | 1 | Plug, Hole | |
| 19 | 4360202 | 1 | Switch, Toggle (Rotate) | |
| 19 | 4060229 | 1 | Shield | |
| 19 | 3790012 | 1 | O-Ring | |
| 20 | 4360202 | 1 | Switch, Toggle (Level) | |
| 20 | 4060229 | 1 | Shield | |
| 20 | 3790012 | 1 | O-Ring | |
| 21 | 2920015 | 1 | Lamp (Chassis Out of Level) | |
| 22 | 4360200 | 1 | Switch, Toggle (Auxiliary Power) | |
| 22 | 4060229 | 1 | Shield | |
| 22 | 3790012 | 1 | O-Ring | |
| 23 | 4360202 | 1 | Switch, Toggle (Steer) | |

SECTION 4 - PLATFORM

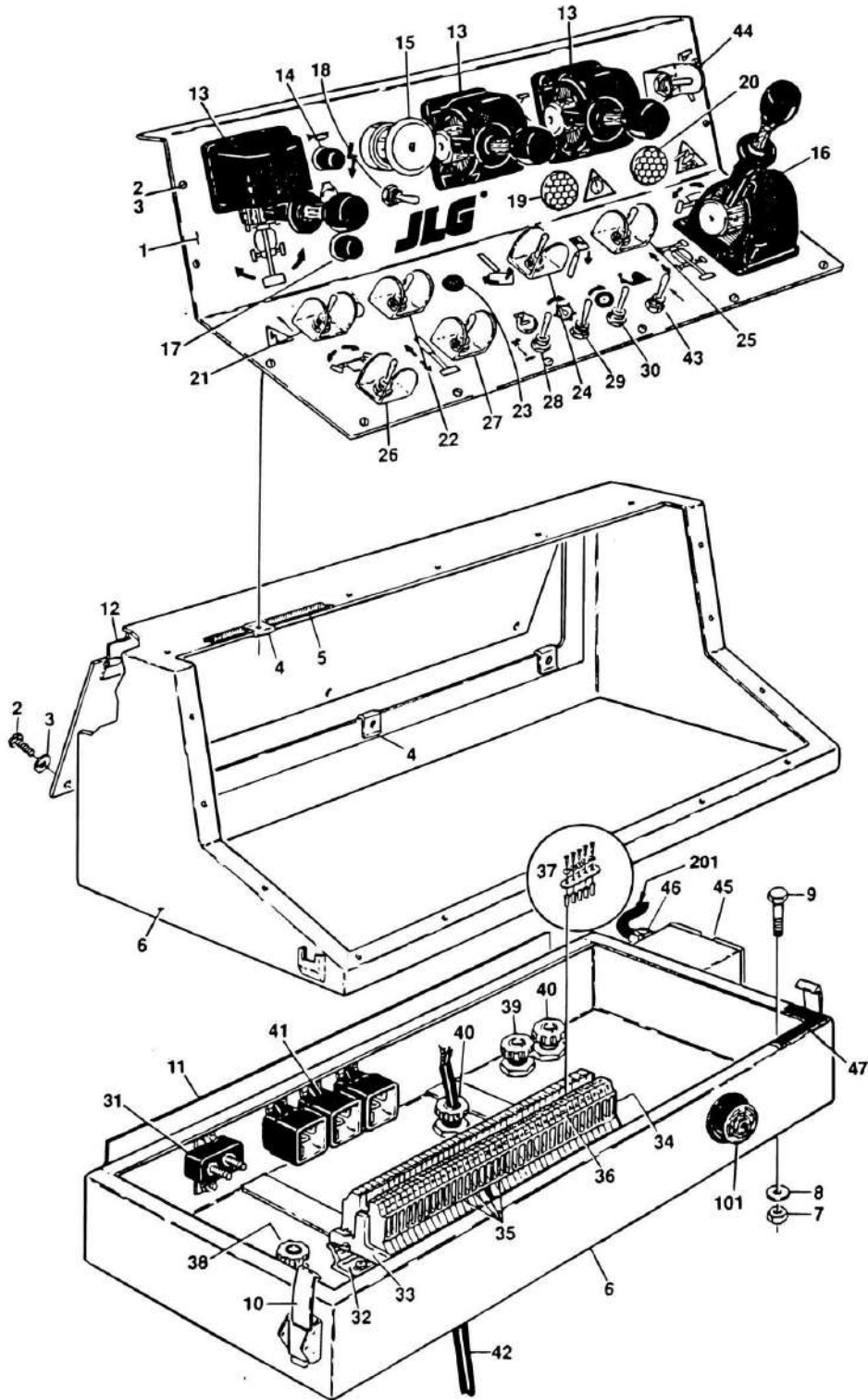
| ITEM | PART NUMBER | QTY | DESCRIPTION | REV |
|------|-------------|-----------|--|-----|
| 23 | 4060229 | 1 | Shield | |
| 23 | 3790012 | 1 | O-Ring | |
| 24 | 4360202 | 1 | Switch, Toggle (Main Tele) | |
| 24 | 4060229 | 1 | Shield | |
| 24 | 3790012 | 1 | O-Ring | |
| 25 | 4360199 | 1 | Switch, Toggle (High Engine) | |
| 25 | 3790012 | 1 | O-Ring | |
| 26 | 4360199 | 1 | Switch, Toggle (Pump Volume) | |
| 26 | 3790012 | 1 | O-Ring | |
| 27 | 4360199 | 1 | Switch, Toggle (Wheel Motor Speed) | |
| 27 | 3790012 | 1 | O-Ring | |
| 28 | 4360209 | 1 | Breaker, Circuit - 20 Amp | |
| 28 | 3910608 | 1 | Screw #6-32NC x 1/2in | |
| 28 | 4750600 | 1 | Flatwasher #6 | |
| 28 | 4760600 | 1 | Lockwasher #6 | |
| 28 | 3310601 | 1 | Nut #6-32NC | |
| 29 | 3640500 | 1 | Rail, Mounting | |
| 29 | 3910608 | 2 | Screw, Round Head #6-32NC x 1/2in | |
| 29 | 4750600 | 2 | Flatwasher #6 | |
| 29 | 4760600 | 2 | Lockwasher #6 | |
| 29 | 3310601 | 2 | Nut #6-32NC | |
| 30 | 4460299 | 2 | Stop, Terminal Strip | |
| 31 | 4460300 | 1 | Barrier, Terminal End | |
| 32 | 4460298 | 45 | Block, Terminal | |
| 33 | 4460301 | 1 | Strip, Marking | |
| 34 | 4460311 | 1 | Bar, Buss | |
| 34 | 4460305 | 3 | Screw, Terminal Block | |
| 34 | 4460306 | 3 | Washer, Terminal Block | |
| 34 | 4460307 | 3 | Sleeve, Terminal Block | |
| 35 | 4460244 | 1 | Connector | |
| 35 | 0960238 | 1 | Bushing, Insulating | |
| 35 | 3300048 | 1 | Nut, Conduit | |
| 36 | 4460071 | 1 | Connector | |
| 36 | 0960238 | 1 | Bushing, Insulating | |
| 36 | 3300048 | 1 | Nut, Conduit | |
| 37 | 0860038 | 1 | Box, Receptacle | |
| 37 | 4460190 | 1 | Receptacle (Not Shown) | |
| 37 | 3911008 | 4 | Screw, Round Head #10-24NC x 1/2in | |
| 37 | 4761000 | 4 | Lockwasher #10 | |
| 37 | 4060092 | 1 | Shield, Weatherproof | |
| 37 | 4460071 | 1 | Connector, Terminal | |
| 38 | 3740049 | 1 | Relay - SPDT | |
| 38 | 3311001 | 1 | Nut #10-24NC | |
| 38 | 4761000 | 1 | Lockwasher #10 | |
| 39 | 1060309 | 8 ft/2.4m | Cable, Control - 12/4 (To Footswitch) (Not Shown) | |
| 40 | 4460052 | 1 | Connector, Strain Relief | |
| 40 | 3300047 | 1 | Locknut, Conduit | |
| 40 | 0960239 | 1 | Bushing | |
| | | Ref | 110V POWER CORD INSTALLATIONS | |
| | 0252405 | Ref | 110V POWER CORD INSTALLATIONS (PRIOR TO OCTOBER 1993) | - |
| | 0254438 | Ref | 110V POWER CORD INSTALLATIONS (OCTOBER 1993 | 3 |

SECTION 4 - PLATFORM

| ITEM | PART NUMBER | QTY | DESCRIPTION | REV |
|------|-------------|----------------|---|-----|
| 101 | | Ref | PRESENT) Cable, Electrical - 12/3 Options: | |
| 101 | 1060300 | 32 ft/9.8m | Cable, Electrical (Prior to October 1993) | |
| 101 | 1060514 | 70 ft/21.3m | Cable, Electrical (October 1993 to Present) (was p/n 1060268) | |
| 101 | 4460205 | 1 | Plug | |

SECTION 4 - PLATFORM

FIGURE 4-6. CONSOLE BOX ASSEMBLY (PROPORTIONAL CONTROLS - FEBRUARY 1993 TO PRESENT)



SECTION 4 - PLATFORM

FIGURE 4-6. CONSOLE BOX ASSEMBLY (PROPORTIONAL CONTROLS - FEBRUARY 1993 TO PRESENT)

| ITEM | PART NUMBER | QTY | DESCRIPTION | REV |
|------|-------------|----------|---|-----|
| | | Ref | CONSOLE BOX ASSEMBLIES | |
| | 0860839 | Ref | CONSOLE BOX ASSEMBLY - 2WS WITH CREEP | 5 |
| | 0860850 | Ref | CONSOLE BOX ASSEMBLY - 2WS WITH THUMB STEER AND CREEP | 6 |
| | 0860840 | Ref | CONSOLE BOX ASSEMBLY - 4WS WITH CREEP | 6 |
| 1 | 3252224 | 1 | Lid (February 1993 to May 1994) | |
| 1 | 3252382 | 1 | Lid (May 1994 to January 1995) | |
| 1 | 3538392 | 1 | Plate, Lid (January 1995 to Present) | |
| 1 | 1702402 | 1 | Decal (January 1995 to Present) | |
| 2 | 0751006 | 18 | Screw, Pan Head #10-24NC x 3/4in | |
| 3 | 4740120 | 18 | Washer, Nylon | |
| 4 | 3300177 | 18 | Nut, Tinnerman | |
| 5 | 4420037 | 14 ft/2m | Tape, Insulation | |
| 6 | 0860538 | 1 | Box, Control (Includes Items 10,11 & 12) | |
| 7 | 3311505 | 4 | Nut 5/16in-18NC | |
| 8 | 4751500 | 4 | Flatwasher 5/16in | |
| 9 | 0641508 | 4 | Bolt 5/16in-18NC x 1in | |
| 10 | 2940052 | 2 | Latch | |
| 11 | 2600132 | 1 | Hinge (Top to Bottom) | |
| 12 | 2600105 | 1 | Hinge (Access Door) | |
| 13 | 1600126 | 3 | Controller, PQ (Swing and Lift) (Machines Without Steer Switch in Drive Controller) | |
| 13 | 7003782 | 3 | Electrical Assembly | |
| 13 | 1600141 | 3 | Controller, PQ (Swing and Lift) (Machines With Steer Switch in Drive Controller) | |
| 13 | 7011907 | 1 | Electrical Assembly | |
| 13 | 7003751 | 1 | Potentiometer | |
| 13 | 2560112 | AR | Knob | |
| 14 | 4360274 | 1 | Switch, Push Button (Horn) | |
| 14 | 3790015 | 1 | O-Ring | |
| 15 | 4360289 | 1 | Switch, Push-Pull (Emergency Stop) | |
| 15 | 7012611 | 1 | Mushroom Head | |
| 15 | 7012612 | 1 | Boot | |
| 15 | 4360282 | 1 | Block, Contact - 2 P.N.C. | |
| 16 | 1600116 | 1 | Controller, PQ (Drive) (2WS Without Steer Switch in Drive Controller) | |
| 16 | 7003783 | 1 | Electrical Assembly | |
| 16 | 1600140 | 1 | Controller, PQ (Drive) (2WS With Steer Switch in Drive Controller) | |
| 16 | 7011903 | 1 | Electrical Assembly | |
| 16 | 7003789 | 2 | Switch, Roller | |
| 16 | 1600135 | 1 | Controller, PQ (Drive) (4WS Without Steer Switch in Drive Controller) | |
| 16 | 7003797 | 1 | Electrical Assembly | |
| 16 | 7003789 | 2 | Switch, Roller | |
| 16 | 2560112 | 1 | Knob | |
| 17 | 4360274 | 1 | Switch, Push Button (Start) | |
| 17 | 3790015 | 1 | O-Ring | |
| 18 | 3520026 | 1 | Plug, Hole (Standard) | |
| 18 | 4360199 | 1 | Switch, Toggle (Glow Plug - Optional) | |

SECTION 4 - PLATFORM

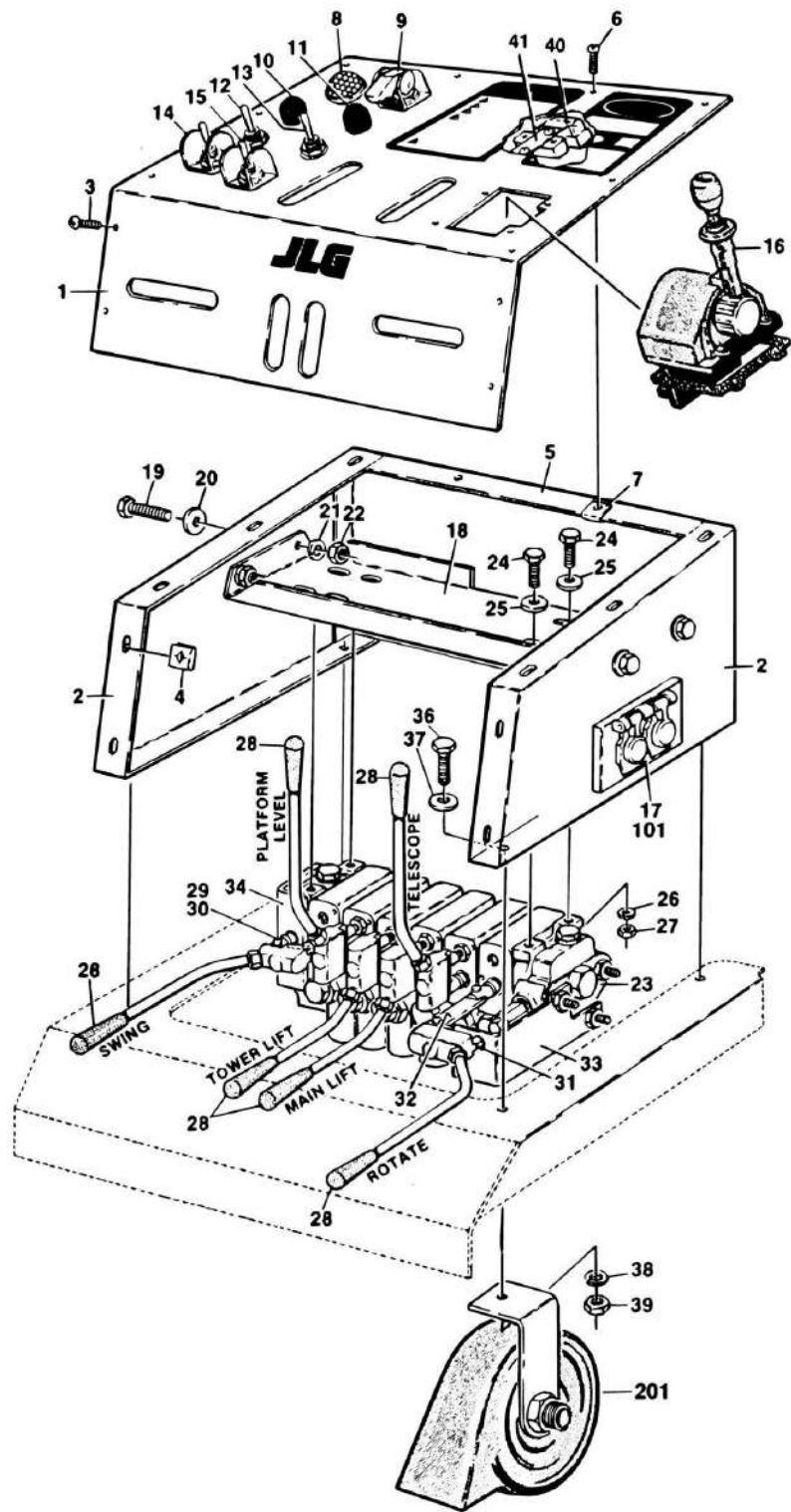
| ITEM | PART NUMBER | QTY | DESCRIPTION | REV |
|------|-------------|-----|---|-----|
| 18 | 3790012 | 1 | O-Ring (Glow Plug - Option) | |
| 18 | 3251872 | 1 | Nameplate (Glow Plug Option) | |
| 19 | 2920015 | 1 | Lamp (Engine Distress) (Optional) | |
| 20 | 2920015 | 1 | Lamp (Chassis Out of Level) | |
| 21 | 4360200 | 1 | Switch, Toggle (Auxiliary Power) | |
| 21 | 3790012 | 1 | O-Ring | |
| 21 | 4060229 | 1 | Shield | |
| 22 | 4360199 | 1 | Switch, Toggle (Lights) (Optional) | |
| 22 | 3790012 | 1 | O-Ring | |
| 23 | 3520028 | 1 | Plug, Hole | |
| 24 | 4360202 | 1 | Switch, Toggle (Rotate) (Optional) | |
| 24 | 4060229 | 1 | Shield | |
| 24 | 3790012 | 1 | O-Ring | |
| 25 | 4360202 | 1 | Switch, Toggle (Level) | |
| 25 | 4060229 | 1 | Shield | |
| 25 | 3790012 | 1 | O-Ring | |
| 26 | 4360202 | 1 | Switch, Toggle (Steer) (Machines Without Steer Switch in Drive Controller Only) | |
| 26 | 4060229 | 1 | Shield | |
| 26 | 3790012 | 1 | O-Ring | |
| 27 | 4360202 | 1 | Switch, Toggle (Main Tele) | |
| 27 | 4060229 | 1 | Shield | |
| 27 | 3790012 | 1 | O-Ring | |
| 28 | 4360199 | 1 | Switch, Toggle (Engine Speed) | |
| 28 | 3790012 | 1 | O-Ring | |
| 29 | 4360199 | 1 | Switch, Toggle (Pump Volume) | |
| 29 | 3790012 | 1 | O-Ring | |
| 30 | 4360199 | 1 | Switch, Toggle (Wheel Speed) | |
| 30 | 3790012 | 1 | O-Ring | |
| 31 | 4360209 | 1 | Breaker, Circuit - 20 Amp | |
| 32 | 3640500 | 1 | Rail, Mounting | |
| 32 | 3910608 | 2 | Screw, Round Head #6-32NC x 1/2in | |
| 32 | 4750600 | 2 | Flatwasher #6 | |
| 32 | 4760600 | 2 | Lockwasher #6 | |
| 32 | 3310601 | 2 | Nut #6-32NC | |
| 33 | 4460299 | 2 | Stop, Terminal Strip | |
| 34 | 4460300 | 1 | Barrier, Terminal End | |
| 35 | 4460298 | AR | Block, Terminal | |
| 36 | 4460301 | 1 | Strip, Marking | |
| 37 | 4460311 | 1 | Bar, Buss | |
| 37 | 4460305 | 3 | Screw, Terminal Block | |
| 37 | 4460306 | 3 | Washer, Terminal Block | |
| 37 | 4460307 | 3 | Sleeve, Terminal Block | |
| 38 | 4460052 | 1 | Connector | |
| 38 | 0960239 | 1 | Bushing, Insulating | |
| 38 | 3300047 | 1 | Nut, Conduit | |
| 39 | 4460244 | 1 | Connector | |
| 39 | 0960238 | 1 | Bushing, Insulating | |
| 39 | 3300048 | 1 | Nut, Conduit | |
| 40 | 4460071 | 2 | Connector | |
| 40 | 0960238 | 2 | Bushing, Insulating | |
| 40 | 3300048 | 2 | Nut, Conduit | |

SECTION 4 - PLATFORM

| ITEM | PART NUMBER | QTY | DESCRIPTION | REV |
|------|-------------|-------------|--|-----|
| 41 | 3740049 | AR | Relay - SPDT | |
| 41 | 3311001 | 1 | Nut #10-24NC | |
| 41 | 4761000 | 1 | Lockwasher #10 | |
| 42 | 1060309 | 2.4 m | Cable, Control - 12/4 (To Footswitch) | |
| 43 | 4360199 | 1 | Switch, Toggle (Creep) | |
| 43 | 4060229 | 1 | Shield | |
| 43 | 3790012 | 1 | O-Ring | |
| 44 | 4360202 | 1 | Switch, Toggle (Tower Tele) | |
| 44 | 4060229 | 1 | Shield | |
| 44 | 3790012 | 1 | O-Ring | |
| 45 | 0860038 | 1 | Box, Receptacle | |
| 45 | 4460190 | 1 | Receptacle - 110VAC (Consult Factory for Optional Voltages) | |
| 45 | 4060092 | 1 | Cover, Weatherproof - 100VAC (Consult Factory for Optional Voltages) | |
| 45 | 3900294 | 4 | Screw Self Drilling #10-16NC x 1in | |
| 45 | 4751000 | 4 | Flatwasher #10 | |
| 45 | 4761000 | 4 | Lockwasher #10 | |
| 46 | 4460071 | 1 | Connector, Strain Relief | |
| 47 | 4420008 | 6 ft/1.8m | Tape, Insulation | |
| | 0253077 | Ref | TILT ALARM INSTALLATION | A |
| 101 | 0140026 | 1 | Alarm | |
| 102 | 1540002 | 1 | Capacitor | |
| | | Ref | 110V POWER CORD INSTALLATIONS | |
| | 0252405 | Ref | 110V POWER CORD INSTALLATIONS (PRIOR TO OCTOBER 1993) | - |
| | 0254438 | Ref | 110V POWER CORD INSTALLATIONS (OCTOBER 1993 PRESENT) | 3 |
| 201 | | Ref | Cable, Electrical - 12/3 Options: | |
| 201 | 1060300 | 32 ft/9.8m | Cable, Electrical (Prior to October 1993) | |
| 201 | 1060514 | 70 ft/21.3m | Cable, Electrical (October 1993 to Present) (was p/n 1060268) | |
| 201 | 4460205 | 1 | Plug | |

SECTION 4 - PLATFORM

FIGURE 4-7. CONTROL BOX ASSEMBLY (HYDRAULIC CONTROLS)



SECTION 4 - PLATFORM

FIGURE 4-7. CONTROL BOX ASSEMBLY (HYDRAULIC CONTROLS)

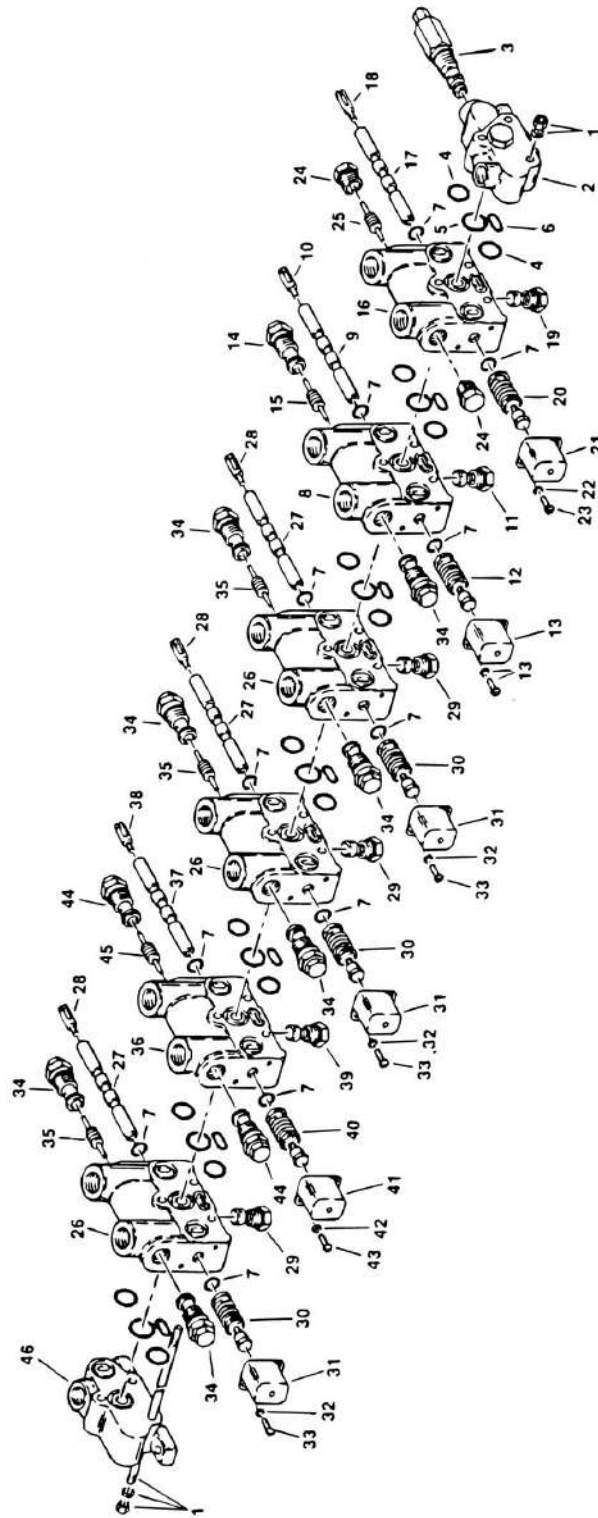
| ITEM | PART NUMBER | QTY | DESCRIPTION | REV |
|------|-------------|-----|--|-----|
| | 0250844 | Ref | CONTROL BOX ASSEMBLY | F |
| 1 | 3251987 | 1 | Lid, Control Box (Prior to May 1994) | |
| 1 | 3252390 | 1 | Lid, Control Box (May 1994 to Present) | |
| 2 | 3534232 | 1 | Plate, Side (LH) | |
| 2 | 3534233 | 1 | Plate, Side (RH) | |
| 3 | 0751006 | 5 | Screw, Machine #10-24NC x 3/4in | |
| 4 | 3300177 | 5 | Nut, Tinnerman | |
| 4 | 4420008 | AR | Tape, Insulation | |
| 5 | 1670568 | 1 | Plate, Back | |
| 6 | 0751006 | 4 | Screw, Machine #10-24NC x 3/4in | |
| 7 | 3300177 | 4 | Nut, Tinnerman | |
| 7 | 4420008 | AR | Tape, Insulation | |
| 8 | 2920015 | 1 | Lamp (Out of Level) | |
| 9 | 4360199 | 1 | Switch, Toggle (Emergency Stop) | |
| 9 | 4360141 | 1 | Guard, Switch | |
| 9 | 3790012 | 1 | O-Ring | |
| 10 | 4360274 | 1 | Switch, Push Button (Horn) | |
| 10 | 3790015 | 1 | O-Ring | |
| 11 | 4360274 | 1 | Switch, Push Button (Start) | |
| 11 | 3790015 | 1 | O-Ring | |
| 12 | 4360199 | 1 | Switch, Toggle (Drive Speed) | |
| 12 | 3790012 | 1 | O-Ring | |
| 13 | 4360199 | 1 | Switch, Toggle (High Engine) | |
| 13 | 3790012 | 1 | O-Ring | |
| 14 | 4360200 | 1 | Switch, Toggle (Aux. Power) | |
| 14 | 4060229 | 1 | Shield, Switch | |
| 14 | 3790012 | 1 | O-Ring | |
| 15 | 4360198 | 1 | Switch, Toggle (Steer) | |
| 15 | 4060229 | 1 | Shield, Switch | |
| 15 | 3790012 | 1 | O-Ring | |
| 16 | 1600116 | 1 | Controller - PQ (Drive) | |
| 16 | 7003783 | 1 | Electrical Assembly | |
| 16 | 2560041 | 1 | Knob | |
| 17 | 4060092 | 1 | Cover, Weather Proof | |
| 17 | 4460190 | 1 | Receptacle | |
| 17 | 0860038 | 1 | Box, Electrical | |
| 17 | 3910604 | 4 | Screw, Machine #6-32NC x 1/2in | |
| 17 | 4760600 | 4 | Lockwasher #6 | |
| 17 | 4460071 | 1 | Connector, Strain Relief | |
| 18 | 0901393 | 1 | Bracket, Mounting - Valve | |
| 19 | 0641608 | 4 | Bolt 3/8in-16NC x 1in | |
| 20 | 4751600 | 8 | Flatwasher 3/8in | |
| 21 | 4761600 | 4 | Lockwasher 3/8in | |
| 22 | 3311605 | 4 | Locknut 3/8in-16NC | |
| 23 | 4640640 | 1 | Valve Assembly (See CONTROL VALVE ASSEMBLY - GRESEN (6-STACK) (HYDRAULIC CONTROLS ONLY) for Breakdown) | |
| 24 | 0641612 | 3 | Bolt 3/8in-16NC x 1 1/2in | |
| 25 | 4751600 | 3 | Flatwasher 3/8in | |
| 26 | 4740341 | 3 | Flatwasher, Special | |
| 27 | 3311605 | 3 | Locknut 3/8in-16NC | |

SECTION 4 - PLATFORM

| ITEM | PART NUMBER | QTY | DESCRIPTION | REV |
|------|-------------|-------------|---|-----|
| 28 | 2980091 | 6 | Lever | |
| 29 | 3430507 | 1 | Pin, Clevis | |
| 30 | 3450403 | 1 | Pin, Cotter 1/8in x 3/4in | |
| 31 | 3531543 | 1 | Plate, Link | |
| 32 | 3534256 | 1 | Plate, Link | |
| 33 | 0901690 | 1 | Bracket, Rotate | |
| 34 | 0901392 | 1 | Bracket, Swing | |
| 36 | 0641608 | 1 | Bolt 3/8in-16NC x 1in | |
| 37 | 4751600 | 1 | Flatwasher 3/8in | |
| 38 | 4761600 | 1 | Lockwasher 3/8in | |
| 39 | 3311605 | 1 | Locknut 3/8in-16NC | |
| 40 | 3740049 | 1 | Relay - SPDT | |
| 41 | 4360209 | 1 | Breaker, Circuit - 20 Amp | |
| 41 | 3911012 | 2 | Screw #10-24NC x 3/4in | |
| 41 | 4761000 | 2 | Lockwasher #10 | |
| 41 | 3311001 | 2 | Nut #10-24NC | |
| | | Ref | 110V POWER CORD INSTALLATIONS | |
| | 0252405 | Ref | 110V POWER CORD INSTALLATIONS (PRIOR TO OCTOBER 1993) | - |
| | 0254438 | Ref | 110V POWER CORD INSTALLATIONS (OCTOBER 1993 PRESENT) | 3 |
| 101 | | Ref | Cable, Electrical - 12/3 Options: | |
| 101 | 1060300 | 32 ft/9.8m | Cable, Electrical (Prior to October 1993) | |
| 101 | 1060514 | 70 ft/21.3m | Cable, Electrical (October 1993 to Present) (was p/n 1060268) | |
| 101 | 4460205 | 1 | Plug | |
| | 0239762 | Ref | HORN INSTALLATION | - |
| 201 | 0140001 | 1 | Horn | |

SECTION 4 - PLATFORM

FIGURE 4-8. CONTROL VALVE ASSEMBLY - GRESEN (6-STACK) (HYDRAULIC CONTROLS ONLY)



SECTION 4 - PLATFORM

FIGURE 4-8. CONTROL VALVE ASSEMBLY - GRESEN (6-STACK) (HYDRAULIC CONTROLS ONLY)

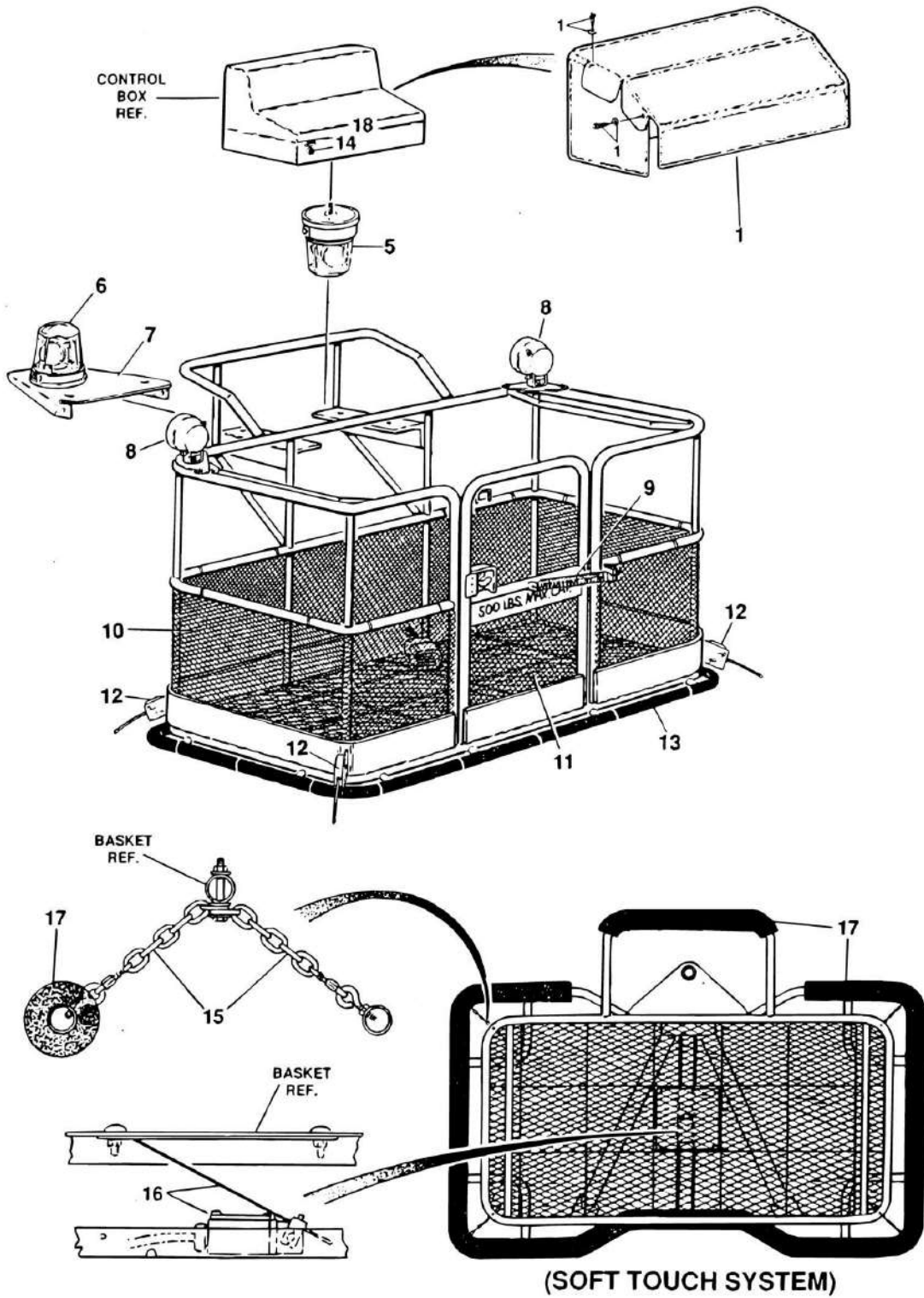
| ITEM | PART NUMBER | QTY | DESCRIPTION | REV |
|------|-------------|-----|--|-----|
| | 4640640 | Ref | CONTROL VALVE ASSEMBLY - GRESEN (6-STACK) | |
| 1 | 7002408 | 1 | Tie Rod Kit (Includes 3 tie rods, 6 hex nuts, & 6 washers) | |
| 2 | 7002409 | 1 | Inlet Section Assembly | |
| 3 | 7002410 | 1 | Cartridge, Relief Valve | |
| 4 | Kit | 14 | O-Ring | |
| 5 | Kit | 7 | O-Ring | |
| 6 | Kit | 7 | O-Ring | |
| 7 | Kit | 14 | O-Ring | |
| 8 | 7002430 | 1 | Working Section Assembly - Telescope | |
| 9 | 7002425 | 1 | Spool | |
| 10 | 7002415 | 1 | Spool End | |
| 11 | 7002416 | 1 | Load Check Assembly | |
| 12 | 7002417 | 1 | Spring Centering Kit | |
| 13 | 7002418 | 1 | Cover | |
| 13 | 7002419 | 2 | Lockwasher | |
| 13 | 7002420 | 2 | Screw | |
| 14 | 7002426 | 1 | Cartridge, Cylinder Lock Valve | |
| 15 | 7002424 | 1 | Ram, Pilot | |
| 16 | 7002421 | 1 | Working Section Assembly - Rotate | |
| 17 | 7002422 | 1 | Spool | |
| 18 | 7002415 | 1 | Spool End | |
| 19 | 7002416 | 1 | Load Check Assembly | |
| 20 | 7002417 | 1 | Spring Centering Kit | |
| 21 | 7002418 | 1 | Cover | |
| 22 | 7002419 | 2 | Lockwasher | |
| 23 | 7002420 | 2 | Screw | |
| 24 | 7002423 | 2 | Plug | |
| 25 | 7002424 | 1 | Ram, Pilot | |
| 26 | 7011100 | 3 | Working Section Assembly - Lift, Articulate and Swing | |
| 27 | 4140017 | 3 | Spool | |
| 28 | 7002415 | 3 | Spool End | |
| 29 | 7002416 | 3 | Load Check Assembly | |
| 30 | 7002417 | 3 | Spring Centering Kit | |
| 31 | 7002418 | 3 | Cover | |
| 32 | 7002419 | 6 | Lockwasher | |
| 33 | 7002420 | 6 | Screw | |
| 34 | 7002426 | 6 | Cartridge, Cylinder Lock Valve | |
| 35 | 7002424 | 3 | Ram, Pilot | |
| 36 | 7002427 | 1 | Working Section Assembly - Level | |
| 37 | 7002422 | 1 | Spool | |
| 38 | 7002415 | 1 | Spool End | |
| 39 | 7002416 | 1 | Load Check Assembly | |
| 40 | 7002417 | 1 | Spring Centering Kit | |
| 41 | 7002418 | 1 | Cover | |
| 42 | 7002419 | 2 | Lockwasher | |
| 43 | 7002420 | 2 | Screw | |
| 44 | 7002426 | 2 | Cartridge, Cylinder Lock Valve | |
| 45 | 7002424 | 1 | Ram, Pilot | |
| 46 | 7002428 | 1 | Outlet Section Assembly | |
| | 7002429 | 7 | Seal Kit (Includes two of Item 4, one of Item 5, one of Item 6 & two | |

SECTION 4 - PLATFORM

| ITEM | PART NUMBER | QTY | DESCRIPTION | REV |
|------|-------------|-----|-------------|-----|
| | | | of Item 7.) | |

SECTION 4 - PLATFORM

FIGURE 4-9. OPTIONAL COMMON PLATFORM MOUNTED COMPONENTS



SECTION 4 - PLATFORM

FIGURE 4-9. OPTIONAL COMMON PLATFORM MOUNTED COMPONENTS

| ITEM | PART NUMBER | QTY | DESCRIPTION | REV |
|------|-------------|-----|---|-----|
| | 0252054 | Ref | CONSOLE BOX COVER INSTALLATION (BLACK) | 2 |
| | 0251203 | Ref | CONSOLE BOX COVER INSTALLATION (YELLOW) | 2 |
| | 0252848 | Ref | CONSOLE BOX COVER INSTALLATION (CLEAR PLEXI-GLASS) | - |
| 1 | 1670607 | 1 | Cover (Black) | |
| 1 | 1670526 | 1 | Cover (Yellow) | |
| 1 | 1670641 | 1 | Cover, Plexi-Glass (Not Shown) | |
| 1 | 3941406 | 4 | Screw, Self-Tapping 1/4in-20NC | |
| 1 | 4751400 | 4 | Flatwasher 1/4in | |
| 1 | 0901842 | 1 | Bracket (Right Side) (Use with Plexi-Glass Cover Only) | |
| 1 | 0901843 | 1 | Bracket (Left Side) (Use with Plexi-Glass Cover Only) | |
| | | Ref | BEACON LIGHT OPTIONS | |
| 5 | 0252210 | AR | Beacon Mounted Under Console (September 1991 to Present) | 3 |
| 5 | 0252211 | 1 | Beacon Mounted Under Console (September 1991 to Present) | 3 |
| 5 | 2920009 | AR | Beacon (Red) | |
| 5 | 2920018 | AR | Beacon (Amber) | |
| 6 | 0238864 | AR | Beacon Mounted in Front of Console (Prior to September 1991) | - |
| 6 | 0238865 | 1 | Beacon Mounted in Front of Console (Prior to September 1991) | - |
| 6 | 2920009 | AR | Beacon (Red) | |
| 6 | 2920018 | AR | Beacon (Amber) | |
| 7 | 0901449 | | Bracket, Mounting | |
| | | Ref | WORKLIGHT OPTIONS: | |
| | 2900068 | Ref | WORKLIGHT (PRIOR TO NOVEMBER 1992) | F |
| | 0253987 | Ref | WORKLIGHT (NOVEMBER 1992 TO PRESENT) | C |
| 8 | 2920013 | 2 | Floodlight | |
| 8 | 2920111 | 2 | Halogen Light (Uses PN 3536089 Mounting Plate) | |
| | 0250143 | Ref | SELF-CLOSING GATE INSTALLATION | A |
| 9 | 4160028 | 1 | Spring | |
| 9 | 0900232 | 1 | Bracket (Door Mounted) | |
| 9 | 0901056 | 1 | Bracket (Platform Mounted) | |
| 9 | 4220007 | 1 | Stop, Door | |
| | | Ref | MESH TO MIDRAIL INSTALLATIONS | |
| | 0253846 | Ref | LOW MOUNT PLATFORM | - |
| | 0254130 | Ref | STANDARD PLATFORM | - |
| 10 | 0480083 | 2 | Mesh (Sides) (Low-Mount Platform) | |
| 10 | 0480086 | 2 | Mesh (Sides) (Standard Platform) | |
| 11 | 0480084 | 1 | Mesh (Door) | |
| | | Ref | PLATFORM BUMPERS INSTALLATION | |
| | 0251611 | Ref | 30IN x 48IN PLATFORM | E |
| | 0254178 | Ref | 30IN x 60IN FIXED PLATFORM | A |
| | 0251024 | Ref | 30IN x 60IN ROTATING PLATFORM | C |
| | 0251239 | Ref | 30IN x 96IN PLATFORM | B |
| 12 | 4360305 | 4 | Switch, Proximity - U/L Machines | |
| 12 | 4360215 | 4 | Switch, Proximity - Standard Machines | |
| 12 | 4460521 | 4 | Connector, Strain Relief | |
| 13 | 0940038 | AR | Padding, Bumper | |
| 14 | 4360274 | 1 | Switch, Push Button (Override) | |
| 14 | 3251596 | 1 | Nameplate - Override | |
| 14 | 3740049 | 1 | Relay (Not Shown) | |
| | | Ref | PLATFORM BUMPERS INSTALLATION - SOFT TOUCH SYSTEM (CHAIN MOUNTED TYPE) | |

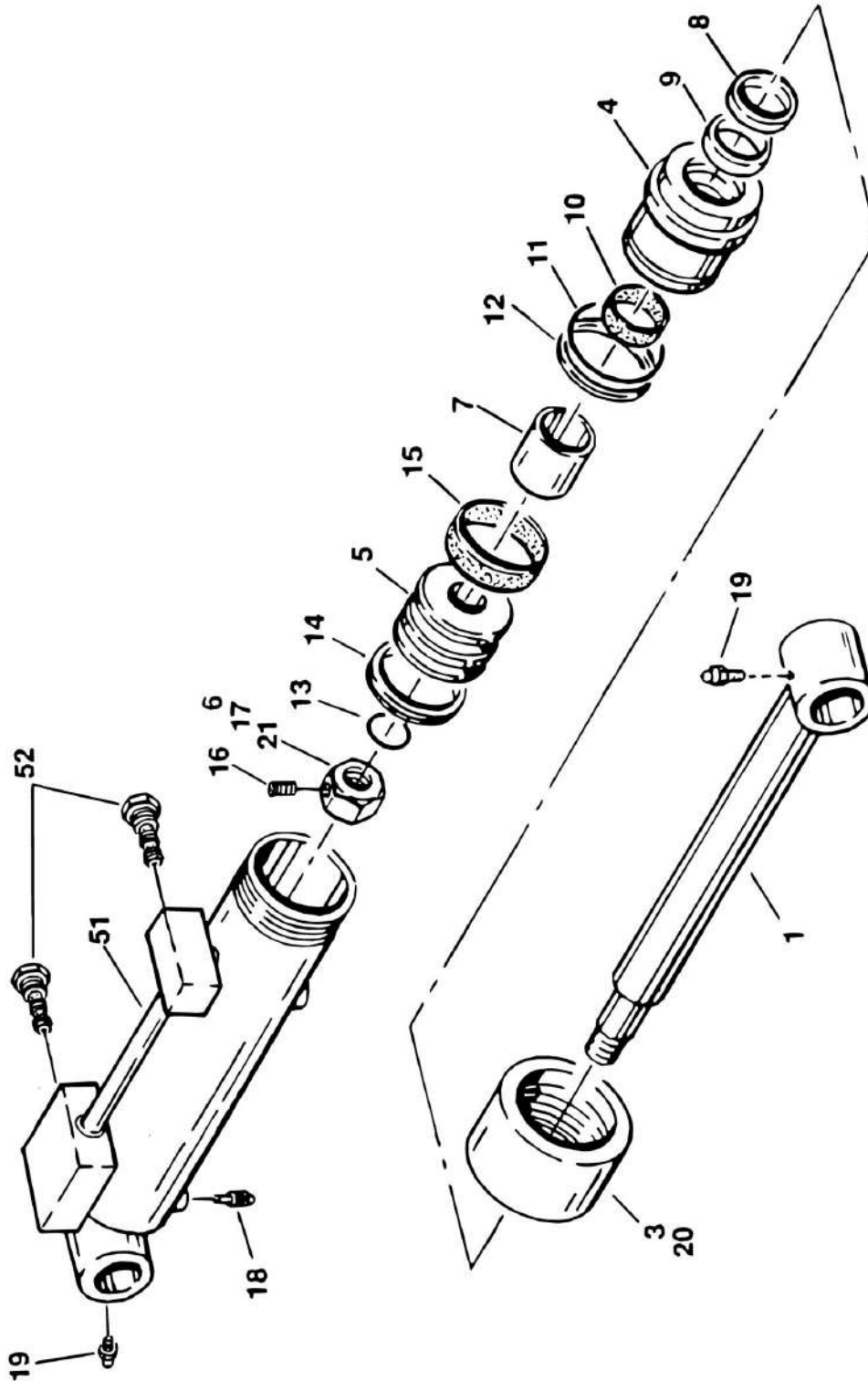
SECTION 4 - PLATFORM

| ITEM | PART NUMBER | QTY | DESCRIPTION | REV |
|------|-------------|-----|--|-----|
| | 0254728 | Ref | 30INx 96IN PLATFORM | B |
| | 0254948 | Ref | 30INx 72IN PLATFORM | A |
| 15 | 0630440 | 8 | Eyebolt | |
| 15 | 3010088 | 8 | Link, Quick | |
| 15 | 1260136 | AR | Chain | |
| 16 | 4360057 | 1 | Switch, Limit | |
| 16 | 0200048 | 1 | Arm, Actuator | |
| 17 | 0940038 | AR | Padding (Bottom Rail) | |
| 17 | 1670663 | 1 | Padding (Rail Behind Console Box) | |
| 17 | 1670733 | 1 | Padding (LH Top Rail - 36in x 72in Platform) | |
| 17 | 1670699 | 1 | Padding (LH Top Tail - 36in x 96in Platform) | |
| 17 | 1670665 | 4 | Padding (Vertical Rails) | |
| 17 | 1670666 | 1 | Padding (Gate) | |
| 17 | 1670734 | 1 | Padding (RH Top Rail - 36in x 72in Platform) | |
| 17 | 1670700 | 1 | Padding (RH Top Rail - 36in x 96in Platform) | |
| 17 | 1670735 | 1 | Padding (LH Mid Rail - 36in x 72in Platform) | |
| 17 | 1670701 | 1 | Padding (LH Mid Rail - 36in x 96in Platform) | |
| 17 | 1670736 | 1 | Padding (RH Mid Rail - 36in x 72in Platform) | |
| 17 | 1670702 | 1 | Padding (RH Mid Rail - 36in x 96in Platform) | |
| 17 | 1670737 | 1 | Padding (Bumper Rail - 36in x 72in Platform) | |
| 17 | 1670703 | 1 | Padding (Bumper Rail - 36in x 96in Platform) | |
| 18 | 4360274 | 1 | Switch, Push Button | |
| 18 | 3252238 | 1 | Decal - Soft Touch System | |

SECTION 5 - CYLINDER

SECTION 5 - CYLINDER

FIGURE 5-1. AXLE LOCKOUT CYLINDER ASSEMBLIES - 4WD/4WS (STANDARD PARTS) (USE WITH OPTIONAL OSCILLATING AXLE)



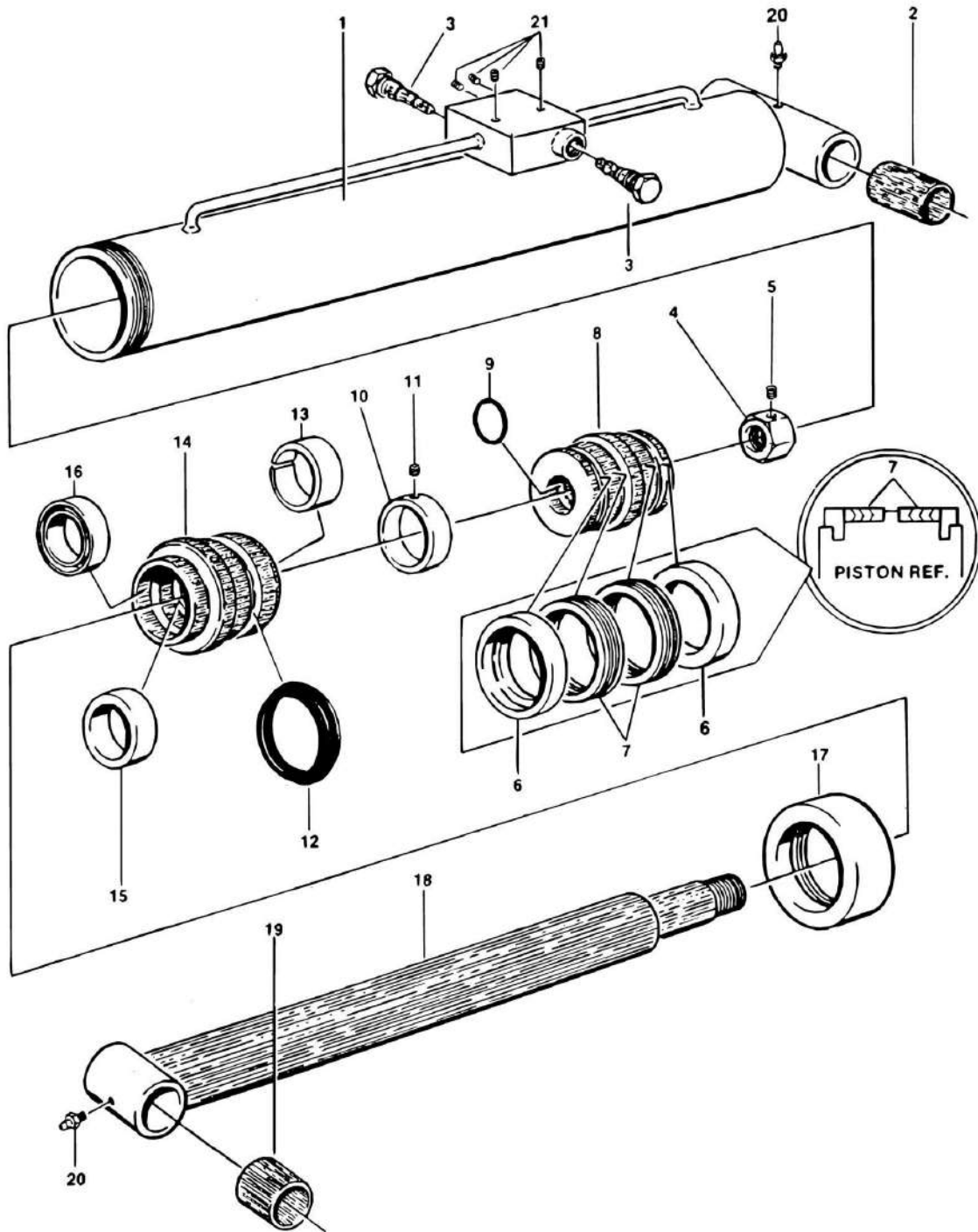
SECTION 5 - CYLINDER

FIGURE 5-1. AXLE LOCKOUT CYLINDER ASSEMBLIES - 4WD/4WS (STANDARD PARTS) (USE WITH OPTIONAL OSCILLATING AXLE)

| ITEM | PART NUMBER | QTY | DESCRIPTION | REV |
|------|--------------|-----|---|-----|
| | | Ref | AXLE LOCKOUT CYLINDER ASSEMBLIES (STANDARD PARTS) | |
| 1 | 1681787 | 1 | Rod | |
| 3 | 1120179 | 1 | Retainer | |
| 4 | 1680892 | 1 | Head | |
| 5 | 3480120 | 1 | Piston | |
| 6 | 3300187 | 1 | Nut (Prior to April 1992) | |
| 6 | 3300273 | 1 | Nut, Hex (April 1992 to Present) | |
| 7 | 4563647 | 1 | Tube, Spacer | |
| 8 | Kit | 1 | Seal, Wiper | |
| 9 | Kit | 1 | Seal, Rod | |
| 10 | Kit | 1 | Ring, Wear | |
| 11 | Kit | 1 | O-Ring | |
| 12 | Kit | 2 | Ring, Back-up | |
| 13 | Kit | 1 | O-Ring | |
| 14 | Kit | 1 | Seal, Piston | |
| 15 | Kit | 1 | Ring, Wear | |
| 16 | 3900141 | 2 | Setscrew 1/4in-20NC x 3/8in (Prior to August 1992) | |
| 16 | 3900170 | 1 | Setscrew 3/8in-16NC x 3/8in (August 1992 to Present) | |
| 17 | 0100011 | AR | Loctite #242 | |
| 18 | 3900175 | 2 | Setscrew 1/4in-28NF x 3/4in | |
| 18 | 3960416 | 2 | Seal, Thread | |
| 18 | 3321401 | 2 | Nut 1/4in-28NF | |
| | | Ref | Note: Replace existing bleeders with these components when ordering parts. | |
| 19 | 2160002 | 2 | Fitting, Grease | |
| 20 | 0100035 | AR | Compound, Locking | |
| 21 | 0100038 | AR | Primer, Locking | |
| | 2900381 | 1 | Seal Kit (Includes Items 8-15) | |
| | | Ref | AXLE LOCKOUT CYLINDER ASSEMBLY (VARIABLE PARTS) | |
| | 1681785 | Ref | AXLE LOCKOUT CYLINDER ASSEMBLY (PRIOR TO SEPTEMBER 1990) | D |
| | 1682406 | Ref | AXLE LOCKOUT CYLINDER ASSEMBLY (SEPTEMBER 1990 TO JUNE 1992) | C |
| | 1682757 | Ref | AXLE LOCKOUT CYLINDER ASSEMBLY (JUNE 1992 TO PRESENT) | A |
| 51 | | Ref | Barrel Options: | |
| 51 | 1681788 | 1 | Barrel (Prior to September 1990) | |
| 51 | 1682407 | 1 | Barrel (September 1990 to June 1992) | |
| 51 | 1682758 | 1 | Barrel (June 1992 to Present) | |
| 52 | | Ref | Valve, Holding Options: | |
| 52 | Not Required | 2 | Valve, Holding (Prior to September 1990) | |
| 52 | 4640438 | 2 | Valve, Holding (September 1990 to June 1992) | |
| 52 | 2900770 | 2 | Seal Kit - 4640438 (1 Per Valve) | |
| 52 | 4640509 | 2 | Valve, Holding (June 1992 to Present) | |
| 52 | 2900792 | 2 | Seal Kit - 4640509 (1 Per Valve) | |

SECTION 5 - CYLINDER

FIGURE 5-2. PLATFORM LEVEL CYLINDER ASSEMBLY (MACHINES BUILT PRIOR TO JANUARY 1990)



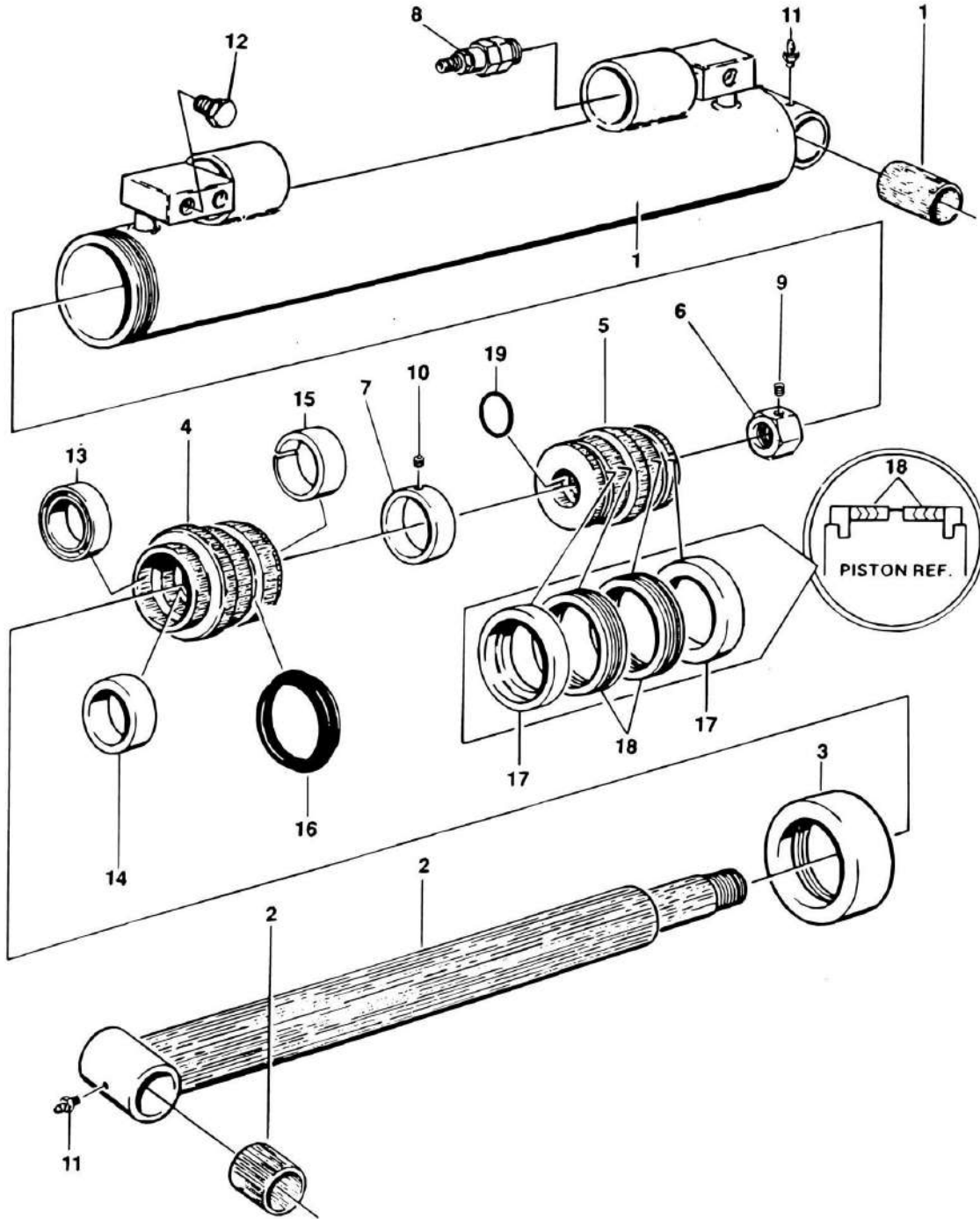
SECTION 5 - CYLINDER

FIGURE 5-2. PLATFORM LEVEL CYLINDER ASSEMBLY (MACHINES BUILT PRIOR TO JANUARY 1990)

| ITEM | PART NUMBER | QTY | DESCRIPTION | REV |
|------|-------------|-----|---|-----|
| | 1681866 | Ref | PLATFORM LEVEL CYLINDER ASSEMBLY (MACHINES BUILT PRIOR TO JANUARY 1990) | C |
| | 1682178 | Ref | PLATFORM LEVEL CYLINDER ASSEMBLY (MACHINES BUILT JANUARY 1990 TO OCTOBER 1992) | C |
| 1 | 1681869 | 1 | Barrel Assembly | |
| 2 | 0960613 | 2 | Bushing, Bronze | |
| 3 | 4640509 | 2 | Valve | |
| 3 | 2900792 | 1 | Seal Kit - 4640509 Valve | |
| 4 | 3300271 | 1 | Nut, Hex (Prior to January 1990) | |
| 4 | 3300284 | 1 | Nut, Hex (January 1990 to October 1992) | |
| 4 | 0100011 | AR | Loctite #242 | |
| 4 | 0100038 | AR | Primer, Locking | |
| 5 | 3900170 | 1 | Setscrew 3/8in-16NC x 3/8in | |
| 5 | 0100011 | AR | Loctite #242 | |
| 6 | Kit | 2 | Lock-Ring | |
| 7 | Kit | 2 | Seal, Piston | |
| 8 | 3480130 | 1 | Piston (Prior to January 1990) | |
| 8 | 3480141 | 1 | Piston (January 1990 to October 1992) | |
| 9 | Kit | 1 | O-Ring | |
| 10 | 4563771 | 1 | Spacer, Tube | |
| 11 | 3900141 | 1 | Setscrew 1/4in-20NC x 3/8in | |
| 11 | 0100011 | AR | Loctite | |
| 12 | Kit | 1 | T-Seal | |
| 13 | Kit | 1 | Ring, Wear | |
| 14 | 1681847 | 1 | Head | |
| 15 | Kit | 1 | Seal, Rod | |
| 16 | Kit | 1 | Wiper, Rod | |
| 17 | 1120336 | 1 | Cap | |
| 17 | 0100035 | AR | Loctite | |
| 18 | 1681867 | 1 | Rod Assembly (Prior to January 1990) | |
| 18 | 1682177 | 1 | Rod Assembly (January 1990 to October 1992) | |
| 19 | 0961254 | 2 | Bushing, Bronze | |
| 20 | 2160002 | 2 | Fitting, Grease | |
| 21 | 2200202 | 2 | Plug 1/4in | |
| 21 | 2200201 | 2 | Plug 1/8in | |
| 21 | 0100020 | AR | Sealant, Pipe | |
| | 2901103 | 1 | Seal Kit (Includes Items 6, 7, 9, 12, 13, 15 & 16) | |
| | | Ref | Note: Refer to number stamped on barrel for identification. | |

SECTION 5 - CYLINDER

FIGURE 5-3. PLATFORM LEVEL CYLINDER ASSEMBLY (MACHINES BUILT OCTOBER 1992 TO PRESENT)



SECTION 5 - CYLINDER

FIGURE 5-3. PLATFORM LEVEL CYLINDER ASSEMBLY (MACHINES BUILT OCTOBER 1992 TO PRESENT)

| ITEM | PART NUMBER | QTY | DESCRIPTION | REV |
|------|-------------|-----|--|-----|
| | 1682793 | Ref | PLATFORM LEVEL CYLINDER ASSEMBLY | A |
| 1 | 1682794 | 1 | Barrel Weldment | |
| 1 | 0960613 | 2 | Bushing, Bronze | |
| 2 | 1682177 | 1 | Rod Weldment | |
| 2 | 0961254 | 2 | Bushing, Bronze | |
| 3 | 1120336 | 1 | Cap | |
| 3 | 0100035 | AR | Loctite #222 | |
| 4 | 1681847 | 1 | Head | |
| 5 | 3480141 | 1 | Piston | |
| 6 | 3300284 | 1 | Nut, Hex | |
| 6 | 0100011 | AR | Loctite #242 | |
| 6 | 0100038 | AR | Primer, Loctite | |
| 7 | 4563771 | 1 | Spacer | |
| 8 | 4640634 | 2 | Cartridge, Vented Valve | |
| 8 | 2900770 | 1 | Seal Kit - 4640634 Valve | |
| 9 | 3900170 | 1 | Setscrew 3/8in-16NC x 3/8 | |
| 10 | 3900141 | 1 | Setscrew 1/4in-20NC x 3/8in | |
| 10 | 0100011 | AR | Loctite #242 | |
| 11 | 2160002 | 2 | Fitting, Grease | |
| 12 | 2220885 | 2 | Plug, O-Ring | |
| 13 | Kit | 1 | Wiper, Rod | |
| 14 | Kit | 1 | Seal, Rod | |
| 15 | Kit | 1 | Ring, Wear | |
| 16 | Kit | 1 | T-Seal | |
| 17 | Kit | 2 | Ring, Lock | |
| 18 | Kit | 2 | Seal | |
| 19 | Kit | 1 | O-Ring | |
| | 2901103 | 1 | Seal Kit - Cylinder (Includes Items 13-19) | |

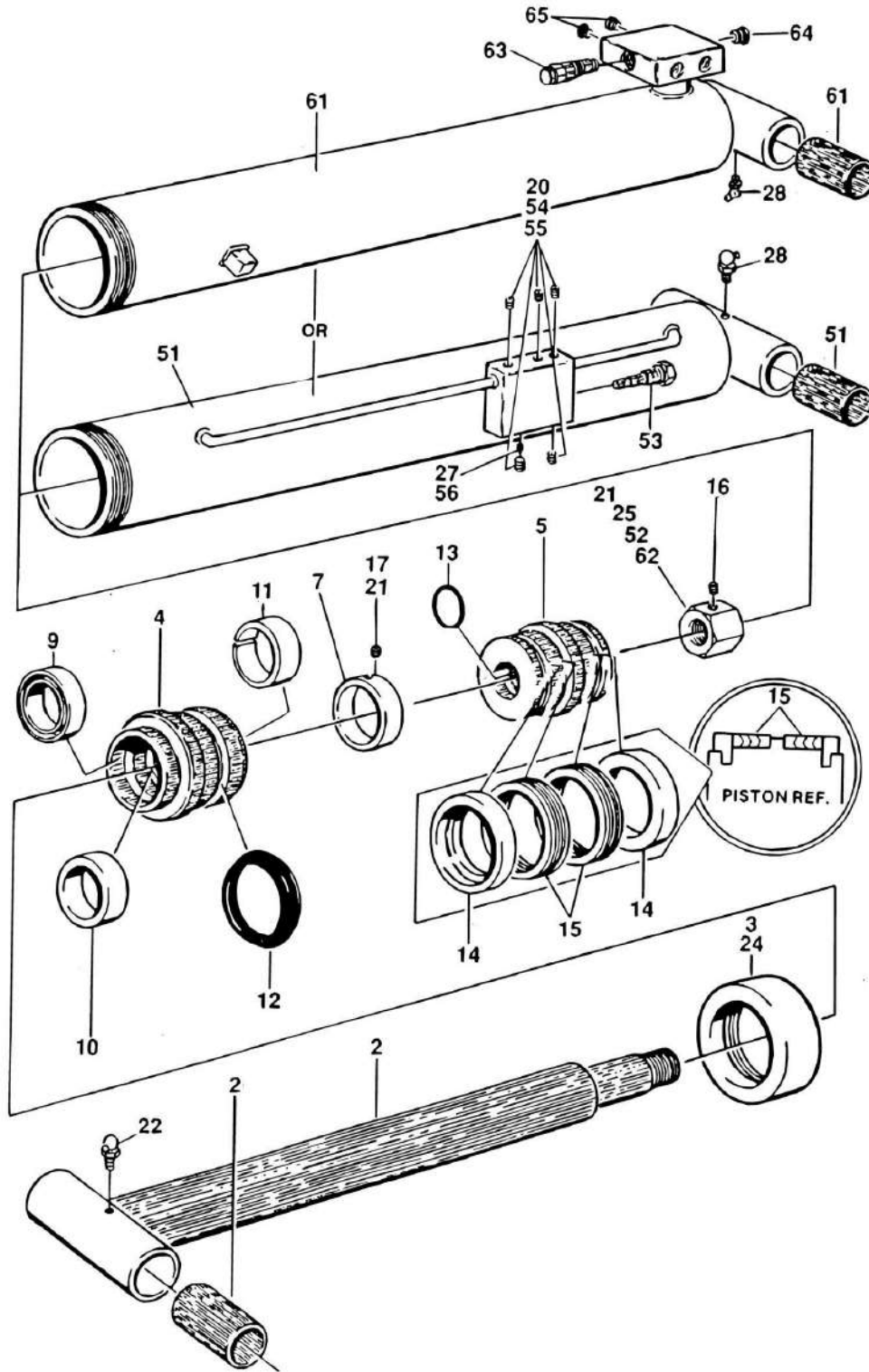
SECTION 5 - CYLINDER

FIGURE 5-4. LEVEL (UPRIGHT) CYLINDER ASSEMBLY (STANDARD PARTS)

| ITEM | PART NUMBER | QTY | DESCRIPTION | REV |
|------|-------------|-----|---|-----|
| | | Ref | LEVEL (UPRIGHT) CYLINDER ASSEMBLY (STANDARD PARTS) | |
| 2 | 1682091 | 1 | Rod | |
| 2 | 0960946 | 2 | Bushing, Bronze | |
| 3 | 1120343 | 1 | Retainer | |
| 4 | 1681294 | 1 | Head | |
| 5 | 3480102 | 1 | Piston | |
| 7 | 3300283 | 1 | Nut, Hex | |
| 9 | 3900170 | 1 | Setscrew 3/8in-16NC x 3/8in | |
| 10 | Kit | 1 | Wiper, Rod | |
| 11 | Kit | 1 | Seal, Rod | |
| 12 | Kit | 1 | O-Ring | |
| 13 | Kit | 2 | Ring, Wear | |
| 14 | Kit | 1 | O-Ring | |
| 15 | Kit | 2 | Seal, Piston | |
| 16 | Kit | 2 | Ring, Lock | |
| 18 | 2160002 | 2 | Fitting, Grease | |
| 19 | 0100011 | AR | Loctite #242 | |
| 20 | 4640605 | 1 | Valve, Holding | |
| 20 | 2900792 | 1 | Seal Kit - 4640605 Valve | |
| 22 | 0100035 | AR | Loctite | |
| 23 | 0100038 | AR | Primer, Locking | |
| | 2900340 | 1 | Seal Kit (Includes Items 10-16) | |
| | 1682255 | Ref | LEVEL (UPRIGHT) CYLINDER ASSEMBLY (PRIOR TO OCTOBER 1992) (VARIABLE PARTS) | A |
| 51 | 1682256 | 1 | Barrel | |
| 51 | 0961422 | 2 | Bushing, Bronze | |
| 52 | 4640509 | 1 | Valve, Cartridge | |
| 52 | 2900792 | 1 | Seal Kit - 4640509 Valve | |
| 53 | 2200201 | 1 | Plug, Pipe | |
| | | Ref | LEVEL (UPRIGHT) CYLINDER ASSEMBLY OPTIONS (VARIABLE PARTS): | |
| | 1682796 | Ref | LEVEL (UPRIGHT) CYLINDER ASSEMBLY (OCTOBER 1992 TO PRESENT) (ORIGINAL EQUIPMENT) | - |
| | 1683524 | Ref | LEVEL (UPRIGHT) CYLINDER ASSEMBLY (SERVICE REPLACEMENT) | B |
| 61 | | Ref | Barrel Options: | |
| 61 | 1682797 | 1 | Original Equipment | |
| 61 | 1683523 | 1 | Service Replacement | |
| 61 | 0961422 | 2 | Bushing, Bronze | |
| 62 | 4640634 | 1 | Valve, Cartridge | |
| 62 | 2900770 | 1 | Seal Kit - 4640634 Valve | |
| 63 | 2220887 | 1 | Plug 5/8in | |
| 64 | 2220885 | 1 | Plug 3/8in | |
| 65 | 2220883 | 2 | Plug 1/4in | |

SECTION 5 - CYLINDER

FIGURE 5-5. LIFT CYLINDER ASSEMBLY - MAIN BOOM (STANDARD PARTS)



SECTION 5 - CYLINDER

FIGURE 5-5. LIFT CYLINDER ASSEMBLY - MAIN BOOM (STANDARD PARTS)

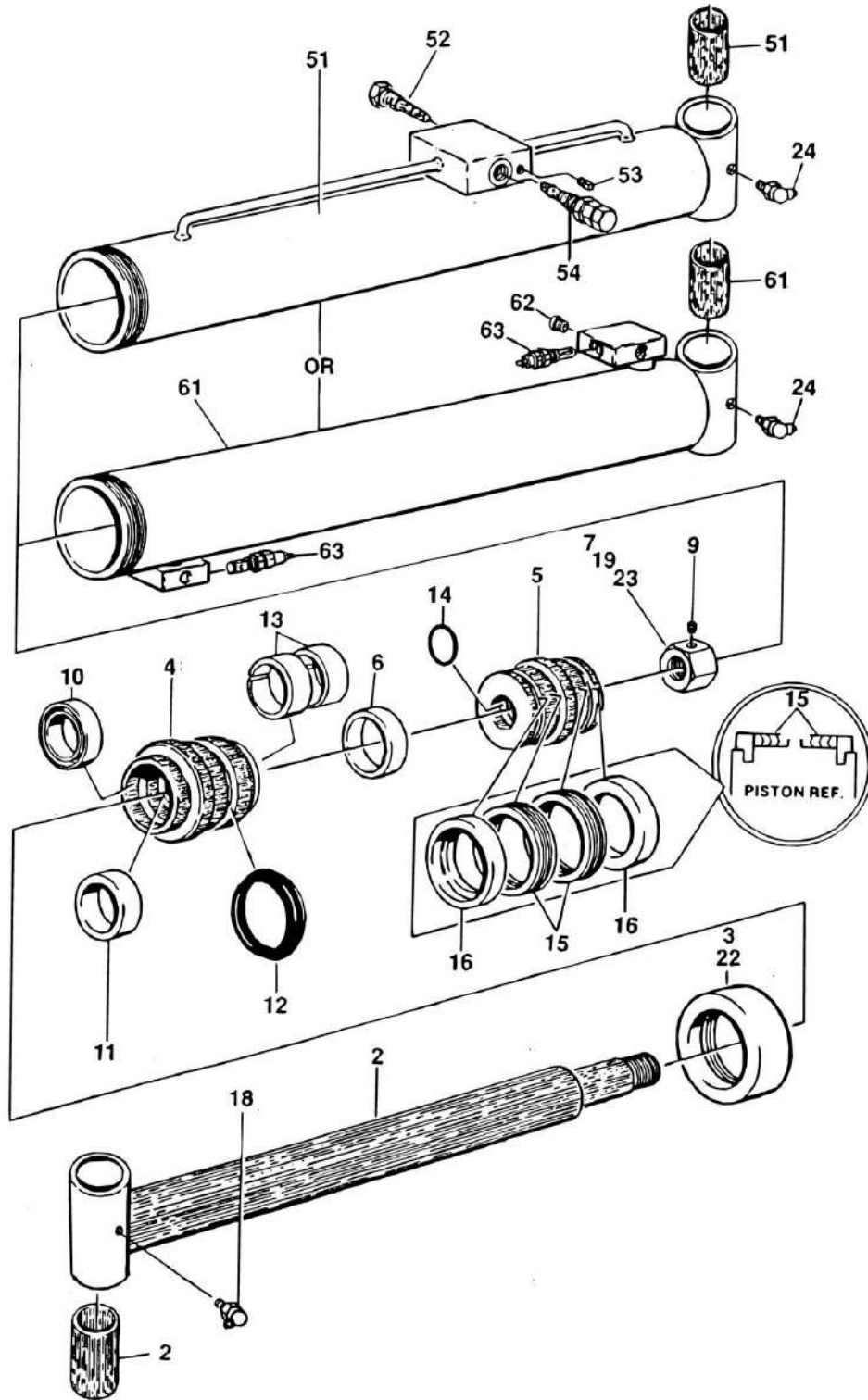
| ITEM | PART NUMBER | QTY | DESCRIPTION | REV |
|------|-------------|-----|--|-----|
| | | Ref | LIFT CYLINDER ASSEMBLY - MAIN BOOM (STANDARD PARTS) | |
| 2 | 1681841 | | Rod | |
| 2 | 0960946 | 2 | Bushing, Bronze | |
| 3 | 1120340 | 1 | Cap | |
| 4 | 1681843 | 1 | Head | |
| 5 | 3480102 | 1 | Piston | |
| 7 | 4563769 | 1 | Spacer | |
| 9 | Kit | 1 | Wiper, Rod | |
| 10 | Kit | 1 | Seal, Rod | |
| 11 | Kit | 1 | Ring, Wear | |
| 12 | Kit | 1 | T-Seal | |
| 13 | Kit | 1 | O-Ring | |
| 14 | Kit | 2 | Ring, Lock | |
| 15 | Kit | 2 | Seal | |
| 16 | 3900170 | 1 | Setscrew 3/8in-16NC x 3/8in (February 1991 to Present) | |
| 16 | 3951403 | 1 | Setscrew 1/4in-20NC x 3/8in (Prior to February 1991) | |
| 17 | 3951402 | 1 | Setscrew 1/4in-20NC x 1/4in | |
| 20 | 0100020 | AR | Sealant, Pipe | |
| 21 | 0100011 | AR | Loctite #242 | |
| 22 | 2160001 | 1 | Fitting, Grease - 90 | |
| 24 | 0100035 | AR | Loctite | |
| 25 | 0100038 | AR | Primer, Locking | |
| 27 | 0100034 | AR | Loctite | |
| 28 | 2160003 | 1 | Fitting, Grease - 45 | |
| | 2901102 | 1 | Seal Kit (Includes Items 9-15) | |
| | 1682124 | Ref | LIFT CYLINDER ASSEMBLY (PRIOR TO OCTOBER 1992) (VARIABLE PARTS) | E |
| | 9983275 | Ref | LIFT CYLINDER ASSEMBLY - 8 FT PLATFORMS (PRIOR TO OCTOBER 1992) (VARIABLE PARTS) | A |
| 51 | 1682125 | 1 | Barrel | |
| 51 | 0961422 | 2 | Bushing, Bronze | |
| 52 | 3300190 | 1 | Nut (Prior to February 1991) | |
| 52 | 3300281 | 1 | Nut (February 1991 to Present) | |
| 52 | 3300323 | 1 | Nut (Cylinder - p/n 9983275 Only) | |
| 53 | 4640634 | 1 | Valve, Cartridge | |
| 53 | 2900770 | 1 | Seal Kit - 4640634 Valve | |
| 54 | 2200233 | 4 | Plug, Pipe 3/8in | |
| 55 | 2200221 | 1 | Plug, Pipe 1/4in | |
| 56 | 2180448 | 1 | Orifice .062 | |
| | 1682799 | Ref | LIFT CYLINDER ASSEMBLY - 4FT 5 FT AND 6 FT PLATFORMS (OCTOBER 1992 TO PRESENT) (VARIABLE PARTS) | A |
| | 9983596 | Ref | LIFT CYLINDER ASSEMBLY - 8 FT PLATFORMS (OCTOBER 1992 TO PRESENT) (VARIABLE PARTS) | A |
| 61 | 1682800 | 1 | Barrel | |
| 61 | 0961422 | 2 | Bushing, Bronze | |
| 62 | 3300281 | 1 | Nut (1682799 Cylinder) | |
| 62 | 9983276 | 1 | Nut (9983596 Cylinder) (Prior to August 1995) | |
| 62 | 3300323 | 1 | Nut (9983596 Cylinder) (August 1995 to Present) | |
| 63 | 4640605 | 1 | Valve, Cartridge | |
| 63 | 2900792 | 1 | Seal Kit - 4640605 Valve | |

SECTION 5 - CYLINDER

| ITEM | PART NUMBER | QTY | DESCRIPTION | REV |
|------|-------------|-----|-------------|-----|
| 64 | 2220887 | 1 | Plug 5/8in | |
| 65 | 2220883 | 2 | Plug 1/4in | |

SECTION 5 - CYLINDER

FIGURE 5-6. LIFT CYLINDER ASSEMBLY - TOWER BOOM (STANDARD PARTS)



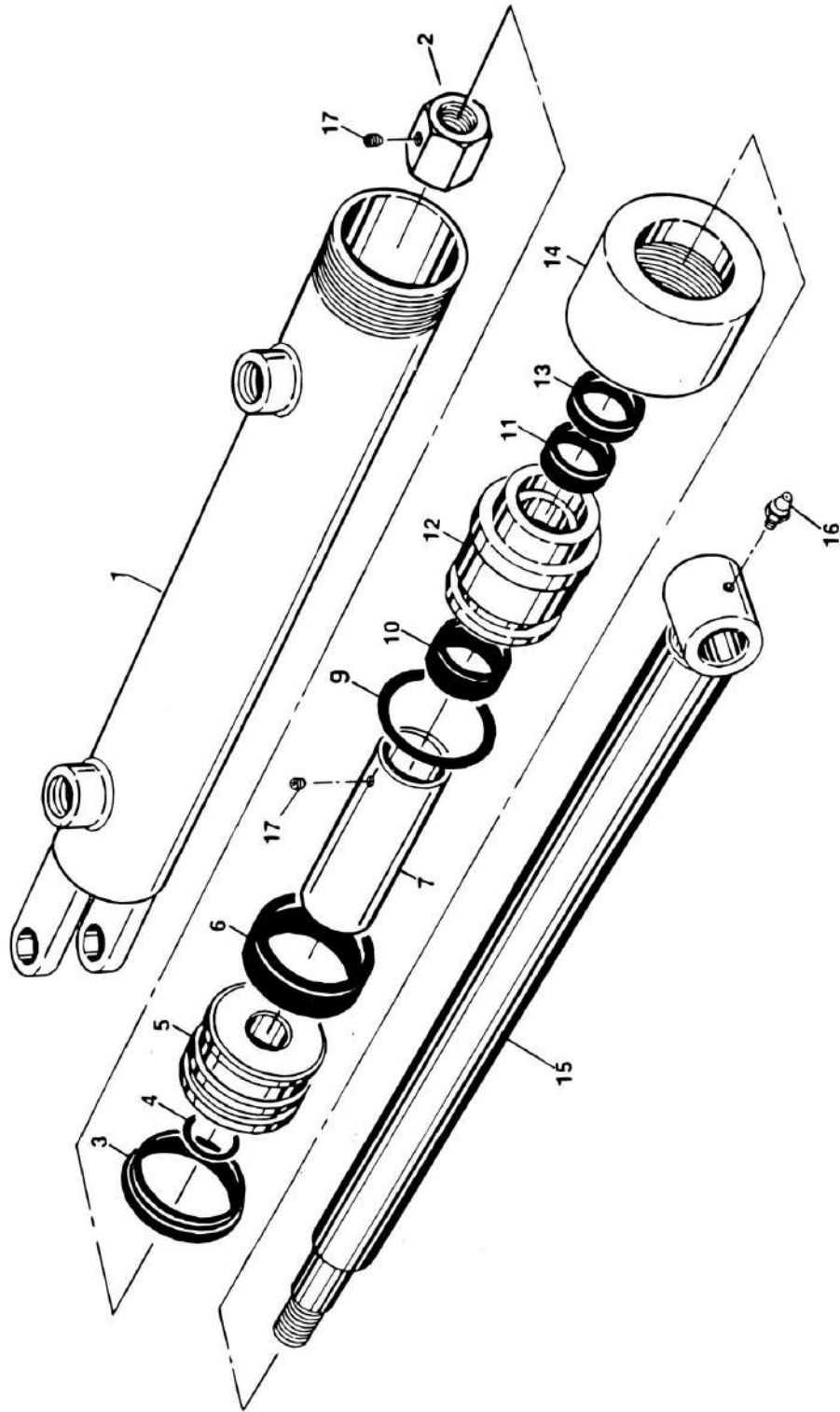
SECTION 5 - CYLINDER

FIGURE 5-6. LIFT CYLINDER ASSEMBLY - TOWER BOOM (STANDARD PARTS)

| ITEM | PART NUMBER | QTY | DESCRIPTION | REV |
|------|-------------|-----|--|-----|
| | | Ref | LIFT CYLINDER ASSEMBLY - TOWER BOOM (STANDARD PARTS) | |
| 2 | 1682086 | 1 | Rod | |
| 2 | 0960946 | 2 | Bushing, Bronze | |
| 3 | 1120427 | 1 | Retainer | |
| 4 | 1681294 | 1 | Head | |
| 5 | 3480102 | 1 | Piston | |
| 6 | 4563930 | 1 | Spacer | |
| 7 | 3300190 | 1 | Nut (Prior to August 1991) | |
| 7 | 3300281 | 1 | Nut, Hex (August 1991 to Present) | |
| 9 | 3951404 | 1 | Setscrew 1/4in-20NC x 1/4in (Prior to August 1991) | |
| 9 | 3900170 | 1 | Setscrew 3/8in-16NC x 3/8in (August 1991 to Present) | |
| 10 | Kit | 1 | Wiper, Rod | |
| 11 | Kit | 1 | Seal, Rod | |
| 12 | Kit | 1 | O-Ring | |
| 13 | Kit | 2 | Ring, Wear | |
| 14 | Kit | 1 | O-Ring | |
| 15 | Kit | 2 | Seal, Piston | |
| 16 | Kit | 2 | Ring, Lock | |
| 18 | 2160001 | 1 | Fitting, Grease - 90 | |
| 19 | 0100011 | AR | Loctite #242 | |
| 22 | 0100035 | AR | Loctite | |
| 23 | 0100038 | AR | Primer, Locking | |
| 24 | 2160003 | 1 | Fitting, Grease - 45 | |
| | 2900340 | 1 | Seal Kit (Includes Items 10-16) | |
| | 1682085 | Ref | LIFT CYLINDER ASSEMBLY - TOWER BOOM USED PRIOR TO OCTOBER 1992 (VARIABLE PARTS) | D |
| 51 | 1682271 | 1 | Barrel | |
| 51 | 0960946 | 2 | Bushing, Bronze | |
| 52 | 4640509 | 1 | Valve, Cartridge | |
| 52 | 2900792 | 1 | Seal Kit - 4640509 Valve | |
| 53 | 2200201 | 2 | Plug, Pipe 1/8in NPT | |
| 54 | 4640605 | 1 | Valve, Cartridge | |
| 54 | 2900792 | 1 | Seal Kit - 4640605 Valve | |
| | 1682785 | Ref | LIFT CYLINDER ASSEMBLY - TOWER BOOM USED OCTOBER 1992 TO PRESENT (VARIABLE PARTS) | |
| | 1683528 | Ref | LIFT CYLINDER ASSEMBLY - TOWER BOOM USED SERVICE REPLACEMENT ALTERNATIVE (VARIABLE PARTS) | |
| 61 | 1682786 | 1 | Barrel (Original Equipment) | |
| 61 | 1683527 | 1 | Barrel (Service Replacement Alternative) | |
| 61 | 0960946 | 2 | Bushing, Bronze | |
| 62 | 2220885 | 1 | Plug | |
| 63 | 4640634 | 1 | Valve, Cartridge | |
| 63 | 2900770 | 1 | Seal Kit - 4640634 Valve | |

SECTION 5 - CYLINDER

FIGURE 5-7. STEER CYLINDER ASSEMBLIES



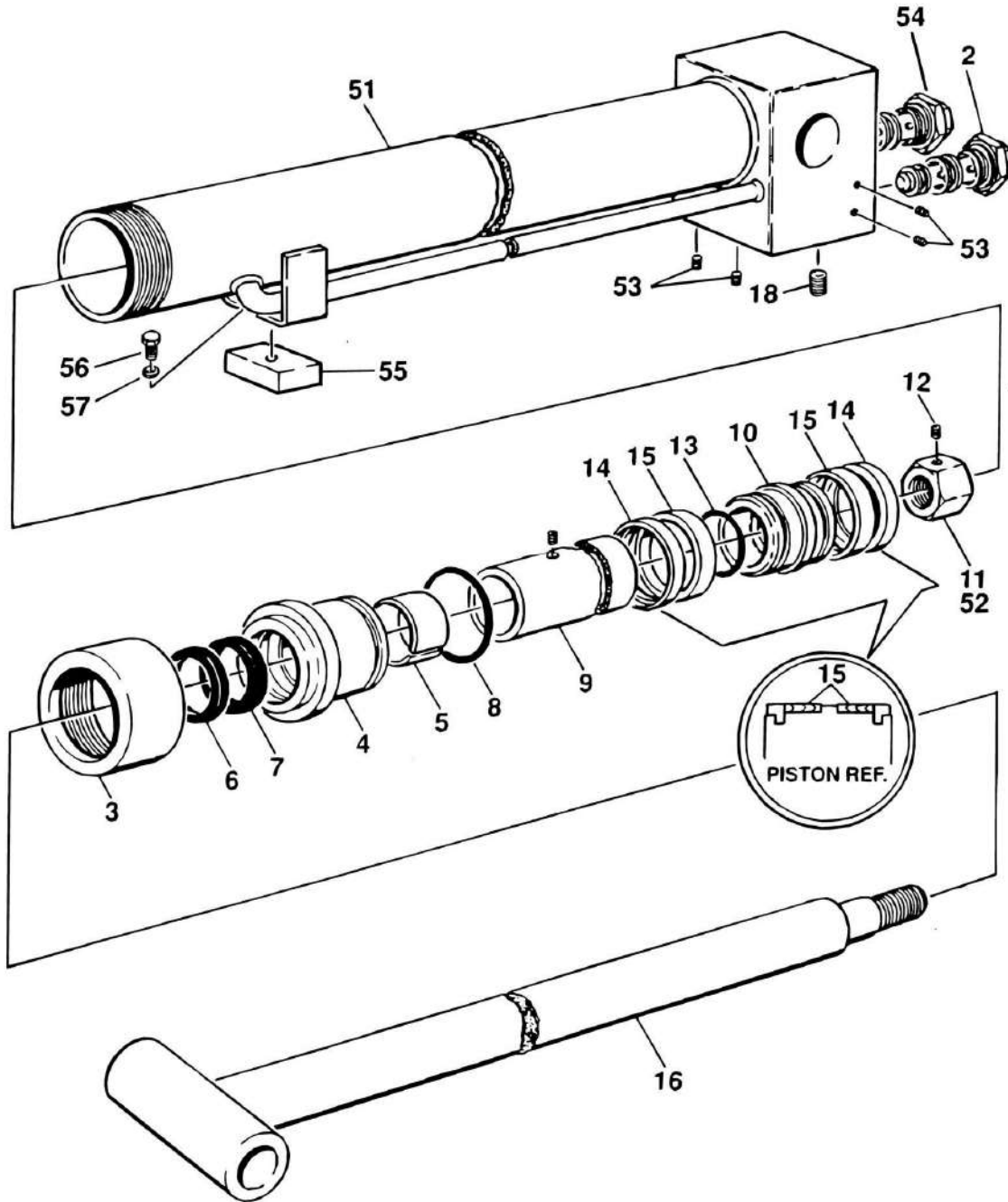
SECTION 5 - CYLINDER

FIGURE 5-7. STEER CYLINDER ASSEMBLIES

| ITEM | PART NUMBER | QTY | DESCRIPTION | REV |
|------|-------------|-----|---|-----|
| | 1681562 | Ref | STEER CYLINDER ASSEMBLY (2WD FRONT AXLE) | H |
| | 1681555 | Ref | STEER CYLINDER ASSEMBLY (4WD FRONT AND ALL REAR AXLES) | D |
| 1 | 1681433 | 1 | Barrel (1681562 Cylinder) | |
| 1 | 1681413 | 1 | Barrel (1681555 Cylinder) | |
| 2 | 3300273 | 1 | Nut, Hex (February 1991 to Present) | |
| 2 | 3300187 | 1 | Nut, Special (Prior to February 1991) | |
| 2 | 0100011 | AR | Loctite #242 | |
| 2 | 0100038 | AR | Primer, Locking | |
| 3 | Kit | 1 | Seal | |
| 4 | Kit | 1 | O-Ring | |
| 5 | 3480134 | 1 | Piston | |
| 6 | Kit | 1 | Ring, Wear | |
| 7 | 4562687 | 1 | Spacer (1681562 Cylinder) | |
| 7 | 4562851 | 1 | Spacer (1681555 Cylinder) | |
| 9 | Kit | 1 | O-Ring | |
| 10 | Kit | 1 | Ring, Wear | |
| 11 | Kit | 1 | Seal, Rod | |
| 12 | 1681322 | 1 | Head, Cylinder (1681562 Cylinder) | |
| 12 | 1681344 | 1 | Head, Cylinder (1681555 Cylinder) | |
| 13 | Kit | 1 | Wiper, Rod | |
| 14 | 1120108 | 1 | Cap | |
| 15 | 1681435 | 1 | Rod (1681562 Cylinder) | |
| 15 | 1681411 | 1 | Rod (1681555 Cylinder) | |
| 16 | 2160002 | 1 | Fitting, Grease - Straight | |
| 16 | 2160001 | 1 | Fitting, Grease - 90 | |
| 16 | 2160006 | 1 | Fitting, Grease (4WD/4WS Only) | |
| 17 | 3900141 | 3 | Setscrew 1/4in-20NC x 3/8in (Prior to February 1991) | |
| 17 | 3900170 | 1 | Setscrew 3/8in-16NC x 3/8in (February 1991 to Present) | |
| 17 | 0100011 | AR | Loctite #242 | |
| | 2901148 | 1 | Kit, Seal (Includes Items 3, 4, 6, 9, 10, 11 & 13) (1681562 Cylinder) | |
| | 2901123 | 1 | Kit, Seal (Includes Items 3, 4, 6, 9, 10, 11 & 13) (1681555 Cylinder) | |

SECTION 5 - CYLINDER

FIGURE 5-8. TELESCOPE CYLINDER ASSEMBLY - MAIN BOOM (STANDARD PARTS)



SECTION 5 - CYLINDER

FIGURE 5-8. TELESCOPE CYLINDER ASSEMBLY - MAIN BOOM (STANDARD PARTS)

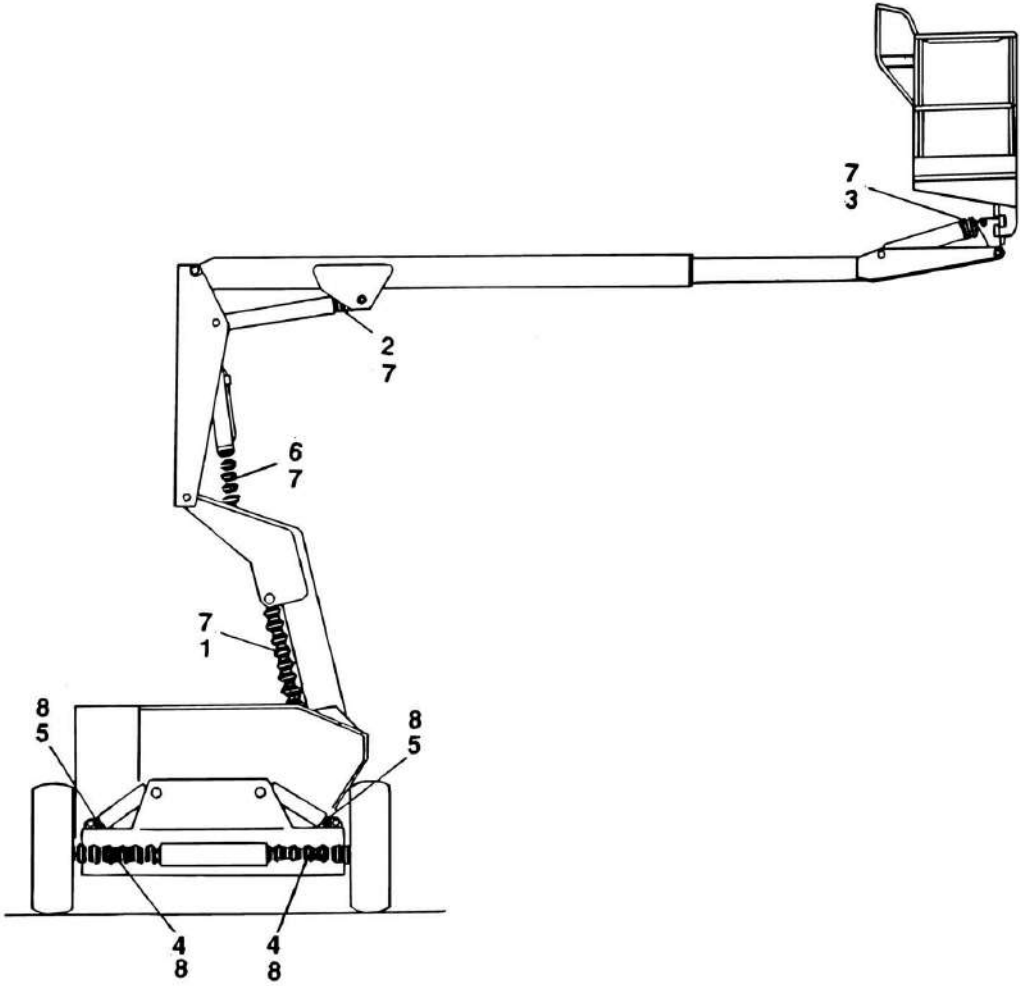
| ITEM | PART NUMBER | QTY | DESCRIPTION | REV |
|------|--------------|-----|---|-----|
| | | Ref | TELESCOPE CYLINDER ASSEMBLY - MAIN BOOM (STANDARD PARTS) | |
| 2 | 4640495 | 1 | Cartridge, Valve (Machines Built Prior to June 1990) | |
| 2 | 4640634 | 1 | Cartridge, Valve (Machines Built June 1990 to Present) | |
| 2 | 2900770 | 1 | Seal Kit - 4640495 & 4640634 Valves | |
| 3 | 1120108 | 1 | End Cap | |
| 3 | 0100035 | AR | Loctite #222 | |
| 4 | 1681283 | 1 | Head | |
| 5 | Kit | 1 | Ring, Wear | |
| 6 | Kit | 1 | Seal, Wiper | |
| 7 | Kit | 1 | Seal, Rod | |
| 8 | Kit | 1 | O-Ring | |
| 9 | 4563330 | 1 | Spacer, Tube | |
| 9 | 3951603 | 2 | Setscrew 3/8in-16NC x 3/8in | |
| 9 | 0100011 | AR | Loctite #242 | |
| 10 | 3480092 | 1 | Piston | |
| 11 | 0100011 | AR | Loctite #242 | |
| 11 | 0100038 | AR | Primer, Locking | |
| 12 | 3900170 | 2 | Setscrew 1/4in-20NC x 3/8in | |
| 13 | Kit | 1 | O-Ring | |
| 14 | Kit | 2 | Ring, Guidelock | |
| 15 | Kit | 2 | Seal, Piston | |
| 16 | 1681883 | 1 | Rod Assembly | |
| 18 | 2200222 | 2 | Plug 1/4in | |
| 18 | 0100020 | AR | Sealant, Pipe | |
| | 2900396 | | Seal Kit (Includes Items 5, 6, 7, 8, 13, 14 & 15) | |
| | | Ref | TELESCOPE CYLINDER ASSEMBLIES - MAIN BOOM (VARIABLE PARTS) | |
| | 1681880 | Ref | TELESCOPE CYLINDER ASSEMBLIES - MAIN BOOM (PRIOR TO JUNE 1991) | B |
| | 1682492 | Ref | TELESCOPE CYLINDER ASSEMBLIES - MAIN BOOM (JUNE 1991 TO PRESENT) | A |
| 51 | | Ref | Barrel Options: | |
| 51 | 1681881 | 1 | Barrel (Prior to June 1991) | |
| 51 | 1682493 | 1 | Barrel (June 1991 to Present) | |
| 52 | | Ref | Nut, Hex Options: | |
| 52 | 3300282 | 1 | Nut, Hex (Prior to June 1991) | |
| 52 | 3300286 | 1 | Nut, Hex (June 1991 to Present) | |
| 53 | | Ref | Plug Options: | |
| 53 | 2200201 | 2 | Plug 1/8in (Prior to June 1991) | |
| 53 | 2180527 | 4 | Plug 1/16in (June 1991 to Present) | |
| 54 | | Ref | Cartridge, Valve Options: | |
| 54 | Not Required | 1 | Cartridge, Valve (Prior to June 1991) | |
| 54 | 4640495 | 1 | Cartridge, Valve (June 1991 to Present) | |
| 54 | 2900770 | 1 | Seal Kit - 4640495 Valve | |
| 55 | | Ref | Pad, Wear Options: | |
| 55 | Not Required | 1 | Pad, Wear (Prior to June 1991) | |
| 55 | 3340545 | 1 | Pad, Wear (June 1991 to Present) | |
| 56 | | Ref | Bolt 3/8in-16NC x 1/2in Options: | |
| 56 | Not Required | 1 | Bolt 3/8in-16NC x 1/2in (Prior to June 1991) | |

SECTION 5 - CYLINDER

| ITEM | PART NUMBER | QTY | DESCRIPTION | REV |
|------|--------------|-----|--|-----|
| 56 | 0641604 | 1 | Bolt 3/8in-16NC x 1/2in (June 1991 to Present) | |
| 57 | | Ref | Lockwasher 3/8in Options: | |
| 57 | Not Required | 1 | Lockwasher 3/8in (Prior to June 1991) | |
| 57 | 4761600 | 1 | Lockwasher 3/8in (June 1991 to Present) | |

SECTION 5 - CYLINDER

FIGURE 5-9. CLYINDER BELLOWS INSTALLATION (OPTIONAL)



SECTION 5 - CYLINDER

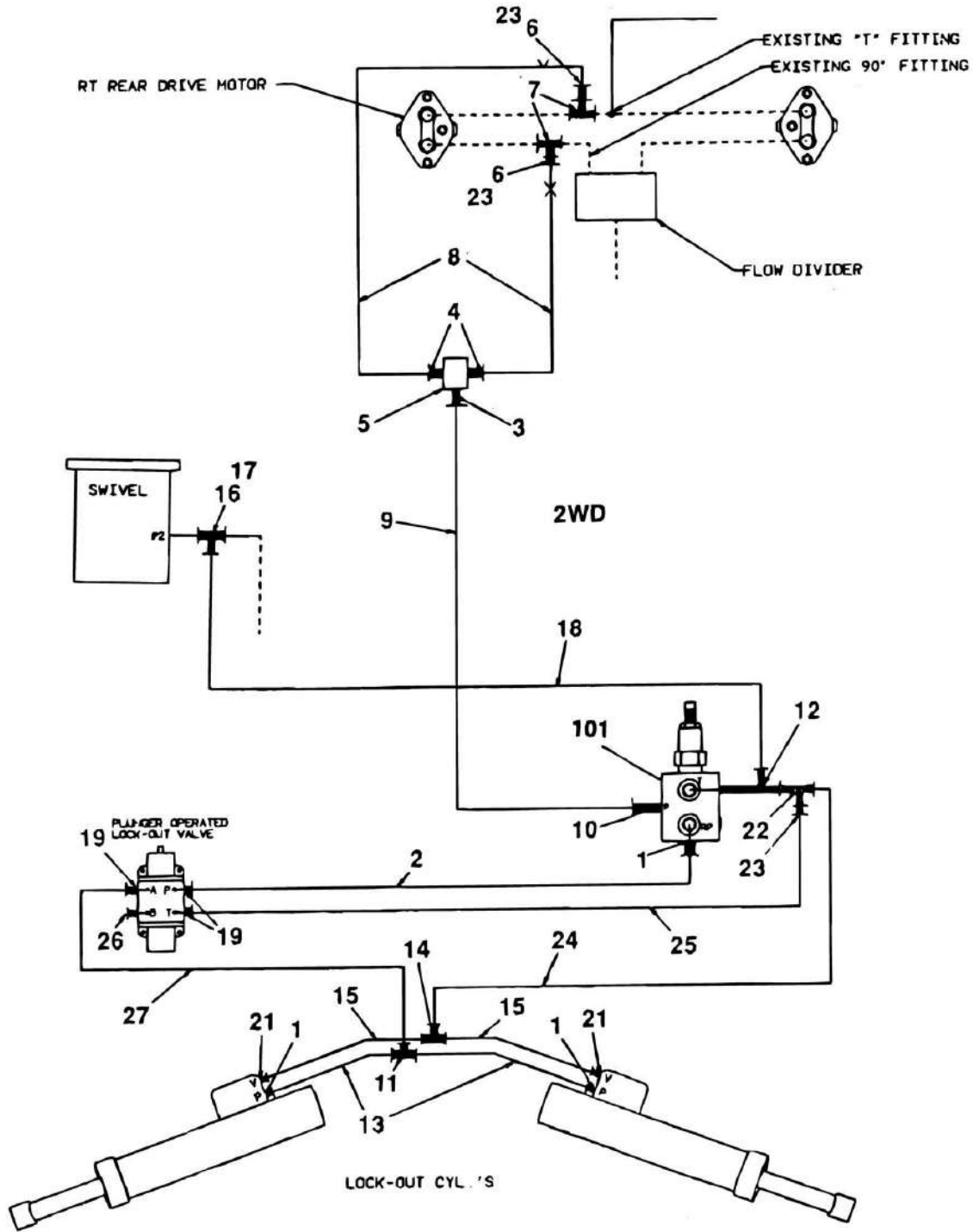
FIGURE 5-9. CLYINDER BELLOWS INSTALLATION (OPTIONAL)

| ITEM | PART NUMBER | QTY | DESCRIPTION | REV |
|------|--------------|-----|---|-----|
| | | Ref | BELLOWS INSTALLATIONS | |
| | 0250862 | Ref | 2WD MACHINES WITH FIXED AXLE | F |
| | 0256324 | Ref | 2WD/4WS MACHINES WITH FIXED AXLE (SN 23615 to Present) | |
| | 0250863 | Ref | 2WD MACHINES WITH OSCILLATING AXLE | F |
| | 0256326 | Ref | 2WD/4WS MACHINES WITH OSCILLATING AXLE (SN 23615 to Present) | |
| | 0250864 | Ref | 4WD MACHINES WITH FIXED AXLE | F |
| | 0256325 | Ref | 4WD/4WS MACHINES WITH FIXED AXLE (SN 23615 to Present) | |
| | 0250865 | Ref | 4WD MACHINES WITH OSCILLATING AXLE | F |
| | 0256327 | Ref | 4WD/4WS MACHINES WITH OSCILLATING AXLE (SN 23615 to Present) | |
| 1 | 0460092 | 1 | Bellows (With Zipper) (Tower Lift Cylinder) | |
| 2 | 0460093 | 1 | Bellows (With Zipper) (Main Lift Cylinder) | |
| 3 | 0460084 | 1 | Bellows (With Zipper) (Platform Level Cylinder) | |
| 4 | | Ref | Bellows (With Zipper) (Steer Cylinder) Options: | |
| 4 | 0460073 | 1 | 2WD | |
| 4 | 0460075 | 1 | 4WD | |
| 4 | 0460075 | 1 | 4WS | |
| 5 | | Ref | Bellows (With Zipper) (Lockout Cylinder) Options: | |
| 5 | Not Required | 2 | 2WD Machines With Fixed Axle | |
| 5 | 0460083 | 2 | 2WD Machines With Oscillating Axle | |
| 6 | 0460099 | 1 | Bellows (With Zipper) (Upright Level Cylinder) | |
| 7 | 1320122 | 4 | Clamp, Worm Gear (5 1/8in-6in Dia) | |
| 8 | 1320037 | Ref | Clamp, Worm Gear (3in-5 1/8in Dia) | |
| 8 | 1320037 | 1 | 2WD/4WD Machines With Fixed Axle | |
| 8 | 1320037 | 3 | 2WD/4WD Machines With Oscillating Axle | |

SECTION 6 - HYDRAULIC

SECTION 6 - HYDRAULIC

FIGURE 6-1. HYDRAULIC DIAGRAM - AXLE LOCKOUT (2WD)



2791866 - Rev A

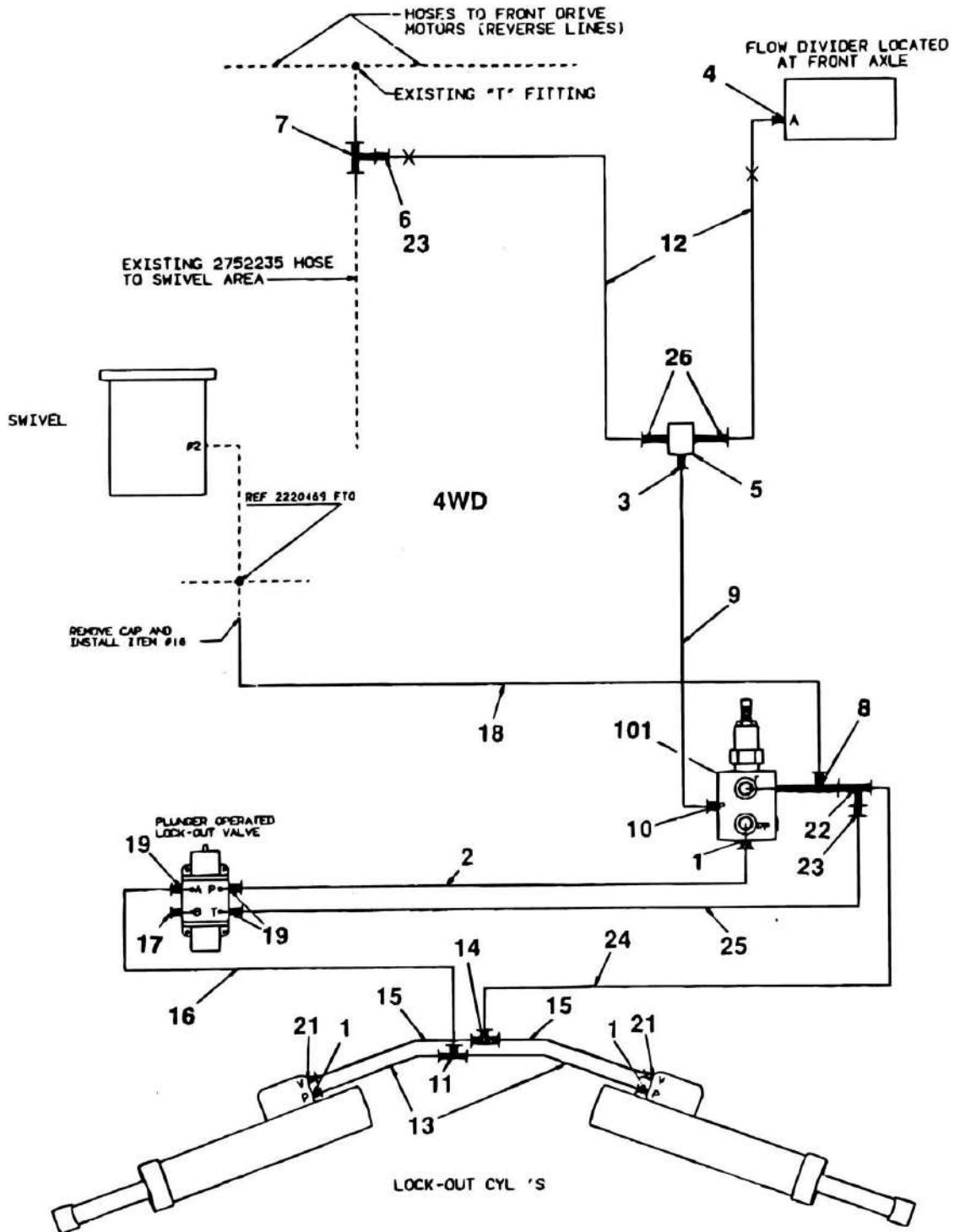
SECTION 6 - HYDRAULIC

FIGURE 6-1. HYDRAULIC DIAGRAM - AXLE LOCKOUT (2WD)

| ITEM | PART NUMBER | QTY | DESCRIPTION | REV |
|------|-------------|-----|---|-----|
| | 2791866 | Ref | HYDRAULIC DIAGRAM - AXLE LOCKOUT (2WD) | A |
| 1 | 2220582 | 3 | Fitting, Straight | |
| 2 | 2751397 | 1 | Hose | |
| 3 | 2220414 | 1 | Fitting, Straight | |
| 4 | 2220416 | 2 | Fitting, 90 | |
| 5 | 4640013 | 1 | Valve, Shuttle | |
| 6 | 2220621 | 2 | Fitting, Reducer | |
| 7 | 2220700 | 2 | Fitting, Tee | |
| 8 | 2750902 | 2 | Hose | |
| 9 | 2751906 | 1 | Hose | |
| 10 | 2220472 | 1 | Fitting, 90 | |
| 11 | 2220504 | 1 | Fitting, Tee | |
| 12 | 2220606 | 1 | Fitting, Tee | |
| 13 | 2752433 | 2 | Hose | |
| 14 | 2220490 | 1 | Fitting, Tee | |
| 15 | 2750910 | 2 | Hose | |
| 16 | 2220679 | 1 | Fitting, Tee | |
| 17 | 2220619 | 1 | Fitting, Reducer | |
| 18 | 2750779 | 1 | Hose | |
| 19 | 2220466 | 3 | Fitting, 90 | |
| 21 | 2220371 | 2 | Fitting, Straight | |
| 22 | 2220635 | 1 | Fitting, Tee | |
| 23 | 2220609 | 3 | Fitting, Reducer | |
| 24 | 2750786 | 1 | Hose | |
| 25 | 2751020 | 1 | Hose | |
| 26 | 2220235 | 1 | Fitting, Plug | |
| 27 | 2751013 | 1 | Hose | |
| | 0251599 | Ref | PRESSURE REDUCING VALVE INSTALLATION | - |
| 101 | 4640689 | 1 | Valve, Pressure Reducing | |
| 101 | 7010530 | 1 | Cartridge | |
| 101 | 2900698 | 1 | Seal Kit | |
| 101 | 7010531 | 1 | Plug, Sense Check | |
| 101 | 3780149 | 1 | O-Ring | |
| 101 | 4300087 | 2 | Stud (Welded on Part) | |
| 101 | 4751400 | 2 | Flatwasher 1/4in | |
| 101 | 4761400 | 2 | Lockwasher 1/4in | |
| 101 | 3311401 | 2 | Nut 1/4in-20NC | |

SECTION 6 - HYDRAULIC

FIGURE 6-2. HYDRAULIC DIAGRAM - AXLE LOCKOUT (4WD)



2791865 - Rev A

SECTION 6 - HYDRAULIC

FIGURE 6-2. HYDRAULIC DIAGRAM - AXLE LOCKOUT (4WD)

| ITEM | PART NUMBER | QTY | DESCRIPTION | REV |
|------|-------------|-----|---|-----|
| | 2791865 | Ref | HYDRAULIC DIAGRAM - AXLE LOCKOUT (4WD) | A |
| 1 | 2220582 | 3 | Fitting, Straight | |
| 2 | 2751397 | 1 | Hose | |
| 3 | 2220414 | 1 | Fitting, Straight | |
| 4 | 2220415 | 1 | Fitting, Straight | |
| 5 | 4640013 | 1 | Valve, Shuttle | |
| 6 | 2220621 | 1 | Fitting, Reducer | |
| 7 | 2220700 | 1 | Fitting, Tee | |
| 8 | 2220606 | 1 | Fitting, Tee | |
| 9 | 2751015 | 1 | Hose | |
| 10 | 2220472 | 1 | Fitting, 90 | |
| 11 | 2220504 | 1 | Fitting, Tee | |
| 12 | 2751018 | 2 | Hose | |
| 13 | 2752433 | 2 | Hose | |
| 14 | 2220490 | 1 | Fitting, Tee | |
| 15 | 2750910 | 2 | Hose | |
| 16 | 2751013 | 1 | Hose | |
| 17 | 2220235 | 1 | Hose, Plug | |
| 18 | 2750779 | 1 | Hose | |
| 19 | 2220466 | 3 | Fitting, 90 | |
| 21 | 2220371 | 2 | Fitting, Straight | |
| 22 | 2220635 | 1 | Fitting, Tee | |
| 23 | 2220609 | 2 | Fitting, Reducer | |
| 24 | 2750786 | 1 | Hose | |
| 25 | 2751020 | 1 | Hose | |
| 26 | 2220416 | 2 | Fitting, 90 | |
| | 0251599 | Ref | PRESSURE REDUCING VALVE INSTALLATION | - |
| 101 | 4640689 | 1 | Valve, Pressure Reducing | |
| 101 | 7010530 | 1 | Cartridge | |
| 101 | 2900698 | 1 | Seal Kit | |
| 101 | 7010531 | 1 | Plug, Sense Check | |
| 101 | 3780149 | 1 | O-Ring | |
| 101 | 4300087 | 2 | Stud (Welded on Part) | |
| 101 | 4751400 | 2 | Flatwasher 1/4in | |
| 101 | 4761400 | 2 | Lockwasher 1/4in | |
| 101 | 3311401 | 2 | Nut 1/4in-20NC | |

SECTION 6 - HYDRAULIC

FIGURE 6-3. HYDRAULIC DIAGRAM - DRIVE (2WD)

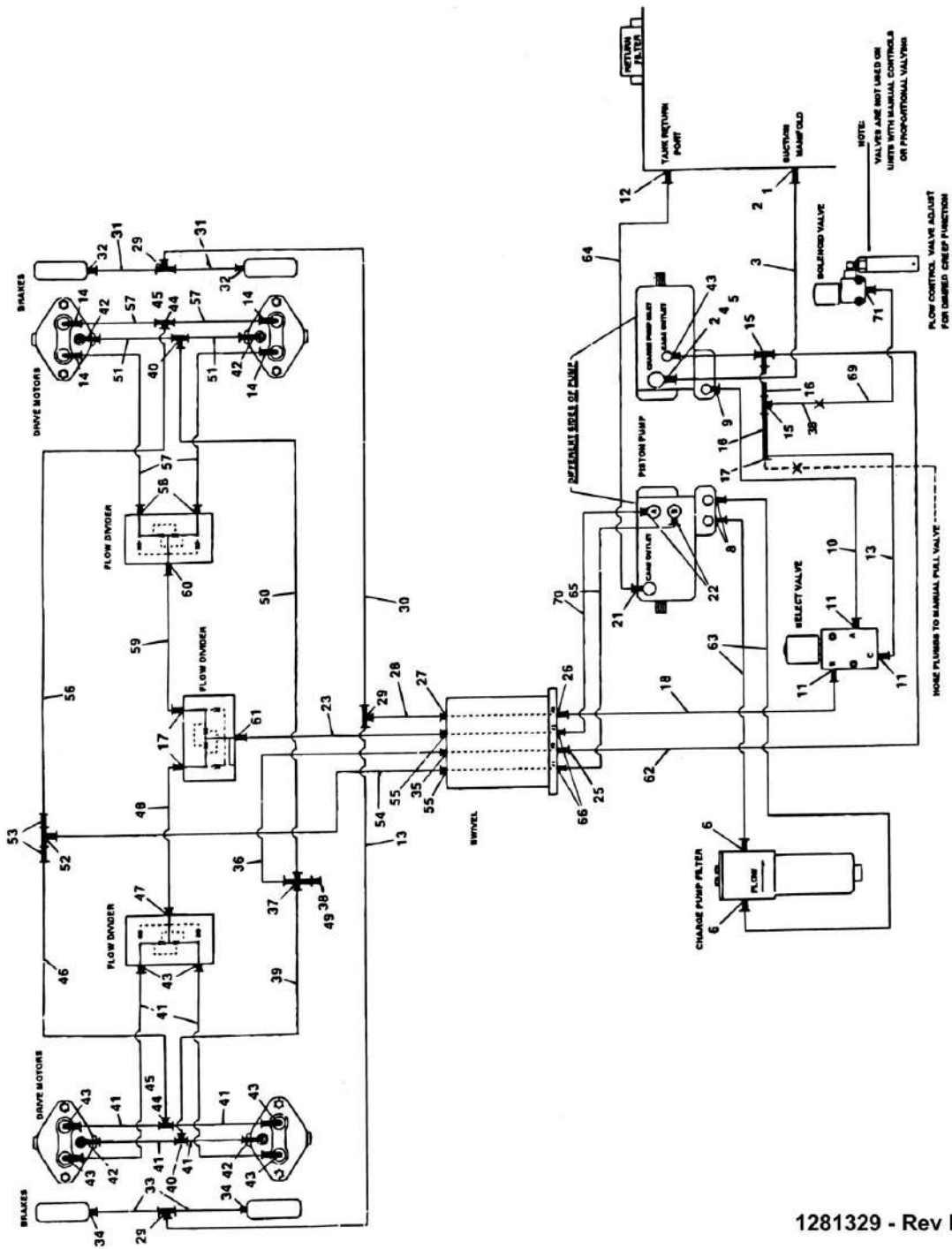
| ITEM | PART NUMBER | QTY | DESCRIPTION | REV |
|------|--------------|----------------|---|-----|
| | 2791627 | Ref | DEUTZ WITH STANDARD BANG-BANG CONTROLS | E |
| | 2791678 | Ref | DEUTZ WITH PROPORTIONAL AND HYDRAULIC CONTROLS | B |
| | 2791577 | Ref | FORD WITH STANDARD BANG-BANG CONTROLS | G |
| | 2791679 | Ref | FORD WITH PROPORTIONAL AND HYDRAULIC CONTROLS | B |
| 1 | 2210007 | 1 | Fitting, Barbed | |
| 2 | 1320033 | 4 | Clamp | |
| 3 | | Ref | Hose Options: | |
| 3 | 2720335 | 53 in/1.35m | Deutz Machines | |
| 3 | 2720281 | 64 in/1.63m | Ford Machines | |
| 4 | 2220646 | 1 | Fitting, 90 | |
| 5 | | Ref | Fitting Options: | |
| 5 | 2210014 | 1 | Deutz Machines | |
| 5 | 2210003 | 1 | Ford Machines | |
| 6 | 2220578 | 2 | Fitting | |
| 9 | 2220472 | 1 | Fitting, 90 | |
| 10 | 2750899 | 1 | Hose | |
| 11 | 2220417 | 3 | Fitting | |
| 13 | 2751013 | 1 | Hose | |
| 14 | 2220375 | 1 | Fitting, Straight | |
| 15 | 2220385 | 1 | Fitting, Tee | |
| 16 | 2220618 | 1 | Fitting, Reducer | |
| 17 | | Ref | Fitting Options: | |
| 17 | 2220605 | 1 | Fitting, Tee (Standard Bang-Bang Controls) | |
| 17 | Not Required | 0 | Fitting (Proportional and Hydraulic Controls) | |
| 18 | 2751010 | 1 | Hose | |
| 19 | | Ref | Fitting Options: | |
| 19 | 2220372 | 1 | (Standard Bang-Bang Controls) | |
| 19 | 2220582 | 1 | (Proportional and Hydraulic Controls) | |
| 20 | 2750977 | 2 | Hose | |
| 21 | 2220496 | 1 | Fitting, 45 | |
| 22 | 2220355 | 1 | Fitting, 45 | |
| 26 | 2220498 | 1 | Fitting, 45 | |
| 28 | 2220494 | 1 | Fitting, 90 | |
| 33 | 2220451 | 4 | Fitting, Straight | |
| 35 | 2220600 | 2 | Fitting, Straight | |
| 36 | 2751517 | 2 | Hose | |
| 37 | 2220504 | 1 | Fitting, Tee | |
| 38 | 2220362 | 1 | Fitting, Tee | |
| 39 | 2220345 | 1 | Fitting, Straight | |
| 40 | 2220466 | 2 | Fitting, 90 | |
| 41 | 2751014 | 2 | Hose | |
| 42 | 2751443 | 1 | Hose | |
| 43 | 2220414 | 1 | Fitting, Straight | |
| 44 | 0100020 | AR | Sealant, Thread (Not Shown) | |
| 45 | 2220465 | 2 | Fitting, 90 | |
| 47 | 2220377 | 1 | Fitting, Straight | |
| 48 | 2752319 | 1 | Hose | |
| 49 | 2220365 | 2 | Fitting, 45 | |

SECTION 6 - HYDRAULIC

| ITEM | PART NUMBER | QTY | DESCRIPTION | REV |
|------|--------------|-----|-------------------------------------|-----|
| 50 | 2220348 | 4 | Fitting, Straight | |
| 51 | 2752349 | 2 | Hose | |
| 52 | 2752238 | 2 | Hose | |
| 53 | | Ref | Hose Options: | |
| 53 | 2751614 | 2 | Deutz Machines | |
| 53 | 2751626 | 2 | Ford Machines | |
| 54 | 2220408 | 2 | Fitting, Straight | |
| 55 | 2751635 | 1 | Hose | |
| 56 | 2220363 | 1 | Fitting, Tee | |
| 57 | 2220710 | 2 | Fitting, Reducer | |
| 58 | 2752242 | 2 | Hose | |
| 59 | | Ref | Hose Options: | |
| 59 | 2752461 | 1 | Standard Controls | |
| 59 | Not Required | 0 | Proportional and Hydraulic Controls | |
| 61 | 2752319 | 1 | Hose | |
| 62 | | Ref | Fitting Options: | |
| 62 | 2220619 | 1 | Standard Controls | |
| 62 | Not Required | 0 | Proportional and Hydraulic Controls | |

SECTION 6 - HYDRAULIC

FIGURE 6-4. HYDRAULIC DIAGRAM - DRIVE (4WD)



SECTION 6 - HYDRAULIC

FIGURE 6-4. HYDRAULIC DIAGRAM - DRIVE (4WD)

| ITEM | PART NUMBER | QTY | DESCRIPTION | REV |
|------|--------------|----------------|---|-----|
| | 2791632 | Ref | DEUTZ WITH STANDARD BANG-BANG CONTROLS | D |
| | 2791680 | Ref | DEUTZ WITH PROPORTIONAL AND HYDRAULIC CONTROLS | A |
| | 2791617 | Ref | FORD WITH STANDARD BANG-BANG CONTROLS | F |
| | 2791681 | Ref | FORD WITH PROPORTIONAL AND HYDRAULIC CONTROLS | B |
| 1 | 2210007 | 1 | Fitting, Barbed | |
| 2 | 1320033 | 4 | Clamp | |
| 3 | | Ref | Hose Options: | |
| 3 | 2720335 | 53 in/1.35m | Deutz Machines | |
| 3 | 2720281 | 64 in/1.63m | Ford Machines | |
| 4 | 2220646 | 1 | Fitting, 90 | |
| 5 | | Ref | Fitting Options: | |
| 5 | 2210014 | 1 | Deutz Machines | |
| 5 | 2210003 | 1 | Ford Machines | |
| 6 | 2220578 | 2 | Fitting | |
| 8 | 2220408 | 2 | Fitting, Straight | |
| 9 | 2220472 | 1 | Fitting, 90 | |
| 10 | 2750899 | 1 | Hose | |
| 11 | 2220417 | 3 | Fitting | |
| 12 | 2220494 | 1 | Fitting, Tee | |
| 13 | 2751013 | 2 | Hose | |
| 14 | 2220451 | 6 | Fitting, Straight | |
| 15 | 2220385 | 2 | Fitting, Tee | |
| 16 | 2220618 | 1 | Fitting, Reducer | |
| 17 | | Ref | Fitting Options: | |
| 17 | 2220605 | 1 | Fitting, Tee (Standard Bang-Bang Controls) | |
| 17 | Not Required | 0 | Fitting, (Proportional and Hydraulic Controls) | |
| 18 | 2751010 | 1 | Hose | |
| 21 | 2220498 | 1 | Fitting, 45 | |
| 22 | 2220365 | 2 | Fitting, 45 | |
| 23 | 2752317 | 1 | Hose | |
| 25 | 2220355 | 1 | Fitting, 45 | |
| 26 | 2220496 | 1 | Fitting, 45 | |
| 27 | 2220414 | 1 | Fitting, Straight | |
| 28 | 2750902 | 1 | Hose | |
| 29 | 2220504 | 3 | Fitting, 3-Way | |
| 30 | 2751026 | 1 | Hose | |
| 31 | 2751014 | 2 | Hose | |
| 32 | 2220466 | 2 | Fitting, 90 | |
| 33 | 2751398 | 2 | Hose | |
| 34 | 2220415 | 2 | Fitting | |
| 35 | 2220345 | 1 | Fitting, Straight | |
| 36 | 2750972 | 1 | Hose | |
| 37 | 2220469 | 1 | Fitting, 4-Way | |
| 38 | 2220619 | 2 | Fitting, Reducer | |
| 39 | 2750774 | 1 | Hose | |
| 40 | 2220362 | 2 | Fitting, Tee | |
| 41 | 2750979 | 6 | Hose | |
| 42 | 2220600 | 4 | Fitting, Straight | |

SECTION 6 - HYDRAULIC

| ITEM | PART NUMBER | QTY | DESCRIPTION | REV |
|------|--------------|-----|-------------------------------------|-----|
| 43 | 2220375 | 7 | Fitting, Straight | |
| 44 | 2220481 | 2 | Fitting, Tee | |
| 45 | 2220622 | 2 | Fitting, Reducer | |
| 46 | 2752235 | 1 | Hose | |
| 47 | 2220568 | 1 | Fitting, 45 | |
| 48 | 2752236 | 1 | Hose | |
| 49 | 2220516 | 1 | Fitting, Cap | |
| 50 | 2751483 | 1 | Hose | |
| 51 | 2751517 | 2 | Hose | |
| 52 | 2220363 | 1 | Fitting, Tee | |
| 53 | 2220710 | 2 | Fitting, Reducer | |
| 54 | 2752318 | 1 | Hose | |
| 55 | 2220627 | 2 | Fitting, 45 | |
| 56 | 2752237 | 1 | Hose | |
| 57 | 2752242 | 4 | Hose | |
| 58 | 2220578 | 2 | Fitting, 90 | |
| 59 | 2752239 | 1 | Hose | |
| 60 | 2220435 | 1 | Fitting, Straight | |
| 61 | 2220377 | 1 | Fitting, Straight | |
| 62 | 2750977 | 1 | Hose | |
| 63 | | Ref | Hose Options: | |
| 63 | 2751614 | 2 | Deutz Machines | |
| 63 | 2751626 | 2 | Ford Machines | |
| 64 | 2751635 | 1 | Hose | |
| 65 | 2752319 | 1 | Hose | |
| 66 | 2220348 | 2 | Fitting, Straight | |
| 68 | 0100020 | AR | Sealant, Thread (Not Shown) | |
| 69 | | Ref | Hose Options: | |
| 69 | 2752461 | 1 | Standard Controls | |
| 69 | Not Required | 0 | Proportional and Hydraulic Controls | |
| 71 | 2752319 | 1 | Hose | |
| 72 | | Ref | Fitting Options: | |
| 72 | 2220619 | 1 | Standard Controls | |
| 72 | Not Required | 0 | Proportional and Hydraulic Controls | |

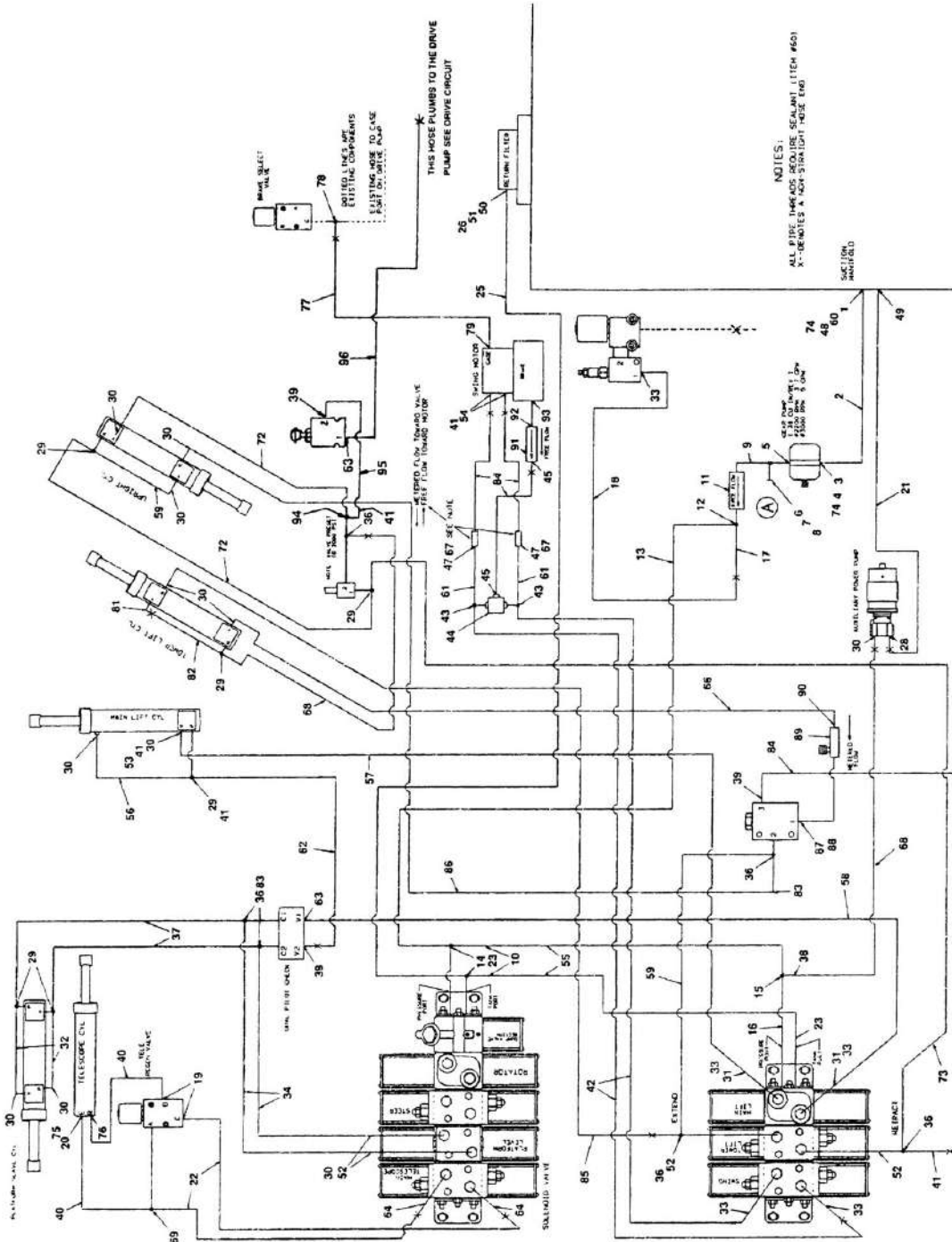
SECTION 6 - HYDRAULIC

FIGURE 6-5. HYDRAULIC DIAGRAM - ROTATE

| ITEM | PART NUMBER | QTY | DESCRIPTION | REV |
|------|--------------|-----|---|-----|
| | | Ref | HYDRAULIC DIAGRAM - ROTATE | |
| | 2791578 | Ref | STANDARD BANG-BANG AND PROPORTIONAL CONTROLS | B |
| | 2791673 | Ref | HYDRAULIC CONTROLS | A |
| 1 | | Ref | Fitting, Straight Options: | |
| 1 | 2220582 | 2 | Standard - Fitting, Straight | |
| 1 | 2220468 | 2 | Hydraulic Controls - Fitting, Straight | |
| 2 | | Ref | Fitting, 90 Options: | |
| 2 | 2220654 | 2 | Standard | |
| 2 | Not Required | 2 | Hydraulic Controls | |
| 3 | | Ref | Hose Options: | |
| 3 | 2751454 | 2 | Standard | |
| 3 | 2751011 | 2 | Hydraulic Controls | |
| 4 | | Ref | Fitting, 90 Options: | |
| 4 | 2220416 | 2 | Standard | |
| 4 | 2220466 | 2 | Hydraulic Controls | |
| 5 | | Ref | Valve, Restrictor Options: | |
| 5 | 4640383 | 2 | Standard | |
| 5 | 4640778 | 2 | Hydraulic Controls | |
| 6 | | Ref | Fitting Options: | |
| 6 | 2220261 | 2 | Standard - Fitting, Nipple | |
| 6 | 2220895 | 2 | Hydraulic Controls - Fitting, Straight | |
| 7 | | Ref | Fitting Options: | |
| 7 | 2220816 | 2 | Standard | |
| 7 | 2220218 | 2 | Hydraulic Controls | |

SECTION 6 - HYDRAULIC

FIGURE 6-6. HYDRAULIC DIAGRAM - STANDARD (STANDARD BANG-BANG CONTROLS/DEUTZ MACHINES)



2792002 - Rev I

SECTION 6 - HYDRAULIC

FIGURE 6-6. HYDRAULIC DIAGRAM - STANDARD (STANDARD BANG-BANG CONTROLS/DEUTZ MACHINES)

| ITEM | PART NUMBER | QTY | DESCRIPTION | REV |
|------|-------------|-----------|--|-----|
| | 2792002 | Ref | HYDRAULIC DIAGRAM - STANDARD (STANDARD BANG-BANG CONTROLS/DEUTZ MACHINES) | 1 |
| 1 | 2210006 | 1 | Fitting, Barbed | |
| 2 | 2720344 | 56 in/17m | Hose | |
| 3 | 2210027 | 1 | Fitting, 45 | |
| 4 | 2220408 | 1 | Fitting | |
| 5 | 2180491 | 1 | Fitting, 90 | |
| 6 | 2220820 | 1 | Fitting, 90 | |
| 7 | 2220429 | 1 | Cap, Dust | |
| 8 | 2220428 | 1 | Fitting, Quick Disconnect | |
| 9 | 2220651 | 1 | Fitting | |
| 10 | 2220683 | 2 | Fitting | |
| 11 | 4640776 | 1 | Valve, Check | |
| 12 | 2220602 | 1 | Fitting | |
| 13 | 2751483 | 1 | Hose | |
| 14 | 2220383 | 2 | Fitting, Tee | |
| 15 | 2220385 | 1 | Fitting, Tee | |
| 16 | 2220600 | 1 | Fitting | |
| 17 | 2220618 | 1 | Fitting, Reducer | |
| 18 | 2751017 | 1 | Hose | |
| 19 | 2220495 | 2 | Fitting, 90 | |
| 20 | 2220064 | 1 | Fitting, 90 | |
| 21 | 2750766 | 1 | Hose | |
| 22 | 2750913 | 2 | Hose | |
| 23 | 2220373 | 3 | Fitting | |
| 25 | 2750973 | 1 | Hose | |
| 26 | 2220471 | 1 | Fitting, 90 | |
| 28 | 2220726 | 1 | Fitting, 90 | |
| 29 | 2220899 | 6 | Fitting, Tee | |
| 30 | 2220473 | 12 | Fitting, 90 | |
| 31 | 2220654 | 2 | Fitting, 90 | |
| 32 | 2750918 | 2 | Hose | |
| 33 | 2220468 | 5 | Fitting | |
| 34 | 2751123 | 2 | Hose | |
| 36 | 2220606 | 6 | Fitting, Tee | |
| 37 | 2751161 | 2 | Hose | |
| 38 | 2220619 | 1 | Fitting, Reducer | |
| 39 | 2220472 | 3 | Fitting | |
| 40 | 2751163 | 2 | Hose | |
| 41 | 2220609 | 7 | Fitting, Reducer | |
| 42 | 2750901 | 2 | Hose | |
| 43 | 2220584 | 2 | Fitting, Tee | |
| 44 | 4640013 | 1 | Valve, Shuttle | |
| 45 | 2220414 | 2 | Fitting | |
| 47 | 2220415 | 4 | Fitting | |
| 48 | 2220263 | 1 | Fitting, Reducer | |
| 49 | 2220346 | 1 | Fitting | |
| 50 | 2220329 | 1 | Fitting, Reducer | |
| 51 | 2220800 | 1 | Fitting, Straight | |

SECTION 6 - HYDRAULIC

| ITEM | PART NUMBER | QTY | DESCRIPTION | REV |
|------|-------------|-----|--------------------------|-----|
| 52 | 2220591 | 4 | Fitting, Reducer | |
| 53 | 2220908 | 1 | Fitting, Orifice | |
| 54 | 2220497 | 2 | Fitting | |
| 55 | 2750762 | 2 | Hose | |
| 56 | 2750998 | 1 | Hose | |
| 57 | 2751418 | 1 | Hose | |
| 58 | 2751421 | 1 | Hose | |
| 59 | 2751101 | 2 | Hose | |
| 61 | 2751394 | 2 | Hose | |
| 62 | 2751020 | 1 | Hose | |
| 63 | 2220582 | 2 | Fitting | |
| 64 | 2220372 | 2 | Fitting | |
| 66 | 2751852 | 1 | Hose | |
| 67 | 4640817 | 2 | Valve, Restrictor (.040) | |
| 68 | 2750991 | 2 | Hose | |
| 69 | 2220604 | 1 | Fitting, Tee | |
| 72 | 2751150 | 2 | Hose | |
| 73 | 2750999 | 1 | Hose | |
| 74 | 1320030 | 4 | Clamp | |
| 75 | 2180652 | 1 | Fitting, Modified | |
| 76 | 2220773 | 1 | Fitting, 90 | |
| 77 | 2751391 | 1 | Hose | |
| 78 | 2220605 | 1 | Fitting, Tee | |
| 79 | 2220466 | 1 | Fitting, 90 | |
| 80 | 4640818 | 1 | Valve | |
| 81 | 2220371 | 1 | Fitting | |
| 82 | 2750921 | 1 | Hose | |
| 83 | 2220507 | 3 | Fitting, 90 | |
| 84 | 2751010 | 4 | Hose | |
| 85 | 2752163 | 1 | Hose | |
| 86 | 2751007 | 1 | Hose | |
| 87 | 2220727 | 1 | Fitting | |
| 88 | 2220261 | 1 | Fitting, Nipple | |
| 89 | 4640128 | 1 | Valve, Flow Control | |
| 90 | 2220399 | 1 | Fitting | |
| 91 | 4640213 | 1 | Valve, Restrictor (.015) | |
| 92 | 2220261 | 1 | Fitting, Straight | |
| 93 | 2220110 | 1 | Fitting, 90 | |
| 94 | 2220635 | 1 | Fitting, Tee | |
| 95 | 2751026 | 1 | Hose | |
| 96 | 2750892 | 1 | Hose | |
| | 0100020 | AR | Sealant, Thread | |

SECTION 6 - HYDRAULIC

FIGURE 6-7. HYDRAULIC DIAGRAM - STANDARD (STANDARD BANG-BANG CONTROLS/FORD AND KUBOTA MACHINES)

| ITEM | PART NUMBER | QTY | DESCRIPTION | REV |
|------|-------------|-------|-------------------------------------|-----|
| | 2792001 | Ref | HYDRAULIC DIAGRAM - STANDARD | 1 |
| 1 | 2210006 | 1 | Fitting, Barbed | |
| 2 | 2720344 | 56 in | Hose | |
| 3 | 2210027 | 1 | Fitting, 45 | |
| 4 | 2220408 | 1 | Fitting | |
| 5 | 2180491 | 1 | Fitting, 90 | |
| 6 | 2751394 | 2 | Hose | |
| 7 | 2220429 | 1 | Cap, Dust | |
| 8 | 2220428 | 1 | Fitting, Quick Disconnect | |
| 9 | 2220651 | 1 | Fitting | |
| 11 | 4640776 | 1 | Valve, Check | |
| 12 | 2220602 | 1 | Fitting | |
| 13 | 2750773 | 1 | Hose | |
| 14 | 2220383 | 2 | Fitting, Tee | |
| 15 | 2220385 | 1 | Fitting, Tee | |
| 16 | 2220600 | 2 | Fitting | |
| 17 | 2220619 | 1 | Fitting, Reducer | |
| 18 | 2750779 | 1 | Hose | |
| 19 | 2220371 | 2 | Fitting | |
| 20 | 4640817 | 2 | Valve, Restrictor (.040) | |
| 21 | 2751010 | 2 | Hose | |
| 22 | 2750928 | 2 | Hose | |
| 23 | 2220373 | 3 | Fitting | |
| 24 | 2180652 | 1 | Fitting | |
| 25 | 2751003 | 2 | Hose | |
| 26 | 2220064 | 1 | Fitting | |
| 27 | 2220635 | 5 | Fitting, Tee | |
| 28 | 2220495 | 2 | Fitting | |
| 29 | 2220899 | 6 | Fitting, Tee | |
| 30 | 2220473 | 14 | Fitting, 90 | |
| 31 | 2220654 | 2 | Fitting, 90 | |
| 32 | 2750918 | 2 | Hose | |
| 33 | 2220468 | 5 | Fitting | |
| 34 | 2751123 | 2 | Hose | |
| 36 | 2220606 | 3 | Fitting, Tee | |
| 37 | 2751161 | 2 | Hose | |
| 38 | 2220773 | 1 | Fitting | |
| 39 | 2220472 | 3 | Fitting | |
| 40 | 2751163 | 2 | Hose | |
| 41 | 2220609 | 4 | Fitting, Reducer | |
| 42 | 2750901 | 2 | Hose | |
| 43 | 2220584 | 2 | Fitting, Tee | |
| 44 | 4640013 | 1 | Valve, Shuttle | |
| 45 | 2220414 | 2 | Fitting | |
| 46 | 2750899 | 1 | Hose | |
| 47 | 2220415 | 4 | Fitting | |
| 48 | 2220263 | 1 | Fitting, Reducer | |
| 49 | 2220346 | 1 | Fitting | |
| 50 | 2220329 | 1 | Fitting, Reducer | |

SECTION 6 - HYDRAULIC

| ITEM | PART NUMBER | QTY | DESCRIPTION | REV |
|------|-------------|-----|---------------------|-----|
| 51 | 2220800 | 1 | Fitting | |
| 52 | 2220591 | 4 | Fitting, Reducer | |
| 53 | 2220908 | 1 | Fitting, Restrictor | |
| 54 | 2220497 | 2 | Fitting | |
| 55 | 2220609 | 2 | Fitting, Reducer | |
| 56 | 2750998 | 1 | Hose | |
| 57 | 2751418 | 1 | Hose | |
| 58 | 2751421 | 1 | Hose | |
| 59 | 2751101 | 1 | Hose | |
| 62 | 2751020 | 1 | Hose | |
| 63 | 2220582 | 2 | Fitting | |
| 64 | 2220372 | 2 | Fitting | |
| 66 | 2751852 | 1 | Hose | |
| 67 | 2220343 | 1 | Fitting | |
| 68 | 2750991 | 1 | Hose | |
| 72 | 2751150 | 2 | Hose | |
| 73 | 2750999 | 1 | Hose | |
| 74 | 1320030 | 4 | Clamp | |
| 76 | 2750777 | 1 | Hose | |
| 78 | 2220820 | 1 | Fitting, 90 | |
| 79 | 2220657 | 1 | Fitting, 45 | |
| 80 | 2220618 | 1 | Fitting, Reducer | |
| 81 | 2751017 | 1 | Hose | |
| 82 | 2751489 | 1 | Hose | |
| 83 | 2220471 | 1 | Fitting, 90 | |
| 84 | 2751391 | 1 | Hose | |
| 85 | 2220466 | 1 | Fitting, 90 | |
| 86 | 2220605 | 1 | Fitting, Tee | |
| 88 | 2750921 | 1 | Hose | |
| 89 | 2220507 | 2 | Fitting, 90 | |
| 90 | 2751006 | 1 | Hose | |
| 91 | 2752163 | 1 | Hose | |
| 92 | 2751007 | 1 | Hose | |
| 93 | 2220727 | 1 | Fitting | |
| 94 | 2220261 | 1 | Fitting, Nipple | |
| 95 | 4640128 | 1 | Valve, Flow Control | |
| 96 | 2220399 | 1 | Fitting | |
| 97 | 2751396 | 1 | Hose | |
| 98 | 4640213 | 1 | Valve, Restrictor | |
| 99 | 2220261 | 1 | Fitting, Straight | |
| 100 | 2220110 | 1 | Fitting, 90 | |
| 101 | 2751026 | 1 | Hose | |
| 102 | 2750892 | 1 | Hose | |
| | 0100020 | AR | Sealant, Thread | |

SECTION 6 - HYDRAULIC

FIGURE 6-8. HYDRAULIC DIAGRAM - STANDARD (HYDRAULIC CONTROLS)

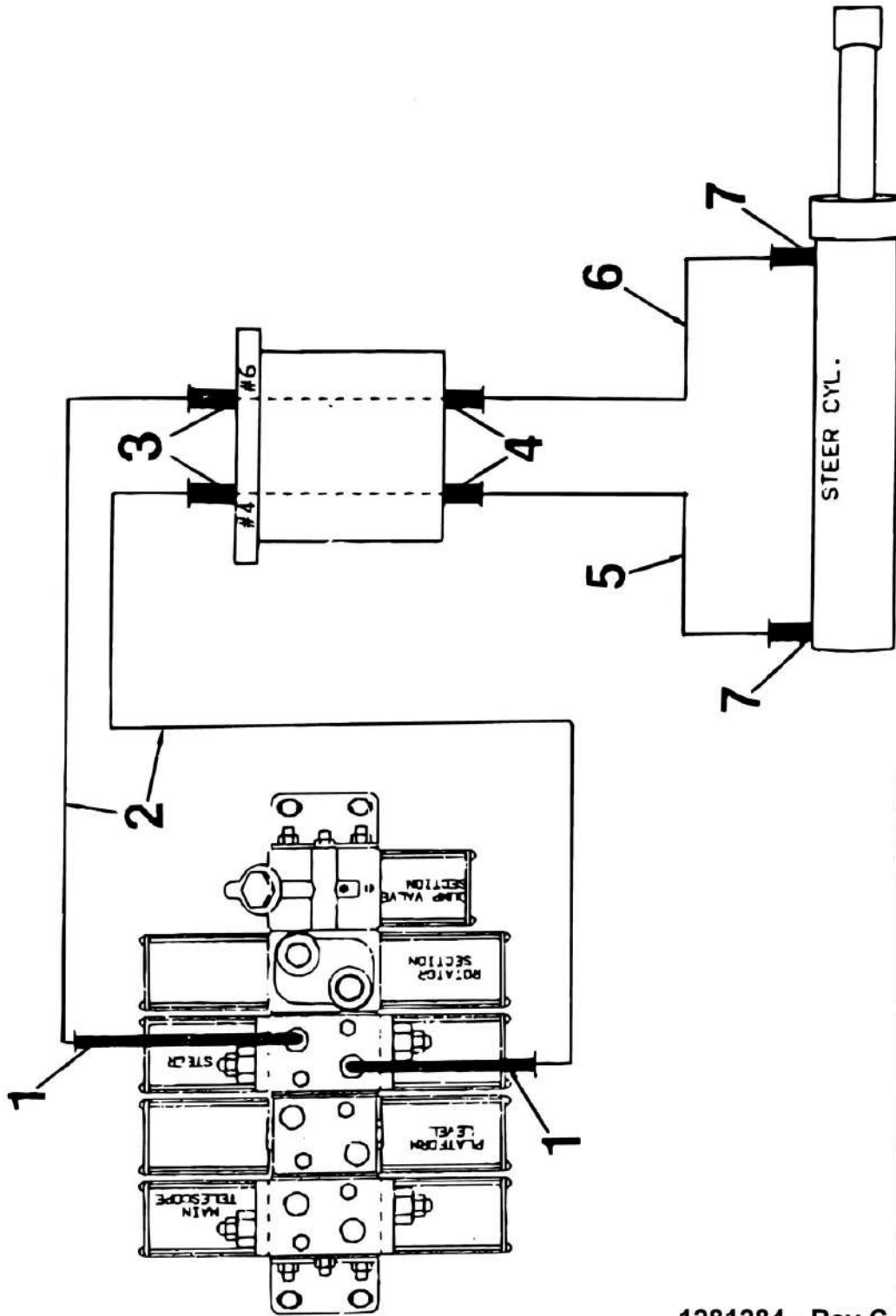
| ITEM | PART NUMBER | QTY | DESCRIPTION | REV |
|------|-------------|-------|--|-----|
| | 2792005 | Ref | HYDRAULIC DIAGRAM - STANDARD (HYDRAULIC CONTROLS) | H |
| 1 | 2210007 | 1 | Fitting, Barbed | |
| 2 | 1320033 | 4 | Clamp | |
| 3 | 2720335 | 54 in | Hose | |
| 4 | 2220810 | 2 | Fitting | |
| 5 | 2210028 | 1 | Fitting, Nipple | |
| 6 | 2220596 | 1 | Fitting, 90 | |
| 7 | 2750928 | 1 | Hose | |
| 8 | 2220373 | 4 | Fitting | |
| 9 | 2220372 | 1 | Fitting | |
| 10 | 2220899 | 8 | Fitting, Tee | |
| 11 | 2220371 | 6 | Fitting | |
| 12 | 2750913 | 1 | Hose | |
| 13 | 2220603 | 1 | Fitting | |
| 14 | 2220415 | 5 | Fitting | |
| 15 | 2751397 | 1 | Hose | |
| 16 | 2220609 | 12 | Fitting, Reducer | |
| 17 | 2220606 | 3 | Fitting | |
| 18 | 4640776 | 1 | Valve, Check | |
| 19 | 2220651 | 1 | Fitting | |
| 20 | 2220591 | 1 | Fitting | |
| 21 | 2220820 | 2 | Fitting, 90 | |
| 22 | 2220428 | 2 | Fitting, Quick Disconnect | |
| 23 | 2220429 | 2 | Cap, Dust | |
| 24 | 2180491 | 2 | Fitting, 90 | |
| 25 | 2751102 | 1 | Hose | |
| 26 | 2220329 | 1 | Fitting, Reducer | |
| 27 | 2220550 | 1 | Fitting, Reducer | |
| 28 | 2220451 | 1 | Fitting | |
| 29 | 2220407 | 1 | Fitting, 90 | |
| 30 | 2220700 | 1 | Fitting, Tee | |
| 31 | 2220622 | 1 | Fitting, Reducer | |
| 32 | 2751467 | 1 | Hose | |
| 33 | 2220385 | 1 | Fitting, Tee | |
| 34 | 2220621 | 1 | Fitting, Reducer | |
| 35 | 2220635 | 5 | Fitting, Tee | |
| 36 | 2750909 | 1 | Hose | |
| 38 | 2220250 | 2 | Fitting, Reducer | |
| 39 | 2220909 | 1 | Fitting | |
| 41 | 2220582 | 10 | Fitting | |
| 42 | 2751418 | 1 | Hose | |
| 43 | 2751030 | 5 | Hose | |
| 44 | 2220468 | 9 | Fitting | |
| 45 | 2751015 | 2 | Hose | |
| 46 | 2220907 | 2 | Fitting, Restrictor | |
| 47 | 2220472 | 6 | Fitting, 90 | |
| 48 | 2220605 | 4 | Fitting, Tee | |
| 49 | 2751421 | 3 | Hose | |
| 50 | 2220414 | 3 | Fitting | |
| 51 | 2751432 | 2 | Hose | |

SECTION 6 - HYDRAULIC

| ITEM | PART NUMBER | QTY | DESCRIPTION | REV |
|------|-------------|-----|----------------------------|-----|
| 52 | 2220504 | 2 | Fitting, Tee | |
| 53 | 2751435 | 2 | Hose | |
| 54 | 2220416 | 1 | Fitting, 90 | |
| 55 | 2200064 | 1 | Fitting, 90 | |
| 56 | 2180651 | 1 | Fitting, Modified | |
| 57 | 2220473 | 5 | Fitting | |
| 58 | 2750918 | 2 | Hose | |
| 59 | 2220417 | 2 | Fitting | |
| 60 | 2750901 | 2 | Hose | |
| 61 | 2751150 | 2 | Hose | |
| 64 | 2750999 | 1 | Hose | |
| 66 | 2750991 | 1 | Hose | |
| 67 | 2750998 | 1 | Hose | |
| 68 | 2751101 | 2 | Hose | |
| 69 | 2751852 | 1 | Hose | |
| 70 | 2751520 | 2 | Hose | |
| 71 | 2751457 | 3 | Hose | |
| 72 | 2751398 | 2 | Hose | |
| 73 | 2220684 | 2 | Fitting, Tee | |
| 74 | 2220507 | 1 | Fitting | |
| 75 | 2751394 | 3 | Hose | |
| 76 | 2220584 | 2 | Fitting, Tee | |
| 77 | 4640013 | 1 | Valve, Shuttle | |
| 78 | 2750902 | 2 | Hose | |
| 79 | 2220497 | 2 | Fitting | |
| 80 | 2751017 | 1 | Hose | |
| 81 | 2220711 | 1 | Fitting, Tee | |
| 82 | 2750891 | 1 | Hose | |
| 83 | 2750773 | 1 | Hose | |
| 84 | 2220346 | 1 | Fitting | |
| 85 | 2220376 | 1 | Fitting | |
| 86 | 2752159 | 1 | Hose | |
| 87 | 4640817 | 2 | Valve, Restrictor (.045) | |
| 88 | 2751391 | 1 | Hose | |
| 89 | 2220466 | 1 | Fitting | |
| 90 | 2220908 | 1 | Fitting, Restrictor (.047) | |
| 91 | 4640818 | 1 | Valve, Relief | |
| 92 | 2750921 | 2 | Hose | |
| 93 | 2220671 | 1 | Fitting | |
| 94 | 2751921 | 1 | Hose | |
| 95 | 4640213 | 1 | Valve, Restrictor (.015) | |
| 96 | 2751017 | 3 | Hose | |
| 97 | 2751026 | 1 | Hose | |
| 98 | 2750899 | 2 | Hose | |
| | 0100020 | AR | Sealant, Thread | |

SECTION 6 - HYDRAULIC

FIGURE 6-9. HYDRAULIC DIAGRAM - STEER



STANDARD BANG-BANG CONTROLS SHOWN
USE AS A REFERENCE FOR HYDRAULIC CONTROLS

1281284 - Rev C

SECTION 6 - HYDRAULIC

FIGURE 6-9. HYDRAULIC DIAGRAM - STEER

| ITEM | PART NUMBER | QTY | DESCRIPTION | REV |
|------|-------------|-----|--|-----|
| | 2791625 | Ref | HYDRAULIC DIAGRAM - STEER (2WD FIXED AXLE/BANG-BANG OR PROPORTIONAL CONTROLS) | A |
| | 2791626 | Ref | HYDRAULIC DIAGRAM - STEER (2WD OSCILLATING AXLE/BANG-BANG OR PROPORTIONAL CONTROLS) | A |
| | 2791633 | Ref | HYDRAULIC DIAGRAM - STEER (4WD/BANG-BANG OR PROPORTIONAL CONTROLS) | A |
| | 2791667 | Ref | HYDRAULIC DIAGRAM - STEER (2WD FIXED AXLE/HYDRAULIC CONTROLS) | - |
| | 2791668 | Ref | HYDRAULIC DIAGRAM - STEER (2WD OSCILLATING AXLE/HYDRAULIC CONTROLS) | - |
| | 2791669 | Ref | HYDRAULIC DIAGRAM - STEER (4WD/HYDRAULIC CONTROLS) | - |
| 1 | | Ref | Fitting, Straight Options: | |
| 1 | 2220468 | 2 | Standard - Bang-Bang or Proportional Controls | |
| 1 | 2220582 | 2 | Hydraulic Controls | |
| 2 | | Ref | Hose Options: | |
| 2 | 2751391 | 2 | Standard - Bang-Bang or Proportional Controls | |
| 2 | 2750760 | 2 | Hydraulic Controls | |
| 3 | 2220496 | 2 | Fitting, 45 | |
| 4 | 2220414 | 2 | Fitting, Straight | |
| 5 | | Ref | Hose Options: | |
| 5 | 2750894 | 1 | 2WD Fixed Axle/Bang-Bang | |
| 5 | 2750894 | 1 | 2WD Fixed Axle/Hydraulic Controls | |
| 5 | 2750897 | 1 | 2WD Oscillating Axle/Bang-Bang | |
| 5 | 2750897 | 1 | 2WD Oscillating Axle/Hydraulic Controls | |
| 5 | 2750892 | 1 | 4WD Bang-Bang or Proportional Controls | |
| 5 | 2750892 | 1 | 4WD Bang-Bang - Hydraulic Controls | |
| 6 | | Ref | Hose Options: | |
| 6 | 2750895 | 1 | 2WD Fixed Axle/Bang-Bang | |
| 6 | 2750895 | 1 | 2WD Fixed Axle/Hydraulic Controls | |
| 6 | 2750897 | 1 | 2WD Oscillating Axle/Bang-Bang | |
| 6 | 2750897 | 1 | 2WD Oscillating Axle/Hydraulic Controls | |
| 6 | 2750892 | 1 | 4WD Bang-Bang or Proportional Controls | |
| 6 | 2750892 | 1 | 4WD Bang-Bang - Hydraulic Controls | |
| 7 | 2220416 | 2 | Fitting, 90 | |

SECTION 6 - HYDRAULIC

FIGURE 6-10. HYDRAULIC DIAGRAM LIST

| ITEM | PART NUMBER | QTY | DESCRIPTION | REV |
|------|-------------|-----|---|-----|
| | | Ref | Note: Diagrams not shown are available from JLG Service/Parts Departments. | |
| | | Ref | Axle Lockout Hydraulic Diagrams: | |
| | 2791624 | Ref | All Machines Built Prior to June 1992 | |
| | 2791866 | Ref | 2WD Machines Built June 1992 to Present | |
| | 2791865 | Ref | 4WD Machines Built June 1992 to Present | |
| | 2792007 | Ref | Boeing Modifications Hydraulic Diagram | |
| | 1281328 | Ref | Drive Hydraulic Diagram - 2WD/2WS Without Swivel: | |
| | 2791645 | Ref | Deutz With Standard Bang-Bang Controls | |
| | 2791677 | Ref | Deutz With Proportional and Hydraulic Controls | |
| | 2791646 | Ref | Ford With Standard Bang-Bang Controls | |
| | 2791676 | Ref | Ford With Proportional and Hydraulic Controls | |
| | 2791914 | Ref | Kubota With Standard Bang-Bang Controls | |
| | 2791915 | Ref | Kubota With Proportional and Hydraulic Controls | |
| | 1281327 | Ref | Drive Hydraulic Diagram - 2WD/2WS With Swivel: | |
| | 2791627 | Ref | Deutz With Standard Bang-Bang Controls | |
| | 2791678 | Ref | Deutz With Proportional and Hydraulic Controls | |
| | 2791577 | Ref | Ford With Standard Bang-Bang Controls | |
| | 2791679 | Ref | Ford With Proportional and Hydraulic Controls | |
| | 2791914 | Ref | Kubota With Standard Bang-Bang Controls | |
| | 2791915 | Ref | Kubota With Proportional and Hydraulic Controls | |
| | 1281547 | Ref | Drive Hydraulic Diagram - 2WS/4WS With Swivel: | |
| | 2791803 | Ref | Deutz With Standard Bang-Bang Controls | |
| | 2791804 | Ref | Deutz With Proportional and Hydraulic Controls | |
| | 2791801 | Ref | Ford With Standard Bang-Bang Controls | |
| | 2791802 | Ref | Ford With Proportional and Hydraulic Controls | |
| | 2791930 | Ref | Kubota With Standard Bang-Bang Controls | |
| | 2791929 | Ref | Kubota With Proportional and Hydraulic Controls | |
| | 1281330 | Ref | Drive Hydraulic Diagram - 4WD/2WS Without Swivel: | |
| | 2791660 | Ref | Deutz With Standard Bang-Bang Controls | |
| | 2791682 | Ref | Deutz With Proportional and Hydraulic Controls | |
| | 2791661 | Ref | Ford With Standard Bang-Bang Controls | |
| | 2791683 | Ref | Ford With Proportional and Hydraulic Controls | |
| | 1281329 | Ref | Drive Hydraulic Diagram - 4WD/2WS With Swivel: | |
| | 2791632 | Ref | Deutz With Standard Bang-Bang Controls | |
| | 2791680 | Ref | Deutz With Proportional Controls | |
| | 2791617 | Ref | Ford With Standard Bang-Bang Controls | |
| | 2791681 | Ref | Ford With Proportional and Hydraulic Controls | |
| | 2791617 | Ref | Kubota With Standard Bang-Bang Controls (Prior to March 1992) | |
| | 2791892 | Ref | Kubota With Standard Bang-Bang Controls (March 1992 to July 1993) | |
| | 2792087 | Ref | Kubota With Standard Bang-Bang Controls (July 1993 to Present) | |
| | 2791681 | Ref | Kubota Proportional and Hydraulic Controls (Prior to March 1992) | |
| | 2791893 | Ref | Kubota With Proportional and Hydraulic Controls (March 1992 to July 1993) | |
| | 2792088 | Ref | Kubota With Proportional and Hydraulic Controls (July 1993 to Present) | |
| | 1281548 | Ref | Drive Hydraulic Diagram - 4WD/4WS With Swivel: | |

SECTION 6 - HYDRAULIC

| ITEM | PART NUMBER | QTY | DESCRIPTION | REV |
|------|-------------|-----|---|-----|
| | 2791805 | Ref | Deutz With Standard Bang-Bang Controls | |
| | 2791807 | Ref | Deutz With Proportional and Hydraulic Controls | |
| | 2791806 | Ref | Ford With Standard Bang-Bang Controls | |
| | 2791808 | Ref | Ford With Proportional and Hydraulic Controls | |
| | 2791916 | Ref | Kubota With Standard Bang-Bang Controls | |
| | 2791917 | Ref | Kubota With Proportional and Hydraulic Controls | |
| | | Ref | Manual Descent Hydraulic Diagrams: | |
| | 0251299 | Ref | Valves and Hosing (Prior to June 1992) | |
| | 0253239 | Ref | Valves and Hosing (June 1992 to Present) | |
| | 2791785 | Ref | Hydraulic Diagram (Prior to June 1992) | |
| | 2791968 | Ref | Hydraulic Diagram (June 1992 to Present) | |
| | 0253393 | Ref | Oil Cooler Hydraulic Diagram | |
| | | Ref | Rotate Hydraulic Diagrams: | |
| | 2791578 | Ref | Standard Bang-Bang and Proportional Controls | |
| | 2791673 | | Hydraulic Controls | |
| | | Ref | Standard Hydraulic Diagrams: | |
| | 2791592 | Ref | Deutz With Standard Bang-Bang Controls (Prior to June 1992) | |
| | 2791957 | Ref | Deutz With Standard Bang-Bang Controls (June 1992 to May 1993) | |
| | 2792002 | Ref | Deutz With Standard Bang-Bang Controls (May 1993 to Present) | |
| | 2791857 | Ref | Deutz With Proportional Controls (Prior to June 1992) | |
| | 2791960 | Ref | Deutz With Proportional Controls (June 1992 to May 1993) | |
| | 2792003 | Ref | Deutz With Proportional Controls (May 1993 to Present) | |
| | 2791576 | Ref | Ford/Kubota With Standard Bang-Bang Controls (Prior to June 1992) | |
| | 2791958 | Ref | Ford/Kubota With Standard Bang-Bang Controls (June 1992 to May 1993) | |
| | 2792001 | Ref | Ford/Kubota With Standard Bang-Bang Controls (May 1993 to Present) | |
| | 2791693 | Ref | Ford/Kubota Proportional Controls (Prior to June 1992) | |
| | 2791959 | Ref | Ford/Kubota Proportional Controls (June 1992 to May 1993) | |
| | 2792004 | Ref | Ford/Kubota Proportional Controls (May 1993 to Present) | |
| | 2791664 | Ref | Ford/Kubota Proportional Controls (May 1993 to Present) | |
| | 2791956 | Ref | Hydraulic Controls (June 1992 to May 1993) | |
| | 2792005 | Ref | Hydraulic Controls (May 1993 to Present) | |
| | 1281326 | Ref | Steer Hydraulic Diagram Without Swivel (2WS) | |
| | 2791655 | Ref | 2WD Fixed Axle With Standard Bang-Bang or Proportional Controls | |
| | 2791656 | Ref | 2WD Oscillating Axle With Standard Bang-Bang or Proportional Controls | |
| | 2791657 | Ref | 4WD With Standard Bang-Bang or Proportional Controls | |
| | 2791670 | Ref | 2WD Fixed Axle With Hydraulic Controls | |
| | 2791671 | Ref | 2WD Oscillating Axle With Hydraulic Controls | |
| | 2791672 | Ref | 4WD With Hydraulic Controls | |
| | 1281284 | Ref | Steer Hydraulic Diagram With Swivel (2WS) | |
| | 2791625 | Ref | 2WD Fixed Axle With Standard Bang-Bang or Proportional Control | |
| | 2791626 | Ref | 2WD Oscillating Axle With Standard Bang-Bang or Proportional Control | |
| | 2791633 | Ref | 4WD With Standard Bang-Bang or Proportional Control | |
| | 2791667 | Ref | 2WD Fixed Axle With Hydraulic Controls | |
| | 2791668 | Ref | 2WD Oscillating Axle With Hydraulic Controls | |
| | 2791669 | Ref | 4WD With Hydraulic Controls | |

SECTION 6 - HYDRAULIC

| ITEM | PART NUMBER | QTY | DESCRIPTION | REV |
|------|-------------|-----|--|-----|
| | 1281553 | Ref | Steer Hydraulic Diagram (4WS) | |
| | 2791812 | Ref | 2WD Fixed Axle | |
| | 2791813 | Ref | 2WD Oscillating Axle | |
| | 2791814 | Ref | 4WD | |
| | | Ref | Tow Hydraulic Diagrams | |
| | 2791295 | Ref | Tow Hydraulic Diagrams (Prior to March 1993) | |
| | 2791764 | Ref | Tow Hydraulic Diagrams (March 1993 to Present) | |

SECTION 7 - ELECTRICAL

SECTION 7 - ELECTRICAL

FIGURE 7-1. ELECTRICAL DIAGRAM LIST

| ITEM | PART NUMBER | QTY | DESCRIPTION | REV |
|------|-------------|------------|---|-----|
| | | Ref | ELECTRICAL DIAGRAM LIST | |
| | | Ref | Note: Diagrams not shown are available from the JLG Service Department. | |
| | | Ref | Alarm Electrical Diagrams Options | |
| | | Ref | Machines Built Prior to January 1993: | |
| | 4931947 | Ref | Travel/Back-up/Swing Descent Electrical Diagram | G |
| | 1281985 | Ref | Travel/Back-up/Swing Descent Electrical Diagram | G |
| | 0610091 | 1 | Card, Circuit | |
| | 3740049 | 1 | Relay | |
| | 4931946 | Ref | Motion Electrical Diagram | - |
| | 3990010 | 2 | Diode - 6 Amp | |
| | 3740049 | 1 | Relay, Bosch - SPDT | |
| | 0140016 | 1 | Alarm, Horn | |
| | 4931954 | Ref | Tilt Electrical Diagram (5) | B |
| | 0140016 | 1 | Alarm, Horn | |
| | 3740049 | 1 | Relay, Bosch - SPDT | |
| | 4360089 | 1 | Flasher - 12V | |
| | | Ref | Machines Built January 1993 to Present: | |
| | 4932638 | Ref | Travel Electrical Diagram | 2 |
| | 1282091 | Ref | Travel Electrical Diagram | D |
| | 0610104 | 1 | Card, Circuit | |
| | 4932639 | Ref | Motion Electrical Diagram (Standard Bang-Bang and Proportional Controls) | 2 |
| | 1282091 | Ref | Motion Electrical Diagram (Standard Bang - Bang and Proportional Controls) | D |
| | 4932676 | Ref | Motion Electrical Diagram (Hydraulic Controls) | - |
| | 3740049 | 1 | Relay | |
| | 3990010 | 2 | Diode - 6 Amp | |
| | 1060341 | 11 ft/3.4m | Cable, Electrical - 16/2 | |
| | 0253077 | Ref | Tilt Electrical Diagram | 5 |
| | 0140026 | 1 | Alarm | |
| | 1540002 | 1 | Capacitor | |
| | 0254240 | Ref | Cold Weather Electrical Diagram (Deutz) | B |
| | 1281701 | Ref | Cold Weather Electrical Diagram (Deutz) | D |
| | 4932362 | Ref | Collector Ring Electrical Diagram (4WS) | A |
| | 1281526 | Ref | Collector Ring Electrical Diagram (4WS) | C |
| | 1060042 | 15 ft | Cable, Electrical - 16/5 | |
| | 4460049 | 1 | Connector, Strain Relief (At Ground Control Box) | |
| | 0960239 | 1 | Bushing | |
| | 3300047 | 1 | Nut, Conduit | |
| | 4932047 | Ref | Dual Fuel Electrical Diagram (Ford) | B |
| | 1281479 | Ref | Dual Fuel Electrical Diagram (Ford) | - |
| | 4921305 | 1 | Harness (M.T.B. to Gas and LP Solenoid Valves) | |
| | 4360201 | 1 | Switch, Toggle | |
| | 0251537 | Ref | Engine Distress Electrical Diagram - Deutz Machines | D |
| | 1281525 | Ref | Engine Distress Electrical Diagram - Deutz Machines | E |
| | 4921361 | 1 | Harness | |
| | 4360065 | 1 | Switch, Pressure | |
| | 2920026 | 1 | Lamp, Indicator (At Platform Console) | |

SECTION 7 - ELECTRICAL

| ITEM | PART NUMBER | QTY | DESCRIPTION | REV |
|------|-------------|-------|--|-----|
| | 0252625 | Ref | Engine Distress Electrical Diagram - Ford Machines | 5 |
| | 2920026 | 1 | Light (At Platform Console) | |
| | 4360182 | 1 | Switch, Oil Pressure | |
| | 4360157 | 1 | Switch, Water Temperature | |
| | 3740049 | 1 | Relay | |
| | 2920029 | 1 | Bulb | |
| | 0252394 | Ref | Engine Distress Electrical Diagram - Kubota Machines | - |
| | 2920026 | 1 | Lamp, Indicator (At Platform Console) | |
| | 4360182 | 1 | Switch, Oil Pressure | |
| | 4360157 | 1 | Switch, Water Temperature | |
| | 3740049 | 1 | Relay | |
| | 0251682 | Ref | Engine Shutdown Electrical Diagram (Deutz) (1991 to Present) | - |
| | 3990010 | 1 | Diode - 6 Amp | |
| | 3740049 | 1 | Relay, Bosch - SPDT | |
| | 4360065 | 1 | Switch, Pressure - N.C. | |
| | 4931945 | Ref | Generator Electrical Diagram (110V) (Deutz and Kubota) | A |
| | 4932046 | Ref | Generator Electrical Diagram (110V) (Ford) | 5 |
| | 4460027 | 1 | Outlet, Electrical - Female Twist Lock | |
| | 3990001 | 1 | Diode - 3.5 Amp (Deutz and Kubota) | |
| | 3990010 | 2 | Diode - 6.5 Amp (Ford) | |
| | 3740049 | 2 | Relay, Bosch - SPDT | |
| | 4360294 | 1 | Breaker, Circuit - 30 Amp Marine Type | |
| | | Ref | Glow Plug Electrical Diagram (Kubota Engines) | |
| | 4921555 | 1 | Harness | |
| | 4931998 | Ref | Heaters Electrical Diagram | A |
| | 1060016 | 20 ft | Cable, Electrical - 16/3 (Heaters to Junction Box) | |
| | 1060515 | 3 ft | Cable, Electrical - 12/4 (Thermostat to Junction Box) (was p/n 1060012) | |
| | | Ref | Lights Electrical Diagram Options | |
| | 4931942 | Ref | Beacon Light On Hood Electrical Diagram (December 1990 to Present) | 5 |
| | 4931740 | Ref | Beacon Light On Hood Electrical Diagram (Prior to December 1990) | A |
| | 1281671 | Ref | Beacon Light On Platform Electrical Diagram (September 1991 to Present) | D |
| | 2920018 | 1 | Light, Beacon - Amber | |
| | 2920009 | 1 | Light, Beacon - Red | |
| | 0253816 | Ref | Fuel Indicator Light Electrical Diagram | |
| | 4360265 | 1 | Switch, LPG | |
| | 2920026 | Ref | Lamp, Indicator | |
| | 3252269 | Ref | Nameplate - LP Light | |
| | 4931941 | Ref | Headlights and Taillights Electrical Diagram | E |
| | 3740049 | 1 | Relay, Bosch - SPDT (At Ground Control Box) | |
| | 4360199 | 1 | Switch, Toggle (At Platform Console Box) | |
| | 3251019 | 1 | Nametag - Light On | |
| | 1060016 | AR | Cable, Electrical - 16/3 | |
| | 2920019 | 2 | Taillight/Clearance Light | |
| | 3740002 | 1 | Relay, Power | |
| | 0251619 | Ref | Panel Lights Electrical Diagram (Standard Bang-Bang and Proportional Controls) | A |
| | 1281525 | Ref | Panel Lights Electrical Diagram (Standard Bang- Bang and Proportional Controls) | D |
| | 0251690 | Ref | Panel Lights Electrical Diagram (Hydraulic Controls) | B |

SECTION 7 - ELECTRICAL

| ITEM | PART NUMBER | QTY | DESCRIPTION | REV |
|------|-------------|-----------|---|-----|
| | 2920024 | 3 | Light, Panel | |
| | 4931943 | Ref | Worklights Electrical Diagram (Prior to November 1992) | |
| | 4360232 | 1 | Breaker, Circuit - 15 Amp | |
| | 2920013 | 2 | Worklight | |
| | 0253987 | Ref | Worklights Electrical Diagram (November 1992 to Present) | C |
| | 2920111 | 2 | Worklight, Halogen | |
| | 0253393 | Ref | Oil Cooler Electrical Diagram | - |
| | 4921529 | 1 | Harness | |
| | 4360181 | 1 | Switch, Temperature | |
| | | Ref | Platform Electrical Diagrams Options | |
| | 1281356 | Ref | Bang-Bang (Standard) Controls: | F |
| | 4932007 | Ref | Platform Electrical Diagram - Deutz/Ford 2WS | E |
| | 4932375 | Ref | Platform Electrical Diagram - Deutz/Ford 4WS | A |
| | 4932074 | Ref | Platform Electrical Diagram - Kubota 2WS | C |
| | 4932376 | Ref | Platform Electrical Diagram - Kubota 4WS | A |
| | 1540002 | 1 | Capacitor 1000MFD/25VDC | |
| | 3990010 | AR | Diode - 6 Amp | |
| | 1060515 | 8 ft/2.4m | Cable, Electrical - 12/4 (To Footswitch) (was p/n 1060309) | |
| | | Ref | Hydraulic Controls: | |
| | 4932054 | Ref | Platform Electrical Diagram | B |
| | 3990010 | 1 | Diode - 6 Amp | |
| | 1540002 | 1 | Capacitor - 1000MFD/25VDC | |
| | 1060515 | 8 ft/2.4m | Cable, Electrical - 12/4 (To Footswitch) (was p/n 1060309) | |
| | | Ref | Proportional Controls: | |
| | 4932441 | Ref | Platform Electrical Diagram - Deutz 2WS (Prior to February 1993) | B |
| | 1281712 | Ref | Platform Electrical Diagram - Deutz 2WS (Prior to February 1993) | B |
| | 4932442 | Ref | Platform Electrical Diagram - Deutz 4WS (Prior to February 1993) | A |
| | 1281712 | Ref | Platform Electrical Diagram - Deutz 4WS (Prior to February 1993) | B |
| | 4932486 | Ref | Platform Electrical Diagram - Ford 2WS (Prior to February 1993) | A |
| | 1281712 | Ref | Platform Electrical Diagram - Ford 2WS (Prior to February 1993) | B |
| | 4932487 | Ref | Platform Electrical Diagram - Ford 4WS (Prior to February 1993) | A |
| | 1281712 | Ref | Platform Electrical Diagram - Ford 4WS (Prior to February 1993) | B |
| | 4932067 | Ref | Platform Electrical Diagram - Kubota 2WS (Prior to February 1993) | B |
| | 1281571 | Ref | Platform Electrical Diagram - Kubota 2WS (Prior to February 1993) | B |
| | 4932379 | Ref | Platform Electrical Diagram - Kubota 4WS (Prior to February 1993) | - |
| | 1281571 | Ref | Platform Electrical Diagram - Kubota 4WS (Prior to February 1993) | B |
| | 9983562 | Ref | Platform Electrical Diagram - 2WS With Steer In Controller (February 1993 to Present) | 1 |
| | 4932600 | Ref | Platform Electrical Diagram - 2WS Without Steer In Controller (February 1993 to Present) | A |
| | 1282004 | Ref | Platform Electrical Diagram - 2WS Without Steer In Controller (February 1993 to Present) | A |
| | 4932601 | Ref | Platform Electrical Diagram - 4WS Without Steer In | A |

SECTION 7 - ELECTRICAL

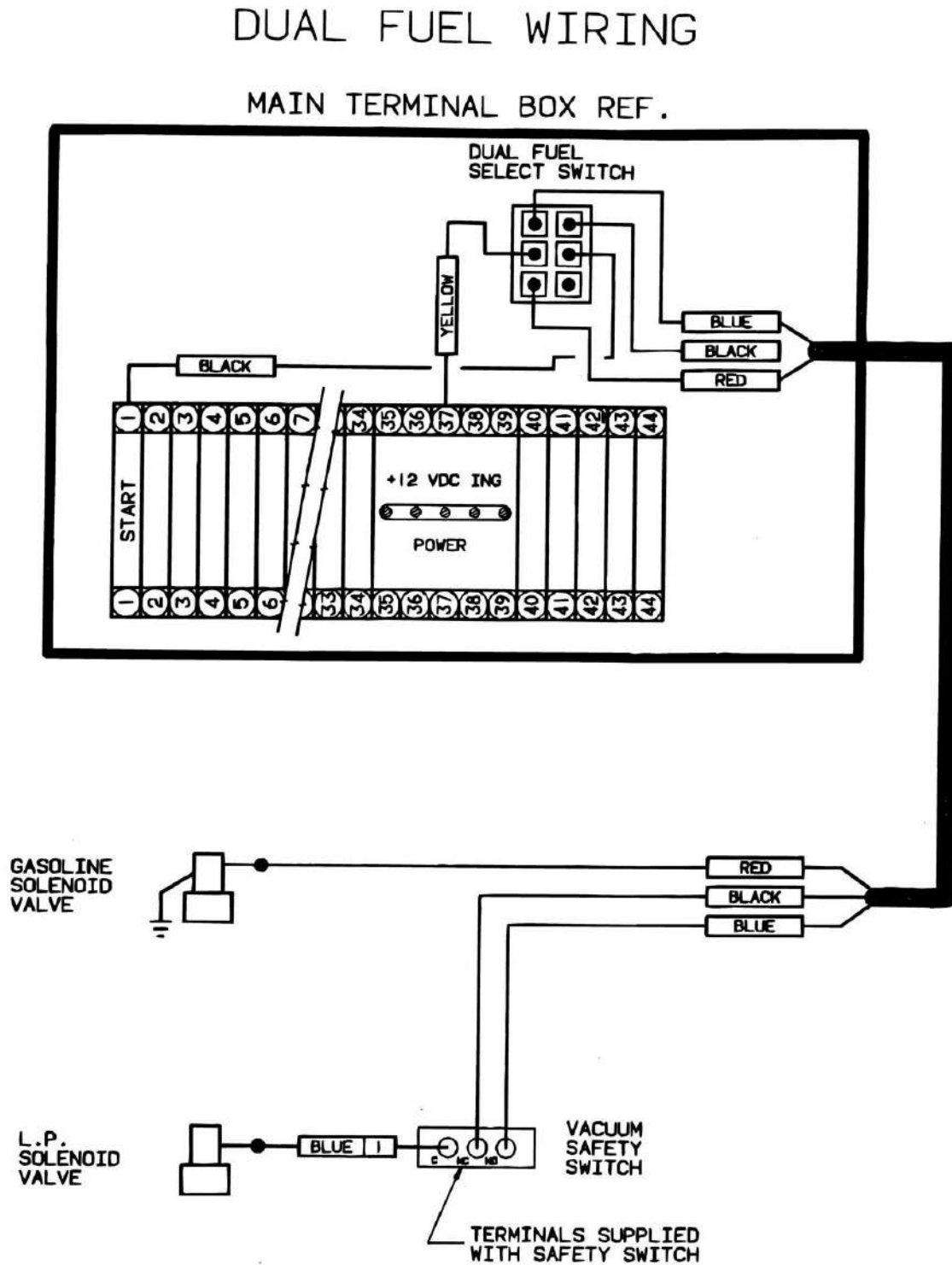
| ITEM | PART NUMBER | QTY | DESCRIPTION | REV |
|------|-------------|------------|---|-----|
| | 1282004 | Ref | Controller (February 1993 to Present) Platform Electrical Diagram - 4WS Without Steer In Controller (February 1993 to Present) | A |
| | 3990010 | 3 | Diode - 6 Amp | |
| | 1540002 | 1 | Capacitor 1000mfd/25V | |
| | 1060515 | 8 ft/2.4m | Cable, Electrical - 12/4 (To Footswitch) (was p/n 1060309) | |
| | 0255619 | Ref | Remote Control Electrical Diagram Options | |
| | | Ref | Remote Control Box Electrical Diagram | |
| | 0238954 | Ref | Remote Control Box Electrical Diagram (Prior to July 1995) | |
| | 0253604 | Ref | Remote Control Box Electrical Diagram (July 1995 to Present) | |
| | 0251687 | Ref | Remote Control Electrical Diagram (Box to Ground Control) | |
| | | Ref | Standard Electrical Diagram Options: | |
| | | Ref | Deutz Machines: | |
| | 4931991 | Ref | Standard Bang-Bang Controls | 13 |
| | 1060016 | 10 ft/3.0m | Cable, Electrical - 16/3 (To Limit Switches) (was p/n 1060300) | |
| | | Ref | Harness - Engine and Valves Options: | |
| | 4921250 | 1 | Harness - Engine and Valves (Prior to August 1995) | |
| | 4921788 | 1 | Harness - Engine and Valves (August 1995 to Present) | |
| | 3990010 | 1 | Diode - 6 Amp | |
| | 4932440 | Ref | Proportional Controls | E |
| | 1060300 | 10 ft/3.0m | Cable, Electrical - 16/3 (To Limit Switches) | |
| | | Ref | Harness - Engine and Valves Options: | |
| | 4921391 | 1 | Harness - Engine and Valves (Prior to August 1995) | |
| | 4921790 | 1 | Harness - Engine and Valves (August 1995 to Present) | |
| | 3990010 | 4 | Diode - 6 Amp | |
| | 4932076 | Ref | Hydraulic Controls | H |
| | 3990010 | 2 | Diode - 6 Amp | |
| | | Ref | Harness - Engine and Valves Options: | |
| | 4921284 | 1 | Harness - Engine and Valves (Prior to August 1995) | |
| | 4921789 | 1 | Harness - Engine and Valves (August 1995 to Present) | |
| | 1060300 | 10 ft/3.0m | Cable, Electrical - 16/3 | |
| | | Ref | Ford Machines: | |
| | 4931962 | Ref | Standard Bang-Bang Controls with Bosch Alternator (Prior to September 1994) | F |
| | 4932754 | Ref | Standard Bang-Bang Controls with Prestolite Alternator (September 1994 to Present) | A |
| | 4932485 | Ref | Proportional Controls with Bosch Alternator (Prior to February 1993) | A |
| | 4932615 | Ref | Proportional Controls with Bosch Alternator (February 1993 to September 1994) | B |
| | 4932751 | Ref | Proportional Controls with Prestolite Alternator (September 1994 to Present) | A |
| | 1060300 | 10 ft/3.0m | Cable, Electrical - 16/3 (To Limit Switches) | |
| | 4921251 | 1 | Harness - Engine and Valves | |
| | 3990010 | 3 | Diode - 6 Amp | |
| | 4932055 | Ref | Hydraulic Controls with Bosch Alternator (Prior to September 1994) | D |
| | 4932753 | Ref | Hydraulic Controls with Prestolite Alternator (September 1994 to Present) | A |
| | 1060300 | 8 ft/2.4m | Cable, Electrical - 16/3 (To Limit Switches) | |
| | 4921262 | 1 | Harness - Engine and Valves | |
| | 3990010 | 2 | Diode - 6 Amp | |

SECTION 7 - ELECTRICAL

| ITEM | PART NUMBER | QTY | DESCRIPTION | REV |
|------|-------------|------------|--|-----|
| | | Ref | Kubota Machines: | |
| | 4932072 | Ref | Standard Bang-Bang Controls | E |
| | 1060300 | 10 ft/3.0m | Cable, Electrical - 16/3 (To Limit Switches) | |
| | 4921286 | 1 | Harness - Engine and Valves | |
| | 3990010 | 2 | Diode - 6 Amp | |
| | 4932012 | Ref | Proportional Controls | I |
| | 1060300 | 10 ft/3.0m | Cable, Electrical - 16/3 (To Limit Switches) | |
| | 4921278 | 1 | Harness - Engine and Valves | |
| | 3990010 | 2 | Diode - 6 Amp | |
| | 4932362 | Ref | Steer Electrical Diagram (4WS) | - |
| | 1281526 | Ref | Steer Electrical Diagram (4WS) | A |
| | 1060042 | 15 ft/4.6m | Cable, Electrical - 16/5 | |
| | 4460260 | 1 | Connector, Strain Relief (At Ground Control Box) | |
| | 0960239 | 1 | Bushing | |
| | 3300047 | 1 | Nut, Conduit | |

SECTION 7 - ELECTRICAL

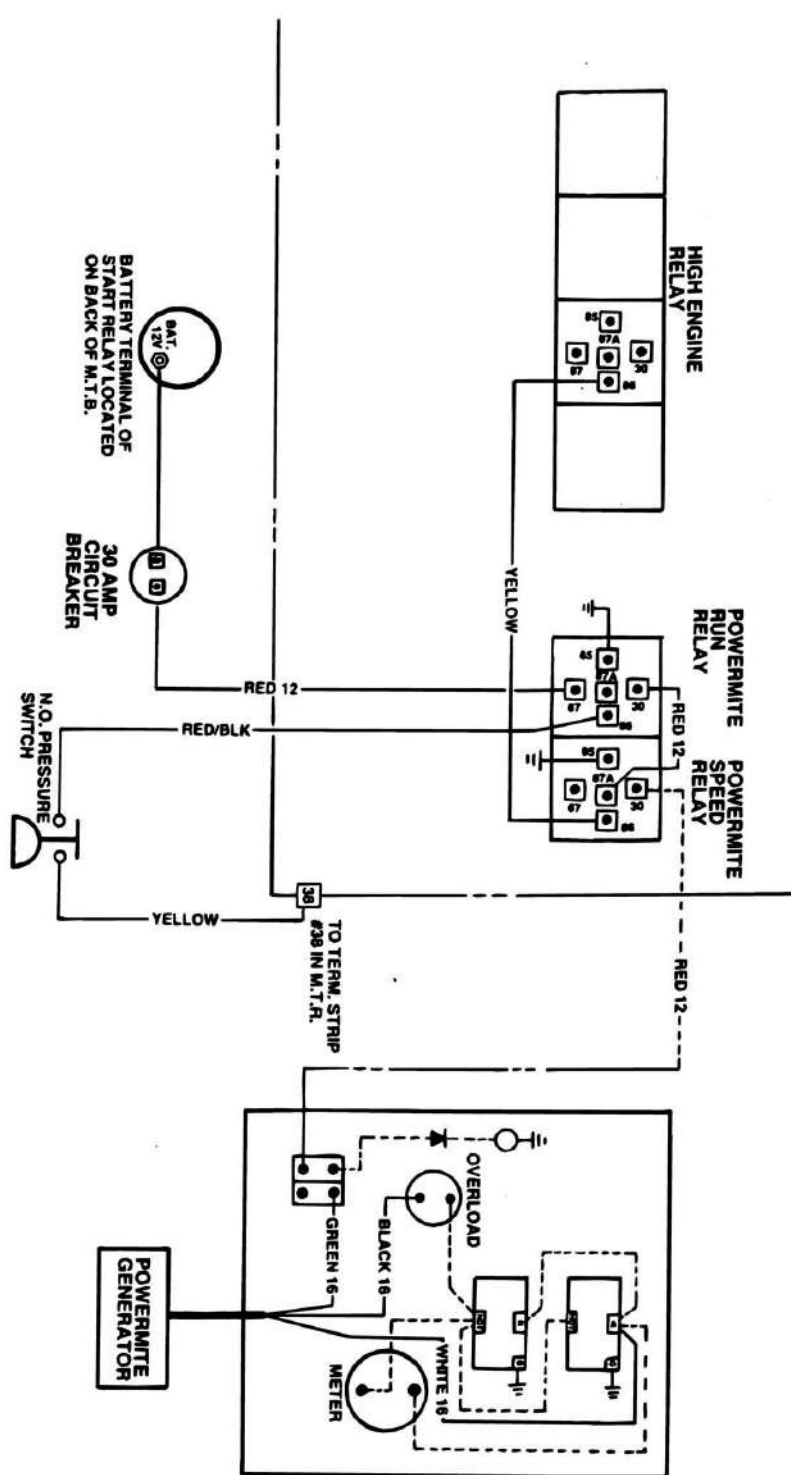
FIGURE 7-2. DUAL FUEL ELECTRICAL DIAGRAM (FORD)



4931479 - Rev -

SECTION 7 - ELECTRICAL

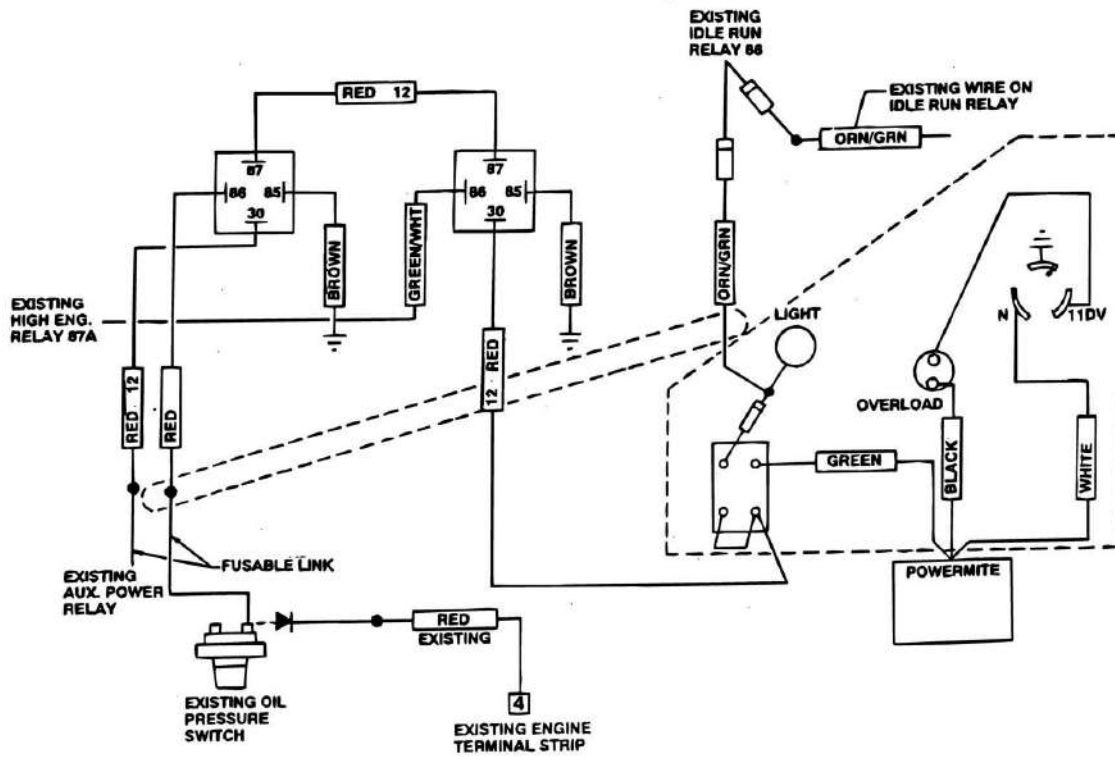
FIGURE 7-3. GENERATOR ELECTRICAL DIAGRAM (110V) (DEUTZ)



4931945 - Rev A

SECTION 7 - ELECTRICAL

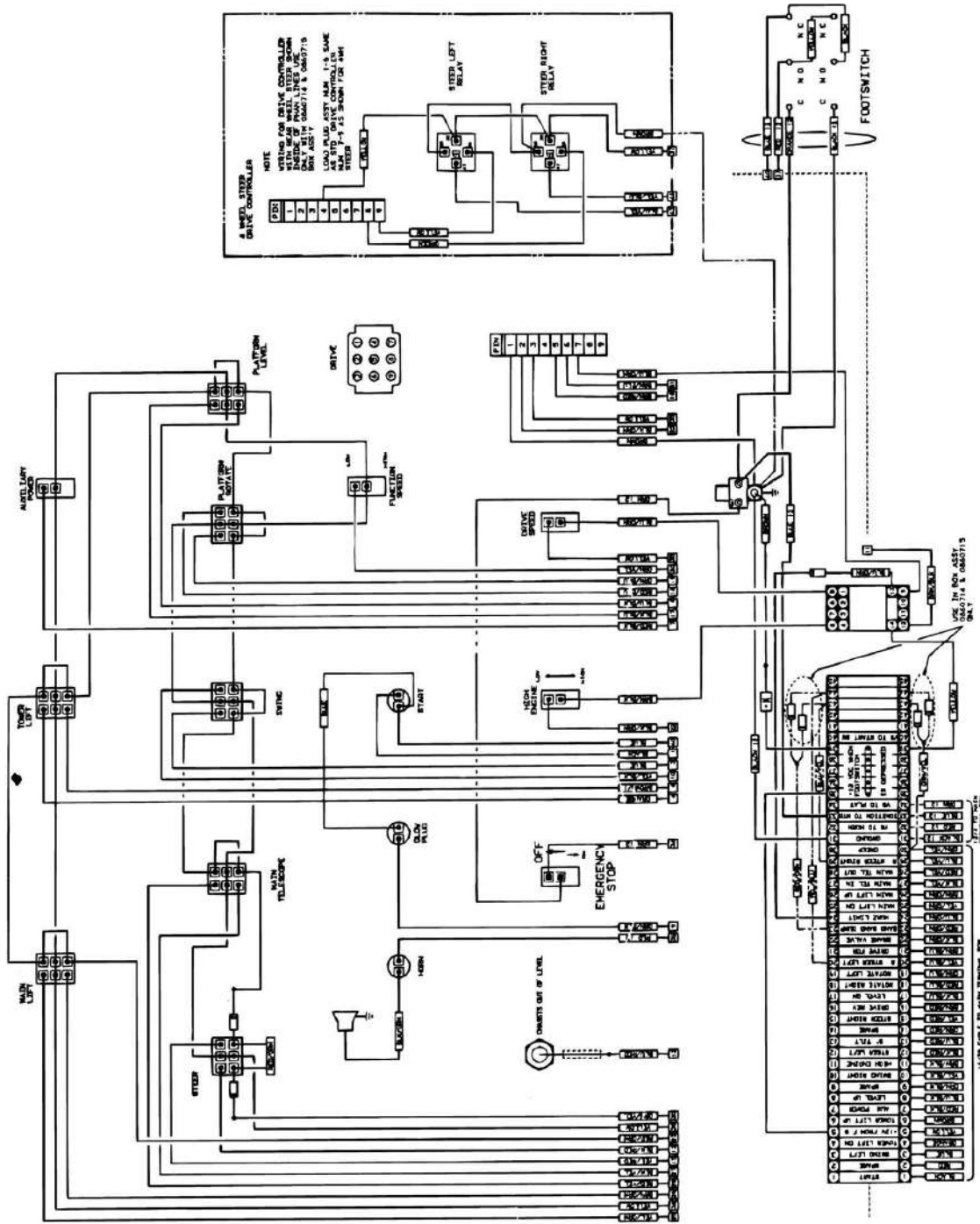
FIGURE 7-4. GENERATOR ELECTRICAL DIAGRAM (110V) (FORD)



4932046 - Rev E

SECTION 7 - ELECTRICAL

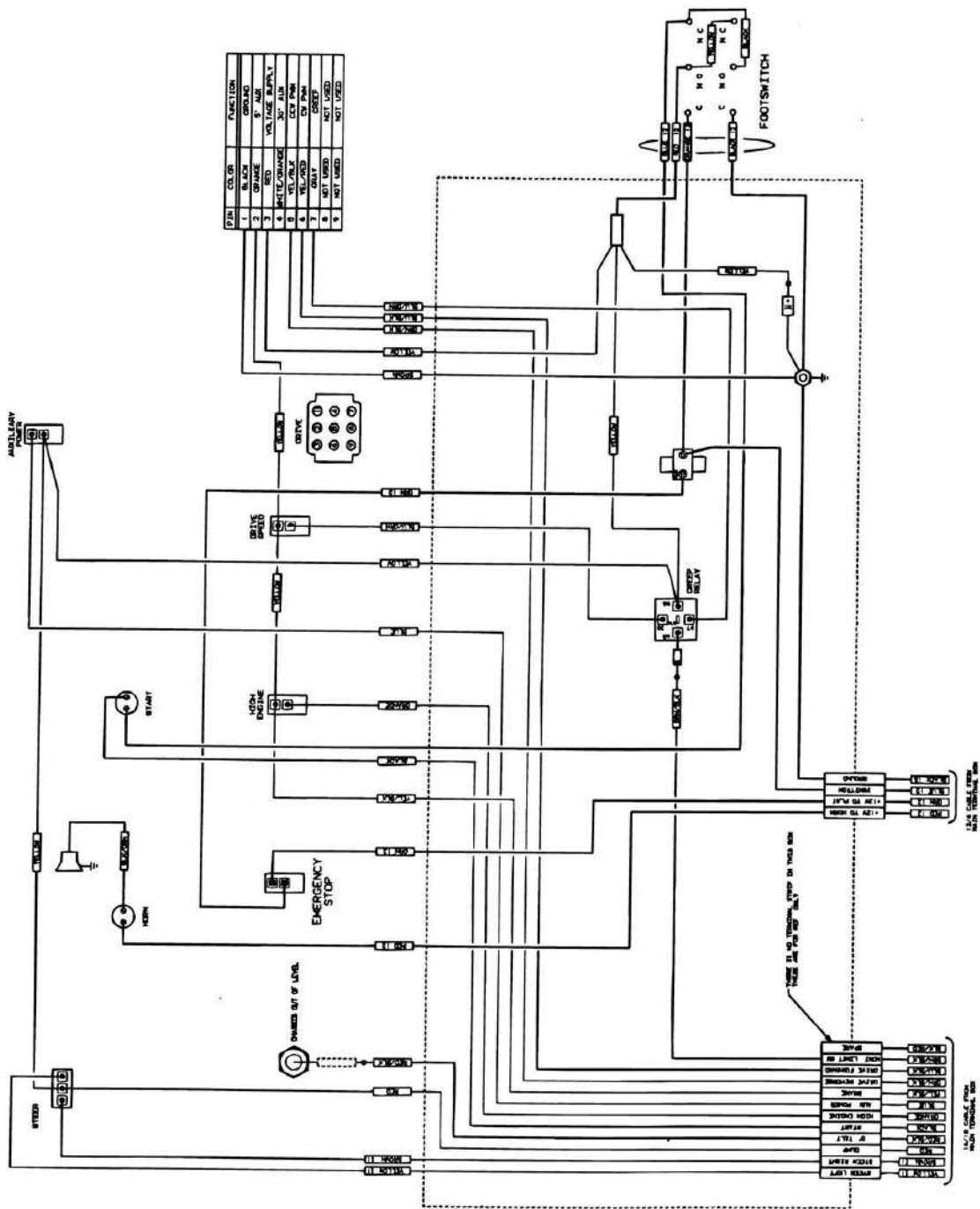
FIGURE 7-5. PLATFORM ELECTRICAL DIAGRAM - BANG-BANG (STANDARD) CONTROLS



1281356 - Rev F

SECTION 7 - ELECTRICAL

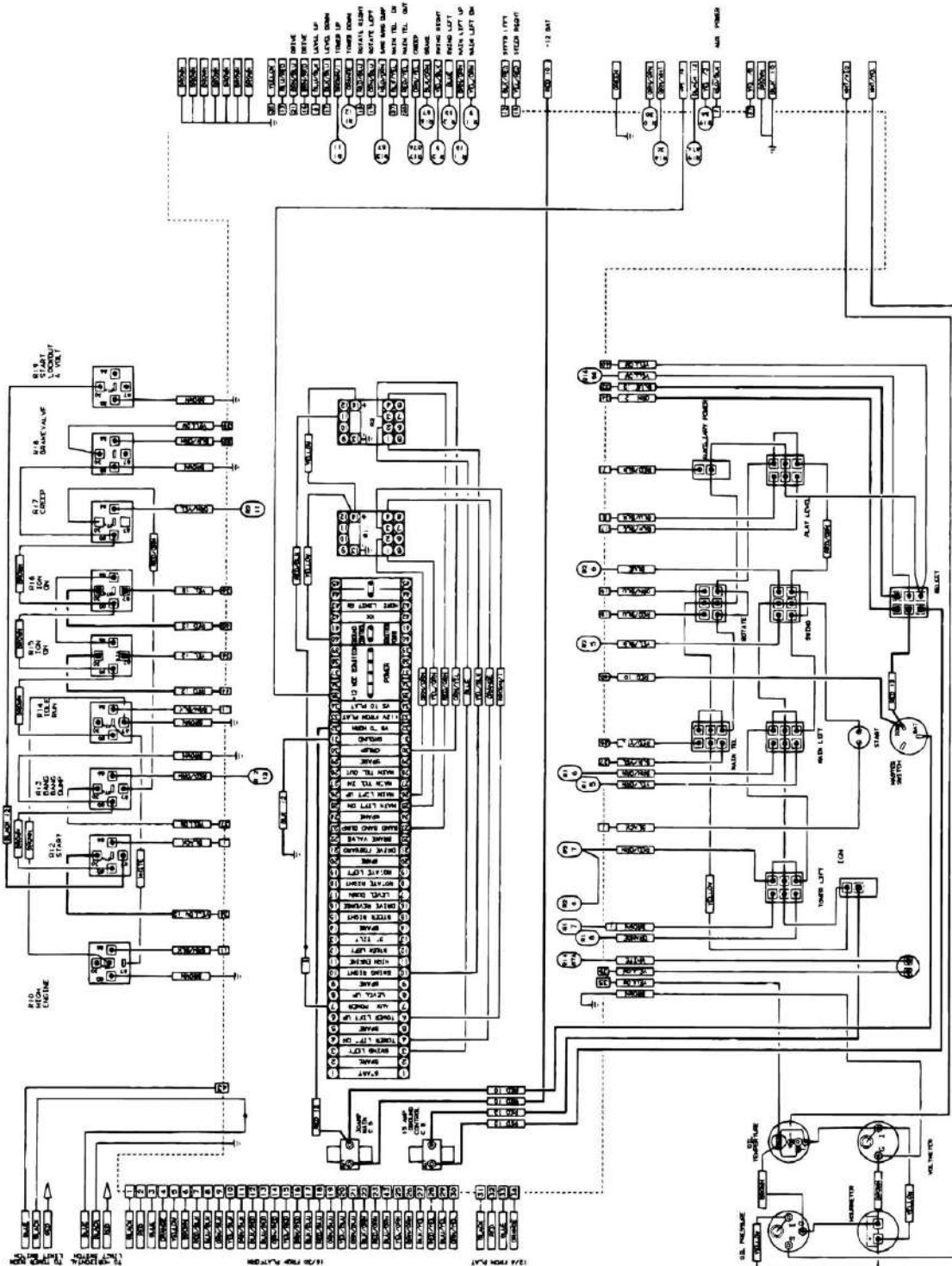
FIGURE 7-6. PLATFORM ELECTRICAL DIAGRAM - HYDRAULIC CONTROLS



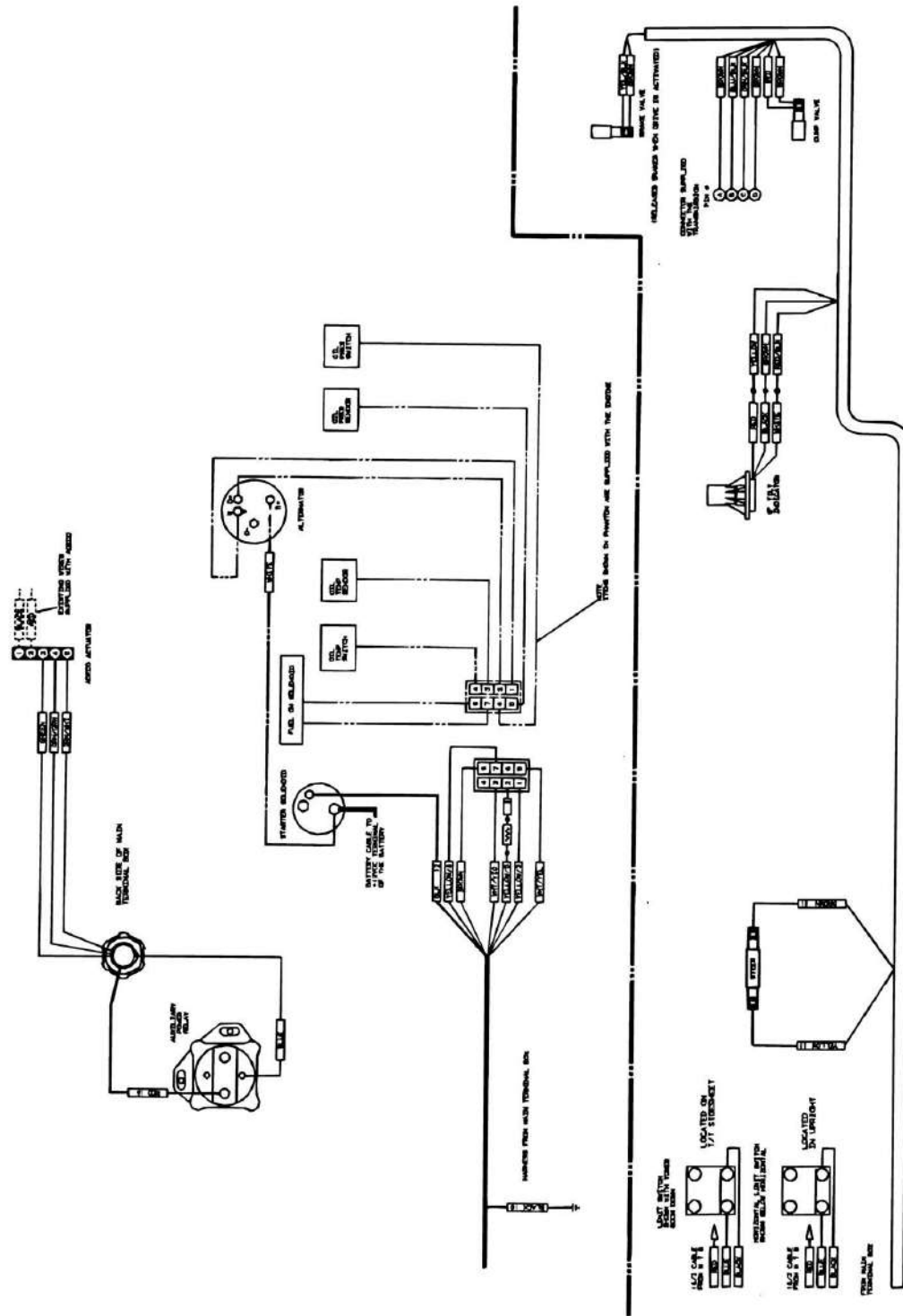
4932054 - Rev B

SECTION 7 - ELECTRICAL

FIGURE 7-7. STANDARD ELECTRICAL DIAGRAM - DEUTZ WITH STANDARD BANG-BANG CONTROLS



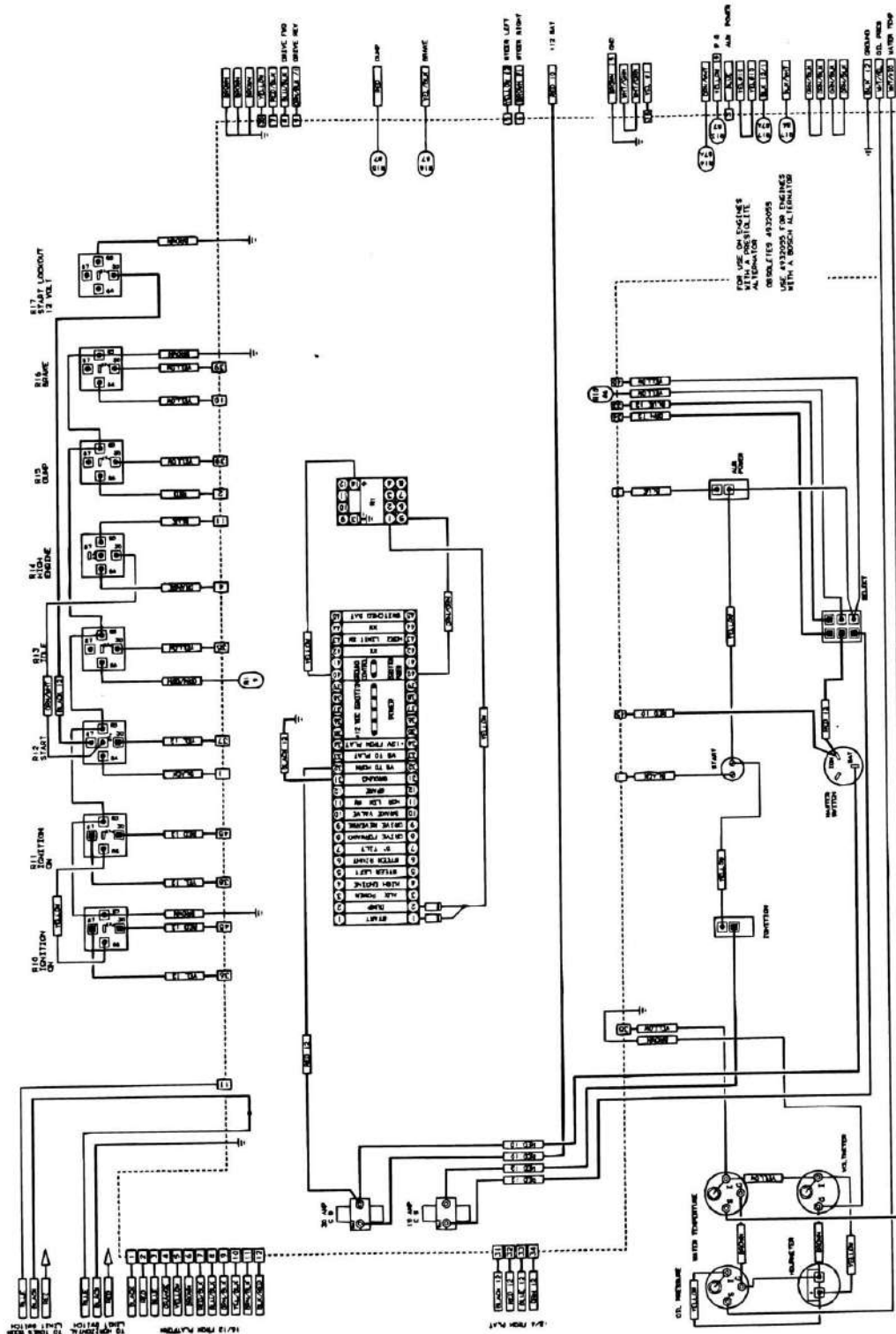
SECTION 7 - ELECTRICAL

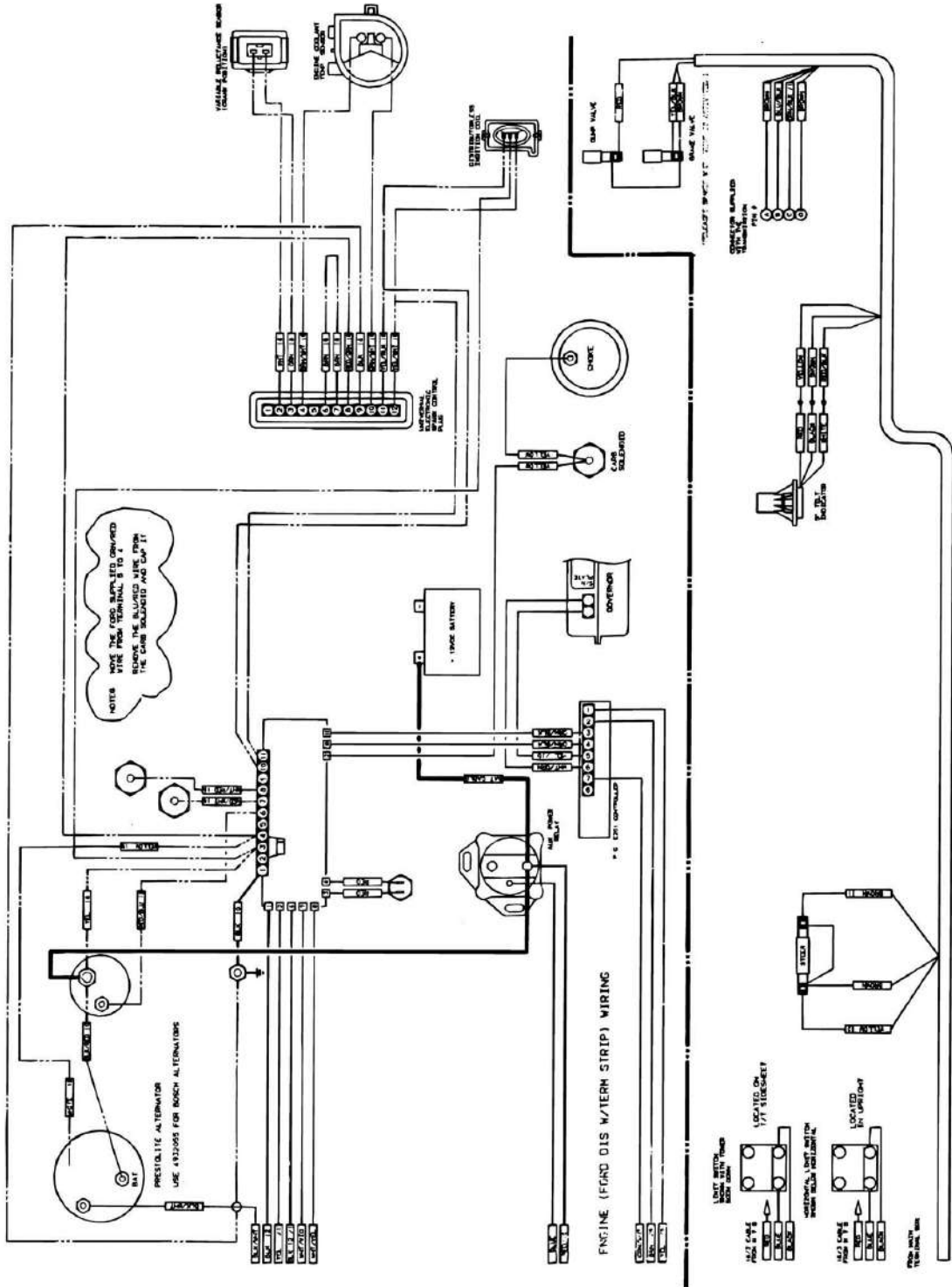


4932076 - Rev H

SECTION 7 - ELECTRICAL

FIGURE 7-10. STANDARD ELECTRICAL DIAGRAM - FORD WITH HYDRAULIC CONTROLS



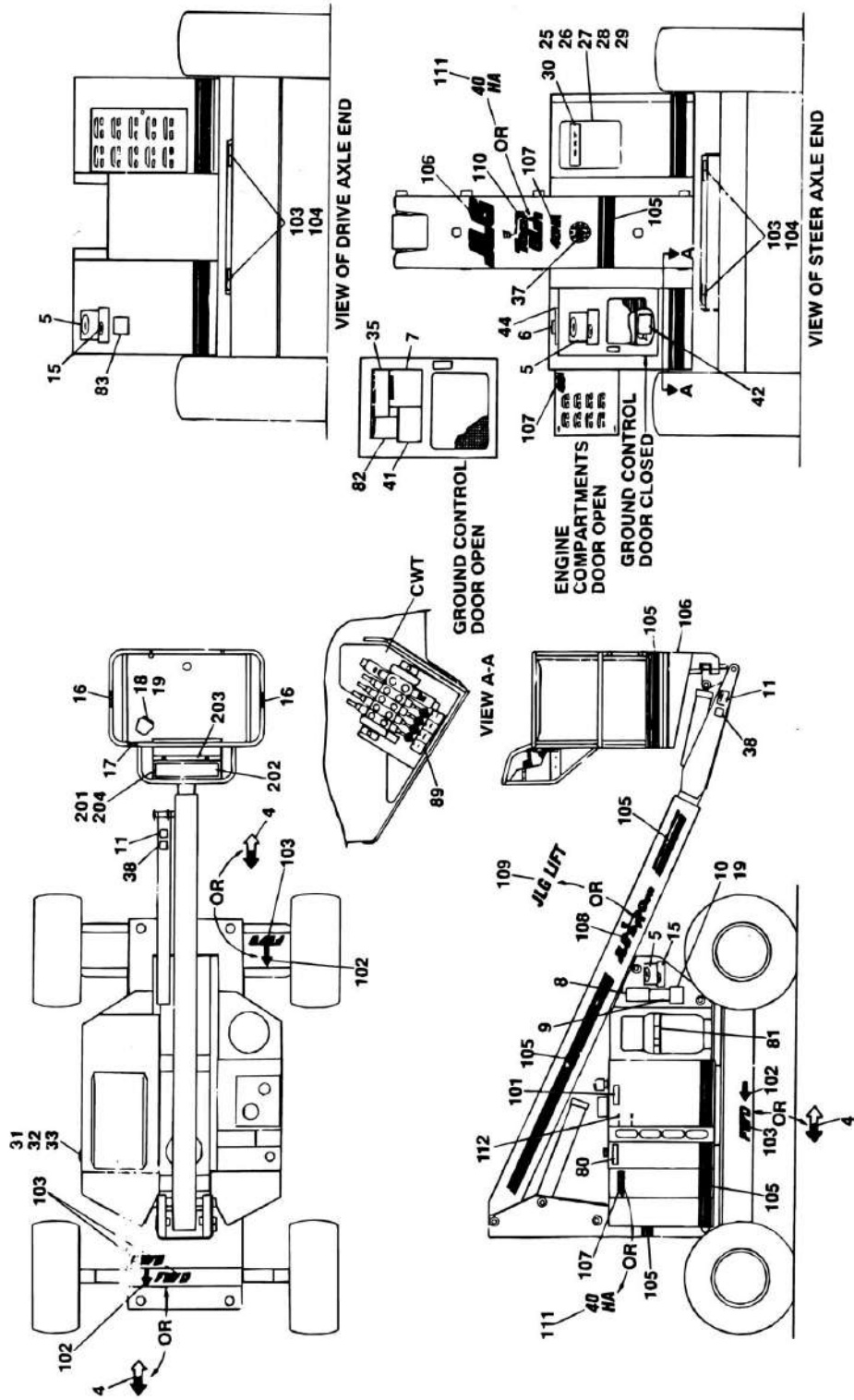


4932753 - Rev A

SECTION 8 - DECALS

SECTION 8 - DECALS

FIGURE 8-1. DECALS INSTALLATION



SECTION 8 - DECALS

FIGURE 8-1. DECALS INSTALLATION

| ITEM | PART NUMBER | QTY | DESCRIPTION | REV |
|------|---------------|-----|---|-----|
| | | Ref | DECALS INSTALLATION (STANDARD PARTS) | |
| | 1281358 | Ref | STANDARD BANG-BANG AND PROPORTIONAL CONTROLS | S |
| | 1282027 | Ref | HYDRAULIC CONTROLS | B |
| 4 | 1701529 | 4 | Decal - Arrow (February 1993 to Present) | |
| 5 | | Ref | Decal - Crushing Options: | |
| 5 | 1700585 | 4 | Decal - Crushing (Prior to May 1994) | |
| 5 | 1702277 | 4 | Decal - Crushing (May 1994 to Present) | |
| 6 | 1700037 | 1 | Decal - Ground Controls | |
| 7 | | Ref | Decal - Important Options: | |
| 7 | 1700643 | 1 | Decal - Important (Prior to May 1994) | |
| 7 | 1702299 | 1 | Decal - Important (May 1994 to Present) | |
| 8 | 1700584 | 1 | Decal - Patent | |
| 9 | | Ref | Decal - Inspection Options: | |
| 9 | 1700593 | 1 | Decal - Inspection (Prior to May 1994) | |
| 9 | 1702153 | 1 | Decal - Inspection (May 1994 to Present) | |
| 10 | Not Available | 1 | Nameplate - Serial Number | |
| 11 | | Ref | Decal - Crushing Options: | |
| 11 | 1700640 | 3 | Decal - Crushing (Prior to May 1994) | |
| 11 | 1702284 | 3 | Decal - Crushing (May 1994 to Present) | |
| 15 | | Ref | Decal - Electrocution Options: | |
| 15 | 1700580 | 4 | Decal - Electrocution (Prior to May 1994) | |
| 15 | 1702292 | 4 | Decal - Electrocution (May 1994 to Present) | |
| 16 | 1700476 | 2 | Decal - No Hands (Prior to May 1994) | |
| 16 | 1702294 | 2 | Decal - No Hands (May 1994 to Present) | |
| 17 | | Ref | Decal - Attach Belt Options: | |
| 17 | 1700477 | 2 | Decal - Attach Belt (Prior to May 1994) | |
| 17 | 1702276 | 2 | Decal - Attach Belt (May 1994 to September 1995) | |
| 17 | 1702612 | 2 | Decal - Attach Belt (September 1995 to SN 27520) | |
| 17 | 1704277 | 2 | Decal - Attach Belt (SN 27521 to Present) | |
| 18 | 3251766 | 1 | Nameplate - Footswitch (Prior to July 1992) | |
| 19 | 3820001 | AR | Rivet | |
| 25 | 0860520 | 1 | Box, Manual Storage | |
| 26 | 4751400 | 6 | Flatwasher 1/4in | |
| 27 | 3311405 | 5 | Locknut 1/4in-20NC | |
| 28 | 1060279 | 1 | Lanyard | |
| 29 | 0641408 | 1 | Bolt 1/4in-20NC x 1in | |
| 30 | 1700157 | 1 | Decal - Manual | |
| 31 | 0961127 | 1 | Bushing, Snap | |
| 32 | 0100010 | AR | Adhesive | |
| 33 | 3251243 | 1 | Nameplate - 120V | |
| 34 | 1700756 | 1 | Decal - Add/Full | |
| 35 | 1700582 | 1 | Decal - Ground Control Operation (Prior to May 1994) | |
| 35 | 1702293 | 1 | Decal - Ground Control Operation (May 1994 to Present) | |
| 37 | 3251813 | 1 | Nameplate - Made in U.S.A. | |
| 38 | 1701460 | 2 | Decal - Caution (Prior to May 1994) | |
| 38 | 1702280 | 2 | Decal - Caution (May 1994 to Present) | |
| 41 | 1702282 | 1 | Decal - Warning (May 1994 to Present Only) | |
| 42 | 1702265 | 1 | Decal - Important (May 1994 to Present Only) | |
| 43 | Not Available | 1 | Decal - Bar Code (SN 27521 to Present) | |
| 44 | 1702688 | 1 | Decal - Max Capacity (500 Lbs) (SN 27521 to Present) | |

SECTION 8 - DECALS

| ITEM | PART NUMBER | QTY | DESCRIPTION | REV |
|------|-------------|----------|--|-----|
| | | Ref | DECALS INSTALLATION (OPTIONAL PARTS) | |
| 80 | | Ref | Decal - Fuel Options: | |
| 80 | 1700428 | 1 | Diesel (Brown) | |
| 80 | 1702600 | 1 | Diesel (Brown) (Latin American Spec) | |
| 80 | 1700196 | 1 | Diesel (Black) | |
| 80 | 1700430 | 1 | Gasoline (Brown) | |
| 80 | 1702722 | 1 | Gasoline (Brown) (Latin American Spec) | |
| 80 | 1700194 | 1 | Gasoline (Black) | |
| 81 | | Ref | Decal - LP Gas Options: | |
| 81 | 1700429 | 1 | LP Gas (Brown) | |
| 81 | 1700197 | 1 | LP Gas (Black) | |
| 82 | 3251028 | 1 | Decal - Dual Fuel (Prior to May 1994) | |
| 82 | 3252356 | 1 | Decal - Dual Fuel (May 1994 to Present) | |
| 83 | 1700818 | 1 | Decal - LP Gas Liquid Withdraw System | |
| 84 | 1700853 | 1 | Decal - Ground Control Selection (Hydraulic Controls Only) | |
| | | Ref | DECAL INSTALLATIONS (VARIABLE PARTS) | |
| | | Ref | DECAL INSTALLATION - BROWN | |
| | 0250026 | Ref | STANDARD BANG-BANG AND PROPORTIONAL CONTROLS | 11 |
| | 0251034 | Ref | HYDRAULIC CONTROLS (PRIOR TO FEBRUARY 1992) | |
| | 0253756 | Ref | HYDRAULIC CONTROLS (DECEMBER 1992 TO PRESENT) | 5 |
| | | Ref | DECAL INSTALLATION - BLACK | |
| | 0252821 | Ref | STANDARD BANG-BANG AND PROPORTIONAL CONTROLS | 8 |
| | 0253757 | Ref | HYDRAULIC CONTROLS | 5 |
| 101 | | Ref | Decal - Hydraulic Fluid | |
| 101 | 1700419 | 1 | Decal - Brown | |
| 101 | 1700195 | 1 | Decal - Black | |
| 102 | | Ref | Decal Options: (Prior to February 1993) | |
| 102 | 1700977 | 4 | Decal - FWD (Brown) | |
| 102 | 1700978 | 4 | Decal - Arrow (Brown) | |
| 102 | 1700053 | 4 | Decal - FWD (Black) | |
| 102 | 1700058 | 4 | Decal - Arrow (Black) | |
| 103 | | Ref | Decal - Lift Here Options: | |
| 103 | 1700975 | 4 | Decal - Brown (Prior to SN 27521) | |
| 103 | 1700232 | 4 | Decal - Black (Prior to SN 27521) | |
| 103 | 1701500 | 4 | Decal - Brown/Black (SN 27521 to Present) | |
| 104 | | Ref | Decal - Tie Down Options: | |
| 104 | 1700976 | 4 | Decal - Brown (Prior to SN 27521) | |
| 104 | 1700326 | 4 | Decal - Black (Prior to SN 27521) | |
| 104 | 1702300 | 4 | Decal - Brown/Black (SN 27521 to Present) | |
| 105 | | Ref | Decal - Stripe Options: | |
| 105 | 1700431 | 48 | Decal - Brown (Prior to SN 27521) | |
| | | ft/14.6m | | |
| 105 | 1701703 | 48 | Decal - Brown (SN 27521 to Present) | |
| | | ft/14.6m | | |
| 105 | 1701334 | 48 | Decal - Black | |
| | | ft/14.6m | | |
| 106 | | Ref | Decal - JLG | |
| 106 | 1700981 | 2 | Decal - Brown | |
| 106 | 1701321 | 2 | Decal - Black | |
| 107 | | Ref | Decal - 40HA Options: | |

SECTION 8 - DECALS

| ITEM | PART NUMBER | QTY | DESCRIPTION | REV |
|------|-------------|-----|--|-----|
| 107 | 1701239 | AR | Decal - Brown (Qty 2 - Prior to February 1992/Qty 1 - February 1992 to Present Located on Engine Door) | |
| 107 | 1701725 | AR | Decal - Black (Located on Engine Door Only) | |
| 108 | | Ref | Decal - Top Gun (Prior to February 1992) | |
| 108 | 1700979 | 2 | Decal - Brown | |
| 109 | | Ref | Decal - JLG Lift Options: | |
| 109 | 1701441 | 2 | Decal - Brown (February 1992 to Present) | |
| 109 | 1701550 | 2 | Decal - Black | |
| 110 | | Ref | Decal - Top Gun (Prior to February 1992) | |
| 110 | 1700980 | 1 | Decal - Brown | |
| 111 | | Ref | Decal - 40HA Options: | |
| 111 | 1701470 | 2 | Decal - Brown (February 1992 to Present) | |
| 111 | 1701594 | 2 | Decal - Black | |
| 112 | | Ref | Decal - Full/Add Options: | |
| 112 | 1700756 | 1 | Decal - Brown | |
| 112 | | Ref | Decal - Black | |
| 112 | 1700755 | 1 | Decal - Black (Prior to May 1994) | |
| 112 | 1701336 | 1 | Decal - Black (May 1994 to Present) | |
| | 2900763 | 1 | Decal Kit - Brown | |
| | 2910025 | 1 | Decal Kit - Black (Includes Items 202 & 203) | |
| | 0253639 | Ref | CAUTION/DANGER NAMEPLATE INSTALLATION (STANDARD BANG-BANG AND PROPORTIONAL CONTROLS BUILT FEBRUARY 1993 TO PRESENT) | A |
| 201 | 3536671 | 1 | Plate, Mounting | |
| 202 | 3252144 | 1 | Nameplate (February 1993 to May 1994) | |
| 202 | 3252369 | 1 | Nameplate (May 1994 to Present) | |
| 203 | 1702289 | 1 | Decal - Symbols | |
| 204 | 3820019 | 4 | Rivet | |
| | 2910025 | 1 | Decal Kit (Includes Items 202 & 203) | |

SECTION 9 - RECOMMENDED SERVICE PARTS STOCK

SECTION 9 - RECOMMENDED SERVICE PARTS STOCK

SECTION 9 - RECOMMENDED SERVICE PARTS STOCK

FIGURE 9-1. MODEL 40HA WITH STANDARD BANG-BANG CONTROLS STANDARD PARTS

| ITEM | PART NUMBER | QTY | DESCRIPTION | REV |
|------|-------------|-----|---|-----|
| | Note | Ref | Note: The following lists will service fleets of machines (built to current production per date on the front cover with emergency repair parts which can be installed in the field. Parts from the list should be replaced when inventory is depleted to keep service parts stock supplied. For further information, contact your JLG dealer or the JLG Industries Parts Department. | |
| | | Ref | STANDARD PARTS | |
| | 2120125 | 4 | Element, Pump Charge Filter, (for fleets of 1 to 10) | |
| | 2120125 | 8 | Element, Pump Charge Filter, (for fleets of 10 to 20) | |
| | 2120125 | 12 | Element, Pump Charge Filter, (for fleets of 20 or more) | |
| | 7004368 | 1 | Coil, (for fleets of 1 to 10) | |
| | 7004368 | 1 | Coil, (for fleets of 10 to 20) | |
| | 7004368 | 1 | Coil, (for fleets of 20 or more) | |
| | 7009745 | 1 | Coil, (for fleets of 1 to 10) | |
| | 7009745 | 1 | Coil, (for fleets of 10 to 20) | |
| | 7009745 | 1 | Coil, (for fleets of 20 or more) | |
| | 7000417 | 1 | Coil, (for fleets of 1 to 10) | |
| | 7000417 | 1 | Coil, (for fleets of 10 to 20) | |
| | 7000417 | 1 | Coil, (for fleets of 20 or more) | |
| | 7002450 | 1 | Coil, (for fleets of 1 to 10) | |
| | 7002450 | 1 | Coil, (for fleets of 10 to 20) | |
| | 7002450 | 1 | Coil, (for fleets of 20 or more) | |
| | 7000418 | 1 | Coil, (for fleets of 1 to 10) | |
| | 7000418 | 1 | Coil, (for fleets of 10 to 20) | |
| | 7000418 | 1 | Coil, (for fleets of 20 or more) | |
| | 7007496 | 1 | Coil, (for fleets of 1 to 10) | |
| | 7007496 | 1 | Coil, (for fleets of 10 to 20) | |
| | 7007496 | 1 | Coil, (for fleets of 20 or more) | |
| | 2120107 | 4 | Element, Hydraulic Oil Filter, (for fleets of 1 to 10) | |
| | 2120107 | 8 | Element, Hydraulic Oil Filter, (for fleets of 10 to 20) | |
| | 2120107 | 12 | Element, Hydraulic Oil Filter, (for fleets of 20 or more) | |
| | 1340046 | 1 | Breather, Hydraulic Oil, (for fleets of 1 to 10) | |
| | 1340046 | 2 | Breather, Hydraulic Oil, (for fleets of 10 to 20) | |
| | 1340046 | 3 | Breather, Hydraulic Oil, (for fleets of 20 or more) | |
| | 4360003 | 1 | Switch, Key, (for fleets of 1 to 10) | |
| | 4360003 | 1 | Switch, Key, (for fleets of 10 to 20) | |
| | 4360003 | 1 | Switch, Key, (for fleets of 20 or more) | |
| | 2860002 | 1 | Key, Replacement, (for fleets of 1 to 10) | |
| | 2860002 | 1 | Key, Replacement, (for fleets of 10 to 20) | |
| | 2860002 | 1 | Key, Replacement, (for fleets of 20 or more) | |
| | 4360073 | 1 | Switch, Toggle, (for fleets of 1 to 10) | |
| | 4360073 | 1 | Switch, Toggle, (for fleets of 10 to 20) | |
| | 4360073 | 1 | Switch, Toggle, (for fleets of 20 or more) | |
| | 4360199 | 1 | Switch, Toggle, (for fleets of 1 to 10) | |
| | 4360199 | 1 | Switch, Toggle, (for fleets of 10 to 20) | |
| | 4360199 | 1 | Switch, Toggle, (for fleets of 20 or more) | |
| | 4360202 | 1 | Switch, Toggle, (for fleets of 1 to 10) | |
| | 4360202 | 1 | Switch, Toggle, (for fleets of 10 to 20) | |
| | 4360202 | 1 | Switch, Toggle, (for fleets of 20 or more) | |

SECTION 9 - RECOMMENDED SERVICE PARTS STOCK

| ITEM | PART NUMBER | QTY | DESCRIPTION | REV |
|------|-------------|-----|---|-----|
| | 4360200 | 1 | Switch, Toggle, (for fleets of 1 to 10) | |
| | 4360200 | 1 | Switch, Toggle, (for fleets of 10 to 20) | |
| | 4360200 | 1 | Switch, Toggle, (for fleets of 20 or more) | |
| | 4360274 | 1 | Switch, Push Button, (for fleets of 1 to 10) | |
| | 4360274 | 1 | Switch, Push Button, (for fleets of 10 to 20) | |
| | 4360274 | 1 | Switch, Push Button, (for fleets of 20 or more) | |
| | 3740049 | 1 | Relay, (for fleets of 1 to 10) | |
| | 3740049 | 1 | Relay, (for fleets of 10 to 20) | |
| | 3740049 | 1 | Relay, (for fleets of 20 or more) | |
| | 4360216 | 1 | Breaker, Circuit, (for fleets of 1 to 10) | |
| | 4360216 | 1 | Breaker, Circuit, (for fleets of 10 to 20) | |
| | 4360216 | 1 | Breaker, Circuit, (for fleets of 20 or more) | |
| | 4360232 | 1 | Breaker, Circuit, (for fleets of 1 to 10) | |
| | 4360232 | 1 | Breaker, Circuit, (for fleets of 10 to 20) | |
| | 4360232 | 1 | Breaker, Circuit, (for fleets of 20 or more) | |
| | 3740058 | 1 | Relay - 4PDT, (for fleets of 1 to 10) | |
| | 3740058 | 1 | Relay - 4PDT, (for fleets of 10 to 20) | |
| | 3740058 | 1 | Relay - 4PDT, (for fleets of 20 or more) | |
| | 3740067 | 1 | Relay, (for fleets of 1 to 10) | |
| | 3740067 | 1 | Relay, (for fleets of 10 to 20) | |
| | 3740067 | 1 | Relay, (for fleets of 20 or more) | |
| | 3740077 | 1 | Relay, (for fleets of 1 to 10) | |
| | 3740077 | 1 | Relay, (for fleets of 10 to 20) | |
| | 3740077 | 1 | Relay, (for fleets of 20 or more) | |
| | 4360171 | 1 | Switch, Level Sensor, (for fleets of 1 to 10) | |
| | 4360171 | 1 | Switch, Level Sensor, (for fleets of 10 to 20) | |
| | 4360171 | 1 | Switch, Level Sensor, (for fleets of 20 or more) | |
| | 4360057 | 1 | Switch, Limit, (for fleets of 1 to 10) | |
| | 4360057 | 1 | Switch, Limit, (for fleets of 10 to 20) | |
| | 4360057 | 1 | Switch, Limit, (for fleets of 20 or more) | |
| | 7006139 | 2 | Powertrack - 1 Ft Section, (for fleets of 1 to 10) | |
| | 7006139 | 2 | Powertrack - 1 Ft Section, (for fleets of 10 to 20) | |
| | 7006139 | 2 | Powertrack - 1 Ft Section, (for fleets of 20 or more) | |
| | 7006152 | 24 | Pin Kit, (for fleets of 1 to 10) | |
| | 7006152 | 24 | Pin Kit, (for fleets of 10 to 20) | |
| | 7006152 | 24 | Pin Kit, (for fleets of 20 or more) | |
| | 2940006 | 1 | Latch, Platform Door, (for fleets of 1 to 10) | |
| | 2940006 | 1 | Latch, Platform Door, (for fleets of 10 to 20) | |
| | 2940006 | 1 | Latch, Platform Door, (for fleets of 20 or more) | |
| | 4360031 | 1 | Foot Switch, (for fleets of 1 to 10) | |
| | 4360031 | 1 | Foot Switch, (for fleets of 10 to 20) | |
| | 4360031 | 1 | Foot Switch, (for fleets of 20 or more) | |
| | 3990010 | 2 | Diode, (for fleets of 1 to 10) | |
| | 3990010 | 2 | Diode, (for fleets of 10 to 20) | |
| | 3990010 | 2 | Diode, (for fleets of 20 or more) | |

SECTION 9 - RECOMMENDED SERVICE PARTS STOCK

FIGURE 9-2. MODEL 40HA WITH STANDARD BANG-BANG CONTROLS VARIABLE PARTS

| ITEM | PART NUMBER | QTY | DESCRIPTION | REV |
|------|-------------|---------|---|-----|
| | Note | Ref | Note: The following lists will service fleets of machines (built to current production per date on the front cover with emergency repair parts which can be installed in the field. Parts from the list should be replaced when inventory is depleted to keep service parts stock supplied. For further information, contact your JLG dealer or the JLG Industries Parts Department. | |
| | | Ref | VARIABLE PARTS | |
| | 7010772 | 1 | Coil (4WS), (for fleets of 1 to 10) | |
| | 7010772 | 1 | Coil (4WS), (for fleets of 10 to 20) | |
| | 7010772 | 1 | Coil (4WS), (for fleets of 20 or more) | |
| | 7004214 | 1 Dozen | Element, Air Filter (Deutz and Ford), (for fleets of 1 to 10) | |
| | 7004214 | 1 Dozen | Element, Air Filter (Deutz and Ford), (for fleets of 10 to 20) | |
| | 7004214 | 1 Dozen | Element, Air Filter (Deutz and Ford), (for fleets of 20 or more) | |
| | 1660184 | 1 | Coupling - 13 Teeth, Pump/Engine (Deutz), (for fleets of 1 to 10) | |
| | 1660184 | 1 | Coupling - 13 Teeth, Pump/Engine (Deutz), (for fleets of 10 to 20) | |
| | 1660184 | 1 | Coupling - 13 Teeth, Pump/Engine (Deutz), (for fleets of 20 or more) | |
| | 1660234 | 1 | Coupling - 15 Teeth, Pump/Engine (Deutz), (for fleets of 1 to 10) | |
| | 1660234 | 1 | Coupling - 15 Teeth, Pump/Engine (Deutz), (for fleets of 10 to 20) | |
| | 1660234 | 1 | Coupling - 15 Teeth, Pump/Engine (Deutz), (for fleets of 20 or more) | |
| | 7012598 | 4 | Element, Fuel Filter (Deutz), (for fleets of 1 to 10) | |
| | 7012598 | 8 | Element, Fuel Filter (Deutz), (for fleets of 10 to 20) | |
| | 7012598 | 12 | Element, Fuel Filter (Deutz), (for fleets of 20 or more) | |
| | 7014502 | 1 Box | Element, Engine Oil Filter (Deutz), (for fleets of 1 to 10) | |
| | 7014502 | 1 Box | Element, Engine Oil Filter (Deutz), (for fleets of 10 to 20) | |
| | 7014502 | 1 Box | Element, Engine Oil Filter (Deutz), (for fleets of 20 or more) | |
| | 7019949 | 1 Box | Element, Engine Oil Filter (Ford), (for fleets of 1 to 10) | |
| | 7019949 | 1 Box | Element, Engine Oil Filter (Ford), (for fleets of 10 to 20) | |
| | 7019949 | 1 Box | Element, Engine Oil Filter (Ford), (for fleets of 20 or more) | |
| | 1660207 | 1 | Coupling - 13 Teeth, Pump/Engine (Ford), (for fleets of 1 to 10) | |
| | 1660207 | 1 | Coupling - 13 Teeth, Pump/Engine (Ford), (for fleets of 10 to 20) | |
| | 1660207 | 1 | Coupling - 13 Teeth, Pump/Engine (Ford), (for fleets of 20 or more) | |
| | 7019684 | 1 | Coupling - 15 Teeth, Pump/Engine (Ford), (for fleets of 1 to 10) | |
| | 7019684 | 1 | Coupling - 15 Teeth, Pump/Engine (Ford), (for fleets of 10 to 20) | |
| | 7019684 | 1 | Coupling - 15 Teeth, Pump/Engine (Ford), (for fleets of 20 or more) | |
| | 7008829 | 1 | PC Board - Adeco (Kubota and Deutz), (for fleets of 1 to 10) | |
| | 7008829 | 1 | PC Board - Adeco (Kubota and Deutz), (for fleets of 10 to 20) | |
| | 7008829 | 1 | PC Board - Adeco (Kubota and Deutz), (for fleets of 20 or more) | |
| | 7008828 | 1 | Cable - Adeco (Kubota and Deutz), (for fleets of 1 to 10) | |
| | 7008828 | 1 | Cable - Adeco (Kubota and Deutz), (for fleets of 10 to 20) | |
| | 7008828 | 1 | Cable - Adeco (Kubota and Deutz), (for fleets of 20 or more) | |
| | 1660184 | 1 | Coupling - 13 Teeth, Pump/Engine (Kubota), (for fleets of 1 to 10) | |
| | 1660184 | 1 | Coupling - 13 Teeth, Pump/Engine (Kubota), (for fleets of 10 to 20) | |
| | 1660184 | 1 | Coupling - 13 Teeth, Pump/Engine (Kubota), (for fleets of 20 or more) | |
| | 1660234 | 1 | Coupling - 15 Teeth, Pump/Engine (Kubota), (for fleets of 1 to 10) | |
| | 1660234 | 1 | Coupling - 15 Teeth, Pump/Engine (Kubota), (for fleets of 10 to 20) | |
| | 1660234 | 1 | Coupling - 15 Teeth, Pump/Engine (Kubota), (for fleets of 20 or more) | |
| | 4360212 | 1 | Breaker, Circuit (Kubota and Deutz), (for fleets of 1 to 10) | |
| | 4360212 | 1 | Breaker, Circuit (Kubota and Deutz), (for fleets of 10 to 20) | |

SECTION 9 - RECOMMENDED SERVICE PARTS STOCK

| ITEM | PART NUMBER | QTY | DESCRIPTION | REV |
|------|-------------|-----|--|-----|
| | 4360212 | 1 | Breaker, Circuit (Kubota and Deutz), (for fleets of 20 or more) | |
| | 4360201 | 1 | Switch, Toggle (Dual Fuel), (for fleets of 1 to 10) | |
| | 4360201 | 1 | Switch, Toggle (Dual Fuel), (for fleets of 10 to 20) | |
| | 4360201 | 1 | Switch, Toggle (Dual Fuel), (for fleets of 20 or more) | |
| | 3740059 | 1 | Relay (Kubota), (for fleets of 1 to 10) | |
| | 3740059 | 1 | Relay (Kubota), (for fleets of 10 to 20) | |
| | 3740059 | 1 | Relay (Kubota), (for fleets of 20 or more) | |
| | 1600117 | 1 | Relay (Kubota), (for fleets of 1 to 10) | |
| | 1600117 | 1 | Relay (Kubota), (for fleets of 10 to 20) | |
| | 1600117 | 1 | Relay (Kubota), (for fleets of 20 or more) | |
| | 1600116 | 1 | PQ Controller (2WS), (for fleets of 1 to 10) | |
| | 1600116 | 1 | PQ Controller (2WS), (for fleets of 10 to 20) | |
| | 1600116 | 1 | PQ Controller (2WS), (for fleets of 20 or more) | |
| | 1600135 | 1 | PQ Controller (4WS), (for fleets of 1 to 10) | |
| | 1600135 | 1 | PQ Controller (4WS), (for fleets of 10 to 20) | |
| | 1600135 | 1 | PQ Controller (4WS), (for fleets of 20 or more) | |
| | 7003783 | 1 | Electrical Assembly - Controller (2WS), (for fleets of 1 to 10) | |
| | 7003783 | 1 | Electrical Assembly - Controller (2WS), (for fleets of 10 to 20) | |
| | 7003783 | 1 | Electrical Assembly - Controller (2WS), (for fleets of 20 or more) | |
| | 7003797 | 1 | Electrical Assembly - Controller (4WS), (for fleets of 1 to 10) | |
| | 7003797 | 1 | Electrical Assembly - Controller (4WS), (for fleets of 10 to 20) | |
| | 7003797 | 1 | Electrical Assembly - Controller (4WS), (for fleets of 20 or more) | |
| | 7003789 | 1 | Switch, Steer, (for fleets of 1 to 10) | |
| | 7003789 | 1 | Switch, Steer, (for fleets of 10 to 20) | |
| | 7003789 | 1 | Switch, Steer, (for fleets of 20 or more) | |

SECTION 10 - SPECIAL OPTIONS

SECTION 10 - SPECIAL OPTIONS

FIGURE 10-1. SPECIAL OPTIONS

| ITEM | PART NUMBER | QTY | DESCRIPTION | REV |
|------|-------------|-----|--|-----|
| | Note | Ref | Note: This list is to accommodate machines ordered with special equipment. Options may not be applicable to all models. For more specific parts information contact JLG Parts Department. | |
| | | Ref | MISCELLANEOUS SPECIAL OPTIONS | |
| | | Ref | Airline Installations | |
| | 0252046 | Ref | Airline - 1/2in Single Line | D |
| | 0251053 | Ref | Airline - 1/2in Single Line (Boeing Spec) | D |
| | 0255617 | Ref | Airline - 1/2in Dual Line | - |
| | 0254446 | Ref | Airline - 3/4in Single Line | A |
| | 1281498 | Ref | Axle Conversions | - |
| | 0251444 | Ref | 2WD Oscillating to Fixed | - |
| | 0251445 | Ref | 4WD Oscillating to Fixed | - |
| | 0253817 | Ref | Battery Kit and Disconnect Switch Installations | - |
| | 4360256 | 1 | Switch - Battery Disconnect | |
| | 3252027 | 1 | Nameplate - Disconnect Switch On/Off | |
| | 4360104 | 2 | Switch, Pushbutton | |
| | 4360131 | 2 | Switch, Lense | |
| | 4360132 | 2 | Switch, Operator | |
| | 3252028 | 1 | Nameplate - Battery Disconnect | |
| | 3252029 | 1 | Nameplate - Auxiliary Switch Location | |
| | 1060044 | 1 | Cable - Battery | |
| | 0270723 | Ref | Beacon Light Installation - Platform | A |
| | 0253824 | Ref | Boeing Spec Installations | B |
| | 0251042 | Ref | Bubble Level Installation | - |
| | 2420038 | 1 | Gauge, Level | |
| | 0256789 | Ref | Camera Mount Assembly | |
| | | Ref | Decals Installations: | - |
| | 0250733 | Ref | Decals Installation - Capacity Nameplates | - |
| | 1700919 | 3 | Decal - 500 Lbs | |
| | 3534137 | 3 | Plate, Mounting | |
| | 0253550 | Ref | Decals Installation - CSA | A |
| | 3252221 | 1 | Nameplate | |
| | 0257492 | Ref | Decals Installation - Brazil Spec | 4 |
| | 0257914 | Ref | Decals Installation - Brazil Spec (Pictogram) | 1 |
| | 2900940 | Ref | Decal Kit - Brazil Spec (Brown) | |
| | 0255736 | Ref | Decals Installation - Latin American Spec | 5 |
| | 1702669 | 1 | Decal - Important - Latin American Spec | |
| | 1702721 | 1 | Decal - LP Gas (Brown) - Latin American Spec | |
| | 1702722 | 1 | Decal - Fuel Gas (Brown) - Latin American Spec | |
| | 1702600 | 1 | Decal - Fuel Diesel - Latin American Spec | |
| | 0255755 | Ref | Nameplate Installation - Latin American Spec | - |
| | 0252822 | Ref | Decals Installation - Common (Japanese Spec) | 6 |
| | 0253262 | Ref | Decals Installation - Japanese Spec | 2 |
| | 0252062 | Ref | Decals Installation - Manual Descent | - |
| | 0251830 | Ref | Decals Installation - Manual Descent (Japanese Spec) | A |
| | 0256487 | Ref | Decal Installation - Warning Prop 65 (Diesel) | |
| | 0256488 | Ref | Decal Installation -Warning Prop 65 (Gas) | |
| | 0256956 | Ref | Decal Installation -Lanyard Attach (GM K-1 Spec) | |

SECTION 10 - SPECIAL OPTIONS

| ITEM | PART NUMBER | QTY | DESCRIPTION | REV |
|------|-------------|----------------|---|-----|
| | 1281955 | Ref | Deutz Engine Installation - With Auxiliary Pump Drive for Hydraulic Tool Circuit | B |
| | 0253464 | Ref | Engine Installation (B/M Only) | C |
| | 0253463 | Ref | Engine Assembly (B/M Only) | E |
| | 2000119 | 1 | Engine - F2L1011 (Non-Standard) | |
| | 3600202 | 1 | Pump - Barnes (Non-Standard) | |
| | 3600203 | 1 | Pump - Barnes (Non-Standard) | |
| | 1281643 | Ref | Deutz Engine Installation With Ucon Hydraulic Fluid | G |
| | 0255202 | Ref | Engine Installation (B/M Only) | B |
| | 0255201 | Ref | Engine Assembly (B/M Only) | D |
| | 3600241 | 1 | Pump - Commercial (Non-Standard) | |
| | | Ref | ELECTRICAL CONNECTOR KITS | |
| | 1001148902 | Ref | Amp Connector Kit | |
| | 1001148903 | Ref | Deutsch DT Connector Kit | |
| | 1001148904 | Ref | Deutsch HD Connector Kit | |
| | 1001148905 | Ref | Packard Connector Kit | |
| | 1001148906 | Ref | Various Connector Kit | |
| | | Ref | Engine Manuals: | |
| | 3120044 | 1 | Deutz FL1011 | |
| | 3120045 | 1 | Kubota V1200 | |
| | 3120077 | 1 | Ford VSG-411 | |
| | | Ref | Filter Kits (Deutz Engine Only): | |
| | 1001110983 | 1 | Combined Filter Kit (Hydraulic/Air and Fuel/Engine Oil) | |
| | 1001109671 | 1 | Hydraulic/Air Filter | |
| | 1001110136 | 1 | Fuel/Engine Oil Filter | |
| | | Ref | Fuel Caps: | |
| | 0257365 | Ref | Standard | 1 |
| | 1120314 | 1 | Cap | |
| | 0257366 | Ref | Red - Lockable Cap | 2 |
| | 1120367 | 1 | Cap | |
| | 0258626 | Ref | Blue - Lockable Cap | 1 |
| | 1120512 | 1 | Cap | |
| | 0253816 | Ref | Fuel Indicator Light Installation | A |
| | 4360265 | 1 | Switch, LPG | |
| | 2920026 | 1 | Light, Indicator | |
| | 3252269 | 1 | Nameplate, LP Light | |
| | | Ref | Ground Control Box Installation - Brazil Spec | |
| | 0257634 | Ref | Deutz with Standard Bang-Bang Controls | 1 |
| | 0257635 | Ref | Deutz with Proportional Controls | 1 |
| | 0253836 | Ref | Lights Installation - Headlights and Spot Lights (Boeing Machines) | 3 |
| | 2920001 | 4 | Headlight | |
| | 2920013 | 4 | Spotlight (Prior to SN 32554) | |
| | 2920111 | 4 | Spotlight (SN 32554 to Present) | |
| | 0254067 | Ref | Lights Installation - Headlights and Taillights (4WS Kubota Machines) | - |
| | 1060016 | 65 ft/19.8m | Cable, Electrical - 16/3 | |
| | | Ref | Lights Installation - Panel | |
| | 0251619 | Ref | Standard Bang-Bang and Proportional Controls | A |
| | 0251690 | Ref | Hydraulic Controls | B |
| | 2920024 | AR | Light, Panel | |

SECTION 10 - SPECIAL OPTIONS

| ITEM | PART NUMBER | QTY | DESCRIPTION | REV |
|------|-------------|-----------------|---|-----|
| | 0253239 | Ref | Manual Descent Installation | D |
| | 0253393 | Ref | Oil Cooler Installation | |
| | 3620003 | 1 | Oil Cooler Assembly | |
| | 2060012 | 1 | Fan | |
| | 4360181 | 1 | Switch, Temperature | |
| | 4640760 | 1 | Valve, Check | |
| | 4060843 | 1 | Shield | |
| | 0256426 | Ref | Pipe Rack Installation | |
| | 0251140 | Ref | Receptacle Installation - GFI | D |
| | 0860038 | 1 | Box, Switch | |
| | 4460346 | 1 | Receptacle | |
| | 4060700 | 1 | Shield, Cover | |
| | 0254793 | Ref | Receptacle Mounting Plate Installation - Argentina Machines | |
| | 3538039 | 1 | Plate, Mounting | |
| | 3251242 | 1 | Nameplate - 240V - 50HZ | |
| | 0251274 | Ref | Remote Bearing Lube Installation (Japanese Spec) | - |
| | 0255619 | Ref | Remote Control Box Installation | - |
| | 0238954 | 1 | Remote Box Assembly | |
| | 0256829 | Ref | Spring Loaded Gate Assembly | A |
| | | Ref | Tank, LP Options: | |
| | 4400281 | 2 | 33.5 LB Liquid (Aluminum) | |
| | 4400421 | 2 | 33.5 LB Liquid (Steel) | |
| | 4400275 | 2 | 43.5 LB Liquid (Aluminum) | |
| | 4400420 | 2 | 43.5 LB Liquid (Steel) | |
| | | Ref | Technical Supplements: | |
| | 3120322 | 1 | Spec Data Handbook | |
| | 3120351 | 1 | PQ Controller Supplement | |
| | 3124003 | 1 | Sunstrand Sauer Service Manual | |
| | | Ref | Tools for Service | |
| | 7002828 | 1 | Wire Stripper | |
| | 7002821 | 1 | Wire Crimper (To install wire ends to wires) | |
| | 7002823 | 1 | Pin/Socket Extractor - Universal (To Remove Pins/Sockets from Connectors) | |
| | 7002822 | 1 | Screwdriver, Potentiometer (To Adjust Drive Controllers) | |
| | 7016654 | 1 | Screwdriver, Magnetic | |
| | 7004275 | 1 | Seal Installation Tool - 1in | |
| | 7004276 | 1 | Seal Installation Tool - 1 1/2in | |
| | 7002826 | 1 | Seal Installation Tool - 2in | |
| | 0253823 | Ref | Tow Package Installation - Boeing Spec | A |
| | 0257728 | Ref | Tube Rack Installation | |
| | 0253879 | Ref | Weld Leads Installation | A |
| | 1060097 | 140 ft/42.7m | Cable, Weld Leads | |
| | 3251963 | 2 | Nameplate - Weld Leads | |

PART NUMBER INDEX

PART NUMBER INDEX

| | | | | | | | |
|--|--|--------------|----------|--------------|----------|--------------|-----------------------|
| 0060023..... | 128, 153 | 0239417..... | 145 | 0250910..... | 154 | 0252107..... | 102 |
| 0080039..... | 100, 113 | 0239585..... | 84 | 0250911..... | 153 | 0252108..... | 100 |
| 0080046..... | 102, 103 | 0239762..... | 208 | 0250929..... | 20 | 0252109..... | 103 |
| 0080092..... | 111 | 0239965..... | 171 | 0250930..... | 20 | 0252135..... | 189 |
| 0080098..... | 185, 190 | 0250026..... | 302 | 0250961..... | 127 | 0252136..... | 189 |
| 0080099..... | 184, 190 | 0250040..... | 112 | 0250973..... | 20 | 0252210..... | 215 |
| 0080163..... | 103, 104, 116, 129 | 0250041..... | 114 | 0250974..... | 20 | 0252211..... | 215 |
| 0080167..... | 121 | 0250085..... | 11, 16 | 0250975..... | 20 | 0252220..... | 183 |
| 0080168..... | 113 | 0250093..... | 19 | 0250979..... | 65 | 0252223..... | 167 |
| 0080172..... | 99 | 0250100..... | 20 | 0250980..... | 65 | 0252231..... | 167 |
| 0080175..... | 118 | 0250102..... | 20 | 0250984..... | 59 | 0252300..... | 118, 146 |
| 0080177..... | 99 | 0250109..... | 45 | 0250985..... | 59 | 0252301..... | 105, 146 |
| 0080178..... | 101 | 0250121..... | 63 | 0250986..... | 154 | 0252302..... | 146 |
| 0080187..... | 127 | 0250125..... | 103 | 0251024..... | 215 | 0252331..... | 171 |
| 0080188..... | 127 | 0250131..... | 63 | 0251031..... | 154 | 0252332..... | 171 |
| 0080200..... | 118 | 0250132..... | 57 | 0251034..... | 302 | 0252333..... | 11, 16 |
| 0100001..... | 199 | 0250133..... | 57 | 0251037..... | 183 | 0252334..... | 153 |
| 0100003..... | 53 | 0250136..... | 83 | 0251038..... | 183 | 0252394..... | 275 |
| 0100004..... | 83 | 0250139..... | 83 | 0251042..... | 312 | 0252404..... | 183 |
| 0100009..... | 83 | 0250143..... | 215 | 0251053..... | 312 | 0252405..... | 197, 200, 205, 208 |
| 0100010..... | 301 | 0250144..... | 45 | 0251056..... | 99 | 0252578..... | 84 |
| 0100011..... | 10, 15, 19, 49, 107, 112, 149, 167, 176, 219, 221, 223, 225, 227, 231, 233, 235 | 0250148..... | 19 | 0251057..... | 101 | 0252625..... | 118, 275 |
| 01000199, 13, 19, 83, 84, 149, 185, 190 | | 0250149..... | 146 | 0251120..... | 154 | 0252719..... | 154 |
| 0100020..... | 145, 146, 221, 227, 235, 247, 252, 258, 262, 266 | 0250154..... | 172 | 0251140..... | 314 | 0252722..... | 66 |
| 0100021..... | 84, 185, 190 | 0250164..... | 157 | 0251203..... | 215 | 0252723..... | 66 |
| 0100034..... | 227 | 0250166..... | 159 | 0251239..... | 215 | 0252808..... | 116 |
| 0100035..... | 219, 221, 223, 225, 227, 231, 235 | 0250170..... | 21 | 0251252..... | 189 | 0252821..... | 302 |
| 0100038..... | 219, 221, 223, 225, 227, 231, 233, 235 | 0250171..... | 20, 21 | 0251274..... | 314 | 0252822..... | 312 |
| 0100040..... | 167 | 0250172..... | 20 | 0251299..... | 271 | 0252848..... | 215 |
| 0140001..... | 196, 208 | 0250229..... | 105, 107 | 0251310..... | 45 | 0253077..... | 205, 274 |
| 0140016..... | 274 | 0250231..... | 145 | 0251329..... | 9, 14 | 0253130..... | 20 |
| 0140024..... | 157 | 0250324..... | 116, 129 | 0251330..... | 9, 13 | 0253131..... | 20 |
| 0140026..... | 205, 274 | 0250334..... | 9, 14 | 0251417..... | 121 | 0253132..... | 20 |
| 0140032..... | 157 | 0250377..... | 99 | 0251444..... | 312 | 0253133..... | 20 |
| 0181333..... | 46 | 0250378..... | 101 | 0251445..... | 312 | 0253173..... | 13 |
| 0181565..... | 171 | 0250382..... | 9, 13 | 0251521..... | 10, 14 | 0253174..... | 14 |
| 0181739..... | 157 | 0250384..... | 53 | 0251537..... | 105, 274 | 0253239..... | 271, 314 |
| 0200048..... | 216 | 0250497..... | 159 | 0251561..... | 149 | 0253262..... | 312 |
| 0200333..... | 172 | 0250588..... | 112 | 0251599..... | 243, 245 | 0253393..... | 271, 276, 314 |
| 0231047..... | 149 | 0250589..... | 114 | 0251611..... | 215 | 0253463..... | 313 |
| 0231756..... | 146 | 0250593..... | 189 | 0251619..... | 275, 313 | 0253464..... | 313 |
| 0232302..... | 129 | 0250597..... | 104 | 0251639..... | 157 | 0253466..... | 312 |
| 0235238..... | 183, 184, 189, 190 | 0250598..... | 116, 129 | 0251640..... | 157 | 0253550..... | 312 |
| 0236449..... | 10, 14 | 0250611..... | 149 | 0251660..... | 19 | 0253604..... | 277 |
| 0236768..... | 102, 103 | 0250668..... | 123 | 0251661..... | 19 | 0253619..... | 163 |
| 0237963..... | 186, 191 | 0250733..... | 312 | 0251662..... | 16 | 0253639..... | 303 |
| 0238540..... | 183, 189 | 0250763..... | 171 | 0251663..... | 16 | 0253730..... | 183 |
| 0238568..... | 183 | 0250772..... | 121 | 0251668..... | 45 | 0253748..... | 113 |
| 0238615..... | 149 | 0250806..... | 118 | 0251669..... | 45 | 0253749..... | 115 |
| 0238727..... | 183 | 0250841..... | 154 | 0251682..... | 105, 275 | 0253750..... | 113 |
| 0238864..... | 157, 215 | 0250842..... | 163 | 0251687..... | 277 | 0253751..... | 115 |
| 0238865..... | 157, 215 | 0250844..... | 207 | 0251690..... | 275, 313 | 0253752..... | 113 |
| 0238908..... | 45 | 0250851..... | 112 | 0251697..... | 157 | 0253753..... | 115 |
| 0238954..... | 277, 314 | 0250852..... | 114 | 0251709..... | 64 | 0253754..... | 113 |
| 0239287..... | 20 | 0250856..... | 163 | 0251710..... | 64 | 0253755..... | 115 |
| 0239288..... | 20 | 0250857..... | 163 | 0251716..... | 46, 58 | 0253756..... | 302 |
| | | 0250858..... | 163 | 0251717..... | 46, 58 | 0253757..... | 302 |
| | | 0250861..... | 179 | 0251753..... | 53 | 0253767..... | 64 |
| | | 0250862..... | 239 | 0251830..... | 312 | 0253768..... | 64 |
| | | 0250863..... | 239 | 0252046..... | 312 | 0253769..... | 65 |
| | | 0250864..... | 239 | 0252054..... | 215 | 0253770..... | 65 |
| | | 0250865..... | 239 | 0252059..... | 149 | 0253771..... | 58 |
| | | 0250873..... | 79 | 0252062..... | 312 | 0253772..... | 58 |
| | | 0250878..... | 157 | 0252098..... | 46, 60 | 0253773..... | 46, 59 |
| | | 0250902..... | 112 | 0252099..... | 46, 60 | 0253774..... | 46, 59 |
| | | 0250903..... | 114 | 0252106..... | 100 | 0253780..... | 154 |

PART NUMBER INDEX

| | | | | | | | |
|---------------|----------------|--------------------------|----------------|---------------------------|-----------------|---------------|----------------|
| 0253816 | 275, 313 | 0257467 | 171 | 0641405..... | 121, 175 | 0701010 | 99, 102, 103, |
| 0253817 | 312 | 0257492 | 312 | 06414069, 13, 57, 63, 79, | | 115 | |
| 0253822 | 145 | 0257634 | 313 | 101, 107, 113, 157, | | 0701012 | 107 |
| 0253823 | 314 | 0257635 | 313 | 159, 163 | | 0701013 | 103, 104 |
| 0253824 | 312 | 0257728 | 314 | 0641407..... | 46 | 0701014 | 111 |
| 0253836 | 313 | 0257914 | 312 | 0641408.... | 128, 129, 154, | 0701414 | 107 |
| 0253846 | 215 | 0258626 | 313 | 163, 186, 189, 191, 301 | | 0720804 | 196 |
| 0253879 | 314 | 0270122 | 19 | 0641410..... | 111 | 0721003 | 10, 15 |
| 0253986 | 16 | 0270215 | 19 | 0641416..... | 57, 63, 79 | 0721004 | 149 |
| 0253987 | 215, 276 | 0270723 | 312 | 0641418..... | 101, 149 | 0721005 | 146 |
| 0254067 | 313 | 0320008 | 49 | 0641420..... | 63 | 0721006 | 123 |
| 0254095 | 53 | 0340002 | 100, 113 | 0641506.... | 175, 183, 184 | 0721008 | 167 |
| 0254130 | 215 | 0360016 | 53, 54 | 0641507..... | 53, 116, 123, | 0721014 | 172 |
| 0254178 | 215 | 0361651 | 53 | 129 | | 0741506 | 189 |
| 0254222 | 171 | 0361675 | 183 | 0641508.... | 127, 171, 203 | 0741606 | 83 |
| 0254240 | 105, 274 | 0361810 | 101, 128 | 0641510..... | 116, 129 | 0750806 | 151 |
| 0254438 ... | 197, 200, 205, | 0361815 | 107 | 0641511..... | 123 | 0751006 ... | 195, 199, 203, |
| 208 | | 0361951 | 14 | 0641512..... | 99, 149 | 207 | |
| 0254446 | 312 | 0361952 | 14 | 0641514..... | 57, 63 | 0800573 | 176 |
| 0254486 | 20 | 0361953 | 13, 14 | 0641516..... | 145 | 0800618 | 171 |
| 0254728 | 216 | 0361954 | 14 | 0641518..... | 49 | 0800623 | 171, 176 |
| 0254793 | 314 | 0362531 | 14 | 0641522.... | 45, 171, 183, | 0800675 | 176 |
| 0254858 | 21 | 0400002 | 114 | 184, 189 | | 0800676 ... | 171, 172, 176 |
| 0254859 | 21 | 0400003 | 114 | 0641528..... | 45, 171 | 0800714 | 175 |
| 0254860 | 20 | 0400075 | 100, 128 | 0641604..... | 236 | 0860038 ... | 196, 200, 205, |
| 0254948 | 216 | 0440018 | 10, 15 | 0641606..... | 175 | 207, 314 | |
| 0255010 | 84 | 0440019 | 10, 15 | 0641607..... | 129, 175 | 0860520 | 301 |
| 0255069 | 9, 13 | 0440091 | 10, 11, 15 | 0641608 11, 16, 111, 175, | | 0860538 | 199, 203 |
| 0255070 | 9, 14 | 0440120 | 184, 190 | 207, 208 | | 0860576 | 151 |
| 0255075 | 13 | 0440134 | 184, 190 | 0641609..... | 175 | 0860612 | 151 |
| 0255076 | 14 | 0440135 | 185, 190 | 0641610.... | 9, 13, 99, 111, | 0860613 | 151 |
| 0255102 | 105, 107 | 0440161 | 11, 16 | 116, 127, 129 | | 0860622 | 195 |
| 0255139 | 154 | 0440183 | 10, 15 | 0641612..... | 145, 207 | 0860652 | 151 |
| 0255140 | 154 | 0460073 | 239 | 0641614.... | 101, 114, 128 | 0860655 | 199 |
| 0255142 | 154 | 0460075 | 239 | 0641620..... | 45 | 0860656 | 151 |
| 0255201 | 313 | 0460083 | 239 | 0641626..... | 46 | 0860660 | 195 |
| 0255202 | 313 | 0460084 | 239 | 0641634..... | 46 | 0860661 | 151 |
| 0255617 | 312 | 0460092 | 239 | 0641728..... | 111, 127 | 0860663 | 151 |
| 0255619 | 277, 314 | 0460093 | 239 | 0641807..... | 149 | 0860714 | 195 |
| 0255736 | 312 | 0460099 | 239 | 0641810..... | 19, 113, 127 | 0860715 | 195 |
| 0255752 | 113 | 0480057 | 123 | 0641811..... | 189 | 0860718 | 199 |
| 0255753 | 115 | 0480059 | 107 | 0641812.... | 99, 111, 127 | 0860751 | 151 |
| 0255754 | 113 | 0480083 | 215 | 0641816..... | 184 | 0860752 | 199 |
| 0255755 | 312 | 0480084 | 215 | 0641826..... | 111 | 0860753 | 199 |
| 0255757 | 115 | 0480086 | 215 | 0641830..... | 84 | 0860777 | 199 |
| 0255758 | 113 | 0540084 | 179 | 0641834..... | 84 | 0860779 | 199 |
| 0255759 | 115 | 0540085 | 179 | 0641836..... | 184, 189 | 0860780 | 151 |
| 0255760 | 113 | 0540086 | 179 | 0641844..... | 20 | 0860839 | 203 |
| 0255761 | 115 | 0560467 | 49 | 0641856..... | 101 | 0860840 | 203 |
| 0255805 | 20 | 0560605 | 10, 11, 15 | 0641912..... | 83 | 0860843 | 151 |
| 0255806 | 20 | 0560679 | 49 | 0642014..... | 19, 84 | 0860850 | 203 |
| 0255807 | 20 | 0560714 | 11, 15 | 0642016..... | 19 | 0860957 | 151 |
| 0255808 | 20 | 0560923 | 175 | 0642622..... | 53 | 0860958 | 151 |
| 0256127 | 105 | 0610091 | 274 | 0642628..... | 53 | 0860959 | 151 |
| 0256324 | 239 | 0610104 | 274 | 0642636..... | 53, 54 | 0900232 | 215 |
| 0256325 | 239 | 0620058 | 149 | 0652014..... | 184, 189 | 0900479 | 53 |
| 0256326 | 239 | 0620106 | 149 | 0681510..... | 107 | 0901056 | 215 |
| 0256327 | 239 | 0630137 | 10, 15 | 0681610.... | 107, 123, 183, | 0901387 | 114 |
| 0256426 | 314 | 0630161 | 127 | 184 | | 0901392 | 208 |
| 0256487 | 312 | 0630360 | 112 | 0681818..... | 83 | 0901393 | 207 |
| 0256488 | 312 | 0630370 ... | 101, 102, 114, | 0681836..... | 83 | 0901449 | 215 |
| 0256789 | 312 | 128 | | 0682020..... | 83 | 0901633 | 107, 123 |
| 0256829 | 314 | 0630394 | 127 | 0700605..... | 100 | 0901634 | 112, 113 |
| 0256848 | 104 | 0630403 | 113 | 0700808..... | 116 | 0901635 | 111 |
| 0256956 | 312 | 0630425 | 10, 15 | 0700810..... | 104 | 0901650 | 123 |
| 0257365 | 313 | 0630440 | 216 | 0700814..... | 103, 111 | 0901664 ... | 112, 121, 127 |
| 0257366 | 313 | 0641404 11, 16, 167, 189 | | 0700819..... | 118 | 0901665 | 127 |

PART NUMBER INDEX

| | | | | | | | |
|------------------|--------------------------------------|---------------------------------------|--------------------------------------|----------------|----------------------------|--------------|-----------------------|
| 0901673..... | 101 | 1060099 | 100, 114, 128 | 1281985 | 274 | 1670594..... | 149 |
| 0901674..... | 129 | 1060149 | 101, 111, 128 | 1282004 | 276, 277 | 1670607..... | 215 |
| 0901686..... | 128 | 1060172 | 100, 128 | 1282027 | 301 | 1670608..... | 103 |
| 0901689..... | 112, 113 | 1060221 | 99 | 1282091 | 274 | 1670609..... | 167 |
| 0901690..... | 208 | 1060229 | 176 | 1320014 | 112 | 1670612..... | 167 |
| 0901696..... | 127 | 1060268 | 175 | 1320016 | 103 | 1670630..... | 189 |
| 0901698..... | 127 | 1060273 | 100, 114, 128 | 1320017 | 121 | 1670641..... | 215 |
| 0901699..... | 129 | 1060279 | 301 | 1320019 | 101 | 1670663..... | 216 |
| 0901702..... | 129 | 1060300 ... | 172, 197, 201, 205, 208, 277, 278 | 1320020 | 113, 127 | 1670665..... | 216 |
| 0901705..... | 99 | 1060309 | 200, 205 | 1320022 ... | 100, 114, 121, 129, 145 | 1670666..... | 216 |
| 0901733..... | 127 | 1060341 | 274 | 1320023 | 146 | 1670680..... | 104 |
| 0901756..... | 189 | 1060514 ... | 175, 197, 201, 205, 208 | 1320026 | 113, 128 | 1670699..... | 216 |
| 0901774..... | 123 | 1060515 ... | 175, 275, 276, 277 | 1320030 | 258, 262 | 1670700..... | 216 |
| 0901781..... | 102, 103 | 1060516 | 176 | 1320031 | 101, 113, 128 | 1670701..... | 216 |
| 0901842..... | 215 | 1100041 | 46 | 1320032 | 114, 121 | 1670702..... | 216 |
| 0901843..... | 215 | 1120032 | 10, 15 | 1320033 | 247, 251, 265 | 1670703..... | 216 |
| 0901924..... | 115 | 1120108 | 233, 235 | 1320037 | 116, 239 | 1670733..... | 216 |
| 0902051..... | 57, 63, 79 | 1120161 | 101, 102, 113 | 1320040 | 149 | 1670734..... | 216 |
| 0902090..... | 57, 63, 79 | 1120179 | 219 | 1320041 | 100, 129 | 1670735..... | 216 |
| 0902184..... | 112 | 1120218 | 115, 127 | 1320058 | 112 | 1670736..... | 216 |
| 0902244..... | 99 | 1120299 | 183, 189 | 1320059 | 101 | 1670737..... | 216 |
| 0920068..... | 83, 93 | 1120314 | 145, 313 | 1320095 | 121 | 1680892..... | 219 |
| 0920072..... | 19, 20, 25 | 1120336 | 221, 223 | 1320122 | 239 | 1681283..... | 235 |
| 0920084..... | 19, 20, 27 | 1120340 | 227 | 1320126 | 146 | 1681294..... | 225, 231 |
| 0920086..... | 83, 95 | 1120343 | 225 | 1320127 | 146 | 1681322..... | 233 |
| 0920089..... | 84 | 1120367 | 313 | 1320160 | 190 | 1681344..... | 233 |
| 0920095..... | 84 | 1120405 | 102, 103 | 1320176 | 99 | 1681411..... | 233 |
| 0920110..... | 19, 20, 27 | 1120427 | 231 | 1340020 | 101, 113 | 1681413..... | 233 |
| 0920117..... | 19, 20, 28 | 1120512 | 313 | 1340045 | 145 | 1681433..... | 233 |
| 0940038..... | 215, 216 | 1180179 | 176 | 1340046 | 146, 306 | 1681435..... | 233 |
| 0960224..... | 149 | 1180256 | 176 | 1380032 ... | 101, 102, 114, 128 | 1681555..... | 11, 15, 233 |
| 0960238.... | 153, 196, 200, 204 | 1260017 53, 84, 159, 163, 164, 167 | | 1380124 | 11, 16 | 1681562..... | 10, 14, 233 |
| 0960239.... | 172, 176, 196, 200, 204, 274, 278 | 1260136 | 216 | 1380137 | 190 | 1681785..... | 9, 10, 13, 14, 219 |
| 0960613..... | 221, 223 | 1281168 | 63 | 1440154 | 149 | 1681787..... | 219 |
| 0960827..... | 171 | 1281170 | 57 | 1540002 ... | 205, 274, 276, 277 | 1681788..... | 219 |
| 0960946..... | 225, 227, 231 | 1281172 | 159 | 1600043 | 146 | 1681841..... | 227 |
| 0961029..... | 9, 13, 14 | 1281180 | 151 | 1600116 ... | 195, 199, 203, 207, 309 | 1681843..... | 227 |
| 0961127..... | 301 | 1281284 | 271 | 1600117 | 153, 309 | 1681847..... | 221, 223 |
| 0961247..... | 123 | 1281296 | 121 | 1600126 | 199, 203 | 1681866.... | 183, 184, 221 |
| 0961254..... | 221, 223 | 1281317 | 153 | 1600135 | 195, 203, 309 | 1681867..... | 221 |
| 0961257..... | 183, 189 | 1281318 | 163 | 1600140 | 203 | 1681869..... | 221 |
| 0961259..... | 183, 191 | 1281326 | 271 | 1600141 | 203 | 1681880..... | 175, 235 |
| 0961422..... | 225, 227 | 1281327 | 270 | 1660009 | 54 | 1681881..... | 235 |
| 0961450..... | 191 | 1281328 | 270 | 1660114 | 53 | 1681883..... | 235 |
| 0961531..... | 149 | 1281329 | 270 | 1660157 | 112 | 1682085..... | 171, 231 |
| 0961597..... | 176 | 1281330 | 270 | 1660160 | 149 | 1682086..... | 231 |
| 0961664..... | 101 | 1281345 | 63 | 1660169 | 103, 116, 129 | 1682091..... | 225 |
| 0961778..... | 10, 15 | 1281347 | 57 | 1660172 | 129 | 1682124..... | 171, 227 |
| 1001109671 | 313 | 1281356 | 276 | 1660173 | 129 | 1682125..... | 227 |
| 1001110136 | 313 | 1281358 | 301 | 1660184 ... | 104, 116, 129, 308 | 1682125..... | 227 |
| 1001110983 | 313 | 1281479 | 274 | 1660185 | 149 | 1682177..... | 221, 223 |
| 1001119695 | 176 | 1281498 | 312 | 1660207 | 116, 308 | 1682178.... | 183, 184, 189, 221 |
| 1001148902 | 313 | 1281525 | 274, 275 | 1660213EX..... | 149 | 1682255..... | 171, 225 |
| 1001148903 | 313 | 1281526 | 274, 278 | 1660234 ... | 103, 104, 116, 129, 308 | 1682256..... | 225 |
| 1001148904 | 313 | 1281547 | 270 | 1670199 | 146 | 1682271..... | 231 |
| 1001148905 | 313 | 1281548 | 270 | 1670450 | 175 | 1682406..... | 9, 10, 13, 14, 219 |
| 1001148906 | 313 | 1281553 | 272 | 1670451 | 184 | 1682407..... | 219 |
| 1060012..... | 108, 124, 175 | 1281571 | 276 | 1670468 | 145 | 1682492..... | 175, 235 |
| 1060016..... | 275, 277, 313 | 1281643 | 313 | 1670526 | 215 | 1682493..... | 235 |
| 1060019..... | 176 | 1281671 | 275 | 1670568 | 207 | 1682757..... | 9, 10, 13, 14, 219 |
| 1060042..... | 274, 278 | 1281701 | 274 | 1670576 | 175 | 1682758..... | 219 |
| 1060044..... | 312 | 1281712 | 276 | | | 1682785..... | 171, 231 |
| 1060046..... | 114 | 1281955 | 313 | | | 1682786..... | 231 |
| 1060093..... | 111, 128 | | | | | | |
| 1060097..... | 314 | | | | | | |

PART NUMBER INDEX

| | | | |
|-----------------------------------|---|---|---|
| 1682793 ... 183, 184, 189, 223 | 1702289 303 | 2180623 121 | 2220414 ... 243, 245, 247, 251, 257, 261, 265, 269 |
| 1682794 223 | 1702292 301 | 2180643 105 | 2220415 ... 245, 251, 257, 261, 265 |
| 1682796 225 | 1702293 301 | 2180651 266 | 2220416 ... 243, 245, 255, 266, 269 |
| 1682797 225 | 1702294 301 | 2180652 258, 261 | 2220417 247, 251, 266 |
| 1682799 171, 227 | 1702299 301 | 2180658 49 | 2220428 257, 261, 265 |
| 1682800 227 | 1702300 302 | 2180711 146 | 2220429 257, 261, 265 |
| 1683523 225 | 1702305 53 | 2180730 99, 105, 129 | 2220435 252 |
| 1683524 171, 225 | 1702399 195 | 2180749 105, 129 | 2220451 247, 251, 265 |
| 1683527 231 | 1702402 203 | 2180763 149 | 2220465 247 |
| 1683528 171, 231 | 1702600 302, 312 | 2200064 266 | 2220466 ... 243, 245, 247, 251, 255, 258, 262, 266 |
| 1700037 301 | 1702612 301 | 2200201 221, 225, 231, 235 | 2220468 ... 255, 257, 261, 265, 269 |
| 1700053 302 | 1702669 312 | 2200202 49, 221 | 2220469 251 |
| 1700058 302 | 1702688 301 | 2200213 116 | 2220470 127 |
| 1700157 301 | 1702721 312 | 2200221 227 | 2220471 257, 262 |
| 1700194 302 | 1702722 302, 312 | 2200222 145, 235 | 2220472 ... 243, 245, 247, 251, 257, 261, 265 |
| 1700195 302 | 1702738 21 | 2200233 227 | 2220473 257, 261, 266 |
| 1700196 302 | 1704277 301 | 2200261 100, 105 | 2220481 252 |
| 1700197 302 | 1760068 185, 190 | 2200268 146 | 2220490 243, 245 |
| 1700232 302 | 1780224 186, 191 | 2210003 247, 251 | 2220494 247, 251 |
| 1700326 302 | 1780245 159 | 2210006 257, 261 | 2220495 257, 261 |
| 1700419 302 | 1780250 186, 191 | 2210007 247, 251, 265 | 2220496 247, 251, 269 |
| 1700428 302 | 1780285 191 | 2210014 247, 251 | 2220497 258, 262, 266 |
| 1700429 302 | 1780286 191 | 2210027 257, 261 | 2220498 247, 251 |
| 1700430 302 | 1840005 ... 101, 102, 103 | 2210028 265 | 2220504 ... 243, 245, 247, 251, 266 |
| 1700431 302 | 1840011 102, 103 | 2220003 121 | 2220507 ... 258, 262, 266 |
| 1700476 301 | 2000106 99, 104 | 2220063 100, 129 | 2220516 252 |
| 1700477 301 | 2000109 111, 117 | 2220064 257, 261 | 2220550 265 |
| 1700580 301 | 2000113 127, 129 | 2220110 258, 262 | 2220568 252 |
| 1700582 301 | 2000117 111, 117 | 2220218 255 | 2220578 247, 251, 252 |
| 1700584 301 | 2000119 313 | 2220235 243, 245 | 2220582 ... 243, 245, 247, 255, 258, 262, 265, 269 |
| 1700585 301 | 2000129 111, 117 | 2220250 265 | 2220584 257, 261, 266 |
| 1700593 301 | 2000130 111, 117 | 2220261 255, 258, 262 | 2220591 ... 258, 262, 265 |
| 1700640 301 | 2000137 99, 104 | 2220263 257, 261 | 2220596 265 |
| 1700643 301 | 2000147 111, 117 | 2220266 257, 261 | 2220600 ... 247, 251, 257, 261 |
| 1700755 303 | 2060012 314 | 2220273 101, 112, 114, 129 | 2220602 257, 261 |
| 1700756 301, 303 | 2060016 112 | 2220290 121 | 2220603 265 |
| 1700818 302 | 2060019 113 | 2220296 114 | 2220604 258 |
| 1700853 79, 302 | 2080026 11, 16 | 2220315 121 | 2220605 ... 247, 251, 258, 262, 265 |
| 1700919 312 | 2120077 121 | 2220318 105 | 2220606 ... 243, 245, 257, 261, 265 |
| 1700975 302 | 2120103 145 | 2220318 105 | 2220609 ... 243, 245, 257, 261, 262, 265 |
| 1700976 302 | 2120104 146 | 2220329 257, 261, 265 | 2220618 ... 247, 251, 257, 262 |
| 1700977 302 | 2120107 145, 306 | 2220343 262 | 2220619 ... 243, 248, 251, 252, 257, 261 |
| 1700978 302 | 2120112 118 | 2220345 247, 251 | 2220621 243, 245, 265 |
| 1700979 303 | 2120122 57, 63, 79 | 2220346 127, 257, 261, 266 | 2220622 252, 265 |
| 1700980 303 | 2120125 .. 57, 63, 79, 306 | 2220348 248, 252 | 2220627 252 |
| 1700981 302 | 2160001 53, 83, 184, 185, 190, 227, 231, 233 | 2220355 247, 251 | 2220635 ... 243, 245, 258, 261, 265 |
| 1701239 303 | 2160002 9, 10, 11, 13, 15, 16, 183, 184, 189, 219, 221, 223, 225, 233 | 2220362 247, 251 | 2220646 247, 251 |
| 1701321 302 | 2160003 ... 10, 11, 15, 16, 227, 231 | 2220363 248, 252 | 2220648 121 |
| 1701334 302 | 2160006 186, 191, 233 | 2220364 121 | 2220651 ... 58, 59, 64, 65, 257, 261, 265 |
| 1701336 303 | 2160007 175 | 2220365 247, 251 | 2220654 255, 257, 261 |
| 1701441 303 | 2180009 58, 59, 64 | 2220371 243, 245, 258, 261, 265 | 2220657 262 |
| 1701460 301 | 2180029 58, 59, 64 | 2220372 247, 258, 262, 265 | |
| 1701470 303 | 2180104 100, 121 | 2220373 58, 59, 64, 65, 257, 261, 265 | |
| 1701500 302 | 2180360 ... 105, 112, 118, 121 | 2220375 247, 252 | |
| 1701529 301 | 2180387 121 | 2220376 45, 266 | |
| 1701550 303 | 2180389 121 | 2220377 247, 252 | |
| 1701594 303 | 2180448 227 | 2220383 257, 261 | |
| 1701703 302 | 2180467 145 | 2220385 247, 251, 257, 261, 265 | |
| 1701725 303 | 2180491 ... 257, 261, 265 | 2220399 258, 262 | |
| 1702153 301 | 2180527 146, 235 | 2220407 265 | |
| 1702265 301 | 2180535 121 | 2220408 248, 251, 257, 261 | |
| 1702276 301 | 2180536 101, 121, 129 | | |
| 1702277 301 | 2180537 105 | | |

PART NUMBER INDEX

| | | | |
|---|--|-----------------------------------|-----------------------|
| 2220671.....266 | 2600132..... 199, 203 | 2751020 ... 243, 245, 258, 262 | 2791626.....269, 271 |
| 2220675.....121 | 2600143..... 185, 191 | 2751026 ... 251, 258, 262, 266 | 2791627.....247, 270 |
| 2220679.....243 | 2600157..... 159 | 2751030..... 265 | 2791632..... 251, 270 |
| 2220683.....257 | 2600170..... 164 | 2751101 ... 258, 262, 266 | 2791633.....269, 271 |
| 2220684.....266 | 2620034..... 53 | 2751102..... 265 | 2791645.....270 |
| 2220700.....243, 245, 265 | 2620038..... 53 | 2751123..... 257, 261 | 2791646.....270 |
| 2220710..... 248, 252 | 2660080..... 179 | 2751150 ... 258, 262, 266 | 2791655.....271 |
| 2220711.....266 | 2660081..... 179 | 2751161..... 257, 261 | 2791656.....271 |
| 2220726.....257 | 2660082..... 179 | 2751163..... 257, 261 | 2791660.....270 |
| 2220727.....258, 262 | 2680402..... 113 | 2751391 ... 258, 262, 266, 269 | 2791661.....270 |
| 2220773.....258, 261 | 2720042..... 114, 121 | 2751394 258, 261, 266 | 2791664.....271 |
| 2220800.....257, 262 | 2720058 ... 100, 114, 121, 129, 171 | 2751396..... 262 | 2791667.....269, 271 |
| 2220805.....100, 114, 129 | 2720084..... 128 | 2751397..... 243, 245, 265 | 2791668.....269, 271 |
| 2220810.....265 | 2720112..... 121 | 2751398..... 251, 266 | 2791669.....269, 271 |
| 2220816.....255 | 2720170..... 121 | 2751418 258, 262, 265 | 2791670.....271 |
| 2220820....58, 59, 64, 65, 257, 262, 265 | 2720271..... 100, 129 | 2751421 258, 262, 265 | 2791671.....271 |
| 2220844.....45 | 2720281..... 247, 251 | 2751432..... 265 | 2791672.....271 |
| 2220883.....225, 228 | 2720335 ... 247, 251, 265 | 2751435..... 266 | 2791673.....255, 271 |
| 2220885.....223, 225, 231 | 2720341..... 112 | 2751443..... 247 | 2791676.....270 |
| 2220887.....225, 228 | 2720344..... 257, 261 | 2751454..... 255 | 2791677.....270 |
| 2220895.....255 | 2720351..... 101 | 2751457..... 266 | 2791678.....247, 270 |
| 2220899....257, 261, 265 | 2750532..... 100 | 2751467..... 265 | 2791679.....247, 270 |
| 2220907.....265 | 2750757..... 127 | 2751483..... 252, 257 | 2791680.....251, 270 |
| 2220908....258, 262, 266 | 2750760..... 269 | 2751489..... 262 | 2791681.....251, 270 |
| 2220909.....265 | 2750762..... 258 | 2751517..... 247, 252 | 2791682.....270 |
| 2360299.....9 | 2750766..... 257 | 2751520..... 266 | 2791683.....270 |
| 2360300.....9 | 2750773..... 261, 266 | 2751614..... 248, 252 | 2791693.....271 |
| 2360305.....9 | 2750774..... 251 | 2751626..... 248, 252 | 2791764.....272 |
| 2360334.....13 | 2750777..... 262 | 2751635..... 248, 252 | 2791785.....271 |
| 2360380.....13 | 2750779 ... 243, 245, 261 | 2751852 ... 258, 262, 266 | 2791801.....270 |
| 2360381.....13 | 2750786..... 243, 245 | 2751906..... 243 | 2791802.....270 |
| 2360385.....13 | 2750891..... 266 | 2751921..... 266 | 2791803.....270 |
| 2360386.....9 | 2750892 ... 258, 262, 269 | 2752159..... 266 | 2791804.....270 |
| 2420009.....151 | 2750894..... 269 | 2752163..... 258, 262 | 2791805.....271 |
| 2420019.....151 | 2750895..... 269 | 2752235..... 252 | 2791806.....271 |
| 2420024.....129 | 2750897..... 269 | 2752236..... 252 | 2791807.....271 |
| 2420033..... 112, 129 | 2750899 ... 247, 251, 261, 266 | 2752237..... 252 | 2791808.....271 |
| 2420035.....151 | 2750901 ... 257, 261, 266 | 2752238..... 248 | 2791812.....272 |
| 2420038.....312 | 2750902 ... 243, 251, 266 | 2752239..... 252 | 2791813.....272 |
| 2420091.....151 | 2750909..... 265 | 2752242..... 248, 252 | 2791814.....272 |
| 2420110.....100 | 2750910..... 243, 245 | 2752317..... 251 | 2791857.....271 |
| 2420111.....151 | 2750913..... 257, 265 | 2752318..... 252 | 2791865.....245, 270 |
| 2420118.....112 | 2750918 ... 257, 261, 266 | 2752319 ... 247, 248, 252 | 2791866.....243, 270 |
| 2420125.....151 | 2750921 ... 258, 262, 266 | 2752349..... 248 | 2791892.....270 |
| 2420127.....151 | 2750928..... 261, 265 | 2752433..... 243, 245 | 2791893.....270 |
| 2420128.....151 | 2750972..... 251 | 2752461..... 248, 252 | 2791914.....270 |
| 2420129.....151 | 2750973..... 257 | 2760064..... 184, 190 | 2791915.....270 |
| 2420130.....112 | 2750977..... 247, 252 | 2760091..... 149 | 2791916.....271 |
| 2420131..... 99, 112 | 2750979..... 251 | 2780055..... 83, 97 | 2791917.....271 |
| 2420203..... 107, 123 | 2750991 ... 258, 262, 266 | 2780091..... 10, 15 | 2791929.....270 |
| 2440043..... 184, 190 | 2750998 ... 258, 262, 266 | 2780157..... 19, 37 | 2791930.....270 |
| 2440044..... 185, 190 | 2750999 ... 258, 262, 266 | 2780167..... 19, 31 | 2791956.....271 |
| 2440059.....83 | 2751003..... 261 | 2780169..... 19, 31 | 2791957.....271 |
| 2460011..... 107, 123 | 2751006..... 262 | 2780172..... 19, 37 | 2791958.....271 |
| 2500005..... 111 | 2751007..... 258, 262 | 2780191..... 19, 41 | 2791959.....271 |
| 2540016.....157 | 2751010 ... 247, 251, 258, 261 | 2780195..... 19, 41 | 2791960.....271 |
| 2560010..... 186, 191 | 2751011..... 255 | 2791295..... 272 | 2791968.....271 |
| 2560038.....199 | 2751013 ... 243, 245, 247, 251 | 2791576..... 271 | 2792001.....261, 271 |
| 2560040.....199 | 2751014..... 247, 251 | 2791577..... 247, 270 | 2792002.....257, 271 |
| 2560041.... 195, 199, 207 | 2751015..... 245, 265 | 2791578..... 255, 271 | 2792003.....271 |
| 2560112.....203 | 2751017 ... 257, 262, 266 | 2791592..... 271 | 2792004.....271 |
| 2580001..... 118, 129 | 2751018..... 245 | 2791617..... 251, 270 | 2792005.....265, 271 |
| 2580018.....146 | | 2791624..... 270 | 2792007.....270 |
| 2580026..... 118 | | 2791625..... 269, 271 | 2792087.....270 |
| 2580029.....129 | | | 2792088.....270 |
| 2600105.....199, 203 | | | 2820012.....167 |

PART NUMBER INDEX

| | | | | | | | |
|---------------|-------------------------------------|---------------|---------------|---|---|---------------|----------------|
| 2820022 | 157 | 2920152 | 157 | 3252369..... | 303 | 3420292 | 53 |
| 2820042 | 102, 103 | 2920162 | 107, 123 | 3252382..... | 203 | 3420352 | 54 |
| 2820043 | 167 | 2940006 | 186, 191, 307 | 3252390..... | 207 | 3421151 | 53 |
| 2860002 | 151, 306 | 2940042 | 164, 167 | 3291001..... | 115 | 3421190 | 11, 16 |
| 2860012 | 123 | 2940048 | 159, 163, 164 | 3300012..... | 10, 15, 19 | 3421243 | 10, 15 |
| 2880404 | 184, 189 | 2940050 | 159, 163 | 3300029..... | 101, 114, 128 | 3421284 | 49 |
| 2880410 | 53 | 2940051 | 159, 163 | 3300047 | 172, 176, 196, 200, 204, 274, 278 | 3421490 | 183, 184, 189 |
| 2900034 | 32, 97 | 2940052 | 199, 203 | 3300048..... | 153, 196, 200, 204 | 3421491 | 183, 184, 189 |
| 2900068 | 215 | 2940057 | 160 | 3300143..... | 183, 184 | 3421492 | 175 |
| 2900340 | 225, 231 | 2940070 | 167 | 3300151 | 159, 163, 164, 167 | 3421493 | 175 |
| 2900381 | 219 | 2940113 | 167 | 3300175..... | 10, 11, 15 | 3421494 | 183, 184, 189 |
| 2900396 | 235 | 2980091 | 208 | 3300177 | 151, 195, 199, 203, 207 | 3421565 | 84 |
| 2900455 | 193 | 3010088 | 216 | 3300183..... | 83 | 3421627 | 84 |
| 2900649 | 93 | 3020021 | 116 | 3300187..... | 219, 233 | 3421686 | 172 |
| 2900660 | 99, 100, 112 | 3020025 | 185, 190 | 3300190..... | 227, 231 | 3421687 | 172 |
| 2900662 | 25, 95 | 3040464 | 53 | 3300229..... | 11, 15 | 3421688 | 172 |
| 2900698 | 243, 245 | 3100073 | 113 | 3300271 | 221 | 3421771 | 175 |
| 2900708 ... | 57, 60, 63, 65, 66, 79 | 3120044 | 313 | 3300273..... | 219, 233 | 3421780 | 172 |
| 2900714 | 23 | 3120045 | 313 | 3300281..... | 227, 231 | 3421835 | 10, 15 |
| 2900733 | 193 | 3120077 | 313 | 3300282..... | 235 | 3421887 | 11, 16 |
| 2900740 | 137, 141 | 3120322 | 314 | 3300283..... | 225 | 3421968 | 184, 189 |
| 2900745 | 45 | 3120351 | 314 | 3300284..... | 221, 223 | 3421994 | 172 |
| 2900752 | 134 | 3124003 | 314 | 3300286..... | 235 | 3422007 | 172 |
| 2900754 | 38, 43 | 3160083 | 184, 190, 193 | 3300288..... | 227 | 3422008 | 172 |
| 2900755 | 38 | 3160156 | 83, 87 | 3300289..... | 225 | 3422009 | 172 |
| 2900759 | 76 | 3160158 | 19, 23 | 3300284..... | 221, 223 | 3422261 | 10, 15 |
| 2900760 | 76 | 3160181 | 83, 89 | 3300286..... | 235 | 3422401 | 9, 10, 13, 14 |
| 2900761 | 76 | 3160183 | 84, 91 | 3300323..... | 227 | 3430407 | 49 |
| 2900763 | 303 | 3200201 | 111 | 3310601 | 152, 196, 200, 204 | 3430507 | 208 |
| 2900766 | 27 | 3200202 | 111 | 3311001..... | 45, 114, 123, 146, 149, 152, 153, 167, 196, 200, 205, 208 | 3431622 | 10, 11, 15, 16 |
| 2900767 | 28 | 3200249 | 83 | 3311401 | 46, 57, 63, 79, 100, 107, 111, 113, 123, 128, 129, 145, 146, 151, 154, 157, 159, 167, 191, 243, 245 | 3440816 | 184, 190 |
| 2900768 | 27 | 3200312 | 127 | 3311405.... | 57, 63, 79, 118, 157, 159, 163, 164, 167, 175, 183, 184, 186, 301 | 3441228 | 185, 190 |
| 2900770 | 79, 219, 223, 225, 227, 231, 235 | 3200316 | 179 | 3311501.... | 45, 57, 63, 79, 99, 101, 112, 114, 127, 145, 167, 171, 184 | 3450202 | 99 |
| 2900792 ... | 219, 221, 225, 227, 231 | 3200317 | 179 | 3311505.... | 171, 183, 184, 189, 199, 203 | 3450403 | 208 |
| 2900794 | 51 | 3200318 | 127 | 3311601 45, 46, 101, 114, 123, 127, 145, 146 | | 3450606 | 10, 11, 15, 16 |
| 2900798 | 89 | 3220061 | 114 | 3311605.... | 111, 175, 207, 208 | 3450810 | 11, 15 |
| 2900816 | 43 | 3220067 | 114 | 3311705.... | 111, 114, 127 | 3451012 | 10, 15 |
| 2900826 | 134 | 3220076 | 114, 127 | 3311801. 19, 84, 112, 149 | | 3480092 | 235 |
| 2900827 | 134 | 3220084 | 115 | 3311805.... | 111, 184, 186, 189, 191 | 3480102 | 225, 227, 231 |
| 2900940 | 312 | 3220087 | 116 | 3312602..... | 10, 15, 53 | 3480120 | 219 |
| 2901102 | 227 | 3250840 | 53 | 3312605..... | 53, 54 | 3480130 | 221 |
| 2901103 | 221, 223 | 3250872 | 53 | 3313403..... | 11, 15 | 3480134 | 233 |
| 2901111 | 105 | 3251019 | 275 | 3321401..... | 111, 219 | 3480141 | 221, 223 |
| 2901123 | 233 | 3251028 | 302 | 3323002.... | 10, 11, 15, 53 | 3510170 | 185 |
| 2901146 | 149 | 3251242 | 314 | 3323403..... | 10, 11, 15 | 3510176 | 185 |
| 2901148 | 233 | 3251243 | 146, 301 | 3340454..... | 184, 189 | 3510177 | 185 |
| 2901157 | 35 | 3251476 | 108, 123 | 3340473..... | 175 | 3510236 | 185 |
| 2901184 | 121 | 3251596 | 215 | 3340545..... | 235 | 3510237 | 185 |
| 2910025 | 303 | 3251766 | 301 | 3340552..... | 175 | 3510238 | 185 |
| 2910479 | 114 | 3251813 | 301 | 3420158..... | 54 | 3510239 | 190 |
| 2915080 | 83 | 3251837 | 146 | 3420290..... | 149 | 3510240 | 190 |
| 2920001 | 313 | 3251872 | 199, 204 | | | 3510241 | 190 |
| 2920009 | 157, 215, 275 | 3251894 | 199 | | | 3510242 | 190 |
| 2920013 | 215, 276, 313 | 3251895 | 151 | | | 3510247 | 185 |
| 2920015 ... | 195, 199, 204, 207 | 3251909 | 195 | | | 3510253 | 185 |
| 2920018 | 157, 215, 275 | 3251963 | 314 | | | 3510261 | 190 |
| 2920019 | 157, 275 | 3251987 | 207 | | | 3510261 | 190 |
| 2920024 | 276, 313 | 3252027 | 312 | | | 3510307 | 185 |
| 2920026 | 274, 275, 313 | 3252028 | 312 | | | 3510323 | 190 |
| 2920029 | 275 | 3252029 | 312 | | | 3510356 | 185 |
| 2920105 | 157 | 3252144 | 303 | | | 3510386 | 185 |
| 2920109 | 157 | 3252221 | 312 | | | 3510406 | 185 |
| 2920111 | 215, 276, 313 | 3252224 | 203 | | | 3510480 | 190 |
| | | 3252224 | 203 | | | 3510481 | 185 |
| | | 3252238 | 216 | | | 3510482 | 190 |
| | | 3252269 | 275, 313 | | | 3510483 | 185 |
| | | 3252356 | 302 | | | 3510656 | 185 |
| | | 3252362 | 195 | | | 3520022 | 146 |

PART NUMBER INDEX

| | | | |
|---|--|---|---|
| 3520026.... 151, 152, 153, 196, 199, 203 | 3740049 ... 152, 153, 196, 200, 205, 208, 215, 274, 275, 307 | 3960371 145 | 4300034..... 101, 113 |
| 3520028.... 107, 123, 151, 152, 153, 204 | 3740058 152, 196, 307 | 3960388 118, 121 | 4300036..... 79 |
| 3520030..... 167 | 3740059 153, 309 | 3960389 100, 129 | 4300038..... 57, 101, 184 |
| 3520034..... 153 | 3740063 152, 196 | 3960407 99 | 4300042..... 57, 63, 79 |
| 3520035..... 184, 190 | 3740067 153, 307 | 3960416 219 | 4300057..... 118 |
| 3520054..... 153 | 3740074 128 | 3960417 167 | 4300068..... 107, 123 |
| 3520078..... 104 | 3740077 153, 307 | 3960418 167 | 4300073..... 145 |
| 3520168..... 153 | 3760004 149 | 3960423 117, 118 | 4300087..... 243, 245 |
| 3530244..... 11, 16 | 3760053 149 | 3980003 114 | 4300092..... 19 |
| 3530403..... 149 | 3760133 175 | 3980007 100, 128 | 4300106..... 11, 16, 157 |
| 3531543..... 208 | 3760170 84 | 3990001 275 | 4300107..... 84 |
| 3532054.... 171, 175, 183, 184, 189 | 3780149 243, 245 | 3990010 ... 274, 275, 276, 277, 278, 307 | 4320002..... 199 |
| 3532649..... 53 | 37801839, 10, 11, 13, 14, 15 | 4031713 113 | 4340569..... 123 |
| 3533291..... 111 | 3790012 ... 151, 152, 195, 196, 199, 200, 204, 205, 207 | 4040215 189 | 4340575..... 53 |
| 3533445..... 111 | 3790015 ... 152, 195, 199, 203, 207 | 4040222 189 | 4340596..... 183, 184 |
| 3533788..... 159 | 3790116 49 | 4040227 189 | 4360003..... 151, 306 |
| 3534137..... 312 | 3790152 99, 112 | 4060092 ... 196, 200, 205, 207 | 4360031.... 186, 191, 307 |
| 3534232..... 207 | 3790155 84 | 4060229 ... 195, 196, 199, 200, 204, 205, 207 | 4360037..... 105, 112 |
| 3534233..... 207 | 3790231 49 | 4060695 146 | 4360056..... 172 |
| 3534256..... 208 | 3820001 53, 179, 301 | 4060700 314 | 4360057.... 172, 216, 307 |
| 3534263..... 79 | 3820012 159, 163 | 4060727 114 | 4360065.... 105, 274, 275 |
| 3534778..... 45 | 3820019 ... 159, 163, 164, 303 | 4060742 129 | 4360073..... 151, 306 |
| 3535519..... 167 | 3840643 53 | 4060743 129 | 4360089..... 274 |
| 3535607..... 84 | 3840822 53 | 4060804 57, 183, 184 | 4360104..... 312 |
| 3536411..... 11, 16 | 3840833 49 | 4060806 45, 79 | 4360131..... 312 |
| 3536671..... 303 | 3840854 49 | 4060808 45, 57, 171 | 4360132..... 312 |
| 3538039..... 314 | 3840863 10, 14 | 4060829 157 | 4360141.... 151, 195, 199, 207 |
| 3538254..... 128 | 3840883 49 | 4060832 167 | 4360157..... 118, 275 |
| 3538389..... 195 | 3840854 49 | 4060843 314 | 4360171..... 157, 307 |
| 3538392..... 203 | 3840979 121 | 4060849 146 | 4360181..... 276, 314 |
| 3580134..... 107, 123 | 3841018 11, 15 | 4070410 46, 145 | 4360182..... 118, 275 |
| 3580158..... 107 | 3841048 53 | 4070411 46, 145 | 4360188..... 121 |
| 3600050.... 101, 102, 115, 128 | 3841049 111 | 4070412 46, 145 | 4360198..... 207 |
| 3600071.... 102, 103, 115 | 3860037 49 | 4070559 175 | 4360199.... 151, 152, 195, 199, 200, 203, 204, 205, 207, 275, 306 |
| 3600141 102, 115 | 3900141 ... 219, 221, 223, 233 | 4070585 185, 190 | 4360200.... 152, 196, 199, 204, 207, 307 |
| 3600143..... 100, 112 | 3900170 ... 219, 221, 223, 225, 227, 231, 233, 235 | 4070587 185, 190 | 4360201.... 151, 274, 309 |
| 3600164.... 99, 111, 127, 133 | 3900175 219 | 4070670 175 | 4360202.... 152, 195, 196, 199, 200, 204, 205, 306 |
| 3600165..... 99, 112 | 3900294 205 | 4070671 175 | 4360209.... 196, 200, 204, 208 |
| 3600172.... 99, 100, 112, 127, 137 | 3910604 207 | 4070672 175 | 4360212.... 151, 308, 309 |
| 3600176..... 99, 141 | 3910606 152, 196 | 4070676 175 | 4360215..... 215 |
| 3600199.... 100, 112, 113, 127, 139 | 3910608 ... 196, 200, 204 | 4070677 175 | 4360216..... 152, 307 |
| 3600202.... 100, 112, 113, 143, 313 | 3910608 152, 196 | 4070705 183 | 4360217..... 152, 307 |
| 3600203..... 313 | 3911008 114, 200 | 4070706 183 | 4360232.... 152, 276, 307 |
| 3600208.... 102, 115, 116, 128 | 3911012 ... 111, 149, 208 | 4070707 184 | 4360256..... 312 |
| 3600210..... 103, 116 | 3911412 151, 159 | 4100025 ... 102, 103, 128 | 4360265..... 275, 313 |
| 3600213..... 104 | 3931010 185, 190 | 4120013 152, 196 | 4360274.... 152, 195, 196, 199, 203, 207, 215, 216, 307 |
| 3600241..... 313 | 3931016 45 | 4130160 10, 15 | 4360282..... 203 |
| 3600260.... 99, 111, 133 | 3931612 185, 190 | 4130161 10, 15 | 4360289..... 203 |
| 3620003..... 314 | 3931620 185, 190 | 4130221 11, 15 | 4360294..... 275 |
| 3620027..... 112 | 3941005 111 | 4130222 11, 15 | 4360305..... 215 |
| 3640500.... 196, 200, 204 | 3941404 157 | 4140017 211 | 4360542..... 107, 123 |
| 3640711..... 152 | 3941406 ... 103, 159, 163, 164, 167, 215 | 4160026 184, 189 | 4400040..... 146 |
| 3640970..... 196 | 3951003 99 | 4160028 215 | 4400164..... 146 |
| 3720011..... 121 | 3951003 99 | 4160078 49 | 4400263..... 145 |
| 3740002..... 275 | 3951402 227 | 4160105 167 | 4400264..... 145 |
| 3740029..... 153 | 3951403 227 | 4220007 215 | 4400265..... 145 |
| 3740030..... 153 | 3951404 231 | 4220137 190 | 4400266..... 145 |
| | 3951404 231 | 4240096 112 | 4400275..... 146, 314 |
| | 3951603 235 | 4300031 ... 157, 159, 163, 164, 167, 175, 183, 184 | 4400281..... 314 |
| | 3951820 149 | 4300032 100, 129 | 4400290..... 145 |
| | 3960047 49 | 4300033 57, 63, 171 | |
| | 3960098 10, 15 | | |

PART NUMBER INDEX

| | | | |
|----------------------------|-----------------------------|----------------------------|-----------------------------|
| 4400291 145 | 4565278 102, 103 | 4640760.....314 | 153, 167, 172, 196, |
| 4400327 129 | 4565301 102, 103 | 4640776.....257, 261, 265 | 200, 205, 208 |
| 4400420 314 | 4565829 116 | 4640778.....255 | 4761100 123 |
| 4400421 314 | 4566039 113 | 46408129, 10, 11, 13, 14, | 47614009, 11, 13, 16, 46, |
| 4420001 100 | 4620059 83 | 15 | 57, 63, 79, 100, 103, |
| 4420008 195, 205, 207 | 4620060 83 | 4640817.....258, 261, 266 | 107, 111, 113, 121, |
| 4420037 151, 203 | 4620073 83 | 4640818...57, 63, 79, 258, | 123, 128, 129, 145, |
| 4420038 171, 199 | 4620074 83 | 266 | 146, 149, 151, 154, |
| 4460023 108, 123 | 4620093 83 | 4640850....58, 59, 64, 65, | 157, 159, 163, 164, |
| 4460027 123, 275 | 4620094 83 | 73 | 167, 175, 189, 243, 245 |
| 4460049 146, 172, 274 | 4620095 83 | 4640866.....57, 63, 79 | 4761500... 45, 49, 53, 57, |
| 4460051 153 | 4640013 ... 243, 245, 257, | 4640909....58, 59, 64, 65, | 63, 79, 99, 101, 107, |
| 4460052 ... 175, 196, 200, | 261, 266 | 69 | 112, 116, 123, 127, |
| 204 | 4640035 79 | 4640950....59, 60, 65, 66, | 129, 145, 149, 167, |
| 4460071 ... 153, 186, 191, | 4640049 81 | 69 | 171, 183, 189 |
| 196, 200, 204, 205, 207 | 4640113 21 | 4643742.....45 | 4761600 . 45, 46, 99, 100, |
| 4460190 ... 196, 200, 205, | 4640122 79 | 4711400.....100, 128, 163 | 107, 111, 114, 116, |
| 207 | 4640123 57, 63, 79 | 4711600.....102, 103 | 123, 127, 128, 129, |
| 4460205 ... 197, 201, 205, | 4640128 258, 262 | 47126009, 10, 11, 13, 15, | 145, 146, 171, 175, |
| 208 | 4640150 57, 63, 79 | 16, 53 | 185, 190, 207, 208, 236 |
| 4460244 ... 153, 196, 200, | 4640213 258, 262, 266 | 4740003.....83 | 4761800 . 19, 84, 99, 101, |
| 204 | 4640246 ... 57, 59, 63, 65, | 4740004.....83, 84 | 111, 113, 127, 149, |
| 4460260 278 | 69 | 4740016.....10, 15 | 184, 189 |
| 4460298 ... 152, 196, 200, | 4640247 ... 57, 59, 63, 65, | 4740048.....83 | 4762000 19 |
| 204 | 69 | 4740120....151, 196, 199, | 4762600 53 |
| 4460299 ... 152, 196, 200, | 4640260 45 | 203 | 4812000 107, 127 |
| 204 | 4640261 53 | 4740158.....184, 189 | 4831900... 103, 104, 111, |
| 4460300 ... 152, 196, 200, | 4640360 ... 59, 60, 65, 66, | 4740171.....83 | 116, 118 |
| 204 | 79 | 4740185.....9, 13, 111 | 4832000 99, 102, 103, |
| 4460301 ... 152, 196, 200, | 4640383255 | 4740199.....184, 190 | 104, 111, 127 |
| 204 | 4640391 121 | 4740252.....84 | 4832100 127 |
| 4460302 99 | 4640392 21 | 4740256.....185, 190 | 4842561 21 |
| 4460305 ... 152, 153, 196, | 4640438219 | 4740273.....111, 127 | 4842621 9, 10, 13, 14 |
| 200, 204 | 4640462 ... 58, 60, 64, 69 | 4740274.....111 | 4842794 9, 13 |
| 4460306 ... 152, 153, 196, | 4640479 79 | 4740322.....145 | 4842892 195 |
| 200, 204 | 4640485 46, 49 | 4740338.....145 | 4842915 183 |
| 4460307 ... 153, 196, 200, | 4640495235 | 4740341.....207 | 4842978 183 |
| 204 | 4640506 79, 81 | 4740362.....186, 191 | 4843068 176 |
| 4460308 152 | 4640509 ... 219, 221, 225, | 4740367.....83 | 4843076 175 |
| 4460311 ... 153, 196, 200, | 231 | 4750600....152, 200, 204 | 4843286 9, 13 |
| 204 | 4640543 ... 57, 58, 59, 63, | 4750800.....197 | 4843330 171 |
| 4460346 314 | 64, 65 | 4751000.....45, 114, 123, | 4843372 101 |
| 4460521 215 | 4640601 ... 57, 58, 59, 63, | 146, 149, 152, 153, | 4843395 159 |
| 4520024 21 | 64, 65, 73 | 167, 205 | 4843396 159, 163 |
| 4520025 21 | 4640605 225, 227, 231 | 47514009, 13, 46, 57, 63, | 4843398 159 |
| 4520124 21 | 4640623 58, 59, 64, 65 | 79, 103, 107, 123, 145, | 4843410 107 |
| 4520133 20 | 4640627 58, 64 | 146, 149, 151, 154, | 4843447 9, 14 |
| 4520143 21 | 4640629 45 | 157, 159, 163, 164, | 4843477 9, 13 |
| 4520171 21 | 4640634 ... 223, 225, 227, | 167, 175, 183, 184, | 4843497 111 |
| 4562083 189 | 231, 235 | 189, 215, 243, 245, 301 | 4843517 159, 163 |
| 4562346 53 | 4640640 207, 211 | 4751500....45, 53, 57, 63, | 4843552 114, 115 |
| 4562516 145, 146 | 4640643 ... 59, 60, 65, 66, | 97, 107, 114, 123, 145, | 4843567 159, 163 |
| 4562687 233 | 75 | 183, 199, 203 | 4843585 163 |
| 4562851 233 | 4640645 ... 57, 58, 59, 63, | 4751600....11, 16, 45, 46, | 4843609 176 |
| 4563330 235 | 64, 65, 69 | 99, 101, 107, 114, 123, | 4843621 164 |
| 4563647 219 | 4640646 ... 57, 58, 59, 63, | 127, 128, 146, 175, | 4843636 183 |
| 4563769 227 | 64, 65, 69 | 183, 184, 207, 208 | 4843691 128 |
| 4563771 221, 223 | 4640668 45 | 4751700.....111, 113, 127 | 4843701 159, 163, 164 |
| 4563930 231 | 4640673 58, 59, 64, 65 | 4751800.....19, 111, 113, | 4843744 163 |
| 4564523 114 | 4640689 243, 245 | 127, 146, 184, 189 | 4843746 163 |
| 4564557 101, 102 | 4640692 58, 60, 64, 69 | 4751900.....54 | 4843788 163 |
| 4564558 101, 102 | 4640693 46, 51 | 4752000.....184, 189 | 4843822 149 |
| 4564579 189 | 4640710 ... 58, 59, 60, 64, | 4760600....152, 196, 200, | 4843901 176 |
| 4564623 113 | 65, 66, 69 | 204, 207 | 4843944 167 |
| 4564685 128 | 4640720 ... 58, 59, 60, 64, | 4760800.....197 | 4843945 167 |
| 4564696 128 | 65, 66, 69 | 4761000..10, 15, 45, 111, | 4843948 167 |
| 4565271 102, 103 | 4640751 100 | 114, 146, 149, 152, | 4844033 149 |

PART NUMBER INDEX

| | | | | | | | |
|---------------|----------|----------------|--------------------|---------------|----------------|--------------|----------------|
| 4844453..... | 171 | 70001111 .. | 31, 32, 37, 42 | 7000699 | 104 | 7002344..... | 70, 73 |
| 4844848..... | 9, 13 | 70001349 | 31, 32, 42 | 7000717 | 25 | 7002345..... | 70, 73 |
| 4844849..... | 9, 14 | 7000166 | 193 | 7000718 | 93 | 7002346..... | 69, 70, 73 |
| 4860115..... | 21 | 7000206 | 31 | 7000728 | 25, 93 | 7002348..... | 70, 73 |
| 4920092..... | 83 | 7000207 | 97 | 7000729 | 93 | 7002408..... | 211 |
| 4920096..... | 11, 16 | 7000208 | 97 | 7000732 | 93 | 7002409..... | 211 |
| 4920865..... | 175 | 7000209 | 97 | 7000754 | 103, 116 | 7002410..... | 211 |
| 4920986..... | 190 | 7000210 | 97 | 7000760 | 25, 95 | 7002415..... | 211 |
| 4921250..... | 277 | 7000214 | 31, 41, 97 | 7000782 | 93 | 7002416..... | 211 |
| 4921251..... | 277 | 7000215 | 35, 38 | 7000796 | 25, 27, 93, 95 | 7002417..... | 211 |
| 4921262..... | 277 | 7000216 | 32, 42 | 7000798 | 93 | 7002418..... | 211 |
| 4921278..... | 278 | 7000217 | 31, 38, 41, 97 | 7000877 | 117 | 7002419..... | 211 |
| 4921284..... | 277 | 7000220 | 37, 42 | 7000884 | 117 | 7002420..... | 211 |
| 4921286..... | 278 | 7000229 | 31 | 7000892 | 117 | 7002421..... | 211 |
| 4921305..... | 274 | 7000230 | 31 | 7000893 | 117 | 7002422..... | 211 |
| 4921361..... | 274 | 7000232 | 31 | 7000894 | 117 | 7002423..... | 211 |
| 4921391..... | 277 | 7000233 | 97 | 7000898 | 130 | 7002424..... | 211 |
| 4921529..... | 276 | 7000241 | 37, 42 | 7001438 | 133 | 7002425..... | 211 |
| 4921555..... | 275 | 7000242 | 31, 37, 42, 97 | 7001498 | 134 | 7002426..... | 211 |
| 4921788..... | 277 | 7000243 | 32, 37, 42 | 7001508 | 58, 59, 64 | 7002427..... | 211 |
| 4921789..... | 277 | 7000246 | 31, 97 | 7001909 | 31, 37, 42 | 7002428..... | 211 |
| 4921790..... | 277 | 7000247 | 31, 41, 42 | 7001911 | 31, 37, 42 | 7002429..... | 211 |
| 4931740..... | 275 | 7000248 | 31, 37, 41 | 7001912 | 31, 37, 42 | 7002430..... | 211 |
| 4931941..... | 275 | 7000250 | 32, 37, 41, 43 | 7001913 | 31, 37, 42 | 7002447..... | 70 |
| 4931942..... | 275 | 7000251 | 31, 37, 41 | 7001922 | 41 | 7002448..... | 70 |
| 4931943..... | 276 | 7000252 | 31, 37, 41 | 7001931 | 31, 37, 42 | 7002449..... | 70 |
| 4931945..... | 275 | 7000253 | 31, 38, 41, 97 | 7001985 | 31, 37, 42 | 7002450..... | 70, 306 |
| 4931946..... | 274 | 7000255 | 97 | 7001997 | 31 | 7002451..... | 70 |
| 4931947..... | 274 | 7000256 | 97 | 7001998 | 31 | 7002821..... | 314 |
| 4931954..... | 274 | 7000257 | 31, 97 | 7002025 | 35 | 7002822..... | 314 |
| 4931962..... | 277 | 7000258 | 31, 97 | 7002100 | 193 | 7002823..... | 314 |
| 4931991..... | 277 | 7000260 | 32, 37, 43 | 7002103 | 193 | 7002826..... | 314 |
| 4931998..... | 275 | 7000261 | 32, 37, 43 | 7002104 | 193 | 7002828..... | 314 |
| 4932007..... | 276 | 7000262 | 32, 37, 43 | 7002105 | 193 | 7003006..... | 25, 93, 95 |
| 4932012..... | 278 | 7000263 | 31, 32, 37, 42, 43 | 7002107 | 193 | 7003007..... | 25, 95 |
| 4932046..... | 275 | 7000268 | 97 | 7002110 | 193 | 7003047..... | 25 |
| 4932047..... | 274 | 7000269 | 97 | 7002111 | 193 | 7003049..... | 25, 95 |
| 4932054..... | 276 | 7000270 | 97 | 7002112 | 193 | 7003050..... | 95 |
| 4932055..... | 277 | 7000271 | 97 | 7002116 | 193 | 7003051..... | 25, 95 |
| 4932067..... | 276 | 7000271 | 97 | 7002117 | 193 | 7003052..... | 25, 95 |
| 4932072..... | 278 | 70003153..... | 176 | 7002123 | 193 | 7003054..... | 25, 95 |
| 4932074..... | 276 | 70003154 | 176 | 7002125 | 193 | 7003055..... | 25, 95 |
| 4932076..... | 277 | 70003160 | 104 | 7002157 | 91 | 7003056..... | 25, 95 |
| 4932362..... | 274, 278 | 70003161 | 104 | 7002229 | 69 | 7003057..... | 25 |
| 4932375..... | 276 | 70003162 | 104 | 7002274 | 70 | 7003059..... | 25, 95 |
| 4932376..... | 276 | 7000413 | 70 | 7002294 | 69 | 7003061..... | 93 |
| 4932379..... | 276 | 7000414 | 70, 73 | 7002304 | 69 | 7003062..... | 93 |
| 4932440..... | 277 | 7000417 | 69, 306 | 7002305 | 70, 73 | 7003063..... | 93 |
| 4932441..... | 276 | 7000418 | 70, 73, 306 | 7002315 | 70 | 7003064..... | 93 |
| 4932442..... | 276 | 7000448 | 70 | 7002317 | 70, 73 | 7003065..... | 93 |
| 4932485..... | 277 | 7000468 | 70, 73 | 7002320 | 69 | 7003066..... | 93 |
| 4932486..... | 276 | 7000470 | 70, 73 | 7002321 | 69 | 7003067..... | 93 |
| 4932487..... | 276 | 7000482 | 101, 102, 115, 128 | 7002322 | 69 | 7003069..... | 95 |
| 4932600..... | 276 | 7000549 | 81 | 7002323 | 69 | 7003070..... | 25 |
| 4932601..... | 276 | 7000550 | 81 | 7002324 | 70 | 7003071..... | 25 |
| 4932615..... | 277 | 7000556 | 81 | 7002326 | 70 | 7003087..... | 38 |
| 4932638..... | 274 | 7000558 | 57, 63, 79 | 7002327 | 69, 70 | 7003088..... | 38 |
| 4932639..... | 274 | 7000585 | 81 | 7002328 | 69 | 7003089..... | 38 |
| 4932676..... | 274 | 7000586 | 81 | 7002329 | 69 | 7003092..... | 95 |
| 4932751..... | 277 | 7000588 | 81 | 7002333 | 70, 73 | 7003093..... | 95 |
| 4932753..... | 277 | 7000589 | 81 | 7002334 | 69, 70, 73 | 7003094..... | 95 |
| 4932754..... | 277 | 7000596 | 81 | 7002335 | 70, 73 | 7003095..... | 95 |
| 70000163..... | 117 | 7000599 | 81 | 7002336 | 70, 73 | 7003096..... | 95 |
| 70000600..... | 129 | 7000600 | 81 | 7002338 | 69, 70, 73 | 7003432..... | 38 |
| 70000617..... | 130 | 7000625 | 186, 191 | 7002339 | 70, 73 | 7003433..... | 38 |
| 70000618..... | 130 | 7000646 | 117 | 7002340 | 69, 70, 73 | 7003635..... | 60, 65, 66, 79 |
| 70000929..... | 118 | 7000693 | 104 | 7002341 | 70, 73 | 7003657..... | 107, 123 |

PART NUMBER INDEX

| | | | | | | | |
|---------------|--|---------------|------------|---------------|--|---------------|----------|
| 7003723 | 45 | 7006046 | 81 | 7007497 | 134 | 7010448 | 35 |
| 7003751 | 203 | 7006047 | 81 | 7007498 | 134 | 7010452 | 38 |
| 7003782 | 199, 203 | 7006048 | 81 | 7007499 | 134 | 7010453 | 38 |
| 7003783 ... | 195, 199, 203, 207, 309 | 7006049 | 81 | 7007601 | 31 | 7010454 | 38 |
| 7003789 ... | 195, 203, 309 | 7006050 | 81 | 7007603 | 31, 38, 41 | 7010455 | 38 |
| 7003797 ... | 195, 203, 309 | 7006051 | 81 | 7007617 | 37, 42 | 7010459 | 41 |
| 7003825 | 70, 73 | 7006052 | 81 | 7007650 | 32, 37, 41, 42 | 7010469 | 41, 43 |
| 7003841 | 73 | 7006053 | 81 | 7007651 | 32, 37, 43 | 7010470 | 41 |
| 7003855 | 70, 73 | 7006075 | 57, 63, 79 | 7007652 | 31, 37, 41 | 7010473 | 41, 43 |
| 7004166 | 87 | 7006139 | 176, 307 | 7007653 | 31, 37, 41 | 7010474 | 42 |
| 7004167 | 87, 89 | 7006141 | 176 | 7007654 | 31, 41 | 7010475 | 43 |
| 7004171 | 87, 89 | 7006151 | 176 | 7007669 | 35 | 7010476 | 43 |
| 7004173 | 87 | 7006152 | 176, 307 | 7007683 | 37, 41 | 7010477 | 43 |
| 7004177 | 87 | 7007208 | 133 | 7007684 | 37, 41 | 7010478 | 43 |
| 7004191 | 87 | 7007321 | 45 | 7007685 | 37, 41 | 7010530 | 243, 245 |
| 7004192 | 87, 89 | 7007323 | 45 | 7007686 | 37, 41 | 7010531 | 243, 245 |
| 7004193 | 87, 89 | 7007412 | 134 | 7007687 | 37, 42 | 7010701 | 75 |
| 7004194 | 87 | 7007413 | 133 | 7007688 | 37, 42 | 7010703 | 75 |
| 7004195 | 87 | 7007414 | 133 | 7007689 | 37, 42 | 7010704 | 75, 76 |
| 7004196 | 89 | 7007416 | 133 | 7007690 | 37, 42 | 7010705 | 75 |
| 7004214 ... | 101, 113, 308 | 7007417 | 133 | 7007691 | 37, 41 | 7010706 | 75 |
| 7004244 | 145 | 7007419 | 133 | 7007692 | 41 | 7010707 | 75 |
| 7004247 ... | 102, 103, 115 | 7007420 | 133 | 7007697 | 31 | 7010708 | 75 |
| 7004248 ... | 101, 102, 103, 115, 128 | 7007421 | 133 | 7007874 | 23 | 7010709 | 75 |
| 7004249 ... | 101, 102, 103, 115, 128 | 7007423 | 133 | 7007875 | 23 | 7010710 | 75 |
| 7004275 | 314 | 7007424 | 133 | 7007876 | 23 | 7010711 | 75 |
| 7004276 | 314 | 7007425 | 133 | 7007878 | 23 | 7010712 | 75 |
| 7004289 ... | 59, 60, 65, 66, 79 | 7007435 | 133 | 7007879 | 23 | 7010713 | 75 |
| 7004368 ... | 57, 58, 59, 60, 63, 64, 65, 66, 79, 306 | 7007436 | 133 | 7007880 | 23 | 7010716 | 75 |
| 7004412 ... | 101, 102, 115, 128 | 7007437 | 133 | 7007923 | 27 | 7010717 | 75 |
| 7004414 | 115, 128 | 7007438 | 133 | 7007924 | 27 | 7010720 | 75 |
| 7004435 | 141 | 7007439 | 133 | 7007933 | 27 | 7010721 | 75 |
| 7004436 ... | 102, 103, 115 | 7007440 | 133 | 7007970 | 27 | 7010723 | 75 |
| 7004822 | 69 | 7007441 | 133 | 7007977 | 27 | 7010724 | 75 |
| 7004823 | 69 | 7007442 | 133 | 7007979 | 27 | 7010725 | 75 |
| 7004834 | 69 | 7007444 | 133 | 7007980 | 27 | 7010727 | 75 |
| 7004835 | 69 | 7007445 | 133 | 7007983 | 27 | 7010729 | 75 |
| 7004836 | 69 | 7007449 | 133 | 7007985 | 27 | 7010730 | 75 |
| 7004837 | 69 | 7007453 | 133 | 7007986 | 27 | 7010731 | 75 |
| 7004838 | 69 | 7007454 | 133 | 7007987 | 27 | 7010732 | 75 |
| 7004839 | 69 | 7007456 | 133 | 7008804 | 128, 153 | 7010733 | 75 |
| 7004841 | 69 | 7007458 | 134 | 7008821 | 128, 153 | 7010734 | 75 |
| 7004859 | 70, 73 | 7007461 | 134 | 7008828 | 128, 153, 308 | 7010735 | 75 |
| 7004906 | 23 | 7007463 | 134 | 7008829 | 128, 153, 308 | 7010738 | 75 |
| 7004907 | 23 | 7007466 | 134 | 7009739 | 45 | 7010739 | 75 |
| 7004908 | 23 | 7007468 | 134 | 7009745 ... | 58, 59, 60, 63, 64, 65, 66, 79, 306 | 7010741 | 75 |
| 7004910 | 23 | 7007469 | 134 | 7009905 | 91 | 7010742 | 75 |
| 7004917 | 23 | 7007470 | 134 | 7009909 | 91 | 7010743 | 75 |
| 7006012 | 81 | 7007471 | 134 | 7009912 | 91 | 7010745 | 75 |
| 7006019 | 81 | 7007472 | 134 | 7009913 | 91 | 7010763 | 51 |
| 7006020 | 81 | 7007474 | 134 | 7009927 | 91 | 7010766 | 51 |
| 7006021 | 81 | 7007475 | 134 | 7009930 | 91 | 7010767 | 51 |
| 7006022 | 81 | 7007476 | 134 | 7009983 | 91 | 7010768 | 51 |
| 7006029 | 81 | 7007477 | 134 | 7009984 | 91 | 7010769 | 51 |
| 7006033 | 81 | 7007478 | 134 | 7009987 | 91 | 7010770 | 51 |
| 7006035 | 81 | 7007482 | 134 | 7009988 | 91 | 7010771 | 51 |
| 7006036 | 81 | 7007483 | 134 | 7009989 | 91 | 7010772 | 51, 308 |
| 7006037 | 81 | 7007484 | 134 | 7009990 | 91 | 7010773 | 51 |
| 7006039 | 81 | 7007485 | 134 | 7009992 | 193 | 7010774 | 51 |
| 7006040 | 81 | 7007486 | 134 | 7010120 | 134 | 7010775 | 89 |
| 7006041 | 81 | 7007487 | 134 | 7010121 | 134 | 7010776 | 89 |
| | | 7007488 | 134 | 7010122 | 134 | 7010777 | 89 |
| | | 7007490 | 134 | 7010429 | 31, 32 | 7010778 | 89 |
| | | 7007491 | 134 | 7010444 | 35 | 7010779 | 89 |
| | | 7007492 | 134 | 7010446 | 35 | 7010784 | 75 |
| | | 7007494 | 134 | 7010447 | 35 | 7010785 | 75 |
| | | 7007496 | 134, 306 | | | 7010901 | 141 |

PART NUMBER INDEX

| | | | | | | | |
|---------------|-----------------------|---------------|----------------------------|--------------|----------|--------------|------------|
| 7010902..... | 137, 141 | 7011717..... | 27 | 7016309..... | 104 | 7019989..... | 117 |
| 7010905..... | 137, 141 | 7011903..... | 203 | 7016331..... | 104 | 7019998..... | 117 |
| 7010906..... | 141 | 7011907..... | 203 | 7016332..... | 104 | 7020023..... | 104 |
| 7010907..... | 137, 141 | 7012513..... | 107, 123 | 7016333..... | 145 | 7020027..... | 105 |
| 7010909..... | 137, 141 | 7012514..... | 107, 123 | 7016602..... | 117 | 7020029..... | 118 |
| 7010910..... | 141 | 7012516..... | 45 | 7016654..... | 314 | 7020108..... | 107, 123 |
| 7010911..... | 137, 141 | 7012518..... | 57, 63, 79 | 7016661..... | 118 | 7020109..... | 107, 123 |
| 7010912..... | 141 | 7012558..... | 107, 123 | 7016701..... | 103, 116 | 7020110..... | 107, 123 |
| 7010913..... | 141 | 7012559..... | 145 | 7017067..... | 31, 41 | 7020111..... | 107, 123 |
| 7010914..... | 137 | 7012570..... | 84 | 7017070..... | 32, 42 | 7020119..... | 118 |
| 7010917..... | 141 | 7012571..... | 84 | 7017080..... | 31 | 7020121..... | 118 |
| 7010918..... | 137, 141 | 7012575..... | 104 | 7017094..... | 32, 42 | 7020190..... | 107, 123 |
| 7010919..... | 137 | 7012576... .. | 102, 103, 115 | 7017095..... | 32, 42 | 7020191..... | 107, 123 |
| 7010922..... | 141 | 7012577..... | 117 | 7017096..... | 41 | 7020193..... | 107, 123 |
| 7010923... .. | 101, 102, 115, 128 | 7012578..... | 117 | 7017516..... | 121 | 7020404..... | 105 |
| 7010925..... | 137 | 7012598..... | 308 | 7017903..... | 130 | 7020406..... | 105 |
| 7010926..... | 137 | 7012599..... | 104 | 7017904..... | 130 | 7020411..... | 105 |
| 7010927..... | 137 | 7012611..... | 203 | 7018602..... | 27 | 7020414..... | 104, 105 |
| 7010928..... | 137 | 7012612..... | 203 | 7018603..... | 27 | 7020415..... | 105 |
| 7010929..... | 137 | 7012626..... | 104 | 7018605..... | 27 | 7020417..... | 104 |
| 7010930..... | 137 | 7012650..... | 84 | 7018606..... | 27 | 7020419..... | 105 |
| 7010937..... | 141 | 7012651..... | 84 | 7018607..... | 27 | 7020424..... | 105 |
| 7010938..... | 141 | 7012653..... | 117 | 7018608..... | 28 | 7020425..... | 105 |
| 7010953..... | 139 | 7012698..... | 104 | 7018609..... | 27 | 7020426..... | 105 |
| 7010954..... | 139 | 7012910... .. | 59, 60, 65, 66, 79 | 7018612..... | 28 | 7020429..... | 105 |
| 7010955..... | 139, 143 | 7012930..... | 60, 66, 79 | 7019607..... | 104, 105 | 7020434..... | 105 |
| 7010956..... | 139, 143 | 7012959..... | 57, 63, 79 | 7019666..... | 117 | 7020437..... | 104 |
| 7010957..... | 139, 143 | 7013710... .. | 102, 103, 115, 116, 128 | 7019667..... | 117 | 7020456..... | 104 |
| 7010958..... | 139 | 7013711... .. | 102, 103, 115, 116, 128 | 7019668..... | 117 | 7020465..... | 105 |
| 7010959..... | 139, 143 | 7013712... .. | 102, 115, 116, 128 | 7019670..... | 117 | 7020477..... | 105 |
| 7010960..... | 139, 143 | 7013753... .. | 102, 115, 116, 128 | 7019684..... | 116, 308 | 7020496..... | 104 |
| 7010961..... | 139 | 7013757..... | 103, 116 | 7019917..... | 117 | 7021214..... | 134 |
| 7010962..... | 143 | 7013771..... | 103, 116 | 7019919..... | 118 | 7022180..... | 117 |
| 7010965..... | 143 | 7014100..... | 43 | 7019933..... | 117 | 7023113..... | 130 |
| 7010970..... | 143 | 7014101..... | 43 | 7019934..... | 118 | 7023471..... | 117 |
| 7010978..... | 139 | 7014102..... | 43 | 7019935..... | 117 | 7023668..... | 117 |
| 7010983..... | 143 | 7014103..... | 43 | 7019936..... | 118 | 7023669..... | 117 |
| 7010984..... | 143 | 7014108..... | 43 | 7019937..... | 118 | 7023670..... | 117 |
| 7010985..... | 143 | 7014109..... | 43 | 7019938..... | 118 | 7023676..... | 118 |
| 7010986..... | 143 | 7014110..... | 43 | 7019939..... | 117 | 7024321..... | 117 |
| 7010987..... | 143 | 7014112..... | 43 | 7019941..... | 118 | 7024413..... | 105 |
| 7010988..... | 143 | 7014113..... | 43 | 7019942..... | 118 | 7024574..... | 57, 63, 79 |
| 7011100..... | 211 | 7014502..... | 104, 308 | 7019943..... | 118 | 7025149..... | 118 |
| 7011118..... | 70 | 7014680..... | 117 | 7019944..... | 117 | 7025153..... | 117 |
| 7011182..... | 70 | 7014681..... | 117 | 7019945..... | 118 | 7026199..... | 107, 123 |
| 7011183..... | 70, 73 | 7014682..... | 117 | 7019946..... | 118 | 7026200..... | 129 |
| 7011320..... | 79 | 7014683..... | 104 | 7019947..... | 118 | 7027607..... | 117 |
| 7011321..... | 57, 63, 79 | 7014687..... | 117 | 7019948..... | 118 | 7027887..... | 107 |
| 7011325... .. | 58, 59, 64, 65 | 7016200..... | 130 | 7019949..... | 117, 308 | 8320270..... | 104 |
| 7011712..... | 27 | 7016308..... | 104 | 7019950..... | 118 | 9983275..... | 171, 227 |
| 7011713..... | 27 | | | 7019951..... | 118 | 9983276..... | 227 |
| 7011714..... | 27 | | | 7019954..... | 117 | 9983562..... | 276 |
| 7011715..... | 27 | | | 7019959..... | 118 | 9983596..... | 171, 227 |
| 7011716..... | 27 | | | 7019960..... | 118 | | |
| | | | | 7019987..... | 117 | | |