



Illustrated Parts Manual

**Model
34HA**

**P/N
3120676**

June 27, 2011

ANSI



An Oshkosh Corporation Company

REVISION LOG

November 1, 1990 - Original Issue Of Manual

May 31, 1999 - Revised (Manual edited to 0010401 Revision 30)

October 9, 2000 - Revised (Manual edited to 0010401 Revision 32)

February 2, 2004 - Revised (Manual edited to 0010401 Revision 33)

December 12, 2007 - Revised

June 27, 2011 - Revised (Revision 1)

TABLE OF CONTENTS

SECTION 1 - FRAME.....	7
FIGURE 1-1. FRAME, STEERING AND DRIVE COMPONENTS, ASSEMBLIES AND INSTALLATIONS - FIXED AND OSCILLATING AXLES (STANDARD 2WD - DOUBLE ACTING STEER CYLINDER)	8
FIGURE 1-2. FRAME, STEERING AND DRIVE COMPONENTS, ASSEMBLIES AND INSTALLATIONS - FIXED AND OSCILLATING AXLES (OPTIONAL 2WD - SINGLE ACTING STEER CYLINDER)	12
FIGURE 1-3. FRAME, STEERING AND DRIVE COMPONENTS, ASSEMBLIES AND INSTALLATIONS - FIXED AND OSCILLATING AXLES (4WD).....	18
FIGURE 1-4. DRIVE HUB ASSEMBLY	22
FIGURE 1-5. DRIVE HUB/BRAKE ASSEMBLY (4WD FRONT) (PRIOR TO DECEMBER 1991).....	26
FIGURE 1-6. DRIVE HUB/BRAKE ASSEMBLY (4WD FRONT) (DECEMBER 1991 TO PRESENT)	28
FIGURE 1-7. DRIVE BRAKE ASSEMBLY (PRIOR TO DECEMBER 1991).....	32
FIGURE 1-8. DRIVE BRAKE ASSEMBLY (DECEMBER 1991 TO SN 33475)	34
FIGURE 1-9. DRIVE BRAKE ASSEMBLY (SN 33476 through 56992)	36
FIGURE 1-10. DRIVE MOTOR ASSEMBLY (GAS AND DIESEL)	38
FIGURE 1-11. DRIVE MOTOR ASSEMBLY (ELECTRIC)	40
FIGURE 1-12. VALVE INSTALLATION (FRAME MOUNTED)	44
FIGURE 1-13. VALVE LOCKOUT ASSEMBLY	46
FIGURE 1-14. TOW PACKAGE INSTALLATION	48
SECTION 2 - TURNTABLE	51
FIGURE 2-1. CONTROL VALVES INSTALLATIONS.....	52
FIGURE 2-2. CONTROL VALVE ASSEMBLY - 3 & 4 SECTION RACINE BANG-BANG	56
FIGURE 2-3. CONTROL VALVE ASSEMBLY - 3 SECTION RACINE BANG-BANG.....	60
FIGURE 2-4. CONTROL VALVE ASSEMBLY - PROPORTIONAL	62
FIGURE 2-5. VALVE ASSEMBLY - SINGLE STACK RACINE	66
FIGURE 2-6. MODULAR CONTROL VALVE ASSEMBLY.....	68
FIGURE 2-7. SWING DRIVE AND BEARING INSTALLATION.....	70
FIGURE 2-8. SWING BRAKE ASSEMBLY (MACHINES BUILT THROUGH 1992)	74
FIGURE 2-9. SWING MOTOR ASSEMBLY (MACHINES BUILT PRIOR TO 1993).....	76
FIGURE 2-10. SWING MOTOR ASSEMBLY (MACHINES BUILT 1993 TO PRESENT)	78
FIGURE 2-11. ROTARY OIL COUPLING INSTALLATION	80
FIGURE 2-12. FORD VSG-411 GAS ENGINE INSTALLATION (PRIOR TO JUNE 1995).....	82
FIGURE 2-13. FORD VSG-413 GAS ENGINE INSTALLATION (JUNE 1995 TO PRESENT)	88
FIGURE 2-14. DUAL FUEL INSTALLATION - FORD.....	94
FIGURE 2-15. GENERATOR INSTALLATION - 110V (FORD).....	96
FIGURE 2-16. DEUTZ F2L-1011 DIESEL ENGINE INSTALLATION	98
FIGURE 2-17. GENERATOR INSTALLATION - 110V (DEUTZ)	104
FIGURE 2-18. ELECTRIC MOTOR, BATTERIES AND CHARGER INSTALLATIONS	108
FIGURE 2-19. BATTERY CHARGER ASSEMBLY	112
FIGURE 2-20. CONTACTOR BOX ASSEMBLY	114
FIGURE 2-21. PUMP ASSEMBLY - SUNSTRAND (GAS AND DIESEL MACHINES)	116
FIGURE 2-22. PUMP ASSEMBLY - SINGLE SECTION (GAS AND DIESEL MACHINES) (PRIOR TO AUGUST 1992).....	120
FIGURE 2-23. PUMP ASSEMBLY - SINGLE SECTION (GAS AND DIESEL MACHINES) (AUGUST 1992 TO PRESENT)	122
FIGURE 2-24. PUMP ASSEMBLY - 3 SECTION (ELECTRIC MACHINES)	124
FIGURE 2-25. TANK INSTALLATION	126
FIGURE 2-26. GROUND CONTROL BOX ASSEMBLY	130
FIGURE 2-27. HOODS, LIGHTS AND ALARMS INSTALLATION	134
SECTION 3 - BOOM	137
FIGURE 3-1. TURNTABLE, BOOM AND HORIZONTAL LIMIT SWITCH INSTALLATIONS	138
FIGURE 3-2. BOOM ASSEMBLIES	142
SECTION 4 - PLATFORM.....	145
FIGURE 4-1. STANDARD PLATFORM, CONTROLS AND SUPPORT INSTALLATIONS	146
FIGURE 4-2. LOW MOUNT PLATFORM, CONTROLS AND SUPPORT INSTALLATIONS	150
FIGURE 4-3. ROTATOR MOTOR ASSEMBLY (WORM GEAR DRIVE).....	154
FIGURE 4-4. ROTATOR MOTOR ASSEMBLY (HYDRAULIC PISTON).....	156
FIGURE 4-5. PLATFORM CONSOLE BOX ASSEMBLY	158
FIGURE 4-6. PLATFORM CONSOLE BOX ASSEMBLY (PROPORTIONAL CONTROLS).....	162
FIGURE 4-7. OPTIONAL COMMON PLATFORM MOUNTED COMPONENTS	166
SECTION 5 - CYLINDER.....	169

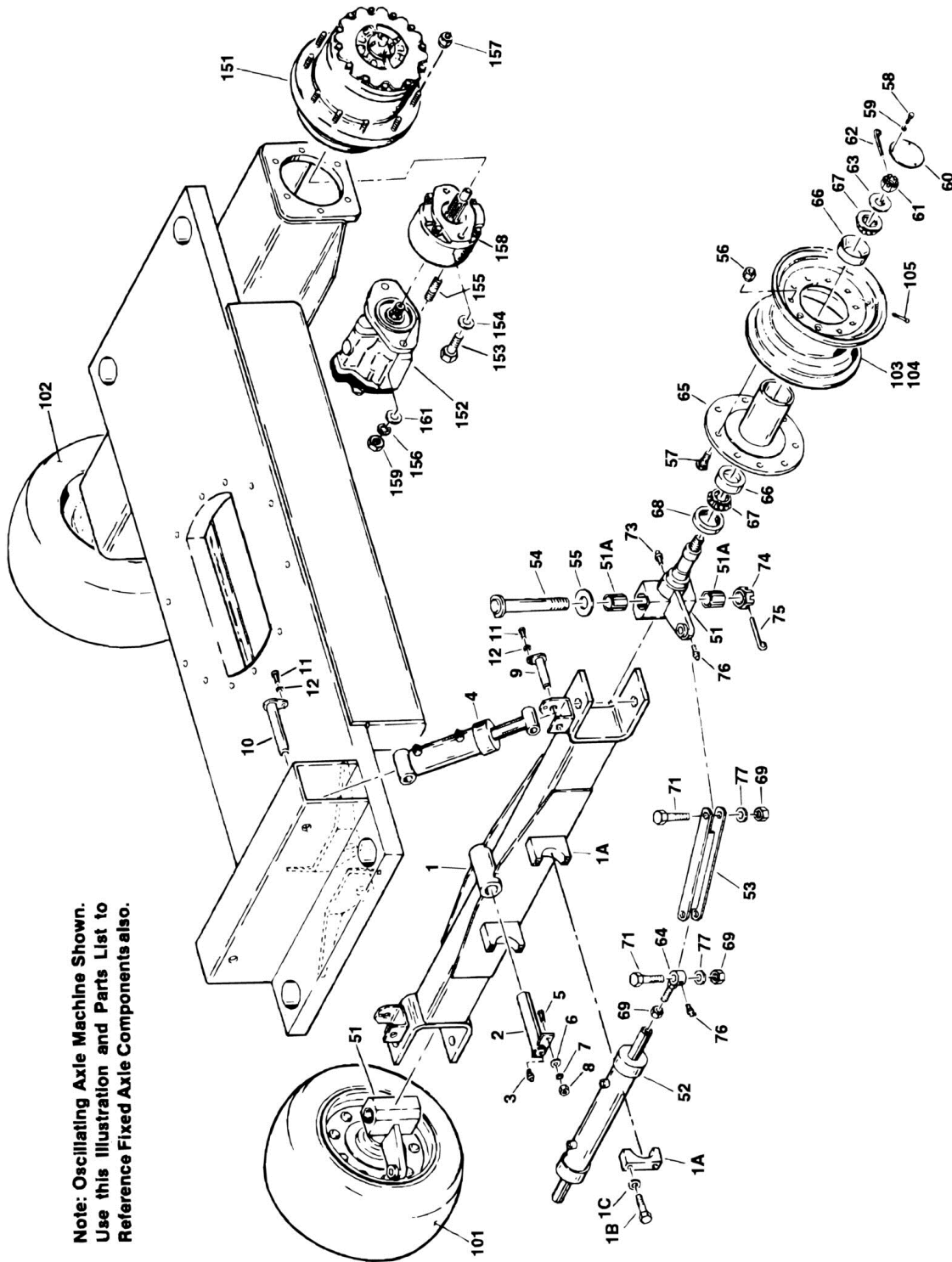
TABLE OF CONTENTS

FIGURE 5-1. AXLE LOCKOUT CYLINDER ASSEMBLY	170
FIGURE 5-2. PLATFORM LEVEL CYLINDER ASSEMBLY	172
FIGURE 5-3. LIFT (BOOM) CYLINDER ASSEMBLY	174
FIGURE 5-4. ARTICULATE CYLINDER ASSEMBLY	176
FIGURE 5-5. STEER CYLINDER ASSEMBLY - 2WD - DOUBLE ROD	178
FIGURE 5-6. STEER CYLINDER ASSEMBLY - 2WD - SINGLE ROD	180
FIGURE 5-7. STEER CYLINDER ASSEMBLY - 4WD	182
FIGURE 5-8. TELESCOPE CYLINDER ASSEMBLY	184
FIGURE 5-9. CYLINDER BELLOWS INSTALLATIONS	186
SECTION 6 - HYDRAULIC	189
FIGURE 6-1. HYDRAULIC DIAGRAM - AXLE LOCKOUT	190
FIGURE 6-2. HYDRAULIC DIAGRAM - DRIVE (2WD)	192
FIGURE 6-3. HYDRAULIC DIAGRAM - DRIVE (4WD)	196
FIGURE 6-4. HYDRAULIC DIAGRAM - DRIVE (ELECTRIC)	200
FIGURE 6-5. HYDRAULIC DIAGRAM - ROTATOR (HYDRAULIC PISTON)	202
FIGURE 6-6. HYDRAULIC DIAGRAM - ROTATOR (WORM GEAR)	204
FIGURE 6-7. HYDRAULIC DIAGRAM - STANDARD (FORD - DEUTZ)	206
FIGURE 6-8. HYDRAULIC DIAGRAM - STANDARD (ELECTRIC)	210
FIGURE 6-9. HYDRAULIC DIAGRAM - PROPORTIONAL CONTROLS	214
FIGURE 6-10. HYDRAULIC DIAGRAM - STEER	218
FIGURE 6-11. HYDRAULIC DIAGRAM - TOW	220
FIGURE 6-12. HYDRAULIC DIAGRAM - LIFT UP RELIEF (FORD AND DEUTZ)	222
FIGURE 6-13. HYDRAULIC DIAGRAM LIST	224
SECTION 7 - ELECTRICAL	227
FIGURE 7-1. ELECTRICAL DIAGRAM LIST	228
FIGURE 7-2. ELECTRICAL DIAGRAM - PLATFORM (ELECTRIC)	232
FIGURE 7-3. ELECTRICAL DIAGRAM - PLATFORM (FORD AND DEUTZ)	234
FIGURE 7-4. ELECTRICAL DIAGRAM - PLATFORM (PROPORTIONAL CONTROLS)	236
FIGURE 7-5. ELECTRICAL DIAGRAM - GROUND CONTROL (ELECTRIC)	238
FIGURE 7-6. ELECTRICAL DIAGRAM - GROUND CONTROL (FORD)	240
FIGURE 7-7. ELECTRICAL DIAGRAM - GROUND CONTROL (FORD WITH PROPORTIONAL CONTROLS)	242
FIGURE 7-8. ELECTRICAL DIAGRAM - GROUND CONTROL (DEUTZ)	244
FIGURE 7-9. ELECTRICAL DIAGRAM - GROUND CONTROL (DEUTZ WITH PROPORTIONAL CONTROLS)	246
SECTION 8 - DECALS	249
FIGURE 8-1. DECALS INSTALLATION - STANDARD	250
SECTION 9 - RECOMMENDED SERVICE PARTS STOCK	255
FIGURE 9-1. MODEL 34HA STANDARD PARTS	256
FIGURE 9-2. MODEL 34HA VARIABLE PARTS	260
SECTION 10 - SPECIAL OPTIONS	263
FIGURE 10-1. SPECIAL OPTIONS	264
PART NUMBER INDEX	267

SECTION 1 - FRAME

SECTION 1 - FRAME

FIGURE 1-1. FRAME, STEERING AND DRIVE COMPONENTS, ASSEMBLIES AND INSTALLATIONS - FIXED AND OSCILLATING AXLES (STANDARD 2WD - DOUBLE ACTING STEER CYLINDER)



**Note: Oscillating Axle Machine Shown.
Use this illustration and Parts List to
Reference Fixed Axle Components also.**

SECTION 1 - FRAME

FIGURE 1-1. FRAME, STEERING AND DRIVE COMPONENTS, ASSEMBLIES AND INSTALLATIONS - FIXED AND OSCILLATING AXLES (STANDARD 2WD - DOUBLE ACTING STEER CYLINDER)

ITEM	PART NUMBER	QTY	DESCRIPTION	REV
		Ref	FRAME WELDMENT OPTIONS:	
	2360274	1	Frame Weldment (Oscillating)	
	2360262	1	Frame Weldment (Fixed)	
	0238747	Ref	OSCILLATING AXLE INSTALLATION (WITH EQUIPPED)	A
1	4842982	1	Axle Weldment	
1A	0238732	2	Mount, Steer Cylinder Assembly (Welded on part)	
1B	0641822	4	Bolt 1/2in-13NC x 2 3/4in	
1C	4761800	4	Flatwasher 1/2in	
2	4842621	1	Pin, Weldment	
3	2160002	1	Fitting, Grease	
4	1681785	2	Lockout Cylinder Assembly (See CYLINDER SECTION for Breakdown)	
5	4300034	1	Stud (Weld on Part)	
6	4751600	1	Flatwasher 3/8in	
7	4761600	1	Lockwasher 3/8in	
8	3311601	1	Nut 3/8in-16NC	
9	4842794	2	Pin (Bottom)	
10	4842622	2	Pin (Top)	
11	0641406	4	Bolt 1/4in-20NC x 3/4in	
12	4761400	4	Lockwasher 1/4in	
	0238395	Ref	STEER AND SPINDLE INSTALLATION (STANDARD)	7
	0252113	Ref	STEER AND SPINDLE INSTALLATION (CSA)	3
51		Ref	Spindle Options:	
51	4130197	2	Spindle (Standard)	
51	4160263	2	Spindle (CSA)	
51A	0960839	4	Bushing, Bronze	
52		Ref	Steer Cylinder Assembly Options: (See CYLINDER SECTION for Breakdown)	
52	1681814	1	Steer Cylinder Assembly (Prior to SN 31941)	
52	1683511	1	Steer Cylinder Assembly (SN 31941 to Present)	
53	4842860	2	Rod, Tie	
54		Ref	Pin, King Options:	
54	3421340	2	Pin, King (Standard)	
54	3421965	2	Pin, King (CSA)	
55	0440162	2	Washer, Thrust	
56	3300012	18	Lugnut 1/2in-20NF	
57	0630137	18	Bolt, Wheel 1/2in-20NF x 1 7/8in (Prior to July 1991)	
58	0721004	6	Screw #10-24NC x 1/2in	
59	4761000	6	Lockwasher #10	
60	1120019	2	Cap, Hub	
61	3322603	2	Nut, Slotted 1in-12NF	
62	3450608	2	Pin, Cotter 3/16in x 2in	
63	4740001	2	Washer, Hardened	
64	4842624	2	End, Tie Rod	
65	2780153	2	Hub	
66	0440112	4	Cup, Bearing	
67	0440113	4	Cone, Bearing	
68	3960373	2	Seal, Oil	
69	3312205	6	Nut 3/4in-10NC	

SECTION 1 - FRAME

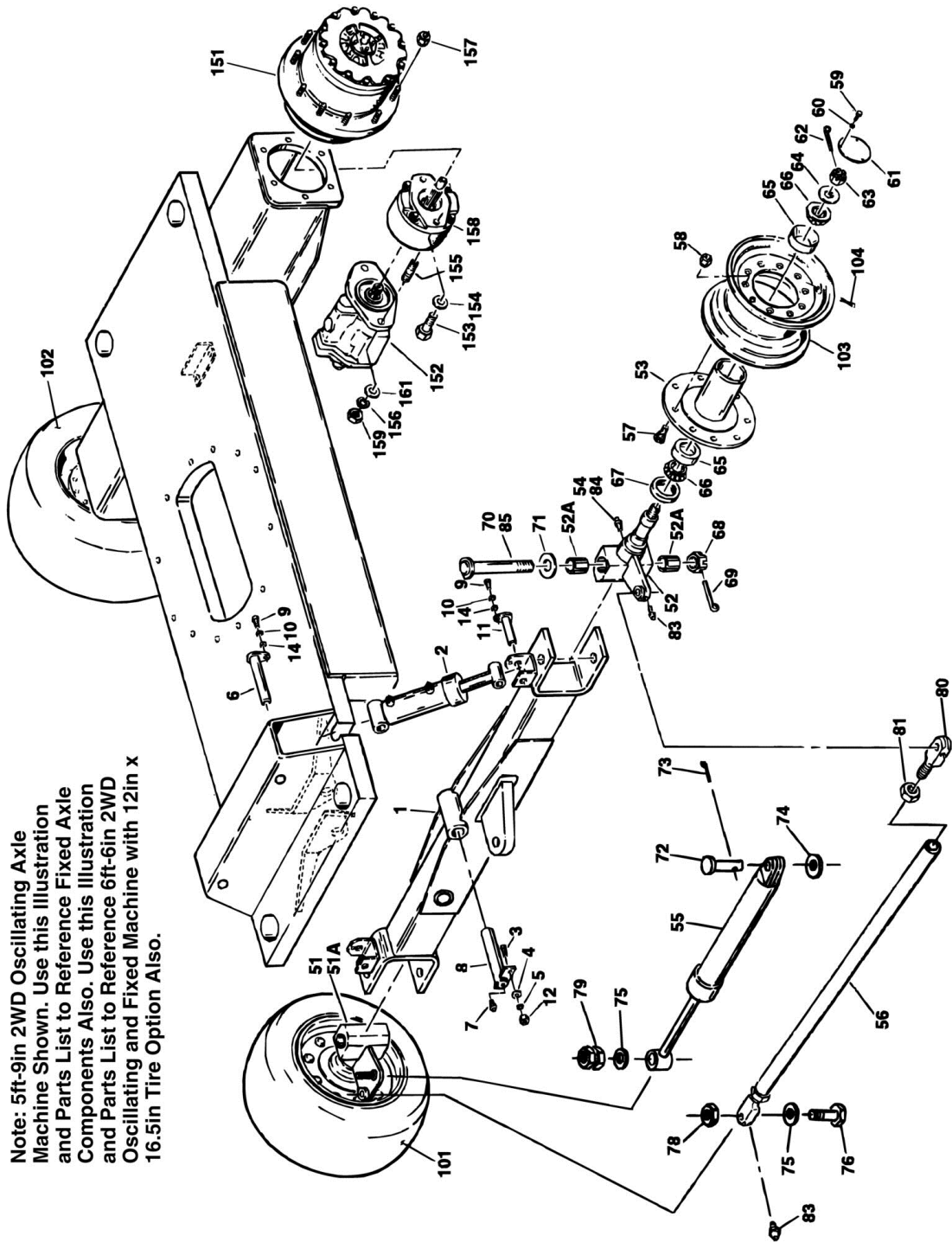
ITEM	PART NUMBER	QTY	DESCRIPTION	REV
71	0642224	4	Bolt 3/4in-10NC x 3in	
73	2160002	2	Fitting, Grease	
74	3323003	2	Nut, Slotted 1 1/4in-12NF	
75	3450609	2	Pin, Cotter 3/16in x 2 1/4in	
76	2160001	4	Fitting, Grease	
77	4740156	2	Washer, Thrust	
		Ref	TIRE AND WHEEL INSTALLATIONS	
	0253132	Ref	8.75in x 16.75in Pneumatic	-
	0253133	Ref	8.75in x 16.5in Foam-Filled	-
	0251499	Ref	9.50in x 16.5in Pneumatic	-
101	0253130	2	Tire and Wheel Assembly - Pneumatic - 8.75in-16.5in (Front)	
101	4520199	2	Tire - 8.75in-16.5in (Galaxy)	
101	0253131	2	Tire and Wheel Assembly - Foam-Filled - 8.75in-16.5in (Front)	
101	0239396	2	Tire and Wheel Assembly - Pneumatic - 9.5in-16.5in (Front)	
101	4520110	2	Tire - 9.5in-16.5in (General Jumbo GLT)	
102	0253130	2	Tire and Wheel Assembly - Pneumatic - 8.75in-16.5in (Rear)	
102	4520199	2	Tire - 8.75in-16.5in (Galaxy)	
102	0253131	2	Tire and Wheel Assembly - Foam-Filled - 8.75in-16.5in (Rear)	
102	0239397	2	Tire and Wheel Assembly - Pneumatic - 9.5in-16.5in (Rear)	
102	4520111	2	Tire - 9.5in-16.5in (General GLT Traction II)	
		Ref	Note: Assemblies may require ballast/foam filling to manufacturer's specifications prior to installing on a machine. Refer to Operation and Safety or Service and Maintenance Manuals. Purchase individual tire and/or rim only if able to foam fill tire and wheel assembly, otherwise, purchase complete assembly.	
103	4842994	4	Rim (9.5in-16.5in)	
104	4842561	4	Rim (8.75in-16.5in)	
105	4640392	4	Valve	
		Ref	WHEEL DRIVE INSTALLATIONS	
		Ref	Gas and Diesel Options:	
	0250148	Ref	Gas and Diesel (Prior to SN 56992)	6
	0270215	Ref	Gas and Diesel (SN 56992 to Present)	1
	0251139	Ref	Electric	5
151		Ref	Torque Hub Assembly Options: (See DRIVE HUB ASSEMBLY for Breakdown)	
151	2780169	2	Gas and Diesel	
151	2780168	2	Electric	
152		Ref	Drive Motor Assembly Options:	
152	3160158	2	Gas and Diesel (See DRIVE MOTOR ASSEMBLY (GAS AND DIESEL) for Breakdown)	
152	1001096415	2	Electric (See DRIVE MOTOR ASSEMBLY (ELECTRIC) for Breakdown) (was p/n 3160118)	
153		Ref	Hardware Options:	
153	0642014	12	Bolt 5/8in-11NC x 1 3/4in (Prior to March 1993)	
153	0642016	12	Bolt 5/8in-11NC x 2in (March 1993 to Present)	
154	4762000	12	Flatwasher 5/8in	
155		Ref	Hardware Options:	
155	4320008	4	Stud 1/2in-13NC x 6 1/2in (Prior to December 1991)	
155	4300092	4	Stud 1/2in-13NC x 5 1/2in (December 1991 to SN 56991)	
155	4300097	4	Stud 1/2in-13NC x 5 1/2 (SN 56992 to Present)	
156	4761800	4	Lockwasher 1/2in	
157	3300012	18	Nut, Lug 1/2in-20NC	

SECTION 1 - FRAME

ITEM	PART NUMBER	QTY	DESCRIPTION	REV
158		Ref	Drive Brake Assembly Options:	
158	0920072	2	Drive Brake Assembly Prior to December 1991 (See DRIVE BRAKE ASSEMBLY (Prior to December 1991) for Breakdown)	
158	0920084	2	Drive Brake Assembly (December 1991 to SN 33475) (See DRIVE BRAKE ASSEMBLY(December 1991 to SN 33475) for Breakdown)	
158	0920110	2	Drive Brake Assembly (See DRIVE BRAKE ASSEMBLY (SN 33476 through 56991) for Breakdown)	
158	0920119	2	Drive Brake Assembly (was p/n 0920117) (SN 56992 to Present)	
158	7018612	AR	Repair Kit - 0920117 & 0920119 Brakes (Includes Case Seal, Piston Inner and Outer O-Rings and Back-up Rings, Stator Disc, Rotor Disc, Return Plate, Springs, Oil Seal, Bearing, 2 Retaining Rings and 2 Mounting Face Gaskets) (1 Per Assembly)	
158	7000731	AR	Gasket, Mounting Face Note: (No Other Parts Available.)	
159	3311801	4	Nut 1/2in-13NC	
160	0100011	AR	Loctite #242 (Not Shown)	
161	4751800	4	Flatwasher 1/2in	
162	0100019	AR	Loctite #271 (Not Shown)	

SECTION 1 - FRAME

FIGURE 1-2. FRAME, STEERING AND DRIVE COMPONENTS, ASSEMBLIES AND INSTALLATIONS - FIXED AND OSCILLATING AXLES (OPTIONAL 2WD - SINGLE ACTING STEER CYLINDER)



Note: 5ft-9in 2WD Oscillating Axle Machine Shown. Use this Illustration and Parts List to Reference Fixed Axle Components Also. Use this Illustration and Parts List to Reference 6ft-6in 2WD Oscillating and Fixed Machine with 12in x 16.5in Tire Option Also.

SECTION 1 - FRAME

FIGURE 1-2. FRAME, STEERING AND DRIVE COMPONENTS, ASSEMBLIES AND INSTALLATIONS - FIXED AND OSCILLATING AXLES (OPTIONAL 2WD - SINGLE ACTING STEER CYLINDER)

ITEM	PART NUMBER	QTY	DESCRIPTION	REV
		Ref	FRAME WELDMENT OPTIONS:	
	2360283	1	Frame Weldment (5ft-9in With Oscillating Axle and Standard Platform)	
	2360288	1	Frame Weldment (5ft-9in With Fixed Axle and Standard Platform)	
	2360321	1	Frame Weldment (5ft-9in With Oscillating Axle and Low Mount Platform)	
	2360322	1	Frame Weldment (5ft-9in With Fixed Axle and Low Mount Platform)	
	2360330	1	Frame Weldment (6ft-6in With 12 x 16.5 Tire Option and Oscillating Axle)	
	0251475	1	Frame Weldment (6ft-6in With 12 x 16.5 Tire Option and Fixed Axle)	
		Ref	AXLE INSTALLATION OPTIONS:	
	0239196	Ref	Oscillating Axle - 5ft-9in MACHINES (Optional - When Equipped)	B
	0251246	Ref	Oscillating Axle - 6ft-6in MACHINES (Optional - When Equipped)	C
	0251487	Ref	Fixed Axle - 6ft-6in MACHINES (12in x 16.5in Tires)	A
1		Ref	Axle Options:	
1	4843094	1	5ft-9in Machines	
1	4843728	1	6ft-6in Machines	
2	1681785	2	Lockout Cylinder Assembly - Oscillating Axle Only (See CYLINDER SECTION for Breakdown)	
3		Ref	Hardware Options:	
3	4300034	1	Stud (Welded on Part) (5ft-9in Machines Only)	
3	0641610	1	Bolt 3/8in-16NC x 1 1/4in (6ft-6in Machines Only)	
4		Ref	Hardware Options:	
4	4751600	1	Flatwasher 3/8in (5ft-9in Machines Only)	
4	4740185	1	Flatwasher 3/8in (Hardened) (6ft-6in Machines Only)	
5	4761600	1	Lockwasher 3/8in	
6		Ref	Top Weldment, Pin Options:	
6	4842622	2	5ft-9in Machines	
6	4842794	2	6ft-6in Machines	
7	2160002	1	Fitting, Grease	
8	4842621	1	Weldment, Pin	
9	0641406	4	Bolt 1/4in-20NC x 3/4in (Oscillating Axle Only)	
10	4761400	4	Lockwasher 1/4in (Oscillating Axle Only)	
11		Ref	Bottom Weldment, Pin Options: (Oscillating Axle Only)	
11	4842794	2	5ft-9in Machines	
11	4843286	2	6ft-6in Machines	
12	3311601	1	Nut 3/8in-16NC (5ft-9in Machines Only)	
14	4751400	4	Flatwasher 1/4in (Oscillating Axle Only)	
		Ref	STEERING AND SPINDLE INSTALLATION OPTIONS:	
	0239197	Ref	5ft-9in MACHINES - Standard	E
	0252114	Ref	5ft-9in MACHINES - CSA	C
	0251248	Ref	6ft-6in MACHINES - Standard	E
	0252115	Ref	6ft-6in MACHINES - CSA	D
51		Ref	Spindle (Right Side) Options:	
51	4130207	1	5ft-9in Machines - Standard	
51	4130264	1	5ft-9in Machines - CSA	

SECTION 1 - FRAME

ITEM	PART NUMBER	QTY	DESCRIPTION	REV
51	4130160	1	6ft-6in Machines - Standard	
51	4130267	1	6ft-6in Machines - CSA	
51A		Ref	Bushing, Bronze (2 Per Spindle) Options:	
51A	0960839	4	5ft-9in Machines	
51A	0960523	4	6ft-6in Machines	
52		Ref	Spindle (Left Side) Options:	
52	4130210	1	5ft-9in Machines - Standard	
52	4130265	1	5ft-9in Machines - CSA	
52	4130161	1	6ft-6in Machines - Standard	
52	4130268	1	6ft-6in Machines - CSA	
52A		Ref	Bushing, Bronze (2 Per Spindle) Options:	
52A	0960839	4	5ft-9in Machines	
52A	0960523	4	6ft-6in Machines	
53		Ref	Hub, Front Wheel Options:	
53	2780153	2	5ft-9in Machines	
53	2780091	2	6ft-6in Machines	
54	2160002	AR	Fitting, Grease	
55	1682020	1	Steer Cylinder Assembly (See CYLINDER SECTION for Breakdown)	
56		Ref	Tie-Rod Options:	
56	3840962	1	5ft-9in Machines	
56	3841086	1	6ft-6in Machines	
57	0630137	18	Bolt, Wheel 1/2in-20NF x 1 7/8in (Prior to August 1991)	
58	3300012	18	Nut, Lug 1/2in-20NF	
59		Ref	Screw Options:	
59	0721004	6	Screw #10-24NC x 1/2in (Prior to November 1991)	
59	0721003	6	Screw #10-24NC x 3/8in (November 1991 to Present)	
60	4761000	6	Lockwasher #10	
61		Ref	Cap, Hub Options:	
61	1120019	2	5ft-9in Machines	
61	1120032	2	6ft-6in Machines	
62		Ref	Pin, Cotter Options:	
62	3450608	2	Pin, Cotter 3/16in-2in - 5ft-9in Machines	
62	3450810	2	Pin, Cotter 1/4in-2 1/2in - 6ft-6in Machines	
63		Ref	Nut, Slotted Options:	
63	3322603	2	Nut, Slotted 1in-12NF (5ft-9in Machines)	
63	3300208	2	Nut, Slotted 1 1/2in-12NF (6ft-6in Machines)	
64		Ref	Washer, Hardened Options:	
64	4740001	2	5ft-9in Machines	
64	4740016	2	6ft-6in Machines	
65		Ref	Cup, Bearing Options:	
65	0440112	4	5ft-9in Machines	
65	0440018	4	6ft-6in Machines	
66		Ref	Cone, Bearing Options:	
66	0440113	4	5ft-9in Machines	
66	0440019	4	6ft-6in Machines	
67		Ref	Seal, Hub Options:	
67	3960373	2	5ft-9in Machines	
67	3960098	2	6ft-6in Machines	
68		Ref	Nut, Slotted Options:	
68	3323003	2	Nut, Slotted 1 1/4in-12NF (5ft-9in Machines)	
68	3313403	2	Nut, Slotted 1 1/2in-6NF (6ft-6in Machines)	

SECTION 1 - FRAME

ITEM	PART NUMBER	QTY	DESCRIPTION	REV
69		Ref	Pin, Cotter Options:	
69	3450609	2	Pin, Cotter 3/16in-2 1/4in (5ft-9in Machines)	
69	3451012	2	Pin, Cotter 5/16in-3in (6ft-6in Machines) (Prior to June 1994)	
69	3451010	2	Pin, Cotter 5/16in-2 1/2in (6ft-6in Machines) (June 1994 to Present)	
70		Ref	Pin, King Options:	
70	3421340	2	5ft-9in Machines - Standard	
70	3421965	2	5ft-9in Machines - CSA	
70	3421243	2	6ft-6in Machines - Standard (Prior to SN 27273)	
70	3422261	2	6ft-6in Machines - Standard (SN 27273 to Present)	
70	3421946	2	6ft-6in Machines - CSA (Prior to SN 27273)	
70	3421835	2	6ft-6in Machines - CSA (SN 27273 to Present)	
71		Ref	Washer, Thrust Options:	
71	0440162	2	5ft-9in Machines	
71	0440183	2	6ft-6in Machines	
72	3431622	1	Pin, Clevis	
73		Ref	Pin, Cotter	
73	3450606	1	Pin, Cotter (Prior to September 1991)	
73	3450608	1	Pin, Cotter (September 1991 to Present)	
74	4712600	1	Flatwasher 1in (Narrow)	
75	0440091	3	Washer, Thrust	
76		Ref	Bolt Options:	
76	0642628	2	Bolt 1in-8NC x 3 1/2in (5ft-9in Machines)	
76	0630425	2	Bolt 1in-8NC x 3 3/4in (6ft-6in Machines)	
77		Ref	End, Tie-Rod (Right Side) Options:	
77	0560805	1	5ft-9in Machines	
77	0560605	1	6ft-6in Machines	
78	3312602	2	Nut, Jam 1in-8NC	
79	3300175	1	Locknut 1in-14NC	
80		Ref	End, Tie-Rod (Left Side) Options:	
80	0560804	1	5ft-9in Machines	
80	0560714	1	6ft-6in Machines	
81	3300229	1	Nut, Jam 1 1/4in-12NF (Left Hand Threads)	
82	3323002	1	Nut, Jam 1 1/4in-12NF (Right Hand Threads)	
83	2160003	3	Fitting, Grease 45	
84	4640812	2	Valve, Relief (6ft-6in Machines Only)	
85	3780183	4	O-Ring (6ft-6in Machines Only)	
		Ref	TIRE AND WHEEL INSTALLATIONS	
	0251370	Ref	5ft-9in Machines With 6.5in x 16in Solid Tires	-
	0253132	Ref	5ft-9in Machines With 8.75in x 16.5in Pneumatic Tires	-
	0253133	Ref	5ft-9in Machines With Foam-Filled Tires	-
	0251499	Ref	Machines With 9.5in x 16.5in Pneumatic Tires	-
	0251261	Ref	6ft-6in Machines With 12in x 16.5in Pneumatic Tires	-
101	0253130	2	Tire and Wheel Assembly - Pneumatic - 8.75in-16.5in (Front) (5ft-9in Machines)	
101	4520199	2	Tire - 8.75in-16.5in (Galaxy)	
101	0253131	2	Tire and Wheel Assembly - Foam-Filled - 8.75in-16.75in (Front) (5ft-9in Machines)	
101	4520131	2	Tire and Wheel Assembly - Solid - 6.5in-16in (Front) (5ft-9in Machines) Note: Foam-filled tire and wheel assemblies are serviced as assemblies only.	
101	0239396	2	Tire and Wheel Assembly - Pneumatic - 9.5in-16.5in (Front)	

SECTION 1 - FRAME

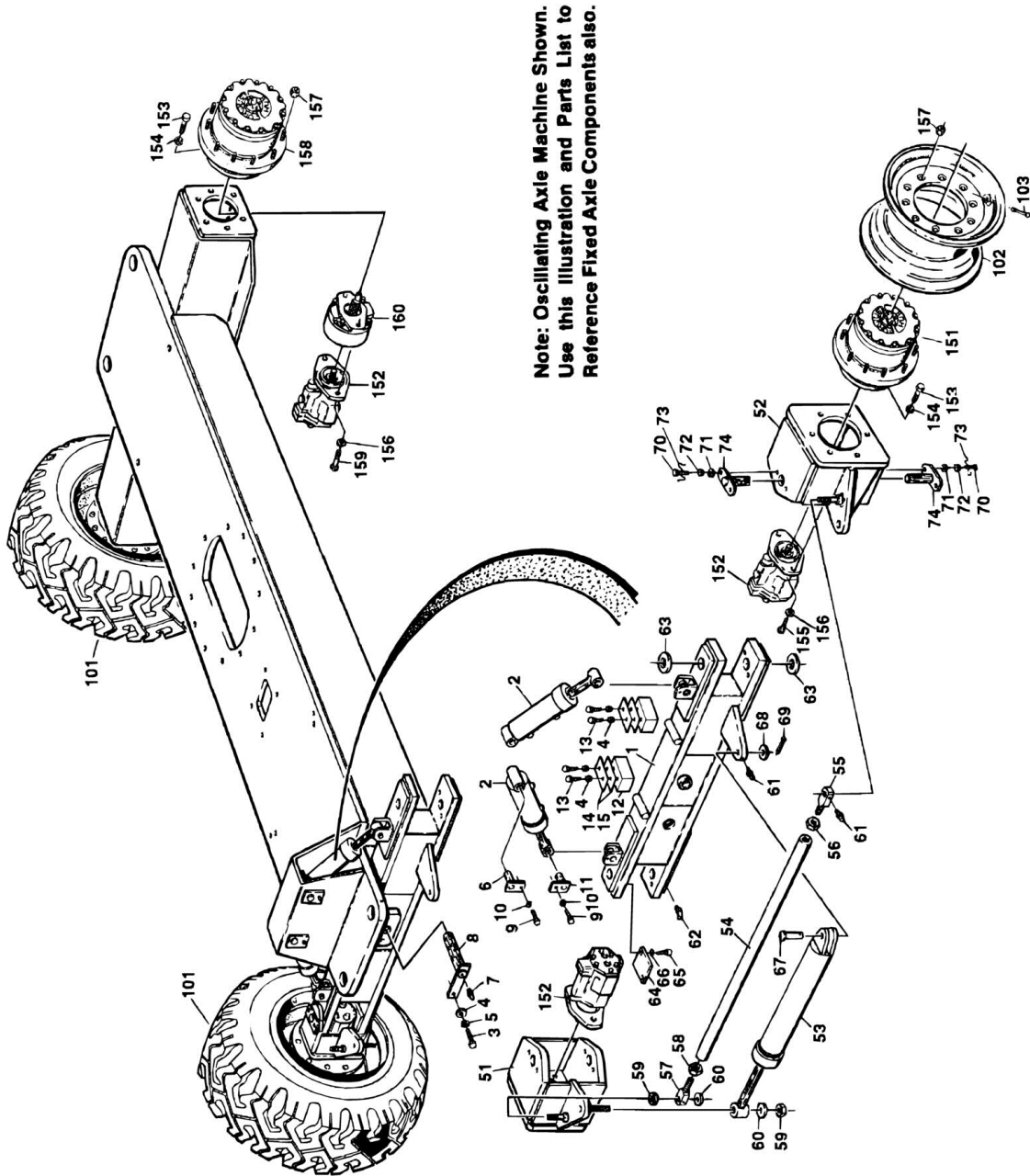
ITEM	PART NUMBER	QTY	DESCRIPTION	REV
101	4520110	2	Tire - 9.5in-16.5in (General Jumbo GLT)	
101	0251260	1	Tire and Wheel Assembly - Pneumatic - 12in-16.5in (LH Front) (6ft-6in Machines)	
101	4520129	1	Tire - 12in-16.5in	
101	0251259	1	Tire and Wheel Assembly - Pneumatic - 12in-16.5in (RH Front) (6ft-6in Machines)	
101	4520129	1	Tire - 12in-16.5in	
102	0253130	2	Tire and Wheel Assembly - Pneumatic - 8.75in-16.5in (Rear) (5ft-9in Machines)	
102	4520199	2	Tire - 8.75in-16.5in (Galaxy)	
102	0253131	2	Tire and Wheel Assembly - Foam-Filled - 8.75in-16.75in (Rear) (5ft-9in Machines)	
102	4520131	2	Tire and Wheel Assembly - Solid - 6.5in-16in (Front) (5ft-9in Machines) Note: Foam-filled tire and wheel assemblies are serviced as assemblies only.	
102	0239397	2	Tire and Wheel Assembly - Pneumatic - 9.5in-16.5in (Rear)	
102	4520111	2	Tire - 9.5in-16.5in (General GLT Traction II)	
102	0251260	1	Tire and Wheel Assembly - Pneumatic - 12in-16.5in (LH Rear) (6ft-6in Machines)	
102	4520129	1	Tire - 12in-16.5in	
102	0251259	1	Tire and Wheel Assembly - Pneumatic - 12in-16.5in (RH Rear) (6ft-6in Machines)	
102	4520129	1	Tire - 12in-16.5in	
103		Ref	Rim Options:	
103	4842561	4	8.75in-16.5in	
103	4842994	4	9.5in-16.5in	
103	4860126	4	12in-16.5in	
104		Ref	Valve Options:	
104	4640392	4	5ft-9in Machines	
104	4640113	4	6ft-6in Machines	
		Ref	WHEEL DRIVE INSTALLATIONS	
		Ref	Gas and Diesel Options:	
	0250148	Ref	Gas and Diesel (Prior to SN 56992)	6
	0270215	Ref	Gas and Diesel (SN 56992 to Present)	1
	0251139	Ref	Electric	5
151		Ref	Torque Hub Assembly Options: (See DRIVE HUB ASSEMBLY for Breakdown)	
151	2780169	2	Gas and Diesel	
151	2780168	2	Electric	
152		Ref	Drive Motor Assembly Options:	
152	3160158	2	Gas and Diesel (See DRIVE MOTOR ASSEMBLY (GAS AND DIESEL) for Breakdown)	
152	1001096415	2	Electric (See DRIVE MOTOR ASSEMBLY (ELECTRIC) for Breakdown) (was p/n 3160118)	
153		Ref	Hardware Options:	
153	0642014	12	Bolt 5/8in-11NC x 1 3/4in (Prior to March 1993)	
153	0642016	12	Bolt 5/8in-11NC x 2in (March 1993 to Present)	
154	4762000	12	Flatwasher 5/8in	
155		Ref	Hardware Options:	
155	4320008	4	Stud 1/2in-13NC x 6 1/2in (Prior to December 1991)	
155	4300092	4	Stud 1/2in-13NC x 5 1/2in (December 1991 to SN 56992)	
155	4300097	4	Stud 1/2in-13NC x 5 1/2 (SN 56992 to Present)	
156	4761800	4	Lockwasher 1/2in	
157	3300012	18	Nut, Lug 1/2in-20NC	

SECTION 1 - FRAME

ITEM	PART NUMBER	QTY	DESCRIPTION	REV
158		Ref	Drive Brake Assembly Options:	
158	0920072	2	Drive Brake Assembly (Prior to December 1991) (See DRIVE BRAKE ASSEMBLY (Prior to December 1991) for Breakdown)	
158	0920084	2	Drive Brake Assembly (December 1991 to SN 33475) (See DRIVE BRAKE ASSEMBLY (December 1991 to SN 33475) for Breakdown)	
158	0920110	2	Drive Brake Assembly (See DRIVE BRAKE ASSEMBLY (SN 33476 through 56991) for Breakdown)	
158	0920119	2	Drive Brake Assembly (was p/n 0920117) (SN 56992 to Present)	
158	7018612	AR	Repair Kit - 0920117 & 0920119 Brakes (Includes Case Seal, Piston Inner and Outer O-Rings and Back-up Rings, Stator Disc, Rotor Disc, Return Plate, Springs, Oil Seal, Bearing, 2 Retaining Rings and 2 Mounting Face Gaskets) (1 Per Assembly)	
158	7000731	AR	Gasket, Mounting Face (Note: No Other Parts Available.)	
159	3311801	4	Nut 1/2in-13NC	
160	0100011	AR	Loctite #242 (Not Shown)	
161	4751800	4	Flatwasher 1/2in	
162	0100019	AR	Loctite #271 (Not Shown)	

SECTION 1 - FRAME

FIGURE 1-3. FRAME, STEERING AND DRIVE COMPONENTS, ASSEMBLIES AND INSTALLATIONS - FIXED AND OSCILLATING AXLES (4WD)



SECTION 1 - FRAME

FIGURE 1-3. FRAME, STEERING AND DRIVE COMPONENTS, ASSEMBLIES AND INSTALLATIONS - FIXED AND OSCILLATING AXLES (4WD)

ITEM	PART NUMBER	QTY	DESCRIPTION	REV
		Ref	FRAME WELDMENT OPTIONS:	
	2360330	1	Frame Weldment (4WD Oscillating Axle)	
	0254832	Ref	FIXED AXLE INSTALLATION	-
	0251270	Ref	OSCILLATING AXLE INSTALLATION (OPTIONAL)	B
1	4843732	1	Weldment, Axle	
2	1681785	2	Lockout Cylinder Assembly (Oscillating Axle Only) (See CYLINDER SECTION for Breakdown)	
3	0641610	1	Bolt 3/8in-16NC x 1 1/4in	
4	4751600	AR	Flatwasher 3/8in	
5	4761600	1	Lockwasher 3/8in	
6	3422794	1	Pin (Bottom) (Oscillating Axle Only)	
7	2160002	1	Fitting, Grease	
8	4842621	1	Pin	
9	0641406	1	Bolt 1/4in-20NC x 3/4in (Oscillating Axle Only)	
10	4761400	1	Lockwasher 1/4in (Oscillating Axle Only)	
11	4843286	1	Pin (Top) (Oscillating Axle Only)	
12	0560913	2	Block (Fixed Axle Only)	
13	0641618	4	Bolt 3/8in-16NC x 2 1/4in (Fixed Axle Only)	
14	4070224	AR	Shim (Fixed Axle Only)	
15	4070225	AR	Shim (Fixed Axle Only)	
16	0100019	AR	Loctite #271 (Fixed Axle) (Not Shown)	
		Ref	STEERING AND SPINDLE INSTALLATION	
	0251271	Ref	STEERING AND SPINDLE INSTALLATION	D
	0252116	Ref	STEERING AND SPINDLE INSTALLATION (CSA)	D
51	4130221	1	Spindle (Right Side)	
52	4130222	1	Spindle (Left Side)	
53	1681555	1	Steer Cylinder Assembly (See CYLINDER SECTION for Breakdown)	
54	3841087	1	Tie-Rod	
55	0560714	1	Block, Tie-Rod (Left Side)	
56	3300229	1	Nut, Jam 1 1/4in-12NF (Left Hand Threads)	
57	0560605	1	Block, Tie-Rod (Right Side)	
58	3323002	1	Nut, Jam 1 1/4in-12NF (Right Hand Threads)	
59	3300175	3	Nut, Special	
60	0440091	3	Washer, Thrust	
61	2160002	3	Fitting, Grease	
62	2160003	4	Fitting, Grease - 45	
63	0440161	4	Bearing, Thrust	
64		Ref	Plate, Cover Options:	
64	3530244	4	Plate, Cover (Prior to July 1992)	
64	3536411	4	Plate, Cover (July 1992 to Present)	
65		Ref	Hardware Options:	
65	0641404	AR	Bolt 1/4in-20NC x 1/2in (Prior to July 1992)	
65	2080024	AR	Fastener (July 1992 to April 1994)	
65	4300106	16	Grooved Stud (April 1994 to Present)	
66	4761400	2	Lockwasher 1/4in (Prior to July 1992)	
67	3431622	1	Pin, Clevis	
68		Ref	Flatwasher 1in Options:	
68	4740230	1	Prior to August 1994	

SECTION 1 - FRAME

ITEM	PART NUMBER	QTY	DESCRIPTION	REV
68	4713000	1	August 1994 to Present	
69	3450606	1	Pin, Cotter	
70	0641608	8	Bolt 3/8in-16NC x 1in	
71	4761600	8	Lockwasher 3/8in	
72	1380124	8	Clip, Retainer (Not Shown)	
73	4920096	AR	Wire, Safety	
74		Ref	Pin, King Options:	
74	3421190	4	ANSI (Was P/N 3421887) (Prior to SN 24511)	
74	3421190	4	ANSI and CSA (SN 24511 to Present)	
		Ref	TIRE AND WHEEL INSTALLATIONS	
	0251261	Ref	12in x 16.5in NHX Pneumatic Tires	-
	0253132	Ref	8.75in x 16.5in Pneumatic Tires	-
	0254451	Ref	12in x 16.2in NHS Lug Foam-Filled Tires	-
101		Ref	Tire and Wheel Assembly Options:	
101	0251260	2	12in x 16.5in NHS Pneumatic (Left Side)	
101	4520129	1	Tire 12in x 16.5in NHS	
101	0251259	2	12in x 16.5in NHS Pneumatic (Right Side)	
101	4520129	1	Tire 12in x 16.5in NHS	
101	0253130	4	8.75in x 16.5in Pneumatic	
101	4520199	1	Tire 8.75in x 16.5in	
101	0254449	2	12in x 16.5in NHS Lug Foam-Filled (Right Side)	
101	0254450	2	12in x 16.5in NHS Lug Foam-Filled (Left Side) (Note: Foam-filled tire and wheel assemblies are serviced as assemblies only.)	
102		Ref	Rim Options:	
102	4860126	1	12in x 16.5in	
102	4842561	1	8.75in x 16.5in	
103		Ref	Valve, Air Options:	
103	4640113	1	12in x 16.5in	
103	4640392	1	8.75in x 16.5in	
		Ref	WHEEL DRIVE INSTALLATIONS	
	0250093	Ref	Wheel Drive Installations (Prior to SN 56992)	9
	0270122	Ref	Wheel Drive Installations (SN 56992 to Present)	1
151		Ref	Drive Hub/Brake Assembly - Front Options:	
151	2780172	2	Drive Hub/Brake Assembly - Front (Prior to December 1991) (See DRIVE HUB/BRAKE ASSEMBLY for Breakdown)	
151	2780191	2	Drive Hub/Brake Assembly - Front (December 1991 to Present) (See DRIVE HUB/BRAKE ASSEMBLY (4WD FRONT) for Breakdown)	
152	3160158	4	Drive Motor Assembly - Front (See DRIVE MOTOR ASSEMBLY (GAS AND DIESEL) for Breakdown)	
153		Ref	Bolt Options:	
153	0642014	24	Bolt 5/8in-11NC x 1 3/4in (Prior to September 1991)	
153	0642016	24	Bolt 5/8in-11NC x 2in (September 1991 to Present)	
154	4762000	24	Flatwasher 5/8in	
155	0641810	4	Bolt 1/2in-13NC x 1 1/4in	
156	4761800	8	Lockwasher 1/2in	
157	3300012	36	Nut, Wheel	
158	2780167	2	Drive Hub Assembly - Rear (See DRIVE HUB ASSEMBLY for Breakdown)	
159		Ref	Bolt Options:	
159	0641848	4	Bolt 1/2in-13NC x 6in (Prior to December 1991)	
159	0641844	4	Bolt 1/2in-13NC x 5 1/2in (December 1991 to SN 56992)	

SECTION 1 - FRAME

ITEM	PART NUMBER	QTY	DESCRIPTION	REV
159	0641840	4	Bolt 1/2in-13NC x 5 (SN 56992 to Present)	
160		Ref	Drive Brake Assembly Options:	
160	0920072	2	Drive Brake Assembly (Prior to December 1991) (See DRIVE BRAKE ASSEMBLY (Prior to December 1991) for Breakdown)	
160	0920084	2	Drive Brake Assembly (December 1991 to SN 33475) (See DRIVE BRAKE ASSEMBLY (December 1991 to SN 33475) for Breakdown)	
160	0920110	2	Drive Brake Assembly (See DRIVE BRAKE ASSEMBLY (SN 33476 through 56991) for Breakdown)	
160	0920119	2	Drive Brake Assembly (was p/n 0920117) (SN 56992 to Present)	
160	7018612	AR	Repair Kit - 0920117 & 0920119 Brakes (Includes Case Seal, Piston Inner and Outer O-Rings and Back-up Rings, Stator Disc, Rotor Disc, Return Plate, Springs, Oil Seal, Bearing, 2 Retaining Rings and 2 Mounting Face Gaskets) (1 Per Assembly)	
160	7000731	AR	Gasket, Mounting Face (Note: No Other Parts Available.)	

SECTION 1 - FRAME

FIGURE 1-4. DRIVE HUB ASSEMBLY

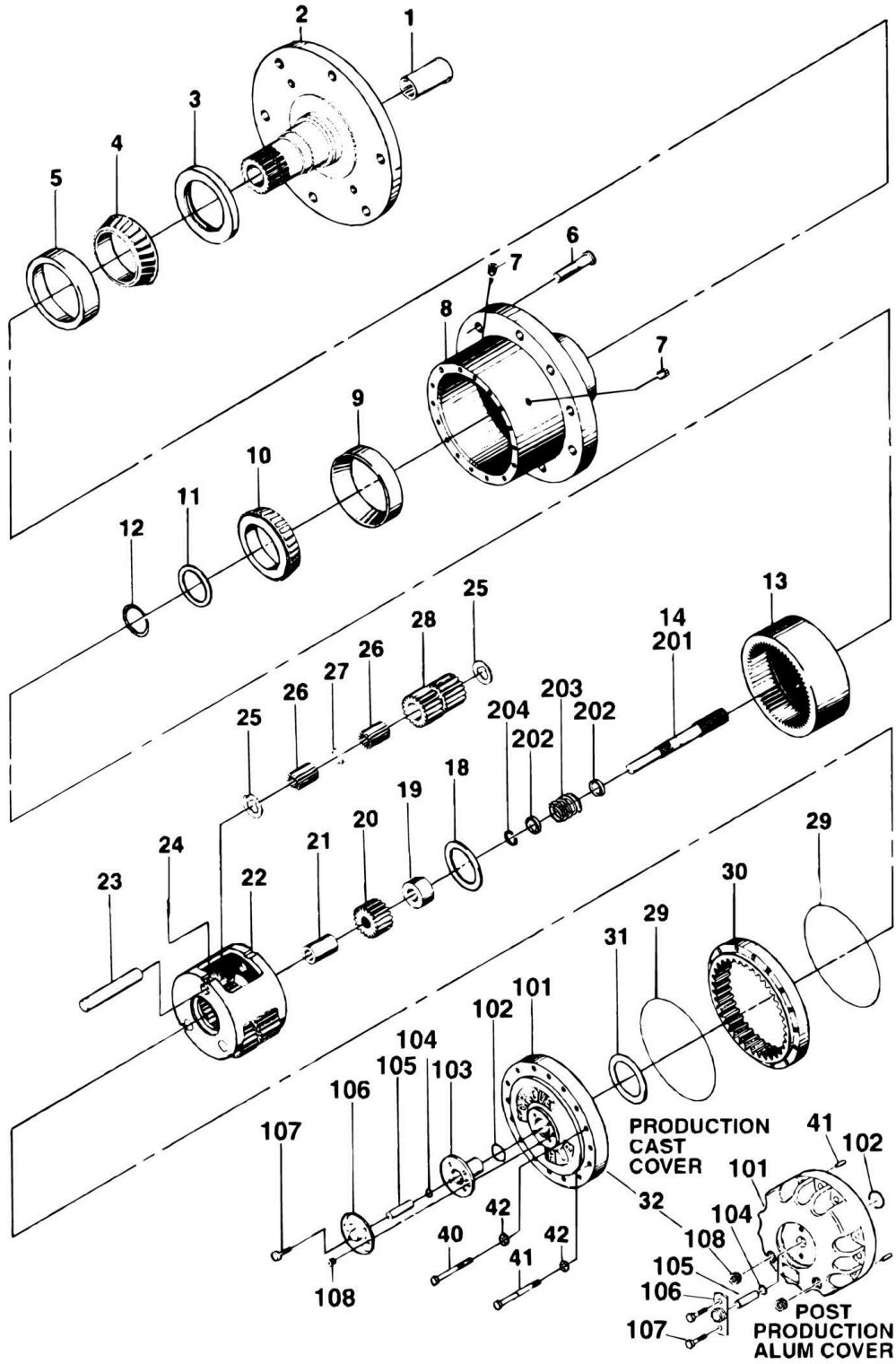


FIGURE 1-4. DRIVE HUB ASSEMBLY

ITEM	PART NUMBER	QTY	DESCRIPTION	REV
		Ref	DRIVE HUB ASSEMBLIES	
	2780169	Ref	2WD Gas and Diesel	-
	2780168	Ref	2WD Electric	-
	2780167	Ref	4WD (Rear)	-
1	7000206	1	Coupling	
1		Ref	Hub - Spindle Sub-Assembly	
2	7001997	1	Spindle	
3	7001998	1	Seal	
4	Kit	1	Cone, Bearing	
5	Kit	1	Cup, Bearing	
6	7007697	9	Bolt, Wheel	
7	7000242	2	Plug, Pipe	
8	7007601	1	Hub	
9	7000257	1	Cup, Bearing	
10	7000258	1	Cone, Bearing	
11	7000232	1	Spacer	
12	7000229	1	Ring, Retaining	
13	7000246	1	Gear, Internal	
14		Ref	Input Shaft Assembly Options: (See Items 201-204 for Breakdown)	
18	7000253	1	Washer, Thrust	
19		Ref	Spacer Options:	
19	7000252	1	Drive Hub Assemblies - 2780169 & 2780168	
19	7007653	1	Drive Hub Assembly - 2780167	
20		Ref	Gear, Input Options:	
20	7000251	1	Drive Hub Assembly - 2780169	
20	7000201	1	Drive Hub Assembly - 2780168	
20	7007652	1	Drive Hub Assembly - 2780167	
21	7007654	1	Spacer (Drive Hub Assembly - 2780167 Only)	
		Ref	Carrier Assembly Options:	
	7000247	1	Drive Hub Assemblies - 2780169 & 2780167	
	7000202	1	Drive Hub Assembly - 2780168	
22	7001931	1	Carrier	
23	7001911	3	Shaft	
24	7001913	3	Pin, Roll	
25	7001985	6	Washer, Thrust	
26	7001909	96	Roller, Needle	
27	7000263	3	Spacer	
28		Ref	Gear, Cluster Options:	
28	7001912	3	Drive Hub Assemblies - 2780169 & 2780167	
28	7007643	3	Drive Hub Assembly - 2780168	
29	7000230	2	O-Ring	
30		Ref	Gear, Ring Options:	
30	7000248	1	Drive Hub Assemblies - 2780169 & 2780167	
30	7000203	1	Drive Hub Assembly - 2780168	
31	7000253	1	Washer, Thrust	
32		Ref	Cover Assembly (Includes Items 101-108)	
40		Ref	Bolt Options:	
40	7000217	12	Production Cast Cover	
40	7017067	12	Post Production Aluminum Cover	
41		Ref	Hardware Options:	

SECTION 1 - FRAME

ITEM	PART NUMBER	QTY	DESCRIPTION	REV
41	7000214	4	Bolt, Shoulder (Production Cast Cover)	
41	7017080	4	Dowel Pin (Post Production Aluminum Cover)	
42	7007603	16	Flatwasher	
	7010429	1	Bearing Kit (Includes Items 4 & 5)	
		Ref	COVER ASSEMBLY	
	See Kit Options	Ref	Production Cast Cover	
	See Kit Options	Ref	Post Production Aluminum Cover	
101		Ref	Cover Options:	
101	See Kit Options	1	Production Cast Cover (Was p/n 7000226)	
101	7017091	1	Post Production Aluminum Cover	
102		Ref	O-Ring Options:	
102	Kit	1	Production Cast Cover	
102	7017070	1	Post Production Aluminum Cover	
103		Ref	Cap, Cover	
103	Kit	1	Production Cast Cover	
103	Not Required	0	Post Production Aluminum Cover	
104		Ref	O-Ring Options:	
104	Kit	1	Production Cast Cover	
104	7017095	1	Post Production Aluminum Cover	
105		Ref	Rod, Disconnect Options:	
105	Kit	1	Production Cast Cover	
105	7017092	1	Post Production Aluminum Cover	
106		Ref	Cap, Disconnect	
106	Kit	1	Production Cast Cover	
106	7017093	1	Post Production Aluminum Cover	
107		Ref	Bolt Options:	
107	7000216	4	Production Cast Cover	
107	7000216	2	Post Production Aluminum Cover	
108		Ref	Plug, Pipe Options:	
108	7000243	1	Production Cast Cover	
108	7017094	2	Post Production Aluminum Cover	
		Ref	INPUT SHAFT ASSEMBLY	
	7000250	Ref	2WD	
	7007650	Ref	4WD	
201		Ref	Shaft Options:	
201	7000260	1	2WD	
201	7007651	1	4WD	
202	7000263	2	Spacer	
203	7000262	1	Spring	
204	7000261	1	Ring, Retaining	
		Ref	Kit Options:	
	7010429	1	Bearing Kit (Includes Items 4 & 5)	
	2900034	1	Seal Kit (Includes Items 3, 11, 12 & 29)	
		Ref	Cover Kit Options:	
	No Longer Available	NLA	Production Cast Cover (Was p/n 7001989)	
	7017099	NLA	Aluminum Replacement for Production Cast Cover (Includes 29, 31 (Spacer), 40, 41 (Dowel Pins), 101, 102 & 104-108) (Use p/n 70001111)	
	7017090	NLA	Post Production Aluminum Cover (Includes 29, 101 & 104-107) (Use p/n 70001111)	
	70001111	1	Replacement Cover Kit	

SECTION 1 - FRAME

FIGURE 1-5. DRIVE HUB/BRAKE ASSEMBLY (4WD FRONT) (PRIOR TO DECEMBER 1991)

ITEM	PART NUMBER	QTY	DESCRIPTION	REV
	2780172	Ref	DRIVE HUB/BRAKE ASSEMBLY (4WD FRONT)	-
		Ref	Hub - Spindle Sub-Assembly	
1	7010400	1	Spindle and Brake Assembly	
2	Kit	1	Seal	
3	7007683	1	Cup, Bearing	
4	7007684	1	Cone, Bearing	
5	7007685	1	Cup, Bearing	
6	7007686	1	Cone, Bearing	
7	7007687	1	Hub	
8	7007688	1	Washer, Tongued	
9	7007689	1	Lockwasher	
10	7007690	1	Locknut	
11	7000241	9	Stud	
12	7000242	2	Plug, Pipe	
13	7007617	2	Plug, Magnetic	
14	7007691	1	Gear, Internal	
14		Ref	Carrier Assembly	
15	7001931	1	Carrier	
16	7001985	6	Washer, Thrust	
17	7001909	96	Roller, Needle	
18	7000263	3	Spacer	
19	7001911	3	Shaft, Planet	
20	7001912	3	Gear, Cluster	
21	7001913	3	Pin, Roll	
22	7000248	1	Gear, Ring	
23	Kit	2	O-Ring	
23	7001989	1	Cover Assembly	
24	7000226	1	Cover	
25	7000227	1	Cap, Cover	
26	7000220	4	Bolt	
27	7000211	1	Cap, Disconnect	
28	7000212	1	Rod, Disconnect	
29	Kit	1	O-Ring	
30	Kit	1	O-Ring	
31	7000243	1	Plug, Pipe	
32	7007650	1	Input Shaft Assembly Options:	
32	7007651	1	Shaft, Input	
33	7000261	1	Ring, Retaining	
34	7000262	1	Spring	
35	7000263	2	Spacer	
36	7007652	1	Gear, Input	
37	7007653	1	Spacer, Thrust	
38	7007654	1	Spacer, Thrust	
39	7000253	2	Washer, Thrust	
40	7000217	12	Bolt	
41	7000214	4	Bolt, Shoulder	
42	7007603	16	Flatwasher	
42	Kit	1	Gasket (Not Shown)	
	2900754	1	Seal Kit (Includes Items 2, 23, 29, 30 & Gasket)	

SECTION 1 - FRAME

FIGURE 1-6. DRIVE HUB/BRAKE ASSEMBLY (4WD FRONT) (DECEMBER 1991 TO PRESENT)

ITEM	PART NUMBER	QTY	DESCRIPTION	REV
	2780191	Ref	DRIVE HUB/BRAKE ASSEMBLY (4WD FRONT)	-
1		Ref	Hub/spindle/Brake Assembly (See Items 101-113 for Breakdown)	
2	7007691	1	Gear, Internal	
3	7000247	1	Carrier Assembly (See Items 201-207 for Breakdown)	
4	7000248	1	Gear, Internal	
5	Kit	2	O-Ring1	
6	7001989	1	Cover Assembly (See Items 301-308 for Breakdown)	
7	7007650	1	Input Shaft Assembly (See Items 401-404 for Breakdown)	
8	7007652	1	Gear, Input	
9	7007653	1	Spacer, Input	
10	7007654	1	Spacer, Input	
11	7000253	2	Washer, Thrust	
11	7017096	1	Spacer (Post Production Aluminum Cover Only)	
12		Ref	Bolt Options:	
12	7000217	12	Production Cast Cover	
12	7017067	12	Post Production Aluminum Cover	
13		Ref	Hardware Options:	
13	7000214	4	Bolt Used on Production Cast Cover	
13	7017067	4	Dowel Pin Used on Post Production Aluminum Cover	
16	7007603	16	Flatwasher	
17	7007692	1	Gasket	
19	7010470	1	Coupling	
21	7010459	1	Ring, Retaining	
22	7001922	1	Washer, Thrust	
		Ref	HUB/SPINDLE/BRAKE SUB-ASSEMBLY	
101	7010469	1	Brake Assembly - 4WD Machines with I.D. Plate Stamped June 1992 or Earlier (See Items 501-514 for Breakdown)	
102	Kit	1	Seal, Lip	
103	7007683	1	Cup, Bearing	
104	7007684	1	Cone, Bearing	
105	7007685	1	Cup, Bearing	
106	7007686	1	Cone, Bearing	
107	7007687	1	Housing	
108	7007688	1	Washer, Tongued	
109	7007689	1	Lockwasher	
110	7007690	1	Locknut	
111	7000242	2	Plug, Pipe	
112	7000241	9	Stud	
113	7007617	2	Plug, Magnetic	
	7000247	Ref	CARRIER ASSEMBLY	
201	7001931	1	Carrier	
202	7001985	6	Washer, Thrust	
203	7001909	96	Roller, Needle	
204	7000263	3	Spacer	
205	7001911	3	Shaft, Planet	
206	7001912	3	Gear, Cluster	
207	7001913	3	Pin, Roll	
		Ref	COVER ASSEMBLY	
	See Kit Options	Ref	Production Cast Cover	
	See Kit Options	Ref	Post Production Aluminum Cover	

SECTION 1 - FRAME

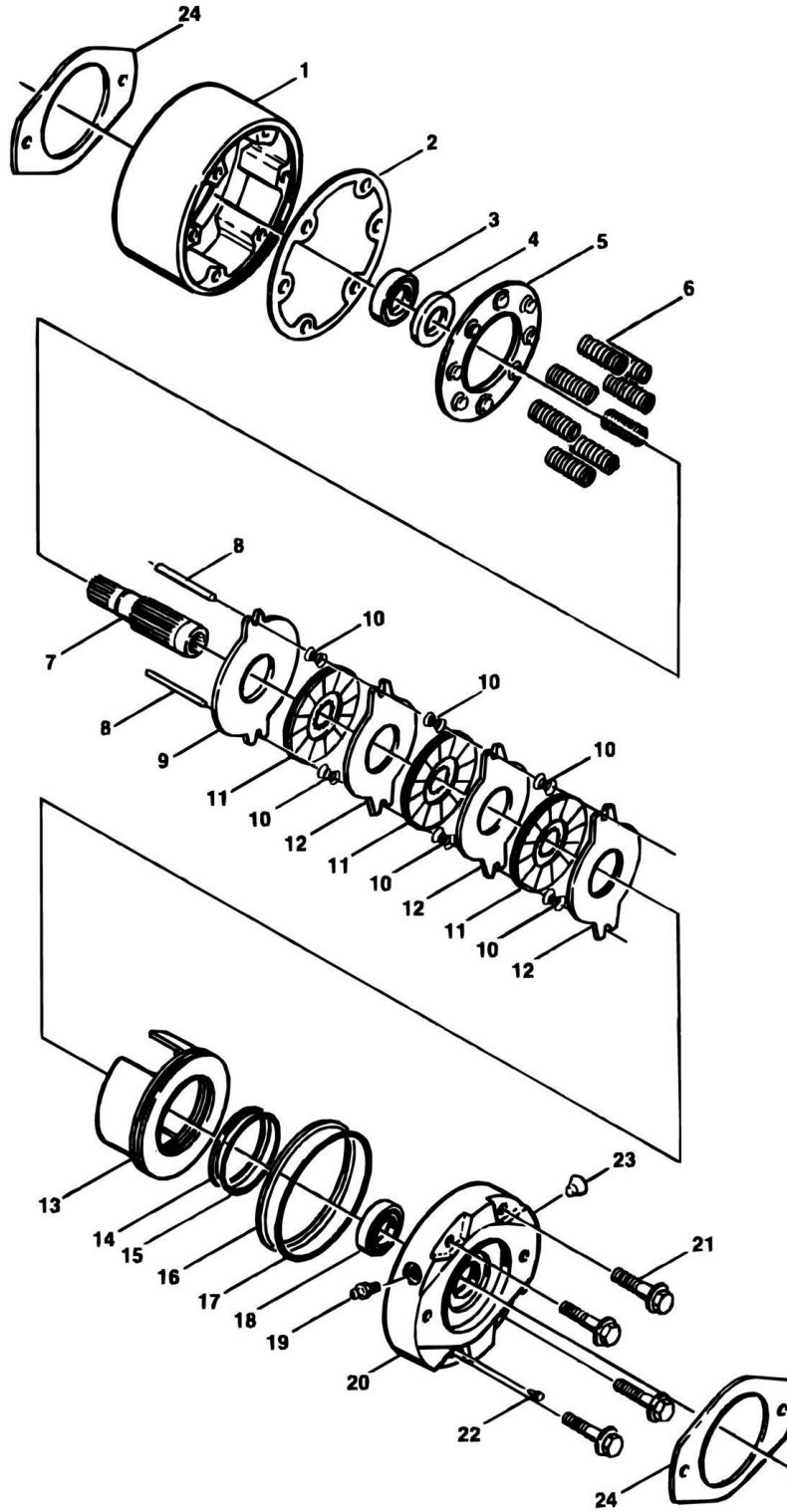
ITEM	PART NUMBER	QTY	DESCRIPTION	REV
301		Ref	Cover Options:	
301	See Kit Options	1	Production Cast Cover (Was p/n 7000226)	
301	7017091	1	Post Production Aluminum Cover	
302		Ref	O-Ring Options:	
302	Kit	1	Production Cast Cover	
302	7017070	1	Post Production Aluminum Cover	
303		Ref	Cap, Cover	
303	Kit	1	Production Cast Cover	
303	Not Required	0	Post Production Aluminum Cover	
304		Ref	O-Ring Options:	
304	Kit	1	Production Cast Cover	
304	7017095	1	Post Production Aluminum Cover	
305		Ref	Rod, Disconnect Options:	
305	7000212	1	Production Cast Cover	
305	7017092	1	Post Production Aluminum Cover	
306		Ref	Cap, Disconnect Options:	
306	7000211	1	Production Cast Cover	
306	7017093	1	Post Production Aluminum Cover	
307		Ref	Bolt Options:	
307	7000220	4	Production Cast Cover	
307	7000216	2	Post Production Aluminum Cover	
308		Ref	Plug, Pipe Options:	
308	7000243	1	Production Cast Cover	
308	7017094	2	Post Production Aluminum Cover	
		Ref	Cover Kit Options:	
	No Longer Available	NLA	Production Cast Cover (Was p/n 7001989)	
	7017099	1	Aluminum Replacement for Production Cast Cover (Includes 5, 11 (Spacer), 12, 13 (Dowel Pins), 301, 302 & 304-308)	
	7017090	1	Post Production Aluminum Cover (Includes 5, 301 & 304-307)	
	7007650	Ref	INPUT SHAFT ASSEMBLY	
401	7007651	1	Shaft, Input	
402	7000261	1	Ring, Retaining	
403	7000262	1	Spring	
404	7000263	2	Spacer	
	7010469	Ref	BRAKE ASSEMBLY - 4WD MACHINES WITH I.D. PLATE STAMPED JUNE 1992 OR EARLIER	
501	7014100	1	Spindle	
502	7014101	1	Spacer	
503	7014102	7	Disc, Stationary	
504	7014103	6	Disc, Rotating	
505	Kit	1	Ring, Back-up	
506	Kit	1	O-Ring	
507	Kit	1	Ring, Back-up	
508	Kit	1	O-Ring	
509	7014108	1	Piston	
510	7014109	6	Spring	
510	7014110	2	Spring	
511	Kit	1	O-Ring	
512	7014112	1	Cover	
513	Not Available	8	Bolt, Socket Head 3/8in-16NC x 1 1/4in	
514	7014113	1	Expander	

SECTION 1 - FRAME

ITEM	PART NUMBER	QTY	DESCRIPTION	REV
	2900816	1	Brake O-Ring Kit (Includes Items 505-508 & 511)	
	7010473	Ref	BRAKE ASSEMBLY - 4WD MACHINES WITH I.D. PLATE STAMPED JULY 1992 OR LATER	
601	7014126	1	Spindle	
602	7010475	1	Brake Lining Kit	
603	7010476	1	Brake O-Ring Kit	
604	7010477	1	Brake Spring Repair Kit	
605	7010478	1	Brake Piston Repair Kit	
	2900754	1	Seal Kit (Includes Items 5, 17, 102, 306 & 307)	

SECTION 1 - FRAME

FIGURE 1-7. DRIVE BRAKE ASSEMBLY (PRIOR TO DECEMBER 1991)



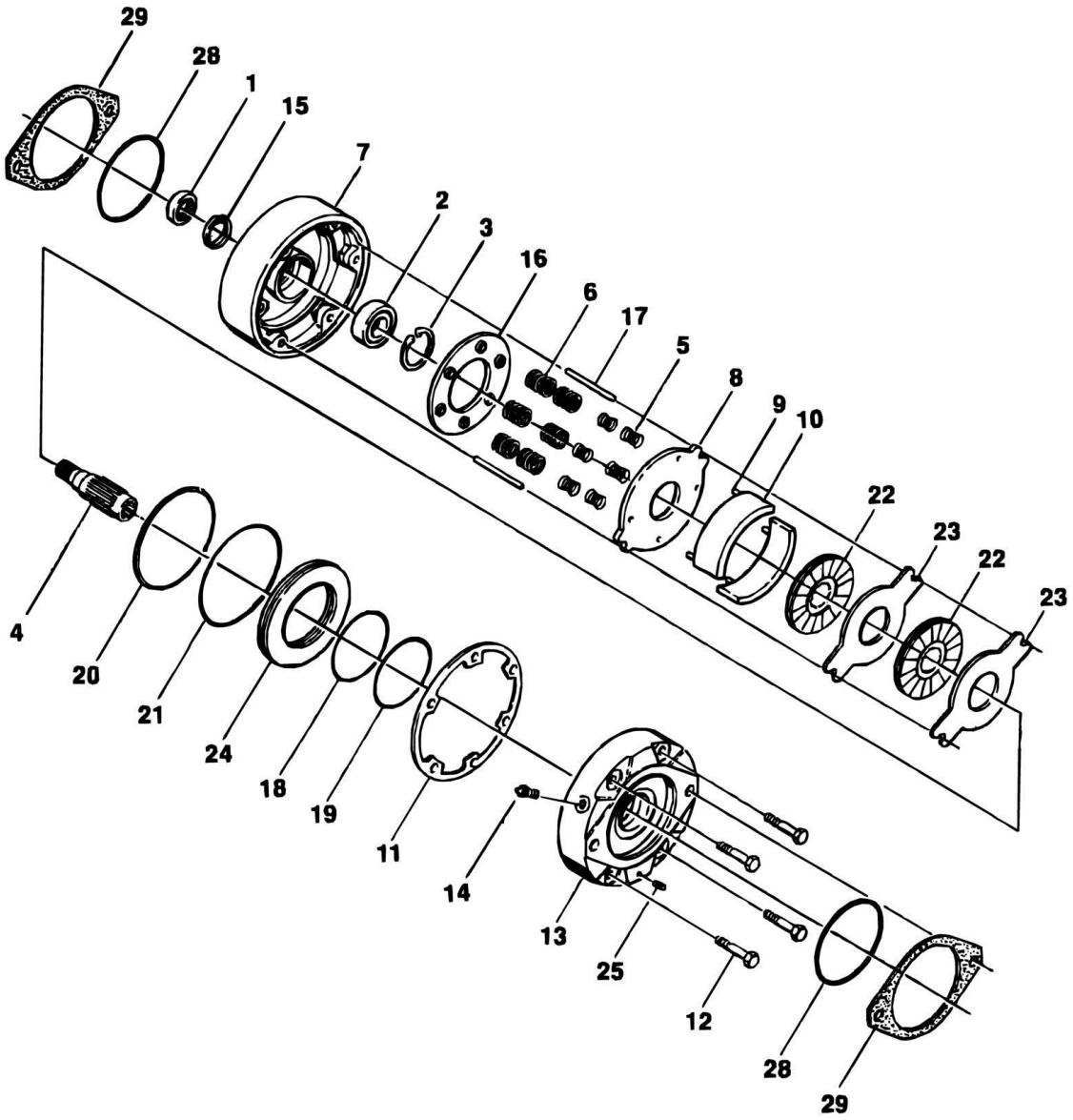
SECTION 1 - FRAME

FIGURE 1-7. DRIVE BRAKE ASSEMBLY (PRIOR TO DECEMBER 1991)

ITEM	PART NUMBER	QTY	DESCRIPTION	REV
	0920072	Ref	DRIVE BRAKE ASSEMBLY	D
1	7003047	1	Housing	
2	Kit	1	Gasket	
3	7003049	1	Bearing, Ball	
4	Kit	1	Seal	
5	7003051	1	Retainer, Spring	
6	7003052	12	Spring, Compression	
7	7003070	1	Shaft, Splined	
8	7000717	2	Pin, Torque	
9	7003454	1	Disc, Primary	
10	7003006	6	Spring, Separator	
11	7003055	3	Disc, Rotating	
12	7003056	3	Disc, Stationary	
13	7003057	1	Piston	
14	Kit	1	Ring, Back-up	
15	Kit	1	O-Ring	
16	Kit	1	Ring, Back-up	
17	Kit	1	O-Ring	
18	7000760	1	Bearing	
19	7000796	1	Screw, Bleeder	
20	7003071	1	Plate, Power	
21	7003007	4	Screw	
22	7003059	1	Valve, Pressure	
23	7000728	1	Plug, Protective	
24	Kit	2	Gasket	
	2900662	1	Kit, Seal (Includes Items 2, 4, 14, 15, 16, 17 & 24)	

SECTION 1 - FRAME

FIGURE 1-8. DRIVE BRAKE ASSEMBLY (DECEMBER 1991 TO SN 33475)



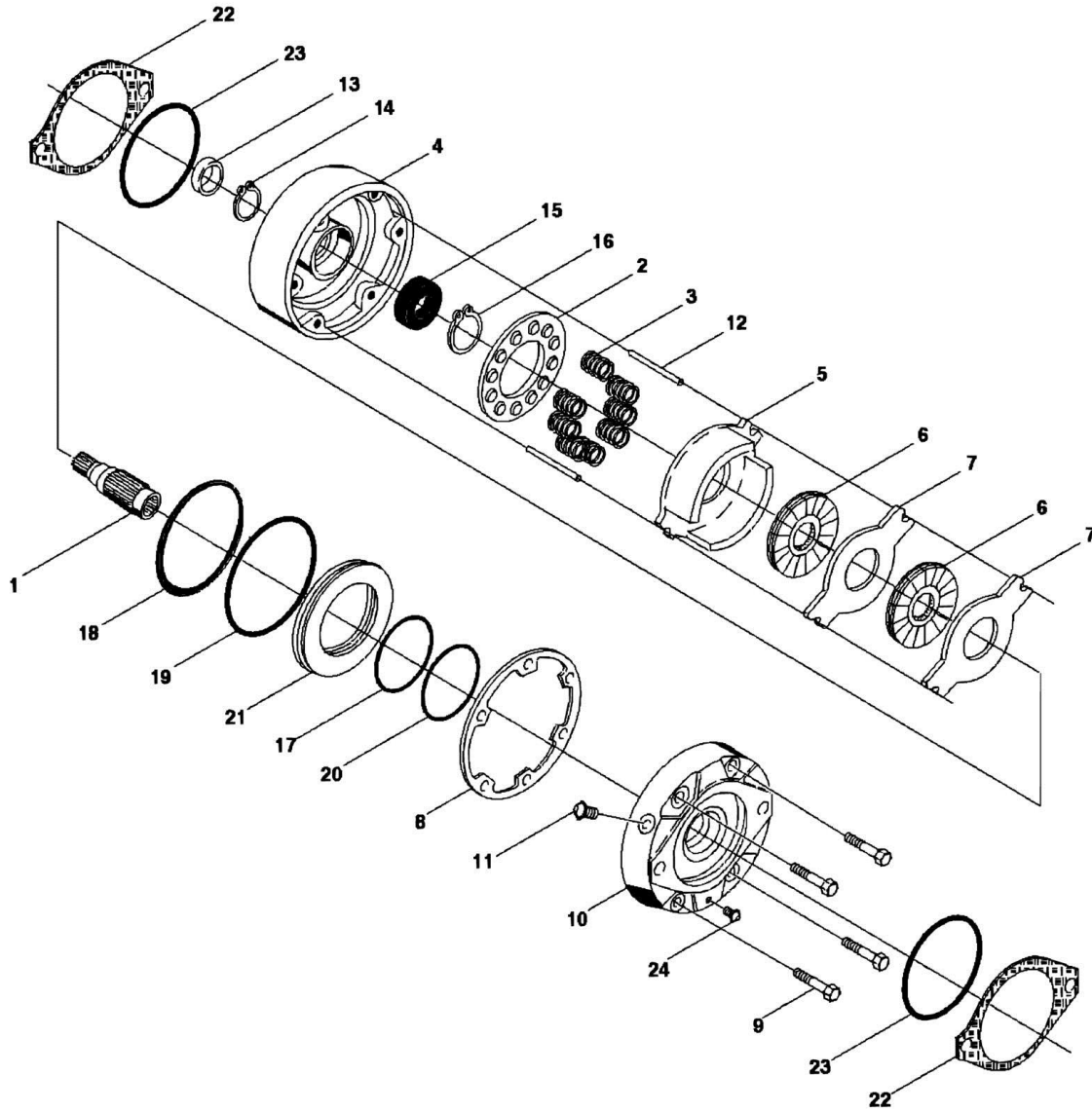
SECTION 1 - FRAME

FIGURE 1-8. DRIVE BRAKE ASSEMBLY (DECEMBER 1991 TO SN 33475)

ITEM	PART NUMBER	QTY	DESCRIPTION	REV
	0920084	Ref	DRIVE BRAKE ASSEMBLY OPTIONS:	A
1	Kit	1	Seal, Oil	
2	Kit	1	Bearing	
3	7007977	1	Ring, Retaining	
4	7011712	1	Shaft	
5	7007979	6	Spring (Inner)	
6	7007980	6	Spring (Inner)	
7	7011713	1	Housing	
8	Kit	1	Plate, Return	
8	7011715	2	Separator Assembly	
9	7011714	4	Pin	
10	7007983	2	Separator	
11	Kit	1	Seal, Case	
12	7007985	4	Bolt, Washer Head	
13	7007986	1	Cover	
14	7007914	1	Screw, Bleeder	
15	7011716	1	Ring, Retainer	
16	7011717	1	Guide, Spring	
17	7007987	2	Pin, Dowel	
18	Kit	1	Ring, Back-up	
19	Kit	1	O-Ring	
20	Kit	1	Ring, Back-up	
21	Kit	1	O-Ring	
22	Kit	2	Rotor	
23	Kit	2	Stator	
24	7007923	1	Piston	
25	7007924	1	Plug, Pipe	
28	Kit	2	O-Ring	
29	7007933	2	Gasket	
	2900766	1	Kit, Seal (Includes Items 1, 11, 18, 19, 20, 21, 28 & 29)	
	2900767	1	Kit, Lining (Includes Items 8, 11, 22, 23, 28 & 29)	
	2900768	1	Kit, Bearing (Includes Items 1, 2, 11, 28 & 29)	

SECTION 1 - FRAME

FIGURE 1-9. DRIVE BRAKE ASSEMBLY (SN 33476 through 56992)



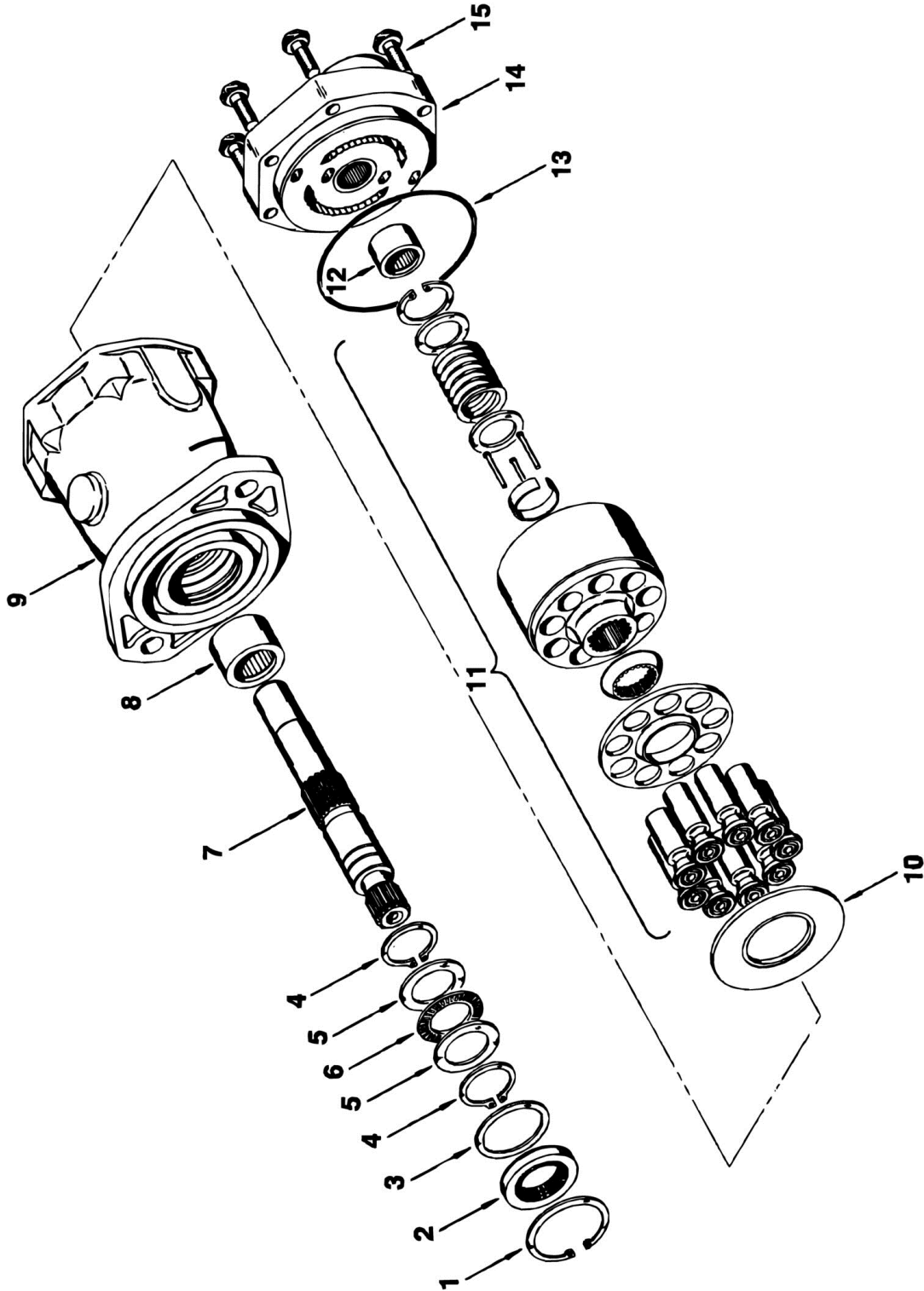
SECTION 1 - FRAME

FIGURE 1-9. DRIVE BRAKE ASSEMBLY (SN 33476 through 56992)

ITEM	PART NUMBER	QTY	DESCRIPTION	REV
	0920110	Ref	DRIVE BRAKE ASSEMBLY	-
1	7011720	1	Shaft	
2	7018606	1	Guide, Spring	
3	7007970	6	Spring (Red)	
3	7018602	3	Spring (Blue)	
4	7018605	1	Housing	
5	Kit	1	Plate, Return	
6	Kit	2	Rotor	
7	Kit	2	Stator	
8	Kit	1	Seal, Case	
9	7018607	4	Bolt, Washer Head	
10	7007986	1	Cover	
11	7018609	1	Plug, Pipe	
12	7007987	2	Pin, Dowel	
13	Kit	1	Seal, Oil	
14	7011716	1	Ring, Retaining	
15	Kit	1	Bearing	
16	7007977	1	Ring, Retaining	
17	Kit	1	Ring, Back-up	
18	Kit	1	Ring, Back-up	
19	Kit	1	O-Ring	
20	Kit	1	O-Ring	
21	7018603	1	Piston	
22	7007933	2	Gasket	
23	Kit	2	O-Ring	
24	7007924	1	Plug, Pipe	
	2900766	1	Kit, Seal (Includes Items 8, 13, 17, 18, 19, 20 & 22)	
	7018608	1	Kit, Lining (Includes Items 5, 6, 7, 8 & 22)	
	2900768	1	Kit, Bearing (Includes Items 8, 13, 14, 15, 16 & 22)	

SECTION 1 - FRAME

FIGURE 1-10. DRIVE MOTOR ASSEMBLY (GAS AND DIESEL)



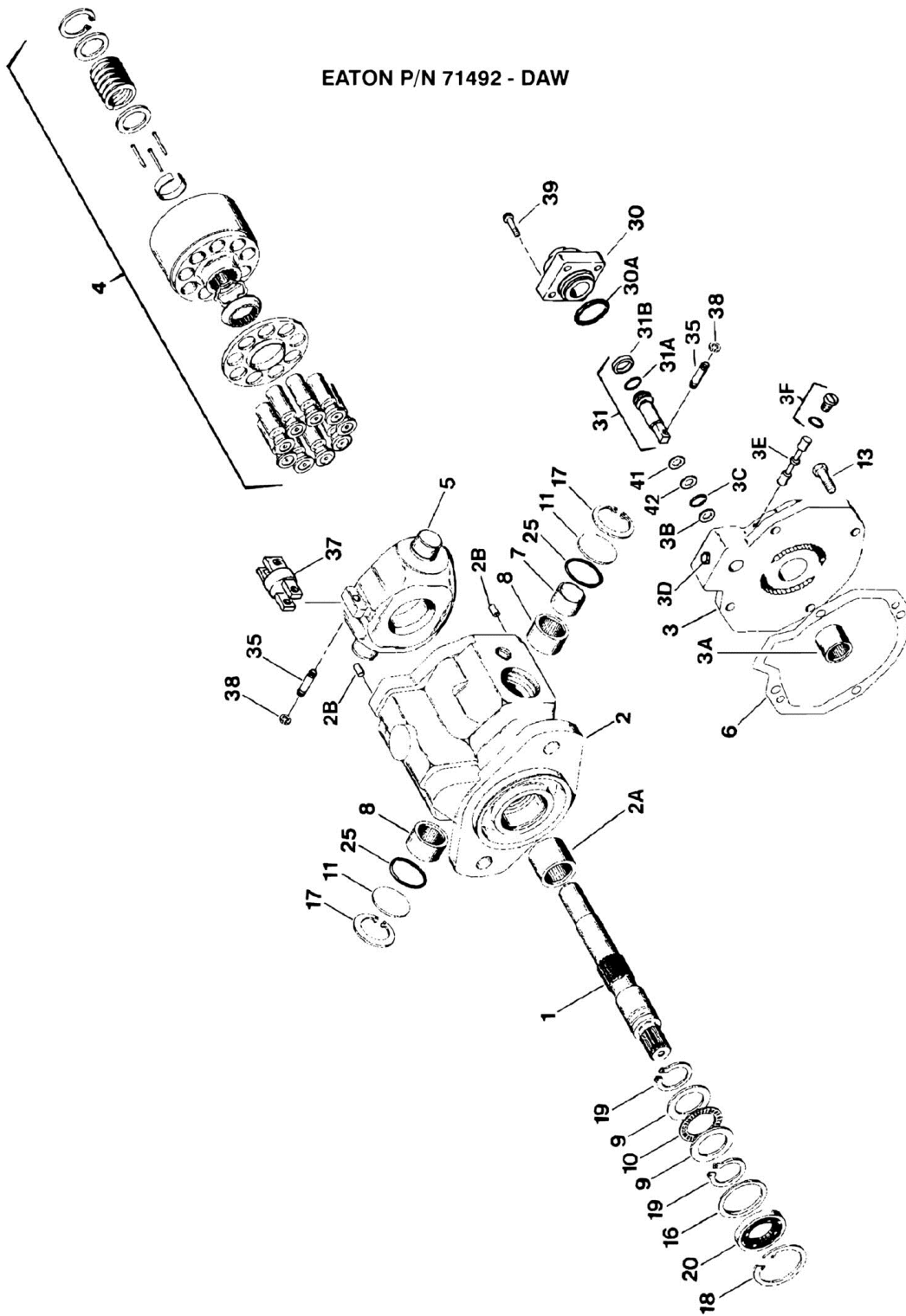
SECTION 1 - FRAME

FIGURE 1-10. DRIVE MOTOR ASSEMBLY (GAS AND DIESEL)

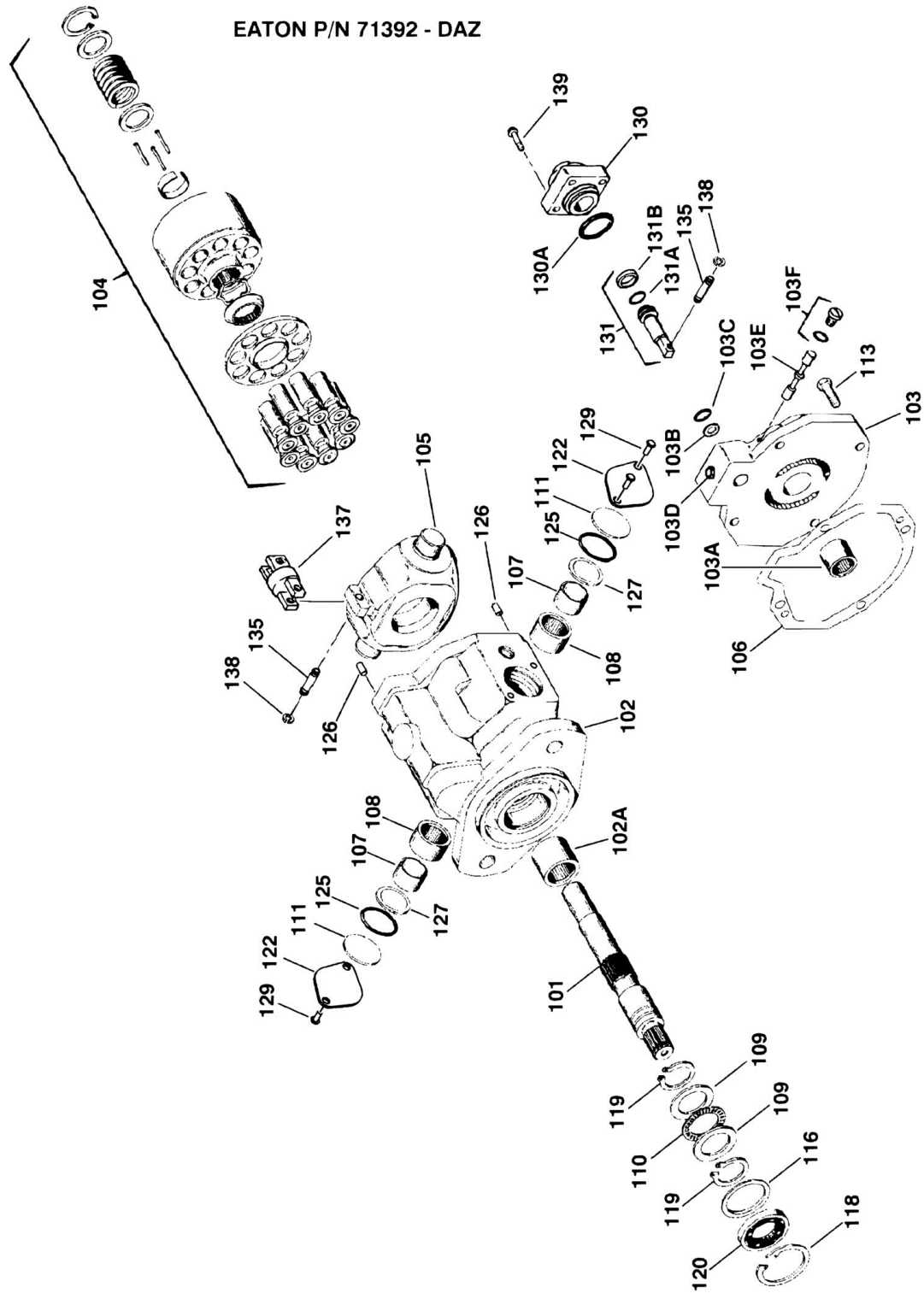
ITEM	PART NUMBER	QTY	DESCRIPTION	REV
	3160158	Ref	DRIVE MOTOR ASSEMBLY	-
1	Kit	1	Ring, Retaining	
2	Kit	1	Seal, Shaft	
3	7004906	1	Washer	
4	Kit	2	Ring, Retaining	
5	7004907	2	Race, Thrust	
6	7004908	1	Bearing	
7	7004874	1	Shaft, Drive	
8	7004910	1	Bearing	
9	7007875	1	Housing Assembly (Includes Item 8)	
10	7007876	1	Camplate	
11	7007880	1	Rotating Kit Assembly	
12	7004917	1	Bearing	
13	Kit	1	O-Ring	
14	7007878	1	Backplate Assembly (Includes Item 12)	
15	7007879	6	Bolt	
	2900714	1	Repair Kit (Includes Items 1, 2, 4 & 13)	

SECTION 1 - FRAME

FIGURE 1-11. DRIVE MOTOR ASSEMBLY (ELECTRIC)



SECTION 1 - FRAME



SECTION 1 - FRAME

FIGURE 1-11. DRIVE MOTOR ASSEMBLY (ELECTRIC)

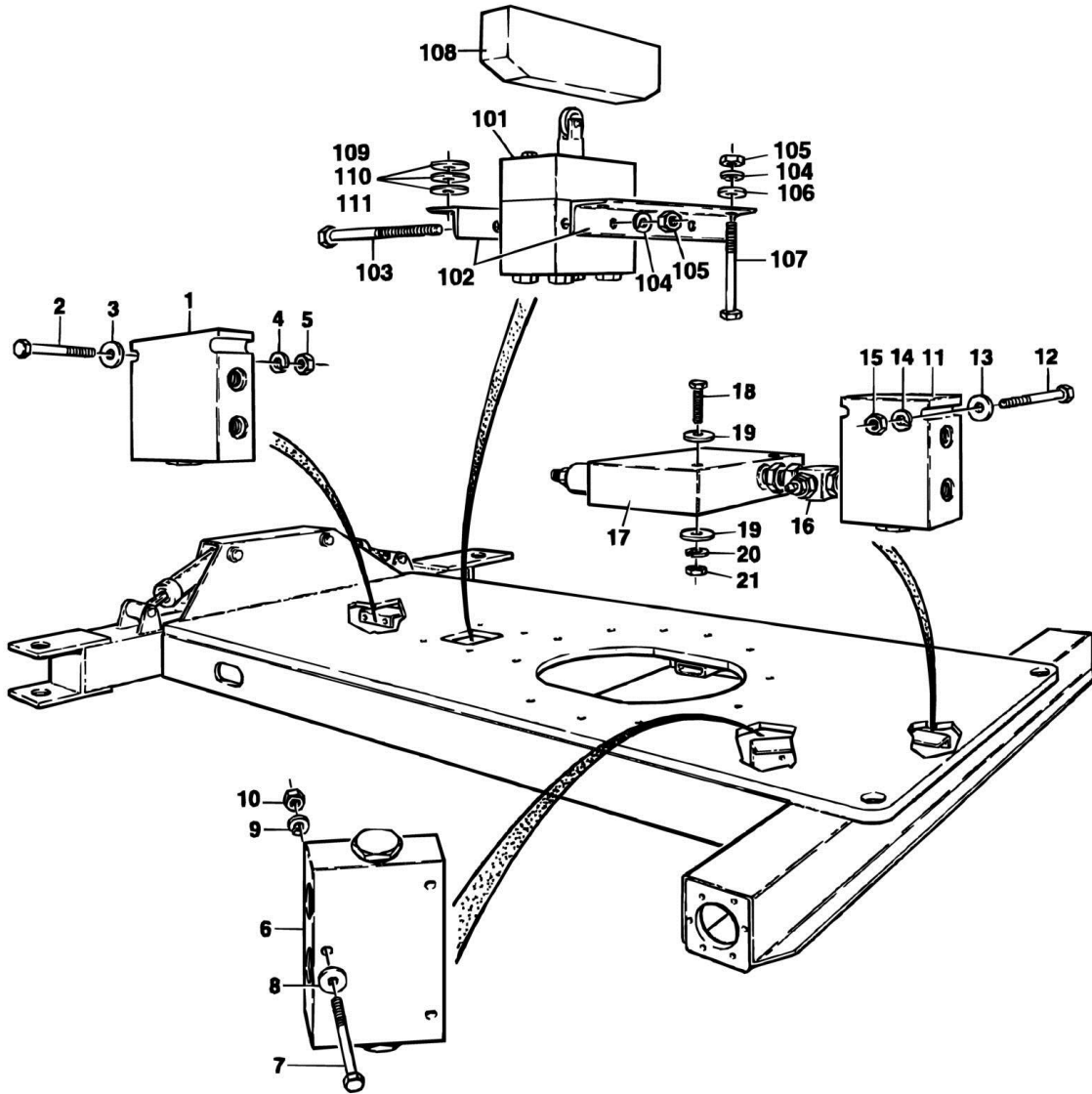
ITEM	PART NUMBER	QTY	DESCRIPTION	REV
		Ref	Note: Drive Motor p/n 3160118 is no longer available. Replace complete drive motor with Service Replacement Drive Motor p/n 1001096415	
		Ref	Note: Visually identify the drive motor by Eaton part number before ordering replacement parts.	
	3160118	Ref	DRIVE MOTOR ASSEMBLY (EATON P/N 71492 - DAW)	A
1	7004912	1	Shaft, Drive	
2	7004959	1	Housing, Assembly	
2A	7004960	2	Pin, Roll	
2B	7004910	1	Bearing	
3	7004941	1	Back-Plate Assembly	
3A	7004917	1	Bearing, Needle	
3B	Kit	1	Washer	
3C	Kit	1	O-Ring	
3D	7004942	1	Plug	
3E	7004946	1	Spool, Shuttle	
3F	7004944	2	Plug, Assembly	
3F	Kit	2	O-Ring	
4	7004916	1	Rotating Kit Assembly (Sold as an Assembly Only)	
5	7007517	1	Camplate	
6	Kit	1	Gasket, Housing	
7	7004911	1	Race, Inner	
8	7004914	2	Bearing	
9	7004907	2	Race, Thrust	
10	7004908	1	Bearing, Thrust	
11	7004913	2	Cover, Trunnion	
13	7004933	4	Bolt	
16	7004906	1	Washer	
17	7004935	2	Ring, Retaining - 1 5/8in	
18	7004904	1	Ring, Retaining - 2in	
19	7004909	2	Ring, Retaining - 1 1/8in	
20	Kit	1	Seal, Shaft	
25	Kit	2	O-Ring	
30	7004939	1	Control Piston Housing Assembly	
30A	Kit	1	O-Ring	
31	7004948	1	Control Piston Assembly	
31A	Kit	1	O-Ring	
31B	Kit	1	Ring, Slippery	
35	7004929	2	Pin, Connector	
37	7004928	1	Connector, Camplate	
38	7004937	4	Ring, Retaining - 5/16in	
39	7004938	4	Bolt, Socket 1/4in-28NF x 7/8in	
41	4100028	1	Spacer, Piston (.105in)	
42	4100029	1	Spacer, Piston (.110in)	
	2900449	1	Seal Kit - Complete (Includes Items 3B, 3C, 6, 20, 25, 30A, 31A, 31B, 106, 118, 119, 120, 125, 130A, 131A, 131B & 138)	
	1001096415	Ref	DRIVE MOTOR ASSEMBLY (EATON P/N 71392 - DAZ)	A
101	7004912	1	Shaft, Splined	
102	Not Available	1	Housing	
102A	Not Available	1	Bearing	

SECTION 1 - FRAME

ITEM	PART NUMBER	QTY	DESCRIPTION	REV
103	70002533	1	Back Plate Assembly	
103A	Not Available	1	Bearing	
103B	4100027	1	Spacer, Piston	
103C	4100028	1	Spacer, Piston	
103D	Not Available	1	Plug	
103E	Not Available	1	Spool, Shuttle	
103F	Not Available	2	Plug	
104	7004916	1	Rotating Kit Assembly (Sold as an Assembly Only)	
105	70002534	1	Camplate	
106	Kit	1	Gasket	
107	7004911	2	Race, Inner	
108	7004914	2	Bearing, Needle	
109	7004907	2	Race, Thrust	
110	7004908	1	Bearing, Thrust	
111	70002535	2	Cover, Trunnion	
113	7020323	4	Bolt	
116	7004906	1	Washer	
118	Kit	1	Ring, Retaining	
119	Kit	2	Ring, Retaining	
120	Kit	1	Seal, Shaft	
122	70002536	2	Cover	
124	70002537	1	Plate, Valve (Not Shown - Located Between Items 102 & 103)	
125	Kit	2	O-Ring	
126	70002538	2	Rollpin	
127	70002539	2	Washer	
129	70002540	4	Screw, Pan Head	
130	7004939	1	Housing, Control Piston	
130A	Kit	1	O-Ring	
131	70002541	1	Piston Control	
131A	Kit	1	O-Ring	
131B	Kit	1	Ring, Slipper	
135	7004929	2	Pin, Connector	
137	7004928	2	Plate, Connector	
138	Kit	2	Ring, Retaining	
139	7004938	4	Bolt	
140	7020347	1	Seal Kit - Complete (Includes items 103B, 103C, 106, 118, 119, 120, 125, 130A, 131A, 131B & 138)	

SECTION 1 - FRAME

FIGURE 1-12. VALVE INSTALLATION (FRAME MOUNTED)



SECTION 1 - FRAME

FIGURE 1-12. VALVE INSTALLATION (FRAME MOUNTED)

ITEM	PART NUMBER	QTY	DESCRIPTION	REV
		Ref	WHEEL DRIVE VALVE INSTALLATIONS	
	0250144	Ref	2WD Gas and Diesel	B
	0251141	Ref	2WD Electric	
	0250109	Ref	4WD	C
1		Ref	Valve Options:	
1	4640629	1	Valve, Positive Traction (2WD Gas and Diesel)	
1	4640260	1	Valve, Flow Divider (4WD)	
2		Ref	Bolt Options:	
2	0641528	2	Bolt 5/16in-18NC x 3 1/2in (2WD)	
2	0641522	2	Bolt 5/16in-18NC x 2 3/4in (4WD)	
3	4751500	4	Flatwasher 5/16in Narrow	
4	4761500	2	Lockwasher 5/16in	
5	3311501	2	Nut 5/16in-18NC	
6	4640443	1	Valve, Flow Divider (4WD Only)	
7	0641528	2	Bolt 5/16in-18NC x 3 1/2in	
8	4751500	4	Flatwasher 5/16in	
9	4761500	4	Lockwasher 5/16in	
10	3311501	2	Nut 5/16in-18NC	
11	4640260	1	Valve, Flow Divider (2WD Electric and 4WD)	
12	0641522	2	Bolt 5/16in-18NC x 2 3/4in (4WD Only)	
13	4751500	4	Flatwasher 5/16in (4WD Only)	
14	4761500	2	Lockwasher 5/16in (4WD Only)	
15	3311501	2	Nut 5/16in-18NC (4WD Only)	
16	2220435	1	Fitting (2WD Electric Only)	
16	2220594	1	Fitting (2WD Electric Only)	
17	4640529	1	Valve, Counterbalance (2WD Electric Only)	
18	0641620	2	Bolt 3/8in-16NC x 2 1/2in (2WD Electric Only)	
19	4751600	4	Flatwasher 3/8in (2WD Electric Only)	
20	4761600	2	Lockwasher 3/8in (2WD Electric Only)	
21	3311601	2	Nut 3/8in-16NC (2WD Electric Only)	
	0238908	Ref	OSCILLATING LOCKOUT VALVE INSTALLATION (MACHINES WITH OSCILLATING AXLE OPTION)	C
101	4640485	1	Lockout Valve Assembly (See VALVE LOCKOUT ASSEMBLY for Breakdown)	
102	0181333	2	Angle, Mounting	
103	0641634	2	Bolt 3/8in-16NC x 4 1/4in	
104	4761600	6	Lockwasher 3/8in	
105	3311601	6	Nut 3/8in-16NC	
106	4751600	4	Flatwasher 3/8in	
107	0641622	4	Bolt 3/8in-16NC x 2 3/4in	
108	1100041	1	Cam (Weld to Turntable)	
109	4070410	AR	Shim 1/16in	
110	4070411	AR	Shim 1/8in	
111	4070412	AR	Shim 3/16in	

SECTION 1 - FRAME

FIGURE 1-13. VALVE LOCKOUT ASSEMBLY

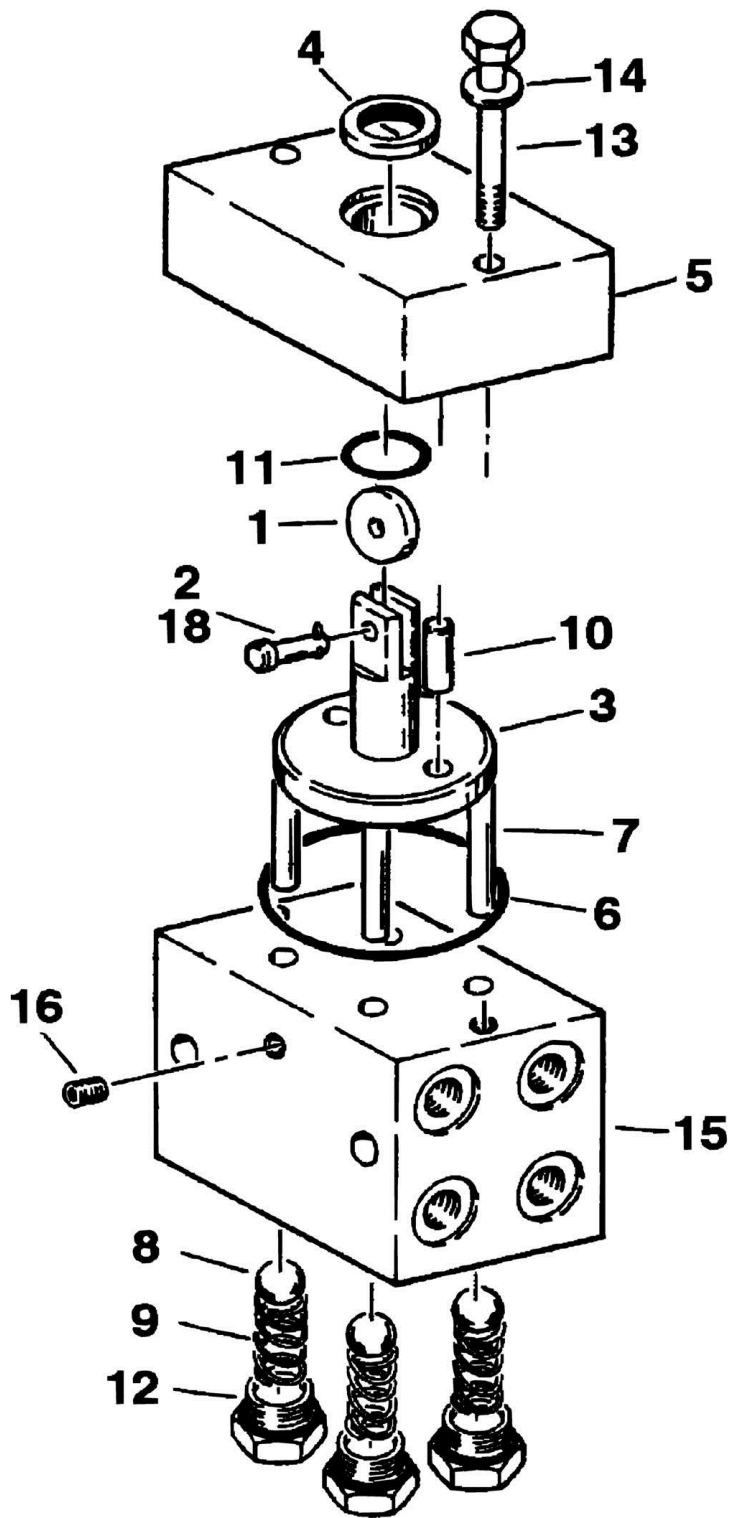


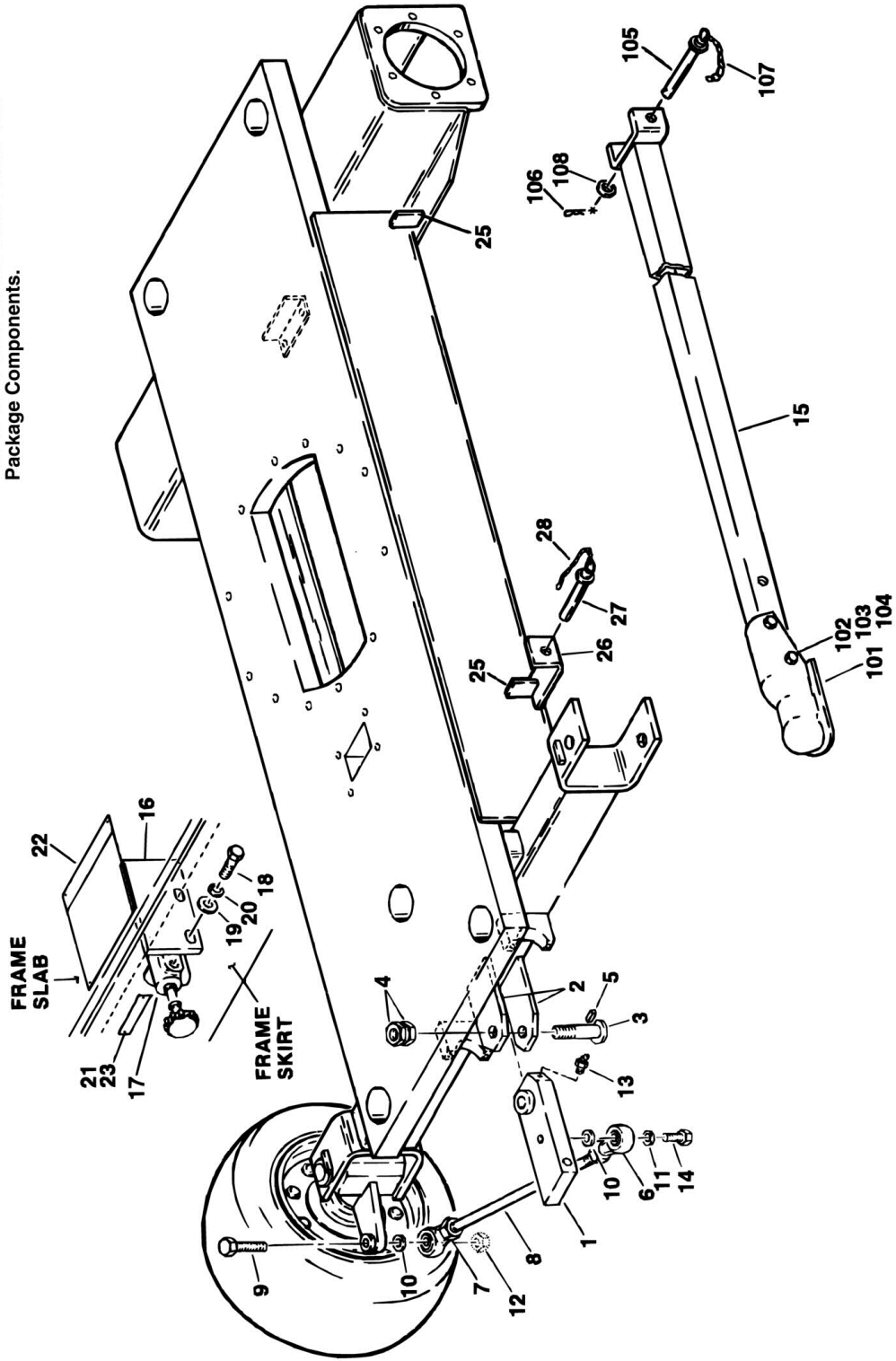
FIGURE 1-13. VALVE LOCKOUT ASSEMBLY

ITEM	PART NUMBER	QTY	DESCRIPTION	REV
	4640485	Ref	LOCKOUT VALVE ASSEMBLY	B
1	3860037	1	Roller, Cam	
2	3430407	1	Clevis Pin	
3	3840833	1	Plunger, Rod	
4	3960047	1	Seal, Rod	
5	0560679	1	Block, Top Valve	
6	3790231	1	O-Ring	
7	3840854	4	Rod	
8	0320008	4	Ball	
9	4160078	4	Spring	
10	3421284	2	Pin	
11	3790116	1	O-Ring	
12	2180658	4	Plug	
13	0641518	2	Bolt 5/16in-18NC x 2 1/4in	
14	4761500	2	Lockwasher 5/16in	
15	0560467	1	Block, Bottom Valve	
16	2200222	1	Plug	
17	0100011	AR	Loctite (Not Shown)	
18	3450203	1	Pin, Cotter	

SECTION 1 - FRAME

FIGURE 1-14. TOW PACKAGE INSTALLATION

Note: Standard Frame Tow Package Shown. Use this Illustration and Parts List to Reference 5ft-9in Wide Frame Tow Package Components.



SECTION 1 - FRAME

FIGURE 1-14. TOW PACKAGE INSTALLATION

ITEM	PART NUMBER	QTY	DESCRIPTION	REV
		Ref	TOW PACKAGE INSTALLATIONS	
	0238882	Ref	Tow Package (Standard) With Double Acting Steer Cylinder	E
	0239948	Ref	Tow Package (5ft-9in Frame) With Single Acting Steer Cylinder	C
	0253908	Ref	Tow Package (2WD With 12x16.5 Tires)	A
	0254094	Ref	Tow Package (4WD Machines)	A
1	2620029	1	Hitch, Tow	
1	2620038	1	Hitch, Tow (4WD Machines)	
2	3040379	2	Lug, Tow Hitch (Welded on Part) (Standard Only)	
3		Ref	Pin, Threaded Options:	
3	3421246	1	Standard	
3	3421151	1	5ft-9in Frame/2WD With 12x16.5 Tires	
4	3323002	AR	Nut, Jam 1 1/4in-12NF	
5	2880410	1	Key (Welded on Part)	
6	1360122	2	Clevis, Ball Joint	
6	1660144	2	Coupling, Tie Rod (4WD Machines)	
7	3322202	2	Nut, Jam 3/4in-16NF	
8		Ref	Rod, Tie Options:	
8	3840914	1	Standard	
8	3841005	1	5ft-9in Frame/2WD With 12x16.5 Tires	
8	3841223	1	4WD Machines	
9		Ref	Bolt Options:	
9	0642234	1	Bolt 3/4in-10NC - Standard	
9	0630424	1	Bolt, Special - 5ft-9in Frame	
9	0630466	1	Bolt, Special - 2WD With 12x16.5 Tires	
9	0642636	1	Bolt 1ft-8NC x 4 1/2in - 4WD Machines	
10	4740032	2	Flatwasher, Special	
10	4562346	3	Spacer, Tube (4WD Machines)	
11	4762200	1	Lockwasher 3/4in	
12	3312202	1	Nut, Jam 3/4in-10NF (5ft-9in Frame/2WD With 12x16.5 Tires)	
12	3312605	1	Locknut 1in-8NC (4WD Machines)	
13	2160003	1	Fitting, Grease	
13	2160001	1	Fitting, Grease (4WD Machines)	
14	0642216	1	Bolt 3/4in-10NC x 2in (5ft-9in Frame/2WD With 12x16.5 Tires)	
15	0360016	1	Bar, Tow	
16	0900479	1	Bracket (Welded on Part)	
17	4640261	1	Valve, Select	
18	0641507	2	Bolt 5/16in-18NC x 7/8in	
19	4751500	2	Flatwasher 5/16in	
20	4761500	2	Lockwasher 5/16in	
21	3250872	1	Nameplate - Tow Select	
22		Ref	Nameplate - Tow Instructions Options:	
22	3250840	1	Nameplate - Tow Instructions (Prior to March 1994)	
22	1702305	1	Nameplate - Tow Instructions (March 1994 to Present)	
23	3820001	4	Rivet	
25	0361651	2	Bar	
26	3532649	1	Plate	
27	3430292	1	Pin, Quick Release	
28	1260017	1	Chain	
		Ref	TOW BAR ASSEMBLY	I

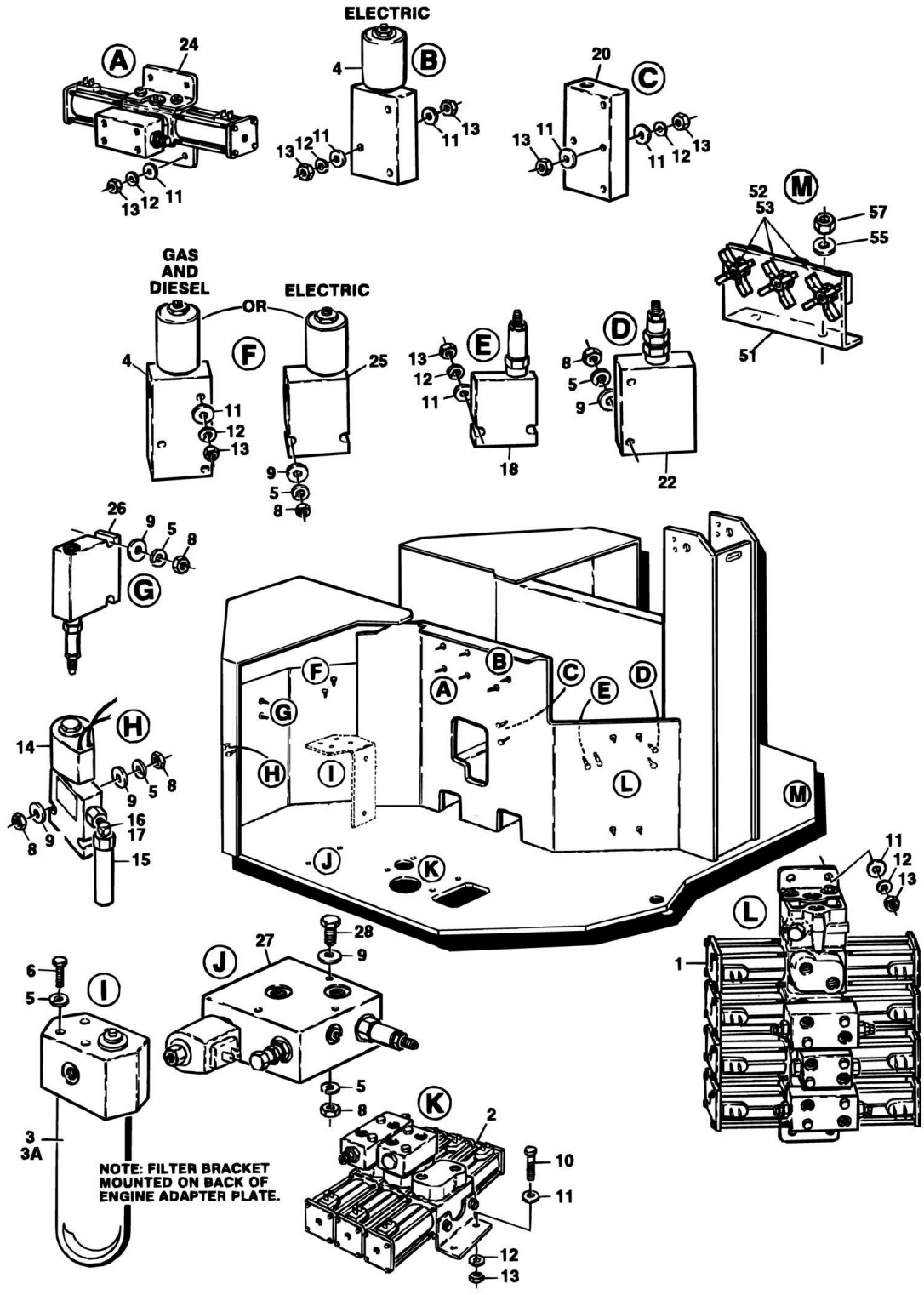
SECTION 1 - FRAME

ITEM	PART NUMBER	QTY	DESCRIPTION	REV
101	1660009	1	Coupling, Hitch	
102	0642036	2	Bolt 5/8in-11NC x 4 1/2in	
103	3312001	2	Nut 5/8in-11NC	
104	4762000	2	Lockwasher 5/8in	
105	3420352	1	Pin, Towing	
106	3420158	1	Pin, Hair	
107	1260135	1	Chain	
108	4752600	1	Flatwasher 1in	

SECTION 2 - TURNTABLE

SECTION 2 - TURNTABLE

FIGURE 2-1. CONTROL VALVES INSTALLATIONS



SECTION 2 - TURNTABLE

FIGURE 2-1. CONTROL VALVES INSTALLATIONS

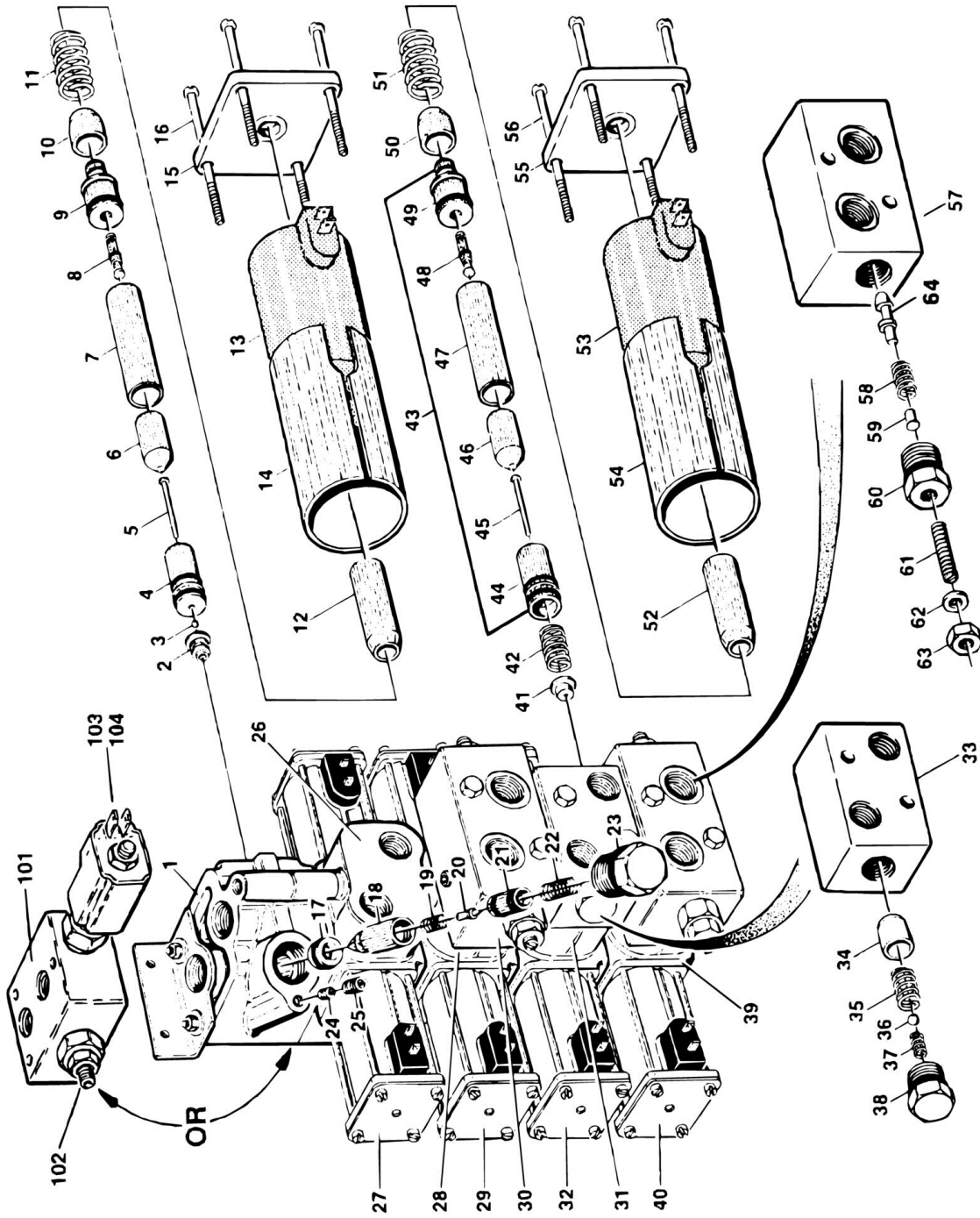
ITEM	PART NUMBER	QTY	DESCRIPTION	REV
		Ref	CONTROL VALVES INSTALLATIONS	
	0250459	Ref	Ford With Rotator (Prior to May 1992)	E
	0253178	Ref	Ford With Rotator (May 1992 to Present)	A
	0253441	Ref	Ford With Rotator (Proportional Valve)	B
	0250460	Ref	Ford Without Rotator (Prior to May 1992)	C
	0253179	Ref	Ford Without Rotator (May 1992 to Present)	-
	0253442	Ref	Ford Without Rotator (Proportional Valve)	A
	0250615	Ref	Deutz With Rotator (Prior to May 1992)	D
	0253180	Ref	Deutz With Rotator (May 1992 to Present)	A
	0253739	Ref	Deutz With Rotator (Proportional Valve)	B
	0250616	Ref	Deutz Without Rotator (Prior to May 1992)	B
	0253181	Ref	Deutz Without Rotator (May 1992 to Present)	-
	0253740	Ref	Deutz Without Rotator (Proportional Valve)	A
	0251016	Ref	Electric With Rotator (Prior to May 1992)	D
	0253182	Ref	Electric With Rotator (May 1992 to Present)	A
	0251017	Ref	Electric Without Rotator (Prior to May 1992)	A
	0253183	Ref	Electric Without Rotator (May 1992 to Present)	-
1		Ref	Control Valve Assembly Options: (See CONTROL VALVE ASSEMBLY - 3 & 4 SECTION RACINE BANG - BANG for Breakdown)	
1	4640645	1	4 Section Racine Bang-Bang (With Rotator) (Prior to October 1994)	
1	4640909	1	4 Section Racine Bang-Bang (With Rotator) (October 1994 to Present)	
1	4640646	1	3 Section Racine Bang-Bang (Without Rotator)	
2	4640601	1	Control Valve Assembly - 3 Section Racine Bang-Bang (See CONTROL VALVE ASSEMBLY - 3 SECTION RACINE BANG - BANG for Breakdown)	
2	4640643	1	Control Valve Assembly - Proportional (See CONTROL VALVE ASSEMBLY - PROPORTIONAL for Breakdown)	
3	2120122	1	Filter, Pressure (Ford and Deutz Only)	
3A	2120125	1	Element	
4	4640123	1	Valve, Solenoid (Prior to May 1992)	
4	7000558	1	Coil - 12VDC (FPS Version)	
4	7004368	1	Coil - 12VDC (Hydroforce Version)	
4	4640758	1	Valve, Solenoid (May 1992 to Present)	
4	7012906	1	Coil - 12VDC (Hydroforce Version)	
4	7012907	1	Seal Kit	
5	4761400	8	Lockwasher 1/4in	
6	0641406	2	Bolt 1/4in-20NC x 3/4in	
7	4300042	6	Stud (Welded on Part) (Not Shown)	
8	3311405	10	Locknut 1/4in-20NC	
9	4751400	10	Flatwasher 1/4in	
10	0641514	4	Bolt 5/16in-18NC x 1 3/4in	
11	4751500	20	Flatwasher 5/16in	
12	4761500	12	Lockwasher 5/16in	
13	3311501	16	Nut 5/16in-18NC	
14	4640543	1	Valve, Dump (Not Required on Machines With Proportional Valve)	
14	7004368	1	Coil - 12VDC (Hydroforce Version)	
14	7009745	1	Coil - 12VDC (Modular Controls Version)	

SECTION 2 - TURNTABLE

ITEM	PART NUMBER	QTY	DESCRIPTION	REV
15		Ref	Valve, Flow Control Options: (Not Required on Machines With Proportional Valve)	
15	4640627	1	Valve, Flow Control (Prior to May 1992)	
15	4640623	1	Valve, Flow Control (May 1992 to Present)	
16		Ref	Fitting Options: (Not Required on Machines With Proportional Valve)	
16	2220444	1	With Rotator	
16	2220444	1	Without Rotator	
16	2180029	1	With and Without Rotator (Prior to April 1992)	
16	2220446	1	With and Without Rotator (April 1992 to May 1992)	
16	2220651	1	With and Without Rotator (May 1992 to Present)	
17		Ref	Fitting Options: (Not Required on Machines With Proportional Valve)	
17	2220820	1	With and Without Rotator (Prior to April 1992)	
17	2220673	1	With and Without Rotator (April 1992 to May 1992)	
17	2220373	1	With and Without Rotator (May 1992 to Present)	
18	4640522	1	Valve, Pressure Reducing (Prior to May 1992)	
18	4640523	1	Cartridge	
18	4640360	1	Valve, Pressure Reducing (Machines with Proportional Valve)	
18	7004368	1	Coil - 12VDC (Hydroforce Version)	
18	7012910	1	Cartridge (Hydroforce Version)	
18	7012930	1	Check Valve (Hydroforce Version)	
18	2900708	1	Seal, Kit (Hydroforce Version)	
19	4300038	4	Stud (Welded on Part) (Not Shown)	
20	4640150	1	Valve, Pilot Check	
21	4300033	4	Stud (Welded on Part) (Not Shown)	
22	4640521	1	Valve, Control	
22	7004281	1	Cartridge	
22	7004282	1	Seal Kit	
24	4640570	1	Valve Assembly - Racine Single Stack (Electric Only) (See VALVE ASSEMBLY - SINGLE STACK RACINE for Breakdown)	
25	4640513	1	Valve, Dump Solenoid (Electric Only)	
25	7003640	1	Coil - 12VDC (Modular Controls Version)	
25	7000645	1	Coil - 12VDC (Hydroforce Version)	
25	2900503	1	Seal, Kit (Modular Controls Version)	
25	2900756	1	Seal, Kit (Hydroforce Version)	
26	4640533	1	Valve, Sequence (Electric Only)	
27	4640598	1	Valve, Modular Control (Electric Only) (See MODULAR CONTROL VALVE ASSEMBLY for Breakdown)	
28	0641428	2	Bolt 1/4in-20NC x 3 1/2in (Electric Only)	
		Ref	MANUAL DESCENT INSTALLATIONS	
	0251369	Ref	Gas and Diesel	B
	0252278	Ref	Electric	-
51	0901790	1	Bracket (Gas and Diesel Only)	
52	4640005	3	Valve	
53	2900062	3	Kit, Mounting	
54	4300034	2	Stud (Welded on part) (Not Shown) (Gas and Diesel Only)	
55	4750016	2	Flatwasher 3/8in (Gas and Diesel Only)	
57	3311605	2	Locknut 3/8in-16NC (Gas and Diesel Only)	
60	4752200	6	Flatwasher (Electric Only)	

SECTION 2 - TURNTABLE

FIGURE 2-2. CONTROL VALVE ASSEMBLY - 3 & 4 SECTION RACINE BANG-BANG



SECTION 2 - TURNTABLE

FIGURE 2-2. CONTROL VALVE ASSEMBLY - 3 & 4 SECTION RACINE BANG-BANG

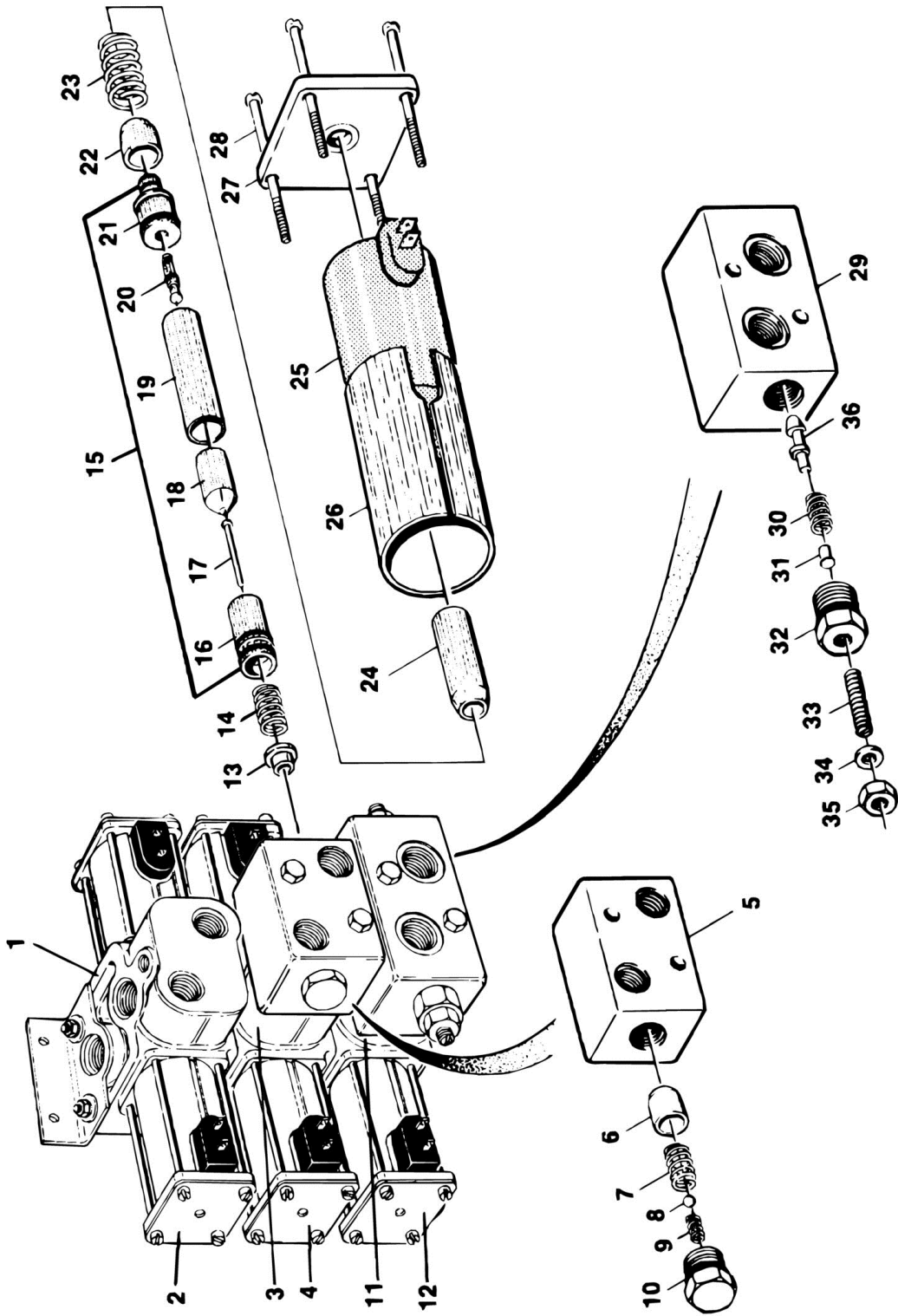
ITEM	PART NUMBER	QTY	DESCRIPTION	REV
		Ref	CONTROL VALVE ASSEMBLIES	
	4640645	Ref	4 Section (Prior to October 1994)	-
	4640909	Ref	4 Section (October 1994 to Present)	-
	4640646	Ref	3 Section	-
1	7002304	1	Dump Section - Complete (Excluding 4640909)	
1		Ref	Solenoid Assembly	
2	7004823	1	Seat	
2	Kit	1	O-Ring	
3	7002229	1	Ball	
3		Ref	Guide Tube Assembly	
4	7004822	1	Cone, Female	
4	Kit	1	O-Ring	
5	7002346	1	Pin, Push	
6	7004839	1	Plunger	
7	7004838	1	Tube, Guide	
8	7004841	1	Pin, Push	
8	Kit	1	O-Ring	
9	7002340	1	Guide, External Push Pln	
9	Kit	1	O-Ring	
10	7004834	1	Sleeve, Inner Flux	
11	7002334	1	Spring	
12	7004835	1	Sleeve, Outer Flux	
13	7000417	1	Coil	
14	7004836	1	Case, Solenoid	
15	7002338	1	Plate, End	
15A	7002327	1	Nameplate	
16	7004837	4	Screw	
17	7002322	1	Seat	
17	Kit	1	O-Ring	
17		Ref	Main Relief (Poppet) Valve	
18	7002321	1	Case, Poppet	
19	7002338	1	Spring	
20	7002294	1	Poppet	
21	7002320	1	Seat, Adjustable	
21	Kit	1	O-Ring	
22	7002329	1	Spring	
23	7002323	1	Plug	
23	Kit	1	O-Ring	
24	7002326	1	Orifice	
25	7002324	1	Plug	
26	7002317	1	Rotator Section - Complete (PLATFORM SECTION only)	
27	7004859	2	Solenoid Assembly (Refer To Items 41-56 For Serviced Parts)	
28	7002315	1	Steer Section - Complete	
29	7004859	2	Solenoid Assembly (Refer To Items 41-56 For Serviced Parts)	
30	7000468	NLA	Crossover Relief Valve Assembly (Due to various suppliers, internal components are no longer field serviceable)	
31	7002316	1	Level Section - Complete	
32	7004859	2	Solenoid Assembly (Refer To Items 41-56 For Serviced Parts)	
33	7002262	NLA	Dual Pilot Check Valve Assembly (Due to various suppliers, internal components are no longer field serviceable)	

SECTION 2 - TURNTABLE

ITEM	PART NUMBER	QTY	DESCRIPTION	REV
34	7002359	2	Poppet	
35	7002356	2	Spring	
36	7002225	2	Ball	
37	7002358	2	Spring	
38	7002357	2	Plug	
38	Kit	1	O-Ring	
39	7003855	1	Telescope Section - Complete	
40	7004859	2	Solenoid Assembly	
41	7003825	1	Washer	
42	7002348	1	Spring	
43	7002305	1	Guide Tube Assembly	
44	7002345	1	Cone, Female	
44	Kit	1	O-Ring	
44	Kit	1	O-Ring	
45	7002346	1	Pin, Push	
46	7002344	1	Plunger	
47	7000470	1	Tube, Guide	
48	7002341	1	Pin, Actuator	
48	Kit	1	Ring, Quad	
49	7002340	1	Guide, External Push Pln	
49	Kit	1	O-Ring	
50	7002333	1	Sleeve, Inner Flux	
51	7002334	1	Spring	
52	7002336	1	Sleeve, Outer Flux	
53	7000418	1	Coil	
54	7002335	1	Case, Solenoid	
55	7002338	1	Plate, End	
55A	7002327	1	Nameplate	
56	7002339	4	Screw	
57	7000468	NLA	Crossover Relief Valve Assembly (Due to various suppliers, internal components are no longer field serviceable)	
58	7002355	2	Spring	
59	7000116	2	Rivet	
60	7002350	2	Plug	
60	Kit	1	O-Ring	
61	7000113	2	Screw, Adjusting	
62	Kit	2	Seal, Thread	
63	7000114	2	Nut	
64	7002353	2	Piston	
101	7002447	Ref	DUMP SECTION - COMPLETE (4640909)	
102	7002448	1	Cartridge	
102	7002449	1	Seal Kit - 7002448 Cartridge	
103	7002450	1	Coil	
104	7002451	1	Cartridge without Coil	
104	7011118	1	Seal Kit 7002451	
	7000414	4	Seal Kit - Working Section	
	7000413	1	Seal Kit - Dump Section	
	7000439	2	Seal Kit - Relief Valve Block (Telescope and Steer)	
	7000440	1	Seal Kit - Relief Valve Block (Level)	

SECTION 2 - TURNTABLE

FIGURE 2-3. CONTROL VALVE ASSEMBLY - 3 SECTION RACINE BANG-BANG



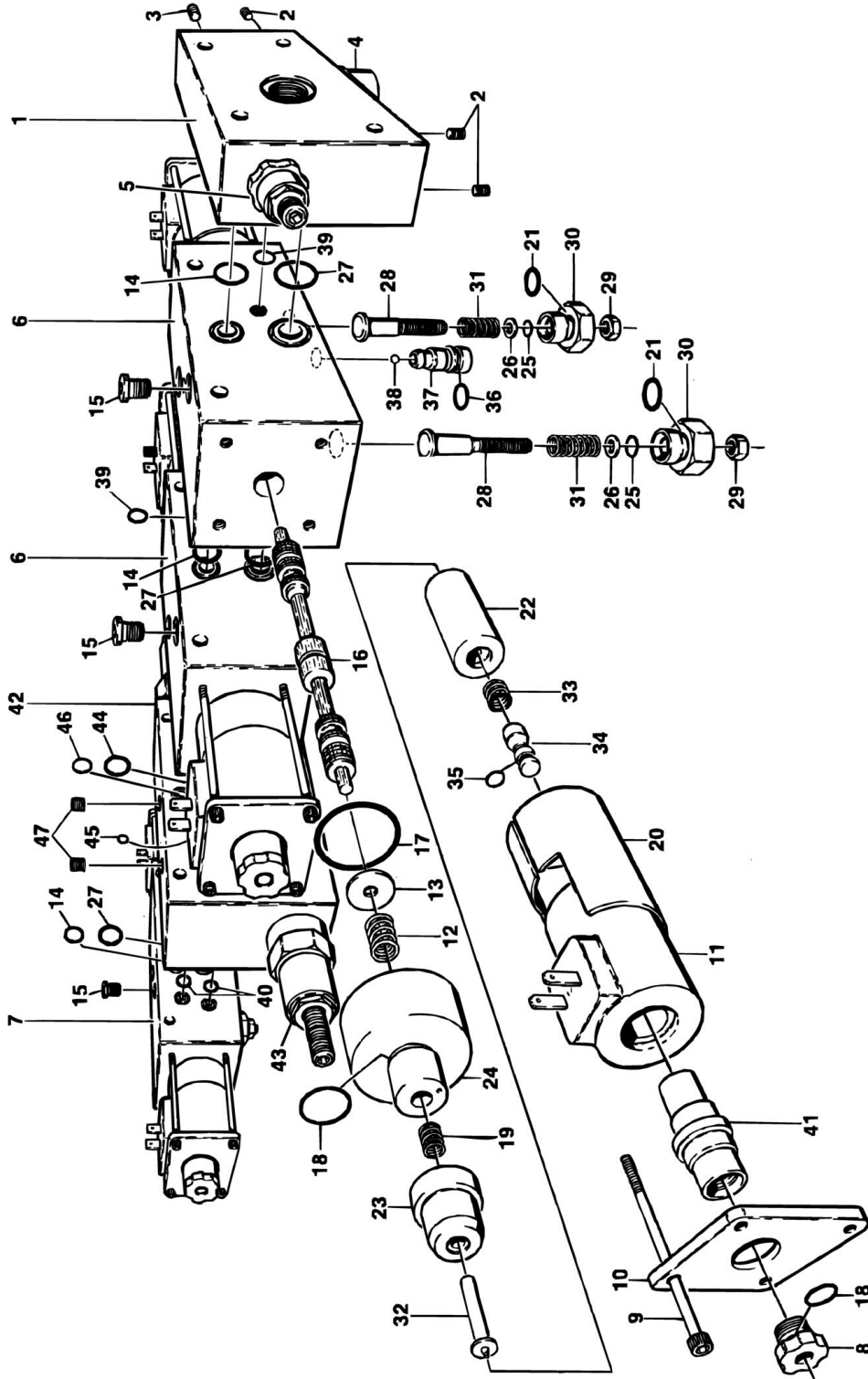
SECTION 2 - TURNTABLE

FIGURE 2-3. CONTROL VALVE ASSEMBLY - 3 SECTION RACINE BANG-BANG

ITEM	PART NUMBER	QTY	DESCRIPTION	REV
	4640601	Ref	CONTROL VALVE ASSEMBLY	-
1	7002317	1	Working Section - Complete	
2	7004859	2	Solenoid Assembly (Refer to Items 13-28 for Serviced Parts)	
3	7003841	1	Working Section - Complete	
4	7004859	2	Solenoid Assembly (Refer to Items 13-28 for Serviced Parts)	
5	7002262	NLA	Dual Pilot Check Valve Assembly (Due to various suppliers, internal components are no longer field serviceable)	
6	7002359	2	Poppet	
7	7002356	2	Spring	
8	7002225	2	Ball	
9	7002358	2	Spring	
10	7002357	2	Plug	
10	Kit	2	O-Ring	
11	7003855	1	Working Section - Complete	
12	7004859	2	Solenoid Assembly (Refer to Items 13-28 for Serviced Parts)	
13	7003825	1	Washer	
14	7002348	1	Spring	
15	7002305	1	Guide Tube Assembly	
16	7002345	1	Cone, Female	
16	Kit	1	O-Ring	
16	Kit	1	O-Ring	
17	7002346	1	Pin, Push	
18	7002344	1	Plunger	
19	7000470	1	Tube, Guide	
20	7002341	1	Pin, Actuator	
20	Kit	1	Ring, Quad	
21	7002340	1	Guide, External Push Pln	
21	Kit	1	O-Ring	
22	7002333	1	Sleeve, Inner Flux	
23	7002334	1	Spring	
24	7002336	1	Sleeve, Outer Flux	
25	7000418	1	Coil	
26	7002335	1	Case, Solenoid	
27	7002338	1	Plate, End	
28	7002339	4	Screw	
29	7000468	NLA	Crossover Relief Valve Assembly (Due to various suppliers, internal components are no longer field serviceable)	
30	7002355	2	Spring	
31	7000116	2	Rivet	
32	7002350	2	Plug	
32	Kit	2	O-Ring	
33	7000113	2	Screw, Adjusting	
34	Kit	2	Seal, Thread	
35	7000114	2	Nut	
36	7002353	4	Piston	
	7000414	3	Seal, Kit - Working Sections	
	7000439	1	Seal, Kit - Relief Valve Block (7002262 Relief Valve)	
	7000440	1	Seal, Kit - Relief Valve Block (7000468 Relief Valve)	

SECTION 2 - TURNTABLE

FIGURE 2-4. CONTROL VALVE ASSEMBLY - PROPORTIONAL



SECTION 2 - TURNTABLE

FIGURE 2-4. CONTROL VALVE ASSEMBLY - PROPORTIONAL

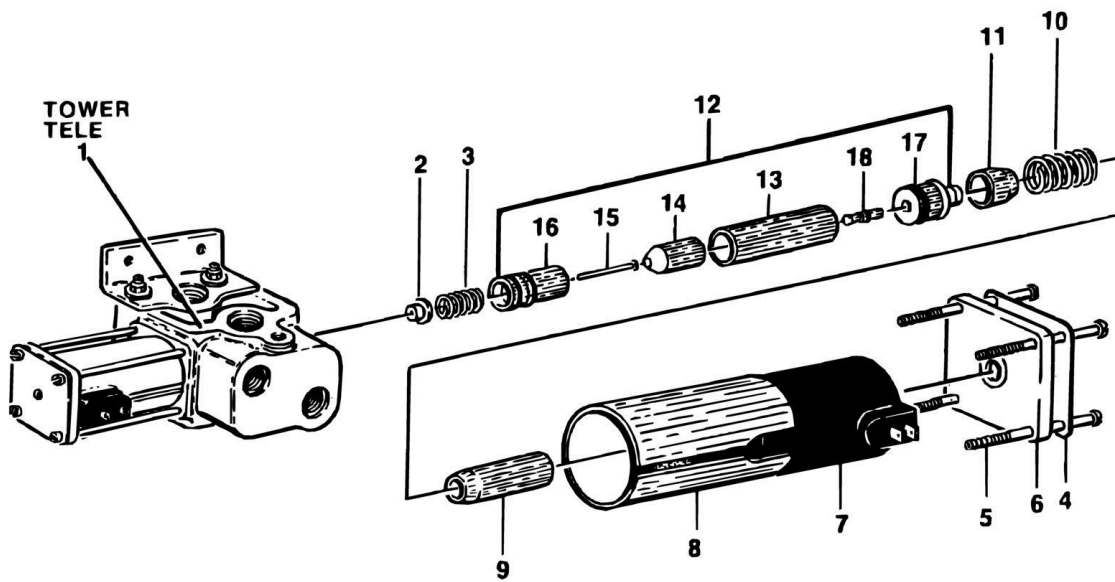
ITEM	PART NUMBER	QTY	DESCRIPTION	REV
	4640643	Ref	CONTROL VALVE ASSEMBLY	-
1	7010701	1	Inlet Section Assembly	
2	7010703	3	Plug	
3	7010704	1	Plug	
4	7010705	1	Cartridge, Unloader Spool	
5	7010706	1	Cartridge, System Relief	
6	7010707	2	Working Section Assembly (Lift)	
7	7010743	1	Working Section Assembly (Swing)	
8	7010708	2	Plug	
9	7010709	8	Bolt, Socket Head	
10	7010710	2	Plate, End	
11	7010711	2	Coil (12 Volt)	
12	7010712	2	Spring	
13	7010713	2	Washer	
14	Kit	1	O-Ring	
15	7010716	1	Plug	
16	7010717	1	Spool	
17	Kit	2	O-Ring	
18	Kit	4	O-Ring	
19	7010720	2	Spring (Lift)	
19	7010745	2	Spring (Swing)	
20	7010721	2	Case, Solenoid	
21	Kit	2	O-Ring	
22	7010723	2	Armature	
23	7010724	2	Tube, Flux	
24	7010725	2	Armature	
25	Kit	2	O-Ring	
26	7010727	2	Washer	
27	Kit	1	O-Ring	
28	7010729	2	Needle	
29	7010730	2	Nut	
30	7010731	2	Body, Cartridge	
31	7010732	2	Spring	
32	7010733	2	Pin, Push	
33	7010734	2	Spring	
34	7010735	2	Pin, Push	
35	Kit	2	Ring, Quad	
36	Kit	1	O-Ring	
37	7010738	1	Body, Shuttle Cartridge	
38	7010739	1	Ball	
39	Kit	2	O-Ring	
40	Kit	4	O-Ring (Swing Only)	
41	7010724	2	Guide	
42	7010741	1	Crossover Relief Section Assembly	
43	7010742	2	Cartridge, System Relief	
44	Kit	2	O-Ring	
45	Kit	2	O-Ring	
46	Kit	2	O-Ring	
47	7010704	2	Plug	
	2900761	1	Seal, Kit - Inlet Sections	

SECTION 2 - TURNTABLE

ITEM	PART NUMBER	QTY	DESCRIPTION	REV
	2900759	3	Seal, Kit - Working Section	
	2900760	1	Seal, Kit - Crossover Relief Section	

SECTION 2 - TURNTABLE

FIGURE 2-5. VALVE ASSEMBLY - SINGLE STACK RACINE



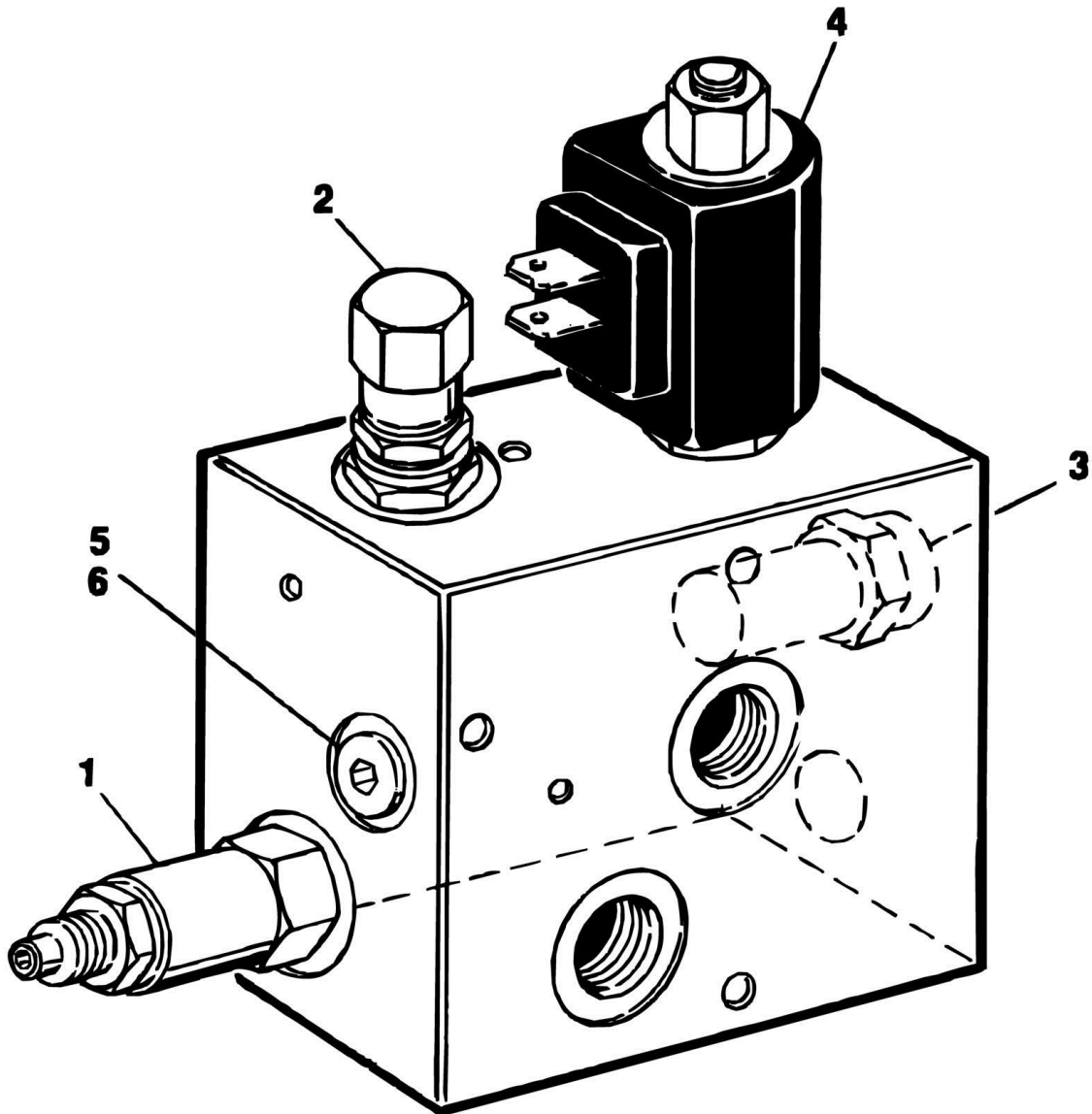
SECTION 2 - TURNTABLE

FIGURE 2-5. VALVE ASSEMBLY - SINGLE STACK RACINE

ITEM	PART NUMBER	QTY	DESCRIPTION	REV
	4640570	Ref	VALVE ASSEMBLY	-
1	7004894	1	Drive Section - Complete	
2	7003825	2	Seat, Washer	
3	7002348	2	Spring	
4	7003828	2	Nameplate	
4	7004896	2	Solenoid Assembly	
5	7002339	4	Screw	
6	7002338	1	Plate, End	
7	7000418	1	Coil	
8	7002335	1	Case, Solenoid	
9	7002336	1	Sleeve, Outer Flux	
10	7002334	1	Spring	
11	7002333	1	Sleeve, Inner Flux	
12	7004821	1	Guide Tube Assembly	
13	7000470	1	Tube, Guide	
14	7002344	1	Plunger	
15	7002346	1	Pin, Push	
16	7003830	1	Cone Assembly	
16	7002345	1	Cone	
16	Kit	1	O-Ring 1 1/16in O.D.	
16	Kit	1	O-Ring 3/4in O.D.	
17	7003831	1	Pin and Guide Assembly	
17	7002340	1	Guide	
17	Kit	1	O-Ring 11/16in O.D.	
18	7003829	1	Pin Assembly	
18	Kit	1	Seal, Pin	
	7002347	1	O-Ring 3/4in O.D. (Use Between Sections - Not Shown)	
	7000448	1	O-Ring 1 1/16in O.D. (Use Between Sections - Not Shown)	
	7000437	4	Seal Kit - Valve Section	

SECTION 2 - TURNTABLE

FIGURE 2-6. MODULAR CONTROL VALVE ASSEMBLY



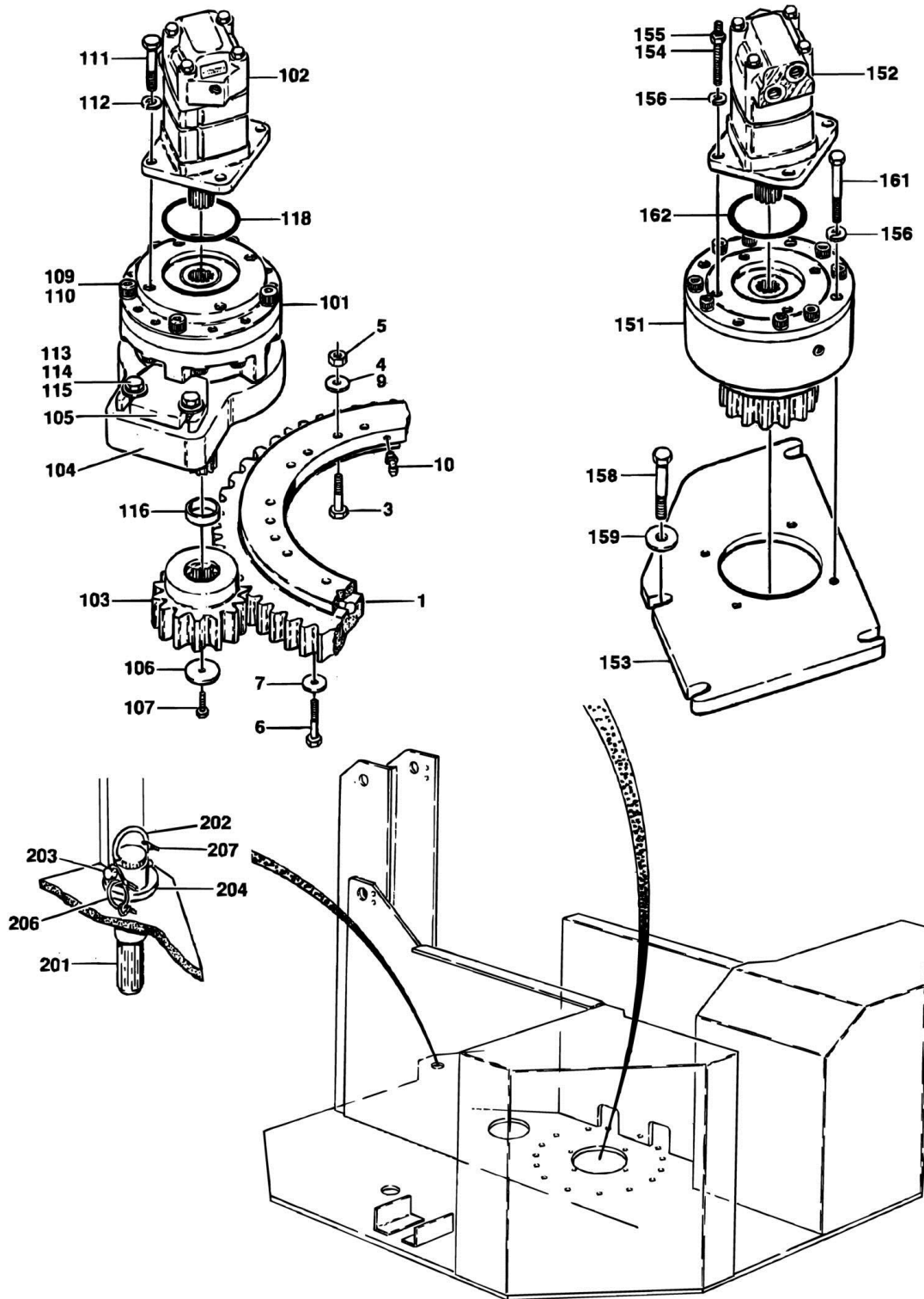
SECTION 2 - TURNTABLE

FIGURE 2-6. MODULAR CONTROL VALVE ASSEMBLY

ITEM	PART NUMBER	QTY	DESCRIPTION	REV
	4640598	Ref	VALVE ASSEMBLY	A
1	7010511	1	Cartridge, Differ Pressure Sensing	
2	7010512	1	Cartridge, Relief	
3	7010513	1	Cartridge, Modulating Orifice Spool	
4	7010514	1	Cartridge, Electric/Hydraulic Relief	
4	7009742	1	Coil - 12VDC	
4	7010516	1	Nut	
5	7010515	1	Orifice	
6	7004232	1	Plug	
	2900735	1	Seal Kit (Item 1)	
	2900503	2	Seal Kit (Items 2 & 4)	
	2900696	1	Seal Kit (Item 3)	

SECTION 2 - TURNTABLE

FIGURE 2-7. SWING DRIVE AND BEARING INSTALLATION



SECTION 2 - TURNTABLE

FIGURE 2-7. SWING DRIVE AND BEARING INSTALLATION

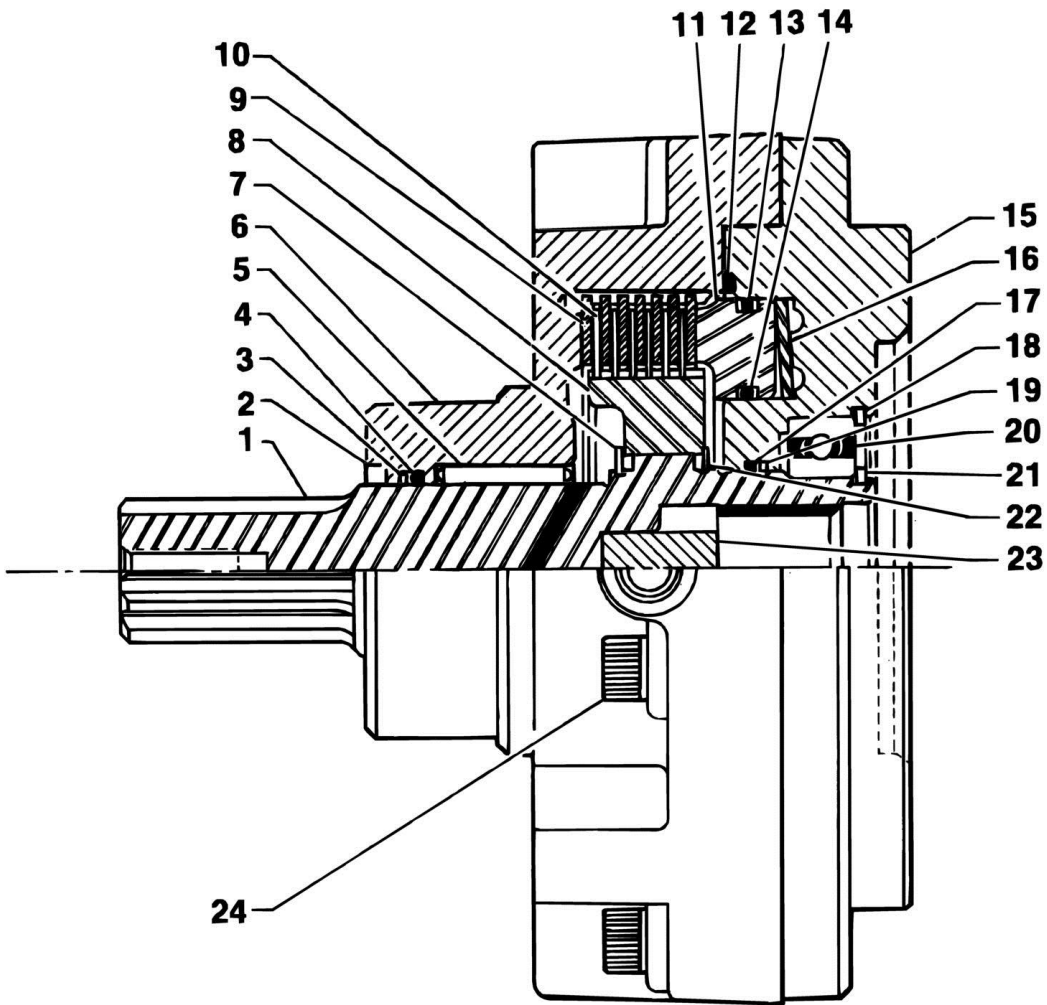
ITEM	PART NUMBER	QTY	DESCRIPTION	REV
	0238511	Ref	TURNTABLE BEARING INSTALLATION	C
1	0440067	1	Bearing, Turntable	
3	0682020	15	Bolt 5/8in-11NC x 2 1/2in (Grade 8)	
4	4740004	12	Washer, Hardened	
5	3300183	15	Nut 5/8in-11NC (Grade 8)	
6	0681820	12	Bolt 1/2in-13NC x 2 1/2in (Grade 8)	
7	4740003	12	Washer, Hardened	
9	4740048	3	Washer, Special	
10	2160001	1	Fitting, Grease (Prior to March 1993)	
	0100019	AR	Loctite #271 (Not Shown)	
	0100004	0	Devcon (Not Required on Machines with Milled Frame and Turntable)	
	0238523	Ref	SWING DRIVE INSTALLATION - MACHINES BUILT THROUGH 1992	E
101	0920074	1	Swing Brake Assembly (See SWING BRAKE ASSEMBLY (MACHINES BUILT THROUGH 1992) for Breakdown)	
102	3160147	1	Swing Motor Assembly (See SWING MOTOR ASSEMBLY (MACHINES BUILT Prior to 1993) for Breakdown)	
103	2440056	1	Pinion	
104	0080148	1	Adapter	
105	0560793	1	Block, Clamp	
106	4740018	1	Washer	
107	0641608	1	Bolt 3/8in-16NC x 1in	
109	3931856	4	Bolt 1/2in-13NC x 3 1/2in	
110	4740189	4	Lockwasher 1/2in	
111	0641810	4	Bolt 1/2in-13NC x 1 1/4in	
112	4761800	4	Lockwasher 1/2in	
113	0641610	2	Bolt 3/8in-16NC x 1 1/4in	
114	4761600	2	Lockwasher 3/8in	
115	4751600	2	Flatwasher 3/8in	
116	4563923	1	Spacer	
118	3790045	1	O-Ring	
	0100011	AR	Loctite #242 (Not Shown)	
	0100020	AR	Sealant, Pipe (Not Shown)	
	0252578	Ref	SWING DRIVE INSTALLATION - (MACHINES BUILT 1993 TO MAY 1994)	D
151	0920089	1	Swing Brake Assembly	
151	7012570	1	Seal Kit - 0920089 Brake (Includes Seals, O-Rings, Back-up Rings and Retaining Ring)	
151	7012571	1	Rebuilt Kit - 0920089 Brake (Includes 7012570 Seal Kit, Inner and Outer Discs and Pressure Plate)	
152	3160183	1	Swing Motor Assembly (See SWING MOTOR ASSEMBLY (MACHINES BUILT 1993 TO PRESENT) for Breakdown)	
153	3535607	1	Plate, Mounting	
154	4300107	4	Stud 1/2in-13NC x 2in	
155	3311801	4	Nut 1/2in-13NC x 2in	
156	4761800	8	Lockwasher 1/2in	
158	0642014	4	Bolt 5/8in-11NC x 1 3/4in	
159	4740004	4	Washer, Hardened	
161	0641830	4	Bolt 1/2in-13NC x 3 3/4in	
162	3790155	1	O-Ring	

SECTION 2 - TURNTABLE

ITEM	PART NUMBER	QTY	DESCRIPTION	REV
	0100019	AR	Loctite #271 (Not Shown)	
	0100021	AR	Primer (Not Shown)	
	0255010	Ref	SWING DRIVE INSTALLATION - MACHINES BUILT MAY 1994 TO PRESENT	-
151	0920095	1	Swing Brake Assembly	
151	7012651	1	Seal Kit - 0920095 Brake (Includes Seals, O-Rings, Back-up Rings and Retaining Ring)	
151	7012650	1	Rebuilt Kit - 0920095 Brake (Includes 7012651 Seal Kit, Inner and Outer Discs and Pressure Plate)	
152	3160183	1	Swing Motor Assembly (See SWING MOTOR ASSEMBLY (MACHINES BUILT 1993 TO PRESENT) for Breakdown)	
153	3535607	1	Plate, Mounting	
154	3311801	4	Nut 1/2in-13NC x 2in	
156	4740252	8	Washer, Hardened	
158	0642014	4	Bolt 5/8in-11NC x 1 3/4in	
159	4740004	4	Washer, Hardened	
161	0641834	4	Bolt 1/2in-13NC x 4 1/4in	
162	3790155	1	O-Ring	
	0100019	AR	Loctite #271 (Not Shown)	
	0238164	Ref	TURNTABLE LOCK INSTALLATION	B
201	3421452	1	Pin, Lock	
202	3760215	1	D-Ring	
203	3421453	1	Snap-Pin	
204	4842998	1	Bushing (Welded on Part)	
206	3760170	1	Ring, Quick Release	
207	1260017	1	Chain	

SECTION 2 - TURNTABLE

FIGURE 2-8. SWING BRAKE ASSEMBLY (MACHINES BUILT THROUGH 1992)



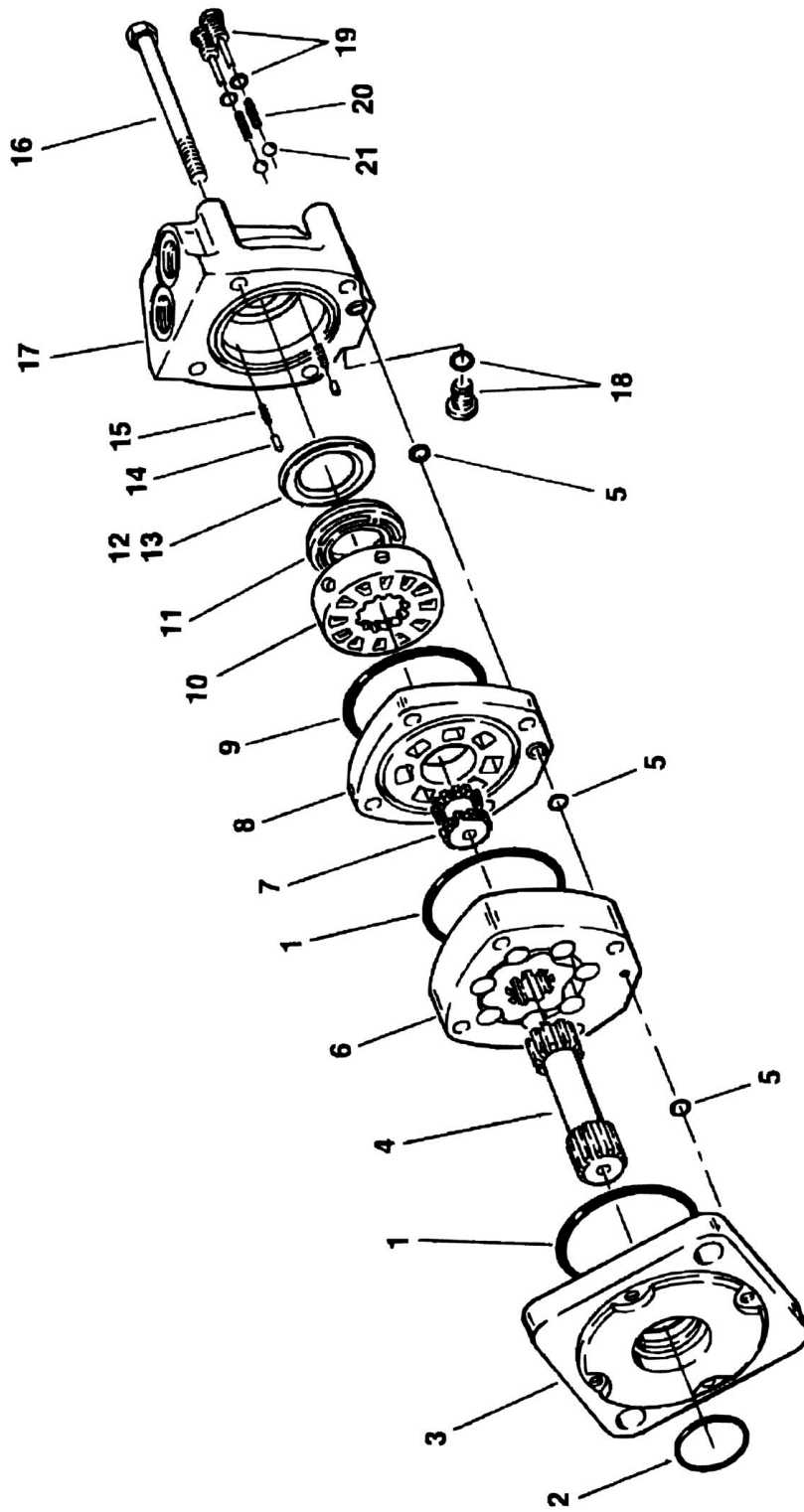
SECTION 2 - TURNTABLE

FIGURE 2-8. SWING BRAKE ASSEMBLY (MACHINES BUILT THROUGH 1992)

ITEM	PART NUMBER	QTY	DESCRIPTION	REV
	0920074	Ref	SWING BRAKE ASSEMBLY	B
1	7007960	1	Shaft	
2	Kit	1	Seal, Oil	
3	Kit	1	Ring, Back-up	
4	Kit	1	Ring, Quad	
5	7007956	1	Bearing, Needle	
6	7007955	1	Plate, Cover	
7	7007954	1	Ring, Retaining	
8	7007953	1	Spline, Outer	
9	7007952	7	Stator	
10	7007951	6	Rotor	
11	7007950	1	Piston	
12	Kit	1	O-Ring	
13	Kit	1	O-Ring	
14	Kit	1	O-Ring	
15	7007946	1	Plate, Pressure	
16	7007945	1	Spring, Belleville	
17	Kit	1	Ring, Quad	
18	7007943	1	Ring, Retaining	
19	Kit	1	Ring, Back-up	
20	7007941	1	Bearing	
21	7007940	1	Ring, Retaining	
22	7007939	1	Ring, Retaining	
23	7007938	1	Pin, Dowel	
24	7007937	8	Bolt	
	2900724	1	Seal Kit (Includes Items 2, 3, 4, 12, 13, 14, 17 & 19)	

SECTION 2 - TURNTABLE

FIGURE 2-9. SWING MOTOR ASSEMBLY (MACHINES BUILT PRIOR TO 1993)



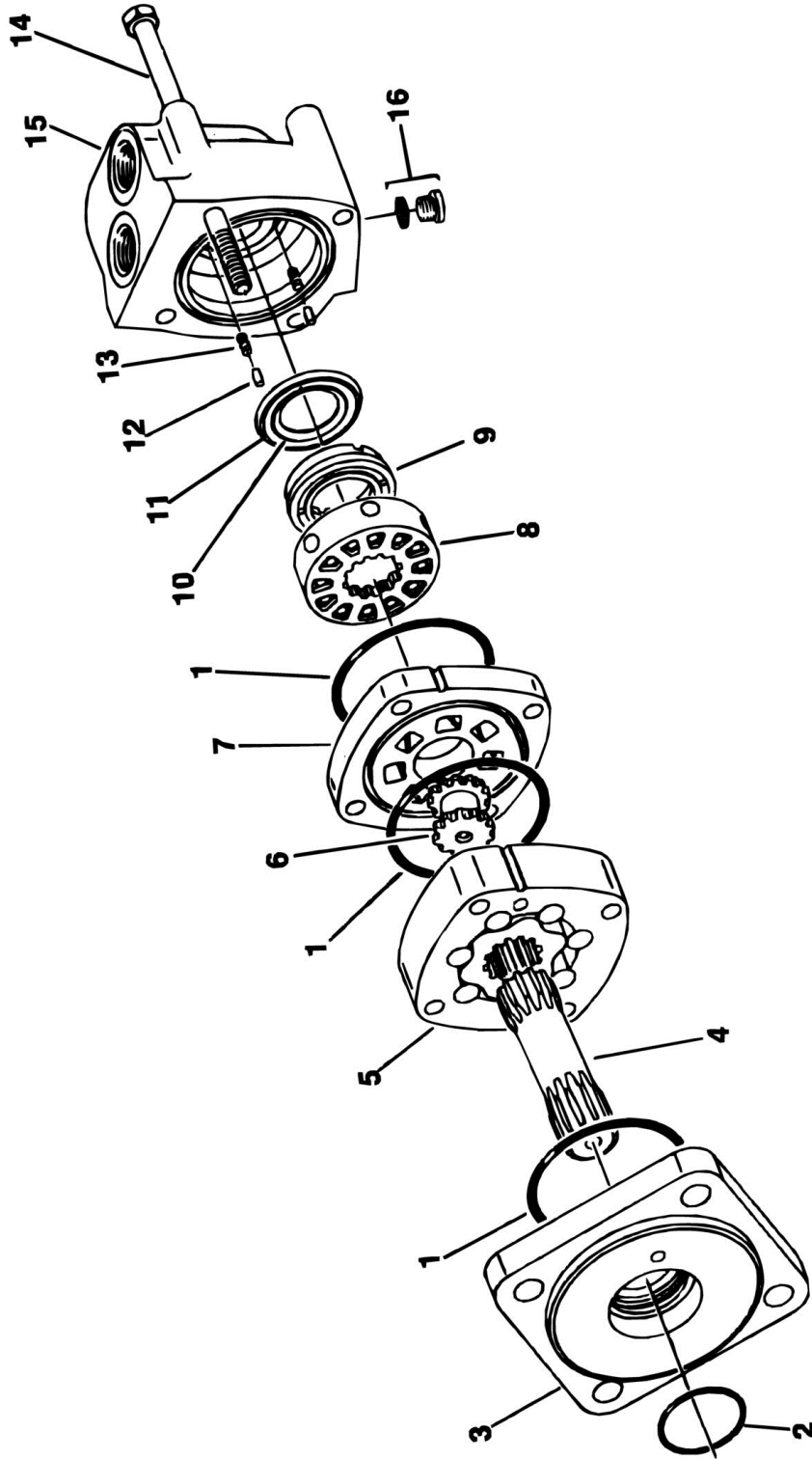
SECTION 2 - TURNTABLE

FIGURE 2-9. SWING MOTOR ASSEMBLY (MACHINES BUILT PRIOR TO 1993)

ITEM	PART NUMBER	QTY	DESCRIPTION	REV
	3160147	Ref	SWING MOTOR ASSEMBLY	-
1	Kit	2	Seal	
2	7009901	1	Seal	
3	7009902	1	Flange, Mounting	
4	7009903	1	Drive	
5	Kit	3	O-Ring	
6	7009904	1	Geroler	
7	7009905	1	Drive, Valve	
8	7009906	1	Plate, Valve	
9	Kit	1	Seal	
10	7009908	1	Valve	
11	7009909	1	Ring, Balance	
12	Kit	1	Seal, Face-Inner	
13	Kit	1	Seal, Face-Outer	
14	7009912	2	Pin	
15	7009913	2	Spring	
16	7009914	4	Bolt	
17	7009915	1	Housing	
18	7002157	1	Plug Assembly	
18	Kit	1	O-Ring	
19	7002159	2	Check Plug Assembly	
19	Kit	2	O-Ring	
20	7000192	2	Spring	
21	7000191	2	Ball, Steel	
	2900686	1	Seal Kit (Includes all seals except Item 2)	

SECTION 2 - TURNTABLE

FIGURE 2-10. SWING MOTOR ASSEMBLY (MACHINES BUILT 1993 TO PRESENT)



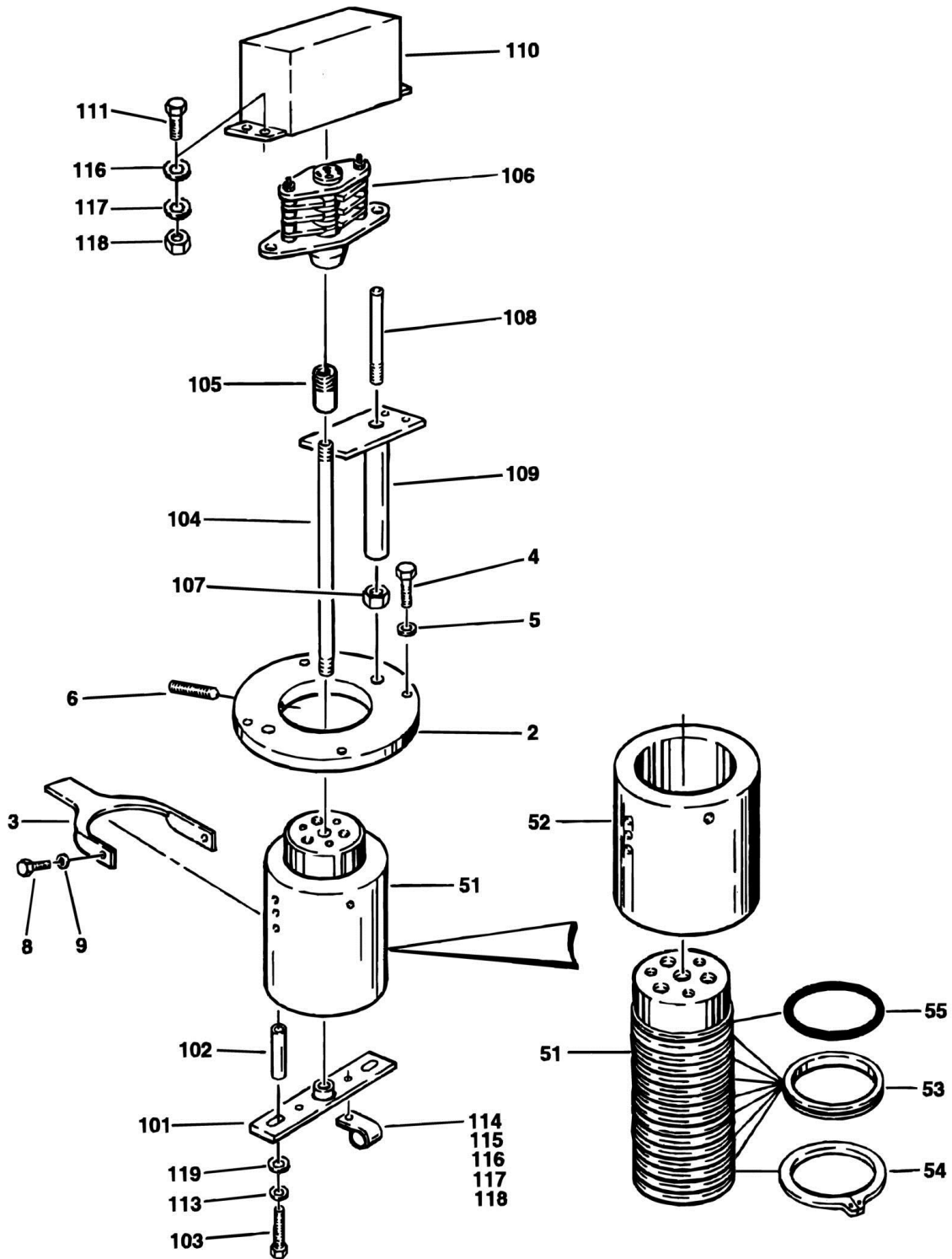
SECTION 2 - TURNTABLE

FIGURE 2-10. SWING MOTOR ASSEMBLY (MACHINES BUILT 1993 TO PRESENT)

ITEM	PART NUMBER	QTY	DESCRIPTION	REV
	3160183	Ref	SWING MOTOR ASSEMBLY	-
1	Kit	3	Seal	
2	Kit	1	O-Ring	
3	7009984	1	Flange, Mounting	
4	7009988	1	Drive	
5	7009989	1	Geroler	
6	7009905	1	Drive, Valve	
7	7009983	1	Plate, Valve	
8	7009927	1	Valve	
9	7009909	1	Ring, Balance	
10	Kit	1	Seal, Face-Inner	
11	Kit	1	Seal, Face-Outer	
12	7009912	2	Pin	
13	7009913	2	Spring	
14	7009990	4	Bolt	
15	7009930	1	Housing, Valve	
16	7002157	1	Plug Assembly	
16	Kit	1	O-Ring	
	7009987	1	Seal Kit (Includes Items 1, 2, 10, 11 & 19 O-Ring)	

SECTION 2 - TURNTABLE

FIGURE 2-11. ROTARY OIL COUPLING INSTALLATION



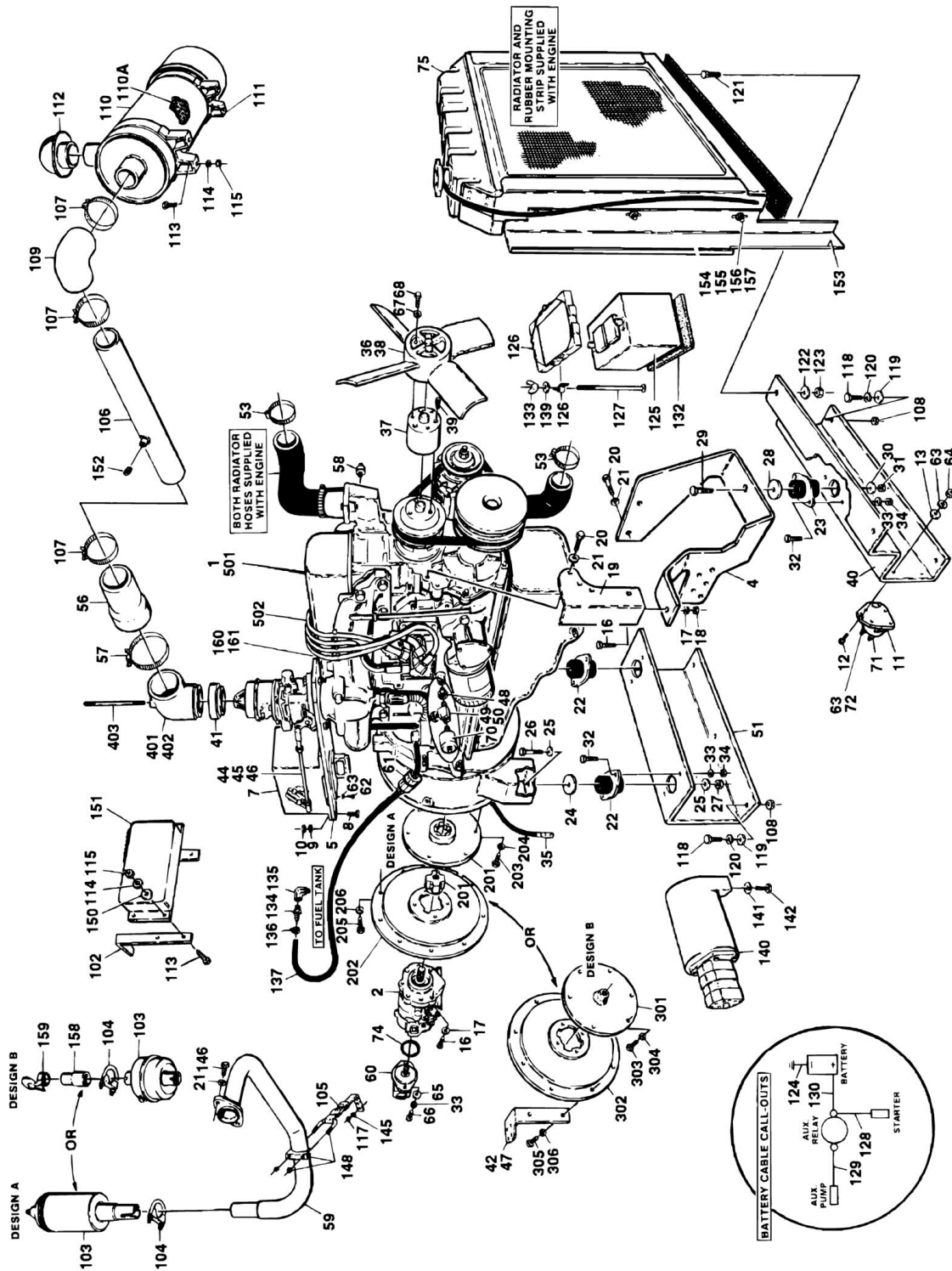
SECTION 2 - TURNTABLE

FIGURE 2-11. ROTARY OIL COUPLING INSTALLATION

ITEM	PART NUMBER	QTY	DESCRIPTION	REV
	0238615	Ref	ROTARY OIL COUPLING ASSEMBLY	A
2	1440154	1	Collar	
3	3530403	1	Plate, Retaining	
4	0641512	4	Bolt 5/16in-18NC x 1 1/2in	
5	4761500	4	Lockwasher 5/16in	
6	3951820	2	Setscrew 1/2in-13NC x 7/8in	
7	0100011	AR	Loctite #242 (Not Shown)	
8	0641807	2	Bolt 1/2in-13NC x 7/8in	
9	4761800	2	Lockwasher 1/2in	
10	0100003	AR	Loctite (Not Shown)	
	1660160	Ref	COUPLING ASSEMBLY	A
51	0620058	1	Body, Swivel	
52	2760091	1	Housing, Swivel	
53	Kit	7	T-Seal	
54	3760004	1	Ring, Retaining	
55	Kit	1	O-Ring	
	2901146	1	Seal Kit (Includes Items 53 & 55)	
	0251561	Ref	COLLECTOR RING ASSEMBLY	B
101	4843822	1	Bracket Weldment	
102	0960224	2	Bushing	
103	0641418	2	Bolt 1/4in-20NC x 2 1/4in	
104	2180763	1	Fitting, Pipe Nipple	
105	0961531	1	Bushing, Collector Ring	
106	3760053	1	Collector Ring Assembly	
107	3311801	2	Nut 1/2in-13NC	
108	3420290	2	Pin, Drive	
109	0231047	2	Guide, Drive	
110	1670594	1	Cover	
111	0721004	4	Screw, Round Head #10-24NC x 1/2in	
113	4761400	2	Lockwasher 1/4in	
114	1320040	1	Clamp	
115	3911012	1	Screw, Round Head #10-24NC x 3/4in	
116	4751000	6	Flatwasher #10	
117	4761000	5	Lockwasher #10	
118	3311001	5	Nut #10-24NC	
119	4751400	2	Flatwasher 1/4in	

SECTION 2 - TURNTABLE

FIGURE 2-12. FORD VSG-411 GAS ENGINE INSTALLATION (PRIOR TO JUNE 1995)



SECTION 2 - TURNTABLE

FIGURE 2-12. FORD VSG-411 GAS ENGINE INSTALLATION (PRIOR TO JUNE 1995)

ITEM	PART NUMBER	QTY	DESCRIPTION	REV
		Ref	FORD VSG-411 GAS ENGINE ASSEMBLIES	
	0250503	Ref	Standard	L
	0250626	Ref	Dual Fuel	G
1		Ref	Engine - Ford VSG-411 Options:	
1	2000109	1	Engine - Ford VSG-411 (Prior to January 1992)	
1	2000117	1	Engine - Ford VSG-411 (January 1992 to August 1994)	
1	2000129	1	Engine - Ford VSG-411 (August 1994 to Present)	
2	3600164	1	Pump Assembly - Sunstrand (See PUMP ASSEMBLY - SUNSTRAND (GAS AND DIESEL MACHINES) for Breakdown)	
4		Ref	Bracket, Engine Front (Top)	
4	0901715	1	Bracket, Engine Front (Top) (Prior to June 1991)	
4	4843497	1	Bracket, Engine Front (Top) (June 1991 to Present)	
5	3533445	1	Plate, Mounting - Actuator	
7	2500005	1	Governor, Precision	
8	0641410	4	Bolt 1/4in-20NC x 1 1/4in	
9	4761400	4	Lockwasher 1/4in	
10	3311401	4	Nut 1/4in-20NC	
11	3740067	1	Relay	
12	3911012	2	Screw, Machine #10-24NC x 3/4in	
13	4751000	2	Flatwasher #10	
15	3281505	2	Nut 5/16in-24NF	
16	0641812	3	Bolt 1/2in-13NC x 1 1/2in	
17	4761800	3	Lockwasher 1/2in	
18	3311801	1	Nut 1/2in-13NC	
19		Ref	Bracket, Engine Front (Left Side) Options:	
19	0901717	1	Bracket, Engine Front (Left Side) (Prior to March 1991)	
19	3533291	1	Bracket, Engine Front (Left Side) (March 1991 to Present)	
20	0701014	5	Bolt, Metric 10mm x 30mm	
21	4832000	7	Lockwasher 10mm	
22	3200202	2	Mount, Engine (Rear)	
23	3200201	1	Mount, Engine (Front)	
24	4740273	2	Flatwasher, Snubbing	
25	4751700	4	Flatwasher 7/16in	
26	0641728	2	Bolt 7/16in-14NC x 3 1/2in	
27	3311705	2	Locknut 7/16in-14NC	
28	4740274	1	Flatwasher	
29	0641826	1	Bolt 1/2in-13NC x 3 1/4in	
30	4751800	1	Flatwasher 1/2in	
31	3311805	1	Locknut 1/2in-13NC	
32	0641608	6	Bolt 3/8in-16NC x 1in	
33	4761600	10	Lockwasher 3/8in	
34	3311601	6	Nut 3/8in-16NC	
35	1060221	1	Cable, Battery (Engine to Ground)	
36	2060016	1	Fan	
37	0080168	1	Adapter, Fan (Prior to September 1991)	
38	4240096	1	Strap, Fan	
39	4031713	3	Bolt, Metric 6mm x 45mm	
40	0901635	1	Bracket, Engine Front (Bottom)	
41	0080182	1	Adapter, Carburetor (Standard)	
41	0080092	1	Adapter, Carburetor (Dual Fuel)	

SECTION 2 - TURNTABLE

ITEM	PART NUMBER	QTY	DESCRIPTION	REV
41	2900397	1	Carburetor (Without Built-in Choke)	
41	7000892	1	Carburetor (With Built-in Choke)	
41	7019933	1	Rebuild Kit - Carburetor (was p/n 7000878)	
42	0901714	1	Bracket, Mounting - Valve (Prior to May 1991)	
44	3841049	1	Rod, Throttle	
45	3321402	2	Nut, Jam 1/4in-28NF	
46	1660157	2	Ball Joint	
47	0901664	1	Bracket, Filter Mounting	
48	2220273	1	Fitting, Reduce	
49	2180360	1	Fitting, Tee	
50	2420131	1	Sender, Pressure (Oil)	
51	0901634	1	Bracket, Engine Rear (Bottom)	
53	1320014	4	Clamp	
56	2720341	1	Hose, Air	
57	1320058	1	Clamp	
58	2420130	1	Sender, Temperature (Water)	
59	4564623	1	Tube, Exhaust	
60	3600172	1	Pump Assembly - John Barnes (See PUMP ASSEMBLY - SINGLE SECTION (GAS AND DIESEL MACHINES) (PRIOR TO AUGUST 1992) for Breakdown)	
60	3600199	1	Pump Assembly - John Barnes (See PUMP ASSEMBLY - SINGLE SECTION (GAS AND DIESEL MACHINES) (AUGUST 1992 TO PRESENT) for Breakdown)	
61	2120112	1	Filter, Fuel	
62	3911014	2	Screw, Machine #10-24NC x 7/8in	
63	4761000	5	Lockwasher #10	
64	3311001	2	Nut #10-24NC	
65	4740185	2	Flatwasher, Hardened	
66	0641610	2	Bolt 3/8in-16NC x 1 1/4in	
67	4831900	3	Lockwasher, Metric 8mm	
68	0700814	3	Bolt, Metric 8mm x 30MM	
69	0100011	AR	Loctite #242 (Not Shown)	
70	4360037	1	Switch, Pressure (Oil)	
71	3300220	2	Nut, Special	
72	3321001	1	Nut #10-32NF	
74	3790152	1	O-Ring	
75	3620027	1	Radiator (January 1992 to Present)	
		Ref	FORD VSG-411 GAS ENGINE INSTALLATIONS	
	0250504	Ref	Standard	E
	0250627	Ref	Dual Fuel	D
102	0901419	2	Bracket, Mounting	
103	3220076	1	Muffler (Standard) (Design B)	
103	3220067	1	Muffler (Dual Fuel) (Design A)	
104	1320020	2	Clamp	
105	0901387	1	Hanger, Exhaust	
106	4563558	1	Tube, Intake	
107	1320031	3	Clamp	
108	3311801	5	Nut 1/2in-13NC	
109	0080039	1	Elbow	
110	1340020	1	Air Cleaner Assembly	
110A	7004214	1	Element	
111	0340002	2	Band, Mounting	

SECTION 2 - TURNTABLE

ITEM	PART NUMBER	QTY	DESCRIPTION	REV
112	1120161	1	Cap, Air Cleaner	
113	0641406	12	Bolt 1/4in-20NC x 3/4in	
114	4761400	12	Lockwasher 1/4in	
115	3311401	12	Nut 1/4in-20NC	
116	4761500	2	Lockwasher 5/16in	
117	3311501	2	Nut 5/16in-18NC	
118	0641812	5	Bolt 1/2in-13NC x 1 1/2in	
119	4761800	5	Lockwasher 1/2in	
120	4761600	5	Lockwasher 3/8in	
121	0630403	2	Bolt, Carriage 7/16in-14NC x 1 1/2in	
122	4751700	2	Flatwasher 7/16in	
123	3311705	2	Locknut 7/16in-14NC	
124	1060046	1	Cable, Battery (Negative Terminal to Ground)	
125		Ref	Battery Options:	
125	0400003	1	Wet - Battery	
125	7016658	1	Dry - Battery	
126	0400002	1	Hold-Down, Battery	
127	0236768	2	Rod, Hold-down	
128	1060129	1	Cable, Battery (Aux Relay to Starter)	
129	1060133	1	Cable, Battery (Aux Relay to Aux Pump)	
130	1060031	1	Cable, Battery (Positive Terminal to Aux Relay)	
132	3980003	1	Masonite	
133	3300029	2	Wing-Nut 3/8in-16NC	
134		Ref	Fitting Options:	
134	2180348	1	Fitting, Straight Barded (Standard) (Prior to May 1991)	
134	2220273	1	Fitting, Reduce (Standard) (May 1991 to Present)	
134	2180348	1	Fitting, Straight Barded (Dual Fuel)	
135		Ref	Fitting Options:	
135	2200462	1	Fitting, 90, (Standard) (Prior to May 1991)	
135	2220805	1	Fitting, 90, (Standard) (May 1991 to Present)	
135	2200462	1	Fitting, 90, (Dual Fuel) (Prior to March 1991)	
136	1320022	2	Clamp	
137	2720058	AR	Hose (Fuel Supply)	
138	4300038	2	Stud (Welded on Part)	
139	4751600	2	Flatwasher 3/8in	
140		Ref	Auxiliary Pump Assembly Options:	
140	3600050	1	Standard (Prior to September 1992)	
140	3600208	1	Standard (September 1992 to Present)	
140	3600050	1	Dual Fuel	
141	4761600	2	Lockwasher 3/8in	
142	0641612	2	Bolt 3/8in-16NC x 1 1/2in	
145	4761500	2	Lockwasher 5/16in	
148	1320026	1	Clamp	
149	4300032	4	Stud (Welded on Part)	
150	4751400	8	Flatwasher 1/4in	
151	1600117	1	Box, Control - Precision Governor	
152	2200053	1	Plug, Pipe	
153	4060733	1	Shield	
154	3911008	3	Screw, Machine #10-24NC x 1/2in	
155	4761000	3	Lockwasher #10	
156	3311001	3	Nut #10-24NC	

SECTION 2 - TURNTABLE

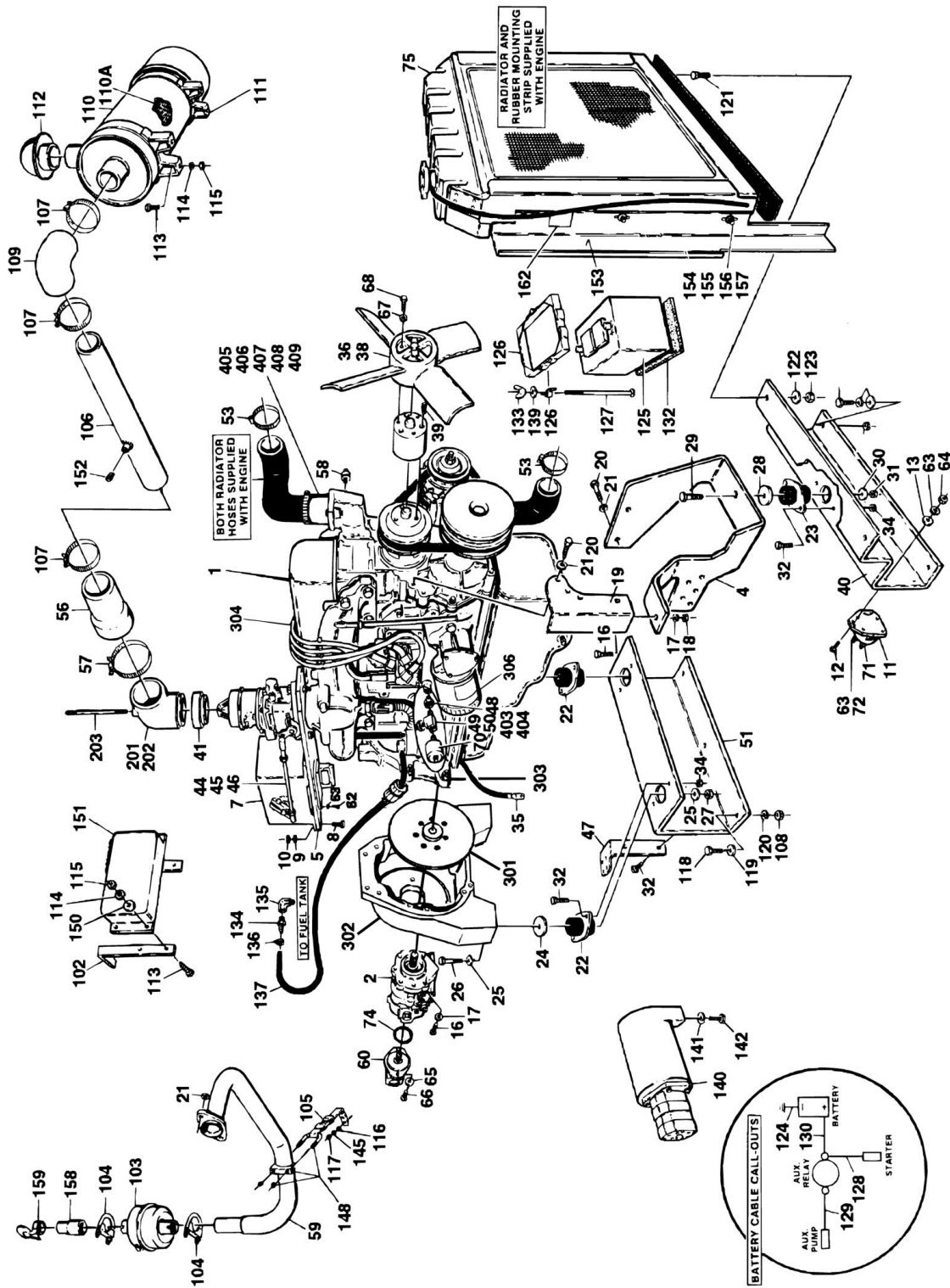
ITEM	PART NUMBER	QTY	DESCRIPTION	REV
157	4751000	3	Flatwasher #10	
158	4564711	1	Tube, Adapter (Standard) (Design B)	
159	1120218	1	Cap, Rain (Standard) (Design B)	
160	2720042	1.66 ft	Hose, Heater (December 1991 to Present)	
161	1320032	2	Clamp (December 1991 to Present)	
	0250324	Ref	PUMP COUPLING INSTALLATION (Prior to January 1992)	
201	1660169	1	Coupling (Love Joy) (Design A)	
201	1660172	1	Hub, Coupling (Love Joy) (Design A)	
201	1660173	1	Disc, Coupling (Love Joy) (Design A)	
202	0080163	1	Adapter, Pump	
203	0641510	6	Bolt 5/16in-18NC x 1 1/4in	
204	4761500	6	Lockwasher 5/16in	
205	0641610	8	Bolt 3/8in-16NC x 1 1/4in	
206	4761600	8	Lockwasher 3/8in	
		Ref	PUMP COUPLING INSTALLATION OPTIONS:	
	0250598	Ref	Pump Coupling Installation (Prior to January 1992)	
	0252808	Ref	Pump Coupling Installation (January 1992 to Present)	
301		Ref	Coupling (Hayes) (Design B) Options:	
301	1660184	1	Coupling (Hayes) (Design B) (Prior to January 1992)	
301	1660207	1	Coupling (Hayes) (Design B) (January 1992 to Present)	
302	0080163	1	Adapter, Pump	
303		Ref	Bolt Options:	
303	0641507	6	Bolt 5/16in-18NC x 7/8in (Prior to January 1992)	
303	0700808	6	Bolt 16mm (January 1992 to Present)	
304		Ref	Lockwasher Options:	
304	4761500	6	Lockwasher (Prior to January 1992)	
304	4831900	6	Lockwasher (January 1992 to Present)	
305	0641610	8	Bolt 3/8in-16NC x 1 1/4in	
306	4761600	8	Lockwasher 3/8in	
307	3020021	AR	Grease (Not Shown)	
	0250806	Ref	AIR HORN INSTALLATION	B
401	0080175	1	Adapter, Air Horn	
402	3960388	1	Gasket	
403	4300056	1	Stud, Carburetor	
		Ref	ENGINE COMPONENTS	
501	7012653	1	Alternator (Prestolite)	
501	7012564	1	Harness, Engine (With Prestolite Alternator) (was p/n 7016385)	
501	7023670	1	Module, Ignition (was p/n 7019665)	
501	7019666	1	Pump, Fuel	
501	7019668	1	Starter	
501	7019933	1	Carburetor Repair Kit	
501	7019939	1	Filter, Fuel	
501	7019941	1	Hose, Radiator (Upper)	
501	7019943	1	Hose, Radiator (Lower)	
501	7019949	1	Filter, Oil	
501	7019951	1	Pump, Water	
501	3960423	1	Gasket, Thermostat	
502	7019989	AR	Spark Plug Wire Set	
502	7019955	1	Wire - Spark Plug #1	
502	7019956	1	Wire - Spark Plug # 2	
502	7019957	1	Wire - Spark Plug # 3	

SECTION 2 - TURNTABLE

ITEM	PART NUMBER	QTY	DESCRIPTION	REV
502	7019958	1	Wire - Spark Plug # 4	
	0255476	Ref	COLD WEATHER INSTALLATION (OPTIONAL)	
601	2580026	1	Heater - Not Shown (Located in Engine Block)	
603	2580001	1	Pad, Heater - Not Shown (Located on Battery)	

SECTION 2 - TURNTABLE

FIGURE 2-13. FORD VSG-413 GAS ENGINE INSTALLATION (JUNE 1995 TO PRESENT)



SECTION 2 - TURNTABLE

FIGURE 2-13. FORD VSG-413 GAS ENGINE INSTALLATION (JUNE 1995 TO PRESENT)

ITEM	PART NUMBER	QTY	DESCRIPTION	REV
	0257657	Ref	FORD VSG-413 GAS ENGINE ASSEMBLY	2
1	2000152	1	Engine - Ford VSG-413	
2	3600260	1	Pump Assembly (See PUMP ASSEMBLY - SUNSTRAND (GAS AND DIESEL MACHINES) for Breakdown)	
4	4843497	1	Bracket, Engine Front	
5	3533445	1	Plate, Mounting - Actuator	
7	2500005	1	Governor, Precision	
8	0641410	4	Bolt 1/4in-20NC x 1 1/4in	
9	4761400	4	Lockwasher 1/4in	
10	3311401	4	Nut 1/4in-20NC	
11	3740067	1	Relay	
12	3911012	2	Screw, Machine #10-24NC x 3/4in	
13	4751000	2	Flatwasher #10	
15	3281505	2	Locknut 5/16in-24NF	
16	0641812	3	Bolt 1/2in-13NC x 1 1/2in	
17	4761800	3	Lockwasher 1/2in	
18	3311801	1	Nut 1/2in-13NC	
19	3533291	1	Bracket, Engine Front (Top)	
20	0701014	5	Bolt 10mm x 30mm	
21	4832000	7	Lockwasher 10mm	
22	3200202	2	Mount, Engine (Rear)	
23	3200201	1	Mount, Engine (Front)	
24	4740273	2	Flatwasher, Special	
25	4751700	4	Flatwasher 7/16in	
26	0641728	2	Bolt 7/16in-14NC x 3 1/2in	
27	3311705	2	Locknut 7/16in-14NC	
28	4740274	1	Flatwasher, Special	
29	0641826	1	Bolt 1/2in-13NC x 3 1/4in	
30	4751800	1	Flatwasher 1/2in	
31	3311805	1	Locknut 1/2in-13NC	
32	0641608	8	Bolt 3/8in-16NC x 1in	
34	3311605	8	Locknut 3/8in-16NC	
35	1060221	1	Cable, Battery (Engine to Ground)	
36	2060030	1	Fan (Was PN 2060016)	
38	4240096	1	Strap, Fan Only (Prior to SN 55435)	
39	4031713	3	Bolt 6mm x 45mm Only (Prior to SN 55435)	
40	0901635	1	Bracket, Engine Front (Bottom)	
41	0080182	1	Adapter, Carburetor	
44	3841049	1	Rod, Throttle	
45	3321402	2	Nut, Jam 1/4in-28NF	
46	1660157	2	Ball Joint	
47	0902184	1	Bracket, Filter Mount	
48	2220273	1	Fitting, Reduce	
49	2180360	1	Fitting, Tee	
50	2420131	1	Sender, Pressure (Oil)	
51	0901634	1	Bracket, Engine Rear (Bottom)	
53	1320014	4	Clamp	
56	2720341	1	Hose, Air	
57	1320058	1	Clamp	
58	2420130	1	Sender, Temperature (Water)	

SECTION 2 - TURNTABLE

ITEM	PART NUMBER	QTY	DESCRIPTION	REV
59	4564623	1	Tube, Intake	
60	3600199	1	Pump Assembly - John Barnes (See PUMP ASSEMBLY - SINGLE SECTION (GAS & DIESEL MACHINES) (AUGUST 1992 TO PRESENT) for Breakdown)	
62	3911014	2	Screw, Machine #10-24NC x 7/8in	
63	4761000	5	Lockwasher #10	
64	3311001	2	Nut #10-24NC	
65	4740185	2	Washer, Special	
66	0641610	2	Bolt 3/8in-16NC x 1 1/4in	
67	4831900	3	Lockwasher, Metric 8mm Only (Prior to SN 55435)	
68	0700814	3	Bolt, Metric 8mm x 30mm Only (Prior to SN 55435)	
69	0100011	AR	Loctite #242 (Not Shown)	
70	4360037	1	Switch, Pressure (Oil)	
71	3300220	2	Nut, Special	
72	3321001	1	Nut #10-32NF	
74	3790152	1	O-Ring	
75	3620027	1	Radiator	
76	4460663	1	Housing, Terminal	
77	4460660	1	Housing, Terminal	
	0257658	Ref	FORD VSG-413 GAS ENGINE INSTALLATION	2
102	0901419	2	Bracket, Mounting	
103	3220076	1	Muffler	
104	1320020	2	Clamp	
105	0901387	1	Bracket, Exhaust Hanger	
106	4843558	1	Weldment, Air Intake	
107	1320031	3	Clamp	
108	3311801	5	Nut 1/2in-13NC	
109	0080039	1	Elbow	
110	1340020	1	Air Cleaner Assembly	
110A	7004214	1	Element	
111	0340002	2	Band, Mounting	
112	1120161	1	Cap, Air Cleaner	
113	0641406	8	Bolt 1/4in-20NC x 3/4in	
114	4761400	12	Lockwasher 1/4in	
115	3311401	12	Nut 1/4in-20NC	
116	4751500	2	Flatwasher 5/16in	
117	3311501	2	Nut 5/16in-18NC	
118	0641812	5	Bolt 1/2in-13NC x 1 1/2in	
119	4751800	5	Flatwasher 1/2in	
120	4761800	5	Lockwasher 1/2in	
121	0630403	2	Bolt, Carriage 7/16in-14NC x 1 1/2in	
122	4751700	2	Flatwasher 7/16in	
123	3311705	2	Locknut 7/16in-14NC	
124	1060046	1	Cable, Battery (Negative Terminal to Ground)	
125		Ref	Battery Options:	
125	0400075	1	Wet - Battery	
125	7016180	1	Dry - Battery	
126	0361810	1	Hold-Down, Battery	
127	0236768	2	Rod, Hold-down	
128	1060129	1	Cable, Battery (Aux Relay to Starter)	
129	1060133	1	Cable, Battery (Aux Relay to Aux Pump)	
130	1060031	1	Cable, Battery (Positive Terminal to Aux Relay)	

SECTION 2 - TURNTABLE

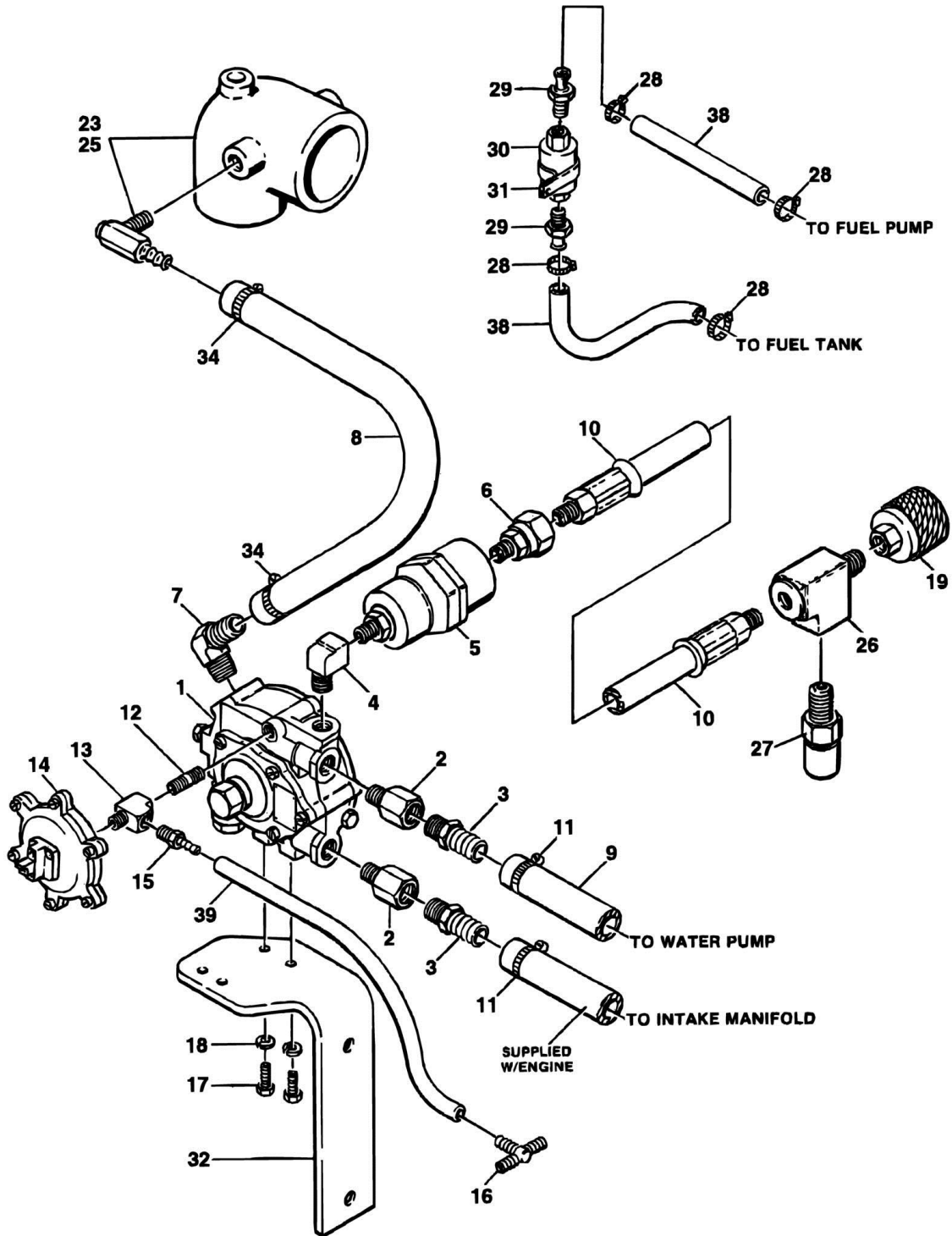
ITEM	PART NUMBER	QTY	DESCRIPTION	REV
132	3980007	1	Masonite	
133	3300029	2	Wing-Nut 3/8in-16NC	
134	2220273	1	Bushing, Reducer	
135	2220805	1	Fitting	
136	1320022	2	Clamp	
137	2720058	9 ft	Hose (Fuel Supply)	
138	4300038	2	Stud (Welded on Part)	
139	4751600	2	Flatwasher 3/8in	
140	3600208	1	Auxiliary Pump Assembly	
141	4761600	2	Lockwasher 3/8in	
142	0641612	2	Bolt 3/8in-16NC x 1 1/2in	
145	4761500	2	Lockwasher 5/16in	
148	1320026	1	Clamp	
149	4300032	4	Stud (Welded on Part)	
150	4751400	8	Flatwasher 1/4in	
151	1600117	1	Box, Control - Precision Governor	
152	2200233	1	Plug, Pipe	
153	4060733	1	Shield	
154	3911008	3	Screw, Machine #10-24NC x 1 1/2in	
155	4761000	3	Lockwasher #10	
156	3321001	3	Nut #10-32NF	
157	4751000	3	Lockwasher #10	
158	4564711	1	Tube, Adapter	
159	1120218	1	Cap, Rain	
160	2720042	1	Hose, Heater	
161	1320032	2	Clamp	
162	1703162	1	Decal - Fan Blade	
	0250806	Ref	AIR HORN INSTALLATION	B
201	0080175	1	Adapter, Air Horn	
202	3960388	1	Gasket	
203	4300056	1	Stud, Carburetor	
		Ref	FORD ENGINE COMPONENTS	-
301	7020117	1	Coupling	
302	7010118	1	Housing	
303	7020121	1	Starter Plate	
304	7019989	AR	Spark Plug Wire Set Options:	
304	7019955	AR	Wire - Spark Plug #1 (Wire set prior to December 1998)	
304	7019956	AR	Wire - Spark Plug # 2	
304	7019957	AR	Wire - Spark Plug # 3	
304	7019958	AR	Wire - Spark Plug # 4	
304	7022176	AR	Spark Plug Wire Set Options:	
304	7022101	AR	Wire - Spark Plug # 2 (Wire set December 1998 to Present)	
304	7022102	AR	Wire - Spark Plug # 3	
304	7022103	AR	Wire - Spark Plug # 1	
304	7022104	AR	Wire - Spark Plug # 4	
305	7019998	1	Coil Assembly (Not Shown) (December 1998 to Present)	
306	7022173	1	Oil Filter	
307	7022174	1	Fuel Filter (Not Shown)	
308	7022175	4	Spark Plugs (Not Shown)	
	0252625	Ref	ENGINE DISTRESS INSTALLATION (OPTIONAL)	5
403	2180360	1	Fitting, Tee	

SECTION 2 - TURNTABLE

ITEM	PART NUMBER	QTY	DESCRIPTION	REV
404	4360182	1	Switch, Oil Pressure	
405	0080200	1	Adapter	
406	3960423	1	Gasket	
407	0700819	2	Screw	
408	4831900	2	Lockwasher	
409	4360157	1	Switch, Water Temperature	
	0255476	Ref	COLD WEATHER INSTALLATION (OPTIONAL)	-
501	2580026	1	Heater - Not Shown (Located in Engine Block)	
503	2580001	1	Pad, Heater - Not Shown (Located on Battery)	
	0250815	Ref	ENGINE HEATER INSTALLATION (OPTIONAL)	A
601	2580026	1	Heater, Engine Coolant - Not Shown (Located in Engine Head)	
602	0701020	2	Bolt 10mm x 60mm (Not Shown)	
603	4564328	2	Spacer, Tube (Not Shown)	

SECTION 2 - TURNTABLE

FIGURE 2-14. DUAL FUEL INSTALLATION - FORD



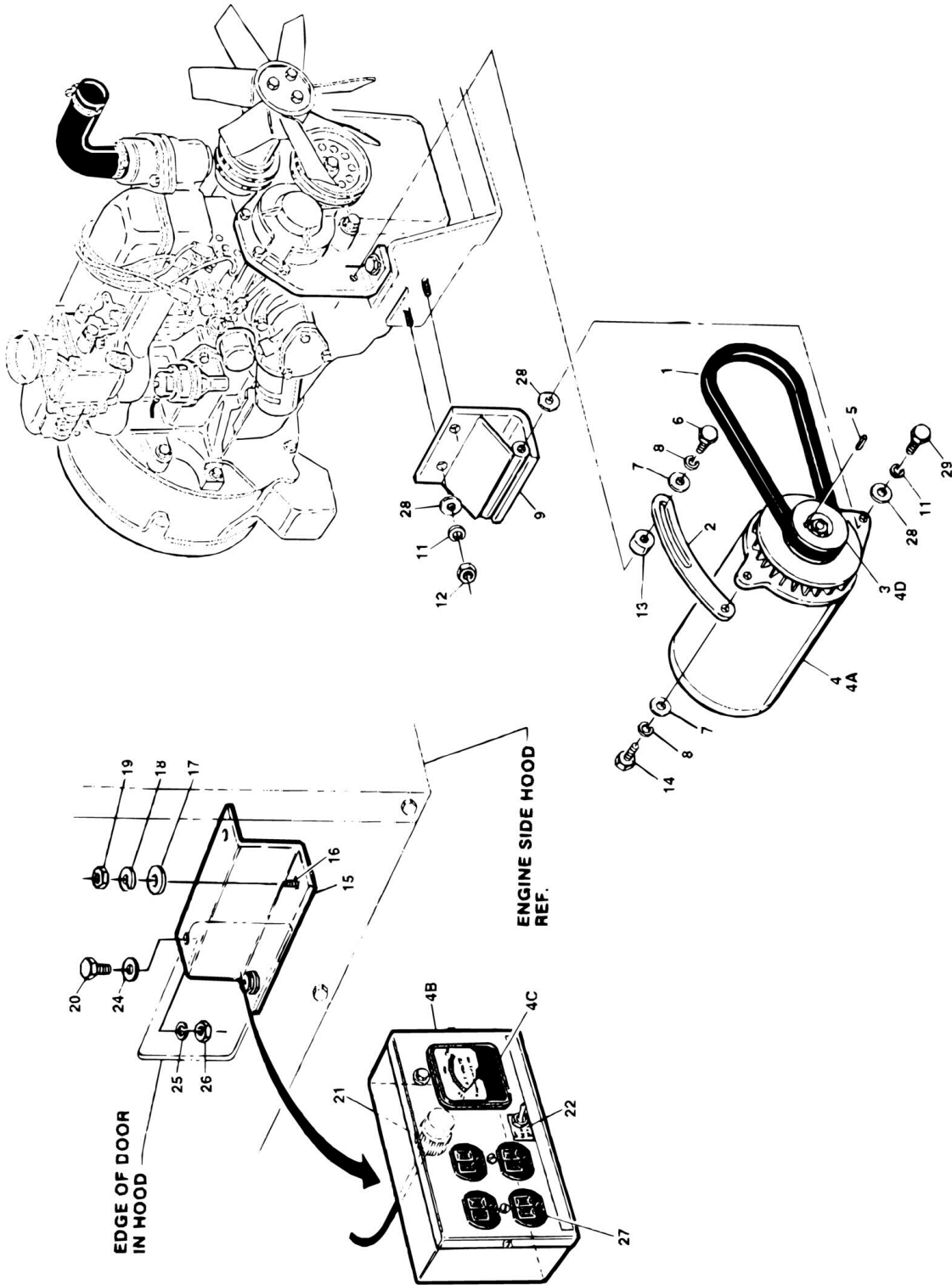
SECTION 2 - TURNTABLE

FIGURE 2-14. DUAL FUEL INSTALLATION - FORD

ITEM	PART NUMBER	QTY	DESCRIPTION	REV
	0250772	Ref	DUAL FUEL INSTALLATION	H
	0251417	Ref	LP GAS ONLY INSTALLATION	C
1	3720011	1	Regulator	
2	2220364	2	Fitting, Adapter	
3	2180535	2	Fitting, Barbed	
4	2220648	1	Fitting, 90	
5	2120077	1	Filterlock	
6	2220003	1	Fitting, Swivel	
7	2220675	1	Fitting, 90, Barbed	
8	2720112	24 in	Hose	
9	2720042	32 in	Hose	
10	2720170	1	Hose	
11	1320032	4	Clamp	
12	2180104	1	Fitting, Nipple	
13	2180360	1	Fitting, Tee	
14	4360188	1	Switch, Vacuum	
15	2180536	1	Fitting, Barbed	
16	2180623	1	Fitting, Tee	
17	0641405	2	Bolt 1/4in-20NC x 5/8in	
18	4761400	2	Lockwasher 1/4in	
19	2180387	1	Fitting, Tank	
20	0100020	AR	Loctite (Not Shown)	
23	3840979	1	Rod, Adapter	
24	3960388	1	Gasket (Prior to March 1992)	
25	0080167	1	Adapter	
26	2220290	1	Fitting, Tee	
27	2180389	1	Fitting, Pressure Relief	
28	1320022	4	Clamp	
29		Ref	Fitting, Barbed Options:	
29	2180348	2	Fitting, Barbed (Prior to January 1991)	
29	2180249	2	Fitting, Barbed (January 1991 to March 1994)	
29	2220315	2	Fitting, Barbed (March 1994 to Present)	
30	4640391	1	Valve, Gas Lock	
31		Ref	Clamp, Mounting Options:	
31	1320060	1	Clamp, Mounting (Prior to March 1994)	
31	1320095	1	Clamp, Mounting (March 1994 to Present)	
33	2901184	1	Cover, Blanking Kit (LP Gas Only) (Not Shown)	
34	1320017	2	Clamp (September 1991 to Present)	
38	2720058	6 ft	Hose	
39		Ref	Hose (Supplied With Engine)	

SECTION 2 - TURNTABLE

FIGURE 2-15. GENERATOR INSTALLATION - 110V (FORD)



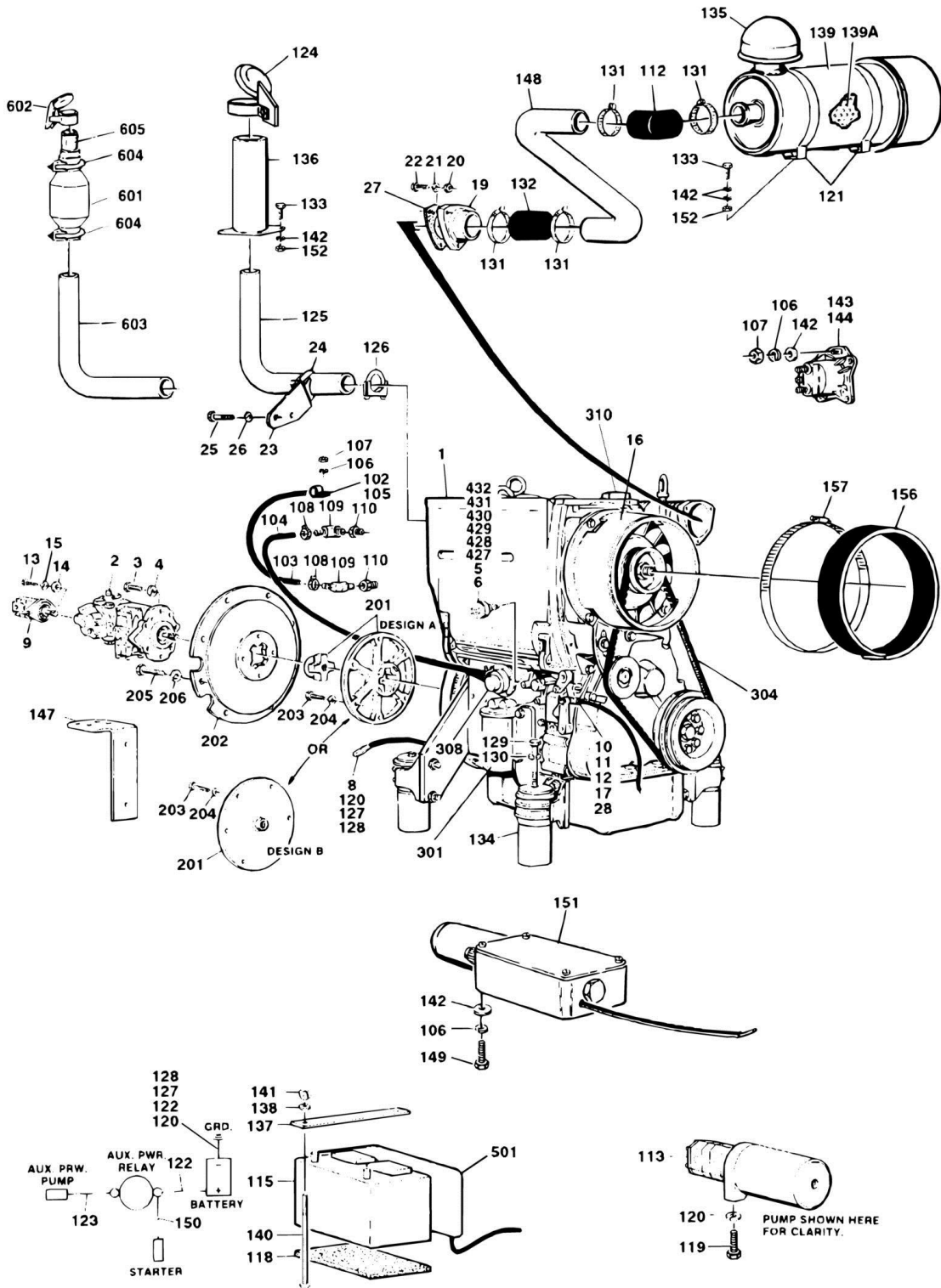
SECTION 2 - TURNTABLE

FIGURE 2-15. GENERATOR INSTALLATION - 110V (FORD)

ITEM	PART NUMBER	QTY	DESCRIPTION	REV
	0250668	Ref	GENERATOR INSTALLATION	G
1	0480057	1	V-Belt	
2	4340569	1	Support	
3	3580134	1	Pulley (Attaching Hardware Supplied with Generator) (Prior to June 1995)	
4	2460011	1	Generator and Control Box Assembly	
4A	7012558	1	Generator	
4A	7026199	1	Armature with Slip Rings	
4A	7012513	4	Cap, Brush Holder	
4A	7020108	4	Brush	
4A	7020109	4	Holder, Brush	
4A	7012514	1	Fan	
4A	7020110	1	Bell, Front	
4A	7020111	1	Bell Rear	
4A	7020190	2	Bearing	
4B	7003657	1	Box, Control (Note: Replacement 110V Control Box comes with 2 std Receptacles p/n 4460190. Optional Industrial Twist Lock Receptacles p/n 4460027 must be ordered separately.)	
4B	4360542	1	Breaker, Circuit (was p/n 7020194)	
4B	2920162	1	Lamp	
4B	7020191	1	Switch, Toggle	
4B	3520028	1	Plug, Hole	
4C	2420203	1	Voltmeter (was p/n 7010699)	
4D	3580134	1	Pulley	
5	7027887	1	Key, Woodruff	
6	0641511	1	Bolt 5/16in-18NC x 1 3/8in	
7	4751500	2	Flatwasher 5/16in	
8	4761500	2	Lockwasher 5/16in	
9		Ref	Bracket, Mounting Options:	
9	0901774	1	Bracket, Mounting (Prior to May 1991)	
9	0901650	1	Bracket, Mounting (May 1991 to Present)	
11	4761600	4	Lockwasher 3/8in	
12	3311601	2	Nut 3/8in-16NC	
13	0961247	1	Bushing	
14	0641507	1	Bolt 5/16in-18NC x 7/8in	
15	0901633	1	Bracket, Mounting - Box	
16	4300068	2	Stud (Welded on Part)	
17	4751400	4	Flatwasher 1/4in	
18	4761400	4	Lockwasher 1/4in	
19	3311401	4	Nut 1/4in-20NC	
20	0721006	2	Screw, Machine #10-24NC x 3/4in	
21	4460023	1	Connector	
22	3251476	1	Decal - Generator	
24	4751000	2	Flatwasher #10	
25	4761000	2	Lockwasher #10	
26	3311001	2	Nut #10-24NC	
27	4460027	1	Connector	
28	4751600	3	Flatwasher 3/8in (July 1991 to Present)	
29	0681610	2	Bolt 3/8in-16NC x 1 1/4in (Grade 8) (June 1992 to Present)	

SECTION 2 - TURNTABLE

FIGURE 2-16. DEUTZ F2L-1011 DIESEL ENGINE INSTALLATION



SECTION 2 - TURNTABLE

FIGURE 2-16. DEUTZ F2L-1011 DIESEL ENGINE INSTALLATION

ITEM	PART NUMBER	QTY	DESCRIPTION	REV
	0250574	Ref	DEUTZ F2L-1011 DIESEL ENGINE ASSEMBLY	11
1		Ref	Engine, Deutz F2L-1011 Options:	
1	2000106	1	Engine, Deutz F2L-1011 Prior to August 1995	
1	2000137	1	Engine, Deutz F2L-1011 August 1995 to Present	
2		Ref	Pump Assembly Options: (See PUMP ASSEMBLY - SUNSTRAND (GAS AND DIESEL MACHINES) for Breakdown)	
2	3600164	1	Pump Assembly (Prior to SN 27991)	
2	3600260	1	Pump Assembly (SN 27991 to Present)	
3	0641812	2	Bolt 1/2in=13NC x 1 1/2in	
4	4761800	2	Lockwasher 1/2in	
5	2180730	1	Fitting	
6	2420110	1	Sender, Oil Pressure	
8	1060045	1	Cable, Battery	
9		Ref	Pump Assembly - John Barnes Options:	
9	3600172	1	Pump Assembly - John Barnes Prior to August 1992 (See PUMP ASSEMBLY - SINGLE SECTION (GAS AND DIESEL MACHINES) for Breakdown)	
9	3600199	1	Pump Assembly - John Barnes August 1992 to Present (See PUMP ASSEMBLY - SINGLE SECTION (GAS AND DIESEL MACHINES) for Breakdown)	
10		Ref	Adapter, Throttle Options:	
10	0080172	1	Adapter, Throttle Prior to August 1995	
10	4460302	1	Adapter, Throttle August 1995 to Present	
11		Ref	Pin, Cotter Options:	
11	3450202	1	Pin, Cotter Prior to January 1993	
11	3450203	1	Pin, Cotter January 1993 to Present	
12		Ref	Bracket, Throttle Options:	
12	3951003	1	Bracket, Throttle Prior to August 1995	
12	0902244	1	Bracket, Throttle August 1995 to Present	
13	0641610	2	Bolt 3/8in-16NC x 1 1/4in	
14	4740185	2	Washer, Hardened	
15	4761600	2	Lockwasher 3/8in	
16	4843549	1	Weldment, Air Intake Adapter	
17	0700605	2	Bolt, Metric 6mm x 10mm (August 1995 to Present)	
19	0080177	1	Weldment, Adapter	
20	3311501	3	Nut 5/16in-18NC	
21	4761500	3	Lockwasher 5/16in	
22	0641512	3	Bolt 5/16in-18NC x 1 1/2in	
23	0901705	1	Bracket, Muffler	
24	1320176	1	Clamp	
25	0701010	2	Bolt, Metric 10mm x 20mm	
26	4832000	2	Lockwasher, Metric 10mm	
27	3960407	1	Gasket	
28	4711400	1	Washer (January 1993 to Present)	
29	3790152	1	O-Ring (January 1993 to Present)	
	0250575	Ref	DEUTZ F2L-1011 DIESEL ENGINE INSTALLATION	10
102	1320041	2	Clamp	
103	2720271	10 ft	Hose, Fuel 3/16in	
104		Ref	Hose, Fuel Options:	
104	2720075	10 ft	Hose, Fuel 1/4in (Prior to January 1993)	
104	2720058	12 ft	Hose, Fuel 1/4in (January 1993 to Present)	

SECTION 2 - TURNTABLE

ITEM	PART NUMBER	QTY	DESCRIPTION	REV
105	4300032	1	Stud	
106	4761400	11	Lockwasher 1/4in	
107	3311401	9	Nut 1/4in-20NC	
108	1320022	3	Clamp	
109	2220805	1	Fitting	
110	2220273	1	Bushing, Reducer	
111	4420001	AR	Dope, Ribbon (Not Shown)	
112	0080039	1	Adapter, Elbow	
113		Ref	Pump, Auxiliary Options:	
113	3600050	1	Pump, Auxiliary Prior to September 1992	
113	3600208	1	Pump, Auxiliary September 1992 to Present	
115		Ref	Battery Options:	
115	0400075	2	Wet - Battery	
115	7016180	2	Dry - Battery	
117	3960389	31.25 in	Seal, Rubber Grip (Not Shown)	
118	3980007	1	Seat, Battery	
119		Ref	Bolt Options:	
119	0641613	2	Bolt 3/8in-16NC x 1 5/8in (Prior to January 1993)	
119	0641612	2	Bolt 3/8in-16NC x 1 1/2in (January 1993 to Present)	
120	4761600	8	Lockwasher 3/8in	
121	0340002	2	Band, Air Cleaner	
122	1060172	2	Cable, Battery	
123	1060030	1	Cable, Battery	
124	1120405	1	Cap, Rain (May 1993 to Present)	
125	4564557	1	Tube, Exhaust	
126	1320019	1	Clamp	
127	4300034	2	Stud	
128	3311601	4	Nut 3/8in-16NC	
129	0641856	4	Bolt 1/2in-13NC x 7in	
130	4761800	4	Lockwasher 1/2in	
131	1320016	4	Clamp	
132	2720351	3 in	Hose	
133	0641406	12	Bolt 1/4in-20NC x 3/4in	
134	0080178	4	Adapter, Engine Mount	
135	1120161	1	Cap, Air Intake	
136	4843372	1	Weldment, Extension	
137	0361810	1	Battery Hold-Down	
138	4751600	6	Flatwasher 3/8in	
139	1340020	1	Air Cleaner	
139A	7004214	1	Element	
140	0236768	2	Rod, Tie Down	
141	3300029	2	Wingnut 3/8in	
142	4751400	20	Flatwasher 1/4in	
143	4300031	2	Stud	
144	3740067	2	Relay	
145	1320059	2	Clamp	
147	0901664	1	Bracket, Hydraulic Filter	
148	4564575	1	Tube, Air Intake	
149	0641412	2	Bolt 1/4in-20NC x 1 1/4in	
150	1060093	1	Cable, Battery	
151	0060023	1	Actuator, Throttle	

SECTION 2 - TURNTABLE

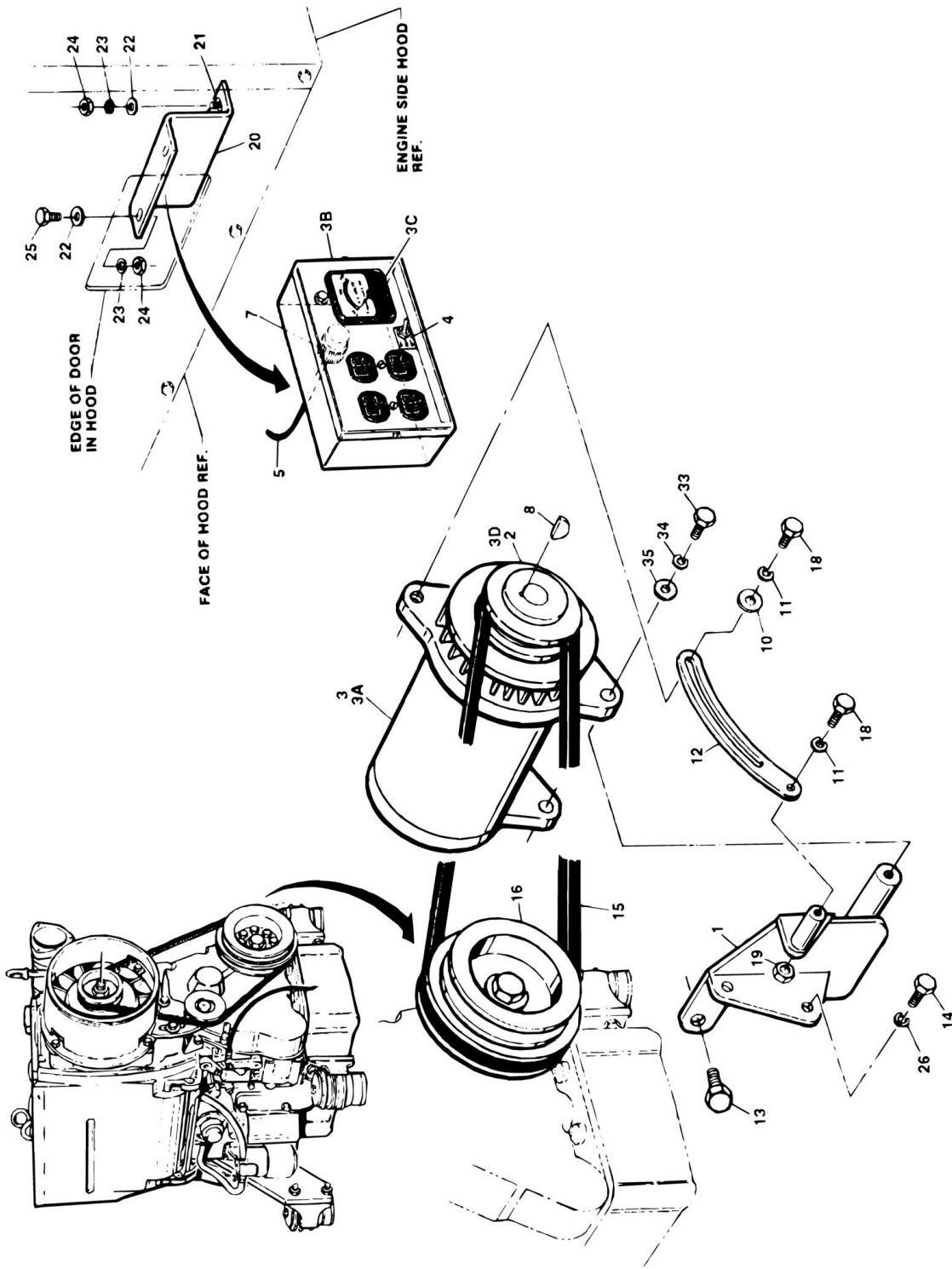
ITEM	PART NUMBER	QTY	DESCRIPTION	REV
152	3311405	8	Locknut 1/4in-20NC (January 1993 to Present)	
153	4300038	2	Stud (Not Shown)	
154	3311505	2	Nut 5/16in-18NC	
155	4751500	2	Flatwasher 5/16in	
156	4280002	3 ft	Strip, Rubber	
157	1320059	1	Clamp	
		Ref	COUPLING INSTALLATIONS	
	0250125	Ref	Lovejoy (Design A) (Prior to SN 27991)	-
	0250597	Ref	Hayes (Design B) (Prior to SN 27991)	-
	0256848	Ref	Hayes (Design B) (SN 27991 to Present)	-
201		Ref	Coupling Options:	
201	1660176	1	Lovejoy (Design A) (Prior to SN 27991)	
201	1660184	1	Hayes (Design B) (Prior to SN 27991)	
201	1660234	1	Hayes (Design B) (SN 27991 to Present)	
202	0080163	1	Plate, Adapter	
203		Ref	Bolt Options:	
203	0700814	6	Bolt, Metric 8mm x 30mm (Design A) (Prior to SN 27991)	
203	0700810	6	Bolt, Metric 8mm x 20mm (Design B)	
204	4761900	6	Lockwasher, Metric 8mm	
205	0701013	8	Bolt, Metric 10mm x 28mm	
206	4832000	8	Lockwasher, Metric 10mm	
207	3020021	AR	Grease, Coupling (Hayes Only) (Not Shown)	
		Ref	ENGINE COMPONENTS	
301	7016331	1	Filter, Oil - Spin-on	
302	7016328	1	Filter, Fuel	
303	7012598	1	Filter, Fuel - Spin-On	
304	7020414	1	V-Belt	
305	7020416	1	Starter (Not Shown)	
306	7020417	1	Alternator (Not Shown)	
307	7000699	1	Seal, Exhaust (Not Shown)	
308	7012599	1	Pump, Fuel	
309	7020434	1	Dipstick (Not Shown)	
310	7020465	1	Oil Filler Cap	
311		Ref	Gasket, Cylinder Head Options: (Engine p/n 2000137 Only) (Not Shown)	
311	70003160	1	1 Notch	
311	70003161	1	2 Notches	
311	70003162	1	3 Notches	
	0250229	Ref	GENERATOR INSTALLATION (OPTIONAL)	L
427	2180730	1	Fitting, Adapter (Prior to September 1993)	
428	2180749	1	Fitting, 45	
429		Ref	Fitting Options:	
429	2180537	1	Fitting Prior to November 1995	
429	2180730	1	Fitting November 1995 to Present	
430	2180360	1	Fitting, Tee (Prior to November 1995)	
431	2200261	1	Fitting (Prior to November 1995)	
432	4360037	1	Switch, Pressure	
		Ref	COLD WEATHER INSTALLATIONS (OPTIONAL)	
	0250659	Ref	Cold Weather Installations (Optional) Prior to November 1994	B
	0255477	Ref	Cold Weather Installations (Optional) November 1994 to Present	-
501	2580001	1	Heater, Battery	

SECTION 2 - TURNTABLE

ITEM	PART NUMBER	QTY	DESCRIPTION	REV
501	2901111	1	Start Kit - Cold Weather	A
	0253777	Ref	EXHAUST PURIFIER INSTALLATION (OPTIONAL)	
601	3220086	1	Muffler, Purifier	
602	1120169	1	Cap, Rain	
603	4566054	1	Tube, Exhaust	
604	1320019	2	Clamp	
605	0960960	1	Tube	

SECTION 2 - TURNTABLE

FIGURE 2-17. GENERATOR INSTALLATION - 110V (DEUTZ)



SECTION 2 - TURNTABLE

FIGURE 2-17. GENERATOR INSTALLATION - 110V (DEUTZ)

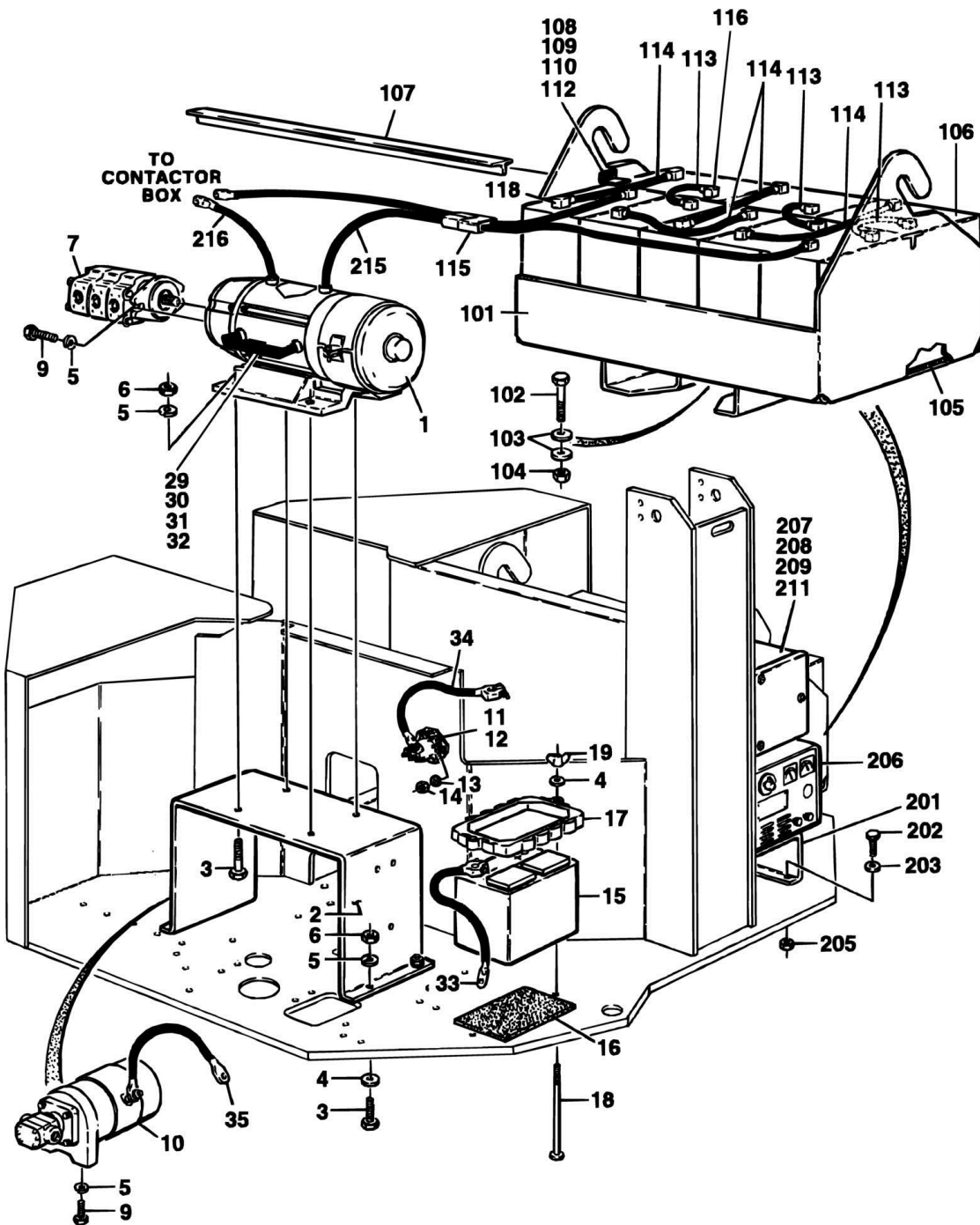
ITEM	PART NUMBER	QTY	DESCRIPTION	REV
	0250229	Ref	GENERATOR	L
1	4843410	1	Weldment, Generator Mount	
2		Ref	Pulley Options:	
2	3580111	1	Pulley Prior to August 1991	
2	3580134	1	Pulley August 1991 to June 1995	
3	2460011	1	Generator and Control Box Assembly	
3A	7012558	1	Generator	
3A	7026199	1	Armature with Slip Rings	
3A	7012513	4	Cap, Brush Holder	
3A	7020108	4	Brush	
3A	7020109	4	Holder, Brush	
3A	7012514	1	Fan	
3A	7020110	1	Bell, Front	
3A	7020111	1	Bell Rear	
3A	7020190	2	Bearing	
3B	7003657	1	Box, Control (Note: Replacement 110V Control Box comes with 2 std Receptacles p/n 4460190. Optional Industrial Twist Lock Receptacles p/n 4460027 must be ordered separately.)	
3B	4360542	1	Breaker, Circuit (was p/n 7020194)	
3B	2920162	1	Lamp	
3B	7020191	1	Switch, Toggle	
3B	3520028	1	Plug, Hole	
3C	2420203	1	Voltmeter (was p/n 7010699)	
3D	3580134	1	Pulley	
4	3251476	1	Decal - Generator	
5	1060012	AR	Cable 12/4 (Prior to August 1994)	
6	4460134	1	Connector (Prior to February 1991)	
7	4460023	1	Connector Terminal	
8	7027887	1	Key, Woodruff	
9	0100011	AR	Loctite #242 (Not Shown)	
10	4751500	1	Flatwasher 5/16in	
11	4761500	2	Lockwasher 5/16in	
12	0361815	1	Arm, Adjustable	
13	0701414	1	Bolt, Metric 14mm x 30mm	
14	0701012	2	Bolt, Metric 10mm x 25mm	
15	0480059	1	Belt	
16	3580158	1	Pulley	
18		Ref	Bolt Options:	
18	0641508	3	Bolt 5/16in-18NC x 1in (Prior to May 1991)	
18	0681510	2	Bolt 5/16in-18NC x 1 1/4in (Grade 8) (May 1991 to Present)	
19	3311501	1	Nut 5/16in-18NC	
20	0901633	1	Bracket, Box Mount	
21	4300068	2	Stud (Welded on Part)	
22	4751400	4	Flatwasher 1/4in	
23	4761400	4	Lockwasher 1/4in	
24	3311401	4	Nut 1/4in	
25	0641406	2	Bolt 1/4in-20NC x 3/4in	
26	4812000	2	Flatwasher, Metric 10mm	
33	0681610	2	Bolt 3/8in-16NC x 1 1/4in (Grade 8) (June 1992 to Present)	
34	4761600	2	Lockwasher 3/8in (June 1992 to Present)	

SECTION 2 - TURNTABLE

ITEM	PART NUMBER	QTY	DESCRIPTION	REV
35	4751600	2	Flatwasher 3/8in (June 1992 to Present)	

SECTION 2 - TURNTABLE

FIGURE 2-18. ELECTRIC MOTOR, BATTERIES AND CHARGER INSTALLATIONS



SECTION 2 - TURNTABLE

FIGURE 2-18. ELECTRIC MOTOR, BATTERIES AND CHARGER INSTALLATIONS

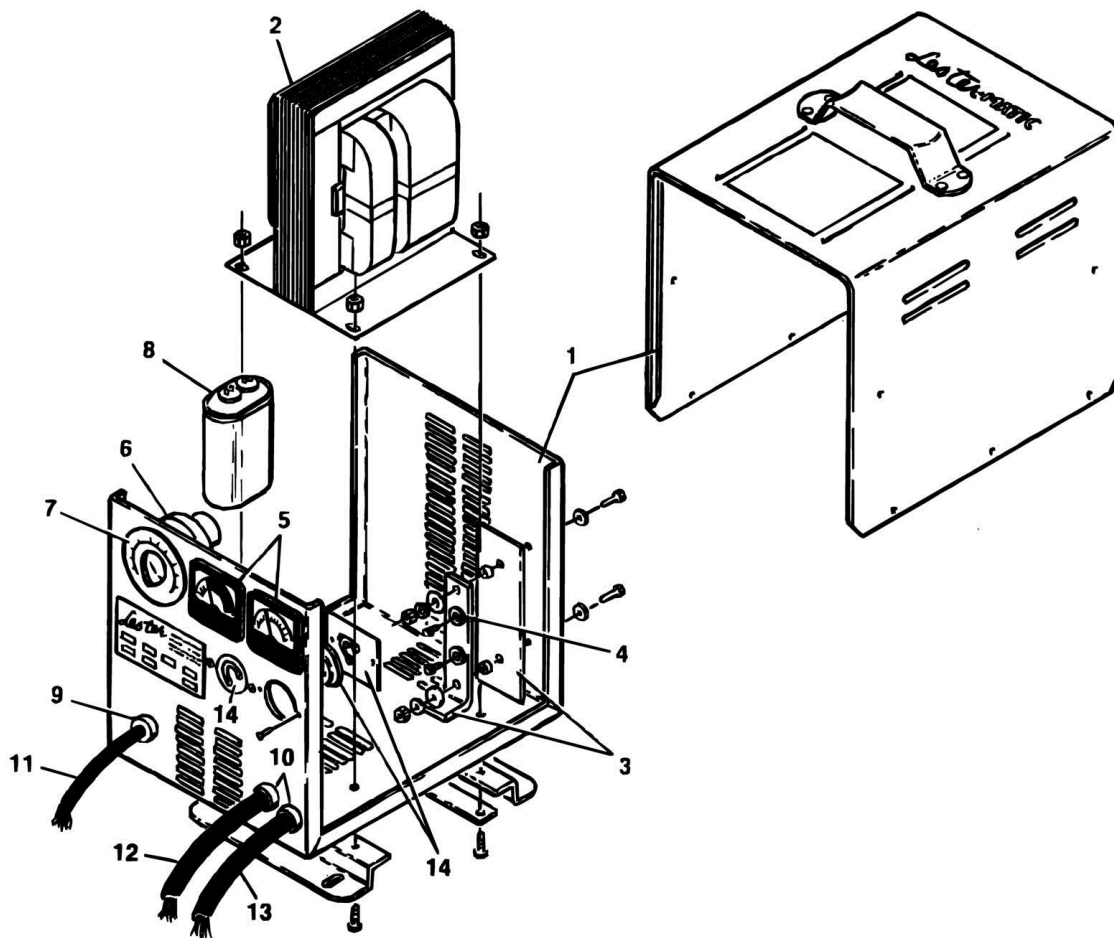
ITEM	PART NUMBER	QTY	DESCRIPTION	REV
	0251014	Ref	ELECTRIC MOTOR INSTALLATION	C
1	3160153	1	Motor, Electric	
2	4843667	1	Weldment, Bracket	
3	0641614	11	Bolt 3/8in-16NC x 1 3/4in	
4	4751600	9	Flatwasher 3/8in	
5	4761600	15	Lockwasher 3/8in	
6	3311601	11	Nut 3/8in-16NC	
7	3600177	1	Pump Assembly - 3 Section (See PUMP ASSEMBLY - 3 SECTION for Breakdown)	
9	0641610	4	Bolt 3/8in-16NC x 1 1/4in	
10		Ref	Auxiliary Pump Assembly Options:	
10	3600050	1	Auxiliary Pump Assembly Prior to September 1992	
10	3600208	1	Auxiliary Pump Assembly September 1992 to Present	
11	3740067	1	Relay	
12	4300032	2	Stud	
13	4761400	2	Lockwasher 1/4in	
14	3311401	2	Nut 1/4in-20NC	
15		Ref	Battery Options:	
15	0400003	1	Wet - Battery	
15	7016175	1	Dry - Battery	
16	3980003	1	Seat, Battery	
17	0400002	1	Hold-Down, Battery	
17	2910479	1	Hold-Down Repair Kit	
18	0236768	2	Rod, Hold-down	
19	3300029	2	Wingnut 3/8in-16NC	
20	0100009	AR	Silicone (Not Shown)	
29	0641504	1	Bolt 5/16in-18NC x 1/2in	
30	4761500	1	Lockwasher 5/16in	
31	3311501	1	Nut 5/16in-18NC	
32	2820030	12 in	Tube, Heat Shrink	
33	1060046	1	Cable, Battery (Negative Terminal to Ground)	
34	1060154	1	Cable, Battery (Positive Terminal to Relay)	
35	1060149	1	Cable, Battery (Relay to Aux Power)	
	0250989	Ref	BATTERIES INSTALLATION	C
101	4843574	1	Weldment, Tray	
102	0641613	2	Bolt 3/8in-16NC x 1 5/8in	
103	4751600	4	Flatwasher 3/8in	
104	3311605	2	Locknut 3/8in-16NC	
105	3980017	1	Seat, Battery	
106		Ref	Battery Options:	
106	0400055	8	Wet - Battery	
106	7016177	8	Dry - Battery	
107	0361879	1	Bar	
108	0181554	2	Angle, Retaining	
109	4300068	4	Stud (Welded on Part)	
110	4751400	4	Flatwasher 1/4in	
112	3311405	4	Locknut 1/4in-20NC	
113	1060338	3	Cable, Battery	
114	1060352	4	Cable, Battery	
115	1060355	1	Cable, Battery	

SECTION 2 - TURNTABLE

ITEM	PART NUMBER	QTY	DESCRIPTION	REV
116	0840031	8	Boot, Terminal (Negative Posts)	
117	4843575	1	Bar, Hoisting (Not Shown)	
118	0840032	8	Boot, Terminal (Positive Posts)	
	0251021	Ref	CONTACTOR BOX AND CHARGER INSTALLATION	C
201	0901677	1	Bracket, Mounting - Charger	
202	0641613	4	Bolt 3/8in-16NC x 1 5/8in	
203	4751600	8	Flatwasher 3/8in	
205	3311605	4	Locknut 3/8in-16NC	
206	0400068	1	Battery Charger Assembly (See BATTERY CHARGER ASSEMBLY for Breakdown)	
207	0860662	1	Contacto Box Assembly (See CONTACTOR BOX ASSEMBLY for Breakdown)	
208	4300068	5	Stud (Welded on Part)	
209	4751400	5	Flatwasher 1/4in	
211	3311405	5	Locknut 1/4in-20NC	
215	1060356	1	Cable, Battery (Contacto Box to Plug)	
216	1060345	1	Cable, Battery (Motor to Contacto Box)	
217	4921298	1	Harness, Battery Charger (Not Shown)	

SECTION 2 - TURNTABLE

FIGURE 2-19. BATTERY CHARGER ASSEMBLY



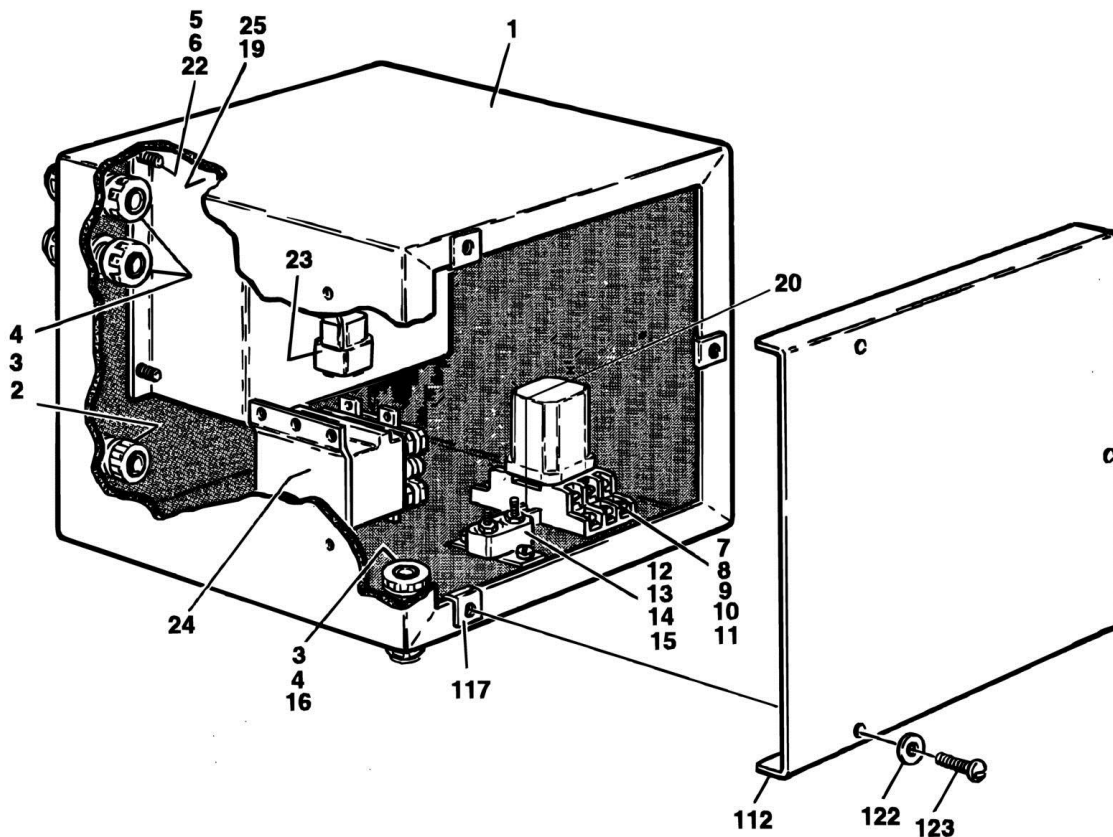
SECTION 2 - TURNTABLE

FIGURE 2-19. BATTERY CHARGER ASSEMBLY

ITEM	PART NUMBER	QTY	DESCRIPTION	REV
	0400068	Ref	BATTERY CHARGER ASSEMBLY	
1	7005955	1	Case, Assembly	
2	7005956	1	Transformer Assembly	
3	7005957	2	Heat Sink Assembly	
4	7005958	4	Diode	
5	7005959	2	Ammeter	
6	7005951	1	Timer	
7	7005941	1	Knob, Timer	
8	7005928	1	Capacitor	
9	7005935	3	Bushing	
10	7005960	2	Bushing	
11	7005937	1	Cord Set, AC	
12	7005961	1	Cord Set, 12VDC	
13	7005962	1	Auxiliary Relay Cable Assembly 48VDC	
14	7005963	2	Fuse Assembly	

SECTION 2 - TURNTABLE

FIGURE 2-20. CONTACTOR BOX ASSEMBLY



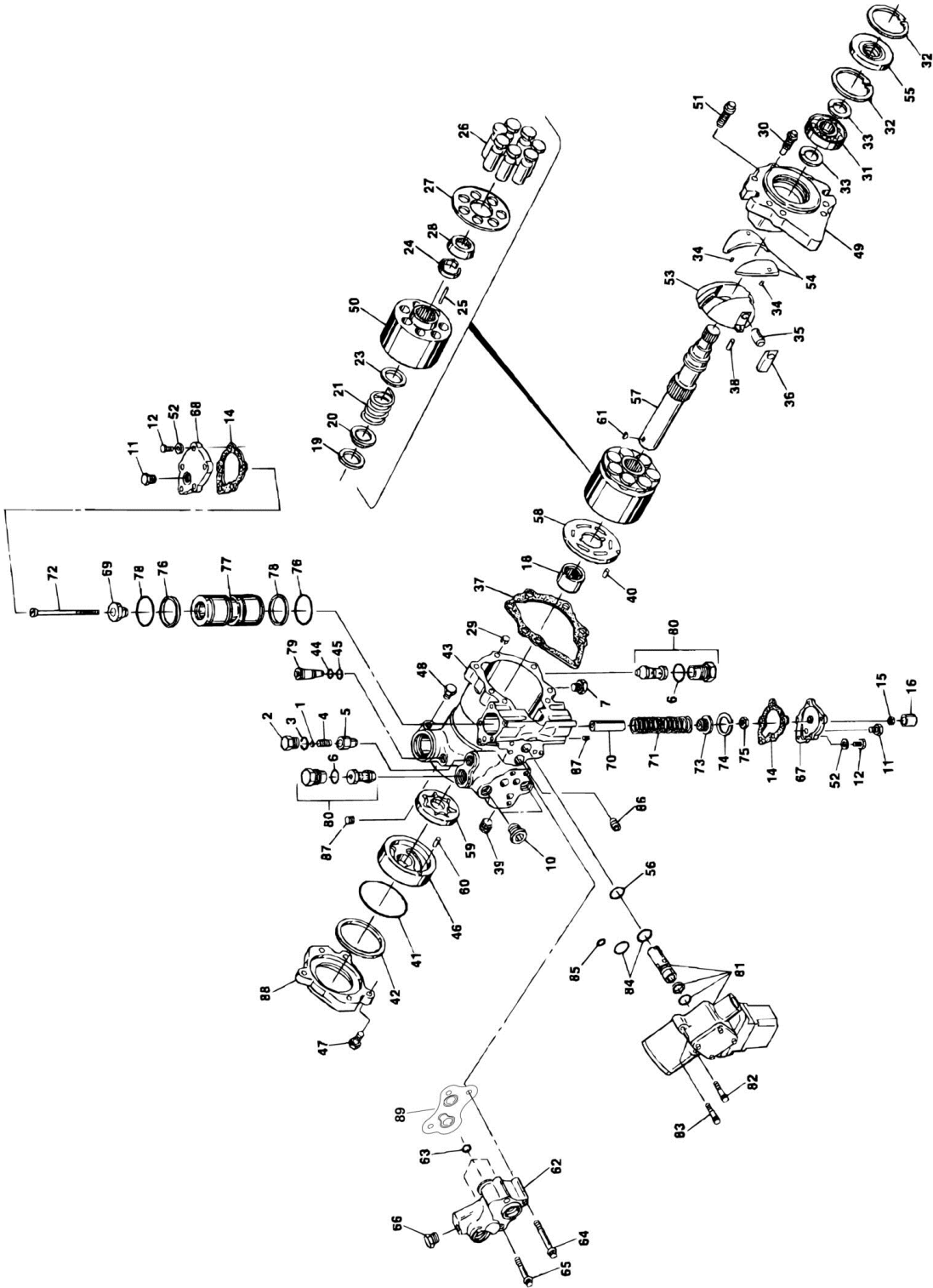
SECTION 2 - TURNTABLE

FIGURE 2-20. CONTACTOR BOX ASSEMBLY

ITEM	PART NUMBER	QTY	DESCRIPTION	REV
	0860662	Ref	CONTACTOR BOX ASSEMBLY	D
1	4843668	1	Box	
2	4460051	3	Connector	
3	3300048	4	Locknut, Conduit	
4	0960238	4	Bushing	
5		Ref	Bolt Options:	
5	0641506	7	Bolt 5/16in-18NC x 3/4in (Prior to January 1991)	
5	0641406	7	Bolt 1/4in-20NC x 3/4in (January 1991 to November 1991)	
5	0641408	7	Bolt 1/4in-20NC x 1in (November 1991 to Present)	
6		Ref	Lockwasher Options:	
6	4761500	7	Lockwasher 5/16in (Prior to January 1991)	
6	4761400	7	Lockwasher 1/4in (January 1991 to Present)	
7	4120002	1	Socket, Relay	
8	3740035	1	Relay	
9	3910610	2	Screw, Machine #6-32NC x 5/8in	
10	4760600	2	Lockwasher #6	
11	3310601	2	Nut #6-32NC	
12	4360232	1	Breaker, Circuit 15Amp	
13	0721004	2	Screw, Machine #10-24NC x 1/2in	
14	4761000	2	Lockwasher #10	
15	3311001	2	Nut #10-24NC	
16		Ref	Connector Options:	
16	4460049	1	Connector Prior to March 1991	
16	4460071	1	Connector March 1991 to Present	
17	3300047	2	Locknut, Conduit (Prior to March 1991)	
18	0960239	2	Bushing (Prior to March 1991)	
19		Ref	Converter Options:	
19	1600122	1	Converter (Prior to November 1991)	
19	1600119	1	Converter (November 1991 to Present)	
20	4160025	1	Spring, Relay	
22	3311401	7	Nut 1/4in-20NC	
23	3740049	1	Relay	
24	3740064	1	Contactore, Relay	
25	3535808	1	Plate	
	0251021	Ref	CONTACTOR BOX AND CHARGER INSTALLATION	C
112	1670578	1	Cover, Front	
117	3300177	3	Nut, Tinnerman	
122	4750800	3	Flatwasher #8	
123	0750806	3	Screw, Pan Head #8	

SECTION 2 - TURNTABLE

FIGURE 2-21. PUMP ASSEMBLY - SUNSTRAND (GAS AND DIESEL MACHINES)



SECTION 2 - TURNTABLE

FIGURE 2-21. PUMP ASSEMBLY - SUNSTRAND (GAS AND DIESEL MACHINES)

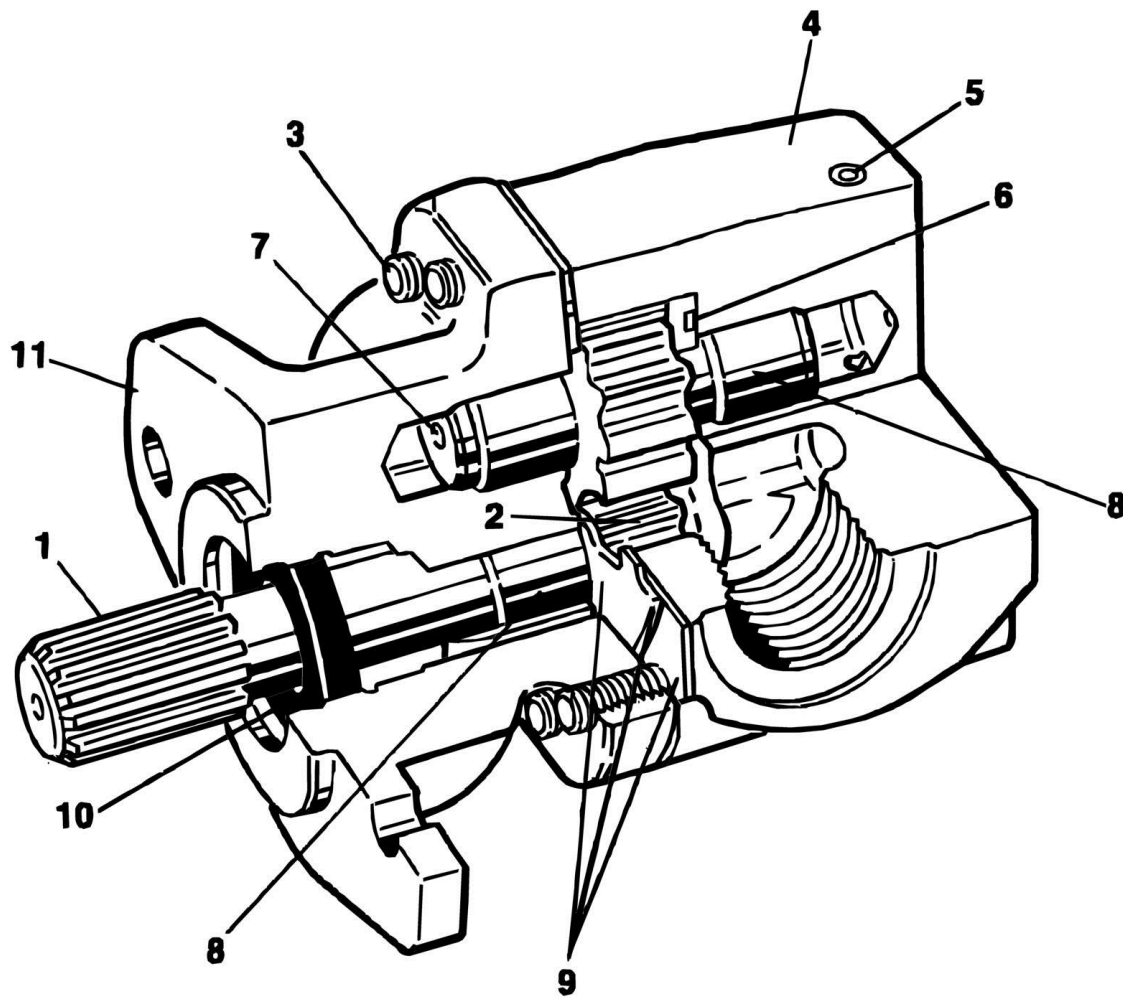
ITEM	PART NUMBER	QTY	DESCRIPTION	REV
		Ref	PISTON PUMP ASSEMBLY	
	3600164	Ref	13Tooth Pump Spline (Prior to SN 27991)	A
	3600260	Ref	15 Tooth Pump Spline (SN 27991 to Present)	-
1	7007413	1	Shim Kit - Relief Valve	
2	7007414	1	Plug	
3	Kit	1	O-Ring	
4	7007416	1	Spring, Relief Valve	
5	7007417	1	Valve, Relief	
6	Kit	2	O-Ring	
7	7007419	2	Plug	
10	7007420	2	Plug	
11	7007208	2	Plug	
12	7007421	10	Screw	
14	Kit	2	Gasket, Servo Cover	
15	7007423	1	Nut, Special	
16	7007424	1	Cover, Adjustment	
18	7007425	1	Bearing, Needle	
19	Kit	1	Ring, Retaining	
20	Kit	1	Washer	
21	Kit	1	Spring	
23	Kit	1	Washer	
24	Kit	1	Retainer	
25	Kit	3	Pin, Slipper Hold-Down	
26	Kit	7	Piston Assembly	
27	Kit	1	Guide, Slipper	
28	Kit	1	Guide, Retainer	
29	7007435	1	Pin, Spring	
30	7007436	1	Screw - 12 Point Head	
31	7007437	1	Bearing, Ball	
32	7007438	2	Ring	
33	7007439	2	Ring	
34	7007440	2	Pin, Spring	
35	7007441	1	Handle, Pin	
36	7007442	1	Sleeve, Bearing	
37	Kit	1	Gasket, Front Cover	
38	7007444	1	Pin	
39	7007445	1	Plug, Expansion	
40	Kit	1	Pin	
41	Kit	1	O-Ring	
42	Kit	1	Ring, Load Temper	
43	7007449	1	Housing, Pump	
44	Kit	1	Ring, Back-up	
45	Kit	1	O-Ring	
46	Kit	1	Cover, Gerotor	
47	7007453	3	Bolt	
48	7007208	1	Plug	
49	7007454	1	Cover, Front	
50	Kit	1	Block, Cylinder	
51	7007456	6	Screw - 12 Point Head	
52	7001438	10	Washer	

SECTION 2 - TURNTABLE

ITEM	PART NUMBER	QTY	DESCRIPTION	REV
53	Kit	1	Swashplate	
54	7007458	1	Journal, Bearing	
55	Kit	1	Seal, Lip	
56	Kit	1	O-Ring	
57		Ref	Shaft, Main Pump Options:	
57	7007461	1	13 Tooth Spline (Prior to SN 27991)	
57	7010121	1	15 Tooth Spline (SN 27991 to Present)	
58	Kit	1	Plate, Valve	
59	Kit	1	Gerotor Assembly	
60	Kit	1	Pin	
61	Kit	1	Key, Woodruff	
62	7007466	1	Adaptor, Remote Filtration (Without By-Pass)	
63	Kit	3	O-Ring	
64	7007468	2	Screw	
65	7007469	2	Screw	
66	7007470	1	Plug	
67	7007471	1	Cover, Servo (With Adjuster)	
67	7007490	2	Stop, Servo (Not Shown)	
67	7007491	2	Nut, Special (Not Shown)	
67	7007492	2	Ring, External (Not Shown)	
68	7007482	1	Cover, Servo (Without Adjuster)	
69	7007483	1	Guide, Spring	
70	7007484	1	Stop, Servo	
71	7007485	1	Spring	
72	7007486	1	Screw	
73	7007487	1	Guide, Spring	
74	7007488	1	Ring, Retaining	
75	7007499	1	Locknut	
76	Kit	2	Ring, Piston	
77	7007494	1	Piston, Servo	
78	Kit	2	O-Ring	
79	7007472	1	Valve, By-Pass	
80	7010122	2	Valve, Pressure Release (Includes Item 6) (was p/n 7007473)	
81	7007474	1	Control, Dual Oil-Filled	
81	7007496	1	Coil Assembly (Pilot)	
81	7007497	1	Plug (Pump)	
81	7007498	1	Plug (Valve Harness)	
82	7007478	2	Screw	
83	7001498	2	Screw	
84	Kit	2	O-Ring	
85	Kit	1	O-Ring	
86	7007475	1	Plug, Orifice/Screen - .156	
87	7007477	2	Plug, Orifice/Screen - .37	
88	7007476	1	Adapter, Auxiliary Pump	
89	7010120	1	Spacer/Gasket	
	2900752	1	Seal Kit - Complete (Includes Items 3, 6, 14, 37, 41, 42, 44, 45, 55, 56, 63, 76, 78, 84 & 85)	
	7007412	1	Seal Kit - Servo Piston (Includes Items 76 & 78)	
	2900826	1	Charge Pump Kit (Includes Items 41, 42, 46, 59, 60 & 61)	
	2900827	1	Cylinder Block Kit (Includes Items 19-28, 40-50, 53, 55 & 58)	

SECTION 2 - TURNTABLE

FIGURE 2-22. PUMP ASSEMBLY - SINGLE SECTION (GAS AND DIESEL MACHINES) (PRIOR TO AUGUST 1992)



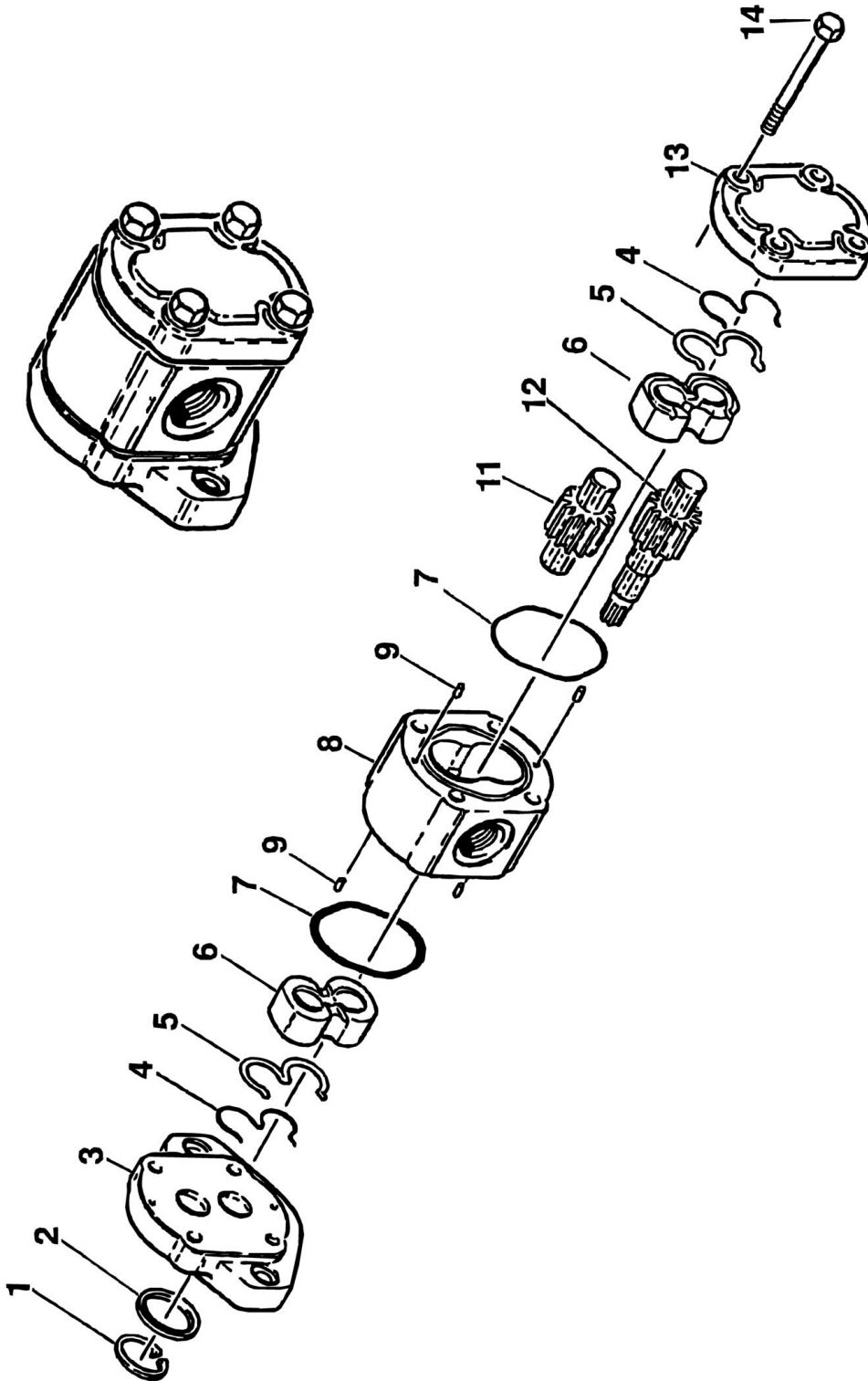
SECTION 2 - TURNTABLE

FIGURE 2-22. PUMP ASSEMBLY - SINGLE SECTION (GAS AND DIESEL MACHINES) (PRIOR TO AUGUST 1992)

ITEM	PART NUMBER	QTY	DESCRIPTION	REV
	3600172	Ref	HYDRAULIC PUMP ASSEMBLY	-
1	7010925	1	Shaft, Drive	
2	7010926	1	Gear (.750)	
2	7010927	1	Pin, Shear.093 x.750 Lg	
3	7010928	8	Screw	
4	7010929	1	Housing, Gear	
5	7010905	1	Plug	
6	7010914	1	Plate, Pressure	
6	Kit	1	Seal	
6	Kit	1	Back-Up	
7	7010930	1	Idler Shaft	
7	7010926	1	Gear (.750)	
7	7010918	1	Ball, Steel (.094)	
8	7010907	4	Bearing	
9	7010919	1	Plate, Wear	
9	Kit	1	Plate, Seal	
9	7010902	4	Ring, Crescent	
9	Kit	1	Seal	
10	Kit	1	Seal, Shaft	
11	7010909	1	Stator	
11	7010911	2	Pin, Shear.219 x.50 Lg	
	2900740	1	Seal, Kit	

SECTION 2 - TURNTABLE

FIGURE 2-23. PUMP ASSEMBLY - SINGLE SECTION (GAS AND DIESEL MACHINES) (AUGUST 1992 TO PRESENT)



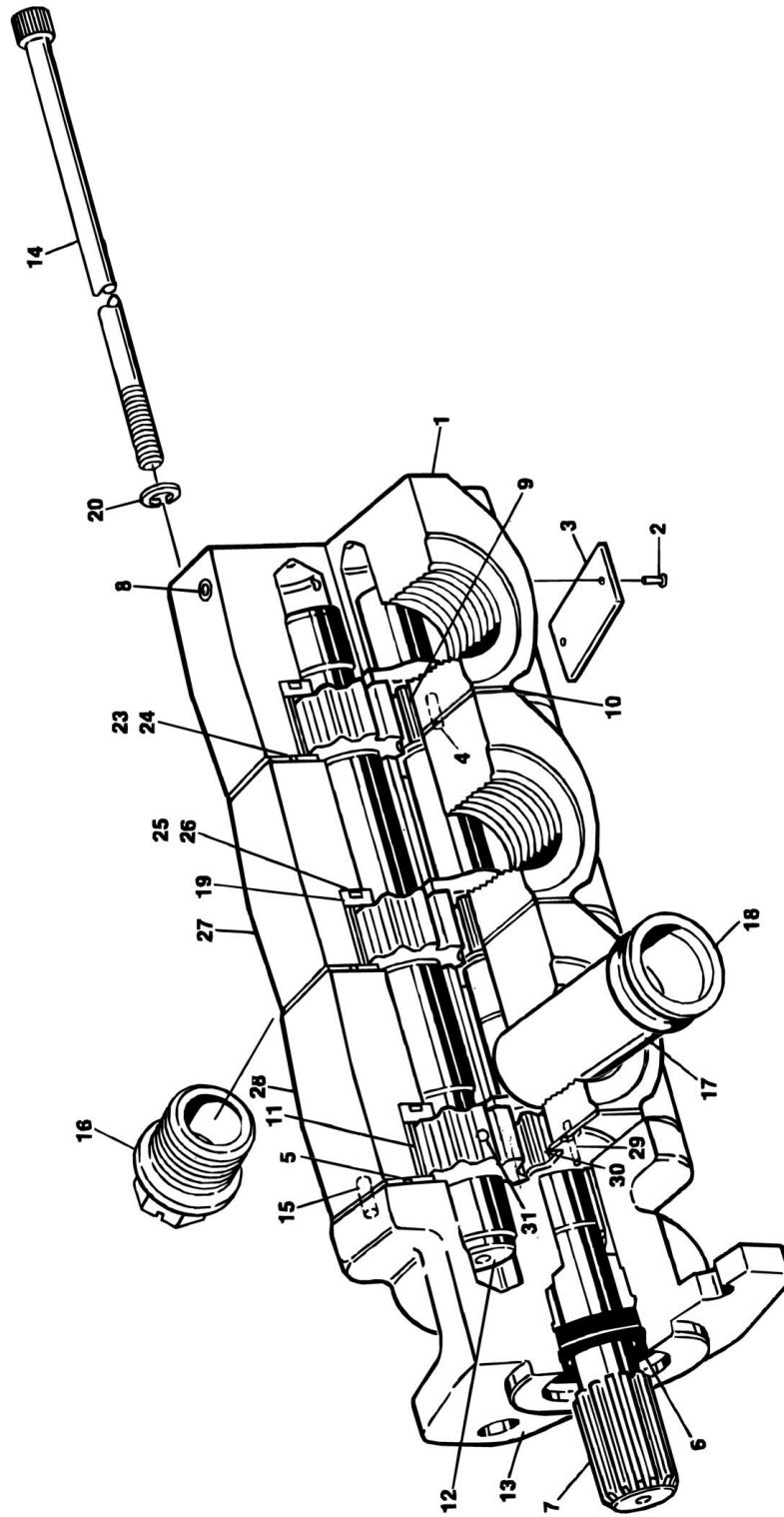
SECTION 2 - TURNTABLE

FIGURE 2-23. PUMP ASSEMBLY - SINGLE SECTION (GAS AND DIESEL MACHINES) (AUGUST 1992 TO PRESENT)

ITEM	PART NUMBER	QTY	DESCRIPTION	REV
	3600199	Ref	HYDRAULIC PUMP ASSEMBLY	-
1	7010955	1	Ring, Retaining	
2	Kit	1	Seal, Shaft	
3	7010956	1	Flange, Mounting	
4	Kit	2	Ring, Back-up	
5	Kit	2	E-Seal	
6	7010957	2	Bearing	
7	Kit	2	O-Ring	
8	7010958	1	Housing	
9	7010959	4	Pin, Dowel	
11	7010954	1	Gear, Idler	
12	7010978	1	Gear, Drive	
13	7010960	1	Cover, End	
14	7010961	4	Bolt	
	7010953	1	Seal, Kit (Includes Items 2, 4, 5 & 7)	

SECTION 2 - TURNTABLE

FIGURE 2-24. PUMP ASSEMBLY - 3 SECTION (ELECTRIC MACHINES)



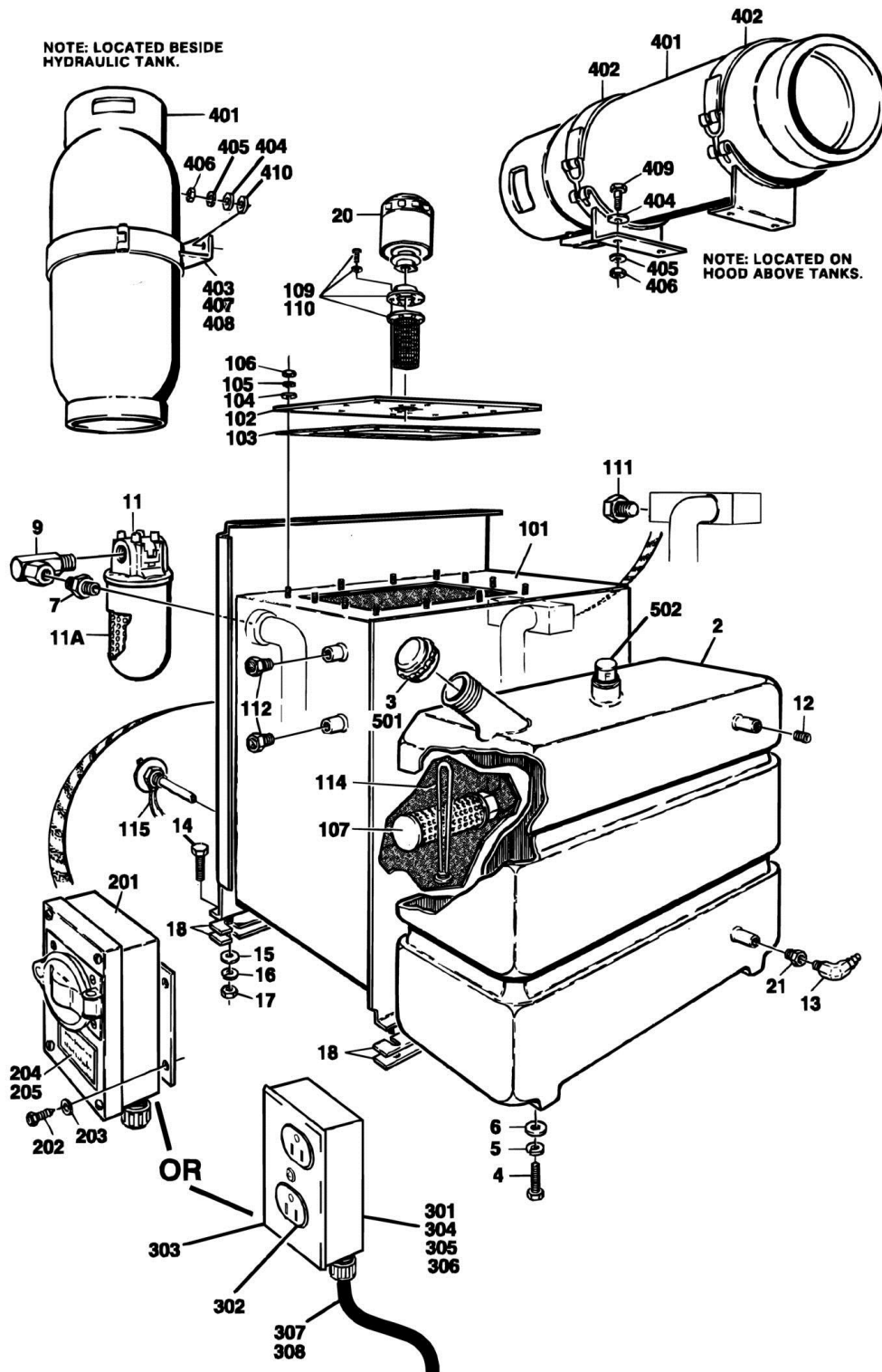
SECTION 2 - TURNTABLE

FIGURE 2-24. PUMP ASSEMBLY - 3 SECTION (ELECTRIC MACHINES)

ITEM	PART NUMBER	QTY	DESCRIPTION	REV
	3600177	Ref	HYDRAULIC PUMP ASSEMBLY	-
1	Not Serviced	1	Housing, Gear - End	
2	Not Serviced	2	Rivet, Tag	
3	Not Serviced	1	Nameplate	
4	7010935	1	Pin, Shear	
5	7010902	4	Ring, Crescent	
6	Kit	1	Seal, Oil	
7	7010939	1	Shaft, Drive	
8	7010905	1	Plug, Lee	
9	7010934	2	Gear	
10	Kit	3	Seal, Plate	
11	7010907	8	Bearing	
12	Not Serviced	1	Shaft, Idler	
13	Not Serviced	1	Stator	
14	7010922	8	Bolt, Socket Head	
15	7010911	6	Pin, Shear	
16	Not Serviced	3	Plug, Shipping	
17	7010902	2	Tube	
18	Not Serviced	2	Plug, Shipping	
19	7010938	3	Plate, Pressure	
20	7010933	8	Lockwasher 1/4in	
23	7010937	3	Plate, Wear	
24	Kit	3	Seal, Wear Plate	
25	Kit	3	Ring, Pressure Plate Back-Up Seal	
26	Kit	3	Seal, Pressure Plate	
27	Not Serviced	1	Housing, Gear - Center	
28	Not Serviced	1	Housing, Gear - Center	
29	7010936	2	Rollpin	
30	7010926	4	Gear	
31	7010918	1	Ball	
	2900740		Seal Kit (Includes Items 6, 10, 24, 25 & 26)	

SECTION 2 - TURNTABLE

FIGURE 2-25. TANK INSTALLATION



SECTION 2 - TURNTABLE

FIGURE 2-25. TANK INSTALLATION

ITEM	PART NUMBER	QTY	DESCRIPTION	REV
		Ref	TANK INSTALLATIONS	
	0250327	Ref	Fuel and Hydraulic Tanks Installation (Standard/Gas and Diesel Machines) (Prior to SN 30537)	E
	0257432	Ref	Fuel and Hydraulic Tanks Installation (Standard/Gas and Diesel Machines) (SN 30537 to Present)	1
	0250660	Ref	Fuel and Hydraulic Tanks Installation (With Heaters/Gas and Diesel Machines)	C
	0251014	Ref	Hydraulic Tanks Installation (Electric Machines - Not Shown)	C
	0251420	Ref	Hydraulic Tanks Installation (LP Only Machines - Not Shown)	A
2		Ref	Tank, Fuel Options:	
2	4400273	1	Tank, Fuel (Prior to SN 30537)	
2	4400402	1	Tank, Fuel (SN 30537 to Present)	
3	1120362	1	Cap, Fuel	
4	0641611	4	Bolt 3/8in-16NC x 1 3/8in	
5	4761600	4	Lockwasher 3/8in	
6	4751600	4	Flatwasher 3/8in	
7		Ref	Fitting, Nipple Options:	
7	2220341	1	Fitting, Nipple (Gas, Diesel and LP Only)	
7	2180644	1	Fitting, Nipple (Electric - Not Shown)	
8	0100020	AR	Sealant	
9		Ref	Fitting	
9	2220077	1	Fitting (Gas, Diesel and LP Only)	
9	2200447	1	Fitting (Electric - Not Shown)	
10	0100027	AR	Sealant	
11	2120109	1	Filter	
11A	2120110	1	Element	
12		Ref	Plug Options:	
12	2220202	3	Plug, Pipe (Prior to June 1991)	
12	2200202	3	Plug, Pipe (June 1991 to Present)	
13	2220805	1	Fitting 90, Barbed (Prior to June 1991)	
14		Ref	Hardware Options:	
14	4300078	4	Stud (Welded on Part) (Prior to June 1992)	
14	0641514	4	Bolt 5/16in-18NC x 1 3/4in (June 1992 to Present)	
15	4751500	4	Flatwasher 5/16in	
16	4761500	4	Lockwasher 5/16in	
17	3311501	4	Nut 5/16in-18NC	
18	4070679	4	Shim	
20	1340046	1	Breather	
21	2220273	1	Fitting, Reducer (Prior to June 1991)	
		Ref	TANK HYDRAULIC ASSEMBLIES	
	4400279	Ref	Standard/Gas/Diesel and LP Only	-
	4400307	Ref	With Heaters/Gas and Diesel	-
	4400241	Ref	Electric - Not Shown	D
101		Ref	Tank Weldment Options:	
101	4400296	1	Standard/Gas/Diesel and LP Only	
101	4400306	1	With Heaters/Gas and Diesel	
101	4400242	1	Electric - Not Shown	
102		Ref	Cover Options:	
102	1670446	1	Gas and Diesel	
102	3532064	1	Electric - Not Shown	

SECTION 2 - TURNTABLE

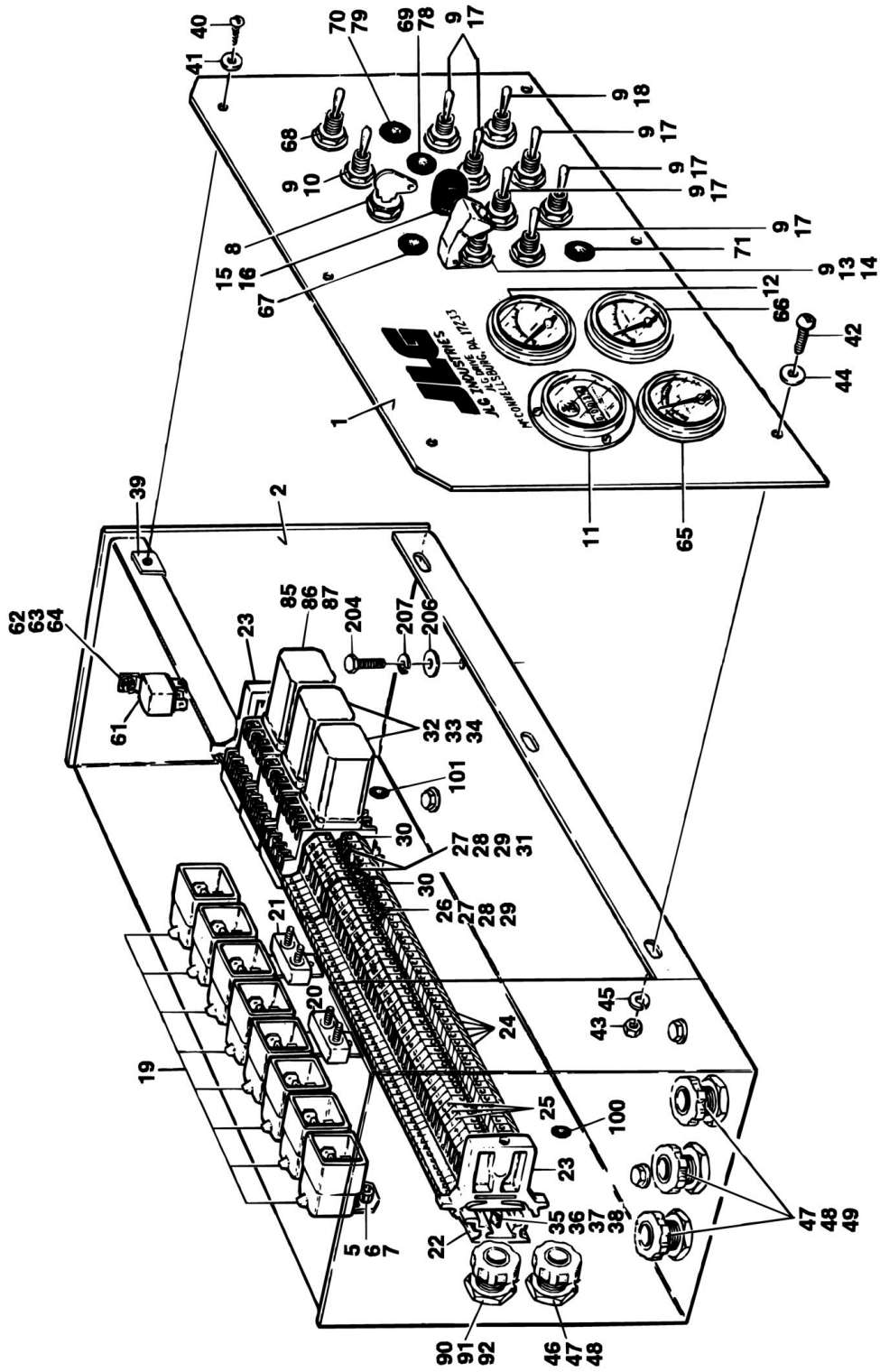
ITEM	PART NUMBER	QTY	DESCRIPTION	REV
103		Ref	Gasket Options:	
103	3960369	1	Gas and Diesel	
103	3960372	1	Electric - Not Shown	
104	4751400	12	Flatwasher 1/4in	
105	4761400	12	Lockwasher 1/4in	
106	3311401	12	Nut 1/4in-20NC	
107		Ref	Filter, Suction Options:	
107	2120106	1	Gas and Diesel	
107	2120120	1	Electric - Not Shown	
108	0100020	AR	Sealant (Not Shown)	
109		Ref	Filler/Strainer Options: (Includes Mounting Hardware)	
109	1340045	1	Gas and Diesel	
109	1340047	1	Electric - Not Shown	
110	4740338	6	Washer, Sealing	
111	2220242	1	Fitting	
112		Ref	Gauge, Sight Options:	
112	2420115	2	Gauge, Sight (Gas and Diesel)	
112	4562516	8 in in	Tube, Sight (Electric - Not Shown)	
112	2180467	2	Fitting (Electric - Not Shown)	
112	1320022	2	Clamp (Electric - Not Shown)	
113	3520022	1	Plug, Magnetic (Tanks Without Heaters Only)	
114	2580018	1	Heater, Immersion (Tanks With Heaters Only)	
115	1600043	1	Thermoswitch, Heat Controller (Tanks With Heaters Only)	
		Ref	JUNCTION BOX INSTALLATIONS (OPTIONAL) (PRIOR TO NOVEMBER 1994)	
	0250659	Ref	Deutz With Heater	B
	0250658	Ref	Ford With Heater	A
201	0231756	1	Junction Box Assembly	
201	4460049	3	Connector, Strain Relief	
201	4460007	1	Strip, Terminal	
201	1670199	1	Cover	
201	4460082	1	Plug, 3 Wire	
202	3941406	4	Screw, Self-Tapping 1/4in x 3/4in	
203	4761400	4	Lockwasher 1/4in	
204		Ref	Nameplate - Heaters Options:	
204	3251837	1	Nameplate - Heaters (Deutz)	
204	3251228	1	Nameplate - Heaters (Ford)	
205	3251243	1	Nameplate - 120V-60Hz	
		Ref	JUNCTION BOX INSTALLATIONS (OPTIONAL) (NOVEMBER 1994 TO PRESENT)	
	0255477	Ref	Deutz With Heater	-
	0255476	Ref	Ford With Heater	-
301		Ref	Box Receptacle Options:	
301	0860785	1	Deutz	
301	0860901	1	Ford	
302	4460190	AR	Terminal, Receptacle	
303		Ref	Cover Options:	
303	1670646	1	Deutz	
303	1670645	1	Ford	
304	0641406	AR	Bolt 1/4in-20NC x 3/4in	
305	3311401	AR	Nut 1/4in-20NC	
306	4761400	AR	Lockwasher 1/4in	

SECTION 2 - TURNTABLE

ITEM	PART NUMBER	QTY	DESCRIPTION	REV
307	1060494	10 ft	Cable 12/3	
308	4460138	1	Plug, Terminal	
309	1702089	1	Decal - Heater Cord (Not Shown)	
310	3251272	1	Nameplate - Tank Heater (Not Shown)	
311	3251836	1	Nameplate - Engine and Battery Heaters (Not Shown)	
312	2580046	1	Heater, Pad (Not Shown - Located Under Oil Tank)	
	0250649	Ref	LP TANK BRACKETS INSTALLATION (OPTIONAL)	E
401		Ref	Tanks Options:	
401	4400281	2	Tank Aluminum 33.5Lbs	
401	4400421	2	Tank Steel 33.5Lbs	
401	4400275	2	Tank Aluminum 43.5Lbs	
401	4400420	2	Tank Steel 43.5Lbs	
402	1320023	2	Clamp, Bracket	
403	4300034	2	Stud (Welded on Part)	
404	4751600	10	Flatwasher 3/8in	
405	4761600	6	Lockwasher 3/8in	
406	3311601	6	Nut 3/8in-16NC	
407	1320126	1	Clamp, Bracket	
408	1320127	1	Clamp	
409	0641608	4	Bolt 3/8in-16NC x 1in	
410	4751800	2	Flatwasher 1/2in	
	0257412	Ref	FUEL CAP INSTALLATION (STANDARD)	2
501	1120486	1	Cap, Fuel Vented	
502	2200108	1	Plug	
505	0100020	AR	Sealer, Pipe (Not Shown)	
	0257413	Ref	FUEL CAP INSTALLATION (PROTECTOSEAL)	1
501	1120485	1	Cap, Fuel Vented	
502	2420183	1	Gauge, Fuel	
504	0100019	AR	Loctite #272 (Not Shown)	
505	0100020	AR	Sealer, Pipe (Not Shown)	

SECTION 2 - TURNTABLE

FIGURE 2-26. GROUND CONTROL BOX ASSEMBLY



SECTION 2 - TURNTABLE

FIGURE 2-26. GROUND CONTROL BOX ASSEMBLY

ITEM	PART NUMBER	QTY	DESCRIPTION	REV
		Ref	GROUND CONTROL BOX ASSEMBLIES	
	0860658	Ref	Ford LSG-411 (Prior to August 1994)	C
	0860953	Ref	Ford LSG-411 (With Prestolite Alternator) (August 1994 to Present)	
	0860961	Ref	Ford LSG-411 (With Proportional Controls)	2
	0860649	Ref	Deutz F2L1011	C
	0860882	Ref	Deutz F2L1011 (With Proportional Controls)	3
	0860676	Ref	Electric	D
1		Ref	Box Options:	
1	0860645	1	Gas and Diesel (With Prestolite Alternator)	
1	0860576	1	Gas and Diesel (With Proportional Controls)	
1	0860637	1	Electric	
2	3251895	1	Lid	
5	4751000	11	Flatwasher #10	
6	4761000	11	Lockwasher #10	
7	3311001	11	Nut #10-24NC	
8	4360003	1	Switch, Key (Master Switch)	
9	3790012	9	O-Ring	
10	4360073	1	Switch, Toggle - Center Off (Select)	
11	2420009	1	Hourmeter	
12		Ref	Gauge Options:	
12	2420129	1	Voltmeter (Ford and Deutz)	
12	2420091	1	Voltmeter (Deutz) (With Proportional Controls)	
12	3520070	1	Plug (Electric)	
13	4360199	1	Switch, Toggle (Ignition)	
14	4360141	1	Switch, Guard	
15	3790015	1	O-Ring	
16		Ref	Switch Options:	
16	4360274	1	Switch, Push Button (Ford and Deutz)	
16	3520026	1	Plug (Electric)	
17	4360202	6	Switch, Toggle	
18	4360200	1	Switch, Toggle	
19	3740049	AR	Relay	
20	4360216	1	Breaker, Circuit 30 Amp	
21	4360232	1	Breaker, Circuit 15 Amp	
22		Ref	Track	
22	3640492	1	Ford and Deutz (Prior to November 1990)	
22	3640711	1	Ford and Deutz (November 1990 to Present)	
22	3640492	1	Electric (Prior to March 1995)	
22	3640764	1	Electric (March 1995 to Present)	
23	4460299	2	Stop, Terminal	
24	4460298	45	Block, Terminal	
25	4460301	1	Marker, Terminal	
26	4460311	1	Bar, Buss - 5 Position	
27	4460305	AR	Screw, Terminal	
28	4460306	AR	Washer, Terminal	
29	4460307	AR	Sleeve, Terminal	
30	4460300	2	Barrier, Terminal	
31	4460308	AR	Bar, Buss - 2 Position	
32	4120013	AR	Base, Relay	

SECTION 2 - TURNTABLE

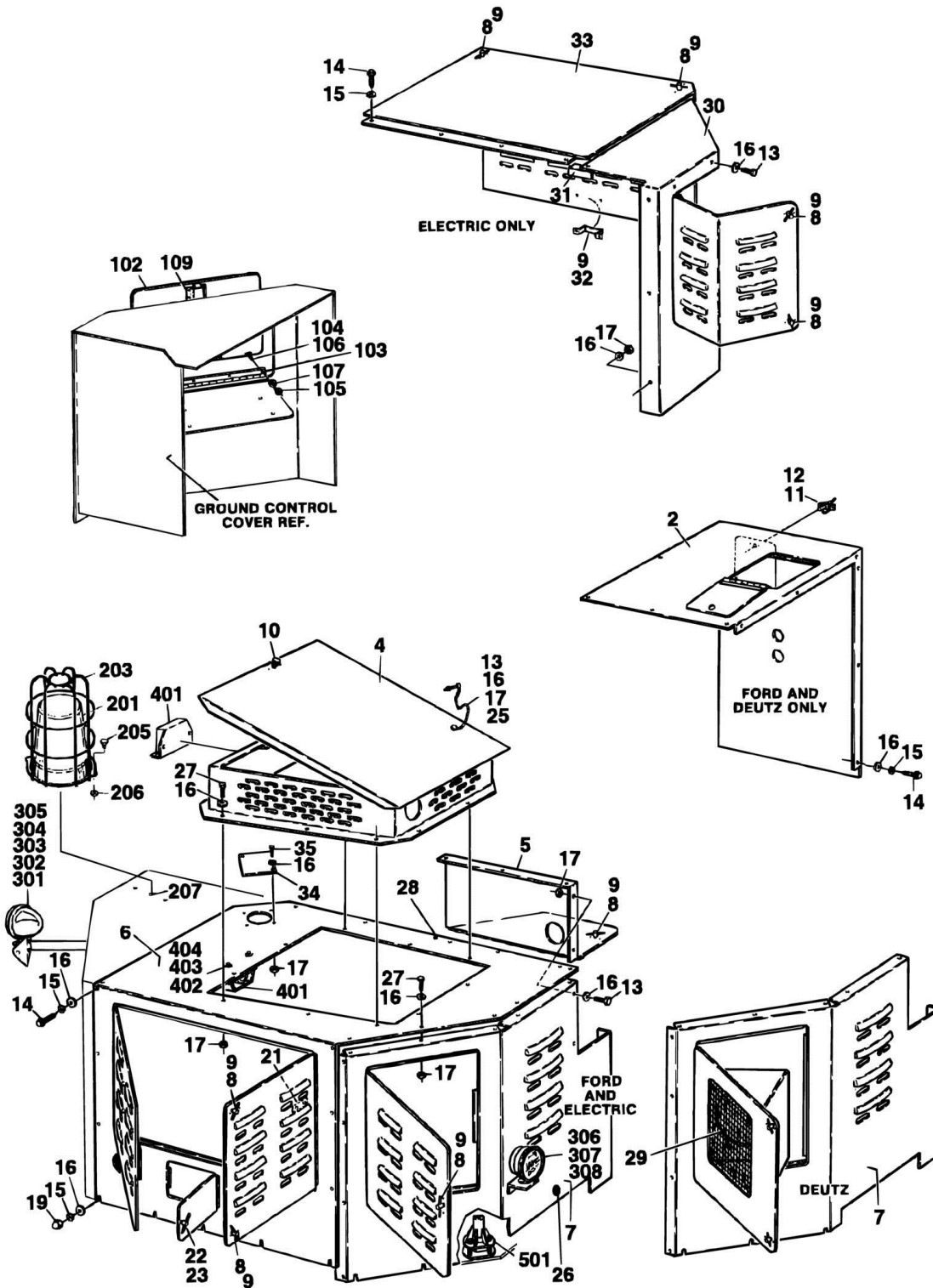
ITEM	PART NUMBER	QTY	DESCRIPTION	REV
33	3740058	AR	Relay	
34	3740063	AR	Spring, Relay	
35	4750600	2	Flatwasher #6	
36	4760600	2	Lockwasher #6	
37	3310601	2	Nut #6-32NC	
38	3910606	2	Screw #6-32NC x 3/8in	
39	3300177	2	Nut, Tinnerman	
40	0750806	2	Screw, Self-Tapping #8 x 3/4in	
41	4740120	2	Washer, Fiber	
42	3911412	3	Screw, Round Head 1/4in-20NC x 3/4in	
43	3311401	3	Nut 1/4in-20NC	
44	4751400	3	Flatwasher 1/4in	
45	4761400	3	Lockwasher 1/4in	
46	4460071	1	Relief, Strain	
47	3300048	4	Nut, Conduit	
48	0960238	4	Bushing	
49	4460051	AR	Relief, Strain	
50	4420037	38 in	Strip, Rubber (Not Shown)	
61		Ref	Relay, Bosch Options:	
61	3740049	1	Ford - 12V	
61	3740077	1	Deutz - 6V	
62	4751000	1	Flatwasher #10	
63	4761000	1	Lockwasher #10	
64	3311001	1	Nut #10-24NC	
65		Ref	Gauge Options:	
65	2420128	1	Gauge, Oil Pressure (Ford)	
65	2420111	1	Gauge, Oil Pressure (Deutz)	
65	3520070	1	Plug, Hole 2 1/8in (Electric)	
66		Ref	Gauge Options:	
66	2420127	1	Gauge, Water Temperature (Ford)	
66	2420125	1	Gauge, Water Temperature (Deutz)	
66	3520070	1	Plug (Electric)	
67		Ref	Plug Options:	
67	3520026	1	Plug, Hole 5/8in (Ford and Electric)	
67	4360212	1	Breaker, Circuit (Deutz)	
68	3520028	1	Plug, Hole 1/2in	
69	3520028	1	Plug, Hole 1/2in	
70	3520026	1	Plug, Hole 5/8in	
71	3520028	1	Plug, Hole 1/2in	
85	4120013	1	Socket, Relay (Ford - With Proportional Controls)	
86	3740048	1	Relay (Ford - With Proportional Controls)	
87	3740063	1	Spring, Relay (Ford - With Proportional Controls)	
90	4460244	1	Relief, Strain (Ford and Deutz - With Proportional Controls)	
91	3300048	1	Nut, Conduit (Ford and Deutz - With Proportional Controls)	
92	0960238	AR	Bushing (Ford and Deutz - With Proportional Controls)	
98	3911008	1	Screw #10-24NC x 1/2in (Ford and Deutz - With Proportional Controls)	
99	3520034	2	Plug, Hole 5/16in (Ford and Deutz - With Proportional Controls) (Not Shown)	
100	3520054	4	Plug, Hole 7/16in (Ford and Deutz - With Proportional Controls)	
101	3520028	1	Plug, Hole 1/2in (Ford and Deutz - With Proportional Controls)	
102	3520026	2	Plug, Hole 5/8in (Ford and Deutz - With Proportional Controls)	

SECTION 2 - TURNTABLE

ITEM	PART NUMBER	QTY	DESCRIPTION	REV
103	3520168	3	(Not Shown) Plug, Hole 3/16in (Ford and Deutz - With Proportional Controls) (Not Shown)	
		Ref	GROUND CONTROL BOX INSTALLATIONS	
	0250696	Ref	Ground Control Box (Ford) (Prior to March 1995)	C
	0255135	Ref	Ground Control Box (Ford) (March 1995 to Present)	2
	0255154	Ref	Ground Control Box (Ford - With Proportional Controls)	2
	0251008	Ref	Ground Control Box (Deutz)	2
	0254387	Ref	Ground Control Box (Deutz - With Proportional Controls)	2
	0251051	Ref	Ground Control Box (Electric)	2
204	0641406	4	Bolt 1/4in-20NC x 3/4in	
206	4751400	4	Flatwasher 1/4in	
207	4761400	4	Lockwasher 1/4in	

SECTION 2 - TURNTABLE

FIGURE 2-27. HOODS, LIGHTS AND ALARMS INSTALLATION



SECTION 2 - TURNTABLE

FIGURE 2-27. HOODS, LIGHTS AND ALARMS INSTALLATION

ITEM	PART NUMBER	QTY	DESCRIPTION	REV
		Ref	HOODS INSTALLATIONS	
	0250355	Ref	Hood Installation (Ford)	E
	0250585	Ref	Hood Installation (Deutz)	G
	0250751	Ref	Hood Installation (Electric)	F
		Ref	Note: Replacement Decals must be Purchased Separately - See DECALS SECTION.	
2	4843452	1	Weldment, Tank Cover (Ford and Deutz)	
4		Ref	Weldment, Ventilator Options:	
4	4843564	1	Ford	
4	4843458	1	Deutz and Electric	
5	4843478	1	Weldment, Hood Door	
6		Ref	Hood - Left Side Options:	
6	4843565	1	Ford	
6	4843476	1	Deutz and Electric	
7		Ref	Cover - Left Side Rear Options:	
7	4843479	1	Ford and Electric	
7	4843665	1	Deutz	
8	2940048	AR	Latch	
9	3820019	AR	Rivet	
10	2940051	1	Latch	
11	2940050	1	Latch	
12	3820011	2	Rivet	
13	0641408	AR	Bolt 1/4in-20NC x 1in	
14	3941406	AR	Screw, Self-Tapping 1/4in-20NC x 3/4in	
15	4761400	AR	Lockwasher 1/4in	
16	4751400	AR	Flatwasher 1/4in	
17	3311405	AR	Locknut 1/4in-20NC	
18	4300031	AR	Stud (Welded on Part)	
19	3300151	AR	Nut, Acorn 1/4in-20NC	
20	0100011	AR	Loctite #242 (Not Shown)	
21	0361840	1	Bar, Hood Support	
22	2940050	1	Latch	
23	3820012	2	Rivet	
25	1260017	9 in	Chain	
26	3520031	1	Plug	
27	0641406	24	Bolt 1/4in-20NC x 3/4in	
28	3520034	1	Plug (Deutz)	
29	3960389	3 ft	Seal (June 1995 to Present)	
30	4843580	1	Hood, Right Side Rear - Fuse Box Cover (Electric Only)	
31	0181339	1	Angle (Prior to January 1992)	
32	2560003	1	Handle (Electric Only)	
33	4843579	1	Hood, Right Side - Battery Cover (Electric Only)	
34	1670582	1	Cover (Electric Only)	
35	0641404	2	Bolt 1/4in-20NC x 1/2in (Electric Only)	
		Ref	GROUND CONTROL DOOR INSTALLATIONS	
	0250696	Ref	Ground Control Door (Ford) (Prior to March 1995)	C
	0255135	Ref	Ground Control Door (Ford) (March 1995 to Present)	2
	0255154	Ref	Ground Control Door (Ford - With Proportional Controls)	2
	0251008	Ref	Ground Control Door (Deutz)	2
	0254787	Ref	Ground Control Door (Deutz - With Proportional Controls)	2

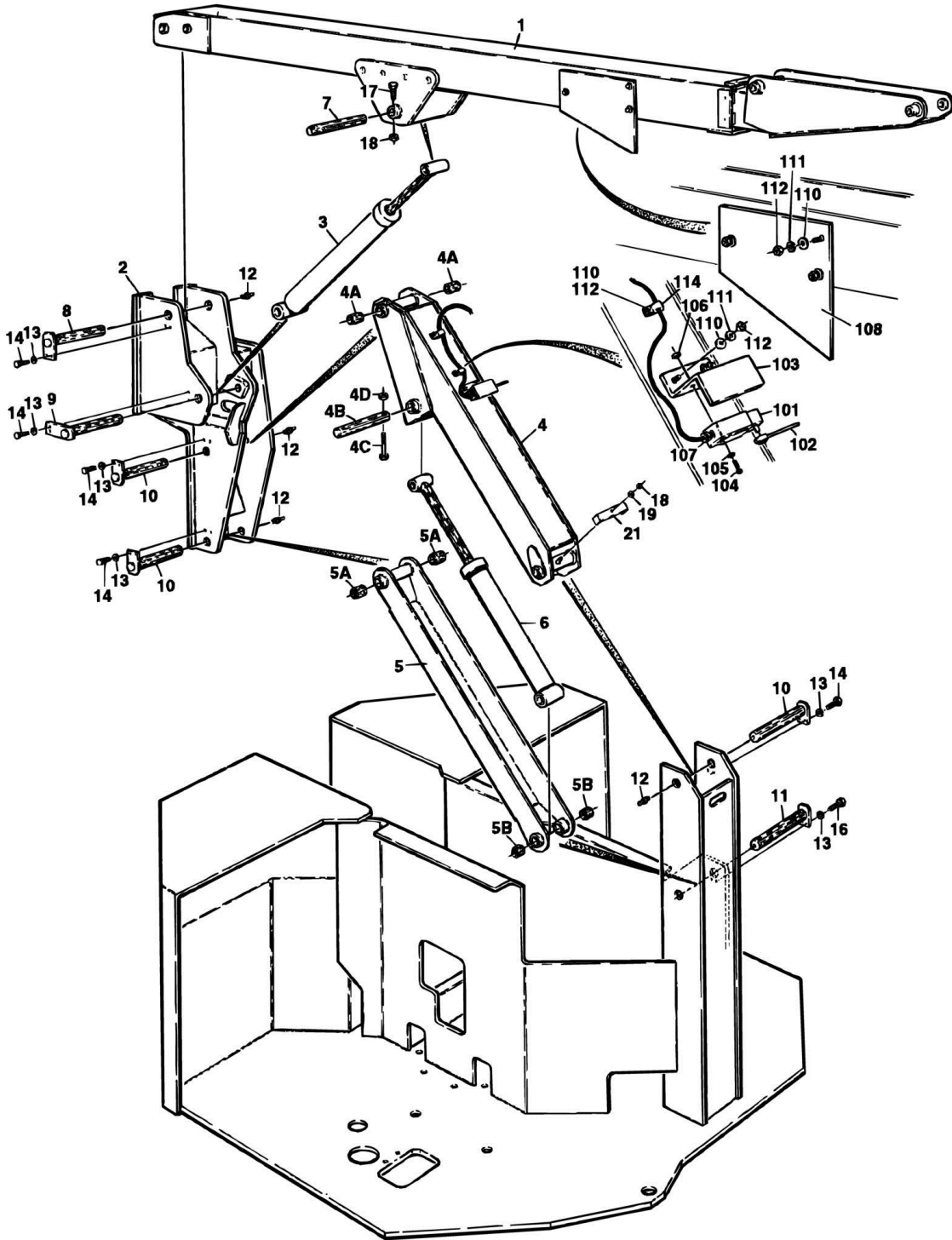
SECTION 2 - TURNTABLE

ITEM	PART NUMBER	QTY	DESCRIPTION	REV
	0251051	Ref	Ground Control Door (Electric)	2
102	1780245	1	Door	
103	2600157	1	Hinge	
104	0641406	AR	Bolt 1/4in-20NC x 3/4in	
105	3311401	4	Nut 1/4in-20NC	
106	4751400	AR	Flatwasher 1/4in	
107	4761400	8	Lockwasher 1/4in	
109	2940057	1	Latch (Includes Mounting Hardware and Trim Plate)	
110	0940083	2	Bumper (Not Shown)	
		Ref	BEACON LIGHT INSTALLATIONS	
	0251174	Ref	Amber	4
	0251173	Ref	Red	4
201		Ref	Light, Beacon Options:	
201	2920018	1	Light, Beacon Amber (Prior to November 1992)	
201	2920105	1	Light, Beacon Amber (November 1992 to Present)	
201	2920009	1	Light, Beacon Red (Prior to November 1992)	
201	2920109	1	Light, Beacon Amber (November 1992 to Present)	
203	4060829	1	Shield, Guard (November 1992 to Present)	
204	3941404	2	Screw, Self-Tapping (Not Shown) (November 1992 to Present)	
205		Ref	Bolt Options: (November 1992 to Present)	
205	0641405	2	Bolt 1/4in-20NC x 5/8in (Prior to June 1993)	
205	0641406	2	Bolt 1/4in-20NC x 3/4in (June 1993 to Present)	
206	3311405	2	Locknut 1/4in-20NC (November 1992 to Present)	
207	2540016	1	Grommet (November 1992 to Present)	
	0253352	Ref	HEAD AND TAIL LIGHTS INSTALLATION	2
301		Ref	Headlight Options:	
301	2920001	2	Headlight (Prior to SN 40422)	
301	2920152	2	Headlight (SN 40422 to Present)	
302	0641510	4	Bolt 5/16in-18NC x 1 1/4in	
303	4711500	4	Flatwasher 5/16in	
304	4761500	4	Lockwasher 5/16in	
305	3311501	4	Nut 5/16in-18NC	
306	2920019	2	Tail Light	
307	0901883	4	Tack	
310	2540016	3	Grommet (Not Shown)	
		Ref	ALARM INSTALLATIONS	
	0251172	Ref	Travel	5
	0239401	Ref	Motion	A
	0251443	Ref	Motion	A
401		Ref	Alarm Options:	
401	0140024	1	Alarm (Prior to December 1992)	
401	0140032	1	Alarm (December 1992 to Present)	
402	0641406	2	Bolt 1/4in-20NC x 3/4in (March 1991 to Present)	
403	4751400	4	Flatwasher 1/4in	
404	3311405	2	Locknut 1/4in-20NC	
	0250650	Ref	TILT INDICATOR INSTALLATION	C
501	4360171	1	Sensor, Level	

SECTION 3 - BOOM

SECTION 3 - BOOM

FIGURE 3-1. TURNTABLE, BOOM AND HORIZONTAL LIMIT SWITCH INSTALLATIONS



SECTION 3 - BOOM

FIGURE 3-1. TURNTABLE, BOOM AND HORIZONTAL LIMIT SWITCH INSTALLATIONS

ITEM	PART NUMBER	QTY	DESCRIPTION	REV
		Ref	TURNTABLE OPTIONS:	
	4620048	1	Turntable - Domestic 6ft-6in (Gas and Diesel)	
	4620061	1	Turntable - CSA 6ft-6in (Gas and Diesel)	
	4620062	1	Turntable - Domestic 5ft-9in (Gas and Diesel)	
	4620066	1	Turntable - Domestic 6ft-6in (Electric)	
	4620067	1	Turntable - CSA 6ft-6in (Electric)	
	4620068	1	Turntable - Domestic 5ft-9in (Electric)	
		Ref	BOOM INSTALLATIONS	
	0250456	Ref	Domestic	6
	0252112	Ref	CSA	2
1	0800630	1	Boom Assembly (See BOOM ASSEMBLIES for Breakdown)	
2	4843502	1	Upright, Weldment	
3	1681840	1	Lift Cylinder Assembly (See CYLINDER SECTION for Breakdown)	
4	4842603	1	Arm Weldment - Upper	
4A	0961024	2	Bushing, Oilite	
4B	3421419	1	Pin	
4C	0641420	1	Bolt 1/4in-20NC x 2 1/2in	
4D	3311405	1	Locknut 1/4in-20NC	
5	4842485	1	Arm Weldment - Lower	
5A	0961024	2	Bushing, Oilite	
5B	0961198	2	Bushing, Oilite	
6	1681780	1	Articulate Cylinder Assembly (See CYLINDER SECTION for Breakdown)	
7		Ref	Pin (Boom Attach) Options:	
7	3421752	1	Domestic (Prior to SN 30067)	
7	3422637	1	Domestic (SN 30067 to Present)	
7	3421955	1	CSA (Prior to SN 30067)	
7	3422638	1	CSA (SN 30067 to Present)	
8		Ref	Pin Options:	
8	3421751	1	Domestic	
8	3421957	1	CSA	
9		Ref	Pin (Upright Attach) Options:	
9	3421749	1	Domestic	
9	3421959	1	CSA	
10		Ref	Pin Options:	
10	3422011	3	Domestic	
10	3422013	3	CSA	
11		Ref	Pin (Lower Arm/Turntable Attach) Options:	
11	3421725	1	Domestic	
11	3421963	1	CSA	
12	2160002	4	Fitting, Grease	
13	4751600	12	Flatwasher 3/8in	
14	0641607	10	Bolt 3/8in-16NC x 7/8in	
15	0100019	AR	Loctite #271 (Not Shown)	
16	0641609	2	Bolt 3/8in-16NC x 1 1/4in	
17	0641524	1	Bolt 5/16in-18NC x 3in	
18	3311505	2	Nut 5/16in-18NC	
19	4751500	1	Flatwasher 5/16in	
20	4300070	1	Stud (Welded on Part)	

SECTION 3 - BOOM

ITEM	PART NUMBER	QTY	DESCRIPTION	REV
21	1320168	1	Clamp	B
	0250656	Ref	HORIZONTAL LIMIT SWITCH INSTALLATION	
101	4360057	1	Limit, Switch	
102	0200322	1	Arm	
103	0901422	1	Bracket, Mounting	
104	3911036	2	Screw, Round Head #10-24NC x 2 3/16in	
105	4761000	2	Lockwasher #10	
106	3311001	2	Nut #10-24NC	
107	4460049	1	Connector	
108	3534069	1	Plate, Actuator	
109	4300032	7	Stud (Welded on Part)	
110	4751400	7	Flatwasher 1/4in	
111	4761400	7	Lockwasher 1/4in (Prior to August 1991)	
112		Ref	Hardware Options:	
112	3311401	7	Nut 1/4in-20NC (Prior to August 1991)	
112	3311405	7	Locknut 1/4in-20NC (August 1991 to Present)	
113	4300031	2	Stud (Welded on Part) (Prior to August 1991)	
114	1320040	2	Clamp	

SECTION 3 - BOOM

FIGURE 3-2. BOOM ASSEMBLIES

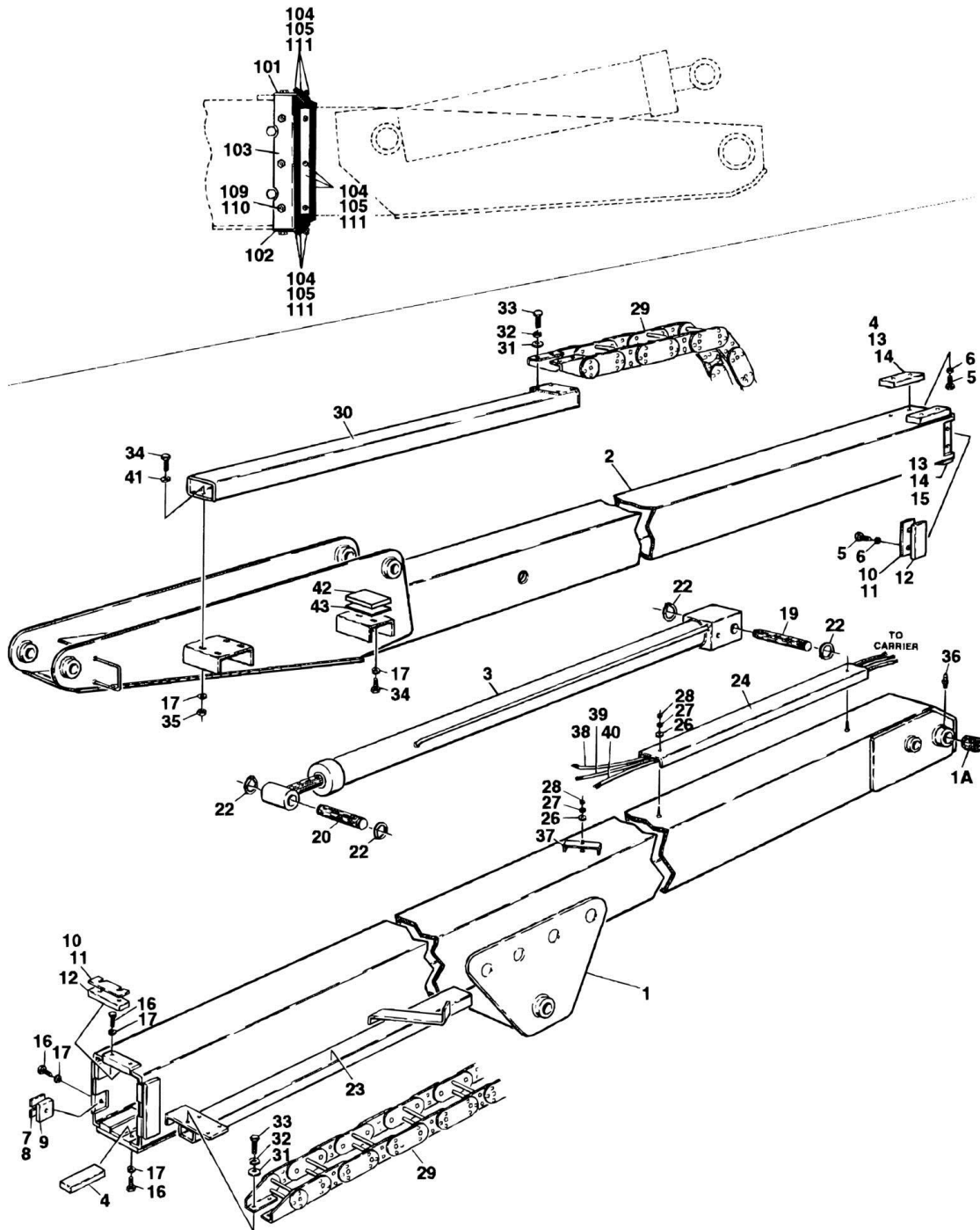


FIGURE 3-2. BOOM ASSEMBLIES

ITEM	PART NUMBER	QTY	DESCRIPTION	REV
	0800630	Ref	BOOM ASSEMBLY AND WIPERS INSTALLATION	10
1	0800627	1	Weldment, Base	
1A	0961595	2	Bushing	
2	0800716	1	Weldment, Fly	
3	1682179	1	Telescope Cylinder Assembly (See CYLINDER SECTION for Breakdown)	
4	3340263	4	Pad, Wear	
5	0641604	4	Bolt 3/8in-16NC x 1/2in	
6	4761600	4	Lockwasher 3/8in	
7	4070664	AR	Shim 1/16in	
8	4070665	AR	Shim 1/32in	
9	3340545	4	Pad, Wear	
10	4070666	AR	Shim 1/16in	
11	4070667	AR	Shim 1/32in	
12	3340547	3	Pad, Wear	
13		Ref	Shim 1/16in Options:	
13	4070649	AR	Shim 1/16in (Prior to August 1995)	
13	4070498	AR	Shim 1/16in (August 1995 to Present)	
14		Ref	Shim Options:	
14	4070646	AR	Shim 9/64in (Prior to August 1995)	
14	4070499	AR	Shim 1/32in (August 1995 to Present)	
15	4070645	AR	Shim 11/64in (Prior to August 1995)	
16	0641606	14	Bolt 3/8in-16NC x 3/4in	
17	4761600	20	Lockwasher 3/8in	
18	0100019	AR	Loctite #271 (Not Shown)	
19	3421719	1	Pin	
20	3421413	1	Pin	
21	3020028	AR	Lubricant (Not Shown)	
22	3760133	4	Ring, Retaining	
23	4843442	1	Cover, Hose (Side Bottom) (Welded on Part)	
24	4842891	1	Cover, Hose (Top)	
25	4300070	3	Stud (Welded on Part)	
26	4751500	3	Flatwasher 5/16in	
27	4761500	3	Lockwasher 5/16in	
28	3311505	3	Nut 5/16in-18NC	
29	1180227	1	Carrier	
29	7006152	1	Kit, Pin (1 pin, 4 Different Size Washers and 1 Retaining Ring)	
29	7006151	1	Feet Mounting	
29	7006139	1	1ft Section	
29	7006156	1	Rod, Carrier	
30	4843443	1	Cover, Hose (Side Top)	
31	4751400	12	Flatwasher 1/4in	
32	4761400	8	Lockwasher 1/4in	
33	0641406	8	Bolt 1/4in-20NC x 3/4in	
34	0641608	6	Bolt 3/8in-16NC x 1in	
35	3311605	4	Nut 3/8in-16NC	
36	2160002	1	Fitting, Grease	
37	1320168	1	Clamp, Hose	
38	1060516	56 ft	Cable, Electrical - 16/30 (Was P/N 1060229)	
39	4920618	1	Harness, 110 volt	

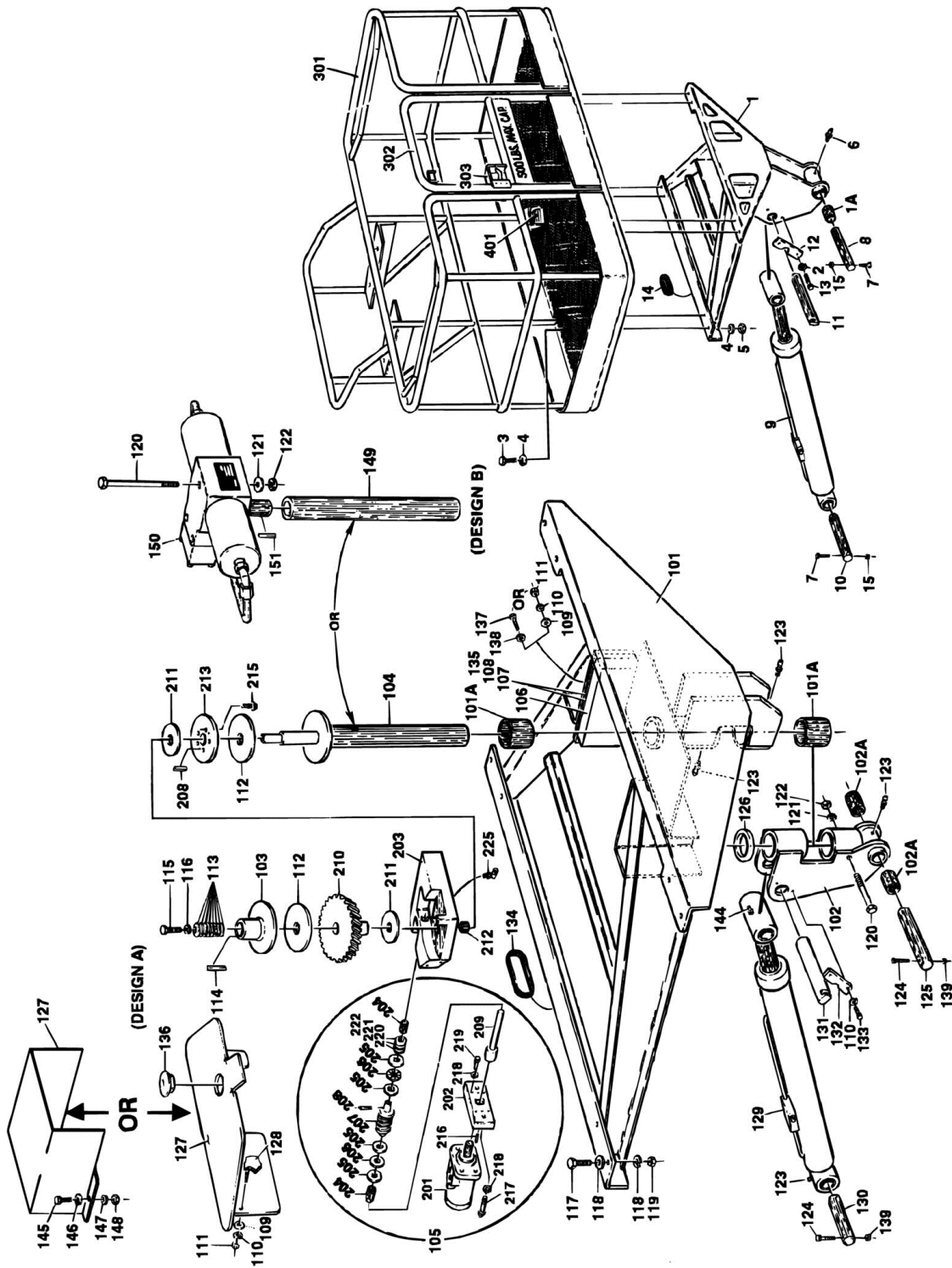
SECTION 3 - BOOM

ITEM	PART NUMBER	QTY	DESCRIPTION	REV
40	1060515	56 ft	Cable, Electrical - 12/4 (was p/n 1060012)	
41	4751600	8	Flatwasher 3/8in	
42	0560923	1	Block	
43	4070559	4	Shim 1/16in	
	0251388	Ref	BOOM WIPERS INSTALLATION	-
101	2660057	1	Holder, Wiper (Top)	
102	2660058	1	Holder, Wiper (Bottom)	
103	2660059	2	Holder, Wiper (Side)	
104	0540070	4	Blade, Wiper	
105	4280188	4	Retainer, Strip	
107	4300031	10	Stud (Welded on Part) (5/8in Length)	
108	4300032	2	Stud (Welded on Part) (7/8in Length)	
109	3311401	26	Nut 1/4in-20NC	
110	4761400	24	Lockwasher 1/4in	
111	0641407	12	Bolt 1/4in-20NC x 7/8in	

SECTION 4 - PLATFORM

SECTION 4 - PLATFORM

FIGURE 4-1. STANDARD PLATFORM, CONTROLS AND SUPPORT INSTALLATIONS



SECTION 4 - PLATFORM

FIGURE 4-1. STANDARD PLATFORM, CONTROLS AND SUPPORT INSTALLATIONS

ITEM	PART NUMBER	QTY	DESCRIPTION	REV
		Ref	FIXED SUPPORT INSTALLATION OPTIONS:	
	0250495	Ref	Standard	B
	0252128	Ref	CSA	-
1	4843515	1	Support Weldment	
1A	0961257	2	Bushing, Bronze	
2	4761500	2	Lockwasher 5/16in	
3	0681610	8	Bolt 3/8in-16NC x 1 1/4in (Grade 8)	
4	4751600	16	Flatwasher 3/8in	
5	3300143	8	Locknut 3/8in-16NC	
6	2160002	1	Fitting, Grease	
7	0641522	2	Bolt 5/16in-18NC x 2 3/4in	
8		Ref	Pin Options:	
8	3421756	1	Standard	
8	3421967	1	CSA	
9	1682178	1	Cylinder, Platform Level	
10	3421491	1	Pin (Boom End)	
11	3421494	1	Pin (Support End)	
12	3532054	1	Plate, Retainer	
13	0641506	2	Bolt 5/16in-18NC x 3/4in	
14	4060804	10 in	Shield, Flexguard	
15	3311505	2	Locknut 5/16in-18NC	
		Ref	ROTATING SUPPORT INSTALLATION OPTIONS:	
	0250493	Ref	Standard Platform W/Worm Gear Drive (Design A)	D
	0252448	Ref	Standard Platform W/Worm Gear Drive (Design A)	A
	0252449	Ref	CSA Platform With Worm Gear Drive (Design A)	B
	0251204	Ref	Standard Platform With Hydraulic Piston (Design B)	-
101		Ref	Support Weldment Options:	
101	4843636	1	Used With 0250493	
101	4843556	1	Used With 0251204	
101	4844052	1	Used With 0252448 & 0252449	
101A	0961259	2	Bushing, Bronze	
102	0250253	1	Pivot Attach Weldment	
102A	0961257	2	Bushing, Bronze	
103	1120299	1	Cap	
104		Ref	Shaft (Platform W/Worm Gear Drive) (Design A) Options:	
104	4842915	1	Standard	
104	4040220	1	CSA	
105	0235238	1	Rotator Assembly (See Items 201-226 for Breakdown)	
106	0361675	1	Block, Stop (Used With 0250493)	
107	4070705	AR	Shim 1/8in	
108	4070706	AR	Shim 1/16in	
109	4751500	2	Flatwasher 5/16in	
110	4761500	4	Lockwasher 5/16in	
111	3311501	2	Nut 5/16in-18NC	
112	3340454	2	Pad, Brake	
113	4160026	8	Washer, Bellville	
114	2880404	1	Key, Square	
115		Ref	Hardware Options:	
115	0652014	1	Bolt 5/8in-18NF x 1 3/4in (Used With 0250493)	
115	0630451	1	Screw 5/8in-18NF x 2in (Used With 0252448 & 0252449)	

SECTION 4 - PLATFORM

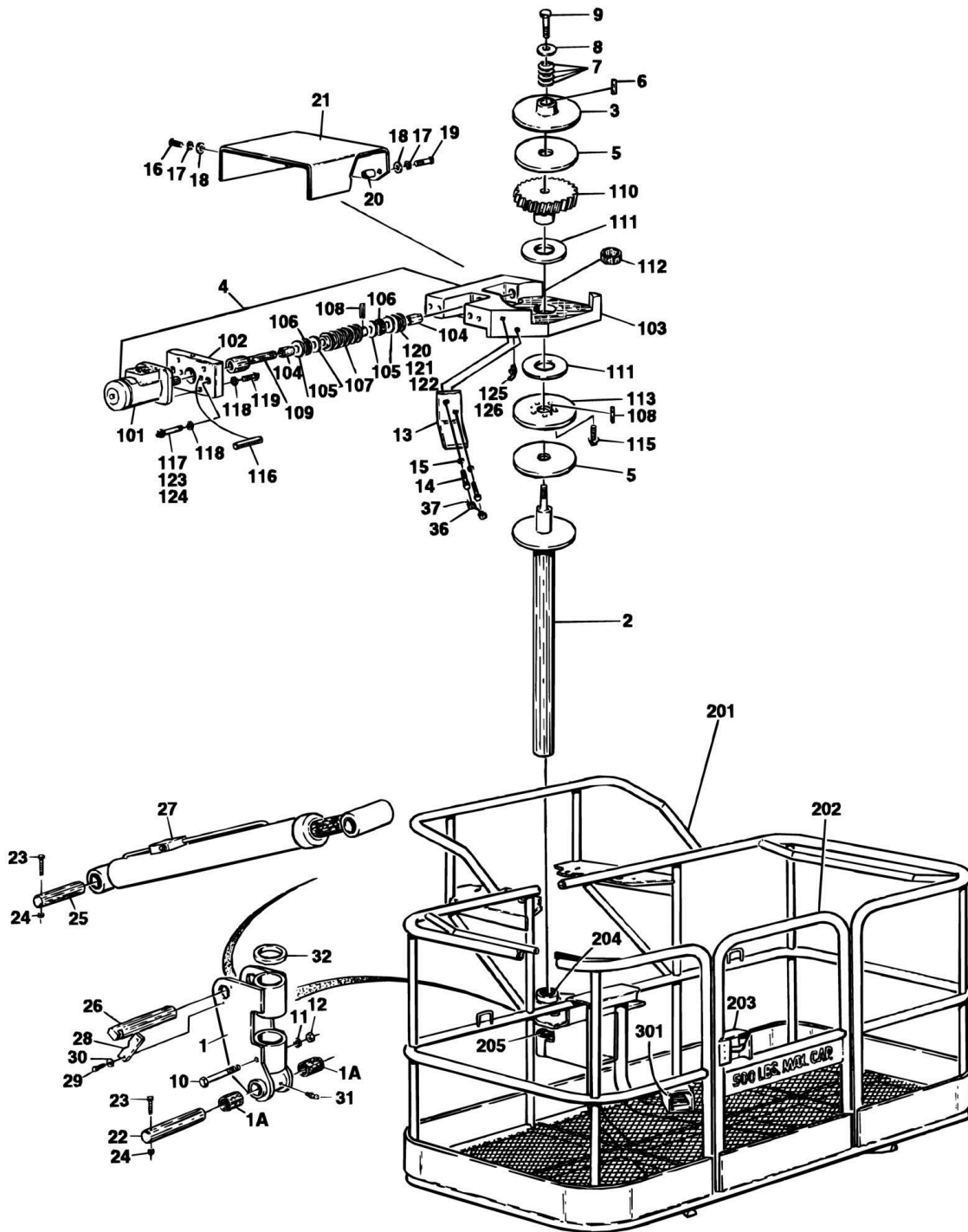
ITEM	PART NUMBER	QTY	DESCRIPTION	REV
116		Ref	Washer Options:	
116	4752000	1	Flatwasher 5/8in (Used With 0250493)	
116	4740398	1	Washer 5/8in (Used With 0252448 & 0252449)	
117	0681610	8	Bolt 3/8in-16NC x 1 1/4in (Grade 8)	
118	4751600	16	Flatwasher 3/8in	
119	3300143	8	Locknut 3/8in-16NC	
120	0641836	AR	Bolt 1/2in-13NC x 4 1/2in	
121	4751800	AR	Flatwasher 1/2in	
122	3311805	AR	Locknut 1/2in-13NC	
123	2160002	4	Fitting, Grease	
124	0641522	2	Bolt 5/16in-18NC x 2 3/4in	
125		Ref	Pin Attach Options:	
125	3421756	1	Standard	
125	3421967	1	CSA	
126	4740158	1	Washer, Thrust	
127		Ref	Cover, Rotator Options:	
127	1670451	1	Used With 0250493	
127	1670620	1	Used With 0252448 & 0252449	
128	4300038	2	Stud (Welded on Part)	
129	1682178	1	Platform Level Cylinder Assembly (See CYLINDER SECTION for Breakdown)	
130	3421491	1	Pin, Attach (Lower)	
131	3421494	1	Pin, Attach (Upper)	
132	3532054	1	Plate, Retaining	
133	0641506	2	Bolt 5/16in-18NC x 3/4in	
134	4060804	10 in	Shield, Flexguard	
135	4070707	AR	Shim 1/32in	
136	3520035	1	Plug (Used With 0250493)	
137		Ref	Bolt Options:	
137	0641816	2	Bolt 1/2in-13NC x 2in (Used With 0250493)	
137	0641810	2	Bolt 1/2in-13NC x 1 1/4in (Used With 0252448 & 0252449)	
138	4761800	2	Lockwasher 1/2in	
139	3311505	2	Locknut 5/16in-18NC	
144	2160001	1	Fitting, Grease	
145	0641406	2	Bolt 1/4in-20NC x 3/4in (Used With 0252448 & 0252449)	
146	4751400	2	Flatwasher 1/4in (Used With 0252448 & 0252449)	
147	4761400	2	Lockwasher 1/4in (Used With 0252448 & 0252449)	
148	3311401	2	Nut 1/4in-20NC (Used With 0252448 & 0252449)	
149	4040216	1	Shaft (Standard Platform With Hydraulic Piston)	
150	0060026	1	Rotator Assembly (Standard Platform With Hydraulic Piston) (See ROTATOR MOTOR ASSEMBLY (HYDRAULIC PISTON) for Breakdown)	
151	2880512	1	Key stock (Standard Platform With Hydraulic Piston)	
	0235238	Ref	ROTATOR ASSEMBLY	E
201	3160083	1	Rotator Motor Assembly (See ROTATOR MOTOR ASSEMBLY (WORM GEAR DRIVE) for Breakdown)	
202	0080099	1	Adapter, Motor	
203	2760064	1	Housing, Gear	
204	0440134	2	Bearing, Sleeve	
205	4740199	4	Washer, Thrust	
206	0440120	2	Bearing, Thrust	
207	2440043	1	Gear, Worm	

SECTION 4 - PLATFORM

ITEM	PART NUMBER	QTY	DESCRIPTION	REV
208	3440816	4	Rollpin 1/4in x 1in	
209	0080098	1	Adapter, Motor to Worm Gear	
210	2440044	1	Gear, Worm	
211	4740256	2	Washer, Thrust	
212	0440135	1	Bearing, Sleeve	
213	1760068	1	Disc, Brake	
215	3931010	5	Bolt, Socket Head #10-24NC x 5/8in	
216	3441228	2	Rollpin 3/8in x 1 3/4in	
217	3931620	2	Bolt, Socket Head 3/8in-16NC x 1 1/4in	
218	4761600	6	Lockwasher 3/8in	
219	3931612	4	Bolt, Socket Head 3/8in-16NC x 3/4in	
220	4070585	AR	Shim.010	
221	4070585	AR	Shim.005	
222	4070587	AR	Shim.002	
223	0100019	AR	Loctite #271 (Not Shown)	
224	0100021	AR	Primer (Not Shown)	
225	2160001	1	Fitting, Grease	
226	3020025	AR	Grease (Not Shown)	
		Ref	PLATFORM ASSEMBLIES	
		Ref	Note: Replacement Decals Must Be Purchased Separately- See DECALS SECTION	
301		Ref	Platform Options:	
301	3510236	1	Standard - 30in X 48in	C
301	3510237	1	Standard - 30in X 60in	C
301	3510238	1	Standard - 30in X 72in	C
301	3510310	1	Japanese Spec - 30in X 72in	A
301	3510481	1	Standard With Mesh to Mid Rail - 30in X 60in	-
301	3510483	1	Standard With Mesh to Top Rail - 30in X 60in	-
301	3510656	1	Standard With Mesh to Top Rail - 30in X 72in	1
302		Ref	Door Options:	
302	1780250	1	Standard	
302	1780254	1	Japanese Spec	
302	1780285	1	Door With Mesh to Mid Rail	
302	1780286	1	Door With Mesh to Top Rail	
302	2600143	2	Hinge	
302	3311805	2	Locknut 1/2in-13NC	
302	2160006	2	Fitting, Grease	
303	2940006	1	Latch	
303	3911016	4	Screw, Round Head #10-24NC x 1in	
303	4751000	4	Flatwasher #10	
303	4761000	4	Lockwasher #10	
303	3311001	4	Nut #10-24NC	
303	2560010	1	Handle, Latch	
	0237963	Ref	FOOTSWITCH INSTALLATION	7
401	0641408	3	Bolt 1/4in-20NC x 1in	
401	3311405	3	Locknut 1/4in-20NC	
401	4740362	3	Flatwasher 1/4in	
401	4360031	1	Footswitch	
401	7000625	2	Block, Contact	
401	4460071	1	Contactor	

SECTION 4 - PLATFORM

FIGURE 4-2. LOW MOUNT PLATFORM, CONTROLS AND SUPPORT INSTALLATIONS



SECTION 4 - PLATFORM

FIGURE 4-2. LOW MOUNT PLATFORM, CONTROLS AND SUPPORT INSTALLATIONS

ITEM	PART NUMBER	QTY	DESCRIPTION	REV
		Ref	FIXED SUPPORT INSTALLATION OPTIONS:	
	0251267	Ref	Domestic	D
	0252130	Ref	CSA	A
1	0250253	1	Pivot Attach Weldment	
1A	0961257	2	Bushing, Bronze	
2		Ref	Shaft Options:	
2	4564579	1	Domestic	
2	4040227	1	CSA	
3 to 9	Not Required	0	Not Required	
10	0641836	1	Bolt 1/2in-13NC x 4 1/2in	
11	4751800	1	Flatwasher 1/2in	
12	3311805	1	Locknut 1/2in	
13 to 21	Not Required	0	Not Required	
22		Ref	Pin Options:	
22	3421490	1	Standard (Prior to November 1991)	
22	3421756	1	Standard (November 1991 to Present)	
22	3421967	1	CSA	
23	0641522	2	Bolt 5/16in-18NC x 2 3/4in	
24	3311505	2	Locknut 5/16in-18NC	
25		Ref	Pin (Boom End) Options:	
25	3421600	1	Standard (Prior to February 1991)	
25	3421491	1	Standard (February 1991 to Present)	
26		Ref	Pin (Support End) Options:	
26	3421612	1	Standard (Prior to February 1991)	
26	3421494	1	Standard (February 1991 to Present)	
27	1682178	1	Cylinder, Platform Level	
28	3532054	1	Plate, Retainer	
29	0641506	2	Bolt 5/16in-18NC x 3/4in	
30	4761500	2	Lockwasher 5/16in-18NC	
31	2160002	3	Fitting, Grease	
32	4740158	1	Washer, Thrust	
33	4220137	2	Bar, Stop (Welded on Part) (Not Shown)	
34	1320160	1	Clamp (Not Shown)	
35		Ref	Plug Options: (Not Shown)	
35	3520035	1	Domestic	
35	Not Required	0	CSA	
36 to 37	Not Required	0	Not Required	
		Ref	ROTATING SUPPORT INSTALLATION OPTIONS:	
	0251268	Ref	Domestic Platform	F
	0252129	Ref	CSA Platform	C
1	0250253	1	Pivot Attach Weldment	
1A	0961257	2	Bushing, Bronze	
2		Ref	Shaft Options:	
2	4040215	1	Domestic	
2	4040222	1	CSA	
3	1120299	1	Cap	
4	0235238	1	Rotator Assembly (See Items 101-126 for Breakdown)	
5	3340454	2	Pad, Brake	
6	2880404	1	Key, Square	
7	4160026	8	Washer, Belleville	

SECTION 4 - PLATFORM

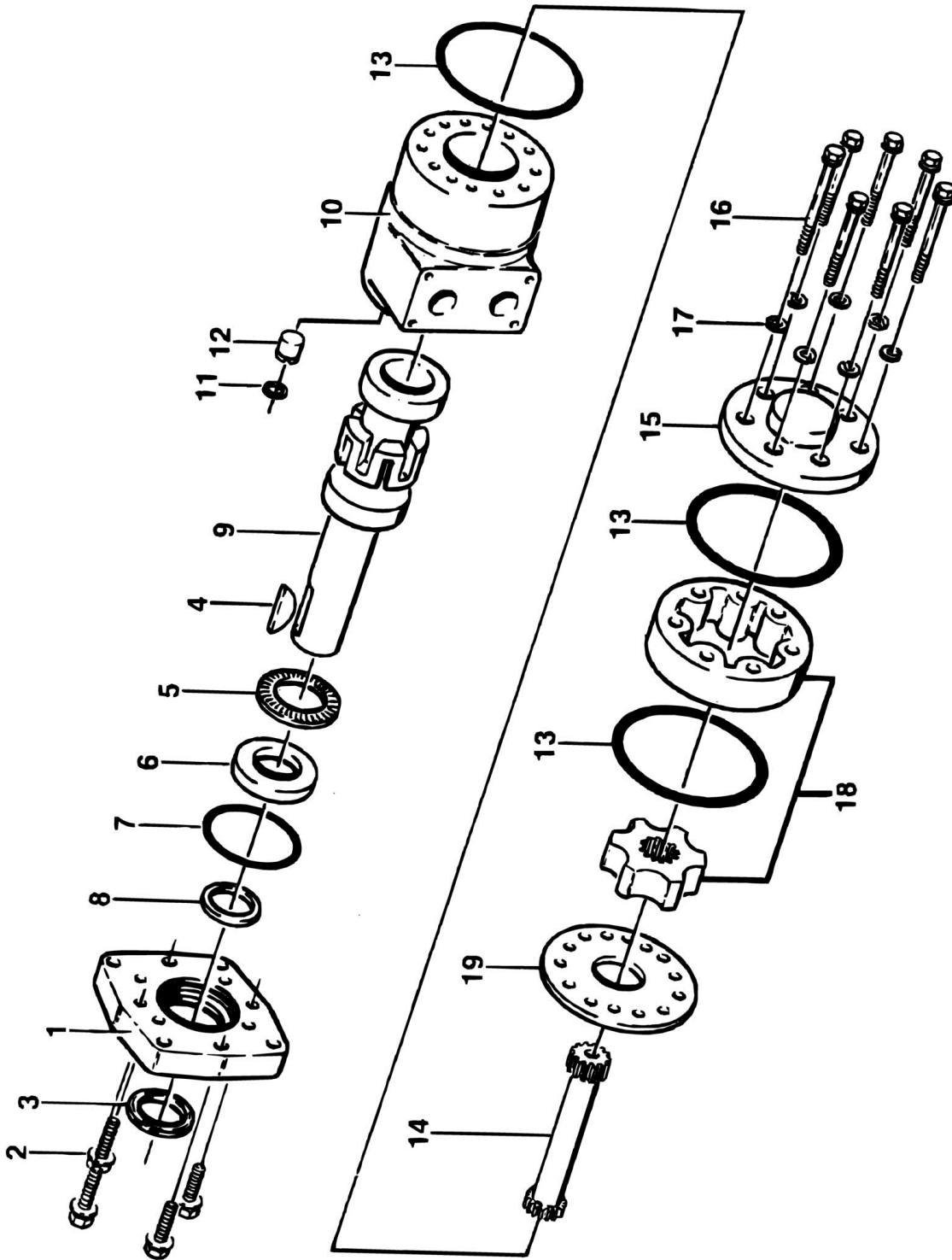
ITEM	PART NUMBER	QTY	DESCRIPTION	REV
8	4752000	1	Flatwasher 5/8in	
9	0652014	1	Bolt 5/8in-18NF x 1 3/4in	
10	0641836	AR	Bolt 1/2in-13NC x 4 1/2in	
11	4751800	AR	Flatwasher 1/2in	
12	3311805	AR	Locknut 1/2in-13NC	
13	0901756	1	Bracket	
14	0641811	2	Bolt 1/2in-13NC x 1 3/8in	
15	4761800	2	Lockwasher 1/2in	
16	0641404	1	Bolt 1/4in-20NC x 1/2in	
17	4761400	2	Lockwasher 1/4in	
18	4751400	2	Flatwasher 1/4in	
19	0641408	1	Bolt 1/4in-20NC x 1in	
20	4562083	1	Spacer, Tube	
21		Ref	Cover Weldment Options:	
21	1670519	1	Cover Weldment (Prior to November 1991)	
21	1670630	1	Cover Weldment (November 1991 to Present)	
22		Ref	Pin Attach Options:	
22	3421490	1	Domestic (Prior to November 1991)	
22	3421756	1	Domestic (November 1991 to Present)	
22	3421968	1	CSA (Prior to November 1991)	
22	3421967	1	CSA (November 1991 to Present)	
23	0641522	2	Bolt 5/16in-18NC x 2 3/4in	
24	3311505	2	Locknut 5/16in-18NC	
25	3421491	1	Pin, Attach (Lower)	
26	3421494	1	Pin, Attach (Upper)	
27		Ref	Platform Level Cylinder Assembly Options: (See CYLINDER SECTION for Breakdown)	
27	1682057	1	Platform Level Cylinder Assembly (Prior to January 1991)	
27	1682178	1	Platform Level Cylinder Assembly (January 1991 to Present)	
28	3532054	1	Plate, Retaining	
29	0641506	2	Bolt 5/16in-18NC x 3/4in	
30	4761500	2	Lockwasher 5/16in	
31	2160002	3	Fitting, Grease	
32	4740158	1	Washer, Thrust	
33	Not Required	0	Not Required	
34	1320146		Clamp (Not Shown) (Prior to November 1991)	
35	Not Required	0	Not Required	
36	1380137	2	Clip, Retainer (March 1992 to Present)	
37	4920986	1 ft	Wire, Machanics (March 1992 to Present)	
	0235238	Ref	ROTATOR ASSEMBLY	E
101	3160083	1	Rotator Motor Assembly (See ROTATOR MOTOR ASSEMBLY (WORM GEAR DRIVE) for Breakdown)	
102	0080099	1	Adapter, Motor	
103	2760064	1	Housing, Gear	
104	0440134	2	Bearing, Sleeve	
105	4740199	4	Washer, Thrust	
106	0440120	2	Bearing, Thrust	
107	2440043	1	Gear, Worm	
108	3440816	4	Rollpin 1/4in x 1in	
109	0080098	1	Adapter, Motor to Worm Gear	
110	2440044	1	Gear, Worm	
111	4740256	2	Washer, Thrust	

SECTION 4 - PLATFORM

ITEM	PART NUMBER	QTY	DESCRIPTION	REV
112	0440135	1	Bearing, Sleeve	
113	1760068	1	Disc, Brake	
115	3931010	5	Bolt, Socket Head #10-24NC x 5/8in	
116	3441228	2	Rollpin 3/8in x 1 3/4in	
117	3931620	2	Bolt, Socket Head 3/8in-16NC x 1 1/4in	
118	4761600	6	Lockwasher 3/8in	
119	3931612	4	Bolt, Socket Head 3/8in-16NC x 3/4in	
120	4070585	AR	Shim.010	
121	4070585	AR	Shim.005	
122	4070587	AR	Shim.002	
123	0100019	AR	Loctite #271 (Not Shown)	
124	0100021	AR	Primer (Not Shown)	
125	2160001	1	Fitting, Grease	
126	3020025	AR	Grease	
		Ref	PLATFORM ASSEMBLIES	
		Ref	Note: Replacement Decals Must Be Purchased Separately - See DECALS SECTION	
201		Ref	Platform Options:	
201	3510239	1	Low Mount - 30in X 48in	G
201	3510240	1	Low Mount - 30in X 60in	H
201	3510241	1	Low Mount - 30in X 72in (6ft 6in Machines Only)	F
201	3510480	1	Low Mount With Mesh to Mid Rail - 30in X 60in	-
201	3510482	1	Low Mount With Mesh to Top Rail - 30in X 60in	-
202		Ref	Door Weldment Options:	
202	1780250	1	Door Weldment	
202	1780285	1	Door Weldment With Mesh to Mid Rail	
202	1780286	1	Door Weldment With Mesh to Top Rail	
202	2600143	2	Hinge	
202	3311805	2	Locknut 1/2in-13NC	
202	2160006	2	Fitting, Grease	
203	2940006	1	Latch	
203	3911016	4	Screw, Round Head #10-24NC x 1in	
203	4751000	4	Flatwasher #10	
203	4761000	4	Lockwasher #10	
203	3311001	4	Nut #10-24NC	
203	2560010	1	Handle, Latch	
204	0961450	1	Bushing, Bronze (Top)	
205	0961259	1	Bushing, Bronze (Bottom)	
	0237963	Ref	FOOTSWITCH INSTALLATION	7
301	0641408	3	Bolt 1/4in-20NC x 1in	
301	3311405	3	Locknut 1/4in-20NC	
301	4740362	3	Flatwasher 1/4in	
301	4360031	1	Footswitch	
301	7000625	2	Block, Contact	
301	4460071	1	Contact	

SECTION 4 - PLATFORM

FIGURE 4-3. ROTATOR MOTOR ASSEMBLY (WORM GEAR DRIVE)



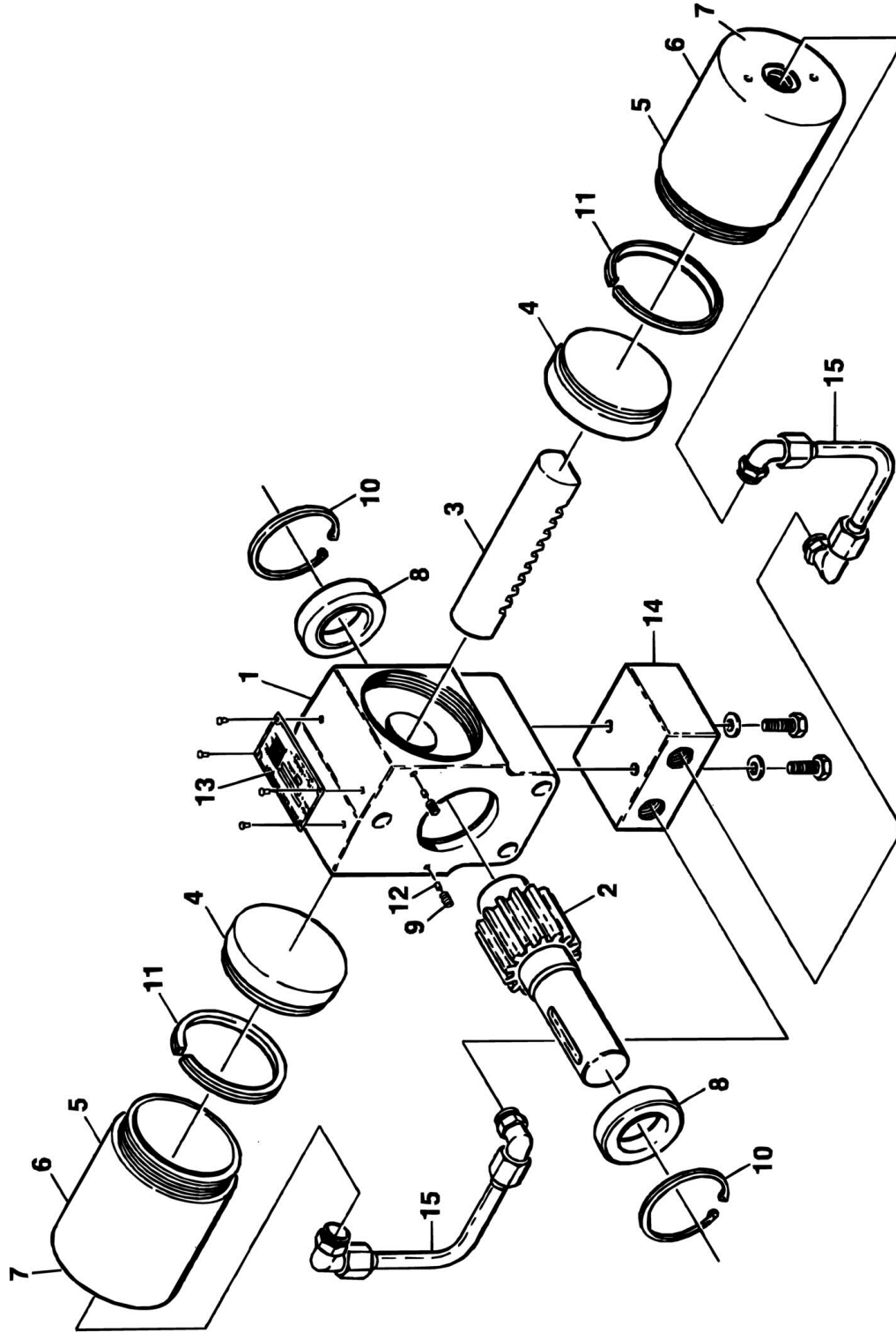
SECTION 4 - PLATFORM

FIGURE 4-3. ROTATOR MOTOR ASSEMBLY (WORM GEAR DRIVE)

ITEM	PART NUMBER	QTY	DESCRIPTION	REV
	3160083	Ref	ROTATOR MOTOR ASSEMBLY	A
1	7002105	1	Flange, Mounting	
2	7002123	4	Screw, Cap	
3	Kit	1	Seal, Dust	
4	7002104	1	Key, Woodruff	
5	7002111	1	Bearing, Thrust Needle	
6	7002117	1	Thrust, Bearing Race	
7	Kit	1	Seal, O-Ring	
8	Kit	1	Seal, Pressure	
9	7002116	1	Shaft, Output	
10	7002103	1	Housing	
11	Kit	1	Seal	
12	7009992	1	Plug, Housing	
13	Kit	3	Seal, O-Ring	
14	7002112	1	Drive	
15	7002107	1	Cap, End	
16	7002100	7	Screw, Cap	
17	7000166	7	Lockwasher	
18	7002125	1	Gerotor Sub-Assembly	
19	7002110	1	Plate, Spacer	
	2900455	1	Seal Kit (Includes Items 3, 7, 8, 11 & 12)	

SECTION 4 - PLATFORM

FIGURE 4-4. ROTATOR MOTOR ASSEMBLY (HYDRAULIC PISTON)



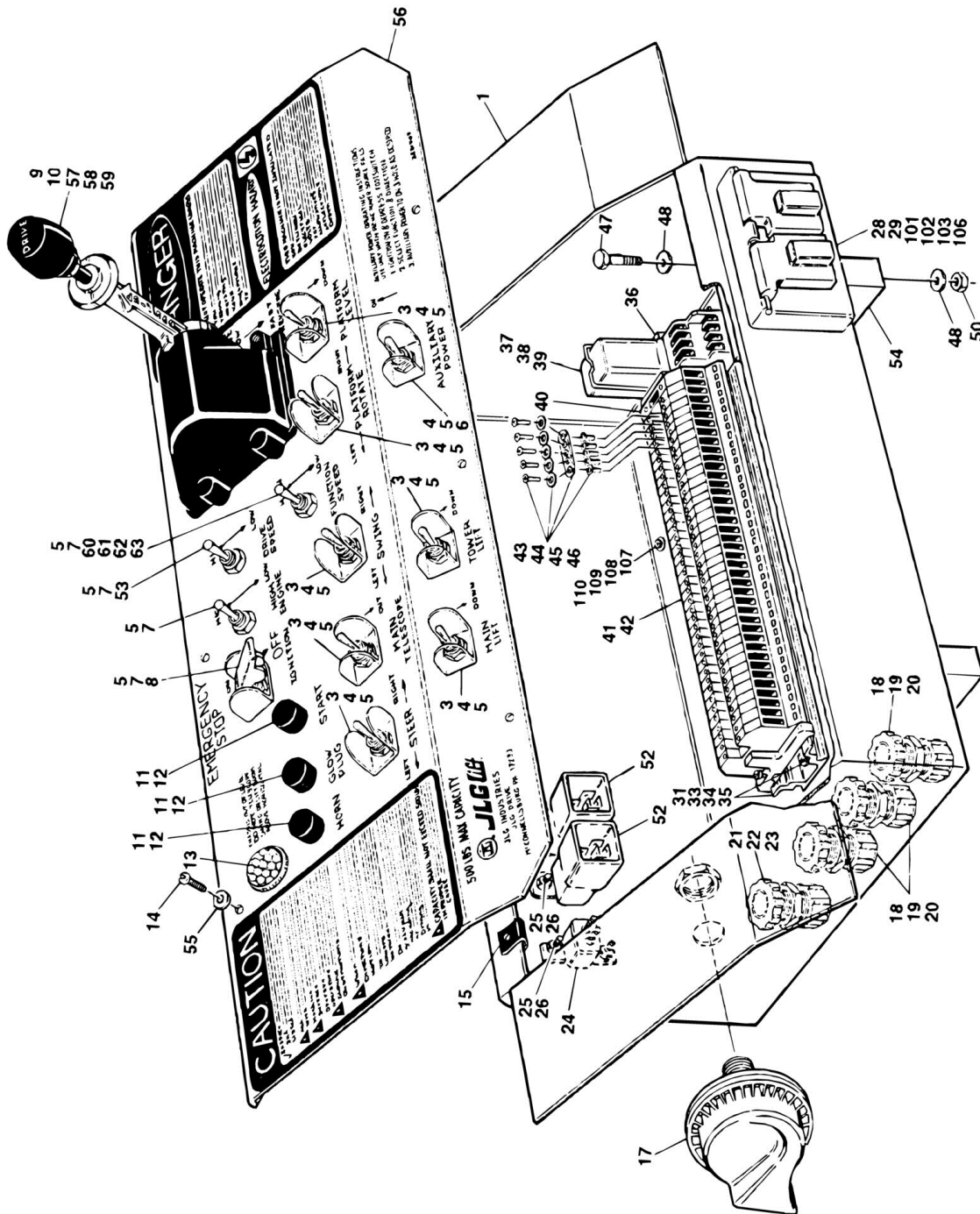
SECTION 4 - PLATFORM

FIGURE 4-4. ROTATOR MOTOR ASSEMBLY (HYDRAULIC PISTON)

ITEM	PART NUMBER	QTY	DESCRIPTION	REV
	0060026	Ref	ROTATOR MOTOR ASSEMBLY	-
1	Not Serviced	1	Housing	
2	7011300	1	Pinion	
3	7011301	1	Rack	
4	7011302	2	Piston	
5	7011303	2	Cylinder Assembly	
6		Ref	Tube, Cylinder (Not Sold Separately)	
7		Ref	Cap, End (Not Sold Separately)	
8	7011304	2	Bushing	
9	7011305	2	Setscrew	
10	7011306	2	Ring, Retaining	
11	Kit	2	Seal, Piston	
12	Kit	2	Pellet, Nylon	
13	Not Serviced	1	Nameplate	
14	7011309	1	Valve Block Assembly	
14	7011310	1	Cartridge	
14	7011311	1	Seal Kit - Cartridge	
15	7011312	1	Tube	
	2900771		Seal Kit - Rotator (Includes Items 11 & 12)	

SECTION 4 - PLATFORM

FIGURE 4-5. PLATFORM CONSOLE BOX ASSEMBLY



SECTION 4 - PLATFORM

FIGURE 4-5. PLATFORM CONSOLE BOX ASSEMBLY

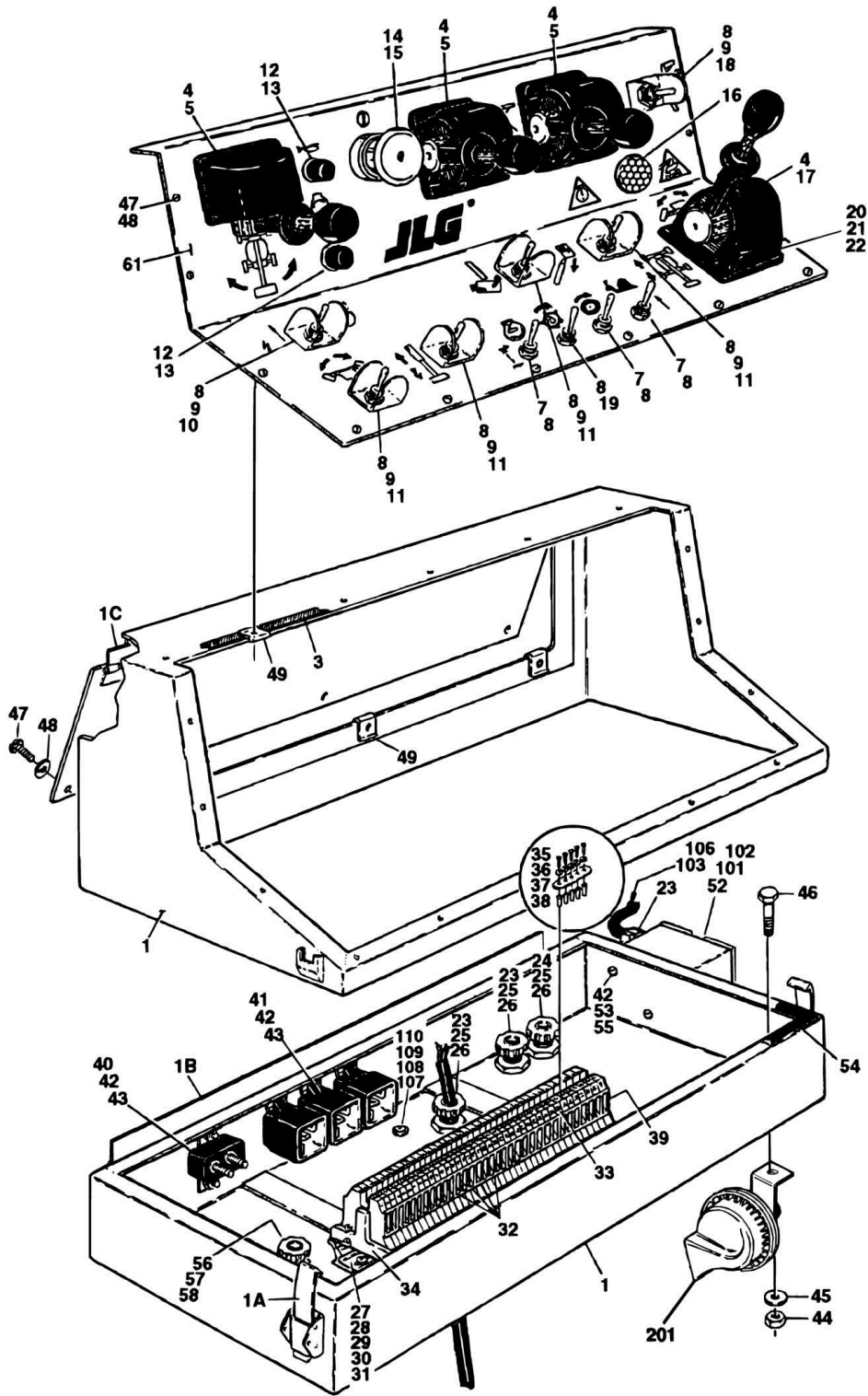
ITEM	PART NUMBER	QTY	DESCRIPTION	REV
		Ref	PLATFORM CONSOLE BOX ASSEMBLY OPTIONS:	
	0860622	Ref	Gas and Diesel	L
	0860677	Ref	Electric	H
	0860817	Ref	Electric With Function Speed Control	C
1	4842892	1	Box, Console	
2		Ref	Lid, Box Options:	
2	3251909	1	Lid, Box (Prior to March 1994)	
2	3252367	1	Lid, Box (March 1994 to August 1994)	
2	3538389	1	Lid, Box (August 1994 to Present)	
3	4360202	7	Switch, Toggle	
4	4060229	8	Guard, Switch	
5	3790012	12	O-Ring	
6	4360200	1	Switch, Toggle (Auxiliary Power)	
7	4360199	4	Switch, Toggle	
8	4360141	1	Guard, Switch	
9		Ref	Controller - PQ Options:	
9	1600116		Gas and Diesel	
9	7003702	1	Housing Assembly	
9	7003700	1	Handle Assembly	
9	7003783	1	Electrical Assembly	
9	1600127		Electric	
9	7003702	1	Housing Assembly	
9	7003700	1	Handle Assembly	
9	7003798	1	Electrical Assembly	
10	2560041	1	Knob	
11	4360274	2	Switch, Push Button	
12	3790015	2	O-Ring	
13	2920015	1	Lamp	
14	0751006	6	Screw Pan Head #10-24NC x 3/4in	
15	3300177	6	Nut, Tinnerman	
16	4420008	52 in	Tape, Insulation (Prior to March 1994)	
17	0140001	1	Horn	
18	4460052	3	Connector	
19	3300047	3	Nut, Conduit	
20	0960239	3	Bushing	
21		Ref	Connector Options:	
21	4460051	1	Connector - Gas and Diesel (Prior to July 1993)	
21	4460244	1	Connector - Gas and Diesel (July 1993 to Present)	
21	4460051	1	Connector - Electric	
22	3300048	1	Nut, Conduit	
23	0960238	1	Bushing	
24	4360209	1	Breaker, Circuit 20Amp	
25	4761000	1	Lockwasher #10	
26	3311001	1	Nut #10-24NC	
27	0860038	1	Box	
28	4460190	1	Receptacle (Prior to September 1993)	
29	4060092	1	Cover (Prior to September 1993)	
30	4460071	1	Connector	
31	4760600	6	Lockwasher #6	
32	3910608	4	Screw Pan Head #6-32NC x 1/2in	

SECTION 4 - PLATFORM

ITEM	PART NUMBER	QTY	DESCRIPTION	REV
33	3640500	1	Rail	
34	3910606	2	Screw Pan Head #6-32NC x 3/8in	
35	3310601	2	Nut #6-32NC	
36	4460299	2	Stop, Terminal	
37	4120013	1	Socket, Relay (Gas and Diesel Machines Only)	
38	3740058	1	Relay (Gas and Diesel Machines Only)	
39	3740063	1	Spring, Relay (Gas and Diesel Machines Only)	
40	4460300	1	Barrier, Terminal (Gas and Diesel Machines Only)	
41	4460298	40	Block, Terminal	
42	4460301	1	Strip, Marking	
43	4460311	1	Bar, Buss	
44	4460307	5	Sleeve	
45	4460306	5	Washer	
46	4460305	5	Screw	
47	0641414	4	Bolt 1/4in-20NC x 1 3/4in	
48	4751400	8	Flatwasher 1/4in	
49	Not Required	0	Not Required	
50	3311405	4	Locknut 1/4in-20NC	
52	3740049	1	Relay (Electric Machines Only)	
53	3252041	1	Nameplate, Wheel Motor Speed (Electric Machines Only)	
54	0361966	2	Bar	
55	4740120	6	Washer, Nylon	
56	1702399	1	Decal - Console Box	
57	0720804	4	Screw Machine #8-32NC x 1/2in	
58	4750800	4	Flatwasher #8	
59	4760800	4	Lockwasher #8	
60	1701810	1	Nameplate - Function Speed (Electric Machines Equipped With Function Speed Switch Only)	
61	4360327	1	Potentiometer, Switch (Electric Machines Equipped With Function Speed Switch Only)	
62	2560116	1	Knob (Electric Machines Equipped With Function Speed Switch Only)	
63	3300352	1	Nut (Electric Machines Equipped With Function Speed Switch Only)	
		Ref	110 VOLT POWER CORD INSTALLATION OPTIONS:	
	0254410	Ref	110V Receptacle	3
	0254409	Ref	110V Receptacle - GFCI	3
101		Ref	Shield, Cover Options:	
101	4060098	1	110V Receptacle	
101	4060700	1	110V Receptacle - GFCI	
102		Ref	Receptacle Options:	
102	4460190	1	110V Receptacle	
102	4460346	1	110V Receptacle - GFCI	
103	1060514	58 ft	Electric Cable - 12/3	3
104	1700598	1	Decal - Ground (Not Shown)	
105	1700599	1	Decal - Neutral (Not Shown)	
106	4460205	1	Plug	
107	1320041	1	Clamp	
108	0721006	1	Screw	
109	4751000	2	Flatwasher	
110	3311005	1	Locknut	

SECTION 4 - PLATFORM

FIGURE 4-6. PLATFORM CONSOLE BOX ASSEMBLY (PROPORTIONAL CONTROLS)



SECTION 4 - PLATFORM

FIGURE 4-6. PLATFORM CONSOLE BOX ASSEMBLY (PROPORTIONAL CONTROLS)

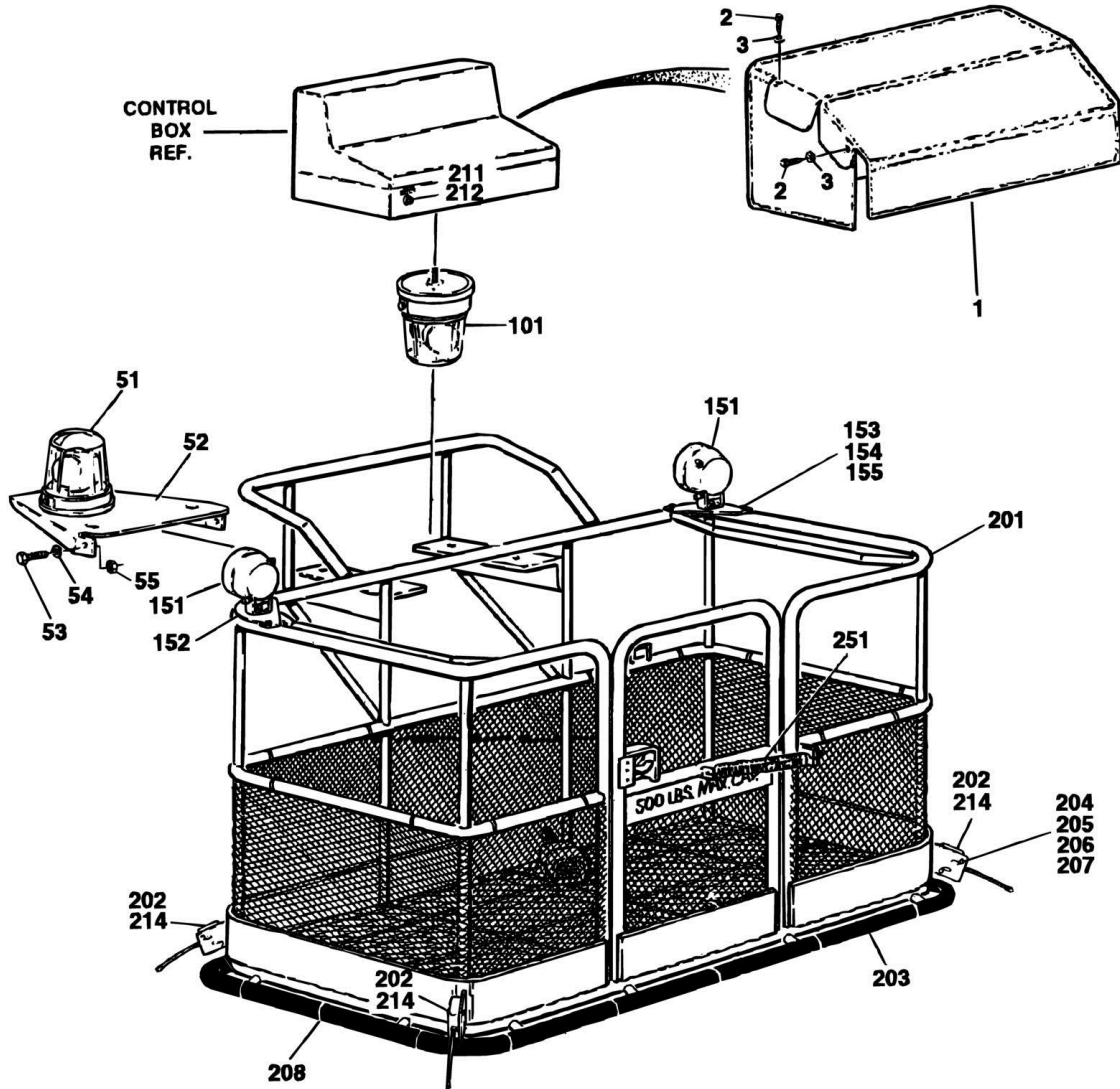
ITEM	PART NUMBER	QTY	DESCRIPTION	REV
		Ref	PLATFORM CONSOLE BOX ASSEMBLY OPTIONS:	
	0860839	Ref	2WS With Creep	C
1	0860538	1	Box, Console	
1A	2940052	2	Latch	
1B	2600132	1	Hinge (Top and Bottom)	
1C	2600105	1	Hinge (Access Door)	
2		Ref	Lid, Box Options:	
2	3252224	1	Lid, Box (Prior to March 1994)	
2	3252382	1	Lid, Box (March 1994 to November 1994)	
2	3538392	1	Lid, Box (November 1994 to Present)	
3	4420037	13.75 ft/4.2m	Tape, Insulation	
4	2560112	4	Knob	
5	1600126	3	Controller - PQ	
5	7003702	1	Housing Assembly	
5	7003700	1	Handle Assembly	
5	7003782	1	Electrical Assembly	
7	4360199	3	Switch, Toggle	
8	3790012	8	O-Ring	
9	4060229	5	Guard, Switch	
10	4360200	1	Switch, Toggle	
11	4360202	4	Switch, Toggle	
12	4360274	2	Switch, Push Button	
13	3790015	2	O-Ring	
14	4360289	1	Switch, Push/Pull (Emergency Stop)	
14	7012611	1	Mushroom Head	
14	7012612	1	Boot	
15	4360282	1	Block, Contact	
16	2920015	1	Lamp	
17	1600116	1	Controller - PQ	
17	7003702	1	Housing Assembly	
17	7003700	1	Handle Assembly	
17	7003783	1	Electrical Assembly	
20	4760800	16	Lockwasher #8	
21	0720803	16	Screw Machine #8-32NC x 3/8in	
22	4750800	16	Flatwasher #8	
23	4460071	3	Connector	
24	4460244	1	Connector	
25	3300048	3	Nut, Conduit	
26	0960238	3	Bushing	
27	3640500	1	Rail	
28	3310601	2	Nut #6-32NC	
29	3910608	2	Screw Pan Head #6-32NC x 1/2in	
30	4750600	2	Flatwasher #6	
31	4760600	2	Lockwasher #6	
32	4460298	40	Block, Terminal	
33	4460301	1	Strip, Marking	
34	4460299	2	Stop, Terminal	
35	4460305	5	Screw	
36	4460306	5	Washer	

SECTION 4 - PLATFORM

ITEM	PART NUMBER	QTY	DESCRIPTION	REV
37	4460307	5	Sleeve	
38	4460311	1	Bar, Buss	
39	4460300	1	Barrier, Terminal	
40	4360209	1	Breaker, Circuit 20Amp	
41	3740049	1	Relay	
42	4761000	5	Lockwasher #10	
43	3311001	1	Nut #10-24NC	
44	3311505	4	Locknut 5/16in-18NC	
45	4751500	8	Flatwasher 5/16in	
46	0641508	4	Bolt 5/16in-18NC x 1in	
47	0751006	21	Screw Pan Head #10-24NC x 3/4in	
48	4740120	21	Washer, Nylon	
49	3300177	21	Nut, Tinnerman	
52	0860038	1	Box	
53		Ref	Screw Options:	
53	3911008	4	Screw Pan Head #10-24NC x 1/2 (Prior to SN 58883)	
53	3900294	4	Screw Self Drilling #10-16NC x 1 (SN 58883 to Present)	
54	4420008	5.75 ft/1.75m	Tape, Insulation	
55	4751000	4	Flatwasher #10	
56	4460052	1	Connector	
57	3300047	1	Nut, Conduit	
58	0960239	1	Bushing	
59	3520054	3	Plug, Hole (Not Shown)	
60	3520034	2	Plug, Hole (Not Shown)	
61	1702402	1	Decal - Console Box	
		Ref	110 VOLT POWER CORD INSTALLATION OPTIONS:	
	0254410	Ref	110V Receptacle	3
	0254409	Ref	110V Receptacle - GFCI	3
101		Ref	Shield, Cover Options:	
101	4060098	1	110V Receptacle	
101	4060700	1	110V Receptacle - GFCI	
102		Ref	Receptacle Options:	
102	4460190	1	110V Receptacle	
102	4460346	1	110V Receptacle - GFCI	
103	1060514	58 ft/17.7m	Electric Cable - 12/3 (was p/n 1060268)	
104	1700598	1	Decal - Ground (Not Shown)	
105	1700599	1	Decal - Neutral (Not Shown)	
106	4460205	1	Plug	
107	1320041	1	Clamp	
108	0721006	1	Screw	
109	4751000	2	Flatwasher	
110	3311005	1	Locknut	
	0239762	Ref	HORN INSTALLATION	-
201	0140001	1	Horn	

SECTION 4 - PLATFORM

FIGURE 4-7. OPTIONAL COMMON PLATFORM MOUNTED COMPONENTS



SECTION 4 - PLATFORM

FIGURE 4-7. OPTIONAL COMMON PLATFORM MOUNTED COMPONENTS

ITEM	PART NUMBER	QTY	DESCRIPTION	REV
	0252054	Ref	CONSOLE BOX COVER INSTALLATION (BLACK)	2
	0251203	Ref	CONSOLE BOX COVER INSTALLATION (YELLOW)	2
1		Ref	Cover Options:	
1	1670607	1	Black	
1	1670526	1	Yellow	
2	3941406	4	Self-Tapping Screw 1/4in-20NC	
3	4751400	4	Flatwasher 1/4in	
	0238942	Ref	CONSOLE BOX COVER INSTALLATION (NOT SHOWN)	-
	1670474	1	Cover	
	3380364	1	Panel, Rear	
	3941003	2	Self-Tapping Screw #10 x 3/4in	
	4761000	2	Lockwasher #10	
	4280265	1	Strip, Retainer	
		Ref	BEACON LIGHT INSTALLATION OPTIONS: (PRIOR TO SEPTEMBER 1991)	
	0238866	Ref	AMBER	-
	0238867	Ref	RED	-
51		Ref	Beacon Options:	
51	2920018	1	Amber	
51	2920009	1	Red	
52	0901449	1	Bracket, Mounting	
53	0641406	2	Bolt 1/4in-20NC x 3/4in	
54	4761400	2	Lockwasher 1/4in	
55	3311401	2	Nut 1/4in-20NC	
		Ref	BEACON LIGHT INSTALLATION OPTIONS: (SEPTEMBER 1991 TO PRESENT)	
	0252210	Ref	AMBER	3
	0252211	Ref	RED	3
101		Ref	Beacon Options:	
101	2920018	1	Amber	
101	2920009	1	Red	
102	3520034	1	Plug, Hole 5/16in (Not Shown)	
105	2540016	1	Grommet (Not Shown)	
	0238966	Ref	FLOODLIGHT (PRIOR TO NOVEMBER 1992)	A
151	2920013	2	Floodlight	
	0253987	Ref	PLATFORM WORKLIGHT (NOVEMBER 1992 TO PRESENT)	4
151	2920111	2	Halogen Light	
152	3536089	2	Bracket, Mounting	
153	0641414	4	Bolt 1/4in-20NC x 1 3/4in	
154	3311405	4	Locknut 1/4in-20NC	
155	4711400	4	Flatwasher 1/4in	
	0251024	Ref	PLATFORM BUMPERS INSTALLATION	C
201	3510261	1	Weldment, Platform	
202	4360215	4	Switch, Proximity	
203	0940038	AR	Padding, Bumper	
204	3911012	8	Screw, Round Head #10-24NC x 3/4in	
205	4751000	8	Flatwasher #10	
206	4761000	8	Lockwasher #10	
207	3311001	8	Nut #10-24	
208	4260018	12	Strip, Tie	

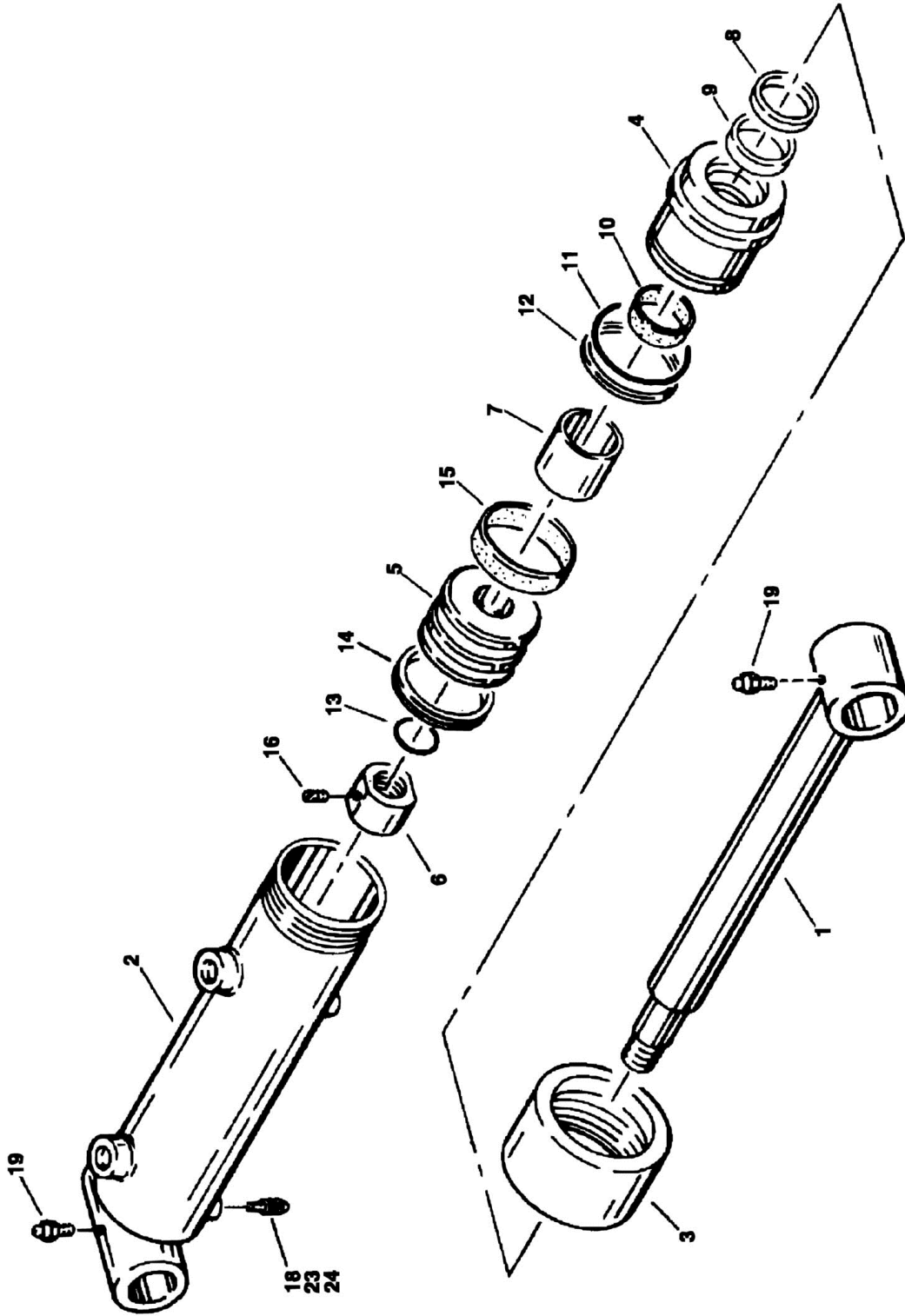
SECTION 4 - PLATFORM

ITEM	PART NUMBER	QTY	DESCRIPTION	REV
210	2540016	9	Grommet (Not Shown)	A
211	3251516	1	Tag - Override	
212	4360274	1	Switch, Push Button (Override)	
213	3740049	1	Relay (Not Shown)	
214	4460521	4	Strain Relief	
	0250143	Ref	SELF-CLOSING GATE INSTALLATION (OPTIONAL)	
251	0900232	1	Bracket (Door Attach)	
251	4160028	1	Spring	
251	0901056	1	Bracket (Platform Attach)	
251	4220007	1	Stop, Door	

SECTION 5 - CYLINDER

SECTION 5 - CYLINDER

FIGURE 5-1. AXLE LOCKOUT CYLINDER ASSEMBLY



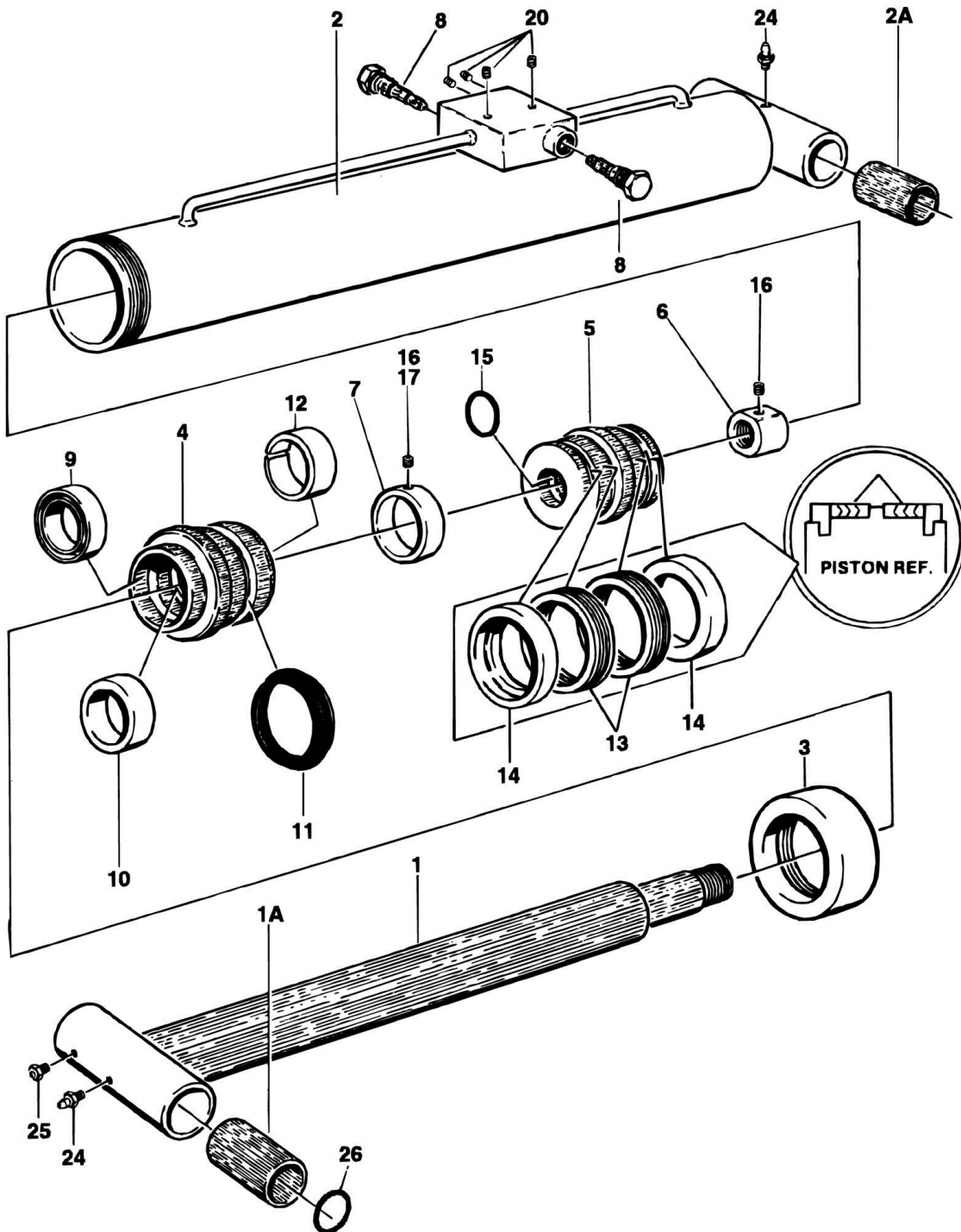
SECTION 5 - CYLINDER

FIGURE 5-1. AXLE LOCKOUT CYLINDER ASSEMBLY

ITEM	PART NUMBER	QTY	DESCRIPTION	REV
	1681785	Ref	AXLE LOCKOUT CYLINDER ASSEMBLY	D
1	1681787	1	Rod Weldment	
2	1681788	1	Barrel Weldment	
3	1120179	1	Retainer	
4	1680892	1	Head	
5	3480120	1	Piston	
6	3300273	1	Nut 3/4in-16NC	
7	4563647	1	Tube, Spacer	
8	Kit	1	Seal, Wiper	
9	Kit	1	Seal, Rod	
10	Kit	1	Ring, Wear	
11	Kit	1	O-Ring	
12	Kit	1	Ring, Back-up	
13	Kit	1	O-Ring	
14	Kit	1	Seal, Piston	
15	Kit	1	Ring, Wear	
16	3900170	1	Set Screw 3/8in-16NC x 3/8in	
17	0100011	AR	Loctite	
18	3900175	2	Set Screw 1/4in-28NF x 3/4in	
19	2160002	2	Fitting, Grease	
21	0100035	AR	Thread Locking Compound (Not Shown)	
22	0100038	AR	Thread Locking Primer (Not Shown)	
23	3960416	2	Thread Seal	
24	3321401	2	Nut 1/4in-28NF	
	2900381	1	Seal Kit (Includes Items 8-15)	

SECTION 5 - CYLINDER

FIGURE 5-2. PLATFORM LEVEL CYLINDER ASSEMBLY



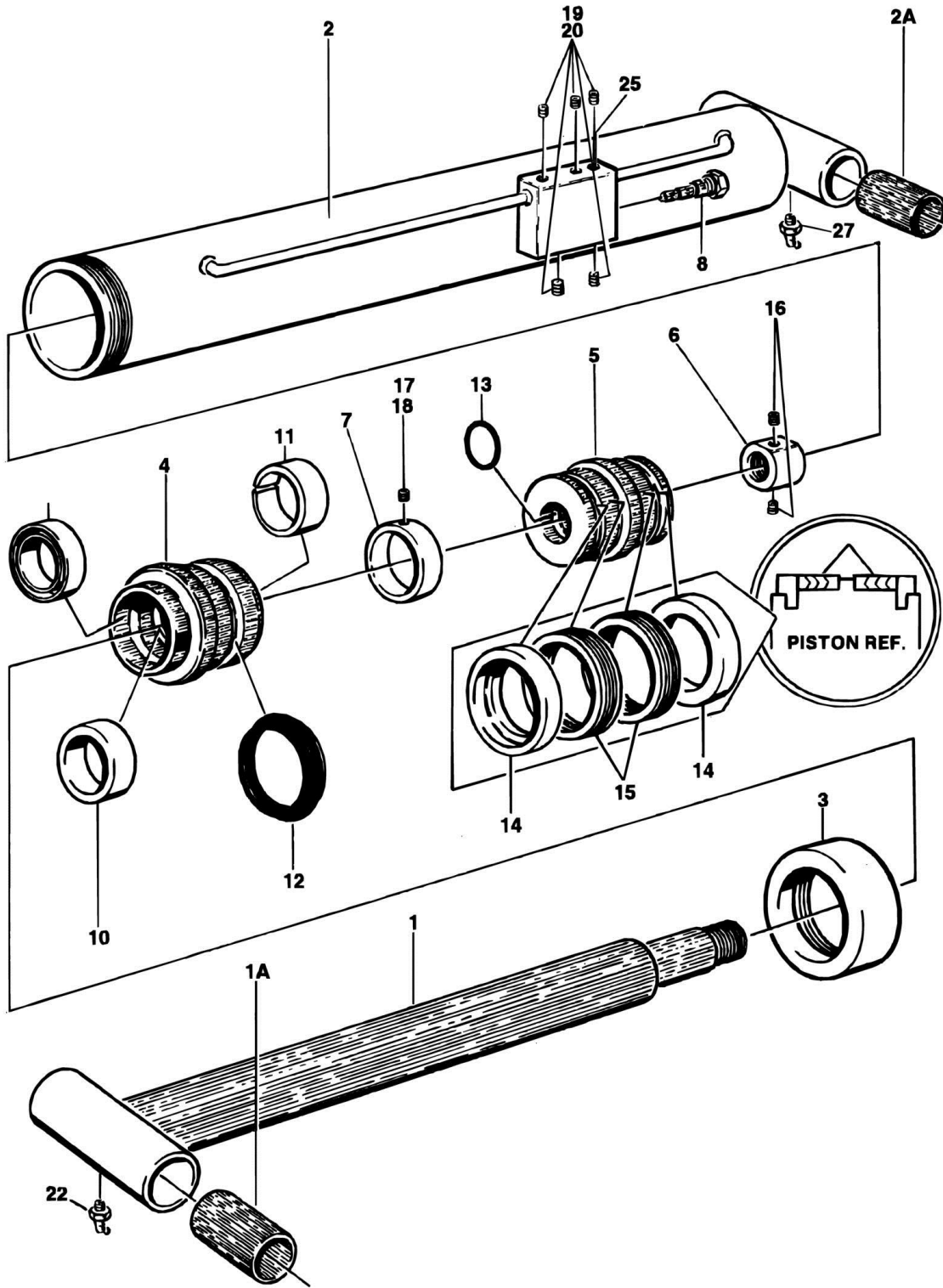
SECTION 5 - CYLINDER

FIGURE 5-2. PLATFORM LEVEL CYLINDER ASSEMBLY

ITEM	PART NUMBER	QTY	DESCRIPTION	REV
	1682178	Ref	PLATFORM LEVEL CYLINDER ASSEMBLY (STANDARD PLATFORM)	C
	1682057	Ref	PLATFORM LEVEL CYLINDER ASSEMBLY (LOW MOUNT PLATFORM) (PRIOR TO JANUARY 1991)	RLC
	1682178	Ref	PLATFORM LEVEL CYLINDER ASSEMBLY (LOW MOUNT PLATFORM) (JANUARY 1991 TO PRESENT)	C
1		Ref	Rod Weldment Options:	
1	1682177	1	1682178 Cylinder	
1	1682060	1	1682057 Cylinder	
1A	0961254	2	Bushing, Garmax	
2		Ref	Barrel Weldment	
2	1681869	1	1682178 Cylinder	
2	1682058	1	1682057 Cylinder	
2A	0960613	2	Bushing, Garmax	
3	1120336	1	Cap	
4	1681847	1	Head	
5		Ref	Piston Options:	
5	3480141	1	1682178 Cylinder	
5	3480130	1	1682057 Cylinder	
6		Ref	Nut Options:	
6	3300284	1	1682178 Cylinder	
6	3300271	1	1682057 Cylinder	
7	4563771	1	Spacer	
8	4640509	1	Cartridge, Valve	
8	2900792	1	Seal Kit - 4640509 Valve	
9	Kit	1	Wiper	
10	Kit	1	Seal, Rod	
11	Kit	1	Seal	
12	Kit	1	Ring, Wear	
13	Kit	2	Seal	
14	Kit	2	Ring, Lock	
15	Kit	1	O-Ring	
16	3900173	1	Set Screw 3/8in-16NC x 3/8in	
17	3900141	1	Set Screw 1/4in-20NC x 3/8in	
18	0100011	AR	Loctite #242 (Not Shown)	
19	2200202	2	Plug	
20	2200201	4	Plug	
21	0100020	AR	Loctite (Not Shown)	
22	0100038	AR	Primer, Locking (Not Shown)	
23	0100035	AR	Thread Locking Compound (Not Shown)	
24	2160002	2	Fitting, Grease	
25	4640812	1	Valve, Relief (Low Mount Platform Only)	
26	3780183	2	O-Ring	
	2901103	1	Seal Kit (Includes Items 9-15)	

SECTION 5 - CYLINDER

FIGURE 5-3. LIFT (BOOM) CYLINDER ASSEMBLY



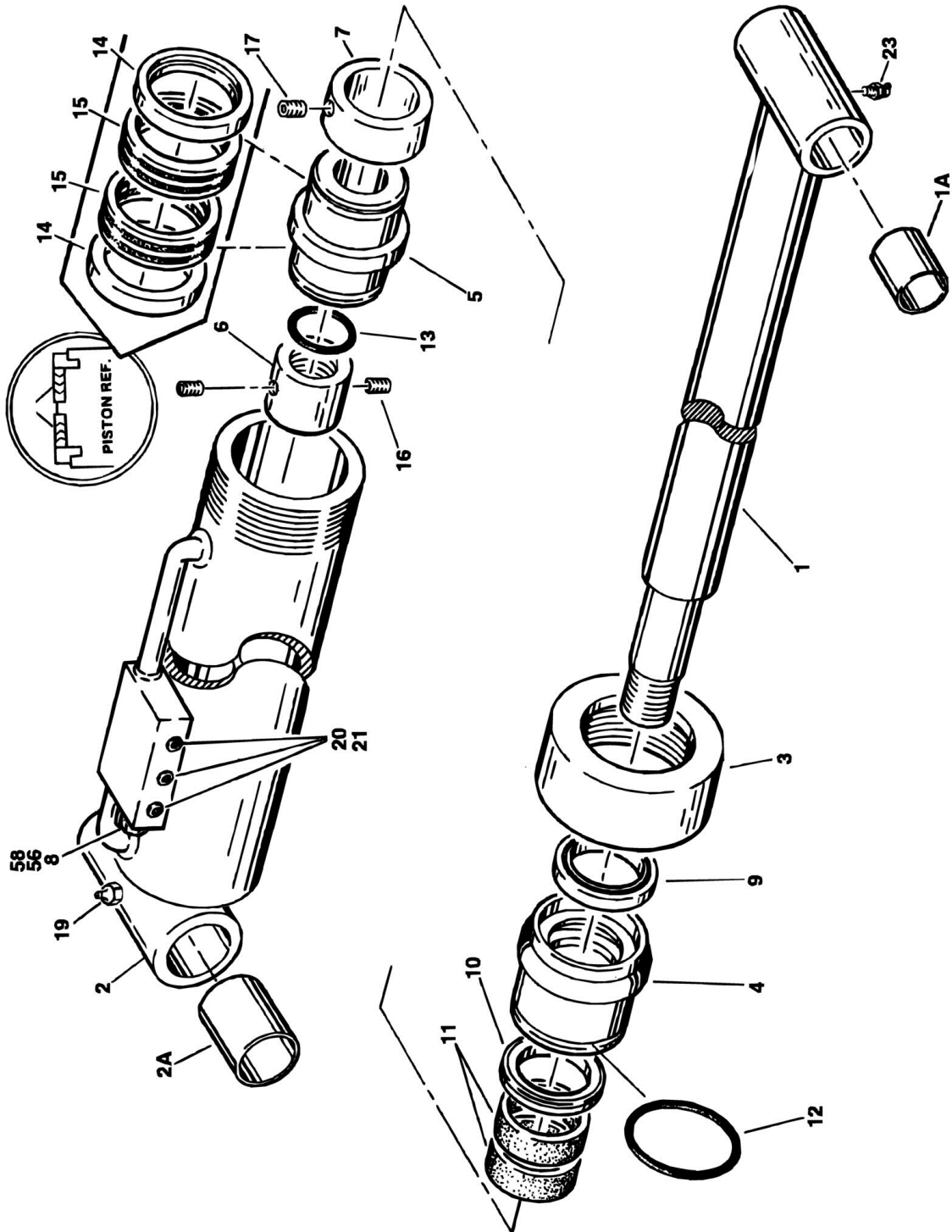
SECTION 5 - CYLINDER

FIGURE 5-3. LIFT (BOOM) CYLINDER ASSEMBLY

ITEM	PART NUMBER	QTY	DESCRIPTION	REV
	1681840	Ref	LIFT CYLINDER ASSEMBLY	10
1	1681841	1	Rod Weldment	
1A	0960946	2	Bushing, Garmax	
2	1681844	1	Barrel Weldment	
2A	0960946	2	Bushing, Garmax	
3	1120340	1	Cap	
4	1681843	1	Head	
5	3480102	1	Piston	
6	3300281	1	Nut	
7	4563769	1	Spacer	
8	4640634	1	Valve, Holding	
9	Kit	1	Wiper	
10	Kit	1	Seal, Rod	
11	Kit	1	Seal	
12	Kit	1	Ring, Wear	
13	Kit	1	O-Ring	
14	Kit	2	Ring, Guidelock	
15	Kit	2	Seal	
16	3900170	1	Set Screw 3/8in-16NC x 3/8in	
17	3900141	1	Set Screw 1/4in-20NC x 3/8in	
18	0100011	AR	Loctite #242 (Not Shown)	
19	2200222	1	Plug	
20	2200233	4	Plug	
21	0100020	AR	Loctite (Not Shown)	
22	2160001	1	Fitting, Grease	
23	0100035	AR	Thread Locking Compound (Not Shown)	
24	0100038	AR	Primer, Locking (Not Shown)	
25	2180380	1	Plug, Orifice Fitting	
26	0900019	AR	Loctite (Not Shown)	
27	2160003	1	Fitting, Grease	
	2901102	1	Seal Kit (Includes Items 9-15)	

SECTION 5 - CYLINDER

FIGURE 5-4. ARTICULATE CYLINDER ASSEMBLY



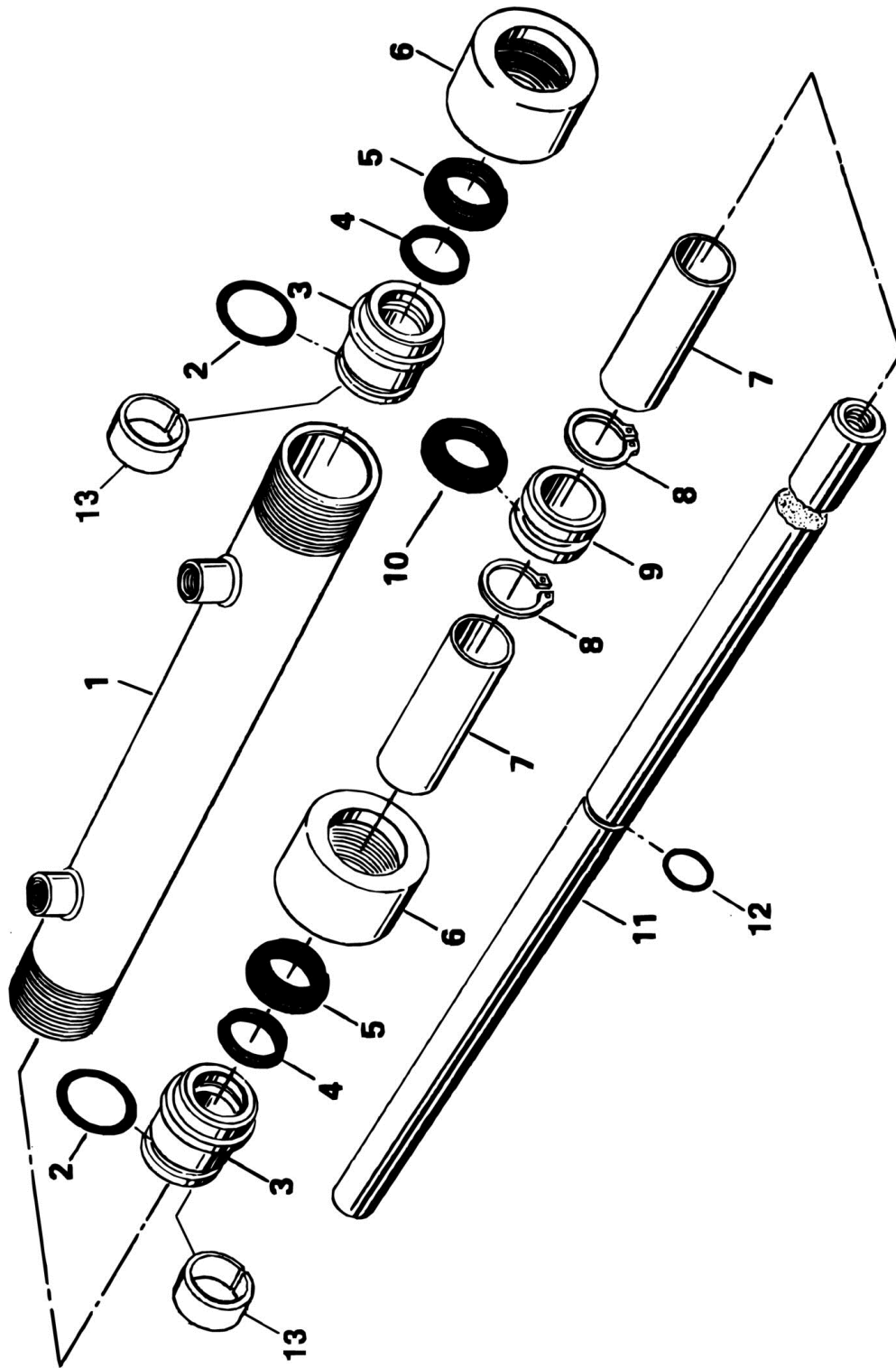
SECTION 5 - CYLINDER

FIGURE 5-4. ARTICULATE CYLINDER ASSEMBLY

ITEM	PART NUMBER	QTY	DESCRIPTION	REV
	1681780	Ref	ARTICULATE CYLINDER ASSEMBLY	7
1	1681781	1	Barrel Weldment	
1A	0960613	2	Bushing, Bronze	
2	1681783	1	Rod Weldment	
2A	0960613	2	Bushing, Bronze	
3	1120286	1	Cap	
4	1681294	1	Head	
5	3480102	1	Piston	
6	3300281	1	Nut	
7	4563644	1	Spacer	
8		Ref	Valve, Holding Options:	
8	4640452	1	Valve, Holding (Prior to September 1994)	
8	4640746	1	Valve, Holding (September 1994 to SN 28849)	
8	4640634	1	Valve, Holding (SN 28850 to Present)	
9	Kit	1	Wiper	
10	Kit	1	Seal, Rod	
11	Kit	1	Ring, Wear	
12	Kit	1	O-Ring	
13	Kit	1	O-Ring	
14	Kit	2	Ring, Guide Lock	
15	Kit	2	Seal	
16	3900170	1	Set Screw 3/8in-16NC x 3/8in	
17	3900141	1	Set Screw 1/4in-20NC x 3/8in	
18	0100011	AR	Loctite #242 (Not Shown)	
19	2160003	1	Fitting, Grease	
20	2200202	3	Plug	
21	2180380	1	Plug, Orifice Fitting	
22	0100020	AR	Loctite (Not Shown)	
23	2160001	1	Fitting, Grease	
25	0100038	AR	Primer, Locking (Not Shown)	
26	0100035	AR	Thread Locking Compound (Not Shown)	
	2900240	1	Seal Kit (Includes Items 9-15) (Prior to SN 43528)	
	2900340	1	Seal Kit (Includes Items 9-15) (SN 43528 to Present)	
		Ref	MANUAL DESCENT INSTALLATIONS	
	0251369	Ref	Gas and Diesel	B
	0252278	Ref	Electric	-
56	4640709	1	Valve, Counter Balance	
56	2900770	1	Seal Kit	
58	1692958	1	Knob	

SECTION 5 - CYLINDER

FIGURE 5-5. STEER CYLINDER ASSEMBLY - 2WD - DOUBLE ROD



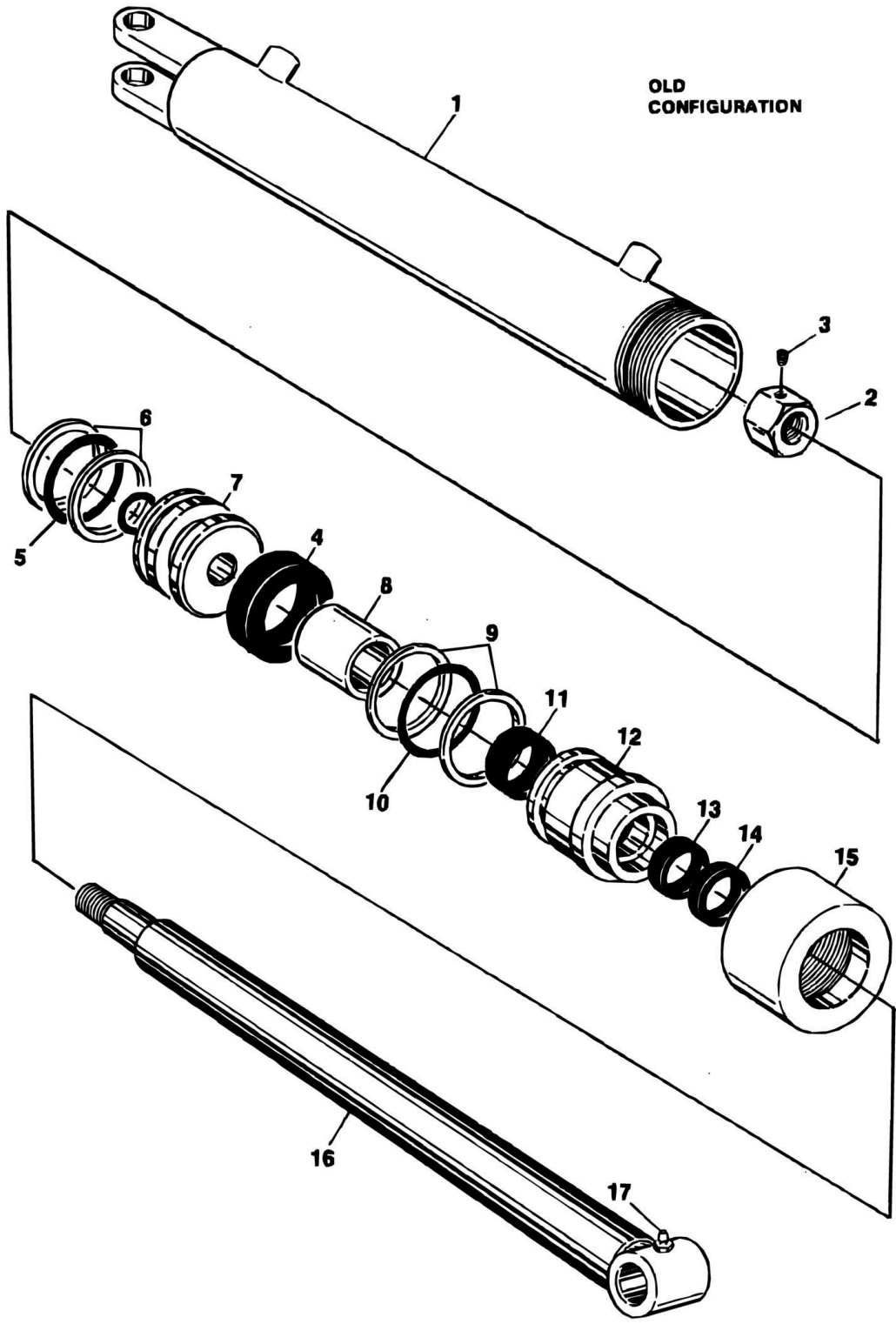
SECTION 5 - CYLINDER

FIGURE 5-5. STEER CYLINDER ASSEMBLY - 2WD - DOUBLE ROD

ITEM	PART NUMBER	QTY	DESCRIPTION	REV
	1681814	Ref	STEER CYLINDER ASSEMBLY (Prior to SN 31941)	A
1	1680654	1	Barrel Weldment	
2	Kit	2	O-Ring	
3	1120229	2	Head	
4	Kit	2	Seal	
5	Kit	2	Seal, Wiper	
6	1120228	2	Head, Retainer	
7	4563681	2	Spacer, Tube	
8	3760141	2	Ring, Retaining	
9	3480098	1	Piston	
10	Kit	1	T-Seal	
11	3840561	1	Rod	
12	Kit	1	O-Ring	
13	Not Required	0	Not Required	
14	0100011	AR	Loctite (Not Shown)	
	2900099	1	Seal Kit (Includes Items 2, 4, 5, 10 & 12)	
	1683511	Ref	STEER CYLINDER ASSEMBLY (SN 31941 to Present)	2
1	1680654	1	Barrel Weldment	
2	Kit	2	O-Ring	
3	1682364	2	Head	
4	Kit	2	Seal	
5	Kit	2	Seal, Wiper	
6	1120387	2	Head, Retainer	
7	4563681	2	Spacer, Tube	
8	3760141	2	Ring, Retaining	
9	3480098	1	Piston	
10	Kit	1	T-Seal	
11	3840561	1	Rod	
12	Kit	1	O-Ring	
13	Kit	2	Ring, Wear	
14	0100011	AR	Loctite (Not Shown)	
	2901178	1	Seal Kit (Includes Items 2, 4, 5, 10, 12 & 13)	

SECTION 5 - CYLINDER

FIGURE 5-6. STEER CYLINDER ASSEMBLY - 2WD - SINGLE ROD



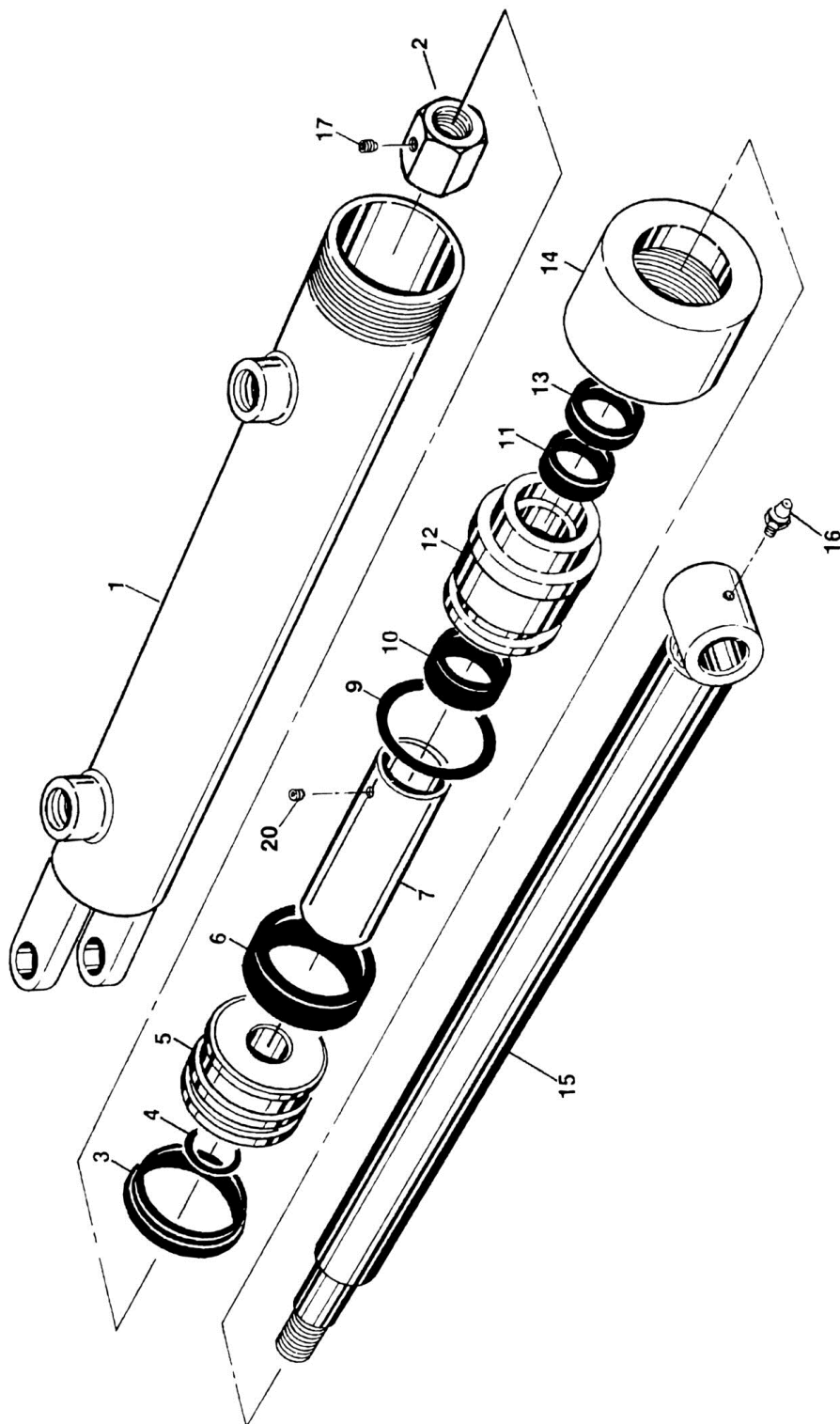
SECTION 5 - CYLINDER

FIGURE 5-6. STEER CYLINDER ASSEMBLY - 2WD - SINGLE ROD

ITEM	PART NUMBER	QTY	DESCRIPTION	REV
	1682020	Ref	STEER CYLINDER ASSEMBLY	C
1	1682084	1	Barrel Weldment	
2	3300273	1	Nut, Hex	
3	3900170	2	Set Screw 3/8in-16NC x 3/8in	
4	Kit	2	Ring, Wear	
5	Kit	1	T-Seal	
6	Kit	1	O-Ring	
7	3480120	1	Piston	
8	4564134	2	Spacer, Tube	
9	3760176	1	Ring	
10	Kit	1	O-Ring	
11	Kit	1	Ring, Wear	
12	1680892	1	Head	
13	Kit	1	Seal, Rod	
14	Kit	1	Wiper, Rod	
15	1120179	1	Head, Retainer	
16	1680739	1	Rod	
17	2160002	1	Fitting, Grease	
18	0100011	AR	Loctite #242 (Not Shown)	
19	0100038	AR	Loctite #222 (Not Shown)	
	2901119	1	Seal Kit (Includes Items 4, 5, 6, 9, 10, 11, 13 & 14)	

SECTION 5 - CYLINDER

FIGURE 5-7. STEER CYLINDER ASSEMBLY - 4WD



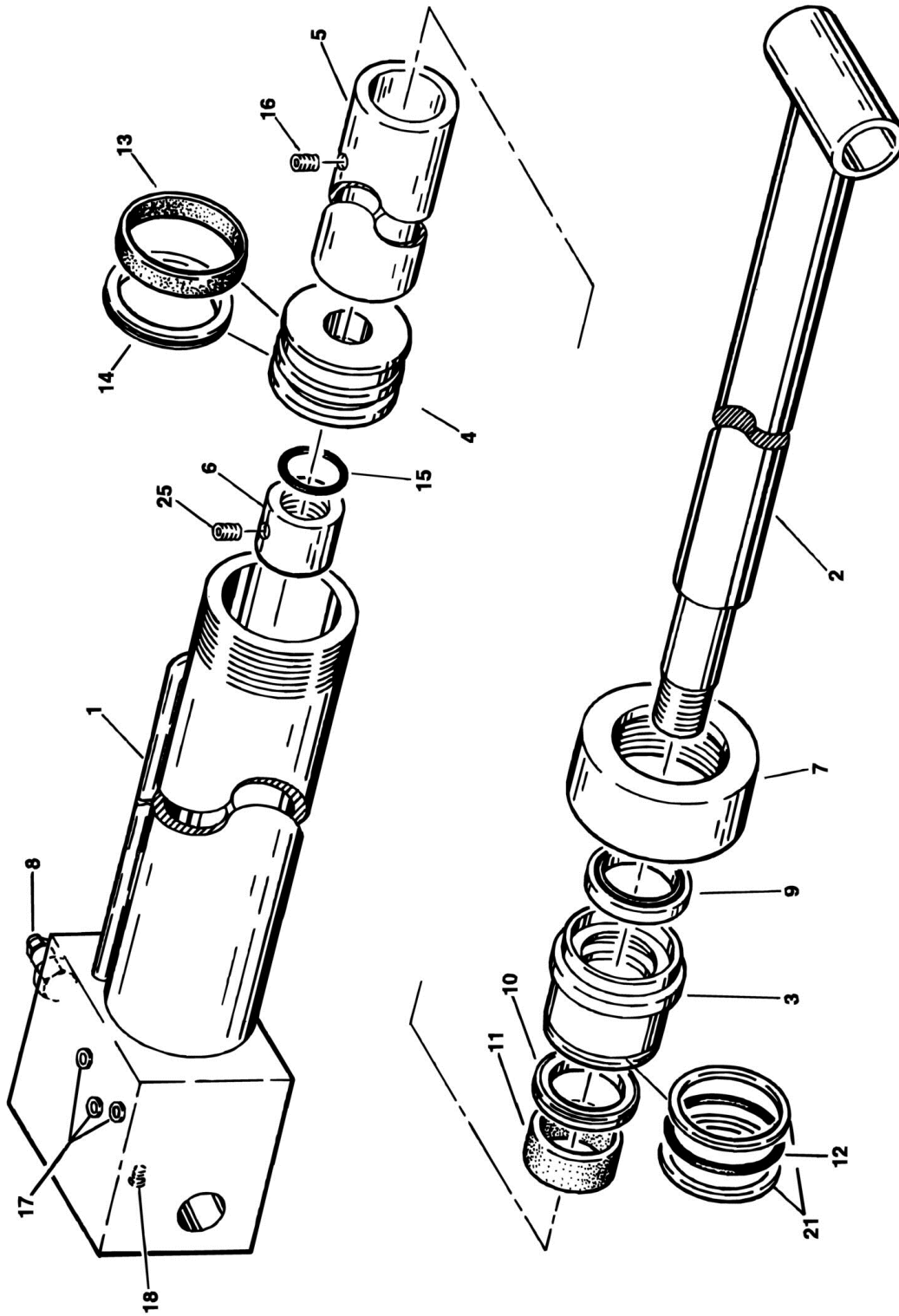
SECTION 5 - CYLINDER

FIGURE 5-7. STEER CYLINDER ASSEMBLY - 4WD

ITEM	PART NUMBER	QTY	DESCRIPTION	REV
	1681555	Ref	STEER CYLINDER ASSEMBLY	
1	1681413	1	Barrel Weldment	
2	3300273	1	Nut, Hex	
3	Kit	1	Seal	
4	Kit	1	O-Ring	
5	3480134	1	Piston	
6	Kit	1	Ring, Wear	
7	4562851	1	Spacer, Tube	
9	Kit	1	O-Ring	
10	Kit	1	Ring, Wear	
11	Kit	1	Seal, Rod	
12	1681344	1	Head	
13	Kit	1	Wiper, Rod	
14	1120108	1	Cap	
15	1681411	1	Rod	
16	2160002	1	Fitting, Grease	
17	3900141	1	Set Screw 1/4in-20NC x 3/8in	
18	0100011	AR	Loctite #242 (Not Shown)	
19	0100038	AR	Loctite #222 (Not Shown)	
20	3900170	1	Set Screw 3/8in-16NC x 3/8in	
	2901123	1	Seal Kit (Includes Items 3, 4, 6, 9, 10, 11 & 13)	

SECTION 5 - CYLINDER

FIGURE 5-8. TELESCOPE CYLINDER ASSEMBLY



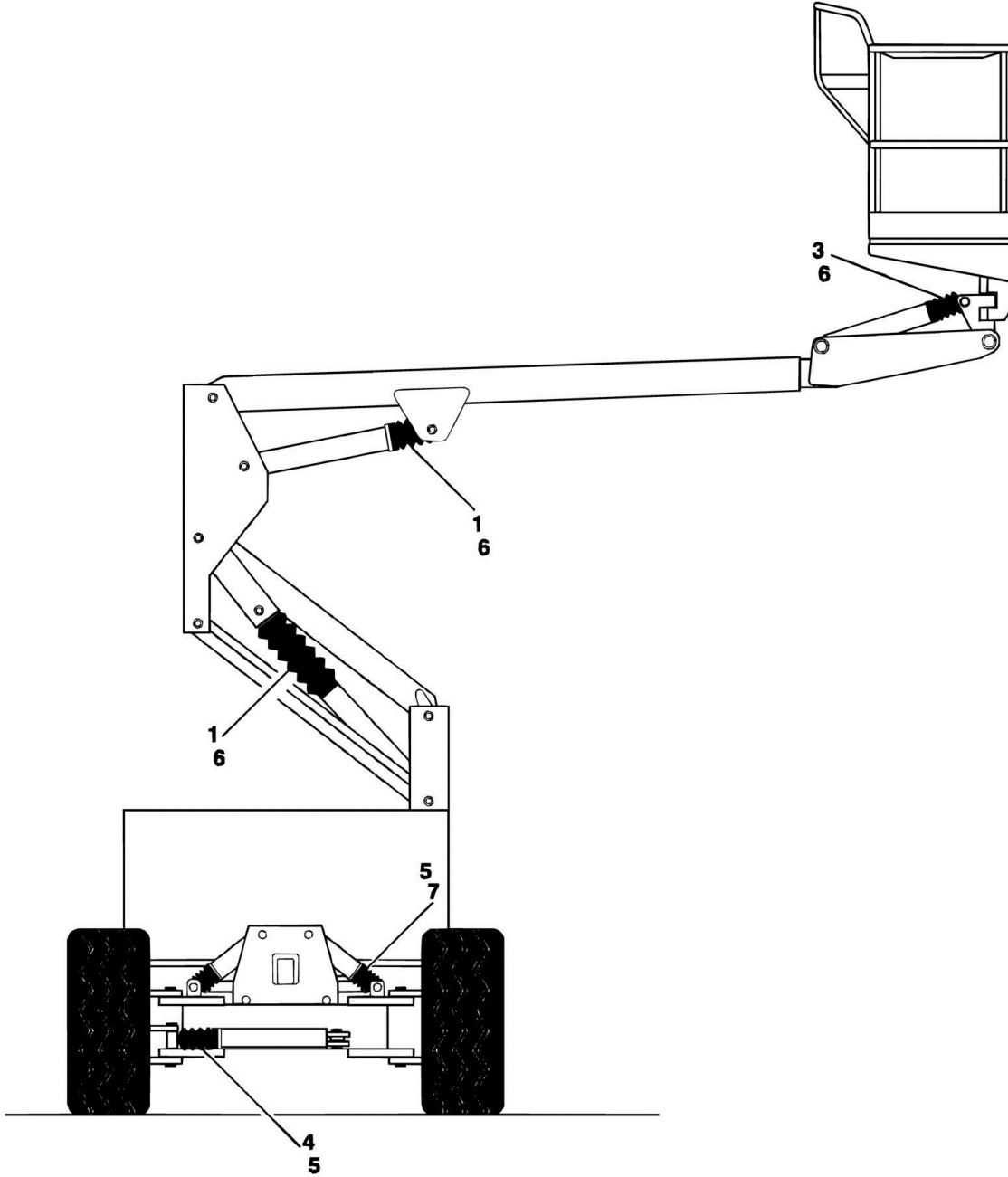
SECTION 5 - CYLINDER

FIGURE 5-8. TELESCOPE CYLINDER ASSEMBLY

ITEM	PART NUMBER	QTY	DESCRIPTION	REV
	1682179	Ref	TELESCOPE CYLINDER ASSEMBLY	B
1	1681793	1	Barrel	
2	1681712	1	Rod	
3	1681635	1	Head	
4	3480120	1	Piston	
5	4564587	1	Spacer, Tube	
6		Ref	Nut Options:	
6	3300101	1	Nut, Rod (Prior to January 1992)	
6	3300272	1	Nut, Hex (January 1992 to Present)	
7	1120179	1	Cap	
8	4640634	1	Valve, Holding	
9	Kit	1	Wiper, Rod	
10	Kit	1	Seal, Rod	
11	Kit	1	Ring, Wear	
12	Kit	1	O-Ring	
13	Kit	1	Ring, Wear	
14	Kit	1	Seal, Piston	
15	Kit	1	O-Ring	
16	3951402	1	Set Screw 1/4in-20NC x 1/4in	
17	2200202	4	Plug, Fitting	
18	2200201	1	Plug, Fitting	
19	0100020	AR	Sealant (Not Shown)	
20	0100011	AR	Loctite #242 (Not Shown)	
21	Kit	2	Ring, Back-up	
23	0100035	AR	Loctite #222 (Not Shown)	
24	0100038	AR	Primer, Locking (Not Shown)	
25	3900170	1	Set Screw 3/8in-16NC x 3/8in	
	2900381	1	Seal Kit (Includes Items 9-15 & 21)	

SECTION 5 - CYLINDER

FIGURE 5-9. CYLINDER BELLOWS INSTALLATIONS



SECTION 5 - CYLINDER

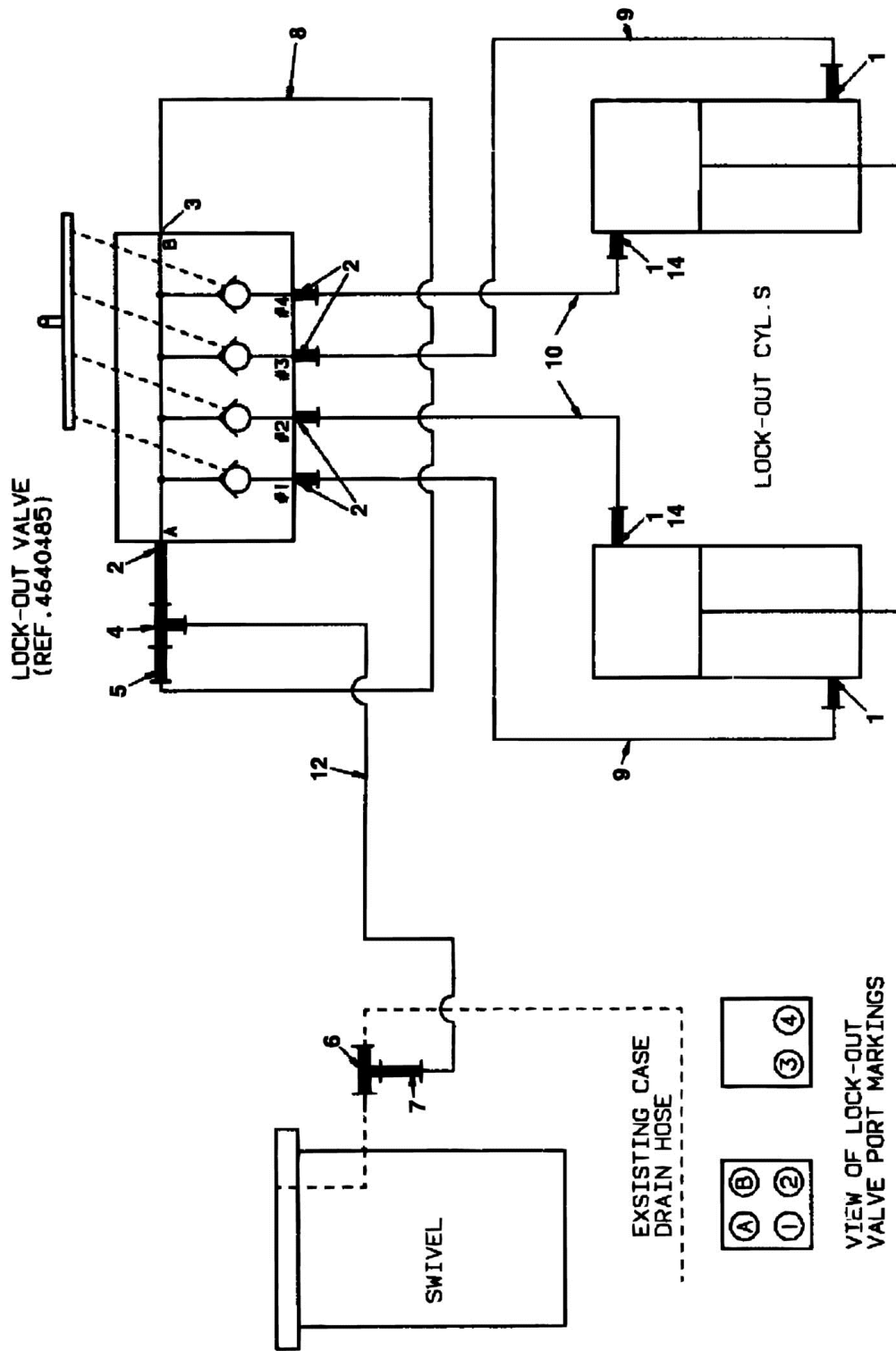
FIGURE 5-9. CYLINDER BELLOWS INSTALLATIONS

ITEM	PART NUMBER	QTY	DESCRIPTION	REV
	0250635	Ref	BELLOWS INSTALLATION - 2WD MACHINES WITH FIXED AXLE AND 6FT 6IN FRAME	D
1	0460093	2	Bellows, Cylinder (Upper and Lower Lift Cylinder)	
3	0460084	1	Bellows, Cylinder (Upper Slave)	
4	0460082	2	Bellows, Cylinder (Steer)	
5	1320037	2	Clamp	
6	1320122	3	Clamp	
7	Not Required	0	Not Required	
	0250636	Ref	BELLOWS INSTALLATION - 2WD MACHINES WITH OSCILLATING AXLE AND 6FT 6IN FRAME	D
1	0460093	2	Bellows, Cylinder (Upper and Lower Lift Cylinder)	
3	0460084	1	Bellows, Cylinder (Upper Slave)	
4	0460082	2	Bellows, Cylinder (Steer)	
5	1320037	4	Clamp	
6	1320122	3	Clamp	
7	0460083	2	Bellows, Cylinder (Lockout)	
	0254098	Ref	BELLOWS INSTALLATION - 2WD MACHINES WITH OSCILLATING AXLE AND 5FT 9IN FRAME	C
1	0460093	2	Bellows, Cylinder (Upper and Lower Lift Cylinder)	
3	0460084	1	Bellows, Cylinder (Upper Slave)	
4	0460073	1	Bellows, Cylinder (Steer)	
5	1320037	2	Clamp	
6	1320122	4	Clamp	
7	0460083	2	Bellows, Cylinder (Lockout)	
	0254099	Ref	BELLOWS INSTALLATION - 2WD MACHINES WITH Fixed AXLE AND 5FT 9IN FRAME	B
1	0460093	2	Bellows, Cylinder (Upper and Lower Lift Cylinder)	
3	0460084	1	Bellows, Cylinder (Upper Slave)	
4	0460075	1	Bellows, Cylinder (Steer)	
5	Not Required	0	Not Required	
6	1320122	4	Clamp	
7	Not Required	0	Not Required	
	0256335	Ref	BELLOWS INSTALLATION - 2WD MACHINES WITH OSCILLATING AXLE AND 5FT 9IN FRAME	
1	0460093	2	Bellows, Cylinder (Upper and Lower Lift Cylinder)	
3	0460084	1	Bellows, Cylinder (Upper Slave)	
4	0460075	1	Bellows, Cylinder (Steer)	
5	1320037	2	Clamp	
6	1320122	4	Clamp	
7	0460083	2	Bellows, Cylinder (Lockout)	

SECTION 6 - HYDRAULIC

SECTION 6 - HYDRAULIC

FIGURE 6-1. HYDRAULIC DIAGRAM - AXLE LOCKOUT



1282844 - Rev. C

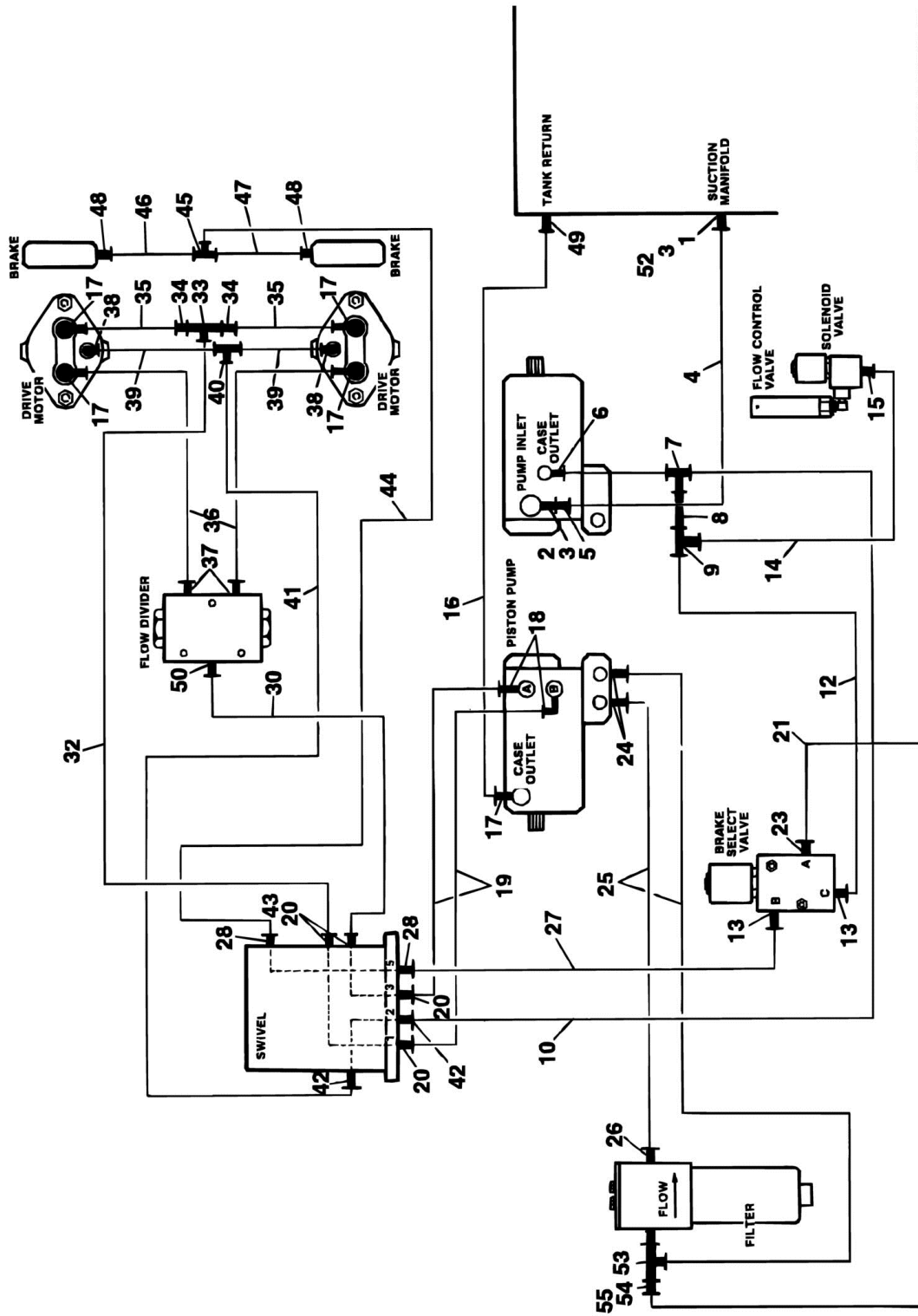
SECTION 6 - HYDRAULIC

FIGURE 6-1. HYDRAULIC DIAGRAM - AXLE LOCKOUT

ITEM	PART NUMBER	QTY	DESCRIPTION	REV
		Ref	HYDRAULIC DIAGRAMS - AXLE LOCKOUT	
	2791883	Ref	6ft 6in Frame 2WD/4WD (With Swivel)	-
	2791475	Ref	Optional 5ft 9in Frame 2WD (With Swivel)	-
1	2220773	AR	Fitting, 90	
2	2220371	5	Fitting, Straight	
3	2220582	1	Fitting, Straight	
4	2220635	1	Fitting, Tee	
5	2220609	1	Fitting, Reducer	
6	2220385	1	Fitting, Tee (With Swivel)	
7	2220619	1	Fitting, Reducer	
8	2750900	1	Hose	
9		Ref	Hose Options:	
9	2751006	2	6ft 6in Frame 2WD/4WD (With Swivel)	
9	2750991	2	Optional 5ft 9in Frame 2WD (With Swivel)	
10	2751112	2	Hose	
12	2751004	1	Hose	
13	0100020	AR	Sealant (Not Shown)	
14	2220399	2	Fitting, Straight Optional 5ft 9in Frame 2WD (With Swivel)	

SECTION 6 - HYDRAULIC

FIGURE 6-2. HYDRAULIC DIAGRAM - DRIVE (2WD)



1281306 REV. F

SECTION 6 - HYDRAULIC

FIGURE 6-2. HYDRAULIC DIAGRAM - DRIVE (2WD)

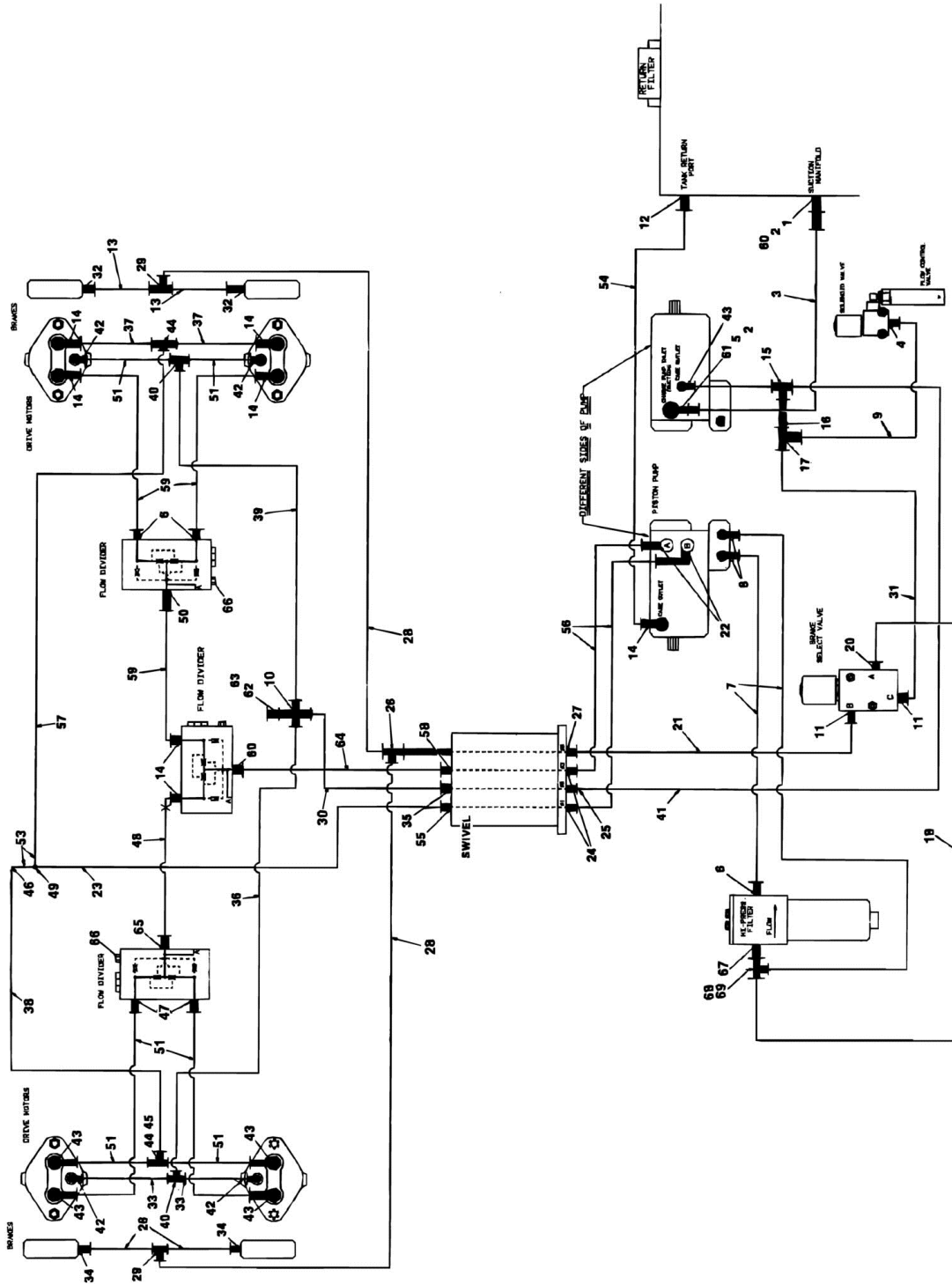
ITEM	PART NUMBER	QTY	DESCRIPTION	REV
		Ref	HYDRAULIC DIAGRAMS - DRIVE (2WD)	
	2791647	Ref	6ft 6in Frame 2WD - Deutz (With Swivel)	E
	2792059	Ref	6ft 6in Frame 2WD - With Proportional Controls (With Swivel)	-
	2791689	Ref	5ft 9in Frame 2WD - Deutz (With Swivel)	E
	2792058	Ref	5ft 9in Frame 2WD - With Proportional Controls (With Swivel)	-
	2792060	Ref	Proportional Controls - With 12in x 16.5in Tires (With Swivel)	-
	2792061	Ref	6ft 6in Frame - With 12in x 16.5in Tires (With Swivel)	-
1	2210003	1	Fitting, Barbed	
2	2220646	1	Fitting, 90	
3	1320023	4	Clamp	
4	2720353	1	Hose, Suction (Prior to March 1993)	
4	2720357	1	Hose, Suction (March 1993 to Present)	
5	2210014	1	Fitting, 90, Barbed	
6	2220375	1	Fitting, Straight	
7	2220385	1	Fitting, Tee	
8	2220618	1	Fitting, Reducer	
9	2220605	1	Fitting, Tee (Not Required on Proportional Controls)	
10	2750979	1	Hose	
12	2751014	1	Hose	
13	2220417	2	Fitting, Straight (Prior to March 1993)	
13	2220582	2	Fitting, Straight (March 1993 to Present)	
14	2751427	1	Hose (Not Required on Proportional Controls)	
15	2220468	1	Fitting, Straight (Not Required on Proportional Controls)	
16	2751631	1	Hose	
17	2220457	5	Fitting, Straight	
18	2220365	2	Fitting, 45	
19	2752319	2	Hose	
20	2220348	4	Fitting, Straight	
21	2751010	1	Hose	
22	2220582	1	Fitting, Straight (Prior to April 1992)	
23	2220585	1	Fitting, 90, (Prior to March 1993)	
23	2220472	1	Fitting, 90, (March 1993 to Present)	
24	2220408	2	Fitting, Straight	
25	2751614	2	Hose	
26	2220578	1	Fitting, 90	
27	2750760	1	Hose	
28	2220414	2	Fitting, Straight	
30		Ref	Hose Options:	
30	2752317	1	6ft 6in Frame 2WD	
30	2752323	1	5ft 9in Frame 2WD	
30	2752324	1	With 12in x 16.5 Tires	
32		Ref	Hose Options:	
32	2752320	1	6ft 6in & 5ft 9in Frame 2WD	
32	2752329	1	With 12in x 16.5 Tires	
33	2220363		Fitting, Tee	
34	2220710	2	Fitting, Reducer	
35	2752240	2	Hose	
36		Ref	Hose Options:	
36	2752241	2	6ft 6in Frame 2WD	
36	2752238	2	5ft 9in Frame 2WD	

SECTION 6 - HYDRAULIC

ITEM	PART NUMBER	QTY	DESCRIPTION	REV
37		Ref	Fitting Options:	
37	2220465	2	6ft 6in Frame 2WD - Fitting, 90, (Prior to March 1993)	
37	2220578	2	6ft 6in Frame 2WD - Fitting, 90, (March 1993 to Present)	
37	2220465	2	5ft 9in Frame 2WD - Fitting, 90, (Prior to March 1993)	
37	2220451	2	5ft 9in Frame 2WD - Fitting, Straight (March 1993 to Present)	
38	2220600	2	Fitting, Straight	
39		Ref	Hose Options:	
39	2750757	2	6ft 6in Frame 2WD	
39	2751490	2	5ft 9in Frame 2WD	
40	2220362	1	Fitting, Tee	
41	2750777	1	Hose	
42	2220345	2	Fitting, Straight	
43	2220404	2	Fitting, 90	
44	2751021	1	Hose (Prior to March 1993)	
44	2751398	1	Hose (March 1993 to Present)	
45	2220504	1	Fitting, Tee	
46		Ref	Hose Options:	
46	2751013	1	6ft 6in Frame 2WD	
46	2751427	1	5ft 9in Frame 2WD	
47		Ref	Hose Options:	
47	2751015	1	6ft 6in Frame 2WD	
47	2751427	1	5ft 9in Frame 2WD	
48	2220466	2	Fitting, 90	
49	2220493	1	Fitting, 90	
50	2220377	1	Fitting, Straight	
52	2220377	1	Fitting, Straight	
53	2220738	1	Fitting, Tee	
54	2220621	1	Fitting, Reducer	
55	2220609	1	Fitting, Reducer	

SECTION 6 - HYDRAULIC

FIGURE 6-3. HYDRAULIC DIAGRAM - DRIVE (4WD)



1281711 Rev. - B

SECTION 6 - HYDRAULIC

FIGURE 6-3. HYDRAULIC DIAGRAM - DRIVE (4WD)

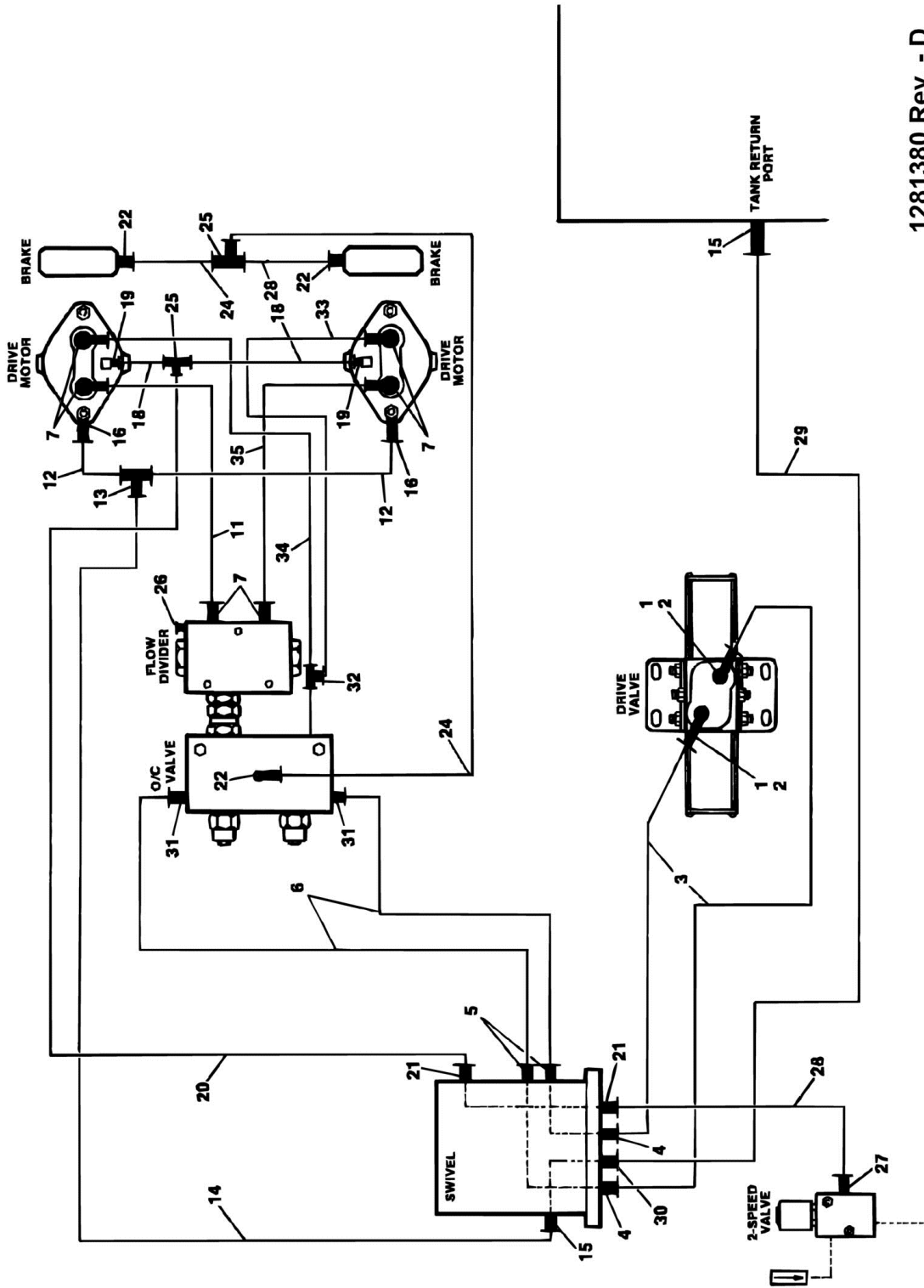
ITEM	PART NUMBER	QTY	DESCRIPTION	REV
		Ref	HYDRAULIC DIAGRAMS - DRIVE (4WD)	
	2791885	Ref	4WD - Ford and Deutz (With Swivel)	B
	2792062	Ref	4WD - Ford and Deutz - With Proportional Controls (With Swivel)	-
1	2210003	1	Fitting, Barbed	
2	1320033	4	Clamp	
3	2720357	1	Hose, Suction	
4		Ref	Fitting, Straight Options:	
4	2220468	1	Standard	
4	Not Required	0	With Proportional Controls	
5	2210014	1	Fitting, 90, Barbed	
6	2220578	3	Fitting, Straight	
7	2751614	2	Hose	
8	2220408	2	Fitting, Straight	
9		Ref	Hose Options:	
9	2751427	1	Standard	
9	Not Required	0	With Proportional Controls	
10	2220469	1	Fitting	
11	2220582	2	Fitting, Straight	
12	2220493	1	Fitting, 90	
13	2751409	2	Hose	
14	2220451	7	Fitting, Straight	
15	2220385	1	Fitting, Tee	
16	2220618	1	Fitting, Reducer	
17		Ref	Fitting, Tee Options:	
17	2220605	1	Standard	
17	Not Required	0	With Proportional Controls	
18	2751010	1	Hose	
20	2220472	1	Fitting, 90	
21	2750760	1	Hose	
22	2220365	2	Fitting, 45	
23	2752322	1	Hose	
24	2220348	2	Fitting, Straight	
25	2220355	1	Fitting, 45	
26	2220684	1	Fitting, Tee	
27	2220414	1	Fitting, Straight	
28	2751021	4	Hose	
29	2220504	2	Fitting, Tee	
30	2751484	1	Hose	
31	2751014	1	Hose	
32	2220466	2	Fitting, 90	
33	2750777	2	Hose	
34	2220415	2	Fitting, Straight	
35	2220345	1	Fitting, Straight	
36	2751490	1	Hose	
37	2752240	2	Hose	
38	2752249	1	Hose	
39	2750976	1	Hose	
40	2220362	2	Fitting, Tee	
41	2750979	1	Hose	

SECTION 6 - HYDRAULIC

ITEM	PART NUMBER	QTY	DESCRIPTION	REV
42	2220600	4	Fitting, Straight	
43	2220375	5	Fitting, Straight	
44	2220481	2	Fitting, Tee	
45	2220622	2	Fitting, Reducer	
46	2220407	1	Fitting, 90	
47	2220366	2	Fitting	
48	2752236	1	Hose	
49	2220363	1	Fitting, Tee	
50	2220435	1	Fitting, Straight	
51	2750757	6	Hose	
52	0100020	AR	Sealant (Not Shown)	
53	2220710	2	Fitting, Reducer	
54	2751631	1	Hose	
55	2220627	1	Fitting, Straight	
56	2752319	2	Hose	
57	2752238	1	Hose	
58	2220627	1	Fitting, 45	
59	2752239	3	Hose	
60	2220377	2	Fitting, Straight	
61	2220646	1	Fitting, 90	
62	2220619	1	Fitting, Reducer	
63	2220516	1	Cap	
64	2752323	1	Hose	
65	2220568	1	Fitting, 45	
66	2220235	2	Fitting, Plug	
67	2220738	1	Fitting, Tee	
68	2220621	1	Fitting, Reducer	
69	222-608	1	Fitting, Reducer	

SECTION 6 - HYDRAULIC

FIGURE 6-4. HYDRAULIC DIAGRAM - DRIVE (ELECTRIC)



1281380 Rev. - D

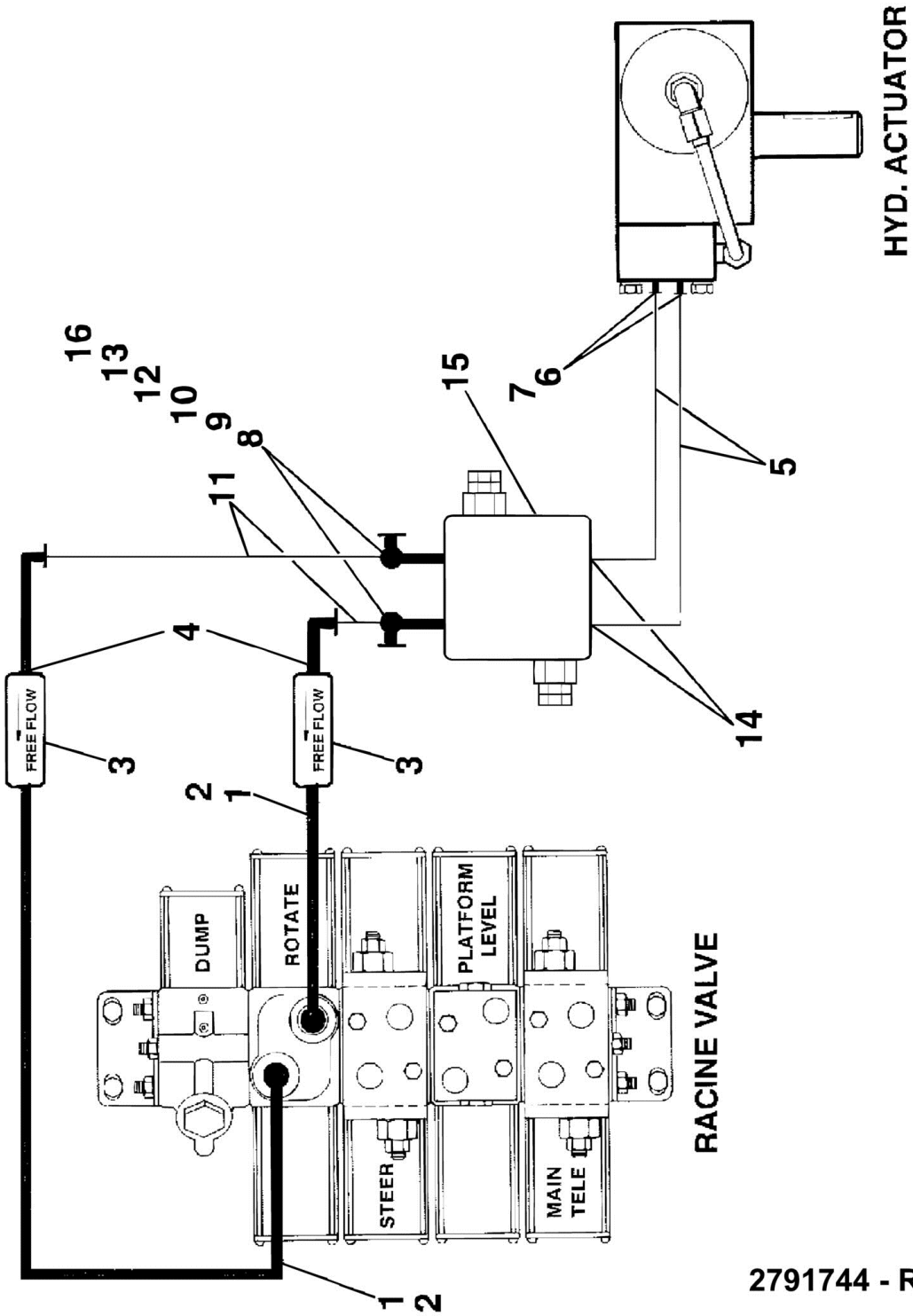
SECTION 6 - HYDRAULIC

FIGURE 6-4. HYDRAULIC DIAGRAM - DRIVE (ELECTRIC)

ITEM	PART NUMBER	QTY	DESCRIPTION	REV
		Ref	HYDRAULIC DIAGRAMS - DRIVE (ELECTRIC)	
	2791710	Ref	6ft 6in Frame (With Swivel)	F
	2791711	Ref	5ft 9in Frame (With Swivel)	E
1	2220593	2	Fitting, Straight	
2	2220655	2	Fitting, 90	
3	2751325	2	Hose	
4	2220347	2	Fitting, Straight	
5	2220356	2	Fitting, 45	
6	2751359	2	Hose	
7	2220451	6	Fitting, Straight	
11		Ref	Hose Options:	
11	2751359	1	6ft 6in Frame	
11	2751327	1	5ft 9in Frame	
12		Ref	Hose Options:	
12	2750976	2	6ft 6in Frame	
12	2751502	2	5ft 9in Frame	
13	2220362	1	Fitting, Tee	
14		Ref	Hose Options:	
14	2750777	1	6ft 6in Frame	
14	2750771	1	5ft 9in Frame	
15	2220345	2	Fitting, Straight	
16	2220596	2	Fitting	
18		Ref	Hose Options:	
18	2750882	2	6ft 6in Frame	
18	2751018	2	5ft 9in Frame	
19	2220415	2	Fitting, Straight	
20	2751021	1	Hose	
21	2750414	2	Fitting, Straight	
22	2220466	3	Fitting, 90	
24		Ref	Hose Options:	
24	2751013	2	6ft 6in Frame	
24	2751015	2	5ft 9in Frame	
25	2220504	2	Fitting, Tee	
26	2220235	1	Fitting, Plug	
27	2220585	1	Fitting, 90	
28	2750760	2	Hose	
29	2750972	1	Hose	
30	2220355	1	Fitting, 45	
31	2220578	2	Fitting, 90	
32	2220738	1	Fitting, Tee	
33		Ref	Hose Options:	
33	2750685	1	6ft 6in Frame	
33	2751353	1	5ft 9in Frame	
34		Ref	Hose Options:	
34	2751331	1	6ft 6in Frame	
34	2751345	1	5ft 9in Frame	
35		Ref	Hose Options:	
35	2751345	1	6ft 6in Frame	
35	2751359	1	5ft 9in Frame	

SECTION 6 - HYDRAULIC

FIGURE 6-5. HYDRAULIC DIAGRAM - ROTATOR (HYDRAULIC PISTON)



2791744 - Rev. A

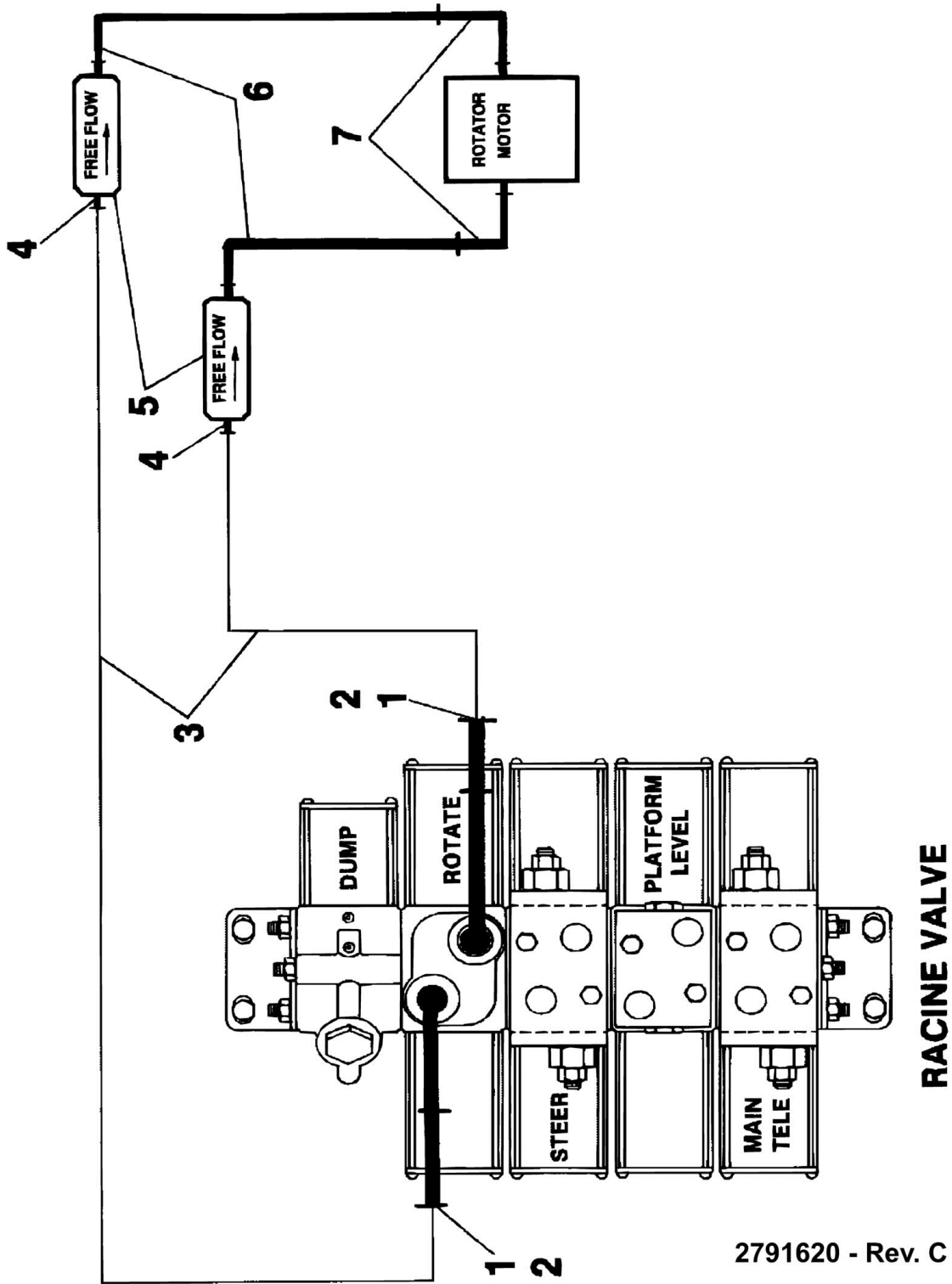
SECTION 6 - HYDRAULIC

FIGURE 6-5. HYDRAULIC DIAGRAM - ROTATOR (HYDRAULIC PISTON)

ITEM	PART NUMBER	QTY	DESCRIPTION	REV
	2791744	Ref	HYDRAULIC DIAGRAMS - ROTATOR (HYDRAULIC PISTON)	A
1	2220446	2	Fitting, Reducer	
2	2220438	2	Fitting, Nipple	
3	4640213	2	Valve, Fixed Restrictor	
4	2220416	2	Fitting, 90	
5	2751451	2	Hose	
6	2220472	2	Fitting, 90	
7	2220654	2	Fitting, 90 (Prior to September 1991)	
8	2220250	2	Fitting, Reducer	
9	2220290	2	Fitting, Tee	
10	2220414	2	Fitting, Straight	
11	2750900	2	Hose	
12	2220428	2	Fitting, Coupling	
13	2220429	2	Cap	
14	2220585	2	Fitting, 90	
15	4640035	1	Valve	
16	2220261	2	Fitting, Nipple	

SECTION 6 - HYDRAULIC

FIGURE 6-6. HYDRAULIC DIAGRAM - ROTATOR (WORM GEAR)



2791620 - Rev. C

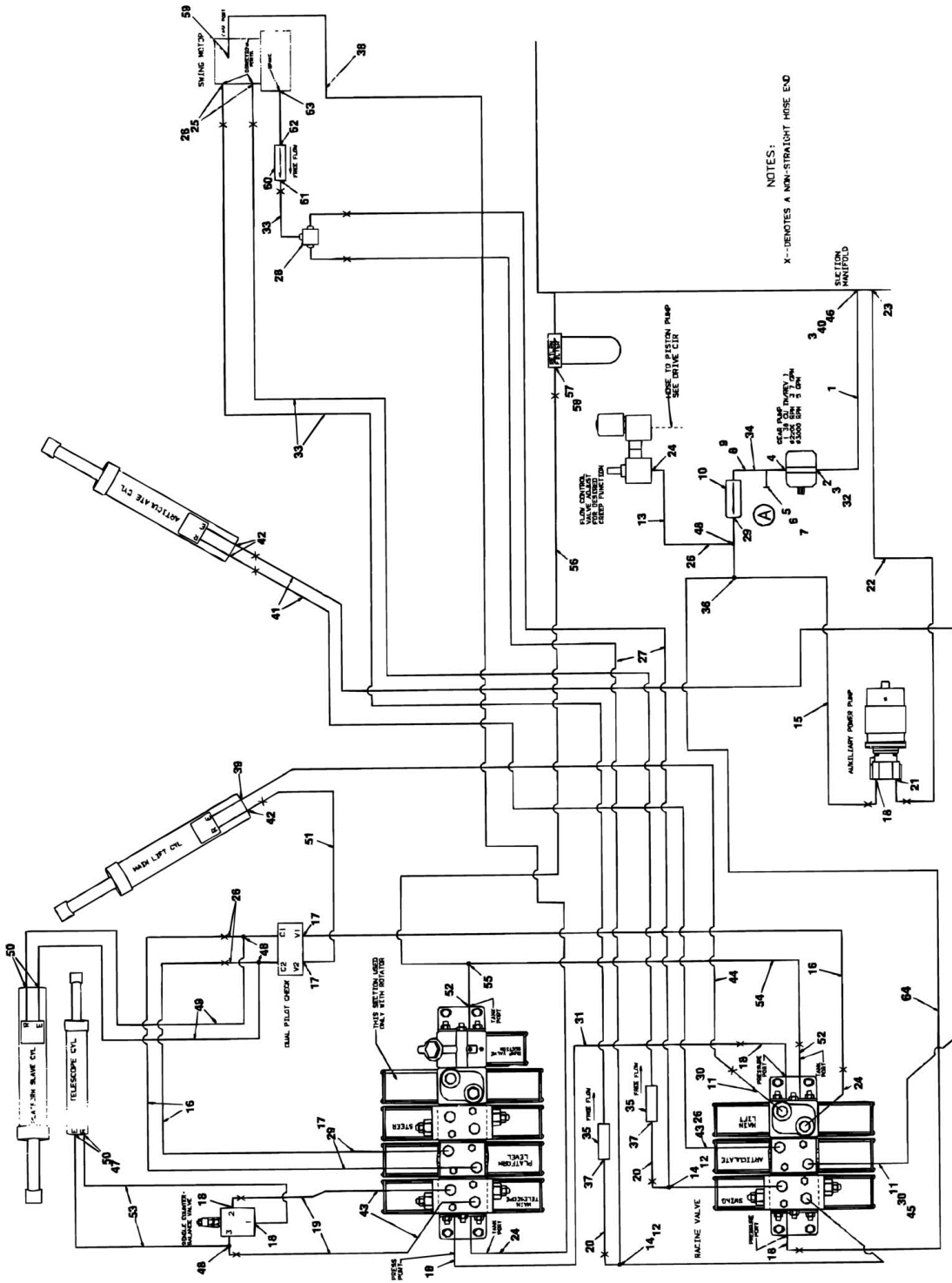
SECTION 6 - HYDRAULIC

FIGURE 6-6. HYDRAULIC DIAGRAM - ROTATOR (WORM GEAR)

ITEM	PART NUMBER	QTY	DESCRIPTION	REV
	2791620	Ref	HYDRAULIC DIAGRAMS - ROTATOR (WORM GEAR)	C
1	2220468	2	Fitting	
2		Ref	Fitting, 90,Options:	
2	2220508	2	Fitting, 90,(Prior to March 1992)	
2	2220654	2	Fitting, 90,(March 1992 to Present)	
3	2751451	2	Hose	
4		Ref	Fitting, 90,Options:	
4	2220416	2	Fitting, 90,(Prior to June 1993)	
4	2220466	2	Fitting, 90,(June 1993 to Present)	
5		Ref	Valve Options:	
5	4640383	2	Valve (Prior to June 1993)	
5	4640778	2	Valve (June 1993 to Present)	
6		Ref	Fitting, Nipple Options:	
6	2220438	2	Fitting, Nipple (Prior to March 1993)	
6	2220261	2	Fitting, Nipple (March 1993 to June 1993)	
6	2220895	2	Fitting, Nipple (June 1993 to Present)	
7		Ref	Fitting, Swivel Options:	
7	2220056	2	Fitting, Swivel (Prior to March 1993)	
7	2220816	2	Fitting, Swivel (March 1993 to June 1993)	
7	2220218	2	Fitting, Swivel (June 1993 to Present)	

SECTION 6 - HYDRAULIC

FIGURE 6-7. HYDRAULIC DIAGRAM - STANDARD (FORD - DEUTZ)



SECTION 6 - HYDRAULIC

FIGURE 6-7. HYDRAULIC DIAGRAM - STANDARD (FORD - DEUTZ)

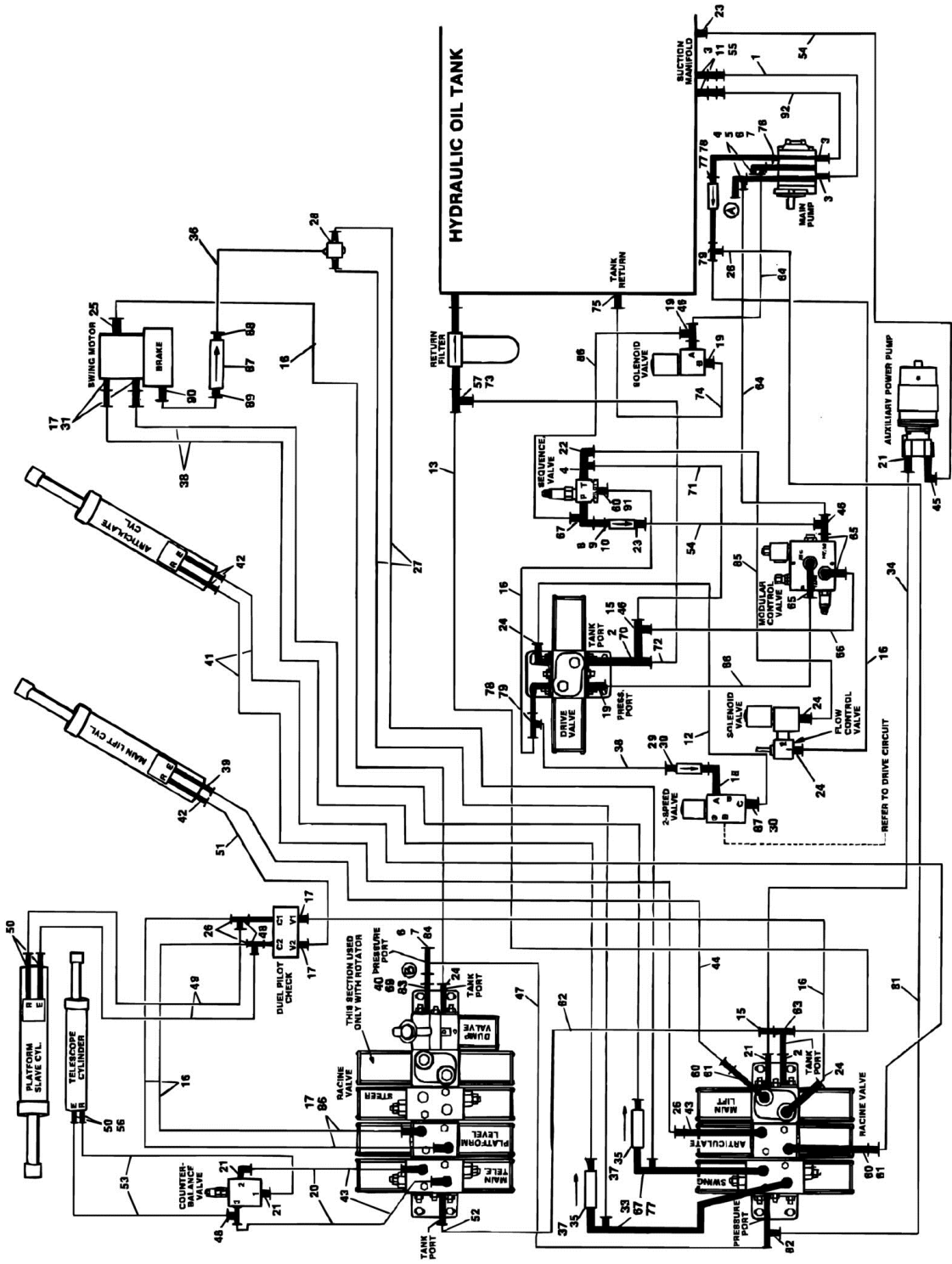
ITEM	PART NUMBER	QTY	DESCRIPTION	REV
	2791963	Ref	HYDRAULIC DIAGRAMS - FORD	C
	2791961	Ref	HYDRAULIC DIAGRAMS - DEUTZ	C
1	2720356	1	Hose, Suction - 3/4in x 67in (Deutz)	
2	2220408	1	Fitting, Straight	
3	1320030	4	Clamp	
4	2180491	1	Fitting, Modified	
5	2220820	1	Fitting, 90	
6	2220429	1	Cap, Dust	
7	2220428	1	Fitting, Quick Disconnect	
8		Ref	Ford and Deutz Options:	
8	2220651	1	Fitting, Straight (Ford)	
8	2752469	1	Hose (Deutz)	
9		Ref	Fitting Options:	
9	Not Required	0	Ford	
9	2220372	1	Deutz	
10	4640776	1	Valve, Check	
11	2180540	2	Fitting, Modified	
12	2220618	4	Fitting, Reducer	
13		Ref	Hose Options:	
13	2752444	1	Ford	
13	2752443	1	Deutz	
14	2220602	2	Fitting, Tee	
15		Ref	Hose Options:	
15	2752472	1	Ford	
15	2752470	1	Deutz	
16	2752434	3	Hose	
17	2220472	4	Fitting, 90	
18	2220371	6	Fitting	
19	2752461	2	Hose	
20	2752436	2	Hose	
21	2220726	1	Fitting, 90	
22	2750759	1	Hose	
23	2220659	1	Fitting, 90	
24	2220468	3	Fitting, Straight	
25	2220497	2	Fitting, Reducer	
26	2220609	6	Fitting, Reducer	
27	2752432	2	Hose	
28	4640574	1	Valve, Shuttle	
29	2220591	3	Fitting, Reducer	
30	2180380	2	Fitting, Orifice (.062)	
31		Ref	Hose Options:	
31	2752471	1	Ford	
31	2752474	1	Deutz	
32	2210008	1	Fitting, 90	
33	2752437	3	Hose	
34		Ref	Fitting Options:	
34	Not Required	0	Ford	
34	2220619	1	Deutz	
35	4640817	2	Valve, Restrictor (.40)	
36	2220579	1	Fitting, Tee	

SECTION 6 - HYDRAULIC

ITEM	PART NUMBER	QTY	DESCRIPTION	REV
37	2220415	4	Fitting, Straight	
38	2752438	1	Hose	
39	2220585	1	Fitting, 90	
40	2210005	1	Fitting, Straight	
41	2752438	2	Hose	
42	2220417	3	Fitting	
43	2220628	3	Fitting, 90	
44	2752440	1	Hose	
45	2220654	2	Fitting, 90	
46	2220435	1	Fitting, Straight	
47	2220509	2	Fitting, 90	
48	2220606	4	Fitting, Tee	
49	2752464	2	Hose	
50	2220399	4	Fitting	
51	2752441	1	Hose	
52	2220373	2	Fitting, Straight	
53	2752465	2	Hose	
54	2752502	1	Hose	
55	2220383	1	Fitting, Tee	
56	2752504	1	Hose	
57	2220696	1	Fitting, Reducer	
58	2220346	1	Fitting	
59	2220466	1	Fitting, 90	
60	4640213	1	Valve, Restrictor (.015)	
61	2220414	1	Fitting, Straight	
62	2220261	1	Fitting	
63	2220110	1	Fitting, 90	
64		Ref	Hose Options:	
64	2752473	1	Ford	
64	2752471	1	Deutz	

SECTION 6 - HYDRAULIC

FIGURE 6-8. HYDRAULIC DIAGRAM - STANDARD (ELECTRIC)



SECTION 6 - HYDRAULIC

FIGURE 6-8. HYDRAULIC DIAGRAM - STANDARD (ELECTRIC)

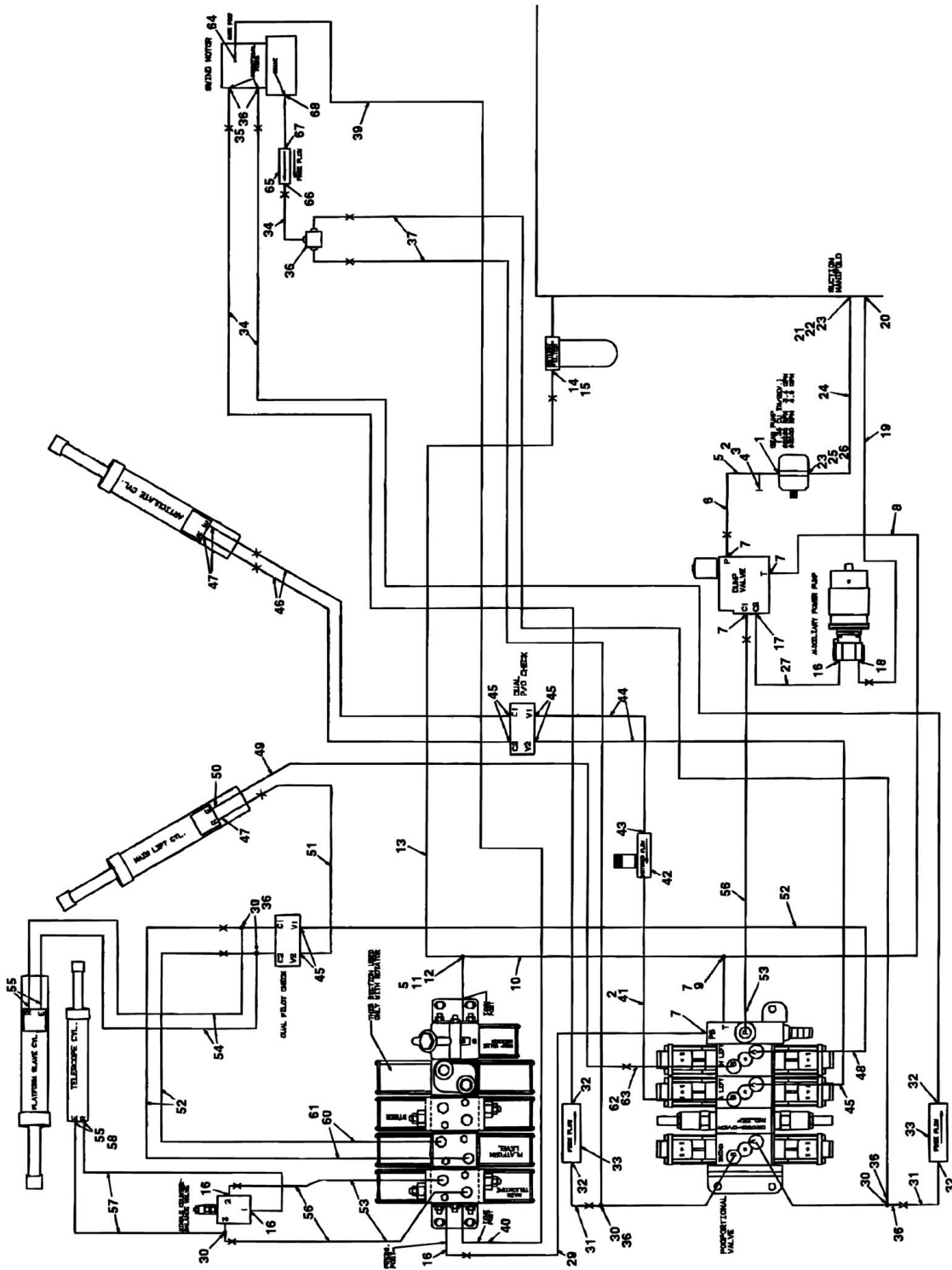
ITEM	PART NUMBER	QTY	DESCRIPTION	REV
	2791953	Ref	HYDRAULIC DIAGRAM	C
1	2720325	1	Hose, Suction - 1in x 19in	
2	2220593	2	Fitting	
3	1320033	8	Clamp	
4	2180491	3	Fitting, Modified	
5	2220820	1	Fitting, 90	
6	2220429	3	Cap, Dust	
7	2220428	3	Fitting, Quick Disconnect	
8	2220758	1	Fitting, Swivel	
9	2752467	1	Hose	
10	2752442	1	Hose	
11	2210014	2	Fitting, 90	
12	2752433	1	Hose	
13	2750834	1	Hose	
15	2220622	2	Fitting, Reducer	
16	2752434	6	Hose	
17	2220472	6	Fitting, 90	
18	2220904	1	Fitting, 90	
19	2220600	3	Fitting	
20	2752461	2	Hose	
21	2220371	5	Fitting, 90	
22	2220416	1	Fitting, 90	
23	2220659	1	Fitting, 90	
24	2220468	5	Fitting, Straight	
25	2220466	1	Fitting, 90	
26	2220609	3	Fitting, Reducer	
27	2752435	2	Hose	
28	4640574	1	Valve, Shuttle	
29	4640774	2	Valve, Check	
30	2220582	2	Fitting, Straight	
31	2220218	2	Fitting	
32	2220619	2	Fitting, Reducer	
33	2752436	2	Hose	
34	2752462	1	Hose	
35	4640817	2	Valve, Restrictor (.040)	
36	2752437	1	Hose	
37	2220415	4	Fitting	
38	2752438	3	Hose	
39	2220585	1	Fitting	
40	2220446	1	Fitting, Reducer	
41	2752439	2	Hose	
42	2220417	3	Fitting	
43	2220628	3	Fitting, 90	
44	2752440	1	Hose	
45	2220726	1	Fitting, 90	
46	2220385	4	Fitting, Tee	
47	2752463	1	Hose	
48	2220606	3	Fitting, Tee	
49	2752464	2	Hose	
50	2220399	3	Fitting	

SECTION 6 - HYDRAULIC

ITEM	PART NUMBER	QTY	DESCRIPTION	REV
51	2752441	1	Hose	
52	2220373	1	Fitting	
53	2752465	2	Hose	
54	2752492	1	Hose	
55	2220348	2	Fitting	
56	2220509	1	Fitting, 90	
57	2220696	1	Fitting, Reducer	
58	2720183	23 in	Hose	
59	2220596	1	Fitting	
60	2180540	3	Fitting, Modified	
61	2180380	2	Fitting, Orifice	
62	2752493	1	Hose	
63	2220682	1	Fitting, Tee	
64	2752494	2	Hose	
65	2220374	3	Fitting	
66	2752495	2	Hose	
67	2220602	3	Fitting, Tee	
68	2180621	1	Fitting	
69	2220419	1	Fitting	
70	2220700	1	Fitting, Tee	
71	2752496	1	Hose	
72	2751639	1	Hose	
73	2220681	1	Fitting, Tee	
74	2752497	1	Hose	
75	2220345	1	Fitting	
76	4640744	1	Valve, Check	
77	2220618	5	Fitting	
78	2220584	1	Fitting, Tee	
79	2220727	1	Fitting, Straight	
80	2752498	1	Hose	
81	2752466	1	Hose	
82	2220606	1	Fitting, Tee	
83	2220343	1	Fitting	
84	2220438	1	Fitting	
85	2220591	2	Fitting, Reducer	
86	2220909	1	Fitting, Orifice	
87	4640213	1	Valve, Restrictor (.015)	
88	2220414	1	Fitting, Straight	
89	2220261	2	Fitting, Straight	
90	2220110	1	Fitting, 90	

SECTION 6 - HYDRAULIC

FIGURE 6-9. HYDRAULIC DIAGRAM - PROPORTIONAL CONTROLS



SECTION 6 - HYDRAULIC

FIGURE 6-9. HYDRAULIC DIAGRAM - PROPORTIONAL CONTROLS

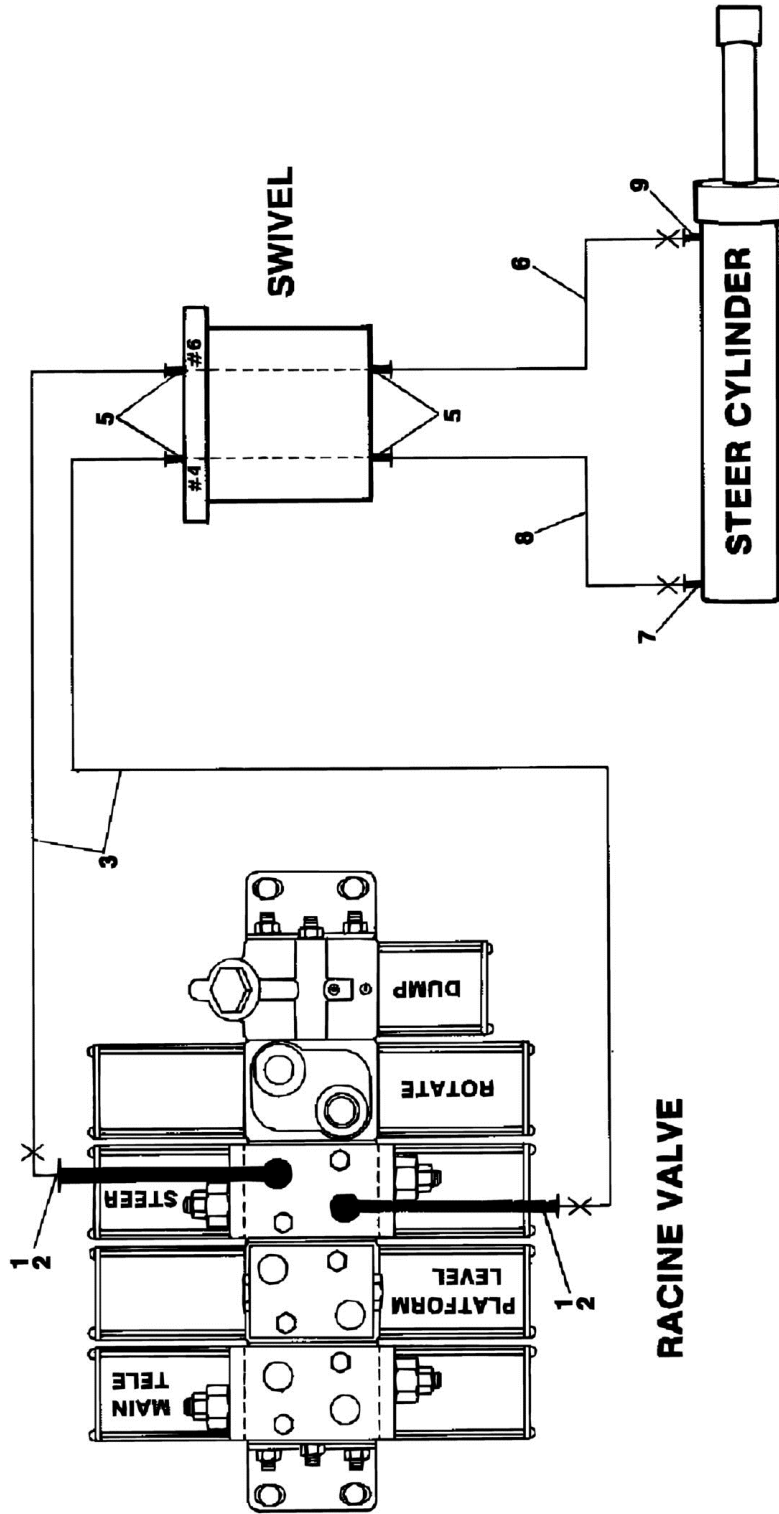
ITEM	PART NUMBER	QTY	DESCRIPTION	REV
	2791982	Ref	HYDRAULIC DIAGRAMS - FORD	D
	2791998	Ref	HYDRAULIC DIAGRAMS - DEUTZ	C
1	2180491	1	Fitting, Modified	
2	2220820	2	Fitting, 90	
3	2220428	1	Fitting, Quick Disconnect	
4	2220429	1	Cap, Dust	
5	2220619	2	Fitting, Reducer	
6	2752463	1	Hose	
7		Ref	Fitting, Options:	
7	2220372	AR	Ford	
7	2220628	AR	Deutz	
8		Ref	Hose Options:	
8	2752469	1	Ford	
8	2752461	1	Deutz	
9		Ref	Fitting, Tee Options:	
9	2220579	1	Ford	
9	2220635	1	Deutz	
10		Ref	Hose Options:	
10	2752480	1	Ford	
10	2752461	1	Deutz	
11	2220373	1	Fitting, Straight	
12	2220383	1	Fitting, Tee	
13	2752504	1	Hose	
14	2220696	1	Fitting, Reducer	
15	2220346	1	Fitting	
16	2220371	AR	Fitting, 90	
17	2220473	AR	Fitting,	
18	2220726	1	Fitting, 90	
19	2750759	1	Hose	
20	2220659	1	Fitting	
21	2220435	1	Fitting	
22	2210005	1	Fitting, Straight	
23	1320030	4	Clamp	
24	2720356	1	Hose, Suction 3/4in x 67in	
25	2220408	1	Fitting, Straight	
26	2210008	1	Fitting, 90	
27	2752479	1	Hose	
29		Ref	Hose Options:	
29	2752471	1	Ford	
29	2752469	1	Deutz	
30	2220606	5	Fitting, Tee	
31	2752436	2	Hose	
32	2220415	4	Fitting, Straight	
33	4640752	2	Valve, Restrictor	
34	2752437	3	Hose	
35	2220497	2	Fitting, Reducer	
36	2220609	8	Fitting, Reducer	
37	2752435	2	Hose	
38	4640574	1	Valve, Shuttle	
39	2752438	1	Hose	

SECTION 6 - HYDRAULIC

ITEM	PART NUMBER	QTY	DESCRIPTION	REV
40	2220468	1	Fitting, Straight	
41	2220727	1	Fitting, Straight	
42	4640128	1	Valve, Flow Control	
43	2220414	1	Fitting, Straight	
44	2752442	2	Hose	
45	2220472	7	Fitting, 90	
46	2752439	2	Hose	
47	2220417	3	Fitting	
48	2220582	1	Fitting, Straight	
49		Ref	Hose Options:	
49	2752440	1	Ford	
49	2752448	1	Deutz	
50	2220585	1	Fitting	
51	2752441	1	Hose	
52	2752434	3	Hose	
53	2220628	AR	Fitting, 90	
54	2752464	2	Hose	
55	2220399	4	Fitting	
56	2752461	AR	Hose	
57	2752465	2	Hose	
58	2220509	2	Fitting, 90	
60	2220591	2	Fitting, Reducer	
61	2220472	2	Fitting, 90	
62	2180380	1	Fitting, Plug	
63	2100385	1	Fitting, Modified	
64	2220466	1	Fitting, 90	
65	4640213	1	Valve, Restrictor (.015)	
66	2220414	1	Fitting, Straight	
67	2220261	1	Fitting, Straight	
68	2220110	1	Fitting, 90	

SECTION 6 - HYDRAULIC

FIGURE 6-10. HYDRAULIC DIAGRAM - STEER



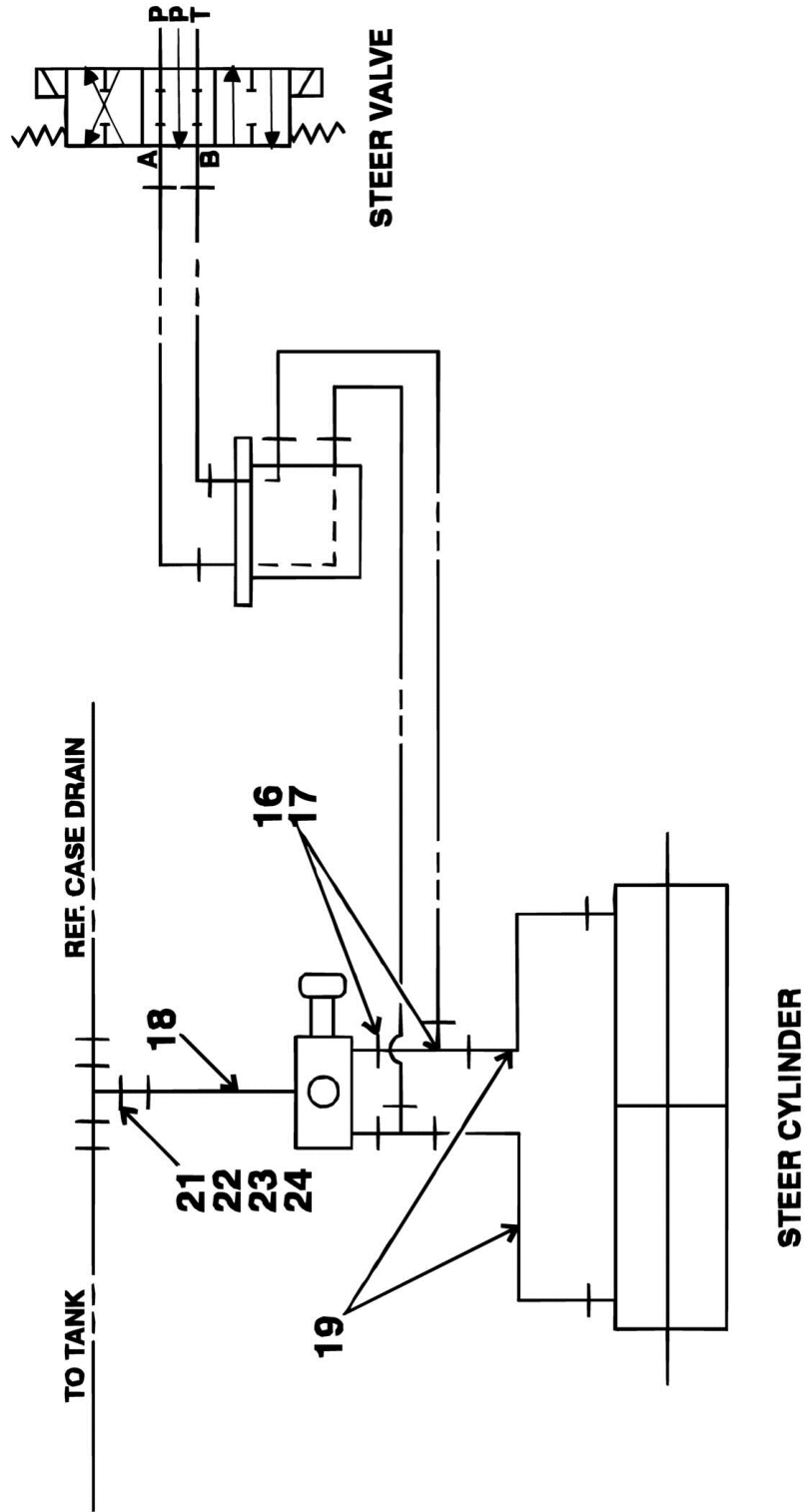
SECTION 6 - HYDRAULIC

FIGURE 6-10. HYDRAULIC DIAGRAM - STEER

ITEM	PART NUMBER	QTY	DESCRIPTION	REV
		Ref	HYDRAULIC DIAGRAMS - STEER:	
	2791653	Ref	Oscillating Axle - 2WD	F
	2791882	Ref	4WD	A
1		Ref	Fitting Options:	
1	2180540	2	Fitting, Modified (2WD)	
1	2220468	2	Fitting, Straight (4WD)	
2		Ref	Fitting, Orifice Options:	
2	2180448	2	2WD (Prior to April 1995)	
2	2180380	2	2WD (April 1995 to Present)	
2	Not Required	0	4WD	
3	2750760	2	Hose	
5	2220414	4	Fitting, Straight	
6		Ref	Hose Options:	
6	2751011	1	2WD (Prior to November 1992)	
6	2750756	1	2WD (November 1992 to March 1993)	
6	2750892	1	2WD (March 1993 to Present)	
6	2750756	1	4WD (Prior to March 1993)	
6	2750892	1	4WD (March 1993 to Present)	
7	2220416	1	Fitting, 90	
8		Ref	Hose Options:	
8	2751011	1	2WD (Prior to November 1992)	
8	2750756	1	2WD (November 1992 to March 1993)	
8	2750892	1	2WD (March 1993 to Present)	
8	2750756	1	4WD (Prior to March 1993)	
8	2750892	1	4WD (March 1993 to Present)	
9	2220416	1	Fitting, 90	

SECTION 6 - HYDRAULIC

FIGURE 6-11. HYDRAULIC DIAGRAM - TOW



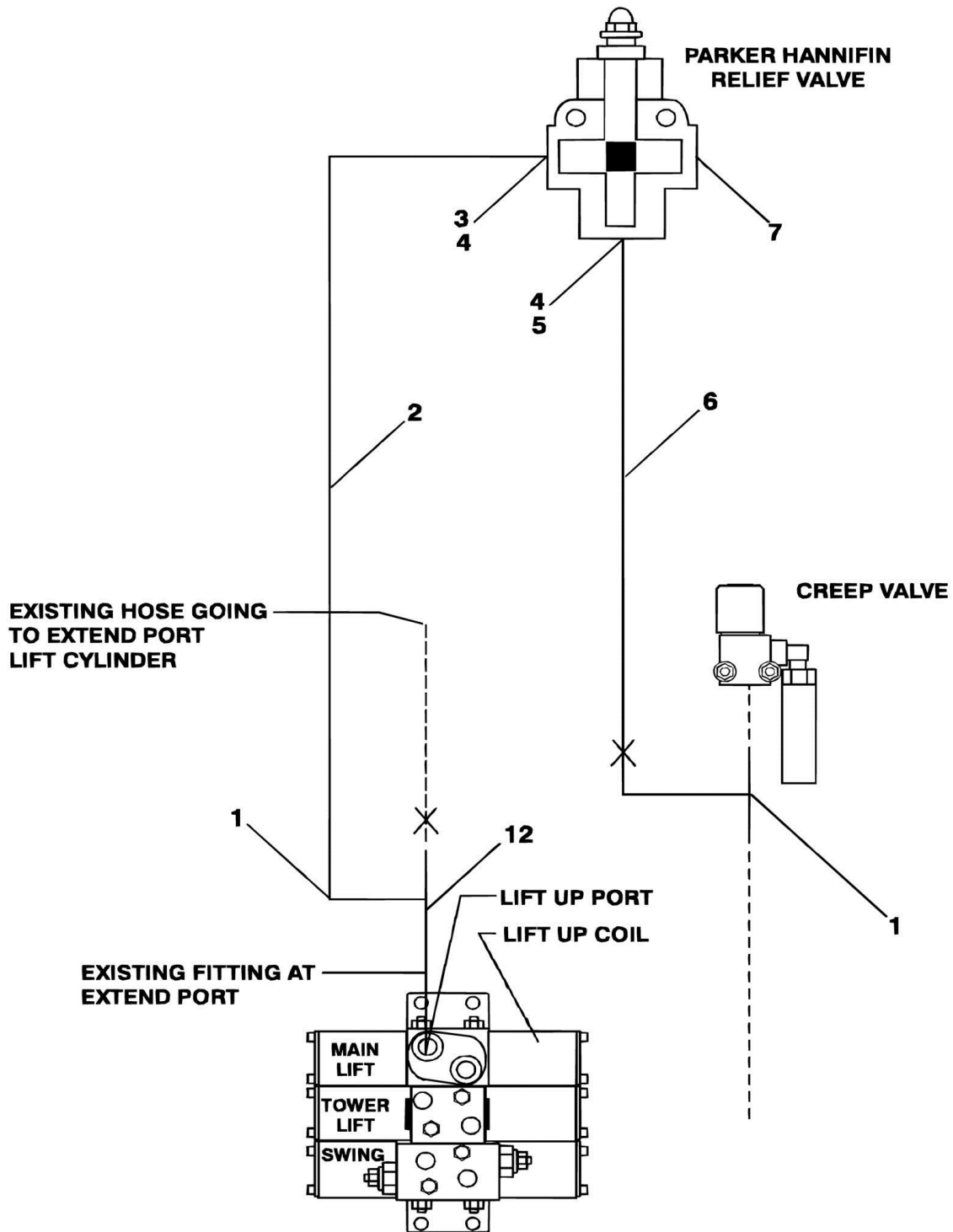
SECTION 6 - HYDRAULIC

FIGURE 6-11. HYDRAULIC DIAGRAM - TOW

ITEM	PART NUMBER	QTY	DESCRIPTION	REV
		Ref	HYDRAULIC DIAGRAMS	
	2791788	Ref	5ft 9in Frame	B
	2791789	Ref	6ft 6in Frame	B
16	2220605	2	Fitting, Tee	
17	2220468	3	Fitting, Straight	
18		Ref	Hose Options:	
18	2751391	1	5ft 9in Frame	
18	2751410	1	6ft 6in Frame	
19		Ref	Hose Options:	
19	2751428	2	5ft 9in Frame	
19	2751010	2	6ft 6in Frame	
21	2220385	1	Fitting, Tee	
22	2220619	1	Fitting, Reducer	
23	2220635	1	Fitting, Swivel	
24	2220609	1	Fitting, Reducer	

SECTION 6 - HYDRAULIC

FIGURE 6-12. HYDRAULIC DIAGRAM - LIFT UP RELIEF (FORD AND DEUTZ)



SECTION 6 - HYDRAULIC

FIGURE 6-12. HYDRAULIC DIAGRAM - LIFT UP RELIEF (FORD AND DEUTZ)

ITEM	PART NUMBER	QTY	DESCRIPTION	REV
		Ref	HYDRAULIC DIAGRAMS - STEER:	
	2791792	Ref	Ford	-
	2791793	Ref	Deutz	-
1	2220605	2	Fitting, Tee	
2		Ref	Hose Options:	
2	2751398	1	Ford	
2	2751011	1	Deutz	
3	2220828	1	Fitting, 90	
4	2220609	2	Fitting, Reducer	
5	2220577	1	Fitting	
6	2750889	1	Hose	
7	2220239	1	Fitting	
8	4640047	1	Valve, Relief	
12		Ref	Fitting, 90, Options:	
12	Not Required	0	Ford	
12	2220654	1	Deutz	

SECTION 6 - HYDRAULIC

FIGURE 6-13. HYDRAULIC DIAGRAM LIST

ITEM	PART NUMBER	QTY	DESCRIPTION	REV
	Note	Ref	Note: Information on Diagrams Not Shown is Available From JLG Service/Parts Departments.	
		Ref	AXLE LOCKOUT HYDRAULIC DIAGRAMS:	
	2791384	Ref	6ft 6in Frame 2WD (Without Swivel)	D
	2791470	Ref	5ft 9in Frame 2WD (Without Swivel)	A
	2791394	Ref	6ft 6in Frame 4WD (Without Swivel)	B
	2791400	Ref	6ft 6in Frame 2WD (With Swivel) (Prior to September 1991)	-
	2791883	Ref	6ft 6in Frame 2WD/4WD (With Swivel) (September 1991 to Present)	-
	2791624	Ref	6ft 6in Frame 2WD With 12in x 16.5 Tires (With Swivel)	A
	2791475	Ref	Optional 5ft 9in Frame 2WD (With Swivel)	-
		Ref	DRIVE HYDRAULIC DIAGRAMS:	
	2791619	Ref	6ft 6in Frame 2WD - Ford (With Swivel) (Prior to April 1992)	E
	2791688	Ref	5ft 9in Frame 2WD - Ford (With Swivel) (Prior to March 1990)	D
	2791689	Ref	5ft 9in Frame 2WD - Deutz (With Swivel) (March 1990 to Present)	E
	2792058	Ref	5ft 9in Frame 2WD - With Proportional Controls (With Swivel)	-
	2792059	Ref	6ft 6in Frame 2WD - With Proportional Controls (With Swivel)	-
	2792060	Ref	Proportional Controls - With 12in x 16.5in Tires (With Swivel)	-
	2792061	Ref	6ft 6in Frame - With 12in x 16.5in Tires (With Swivel)	-
	2791710	Ref	6ft 6in Frame 2WD - Electric (With Swivel)	F
	2791711	Ref	5ft 9in Frame 2WD - Electric (With Swivel)	E
	2791712	Ref	6ft 6in Frame 2WD - Electric (Without Swivel)	C
	2791713	Ref	5ft 9in Frame 2WD - Electric (Without Swivel)	B
	2791647	Ref	6ft 6in Frame 2WD - Deutz (With Swivel)	E
	2791644	Ref	6ft 6in Frame 2WD - Ford (Without Swivel)	C
	2791686	Ref	5ft 9in Frame 2WD - Ford (Without Swivel)	A
	2791643	Ref	6ft 6in Frame 2WD - Deutz (Without Swivel)	B
	2791687	Ref	5ft 9in Frame 2WD - Deutz (Without Swivel)	A
	2791641	Ref	4WD - Ford (With Swivel) (Prior to September 1991)	A
	2791639	Ref	4WD - Deutz (With Swivel) (Prior to September 1991)	C
	2791885	Ref	4WD - Ford and Deutz (With Swivel) (September 1991 to Present)	B
	2792062	Ref	4WD - Ford and Deutz - With Proportional Controls (With Swivel)	-
	2791642	Ref	4WD - Ford (Without Swivel) (Prior to May 1991)	A
	2791854	Ref	4WD - Ford (Without Swivel) (May 1991 to Present)	-
	2791640	Ref	4WD - Deutz (Without Swivel) (Prior to May 1991)	A
	2791853	Ref	4WD - Deutz (Without Swivel) (May 1991 to Present)	-
		Ref	MANUAL DESCENT HYDRAULIC DIAGRAMS	
	2791821	Ref	Gas and Diesel	5
	2791876	Ref	Electric	3
		Ref	ROTATOR HYDRAULIC DIAGRAMS:	
	2791744	Ref	Hydraulic Piston	A
	2791620	Ref	Worm Gear	C
		Ref	STANDARD HYDRAULIC DIAGRAMS:	
	2791963	Ref	Ford	C
	2791961	Ref	Deutz	C
	2791982	Ref	Ford - With Proportional Controls	D
	2791998	Ref	Deutz - With Proportional Controls	C
	2791953	Ref	Electric	C
	2791981	Ref	Electric - With Proportional Controls	C

SECTION 6 - HYDRAULIC

ITEM	PART NUMBER	QTY	DESCRIPTION	REV
		Ref	STEER HYDRAULIC DIAGRAMS:	
	2791651	Ref	Fixed Axle - 2WD (Without Swivel)	C
	2791650	Ref	Oscillating Axle - 2WD (Without Swivel)	A
	2791649	Ref	4WD (Without Swivel)	A
	2791652	Ref	Fixed Axle - 2WD (With Swivel)	B
	2791653	Ref	Oscillating Axle - 2WD (With Swivel)	B
	2791654	Ref	4WD (With Swivel) (Prior to September 1991)	B
	2791882	Ref	4WD (With Swivel) (September 1991 to Present)	A
		Ref	TOW HYDRAULIC DIAGRAMS:	
	2791295	Ref	5ft 9in Frame (Prior to December 1990)	B
	2791788	Ref	5ft 9in Frame (December 1990 to Present)	B
	2791789	Ref	6ft 6in Frame	B
	2791764	Ref	2WD/4WD Fixed/Oscillating Axle	A
		Ref	LIFT UP RELIEF HYDRAULIC DIAGRAMS:	
	2791792	Ref	Ford	-
	2791793	Ref	Deutz	-

SECTION 7 - ELECTRICAL

SECTION 7 - ELECTRICAL

FIGURE 7-1. ELECTRICAL DIAGRAM LIST

ITEM	PART NUMBER	QTY	DESCRIPTION	REV
		Ref	Note: Diagrams not shown in manual are available from the JLG Service/Parts Department.	
		Ref	ALARM ELECTRICAL DIAGRAMS	
	4932098	Ref	Motion Alarm	A
	3990010	3	Diode - 6 Amp	
	4931954	Ref	Tilt Alarm	C
	3740049	1	Relay	
	4360089	1	Flasher	
		Ref	Travel, Descent and Motion Alarm Options:	
	4931947	Ref	Travel, Descent and Motion Alarm (Prior to February 1993)	G
	4932639	Ref	Travel, Descent and Motion Alarm (February 1993 to Present)	2
	0610091	1	Card, Circuit (Prior to February 1993)	
	3740049	1	Relay	
	3990010	2	Diode - 6 Amp (February 1993 to Present)	
	1060341	11 ft	Cable, Electrical 16/2 (February 1993 to Present)	
	4932638	Ref	Travel Alarm - Back-Up	2
	3740049	1	Relay	
	3990010	1	Diode - 6 Amp	
	1060341	11 ft	Cable, Electrical 16/2	
		Ref	COLD WEATHER PACKAGE ELECTRICAL DIAGRAM	
	1281272	Ref	Cold Weather Package Electrical Diagram (Prior to November 1994)	C
	1282394	Ref	Cold Weather Package Electrical Diagram (November 1994 to Present)	-
	2580001	1	Heater, Battery	
	2901111	1	Start Kit	
	4932335	Ref	DUAL FUEL/LP GAS ELECTRICAL DIAGRAM	-
	4921305	1	Harness - LP Gas	
	0252625	Ref	ENGINE DISTRESS ELECTRICAL DIAGRAM - FORD	5
	2920026	1	Light (At Platform Console)	
	4360182	1	Switch, Oil Pressure	
	4360157	1	Switch, Water Temperature	
	3740049	1	Relay	
	2920029	1	Bulb	
	4931945	Ref	GENERATOR ELECTRICAL DIAGRAM - DEUTZ	A
	4460027	1	Receptacle, Electrical - Female Twist-Lock	
	3990010	1	Diode - 6 Amp	
	3740049	2	Relay	
	4360294	1	Breaker, Circuit	
	4932046	Ref	GENERATOR ELECTRICAL DIAGRAM - FORD	5
	4460027	1	Receptacle, Electrical - Female Twist-Lock	
	3990010	4	Diode - 6 Amp	
	3740049	2	Relay	
	4921259	1	Harness - 1 Wire (Aux Power Relay to Generator Relay)	
	4921260	1	Harness - 3 Wire (Generator Relays to Platform)	
	4931998	Ref	Heaters Electrical Diagram	A
	1060016	20 ft	Cable, Electrical - 16/3 (Junction Box to Heaters)	
	1060012	3 ft	Cable, Electrical - 12/4 (Junction Box to Thermostat)	

SECTION 7 - ELECTRICAL

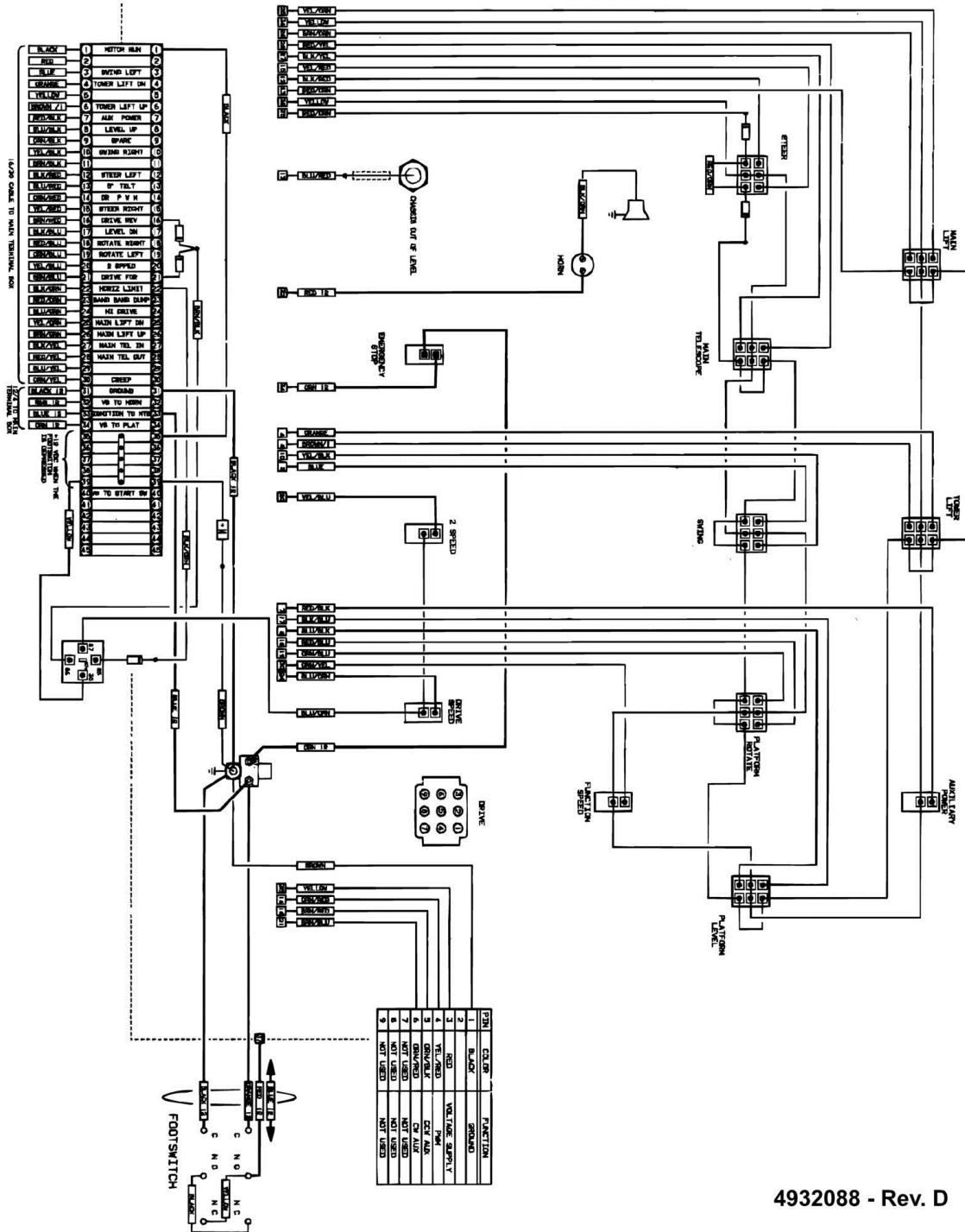
ITEM	PART NUMBER	QTY	DESCRIPTION	REV
		Ref	ROTATING BEACON ELECTRICAL DIAGRAMS	
	4931740	Ref	Rotating Beacon Electrical Diagrams (Prior to SN 32426)	A
	4931942	Ref	Rotating Beacon Electrical Diagrams (SN 32426 to Present)	5
	4931834	Ref	HEADLIGHTS AND TAILLIGHTS ELECTRICAL DIAGRAMS (PRIOR TO NOVEMBER 1992)	A
	4360232	1	Breaker, Circuit	
	4931941	Ref	HEADLIGHTS AND TAILLIGHTS ELECTRICAL DIAGRAMS (NOVEMBER 1992 TO PRESENT)	E
	3740049	1	Relay	
	4360199	1	Switch, Toggle	
	4932088	Ref	PLATFORM ELECTRICAL DIAGRAM - ELECTRIC	D-D
		Ref	Cable Electrical - 12/4 Options: (To Footswitch)	
	1060309	8 ft	Cable Electrical - 12/4 (Prior to May 1995)	
	1060515	8 ft	Cable Electrical - 12/4 (May 1995 to Present)	
	1540002	1	Capacitor - 1000MF/25VDC	
	3990010	5	Diode - 6 Amp	
	4932007	Ref	PLATFORM ELECTRICAL DIAGRAM - FORD AND DEUTZ	E
	1281356	Ref	PLATFORM ELECTRICAL DIAGRAM - FORD AND DEUTZ	F
		Ref	Cable Electrical - 12/4 Options: (To Footswitch)	
	1060309	8 ft	Cable Electrical - 12/4 (Prior to May 1995)	
	1060515	8 ft	Cable Electrical - 12/4 (May 1995 to Present)	
	1540002	1	Capacitor - 1000MF/25VDC	
	3990010	3	Diode - 6 Amp	
	4932600	Ref	PLATFORM ELECTRICAL DIAGRAM - PROPORTIONAL CONTROLS (2WS) FORD AND DEUTZ	A
	1282004	Ref	PLATFORM ELECTRICAL DIAGRAM - PROPORTIONAL CONTROLS (2WS) FORD AND DEUTZ	A
	1060515	8 ft	Cable Electrical - 12/4 (To Footswitch)	
	1540002	1	Capacitor - 1000MF/25VDC	
	3990010	3	Diode - 6 Amp	
	4932086	Ref	GROUND CONTROL ELECTRICAL DIAGRAM - ELECTRIC	F-F
	1060016	20 ft	Cable Electrical - 16/3 (To Horizontal Limit Switch)	
	4921291	1	Harness - Valve	
	4921295	1	Harness - Contactor Box	
	4921298	1	Harness - Battery Charger	
	4932065	Ref	GROUND CONTROL ELECTRICAL DIAGRAM - FORD (PRIOR TO AUGUST 1994)	E
	1060300	18 ft	Cable Electrical - 16/3	
	4921273	1	Harness - Engine and Valve	
	3990010	2	Diode - 6 Amp	
	4932750	Ref	GROUND CONTROL ELECTRICAL DIAGRAM - FORD (AUGUST 1994 TO PRESENT)	3-B
	1060016	18 ft	Cable Electrical - 16/3 Options: (Was PN 1060300)	
	4921273	1	Harness - Engine and Valve	
	3990010	2	Diode - 6 Amp	
	4932757	Ref	GROUND CONTROL ELECTRICAL DIAGRAM - FORD (WITH PROPORTIONAL CONTROLS)	3-B
	1060016	18 ft	Cable Electrical - 16/3 Options: (Was PN 1060300)	
	4921532	1	Harness - Engine and Valve	
	3990010	3	Diode - 6 Amp	
	4932051	Ref	GROUND CONTROL ELECTRICAL DIAGRAM - DEUTZ	8-G
	3740030	1	Relay (Prior to May 1993)	
	1060016	34 ft	Cable Electrical - 16/3 (To Horizontal Limit Switch) Options: (Was	

SECTION 7 - ELECTRICAL

ITEM	PART NUMBER	QTY	DESCRIPTION	REV
			PN 1060300)	
	4921289	1	Harness - Engine	
	4921285	1	Harness - Valve	
	3990010	1	Diode - 6 Amp	
	3730003	1	Resistor	
	4932666	Ref	GROUND CONTROL ELECTRICAL DIAGRAM - DEUTZ (WITH PROPORTIONAL CONTROLS)	7-F
	3740030	1	Relay (Prior to May 1993)	
	1060016	18 ft	Cable Electrical - 16/3 Options: (Was PN 1060300)	7
	4921792	1	Harness - Engine	
	4921565	1	Harness - Valve	
	3990010	4	Diode - 6 Amp	
	3730003	1	Resistor	

SECTION 7 - ELECTRICAL

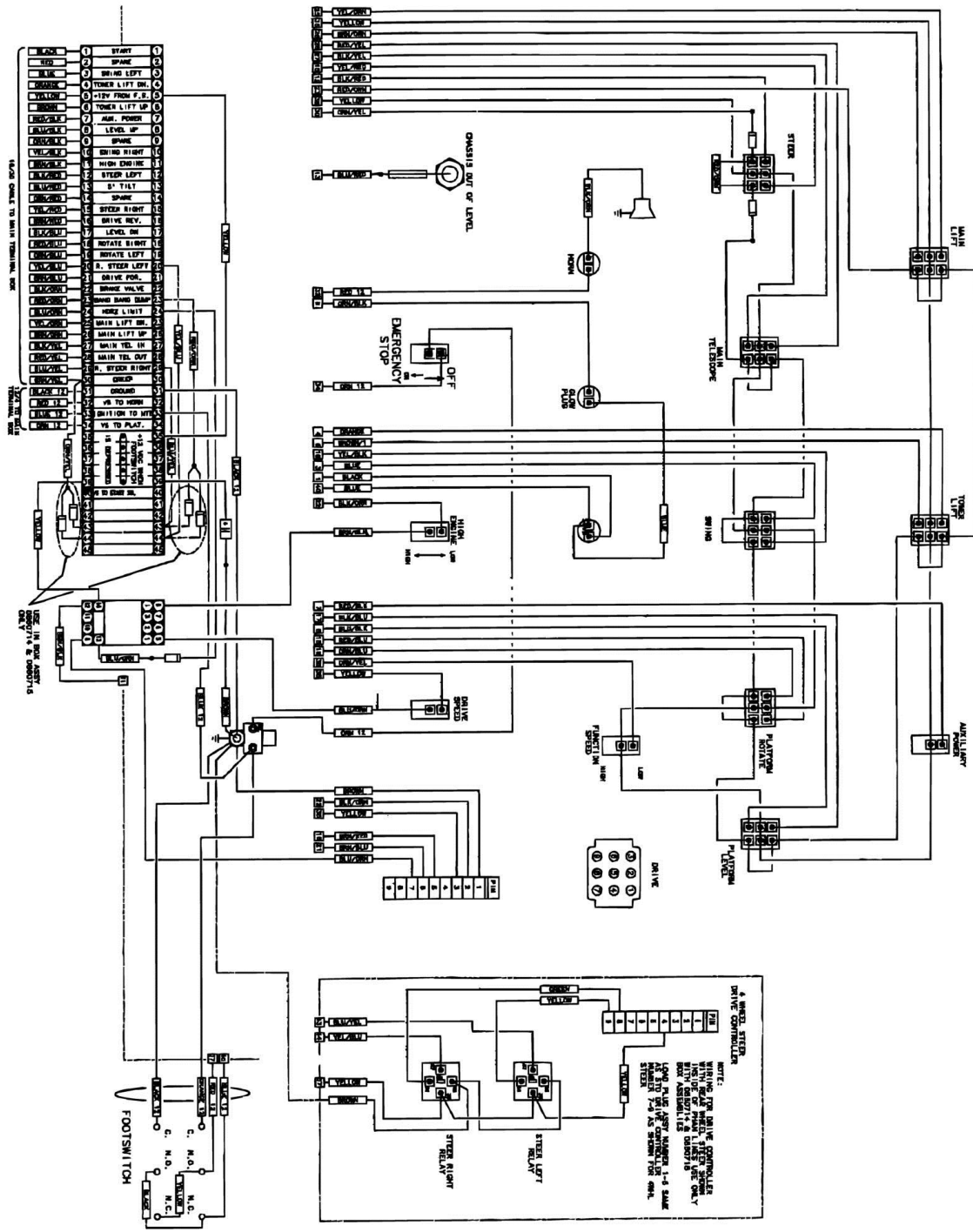
FIGURE 7-2. ELECTRICAL DIAGRAM - PLATFORM (ELECTRIC)



4932088 - Rev. D

SECTION 7 - ELECTRICAL

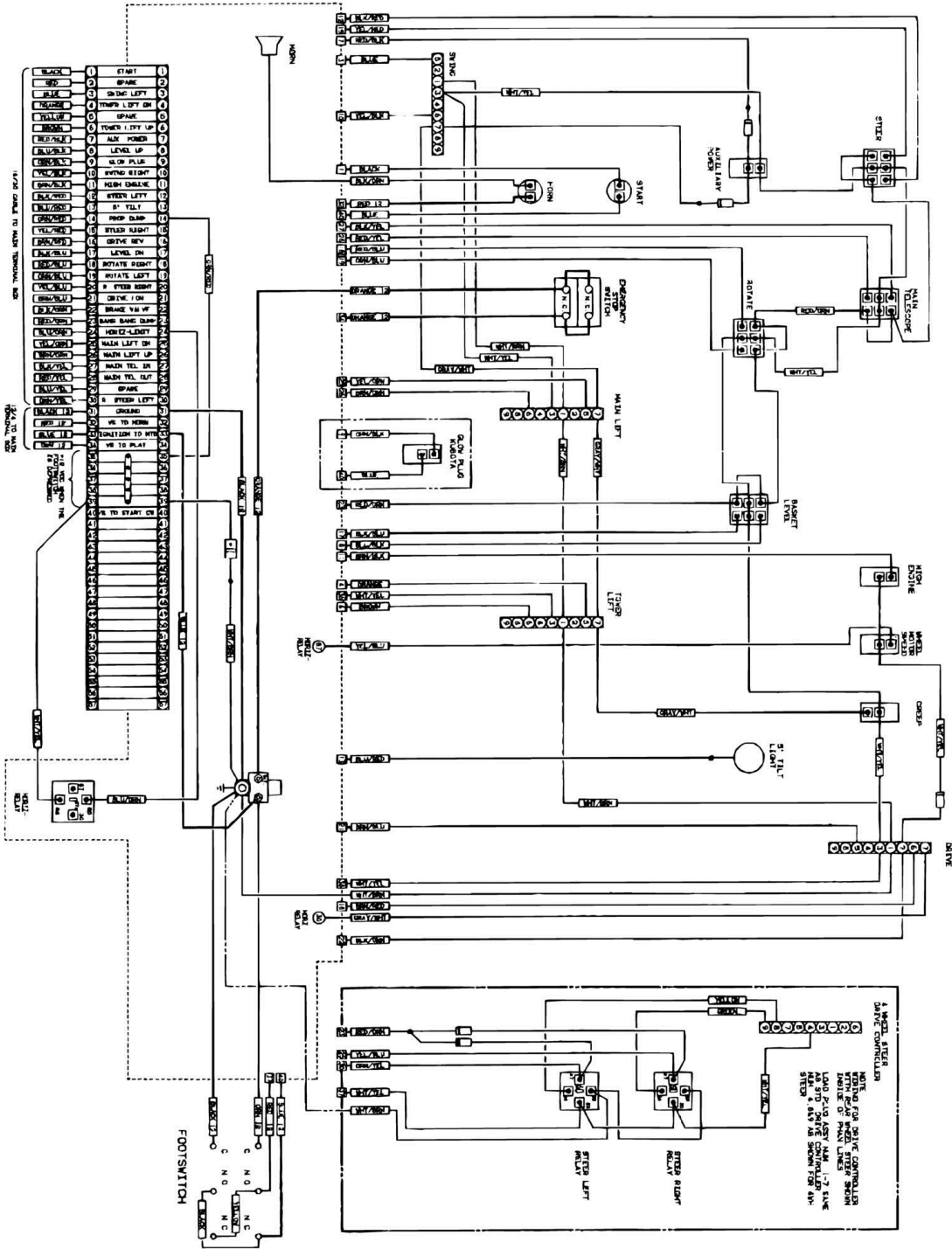
FIGURE 7-3. ELECTRICAL DIAGRAM - PLATFORM (FORD AND DEUTZ)



1281356 - Rev. F

SECTION 7 - ELECTRICAL

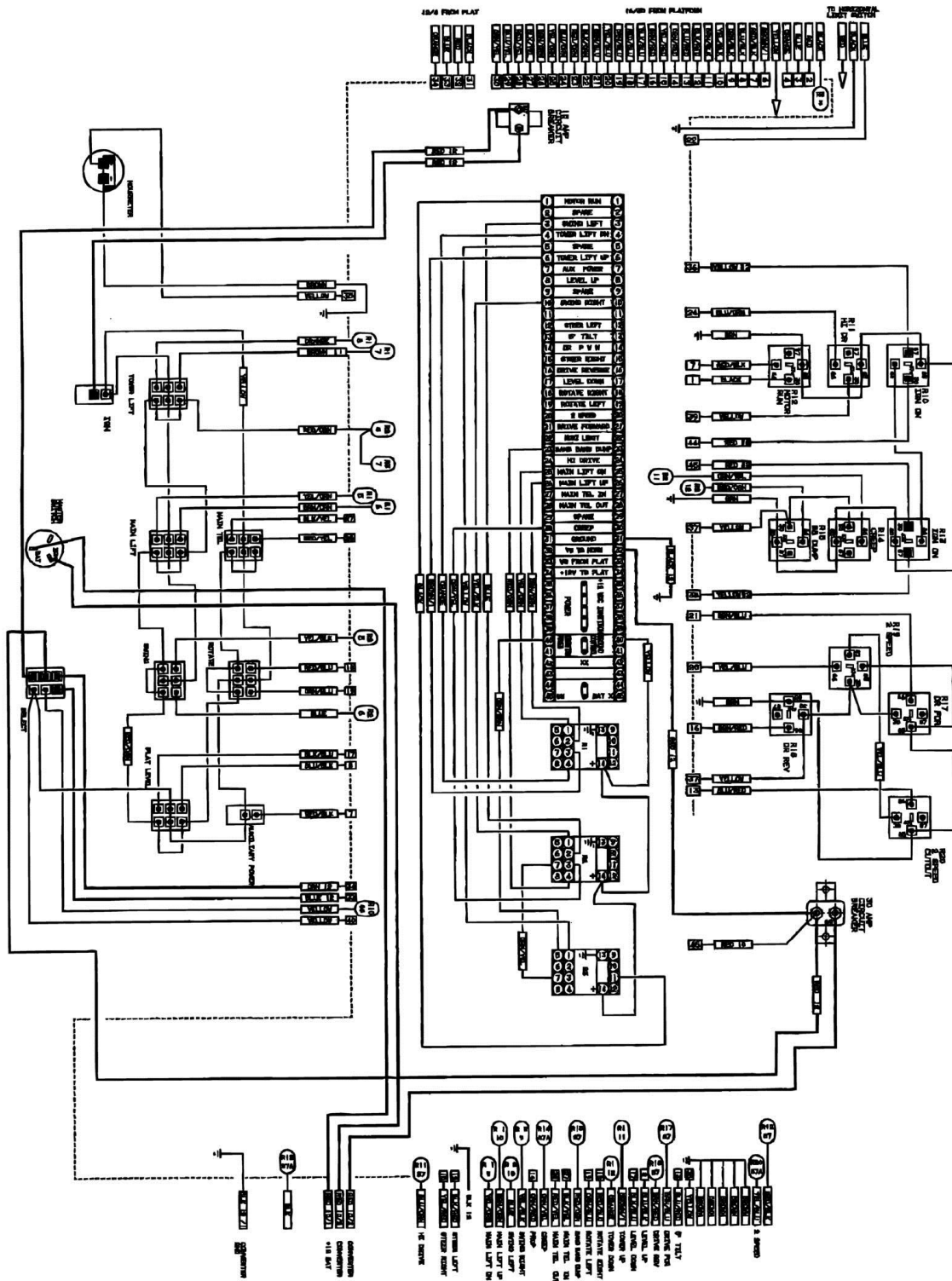
FIGURE 7-4. ELECTRICAL DIAGRAM - PLATFORM (PROPORTIONAL CONTROLS)



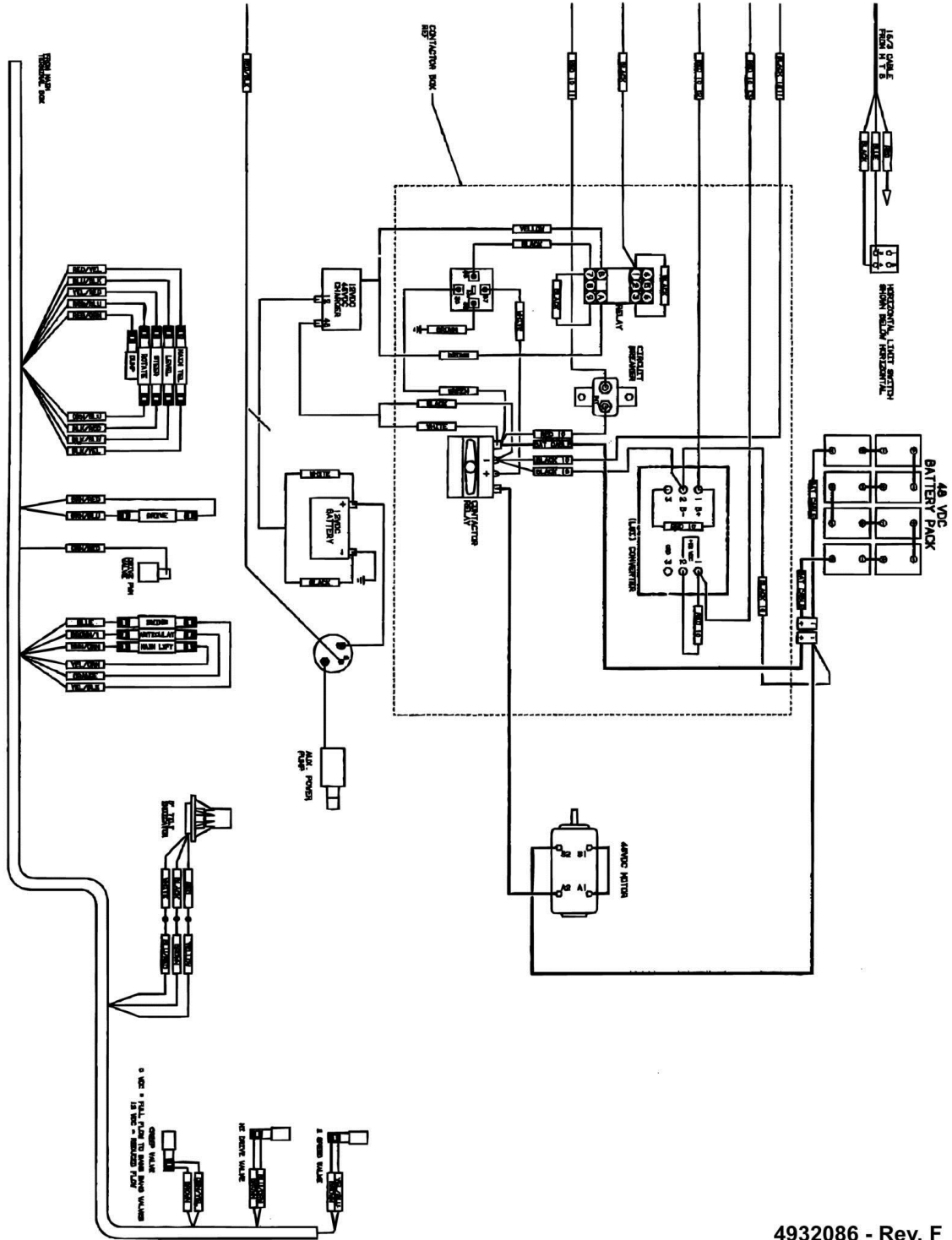
1282004 - Rev. A

SECTION 7 - ELECTRICAL

FIGURE 7-5. ELECTRICAL DIAGRAM - GROUND CONTROL (ELECTRIC)

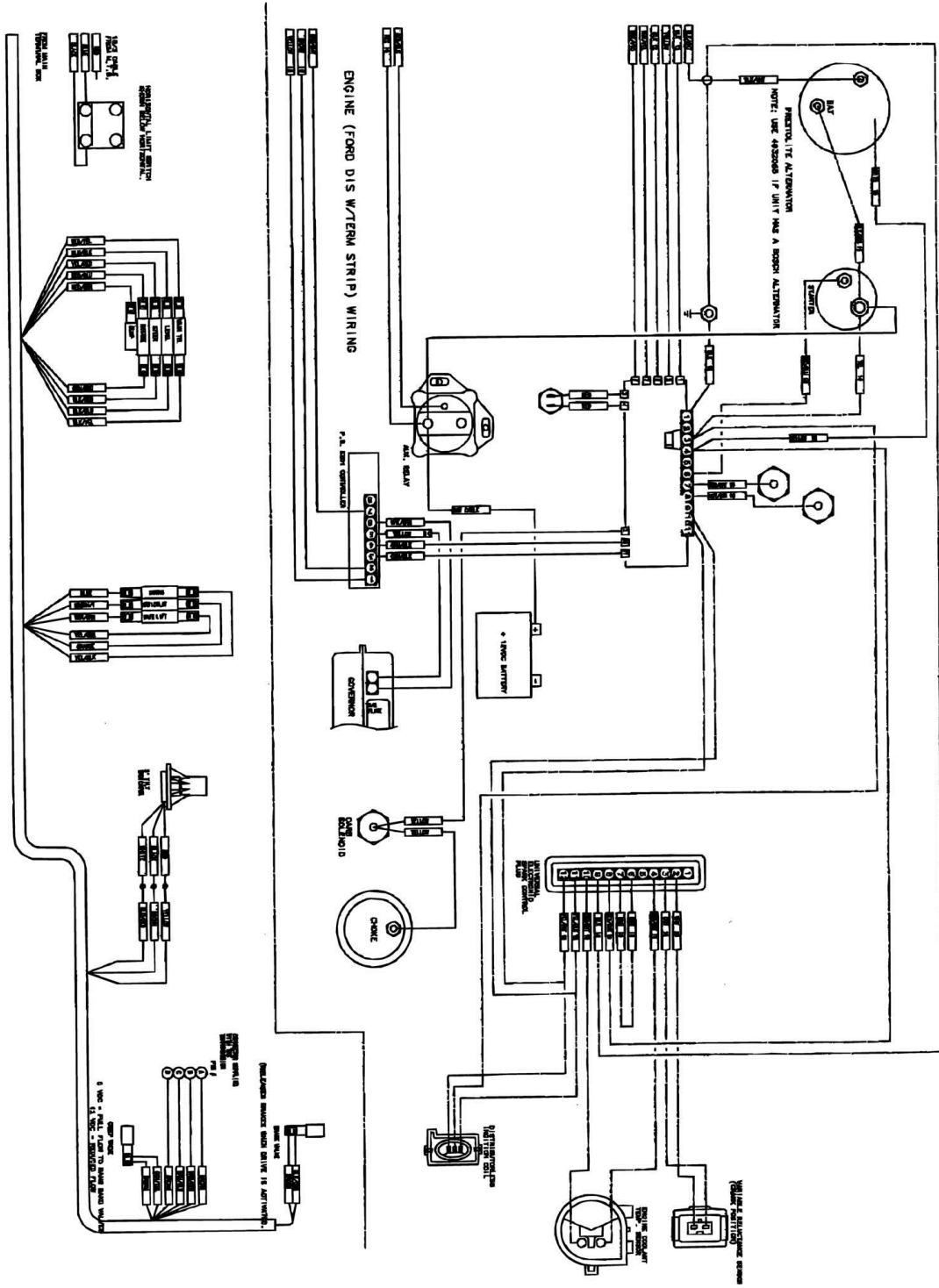


SECTION 7 - ELECTRICAL



4932086 - Rev. F

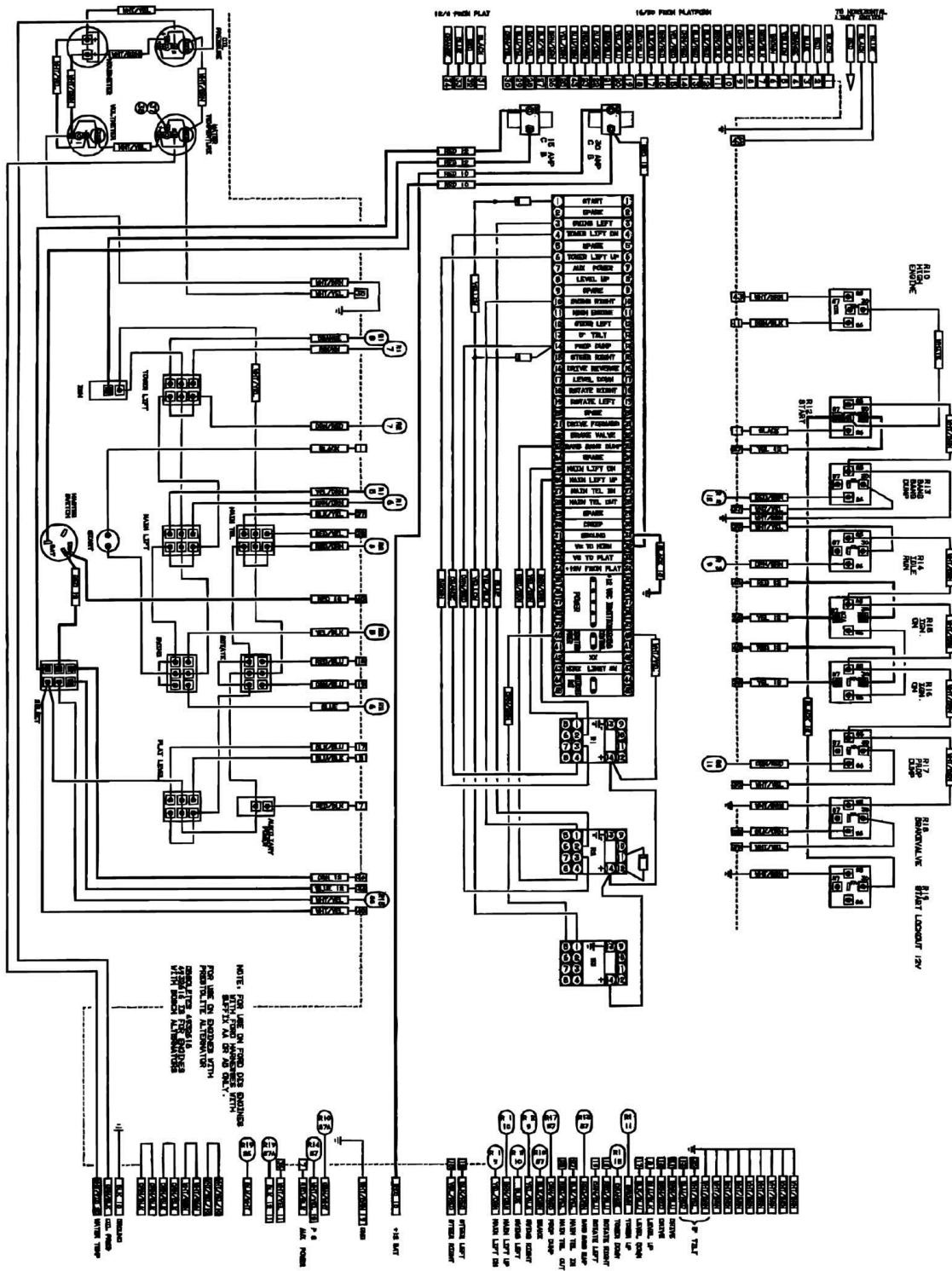
SECTION 7 - ELECTRICAL



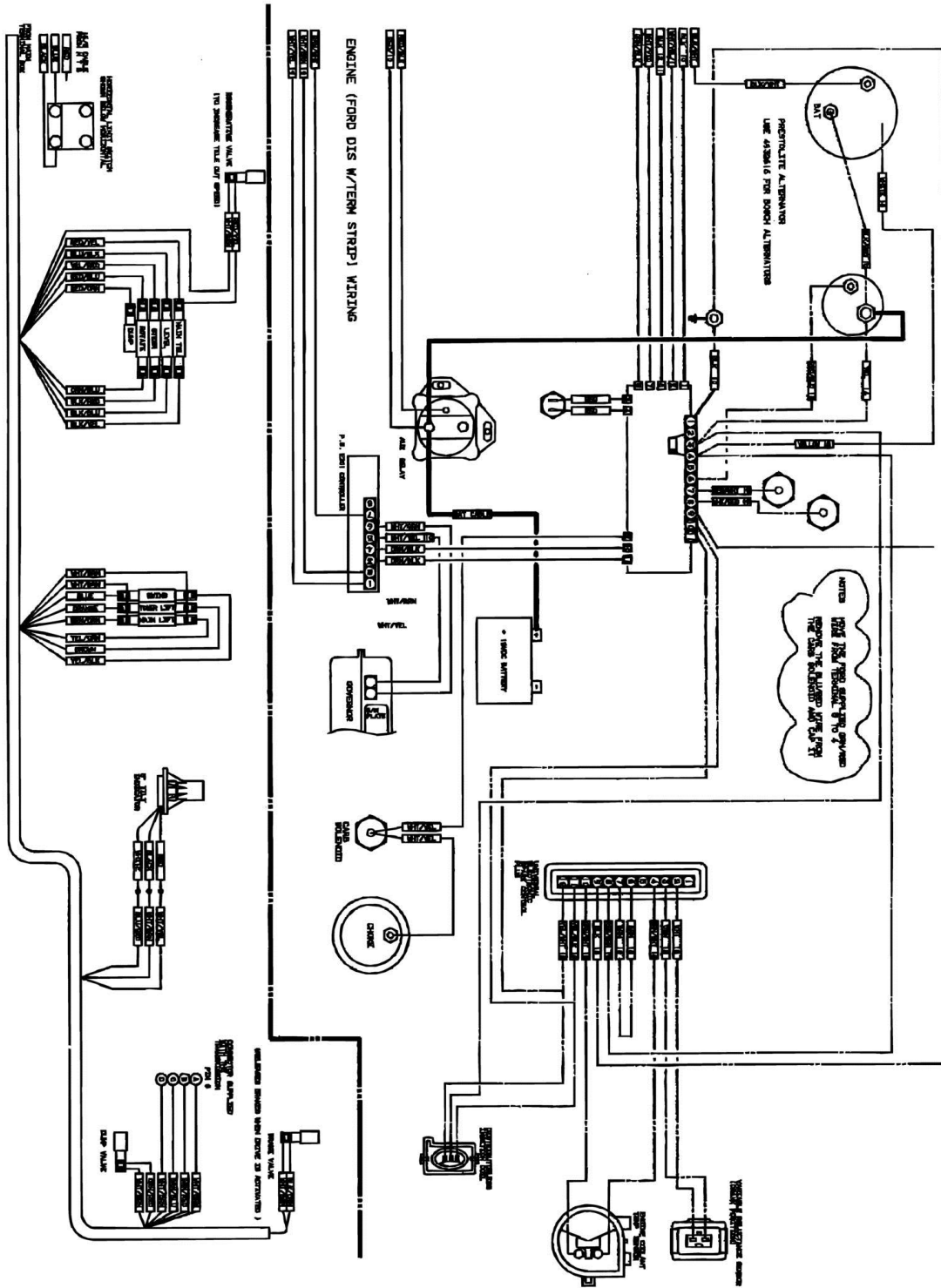
4932750 - Rev. B

SECTION 7 - ELECTRICAL

FIGURE 7-7. ELECTRICAL DIAGRAM - GROUND CONTROL (FORD WITH PROPORTIONAL CONTROLS)



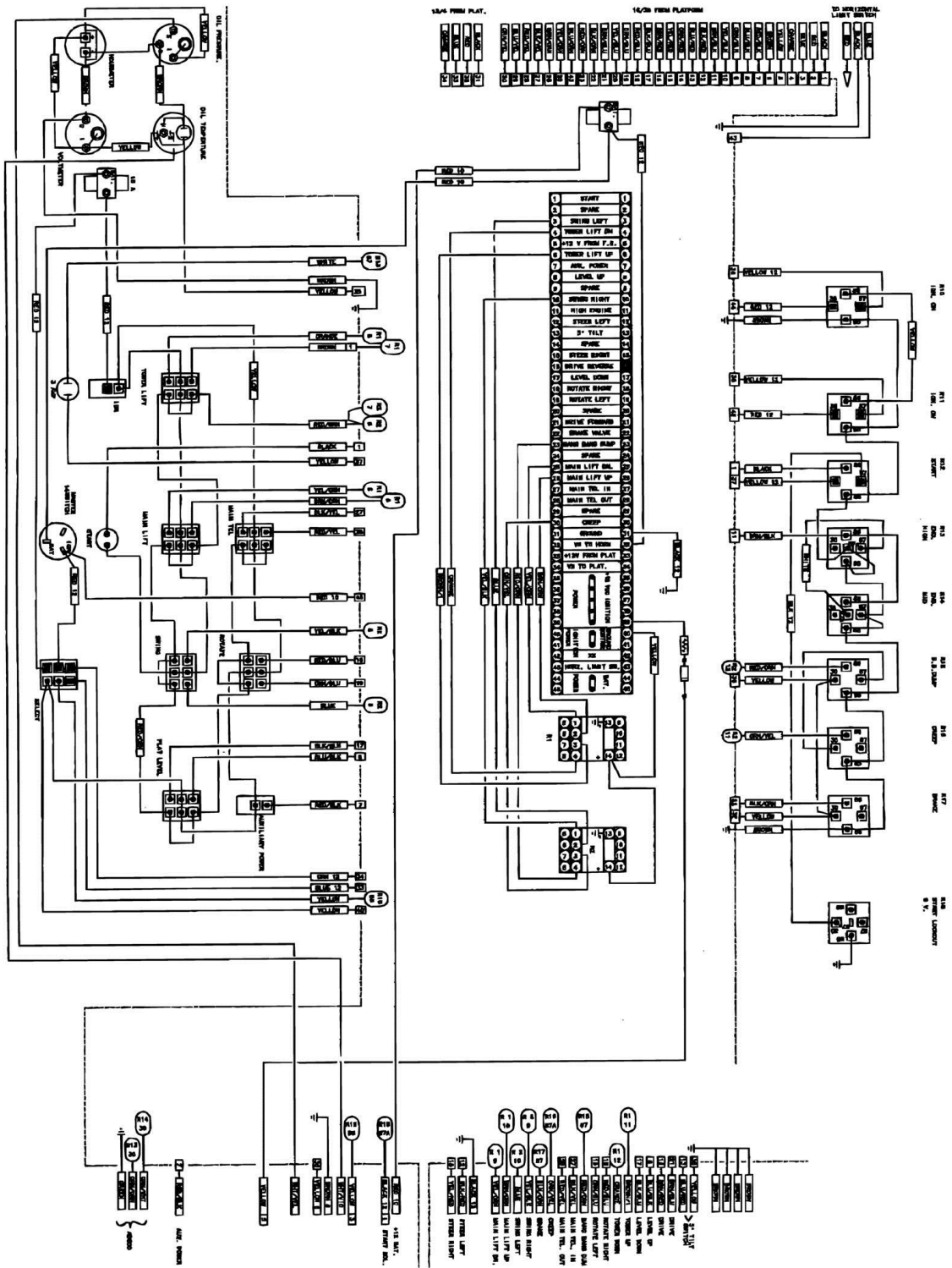
SECTION 7 - ELECTRICAL



4932757 - Rev. B

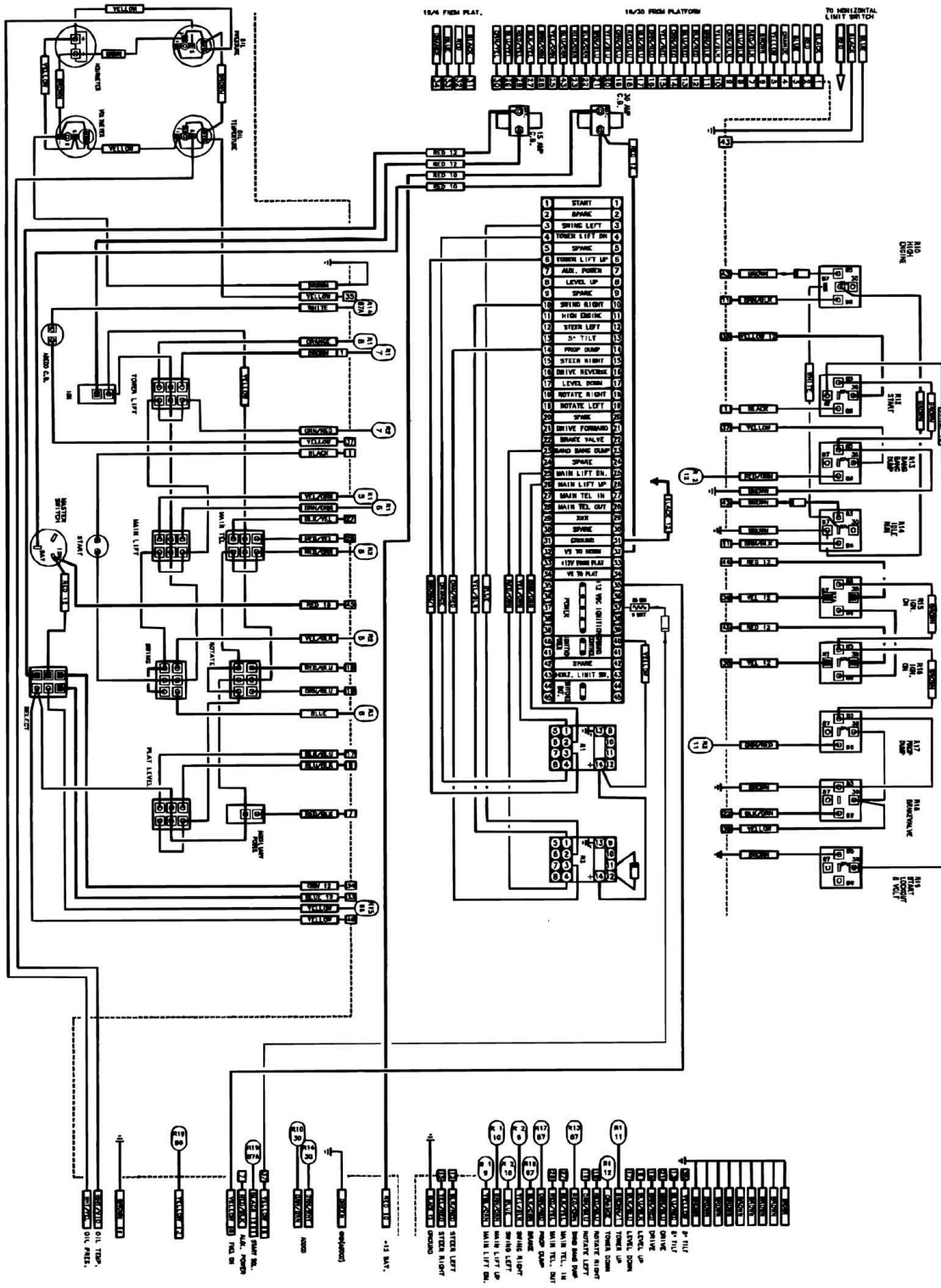
SECTION 7 - ELECTRICAL

FIGURE 7-8. ELECTRICAL DIAGRAM - GROUND CONTROL (DEUTZ)



SECTION 7 - ELECTRICAL

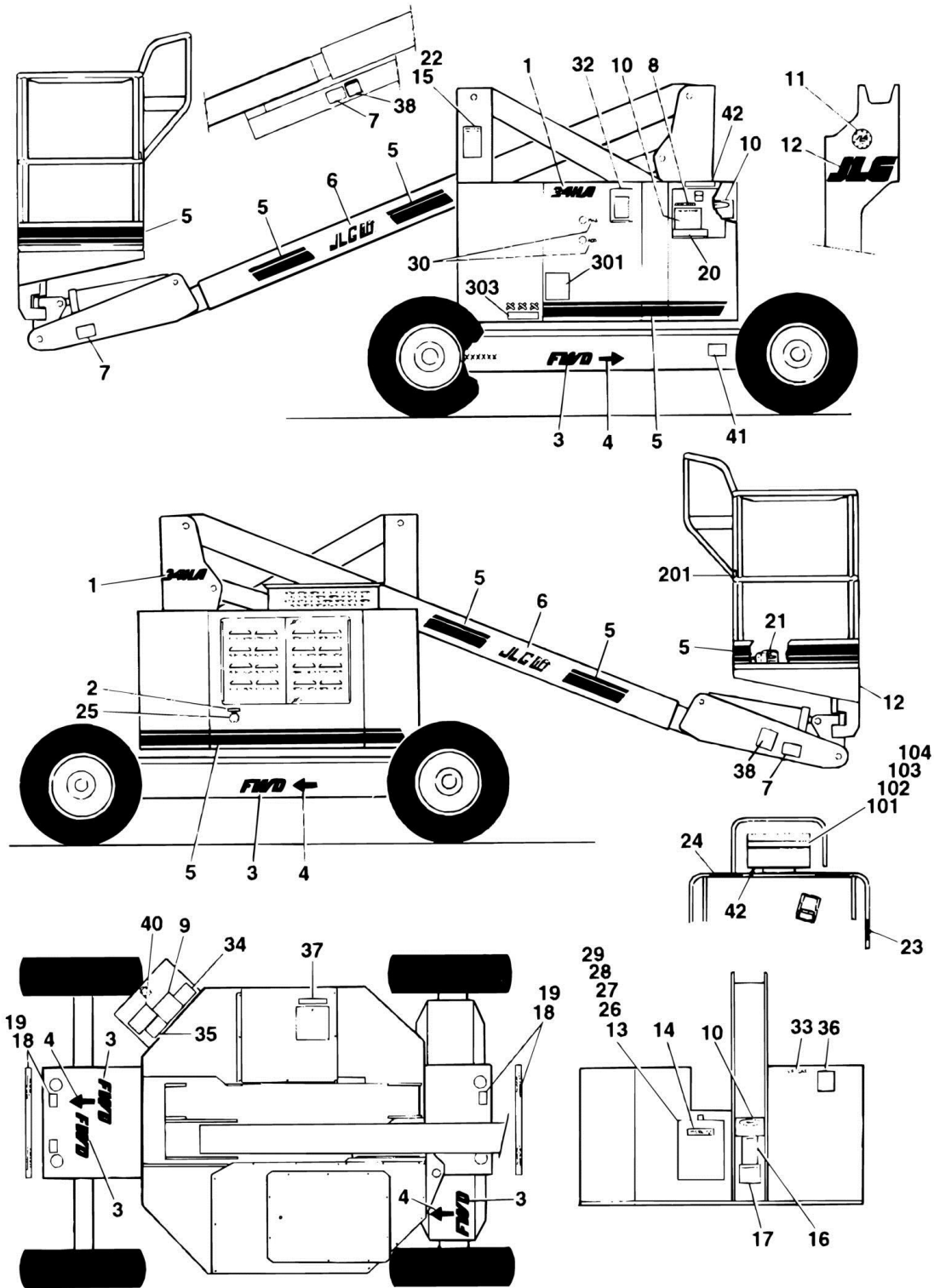
FIGURE 7-9. ELECTRICAL DIAGRAM - GROUND CONTROL (DEUTZ WITH PROPORTIONAL CONTROLS)



SECTION 8 - DECALS

SECTION 8 - DECALS

FIGURE 8-1. DECALS INSTALLATION - STANDARD



SECTION 8 - DECALS

FIGURE 8-1. DECALS INSTALLATION - STANDARD

ITEM	PART NUMBER	QTY	DESCRIPTION	REV
		Ref	DECAL INSTALLATIONS	
	0250643	Ref	Brown and Cream	11
	0271036	Ref	JLG Logo (Brown)	1
	0250644	Ref	Black	10
1		Ref	Decal - 34HA Options:	
1	1701340	2	Brown and Cream (Prior to June 1991)	
1	1701471	2	Brown and Cream (June 1991 to Present)	
1	1701339	2	Black (Prior to June 1991)	
1	1701593	2	Black (June 1991 to Present)	
2	3251243	1	Nameplate - 120V 60HZ	
3		Ref	Decal - FWD Options:	
3	1700977	4	Brown and Cream (Prior to November 1992)	
3	1700053	4	Black (Prior to November 1992)	
4		Ref	Decal - Arrow Options:	
4	1700978	4	Brown and Cream (Prior to November 1992)	
4	1701529	4	Brown and Cream (November 1992 to Present)	
4	1700058	4	Black (Prior to November 1992)	
4	1701529	4	Black (November 1992 to Present)	
5		Ref	Decal - Stripping Options:	
5	1700431	26 ft	Brown and Cream (Prior to March 1994)	
5	1701703	33 ft	Brown and Cream (March 1994 to Present)	
5	1701334	33 ft	Black	
6		Ref	Decal - JLG Lift Options:	
6	1700422	2	Brown and Cream (Prior to June 1991)	
6	1701441	2	Brown and Cream (June 1991 to Present)	
6	1700349	2	Black (Prior to June 1991)	
6	1701550	2	Black (June 1991 to Present)	
7		Ref	Decal - Crushing Options:	
7	1700640	3	Decal - Crushing (Prior to March 1994)	
7	1702284	3	Decal - Crushing (March 1994 to Present)	
8	1700037	1	Decal - Ground Control	
9		Ref	Decal - Caution Options:	
9	1700643	1	Decal - Caution (Prior to March 1994)	
9	1702299	1	Decal - Caution (March 1994 to Present)	
10		Ref	Decal - Caution Options:	
10	1700585	3	Decal - Caution (Prior to March 1994)	
10	1702277	3	Decal - Caution (March 1994 to Present)	
11	3251813	1	Decal - Made in USA	
12		Ref	Decal - JLG Options:	
12	1700981	2	Brown and Cream	
12	1701321	2	Black	
13	0860520	1	Box Manual Storage	
14		Ref	Decal - Operations, Safety and Maintenance Options:	
14	1700157	1	Decal - Operations, Safety and Maintenance (Prior to March 1994)	
14	1701509	1	Decal - Operations, Safety and Maintenance (March 1994 to Present)	
15	Not Available	1	Nameplate - Manufacturer	
16	1700584	1	Decal - Patent	
17		Ref	Decal - Inspection Options:	

SECTION 8 - DECALS

ITEM	PART NUMBER	QTY	DESCRIPTION	REV
17	1700593	1	Decal - Inspection (Prior to March 1994)	
17	1702153	1	Decal - Inspection (March 1994 to Present)	
18		Ref	Decal - Lift Here Options:	
18	1700975	4	Brown and Cream (Prior to SN 27273)	
18	1701500	4	Brown and Cream (SN 27273 to Present)	
18	1700232	4	Black (Prior to SN 27273)	
18	1701500	4	Black (SN 27273 to Present)	
19		Ref	Decal - Tie Down Options:	
19	1702300	4	Brown and Cream (Prior to SN 27273)	
19	1701500	4	Brown and Cream (SN 27273 to Present)	
19	1701326	4	Black (Prior to SN 27273)	
19	1702300	4	Black (SN 27273 to Present)	
20		Ref	Decal - Electrocutation Hazard Options:	
20	1700580	1	Decal - Electrocutation Hazard (Prior to March 1994)	
20	1702292	1	Decal - Electrocutation Hazard (March 1994 to Present)	
21	3252347	1	Nameplate - Footswitch (Prior to June 1992) (Was PN 3251766)	
22	3820001	4	Rivet	
23		Ref	Decal - No Hands Options:	
23	1700476	2	Decal - No Hands (Prior to March 1994)	
23	1702294	2	Decal - No Hands (March 1994 to Present)	
24		Ref	Decal - Attach Lanyard Options:	
24	1700477	2	Decal - Attach Lanyard (Prior to March 1994)	
24	1702512	2	Decal - Attach Lanyard (March 1994 to June 1995)	
24	1704277	2	Decal - Attach Lanyard (June 1995 to Present) (was p/n 1702612)	
25	0961127	1	Bushing, Snap	
26	4751400	6	Flatwasher 1/4in	
27	3311405	5	Nut 1/4in-20NC	
28	1060279	1	Cable, Lanyard	
29	0641408	1	Bolt 1/4in-20NC x 1in	
30	1700756	1	Decal - Add/Full	
31	0100010	AR	Loctite #242 (Not Shown)	
32		Ref	Decal - Fuel Options:	
32	1700428	1	Brown - Diesel	
32	1700196	1	Black - Diesel	
32	1700430	1	Brown - Gas	
32	1700194	1	Black - Gas	
32	1701542	1	Dual Fuel	
33		Ref	Decal - LP Options:	
33	1700429	1	Brown	
33	1700197	1	Black	
33	1701543	1	LP Gas Only	
34	3252356	1	Decal - Dual Fuel Only	
35		Ref	Decal - LP Options:	
35	1700582	1	Decal - LP (Prior to March 1994)	
35	1702293	1	Decal - LP (March 1994 to Present)	
36	1700818	1	Decal - LP Gas Liquid Withdraw System	
37		Ref	Decal - Hydraulic Oil Options:	
37	1700419	1	Decal - Hydraulic Oil (Prior to April 2000)	
37	1701504	1	Decal - Hydraulic Oil (April 2000 to Present)	
38		Ref	Decal - Caution Options:	
38	1700460	2	Decal - Caution (Prior to March 1994)	

SECTION 8 - DECALS

ITEM	PART NUMBER	QTY	DESCRIPTION	REV
38	1702280	2	Decal - Caution (March 1994 to Present)	
40	1702282	1	Decal - Warning (March 1994 to Present)	
41	1702631	1	Decal - Bar Code	
42	1702688	2	Decal - 500Lbs Max Capacity	
	0253639	Ref	NAMEPLATE CAUTION/DANGER INSTALLATION	A
101	3536671	1	Plate, Mounting	
102	3252369	1	Nameplate - Caution/Danger	
103	1702289	1	Decal - Symbols	
104	3820019	4	Rivet	
	0253639S	1	Decal Kit	
	0256956	Ref	DECAL INSTALLATION - LANYARD ATTACH	A
201	1703175	2	Decal - Lanyard	
	0252105	Ref	DECAL INSTALLATION - MANUAL DESCENT	-
301	1701559	1	Decal - Instructions	
302	1701558	4	Decal - Manual Descent (Located on Lift Cylinders) (Not Shown)	
303	1701556	1	Decal - Manual Descent	

SECTION 9 - RECOMMENDED SERVICE PARTS STOCK

SECTION 9 - RECOMMENDED SERVICE PARTS STOCK

SECTION 9 - RECOMMENDED SERVICE PARTS STOCK

FIGURE 9-1. MODEL 34HA STANDARD PARTS

ITEM	PART NUMBER	QTY	DESCRIPTION	REV
	Note	Ref	Note: The following list will service fleets of machines (built to current production per date on the front cover) with emergency repair parts which can be installed in the field. Parts from the list should be replaced when inventory is depleted to keep service parts stock supplied. For further information, contact your JLG dealer or the JLG Industries Parts Department.	
		Ref	STANDARD PARTS	
	2120125	4	Element, Filter, (for fleets of 1 to 10)	
	2120125	8	Element, Filter, (for fleets of 10 to 20)	
	2120125	12	Element, Filter, (for fleets of 20 or more)	
	7000417	1	Coil, (for fleets of 1 to 10)	
	7000417	1	Coil, (for fleets of 10 to 20)	
	7000417	1	Coil, (for fleets of 20 or more)	
	7000418	1	Coil, (for fleets of 1 to 10)	
	7000418	1	Coil, (for fleets of 10 to 20)	
	7000418	1	Coil, (for fleets of 20 or more)	
	7002450	1	Coil, (for fleets of 1 to 10)	
	7002450	1	Coil, (for fleets of 10 to 20)	
	7002450	1	Coil, (for fleets of 20 or more)	
	7010711	1	Coil, (for fleets of 1 to 10)	
	7010711	1	Coil, (for fleets of 10 to 20)	
	7010711	1	Coil, (for fleets of 20 or more)	
	7009742	1	Coil, (for fleets of 1 to 10)	
	7009742	1	Coil, (for fleets of 10 to 20)	
	7009742	1	Coil, (for fleets of 20 or more)	
	7004214	1 Dozen	Element, Air Cleaner, (for fleets of 1 to 10)	
	7004214	1 Dozen	Element, Air Cleaner, (for fleets of 10 to 20)	
	7004214	1 Dozen	Element, Air Cleaner, (for fleets of 20 or more)	
	3740067	1	Relay, (for fleets of 1 to 10)	
	3740067	1	Relay, (for fleets of 10 to 20)	
	3740067	1	Relay, (for fleets of 20 or more)	
	3740035	1	Relay, (for fleets of 1 to 10)	
	3740035	1	Relay, (for fleets of 10 to 20)	
	3740035	1	Relay, (for fleets of 20 or more)	
	4360232	1	Breaker, Circuit 15Amp, (for fleets of 1 to 10)	
	4360232	1	Breaker, Circuit 15Amp, (for fleets of 10 to 20)	
	4360232	1	Breaker, Circuit 15Amp, (for fleets of 20 or more)	
	2120110	4	Element, Hydraulic Filter, (for fleets of 1 to 10)	
	2120110	8	Element, Hydraulic Filter, (for fleets of 10 to 20)	
	2120110	12	Element, Hydraulic Filter, (for fleets of 20 or more)	
	1340046	1	Breather, Hydraulic Tank, (for fleets of 1 to 10)	
	1340046	2	Breather, Hydraulic Tank, (for fleets of 10 to 20)	
	1340046	3	Breather, Hydraulic Tank, (for fleets of 20 or more)	
	4360003	1	Switch, Key (Master Switch), (for fleets of 1 to 10)	
	4360003	1	Switch, Key (Master Switch), (for fleets of 10 to 20)	
	4360003	1	Switch, Key (Master Switch), (for fleets of 20 or more)	
	4360073	1	Switch, Toggle - Center Off, (for fleets of 1 to 10)	
	4360073	1	Switch, Toggle - Center Off, (for fleets of 10 to 20)	
	4360073	1	Switch, Toggle - Center Off, (for fleets of 20 or more)	

SECTION 9 - RECOMMENDED SERVICE PARTS STOCK

ITEM	PART NUMBER	QTY	DESCRIPTION	REV
	4360199	1	Switch, Toggle, (for fleets of 1 to 10)	
	4360199	1	Switch, Toggle, (for fleets of 10 to 20)	
	4360199	1	Switch, Toggle, (for fleets of 20 or more)	
	4360274	1	Switch, Push Button, (for fleets of 1 to 10)	
	4360274	1	Switch, Push Button, (for fleets of 10 to 20)	
	4360274	1	Switch, Push Button, (for fleets of 20 or more)	
	4360202	1	Switch, Toggle, (for fleets of 1 to 10)	
	4360202	1	Switch, Toggle, (for fleets of 10 to 20)	
	4360202	1	Switch, Toggle, (for fleets of 20 or more)	
	4360200	1	Switch, Toggle, (for fleets of 1 to 10)	
	4360200	1	Switch, Toggle, (for fleets of 10 to 20)	
	4360200	1	Switch, Toggle, (for fleets of 20 or more)	
	3740049	1	Relay, (for fleets of 1 to 10)	
	3740049	1	Relay, (for fleets of 10 to 20)	
	3740049	1	Relay, (for fleets of 20 or more)	
	4360216	1	Breaker, Circuit 30Amp, (for fleets of 1 to 10)	
	4360216	1	Breaker, Circuit 30Amp, (for fleets of 10 to 20)	
	4360216	1	Breaker, Circuit 30Amp, (for fleets of 20 or more)	
	3740058	1	Relay, (for fleets of 1 to 10)	
	3740058	1	Relay, (for fleets of 10 to 20)	
	3740058	1	Relay, (for fleets of 20 or more)	
	3740077	1	Relay, (for fleets of 1 to 10)	
	3740077	1	Relay, (for fleets of 10 to 20)	
	3740077	1	Relay, (for fleets of 20 or more)	
	4360212	1	Breaker, Circuit, (for fleets of 1 to 10)	
	4360212	1	Breaker, Circuit, (for fleets of 10 to 20)	
	4360212	1	Breaker, Circuit, (for fleets of 20 or more)	
	3740048	1	Relay, (for fleets of 1 to 10)	
	3740048	1	Relay, (for fleets of 10 to 20)	
	3740048	1	Relay, (for fleets of 20 or more)	
	4360171	1	Switch, Tilt Indicator, (for fleets of 1 to 10)	
	4360171	1	Switch, Tilt Indicator, (for fleets of 10 to 20)	
	4360171	1	Switch, Tilt Indicator, (for fleets of 20 or more)	
	4360031	1	Footswitch, (for fleets of 1 to 10)	
	4360031	1	Footswitch, (for fleets of 10 to 20)	
	4360031	1	Footswitch, (for fleets of 20 or more)	
	4360209	1	Breaker, Circuit, (for fleets of 1 to 10)	
	4360209	1	Breaker, Circuit, (for fleets of 10 to 20)	
	4360209	1	Breaker, Circuit, (for fleets of 20 or more)	
	4360327	1	Switch, Potentiometer, (for fleets of 1 to 10)	
	4360327	1	Switch, Potentiometer, (for fleets of 10 to 20)	
	4360327	1	Switch, Potentiometer, (for fleets of 20 or more)	
	4360289	1	Switch, Push/Pull, (for fleets of 1 to 10)	
	4360289	1	Switch, Push/Pull, (for fleets of 10 to 20)	
	4360289	1	Switch, Push/Pull, (for fleets of 20 or more)	
	4360282	1	Block, Contact, (for fleets of 1 to 10)	
	4360282	1	Block, Contact, (for fleets of 10 to 20)	
	4360282	1	Block, Contact, (for fleets of 20 or more)	
	4360215	1	Switch, Proximity, (for fleets of 1 to 10)	
	4360215	1	Switch, Proximity, (for fleets of 10 to 20)	
	4360215	1	Switch, Proximity, (for fleets of 20 or more)	

SECTION 9 - RECOMMENDED SERVICE PARTS STOCK

ITEM	PART NUMBER	QTY	DESCRIPTION	REV
	3990010	2	Diode - 6 Amp, (for fleets of 1 to 10)	
	3990010	2	Diode - 6 Amp, (for fleets of 10 to 20)	
	3990010	2	Diode - 6 Amp, (for fleets of 20 or more)	
	3730003	1	Resistor, (for fleets of 1 to 10)	
	3730003	1	Resistor, (for fleets of 10 to 20)	
	3730003	1	Resistor, (for fleets of 20 or more)	

SECTION 9 - RECOMMENDED SERVICE PARTS STOCK

FIGURE 9-2. MODEL 34HA VARIABLE PARTS

ITEM	PART NUMBER	QTY	DESCRIPTION	REV
	Note	REf	Note: The following list will service fleets of machines (built to current production per date on the front cover) with emergency repair parts which can be installed in the field. Parts from the list should be replaced when inventory is depleted to keep service parts stock supplied. For further information, contact your JLG dealer or the JLG Industries Parts Department.	
		Ref	VARIABLE PARTS	
	7019949	1 Dozen	Filter, Oil (Ford VSG411 Engine Machines), (for fleets of 1 to 10)	
	7019949	1 Dozen	Filter, Oil (Ford VSG411 Engine Machines), (for fleets of 10 to 20)	
	7019949	1 Dozen	Filter, Oil (Ford VSG411 Engine Machines), (for fleets of 20 or more)	
	7019939	1 Dozen	Filter, Fuel (Ford VSG411 Engine Machines), (for fleets of 1 to 10)	
	7019939	1 Dozen	Filter, Fuel (Ford VSG411 Engine Machines), (for fleets of 10 to 20)	
	7019939	1 Dozen	Filter, Fuel (Ford VSG411 Engine Machines), (for fleets of 20 or more)	
	1660184	1	Coupling, Pump (Ford VGS411 Engine Machines), (for fleets of 1 to 10) (Prior to January 1992)	
	1660184	1	Coupling, Pump (Ford VGS411 Engine Machines), (for fleets of 10 to 20) (Prior to January 1992)	
	1660184	1	Coupling, Pump (Ford VGS411 Engine Machines), (for fleets of 20 or more) (Prior to January 1992)	
	1660207	1	Coupling, Pump (Ford VGS411 Engine Machines), (for fleets of 1 to 10) (January 1992 to Present)	
	1660207	1	Coupling, Pump (Ford VGS411 Engine Machines), (for fleets of 10 to 20) (January 1992 to Present)	
	1660207	1	Coupling, Pump (Ford VGS411 Engine Machines), (for fleets of 20 or more) (January 1992 to Present)	
	7020117	1	Coupling, Pump (Ford VGS413 Engine Machines), (for fleets of 1 to 10)	
	7020117	1	Coupling, Pump (Ford VGS413 Engine Machines), (for fleets of 10 to 20)	
	7020117	1	Coupling, Pump (Ford VGS413 Engine Machines), (for fleets of 20 or more)	
	7016331	1 Dozen	Filter, Oil (Deutz Engine Machines), (for fleets of 1 to 10)	
	7016331	1 Dozen	Filter, Oil (Deutz Engine Machines), (for fleets of 10 to 20)	
	7016331	1 Dozen	Filter, Oil (Deutz Engine Machines), (for fleets of 20 or more)	
	7016328	1 Dozen	Filter, Fuel (Deutz Engine Machines), (for fleets of 1 to 10)	
	7016328	1 Dozen	Filter, Fuel (Deutz Engine Machines), (for fleets of 10 to 20)	
	7016328	1 Dozen	Filter, Fuel (Deutz Engine Machines), (for fleets of 20 or more)	
	1660234	1	Coupling, Pump (Deutz Engine Machines), (for fleets of 1 to 10)	
	1660234	1	Coupling, Pump (Deutz Engine Machines), (for fleets of 10 to 20)	
	1660234	1	Coupling, Pump (Deutz Engine Machines), (for fleets of 20 or more)	
	0060023	1	Actuator, Throttle (Deutz Engine Machines), (for fleets of 1 to 10)	
	0060023	1	Actuator, Throttle (Deutz Engine Machines), (for fleets of 10 to 20)	
	0060023	1	Actuator, Throttle (Deutz Engine Machines), (for fleets of 20 or more)	
	4360057	1	Switch, Limit, (for fleets of 1 to 10)	
	4360057	1	Switch, Limit, (for fleets of 10 to 20)	
	4360057	1	Switch, Limit, (for fleets of 20 or more)	
	1600116	1	Controller, (for fleets of 1 to 10)	
	1600116	1	Controller, (for fleets of 10 to 20)	
	1600116	1	Controller, (for fleets of 20 or more)	
	1600126	1	Controller, (for fleets of 1 to 10)	

SECTION 9 - RECOMMENDED SERVICE PARTS STOCK

ITEM	PART NUMBER	QTY	DESCRIPTION	REV
	1600126	1	Controller, (for fleets of 10 to 20)	
	1600126	1	Controller, (for fleets of 20 or more)	

SECTION 10 - SPECIAL OPTIONS

SECTION 10 - SPECIAL OPTIONS

FIGURE 10-1. SPECIAL OPTIONS

ITEM	PART NUMBER	QTY	DESCRIPTION	REV
	Note	Ref	Note: This list is to accomodate machines ordered with special equipment. Options may not be applicable to all models. For more specific parts information contact JLG Parts Department.	
		Ref	MISCELLANEOUS SPECIAL OPTIONS	
	Note	Ref	Note: This list is to accomodate machines ordered with special equipment. Options may not be applicable to all models. For more specific parts information contact JLG Parts Department.	
	0238682	Ref	Airline to Platform Installation	
	9983463	Ref	Airline Sketch at Platform	
		Ref	Axle Conversions	
	0251273	Ref	4WD Oscillating to Fixed	
	0251649	Ref	2WD With 6ft 6in Frame Oscillating to Fixed	
	0251475	Ref	2WD With 12 x 16.5 Tires Oscillating to Fixed	
	0253234	Ref	2WD With 5ft 9in Frame Oscillating to Fixed	
	0251975	Ref	Installation Battery Gauge - Electric Machines	
	2420075	1	Gauge	
	0251939	Ref	Installation Battery Meter Gauge - Electric Machines	
	2420049	1	Gauge	
	0253880	Ref	Country Spec Installation - Japanese	
	0253550	Ref	Decal Installation - CSA	
	0250733	Ref	Decal Installation - Capacity Nameplate	
	1700919	3	Decal - 500 Lbs	
	3534137	3	Plate, Mounting	
	0253759	Ref	Decal Installation - Black (Non-Proportional Unit)	
	0253758	Ref	Decal Installation - Brown (Non-Proportional Unit)	
	0271016	Ref	Decal Installation - United Rentals	
	0256487	Ref	Decal Installation - Warning Prop 65 (Diesel)	
	0256488	Ref	Decal Installation - Warning Prop 65 (Gas)	
	1001148902	Ref	Electrical Connector Kit - Amp/Tyco Electrical Connectors	
	1001148903	Ref	Electrical Connector Kit - Deutsch DT Electrical Connectors	
	1001148904	Ref	Electrical Connector Kit - Deutsch HD Electrical Connectors	
	1001148905	Ref	Electrical Connector Kit - Packard Electrical Connectors	
	1001148906	Ref	Electrical Connector Kit - Various Electrical Connectors	
		Ref	Filter Kits:	
		Ref	Combined Filter Kit (Hydraulic/Air and Fuel/Engine Oil) (Deutz Engine):	
	2910438	1	Prior to August 1995	
	1001110986	1	August 1995 to Present	
	1001109675	1	Hydraulic/Air Filter (Deutz Engine)	
	1001110133	1	Fuel/Engine Oil Filter (Deutz Engine)	
	0251692	Ref	Inverter 110Volt Generator (Electric Machines)	
	0253271	Ref	Japanese Decal Installation	
	0252490	Ref	Japanese Manual Descent Installation	
	0252104	Ref	Japanese Manual Descent Decal Installation	
	0255844	Ref	Latin American Decal Installation	
	1702720	Ref	Latin American Liquid Withdraw System Decal	
	1702600	Ref	Latin American Diesel (Brown) Decal	
	1702722	Ref	Latin American Gas (Brown) Decal	
	1702721	Ref	Latin American LP Gas (Brown) Decal	

SECTION 10 - SPECIAL OPTIONS

ITEM	PART NUMBER	QTY	DESCRIPTION	REV
	1702669	Ref	Latin American Dual Fuel Decal	
	0251619	Ref	Panel Lights Installation - Standard With Creep	
	0253987	Ref	Platform Lights Installation - Ford and Deutz	1
	0270723	Ref	Beacon, Amber	
	0256829	Ref	Spring Loaded Platform Gate Installation	
	9900493	Ref	Tool Kit	
	0257728	Ref	Tube Rack (180Lbs Capacity) Installation	
	0256436	Ref	Tube Rack Installation	
	0258918	Ref	Utility Rack Assembly	
	0253414	Ref	Valve, Rotator Installation (Electric With Proportional Controls)	
	0253415	Ref	Valve, Fixed Installation (Electric With Proportional Controls)	

PART NUMBER INDEX

PART NUMBER INDEX

0060023.....	100, 260	0239397	10, 16	0251260	16, 20	0253777.....	102
0060026.....	148, 157	0239401	136	0251261	15, 20	0253880.....	264
0080039.....	84, 90, 100	0239762	164	0251267	151	0253908.....	49
0080092.....	83	0239948	49	0251268	151	0253987.....	167, 265
0080098.....	149, 152	0250093	20	0251270	19	0254094.....	49
0080099.....	148, 152	0250109	45	0251271	19	0254098.....	187
0080148.....	71	0250125	101	0251273	264	0254099.....	187
0080163.....	86, 101	0250143	168	0251369	54, 177	0254387.....	133
0080167.....	95	0250144	45	0251370	15	0254409.....	160, 164
0080168.....	83	0250148	10, 16	0251388	144	0254410.....	160, 164
0080172.....	99	0250229	101, 105	0251417	95	0254449.....	20
0080175.....	86, 91	0250253	147, 151	0251420	127	0254450.....	20
0080177.....	99	0250324	86	0251443	136	0254451.....	20
0080178.....	100	0250327	127	0251475	13, 264	0254787.....	135
0080182.....	83, 89	0250355	135	0251487	13	0254832.....	19
0080200.....	92	0250456	139	0251499	10, 15	0255010.....	72
0100003.....	81	0250459	53	0251561	81	0255135.....	133, 135
0100004.....	71	0250460	53	0251619	265	0255154.....	133, 135
0100009.....	109	0250493	147	0251649	264	0255476.....	87, 92, 128
0100010.....	252	0250495	147	0251692	264	0255477.....	101, 128
0100011.....	11, 17, 47, 71, 81, 84, 90, 105, 135, 171, 173, 175, 177, 179, 181, 183, 185	0250503	83	0251939	264	0255844.....	264
0100019.....	11, 17, 19, 71, 72, 129, 139, 143, 149, 153	0250504	84	0251975	264	0256335.....	187
010002071, 95, 127, 128, 129, 173, 175, 177, 185, 191, 198		0250574	99	0252054	167	0256436.....	265
0100021.....	72, 149, 153	0250575	99	0252104	264	0256487.....	264
0100027.....	127	0250585	135	0252105	253	0256488.....	264
0100035.....	171, 173, 175, 177, 185	0250597	101	0252112	139	0256829.....	265
0100038.....	171, 173, 175, 177, 181, 183, 185	0250598	86	0252113	9	0256848.....	101
0140001.....	159, 164	0250615	53	0252114	13	0256956.....	253
0140024.....	136	0250616	53	0252115	13	0257412.....	129
0140032.....	136	0250626	83	0252116	19	0257413.....	129
0181333.....	45	0250627	84	0252128	147	0257432.....	127
0181339.....	135	0250635	187	0252129	151	0257657.....	89
0181554.....	109	0250636	187	0252130	151	0257658.....	90
0200322.....	140	0250643	251	0252210	167	0257728.....	265
0231047.....	81	0250644	251	0252211	167	0258918.....	265
0231756.....	128	0250649	129	0252278	54, 177	0270121.....	20
0235238.....	147, 148, 151, 152	0250650	136	0252448	147	0270225.....	10, 16
0236768.....	85, 90, 100, 109	0250656	140	0252449	147	0270723.....	265
0237963.....	149, 153	0250658	128	0252490	264	0271016.....	264
0238164.....	72	0250659	101, 128	0252578	71	0271036.....	251
0238395.....	9	0250660	127	0252625	91, 228	0320008.....	47
0238511.....	71	0250668	97	0252808	86	0340002.....	84, 90, 100
0238523.....	71	0250696	133, 135	0253130	10, 15, 16, 20	0360016.....	49
0238615.....	81	0250733	264	0253131	10, 15, 16	0361651.....	49
0238682.....	264	0250751	135	0253132	10, 15, 20	0361675.....	147
0238732.....	9	0250772	95	0253133	10, 15	0361810.....	90, 100
0238747.....	9	0250806	86, 91	0253178	53	0361815.....	105
0238866.....	167	0250815	92	0253179	53	0361840.....	135
0238867.....	167	0250989	109	0253180	53	0361879.....	109
0238882.....	49	0251008	133, 135	0253181	53	0361966.....	160
0238908.....	45	0251014	109, 127	0253182	53	0400002.....	85, 109
0238942.....	167	0251016	53	0253183	53	0400003.....	85, 109
0238966.....	167	0251017	53	0253234	264	0400055.....	109
0239196.....	13	0251021	110, 115	0253271	264	0400068.....	110, 113
0239197.....	13	0251024	167	0253352	136	0400075.....	90, 100
0239396.....	10, 15	0251051	133, 136	0253414	265	0440018.....	14
		0251139	10, 16	0253415	265	0440019.....	14
		0251141	45	0253441	53	0440067.....	71
		0251172	136	0253442	53	0440091.....	15, 19
		0251173	136	0253550	264	0440112.....	9, 14
		0251174	136	0253639	253	0440113.....	9, 14
		0251203	167	0253639S.....	253	0440120.....	148, 152
		0251204	147	0253739	53	0440134.....	148, 152
		0251246	13	0253740	53	0440135.....	149, 153
		0251248	13	0253758	264	0440161.....	19
		0251259	16, 20	0253759	264	0440162.....	9, 15

PART NUMBER INDEX

0440183	15	0641614	109	0860658.....	131	1001148902	264
0460073	187	0641618	19	0860662.....	110, 115	1001148903	264
0460075	187	0641620	45	0860676.....	131	1001148904	264
0460082	187	0641622	45	0860677.....	159	1001148905	264
0460083	187	0641634	45	0860785.....	128	1001148906	264
0460084	187	0641728	83, 89	0860817.....	159	1060012	105, 228
0460093	187	0641807	81	0860839.....	163	1060016	228, 229, 230
0480057	97	0641810	20, 71, 148	0860882.....	131	1060030	100
0480059	105	0641811	152	0860901.....	128	1060031	85, 90
0540070	144	0641812 ...	83, 85, 89, 90, 99	0860953.....	131	1060045	99
0560467	47	0641816	148	0860961.....	131	1060046	85, 90, 109
0560605	15, 19	0641822	9	0900019.....	175	1060093	100
0560679	47	0641826	83, 89	0900232.....	168	1060129	85, 90
0560714	15, 19	0641830	71	0900479.....	49	1060133	85, 90
0560793	71	0641834	72	0901056.....	168	1060149	109
0560804	15	0641836	148, 151, 152	0901387.....	84, 90	1060154	109
0560805	15	0641840	21	0901419.....	84, 90	1060172	100
0560913	19	0641844	20	0901422.....	140	1060221	83, 89
0560923	144	0641848	20	0901449.....	167	1060279	252
0610091	228	0641856	100	0901633.....	97, 105	1060300	229
0620058	81	0641856	100	0901634.....	84, 89	1060309	229
0630137	9, 14	0642014 ...	10, 16, 20, 71, 72	0901635.....	83, 89	1060338	109
0630403	85, 90	0642016	10, 16, 20	0901650.....	97	1060341	228
0630424	49	0642036	50	0901664.....	84, 100	1060345	110
0630425	15	0642216	49	0901677.....	110	1060352	109
0630451	147	0642224	10	0901705.....	99	1060355	109
0630466	49	0642224	10	0901714.....	84	1060356	110
0641404	19, 135, 152	0642234	49	0901715.....	83	1060494	129
0641405	95, 136	0642628	15	0901717.....	83	1060514	160, 164
06414069, 13, 19, 53, 85, 90, 100, 105, 115, 128, 133, 135, 136, 143, 148, 167		0642636	49	0901756.....	152	1060515	144, 229
0641407	144	0652014	147, 152	0901774.....	97	1060516	143
0641408 ...	115, 135, 149, 152, 153, 252	0681510	105	0901790.....	54	1100041	45
0641410	83, 89	0681610	97, 105, 147, 148	0901883.....	136	1120019	9, 14
0641412	100	0681820	71	0902184.....	89	1120032	14
0641414	160, 167	0682020	71	0902244.....	99	1120108	183
0641418	81	0700605	99	0920072.....	11, 17, 21, 33	1120161	85, 90, 100
0641420	139	0700808	86	0920074.....	71, 75	1120169	102
0641428	54	0700810	101	0920084.....	11, 17, 21, 35	1120179 ...	171, 181, 185
0641504	109	0700814	84, 90, 101	0920089.....	71	1120218	86, 91
0641506 ...	115, 147, 148, 151, 152	0700819	92	0920095.....	72	1120228	179
0641507	49, 86, 97	0701010	99	0920110.....	11, 17, 21, 37	1120229	179
0641508	105, 164	0701012	105	0920119.....	11, 17, 21	1120286	177
0641510	86, 136	0701013	101	0940038.....	167	1120299	147, 151
0641511	97	0701014	83, 89	0940083.....	136	1120336	173
0641512	81, 99	0701020	92	0960224.....	81	1120340	175
0641514	53, 127	0701414	105	0960238....	115, 132, 159, 163	1120362	127
0641518	47	0720803	163	0960239....	115, 159, 164	1120387	179
0641522	45, 147, 148, 151, 152	0720804	160	0960523.....	14	1120405	100
0641524	139	0721003	14	0960613.....	173, 177	1120485	129
0641528	45	0721004 ...	9, 14, 81, 115	0960839.....	9, 14	1120486	129
0641604	143	0721006	97, 160, 164	0960946.....	175	1180227	143
0641606	143	0750806	115, 132	0960960.....	102	1260017	49, 72, 135
0641607	139	0751006	159, 164	0961024.....	139	1260135	50
0641608 ...	20, 71, 83, 89, 129, 143	0800627	143	0961127.....	252	1281272	228
0641609	139	0800630	139, 143	0961127.....	252	1281356	229
0641610 ...	13, 19, 71, 84, 86, 90, 99, 109	0800716	143	0961198.....	139	1282004	229
0641611	127	0840031	110	0961247.....	97	1282394	228
0641612	85, 91, 100	0840032	110	0961254.....	173	1320014	84, 89
0641613	100, 109, 110	0860038	159, 164	0961257.....	147, 151	1320016	100
		0860520	251	0961259.....	147, 153	1320017	95
		0860538	163	0961450.....	153	1320019	100, 102
		0860576	131	0961531.....	81	1320020	84, 90
		0860622	159	0961595.....	143	1320022 ..	85, 91, 95, 100, 128
		0860637	131	1001096415....	10, 16, 42	1320023	129, 193
		0860645	131	1001109675....	264	1320026	85, 91
		0860649	131	1001110133....	264	1320030	207, 215
				1001110986....	264		

PART NUMBER INDEX

1320031.....84, 90	1681712.....185	1701471.....251	21600029, 10, 13, 14, 19,
1320032.....86, 91, 95	1681780.....139, 177	1701500.....252	139, 143, 147, 148,
1320033.....197, 211	1681781.....177	1701504.....252	151, 152, 171, 173,
1320037.....187	1681783.....177	1701509.....251	181, 183
1320040.....81, 140	1681785....9, 13, 19, 171	1701529.....251	2160003..15, 19, 49, 175,
1320041.....99, 160, 164	1681787.....171	1701542.....252	177
1320058.....84, 89	1681788.....171	1701543.....252	2160006.....149, 153
1320059.....100, 101	1681793.....185	1701550.....251	2180029.....54
1320060.....95	1681814.....9, 179	1701556.....253	2180104.....95
1320095.....95	1681840.....139, 175	1701558.....253	2180249.....95
1320122.....187	1681841.....175	1701559.....253	2180348.....85, 95
1320126.....129	1681843.....175	1701593.....251	2180360....84, 89, 91, 95,
1320127.....129	1681844.....175	1701703.....251	101
1320146.....152	1681847.....173	1701810.....160	2180380....175, 177, 207,
1320160.....151	1681869.....173	1702089.....129	212, 216, 219
1320168.....140, 143	1682020.....14, 181	1702153.....252	2180387.....95
1320176.....99	1682057.....152, 173	1702277.....251	2180389.....95
1340020.....84, 90, 100	1682058.....173	1702280.....253	2180448.....219
1340045.....128	1682060.....173	1702282.....253	2180467.....128
1340046.....127, 256	1682084.....181	1702284.....251	2180491....207, 211, 215
1340047.....128	1682177.....173	1702289.....253	2180535.....95
1360122.....49	1682178...147, 148, 151,	1702292.....252	2180536.....95
1380124.....20	152, 173	1702293.....252	2180537.....101
1380137.....152	1682179.....143, 185	1702294.....252	2180540....207, 212, 219
1440154.....81	1682364.....179	1702299.....251	2180621.....212
1540002.....229	1683511.....9, 179	1702300.....252	2180623.....95
1600043.....128	1692958.....177	1702305.....49	2180644.....127
1600116....159, 163, 260	1700037.....251	1702399.....160	2180658.....47
1600117.....85, 91	1700053.....251	1702402.....164	2180730.....99, 101
1600119.....115	1700058.....251	1702512.....252	2180749.....101
1600122.....115	1700157.....251	1702600.....264	2180763.....81
1600126....163, 260, 261	1700194.....252	1702631.....253	2200053.....85
1600127.....159	1700196.....252	1702669.....265	2200108.....129
1660009.....50	1700197.....252	1702688.....253	2200201.....173, 185
1660144.....49	1700232.....252	1702720.....264	2200202....127, 173, 177,
1660157.....84, 89	1700349.....251	1702721.....264	185
1660160.....81	1700419.....252	1702722.....264	2200222.....47, 175
1660169.....86	1700422.....251	1703162.....91	2200233.....91, 175
1660172.....86	1700428.....252	1703175.....253	2200261.....101
1660173.....86	1700429.....252	1704277.....252	2200447.....127
1660176.....101	1700430.....252	1760068.....149, 153	2200462.....85
1660184.....86, 101, 260	1700431.....251	1780245.....136	2210003.....193, 197
1660207.....86, 260	1700460.....252	1780250.....149, 153	2210005.....208, 215
1660234.....101, 260	1700476.....252	1780254.....149	2210008.....207, 215
1670199.....128	1700477.....252	1780285.....149, 153	2210014....193, 197, 211
1670446.....127	1700580.....252	1780286.....149, 153	2220003.....95
1670451.....148	1700582.....252	2000106.....99	2220056.....205
1670474.....167	1700584.....251	2000109.....83	2220077.....127
1670519.....152	1700585.....251	2000117.....83	2220110....208, 212, 216
1670526.....167	1700593.....252	2000129.....83	2220202.....127
1670578.....115	1700598.....160, 164	2000137.....99	2220218.....205, 211
1670582.....135	1700599.....160, 164	2000152.....89	2220235.....198, 201
1670594.....81	1700640.....251	2060016.....83	2220239.....223
1670607.....167	1700643.....251	2060030.....89	2220242.....128
1670620.....148	1700756.....252	2080024.....19	2220250.....203
1670630.....152	1700818.....252	2100385.....216	2220261....203, 205, 208,
1670645.....128	1700919.....264	2120077.....95	212, 216
1670646.....128	1700975.....252	2120106.....128	2220273....84, 85, 89, 91,
1680654.....179	1700977.....251	2120109.....127	100, 127
1680739.....181	1700978.....251	2120110.....127, 256	2220290.....95, 203
1680892.....171, 181	1700981.....251	2120112.....84	2220315.....95
1681294.....177	1701321.....251	2120120.....128	2220341.....127
1681344.....183	1701326.....252	2120122.....53	2220343.....212
1681411.....183	1701334.....251	2120125.....53, 256	2220345....194, 197, 201,
1681413.....183	1701339.....251	2160001 .10, 49, 71, 148,	212
1681555.....19, 183	1701340.....251	149, 153, 175, 177	2220346.....208, 215
1681635.....185	1701441.....251		2220347.....201

PART NUMBER INDEX

2220348 193, 197, 212	2220582 ... 191, 193, 197, 211, 216	2420110.....99	2751006..... 191
2220355 197, 201	2220584 212	2420111.....132	2751010 193, 197, 221
2220356 201	2220585 ... 193, 201, 203, 208, 211, 216	2420115.....128	2751011 219, 223
2220362 194, 197, 201	2220591 207, 212, 216	2420125.....132	2751013 194, 201
2220363 193, 198	2220593 201, 211	2420127.....132	2751014 193, 197
2220364 95	2220594 45	2420128.....132	2751015 194, 201
2220365 193, 197	2220596 201, 212	2420129.....131	2751018 201
2220366 198	2220600 194, 198, 211	2420130.....84, 89	2751021 194, 197, 201
2220371 ... 191, 207, 211, 215	2220602 207, 212	2420131.....84, 89	2751112 191
2220372 207, 215	2220605 ... 193, 197, 221, 223	2420183.....129	2751325 201
2220373 54, 208, 212, 215	2220606 ... 208, 211, 212, 215	2420203.....97, 105	2751327 201
2220374 212	2220609 ... 191, 194, 207, 211, 215, 221, 223	2440043.....148, 152	2751331 201
2220375 193, 198	2220618 ... 193, 197, 207, 212	2440044.....149, 152	2751345 201
2220377 194, 198	2220619 ... 191, 198, 207, 211, 215, 221	2440056.....71	2751353 201
2220383 208, 215	2220621 194, 198	2460011.....97, 105	2751359 201
2220385 ... 191, 193, 197, 211, 221	2220622 198, 211	2500005.....83, 89	2751391 221
2220399 ... 191, 208, 211, 216	2220627 198	2540016.....136, 167, 168	2751398 194, 223
2220404 194	2220628 ... 208, 211, 215, 216	2560003.....135	2751409 197
2220407 198	2220635 191, 215, 221	2560010.....149, 153	2751410 221
2220408 ... 193, 197, 207, 215	2220646 193, 198	2560041 159	2751427 193, 194, 197
2220414 ... 193, 197, 203, 208, 212, 216, 219	2220648 95	2560112 163	2751428 221
2220415 ... 197, 201, 208, 211, 215	2220651 54, 207	2560116 160	2751451 203, 205
2220416 ... 203, 205, 211, 219	2220654 ... 203, 205, 208, 223	2580001 .87, 92, 101, 228	2751484 197
2220417 ... 193, 208, 211, 216	2220655 201	2580018 128	2751490 194, 197
2220419 212	2220659 207, 211, 215	2580026.....87, 92	2751502 201
2220428 ... 203, 207, 211, 215	2220673 54	2580046 129	2751614 193, 197
2220429 ... 203, 207, 211, 215	2220675 95	2600105 163	2751631 193, 198
2220435 45, 198, 208, 215	2220681 212	2600132 163	2751639 212
2220438 203, 205, 212	2220682 212	2600143 149, 153	2752236 198
2220444 54	2220684 197	2600157 136	2752238 193, 198
2220446 54, 203, 211	2220696 ... 208, 212, 215	2620029 49	2752239 198
2220451 194, 197, 201	2220700 212	2620038 49	2752240 193, 197
2220457 193	2220710 193, 198	2660057 144	2752241 193
2220465 194	2220726 207, 211, 215	2660058 144	2752249 197
2220466 ... 194, 197, 201, 205, 208, 211, 216	2220727 212, 216	2660059 144	2752317 193
2220468 ... 193, 197, 205, 207, 211, 216, 219, 221	2220738 194, 198, 201	2720042.....86, 91, 95	2752319 193, 198
2220469 197	2220758 211	2720058.....85, 91, 95, 99	2752320 193
2220472 ... 193, 197, 203, 207, 211, 216	2220773 191	2720075 99	2752322 197
2220473 215	2220805 85, 91, 100, 127	2720112.....95	2752323 193, 198
2220481 198	2220816 205	2720170.....95	2752324 193
2220493 194, 197	2220820 54, 207, 211, 215	2720183.....212	2752329 193
2220497 207, 215	2220828 223	2720271 99	2752432 207
2220504 194, 197, 201	2220895 205	2720325 211	2752433 211
2220508 205	2220904 211	2720341 84, 89	2752434 207, 211, 216
2220509 208, 212, 216	2220909 212	2720351 100	2752435 211, 215
2220516 198	222-608 198	2720353 193	2752436 207, 211, 215
2220568 198	2360262 9	2720356 207, 215	2752437 207, 211, 215
2220577 223	2360274 9	2720357 193, 197	2752438 208, 211, 215
2220578 ... 193, 194, 197, 201	2360283 13	2750414 201	2752439 211, 216
2220579 207, 215	2360288 13	2750685 201	2752440 208, 211, 216
	2360321 13	2750756 219	2752441 208, 212, 216
	2360322 13	2750757 194, 198	2752442 211, 216
	2360330 13, 19	2750759 207, 215	2752443 207
	2420009 131	2750760 193, 197, 201, 219	2752444 207
	2420049 264	2750771 201	2752448 216
	2420075 264	2750777 194, 197, 201	2752461 ... 207, 211, 215, 216
	2420091 131	2750834 211	2752462 211
		2750882 201	2752463 211, 215
		2750889 223	2752464 ... 208, 211, 216
		2750892 219	2752465 208, 212, 216
		2750900 191, 203	2752466 212
		2750972 201	2752467 211
		2750976 197, 201	2752469 207, 215
		2750979 193, 197	2752470 207
		2750991 191	2752471 207, 208, 215
		2751004 191	2752472 207

PART NUMBER INDEX

2752473.....	208	2791963.....	207, 224	2920152.....	136	3311001....	81, 84, 85, 90,
2752474.....	207	2791981.....	224	2920162.....	97, 105	97, 115, 131, 132, 140,	
2752479.....	215	2791982.....	215, 224	2940006.....	149, 153	149, 153, 159, 164, 167	
2752480.....	215	2791998.....	215, 224	2940048.....	135	3311005.....	160, 164
2752492.....	212	2792058.....	193, 224	2940050.....	135	3311401....	83, 85, 89, 90,
2752493.....	212	2792059.....	193, 224	2940051.....	135	97, 100, 105, 109, 115,	
2752494.....	212	2792060.....	193, 224	2940052.....	163	128, 132, 136, 140,	
2752495.....	212	2792061.....	193, 224	2940057.....	136	144, 148, 167	
2752496.....	212	2792062.....	197, 224	3020021.....	86, 101	3311405.....	53, 101, 109,
2752497.....	212	2820030.....	109	3020025.....	149, 153	110, 135, 136, 139,	
2752498.....	212	2880404.....	147, 151	3020028.....	143	140, 149, 153, 160,	
2752502.....	208	2880410.....	49	3040379.....	49	167, 252	
2752504.....	208, 215	2880512.....	148	3160083 ...	148, 152, 155	3311501....	45, 53, 85, 90,
2760064.....	148, 152	2900034.....	24	3160118.....	42	99, 105, 109, 127, 136,	
2760091.....	81	2900062.....	54	3160147.....	71, 77	147	
2780091.....	14	2900099.....	179	3160153.....	109	3311505....	101, 139, 143,
2780153.....	9, 14	2900240.....	177	3160158 ...	10, 16, 20, 39	147, 148, 151, 152, 164	
2780167.....	20, 23	2900340.....	177	3160183.....	71, 72, 79	33116019,	13, 45, 83, 97,
2780168.....	10, 16, 23	2900381.....	171, 185	3200201.....	83, 89	100, 109, 129	
2780169.....	10, 16, 23	2900397.....	84	3200202.....	83, 89	331160554,	89, 109, 110,
2780172.....	20, 27	2900449.....	42	3220067.....	84	143	
2780191.....	20, 29	2900455.....	155	3220076.....	84, 90	3311705....	83, 85, 89, 90
2791295.....	225	2900503.....	54, 69	3220086.....	102	3311801....	11, 17, 71, 72,
2791384.....	224	2900662.....	33	3250840.....	49	81, 83, 84, 89, 90	
2791394.....	224	2900686.....	77	3250872.....	49	331180583,	89, 148, 149,
2791400.....	224	2900696.....	69	3251228.....	128	151, 152, 153	
2791470.....	224	2900708.....	54	3251243.....	128, 251	3312001.....	50
2791475.....	191, 224	2900714.....	39	3251272.....	129	3312202.....	49
2791619.....	224	2900724.....	75	3251476.....	97, 105	3312205.....	9
2791620.....	205, 224	2900735.....	69	3251516.....	168	3312602.....	15
2791624.....	224	2900740.....	121, 125	3251813.....	251	3312605.....	49
2791639.....	224	2900752.....	118	3251836.....	129	3313403.....	14
2791640.....	224	2900754.....	27, 31	3251837.....	128	3321001.....	84, 90, 91
2791641.....	224	2900756.....	54	3251895.....	131	3321401.....	171
2791642.....	224	2900759.....	64	3251909.....	159	3321402.....	84, 89
2791643.....	224	2900760.....	64	3252041.....	160	3322202.....	49
2791644.....	224	2900761.....	63	3252224.....	163	3322603.....	9, 14
2791647.....	193, 224	2900766.....	35, 37	3252347.....	252	3323002.....	15, 19, 49
2791649.....	225	2900767.....	35	3252356.....	252	3323003.....	10, 14
2791650.....	225	2900768.....	35, 37	3252367.....	159	3340263.....	143
2791651.....	225	2900770.....	177	3252369.....	253	3340454.....	147, 151
2791652.....	225	2900771.....	157	3252382.....	163	3340545.....	143
2791653.....	219, 225	2900792.....	173	3281505.....	83, 89	3340547.....	143
2791654.....	225	2900816.....	31	3300012 9,	10, 14, 16, 20	3380364.....	167
2791686.....	224	2900826.....	118	3300029 85,	91, 100, 109	3420158.....	50
2791687.....	224	2900827.....	118	3300047 ...	115, 159, 164	3420290.....	81
2791688.....	224	2901102.....	175	3300048 ...	115, 132, 159,	3420352.....	50
2791689.....	193, 224	2901103.....	173	163		3421151.....	49
2791710.....	201, 224	2901111.....	102, 228	3300101.....	185	3421190.....	20
2791711.....	201, 224	2901119.....	181	3300143.....	147, 148	3421243.....	15
2791712.....	224	2901123.....	183	3300151.....	135	3421246.....	49
2791713.....	224	2901146.....	81	3300175.....	15, 19	3421284.....	47
2791744.....	203, 224	2901178.....	179	3300177 ...	115, 132, 159,	3421340.....	9, 15
2791764.....	225	2901184.....	95	164		3421413.....	143
2791788.....	221, 225	2910438.....	264	3300183.....	71	3421419.....	139
2791789.....	221, 225	2910479.....	109	3300208.....	14	3421452.....	72
2791792.....	223, 225	2920001.....	136	3300220.....	84, 90	3421453.....	72
2791793.....	223, 225	2920009.....	136, 167	3300229.....	15, 19	3421490.....	151, 152
2791821.....	224	2920013.....	167	3300271.....	173	3421491....	147, 148, 151,
2791853.....	224	2920015.....	159, 163	3300272.....	185	152	
2791854.....	224	2920018.....	136, 167	3300273 ...	171, 181, 183	3421494....	147, 148, 151,
2791876.....	224	2920019.....	136	3300281.....	175, 177	152	
2791882.....	219, 225	2920026.....	228	3300284.....	173	3421600.....	151
2791883.....	191, 224	2920029.....	228	3300352.....	160	3421612.....	151
2791885.....	197, 224	2920105.....	136	3310601 ...	115, 132, 160,	3421719.....	143
2791953.....	211, 224	2920109.....	136	163		3421725.....	139
2791961.....	207, 224	2920111.....	167			3421749.....	139

PART NUMBER INDEX

3421751 139	3532649 49	3841049.....84, 89	4070585 149, 153
3421752 139	3533291 83, 89	3841086.....14	4070587 149, 153
3421756 ... 147, 148, 151, 152	3533445 83, 89	3841087 19	4070645 143
3421835 15	3534069 140	3841223.....49	4070646 143
3421946 15	3534137 264	3860037.....47	4070649 143
3421955 139	3535607 71, 72	3900141 173, 175, 177, 183	4070664 143
3421957 139	3535808 115	3900170.... 171, 175, 177, 181, 183, 185	4070665 143
3421959 139	3536089 167	3900173.....173	4070666 143
3421963 139	3536411 19	3900175.....171	4070667 143
3421965 9, 15	3536671 253	3900294.....164	4070679 127
3421967 ... 147, 148, 151, 152	3538389 159	3910606.....132, 160	4070705 147
3421968 152	3538392 163	3910608.....159, 163	4070706 147
3422011 139	3580111 105	3910610.....115	4070707 148
3422013 139	3580134 97, 105	3910610.....115	4100027 43
3422261 15	3580158 105	3911008.85, 91, 132, 164	4100028 42, 43
3422637 139	3600050 85, 100, 109	3911012...81, 83, 89, 167	4100029 42
3422638 139	3600164 83, 99, 117	3911014.....84, 90	4120002 115
3422794 19	3600172 84, 99, 121	3911016.....149, 153	4120013... 131, 132, 160
3430292 49	3600177 109, 125	3911036.....140	4130160 14
3430407 47	3600199 .. 84, 90, 99, 123	3911412.....132	4130161 14
3431622 15, 19	3600208 85, 91, 100, 109	3911412.....132	4130197 9
3440816 149, 152	3600260 89, 99, 117	3931010.....149, 153	4130207 13
3441228 149, 153	3620027 84, 90	3931612.....149, 153	4130210 14
3450202 99	3640492 131	3931620.....149, 153	4130221 19
3450203 47, 99	3640500 160, 163	3931856.....71	4130222 19
3450606 15, 20	3640711 131	3941003.....167	4130264 13
3450608 9, 14, 15	3640764 131	3941404 136	4130265 14
3450609 10, 15	3720011 95	3941406.... 128, 135, 167	4130267 14
3450810 14	3730003 230, 258	3951003.....99	4130268 14
3451010 15	3740030 229, 230	3951402.....185	4160025 115
3451012 15	3740035 115, 256	3951820.....81	4160026 147, 151
3480098 179	3740048 132, 257	3960047 47	4160028 168
3480102 175, 177	3740049 ... 115, 131, 132, 160, 164, 168, 228, 229, 257	3960098.....14	4160078 47
3480120 171, 181, 185	3740058 132, 160, 257	3960369.....128	4160263 9
3480130 173	3740063 132, 160	3960372.....128	4220007 168
3480134 183	3740064 115	3960373.....9, 14	4220137 151
3480141 173	3740067 83, 89, 100, 109, 256	3960388.....86, 91, 95	4240096 83, 89
3510236 149	3740077 132, 257	3960389 100, 135	4260018 167
3510237 149	3760004 81	3960407 99	4280002 101
3510238 149	3760053 81	3960416.....171	4280188 144
3510239 153	3760133 143	3960423.....86, 92	4280265 167
3510240 153	3760141 179	3980003.....85, 109	4300031 ... 100, 135, 140, 144
3510241 153	3760170 72	3980007 91, 100	4300032 85, 91, 100, 109, 140, 144
3510261 167	3760176 181	3980017 109	4300033 54
3510310 149	3760215 72	3990010.... 228, 229, 230, 258	4300034... 9, 13, 54, 100, 129
3510480 153	3780183 15, 173	4031713.....83, 89	4300038 . 54, 85, 91, 101, 148
3510481 149	3790012 131, 159, 163	4040215.....151	4300042 53
3510482 153	3790015 131, 159, 163	4040216.....148	4300056 86, 91
3510483 149	3790045 71	4040220.....147	4300068 97, 105, 109, 110
3510656 149	3790016 47	4040222 151	4300070 139, 143
3520022 128	3790116 159	4040227 151	4300078 127
3520026 131, 132	3790152 84, 90, 99	4060092 159	4300092 10, 16
3520028 97, 105, 132	3790155 71, 72	4060098.....160, 164	4300097 10, 16
3520031 135	3790152 84, 90, 99	4060229.....159, 163	4300106 19
3520034 ... 132, 135, 164, 167	3790231 47	4060700.....160, 164	4300107 71
3520035 148, 151	3820001 49, 252	4060733.....85, 91	4320008 10, 16
3520054 132, 164	3820011 135	4060804.....147, 148	4340569 97
3520070 131, 132	3820012 135	4060829.....136	4360003 131, 256
3520168 133	3820019 135, 253	4070224.....19	4360031 149, 153, 257
3530244 19	3840561 179	4070225.....19	4360037 84, 90, 101
3530403 81	3840833 47	4070410.....45	4360057 140, 260
3532054 ... 147, 148, 151, 152	3840854 47	4070411 45	4360073 131, 256
3532064 127	3840914 49	4070412.....45	
	3840962 14	4070498.....143	
	3840979 95	4070499.....143	
	3841005 49	4070559.....144	

PART NUMBER INDEX

4360089.....228	4460660..... 90	4640643..... 53, 63	4761009, 14, 81, 84, 85,
4360141..... 131, 159	4460663..... 90	4640645..... 53, 57	90, 91, 97, 115, 131,
4360157..... 92, 228	4520110..... 10, 16	4640646..... 53, 57	132, 140, 149, 153,
4360171..... 136, 257	4520111..... 10, 16	4640709..... 177	159, 164, 167
4360182..... 92, 228	4520129..... 16, 20	4640744..... 212	47614009, 13, 19, 53, 81,
4360188..... 95	4520131..... 15, 16	4640746..... 177	83, 85, 89, 90, 95, 97,
4360199.... 131, 159, 163,	4520199.... 10, 15, 16, 20	4640752..... 215	100, 105, 109, 115,
229, 257	4562083..... 152	4640758..... 53	128, 132, 133, 135,
4360200.... 131, 159, 163,	4562346..... 49	4640774..... 211	136, 140, 143, 144,
257	4562516..... 128	4640776..... 207	148, 152, 167
4360202.... 131, 159, 163,	4562851..... 183	4640778..... 205	4761500.... 45, 47, 49, 53,
257	4563558..... 84	4640812..... 15, 173	81, 85, 86, 91, 97, 99,
4360209.... 159, 164, 257	4563644..... 177	4640817..... 207, 211	105, 109, 115, 127,
4360212..... 132, 257	4563647..... 171	4640909..... 53, 57	136, 143, 147, 151, 152
4360215..... 167, 257	4563681..... 179	4711400..... 99, 167	47616009, 13, 19, 20, 45,
4360216..... 131, 257	4563769..... 175	4711500..... 136	71, 83, 85, 86, 91, 97,
4360232.... 115, 131, 229,	4563771..... 173	4712600..... 15	99, 100, 105, 109, 127,
256	4563923..... 71	4713000..... 20	129, 143, 149, 153
4360274.... 131, 159, 163,	4564134..... 181	4740001..... 9, 14	47618009, 10, 16, 20, 71,
168, 257	4564328..... 92	4740003..... 71	81, 83, 85, 89, 90, 99,
4360282..... 163, 257	4564557..... 100	4740004..... 71, 72	100, 148, 152
4360289..... 163, 257	4564575..... 100	4740016..... 14	4761900..... 101
4360294..... 228	4564579..... 151	4740018..... 71	4762000.... 10, 16, 20, 50
4360327..... 160, 257	4564587..... 185	4740032..... 49	4762200..... 49
4360542..... 97, 105	4564623..... 84, 90	4740048..... 71	4812000..... 105
4400241..... 127	4564711..... 86, 91	4740120 132, 160, 164	4831900.... 84, 86, 90, 92
4400242..... 127	4566054..... 102	4740156..... 10	4832000... 83, 89, 99, 101
4400273..... 127	4620048..... 139	4740158 148, 151, 152	4842485..... 139
4400275..... 129	4620061..... 139	4740185 13, 84, 90, 99	4842561..... 10, 16, 20
4400279..... 127	4620062..... 139	4740189..... 71	4842603..... 139
4400281..... 129	4620066..... 139	4740199..... 148, 152	4842621..... 9, 13, 19
4400296..... 127	4620067..... 139	4740230..... 19	4842622..... 9, 13
4400306..... 127	4620068..... 139	4740252..... 72	4842624..... 9
4400307..... 127	4640005..... 54	4740256..... 149, 152	4842794..... 9, 13
4400402..... 127	4640035..... 203	4740273..... 83, 89	4842860..... 9
4400420..... 129	4640047..... 223	4740274..... 83, 89	4842891..... 143
4400421..... 129	4640113..... 16, 20	4740338..... 128	4842892..... 159
4420001..... 100	4640123..... 53	4740362..... 149, 153	4842915..... 147
4420008..... 159, 164	4640128..... 216	4740398..... 148	4842982..... 9
4420037..... 132, 163	4640150..... 54	4750016..... 54	4842994..... 10, 16
4460007..... 128	4640213 ... 203, 208, 212,	4750600..... 132, 163	4842998..... 72
4460023..... 97, 105	216	4750800 115, 160, 163	4843094..... 13
4460027..... 97, 228	4640260..... 45	4751000 ... 81, 83, 86, 89,	4843286..... 13, 19
4460049.... 115, 128, 140	4640261..... 49	91, 97, 131, 132, 149,	4843372..... 100
4460051.... 115, 132, 159	4640360..... 54	153, 160, 164, 167	4843410..... 105
4460052..... 159, 164	4640383..... 205	4751400 ... 13, 53, 81, 85,	4843442..... 143
4460071 115, 132, 149,	4640391..... 95	91, 97, 100, 105, 109,	4843443..... 143
153, 159, 163	4640392..... 10, 16, 20	110, 128, 132, 133,	4843452..... 135
4460082..... 128	4640443..... 45	135, 136, 140, 143,	4843458..... 135
4460134..... 105	4640452..... 177	148, 152, 160, 167, 252	4843476..... 135
4460138..... 129	4640485..... 45, 47	4751500 ... 45, 49, 53, 90,	4843478..... 135
4460190.... 128, 159, 160,	4640509..... 173	97, 101, 105, 127, 139,	4843479..... 135
164	4640513..... 54	143, 147, 164	4843497..... 83, 89
4460205..... 160, 164	4640521..... 54	47516009, 13, 19, 45, 71,	4843502..... 139
4460244.... 132, 159, 163	4640522..... 54	85, 91, 97, 100, 106,	4843515..... 147
4460298.... 131, 160, 163	4640523..... 54	109, 110, 127, 129,	4843549..... 99
4460299.... 131, 160, 163	4640529..... 45	139, 144, 147, 148	4843556..... 147
4460300.... 131, 160, 164	4640533..... 54	4751700 83, 85, 89, 90	4843558..... 90
4460301.... 131, 160, 163	4640543..... 53	4751800 ... 11, 17, 83, 89,	4843564..... 135
4460302..... 99	4640570..... 54, 67	90, 129, 148, 151, 152	4843565..... 135
4460305.... 131, 160, 163	4640574 207, 211, 215	4752000..... 148, 152	4843574..... 109
4460306.... 131, 160, 163	4640598..... 54, 69	4752200..... 54	4843575..... 110
4460307.... 131, 160, 164	4640601..... 53, 61	4752600..... 50	4843579..... 135
4460308..... 131	4640623..... 54	4760600 ... 115, 132, 159,	4843580..... 135
4460311.... 131, 160, 164	4640627..... 54	163	4843636..... 147
4460346..... 160, 164	4640629..... 45	4760800..... 160, 163	4843665..... 135
4460521..... 168	4640634 175, 177, 185		4843667..... 109

PART NUMBER INDEX

4843668	115	7000243	24, 27, 30	7002116	155	7003798	159
4843728	13	7000246	23	7002117	155	7003825	58, 61, 67
4843732	19	7000247	23, 29	7002123	155	7003828	67
4843822	81	7000248	23, 27, 29	7002125	155	7003829	67
4844052	147	7000250	24	7002157	77, 79	7003830	67
4860126	16, 20	7000251	23	7002159	77	7003831	67
4920096	20	7000252	23	7002225	58, 61	7003841	61
4920618	143	7000253	23, 27, 29	7002229	57	7003855	58, 61
4920986	152	70002533	43	7002262	57, 61	7004214	84, 90, 100, 256
4921259	228	70002534	43	7002294	57	7004232	69
4921260	228	70002535	43	7002304	57	7004281	54
4921273	229	70002536	43	7002305	58, 61	7004282	54
4921285	230	70002537	43	7002315	57	7004368	53, 54
4921289	230	70002538	43	7002316	57	7004821	67
4921291	229	70002539	43	7002317	57, 61	7004822	57
4921295	229	70002540	43	7002320	57	7004823	57
4921298	110, 229	70002541	43	7002321	57	7004834	57
4921305	228	7000257	23	7002322	57	7004835	57
4921532	229	7000258	23	7002323	57	7004836	57
4921565	230	7000260	24	7002324	57	7004837	57
4921792	230	7000261	24, 27, 30	7002326	57	7004838	57
4931740	229	7000262	24, 27, 30	7002327	57, 58	7004839	57
4931834	229	7000263	23, 24, 27, 29, 30	7002329	57	7004841	57
4931941	229	70003160	101	7002333	58, 61, 67	7004859	57, 58, 61
4931942	229	70003161	101	7002334	57, 58, 61, 67	7004874	39
4931945	228	70003162	101	7002335	58, 61, 67	7004894	67
4931947	228	7000413	58	7002336	58, 61, 67	7004896	67
4931954	228	7000414	58, 61	7002338	57, 58, 61, 67	7004904	42
4931998	228	7000417	57, 256	7002339	58, 61, 67	7004906	39, 42, 43
4932007	229	7000418	58, 61, 67, 256	7002340	57, 58, 61, 67	7004907	39, 42, 43
4932046	228	7000437	67	7002341	58, 61	7004908	39, 42, 43
4932051	229	7000439	58, 61	7002344	58, 61, 67	7004909	42
4932065	229	7000440	58, 61	7002345	58, 61, 67	7004910	39, 42
4932086	229	7000448	67	7002346	57, 58, 61, 67	7004911	42, 43
4932088	229	7000468	57, 58, 61	7002347	67	7004912	42
4932098	228	7000470	58, 61, 67	7002348	58, 61, 67	7004913	42
4932335	228	7000558	53	7002350	58, 61	7004914	42, 43
4932600	229	7000625	149, 153	7002353	58, 61	7004916	42, 43
4932638	228	7000645	54	7002355	58, 61	7004917	39, 42
4932639	228	7000699	101	7002356	58, 61	7004928	42, 43
4932666	230	7000717	33	7002357	58, 61	7004929	42, 43
4932750	229	7000728	33	7002358	58, 61	7004933	42
4932757	229	7000731	11, 17, 21	7002359	58, 61	7004935	42
70001111	24	7000760	33	7002447	58	7004937	42
7000113	58, 61	7000796	33	7002448	58	7004938	42, 43
7000114	58, 61	7000892	84	7002449	58	7004939	42, 43
7000116	58, 61	7001438	117	7002450	58, 256	7004941	42
7000166	155	7001498	118	7002451	58	7004942	42
7000191	77	7001909	23, 27, 29	7003006	33	7004944	42
7000192	77	7001911	23, 27, 29	7003007	33	7004946	42
7000201	23	7001912	23, 27, 29	7003047	33	7004948	42
7000202	23	7001913	23, 27, 29	7003049	33	7004959	42
7000203	23	7001922	29	7003051	33	7004960	42
7000206	23	7001931	23, 27, 29	7003052	33	7005928	113
7000211	27, 30	7001985	23, 27, 29	7003055	33	7005935	113
7000212	27, 30	7001989	27, 29	7003056	33	7005937	113
7000214	24, 27, 29	7001997	23	7003057	33	7005941	113
7000216	24, 30	7001998	23	7003059	33	7005951	113
7000217	23, 27, 29	7002100	155	7003070	33	7005955	113
7000220	27, 30	7002103	155	7003071	33	7005956	113
7000226	27	7002104	155	7003454	33	7005957	113
7000227	27	7002105	155	7003640	54	7005958	113
7000229	23	7002107	155	7003657	97, 105	7005959	113
7000230	23	7002110	155	7003700	159, 163	7005960	113
7000232	23	7002111	155	7003702	159, 163	7005961	113
7000241	27, 29	7002112	155	7003782	163	7005962	113
7000242	23, 27, 29			7003783	159, 163	7005963	113

PART NUMBER INDEX

7006139.....	143	7007654.....	23, 27, 29	7009992.....	155	7010929.....	121
7006151.....	143	7007683.....	27, 29	7010118.....	91	7010930.....	121
7006152.....	143	7007684.....	27, 29	7010120.....	118	7010933.....	125
7006156.....	143	7007685.....	27, 29	7010121.....	118	7010934.....	125
7007208.....	117	7007686.....	27, 29	7010122.....	118	7010935.....	125
7007412.....	118	7007687.....	27, 29	7010400.....	27	7010936.....	125
7007413.....	117	7007688.....	27, 29	7010429.....	24	7010937.....	125
7007414.....	117	7007689.....	27, 29	7010459.....	29	7010938.....	125
7007416.....	117	7007690.....	27, 29	7010469.....	29, 30	7010939.....	125
7007417.....	117	7007691.....	27, 29	7010470.....	29	7010953.....	123
7007419.....	117	7007692.....	29	7010473.....	31	7010954.....	123
7007420.....	117	7007697.....	23	7010475.....	31	7010955.....	123
7007421.....	117	7007875.....	39	7010476.....	31	7010956.....	123
7007423.....	117	7007876.....	39	7010477.....	31	7010957.....	123
7007424.....	117	7007878.....	39	7010478.....	31	7010958.....	123
7007425.....	117	7007879.....	39	7010511.....	69	7010959.....	123
7007435.....	117	7007880.....	39	7010512.....	69	7010960.....	123
7007436.....	117	7007914.....	35	7010513.....	69	7010961.....	123
7007437.....	117	7007923.....	35	7010514.....	69	7010978.....	123
7007438.....	117	7007924.....	35, 37	7010515.....	69	7011118.....	58
7007439.....	117	7007933.....	35, 37	7010516.....	69	7011300.....	157
7007440.....	117	7007937.....	75	7010701.....	63	7011301.....	157
7007441.....	117	7007938.....	75	7010703.....	63	7011302.....	157
7007442.....	117	7007939.....	75	7010704.....	63	7011303.....	157
7007444.....	117	7007940.....	75	7010705.....	63	7011304.....	157
7007445.....	117	7007941.....	75	7010706.....	63	7011305.....	157
7007449.....	117	7007943.....	75	7010707.....	63	7011306.....	157
7007453.....	117	7007945.....	75	7010708.....	63	7011309.....	157
7007454.....	117	7007946.....	75	7010709.....	63	7011310.....	157
7007456.....	117	7007950.....	75	7010710.....	63	7011311.....	157
7007458.....	118	7007951.....	75	7010711.....	63, 256	7011312.....	157
7007461.....	118	7007952.....	75	7010712.....	63	7011712.....	35
7007466.....	118	7007953.....	75	7010713.....	63	7011713.....	35
7007468.....	118	7007954.....	75	7010716.....	63	7011714.....	35
7007469.....	118	7007955.....	75	7010717.....	63	7011715.....	35
7007470.....	118	7007956.....	75	7010720.....	63	7011716.....	35, 37
7007471.....	118	7007960.....	75	7010721.....	63	7011717.....	35
7007472.....	118	7007970.....	37	7010723.....	63	7011720.....	37
7007474.....	118	7007977.....	35, 37	7010724.....	63	7012513.....	97, 105
7007475.....	118	7007979.....	35	7010725.....	63	7012514.....	97, 105
7007476.....	118	7007980.....	35	7010727.....	63	7012558.....	97, 105
7007477.....	118	7007983.....	35	7010729.....	63	7012564.....	86
7007478.....	118	7007985.....	35	7010730.....	63	7012570.....	71
7007482.....	118	7007986.....	35, 37	7010731.....	63	7012571.....	71
7007483.....	118	7007987.....	35, 37	7010732.....	63	7012598.....	101
7007484.....	118	7009742.....	69, 256	7010733.....	63	7012599.....	101
7007485.....	118	7009745.....	53	7010734.....	63	7012611.....	163
7007486.....	118	7009901.....	77	7010735.....	63	7012612.....	163
7007487.....	118	7009902.....	77	7010738.....	63	7012650.....	72
7007488.....	118	7009903.....	77	7010739.....	63	7012651.....	72
7007490.....	118	7009904.....	77	7010741.....	63	7012653.....	86
7007491.....	118	7009905.....	77, 79	7010742.....	63	7012906.....	53
7007492.....	118	7009906.....	77	7010743.....	63	7012907.....	53
7007494.....	118	7009908.....	77	7010745.....	63	7012910.....	54
7007496.....	118	7009909.....	77, 79	7010902.....	121, 125	7012930.....	54
7007497.....	118	7009912.....	77, 79	7010905.....	121, 125	7014100.....	30
7007498.....	118	7009913.....	77, 79	7010907.....	121, 125	7014101.....	30
7007499.....	118	7009914.....	77	7010909.....	121	7014102.....	30
7007517.....	42	7009915.....	77	7010911.....	121, 125	7014103.....	30
7007601.....	23	7009927.....	79	7010914.....	121	7014108.....	30
7007603.....	24, 27, 29	7009930.....	79	7010918.....	121, 125	7014109.....	30
7007617.....	27, 29	7009983.....	79	7010919.....	121	7014110.....	30
7007643.....	23	7009984.....	79	7010922.....	125	7014112.....	30
7007650.....	24, 27, 29, 30	7009987.....	79	7010925.....	121	7014113.....	30
7007651.....	24, 27, 30	7009988.....	79	7010926.....	121, 125	7014126.....	31
7007652.....	23, 27, 29	7009989.....	79	7010927.....	121	7016175.....	109
7007653.....	23, 27, 29	7009990.....	79	7010928.....	121	7016177.....	109

PART NUMBER INDEX

7016180	90, 100	7018605	37	7019958.....	87, 91	7020465	101
7016328	101, 260	7018606	37	7019989.....	86, 91	7022101	91
7016331	101, 260	7018607	37	7019998.....	91	7022102	91
7016658	85	7018608	37	7020108.....	97, 105	7022103	91
7017067	23, 29	7018609	37	7020109.....	97, 105	7022104	91
7017070	24, 30	7018612	11, 17, 21	7020110.....	97, 105	7022173	91
7017080	24	7019666	86	7020111.....	97, 105	7022174	91
7017090	24, 30	7019668	86	7020117.....	91, 260	7022175	91
7017091	24, 30	7019933	84, 86	7020121.....	91	7022176	91
7017092	24, 30	7019939	86, 260	7020190.....	97, 105	7023670	86
7017093	24, 30	7019941	86	7020191.....	97, 105	7026199	97, 105
7017094	24, 30	7019943	86	7020323.....	43	7027887	97, 105
7017095	24, 30	7019949	86, 260	7020347.....	43	9900493	265
7017096	29	7019951	86	7020414.....	101	9983463	264
7017099	24, 30	7019955	86, 91	7020416.....	101		
7018602	37	7019956	86, 91	7020417.....	101		
7018603	37	7019957	86, 91	7020434.....	101		