



Illustrated Parts Manual

Model 150HAX

P/N
3120680

January 4, 2013

ANSI



An Oshkosh Corporation Company

REVISION LOG

October 31, 1991 - Original Issue Of Manual
Revised January 5, 1999
Revised October 30, 2000 (Edited to P/N 0010433 Revision 20)
September 12, 2002 - Revised (Manual edited to P/N 0010433 Revision 26)
December 12, 2002 - Revised (Manual edited to P/N 0010433 Revision 27)
August 19, 2004 - Revised (Manual edited to P/N 0010433 Revision 33)
February 15, 2005 - Revised (Manual edited to P/N 0010433 Revision 36)
February 27, 2007 - Revised (Manual edited to P/N 0010433 Revision 38)
October 1, 2007 - Revised (Manual edited to P/N 0010433 Revision 38)
October 6, 2008 - Revised (Manual edited to P/N 0010433 Revision 38)
April 10, 2009 - Revised (Manual edited to P/N 0010433 Revision 39)
July 26, 2010 - Revised (Manual edited to P/N 0010433 Revision 42)
March 1, 2011 - Revised (Manual edited to P/N 0010433 Revision 42)
September 11, 2011 - Revised (Manual edited to P/N 0010433 Revision 43)
January 13, 2012 - Revised (Manual edited to P/N 0010433 Revision 43)
June 22, 2012 - Revised (Manual edited to P/N 0010433 Revision 43)
August 20, 2012 - Revised (Manual edited to P/N 0010433 Revision 43)
January 4, 2013 - Revised (Manual edited to P/N 0010433 Revision 43)

REVISION LOG

TABLE OF CONTENTS

FIGURE NO.	TITLE	PAGE NO.
SECTION 1 - FRAME1-1		
1-1	AXLE AND STEERING INSTALLATION	1-2
1-2	TIRE AND WHEEL DRIVE INSTALLATIONS	1-6
1-3	DRIVE HUB ASSEMBLY (PRIOR TO S/N 141512).....	1-8
1-4	DRIVE HUB ASSEMBLY (S/N 141512 TO PRESENT)	1-12
1-5	DRIVE BRAKE ASSEMBLY	1-16
1-6	DRIVE MOTOR ASSEMBLY (PRIOR TO S/N 137333)	1-20
1-7	DRIVE MOTOR ASSEMBLY (S/N 137333 TO PRESENT)	1-22
1-8	FRAME MOUNTED COMPONENTS INSTALLATIONS	1-24
1-9	CONTROL VALVE ASSEMBLY - 4 SECTION BANG-BANG.....	1-28
1-10	CONTROL VALVE ASSEMBLY - 3 SECTION BANG-BANG.....	1-30
SECTION 2 - TURNTABLE.....2-1		
2-1	CONTROL VALVE INSTALLATIONS	2-2
2-2	CONTROL VALVE ASSEMBLY 2 SECTION BANG-BANG.....	2-6
2-3	CONTROL VALVE ASSEMBLY 2 SECTION BANG-BANG.....	2-10
2-4	CONTROL VALVE ASSEMBLY - 5 SECTION VICKERS.....	2-12
2-5	CONTROL VALVE ASSEMBLY - 1 SECTION VICKERS (CMX160)	2-16
2-6	SWING DRIVE AND TURNTABLE BEARING INSTALLATIONS	2-20
2-7	SWING MOTOR ASSEMBLY	2-24
2-8	SWING BRAKE ASSEMBLIES (PRIOR TO MAY 1992)	2-28
2-9	SWING BRAKE ASSEMBLIES (MAY 1992 TO PRESENT).....	2-32
2-10	SWING HUB ASSEMBLY	2-36
2-11	ROTARY COUPLING AND COLLECTOR RING INSTALLATION	2-40
2-12	ENGINE INSTALLATION - CUMMINS 4B3.9 DIESEL (PRIOR TO S/N 80240)	2-42
2-13	ENGINE INSTALLATION - CUMMINS TIER II DIESEL (S/N 80240 TO PRESENT)	2-46
2-14	PUMP COUPLING INSTALLATIONS	2-50
2-15	MAIN PUMP ASSEMBLY - GEAR.....	2-52
2-16	AUXILIARY PUMP ASSEMBLY	2-54
2-17	TANKS INSTALLATION.....	2-58
2-18	MAIN TERMINAL BOX ASSEMBLY	2-62
2-19	REMOTE CONTROL BOX ASSEMBLY	2-66
2-20	HOOD COMPONENTS INSTALLATION.....	2-70
SECTION 3 - BOOM.....3-1		
3-1	BOOMS AND TURNTABLE INSTALLATION	3-2
3-2	MAIN BOOM ASSEMBLY	3-6
3-3	TOWER BOOM ASSEMBLY II	3-12
3-4	JUNCTION BOX ASSEMBLY (TOWER BOOM MOUNTED)	3-16
3-5	LIMIT SWITCHES AND VALVES INSTALLATION (BOOM MOUNTED).....	3-18
SECTION 4 - PLATFORM.....4-1		
4-1	PLATFORM AND ROTATOR INSTALLATION (PRIOR TO S/N 76169)	4-2
4-2	PLATFORM AND ROTATOR INSTALLATION (S/N 76169 TO PRESENT).....	4-6
4-3	ROTATOR MOTOR ASSEMBLY	4-10
4-4	PLATFORM COMPONENTS INSTALLATION.....	4-12
4-5	PLATFORM CONSOLE ASSEMBLY.....	4-16
4-6	CONTROLLER ASSEMBLY (PRIOR TO S/N 74463)	4-22
4-7	CONTROLLER ASSEMBLY (S/N 74463 TO PRESENT)	4-26

TABLE OF CONTENTS

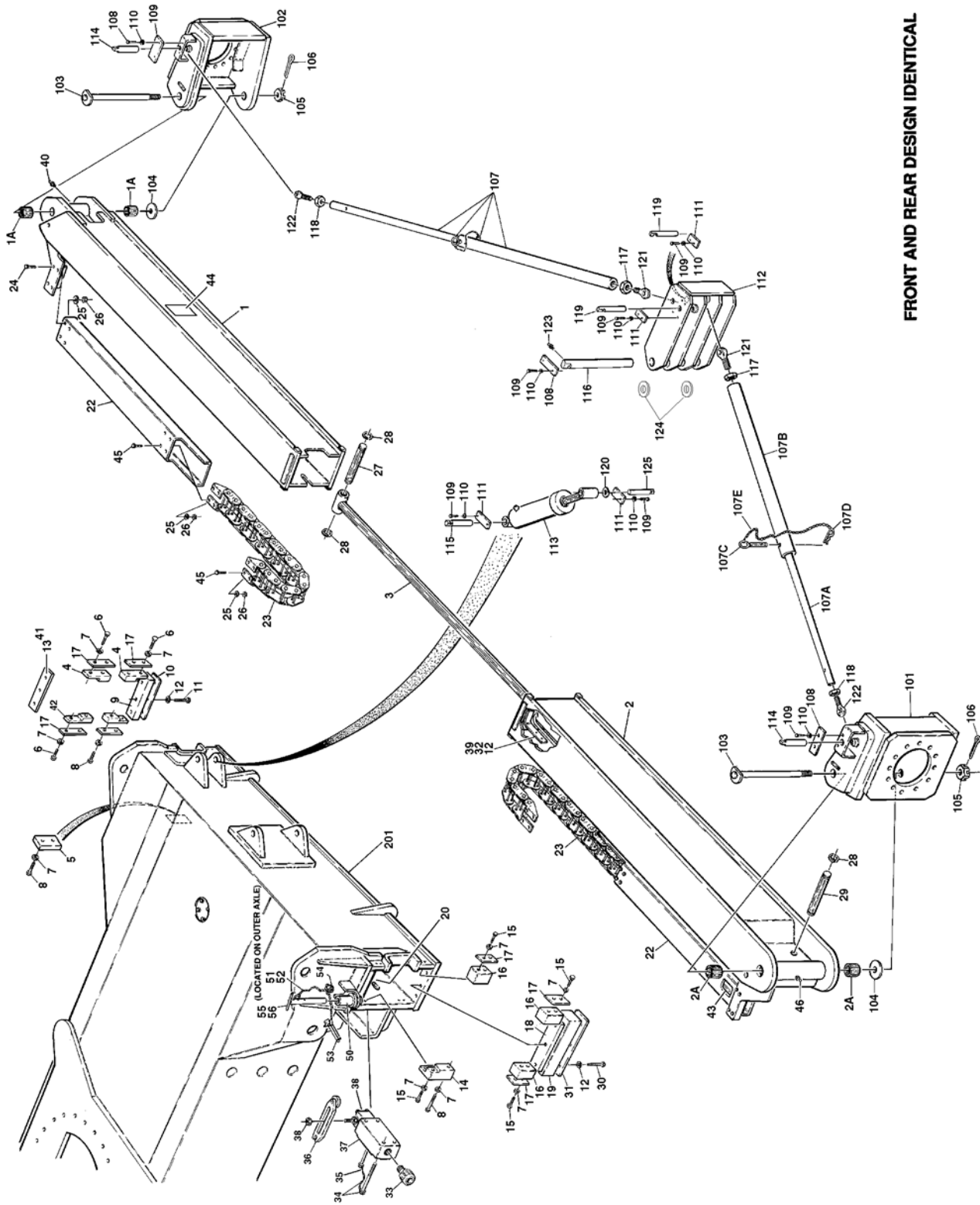
FIGURE NO.	TITLE	PAGE NO.
SECTION 5 - CYLINDER		5-1
5-1	AXLE EXTENSION CYLINDER ASSEMBLY	5-2
5-2	JACK CYLINDER ASSEMBLY	5-6
5-3	PLATFORM LEVEL CYLINDER ASSEMBLY (PRIOR TO S/N 27450)	5-8
5-4	PLATFORM LEVEL CYLINDER ASSEMBLY (S/N 27450 TO PRESENT)	5-10
5-5	LIFT CYLINDER ASSEMBLY - MAIN	5-12
5-6	LIFT CYLINDER ASSEMBLY - TOWER	5-14
5-7	MASTER CYLINDER ASSEMBLY	5-16
5-8	STEER CYLINDER ASSEMBLY	5-18
5-9	TELESCOPE CYLINDER ASSEMBLY - MAIN	5-20
5-10	TELESCOPE CYLINDER ASSEMBLY - TOWER	5-24
SECTION 6 - HYDRAULIC		6-1
6-1	STANDARD HYDRAULIC DIAGRAM (PRIOR TO S/N 137333)	6-2
6-2	STANDARD HYDRAULIC DIAGRAM (S/N 137333 TO PRESENT)	6-10
6-3	HYDRAULIC DIAGRAM LIST	6-18
SECTION 7 - ELECTRICAL		7-1
7-1	ELECTRICAL DIAGRAM LIST	7-2
7-2	ELECTRICAL SCHEMATIC (S/N 61811 TO S/N 103758)	7-6
7-3	ELECTRICAL SCHEMATIC (S/N 103758 TO PRESENT)	7-8
SECTION 8 - DECALS		8-1
8-1	DECALS INSTALLATION (PRIOR TO S/N 103758)	8-2
8-2	DECALS INSTALLATION (S/N 103758 TO PRESENT)	8-6
SECTION 9 - RECOMMENDED SERVICE PARTS STOCK		9-1
SECTION 10 - SPECIAL OPTIONS		10-1
SECTION 11 - PARTS NUMBER INDEX		11-1

SECTION 1

FRAME

SECTION 1 FRAME

FIGURE 1-1. AXLE AND STEERING INSTALLATION



FRONT AND REAR DESIGN IDENTICAL

SECTION 1 FRAME

FIGURE 1-1. AXLE AND STEERING INSTALLATION

ITEM #	PART NUMBER	QTY.	DESCRIPTION	REV.
		Ref.	EXTENDABLE AXLES INSTALLATIONS	
	0251875	Ref.	Prior to February 1993	A
	0253827	Ref.	February 1993 to Present (Standard)	9
	0254401	Ref.	February 1993 to Present (Hostile Environment)	7
1		2	Axle Weldment - Outer (Right Side Rear/Left Side Front)	
	4843943		Prior to February 1993	
	4844478		February 1993 to Present	
1A	0960821	4	Bushing, Bronze (2 per Weldment)	
2		2	Axle Weldment - Inner (Left Side Rear/Right Side Front)	
	4843942		Prior to February 1993	
	4844477		February 1993 to Present	
2A	0960821	4	Bushing, Bronze (2 per Weldment)	
3		2	Extension Cylinder Assembly (See Section 5 for Breakdown)	
	1682522		Prior to February 1993	
	1682905		February 1993 to Present (Standard)	
	1683045		February 1993 to Present (Hostile Environment)	
4	0560975	6	Block, Wear (Outer Side) (Right Side Rear/Left Side Front)	
5	0560973	2	Block, Stop (Outer Side) (Right Side Rear/Left Side Front)	
6	0641807	1	Bolt 1/2"-13NC x 7/8"	
7	4711800	44	Flatwasher 1/2"	
8	0641808	20	Bolt 1/2"-13NC x 1"	
9	3340595	2	Pad, Wear (Outer Bottom) (Right Side Rear/Left Side Front)	
10	4070792	A/R	Shim	
11	0641607	6	Bolt 3/8"-16NC x 7/8"	
12	4761600	16	Lockwasher 3/8"	
13	0362051	A/R	Bar, Wear	
14	0560972	2	Block, Stop (Inner) (Left Side Rear/Right Side Front)	
15	0641812	16	Bolt 1/2"-13 x 1 1/2"	
16	0560974	6	Block, Wear (Inner Side) (Left Side Rear/Right Side Front)	
17	4070790	A/R	Shim	
18	3340596	2	Pad, Wear (Inner Bottom) (Left Side Rear/Right Side Front)	
19	3534389	2	Block	
20	0362050	2	Bar, Wear	
21	4070791	A/R	Shim	
22	4565314	4	Tube, Carrier	
23		A/R	Power Track Assembly Options:	
		Ref.	Note: Original Equipment Power Track may have been replaced with Service Replacement. Visually identify component before ordering replacement parts.	
	Use 1001099841	4	Gemco Brand Power Track (Prior to S/N 0300135500) (was p/n 1180278)	
	7006140	A/R	1ft Repair Section - Used on p/n 1180278	
	7006148	2 Per	Feet, Mounting - Used on p/n 1180278	
	7006152	1 Per	Pin Kit - Used on p/n 1180278	
	1001099841	1	Gortrac Brand Power Track (S/N 0300135500 to Present)	
	70001996	A/R	1ft Repair Section	
	70001997	1 Per	Bracket Kit (Includes 1 set of mounting brackets and hardware)	
24	0641408	32	Bolt 1/4"-20NC x 1"	

SECTION 1 FRAME

FIGURE 1-1. AXLE AND STEERING INSTALLATION (CONTINUED)

ITEM #	PART NUMBER	QTY.	DESCRIPTION	REV.
25	4751400	96	Flatwasher 1/4"	
26	3311405	52	Locknut 1/4"-20NC	
27	3421952	2	Pin (Rod End)	
28	3760133	8	Ring, Retaining	
29	3421953	2	Pin (Barrel End)	
30	0641617	6	Bolt 3/8"-16NC x 2 1/8"	
31	4070789	A/R	Shim	
32	0362048	2	Bar, Cylinder Retainer	
33	4460049	4	Connector, Strain Relief	
34	3900168	8	Screw, Special	
35	4920140	4	Lockwire	
36	4360237	4	Arm and Roller, Switch	
37	4360277	4	Switch, Limit	
38	4360236	4	Head, Actuator	
39	0641608	4	Bolt 3/8"-16NC x 1"	
40	2160002	4	Fitting, Grease	
41	4070808	A/R	Shim (Prior to SN 56632 Only)	
42	0561117	2	Block, Axle Stop (July 1993 to Present Only)	
43	4060804	6ft/18.3m	Flex - Trim (January 1994 to Present Only)	
44	4420044	2ft/.6m	Tape (White) (March 1994 to Present Only)	
45	0641406	16	Bolt 1/4"-20NC x 3/4"	
46 to 49	Not Used			
50	4843793	4	Bushing, Lock Pin (Welded on Part) (Prior to February 1993 Only)	
51	4843979	2	Pin, Lock (Inner Axle) (Left Side Rear/Right Side Front) (Prior to February 1993 Only)	
52	4843794	2	Pin, Lock (Outer Axle) (Right Side Rear/Left Side Front) (Prior to February 1993 Only)	
53	3421565	4	Pin, Snap (Prior to February 1993 Only)	
54	3760170	4	Ring, Quick Release (Prior to February 1993 Only)	
55	1260017	2.3ft/.7m	Chain - #3 (6.9"/17.5cm per Link) (Prior to February 1993 Only)	
56	3760106	4	D-Ring (Prior to February 1993 Only)	
		Ref.	STEERING INSTALLATIONS	
	0251874	Ref.	ANSI Spec Prior to S/N 39139	4
	0258964	Ref.	ANSI Spec S/N 39139 to Present	3
	0270343	Ref.	CSA Spec (Prior to S/N 69948)	1
101	4130260	2	Spindle (Inner Axle) (Left Side Rear/Right Side Front)	
102	4130261	2	Spindle (Outer Axle) (Right Side Rear/Left Side Front)"	
103		4	Kingpin Options:	
	3421948		ANSI Spec	
	3422881		CSA Spec (Prior to S/N 69948)	
104	4740314	4	Washer, Thrust	
105	3324203	4	Nut, Slotted	
106	3451012	4	Pin, Cotter	
107	0252268	4	Tie Rod Assembly	2
107A	3841140	4	Rod, Inner	
107B	3841139	1	Tube, Outer	
107C	3421990	1	Pin, Extension Lock	

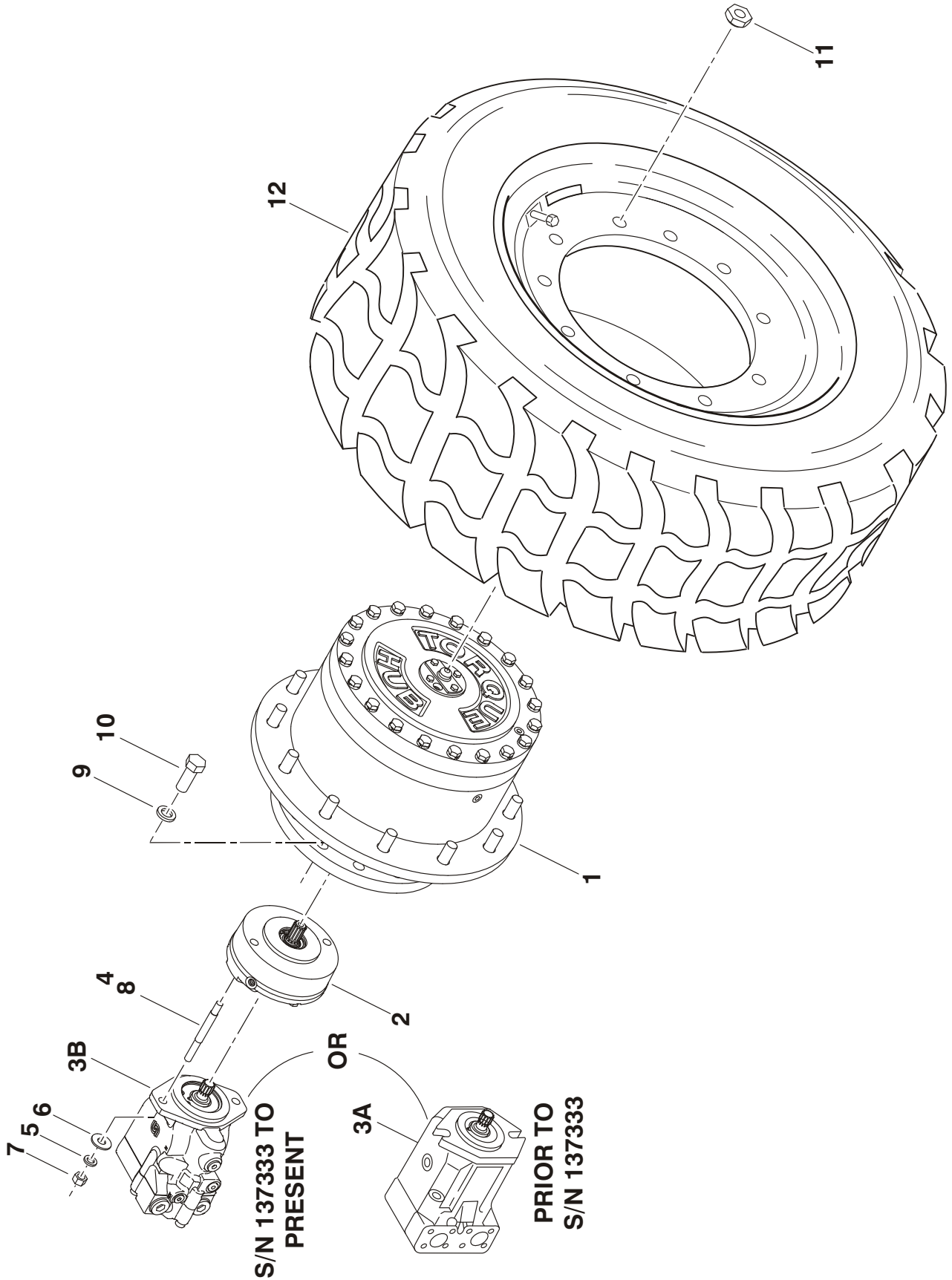
SECTION 1 FRAME

FIGURE 1-1. AXLE AND STEERING INSTALLATION (CONTINUED)

ITEM #	PART NUMBER	QTY.	DESCRIPTION	REV.
107D	3420372	1	Pin, Hair (was p/n 3420592 Prior to S/N 45152)	2
107E	1260017	1ft/30.5cm	Chain #3	
108	3532054	8	Plate, Retaining	
109	0641506	28	Bolt 5/16"-18NC x 3/4"	
110	4761500	28	Lockwasher 5/16"	
111	3531946	6	Plate, Retaining	
112	4843825	2	Yoke, Steering	
113	1682531	2	Steer Cylinder Assembly (See Section 5 for Breakdown)	
114	3421972	4	Pin	
115	3421493	2	Pin (Frame Attach)	
116	3421686	2	Pin	
117	3323002	4	Nut, Jam 1/4"-12NF	
118	3300229	4	Nut, Jam 1 1/4"-12NF (Left Hand Thread)	
119		6	Pin (Steer Yoke Attach) Options: Prior to S/N 136324 (5 3/8" Length) S/N 136324 to Present (5 1/2" Length)	
	3421973			
	3421972			
120	0440162	4	Washer, Thrust	
121	1660202	4	End, Rod (At Steer Yoke)	
122	1660203	4	End, Rod (At Spindle)	
123	2160002	2	Fitting, Grease	
124	0440183	4	Bearing, Thrust	
125	3421972	2	Pin	
201	2360339	Ref.	FRAME WELDMENT	

SECTION 1 FRAME

FIGURE 1-2. TIRE AND WHEEL DRIVE INSTALLATIONS



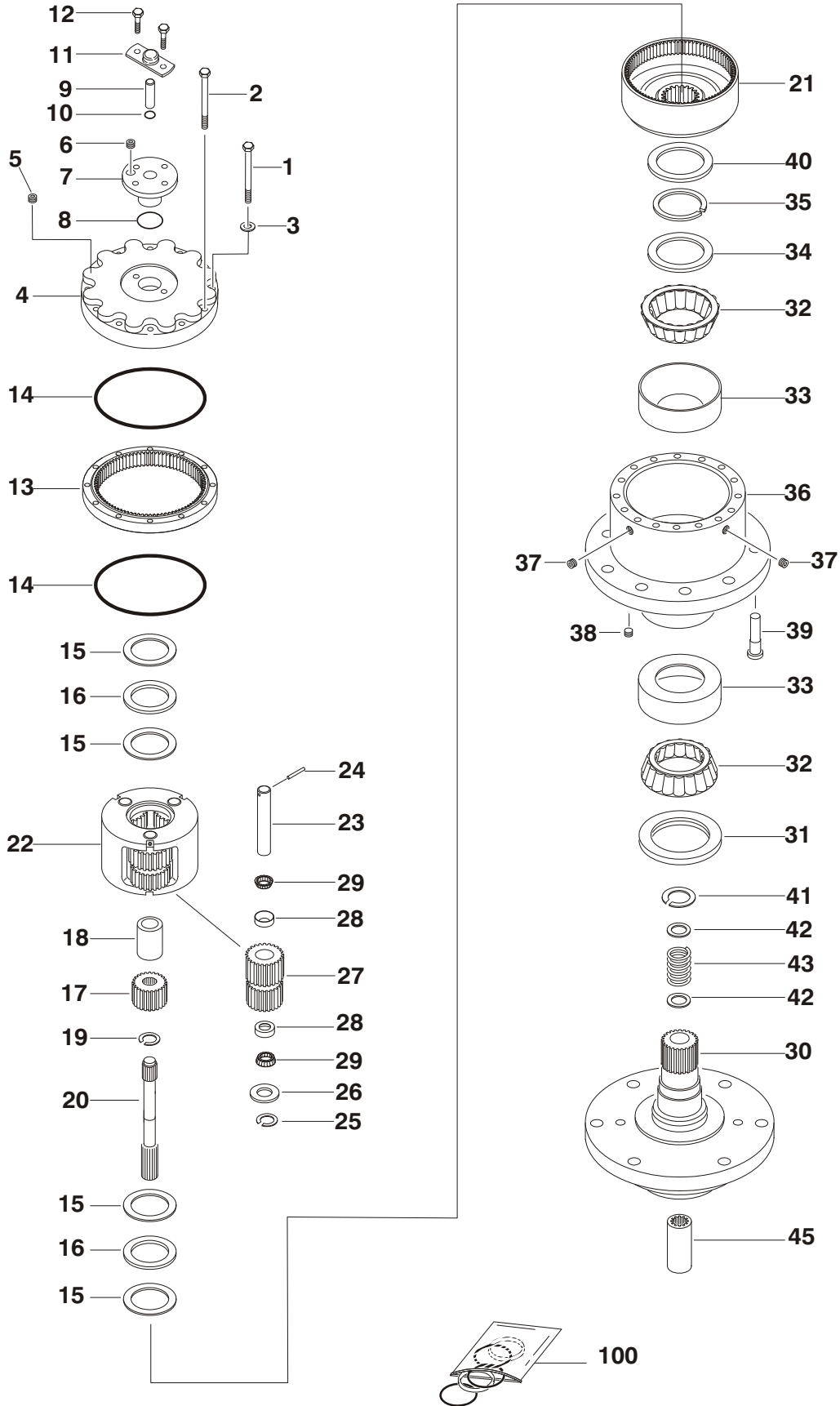
SECTION 1 FRAME

FIGURE 1-2. TIRE AND WHEEL DRIVE INSTALLATIONS

ITEM #	PART NUMBER	QTY.	DESCRIPTION	REV.
		Ref.	WHEEL DRIVE INSTALLATION	
	0251946	Ref.	Prior to S/N 0300057155	7/E
	0270229	Ref.	S/N 0300057155 to S/N 0300137333	3/A
	1001107574	Ref.	S/N 0300137333 to Present	B
1	Use 1001116796	4	Drive Hub Assembly Options: Prior to S/N 141512 (was p/n 2780155) (See Figure 1-3 for Breakdown)	
2	1001116796	4	S/N 141512 to Present (See Figure 1-4 for Breakdown) Brake Assembly Options (See Figure 1-5 for Breakdown):	
	0920084		Prior to S/N 33476	
	0920110		S/N 33476 to S/N 57155	
	0920119		S/N 57155 to Present	
3		4	Motor Assembly Options:	
3A	See Note		Prior to September 1995 (was p/n 3160176) (See Figure 1-6 for Breakdown)	
			Note: Use p/n 3160213 Motor Plus p/n 2900869 Conversion Kit as Replacement.	
	Use 3160204		September 1995 to S/N 0300027450 (was p/n 3160213) (See Figure 1-6 for Breakdown)	
	3160204		S/N 0300027450 to S/N 0300137333 (See Figure 1-6 for Breakdown)	
3B	1001107852		S/N 0300137333 to Present (See Figure 1-7 for Breakdown)	
4		8	Stud Options:	
	4300092		1/2"-13NC x 5 1/2" (Prior to S/N 0300137333)	
	4300097		1/2"-13NC x 5 1/8" (S/N 0300137333 to Present)	
5	4761800	8	Lockwasher 1/2"	
6	4751800	8	Flatwasher 1/2"	
7	3311801	8	Nut 1/2"-13NC	
8	0100011	A/R	Compound, Locking	
9	0642216	48	Bolt 3/4"-10NC x 2"	
10	4762200	48	Lockwasher 3/4"	
11	3300007	48	Lugnut 3/4"-16NF	
	0251590	Ref.	TIRE AND WHEEL INSTALLATION	2
12	0251589	4	Tire and Wheel Assembly - Foam Filled 445/65R 22.5	
		Ref.	Note: Assemblies may require ballast/foam filling to manufacturer's specifications prior to installing on a machine. Refer to Operation & Safety or Service & Maintenance Manuals. Purchase individual tire and/or rim only if able to foam fill tire & wheel assembly, otherwise, purchase complete assembly.	
	4520136	4	Tire, Replacement	

SECTION 1 FRAME

FIGURE 1-3.DRIVE HUB ASSEMBLY (PRIOR TO S/N 141512)



SECTION 1 FRAME

FIGURE 1-3. DRIVE HUB ASSEMBLY (PRIOR TO S/N 141512)

ITEM #	PART NUMBER	QTY.	DESCRIPTION	REV.
	2780155	Ref. Ref.	DRIVE HUB ASSEMBLY Note: For Machines Prior to S/N 0300141512, Original Equipment Assembly p/n 2780155 may have been replaced with p/n 1001116796 as Service Replacement Assembly. Identify P/N before ordering replacement components. If equipped with p/n 1001116796 refer to next illustration.	—
1	7001974	16	Bolt, Hex Head	
2	7001975	4	Bolt, Hex Head, Shoulder	
3	7001976	20	Lockwasher	

	7001965	1	Cover Sub Assembly	
4	7001966	1	Cover	
5	7001928	1	Plug, Pipe	
6	7000243	1	Plug, Pipe	
7	7001967	1	Cap, Cover	
8	Use Item 100	1	O-Ring	
9	7001968	1	Rod, Disconnect	
10	Use Item 100	1	O-Ring	
11	7000231	1	Cap, Disconnect	
12	7000220	4	Bolt, Hex Head	

13	7001963	1	Gear, Ring	
14	Use Item 100	2	O-Ring	
15	7001972	4	Washer, Thrust	
16	7001973	2	Bearing, Thrust	
17	7001971	1	Gear, Input (Sun)	
18	7001970	1	Spacer, Thrust	
19	7000285	1	Ring, Retaining	
20	7001919	1	Shaft, Input	
21	7007657	1	Gear, Internal	

	7001910	1	Carrier Sub Assembly	
22	7001955	1	Carrier	
23	7001959	3	Shaft, Planet	
24	7001956	3	Pin, Roll	
25	7001962	3	Ring, Retaining	
26	7001961	3	Spacer	
27	7017003	1	Gear Kit, Planet	
28	7001957	6	Cup, Bearing	
29	7001958	6	Cone, Bearing	

	7007698	1	Hub and Spindle Sub Assembly	
30	7007699	1	Spindle	
31	Use Item 100	1	Seal	
32	7001948	2	Cone, Bearing	
33	7001947	2	Cup, Bearing	
34	7001949	1	Shim, Bearing	
35	7001950	1	Ring, Retaining	
36	7001951	1	Hub	

SECTION 1 FRAME

FIGURE 1-3. DRIVE HUB ASSEMBLY (PRIOR TO S/N 141512) (CONTINUED)

ITEM #	PART NUMBER	QTY.	DESCRIPTION	REV.
37	7001928	2	Plug, Pipe	
38	7001952	1	Plug, Magnetic	
39	7000265	12	Stud	
40	7001977	1	Ring, Keeper	

41	7000284	1	Ring, Retaining	
42	7000282	2	Washer	
43	7000283	1	Spring	
44	Not Used			
45	7000290	1	Coupling, Input	
100	2900560	1	Seal Kit (Includes 8,10,14 and 31)	

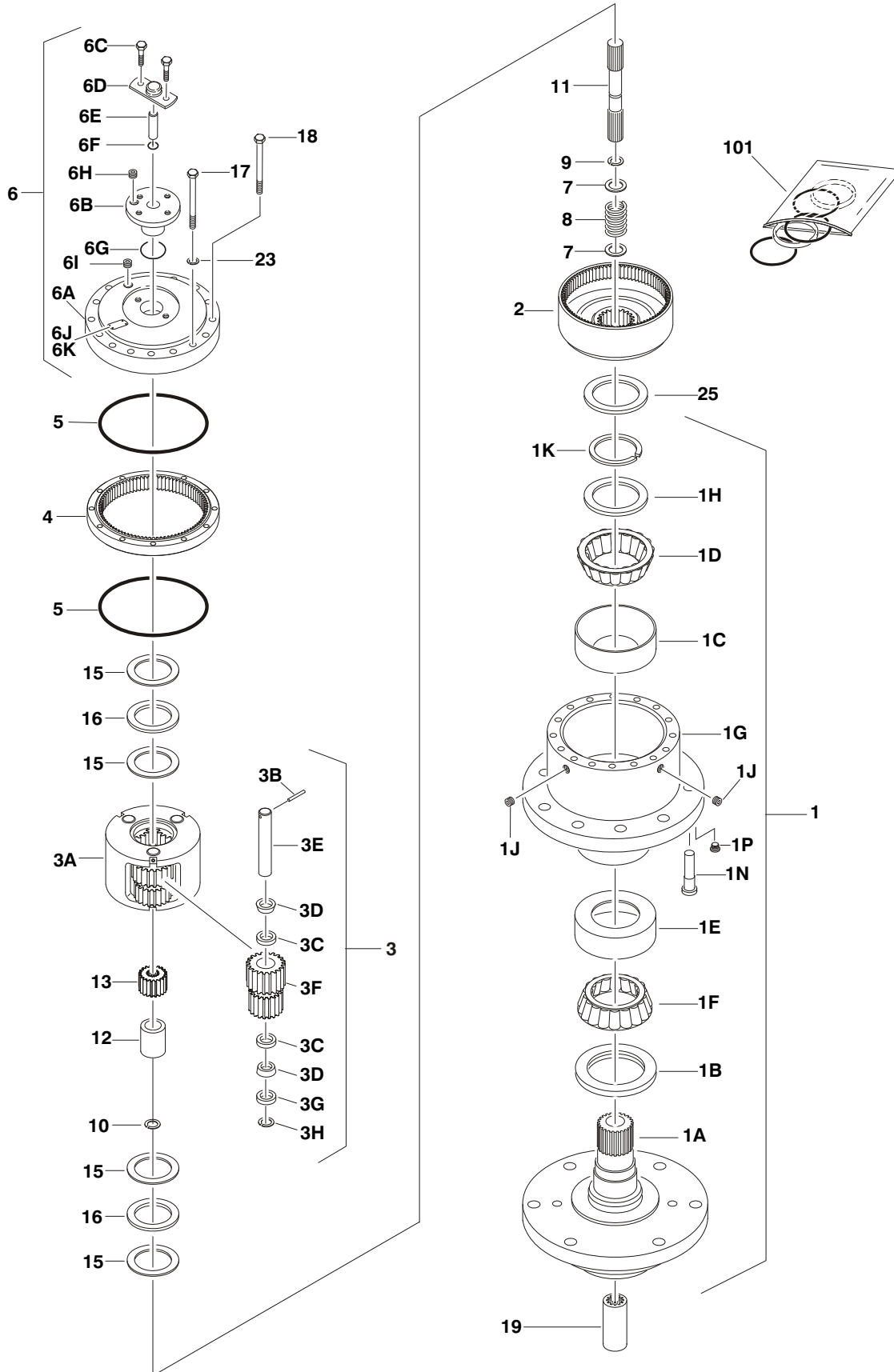
SECTION 1 FRAME

FIGURE 1-3. DRIVE HUB ASSEMBLY (PRIOR TO S/N 141512) (CONTINUED)

ITEM #	PART NUMBER	QTY.	DESCRIPTION	REV.

SECTION 1 FRAME

FIGURE 1-4.DRIVE HUB ASSEMBLY (S/N 141512 TO PRESENT)



SECTION 1 FRAME

FIGURE 1-4. DRIVE HUB ASSEMBLY (S/N 141512 TO PRESENT)

ITEM #	PART NUMBER	QTY.	DESCRIPTION	REV.
	1001116796	Ref.	DRIVE HUB/BRAKE ASSEMBLY	A
1	Not Available	1	Spindle/Housing Assembly	
1A	70002684	1	Spindle	
1B	7024140	1	Seal	
1C	7001947	1	Cone, Bearing	
1D	7001947	1	Cup, Bearing	
1E	7024143	1	Cone, Bearing	
1F	7024143	1	Cup, Bearing	
1G	Not Available	1	Housing	
1H	7001949	1	Washer, Thrust	
1I	Not Used			
1J	70002685	2	Plug, Pipe	
1K	7001950	1	Ring, Retaining	
1L	Not Used			
1M	Not Used			
1N	7000265	12	Stud, Wheel	
1O	Not Used			
1P	70002686	2	Plug, O-ring	
2	7007657	1	Gear, Ring	
3	Not Available	1	Carrier Assembly	
3A	7001955	1	Carrier	
3B	7001956	3	Rollpin	
3C	7001957	6	Cup, Bearing	
3D	7001958	6	Cone, Bearing	
3E	7001959	3	Shaft, Planet	
3F	7017003	3	Gear, Cluster	
3G	70002687	3	Thrustwasher, Spacer	
3H	7001962	3	Ring, Retaining	
4	7001963	1	Gear, Internal	
5	7001964	2	O-Ring	
6	Not Available	1	Cover Assembly	
6A	7001966	1	Cover	
6B	7001967	1	Cap	
6C	7000220	4	Bolt 1/4"-20NC x 3/4"	
6D	7000231	1	Cap, Disengage	
6E	7001968	1	Rod, Disengage	
6F	7000213	1	O-Ring	
6G	7000238	1	O-Ring	
6H	7017048	1	Plug, Pipe	
6I	7001928	1	Plug, Pipe	
6J	Not Available	1	Plate, ID	
6K	7000281	2	Screw	
7	7000282	2	Thrustwasher	
8	7000283	1	Spring	
9	7000284	1	Ring, Retaining	
10	7000285	1	Ring, Retaining	
11	7001919	1	Shaft, Input	
12	7001970	1	Spacer, Input	

SECTION 1 FRAME

FIGURE 1-4. DRIVE HUB ASSEMBLY (S/N 141512 TO PRESENT) (CONTINUED)

ITEM #	PART NUMBER	QTY.	DESCRIPTION	REV.
13	7001971	1	Gear, Sun	
14	Not Used			
15	7001972	4	Thrustwasher	
16	7001973	2	Thrustwasher	
17	7001974	16	Bolt 1/2"-13NC x 3 3/4" (Grade 8)	
18	7001975	4	Bolt 3/8"-16NC x 3 1/2"	
19	7000290	1	Coupling	
20 to 22	Not Used			
23	7001976	20	Lockwasher	
24	Not Used			
25	7001977	1	Flatwasher	
101	70002688	1	Seal Kit - Hub (Includes Items 1B,1H,1K,5,6F,6G,15,16 & 25)	

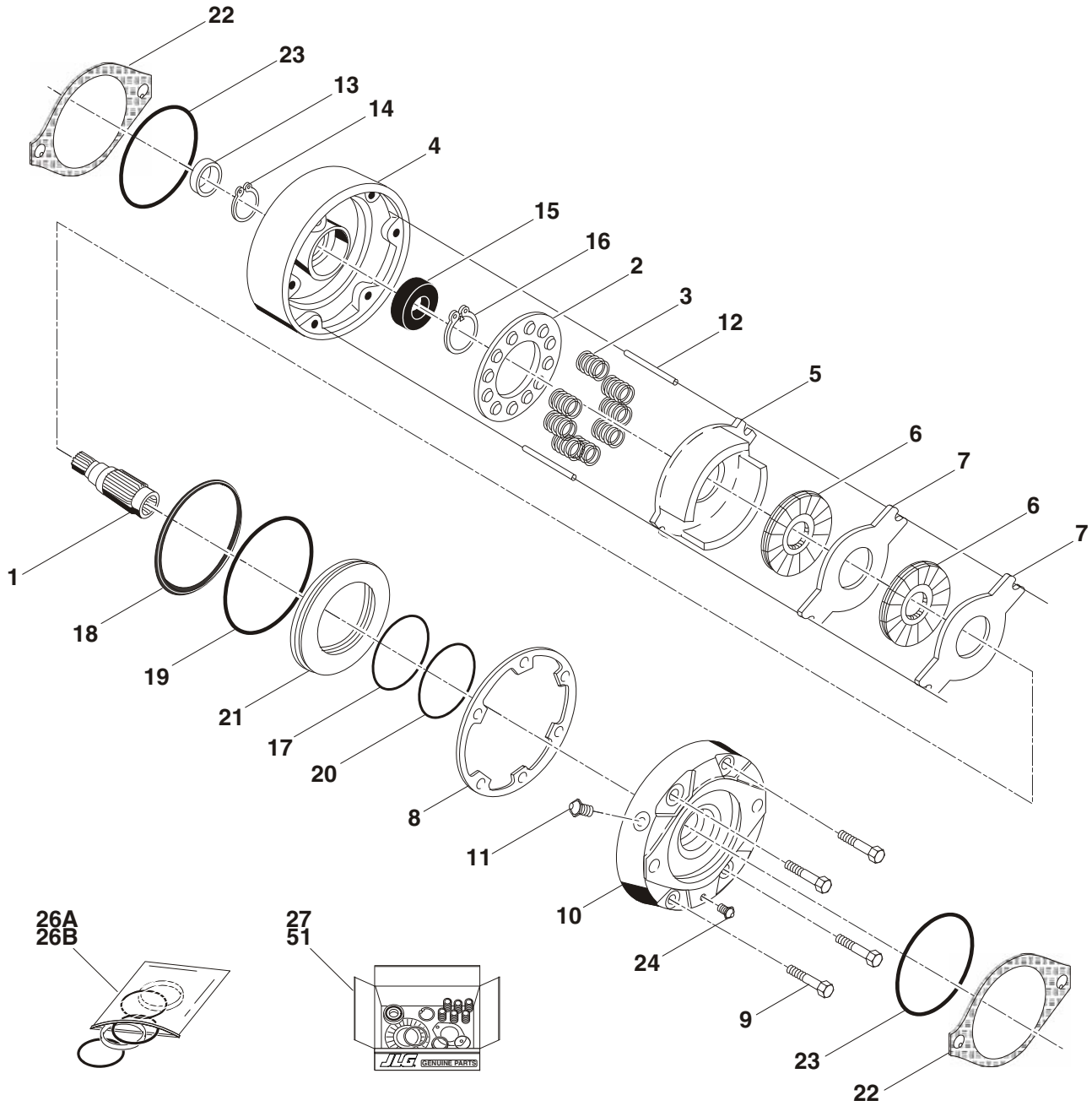
SECTION 1 FRAME

FIGURE 1-4. DRIVE HUB ASSEMBLY (S/N 141512 TO PRESENT) (CONTINUED)

ITEM #	PART NUMBER	QTY.	DESCRIPTION	REV.

SECTION 1 FRAME

FIGURE 1-5. DRIVE BRAKE ASSEMBLY



SECTION 1 FRAME

FIGURE 1-5. DRIVE BRAKE ASSEMBLY

ITEM #	PART NUMBER	QTY.	DESCRIPTION	REV.
		Ref.	DRIVE BRAKE ASSEMBLY OPTIONS:	
	0920084	Ref.	Prior to S/N 33476	A
	0920110	Ref.	S/N 33476 to S/N 57155	C
1	7011712	1	Shaft Options:	
2		1	Guide, Spring Options:	
	7011717		0920084 Brake (Prior to S/N 33476)	
	7018606		0920110 Brake (S/N 33476 to S/N 57155)	
3		A/R	Spring Options:	
	7007979	6	0920084 Brake (Inner) (Prior to S/N 33476)	
	7007980	6	0920084 Brake (Outer) (Prior to S/N 33476)	
	7007970	6	0920110 Brake (Red) (S/N 33476 to S/N 57155)	
	7018602	3	0920110 Brake (Blue) (S/N 33476 to S/N 57155)	
4		1	Housing Options:	
	7011713		0920084 Brake (Prior to S/N 33476)	
	7018605		0920110 Brake (S/N 33476 to S/N 57155)	
5		A/R	Return Plate & Separator Assembly Options:	
	Use Item 27	1	Return, Plate - 0920084 Brake (Prior to S/N 33476)	
	7011715	2	Separator Assy - 0920084 Brake (Prior to S/N 33476)	
	7011714	4	Pin	
	7007983	2	Separator	
	Use Item 27	1	Return Plate & Separator - 0920110 Brake (S/N 33476 to S/N 57155)	
6	Use Item 27	2	Rotor	
7	Use Item 27	2	Stator	
8	See Note	1	Seal, Case (Note: Use Item 26A, 26B or 27)	
9		4	Bolt, Washer Head Options:	
	7007985		0920084 Brake (Prior to S/N 33476)	
	7018607		0920110 Brake (S/N 33476 to S/N 57155)	
10	7007986	1	Cover	
11		1	Hardware Options:	
	7000796		Screw, Bleeder (Prior to S/N 33906)	
	7018609		Plug, Pipe (S/N 33906 to S/N 57155)	
12	7007987	2	Pin, Dowel	
13	See Note	1	Seal, Oil (Note: Use Item 26A or 26B)	
14	7011716	1	Ring, Retaining	
15	Use Item 26B	1	Bearing	
16	7007977	1	Ring, Retaining	
17	Use Item 26A	1	Ring, Back-Up	
18	Use Item 26A	1	Ring, Back-Up	
19	Use Item 26A	1	O-Ring	
20	Use Item 26A	1	O-Ring	
21		1	Piston Options:	
	7007923		0920084 Brake (Prior to S/N 33476)	
	7018603		0920110 Brake (S/N 33476 to S/N 57155)	
22	7007933	2	Gasket	
23	See Note	2	O-Ring (Note: Use Item 26A, 26B or 27)	
24	7007924	1	Plug, Pipe	
25	Not Used			

SECTION 1 FRAME

FIGURE 1-5. DRIVE BRAKE ASSEMBLY (CONTINUED)

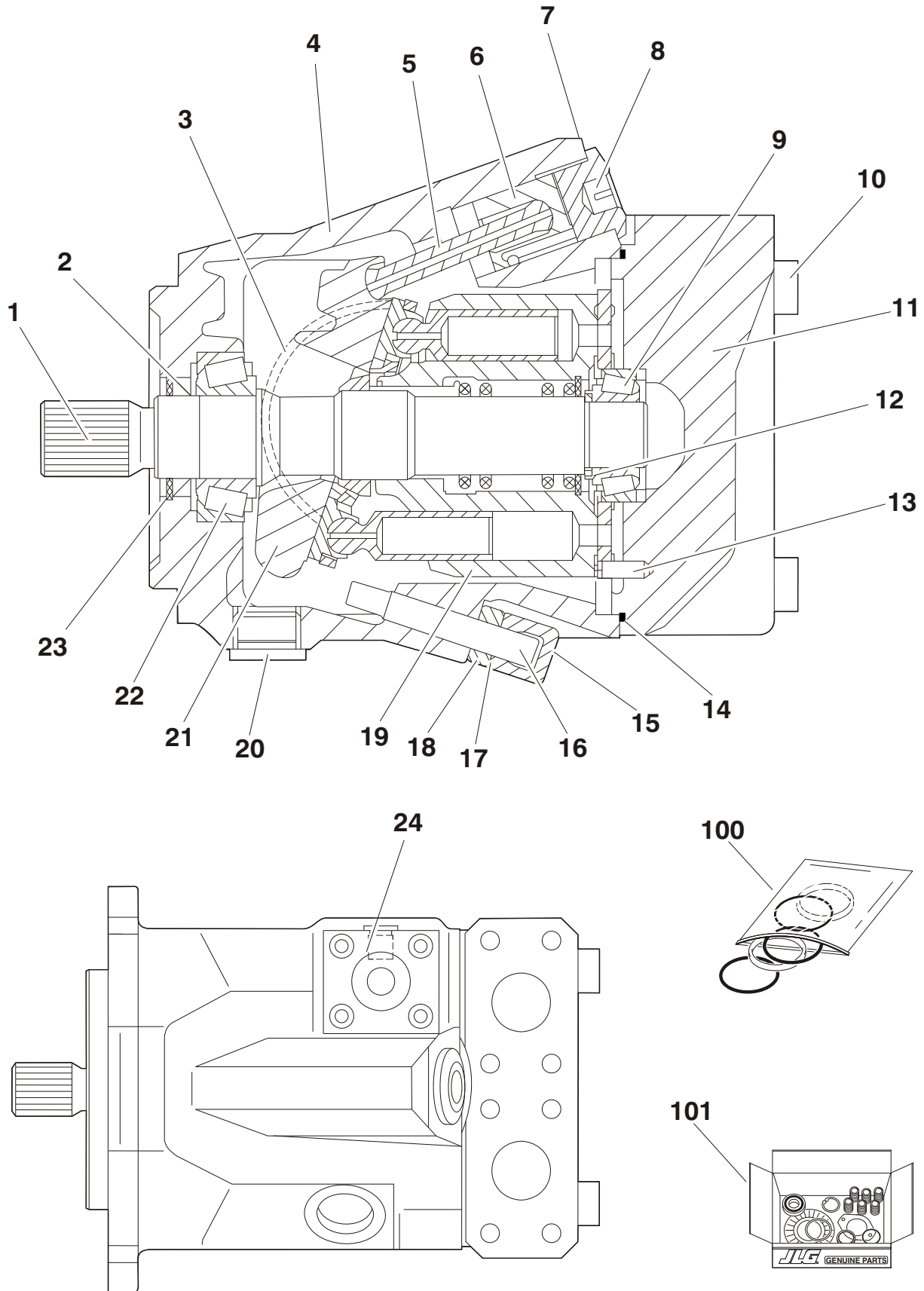
ITEM #	PART NUMBER	QTY.	DESCRIPTION	REV.
26		1	Seal Kit Options:	
26A	2900766		Seal Kit (Includes Items 8,13,17,18,19,20,22 & 23)	
26B	2900768		Seal Kit (Includes Items 8,13,15,22 & 23)	
27		1	Lining Kit Options: (Includes Items 5,6,7,8,22 & 23)	
	2900767		0920084 Brake (Prior to S/N 33476)	
	7018608		0920110 Brake (S/N 33476 to S/N 57155)	
	0920119	Ref.	S/N 57155 to Present (Not Shown)	B
51	7018612	1	Kit, Repair	
	7000731	2	Gasket, Mounting Face	
		Ref.	Note: No other Service Parts Available.	

FIGURE 1-5. DRIVE BRAKE ASSEMBLY (CONTINUED)

ITEM #	PART NUMBER	QTY.	DESCRIPTION	REV.

SECTION 1 FRAME

FIGURE 1-6. DRIVE MOTOR ASSEMBLY (PRIOR TO S/N 137333)



SECTION 1 FRAME

FIGURE 1-6. DRIVE MOTOR ASSEMBLY (PRIOR TO S/N 137333)

ITEM #	PART NUMBER	QTY.	DESCRIPTION	REV.
		Ref.	DRIVE MOTOR ASSEMBLIES	
	3160176	Ref.	Prior to September 1995	—
	3160213	Ref.	September 1995 to S/N 27450	—
	3160204	Ref.	S/N 27450 to S/N 137333	—
1	7012701	1	Shaft - 13 Teeth	
2	Use Item 100	1	Seal, Shaft	
3	7012702	2	Bearing, Cradle	
4	Not Available	1	Housing	
5	7012703	1	Rod, Piston	
6	7012704	1	Piston, Stroking	
7	Use Item 100	1	O-Ring	
8	7012705	1	Nut, Adapter	
9	7012706	1	Bearing, Roller	
10	7012707	4	Bolt, Metric Socket Head M12 x 65	
11	7012708	1	Block, Port	
12	7012709	1	Shim	
13	7012710	1	Pin, Dowel M6 x 18	
14	Use Item 100	1	O-Ring	
15	7012711	1	Nut, Cap M10 x 1	
16		1	Screw, Adjusting Options:	
	7012712	1	Prior to S/N 36331	
	7018990	1	S/N 36331 to Present	
17	Use Item 100	2	O-Ring	
18	7012713	1	Nut, Jam M10 x 1	
19	Use Item 101	1	Rotary Group Assembly	
20	Not Available	1	Plug	
21	Use Item 101	1	Plate, Swash	
22	7012714	1	Bearing, Roller	
23	7012715	1	V-Ring	
24	7012700	1	Control Plate Assembly	
			Kit Options:	
100	2900788	1	Seal Kit (Includes Items 2,7,14,17 & O-Rings under Item 24)	
101	7012716	1	Rotary Group Kit (Includes Items 19 and 21)	

SECTION 1 FRAME

FIGURE 1-7. DRIVE MOTOR ASSEMBLY (S/N 137333 TO PRESENT)

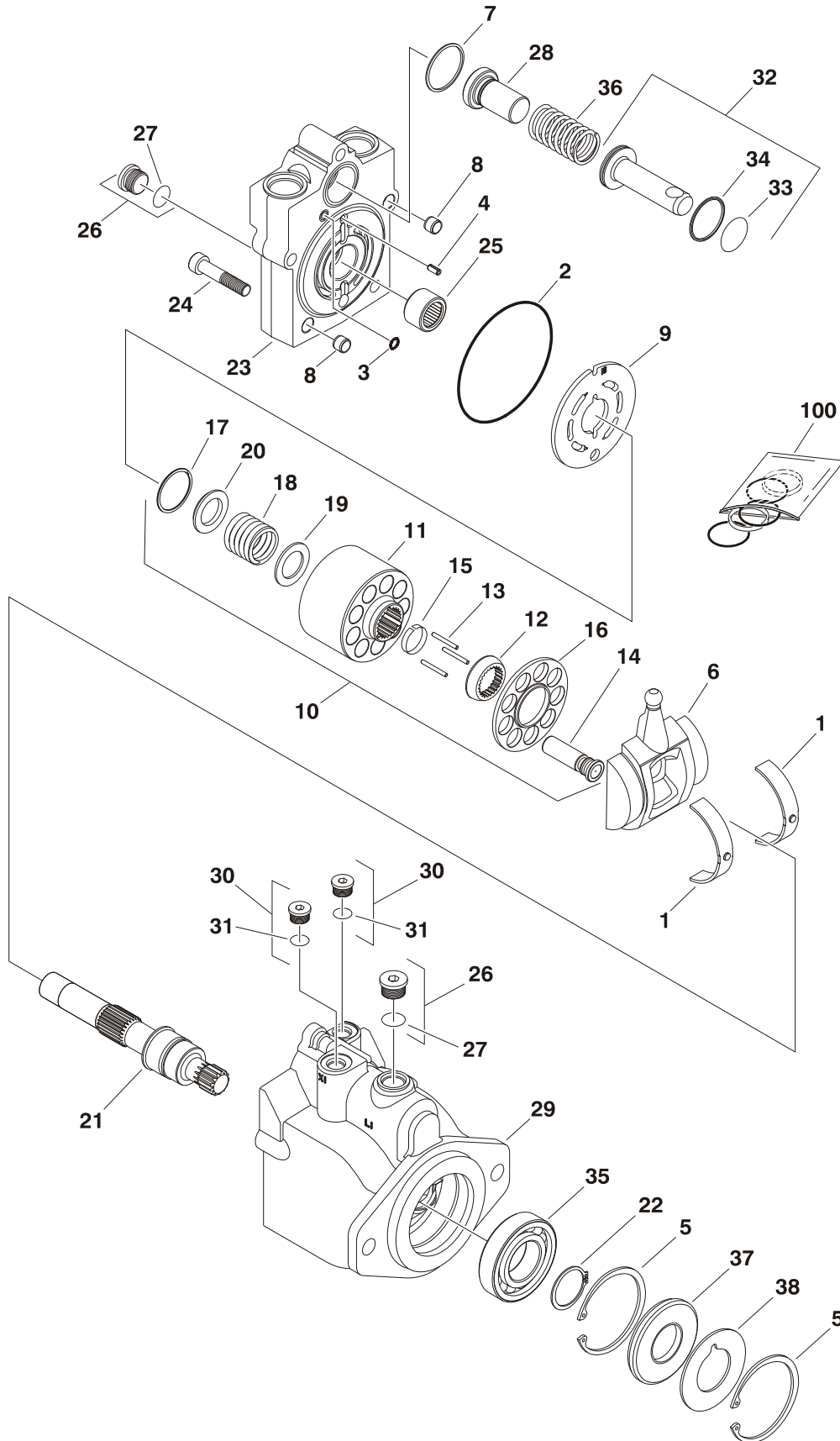
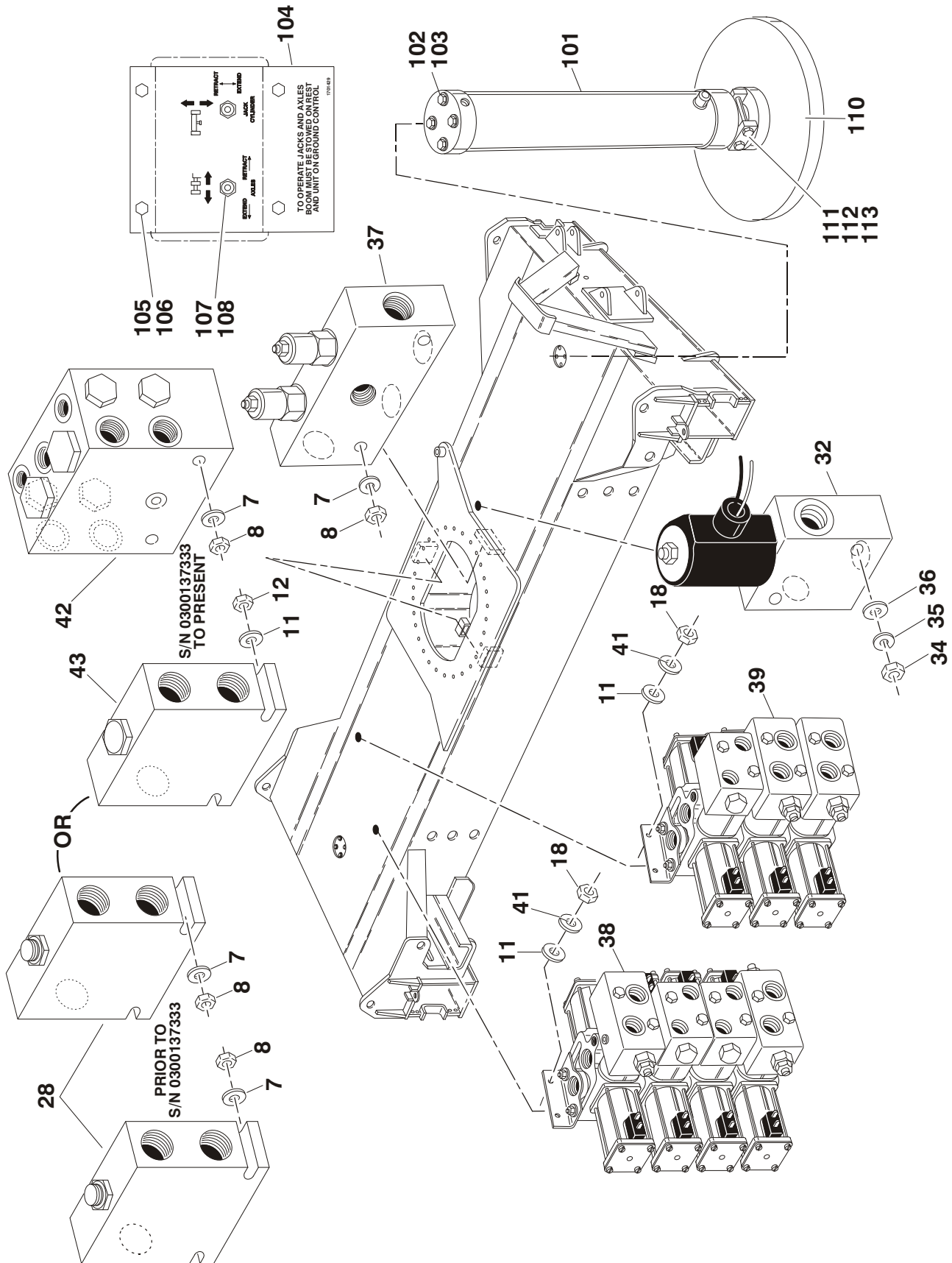


FIGURE 1-7. DRIVE MOTOR ASSEMBLY (S/N 137333 TO PRESENT)

ITEM #	PART NUMBER	QTY.	DESCRIPTION	REV.
	1001107852	Ref.	DRIVE MOTOR ASSEMBLY (S/N 137333 TO PRESENT)	A
1	7022302	2	Bearing, Journal	
2	7022303	1	O-Ring	
3	70002283	1	O-Ring	
4	7007446	1	Pin	
5	7007438	2	Ring, Retaining	
6	70000794	1	Swashplate	
7	70002284	1	O-Ring	
8	7007435	2	Pin	
9	7024862	1	Plate, Valve	
10	Not Available	1	Cylinder Block Kit (Includes Items 11-20)	
11	7024863	1	Block, Cylinder	
12	7024864	1	Guide, Slipper Retainer	
13	7021275	3	Pin, Slipper Hold Down	
14	7024865	9	Piston Assembly	
15	7021276	1	Retainer, Hold Down Pin	
16	7024866	1	Retainer, Slipper	
17	7022311	1	Ring, Retaining	
18	7024867	1	Spring	
19	7024868	1	Washer	
20	7022314	1	Retainer, Spring	
21	7023910	1	Shaft	
22	7007439	1	Ring, Retaining	
23	70002286	1	Cap, End - Radial	
24	7022368	5	Screw	
25	7021249	1	Bearing, Needle	
26	7022321	2	Plug	
27	7022322	2	O-Ring	
28	70002287	1	Seat, Spring	
29	7024870	1	Housing	
30	7027420	2	Plug	
31	7021256	2	O-Ring	
32	7024854	1	Piston Assembly, Servo	
33	7022324	1	O-Ring	
34	7022325	1	Ring, Seal	
35	7007437	1	Bearing	
36	7022326	1	Spring	
37	7007459	1	Seal, Lip	
38	7022371	1	Washer, Support	
39 to 99	Not Used			
100	7022328	1	Seal Kit (Includes Items 2, 3, 7, 27, 31, 33, 34 and 37)	

SECTION 1 FRAME

FIGURE 1-8.FRAME MOUNTED COMPONENTS INSTALLATIONS



SECTION 1 FRAME

FIGURE 1-8. FRAME MOUNTED COMPONENTS INSTALLATIONS

ITEM #	PART NUMBER	QTY.	DESCRIPTION	REV.
		Ref.	FRAME MOUNTED VALVES AND JACK CYLINDER INSTALLATIONS	A
		Ref.	VALVES INSTALLATION (FRAME MOUNTED)	
	0251955	Ref.	Prior to S/N 0300137333	15
	1001110031	Ref.	S/N 0300137333 to Present	1
1 to 6	Not Used			
7	4751600	A/R	Flatwasher 3/8"	
8	3311605	A/R	Locknut 3/8"-16NC	
9 to 10	Not Used			
11	4751500	A/R	Flatwasher 5/16"	
12	3311505	2	Locknut 5/16"-18NC (S/N 0300137333 to Present)	
13 to 17	Not Used			
18	3311501	8	Nut 5/16"-18NC	
19 to 27	Not Used			
28	4640260	2	Valve, Flow Divider (Prior to S/N 0300137333 Only)	
	Use 4640260	1	Cartridge (Vickers/Modular Controls Version)	
	7009739	1	Seal Kit (Vickers/Modular Controls Version)	
	7007321	1	Cartridge (Fluid Controls Version)	
	7007323	1	Seal Kit (Fluid Controls Version)	
	7020045	1	Cartridge (Logic Hydraulic Controls Version)	
	7020051	1	Seal Kit (Logic Hydraulic Controls Version)	
29	4300076	6	Stud 3/8"-16NC x 3" (Not Shown) (Prior to S/N 80240)	
30 to 31	Not Used			
32	4640123	1	Valve, Solenoid (2 Speed)	
	7004368	1	Coil (Hydraforce Version)	
	7012518	1	Seal Kit (Hydraforce Version)	
	7000558	1	Coil (FPS Version)	
	7006075	1	Seal Kit (FPS Version)	
33	4300042	2	Stud 1/4"-20NC x 1 3/4" (Not Shown) (Prior to S/N 80240)	
34	3311401	2	Nut 1/4"-20NC	
35	4761400	2	Lockwasher 1/4"	
36	4751400	2	Flatwasher 1/4"	
37		1	Valve, Counterbalance Options:	
	4640700		Prior to S/N 0300137333	
	7011316	2	Cartridge	
	7011317	2	Seal Kit	
	1001109985		S/N 0300137333 to Present	
	70002279	2	Cartridge	
	7011317	2	Seal Kit	
38	4640701	1	Control Valve Assembly - 4 Section Bang-Bang (See Figure 1-9 for Breakdown)	
39	4640702	1	Control Valve Assembly - 3 Section Bang-Bang (See Figure 1-10 for Breakdown)	
40	4300038	8	Stud 5/16"-18NC x 1" (Not Shown) (Prior to S/N 80240)	
41	4761500	8	Lockwasher 5/16"	

SECTION 1 FRAME

FIGURE 1-8. FRAME MOUNTED COMPONENTS INSTALLATIONS (CONTINUED)

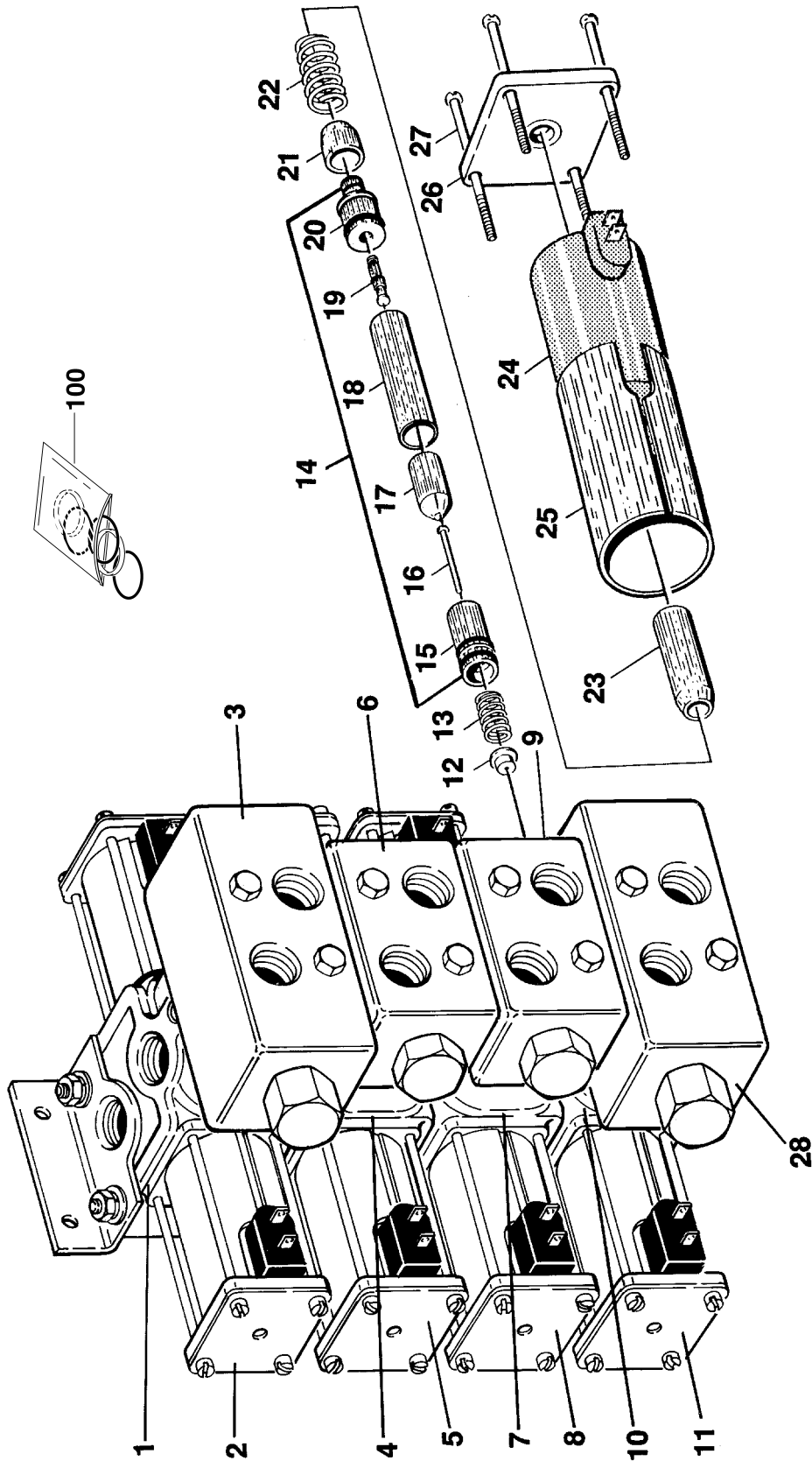
ITEM #	PART NUMBER	QTY.	DESCRIPTION	REV.	
42	4641183	1	Valve, Flow Divider (S/N 0300137333 to Present)		
	7023917	2	Cartridge		
	7021625	2	Seal Kit		
	4641193	4	Cartridge		
	7017496	4	Seal Kit		
43	1001109984	1	Valve, Hot Oil Shuttle (S/N 0300137333 to Present)		
	70002280	1	Cartridge		
	70002281	1	Seal Kit		
	0251881	Ref.	JACK CYLINDERS INSTALLATIONS		3
101	1682511	2	Jack Cylinder Assembly (See Section 5 for Breakdown)		
102	0641814	8	Bolt 1/4"-13NC x 1 3/4"		
103	4761800	8	Lockwasher 1/2"		
104		2	Nameplate - Jack/Axle Switches		
	3252141		Standard Spec		
	3252142		Japanese Spec		
105	0641406	8	Bolt 1/4"-20 x 3/4"		
106	4761400	8	Lockwasher 1/4"		
107	4360202	4	Switch, Toggle		
108	3790012	4	O-ring		
109	Not Used				
110	3340630	1	Jack Pad Weldment		
111	0641852	2	Bolt 1/2"-13NC x 6 1/2"		
112	3311801	2	Nut 1/2"-13NC		
113	0100011	A/R	Compound, Locking		

FIGURE 1-8. FRAME MOUNTED COMPONENTS INSTALLATIONS (CONTINUED)

ITEM #	PART NUMBER	QTY.	DESCRIPTION	REV.

SECTION 1 FRAME

FIGURE 1-9. CONTROL VALVE ASSEMBLY - 4 SECTION BANG-BANG



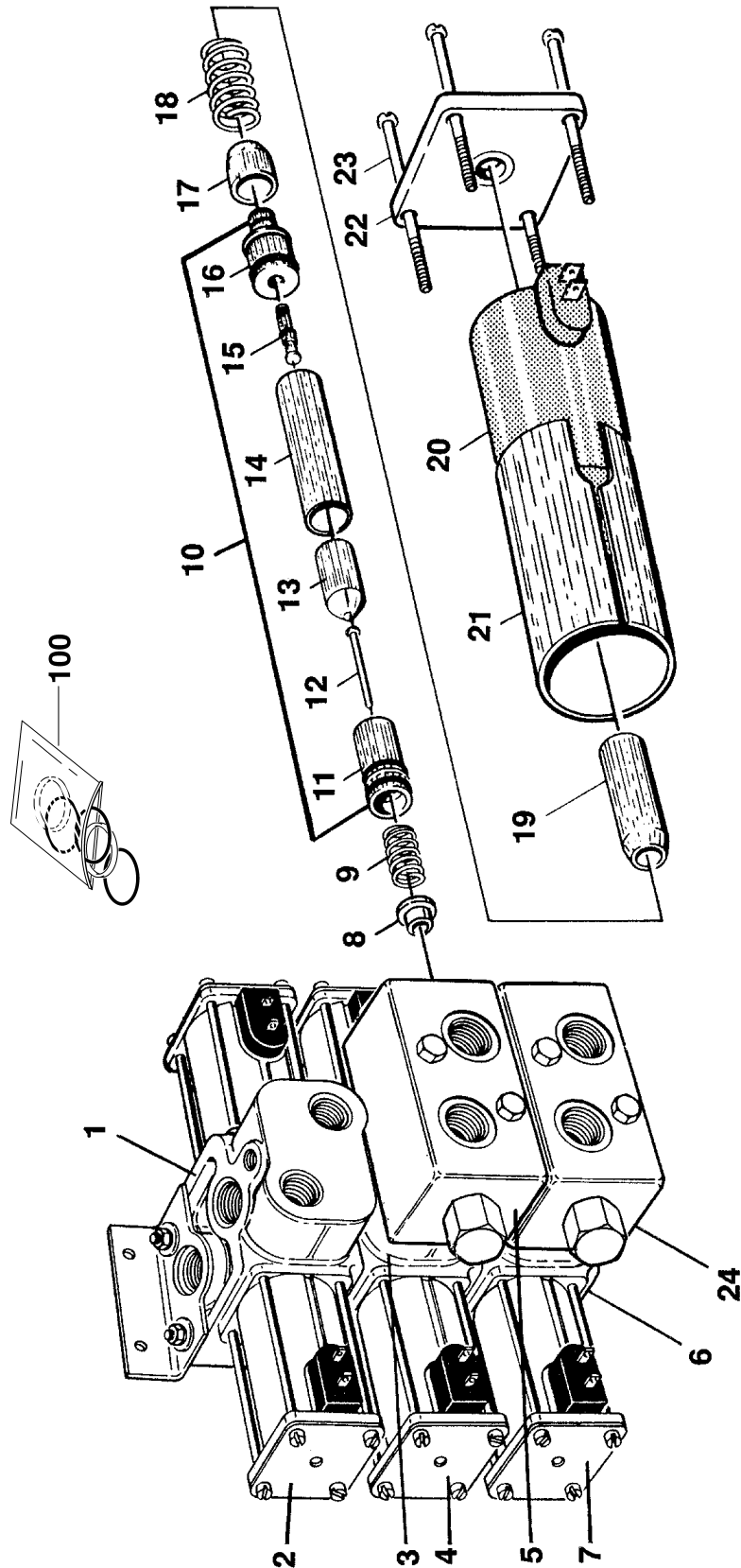
SECTION 1 FRAME

FIGURE 1-9. CONTROL VALVE ASSEMBLY - 4 SECTION BANG-BANG

ITEM #	PART NUMBER	QTY.	DESCRIPTION	REV.
	4640701	Ref.	CONTROL VALVE ASSEMBLY - 4 SECTION BANG-BANG	—
1	7002315	1	Working Section - Complete (Front Axle Extension)	
2	7004859	2	Solenoid Assembly (Refer to Items 12-72 for Serviced Parts)	
3	7000468	1	Cross Over Relief Valve Block Assembly (No Longer Field Serviceable)	
4	7002316	1	Working Section - Complete (Front Jack)	
5	7004859	1	Solenoid Assembly (Refer to Items 12-72 for Serviced Parts)	
6	7002262	1	Dual Pilot Check Valve Block Assembly (No Longer Field Serviceable)	
7	7002316	1	Working Section - Complete (Rear Jack)	
8	7004859	2	Solenoid Assembly (Refer to Items 12-27 for Serviced Parts)	
9	7002262	1	Dual Pilot Check Valve Block Assembly (No Longer Field Serviceable)	
10	7002315	1	Working Section - Complete (Rear Axle Extension)	
11	7004859	2	Solenoid Assembly (Refer to Items 12-27 for Serviced Parts)	
12	7002825	1	Washer	
13	7002348	1	Spring	
14	7002305	1	Guide Tube Assembly	
15	7002345	1	Cone, Female	
	Use Item 100	1	O-Ring	
	Use Item 100	1	O-Ring	
16	7002346	1	Pin, Push	
17	7002344	1	Plunger	
18	7000470	1	Tube, Guide	
19	7002341	1	Pin, Actuator	
20	7002340	1	Guide, External Push Pin	
	Use Item 100	1	O-Ring	
21	7002333	1	Sleeve, Inner Flux	
22	7002334	1	Spring	
23	7002336	1	Sleeve, Outer Flux	
24	7000418	1	Coil	
25	7002335	1	Case, Solenoid	
26	7002338	1	Plate, End	
27	7002339	4	Screw	
28	7000468	1	Cross Over Relief Valve Block Assembly (No Longer Field Serviceable)	
100	7000414	4	Seal Kit - Working Section	

SECTION 1 FRAME

FIGURE 1-10. CONTROL VALVE ASSEMBLY - 3 SECTION BANG-BANG



SECTION 1 FRAME

FIGURE 1-10. CONTROL VALVE ASSEMBLY - 3 SECTION BANG-BANG

ITEM #	PART NUMBER	QTY.	DESCRIPTION	REV.
	4640702	Ref.	CONTROL VALVE ASSEMBLY - 3 SECTION BANG-BANG	—
1	7002317	1	Working Section - Complete	
2	7004859	2	Solenoid Assembly (Refer to Items 8-23 for Serviced Parts)	
3	7002315	1	Working Section - Complete (Front Steer)	
4	7004859	2	Solenoid Assembly (Refer to Items 8-23 for Serviced Parts)	
5	7000468	1	Relief Valve Block Assembly (No Longer Field Serviceable)	
6	7002315	1	Working Section - Complete (Rear Steer)	
7	7004859	2	Solenoid Assembly (Refer to Items 8-23 for Serviced Parts)	
8	7003825	1	Washer	
9	7002348	1	Spring	
10	7002305	1	Guide Tube Assembly	
11	7002345	1	Cone, Female	
	Use Item 100	1	O-Ring	
	Use Item 100	1	O-Ring	
12	7002346	1	Pin, Push	
13	7002344	1	Plunger	
14	7000470	1	Tube, Guide	
15	7002341	1	Pin, Actuator	
	Use Item 100	1	Ring, Quade	
16	7002340	1	Guide, External Push Pin	
	Use Item 100	1	O-Ring	
17	7002333	1	Sleeve, Inner Flux	
18	7002334	1	Spring	
19	7002336	1	Sleeve, Outer Flux	
20	7000418	1	Coil	
21	7002335	1	Case, Solenoid	
22	7002338	1	Plate, End	
23	7002339	4	Screw	
24	7000468	1	Cross Over Relief Valve Block Assembly (No Longer Field Serviceable)	
100	7000414	3	Seal Kit - Working Section	

SECTION 1 FRAME

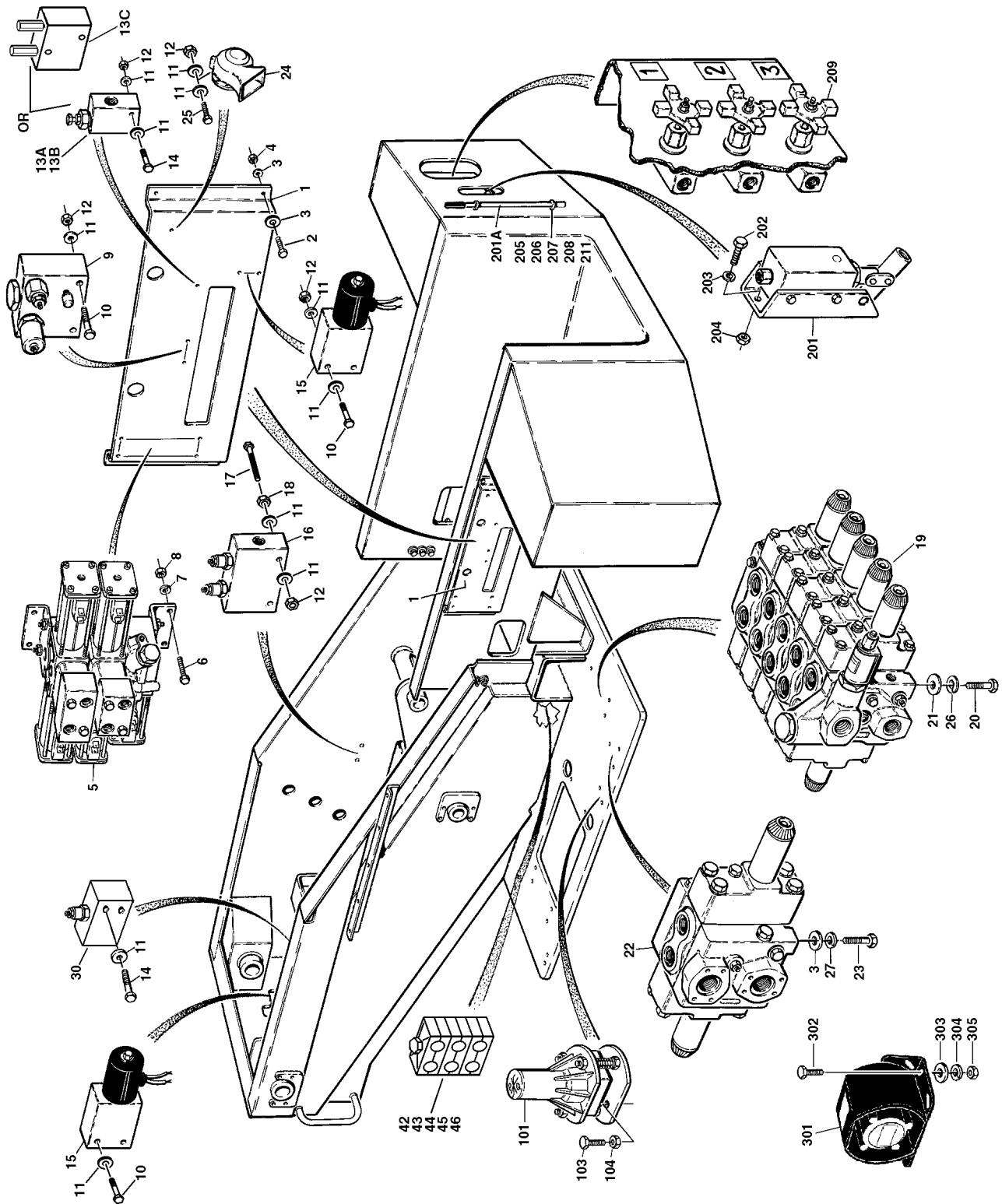
FIGURE 1-10. CONTROL VALVE ASSEMBLY - 3 SECTION BANG-BANG (CONTINUED)

ITEM #	PART NUMBER	QTY.	DESCRIPTION	REV.

SECTION 2 TURNTABLE

SECTION 2 TURNTABLE

FIGURE 2-1. CONTROL VALVE INSTALLATIONS



SECTION 2 TURNTABLE

FIGURE 2-1. CONTROL VALVE INSTALLATIONS

ITEM #	PART NUMBER	QTY.	DESCRIPTION	REV.
		Ref.	VALVES INSTALLATIONS	
	0251955	Ref.	Prior to S/N 0300137333	15
	1001110031	Ref.	S/N 0300137333 to Present	1
1	3535344	1	Plate, Valve	
2	0641812	4	Bolt 1/2"-13NC x 1 1/2"	
3	4751800	11	Flatwasher 1/2"	
4	3311805	4	Locknut 1/2"-13NC	
5		1	Valve Assembly - 2 Section Bang-Bang Options:	
	4640462		Prior to September 1995 (See Figure 2-2 for Breakdown)	
	4640947		September 1995 to Present (See Figure 2-3 for Breakdown)	
6	0641608	4	Bolt 3/8"-16NC x 1"	
7	4751600	8	Flatwasher 3/8"	
8	3311605	4	Locknut 3/8"-16NC	
9	4640136	1	Relief Valve Assembly	
	7000552	1	Cartridge with Coil	
	7000548	1	Coil	
	7001507	1	Seal Kit	
	7007320	1	Cartridge, Adjustable	
	7001507	1	Seal Kit	
10	0641522	6	Bolt 5/16"-18NC x 2 3/4"	
11	4751500	A/R	Flatwasher 5/16"	
12	3311505	A/R	Locknut 5/16"-18NC	
13		1	Relief Valve Assembly Options:	
13A	4640603		Valve (Prior to May 1993)	
	7011311	1	Cartridge, Adjustable	
	2900770	1	Seal Kit	
13B	4640814		Valve (May 1993 to October 1994)	
	7011322	1	Cartridge, Adjustable	
	2900770	1	Seal Kit	
13C	4640839		Valve (October 1994 to Present)	
	7012945	2	Cartridge, Adjustable	
14	0641518	A/R	Bolt 5/16"-18NC x 2 1/4"	
15	4640363	2	Solenoid Valve Assembly Options:	
	7000558	2	Coil (FPS Version)	
	7001506	2	Seal Kit (FPS Version)	
	7004368	2	Coil (Hydraforce Version)	
	2900795	2	Seal Kit (Hydraforce Version)	
16	4640661	1	Dual Counter Balance Valve Assembly	
	7011320	2	Cartridge, Adjustable	
	2900770	2	Seal Kit	
17	0641516	2	Bolt 5/16"-18NC x 2"	
18	3311501	2	Nut 5/16"-18NC	
19		1	Valve Assembly - 5-Stack Vickers Options (See Figure 2-4 for Breakdown):	
	4640705		Prior to October 1994	
	4640916		October 1994 to S/N 31000	
	Use 4641006		Prior to S/N 31000 (was p/n 4640916)	
	4641006		S/N 31000 to Present	

SECTION 2 TURNTABLE

FIGURE 2-1. CONTROL VALVE INSTALLATIONS (CONTINUED)

ITEM #	PART NUMBER	QTY.	DESCRIPTION	REV.
20	0641714	3	Bolt 7/16"-14NC x 1 3/4"	
21	4751700	3	Flatwasher 7/16"	
22		1	Valve Assembly - 1-Stack Vickers CMX160 Options (See Figure 2-5 for Breakdown):	
	4640704		Prior to October 1994	
	4640872		October 1994 to Present	
23	0641814	3	Bolt 1/2"-13NC x 1 3/4"	
24	0140001	1	Horn	
25	0641508	1	Bolt 5/16"-18NC x 1"	
26	4761700	3	Lockwasher 7/16"	
27	4761800	3	Lockwasher 1/2"	
28 to 29	Not Used			
30		1	Holding Valve Assembly	
	Not Required		Valve (Prior to S/N 29301)	
	4641008		Valve (S/N 29302 to Present)	
	7011340	1	Cartridge, Adjustable	
	2900789	1	Seal Kit	
31 to 41	Not Used			
42	0641511	1	Bolt 5/16"-18NC x 1 3/8"	
43	1320187	3	Clamp, Twin 5/8"	
44	1320188	2	Clamp, Stacking Bolt	
45	1320189	2	Clamp, Lockwasher	
46	1320190	1	Clamp, Coverplate	
	0252043	Ref.	TILT INDICATOR INSTALLATION	B
101	4360306	1	Switch, Level Sensor (5°)	
102	2820022	6in/15cm	Vinyl Tubing (Not Shown)	
103	0641412	2	Bolt 1/4"-20NC x 1 1/2"	
104	3311405	2	Locknut 1/4"	
	0251981	Ref.	MANUAL DESCENT COMPONENTS INSTALLATION	—
201	3600179	1	Pump Assembly	
	2900779	1	Seal Kit - 3600179 Pump	
201A	7010652	1	Handle, Pump	
202	0641608	2	Bolt 3/8"-16NC x 1"	
203	4751600	2	Flatwasher 3/8"	
204	3311605	2	Locknut 3/8"-16NC	
205	1380136	2	Clip, Gripper	
206	0721006	2	Screw #10-24NC x 3/4"	
207	4751000	2	Flatwasher #10	
208	3311001	2	Nut #10	
209	4640005	3	Needle Valve	
210	2900062	3	Valve Kit	
211	4761000		Lockwasher #10	

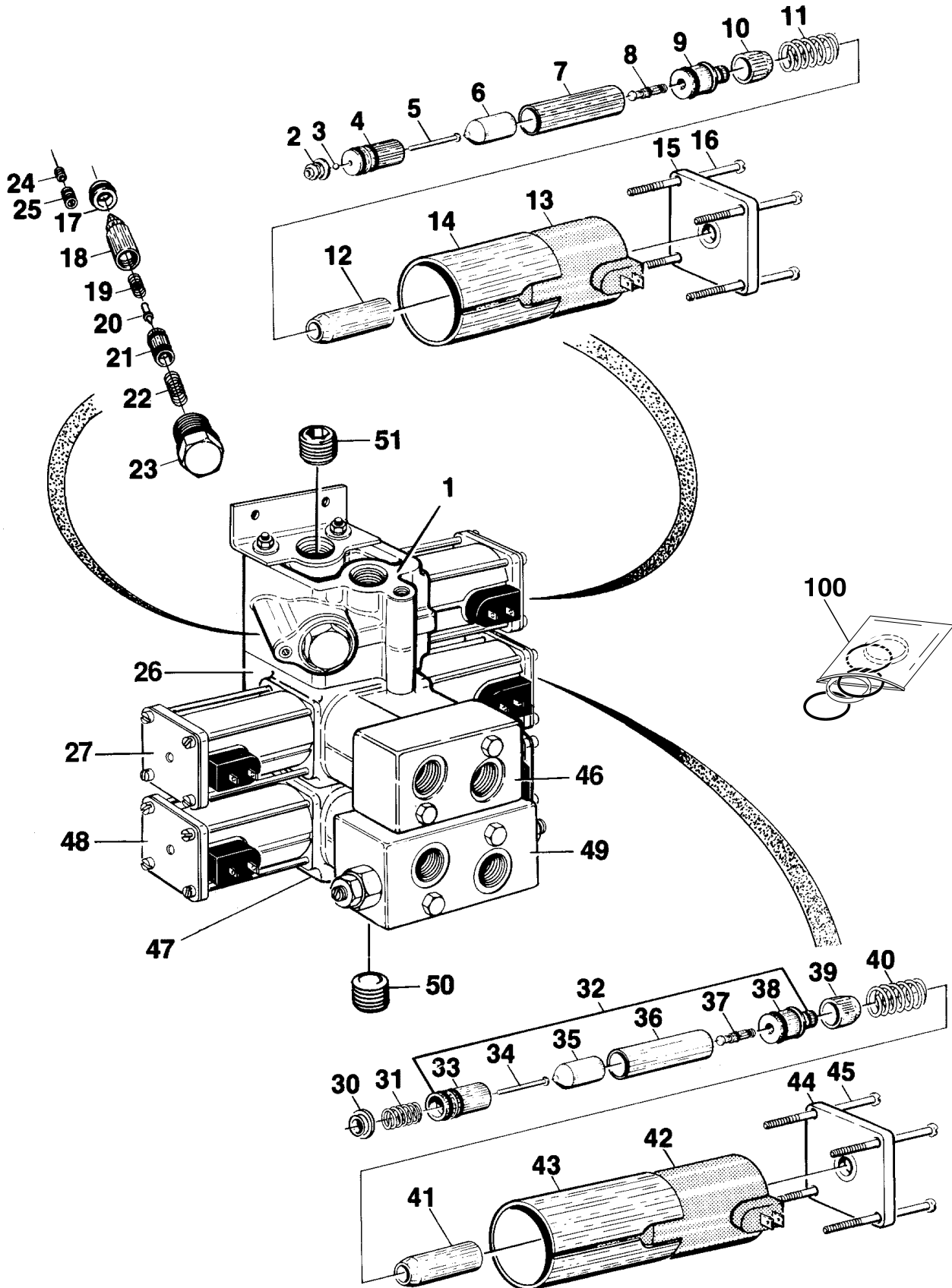
SECTION 2 TURNTABLE

FIGURE 2-1. CONTROL VALVE INSTALLATIONS (CONTINUED)

ITEM #	PART NUMBER	QTY.	DESCRIPTION	REV.
	0252773	Ref.	ALARM INSTALLATION (OPTIONAL)	B
301	0140032	1	Alarm	
302	0641408	2	Bolt 1/4"-20NC x 1"	
303	4751400	2	Flatwasher 1/4"	
304	4761400	2	Lockwasher 1/4"	
305	3311404	2	Nut 1/4"-20NC	
306	2540018	1	Grommet (Not Shown)	

SECTION 2 TURNTABLE

FIGURE 2-2.CONTROL VALVE ASSEMBLY 2 SECTION BANG-BANG



SECTION 2 TURNTABLE

FIGURE 2-2. CONTROL VALVE ASSEMBLY 2 SECTION BANG-BANG

ITEM #	PART NUMBER	QTY.	DESCRIPTION	REV.
	4640462	Ref.	CONTROL VALVE ASSEMBLY - 2 SECTION BANG-BANG	B
1	7002304	1	Dump Section - Complete	
		1	Solenoid Assembly	
2	7004823	1	Seat	
	7002378	1	O-Ring	
3	7002229	1	Ball	
		1	Guide Tube Assembly	
4	7004822	1	Cone, Female	
	Use Item 101	1	O-Ring	
5	7002346	1	Pin, Push	
6	7004839	1	Plunger	
7	7004838	1	Tube, Guide	
8	7004841	1	Pin, Push	
	Use Item 101	1	O-Ring	
9	7002340	1	Guide, External Push Pin	
	Use Item 101	1	O-Ring	
10	7004834	1	Sleeve, Inner Flux	
11	7002334	1	Spring	
12	7004835	1	Sleeve, Outer Flux	
13	7000417	1	Coil	
14	7004836	1	Case, Solenoid	
15	7002338	1	Plate, End	
16	7004837	4	Screw	
17	7002322	1	Seat	
	Use Item 101	1	O-Ring	
		1	Main Relief (Poppet) Valve	
18	7002321	1	Case, Poppet	
19	7002328	1	Spring	
20	7002294	1	Poppet	
21	7002320	1	Seat, Adjustable	
	Use Item 101	1	O-Ring	
22	7002329	1	Spring	
23	7002323	1	Plug	
	Use Item 101	1	O-Ring	
24	7002326	1	Orifice	
25	7002324	1	Plug	
26	7002316	1	Working Section - Complete (Level)	
27	7004859	2	Solenoid Assembly	
28	Not Used			
29	Not Used			
30	7003825	1	Washer, Hat	
31	7002348	1	Spring	
32	7002305	1	Guide Tube Assembly	
33	7002345	1	Cone, Female	
	Use Item 100	1	O-Ring	
	Use Item 100	1	O-Ring	
34	7002346	1	Pin, Push	
35	7002344	1	Plunger	

SECTION 2 TURNTABLE

FIGURE 2-2. CONTROL VALVE ASSEMBLY 2 SECTION BANG-BANG (CONTINUED)

ITEM #	PART NUMBER	QTY.	DESCRIPTION	REV.
36	7000470	1	Tube, Guide	
37	7002341	1	Pin, Actuator	
	Use Item 100	1	Ring, Quade	
38	7002340	1	Guide, External Push Pin	
	Use Item 100	1	O-Ring	
39	7002333	1	Sleeve, Inner Flux	
40	7002334	1	Spring	
41	7002336	1	Sleeve, Outer Flux	
42	7000418	1	Coil	
43	7002335	1	Case, Solenoid	
44	7002338	1	Plate, End	
45	7002339	4	Screw	
46	7002262	1	Duel Pilot Check Valve Block Assembly (No Longer Field Serviceable)	
47	7002315	1	Working Section - Complete (Telescope)	
48	7004859	2	Solenoid Assembly (Refer to Items 30-45 for Serviced Parts)	
49	7000468	1	Cross Over Relief Valve Block Assembly (No Longer Field Serviceable)	
50	2220237	1	Plug	
51	2220238	1	Plug	
			Kit Options:	
100	7000414	3	Seal Kit - Working Section	
101	7000413	1	Seal Kit - Dump Section	

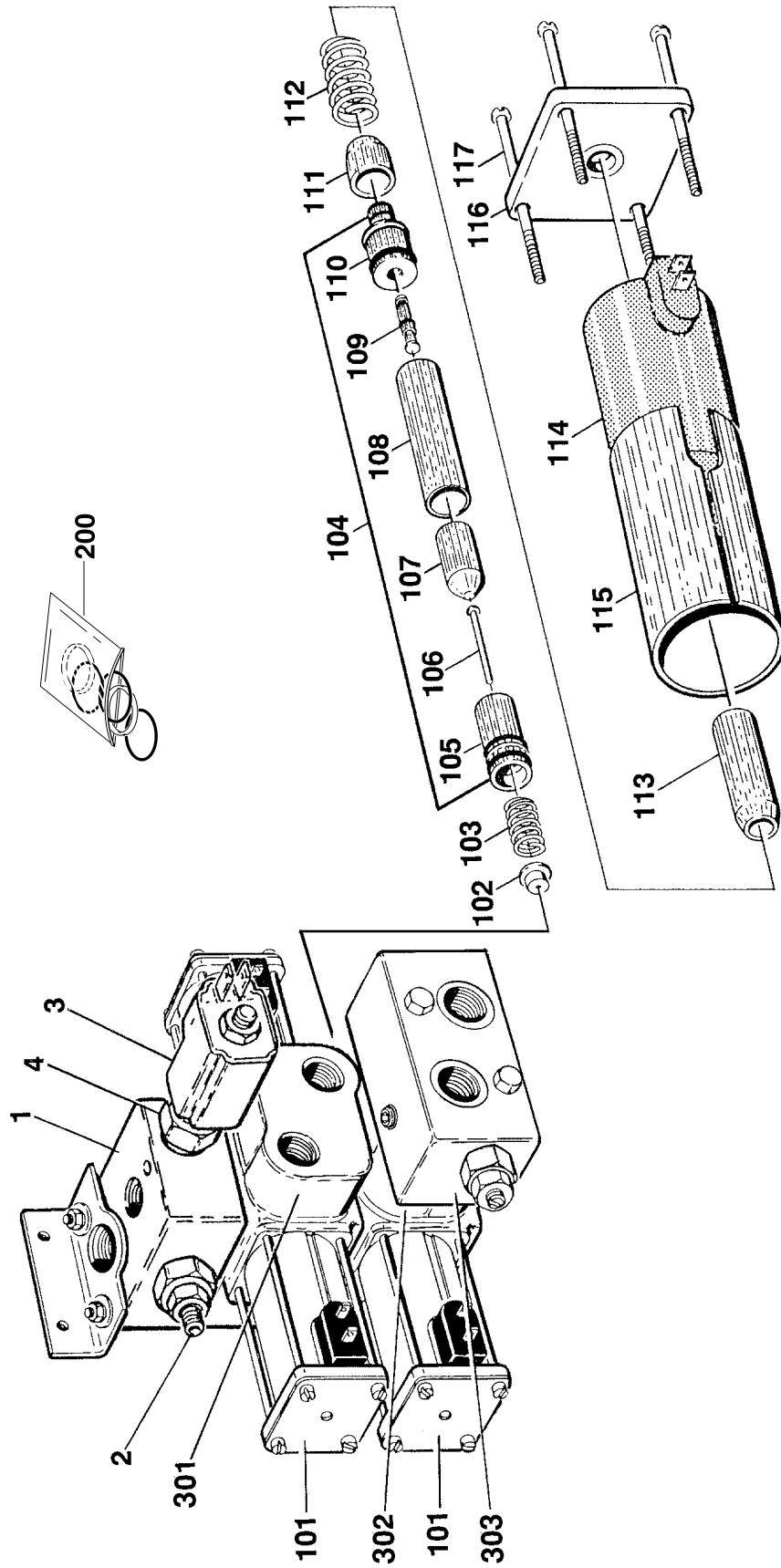
SECTION 2 TURNTABLE

FIGURE 2-2. CONTROL VALVE ASSEMBLY 2 SECTION BANG-BANG (CONTINUED)

ITEM #	PART NUMBER	QTY.	DESCRIPTION	REV.

SECTION 2 TURNTABLE

FIGURE 2-3.CONTROL VALVE ASSEMBLY 2 SECTION BANG-BANG



SECTION 2 TURNTABLE

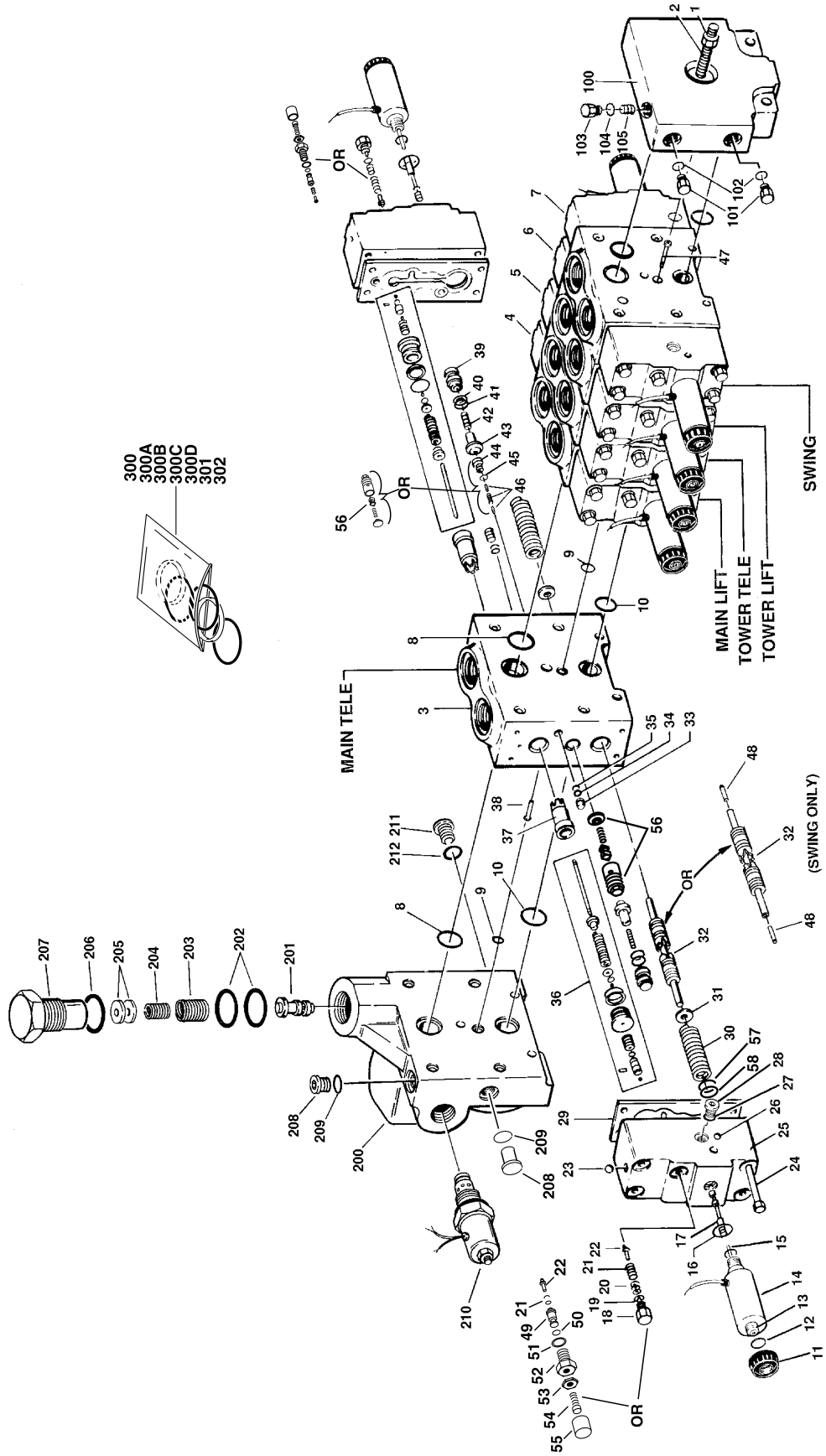
FIGURE 2-3. CONTROL VALVE ASSEMBLY 2 SECTION BANG-BANG

ITEM #	PART NUMBER	QTY.	DESCRIPTION	REV.
		Ref.	CONTROL VALVE ASSEMBLY - BANG-BANG	
	4640947	Ref.	VALVE ASSEMBLY - 2 SECTION	B
		Ref.	DUMP SECTION ASSEMBLY	
1	7002447	1	Dump Section - Complete	
2	7002448	1	Cartridge	
	7002449	1	Seal Kit - 7002448 Cartridge	
3	7002450	1	Coil	
4	7002451	1	Cartridge Without Coil	
	7011118	1	Seal Kit - 7002451 Cartridge	

	7000448	2	O-Ring (Between Sections)	
		Ref.	WORKING SECTIONS (STANDARD PARTS)	
101	7004859	2	Solenoid Assembly	A
102	7003825	1	Washer	
103	7002348	1	Spring	
104	7002305	1	Guide Tube Assembly	
105	7002345	1	Cone, Female	
	Use Item 200	1	O-Ring	
	Use Item 200	1	O-Ring	
106	7002346	1	Pin, Push	
107	7002344	1	Plunger	
108	7000470	1	Tube, Guide	
109	7002341	1	Pin Actuator	
	Use Item 200	1	Ring, Quade	
110	7002340	1	Guide, External Push Pin	
	Use Item 200	1	O-Ring	
111	7002333	1	Sleeve, Inner Flux	
112	7002334	1	Spring	
113	7002336	1	Sleeve, Outer Flux	
114	7000418	1	Coil	
115	7002335	1	Case, Solenoid	
116	7002338	1	Plate, End	
	7002327	1	Nameplate	
117	7002339	4	Screw	
200	7000414	2	Seal Kit - Working Section (1 Per Section)	
		Ref.	WORKING SECTIONS - COMPLETE (INCLUDES ITEMS 101-117 AND RELIEF VALVE ASSEMBLY WHEN EQUIPPED)	
301	7002316	1	Level Section	
302	7002315	1	Rotate Section	
303	7000468	1	Cross Over Relief Valve Assembly (Due to Various Suppliers - Internal Components Are No Longer Field Serviceable)	

SECTION 2 TURNTABLE

FIGURE 2-4. CONTROL VALVE ASSEMBLY - 5 SECTION VICKERS



SECTION 2 TURNTABLE

FIGURE 2-4. CONTROL VALVE ASSEMBLY - 5 SECTION VICKERS

ITEM #	PART NUMBER	QTY.	DESCRIPTION	REV.
		Ref.	CONTROL VALVE ASSEMBLY OPTIONS:	
	4640705	Ref.	(Prior to October 1994)	—
	4640916	Ref.	(October 1994 to S/N 31000)	A
	4641006	Ref.	(S/N 31000 to Present)	B
		Ref.	Note: Original Equipment Assembly p/n's 4640705 or 4640916 may have been replaced with Service Replacement Assembly. Identify P/N before ordering replacement components.	
1	7006782	6	Nut	
2		3	Rod, Tie Options:	
	7009394		Prior to October 1994	
	7012384		October 1994 to Present	
3		1	Working Section - Complete (Main Tele)	
	7009388		Prior to October 1994	
	7012372		October 1994 to Present	
4		1	Working Section - Complete (Main Lift)	
	7009389		Prior to October 1994	
	7012378		October 1994 to S/N 31000	
	7020367		S/N 31000 to Present	
5		1	Working Section - Complete (Tower Tele)	
	7009390		Prior to October 1994	
	7012380		October 1994 to Present	
6		1	Working Section - Complete (Tower Lift)	
	7009391		Prior to October 1994	
	7012381		October 1994 to Present	
7		1	Working Section - Complete (Swing)	
	7009392		Prior to October 1994	
	7012382		October 1994 to Present	
8	See Note	1	O-Ring (Note: Use Items 300A-300D & 301)	
9	See Note	5	O-Ring (Note: Use Items 300A-300D & 301)	
10	See Note	1	O-Ring (Note: Use Items 300A-300D & 301)	
11		2	Nut, Retaining Options:	
	Use 7012325 & 7020361		(Was P/N 7009317) Prior to October 1994	
	7012325 & 7020361		October 1994 to Present	
12	See Note	2	O-Ring (Prior to October 1994 Only) (Note: Use Items 300A-300D)	
13		2	Core Tube (Includes O-Ring) Options:	
	7009316		Prior to October 1994	
	7012326		October 1994 to Present	
14		2	Coil and Frame	
	7009315		Prior to October 1994	
	7012339		October 1994 to Present	
15	7009319	2	Pin	
16	See Note	2	O-Ring (Note: Use Items 300A-300D)	
17		2	Spool	
	7006744		Prior to October 1994	
	7012327		October 1994 to Present	
18	7006726	2	Plug, Torque (Prior to October 1994 Only)	

SECTION 2 TURNTABLE

FIGURE 2-4. CONTROL VALVE ASSEMBLY - 5 SECTION VICKERS (CONTINUED)

ITEM #	PART NUMBER	QTY.	DESCRIPTION	REV.
19	See Note	2	O-Ring (Prior to October 1994 Only) (Note: Use Items 300A-300D)	
20	7009381	2	Shim Kit (Prior to October 1994 Only)	
21		2	Spring Options:	
	7006729		Prior to October 1994	
	7012324		October 1994 to Present	
22	7006730	2	Poppet	
23	7006731	2	Ball	
24	7006745	2	Screw	
25	Not Available	2	Cap, End	
26	7006746	2	Ball	
27	See Note	2	O-Ring (Note: Use Items 300A-300D)	
28	7009323	2	Spring	
29	See Note	2	Gasket (Note: Use Items 300A-300D)	
30	7009324	2	Spring	
31		2	Retainer Options:	
	7009325		Prior to October 1994	
	7012329		October 1994 to Present	
32	Not Available	2	Spool	
33	7006757	2	Seat	
34	See Note	2	Ring, Back-Up (Note: Use Items 300A-300D)	
35	See Note	2	O-Ring (Note: Use Items 300A-300D)	
36		2	Servo Stem Assembly	
	7006732		Prior to October 1994	
	7009320		October 1994 to Present	
37	7006737	2	Poppet	
38	Not Used			
39	7009398	2	Retainer	
40	See Note	2	Ring, Back-Up (Note: Use Items 300A-300D)	
41	See Note	2	O-Ring (Note: Use Items 300A-300D)	
42	7006773	2	Spring	
43	7009397	2	Poppet	
44	7006771	1	Plug, Torque (Prior to October 1994 Only)	
45	See Note	1	O-Ring (Prior to October 1994 Only) (Note: Use Items 300A-300D)	
46	7009368	1	Spring (Prior to October 1994 Only)	
	7009369	2	Poppet (Prior to October 1994 Only)	
47	Not Used			
48	7012300	2	Piston, Load (Swing Section Only)	
49	7012323	1	Piston (October 1994 to Present Only)	
50	7012322	1	O-Ring (October 1994 to Present Only)	
51	See Note	1	O-Ring (October 1994 to Present Only) (Note: Use Items 300A-300D)	
52	7012321	1	Plug (October 1994 to Present Only)	
53	7012318	1	Nut (October 1994 to Present Only)	
54	7012319	1	Screw (October 1994 to Present Only)	
55	7012320	1	Cap (October 1994 to Present Only)	
56	7012333	2	Load Sense Check Assembly (October 1994 to Present Only)	
57	7012328	A/R	Shim (October 1994 to Present Only)	

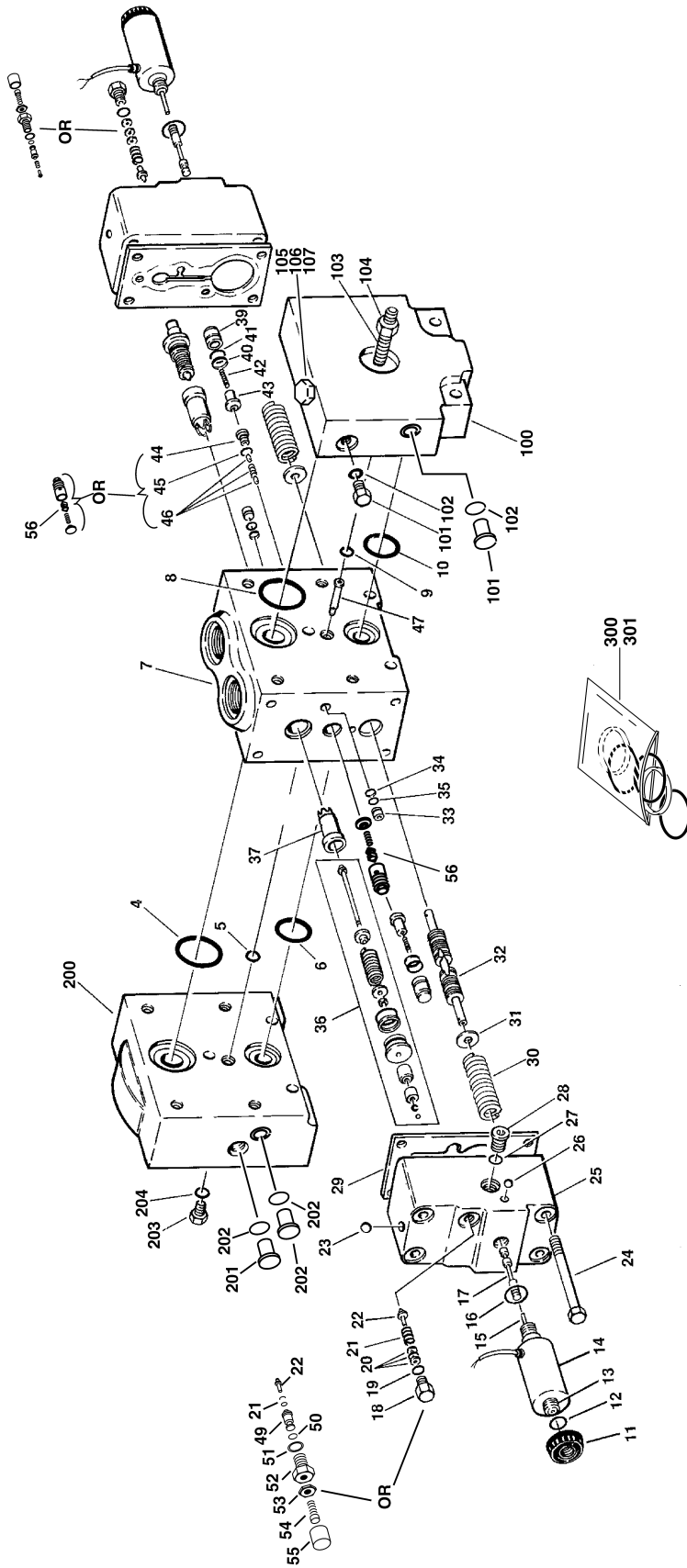
SECTION 2 TURNTABLE

FIGURE 2-4. CONTROL VALVE ASSEMBLY - 5 SECTION VICKERS (CONTINUED)

ITEM #	PART NUMBER	QTY.	DESCRIPTION	REV.
58	7012330	A/R	Shim (October 1994 to Present Only)	
		Ref.	END COVER ASSEMBLY	
100		1	Cover, End Options:	
	7006780		Prior to October 1994	
	7012337		October 1994 to Present	
101	7006778	A/R	Plug, Torque	
102	See Note	A/R	O-Ring (Note: Use Items 300A-300D)	
103	7012336	1	Plug (October 1994 to Present Only)	
104	See Note	1	O-Ring (October 1994 to Present Only) (Note: Use Items 300A-300D)	
105	7012338	1	Orifice (October 1994 to Present Only)	
		Ref.	INLET ASSEMBLY	
200	7009393	1	Inlet Assembly - Complete	
201	7012301	1	Valve, Load Sensing Relief	
202	Use Item 302	2	O-Ring	
203	7012370	1	Spring, Outer	
204	7012371	1	Spring, Inner	
205	7012367	A/R	Shim	
206	Use Item 302	1	O-Ring	
207	7012366	1	Retainer, Valve	
208		1	Plug Options:	
	7012385		Prior to October 1994	
	7006778		October 1994 to Present	
209	Use Item 302	1	O-Ring	
210	7012303	1	Valve, Solenoid Check	
	Not Available	1	Seal Kit - Solenoid Check Valve	
	7003647	1	Coil	
211	7009323	1	Plug	
212	See Note	1	O-Ring (Note: Use Items 300A-300D & 302)	
			Kit Options:	
300		5	Seal Kit Options: (Includes Items 8,9,10,12,16,19,27,29,34, 35, 40,41,45,51,102,104,212 and Servo Stem Seal)	
300A	7009396	5	Prior to October 1994	
300B	7009330	5	October 1994 to S/N 31000	
300C	7020365	4	S/N 31000 to Present Except Section 3 (Tower Tele	
300D	7020366	1	S/N 31000 to Present Section 3 (Tower Tele Only)	
301	7009395	6	Seal Kit - Valve Face Options: (Includes Items 8,9 and 10)	
302	7012302	1	Seal Kit - Inlet (Includes Items 202,206,209,212 and Solenoid Valve Seals)	

SECTION 2 TURNTABLE

FIGURE 2-5.CONTROL VALVE ASSEMBLY - 1 SECTION VICKERS (CMX160)



SECTION 2 TURNTABLE

FIGURE 2-5. CONTROL VALVE ASSEMBLY - 1 SECTION VICKERS (CMX160)

ITEM #	PART NUMBER	QTY.	DESCRIPTION	REV.
		Ref.	CONTROL VALVE ASSEMBLY - 1 SECTION VICKERS (CMX160)	
	4640704	Ref.	Prior to October 1994	—
	4640872	Ref.	October 1994 to Present	—
1	Not Used			
2	Not Used			
3	Not Used			
4	See Note	1	O-Ring (Note: Use Items 300 & 301)	
5	See Note	5	O-Ring (Note: Use Items 300 & 301)	
6	See Note	1	O-Ring (Note: Use Items 300 & 301)	
7		1	Working Section - Complete Option (Drive):	
	7009382		Prior to October 1994	
	7012363		October 1994 to Present	
8	See Note	1	O-Ring (Note: Use Items 300 & 301)	
9	See Note	5	O-Ring (Note: Use Items 300 & 301)	
10	See Note	1	O-Ring (Note: Use Items 300 & 301)	
11		2	Nut, Retaining Options:	
	Use 7012325 & 7020361		Prior to October 1994 (Was P/N 7009317)	
	7012325 & 7020361		October 1994 to S/N 31000	
12	Use Item 300	2	O-Ring	
13		2	Core Tube (Includes O-Ring) Options:	
	7009316		Prior to October 1994	
	7012326		October 1994 to Present	
14		2	Coil and Frame Options:	
	7009315		Prior to October 1994	
	7012339		October 1994 to Present	
15	7009319	2	Pin	
16	Use Item 300	2	O-Ring	
17		2	Spool Options:	
	7006744		Prior to October 1994	
	7012327		October 1994 to Present	
18	7006726	2	Plug, Torque (Prior to October 1994)	
19	Use Item 300	2	O-Ring (Prior to October 1994)	
20	7009381	2	Shim Kit (Prior to October 1994)	
21		2	Spring Options:	
	7006729		Prior to October 1994	
	7012324		October 1994 to Present	
22	7006730	2	Poppet	
23	7006731	2	Ball	
24	7009367	8	Screw	
25		2	Cap, End (Not Sold Separately)	
26	7006746	2	Ball	
27	Use Item 300	2	O-Ring	
28	7009323	2	Plug	
29	Use Item 300	2	Gasket	
30	7009372	2	Spring	
31	7009373	2	Retainer	
32	Not Available	1	Spool (Not Sold Separately)	

SECTION 2 TURNTABLE

FIGURE 2-5. CONTROL VALVE ASSEMBLY - 1 SECTION VICKERS (CMX160) (CONTINUED)

ITEM #	PART NUMBER	QTY.	DESCRIPTION	REV.
33		2	Seat Options:	
	7006757		Prior to October 1994	
	7012350		October 1994 to Present	
34	Use Item 300	2	Ring, Back-Up	
35	Use Item 300	2	O-Ring	
36	7009371	2	Servo Stem Assembly	
37	7009370	2	Poppet	
38	Not Used			
39		2	Retainer Options:	
	7009375		Prior to October 1994	
	7012360		October 1994 to Present	
40	Use Item 300	2	Ring, Back-Up	
41	Use Item 300	2	O-Ring	
42	7009376	2	Spring	
43		2	Poppet Options:	
	7009374		Prior to October 1994	
	7012361		October 1994 to Present	
44	7006771	1	Plug, Torque	
45	Use Item 300	1	O-Ring	
46	7009368	1	Spring	
	7009364	2	Poppet	
47 to 48	Not Used			
49	7012323	2	Piston (October 1994 to Present Only)	
50	7012322	2	O-Ring (October 1994 to Present Only)	
51	Use Item 300	2	O-Ring (October 1994 to Present Only)	
52	7012321	2	Plug (October 1994 to Present Only)	
53	7012318	2	Nut (October 1994 to Present Only)	
54	7012319	2	Screw (October 1994 to Present Only)	
55	7012320	2	Cap (October 1994 to Present Only)	
56	7012333	2	Check Cartridge (October 1994 to Present Only)	
57 to 99	Not Used			
100		1	Cover End	
	7009386		Prior to October 1994	
	7012365		October 1994 to Present	
101	7006778	2	Plug, Torque	
102	Use Item 300	2	O-Ring	
103	7009385	3	Rod, Tie	
104	7009384	6	Nut	
105	7012338	1	Orifice	
106	Use Item 300	1	O-Ring	
107	7012364	1	Plug	
200	7009383	1	Inlet Body	
201	7006778	2	Plug, Torque	
202	Use Item 300	2	O-Ring	
203	7009323	1	Plug, Torque	
204	Use Item 300	1	O-Ring	

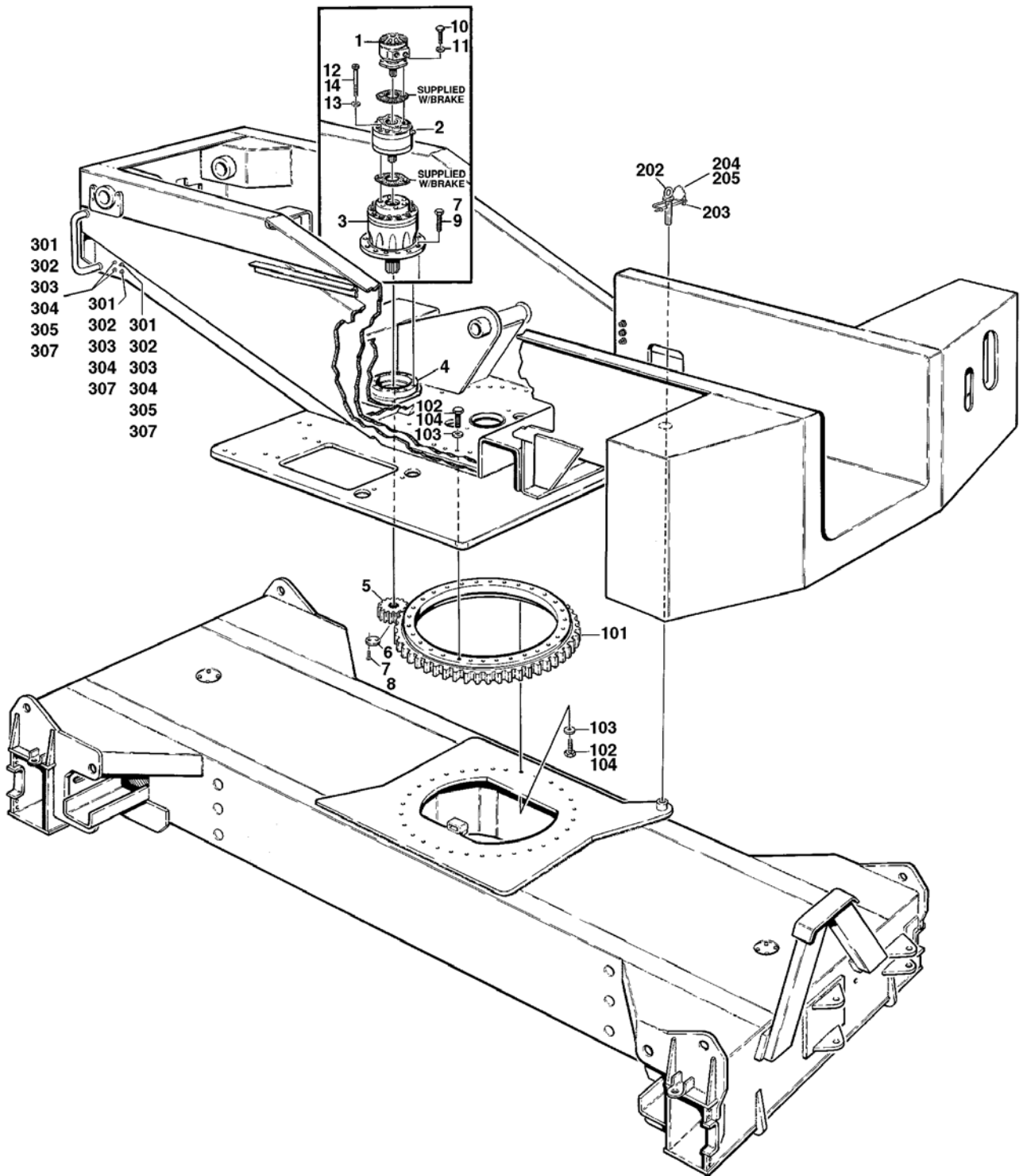
SECTION 2 TURNTABLE

FIGURE 2-5. CONTROL VALVE ASSEMBLY - 1 SECTION VICKERS (CMX160) (CONTINUED)

ITEM #	PART NUMBER	QTY.	DESCRIPTION	REV.
300	7009380	1	Kit Options: Seal Kit (Include Items 4, 5, 6, 8, 9, 10, 12, 16, 19, 27, 29, 34, 35, 40, 41, 45, 51, 102, 106, 202, 204 and Servo Stem O-Rings)	
301	7009387	2	Seal Kit - Valve Face (Includes Items 4,5 and 6 or 8,9 and 10)	

SECTION 2 TURNTABLE

FIGURE 2-6.SWING DRIVE AND TURNTABLE BEARING INSTALLATIONS



SECTION 2 TURNTABLE

FIGURE 2-6. SWING DRIVE AND TURNTABLE BEARING INSTALLATIONS

ITEM #	PART NUMBER	QTY.	DESCRIPTION	REV.
		Ref.	SWING DRIVE INSTALLATION OPTIONS:	
	0251626	Ref.	Prior to S/N 64566	7
	0270328	Ref.	S/N 64566 to Present	2/A
1		1	Swing Motor Assembly Options (See Figure 2-7 for Breakdown):	
	3160127		Prior to S/N 35001 (Nichols Version)	
	3160127		S/N 35001 to S/N 64566 (Parker Version)	
	3160275		S/N 64566 to Present (Parker Version)	
2		1	Swing Brake Assembly Options:	
	0920032		Prior to May 1992 (See Figure 2-8 for Breakdown)	
	0920083		May 1992 to S/N 33476 (See Figure 2-9 for Breakdown)	
	0920109		S/N 33476 to S/N 64566(See Figure 2-9 for Breakdown)	
	0920119		S/N 64566 to Present (See Figure 2-9 for Breakdown)	
3		1	Swing Hub Assembly Options (See Figure 2-10 for Breakdown):	
	Use 2780278		Prior to S/N 81679 (Was p/n 2780181)	
	2780278		S/N 81679 to Present	
4	4843673	1	Mounting, Drive	
5	2440061	1	Pinion	
6	3533337	1	Plate, Retainer	
7	0100019	A/R	Compound, Locking	
8	3900159	2	Screw, Countersunk 1/2"-13NC x 3/4"	
9	0642016	12	Bolt 3/4"-10NC x 2"	
10	0641810	2	Bolt1/2"-13NC x 1 1/4" (Prior to S/N 64566 Only)	
11		2	Washer Options:	
	4740171		Prior to S/N 64566	
	4891800		S/N 64566 to Present	
12		2	Bolt Options:	
	3931864		Prior to S/N 64566 (Socket Head Capscrew 1/2"-13NC x 4")	
	0681832		S/N 64566 to Present (Hex Bolt 1/2"-13NC x 4" Grade 8)	
13	4740189	2	Washer, Special (Prior to S/N 64566 Only)	
14		A/R	Sealant Options:	
	0100009		RTV #738 (Prior to S/N 64566 Only)	
	0100011		Compound, Locking (Prior to S/N 64566 Only)	
	0252036	Ref.	TURNTABLE BEARING INSTALLATION	3
101	0440198	1	Bearing, Turntable	
102	0682418	60	Bolt 7/8"-9NC x 2 1/4" (Grade 8)	
103	4892400	60	Washer, Hardened	
104	0100019	A/R	Compound, Locking	
	0251549	Ref.	TURNTABLE LOCK INSTALLATION	2
201	4843816	1	Weldment, Bushing (Not Shown)	
202	3421853	1	Pin, Turntable Lock	
203	3421854	1	Pin, Snap	
204	3760170	2	Ring, Quick Release	
205	1260017	9in/23cm	Chain	

SECTION 2 TURNTABLE

FIGURE 2-6. SWING DRIVE AND TURNTABLE BEARING INSTALLATIONS (CONTINUED)

ITEM #	PART NUMBER	QTY.	DESCRIPTION	REV.
	0252040	Ref.	LUBE LINES INSTALLATION	B
301	2180344	4	Fitting, Bulkhead	
302	2220063	6	Fitting, 90°	
303	2200261	4	Fitting, Coupling	
304	2751032	5	Hose, Grease	
305	2750527	2	Hose, Grease	
306	2750528	1	Hose, Grease	
307	2160002	4	Fitting, Grease	

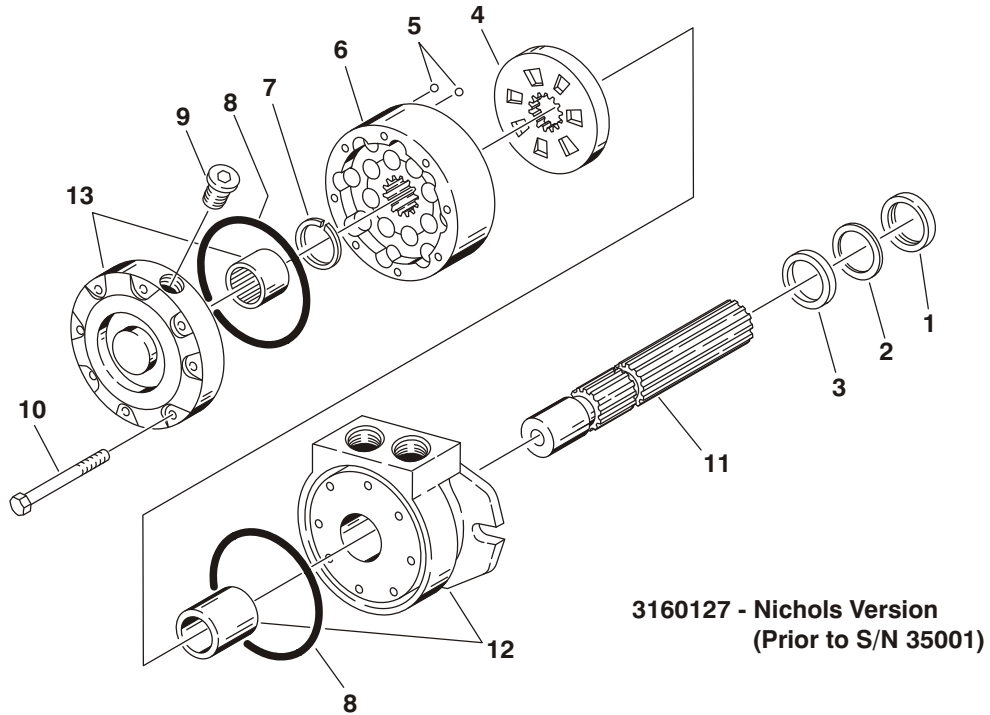
SECTION 2 TURNTABLE

FIGURE 2-6. SWING DRIVE AND TURNTABLE BEARING INSTALLATIONS (CONTINUED)

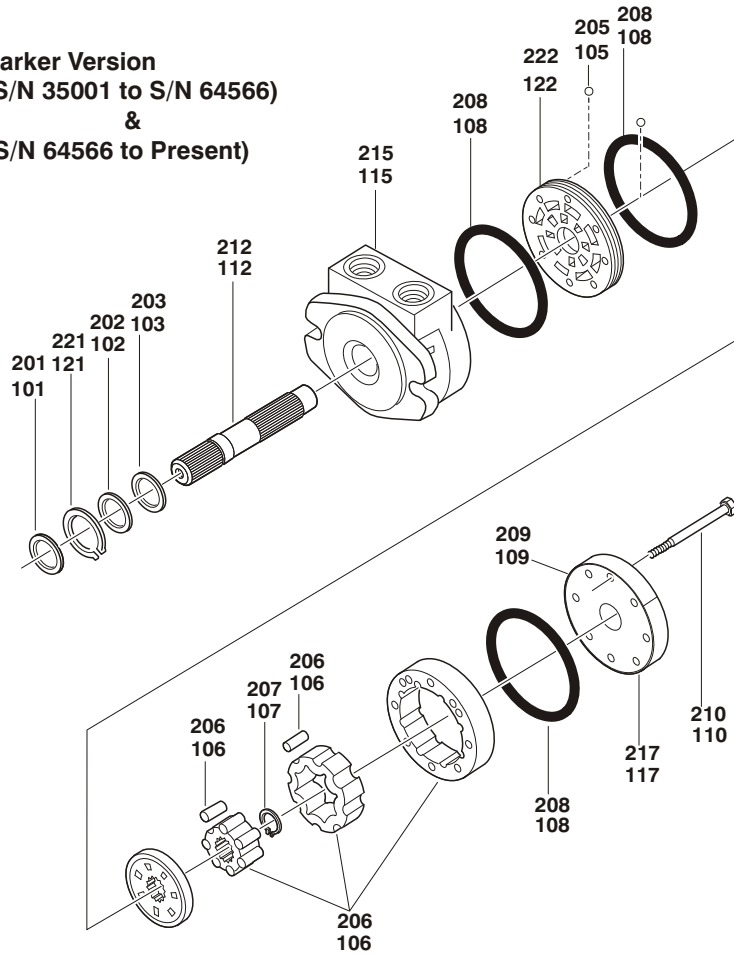
ITEM #	PART NUMBER	QTY.	DESCRIPTION	REV.

SECTION 2 TURNTABLE

FIGURE 2-7.SWING MOTOR ASSEMBLY



3160127 - Parker Version
(S/N 35001 to S/N 64566)
&
3160275 - (S/N 64566 to Present)



SECTION 2 TURNTABLE

FIGURE 2-7. SWING MOTOR ASSEMBLY

ITEM #	PART NUMBER	QTY.	DESCRIPTION	REV.
		Ref.	SWING MOTOR ASSEMBLY OPTIONS:	
	3160127	Ref.	Nichols Version (Prior to S/N 35001)	B
1	Use Item 300	1	Seal, Dust	
2	Use Item 300	1	Ring, Back-Up	
3	Use Item 300	1	Seal, Quad Ring	
4	7004196	1	Valve, Rotary	
5	7004167	2	Ball, Check Valve	
6	7004179	1	IGR Assembly	
7	Use Item 300	1	Ring, Snap	
8	Use Item 300	2	Seal, Ring	
9	7004171	1	Plug, Vent (Includes O-Ring)	
10	7004197	8	Bolt	
11	7010700	1	Shaft, Spline	
12	7004198	1	Body/Bearing Assembly	
13	7004192	1	Cover/Bearing Assembly	
	3160127	Ref.	Parker Version (S/N 35001 to S/N 64566)	D
101	Use Item 301	1	Seal, Dust	
102	7010775	1	Ring, Back-Up	
103	Use Item 301	1	Seal, Lip	
104	Not Used			
105	7004167	2	Ball, Check Valve	
106	7010791	1	IGR Assembly	
107	Use Item 301	1	Ring, Snap	
108	Use Item 301	3	Seal, Square Ring	
109	7010795	1	Plug, Case Drain (W/ O-Ring)	
110	7010792	8	Bolt	
111	Not Used			
112	7010793	1	Shaft, Spline	
113 to 114	Not Used			
115	7010794	1	Body/Bearing Assembly	
116	Not Used			
117	7004192	1	Cover/Bearing Assembly	
118 to 120	Not Used			
121	Use Item 301	1	Ring, Snap	
122	7010776	1	Plate, Commutator	
	3160275	Ref.	Parker Version (S/N 64566 to Present)	A
201	Use Item 302	1	Seal, Dust	
202	Use Item 302	1	Ring, Back-Up	
203	Use Item 302	1	Seal, Lip	
204	Not Used			
205	7004167	2	Ball, Check Valve	
206	7010791	1	IGR Assembly	
207	Use Item 302	1	Ring, Snap	
208	Use Item 302	3	Seal, Square Ring	

SECTION 2 TURNTABLE

FIGURE 2-7. SWING MOTOR ASSEMBLY (CONTINUED)

ITEM #	PART NUMBER	QTY.	DESCRIPTION	REV.
209	7010795	1	Plug, Case Drain (W/ O-Ring)	
210	7010792	8	Bolt	
211	Not Used			
212	7023432	1	Shaft, Spline	
213 to 214	Not Used			
215	7023443	1	Body/Bearing Assembly	
216	Not Used			
217	7004192	1	Cover/Bearing Assembly	
218 to 220	Not Used			
221	Use Item 302	1	Ring, Snap	
222	7010776	1	Plate, Commutator	
			Kit Options:	
300	7004177	1	Seal Kit (Includes Items 1,2,3,7 and 8)	
301	7010790	1	Seal Kit (Includes Items 101,103,107,108 and 121)	
302	2900798	1	Seal Kit (Includes Items 201 to 203,207 & 208, & 221)	

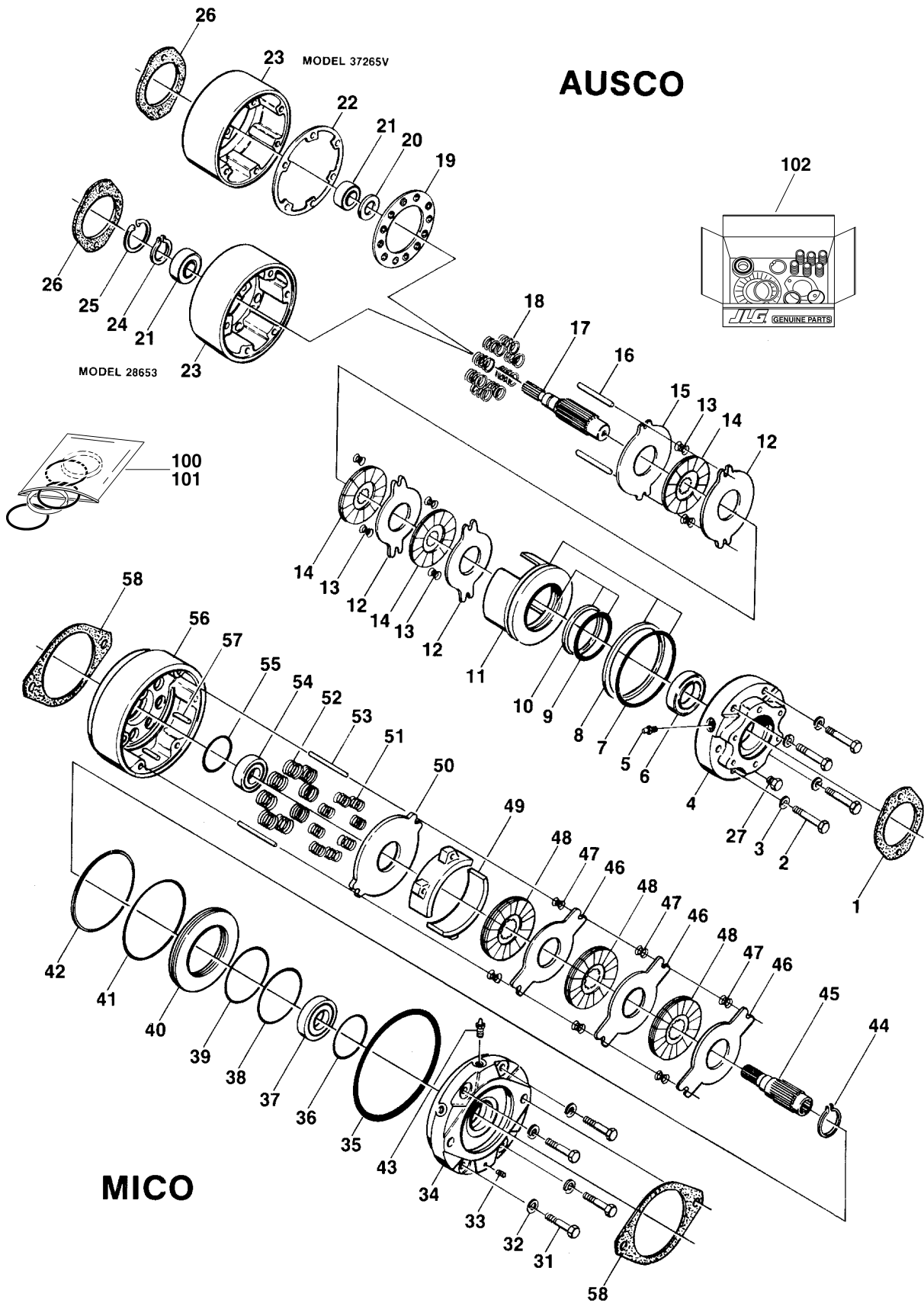
SECTION 2 TURNTABLE

FIGURE 2-7. SWING MOTOR ASSEMBLY (CONTINUED)

ITEM #	PART NUMBER	QTY.	DESCRIPTION	REV.

SECTION 2 TURNTABLE

FIGURE 2-8. SWING BRAKE ASSEMBLIES (PRIOR TO MAY 1992)



SECTION 2 TURNTABLE

FIGURE 2-8. SWING BRAKE ASSEMBLIES (PRIOR TO MAY 1992)

ITEM #	PART NUMBER	QTY.	DESCRIPTION	REV.
	0920032	Ref.	SWING BRAKE ASSEMBLY - AUSCO (MODEL 28653)	—
	0920032	Ref.	SWING BRAKE ASSEMBLY - AUSCO (MODEL 37265V)	—
		Ref.	Note: Refer to Model Number stamped on the front of the Housing item 23.	
1	Use Item 100	1	Gasket	
2	7000730	4	Bolt (Model 28653)	
	7003007	4	Bolt, Flanged (Model 37265V)	
3	7000729	4	Lockwasher (Model 28653 Only)	
4	7003012	1	Plate, Power (Model 28653)	
	7003091	1	Plate, Power (Model 37265V)	
5	7000796	1	Bleeder	
6	7000760	1	Bearing, Ball (Model 37265V Only)	
7	Use Item 100	1	O-Ring	
8	Use Item 100	1	Ring, Back-Up	
9	Use Item 100	1	O-Ring	
10	Use Item 100	1	Ring, Back-Up	
11	7000721	1	Piston (Model 28653)	
	7003057	1	Piston (Model 37265V)	
12	7000720	3	Disc, Stationary (Model 28653)	
	7003056	3	Disc, Stationary (Model 37265V)	
13	7003006	6	Spring, Compression	
14	7000732	3	Disc, Rotating (Model 28653)	
	7003055	3	Disc, Rotating (Model 37265V)	
15	7000718	1	Disc, Primary (Model 28653)	
	7003054	1	Disc, Primary (Model 37265V)	
16	7000717	2	Pin, Torque	
17	7003013	1	Shaft, Splined (Model 28653)	
	7003053	1	Shaft, Splined (Model 37265V)	
18	7000798	8	Spring, Compression (Model 28653)	
	7003052	8	Spring, Compression (Model 37265V)	
19	7003051	1	Retainer, Spring (Model 37265V Only)	
20	Use Item 100	1	Seal, Oil	
21	7000713	1	Bearing, Ball (Model 28653)	A
	7003049	1	Bearing, Ball (Model 37265V)	
22	Use Item 100	1	Gasket (Model 37265V Only)	
23	7000714	1	Housing (Model 28653)	
	7003090	1	Housing (Model 37265V)	
24	7000712	1	Ring, Retaining (Model 28653 Only)	
25	7000711	1	Ring, Retaining (Model 28653 Only)	
26	Use Item 100	1	Gasket	
27	7003059	1	Valve, Pressure Relief (Model 37265V Only)	
28	Not Used			
29	Not Used			
30	Not Used			

SECTION 2 TURNTABLE

FIGURE 2-8. SWING BRAKE ASSEMBLIES (PRIOR TO MAY 1992) (CONTINUED)

ITEM #	PART NUMBER	QTY.	DESCRIPTION	REV.
	0920032	Ref.	SWING BRAKE ASSEMBLY - MICO	B
31	7007913	4	Capscrew	
32	7007312	4	Lockwasher	
33	7007924	1	Plug	
34	7007928	1	Cover	
35	Use Item 101	1	Ring, Square	
36	See Note	1	O-Ring (Note: Use Items 101 & 102)	
37	Use Item 102	1	Bearing	
38	Use Item 101	1	O-Ring	
39	Use Item 101	1	Ring, Back-Up	
40	7007923	1	Piston	
41	Use Item 101	1	O-Ring	
42	Use Item 101	1	Ring, Back-Up	
43	7007914	1	Bleeder	
44	Use Item 102	1	Ring, Retaining	
45	7007926	1	Shaft	
46	7007908	3	Disc	
47	7007916	6	Spring	
48	7007909	3	Disc, Friction	
49	7007902	2	Separator	
50	7007907	1	Disc	
51	7007906	8	Spring	
52	7007905	8	Spring	
53	7007915	2	Pin, Dowel	
54	Use Item 102	1	Bearing	
55	See Note	1	O-Ring (Note: Use Items 101 & 102)	
56	7007930	1	Housing	
57	7007901	4	Pin, Spiral	
58	7007933	1	Gasket	
	7007934	1	Gasket	
			Kit Options:	
100	2900131		Seal Kit (Includes Items 1,7,8,9,10,20,22 and 26)	
101	2900642	1	Seal Kit (Includes Items 35,36,38,39,41,42,55 and 58 Gaskets)	
102	7007927	1	Bearing Kit (Includes Items 36,37,44,54,55 and 58 Gasket)	

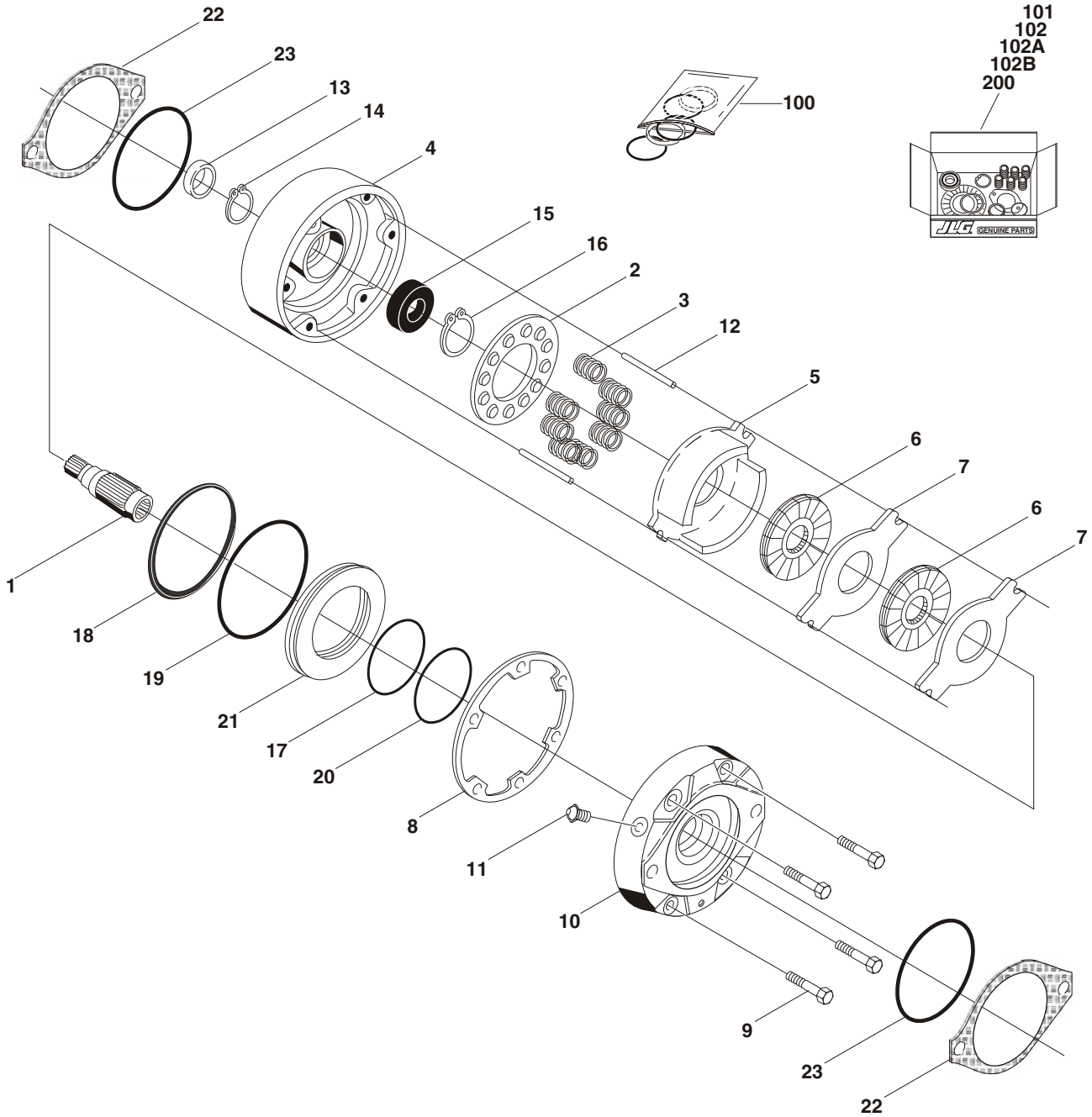
SECTION 2 TURNTABLE

FIGURE 2-8. SWING BRAKE ASSEMBLIES (PRIOR TO MAY 1992) (CONTINUED)

ITEM #	PART NUMBER	QTY.	DESCRIPTION	REV.

SECTION 2 TURNTABLE

FIGURE 2-9.SWING BRAKE ASSEMBLIES (MAY 1992 TO PRESENT)



SECTION 2 TURNTABLE

FIGURE 2-9. SWING BRAKE ASSEMBLIES (MAY 1992 TO PRESENT)

ITEM #	PART NUMBER	QTY.	DESCRIPTION	REV.
		Ref.	SWING BRAKE ASSEMBLY OPTIONS:	
	0920083	Ref.	May 1992 To S/N 33476	A
	0920109	Ref.	S/N 33476 To S/N 64566	B
1	7011720	1	Shaft	
2		1	Guide, Spring Options:	
	7011717		0920083 Brake (Prior to S/N 33476)	
	7018606		0920109 Brake (S/N 33476 to S/N 64566)	
3		A/R	Spring Options:	
	7007979	6	0920083 Brake (Inner) (Prior to S/N 33476)	
	7007980	6	0920083 Brake (Outer) (Prior to S/N 33476)	
	7007970	6	0920109 Brake (Red) (S/N 33476 to S/N 64566)	
	7018602	3	0920109 Brake (Blue) (S/N 33476 to S/N 64566)	
4		1	Housing Options:	
	7011713		0920083 Brake (Prior to S/N 33476)	
	7018605		0920109 Brake (S/N 33476 to S/N 64566)	
5		A/R	Return Plate and Separator Assembly Options:	
	Use Item 102A	1	Plate, Return - 0920083 Brake (Prior to S/N 33476)	
	7011715	2	Separator Assy - 0920083 Brake (Prior to S/N 33476)	
	7011714	4	Pin	
	7007983	2	Separator	
	Use Item 102B		Return Plate/ Separator - 0920109 Brake (S/N 33476 to S/N 64566)	
6	See Note	2	Rotor (Note: Use Items 102A & 102B)	
7	See Note	2	Stator (Note: Use Items 102A & 102B)	
8	See Note	1	Seal, Oil (Note: Use Items 100, 101, 102A & 102B)	
9		4	Bolt, Washer Head Options:	
	7007985		0920083 Brake (Prior to S/N 33476)	
	7018607		0920109 Brake (S/N 33476 to S/N 64566)	
10	7011719	1	Cover	
11	7007914	1	Screw, Bleeder (Prior to S/N 33476)	
	7018609	1	Plug, Pipe (S/N 33476 to S/N 64566)	
12	7007987	2	Pin, Dowel	
13	See Note	1	Seal, Oil (Note Use Items 100 & 101)	
14	7011716	1	Ring, Retaining	
15	Use Item 101	1	Bearing	
16	7007977	1	Ring, Retaining	
17	Use Item 100	1	Ring, Back-Up	
18	Use Item 100	1	Ring, Back-Up	
19	Use Item 100	1	O-Ring	
20	Use Item 100	1	O-Ring	
21		1	Piston Options:	
	7007923	1	0290083 Brake (Prior to S/N 33476)	
	7018603		0920109 Brake (S/N 33476 to S/N 64566)	
22	See Note	1	Gasket (Note: Use Items 100, 101, 102A & 102B)	
23	See Note	2	O-Ring (Note: Use Items 100, 101, 102A & 102B)	

SECTION 2 TURNTABLE

FIGURE 2-9. SWING BRAKE ASSEMBLIES (MAY 1992 TO PRESENT) (CONTINUED)

ITEM #	PART NUMBER	QTY.	DESCRIPTION	REV.
100	2900766	1	Kit Options: Seal Kit (Includes Items 8, 13, 17-20, 22 & 23)	
101	2900768	1	Bearing Kit (Includes Items 8, 13, 15, 22 & 23)	
102		1	Lining Kit Options (Includes Items 5-8, 22 & 23):	
102A	2900767		0920083 Brake (Prior to S/N 33476)	
102B	7018608		0920109 Brake (S/N 33476 to S/N 64566)	
	0920119	Ref.	SWING BRAKE ASSEMBLY (S/N 64566 to Present)	B
200	7018612	1	Repair Kit (Repair Kit is the Only Serviceable Item. No Other Service Parts Available)	

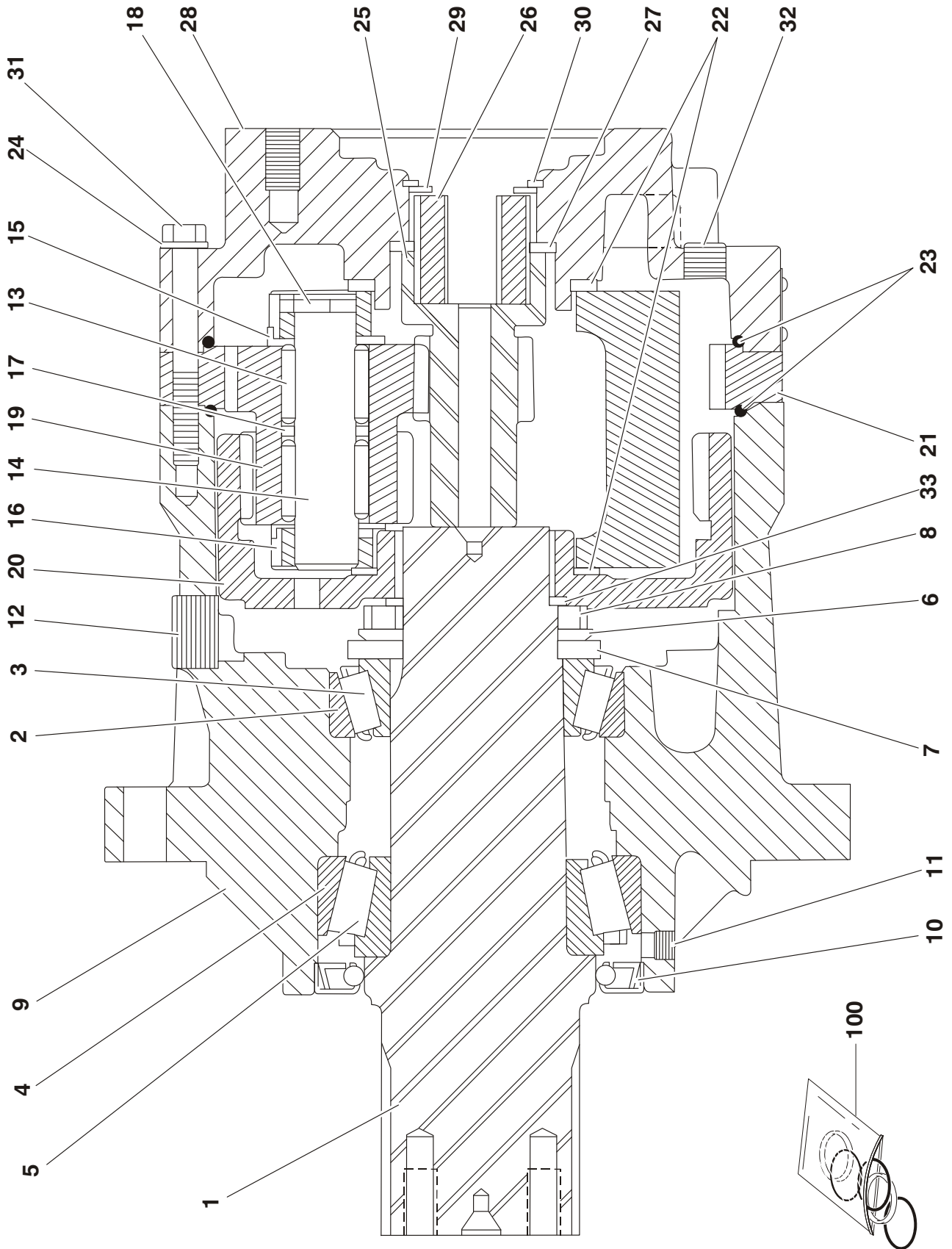
SECTION 2 TURNTABLE

FIGURE 2-9. SWING BRAKE ASSEMBLIES (MAY 1992 TO PRESENT) (CONTINUED)

ITEM #	PART NUMBER	QTY.	DESCRIPTION	REV.

SECTION 2 TURNTABLE

FIGURE 2-10.SWING HUB ASSEMBLY



SECTION 2 TURNTABLE

FIGURE 2-10. SWING HUB ASSEMBLY

ITEM #	PART NUMBER	QTY.	DESCRIPTION	REV.
		Ref.	SWING HUB ASSEMBLY	
	2780181	Ref.	Prior to S/N 81679	—
	2780278	Ref.	S/N 81679 to Present	A
		Ref.	Note: For Machines Prior to S/N 0300081679, Original Equipment Assembly p/n 2780181 may have been replaced with p/n 2780278 as Service Replacement Assembly. Identify P/N before ordering replacement components.	
1	Use 7024778 7024778	1	Shaft, Output Options: Prior to S/N 81679 (2780191 Hub Assy) (was p/n 7010430) S/N 81679 to Present (2780278 Hub Assy) (Includes Qty 1 of Items 6,7,8,23 & 33)	
2	7010408	1	Cup, Bearing - Outer	
3	7010409	1	Cone, Bearing - Outer	
4	7010431	1	Cup, Bearing - Inner	
5	7010432	1	Cone, Bearing - Inner	
6	7007689	1	Lockwasher (Part of Item 1)	
7		1	Flatwasher Options: Prior to S/N 81679 (2780191 Hub Assy) S/N 81679 to Present (2780278 Hub Assy) (Part of Item 1)	
8	7010411 7007688			
8	7010412	1	Nut, Bearing (Part of Item 1)	
9		1	Housing Options: Prior to S/N 81679 (2780191 Hub Assy) S/N 81679 to Present (2780278 Hub Assy)	
10	7010434 Not Available			
10	Use Item 100	1	Seal, Lip	
11		1	Plug, Pipe Options: Prior to S/N 81679 (2780191 Hub Assy) S/N 81679 to Present (2780278 Hub Assy)	
12	7000243 7017048			
12	7001952	3	Plug, Pipe	
13		114	Bearing, Needle Options: Prior to S/N 81679 (2780191 Hub Assy) S/N 81679 to Present (2780278 Hub Assy)	
14	7001909 Not Available			
14	7010413 Not Available	3	Shaft, Planet Options: Prior to S/N 81679 (2780191 Hub Assy) S/N 81679 to Present (2780278 Hub Assy)	
15		6	Washer, Thrust options: Prior to S/N 81679 (2780191 Hub Assy) S/N 81679 to Present (2780278 Hub Assy)	
15	7010414 Not Available			
16		1	Carrier Options: Prior to S/N 81679 (2780191 Hub Assy) S/N 81679 to Present (2780278 Hub Assy)	
16	7010415 Not Available			
17		3	Spacer, Thrust Options: Prior to S/N 81679 (2780191 Hub Assy) S/N 81679 to Present (2780278 Hub Assy)	
17	7010416 Not Available			
18		3	Rollpin Options: Prior to S/N 81679 (2780191 Hub Assy) S/N 81679 to Present (2780278 Hub Assy)	
18	7001913 Not Available			
19		3	Gear, Cluster Options: Prior to S/N 81679 (2780191 Hub Assy) S/N 81679 to Present (2780278 Hub Assy)	
19	7010418 Not Available			

SECTION 2 TURNTABLE

FIGURE 2-10. SWING HUB ASSEMBLY (CONTINUED)

ITEM #	PART NUMBER	QTY.	DESCRIPTION	REV.
20	7010419 Not Available	1	Gear, Internal Options: Prior to S/N 81679 (2780191 Hub Assy) S/N 81679 to Present (2780278 Hub Assy)	
21	7010420	1	Gear, Ring	
22	7007673	2	Washer, Thrust	
23	Use Item 100	2	O-Ring (Part of Item 1)	
24	7010403	20	Lockwasher	
25	7010436	1	Gear, Sun	
26	7010456	1	Coupling, Adapter	
27	7010457	1	Washer, Thrust	
28	7010458	1	Cover, Input	
29	7001922	1	Washer, Thrust	
30	7010459	20	Ring, Retaining	
31	7010460	3	Bolt 3/8"-16NC x 3 1/4"	
32	7001928	3	Plug, Pipe	
33	91414020	1	Ring, Retaining (2780278 Hub Assembly Only) (Part of Item 1)	
100	2900796	1	Seal Kit (Includes Items 10 and 23)	

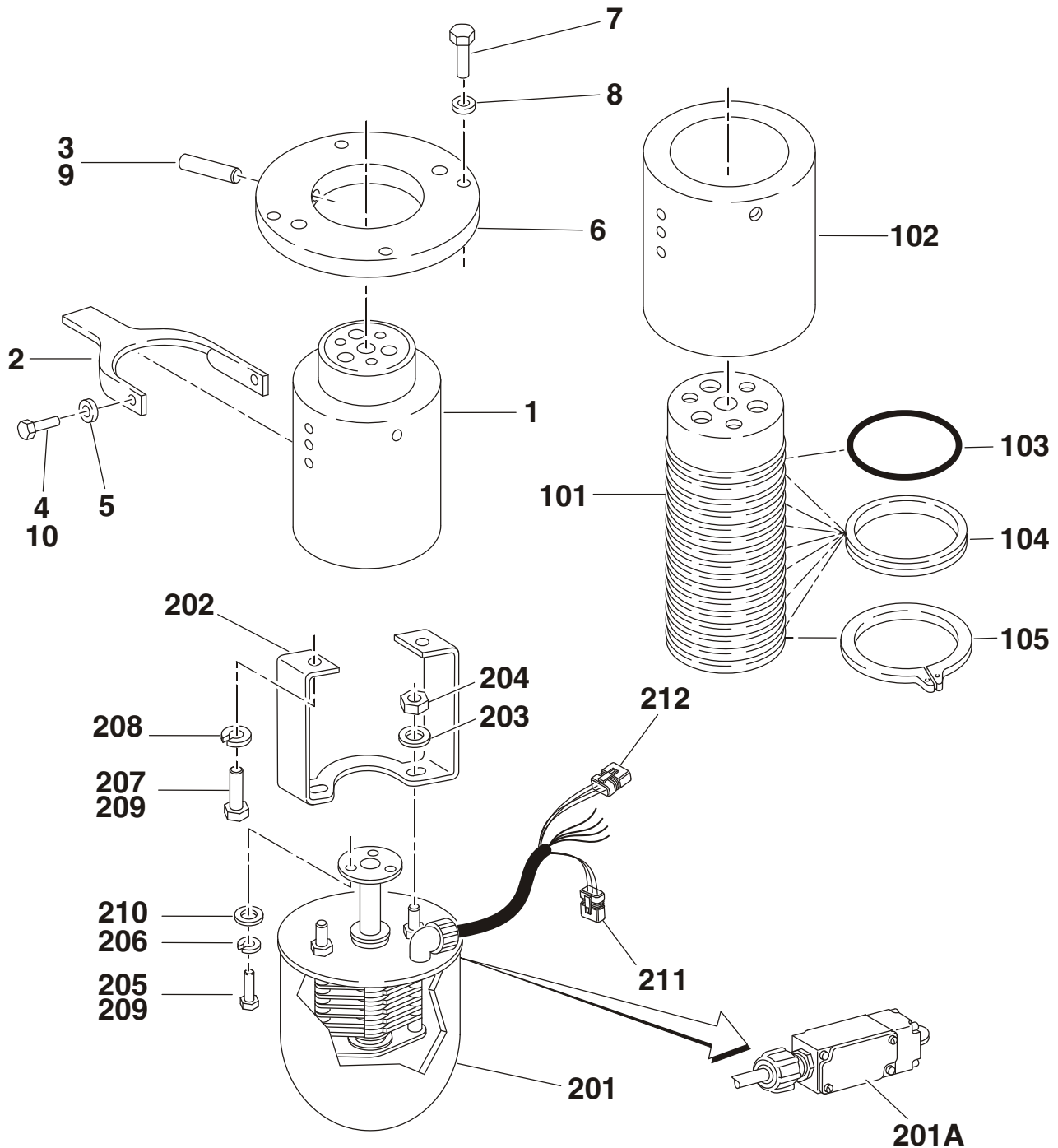
SECTION 2 TURNTABLE

FIGURE 2-10. SWING HUB ASSEMBLY (CONTINUED)

ITEM #	PART NUMBER	QTY.	DESCRIPTION	REV.

SECTION 2 TURNTABLE

FIGURE 2-11. ROTARY COUPLING AND COLLECTOR RING INSTALLATION



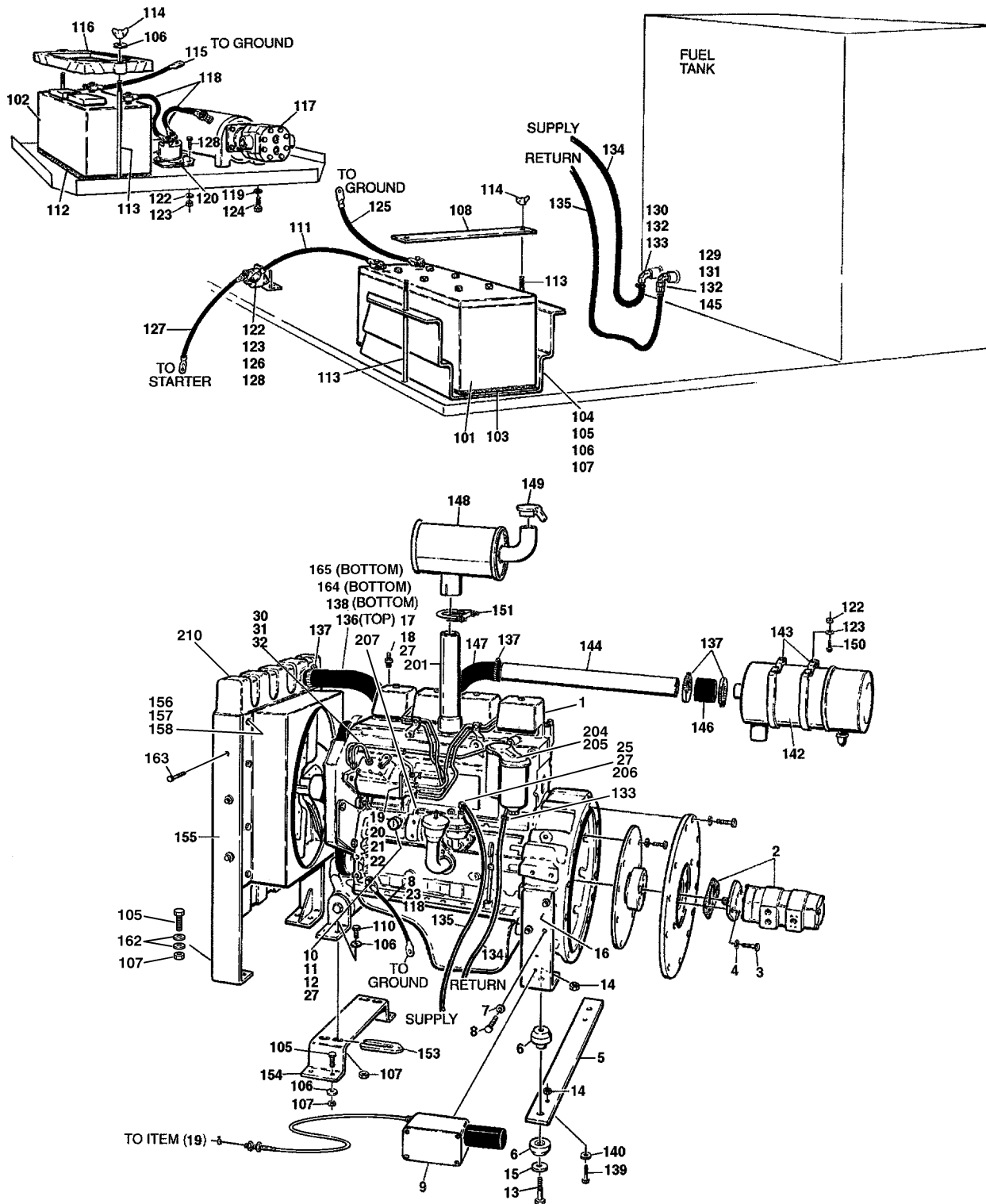
SECTION 2 TURNTABLE

FIGURE 2-11. ROTARY COUPLING AND COLLECTOR RING INSTALLATION

ITEM #	PART NUMBER	QTY.	DESCRIPTION	REV.
	0250611	Ref.	ROTARY COUPLING INSTALLATION	C
1	1660185	1	Rotary Coupling Assembly (Includes Items 101-105)	
2	3530403	1	Plate, Retaining	
3	3951820	2	Setscrew, Socket 1/2"-13NC x 2 1/2"	
4	0641807	2	Bolt 1/2"-13NC x 7/8"	
5	4761800	2	Lockwasher 1/2"	
6	1440154	1	Collar	
7	0641512	4	Bolt 5/16"-18NC x 1 1/2"	
8	4761500	4	Lockwasher 5/16"	
9	0100011	A/R	Compound, Locking	
10	0100019	A/R	Compound, Locking	
	1660185	Ref.	ROTARY COUPLING ASSEMBLY	—
101	0620106	1	Body, Swivel (6 Port)	
102	2760091	1	Housing, Swivel (6 Port)	
103	Use Item 300	1	O-Ring	
104	Use Item 300	7	Seal	
105	3760004	1	Ring, Retaining	
	0251612	Ref.	COLLECTOR RING INSTALLATION	A
201	3760297	1	Collector Ring Assembly	
201A	7016394	2	Switch, Limit	
		Ref.	Note: Brushes and holders are not serviceable. Purchase complete assembly.	
202	0901803	1	Bracket, Mounting	
203	4751500	2	Flatwasher 5/16"	
204	3311501	2	Nut 5/16"-18NC	
205	0641608	3	Bolt 3/8"-16NC x 1"	
206	4761600	5	Lockwasher 3/8"	
207	0641406	2	Bolt 1/4"-20NC x 3/4"	
208	4761400	2	Lockwasher 1/4"	
209	0100011	A/R	Compound, Locking	
210	4751600	3	Flatwasher 3/8"	
211	4460476	1	Plug, Male - 3 Position	
212	4460844	1	Plug, Male - 4 Position	
213	4461113	A/R	Seal (Not Shown)	
300	2901146	1	Seal Kit (Includes Items 103 and 104)	

SECTION 2 TURNTABLE

FIGURE 2-12. ENGINE INSTALLATION - CUMMINS 4B3.9 DIESEL (PRIOR TO S/N 80240)



SECTION 2 TURNTABLE

FIGURE 2-12. ENGINE INSTALLATION - CUMMINS 4B3.9 DIESEL (PRIOR TO S/N 80240)

ITEM #	PART NUMBER	QTY.	DESCRIPTION	REV.
	0251905	Ref.	ENGINE ASSEMBLY	6/G
1	2000116	1	Engine - Cummins 4B3.9 Diesel	
2	3600183	1	Pump Assembly (See Figure 2-15 for Breakdown)	
3	0641810	2	Bolt 1/2"-13NC x 1 1/4"	
4	4761800	2	Lockwasher 1/2"	
5	3200306	1	Mount, Engine (Rear)	
6	3200183	2	Mount, Rubber Engine	
7	0701215	8	Bolt 12mm x 35mm	
8	4832100	10	Lockwasher 12mm	
9	0060023	1	Actuator	
	7008804	1	Bellows	
	7008829	1	P.C. Board	
	7008821	1	Motor	
	7008828	1	Cable	
10	2420110	1	Sender, Oil Pressure	
11	2180537	1	Fitting, Nipple	
12	2200261	1	Fitting, Pipe Coupling	
13	0642032	2	Bolt 5/8"-11NC x 4"	
14	3312005	2	Locknut 5/8"-11NC	
15	4740242	2	Flatwasher	
16	3200311	2	Mount, Rear Engine	
17	2220274	1	Fitting, Reducer	
18	2420130	1	Sender, Water Temperature	
19		1	Bracket, Adeco Cable Options: Prior to January 2000 January 2000 to Present	
20	0901554			
	0902582			
21	0641406	2	Bolt 1/4"-20NC x 3/4"	
22	4751400	2	Flatwasher 1/4"	
23	3311405	2	Locknut 1/4"-20NC	
24	0701214	2	Bolt, Metric 12mm x 30mm	
25	1060221	1	Cable, Battery	
26	2180467	1	Fitting, 90° Elbow	
27	Not Used			
28	0100020	A/R	Loctite	
29	1320060	1	Clamp, Hose	
30	4751700	2	Flatwasher 7/16"	
31	4460302	1	Clamp, Cable	
32	4711400	2	Flatwasher 1/4" Narrow	
33-76	3450303	1	Pin, Cotter	
	Not Used			
	0251906	Ref.	ENGINE INSTALLATION	8
101	0400020	1	Battery	
102	0400003	1	Battery	
103	3980006	1	Masonite	
104	3509770	1	Tray, Battery	
105	0641616	11	Bolt 3/8"-16NC x 1 7/8"	

SECTION 2 TURNTABLE

FIGURE 2-12. ENGINE INSTALLATION - CUMMINS 4B3.9 DIESEL (PRIOR TO S/N 80240)

ITEM #	PART NUMBER	QTY.	DESCRIPTION	REV.
106	4751600	26	Flatwasher 3/8"	
107	3311605	16	Locknut 3/8"-16NC	
108	0361027	1	Bar	
109	0630003	2	Tie Down	
110	0641612	4	Bolt 3/8"-16NC 1 1/2"	
111		1	Cable, Battery Options:	
	1060031		Prior to S/N 64579	
	1060931		S/N 64579 to Present	
112	3980003	1	Masonite	
113	0630370	2	Bolt, Tie Down	
114	3300029	4	Wingnut 3/8"-16NC	
115	1060146	2	Cable, Battery	
116	0400002	1	Battery, Hold Down	
	2910479	1	Hold-Down Repair Kit	
117		1	Pump Auxiliary Options:	
	3600071		Pump - Prior to November 1993	
	7004247	1	Pump	
	Not Available		Pump Seal Kit	
	7004248	1	Motor	
	7004249	1	Coupling	
	7012576	1	Bracket, Pump	
	3600196		Pump - November 1993 to Present	
	7013711	1	Coupling	
	7013772	1	Motor	
	7013773	1	Pump	
	7013774	1	Seal, Shaft	
118	1060221	2	Cable, Battery	
119	4761600	4	Lockwasher 3/8"	
120	3740067	1	Relay	
121	Not Used			
122	4751400	12	Flatwasher 1/4"	
123	3311405	8	Nut 1/4"-20NC	
124	0641608	1	Bolt 3/8"-16NC x 1"	
125	1060046	1	Cable, Battery	
126	3740059	1	Relay	
127		1	Cable, Battery Options:	
	1060198		Prior to S/N 64579	
	1060932		S/N 64579 to Present	
128	0641408	4	Bolt 1/4"-20NC x 1"	
129	2220273	1	Reducer, Bushing	
130	2180467	1	Fitting, 90° Elbow	
131	2180536	1	Fitting	
132	0100020	A/R	Sealant, Pipe	
133	1320022	4	Clamp	
134	2720271	13	Hose, Fuel (Return)	
135	2750532	13	Hose, Low Pressure	
136	2720333	1	Hose, Radiator Top	
137	1320058	10	Clamp	

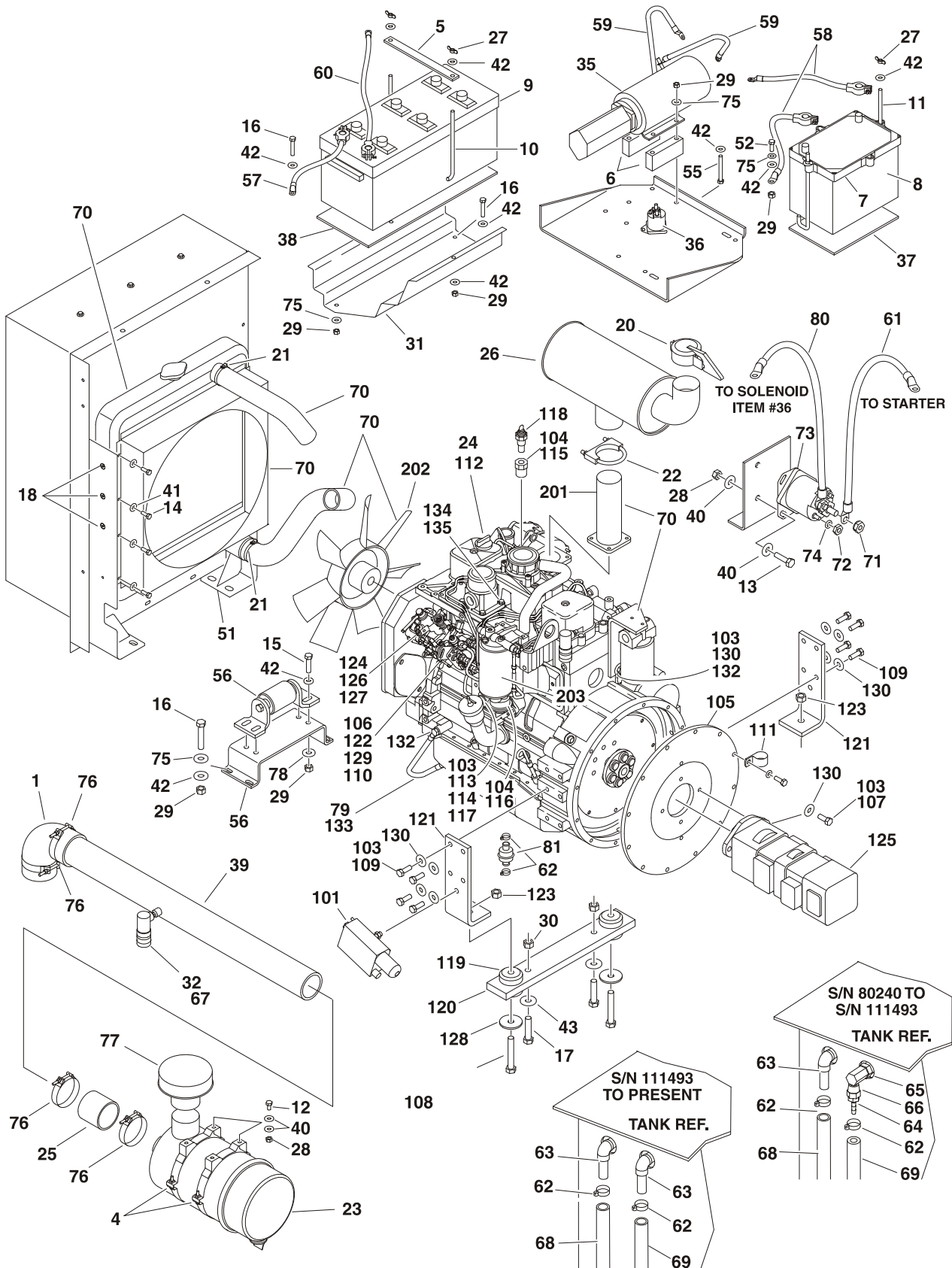
SECTION 2 TURNTABLE

FIGURE 2-12. ENGINE INSTALLATION - CUMMINS 4B3.9 DIESEL (PRIOR TO S/N 80240)

ITEM #	PART NUMBER	QTY.	DESCRIPTION	REV.
138	2720371	1	Hose, Radiator Bottom (Long) Options: Prior to S/N 36510	
	2720445		S/N 36510 to Present	
139	0642022	2	Bolt 5/8"-11NC x 2 3/4"	
140	4752000	2	Flatwasher 5/8"	
141	3312005	2	Locknut 5/8"-11NC	
142	1340007	1	Air Cleaner Assembly	
	7003655	1	Element, Air Cleaner	
143	0340003	2	Band, Mounting	
144	4565284	1	Tube, Air Cleaner	
145	2220063	1	Fitting, 90° Elbow	
146	2720125		Hose, Air Cleaner	
147	0080115	1	Adapter, Molded 90°	
148	3220079	1	Muffler	
149	1120408	1	Cap, Rain	
150	0641404	4	Bolt 1/4"-20NC x 1/2"	
151	1320103	1	Clamp, Muffler	
152	1701505	1	Decal, Diesel (Not Shown - Located on Hood)	
153	4070672	2	Shim	
154	0901785	1	Bracket, Engine Mounting	
155	4843957	2	Mounting Weldment, Radiator	
156	0641507	8	Bolt 5/16"-18NC x 7/8"	
157	4751500	8	Flatwasher 5/16"	
158	4761500	8	Lockwasher 5/16"	
159	3311601	4	Nut 3/8"-16NC	
160	0362206	2	Bar, Spacer	
161	0641626	4	Bolt 3/8" x 3 1/4"	
162	4740275	4	Washer, Hardened	
163	0741504	6	Bolt 5/16"-18NC x 1/2"	
164	2720446	1	Hose, Radiator (Short) (S/N 36510 to Present)	
165	4565571	1	Tube (S/N 36510 to Present)	
	2000116	Ref.	ENGINE - CUMMINS 4B3.9 DIESEL COMPONENTS	
201	7027737	1	Tube, Exhaust	
202	7023475	1	Alternator (Not Shown)	
203	7023476	1	Starter (Not Shown)	
204	7019675	1	Filter, Fuel	
205	7019674	1	Separator, Fuel	
206	7023477	1	Pump, Fuel	
207	7023478	1	Solenoid, Fuel Shut-Down (Not Shown)	
208	7020009	1	Filter, Oil (Not Shown)	
209	7024593	1	Hose, Cover In/Filter Out (1-90° End/1-Straight End) (Not Shown)	
	7024594	1	Hose, Cover In/Filter Out (2-Straight Ends) (Not Shown)	
210	7023230	1	Radiator	

SECTION 2 TURNTABLE

FIGURE 2-13. ENGINE INSTALLATION - CUMMINS TIER II DIESEL (S/N 80240 TO PRESENT)



SECTION 2 TURNTABLE

FIGURE 2-13. ENGINE INSTALLATION - CUMMINS TIER II DIESEL (S/N 80240 TO PRESENT)

ITEM #	PART NUMBER	QTY.	DESCRIPTION	REV.
	0273688	Ref.	ENGINE INSTALLATION	D
1	0080115	1	Adapter, Rubber	
2 to 3	Not Used			
4	0340003	2	Band, Mounting	
5	0361027	1	Bar, Battery Hold-Down	
6	0362206	2	Bar, Spacer	
7	0400002	1	Hold-Down, Battery	
8	0400003	1	Battery	
9	0400020	1	Battery	
10	0630003	2	Bolt, Hold-Down	
11	0630370	2	Bolt, Hold-Down	
12	0641404	4	Bolt 1/4"-20NC x 1/2"	
13	0641408	2	Bolt 1/4"-20NC x 1"	
14	0641507	8	Bolt 5/16"-18NC x 7/8"	
15	0641612	4	Bolt 3/8"-16NC x 1 1/2"	
16	0641616	7	Bolt 3/8"-16NC x 2"	
17	0642022	2	Bolt 5/8"-11NC x 2 3/4"	
18	0741504	6	Screw, Countersunk 5/16"-18NC x 1/2"	
19	Not Used			
20	1120408	1	Cap, Rain	
21	1320058	4	Clamp, Hose	
22	1320103	1	Clamp, Muffler	
23	1340007	1	Air Cleaner Assembly	
	7003655	1	Element, Air Cleaner	
24	2000241	1	Engine Assembly (See Items 101-135 for Breakdown)	
25	2720125	1	Hose, Air Cleaner	
26	3220079	1	Muffler	
27	3300029	4	Wingnut 3/8"-16NC	
28	3311405	8	Locknut 1/4"-20NC	
29	3311605	16	Locknut 3/8"-16NC	
30	3312005	2	Locknut 5/8"-11NC	
31	3509770	1	Plate, Battery Tray	
32	0100020	A/R	Sealant, Pipe	
33 to 34	Not Used			
35		1	Pump Auxiliary Options (See Figure 2-16 for Breakdown):	
	Use 3600459		Prior to S/N 103758) (was p/n 3600196)	
	3600459		Pump Auxiliary Options:	
36	3740067	1	Relay, Aux Power	
37	3980003	1	Masonite	
38	3980006	1	Masonite	
39	4565284	1	Tube, Air Cleaner	
40	4751400	16	Flatwasher 1/4" Wide	
41	4751500	8	Flatwasher 5/16" Wide	
42	4751600	31	Flatwasher 3/8" Wide	
43	4752000	2	Flatwasher 5/8" Wide	
44 to 50	Not Used			
51	4843957	2	Mount, Radiator	
52	0641608	1	Bolt 3/8"-16NC x 1"	

SECTION 2 TURNTABLE

FIGURE 2-13. ENGINE INSTALLATION - CUMMINS TIER II DIESEL (S/N 80240 TO PRESENT)

ITEM #	PART NUMBER	QTY.	DESCRIPTION	REV.
53 to 54	Not Used			
55	0641626	4	Bolt 3/8"-16NC x 3 1/4"	
56	0903015	1	Bracket, Front Engine Mount	
57	1060046	3	Cable, Battery (Small Battery + to Relay & Small Battery to Grd & Large Battery to Grd)	
58	1060146	2	Cable, Battery (Aux Power to Relay & Aux Power to Grd)	
59	1060221	1	Cable, Battery (Large Battery to Solenoid)	
60	1060931	1	Cable, Battery (Solenoid to Starter)	
61	1060392	1	Cable, Battery (Engine to Grd)	
62	1320022	6	Clamp	
63	2180467	2	Fitting, Barbed	
64	2180536	1	Fitting, Barbed (S/N 80240 to S/N 111493 Only)	
65	2220063	1	Fitting, Adapter (S/N 80240 to S/N 111493 Only)	
66	2220273	1	Fitting, Reducer (S/N 80240 to S/N 111493 Only)	
67	2420047	1	Gauge, Service Indicator	1
68		13ft/4m	Hose Options:	
	2720271		Hose 3/16" Diameter (S/N 80240 to S/N 111493)	
	2750532		Hose 3/8" Diameter (S/N 111493 to Present)	
69	2750532	13ft/4m	Hose 3/8" Diameter	
70	2902344	1	Engine Prep Kit (Includes Filter Mounting Bracket, Fan, Exhaust Outlet Tube, Radiator, Radiator Shroud, Radiator Draincock, Upper Radiator Hose and Alternator Harness)	
71	3300220	2	Nut, Washer Flange	
72	3321001	2	Nut #10-32NF	
73	3740059	1	Relay, Start	
74	4761000	2	Lockwasher #10	
75	4791600	6	Starwasher 3/8"	
76	91163129	4	Clamp, Band	
77	1120194	1	Cap, Filter	
78	4891600	4	Flatwasher 3/8" Hardened	
79	4923249	1	Cable, Engine Ground	
80	1001091309	1	Cable, Battery (S/N 103758 to Present)	D
81	8274022	1	Filter/Strainer, Fuel (S/N 111493 to Present)	
	2000241	Ref.	ENGINE ASSEMBLY	
101	0060023	1	Actuator	
	7008804	1	Bellows	
	7008829	1	P.C. Board	
	7008821	1	Motor	
	7008828	1	Cable	
102	Not Used			
103	0100011	A/R	Compound, Locking	
104	0100020	A/R	Sealant	
105	0252061	1	Pump Coupling Installation (See Figure 2-14 for Breakdown)	
106	0641606	2	Bolt 3/8"-16NC x 3/4"	
107	0641810	2	Bolt 1/2"-13NC x 1 1/4"	
108	0642032	2	Bolt 5/8"-11NC x 4"	
109	0701215	8	Bolt 12mm x 35mm	
110	0903211	1	Bracket, Throttle Controller	

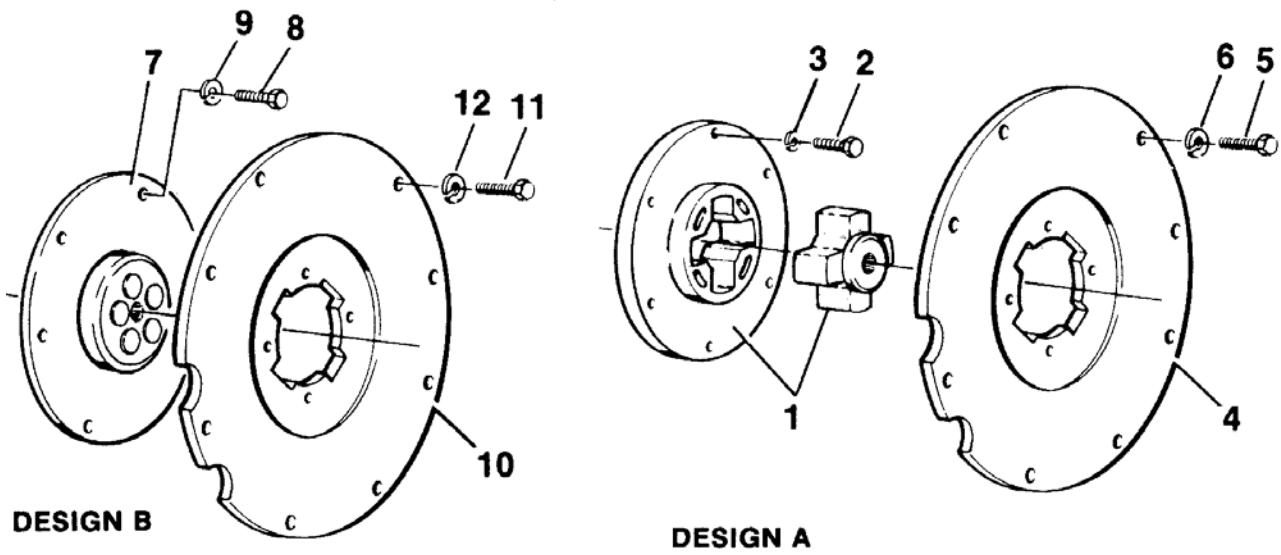
SECTION 2 TURNTABLE

FIGURE 2-13. ENGINE INSTALLATION - CUMMINS TIER II DIESEL (S/N 80240 TO PRESENT)

ITEM #	PART NUMBER	QTY.	DESCRIPTION	REV.
111	1320060	1	Clamp	
112	2000206	1	Engine, Cummins	
113	2180537	1	Fitting, Nipple	
114	2200261	1	Fitting, Coupling	
115	2220274	1	Fitting, Reducer	
116	2180467	1	Fitting, Barbed	
117	2420110	1	Sender, Oil Pressure	
118	2420130	1	Sender, Temperature	
119	3200183	2	Mount, Motor	
120	3200306	1	Plate, Engine Mounting (Rear)	
121	3200311	2	Bracket, Engine Mounting (Rear)	
122	3311405	2	Locknut 1/4"-20NC	
123	3312005	2	Locknut 5/8"-11NC	
124	3450303	1	Pin, Cotter 3/32" x 3/4"	
125	3600183	1	Pump Assembly (See Figure 2-15 for Breakdown)	
126	4460302	1	Terminal, Cable Pivot	
127	4711400	1	Flatwasher 1/4" Narrow	
128	4740242	2	Washer, Snubbing	
129	4751400	2	Flatwasher 1/4" Wide	
130	4751800	11	Flatwasher 1/2" Wide	
131	Not Used			
132	0701214	2	Bolt 12mm x 30mm	
133	1060221	1	Cable, Battery (Engine to Grd)	
134	0760815	4	Bolt 8mm x 5mm	
135	4711500	4	Flatwasher 5/16" Narrow	
	2000206	Ref.	CUMMINS ENGINE COMPONENTS	
201	7027737	1	Tube, Exhaust (Part of Item 70)	
202	70002090	1	Fan (Part of Item 70)	
203	8033493	1	Gasket, Exhaust Pipe (Part of 70)	
204	8320275	1	Filter, Oil (Part of 70)	
205	7023230	1	Radiator (Part of 70)	
206	7028838	1	Element, Fuel Filter	
207	70002520	1	Pressure Regulator Valve (Not Shown)	
208	70002828	1	V-Belt (Not Shown)	

SECTION 2 TURNTABLE

FIGURE 2-14.PUMP COUPLING INSTALLATIONS



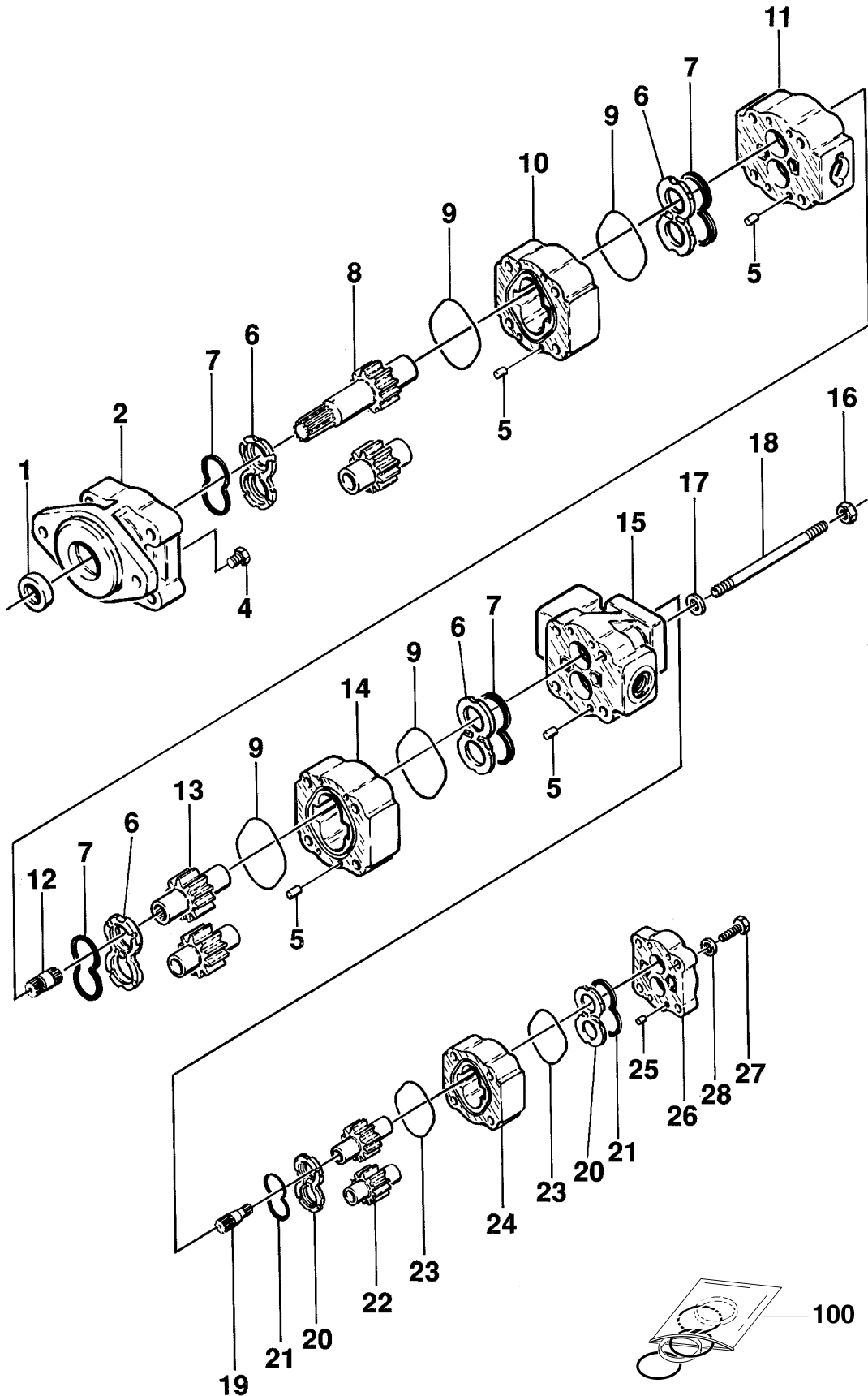
SECTION 2 TURNTABLE

FIGURE 2-14. PUMP COUPLING INSTALLATIONS

ITEM #	PART NUMBER	QTY.	DESCRIPTION	REV.
	0252060	Ref.	LOVEJOY COUPLING INSTALLATION (DESIGN A)	—
1	1660191	1	Coupling - Lovejoy	
2	0641608	8	Bolt 3/8"-16NC x 1"	
3	4761600	8	Lockwasher 3/8"	
	1660193	1	Disc, Coupling	
	1660192	1	Hub, Coupling	
4	0080164	1	Adapter, Pump	
5	0701014	12	Bolt, Metric 10mm x 30mm	
6	4832000	12	Lockwasher 10mm	
	0252061	Ref.	HAYES COUPLING INSTALLATION (DESIGN B)	—
7	1660198	1	Coupling - Hayes	
8	0641605	8	Bolt 3/8"-16NC x 5/8"	
9	4761600	8	Lockwasher 3/8"	
10	0080164	1	Adapter, Pump	
11	0701014	12	Bolt, Metric 10mm x 30mm	
12	4832000	12	Lockwasher 10mm	

SECTION 2 TURNTABLE

FIGURE 2-15. MAIN PUMP ASSEMBLY - GEAR



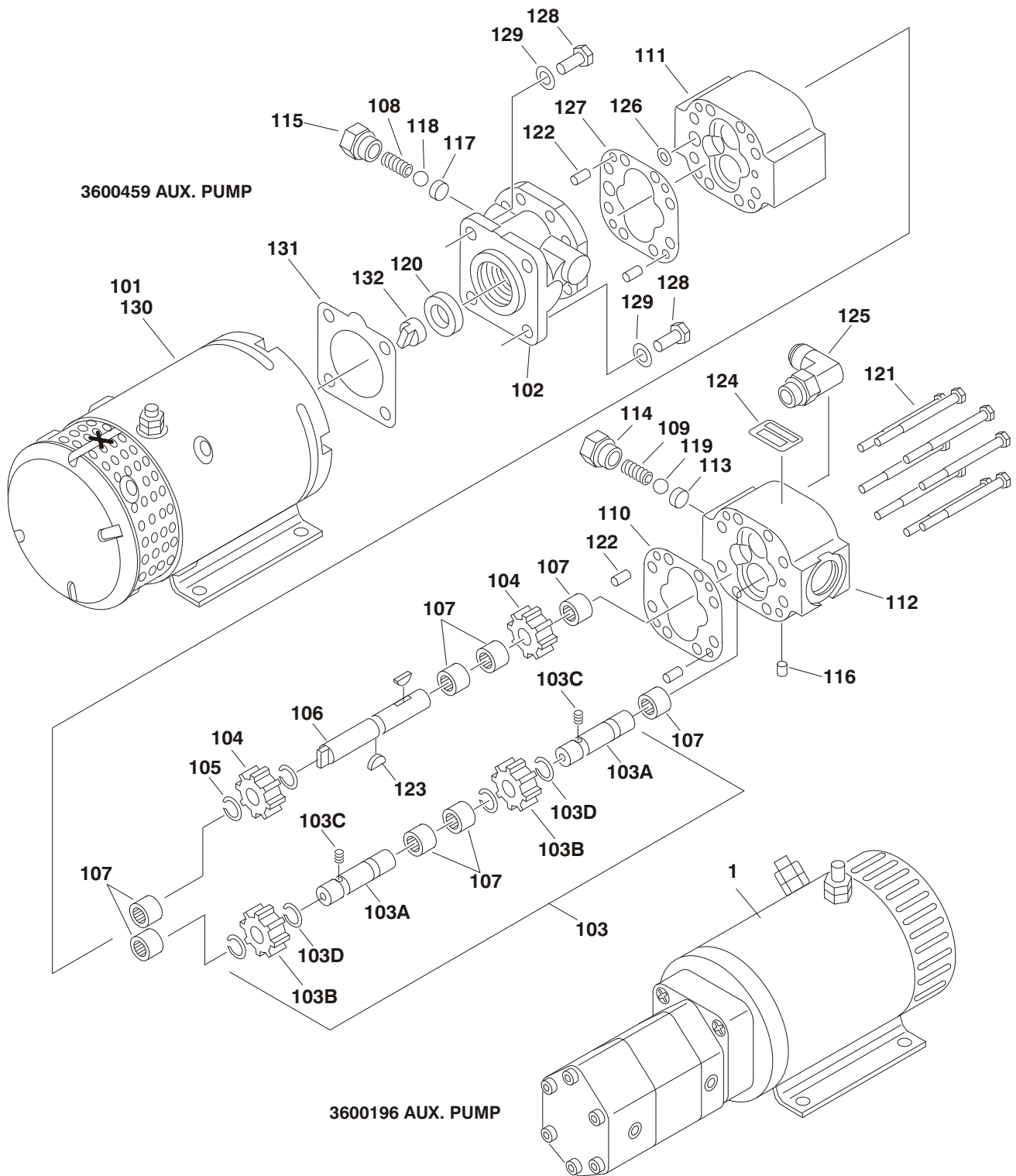
SECTION 2 TURNTABLE

FIGURE 2-15. MAIN PUMP ASSEMBLY - GEAR

ITEM #	PART NUMBER	QTY.	DESCRIPTION	REV.
	3600183	Ref.	MAIN PUMP ASSEMBLY - GEAR	—
1	Use Item 100	1	Seal, Lip	
2	7009594	1	End, Mounting (With Bushing)	
3	Not Used			
4	7003103	2	Plug	
5	7005447	8	Pin, Dowel	
6	Use Item 100	4	Plate, Thrust	
7	Use Item 100	4	Seal, Channel	
8	7009598	1	Set, Drive Gear	
9	Use Item 100	4	Seal, Square	
10	7005474	1	Housing, Gear	
11	7009596	1	Housing, Bearing Carrier (With Bushings)	
12	7005476	1	Shaft, Connector	
13	7009599	1	Set, Gear	
14	7009597	1	Housing, Gear	
15	7009595	1	Housing, Piggyback (With Bushings)	
16	7003114	4	Nut	
17	7001293	4	Flatwasher	
18	7014300	4	Stud	
19	7014306	1	Shaft, Connector	
20	Use Item 100	2	Plate, Thrust	
21	Use Item 100	2	Seal, Channel	
22	7014303	1	Set, Gear	
23	Use Item 100	2	Seal, Square	
24	7014302	1	Housing, Gear	
25	7014308	4	Pin, Dowel	
26	7014301	1	Cover, End	
27	7014304	4	Bolt	
28	7005597	4	Flatwasher	
100	2900797	1	Seal Kit (Includes Items 1,6,7,9,20,21 and 23)	

SECTION 2 TURNTABLE

FIGURE 2-16. AUXILIARY PUMP ASSEMBLY



SECTION 2 TURNTABLE

FIGURE 2-16. AUXILIARY PUMP ASSEMBLY

ITEM #	PART NUMBER	QTY.	DESCRIPTION	REV.
		Ref.	AUXILIARY PUMP ASSEMBLIES	
	3600196	Ref.	Prior to S/N 103758	
	3600459	Ref.	S/N 103758 to Present	
	3600196	Ref.	AUXILIARY PUMP ASSEMBLY	B
1	3600196	1	Pump Auxiliary	
	7013711	1	Coupling	
	7013772	1	Motor	
	7013773	1	Pump	
	7013774	1	Seal, Shaft	
	3600459	Ref.	AUXILIARY PUMP ASSEMBLY	A
101	7011071	1	Motor & Adapter	
102	Not Available	1	Stator	
103	70001072	1	Shaft, Idler Assembly	
103A	Not Available	2	Shaft, Idler	
103B	Not Available	2	Gear	
103C	70001065	2	Pin, Drive	
103D	70000970	2	Ring, Retaining	
104	70001073	2	Gear	
105	70000970	2	Ring, Retaining	
106	70001074	1	Shaft, Drive	
107	70000976	8	Bearing, Needle	
108	70001075	1	Spring	
109	70001076	1	Spring	
110	70001061	1	Gasket	
111	Not Available	1	Housing, Gear	
112	Not Available	1	Housing, Gear	
113	70001077	1	Seat	
114	70001078	1	Cap Assembly	
115	70001079	1	Cap Assembly	
116	Not Available	1	Plug	
117	70001080	1	Seat	
118	70001081	1	Ball	
119	70001082	1	Ball	
120	70000969	1	Seal, Shaft	
121	70001060	8	Screw	
122	7010911	4	Pin, Dowel	
123	70001083	2	Key	
124	Not Available	1	Label	
125	70001084	1	Fitting	
126	7011024	1	O-Ring	
127	70001085	1	Gasket	
128	7011043	4	Screw	
129	7011048	4	Washer	
130	7010924	1	Motor	
131	7011044	1	Gasket, Mounting	

SECTION 2 TURNTABLE

FIGURE 2-16. AUXILIARY PUMP ASSEMBLY (CONTINUED)

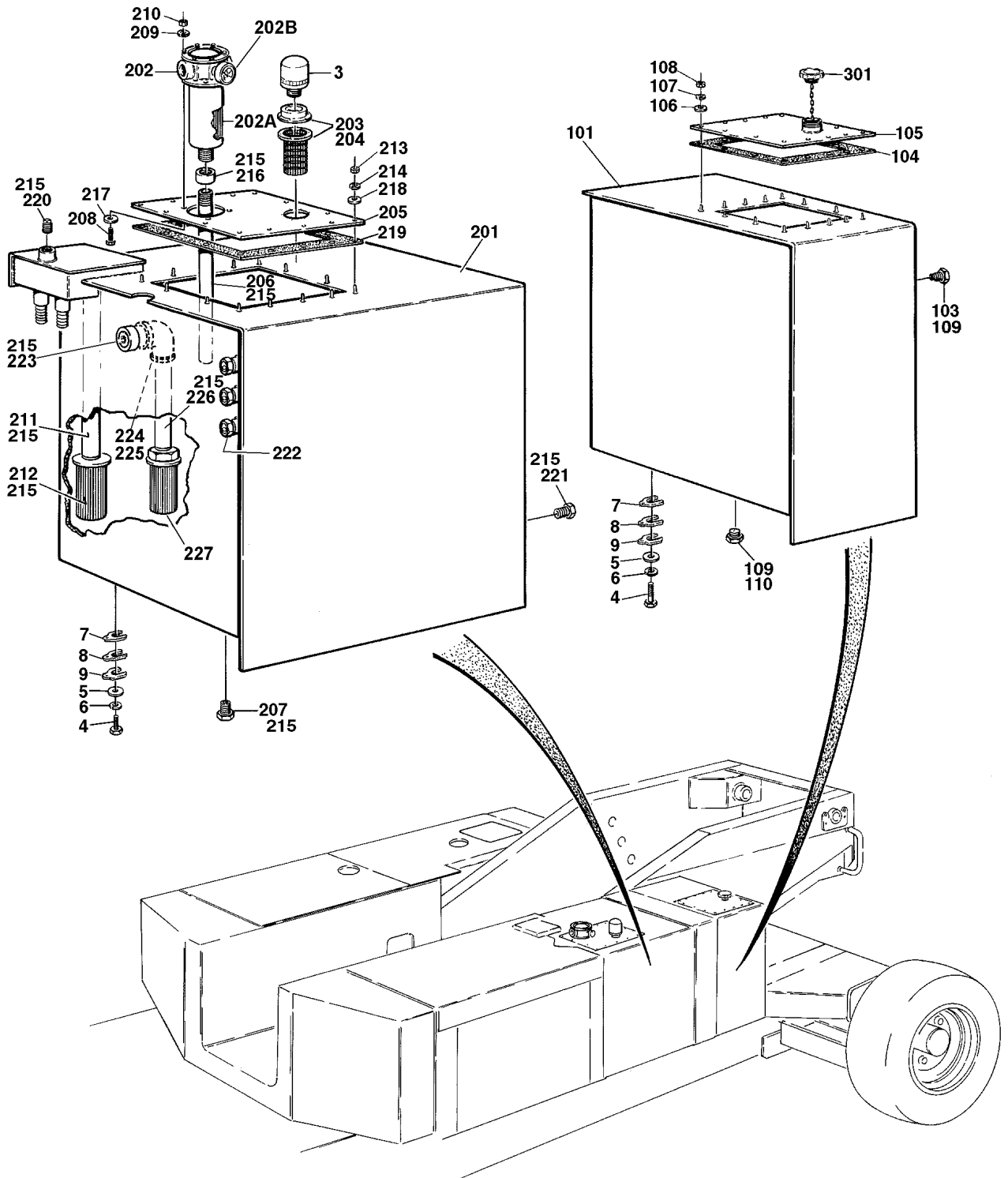
ITEM #	PART NUMBER	QTY.	DESCRIPTION	REV.
132	7011016	1	Coupling	

FIGURE 2-16. AUXILIARY PUMP ASSEMBLY (CONTINUED)

ITEM #	PART NUMBER	QTY.	DESCRIPTION	REV.

SECTION 2 TURNTABLE

FIGURE 2-17. TANKS INSTALLATION



SECTION 2 TURNTABLE

FIGURE 2-17. TANKS INSTALLATION

ITEM #	PART NUMBER	QTY.	DESCRIPTION	REV.
	0251919	Ref.	TANKS INSTALLATION	3
1	4400333	1	Fuel Tank Assembly (Includes Items 101-110)	
2		1	Oil Tank Assembly Options (Includes Items 201-227):	
	4400335		Prior to November 1993	
	4400357		November 1993 to Present	
3	1340046	1	Breather	
4	0641814	8	Bolt 1/2"-13NC x 1 3/4"	
5	4751800	8	Flatwasher 1/2"	
6	4761800	8	Lockwasher 1/2"	
7	4070410	A/R	Shim (1/16" - 1.6mm Thick)	
8	4070411	A/R	Shim (1/8" - 3.2mm Thick)	
9	4070412	A/R	Shim (3/16" - 4.8mm Thick)	
	4400333	Ref.	FUEL TANK ASSEMBLY	A
101	4400332	1	Fuel Tank Weldment	
102	Not Used			
103	2420115	5	Gauge, Sight	
104	3960371	1	Gasket	
105	4843919	1	Lid	
106	4751400	14	Flatwasher 1/4"	
107	4761400	14	Lockwasher 1/4"	
108	3311401	14	Nut 1/4"-20NC	
109	0100020	A/R	Sealant, Pipe	
110	2200204	1	Fitting, Pipe Plug	
		Ref.	OIL TANK ASSEMBLY OPTIONS:	
	4400335	Ref.	Prior to November 1993	A
	4400357	Ref.	November 1993 to Present	A
201	4400334	1	Oil Tank Weldment	
202	2120103	1	Filter (Return)	
	2120107	1	Element, Filter	
	7004244	1	Gauge, Sight	
	7016333	1	O-Ring (Not Shown)	
203	4740338	6	Washer, Sealing	
204	1340045	1	Flange and Strainer	
205	1670468	1	Lid	
206	2180649	1	Nipple, Pipe	
207	3520022	1	Plug, Magnetic	
208	0641612	4	Bolt 3/8"-16NC x 1 1/2"	
209	4751600	4	Flatwasher 3/8"	
210	3311605	4	Locknut 3/8"-16NC	
211	2180628	1	Nipple, Pipe	
212	2120104	1	Filter, Tank	
213	3311401	14	Nut 1/4"-20NC	
214	4761400	14	Lockwasher 1/4"	
215	0100020	A/R	Sealant, Pipe	

SECTION 2 TURNTABLE

FIGURE 2-17. TANKS INSTALLATION (CONTINUED)

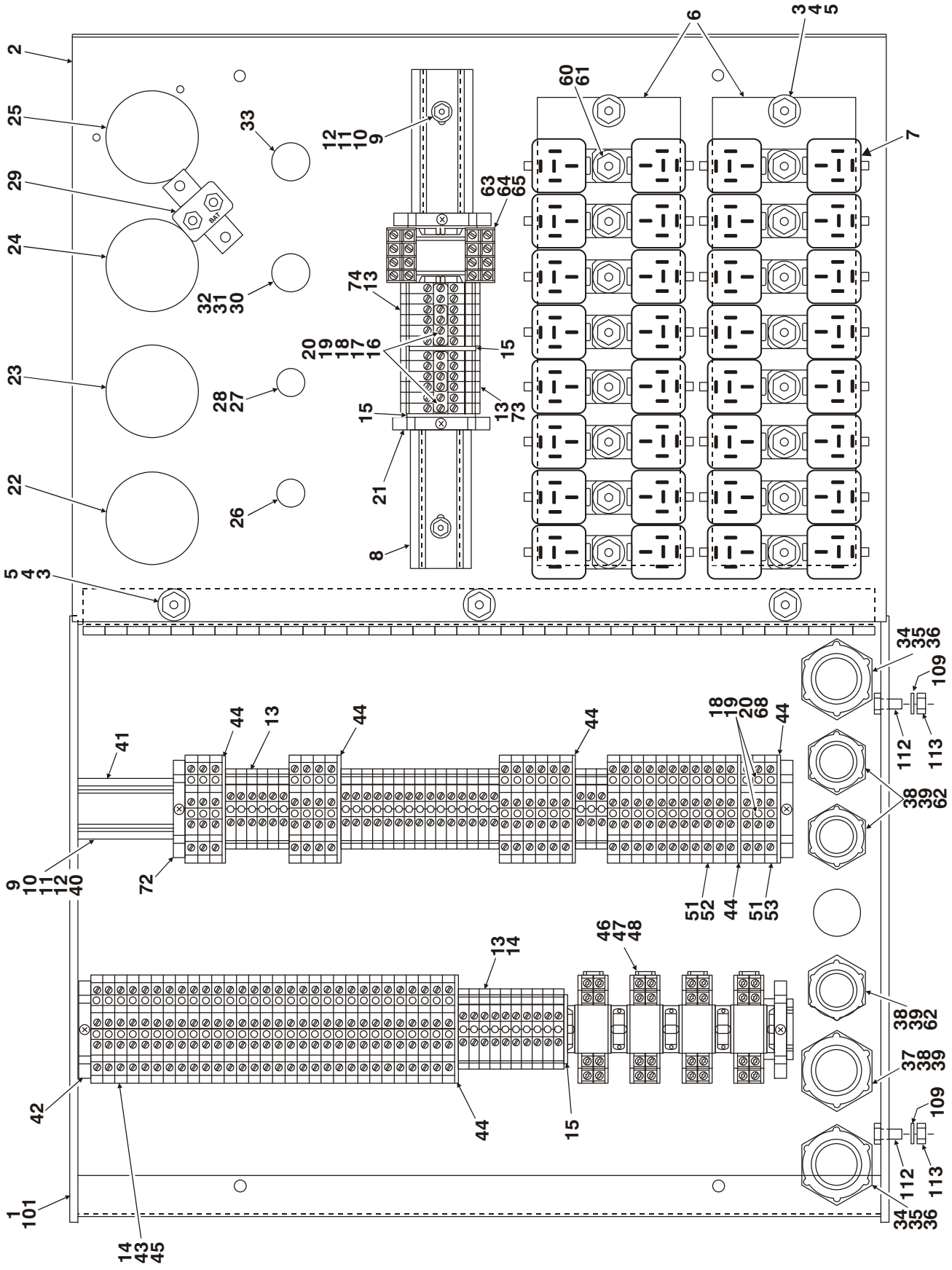
ITEM #	PART NUMBER	QTY.	DESCRIPTION	REV.
216	2200268	1	Fitting, Coupling	
217	4740322	4	Washer, Sealing	
218	4751400	14	Flatwasher 1/4"	
219	3960371	1	Gasket	
220	2200204	2	Plug, Pipe - 3/4"NPT	
221	2200205	4	Plug, Pipe - 1"NPT	
222	2420115	3	Gauge	
223	2200107	1	Plug, Pipe - 1 1/4"NPT	
224	2220341	1	Fitting, Nipple 1 1/4" (November 1993 to Present Only)	
225	2200347	1	Fitting, Elbow 90° 1 1/4" (November 1993 to Present Only)	
226	2180534	1	Fitting, Nipple 1 1/4" x 12" (November 1993 to Present Only)	
227	2120098	1	Filter, Strainer (November 1993 to Present Only)	
		Ref.	FUEL CAP INSTALLATIONS	
	0251919	Ref.	Standard Cap - Prior to S/N 30382	3
	0257365	Ref.	Standard Cap - S/N 30382 to Present	1
	0258626	Ref.	Protectoseal Blue Cap - S/N 30382 to Present	1
	0257366	Ref.	Protectoseal Red Cap - S/N 30382 to Present	2
301		1	Cap Options:	
	1120314		Standard Cap	
	1120512		Protectoseal Blue Cap	
	1120367		Protectoseal Red Cap	

FIGURE 2-17. TANKS INSTALLATION (CONTINUED)

ITEM #	PART NUMBER	QTY.	DESCRIPTION	REV.

SECTION 2 TURNTABLE

FIGURE 2-18. MAIN TERMINAL BOX ASSEMBLY



SECTION 2 TURNTABLE

FIGURE 2-18. MAIN TERMINAL BOX ASSEMBLY

ITEM #	PART NUMBER	QTY.	DESCRIPTION	REV.
		Ref.	MAIN TERMINAL BOX ASSEMBLY OPTIONS:	
	0860731	Ref.	Prior to S/N 61098	3
	0861429	Ref.	S/N 61098 to Present	4
1	0860703	1	Box	
2		1	Lid Options:	
	3252071		Prior to S/N 46291	
	3252660		S/N 46291 to S/N 61098	
	3252765		S/N 61098 to Present	
3	3911412	7	Screw, Machine 1/4"-20NC x 3/4"	
4	4751400	7	Flatwasher 1/4"	
5	3311405	7	Locknut 1/4"-20NC	
6	4843827	2	Plate, Mounting - Relay	
7	3740049	25	Relay, Bosch	
8	3640536	1	Track	
9	3310601	6	Nut #6-32NC	
10	3910608	6	Screw, Machine #6-32NC x 1/2"	
11	4750600	12	Flatwasher #6	
12	4760600	6	Lockwasher #6	
13	4460298	46	Block, Terminal	
14	4460301	1	Marker, Terminal #1 - #50	
15	4460300	3	Barrier, Terminal	
16	4460309	4	Bar, Buss - 3 Position	
17	4460308	2	Bar, Buss - 2 Position	
18	4460305	12	Screw	
19	4460306	12	Washer	
20	4460307	12	Sleeve	
21	4460299	2	Stop, Terminal	
22	2420127	1	Gauge, Water Temperature	
23		1	Gauge, Oil Pressure Options:	
	2420128		Prior to July 1993	
	2420111		July 1993 to Present	
24	2420129	1	Gauge, Voltmeter	
25	2420009	1	Hourmeter	
26	4360212	1	Breaker, Circuit	
27	2920027	1	Light, Indicator - Green	
28	2920029	1	Light, Bulb	
29	4360216	1	Breaker, Circuit - 30 Amp	
30		1	Switch - 3 Position Options:	
	4360275		Prior to S/N 46291	
	4360469		S/N 46291 to Present	
		1	Key, Replacement Options:	
	7010698		Prior to 46291 Only	
	2860030		S/N 46291 to Present	
31	4360267	1	Block, Contact - SPST/N.O. (Prior to 46291 Only)	
32	4360281	3	Block, Contact - N.O. (Prior to 46291 Only)	
33	4360003	1	Keyswitch (Prior to 46291 Only)	
	2860002	1	Key, Replacement (Prior to 46291 Only)	
34	4460386	2	Connector, Strain Relief	

SECTION 2 TURNTABLE

FIGURE 2-18. MAIN TERMINAL BOX ASSEMBLY (CONTINUED)

ITEM #	PART NUMBER	QTY.	DESCRIPTION	REV.
35	3300147	2	Nut, Conduit	
36	0960905	2	Bushing	
37	4460244	1	Connector, Strain Relief	
38	3300048	4	Nut, Conduit	
39	0960238	4	Bushing	
40	3640764	2	Rail, Mounting	
41	4220038	2 in./5cm	Tape, Insulation	
42	4460299	1	Stop, Terminal	
43	4460387	57	Block, Terminal - 2 Level	
44	4460388	6	End Barrier, Terminal,	
45	4460391	2	Marker, Terminal - #101 - #150	
46	4120012	3	Socket, Relay - 2 PDT	
47	3740057	3	Relay - 2 PDT	
48	3740066	3	Spring, Relay	
49	4420038	3.5ft/1.1m	Tape, Insulation	
50	0100001	A/R	Adhesive (Not Shown)	
51	4460414	42	Marker, Terminal #4	
52	4460411	24	Marker, Terminal #1	
53	4460412	20	Marker, Terminal #2	
54	4460409	2	Marker, Terminal #201 - #300	
55	4460410	10	Marker, Terminal #0	
56	4460413	64	Marker, Terminal #3	
57	4460415	2	Marker, Terminal #5	
58	4460416	2	Marker, Terminal #6	
59	Not Used			
60	4761400	13	Lockwasher 1/4"	
61	3311401	13	Nut 1/4"-20NC	
62	4460051	3	Connector, Strain Relief	
63	4120013	1	Relay, Socket 4 PDT	
64	3740058	1	Relay 4 PDT	
65	3740063	1	Spring, Relay	
66	4460404	2	Marker, Terminal #8	
67	4460405	4	Marker, Terminal #9	
68	4460390	4	Bar, Buss - 3 Position	
69	0750806	2	Screw, #8 x 3/4"	
70	3300177	2	Nut, Tinnerman #8	
71	4740120	2	Washer	
72	4460442	3	Stop, Terminal - 2 Level	
73	4460455	24	Marker, Terminal #41	
74	4460456	24	Marker, Terminal #42	
75	4070987	5	Shim, .015 (Not Shown)	
76	3910804	6	Screw, 8/32 X .25 LG (Not Shown)	

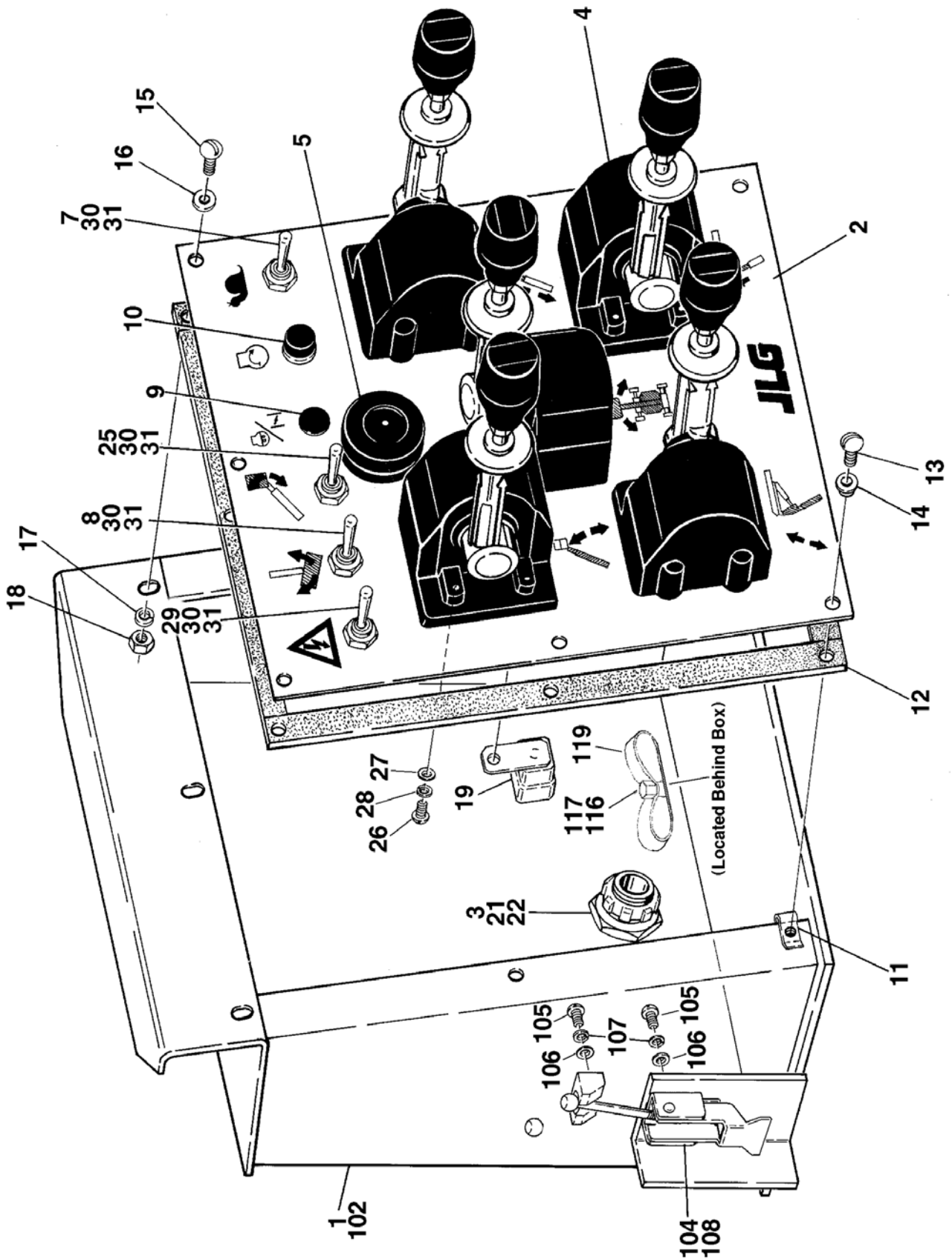
SECTION 2 5 TURNTABLE

FIGURE 2-18. MAIN TERMINAL BOX ASSEMBLY (CONTINUED)

ITEM #	PART NUMBER	QTY.	DESCRIPTION	REV.
		Ref.	GROUND CONTROLS INSTALLATIONS	
	0251911	Ref.	Prior to S/N 61098	3
	0271057	Ref.	S/N 61098 to Present	2
101		1	Ground Control Box Assembly Options:	
	0860731		Prior to S/N 61098	
	0861429		S/N 61098 to Present	
102-108	Not Used			
109	4740185	4	Washer 3/4"	
110	Not Used			
111	Not Used			
112	3311405	14	Locknut 1/4"-20NC	
113	4751400	14	Flatwasher 1/4"	

SECTION 2 TURNTABLE

FIGURE 2-19. REMOTE CONTROL BOX ASSEMBLY



SECTION 2 TURNTABLE

FIGURE 2-19. REMOTE CONTROL BOX ASSEMBLY

ITEM #	PART NUMBER	QTY.	DESCRIPTION	REV.
		Ref.	REMOTE CONTROL BOX ASSEMBLY OPTIONS:	
	0860733	Ref.	Prior to S/N 44398	2/B
	0861301	Ref.	S/N 44398 to S/N 103758	4
	1810145	Ref.	S/N 103758 to Present	A
1		1	Box Weldment Options:	
	0860702		Prior to S/N 44398	
	0861299		S/N 44398 to Present	
2		1	Lid Options:	
	3252072		Prior to May 1994	
	3252376		May 1994 to S/N 103758	
	1707112		S/N 103758 to Present	
3	4460386	1	Connector, Strain Relief	
4		5	Controller Assembly - PQ Options:	
	1600141		Prior to S/N 74463 (See Figure 4-6 For Breakdown)	
	1600353		S/N 74463 to Present (See Figure 4-7 For Breakdown)	
5		1	Switch, Emergency Stop Options:	
	4360289		Prior to S/N 46291	
	4360475		S/N 46291 to Present	
	7012611	1	Head, Mushroom (Use with 4360289)	
	7012612	1	Boot (Use with 4360289)	
	7020175		Cap (Use with 4360475)	
	7020176		Contact, Block (Use with 4360475)	
6		1	Contact, Block - N.C. Options:	
	4360282		Prior to S/N 46291	
	4360476		S/N 46291 to Present	
7	4360199	1	Switch, Toggle	
8	4360202	1	Switch, Toggle	
9	3520026	1	Plug, Hole (Prior to S/N 103758)	
10	4360274	1	Switch, Push Button (Start)	
11	3300177	4	Nut, Tinnerman	
12	4420037	3.5ft/1m	Weatherstrip	
13	0750806	4	Screw, Self Tapping #8 x 3/4"	
14	4740120	7	Washer, Nylon	
15	0721006	3	Screw #10-24NC x 3/4"	
16	4751000	3	Flatwasher #10	
17	4761000	3	Lockwasher #10	
18	3311001	3	Nut #10-24NC	
19	3740049	2	Relay, Bosch - SPDT	
20	Not Used			
21	3300147	1	Nut, Conduit	
22	0960905	1	Bushing	
23	Not Used			
24	2560112	5	Knob	
25	4360202	1	Switch, Toggle	
26	0720803	20	Screw, Machine #8-32NC x 3/8"	
27	4750800	20	Flatwasher #8	
28	4760800	20	Lockwasher #8	
29	4360200	1	Switch, Toggle	

SECTION 2 TURNTABLE

FIGURE 2-19. REMOTE CONTROL BOX ASSEMBLY (CONTINUED)

ITEM #	PART NUMBER	QTY.	DESCRIPTION	REV.
30	3790012	4	O-Ring	
31	4060229	5	Shield, Toggle Switch (S/N 103758 to Present)	
	0251911	Ref.	GROUND CONTROLS INSTALLATIONS	5
101	Not Used			
102		1	Remote Box Assembly Options (See Items 1-30 for Breakdown):	
	0860733		Prior to S/N 44398	
	0861301		S/N 44398 to Present	
103	Not Used			
104		1	Latch, Adjustable Draw Options:	
	2940066		Prior to S/N 44398	
	2940115		S/N 44398 to Present	
105	0731003	2	Bolt #10-32NF x 3/8"	
106	4751000	2	Flatwasher #10	
107	4761000	2	Lockwasher #10	
108	3820019		Pop-Rivet 3/16" (Prior to S/N 44398 Only)	
109 to 115	Not Used			
116	4751600	5	Flatwasher 3/8"	
117	3311605	5	Locknut 3/8"-16NC	
118	1320131	4	Clamp (Not Shown)	
119	1320060	3	Clamp	

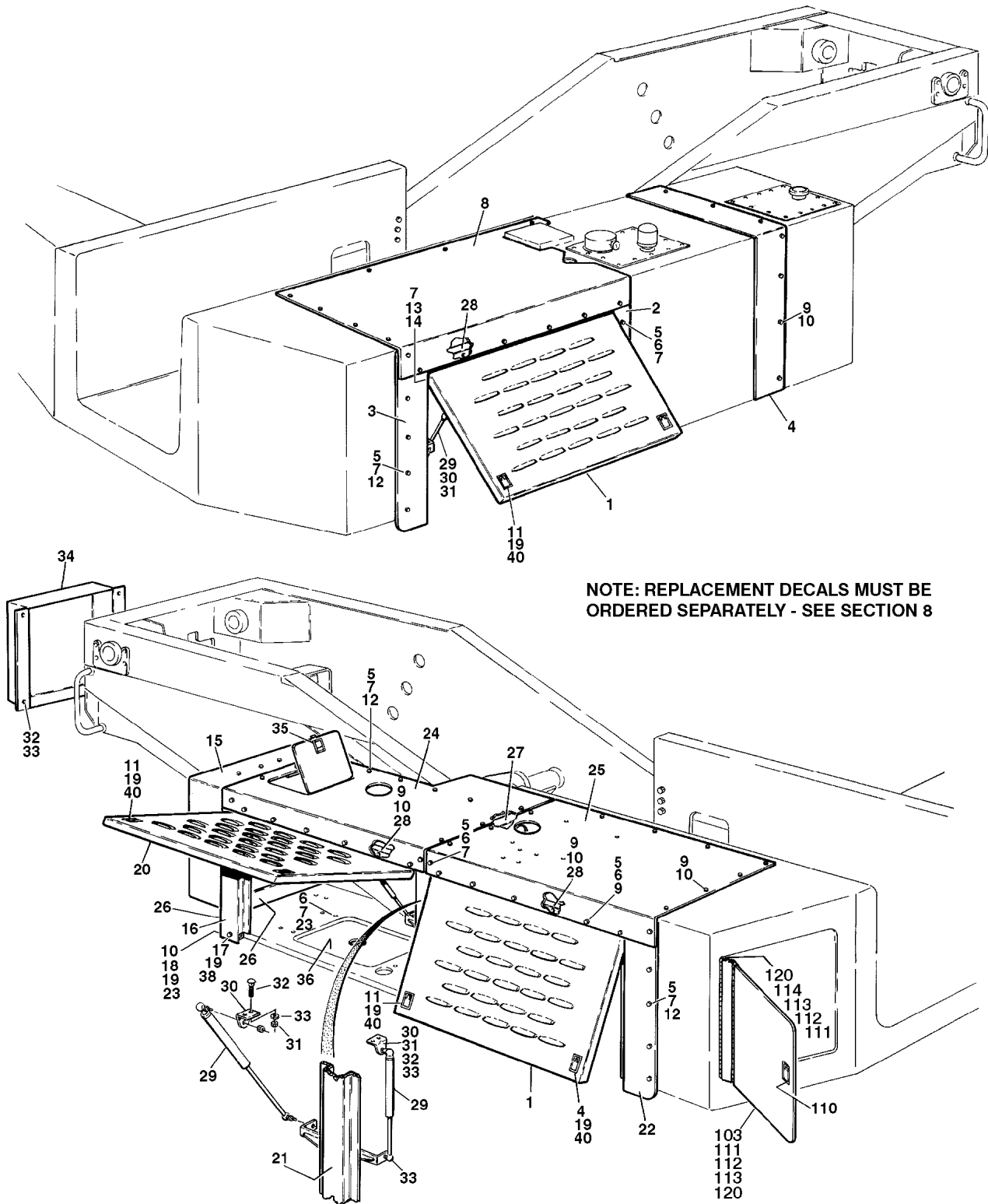
SECTION 2 TURNTABLE

FIGURE 2-19. REMOTE CONTROL BOX ASSEMBLY (CONTINUED)

ITEM #	PART NUMBER	QTY.	DESCRIPTION	REV.

SECTION 2 TURNTABLE

FIGURE 2-20.HOOD COMPONENTS INSTALLATION



SECTION 2 TURNTABLE

FIGURE 2-20. HOOD COMPONENTS INSTALLATION

ITEM #	PART NUMBER	QTY.	DESCRIPTION	REV.
	0251920	Ref.	HOODS INSTALLATION	7
1	4843879	2	Hood, Door Weldment	
2	3535300	1	Plate, Door	
3	4843920	1	Door Weldment	
4	3534643	1	Plate, Filler	
5	0641406	59	Bolt 1/4"-20NC x 3/4"	
6	4751400	48	Flatwasher 1/4"	
7	3311405	66	Locknut 1/4"-20NC	
8	3535325	1	Hood (Top Tank Side)	
9	3941406	36	Screw, Self Tapping 1/4"-14NC x 3/4"	
10	4761400	40	Lockwasher 1/4"	
11		6	Latch, Flush Mount Options: Prior to S/N 39139 S/N 39139 to Present	
12	2940042			
13	2940113			
14	4740362	15	Washer, Fender	
15	0641410	6	Bolt 1/4"-20NC x 1 1/4"	
16	4711400	12	Flatwasher 1/4"	
17	0251941	1	Inlet Box Assembly	
18	4843927	1	Door Support Weldment	
19	0641622	3	Screw 3/8"-16NC x 2 3/4"	
20	3300151	4	Nut, Acorn 1/4"-20NC	
21	0100011	A/R	Compound, Locking	
22	4843878	1	Hood Door Weldment	
23	4843926	1	Door Support Weldment	
24	3535328	1	Plate, Door Support	
25	4300031	12	Stud 1/4"-20NC x 5/8"	
26	4843931	1	Hood Top Weldment (Engine)	
27	4843932	1	Hood Top Weldment (Valve)	
28	4843933	1	Hood Weldment (Front)	
29	4843930	1	Hood Bracket Weldment	
30	4843925	3	Hood Reinforcement Weldment	
31	4160081	3	Spring, Gas	
32	3200222	3	Bracket, Gas Spring Mounting	
33	3311505	9	Locknut 5/16"-18NC	
34	0630383	6	Bolt Carriage 5/16"-18NC x 3/4"	
35	4751500	6	Flatwasher 5/16"	
36	3535133	1	Cover, Tower Boom	
37	2940045	1	Latch, Flush Mounting (Paddle)	
38	3535345	1	Plate, Cover	
39	4300034	2	Stud Weldment 3/4"16Nc x 1"	
40	4751600	2	Flatwasher 3/8"	
41	3311605	5	Locknut 3/8"-16NC	
42	2940070	6	Latch, Straight Pawl (Prior to S/N 39139)	

SECTION 2 TURNTABLE

FIGURE 2-20. HOOD COMPONENTS INSTALLATION (CONTINUED)

ITEM #	PART NUMBER	QTY.	DESCRIPTION	REV.
	0251911	Ref.	GROUND CONTROLS DOOR INSTALLATION	5
101 to 102	Not Used			
103		1	Door - Ground Control Options: Prior to S/N 53798 S/N 53798 to Present	
	4843729			
	1780320			
104 to 109	Not Used			
110	2940042	1	Latch	
111	0100011	A/R	Compound, Locking	
112	3311405	9	Locknut 1/4"-20NC	
113	4751400	19	Flatwasher 1/4"	
114	2600094	1	Hinge	
115 to 119	Not Used			
120	0641405	10	Bolt 1/4"-20NC x 5/8"	

SECTION 3 BOOM

SECTION 3 BOOM

FIGURE 3-1. BOOMS AND TURNTABLE INSTALLATION

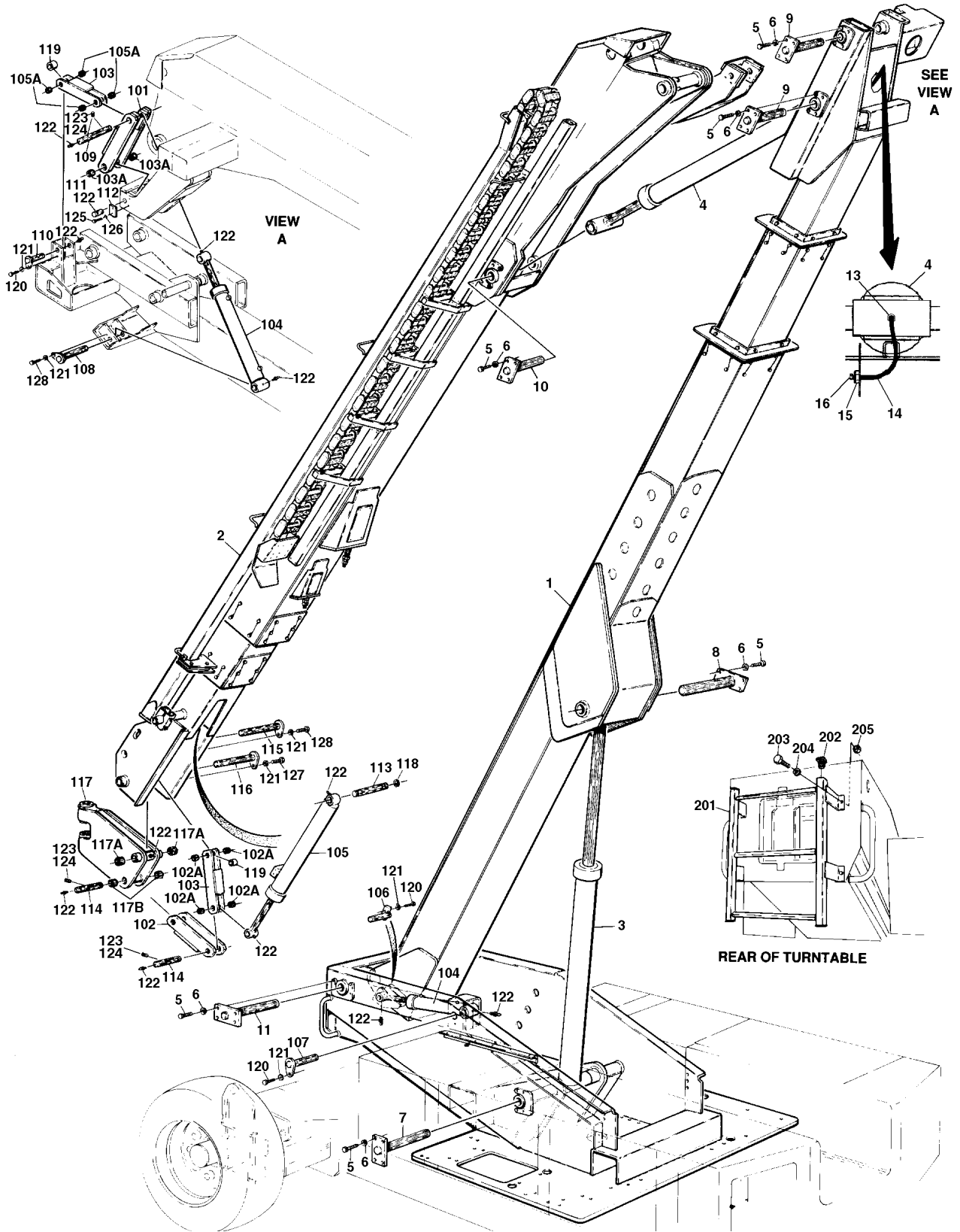


FIGURE 3-1. BOOMS AND TURNTABLE INSTALLATION

ITEM #	PART NUMBER	QTY.	DESCRIPTION	REV.
		Ref.	BOOMS AND CYLINDERS INSTALLATIONS	
	0251885	Ref.	ANSI Spec Machines Built Through 1992	A
	0253809	Ref.	ANSI Spec Machines Built 1993 To S/N 34994	2
	0257416	Ref.	ANSI Spec Machines Built S/N 34994 To Present	4
	0270342	Ref.	CSA Spec Machines (Built Prior to S/N 69948 Only)	3
1	0800718	1	Tower Boom Assembly (See Figure 3-3 for Breakdown)	
2		1	Main Boom Assembly Options (See Figure 3-2 for Breakdown):	
	0800722		Machines Built Through 1992	
	0800840		Machines Built 1993 To S/N 34994	
	0801109		Machines Built S/N 34994 To Present	
3	1682519	1	Tower Lift Cylinder Assembly (See Section 5 For Breakdown)	
4		1	Main Lift Cylinder Assembly Options (See Section 5 For Breakdown):	
	Use 1683702		Prior to S/N 36519 (was P/N 1682516)	
	1683702		S/N 36519 to Present	
5	0682214	24	Bolt 3/4"-10NC x 1 3/4"	
6	4762200	24	Clevis 3/4"	
7		1	Pin Weldment Options:	
	3422090		ANSI Spec	
	3422880		CSA Spec (Prior to S/N 69948)	
8		1	Pin Weldment Options:	
	3421917		ANSI Spec	
	3422879		CSA Spec (Prior to S/N 69948)	
9		2	Pin Weldment Options:	
	3421918		ANSI Spec	
	3422878		CSA Spec (Prior to S/N 69948)	
10		1	Pin Weldment Options:	
	3421919		ANSI Spec	
	3422877		CSA Spec (Prior to S/N 69948)	
11	3421920	1	Pin Weldment	
12	0901851	1	Bracket, Boom Rest (Prior to S/N 57155 Only) (Not Shown)	
13	2220063	1	Fitting 90° (July 1993 to Present Only)	
14	2751032	1	Hose, Fitting Grease (July 1993 to Present Only)	
15	2180344	1	Fitting, Bulkhead (July 1993 to Present Only)	
16	2160001	1	Fitting, Grease (July 1993 to Present Only)	
		Ref.	LEVEL LINKS INSTALLATION	
	0251883	Ref.	ANSI Spec	D
	0270341	Ref.	CSA Spec (Prior to S/N 69948)	
101	3010103	1	Link, Weldment	
	0961578	2	Bushing, Bronze	
102	3010102	1	Link, Weldment	
	0961578	2	Bushing, Bronze	
103	3010101	2	Link, Weldment	
	0961578	2	Bushing, Bronze	
104	1682332	2	Master Cylinder Assembly (See Section 5 for Breakdown)	

SECTION 3 BOOM

FIGURE 3-1. BOOMS AND TURNTABLE INSTALLATION (CONTINUED)

ITEM #	PART NUMBER	QTY.	DESCRIPTION	REV.
105		1	Platform Level, Cylinder Assembly Options (See Section 5 for Breakdown):	
	1682330		Prior to S/N 27450	
	1683476		S/N 27450 to Present	
106	3421850	1	Pin, Weldment	
107	3421931	1	Pin, Weldment	
108	3421932	1	Pin, Weldment	
109		1	Pin Options:	
	3421933		ANSI Spec	
	3422870		CSA Spec (Prior to S/N 69948)	
110	3421934	1	Pin, Weldment	
111	3421930	2	Pin	
112	3435285	2	Plate, Keeper	
113	3421935	1	Pin	
114		2	Pin Options:	
	3421912		ANSI Spec	
	3422869		CSA Spec (Prior to S/N 69948)	
115		1	Pin, Weldment Options:	
	3421910		ANSI Spec	
	3422876		CSA Spec (Prior to S/N 69948)	
116	3421942	1	Pin, Weldment	
117	4843890	1	Pivot Weldment	
	0961024	2	Bushing, Bronze	
	0961559	2	Bushing, Bronze	
118	3760133	2	Ring, Retaining	
119	0961579	2	Bushing, Spacer	
120	0641608	3	Bolt 3/8"-16NC x 1"	
121	4761600	6	Lockwasher 3/8"	
122		14	Grease Fitting Options:	
	2160003		ANSI Spec	
	2160002		CSA Spec (Prior to S/N 69948)	
123	3971606	6	Set Screw 3/8"-16NC x 3/4"	
124	0100011	A/R	Compound, Locking	
125	0641506	4	Bolt 5/16"-18NC x 3/4"	
126	4761500	4	Lockwasher 5/16"	
127	0641609	1	Bolt 3/8"-16NC x 1 1/8"	
128	0641606	2	Bolt 3/8"-16NC x 3/4"	
129	4240104	1	Tie Strap	
	0251606	Ref.	LADDER INSTALLATION	3
201		1	Ladder Options:	
	4843828		Prior to S/N 115930	
	1001096779		S/N 115930 to Present	
202	3520071	4	Plug, Cap	
203	0641612	4	Bolt 3/8"-16NC x 1 1/2"	
204	4751600	8	Flatwasher 3/8"	
205	3311605	4	Locknut 3/8"-16NC	
206	4071003	1	Shim, Boom Rest (Not Shown)	
207	0362957	1	Bar, Boom Rest (Not Shown)	

FIGURE 3-1. BOOMS AND TURNTABLE INSTALLATION (CONTINUED)

ITEM #	PART NUMBER	QTY.	DESCRIPTION	REV.

FIGURE 3-2. MAIN BOOM ASSEMBLY

ITEM #	PART NUMBER	QTY.	DESCRIPTION	REV.
		Ref.	MAIN BOOM ASSEMBLY	
	0800722	Ref.	Machines Built Through 1992	B
	0800840	Ref.	Machines Built 1993 To S/N 34994	4
	0801109	Ref.	Machines Built S/N 34994 To Present	9
1	0800723	1	Main Base Boom	
1A	0961557	2	Bushing, Bronze	
2	0800724	1	Main Mid Boom	
3		1	Main Fly Boom Options:	
	0800725		Prior to S/N 34994	
	0801111		S/N 34994 to Present	
4		1	Telescope Cylinder Assembly Options (See Section 5 for Breakdown):	
	1682490		Prior to January 1993	
	1682901		January 1993 to Present	
5	3580177	1	Sheave, Extend	
6	3421350	2	Pin, Sheave	
7	4761800	2	Lockwasher	
8	4740003	2	Washer, Special	
9	0641808	2	Bolt 1/2"-13NC x 1"	
10	2160002	2	Grease Fitting	
11	0100011	A/R	Compound, Locking	
12		1	Chain, Fly Extend Options:	
	1260168		Prior to January 1993	
	1260290		January 1993 to Present	
13	1260263	1	Chain, Fly Retract	
14	Not Used			
15	Not Used			
16	1360232	1	Clevis, Extend and Retract	
17		1	Block, Spacer Options:	
	0560980		Prior to January 1993	
	0561273		January 1993 to Present	
18	3421885	1	Pin, Clevis Attach	
19	3450505	2	Pin, Cotter	
20	3421206	1	Pin, Clevis	
21	3421205	6	Pin, Clevis	
22	4751500	13	Flatwasher 5/16"	
23	3450303	7	Pin, Cotter	
24	Not Used			
25	4751400	11	Flatwasher 1/4"	
26	Not Used			
27	0236758	1	Adjustment, Chain Assembly (See Items 401 to 409 for Breakdown)	
28	0251804	1	Adjustment, Chain Assembly (See Items 301 to 309 for Breakdown)	
29 to 30	Not Used			
31		1	Adjustment Mounting Plate Weldment Options:	
	3535410		Prior to January 1993	
	4844382		January 1993 to Present	

SECTION 3 BOOM

FIGURE 3-2. MAIN BOOM ASSEMBLY (CONTINUED)

ITEM #	PART NUMBER	QTY.	DESCRIPTION	REV.
32	3421209	1	Pin, Telescope Cylinder	B
33	3760233	2	Ring, Retaining	
34	0960979	2	Bushing, Eccentric	
35	3951603	2	Screw 3/8"-16NC x 3/8"	
36		1	Sheave Assembly Options:	
	Use 3580311		Prior to S/N 69948 (Was P/N 3580176)	
	3580311		S/N 69948 to Present	
36A	0960372	2	Bushing, Bronze	
37		1	Pin Sheave Options:	
	Use 3423019		Prior to S/N 69948 (Was P/N 3421911)	
	3423019		S/N 69948 to Present	
38	3951604	2	Screw 3/8"-16NC x 1/2"	
39	3420410	2	Pin, Trunion	
40	0360372	2	Bar	
41	0641605	4	Bolt 3/8"-16NC x 5/8"	
42	4751600	14	Flatwasher 3/8"	
43	4761600	64	Lockwasher 3/8"	
44	3340462	1	Wear Pad	
45	4070556	A/R	Shim	
46	4070555	A/R	Shim	
47	3340460	1	Wear Pad	
48	3340394	12	Wear Pad	
49	4070502	A/R	Shim	
50	4070501	A/R	Shim	
51	3340401	2	Wear Pad	
52	4070504	A/R	Shim	
53	4070503	A/R	Shim	
54	3340399	4	Wear Pad	
55	4070498	A/R	Shim	
56	4070497	A/R	Shim	
57	3340403	4	Wear Pad	
58	4070508		Shim - Service Only	
59	4070507		Shim - Service Only	
60		1	Pin, Clevis Options:	
	3421885		Prior to S/N 34994	
	3422640		S/N 34994 to Present	
61	0641606	20	Bolt 3/8"-16NC x 3/4"	
62	0641612	12	Bolt 3/8"-16NC x 1 1/2"	
63	0641610	20	Bolt 3/8"-16NC x 1 1/4"	
64	0641614	4	Bolt 3/8"-16NC x 1 3/4"	
65		A/R	Wire, Safety (Not Shown)	
	4920385	48ft/14.6m	Prior to July 1995	
	Not Required		S/N 34994 to Present	
66	0641616	4	Bolt 3/8"-16NC x 2"	
67	4740185	4	Washer, Special 3/8"	
68	4740057	2	Washer, Special 3/4"	
69	3312202	2	Jam Nut 3/4"-10NC	
70	3300241	2	Locknut, Nylon Collar 3/4"-10NC	
71-76	Not Used			

SECTION 3 BOOM

FIGURE 3-2. MAIN BOOM ASSEMBLY (CONTINUED)

ITEM #	PART NUMBER	QTY.	DESCRIPTION	REV.
77	1060392	108ft/32.9m	Cable, Electrical - 16/36 (Control Cable)	
78	1060393	108ft/32.9m	Cable, Electrical - 10/3 (A/C Cable)	
79	1060394	108ft/32.9m	Cable, Electrical - 10/4 (Power Feed Cable)	
80	1060395	108ft/32.9m	Cable, Electrical - 16/4 (Intercom Cable)	
81	Not Used			
82		A/R	Power Track Assembly Options:	
		Ref.	Note: Original Equipment Power Track may have been replaced with Service Replacement. Visually identify component before ordering replacement parts.	
	Use 1001099842	1	Gemco Brand Power Track (Prior to S/N 0300135500) (was p/n 1180236)	
	7006153	A/R	1ft Repair Section - Used on p/n 1180236	
	7006179	2 Pr	Feet, Mounting - Used on p/n 1180236	
	7006180	A/R	Pin Kit - Used on p/n 1180236	
	1001099842	1	Gortrac Brand Power Track (S/N 0300135500 to Present)	
	70002008	A/R	1ft Repair Section	
	70002009	2 Pr	Bracket Kit (Includes 1 set of mounting brackets and hardware)	
83	1180254	1	Carrier Weldment	
84	1320121	2	Clamp (Note: After S/N 51528, Part of Item 3)	
85	4280242	1	Strip, Reinforcing	
86	4340453	1	Support, Powertrack	
87	3841126	1	Rod, Tube Retainer	
88	4562516	4in/10cm	Tube	
89	3860050	1	Roller, Powertrack	
90	3841013	1	Rod, Roller	
91	3450806	1	Pin, Cotter	
92	0641404	5	Bolt 1/4" x 1/2"	
93	4060780	1	Boom Cover Weldment	
94	4060685	1	Cover, Hydraulic and Electrical Lines	
95	4060789	1	Cover, Hydraulic and Electrical Lines	
96	4340632	6	Support, Hydraulic and Electrical Lines	
97	3535128	1	Plate, Cover	
98	3535129	1	Plate, Cover	
99	1670321	2	Plate, Cover	
100	4060790	1	Cover, Hydraulic and Electrical Lines	
101	0641636	2	Bolt 3/8"-16NC x 4 1/2"	
102	3311605	10	Locknut 3/8"-16NC	
103	0641510	3	Bolt 5/16"-18NC x 1 1/4"	
104	3311505	3	Locknut 5/16"-18NC	
105	3311405	15	Locknut 1/4"-20NC	
106	0641608	4	Bolt 3/8"-16NC x 1"	
107	0630446	4	Bolt, Carriage 3/8"-16NC x 1"	
108	4300098	8	Stud 1/4"-20NC x 2 1/2" (Welded on Part) (Prior to S/N 66768)	
109	4300031	7	Stud 1/4"-20NC x 1" (Welded on Part) (Prior to S/N 66768)	
110	4761400	4	Lockwasher 1/4"	
111	0641504	6	Bolt 5/16"-18NC x 1 1/2"	
112	4761500	6	Lockwasher 5/16"	
113	0960740	2	Spacer	
114	4240033	54	Tie Strap	

SECTION 3 BOOM

FIGURE 3-2. MAIN BOOM ASSEMBLY (CONTINUED)

ITEM #	PART NUMBER	QTY.	DESCRIPTION	REV.
115	0741605	2	Capscrew, Flathead 3/8"-16NC x 5/8"	
116	3340819	1	Wear Pad	
117	1320051	1	Clamp	
118	1320052	1	Clamp	
119	1670836	6	Cover, Boom (Prior to S/N 0300134807)	
		Ref.	BOOM TAPE INSTALLATIONS	
	0252066	Ref.	Prior to S/N 27450	B
	0256695	Ref.	ANSI / CSA Spec Machines Built S/N 27450 to Present	3
201-229	Not Used			
230	4420017	6'	Tape (Red)	
231	4420018	16.42'	Tape (Blue)	
232	3580183	1	Pulley, Cap. Indicator (Not Shown)	
	0251804	Ref.	CHAIN ADJUSTER ASSEMBLY (RETRACT)	
301	3535075	2	Plate	
302	0630374	1	Eyebolt	
303	3421142	1	Pin, Clevis	
304	4712200	1	Flatwasher 3/4"	
305	3450505	1	Pin, Cotter	
306	0560644	2	Block, Chain Attach	
307	0630347	1	Bolt, Special	
308	3311803	1	Nut, Slotted 1/2"-13NC	
309	3450405	1	Pin, Cotter	
	0236758	Ref.	CHAIN ADJUSTER ASSEMBLY (EXTEND)	
401	3509182	2	Plate	
402	0630374	1	Eyebolt	
403	3421142	1	Pin, Clevis	
404	4740276	1	Washer, Special	
405	3450505	1	Pin, Cotter	
406	0560644	2	Block, Chain Attach	
407	0630347	1	Bolt, Special	
408	3311803	1	Nut, Slotted 1/2"-13NC	
409	3450405	1	Pin, Cotter	

FIGURE 3-2. MAIN BOOM ASSEMBLY (CONTINUED)

ITEM #	PART NUMBER	QTY.	DESCRIPTION	REV.

SECTION 3 BOOM

FIGURE 3-3.TOWER BOOM ASSEMBLY II

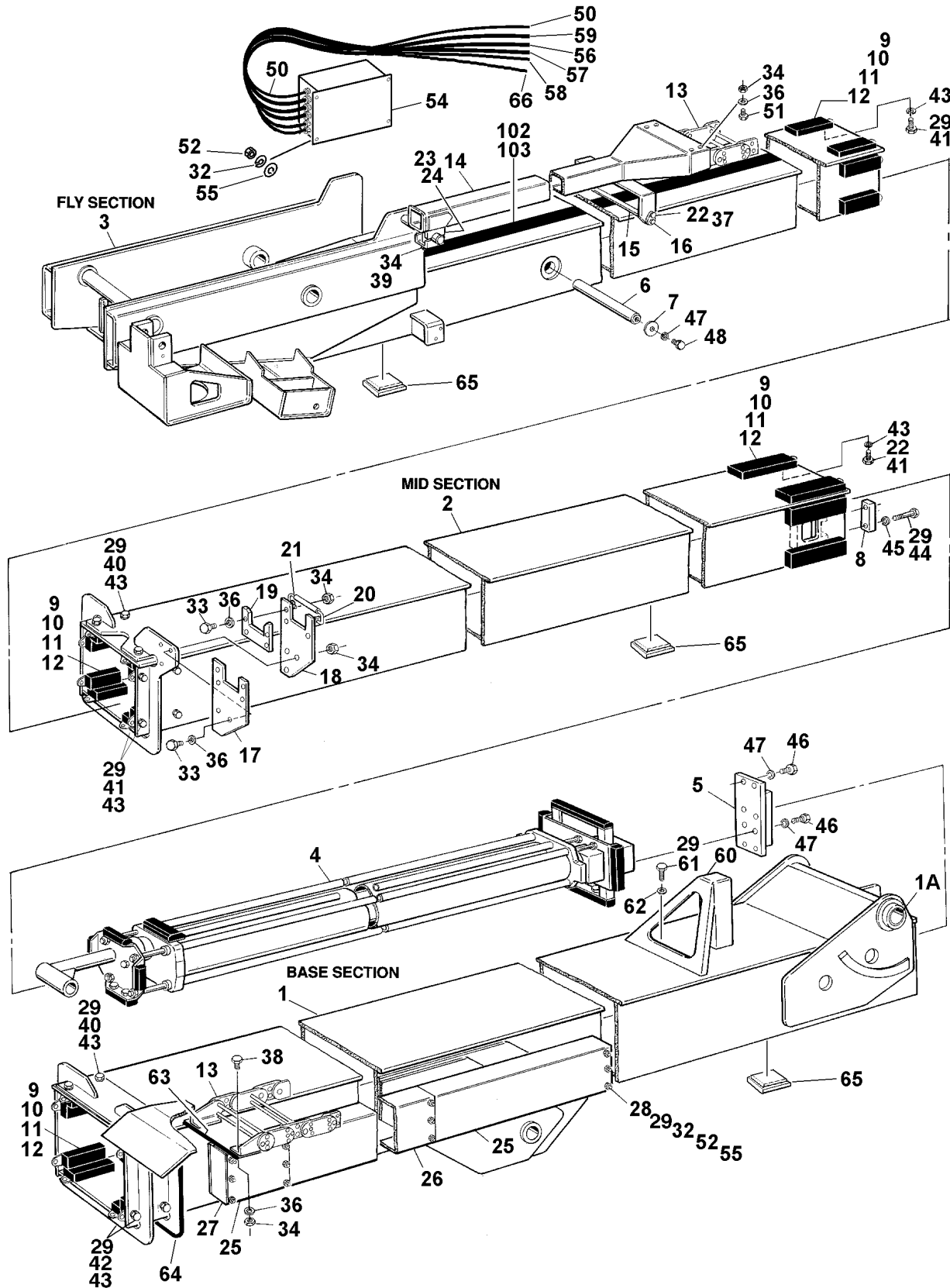


FIGURE 3-3. TOWER BOOM ASSEMBLY II

ITEM #	PART NUMBER	QTY.	DESCRIPTION	REV.
	0800718	Ref.	TOWER BOOM ASSEMBLY	14
1	0800719	1	Base, Boom	
1A	0961554	2	Bushing, Bronze	
2	0800720	1	Mid, Boom	
3	0800721	1	Fly, Boom	
4	1682289	1	Telescope Cylinder Assembly (See Section 5 for Breakdown)	
5	4843929	1	Cylinder Mounting Plate Weldment	
6	3421944	1	Pin	
7	3535334	2	Plate, Pin Cap	
8	0560962	2	Block, Trunion	
9	3340593	32	Pad, Wear	
10	3534505	A/R	Shim (1/16")	
11	3534506	A/R	Shim (1/8")	
12	3534507	A/R	Shim (3/16")	
13		A/R	Power Track Assembly Options:	
		Ref.	Note: Original Equipment Power Track may have been replaced with Service Replacement. Visually identify component before ordering replacement parts.	
	Use 1001099843	1	Gemco Brand Power Track (Prior to S/N 0300135500) (was p/n 1180276)	
	7006191	A/R	1ft Repair Section - Used on p/n 1180276	
	7006179	2 Pr	Feet, Mounting - Used on p/n 1180276	
	7006180	A/R	Pin Kit - Used on p/n 1180276	
	1001099843	1	Gortrac Brand Power Track (S/N 0300135500 to Present)	
	70002010	A/R	1ft Repair Section	
	70002009	2 Pr	Bracket Kit (Includes 1 set of mounting brackets and hardware)	
14	1180277	1	Carrier Weldment	
15	3860053	1	Roller	
16	3841120	1	Rod, Roller	
17	4340616	1	Plate, Support	
18	4843928	1	Support Plate Weldment	
19	4340622	1	Tube, Support	
20	3841012	1	Rod, Tube Retainer	
21	4562516	6in/15cm	Tube	
22	3450806	1	Pin, Cotter 1/4" x 1 1/2"	
23	1320121	2	Clamp (Note: After S/N 0300051528, Part of Item 3)	
24	4280242	1	Strip, Reinforcement	
25	4060782	2	Shield, Line (Front and Rear)	
26	4060783	1	Shield, Line (Center)	
27	0560971	4	Clamp, Block	
28	4300099	12	Stud	
29	0100011	A/R	Compound, Locking	
30	Not Used			
31	Not Used			
32	4751400	27	Flatwasher 1/4"	
33	0641612	7	Bolt 3/8"-16NC x 1 1/2"	
34	3311605	17	Locknut 3/8"-16NC	
35	Not Used			

SECTION 3 BOOM

FIGURE 3-3. TOWER BOOM ASSEMBLY II (CONTINUED)

ITEM #	PART NUMBER	QTY.	DESCRIPTION	REV.
36	4751600	30	Flatwasher 3/8"	
37	0641404	1	Bolt 1/4"-20NC x 1/2"	
38	0641610	4	Bolt 3/8"-16NC x 1 1/4"	
39	0641636	2	Bolt 3/8"-16NC x 4 1/2"	
40	0641814	12	Bolt 1/2"-13NC x 1 3/4"	
41	0641810	66	Bolt 1/2"-13NC x 1 1/4"	
42	0641809	18	Bolt 1/2"-13NC x 1 1/8"	
43	4761800	98	Lockwasher 1/2"	
44	0642020	4	Bolt 5/8"-11NC x 2 1/2"	
45	4762000	4	Lockwasher 5/8"	
46	0642218	8	Bolt 3/4"-10NC x 2 1/4"	
47	4762200	8	Lockwasher 3/4"	
48	0641812	2	Bolt 1/2"-13NC x 1 1/2"	
49	Not Used			
50	1060016	111ft/34m	Cable, Electrical - 16/3 (End of Travel)	
51	0641608	4	Bolt 1/4"-20NC x 1"	
52	3311401	31	Nut 1/4"-20NC	
53	1320142	36	Clamp (Not Shown - Located in Powertrack) (May 1992 to Present)	
54	0860888	1	Junction Box Assembly (See Figure 3-4 for Breakdown)	
55	4761400	15	Lockwasher 1/4"	
56	1060392	103ft/31.4m	Cable, Electrical - 16/36 (April 1994 to Present)	
57	1060393	103ft/31.4m	Cable, Electrical - 10/3 (AC) (April 1994 to Present)	
58	1060394	103ft/31.4m	Cable, Electrical - 10/3 (Powerfeed) (April 1994 to Present)	
59	1060395	103ft/31.4m	Cable, Electrical - 16/4 (Intercom) (April 1994 to Present)	
60	4844832	1	Boom Rest Weldment (July 1994 to Present)	
61	0641810	5	Bolt 1/2"-13NC x 1 1/4"	
62	4891800	5	Washer, Hardened	
63	4060807	1ft/31cm	Shield, Flex-Trim 3/8" (S/N 34994 to Present)	
64	4060808	1ft/31cm	Shield, Flex-Trim 1/2" (S/N 34994 to Present)	
65	1670836	6	Cover, Boom (S/N 34994 to Present)	
66	1060079	111ft	Cable - 16/4	
		Ref.	BOOM TAPE INSTALLATIONS	
	0252066	Ref.	Prior to S/N 27450	B
	0256695	Ref.	S/N 27450 to Present	3
101	Not Used			
102	4420017	72in/1.83m	Tape, Plastic (Red)	
103	4420018	197in/5m	Tape, Plastic (Blue)	
104	3580183	1	Pulley, Cap. Indicator (Not Shown)	

FIGURE 3-3. TOWER BOOM ASSEMBLY II (CONTINUED)

ITEM #	PART NUMBER	QTY.	DESCRIPTION	REV.

SECTION 3 BOOM

FIGURE 3-4. JUNCTION BOX ASSEMBLY (TOWER BOOM MOUNTED)

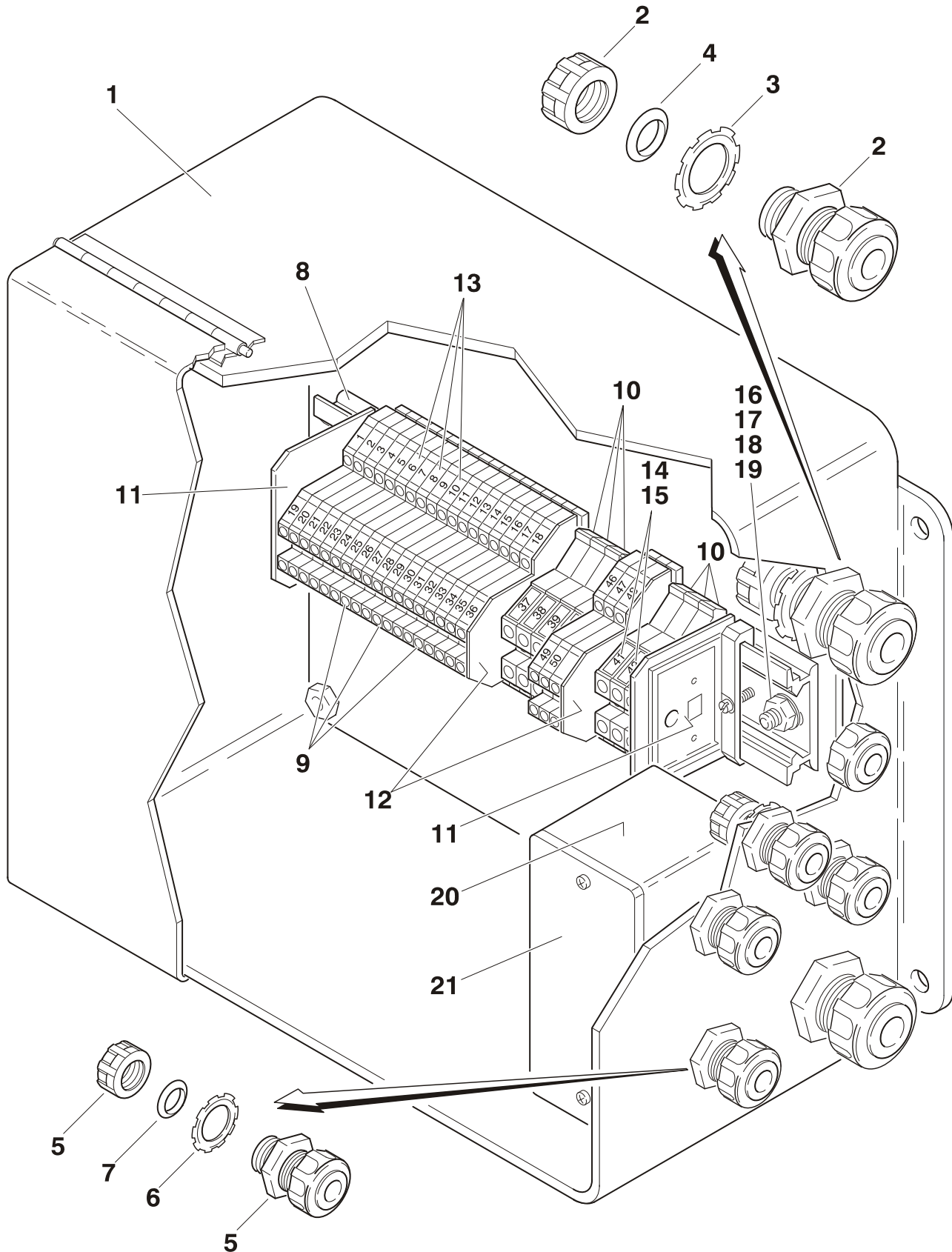


FIGURE 3-4. JUNCTION BOX ASSEMBLY (TOWER BOOM MOUNTED)

ITEM #	PART NUMBER	QTY.	DESCRIPTION	REV.
	0860888	Ref.	JUNCTION BOX ASSEMBLY	3
1	0860887	1	Box, Junction	
2	4460244	2	Connector, Strain Relief	
3	3300048	2	Nut, Conduit	
4	0960238	2	Bushing	
5	4460052	8	Connector, Strain Relief	
6	3300047	10	Nut, Conduit	
7	0960239	8	Bushing	
8	3640536	1	Rail	
9	4460387	21	Block, Terminal	
10	4460398	7	Block, Terminal	
11	4460442	1	Stop, Terminal End	
12	4460388	2	Barrier, Terminal	
13	4460301	1	Marker, Terminal 1-50	
14	4460413	4	Marker, Terminal #3	
15	4460414	8	Marker, Terminal #4	
16	3910606	2	Screw, Machine #6-32NC x 3/8"	
17	4750600	2	Flatwasher #6	
18	4760600	2	Lockwasher #6	
19	3310601	2	Nut #6-32NC	
20	0860785	1	Box, Electrical	
21	1670739	1	Cover, Receptacle	
22	4460299	1	Stop, Terminal End (Not Shown)	

SECTION 3 BOOM

FIGURE 3-5.LIMIT SWITCHES AND VALVES INSTALLATION (BOOM MOUNTED)

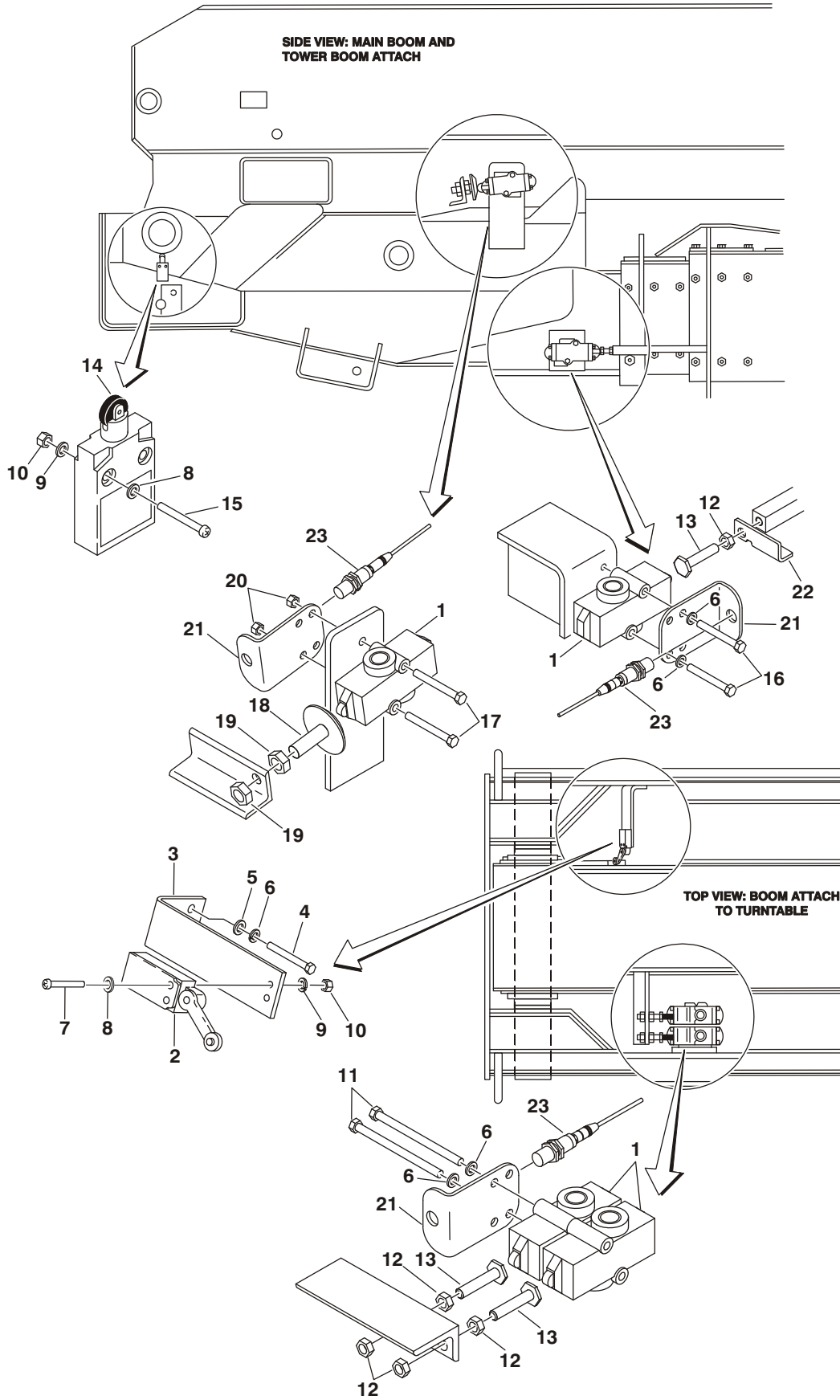


FIGURE 3-5. LIMIT SWITCHES AND VALVES INSTALLATION (BOOM MOUNTED)

ITEM #	PART NUMBER	QTY.	DESCRIPTION	REV.
	0251884	Ref.	LIMIT SWITCHES AND VALVES INSTALLATIONS	C
1	4640696	4	Valve Assembly	
	2900791	4	Seal Kit - 4640696 Valve (Includes Roller & Seals) (1 per Assy)	
2	4360301	1	Switch, Limit	
3	0901780	1	Bracket, Mounting	
4	0641610	2	Bolt 3/8"-16NC x 1 1/4"	
5	4751600	2	Flatwasher 3/8"	
6	4761600	6	Lockwasher 3/8"	
7	3910624	2	Screw, Machine #6-32NC x 1 1/2"	
8	4750600	4	Flatwasher #6	
9	4760600	4	Lockwasher #6	
10	3310601	4	Nut #6-32NC	
11	0641644	2	Bolt 3/8"-16NC x 5 1/2"	
12	3311802	5	Nut, Jam 1/2"-18NC	
13	0630427	3	Bolt, Special	
14	4360266	1	Switch, Limit	
15	3910620	2	Screw, Machine #6-32NC x 1 1/4"	
16	0641624	2	Bolt 3/8"-16NC x 2 3/4"	
17	0641626	2	Bolt 3/8"-16NC x 3 1/4"	
18	1100065	1	Disk, Cam	
19	3312202	2	Nut, Jam 3/4"-10NC	
20	3311605	2	Locknut 3/8"-16NC	
21	3572686	3	Bracket, Switch Mount	
22	3572687	1	Tripper	
23	4360498	3	Switch, Proximity	

SECTION 3 BOOM

FIGURE 3-5. LIMIT SWITCHES AND VALVES INSTALLATION (BOOM MOUNTED)

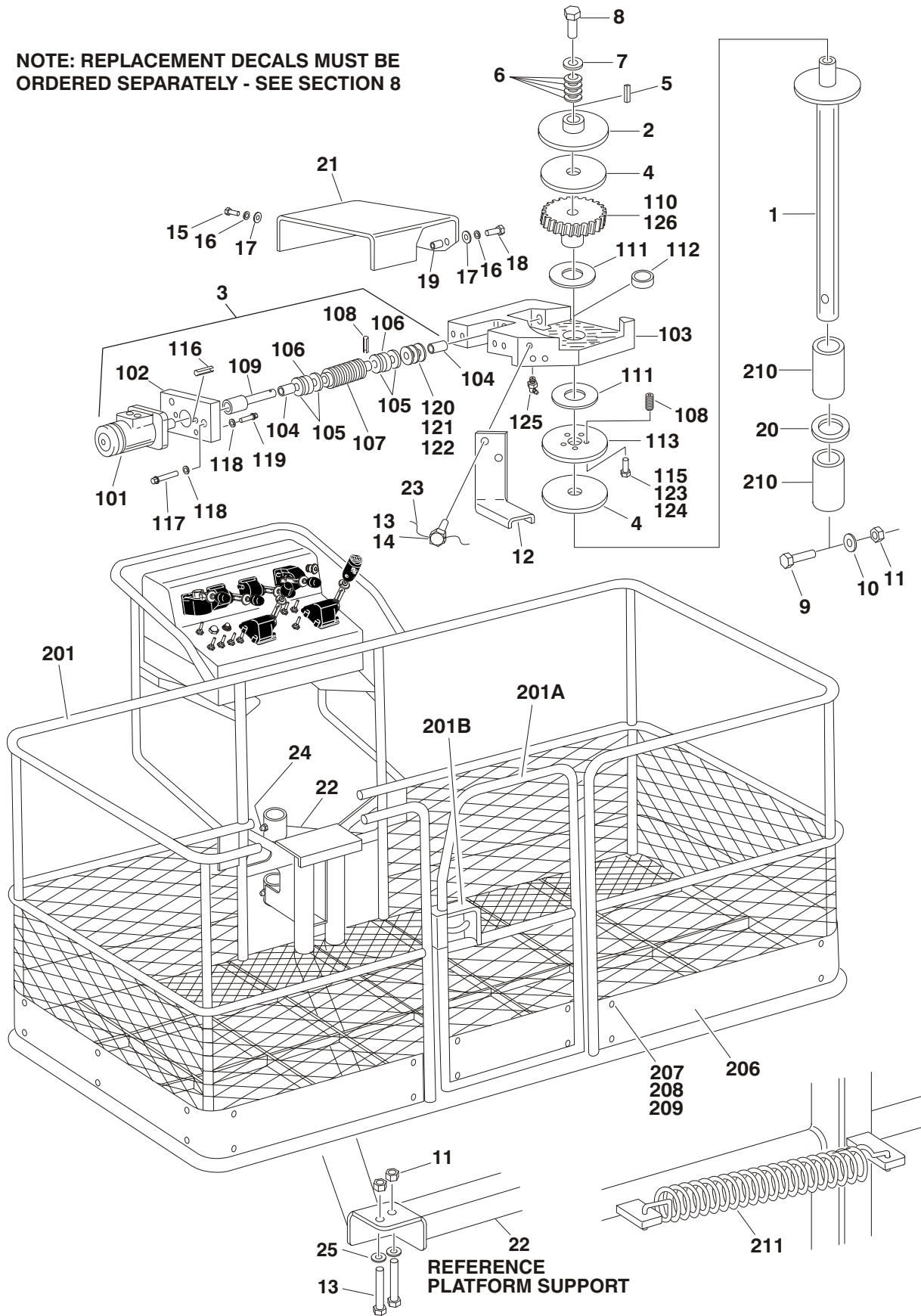
ITEM #	PART NUMBER	QTY.	DESCRIPTION	REV.

SECTION 4 PLATFORM

SECTION 4 PLATFORM

FIGURE 4-1. PLATFORM AND ROTATOR INSTALLATION (PRIOR TO S/N 76169)

NOTE: REPLACEMENT DECALS MUST BE ORDERED SEPARATELY - SEE SECTION 8



SECTION 4 PLATFORM

FIGURE 4-1. PLATFORM AND ROTATOR INSTALLATION (PRIOR TO S/N 76169)

ITEM #	PART NUMBER	QTY.	DESCRIPTION	REV.
		Ref.	PLATFORM ROTATOR INSTALLATIONS	
	0252037	Ref.	PRIOR TO S/N 65552	4
	0272937	Ref.	S/N 65552 TO S/N 76169	1
1	4842046	1	Shaft Weldment	
2	1120299	1	Cap	
3	0235238	1	Rotator Assembly (See Items 101-126 for Breakdown)	
4	3340454	2	Pad, Brake	
5	2880404	1	Keystock	
6	4160026	8	Washer, Belleville	
7	4752000	1	Flatwasher 5/8"	
8	0652014	1	Bolt 5/8'-18NC x 1 3/4"	
9	0641836	1	Bolt 1/2"-13NC x 4 1/2"	
10	4751800	1	Flatwasher 1/2"	
11	3311805	A/R	Locknut 1/2"-13NC	
12		1	Bracket Options:	
	0901721		Prior to S/N 36560	
	0902414		S/N 36560 to S/N 65552	
	0902896		S/N 65552 to S/N 76169	
13	0641811	A/R	Bolt 1/2"-13NC x 1 3/8"	
14	1380137	2	Clip, Retainer	
15	0641404	1	Bolt 1/4"-20NC x 1/2"	
16	4761400	2	Lockwasher 1/4"	
17	4751400	2	Flatwasher 1/4"	
18	0641408	1	Bolt 1/4"-20NC x 1"	
19	4562083	1	Tube, Spacer	
20	4740158	1	Washer, Thrust	
21	1670630	1	Cover	
22	4846823	1	Support, Platform (S/N 65552 to S/N 76169)	
23	4920986	1ft/31cm	Wire, Safety	
24	2160002	2	Fitting, Grease	
25	4891800	8	Flatwasher 1/2" Hardened (S/N 65552 to S/N 76169)	
26	4100033	66in1/7m	Sleeve, Hose Protector (Not Shown - Used to Wrap Boom Cables and Hoses) (S/N27450 to S/N 76169)	
27	4240033	10	Tie-Strap (Not Shown) (S/N27450 to S/N 76169)	
	0235238	Ref.	ROTATOR ASSEMBLY	
101	3160083	1	Rotator Motor Assembly (See Figure 4-3 for Breakdown)	
102	0080099	1	Adapter, Motor	
103	2760064	1	Housing, Gear	
104	0440134	2	Bearing, Sleeve	
105	4740199	4	Washer, Thrust	
106	0440120	2	Bearing, Thrust	
107	2440043	1	Gear, Worm	
108	3440816	4	Rollpin 1/4" x 1"	
109	0080098	1	Adapter, Motor to Worm Gear	
110	2440044	1	Gear, Worm	
111	4740256	2	Washer, Thrust	

SECTION 4 PLATFORM

FIGURE 4-1. PLATFORM AND ROTATOR INSTALLATION (PRIOR TO S/N 76169)

ITEM #	PART NUMBER	QTY.	DESCRIPTION	REV.
112	0440135	1	Bearing, Sleeve	
113	1760068	1	Disc, Brake	
114	Not Used			
115	3931010	5	Bolt, Socket Head #10-24NC x 5/8"	
116	3441228	2	Rollpin 3/8" x 1 3/4"	
117	3931620	2	Bolt, Socket Head 3/8"-16NC x 1 1/4"	
118	4761600	6	Lockwasher 3/8"	
119	3931612	4	Bolt, Socket Head 3/8"-16NC x 3/4"	
120	4070585	A/R	Shim .010	
121	4070586	A/R	Shim .005	
122	4070587	A/R	Shim .002	
123	0100019	A/R	Compound, Locking	
124	0100021	A/R	Primer	
125	2160001	1	Fitting, Grease - 90°	
126	3020025	A/R	Grease	
		Ref.	PLATFORM (SWING GATE) ASSEMBLIES	
	3510329	Ref.	36in x 96in (.9m x 2.44m) without Bumper & Without Door Kickplate (S/N 53798 to S/N 76169) (ANSI / JPN / CSA)	3
	3510333	Ref.	36in x 96in (.9m x 2.44m) without Bumper & With Door Kickplate (Prior to S/N53798)	3
	3510445	Ref.	30in x 96in (.7m x 2.44m) with Bumper & Without Door Kickplate (S/N 53798 to S/N 76169) (ANSI / JPN / CSA)	2
	3510447	Ref.	30in x 96in (.7m x 2.44m) with Bumper & With Door Kickplate (Prior to S/N 53798)	2
201		1	Platform Weldment Options:	
	3510445		30in x 96in (.7m x 2.4m) without Bumper	
	3510329		36in x 96in (.9m x 2.4m) with Bumper	
201A	1780253	1	Door Weldment	
201B	2940006	1	Latch, Door	
	2560010	1	Handle, Latch	
201C	2160006	2	Fitting, Grease	
202 to 205	Not Used			
206	3534144	2	Kickplate, Ends (Prior to S/N 53798 Only)	
207	0721003	36	Screw, Machine #10-24NC x 3/8"	
208	4740371	72	Washer, Special	
209	3311005	36	Locknut #10-24NC	
210	0960564	2	Bushing, Bronze	
211	4160028	1	Spring (When Equipped)	

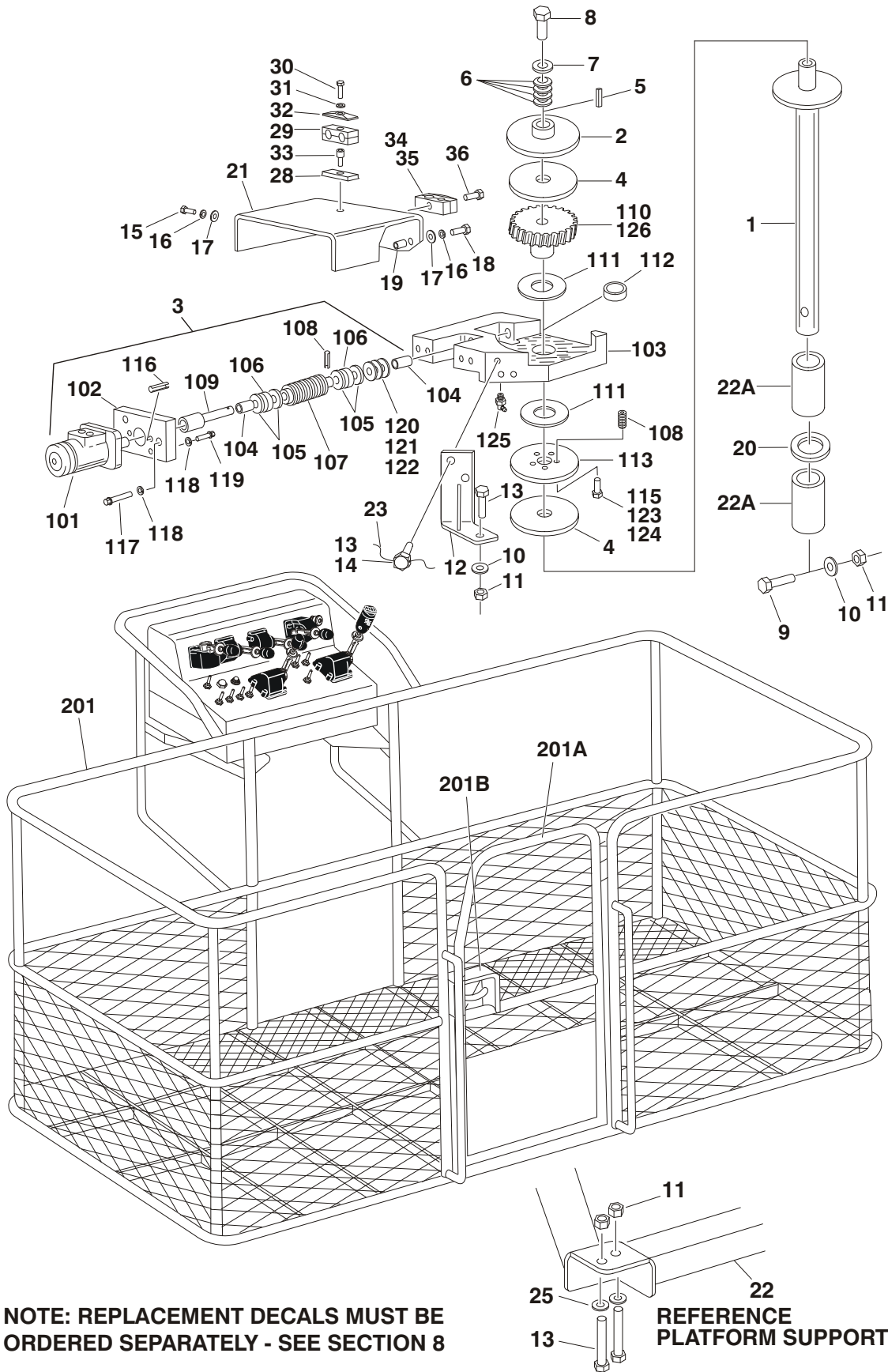
SECTION 4 PLATFORM

FIGURE 4-1. PLATFORM AND ROTATOR INSTALLATION (PRIOR TO S/N 76169)

ITEM #	PART NUMBER	QTY.	DESCRIPTION	REV.

SECTION 4 PLATFORM

FIGURE 4-2. PLATFORM AND ROTATOR INSTALLATION (S/N 76169 TO PRESENT)



SECTION 4 PLATFORM

FIGURE 4-2. PLATFORM AND ROTATOR INSTALLATION (S/N 76169 TO PRESENT)

ITEM #	PART NUMBER	QTY.	DESCRIPTION	REV.
	0272937	Ref.	PLATFORM ROTATOR INSTALLATIONS	2/B
1	4842046	1	Shaft Weldment	
2	1120299	1	Cap	
3	0235238	1	Rotator Assembly (See Items 101-126 for Breakdown)	
4	3340454	2	Pad, Brake	
5	2880404	1	Keystock	
6	4160026	8	Washer, Belleville	
7	4752000	1	Flatwasher 5/8"	
8	0652014	1	Bolt 5/8"-18NC x 1 3/4"	
9	0641836	1	Bolt 1/2"-13NC x 4 1/2"	
10	4751800	1	Flatwasher 1/2"	
11	3311805	10	Locknut 1/2"-13NC	
12	0902896	1	Bracket	
13	0641811	11	Bolt 1/2"-13NC x 1 3/8"	
14	1380137	2	Clip, Retainer	
15	0641404	1	Bolt 1/4"-20NC x 1/2"	
16	4761400	2	Lockwasher 1/4"	
17	4751400	2	Flatwasher 1/4"	
18	0641408	1	Bolt 1/4"-20NC x 1"	
19	4562083	1	Tube, Spacer	
20	4740158	1	Washer, Thrust	
21		1	Cover Options:	
	1670630		Prior to S/N 0300143325	
	1001114851		S/N 0300143325 to Present	
22	4846823	1	Support, Platform	
22A	0960564	2	Bushing	
23	4920986	1ft/31cm	Wire, Safety	
24	2160002	2	Fitting, Grease (Not Shown)	
25	4891800	8	Flatwasher 1/2" Hardened	
26	4100033	66in1/7m	Sleeve, Hose Protector (Not Shown - Used to Wrap Boom Cables and Hoses)	
27	4240033	10	Tie-Strap (Not Shown)	
28	1001080394	1	Spacer, Clamp (S/N 0300143325 to Present Only)	
29	1320187	1	Clamp, Twin (S/N 0300143325 to Present Only)	
30	1320488	1	Bolt, Stacking (S/N 0300143325 to Present Only)	
31	1320189	1	Lockwasher (S/N 0300143325 to Present Only)	
32	1320190	1	Cover, Clamp (S/N 0300143325 to Present Only)	
33	0641511	1	Bolt 5/16"-18NC x 1 3/8" (S/N 0300143325 to Present Only)	
34	80966123	1	Clamp, Twin (S/N 0300143325 to Present Only)	
35	77133137	1	Cover, Clamp (S/N 0300143325 to Present Only)	
36	0641514	1	Bolt 5/16"-18NC x 1 3/4" (S/N 0300143325 to Present Only)	
	0235238	Ref.	ROTATOR ASSEMBLY	
101	3160083	1	Rotator Motor Assembly (See Figure 4-3 for Breakdown)	
102	0080099	1	Adapter, Motor	
103	2760064	1	Housing, Gear	
104	0440134	2	Bearing, Sleeve	

SECTION 4 PLATFORM

FIGURE 4-2. PLATFORM AND ROTATOR INSTALLATION (S/N 76169 TO PRESENT)

ITEM #	PART NUMBER	QTY.	DESCRIPTION	REV.
105	4740199	4	Washer, Thrust	
106	0440120	2	Bearing, Thrust	
107	2440043	1	Gear, Worm	
108	3440816	4	Rollpin 1/4" x 1"	
109	0080098	1	Adapter, Motor to Worm Gear	
110	2440044	1	Gear, Worm	
111	4740256	2	Washer, Thrust	
112	0440135	1	Bearing, Sleeve	
113	1760068	1	Disc, Brake	
114	Not Used			
115	3931010	5	Bolt, Socket Head #10-24NC x 5/8"	
116	3441228	2	Rollpin 3/8" x 1 3/4"	
117	3931620	2	Bolt, Socket Head 3/8"-16NC x 1 1/4"	
118	4761600	6	Lockwasher 3/8"	
119	3931612	4	Bolt, Socket Head 3/8"-16NC x 3/4"	
120	4070585	A/R	Shim .010	
121	4070586	A/R	Shim .005	
122	4070587	A/R	Shim .002	
123	0100019	A/R	Compound, Locking	
124	0100021	A/R	Primer	
125	2160001	1	Fitting, Grease - 90°	
126	3020025	A/R	Grease	
	3510839	Ref.	PLATFORM ASSEMBLY - 36in x 96in (.9m x 2.44m)	1
201	3510839	1	Platform Weldment - 30in x 96in (.7m x 2.4m)	
201A	1780253	1	Door Weldment	
201B	2940006	1	Latch, Door	
	2560010	1	Handle, Latch	
201C	2160006	2	Fitting, Grease	

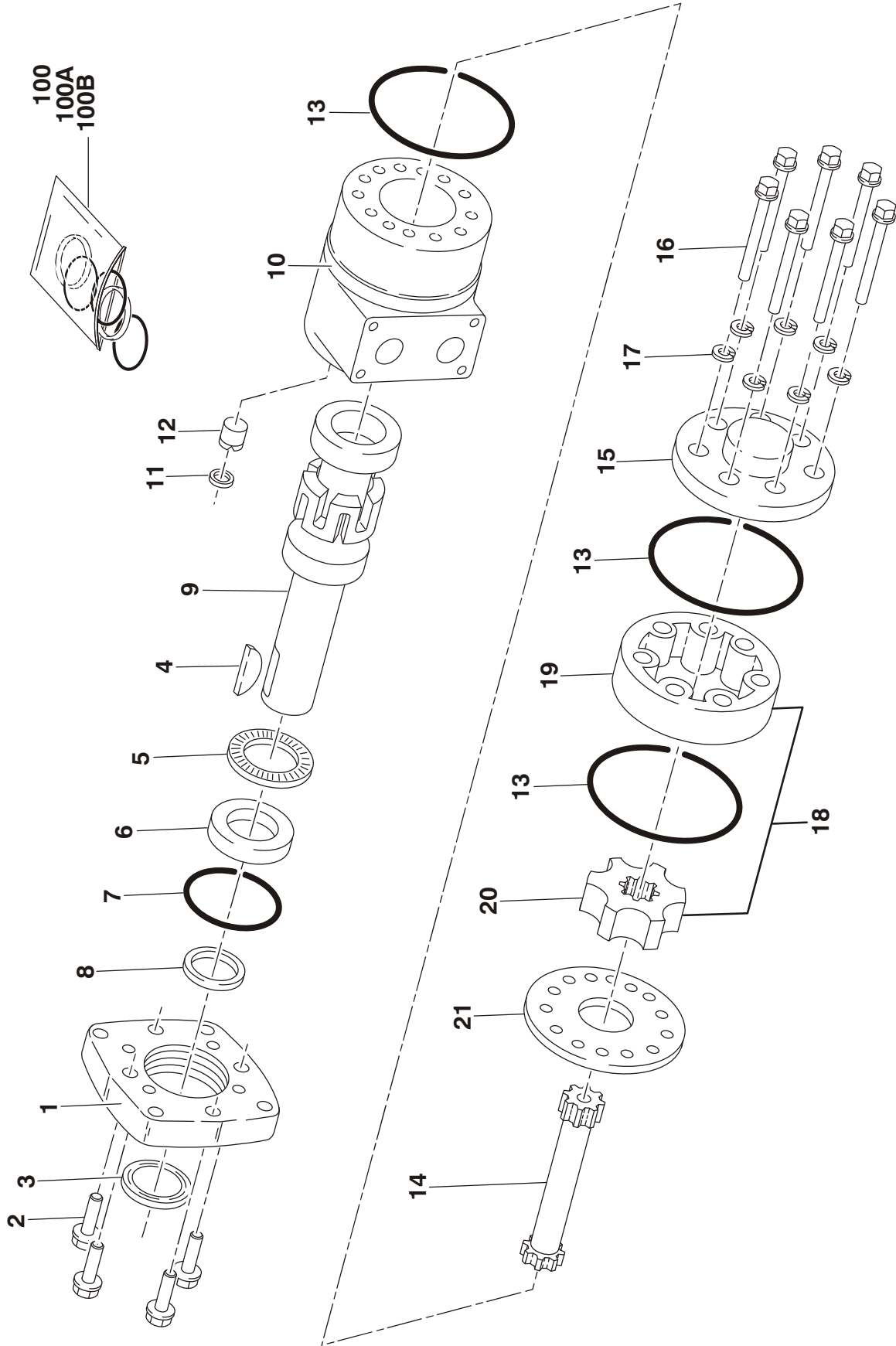
SECTION 4 PLATFORM

FIGURE 4-2. PLATFORM AND ROTATOR INSTALLATION (S/N 76169 TO PRESENT)

ITEM #	PART NUMBER	QTY.	DESCRIPTION	REV.

SECTION 4 PLATFORM

FIGURE 4-3. ROTATOR MOTOR ASSEMBLY



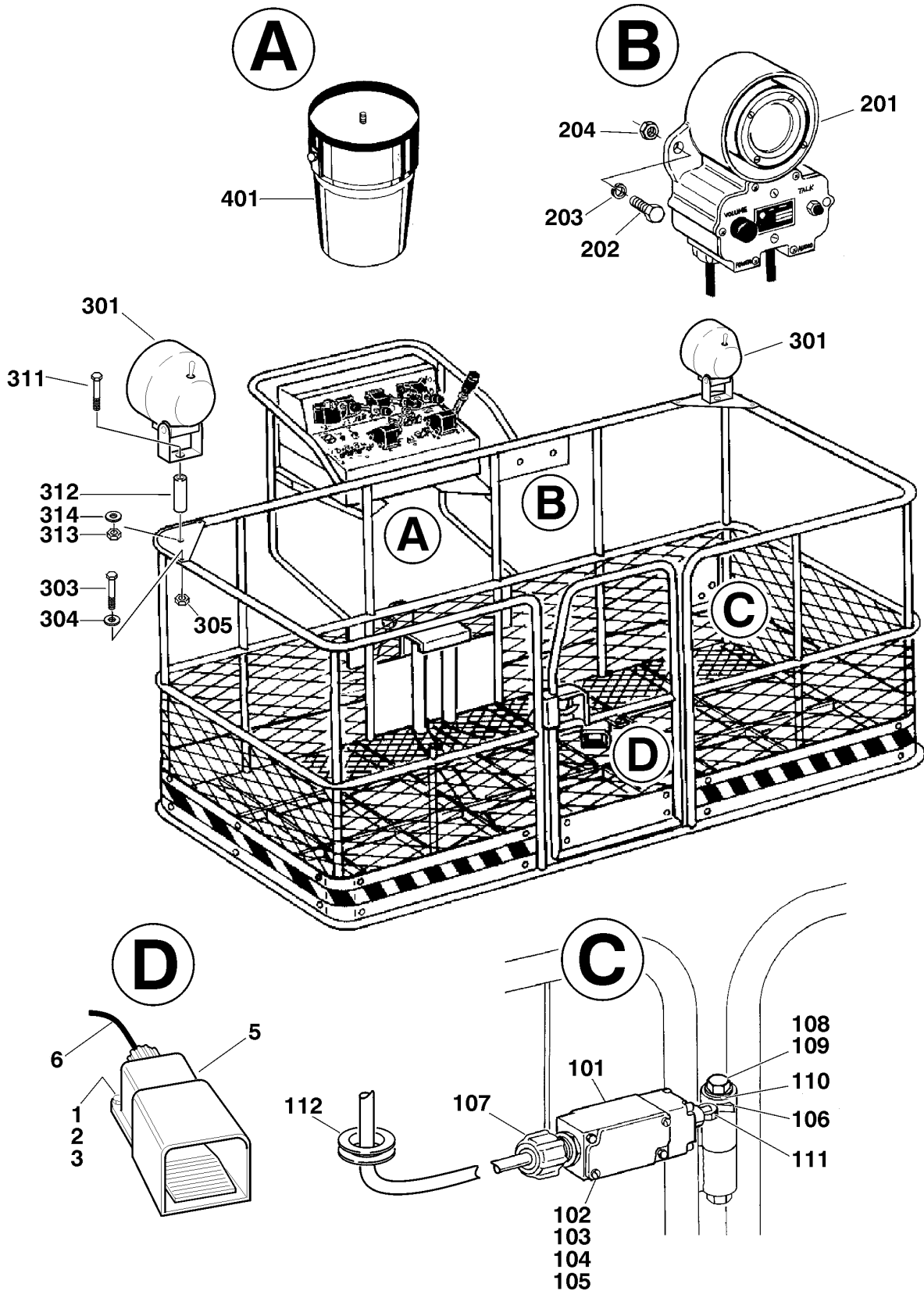
SECTION 4 PLATFORM

FIGURE 4-3. ROTATOR MOTOR ASSEMBLY

ITEM #	PART NUMBER	QTY.	DESCRIPTION	REV.
	3160083	Ref.	ROTATOR MOTOR ASSEMBLY	C
1	7002105	1	Flange, Mounting	
2	7002123	4	Screw, Cap	
3	See Note	1	Seal, Dust (Note: Use Items 100A & 100B)	
4	7002104	1	Key, Woodruff	
5	7002111	1	Bearing, Thrust Needle	
6	7002117	1	Thrust, Bearing Race	
7	See Note	1	Seal, O-Ring (Note: Use Items 100A & 100B)	
8	See Note	1	Seal, Pressure (Note: Use Items 100A & 100B)	
9	7002116	1	Shaft, Output	
10	7002103	1	Housing	
11	See Note	1	Seal (Note: Use Items 100A & 100B)	
12	7009992	1	Plug, Housing	
13	See Note	3	Seal, O-Ring (Note: Use Items 100A & 100B)	
14	7002112	1	Drive	
15	7002107	1	Cap, End	
16	7002100	7	Screw, Cap	
17	7000166	7	Lockwasher	
18	7002125	1	Gerotor Sub-Assembly	
19	7002110	1	Plate, Spacer	
100		1	Seal Kit Options (Includes Items 3,7,8,11 and 13):	
		Ref.	Note: Identify by P/N stamped on nameplate located on Item 10.	
100A	2900455		Seal Kit (P/N 101-1009-007)	
100B	2900733		Seal Kit (P/N's 101-1009-008 and 101-1009-009)	

SECTION 4 PLATFORM

FIGURE 4-4.PLATFORM COMPONENTS INSTALLATION



SECTION 4 PLATFORM

FIGURE 4-4. PLATFORM COMPONENTS INSTALLATION

ITEM #	PART NUMBER	QTY.	DESCRIPTION	REV.
	0237963	Ref.	FOOTSWITCH INSTALLATION	7
1	0641408	3	Bolt 1/4"-20NC x 1"	
2	3311405	3	Locknut 1/4"-20NC	
3	4740362	3	Washer, Fender	
4	Not Used			
5	4360031	1	Footswitch	
	7000625	2	Block, Contact	
6	4460071	1	Terminal, Strain Relief	
	0252044	Ref.	PLATFORM DOOR INTERLOCK SWITCH INSTALLATION	3
101	4360277	1	Switch, Limit	
102	0721016	2	Screw, Machine #10-24NCx 2"	
103	3311001	2	Nut #10-24NC	
104	4751000	2	Flatwasher #10	
105	4761000	2	Lockwasher #10	
106	1100066	1	Cam, Switch	
107	4460049	1	Connector, Strain Relief	
108	4761600	1	Lockwasher 3/8"	
109	0641608	1	Bolt 3/8"-16NC x1"	
110	3440418	1	Rollpin 1/8" x 1 1/8"	
111	4360307	1	Roller, Switch	
112	2540016	2	Grommet	
	0252039	Ref.	PLATFORM INTERCOM SYSTEM INSTALLATION	4
201	3630008	1 Set	Intercom Set (2 Units)	
202	0641612	4	Bolt 3/8"-16NC x 1 1/2"	
203	4751600	4	Flatwasher 3/8"	
204	3311605	4	Locknut 3/8"-16NC	
205	Not Used			
206	4240033	4	Tie-Strap (Not Shown)	
207	0961127	1	Grommet, Plastic (Located below Ground Intercom - Not Shown)	
		Ref.	WORKLIGHTS INSTALLATIONS (OPTIONAL)	
		Ref.	Platform Without Bumper Options:	
	0253987	Ref.	Prior to S/N 55775	4
	0271329	Ref.	S/N 55775 to Present	2
	0254748	Ref.	Platform With Bumper	3
301		2	Worklight Options:	
	2920111		Prior to S/N 137869	
	2920140		S/N 137869 to Present	
302	3536089	2	Plate, Mounting	
303	0641414	4	Bolt 1/4"-20NC x 1 3/4"	
304	4711400	8	Flatwasher 1/4" Narrow	
305	3311405	4	Locknut 1/4"-20NC	
306	2540016	A/R	Grommet	

SECTION 4 PLATFORM

FIGURE 4-4. PLATFORM COMPONENTS INSTALLATION (CONTINUED)

ITEM #	PART NUMBER	QTY.	DESCRIPTION	REV.
307	4920019	12ft/3.7m	Wire (Red) (Not Shown)	
308	2820022	9	Loom, Vinyl (Not Shown)	
309	4460185	1	Terminal (Not Shown)	
310	4460206	1	Terminal (Not Shown)	
311		A/R	Bolt Options (Platforms with Bumper - Prior to S/N 137869):	
	See Note	0	Platforms without Bumper (Note: Use existing bolt)	
	0641624	2	Platforms with Bumper (3/8"-16NC x 3")	
312		A/R	Spacer, Tube Options (Platforms with Bumper - Prior to S/N 137869):	
	Not Required	0	Platforms without Bumper	
	4566493	2	Platforms with Bumper	
313	3311605	2	Locknut 3/8"-16NC (Platforms with Bumper - Prior to S/N 137869)	
314	4751600	2	Flatwasher 3/8" (Platforms with Bumper - Prior to S/N 137869)	
315	4920039	2ft/.61m	Wire (Red) (Not Shown)	
316	4360232	1	Circuit Breaker 15AMP (Not Shown)	
		Ref.	BEACON LIGHT INSTALLATIONS (OPTIONAL)	
	0252210	Ref.	Amber	
	0252211	Ref.	Red	
401		1	Light, Beacon Options:	
	2920018		Amber	
	2920009		Red	
	3520034	1	Lug	

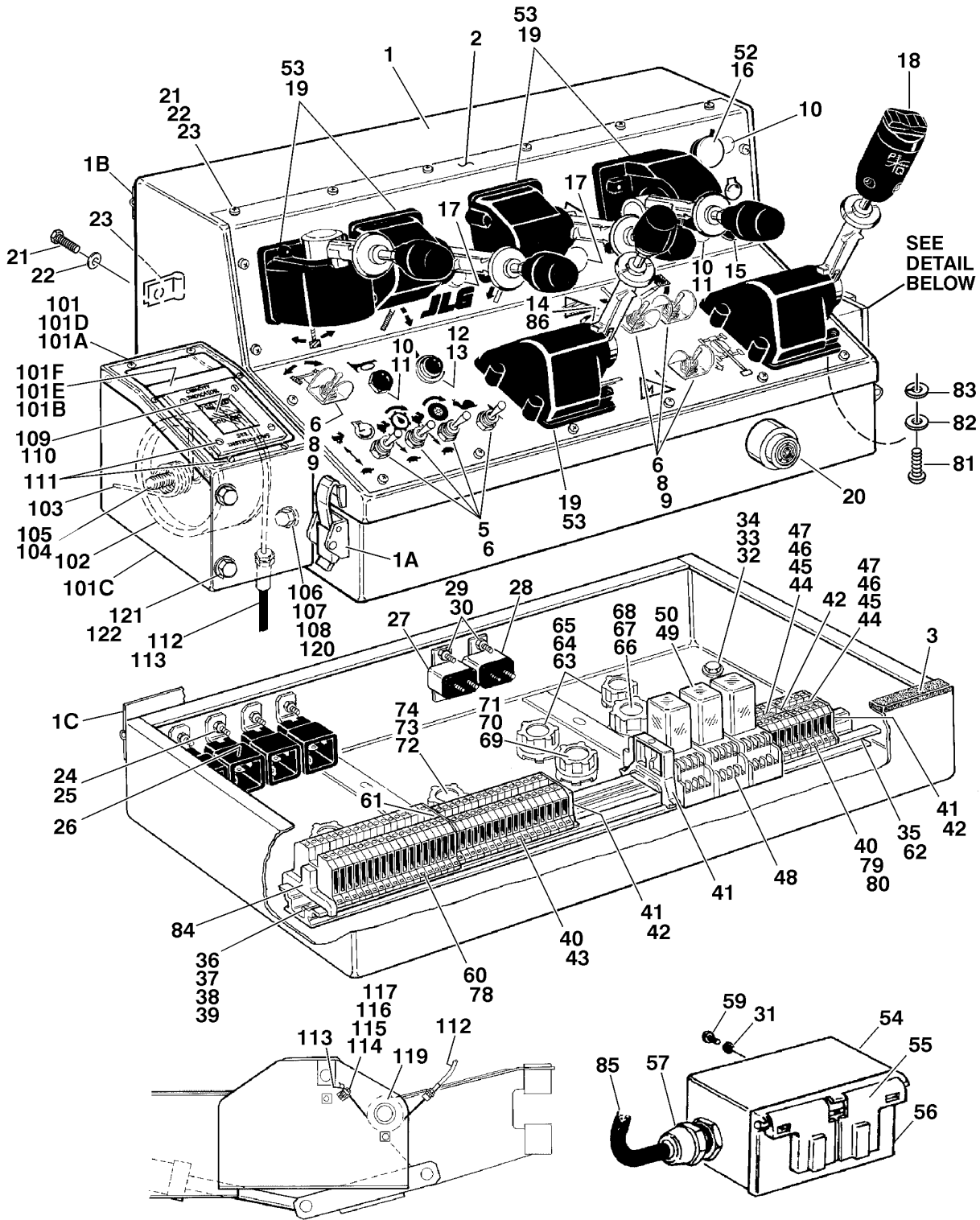
SECTION 4 PLATFORM

FIGURE 4-4. PLATFORM COMPONENTS INSTALLATION (CONTINUED)

ITEM #	PART NUMBER	QTY.	DESCRIPTION	REV.

SECTION 4 PLATFORM

FIGURE 4-5.PLATFORM CONSOLE ASSEMBLY



SECTION 4 PLATFORM

FIGURE 4-5. PLATFORM CONSOLE ASSEMBLY

ITEM #	PART NUMBER	QTY.	DESCRIPTION	REV.
	0860729	Ref.	CONSOLE BOX ASSEMBLY (ANSI / JPN/ CSA SPEC)	9
	0253077	Ref.	TILT ALARM INSTALLATION (OPTIONAL - ANSI / JPN/ CSA SPEC)	5/C
	0254436	Ref.	AC RECEPTACLE INSTALLATION (ANSI / JPN / CSA SPEC)	4
1	0860538	1	Box, Console	
1A	2940052	1	Latch	
1B	2600105	1	Hinge (Access Door)	
1C	2600132	1	Hinge (Lid)	
2		1	Nameplate Options:	
	3252073		Prior to May 1994	
	3252371		May 1994 to Present	
3	4420038	39in/1m	Tape, Insulation	
4	0100001	A/R	Adhesive (Not Shown)	
5	4360092	4	Switch, Toggle	
6	3790012	8	O-Ring	
7	4360200	1	Switch, Toggle	
8	4060229	4	Guard, Switch	
9	4360202	3	Switch, Toggle	
10	3790015	2	O-Ring	
11	4360274	2	Switch, Push Button	
12	2920027	1	Light, Indicator - Green	
13	2920029	1	Bulb, Light	
14		1	Lamp, Indicator Options:	
	2920015		Prior to S/N 137532	
	2920120		S/N 137532 to Present	
15	3520030	1	Plug	
16		1	Switch, Emergency Stop Options:	
	4360289		Prior to S/N 46291	
	4360475		S/N 46291 to Present	
	7012611	1	Head, Mushroom (Use with 4360289)	
	7012612	1	Boot (Use with 4360289)	
	7020175		Cap (Use with 4360475)	
	7020176		Contact, Block (Use with 4360475)	
17	3520030	1	Plug	
18		1	Controller Assembly Options:	
	1600140		Prior to S/N 74463	
	1600352		S/N 74463 to Present	
19		5	Controller Assembly Options:	
	1600141		Prior to S/N 74463	
	1600353		S/N 74463 to Present	
20		1	Alarm Options:	
	0140019	1	Standard Spec	
	0140026	1	Japanese Spec	
21	0751006	21	Screw	
22	4740120	21	Washer, Nylon	
23	3300177	21	Nut, Tinnerman	
24	4761000	4	Lockwasher #10	
25	3311001	4	Nut #10-24NC	

SECTION 4 PLATFORM

FIGURE 4-5. PLATFORM CONSOLE ASSEMBLY (CONTINUED)

ITEM #	PART NUMBER	QTY.	DESCRIPTION	REV.
26	3740049	4	Relay	
27	4360209	1	Breaker, Circuit - 20 Amp	
28	4360232	1	Breaker, Circuit - 15 Amp	
29	4761000	2	Lockwasher #10	
30	3311001	2	Nut #10-24NC	
31	4761000	4	Lockwasher #10	
32	0641508	4	Bolt 5/16"-18NC x 1"	
33	4751500	8	Flatwasher 5/16"	
34	3311505	4	Locknut 5/16"-18NC	
35	3640752	1	Rail	
36	3310601	2	Nut #6-32NC	
37	3910608	2	Screw #6-32NC x 1/2"	
38	4750600	2	Flatwasher #6	
39	4760600	2	Lockwasher #6	
40	4460298	33	Block, Terminal	
41	4460299	3	Stop, Terminal	
42	4460300	3	Barrier, Terminal	
43	4460301	1	Marker, Terminal	
44	4460311	2	Bar, Buss - 5 Position	
45	4460305	10	Screw, Terminal Block	
46	4460306	10	Washer, Terminal Block	
47	4460307	10	Sleeve, Terminal Block	
48	4120013	3	Socket, Relay	
49	3740058	3	Relay	
50	3740063	3	Spring, Relay	
51	Not Used			
52		1	Contact, Block - N.C. Options: Prior to S/N 46291 S/N 46291 to Present	
	4360282			
	4360476			
53	2560112	5	Knob - Controller	
54	0860038	1	Box, Switch	
55	4460190	1	Receptacle, Electrical	
56	4060092	1	Cover, Receptacle	
57	4460071	1	Connector, Strain Relief	
58	Not Used			
59	3900294	4	Hex Self Drilling Screw #10-16 X 1 LG.	
60	4460387	18	Block, Terminal	
61	4460388	1	Barrier, Terminal	
62	4220038	1.5in/4cm	Tape, Insulation	
63	4460071	2	Connector, Strain Relief	
64	3300048	2	Nut, Conduit	
65	0960238	2	Bushing	
66	4460386	1	Connector, Strain Relief	
67	3300147	1	Nut, Conduit	
68	0960905	1	Bushing	
69	4460051	1	Connector, Strain relief	
70	3300048	1	Nut, Conduit	
71	0960238	1	Bushing	
72	4460051	1	Connector, Strain Relief	

SECTION 4 PLATFORM

FIGURE 4-5. PLATFORM CONSOLE ASSEMBLY (CONTINUED)

ITEM #	PART NUMBER	QTY.	DESCRIPTION	REV.
73	3300048	1	Nut, Conduit	
74	0960238	1	Bushing	
75 to 77	Not Used			
78	4460406	1	Marker, Terminal	
79	4460451	10	Marker, Terminal #98	
80	4460452	10	Marker, Terminal #99	
81	0720803	20	Screw, Machine #8-32NC x 3/8"	
82	4750800	20	Flatwasher #8	
83	4760800	20	Lockwasher #8	
84	4460442	1	Stop, Terminal	
85	1060393	195ft/59.4m	Cable, Electrical - 10/3 (Prior to S/N 74463)	
86	2920108	1	Bulb (S/N 137532 to Present)	
		Ref.	CAPACITY INDICATOR INSTALLATIONS	
	0252066	Ref.	Prior to S/N 27450	B
	0256695	Ref.	S/N 27450 to Present	3
		1	Indicator Assembly Options: Prior to S/N 27450 S/N 27450 to Present	
	Not Available 0256693			
101		A/R	Box Component Options:	
101A	4843851	1	Box Weldment (Prior to S/N 27450)	
101B	3252346	1	Nameplate (Prior to S/N 27450)	
101C	4843852	1	Plate, Side (Prior to S/N 27450)	
101D	4845039	1	Box Assembly (S/N 27450 to Present)	
101E	7012662	1	Nameplate - Instructions	
101F	7012672	1	Nameplate - Caution	
102	2420138	1	Gauge, Indicator	
103	4160058	1	Spring	
104	3900111	1	Bolt, Shoulder 3/8"-16NC x 1 3/4"	
105	0100011	A/R	Compound, Locking	
106	4751400	2	Flatwasher 1/4"	
107	3321601	2	Nut 3/8"-24NF	
108	4740362	2	Washer, Fender	
109	3960251	1	Gasket	
110	2960006	1	Lens, Indicator	
111		A/R	Hardware Options:	
	3911014	4	Screw, Round Head #10-32NC x 7/8" (Prior to S/N 27450)	
	4771000	4	Starwasher #10 (Prior to S/N 27450)	
	3311001	4	Nut #10-32NC (Prior to S/N 27450)	
	0751006	6	Screw, Round Head #10-32NC x 3/4" (Prior to S/N 27450)	
	3300177	6	Nut, Tinnerman (Prior to S/N 27450)	
	0100001	A/R	Adhesive (Prior to S/N 27450)	
	4420008	2ft/.63m	Tape, Insulation	
	3910812	10	Screw, Round Head #8-32NC x 3/4" (S/N 27450 to Present)	
112	1060369	1	Cable	
113	4220044	2	Stop, Throttle	

SECTION 4 PLATFORM

FIGURE 4-5. PLATFORM CONSOLE ASSEMBLY (CONTINUED)

ITEM #	PART NUMBER	QTY.	DESCRIPTION	REV.
114	1320109	1	Clamp	
115	4751600	3	Flatwasher 3/8"	
116	4761600	1	Lockwasher 3/8"	
117	3321601	1	Nut 3/8"-24NC	
118	Not Used			
119	3580183	1	Pulley	
120	0641408	2	Bolt 1/4"-20NC x 1" (Prior to S/N 27450 Only)	
121	0641404	4	Bolt 1/4"-20NC x 1/2" (Prior to S/N 27450 Only)	
122	4761400	4	Lockwasher 1/4" (Prior to S/N 27450 Only)	
	0253550	Ref.	DECAL INSTALLATION - CSA SPEC (PRIOR TO S/N 69948)	
201	1705514	1	Decal, CSA (Booms) (Not Shown)	

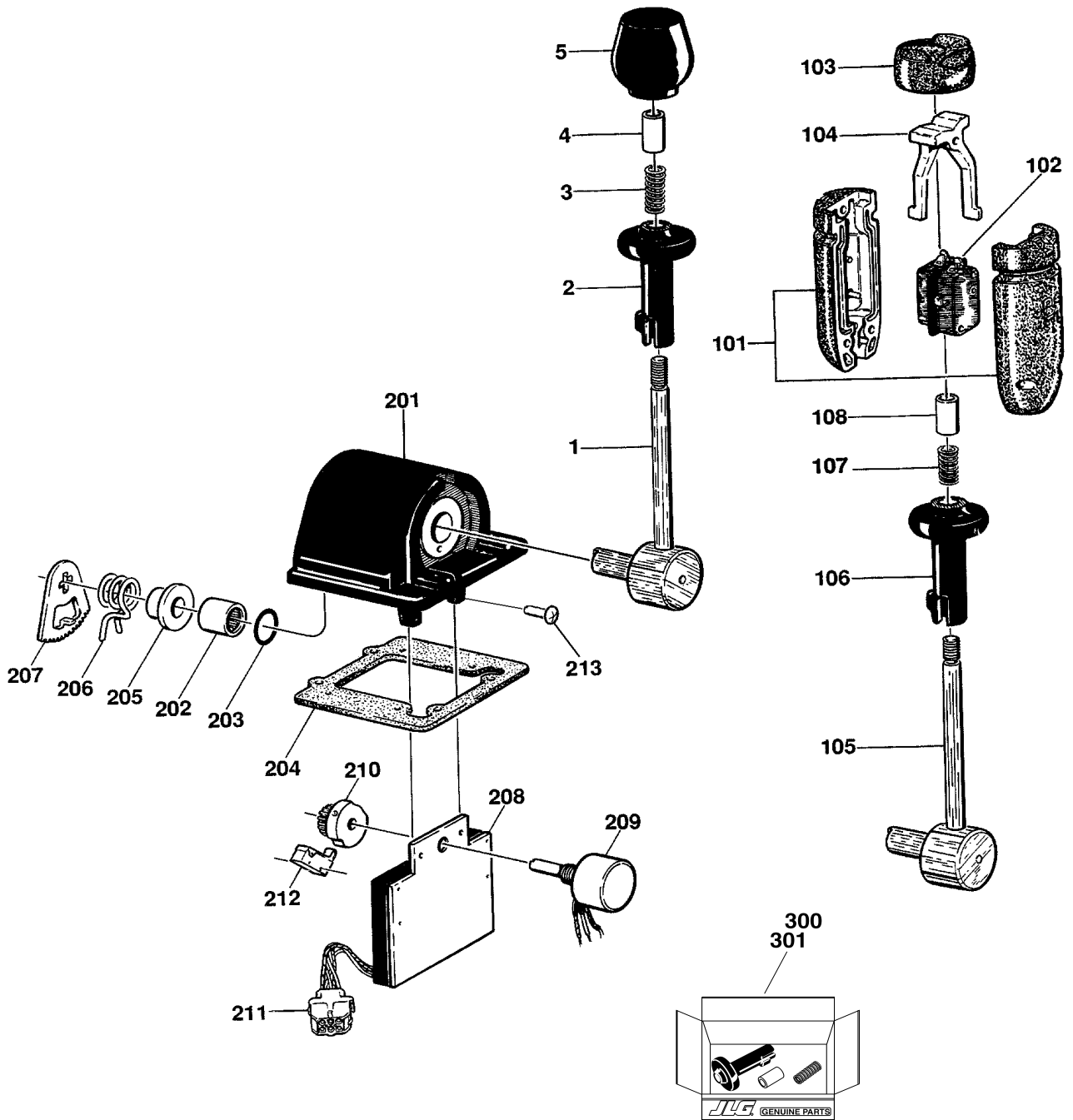
SECTION 4 PLATFORM

FIGURE 4-5. PLATFORM CONSOLE ASSEMBLY (CONTINUED)

ITEM #	PART NUMBER	QTY.	DESCRIPTION	REV.

SECTION 4 PLATFORM

FIGURE 4-6. CONTROLLER ASSEMBLY (PRIOR TO S/N 74463)



SECTION 4 PLATFORM

FIGURE 4-6. CONTROLLER ASSEMBLY (PRIOR TO S/N 74463)

ITEM #	PART NUMBER	QTY.	DESCRIPTION	REV.
		Ref.	SLIDE LOCK HANDLE CONTROLLER ASSEMBLIES - 90°	
		Ref.	HANDLE COMPONENTS - STANDARD KNOB	
	1600140	Ref.	Controller Assembly	A
	1600141	Ref.	Controller Assembly	A
1	7003700	1	Handle Assembly	
2	Use Item 300	1	Slide, Locking	
3	Use Item 300	1	Spring	
4	Use Item 300	1	Sleeve, Black Plastic	
5		A/R	Knob Options:	
	2560040		Swing Knob	
	2560041		Drive Knob	
	2560038		Lift Knob	
	2560039		Tele Knob	
		Ref.	HANDLE COMPONENTS - ROCKER SWITCH GRIP	
	1600140	Ref.	Controller Assembly	A
	7003795	1	Handle Assembly	
101	7003792	2	Half, Grip Knob (Requires 2 for Complete Handle)	
102	7003789	1	Switch, Rocker	
103	7003790	1	Cap, Rubber	
104	7003791	1	Actuator, Switch	
105	7003793		Handle	
106	Use Item 301	1	Slide, Lock	
107	Use Item 301	1	Spring	
108	Use Item 301	1	Sleeve	
		Ref.	HOUSING AND INTERNAL COMPONENTS	
201	7003702	1	Housing Assembly	
202	7003739	1	Bushing, Bronze	
203	3790112	1	O-Ring	
204	7003703	1	Gasket	
205	7003744	1	Guide, Spring	
206	7003719	1	Spring, Torsion	
207		1	Gear Sector Options:	
	7003740		Without Thumb Rocker	
	Use 7003740		With Thumb Rocker (Was p/n 7011904)	
208		1	Electrical Assembly Options (Includes Potentiometer, Switches, Terminal Blocks, Spur Gear, PC Board, Wiring Harness and Electrical Connectors):	
	7011903		1600140 Controller	
	7011907		1600141 Controller	
209	7003751	1	Potentiometer 500K Ohm	
210	7003788	1	Gear, Brass Spur	
	7020511		Setscrew #6-32NC x 1/8" for Spur & Pinion Gears	
	7011983		Setscrew #4-40NC x 1/4" for Microswitch Cams	

SECTION 4 PLATFORM

FIGURE 4-6. CONTROLLER ASSEMBLY (PRIOR TO S/N 74463) (CONTINUED)

ITEM #	PART NUMBER	QTY.	DESCRIPTION	REV.
211		A/R	Electrical Connector Options:	
		1	Connector, Female	
	4460224		6 Pin Connector	
	4460266		9 Pin Connector	
		1	Plug, Male (Part of Console Box Wiring Harness)	
	4460225		6 Pin Plug	
	4460265		9 Pin Plug	
	4460226	A/R	Socket, Female	
	4460227	A/R	Pin, Male	
212	Not Used			
213	7020542	2	Screw	
			Repair Kit Options:	
300	7011941	1	Slide Lock Repair Kit (Includes Items 2-4)	
301	7003722	1	Slide Lock Repair Kit (Includes Items 106-108)	
		Ref.	TOOLS	
		1	Test Harness Options:	
	4920487		6 Pin Connector	
	4921299		9 Pin Connector	

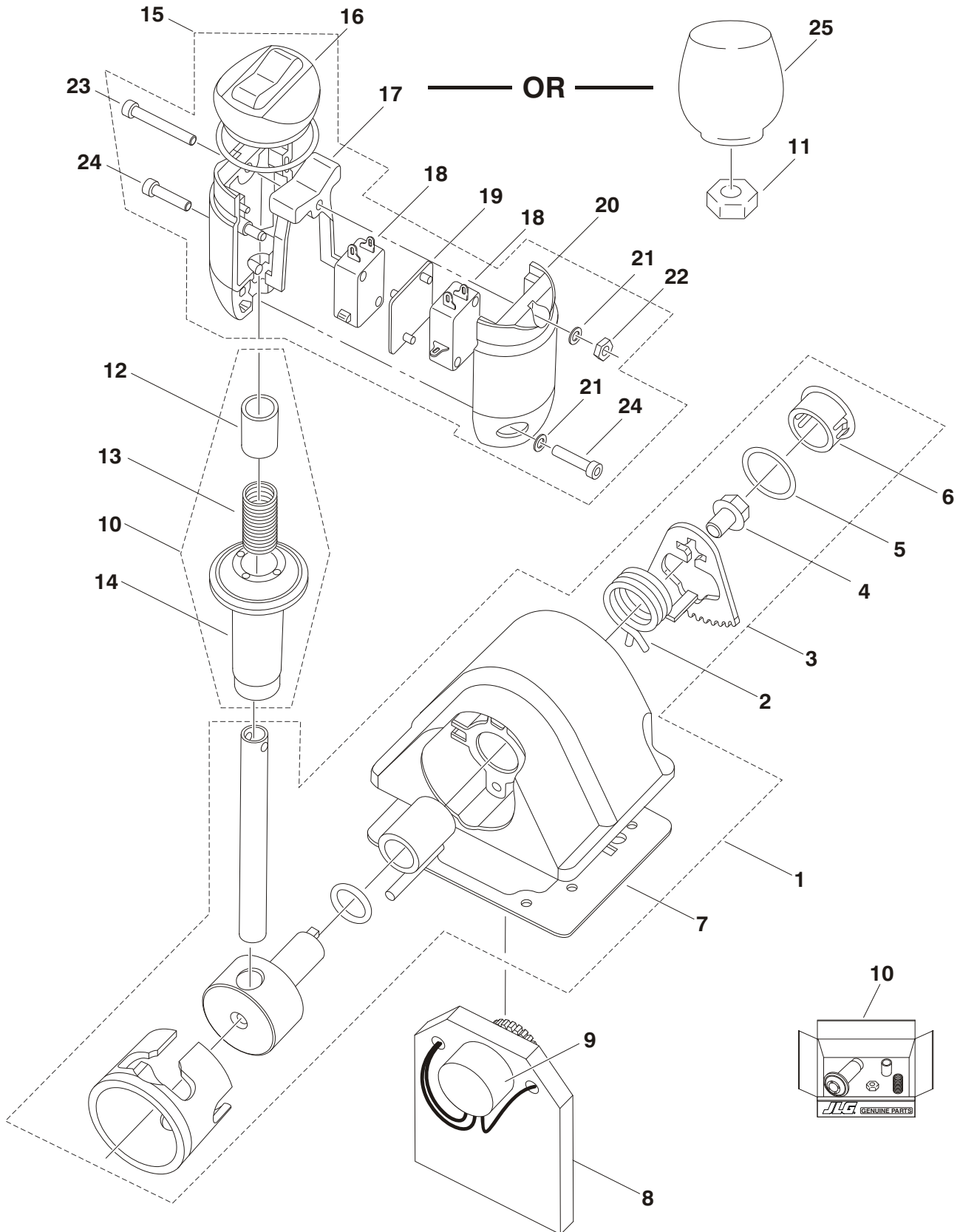
SECTION 4 PLATFORM

FIGURE 4-6. CONTROLLER ASSEMBLY (PRIOR TO S/N 74463) (CONTINUED)

ITEM #	PART NUMBER	QTY.	DESCRIPTION	REV.

SECTION 4 PLATFORM

FIGURE 4-7. CONTROLLER ASSEMBLY (S/N 74463 TO PRESENT)



SECTION 4 PLATFORM

FIGURE 4-7. CONTROLLER ASSEMBLY (S/N 74463 TO PRESENT)

ITEM #	PART NUMBER	QTY.	DESCRIPTION	REV.
		Ref.	CONTROLLER ASSEMBLIES	
	1600352	Ref.	Drive & Steer Controller	
	1600353	Ref.	Lift & Swing Controller	
		Ref.	HOUSING AND INTERNAL COMPONENTS	
1		1	Housing Assembly Options:	
	7020544		Drive & Steer Controller p/n 1600352	
	7020562		Lift & Swing Controller p/n 1600353	
2	7020546	1	Spring, Torsion	
3	Not Serviceable	1	Gear Sector	
4	Not Serviceable	1	Bolt	
5	Not Serviceable	1	O-Ring	
6	7020549	1	Plug, Hole	
7	7020547	1	Gasket	
8		1	Electrical Assembly Options:	
	7020559		Controller p/n 1600352	
	7020561		Controller p/n 1600353	
9	7003751	1	Potentiometer	
		Ref.	SLIDELOCK COMPONENTS	
10	7020545	1	Slidelock Kit	
11	Use Item 10	1	Nut 5/16"-18NC (Controller p/n 1600353 Only)	
12	Use Item 10		Sleeve, Slidelock	
13	Use Item 10		Spring, Slidelock	
14	Use Item 10		Slidelock	
		Ref.	HANDLE COMPONENTS - ROCKER SWITCH GRIP	
15	7020560	1	Handle Assembly	
16	7003790	1	Cap, Rubber	
17	7003791	1	Actuator, Switch	
18	7020500	2	Switch	
19	Not Serviceable	1	Switch, Separator	
20	Not Serviceable	2	Half, Grip Knob (Requires 2 for Complete Handle)	
21	Not Serviceable	3	Lockwasher #6	
22	Not Serviceable	1	Nut #6	
23	Not Serviceable	1	Bolt #6-32NC x 1"	
24	Not Serviceable	2	Bolt #6-32NC x 5/8"	
25	2560112	1	Knob (Controller p/n 1600353 Only)	

SECTION 4 PLATFORM

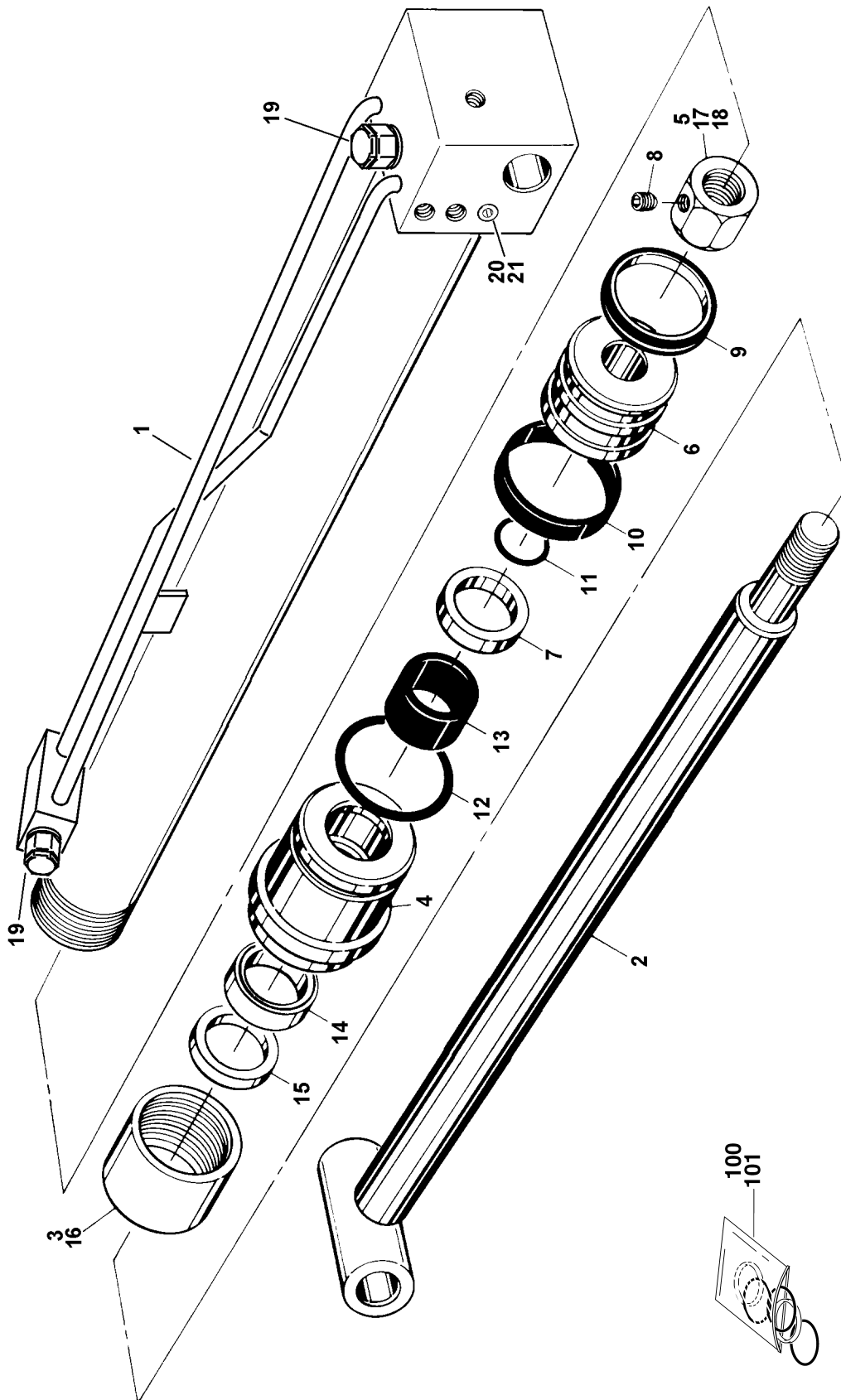
FIGURE 4-7. CONTROLLER ASSEMBLY (S/N 74463 TO PRESENT) (CONTINUED)

ITEM #	PART NUMBER	QTY.	DESCRIPTION	REV.

SECTION 5 CYLINDER

SECTION 5 CYLINDER

FIGURE 5-1. AXLE EXTENSION CYLINDER ASSEMBLY



SECTION 5 CYLINDER

FIGURE 5-1. AXLE EXTENSION CYLINDER ASSEMBLY

ITEM #	PART NUMBER	QTY.	DESCRIPTION	REV.
		Ref.	AXLE EXTENSION CYLINDER ASSEMBLIES	
	1682522	Ref	Prior to February 1993	
	1682905	Ref	February 1993 to Present (Standard Machines)	B
	1683045	Ref	February 1993 to Present (Hostile Environment Machines)	A
	1682214	Ref	S/Ns 3455 and 4275 Only (Not Shown)	
1		1	Barrel Weldment Options:	
	1682523		Prior to February 1993	
	1682906		February 1993 to Present	
	1682215		S/N 3455 and 4275 Only	
2		1	Rod Weldment Options:	
	1682525		Standard	
	1683046		Hostile Environment	
	1682217		S/N 3455 and 4275 Only	
3		1	Cap Options:	
	1120108		Standard	
	1120286		S/N 3455 and 4275 Only	
4		1	Head Options:	
	1681283		Standard	
	1681294		S/N 3455 and 4275 Only	
5		1	Nut, Hex Options:	
	3300280		Standard	
	3300190		S/N 3455 and 4275 Only	
6		1	Piston Options:	
	3480122		Standard	
	3480102		S/N 3455 and 4275 Only	
7		1	Spacer Options:	
	4565099		Standard	
	4563930		S/N 3455 and 4275 Only	
8		1	Setscrew Options:	
	3900170		Standard (3/8"-16NC x3/8")	
	3951404		S/N 3455 and 4275 Only (1/4"-20NC x 1/2")	
9	See Note	1	T-Seal (Note: Use Items 100 & 101)	
10	See Note	1	Ring, Wear (Note: Use Items 100 & 101)	
11	See Note	1	O-Ring (Note: Use Items 100 & 101)	
12	See Note	1	O-Ring (Note: Use Items 100 & 101)	
13	See Note	1	Ring, Wear (Note: Use Items 100 & 101)	
14	See Note	1	Seal (Note: Use Items 100 & 101)	
15	See Note	1	Wiper (Note: Use Items 100 & 101)	
16	0100035	A/R	Compound, Locking	
17	0100011	A/R	Compound, Locking	
18	0100038	A/R	Primer, Locking	
19		2	Cartridge, Holding Valve Options:	
	Not Required		Prior to February 1993	
	4640509		February 1993 to Present	
	2900792	2	Seal Kit - 4640509 Valve	
	Not Required		S/N 3455 and 4275 Only	
20	2200221	2	Plug, Pipe	
21	0100020	A/R	Sealant, Pipe	

SECTION 5 CYLINDER

FIGURE 5-1. AXLE EXTENSION CYLINDER ASSEMBLY (CONTINUED)

ITEM #	PART NUMBER	QTY.	DESCRIPTION	REV.
100	2900383	1	Seal Kit (Includes Items 9-15)	
101	2900340		Standard S/N 3455 and 4275 Only	

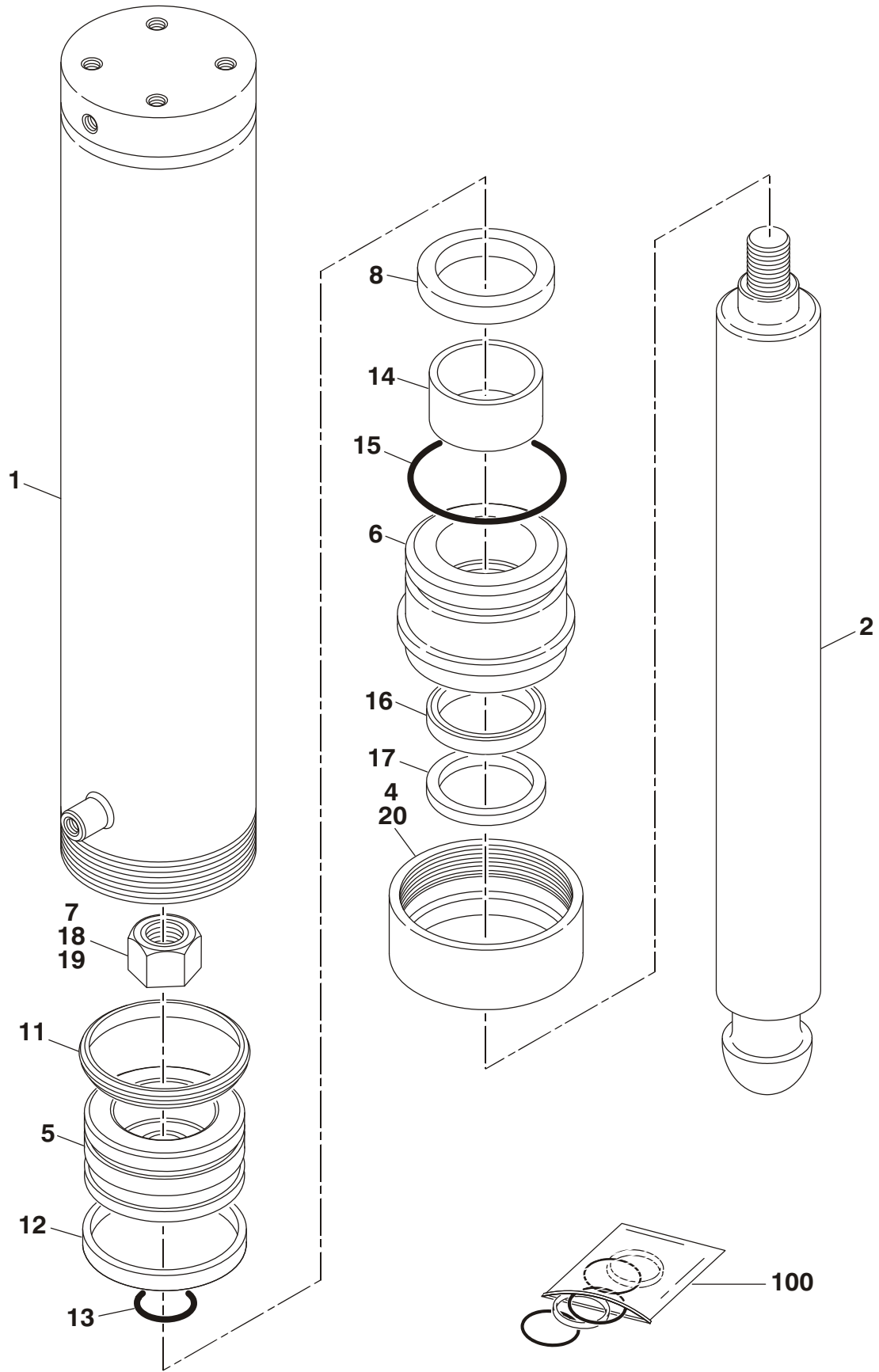
SECTION 5 CYLINDER

FIGURE 5-1. AXLE EXTENSION CYLINDER ASSEMBLY (CONTINUED)

ITEM #	PART NUMBER	QTY.	DESCRIPTION	REV.

SECTION 5 CYLINDER

FIGURE 5-2. JACK CYLINDER ASSEMBLY



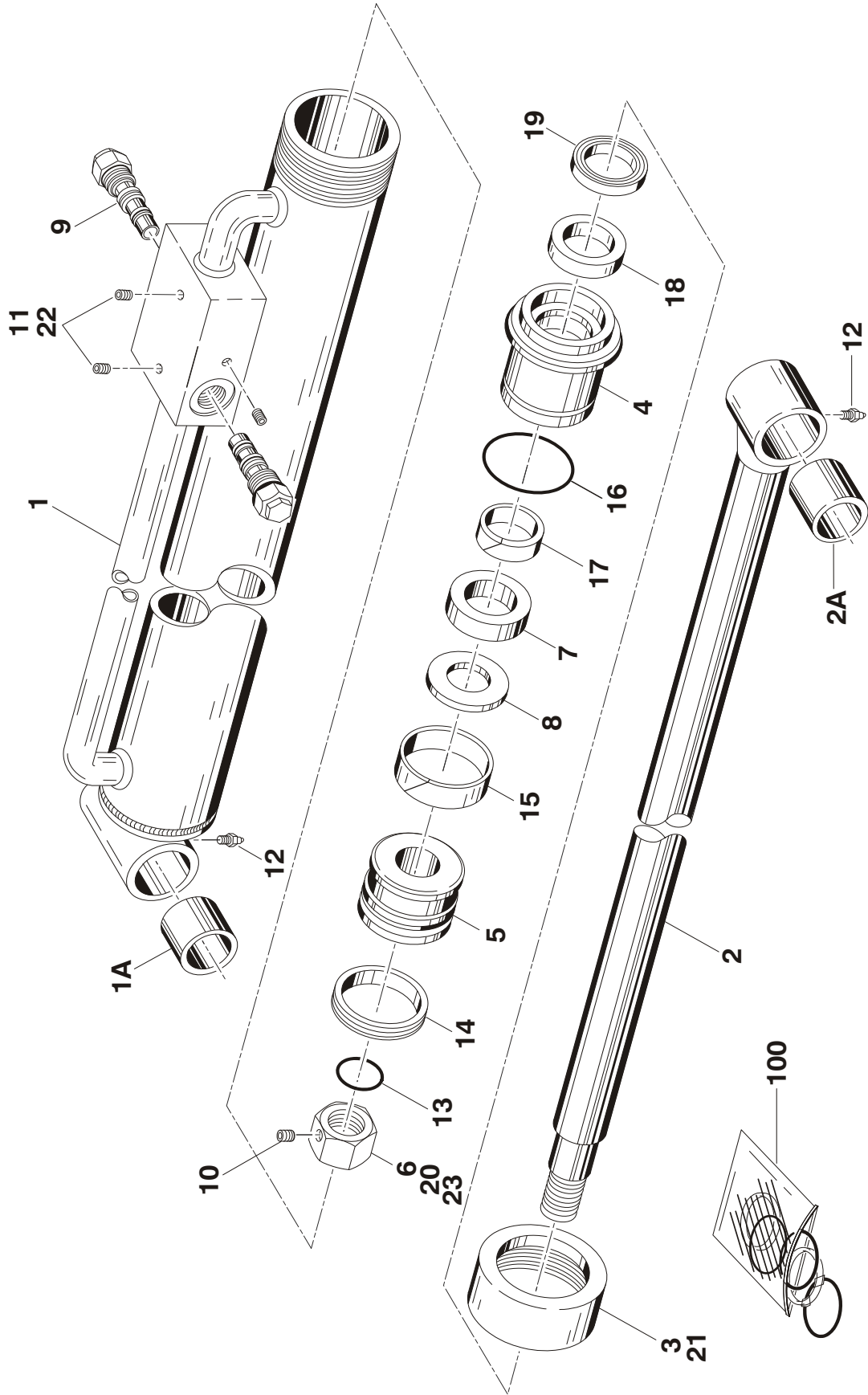
SECTION 5 CYLINDER

FIGURE 5-2. JACK CYLINDER ASSEMBLY

ITEM #	PART NUMBER	QTY.	DESCRIPTION	REV.
		Ref.	JACK CYLINDER ASSEMBLIES	
	1682511	Ref	Standard	A
	1682250	Ref	S/Ns 3455 and 4275 Only (Not Shown)	
1		1	Barrel Weldment Options:	
	1682512		Standard	
	1682251		S/N 3455 and 4275 Only	
2		1	Rod Weldment Options:	
	1682514		Standard	
	1682252		S/N 3455 and 4275 Only	
3	Not Used			
4			Cap Options:	
	1120358		Standard	
	1120340		S/N 3455 and 4275 Only	
5		1	Piston Options:	
	3480137		Standard	
	3480102		S/N 3455 and 4275 Only	
6		1	Head Options:	
	1682098		Standard	
	1681843		S/N 3455 and 4275 Only	
7		1	Nut Options:	
	3760281		Standard	
	3760190		S/N 3455 and 4275 Only	
8		1	Spacer Options:	
	4565225		Standard	
	4563930		S/N 3455 and 4275 Only	
9	Not Used			
10	Not Used			
11	Use Item 100	1	T-Seal	
12	Use Item 100	1	Ring, Wear	
13	Use Item 100	1	O-Ring	
14	Use Item 100	1	Ring, Wear	
15	Use Item 100	1	O-Ring	
16	Use Item 100	1	Seal	
17	Use Item 100	1	Wiper	
18	0100011	A/R	Compound, Locking	
19	0100038	A/R	Primer, Locking	
20	0100035	A/R	Compound, Locking	
100	2901115	1	Seal Kit (Includes Items 11-17)	

SECTION 5 CYLINDER

FIGURE 5-3. PLATFORM LEVEL CYLINDER ASSEMBLY (PRIOR TO S/N 27450)



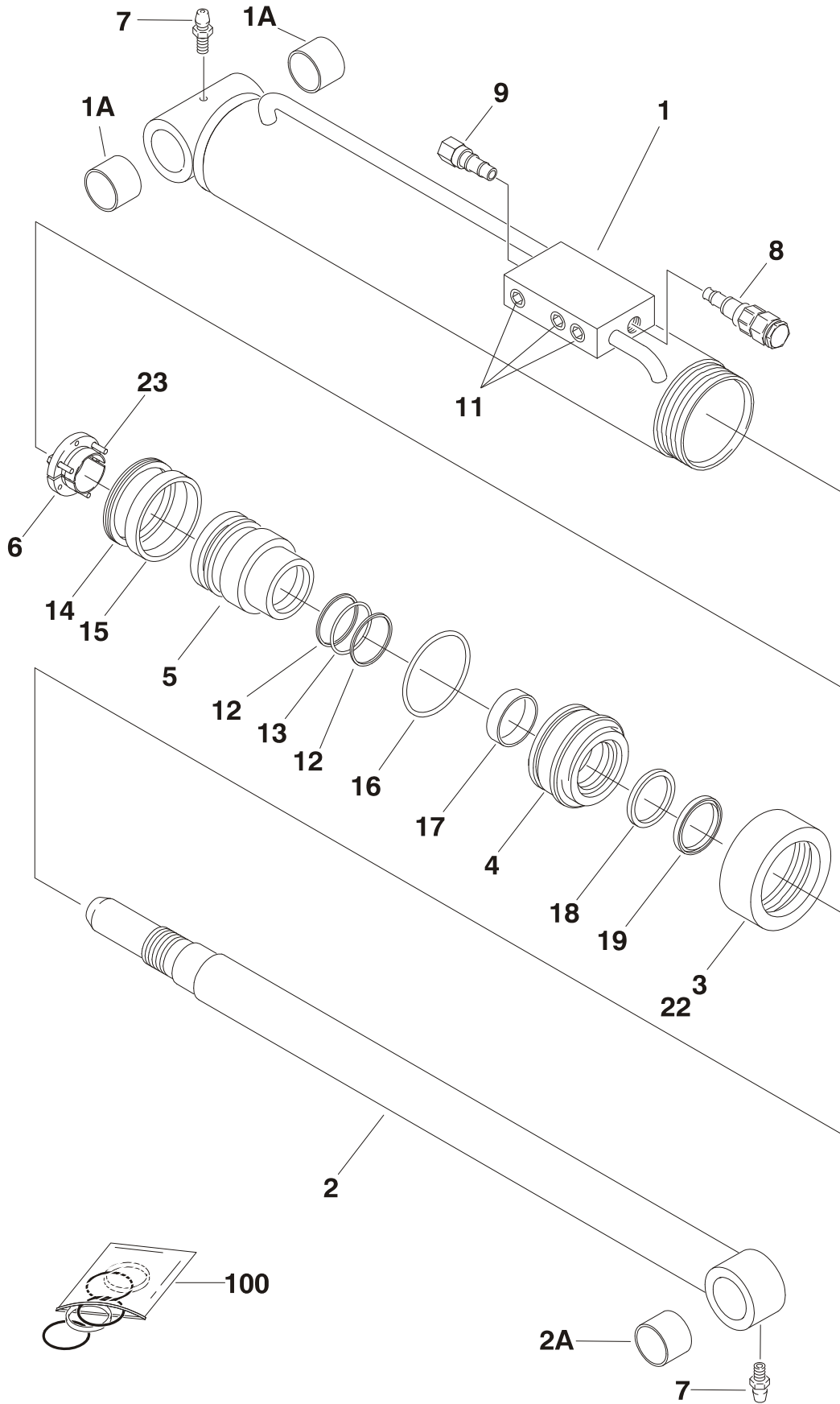
SECTION 5 CYLINDER

FIGURE 5-3. PLATFORM LEVEL CYLINDER ASSEMBLY (PRIOR TO S/N 27450)

ITEM #	PART NUMBER	QTY.	DESCRIPTION	REV.
	1682330	Ref	PLATFORM LEVEL CYLINDER ASSEMBLY	A
1	1682331	1	Barrel Weldment	
1A	0961369	2	Bushing	
2	1682335	1	Rod Weldment	
2A	0961501	1	Bushing	
3	1120108	1	Cap	
4	1681322	1	Head	
5	3480134	1	Piston	
6	3300273	1	Nut, Hex	
7	4565266	1	Spacer	
8	4740377	1	Washer	
9	4640509	2	Cartridge, Valve (Counterbalance Non-Vented)	
	2900792	2	Seal Kit - 4640509 Valve	
10	3900170	1	Setscrew 3/8"-16NC x 3/8"	
11	2200221	4	Plug, Pipe	
12	2160002	2	Fitting, Grease	
13	Use Item 100	1	O-Ring	
14	Use Item 100	1	T-Seal	
15	Use Item 100	1	Ring, Wear	
16	Use Item 100	1	O-Ring	
17	Use Item 100	1	Ring, Wear	
18	Use Item 100	1	Seal, Rod	
19	Use Item 100	1	Wiper	
20	0100011	A/R	Compound, Locking	
21	0100035	A/R	Compound, Locking	
22	0100020	A/R	Sealant, Pipe	
23	0100038	A/R	Primer, Locking	
100	2901148	1	Seal Kit (Includes Items 13-19)	

SECTION 5 CYLINDER

FIGURE 5-4. PLATFORM LEVEL CYLINDER ASSEMBLY (S/N 27450 TO PRESENT)



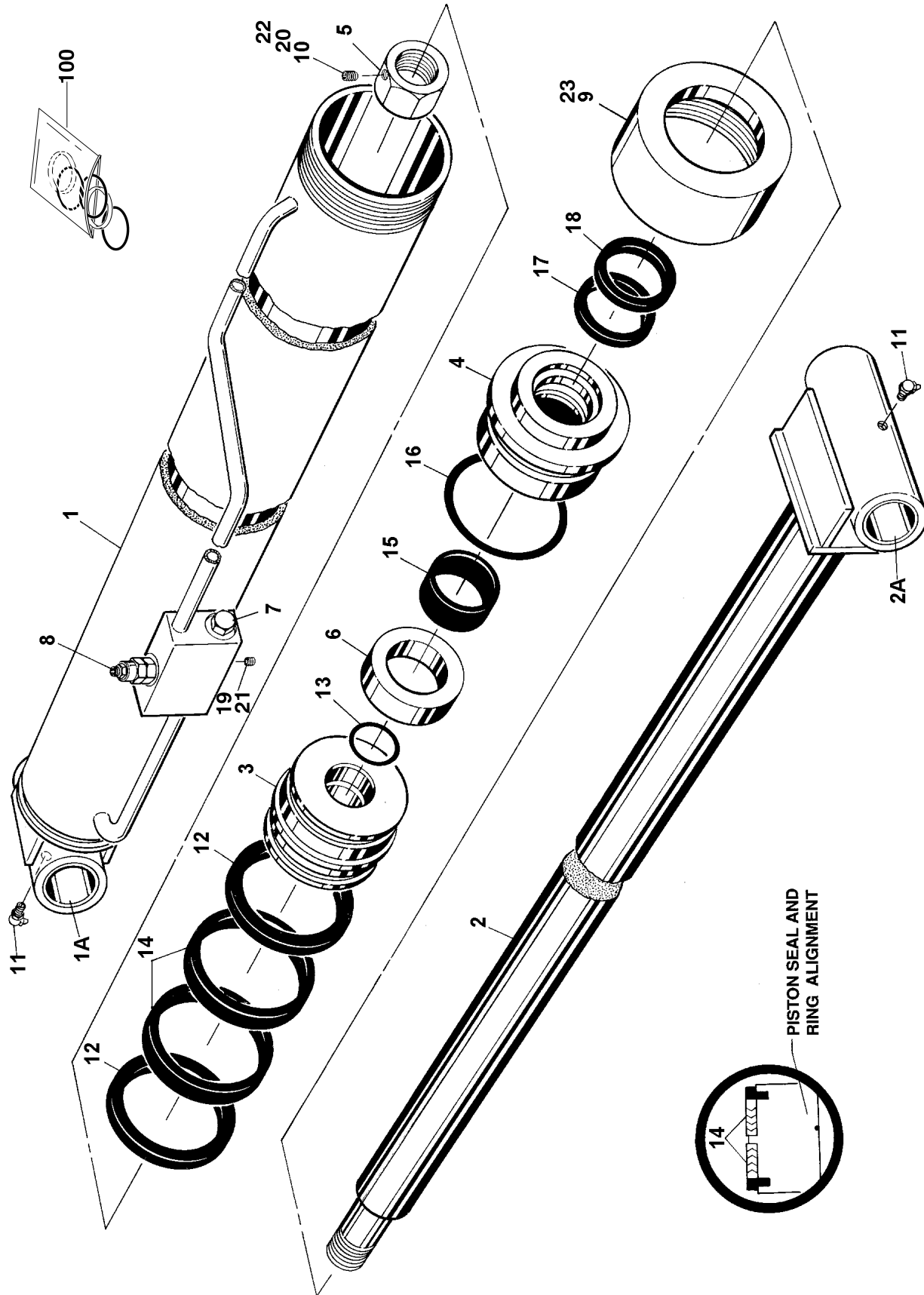
SECTION 5 CYLINDER

FIGURE 5-4. PLATFORM LEVEL CYLINDER ASSEMBLY (S/N 27450 TO PRESENT)

ITEM #	PART NUMBER	QTY.	DESCRIPTION	REV.
	1683476	Ref	PLATFORM LEVEL CYLINDER ASSEMBLY	3/C
1	1683477	1	Barrel Weldment	
1A	0961369	2	Bushing	
2	1683479	1	Rod Weldment	
2A	0961501	1	Bushing	
3	1120108	1	Cap	
4	1681322	1	Head	
5	3480221	1	Piston	
6		1	Bushing, Tapered	
	Use 0962185		S/N 27450 to S/N 53800 (Was P/N 0961900)	
	0962185		S/N 53800 to Present	
7	2160002	2	Fitting, Grease	
8	4640932	1	Cartridge, Valve (Counterbalance Vented)	
	7011112	1	Seal Kit - 4640932 Valve	
9	4640509	1	Cartridge, Valve (Counterbalance Non-Vented)	
	2900792	1	Seal Kit - 4640509 Valve	
10	Not Used			
11	2220883	6	Plug, O-Ring Hex Socket	
12	Use Item 100	2	Ring, Back-up	
13	Use Item 100	1	O-Ring	
14	Use Item 100	1	T-Seal	
15	Use Item 100	1	Ring, Wear	
16	Use Item 100	1	O-Ring	
17	Use Item 100	1	Ring, Wear	
18	Use Item 100	1	Seal, Rod	
19	Use Item 100	1	Wiper	
20 to 21	Not Used			
22	0100035	A/R	Compound, Locking	
23	0630534	3	Capscrew (Grip) #10-24NC X 1"	
100	2901461	1	Seal Kit (Includes Items 12-19)	

SECTION 5 CYLINDER

FIGURE 5-5. LIFT CYLINDER ASSEMBLY - MAIN



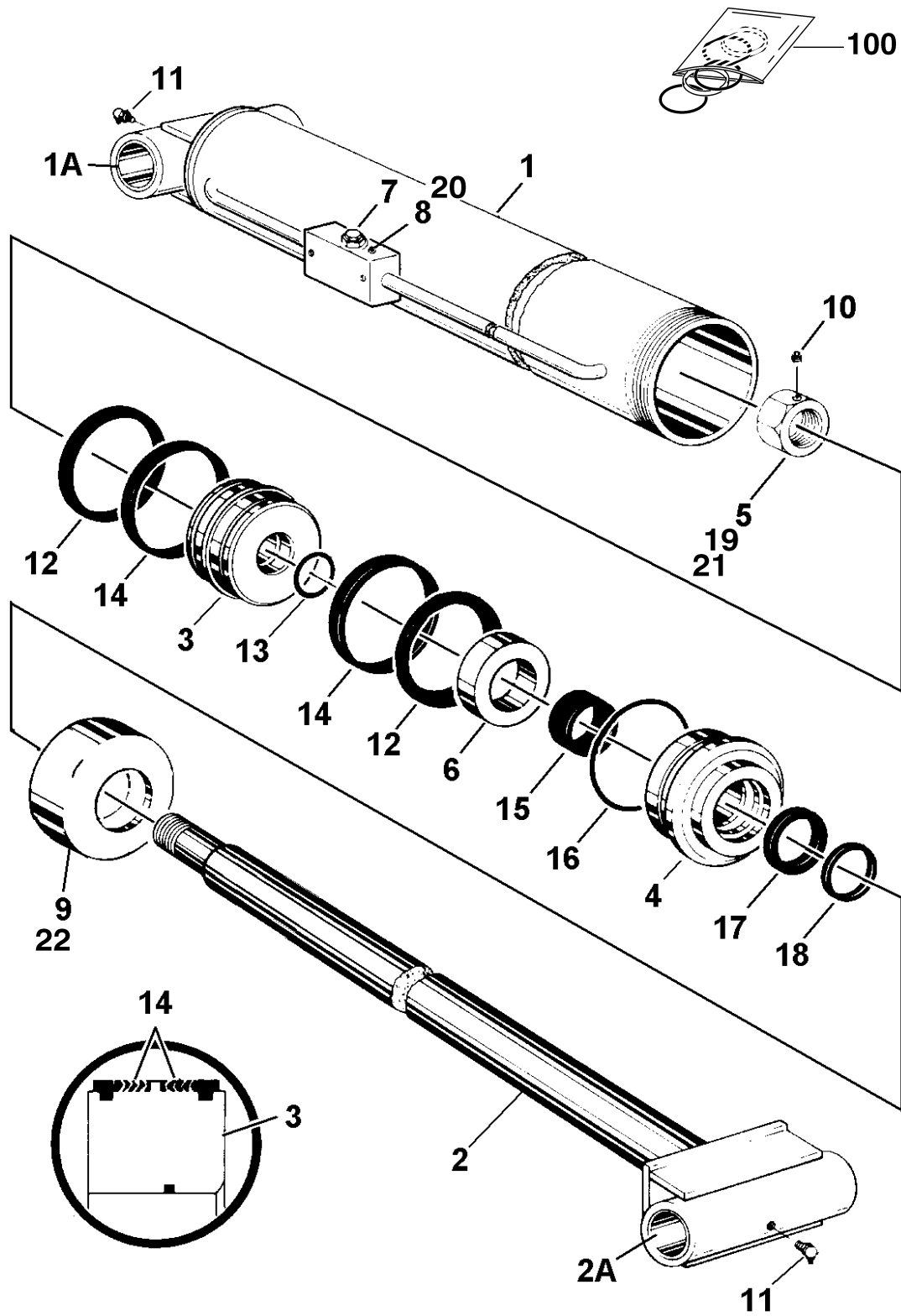
SECTION 5 CYLINDER

FIGURE 5-5. LIFT CYLINDER ASSEMBLY - MAIN

ITEM #	PART NUMBER	QTY.	DESCRIPTION	REV.
		Ref.	MAIN LIFT CYLINDER ASSEMBLY:	
	1682516	Ref	Prior to S/N 36519	5/E
	1683702	Ref	S/N 36519 to Present	1/B
		Ref.	Note: Original Equipment Cylinder p/n 1682516 may have been replaced with Service Replacement Cylinder p/n 1683702. Identify p/n stamped on cylinder before ordering parts.	
1	1682238	1	Barrel Weldment	
1A	0961458	2	Bushing	
2	1682517	1	Rod Weldment	
2A	0961458	2	Bushing	
3	3480142	1	Piston	
4	1682193	1	Head	
5		1	Nut, Hex	
	3300322		Prior to S/N 36519	
	3300297		S/N 36519 to Present	
6	4565231	1	Spacer	
7	4640647	1	Cartridge, Valve (Pilot-Operated)	
	Consult Factory	1	Seal Kit - 4640647 Valve	
8		1	Cartridge, Valve (Counterbalance)	
	Use 4640938		Prior to January 1994 (Was p/n 4640634)	
	Use 4640938		January 1994 to February 1996 (Was p/n 4640771)	
	4640938		February 1996 to Present	
	2900770	1	Seal Kit - 4640938 Valve	
9	1120369	1	Cap	
10	3900171	1	Setscrew	
11	2160001	2	Fitting, Grease	
12	Use Item 100	2	Ring, Lock	
13	Use Item 100	1	O-Ring	
14	Use Item 100	2	Seal	
15	Use Item 100	1	Ring, Wear	
16	Use Item 100	1	O-Ring	
17	Use Item 100	1	Seal, Rod	
18	Use Item 100	1	Wiper	
19	2180527	1	Plug, Pipe	
20	0100011	A/R	Compound, Locking	
21	0100020	A/R	Sealant, Pipe	
22	0100038	A/R	Primer, Locking	
23	0100035	A/R	Compound, Locking	
100	2901156	1	Seal Kit (Includes Items 12-18)	

SECTION 5 CYLINDER

FIGURE 5-6. LIFT CYLINDER ASSEMBLY - TOWER



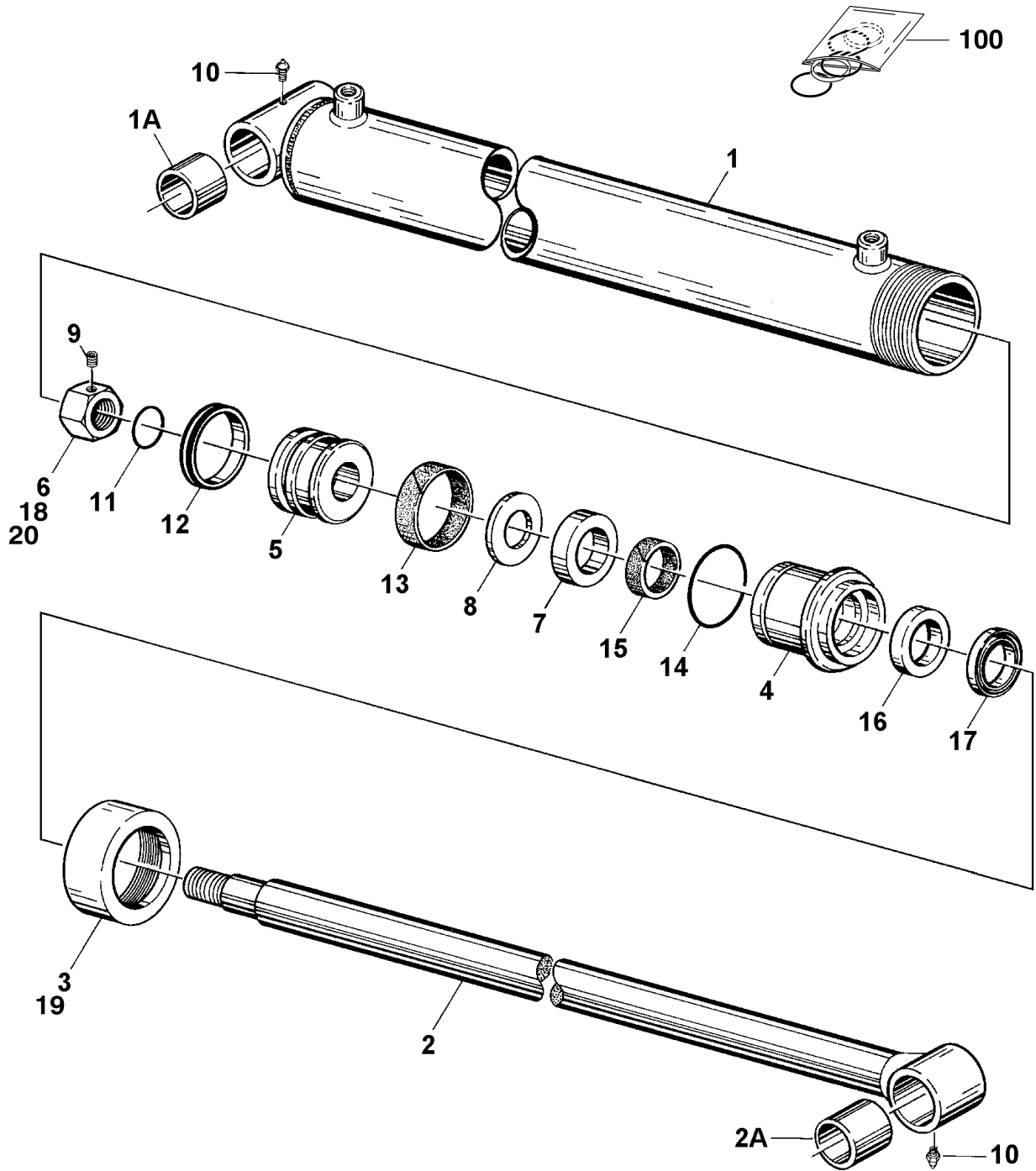
SECTION 5 CYLINDER

FIGURE 5-6. LIFT CYLINDER ASSEMBLY - TOWER

ITEM #	PART NUMBER	QTY.	DESCRIPTION	REV.
	1682519	Ref	TOWER LIFT CYLINDER ASSEMBLY	C
1	1682233	1	Barrel Weldment	
1A	0961458	2	Bushing	
2		1	Rod Weldment	
	1682520		Standard	
	1682235		S/Ns 3455 and 4275 Only	
2A	0961458	2	Bushing	
3	3480142	1	Piston	
4	1682193	1	Head	
5	3300297	1	Nut, Hex	
6		1	Spacer, Tube	
	4565253		Standard	
	4564701		S/Ns 3455 and 4275 Only	
7	4640509	2	Cartridge, Valve (Counterbalance Non-Vented)	
	2900792	2	Seal Kit - 4640509 Valve	
8	2200221	4	Plug, Pipe	
9	1120369	1	Cap	
10	3900171	1	Setscrew 1/2"-13NC x 1/2"	
11	2160001	2	Fitting, Grease	
12	Use Item 100	2	Ring, Lock	
13	Use Item 100	1	O-Ring	
14	Use Item 100	2	Seal	
15	Use Item 100	1	Ring, Wear	
16	Use Item 100	1	O-Ring	
17	Use Item 100	1	Seal, Rod	
18	Use Item 100	1	Wiper	
19	0100011	A/R	Compound, Locking	
20	0100020	A/R	Sealant, Pipe	
21	0100038	A/R	Primer, Locking	
22	0100035	A/R	Compound, Locking	
100	2901156	1	Seal Kit (Includes Items 12-18)	

SECTION 5 CYLINDER

FIGURE 5-7.MASTER CYLINDER ASSEMBLY



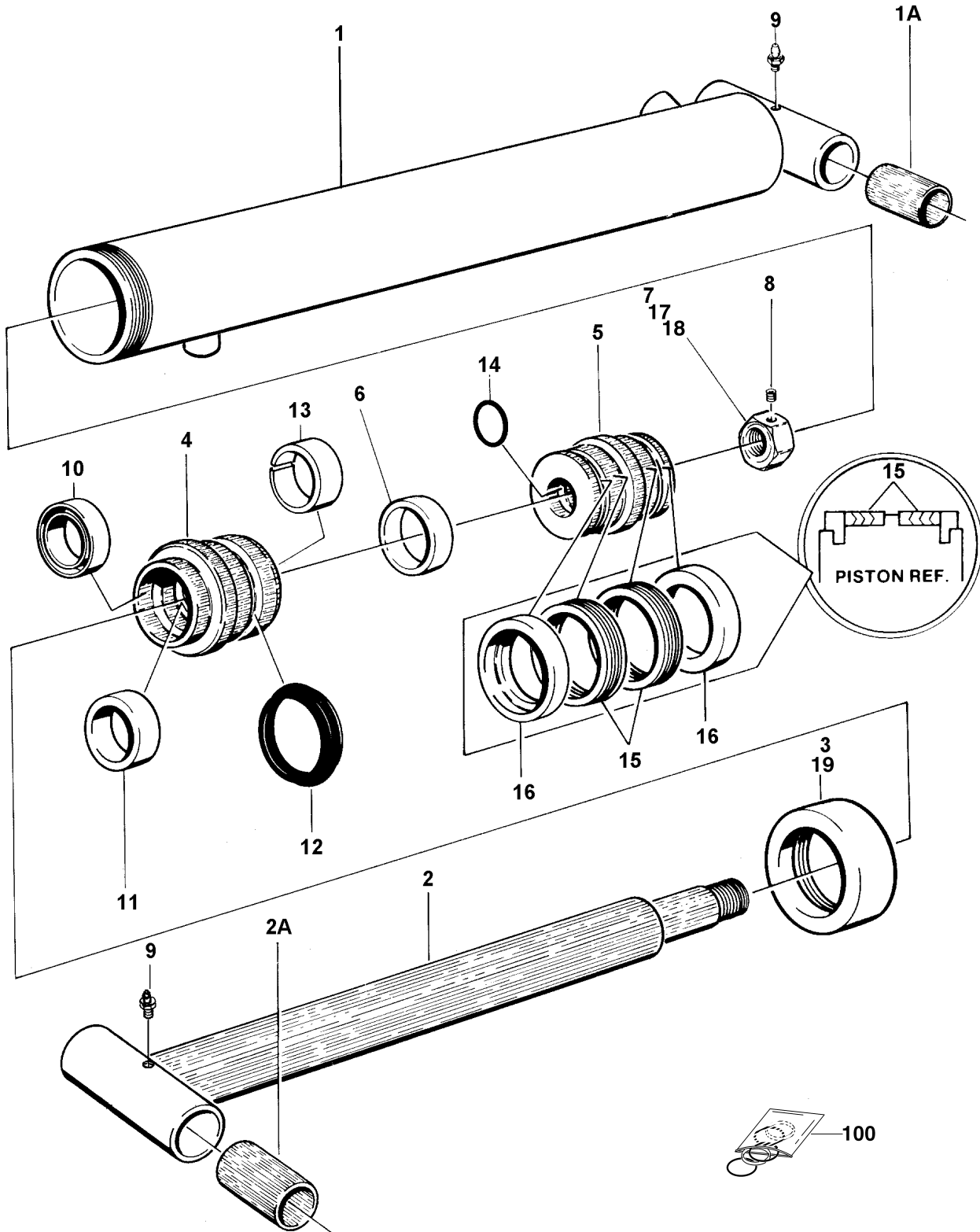
SECTION 5 CYLINDER

FIGURE 5-7. MASTER CYLINDER ASSEMBLY

ITEM #	PART NUMBER	QTY.	DESCRIPTION	REV.
	1682332	Ref	MASTER CYLINDER ASSEMBLY	—
1	1682333	1	Barrel Weldment	
1A	0961369	2	Bushing	
2	1682335	1	Rod Weldment	
2A	0961501	1	Bushing	
3	1120108	1	Cap	
4	1681322	1	Head	
5	3480134	1	Piston	
6	3300273	1	Nut, Hex	
7	1440142	1	Collar	
8	4740377	1	Washer	
9	3900170	1	Setscrew 3/8"-16NC x 3/8"	
10	2160002	2	Fitting, Grease	
11	Use Item 100	1	O-Ring	
12	Use Item 100	1	T-Seal	
13	Use Item 100	1	Ring, Wear	
14	Use Item 100	1	O-Ring	
15	Use Item 100	1	Ring, Wear	
16	Use Item 100	1	Seal, Rod	
17	Use Item 100	1	Wiper	
18	0100011	A/R	Compound, Locking	
19	0100035	A/R	Compound, Locking	
20	0100038	A/R	Primer, Locking	
100	2901148	1	Seal Kit (Includes Items 11-17)	

SECTION 5 CYLINDER

FIGURE 5-8. STEER CYLINDER ASSEMBLY



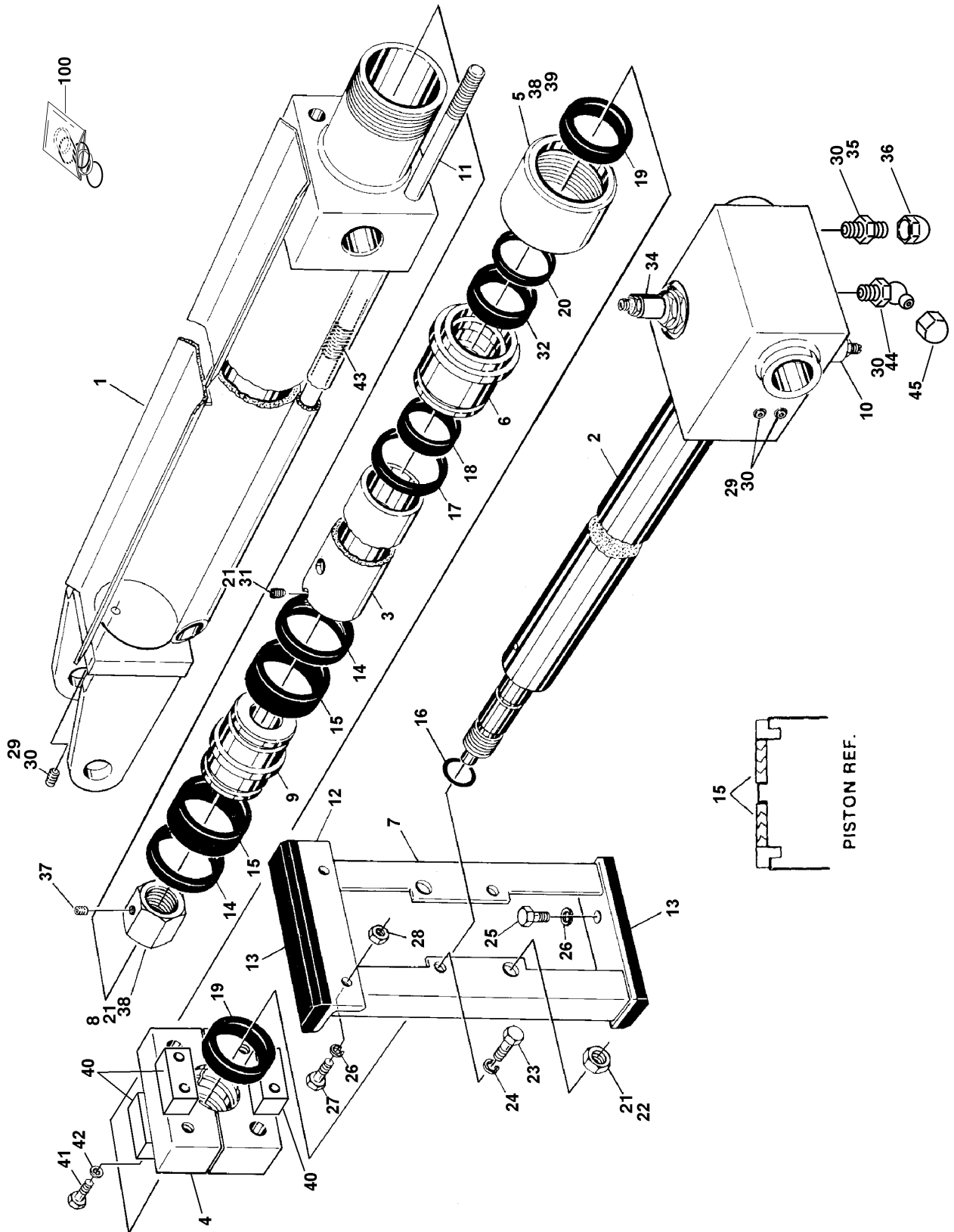
SECTION 5 CYLINDER

FIGURE 5-8. STEER CYLINDER ASSEMBLY

ITEM #	PART NUMBER	QTY.	DESCRIPTION	REV.
		Ref.	STEER CYLINDER ASSEMBLY	
	1682531	Ref.	Standard	A
	1682246	Ref.	S/Ns 3455 & 4275 Only (Not Shown)	—
1		1	Barrel Weldment	
	1682532		Standard	
	1682247		S/Ns 3455 and 4275 Only	
1A		2	Bushing	
	0961132		Standard	
	0961476		S/Ns 3455 and 4275 Only	
2		1	Rod Weldment	
	1682534		Standard	
	1682248		S/Ns 3455 and 4275 Only	
2A		2	Bushing	
	0961369		Standard	
	0960808		S/Ns 3455 and 4275 Only	
3	1120336	1	Cap	
4	1681847	1	Head	
5	3480130	1	Piston	
6		1	Spacer	
	4565810		Standard	
	4564717		S/Ns 3455 and 4275 Only	
7		1	Nut, Hex	
	3300288		Standard	
	3300245		S/Ns 3455 and 4275 Only	
8		1	Setscrew	
	3900170		Standard (3/8"-16NC x 3/8")	
	3951404		S/Ns 3455 and 4275 Only (1/4"-20NC x 1/2")	
9	2160002	2	Fitting, Grease	
10	Use Item 100	1	Wiper	
11	Use Item 100	1	Seal, Rod	
12	Use Item 100	1	T-Seal	
13	Use Item 100	1	Ring, Wear	
14	Use Item 100	1	O-Ring	
15	Use Item 100	2	Seal	
16	Use Item 100	2	Ring, Lock	
17	0100038	A/R	Primer, Locking	
18	0100011	A/R	Compound, Locking	
19	0100035	A/R	Compound, Locking	
100	2901103	1	Seal Kit (Includes Items 10-16)	

SECTION 5 CYLINDER

FIGURE 5-9. TELESCOPE CYLINDER ASSEMBLY - MAIN



SECTION 5 CYLINDER

FIGURE 5-9. TELESCOPE CYLINDER ASSEMBLY - MAIN

ITEM #	PART NUMBER	QTY.	DESCRIPTION	REV.
		Ref.	TELESCOPE CYLINDER ASSEMBLY	
	1682490	Ref	Prior to January 1993	A
	1682901	Ref	January 1993 to Present	2/C
1		1	Barrel Weldment Options:	
	1682491		Prior to January 1993	
	1682902		January 1993 to Present	
2	1682259	1	Rod Weldment	
3	4562877	1	Spacer, Tube	
4	0560650	1	Block, Rod Support	
5	1120305	1	Cap	
6	1681423	1	Head	
7	4842207	1	Support, Rod	
8	3300294	1	Nut, Hex	
9	3480113	1	Piston	
10	4640212	1	Valve, Counterbalance	
	2900793	1	Seal Kit - 4640212 Valve	
11	3840800	2	Rod, Guide	
12	0181615	1	Angle	
13	3340383	2	Pad, Wear	
14	Use Item 100	2	Ring, Lock	
15	Use Item 100	2	Seal	
16	Use Item 100	1	T-Seal	
17	Use Item 100	1	Seal	
18	Use Item 100	1	Ring, Wear	
19	Use Item 100	2	Seal	
20	Use Item 100	1	Wiper	
21	0100011	A/R	Compound, Locking	
22	3312202	2	Nut, Jam 3/4"-10NC	
23	0641812	2	Bolt 1/2"-13NC x 1 1/2"	
24	4761800	2	Lockwasher 1/2"	
25	0641605	4	Bolt 3/8"-16NC x 5/8"	
26	4761600	6	Lockwasher 3/8"	
27	0641607	2	Bolt 3/8"-16NC x 7/8"	
28	3311601	2	Nut 3/8"-16NC	
29	2200221	6	Plug, Pipe	
30	0100020	A/R	Sealant, Pipe	
31	3951405	1	Setscrew 1/4"-20NC x 5/8"	
32	Use Item 100	1	Seal, Rod	
33	Not Used			
34	4640210	1	Valve, Counterbalance	
	2900793	1	Seal Kit - 4640210 Valve	
35	2220414	2	Fitting, Straight	
36	2220515	2	Fitting, Cap	
37	3900170	1	Setscrew 3/8"-16NC x3/8"	
38	0100038	A/R	Primer, Locking	
39	0100035	A/R	Compound, Locking	
40	0940047	4	Bumper, Rubber (September 1992 to Present)	
41	0641408	8	Bolt 1/4"-20NC x 1" (September 1992 to Present)	

SECTION 5 CYLINDER

FIGURE 5-9. TELESCOPE CYLINDER ASSEMBLY - MAIN (CONTINUED)

ITEM #	PART NUMBER	QTY.	DESCRIPTION	REV.
42	4751400	8	Flatwasher 1/4" (September 1992 to Present)	
43	4160115	2	Spring, Compression (September 1992 to Present)	
44	2220354	2	Fitting, 45° (S/N 34994 to Present)	
45	2220517	2	Cap, Fitting (S/N 34994 to Present)	
100	2900365	1	Seal Kit (Includes Items 14-20 and 32)	

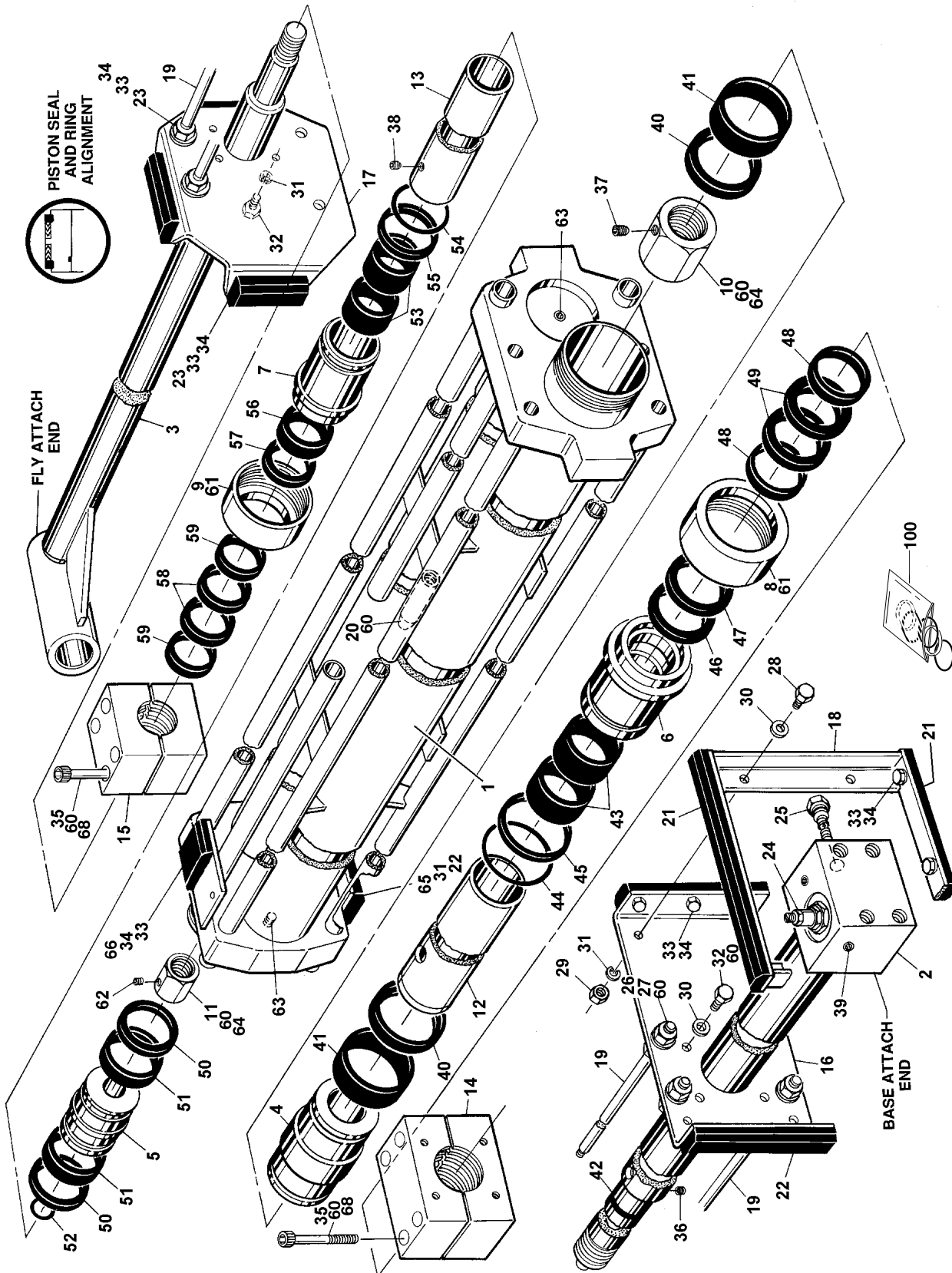
SECTION 5 CYLINDER

FIGURE 5-9. TELESCOPE CYLINDER ASSEMBLY - MAIN (CONTINUED)

ITEM #	PART NUMBER	QTY.	DESCRIPTION	REV.

SECTION 5 CYLINDER

FIGURE 5-10. TELESCOPE CYLINDER ASSEMBLY - TOWER



SECTION 5 CYLINDER

FIGURE 5-10. TELESCOPE CYLINDER ASSEMBLY - TOWER

ITEM #	PART NUMBER	QTY.	DESCRIPTION	REV.
	1682289	Ref	TELESCOPE CYLINDER ASSEMBLY	C
1	1682290	1	Barrel Weldment	
2	1682293	1	Rod Weldment (Base End)	
3	1682295	1	Rod Weldment (Fly End)	
4	3480133	1	Piston (Base End)	
5	3480102	1	Piston (Fly End)	
6	1682298	1	Head (Base End)	
7	1682299	1	Head (Fly End)	
8		1	Cap Options: (Base End)	
	Use 1120358		Prior to S/N 59434 (Was P/N 1120345)	
	1120358		S/N 59434 to Present	
9	1120340	1	Cap (Fly End)	
10		1	Nut Options (Base End):	
	Use 3300299		Prior to March 1992 (Was P/N 3300249)	
	3300299		March 1992 to Present	
11		1	Nut Options (Fly End):	
	Use 3300286		Prior to March 1992 (Was P/N 3300254)	
	3300286		March 1992 to Present	
12	1682297	1	Spacer, Tube (Base End)	
13	4564893	1	Spacer, Tube (Fly End)	
14	0560907	1	Block, Rod Support (Base End)	
15	0560908	1	Block, Rod Support (Fly End)	
16	3534550	1	Support, Rod (Base End)	
17	3534551	1	Support, Rod (Fly End)	
18	4340603	1	Support Weldment (Base End)	
19	3841073	8	Rod, Guide	
20	4220078	8	Stop	
21	3340604	2	Pad, Wear (Base End Top and Bottom)	
22	3340606	2	Pad, Wear (Base End Sides)	
23	3340608	4	Pad, Wear (Fly End Sides, Top and Bottom)	
24	4640210	1	Valve, Counterbalance	
	2900793	1	Seal Kit - 4640210 Valve	
25	4640647	1	Valve, Pilot Operated	
	2900770	1	Seal Kit - 4640647 Valve	
26	3312202	16	Nut, Jam 3/4"-10NC	
27	4752200	32	Flatwasher 3/4"	
28	0641811	4	Bolt 1/2"-13NC x 1 3/8"	
29	3311801	4	Nut 1/2"-13NC	
30	4751800	12	Flatwasher 1/2"	
31	4761800	6	Lockwasher 1/2"	
32	0641809	10	Bolt 1/2"-13NC x 1 1/8"	
33	0641605	22	Bolt 3/8"-16NC x 5/8"	
34	4761600	22	Lockwasher 3/8"	
35	3931660	8	Capscrew 3/8"-16NC x 3 3/4"	
36	3951405	1	Setscrew 1/4"-20NC x 5/8"	
37	3900171	1	Setscrew 1/2"-13NC x 1/2"	
38	3951402	2	Setscrew 1/4"-20NC x 1/4"	
39	2200221	3	Plug, Pipe	

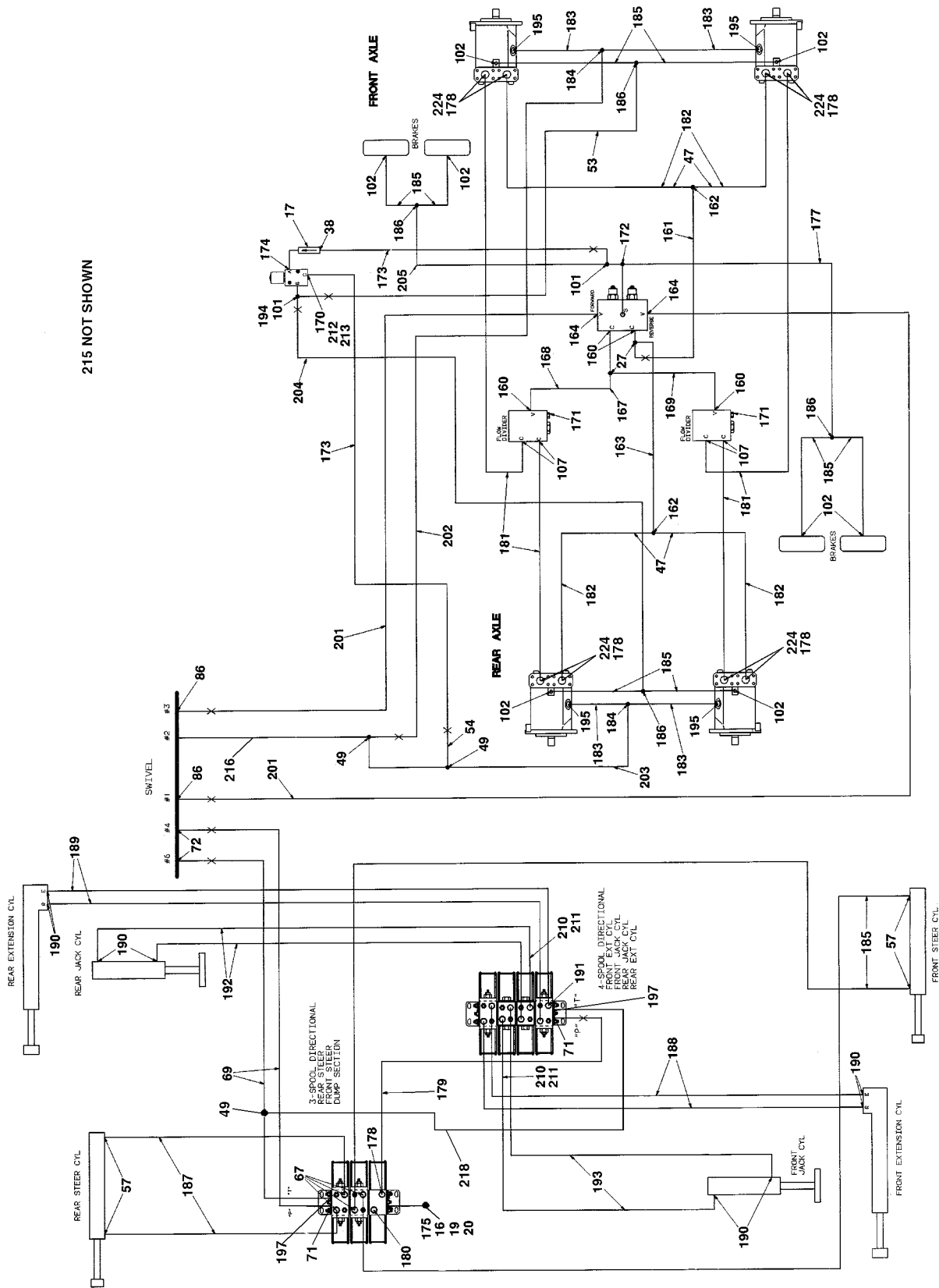
SECTION 5 CYLINDER

FIGURE 5-10. TELESCOPE CYLINDER ASSEMBLY - TOWER (CONTINUED)

ITEM #	PART NUMBER	QTY.	DESCRIPTION	REV.
40	Use Item 100	2	Ring, Lock	
41	Use Item 100	2	Seal	
42	Use Item 100	1	T-Seal	
43	Use Item 100	2	Ring, Wear	
44	Use Item 100	1	O-Ring	
45	Use Item 100	1	Ring, Back-up	
46	Use Item 100	1	Seal, Rod	
47	Use Item 100	1	Wiper	
48	Use Item 100	2	Ring, Wear	
49	Use Item 100	2	Seal, Friction	
50	Use Item 100	2	Ring, Lock	
51	Use Item 100	2	Seal	
52	Use Item 100	1	O-Ring	
53	Use Item 100	2	Ring, Wear	
54	Use Item 100	1	O-Ring	
55	Use Item 100	1	Ring, Back-up	
56	Use Item 100	1	Seal, Rod	
57	Use Item 100	1	Wiper	
58	Use Item 100	2	Seal, Friction	
59	Use Item 100	2	Ring, Wear	
60	0100011	A/R	Compound, Locking	
61	0100035	A/R	Compound, Locking	
62	3900170	1	Setscrew 3/8"-16NC x 3/8"	
63	2220222	2	Plug, Pipe	
64	0100038	A/R	Primer, Locking	
65	3340632	1	Pad, Wear (Barrel Bottom)	
66	3340633	1	Pad, Wear (Barrel Top)	
67	Not Used			
68	4751600	8	Flatwasher (S/N 0300122313 to Present)	
100	2901161	1	Seal Kit (Includes Items 40 -59)	

SECTION 6 HYDRAULIC

SECTION 6 HYDRAULIC



215 NOT SHOWN

SECTION 6 HYDRAULIC

FIGURE 6-1. STANDARD HYDRAULIC DIAGRAM (PRIOR TO S/N 137333)

ITEM #	PART NUMBER	QTY.	DESCRIPTION	REV.
	2791841	Ref.	STANDARD HYDRAULIC DIAGRAM	23/R
1	2720366	2	Hose, Suction (87in/221cm Length)	
2	1320031	8	Clamp	
3	2220763	2	Fitting, 45°	
4	2220377	3	Fitting, Straight	
5	2752328	1	Hose	
6	2220478	1	Flange Kit	
7	2220630	1	Fitting, 90°	
8	2220642	3	Fitting, Tee	
9	2220710	3	Fitting, Reducer	
10	2752246	2	Hose	
11	2220681	1	Fitting, Straight	
12	2220834	2	Fitting, Straight	
13	4640033	1	Valve, Check	
14	2220590	1	Fitting, Straight	
15	2220270	2	Fitting, Reducer	
16	2220820	2	Fitting, 90°	
17	4640197	2	Valve, Check	
18	2220415	1	Fitting, Straight	
19	2220428	6	Fitting, Quick Disconnect	
20	2220429	6	Cap, Dust	
21	2751443	1	Hose	
22	2220582	2	Fitting, Straight	
23	2220347	2	Fitting, Straight	
24	2220261	5	Fitting, Straight	
25	2220749	1	Fitting, Tee	
26	Not Used			
27	2220700	5	Fitting, Tee	
28	2220695	1	Fitting, Tee	
29	2751017	1	Hose	
30	4640575	2	Valve, Check	
31	2220550	1	Fitting Reducer	
32 to 33	Not Used			
34	2220473	1	Fitting, 90°	
35	2751616	1	Hose	
36	2220626	1	Fitting, Reducer	
37	2220731	1	Fitting, 90°	
38	2220414	6	Fitting, Straight	
39	2751011	1	Hose	
40	2220493	1	Fitting, 90°	
41	2751625	1	Hose	
42	2220669	1	Flange Kit	
43	2220467	1	Fitting, 90°	
44	2751932	1	Hose	
45	2220465	1	Fitting, 90°	
46	2220682	1	Fitting, Tee	
47	2220622	7	Fitting, Straight	
48	2751637	1	Hose	

SECTION 6 HYDRAULIC

FIGURE 6-1. STANDARD HYDRAULIC DIAGRAM (PRIOR TO S/N 137333) (CONTINUED)

ITEM #	PART NUMBER	QTY.	DESCRIPTION	REV.
49	2220385	7	Fitting, Tee	
50	Not Used			
51	2220619	5	Fitting, Straight	
52	Not Used			
53	2750899	5	Hose	
54	2220618	6	Fitting, Straight	
55 to 56	Not Used			
57	2220416	12	Fitting, 90°	
58	2750977	1	Hose	
59 to 62	Not Used			
63	2220345	1	Fitting, Straight	
64	2751852	1	Hose	
65	2220446	1	Fitting, Straight	
66	2751466	1	Hose	
67	2220468	10	Fitting, Straight	
68	4640512	1	Valve Assembly - Fluid Controls	
	7009756	1	Cartridge	
69	2750759	2	Hose	
70	2750771	2	Hose	
71	2220600	3	Fitting, Straight	
72	2220342	4	Fitting, Straight	
73	2220593	1	Fitting, Straight	
74	2220635	1	Fitting, Tee	
75	2220354	2	Fitting, 45°	
76	2750932	2	Hose	
77	2220609	9	Fitting, Reducer	
78	4565220	5	Tube	
79	4565290	1	Tube	
80	4565289	1	Tube	
81	4565291	1	Tube	
82	2220396	7	Fitting, Straight	
83 to 84	Not Used			
85	2752338	2	Hose	
86	2220348	4	Fitting, Straight	
87	2751142	4	Hose	
88	2220591	2	Fitting, Straight	
89	2180379	2	Fitting, Modified Tee	
90	2751506	2	Hose	
91	2750989	2	Hose	
92	2751457	1	Hose	
93	2180615	2	Orifice	
94	0100020	A/R	Sealant, Pipe	
95 to 96	Not Used			
97	8760268	4	Fitting, 90° (was p/n 2220507)	
98	2751520	2	Hose	
99	2220659	3	Fitting, 90°	
100	2750905	1	Hose	
101	2220605	5	Fitting, Tee	
102	2220466	11	Fitting, 90°	

SECTION 6 HYDRAULIC

FIGURE 6-1. STANDARD HYDRAULIC DIAGRAM (PRIOR TO S/N 137333) (CONTINUED)

ITEM #	PART NUMBER	QTY.	DESCRIPTION	REV.
103	2751013	1	Hose	
104	2750902	2	Hose	
105	2751114	2	Hose	
106	2220740	3	Fitting, Tee	
107	2220375	6	Fitting, Straight	
108	2220512	10	Fitting, Union	
109	2220282	4	Fitting, Reducer	
110	2220497	2	Fitting, Straight	
111	2750929	1	Hose	
112	4565292	1	Tube	
113	4565218	1	Tube	
114	4565217	1	Tube	
115	2220865	8	Fitting, Straight	
116	Not Used			
117	2751489	4	Hose	
118	4565216	5	Tube	
119	4565215	10	Tube	
120	2750931	1	Hose	
121	Not Used			
122	2220470	6	Fitting, 90°	
123	2220654	1	Fitting, 90°	
124	2750933	1	Hose	
125	2751465	2	Hose	
126	Not Used			
127	2751483	1	Hose	
128	4565294	1	Tube	
129	4565293	1	Tube	
130	4565295	1	Tube	
131	4565296	1	Tube	
132	4565288	1	Tube	
133	4565287	1	Tube	
134	2750976	1	Hose	
135	2220679	3	Fitting, Tee	
136	2751493	4	Hose	
137	4640009	2	Valve, Check	
138	2220665	3	Fitting, Tee	
139	2751498	2	Hose	
140	4100026	50ft/16m	Sleeve, Hose Protection	
141	2751872	1	Hose	
142	2752170	1	Hose	
143	2751827	1	Hose	
144	4563167	4	Tube	
145	2751838	2	Hose	
146	2220603	2	Fitting, Straight	
147	2220511	6	Fitting, Union	
148	2751913	2	Hose	
149	2751462	2	Hose	
150	2752586	2	Hose	
151	4640383	2	Valve, Restrictor	

SECTION 6 HYDRAULIC

FIGURE 6-1. STANDARD HYDRAULIC DIAGRAM (PRIOR TO S/N 137333) (CONTINUED)

ITEM #	PART NUMBER	QTY.	DESCRIPTION	REV.
152	2220816	2	Fitting, Straight	
153	2751421	2	Hose	
154	Not Used			
155	2220496	1	Fitting, 45°	
156 to 157	Not Used			
158	1320051	4	Clamp	
159	Not Used			
160	2220435	4	Fitting, Straight	
161	2752240	2	Hose	
162	2220481	2	Fitting, Tee	
163	2752236	1	Hose	
164	2220646	2	Fitting, 90°	
165 to 166	Not Used			
167	2220407	2	Fitting, 90°	
168	2752242	1	Hose	
169	2752249	1	Hose	
170	2220250	1	Fitting, Reducer (Prior to S/N 56632 Only)	
171	2220235	2	Fitting, Plug	
172	2220711	1	Fitting, Tee	
173	2751010	2	Hose	
174	2220673	2	Fitting, 90°	
175	2220727	3	Fitting, Straight	
176	2750773	1	Hose	
177	2751899	1	Hose	
178	2220596	9	Fitting, 90°	
179	2751494	1	Hose	
180	2220238	1	Fitting, Plug	
181	2752376	4	Hose	
182	2752377	4	Hose	
183	2752933	4	Hose	
184	2220362	2	Fitting, Tee	
185	2751439	10	Hose	
186	2220504	4	Fitting, Tee	
187	2751406	2	Hose	
188	2751123	2	Hose	
189	2751150	2	Hose	
190	2220399	10	Fitting, Straight	
191	2220372	6	Fitting, Straight	
192	2751111	2	Hose	
193	2751162	2	Hose	
194	2220417	1	Fitting, Straight	
195	2220374	4	Fitting, Straight	
196	2220237	1	Fitting, Plug	
197	2220373	A/R	Fitting, Straight	
198	2220733	1	Fitting, Straight	
199	2751638	1	Hose	
200	2751893	1	Hose	
201	2752331	2	Hose	
202	2750766	1	Hose	

SECTION 6 HYDRAULIC

FIGURE 6-1. STANDARD HYDRAULIC DIAGRAM (PRIOR TO S/N 137333) (CONTINUED)

ITEM #	PART NUMBER	QTY.	DESCRIPTION	REV.
203	2750776	1	Hose	
204	2750891	1	Hose	
205	2751398	1	Hose	
206	2220702	1	Fitting, Tee	
207	2220670	1	Fitting, Straight	
208	2220400	1	Fitting, Straight	
209	4640216	1	Valve, Flow Control	
210	2180479	2	Fitting, Modified	
211	2180752	2	Orifice (.125)	
212		1	Orifice (.15)	
	Use 2220909		Prior to S/N 56632 (was p/n 2180217)	
	2220909		S/N 56632 to Present	
213		1	Fitting, Modified	
	Use 2220414		Prior to S/N 56632 (was p/n 2180651)	
	2220417		S/N 56632 to Present	
214	2750900	1	Hose	
215	4100026	60ft/19m	Sleeve, Hose Protection	
216	2220355	1	Fitting, 45°	
217	2220344	1	Fitting, Straight	
218	2750928	1	Hose	
219	2220371	1	Fitting, Straight	
220	2220491	1	Fitting, Straight	
221	2752721	1	Hose, Suction (36in/91.5cm Length)	
222		1	Fitting, Straight Options:	
	2220376		Prior to S/N 0300122313	
	2221025		S/N 0300122313 to Present	
223	2751499	2	Hose	
224	2220833	8	Fitting, Reducer	
225	4567139	1	Tube	
226	2752435	1	Hose	
227	2750968	1	Hose	
228	2220290	2	Fitting, Pipe Tee	
229	2220064	2	Fitting, Pipe Swivel 90°	
230	2220472	1	Fitting, O-ring 90°	
231	2220386	1	Fitting, Add on 90°	

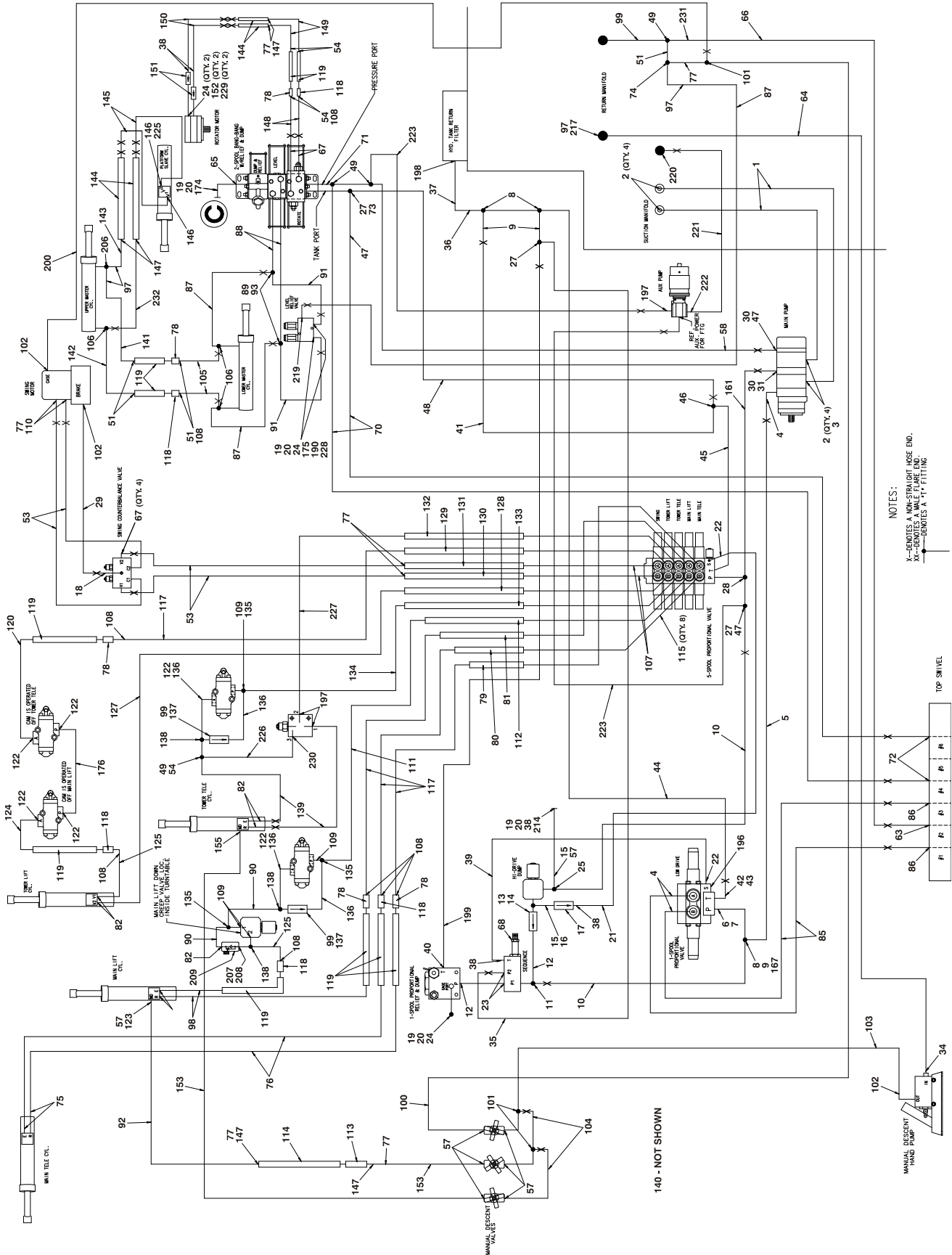
SECTION 6 HYDRAULIC

FIGURE 6-1. STANDARD HYDRAULIC DIAGRAM (PRIOR TO S/N 137333) (CONTINUED)

ITEM #	PART NUMBER	QTY.	DESCRIPTION	REV.

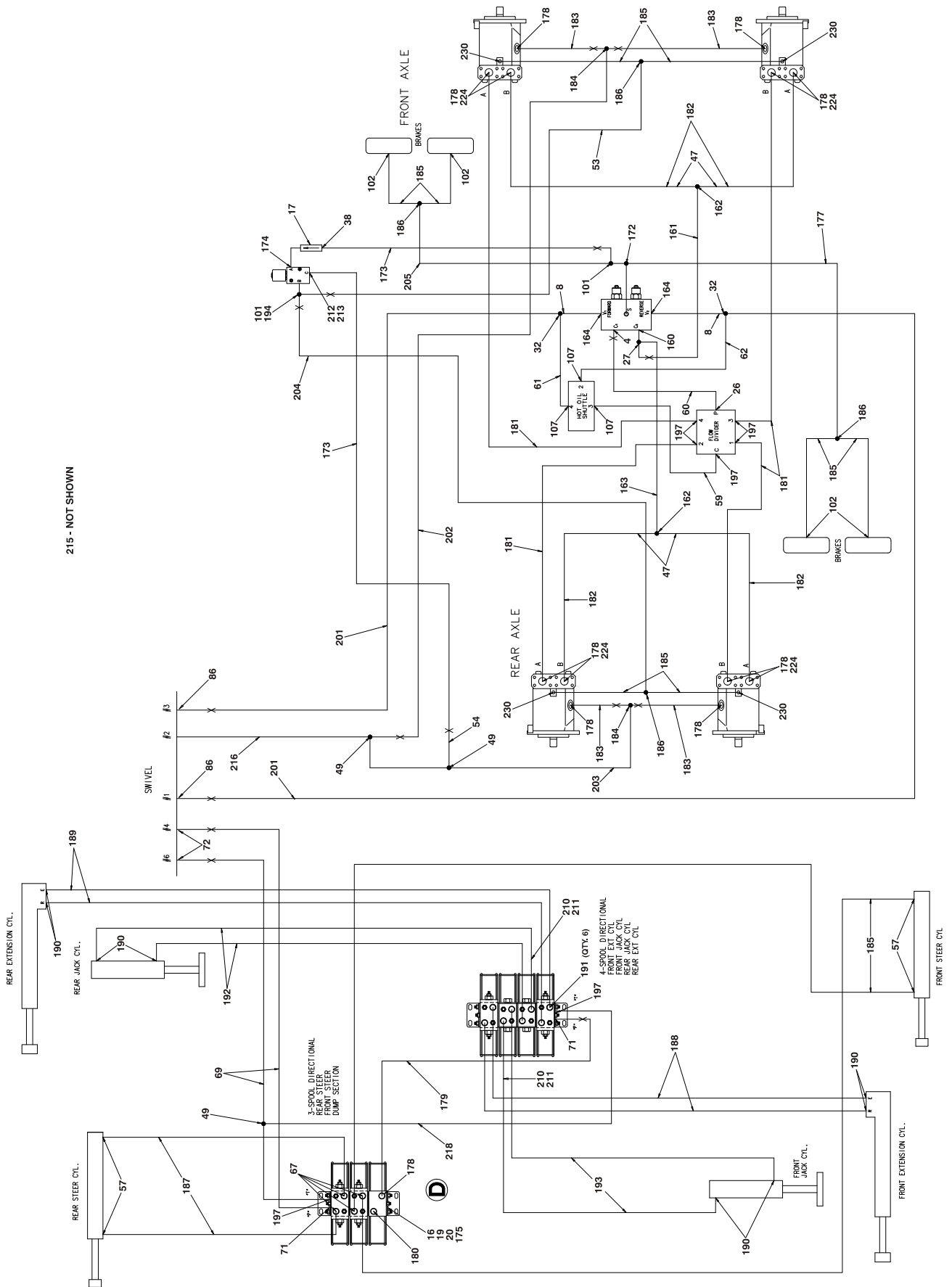
SECTION 6 HYDRAULIC

FIGURE 6-2. STANDARD HYDRAULIC DIAGRAM (S/N 137333 TO PRESENT)



NOTES:
 X--DEMOTES A NON-STRAIGHT HOSE END.
 XX--DEMOTES MULTI-LINE HOSE END.
--DEMOTES A FITTING

SECTION 6 HYDRAULIC



215 - NOT SHOWN

SECTION 6 HYDRAULIC

FIGURE 6-2. STANDARD HYDRAULIC DIAGRAM (S/N 137333 TO PRESENT)

ITEM #	PART NUMBER	QTY.	DESCRIPTION	REV.
	1001107587	Ref.	STANDARD HYDRAULIC DIAGRAM	3/B
1	2720366	2	Hose, Suction (87in/221cm Length)	
2	1320031	8	Clamp	
3	2220763	2	Fitting, 45°	
4	2220377	4	Fitting, Straight	
5	2752328	1	Hose	
6	2220478	1	Flange Kit	
7	2220630	1	Fitting, 90°	
8	2220642	5	Fitting, Tee	
9	2220710	3	Fitting, Reducer	
10	2752246	2	Hose	
11	2220681	1	Fitting, Straight	
12	2220834	2	Fitting, Straight	
13	4640033	1	Valve, Check	
14	2220590	1	Fitting, Straight	
15	2220270	2	Fitting, Reducer	
16	2220820	2	Fitting, 90°	
17	4640197	2	Valve, Check	
18	2220415	1	Fitting, Straight	
19	2220428	6	Fitting, Quick Disconnect	
20	2220429	6	Cap, Dust	
21	2751443	1	Hose	
22	2220582	2	Fitting, Straight	
23	2220347	2	Fitting, Straight	
24	2220261	5	Fitting, Straight	
25	2220749	1	Fitting, Tee	
26	2220365	1	Fitting, 45°	
27	2220700	4	Fitting, Tee	
28	2220695	1	Fitting, Tee	
29	2751017	1	Hose	
30	4640575	2	Valve, Check	
31	2220550	1	Fitting Reducer	
32	2220624	2	Fitting, Straight	
33	Not Used			
34	2220473	1	Fitting, 90°	
35	2751616	1	Hose	
36	2220626	1	Fitting, Reducer	
37	2220731	1	Fitting, 90°	
38	2220414	6	Fitting, Straight	
39	2751011	1	Hose	
40	2220493	1	Fitting, 90°	
41	2751625	1	Hose	
42	2220669	1	Flange Kit	
43	2220467	1	Fitting, 90°	
44	2751932	1	Hose	
45	2220465	1	Fitting, 90°	
46	2220682	1	Fitting, Tee	
47	2220622	7	Fitting, Straight	

SECTION 6 HYDRAULIC

FIGURE 6-2. STANDARD HYDRAULIC DIAGRAM (S/N 137333 TO PRESENT) (CONTINUED)

ITEM #	PART NUMBER	QTY.	DESCRIPTION	REV.
48	2751617	1	Hose	
49	2220385	7	Fitting, Tee	
50	Not Used			
51	2220619	5	Fitting, Straight	
52	Not Used			
53	2750899	5	Hose	
54	2220618	6	Fitting, Straight	
55 to 56	Not Used			
57	2220416	12	Fitting, 90°	
58	2750977	1	Hose	
59	1001110118	1	Hose	
60	1001110121	1	Hose	
61	2751517	1	Hose	
62	2750763	1	Hose	
63	2220345	1	Fitting, Straight	
64	2751852	1	Hose	
65	2220446	1	Fitting, Straight	
66	2751466	1	Hose	
67	2220468	10	Fitting, Straight	
68	4640512	1	Valve Assembly - Fluid Controls	
	7009756	1	Cartridge	
69	2750759	2	Hose	
70	2750771	2	Hose	
71	2220600	3	Fitting, Straight	
72	2220342	4	Fitting, Straight	
73	2220593	1	Fitting, Straight	
74	2220635	1	Fitting, Tee	
75	2220354	2	Fitting, 45°	
76	2750932	2	Hose	
77	2220609	9	Fitting, Reducer	
78	4565220	5	Tube	
79	4565290	1	Tube	
80	4565289	1	Tube	
81	4565291	1	Tube	
82	2220396	7	Fitting, Straight	
83 to 84	Not Used			
85	2752338	2	Hose	
86	2220348	4	Fitting, Straight	
87	2751142	3	Hose	
88	2220591	2	Fitting, Straight	
89	2180379	2	Fitting, Modified Tee	
90	2751506	2	Hose	
91	2750989	2	Hose	
92	2751457	1	Hose	
93	2180615	2	Orifice	
94	0100020	A/R	Sealant, Pipe	
95 to 96	Not Used			
97	8760268	4	Fitting, 90°	
98	2751520	2	Hose	

SECTION 6 HYDRAULIC

FIGURE 6-2. STANDARD HYDRAULIC DIAGRAM (S/N 137333 TO PRESENT) (CONTINUED)

ITEM #	PART NUMBER	QTY.	DESCRIPTION	REV.
99	2220659	3	Fitting, 90°	
100	2750905	1	Hose	
101	2220605	5	Fitting, Tee	
102	2220466	7	Fitting, 90°	
103	2751013	1	Hose	
104	2750902	2	Hose	
105	2751114	2	Hose	
106	2220740	3	Fitting, Tee	
107	2220375	5	Fitting, Straight	
108	2220512	10	Fitting, Union	
109	2220282	4	Fitting, Reducer	
110	2220497	2	Fitting, Straight	
111	2750929	1	Hose	
112	4565292	1	Tube	
113	4565218	1	Tube	
114	4565217	1	Tube	
115	2220865	8	Fitting, Straight	
116	Not Used			
117	2751489	4	Hose	
118	4565216	5	Tube	
119	4565215	10	Tube	
120	2750931	1	Hose	
121	Not Used			
122	2220470	6	Fitting, 90°	
123	2220654	1	Fitting, 90°	
124	2750933	1	Hose	
125	2751465	2	Hose	
126	Not Used			
127	2751483	1	Hose	
128	4565294	1	Tube	
129	4565293	1	Tube	
130	4565295	1	Tube	
131	4565296	1	Tube	
132	4565288	1	Tube	
133	4565287	1	Tube	
134	2750976	1	Hose	
135	2220679	3	Fitting, Tee	
136	2751493	4	Hose	
137	4640009	2	Valve, Check	
138	2220665	3	Fitting, Tee	
139	2751498	2	Hose	
140	4100026	50ft/16m	Sleeve, Hose Protection	
141	2751872	1	Hose	
142	2752170	1	Hose	
143	2751827	1	Hose	
144	4563167	4	Tube	
145	2751838	2	Hose	
146	2220603	2	Fitting, Straight	
147	2220511	6	Fitting, Union	

SECTION 6 HYDRAULIC

FIGURE 6-2. STANDARD HYDRAULIC DIAGRAM (S/N 137333 TO PRESENT) (CONTINUED)

ITEM #	PART NUMBER	QTY.	DESCRIPTION	REV.
148	2751913	2	Hose	
149	2751462	2	Hose	
150	2752586	2	Hose	
151	4640383	2	Valve, Restrictor	
152	2220816	2	Fitting, Straight	
153	2751421	2	Hose	
154	Not Used			
155	2220496	1	Fitting, 45°	
156 to 159	Not Used			
160	2220435	1	Fitting, Straight	
161	2752240	2	Hose	
162	2220481	2	Fitting, Tee	
163	2752236	1	Hose	
164	2220646	2	Fitting, 90°	
165 to 166	Not Used			
167	2220407	1	Fitting, 90°	
168 to 171	Not Used			
172	2220711	1	Fitting, Tee	
173	2751010	2	Hose	
174	2220673	2	Fitting, 90°	
175	86561326	3	Fitting, Straight	
176	2750773	1	Hose	
177	2751899	1	Hose	
178	2220596	13	Fitting, 90°	
179	2751494	1	Hose	
180	2220238	1	Fitting, Plug	
181	2752376	4	Hose	
182	2752377	4	Hose	
183	2752933	4	Hose	
184	2220362	2	Fitting, Tee	
185	2751439	10	Hose	
186	2220504	4	Fitting, Tee	
187	2751406	2	Hose	
188	2751123	2	Hose	
189	2751150	2	Hose	
190	2220399	10	Fitting, Straight	
191	2220372	6	Fitting, Straight	
192	2751111	2	Hose	
193	2751162	2	Hose	
194	2220417	1	Fitting, Straight	
195	Not Used			
196	2220237	1	Fitting, Plug	
197	2220373	10	Fitting, Straight	
198	2220733	1	Fitting, Straight	
199	2751638	1	Hose	
200	2751893	1	Hose	
201	2752331	2	Hose	
202	2750766	1	Hose	
203	2750776	1	Hose	

SECTION 6 HYDRAULIC

FIGURE 6-2. STANDARD HYDRAULIC DIAGRAM (S/N 137333 TO PRESENT) (CONTINUED)

ITEM #	PART NUMBER	QTY.	DESCRIPTION	REV.
204	2750891	1	Hose	
205	2751398	1	Hose	
206	2220702	1	Fitting, Tee	
207	2220670	1	Fitting, Straight	
208	2220400	1	Fitting, Straight	
209	4640216	1	Valve, Flow Control	
210	2180479	2	Fitting, Modified	
211	2180752	2	Orifice (.125)	
212	2220909	1	Orifice (.150)	
213	2220417	1	Fitting, Modified	
214	2750900	1	Hose	
215	4100026	60ft/19m	Sleeve, Hose Protection	
216	2220355	1	Fitting, 45°	
217	2220344	1	Fitting, Straight	
218	2750928	1	Hose	
219	2220371	1	Fitting, Straight	
220	2220491	1	Fitting, Straight	
221	2752721	1	Hose, Suction (36in/91.5cm Length)	
222	2221025	1	Fitting, Straight	
223	2751499	2	Hose	
224	2220811	8	Fitting, Reducer	
225	4567139	1	Tube	
226	2752435	1	Hose	
227	2750968	1	Hose	
228	2220290	2	Fitting, Pipe Tee	
229	2220064	2	Fitting, Pipe Swivel 90°	
230	2220472	5	Fitting, O-ring 90°	
231	2220386	1	Fitting, Add on 90°	
232	2751104	1	Hose	

SECTION 6 HYDRAULIC

FIGURE 6-2. STANDARD HYDRAULIC DIAGRAM (S/N 137333 TO PRESENT) (CONTINUED)

ITEM #	PART NUMBER	QTY.	DESCRIPTION	REV.

SECTION 6 HYDRAULIC

FIGURE 6-3. HYDRAULIC DIAGRAM LIST

ITEM #	PART NUMBER	QTY.	DESCRIPTION	REV.
		Ref.	Note: Diagrams with asterisk (*) are shown in the preceding pages. Information on Diagrams not shown are available from JLG Service/Parts Departments.	
	0252744	Ref.	Power Tool Hydraulic Diagram	
	2791841*	Ref.	Standard Hydraulic Diagram	
	1001107587*	Ref.	Prior to S/N 0300137333	
		Ref.	S/N 0300137333 to Present	
	2791845	Ref.	Standard Hydraulic Schematic	
	1001110253	Ref.	Prior to S/N 0300137333	
		Ref.	S/N 0300137333 to Present	

SECTION 7 ELECTRICAL

SECTION 7 ELECTRICAL

FIGURE 7-1. ELECTRICAL DIAGRAM LIST

ITEM #	PART NUMBER	QTY.	DESCRIPTION	REV.
		Ref.	Note: Diagrams with asterisks (*) are shown in the following pages. Diagrams not shown are available from the JLG Service Department.	
		Ref.	ALARM ELECTRICAL DIAGRAMS	
	4932638/1282091	Ref.	Back-up Alarm	
	3740049	1	Relay	
	3990010	1	Diode 6 Amp	
	1060341	11ft/3.4m	Cable, Electrical - 16/2	
	4932640/1282091	Ref.	Motion Alarm	
	3740049	1	Relay	
	3990010	3	Diode 6 Amp	
	1060341	8ft/2.5m	Cable, Electrical - 16/2	
	0253077	Ref.	Tilt Alarm (Japanese/ ANSI / CSA Spec)	
	4932638/1282091	Ref.	Travel Alarm	
	3740049	1	Relay	
	3990010	1	Diode 6 Amp	
	1060341	11ft/3.4m	Cable, Electrical - 16/2	
	4931740	Ref.	BEACON ELECTRICAL DIAGRAM	
		Ref.	BOOM ELECTRICAL COMPONENTS	
		Ref.	Main Boom	
	1060392	95ft/29.3m	Cable, Electrical - 16/36	
	1060393	95ft/29.3m	Cable, Electrical - 10/3 (AC Power)	
	1060394	95ft/29.3m	Cable, Electrical - 10/4 (Power Feed)	
	1060395	95ft/29.3m	Cable, Electrical - 16/4 (Intercom)	
		Ref.	Tower Boom	
	1060392	103ft/31.4m	Cable, Electrical - 16/36	
	1060393	103ft/31.4m	Cable, Electrical - 10/3 (AC Power)	
	1060394	103ft/31.4m	Cable, Electrical - 10/4 (Power Feed)	
	1060395	103ft/31.4m	Cable, Electrical - 16/4 (Intercom)	
	1060016	111ft/34m	Cable, Electrical - 16/3 (End of Travel)	
	0270815	Ref.	BRAKE LIGHTS ELECTRICAL DIAGRAM	
	2920110	2	Head Light	
	2920113	2	Stop/Tail Light	
	3250585	1	Nameplate, Switch	
	4360199	1	Switch, Toggle	
	4460374	1	Plug, Bosch Relay	
	3740080	1	Relay	
	4360287	1	Fuse - 15 Amp	
	3990010	1	Diode, 6 Amp	
	4932510/1281846	Ref.	DRIVE/STEER CUTOUT ELECTRICAL DIAGRAM (OPTIONAL)	
	4921429	1	Harness Assembly - Drive/Steer Cutout	
	4921430	1	Harness Assembly - Other Function Cutout	
	4921431	1	Harness Assembly - Drive/Steer Cutout	
	4921433	1	Harness Assembly - Function Enable	

SECTION 7 ELECTRICAL

ITEM #	PART NUMBER	QTY.	DESCRIPTION	REV.
		Ref.	ENGINE DISTRESS ELECTRICAL DIAGRAM OPTIONS:	
	0258227	Ref.	Prior to S/N 61098	
	2920026	1	Lamp, Indicator - Red	
	2920029	1	Bulb, Light	
	4360157	1	Switch, Temperature	
	4360065	1	Switch, Oil Pressure	
	3740049	1	Relay	
	1060341	15ft/4.6m	Cable, Electrical - 16/2	
	0270856	Ref.	S/N 61098 to Present	
	4360157	1	Switch, Water Temperature	
	4360182	1	Switch, Oil Pressure	
	3740049	1	Relay	
	3990010	1	Diode, 6 Amp	
	4932407	Ref.	FRAME ELECTRICAL DIAGRAMS	
	4921347	1	Harness Assembly - Axle/Jacks/Steer	
	4460418	4	Connector 6 Position	
	4460419	24	Socket, Female	
	4460461	1	Connector, Male - 6 Position	
	4460459	1	Connector, Male - 3 Position	
	4460460	1	Connector, Male - 4 Position	
	4460458	13	Seal, Terminal	
	4460457	13	Sleeve, Terminal	
	0255068	Ref.	HEADLIGHT/TAILLIGHT ELECTRICAL DIAGRAMS	
	2920110	2	Headlight	
	2920113	2	Taillight	
	3250585	1	Nameplate, Switch	
	4360199	1	Switch, Toggle	
	4460374	1	Plug, Bosch Relay	
	3740080	1	Relay	
	4360287	1	Fuse - 15 Amp	
	1060330	50ft/15.3m	Cable, Electrical - 16/3	
		Ref.	INTERCOM ELECTRICAL DIAGRAM OPTIONS:	
	4932420	Ref.	PRIOR TO S/N 69948	
	4933271	Ref.	S/N 69948 TO PRESENT	
	1060341	12ft/3.7m	Cable, Electrical - 16/2	
	4932635	Ref.	JAPANESE MODIFICATION ELECTRICAL DIAGRAM (BOOM MOUNTED)	
		Ref.	JUNCTION BOX ELECTRICAL DIAGRAM OPTIONS: (BOOM MOUNTED)	
	4932405	Ref.	Prior to S/N 61098	
	4933173	Ref.	S/N 61098 to Present	

SECTION 7 ELECTRICAL

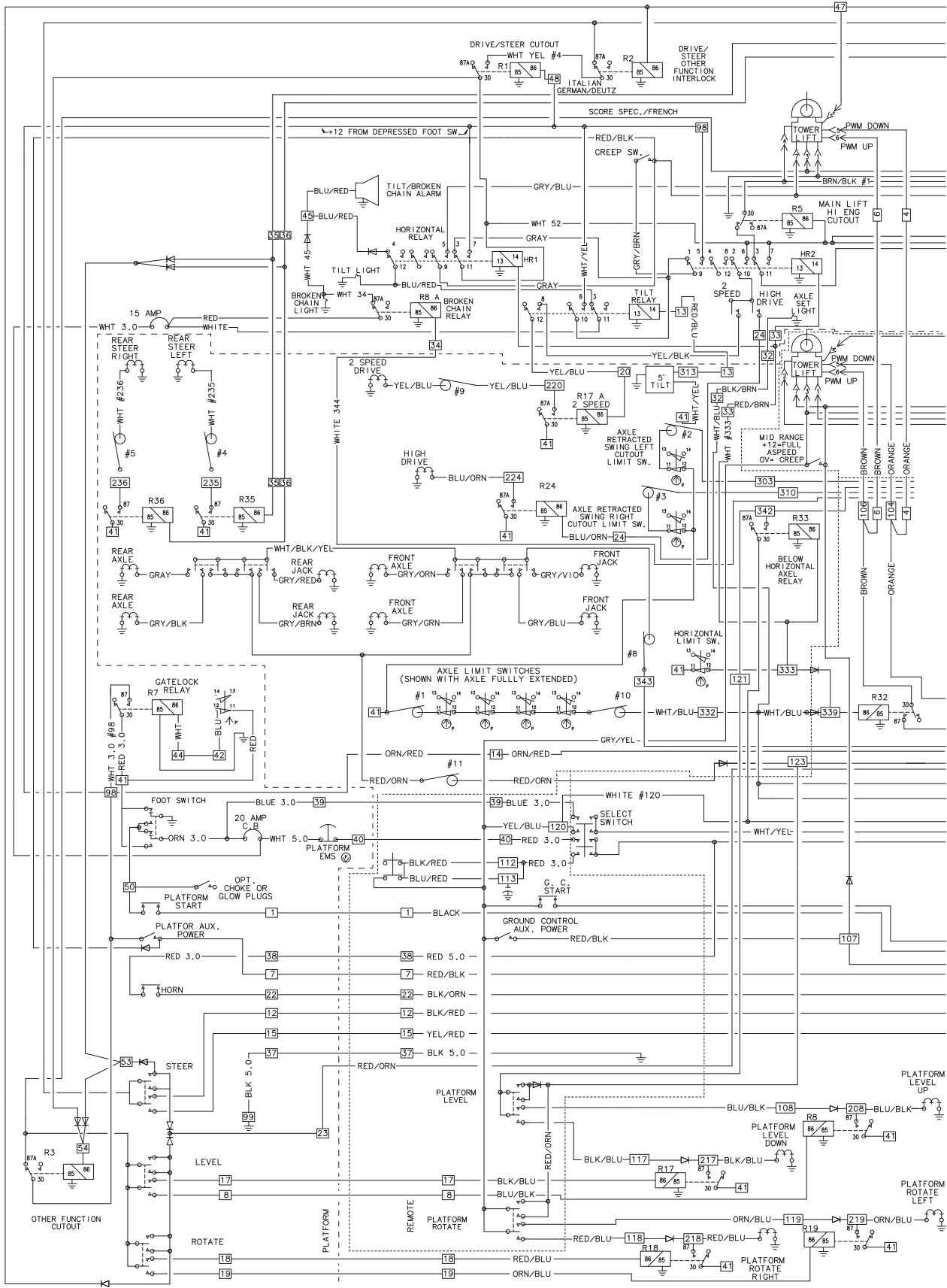
ITEM #	PART NUMBER	QTY.	DESCRIPTION	REV.
	4932404	Ref.	PLATFORM ELECTRICAL DIAGRAM	
	3990010	5	Diode - 6 Amp	
	Use 1060016	15ft/4.6m	Cable, Electrical - 16/3	
	1060016		Prior to S/N 54965 (Was P/N 1060300)	
	1060012	8ft/2.4m	S/N 54965 to Present	
	0252744	Ref.	PLATFORM HYDRAULIC TOOL CIRCUIT ELECTRICAL DIAGRAM	
	4932668	Ref.	PLATFORM SOFT BOUNCE ELECTRICAL DIAGRAM	
	0140031	1	Alarm	
	4360164	1	Breaker, Circuit - 5 Amp	
		Ref.	REMOTE CONTROL BOX ELECTRICAL DIAGRAM	
	4932406	Ref.	PRIOR TO S/N 103758	
	4933390	Ref.	S/N 103758 TO PRESENT	
	1060516	25 ft/7.6 m	Cable, Electrical - 16/30	
	4460265	5	Plug, Connector - 6 Position	
	4460227	32	Pin, Male	
	3990010	2	Diode 6 Amp	
	1540002	1	Condenser	
	4932405	Ref.	STANDARD ELECTRICAL DIAGRAM (PRIOR TO S/N 61098)	
	3990010	8	Diode - 6 Amp	
	4921348	1	Harness Assembly	
	4921350	1	Harness Assembly - Bang-Bang Valve	
	4921351	1	Harness Assembly - Prop & Drive Valve	
		1	Harness Assembly - Engine Options:	
	4921352		Prior to January 2000	
	4922368		January 2000 to S/N 103758	
	4923480		S/N 103758 to Present	
	3730003	1	Resistor	
	3990010	1	Diode 6 Amp	
	4921353	1	Harness Assembly - Relay & Battery	
	1060016	26ft/8m	Cable, Electrical - 16/3	
	4933174	Ref.	STANDARD ELECTRICAL DIAGRAM (S/N 61098 TO PRESENT)	
		Ref.	STANDARD ELECTRICAL SCHEMATIC	
	1870014	Ref.	All Machines except Japanese Spec (Prior to S/N 55775)	
	1870012	Ref.	Japanese Spec Machines Only (Prior to S/N 55775)	
	1870136*	Ref.	All Machines (S/N 55775 to S/N 103758)	
	1870233*	Ref.	All Machines (S/N 103758 to Present)	
		Ref.	WORKLIGHTS ELECTRICAL DIAGRAMS	
		Ref.	Without Platform Bumpers Options:	
	0253987	Ref.	Prior to S/N 55775	
	0271329	Ref.	S/N 55775 to Present	
	0254748	Ref.	With Platform Bumpers	

SECTION 7 ELECTRICAL

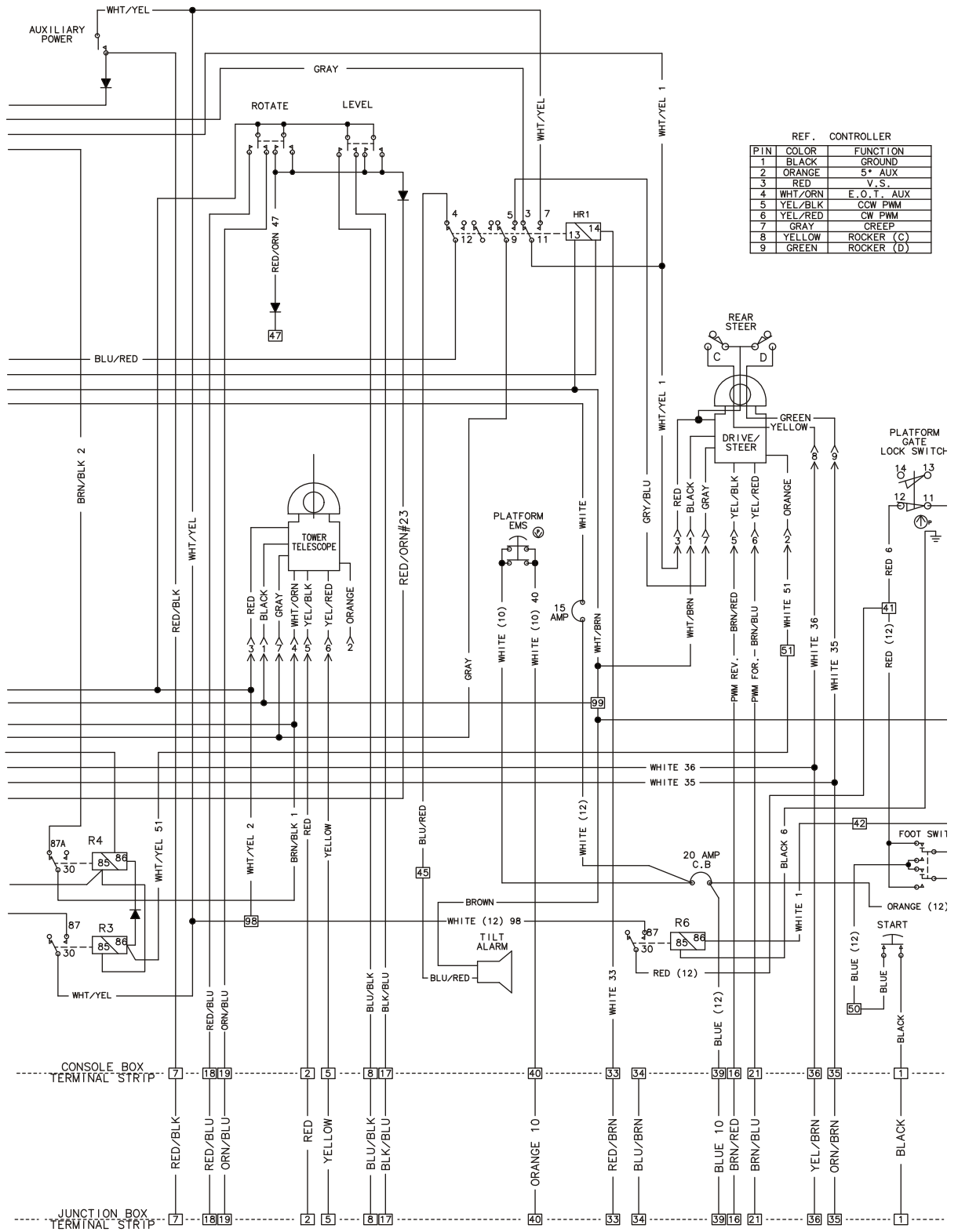
ITEM #	PART NUMBER	QTY.	DESCRIPTION	REV.

SECTION 7 ELECTRICAL

FIGURE 7-2. ELECTRICAL SCHEMATIC (S/N 61811 TO S/N 103758)

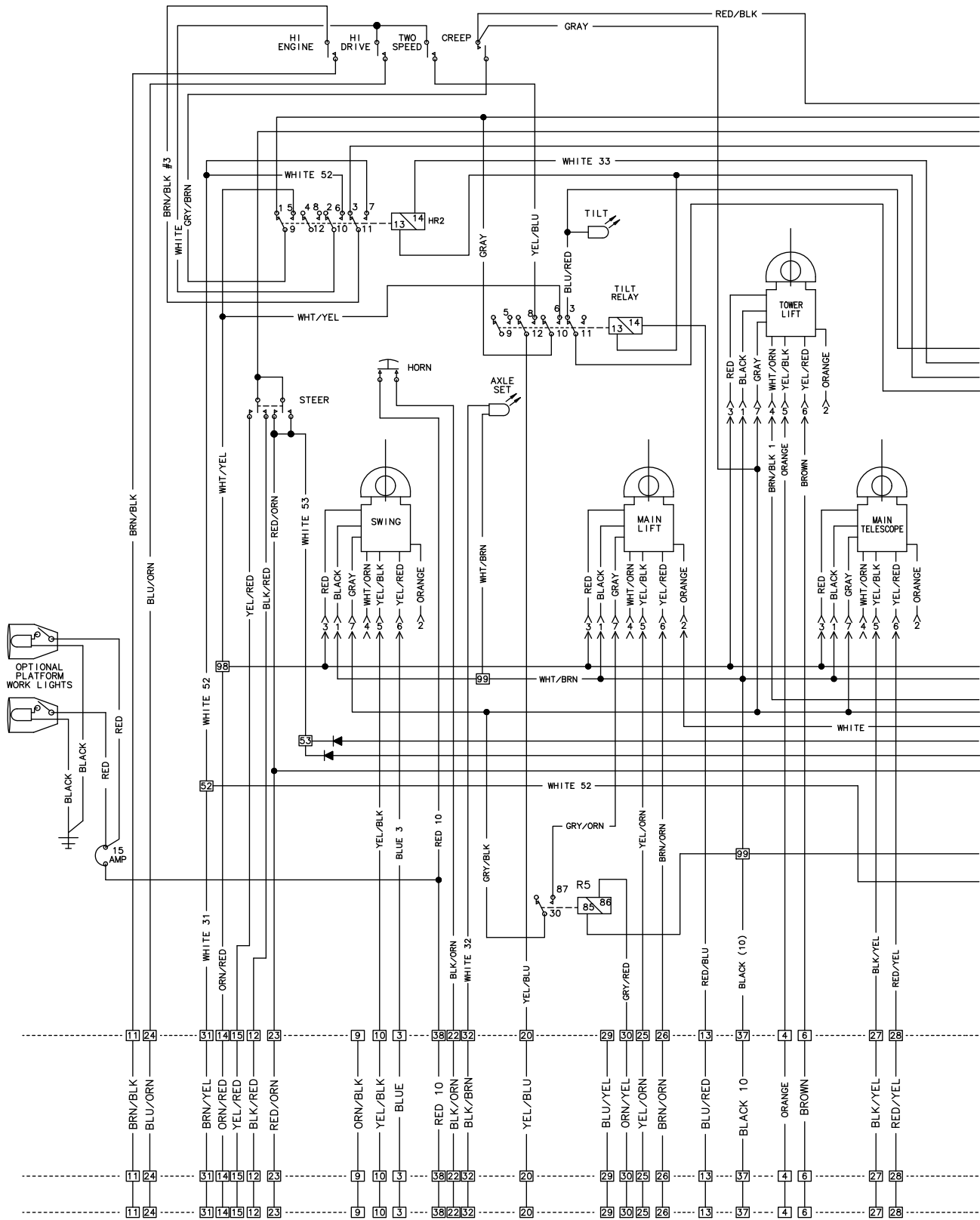


SECTION 7 ELECTRICAL

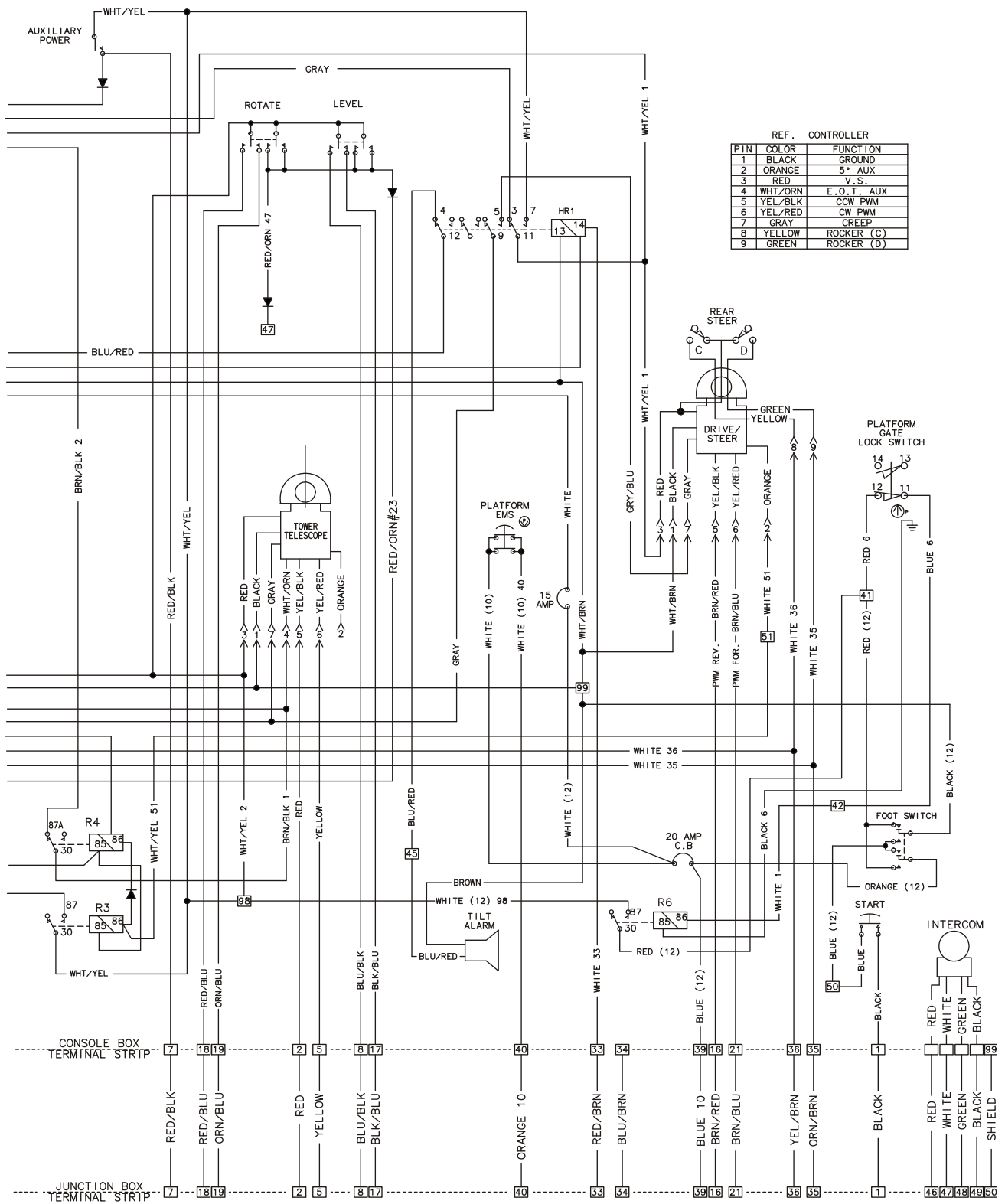


SECTION 7 ELECTRICAL

FIGURE 7-3. ELECTRICAL SCHEMATIC (S/N 103758 TO PRESENT)

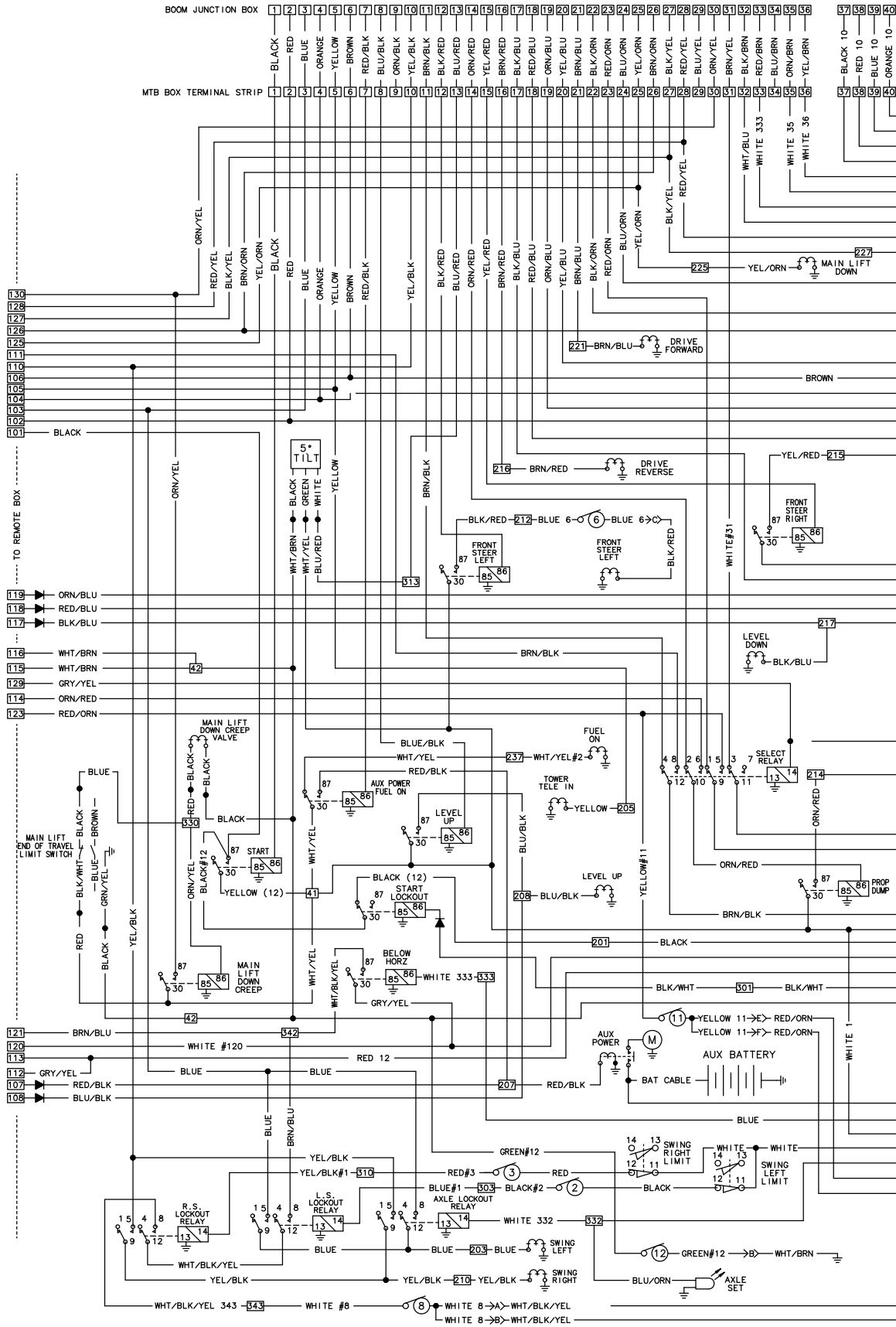


SECTION 7 ELECTRICAL

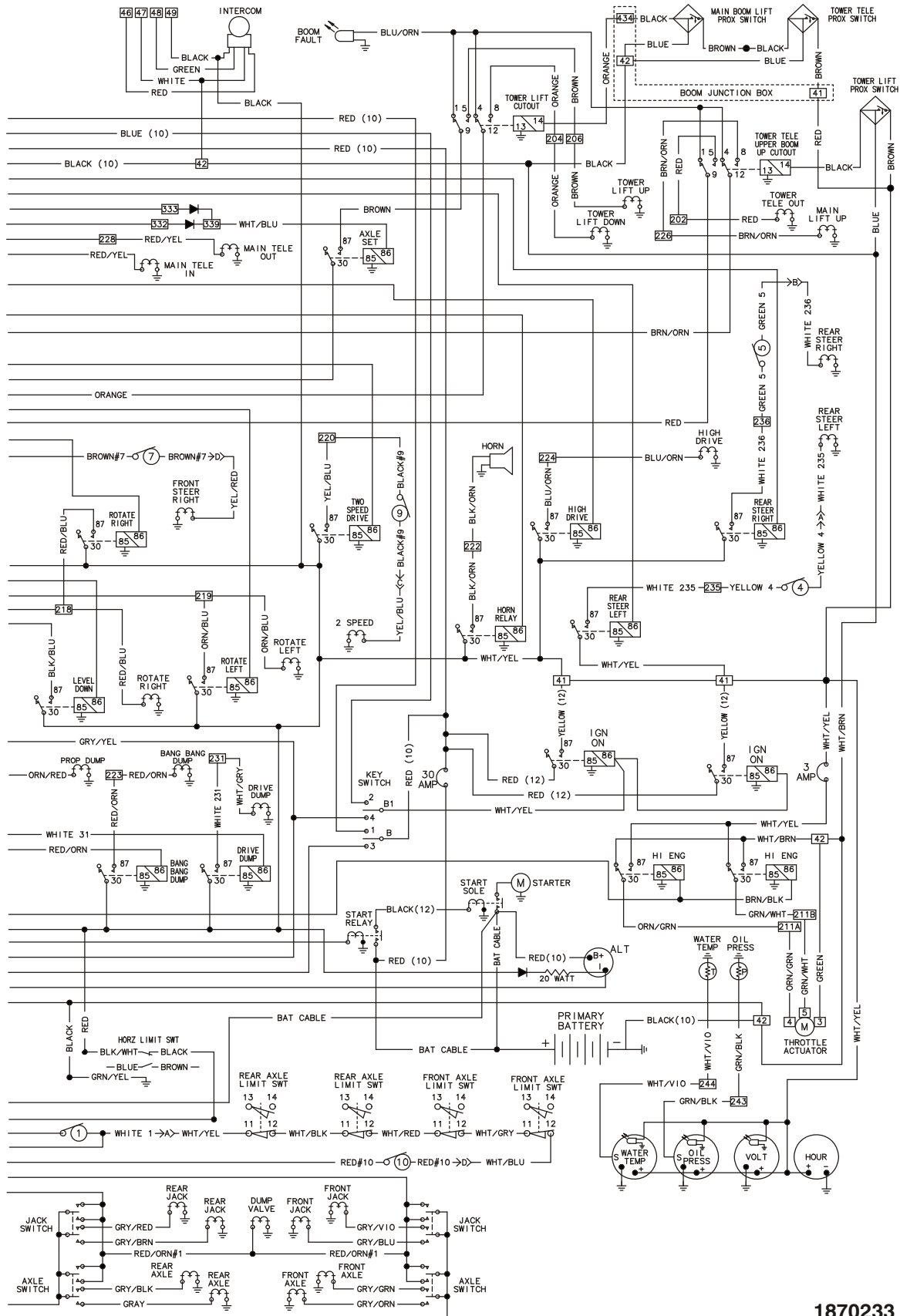


1870233 B

SECTION 7 ELECTRICAL

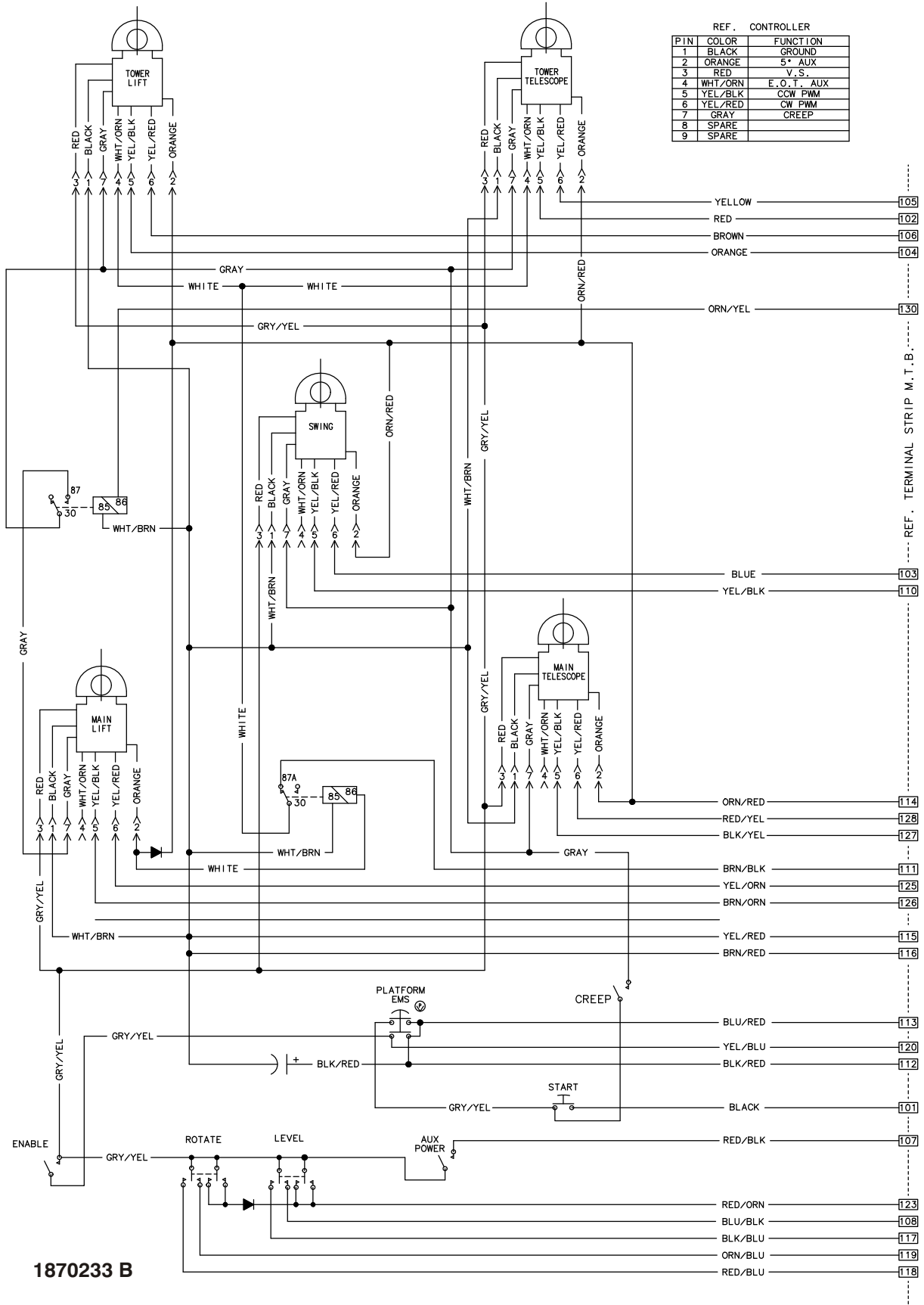


SECTION 7 ELECTRICAL



1870233 B

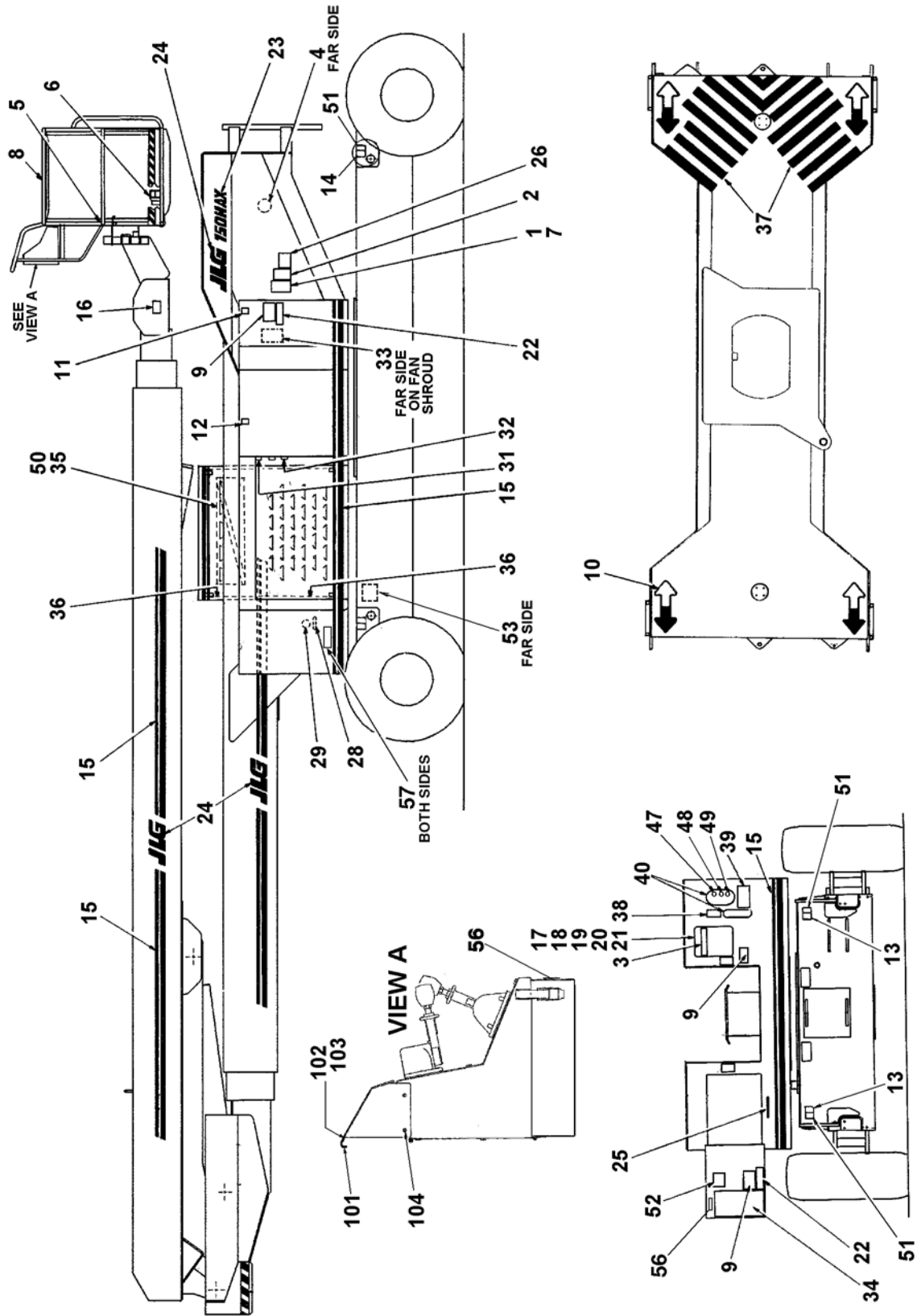
SECTION 7 ELECTRICAL



SECTION 8 DECALS

SECTION 8 DECALS

FIGURE 8-1. DECALS INSTALLATION (PRIOR TO S/N 103758)



SECTION 8 DECALS

FIGURE 8-1. DECALS INSTALLATION (PRIOR TO S/N 103758)

ITEM #	PART NUMBER	QTY.	DESCRIPTION	REV.
	0257251	Ref.	STANDARD DECAL INSTALLATIONS	1
	0252041	Ref.	Common Decals	11
	0257267	Ref.	ANSI Spec	2
	0271082	Ref.	Decal Installation - JLG	1
1	Not Available	1	Nameplate - Serial Number	
2	1700584	1	Decal - Patent	
3	1701509	1	Decal - Manual	
4	3251813	1	Decal - USA (Located on Right Side)	
5		A/R	Decal - Attach Lanyard Options:	
	Use 1702612	2	Prior to May 1994 (was p/n 1700477)	
	Use 1702612	2	May 1994 to August 1995 (was p/n 1702776)	
	1702612	2	August 1995 to S/N 29302	
	Not Required	0	S/N 29302 to S/N 103758	
6	3252347	1	Nameplate - Footswitch (Part of Footswitch Assy)	
7	3820001	4	Rivet	
8		2	Decal - No Hands Options:	
	Use 1702294		Prior to May 1994 (was p/n 1700476)	
	1702294		May 1994 to S/N 103758	
9		4	Decal - Crushing Options:	
	Use 1702277		Prior to May 1994 (was p/n 1700585)	
	1702277*		May 1994 to S/N 103758	
10	1701501	4	Decal - Arrow	
11	1701505	1	Decal - Fuel	
12	1701504	1	Decal - Hydraulic Oil	
13	1701500	4	Decal - Tie Down /Lift Up	
14	1701499	4	Decal - Don't Tie Down /Lift Up	
15	1701703	94ft/28.7m	Decal, Stripe	
16		2	Decal - Crushing Options:	
	Use 1702284		Prior to May 1994 (was p/n 1700640)	
	1702284*		May 1994 to S/N 103758	
17	0641408	1	Bolt 1/4"-20NC x 1"	
18	1060279	1	Cable, Lanyard	
19	3311405	A/R	Locknut 1/4"-20NC	
20	4751400	A/R	Flatwasher 1/4"	
21	0860520	1	Box, Manual Storage	
22		3	Decal - Electrocutation Options:	
	Use 1702292		Prior to May 1994 (was p/n 1700580)	
	1702292*		May 1994 to S/N 103758	
23	1701488	2	Decal - 150HAX	
24	Not Used	6	Decal - JLG	
25	1700037*	1	Decal - Ground Control	
26		1	Decal - Inspection Options:	
	Use 1702153		Prior to May 1994 (was p/n 1700593)	
	1702153*		May 1994 to S/N 103758	
27	Not Used			
28	3251243*	1	Nameplate - 120V (Located on Right Side)	
29	0961127	1	Bushing (Located on Right Side)	
30	0100010	A/R	Adhesive (Not Shown)	

SECTION 8 DECALS

FIGURE 8-1. DECALS INSTALLATION (PRIOR TO S/N 103758) (CONTINUED)

ITEM #	PART NUMBER	QTY.	DESCRIPTION	REV.
31	1701502	1	Decal - High Oil Level	
32	1701503	1	Decal - Low Oil Level	
33	1701522	1	Decal - Fan (Located on Right Side Inside Door)	
34	1701527	1	Decal - Reach Diagram	
35	3380396	2	Panel, Dampening Material (Located on Right Side) (Prior to May 1995 Only)	
36	3960417	17ft/5.2m	Seal, Door	
37	4420039	36ft/11m	Tape, Safety Tread	
38	1701436*	1	Decal - Hydraulic Hand Pump	
39		1	Decal - Manual Descent Options:	
	Use 1701895		Prior to December 1992 (was p/n 1701467)	
	1701895*		December 1992 to S/N 103758	
40	4060805	4ft/1.2m	Flex-Trim	
41 to 46	Not Used			
47	1701428	1	Decal - #1 (May 1992 to S/N 103758)	
48	1701427	1	Decal - #2 (May 1992 to S/N 103758)	
49	1701426	1	Decal - #3 (May 1992 to S/N 103758)	
50	3380403	2	Panel, Dampening Material (Located on Right Side) (May 1992 to May 1995 Only)	
51	1702300	8	Decal - Tie Down (May 1994 to S/N 103758)	
52	1702282*	1	Decal - Warning (May 1994 to S/N 103758)	
53	Not Available	1	Decal - Bar Code (August 1995 to S/N 103758) (Located on Right Side)	
54 to 55	Not Used			
56	1702966*	1	Decal - Unrestricted Capacity (S/N 36511 to S/N 103758)	
57	3252762	2	Decal - Lifting Diagram (S/N 55775 to S/N 103758)	
	2900802	1	Decal Kit (Includes Item s with *Asterisk)	
	0252312	Ref.	CAUTION/DANGER PLACARD INSTALLATION	C
101		1	Plate, Placard Mounting	
	Use 3536671		Prior to March 1993 (was p/n 530997& 3534468)	
	3536671		March 1993 to S/N 103758	
102		1	Nameplate - Caution/Danger	
	3252144		Prior to May 1994	
	3252369*		May 1994 to S/N 103758	
103	3820001	6	Rivet (Prior to May 1994 Only)	
104	3820019	4	Rivet	

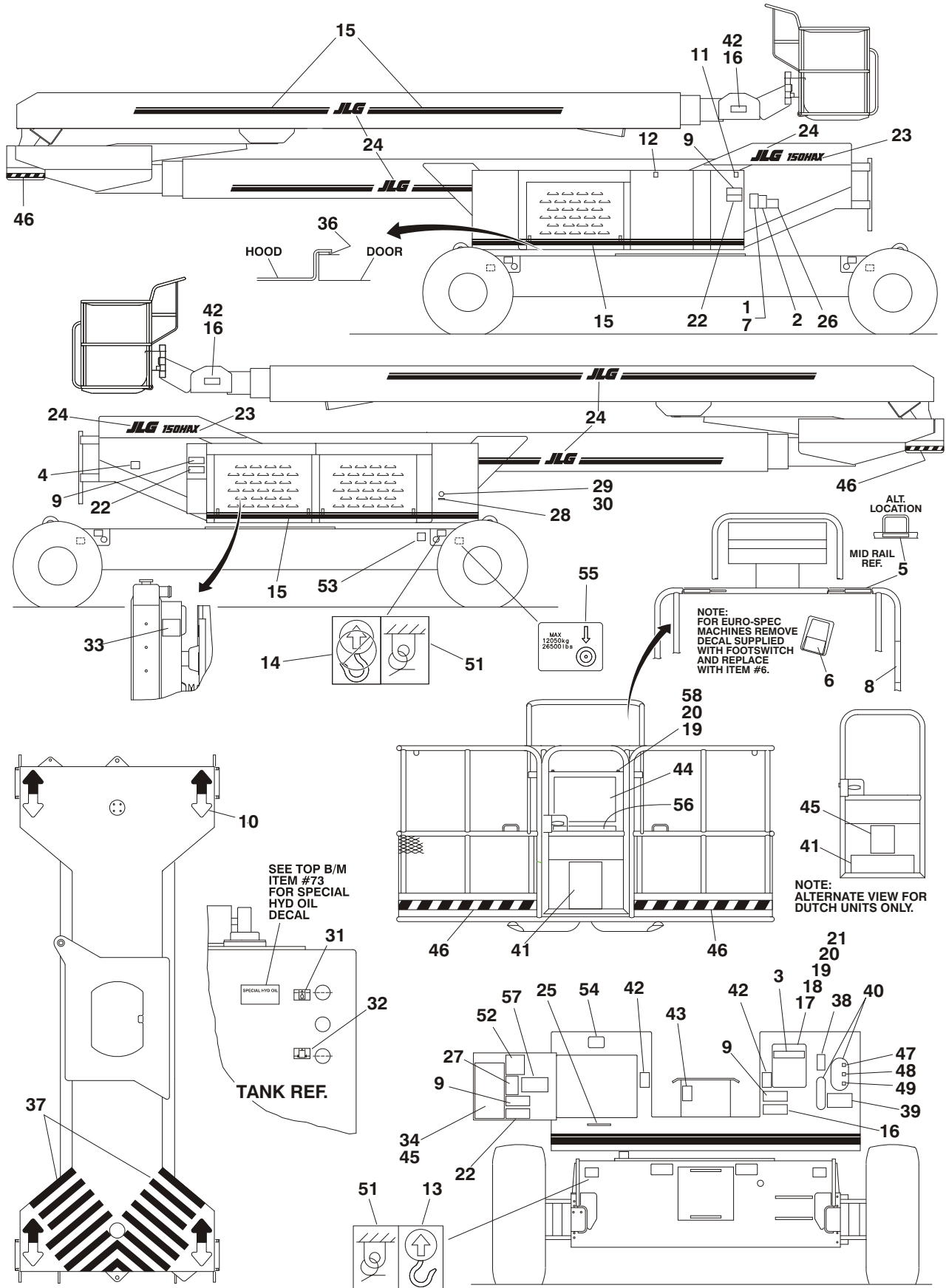
SECTION 8 DECALS

FIGURE 8-1. DECALS INSTALLATION (PRIOR TO S/N 103758) (CONTINUED)

ITEM #	PART NUMBER	QTY.	DESCRIPTION	REV.

SECTION 8 DECALS

FIGURE 8-2.DECALS INSTALLATION (S/N 103758 TO PRESENT)



SECTION 8 DECALS

FIGURE 8-2. DECALS INSTALLATION (S/N 103758 TO PRESENT)

ITEM #	PART NUMBER	QTY.	DESCRIPTION	REV.
	0257251	Ref.	STANDARD DECAL INSTALLATIONS	2
	0252041	Ref.	Common Decals	12
	0275915	Ref.	ANSI Spec	1
	0271082	Ref.	Decal Installation - JLG	2
1	Not Available	1	Nameplate - Serial Number	
2	1700584	1	Decal - Patent	
3	1701509	1	Decal - Manual	
4	3251813	1	Decal - USA (Located on Right Side)	
5	1704277	2	Decal - Attach Lanyard	
6	3252347	1	Nameplate - Footswitch (Part of Footswitch Assy)	
7	3820001	4	Rivet	
8	1702868	2	Decal - No Hands	
9	1703953	4	Decal - Crushing	
10	1701501	4	Decal - Arrow	
11	1701505	1	Decal - Fuel	
12	1701504	1	Decal - Hydraulic Oil	
13	1701500	4	Decal - Tie Down /Lift Up	
14	1701499	4	Decal - Don't Tie Down /Lift Up	
15	1701703	94ft/28.7m	Decal, Stripe	
16	1703804	3	Decal - Crushing	
17	0641408	1	Bolt 1/4"-20NC x 1"	
18	1060279	1	Cable, Lanyard	
19	3311405	7	Locknut 1/4"-20NC	
20	4751400	10	Flatwasher 1/4"	
21	0860520	1	Box, Manual Storage	
22	1703805	3	Decal - Electrocution	
23	1701488	2	Decal - 150HAX	
24	1700981	6	Decal - JLG	
25	1700037	1	Decal - Ground Control	
26	1702153*	1	Decal - Inspection	
27	Not Used			
28	3251243	1	Nameplate - 120V (Located on Right Side)	
29	0961127	1	Bushing (Located on Right Side)	
30	0100010	A/R	Adhesive (Not Shown)	
31	1701502	1	Decal - High Oil Level	
32	1701503	1	Decal - Low Oil Level	
33	1703162	1	Decal - Fan (Located on Right Side Inside Door)	
34	1701527	1	Decal - Reach Diagram	
35	Not Used			
36	3960417	11ft/3.4m	Seal, Door	
37	4420039	36ft/11m	Tape, Safety Tread	
38	1701436	1	Decal - Hydraulic Hand Pump	
39	1701895	1	Decal - Manual Descent	
40	4060805	4ft/1.2m	Flex-Trim	
41 to 43	Not Used			
44	1703797	1	Decal - Warning/Danger Platform	
45 to 46	Not Used			
47	1701428	1	Decal - #1	

SECTION 8 DECALS

FIGURE 8-2. DECALS INSTALLATION (S/N 103758 TO PRESENT) (CONTINUED)

ITEM #	PART NUMBER	QTY.	DESCRIPTION	REV.
48	1701427	1	Decal - #2	
49	1701426	1	Decal - #3	
50	Not Used			
51	1702300	8	Decal - Tie Down	
52	1705336	1	Decal - Warning Inspection	
53	Not Available	1	Decal - Bar Code (Located on Right Side)	
54	Not Used			
55	1703456	4	Decal - Wheel Load	
56	1704096	1	Decal - Warning Dual Capacity	
57	1707014	1	Decal - Warning Dual Capacity	
58	0641406	2	Bolt 1/4"-20NC x 3/4"	
59	3577143	1	Plate, Decal	

SECTION 9 RECOMMENDED SERVICE PARTS STOCK

MODEL 150HAX

The following list will service one machine (built to current production per date on the front cover) with emergency repair parts which can be installed in the field. Parts from the list should be replaced when inventory is depleted to keep service parts stock supplied. For further information, contact your JLG dealer or the JLG Industries Parts Department.

Part Number	Description	Qty./Machine
STANDARD PARTS		Ref.
4360202	Switch, Toggle (Figures 1-8, 2-19 & 4-5)	1
7000418	Coil (Figures 1-9, 1-10, 2-2 & 2-3)	1
7000548	Coil (Figure 2-1)	1
4360306	Sensor, Level (Figure 2-1)	1
7000417	Coil (Figure 2-2)	1
7002450	Coil (Figure 2-3)	1
7012339	Coil (Figures 2-4 & 2-5)	1
7003647	Coil (Figure 2-4)	1
7008829	PC Board, Adeco (Figure 2-13)	1
7008828	Cable, Throttle (Figure 2-13)	1
3740067	Relay (Figure 2-13)	1
3740059	Relay (Figure 2-13)	1
7003655	Element, Air Cleaner (Figure 2-13)	1 Dozen
8274022	Filter/Strainer, Fuel (Figure 2-13)	1 Dozen
1660198	Coupling, Pump (Figure 2-14)	1
1340046	Breather, Hydraulic Tank (Figure 2-17)	1
2120104	Element, Filter (Figure 2-17)	4
2120107	Element Filter (Figure 2-17)	4
3740049	Relay (Figures 2-18, 2-19, 4-5 & 7-1)	1
4360212	Breaker, Circuit (Figure 2-18)	1
4360216	Breaker, Circuit (Figure 2-18)	1
4360469	Switch, Toggle (Figure 2-18)	1
2860030	Key, Replacement (Figure 2-18)	1
3740057	Relay (Figure 2-18)	1
3740058	Relay (Figures 2-18 & 4-5)	1
1600353	Controller (Figures 2-19 & 4-5)	1
4360475	Switch, Mushroom (Figures 2-19 & 4-5)	1
4360199	Switch, Toggle (Figure 2-19)	1
4360274	Switch, Push Button (Figures 2-19 & 4-5)	1
4360476	Contact, Switch Block (Figures 2-19 & 4-5)	1
7006153	Powertrack 1ft Section (Gemco) (Figure 3-2)	1
70002008	Powertrack 1ft Section (Gortrac) (Figure 3-2)	1
7006180	Pin Kit - Powertrack (Figures 3-2 & 3-3)	1
7006191	Powertrack 1ft Section (Gemco) (Figure 3-3)	1
70002010	Powertrack 1ft Section (Gortrac) (Figure 3-3)	1
2940006	Latch (Figure 4-1)	1
4360092	Switch, Toggle (Figure 4-5)	1
4360200	Switch, Toggle (Figure 4-5)	1
1600352	Controller (Figure 4-5)	1
4360209	Breaker, Circuit (Figure 4-5)	1
4360232	Breaker, Circuit (Figure 4-5)	1
3990010	Diode (Figure 7-1)	2

SECTION 9 RECOMMENDED SERVICE PARTS STOCK

MODEL 150HAX

The following list will service one machine (built to current production per date on the front cover) with emergency repair parts which can be installed in the field. Parts from the list should be replaced when inventory is depleted to keep service parts stock supplied. For further information, contact your JLG dealer or the JLG Industries Parts Department.

Part Number	Description	Qty./Machine
VARIABLE PARTS		
	Ref.	
4360277	Switch, Limit (Figures 1-1 & 4-4)	1
7004368	Coil (Hydraforce Version) (Figures 1-8 & 2-1)	1
7000558	Coil (FPS Version) (Figures 1-8 & 2-1)	1
4360301	Switch, Limit (Figure 3-5)	1
4360266	Switch, Limit (Figure 3-5)	1
4360031	Footswitch (Figure 4-4)	1

SECTION 10 SPECIAL OPTIONS

Note: This list is to accommodate machines ordered with special equipment. Options may not be applicable to all models. For more specific parts information contact JLG Parts Department.

FIG&ITEM#	PART NUMBER	QTY.	DESCRIPTION	REV.
10-1		Ref.	MISCELLANEOUS SPECIAL OPTIONS	
	1001116652	Ref.	1/2" - Airline to Platform Installation	
	0255067	Ref.	Boom Wipers Installation	
	0270815	Ref.	Brake Lights Installation	
	0256789	Ref.	Camera Mount Assembly	
	0254403	Ref.	Cylinder Bellows Installation	
		Ref.	Decal Installations Options:	
	1702788	1	Decal - Biodegradable Hydraulic Fluid (All except German Spec)	
	1703479	1	Decal - Biodegradable Hydraulic Fluid (German Spec Only)	
	0274542	Ref.	Decals - Head & Engquist Equipment L.L.C (H&E)	
	0253268/ 0252042/1281638	Ref.	Decals - Japanese Spec	
	1703175	1	Decal - Lanyard Attach (GM K-1 Spec)	
	1702962	1	Decal - Prop 65 Warning (California Spec)	
	0271087	Ref.	Decals - Sunbelt Spec	
		Ref.	Decal - Telematics (ClearSky) Options:	
	1001116641	Ref.	ANSI Spec (Prior to S/N 147773)	
	1001116642	Ref.	CSA Spec (Prior to S/N 147773)	
	1001134414	Ref.	ANSI, Australian, & CSA Spec (S/N 147773 to Present)	
		Ref.	Electrical Connector Kits	
	1001148902	Ref.	Amp/Tyco Electrical Connector Kit	
	1001148903	Ref.	Deutsch DT Electrical Connector Kit	
	1001148904	Ref.	Deutsch HD Electrical Connector Kit	
	1001148905	Ref.	Packard Electrical Connector Kit	
	1001148906	Ref.	Various Electrical Connectors Kit	
		Ref.	Filter Kits	
	1001110985	Ref.	Combined Filter Kit (Includes p/ns 1001109674 & 1001110135)	
	1001109674	Ref.	Boom Hydraulic & Air Filter Kit	
	1001110135	Ref.	Engine Fuel & Oil Filter Kit	
	0255068	Ref.	Headlight and Taillight Installation	
		Ref.	Hydraulic Fluids Options:	
	2300014	Ref.	Mobil 424	
	2300027	Ref.	Mobil 224H Bio	
	2300021	Ref.	Union Carbide Ucon HP5046 Fire Resistant	
	2300029	Ref.	Mobil EAL ISO 46 Bio	

SECTION 10 SPECIAL OPTIONS

Note: This list is to accommodate machines ordered with special equipment. Options may not be applicable to all models. For more specific parts information contact JLG Parts Department.

FIG&ITEM#	PART NUMBER	QTY.	DESCRIPTION	REV.
	0258227	Ref.	Engine Distress System Installation	
	0270723	Ref.	Platform Amber Beacon Installation	
		Ref.	Platform Console Cover Installations	
	0251203	Ref.	Yellow	
	0252054	Ref.	Black	
	0272963	Ref.	Platform Load Sensing Installation	
	0254462	Ref.	Platform Soft Bounce System Installation	
	4360057	1	Switch, Limit	
	0254950	Ref.	Platform Soft Touch System	
	0252744	Ref.	Power Tool (Hydraulic) Circuit Installation	
		Ref.	Telematic (ClearSky) Installation	
		Ref.	Note: Refer to Manual Supplement p/n 3128499 for available replacement parts.	
	1001114663	Ref.	ANSI Spec	
	1001132731	Ref.	Australian Spec	
	1001114665	Ref.	CSA Spec	
	0257728	Ref.	Tube Rack	
	1001116653	Ref.	Single Weld Lead Installation	
	1001116654	Ref.	Single Weld Lead/1/2" - Airline Installation	

SECTION 11 PARTS NUMBER INDEX

Part Number	Page	Part Number	Page	Part Number	Page	Part Number	Page
0060023	2-43, 2-48	0251981	2-4	0274542	10-1	0641511	2-4, 4-7
0080098	4-3, 4-8	0252036	2-21	0275915	8-7	0641512	2-41
0080099	4-3, 4-7	0252037	4-3	0340003	2-45, 2-47	0641514	4-7
0080115	2-45, 2-47	0252040	2-22	0360372	3-8	0641516	2-3
0080164	2-51	0252041	8-3, 8-7	0361027	2-44, 2-47	0641518	2-3
0100001	2-64, 4-17, 4-19	0252042	10-1	0362048	1-4	0641522	2-3
0100009	2-21	0252043	2-4	0362050	1-3	0641605	2-51, 3-8, 5-21, 5-25
0100010	8-3, 8-7	0252044	4-13	0362051	1-3	0641606	2-48, 3-4, 3-8
0100011	1-7, 1-26, 2-21, 2-41, 2-48, 2-71, 2-72, 3-4, 3-7, 3-13, 4-19, 5-3, 5-7, 5-9, 5-13, 5-15, 5-17, 5-19, 5-21, 5-26	0252054	10-2	0362206	2-45, 2-47	0641607	1-3, 5-21
0100019	2-21, 2-41, 4-4, 4-8	0252060	2-51	0362957	3-4	0641608	1-4, 2-3, 2-4, 2-41, 2-44, 2-47, 2-51, 3-4, 3-9, 3-14, 4-13
0100020	2-43, 2-44, 2-47, 2-48, 2-59, 5-3, 5-9, 5-13, 5-15, 5-21, 6-5, 6-13	0252061	2-48, 2-51	0400002	2-44, 2-47	0641609	3-4
0100021	4-4, 4-8	0252066	3-10, 3-14, 4-19	0400003	2-43, 2-47	0641610	3-8, 3-14, 3-19
0100035	5-3, 5-7, 5-9, 5-11, 5-13, 5-15, 5-17, 5-19, 5-21, 5-26	0252210	4-14	0400020	2-43, 2-47	0641612	2-44, 2-47, 2-59, 3-4, 3-8, 3-13, 4-13
0100038	5-3, 5-7, 5-9, 5-13, 5-15, 5-17, 5-19, 5-21, 5-26	0252211	4-14	0440120	4-3, 4-8	0641614	3-8
0140001	2-4	0252268	1-4	0440134	4-3, 4-7	0641616	2-43, 2-47, 3-8
0140019	4-17	0252312	8-4	0440135	4-4, 4-8	0641617	1-4
0140026	4-17	0252744	6-18, 7-4, 10-2	0440162	1-5	0641622	2-71
0140031	7-4	0252773	2-5	0440183	1-5	0641624	3-19, 4-14
0140032	2-5	0253077	4-17, 7-2	0440198	2-21	0641626	2-45, 2-48, 3-19
0181615	5-21	0253268	10-1	0560644	3-10	0641636	3-9, 3-14
0235238	4-3, 4-7	0253550	4-20	0560650	5-21	0641644	3-19
0236758	3-7, 3-10	0253809	3-3	0560907	5-25	0641714	2-4
0237963	4-13	0253827	1-3	0560908	5-25	0641807	1-3, 2-41
0250611	2-41	0253987	4-13, 7-4	0560962	3-13	0641808	1-3, 3-7
0251203	10-2	0254401	1-3	0560971	3-13	0641809	3-14, 5-25
0251549	2-21	0254403	10-1	0560972	1-3	0641810	2-21, 2-43, 2-48, 3-14
0251589	1-7	0254436	4-17	0560973	1-3	0641811	4-3, 4-7, 5-25
0251590	1-7	0254462	10-2	0560974	1-3	0641812	1-3, 2-3, 3-14, 5-21
0251606	3-4	0254748	4-13, 7-4	0560975	1-3	0641814	1-26, 2-4, 2-59, 3-14
0251612	2-41	0254950	10-2	0560980	3-7	0641836	4-3, 4-7
0251626	2-21	0255067	10-1	0561117	1-4	0641852	1-26
0251804	3-7, 3-10	0255068	7-3, 10-1	0561273	3-7	0642016	2-21
0251874	1-4	0256693	4-19	0620106	2-41	0642020	3-14
0251875	1-3	0256695	3-10, 3-14, 4-19	0630003	2-44, 2-47	0642022	2-45, 2-47
0251881	1-26	0256789	10-1	0630347	3-10	0642032	2-43, 2-48
0251883	3-3	0257251	8-3, 8-7	0630370	2-44, 2-47	0642216	1-7
0251884	3-19	0257267	8-3	0630374	3-10	0642218	3-14
0251885	3-3	0257365	2-60	0630383	2-71	0652014	4-3, 4-7
0251905	2-43	0257366	2-60	0630427	3-19	0681832	2-21
0251906	2-43	0257416	3-3	0630446	3-9	0682214	3-3
0251911	2-65, 2-68, 2-72	0257728	10-2	0630534	5-11	0682418	2-21
0251919	2-59, 2-60	0258227	7-3, 10-2	0630534	5-11	0701014	2-51
0251920	2-71	0258626	2-60	0641404	2-45, 2-47, 3-9, 3-14, 4-3, 4-7, 4-20	0701214	2-43, 2-49
0251941	2-71	0258964	1-4	0641405	2-72	0701215	2-43, 2-48
0251946	1-7	0270229	1-7	0641406	1-4, 1-26, 2-41, 2-43, 2-71, 8-8	0720803	2-67, 4-19
0251955	1-25, 2-3	0270328	2-21	0641408	1-3, 2-5, 2-44, 2-47, 4-3, 4-7, 4-13, 4-20, 5-21, 8-3, 8-7	0721003	4-4
		0270341	3-3			0721006	2-4, 2-67
		0270342	3-3			0721016	4-13
		0270343	1-4			0731003	2-68
		0270723	10-2			0741504	2-45, 2-47
		0270815	7-2, 10-1			0741605	3-10
		0270856	7-3			0750806	2-64, 2-67
		0271057	2-65			0751006	4-17, 4-19
		0271082	8-3, 8-7				
		0271087	10-1				
		0271329	4-13, 7-4				
		0272937	4-3, 4-7				
		0272963	10-2				
		0273688	2-47				

SECTION 11 PARTS NUMBER INDEX

Part Number	Page	Part Number	Page	Part Number	Page	Part Number	Page
0760815	2-49	0961476	5-19	1060394	3-9, 3-14, 7-2	1600353	2-67, 4-17, 4-27, 9-1
0800718	3-3, 3-13	0961501	5-9, 5-11, 5-17	1060395	3-9, 3-14, 7-2	1660185	2-41
0800719	3-13	0961554	3-13	1060516	7-4	1660191	2-51
0800720	3-13	0961557	3-7	1060931	2-44, 2-48	1660192	2-51
0800721	3-13	0961559	3-4	1060932	2-44	1660193	2-51
0800722	3-3, 3-7	0961578	3-3	1100065	3-19	1660198	2-51, 9-1
0800723	3-7	0961579	3-4	1100066	4-13	1660202	1-5
0800724	3-7	0961900	5-11	1120108	5-3, 5-9, 5-11, 5-17	1660203	1-5
0800725	3-7	0962185	5-11	1120194	2-48	1670321	3-9
0800840	3-3, 3-7	1001080394	4-7	1120286	5-3	1670468	2-59
0801109	3-3, 3-7	1001091309	2-48	1120299	4-3, 4-7	1670630	4-3, 4-7
0801111	3-7	1001096779	3-4	1120305	5-21	1670739	3-17
0860038	4-18	1001099841	1-3	1120314	2-60	1670836	3-10, 3-14
0860520	8-3, 8-7	1001099842	3-9	1120336	5-19	1681283	5-3
0860538	4-17	1001099843	3-13	1120340	5-7, 5-25	1681294	5-3
0860702	2-67	1001107574	1-7	1120345	5-25	1681322	5-9, 5-11, 5-17
0860703	2-63	1001107587	6-12, 6-18	1120358	5-7, 5-25	1681423	5-21
0860729	4-17	1001107852	1-7, 1-23	1120367	2-60	1681843	5-7
0860731	2-63, 2-65	1001109674	10-1	1120369	5-13, 5-15	1681847	5-19
0860733	2-67, 2-68	1001109984	1-26	1120408	2-45, 2-47	1682098	5-7
0860785	3-17	1001109985	1-25	1120512	2-60	1682193	5-13, 5-15
0860887	3-17	1001110031	1-25, 2-3	1180236	3-9	1682214	5-3
0860888	3-14, 3-17	1001110118	6-13	1180254	3-9	1682215	5-3
0861299	2-67	1001110121	6-13	1180276	3-13	1682217	5-3
0861301	2-67, 2-68	1001110135	10-1	1180277	3-13	1682233	5-15
0861429	2-63, 2-65	1001110253	6-18	1180278	1-3	1682235	5-15
0901554	2-43	1001110985	10-1	1260017	1-4, 1-5, 2-21	1682238	5-13
0901721	4-3	1001114663	10-2	1260168	3-7	1682246	5-19
0901780	3-19	1001114665	10-2	1260263	3-7	1682247	5-19
0901785	2-45	1001114851	4-7	1260290	3-7	1682248	5-19
0901803	2-41	1001116641	10-1	1281638	10-1	1682250	5-7
0901851	3-3	1001116642	10-1	1320022	2-44, 2-48	1682251	5-7
0902414	4-3	1001116652	10-1	1320031	6-4, 6-12	1682252	5-7
0902582	2-43	1001116653	10-2	1320051	3-10, 6-7	1682259	5-21
0902896	4-3, 4-7	1001116654	10-2	1320052	3-10	1682289	3-13, 5-25
0903015	2-48	1001116796	1-7, 1-13	1320058	2-44, 2-47	1682290	5-25
0903211	2-48	1001132731	10-2	1320060	2-43, 2-49, 2-68	1682293	5-25
0920032	2-21, 2-29, 2-30	1001134414	10-1	1320103	2-45, 2-47	1682295	5-25
0920083	2-21, 2-33	1001148902	10-1	1320109	4-20	1682297	5-25
0920084	1-7, 1-17	1001148903	10-1	1320121	3-9, 3-13	1682298	5-25
0920109	2-21, 2-33	1001148904	10-1	1320131	2-68	1682299	5-25
0920110	1-7, 1-17	1001148905	10-1	1320142	3-14	1682330	3-4, 5-9
0920119	1-7, 1-18, 2-21, 2-34	1001148906	10-1	1320187	2-4, 4-7	1682331	5-9
0940047	5-21	1060012	7-4	1320188	2-4	1682332	3-3, 5-17
0960238	2-64, 3-17, 4-18, 4-19	1060016	3-14, 7-2, 7-4	1320189	2-4, 4-7	1682333	5-17
0960239	3-17	1060031	2-44	1320190	2-4, 4-7	1682335	5-9, 5-17
0960372	3-8	1060046	2-44, 2-48	1320488	4-7	1682490	3-7, 5-21
0960564	4-4, 4-7	1060079	3-14	1340007	2-45, 2-47	1682491	5-21
0960740	3-9	1060146	2-44, 2-48	1340045	2-59	1682511	1-26, 5-7
0960808	5-19	1060198	2-44	1340046	2-59, 9-1	1682512	5-7
0960821	1-3	1060221	2-43, 2-44, 2-48, 2-49	1360232	3-7	1682514	5-7
0960905	2-64, 2-67, 4-18	1060279	8-3, 8-7	1380136	2-4	1682516	3-3, 5-13
0960979	3-8	1060300	7-4	1380137	4-3, 4-7	1682517	5-13
0961024	3-4	1060330	7-3	1440142	5-17	1682519	3-3, 5-15
0961127	4-13, 8-3, 8-7	1060341	7-2, 7-3	1440154	2-41	1682520	5-15
0961132	5-19	1060369	4-19	1540002	7-4	1682522	1-3, 5-3
0961369	5-9, 5-11, 5-17, 5-19	1060392	2-48, 3-9, 3-14, 7-2	1600140	4-17, 4-23	1682523	5-3
0961458	5-13, 5-15	1060393	3-9, 3-14, 4-19, 7-2	1600141	2-67, 4-17, 4-23	1682525	5-3
				1600352	4-17, 4-27, 9-1	1682531	1-5, 5-19

SECTION 11 PARTS NUMBER INDEX

Part Number	Page	Part Number	Page	Part Number	Page	Part Number	Page
1682532	5-19	1705336	8-8	2220273	2-44, 2-48	2220596	6-7, 6-15
1682534	5-19	1705514	4-20	2220274	2-43, 2-49	2220600	6-5, 6-13
1682901	3-7, 5-21	1707014	8-8	2220282	6-6, 6-14	2220603	6-6, 6-14
1682902	5-21	1707112	2-67	2220290	6-8, 6-16	2220605	6-5, 6-14
1682905	1-3, 5-3	1760068	4-4, 4-8	2220341	2-60	2220609	6-5, 6-13
1682906	5-3	1780253	4-4, 4-8	2220342	6-5, 6-13	2220618	6-5, 6-13
1683045	1-3, 5-3	1780320	2-72	2220344	6-8, 6-16	2220619	6-5, 6-13
1683046	5-3	1810145	2-67	2220345	6-5, 6-13	2220622	6-4, 6-12
1683476	3-4, 5-11	1870012	7-4	2220347	6-4, 6-12	2220624	6-12
1683477	5-11	1870014	7-4	2220348	6-5, 6-13	2220626	6-4, 6-12
1683479	5-11	1870136	7-4	2220354	5-22, 6-5, 6-13	2220630	6-4, 6-12
1683702	3-3, 5-13	1870233	7-4	2220355	6-8, 6-16	2220635	6-5, 6-13
1700037	8-3, 8-7	2000116	2-43, 2-45	2220362	6-7, 6-15	2220642	6-4, 6-12
1700476	8-3	2000206	2-49	2220365	6-12	2220646	6-7, 6-15
1700477	8-3	2000241	2-47, 2-48	2220371	6-8, 6-16	2220654	6-6, 6-14
1700584	8-3, 8-7	2120098	2-60	2220372	6-7, 6-15	2220659	6-5, 6-14
1700640	8-3	2120103	2-59	2220373	6-7, 6-15	2220665	6-6, 6-14
1700981	8-7	2120104	2-59, 9-1	2220374	6-7	2220669	6-4, 6-12
1701426	8-4, 8-8	2120107	2-59, 9-1	2220375	6-6, 6-14	2220670	6-8, 6-16
1701427	8-4, 8-8	2160001	3-3, 4-4, 4-8, 5-13, 5-15	2220376	6-8	2220673	6-7, 6-15
1701428	8-4, 8-7	2160002	1-4, 1-5, 2-22, 3-4, 3-7, 4-3, 4-7, 5-9, 5-11, 5-17, 5-19	2220377	6-4, 6-12	2220679	6-6, 6-14
1701436	8-4, 8-7	2160003	3-4	2220385	6-5, 6-13	2220681	6-4, 6-12
1701467	8-4	2160006	4-4, 4-8	2220386	6-8, 6-16	2220682	6-4, 6-12
1701488	8-3, 8-7	2180217	6-8	2220396	6-5, 6-13	2220695	6-4, 6-12
1701499	8-3, 8-7	2180344	2-22, 3-3	2220399	6-7, 6-15	2220700	6-4, 6-12
1701500	8-3, 8-7	2180379	6-5, 6-13	2220400	6-8, 6-16	2220702	6-8, 6-16
1701501	8-3, 8-7	2180467	2-43, 2-44, 2-48, 2-49	2220407	6-7, 6-15	2220710	6-4, 6-12
1701502	8-4, 8-7	2180479	6-8, 6-16	2220414	5-21, 6-4, 6-8, 6-12	2220711	6-7, 6-15
1701503	8-4, 8-7	2180527	5-13	2220415	6-4, 6-12	2220727	6-7
1701504	8-3, 8-7	2180534	2-60	2220416	6-5, 6-13	2220731	6-4, 6-12
1701505	2-45, 8-3, 8-7	2180536	2-44, 2-48	2220417	6-7, 6-8, 6-15, 6-16	2220733	6-7, 6-15
1701509	8-3, 8-7	2180537	2-43, 2-49	2220428	6-4, 6-12	2220740	6-6, 6-14
1701522	8-4	2180615	6-5, 6-13	2220429	6-4, 6-12	2220749	6-4, 6-12
1701527	8-4, 8-7	2180628	2-59	2220435	6-7, 6-15	2220763	6-4, 6-12
1701703	8-3, 8-7	2180649	2-59	2220446	6-5, 6-13	2220811	6-16
1701895	8-4, 8-7	2180651	6-8	2220465	6-4, 6-12	2220816	6-7, 6-15
1702153	8-3, 8-7	2180752	6-8, 6-16	2220466	6-5, 6-14	2220820	6-4, 6-12
1702277	8-3	2200107	2-60	2220467	6-4, 6-12	2220833	6-8
1702282	8-4	2200204	2-59, 2-60	2220468	6-5, 6-13	2220834	6-4, 6-12
1702284	8-3	2200205	2-60	2220470	6-6, 6-14	2220865	6-6, 6-14
1702292	8-3	2200221	5-3, 5-9, 5-15, 5-21, 5-25	2220472	6-8, 6-16	2220883	5-11
1702294	8-3	2200261	2-22, 2-43, 2-49	2220473	6-4, 6-12	2220909	6-8, 6-16
1702300	8-4, 8-8	2200268	2-60	2220478	6-4, 6-12	2221025	6-8, 6-16
1702612	8-3	2200347	2-60	2220481	6-7, 6-15	2300014	10-1
1702776	8-3	2220063	2-22, 2-45, 2-48, 3-3	2220491	6-8, 6-16	2300021	10-1
1702788	10-1	2220064	6-8, 6-16	2220493	6-4, 6-12	2300027	10-1
1702868	8-7	2220222	5-26	2220496	6-7, 6-15	2300029	10-1
1702962	10-1	2220235	6-7	2220497	6-6, 6-14	2360339	1-5
1702966	8-4	2220237	2-8, 6-7, 6-15	2220504	6-7, 6-15	2420009	2-63
1703162	8-7	2220238	2-8, 6-7, 6-15	2220507	6-5	2420047	2-48
1703175	10-1	2220250	6-7	2220511	6-6, 6-14	2420110	2-43, 2-49
1703456	8-8	2220261	6-4, 6-12	2220512	6-6, 6-14	2420111	2-63
1703479	10-1	2220270	6-4, 6-12	2220515	5-21	2420115	2-59, 2-60
1703797	8-7			2220517	5-22	2420127	2-63
1703804	8-7			2220550	6-4, 6-12	2420128	2-63
1703805	8-7			2220582	6-4, 6-12	2420129	2-63
1703953	8-7			2220590	6-4, 6-12	2420130	2-43, 2-49
1704096	8-8			2220591	6-5, 6-13	2420138	4-19
1704277	8-7			2220593	6-5, 6-13	2440043	4-3, 4-8

SECTION 11 PARTS NUMBER INDEX

Part Number	Page	Part Number	Page	Part Number	Page	Part Number	Page
2440044	4-3, 4-8	2751457	6-5, 6-13	2900733	4-11	3200311	2-43, 2-49
2440061	2-21	2751462	6-6, 6-15	2900766	1-18, 2-34	3220079	2-45, 2-47
2540016	4-13	2751465	6-6, 6-14	2900767	1-18, 2-34	3250585	7-2, 7-3
2540018	2-5	2751466	6-5, 6-13	2900768	1-18, 2-34	3251243	8-3, 8-7
2560010	4-4, 4-8	2751483	6-6, 6-14	2900770	2-3, 5-13, 5-25	3251813	8-3, 8-7
2560038	4-23	2751489	6-6, 6-14	2900779	2-4	3252071	2-63
2560039	4-23	2751493	6-6, 6-14	2900788	1-21	3252072	2-67
2560040	4-23	2751494	6-7, 6-15	2900789	2-4	3252073	4-17
2560041	4-23	2751498	6-6, 6-14	2900791	3-19	3252141	1-26
2560112	2-67, 4-18, 4-27	2751499	6-8, 6-16	2900792	5-3, 5-9, 5-11, 5-15	3252142	1-26
2600094	2-72	2751506	6-5, 6-13	2900793	5-21, 5-25	3252144	8-4
2600105	4-17	2751520	6-5, 6-13	2900795	2-3	3252346	4-19
2600132	4-17	2751616	6-4, 6-12	2900796	2-38	3252347	8-3, 8-7
2720125	2-45, 2-47	2751617	6-13	2900797	2-53	3252369	8-4
2720271	2-44, 2-48	2751625	6-4, 6-12	2900798	2-26	3252371	4-17
2720333	2-44	2751637	6-4	2900802	8-4	3252376	2-67
2720366	6-4, 6-12	2751638	6-7, 6-15	2901103	5-19	3252660	2-63
2720371	2-45	2751827	6-6, 6-14	2901115	5-7	3252762	8-4
2720445	2-45	2751838	6-6, 6-14	2901146	2-41	3252765	2-63
2720446	2-45	2751852	6-5, 6-13	2901148	5-9, 5-17	3300007	1-7
2750527	2-22	2751872	6-6, 6-14	2901156	5-13, 5-15	3300029	2-44, 2-47
2750528	2-22	2751893	6-7, 6-15	2901161	5-26	3300047	3-17
2750532	2-44, 2-48	2751899	6-7, 6-15	2901461	5-11	3300048	2-64, 3-17, 4-18, 4-19
2750759	6-5, 6-13	2751913	6-6, 6-15	2902344	2-48	3300147	2-64, 2-67, 4-18
2750766	6-7, 6-15	2751932	6-4, 6-12	2910479	2-44	3300151	2-71
2750771	6-5, 6-13	2752170	6-6, 6-14	2920009	4-14	3300177	2-64, 2-67, 4-17, 4-19
2750773	6-7, 6-15	2752236	6-7, 6-15	2920015	4-17	3300190	5-3
2750776	6-8, 6-15	2752240	6-7, 6-15	2920018	4-14	3300220	2-48
2750891	6-8, 6-16	2752242	6-7	2920026	7-3	3300229	1-5
2750899	6-5, 6-13	2752246	6-4, 6-12	2920027	2-63, 4-17	3300229	1-5
2750900	6-8, 6-16	2752249	6-7	2920029	2-63, 4-17, 7-3	3300241	3-8
2750902	6-6, 6-14	2752249	6-7	2920108	4-19	3300245	5-19
2750905	6-5, 6-14	2752328	6-4, 6-12	2920110	7-2, 7-3	3300249	5-25
2750928	6-8, 6-16	2752331	6-7, 6-15	2920111	4-13	3300254	5-25
2750929	6-6, 6-14	2752338	6-5, 6-13	2920113	7-2, 7-3	3300273	5-9, 5-17
2750931	6-6, 6-14	2752376	6-7, 6-15	2920120	4-17	3300280	5-3
2750932	6-5, 6-13	2752377	6-7, 6-15	2920140	4-13	3300286	5-25
2750933	6-6, 6-14	2752435	6-8, 6-16	2920106	4-4, 4-8, 9-1	3300288	5-19
2750968	6-8, 6-16	2752586	6-6, 6-15	2940042	2-71, 2-72	3300294	5-21
2750976	6-6, 6-14	2752721	6-8, 6-16	2940045	2-71	3300297	5-13, 5-15
2750977	6-5, 6-13	2752933	6-7, 6-15	2940052	4-17	3300299	5-25
2750989	6-5, 6-13	2760064	4-3, 4-7	2940066	2-68	3300322	5-13
2751010	6-7, 6-15	2760091	2-41	2940070	2-71	3310601	2-63, 3-17, 3-19, 4-18
2751011	6-4, 6-12	2780155	1-7, 1-9	2940113	2-71	3311001	2-4, 2-67, 4-13, 4-17, 4-18, 4-19
2751013	6-6, 6-14	2780181	2-21, 2-37	2940115	2-68	3311005	4-4
2751017	6-4, 6-12	2780278	2-21, 2-37	2960006	4-19	3311401	1-25, 2-59, 2-64, 3-14
2751032	2-22, 3-3	2791841	6-4, 6-18	3010101	3-3	3311404	2-5
2751104	6-16	2791845	6-18	3010102	3-3	3311405	1-4, 2-4, 2-43, 2-44, 2-47, 2-49, 2-63, 2-65, 2-71, 2-72, 3-9, 4-13, 8-3, 8-7
2751111	6-7, 6-15	2820022	2-4, 4-14	3010103	3-3	3311501	1-25, 2-3, 2-41
2751114	6-6, 6-14	2860002	2-63	3020025	4-4, 4-8	3311505	1-25, 2-3, 2-71, 3-9, 4-18
2751123	6-7, 6-15	2860030	2-63, 9-1	3160083	4-3, 4-7, 4-11		
2751142	6-5, 6-13	2880404	4-3, 4-7	3160127	2-21, 2-25		
2751150	6-7, 6-15	2900062	2-4	3160176	1-21		
2751162	6-7, 6-15	2900131	2-30	3160204	1-7, 1-21		
2751398	6-8, 6-16	2900340	5-4	3160213	1-21		
2751406	6-7, 6-15	2900365	5-22	3160275	2-21, 2-25		
2751421	6-7, 6-15	2900383	5-4	3200183	2-43, 2-49		
2751439	6-7, 6-15	2900455	4-11	3200222	2-71		
2751443	6-4, 6-12	2900560	1-10	3200306	2-43, 2-49		
		2900642	2-30				

SECTION 11 PARTS NUMBER INDEX

Part Number	Page	Part Number	Page	Part Number	Page	Part Number	Page
3311601 2-45, 5-21	3421931 3-4	3534389 1-3	3820019 2-68, 8-4
3311605	1-25, 2-3, 2-4, 2-44, 2-47, 2-59, 2-68, 2-71, 3-4, 3-9, 3- 13, 3-19, 4-13, 4-14	3421932 3-4	3534468 8-4	3840800 5-21
3311801 1-7, 1-26, 5-25	3421933 3-4	3534505 3-13	3841012 3-13
3311802 3-19	3421934 3-4	3534506 3-13	3841013 3-9
3311803 3-10	3421935 3-4	3534507 3-13	3841073 5-25
3311805 2-3, 4-3, 4-7	3421942 3-4	3534550 5-25	3841120 3-13
3312005	2-43, 2-45, 2-47, 2- 49	3421944 3-13	3534551 5-25	3841126 3-9
3312202	3-8, 3-19, 5-21, 5-25	3421948 1-4	3534643 2-71	3841139 1-4
3321001 2-48	3421952 1-4	3535075 3-10	3841140 1-4
3321601 4-19, 4-20	3421953 1-4	3535128 3-9	3860050 3-9
3323002 1-5	3421972 1-5	3535129 3-9	3860053 3-13
3324203 1-4	3421973 1-5	3535133 2-71	3900111 4-19
3340383 5-21	3421990 1-4	3535300 2-71	3900159 2-21
3340394 3-8	3422090 3-3	3535325 2-71	3900168 1-4
3340399 3-8	3422640 3-8	3535328 2-71	3900170	5-3, 5-9, 5-17, 5-19, 5-21, 5-26
3340401 3-8	3422869 3-4	3535334 3-13	3900171 5-13, 5-15, 5-25
3340403 3-8	3422870 3-4	3535344 2-3	3900294 4-18
3340454 4-3, 4-7	3422876 3-4	3535345 2-71	3910606 3-17
3340460 3-8	3422877 3-3	3535410 3-7	3910608 2-63, 4-18
3340462 3-8	3422878 3-3	3536089 4-13	3910620 3-19
3340593 3-13	3422879 3-3	3536671 8-4	3910624 3-19
3340595 1-3	3422880 3-3	3572686 3-19	3910804 2-64
3340596 1-3	3422881 1-4	3572687 3-19	3910812 4-19
3340604 5-25	3423019 3-8	3577143 8-8	3911014 4-19
3340606 5-25	3435285 3-4	3580176 3-8	3911412 2-63
3340608 5-25	3440418 4-13	3580177 3-7	3911412 2-63
3340630 1-26	3440816 4-3, 4-8	3580183 3-10, 3-14, 4-20	3931010 4-4, 4-8
3340632 5-26	3441228 4-4, 4-8	3580311 3-8	3931612 4-4, 4-8
3340633 5-26	3450303 2-43, 2-49, 3-7	3600071 2-44	3931620 4-4, 4-8
3340819 3-10	3450405 3-10	3600179 2-4	3931660 5-25
3380396 8-4	3450505 3-7, 3-10	3600183 2-43, 2-49, 2-53	3931864 2-21
3380403 8-4	3450806 3-9, 3-13	3600196 2-44, 2-47, 2-55	3941406 2-71
3420372 1-5	3451012 1-4	3600459 2-47, 2-55	3951402 5-25
3420410 3-8	3480102 5-3, 5-7, 5-25	3630008 4-13	3951404 5-3, 5-19
3421142 3-10	3480113 5-21	3640536 2-63, 3-17	3951405 5-21, 5-25
3421205 3-7	3480122 5-3	3640752 4-18	3951603 3-8
3421206 3-7	3480130 5-19	3640764 2-64	3951604 3-8
3421209 3-8	3480133 5-25	3730003 7-4	3951820 2-41
3421350 3-7	3480134 5-9, 5-17	3740049	2-63, 2-67, 4-18, 7- 2, 7-3, 9-1	3960251 4-19
3421493 1-5	3480137 5-7	3740057 2-64, 9-1	3960371 2-59, 2-60
3421565 1-4	3480142 5-13, 5-15	3740058 2-64, 4-18, 9-1	3960417 8-4, 8-7
3421686 1-5	3480221 5-11	3740059 2-44, 2-48, 9-1	3971606 3-4
3421850 3-4	3509182 3-10	3740063 2-64, 4-18	3980003 2-44, 2-47
3421853 2-21	3509770 2-43, 2-47	3740066 2-64	3980006 2-43, 2-47
3421854 2-21	3510329 4-4	3740067 2-64	3990010 7-2, 7-3, 7-4, 9-1
3421885 3-7, 3-8	3510333 4-4	3740080 2-44, 2-47, 9-1	4060092 4-18
3421910 3-4	3510445 4-4	3760004 7-2, 7-3	4060229 2-68, 4-17
3421911 3-8	3510447 4-4	3760106 2-41	4060685 3-9
3421912 3-4	3510839 4-8	3760133 1-4	4060780 3-9
3421917 3-3	3520022 2-59	3760170 1-4, 3-4	4060782 3-13
3421918 3-3	3520026 2-67	3760190 1-4, 2-21	4060783 3-13
3421919 3-3	3520030 4-17	3760233 5-7	4060789 3-9
3421920 3-3	3520034 4-14	3760281 3-8	4060790 3-9
3421930 3-4	3520071 3-4	3760297 5-7	4060804 1-4
		3530403 2-41	3790012 2-41	4060805 8-4, 8-7
		3531946 1-5	3790015 1-26, 2-68, 4-17	4060807 3-14
		3532054 1-5	3790015 4-17	4060808 3-14
		3533337 2-21	3790112 4-23	4070410 2-59
		3534144 4-4	3820001 8-3, 8-4, 8-7	4070411 2-59

SECTION 11 PARTS NUMBER INDEX

Part Number	Page	Part Number	Page	Part Number	Page	Part Number	Page
4070412	2-59	4360164	7-4	4460305	2-63, 4-18	4565287	6-6, 6-14
4070497	3-8	4360182	7-3	4460306	2-63, 4-18	4565288	6-6, 6-14
4070498	3-8	4360199	2-67, 7-2, 7-3, 9-1	4460307	2-63, 4-18	4565289	6-5, 6-13
4070501	3-8	4360200	2-67, 4-17, 9-1	4460308	2-63	4565290	6-5, 6-13
4070502	3-8	4360202	1-26, 2-67, 4-17, 9-1	4460309	2-63	4565291	6-5, 6-13
4070503	3-8	4360209	4-18, 9-1	4460311	4-18	4565292	6-6, 6-14
4070504	3-8	4360212	2-63, 9-1	4460374	7-2, 7-3	4565293	6-6, 6-14
4070507	3-8	4360216	2-63, 9-1	4460386	2-63, 2-67, 4-18	4565294	6-6, 6-14
4070508	3-8	4360232	4-14, 4-18, 9-1	4460387	2-64, 3-17, 4-18	4565295	6-6, 6-14
4070555	3-8	4360236	1-4	4460388	2-64, 3-17, 4-18	4565296	6-6, 6-14
4070556	3-8	4360237	1-4	4460390	2-64	4565314	1-3
4070585	4-4, 4-8	4360266	3-19, 9-2	4460391	2-64	4565571	2-45
4070586	4-4, 4-8	4360267	2-63	4460398	3-17	4565810	5-19
4070587	4-4, 4-8	4360274	2-67, 4-17, 9-1	4460404	2-64	4566493	4-14
4070672	2-45	4360275	2-63	4460405	2-64	4567139	6-8, 6-16
4070789	1-4	4360277	1-4, 4-13, 9-2	4460406	4-19	4640005	2-4
4070790	1-3	4360281	2-63	4460409	2-64	4640009	6-6, 6-14
4070791	1-3	4360282	2-67, 4-18	4460410	2-64	4640033	6-4, 6-12
4070792	1-3	4360287	7-2, 7-3	4460411	2-64	4640123	1-25
4070808	1-4	4360289	2-67, 4-17	4460412	2-64	4640136	2-3
4070987	2-64	4360301	3-19, 9-2	4460413	2-64, 3-17	4640197	6-4, 6-12
4071003	3-4	4360306	2-4, 9-1	4460414	2-64, 3-17	4640210	5-21, 5-25
4100026	6-6, 6-8, 6-14, 6-16	4360307	4-13	4460415	2-64	4640212	5-21
4100033	4-3, 4-7	4360469	2-63, 9-1	4460416	2-64	4640216	6-8, 6-16
4120012	2-64	4360475	2-67, 4-17, 9-1	4460418	7-3	4640260	1-25
4120013	2-64, 4-18	4360476	2-67, 4-18, 9-1	4460419	7-3	4640363	2-3
4130260	1-4	4360498	3-19	4460442	2-64, 3-17, 4-19	4640383	6-6, 6-15
4130261	1-4	4400332	2-59	4460451	4-19	4640462	2-3, 2-7
4160026	4-3, 4-7	4400333	2-59	4460452	4-19	4640509	5-3, 5-9, 5-11, 5-15
4160028	4-4	4400334	2-59	4460455	2-64	4640512	6-5, 6-13
4160058	4-19	4400335	2-59	4460456	2-64	4640575	6-4, 6-12
4160081	2-71	4400357	2-59	4460457	7-3	4640603	2-3
4160115	5-22	4420008	4-19	4460458	7-3	4640634	5-13
4220038	2-64, 4-18	4420017	3-10, 3-14	4460459	7-3	4640647	5-13, 5-25
4220044	4-19	4420018	3-10, 3-14	4460460	7-3	4640661	2-3
4220078	5-25	4420037	2-67	4460461	7-3	4640696	3-19
4240033	3-9, 4-3, 4-7, 4-13	4420038	2-64, 4-17	4460476	2-41	4640700	1-25
4240104	3-4	4420039	8-4, 8-7	4460844	2-41	4640701	1-25, 1-29
4280242	3-9, 3-13	4420044	1-4	4461113	2-41	4640702	1-25, 1-31
4300031	2-71, 3-9	4460049	1-4, 4-13	4520136	1-7	4640704	2-4, 2-17
4300034	2-71	4460051	2-64, 4-18	4562083	4-3, 4-7	4640705	2-3, 2-13
4300038	1-25	4460052	3-17	4562516	3-9, 3-13	4640771	5-13
4300042	1-25	4460071	4-13, 4-18	4562877	5-21	4640814	2-3
4300076	1-25	4460185	4-14	4563167	6-6, 6-14	4640839	2-3
4300092	1-7	4460190	4-18	4563930	5-3, 5-7	4640872	2-4, 2-17
4300097	1-7	4460206	4-14	4564701	5-15	4640916	2-3, 2-13
4300098	3-9	4460224	4-24	4564717	5-19	4640932	5-11
4300099	3-13	4460225	4-24	4564893	5-25	4640938	5-13
4340453	3-9	4460226	4-24	4565099	5-3	4640947	2-3, 2-11
4340603	5-25	4460227	4-24, 7-4	4565215	6-6, 6-14	4641006	2-3, 2-13
4340616	3-13	4460244	2-64, 3-17	4565216	6-6, 6-14	4641008	2-4
4340622	3-13	4460265	4-24, 7-4	4565217	6-6, 6-14	4641183	1-26
4340632	3-9	4460266	4-24	4565218	6-6, 6-14	4641193	1-26
4360003	2-63	4460298	2-63, 4-18	4565220	6-5, 6-13	4711400	2-43, 2-49, 2-71, 4-13
4360031	4-13, 9-2	4460299	2-63, 2-64, 3-17, 4-18	4565225	5-7		
4360057	10-2		18	4565231	5-13	4711500	2-49
4360065	7-3	4460300	2-63, 4-18	4565253	5-15	4711800	1-3
4360092	4-17, 9-1	4460301	2-63, 3-17, 4-18	4565266	5-9	4712200	3-10
4360157	7-3	4460302	2-43, 2-49	4565284	2-45, 2-47	4740003	3-7

SECTION 11 PARTS NUMBER INDEX

Part Number	Page	Part Number	Page	Part Number	Page	Part Number	Page
4740057	3-8	4761700	2-4	4921351	7-4	70002283	1-23
4740120	2-64, 2-67, 4-17	4761800	1-7, 1-26, 2-4, 2-41,	4921352	7-4	70002284	1-23
4740158	4-3, 4-7		2-43, 2-59, 3-7,	4921353	7-4	70002286	1-23
4740171	2-21		3-14, 5-21, 5-25	4921429	7-2	70002287	1-23
4740185	2-65, 3-8	4762000	3-14	4921430	7-2	7000231	1-9, 1-13
4740189	2-21	4762200	1-7, 3-3, 3-14	4921431	7-2	7000238	1-13
4740199	4-3, 4-8	4771000	4-19	4921433	7-2	7000243	1-9, 2-37
4740242	2-43, 2-49	4791600	2-48	4922368	7-4	70002520	2-49
4740256	4-3, 4-8	4832000	2-51	4923249	2-48	7000265	1-10, 1-13
4740275	2-45	4832100	2-43	4923480	7-4	70002684	1-13
4740276	3-10	4842046	4-3, 4-7	4931740	7-2	70002685	1-13
4740314	1-4	4842207	5-21	4932404	7-4	70002686	1-13
4740322	2-60	4843673	2-21	4932405	7-3, 7-4	70002687	1-13
4740338	2-59	4843729	2-72	4932406	7-4	70002688	1-14
4740362	2-71, 4-13, 4-19	4843793	1-4	4932407	7-3	7000281	1-13
4740371	4-4	4843794	1-4	4932420	7-3	7000282	1-10, 1-13
4740377	5-9, 5-17	4843816	2-21	4932510	7-2	70002828	2-49
4750600	2-63, 3-17, 3-19, 4-18	4843825	1-5	4932635	7-3	7000283	1-10, 1-13
4750800	2-67, 4-19	4843827	2-63	4932638	7-2	7000284	1-10, 1-13
4751000	2-4, 2-67, 2-68, 4-13	4843828	3-4	4932640	7-2	7000285	1-9, 1-13
4751400	1-4, 1-25, 2-5, 2-43, 2-44, 2-47, 2-49, 2-59, 2-60, 2-63, 2-65, 2-71, 2-72, 3-7, 3-13, 4-3, 4-7, 4-19, 5-22, 8-3, 8-7	4843851	4-19	4932668	7-4	7000290	1-10, 1-14
4751500	1-25, 2-3, 2-41, 2-45, 2-47, 2-71, 3-7, 4-18	4843852	4-19	4933173	7-3	7000413	2-8
4751600	1-25, 2-3, 2-4, 2-41, 2-44, 2-47, 2-59, 2-68, 2-71, 3-4, 3-8, 3-14, 3-19, 4-13, 4-14, 4-20, 5-26	4843878	2-71	4933174	7-4	7000414	1-29, 1-31, 2-8, 2-11
4751700	2-4, 2-43	4843879	2-71	4933271	7-3	7000417	2-7, 9-1
4751800	1-7, 2-3, 2-49, 2-59, 4-3, 4-7, 5-25	4843890	3-4	4933390	7-4	7000418	1-29, 1-31, 2-8, 2-11, 9-1
4752000	2-45, 2-47, 4-3, 4-7	4843919	2-59	530997	8-4	7000448	2-11
4752200	5-25	4843920	2-71	70000794	1-23	7000468	1-29, 1-31, 2-8, 2-11
4760600	2-63, 3-17, 3-19, 4-18	4843925	2-71	70000969	2-55	7000470	1-29, 1-31, 2-8, 2-11
4760800	2-67, 4-19	4843926	2-71	70000970	2-55	7000548	2-3, 9-1
4761000	2-4, 2-48, 2-67, 2-68, 4-13, 4-17, 4-18	4843927	2-71	70000976	2-55	7000552	2-3
4761400	1-25, 1-26, 2-5, 2-41, 2-59, 2-64, 2-71, 3-9, 3-14, 4-3, 4-7, 4-20	4843928	3-13	70001060	2-55	7000558	1-25, 2-3, 9-2
4761500	1-5, 1-25, 2-41, 2-45, 3-4, 3-9	4843929	3-13	70001061	2-55	7000625	4-13
4761600	1-3, 2-41, 2-44, 2-51, 3-4, 3-8, 3-19, 4-4, 4-8, 4-13, 4-20, 5-21, 5-25	4843930	2-71	70001065	2-55	7000711	2-29
		4843931	2-71	70001072	2-55	7000712	2-29
		4843932	2-71	70001073	2-55	7000713	2-29
		4843933	2-71	70001074	2-55	7000714	2-29
		4843942	1-3	70001075	2-55	7000717	2-29
		4843943	1-3	70001076	2-55	7000718	2-29
		4843957	2-45, 2-47	70001077	2-55	7000720	2-29
		4843979	1-4	70001078	2-55	7000721	2-29
		4844382	3-7	70001079	2-55	7000729	2-29
		4844477	1-3	70001080	2-55	7000730	2-29
		4844478	1-3	70001081	2-55	7000731	1-18
		4844832	3-14	70001082	2-55	7000732	2-29
		4845039	4-19	70001083	2-55	7000760	2-29
		4846823	4-3, 4-7	70001084	2-55	7000796	1-17, 2-29
		4891600	2-48	70001085	2-55	7000798	2-29
		4891800	2-21, 3-14, 4-3, 4-7	7000166	4-11	7001293	2-53
		4892400	2-21	70001996	1-3	7001506	2-3
		4920019	4-14	70001997	1-3	7001507	2-3
		4920039	4-14	70002008	3-9, 9-1	7001909	2-37
		4920140	1-4	70002009	3-9, 3-13	7001910	1-9
		4920385	3-8	70002010	3-13, 9-1	7001913	2-37
		4920487	4-24	70002090	2-49	7001919	1-9, 1-13
		4920986	4-3, 4-7	7000213	1-13	7001922	2-38
		4921299	4-24	7000220	1-9, 1-13	7001928	1-9, 1-10, 1-13, 2-38
		4921347	7-3	70002279	1-25	7001947	1-9, 1-13
		4921348	7-4	70002280	1-26	7001948	1-9
		4921350	7-4	70002281	1-26		

SECTION 11 PARTS NUMBER INDEX

Part Number	Page	Part Number	Page	Part Number	Page	Part Number	Page
7001949	1-9, 1-13	7002338	1-29, 1-31, 2-7, 2-8, 2-11	7004197	2-25	7007698	1-9
7001950	1-9, 1-13			7004198	2-25	7007699	1-9
7001951	1-9	7002339	1-29, 1-31, 2-8, 2-11	7004244	2-59	7007901	2-30
7001952	1-10, 2-37	7002340	1-29, 1-31, 2-7, 2-8, 2-11	7004247	2-44	7007902	2-30
7001955	1-9, 1-13			7004248	2-44	7007905	2-30
7001956	1-9, 1-13	7002341	1-29, 1-31, 2-8, 2-11	7004249	2-44	7007906	2-30
7001957	1-9, 1-13	7002344	1-29, 1-31, 2-7, 2-11	7004368	1-25, 2-3, 9-2	7007907	2-30
7001958	1-9, 1-13	7002345	1-29, 1-31, 2-7, 2-11	7004822	2-7	7007908	2-30
7001959	1-9, 1-13	7002346	1-29, 1-31, 2-7, 2-11	7004823	2-7	7007909	2-30
7001961	1-9	7002348	1-29, 1-31, 2-7, 2-11	7004834	2-7	7007913	2-30
7001962	1-9, 1-13	7002378	2-7	7004835	2-7	7007914	2-30, 2-33
7001963	1-9, 1-13	7002447	2-11	7004836	2-7	7007915	2-30
7001964	1-13	7002448	2-11	7004837	2-7	7007916	2-30
7001965	1-9	7002449	2-11	7004838	2-7	7007923	1-17, 2-30, 2-33
7001966	1-9, 1-13	7002450	2-11, 9-1	7004839	2-7	7007924	1-17, 2-30
7001967	1-9, 1-13	7002451	2-11	7004841	2-7	7007926	2-30
7001968	1-9, 1-13	7002825	1-29	7004859	1-29, 1-31, 2-7, 2-8, 2-11	7007927	2-30
7001970	1-9, 1-13	7003006	2-29			7007928	2-30
7001971	1-9, 1-14	7003007	2-29	7005447	2-53	7007930	2-30
7001972	1-9, 1-14	7003012	2-29	7005474	2-53	7007933	1-17, 2-30
7001973	1-9, 1-14	7003013	2-29	7005476	2-53	7007934	2-30
7001974	1-9, 1-14	7003049	2-29	7005597	2-53	7007970	1-17, 2-33
7001975	1-9, 1-14	7003051	2-29	7006075	1-25	7007977	1-17, 2-33
7001976	1-9, 1-14	7003052	2-29	7006140	1-3	7007979	1-17, 2-33
7001977	1-10, 1-14	7003053	2-29	7006148	1-3	7007980	1-17, 2-33
7002100	4-11	7003054	2-29	7006152	1-3	7007983	1-17, 2-33
7002103	4-11	7003055	2-29	7006153	3-9, 9-1	7007985	1-17, 2-33
7002104	4-11	7003056	2-29	7006179	3-9, 3-13	7007986	1-17
7002105	4-11	7003057	2-29	7006180	3-9, 3-13, 9-1	7007987	1-17, 2-33
7002107	4-11	7003059	2-29	7006191	3-13, 9-1	7008804	2-43, 2-48
7002110	4-11	7003090	2-29	7006726	2-13, 2-17	7008821	2-43, 2-48
7002111	4-11	7003091	2-29	7006729	2-14, 2-17	7008828	2-43, 2-48, 9-1
7002112	4-11	7003103	2-53	7006730	2-14, 2-17	7008829	2-43, 2-48, 9-1
7002116	4-11	7003114	2-53	7006731	2-14, 2-17	7009315	2-13, 2-17
7002117	4-11	7003647	2-15, 9-1	7006732	2-14	7009316	2-13, 2-17
7002123	4-11	7003655	2-45, 2-47, 9-1	7006737	2-14	7009319	2-13, 2-17
7002125	4-11	7003700	4-23	7006744	2-13, 2-17	7009320	2-14
7002229	2-7	7003702	4-23	7006745	2-14	7009323	2-14, 2-15, 2-17, 2-18
7002262	1-29, 2-8	7003703	4-23	7006746	2-14, 2-17		
7002294	2-7	7003719	4-23	7006757	2-14, 2-18	7009324	2-14
7002304	2-7	7003722	4-24	7006771	2-14, 2-18	7009325	2-14
7002305	1-29, 1-31, 2-7, 2-11	7003739	4-23	7006773	2-14	7009330	2-15
7002315	1-29, 1-31, 2-8, 2-11	7003740	4-23	7006778	2-15, 2-18	7009364	2-18
7002316	1-29, 2-7, 2-11	7003744	4-23	7006780	2-15	7009367	2-17
7002317	1-31	7003751	4-23, 4-27	7006782	2-13	7009368	2-14, 2-18
7002320	2-7	7003788	4-23	7007312	2-30	7009369	2-14
7002321	2-7	7003789	4-23	7007320	2-3	7009370	2-18
7002322	2-7	7003790	4-23, 4-27	7007321	1-25	7009371	2-18
7002323	2-7	7003791	4-23, 4-27	7007323	1-25	7009372	2-17
7002324	2-7	7003792	4-23	7007435	1-23	7009373	2-17
7002326	2-7	7003793	4-23	7007437	1-23	7009374	2-18
7002327	2-11	7003795	4-23	7007438	1-23	7009375	2-18
7002328	2-7	7003825	1-31, 2-7, 2-11	7007439	1-23	7009376	2-18
7002329	2-7	7004167	2-25	7007446	1-23	7009380	2-19
7002333	1-29, 1-31, 2-8, 2-11	7004171	2-25	7007459	1-23	7009381	2-14, 2-17
7002334	1-29, 1-31, 2-7, 2-8, 2-11	7004177	2-26	7007657	1-9, 1-13	7009382	2-17
		7004179	2-25	7007673	2-38	7009383	2-18
7002335	1-29, 1-31, 2-8, 2-11	7004192	2-25, 2-26	7007688	2-37	7009384	2-18
7002336	1-29, 1-31, 2-8, 2-11	7004196	2-25	7007689	2-37	7009385	2-18

SECTION 11 PARTS NUMBER INDEX

Part Number	Page	Part Number	Page	Part Number	Page	Part Number	Page
7009386	2-18	7011043	2-55	7012380	2-13	7020175	2-67, 4-17
7009387	2-19	7011044	2-55	7012381	2-13	7020176	2-67, 4-17
7009388	2-13	7011048	2-55	7012382	2-13	7020361	2-13, 2-17
7009389	2-13	7011071	2-55	7012384	2-13	7020365	2-15
7009390	2-13	7011112	5-11	7012385	2-15	7020366	2-15
7009391	2-13	7011118	2-11	7012518	1-25	7020367	2-13
7009392	2-13	7011311	2-3	7012576	2-44	7020500	4-27
7009393	2-15	7011316	1-25	7012611	2-67, 4-17	7020511	4-23
7009394	2-13	7011317	1-25	7012612	2-67, 4-17	7020542	4-24
7009395	2-15	7011320	2-3	7012662	4-19	7020544	4-27
7009396	2-15	7011322	2-3	7012672	4-19	7020545	4-27
7009397	2-14	7011340	2-4	7012700	1-21	7020546	4-27
7009398	2-14	7011712	1-17	7012701	1-21	7020547	4-27
7009594	2-53	7011713	1-17, 2-33	7012702	1-21	7020549	4-27
7009595	2-53	7011714	1-17, 2-33	7012703	1-21	7020559	4-27
7009596	2-53	7011715	1-17, 2-33	7012704	1-21	7020560	4-27
7009597	2-53	7011716	1-17, 2-33	7012705	1-21	7020561	4-27
7009598	2-53	7011717	1-17, 2-33	7012706	1-21	7020562	4-27
7009599	2-53	7011719	2-33	7012707	1-21	7021249	1-23
7009739	1-25	7011720	2-33	7012708	1-21	7021256	1-23
7009756	6-5, 6-13	7011903	4-23	7012709	1-21	7021275	1-23
7009992	4-11	7011904	4-23	7012710	1-21	7021276	1-23
7010403	2-38	7011907	4-23	7012711	1-21	7021625	1-26
7010408	2-37	7011941	4-24	7012712	1-21	7022302	1-23
7010409	2-37	7011983	4-23	7012713	1-21	7022303	1-23
7010411	2-37	7012300	2-14	7012714	1-21	7022311	1-23
7010412	2-37	7012301	2-15	7012715	1-21	7022314	1-23
7010413	2-37	7012302	2-15	7012716	1-21	7022321	1-23
7010414	2-37	7012303	2-15	7012945	2-3	7022322	1-23
7010415	2-37	7012318	2-14, 2-18	7013711	2-44, 2-55	7022324	1-23
7010416	2-37	7012319	2-14, 2-18	7013772	2-44, 2-55	7022325	1-23
7010418	2-37	7012320	2-14, 2-18	7013773	2-44, 2-55	7022326	1-23
7010419	2-38	7012321	2-14, 2-18	7013774	2-44, 2-55	7022328	1-23
7010420	2-38	7012322	2-14, 2-18	7014300	2-53	7022368	1-23
7010430	2-37	7012323	2-14, 2-18	7014301	2-53	7022371	1-23
7010431	2-37	7012324	2-14, 2-17	7014302	2-53	7023230	2-45, 2-49
7010432	2-37	7012325	2-13, 2-17	7014303	2-53	7023432	2-26
7010434	2-37	7012326	2-13, 2-17	7014304	2-53	7023443	2-26
7010436	2-38	7012327	2-13, 2-17	7014306	2-53	7023475	2-45
7010456	2-38	7012328	2-14	7014308	2-53	7023476	2-45
7010457	2-38	7012329	2-14	7016333	2-59	7023477	2-45
7010458	2-38	7012330	2-15	7016394	2-41	7023478	2-45
7010459	2-38	7012333	2-14, 2-18	7017003	1-9, 1-13	7023910	1-23
7010460	2-38	7012336	2-15	7017048	1-13, 2-37	7023917	1-26
7010652	2-4	7012337	2-15	7017496	1-26	7024140	1-13
7010698	2-63	7012338	2-15, 2-18	7018602	1-17, 2-33	7024143	1-13
7010700	2-25	7012339	2-13, 2-17, 9-1	7018603	1-17, 2-33	7024593	2-45
7010775	2-25	7012350	2-18	7018605	1-17, 2-33	7024594	2-45
7010776	2-25, 2-26	7012360	2-18	7018606	1-17, 2-33	7024778	2-37
7010790	2-26	7012361	2-18	7018607	1-17, 2-33	7024854	1-23
7010791	2-25	7012363	2-17	7018608	1-18, 2-34	7024862	1-23
7010792	2-25, 2-26	7012364	2-18	7018609	1-17, 2-33	7024863	1-23
7010793	2-25	7012365	2-18	7018612	1-18, 2-34	7024864	1-23
7010794	2-25	7012366	2-15	7018990	1-21	7024865	1-23
7010795	2-25, 2-26	7012367	2-15	7019674	2-45	7024866	1-23
7010911	2-55	7012370	2-15	7019675	2-45	7024867	1-23
7010924	2-55	7012371	2-15	7020009	2-45	7024868	1-23
7011016	2-56	7012372	2-13	7020045	1-25	7024870	1-23
7011024	2-55	7012378	2-13	7020051	1-25	7027420	1-23

SECTION 11 PARTS NUMBER INDEX

Part Number	Page	Part Number	Page	Part Number	Page	Part Number	Page
7027737 2-45, 2-49						
7028838 2-49						
77133137 4-7						
8033493 2-49						
80966123 4-7						
8274022 2-48, 9-1						
8320275 2-49						
86561326 6-15						
8760268 6-5, 6-13						
91163129 2-48						
91414020 2-38						



3120680



An Oshkosh Corporation Company

Corporate Office
JLG Industries, Inc.
1 JLG Drive
McConnellsburg PA. 17233-9533
USA

☎ (717) 485-5161

📠 (717) 485-6417

JLG Worldwide Locations

JLG Industries (Australia)
P.O. Box 5119
11 Bolwarra Road
Port Macquarie
N.S.W. 2444
Australia

☎ +61 2 65 811111

📠 +61 2 65 813058

JLG Latino Americana Ltda.
Rua Eng. Carlos Stevenson,
80-Suite 71
13092-310 Campinas-SP
Brazil

☎ +55 19 3295 0407

📠 +55 19 3295 1025

JLG Industries (UK) Ltd
Bentley House
Bentley Avenue
Middleton
Greater Manchester
M24 2GP - England

☎ +44 (0)161 654 1000

📠 +44 (0)161 654 1001

JLG France SAS
Z.I. de Baulieu
47400 Fauillet
France

☎ +33 (0)5 53 88 31 70

📠 +33 (0)5 53 88 31 79

JLG Deutschland GmbH
Max-Planck-Str. 21
D - 27721 Ritterhude - Ihlpohl
Germany

☎ +49 (0)421 69 350 20

📠 +49 (0)421 69 350 45

JLG Equipment Services Ltd.
Rm 1107 Landmark North
39 Lung Sum Avenue
Sheung Shui N. T.
Hong Kong

☎ (852) 2639 5783

📠 (852) 2639 5797

JLG Industries (Italia) s.r.l.
Via Po. 22
20010 Pregnana Milanese - MI
Italy

☎ +39 029 359 5210

📠 +39 029 359 5845

Oshkosh-JLG Singapore
Technology Equipment Pte
Ltd
29 Tuas Ave 4,
Jurong Industrial Estate
Singapore, 639379

☎ +65-6591 9030

📠 +65-6591 9031

Plataformas Elevadoras
JLG Iberica, S.L.
Trapadella, 2
P.I. Castellbisbal Sur
08755 Castellbisbal, Barcelona
Spain

☎ +34 93 772 4700

📠 +34 93 771 1762

JLG Sverige AB
Enkopingsvagen 150
Box 704
SE - 176 27 Jarfalla
Sweden

☎ +46 (0)850 659 500

📠 +46 (0)850 659 534