



Illustrated Parts Manual

**Model
120HX**

**P/N
3120687**

August 31, 2011

ANSI



An Oshkosh Corporation Company

REVISION LOG

May 1992 - Original Issue Of Manual

May 1995 - Revised

June 1997 - Revised

May 1998 - Revised

December 1998 - Revised

November 12, 1999 - Revised (Manual edited to 0010448 Revision 32)

March 2, 2000 - Revised (Manual edited to 0010448 Revision 32)

October 1, 2000 - Revised (Manual edited to 0010448 Revision 33)

February 24, 2004 - Revised

January 4, 2008 - Revised

August 31, 2011 - Revised

REVISION LOG

TABLE OF CONTENTS

FIGURE NO.	TITLE	PAGE NO.
SECTION 1 - FRAME		1-1
1-1	FRAME, VALVES AND SHIELDS INSTALLATION	1-2
1-2	VALVE ASSEMBLY - HYDRO AIR	1-6
1-3	STEERING AND AXLES INSTALLATION	1-8
1-4	TIRE AND WHEEL DRIVE INSTALLATIONS	1-12
1-5	DRIVE HUB ASSEMBLY	1-14
1-6	DRIVE BRAKE ASSEMBLY	1-18
1-7	DRIVE MOTOR ASSEMBLY - REXROTH	1-22
1-8	JACK CYLINDER INSTALLATION	1-24
SECTION 2 - TURNTABLE		2-1
2-1	TURNTABLE, BOOM AND SWITCHES INSTALLATION	2-2
2-2	VALVES INSTALLATION - TURNTABLE MOUNTED	2-6
2-3	VALVES ASSEMBLY - HYDRO AIR (PRIOR TO S/N 38697)	2-8
2-4	VALVES ASSEMBLY - HYDRO AIR (S/N 38697 TO PRESENT)	2-10
2-5	ROTARY COUPLING AND COLLECTOR RING ASSEMBLY AND INSTALLATION	2-14
2-6	SWING DRIVE AND BEARING INSTALLATION	2-18
2-7	SWING MOTOR ASSEMBLY	2-20
2-8	SWING BRAKE ASSEMBLY	2-22
2-9	SWING HUB ASSEMBLY	2-26
2-10	LOAD MANAGEMENT INSTALLATION	2-28
2-11	GROUND CONTROLS INSTALLATION	2-30
2-12	REMOTE DRIVE CONTROL BOX ASSEMBLY (PRIOR TO JULY 1992)	2-34
2-13	REMOTE DRIVE CONTROL BOX ASSEMBLY (JULY 1992 TO PRESENT)	2-36
2-14	DEUTZ F4L-912 ENGINE INSTALLATION	2-38
2-15	GENERATOR INSTALLATION- DEUTZ	2-46
2-16	PUMP COUPLING INSTALLATION	2-50
2-17	PUMP ASSEMBLY - SUNSTRAND	2-52
2-18	PUMP ASSEMBLY - BARNES (OCTOBER 1992 TO S/N 38697)	2-56
2-19	PUMP ASSEMBLY - HYDRO-AIR (S/N 38697 TO PRESENT)	2-58
2-20	TANKS INSTALLATION	2-60
2-21	HOOD INSTALLATION	2-64
2-22	OIL COOLER INSTALLATION	2-68
SECTION 3 - BOOM		3-1
3-1	BOOM ASSEMBLY COMPONENTS INSTALLATION	3-2
3-2	CHAIN ADJUSTER ASSEMBLIES	3-10
3-3	JIB BOOM INSTALLATION	3-14
3-4	EXTEND-A-REACH INSTALLATION	3-16
3-5	BOOM LENGTH INDICATOR AND LIMIT SWITCHES INSTALLATION	3-18
3-6	BOOM WIPERS INSTALLATION	3-20
SECTION 4 - PLATFORMS		4-1
4-1	PLATFORM COMPONENTS INSTALLATION (LOW MOUNT)	4-2
4-2	ROTATOR MOTOR ASSEMBLY	4-6
4-3	PLATFORM CONSOLE ASSEMBLY	4-8
4-4	OPTIONAL PLATFORM MOUNTED COMPONENTS	4-12

TABLE OF CONTENTS

FIGURE NO.	TITLE	PAGE NO.
SECTION 5 - CYLINDERS		5-1
5-1	AXLE EXTENSION CYLINDER ASSEMBLY	5-2
5-2	BOOM LIFT CYLINDER ASSEMBLY	5-4
5-3	EXTEND-A-REACH LEVEL CYLINDER ASSEMBLY	5-6
5-4	EXTEND-A-REACH LIFT CYLINDER ASSEMBLY	5-8
5-5	JACK CYLINDER ASSEMBLY	5-10
5-6	MASTER CYLINDER ASSEMBLY	5-12
5-7	STEER CYLINDER ASSEMBLY	5-14
5-8	TELESCOPE CYLINDER ASSEMBLY	5-16
5-9	CYLINDER BELLOWS INSTALLATION (OPTIONAL)	5-20
SECTION 6 - HYDRAULICS		6-1
6-1	HYDRAULIC DIAGRAM - DRIVE (4WD AND DEUTZ ENGINE) (PRIOR TO S/N 38697)	6-2
6-2	HYDRAULIC DIAGRAM - DRIVE (4WD AND DEUTZ ENGINE) (S/N 38697 TO PRESENT)	6-6
6-3	HYDRAULIC DIAGRAM - STANDARD (PRIOR TO S/N 38697)	6-10
6-4	HYDRAULIC DIAGRAM - STANDARD (S/N 38697 TO PRESENT)	6-14
6-5	HYDRAULIC DIAGRAM LIST	6-18
SECTION 7 - ELECTRICAL		7-1
7-1	ELECTRICAL DIAGRAM - BOOM LENGTH INDICATOR	7-2
7-2	ELECTRICAL DIAGRAM - 4WS	7-3
7-3	ELECTRICAL DIAGRAM - FRAME	7-4
7-4	ELECTRICAL DIAGRAM - PLATFORM. (PRIOR TO S/N 38697)	7-5
7-5	ELECTRICAL DIAGRAM - PLATFORM (S/N 38697 TO PRESENT) (SHEET 1 OF 2)	7-6
7-6	ELECTRICAL DIAGRAM - STANDARD (PRIOR TO S/N 38697) (SHEET 1 OF 4)	7-8
7-7	ELECTRICAL DIAGRAM - STANDARD (S/N 38697 TO PRESENT) (SHEET 1 OF 4)	7-12
7-8	ELECTRICAL COMPONENTS AND DIAGRAM CHART	7-16
SECTION 8 - DECALS		8-1
8-1	DECALS INSTALLATION	8-2
SECTION 9 - RECOMMENDED SERVICE PARTS STOCK		9-1
SECTION 10 - SPECIAL OPTIONS		10-1

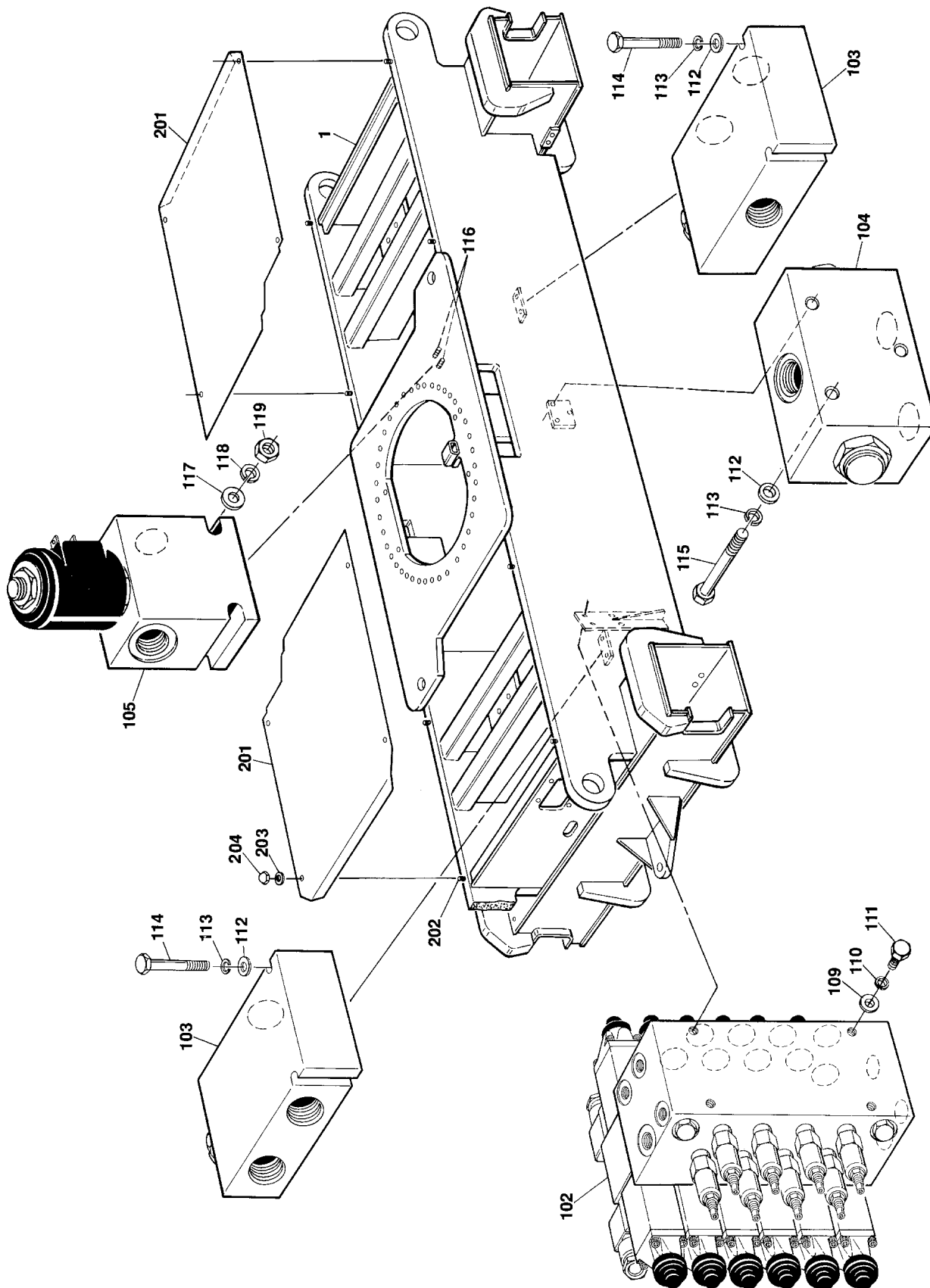
SECTION 1 FRAME

TABLE OF CONTENTS

FIGURE	DESCRIPTION
1-1	FRAME, VALVES AND SHIELDS INSTALLATIONS 1-2
1-2	VALVE ASSEMBLY - HYDRO AIR 1-6
1-3	STEERING AND AXLES INSTALLATION 1-8
1-4	WHEEL DRIVE INSTALLATION 1-12
1-5	DRIVE HUB ASSEMBLY 1-14
1-6	DRIVE BRAKE ASSEMBLY 1-18
1-7	DRIVE MOTOR ASSEMBLY - REXROTH 1-22
1-8	JACK CYLINDER INSTALLATION 1-24

SECTION 1 FRAME

FIGURE 1-1. FRAME, VALVES AND SHIELDS INSTALLATION



SECTION 1 FRAME

FIGURE 1-1. FRAME, VALVES AND SHIELDS INSTALLATION

FIG & ITEM #	PART NUMBER	DESCRIPTION	QTY.	REV.
		FRAME, VALVES AND SHIELDS INSTALLATION	Ref.	
1	2360353	Frame Weldment (Prior to June 1993)	1	
	2360369	Frame Weldment (June 1993 to Present)	1	
		VALVES INSTALLATION - FRAME MOUNTED	Ref.	
	0252709	Prior To S/N 38697	Ref.	4
	0258677	S/N 38697 To Present	Ref.	1
101	Not Used			
102	4640739	Valve Assembly - Hydro Air (See Figure 1-2 for Breakdown) (Prior to S/N 38697)	1	
	4641066	Valve Assembly - Hydro Air (See Figure 1-2 for Breakdown) (S/N 38697 to Present)	1	
103	4640260	Valve Assembly - Flow Divider (Prior to S/N 38697)	2	
	Not Available	Cartridge (Vickers/Modular Controls Version)		
	7009739	Seal Kit (Vickers/Modular Controls Version)		
	7007321	Cartridge (Fluid Controls Version)		
	7007323	Seal Kit (Fluid Controls Version)		
	4640923	Valve Assembly - Flow Divider (S/N 38697 to Present)	2	
	7012992	Cartridge		
	7012980	Seal Kit		
	7012993	Plug, Orifice		
104	4640629	Valve Assembly - Flow Divider (Prior to S/N 38697 Only)	1	
	2900745	Seal Kit - Cartridge (Includes O-Rings and Back-Up Rings) (2 Per Valve)	2	
105	4640743	Valve Assembly - Hydraforce 3-Way Solenoid	1	
	7000645	Coil	1	
	7012905	Seal Kit	1	
106	Not Used			
107	Not Used			
108	Not Used			
109	4711600	Flatwasher 3/8" Narrow	4	
110	4761600	Lockwasher 3/8"	7	
111	0641609	Bolt 3/8"-16NC x 1 1/8"	4	
112	4711500	Flatwasher 5/16" Narrow	A/R	
113	4761500	Lockwasher 5/16"	A/R	
114	0641520	Bolt 5/16"-18NC x 2 1/2"	4	
115	0641524	Bolt 5/16"-18NC x 3" (Prior to S/N 38697)	3	
116	4300036	Stud (Welded on Part)	2	
117	4711400	Flatwasher 1/4" Narrow	4	
118	4761400	Lockwasher 1/4"	2	
119	3311401	Nut 1/4"-20NC	2	

SECTION 1 FRAME

FIGURE 1-1. FRAME, VALVES AND SHIELDS INSTALLATION (CONTINUED)

FIG & ITEM #	PART NUMBER	DESCRIPTION	QTY.	REV.
	0252684	FRAME SHIELDS INSTALLATION	Ref.	2
201	4060824	Shield	2	
202	4300031	Stud (Welded on Part)	8	
203	4751400	Flatwasher 1/4"	8	
204	3300151	Nut, Acorn 1/4"-20NC	8	
	0100011	----- Loctite #242	A/R	

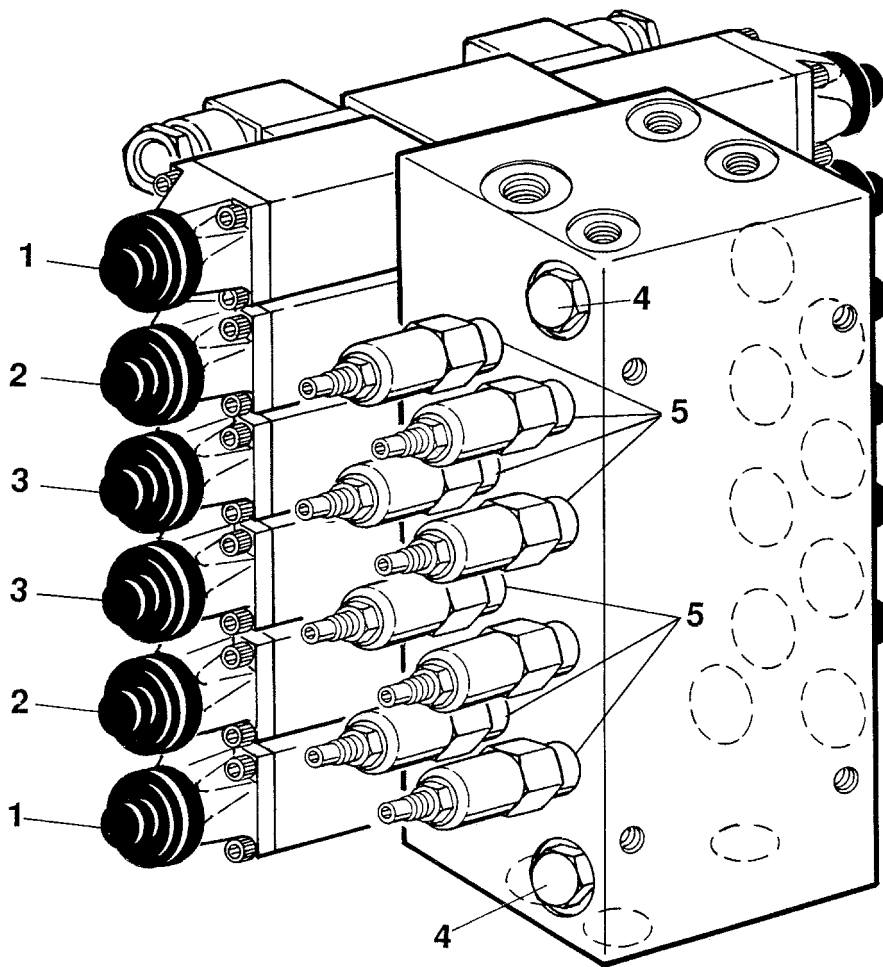
SECTION 1 FRAME

FIGURE 1-1. FRAME, VALVES AND SHIELDS INSTALLATION (CONTINUED)

FIG & ITEM #	PART NUMBER	DESCRIPTION	QTY.	REV.

SECTION 1 FRAME

FIGURE 1-2. VALVE ASSEMBLY - HYDRO AIR



SECTION 1 FRAME

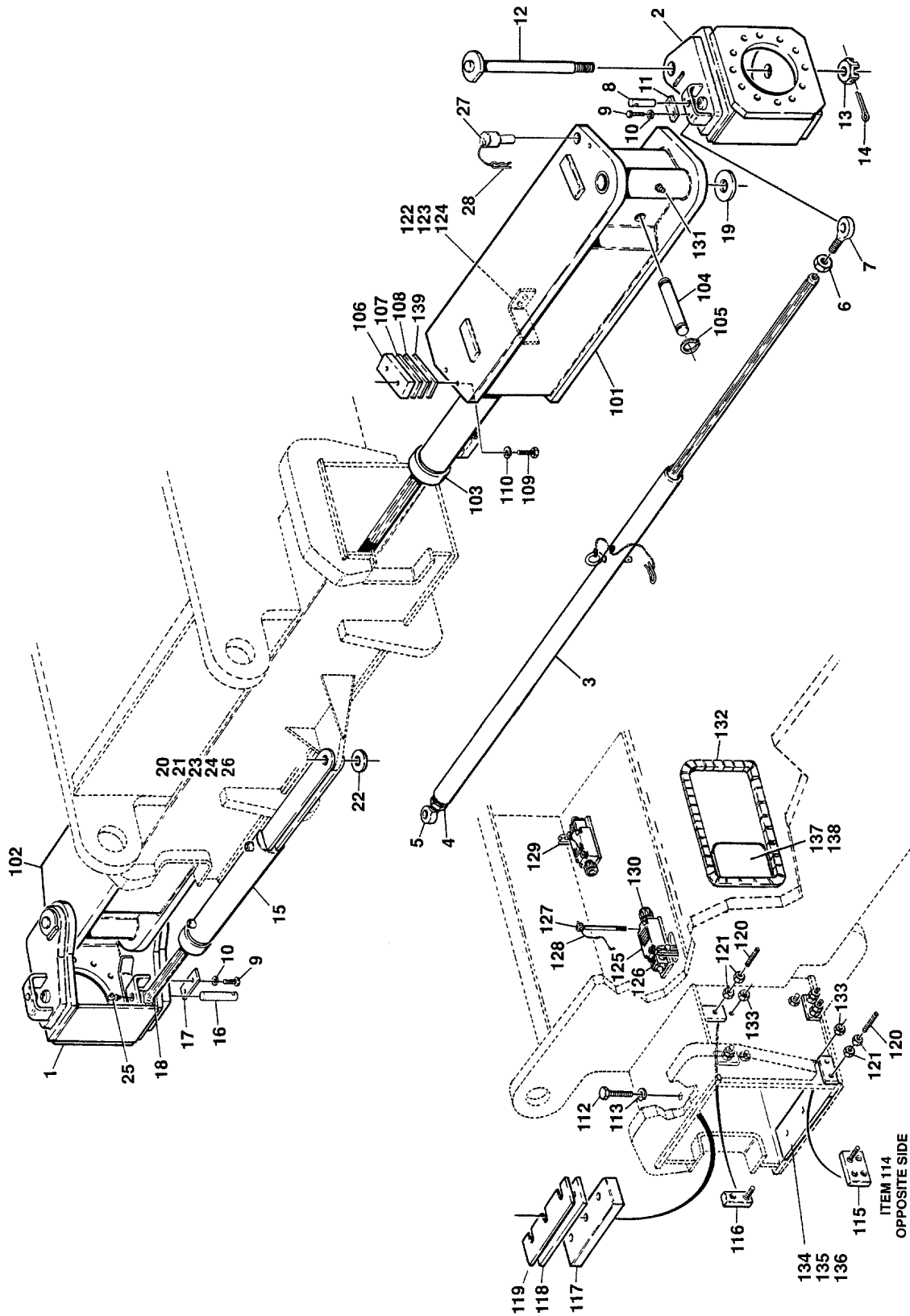
FIGURE 1-2. VALVE ASSEMBLY - HYDRO AIR

FIG & ITEM #	PART NUMBER	DESCRIPTION	QTY.	REV.
		VALVE ASSEMBLY - HYDRO AIR	Ref.	
	4640739	Prior To S/N 38697	Ref.	A
	4641066	S/N 38697 To Present	Ref.	A
1		Rexroth Valve Section - Complete (Jack) Options: Prior to S/N 38697 Components:	A/R	
	7012723	Rexroth Valve Section - Complete (Jack)	2	
	7012730	Coil, Solenoid (2 Per Section)	4	
	7012725	Seal Kit - Rexroth Valve Section	1	
	7012731	Orifice 1.5mm (Located in B Port)	2	
		S/N 38697 to Present Components:		
	7017491	Rexroth Valve Section - Complete (Jack)	2	
	7021404	Spool (2 Per Section)	4	
	7021401	Coil (2 Per Section)	4	
	7021402	Seal Kit	2	
	7021403	End Cap (2 Per Section)	4	
2		Rexroth Valve Section - Complete (Steer) Options: Prior to S/N 38697 Components:	A/R	
	4640788	Rexroth Valve Section - Complete (Steer)	2	
	7012730	Coil, Solenoid (2 Per Section)	4	
	7012725	Seal Kit - Rexroth Valve Section	1	
		S/N 38697 to Present Components:		
	7017490	Rexroth Valve Section - Complete (Steer)	2	
	7021400	Spool (2 Per Section)	4	
	7021401	Coil (2 Per Section)	4	
	7021402	Seal Kit	2	
	7021403	End Cap (2 Per Section)	4	
3		Rexroth Valve Section - Complete (Extend) Options: Prior to S/N 38697 Components:	A/R	
	7012724	Rexroth Valve Section - Complete (Extend)	2	
	7012725	Seal Kit - Rexroth Valve Section	1	
	7012730	Coil, Solenoid (2 Per Section)	4	
		S/N 38697 to Present Components:		
	7017491	Rexroth Valve Section - Complete (Jack)	2	
	7021404	Spool (2 Per Section)	4	
	7021401	Coil (2 Per Section)	4	
	7021402	Seal Kit	2	
	7021403	End Cap (2 Per Section)	4	
4	7012914	Cartridge, Valve - Hydraforce	4	
5	7012912	Cartridge, Valve - Hydraforce	8	

	7012918	Seal Kit - 7012914 Cartridge Valve (1 Per Cartridge)	4	
	7012998	Seal Kit - 7012912 Cartridge Valve (1 Per Cartridge)	8	

SECTION 1 FRAME

FIGURE 1-3. STEERING AND AXLES INSTALLATION



SECTION 1 FRAME

FIGURE 1-3. STEERING AND AXLES INSTALLATION

FIG & ITEM #	PART NUMBER	DESCRIPTION	QTY.	REV.
		STEERING AND AXLES INSTALLATIONS	Ref.	
	0252605	Standard Machines	Ref.	4
	0253603	CSA Machines	Ref.	3
1	4130282	Spindle Weldment	2	
2	4130283	Spindle Weldment	2	
3	0252674	Tie-Rod Assembly	2	A
	3841167	Rod, Inner - Tie-Rod (1 Per Assembly)	2	
	3841166	Tube, Outer - Tie-Rod (1 Per Assembly)	2	
	3421990	Pin, Extension Lock (1 Per Assembly)	2	
	3420372	Hairpin (1 Per Assembly)	2	
	1260017	Chain - #3 (1 Ft./2.5cm Per Assembly)	2 Ft./5cm	
4	3323002	Nut, Jam 1 1/4"-12NF (RH Threads)	2	
5	1660202	Rod, End (RH Threads)	2	
6	3300229	Nut, Jam 1 1/4"-12NF	2	
7	1660203	Rod, End (LH Threads)	2	
8	3421972	Pin (Tie-Rod)	4	
9	0641506	Bolt 5/16"-18NC x 3/4"	12	
10	4761500	Lockwasher 5/16"	12	
11	3532054	Plate, Retainer	4	
12	Not Used	Kingpin Options:	4	
	3421948	Standard		
	3422168	CSA		
13	3324203	Nut, Slotted 2"-9NF	4	
14	3451012	Pin, Cotter 5/16" x 3"	4	
15	1682605	Steer Cylinder Assembly (See Section 5 for Break-down)	2	
16	3422044	Pin (Steer Cylinder)	2	
17	3531946	Plate, Retainer	2	
18	4740130	Washer, Thrust	2	
19	4740314	Washer, Thrust	4	
20	3422023	Pin (Steer Cylinder) (Prior to S/N 33213)	2	
	3422633	Pin (Steer Cylinder) (S/N 33213 to Present)	2	
21	3420592	Hairpin	2	
22	4713000	Flatwasher 1 1/4" Narrow	2	
23	3760170	Ring	4	
24	1260017	Chain - #3 (7.25 in./18.5cm Per Location)	14.5 in/37cm	
25	2160001	Fitting, Grease - 90°	2	
26	2160003	Fitting, Grease - 45°	1	
27	4220174	Weldment, Stop (Prior to S/N 47227)	4	
28	3450808	Cotter Pin (S/N 47227 to Present)	4	

SECTION 1 FRAME

FIGURE 1-3. STEERING AND AXLES INSTALLATION (CONTINUED)

FIG & ITEM #	PART NUMBER	DESCRIPTION	QTY.	REV.
		EXTENDABLE AXLES INSTALLATION	Ref.	
	0252604	Prior To June 1993	Ref.	B
	0253776	June 1993 To Present	Ref.	3
101	4844090	Axle Weldment	2	
	0960821	Bushing (2 Per Axle) (Kingpin Pivot)	4	
102	4844089	Axle Weldment	2	
	0960821	Bushing (2 Per Axle) (Kingpin Pivot)	4	
103		Axle Extension Cylinder Assembly Options (See Section 5 for Breakdown):	2	
	1682618	Prior to S/N 33105		
	1683532	S/N 33105 to Present		
104	3421953	Pin (Extension Cylinder)	4	
105	3760133	Ring, Retaining	8	
106	3340197	Pad, Wear (Rear Top)	4	
107	4070810	Shim	A/R	
108	4070811	Shim	A/R	
109	0641618	Bolt 3/8"-16NC x 2 1/4"	8	
110	4761600	Lockwasher 3/8"	8	
111	Not Used			
112	0641809	Bolt 1/2"-13NC x 1 1/8"	12	
113	4711800	Lockwasher 1/2"	12	
114	0560675	Block, Axle Shim (Bottom)	4	
115	0560674	Block, Axle Shim (Bottom)	4	
116	0560673	Block, Axle Shim (Top)	8	
117	3535884	Plate, Axle Stop	4	
118	4070803	Shim 1/16"/1.6mm	A/R	
119	4070804	Shim 1/32"/.8mm	A/R	
120	3972218	Setscrew 3/4"-10NC x 2 1/4"	24	
121	3312202	Nut, Jam 3/4"-10NC	24	
122	3535883	Plate, Cylinder Retaining	2	
123	0641609	Bolt 3/8"-16NC x 1 1/8"	4	
124	3311605	Locknut 3/8"-16NC	4	
125	4360277	Switch, Limit	4	
126	4360236	Head, Actuator	4	
127	3900168	Bolt, Socket Head #10-24NC	8	
128	4920140	Lockwire	4	
129	4360237	Switch, Arm	4	
130	4460052	Connector, Strain Relief	4	
131	2160002	Fitting, Grease	4	
132	4060807	Flex-Trim	92 in/2.34cm	
133	3311505	Nut 5/16"-18NC	16	
134	4070845	Shim (June 1993 to Present Only)	A/R	
135	0641807	Bolt 1/2"-13NC x 7/8" (June 1993 to Present Only)	12	
136	4761800	Lockwasher 1/2" (June 1993 to Present Only)	12	
137	3536794	Plate (June 1993 to Present Only)	2	
138	0641605	Bolt 3/8"-16NC x 5/8" (June 1993 to Present Only)	4	
139	4070849	Shim (June 1993 to Present Only)	A/R	
	0100011	Loctite #242	A/R	

SECTION 1 FRAME

FIGURE 1-3. STEERING AND AXLES INSTALLATION (CONTINUED)

FIG & ITEM #	PART NUMBER	DESCRIPTION	QTY.	REV.

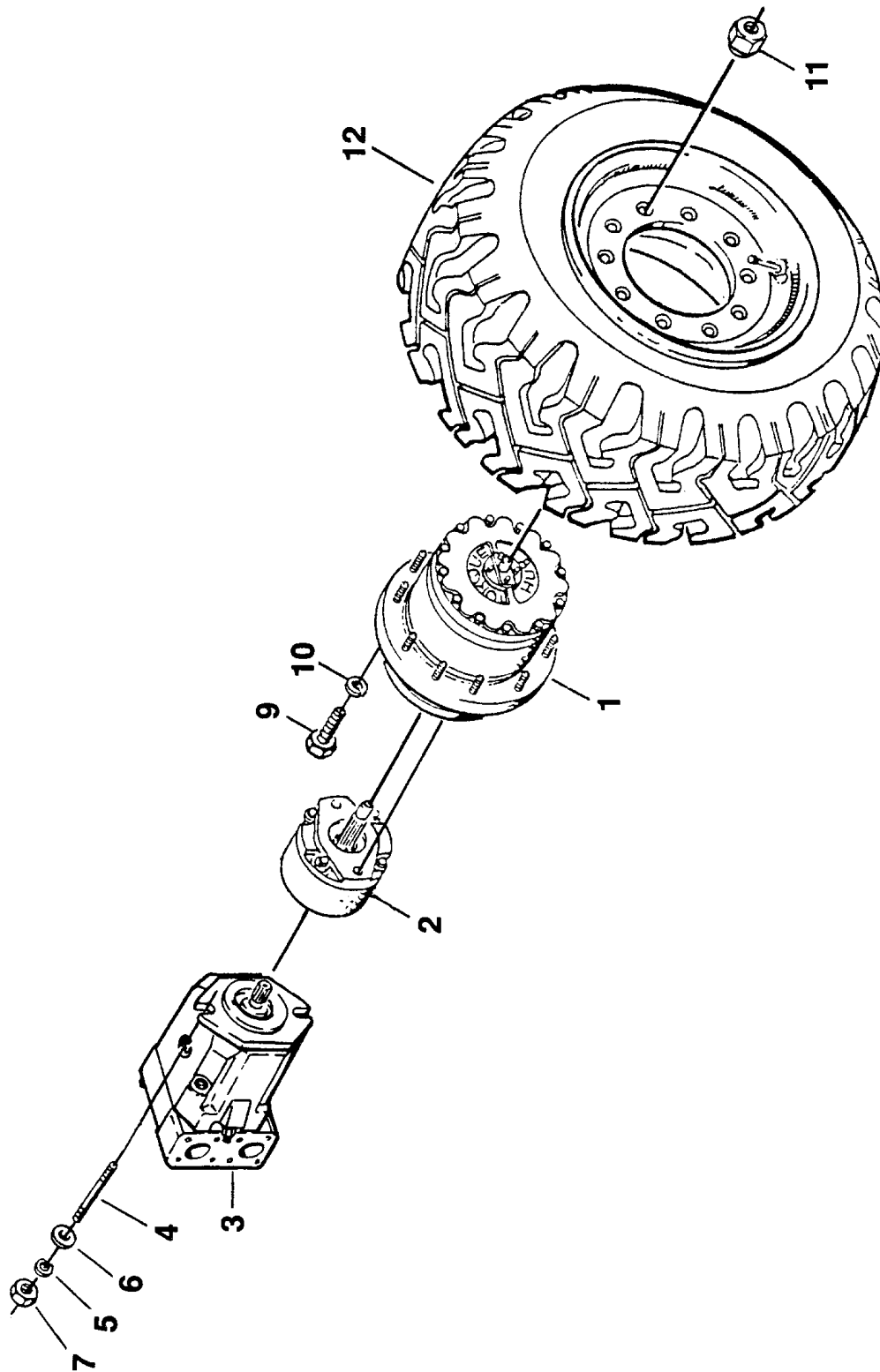
**S
E
C
T
I
O
N

1

F
R
A
M
E**

SECTION 1 FRAME

FIGURE 1-4. TIRE AND WHEEL DRIVE INSTALLATIONS



FRONT AND REAR DESIGN IDENTICAL

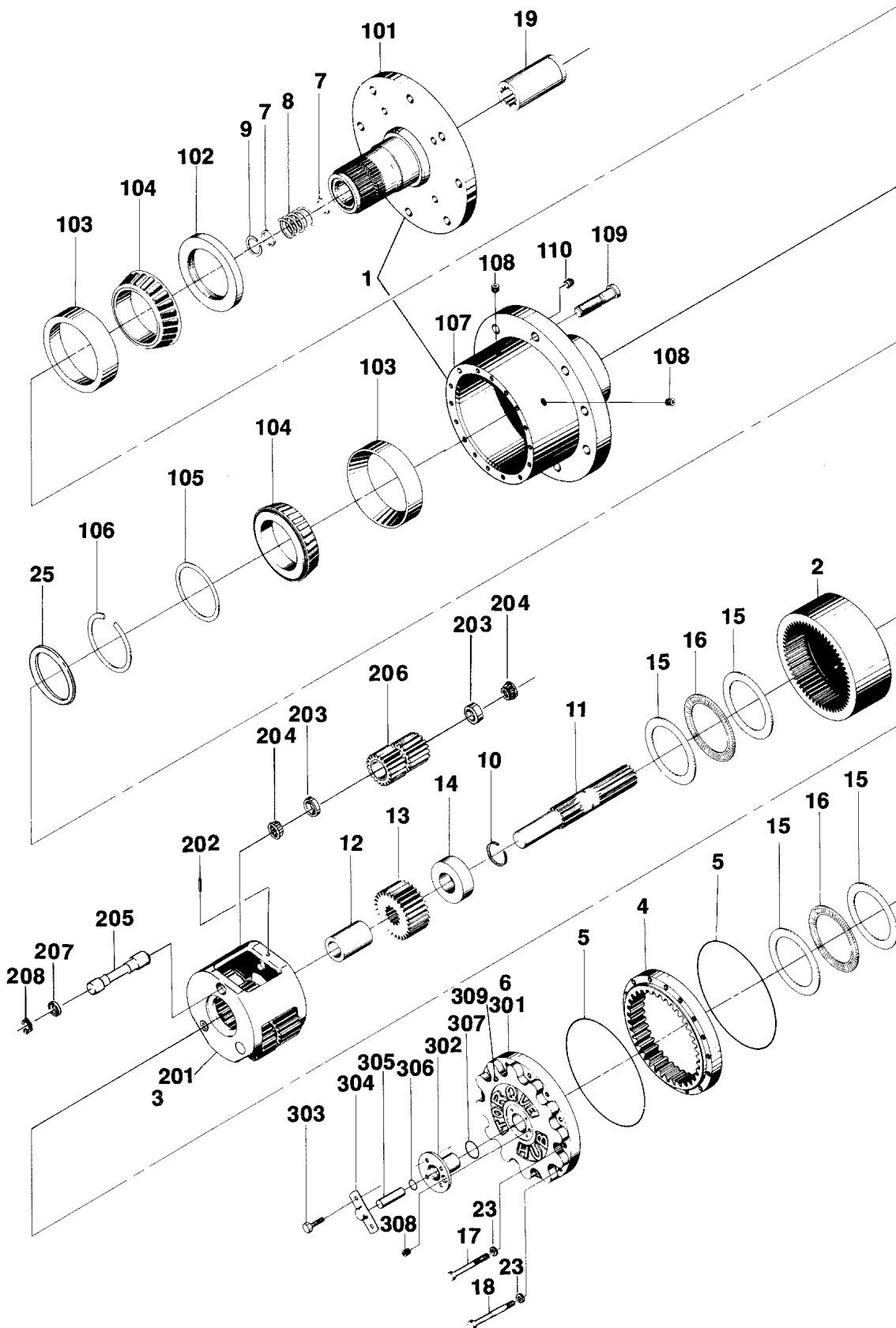
SECTION 1 FRAME

FIGURE 1-4. TIRE AND WHEEL DRIVE INSTALLATIONS

FIG & ITEM #	PART NUMBER	DESCRIPTION	QTY.	REV.
		TIRE AND WHEEL DRIVE INSTALLATIONS	Ref.	
	0252606	WHEEL DRIVE INSTALLATION	Ref.	3
1	2780189	Drive Hub Assembly (See Figure 1-5 for Breakdown)	4	
2		Drive Brake Assembly Options (See Figure 1-6 for Breakdown):	4	
	0920084	Prior to S/N 33476		
	0920110	S/N 33476 to Present		
3		Drive Motor Assembly Options (See Figure 1-7 for Breakdown):	4	
		Prior to July 1995 (was p/n 3160176)		
	See Note	Note: Use p/n 3160213 Motor Plus p/n 2900869 Conversion Kit as Replacement.		
	3160213	July 1995 to Present (See Figure 1-7 for Breakdown)		
4	4300092	Stud 1/2"-13NC x 5 1/2" (2 Per Wheel)	8	
5	4761800	Lockwasher 1/2" (2 Per Wheel)	8	
6	4751800	Flatwasher (2 Per Wheel)	8	
7	3311801	Nut 1/2"-13NC (2 Per Wheel)	8	
8	Not Used			
9	0642216	Bolt 3/4"-10NC x 2" (12 Per Wheel)	48	
10	4762200	Lockwasher 3/4" (12 Per Wheel)	48	
11	3300007	Lugnut 3/4"-16NC (12 Per Wheel)	48	
	0100011	Loctite #242	A/R	
		TIRE AND WHEEL INSTALLATION (FOAM-FILLED)	Ref.	
	0251590	Prior To S/N 43718	Ref.	2
	0259545	S/N 43718 To Present	Ref.	A
12		Tire and Wheel Assembly (Foam-Filled) Options:	A/R	
	0251589	Prior To S/N 43718	4	
		S/N 43718 To Present		
	0259444	Right Side (Foam-Filled)	2	
	0259445	Left Side (Foam-Filled)	2	
		Note: Assemblies may require ballast/foam filling to manufacturer's specifications prior to installing on a machine. Refer to Operation & Safety or Service & Maintenance Manuals. Purchase individual tire and/or rim only if able to foam fill tire & wheel assembly, otherwise, purchase complete assembly.		
		Tire Options:	4	
	4520136	Tire 445/65R x 22.5 (Prior to S/N 43718)		
	4520218	Tire 445/65 x 22.5 (S/N 43718 To Present)		

SECTION 1 FRAME

FIGURE 1-5. DRIVE HUB ASSEMBLY



SECTION 1 FRAME

FIGURE 1-5. DRIVE HUB ASSEMBLY

FIG & ITEM #	PART NUMBER	DESCRIPTION	QTY.	REV.
	2780189	DRIVE HUB ASSEMBLY	Ref.	—
1	7007698	Hub and Spindle Assembly (See Items 101-110 for Breakdown)	1	
2	7007657	Gear, Internal	1	
3	7001910	Carrier Assembly (See Items 201-208 for Breakdown)	1	
4	7001963	Gear, Ring	1	
5	Kit	O-Ring	2	
6	7001965	Cover Assembly (See Items 301-309 for Breakdown)	1	
7	7000282	Washer, Thrust	2	
8	7000283	Spring	1	
9	7000284	Ring, Retaining - Internal	1	
10	7000285	Ring, Retaining - External	1	
11	7010472	Shaft, Input	1	
12	7001995	Spacer, Input	1	
13	7010471	Gear, Sun	1	
14	7001993	Spacer, Input	1	
15	7001972	Washer, Thrust	4	
16	7001973	Bearing, Thrust	2	
17	7001974	Bolt 1/2"-13NC x 3 3/4"	16	
18	7001975	Bolt, Socket Head 3/8"-16NC x 3 1/2"	4	
19	7000290	Coupling	1	
20	Not Used			
21	Not Used			
22	Not Used			
23	7001976	Lockwasher	20	
24	Not Used			
25	7001977	Ring, Keeper	1	
	7007698	HUB AND SPINDLE ASSEMBLY	Ref.	
101	7007699	Spindle	1	
102	Kit	Seal, Lip	1	
103	7001947	Cup, Bearing	2	
104	7001948	Cone, Bearing	2	
105	7001949	Washer, Thrust	1	
106	7001950	Ring, Retaining - External	1	
107	7001951	Housing	1	
108	7001928	Plug, Pipe	2	
109	7000265	Stud 3/4"-16NF	12	
110	7001952	Plug, Pipe	2	

SECTION 1 FRAME

FIGURE 1-5. DRIVE HUB ASSEMBLY (CONTINUED)

FIG & ITEM #	PART NUMBER	DESCRIPTION	QTY.	REV.
	7001910	CARRIER ASSEMBLY	Ref.	
201	7001955	Carrier	1	
202	7001956	Rollpin	3	
203	7001957	Cup, Bearing	6	
204	7001958	Cone, Bearing	6	
205	7001959	Shaft, Planet	3	
206	7017003	Gear, Cluster	3	
207	7001961	Spacer, Thrust	3	
208	7001962	Ring, Retainer - External	3	
	7001965	COVER ASSEMBLY	Ref.	
301	7001966	Plate, Cover	1	
302	7001967	Cap, Cover	1	
303	7000220	Bolt 1/4"-20NC x 3/4"	4	
304	7000231	Cap, Disengage	1	
305	7001968	Rod, Disengage	1	
306	Kit	O-Ring	1	
307	Kit	O-Ring	1	
308	7000243	Plug, Pipe - 1/8"	1	
309	7001928	Plug, Pipe - 3/8"	1	
	2900560	----- Seal Kit (Includes Items 5, 102, 306 and 307)	1	

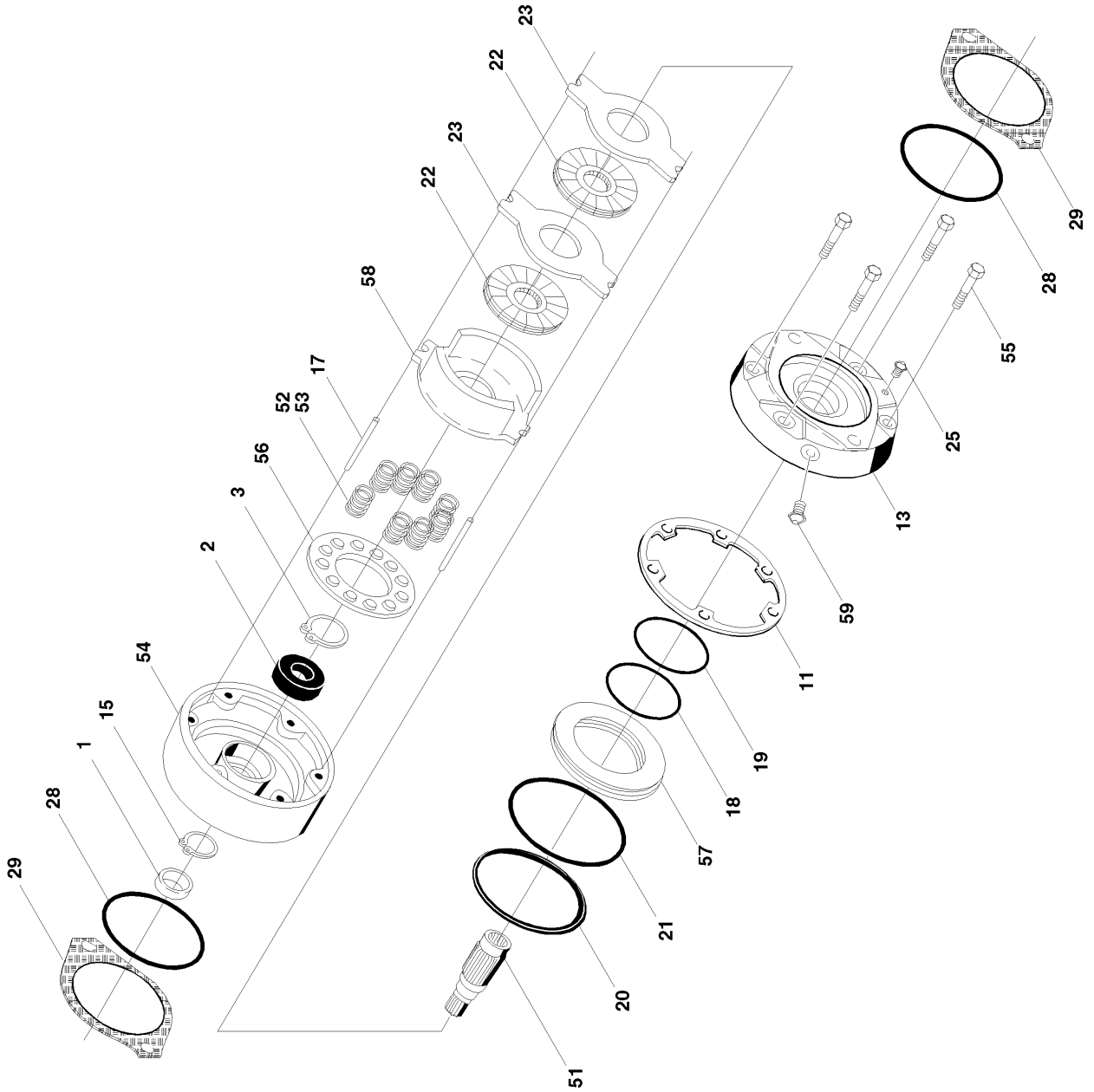
SECTION 1 FRAME

FIGURE 1-5. DRIVE HUB ASSEMBLY (CONTINUED)

FIG & ITEM #	PART NUMBER	DESCRIPTION	QTY.	REV.

SECTION 1 FRAME

FIGURE 1-6. DRIVE BRAKE ASSEMBLY



SECTION 1 FRAME

FIGURE 1-6. DRIVE BRAKE ASSEMBLY

FIG & ITEM #	PART NUMBER	DESCRIPTION	QTY.	REV.
		DRIVE BRAKE ASSEMBLY	Ref.	
1	Kit	Seal, Oil	1	
2	Kit	Bearing	1	
3	7007977	Ring, Retaining	1	
4	Not Used			
5	Not Used			
6	Not Used			
7	Not Used			
8	Not Used			
9	Not Used			
10	Not Used			
11	Kit	Seal, Case	1	
12	Not Used			
13	7007986	Cover	1	
14	Not Used			
15	7011716	Ring, Retainer	1	
16	Not Used			
17	7007987	Pin, Dowel	2	
18	Kit	Ring, Back-up	1	
19	Kit	O-Ring	1	
20	Kit	Ring, Back-up	1	
21	Kit	O-Ring	1	
22	Kit	Rotor	2	
23	Kit	Stator	2	
24	Not Used			
25	7007924	Plug, Pipe	1	
26	Not Used			
27	Not Used			
28	Kit	O-Ring	2	
29	7007933	Gasket	2	

	2900766	Seal Kit (Includes Items 1, 11,18,19, 20, 21, 28 and 29)	1	
	2900768	Bearing Kit (Includes Items 1, 2,11, 28 and 29)	1	
		DRIVE BRAKE ASSY - MICO (VARIABLE PARTS)		
	0920084	Prior To S/N 33476	Ref.	A
	0920110	S/N 33476 To Present	Ref.	B
51	7011712	Shaft	1	
52		Spring Options:	A/R	
	7007979	Inner Spring - Prior To S/N 33476	6	
	7007980	Outer Spring - Prior To S/N 33476	6	
	Not Required	S/N 33476 To Present	0	
53		Spring Options:	A/R	
	Not Required	Prior To S/N 33476	0	
	7007970	Spring (Red) - S/N 33476 To Present	6	
	7018602	Spring (Blue) - S/N 33476 To Present	3	

SECTION 1 FRAME

SECTION 1 FRAME

FIGURE 1-6. DRIVE BRAKE ASSEMBLY (CONTINUED)

FIG & ITEM #	PART NUMBER	DESCRIPTION	QTY.	REV.
54		Housing Options:	1	
	7011713	Prior To S/N 33476		
	7018605	S/N 33476 To Present		
55		Bolt, Washer Head Options:	4	
	7007985	Prior To S/N 33476		
	7018607	S/N 33476 To Present		
56		Guide, Spring Options:	1	
	7011717	Prior To S/N 33476		
	7018606	S/N 33476 To Present		
57		Piston Options:	1	
	7007923	Prior To S/N 33476		
	7018603	S/N 33476 To Present		
58		Plate, Return/Separator Assembly Options:	1	
	7007923	Prior To S/N 33476 Components:		
	Kit	Plate, Return	1	
	7011715	Separator Assembly	2	
	7011714	Pin	4	
	7007983	Separator	2	
	7018603	S/N 33476 To Present Components:		
	Kit	Plate, Return	1	
59		Plug Options:	1	
	7007914	Bleeder Screw - Prior To S/N 33476		
	7018609	Plug - S/N 33476 To Present		

		Lining Kit Options (Includes Items 58, 11, 22, 23, 28 and 29):	1	
	2900767	Prior To S/N 33476		
	7018608	S/N 33476 To Present		

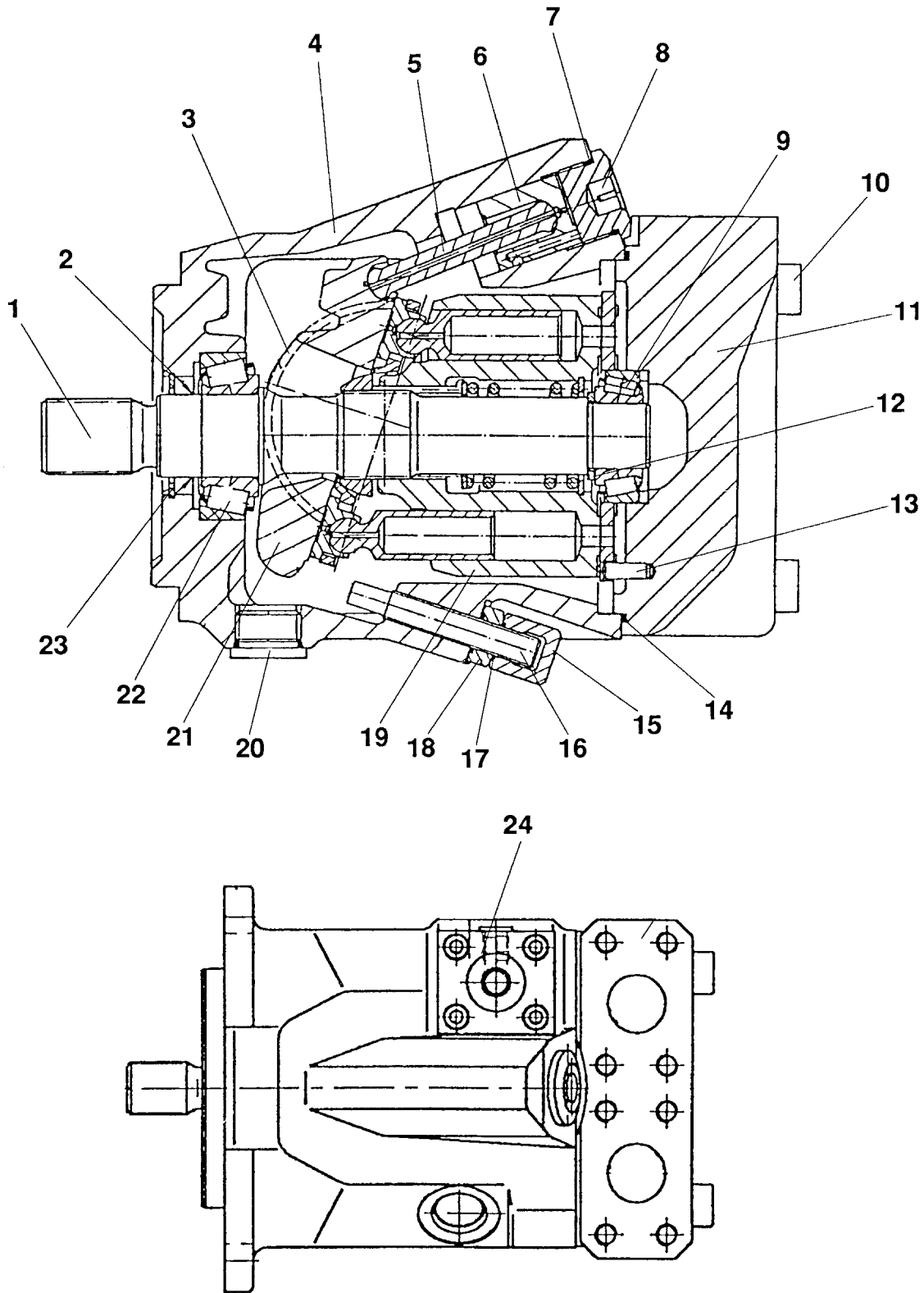
SECTION 1 FRAME

FIGURE 1-6. DRIVE BRAKE ASSEMBLY (CONTINUED)

FIG & ITEM #	PART NUMBER	DESCRIPTION	QTY.	REV.

SECTION 1 FRAME

FIGURE 1-7. DRIVE MOTOR ASSEMBLY - REXROTH



SECTION 1 FRAME

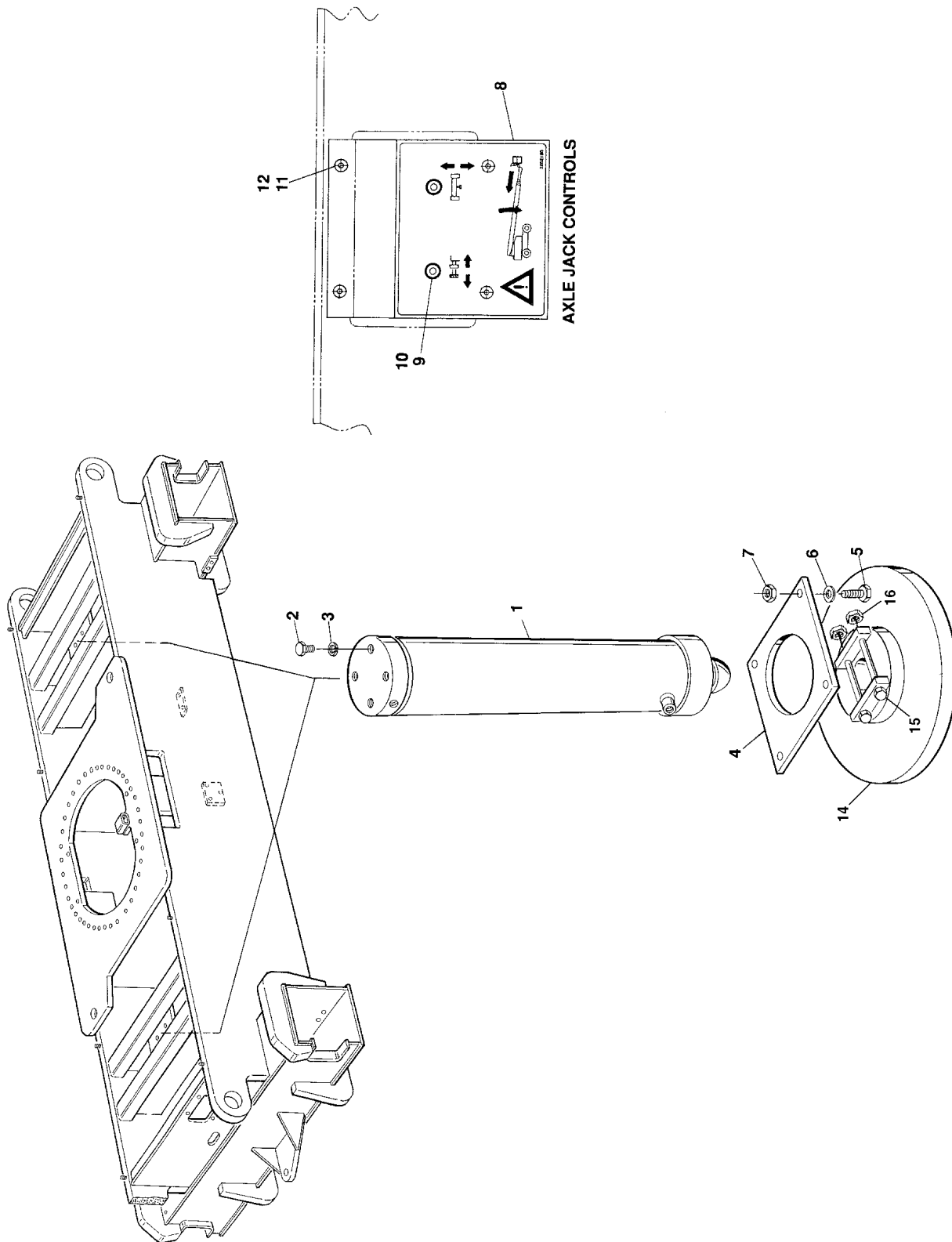
FIGURE 1-7. DRIVE MOTOR ASSEMBLY - REXROTH

FIG & ITEM #	PART NUMBER	DESCRIPTION	QTY.	REV.
		DRIVE MOTOR ASSEMBLY - REXROTH	Ref.	
	3160176	Prior to July 1995	Ref.	—
	3160213	July 1995 to Present	Ref.	—
1	7012701	Shaft - 13 Teeth	1	
2	Kit	Seal, Shaft	1	
3	7012702	Bearing, Cradle	2	
4	Not Available	Housing	1	
5	7012703	Rod, Piston	1	
6	7012704	Piston, Stroking	1	
7	Kit	O-Ring	1	
8	7012705	Nut, Adaptor	1	
9	7012706	Bearing, Roller	1	
10	7012707	Bolt, Metric Socket Head M12 x 65	4	
11	7012708	Block, Port	1	
12	7012709	Shim	1	
13	7012710	Pin, Dowel M6 x 18	1	
14	Kit	O-Ring	1	
15	7012711	Nut, Cap M10 x 1	1	
16	7012712	Screw, Adjusting	1	
17	Kit	O-Ring	2	
18	7012713	Nut, Jam M10 x 1	1	
19	Kit	Rotary Group Assembly	1	
20	Not Available	Plug	1	
21	Kit	Plate, Swash	1	
22	7012714	Bearing, Roller	1	
23	7012715	V-Ring	1	
24	7012700	Control Plate Assembly	1	

	2900788	Seal Kit (Includes Items 2,7,14,17 and O-Rings under Item 24)	1	
	7012716	Rotary Group Kit (Includes Items 19 and 21)	1	

SECTION 1 FRAME

FIGURE 1-8. JACK CYLINDER INSTALLATION



SECTION 1 FRAME

FIGURE 1-8. JACK CYLINDER INSTALLATION

FIG & ITEM #	PART NUMBER	DESCRIPTION	QTY.	REV.
	0252607	JACK CYLINDER INSTALLATION	Ref.	2
1	1682511	Jack Cylinder Assembly (See Section 5 for Breakdown)	2	
2	0641812	Bolt 1/2"-13NC X 1 1/2" (4 Per Cylinder)	8	
3	4761800	Lockwasher 1/2" (4 Per Cylinder)	8	
4	3535906	Plate, Mounting (1 Per Cylinder)	2	
5	0641816	Bolt 1/2"-13NC x 2" (4 Per Cylinder)	8	
6	4711800	Flatwasher 1/2" Narrow (4 Per Cylinder)	8	
7	3311805	Locknut 1/2"-13NC (4 Per Cylinder)	8	
8	3252185	Nameplate - Jack Operator (1 Per End of Machine)	2	
9	4360314	Switch, Toggle - Extend and Retract of Jack Cylinder and Axles (2 Per Nameplate)	4	
10	4740397	Washer, Special (2 Per Nameplate)	4	
11	0630448	Screw, Button Head 1/4"-20NC x 3/4" (4 Per Nameplate)	8	
12	4761400	Lockwasher 1/4" (4 Per Nameplate)	8	
13	Not Used			
14	3340630	Jack Pad Weldment	2	
15	0641852	Bolt 1/2" -13 NC x 6 1/2"	4	
16	3311801	Nut 1/2" - 13 NC	4	
	0100011	----- Loctite	A/R	

SECTION 1 FRAME

**S
E
C
T
I
O
N

1

F
R
A
M
E**

FIGURE 1-8. JACK CYLINDER INSTALLATION (CONTINUED)

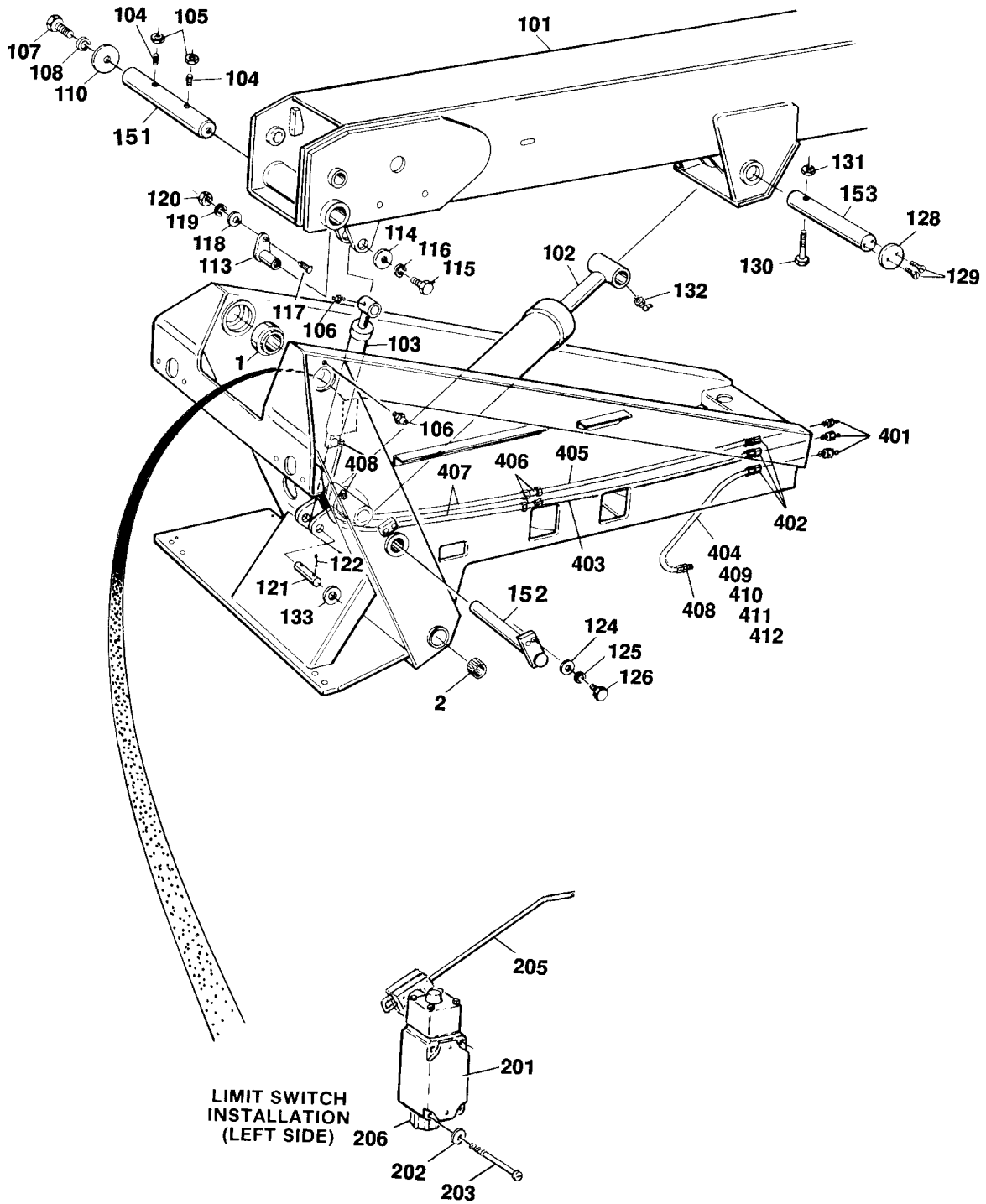
FIG & ITEM #	PART NUMBER	DESCRIPTION	QTY.	REV.

SECTION 2 TURNTABLE

TABLE OF CONTENTS		
FIGURE	DESCRIPTION	PAGE
2-1	TURNTABLE, BOOM AND SWITCHES INSTALLATION	2-2
2-2	VALVES INSTALLATION - TURNTABLE MOUNTED	2-6
2-3	VALVE ASSEMBLY - HYDRO-AIR (Prior to S/N 38697)	2-8
2-4	VALVE ASSEMBLY - HYDRO-AIR (S/N 38697 to Present)	2-10
2-5	ROTARY COUPLING AND COLLECTOR RING ASSEMBLY AND INSTALLATION	2-14
2-6	SWING DRIVE AND BEARING INSTALLATIONS	2-18
2-7	SWING MOTOR ASSEMBLY	2-20
2-8	SWING BRAKE ASSEMBLY	2-22
2-9	SWING HUB ASSEMBLY	2-26
2-10	LOAD MANAGEMENT INSTALLATION	2-28
2-11	GROUND CONTROLS INSTALLATION	2-30
2-12	REMOTE DRIVE CONTROL BOX ASSEMBLY (Prior to July 1992)	2-34
2-13	REMOTE DRIVE CONTROL BOX ASSEMBLY (July 1992 to Present)	2-36
2-14	DEUTZ F4L-912 ENGINE INSTALLATION	2-38
2-15	GENERATOR INSTALLATION - DEUTZ	2-46
2-16	PUMP COUPLING INSTALLATION	2-50
2-17	PUMP ASSEMBLY - SUNSTRAND	2-52
2-18	PUMP ASSEMBLY - BARNES (October 1992 to S/N 38697)	2-56
2-19	PUMP ASSEMBLY - HYDRO-AIR (S/N 38697 to Present)	2-58
2-20	TANKS INSTALLATION	2-60
2-21	HOODS AND ALARM INSTALLATION	2-64
2-22	OIL COOLER INSTALLATION (Optional)	2-68

SECTION 2 TURNTABLE

FIGURE 2-1. TURNTABLE, BOOM AND SWITCHES INSTALLATION



SECTION 2 TURNTABLE

FIGURE 2-1. TURNTABLE, BOOM AND SWITCHES INSTALLATION

FIG & ITEM #	PART NUMBER	DESCRIPTION	QTY.	REV.
		TURNTABLE, BOOM AND SWITCHES INSTALLATION	Ref.	
	4620078	TURNTABLE ASSEMBLY	Ref.	F/6
1	0252852	Boom Pivot Assembly	2	
	0960594	Bushing, Self-Aligning (1 Per Assembly)	2	
2	0961392	Bushing, Bronze (Base Pivot)	2	
	1281825	BOOM AND CYLINDERS INSTALLATION	Ref.	C
101		Boom Assembly (See Section 3 for Breakdown)	1	
102	1682630	Lift Cylinder Assembly (See Section 5 for Breakdown) (Prior to November 1992)	1	
	1682895	Lift Cylinder Assembly (See Section 5 for Breakdown) (November 1992 to Present)	1	
103	1681580	Master Cylinder Assembly (See Section 5 for Breakdown)	1	
104	3952014	Setscrew 5/8"-11NC x 1 3/4"	2	
105	3312002	Nut, Jam 5/8"-11NC	2	
106	2160002	Fitting, Grease	3	
107	0681812	Bolt 1/2"-13NC	4	
108	4740171	Washer, Special Hardened	4	
109	Not Used			
110	1120368	Cap, Boom Pivot	2	
111	Not Used			
112	Not Used			
113	0236548	Pin, Top Master Cylinder	1	
114	4740006	Washer, Special	1	
115	0651608	Bolt 3/8"-24NF x 1"	1	
116	4761600	Lockwasher 3/8"	1	
117	4300038	Stud (Welded on Part) (Prior to July 1995)	1	
	4300034	Stud (Welded on Part) (July 1995 to Present)	1	
118	4751500	Flatwasher 5/16" (Prior to July 1995)	1	
	4751600	Flatwasher 3/8" (July 1995 to Present)	1	
119	4761500	Lockwasher 5/16" (Prior to July 1995)	1	
	4761600	Lockwasher 3/8" (July 1995 to Present)	1	
120	3311501	Nut 5/16"-18NC (Prior to July 1995)	1	
	3311601	Nut 3/8"-16NC (July 1995 to Present)	1	
121	3420085	Pin, Bottom Master Cylinder	1	
122	3450610	Pin, Cotter 3/16" x 2 1/2"	2	
123	Not Used			
124	4712200	Flatwasher 3/4"	2	
125	4762200	Lockwasher 3/4"	2	
126	0682213	Bolt 3/4"-10NC x 1 5/8" (Grade 8)	2	
127	Not Used			
128	4740361	Washer, Special	2	
129	3900159	Screw, Countersunk 1/2"-13NC x 3/4"	4	
130	0641840	Bolt 1/2"-13NC x 5"	1	
131	3311805	Locknut 1/2"-13NC	1	

SECTION 2 TURNTABLE

SECTION 2 TURNTABLE

FIGURE 2-1. TURNTABLE, BOOM AND SWITCHES INSTALLATION (CONTINUED)

FIG & ITEM #	PART NUMBER	DESCRIPTION	QTY.	REV.
132	2160001	Fitting, Grease - 90°	1	
133	4740040	Flatwasher, Special	2	
	0100019	Loctite #271	A/R	
		BOOM AND CYLINDERS INSTALLATION (VARIABLE PARTS)	Ref.	
	0252780	ANSI Spec Prior to S/N 37026	Ref.	F
	0252931	ANSI Spec with Chip Covers Prior To S/N 37026	Ref.	D
	0258412	ANSI Spec S/N 37026 To Present	Ref.	1
	0258417	ANSI Spec with Chip Covers (S/N 37026 To Present	Ref.	1
	0253601	CSA Spec Prior To S/N 37026)	Ref.	C
	0258419	CSA Spec S/N 37026 To Present	Ref.	1
151		Pin, Boom Pivot Options:	1	
	3421555	ANSI Spec		
	3422151	CSA Spec		
152		Pin, Bottom Lift Cylinder Options:	1	
	3421676	ANSI Spec		
	3422149	CSA Spec		
153		Pin, Top Lift Cylinder Options:	1	
	3421678	ANSI Spec		
	3422150	CSA Spec		
	0236629	HORIZONTAL CUTOUT LIMIT SWITCH INSTALLATION (RIGHT SIDE)	Ref.	3
201	4360057	Switch, Limit	1	
202	4761000	Lockwasher #10	2	
203	0721014	Bolt #10-24NC x 1 3/4"	2	
204	Not Used			
205	0200048	Arm, Actuator	1	
206	4460049	Connector	1	
	0239844	LUBE LINES INSTALLATION	Ref.	3
401	2160002	Fitting, Grease	3	
402	2220001	Fitting	3	
403	2751032	Hose	1	
404	2750528	Hose	1	
405	2750807	Hose	1	
406	2200261	Fitting, Nipple	2	
407	2750527	Hose	2	
408	2220063	Fitting	3	
409	4300031	Stud (Welded on Part)	1	
410	4761400	Lockwasher 1/4"	1	
411	3311401	Nut 1/4"-20NC	1	
412	1320040	Clamp, Insulated	1	

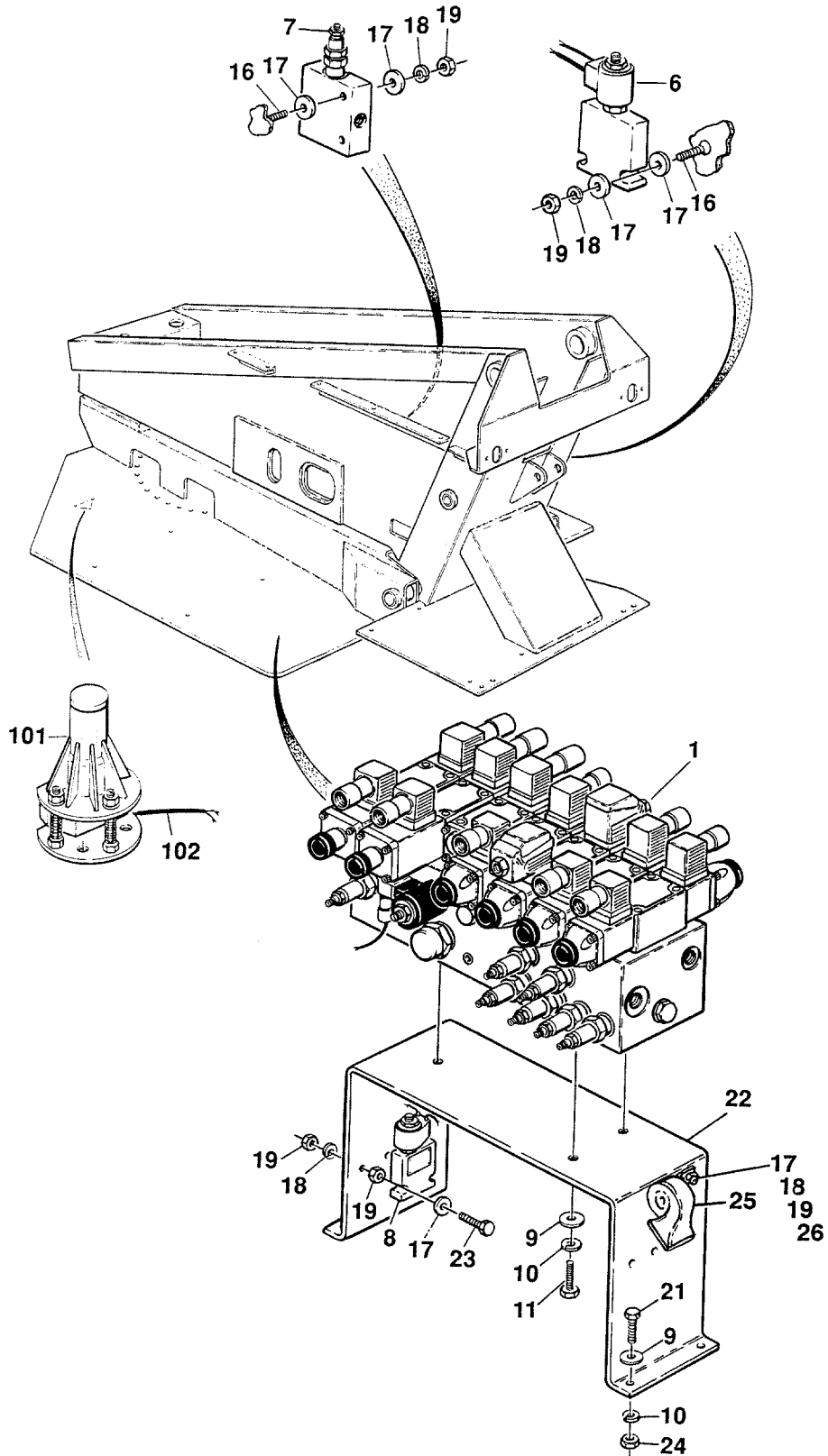
SECTION 2 TURNTABLE

FIGURE 2-1. TURNTABLE, BOOM AND SWITCHES INSTALLATION (CONTINUED)

FIG & ITEM #	PART NUMBER	DESCRIPTION	QTY.	REV.

SECTION 2 TURNTABLE

FIGURE 2-2. VALVES INSTALLATION - TURNTABLE MOUNTED



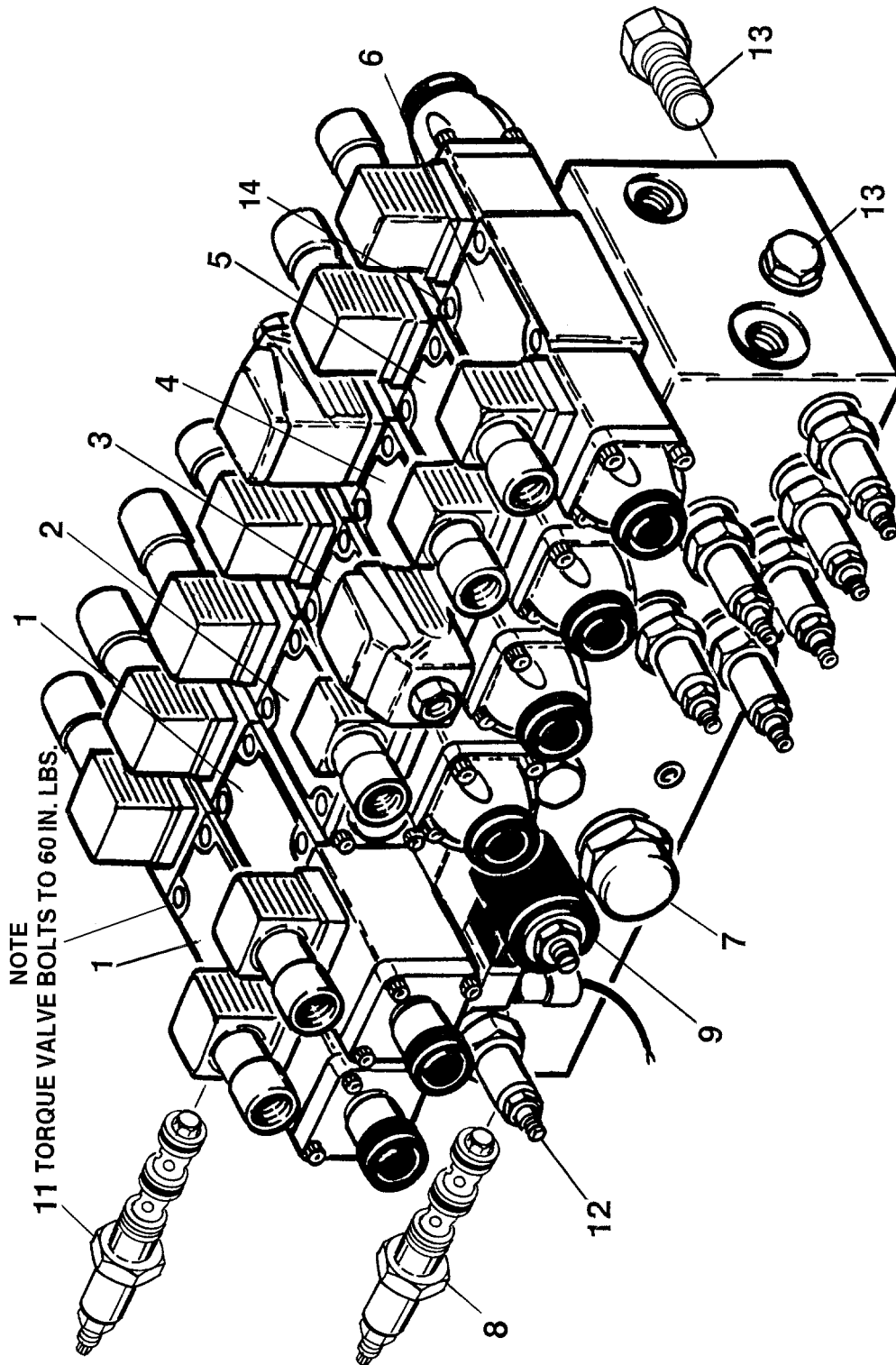
SECTION 2 TURNTABLE

FIGURE 2-2. VALVES INSTALLATION - TURNTABLE MOUNTED

FIG & ITEM #	PART NUMBER	DESCRIPTION	QTY.	REV.
		VALVES INSTALLATION - TURNTABLE MOUNTED	Ref.	
	0252709	Prior To S/N 38697	Ref.	4
	0258677	S/N 38697 To Present	Ref.	2
1		Valve Assembly - Hydro-Air Options:	1	
	4640738	Prior to S/N 38697 (See Figure 2-3 for Breakdown)		
	4641065	S/N 38697 to Production (See Figure 2-4 for Breakdown)		
	4641181	Post Production (See Figure 2-4 for Breakdown)		
2 to 5	Not Used			
6	4640758	Valve Assembly - 3 - Way Solenoid	1	
	7012906	Coil	1	
	7012907	Seal Kit	1	
7		Valve, Counterbalance Options:	1	
	4640626	Prior to S/N 38697		
	4641079	S/N 38697 to Present		
8	4640543	Valve Assembly - Solenoid	1	
	7009745	Coil (Vickers/Modular Controls Version)	1	
	7004368	Coil (Hydraforce Version)	1	
9	4711600	Flatwasher 3/8"	11	
10	4761600	Lockwasher 3/8"	7	
11	0641609	Bolt 3/8"-16NC x 1 1/8"	3	
12 to 15	Not Used			
16	4300036	Stud (Welded on Part)	4	
17	4711400	Flatwasher 1/4"	17	
18	4761400	Lockwasher 1/4"	11	
19	3311401	Nut 1/4"-20NC	17	
20	Not Used			
21	0641616	Bolt 3/8"-16NC x 2"	4	
22	3535942	Plate, Valve Mounting	1	
23	0641420	Bolt 1/4"-20NC x 2 1/2"	2	
24	3311605	Nut 3/8"-16NC	4	
25	0140001	Horn	1	
26	0641406	Bolt 1/4"-20NC x 3/4"	1	
		TILT INDICATOR INSTALLATION	Ref.	
	0239858	Prior To September 1994	Ref.	B
	0253159	September 1994 To Present	Ref.	2
101		Switch, Level Sensor - 5° Options:	1	
	4360171	Prior To September 1994		
	4360362	September 1994 To Present		
102	2820022	Tubing, Vinyl (6 in./14cm Per Switch) (Prior to September 1994)	6 in./14cm	

SECTION 2 TURNTABLE

FIGURE 2-3. VALVES ASSEMBLY - HYDRO AIR (PRIOR TO S/N 38697)



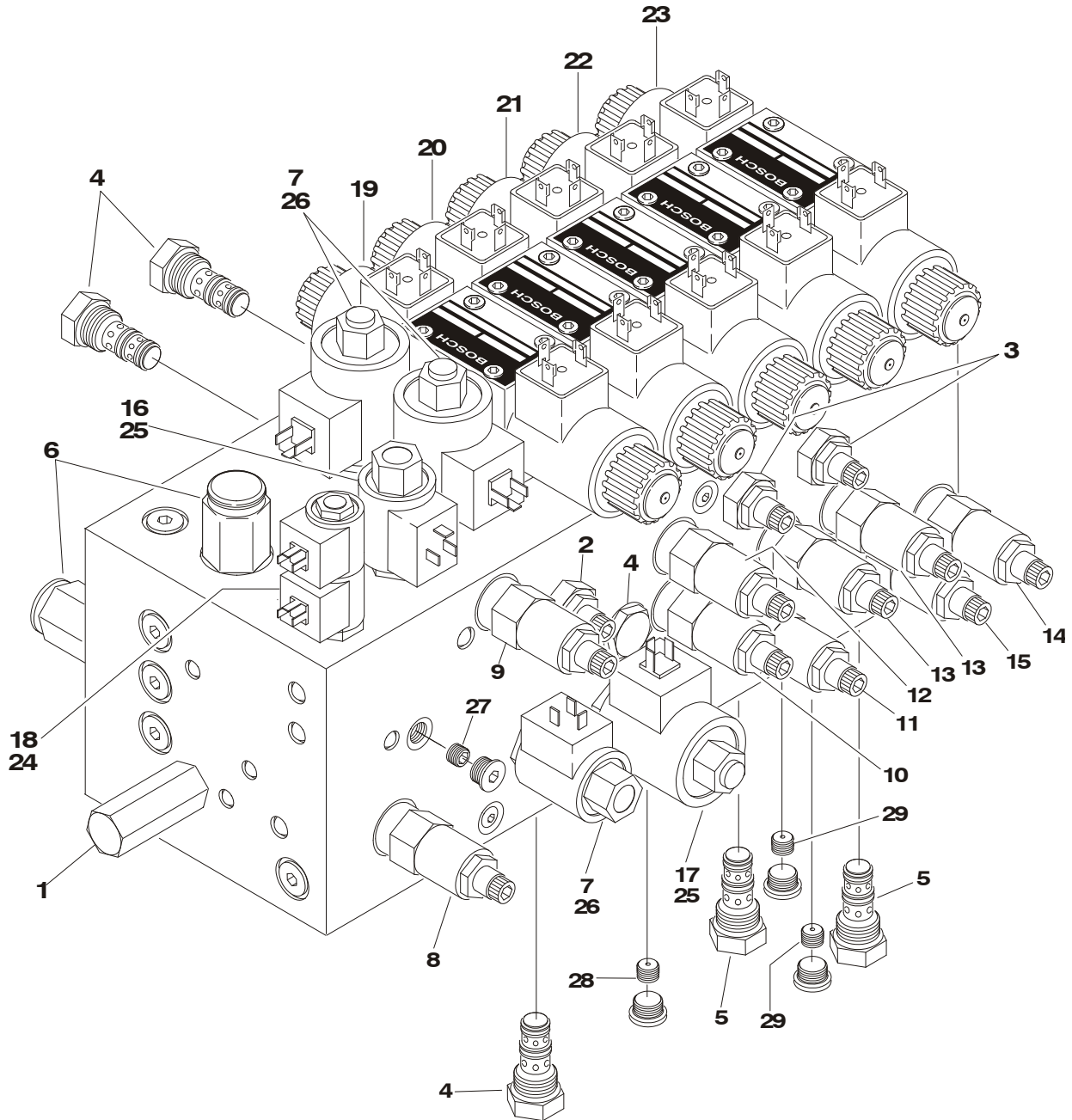
SECTION 2 TURNTABLE

FIGURE 2-3. VALVES ASSEMBLY - HYDRO AIR (PRIOR TO S/N 38697)

FIG & ITEM #	PART NUMBER	DESCRIPTION	QTY.	REV.
	4640738	VALVE ASSEMBLY - HYDRO-AIR (PRIOR TO S/N 38697)	Ref.	—
1	7012717	Rexroth Valve Section - Complete (Swing and Lift)	2	
	7012728	Coil, Solenoid (2 Per Section)	4	
2	7012718	Rexroth Valve Section - Complete (Flow) (was p/n 4640782)	1	
	7012728	Coil, Solenoid (1 Per Section)	1	
3	7012720	Rexroth Valve Section - Complete (Telescope)	1	
	7012730	Coil, Solenoid (2 Per Section)	2	
	7012734	Orifice 2.7mm (Located in T Port)	1	
4	7012719	Rexroth Valve Section - Complete (Extend-A-Reach)	1	
	7012729	Coil, Solenoid (2 Per Section)	2	
	7012735	Diode Circuit Board (2 Per Section)	2	
	7012736	Orifice 1.2mm (Located in Port A Only)	1	
5	4640788	Rexroth Valve Section - Complete (Rotate)	1	
	7012730	Coil, Solenoid (2 Per Section)	2	
6	7012722	Rexroth Valve Section - Complete (Platform Level)	1	
	7012730	Coil, Solenoid (2 Per Section)	2	
	7012736	Orifice 1.2mm (Located in A and B Ports)	2	
7	7012908	Cartridge, Valve	1	
	7012915	Seal Kit - 7012908 Cartridge	1	
8	7012909	Cartridge, Valve	1	
	7012916	Seal Kit - 7012909 Cartridge	1	
9	7012910	Cartridge, Valve (Without Coil)	1	
	2900756	Seal Kit - 7012910 Cartridge	1	
	7000645	Coil - 12V	1	
10	7010542	Cartridge, Valve	4	
	7010543	Seal Kit - 7010542 Cartridge (1 Per Cartridge)	4	
11	7012912	Cartridge, Valve	7	
	7010541	Seal Kit - 7012912 Cartridge (1 Per Cartridge)	7	
12	7012913	Cartridge, Valve	1	
	2900708	Seal Kit - 7012913 Cartridge (1 Per Cartridge)	1	
13	7012914	Cartridge, Valve	2	
	7012918	Seal Kit - 7012914 Cartridge (1 Per Cartridge)	2	
14	7018942	Capscrew, Socket Head #10-24NC x 2"	A/R	
	7012725	Seal Kit - Rexroth Valve Sections (1 Per Valve Section)	7	

SECTION 2 TURNTABLE

FIGURE 2-4. VALVES ASSEMBLY - HYDRO AIR (S/N 38697 TO PRESENT)



SECTION 2 TURNTABLE

FIGURE 2-4. VALVES ASSEMBLY - HYDRO AIR (S/N 38697 TO PRESENT)

FIG & ITEM #	PART NUMBER	DESCRIPTION	QTY.	REV.
		VALVE ASSEMBLIES	Ref.	
	4641065	PRODUCTION	Ref.	E
	4641181	POST PRODUCTION	Ref.	B
1	7017482	Cartridge, Valve	1	
	7012518	Seal Kit - 7017482 Cartridge	1	
2	7012997	Cartridge, Flow Control (Lift Down Speed Control)	1	
	7010545	Seal Kit - 7012997 Cartridge	1	
3	7017483	Cartridge, Flow Control	2	
	7012953	Seal Kit - 7017483 Cartridge	2	
4	7010542	Cartridge, Load Shuttle	4	
	7010543	Seal Kit - 7010542 Cartridge (1 Per Cartridge)	4	
5	7012914	Cartridge, Pilot Check	2	
	7012918	Seal Kit - 7012914 Cartridge (1 Per Cartridge)	2	
6	7017484	Cartridge, Pilot Directional	2	
	7012942	Seal Kit - 7017484 Cartridge (1 Per Cartridge)	2	
7	7017485	Cartridge, Proportional Valve (Without Coil) (Lift, Swing, Tele, EAR & Rotate)	3	
	Not Available	Seal Kit - 7017485 Cartridge	3	
8	7021637	Cartridge, Relief Valve (Main Pressure Adjustment)	1	
	7012972	Seal Kit - 7021637 Cartridge	1	
9	7017487	Cartridge, Relief Valve (Lift Down Pressure)	1	
	7017496	Seal Kit - 7017487 Cartridge	1	
10	7017421	Cartridge, Relief Valve (Swing Pressure)	1	
	7012998	Seal Kit - 7017421 Cartridge	1	
11	7017418	Cartridge, Relief Valve (EAR Up Pressure)	1	
	7012998	Seal Kit - 7017418 Cartridge	1	
12	7017488	Cartridge, Relief Valve (EAR Down Pressure)	1	
	7012998	Seal Kit - 7017488 Cartridge	1	
13	7017422	Cartridge, Relief Valve (Rotate Right, Rotate Left)	2	
	7012998	Seal Kit - 7017422 Cartridge	2	
14	7017489	Cartridge, Relief Valve (Level Down Pressure)	1	
	7012998	Seal Kit - 7017489 Cartridge	1	
15	7017422	Cartridge, Relief Valve (Level Up Pressure)	1	
	7012998	Seal Kit - 7017489 Cartridge	1	
16	7012910	Cartridge, Solenoid Valve (Without Coil) (Main Dump)	1	
	2900708	Seal Kit - 7012910 Cartridge	1	
17	7010635	Cartridge, Solenoid Valve (Without Coil) (Lift Down)	1	
	2900708	Seal Kit - 7010635 Cartridge	1	
18	7017452	Cartridge, Solenoid Valve (Without Coil) (Telescope)	1	
	7017402	Seal Kit - 7017452 Cartridge	1	
	7012944	Coil - 12V	2	
19	7021622	Bosch Valve Section - Complete (Lift)	1	
	7021405	Spool (2 Per Section)	1	
	7021401	Coil (2 Per Section)	1	
	7021402	Seal Kit (2 Per Section)	1	
	7021406	Cap, End (2 Per Section)	1	
	7024826	Bolt	4	

SECTION 2 TURNTABLE

SECTION 2 TURNTABLE

FIGURE 2-4. VALVES ASSEMBLY - HYDRO AIR (S/N 38697 TO PRESENT) (CONTINUED)

FIG & ITEM #	PART NUMBER	DESCRIPTION	QTY.	REV.
20	7017491	Bosch Valve Section - Complete (Swing)	1	
	7021404	Spool (2 Per Section)	1	
	7021401	Coil (2 Per Section)	1	
	7021402	Seal Kit (2 Per Section)	1	
	7021403	Cap, End (2 Per Section)	1	
	7024826	Bolt	4	
	21	7017491	Bosch Valve Section - Complete (EAR)	1
7021404		Spool (2 Per Section)	1	
7021401		Coil (2 Per Section)	1	
7021402		Seal Kit (2 Per Section)	1	
7021403		Cap, End (2 Per Section)	1	
7024826		Bolt	4	
22		7017490	Bosch Valve Section - Complete (Rotate)	1
	7021400	Spool (2 Per Section)	1	
	7021401	Coil (2 Per Section)	1	
	7021402	Seal Kit (2 Per Section)	1	
	7021403	Cap, End (2 Per Section)	1	
	7024826	Bolt	4	
	23	7017491	Bosch Valve Section - Complete (Level)	1
7021404		Spool (2 Per Section)	1	
7021401		Coil (2 Per Section)	1	
7021402		Seal Kit (2 Per Section)	1	
7021403		Cap, End (2 Per Section)	1	
7024826		Bolt	4	
24		7012944	Coil	2
25	7012943	Coil	2	
26	7017451	Coil	3	
27	7017492	Orifice	1	
28	7017493	Orifice	1	
29	7017494	Orifice	2	

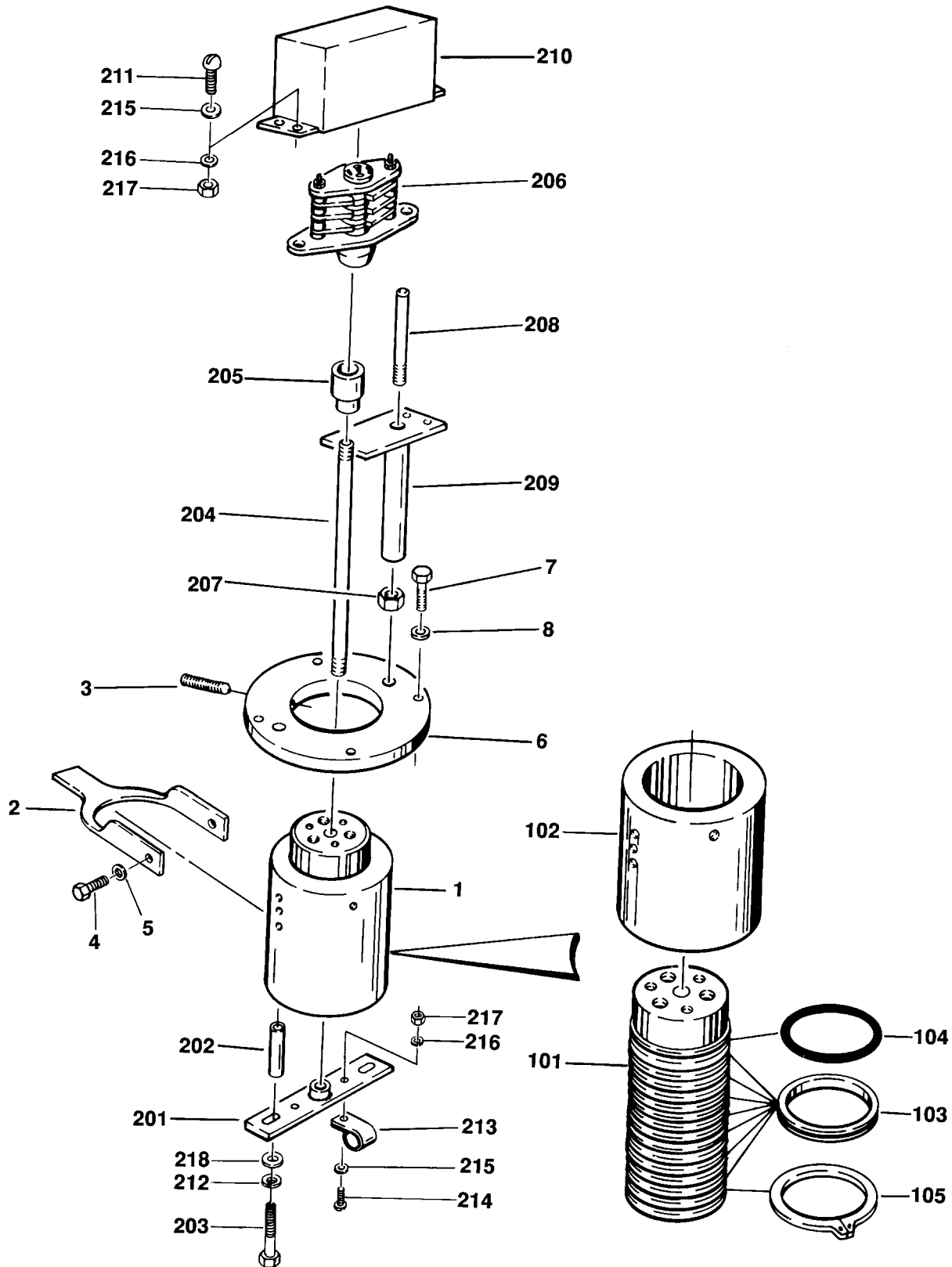
SECTION 2 TURNTABLE

FIGURE 2-4. VALVES ASSEMBLY - HYDRO AIR (S/N 38697 TO PRESENT) (CONTINUED)

FIG & ITEM #	PART NUMBER	DESCRIPTION	QTY.	REV.

SECTION 2 TURNTABLE

FIGURE 2-5. ROTARY COUPLING AND COLLECTOR RING ASSEMBLY AND INSTALLATION



SECTION 2 TURNTABLE

FIGURE 2-5. ROTARY COUPLING AND COLLECTOR RING ASSEMBLY AND INSTALLATION

FIG & ITEM #	PART NUMBER	DESCRIPTION	QTY.	REV.
		ROTARY COUPLING AND COLLECTOR RING ASSEMBLY AND INSTALLATION OPTIONS:	Ref.	
	0250611	PRIOR TO SEPTEMBER 1994	Ref.	B
	0254882	SEPTEMBER 1994 TO PRESENT	Ref.	3
		ROTARY OIL COUPLING INSTALLATIONS	Ref.	
1		Rotary Oil Coupling Assembly Options:		
	1660185	Prior To September 1994 (See Items 101-105 For Breakdown)	1	—
	1660213	September 1994 to Present	1	A
	7013175	Seal Kit - 1660213 Coupling	1	
2	3530403	Plate, Retaining	1	
3	3951820	Setscrew 1/2"-13NC x 2 1/2"	2	
4	0641807	Bolt 1/2"-13NC x 7/8"	2	
5	4761800	Lockwasher 1/2"	2	
6	1440154	Collar	1	
7	0641512	Bolt 5/16"-18NC x 1 1/2" (Prior to S/N 36536)	4	
	0641514	Bolt 5/16"-18NC x 1 3/4" (S/N 36536 to Present)	4	
8	4761500	Lockwasher 5/16"	4	
	0100011	Loctite #242	A/R	
	0100019	Loctite #271	A/R	
	1660185	ROTARY OIL COUPLING ASSEMBLY	Ref.	—
101	0620106	Body, Swivel	1	
102	2760091	Housing, Swivel	1	
103	Kit	T-Seal	7	
104	3760004	Ring, Retaining	1	
105	Kit	O-Ring	1	

		Seal Kit Options:	1	
	2901146	1660185 Coupling (Includes Items 103 and 105)		
	Use 1660213EX	1660213 Coupling (was p/n 7013175)		
		Note: Due to complexity of repair, seal kit no longer available. Use rebuilt unit as replacement.		
	0252284	COLLECTOR RING INSTALLATION (FOUR WHEEL STEER ONLY)	Ref.	3
201	4843822	Bracket Weldment	1	
202	0960224	Bushing	2	
203	0641418	Bolt 1/4"-20NC x 2 1/4"	2	
204	2180763	Pipe	1	
205	0961531	Bushing	1	
206	3760108	Collector Ring Assembly	1	
207	3311801	Nut 1/2"-13NC	2	
208	3420290	Pin, Drive	2	
209	0231047	Guide, Drive	2	
210	0234721	Cover	1	

SECTION 2 TURNTABLE

SECTION 2 TURNTABLE

FIGURE 2-5. ROTARY COUPLING AND COLLECTOR RING ASSEMBLY AND INSTALLATION
(CONTINUED)

FIG & ITEM #	PART NUMBER	DESCRIPTION	QTY.	REV.
211	0721004	Screw, Machine #10-24NC x 1/2"	4	
212	4761400	Lockwasher 1/4"	2	
213	1320040	Clamp, Cable	2	
214	3911012	Screw, Machine	2	
215	4751000	Flatwasher #10	6	
216	4761000	Lockwasher #10	6	
217	3311001	Nut #10-24NC	6	
218	4751400	Flatwasher 1/4"	2	

SECTION 2 TURNTABLE

FIGURE 2-5. ROTARY COULPING AND COLLECTOR RING ASSEMBLY AND INSTALLATION
(CONTINUED)

FIG & ITEM #	PART NUMBER	DESCRIPTION	QTY.	REV.

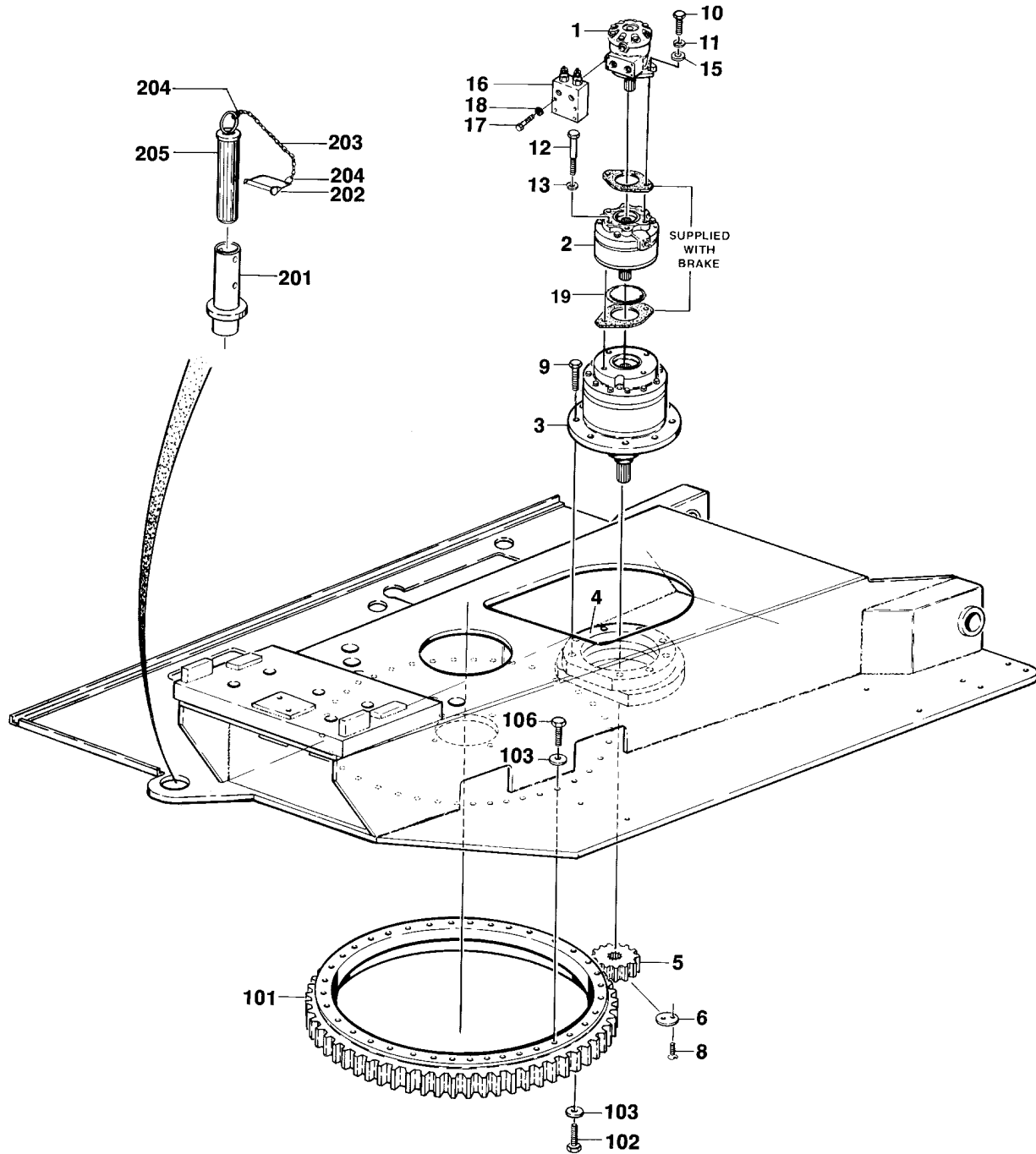
**S
E
C
T
I
O
N

2

T
U
R
N
T
A
B
L
E**

SECTION 2 TURNTABLE

FIGURE 2-6. SWING DRIVE AND BEARING INSTALLATION.



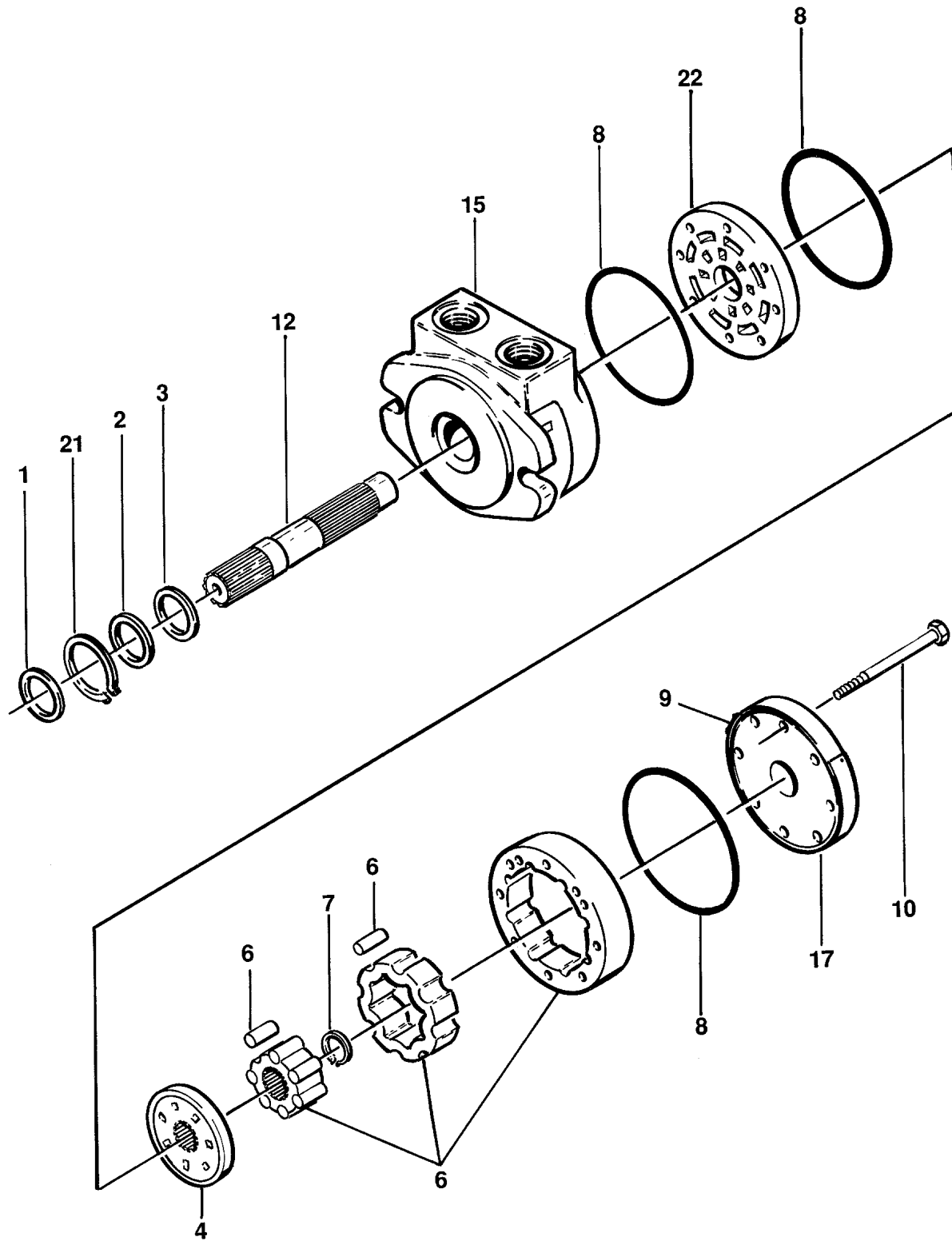
SECTION 2 TURNTABLE

FIGURE 2-6. SWING DRIVE AND BEARING INSTALLATION.

FIG & ITEM #	PART NUMBER	DESCRIPTION	QTY.	REV.
	0252675	SWING DRIVE INSTALLATION	Ref.	5
1	3160184	Swing Motor Assembly (See Figure 2-7 for Breakdown)	1	
2		Swing Brake Assembly Options (See Figure 2-8 for Breakdown):	1	
	0920083	Prior to S/N 33476		
	0920109	S/N 33476 to Present		
3	2780116	Swing Hub Assembly (See Figure 2-9 for Breakdown)	1	
4	4844109	Mounting Weldment - Swing Drive	1	
5	2440058	Gear, Pinion	1	
6	3533337	Plate, Retaining	1	
7	Not Used			
8	3900164	Screw, Countersunk 1/2"-20NF x 1"	2	
9	0642216	Bolt 3/4"-10NC x 2"	8	
10	0641810	Bolt 1/2"-13NC x 1 1/4"	2	
11	4761800	Lockwasher 1/2"	2	
12	3931864	Bolt, Socket Head 1/2"-13NC x 4" (Grade 8)	2	
13	4740189	Washer, Special	2	
14	Not Used			
15	4740171	Washer, Special Hardened	2	
16	4640741	Motor Control Valve Assembly	1	
	7011320	Cartridge	2	
	2900770	Seal Kit	2	
17	0641520	Bolt 5/16"-18NC x 2 1/2"	4	
18	4761500	Lockwasher 5/16"	4	
19	3790155	O-Ring (S/N 40756 to Present)	1	
	0100019	Loctite #271	A/R	
	0100009	Sealant, Pipe	A/R	
	0250348	TURNTABLE BEARING INSTALLATION	Ref.	7/F
101	0440193	Bearing	1	
102	0682016	Bolt 5/8"-11NC x 2"	40	
103	4740004	Washer, Special Hardened	80	
104	0100019	Loctite #271 (Not Shown)	A/R	
105	Not Used			
106		Bolt Options:	40	
	0682016	Prior to S/N 53244 Use Bolt 5/8"-11NC x 2"		
	0682026	Prior to S/N 53244 Use Bolt 5/8"-11NC x 3 1/4"		
	0239842	TURNTABLE LOCK INSTALLATION	Ref.	2
201	4843318	Bushing Weldment	1	
202	3421565	Pin, Snap	1	
203	1260017	Chain - #3	9 in/23cm	
204	3760170	Ring, Quick Release	2	
205	3421563	Pin, Turntable Lock	1	

SECTION 2 TURNTABLE

FIGURE 2-7. SWING MOTOR ASSEMBLY



SECTION 2 TURNTABLE

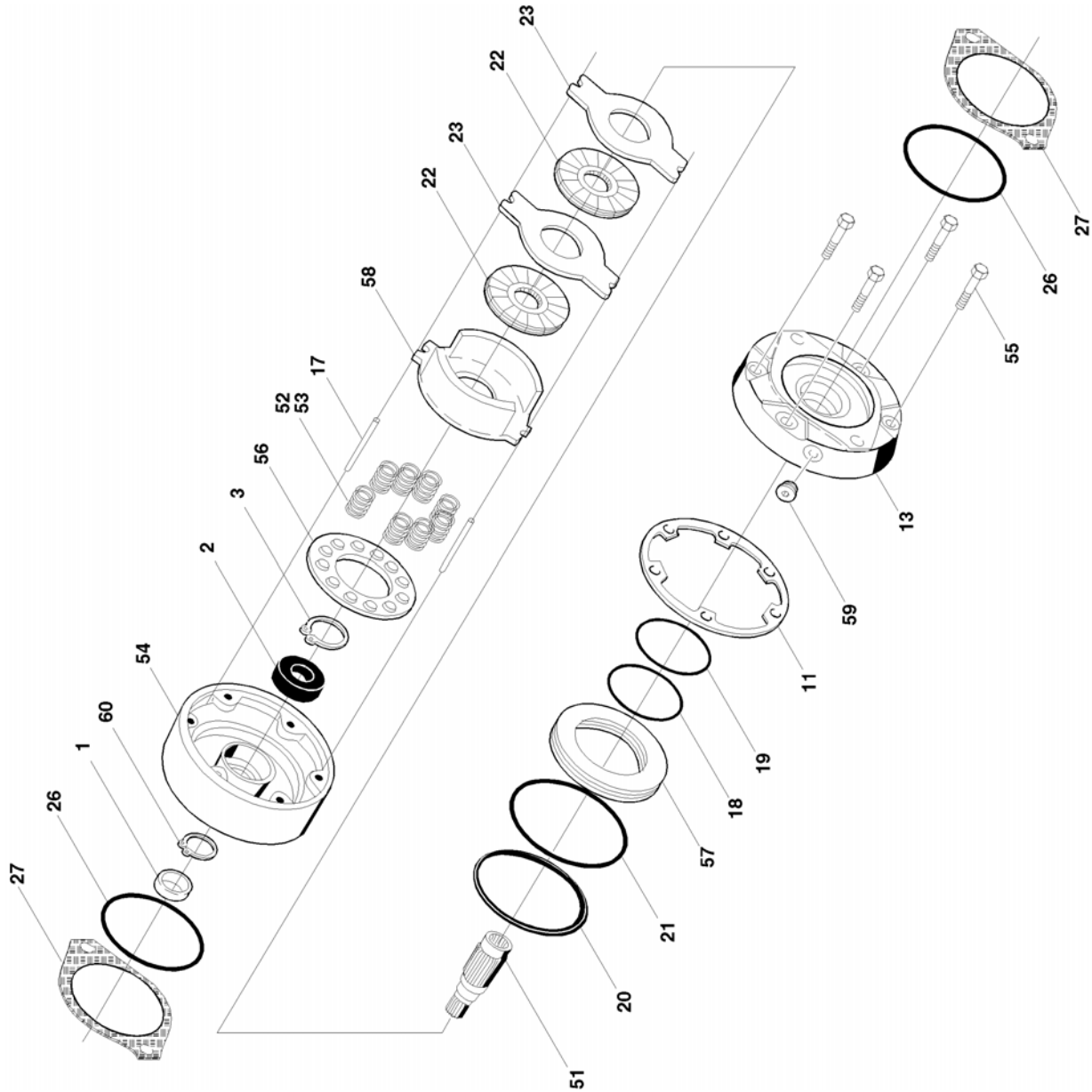
FIGURE 2-7. SWING MOTOR ASSEMBLY

FIG & ITEM #	PART NUMBER	DESCRIPTION	QTY.	REV.
	3160184	SWING MOTOR ASSEMBLY	Ref.	B
1	Kit	Seal, Dust	1	
2	Kit	Ring, Back-Up	1	
3	Kit	Seal, Lip	1	
4	7004196	Valve, Rotary	1	
5	7004167	Ball, Check Valve	2	
6	7004179	IGR Assembly	1	
7	Kit	Ring, Snap	1	
8	Kit	Seal, Ring	3	
9	7004171	Plug, Vent (Includes O-Ring)	1	
10	7010780	Bolt	8	
11	Not Used			
12	7010781	Shaft, Spline	1	
13	Not Used			
14	Not Used			
15	7010782	Body/Bearing Assembly	1	
16	Not Used			
17	7004192	Cover/Bearing Assembly	1	
18	Not Used			
19	Not Used			
20	Not Used			
21	Kit	Ring, Retaining	1	
22	7010776	Plate, Commutator	1	

	2900798	Seal Kit (Includes Items 1,2,3,7,8 and 21))	1	

SECTION 2 TURNTABLE

FIGURE 2-8. SWING BRAKE ASSEMBLY



SECTION 2 TURNTABLE

FIGURE 2-8. SWING BRAKE ASSEMBLY

FIG & ITEM #	PART NUMBER	DESCRIPTION	QTY.	REV.
		SWING BRAKE ASSEMBLY	Ref.	
1	Kit	Seal, Oil	1	
2	Kit	Bearing	1	
3	7007977	Ring, Retaining	1	
4 to 10	Not Used			
11	Kit	Seal, Case	1	
12	Not Used			
13	7011719	Cover	1	
14	Not Used			
15	7007987	Pin, Dowel	2	
16	Kit	Ring, Back-up (Inner)	1	
17	Kit	O-Ring (Inner)	1	
18	Kit	Ring, Back-up (Outer)	1	
19	Kit	O-Ring (Outer)	1	
20	Kit	Rotor	2	
21	Kit	Stator	2	
22	Not Used			
23	Not Used			
24	Not Used			
25	Not Used			
26	Kit	O-Ring	2	
27	7007934	Gasket	2	
	2900766	Seal Kit (Includes items 1,11,16,17,18,19,26 and 27)	1	
	2900768	Bearing Kit (Includes Items 1,2,11,26 and 27)	1	
		SWING BRAKE ASSEMBLY (VARIABLE PARTS)		
	0920083	Machines Built Through 1992	Ref.	—
	0920083	Machines Built 1993 to S/N 33476	Ref.	A
	0920109	Machines Built S/N 33476 to Present	Ref.	B
51		Shaft Options:	1	
	7011718	Machines Built Through 1992		
	7011720	Machines Built Through 1993 to Present		
52		Spring Options:	A/R	
		0920083 Brake Components:		
	7007979	Spring (Small)	6	
	7007980	Spring (Large)	6	
	Not Required	0920109 Brake	0	
53		Spring Options:	A/R	
	Not Required	0920083 Brake	0	
		0920109 Brake Components:		
	7007970	Spring (Red)	6	
	7018602	Spring (Blue)	3	
54		Housing Options:	1	
	7007981	Machines Built Through 1992		
	7011713	Machines Built Through 1993 to S/N 33476		
	7018605	Machines Built S/N 33476 to Present		

SECTION 2 TURNTABLE

SECTION 2 TURNTABLE

FIGURE 2-8. SWING BRAKE ASSEMBLY (CONTINUED)

FIG & ITEM #	PART NUMBER	DESCRIPTION	QTY.	REV.
55		Bolt, Washer Head	4	
	7007985	0920083 Brake		
	7018607	0920109 Brake		
56		Guide, Spring	1	
	Not Required	Machines Built Through 1992		
	7011717	Machines Built Through 1993 to S/N 33476		
	7018606	Machines Built S/N 33476 to Present		
57		Piston	1	
	7007923	0920083 Brake		
	7018603	0920109 Brake		
58		Return Plate/Separator Assembly Options:	A/R	
		0920083 Brake Components:		
	Kit	Plate, Return		
	7011715	Separator Assembly		
	7011714	Pin		
	7007983	Separator		
	7018604	0920109 Brake (1 Welded Component)		
59		Screw, Bleeder/Plug Options:	1	
	7007914	0920083 Brake (Screw, Bleeder)		
	7018609	0920109 Brake (Plug)		
60		Ring, Retaining Options:	A/R	
	Not Required	Machines Built Through 1992		
	7011716	Machines Built Through 1993 to Present		
		----- Lining Kit Options (Includes Items 11,20,21,26, 27 & 58):		
	2900767	0920083 Brake	1	
	7018608	0920109 Brake		

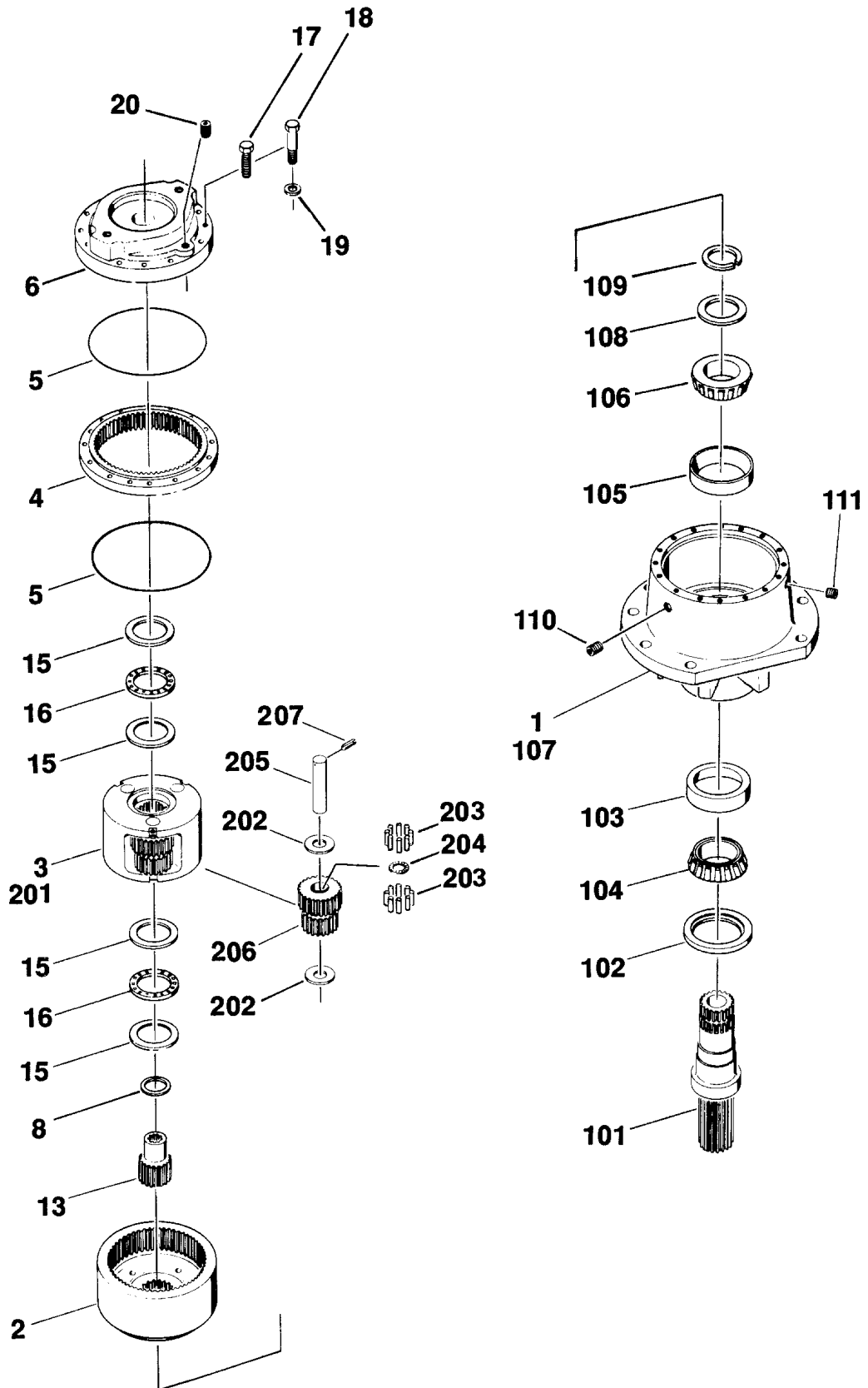
SECTION 2 TURNTABLE

FIGURE 2-8. SWING BRAKE ASSEMBLY (CONTINUED)

FIG & ITEM #	PART NUMBER	DESCRIPTION	QTY.	REV.

SECTION 2 TURNTABLE

FIGURE 2-9. SWING HUB ASSEMBLY



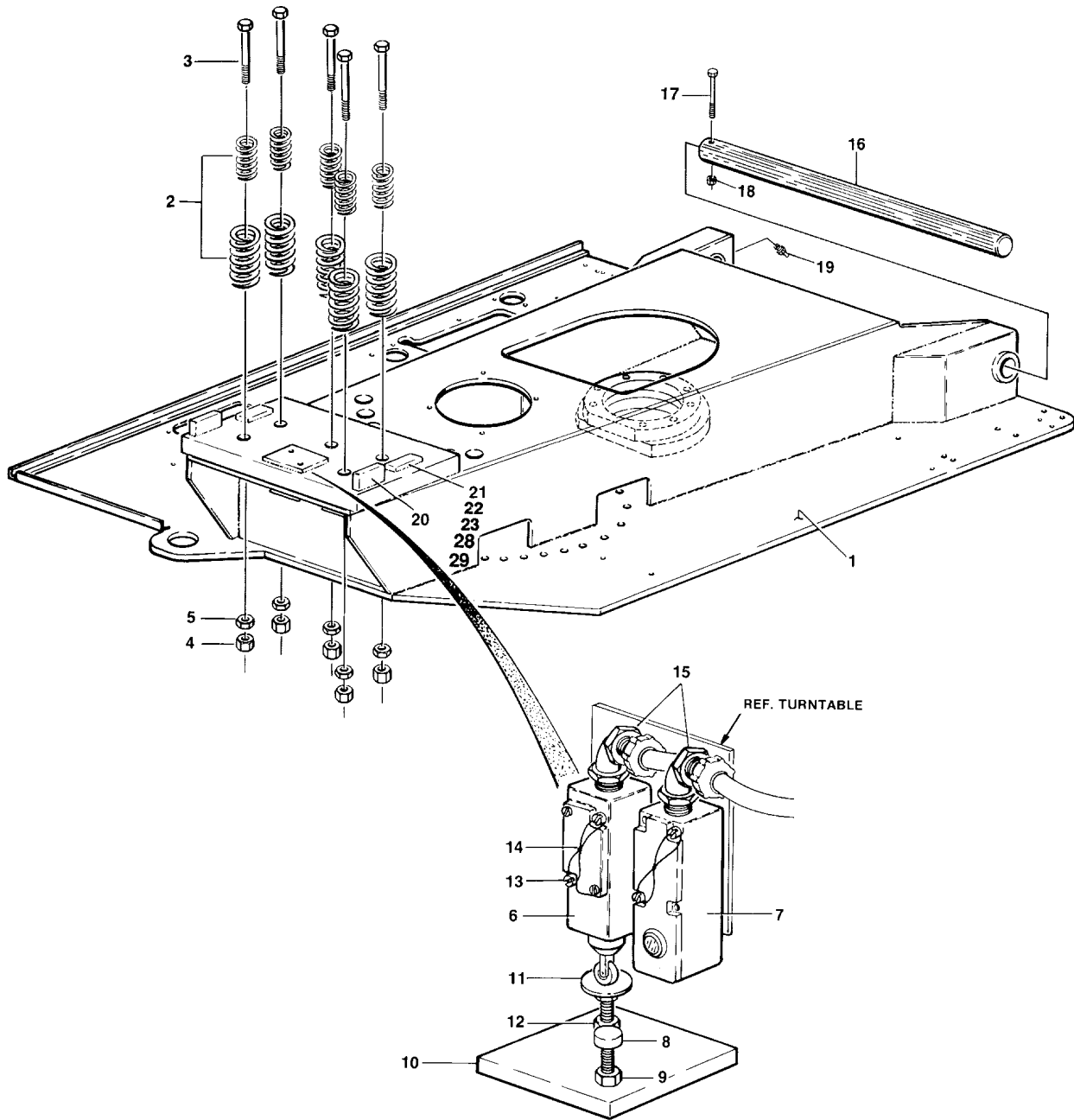
SECTION 2 TURNTABLE

FIGURE 2-9. SWING HUB ASSEMBLY

FIG & ITEM #	PART NUMBER	DESCRIPTION	QTY.	REV.
	2780116	SWING HUB ASSEMBLY	Ref.	—
1	7001916	Hub and Spindle Assembly (See Items 101-111 for Breakdown)	1	
2	7001917	Gear, Internal	1	
3	7001918	Carrier Assembly (See items 201-207 for Breakdown)	1	
4	7000279	Gear, Ring	1	
5	Kit	O-Ring	2	
6	7001920	Cover	1	
7	Not Used			
8	7001922	Washer, Thrust	1	
9	Not Used			
10	Not Used			
11	Not Used			
12	Not Used			
13	7001921	Gear, Input	1	
14	Not Used			
15	7000287	Washer, Thrust	4	
16	7000288	Bearing, Thrust	2	
17	7001923	Bolt	8	
18	7001924	Bolt, Shoulder	4	
19	7001929	Lockwasher	4	
20	7001926	Plug, Pipe	1	
	7001916	HUB AND SPINDLE ASSEMBLY	Ref.	
101	7001982	Shaft, Output	1	
102	Kit	Seal, Lip	1	
103	7000272	Cup, Bearing	1	
104	7000273	Cone, Bearing	1	
105	7000274	Cup, Bearing	1	
106	7000275	Cone, Bearing	1	
107	Not Available	Hub	1	
108	Kit	Spacer	1	
109	Kit	Ring, Retaining	1	
110	7001928	Plug, Pipe	1	
111	7001926	Plug, Pipe	2	
	7001918	CARRIER ASSEMBLY	Ref.	
201	Not Available	Housing, Carrier	1	
202	Kit	Washer, Thrust	6	
203	7001902	Bearing, Needle	84	
204	Kit	Spacer	3	
205	7001904	Shaft, Planet	3	
206	Kit	Gear, Cluster	3	
207	Kit	Rollpin	3	
	2900202	Seal Kit (Includes Items 5, 102, 108 and 109)	1	
	7001927	Cluster Gear Kit (Includes Items 202, 204,206 and 207)	1	

SECTION 2 TURNTABLE

FIGURE 2-10. LOAD MANAGEMENT INSTALLATION



SECTION 2 TURNTABLE

FIGURE 2-10. LOAD MANAGEMENT INSTALLATION

FIG & ITEM #	PART NUMBER	DESCRIPTION	QTY.	REV.
	0239868	LOAD MANAGEMENT INSTALLATION	Ref.	7
1		Base Weldment Options:	1	
	4843310	Prior to May 1992		
	4844080	May 1992 to September 1992		
	4844272	September 1992 to Present		
2	4160099	Spring	5	
3	0630422	Bolt 1 1/4"-&NC x 14"	5	
4	3313002	Nut, Jam 1 1/4"-7NC	5	
5	3273001	Nut 1 1/4"-7NC (Grade 8)	5	
6	4360263	Switch, Limit	1	
7	4360259	Switch, Proximity	1	
8	3841004	Rod, Actuator	1	
9	3321501	Nut 5/16"-18	1	
10	3533414	Plate, Actuator Mounting	1	
11	4843128	Actuator, Switch (Prior to S/N 27316)	1	
	0630510	Bolt, Leveler (S/N 27316 to Present)	1	
12	3321405	Locknut 1/4"-28NF	1	
13	3900104	Screw, Drilled Head #10-24NC x 2 1/4"	4	
14	4920140	Lockwire	2	
15	4460342	Connector, Strain Relief	2	
16	3421677	Pin, Load Moment Pivot	1	
17	0642252	Bolt 3/4"-10NC x 6 1/2"	1	
18	3312205	Locknut 3/4"-10NC	1	
19	2160002	Fitting, Grease	2	
20	4220120	Stop, Turntable	2	
21	4220121	Stop, Turntable	A/R	
22	4070729	Shim 11 GA x 1 1/2" x 4"	A/R	
23	4070728	Shim 16 GA x 1 1/2" x 4"	A/R	
24	Not Used			
25	Not Used			
26	Not Used			
27	Not Used			
28	4220157	Stop, Turntable 1/2" x 1 1/2" x 4"	A/R	
29	4220158	Stop, Turntable 1/4" x 1 1/2" x 4"	A/R	
	0100019	----- Loctite	A/R	

SECTION 2 TURNTABLE

FIGURE 2-11. GROUND CONTROLS INSTALLATION

FIG & ITEM #	PART NUMBER	DESCRIPTION	QTY.	REV.
		GROUND CONTROLS INSTALLATION	Ref.	
	0252713	Prior To S/N 38697	Ref.	2
	0258613	S/N 38697 To Present	Ref.	1
1		Ground Control Box Assembly - Deutz Options (See Items 101-181 for Breakdown)	1	
	0860775	Prior to S/N 38697		7
	0861220	S/N 38697 to Present		1
2	2600148	Hinge	1	
3	1780227	Door, Ground Control	1	
4	4751400	Flatwasher 1/4"	14	
5	3311405	Locknut 1/4"-20NC (Prior to S/N 38697)	14	
	3311401	Nut 1/4"-20NC (S/N 38697 to Present)	14	
6	4300031	Stud (Welded on Part) (Prior to S/N 38697)	5	
7	2940042	Latch	1	
8	Not Used			
9	4300032	Stud (Welded on Part)	4	
10	4751500	Flatwasher 5/16"	8	

	0100011	Loctite #242	A/R	
		GROUND CONTROL BOX ASSEMBLY	Ref.	
	0860775	Prior To S/N 38697	Ref.	7
	0861220	S/N 38697 To Present	Ref.	4
101		Lid/Nameplate Options:	1	
	3252182	Prior to May 1994		
	3252354	May 1994 to S/N 45584		
	3252647	S/N 45584 to Present		
102	0860562	Box	1	
103	0140019	Alarm	1	
104	4420037	Gasket	15 ft./4.5m	
105	0610084	Card, Circuit (Engine Relay)	1	
106	0610080	Card, Circuit (Select)	1	
107		Card, Circuit (Load Radius) Options:	1	
	0610083	Prior to April 1993		
	0610106	April 1993 to S/N 44577		
	0610130	S/N 44577 to Present		
108	0610100	Card, Circuit (Overload)	2	
109	3740070	Relay - SPDT	16	
110	3740016	Relay - 3PDT	6	
111	3740057	Relay - 2PDT (Prior to S/N 38697)	2	
	3740122	Relay - 2PDT (S/N 38697 to S/N 41162)	2	
	3740057	Relay - 2PDT (S/N 41162 to Present)	2	
112	3740049	Relay - 5PDT (With Skirt)	A/R	
113	Not Used			
114	4460301	Marker, Terminal (1-50)	1	
115	3640686	Rail	1	
116	4460442	Stop, Terminal	1	

SECTION 2 TURNTABLE

FIGURE 2-11. GROUND CONTROLS INSTALLATION (CONTINUED)

FIG & ITEM #	PART NUMBER	DESCRIPTION	QTY.	REV.
117	4460387	Block, Terminal	35	
118	4460388	Barrier, Terminal	4	
119	4460307	Sleeve, Terminal	20	
120	4460441	Bar, Buss - 5 Position	4	
121	4460306	Washer, Terminal	20	
122	4460305	Screw, Terminal	20	
123	4360216	Breaker, Circuit - 30 Amp	1	
124	4360232	Breaker, Circuit - 15 Amp	2	
125		Switch, Key (Master Select) Options:	1	
	4360319	Prior to S/N 38697		
	4360315	S/N 38697 to S/N 45584		
	4360469	S/N 45584 to Present		
		Key, Replacement Options:	1	
	7012560	Use with 4360319 & 4360315 Switches		
	2860030	Use with 4360469 Switch		
126	4460299	Stop, Terminal	1	
127	2920027	Light, Indicator - Green (Axles Set)	1	
128	2920029	Bulb, Light	3	
129	4360212	Breaker, Circuit - 3 Amp	1	
130	2920026	Light, Indicator - Red (Radius Limit)	1	
131	4360274	Switch, Push Button (Start)	1	
132	Not Used			
133	2920090	Light, Indicator - Blue (Capacity Limit)	1	
134	4360314	Switch, Toggle (Extend-A-Reach, Lift, Swing, Level, Telescope and Rotate)	6	
135	4760600	Lockwasher #6	A/R	
136	4751400	Flatwasher 1/4"	A/R	
137	3311401	Nut 1/4"-20NC	A/R	
138	4751000	Flatwasher #10	4	
139	3311001	Nut #10-24NC	4	
140	4460051	Connector, Strain Relief	6	
141	3300048	Nut, Conduit	6	
142	0960238	Bushing, Reducer	6	
143		Connector, Strain Relief Options:	2	
	4460071	Prior to S/N 31870		
	4460051	S/N 31870 to S/N 34119		
	4460071	S/N 34119 to S/N 41162		
144	4460386	Connector, Strain Relief	1	
145	3300177	Nut, Tinnerman	3	
146	0750806	Screw, Self-Tapping #8 x 3/4"	3	
147	0720804	Screw, Hex #8-32NC x 1/2"	6	
148	4760800	Lockwasher #8	6	
149	3310801	Nut #8-32NC	6	
150	3910606	Screw, Hex #6-32NC x 3/8"	2	
151	4460451	Strip, Terminal Marking - #98	20	
152	3790012	O-Ring	8	
153	4460234	Clamp, Cable	10	
154	4460452	Strip, Terminal marking - #99	20	
155	4120012	Base, Relay	2	
156	3300147	Nut, Conduit	1	

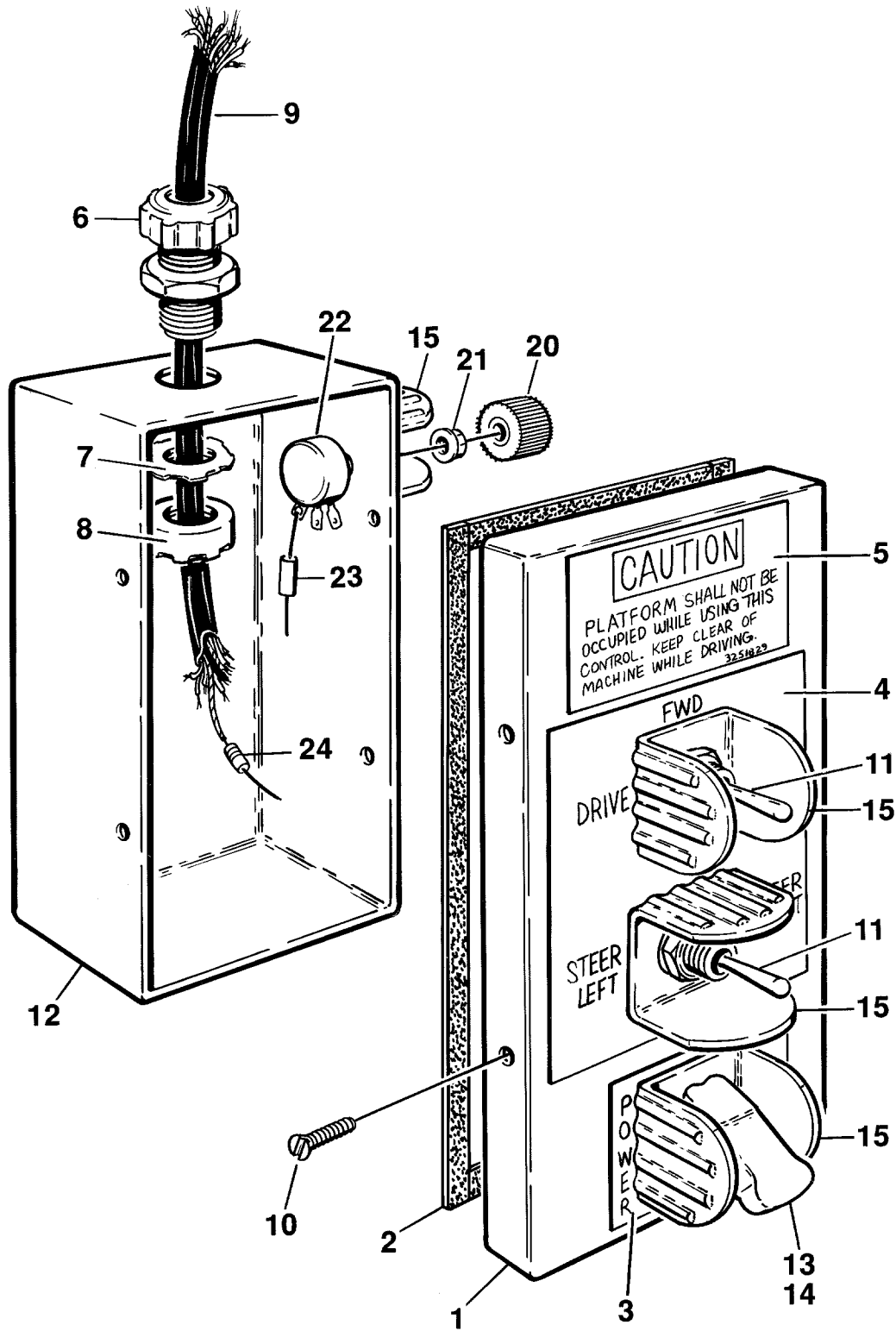
SECTION 2 TURNTABLE

FIGURE 2-11. GROUND CONTROLS INSTALLATION (CONTINUED)

FIG & ITEM #	PART NUMBER	DESCRIPTION	QTY.	REV.
157	3740066	Spring, Relay	2	
158	3910616	Screw, Hex #6-32NC x 1"	10	
159	4564088	Stand-Off #6-32NC x 1/4"	A/R	
160	3310601	Nut #6-32NC	A/R	
161	Not Used			
162	2420009	Hourmeter	1	
163	2420091	Voltmeter	1	
164	2420074	Gauge, Oil Pressure	1	
165	3520070	Plug, Hole	1	
166	0960905	Bushing	1	
167	4360330	Switch, Toggle (Auxiliary Power)	1	
168	4360328	Switch, Toggle (Proximity Manual Test)	1	
169	4060229	Guard, Switch	1	
170	0610091	Card, Circuit (Prior to S/N 38697)	1	
171	4120013	Socket, Relay (Prior to S/N 38697)	1	
172	3740058	Relay (Prior to S/N 38697)	1	
173	3740063	Spring, Relay (Prior to S/N 38697)	1	
174		Block, Contact Options:	1	
	4360282	Prior to S/N 45584		
	4360476	S/N 45584 to Present		
175		Switch, Emergency Stop Options:	1	
	4360289	Prior to S/N 45584		
	4360475	S/N 45584 to Present		
		Cap Options:	1	
	7012611	Cap, Mushroom Head (Used on Switch p/n 4360289)		
	7012612	Boot (Used on Switch p/n 4360289)	1	
	7020175	Cap, Red (Used on Switch p/n 4360475)		
	7020176	Contact Block (Used on Switch p/n 4360475)		
176	Not Used			
177	4740120	Washer, Nylon	3	
178	4750800	Washer, Flat	6	
179	4070991	Shim .125 (S/N 45584 to Present)	1	
180	4070987	Shim .015 (S/N 45584 to Present)	1	
181	3910804	Screw #8-32NC x 1/4" (S/N 45584 to Present)	6	

SECTION 2 TURNTABLE

FIGURE 2-12. REMOTE DRIVE CONTROL BOX ASSEMBLY (PRIOR TO JULY 1992)



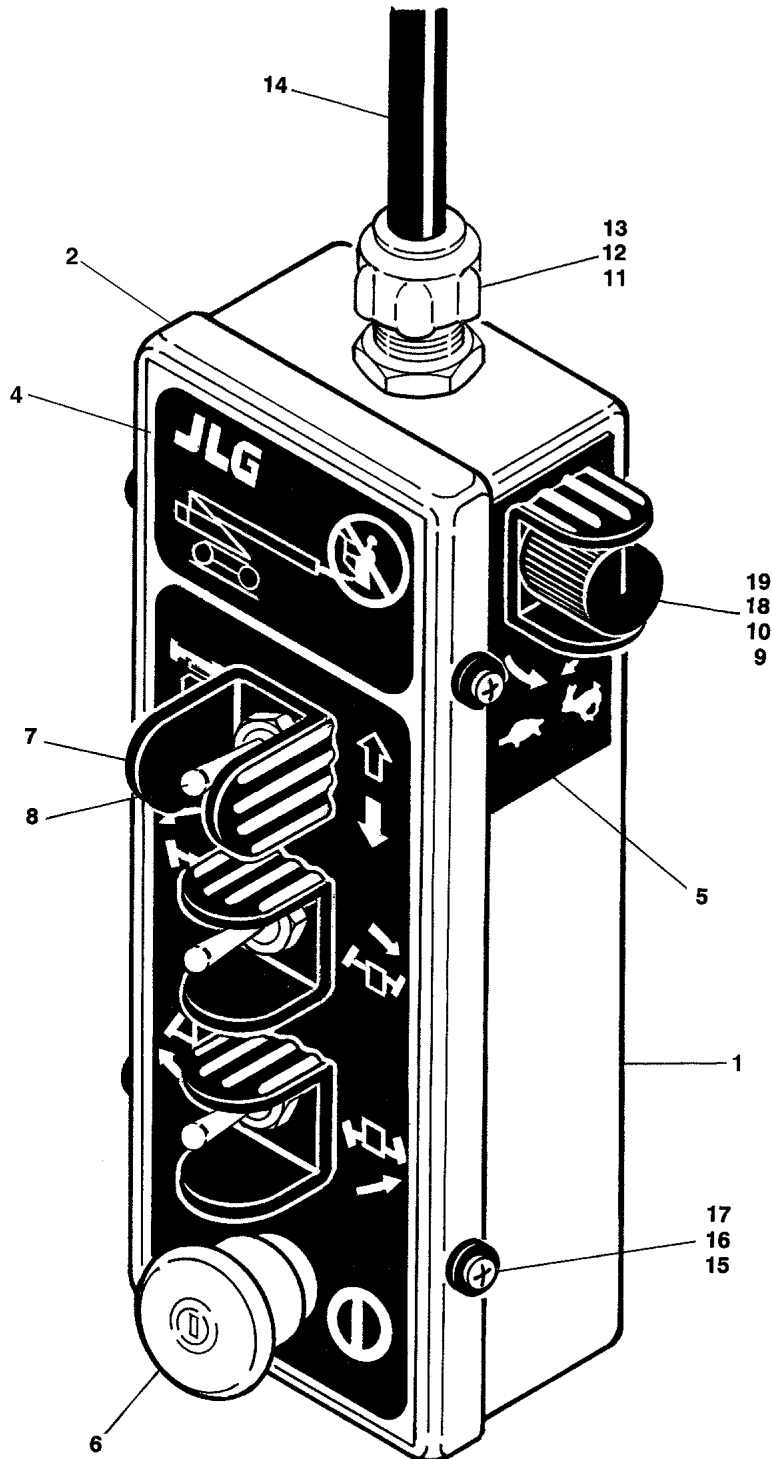
SECTION 2 TURNTABLE

FIGURE 2-12. REMOTE DRIVE CONTROL BOX ASSEMBLY (PRIOR TO JULY 1992)

FIG & ITEM #	PART NUMBER	DESCRIPTION	QTY.	REV.
	0252717	REMOTE DRIVE CONTROL BOX ASSEMBLY (PRIOR TO JULY 1992)	Ref.	A
1	3503928	Lid, Control Box	1	
2	4420037	Tape, Insulation	21 in./53cm	
3	3251831	Nameplate - Emergency Stop	1	
4	3251830	Nameplate - Drive/Steer Functions	1	
5	3251829	Nameplate - Caution	1	
6	4460052	Connector, Strain Relief	1	
7	3300047	Locknut, Conduit	1	
8	0960239	Bushing	1	
9	1060304	Cable, Electrical - 16/10	23 ft./7.62m	
10	3941004	Screw #10 x 1/2"	4	
11	4360074	Switch, Toggle	2	
12	4843020	Control Box Weldment	1	
13	4360071	Switch, Toggle	1	
14	4360141	Guard, Switch	1	
15	4060802	Shield	4	
16	Not Used			
17	Not Used			
18	Not Used			
19	Not Used			
20	2560116	Knob, Speed Control	1	
21	3300352	Nut, Special	1	
22	4360340	Switch, Potentiometer	1	
23	3730091	Resistor	1	
24	3990001	Diode	6	

SECTION 2 TURNTABLE

FIGURE 2-13. REMOTE DRIVE CONTROL BOX ASSEMBLY (JULY 1992 TO PRESENT)



NOTE: 0253148 2/WS JULY 1992 TO OCTOBER 1992
0253604 4/WS OCTOBER 1992 TO PRESENT

SECTION 2 TURNTABLE

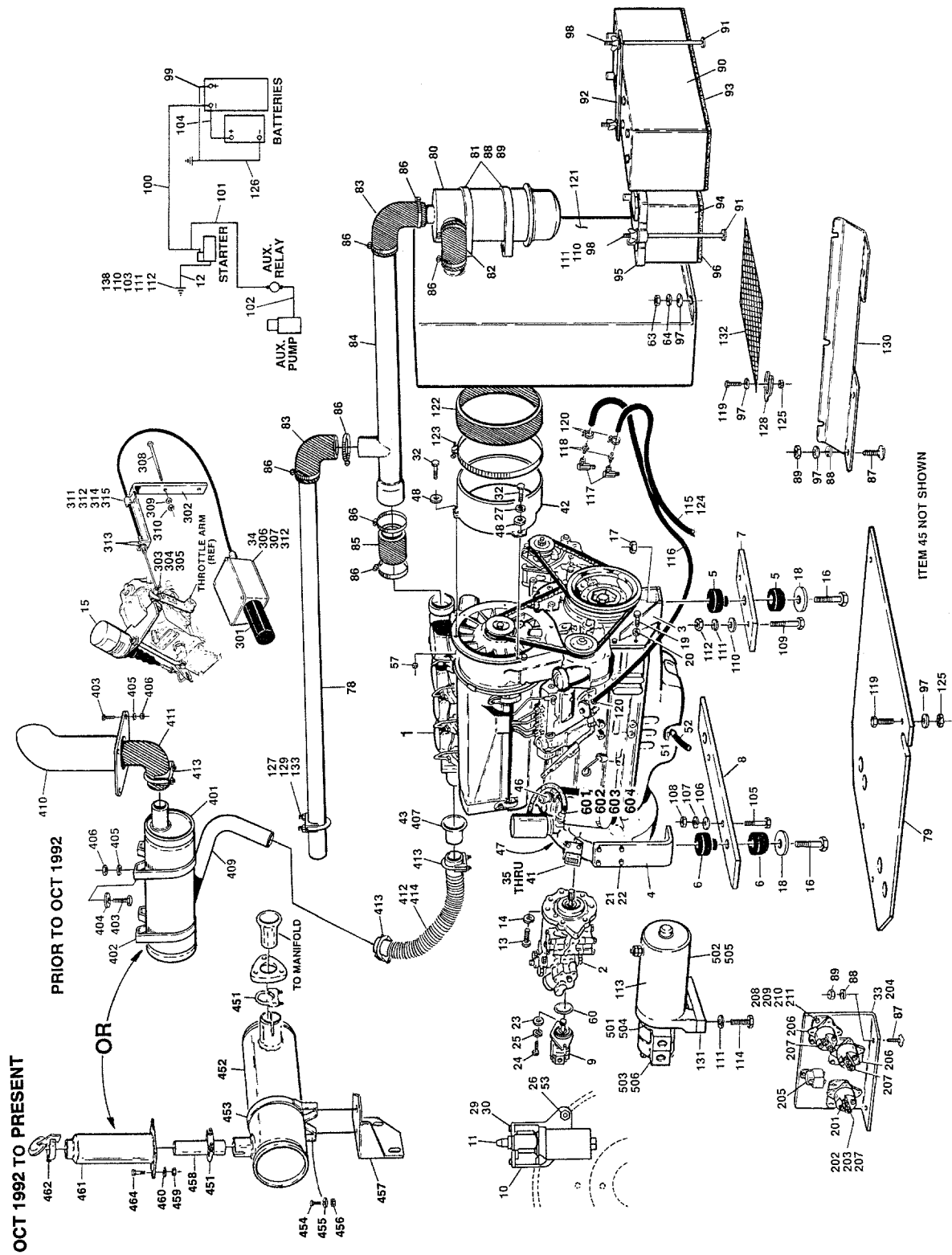
FIGURE 2-13. REMOTE DRIVE CONTROL BOX ASSEMBLY (JULY 1992 TO PRESENT)

FIG & ITEM #	PART NUMBER	DESCRIPTION	QTY.	REV.
		REMOTE DRIVE CONTROL BOX ASSEMBLY	Ref.	
		OPTIONS:		
	0253148	2WS (July 1992 To October 1992)	Ref.	—
	0253604	4WS (October 1992 To Present)	Ref.	6
1		Box, Remote Options:	1	
	0860798	2WS		
	0860831	4WS		
2		Plate, Remote Box Lid Options:	1	
	3536234	2WS		
	3536613	4WS		
3	4420037	Tape, Insulation	A/R	
4		Decal, Remote Box Options:		
	1701774	2WS	1	
	1701872	4WS (October 1992 to March 1994)	1	
	1702291	4WS (March 1994 to Present)	1	
5	1701775	Decal, Potentiometer	1	
6		Switch, Emergency Stop Options:	1	
	4360289	Prior to S/N 44577		
	4360475	S/N 44577 to Present		
7	4060802	Shield, Toggle	A/R	
8	4360074	Switch, Toggle	A/R	
9	4360340	Switch, Potentiometer	1	
10	3300352	Nut, Special	1	
11	4460052	Connector, Strain	1	
12	3300047	Locknut	1	
13	0960239	Bushing	1	
14	Use 1060018	Cable, Control 16/10 (was p/n 1060304)	25 ft.	
15	4740120	Washer, Nylon	4	
16	3300177	Nut, Tinnerman #8	4	
17	0750804	Screw #8 x 1/2 Lg.	4	
18	2560116	Knob, Speed Control (Black)	1	
19	4711600	Flatwasher 3/8"	1	

	3730091	Resistor (Not Shown)	1	
	3990001	Diode (Not Shown)	A/R	

SECTION 2 TURNTABLE

FIGURE 2-14. DEUTZ F4L-912 ENGINE INSTALLATION



SECTION 2 TURNTABLE

FIGURE 2-14. DEUTZ F4L-912 ENGINE INSTALLATION

FIG & ITEM #	PART NUMBER	DESCRIPTION	QTY.	REV.
		DEUTZ F4L-912 ENGINE INSTALLATION	Ref.	
	0252496	Standard Engine - Prior To October 1992	Ref.	B
	0253353	Standard Engine October 1992 To S/N 38697	Ref.	E
	0258730	Standard Engine S/N 38697 To Present	Ref.	4
	0252500	Clean Burn Engine Prior To October 1992	Ref.	B
	0253355	Clean Burn Engine October 1992 To S/N 38697	Ref.	E
	0258731	Clean Burn Engine S/N 38697 To S/N 43911	Ref.	4
1		Engine - Deutz Diesel F4L-912 Options:	1	
	2000083	Standard Engine	1	
	2000115	Clean Burn Engine	1	
2		Pump Assembly - Sunstrand (See Figure 2-17 for Breakdown)	1	
	3600164	13 Tooth Spline (Prior to S/N 28163)		
	3600260	15 Tooth Spline (S/N 28163 to Present)		
3	3200229	Motor Support Weldment (Front)	1	
4	3200228	Motor Support Weldment (Rear)	2	
5	3200133	Mount, Rubber Motor (Front)	1	
6	3200183	Mount, Rubber Motor (Rear)	2	
7	3200227	Plate, Engine Mounting (Front)	1	
8	3200306	Plate, Engine Mounting (Rear)	1	
9		Pump Assembly Options:	1	
	3600191	Pump Assembly - Barnes (Not Field Serviceable) (Prior to October 1992)	1	
	2900660	Shaft Seal Kit - 3600191 Pump	1	
	3600205	Pump Assembly - Barnes (October 1992 to S/N 38697) (See Figure 2-18 For Breakdown)	1	
	3600286	Pump Assembly - Barnes (S/N 38697 to Present) (See Figure 2-19 For Breakdown)	1	
10	0901829	Bracket, Filter	1	
11	2120135	Filter - Charge Pump	1	
	2120136	Element	1	
12	1060044	Cable, Battery (Starter to Ground)	1	
13	0641812	Bolt 1/2"-13NC x 1 1/2"	2	
14	4761800	Lockwasher 1/2"	2	
15	0250069	Fuel Shutdown Kit (Includes Mounting Hardware)	1	
16	0642032	Bolt 5/8"-11NC x 4"	3	
17	3312005	Locknut 5/8"-11NC	3	
18	4740242	Flatwasher, Special	3	
19	0701427	Bolt, Metric 14mm x 100mm	4	
20	4740191	Lockwasher, Metric 14.2mm	4	
21	0701215	Bolt, Metric 12mm x 35mm	8	
22	4832100	Lockwasher 12mm	8	
23	4751600	Flatwasher 3/8" (Prior to S/N 38697)	2	
	4891600	Flatwasher 3/8" (S/N 38697 to Present)	2	
24	0641610	Bolt 3/8"-16NC x 1 1/4" (Prior to S/N 38697)	2	
	0641620	Bolt 3/8"-16NC x 2 1/2" (S/N 38697 to Present)	2	
25	4761600	Lockwasher 3/8" (Prior to S/N 38697)	2	
	0100011	Loctite #242 (S/N 38697 to Present)	A/R	
26	0701015	Bolt, Metric 10mm x 35mm	2	

SECTION 2 TURNTABLE

FIGURE 2-14. DEUTZ F4L-912 ENGINE INSTALLATION (CONTINUED)

FIG & ITEM #	PART NUMBER	DESCRIPTION	QTY.	REV.
27	4831700	Lockwasher 6mm	1	
28	3311401	Nut 1/4"-20NC	3	
29	0641405	Bolt 1/4"-20NC x 5/8"	4	
30	4761400	Lockwasher #1/4"	4	
31	Not Used			
32	0700617	Bolt, Metric 6mm x 45mm	5	
33	0237627	Electrical Panel Assembly (See Items 201-211 for (Breakdown)	1	
34	0237635	Throttle Cable Installation (See Items 301-315 for Breakdown)	1	
35	0901402	Bracket, Terminal Strip	1	
36	1320070	Clamp, Wire	1	
37	1670414	Cover, Terminal Strip	1	
38	3910812	Screw, Machine #8-32NC x 3/4"	2	
39	4770800	Starwasher #8	2	
40	3310801	Nut #8-32NC	2	
41	1700821	Decal, Wire Identification	1	
42	4843384	Air Intake Weldment	1	
43	4565269	Adapter, Exhaust (S/N 38697 to Present)	1	
44	Not Used			
45	4921414	Harness, Wiring	1	
46	2420073	Gauge, Sender Unit	1	
47		Coupling Installations (See Figure 2-16 for Breakdown)	1	
48	4811700	Flatwasher 6mm	9	
49	Not Used			
50	Not Used			
51	4640742	Valve, Oil Drain	1	
52	2720042	Hose, Heater	6 in./15cm	
53	4832000	Lockwasher, Metric 10mm	2	
54 to 56	Not Used			
57	3290607	Locknut, Metric 6mm (S/N 38697 to Present)	4	
58	Not Used			
59	1320222	Clamp (Not Shown) (S/N 38697 to Present)	1	
60	3790152	O-Ring	1	
	4420001	----- Tape, Sealant	A/R	
		DEUTZ ENGINE INSTALLATION	Ref.	
	0252495	Standard Engine Prior To October 1992	Ref.	B
	0253354	Standard Engine October 1992 To S/N 38697	Ref.	3
	0258723	Standard Engine S/N 38697 To Present	Ref.	1
	0252499	Clean Burn Engine Prior To October 1992	Ref.	B
	0253356	Clean Burn Engine October 1992 To S/N 38697	Ref.	2
	0258729	Clean Burn Engine S/N 38697 To S/N 43911	Ref.	2
78		Tube Weldment Options:	1	
	4844165	Prior to October 1992		
	4844238	October 1992 to Present		
79	1670627	Cover, Base Plate	1	

SECTION 2 TURNTABLE

FIGURE 2-14. DEUTZ F4L-912 ENGINE INSTALLATION (CONTINUED)

FIG & ITEM #	PART NUMBER	DESCRIPTION	QTY.	REV.
80	1340020	Air Cleaner Assembly	1	
	7004214	Element	1	
81	0340002	Band, Mounting	2	
82	0080046	Elbow	1	
83	0080039	Elbow	2	
84	4565655	Tube	1	
85	2720224	Hose 2 3/4" ID x 3" Lg.	1	
86	1320058	Clamp	8	
87	4300031	Stud (Welded on Part)	8	
88	4761400	Lockwasher 1/4"	6	
89	3311401	Nut 1/4"-20NC	12	
90	0400020	Battery (Large)	1	
91	0236768	Rod, Tie-Down	4	
92	0361027	Bar, Hold-Down	1	
93	3980006	Seat, Battery	1	
94	0400003	Battery (Small)	1	
95	0400002	Hold-Down	1	
96	3980003	Seat, Battery	1	
97	4751400	Flatwasher 1/4"	A/R	
98	3300029	Wingnut 1/4"-20NC	4	
99	1060031	Cable, Battery (Large Battery to Ground)	1	
100	1060109	Cable, Battery (Large Battery to Starter)	1	
101	1060149	Cable, Battery (Starter to Aux. Relay)	1	
102	1060132	Cable, Battery (Aux. Relay to Aux. Pump)	1	
103	4300034	Stud (Welded on Part)	A/R	
104	4921139	Cable, Battery (Positive to Positive - Batteries)	1	
105	0642022	Bolt 5/8"-11NC x 2 3/4"	2	
106	4752000	Flatwasher 5/8"	2	
107	4762000	Lockwasher 5/8"	2	
108	3312001	Nut 5/8"-11NC	2	
109	0641622	Bolt 3/8"-16NC x 2 3/4"	2	
110	4751600	Flatwasher 3/8"	A/R	
111	4761600	Lockwasher 3/8"	A/R	
112	3311601	Nut 3/8"-16NC	A/R	
113		Auxiliary Pump Assembly Options:	1	
	3600050	Pump Used Prior to April 1993 (See Items 501-503 for Breakdown)		
	3600208	Pump Used April 1993 to Present (See Items 504-506 for Breakdown)		
114	0641620	Bolt 3/8"-16NC x 2 1/2"	2	
115	2720271	Fuel Line (Return)	8 ft./2.4m	
116	2750532	Fuel Line (Supply)	10 ft./3m	
117	2220063	Fitting, 90°	2	
118	2220720	Fitting, Barbed	2	
119	0641414	Bolt 1/4"-20NC x 1 3/4"	13	
120	1320022	Clamp	4	
121		Air Inlet Box Assembly Options:	1	
	0252866	Prior to October 1992		
	0253194	October 1992 to Present		
122	4280002	Neoprene 1/8" x 2"	30 in./76cm	

SECTION 2 TURNTABLE

FIGURE 2-14. DEUTZ F4L-912 ENGINE INSTALLATION (CONTINUED)

FIG & ITEM #	PART NUMBER	DESCRIPTION	QTY.	REV.
123	1320059	Clamp	1	
124	2180536	Fitting, Coupling	1	
125	3311405	Locknut 1/4"-20NC	13	
126	1060031	Cable, Battery (Small Battery to Ground)	1	
127	4751500	Flatwasher 5/16"	2	
128	4740362	Washer, Fender	6	
129	4761500	Lockwasher 5/16"	2	
130	3535949	Plate, Hose Cover	1	
131	0362101	Bar, Spacer	1	
132	3536008	Plate, Shield	1	
133	1320021	Clamp, Muffler	1	
133 to 137	Not Used			
138	4751700	Flatwasher 7/16" (S/N 38697 to Present)	1	
	0237627	ELECTRICAL PANEL ASSEMBLY	Ref.	7
201	3740059	Relay	1	
202	3321001	Nut #10-32NF	3	
203	3310801	Nut #8-32NC	1	
204	3530425	Plate, Mounting	1	
205	3740080	Relay, Sealed	1	
206	3740067	Relay	2	
207	3300220	Nut, Special	6	
208	0641405	Bolt 1/4"-20NC x 5/8"	7	
209	4761400	Lockwasher 1/4" (Prior to S/N 37522)	7	
	4791400	Starwasher 1/4" (S/N 37522 to Present)	7	
210	3311401	Nut 1/4"-20NC	7	
211	4711400	Flatwasher 1/4"	6	
	0237635	THROTTLE CABLE INSTALLATION	Ref.	4
301	0060023	Actuator	1	
	7008804	Bellows, Rubber	1	
	7008829	Board, Circuit	1	
	7008821	Motor, Drive	1	
	7008828	Cable, Throttle	1	
302	0901389	Bracket, Throttle Cable	1	
303	4460302	Stop, Terminal	1	
304	3450203	Pin, Cotter 1/16" x 3/4"	1	
305	4711400	Flatwasher 1/4" Narrow	1	
306	0641409	Bolt 1/4"-20NC x 1 1/8"	2	
307	4751400	Flatwasher 1/4"	2	
308	0630400	Bolt, Metric 8mm - 1.25 x 90mm	2	
309	4761500	Lockwasher 5/16" (Prior to S/N 37522)	2	
	4831900	Lockwasher 8mm (S/N 37522 to Present)	2	
310	3290801	Nut, Metric 8mm - 1.25	2	
311	1320041	Clamp	1	
312	4761400	Lockwasher 1/4"	3	
313	4751600	Flatwasher 3/8"	2	

SECTION 2 TURNTABLE

FIGURE 2-14. DEUTZ F4L-912 ENGINE INSTALLATION (CONTINUED)

FIG & ITEM #	PART NUMBER	DESCRIPTION	QTY.	REV.
314	0641406	Bolt 1/4"-20NC x 3/4"	1	
315	3311401	Nut 1/4"-20NC	1	
	0252694	EXHAUST INSTALLATION (PRIOR TO OCTOBER 1992)	Ref.	—
401	3220080	Muffler	1	
402	0340041	Band, Mounting	2	
403	0641406	Bolt 1/4"-20NC x 3/4"	8	
404	4751400	Flatwasher 1/4"	4	
405	4761400	Lockwasher 1/4"	8	
406	3311401	Nut 1/4"-20NC	8	
407	4565269	Adaptor, Exhaust	1	
408	Not Used			
409	4565663	Tube, Exhaust	1	
410	4844169	Snorkel	1	
411	4565267	Elbow, Exhaust	1	
412	4565664	Tube, Flex Exhaust	1	
413	1320011	Clamp, Muffler - 2 1/2"	4	
414	4100025	Sleeve, Fiberglass	42 in./1m	
	0255613	EXHAUST INSTALLATION (OCTOBER 1992 TO PRESENT)	Ref.	2
451	1320011	Clamp, Muffler	2	
452	3220082	Muffler (Standard)	1	
	3220088	Muffler (Exhaust Purifier - Optional Not Shown)	1	
453	0340041	Band, Mounting	1	
454	0641408	Bolt 1/4"-20NC x 1"	2	
455	4751400	Flatwasher 1/4"	4	
456	3311405	Locknut 1/4"-20NC	2	
457	0901849	Bracket, Exhaust Mounting	1	
458	4565751	Tube, Exhaust	1	
459	3311405	Locknut 1/4"-20NC	4	
460	4751400	Flatwasher 1/4"	4	
461	4844235	Stack, Exhaust	1	
462	1120423	Cap, Rain	1	
463	Not Used			
464	0641408	Bolt 1/4"-20NC x 1"	4	
	3600050	AUXILIARY PUMP ASSEMBLY - BARNES OR STONE PUMP (PRIOR TO APRIL 1993)	Ref.	D
501		Coupling Options:	1	
	7004249	Barnes Brand Pump		
	7004412	Stone Brand Pump		
502		Motor Options:	1	
	7004248	Barnes Brand Pump		
	7000482	Stone Brand Pump		

SECTION 2 TURNTABLE

SECTION 2 TURNTABLE

FIGURE 2-14. DEUTZ F4L-912 ENGINE INSTALLATION (CONTINUED)

FIG & ITEM #	PART NUMBER	DESCRIPTION	QTY.	REV.
503		Pump Options:	1	
	7010923	Barnes Brand Pump		
	7004414	Stone Brand Pump		
	3600208	AUXILIARY PUMP ASSEMBLY (APRIL 1993 TO PRESENT)	Ref.	A
504	7013711	Coupling	1	
505	7013710	Motor 12VDC	1	
	7013753	Brush Kit	1	
506	7013712	Pump	1	
		ENGINE DISTRESS INSTALLATION	Ref.	
	0255152	Engine Distress Installation	Ref.	3
	0255274	Low Oil Pressure Shutdown Installation (Prior to S/N 54482)	Ref.	4
	0270566	Low Oil Pressure Shutdown Installation (S/N 54482 to Present)	Ref.	1/B
	0239119	Generator Installation - 110 Volt	Ref.	11
601	4360179	Switch, Temp Head (Located Under Top Engine Cover) (Engine Distress Installation Only)	1	
602	2180360	Fitting, Tee	1	
603		Switch, Oil Pressure Options:	1	
	4360065	Engine Distress Installation		
	4360065	Low Oil Pressure Shutdown Installation		
	4360037	Generator Installation - 110 Volt		
604		Fitting Options:	A/R	
	2180749	Fitting, 45° (Engine Distress Installation and Low Oil Pressure Shutdown S/N 54482 to Present)	1	
	Not Required	Low Oil Pressure Shutdown Installation Prior to S/N54482	0	
	2180730	Fitting, Adapter (Generator Installation - 110V)	1	
		ENGINE COMPONENTS	Ref.	
	7000663	Alternator (Bosch)	1	
	7000872	Alternator (Delco-Remy)	1	
		Starter Options:	1	
	Use 7020413	Starter (New) (was p/n 7000661)	1	
	7020420	Starter (Remanufactured)	1	
	70001927	Manifold, Exhaust	1	
	7000697	Belt, Blower	1	
	7000698	Belt, Alternator	1	
	7026125	Flange, Exhaust	1	
	Use 7029274	Filter, Fuel (was p/n 7000649)	1	
	Use 7029276	Filter, Oil (was p/n 7000648)	1	
	7014503	Filter, Oil (Case of 12)	1	
	7016309	Washer, Copper Sealing	1	
	7016330	Switch, Oil Pressure	1	

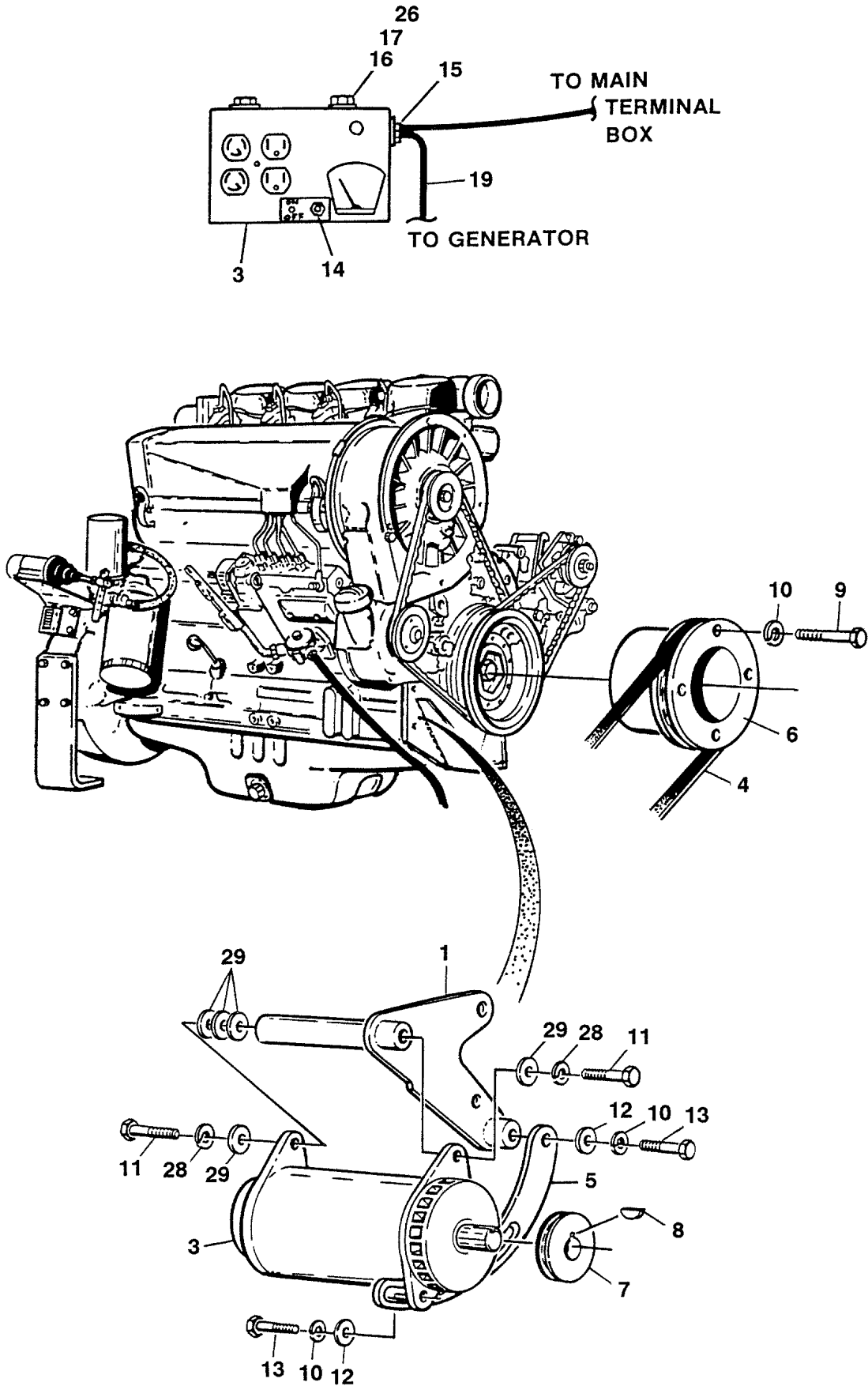
SECTION 2 TURNTABLE

FIGURE 2-14. DEUTZ F4L-912 ENGINE INSTALLATION (CONTINUED)

FIG & ITEM #	PART NUMBER	DESCRIPTION	QTY.	REV.
	Use 7019607	Switch, Solenoid (was p/n 7016341)	1	
	7016364	Pump, Fuel Lift	2	
	7019607	Solenoid, Fuel Shutdown	1	
	7020208	Gear, Ring	1	
	7020400	Washer, Fuel Line	1	
	7020401	Washer	1	
	7020402	Washer, Fuel Line	1	
	7020403	Washer, Fuel Line	1	
	7020405	Washer, Oil Plug	1	
	7020407	Gasket, Lift Pump	1	
	7020409	Dipstick	1	
	7020421	Nozzle, Injector	1	
	7020422	Injector	1	
	7020423	Gasket, Injector Tip	1	
	7020432	Kit, Lift Pump Repair	1	
	7020433	Gasket	1	
	7020498	Fan	1	
	7026173	Switch, Broken Belt	1	
	7027250	Spring, Tension (Actuator)	1	
	70001361	Pump, Fuel Injection	4	
	70001928	Gasket, Exhaust Manifold	4	
	70002252	Ring, Head Fire	4	
	70002253	Gasket Set, Complete Engine	1	
	70002254	Kit, Piston/Cylinder	4	
	70002258	Bolt, Cylinder Head	4	
	70002259	Washer, Cylinder Head Bolt	4	

SECTION 2 TURNTABLE

FIGURE 2-15. GENERATOR INSTALLATION- DEUTZ



SECTION 2 TURNTABLE

FIGURE 2-15. GENERATOR INSTALLATION- DEUTZ

FIG & ITEM #	PART NUMBER	DESCRIPTION	QTY.	REV.
	0239119	GENERATOR INSTALLATION- DEUTZ	Ref.	11
1	4843133	Bracket, Generator Mounting	1	
2	Not Used			
3	2460011	Generator and Control Box Assembly	1	
	7012558	Generator	1	
	7020193	Cord, Power	1	
	7026199	Armature	1	
	7020108	Brush	4	
	7020109	Holder, Brush	4	
	7012513	Cap, Brush Holder	4	
	7012514	Fan	1	
	7020110	End, Bell Front	1	
	7020111	End, Bell Rear	1	
	7020190	Bearings	2	
	7003657	Box, Control	1	
		Note: Replacement Generator p/n 7012558 comes standard with Pulley p/n 3580134. This Pulley may not be correct for all applications. Refer to Pulley options below.		
	Use 2420203	Voltmeter (was p/n 7010699)	1	
	Use 4360542	Breaker, Circuit (was p/n 7020194)	1	
	4460190	Receptacle	2	
	2920162	Lamp	1	
	7020191	Switch, Toggle	1	
	3520028	Plug, Hole	1	
4	0480050	V-Belt	1	
5	4340511	Support, Adjustment	1	
6	3580109	Pulley	1	
7	Not Used			
8	2860012	Key, Woodruff	1	
9	0700821	Bolt, Metric 8m x 65mm	4	
10	4761500	Lockwasher 5/16"	6	
11	0681610	Bolt 3/8"-16NC x 1 1/4" (Grade 8)	2	
12	4751500	Flatwasher 5/16"	A/R	
13	0641507	Bolt 5/16"-18NC x 7/8"	2	
14	3251476	Nameplate - On/Off	1	
15	4460023	Connector	1	
16	4300031	Stud (Welded on Part)	2	
17	4761400	Lockwasher 1/4"	2	
18	Not Used			
19	4920039	Wire - Red	12ft/3.7m	
20	Not Used			
21	Not Used			
22	2180360	Fitting, Tee (Not Shown - Located on Engine)	1	
23	Not Used			
24	Not Used			
25	4360037	Switch, Oil Pressure (Not Shown - Located on Engine)	1	
26	3311401	Nut 1/4"-20NC	2	

SECTION 2 TURNTABLE

FIGURE 2-15. GENERATOR INSTALLATION- DEUTZ (CONTINUED)

FIG & ITEM #	PART NUMBER	DESCRIPTION	QTY.	REV.
27	2180730	Fitting, Adapter (Not Shown - Located on Engine)	1	
28	4761600	Lockwasher 3/8"	2	
29	4751600	Flatwasher 3/8"	4	

SECTION 2 TURNTABLE

FIGURE 2-15. GENERATOR INSTALLATION- DEUTZ (CONTINUED)

FIG & ITEM #	PART NUMBER	DESCRIPTION	QTY.	REV.

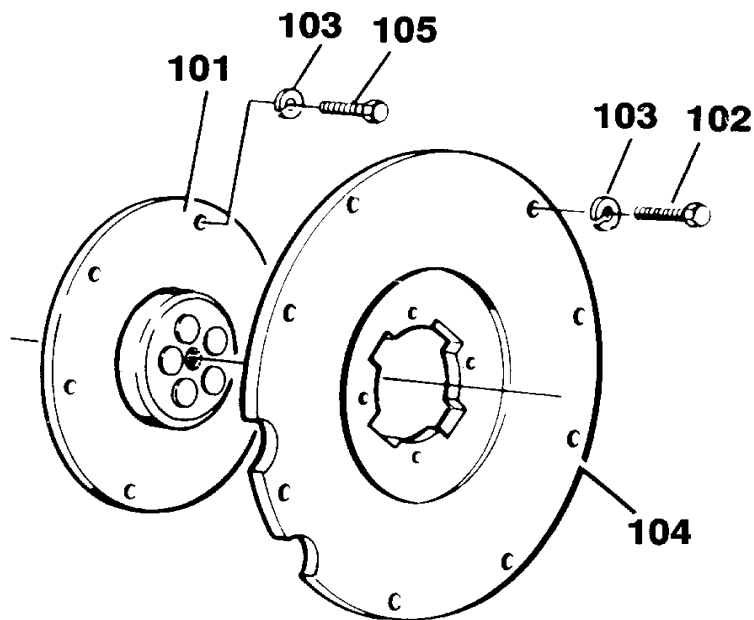
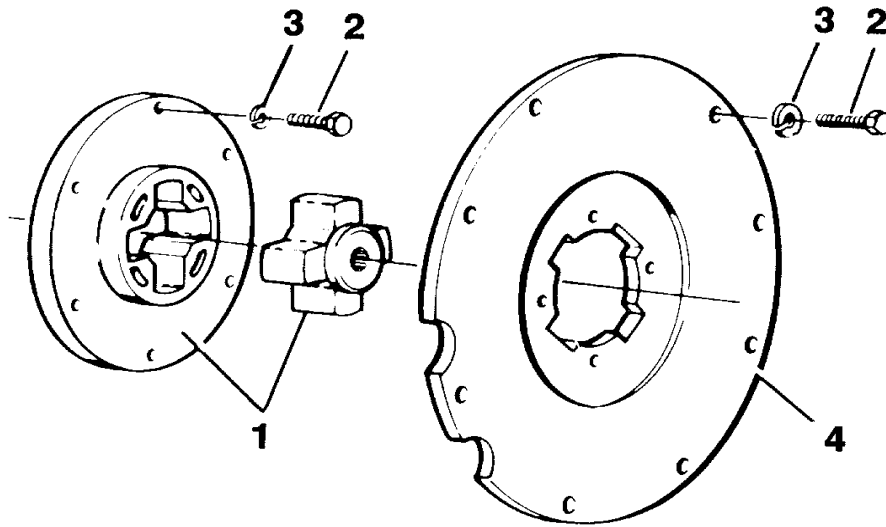
**S
E
C
T
I
O
N

2

T
U
R
N
T
A
B
L
E**

SECTION 2 TURNTABLE

FIGURE 2-16. PUMP COUPLING INSTALLATION



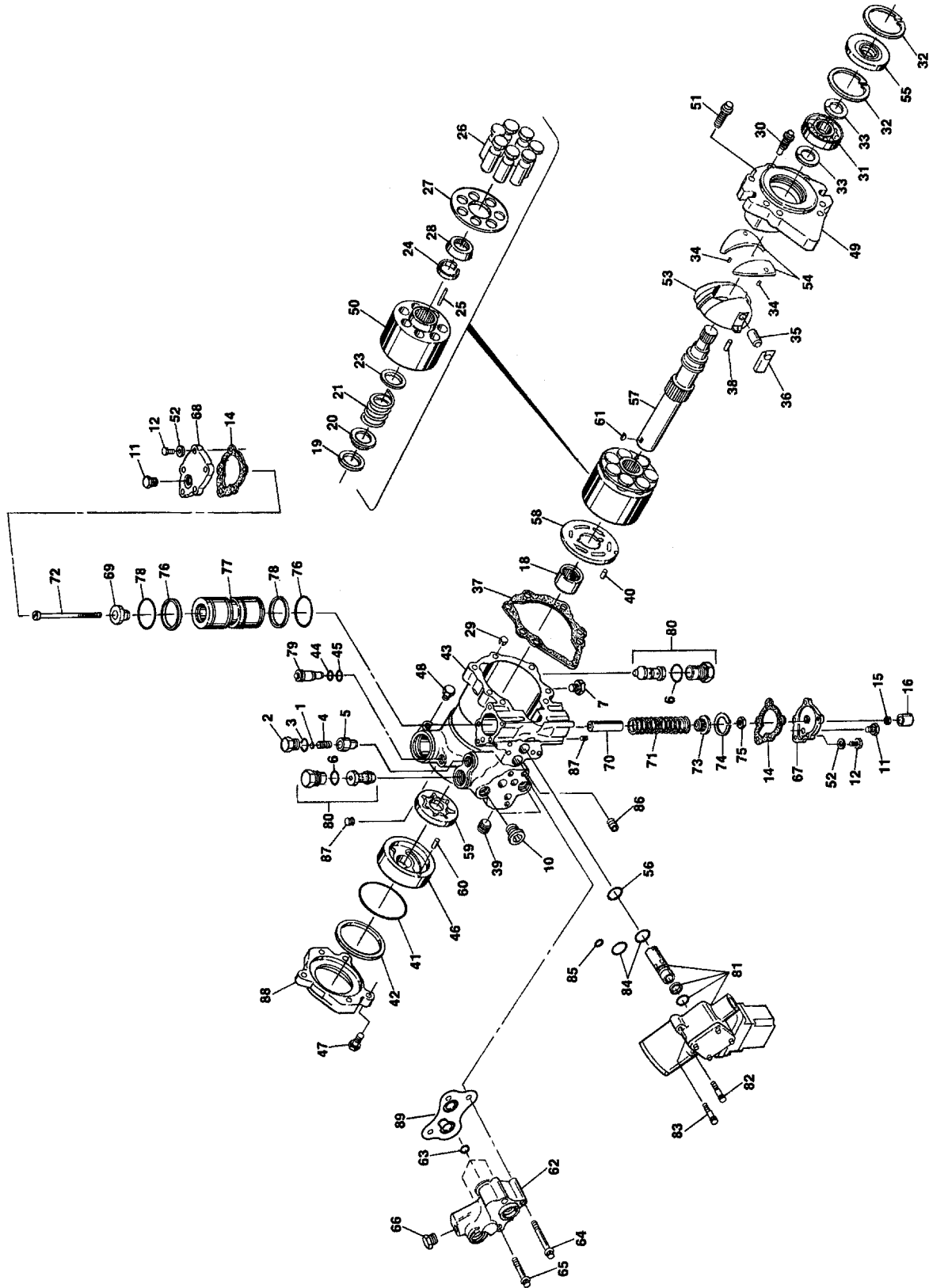
SECTION 2 TURNTABLE

FIGURE 2-16. PUMP COUPLING INSTALLATION

FIG & ITEM #	PART NUMBER	DESCRIPTION	QTY.	REV.
		PUMP COUPLING INSTALLATIONS	Ref.	
	0239954	PUMP COUPLING INSTALLATION - LOVEJOY (STANDARD PARTS WHEN EQUIPPED) Note: Used with 13 tooth pump.	Ref.	—
1	1660170	Coupling, Pump - Lovejoy	1	
	1660174	Disc, Coupling	1	
	1660175	Hub, Coupling	1	
2	0701014	Bolt, Metric 10mm x 30mm	18	
3	4832000	Lockwasher, Metric 10mm	18	
4	0080164	Adaptor, Pump Mounting Plate	1	
		PUMP COUPLING INSTALLATION - HAYES	Ref.	
	0250600	13 Tooth Pump	Ref.	—
	0256849	15 Tooth Pump	Ref.	—
101		Coupling, Pump - Hayes Options:	1	
	1660183	13 Tooth Pump		
	1660233	15 Tooth Pump		
102	0701014	Bolt, Metric 10mm x 30mm	12	
103	4832000	Lockwasher 10mm	18	
104	0080164	Plate, Adaptor	1	
105	0701010	Bolt, Metric 10mm x 20mm	6	
	3020021	----- Grease	A/R	

SECTION 2 TURNTABLE

FIGURE 2-17. PUMP ASSEMBLY - SUNSTRAND



SECTION 2 TURNTABLE

FIGURE 2-17. PUMP ASSEMBLY - SUNSTRAND

FIG & ITEM #	PART NUMBER	DESCRIPTION	QTY.	REV.
		PISTON PUMP ASSEMBLY - SUNSTRAND	Ref.	
	3600164	13 Tooth Pump Spline (Prior to S/N 28163)	Ref.	A
	3600260	15 Tooth Pump Spline (S/N 28163 to Present)	Ref.	B
1	7007413	Shim Kit - Relief Valve	1	
2	7007414	Plug	1	
3	Kit	O-Ring	1	
4	7007416	Spring, Relief Valve	1	
5	7007417	Valve, Relief	1	
6	Kit	O-Ring	2	
7	7007419	Plug	2	
8	Not Used			
9	Not Used			
10	7007420	Plug	2	
11	7007208	Plug	2	
12	7007421	Screw	10	
13	Not Used			
14	7007422	Gasket, Servo Cover	2	
15	7007423	Nut, Special	1	
16	7007424	Cover, Adjustment	1	
17	Not Used			
18	7007425	Bearing, Needle	1	
19	Kit	Ring, Retaining	1	
20	Kit	Washer	1	
21	Kit	Spring	1	
22	Not Used			
23	Kit	Washer	1	
24	Kit	Retainer	1	
25	Kit	Pin, Slipper Holddown	3	
26	Kit	Piston Assembly	7	
27	Kit	Guide, Slipper	1	
28	Kit	Guide, Retainer	1	
29	7007435	Pin, Spring	1	
30	7007436	Screw - 12 Point Head	1	
31	7007437	Bearing, Ball	1	
32	7007438	Ring	2	
33	7007439	Ring	2	
34	7007440	Pin, Spring	2	
35	7007441	Handle, Pin	1	
36	7007442	Sleeve, Bearing	1	
37	Kit	Gasket, Front Cover	1	
38	7007444	Pin	1	
39	7007445	Plug, Expansion	1	
40	Kit	Pin	1	
41	Kit	O-Ring	1	
42	Kit	Ring, Load Temper	1	
43	7007449	Housing, Pump	1	
44	Kit	Ring, Back-Up	1	

SECTION 2 TURNTABLE

SECTION 2 TURNTABLE

FIGURE 2-17. PUMP ASSEMBLY - SUNSTRAND (CONTINUED)

FIG & ITEM #	PART NUMBER	DESCRIPTION	QTY.	REV.
45	Kit	O-Ring	1	
46	Kit	Cover, Gerotor	1	
47	7007453	Bolt, Hex	3	
48	7007208	Plug	1	
49	7007454	Cover, Front	1	
50	Kit	Block, Cylinder	1	
51	7007456	Screw - 12 Point Head	6	
52	7001438	Washer	10	
53	Kit	Swashplate	1	
54	7007458	Journal, Bearing	1	
55	Kit	Seal, Lip	1	
56	Kit	O-Ring	1	
57		Shaft, Main Pump	1	
	7007461	13 Tooth Spline (Prior to S/N 30660)		
	7010121	15 Tooth Spline (S/N 30660 to Present)		
58	Kit	Plate, Valve	1	
59	Kit	Gerotor Assembly	1	
60	Kit	Pin	1	
61	Kit	Key, Woodruff	1	
62	7007466	Adaptor, Remote Filtration (Without Bypass)	1	
63	Kit	O-Ring	3	
64	7007468	Screw	2	
65	7007469	Screw	2	
66	7007470	Plug	1	
67	7007471	Cover, Servo (With Adjuster)	1	
	7007490	Stop, Servo (Not Shown)	2	
	7007491	Nut, Special (Not Shown)	2	
	7007492	Ring, External (Not Shown)	2	
68	7007482	Cover, Servo (Without Adjuster)	1	
69	7007483	Guide, Spring	1	
70	7007484	Stop, Servo	1	
71	7007485	Spring	1	
72	7007486	Screw	1	
73	7007487	Guide, Spring	1	
74	7007488	Ring, Retaining	1	
75	7007499	Locknut	1	
76	Kit	Ring, Piston	2	
77	7007494	Piston, Servo	1	
78	Kit	O-Ring	2	
79	7007472	Valve, By-Pass	1	
80	7007473	Valve, Pressure Release (Includes Item 6)	2	
81	7007474	Control, Dual Oil-Filled	1	
	7007496	Coil Assembly (Pilot)	1	
	7007497	Plug (Pump)	1	
	7007498	Plug (Valve Harness)	1	
82	7007478	Screw	2	
83	7001498	Screw	2	
84	Kit	O-Ring	2	
85	Kit	O-Ring	1	

SECTION 2 TURNTABLE

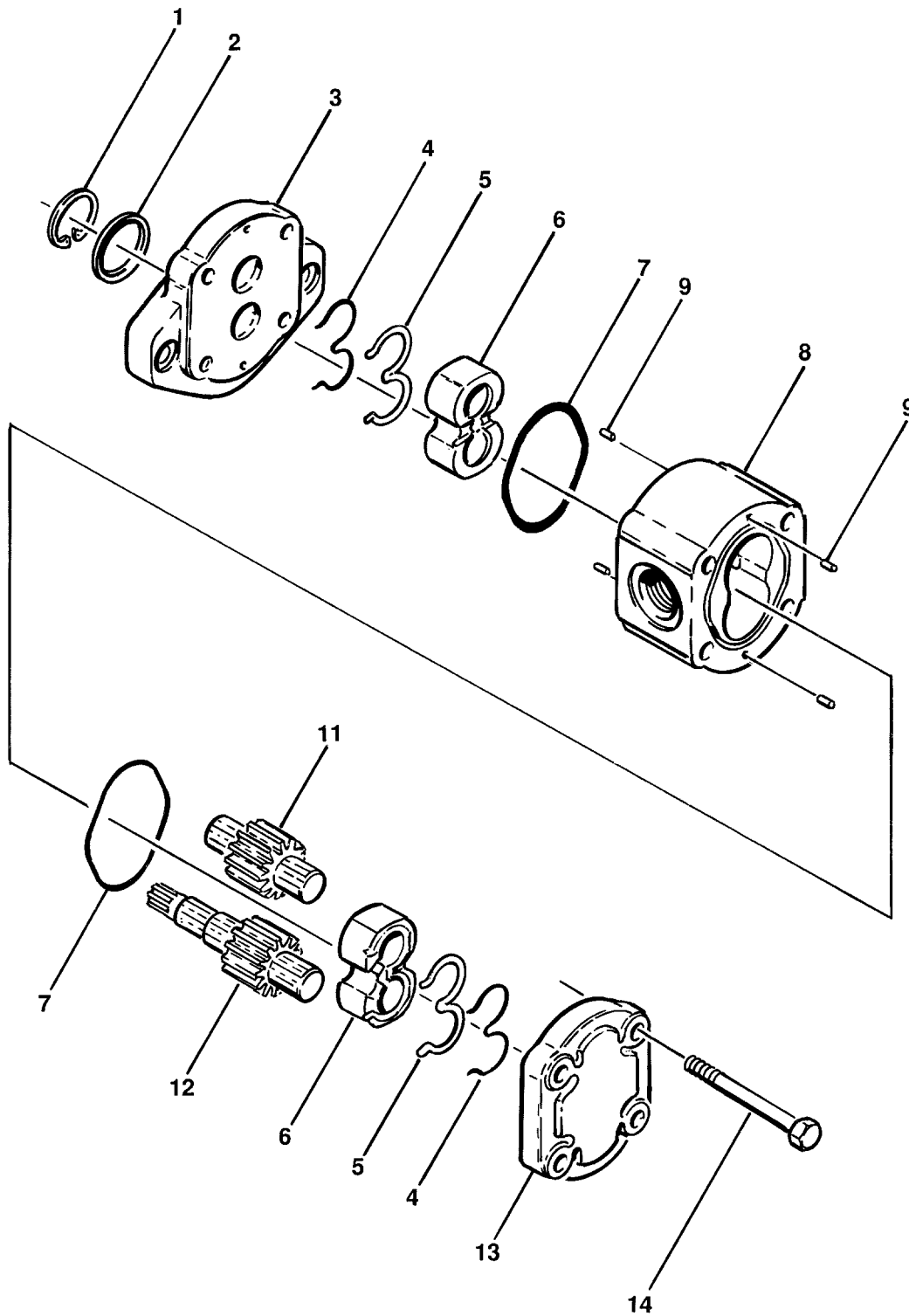
FIGURE 2-17. PUMP ASSEMBLY - SUNSTRAND (CONTINUED)

FIG & ITEM #	PART NUMBER	DESCRIPTION	QTY.	REV.
86	7007475	Plug, Orifice/Screen -.156	1	
87	7007477	Plug, Orifice -.37	2	
88	7007476	Adapter, Auxiliary Pump	1	
89	7010120	Spacer/Gasket	1	

	2900752	Seal Kit - Complete (Includes Items 3,6,14,15,37,41,42, 44,45,55,56,63,76,78,84 and 85)	1	
	7007412	Seal Kit - Servo Piston (Includes Items 76 and 78)	1	
	2900826	Charge Pump Kit (Includes Items 41,42,46,59,60,61)	1	
	2900827	Cylinder Block Kit (Includes Items 19-28, 40,50,53,55,58)	1	

SECTION 2 TURNTABLE

FIGURE 2-18. PUMP ASSEMBLY - BARNES (OCTOBER 1992 TO S/N 38697)



SECTION 2 TURNTABLE

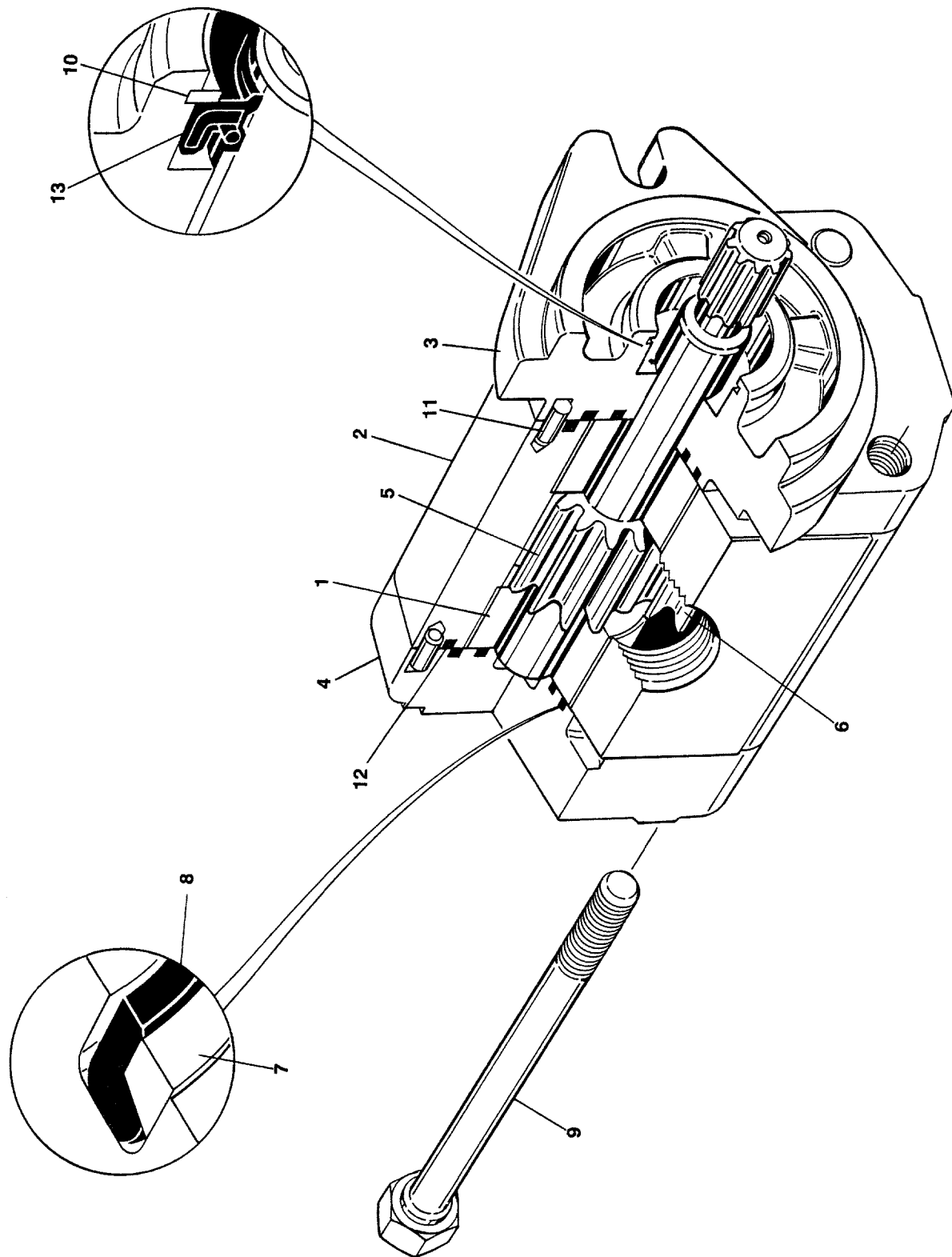
FIGURE 2-18. PUMP ASSEMBLY - BARNES (OCTOBER 1992 TO S/N 38697)

FIG & ITEM #	PART NUMBER	DESCRIPTION	QTY.	REV.
	3600205	PUMP ASSEMBLY - BARNES (OCTOBER 1992 TO S/N 38697)	Ref.	—
1	7010955	Ring, Retaining	1	
2	Kit			
3	7010956	Flange, Mounting	1	
4	Kit			
5	Kit			
6	7010957	Bearing	2	
7	Kit	O-Ring	2	
8	7010996	Housing, Gear	1	
9	7010959	Pin, Dowel	4	
10	Not Used			
11	7010997	Gear, Idler	1	
12	7010998	Gear, Drive	1	
13	7010960	Cover, End	1	
14	7010961	Bolt	4	

	7010953	Seal Kit (Includes Items 2,4,5 and 7)	1	

SECTION 2 TURNTABLE

FIGURE 2-19. PUMP ASSEMBLY - HYDRO-AIR (S/N 38697 TO PRESENT)



SECTION 2 TURNTABLE

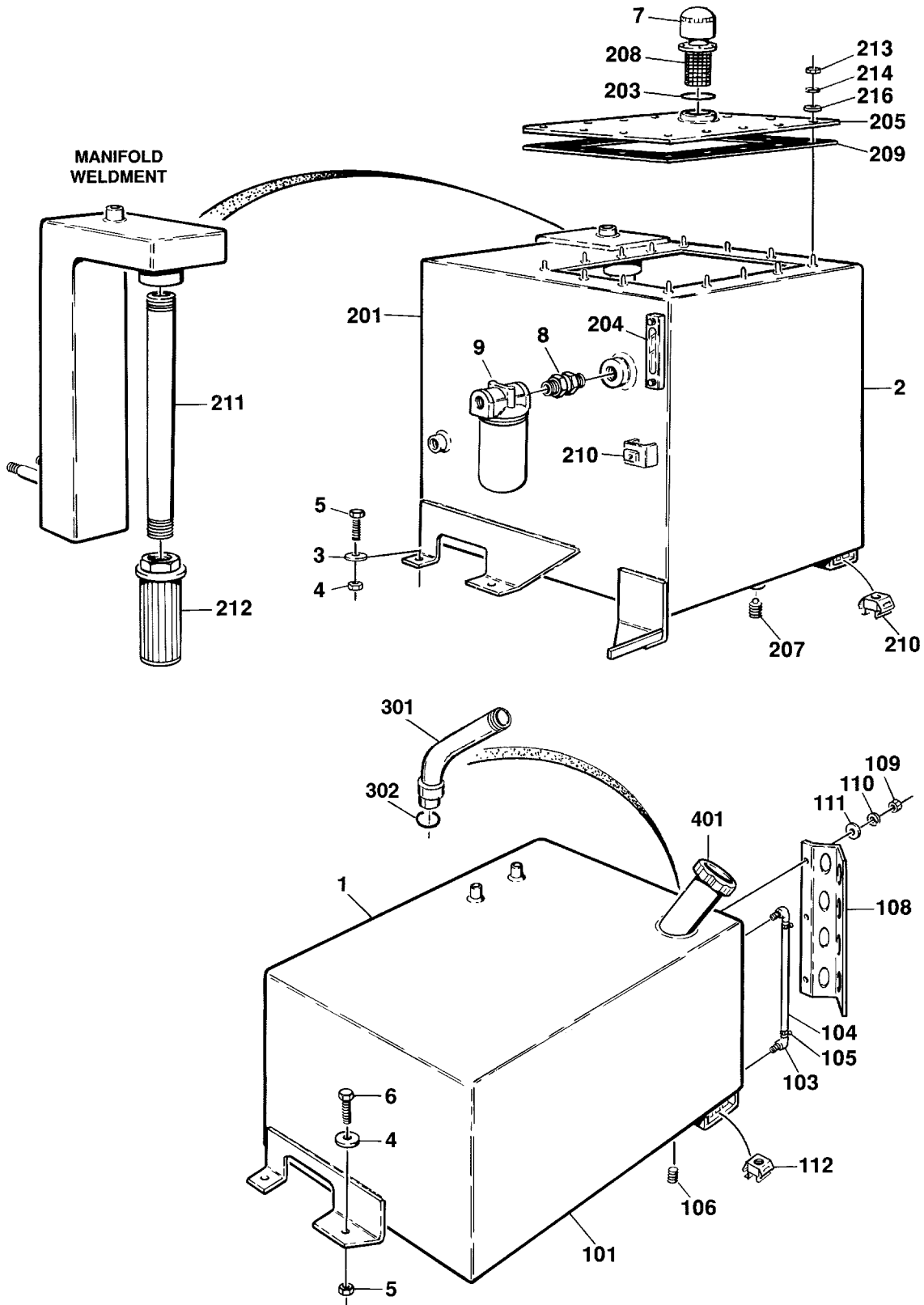
FIGURE 2-19. PUMP ASSEMBLY - HYDRO-AIR (S/N 38697 TO PRESENT)

FIG & ITEM #	PART NUMBER	DESCRIPTION	QTY.	REV.
	3600286	PUMP ASSEMBLY - HYDRO-AIR (S/N 38697 TO PRESENT)	Ref.	—
1	7010105	Bearing/Bushing	2	
2	Not Serviced	Housing	1	
3	Not Serviced	Flange, Mounting	1	
4	7010103	Cover, End	1	
5	7010126	Gear, Drive	1	
6	7010125	Gear, Idler	1	
7	Kit	Ring, Anti-Extrusion	2	
8	Kit	Seal	2	
9	7010124	Bolt	4	
10	7010104	Ring, Retaining	1	
11	7010127	Pin, Dowel	4	
12	Kit	Seal, O-Ring	2	
13	Kit	Seal, Shaft	1	

	7007489	Seal Kit (Includes Items 7,8,12 and 13)	1	

SECTION 2 TURNTABLE

FIGURE 2-20. TANKS INSTALLATION



SECTION 2 TURNTABLE

FIGURE 2-20. TANKS INSTALLATION

FIG & ITEM #	PART NUMBER	DESCRIPTION	QTY.	REV.
	0252524	TANKS INSTALLATION	Ref.	5
1	4400279	Fuel Tank Assembly (See Items 101-112 for Break-down) (Prior to June 1995)	1	
	4400386	Fuel Tank Assembly (See Items 101-112 for Break-down) (June 1995 to Present)	1	
2	4400340	Hydraulic Oil Tank Assembly (See Items 201-216 for Breakdown)	1	
3	0641614	Bolt 3/8"-16NC x 1 3/4"	4	
4	4711600	Flatwasher 3/8"	15	
5	3311605	Locknut 3/8"-16NC	8	
6	0641616	Bolt 3/8"-16NC x 2"	3	
7	1340046	Breather	1	
8	2220893	Fitting	1	
9	2120134	Filter, Hydraulic	1	
	2120129	Element	1	
	4300034	Stud, Weld	4	
		FUEL TANK ASSEMBLY	Ref.	
	4400279	Prior To June 1995	Ref.	B
	4400386	June 1995 To Present	Ref.	2
101	4400280	Tank Weldment (Prior to June 1995)	1	
	4400387	Tank Weldment (June 1995 to Present)	1	
102	Not Used			
103	2180467	Fitting, 90°	2	
104	4562663	Tube, Sight (Prior to February 1993)	15 in./38cm	
	4562516	Tube, Sight (February 1993 to Present)	15 in./38cm	
105	1320022	Clamp	2	
106	2200052	Plug, Pipe - 1/4"	1	
107	0100020	Sealant, Thread (Not Shown)	A/R	
108	4060574	Protector, Gage	1	
109	3311401	Nut 1/4"-20NC	3	
110	4761400	Lockwasher 1/4"	3	
111	4751400	Flatwasher 1/4"	3	
112	3300205	Nut, Retainer 5/16"-18NC	3	
	4400340	HYDRAULIC OIL TANK ASSEMBLY	Ref.	B
201	4400341	Tank Weldment	1	
202	Not Used			
203	4740338	Washer, Sealing	6	
204	2420080	Gage, Level	1	
	7016664	Washer, Sealing	2	
205	1670625	Lid	1	
206	Not Used			
207	3520022	Plug, Magnetic	1	
208	1340045	Basket, Strainer	1	

SECTION 2 TURNTABLE

SECTION 2 TURNTABLE

FIGURE 2-20. TANKS INSTALLATION (CONTINUED)

FIG & ITEM #	PART NUMBER	DESCRIPTION	QTY.	REV.
209	3960371	Gasket	1	
210	3300205	Nut, Retainer 5/16"-18NC	3	
211	2180606	Nipple, Pipe	1	
212	2120104	Filter	1	
213	3311401	Nut 1/4"-20NC	14	
214	4761400	Lockwasher 1/4"	14	
215	0100020	Sealant, Thread (Not Shown)	A/R	
216	4751400	Flatwasher 1/4"	14	
	0255869	FUEL FILL EXTENSION KIT Note: For use on fuel tanks built prior to June 1995. Tanks built June 1995 to present are already equipped with extension.	Ref.	—
301	4845158	Fill Tube Extension Weldment	1	
302	3960465	Seal	1	
		FUEL CAP ASSEMBLY - STANDARD	Ref.	
	4400279	Prior To June 1995	Ref.	B
	4400386	June 1995 To S/N 30382	Ref.	2
	0257365	S/N 30382 to Present with Standard Cap	Ref.	1
	0257366	S/N 30382 to Present with Red Protectoseal Cap	Ref.	2
	0258626	S/N 30382 to Present with Blue Protectoseal Cap	Ref.	1
401		Cap, Fill Options:	1	
	1120314	Standard Cap		
	1120367	Red Protectoseal Cap		
	1120512	Blue Protectoseal Cap		

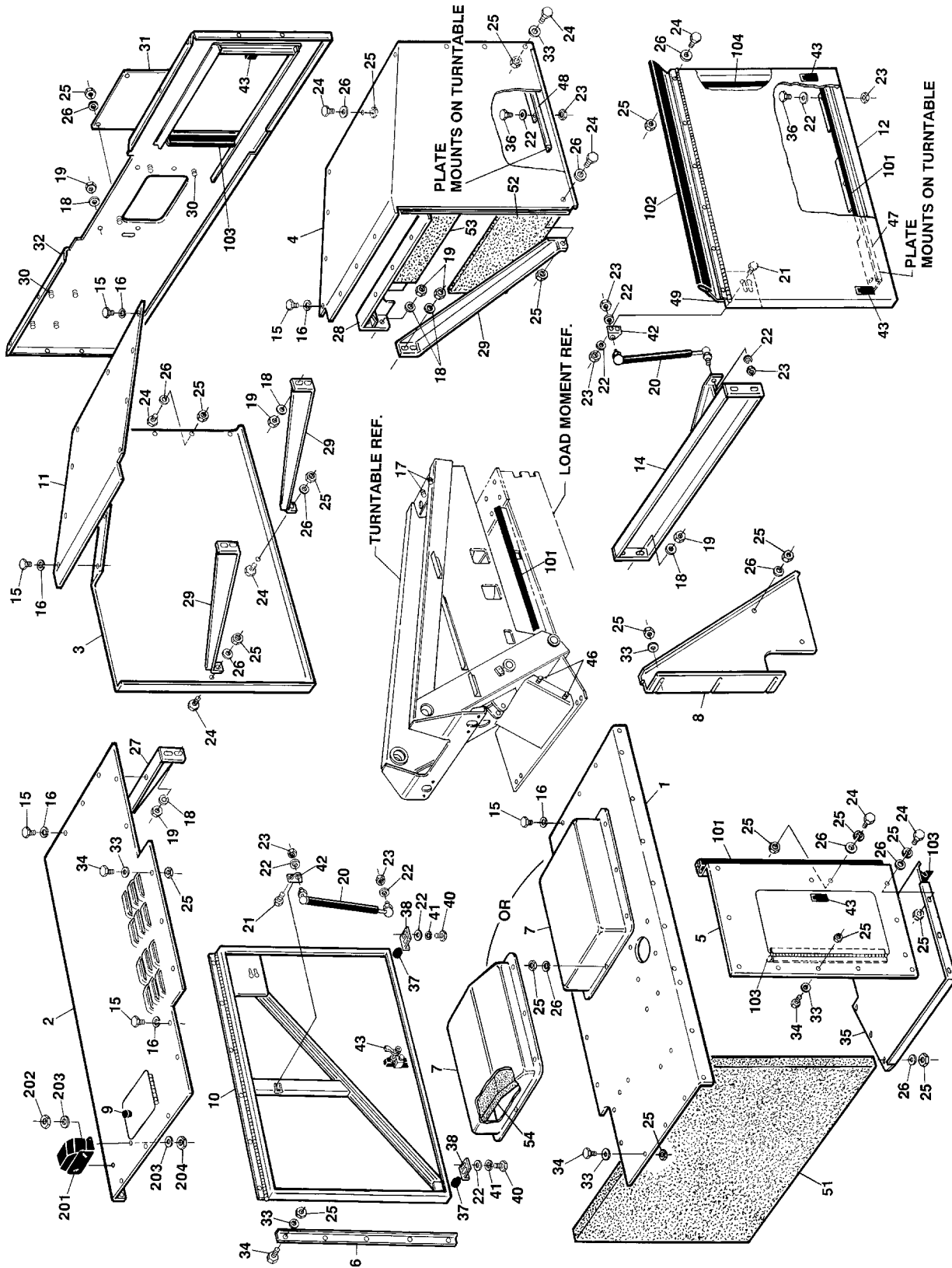
SECTION 2 TURNTABLE

FIGURE 2-20. TANKS INSTALLATION (CONTINUED)

FIG & ITEM #	PART NUMBER	DESCRIPTION	QTY.	REV.

SECTION 2 TURNTABLE

FIGURE 2-21. HOOD INSTALLATION



SECTION 2 TURNTABLE

FIGURE 2-21. HOOD INSTALLATION

FIG & ITEM #	PART NUMBER	DESCRIPTION	QTY.	REV.
		HOOD INSTALLATIONS	Ref.	
	0252589	Prior To October 1992	Ref.	B
	0253362	October 1992 To Present	Ref.	5
		Note: Replacement Decals Must be Ordered Separately - See Section 8.	Ref.	
1		Panel - Hood Top (Engine Side) Options:	1	
	3380399	Prior to October 1992		
	3536417	October 1992 to Present		
2		Panel - Hood Top (Valve Side) Options:	1	
	4844115	Prior to October 1992		
	4844390	October 1992 to Present		
3		Panel - Hood (Valve Side) Options:	1	
	3380378	Prior to June 1995		
	3380419	June 1995 to Present		
4	3380400	Panel - Hood (Engine Side)	1	
5	4844087	Panel - Door (Engine Side)	1	
6	1780172	Door (Valve Side)	1	
7		Duct, Discharge (Engine Side) Options:	1	
	4844078	Prior to October 1992		
	4844236	October 1992 to Present		
8	3535948	Plate, Baffle (Engine Side)	1	
9	2940051	Latch	1	
10	4844113	Door (Valve Side)	1	
11	3380379	Panel - Hood Top (Valve Side)	1	
12	4844074	Door (Engine Side)	1	
13	Not Used			
14	4843334	Mounting, Gas Spring	1	
15	3941405	Screw, Self-Tap 1/4" x 5/8"	8	
16	4761400	Lockwasher 1/4"	8	
17	4300034	Stud (Welded on Part)	16	
18	4751600	Flatwasher 3/8"	16	
19	3311605	Locknut 3/8"-16NC	16	
20	4160081	Spring, Gas	2	
21	0630383	Bolt, Carriage 5/16"-18NC x 3/4"	4	
22	4751500	Flatwasher 5/16"	10	
23	3311505	Locknut 5/16"-18NC	6	
24	0641406	Bolt 1/4"-20NC x 3/4"	40	
25	3311405	Locknut 1/4"-20NC	70	
26	4751400	Flatwasher 1/4"	48	
27	0901500	Bracket, Mounting - Hood	1	
28	4843324	Bracket, Mounting - Hood	1	
29	0901502	Bracket, Mounting - Hood	3	
30	Not Used			
31	1670516	Cover, Front	1	
32	4844083	Hood (Front)	1	
33	4740362	Washer, Fender	41	
34	0641408	Bolt 1/4"-20NC x 1"	22	
35	3537819	Plate, Extension - Base	1	

SECTION 2 TURNTABLE

SECTION 2 TURNTABLE

FIGURE 2-21. HOOD INSTALLATION (CONTINUED)

FIG & ITEM #	PART NUMBER	DESCRIPTION	QTY.	REV.
36	0641512	Bolt 5/16"-18NC x 1 1/2" (October 1992 to Present)	5	
37	0940036	Bumper, Door	2	
38	0901197	Bracket, Door Stop	2	
39	Not Used			
40	0641508	Bolt 5/16"-18NC x 1"	4	
41	4761500	Lockwasher 5/16"	4	
42	3200222	Mounting, Gas Spring	2	
43	2940042	Mounting, Latch	5	
44	Not Used			
45	Not Used			
46	4300032	Stud (Welded on Part)	5	
47	3536414	Plate, Seal (October 1992 to Present)	1	
48	3536415	Plate, Seal (October 1992 to Present)	1	
49	3535951	Plate, Hinge Shield	1	
50	3820018	Rivet	10	
51	2820059	Acoustical Foam - 33 x 20 (October 1992 to Present)	1	
52	2820058	Acoustical Foam - 20 x 17 (October 1992 to Present)	1	
53	2820053	Acoustical Foam - 6 3/4" x 14 3/4" (October 1992 to Present)	1	
54	2820057	Acoustical Foam - 24" x 16 3/4" (October 1992 to Present)	1	
	0100011	Loctite #242	A/R	
	0252652	HOOD SEALS INSTALLATION	Ref.	A
101	3960418	Seal	13 ft./4m	
102	3960389	Seal, Door	8 ft./2.4m	
103	3960429	Tape, Sealant	7 ft./2.1m	
104	3960433	Seal	6 ft./1.8m	
	0251543	ALARM INSTALLATION (OPTIONAL)	Ref.	2
201	0140032	Alarm	1	
202	0641406	Bolt 1/4"-20NC x 3/4"	2	
203	4751400	Flatwasher 1/4"	4	
204	3311405	Locknut 1/4"-20NC	2	

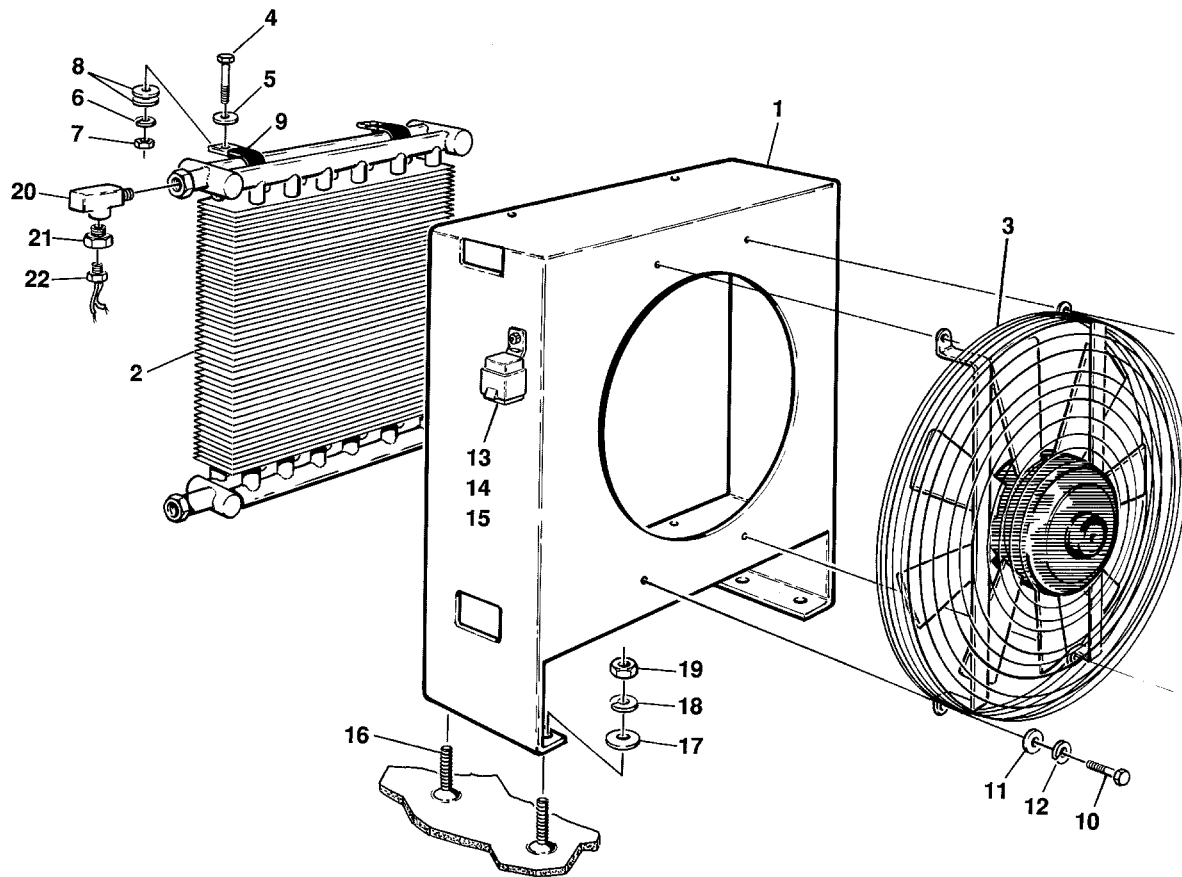
SECTION 2 TURNTABLE

FIGURE 2-21. HOOD INSTALLATION (CONTINUED)

FIG & ITEM #	PART NUMBER	DESCRIPTION	QTY.	REV.

SECTION 2 TURNTABLE

FIGURE 2-22. OIL COOLER INSTALLATION



SECTION 2 TURNTABLE

FIGURE 2-22. OIL COOLER INSTALLATION

FIG & ITEM #	PART NUMBER	DESCRIPTION	QTY.	REV.
	0252906	OIL COOLER INSTALLATION (OPTIONAL)	Ref.	3
1	4844177	Bracket, Oil Cooler	1	
2	3620015	Oil Cooler Assembly (Prior to October 1992)	1	
	3620003	Oil Cooler Assembly (October 1992 to Present)	1	
3	2060012	Fan, Oil Cooler	1	
4	0641508	Bolt 5/16"-18NC x 1"	4	
5	4751500	Flatwasher 5/16"	4	
6	4761500	Lockwasher 5/16"	4	
7	3311501	Nut 5/16"-18NC	4	
8	4751600	Flatwasher 3/8"	8	
9	1320060	Clamp	4	
10	0731006	Bolt #10-32NF x 3/4"	5	
11	4751000	Flatwasher #10	5	
12	4761000	Lockwasher #10	5	
13	3740080	Relay	1	
14	4460374	Plug	1	
15	4460375	Terminal	4	
16	4300048	Stud (Welded on Part)	4	
17	4751800	Flatwasher 1/2"	4	
18	4761800	Lockwasher 1/2"	4	
19	3311801	Nut 1/2"-13NC	4	
20	2220369	Fitting, Tee	1	
21	2220282	Fitting, Reducer	1	
22	4360181	Switch, Temperature	1	

SECTION 2 TURNTABLE

**S
E
C
T
I
O
N

2

T
U
R
N
T
A
B
L
E**

FIGURE 2-22. OIL COOLER INSTALLATION (CONTINUED)

FIG & ITEM #	PART NUMBER	DESCRIPTION	QTY.	REV.

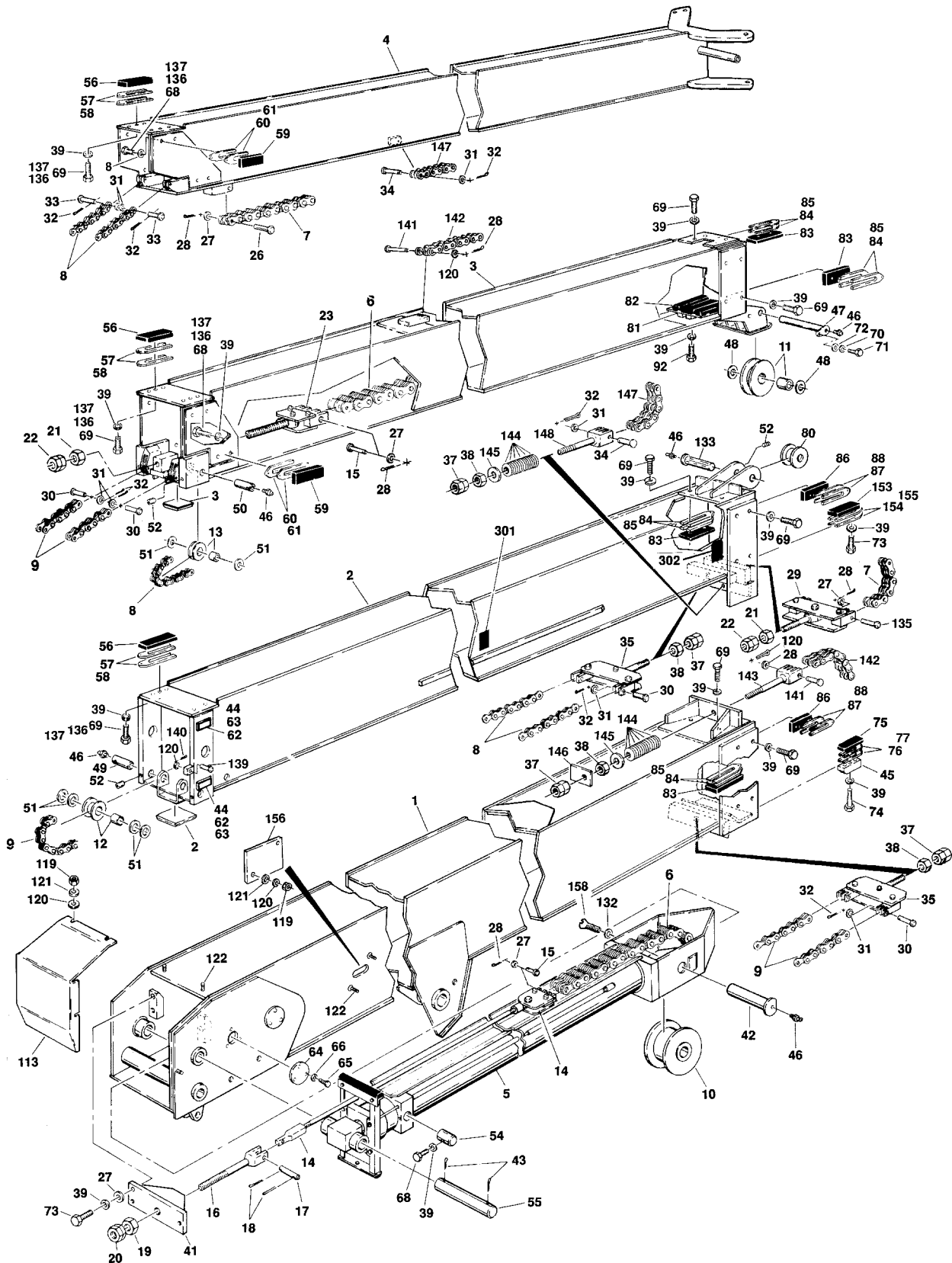
SECTION 3 BOOM

TABLE OF CONTENTS

FIGURE	DESCRIPTION	PAGE
3-1	BOOM ASSEMBLY COMPONENTS	3-2
3-2	CHAIN ADJUSTER ASSEMBLIES	3-10
3-3	JIB BOOM INSTALLATION	3-14
3-4	EXTEND-A-REACH INSTALLATION	3-16
3-5	BOOM LENGTH INDICATOR AND LIMIT SWITCHES INSTALLATION	3-18
3-6	BOOM WIPERS INSTALLATION	3-20

SECTION 3 BOOM

FIGURE 3-1. BOOM ASSEMBLY COMPONENTS INSTALLATION (SHEET 1 OF 2)



SECTION 3 BOOM

SECTION 3 BOOM

FIGURE 3-1. BOOM ASSEMBLY COMPONENTS INSTALLATION

FIG & ITEM #	PART NUMBER	DESCRIPTION	QTY.	REV.
		BOOM ASSEMBLY COMPONENTS INSTALLATION	Ref.	
		BOOM ASSEMBLIES (STANDARD PARTS)	Ref.	
1	0800765	Base Weldment	1	—
2	0800766	Inner Mid Weldment	1	6
	3532549	Plate, Skid (Rear Bottom)	1	
3	0800767	Outer Mid Weldment	1	
	3535816	Plate, Skid (Rear Bottom)	1	
4		Fly Weldment Options:	1	
	0800768	Prior to S/N 37026	1	
	0801155	S/N 37026 to Present	1	
5		Telescope Cylinder Assembly Options (See Section 5 for Breakdown):	1	
	1682030	Standard Boom Prior To November 1992		
	1682820	Standard Boom November 1992 To S/N 38697		
	1683701	Standard Boom S/N 38697 To Present		
	1682030	Boom with Chip Covers Prior To November 1992		
	1682820	Boom with Chip Covers November 1992 To Present		
6	1260235	Chain, Extend - Outer Mid BL866	1 set	
7	1260234	Chain, Extend - Fly BL823	1 set	
8	1260275	Chain, Retract - Fly BL446	1 set	
9	1260233	Chain, Retract - Outer Mid BL446	1 set	
10	3580139	Sheave - Outer Mid Extend Chain	1	
11	0238927	Sheave Assembly - Fly Extend Chain	2	B
	0961293	Bushing, Bronze (1 Per Sheave)	2	
12	0237151	Sheave Assembly - Outer Mid Extend Chain	2	B
	0961353	Bushing, Bronze (1 Per Sheave)	2	
13	0239606	Sheave Assembly - Fly Retract Chain	2	—
	0961369	Bushing, Bronze (1 Per Sheave)	2	
14	0239268	Adjustable Clevis Assembly - Outer Mid Retract Chain (See Figure 3-2 for Breakdown)	1	
15	3421286	Pin, Attach	4	
16	1360171	Clevis	1	
17	3421279	Pin, Attach	1	
18	3450408	Pin, Cotter 1/8" x 2"	2	
19	3313002	Nut, Jam 1 1/4"-7NC	1	
20	3300244	Locknut, Nylon 1 1/4"-7NC Grade 8	1	
21	3312602	Nut, Jam 1"-8NC	2	
22	3300243	Locknut, Nylon 1"-8NC Grade 8	2	
23	0238901	Adjustable Clevis Assembly - Outer Mid Retract Chain (See Figure 3-2 for Breakdown)	1	
24	Not Used			
25	Not Used			
26	3421570	Pin, Attach	2	
27	4751600	Flatwasher 3/8"	35	
28	3450303	Pin, Cotter 3/22" x 3/4"	8	
29	0238919	Adjustable Clevis Assembly - Fly Extend Chain (See Figure 3-2 for Breakdown)	1	

SECTION 3 BOOM

FIGURE 3-1. BOOM ASSEMBLY COMPONENTS INSTALLATION (CONTINUED)

FIG & ITEM #	PART NUMBER	DESCRIPTION	QTY.	REV.
30	3421280	Pin, Attach	6	
31	4751000	Flatwasher #10	10	
32	3450202	Pin, Cotter 1/16" x 1/2"	8	
33	3421629	Pin, Attach	2	
34	Not Used			
35	0238945	Adjustable Clevis Assembly - Outer Mid and Fly Retract Chain (See Figure 3-2 for Breakdown)	2	
36	Not Used			
37	3300240	Locknut, Nylon 5/8"-11NC (Grade 8)	2	
38	3312002	Nut, Jam 5/8"-11NC	2	
39	4761600	Lockwasher 3/8"	100	
40	Not Used			
41	4843105	Mount, End - Chain	1	
42	3421539	Pin, Sheave	1	
43	3450814	Pin, Cotter 1/4" x 3 1/2"	2	
44	4070616	Shim 1/32"/.8mm	A/R	
45	0560689	Block, Mounting - Wear Pad	2	
46	2160002	Fitting, Grease	5	
47	3421538	Pin, Sheave	2	
48	4740307	Washer, Thrust	4	
49	3421290	Pin, Sheave	2	
50	3422040	Pin, Sheave	2	
51	4740311	Washer, Thrust	12	
52	3951606	Setscrew 3/8"-16NC x 3/4"	4	
53	Not Used			
54	3421497	Pin, Trunion	2	
55	3421293	Pin, Cylinder	1	
56	3340475	Pad, Wear (Fly Rear Top, Inner Mid Rear Top and Outer Mid Rear Top)	6	
57	4070535	Shim 1/8"/3.2mm	A/R	
58	4070536	Shim 1/16"/1.6mm	A/R	
59	3340263	Pad, Wear (Carrier Support - Left Side, Fly Rear Sides and Outer Mid Rear Sides)	9	
60	4070544	Shim 1/16"/1.6mm	A/R	
61	4070545	Shim 1/8"/3.2mm	A/R	
62	3340563	Pad, Skid	4	
63	4070615	Shim 1/16"/1.6mm	A/R	
64	1120019	Cap	4	
65	0721003	Bolt #10-24NC x 3/8"	12	
66	4761000	Lockwasher #10	12	
67	0641605	Bolt 3/8"-16NC x 5/8"	2	
68	0641607	Bolt 3/8"-16NC x 7/8"	18	
69	0641609	Bolt 3/8"-16NC x 1 1/8"	52	
70	4761800	Lockwasher 1/2"	1	
71	0641808	Bolt 1/2"-13NC x 1"	1	
72	4751800	Flatwasher 1/2"	2	
73	0641614	Bolt 3/8"-16NC x 1 3/4"	7	
74	0641630	Bolt 3/8"-16NC x 3 3/4"	6	
75	3340496	Pad, Wear (Base Front Bottom)	2	
76	4070602	Shim 1/8"/3.2mm	A/R	

SECTION 3 BOOM

FIGURE 3-1. BOOM ASSEMBLY COMPONENTS INSTALLATION (CONTINUED)

FIG & ITEM #	PART NUMBER	DESCRIPTION	QTY.	REV.
77	4070603	Shim 1/16"/1.6mm	A/R	
78	0641608	Bolt 3/8"-16NC x 1"	8	
79	0641636	Bolt 3/8"-16NC x 4 1/2"	4	
80	Not Used			
81	0901700	Bracket, Wear Pad	1	
82	3340506	Pad, Wear (Outer Mid Front Bottom)	2	
83	3340500	Pad, Wear (Outer Mid Front Sides and Top, Inner Mid Front Top and Base Front Top)	10	
84	4070708	Shim 1/16"/1.6mm	A/R	
85	4070709	Shim 1/8"/3.2mm	A/R	
86	3340502	Pad, Wear (Inner Mid Front Sides and Base Front Sides)	8	
87	4070710	Shim 1/16"/1.6mm	A/R	
88	4070711	Shim 1/8"/3.2mm	A/R	
89	4844126	Tube, Hose and Cable (Left Side)	1	
90	Not Used			
91	3311601	Nut 3/8"-16NC	20	
92	0641610	Bolt 3/8"-16NC x 1 1/4"	6	
93	1180287	Carrier Tube Weldment (Left Side)	1	
94	4280242	Strip, Reinforcing	2	
95	1320121	Clamp (Prior to S/N 51528)	4	
96	0641404	Bolt 1/4"-20NC x 1/2"	2	
97	3450806	Pin, Cotter 1/4" x 1 1/2"	2	
98	3841013	Rod, Roller	2	
99	3860050	Roller	2	
100	3840956	Hanger (Left Side)	1	
101	2660042	Holder	1	
102		Rod, Hose Retainer (Left Side) Options:	1	
	3840957	Prior to S/N 37026	1	
	0902470	S/N 37026 to Present	1	
103	1320155	Clamp, U-Bolt	2	
104	4843080	Bracket, Support - Carrier Wear Pad (Left Side)	1	
105	1060394	Cable, Electrical - 10/4	149 ft./45m	
106	Not Used			
107	1060392	Cable, Electrical - 16/36	149 ft./45m	
108	3840844	Hanger (Right Side) (Prior to August 1992)	1	
109	4340519	Support (Prior to August 1992)	4	
110	0880090	Brace (Prior to August 1992)	4	
111	1180254	Carrier Tube Weldment (Right Side)	1	
112	Not Used			
113	4843107	Cover, Boom End (Prior to September 1992)	1	
	4843087	Cover, Boom End (September 1992 to Present)	1	
114	3532793	Plate, Hose Cover		
115	4060685	Shield, Hose and Cable (Right Side)	2	
116	4060684	Shield, Hose and Cable (Right Side)	1	
117	4340632	Support, Hydraulic Line	8	
118	4300098	Stud (Welded on Part)	8	
119	3311401	Nut 1/4"-20NC	A/R	
120	4751400	Flatwasher 1/4"	A/R	
121	4761400	Lockwasher 1/4"	A/R	

SECTION 3 BOOM

FIGURE 3-1. BOOM ASSEMBLY COMPONENTS INSTALLATION (CONTINUED)

FIG & ITEM #	PART NUMBER	DESCRIPTION	QTY.	REV.
122	4300032	Stud (Welded on Part)	A/R	
123	3840858	Rod, Tube Retainer	1	
124	4562516	Tube	1	
125	4340453	Support, Bracket	1	
126	0181175	Angle (Prior to August 1992)	2	
127	4761500	Lockwasher 5/16"	3	
128	0641510	Bolt 5/16"-18NC x 1 1/4"	3	
129	3311501	Nut 5/16"-18NC	3	
130	4751500	Flatwasher 5/16"	6	
131	4340520	Support (Prior to August 1992)	2	
132	4740349	Washer, Special	1	
133	3421632	Pin (Prior to March 1993)	1	
134	3536001	Plate, Ramp (Left Side)	1	
135	3421571	Pin, Attach	2	
136	1380124	Clip, Retainer (Prior to May 1995)	34	
137	4920385	Wire, Safety (Prior to May 1995)	17.6/5.4m	
138	3840975	Rod, Hose Retainer (Right Side) (Prior to March 1993)	1	
139	3430408	Pin, Clevis 1/4" x 1"	1	
140	3450203	Pin, Cotter 1/16" x 3/4"	1	
141 to 152	Not Used			
153	3340494	Pad, Wear (Inner Mid Front Bottom)	2	
154	4070600	Shim 1/8"/3.2mm	A/R	
155	4070601	Shim 1/16"/1.6mm	A/R	
156	Not Required			
157	Not Used			
158	0741608	Screw, Countersunk 3/8"-16NC x 1"	1	
159	3520029	Plug, Hole (Prior to S/N 47227)	4	
160	Not Used			
161	0641407	Bolt 1/4" - 20 NC x 7/8"	2	
162	1670836	Cover (Not Shown) Located on Bottom of Boom Sections	8	
163	0641611	Bolt 3/8"-16NC x 1 3/8" (S/N 40599 to Present)	2	
	0100011	Loctite #242	A/R	
		BOOM ASSEMBLY (VARIABLE PARTS)	Ref.	
	0800891	Boom Without Chip Covers Prior To S/N 37026	Ref.	13
	0801157	Boom Without Chip Covers S/N 37026 To Present	Ref.	5
	0800783	Boom With Chip Covers Prior To S/N 37026	Ref.	10
	0801159	Boom With Chip Covers S/N 37026 To Present	Ref.	4
201		Carrier (Left Side) Options:	1	
	Use	Carrier Without Chip Covers (was p/n 1180286 -		
201A	1001119696	Gemco is Original Equipment/Gortrac is Service Replacement)	1	
201B		Gemco Power Track Replacement Parts :	A/R	
	7006193	Repair Section - 1 Foot	A/R	
	7006143	Bracket, Mounting (Includes 1 left, 1 right mounting brackets & 2 spacers)	4	

SECTION 3 BOOM

FIGURE 3-1. BOOM ASSEMBLY COMPONENTS INSTALLATION (CONTINUED)

FIG & ITEM #	PART NUMBER	DESCRIPTION	QTY.	REV.
201B (cont'd)	7006138	Pin Assembly (Includes 1 link pin, 1 retaining ring & 4 washers of various thicknesses)	A/R	
	7006165	Kit, Rod Carrier (Includes 1 rod, 1 sleeve & 2 screws)	A/R	
	7016520	Rod w/Roll Pin	A/R	
	7016531	Clamping Carrier Assembly (Includes 2 link pins, 1 clamping carrier, 1 clamping stiffener, 1 bolt, 1 nut & 1 lockwasher)	1	
201C		Gortrac Power Track Replacement Parts:	A/R	
	70003143	Repair Section (Includes 1 set of attaching hardware) (1001119696 Power Track Only)	A/R	
	70003144	Mounting Bracket Kit (Includes 4 mtg feet & hardware to attach to track) (1001119696 Power Track Only)	A/R	
201D	1180296	Carrier With Chip Covers	1	
201E		Gemco Power Track Replacement Parts :	A/R	
	7006196	Repair Section - 1 Foot	A/R	
	7006143	Bracket, Mounting (Includes 1 left, 1 right mounting brackets & 2 spacers)	4	
	7006138	Pin Assembly (Includes 1 link pin, 1 retaining ring & 4 washers of various thicknesses)	A/R	
202		Carrier (Right Side) Options:	1	
202A	Use 1001099842	Carrier Without Chip Covers (was p/n 1180236 - Gemco is Original Equipment/Gortrac is Service Replacement)	1	
202B		Gemco Power Track Replacement Parts :	A/R	
	7006153	Repair Section - 1 Foot	A/R	
	7006143	Bracket, Mounting (Includes 1 left, 1 right mounting brackets & 2 spacers)	4	
	7006138	Pin Assembly (Includes 1 link pin, 1 retaining ring & 4 washers of various thicknesses)	A/R	
	7006165	Kit, Rod Carrier (Includes 1 rod, 1 sleeve & 2 screws)	A/R	
	7016520	Rod w/Roll Pin	A/R	
	7016531	Clamping Carrier Assembly (Includes 2 link pins, 1 clamping carrier, 1 clamping stiffener, 1 bolt, 1 nut & 1 lockwasher)	1	
202C		Gortrac Power Track Replacement Parts:	A/R	
	70002008	Repair Section (Includes 1 set of attaching hardware) (1001099842 Power Track Only)	A/R	
	70002009	Mounting Bracket Kit (Includes 4 mtg feet & hardware to attach to track) (1001099842 Power Track Only)	A/R	
202D	1180258	Carrier With Chip Covers	1	
201E		Gemco Power Track Replacement Parts :	A/R	
	7006145	Repair Section - 1 Foot	A/R	
	7006143	Bracket, Mounting (Includes 1 left, 1 right mounting brackets & 2 spacers)	4	
	7006138	Pin Assembly (Includes 1 link pin, 1 retaining ring & 4 washers of various thicknesses)	A/R	

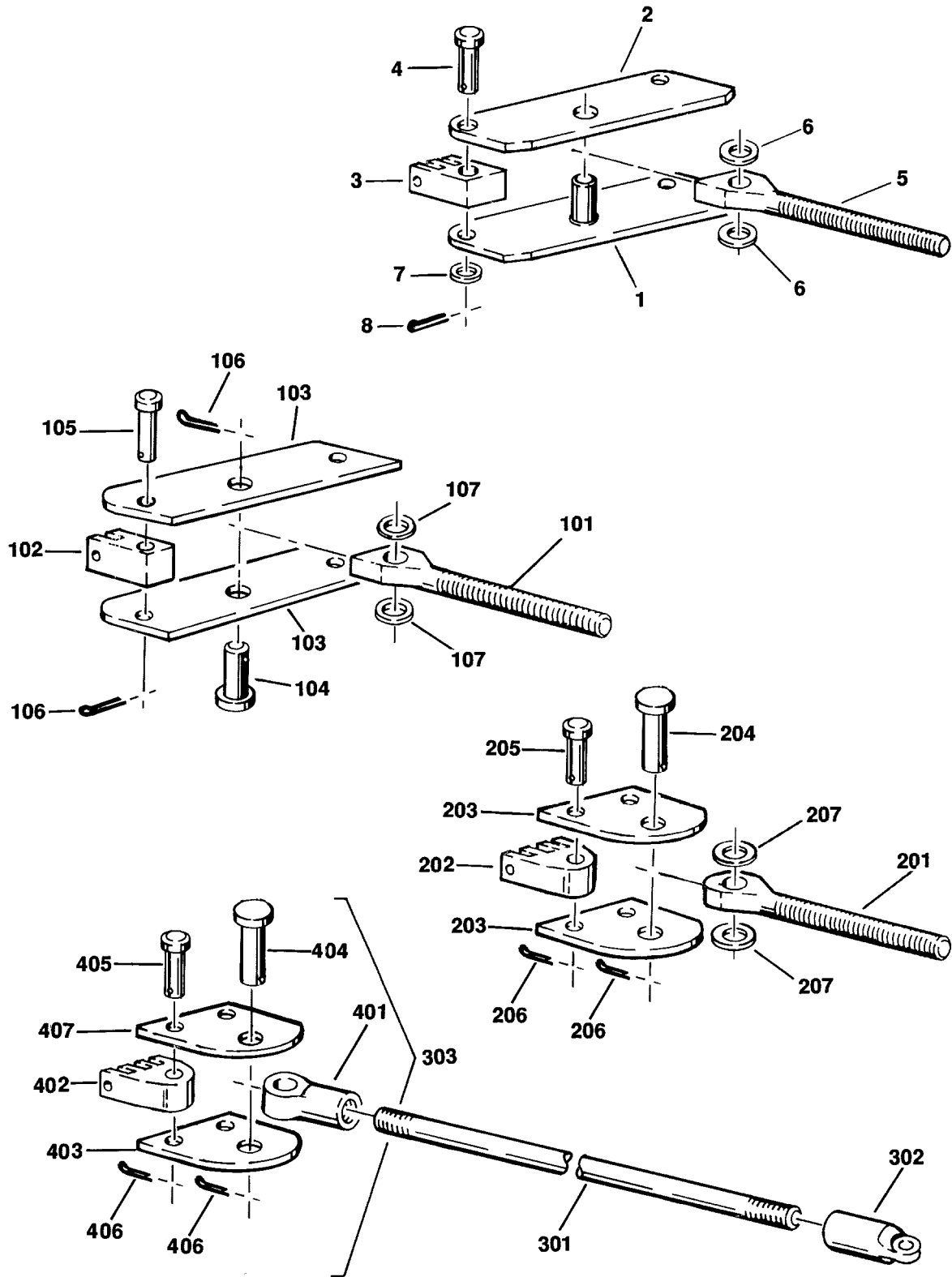
SECTION 3 BOOM

FIGURE 3-1. BOOM ASSEMBLY COMPONENTS INSTALLATION (CONTINUED)

FIG & ITEM #	PART NUMBER	DESCRIPTION	QTY.	REV.
	0252764/1282060	RADIUS LIMIT TAPE INSTALLATION	Ref.	3
301	4420017	Tape - Red	6 in./15.3cm	
302	4420015	Tape - White	6 in./15.3cm	

SECTION 3 BOOM

FIGURE 3-2. CHAIN ADJUSTER ASSEMBLIES



SECTION 3 BOOM

FIGURE 3-2. CHAIN ADJUSTER ASSEMBLIES

FIG & ITEM #	PART NUMBER	DESCRIPTION	QTY.	REV.
		CHAIN ADJUSTER ASSEMBLIES	Ref.	
	0238945	CHAIN ADJUSTER ASSEMBLY (OUTER MID AND FLY RETRACT)	Ref.	—
1	4843026	Chain Plate Weldment	1	
2	3532466	Plate, Top	1	
3	1360175	Clevis	2	
4	3420552	Pin, Clevis	2	
5	0630197	Eyebolt	1	
6	4740156	Washer, Thrust	2	
7	4740270	Washer, Special	2	
8	3450504	Pin, Cotter 5/32" x 1"	2	
	0238919	CHAIN ADJUSTER ASSEMBLY (FLY EXTEND)	Ref.	—
101	0630410	Eyebolt	1	
102	1360209	Clevis	2	
103	3532425	Plate	2	
104	3421535	Pin, Adjuster Plate	1	
105	3421534	Pin, Clevis	2	
106	3450506	Pin, Cotter 3/32" x 1 1/2"	3	
107	4740111	Washer, Thrust	2	
	0238901	CHAIN ADJUSTER ASSEMBLY (OUTER MID RETRACT)	Ref.	—
201	0630409	Eyebolt	1	
202	1360206	Clevis	2	
203	3532410	Plate	2	
204	3421535	Pin, Adjuster Plate	1	
205	3421534	Pin, Clevis	2	
206	3450506	Pin, Cotter 3/32" x 1 1/2"	3	
207	4740111	Washer, Thrust	2	
	0239268	CHAIN ADJUSTER AND ROD ASSEMBLY (OUTER MID RETRACT)	Ref.	B
301	3840945	Rod	1	
302	1360208	Clevis, Rod	1	
303	0238900	Chain Adjuster Assembly (See Items 401-407 for Breakdown)	1	
	0100003	----- Loctite #277	A/R	

SECTION 3 BOOM

SECTION 3 BOOM

FIGURE 3-2. CHAIN ADJUSTER ASSEMBLIES (CONTINUED)

FIG & ITEM #	PART NUMBER	DESCRIPTION	QTY.	REV.
	0238900	CHAIN ADJUSTER ASSEMBLY (OUTER MID RETRACT)	Ref.	B
401	1360207	Clevis, Rod	1	
402	1360206	Clevis, Chain	2	
403	3532410	Plate, Chain Adjuster (Top)	1	
404	3421535	Pin, Adjuster Plate	1	
405	3421534	Pin, Clevis	2	
406	3450506	Pin, Cotter 3/32" x 1 1/2"	3	
407	3534436	Plate, Chain Adjuster Plate (Bottom)	1	

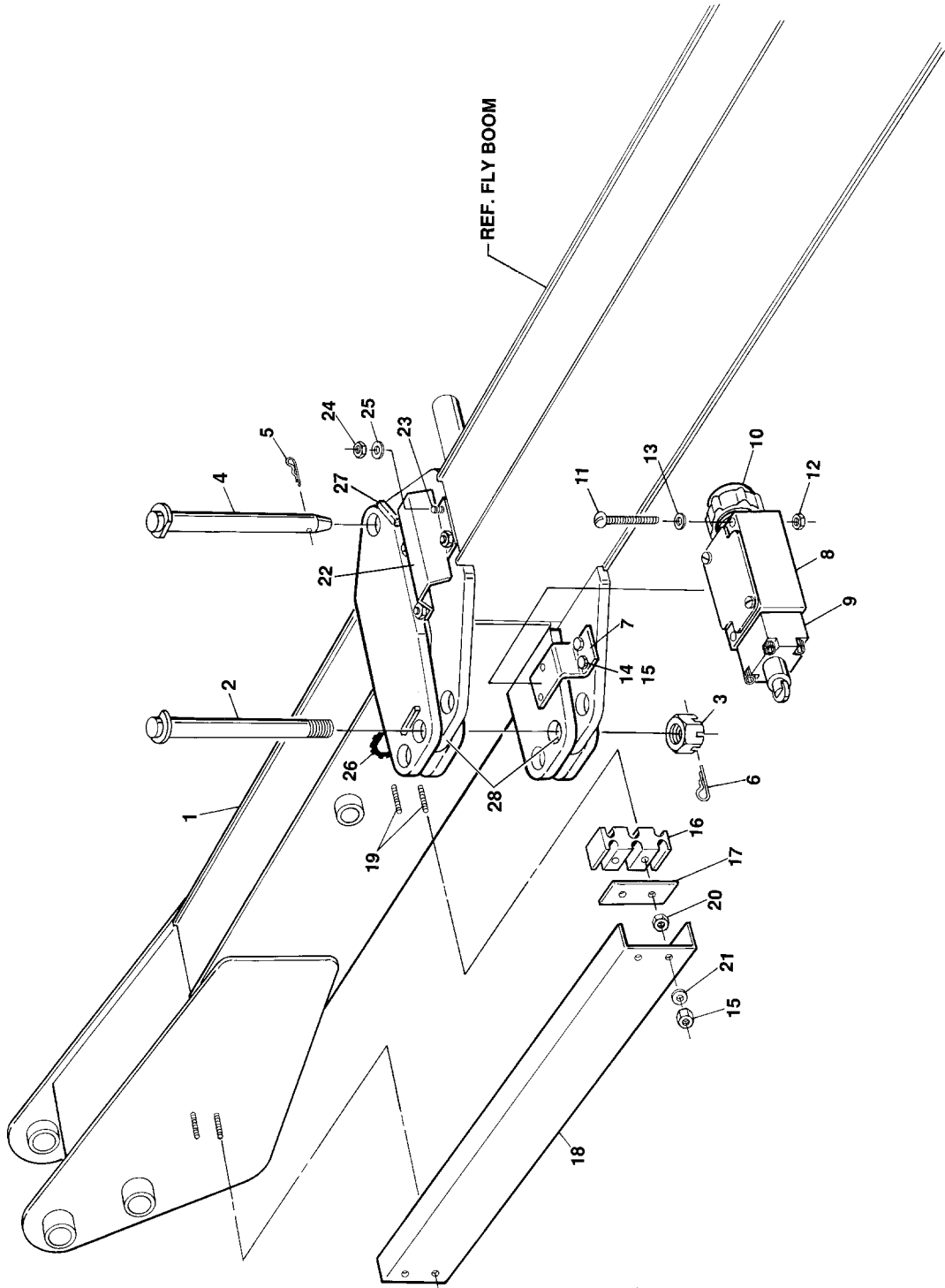
SECTION 3 BOOM

FIGURE 3-2. CHAIN ADJUSTER ASSEMBLIES (CONTINUED)

FIG & ITEM #	PART NUMBER	DESCRIPTION	QTY.	REV.

SECTION 3 BOOM

FIGURE 3-3. JIB BOOM INSTALLATION



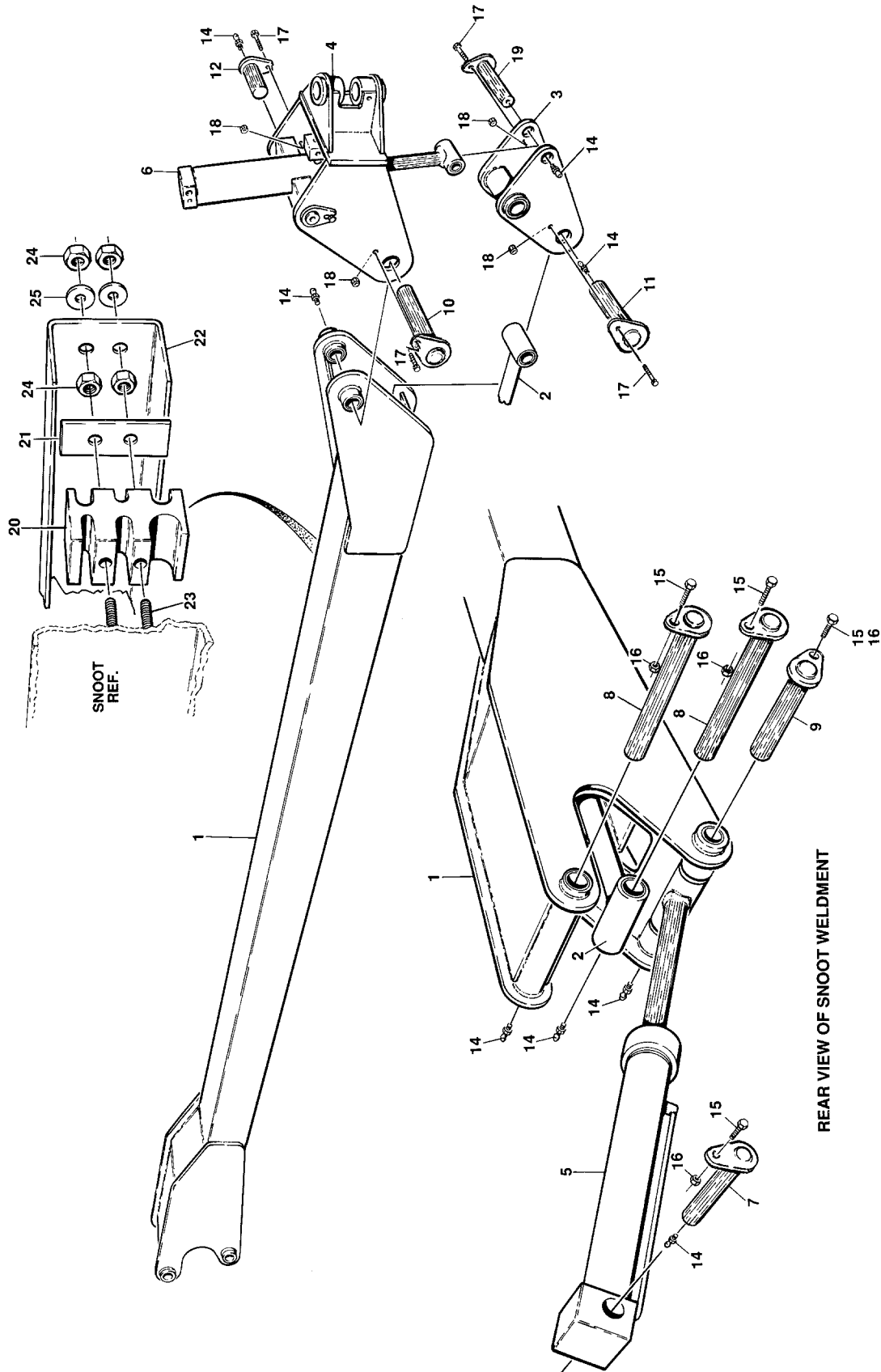
SECTION 3 BOOM

FIGURE 3-3. JIB BOOM INSTALLATION

FIG & ITEM #	PART NUMBER	DESCRIPTION	QTY.	REV.
		JIB BOOM INSTALLATION OPTIONS:	Ref.	
	0252658	Prior To S/N 37026	Ref.	4
	0258414	S/N 37026 To Present	Ref.	1
1		Boom, Jib Options:	1	
	0800769	Prior to S/N 37026		
	0801156	S/N 37026 to Present		
2		Pin (Left Side Attach) Options:	1	
	3422041	Prior to S/N 37026		
	3422727	S/N 37026 to Present		
3	3323403	Nut, Slotted 1 1/2" x 12NF	1	
4		Pin (Right Side Attach) Options:	1	
	3422053	Prior to S/N 37026		
	3422679	S/N 37026 to Present		
5	3420592	Hairpin	1	
6	3451012	Pin, Cotter 5/16" x 3"	1	
7	0901835	Bracket, Limit Switch	1	
8	4360277	Switch, Limit	1	
9	4360307	Head, Switch	1	
10	4460049	Connector, Strain Relief	1	
11	0721016	Screw, Machine #10-24NC x 2"	2	
12	3311005	Locknut #10-24NC	2	
13	4751000	Flatwasher #10	2	
14	0641615	Bolt 3/8"-16NC x 1 7/8"	2	
15	3311605	Locknut	6	
16	1320184	Clamp, Hose and Cable	2	
17	3535978	Plate	2	
18	1670635	Cover, Hose and Cable	1	
19	4300076	Stud (Welded on Part)	4	
20	3311602	Nut, Jam 3/8"-16NC	4	
21	4751600	Flatwasher 3/8"	4	
22	3532793	Plate, Hose Cover	1	
23	4300032	Stud (Welded on Part)	4	
24	3311405	Locknut 1/4"-20NC	4	
25	4751400	Flatwasher 1/4"	4	
26	4060803	Trim, Flexible	10 in.	
27	2880814	Keystock (Welded on Part)	2	
28		Bushing, Garmax	A/R	
	Not Required	Prior to S/N 37026	0	
	0962181	S/N 37026 to Present	2	

SECTION 3 BOOM

FIGURE 3-4. EXTEND-A-REACH INSTALLATION



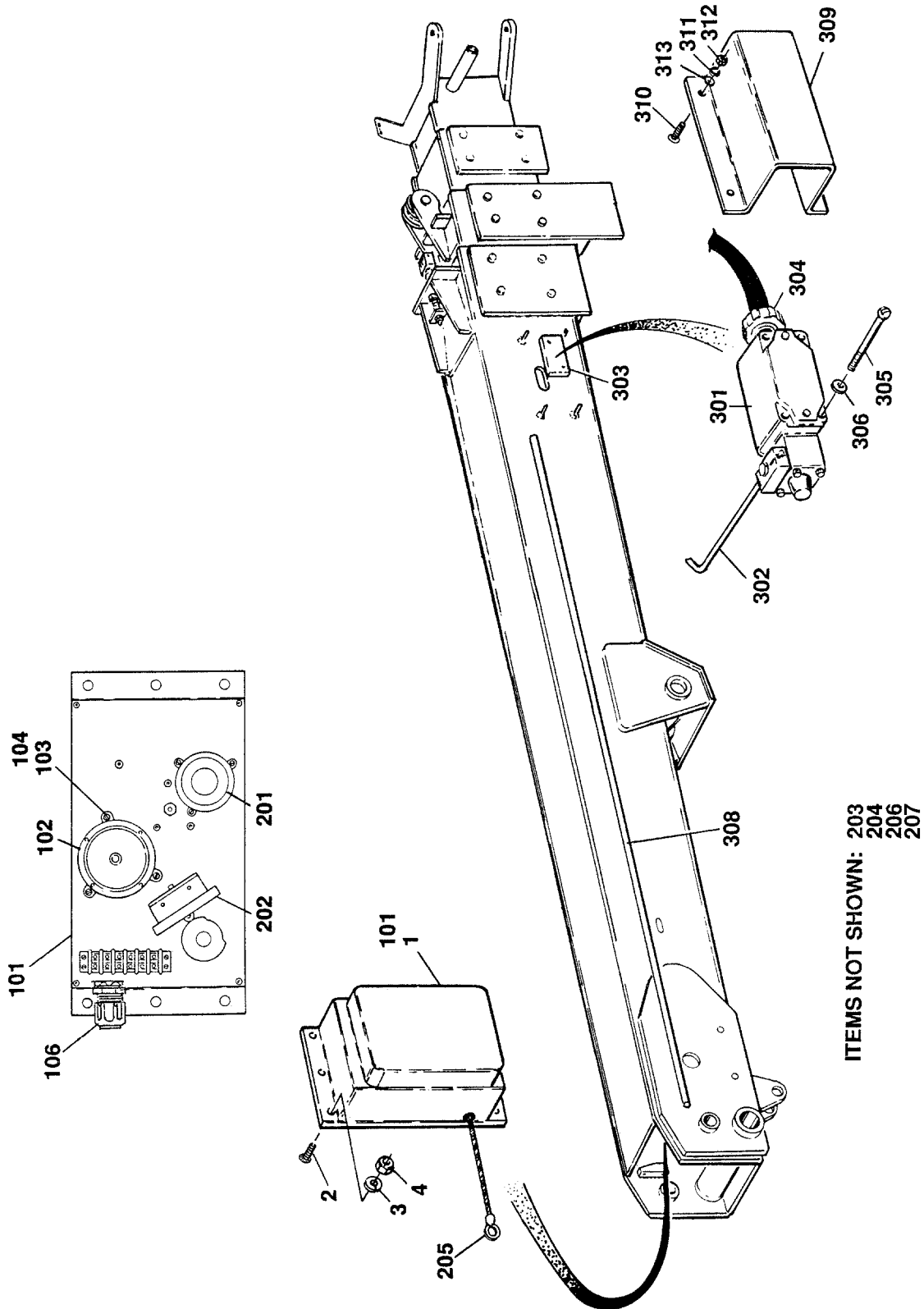
SECTION 3 BOOM

FIGURE 3-4. EXTEND-A-REACH INSTALLATION

FIG & ITEM #	PART NUMBER	DESCRIPTION	QTY.	REV.
		EXTEND-A-REACH INSTALLATION	Ref.	
	0252610	ANSI Spec	Ref.	5
	0253602	CSA Spec	Ref.	2
1	4844092	Snoot Weldment	1	
	0960565	Bushing, Bronze	4	
2	4844093	Level Link Weldment	1	
	0961654	Bushing, Bronze (Platform End)	2	
	0960565	Bushing, Bronze (Jib End)	2	
3	4844094	Level Plate Weldment	1	
	0961654	Bushing, Bronze	2	
4	4844095	Pivot Attach Weldment	1	
	1320051	Clamp, Hose	1	
5		Extend-A-Reach Lift Cylinder Assembly Options: (See Section 5 for Breakdown)	1	
	1682635	Prior to S/N 49403		
	1683725	S/N 49403 to Present		
6		Extend-A-Reach Platform Level Cylinder Assembly Options: (See Section 5 for Breakdown)	1	
	1682642	Prior to April 1992		
	1682753	Prior to S/N 29913		
	1683493	S/N 29913 to Present		
7		Pin, Attach (Lift Cylinder - Barrel End) Options:	1	
	3422087	ANSI Spec		
	3422164	CSA Spec		
8	3422077	Pin, Attach (Snoot and Level Link to Jib)	2	
9		Pin, Attach (Lift Cylinder - Rod End) Options:	1	
	3422079	ANSI Spec		
	3422166	CSA Spec		
10	3422081	Pin, Attach (Snoot to Pivot)	1	
11	3422083	Pin, Attach (Level Link to Level Plate)	1	
12	3422037	Pin, Attach (Level Cylinder - Barrel End)	2	
13	Not Used			
14	2160002	Fitting, Grease	9	
15	0641608	Bolt 3/8"-16NC x 1"	3	
16	4761600	Lockwasher 3/8"	3	
17	0641610	Bolt 3/8"-16NC x 1 1/4"	6	
18	3311605	Locknut 3/8"-16NC	10	
19	3422085	Pin, Attach (Level Cylinder - Rod End)	1	
20	1320184	Clamp, Hose and Cable	2	
21	3535978	Plate	2	
22	1670634	Cover, Hose and Cable	1	
23	4300076	Stud (Welded on Part)	4	
24	3311602	Nut, Jam 3/8"-16NC	4	
25	4751600	Flatwasher 3/8"	4	
	0100011	----- Loctite #242	A/R	

SECTION 3 BOOM

FIGURE 3-5. BOOM LENGTH INDICATOR AND LIMIT SWITCHES INSTALLATION



ITEMS NOT SHOWN: 203
204
206
207

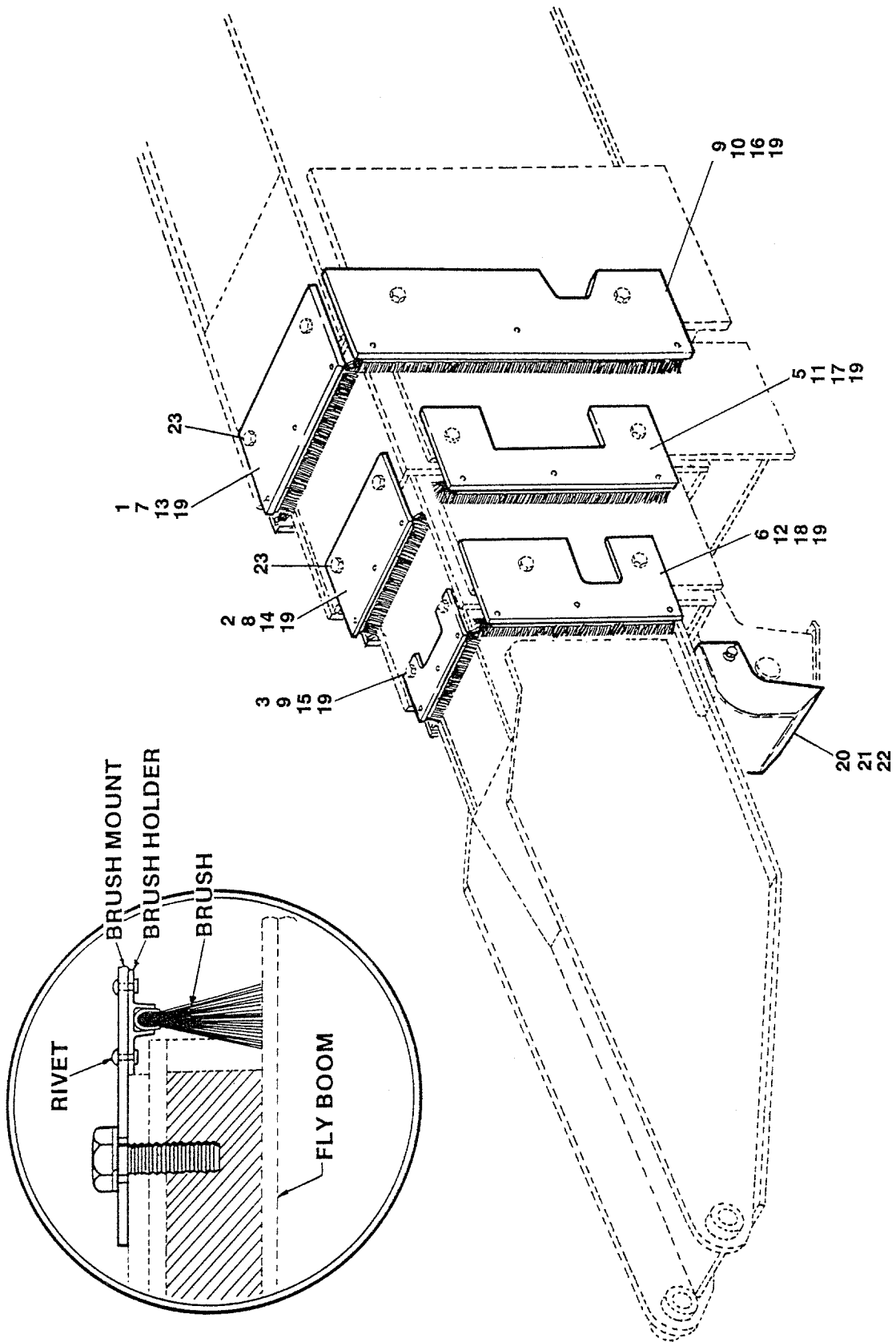
SECTION 3 BOOM

FIGURE 3-5. BOOM LENGTH INDICATOR AND LIMIT SWITCHES INSTALLATION

FIG & ITEM #	PART NUMBER	DESCRIPTION	QTY.	REV.
	0250119	BOOM LENGTH/INDICATOR INSTALLATION	Ref.	2
1	0239485	Boom Length Indicator Assembly (See Item 101-106 for Breakdown)	1	
2	4300032	Stud (Welded on Part)	4	
3	4761400	Lockwasher 1/4"	4	
4	3311401	Nut 1/4"-20NC	4	
	0239485	BOOM LENGTH INDICATOR SUBASSEMBLY	Ref.	D
101	0860575	Indicator Box Assembly (See Items 201-207 for Breakdown)	1	
102	4360153	Pendulum	1	
103	3910408	Screw #4NC x 1/2"	4	
104	4770400	Starwasher #4	4	
105	Not Used			
106	4460428	Strain Relief	1	
	0860575	INDICATOR BOX ASSEMBLY	Ref.	E
201	7000637	Potentiometer	1	
202	7000638	Switch	1	
203	7000639	Spring, Reel	1	
204	7012526	Spring, Extension	1	
205	7000647	Cable	1	
206	3730024	Resistor - 100 Ohms	1	
207	7016535	Plate	1	
	0239346	BOOM LIMIT SWITCHES INSTALLATION	Ref.	3
301	4360057	Switch, Limit	1	
302	0200048	Arm, Actuator	1	
303	3530138	Plate, Mounting	1	
304	4460049	Connector, Strain Relief	1	
305	0721014	Bolt #10-24NC x 1 3/4"	2	
306	4761000	Lockwasher #10	2	
307	Not Used			
308	4564109	Tube	1	
309	1670367	Cover	1	
310	4300031	Stud (Welded on Part)	4	
311	4761400	Lockwasher 1/4"	4	
312	3311401	Nut 1/4"-20NC	4	
313	4751400	Flatwasher 1/4"	4	
314	1670836	Cover, Boom (Not Shown Located on Opposite Side of Boom) (S/N 40599 to Present)	1	

SECTION 3 BOOM

FIGURE 3-6. BOOM WIPERS INSTALLATION



SECTION 3 BOOM

FIGURE 3-6. BOOM WIPERS INSTALLATION

FIG & ITEM #	PART NUMBER	DESCRIPTION	QTY.	REV.
	0253303	BOOM WIPERS INSTALLATION	Ref.	2
1	3200344	Mount, Boom Wiper (Base/Top)	1	
2	3200346	Mount, Boom, Wiper (Inner Mid/Top)	2	
3	3200348	Mount, Boom, Wiper (Outer Mid/Top)	1	
4	3200345	Mount, Boom, Wiper (Base/Side)	2	
5	3200347	Mount, Boom Wiper (Inner Mid/Side)	2	
6	3200349	Mount, Boom Wiper (Outer Mid/Side)	2	
7	0540074	Blade, Boom Wiper (Base/Top)	1	
8	0540089	Blade, Boom Wiper (Inner Mid/Top)	2	
9	0540078	Blade, Boom Wiper (Outer Mid/Top)	1	
10	0540075	Blade, Boom Wiper (Base/Side)	2	
11	0540077	Blade, Boom Wiper (Inner Mid/Side)	2	
12	0540079	Blade, Boom Wiper (Outer Mid/Side)	2	
13	2660067	Holder, Brush (Base/Top)	1	
14	2660085	Holder, Brush (Inner Mid/Top)	2	
15	2660071	Holder, Brush (Outer Mid/Top)	1	
16	2660068	Holder, Brush (Base/Side)	2	
17	2660070	Holder, Brush (Inner Mid/Side)	2	
18	2660072	Holder, Brush (Outer Mid/Side)	2	
19	3820001	Rivet, Pop	30	
20	1670491	Cover Weldment	1	
21	0641404	Bolt 1/4" -20NC x 1/2"	4	
22	4761400	Lockwasher	4	
23	4711600	Flatwasher	4	

SECTION 3 BOOM

**S
E
C
T
I
O
N

3

B
O
O
M**

FIGURE 3-6. BOOM WIPERS INSTALLATION (CONTINUED)

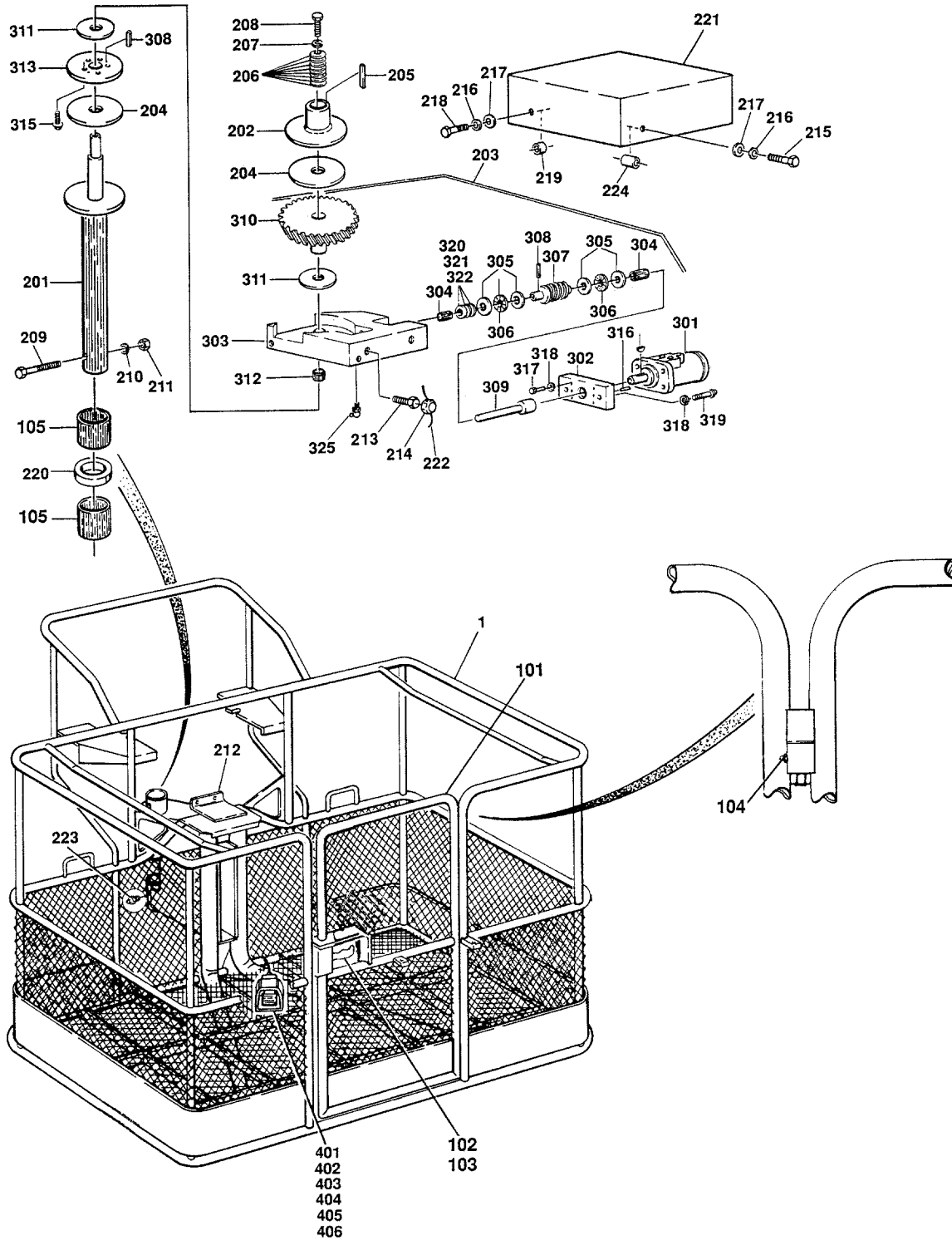
FIG & ITEM #	PART NUMBER	DESCRIPTION	QTY.	REV.

SECTION 4 PLATFORMS

TABLE OF CONTENTS		
FIGURE	DESCRIPTION	PAGE
4-1	PLATFORM COMPONENTS INSTALLATION	4-2
4-2	ROTATOR MOTOR ASSEMBLY	4-6
4-3	CONSOLE BOX ASSEMBLY	4-8
4-4	OPTIONAL PLATFORM MOUNTED COMPONENTS	4-12

SECTION 4 PLATFORMS

FIGURE 4-1. PLATFORM COMPONENTS INSTALLATION (LOW MOUNT)



SECTION 4 PLATFORMS

FIGURE 4-1. PLATFORM COMPONENTS INSTALLATION (LOW MOUNT)

FIG & ITEM #	PART NUMBER	DESCRIPTION	QTY.	REV.
		PLATFORM COMPONENTS INSTALLATION (LOW MOUNT)	Ref.	
1		PLATFORM ASSEMBLY OPTIONS: Note: Replacement Decals Must be Ordered Separately - See Section 8.	1	
	3510363	Platform Assembly - Standard (Includes Items 101-105)	Ref.	
	3510398	Platform Assembly - With Slidebar		
	3510405	Platform Assembly - With Slidebar and Kickplates		
	3510585	Platform Assembly - Mesh to Top Rail		
		PLATFORM ASSEMBLY COMPONENTS	Ref.	
101	1780252	Door Weldment	1	
102	2940006	Latch, Door	1	
103	2560010	Handle, Latch	1	
104	2160006	Fitting, Grease	2	
105	0960564	Bushing, Bronze	2	
	0252682	ROTATOR AND SUPPORT INSTALLATION	Ref.	2
201	4842046	Shaft Weldment	1	
202	1120299	Cap	1	
203	0235238	Rotator Assembly (See Items 301-325 for Break-down)	1	
204	3340454	Pad, Brake	2	
205	2880404	Key	1	
206	4160026	Washer, Belleville	8	
207	4752000	Flatwasher 5/8"	1	
208	0652014	Bolt 5/8"-18NF x 1 3/4"	1	
209	0641836	Bolt 1/2"-13NC x 4 1/2"	1	
210	4751800	Flatwasher 1/2"	1	
211	3311805	Locknut 1/2"-13NC	1	
212	0901834	Bracket	1	
213	0641811	Bolt 1/2"-13NC x 1 3/8"	2	
214	1380137	Clip, Retainer	2	
215	0641412	Bolt 1/4"-20NC x 1 1/2"	1	
216	4761400	Lockwasher 1/4"	2	
217	4751400	Flatwasher 1/4"	2	
218	0641408	Bolt 1/4"-20NC x 1"	1	
219	4562083	Tube, Spacer	1	
220	4740158	Washer, Thrust	1	
221	1670632	Cover	1	
222	4920986	Wire, Safety	1 ft./30cm	
223	2160002	Fitting, Grease	2	
224	4565665	Tube, Spacer	1	

SECTION 4 PLATFORMS

FIGURE 4-1. PLATFORM COMPONENTS INSTALLATION (LOW MOUNT) (CONTINUED)

FIG & ITEM #	PART NUMBER	DESCRIPTION	QTY.	REV.
	0235238	ROTATOR ASSEMBLY	Ref.	E
301	3160083	Rotor Motor Assembly (See Figure 4-2 for Break-down)	1	
302	0080099	Adaptor, Motor	1	
303	2760064	Housing, Gear	1	
304	0440134	Bearing, Sleeve	2	
305	4740199	Washer, Thrust	4	
306	0440120	Bearing, Thrust	2	
307	2440043	Gear, Worm	1	
308	3440816	Rollpin 1/4" x 1"	4	
309	0080098	Adaptor - Motor to Worm Gear	1	
310	2440044	Gear, Worm	1	
311	4740256	Washer, Thrust	2	
312	0440135	Bearing, Sleeve	1	
313	1760068	Disc, Brake	1	
314	Not Used			
315	3931010	Bolt, Socket Head #10-24NC x 5/8"	5	
316	3441228	Rollpin 3/8" x 1 3/4"	2	
317	3931620	Bolt, Socket Head 3/8" - 16NC x 1 1/4"	2	
318	4761600	Lockwasher 3/8"	6	
319	3931612	Bolt, Socket Head 3/8" - 16NC x 3/4"	4	
320	4070585	Shim, Rotator - .010"/.25mm	A/R	
321	4070586	Shim, Rotator - .005"/.13mm	A/R	
322	4070587	Shim, Rotator - .002"/.05mm	A/R	
323	Not Used			
324	Not Used			
325	2160001	Fitting, Grease - 90°	1	
	0100019	Loctite #271	A/R	
	0100021	Primer, Locking - "N"	A/R	
	3020025	Grease	A/R	
	0237963	FOOTSWITCH INSTALLATION	Ref.	7
401	0641408	Bolt 1/4"-20NC x 1"	3	
402	3311401	Nut 1/4"-20NC	3	
403	4740362	Flatwasher 1/4"	3	
404	Not Used			
405	4360031	Footswitch Assembly	1	
406	7000625	Block, Contact	2	
407	4460071	Connector	1	

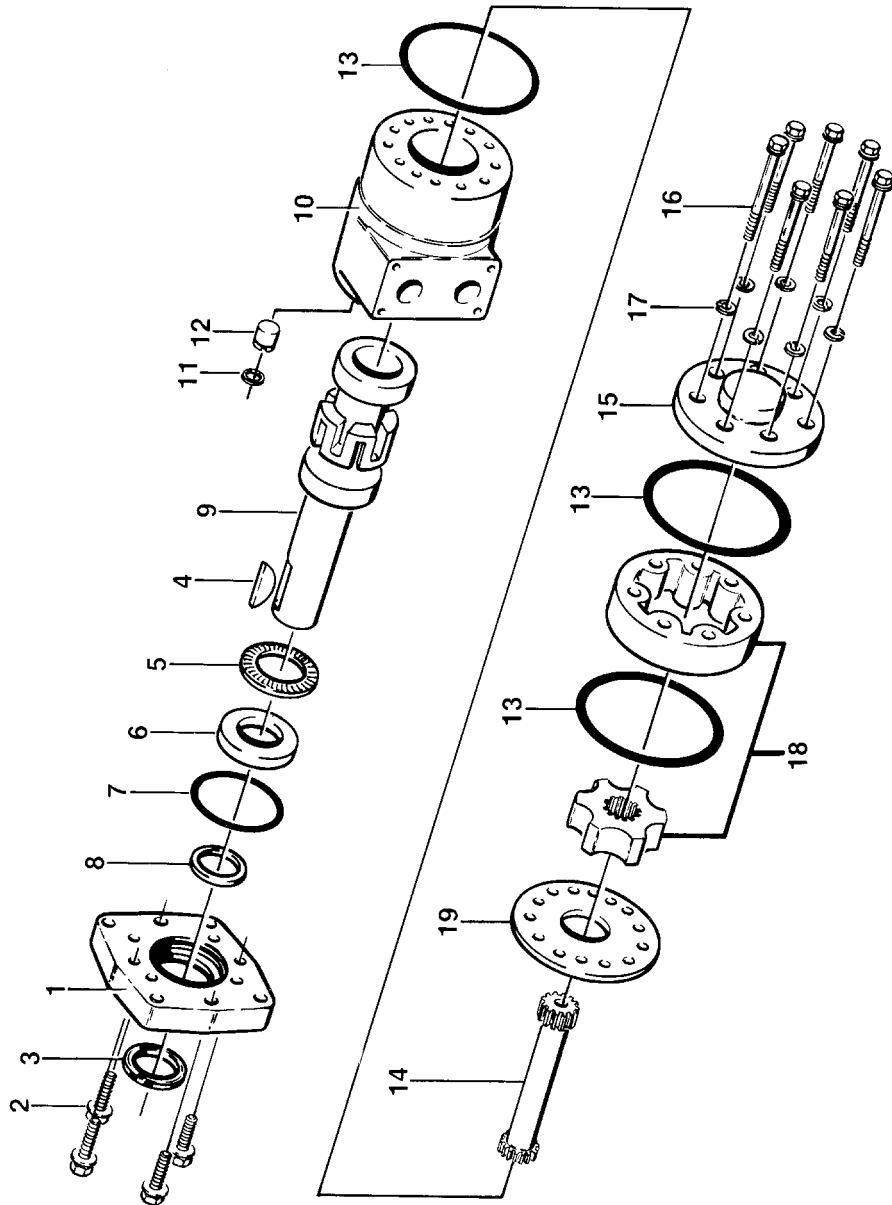
SECTION 4 PLATFORMS

FIGURE 4-1. PLATFORM COMPONENTS INSTALLATION (LOW MOUNT) (CONTINUED)

FIG & ITEM #	PART NUMBER	DESCRIPTION	QTY.	REV.

SECTION 4 PLATFORMS

FIGURE 4-2. ROTATOR MOTOR ASSEMBLY



SECTION 4 PLATFORMS

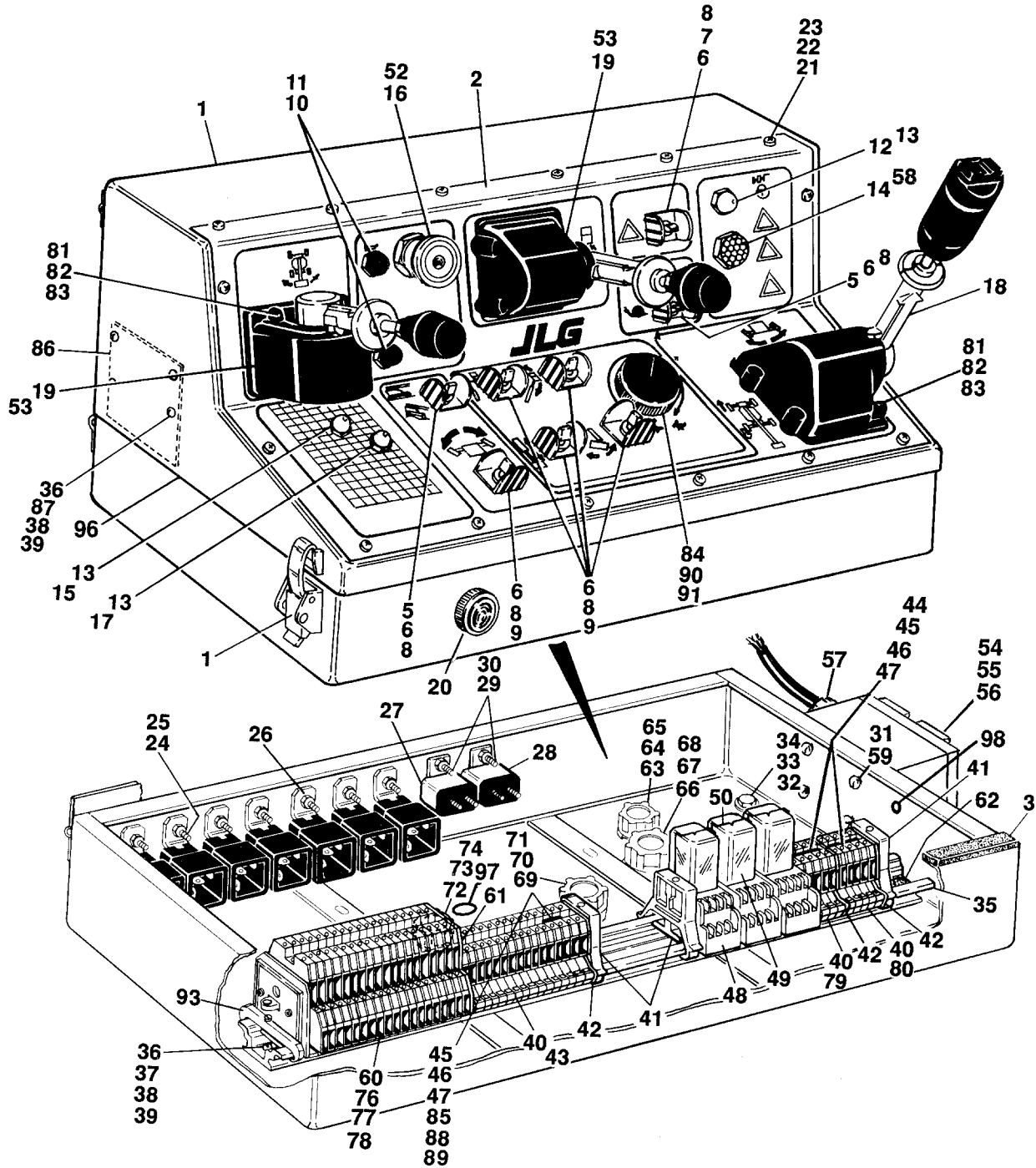
FIGURE 4-2. ROTATOR MOTOR ASSEMBLY

FIG & ITEM #	PART NUMBER	DESCRIPTION	QTY.	REV.
	3160083	ROTATOR MOTOR ASSEMBLY	Ref.	A
1	7002105	Flange, Mounting	1	
2	7002123	Screw, Cap	4	
3	Kit	Seal, Dust	1	
4	7002104	Key, Woodruff	1	
5	7002111	Bearing, Thrust Needle	1	
6	7002117	Thrust, Bearing Race	1	
7	Kit	Seal, O-Ring	1	
8	Kit	Seal, Pressure	1	
9	7002116	Shaft, Output	1	
10	7002103	Housing	1	
11	Kit	Seal	1	
12	Kit	Plug, Housing	1	
13	7002115	Seal, O-Ring	3	
14	7002112	Drive	1	
15	7002107	Cap, End	1	
16	7002100	Screw, Cap	7	
17	7000166	Lockwasher	7	
18	7002125	Gerotor Sub-Assembly	1	
19	7002110	Plate, Spacer	1	

	2900455	Seal Kit (Includes Items 3,7,8,11 and 12) (P/N 101-1009-007)	1	
	2900733	Seal Kit (Includes Items 3,7,8,11 and 12) (P/N's 101-1009-008 and 101-1009-009)	1	
		Note: Identify by P/N stamped on nameplate located on Item 10.		

SECTION 4 PLATFORMS

FIGURE 4-3. PLATFORM CONSOLE ASSEMBLY



SECTION 4 PLATFORMS

FIGURE 4-3. PLATFORM CONSOLE ASSEMBLY

FIG & ITEM #	PART NUMBER	DESCRIPTION	QTY.	REV.
		PLATFORM CONSOLE ASSEMBLY	Ref.	
	0860774	Prior To S/N 38697	Ref.	8
	0861216	S/N 38697 To Present	Ref.	4
1	0860538	Box Weldment	1	
	2940052	Latch	2	
	2600105	Hinge (Rear Access Door)	1	
	2600132	Hinge (Top to Bottom Sections)	1	
2		Lid Options:	1	
	3252180	Prior to May 1994		
	3252384	May 1994 to Present		
3	4420037	Tape, Insulation	129 in/3.27m	
4	Not Used			
5	4360336	Switch, Toggle (Engine Speed and Creep)	2	
6	3790012	O-Ring	8	
	4740397	Washer, Spacer	8	
7	4360330	Switch, Toggle (Auxiliary Power)	1	
8	4060802	Shield, Switch	8	
9	4360314	Switch, Toggle (Front Steer, Extend-A-Reach, Level, Telescope and Rotate)	5	
10	3790015	O-Ring	2	
11	4360274	Switch, Push-Button	2	
12	2920027	Light, Indicator - Green (Axles Set)	1	
13	2920029	Bulb, Light	3	
14	2920015	Lamp, Indicator - Red (Chassis Out of Level) (Prior to July 1992)	1	
	2920104	Lamp, Red (July 1992 to Present)	1	
15	2920090	Light, Indicator - Blue (Capacity)	1	
16		Switch, Emergency Stop Options:	1	
	4360289	Prior to S/N 44645		
	4360475	S/N 44645 to Present		
	7012611	Cap, Mushroom Head (Used on Switch p/n 4360289)		
	7012612	Boot (Used on Switch p/n 4360289)	1	
	7020175	Cap, Red (Used on Switch p/n 4360475)		
	7020176	Contact Block (Used on Switch p/n 4360475)		
17	2920026	Light, Indicator - Red (Radius)	1	
18	1600135	Controller (Drive/Rear Steer)	1	
	7003797	Electrical Assembly	1	
	7003751	Potentiometer	1	
	7003789	Switch, Rocker	1	
	7003790	Cap, Rubber	1	
19		Controller (Lift and Swing) Options:	A/R	
	1600155	Controller Used Prior to S/N 38697	2	
	7011928	Electrical Assembly (1 Per Assembly)	2	
	7003751	Potentiometer (1 Per Assembly)	2	
	1600277	Controller Used S/N 38697 to Present	2	
	7020512	Electrical Assembly (1 Per Assembly)	2	
	7003751	Potentiometer (1 Per Assembly)	2	

SECTION 4 PLATFORMS

FIGURE 4-3. PLATFORM CONSOLE ASSEMBLY (CONTINUED)

FIG & ITEM #	PART NUMBER	DESCRIPTION	QTY.	REV.
20	0140019	Alarm	1	
21	0751006	Screw, Pan Head #10-24NC x 3/4"	21	
22	4740120	Washer, Nylon	21	
23	3300177	Nut, Tinnerman	21	
24	4761000	Lockwasher #10	A/R	
25	3311001	Nut #10-24NC	A/R	
26	3740049	Relay - SPST	A/R	
27	4360209	Breaker, Circuit - 20 Amp	1	
28	4360232	Breaker, Circuit - 15 Amp	1	
29	4761000	Lockwasher #10	2	
30	3311001	Nut #10-24NC	2	
31	4761000	Lockwasher #10	4	
32	0641508	Bolt 5/16"-18NC x 1"	4	
33	4751500	Flatwasher 5/16"	8	
34	3311505	Locknut 5/16"-18NC	4	
35	3640752	Track	1	
36	3310601	Nut #6-32NC	6	
37	3910608	Screw, Machine #6-32NC x 1"	6	
38	4750600	Flatwasher #6	10	
39	4760600	Lockwasher #6	6	
40	4460298	Block, Terminal	29	
41	4460299	Stop, Terminal	3	
42	4460300	Barrier, Terminal	3	
43	4460301	Strip, Marking	1	
44	4460311	Bar, Terminal Buss	2	
45	4460305	Screw, Terminal	12	
46	4460306	Washer, Terminal	12	
47	4460307	Sleeve, Terminal	12	
48	4120013	Socket, Relay	3	
49	3740058	Relay - 4PDT	3	
50	3740063	Spring, Relay	3	
51	Not Used			
52		Block, Contact - NC Options:	1	
	4360282	Prior to S/N 44645		
	4360476	S/N 44645 to Present		
53	2560112	Knob, Controller	2	
54	0860038	Box, Switch	1	
55	4460190	Receptacle	1	
56	4060092	Shield, Cover	1	
57	4460071	Connector	1	
58	2920108	Bulb	1	
59	3911008	Screw, Machine #10-24NC x 1/2"	4	
60	4460387	Block, Terminal	18	
61	4460388	Barrier, Terminal	1	
62	4220038	Tape, Insulation	1.5 in./4cm	
63	4460071	Connector, Strain Relief	1	
64	3300048	Nut, Conduit	1	
65	0960238	Bushing	1	
66	4460386	Connector, Strain Relief	1	

SECTION 4 PLATFORMS

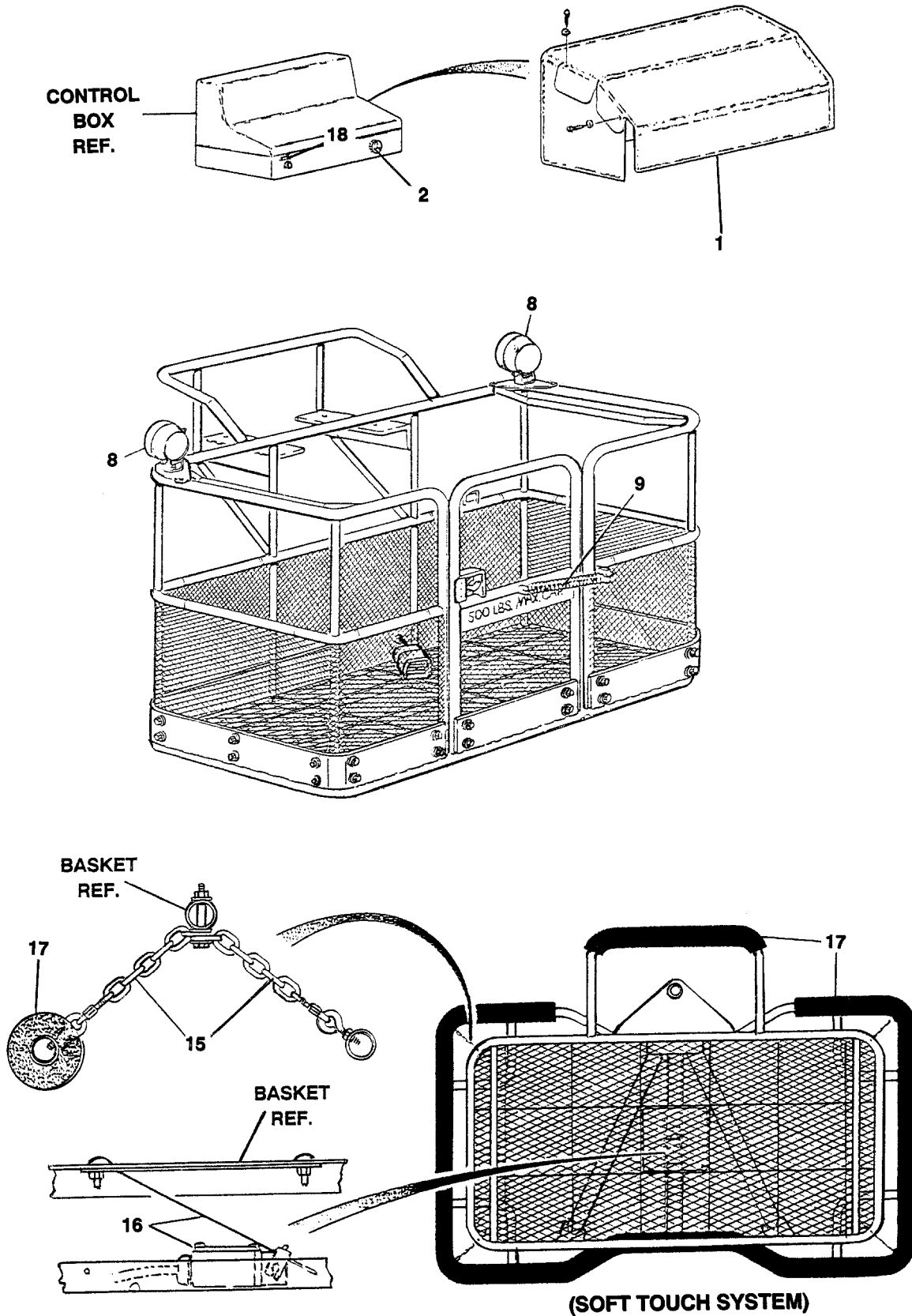
FIGURE 4-3. PLATFORM CONSOLE ASSEMBLY (CONTINUED)

FIG & ITEM #	PART NUMBER	DESCRIPTION	QTY.	REV.
67	3300147	Nut, Conduit	1	
68	0960905	Bushing	1	
69	4460051	Connector, Strain Relief	1	
70	3300048	Nut, Conduit	1	
71	0960238	Bushing	1	
72	4460052	Connector, Strain Relief	1	
73	3300047	Nut, Conduit	1	
74	0960239	Bushing	1	
75	Not Used			
76	4460414	Strip, Marking - #4	2	
77	4460412	Strip, Marking - #2	2	
78	4460411	Strip, Marking - #1	2	
79	4460451	Strip, Marking - #98	10	
80	4460452	Strip, Marking - #99	10	
81	0720803	Screw, Machine #8-32NC x 3/8"	20	
82	4750800	Flatwasher #8	20	
83	4760800	Lockwasher #8	20	
84	4360327	Potentiometer - 200 Ohm	1	
85	4460308	Bar, Terminal Buss	1	
86	1600153	Board, Circuit - Controller Drive	1	
87	3910616	Screw, Machine #6-32NC x 1"	4	
88	4460415	Strip, Marking - #5	10	
89	4460413	Strip, Marking - #3	4	
90	3300352	Nut, Special	1	
91		Knob, Potentiometer Options:	1	
	2560115	Production		
	2560136	Post Production		
92	Not Used			
93	4460442	Stop, Terminal	1	
94	Not Used			
95	Not Used			
96	4420008	Tape, Insulation	5.75ft/1.75m	
97	3520033	Plug, Hole	1	
98	3520034	Plug, Hole 5/16"	2	

	0100001	Adhesive	A/R	

SECTION 4 PLATFORMS

FIGURE 4-4. OPTIONAL PLATFORM MOUNTED COMPONENTS



SECTION 4 PLATFORMS

FIGURE 4-4. OPTIONAL PLATFORM MOUNTED COMPONENTS

FIG & ITEM #	PART NUMBER	DESCRIPTION	QTY.	REV.
		OPTIONAL PLATFORM MOUNTED COMPONENTS	Ref.	
	0251203	CONSOLE COVER INSTALLATION (YELLOW)	Ref.	2
	0252054	CONSOLE COVER INSTALLATION (BLACK)	Ref.	2
1	1670526	Cover (Yellow Vinyl)	1	
	1670607	Cover (Black Vinyl)	1	
	3900022	Screw, Self-Tapping 1/4" (Prior to S/N 26766)	4	
	3901406	Screw, Self-Tapping 1/4"-20 (S/N 26766 to Present)	4	
	4751400	Flatwasher 1/4"	4	
	0253077	TILT ALARM INSTALLATION	Ref.	5
2	0140026	Alarm	1	
3 to 7	Not Used			
	0253987	WORKLIGHTS INSTALLATION	Ref.	4
	0254748	WORKLIGHTS INSTALLATION (WITH BUMPERS)	Ref.	2
8	2920111	Light, Halogen	2	
	3536089	Plate, Mounting	2	
	0250143	SELF-CLOSING GATE INSTALLATION	Ref.	A
9	4160028	Spring	1	
	0900232	Bracket (Door Mounted)	1	
	0901056	Bracket (Platform Mounted)	1	
	4220007	Stop, Door	1	
10 to 14	Not Used			
	1282197	PLATFORM BUMPERS INSTALLATION - SOFT TOUCH SYSTEM (CHAIN MOUNTED TYPE)	Ref.	C
	0255695	3' x 6' LOW MOUNTED PLATFORM (Prior to S/N 43389)	Ref.	5
	0259365	3' x 6' LOW MOUNTED PLATFORM (S/N 43389 to Present)	Ref.	2
15	0630440	Eyebolt	8	
	3010088	Link, Quick	8	
	1260136	Chain	A/R	
16	4360057	Switch, Limit	1	
	0200048	Arm, Actuator	1	
17	0940038	Padding, Bumper	62FV/18.9m	
	1670663	Cover (Rail Behind Console Box) (Prior to S/N 44770)	1	
	1670715	Cover (LH Top Rail)		
	1670665	Cover (Vertical Rails)	4	
	1670666	Cover (Gate)	1	
	1670716	Cover (RH Top Rail)	1	
	1670717	Cover (LH Mid Rail)	1	

SECTION 4 PLATFORMS

FIGURE 4-4. OPTIONAL PLATFORM MOUNTED COMPONENTS (CONTINUED)

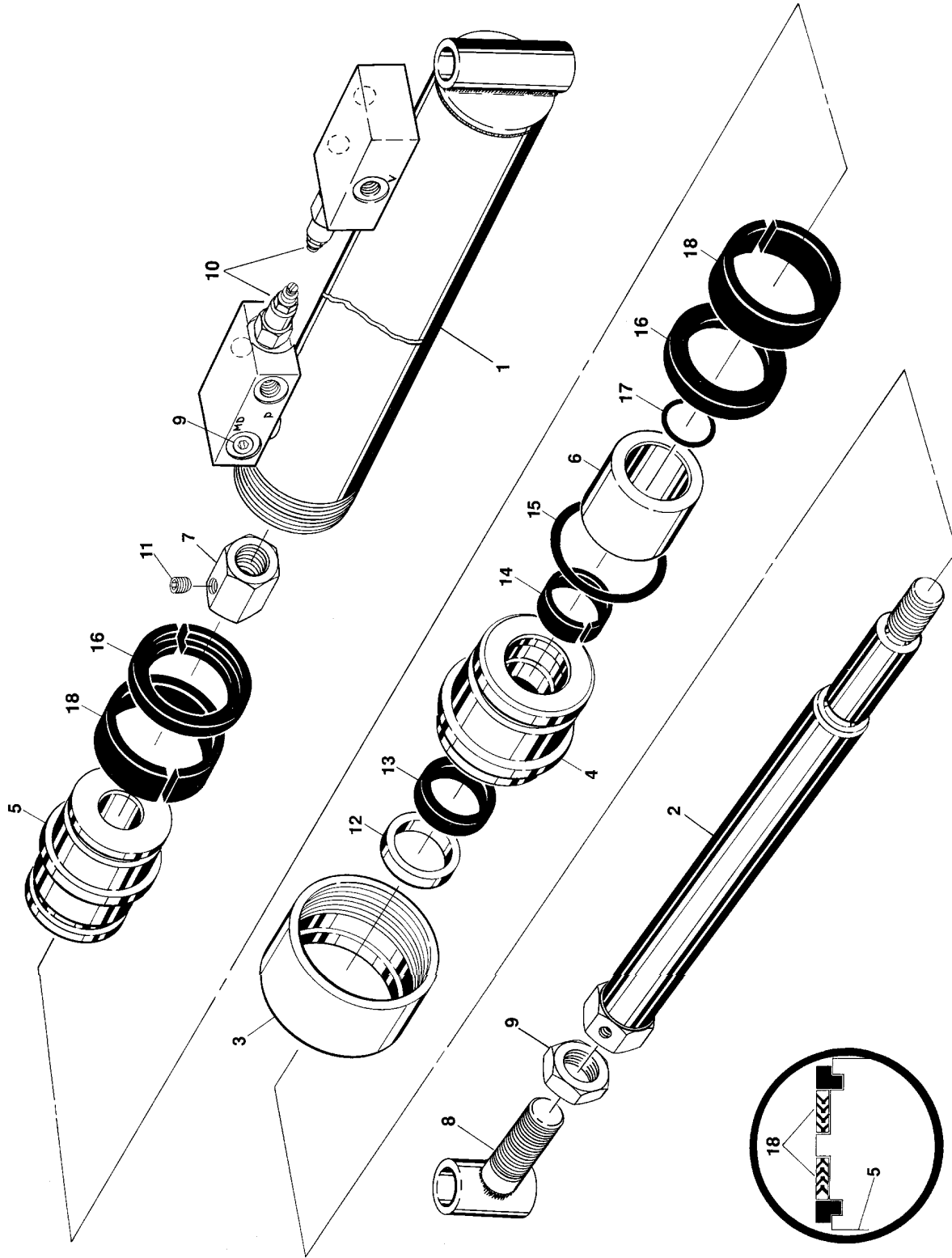
FIG & ITEM #	PART NUMBER	DESCRIPTION	QTY.	REV.
18	1670718	Cover (RH Mid Rail)	1	
	1670719	Cover (Bumper Rail)	1	
	4360274	Switch, Push Button	1	
	3252238	Decal - Soft Touch System	1	

SECTION 5 CYLINDERS

TABLE OF CONTENTS		
FIGURE	DESCRIPTION	PAGE
5-1	AXLE EXTENSION CYLINDER ASSEMBLY	5-2
5-2	BOOM LIFT CYLINDER ASSEMBLY	5-4
5-3	EXTEND-A-REACH LEVEL CYLINDER ASSEMBLY.....	5-6
5-4	EXTEND-A-REACH LIFT CYLINDER ASSEMBLY.....	5-8
5-5	JACK CYLINDER ASSEMBLY	5-10
5-6	MASTER CYLINDER ASSEMBLY	5-12
5-7	STEER CYLINDER ASSEMBLY	5-14
5-8	TELESCOPE CYLINDER ASSEMBLY	5-16
5-9	CYLINDER BELLOWS INSTALLATION	5-20

SECTION 5 CYLINDERS

FIGURE 5-1. AXLE EXTENSION CYLINDER ASSEMBLY



SECTION 5 CYLINDERS

FIGURE 5-1. AXLE EXTENSION CYLINDER ASSEMBLY

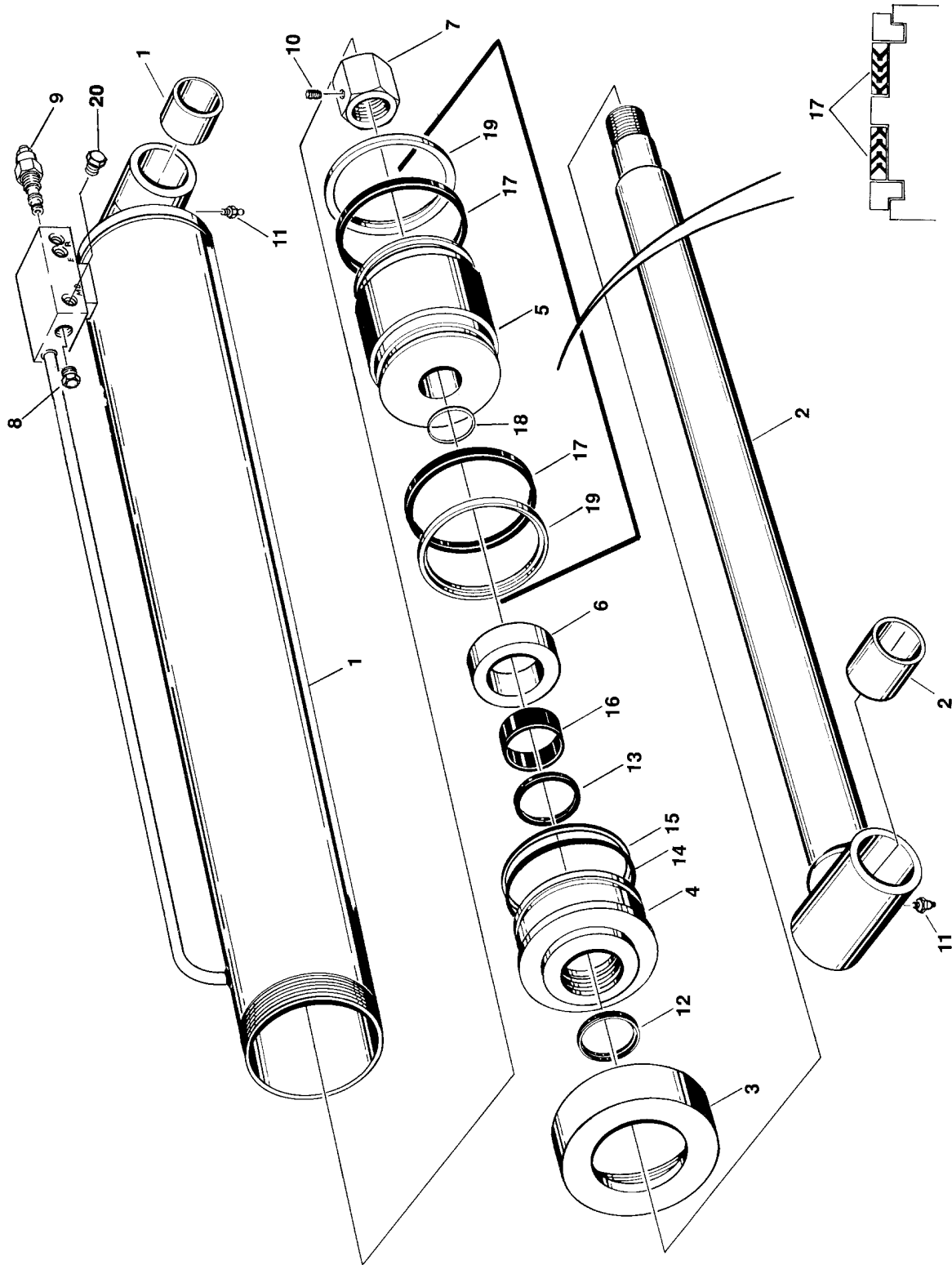
FIG & ITEM #	PART NUMBER	DESCRIPTION	QTY.	REV.
		AXLE EXTENSION CYLINDER ASSEMBLY OPTIONS:	Ref.	
	1682618	Prior To S/N 33105	Ref.	—
	1683532	S/N 33105 To Present	Ref.	1
1		Barrel Weldment Options:	1	
	1682620	Prior to S/N 33105	1	
	1683531	S/N 33105 to Present	1	
2	1682622	Rod Weldment	1	
3	1120108	Retainer	1	
4	1681283	Head	1	
5	3480092	Piston	1	
6	4565647	Spacer	1	
7	3300287	Nut	1	
8	3841164	Rod-End	1	
9	3323402	Nut, Jam 1 1/2"-12NF	1	
10	4640495	Cartridge, Holding Valve	2	
	2900770	Seal Kit - 4640495 Cartridge Valve (1 Per Valve)	2	
11	3900170	Setscrew 3/8"-16NC x 3/8"	1	
12	Kit	Wiper, Rod	1	
13	Kit	Seal, Rod	1	
14	Kit	Ring, Wear	1	
15	Kit	O-Ring	1	
16	Kit	Ring, Lock	2	
17	Kit	O-Ring	1	
18	Kit	Seal, Hydrolock	2	

	0100038	Primer, Locking	A/R	
	0100011	Loctite #242	A/R	
	0100035	Loctite #222	A/R	

	2900396	Seal Kit (Includes Items 12-18)	1	

SECTION 5 CYLINDERS

FIGURE 5-2. BOOM LIFT CYLINDER ASSEMBLY



SECTION 5 CYLINDERS

FIGURE 5-2. BOOM LIFT CYLINDER ASSEMBLY

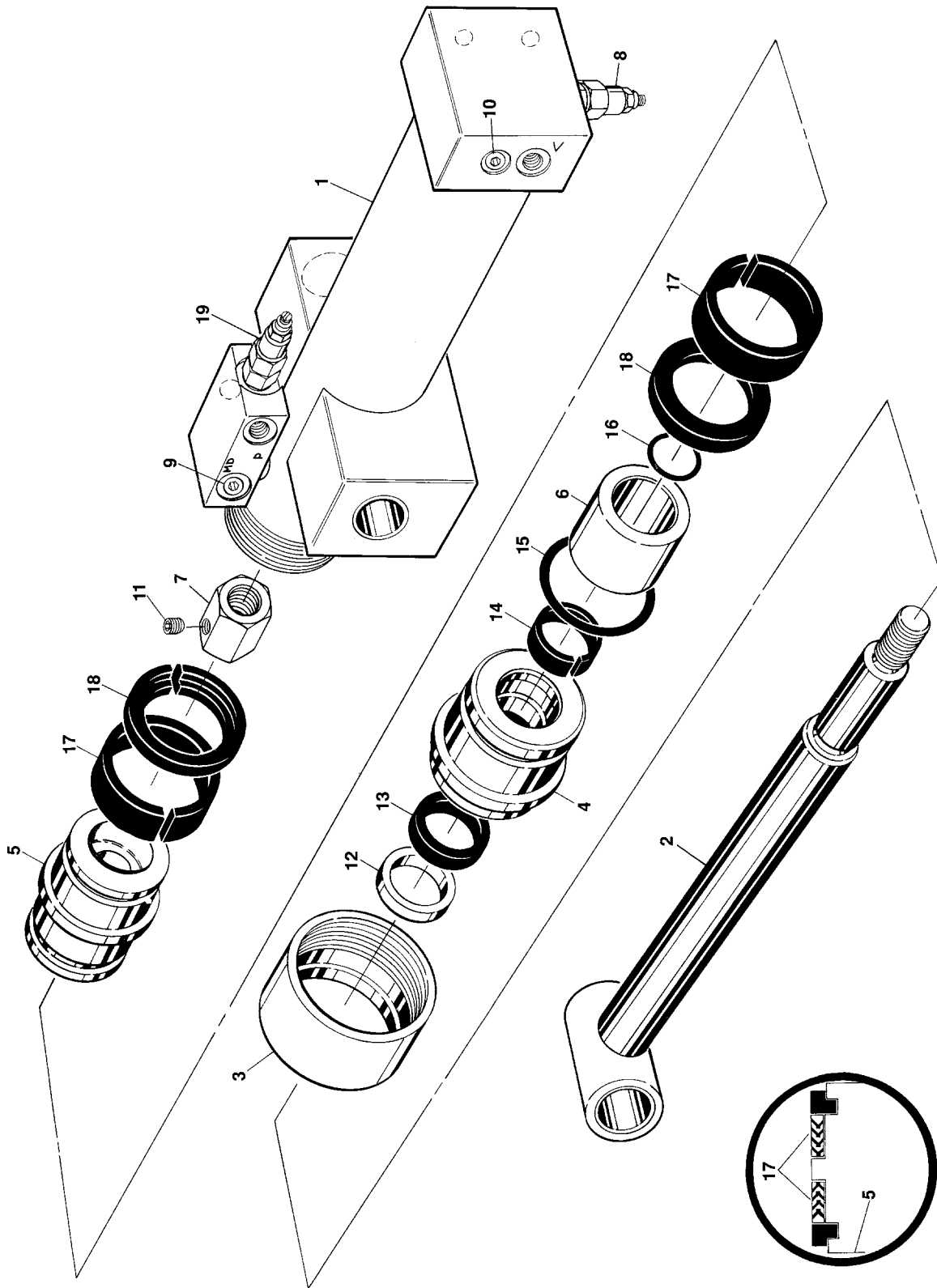
FIG & ITEM #	PART NUMBER	DESCRIPTION	QTY.	REV.
		BOOM LIFT CYLINDER ASSEMBLY OPTIONS:	Ref.	
	1682630	Prior To November 1992	Ref.	B
	1682895	November 1992 To Present	Ref.	—
1	1682631	Barrel Weldment	1	
	0960509	Bushing, Bronze	2	
2	1682633	Rod Weldment	1	
	0961082	Bushing, Bronze	2	
3	1120363	Retainer	1	
4	1682118	Head	1	
5	3480162	Piston	1	
6	4565652	Spacer	1	
7	3300306	Nut	1	
8	2220887	Plug	1	
9		Cartridge, Holding Valve Options:	1	
	4640709	Cartridge, Holding Valve (Prior to November 1992)		
	4640771	Cartridge, Holding Valve (November 1992 to Present)		
	2900770	Seal Kit - 4640709 Valve	1	
10	3900171	Setscrew 1/2"-13NC x 1/2"	1	
11	2160002	Fitting, Grease	2	
12	Kit	Wiper, Rod	1	
13	Kit	Seal, Rod	1	
14	Kit	O-Ring	1	
15	Kit	Ring, Back-Up	1	
16	Kit	Ring, Wear	1	
17	Kit	Ring, Guide	2	
18	Kit	O-Ring	1	
19	Kit	Ring, Lock	1	
20	2220883	Plug	1	

	0100011	Loctite #242	A/R	
	0100038	Primer, Locking	A/R	
	0100035	Loctite #222	A/R	

	2901118	Seal Kit (Includes Items 12-19)	1	

SECTION 5 CYLINDERS

FIGURE 5-3. EXTEND-A-REACH PLATFORM LEVEL CYLINDER ASSEMBLY



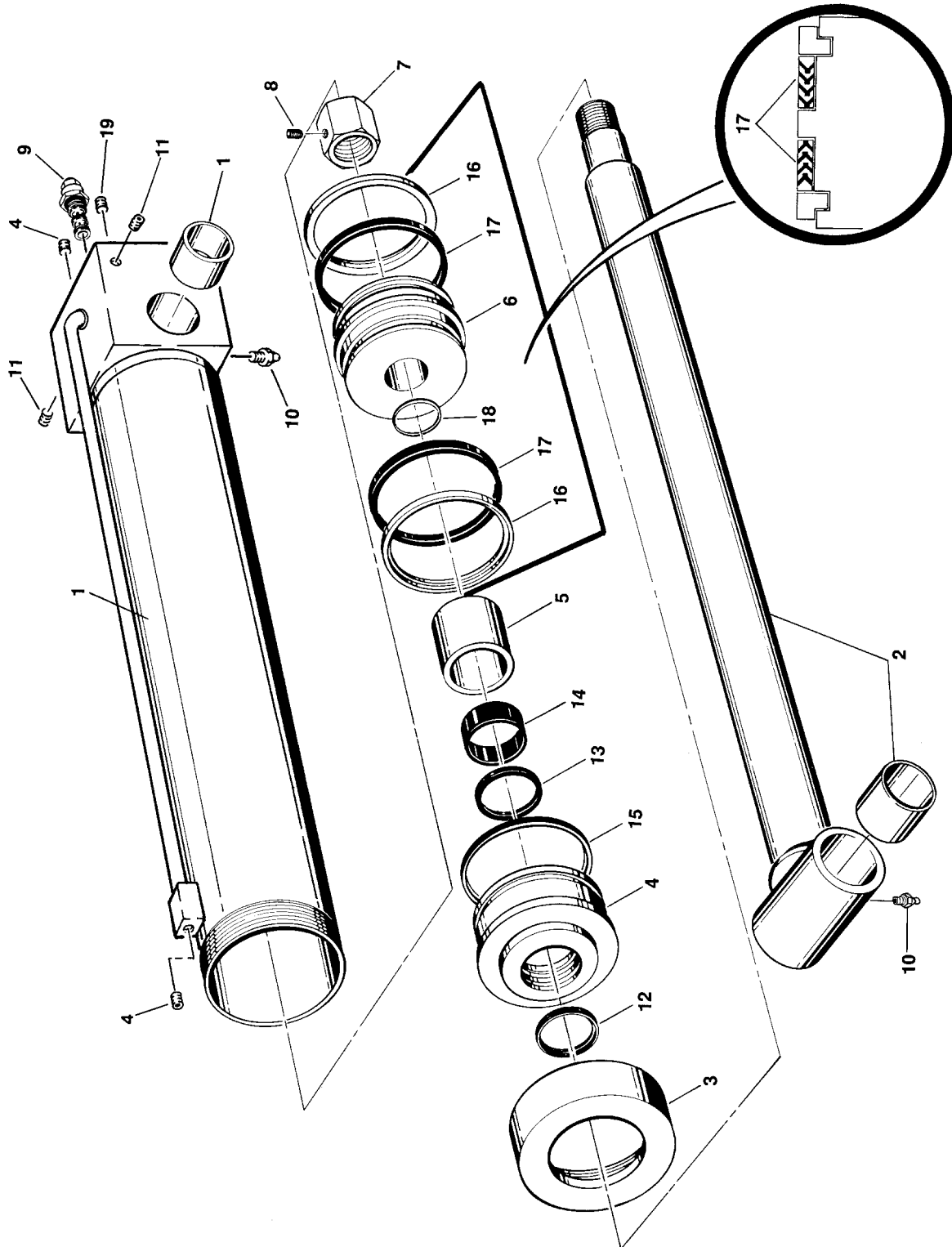
SECTION 5 CYLINDERS

FIGURE 5-3. EXTEND-A-REACH PLATFORM LEVEL CYLINDER ASSEMBLY

FIG & ITEM #	PART NUMBER	DESCRIPTION	QTY.	REV.
		EXTEND-A-REACH PLATFORM LEVEL CYLINDER ASSEMBLY OPTIONS:	Ref.	
	1682753	Prior To S/N 29913	Ref.	B
	1683493	S/N 29913 To Present	Ref.	—/—
1		Barrel Weldment Options:	1	
	1682754	Prior to S/N 29913		
	1682754	S/N 29913 to Present		
	0961595	Bushing, Bronze	2	
2	1682755	Rod Weldment	1	
	0961182	Bushing, Oilite	2	
3	1120305	Retainer	1	
4	1681792	Head	1	
5	3480167	Piston	1	
6	4565913	Spacer	1	
7	3300279	Nut	1	
8		Cartridge, Holding Valve Options:		
	4640634	Prior to S/N 29913	1	
	4640634	S/N 29913 to Present	1	
	2900770	Seal Kit - 4640634 Valve	1	
9	2220885	Plug 3/8"	1	
10	2220883	Plug 1/4"	2	
11	3900170	Setscrew 3/8"-16NC x 3/8"	1	
12	Kit	Wiper, Rod	1	
13	Kit	Seal, Rod	1	
14	Kit	Ring, Wear	1	
15	Kit	O-Ring	1	
16	Kit	O-Ring	1	
17	Kit	Ring, Guide	2	
18	Kit	Ring, Lock	2	
19		Valve Options:	1	
	4640634	Cartridge, Holding Valve (Prior to S/N 29913)		
	4640996	Valve, Counterbalance (S/N 29913 to Present)		
	2900770	Seal Kit - 4640634 Valve	1	
	0100038	Primer, Loctite	A/R	
	0100011	Loctite #242	A/R	
	0100035	Loctite #222	A/R	
	2901206	Seal Kit (Includes Items 12-18)	1	
				B

SECTION 5 CYLINDERS

FIGURE 5-4. EXTEND-A-REACH LIFT CYLINDER ASSEMBLY



SECTION 5 CYLINDERS

FIGURE 5-4. EXTEND-A-REACH LIFT CYLINDER ASSEMBLY

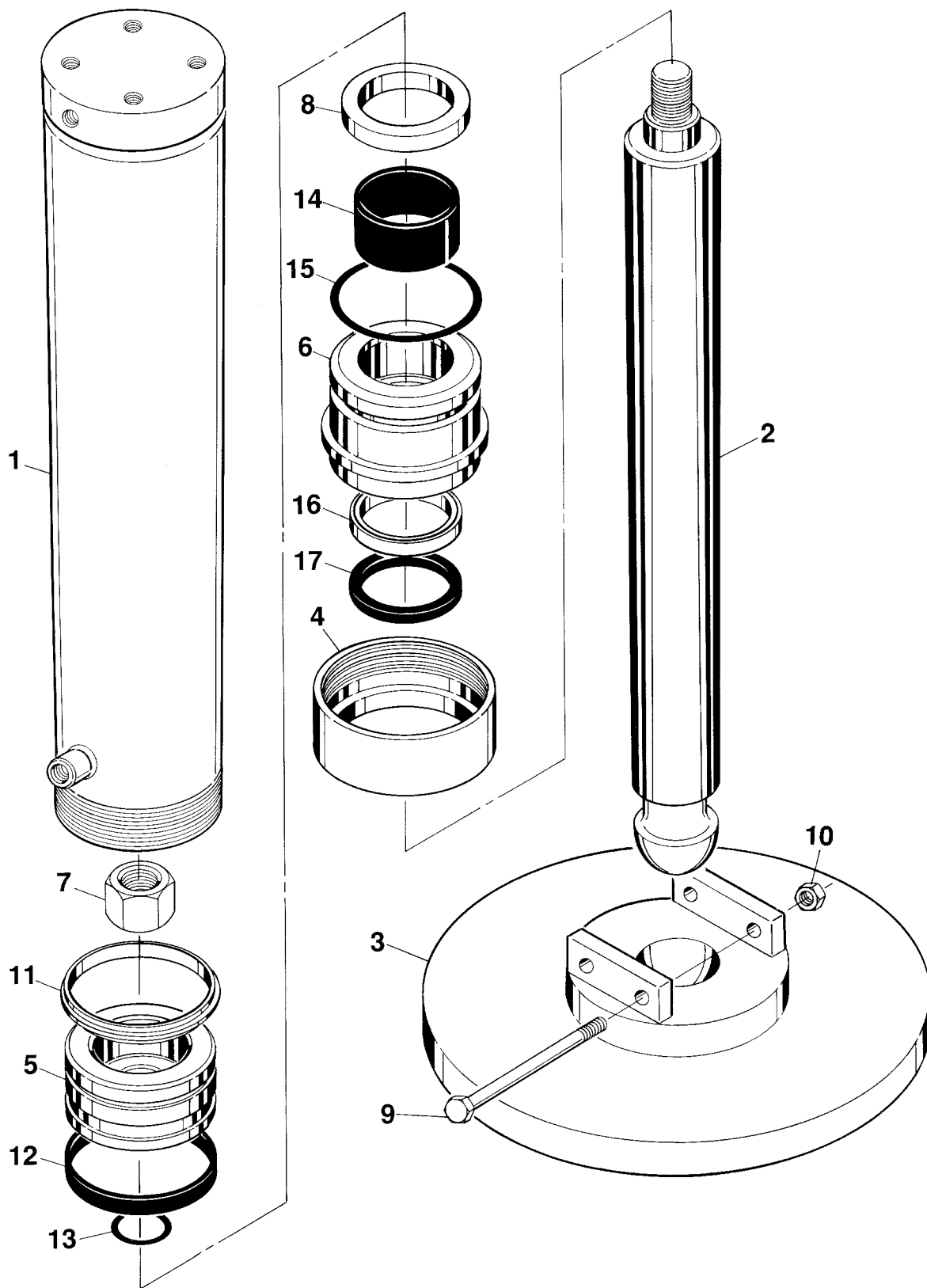
FIG & ITEM #	PART NUMBER	DESCRIPTION	QTY.	REV.
		EXTEND-A-REACH LIFT CYLINDER ASSEMBLY	Ref.	
		OPTIONS:		
	1682635	Prior To S/N 49403	Ref.	—
	1683725	S/N 49403 To Present	Ref.	1
1	1682636	Barrel Weldment	1	
	0961185	Bushing, Bronze	2	
2	1682638	Rod Weldment	1	
	0961595	Bushing, Bronze	2	
3	1120305	Retainer	1	
4	1681423	Head	1	
5	4564009	Spacer	1	
6	3480113	Piston	1	
7	3300285	Nut	1	
8	3900170	Setscrew 3/8"-16NC x 3/8"	1	
9		Cartridge, Holding Valve Options:		
	4640634	Prior to S/N 49403	1	
	4640495	S/N 49403 to Present	2	
	2900770	Seal Kit - 4640495 Valve	1	
10	2160002	Fitting, Grease	2	
11	2200201	Plug, Pipe 1/8" NPT	4	
12	Kit	Wiper, Rod	1	
13	Kit	Seal, Rod	1	
14	Kit	Ring, Wear	1	
15	Kit	Seal, Head	1	
16	Kit	Ring, Guide	2	
17	Kit	Ring, Lock	2	
18	Kit	O-Ring	1	
19	2200222	Plug, Pipe 1/4" NPT	2	

	0100020	Sealant, Pipe	A/R	
	0100011	Loctite #242	A/R	
	0100038	Primer, Locking	A/R	
	0100035	Loctite #222	A/R	

	2901142	Seal Kit (Includes Items 12-18)	1	

SECTION 5 CYLINDERS

FIGURE 5-5. JACK CYLINDER ASSEMBLY



SECTION 5 CYLINDERS

FIGURE 5-5. JACK CYLINDER ASSEMBLY

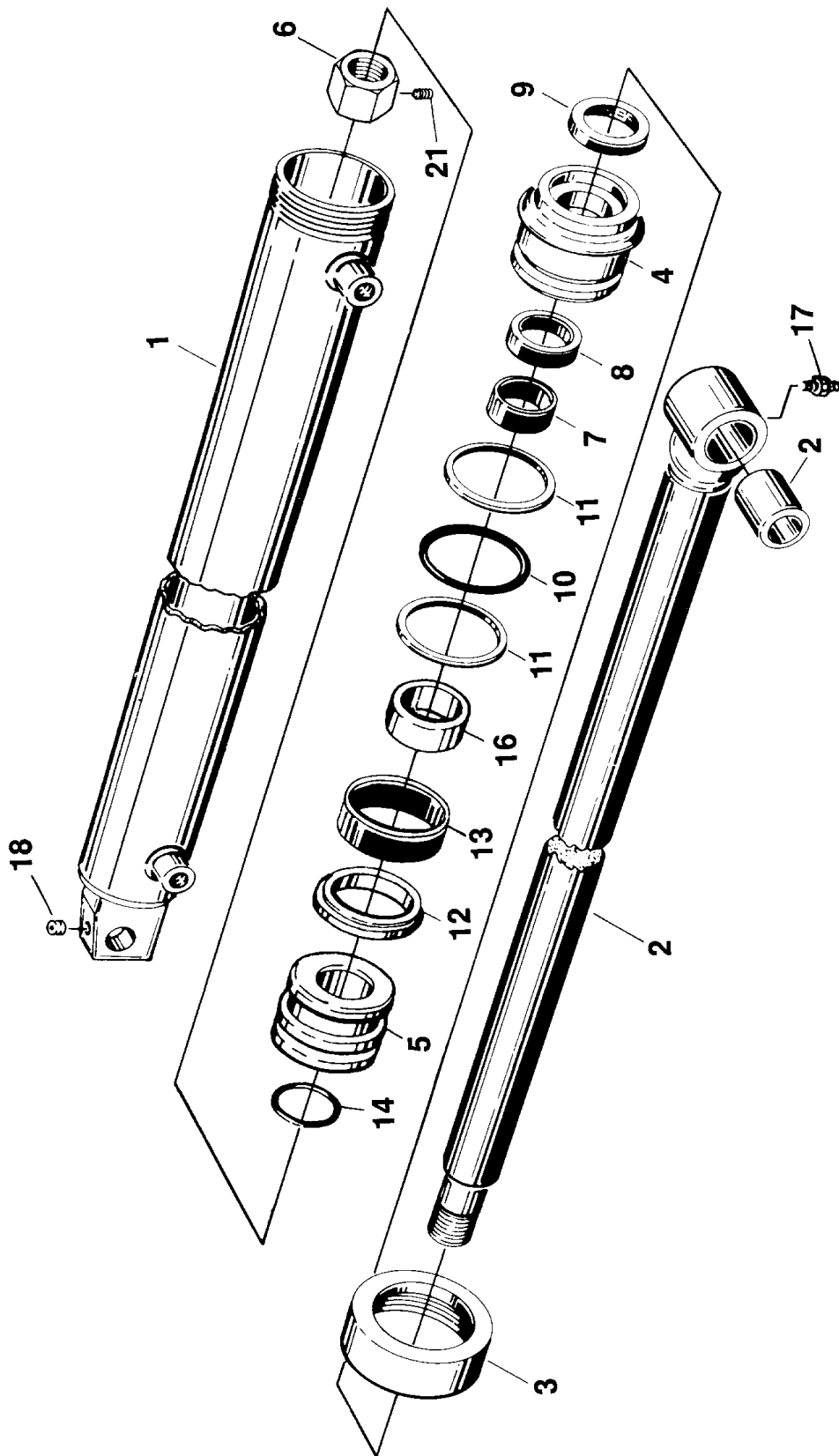
FIG & ITEM #	PART NUMBER	DESCRIPTION	QTY.	REV.
	1682511	JACK CYLINDER ASSEMBLY	Ref.	A
1	1682512	Barrel Weldment	1	
2	1682514	Rod Weldment	1	
3	3340630	Jack Pad Weldment	1	
4	1120358	Retainer	1	
5	3480137	Piston	1	
6	1682098	Head	1	
7	3300281	Nut	1	
8	4565225	Tube, Spacer	1	
9	0641852	Bolt 1/2"-13NC x 6 1/2"	2	
10	3311801	Nut 1/2"-13NC	2	
11	Kit	T-Seal	1	
12	Kit	Ring, Wear	1	
13	Kit	O-Ring	1	
14	Kit	Ring, Wear	1	
15	Kit	O-Ring	1	
16	Kit	Seal, Rod	1	
17	Kit	Wiper, Rod	1	

	0100011	Loctite #242	A/R	
	0100035	Primer, Locking	A/R	
	0100038	Loctite #222	A/R	

	2901115	Seal Kit (Includes Items 11-17)	1	

SECTION 5 CYLINDERS

FIGURE 5-6. MASTER CYLINDER ASSEMBLY



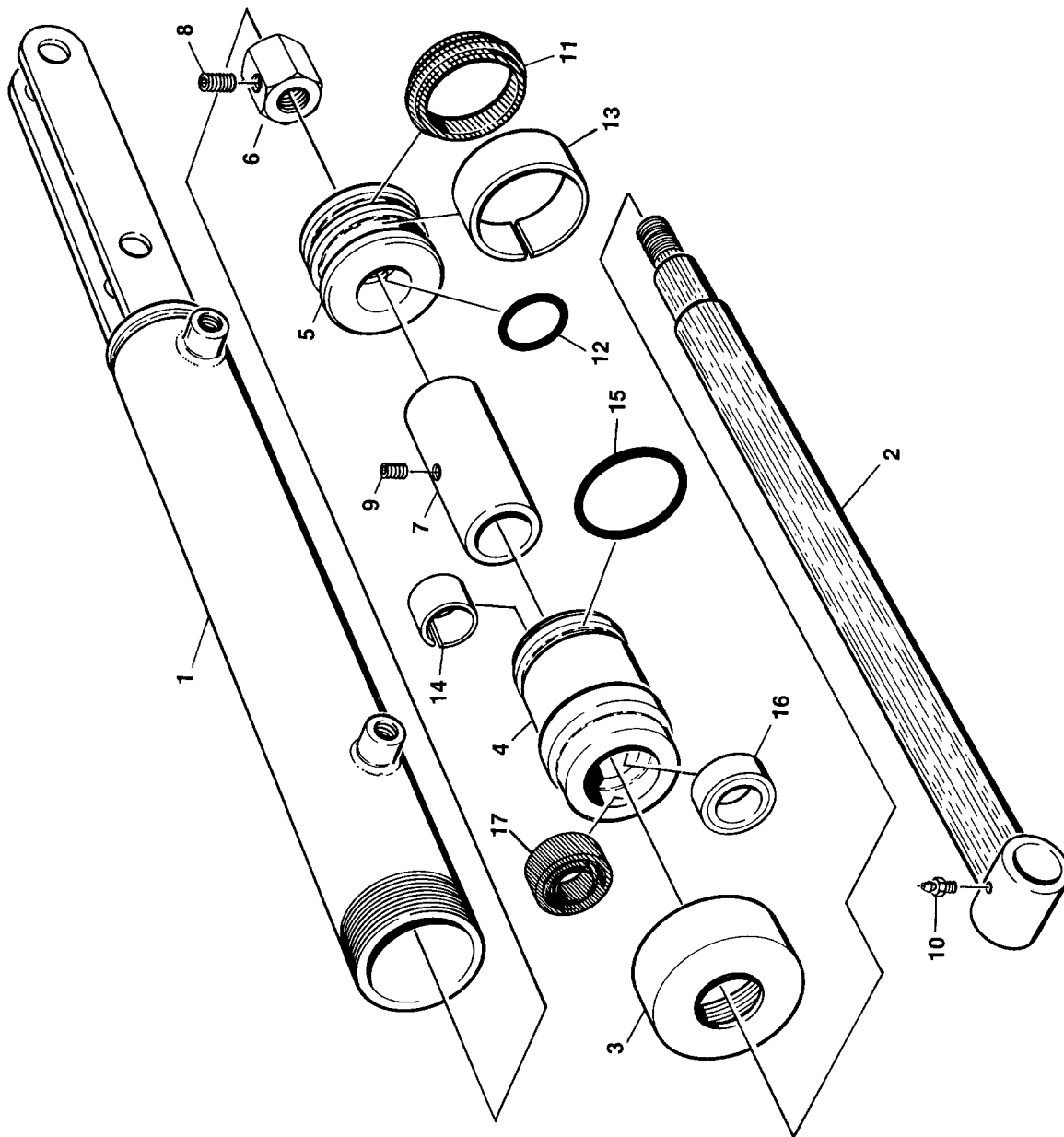
SECTION 5 CYLINDERS

FIGURE 5-6. MASTER CYLINDER ASSEMBLY

FIG & ITEM #	PART NUMBER	DESCRIPTION	QTY.	REV.
	1681580	MASTER CYLINDER ASSEMBLY	Ref.	F
1	1681490	Barrel Weldment	1	
2	1681488	Rod Weldment	1	
	0960097	Bushing, Bronze	1	
3	1120179	Retainer	1	
4	1680892	Head	1	
5	3480120	Piston	1	
6	3300272	Nut	1	
7	Kit	Ring, Wear	1	
8	Kit	Z-Seal	1	
9	Kit	Wiper, Rod	1	
10	Kit	O-Ring	1	
11	Kit	Ring, Back-Up	2	
12	Kit	Seal, Piston	1	
13	Kit	Ring, Wear	1	
14	Kit	O-Ring	1	
15	Not Used			
16	4563031	Tube, Spacer	1	
17	2160002	Fitting, Grease	1	
18	2200201	Plug, Pipe 1/8" NPT	1	
19	Not Used			
20	Not Used			
21	3900170	Setscrew 3/8"-16NC x 3/8"	1	
	0100011	Loctite #242	A/R	
	0100038	Primer, Locking	A/R	
	0100035	Loctite #222	A/R	
	2900381	Seal Kit (Includes Items 7-14)	1	

SECTION 5 CYLINDERS

FIGURE 5-7. STEER CYLINDER ASSEMBLY



SECTION 5 CYLINDERS

FIGURE 5-7. STEER CYLINDER ASSEMBLY

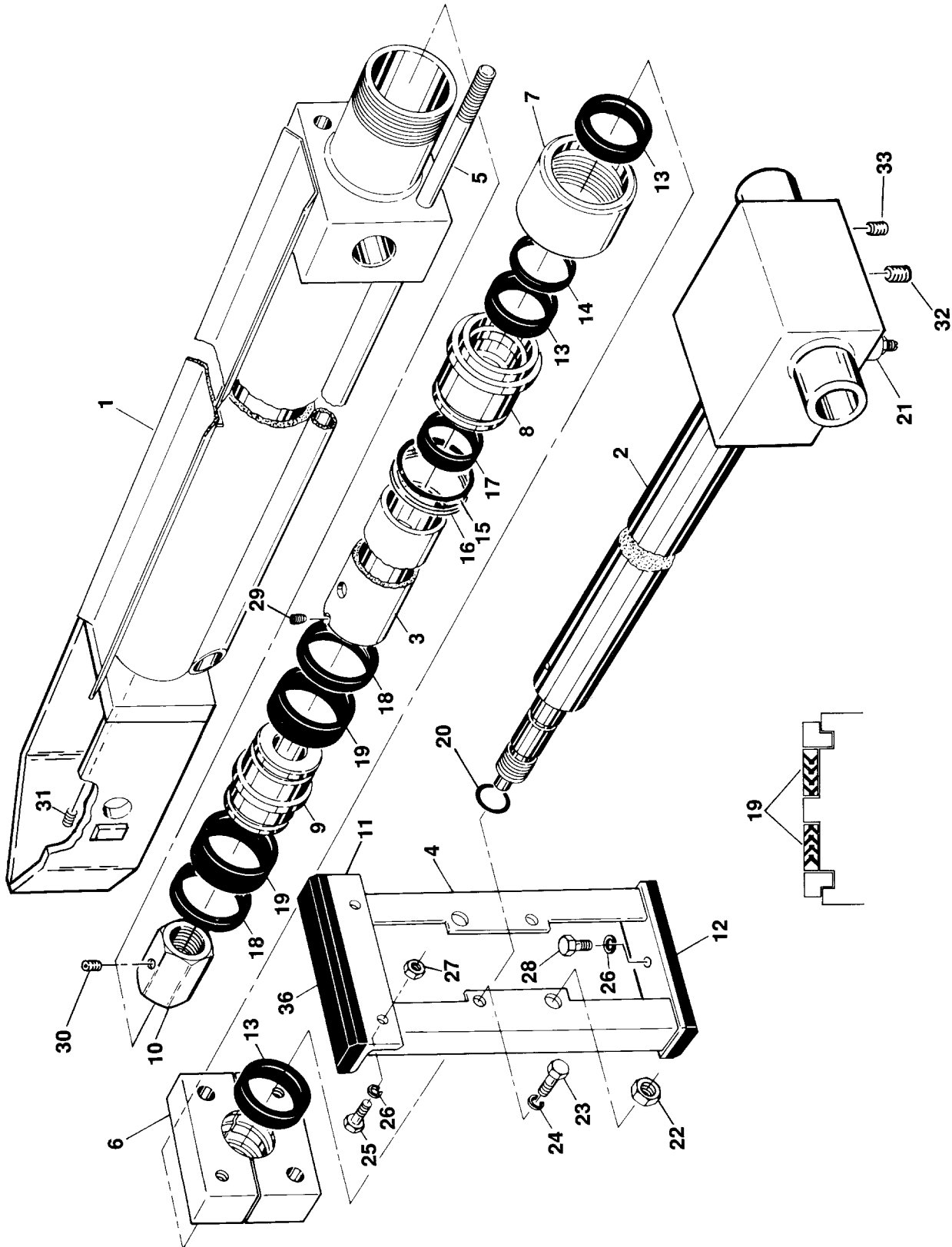
FIG & ITEM #	PART NUMBER	DESCRIPTION	QTY.	REV.
	1682605	STEER CYLINDER ASSEMBLY	Ref.	—
1	1682606	Barrel Weldment	1	
2	1682608	Rod Weldment	1	
3	1120108	Retainer	1	
4	1681344	Head	1	
5	3480134	Piston	1	
6	3300273	Nut	1	
7	4563963	Tube, Spacer	1	
8	3900170	Setscrew 3/8"-16NC x 3/8"	1	
9	3900141	Setscrew 1/4"-20NC x 3/8"	1	
10	2160002	Fitting, Grease	1	
11	Kit	T-Seal	1	
12	Kit	O-Ring	1	
13	Kit	Ring, Wear	1	
14	Kit	Ring, Wear	1	
15	Kit	O-Ring	1	
16	Kit	Seal, Rod	1	
17	Kit	Wiper, Rod	1	

	0100011	Loctite #242	A/R	
	0100038	Primer, Locking	A/R	
	0100035	Loctite #222	A/R	

	2901123	Seal Kit (Includes Items 11-17)	1	

SECTION 5 CYLINDERS

FIGURE 5-8. TELESCOPE CYLINDER ASSEMBLY



SECTION 5 CYLINDERS

FIGURE 5-8. TELESCOPE CYLINDER ASSEMBLY

FIG & ITEM #	PART NUMBER	DESCRIPTION	QTY.	REV.
		TELESCOPE CYLINDER ASSEMBLIES	Ref.	
	1682030	Standard Boom Prior To November 1992	Ref.	D
	1682820	Standard Boom November 1992 To S/N 38697	Ref.	A
	1683701	Standard Boom S/N 38697 To Present	Ref.	2
	1682030	Boom with Chip Covers Prior To November 1992	Ref.	D
	1682820	Boom with Chip Covers November 1992 To Present	Ref.	A
1	1681926	Barrel Weldment	1	
2	1681922	Rod Weldment	1	
3	1682031	Spacer	1	
4	4843016	Rod Support Weldment	1	
5	3840944	Rod, Guide	2	
6	0560773	Block, Nylatron	1	
7	1120345	Retainer	1	
8		Head	1	
	1681925	Prior to November 1992		
	1682298	November 1992 to Present		
9	3480133	Piston	1	
10	3300299	Nut	1	
11	0181404	Angle	1	
12	3340560	Pad, Wear	1	
13	Kit	Seal, Rod	3	
14	Kit	Wiper, Rod	1	
15	Kit	O-Ring	1	
16	Kit	Ring, Back-Up	1	
17	Kit	Ring, Wear	1	
18	Kit	Ring, Guide	2	
19	Kit	Seal, Piston	2	
20	Kit	T-Seal	1	
21		Cartridge, Valve Options:	1	
	4640487	1682030 & 1682820 Cylinders		
	4641083	1683701 Cylinder		
	7011317	Seal Kit	1	
22	3312202	Nut, Jam 3/4"-10NC	2	
23	0641812	Bolt 1/2"-13NC x 1 1/2"	2	
24	4761800	Lockwasher 1/2"	2	
25	0641608	Bolt 3/8"-16NC x 1"	2	
26	4761600	Lockwasher 3/8"	7	
27	3311601	Nut 3/8"-16NC	2	
28	0641605	Bolt 3/8"-16NC x 5/8"	5	
29	3951405	Setscrew 1/4"-20NC x 5/8"	1	
30	3900171	Setscrew 1/2"-13NC x 1/2"	1	
31	2200221	Plug, Pipe 1/8" NPT	1	
32	2200224	Plug, Pipe 3/8" NPT	2	
33	2200222	Plug, Pipe 1/4" NPT	1	
34 to 35	Not Used			
36	3340566	Pad, Wear	1	

	0100020	Sealant, Pipe	A/R	

SECTION 5 CYLINDERS

FIGURE 5-8. TELESCOPE CYLINDER ASSEMBLY (CONTINUED)

FIG & ITEM #	PART NUMBER	DESCRIPTION	QTY.	REV.
	0100011	Loctite #242	A/R	
	0100035	Loctite #222	A/R	
	0100038	Primer, Locking	A/R	

		Seal Kit Options (Includes Items 13-20):	1	
	2901109	Prior to November 1992		
	2901234	November 1992 to Present		

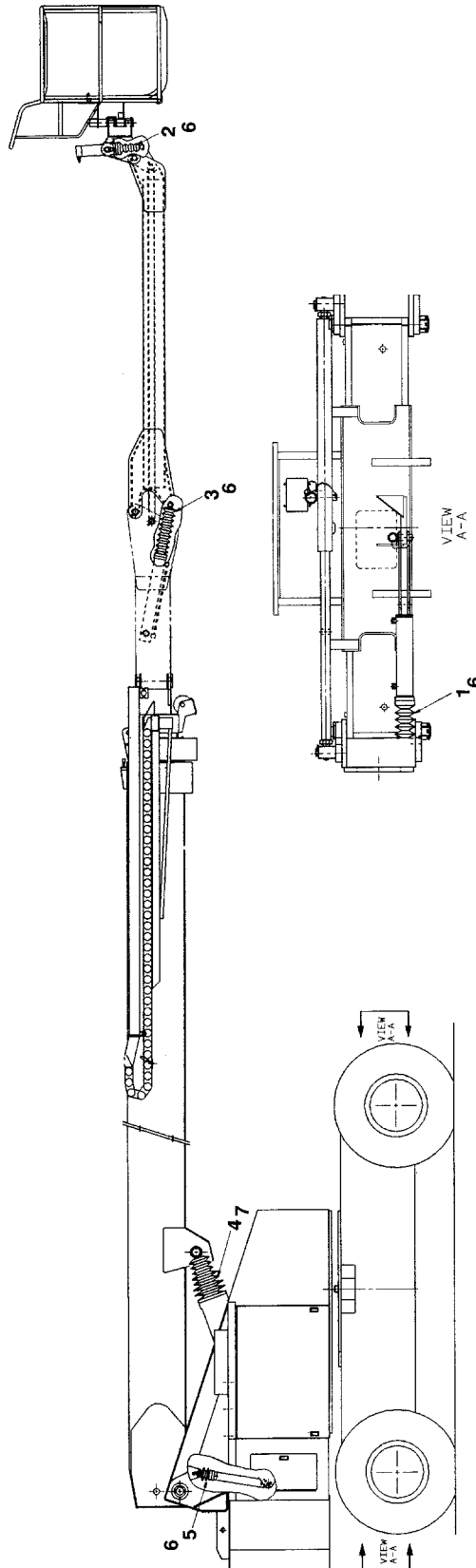
SECTION 5 CYLINDERS

FIGURE 5-8. TELESCOPE CYLINDER ASSEMBLY (CONTINUED)

FIG & ITEM #	PART NUMBER	DESCRIPTION	QTY.	REV.

SECTION 5 CYLINDERS

FIGURE 5-9. CYLINDER BELLOWS INSTALLATION (OPTIONAL)



SECTION 5 CYLINDERS

FIGURE 5-9. CYLINDER BELLOWS INSTALLATION (OPTIONAL)

FIG & ITEM #	PART NUMBER	DESCRIPTION	QTY.	REV.
	0252829	CYLINDER BELLOWS INSTALLATION (OPTIONAL)	Ref.	2
1	0460089	Bellow (Steer)	2	
2	0460088	Bellow (Extend-A-Reach Level)	1	
3	0460087	Bellow (Extend-A-Reach Lift)	1	
4	0460086	Bellow (Boom Lift)	1	
5	0460071	Bellow (Master)	1	
6	1320037	Clamp	5	
7	1320059	Clamp	1	

SECTION 5 CYLINDERS

**S
E
C
T
I
O
N

5

C
Y
L
I
N
D
E
R
S**

FIGURE 5-9. CYLINDER BELLOWS INSTALLATION (OPTIONAL) (CONTINUED)

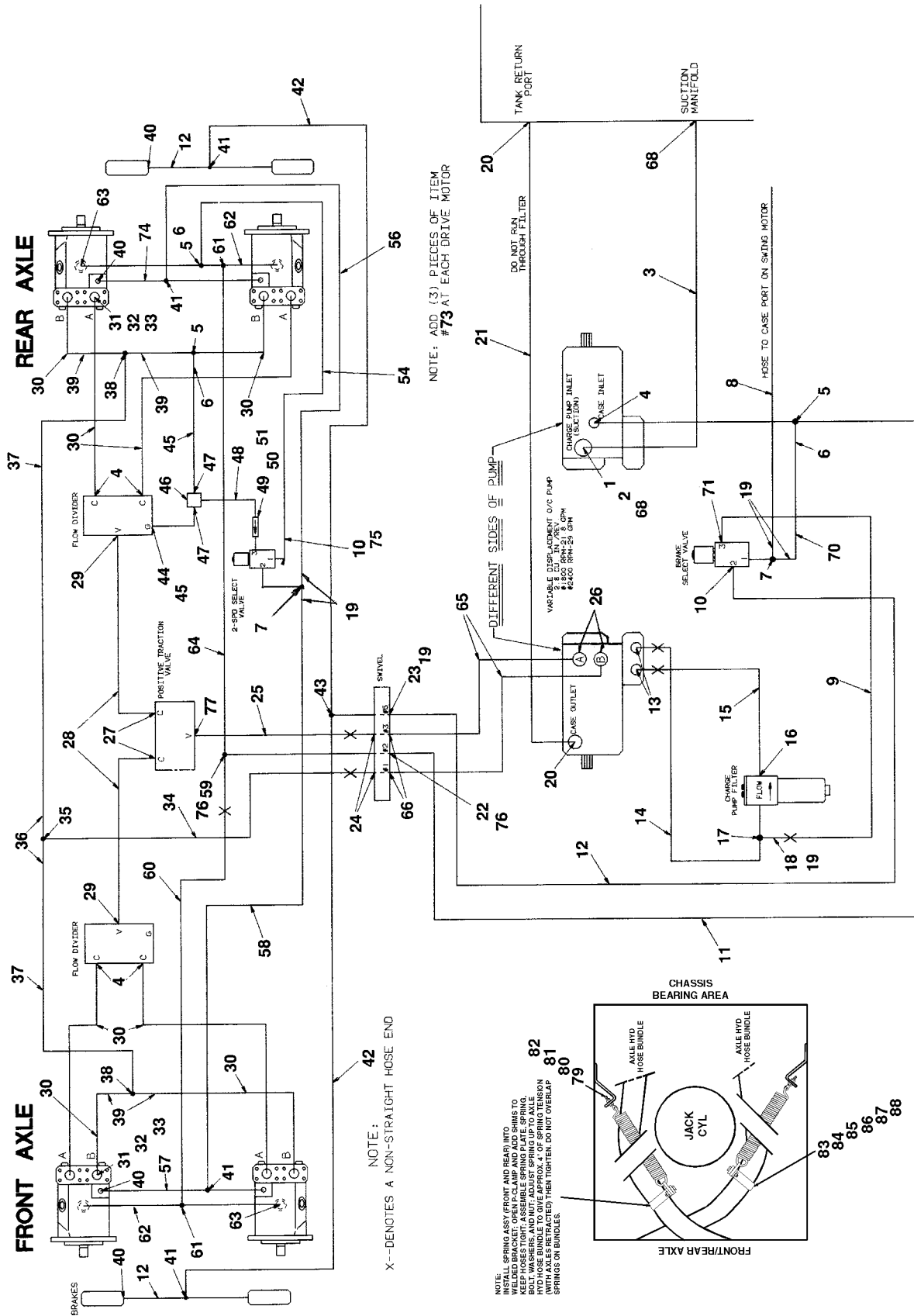
FIG & ITEM #	PART NUMBER	DESCRIPTION	QTY.	REV.

SECTION 6 HYDRAULICS

TABLE OF CONTENTS		
FIGURE	DESCRIPTION	PAGE
6-1	HYDRAULIC DIAGRAM - DRIVE (4WD - Deutz Engine) (Prior to S/N 38697)	6-2
6-2	HYDRAULIC DIAGRAM - DRIVE (4WD - Deutz Engine) (S/N 38697 to Present)	6-6
6-3	HYDRAULIC DIAGRAM - STANDARD (Prior to S/N 38697)	6-10
6-4	HYDRAULIC DIAGRAM - STANDARD (S/N 38697 to Present)	6-14
6-5	HYDRAULIC DIAGRAM LIST	6-18

SECTION 6 HYDRAULICS

FIGURE 6-1. HYDRAULIC DIAGRAM - DRIVE (4WD AND DEUTZ ENGINE) (PRIOR TO S/N 38697)



SECTION 6 HYDRAULICS

FIGURE 6-1. HYDRAULIC DIAGRAM - DRIVE (4WD AND DEUTZ ENGINE) (PRIOR TO S/N 38697)

FIG & ITEM #	PART NUMBER	DESCRIPTION	QTY.	REV.
	2791925	HYDRAULIC DIAGRAM - DRIVE	Ref.	6
1	2220377	Fitting, Straight	1	
2	2210014	Fitting, 90° Barbed	1	
3	2720281	Hose, Suction	64 in./16.3m	
4	2220375	Fitting, Straight	5	
5	2220385	Fitting, Tee	3	
6	2220618	Fitting, Reducer	3	
7	2220606	Fitting, Tee	2	
8	2751026	Hose	1	
9	2751017	Hose	1	
10	2220582	Fitting, Straight	1	
11	2751484	Hose	1	
12	2751906	Hose	5	
13	2220408	Fitting, Straight	2	
14	2751623	Hose	1	
15	2750834	Hose	1	
16	2220578	Fitting, 90°	1	
17	2220738	Fitting, Tee	1	
18	2220621	Fitting, Reducer	1	
19	2220609	Fitting, Reducer	8	
20	2220451	Fitting, Straight	2	
21	2750835	Hose	1	
22	2220500	Fitting, 45°	1	
23	2220501	Fitting, 45°	1	
24	2220377	Fitting, Straight	2	
25	2752322	Hose	1	
26	2220365	Fitting, 45°	2	
27	2220498	Fitting, 45°	2	
28	2752249	Hose	2	
29	2220435	Fitting, Straight	2	
30	2752383	Hose	8	
31	2220596	Fitting, 90°	8	
32	2220866	Flange	8	
33	2901194	Bolt Kit - Flange	8	
34	2752322	Hose	1	
35	2220363	Fitting, Tee	1	
36	2220710	Fitting, Reducer	2	
37	2752247	Hose	2	
38	2220481	Fitting, Tee	2	
39	2220622	Fitting, Reducer	4	
40	2220466	Fitting, 90°	8	
41	2220504	Fitting, Tee	4	
42	2751021	Hose	2	
43	2220899	Fitting, Tee	1	
44	2220415	Fitting, Straight	1	
45	2750900	Hose	2	
46	4640013	Valve, Shuttle	1	

SECTION 6 HYDRAULICS

FIGURE 6-1. HYDRAULIC DIAGRAM - DRIVE (4WD AND DEUTZ ENGINE) (PRIOR TO S/N 38697)
(CONTINUED)

FIG & ITEM #	PART NUMBER	DESCRIPTION	QTY.	REV.
47	2220416	Fitting, 90°	2	
48	2220261	Fitting, Nipple	1	
49	4640197	Valve, Check	1	
50	2220727	Fitting	1	
51	2220820	Fitting, 90°	1	
52	Not Used			
53	Not Used			
54	2751018	Hose	1	
55	Not Used			
56	2751015	Hose	1	
57	2751406	Hose	2	
58	2751899	Hose	1	
59	2220602	Fitting, Tee	1	
60	2750979	Hose	1	
61	2220362	Fitting, Tee	2	
62	2751489	Hose (Prior to July 1995)	4	
	2752932	Hose (July 1995 to Present)	4	
63	2220374	Fitting, Straight (Prior to July 1995)	4	
	2220671	Fitting, Straight (July 1995 to Present)	4	
64	2750762	Hose	1	
65	2752337	Hose	2	
66	2220365	Fitting, 45°	2	
67	Not Used			
68	1320033	Clamp	4	
69	Not Used			
70	2751013	Hose	1	
71	2220472	Fitting, 90°	1	
72	Not Used			
73	4100026	Cover, Nylon	12	
74	2750904	Hose	2	
75	2220909	Fitting	1	
76	2220811	Fitting, Reducer	2	
77	2220646	Fitting	1	
78	Not Used			
79	4160174	Spring, Anchor	4	
80	4160175	Spring, Extension	4	
81	3311401	Nut 1/4"-20NC	8	
82	4761400	Lockwasher	4	
83	1320110	Clamp	4	
84	3570980	Plate, Spring	4	
85	4280307	Rubber	8	
86	0641508	Bolt 5/16"-18NC x 1"	4	
87	4711500	Flatwasher	8	
88	3311505	Locknut 5/16"	4	

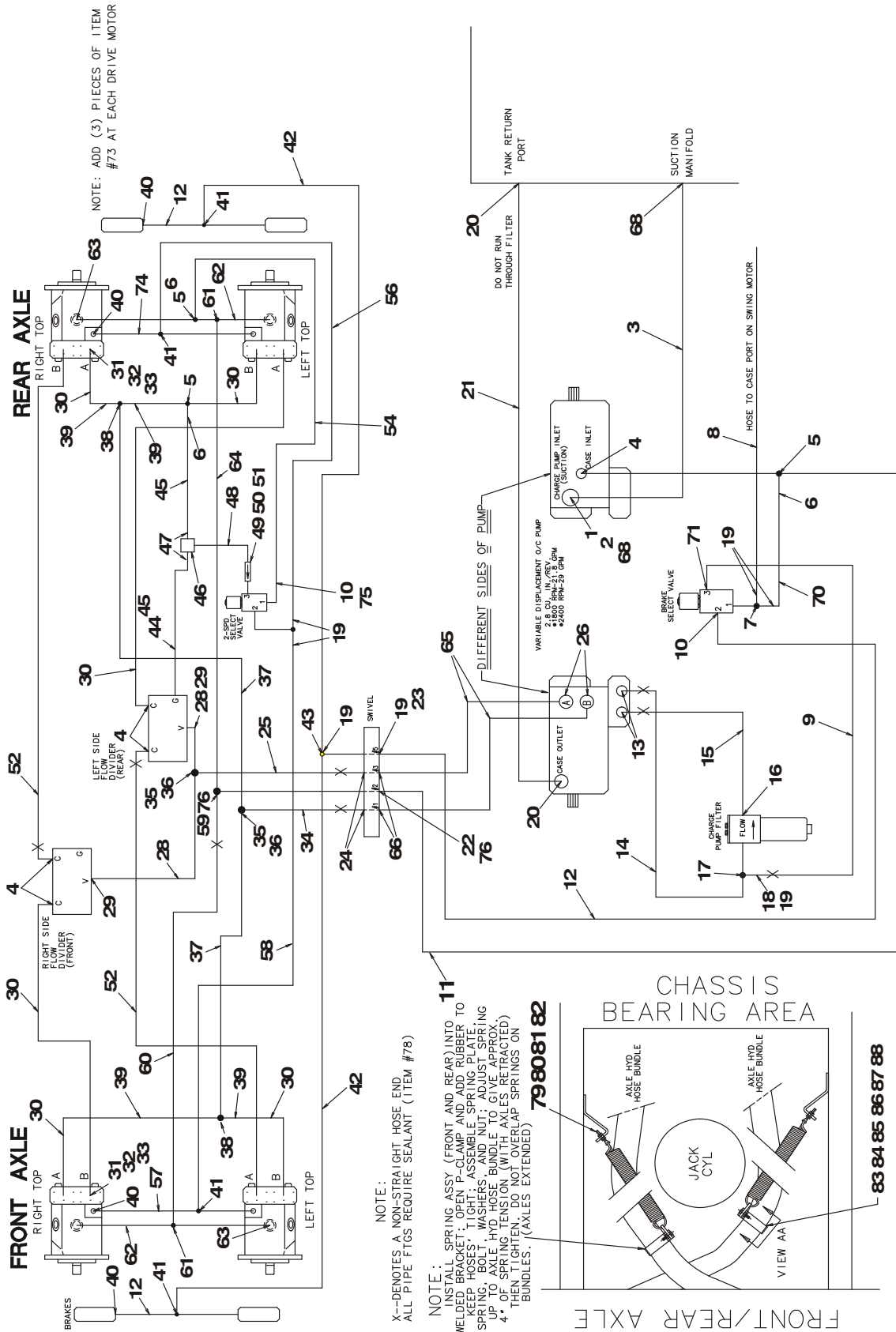
SECTION 6 HYDRAULICS

FIGURE 6-1. HYDRAULIC DIAGRAM - DRIVE (4WD AND DEUTZ ENGINE) (PRIOR TO S/N 38697)
(CONTINUED)

FIG & ITEM #	PART NUMBER	DESCRIPTION	QTY.	REV.

SECTION 6 HYDRAULICS

FIGURE 6-2. HYDRAULIC DIAGRAM - DRIVE (4WD AND DEUTZ ENGINE) (S/N 38697 TO PRESENT)



1282984 - B

SECTION 6 HYDRAULICS

FIGURE 6-2. HYDRAULIC DIAGRAM - DRIVE (4WD AND DEUTZ ENGINE) (S/N 38697 TO PRESENT)

FIG & ITEM #	PART NUMBER	DESCRIPTION	QTY.	REV.
	2792376	HYDRAULIC DIAGRAM - DRIVE	Ref.	1
1	2220377	Fitting, Straight	1	
2	2210014	Fitting, 90° Barbed	1	
3	2720281	Hose, Suction	1	
4	2220375	Fitting, Straight	5	
5	2220385	Fitting, Tee	3	
6	2220618	Fitting, Reducer	3	
7	2220606	Fitting, Tee	2	
8	2751026	Hose	1	
9	2751017	Hose	1	
10	2220582	Fitting, Straight	2	
11	2751484	Hose	1	
12	2751906	Hose	5	
13	2220408	Fitting, Straight	2	
14	2751623	Hose	1	
15	2750834	Hose	1	
16	2220578	Fitting, 90°	1	
17	2220738	Fitting, Tee	1	
18	2220621	Fitting, Reducer	1	
19	2220609	Fitting, Reducer	8	
20	2220451	Fitting, Straight	2	
21	2750835	Hose	1	
22	2220500	Fitting, 45°	1	
23	2220501	Fitting, 45°	1	
24	2220377	Fitting, Straight	2	
25	2752322	Hose	1	
26	2220365	Fitting, 45°	2	
27	Not Used			
28	2752249	Hose	2	
29	2220435	Fitting, Straight	2	
30	2752383	Hose	6	
31	2220596	Fitting, 90°	8	
32	2220866	Flange	8	
33	2901194	Bolt Kit - Flange	8	
34	2752322	Hose	1	
35	2220363	Fitting, Tee	2	
36	2220710	Fitting, Reducer	4	
37	2752247	Hose	2	
38	2220481	Fitting, Tee	2	
39	2220622	Fitting, Reducer	4	
40	2220466	Fitting, 90°	8	
41	2220504	Fitting, Tee	4	
42	2751021	Hose	2	
43	2220899	Fitting, Tee	1	
44	2220415	Fitting, Straight	1	
45	2750900	Hose	2	
46	4640013	Valve, Shuttle	1	

SECTION 6 HYDRAULICS

FIGURE 6-2. HYDRAULIC DIAGRAM - DRIVE (4WD AND DEUTZ ENGINE) (S/N 38697 TO PRESENT)
(CONTINUED)

FIG & ITEM #	PART NUMBER	DESCRIPTION	QTY.	REV.
47	2220416	Fitting, 90°	2	
48	2220261	Fitting, Nipple	1	
49	4640197	Valve, Check	1	
50	2220727	Fitting	1	
51	2220820	Fitting, 90°	1	
52	2752405	Hose	2	
53	Not Used			
54	2751018	Hose	1	
55	Not Used			
56	2751015	Hose	1	
57	2751406	Hose	2	
58	2751899	Hose	1	
59	2220602	Fitting, Tee	1	
60	2750979	Hose	1	
61	2220362	Fitting, Tee	2	
62	2752932	Hose	4	
63	2220671	Fitting, Straight	4	
64	2750762	Hose	1	
65	2752337	Hose	2	
66	2220365	Fitting, 45°	2	
67	Not Used			
68	1320033	Clamp	4	
69	Not Used			
70	2751013	Hose	1	
71	2220472	Fitting, 90°	1	
72	Not Used			
73	4100026	Cover, Nylon	12	
74	2750904	Hose	2	
75	2220909	Fitting	1	
76	2220811	Fitting, Reducer	2	
77	Not Used			
78	0100020	Sealant, Pipe (Not Shown)	A/R	
79	4160174	Spring, Anchor	4	
80	4160175	Spring, Extension	4	
81	3311401	Nut 1/4"-20NC	8	
82	4761400	Lockwasher	4	
83	1320110	Clamp	4	
84	3570980	Plate, Spring	4	
85	4280307	Rubber	8	
86	0641508	Bolt 5/16"-18NC x 1"	4	
87	4711500	Flatwasher	8	
88	3311505	Locknut 5/16"-18NC	4	

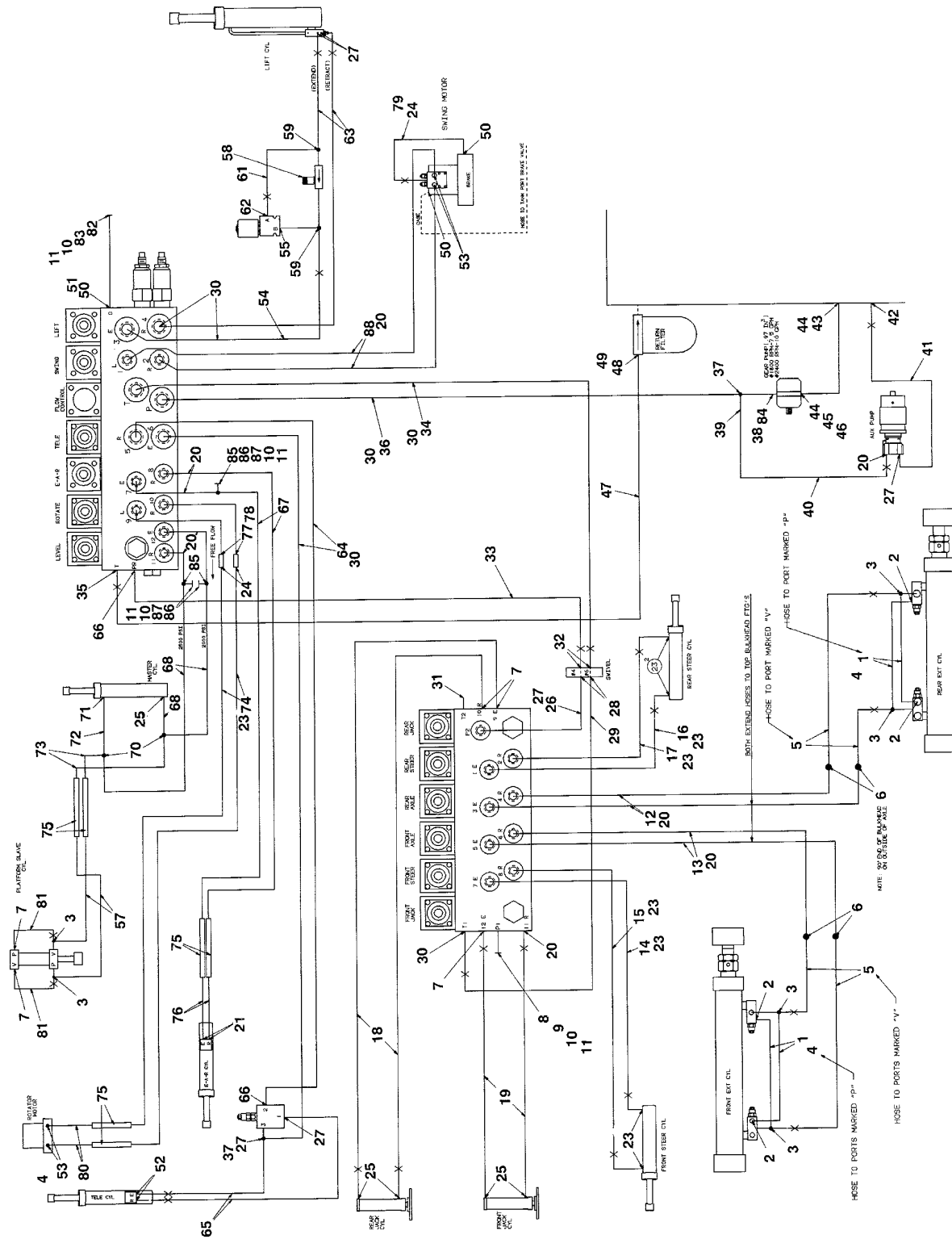
SECTION 6 HYDRAULICS

FIGURE 6-2. HYDRAULIC DIAGRAM - DRIVE (4WD AND DEUTZ ENGINE) (S/N 38697 TO PRESENT)
(CONTINUED)

FIG & ITEM #	PART NUMBER	DESCRIPTION	QTY.	REV.

SECTION 6 HYDRAULICS

FIGURE 6-3. HYDRAULIC DIAGRAM - STANDARD (PRIOR TO S/N 38697)



SECTION 6 HYDRAULICS

FIGURE 6-3. HYDRAULIC DIAGRAM - STANDARD (PRIOR TO S/N 38697)

FIG & ITEM #	PART NUMBER	DESCRIPTION	QTY.	REV.
	2791921	HYDRAULIC DIAGRAM - STANDARD	Ref.	E
1	2751013	Hose	4	
2	2220472	Fitting, 90°	4	
3	2220606	Fitting, Tee	6	
4	2220609	Fitting, Reducer	6	
5	2750910	Hose	4	
6	2230043	Fitting, 90°	4	
7	2220473	Fitting, 90°	5	
8	2220727	Fitting, Adapter	1	
9	2220261	Fitting, Straight	1	
10	2220428	Fitting, Quick Disconnect	5	
11	2220429	Cap, Dust	5	
12	2751852	Hose	2	
13	2751111	Hose	2	
14	2750897	Hose	1	
15	2750896	Hose	1	
16	2751432	Hose	1	
17	2751433	Hose	1	
18	2750908	Hose	2	
19	2750990	Hose	2	
20	2220371	Fitting, Straight	12	
21	2220399	Fitting	2	
22	Not Used			
23	2220582	Fitting, Straight	8	
24	2220415	Fitting, Straight	3	
25	2220343	Fitting, Straight	5	
26	2750762	Hose	1	
27	2220600	Fitting, Straight	6	
28	2220726	Fitting, 90°	2	
29	2750766	Hose	1	
30	2220373	Fitting, Straight	7	
31	2220238	Fitting, Plug	1	
32	2220600	Fitting, Straight	2	
33	2750758	Hose	1	
34	2751504	Hose	1	
35	2220593	Fitting, Straight	1	
36	2751483	Hose	1	
37	2220385	Fitting, Tee	2	
38	4640744	Valve, Check	1	
39	2220619	Fitting, Reducer	1	
40	2751004	Hose	1	
41	2751467	Hose	1	
42	2220375	Fitting, Straight	1	
43	2720281	Hose, Suction	64 in./16.3m	
44	1320033	Clamp	4	
45	2220376	Fitting, Straight	1	
46	2210014	Fitting, 90°	1	
47	2751617	Hose	1	

SECTION 6 HYDRAULICS

FIGURE 6-3. HYDRAULIC DIAGRAM - STANDARD (PRIOR TO S/N 38697) (CONTINUED)

FIG & ITEM #	PART NUMBER	DESCRIPTION	QTY.	REV.
48	2220464	Fitting, 90°	1	
49	2220710	Fitting, Reducer	1	
50	2220466	Fitting, 90°	3	
51	2751015	Hose	1	
52	2220346	Fitting, Straight	2	
53	2220497	Fitting, Straight	4	
54	2750757	Hose	1	
55	2220651	Fitting, Swivel	1	
56	Not Used			
57	2752173	Hose	2	
58	4640757	Valve, Flow Control	1	
59	2220602	Fitting, Tee	2	
60	Not Used			
61	2751494	Hose	1	
62	2220596	Fitting, 90°	1	
63	2750771	Hose	2	
64	2750763	Hose	2	
65	2751466	Hose	2	
66	2220726	Fitting, 90°	2	
67	2751168	Hose	2	
68	2750785	Hose	3	
69	Not Used			
70	2220490	Fitting, Tee	2	
71	2220495	Fitting, 90°	1	
72	2750999	Hose	1	
73	2751151	Hose	2	
74	2751455	Hose	2	
75	4563167	Tube	6	
76	2752172	Hose	2	
77	2220895	Fitting, Nipple	2	
78	4640752	Valve, Restrictor	2	
79	2750889	Hose	1	
80	2750907	Hose	2	
81	2751002	Hose	2	
82	2220414	Fitting, Straight	1	
83	1320041	Clamp	1	
84	2220810	Fitting, Reducer	1	
85	2220635	Fitting, Tee	3	
86	2220741	Fitting, Adapter	3	
87	2220438	Fitting, Nipple	3	
88	2750785	Hose	2	

SECTION 6 HYDRAULICS

FIGURE 6-3. HYDRAULIC DIAGRAM - STANDARD (PRIOR TO S/N 38697) (CONTINUED)

FIG & ITEM #	PART NUMBER	DESCRIPTION	QTY.	REV.

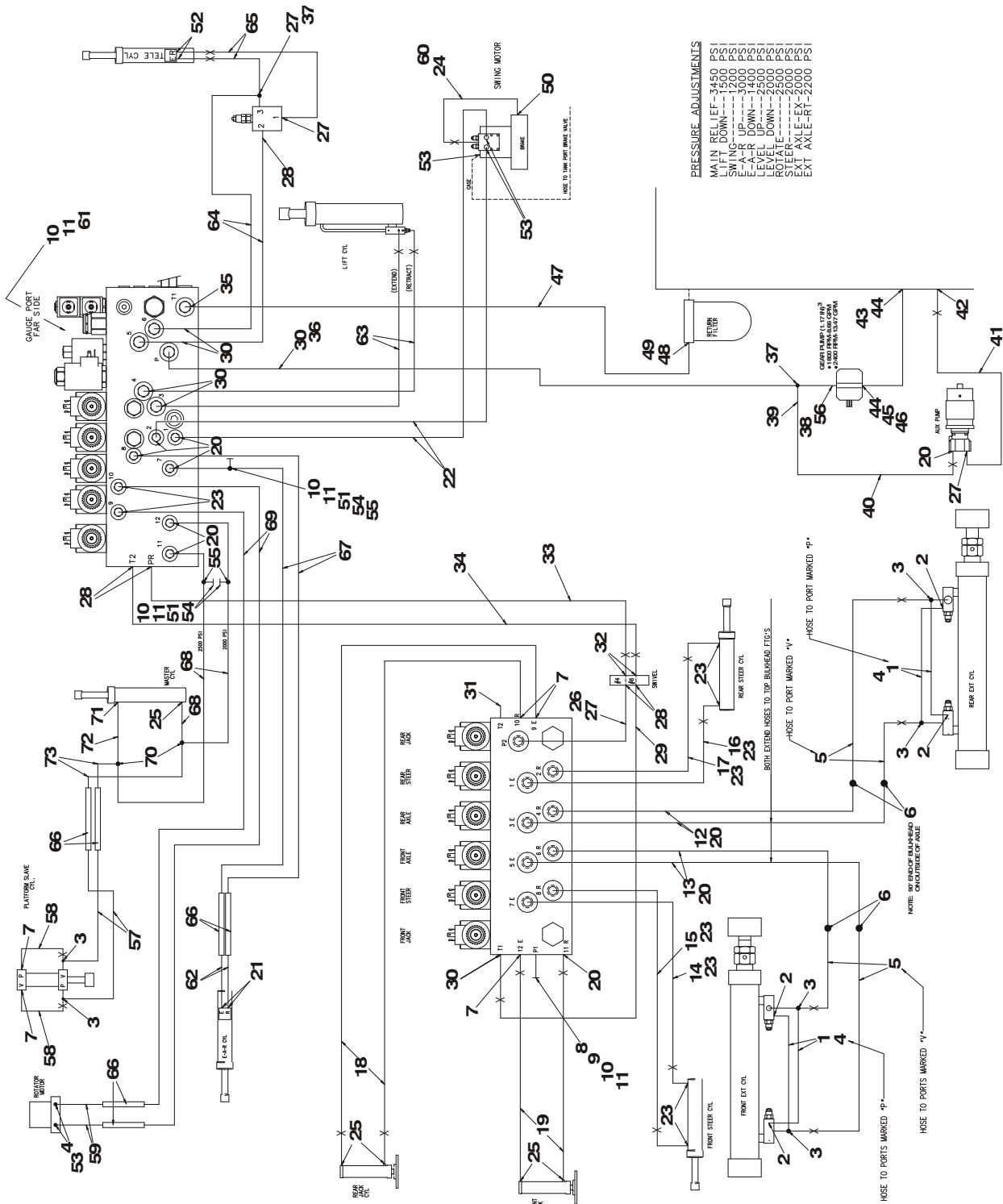
**S
E
C
T
I
O
N

1
6

H
Y
D
R
A
U
L
I
C
S**

SECTION 6 HYDRAULICS

FIGURE 6-4. HYDRAULIC DIAGRAM - STANDARD (S/N 38697 TO PRESENT)



2792375 - A

SECTION 6 HYDRAULICS

FIGURE 6-4. HYDRAULIC DIAGRAM - STANDARD (S/N 38697 TO PRESENT)

FIG & ITEM #	PART NUMBER	DESCRIPTION	QTY.	REV.
	2792375	HYDRAULIC DIAGRAM - STANDARD	Ref.	1
1	2751013	Hose	4	
2	2220472	Fitting, 90°	4	
3	2220606	Fitting, Tee	6	
4	2220609	Fitting, Reducer	6	
5	2750910	Hose	4	
6	2230043	Fitting, 90°	4	
7	2220473	Fitting, 90°	5	
8	2220727	Fitting, Adapter	1	
9	2220261	Fitting, Straight	1	
10	2220428	Fitting, Quick Disconnect	5	
11	2220429	Cap, Dust	5	
12	2751852	Hose	2	
13	2751111	Hose	2	
14	2750897	Hose	1	
15	2750896	Hose	1	
16	2751432	Hose	1	
17	2751433	Hose	1	
18	2750908	Hose	2	
19	2750990	Hose	2	
20	2220371	Fitting, Straight	12	
21	2220399	Fitting	2	
22	2750785	Hose	2	
23	2220582	Fitting, Straight	8	
24	2220415	Fitting, Straight	3	
25	2220343	Fitting, Straight	5	
26	2750762	Hose	1	
27	2220600	Fitting, Straight	6	
28	2220726	Fitting, 90°	5	
29	2750766	Hose	1	
30	2220373	Fitting, Straight	6	
31	2220238	Fitting, Plug	1	
32	2220600	Fitting, Straight	2	
33	2750758	Hose	1	
34	2751498	Hose	1	
35	2220593	Fitting, Straight	1	
36	2751483	Hose	1	
37	2220385	Fitting, Tee	2	
38	4640744	Valve, Check	1	
39	2220619	Fitting, Reducer	1	
40	2751004	Hose	1	
41	2751467	Hose	1	
42	2220375	Fitting, Straight	1	
43	2720281	Hose, Suction	1	
44	1320033	Clamp	4	
45	2220376	Fitting, Straight	1	
46	2210014	Fitting, 90°	1	
47	2751617	Hose	1	

SECTION 6 HYDRAULICS

FIGURE 6-4. HYDRAULIC DIAGRAM - STANDARD (S/N 38697 TO PRESENT) (CONTINUED)

FIG & ITEM #	PART NUMBER	DESCRIPTION	QTY.	REV.
48	2220464	Fitting, 90°	1	
49	2220710	Fitting, Reducer	1	
50	2220466	Fitting, 90°	2	
51	2220438	Fitting, Nipple	3	
51	2751015	Hose	1	
52	2220346	Fitting, Straight	2	
53	2220497	Fitting, Straight	4	
54	2220741	Fitting, Adapter	3	
55	2220635	Fitting, Tee	3	
56	2220810	Fitting, Reducer	1	
57	2752173	Hose	2	
58	2751002	Hose	2	
59	2750907	Hose	2	
60	2750889	Hose	1	
61	2220873	Fitting, Nipple	3	
62	2752172	Hose	2	
63	2750771	Hose	2	
64	2750763	Hose	2	
65	2751466	Hose	2	
66	4563167	Tube	6	
67	2751168	Hose	2	
68	2750785	Hose	3	
69	2751455	Hose	2	
70	2220490	Fitting, Tee	2	
71	2220495	Fitting, 90°	1	
72	2750999	Hose	1	
73	2751151	Hose	2	

SECTION 6 HYDRAULICS

FIGURE 6-4. HYDRAULIC DIAGRAM - STANDARD (S/N 38697 TO PRESENT) (CONTINUED)

FIG & ITEM #	PART NUMBER	DESCRIPTION	QTY.	REV.

**S
E
C
T
I
O
N

1
6

H
Y
D
R
A
U
L
I
C
S**

SECTION 6 HYDRAULICS

FIGURE 6-5. HYDRAULIC DIAGRAM LIST

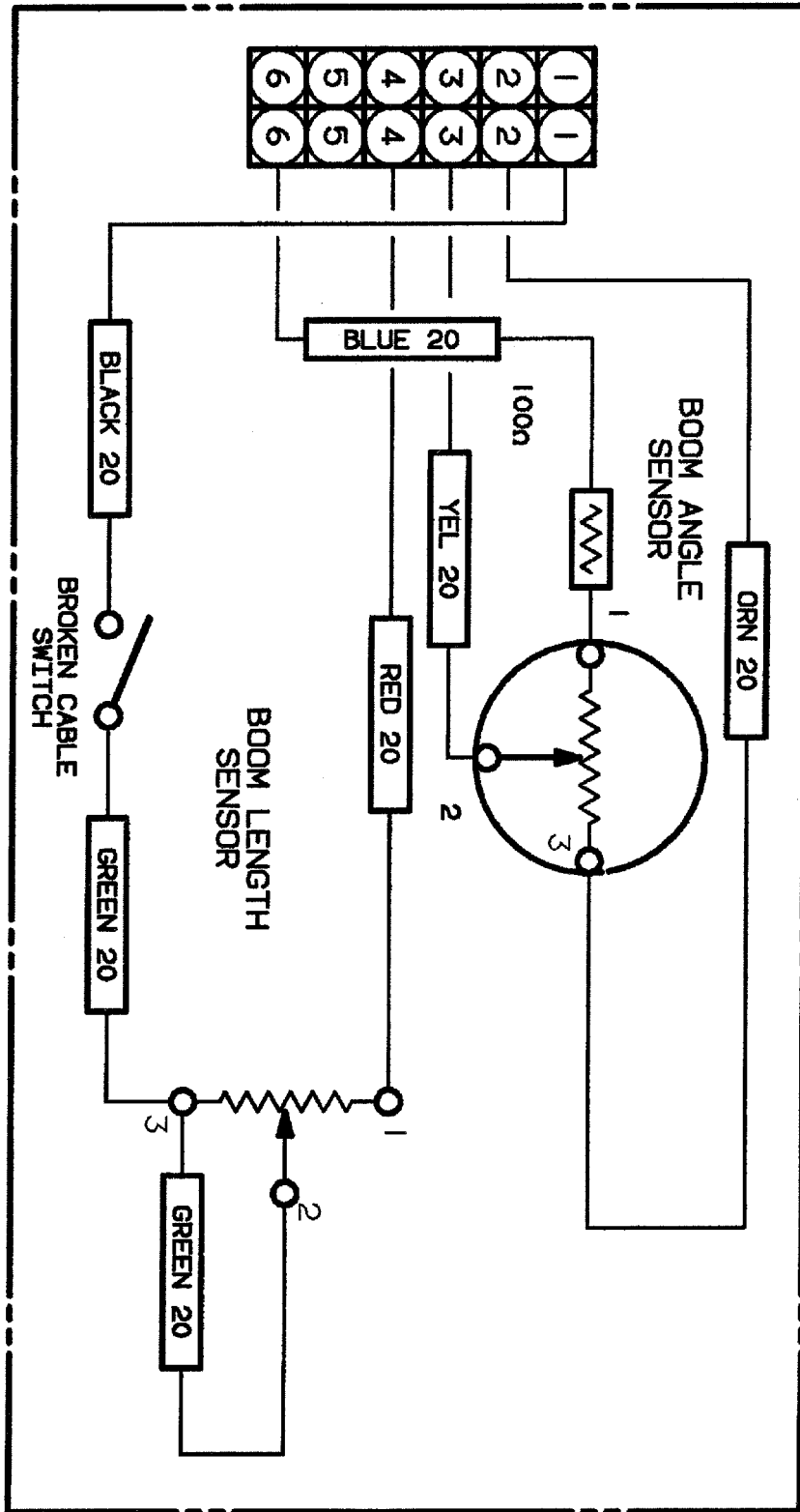
FIG & ITEM #	PART NUMBER	DESCRIPTION	QTY.	REV.
		HYDRAULIC DIAGRAM LIST Note: Diagrams with asterisk (*) are shown in preceding pages. Information on Diagrams not shown are available from JLG Service/Parts Departments.	Ref.	
	2791925*	Hydraulic Diagram - Drive (4WD/ Deutz Engine) (Prior to S/N 38697)	Ref.	
	2792376*	Hydraulic Diagram - Drive (4WD/ Deutz Engine) (S/N 38697 to Present)	Ref.	
	1281814	Hydraulic Diagram - Oil Cooler	Ref.	
	2791921*	Hydraulic Diagram - Standard (Prior to S/N 38697)	Ref.	
	2792375*	Hydraulic Diagram - Standard (S/N 38697 to Present)	Ref.	
	2791922	Hydraulic Schematic (4WD) (Prior to S/N 38697)	Ref.	
	2792377	Hydraulic Schematic (4WD) (S/N 38697 to Present)	Ref.	

SECTION 7 ELECTRICAL

TABLE OF CONTENTS		
FIGURE	DESCRIPTION	PAGE
7-1	ELECTRICAL DIAGRAM - BOOM LENGTH INDICATOR	7-2
7-2	ELECTRICAL DIAGRAM -4WS	7-3
7-3	ELECTRICAL DIAGRAM - FRAME	7-4
7-4	ELECTRICAL DIAGRAM - PLATFORM (Prior to S/N 38697).....	7-5
7-5	ELECTRICAL DIAGRAM - PLATFORM (S/N 38697 to Present)	7-6
7-6	ELECTRICAL DIAGRAM - STANDARD (Prior to S/N 38697).....	7-8
7-7	ELECTRICAL DIAGRAM - STANDARD (S/N 38697 to Present)	7-12
7-8	ELECTRICAL COMPONENTS AND DIAGRAM CHART	7-16

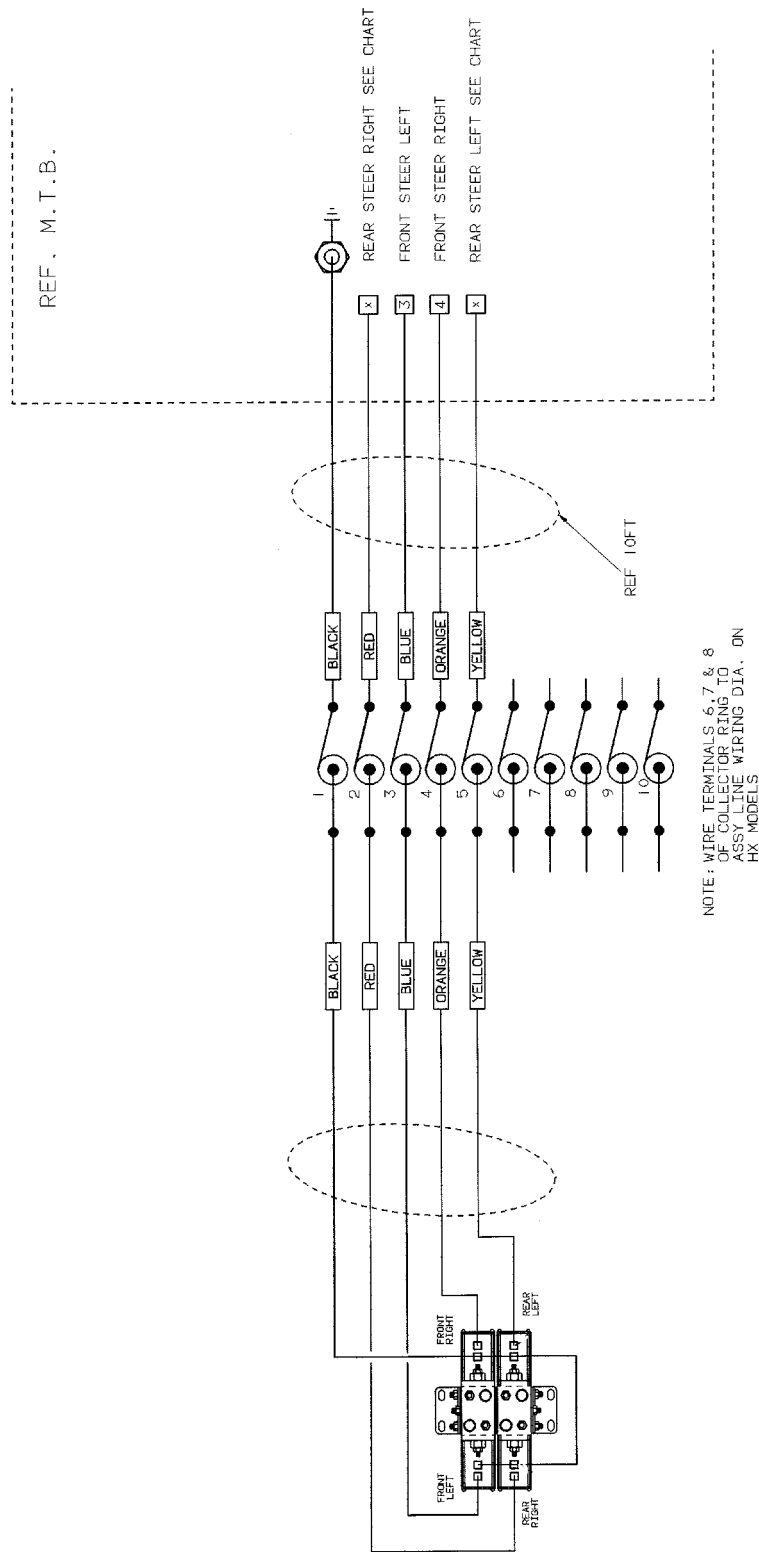
SECTION 7 ELECTRICAL

FIGURE 7-1. ELECTRICAL DIAGRAM - BOOM LENGTH INDICATOR



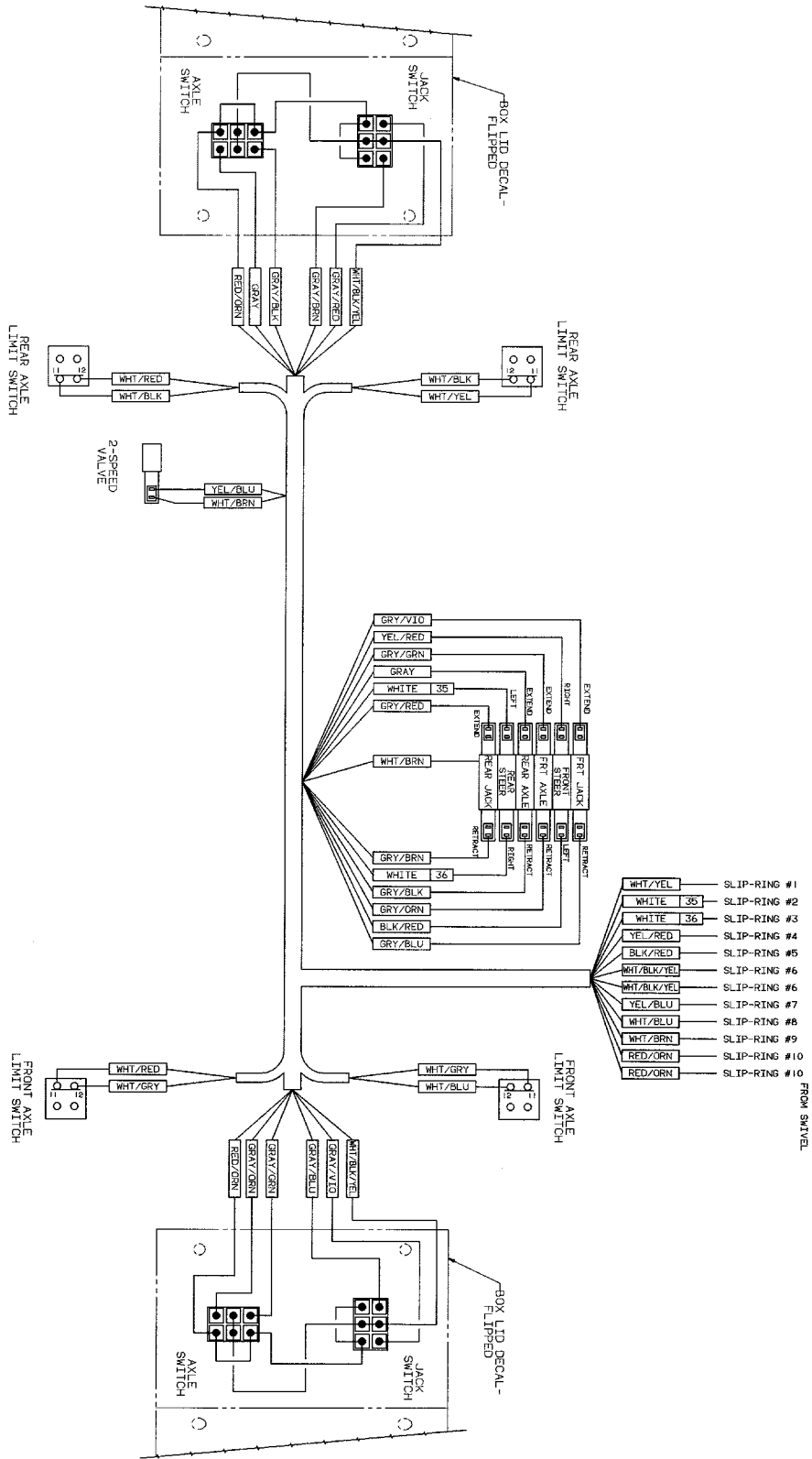
SECTION 7 ELECTRICAL

FIGURE 7-2. ELECTRICAL DIAGRAM - 4WS



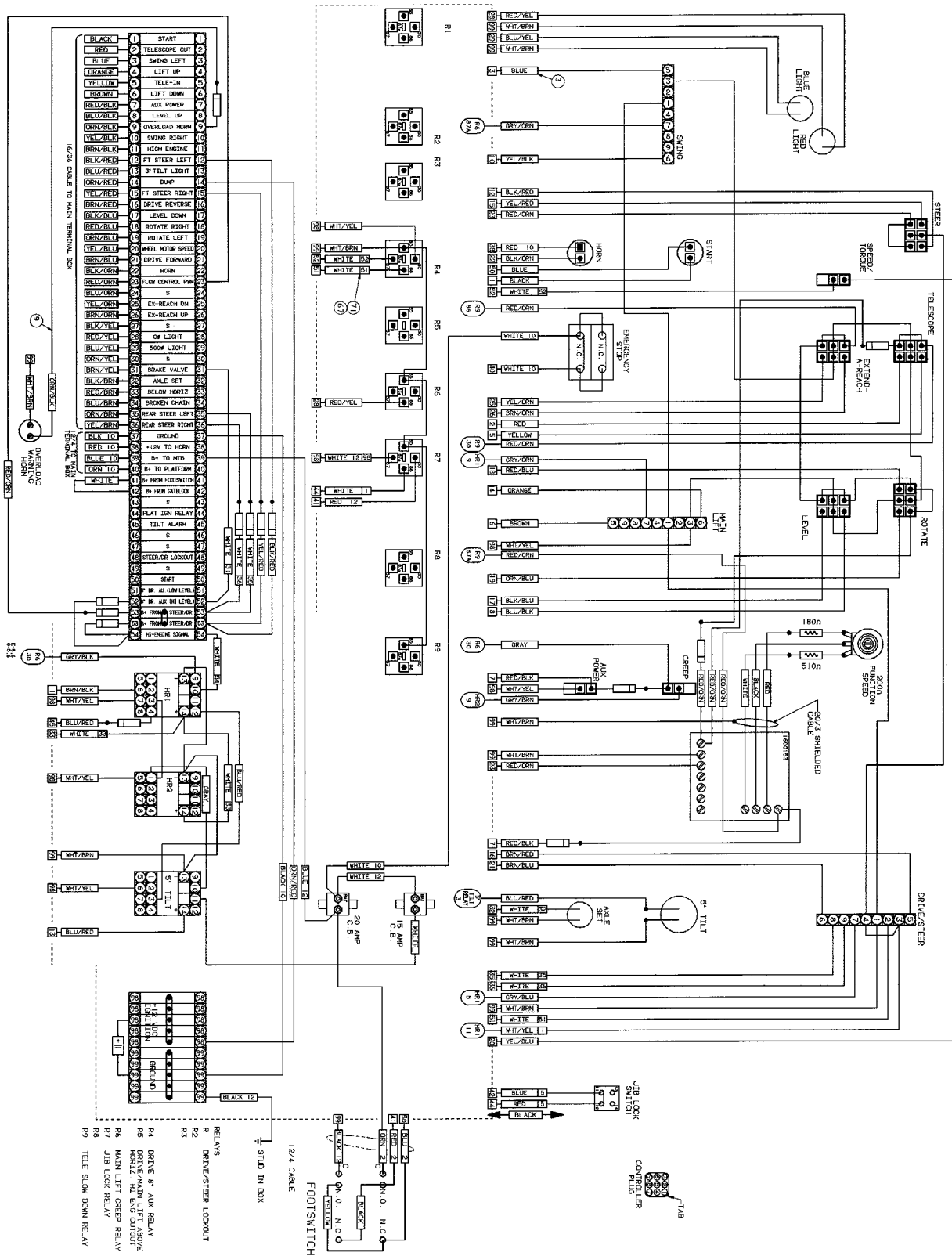
SECTION 7 ELECTRICAL

FIGURE 7-3. ELECTRICAL DIAGRAM - FRAME



SECTION 7 ELECTRICAL

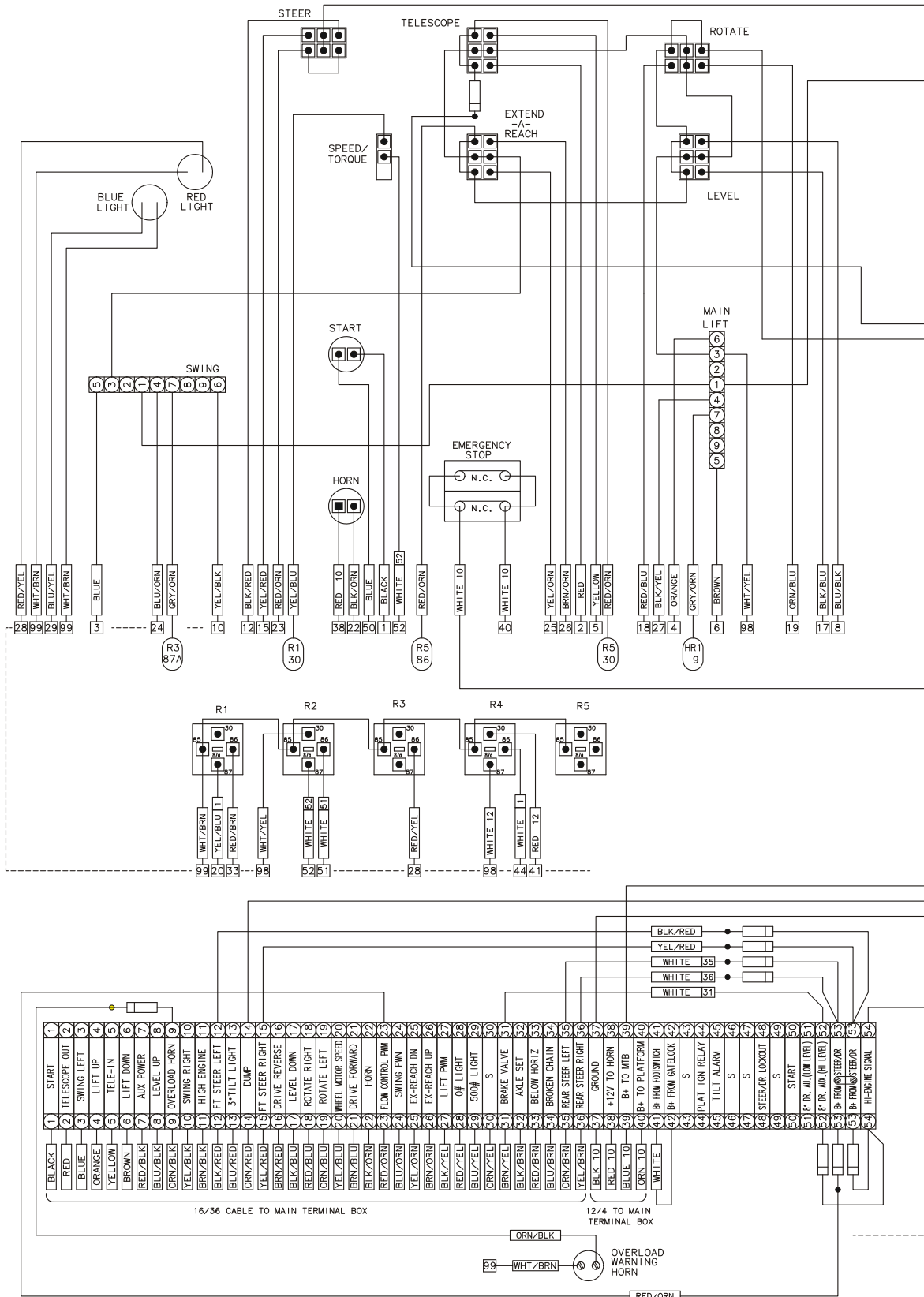
FIGURE 7-4. ELECTRICAL DIAGRAM - PLATFORM. (PRIOR TO S/N 38697)



SECTION 7 ELECTRICAL

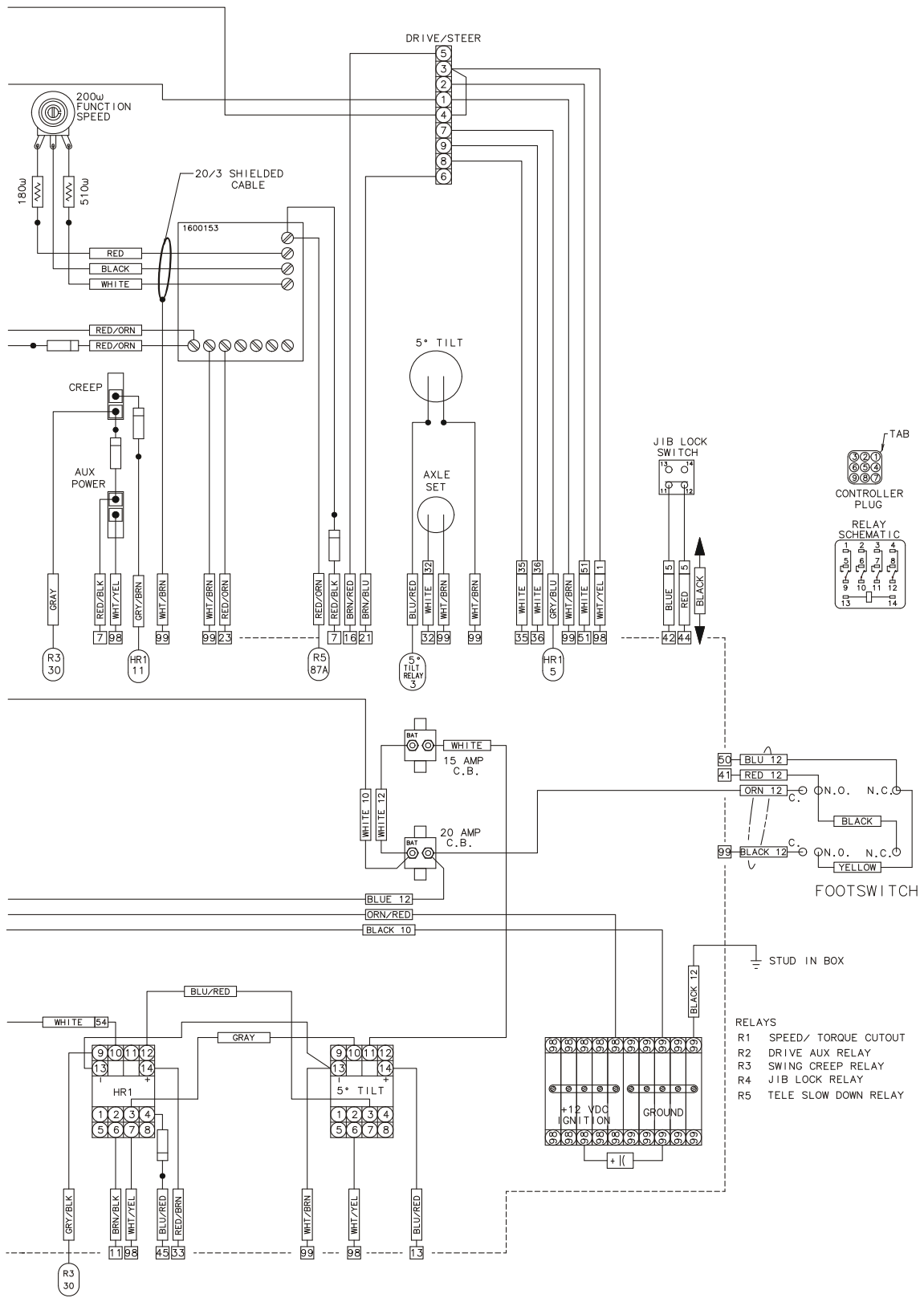
SECTION 7 ELECTRICAL

FIGURE 7-5. ELECTRICAL DIAGRAM - PLATFORM (S/N 38697 TO PRESENT)
(SHEET 1 OF 2)



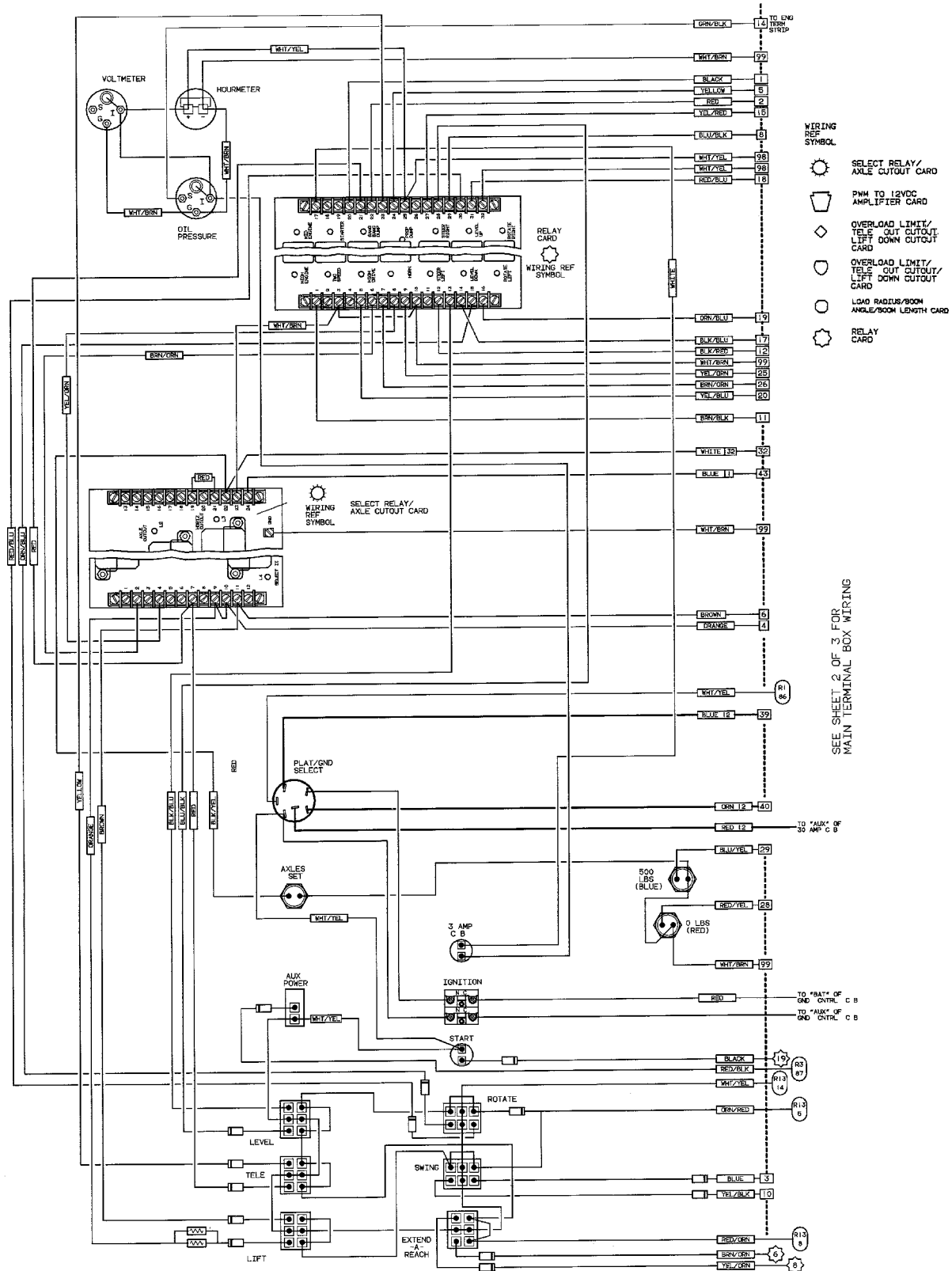
SECTION 7 ELECTRICAL

**FIGURE 7-5. ELECTRICAL DIAGRAM - PLATFORM (S/N 38697 TO PRESENT)
(SHEET 2 OF 2)**



SECTION 7 ELECTRICAL

FIGURE 7-6. ELECTRICAL DIAGRAM - STANDARD (PRIOR TO S/N 38697) (SHEET 1 OF 4)

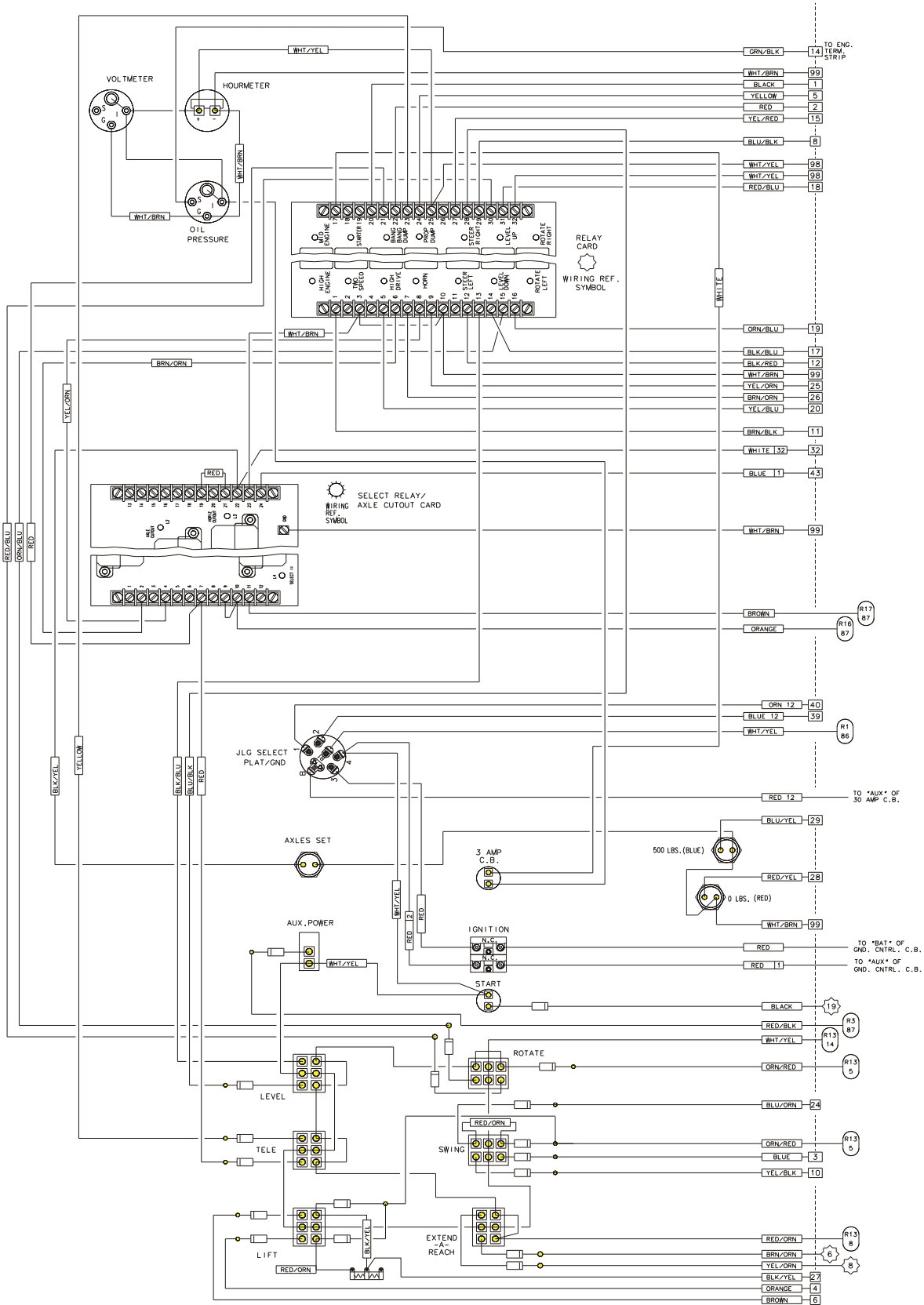


SEE SHEET 2 OF 3 FOR MAIN TERMINAL BOX WIRING

SECTION 7 ELECTRICAL

SECTION 7 ELECTRICAL

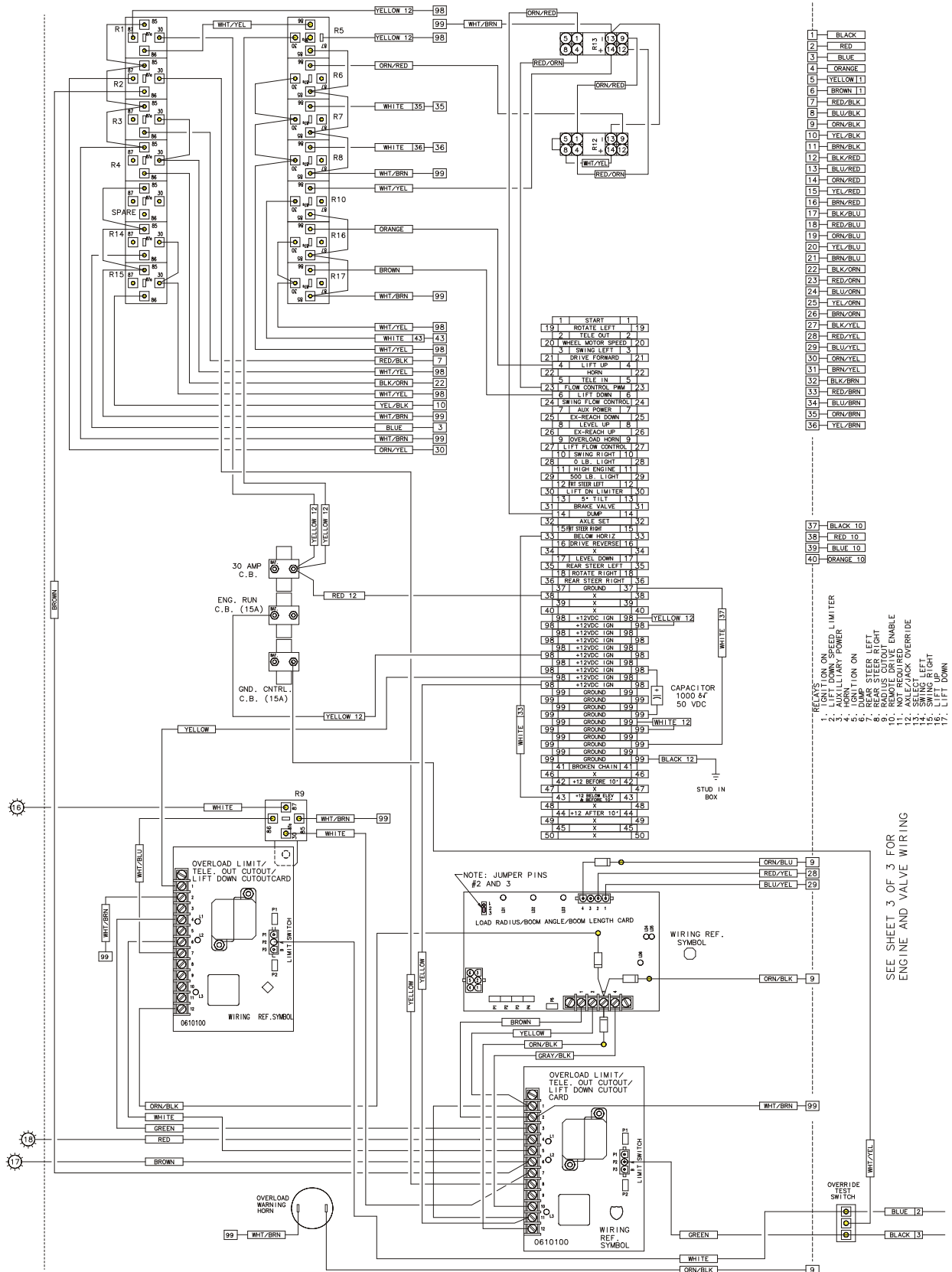
**FIGURE 7-7. ELECTRICAL DIAGRAM - STANDARD (S/N 38697 TO PRESENT)
(SHEET 1 OF 4)**



4933047 - C

SECTION 7 ELECTRICAL

FIGURE 7-7. ELECTRICAL DIAGRAM - STANDARD (S/N 38697 TO PRESENT)
(SHEET 2 OF 4)



4933047 - C

SECTION 7 ELECTRICAL

SECTION 7 ELECTRICAL

FIGURE 7-8. ELECTRICAL COMPONENTS AND DIAGRAM CHART

FIG & ITEM #	PART NUMBER	DESCRIPTION	QTY.	REV.
		ELECTRICAL COMPONENTS AND DIAGRAM CHART Note: Diagrams with Asterisk (*) are shown in preceding pages. Diagrams not shown are available from the JLG Service Department.	Ref.	
		Alarm Wiring Diagrams	Ref.	
	4932507	Alarms Electrical Diagram (Travel, Backup, Swing and Descent) (Prior to April 1993)	Ref.	—
	0610091	Card, Circuit	1	
	3740049	Relay	1	
	4932639/1282091	Alarms Electrical Diagram (Backup, Swing and Descent) (April 1993 to Present)	Ref.	2/C
	4932638/1282091	Alarms Electrical Diagram (Travel) (April 1993 to Present)	Ref.	2/C
	3740049	Relay	1	
	3990010	Diode 6 Amp	2	
	1060341	Cable, Electrical - 16/2	11Ft/3.4m	
	0253077	Alarm Electrical Diagram (Tilt)	Ref.	5
	0140026	Alarm	1	
	1540002	Capacitor	1	
	1281819	Boom Electric Components	Ref.	H
	1060394	Cable, Electrical - 10/4 Options: Prior to S/N 37026	140 ft./43m	
		S/N 37026 to Present	149ft/45.4m	
	1060392	Cable, Electrical - 16/36 Options: Prior to S/N 37026	140 ft./43m	
		S/N 37026 to Present	149ft/45.4m	
	4931961*	Boom Length Indicator Electrical Diagram	Ref.	1
	3730024	Resistor - 100 ohms/1/2 watt	1	
	0255152	Engine Distress Electrical Diagram	Ref.	3
	4360179	Switch, Temperature	1	
	4360065	Switch, Oil Pressure	1	
	4932892	Engine Shutdown Electrical Diagram (Broken Fan Belt)	Ref.	—
	4921886	Harness	1	
	3740080	Relay, Bosch	1	
	4932434/1281684*	Four Wheel Steer Electrical Diagram	Ref.	—/A
	1060042	Cable, Electrical - 16/5	15 ft./4.6m	
	4460049	Connector, Strain Relief (Locate at Ground Control Box)	1	
	3300047	Nut, Conduit	1	
	0960239	Bushing	1	

SECTION 7 ELECTRICAL

FIGURE 7-8. ELECTRICAL COMPONENTS AND DIAGRAM CHART (Continued)

FIG & ITEM #	PART NUMBER	DESCRIPTION	QTY.	REV.
	4932484*	Frame Electrical Diagram	Ref.	A
	4921417	Harness Assembly	1	
	4931858	Generator Electrical Diagram	Ref.	A
	3990010	Diode 6 Amp	1	
	4460027	Receptacle, Twist Lock	1	
	0252928	Heaters Electrical Diagram	Ref.	7
	2580030	Pad, Heater (Engine Oil Pan) (Prior to S/N 27505)	1	
	2580040	Pad, Heater (Engine Oil Pan) (S/N 27505 to Present)	1	
	2580031	Pad, Heater (Hydraulic Oil Tank)	1	
	2580024	Pad, Heater (Battery)	2	
	1060494	Cable, Electrical - 12/3	25Ft	
	4460190	Receptacle	3	
	1702089	Decal - Heater Cord	1	
	3251272	Nameplate - Tank Heater	1	
	3251836	Nameplate - Engine and Battery Heaters	1	
	4932635	Japanese Modification Wiring Diagram	Ref.	D
	1282370	Lights Electrical Diagrams:	Ref.	C
	0255277	Beacon Light Components - Amber	Ref.	2
	2920018	Light, Rotary Beacon - Amber	1	
	0255278	Beacon Light Components - Red	Ref.	2
	2920009	Light, Rotary Beacon - Red	1	
	0255271	Headlights/Taillights Components	Ref.	5
	2920110	Headlight	2	
	0901927	Bracket	2	
	2920113	Taillight	2	
	1060079	Cable, Electrical - 16/4 Options: Prior to S/N 37026	140ft	
		S/N 37026 to Present	149ft	
	4360199	Switch, Toggle	1	
	4360287	Breaker, Circuit - 15 Amp	1	
	3740080	Relay	1	
	3250585	Nameplate, Head Light (S/N 31730 to Present)	1	
	0255273	Stop Lights Components	Ref.	2
	3740049	Relay	4	
	3990010	Diode 6 Amp	5	
	0255272	Turn Signal Components	Ref.	2
	2920113	Taillight	2	
	0901928	Bracket	2	
	4360089	Switch, Flasher	1	
		Low Oil Pressure Shutdown Electrical Diagrams	Ref.	
	0255274	Prior to S/N 54482	Ref.	4
	0270566	S/N 54482 to Present	Ref.	1/A
	2920026	Lamp, Red (At Console Box)	1	
	2920029	Bulb, Light	1	

SECTION 7 ELECTRICAL

SECTION 7 ELECTRICAL

FIGURE 7-8. ELECTRICAL COMPONENTS AND DIAGRAM CHART (Continued)

FIG & ITEM #	PART NUMBER	DESCRIPTION	QTY.	REV.
	4360065	Switch, Oil Pressure	1	
	3740049	Relay	1	
	3990010	Diode 6 Amp	2	
	3740080	Relay	1	
	3252074	Nameplate, Engine Distress (S/N 27440 to Present)	1	
	0252906/1281814	Oil Cooler Electrical Diagram	Ref.	3/A
	4932494*	Platform Electrical Diagram (Prior to S/N 38697)	Ref.	E
	3990010	Diode - 6 Amp	15	
	1060300	Cable, Electrical - 16/3 (To Jib Lock Switch)	25 ft./7.6m	
	1060012	Cable, Electrical - 12/4 (To Footswitch)	8 ft./2.5m	
	1060128	Cable, Shielded Electrical - 20/3 (1600153 Control Card to Function Speed Switch)	4 ft./1.3m	
	3730102	Resistor - 180 ohm 1/2 watt	1	
	3730023	Resistor - 510 ohm 1/2 watt	1	
	1540003	Capacitor	1	
	4933044*	Platform Electrical Diagram (S/N 38697 to Present)	Ref.	3
	3990010	Diode - 6 Amp	16	
	1060012	Cable, Electrical - 12/4 (To Footswitch)	8 ft./2.5m	
	1060128	Cable, Shielded Electrical - 20/3 (1600153 Control Card to Function Speed Switch)	4 ft./1.3m	
	3730102	Resistor - 180 ohm 1/2 watt	1	
	3730023	Resistor - 510 ohm 1/2 watt	1	
	1540003	Capacitor	1	
	0254434/1282163	Receptacle at Platform Electrical Components	Ref.	4/A
	4060092	Cover, Receptacle	1	
	4460190	Receptacle	1	
	1060393	Cable, Electrical - 10/3 Options: Prior to S/N 37026 S/N 37026 to Present	A/R 160ft 149ft	
	4932495*	Standard Electrical Diagram - Deutz (Prior to S/N 38697)	Ref.	H
	3990010	Diode - 6 Amp	20	
	1060341	Cable, Electrical - 16/2 (GCB to Horizontal Limit Switch - 15 ft./4.6m and Override Test Switch to Load Management Limit Switch - 14 ft./4.3m)	30 ft./9.1m	
	1060016	Cable, Electrical - 16/3 (Override Test Switch to Proximity Switch)	15 ft./4.6m	
	1060302	Cable, Electrical - 16/5 (GCB to Boom Length Measuring Device)	15 ft./4.6m	
	4921415	Harness (Engine Terminal Strip to GCB)	1	
	4921416	Harness (Valves to GCB)	1	
	4921418	Harness (GCB to Collector Ring)	1	
	1540003	Capacitor	1	
	1060079	Cable, Electrical (GCB to Before 10Ft Limit Switch)	21ft/6.4m	

SECTION 7 ELECTRICAL

FIGURE 7-8. ELECTRICAL COMPONENTS AND DIAGRAM CHART (Continued)

FIG & ITEM #	PART NUMBER	DESCRIPTION	QTY.	REV.
	3730095	Resistor - 7.5 Ohm	2	
	4933047*	Standard Electrical Diagram - Deutz (S/N 38697 to Present)	Ref.	1/C
	3990010	Diode - 6 Amp	22	
	1060341	Cable, Electrical - 16/2 (GCB to Horizontal Limit Switch - 15 ft./4.6m and Override Test Switch to Load Management Limit Switch - 14 ft./4.3m)	30 ft./9.1m	
	1060016	Cable, Electrical - 16/3 (Override Test Switch to Proximity Switch)	15 ft./4.6m	
	1060302	Cable, Electrical - 16/5 (GCB to Boom Length Measuring Device)	15 ft./4.6m	
	4921415	Harness (Engine Terminal Strip to GCB)	1	
	4922156	Harness (Valves to GCB)	1	
	4921418	Harness (GCB to Collector Ring)	1	
	1540003	Capacitor	1	
	1060079	Cable, Electrical (GCB to Before 10Ft Limit Switch)	21ft/6.4m	
	3730115	Resistor Adjustable - 7.5 Ohm	1	
	1870023	Standard Electrical Schematic	Ref.	B
		Platform Bumpers Electrical Diagrams	Ref.	
	0255695/1282197	Prior to S/N 43389	Ref.	5/G
	0259365/1282197	S/N 43389 to Present	Ref.	2/H
	4360057	Switch, Limit	1	
	4360274	Switch, Push Button	1	
	3252238	Decal - Softtouch	1	
	3740049	Relay	2	
	1060341	Cable, Electrical - 16/2	12 ft./3.7m	
	0253987	Platform Worklights Electrical Diagram	Ref.	4
	0254748	Platform Worklights Electrical Diagram (With Bumpers)	Ref.	2
	2920111	Light, Halogen	2	

SECTION 7 ELECTRICAL

**S
E
C
T
I
O
N

7

E
L
E
C
T
R
I
C
A
L**

FIGURE 7-8. ELECTRICAL COMPONENTS AND DIAGRAM CHART (Continued)

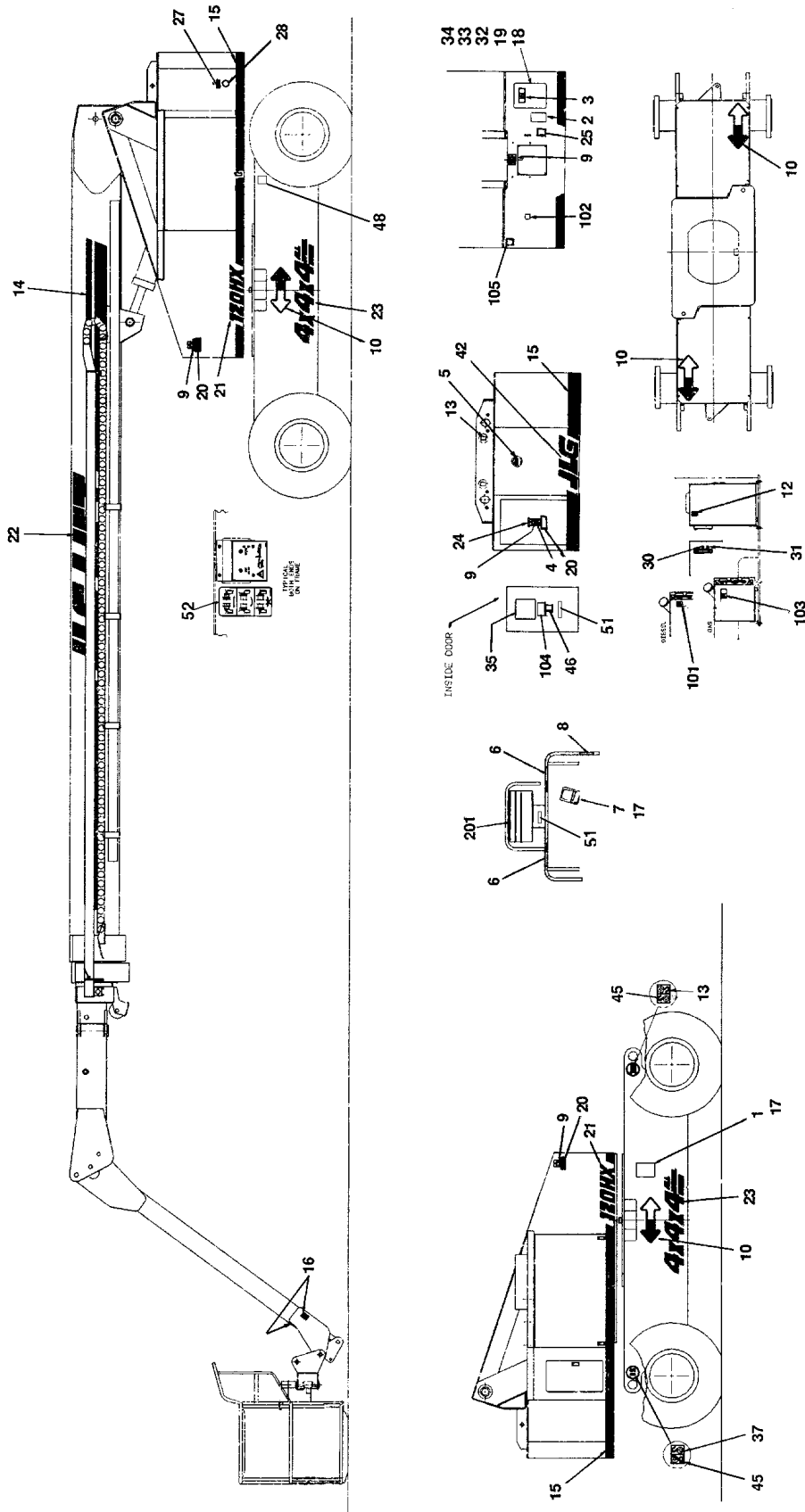
FIG & ITEM #	PART NUMBER	DESCRIPTION	QTY.	REV.

SECTION 8 DECALS

TABLE OF CONTENTS		
FIGURE	DESCRIPTION	PAGE
8-1	DECALS INSTALLATION	8-2

SECTION 8 DECALS

FIGURE 8-1. DECALS INSTALLATION.



SECTION 8 DECALS

FIGURE 8-1. DECALS INSTALLATION.

FIG & ITEM #	PART NUMBER	DESCRIPTION	QTY.	REV.
		DECALS INSTALLATIONS	Ref.	
	0252838	Prior To S/N 25609	Ref.	C
	0257222/0257227	S/N 25609 To Present	Ref.	3/2
1	Not Available	Nameplate - Serial Number	1	
2	1700584*-	Decal - Patent	1	
3	1701509*	Decal - Manual	1	
4		Decal - Caution Options:	1	
	1700643	Prior to May 1994		
	1702299*-	May 1994 to Present		
5	3251813*	Decal - USA	1	
6		Decal - Attach Belt Options:	2	
	1700477	Prior to May 1994		
	1702276	May 1994 to September 1995		
	1702612*-	September 1995 to Present		
7		Nameplate - Footswitch Options:	1	
	3251766	Prior to July 1992		
	3252347	July 1992 to Present		
8		Decal - No Hands Options:	2	
	1700476	Prior to May 1994		
	1702294*-	May 1994 to Present		
9		Decal - Crushing Options:	4	
	1700585	Prior to May 1994		
	1702277*-	May 1994 to Present		
10	1701501*	Decal - Arrow	4	
11	Not Used			
12	1701504*	Decal - Hydraulic Oil	1	
13	1701500*	Decal - Tie Down/Lift Up	4	
14	1701704	Decal - Stripe	34 ft./10.4m	
15	1701703	Decal - Stripe	27 ft./8.2m	
16		Decal - Crushing Options:	3	
	1700640	Prior to May 1994		
	1702284*-	May 1994 to Present		
17	3820001	Rivet	A/R	
18	0641408	Bolt 1/4"-20NC x 1"	1	
19	1060279	Cable, Lanyard	1	
20		Decal - Electrocutation Options:	3	
	1700580	Prior to May 1994		
	1702292*-	May 1994 to Present		
21	1701700*	Decal - 120HX	2	
22	1701699*	Decal - JLG Lift	2	
23	1701701*	Decal - 4 x 4 x 4	2	
24	1700037*-	Decal - Ground Control	1	
25		Decal - Inspection Options:	1	
	1700593	Prior to May 1994		
	1702153*-	May 1994 to Present		
26	Not Used			
27	3251243*-	Nameplate - 120V	1	
28	0961127	Bushing, Snap	1	

SECTION 8 DECALS

FIGURE 8-1. DECALS INSTALLATION. (CONTINUED)

FIG & ITEM #	PART NUMBER	DESCRIPTION	QTY.	REV.
29	Not Used			
30	1701502*	Decal - Hydraulic Oil Full	1	
31	1701503*	Decal - Hydraulic Oil Low	1	
32	0860520	Box, Manual Storage	1	
33	3311405	Locknut 1/4"-20NC	5	
34	4751400	Flatwasher 1/4"	6	
35	1701296*-	Decal - Load Moment	1	
36	Not Used			
37	1701499*	Decal - Do Not Tie Down/Do Not Lift Up	2	
38	Not Used			
39	Not Used			
40	Not Used			
41	Not Used			
42	1701702*	Decal - JLG	1	
43	Not Used			
44	Not Used			
45	1702300*-	Decal - Tie-Down (May 1994 to Present Only)	4	
46	1702282*-	Decal - Warning (May 1994 to Present Only)	1	
47	Not Used			
48	Not Available	Decal - Bar Code	1	
49 to 50	Not Used			
51	1702966*-	Decal - Unrestricted Capacity (S/N 34242 to Present)	2	
52	1704421	Decal - Extend/Retracted (ANSI Only) (S/N 47227 to Present)	2	
	0100011	Loctite #242	A/R	
	2910064	Decal Kit - Common (Items with * Included in Kit)	1	
	2900927	Decal Kit - ANSI (Items with - Included in Kit)	1	
	0010448	DECAL INSTALLATION - FUEL (VARIABLE PARTS)	Ref.	
101	1701505	Decal - Diesel Fuel	1	
102	1701543	Decal - L.P. Fuel	1	
103	1701542	Decal - Gasoline Fuel	1	
104		Decal - Dual Fuel (Dual Fuel Units Only)	1	
	3251028	Prior to September 1994		
	3252356	September 1994 to Present		
105	1700818	Decal - LP Gas Liquid Withdrawal System (Dual Fuel Units Only)	1	
	0252312	CONSOLE NAMPLATES INSTALLATION	Ref.	C
201		Mounting Bracket Options:	1	
	3530997	Prior to March 1993		
	3536671	March 1993 to Present		
		Nameplate - Warning/Danger Options	1	
	3252144	Prior to May 1994		
	3252369-	May 1994 to Present		
	3250019	Rivet	4	

SECTION 8 DECALS

FIGURE 8-1. DECALS INSTALLATION. (CONTINUED)

FIG & ITEM #	PART NUMBER	DESCRIPTION	QTY.	REV.
301	0256487	PROP 65 DECAL INSTALLATION - DIESEL MACHINES (CALIFORNIA MACHINE ONLY) (NOT SHOWN)	Ref.	2
	1702962	Decal - Prop 65 Options: Diesel Machines	1	

SECTION 8 DECALS

FIGURE 8-1. DECALS INSTALLATION. (CONTINUED)

FIG & ITEM #	PART NUMBER	DESCRIPTION	QTY.	REV.

SECTION 9 RECOMMENDED SERVICE PARTS STOCK

MODELS 120HX

The following list will service fleets of machines (built to current production per date on the front cover) with emergency repair parts which can be installed in the field. Parts from the list should be replaced when inventory is depleted to keep service parts stock supplied. For further information, contact your JLG dealer or the JLG Industries Parts Department.

JLG PART NUMBER	DESCRIPTION	QTY PER FLEET		
		1-10	10-20	20 OR MORE
STANDARD PARTS				
7000645	Coil (Figure 1-1)	1	1	1
7012730	Coil (Figure 1-2)	1	1	1
7021401	Coil (Figures 1-2 and 2-4)	1	1	1
4360314	Switch, Toggle (Figures 1-8, 2-11 and 4-3)	1	1	1
4360277	Switch, Limit (Figures 1-3 and 3-3)	1	1	1
7012906	Coil (Figure 2-2)	1	1	1
4360362	Switch, Level Sensor (Figure 2-2)	1	1	1
7017451	Coil (Figure 2-4)	1	1	1
7012943	Coil (Figure 2-4)	1	1	1
7012944	Coil (Figure 2-4)	1	1	1
4360263	Switch, Limit (Figure 2-10)	1	1	1
4360259	Switch, Proximity (Figure 2-10)	1	1	1
3740070	Relay - SPDT (Figure 2-11)	1	1	1
3740016	Relay - 3PDT (Figure 2-11)	1	1	1
3740057	Relay (Figure 2-11)	1	1	1
3740049	Relay - SPDT (Figures 2-11, 4-3 and 7-8)	1	1	1
4360216	Breaker, Circuit - 30 Amp (Figure 2-11)	1	1	1
4360232	Breaker, Circuit - 15 Amp (Figures 2-11 and 4-3)	1	1	1
4360469	Switch, Key (Figure 2-11)	1	1	1
2860030	Key, Replacement (Figure 2-11)	1	1	1
4360212	Breaker, Circuit - 3 Amp (Figure 2-11)	1	1	1
4360274	Switch, Push Button (Figures 2-11 and 4-3)	1	1	1
4360330	Switch, Toggle (Figures 2-11 and 4-3)	1	1	1
4360328	Switch, Toggle (Figure 2-11)	1	1	1
3740058	Relay (Figure 4-3)	1	1	1
4360476	Block, Contact (Figures 2-11 and 4-3)	1	1	1
4360475	Switch, Push Button (Figures 2-11 and 4-3)	1	1	1
4360074	Switch, Toggle (Figure 2-13)	1	1	1
4360340	Switch, Potentiometer (Figure 2-13)	1	1	1
3990001	Diode - 6 Amp (Figure 2-13)	2	2	2
2120136	Element, Charge Pump Filter (Figure 2-14)	4	8	12
7004214	Element, Air Filter (Figure 2-14)	1 Dozen	1 Dozen	1 Dozen
3740059	Relay (Figure 2-14)	1	1	1
3740080	Relay (Figure 2-14)	1	1	1
3740067	Relay (Figure 2-14)	1	1	1
7008829	Board, Circuit (Figure 2-14)	1	1	1
7008828	Cable, Throttle (Figure 2-14)	1	1	1
7029274	Filter, Engine Fuel (Deutz) (Figure 2-14)	1	1	1
7014503	Filter, Engine Oil (Deutz) (Figure 2-14)	1 case	1 case	1 case
1660183	Coupling (Deutz) (Figure 2-16)	1	1	1

SECTION 9 RECOMMENDED SERVICE PARTS STOCK

MODELS 120HX

The following list will service fleets of machines (built to current production per date on the front cover) with emergency repair parts which can be installed in the field. Parts from the list should be replaced when inventory is depleted to keep service parts stock supplied. For further information, contact your JLG dealer or the JLG Industries Parts Department.

JLG PART NUMBER	DESCRIPTION	QTY PER FLEET		
		1-10	10-20	20 OR MORE
1660233	Coupling (Deutz) (Figure 2-16)	1	1	1
2120129	Element, Hydraulic Oil Filter (Figure 2-20)	4	8	12
1340046	Breather, Hydraulic (Figure 2-20)	1	1	1
7006138	Pin Kit - Powertrack (Figure 3-1)	24	24	24
7000638	Switch (Figure 3-5)	1	1	1
7000647	Cable (Figure 3-5)	1	1	1
4360057	Switch, Limit (Figure 3-5)	1	1	1
2940006	Latch, Door (Figure 4-1)	1	1	1
4360031	Footswitch (Figure 4-1)	1	1	1
4360336	Switch, Toggle (Figure 4-3)	1	1	1
1600155	Controller, PQ (Figure 4-3)	1	1	1
1600277	Controller, PQ (Figure 4-3)	1	1	1
7011928	Board, Circuit - 1600155 Controller (Figure 4-3)	1	1	1
7003797	Board, Circuit - 1600135 Controller (Figure 4-3)	1	1	1
7003789	Switch, Steer - 1600135 Controller (Figure 4-3)	1	1	1
4360209	Breaker, Circuit - 20 Amp (Figure 4-3)	1	1	1
4360327	Potentiometer (Figure 4-3)	1	1	1
3990010	Diode - 6 Amp (Figure 7-8)	1	1	1
VARIABLE PARTS				
7006193	Powertrack Repair Section Without Chip Covers - Left Side (Figure 3-1)	1	1	1
7006196	Powertrack Repair Section With Chip Covers - Left Side (Figure 3-1)	1	1	1
7006153	Powertrack Repair Section Without Chip Covers - Right Side (Figure 3-1)	1	1	1
7006145	Powertrack Repair Section With Chip Covers - Right Side (Figure 3-1)	1	1	1

SECTION 10 SPECIAL OPTIONS

Note: This list is to accommodate machines ordered with special equipment. Options may not be applicable to all models. For more specific parts information contact JLG Parts Department.

FIGURE 10-1. MISCELLANEOUS SPECIAL OPTIONS

FIG & ITEM #	PART NUMBER	DESCRIPTION	QTY.	REV.
		MISCELLANEOUS SPECIAL OPTIONS	Ref.	
	0255060	Airline Installation - 1/2"	Ref.	
	2910105	Axle Hose Retract Springs Kit	Ref.	
	1702788	Biodegradable Hydraulic Fluid Decal	Ref.	
	1704174	SYN Biodegradable Hydraulic Fluid Decal	Ref.	
	0256789	Camera Mounting Installation	Ref.	
	0253895	Country Specs - Japanese	Ref.	
	0257202	Country Specs - Latin American	Ref.	
	0253550	Decals Installation - CSA	Ref.	
	0256956	Decal Installation - Lanyard Attachment (GM K-1 Spec)	Ref.	
	0252839	Decals Installation - Common Overseas (Required for Japanese) (Prior to S/N 25609)	Ref.	
	0257221	Decals Installation - Common Overseas (Required for Japanese) (S/N 25609 to Present)	Ref.	
	0253265	Decals Installation - Japanese	Ref.	
	0255851	Decals Installation - Latin American (Prior to S/N 25609)	Ref.	
	0257234	Decals Installation - Latin American Spanish (S/N 25609 to Present)	Ref.	
	2900931	Decal - Kit	1	
	0258888	Decals Installation - Lifting	Ref.	
	0257221	Decals Installation - Common Global (S/N 25609 to Present)	Ref.	
	0254109	Exhaust Purifier Installation	Ref.	
	3220088	Muffler, Exhaust Purifier	1	
	4566219	Tube, Exhaust	1	
	0252928	Heater Installation	Ref.	
	0258888	Lifting Decal Installation - Valjar	Ref.	
	1282370	Lights Installations Options:	Ref.	
	0255277	Beacon Light Installation - Amber (Mounted on Hood)	Ref.	
	0270723	Beacon Light Installation - Amber (Mounted on Platform)	Ref.	

SECTION 10 SPECIAL OPTIONS

SECTION 10 SPECIAL OPTIONS

FIGURE 10-1. MISCELLANEOUS SPECIAL OPTIONS (CONTINUED)

FIG & ITEM #	PART NUMBER	DESCRIPTION	QTY.	REV.
	0255278	Beacon Light Installation - Red	Ref.	
	0255271	Headlights/Taillights Installation	Ref.	
	0255273	Stop Light Installation	Ref.	
	0255272	Turn Signals Installation	Ref.	
	0255816	Strobe Light Installation - Amber	Ref.	
	0253649	Manual Descent Installation (JapaneseSpec)	Ref.	
	0253050	Pinion Installation	Ref.	
	0256436	Pipe Rack Installation	Ref.	
	0256829	Platform Door (Spring Loaded) Installation (GM Spec)	Ref.	
	0238442	Platform Step Installation	Ref.	
	3510365	Platform Weldment - Japanese	Ref.	
	0254434	Receptacle Installation at Platform	Ref.	
		Tools for Service:		
	7002821	Crimper, Wire	Ref.	
	2900838	Fastener Kit - U.S. Standards	Ref.	
	7002823	Pin Extractor - Universal (For Electrical Connectors with Pins and Sockets)	Ref.	
	7016654	Screwdriver, Magnetic	Ref.	
	7002822	Screwdriver, Pontimeter	Ref.	
	7004275	Seal Tool 1" (For Cylinders)	Ref.	
	7004276	Seal Tool 1 1/2" (For Cylinders)	Ref.	
	7002828	Stripper, Wire	Ref.	
	7014676	Tool Kit - U.S. Standards	Ref.	
	9900443	Tool Box and Tools	Ref.	
	0257728	Tube Rack Installation	Ref.	
	0253050	Turntable Pinion Shield Installation	Ref.	
	0258918	Utility Rack Installation	Ref.	
	0255061	Weld Leads Installation	Ref.	



3120687



An Oshkosh Corporation Company

Corporate Office
JLG Industries, Inc.
1 JLG Drive
McConnellsburg PA. 17233-9533
USA

☎ (717) 485-5161

📠 (717) 485-6417

JLG Worldwide Locations

JLG Industries (Australia)
P.O. Box 5119
11 Bolwarra Road
Port Macquarie
N.S.W. 2444
Australia

☎ +61 2 65 811111

📠 +61 2 65 810122

JLG Latino Americana Ltda.
Rua Eng. Carlos Stevenson,
80-Suite 71
13092-310 Campinas-SP
Brazil

☎ +55 19 3295 0407

📠 +55 19 3295 1025

JLG Industries (UK) Ltd
Bentley House
Bentley Avenue
Middleton
Greater Manchester
M24 2GP - England

☎ +44 (0)161 654 1000

📠 +44 (0)161 654 1001

JLG France SAS
Z.I. de Baulieu
47400 Fauillet
France

☎ +33 (0)5 53 88 31 70

📠 +33 (0)5 53 88 31 79

JLG Deutschland GmbH
Max-Planck-Str. 21
D - 27721 Ritterhude - Ihlpohl
Germany

☎ +49 (0)421 69 350 20

📠 +49 (0)421 69 350 45

JLG Equipment Services Ltd.
Rm 1107 Landmark North
39 Lung Sum Avenue
Sheung Shui N. T.
Hong Kong

☎ (852) 2639 5783

📠 (852) 2639 5797

JLG Industries (Italia) s.r.l.
Via Po. 22
20010 Pregnana Milanese - MI
Italy

☎ +39 029 359 5210

📠 +39 029 359 5845

Oshkosh-JLG Singapore
Technology Equipment Pte
Ltd
29 Tuas Ave 4,
Jurong Industrial Estate
Singapore, 639379

☎ +65-6591 9030

📠 +65-6591 9031

Plataformas Elevadoras
JLG Iberica, S.L.
Trapadella, 2
P.I. Castellbisbal Sur
08755 Castellbisbal, Barcelona
Spain

☎ +34 93 772 4700

📠 +34 93 771 1762

JLG Sverige AB
Enkopingsvagen 150
Box 704
SE - 176 27 Jarfalla
Sweden

☎ +46 (0)850 659 500

📠 +46 (0)850 659 534