



Illustrated Parts Manual

Models
25RTS
33RTS
40RTS

P/N - 3120692

March 15, 2012

ANSI



An Oshkosh Corporation Company

REVISION LOG

March 1993 - Original Issue Of Manual
October 1998 - Revised
January 7, 2000 - Revised (25RTS Manual edited to 0010450 Revision 35)
(33RTS Manual edited to 0010451 Revision 33)
(40RTS Manual edited to 0010452 Revision 34)
March 1, 2000 - Updated Page 1-2
May 16, 2000 - Updated Page 4-16 & 4-19
April 1, 2001 - Revised (25RTS Manual edited to 0010450 Revision 43)
(33RTS Manual edited to 0010451 Revision 40)
(40RTS Manual edited to 0010452 Revision 42)
April 8, 2002 - Revised (25RTS Manual edited to 0010450 Revision 48)
(33RTS Manual edited to 0010451 Revision 46)
(40RTS Manual edited to 0010452 Revision 47)
March 21, 2003 - Revised (25RTS Manual edited to 0010450 Revision 49)
(33RTS Manual edited to 0010451 Revision 47)
(40RTS Manual edited to 0010452 Revision 49)
December 31, 2006 - Revised (25RTS Manual edited to 0010450 Revision 50)
(33RTS Manual edited to 0010451 Revision 47)
(40RTS Manual edited to 0010452 Revision 49)
June 5, 2009 - Revised (25RTS Manual edited to 0010450 Revision 50)
(33RTS Manual edited to 0010451 Revision 47)
(40RTS Manual edited to 0010452 Revision 49)
March 15, 2012 - Revised (Revision 1)

TABLE OF CONTENTS

SECTION 1 - FRAME.....	7
FIGURE 1-1. FRAME, STEERING AND AXLE INSTALLATIONS.....	8
FIGURE 1-2. LOCKOUT VALVE ASSEMBLY.....	14
FIGURE 1-3. TIRE AND WHEEL DRIVE INSTALLATIONS.....	16
FIGURE 1-4. DRIVE MOTOR ASSEMBLY.....	20
FIGURE 1-5. DRIVE BRAKE ASSEMBLY.....	22
FIGURE 1-6. DRIVE HUB ASSEMBLIES.....	26
FIGURE 1-7. DRIVE HUB/BRAKE ASSEMBLIES.....	30
FIGURE 1-8. FRAME MOUNTED COMPONENTS INSTALLATION.....	34
FIGURE 1-9. LEVELING JACK (WITH INTERLOCK) AND LIGHTS INSTALLATION (FRAME MOUNTED).....	38
FIGURE 1-10. LEVELING JACK (WITHOUT INTERLOCK) INSTALLATION.....	42
FIGURE 1-11. TOW PACKAGE INSTALLATION (OPTIONAL).....	44
SECTION 2 - GROUND COMPONENTS.....	47
FIGURE 2-1. CONTROL VALVES AND TANKS INSTALLATION.....	48
FIGURE 2-2. CONTROL VALVE ASSEMBLY (Prior to SN 26763).....	54
FIGURE 2-3. CONTROL VALVE ASSEMBLY (SN 26763 to Present).....	58
FIGURE 2-4. CONTROL VALVE ASSEMBLY - FPS 4 STACK (LEVELING JACKS OPTION).....	60
FIGURE 2-5. ENGINE INSTALLATION - FORD VSG-411.....	62
FIGURE 2-6. ENGINE INSTALLATION - FORD VSG-413.....	68
FIGURE 2-7. DUAL FUEL COMPONENTS INSTALLATION (FORD ENGINE OPTION).....	76
FIGURE 2-8. GENERATOR INSTALLATION (FORD ENGINE OPTION).....	78
FIGURE 2-9. ENGINE INSTALLATION - DEUTZ F2L1011.....	80
FIGURE 2-10. GENERATOR INSTALLATIONS (DEUTZ ENGINE OPTION).....	86
FIGURE 2-11. PISTON PUMP ASSEMBLY - SUNSTRAND.....	90
FIGURE 2-12. GEAR PUMP ASSEMBLY - JSB.....	94
FIGURE 2-13. GROUND CONTROL BOX INSTALLATION.....	96
FIGURE 2-14. HOODS AND BEACON LIGHT INSTALLATION.....	100
SECTION 3 - SIZZOR ARMS.....	103
FIGURE 3-1. SIZZOR ARMS INSTALLATION - 40RTS.....	104
FIGURE 3-2. SIZZOR ARMS INSTALLATION - 33RTS.....	108
FIGURE 3-3. SIZZOR ARMS INSTALLATION - 25RTS.....	112
SECTION 4 - PLATFORM.....	115
FIGURE 4-1. FIXED PLATFORM (STANDARD) AND OPTIONAL COMPONENTS INSTALLATIONS.....	116
FIGURE 4-2. PLATFORM EXTENDABLE INSTALLATIONS (Prior to SN 50308).....	120
FIGURE 4-3. PLATFORM EXTENDABLE INSTALLATIONS (SN 50308 to Present).....	124
FIGURE 4-4. PLATFORM CONSOLE BOX INSTALLATION.....	126
FIGURE 4-5. DRIVE/LIFT CONTROLLER ASSEMBLY (Prior to SN 57701).....	130
FIGURE 4-6. DRIVE/LIFT CONTROLLER ASSEMBLY (SN 57701 to Present).....	132
SECTION 5 - CYLINDERS.....	135
FIGURE 5-1. AXLE LOCKOUT CYLINDER ASSEMBLY (OSCILLATING AXLE OPTION).....	136
FIGURE 5-2. LEVELING JACK CYLINDER ASSEMBLY WITH SCREW-IN PIVOT PAD (HYDRAULIC JACK OPTION WITHOUT INTERLOCK - PRODUCTION CYLINDERS).....	138
FIGURE 5-3. LEVELING JACK CYLINDER ASSEMBLY WITH WELDED ON PIVOT PAD (HYDRAULIC JACK OPTION WITHOUT INTERLOCK - RECOMMENDED SERVICE REPLACEMENT CYLINDERS).....	142
FIGURE 5-4. LEVELING JACK CYLINDER ASSEMBLY (HYDRAULIC JACK OPTION WITH INTERLOCK).....	144
FIGURE 5-5. LIFT CYLINDER ASSEMBLIES.....	146
FIGURE 5-6. STEER CYLINDER ASSEMBLY (Prior to SN 9667).....	150
FIGURE 5-7. STEER CYLINDER ASSEMBLY (SN 9667 to Present).....	152
SECTION 6 - HYDRAULICS.....	155
FIGURE 6-1. HYDRAULIC DIAGRAM LIST.....	156
FIGURE 6-2. HYDRAULIC DIAGRAM - 2WD/2WS.....	158
FIGURE 6-3. HYDRAULIC DIAGRAM - 4WD/2WS.....	162
FIGURE 6-4. HYDRAULIC DIAGRAM - 4WD/4WS.....	166
FIGURE 6-5. HYDRAULIC DIAGRAM - AXLE (OSCILLATING).....	170

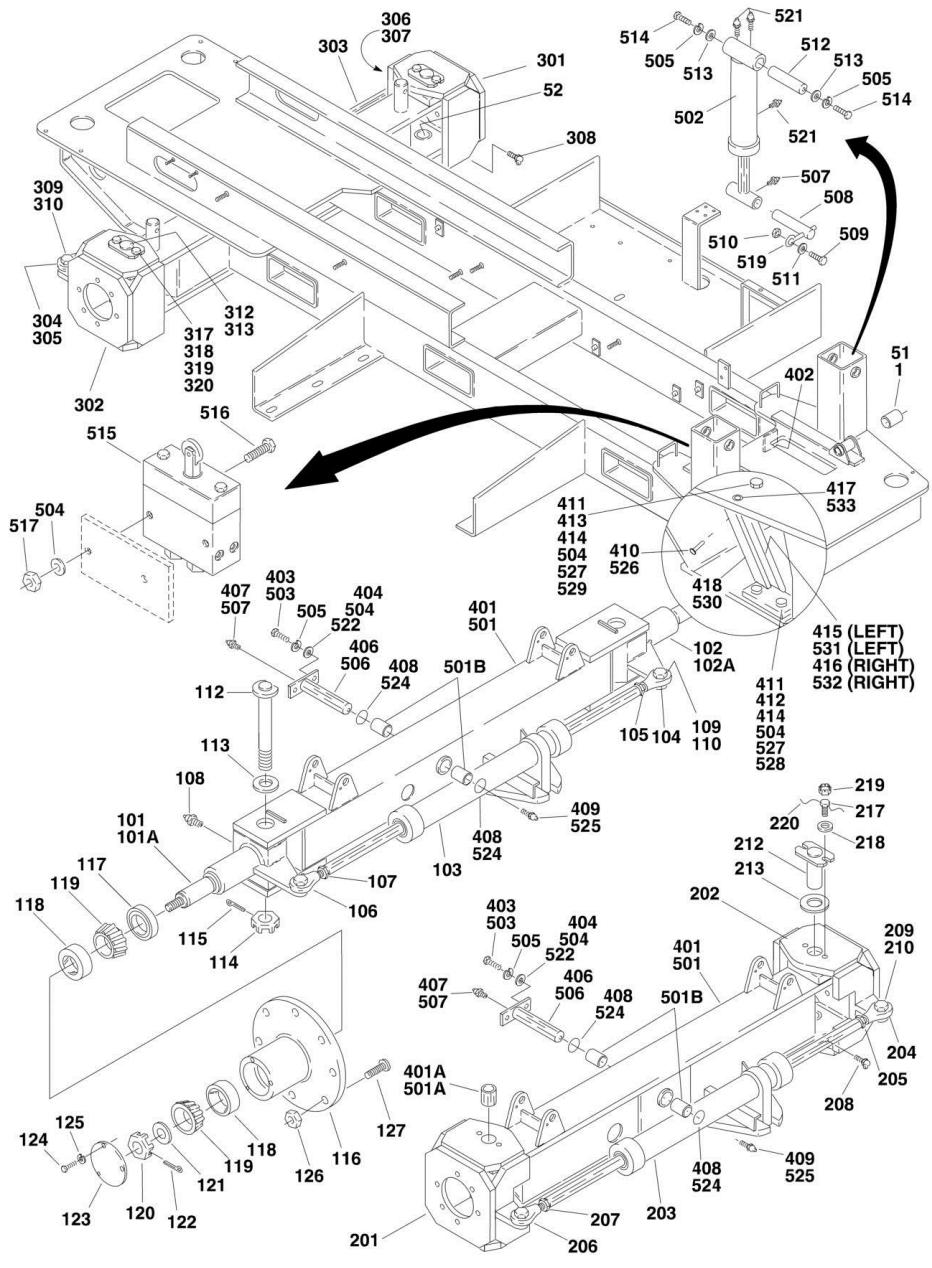
TABLE OF CONTENTS

SECTION 7 - ELECTRICAL.....	173
FIGURE 7-1. ELECTRICAL DIAGRAMS AND COMPONENTS LIST.....	174
FIGURE 7-2. ELECTRICAL DIAGRAM - DUAL FUEL (FORD ENGINE OPTION).....	178
FIGURE 7-3. ELECTRICAL DIAGRAM - 110V GENERATOR.....	180
FIGURE 7-4. ELECTRICAL DIAGRAM - 0610114 CIRCUIT CARD.....	182
FIGURE 7-5. ELECTRICAL DIAGRAM - DEUTZ ENGINE MACHINES (Prior to SN 61097).....	184
FIGURE 7-6. ELECTRICAL DIAGRAM - DEUTZ ENGINE MACHINES (SN 61097 to Present).....	186
FIGURE 7-7. ELECTRICAL DIAGRAM - FORD ENGINE MACHINES (Prior to SN 61097).....	188
FIGURE 7-8. ELECTRICAL DIAGRAM - FORD ENGINE MACHINES (SN 61097 to Present).....	190
SECTION 8 - DECALS.....	193
FIGURE 8-1. DECALS INSTALLATIONS - STANDARD.....	194
FIGURE 8-2. DECALS INSTALLATIONS - COUNTRY SPEC.....	198
SECTION 9 - RECOMMENDED SERVICE PARTS STOCK.....	205
FIGURE 9-1. MODEL 25/33/40RTS STANDARD PARTS.....	206
FIGURE 9-2. MODEL 25/33/40RTS VARIABLE PARTS.....	208
SECTION 10 - SPECIAL OPTIONS LIST.....	211
FIGURE 10-1. SPECIAL OPTIONS LIST.....	212
PART NUMBER INDEX.....	215

SECTION 1 - FRAME

SECTION 1 - FRAME

FIGURE 1-1. FRAME, STEERING AND AXLE INSTALLATIONS



SECTION 1 - FRAME

FIGURE 1-1. FRAME, STEERING AND AXLE INSTALLATIONS

ITEM	PART NUMBER	QTY	DESCRIPTION	REV
		Ref	FRAME WELDMENTS - 2WS	
	2360352	Ref	Frame Weldments (Prior to SN 44593)	B
	2360465	Ref	Frame Weldments (SN 44593 to Present)	5-D
1	See Note	4	Bushing, Bronze (Sizzor Arm Pivot)	
1	0961664	2	Bushing, Composite (Sizzor Arm Pivot)	
		Ref	Note: Use 1 composite-type bushing in place of 2 bronze bushings on machines built prior to May 1993.	
		Ref	When using existing pins and new composite type bushings, Graphokote Lube (P/N 3020028) is required at installation.	
		Ref	When replacing pivot pins, use chrome pivot pins and composite type bushings. Chrome pivot pins require no lubrication at installation.	
		Ref	FRAME WELDMENTS - 4WS	
	2360347	Ref	Frame Weldments (Prior to SN 44593)	I
	2360466	Ref	Frame Weldments (SN 44593 to Present)	5-D
51	See Note	4	Bushing, Bronze (Sizzor Arm Pivot)	
51	0961664	2	Bushing, Composite (Sizzor Arm Pivot)	
52	0961029	4	Bushing, Bronze (Kingpin Pivot)	
		Ref	Note: Use 1 composite-type bushing in place of 2 bronze bushings on machines built prior to May 1993. When using existing pins and new composite type bushings, Graphokote Lube (P/N 3020028) is required at installation. When replacing pivot pins, use chrome pivot pins and composite type bushings. Chrome pivot pins require no lubrication at installation.	
		Ref	STEERING INSTALLATION - 2WD FRONT	
	0252790	Ref	2WD/2WS Common Machines Built Prior to June 1994	B
	0255005	Ref	2WD/2WS Common Mach Built June 1994 to Present	2-B
	0252790	Ref	2WD/2WS CSA Machines	3-C
	0253059	Ref	2WD/4WS Common Machines Built Prior to June 1994	5-D
	0255006	Ref	2WD/4WS Common Mach Built June 1994 to Present	6-D
	0253059	Ref	2WD/4WS CSA Machines	8-F
101		Ref	Spindle Weldment (Right Side) Options:	
101	4130287	1	Common Machines Built Prior to June 1994	
101	4130317	1	Common Machines Built June 1994 to Present	
101	4030287	1	CSA Machines - All	
101A	0960523	2	Bushing, Bronze (Kingpin Pivot)	
102		Ref	Spindle Weldment (Left Side) Options:	
102	4130288	1	Common Machines Built Prior to June 1994	
102	4130316	1	Common Machines Built June 1994 to Present	
102	4030288	1	CSA Machines - All	
102A	0960523	2	Bushing, Bronze (Kingpin Pivot)	
103		Ref	Steer Cylinder Assy Options (See CYLINDERS SECTION for Breakdown):	
103	1682681	1	Steer Cylinder Assy (Prior to SN 9667)	
103	1682967	1	Steer Cylinder Assy (SN 9667 to Present)	
104	1660204	1	Rod-End (Right Side)	
105	3322602	1	Nut, Jam 1in - 12NF Right Hand Threads (Left Side)	
106	1660205	1	Rod-End (Left Side)	
107	3300228	1	Nut, Jam 1in-12in NF Left Hand Threads (Right Side)	
108	2160002	2	Fitting, Grease	
109	0642622	2	Bolt 1in - 8NC x 2 3/4in	

SECTION 1 - FRAME

ITEM	PART NUMBER	QTY	DESCRIPTION	REV
110	4712600	2	Flatwasher 1in Narrow	
111	0100019	AR	Loctite (Not Shown)	
112	3421243	2	Kingpin	
113	0440183	2	Bearing, Thrust	
114	3323403	2	Nut, Slotted 1 1/2in-12NF	
115	3451012	2	Pin, Cotter 5/16in x 3in	
116	2780177	2	Hub, Wheel	
117	3960353	2	Seal, Oil	
118	0440174	4	Cup, Bearing	
119	0440175	4	Cone, Bearing	
120	3322603	2	Nut, Slotted 1in-12NF	
121	4740034	2	Washer, Hardened	
122	3450610	2	Pin, Cotter 3/16in x 2 1/2in	
123	1120311	2	Cap, Hub	
124	0721004	6	Screw, Machine #10-24NC x 1/2in	
125	4761000	6	Lockwasher #10	
126	3300012	18	Nut, Wheel	
127	0630137	18	Stud, Wheel	
		Ref	STEERING INSTALLATION - 4WD FRONT	
	0253078	Ref	Steering (4WD/2WS)	5-D
	0252532	Ref	Steering (4WD/4WS)	7-E
201	4130279	1	Spindle Weldment (Right Side)	
202	4130280	1	Spindle Weldment (Left Side)	
203		Ref	Steer Cylinder Assy Options (See CYLINDERS SECTION for Breakdown):	
203	1682681	1	Steer Cylinder Assy (Prior to SN 9667)	
203	1682967	1	Steer Cylinder Assy (SN 9667 to Present)	
204	1660204	1	Rod-End (Right Side)	
205	3322602	1	Nut, Jam 1in-12NF	
206	1660205	1	Rod-End (Left Side)	
207	3300228	1	Nut, Jam 1in-12NF Left Hand Thread	
208	2160003	4	Fitting, Grease - 45	
209	0642622	2	Bolt 1in-8NC x 2 3/4in	
210	4712600	2	Flatwasher 1in Narrow	
211	0100019	AR	Loctite (Not Shown)	
212	3421190	4	Kingpin	
213	0440161	4	Bearing, Thrust	
217	0641608	8	Bolt 3/8in-16NC x 1in	
218	4751600	8	Flatwasher 3/8in	
219	1380124	8	Clip, Retainer (Prior to SN 69836)	
220	4920385	4 ft./1.2m	Wire, Safety (4 Pieces 1 ft./30 cm Long) (Prior to SN 69836)	
221	0100011	AR	Loctite #242 (Not Shown) (SN 69836 to Present)	
		Ref	STEERING INSTALLATION - 4WS REAR (OPTIONAL)	
	0253059	Ref	2WD/4WS Common Machines Built Prior to June 1994	5-D
	0255006	Ref	2WD/4WS Common Mach Built June 1994 to Present	6-D
	0253059	Ref	2WD/4WS CSA Machines	8-F
	0252532	Ref	4WD/4WS	7-E
301	4130279	1	Spindle Weldment (Left Side)	
302	4130280	2	Spindle Weldment (Right Side)	
303		Ref	Steer Cylinder Assy Options (See CYLINDERS SECTION for Breakdown):	
303	1682681	2	Steer Cylinder Assy (Prior to SN 9667)	

SECTION 1 - FRAME

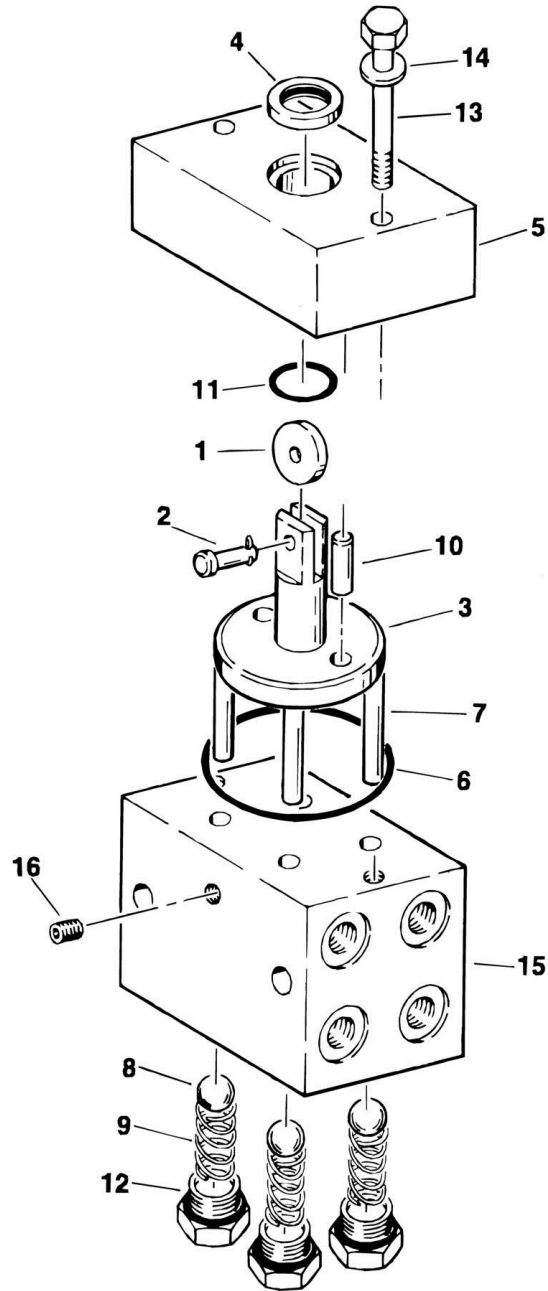
ITEM	PART NUMBER	QTY	DESCRIPTION	REV
303	1682967	2	Steer Cylinder Assy (SN 9667 to Present)	
304	1660204	2	Rod-End (Right Hand)	
305	3322602	2	Nut, Jam 1in-12NF	
306	1660205	2	Rod-End (Left Hand)	
307	3300228	2	Nut, Jam 1in-12NF Left Hand Thread	
308	2160003	8	Fitting, Grease - 45	
309	0642622	4	Bolt 1in-8NC x 2 3/4in	
310	4712600	4	Flatwasher 1in Narrow	
311	0100019	AR	Loctite (Not Shown)	
312	3421190	8	Kingpin	
313	0440161	8	Bearing, Thrust	
317	0641608	16	Bolt 3/8in-16NC x 1in	
318	4751600	16	Flatwasher 3/8in	
319	1380124	16	Clip, Retainer (Prior to SN 69836)	
320	4920385	8 ft/2.4m	Wire, Safety (8 Pieces 1 ft./30cm long) (Prior to SN 69836)	
321	0100011	AR	Loctite #242 (Not Shown) (SN 69836 to Present)	
		Ref	FIXED AXLE INSTALLATION OPTIONS	
	0253171	Ref	Fixed Axle (2WD)	4
	0253172	Ref	Fixed Axle (4WD)	4
401		Ref	Axle Weldment Options:	
401	4844129	1	Axle Weldment (2WD) (Prior to October 1994)	
401	4844868	1	Axle Weldment (2WD) (October 1994 to Present)	
401	4844059	1	Axle Weldment (4WD) (Prior to October 1994)	
401	4844867	1	Axle Weldment (4WD) (October 1994 to Present)	
401A	0961029	4	Bushing, Bronze (Kingpin Pivot) (4WD Only)	
402	0560901	2	Block, Stop	
403	0641610	1	Bolt 3/8in-16NC x 1 1/4in	
404	4740185	2	Flatwasher	
405	0100019	AR	Loctite (Not Shown)	
406	4842621	1	Pin Weldment (Prior to October 1994)	
406	3422401	1	Pin Weldment (October 1994 to Present)	
407	2160002	1	Fitting, Grease	
408	3780183	2	O-Ring (October 1994 to Present)	
409	4640812	1	Valve, Relief (October 1994 to Present)	
410	3820030	6	Rivet, Pop 3/16in (September 1995 to Present)	
411	3311605	8	Nut 3/8in-16NC (September 1995 to Present)	
412	0641612	4	Bolt 3/8in x 1 1/2in-16NC (September 1995 to Present)	
413	0641614	4	Bolt 3/8in x 1 3/4in-16NC (September 1995 to Present)	
414	4751600	16	Flatwasher (September 1995 to Present)	
415	0902214	1	Bracket, L.H. (September 1995 to Present)	
416	0902215	1	Bracket, R.H. (September 1995 to Present)	
417	3440616	4	Pin, Roll 3/16in x 1in (September 1995 to Present)	
418	4280298	2	Strip, Wear	
		Ref	OSCILLATING AXLE INSTALLATION - OPTION (STANDARD PARTS WHEN EQUIPPED)	
	0252772	Ref	Oscillating Axle (2WD) (Prior to SN 97717)	11
	0271467	Ref	Oscillating Axle (2WD) (SN 97717 to Present)	1
	0252525	Ref	Oscillating Axle (4WD) (Prior to SN 97717)	12
	0271468	Ref	Oscillating Axle (4WD) (SN 97717 to Present)	1
501		Ref	Axle Weldment Options:	
501	4844129	1	Axle Weldment (2WD) (Prior to October 1994)	
501	4844868	1	Axle Weldment (2WD) (October 1994 to Present)	

SECTION 1 - FRAME

ITEM	PART NUMBER	QTY	DESCRIPTION	REV
501	4844059	1	Axle Weldment (4WD) (Prior to October 1994)	
501	4844867	1	Axle Weldment (4WD) (October 1994 to Present)	
501A	0961029	4	Bushing, Bronze (Prior to October 1994) (4WD Machines Only)	
501B	0961938	2	Bushing, Bronze (October 1994 to Present) (2WD & 4WD)	
502	1682185	2	Axle Lockout Cylinder Assembly (See CYLINDERS SCETION for Breakdown)	
503	0641608	2	Bolt 3/8in-16NC x 1in	
504	4751600	18	Flatwasher 3/8in	
505	4761600	4	Lockwasher 3/8in	
506	4842621	1	Pin, Axle Pivot (Prior to October 1994)	
506	3422401	1	Pin, Axle Pivot (October 1994 to Present)	
507	2160002	3	Fitting, Grease	
508	3422137	2	Pin, Attach (Bottom)	
509	0641510	2	Bolt 5/16in-18NC x 1 1/4in	
510	3311505	2	Locknut 5/16in-18NC	
511	4751500	2	Flatwasher 5/16in	
512	3421335	2	Pin, Attach (Top)	
513	4740308	4	Flatwasher, Special	
514	0641608	4	Bolt 3/8in-16NC x 3/4in (Was 0641606)	
515	4640485	1	Lockout Valve Assembly (See LOCKOUT VALVE ASSEMBLY for Breakdown)	
516	0641632	2	Bolt 3/8in-16NC x 4in	
517	3311605	2	Locknut 3/8in-16NC	
519	3841143	2	Pin, Keeper	
521	4640273	6	Bleeder	
522	4740185	2	Washer (October 1994 to Present)	
523	0100019	AR	Loctite (Not Shown)	
524	3780183	2	O-Ring (October 1994 to Present)	
525	4640812	1	Valve, Relief (October 1994 to Present)	
526	3820030	6	Rivet, Pop 3/16in (September 1995 to Present)	
527	3311605	8	Nut 3/8in-16NC (September 1995 to Present)	
528	0641612	4	Bolt 3/8in x 1 1/2in-16NC (September 1995 to Present)	
529	0641614	4	Bolt 3/8in x 1 3/4in-16NC (September 1995 to Present)	
530	4280298	2	Strip, Wear (September 1995 to Present)	
531	0902214	1	Bracket, L.H. (September 1995 to Present)	
532	0902215	1	Bracket, R.H. (September 1995 to Present)	
533	3440616	4	Pin, Roll (September 1995 to Present)	

SECTION 1 - FRAME

FIGURE 1-2. LOCKOUT VALVE ASSEMBLY



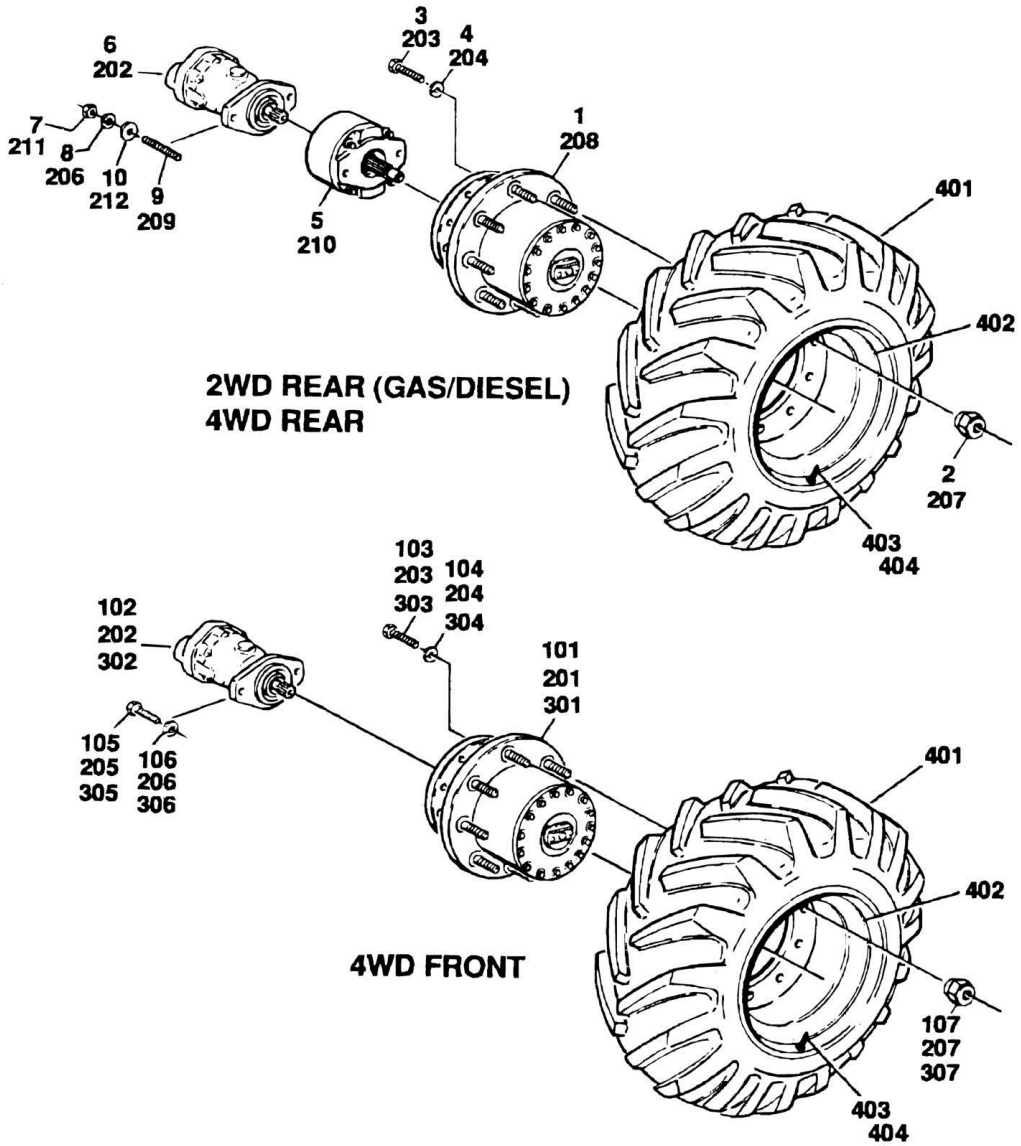
SECTION 1 - FRAME

FIGURE 1-2. LOCKOUT VALVE ASSEMBLY

ITEM	PART NUMBER	QTY	DESCRIPTION	REV
	4640485	Ref	LOCKOUT VALVE ASSEMBLY	B
1	3860037	1	Roller, Cam	
2	3430407	1	Pin, Clevis 1/4in x 1in	
3	3840833	1	Rod, Plunger	
4	3960047	1	Seal, Rod	
5	0560679	1	Block, Valve Top	
6	3790231	1	O-Ring	
7	3840854	4	Rod	
8	0320008	4	Ball, Valve	
9	4160078	4	Spring	
10	3421284	2	Pin	
11	3790116	1	O-Ring	
12	2180658	4	Plug, Modified	
13	0641518	2	Bolt 5/16in-18NC x 2 1/4in	
14	4761500	2	Lockwasher 5/16in	
15	0560467	1	Block, Valve	
16	2200222	1	Plug 1/4in NPT	
18	3450203	1	Pin, Cotter	
	0100011	AR	Loctite (Not Shown)	

SECTION 1 - FRAME

FIGURE 1-3. TIRE AND WHEEL DRIVE INSTALLATIONS



SECTION 1 - FRAME

FIGURE 1-3. TIRE AND WHEEL DRIVE INSTALLATIONS

ITEM	PART NUMBER	QTY	DESCRIPTION	REV
		Ref	TIRE AND WHEEL DRIVE INSTALLATIONS	
	0252484	Ref	WHEEL DRIVE INSTALLATION - 2WD/2WS	3
1	2780169	2	Drive Hub Assembly (See DRIVE HUB ASSEMBLIES for Breakdown)	
2	3300012	18	Nut, Wheel	
3	0642014	12	Bolt 5/8in-11NC x 1 3/4in	
4	4762000	12	Lockwasher 5/8in	
5		Ref	Drive Brake Assembly Options (See DRIVE BRAKE ASSEMBLY for Breakdown):	
5	0920084	2	Drive Brake Assembly (Prior to SN 36660)	
5	0920110	2	Drive Brake Assembly (SN 36660 to Present)	
6	3160158	2	Drive Motor Assembly (See DRIVE MOTOR ASSEMBLY for Breakdown)	
7	3311801	4	Nut 1/2in-13NC	
8	4761800	4	Lockwasher 1/2in	
9	4300092	4	Stud 1/2in-13NC x 5 1/2in	
10	4711800	4	Flatwasher 1/2in Narrow	
11	0100011	AR	Loctite #242 (Not Shown)	
	0251661	Ref	WHEEL DRIVE INSTALLATION - 2WD/4WS	B
101	2780195	2	Drive Hub/Brake Assembly (See DRIVE HUB/BRAKE ASSEMBLIES for Breakdown)	
102	3160158	2	Drive Motor Assembly (See DRIVE MOTOR ASSEMBLY for Breakdown)	
103	0642014	12	Bolt 5/8in-11NC x 1 3/4in	
104	4762000	12	Lockwasher 5/8in	
105	0641810	4	Bolt 1/2in-13NC x 1 1/4in	
106	4761800	4	Lockwasher 1/2in	
107	3300012	18	Nut, Wheel	
	0253545	Ref	WHEEL DRIVE INSTALLATION - 4WD/2WS FRONT AND REAR (2MPH)	2
201	2780191	2	Drive Hub/Brake Assembly (See DRIVE HUB/BRAKE ASSEMBLIES for Breakdown)	
202	3160158	4	Drive Motor Assembly (See DRIVE MOTOR ASSEMBLY for Breakdown)	
203	0642014	24	Bolt 5/8in-11NC x 1 7/8in	
204	4762000	24	Lockwasher 5/8in	
205	0641810	4	Bolt 1/2in-13NC x 1 1/4in	
206	4761800	8	Lockwasher 1/2in	
207	3300012	36	Nut, Wheel	
208	2780167	2	Drive Hub Assembly (See DRIVE HUB ASSEMBLIES for Breakdown)	
209	4300092	4	Stud 1/2in-13NC x 5 1/2in	
210		Ref	Drive Brake Assembly Options (See DRIVE BRAKE ASSEMBLY for Breakdown):	
210	0920084	2	Drive Brake Assembly (Prior to SN 36660)	
210	0920110	2	Drive Brake Assembly (SN 36660 to Present)	
211	3311801	4	Nut 1/2in-13NC	
212	4711800	4	Flatwasher 1/2in	
213	0100011	AR	Loctite #242 (Not Shown)	
	0255103	Ref	WHEEL DRIVE INSTALLATION - 4WD/2WS FRONT AND REAR (4MPH)	2-B
201	2780193	2	Drive Hub/Brake Assembly (See DRIVE HUB/BRAKE	

SECTION 1 - FRAME

ITEM	PART NUMBER	QTY	DESCRIPTION	REV
			ASSEMBLIES for Breakdown)	
	3160158	1 4	Drive Motor Assembly (See Drive Motor Assembly for Breakdown)	
	0642014	1 24	Bolt 5/8in-11NC x 1 7/8in	
	4762000	1 24	Lockwasher 5/8in	
	0641810	1 4	Bolt 1/2in-13NC x 1 1/4in	
	4761800	1 8	Lockwasher 1/2in	
	3300012	1 36	Nut, Wheel 1/2in-20 NC	
208	2780175	2	Drive Hub Assembly (See DRIVE HUB ASSEMBLIES for Breakdown)	
212	0100011	AR	Loctite #242 (Not Shown)	
	0251660	Ref	WHEEL DRIVE INSTALLATION - 4WD/4WS FRONT FRONT AND REAR (2MPH)	B
301	2780191	4	Drive Hub/Brake Assembly (See DRIVE HUB/BRAKE ASSEMBLIES for Breakdown)	
302	3160158	4	Drive Motor Assembly (See DRIVE MOTOR ASSEMBLY for Breakdown)	
303	0642014	24	Bolt 5/8in - 11NC x 1 3/4in	
304	4762000	24	Lockwasher 5/8in	
305	0641810	8	Bolt 1/2in-13NC x 1 1/4in	
306	4761800	8	Lockwasher 1/2in	
307	3300012	36	Nut, Wheel	
	0250888	Ref	TIRE AND WHEEL INSTALLATION - STANDARD 31-15.5 x 15	-
	0250886	2	Tire and Wheel Assembly - Left Side	B
	0250887	2	Tire and Wheel Assembly - Right Side	B
401	4520123	4	Tire	
402	4843635	4	Wheel	
403	4640392	4	Stem, Valve	
404	Not Required	0	Not Required	
		Ref	TIRE AND WHEEL INSTALLATION - OPTIONAL 12 x 16.5 LOADER LUG:	
	0251261	Ref	Tire and Wheel (Prior to SN 44591)	-
	0258395	Ref	Tire and Wheel (SN 44591 to Present)	1
	0251260	2	Tire and Wheel Assy - Left Side (Prior to SN 44591)	A
	0258393	2	Tire and Wheel Assy - Left Side (SN 44591 to Present)	1-A
	0251259	2	Tire and Wheel Assy - Right Side (Prior to SN 44591)	-
	0258394	2	Tire and Wheel Assy - Right Side (SN 44591 to Present)	1-A
401	4520129	4	Tire	
402	4860126	4	Wheel	
403	4640113	4	Stem, Valve	
404	1702698	4	Decal - Air Pressure (Not Shown) (Prior to SN 44591 Only)	
	0258661	Ref	TIRE AND WHEEL INSTALLATION - OPTIONAL 31 x 15.50 x 15 (SN 49250 to Present)	1
	0258660	2	Tire and Wheel Assy - Left Side	1
	0258659	2	Tire and Wheel Assy - Right Side	1
401	4520207	4	Tire	
	4843635	1 4	Wheel	
	4640392	1 4	Stem, Valve	
	Not Required	0	Not Required	
	0255660	Ref	TIRE AND WHEEL INSTALLATION - OPTIONAL FOAM FILLED 31 x 15.50 x 15	-
	0255661	2	Tire and Wheel Assembly - Left Side	-
	0255662	2	Tire and Wheel Assembly - Right Side	-

SECTION 1 - FRAME

ITEM	PART NUMBER	QTY	DESCRIPTION	REV
		Ref	Note: Assemblies may require ballast/foam filling to manufacturer's specifications prior to installing on a machine. Refer to Operation and Safety or Service and Maintenance Manuals. Purchase individual tire and/or rim only if able to foam fill tire and wheel assembly, otherwise, purchase complete assembly.	
	4520123	1 4	Tire - 31 x 15.50 x 15	
	0253089	Ref	TIRE AND WHEEL INSTALLATION - OPTIONAL FOAM FILLED 12 x 16.5 LOADER LUG	-
	0253088	2	Tire and Wheel Assembly - Left Side	-
	0253087	2	Tire and Wheel Assembly - Right Side	-
		Ref	Note: Assemblies may require ballast/foam filling to manufacturer's specifications prior to installing on a machine. Refer to Operation and Safety or Service and Maintenance Manuals. Purchase individual tire and/or rim only if able to foam fill tire and wheel assembly, otherwise, purchase complete assembly.	
	4520129	1 4	Tire - 12 x 16.5 Loader Lug	

SECTION 1 - FRAME

FIGURE 1-4. DRIVE MOTOR ASSEMBLY

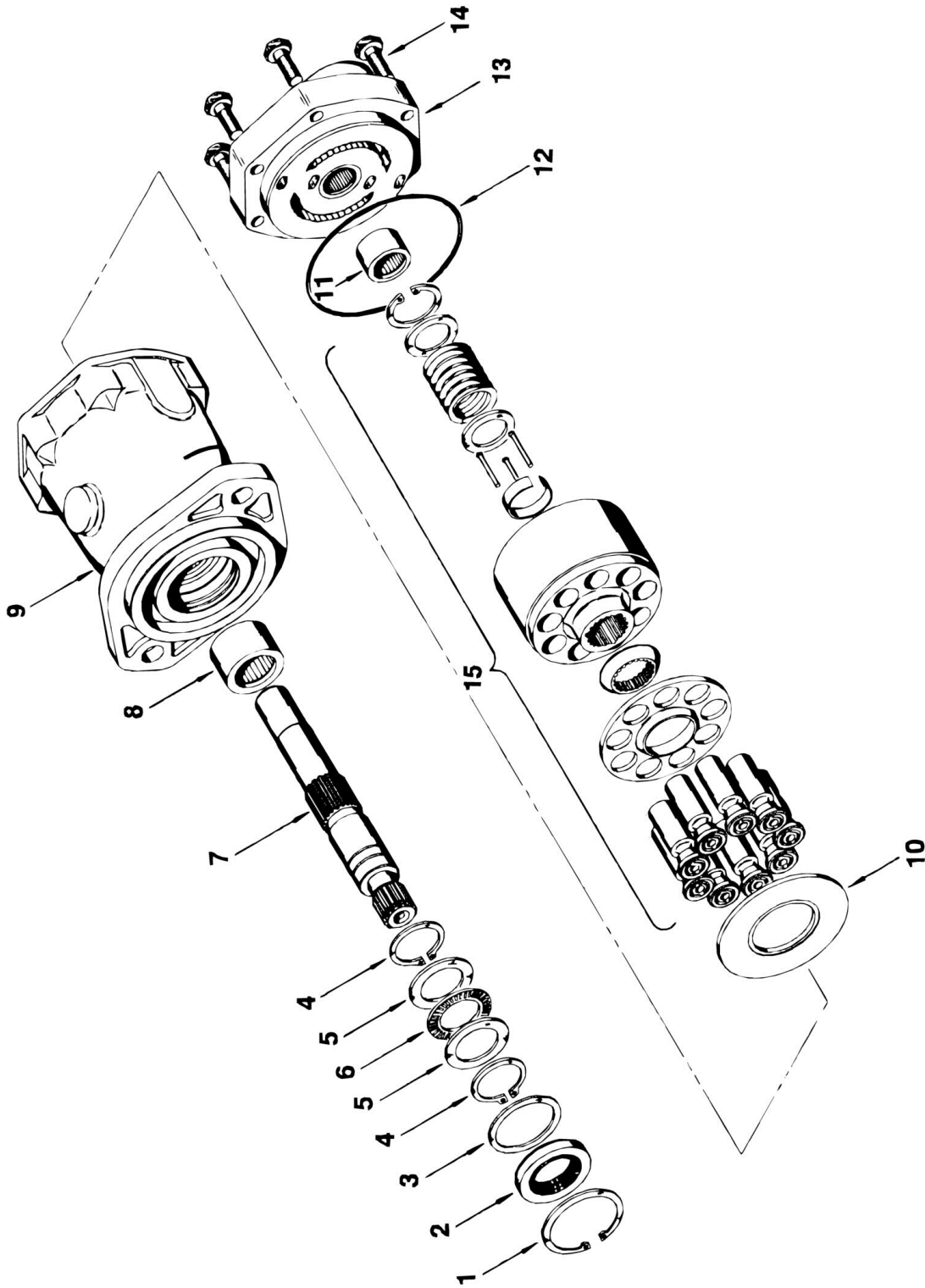
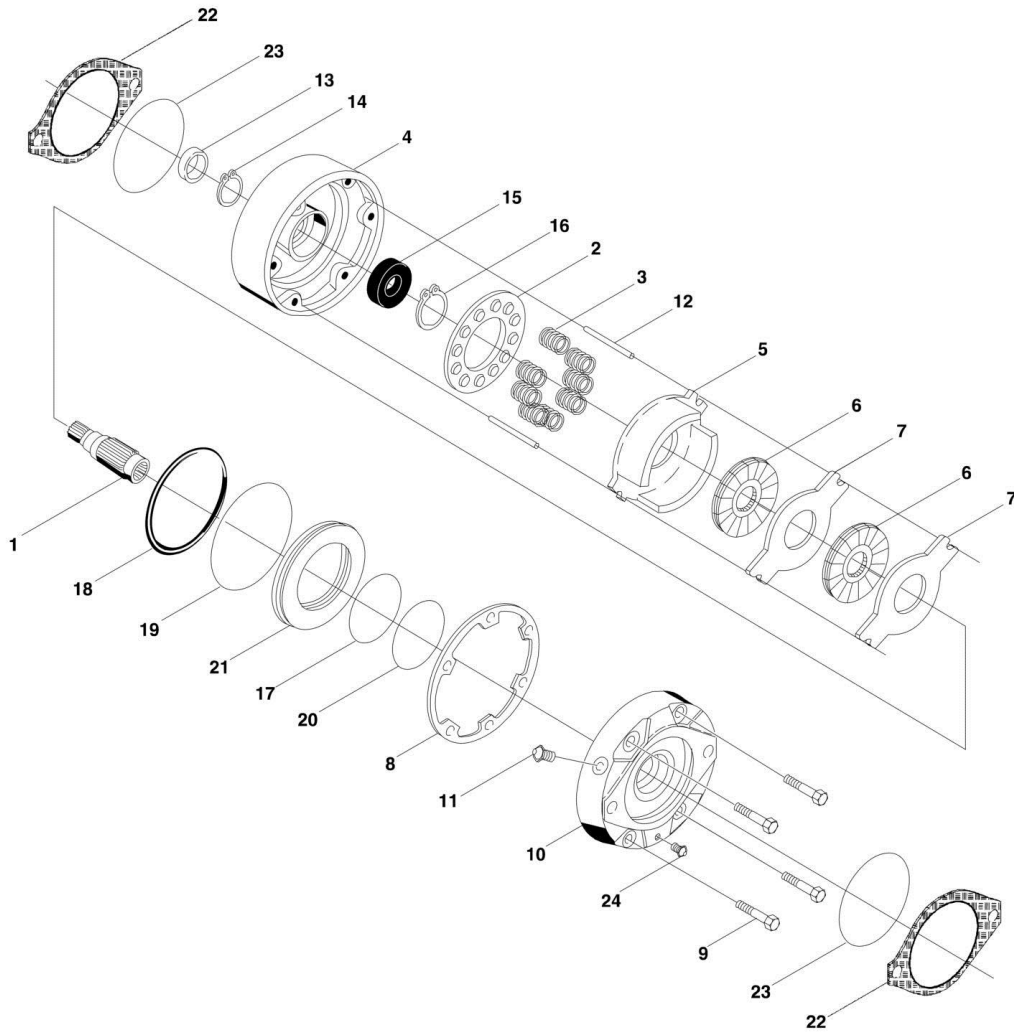


FIGURE 1-4. DRIVE MOTOR ASSEMBLY

ITEM	PART NUMBER	QTY	DESCRIPTION	REV
	3160158	Ref	DRIVE MOTOR ASSEMBLY	A
1	Kit	1	Ring, Retaining	
2	Kit	1	Seal, Shaft	
3	7004906	1	Washer	
4	Kit	2	Ring, Retaining	
5	7004907	2	Race, Thrust	
6	7004908	1	Bearing, Thrust	
7	7007874	1	Shaft, Splined	
8	7004910	1	Bearing	
9	7007875	1	Housing Assembly (Includes Item 8)	
10	7007876	1	Insert, Camplate	
11	7004917	1	Bearing	
12	Kit	1	O-Ring	
13	7007878	1	Back Plate Assembly (Includes Item 11)	
14	7007879	6	Bolt	
15	7007880	1	Rotating Kit Assembly (Sold as an Assembly Only)	
	2900714	1	Seal Kit (Includes Items 1, 2, 4 & 12)	

SECTION 1 - FRAME

FIGURE 1-5. DRIVE BRAKE ASSEMBLY



SECTION 1 - FRAME

FIGURE 1-5. DRIVE BRAKE ASSEMBLY

ITEM	PART NUMBER	QTY	DESCRIPTION	REV
		Ref	DRIVE BRAKE ASSEMBLY OPTIONS:	
	0920084	Ref	Drive Brake Assembly (Prior to SN 36660)	A
	0920110	Ref	Drive Brake Assembly (SN 36660 to Present)	C
1	7011712	1	Shaft	
2		Ref	Guide, Spring Options:	
2	7011717	1	0920084 Brake (Prior to SN 36660)	
2	7018606	1	0920110 Brake (SN 36660 to Present)	
3		Ref	Spring Options:	
3	7007979	6	0920084 Brake (Inner) (Prior to SN 36660)	
3	7007980	6	0920084 Brake (Outer) (Prior to SN 36660)	
3	7007970	6	0920110 Brake (Red) (SN 36660 to Present)	
3	7018602	3	0920110 Brake (Blue) (SN 36660 to Present)	
4		Ref	Housing Options:	
4	7011713	1	0920084 Brake (Prior to SN 36660)	
4	7018605	1	0920110 Brake (SN 36660 to Present)	
5		Ref	Return Plate and Separator Assembly Options:	
5	Kit	1	Plate, Return - 0920084 Brake (Prior to SN 36660)	
5	7011715	2	Separator Assy - 0920084 Brake (Prior to SN 36660)	
5	7011714	4	Pin	
5	7007983	2	Separator	
5	Kit	1	Return Plate/Seperator - 0920110 Brake (SN 36660 to Present)	
6	Kit	2	Rotor	
7	Kit	2	Stator	
8	Kit	1	Seal, Case	
9		Ref	Bolt Options:	
9	7007985	4	0920084 Brake (Prior to SN 36660)	
9	7018607	4	0920110 Brake (SN 36660 to Present)	
10	7007986	1	Cover	
11	7007914	1	Screw, Bleeder (Prior to SN 37659)	
11	7018609	1	Plug, Pipe (SN 37659 to Present)	
12	7007987	2	Pin, Dowel	
13	Kit	1	Seal, Oil	
14	7011716	1	Ring, Retainer	
15	Kit	1	Bearing	
16	7007977	1	Ring, Retaining	
17	Kit	1	Ring, Back-up	
18	Kit	1	Ring, Back-up	
19	Kit	1	O-Ring	
20	Kit	1	O-Ring	
21		Ref	Piston Options:	
21	7007923	1	0920084 Brake (Prior to SN 36660)	
21	7018603	1	0920110 Brake (SN 36660 to Present)	
22	7007933	2	Gasket	
23	Kit	2	O-Ring	
24	7007924	1	Plug, Pipe	
	2900766	1	Seal Kit (Includes Items 8, 13, 17, 18, 19, 20, 22 & 23)	
	2900768	1	Bearing Kit (Includes Items 8, 13, 14, 15, 16, 22 & 23)	
		Ref	Lining Kit Options (Includes Items 5, 6, 7, 8, 22 & 23):	
	2900767	1	0920084 Brake (Prior to SN 36660)	

SECTION 1 - FRAME

ITEM	PART NUMBER	QTY	DESCRIPTION	REV
	7018608	1	0920110 Brake (SN 36660 to Present)	

SECTION 1 - FRAME

FIGURE 1-6. DRIVE HUB ASSEMBLIES

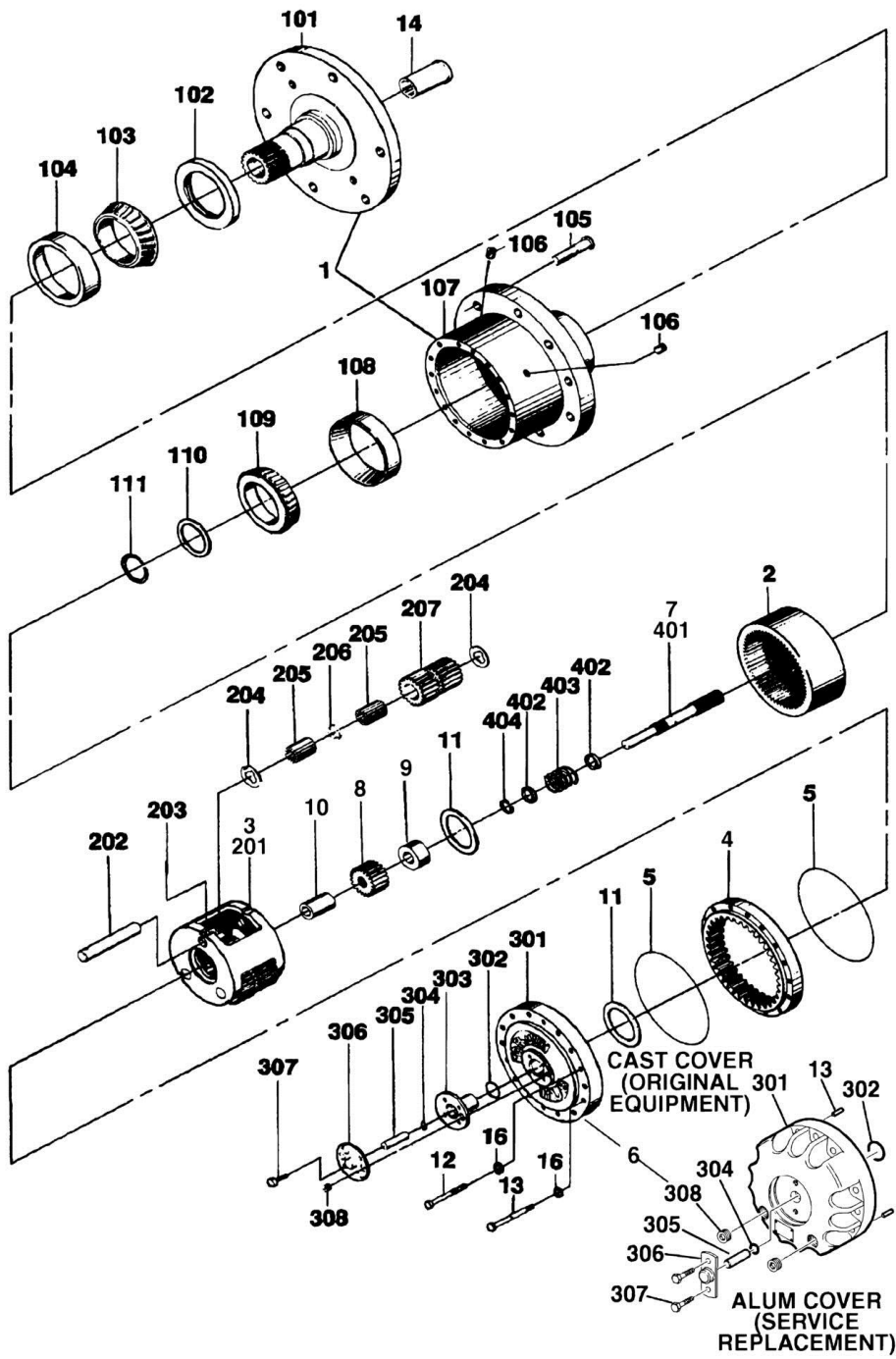


FIGURE 1-6. DRIVE HUB ASSEMBLIES

ITEM	PART NUMBER	QTY	DESCRIPTION	REV
		Ref	DRIVE HUB ASSEMBLIES OPTIONS:	
	2780169	Ref	2WD/2WS GAS/DIESEL (2MPH)	-
	2780167	Ref	4WD/2WS REAR DRIVE ONLY (2MPH)	-
	2780175	Ref	4WD/2WS REAR DRIVE ONLY (4MPH)	-
1	7010428	1	Hub-Spindle Sub Assembly (See Items 101-111 for Breakdown)	
2	7000246	1	Gear, Internal	
3		Ref	Carrier Assembly Options: (See Items 201-207 for Breakdown)	
3	7000247	1	Carrier Assembly (2MPH Machines)	
3	7000202	1	Carrier Assembly (4MPH Machines)	
4		Ref	Gear, Ring Options:	
4	7007634	1	2780175 Hubs	
4	7000248	1	2780167/2780169 Hubs	
5	7000230	2	O-Ring	
6		Ref	Cover Assembly (Includes Items 301-308)	
7		Ref	Input Shaft Assembly Options:	
7	7000250	1	2WD Machines (See Items 401-404 for Breakdown)	
7	7007650	1	4WD Machines (See Items 401-404 for Breakdown)	
8		Ref	Gear, Input Options:	
8	7000251	1	Gear, Input (2WD Machines)	
8	7007652	1	Gear, Input (4WD Machines)	
9		Ref	Spacer, Thrust Options:	
9	7000252	1	Spacer, Thrust (2WD Machines)	
9	7007653	1	Spacer, Thrust (4WD Machines)	
10		Ref	Spacer, Thrust Options:	
10	Not Required	0	Spacer, Thrust (2WD Machines)	
10	7007654	1	Spacer, Thrust (4WD Machines)	
11	7000253	2	Washer, Thrust	
11	7017096	1	Spacer (SN 93772 to Present)	
12		Ref	Bolt Options:	
12	7000217	12	Bolt (Prior to SN 93772)	
12	7017067	12	Bolt (SN 93772 to Present)	
13		Ref	Hardware Options:	
13	7000214	4	Bolt Used (Prior to SN 93772)	
13	7017080	4	Dowel Pin Used (SN 93772 to Present)	
14	7000206	1	Coupling	
16	7007603	16	Flatwasher	
	7010428	Ref	HUB - SPINDLE SUB-ASSEMBLY	
101	7001997	1	Spindle	
102	Kit	1	Seal	
103	Kit	1	Cone, Bearing	
104	Kit	1	Cup, Bearing	
105	7007697	9	Bolt, Wheel	
106	7000242	2	Plug, Pipe	
107	7007601	1	Hub	
108	7000257	1	Cup, Bearing	
109	7000258	1	Cone, Bearing	
110	Kit	1	Spacer	
111	Kit	1	Ring, Retaining	
		Ref	CARRIER ASSEMBLY OPTIONS	
	7000202	Ref	2780175 Hubs	

SECTION 1 - FRAME

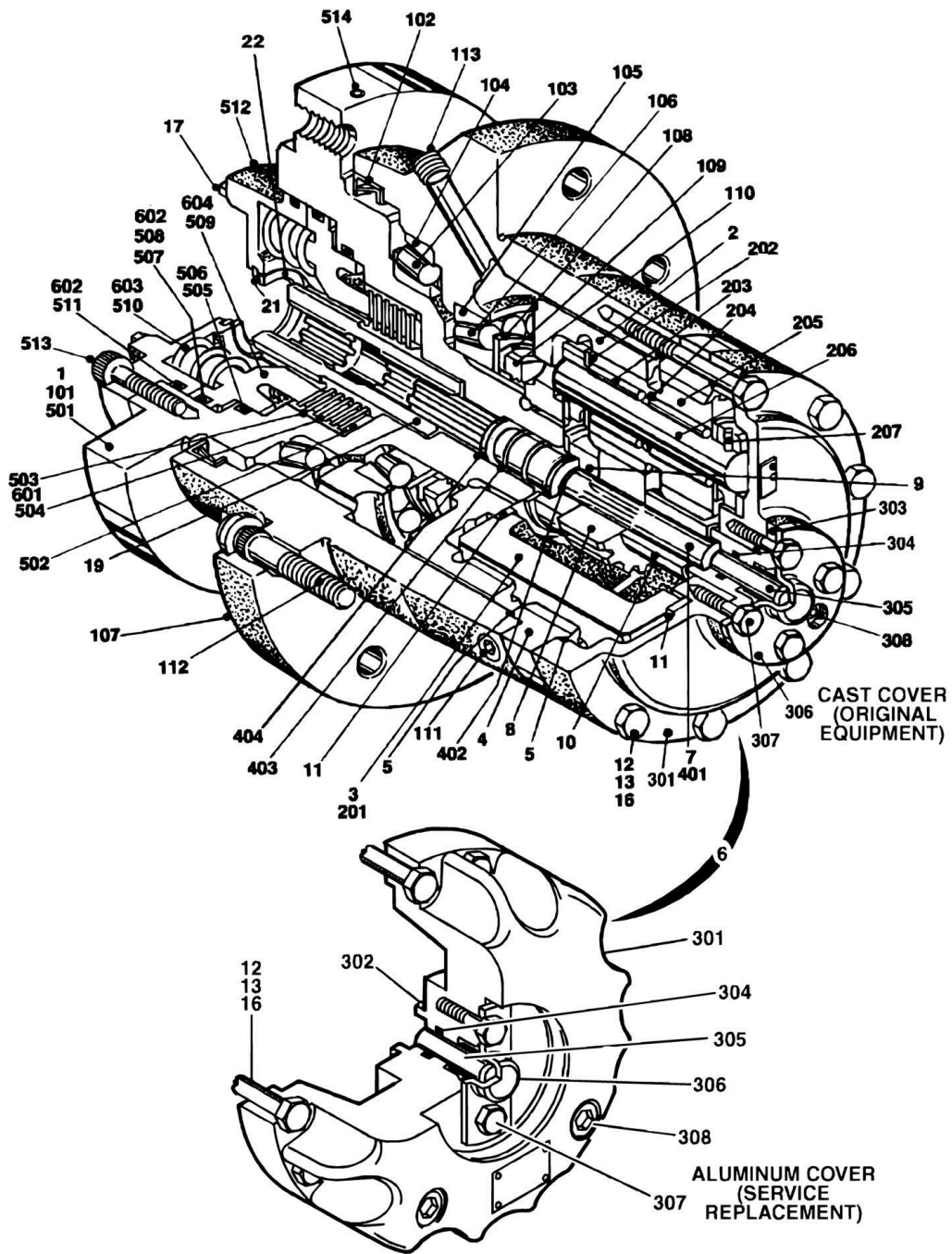
ITEM	PART NUMBER	QTY	DESCRIPTION	REV
	7000247	Ref	2780167/2780169 Hubs	
201	7001931	1	Carrier	
202	7001911	3	Shaft	
203	7001913	3	Pin, Roll	
204	7001985	6	Washer, Thrust	
205	7001909	96	Roller, Needle	
206	7000263	3	Spacer	
207		Ref	Gear, Cluster Options:	
207	7007643	3	2780175 Hubs	
207	7001912	3	2780167/2780169 Hubs	
		Ref	COVER ASSEMBLY	
	See Kit Options	Ref	Case Cover (Original Equipment)	
	See Kit Options	Ref	Aluminum Cover (Service Replacement)	
301		Ref	Cover Options:	
301	70001111	1	Case Cover (Original Equipment) (was p/n 7000226)	
301	70001349	1	Aluminum Cover (Service Replacement) (was p/n 7017091)	
302		Ref	O-Ring Options:	
302	70001111	1	Case Cover (Original Equipment)	
302	70001349	1	Aluminum Cover (Service Replacement) (was p/n 7017070)	
303		Ref	Cap, Cover Options:	
303	70001111	1	Case Cover (Original Equipment)	
303	Not Required	0	Aluminum Cover (Service Replacement)	
304		Ref	O-Ring Options:	
304	70001111	1	Case Cover (Original Equipment)	
304	70001349	1	Aluminum Cover (Service Replacement) (was p/n 7017095)	
305		Ref	Rod, Disconnect Options:	
305	70001111	1	Case Cover (Original Equipment)	
305	70001349	1	Aluminum Cover (Service Replacement) (was p/n 7017092)	
306		Ref	Cap, Disconnect	
306	70001111	1	Case Cover (Original Equipment)	
306	70001349	1	Aluminum Cover (Service Replacement) (was p/n 7017093)	
307		Ref	Bolt Options:	
307	70001111	4	Case Cover (Original Equipment) (was p/n 7017093)	
307	70001349	2	Aluminum Cover (Service Replacement) (was p/n 7000216)	
308		Ref	Plug, Pipe Options:	
308	70001111	1	Case Cover (Original Equipment) (was p/n 7000243)	
308	70001349	2	Aluminum Cover (Service Replacement) (was p/n 7017094)	
		Ref	INPUT SHAFT ASSEMBLY	
	7000250	Ref	Input Shaft (2WD)	
	7007650	Ref	Input Shaft (4WD)	
401		Ref	Shaft Options:	
401	7000260	1	Shaft (2WD)	
401	7007651	1	Shaft (4WD)	
402	7000263	2	Spacer	
403	7000262	1	Spring	
404	7000261	1	Ring, Retaining	
		Ref	Kit Options:	
	7010429	1	Bearing Kit (Includes Items 103 & 104)	
	2900034	1	Seal Kit (Includes Items 5, 102, 110 & 111)	
	See Note	1	Disconnect and Seal Kit Options (Includes Items 5, 102, 110, 111 & 302-306) (was p/n 2900137) (Note: Use Cover Kit as Replacement)	

SECTION 1 - FRAME

ITEM	PART NUMBER	QTY	DESCRIPTION	REV
		Ref	Note: Use Cover Kit as Replacement.	
		Ref	Cover Kit Options:	
		Ref	Note: Kit Replaces Items 5, 11 (Spacer), 12, 13 (Dowel Pins) & 301-308.	
	70001111	Ref	Cast Cover (was p/n 7001989 & p/n 7017099)	
	70001349	Ref	Aluminum Cover (Service Replacement) (was p/n 7017090)	

SECTION 1 - FRAME

FIGURE 1-7. DRIVE HUB/BRAKE ASSEMBLIES



SECTION 1 - FRAME

FIGURE 1-7. DRIVE HUB/BRAKE ASSEMBLIES

ITEM	PART NUMBER	QTY	DESCRIPTION	REV
		Ref	Drive Hub/Brake Assembly Options:	
	2780195	Ref	2WD/4WS GAS/DIESEL MACHINES (2MPH)	-
	2780191	Ref	4WD GAS/DIESEL MACHINES (2MPH)	-
	2780193	Ref	4WD/2WS GAS/DIESEL MACHINES (4MPH)	-
1	See Note	1	Hub/Spindle/Brake Assembly (Note: Not sold as a complete assembly) (See Items 101 thru 113 for Breakdown)	
2	7007691	1	Gear, Internal	
3		Ref	Carrier Assembly Options (See Items 201 thru 207 for Breakdown):	
3	Not Available		2WD/4WS Machines	
3	7000247	1	4WD with 2MPH Machines	
3	See Note	1	4WD with 4MPH Machines (Note: Purchase 7000247 and install (3) 7007643 Cluster Gears to make this carrier assembly)	
4	7000248	1	Gear, Internal	
5	Kit	2	O-Ring	
6		Ref	Cover Assembly (See Items 301 thru 308 for Breakdown)	
7		Ref	Input Shaft Assembly Options (See items 401 thru 404 for Breakdown):	
7	7007650	1	4WD Machines	
7	7000250	1	2WD/4WS Machines	
8		Ref	Gear, Input Options:	
8	7007652	1	4WD Machines	
8	7000251	1	2WD/4WS Machines	
9		Ref	Spacer, Input Options:	
9	7007653	1	4WD Machines	
9	7000252	1	2WD/4WS Machines	
10		Ref	Spacer, Input Options:	
10	7007654	1	4WD Machines	
10	Not Required	0	2WD/4WS Machines	
11	7000253	2	Washer, Thrust	
11	7017096	1	Spacer Only (SN 93772 to Present)	
12		Ref	Bolt Options:	
12	7000217	12	Bolt (Prior to SN 93772)	
12	7017067	12	Bolt (SN 93772 to Present)	
13		Ref	Hardware Options:	
13	7000214	4	Bolt (Prior to SN 93772)	
13	7017080	4	Dowel Pin (SN 93772 to Present)	
16	7007603	16	Flatwasher	
17	7007692	1	Gasket	
19	7010470	1	Coupling	
21	7010459	1	Ring, Retainer	
22	7001922	1	Washer, Thrust	
		Ref	HUB/SPINDLE/BRAKE SUB-ASSEMBLY	
101		Ref	Brake Assembly Options:	
101	7010473	1	2WD/4WS Machines and 4WD Machines with I.D. Plate Stamped July 1992 or Later (See Items 601 thru 604 for Breakdown)	
101	7010469	1	4WD Machines with I.D. Plate Stamped Prior to July 1992 (See Items 501 thru 514 for Breakdown)	
102	Kit	1	Seal, Lip	
103	7007683	1	Cup, Bearing	

SECTION 1 - FRAME

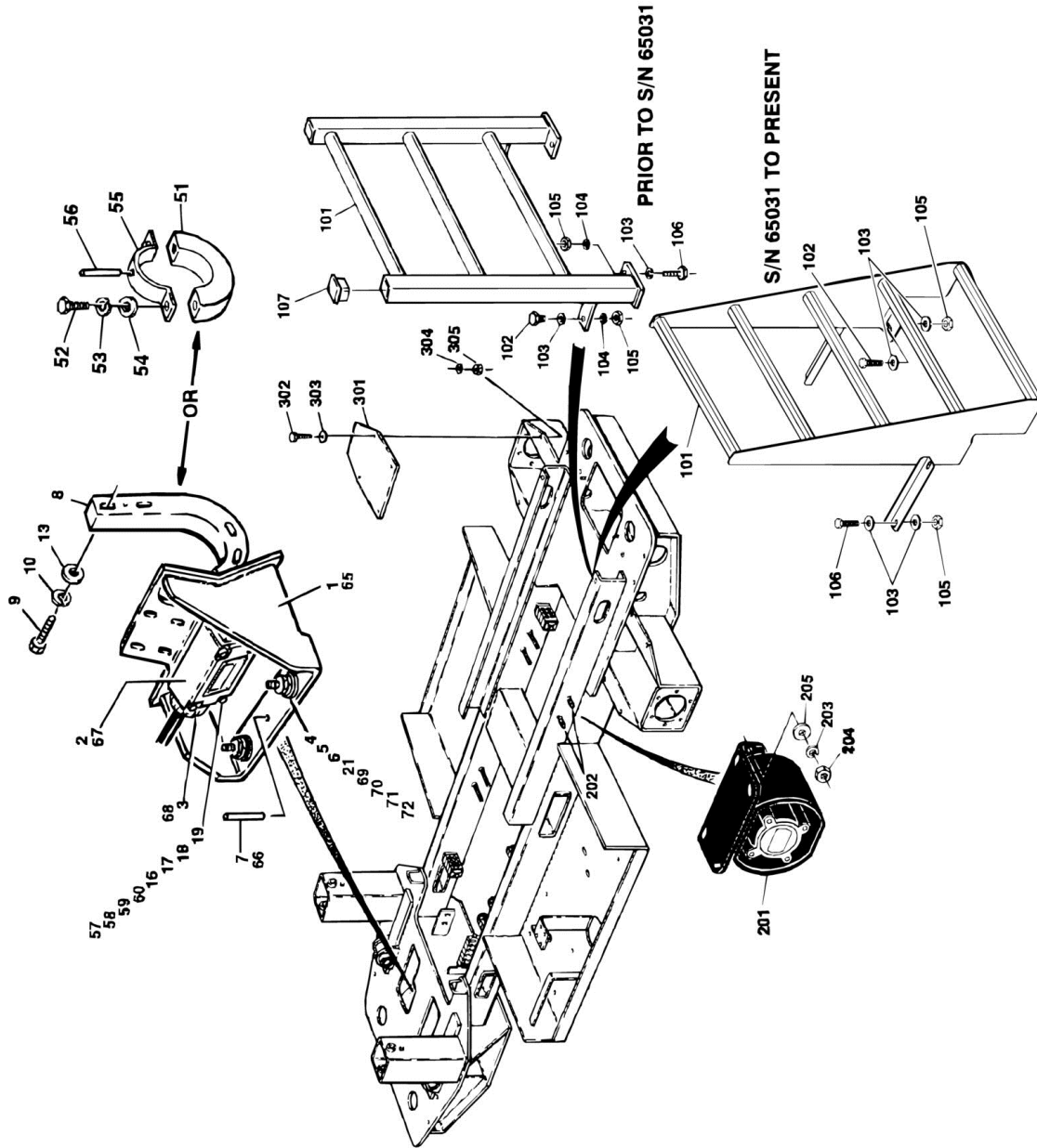
ITEM	PART NUMBER	QTY	DESCRIPTION	REV
104	7007684	1	Cone, Bearing	
105	7007685	1	Cup, Bearing	
106	7007686	1	Cone, Bearing	
107	7007687	1	Housing	
108	7007688	1	Flatwasher, Tanged	
109	7007689	1	Flatwasher, Tanged	
110	7007690	1	Nut, Bearing	
111	7000242	2	Plug, Pipe 1/4in NPT	
112	7000241	9	Stud, Wheel	
113	7007617	2	Plug, Pipe 3/8in NPT (Magnetic)	
	7000247	Ref	CARRIER ASSEMBLY - 4WD(2MPH) MACHINES	
	NPN	Ref	CARRIER ASSEMBLY - 4WD(4MPH) MACHINES	
201	7001931	1	Carrier	
202	7001985	6	Washer, Thrust - Tanged	
203	7001909	96	Bearing, Needle	
204	7000263	3	Spacer, Thrust	
205	7001911	3	Shaft, Planet	
206		Ref	Gear, Cluster Options:	
206	7001912	3	4WD with 2MPH Hub and 2WD/4WS	
206	7007643	3	4WD with 4MPH Hub	
207		Ref	Rollpin Options:	
207	7001913	3	4WD Machines	
207	7010474	3	2WD/4WS Machines	
		Ref	COVER ASSEMBLY	
	See Kit Options	Ref	Cast Cover (Original Equipment)	
301		Ref	Cover Options:	
301	70001111	1	Cast Cover (Original Equipment) (was p/n 7000226)	
301	70001349	1	Aluminum Cover (Service Replacement) (was p/n 7017091)	
302		Ref	O-Ring Options:	
302	70001111	1	Cast Cover (Original Equipment)	
302	70001349	1	Aluminum Cover (Service Replacement) (was p/n 7017070)	
303		Ref	Cap, Cover	
303	70001111	1	Cast Cover (Original Equipment)	
303	Not Required	0	Aluminum Cover (Service Replacement)	
304		Ref	O-Ring Options:	
304	70001111	1	Cast Cover (Original Equipment)	
304	70001349	1	Aluminum Cover (Service Replacement) (was p/n 7017095)	
305		Ref	Rod, Disconnect Options:	
305	70001111	1	Cast Cover (Original Equipment)	
305	70001349	1	Aluminum Cover (Service Replacement) (was p/n 7017092)	
306		Ref	Cap, Disconnect	
306	70001111	1	Cast Cover (Original Equipment)	
306	70001349	1	Aluminum Cover (Service Replacement) (was p/n 7017093)	
307		Ref	Bolt Options:	
307	70001111	4	Cast Cover (Original Equipment) (was p/n 7000220)	
307	70001349	2	Aluminum Cover (Service Replacement) (was p/n 7000216)	
308		Ref	Plug, Pipe Options:	
308	70001111	1	Cast Cover (Original Equipment) (was p/n 7000243)	
308	70001349	2	Aluminum Cover (Service Replacement) (was p/n 7017094)	
		Ref	Cover Kit Options:	
		Ref	Note: Kit Replaces Items 5, 11 (Spacer), 12, 13 (Dowel Pins) & 301 thru 308.	

SECTION 1 - FRAME

ITEM	PART NUMBER	QTY	DESCRIPTION	REV
	70001111	Ref	Cast Cover (Original Equipment) (was p/n 7001989 & p/n 7017099)	
	70001349	Ref	Aluminum Cover (Service Replacement) (was p/n 7017090)	
	7007650	Ref	INPUT SHAFT ASSEMBLY - 4WD MACHINES	
	7000250	Ref	INPUT SHAFT ASSEMBLY - 2WD/4WS MACHINES	
401		Ref	Shaft Options:	
401	7007651	1	4WD Machines	
401	7000260	1	2WD/4WS Machines	
402	7000261	1	Ring, Retaining	
403	7000262	1	Spring	
404	7000263	2	Spacer, Thrust	
	7010469	Ref	BRAKE ASSEMBLY - 4WD MACHINES WITH I.D. PLATE STAMPED JUNE 1992 OR EARLIER	
501	7014100	1	Spindle	
502	7014101	1	Spacer	
503	7014102	7	Disc, Stationary	
504	7014103	6	Disc, Rotating	
505	Kit	1	Ring, Back-up	
506	Kit	1	O-Ring	
507	Kit	1	Ring, Back-up Ring	
508	Kit	1	O-Ring	
509	7014108	1	Piston	
510	7014109	6	Spring	
510	7014110	2	Spring	
511	Kit	1	O-Ring	
512	7014112	1	Cover	
513	Not Available	8	Bolt, Socket Head 3/8in-16NC x 1 1/4in	
514	7014113	1	Expander	
	2900816	1	Brake O-Ring Kit (Includes Items 505 thru 508 & 511)	
	7010473	Ref	BRAKE ASSEMBLY - 2WD/4WS MACHINES AND 4WD MACHINES WITH I.D. PLATE STAMPED JULY 1992 OR LATER	
601	7010475	1	Brake Lining Kit	
602	7010476	1	Brake O-Ring Kit	
603	7010477	1	Brake Spring Repair Kit	
604	7010478	1	Brake Piston Repair Kit	
	70001940	1	Seal Kit - Hub (Includes Items 5, 17, 102, 109, 302 & 304)	

SECTION 1 - FRAME

FIGURE 1-8. FRAME MOUNTED COMPONENTS INSTALLATION



SECTION 1 - FRAME

FIGURE 1-8. FRAME MOUNTED COMPONENTS INSTALLATION

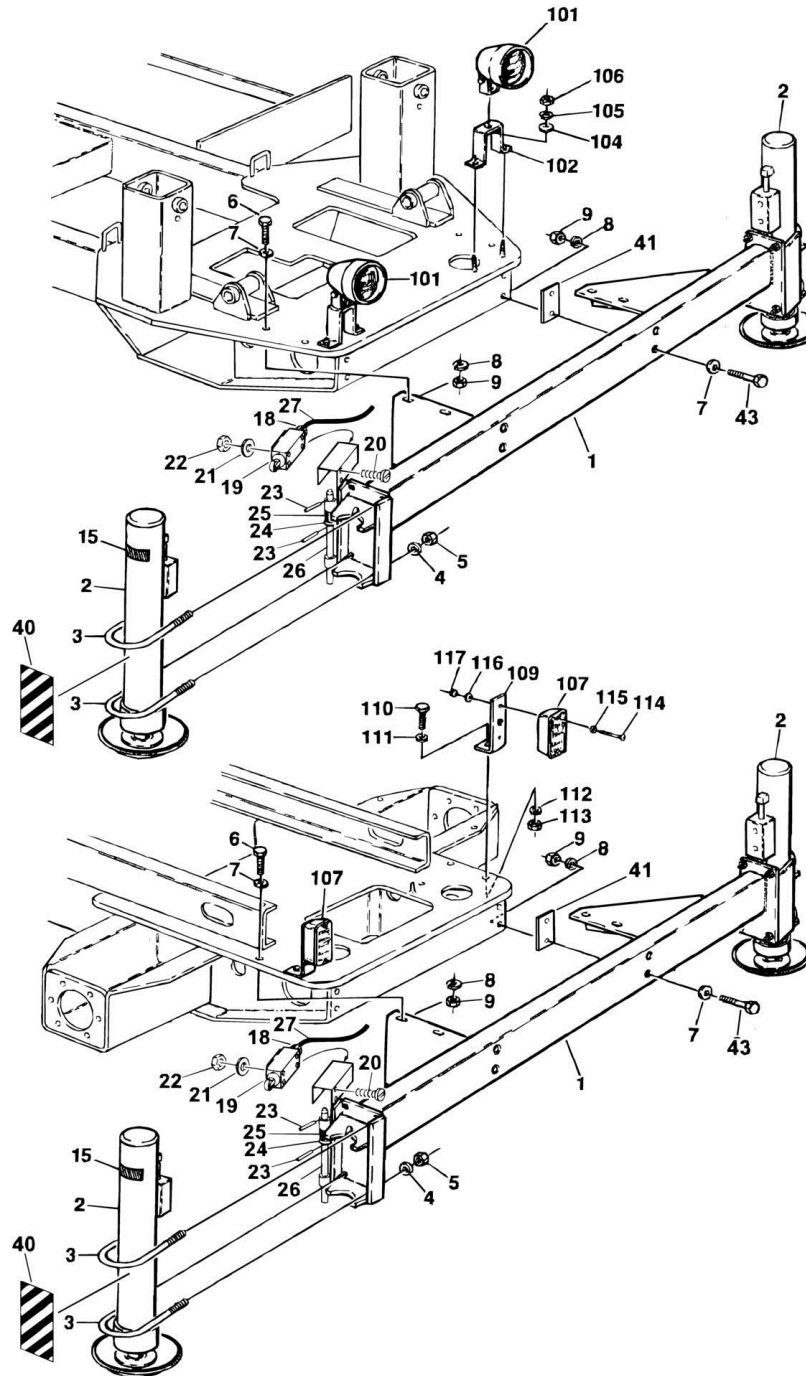
ITEM	PART NUMBER	QTY	DESCRIPTION	REV
		Ref	FRAME MOUNTED COMPONENTS INSTALLATION	
	0253080	Ref	LIMIT SWITCH INSTALLATIONS (Prior to SN 34504)	B
1	0901855	1	Bracket, Mounting	
2	4360300	1	Switch, Limit	
3	4460049	1	Connector, Strain Relief	
4	4751500	2	Flatwasher 5/16in	
5	4761500	2	Lockwasher 5/16in	
6	3311501	2	Nut 5/16in-18NC	
7	3440413	1	Rollpin 1/8in x 13/16in	
8	1100062	1	Cam (Hi-Drive Cutout)	
9	0641612	2	Bolt 3/8in-16NC x 1 1/2in	
10	4761600	2	Lockwasher 3/8in	
13	4751600	2	Flatwasher 3/8in	
16	3931032	4	Capscrew, Socket Head #10-24NC x 2in	
17	4751000	4	Flatwasher #10	
18	4761000	4	Lockwasher #10	
19	3311001	4	Nut #10-24NC	
21	4300038	2	Stud (Welded on Part)	
	0256924	Ref	LIMIT SWITCH INSTALLATION (SN 34504 to Present)	2
51	1100101	1	Cam (Hi-Drive Cutout)	
52	0641408	2	Bolt 1/4in-20NC x 1in	
53	4761400	2	Lockwasher 1/4in	
54	0100019	AR	Loctite (Not Shown)	
55	1320237	1	Clamp	
56	3440410	1	Rollpin 1/8in x 5/8in	
57	3931032	4	Screw, Machines #10-24NC x 2in	
58	4751000	4	Flatwasher #10	
59	4761000	4	Lockwasher #10	
60	3311001	4	Nut #10-24NC	
64	4711400	2	Flatwasher 1/4in Narrow	
65	0901855	1	Bracket, Mounting	
66	3440420	1	Rollpin 1/8in x 1 1/4in	
67	4360300	1	Switch, Limit	
68	4460049	1	Connector, Strain Relief	
69	4751500	2	Flatwasher 5/16in	
70	4761500	2	Lockwasher 5/16in	
71	3311501	2	Nut 5/16in-18NC	
72	4300038	2	Stud (Welded on Part)	
		Ref	LADDER INSTALLATION OPTIONS	
	0252739	Ref	25RTS With Fixed and Manual Extended Platform	5
	0252740	Ref	25RTS With Traversing Platform	5
	0252740	Ref	33RTS With Fixed and Manual Extended Platform	5
	0252741	Ref	33RTS With Traversing Platform	5
	0252741	Ref	40RTS With Fixed and Manual Extended Platform	5
	0252742	Ref	40RTS With Traversing Platform	5
101		Ref	Ladder Weldment Options:	
101		Ref	25RTS With Fixed and Manual Extended Platform	
101	4844119	1	25RTS With Fixed and Manual Extended Platform (Prior to SN 65031)	
101	4846041	1	Weld, Ladder_Gas (SN 65031 to Present)	

SECTION 1 - FRAME

ITEM	PART NUMBER	QTY	DESCRIPTION	REV
101		Ref	25RTS With Traversing Platform	
101	4844120	1	25RTS With Traversing Platform (Prior to SN 65031)	
101	4846047	1	Weld, Ladder (SN 65031 to Present)	
101		Ref	33RTS With Fixed and Manual Extended Platform	
101		Ref	33RTS With Traversing Platform	
101	4844121	1	33RTS With Traversing Platform (Prior to SN 65031)	
101		Ref	40RTS With Fixed and Manual Extended Platform	
101	4846048	1	40RTS With Fixed and Manual Extended Platform (was p/n 4846047) (SN 65031 to Present)	
101		Ref	40RTS With Traversing Platform	
101	4844122	1	40RTS With Traversing Platform (Prior to SN 65031)	
102	0641612	2	Bolt 3/8in-16NC x 1 1/2in	
103	4751600	8	Flatwasher 3/8in	
104	4761600	4	Lockwasher 3/8in	
105	3311605	4	Locknut 3/8in-16NC	
106	0641610	2	Bolt 3/8in-16NC x 1 1/4in	
107	3520071	2	Cap-Plug (Prior to SN 65031)	
		Ref	OPTIONAL ALARM INSTALLATION	
	0253727	Ref	Descent Alarm Installation	B
	0253728	Ref	Motion Alarm Installation	A
	0253446	Ref	Travel Alarm Installation	A
201	0140032	1	Alarm	
202	4300038	2	Stud (Welded on Part)	
203	4761500	2	Lockwasher 5/16in	
204	3311501	2	Nut 5/16in-18NC	
205	4751500	2	Flatwasher 5/16in	
	3990010	AR	Diode - 6 Amp (Not Shown - Located at Ground Control)	
	3740049	1	Relay (Not Shown - Located at Ground Control)	
	1540002	1	Capacitor (Not Shown - Located at Ground Control)	
		Ref	AXLE COVERS INSTALLATION (2WS) (STANDARD PARTS)	
	0253449	Ref	Diesel Machines	-
	0253448	Ref	Gas/Dual Fuel Machines	-
301		Ref	Plate, Cover Options:	
301	3536092	2	Diesel Machines	
301	4844186	2	Gas/Dual Fuel Machines	
302	0641510	8	Bolt 5/16in-18NC x 1 1/4in	
303	4751500	16	Flatwasher 5/16in	
304	4761500	8	Lockwasher 5/16in	
305	3311501	8	Nut 5/16in-18NC	

SECTION 1 - FRAME

FIGURE 1-9. LEVELING JACK (WITH INTERLOCK) AND LIGHTS INSTALLATION (FRAME MOUNTED)



SECTION 1 - FRAME

FIGURE 1-9. LEVELING JACK (WITH INTERLOCK) AND LIGHTS INSTALLATION (FRAME MOUNTED)

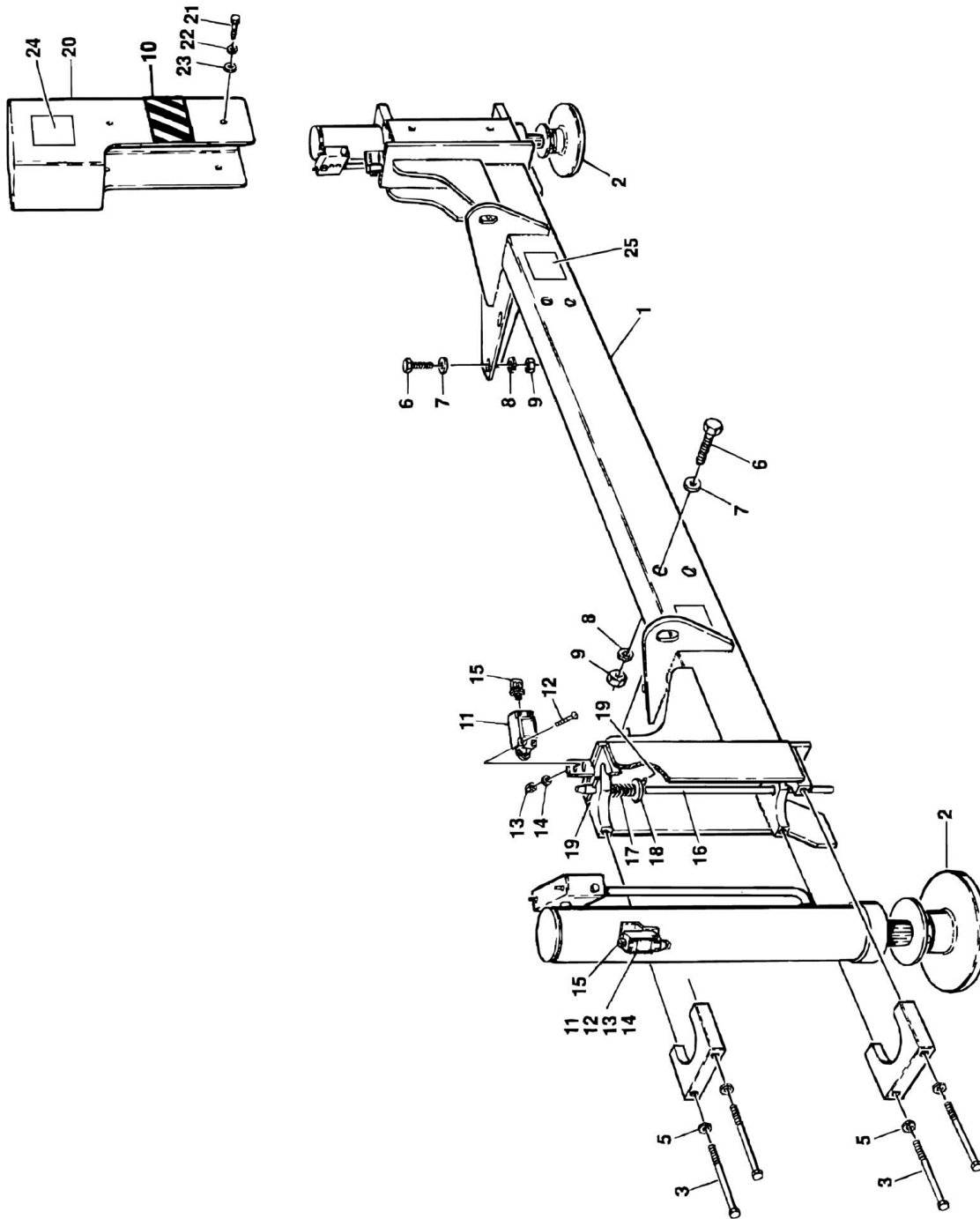
ITEM	PART NUMBER	QTY	DESCRIPTION	REV
	0254076	Ref	LEVELING JACKS INSTALLATION	9
1	4844554	2	Jack Cylinder Weldment	
2	1682657	4	Jack Cylinder Assembly (See CYLINDERS SECTION for Breakdown)	
3	0630327	16	U-Bolt	
4	4751700	16	Flatwasher 7/16in	
5	3311805	16	Locknut 1/2-13NC	
6	0642016	8	Bolt 5/8in-11NC x 2in	
7	4712000	32	Flatwasher 5/8in Narrow	
8	4762000	16	Lockwasher 5/8in	
9	3312001	16	Nut 5/8in-11NC	
15	1701785	4	Decal - Caution (Prior to SN 71528)	
18		Ref	Connector, Strain Relief Options:	
18	4460428	4	Connector, Strain Relief 4360321 Switch	
18	4460968	4	Connector, Strain Relief 4360548 Switch	
19	4360548	4	Switch, Limit (was p/n 4360321)	
20	3911020	8	Screw, Machine #10-24NC x 1 1/4in	
21	4751000	8	Flatwasher #10	
22	3311005	8	Lock Nut #10-24NC	
23	3440420	8	Rollpin	
24	4740415	4	Flatwasher	
25	4160116	4	Spring	
26	3841221	4	Rod	
27	1060341	44 ft 44ft/13.4 m	Cable, Electrical - 16/2	
40	4420052	8.5 ft 8.5ft/2.6m	Tape, Safety	
41	0902293	4	Bracket	
42	4921586	1	Harness, Valve (Not Shown)	
43	0642018	8	Bolt 5/8in-11NC x 2 1/4in	
	0253821	Ref	HEADLIGHTS AND TAILLIGHTS INSTALLATION (OPTIONAL)	3
		Ref	See SPECIAL OPTIONS LIST SECTION for headlights/taillights at front and rear.	
101	2920110	2	Headlight Assembly	
101	7016628	2	Lamp, Replacement (1 Per Assembly)	
102	0901927	2	Bracket - Headlight	
103	4300032	4	Stud (Welded on Part)	
104	4761400	4	Lockwasher 1/4in	
105	4751400	4	Flatwasher 1/4in	
106	3311401	4	Nut 1/4in-20NC	
107	2920113	2	Taillight Assembly	
107	Not Available		Bulb, Replacement (1 Per Assy) (Was p/n 7016626)	
109	0901928	2	Bracket - Taillight	
110	0642012	2	Bolt 5/8in-11NC x 1 1/2in	
111	4752000	2	Flatwasher 5/8in	
112	4762000	2	Lockwasher 5/8in	
113	3312001	2	Nut 5/8in-20NC	
114	3911040	4	Screw, Machine #10-24NC x 2 1/2in	
115	4771000	4	Starwasher #10	
116	4751000	4	Flatwasher #10	

SECTION 1 - FRAME

ITEM	PART NUMBER	QTY	DESCRIPTION	REV
117	3311001	4	Nut #10-24NC	
	1060341	30 ft 30ft/9m	Cable, Electrical - 16/2	
	3740049	1	Relay, Bosch (Not Shown - Located at Ground Control)	

SECTION 1 - FRAME

FIGURE 1-10. LEVELING JACK (WITHOUT INTERLOCK) INSTALLATION



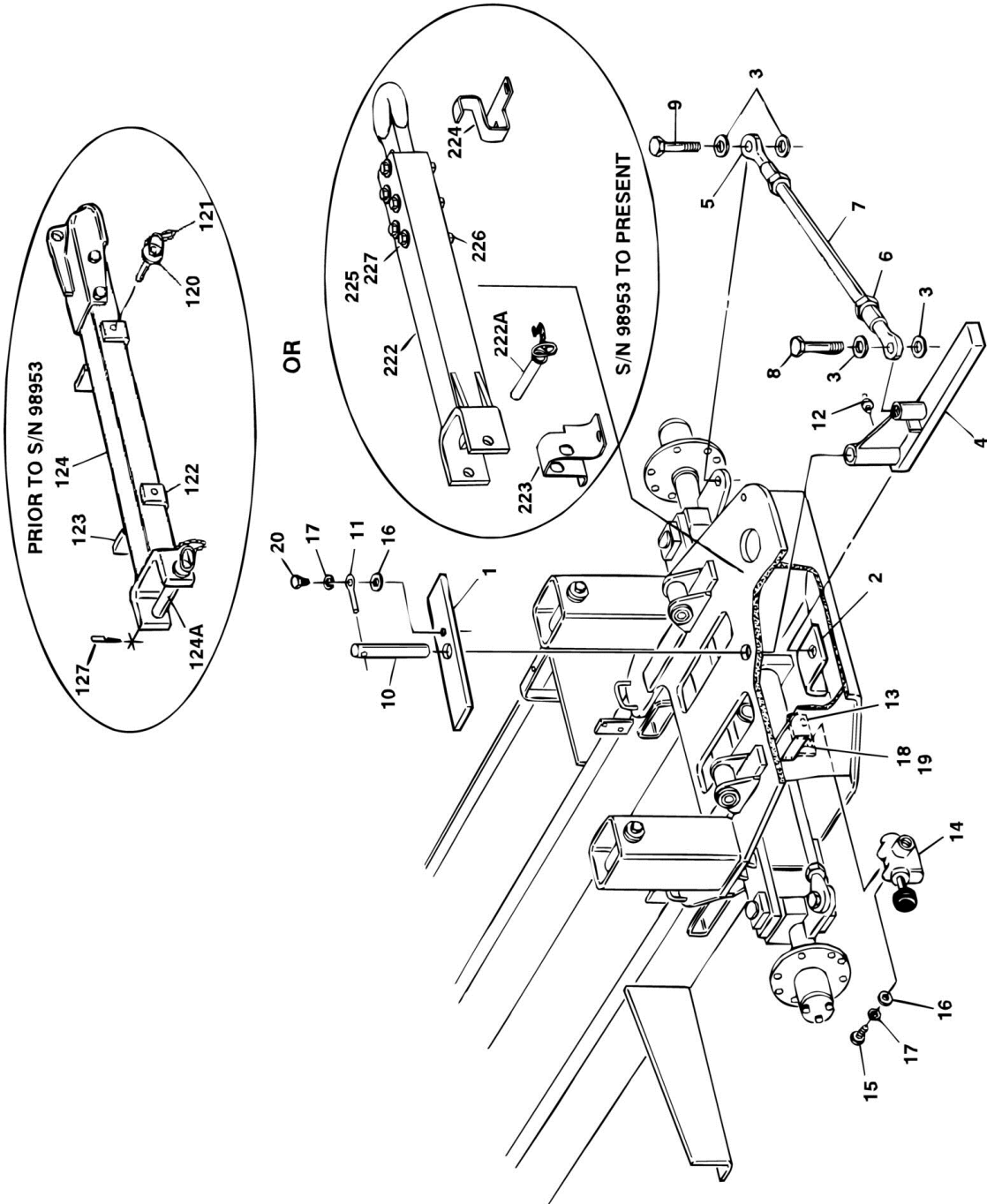
SECTION 1 - FRAME

FIGURE 1-10. LEVELING JACK (WITHOUT INTERLOCK) INSTALLATION

ITEM	PART NUMBER	QTY	DESCRIPTION	REV
		Ref	LEVELING JACKS INSTALLATION	
	0253678	Ref	Leveling Jacks Installation (Prior to SN 44592)	B
	0258290	Ref	Leveling Jacks Installation (SN 44592 through 101614)	4-B
	0271581	Ref	Leveling Jacks Installation (SN 101615 to Present)	3-B
1	4844346	2	Jack Cylinder Weldment	
2		Ref	Jack Cylinder Assembly Options: (See CYLINDERS SECTION for Breakdown)	
2	1684216	4	Jack Cylinder Assembly (Was P/N 1682720) (Prior to SN 101615)	
2	1684217	4	Jack Cylinder Assembly (Was P/N 1683966) (SN 101615 to Present)	
3	0641828	16	Bolt 1/2in-13NC x 3 1/2in	
5	4761800	16	Lockwasher 1/2in	
6	0642016	16	Bolt 5/8in-11NC x 2 (Prior to SN 69771)	
6	0642014	16	Bolt 5/8in-11NC x 1 3/4 (SN 69771 to Present)	
7	4712000	16	Flatwasher 5/8in Narrow	
8	4762000	16	Lockwasher 5/8 (Prior to SN 69771)	
9	3312001	16	Nut 5/8in-11NC (Prior to SN 69771)	
9	3312005	16	Locknut 5/8in-11NC (SN 69771 to Present)	
10	4420052	8.5 ft 8.5ft	Tape, Safety	
11	4360548	8	Switch, Limit (was p/n 4360321)	
12	3930820	16	Bolt, Socket Head #8-32NC 1 1/4in	
13	3310805	16	Lock Nut #8-32NC	
14	4750800	16	Flatwasher #8	
15		Ref	Connector, Strain Relief Options:	
15	4460428	8	Connector, Strain Relief 4360321 Switch	
15	4460968	8	Connector, Strain Relief 4360548 Switch	
16		Ref	Rod Options:	
16	3841208	4	Rod (Prior to SN 44592)	
16	3841326	4	Rod, Weldment (SN 44592 to Present)	
17	4160116	4	Spring	
18	4740415	4	Washer, Special	
19	3440420	8	Rollpin	
20	4060848	4	Cover	
21	0641406	16	Bolt 1/4in-20NC x 3/4in	
22	4751400	16	Flatwasher 1/4in	
23	4761400	16	Lockwasher 1/4in	
24		Ref	Decal - Crushing Danger	
24	1701785	8	Decal - Crushing Danger (SN 45396 through 101614)	
24	1703875	4	Decal - Crushing Danger (SN 101615 to Present)	
25		Ref	Decal, Tie Down Options:	
25	1703814	4	Decal, Tie Down (was p/n 1702300) (SN 45396 through 71528)	
26	3520082	8	Plug, Cap (SN 101615 to Present)	
		Ref	LEVELING JACK COMPONENTS INSTALLATION	
	0255785	Ref	Leveling Jack Components Installation (Prior to SN 101615)	5
	0271583	Ref	Leveling Jack Components Installation (SN 101615 to Present)	1
106		Ref	Harness, Valve Options: (Not Shown)	
106	4921586	1	Harness, Valve (Not Shown) (Prior to SN 101615)	
106	4922584	1	Harness, Valve (SN 101615 to Present)	

SECTION 1 - FRAME

FIGURE 1-11. TOW PACKAGE INSTALLATION (OPTIONAL)



SECTION 1 - FRAME

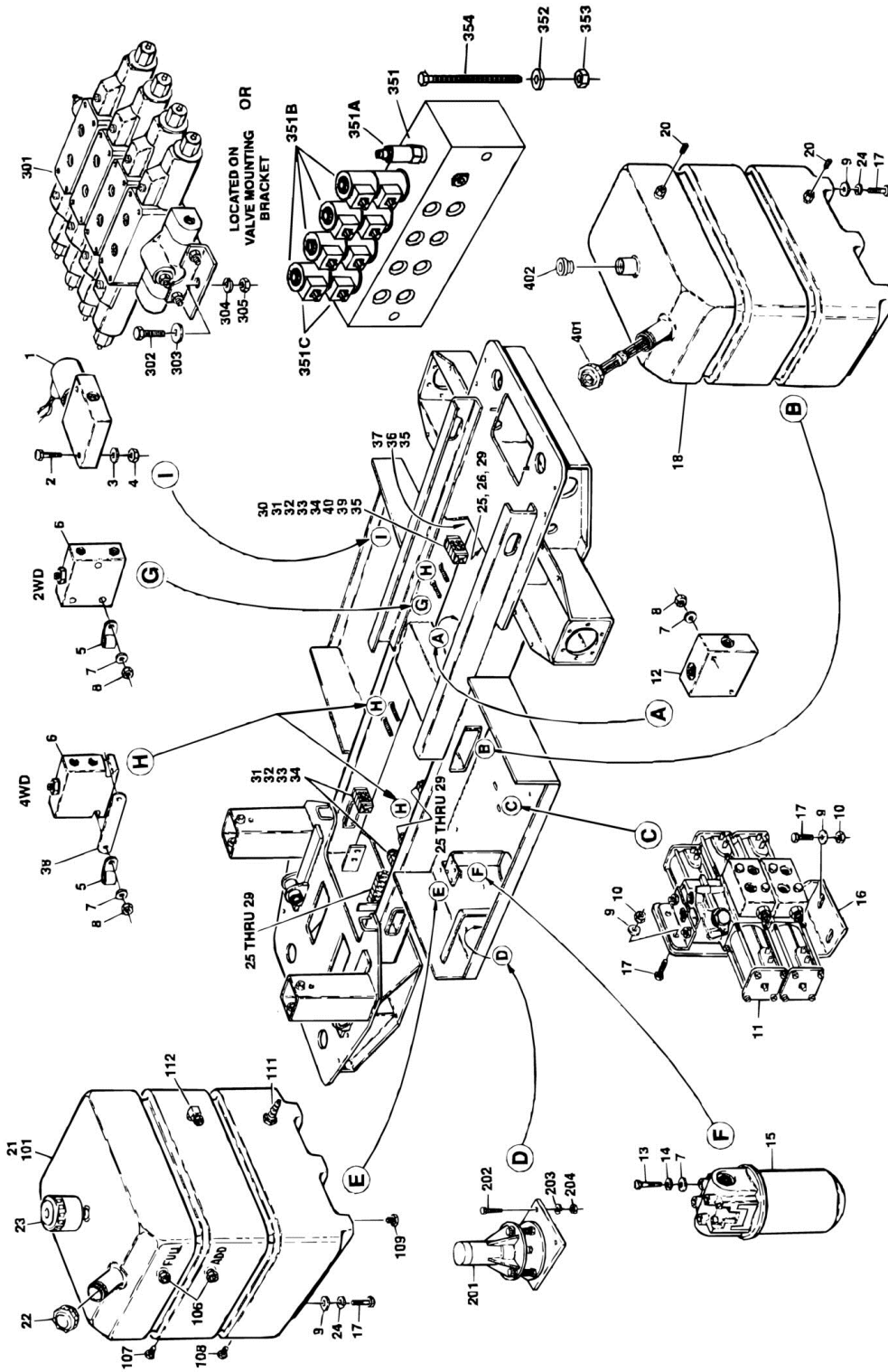
FIGURE 1-11. TOW PACKAGE INSTALLATION (OPTIONAL)

ITEM	PART NUMBER	QTY	DESCRIPTION	REV
		Ref	TOW PACKAGE INSTALLATION (STANDARD PARTS WHEN EQUIPPED)	
	0253079	Ref	Tow package Installation (Prior to SN 98953)	E
	0271499	Ref	Tow package Installation (SN 98953 to Present)	1
1	0362080	1	Bar	
2	3536156	1	Plate, Hitch Attach	
3	4712600	4	Flatwasher 1in	
4	2620037	1	Hitch, Tow	
5	1660114	2	Coupling, Tie-Rod	
6	3323002	2	Nut, Jam 1 1/4in-12NF	
7	3841184	1	Tie-Rod	
8	0642624	1	Bolt 1in-8NC x 3in	
9	0642636	1	Bolt 1in-8NC x 4 1/2in	
10	3422091	1	Pin	
11	3841143	1	Keeper, Pin	
12	2160002	1	Fitting, Grease	
13	0900479	1	Bracket, Valve Mounting	
14	4640261	1	Valve	
15	0641507	2	Bolt 5/16in-18NC x 7/8in	
16	4751500	3	Flatwasher 5/16in	
17	4761600	3	Lockwasher 5/16in	
18	3250872	1	Nameplate - Steer/Tow	
19	3820001	4	Rivet	
20	0641508		Bolt 5/16in - 18NC	
	0253079	Ref	Tow Bar Installation (Prior to SN 98953)	E
120	3420292	2	Pin, Quick Release	
121	1260017	2	Chain	
122	3536157	2	Plate	
123	0361651	2	Bar (Prior to January 1994)	
123	3537973	2	Plate (January 1994 to S/N 98953)	
124	0362126	1	Tow Bar Assembly	
124A	3420352	1	Pin, Tow	
124A	3420158	1	Hairpin	
127	3420372	1	Hairpin (January 1994 to S/N 98953)	
	0271499	Ref	Tow Bar Installation (SN 98953 to Present)	1
222	0363019	1	Tow Bar Assembly	
222A	3420372	1	Pin, Cotter	
223	0902733	1	Bracket	
224	0902734	1	Bracket	
225	0642018	4	Bolt 5/8in - 11NC	
226	3312005	4	Nut 5/8in - 11NC	
227	4752000	8	Flatwasher 5/8in	
228	3340841	1	Pad (Not Shown)	

SECTION 2 - GROUND COMPONENTS

SECTION 2 - GROUND COMPONENTS

FIGURE 2-1. CONTROL VALVES AND TANKS INSTALLATION



SECTION 2 - GROUND COMPONENTS

FIGURE 2-1. CONTROL VALVES AND TANKS INSTALLATION

ITEM	PART NUMBER	QTY	DESCRIPTION	REV
		Ref	CONTROL VALVES AND TANKS INSTALLATION OPTIONS:	
	0253070	Ref	Control Valves and Tanks (2WD/2WS)	14
	0253069	Ref	Control Valves and Tanks (2WD/4WS)	13
	0253063	Ref	Control Valves and Tanks (4WD/2WS)	15
	0253061	Ref	Control Valves and Tanks (4WD/4WS)	14
1	4640123	1	Solenoid Valve Assembly	
1	7004368	1	Coil (Hydraforce Version)	
1	7000558	1	Coil (FPS Version)	
1	7012518	1	Seal Kit (Hydraforce Version)	
1	7006075	1	Seal Kit (FPS Version)	
2	0641420	1	Bolt 1/4in-20NC x 2 1/2in	
3	4751400	1	Flatwasher 1/4in	
4	3311405	1	Locknut 1/4in-20NC	
5	1320202	AR	Clamp, Hose	
6		Ref	Valve, Flow Divider Options:	
6		Ref	2WD Machines:	
6	4640629	1	Valve (Prior to July 1993)	
6	4640443	1	Valve (July 1993 to Present)	
6	2900745	1	Seal Kit - 4640629 & 4640443 Valves	
6		Ref	4WD/2WS Machines:	
6	4640260	2	Valve (Prior to May 1993)	
6	Not Available	1	Cartridge (Vickers/Modular Control Version)	
6	7009739	1	Seal Kit (Vickers/Modular Control Version)	
6	7007321	1	Cartridge (Fluid Control Version)	
	7007321	NLA	Seal Kit (Fluid Control Version) (was p/n 7007323) (Note: No Longer Available for Purchase)	
6	4640841	2	Valve (May 1993 to Present)	
	7007321	1	Cartridge - 4640481 Valve	
6		Ref	4WD/4WS Machines:	
	4640260	1 2	Valve (Prior to July 1993)	
	Not Available	1	Cartridge (Vickers/Modular Control Version)	
	7009739	1	Seal Kit (Vickers/Modular Control Version)	
	7007321	1	Cartridge (Fluid Control Version)	
	7007321	NLA	Seal Kit (Fluid Control Version) (was p/n 7007323) (Note: No Longer Available for Purchase)	
6	4640847	2	Valve (Not Field Serviceable) (July 1993 to Present)	
7	4751500	AR	Flatwasher 5/16in	
8	3311505	AR	Locknut 5/16in-18NC	
9	4751600	16	Flatwasher 3/8in	
10	3311605	6	Locknut 3/8in-16NC	
11		Ref	Control Valve Assembly (Bang-Bang) Options:	
11		Ref	2WS Machines:	
11	4640578	1	Control Valve Prior to July 1993 (See CONTROL VALVE ASSEMBLY for Breakdown)	
11	4640844	1	Control Valve July 1993 to S/N 26763 (See CONTROL VALVE ASSEMBLY for Breakdown) (Prior to SN 26763)	
11	4640943	1	Control Valve (See CONTROL VALVE ASSEMBLY for Breakdown) (SN 26763 to Present)	
11		Ref	4WS Machines:	
11	4640767	1	Control Valve Prior to July 1993 (See CONTROL VALVE ASSEMBLY for Breakdown) (Prior to SN 26763)	

SECTION 2 - GROUND COMPONENTS

ITEM	PART NUMBER	QTY	DESCRIPTION	REV
11	4640845	1	Control Valve July 1993 to S/N 26763 (See CONTROL VALVE ASSEMBLY for Breakdown) (Prior to SN 26763)	
11	4640944	1	Control Valve July 1993 to S/N 26763 (See CONTROL VALVE ASSEMBLY for Breakdown) (Prior to SN 26763)	
12	3100071	1	Manifold	
13	0641506	2	Bolt 5/16in-18NC x 3/4in	
14	4761500	2	Lockwasher 5/16in	
15	2120109	1	Filter Assembly	
15	2120110	1	Element - 25 Micron	
15	2120129	1	Element - 10 Micron	
16	0901853	1	Bracket, Valve Mounting	
17	0641608	AR	Bolt 3/8in-16NC x 1in	
18		Ref	Fuel Tank Options:	
18	4400273	1	Fuel Tank (Prior to SN 34451)	
18	4400402	1	Tank, Molded Fuel (SN 34451 through 80984)	
18	4400430	1	Tank, Molded Fuel (SN 80985 to Present)	
20	2200222	3	Plug, Pipe 1/4in NPT	
21		Ref	Hydraulic Tank Assembly Options: (See Items 101-112 for Breakdown)	
21	4400282	1	Hydraulic Tank Assembly (Prior to SN 82560)	
21	4400432	1	Tank, Oil (SN 82560 to Present)	
22	1120361	1	Cap, Hydraulic Tank	
23		Ref	Breather Options:	
23	1340021	1	Breather 2WD/2WS, 2WD/4WS (Prior to SN 63184)	
23	1340062	1	Breather 2WD/2WS, 2WD/4WS, 4WD/4WS (SN 63184 to Present)	
24	4761600	8	Lockwasher 3/8in	
25	0641511	AR	Bolt 5/16in-18NC x 1 3/8in	
26	1320187	AR	Clamp, 5/8in Twin Hole	
27	1320188	5	Bolt, Stacking	
28	1320189	5	Lockwasher, Stacking	
29	1320190	AR	Plate, Clamp Cover	
30	0641514	AR	Bolt 5/16in-18NC x 1 3/4in	
31	1320192	5	Clamp, 7/8in Twin Hole	
32	1320193	AR	Bolt, Stacking	
33	1320194	AR	Lockwasher, Stacking	
34	1320195	AR	Plate, Cover	
35		Ref	Clamp Options:	
35	Not Required	0	Clamp (2WD/2WS & 4WD/2WS)	
35	1320198	1	Clamp (2WD/4WS)	
35	1320197	2	Clamp (4WD/4WS)	
36		Ref	Clamp Options:	
36	Not Required	0	Clamp (2WD/2WS, 4WD/2WS & 4WD/4WS)	
36	1320200	1	Clamp (2WD/4WS)	
37		Ref	Bolt Options:	
37	Not Required	0	Clamp (2WD/2WS, 4WD/2WS & 4WD/4WS)	
37	0641530	1	Clamp (2WD/4WS (Bolt 5/16in-18NC x 3 3/4in))	
38		Ref	Link Options:	
38	3010099	1	Link 2WD/2WS, 2WD/4WS (July 1993 to S/N 63539)	
39		Ref	Clamp Options:	
39	Not Required	0	Clamp (2WD/2WS & 2WD/4WS)	
39	1320197	2	Clamp (4WD/2WS)	

SECTION 2 - GROUND COMPONENTS

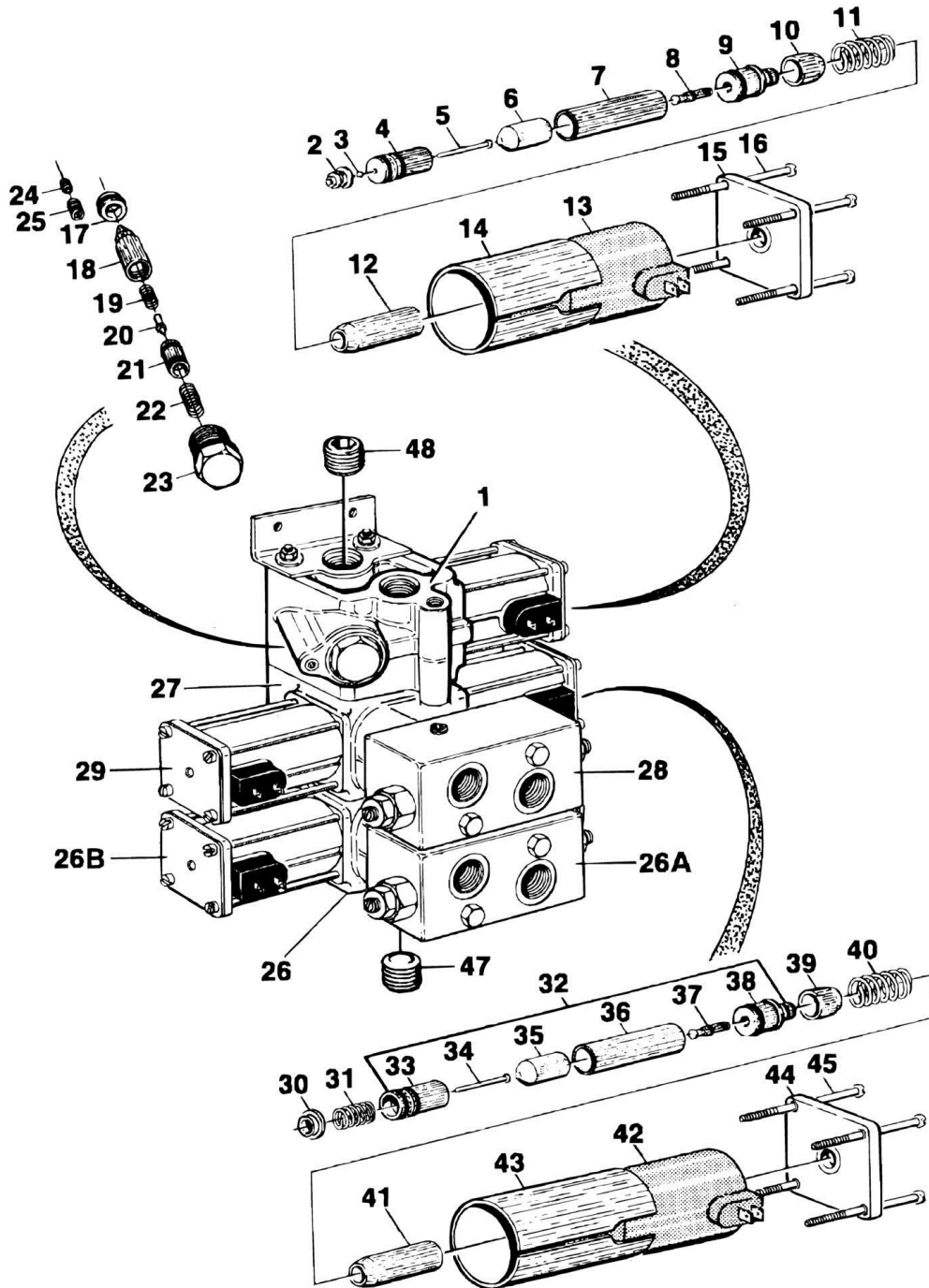
ITEM	PART NUMBER	QTY	DESCRIPTION	REV
39	1320198	1	Clamp (4WD/4WS)	
40		Ref	Clamp Options:	
40	Not Required	0	Clamp (2WD/2WS & 2WD/4WS)	
40	1320199	1	Clamp (2WD/4WS & 4WD/4WS)	
41	4060807	6.75 ft/2.05m	Shield, Flex Trim (Not Shown) (SN 101993 to Present)	
		Ref	Hydraulic Tank Assembly Options:	
	4400282	Ref	Hydraulic Tank (Prior to SN 82560)	C
	4400432	Ref	Tank, Oil (SN 82560 to Present)	A
101		Ref	Tank Options:	
101	4400274	1	Tank, Oil (Prior to SN 82560)	
101	4400431	1	Tank, Oil (SN 82560 to Present)	
106	2420115	2	Gauge, Sight	
107		Ref	Plug Options:	
107	2220240	1	Plug (Prior to SN 82560)	
107	Not Required	0	Plug (SN 82560 to Present)	
108		Ref	Plug	
108	2220242	1	Plug (Prior to SN 82560)	
108	Not Required	0	Plug (SN 82560 to Present)	
109		Ref	Plug Options:	
109	3520022	1	Plug (Prior to SN 82560)	
109	2200233	1	Plug, Drain (SN 82560 to Present)	
110	0100020	AR	Sealant, Pipe	
111	2210066	1	Fitting	
112	2180745	1	Fitting, Modified	
		Ref	TILT INDICATOR INSTALLATION OPTIONS:	
	0253733	Ref	Standard Tilt Indicator	4
	0254111	Ref	Tilt Indicator with Drive/Lift Lockout (w/o Outriggers)	4
	0254262	Ref	Tilt Indicator with Drive/Lift Lockout (w/ Outriggers)	4
201		Ref	Sensor, Level Options:	
201	4360348	1	Sensor (Prior to SN 71528)	
201	4360354	1	Sensor (SN 71528 to Present)	
202	0641405	2	Bolt 1/4in-20NC x 3/4in	
203	4751400	2	Lockwasher 1/4in (was p/n 4761400)	
204	3311405	2	Nut 1/4in -20NC (was p/n 3311401)	
		Ref	CONTROL VALVE INSTALLATION - HYDRAULIC LEVELING JACKS OPTIONS:	
	0253195	Ref	Control Valve (Prior to SN 101615)	3
301	4640352	1	Control Valve Assembly - FPS 4 Stack (See CONTROL VALVE ASSEMBLY - FPS 4 STACK (LEVELING JACKS OPTION) for Breakdown)	
302	0641608	2	Bolt 3/8in-16NC x 1in	
303	4761600	2	Lockwasher 3/8in	
304	4711600	2	Flatwasher 3/8in	
305	3311605	2	Locknut 3/8in-16NC	
	0271582	Ref	Control Valve (SN 101615 to Present)	1
351	4641191	1	Control Valve Assembly	
351A	7023937	1	Cartridge	
351A	2900756	1	Seal Kit	
351B	7017454	4	Cartridge	
351B	7012903	4	Seal Kit	
351C	7000645	8	Coil	

SECTION 2 - GROUND COMPONENTS

ITEM	PART NUMBER	QTY	DESCRIPTION	REV
352	4711600	2	Flatwasher 3/8in	
353	3311605	2	Locknut 3/8in - 16NC	
354	0641626	2	Bolt 3/8in - 16NC x 3 1/4in	
		Ref	FUEL CAP INSTALLATIONS	
		Ref	Installation: (Prior to SN 34451)	
401	1120362	1	Cap, Fuel	
402	Not Required	0	Not Required	
		Ref	Installations: (SN 34451 through 80984)	
	0257412	Ref	Standard Cap Installation	2
401	1120486	1	Cap, Fuel	
402	2200108	1	Plug	
	0257413	Ref	Protectoseal Cap Installation	1
401	1120485	1	Cap, Protectoseal (Not Shown)	
402	2420183	1	Gauge, Fuel (Not Shown)	
		Ref	Installations: (SN 80985 to Present)	
		Ref	Standard Cap Installation	-
401	7020257	1	Cap, Fuel	
401	7016649	1	Seal, Fuel Cap	
401	Not Required	0	Not Required	
	0270492	Ref	Protectoseal Cap Installation	1
401	1120485	1	Cap, Protectoseal (Not Shown)	
	Not Required	0	Not Required	1

SECTION 2 - GROUND COMPONENTS

FIGURE 2-2. CONTROL VALVE ASSEMBLY (Prior to SN 26763)



SECTION 2 - GROUND COMPONENTS

FIGURE 2-2. CONTROL VALVE ASSEMBLY (Prior to SN 26763)

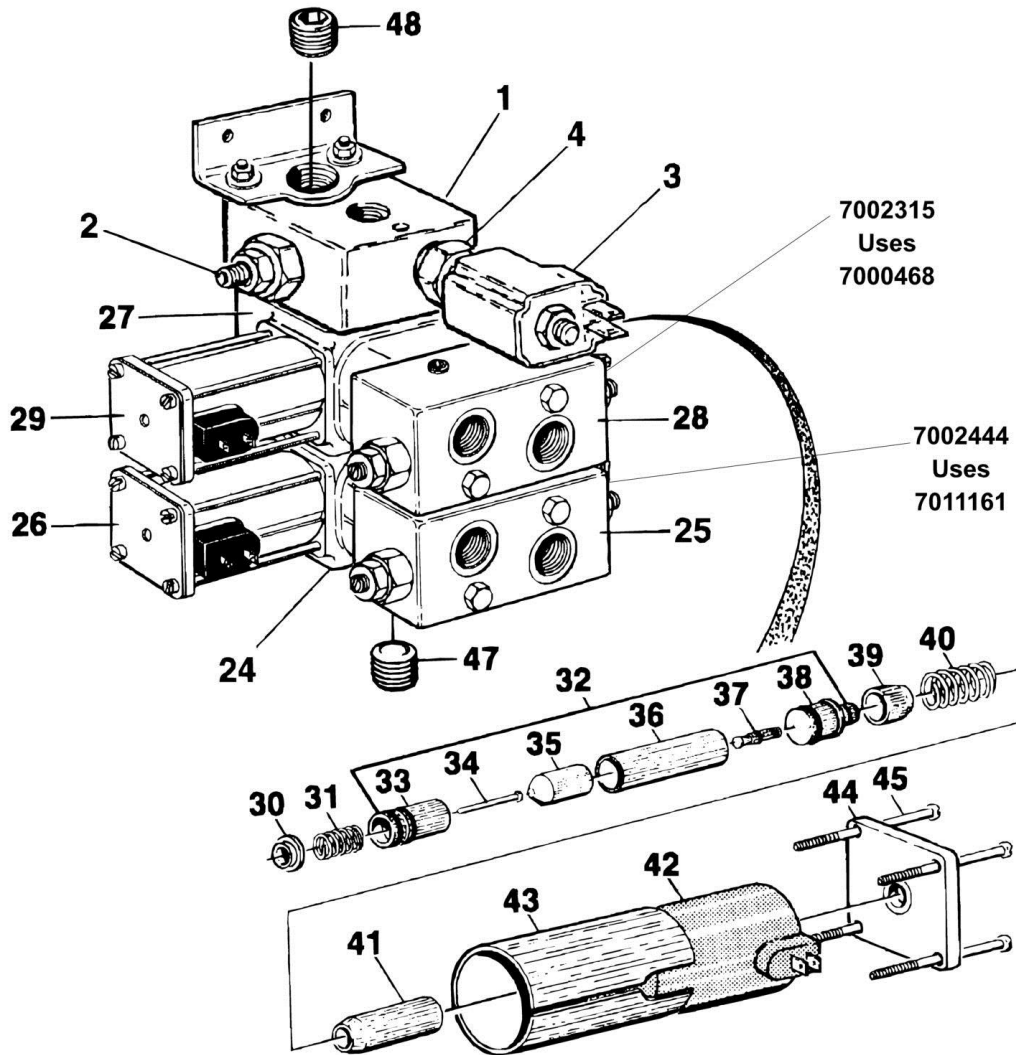
ITEM	PART NUMBER	QTY	DESCRIPTION	REV
	4640578	Ref	Bang-Bang Valve Assy (2WS) (Prior to July 1993)	-
	4640844	Ref	Bang-Bang Valve Assy (2WS) (July 1993 to S/N 26763)	-
	4640767	Ref	Bang-Bang Valve Assy (4WS) (Prior to July 1993) (Not Shown)	-
	4640845	Ref	Bang-Bang Valve Assy (4WS) (July 1993 to S/N 26763) (Not Shown)	-
1	7002304	1	Dump Section - Complete	
1		Ref	Solenoid Assembly	
2	7004823	1	Seat	
2	Kit	1	O-Ring	
3	7002229	1	Ball	
3		Ref	Guide Tube Assembly	
4	7004822	1	Cone, Female	
4	Kit	1	O-Ring	
5	7002346	1	Pin, Push	
6	7004839	1	Plunger	
7	7004838	1	Tube, Guide	
8	7004841	1	Pin, Push	
8	Kit	1	O-Ring	
9	7002340	1	Guide, External Push Pln	
9	Kit	1	O-Ring	
10	7004834	1	Sleeve, Inner Flux	
11	7002334	1	Spring	
12	7004835	1	Sleeve, Outer Flux	
13	7000417	1	Coil	
14	7004836	1	Case, Solenoid	
15	7002338	1	Plate, End	
16	7004837	4	Screw	
17	7002322	1	Seat	
17	Kit	1	O-Ring	
17		Ref	Main Relief (Poppet) Valve	
18	7002321	1	Case, Poppet	
19	7002328	1	Spring	
20	7002294	1	Poppet	
21	7002320	1	Seat, Adjustable	
21	Kit	1	O-Ring	
22	7002329	1	Spring	
23	7002323	1	Plug	
23	Kit	1	O-Ring	
24	7002326	1	Orifice	
25	7002324	1	Plug	
26	7004894	1	Working Section-Complete (Prior to July 1993)	
26	7002444	1	Working Section-Complete (July 1993 to S/N 26763)	
26A	7000468	1	Relief Valve Block Assembly (No Internal Components Serviced Due to Various Vendors)	
26B	7004859	2	Solenoid Assembly (Refer to Items 30-45 for Serviced Parts)	
27	7002315	1	Working Section - Complete	
28	7000468	1	Relief Valve Block Assembly (No Internal Components Serviced Due to Various Vendors)	
29	7004859	2	Solenoid Assembly	
30	7003825	4	Washer, Hat (2 Per Section)	

SECTION 2 - GROUND COMPONENTS

ITEM	PART NUMBER	QTY	DESCRIPTION	REV
31	7002348	4	Spring (2 Per Section)	
32	7004821	4	Guide Tube Assembly (2 Per Section)	
33	7002345	4	Cone, Female (2 Per Section)	
33	Kit	4	O-Ring (2 Per Section)	
34	7002346	4	Pin, Push (2 Per Section)	
35	7002344	4	Plunger (2 Per Section)	
36	7000470	4	Tube, Guide (2 Per Section)	
37	7002341	4	Pin, Actuator (2 Per Section)	
37	Kit	4	Ring, Quad (2 Per Section)	
38	7002340	4	Guide, External Push Pin (2 Per Section)	
38	Kit	4	O-Ring (2 Per Section)	
39	7002333	4	Sleeve, Inner Flux (2 Per Section)	
40	7002334	4	Spring (2 Per Section)	
41	7002336	4	Sleeve, Outer Flux (2 Per Section)	
42	7000418	4	Coil (2 Per Section)	
43	7002335	4	Case, Solenoid (2 Per Section)	
44	7002338	4	Plate, End (2 Per Section)	
45	7002339	8	Screw (4 Per Section)	
47	2220237	1	Plug	
48	2220238	1	Plug	
	7000414	2	Seal Kit - Working Section	
	7000413	1	Seal Kit - Dump Section	

SECTION 2 - GROUND COMPONENTS

FIGURE 2-3. CONTROL VALVE ASSEMBLY (SN 26763 to Present)



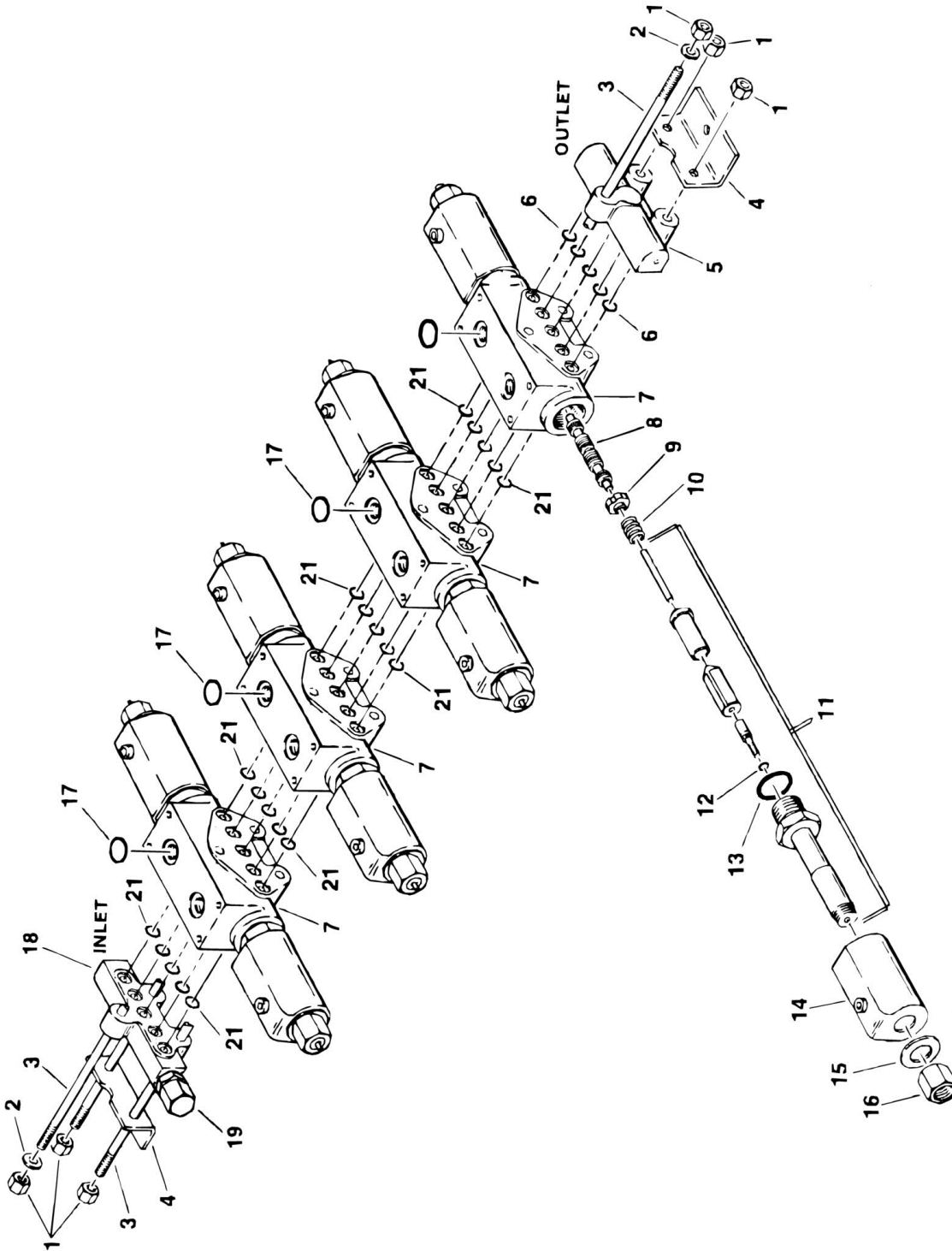
SECTION 2 - GROUND COMPONENTS

FIGURE 2-3. CONTROL VALVE ASSEMBLY (SN 26763 to Present)

ITEM	PART NUMBER	QTY	DESCRIPTION	REV
	4640943	Ref	Bang-Bang Valve Assembly (2WS)	-
	4640944	Ref	Bang-Bang Valve Assembly (4WS) (Not Shown)	-
1	7002447	1	Dump Section - Complete	
2	7002448	1	Cartridge	
2	7002449	1	Seal Kit - 7002448 Cartridge	
3	7000645	1	Coil	
4	7002451	1	Cartridge without Coil	
4	7011118	1	Seal Kit - 7002451 Cartridge	
5	7000448	2	O-Ring (Between Items #1 & #151) (Not Shown)	
24	7002444	1	Working Section-Complete	
25	7011161	1	Relief Valve Block Assembly (No Internal Components Serviced Due to Various Vendors)	
26	7004859	2	Solenoid Assembly (Refer to Items 30-45 for Serviced Parts)	
27	7002315	1	Working Section - Complete	
28	7000468	1	Relief Valve Block Assembly (No Internal Components Serviced Due to Various Vendors)	
29	7004859	2	Solenoid Assembly	
30	7003825	4	Washer, Hat (2 Per Section)	
31	7002348	4	Spring (2 Per Section)	
32	7004821	4	Guide Tube Assembly (2 Per Section)	
33	7002345	4	Cone, Female (2 Per Section)	
33	Kit	4	O-Ring (2 Per Section)	
34	7002346	4	Pin, Push (2 Per Section)	
35	7002344	4	Plunger (2 Per Section)	
36	7000470	4	Tube, Guide (2 Per Section)	
37	7002341	4	Pin, Actuator (2 Per Section)	
37	Kit	4	Ring, Quad (2 Per Section)	
38	7002340	4	Guide, External Push Pin (2 Per Section)	
38	Kit	4	O-Ring (2 Per Section)	
39	7002333	4	Sleeve, Inner Flux (2 Per Section)	
40	7002334	4	Spring (2 Per Section)	
41	7002336	4	Sleeve, Outer Flux (2 Per Section)	
42	7000418	4	Coil (2 Per Section)	
43	7002335	4	Case, Solenoid (2 Per Section)	
44	7002338	4	Plate, End (2 Per Section)	
45	7002339	8	Screw (4 Per Section)	
47	2220237	1	Plug	
48	2220238	1	Plug	
	7000414	2	Seal Kit - Working Section	

SECTION 2 - GROUND COMPONENTS

FIGURE 2-4. CONTROL VALVE ASSEMBLY - FPS 4 STACK (LEVELING JACKS OPTION)



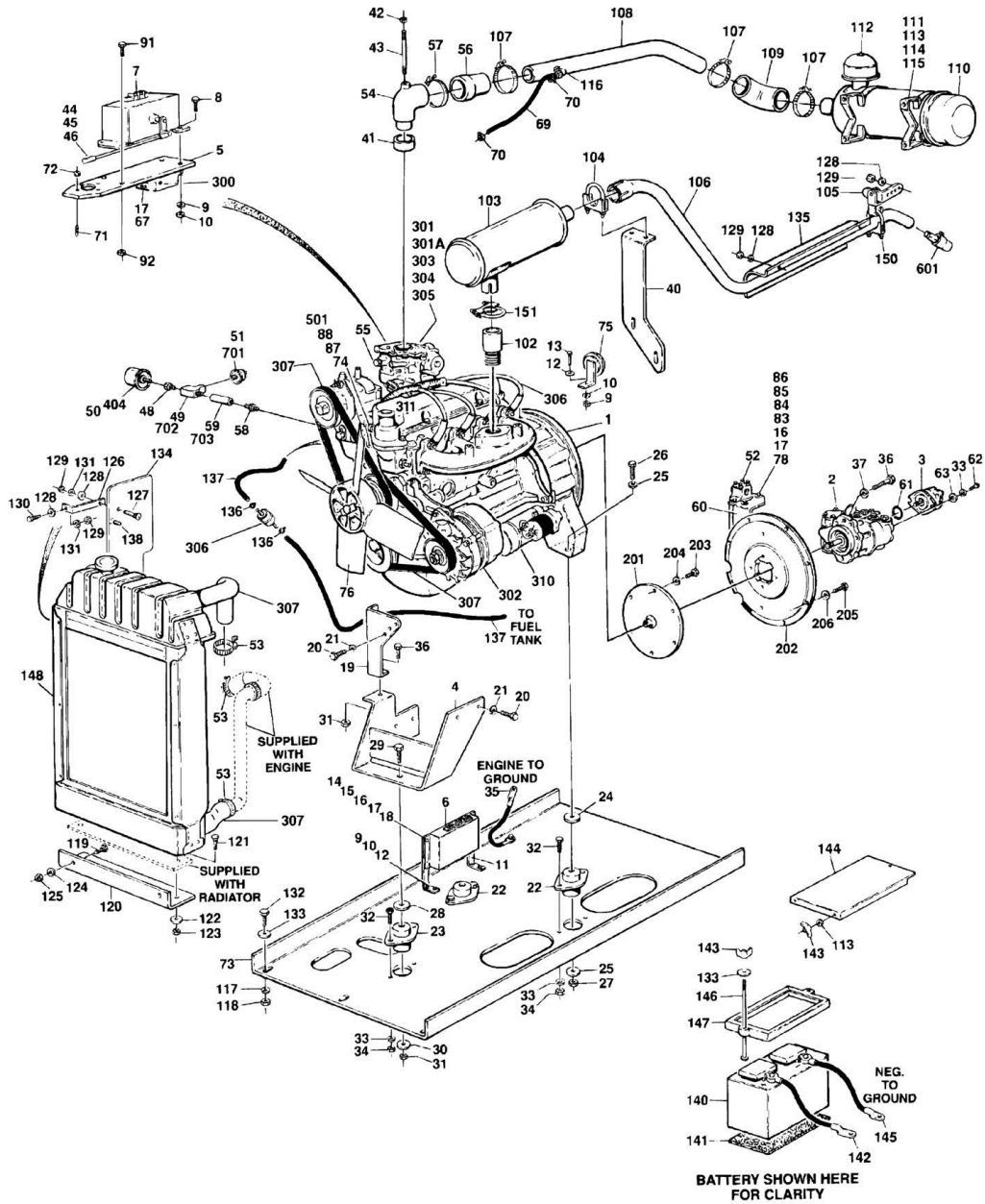
SECTION 2 - GROUND COMPONENTS

FIGURE 2-4. CONTROL VALVE ASSEMBLY - FPS 4 STACK (LEVELING JACKS OPTION)

ITEM	PART NUMBER	QTY	DESCRIPTION	REV
	4640352	Ref	CONTROL VALVE ASSEMBLY - FPS 4 STACK (LEVELING JACKS OPTION)	C
1	7000585	6	Nut	
2	7000586	2	Washer	
3	7006002	3	Rod, Tie	
4	7006039	2	Bracket, Mounting	
5	7000600	1	Section, Valve - Outlet	
6	Kit	5	O-Ring	
7	7006041	4	Section, Valve - Complete	
8		Ref	Spool (Not Sold Separately) (1 Per Section)	
9	7006037	8	Retainer, Spring (2 Per Section)	
10	7006036	8	Spring (2 Per Section)	
11	7006034	8	Tube Assembly (2 Per Section)	
12	Kit	8	O-Ring (2 Per Section)	
13	Kit	8	O-Ring (2 Per Section)	
14	4640049	8	Coil, Solenoid (2 Per Section)	
15		Ref	Nameplate (Not Sold Separately) (2 Per Section)	
16	7006033	8	Nut (2 Per Section)	
17	Kit	8	O-Ring (2 Per Section)	
18	7006056	1	Section, Valve - Inlet	
19	7006053	1	Cartridge, Relief	
21	Kit	20	O-Ring (5 Per Section)	
	7000549	5	Seal Kit - Single Section (Includes Items 12, 13, 17 & 21)	
	7006062	1	Seal Kit - Standard Outlet (Includes Items 6)	

SECTION 2 - GROUND COMPONENTS

FIGURE 2-5. ENGINE INSTALLATION - FORD VSG-411



SECTION 2 - GROUND COMPONENTS

FIGURE 2-5. ENGINE INSTALLATION - FORD VSG-411

ITEM	PART NUMBER	QTY	DESCRIPTION	REV
		Ref	Engine Assembly Options:	
	0253688	Ref	STANDARD GAS	15
	0253690	Ref	DUAL FUEL	16
1		Ref	Engine Options:	
1	2000118	1	Engine (Prior to January 1995)	
1	2000130	1	Engine (January 1995 to September 1995)	
1	2000133	1	Engine (September 1995 to S/N 30660)	
1	2000147	1	Engine (SN 30660 to Present)	
2		Ref	Pump Options - Sunstrand (See PISTON PUMP ASSEMBLY – SUNSTRAND for Breakdown):	
2	3600164	1	Pump (13 Teeth) (Prior to SN 30660)	
2	3600260	1	Pump (15 Teeth) (SN 30660 to Present)	
3	3600206	1	Pump Assembly - Barnes (See GEAR PUMP ASSEMBLY - JSB for Breakdown)	
4	4843497	1	Bracket, Engine Mounting	
5	3533445	1	Plate, Governor and Carburetor Mounting	
6	2902064	1	Controller, Governor (was P/N 1600117)	
7	2500005	1	Governor, Precision	
8	0641410	4	Bolt 1/4in-20NC x 1 1/4in	
9	4761400	9	Lockwasher 1/4in	
10	3311401	9	Nut 1/4in-20NC	
11	0901419	2	Bracket, Controller	
12	4751400	5	Flatwasher 1/4in	
13	0641408	1	Bolt 1/4in-20NC x 1in	
14	3911012	4	Screw, Machine #10-24NC x 3/4in	
15	3311001	4	Nut #10-24NC	
16	4751000	6	Flatwasher #10	
17	4761000	8	Lockwasher #10	
18	0100009	AR	Adhesive	
19	3533291	1	Plate, Engine	
20	0701014	5	Bolt, Metric M10 x 30mm	
21	4832000	5	Lockwasher, Metric M10	
22	3200202	2	Mount, Engine - Rear	
23	3200201	1	Mount, Engine - Front	
24	4740273	2	Washer, Snubbing	
25	4751700	4	Flatwasher 7/16in	
26	0641726	2	Bolt 7/16in - 14NC x 3 1/4in	
27	3311705	2	Locknut 7/16in - 14NC	
28	4740274	1	Washer, Snubbing	
29	0641826	1	Bolt 1/2in-13NC x 3 1/4in	
30	4751800	1	Flatwasher 1/2in	
31	3311805	2	Locknut 1/2in-13NC	
32	0641608	8	Bolt 3/8in-16NC x 1in	
33	4761600	8	Lockwasher 3/8in	
34	3311601	8	Nut 3/8in-16NC	
35	1060221	1	Cable, Battery (Engine to Ground)	
36	0641812	3	Bolt 1/2in-13NC x 1 1/2in	
37	4761800	2	Lockwasher 1/2in	
40		Ref	Bracket, Exhaust Support Options:	
40	0901858	1	Standard Gas (Prior to SN 42208)	

SECTION 2 - GROUND COMPONENTS

ITEM	PART NUMBER	QTY	DESCRIPTION	REV
	4845246	1	Standard Gas (SN 42208 to Present)	
	0901858	1	Dual Fuel (Prior to September 1995)	
40	4845246	1	Standard Gas (SN 42208 to Present)	
41		Ref	Adapter, Carburetor Options:	
41	0080092	1	Standard Gas	
41	See Note	1	Dual Fuel (Note: See DUAL FUEL COMPONENTS INSTALLATION (FORD ENGINE OPTION) for Call-out)	
42	3311405	1	Locknut 1/4in-20NC	
43		Ref	Stud Options:	
43	4300056	1	Standard Gas	
43	See Note	1	Dual Fuel (Note: See DUAL FUEL COMPONENTS INSTALLATION (FORD ENGINE OPTION) for Call-out)	
44	3841049	1	Rod, Throttle	
45	3321402	2	Nut, Jam 1/4in-28NF	
46	1660157	2	Ball-joint	
48	2220273	1	Fitting, Reducer	
49	2180360	1	Fitting, Tee	
50	2420033	1	Sender, Oil Pressure	
51	4360357	1	Switch, Pressure	
52	2120135	1	Filter, Pressure	
52	2120136	1	Element, Filter	
53	1320014	2	Clamp, Hose	
54		Ref	Adapter, Air Intake Options:	
54	0080175	1	Standard Gas	
54	See Note	1	Dual Fuel (Note: See DUAL FUEL COMPONENTS INSTALLATION (FORD ENGINE OPTION) for Call-out)	
55	3520046	1	Plug	
56	2720341	1	Hose - Air Cleaner Outlet	
57	1320058	1	Clamp, Hose	
58	2180537	1	Fitting, Nipple	
59	2200261	1	Fitting, Pipe Coupling (Prior to SN 42036 Only)	
60	0901778	1	Bracket	
61	3790152	1	O-Ring	
62	0641610	2	Bolt 3/8in-16NC x 1 1/4in	
63	4740185	2	Washer, Hardened	
67	3911014	2	Screw, Machine #10-24NC x 7/8in	
69	2720042	18	Hose	
		in/46cm		
70	1320032	2	Clamp	
71	4300090	2	Stud (Supplied with Engine)	
72	3321501	2	Nut 5/16in-24NF	
73	3536481	1	Plate, Engine Mounting	
74	2420118	1	Sender, Temperature	
75	0140001	1	Horn	
76	2060019	1	Fan and Spacer Kit (Prior to SN 40684)	
76	2901541	1	Fan and Spacer Kit (SN 40684 to Present)	
78	0641405	2	Bolt 1/4in-20NC x 5/8in	
83	0641632	2	Bolt 3/8in-16NC x 4in	
84	3311605	2	Locknut 3/8in-16NC	
85	4751600	4	Flatwasher 3/8in	
86	0961378	2	Bushing	
87	4460663	1	Housing, Terminal	

SECTION 2 - GROUND COMPONENTS

ITEM	PART NUMBER	QTY	DESCRIPTION	REV
88	4460660	1	Housing, Terminal	
89	0100019	AR	Loctite #271 (Not Shown)	
90	0100020	AR	Sealant, Pipe (Not Shown)	
91	4031709	1	Capscrew, Metric M6-1.25 x 25mm	
92	3290607	1	Locknut M6-1.25	
93	7023676	1	Water Temperature Sender (Not Shown)	
		Ref	ENGINE INSTALLATION OPTIONS:	
	0253689	Ref	STANDARD GAS	1
	0254153	Ref	STANDARD GAS	1
	0253691	Ref	DUAL FUEL	1
	0254154	Ref	DUAL FUEL	1
102	4565830	1	Tube, Manifold	
103	3220084	1	Muffler	
104	1320026	1	U-Clamp	
105	0901387	1	Bracket, Exhaust Hanger (Prior to SN 34962)	
105	0902382	1	Bracket, Exhaust Hanger (SN 34962 to Present)	
106	4565956	1	Tailpipe	
107	1320058	3	Clamp, Hose	
108	4843533	1	Tube, Air Intake	
109	0080039	1	Elbow, Rubber	
110	1340020	1	Air Cleaner Assembly	
110	7004214	1	Element	
111	0340002	2	Band, Air Cleaner Mounting	
112	1120161	1	Cap, Air Inlet	
113	0641406	4	Bolt 1/4in-20NC x 3/4in	
114	4761400	4	Lockwasher 1/4in	
115	3311401	4	Nut 1/4in-20NC	
116	2220675	1	Fitting, 90	
117	4761600	9	Lockwasher 3/8in	
118	3311601	9	Nut 3/8in-16NC	
119	0641710	2	Bolt 7/16in-14NC x 1 1/4in	
120	3533663	1	Plate, Radiator Mounting	
121	0630403	2	Bolt, Carriage 7/16in-14NC x 1 1/2in	
122	4751700	2	Flatwasher 7/16in	
123	3311705	2	Locknut 7/16in-14NC	
124	4761700	2	Lockwasher 7/16in	
125	3311701	2	Nut 7/16in-14NC	
126	3533664	1	Plate, Radiator Support	
127	0630360	1	Bolt, Carriage 5/16in-18NC x 1 1/4in	
128	4751500	5	Flatwasher 5/16in	
129	3311501	5	Nut 5/16in-18NC	
130	0641508	1	Bolt 5/16in-18NC x 1in	
131	4761500	2	Lockwasher 5/16in	
132	0641610	6	Bolt 3/8in-16NC x 1 1/4in	
133	4751600	15	Flatwasher 3/8in	
134	4060713	1	Shield	
135	3536151	1	Guard, Exhaust	
136	1320022	2	Clamp	
137	2720058	6 ft./1.8m	Hose, Fuel Line	
138	0721004	3	Bolt #10-24NC x 1/2in	
140	0400003	1	Battery	

SECTION 2 - GROUND COMPONENTS

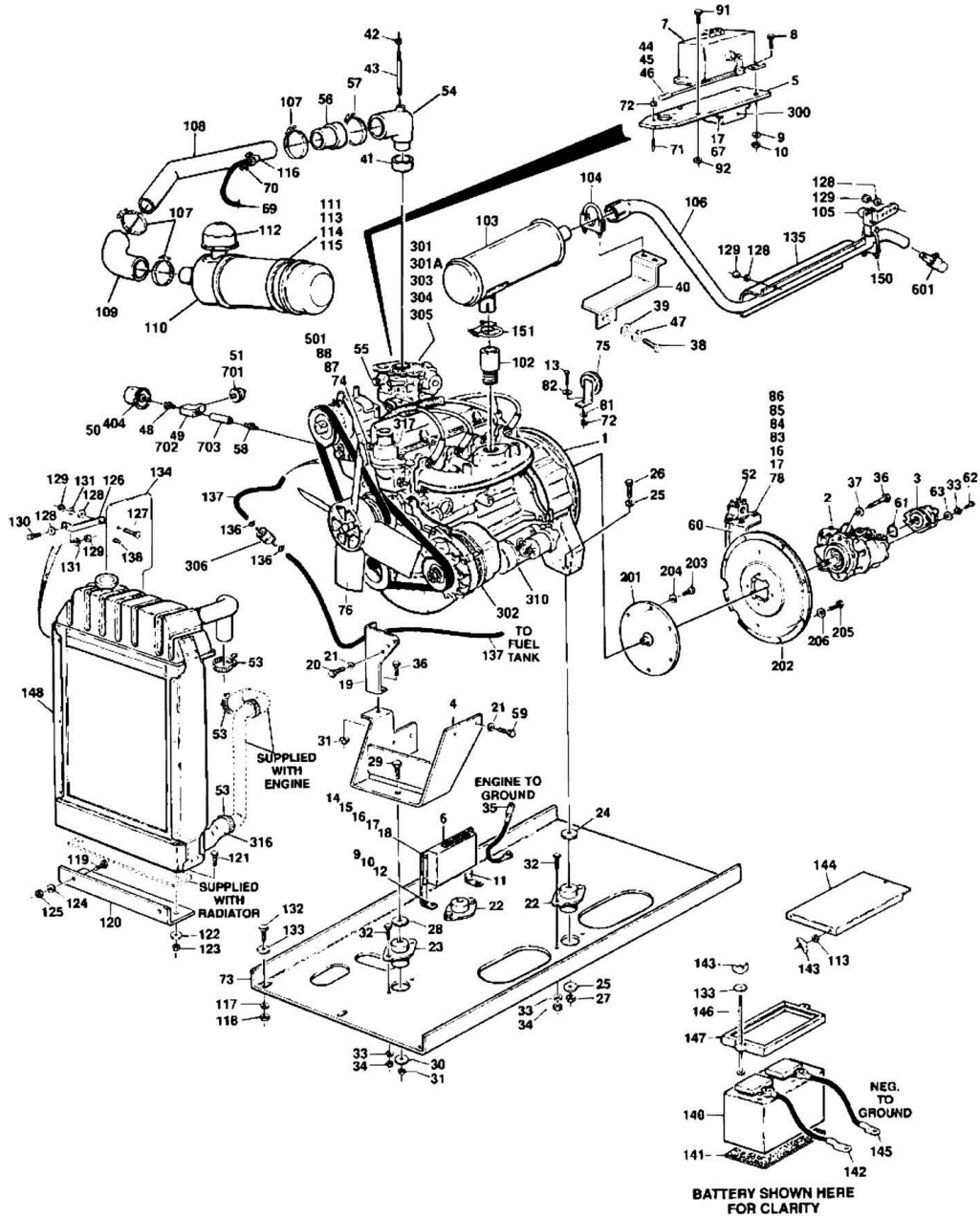
ITEM	PART NUMBER	QTY	DESCRIPTION	REV
141	3980003	1	Masonite	
142	1060254	1	Cable, Battery (Battery + to Starter Solenoid)	
143	3300029	2	Wingnut 3/8in-16NC	
144	3536144	1	Cover, Battery	
145	1060360	1	Cable, Battery (Battery Neg to Ground)	
146	0630370	2	Rod, Tie-Down	
147	0400002	1	Tie-Down, Battery	
148	3620027	1	Radiator	
150	1320020	1	U-Clamp 1 1/2in	
151	1320026	1	U-Clamp 1 3/4in	
		Ref	PUMP COUPLING INSTALLATION	
	0252808	Ref	2000118 Engine Assemblies (Prior to Sept. 1995)	-
	Supplied with Engine	Ref	2000130/2000133/2000147 Engine Assemblies (Sept. 1995 to Present)	
201		Ref	Pump Coupling Options:	
201	1660207	1	13 Teeth Pump	
201	7016661	1	15 Teeth Pump	
202	0080163	1	Adapter, Pump Mounting	
203	0700808	6	Bolt, Metric 8mm 1.25 x 16mm	
204	4831900	6	Lockwasher, Metric 8mm	
205	0641610	8	Bolt 3/8in-16NC x 1 1/4in	
206	4761600	8	Lockwasher 3/8in	
207	3020021	AR	Grease, Coupling (Not Shown)	
		Ref	Note: Coupling Spline must be greased with lithium soap based grease prior to installation.	
		Ref	SPARE COMPONENTS	
	7014680	1	Spare Components Kit (Includes Carburetor, Fuel Pump, Water Pump, Bosch Alternator, Starter and Ignition Control)	
	7014687	1	Spare Components Kit (Includes Carburetor, Fuel Pump, Water Pump, Prestolite Alternator, Starter and Ignition Control)	
300	7023670	1	Control, Ignition (was p/n 7019665)	
301	7000892	1	Carburetor (Standard Gas)	
301	7023471	1	Assembly, Float (Not Shown)	
301	7019933	1	Carburetor Rebuild Kit (was p/n 7000878)	
301	70000163	1	Needle-Spring Load Fuel Valve	
301	7024321	1	Gasket, Carburetor (Top)	
301	7027607	1	Gasket, Carburetor (Bottom)	
301A	7000894	1	Choke, Automatic	
301	1140009	1	Carburetor (LP Gas Only) (Not Included in Components Kits)	
302		Ref	Alternator Options:	
302	7000893	1	Bosch	
302	7012653	1	Prestolite	
302	7019670	1	Leese-Nuville	
302	7019934	1	Belt, Alternator	
302	7019935	1	Pulley, Alternator	
303	7012577	1	Fitting, Vacuum Line	
304	7012578	1	Vacuum Line Assembly	
305	7000884	1	Fuel Shut-Off	
306	7023668	1	Tune-Up Kit (Includes Oil and Fuel Filters, Spark Plugs and Wire Set)	
306	7014500	1	Filter, Oil - Case of 12 (Only 1 included in Kit)	
306	7019949	1	Filter, Oil (Not Shown)	

SECTION 2 - GROUND COMPONENTS

ITEM	PART NUMBER	QTY	DESCRIPTION	REV
306	7019939	1	Filter, Fuel (Not Shown)	
306	7019989	1	Kit, Spark Plug Wire/Clip on	
307	7014681	1	Engine Kit (Includes Hoses, Gasket Set Belt and Coil)	
307	7019941	1	Hose, Radiator (Upper)	
307	7019943	1	Hose, Radiator (Lower)	
307	7019942	1	Hose, Water Pump/Intake Inlet	
308	7012564	1	Wiring Harness (Not Shown)	
309	7019666	1	Pump, Fuel (Not Shown)	
309	2120112	1	Separator, Fuel (Not Shown)	
309	7025153	1	Gasket, Fuel Pump (Not Shown)	
310	7019668	1	Starter	
311	7019950	1	Thermostat	
311	3960423	1	Gasket, Thermostat	
312	7019667	1	Cap, Oil Filler (Not Shown)	
313	7019936	1	Pulley, Crankshaft (Not Shown)	
314	7019951	1	Pump, Water (Not Shown)	
314	7019937	1	Pulley, Water Pump (Not Shown)	
314	7019938	1	Outlet, Water (Not Shown)	
314	7019945	1	Hose, Bypass (Not Shown)	
315	7019944	1	Block Assembly, 11-Stud Terminal (Not Shown)	
316	7019946	1	Flange, Exhaust Pipe (Not Shown)	
316	7019947	1	Gasket, Exhaust Pipe Flange (Not Shown)	
317	7019948	1	Manifold, Exhaust Outlet (Not Shown)	
318	7019987	1	Coil, Ignition (Not Shown)	
319	7019954	1	Harness, Ignition Module Patch (Not Shown)	
320	7019959	1	Dipstick (Not Shown)	
320	7019960	1	Tube, Dipstick (Not Shown)	
321	70000929	1	Sensor, Crankshaft (Not Shown) (Engines 2000130 & 2000147 Only)	
322	7016602	1	Flywheel (Not Shown) (Engine 2000130 Only)	
322	7022180	1	Gear, Ring (Not Shown) (Engine 2000130 Only)	
322	7019919	1	Gear, Ring (Not Shown) (Engines 2000133 & 2000147 Only)	
323	7019917	1	Pump, Oil (Not Shown)	
324	7020119	1	Housing, Bell (Not Shown) (Engines 2000133 & 2000147 Only)	
324	7020115	1	Kit, Coupling (Not Shown) (Engine 2000133 Only)	
324	7020116	1	Coupling (Not Shown) (Engine 2000133 Only)	
324	7016661	1	Coupling (Not Shown) (Engine 2000147 Only)	
324	7020121	1	Plate, Starter (Not Shown) (Engines 2000133 & 2000147 Only)	
	0251945	Ref	ENGINE DISTRESS SWITCH INSTALLATION (OPTIONAL)	A
404	2420131	1	Sender, Oil Pressure	
	0254736	Ref	HIGH TEMPERATURE WARNING INSTALLATION (OPTIONAL)	-
501	4360157	1	Switch, Water Temperature	
501	0080200	1	Adapter (Not Shown)	
501	3960423	1	Gasket, Adapter (Not Shown)	
501	0700819	2	Capscrew 8mm x 55mm	
501	4831900	2	Lockwasher 8mm	
	0253875	Ref	SPARK ARRESTOR INSTALLATION (OPTIONAL)	-
601	3220083	1	Arrestor, Spark (Includes Mounting Hardware)	
	0255037	Ref	GENERATOR INSTALLATION	C
701	4360037	1	Sender, Oil	
702	2180749	1	Fitting, 45	
703	2180360	1	Fitting, Tee	

SECTION 2 - GROUND COMPONENTS

FIGURE 2-6. ENGINE INSTALLATION - FORD VSG-413



SECTION 2 - GROUND COMPONENTS

FIGURE 2-6. ENGINE INSTALLATION - FORD VSG-413

ITEM	PART NUMBER	QTY	DESCRIPTION	REV
		Ref	Engine Assembly Options:	
	0257872	Ref	STANDARD GAS	9
	0257911	Ref	DUAL FUEL	8
1		Ref	Engine Options:	
1	2000155	1	Engine (Prior to SN 89177)	
1	2000177	1	Engine (SN 89177 to Present)	
2	3600260	1	Pump - Sunstrand (See PISTON PUMP ASSEMBLY for Breakdown)	
3	3600206	1	Pump Assembly - Barnes (See GEAR PUMP ASSEMBLY for Breakdown)	
4	4843497	1	Bracket, Engine Mounting	
5	3533445	1	Plate, Governor and Carburetor Mounting	
6		Ref	Controller, Governor Options:	
6	1600269	1	Controller, Governor (Prior to SN 74487)	
6	1600325	1	Controller, Governor (SN 74487 to Present)	
7	2500005	1	Governor, Precision	
8	0641410	4	Bolt 1/4in-20NC x 1 1/4in	
9	4761400	8	Lockwasher 1/4in	
10	3311401	8	Nut 1/4in-20NC	
11	0901419	2	Bracket, Controller	
12	4751400	4	Flatwasher 1/4in	
13	0641507	1	Bolt 5/16in-18NC x 1in	
14	3911012	5	Screw, Machine #10-24NC x 3/4in	
15	3311001	7	Nut #10-24NC	
16	4751000	8	Flatwasher #10	
17	4761000	10	Lockwasher #10	
18	0100009	AR	Adhesive	
19	3533291	1	Plate, Engine	
20	0701012	3	Bolt, Metric M10 x 33mm	
21	4832000	5	Lockwasher, Metric M10	
22	3200202	2	Mount, Engine - Rear	
23	3200201	1	Mount, Engine - Front	
24	4740273	2	Washer, Snubbing	
25	4751700	4	Flatwasher 7/16in	
26	0641726	2	Bolt 7/16in - 14NC x 3 1/4in	
27	3311705	2	Locknut 7/16in - 14NC	
28	4740274	1	Washer, Snubbing	
29	0641826	1	Bolt 1/2in-13NC x 3 1/4in	
30	4751800	1	Flatwasher 1/2in	
31	3311805	2	Locknut 1/2in-13NC	
32	0641608	7	Bolt 3/8in-16NC x 1in	
33	4761600	8	Lockwasher 3/8in	
34	3311601	8	Nut 3/8in-16NC	
35	1060221	1	Cable, Battery (Engine to Ground)	
36	0641812	3	Bolt 1/2in-13NC x 1 1/2in	
37	4761800	2	Lockwasher 1/2in	
38	0700808	1	Bolt, Metric M8 x 16mm (SN 61515 to Present)	
39	4711500	1	Flatwasher 5/16in (SN 61515 to Present)	
40	4845246	1	Bracket, Exhaust Support	
41		Ref	Adapter, Carburetor Options:	

SECTION 2 - GROUND COMPONENTS

ITEM	PART NUMBER	QTY	DESCRIPTION	REV
41	0080092	1	Standard Gas	
41	See Note	1	Dual Fuel (Note: See DUAL FUEL COMPONENTS INSTALLATION for Call-out)	
42	3311405	1	Locknut 1/4in-20NC	
43		Ref	Stud Options:	
43	4300056	1	Standard Gas	
43	See Note	1	Dual Fuel (Note: See DUAL FUEL COMPONENTS INSTALLATION for Call-out)	
44	3841049	1	Rod, Throttle	
45	3321402	2	Nut, Jam 1/4in-28NF	
46	1660157	2	Ball-joint	
47	4831900	1	Lockwasher Metric 8mm (SN 61515 to Present)	
48	2220273	1	Fitting, Reducer	
49	2180360	1	Fitting, Tee	
50	2420033	1	Sender, Oil Pressure	
51	4360357	1	Switch, Pressure	
52	2120135	1	Filter, Pressure	
52	2120136	1	Element, Filter	
53	1320014	2	Clamp, Hose	
54		Ref	Adapter, Air Intake Options:	
54	0080175	1	Standard Gas	
54	See Note	1	Dual Fuel (Note: See DUAL FUEL COMPONENTS INSTALLATION for Call-out)	
55	3520046	1	Plug	
56	2720341	1	Hose - Air Cleaner Outlet	
57	1320058	1	Clamp, Hose	
58	2180537	1	Fitting, Nipple	
59	0701015	2	Bolt, Metric M10 x 35mm (SN 61515 to Present)	
60	0901778	1	Bracket	
61	3790152	1	O-Ring	
62	0641610	2	Bolt 3/8in-16NC x 1 1/4in	
63	4740185	2	Washer, Hardened	
67	3911014	3	Screw, Machine #10-24NC x 7/8in	
69	2720042	18	Hose	
		in/46cm		
70	1320032	2	Clamp	
71	4300090	2	Stud (Supplied with Engine)	
72	3321501	3	Nut 5/16in-24NF	
73	3536481	1	Plate, Engine Mounting	
74	2420118	1	Sender, Temperature	
75	0140001	1	Horn	
76		Ref	Fan and Spacer Kit Options:	
76	2060030	1	Standard Gas (was P/N 2060019) (Prior to SN 46254)	
76	2060030	1	Fan and Spacer Kit (Dual Fuel) (was P/N 2060016) (Prior to SN 46254)	
76	2060030	1	Fan and Spacer Kit (All Machines) (was P/N 2060029) (SN 46254 through 75494)	
76	2060030	1	Fan and Spacer Kit (All Machines) (SN 75495 to Present)	
78	0641405	2	Bolt 1/4in-20NC x 5/8in	
81	4761500	3	Lockwasher 5/16in	
82	4751500	3	Flatwasher 5/16in	
83	0641632	2	Bolt 3/8in-16NC x 4in	
84	3311605	2	Locknut 3/8in-16NC	

SECTION 2 - GROUND COMPONENTS

ITEM	PART NUMBER	QTY	DESCRIPTION	REV
85	4751600	4	Flatwasher 3/8in	
86	0961378	2	Bushing	
87	4460663	1	Housing, Terminal	
88	4460660	1	Housing, Terminal	
89	0100019	AR	Loctite #271 (Not Shown)	
90	0100020	AR	Sealant, Pipe (Not Shown)	
91	3900275	1	Capscrew, Metric M6-1.25 x 25mm	
92	3290607	1	Locknut M6-1.25	
93	3911024	2	Screw #10-24NC x 1 1/2in (Not Shown)	
94	0100048	AR	Silicone (Not Shown)	
		Ref	ENGINE INSTALLATION OPTIONS:	
	0257873	Ref	STANDARD GAS	5
	0257912	Ref	DUAL FUEL	7
102		Ref	Tube, Manifold Options:	
102	4565830	1	Tube, Manifold (Prior to SN 62155)	
102	4567910	1	Tube, Manifold (SN 62155 to Present)	
103	3220084	1	Muffler	
104	1320026	1	U-Clamp	
105	0901387	1	Bracket, Exhaust Hanger (Prior to SN 34962)	
105	0902382	1	Bracket, Exhaust Hanger (SN 34962 to Present)	
106	4565956	1	Tailpipe	
107	1320180	3	Clamp, Hose	
108	4845649	1	Tube, Air Intake	
109	0080039	1	Elbow, Rubber	
110	1340020	1	Air Cleaner Assembly	
110	7004214	1	Element	
111	0340002	2	Band, Air Cleaner Mounting	
112	1120161	1	Cap, Air Inlet	
113	0641406	4	Bolt 1/4in-20NC x 3/4in	
114	4751400	4	Lockwasher 1/4in	
115	3311405	4	Locknut 1/4in-20NC	
116	2220675	1	Fitting, 90	
117	4761600	9	Lockwasher 3/8in	
118	3311601	9	Nut 3/8in-16NC	
119	0641710	2	Bolt 7/16in-14NC x 1 1/4in	
120	3533663	1	Plate, Radiator Mounting	
121	0630403	2	Bolt, Carriage 7/16in-14NC x 1 1/2in	
122	4751700	2	Flatwasher 7/16in	
123	3311705	2	Locknut 7/16in-14NC	
124	4761700	2	Lockwasher 7/16in	
125	3311701	2	Nut 7/16in-14NC	
126	3533664	1	Plate, Radiator Support	
127	0630360	1	Bolt, Carriage 5/16in-18NC x 1 1/4in	
128	4711500	5	Flatwasher 5/16in Narrow	
129	3311501	5	Nut 5/16in-18NC	
130	0641508	1	Bolt 5/16in-18NC x 1in	
131	4761500	2	Lockwasher 5/16in	
132	0641610	6	Bolt 3/8in-16NC x 1 1/4in	
133	4751600	15	Flatwasher 3/8in	
134	4060713	1	Shield	
135	3536151	1	Guard, Exhaust	

SECTION 2 - GROUND COMPONENTS

ITEM	PART NUMBER	QTY	DESCRIPTION	REV
136	1320022	2	Clamp	
137	2720058	6 ft./1.8m	Hose, Fuel Line	
138	3921008	3	Bolt #10-24NC x 1/2in	
140	0400075	1	Battery	
141	3980007	1	Masonite	
142	1060254	1	Cable, Battery (Battery + to Starter Solenoid)	
143	3300029	2	Wingnut 3/8in-16NC	
144	1670841	1	Cover, Battery	
145	1060360	1	Cable, Battery (Battery Neg to Ground)	
146	0630370	2	Rod, Tie-Down	
147	0400174	1	Tie-Down, Battery	
148	3620027	1	Radiator	
150	1320020	1	U-Clamp 1 1/2in	
151	1320026	1	U-Clamp 1 3/4in	
152	3252356	1	Nameplate - Important (LP Only) (Not Shown Located Inside of Lower Access Door) (SN 71528 to Present)	
153	1703162	2	Decal - Fan Blade (Not Shown Located on Radiator Shield) (SN 71528 to Present)	
154	0840046	1	Boot, Battery (Positive) (Not Shown)	
155	0840047	1	Boot, Battery (Negative) (Not Shown)	
		Ref	PUMP COUPLING INSTALLATION	
201	7016661	1	Pump Coupling	
202	0080163	1	Adapter, Pump Mounting	
203	0700808	6	Bolt, Metric 8mm 1.25 x 16mm	
204	4831900	6	Lockwasher, Metric 8mm	
205	0641610	8	Bolt 3/8in-16NC x 1 1/4in	
206	4761600	8	Lockwasher 3/8in	
207	3020021	AR	Grease, Coupling (Not Shown)	
		Ref	Note: Coupling Spline must be greased with lithium soap based grease prior to installation.	
		Ref	SPARE COMPONENTS	
	2000155	Ref	Spare Components (Prior to SN 89177)	B
	2000177	Ref	Spare Components (SN 89177 to Present)	A
300		Ref	Control, Ignition Options:	
300	7023670	1	Control, Ignition (was p/n 7019665) (Prior to SN 89177)	
300	7023650	1	Control, Ignition (SN 89177 to Present)	
301	7000892	1	Carburetor (Standard Gas)	
301	7024321	1	Gasket (Top)	
301	7027607	1	Gasket, Carburetor (Bottom)	
301	7019933	1	Carburetor Rebuild Kit	
301	70000163	1	Needle-Spring Load Fuel Valve	
301	7023471	1	Assembly, Float (Not Shown)	
301A	7000894	1	Choke, Automatic	
301	1140009	1	Carburetor (LP Gas Only) (Not Included in Components Kits)	
302	7019670	1	Alternator (Leese-Nuville)	
302	7019934	1	Belt, Alternator	
302	7019935	1	Pulley, Alternator	
303	7012577	1	Fitting, Vacuum Line	
304	7012578	1	Vacuum Line Assembly	
305	7000884	1	Fuel Shut-Off	
306	7022174	1	Filter, Fuel	
308		Ref	Wiring Harness Options (Not Shown):	

SECTION 2 - GROUND COMPONENTS

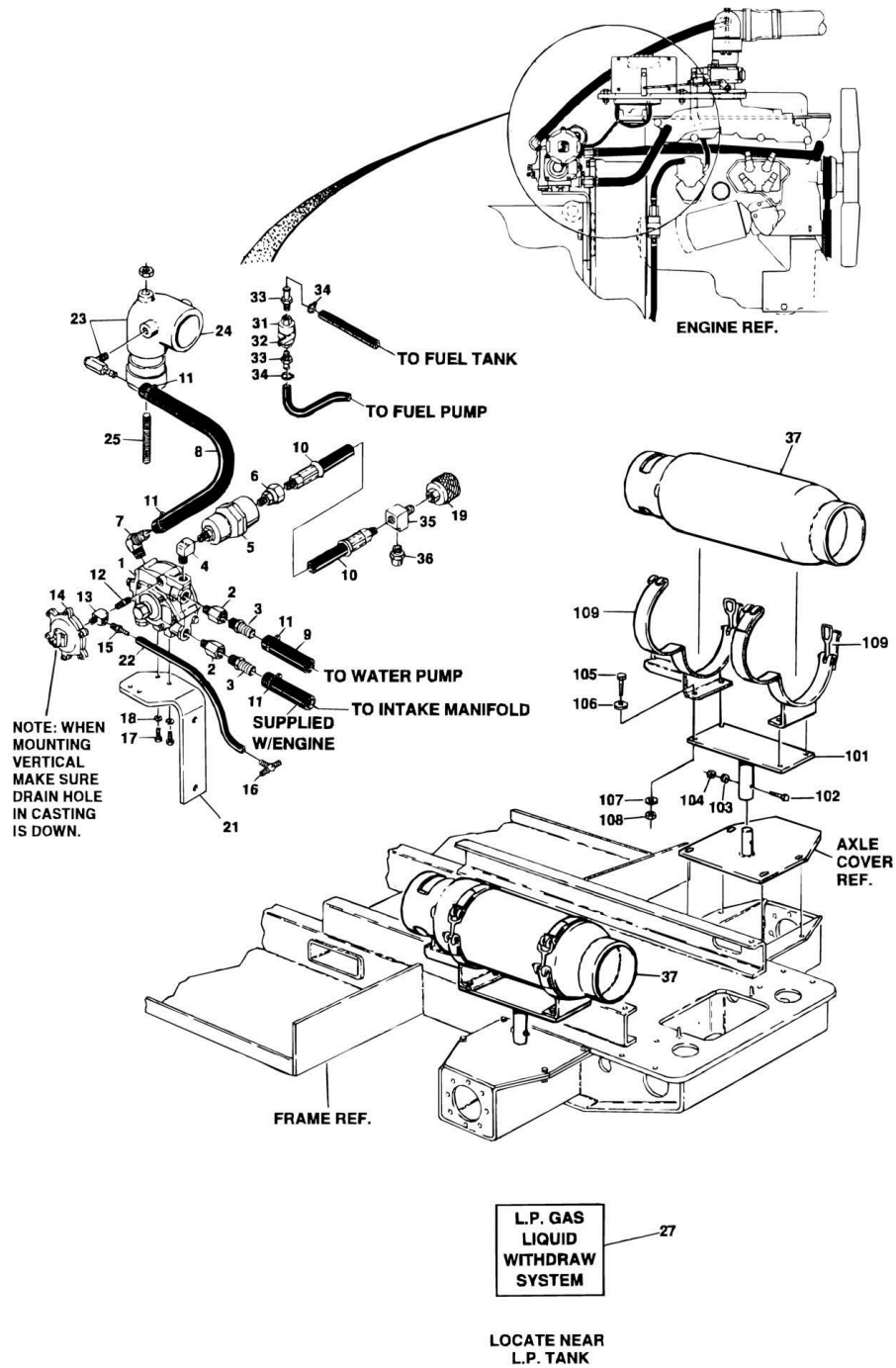
ITEM	PART NUMBER	QTY	DESCRIPTION	REV
308	7012564	1	Wiring Harness (Not Shown) (Prior to SN 89177)	
308	7023651	1	Wiring Harness (Not Shown) (SN 89177 to Present)	
309	7019666	1	Pump, Fuel (Not Shown)	
309	2120112	1	Separator, Fuel (Not Shown)	
309	7025153	1	Gasket, Fuel Pump (Not Shown)	
310	7019668	1	Starter	
311	7021869	1	Filter, Oil (Not Shown) (was p/n 7022173 & p/n 7022147)	
311	7014500	1	Filter, Oil (1 Dozen)	
312	7019959	1	Dipstick (Not Shown)	
312	7019960	1	Tube, Dipstick (Not Shown)	
313	7019951	1	Pump, Water (Not Shown)	
313	7019937	1	Pulley, Water Pump (Not Shown)	
313	7019938	1	Outlet, Water (Not Shown)	
313	7019945	1	Hose, Bypass (Not Shown)	
313	7019942	1	Hose, Water Pump/Intake Inlet (Not Shown)	
314		Ref	Plug Wire Kit Options: (Not Shown)	
314	7019989	1	Plug Wire Kit (Through 1999)	
314	7019989	1	Plug Wire Kit (was p/n 7022176) (2000 to Present)	
315		Ref	Coil, Ignition Options: (Not Shown)	
315	7019987	1	Coil, Ignition (was p/n 7019953) (Through 1999)	
315	7019998	1	Coil, Ignition (2000 to Present)	
315	7019999	1	Bracket, Mounting	
316	7019943	1	Hose, Lower Radiator	
317	7019950	1	Thermostat	
317	3960423	1	Gasket, Thermostat	
318	70000929	1	Sensor, Crankshaft (Not Shown)	
319	7016602	1	Flywheel (Not Shown)	
320	7019667	1	Cap, Oil Filler (Not Shown)	
321	7019917	1	Pump, Oil (Not Shown)	
322	7019919	1	Gear, Ring (Not Shown)	
323	7019936	1	Pulley, Crankshaft (Not Shown)	
324	7019941	1	Hose, Radiator (Upper) (Not Shown)	
325	7019943	1	Hose, Radiator (Lower) (Not Shown)	
326	7019944	1	Block Assembly, 11-Stud Terminal (Not Shown)	
327	7019946	1	Flange, Exhaust Pipe (Not Shown)	
327	7019947	1	Gasket, Exhaust Pipe Flange (Not Shown)	
328	7019948	1	Manifold, Exhaust Outlet (Not Shown)	
329	7019987	1	Coil, Ignition (Not Shown)	
330	7019954	1	Harness, Ignition Module Patch (Not Shown)	
331	7022100	4	Screw M5 x 16 (Not Shown)	
332	7022172	1	Kit, Tune-Up (Not Shown)	
	0251945	Ref	ENGINE DISTRESS SWITCH INSTALLATION (OPTIONAL)	B
404	2420131	1	Sender, Oil Pressure	
	0254736	Ref	HIGH TEMPERATURE WARNING INSTALLATION (OPTIONAL)	-
501	4360157	1	Switch, Water Temperature	
501	0080200	1	Adapter (Not Shown)	
501	3960423	1	Gasket, Adapter (Not Shown)	
501	0700819	2	Capscrew 8mm x 55mm	
501	4831900	2	Lockwasher 8mm	
	0253875	Ref	SPARK ARRESTOR INSTALLATION (OPTIONAL)	-
601	3220083	1	Arrestor, Spark (Includes Mounting Hardware)	

SECTION 2 - GROUND COMPONENTS

ITEM	PART NUMBER	QTY	DESCRIPTION	REV
	0255037	Ref	GENERATOR INSTALLATION (OPTIONAL)	3-B
701	4360037	1	Sender, Oil	
702	2180749	1	Fitting, 45	
703	2180360	1	Fitting, Tee	

SECTION 2 - GROUND COMPONENTS

FIGURE 2-7. DUAL FUEL COMPONENTS INSTALLATION (FORD ENGINE OPTION)



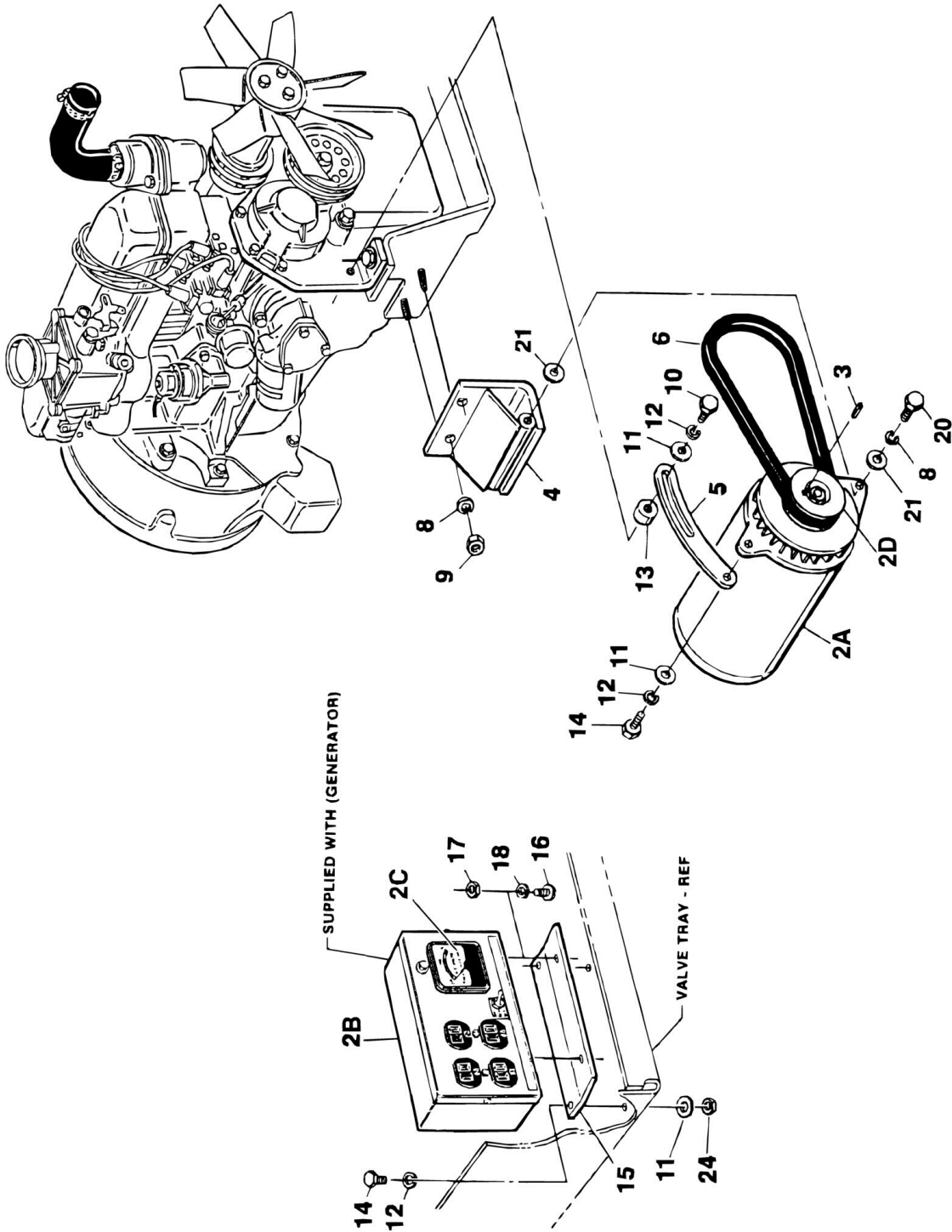
SECTION 2 - GROUND COMPONENTS

FIGURE 2-7. DUAL FUEL COMPONENTS INSTALLATION (FORD ENGINE OPTION)

ITEM	PART NUMBER	QTY	DESCRIPTION	REV
	0250790	Ref	DUAL FUEL INSTALLATION	12
1	3720011	1	Regulator, LPG	
1	7017516	1	Rebuilt Kit	
2	2220364	2	Fitting, Adapter	
3	2180535	2	Fitting, Barbed	
4	2220648	1	Fitting, 90	
5	2120077	1	Filter-Lock	
6	2220003	1	Fitting, Swivel	
7	2220675	1	Fitting, 90	
8	2720112	AR	Hose, LP	
9	2720042	28 in/71m	Hose, Heater	
10	2720118	1	Hose, LP (48 in./1.22m Length) (Prior to SN 27430)	
10	2720437	1	Hose, LP (52 in./1.32m Length) (SN 27430 to Present)	
11	1320032	4	Clamp	
12	2180104	1	Fitting, Nipple	
13	2180360	1	Fitting, Tee	
14	4360188	1	Switch, Vacuum	
15	2180536	1	Fitting, Barbed	
16	2180623	1	Fitting, Tee	
17	0641405	2	Bolt 1/4in-20NC x 5/8in	
18	4761400	2	Lockwasher 1/4in	
19	2180387	1	Fitting, Tank Connector	
23	0080167	1	Adapter, Air Intake	
24	0080092	1	Adapter, Carburetor	
25	3840979	1	Rod	
27	1700818	1	Decal - Liquid LPG	
31	4640391	1	Valve, Gasoline	
32	1320095	1	Clamp, Support	
33	2220805	3	Fitting, Straight	
34	1320022	2	Clamp	
35	2220290	1	Fitting, Tee	
36	2180389	1	Fitting, Pressure Relief	
37		Ref	Tank, LP Options: (Optional - Not Supplied with Installation)	
37	4400040	2	Aluminum - 33.5 Lbs. Tank (Prior to SN 60261)	
37	4400281	2	Aluminum - 33.5 Lbs. Tank (SN 60261 to Present)	
37	4400421	2	Steel - 33.5 Lbs. Tank (SN 60261 to Present)	
37	4400275	2	Aluminum - 43.5 Lbs. Tank	
37	4400420	2	Steel - 43.5 Lbs. Tank (SN 60261 to Present)	
	0253447	Ref	LP TANK BRACKETS INSTALLATION	3
101	4844185	2	Support, Tank Bracket	
102	0641522	2	Bolt 5/16in-18NC x 2 3/4in	
103	4761500	2	Lockwasher 5/16in	
104	3311501	2	Nut 5/16in-18NC	
105	0641610	8	Bolt 3/8in-16NC x 1 1/4in	
106	4751600	8	Flatwasher 3/8in	
107	4761600	8	Lockwasher 3/8in	
108	3311601		Nut 3/8in-16NC	
109	1320023	2	Clamp, LP Tank	

SECTION 2 - GROUND COMPONENTS

FIGURE 2-8. GENERATOR INSTALLATION (FORD ENGINE OPTION)



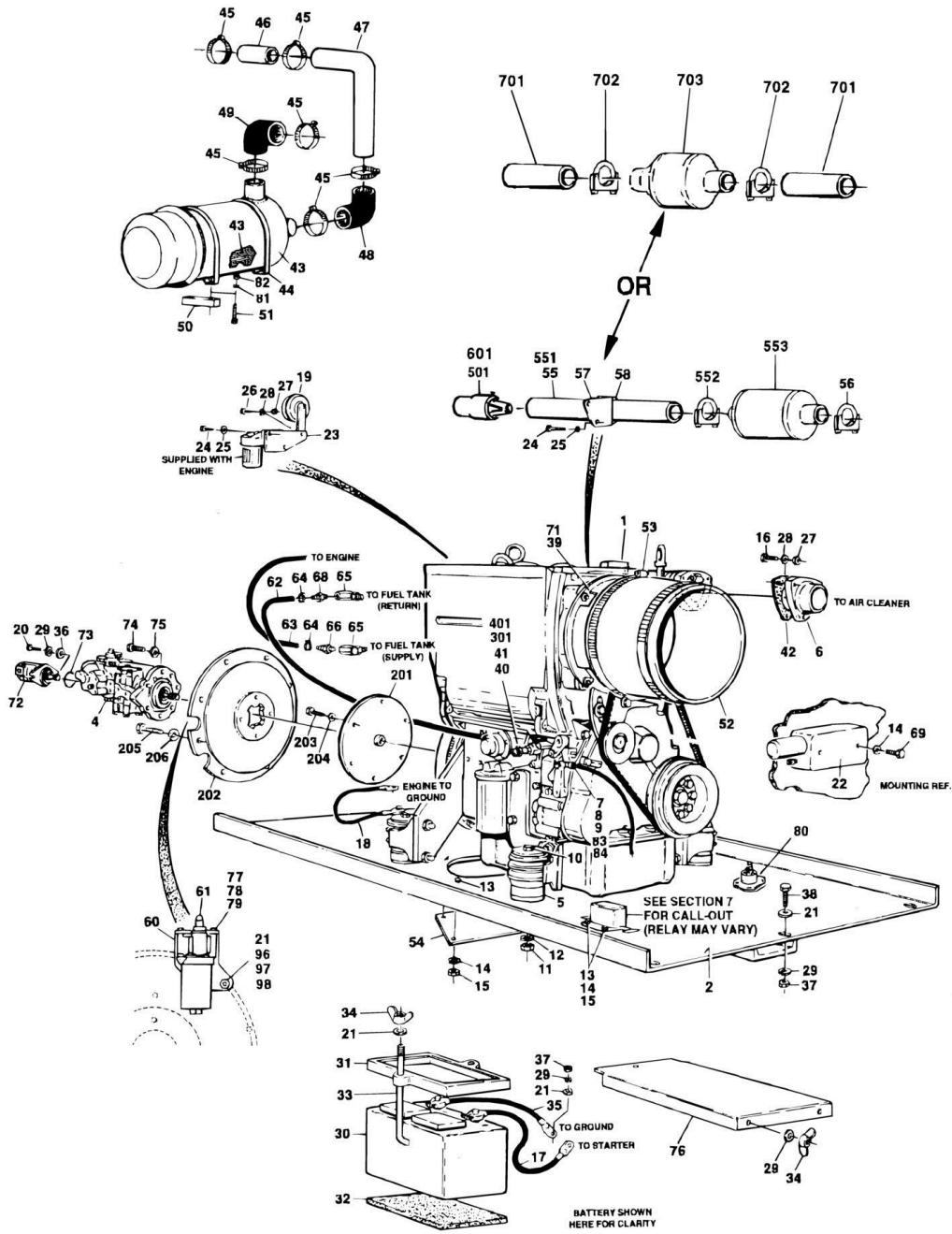
SECTION 2 - GROUND COMPONENTS

FIGURE 2-8. GENERATOR INSTALLATION (FORD ENGINE OPTION)

ITEM	PART NUMBER	QTY	DESCRIPTION	REV
		Ref	GENERATOR INSTALLATION (FORD ENGINE OPTION)	
	0250444	Ref	Generator Installation (Prior to August 1994)	D
	0255037	Ref	Generator Installation (August 1994 to Present)	3-B
2	2460011	1	Generator Assembly with Control Box	
2A	7012558	1	Generator Assembly Only	
2A	7020108	4	Brush	
2A	7020109	4	Holder, Brush	
2A	7012513	4	Caps, Brush Holder	
2A	7012514	1	Fan	
2A	7020193	1	Cord, Power	
2A	7026199	1	Armature	
2A	7020110	1	End Bell, Front	
2A	7020111	1	End Bell, Rear	
2A	7020190	2	Bearing	
2B	7003657	1	Control Box Assembly	
		Ref	Note: Replacement 110V Control Box comes with 2 std Receptacles p/n 4460190. Optional Industrial Twist Lock Receptacles p/n 4460027 must be ordered separately.	
2B	4360542	1	Breaker, Circuit	
2B	4460190	2	Receptacle	
2B	2920162	1	Lamp	
2B	7020191	1	Switch, Toggle	
2B	3520028	1	Plug, Hole	
2C	2420203	1	Voltmeter	
2D	3580134	1	Pulley	
3	2860012	1	Keystock	
4	0901650	1	Bracket, Generator Mounting	
5	4340569	1	Support, Adjustable	
6	0480057	1	V-Belt	
8	4761600	4	Lockwasher 3/8in	
9	3311601	2	Nut 3/8in - 16NC	
10	0641511	1	Bolt 5/16in-18NC x 1 3/8in	
11	4751500	2	Flatwasher 5/16in	
12	4761500	2	Lockwasher 5/16in	
13	0961247	1	Bushing	
14	0641507	2	Bolt 5/16in-18NC	
15	0901609	1	Bracket, Box Mounting	
16	3911004	2	Screw, Machine #10-24NC x 1/2in	
17	3311001	2	Nut #10-24NC	
18	4761000	2	Lockwasher #10	
20	0681610	2	Bolt 3/8in-16NC x 1 1/4in (Grade 8)	
21	4751600	2	Flatwasher 3/8in	
24	3311501	2	Nut 5/16in-16NC	

SECTION 2 - GROUND COMPONENTS

FIGURE 2-9. ENGINE INSTALLATION - DEUTZ F2L1011



SECTION 2 - GROUND COMPONENTS

FIGURE 2-9. ENGINE INSTALLATION - DEUTZ F2L1011

ITEM	PART NUMBER	QTY	DESCRIPTION	REV
	0253361	Ref	ENGINE INSTALLATION - DEUTZ F2L1011	18
1		Ref	Engine - Deutz F2L1011	
1	2000106	1	Engine - Deutz (Prior to August 1995)	
1	2000137	1	Engine - Deutz (August 1995 to Present)	
2	4843934	1	Tray, Engine Mounting	
4		Ref	Pump Assembly - Sunstrand (See Piston Pump Assembly for Breakdown)	
4	3600164	1	Pump Assembly (13 Tooth Spline) (Prior to SN 30660)	
4	3600260	1	Pump Assembly (15 Tooth Spline) (SN 30660 to Present)	
5	0361817	4	Spacer, Engine Mounting	
6	0080177	1	Adapter, Air Intake	
7		Ref	Adapter, Throttle	
7	0080172	1	Adapter, Throttle (Prior to August 1995)	
7	4460302	1	Adapter, Throttle (August 1995 to Present)	
8	3450202	1	Pin, Cotter 1/16in x 1/2in	
9	3951003	1	Setscrew #10-24NC x 3/8in (Prior to August 1995)	
9	0902244	1	Bracket, Throttle (August 1995 to Present)	
10	0641840	4	Bolt 1/2in-13NC x 5in	
11	3311805	4	Locknut 1/2in-13NC	
12	4751800	4	Flatwasher 1/2in	
13	0641406	4	Bolt 1/4in-20NC x 3/4in	
14	4711400	24	Flatwasher 1/4in	
15	3311405	4	Locknut 1/4in-20NC	
16	0641512	3	Bolt	
17		Ref	Cable, Battery Options:	
17	1060406	1	Cable, Battery (Prior to SN 70832)	
17	1060254	1	Cable, Battery (SN 70832 to Present)	
18	1060093	1	Cable, Battery	
19	0140001	1	Horn	
20	0641610	2	Bolt 3/8in-16NC x 1 1/4in	
21	4751600	18	Flatwasher 3/8in	
22	0060023	1	Actuator, Throttle	
22	7008828	1	Cable, Throttle	
23	0901817	1	Bracket, Fuel Filter	
24	0701010	4	Bolt, Metric M10 x 20mm	
25	4832000	4	Lockwasher 10m	
26	0641508	2	Bolt 5/16in-18NC x 1in	
27	3311501	5	Nut 5/16in-18NC	
28	4761500	5	Lockwasher 5/16in	
29	4751600	12	Lockwasher 3/8in	
30	0400003	1	Battery (Prior to SN 44593)	
30	0400075	1	Battery (SN 44593 to Present)	
31	0400002	1	Tie-Down, Battery (Prior to SN 44593)	
31	0400174	1	Tie-Down, Battery (SN 44593 to Present)	
32	3980003	1	Seat, Battery (Prior to SN 44593)	
32	3980007	1	Seat, Battery (SN 44593 to Present)	
33	0630370	2	Rod, Tie-Down	
34	3300029	2	Wingnut 3/8in-16NC	
35	1060360	1	Cable, Battery	
36	4740195	2	Washer, Hardened	

SECTION 2 - GROUND COMPONENTS

ITEM	PART NUMBER	QTY	DESCRIPTION	REV
37	3311601	6	Nut 3/8in-16NC	
38	0641612	6	Bolt 3/8in-16NC x 1 1/2in	
39	4843513	1	Air Intake Weldment	
40	2180730	1	Fitting, Adapter	
41	2420110	1	Sender, Oil Pressure	
42	3960407	1	Gasket	
43	1340020	1	Air Cleaner Assembly	
43	7004214	1	Element, Air Cleaner	
44	0340002	2	Band, Mounting - Air Cleaner	
45	1320180	6	Clamp, Hose	
46	2720351	3 in 3in/7.6cm	Hose	
47	4565347	1	Tube, Air Cleaner	
48	0080039	1	Elbow	
49	0080046	1	Elbow	
50	0362043	4	Bar, Spacer	
51	0641424	4	Bolt 1/4in-20NC x 3in	
52	2720342	9 in 9in/23cm	Hose, Air Intake	
53	1320059	3	Clamp, Hose	
54	3535551	1	Plate, Cover	
55	4565348	1	Tube, Exhaust	
56	1320019	1	U-Clamp	
57	0901705	1	Bracket, Muffler	
58	1320176	1	Clamp, Muffler	
60	0901778	1	Bracket, Charge Filter	
61	2120135	1	Filter, Charge Pressure	
61	2120136	1	Element, Charge Filter	
62		Ref	Line, Fuel (Return)	
62	2720271	8 ft 8in/2.44m	Hose, 3/16 in Id Low Pressure (Prior to SN 26785)	
62	2720058	8 ft 8in/2.44m	Hose, Low Press: .31x.51x1.00 (SN 26785 to Present)	
63	2720058	6 ft 6in/1.83m	Line, Fuel (Supply)	
64	1320022	4	Clamp, Hose	
65	2200462	2	Fitting, 90 (Prior to SN 28604 Only)	
66		Ref	Fitting, Barbed	
66	2180348	2	Ftg, 1/4 Npt X 5/16 Barb (Prior to SN 28604)	
66	2220317	2	Fitting, Barbed (SN 28604 through 101992)	
66	2220805	2	Fitting, Coupling (SN 101993 to Present)	
67	0100043	AR	Sealant, Fuel Line (Not Shown)	
68	2180666	1	Fitting, Barbed (Prior to SN 28604 Only)	
69	0641406	AR	Bolt 1/4in-20NC x 3/4in	
71	4280280	1	Strip, Air Intake	
72	3600206	1	Gear Pump Assembly (See GEAR PUMP ASSEMBLY JSB for Breakdown)	
73	3790152	1	O-Ring	
74	0641812	2	Bolt 1/2in-13NC x 1 1/2in	
75	4761800	2	Lockwasher 1/2in	
76	3536144	1	Cover, Battery (Prior to SN 44593)	
76	1670841	1	Cover, Battery (SN 44593 to Present)	
77	0641405	4	Bolt 1/4in-20NC x 5/8in	

SECTION 2 - GROUND COMPONENTS

ITEM	PART NUMBER	QTY	DESCRIPTION	REV
78	4761400	4	Lockwasher 1/4in	
79		Ref	Hardware Options:	
79	4751400	4	Flatwasher 1/4in (Prior to SN 60098)	
79	1320060	2	Clamp (SN 60098 to Present)	
80	3740067	1	Relay	
81	4751400	8	Flatwasher 1/4 (Prior to SN 60098)	
82	3311405	4	Locknut 1/4in-20NC	
83	4711400	1	Flatwasher 1/4 Narrow (SN 26766 to Present)	
84	0700605	2	Bolt, Metric 6mm x 10mm (SN 26766 to Present)	
95	0100011	AR	Loctite #242 (Not Shown)	
96	0701016	2	Bolt Metric 10mm x 40mm (SN 55667 to Present)	
97	4832000	2	Lockwasher (SN 55667 to Present)	
98	4740308	2	Spacer (SN 55667 to Present)	
99	0840046	1	Boot, Battery (Positive) (Not Shown)	
100	0840047	1	Boot, Battery (Negative) (Not Shown)	
101	2220273	2	Fitting, Reducer (Not Shown)	
		Ref	PUMP COUPLING INSTALLATION OPTIONS:	
	0250597	Ref	13 Tooth Spline Pump (Prior to SN 30660)	-
	0256848	Ref	15 Tooth Spline Pump (SN 30660 to Present)	-
201		Ref	Coupling Options:	
201	1660184	1	Coupling (13 Tooth Pump Spline) (Prior to SN 30660)	
201	1660234	1	Coupling (15 Tooth Pump Spline) (SN 30660 to Present)	
		Ref	Note: Coupling Spline must be greased with lithium soap based grease prior to installation.	
202	0080163	1	Adapter, Pump Mounting	
203	0700810	6	Bolt, Metric 8mm x 20mm	
204	4831900	6	Lockwasher 8mm	
205	0701013	8	Bolt 10mm x 28mm	
206	4832000	8	Lockwasher 10mm	
207	3020021	AR	Grease, Coupling (Not Shown) (Prior to SN 103575)	
	0251548	Ref	ENGINE DISTRESS SWITCH INSTALLATION (OPTIONAL)	4
301	4360358	1	Switch, Pressure	
301	2180360	1	Fitting, Tee	
301	2180749	1	Fitting, 45	
	0258686	Ref	ENGINE SHUTDOWN INSTALLATION (OPTIONAL)	2
301	4360065	1	Switch, Pressure	
301	2180318	1	Fitting, 90	
301	2180643	1	Fitting, Nipple	
		Ref	GENERATOR INSTALLATIONS (OPTIONAL)	
	0251801	Ref	Generator (Prior to August 1994)	G
	0255038	Ref	Generator (August 1994 to Present)	2
401	2180730	1	Fitting, Adapter (Prior to August 1994 Only)	
401	2180749	1	Fitting, 45	
401	2180537	1	Fitting, Nipple (Prior to August 1994 Only)	
401	4360037	1	Switch, Pressure (Prior to August 1994 Only)	
401	2180360	1	Fitting, Tee (Prior to August 1994 Only)	
401	2200261	1	Fitting, Coupling (Prior to August 1994 Only)	
	0253875	Ref	SPARK ARRESTOR INSTALLATION (OPTIONAL) (PRIOR TO OCTOBER 1995)	-
501	3220083	1	Arrestor, Spark (Includes Mounting Hardware)	
	0256898	Ref	SPARK ARRESTOR MUFFLER INSTALLATION (OPTIONAL) (OCTOBER 1995 TO S/N 65404)	-

SECTION 2 - GROUND COMPONENTS

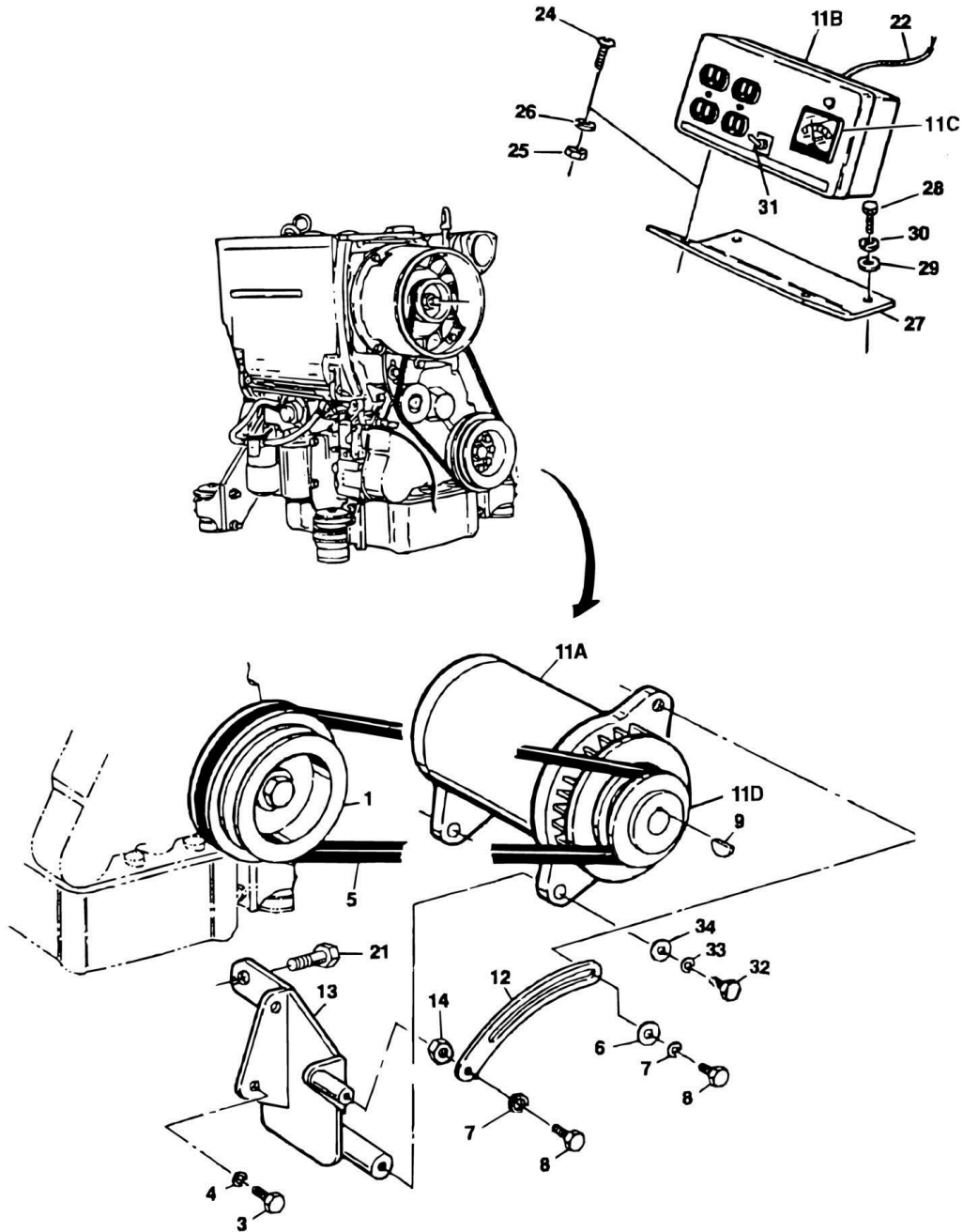
ITEM	PART NUMBER	QTY	DESCRIPTION	REV
551	4567159	1	Pipe, Exhaust	
552	1320021	1	U-Clamp	
553	3220036	1	Arrestor, Spark	
	0259488	Ref	SPARK ARRESTOR MUFFLER INSTALLATION (OPTIONAL) (SN 65404 to Present)	1
601	3220118	1	Pipe, Exhaust	
	0255114	Ref	SPARK ARRESTOR MUFFLER INSTALLATION (OPTIONAL) (OCTOBER 1995 TO PRESENT)	2
701	4566617	2	Pipe, Exhaust	
702	1320019	2	U-Clamp	
703	3220086	1	Purifier, Exhaust	
		Ref	ENGINE COMPONENTS - DEUTZ F2L1011	
	2000106	Ref	Engine Components (Prior to August 1995)	
	2000137	Ref	Engine Components (August 1995 to Present)	
		Ref	Engine 2000106	
	7000693	1	Muffler - Deutz F2L1011	
	7000699	1	Seal, Exhaust (Doughnut)	
	7012598	1	Fuel Filter	
	7012599	2	Injector, Fuel	
	7012698	1	Fuel Pump - Main	
	7016331	1	Oil Filter	
	7012626	1	Starter	
	7020465	1	Cap, Oil Filler	
	3600213	1	Pump, Drive (was p/n 7012572)	
	3520078	1	Plug (was p/n 7012573)	
	1670680	1	Cover, Timing Chain (was p/n 7012574)	
	7012575	1	Pulley, Crankshaft	
	7016308	1	Ring, Air Intake	
	7019607	1	Shutdown Device (was p/n 7016359)	
	7020414	1	V-Belt	
	7020437	1	Flywheel	
	7020496	1	Gear, Ring (Flywheel)	
	7020456	1	Dipstick	
	7014683	1	Oil Change and Gasket Kit (Includes Fuel Line Washer, or Plug Washer, Oil Filter, Fuel Filter Injector Tip Gasket and Valve Cover Gasket)	
		Ref	Engine 2000137	
	7020417	1	Alternator	
	7000693	1	Muffler - Deutz F2L1011	
	7000699	1	Seal, Exhaust (Doughnut)	
	8320270	1	Fuel Filter (was p/n 7016328)	
	7012599	1	Pump, Fuel Injector	
	7020426	1	Injector, Fuel	
	7020425	1	Nozzle, Injector	
	7020424	1	Gasket, Injector Tip	
	7016309	1	Washer, Sealing (Copper)	
	7024413	1	Fuel Pump - Main	
	7020411	1	Gasket, Lift	
	7016332	1	Starter (was p/n 7016678)	
	7020465	1	Cap Oil Filter	
	7020467	1	Pump, Oil	
	7016331	1	Oil Filter	

SECTION 2 - GROUND COMPONENTS

ITEM	PART NUMBER	QTY	DESCRIPTION	REV
	7019607	1	Shutdown Device (Was P/N 7016359)	
	7020414	1	V-Belt	
	7020027	1	Flywheel/Ring Gear Assembly	
	7020477	1	Gear, Ring (Flywheel)	
	7020434	1	Dipstick	
	7020429	1	Gasket, Vale Cover	
		Ref	Gasket, Head Options:	
	70003160	1	Gasket, Head (1 Notch)	
	70003161	1	Gasket, Head (2 Notch)	
	70003162	1	Gasket, Head (3 Notch)	
	7020404	1	Washer, Oil Pan	
	7020406	1	Ring, Sealing	
	70001138	2	Mounting, Motor (Rear)	
	70001136	1	Mounting Kit, Motor (Front - LH)	
	70001137	1	Mounting Kit, Motor (Front - RH)	

SECTION 2 - GROUND COMPONENTS

FIGURE 2-10. GENERATOR INSTALLATIONS (DEUTZ ENGINE OPTION)



SECTION 2 - GROUND COMPONENTS

FIGURE 2-10. GENERATOR INSTALLATIONS (DEUTZ ENGINE OPTION)

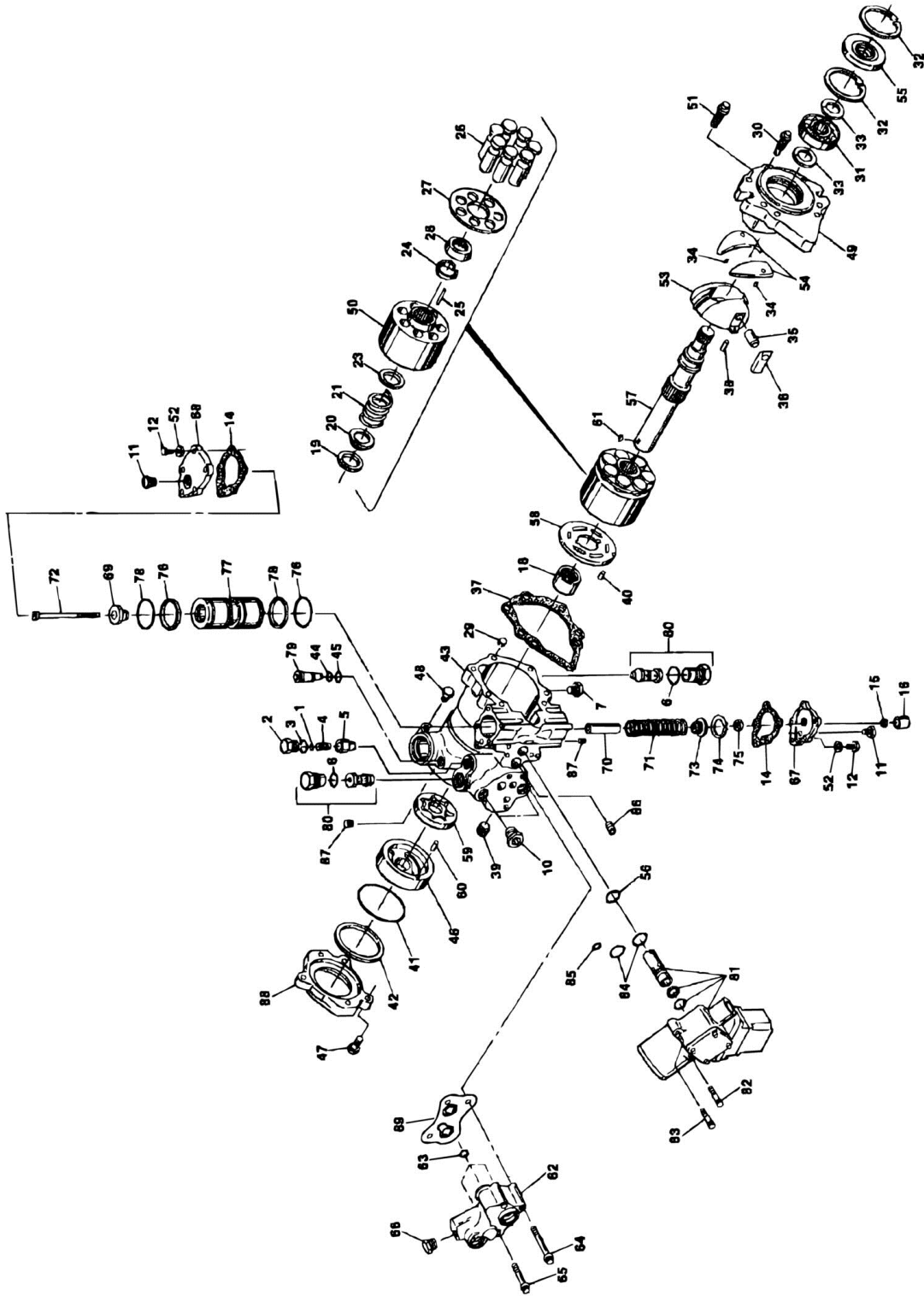
ITEM	PART NUMBER	QTY	DESCRIPTION	REV
		Ref	GENERATOR INSTALLATIONS (DEUTZ ENGINE OPTION)	
	0251801	Ref	Generator Installations (Prior to August 1994)	G
	0255038	Ref	Generator Installations (August 1994 to Present)	2
1	3580158	1	Pulley	
2	0100011	AR	Loctite #242 (Not Shown)	
3	0701012	2	Bolt, Metric 10mm x 25mm	
4	4812000	2	Flatwasher, Metric 10mm	
5	0480059	1	V-Belt	
6	4751500	1	Flatwasher 5/16in	
7	4761500	2	Lockwasher 5/16in	
8	0681510	2	Bolt 5/16in-18NC x 1 1/4in (Grade 8)	
9	2860012	1	Key, Woodruff	
11	2460011	1	Generator Assembly with Control Box	
11A	7012558	1	Generator Assembly Only	
11A	7020108	4	Brush	
11A	7020109	4	Holder, Brush	
11A	7012513	4	Caps, Brush Holder	
11A	7012514	1	Fan	
11A	7020193	1	Cord, Power	
11A	7026199	1	Armature	
11A	7020110	1	End Bell, Front	
11A	7020111	1	End Bell, Rear	
11A	7020190	2	Bearing	
11B	7003657	1	Control Box Assembly	
		Ref	Note: Replacement 110V Control Box comes with 2 std Receptacles p/n 4460190. Optional Industrial Twist Lock Receptacles p/n 4460027 must be ordered separately.	
11B	4360542	1	Breaker, Circuit	
11B	4460190	2	Receptacle	
11B	2920162	1	Lamp	
11B	7020191	1	Switch, Toggle	
11B	3520028	1	Plug, Hole	
11C	2420203	1	Voltmeter	
11D	3580134	1	Pulley	
12	0361815	1	Arm, Adjustment	
13	4843410	1	Bracket, Generator Mounting	
14	3311501	1	Nut 5/16in-18NC	
21	0701414	1	Bolt, Metric 14mm x 30mm	
22	1060515	4 ft 4ft/1.2m	Cable, Electrical - 12/4	
24	3911004	2	Screw, Machine #10-24NC x 1/2in	
25	3311001	2	Nut #10-24NC	
26	4761000	2	Lockwasher #10	
27	0901609	1	Bracket, Control Box Mounting	
28	0641507	2	Bolt 5/16in-18NC x 7/8in	
29	4751500	2	Flatwasher 5/16in	
30	4761500	2	Lockwasher 5/16in	
31	3251476	1	Nematic - On/Off	
32	0681610	2	Bolt 3/8in-16NC x 1 1/4in (Grade 8)	
33	4761600	2	Lockwasher 3/8in	

SECTION 2 - GROUND COMPONENTS

ITEM	PART NUMBER	QTY	DESCRIPTION	REV
34	4751600	2	Flatwasher 3/8in	

SECTION 2 - GROUND COMPONENTS

FIGURE 2-11. PISTON PUMP ASSEMBLY - SUNSTRAND



SECTION 2 - GROUND COMPONENTS

FIGURE 2-11. PISTON PUMP ASSEMBLY - SUNSTRAND

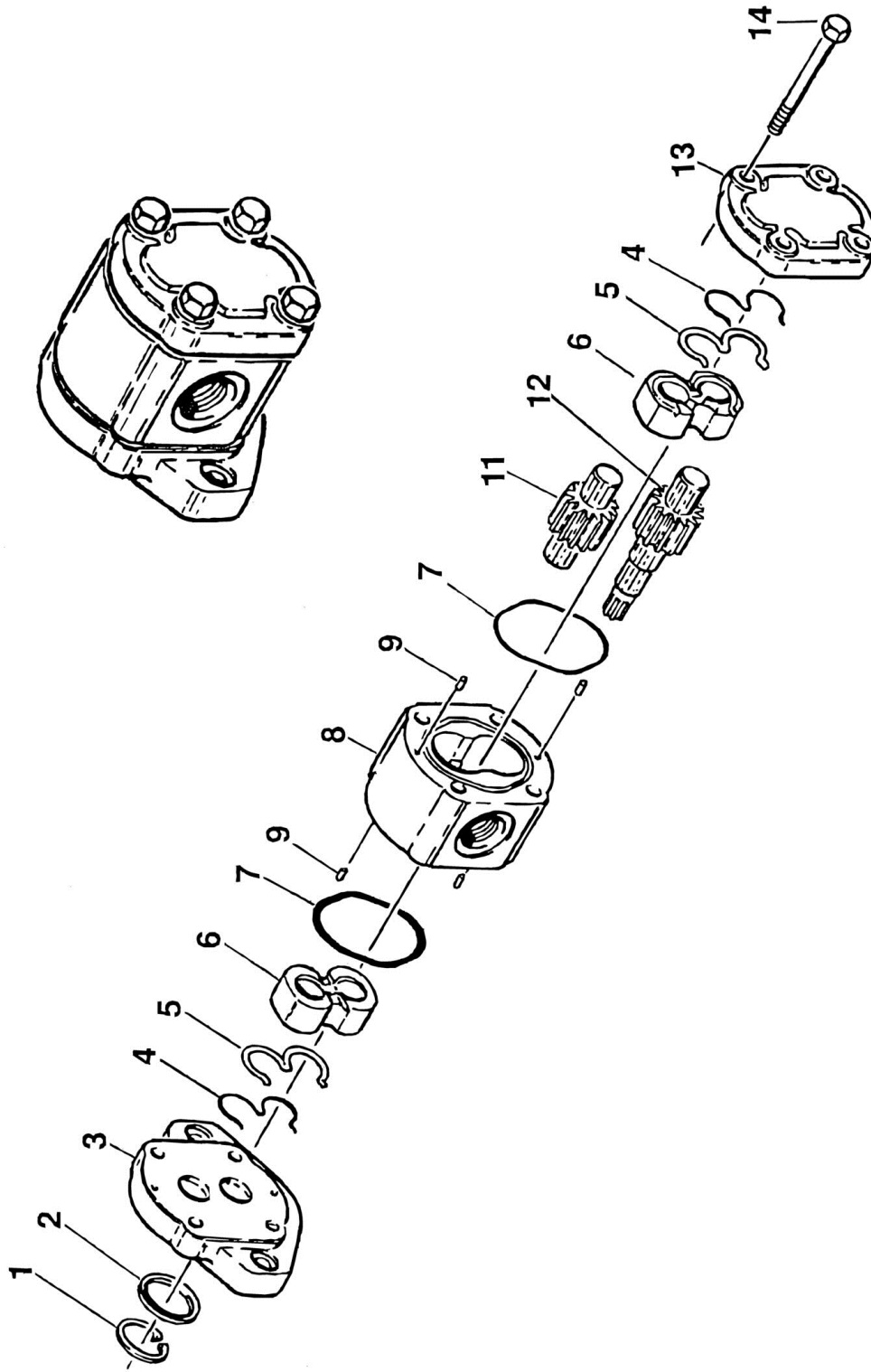
ITEM	PART NUMBER	QTY	DESCRIPTION	REV
		Ref	PISTON PUMP ASSEMBLY - SUNSTRAND	
	3600164	Ref	13 Tooth Pump Spline (Prior to SN 30660)	A
	3600260	Ref	15 Tooth Pump Spline (SN 30660 to Present)	B
1	7007413	1	Shim Kit - Relief Valve	
2	7007414	1	Plug	
3	Kit	1	O-Ring	
4	7007416	1	Spring, Relief Valve	
5	7007417	1	Valve, Relief	
6	Kit	2	O-Ring	
7	7007419	2	Plug	
10	7007420	2	Plug	
11	7007208	2	Plug	
12	7007421	10	Screw	
14	7007422	2	Gasket, Servo Cover	
15	7007423	1	Nut, Special	
16	7007424	1	Cover, Adjustment	
18	7007425	1	Bearing, Needle	
19	Kit	1	Ring, Retaining	
20	Kit	1	Washer	
21	Kit	1	Spring	
23	Kit	1	Washer	
24	Kit	1	Retainer	
25	Kit	3	Pin, Slipper Holddown	
26	Kit	7	Piston Assembly	
27	Kit	1	Guide, Slipper	
28	Kit	1	Guide, Retainer	
29	7007435	1	Pin, Spring	
30	7007436	1	Screw - 12 Point Head	
31	7007437	1	Bearing, Ball	
32	7007438	2	Ring	
33	7007439	2	Ring	
34	7007440	2	Pin, Spring	
35	7007441	1	Handle, Pin	
36	7007442	1	Sleeve, Bearing	
37	Kit	1	Gasket, Front Cover	
38	7007444	1	Pin	
39	7007445	1	Plug, Expansion	
40	Kit	1	Pin	
41	Kit	1	O-Ring	
42	Kit	1	Ring, Load Temper	
43	7007449	1	Housing, Pump	
44	Kit	1	Ring, Back-up	
45	Kit	1	O-Ring	
46	Kit	1	Cover, Gerotor	
47	7007453	3	Bolt, Hex	
48	7007208	1	Plug	
49	7007454	1	Cover, Front	
50	Kit	1	Block, Cylinder	
51	7007456	6	Screw - 12 Point Head	
52	7001438	10	Washer	

SECTION 2 - GROUND COMPONENTS

ITEM	PART NUMBER	QTY	DESCRIPTION	REV
53	Kit	1	Swashplate	
54	7007458	1	Journal, Bearing	
55	Kit	1	Seal, Lip	
56	Kit	1	O-Ring	
57		Ref	Shaft, Main Pump	
57	7007461	1	13 Tooth Spline (Prior to SN 30660)	
57	7010121	1	15 Tooth Spline (SN 30660 to Present)	
58	Kit	1	Plate, Valve	
59	Kit	1	Gerotor Assembly	
60	Kit	1	Pin	
61	Kit	1	Key, Woodruff	
62	7007466	1	Adaptor, Remote Filtration (Without Bypass)	
63	Kit	3	O-Ring	
64	7007468	2	Screw	
65	7007469	2	Screw	
66	7007470	1	Plug	
67	7007471	1	Cover, Servo (With Adjuster)	
67	7007490	2	Stop, Servo (Not Shown)	
67	7007491	2	Nut, Special (Not Shown)	
67	7007492	2	Ring, External (Not Shown)	
68	7007482	1	Cover, Servo (Without Adjuster)	
69	7007483	1	Guide, Spring	
70	7007484	1	Stop, Servo	
71	7007485	1	Spring	
72	7007486	1	Screw	
73	7007487	1	Guide, Spring	
74	7007488	1	Ring, Retaining	
75	7007499	1	Locknut	
76	Kit	2	Ring, Piston	
77	7007494	1	Piston, Servo	
78	Kit	2	O-Ring	
79	7007472	1	Valve, By-Pass	
80	7010122	2	Valve, Pressure Release (Includes Item 6) (Was p/n 7007473)	
81	7007474	1	Control, Dual Oil-Filled	
81	7007496	1	Coil Assembly (Pilot)	
81	7007497	1	Plug (Pump)	
81	7007498	1	Plug (Valve Harness)	
82	7007478	2	Screw	
83	7001498	2	Screw	
84	Kit	2	O-Ring	
85	Kit	1	O-Ring	
86	7007475	1	Plug, Orifice/Screen - .156	
87	7007477	2	Plug, Orifice - .37	
88	7007476	1	Adapter, Auxiliary Pump	
89	7010120	1	Spacer/Gasket	
	2900752	1	Seal Kit - Complete (Includes Items 3, 6, 14, 15, 37, 41, 42, 44, 45, 55, 56, 63, 76, 78, 84 & 85)	
	7007412	1	Seal Kit - Servo Piston (Includes Items 76 & 78)	
	2900826	1	Charge Pump Kit (Includes Items 41, 42, 46, 59, 60 & 61)	
	2900827	1	Cylinder Block Kit (Includes Items 19 thru 28, 40, 50, 53 & 58)	

SECTION 2 - GROUND COMPONENTS

FIGURE 2-12. GEAR PUMP ASSEMBLY - JSB.



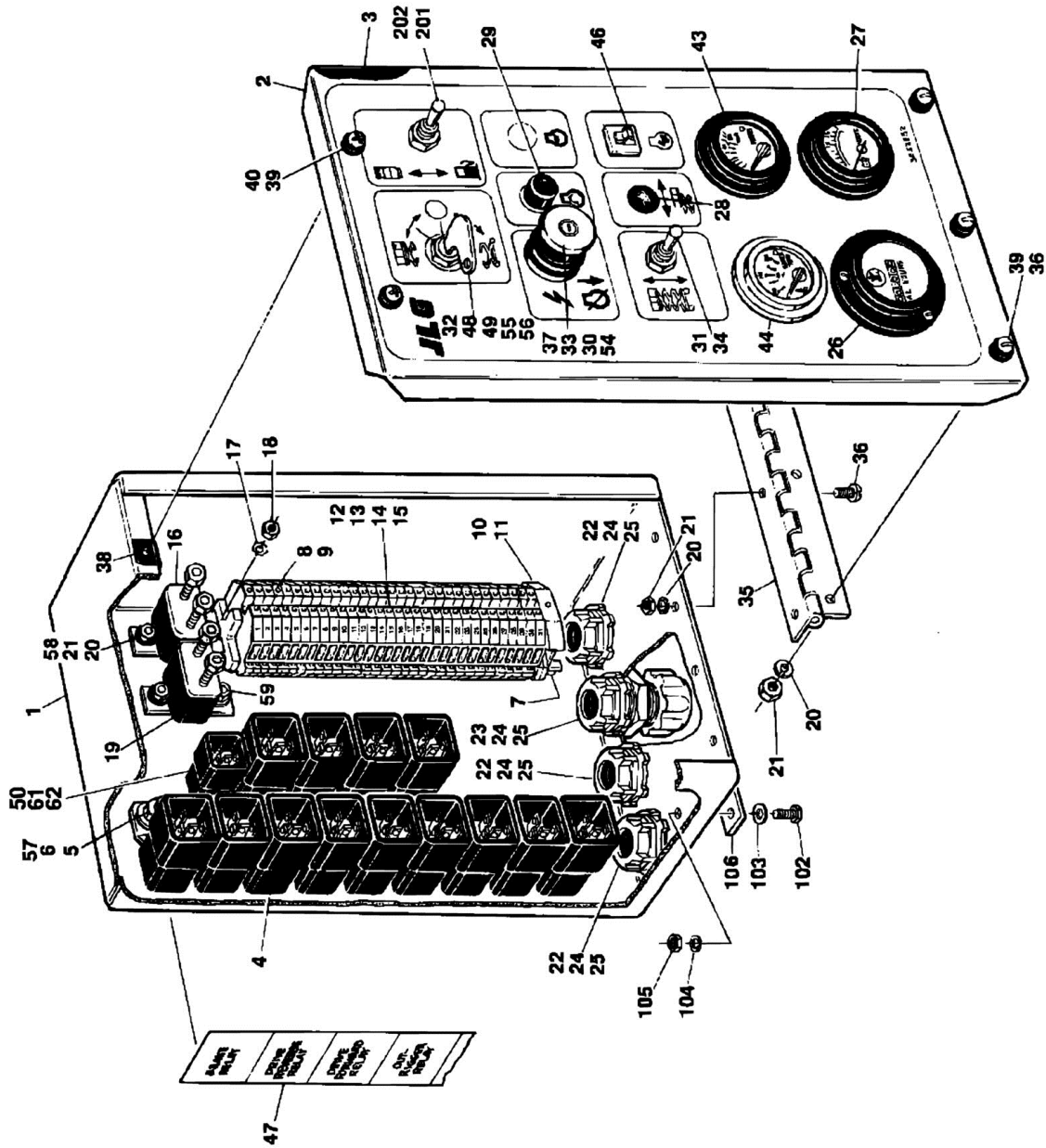
SECTION 2 - GROUND COMPONENTS

FIGURE 2-12. GEAR PUMP ASSEMBLY - JSB.

ITEM	PART NUMBER	QTY	DESCRIPTION	REV
	3600206	Ref	GEAR PUMP ASSEMBLY - JSB	
1	7007477	1	Ring, Retaining	
2	Kit	1	Seal, Shaft	
3	7010956	1	Flange, Mounting	
4	Kit	2	Ring, Back-up	
5	Kit	2	E-Seal	
6	7010957	2	Bearing	
7	Kit	2	O-Ring	
8	7010963	1	Housing, Gear	
9	7010959	4	Pin, Dowel	
11	7010982	1	Gear, Idler	
12	7010973	1	Gear, Drive	
13	7010960	1	Cover, End	
14	7010961	4	Bolt	
	7010953	1	Seal Kit (Includes Items 2, 4, 5 & 7)	

SECTION 2 - GROUND COMPONENTS

FIGURE 2-13. GROUND CONTROL BOX INSTALLATION



SECTION 2 - GROUND COMPONENTS

FIGURE 2-13. GROUND CONTROL BOX INSTALLATION

ITEM	PART NUMBER	QTY	DESCRIPTION	REV
		Ref	GROUND CONTROL BOX INSTALLATION OPTIONS:	
	0253724	Ref	Deutz Engine Machines (Prior To April 1993)	-
	0254102	Ref	Deutz Engine Machines (April 1993 To Present)	12
	0253723	Ref	Ford Engine Machines (Prior To April 1993)	-
	0254101	Ref	Ford Engine Machines (April 1993 To Present)	11
1		Ref	Box, Ground Control Options:	
1	4843375	1	Control Box (Prior To April 1993)	
1	4844562	1	Control Box (April 1993 To S/N 70902)	
1	0861338	1	Control Box (SN 70902 to Present)	
2		Ref	Lid Options:	
2	3252252	1	Lid (Prior To April 1993)	
2	3252308	1	Lid (April 1993 To S/N 65031)	
2	3252635	1	Lid (SN 65031 to Present)	
3	4420037	AR	Strip, Rubber	
4	3740049	AR	Relay	
5	4761400	AR	Lockwasher 1/4in	
6	3311401	AR	Nut 1/4in-20NC	
7		Ref	Rail, Mounting Options:	
7	3640621	1	Rail (Prior To April 1993)	
7	3640865	1	Rail (April 1993 To Present)	
8	4460298	AR	Block, Terminal	
9	4460301	1	Marker, Terminal	
10	4460299	2	Stop, Terminal	
11	4460300	1	Barrier, Terminal	
12	4460309	1	Bar, Buss - 3 Position	
13	4460305	3	Screw	
14	4460306	3	Washer	
15	4460307	3	Sleeve	
16	4360216	1	Breaker, Circuit - 30 Amp	
17	4770600	2	Starwasher #6	
18	3310601	2	Nut #6-32NC	
19	4360232	1	Breaker, Circuit - 15 Amp	
20	4761000	AR	Lockwasher #10	
21	3311001	AR	Nut #10-24NC	
22	4460051	AR	Connector, Strain Relief	
23	4460071	1	Connector, Strain Relief	
24	3300048	4	Locknut, Conduit	
25	0960238	4	Bushing	
26	2420009	1	Hourmeter	
27	2420091	1	Voltmeter	
28	3520028	1	Plug, Hole	
29	4360274	1	Switch, Push Button (Start)	
30	0100035	AR	Loctite #222	
31	3790012	AR	O-Ring	
32	4360284	1	Switch, Key (Select) (Prior to SN 45155)	
32	4360290	1	Switch, Key (Select) (SN 45155 through 65030)	
32	4360469	1	Switch, Key (Select) (SN 65031 to Present)	
32	7010698	1	Key, Replacement (4360284 & 4360290)	
32	2860030	1	Key, Replacement (4360469)	
33		Ref	Switch, Push/Pull (Emergency Stop) Options:	

SECTION 2 - GROUND COMPONENTS

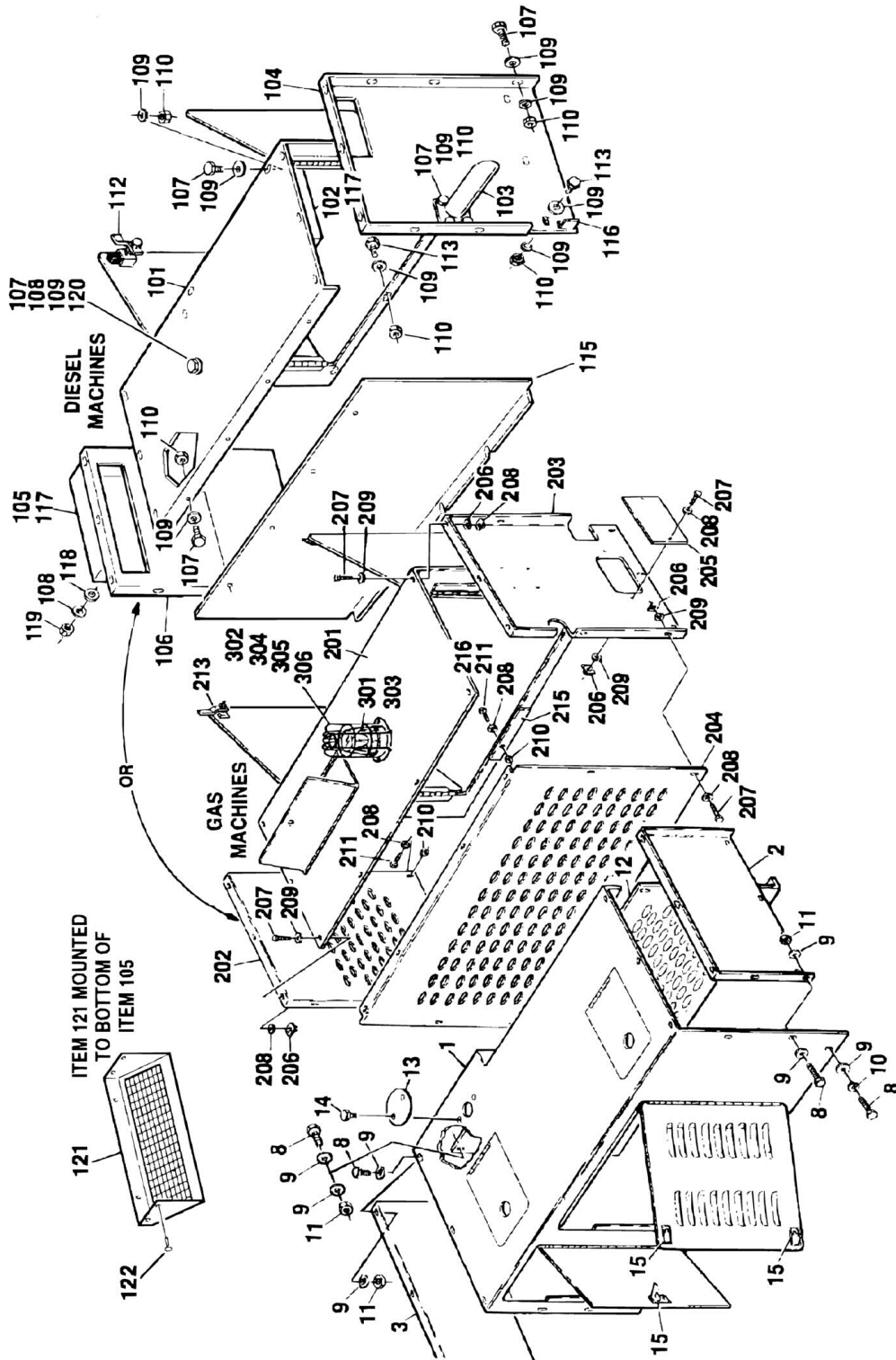
ITEM	PART NUMBER	QTY	DESCRIPTION	REV
33	4360289	1	Switch, E-Stop (Prior to SN 65031)	
33	4360475	1	Switch, E-Stop (SN 65031 to Present)	
34	4360314	1	Switch, Toggle (Lift)	
35	2600161	1	Hinge	
36	3911008	7	Screw, Machine #10-24NC x 1 1/2in	
37		Ref	Block, Contact Options:	
37	4460267	1	Block (April 1993 to S/N 81217)	
37	4360478	1	Block (SN 81217 to Present)	
38	3300177	2	Nut, Tinnerman	
39	4740120	5	Washer, Nylon	
40	0750806	2	Screw, Round Head	
41	4460303	1	Terminal, Ground Block (Not Shown)	
43		Ref	Oil Pressure Gauge Assembly Options:	
43	2420111	1	Deutz Engine Machines	
43	2420164	1	Ford Engine Machines	
43	2420084	1	Gauge Light Kit	
44		Ref	Water Temperature Gauge Assembly Options:	
44	3520070	1	Deutz Engine Machines (Hole Plug)	
44	2420159	1	Ford Engine Machines	
44	2420084	1	Gauge Light Kit	
46		Ref	Breaker, Circuit	
46	4360212	1	Deutz Engine Machines (3 Amp)	
46	Not Required	0	Ford Engine Machines	
47	1701683	1	Decal, Relay Function	
48		Ref	Block, Contact Options:	
48	See Note	1	Block, Contact (Note: Use 4360267 as replacement for original 4360237) (Prior to SN 28604)	
48	4360267	1	Switch, Block Contact SPST N.O. (SN 28604 to Present)	
49	4360281	1	Block, Contact	
50		Ref	Relay Options:	
50	Not Required	0	Deutz Engine Machines (Prior to April 1993)	
50	3740077	1	Deutz Engine Machines (April 1993 to Present)	
54		Ref	Washer, Bronze Options:	
54	4740066	1	Washer, Thrust (Bronze) (SN 37155 to Present)	
55	4070987	5	Shim, Nylon (SN 65031 to Present)	
56	3910804	6	Screw #8-32 NC x 1/4 (SN 65031 to Present)	
57	0641406	AR	Bolt 1/4in-20NC x 3/4 (SN 70902 to Present)	
58	0721004	3	Bolt #10-24NC x 1/2 (SN 70902 to Present)	
59	0720603	4	Bolt #6-32NC x 3/8 (SN 70902 to Present)	
60	0641408	1	Bolt 1/4in-20NC x 1in (Not Shown)	
61	0721006	1	Bolt #10-24NC x 3/4in	
62	4751000	1	Flatwasher #10	
63	3340841	4	Pad, PVC (Not Shown)	
64	2420084	3	Light Kit, Gauge (Not Shown)	
65	3790012	1	O-Ring (Not Shown)	
	0253720	Ref	Deutz Engines Machines (Prior to April 1993)	-
	0253719	Ref	Ford Engines Machines (Prior to April 1993)	-
	0254106	Ref	Deutz Engines Machines (April 1993 to Present)	B
	0254105	Ref	Ford Engines Machines (April 1993 to Present)	C
		Ref	Note: For United Airlines Machines See SPECIAL OPTIONS LIST SECTION.	
102	0641410	2	Bolt 1/4in-20NC x 1 1/4in	

SECTION 2 - GROUND COMPONENTS

ITEM	PART NUMBER	QTY	DESCRIPTION	REV
103	4751400	4	Flatwasher 1/4in	
104	4761400	2	Lockwasher 1/4in	
105	3311401	2	Nut 1/4in-20NC	
106	0362591	1	Bar, Brace	
	0250790	Ref	OPTIONAL DUAL FUEL CONTROLS INSTALLATION	12
201	4360331	1	Switch, Toggle (Select)	
202	3790012	1	O-Ring	
	0253821	Ref	HEADLIGHT/TAILLIGHT COMPONENTS INSTALLATION	3
301	3740049	1	Relay, Bosch (Not Shown)	
	0254076	Ref	LEVELING JACK COMPONENTS INSTALLATION (OPTIONAL) (NOT SHOWN)	9
427	1060341	44 ft/13.4m	Cable, Electrical - 16/2	
428	4460035	3	Splice, Terminal	
429	4460051	1	Connector	
430	3300048	1	Locknut, Conduit	
431	0960238	4	Bushing	
432	4460470	1	Locknut	
433	4460471	1	Washer	
434	4460480	1	Receptacle	
435	4460465	10	Socket	
436	4460259	24	Terminal, Positive Lock	
437	4460260	24	Housing, Terminal	
438	4460298	8	Strip, Terminal	
439	4460301	1	Strip, Terminal Marking	

SECTION 2 - GROUND COMPONENTS

FIGURE 2-14. HOODS AND BEACON LIGHT INSTALLATION



SECTION 2 - GROUND COMPONENTS

FIGURE 2-14. HOODS AND BEACON LIGHT INSTALLATION

ITEM	PART NUMBER	QTY	DESCRIPTION	REV
		Ref	HOODS AND BEACON LIGHT INSTALLATION	
	0250687	Ref	HOOD INSTALLATION - LEFT SIDE (STANDARD ON ALL MACHINES)	4-D
		Ref	NOTE: REPLACEMENT DECALS MUST BE ORDERED SEPARATELY - SEE DECALS SECTION.	
1	2680387	1	Hood Weldment - Left Side	
2	3534073	1	Plate - Left Side Rear	
3	3534074	1	Plate - Left Side Front	
8	0641406	27	Bolt 1/4in-20NC x 3/4in	
9	4751400	33	Flatwasher 1/4in	
10	4761400	11	Lockwasher 1/4in	
11	3311405	16	Locknut 1/4in-20NC	
12	3534089	1	Plate - Left Side Inside	
13	1670560	1	Cover	
14	0751006	2	Screw, Self-Tapping #10 x 3/4in	
15	2940042	3	Latch	
16	0100011	AR	Loctite #242 (Not Shown)	
	0251978	Ref	HOOD INSTALLATION - RIGHT SIDE (DIESEL MACHINES)	9
		Ref	Note: Replacement Decals Must Be Ordered Separately - See DECALS SECTION.	
101	2680396	1	Hood Weldment - Right Side	
102	3535353	1	Plate - Air Exhaust	
103	4844024	1	Snorkel, Exhaust	
104	3535348	1	Plate - Right Side Rear	
105	3535352	1	Plate - Air Intake	
106	2680395	1	Plate - Right Side Front	
107	0641406	39	Bolt 1/4in-20NC x 3/4in	
108	4761400	6	Lockwasher 1/4in	
109	4751400	72	Flatwasher 1/4in	
110	3311405	37	Locknut 1/4in-20NC	
112	2940042	2	Latch, Flush Mounting	
113	0641408	4	Bolt 1/4in-20NC x 1in	
114	0100011	AR	Loctite #242 (Not Shown)	
115	3535350	1	Plate - Right Side Inside	
116	0181637	2	Angle	
117	2820047	2	Foam, Acoustical	
118	4711400	6	Flatwasher 1/4in Narrow	
119	3311401	6	Nut 1/4in-20NC	
120	3300353	8	Nut, Tinnerman (Prior to SN 59270)	
121	4060969	1	Shield (SN 48785 to Present)	
122	3820019	6	Rivet (SN 48785 to Present)	
		Ref	HOOD INSTALLATIONS - RIGHT SIDE (GAS MACHINES)	
	0253299	Ref	Ford VSG-411	2
	0257910	Ref	Ford VSG-413	4-E
		Ref	Note: Replacement Decals Must Be Ordered Separately - See DECALS SECTION.	
201	2680406	1	Hood Weldment - Right Side	
202		Ref	Plate Options - Right Side Front	
202	3536349	1	Ford VSG-411	
202	3570421	1	Ford VSG-413	

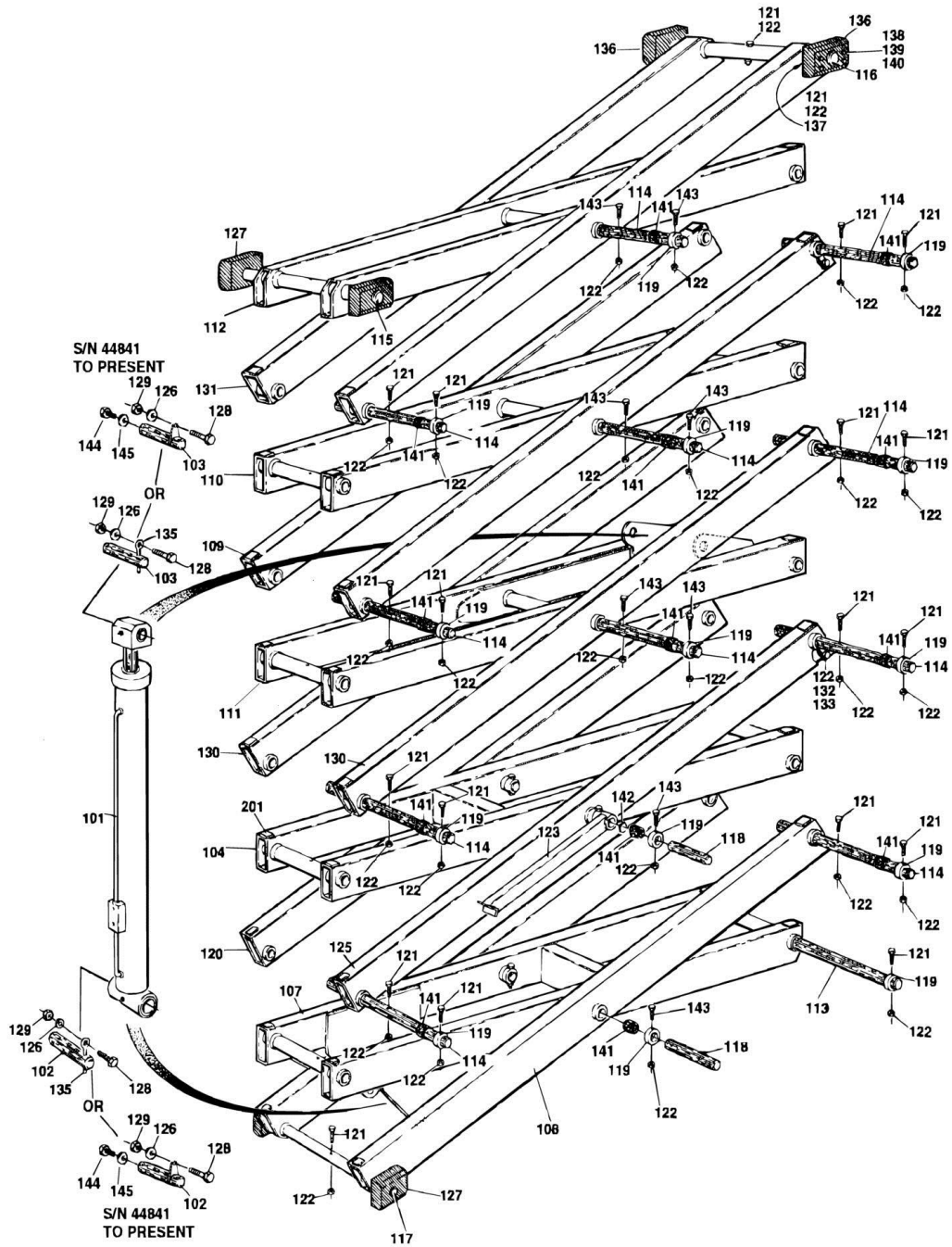
SECTION 2 - GROUND COMPONENTS

ITEM	PART NUMBER	QTY	DESCRIPTION	REV
203		Ref	Plate Options - Right Side Rear	
203	3536350	1	Ford VSG-411	
203	3570420	1	Ford VSG-413	
204	3536351	1	Plate, - Inside Cover	
205	3536622	1	Cover, Pump (Prior to SN 47067 Only)	
206	3300353	10	Nut, Tinnerman	
207	0641406	16	Bolt 1/4in-20NC x 3/4in	
208	4751400	23	Flatwasher 1/4in	
209	4761400	16	Lockwasher 1/4in	
210	3311405	4	Locknut 1/4in-20NC	
211	0641408	AR	Bolt 1/4in-20NC x 1in	
213	2940042	2	Latch, Flush Mount	
214	0100011	AR	Loctite #242 (Not Shown)	
215	0362100	1	Bar	
216	0641410	1	Bolt 1/4in-20NC x 1 1/4in	
		Ref	BEACON LIGHT INSTALLATION (HOOD MOUNTED) (OPTION)	
	0253445	Ref	Single Beacon	2-B
	0270365	Ref	Dual Beacon (Not Shown - Left/Right Side)	1-A
301	2920105	AR	Light, Strobe - Amber	
302	4060829	AR	Guard, Wire	
303	3941404	AR	Screw, Self-Tap 1/4in x 1/2in	
304	0641406	AR	Bolt 1/4in-20NC x 3/4in	
305	4751400	AR	Flatwasher 1/4in	
306	3311405	AR	Locknut 1/4in-20NC	
307	4460035	4	Terminal, Butt (Not Shown - Dual Beacon Only)	
308	1060341	20 ft/7m	Cable, 16/2 (Not Shown - Dual Beacon Only)	
309	4460043	1	Terminal, Eyelet (Not Shown - Dual Beacon Only)	

SECTION 3 - SIZZOR ARMS

SECTION 3 - SIZZOR ARMS

FIGURE 3-1. SIZZOR ARMS INSTALLATION - 40RTS



SECTION 3 - SIZZOR ARMS

FIGURE 3-1. SIZZOR ARMS INSTALLATION - 40RTS

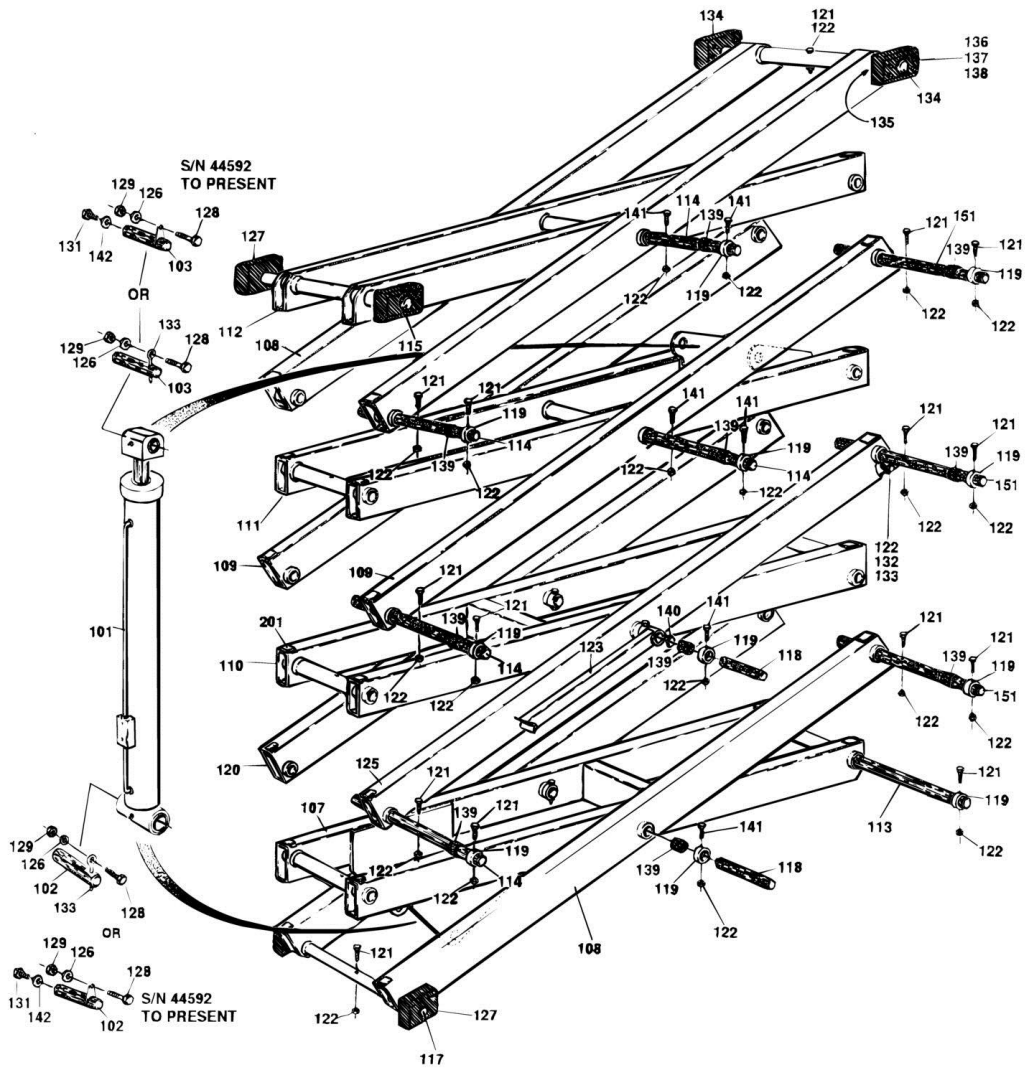
ITEM	PART NUMBER	QTY	DESCRIPTION	REV
		Ref	SIZZOR ARMS INSTALLATIONS - 40RTS	
	0252957	Ref	Standard Machines Built Prior to May 1993	A
	0254091	Ref	Standard Machines Built May 1993 to Present	8
	0252960	Ref	CSA Machines Built Prior to May 1993	A
	0254092	Ref	CSA Machines Built May 1993 to Present	7
		Ref	Note: When using existing pins, Graphokote Lube (P/N 3020028) is required at installation on machines built prior to May 1993. When replacing pivot pins, use chrome pivot pins which require no lubrication at installation.	
101		Ref	Lift Cylinder Assembly (See CYLINDER SECTION for Breakdown)	
101	1683466	1	Lift Cylinder Assembly (was p/n 1682243) (Prior to SN 23500)	
	1683466	1	Lift Cylinder Assembly (SN 23500 to Present)	
102		Ref	Pin, Attach (Bottom Lift Cylinder)	
102	3422735	1	Pin, Attach (was p/n 3422073) (Prior to SN 44841)	
	3422735	1	Pin, Attach (Bottom Lift Cylinder) (SN 44841 to Present)	
103		Ref	Pin, Attach (Top Lift Cylinder)	
103	3422738	1	Pin, Attach (was p/n 3422074) (Prior to SN 44841)	
	3422738	1	Pin, Attach (Top Lift Cylinder) (SN 44841 to Present)	
104		Ref	Arm Weldment (2nd Inboard)	
104	0200458	1	Arm Weldment (2nd Inboard) (Prior to SN 50201)	
104	0200629	1	Arm Weldment (2nd Inboard) (SN 50201 to Present)	
107		Ref	Arm Weldment (Bottom Inboard)	
107	0200454	1	Arm Weldment (Bottom Inboard) (Prior to SN 33431)	
107	0200556	1	Arm Weldment (Bottom Inboard) (SN 33431 to Present)	
108	0200464	1	Arm Weldment (Bottom Outboard)	
109		Ref	Arm Weldment (4th Outboard)	
109	0200452	2	Arm Weldment (4th Outboard) (Prior to SN 50201)	
109	0200628	2	Arm Weldment (4th Outboard) (SN 50201 to Present)	
110	0200463	1	Arm Weldment (4th Inboard)	
111	0200462	1	Arm Weldment (3rd Inboard)	
112	0200461	1	Arm Weldment (Top Inboard)	
113	3422271	1	Pin, Attach	
114		Ref	Pin, Attach	
114	3422267	11	Standard Machines	
114	3422273	11	CSA Machines	
115	3422268	1	Pin, Attach	
116	3422272	1	Pin, Attach	
117	3422269	1	Pin, Attach	
118		Ref	Pin, Attach	
118	3422270	4	Standard Machines	
118	3422274	4	CSA Machines	
119	1440227	30	Collar	
120	0200403	1	Arm Weldment (2nd Outboard - Left Side)	
121	0641528	30	Bolt 5/16in-18NC x 3 1/2in	
122	3311505	49	Locknut 5/16in-18NC	
123	4843248	2	Prop, Safety	
125	0200402	1	Arm Weldment (2nd Outboard - Right Side)	
126	4751700	2	Flatwasher 7/16in	
127	3340579	4	Pad, Sliding	

SECTION 3 - SIZZOR ARMS

ITEM	PART NUMBER	QTY	DESCRIPTION	REV
128	0681714	2	Bolt 7/16in-13NC x 1 3/4in (Grade 8)	
129	3311705	2	Locknut 7/16in-13NC	
130	0200404	2	Arm Weldment (3rd Outboard)	
131	0200465	1	Arm Weldment (Top Outboard)	
132	1320061	4	Clamp, Hose	
133	0641508	4	Bolt 5/16in-18NC x 1in	
135		Ref	Pin, Keeper	
135	3841144	2	Pin, Keeper (Prior to June 1993)	
135	3841203	2	Pin, Keeper (June 1993 to S/N 44841)	
	Not Required	0	Pin, Keeper (SN 44841 to Present)	
136	3340674	2	Pad, Mounting Block	
137		Ref	Bushing, Spacer	
137	0961335	2	Bushing, Spacer (Prior to June 1993)	
137	0961783	2	Bushing, Spacer (June 1993 to Present)	
138	0641624	8	Bolt 3/8in-16NC x 3in	
139	4751600	16	Flatwasher 3/8in	
140	3311605	8	Locknut 3/8in-16NC	
141	0961664	26	Bushing, Composite	
142	4740229	2	Washer, Bronze	
143	0641526	19	Bolt 5/16in-18NC x 3 1/4in	
144	0641608	2	Bolt 3/8in-16NC x 1in	
145	4740401	2	Washer, Special	
	2901331	1	Sizzor Arm Kit - 40RTS (Includes Items 4, 7, 8, 9, 10, 11, 12, 20, 23, 25, 30 & 31)	
	0252588	Ref	SIZZOR ARM PADS INSTALLATION	3
201		Ref	Pad Options:	
201	3340841	32	Pad, Sizzor Arm (Prior to SN 53927)	
201	3340848	32	Pad, Sizzor Arm (SN 53927 to Present)	

SECTION 3 - SIZZOR ARMS

FIGURE 3-2. SIZZOR ARMS INSTALLATION - 33RTS



SECTION 3 - SIZZOR ARMS

FIGURE 3-2. SIZZOR ARMS INSTALLATION - 33RTS

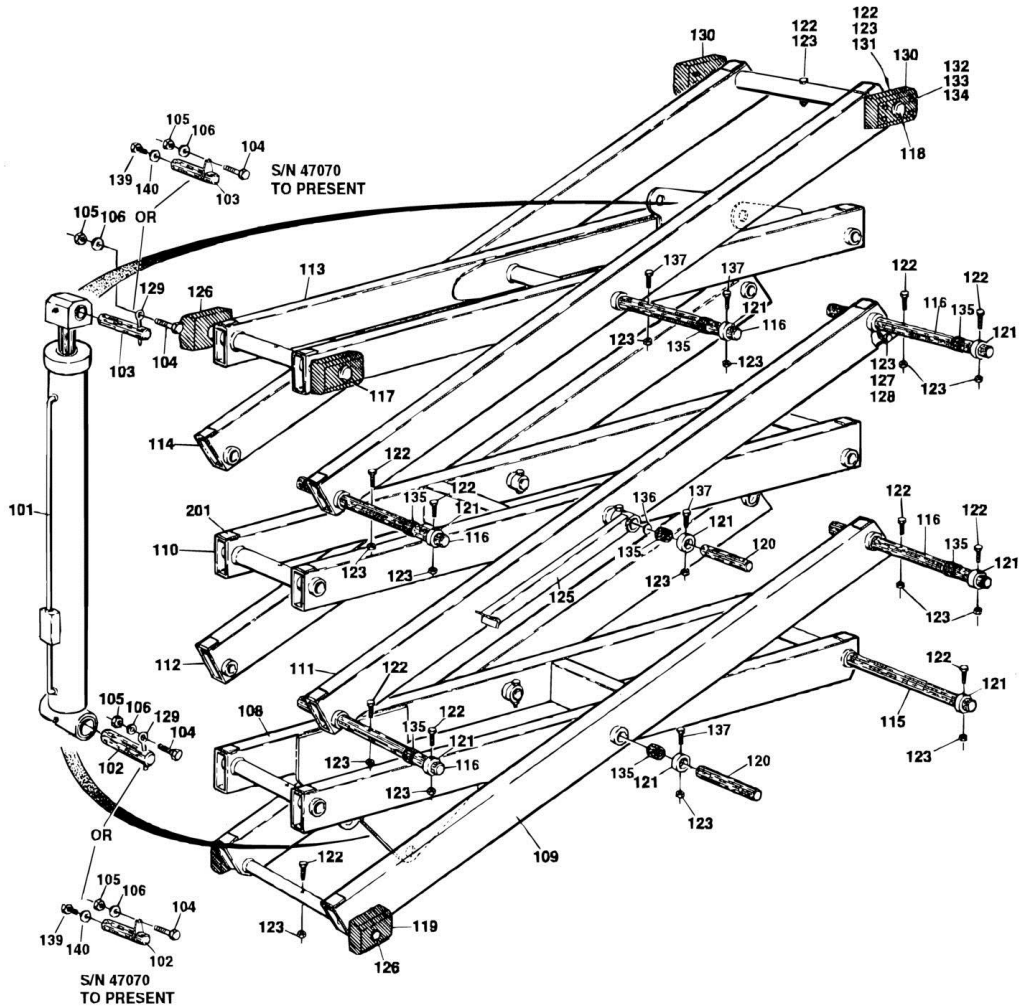
ITEM	PART NUMBER	QTY	DESCRIPTION	REV
		Ref	SIZZOR ARMS INSTALLATIONS - 33RTS	
	0252956	Ref	Standard Machines Built Prior to May 1993	A
	0254088	Ref	Standard Machines Built May 1993 to Present	7
	0252959	Ref	CSA Machines Built Prior to May 1993	A
	0254089	Ref	CSA Machines Built May 1993 to Present	7
		Ref	Note: See SPECIAL OPTIONS LIST for 30Ft Height Machines.	
		Ref	Note: When using existing pins, Graphokote Lube (P/N 3020028) is required at installation on machines built prior to May 1993. When replacing pivot pins, use chrome pivot pins which require no lubrication at installation.	
101		Ref	Lift Cylinder Assembly (See CYLINDERS SECTION for Breakdown)	
101	1683465	1	Lift Cylinder Assembly (was p/n 1682593) (Prior to SN 23500)	
	1683465	1	Lift Cylinder Assembly (SN 23500 to Present)	
102		Ref	Pin, Attach (Bottom Lift Cylinder)	
102	3422735	1	Pin, Attach (Bottom Lift Cylinder) (was p/n 3422073) (Prior to SN 44592)	
	3422735	1	Pin, Attach (Bottom Lift Cylinder) (SN 44592 to Present)	
103		Ref	Pin, Attach (Top Lift Cylinder)	
103	3422738	1	Pin, Attach (Top Lift Cylinder) (was p/n 3422074) (Prior to SN 44592)	
	3422738	1	Pin, Attach (Top Lift Cylinder) (SN 44592 to Present)	
104	0100011	AR	Loctite #242 Not Shown	
107		Ref	Arm Weldment (Bottom Inboard)	
107	0200454	1	Arm Weldment (Bottom Inboard) (Prior to SN 33431)	
107	0200556	1	Arm Weldment (Bottom Inboard) (SN 33431 to Present)	
108	0200464	1	Arm Weldment (Bottom Outboard)	
109		Ref	Arm Weldment (Upper Mid Outboard)	
109	0200368	2	Arm Weldment (Upper Mid Outboard) (Prior to May 1993)	
109	0200452	2	Arm Weldment (Upper Mid Outboard) (May 1993 to S/N 50201)	
109	0200630	2	Arm Weldment (Upper Mid Outboard) (SN 50201 to Present)	
110		Ref	Arm Weldment (Lower Mid Inboard)	
110	0200458	1	Arm Weldment (Lower Mid Inboard) (Prior to SN 50201)	
110	0200631	1	Arm Weldment (Lower Mid Inboard) (SN 50201 to Present)	
111	0200457	1	Arm Weldment (Upper Mid Inboard)	
112		Ref	Arm Weldment (Top Inboard)	
112	0200456	1	Arm Weldment (Top Inboard) (Prior to SN 35678)	
112	0200557	1	Arm Weldment (Top Inboard) (SN 35678 to Present)	
113	3422271	1	Pin, Attach	
114		Ref	Pin, Attach	
114	3422267	8	Standard Machines	
114	3422273	8	CSA Machines	
115	3422268	1	Pin, Attach	
116	3422272	1	Pin, Attach	
117	3422269	1	Pin, Attach	
118		Ref	Pin, Attach	
118	3422270	4	Standard Machines	
118	3422274	4	CSA Machines	
119	1440227	24	Collar	
120		Ref	Arm Weldment (Lower Mid Outboard - Left Side)	
120	0200373	1	Arm Weldment (Lower Mid Outboard - Left Side) (Prior to May	

SECTION 3 - SIZZOR ARMS

ITEM	PART NUMBER	QTY	DESCRIPTION	REV
120	0200520	1	1993) Arm Weldment (Lower Mid Outboard - Left Side) (May 1993 to Present)	
121	0641528	25	Bolt 5/16in-18NC x 3 1/2in	
122	3311505	44	Locknut 5/16in-18NC	
123	4843248	2	Prop, Safety	
125		Ref	Arm Weldment (Lower Mid Outboard - Right Side)	
125	0200372	1	Arm Weldment (Lower Mid Outboard - Right Side) (Prior to May 1993)	
125	0200519	1	Arm Weldment (Lower Mid Outboard - Right Side) (May 1993 to Present)	
126	4751700	2	Flatwasher 7/16in	
127	3340579	4	Pad, Sliding	
128	0681714	2	Bolt 7/16in-13NC x 1 3/4in (Grade 8)	
129	3311705	2	Locknut 7/16in-13NC	
130	1320061	4	Clamp, Hose	
131	0641608	2	Bolt 3/8in-16NC x 1in	
132	0641508	4	Bolt 5/16in-18NC x 1in	
133		Ref	Pin, Keeper	
133	3841144	2	Pin, Keeper (Prior to June 1993)	
133	3841203	2	Pin, Keeper (June 1993 to S/N 44841)	
133	Not Required	0	Pin, Keeper (SN 44841 to Present)	
134	3340674	2	Pad, Mounting Block	
135		Ref	Bushing, Spacer	
135	0961335	2	Bushing, Spacer (Prior to June 1993)	
135	0961783	2	Bushing, Spacer (June 1993 to Present)	
136	0641624	8	Bolt 3/8in-16NC x 3in	
137	4751600	16	Flatwasher 3/8in	
138	3311605	8	Locknut 3/8in-16NC	
139	0961664	20	Bushing, Composite	
140	4740229	2	Washer, Bronze	
141	0641526	19	Bolt 5/16in-18NC x 3 1/4in	
142	4740401	2	Washer, Special	
	2901330	1	Sizzor Arm Kit - 33RTS (Includes Items 7, 8, 9, 10, 11, 12, 20, 23 & 25)	
		Ref	SIZZOR ARM PADS INSTALLATION OPTIONS:	
	0252587	Ref	Sizzor Arm Pads Installation (Prior to SN 53927)	2
	0258968	Ref	Sizzor Arm Pads Installation (SN 53927 to Present)	1
201		Ref	Pad Options:	
201	3340841	24	Pad, Sizzor Arm (Prior to SN 53927)	
201	3340848	24	Pad, Sizzor Arm (SN 53927 to Present)	

SECTION 3 - SIZZOR ARMS

FIGURE 3-3. SIZZOR ARMS INSTALLATION - 25RTS



SECTION 3 - SIZZOR ARMS

FIGURE 3-3. SIZZOR ARMS INSTALLATION - 25RTS

ITEM	PART NUMBER	QTY	DESCRIPTION	REV
		Ref	SIZZOR ARMS INSTALLATIONS - 25RTS	
	0252955	Ref	Standard Machines Built Prior to May 1993	A
	0254086	Ref	Standard Machines with Ford Engine Built May 1993 to Present	7
	0254086	1	Standard Machines with Deutz Engines Built May 1993 to S/N46902	7
	0258576	Ref	Standard Machines with Deutz Engines Built (SN 46902 to Present)	1
	0252958	Ref	CSA Machines Built Prior to May 1993	A
	0254087	Ref	CSA Machines with Ford Engine Built May 1993 to Present	7
	0254087	1	CSA Machines with Deutz Engines Built May 1993 to S/N46902	7
	0258577	Ref	CSA Machines with Deutz Engines Built (SN 46902 to Present)	1
		Ref	Note: When using existing pins, Graphokote Lube (P/N 3020028) is required at installation on machines built prior to May 1993. When replacing pivot pins, use chrome pivot pins which require no lubrication at installation.	
101		Ref	Lift Cylinder Assembly (See CYLINDERS SECTION for Breakdown)	
101	1683465	1	Lift Cylinder Assembly (was p/n 1682593) (Prior to SN 23500)	
	1683465	1	Lift Cylinder Assembly (SN 23500 to Present)	
102		Ref	Pin, Attach (Bottom Lift Cylinder)	
102	3422735	1	Pin, Attach (Bottom Lift Cylinder) (was p/n 3422073) (Prior to SN 44592)	
	3422735	1	Pin, Attach (Bottom Lift Cylinder) (SN 44592 to Present)	
103		Ref	Pin, Attach (Top Lift Cylinder)	
103	3422738	1	Pin, Attach (Top Lift Cylinder) (was p/n 3422074) (Prior to SN 44592)	
	3422738	1	Pin, Attach (Top Lift Cylinder) (SN 44592 to Present)	
104	0681714	2	Bolt 7/16in-13NC x 1 3/4in (Grade 8)	
105	3311705	2	Locknut 7/16in-13NC	
106	4751700	2	Flatwasher 7/16in	
108		Ref	Arm Weldment (Bottom Inboard)	
108	0200454	1	Arm Weldment (Bottom Inboard) (Prior to SN 33431)	
108	0200556	1	Arm Weldment (Bottom Inboard) (SN 33431 through 46901)	
108	3421453	1	Arm Weldment (Bottom Inboard) with Ford Engine (SN 46902 to Present)	
108	0200620	1	Arm Weldment (Bottom Inboard) with Deutz Engine (SN 46902 to Present)	
109		Ref	Arm Weldment (Bottom Outboard)	
109	0200455	1	Arm Weldment (Bottom Outboard) (Prior to May 1993)	
109	0200464	1	Arm Weldment (Bottom Outboard) (May 1993 to Present)	
110		Ref	Arm Weldment (Mid Inboard)	
110	0200458	1	Arm Weldment (Mid Inboard) (Prior to SN 46902)	
110	0200458	1	Arm Weldment (Mid Inboard) with Ford Engine (SN 46902 through 50201)	
110	0200631	1	Arm Weldment (Mid Inboard) with Ford Engine (SN 50201 to Present)	
110	0200621	1	Arm Weldment (Mid Inboard) with Deutz Engine (SN 46902 to Present)	
111		Ref	Arm Weldment (Mid Outboard - Right Side)	
111	0200372	1	Arm Weldment (Mid Outboard - Right Side) (Prior to May 1993)	
111	0200519	1	Arm Weldment (Mid Outboard - Right Side) (May 1993 to Present)	

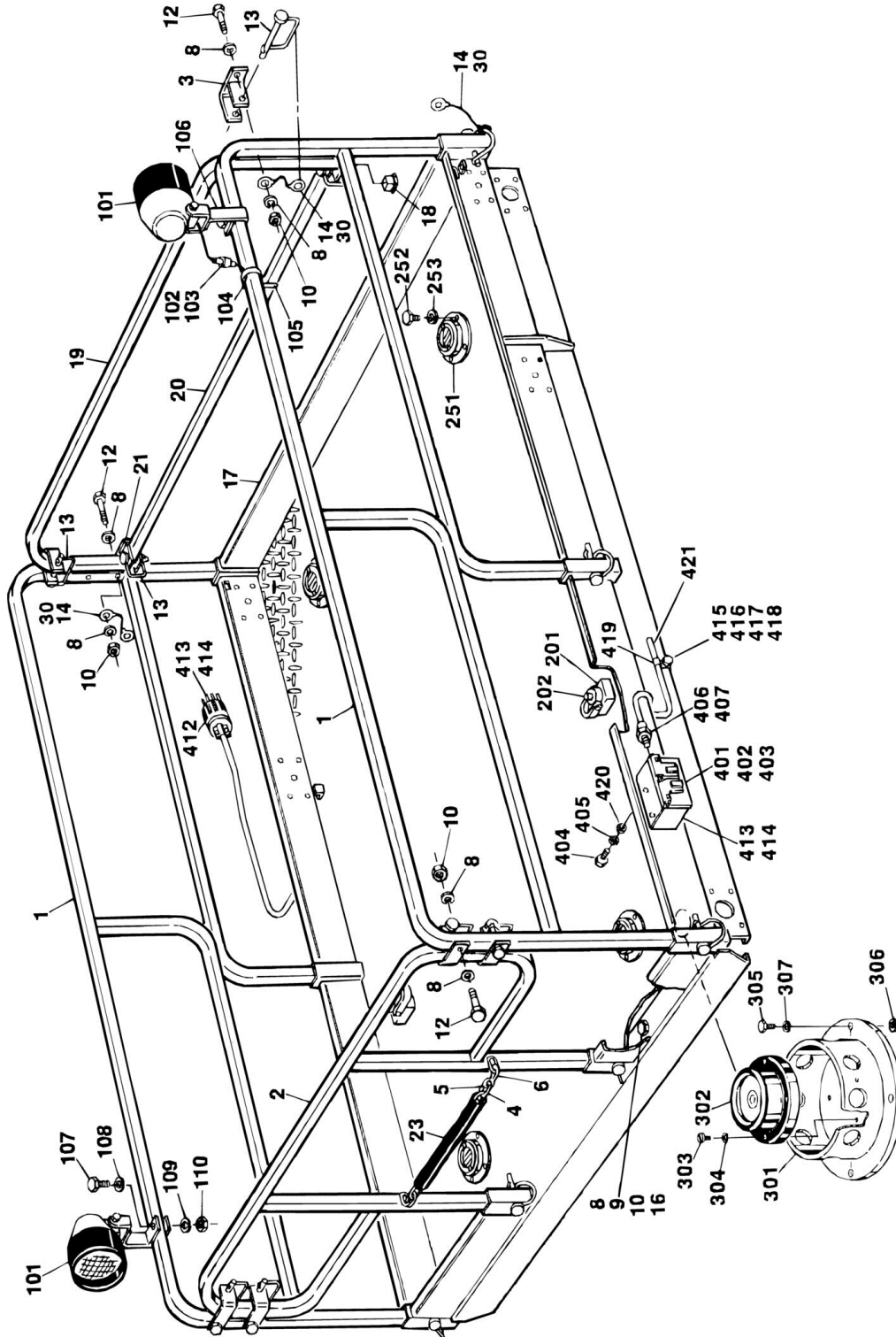
SECTION 3 - SIZZOR ARMS

ITEM	PART NUMBER	QTY	DESCRIPTION	REV
112		Ref	Arm Weldment (Mid Outboard - Left Side)	
112	0200373	1	Arm Weldment (Mid Outboard - Left Side) (Prior to May 1993)	
112	0200520	1	Arm Weldment (Mid Outboard - Left Side) (May 1993 to Present)	
113	0200460	1	Arm Weldment (Top Inboard)	
114		Ref	Arm Weldment (Top Outboard)	
114	0200459	1	Arm Weldment (Top Outboard) (Prior to May 1993)	
114	0200465	1	Arm Weldment (Top Outboard) (May 1993 to Present)	
115	3422271	1	Pin, Attach	
116		Ref	Pin, Attach	
116	3422267	5	Standard Machines	
116	3422273	5	CSA Machines	
117	3422268	1	Pin, Attach	
118	3422272	1	Pin, Attach	
119	3422269	1	Pin, Attach	
120		Ref	Pin, Attach	
120	3422270	4	Standard Machines	
120	3422274	4	CSA Machines	
121	1440227	18	Collar	
122	0641528	20	Bolt 5/16in-18NC x 3 1/2in	
123	3311505	33	Locknut 5/16in-18NC	
125	4843248	2	Prop, Safety	
126	3340579	4	Pad, Sliding	
127	1320061	4	Clamp, Hose	
128	0641508	4	Bolt 5/16in-18NC x 1in	
129		Ref	Pin, Keeper	
129	3841144	2	Pin, Keeper (Prior to June 1993)	
129	3841203	2	Pin, Keeper (June 1993 to S/N 44841)	
129	Not Required	0	Pin, Keeper (SN 44841 to Present)	
130	3340674	2	Pad, Mounting Block	
131		Ref	Bushing, Spacer	
131	0961335	2	Bushing, Spacer (Prior to June 1993)	
131	0961783	2	Bushing, Spacer (June 1993 to Present)	
132	0641624	8	Bolt 3/8in-16NC x 3in	
133	4751600	16	Flatwasher 3/8in	
134	3311605	8	Locknut 3/8in-16NC	
135	0961664	14	Bushing, Composite	
136	4740229	2	Washer, Bronze	
137	0641526	11	Bolt 5/16in-18NC x 3 1/4in	
138	0100011	AR	Loctite #242 (Not Shown)	
139	0641608	2	Bolt 3/8in-16NC x 1in	
140	4740401	2	Washer, Special	
		Ref	Sizzor Arm Kits - 25RTS (Includes Items 8-14 & 25)	
	2901332	1	Ford Engine Machines	
	2901648	1	Deutz Engine Machines	
		Ref	SIZZOR ARM PADS INSTALLATION OPTIONS:	
	0252586	Ref	Sizzor Arm Pads Installation (Prior to SN 53927)	2
	0258967	Ref	Sizzor Arm Pads Installation (SN 53927 to Present)	1
201		Ref	Pad Options:	
201	3340841	16	Pad, Sizzor Arm (Prior to SN 53927)	
201	3340848	16	Pad, Sizzor Arm (SN 53927 to Present)	

SECTION 4 - PLATFORM

SECTION 4 - PLATFORM

FIGURE 4-1. FIXED PLATFORM (STANDARD) AND OPTIONAL COMPONENTS INSTALLATIONS



SECTION 4 - PLATFORM

FIGURE 4-1. FIXED PLATFORM (STANDARD) AND OPTIONAL COMPONENTS INSTALLATIONS

ITEM	PART NUMBER	QTY	DESCRIPTION	REV
		Ref	FIXED PLATFORM (STANDARD) AND OPTIONAL COMPONENTS INSTALLATIONS	
		Ref	PLATFORM WELDMENTS	1
		Ref	NOTE: REPLACEMENT DECALS MUST BE ORDERED SEPARATELY - SEE DECALS SECTION.	
	3510381	Ref	Standard	
	3510407	Ref	Option With Tread Grip Flooring and Bolt-on Attach Rings	
	3510653	Ref	Option With Harness Attach Points	
		Ref	HANDRAILS INSTALLATIONS	
		Ref	Note: See SPECIAL OPTIONS LIST SECTION for Handrails with Inner Grip Rails	
	0253655	Ref	Fixed Platform	11
	0253026	Ref	Extendable Platform	12
1	3640810	2	Handrail - Side	
2	3640811	1	Handrail - Rear	
3	0901870	AR	Bracket	
4	1260136	2 ft/.61m	Chain	
5	3010088	2	Link	
6	1001101076	1	Snap Latch Repair Kit (Includes Item 5) (was p/n 2940064)	
8	4711400	AR	Flatwasher 1/4in Narrow	
10	3311405	AR	Locknut 1/4in-20NC	
12	0641416	AR	Bolt 1/4in-20NC x 2in	
13	3422219	AR	Pin, Spring	
14	1060379	AR	Cable, Lanyard	
16	0641406	AR	Bolt 1/4in-20NC x 3/4in	
17		Ref	Kickplate - Front	
17	3536299	1	Fixed Platform	
17	Not Required	0	Extendable Platform	
18	3520072	AR	Cap-Plug	
19		Ref	Rail Weldment - Front	
19	3640850	1	Fixed Platform	
19	Not Required	0	Extendable Platform	
20	3252234	1	Decal - Gate (Prior to SN 71528)	
21		Ref	Bracket	
21	4844192	1	Fixed Platform	
21	Not Required	0	Extendable Platform	
23		Ref	Tubing, Cover	
23	2820024	2 ft/.6m	Vinyl (Prior to SN 42124)	
23	2820097	2 ft/.6m	Mesh (SN 42124 to Present)	
30	3760170	AR	Ring (SN 55667 to Present)	
32	4060807	1.25 ft/.4m	Shield, Flex Trim (Not Shown) (SN 101993 to Present)	
	2902025	1	Kit, Platform Rails (Includes Items 1 & 2)	
	2902024	1	Kit, Platform Rail (Includes Items 1, 2 & 19)	
		Ref	OPTIONAL WORKLIGHTS INSTALLATIONS	
		Ref	Note: See SPECIAL OPTIONS LIST SECTION for Worklights with Automatic Reel.	
	0253792	Ref	25RTS	-
	0253793	Ref	33RTS	-
	0253794	Ref	40RTS	-
101	2920111	2	Worklight	

SECTION 4 - PLATFORM

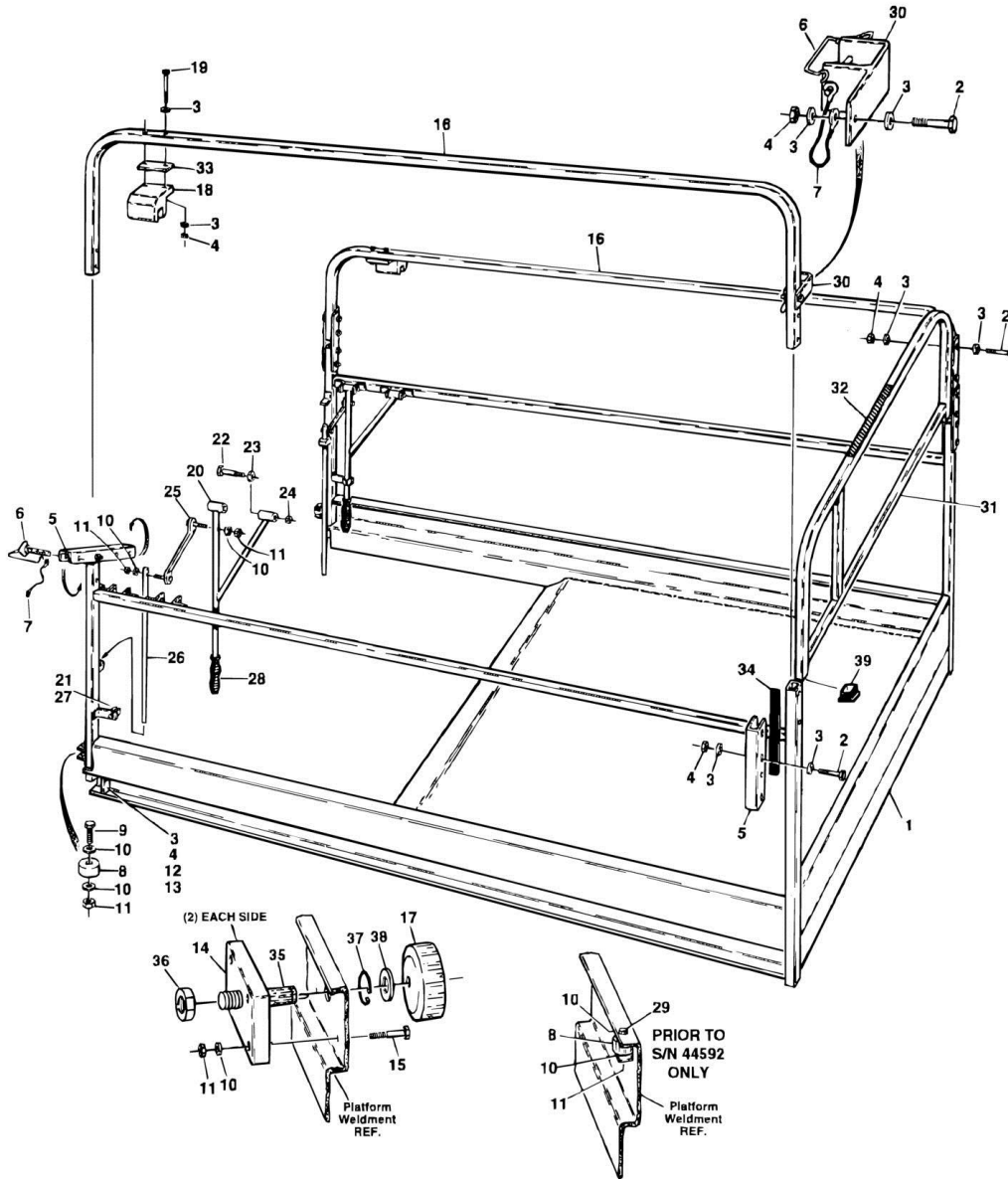
ITEM	PART NUMBER	QTY	DESCRIPTION	REV
101	7016627	2	Bulb, Replacement (1 per Assembly)	
102	4460206	2	Terminal, Male	
103	4460185	2	Terminal, Female	
104	1060341	Ref	Cable, Electrical - 16/2	
104	1060341	80 ft/24.4	Cable, Electrical (25RTS)	
104	1060341	94 ft/28.7M	Cable, Electrical (33RTS)	
104	1060341	100 ft/30.5M	Cable, Electrical (40RTS)	
105	4240033	10	Tie Strap	
106	0901930	2	Bracket, Mounting	
107	0641416	2	Bolt 1/4in-20NC x 2in	
108	4751400	2	Flatwasher 1/4in	
109	4761400	2	Lockwasher 1/4in	
110	3311401	2	Nut 1/4in-20NC	
	0250999	Ref	OPTIONAL WELDED ON ATTACH RINGS INSTALLATION	2
201	3534309	2	Plate (Welded on Parts)	
202	3760274	2	Ring, Swivel	
		Ref	OPTIONAL BOLT-ON ATTACH RINGS INSTALLATION	
	0253850	Ref	Standard	A
	0257433	Ref	GM Spec	1
251	3760321	6	Ring, Swivel	
252	0630476	24	Screw, Button Head 5/16in-18NC x 1 1/4in	
253	4761500	24	Lockwasher 5/16in	
254	0100011	AR	Loctite #242 (Not Shown)	
255	1703175	6	Decal - Lanyard (GM Spec Only)	
	0250317	Ref	OPTIONAL CIRCULAR LEVEL INSTALLATION	-
301	4842981	1	Mounting Weldment	
302	2420038	1	Level, Circular	
303	3910610	3	Screw, Machine #6-32NC x 5/8in	
304	4770600	3	Starwasher #6	
305	0641406	4	Bolt 1/4in-20NC x 3/4in	
306	3311401	4	Nut 1/4in-20NC	
307	4761400	4	Lockwasher 1/4in	
		Ref	OPTIONAL RECEPTACLE INSTALLATION	
	0253913	Ref	Receptacle (110V) (All Models)	5
	0254380	Ref	Receptacle (220V) (25RTS)	3
	0254381	Ref	Receptacle (220V) (33RTS)	3
	0254382	Ref	Receptacle (220V) (40RTS)	3
401	0860038	1	Box, Receptacle	
402		Ref	Receptacle	
402	4460190	1	110V	
402	Not Available		220V	
403	4060092	1	Shield, Cover	
404	3900256	4	Screw, Self-Tapping #10-16NC x 1 1/4in	
405	4761000	4	Lockwasher #10	
406		Ref	Reducer, Bushing	
406	0960407	1	Reducer, Bushing (110V) (Prior to October 1995)	
406	4460051	1	Reducer, Bushing (110V) (October 1995 to Present)	
406	Not Required	0	220V	
407		Ref	Connector, Strain Relief	
407	4460051	1	Connector, Strain Relief (110V) (was p/n 4460049) (Prior to	

SECTION 4 - PLATFORM

ITEM	PART NUMBER	QTY	DESCRIPTION	REV
			SN 44684)	
407	4460051	1	Connector, Strain Relief (110V) (SN 44687 to Present)	
407	4460049	1	Connector, Strain Relief (220V)	
412		Ref	Connector, Plug	
412	4460138	1	Connector, Plug (110V)	
412	Not Available		Connector, Plug (220V)	
413	1700598	2	Decal - Ground (Prior to SN 55984)	
414	1700599	2	Decal - Neutral (Prior to SN 55984)	
415	0641507	AR	Bolt 5/16in-18NC x 7/8ft	
416	4711500	AR	Flatwasher 5/16in Narrow	
417	4761500	AR	Lockwasher 5/16in	
418	3311501	AR	Nut 5/16in-18NC	
419	1320061	AR	Clamp	
420	4711000	4	Flatwasher #10	
421	1060308	Ref	Cable, Electrical 12/3	
421	1060308	60 ft/18.3m	Cable, Electrical (110V) (25RTS)	
421	1060308	70 ft/21.3m	Cable, Electrical (110V) (33RTS)	
421	1060308	65 ft/19.8m	Cable, Electrical (220V) (33RTS)	
421	1060308	80 ft/24.4m	Cable, Electrical (110V) (40RTS)	
421	1060308	75 ft/22.9m	Cable, Electrical (220V) (40RTS)	
421	1060308	55 ft/16.8m	Cable, Electrical (220V) (25RTS)	

SECTION 4 - PLATFORM

FIGURE 4-2. PLATFORM EXTENDABLE INSTALLATIONS (Prior to SN 50308)



SECTION 4 - PLATFORM

FIGURE 4-2. PLATFORM EXTENDABLE INSTALLATIONS (Prior to SN 50308)

ITEM	PART NUMBER	QTY	DESCRIPTION	REV
		Ref	EXTENDABLE PLATFORM INSTALLATIONS	
	0253033	Ref	Standard Flooring (Prior to SN 12925)	B
	0254881	Ref	Standard Flooring (SN 12925 through 50308)	B
	0253803	Ref	Optional Tread Grip Flooring	3
		Ref	Note: Replacement Decals Must Be Ordered Separately - See DECALS SECTION.	
1		Ref	Platform Extension Weldments	
1	3510382	1	Standard Flooring (Prior to SN 12925)	
1	3510478	1	Standard Flooring (SN 12925 through 50308)	
1	3510408	1	Optional Tread Grip Flooring	
2	0641416	12	Bolt 1/4in-20NC x 2in	
3	4751400	40	Flatwasher 1/4in	
4	3311405	22	Locknut 1/4in-20NC	
5	4200004	4	Channel, Hinge	
6	3421453	5	Pin, Spring	
7	1060379	5	Cable, Lanyard	
8	3860057	AR	Roller	
9	0641514	AR	Bolt 5/16in-18NC x 1 3/4in	
10	4751500	AR	Flatwasher 5/16in	
11	3311505	AR	Locknut 5/16in-18NC	
12		Ref	Angle, Stop	
12	0181684	2	Angle, Stop (was p/n0181586) (Prior to July 1995)	
12	0181684	1 2	Angle, Stop (July 1995 to Present)	
13	0641408	4	Bolt 1/4in-20NC x 1in	
14		Ref	Extension, Roller Mount	
14	4843706	4	Extension, Roller Mount (Adjusts by using washers) (Prior to February 1994)	
14	3537619	4	Extension, Roller Mount (Has adjusting screw) (February 1994 to S/N 50308)	
15	0641511	16	Bolt 5/16in-18NC x 1 3/8in	
16	4565790	2	Tube, Side	
17	3860059	4	Roller, Extension	
18	3340653	2	Pad, Slide	
19	0641420	4	Bolt 1/4in-20NC x 2 1/2in	
20	4843336	2	Handle Weldment	
21	3941004	2	Screw, Self-Tapping #10 x 1/2in	
22	0641620	4	Bolt 3/8in-16NC x 2 1/2in	
23	4751600	4	Flatwasher 3/8in	
24	3311605	4	Locknut 3/8in-16NC	
25	0200409	2	Arm, Latch	
26	3841180	2	Rod, Latch	
27	1380132	2	Clip, Gripper	
28	2560088	2	Grip, Handle	
29	0641516	2	Bolt 5/16in-18NC x 2in	
30	0901916	1	Bracket - Front Handrail	
31	3640846	1	Handrail - Front	
32	3252235	1	Decal - Capacity (Prior to SN 44593 Only)	
33	4070829	AR	Shim	
34	4280284	12	Strip, Rubber (Prior to SN 27422 Only)	

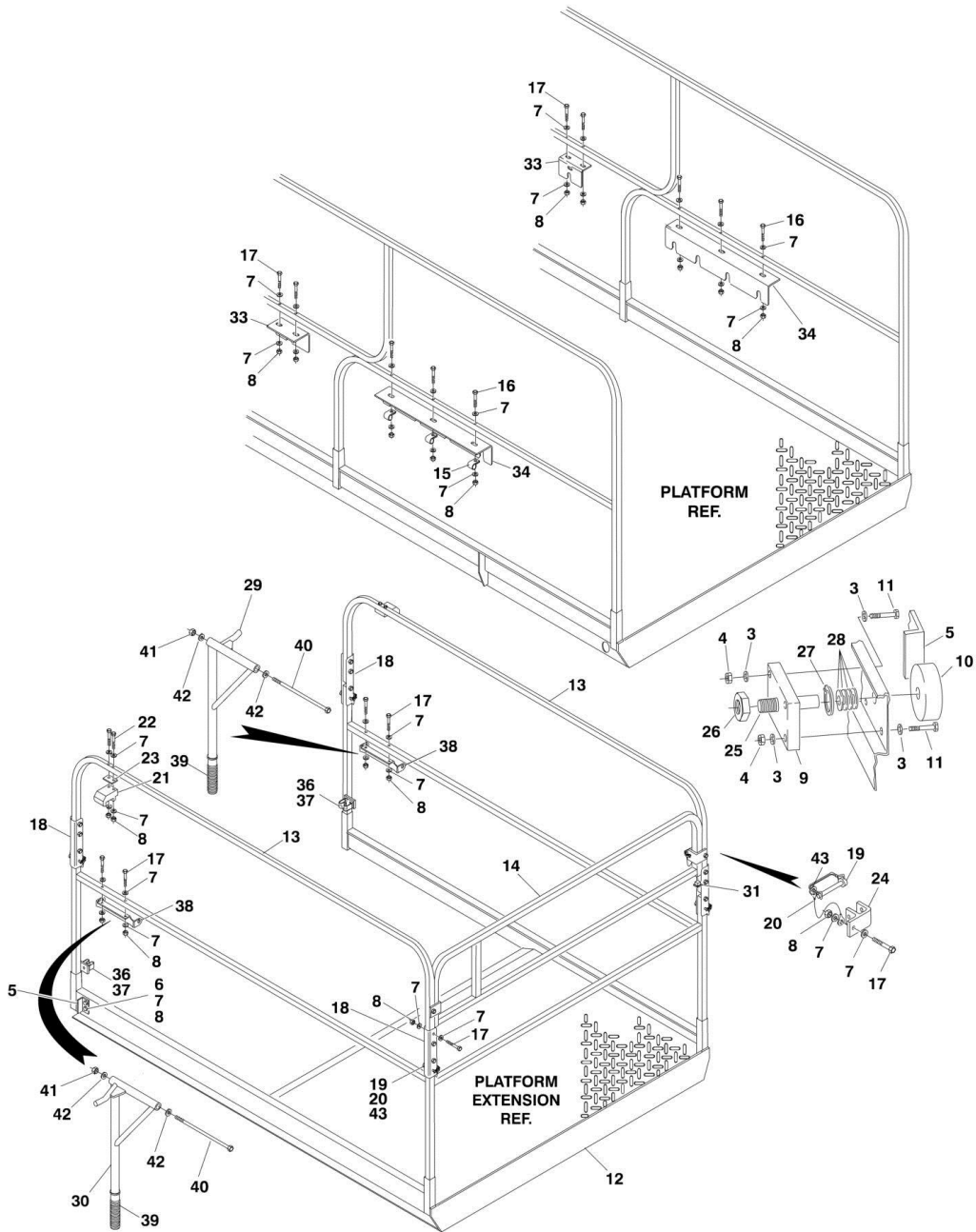
in/30.5cm

SECTION 4 - PLATFORM

ITEM	PART NUMBER	QTY	DESCRIPTION	REV
35	3841233	4	Rod, Roller Support (February 1994 to S/N 50308)	
36	3312202	4	Nut, Jam 3/4in-10NC	
37	3760348	4	Ring, Retaining	
38	4752200	4	Flatwasher 3/4in	
39	3520072	2	Plug, Cap (Prior to SN 44592 Only)	

SECTION 4 - PLATFORM

FIGURE 4-3. PLATFORM EXTENDABLE INSTALLATIONS (SN 50308 to Present)



SECTION 4 - PLATFORM

FIGURE 4-3. PLATFORM EXTENDABLE INSTALLATIONS (SN 50308 to Present)

ITEM	PART NUMBER	QTY	DESCRIPTION	REV
		Ref	EXTENDABLE PLATFORM INSTALLATIONS	
	0258697	Ref	Standard Flooring	6
	0258719	Ref	Optional Tread Grip Flooring	6
3	4711500	16	Flatwasher 5/16in	
4	3311505	16	Locknut 5/16in-18NC	
5	0181684	2	Angle, Stop	
6	0641408	4	Bolt 1/4in-20NC x 1in	
7	4751400	64	Flatwasher 1/4in	
8	3311405	32	Locknut 1/4in-20NC	
9	3537619	4	Extension, Roller Mount	
10	3860059	4	Roller, Extension	
11	0641511	16	Bolt 5/16in-18NC x 1 3/8in	
12		Ref	Platform Extension Weldment Options:	
12	3510700	1	Standard Flooring	
12	3510701	1	Optional Tread Grip Flooring	
13	4565790	2	Tube, Side	
14	3640846	1	Handrail - Front	
15	1320061	3	Clamp	
16	0641418	3	Bolt 1/4in-20NC x 2 1/4in	
17	0641416	26	Bolt 1/4in-20NC x 2in	
18	4200004	4	Channel, Hinge	
19	3421453	5	Pin, Spring	
20	1060379	5	Cable, Lanyard	
21	3340653	2	Pad, Slide	
22	0641420	4	Bolt 1/4in-20NC x 2 1/2in	
23	4070829	4	Shim	
24	0901916	1	Bracket - Front Handrail	
25	3841233	4	Rod, Roller Support	
26	3322202	4	Nut, Jam 3/4in-16NF	
27	3760348	4	Ring, Retaining	
28	4752200	4	Flatwasher 3/4in	
29	4845854	1	Handle Weldment	
30	4845855	1	Handle Weldment	
31	3520072	2	Plug, Cap	
33	3571078	2	Latch Plate - Rear	
34	3571077	2	Latch Plate - Front	
36	1380132	2	Clip, Gripper	
37	3820020	2	Pop Rivet	
38	3537609	2	Plate, Pivot	
39	2560088	2	Grip, Handle	
40	0641676	2	Bolt 3/8in-16NC x 9 1/2in	
41	3311605	2	Locknut 3/8in-16NC	
42	4751600	4	Flatwasher 3/8in	
43	3760170	5	Ring	

SECTION 4 - PLATFORM

FIGURE 4-4. PLATFORM CONSOLE BOX INSTALLATION

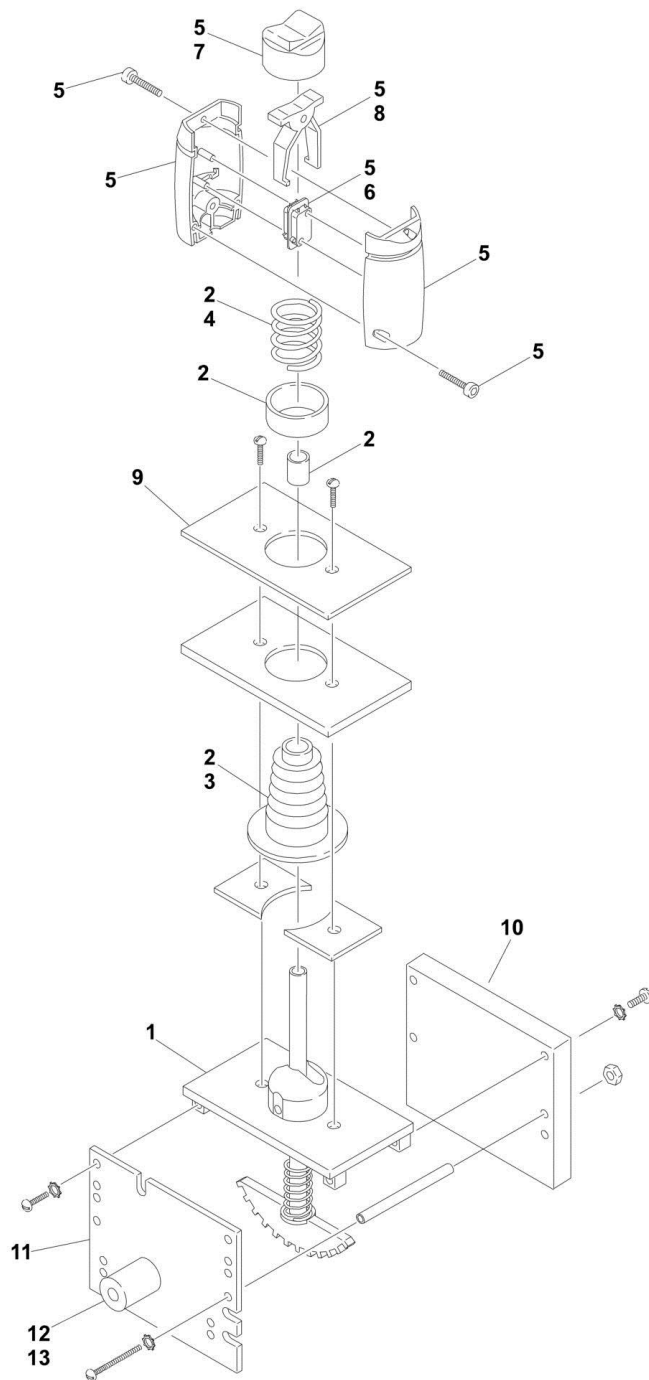
ITEM	PART NUMBER	QTY	DESCRIPTION	REV
	0253701	Ref	CONSOLE BOX INSTALLATION	14
		Ref	Note: See SPECIAL OPTIONS LIST SECTION for Non-Standard Console Boxes.	
1		Ref	Box, Control Options:	
1	0860799	1	Box, Control (Prior to SN 80670)	
1	0861377	1	Box, Control (SN 80670 to Present)	
2		Ref	Nameplate, Lid	
2	3252310	1	Nameplate, Lid (Was P/N 3252229) (Prior to July 1993)	
2	3252310	1	Nameplate, Lid (July 1993 to S/N 57701)	
2	3252620	1	Nameplate, Lid (SN 57701 to Present)	
3	4420008	38	Tape, Insulation	
		in/96.5cm		
4		Ref	Bracket, Hanger	
4	0901897	2	Bracket, Hanger (Prior to SN 46418)	
4	0902456	2	Bracket, Hanger (SN 46418 through 57700)	
4	4845938	2	Bracket, Hanger (SN 57701 to Present)	
5	0641404	AR	Bolt 1/4in-20NC x 1/2in	
6	4791400	AR	Starwasher 1/4in	
7	1060380	1	Lanyard - 10 (Prior to SN 46418 Only)	
8	3760170	1	Ring (Prior to SN 46418 Only)	
8	3421453	1	Pin, Snap (Prior to SN 46418 Only)	
9	2560141	1	Thumbscrew (SN 46418 to Present)	
9	0181847	1	Angle (SN 46418 to Present)	
10	3520082	1	Plug, Hole	
11	4460470	1	Nut, Conduit	
12	4460471	1	Lockwasher, Conduit	
13	4460463	1	Receptacle	
14	4360339	1	Switch, Push Button (Enable)	
14	7012593	1	Cap, Rubber	
15	4360267	1	Block, Contact - N.O.	
16	0100035	AR	Loctite #222	
17		Ref	Circuit Card Assembly	
17	0610114	1	Circuit Card Assembly (was p/n 0610103) (Prior to February 1995)	
17	0610114	1	Circuit Card Assembly (February 1995 to S/N 57701)	
17	7012658	1	Fuse - 7.5 Amp	
17	0610110	1	Bracket Replacement Kit	
17	0902514	1	Bracket, Relay (SN 57701 to Present)	
18		Ref	Nut Options:	
18	3310601	2	Nut #6-32NC (Prior to SN 57701)	
18	3311001	2	Nut #10-24NC (SN 57701 to Present)	
19		Ref	Lockwasher Options:	
19	4770600	2	Lockwasher #6 (Prior to SN 57701)	
19	4761000	4	Lockwasher #10 (SN 57701 to Present)	
20	3900177	8	Screw, Machine #8 x 1/2in	
21		Ref	Controller, PQ Options: (Drive/Steer)	
21	1600157	1	Controller, PQ (See DRIVE/LIFT CONTROLLER ASSEMBLY PRIOR TO S/N 57701 for Breakdown) (Prior to SN 57701)	
21	1600290	1	Controller, PQ (See DRIVE/LIFT CONTROLLER ASSEMBLY S/N 57701 TO PRESENT) for Breakdown) (SN 57701 to Present)	

SECTION 4 - PLATFORM

ITEM	PART NUMBER	QTY	DESCRIPTION	REV
22	4740120	4	Washer, Nylon	
23	3900178	4	Screw, Machine #10-32NC x 3/4in	
24	4360336	2	Switch, Toggle (Drive Speed and Engine Speed)	
25	4060802	3	Shield, Switch	
26	3790012	3	O-Ring	
27	4360274	2	Switch, Push Button (Horn)	
28	4360314	1	Switch, Toggle (Lift)	
29		Ref	Switch, Emergency Stop Options:	
29	4360289	1	Switch, E-Stop (Prior to SN 65031)	
29	4360475	1	Switch, E-Stop (SN 65031 to Present)	
29		Ref	Cap Options:	
29	7012611	1	Cap, Mushroom Head (Used on Switch p/n 4360289)	
29	7012612	1	Boot (Used on Switch p/n 4360289)	
29	7020175	1	Cap, Red (Used on Switch p/n 4360475)	
29	7020176	1	Contact Block (Used on Switch p/n 4360475)	
31	3520079	5	Plug, Hole	
32	0100009	AR	Sealant, Silicon	
33	2920029	1	Bulb, Light	
34	2920026	1	Lamp, Indicator - Red	
37	3520081	1	Plug, Hole	
38		Ref	Block, Contact Options: (Not Shown)	
38	4360282	1	Switch, Contact Block (Prior to SN 47996)	
38	4360476	1	Switch, Contact (SN 47996 to Present)	
40	3740049	4	Relay (SN 57701 to Present)	
41	3911008	2	Screw Machine #10-24NC x 1/2in (SN 57701 to Present)	
42	3321001	2	Nut #10-24NC (SN 57701 to Present)	
45	4750600	2	Flatwasher (Not Shown)	
		Ref	OPTIONAL TILT ALARM INSTALLATIONS	
	0253733	Ref	Without Drive/Lift Lockout	3
	0254262	Ref	With Lift Lockout	3
	0254111	Ref	With Drive/Lift Lockout	2
101	0140011	1	Alarm	
102	2920026	1	Lamp, Indicator - Red	
103	2920029	1	Bulb, Light	
	0254076	Ref	OPTIONAL LEVELING JACK CONTROLS INSTALLATION	9
201	4360314	4	Switch, Toggle	
201	3790012	4	O-Ring	
202	2920026	1	Lamp, Indicator - Red	
203	2920029	1	Bulb, Light	
	0252532	Ref	OPTIONAL 4WS CONTROLS INSTALLATION	7
301	4360314	1	Switch, Toggle (Rear Steer)	
301	3790012	1	O-Ring	
301	4060802	1	Guard, Switch	
	0253821	Ref	OPTIONAL LIGHTS INSTALLATION	3
401	4360329	1	Switch, Toggle	
401	3790042	1	O-Ring	

SECTION 4 - PLATFORM

FIGURE 4-5. DRIVE/LIFT CONTROLLER ASSEMBLY (Prior to SN 57701)



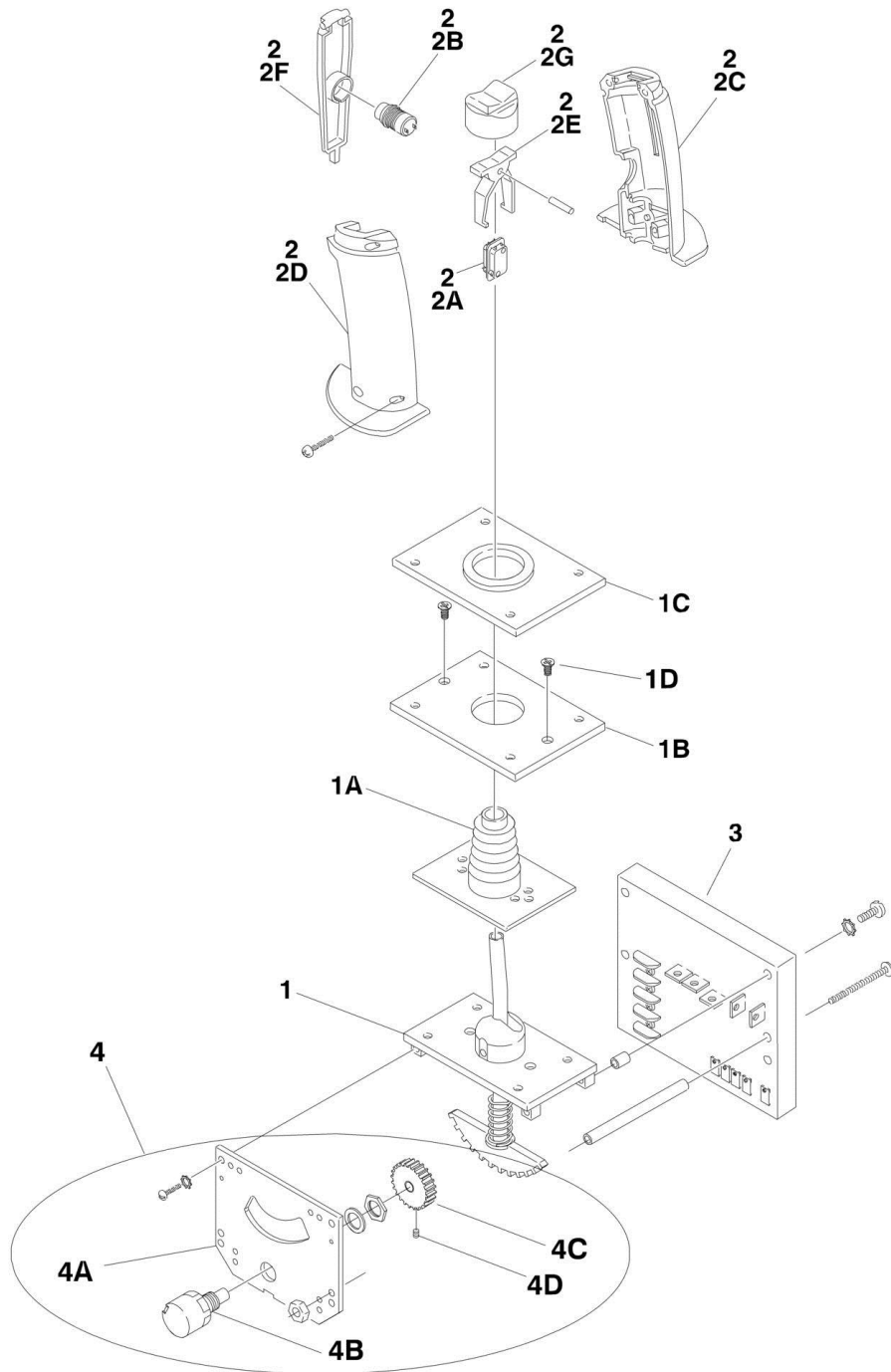
SECTION 4 - PLATFORM

FIGURE 4-5. DRIVE/LIFT CONTROLLER ASSEMBLY (Prior to SN 57701)

ITEM	PART NUMBER	QTY	DESCRIPTION	REV
	1600157	Ref	CONTROLLER ASSEMBLY	B
	7011931	1	Handle/Stem Assembly (Includes Items 1-9)	
1	7011932	1	Stem Assembly	
2	7011933	1	Slidelock Assembly (Includes Items 3 & 4)	
3	7003772	1	Boot	
4	7011934	1	Spring	
5	7011935	1	Handle Assembly (Includes Items 6-8)	
6	7003789	1	Switch, Rocker	
7	7003790	1	Cap, Rubber	
8	7003791	1	Actuator, Switch	
9	7011936	1	Gasket	
10	7011938	1	Electrical Assembly	
10	Not Serviced	1	Harness Assembly (Not Shown)	
10	4460367	1	Connector - 12 Position	
10	4460226	12	Socket, Female	
10	4460343	1	Connector - 12 Position (Part of Platform Console Box Wiring Harness)	
10	4460227	12	Pin, Male	
11	7011923	1	Electrical Assembly (Includes Items 12 & 13)	
12	7011940	1	Gear, Pinion	
13	7003751	1	Potentiometer	

SECTION 4 - PLATFORM

FIGURE 4-6. DRIVE/LIFT CONTROLLER ASSEMBLY (SN 57701 to Present)



SECTION 4 - PLATFORM

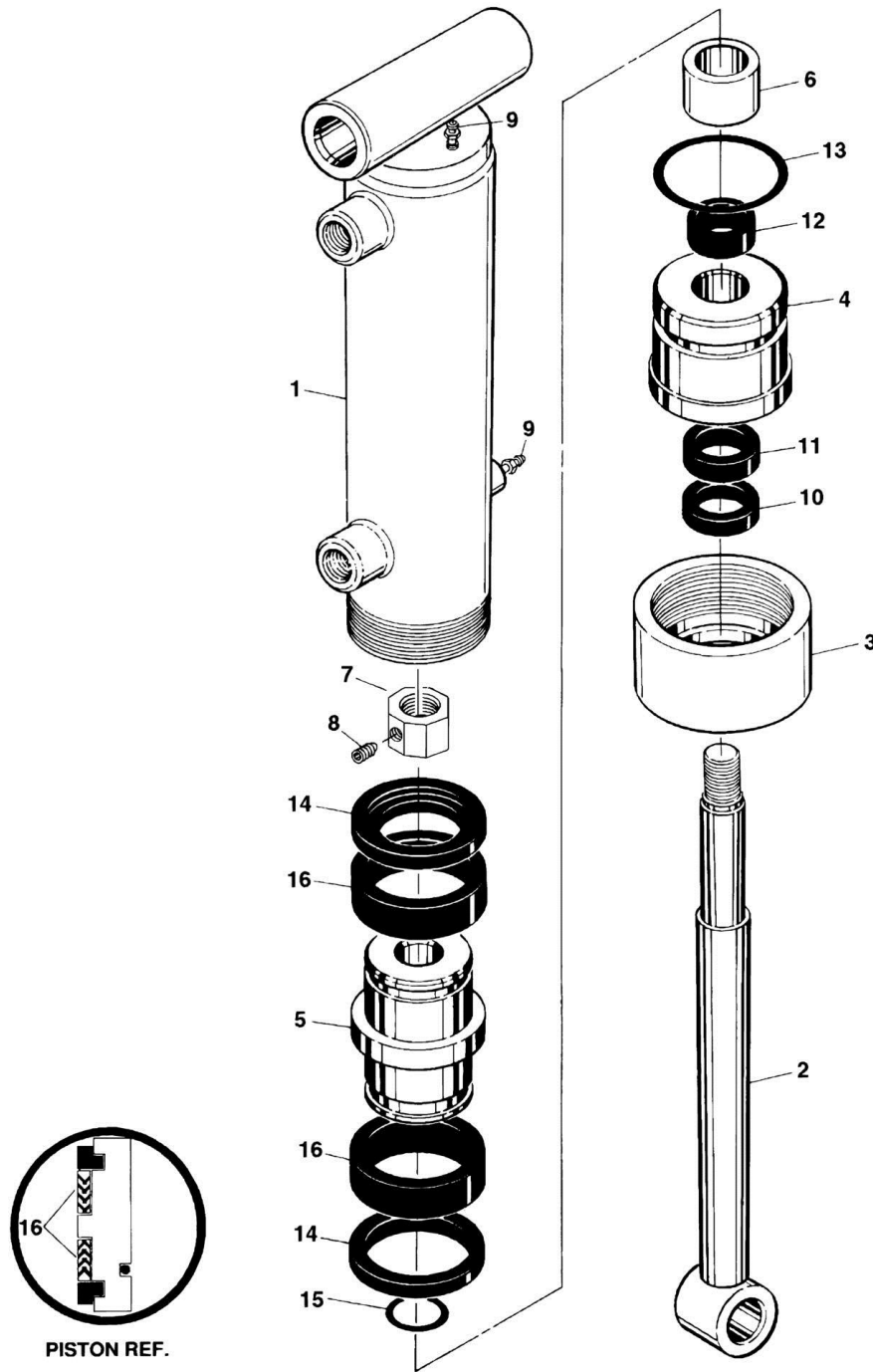
FIGURE 4-6. DRIVE/LIFT CONTROLLER ASSEMBLY (SN 57701 to Present)

ITEM	PART NUMBER	QTY	DESCRIPTION	REV
	1600290	Ref	CONTROLLER ASSEMBLY	B
	7020503	1	Mechanical Assembly	
1	Not Serviced	1	Handle Assembly	
1A	7020520	1	Boot	
1B	7020504	1	Mounting Plate	
1C	7020502	1	Gasket	
1D	7020528	1	Setscrew #10-32NC x 3/8in	
2	7011991	1	Grip Assembly	
2A	7020500	2	Switch, Rocker	
2B	7020501	1	Switch, Push Button - Red	
2C	7020541	1	Grip - Right Half (was p/n 7020531)	
2D	7020541	1	Grip - Left Half (was p/n 7020532)	
		Ref	Note: Right Handle Half and Left Handle Half Can No Longer Be Purchase Separately. Must Purchase p/n 7020541 You Will Receive Both Right and Left Handle Half's.	
2E	7003791	1	Actuator, Switch	
2F	7011997	1	Trigger	
2G	7003790	1	Cap, Rubber	
3	7011938	1	Electrical Assembly	
3	4460367	1	Connector - 12 Pin (Not Shown)	
3	4460226	12	Socket, Female (Not Shown)	
3	4460343	1	Connector - 12 Position (Not Shown)	
3	4460227	12	Pin, Male (Not Shown)	
4	7011923	1	Electrical Assembly	
4A	7020509	1	Potentiometer, Mounting Plate	
4B	7003751	1	Potentiometer	
4C	7011940	1	Gear, Pinion	
4D	7020511	1	Setscrew #6-32NC x 1/8in	
4E	7011982	1	Board, Circuit (Not Shown)	

SECTION 5 - CYLINDERS

SECTION 5 - CYLINDERS

FIGURE 5-1. AXLE LOCKOUT CYLINDER ASSEMBLY (OSCILLATING AXLE OPTION)



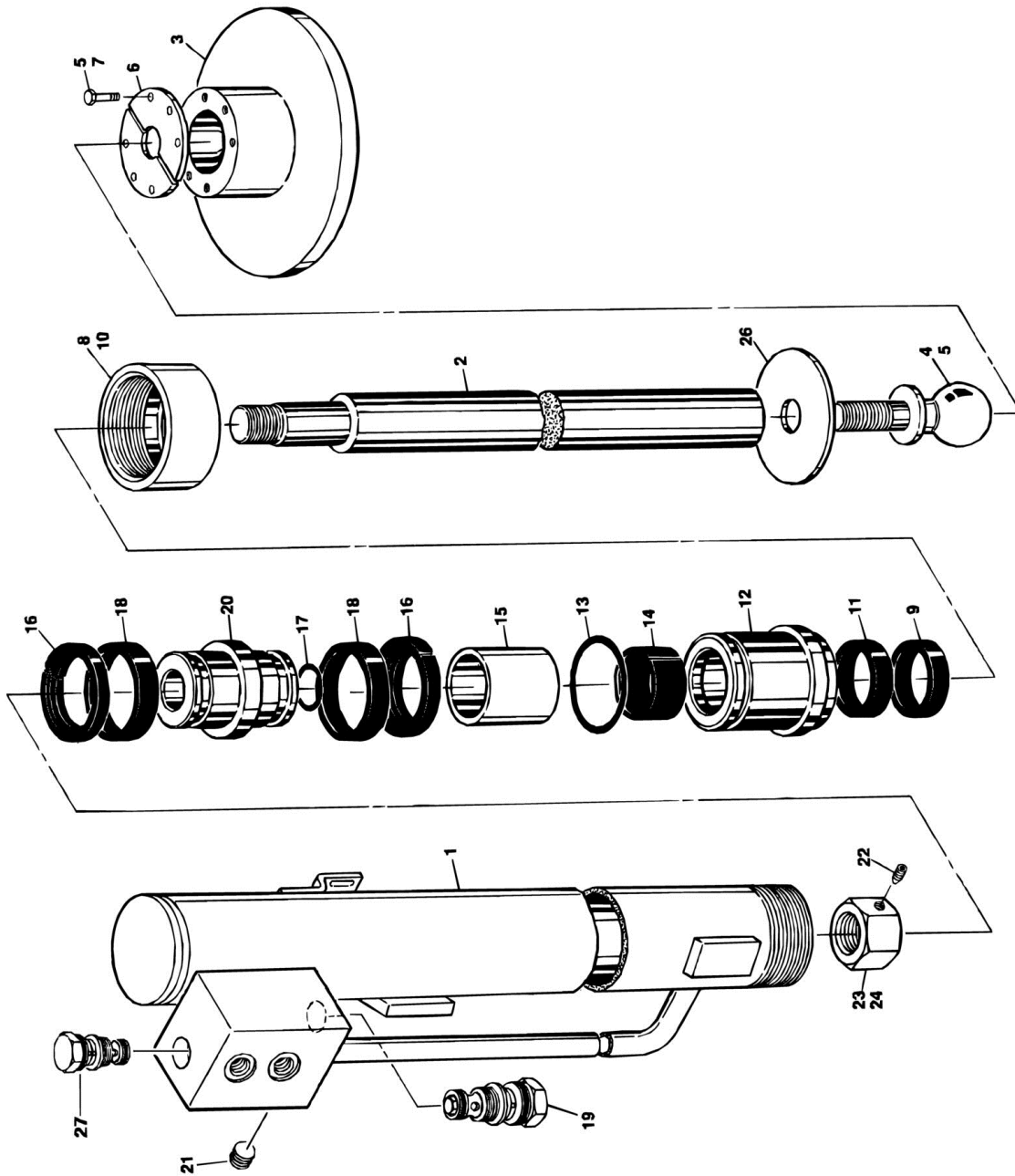
SECTION 5 - CYLINDERS

FIGURE 5-1. AXLE LOCKOUT CYLINDER ASSEMBLY (OSCILLATING AXLE OPTION)

ITEM	PART NUMBER	QTY	DESCRIPTION	REV
	1682185	Ref	AXLE LOCKOUT CYLINDER ASSEMBLY (OSCILLATING AXLE OPTION)	6
1	1682186	1	Barrel Weldment	
2	1681609	1	Rod Weldment	
3	1120108	1	Retainer, Head	
4	1681322	1	Head	
5	3480116	1	Piston	
6	4564606	1	Tube, Spacer	
7	3300273	1	Nut	
8	3900170	1	Setscrew 3/8in-16NC x 3/8in	
9	4640273	3	Bleeder	
10	Kit	1	Wiper, Rod	
11	Kit	1	Seal, Rod	
12	Kit	1	Ring, Wear	
13	Kit	1	O-Ring	
14	Kit	2	Ring, Lock	
15	Kit	1	O-Ring	
16	Kit	2	Seal	
17	0100035	AR	Loctite #222 (Not Shown)	
	2900379	1	Seal Kit (Includes Items 10-16)	

SECTION 5 - CYLINDERS

FIGURE 5-2. LEVELING JACK CYLINDER ASSEMBLY WITH SCREW-IN PIVOT PAD (HYDRAULIC JACK OPTION WITHOUT INTERLOCK - PRODUCTION CYLINDERS)



SECTION 5 - CYLINDERS

FIGURE 5-2. LEVELING JACK CYLINDER ASSEMBLY WITH SCREW-IN PIVOT PAD (HYDRAULIC JACK OPTION WITHOUT INTERLOCK - PRODUCTION CYLINDERS)

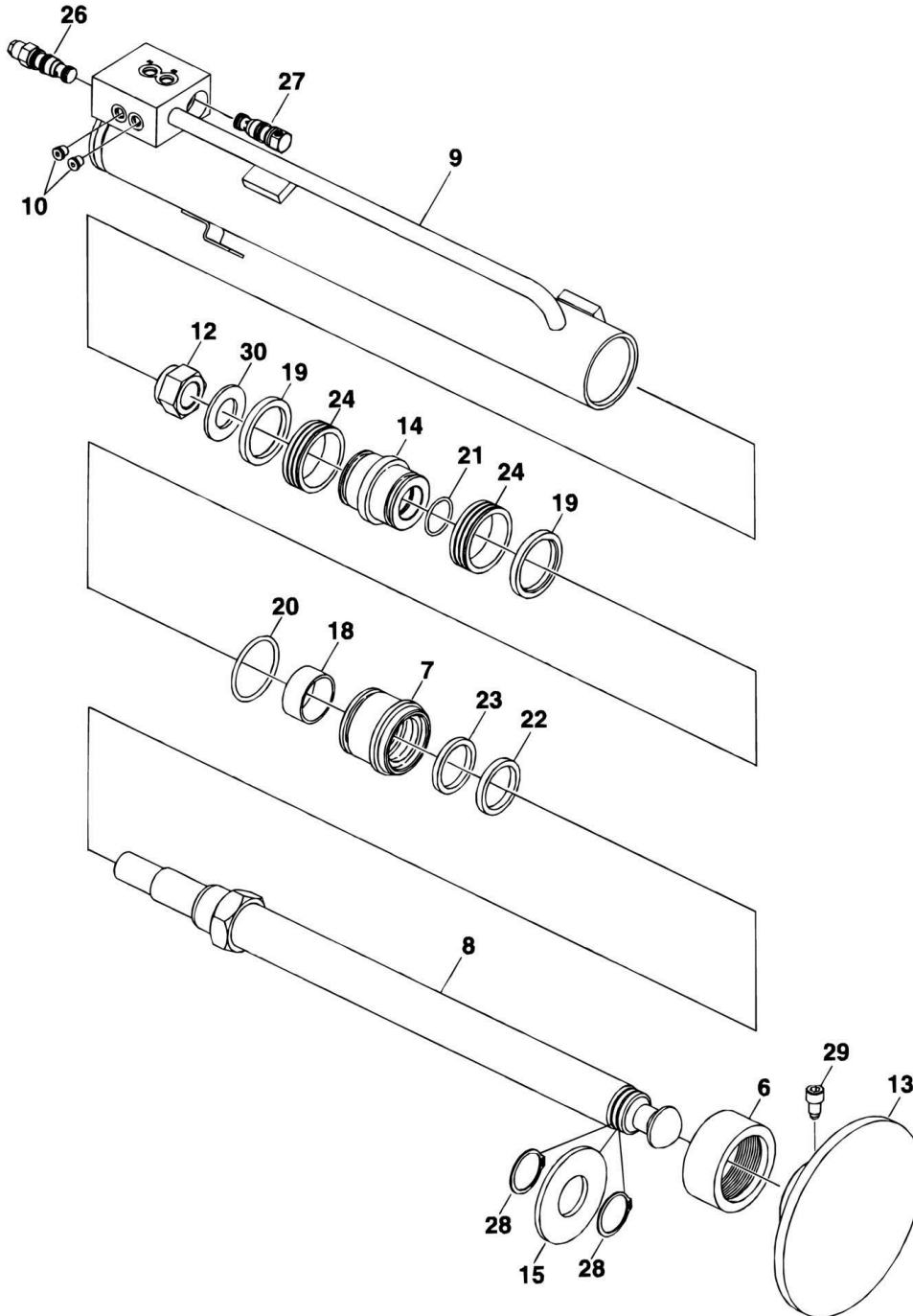
ITEM	PART NUMBER	QTY	DESCRIPTION	REV
		Ref	LEVELING JACK CYLINDER ASSEMBLY (HYDRAULIC JACK OPTION WITHOUT INTERLOCK)	
	1682720	Ref	Leveling Jack Cylinder Assembly (Hydraulic Jack Option Without Interlock) (Production) (Prior to SN 101615)	3
	1683966	Ref	Leveling Jack Cylinder Assembly (Hydraulic Jack Option Without Interlock) (Production) (SN 101615 to Present)	G
		Ref	Note: Leveling Jack Cylinders p/n 1682720 & 1683966 with screw-in pad pivot ball were used in regular production.	
		Ref	In place of the production cylinders, JLG recommends using p/n 1684216 for machines built prior to S/N 101615 and 1684217 for machines built S/N 101615 to present when replacing a complete cylinder.	
		Ref	Replacement cylinders have the pad pivot ball welded to the cylinder rod. Parts for both the production and the recommended replacement cylinders are shown in CYLINDER SECTION. Identify your cylinder before ordering parts.	
1		Ref	Barrel Weldment Options:	
1	1682721	1	Cylinder, Barrel Weldment (Prior to SN 101615)	
1	1683967	1	Cylinder, Barrel Weldment (SN 101615 to Present)	
2	1682723	1	Rod, Cylinder	
3		Ref	Pad, Jack Options:	
3	2902023	1	Pad, Jack (was p/n 3340650) (Prior to SN 91552)	
	2902023	1	Pad, Jack (was p/n 3340904) (SN 91552 to Present)	
4	0320015	1	Ball, Pivot	
5	0100011	AR	Loctite #242	
6		Ref	Ring, Retainer Options:	
6	3760261	1	Ring, Retainer (Prior to SN 91552)	
6	3760453	1	Ring, Retainer (SN 91552 to Present)	
7		Ref	Bolt Options:	
7	0681506	6	Bolt (5/16-18NCx3/4) (Prior to SN 91552)	
7	0681606	6	Bolt (3/8-16NCx3/4) (SN 91552 to Present)	
8	0100035	AR	Loctite #222	
9	Kit	1	Wiper, Rod	
10	1120108	1	Retainer	
11	Kit	1	Seal, Rod	
12	1681283	1	Head	
13	Kit	1	O-Ring	
14	Kit	1	Ring, Wear	
15	4565647	1	Spacer	
16	Kit	2	Ring, Guidelock	
17	Kit	1	O-Ring	
18	Kit	2	Seal	
19		Ref	Cartridge, Pilot Operated Check Valve Options:	
19	4640613	1	Cartridge, Pilot Operated Check Valve (Prior to SN 101615)	
19	2900770	1	Seal Kit	
19	4641156	1	Cartridge, Pilot Operated Check Valve (SN 101615 to Present)	
	2900770	1	Seal Kit	
20	3480092	1	Piston	
21		Ref	Plug Options:	
21	2220885	1	Plug (Prior to SN 101615)	
21	2220883	1	Plug (SN 101615 to Present)	

SECTION 5 - CYLINDERS

ITEM	PART NUMBER	QTY	DESCRIPTION	REV
22	3900170	1	Setscrew	
23	3300281	1	Nut	
24	0100038	AR	Primer, Loctite	
26	3536708	1	Plate, Actuator	
27		Ref	Valve, Counter Balance Options:	
27	Not Required	1	Valve, Counter Balance (Prior to SN 101615)	
27	4640495	1	Valve, Counter Balance (SN 101615 to Present)	
27	2900770	1	Seal Kit - 4640495 Valve	
	2901941	1	Seal Kit (Includes Items 9, 11,13, 14 & 16-18)	

SECTION 5 - CYLINDERS

FIGURE 5-3. LEVELING JACK CYLINDER ASSEMBLY WITH WELDED ON PIVOT PAD (HYDRAULIC JACK OPTION WITHOUT INTERLOCK - RECOMMENDED SERVICE REPLACEMENT CYLINDERS)



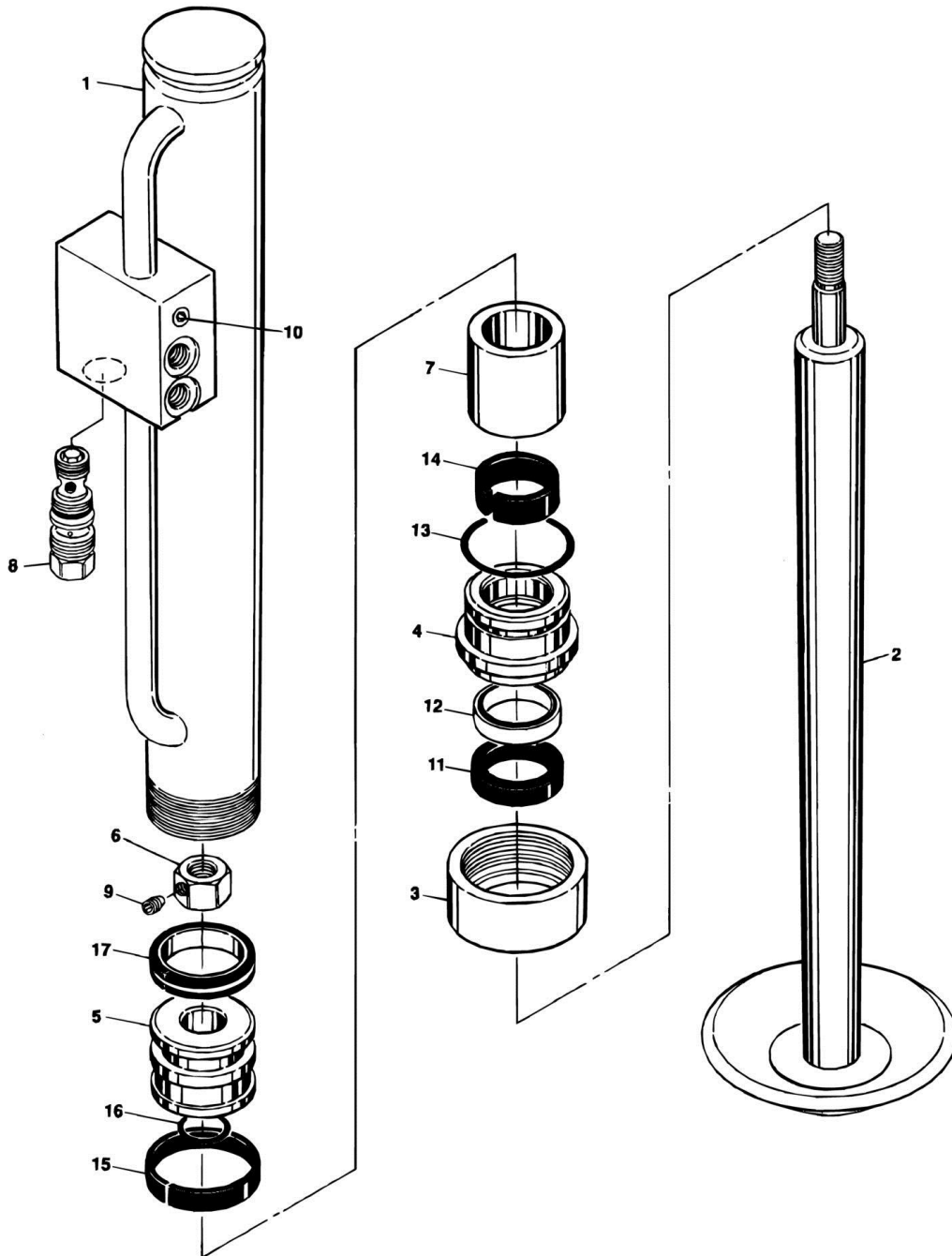
SECTION 5 - CYLINDERS

FIGURE 5-3. LEVELING JACK CYLINDER ASSEMBLY WITH WELDED ON PIVOT PAD (HYDRAULIC JACK OPTION WITHOUT INTERLOCK - RECOMMENDED SERVICE REPLACEMENT CYLINDERS)

ITEM	PART NUMBER	QTY	DESCRIPTION	REV
		Ref	LEVELING JACK CYLINDER ASSEMBLY	
	1684216	Ref	Leveling Jack Cylinder (Service Replacement Cylinder) (Prior to SN 101615)	A
	1684217	Ref	Leveling Jack Cylinder (Service Replacement Cylinder) (SN 101615 to Present)	A
		Ref	Note: Leveling Jack Cylinders p/n 1682720 & 1683966 with screw-in pad pivot ball were used in regular production.	
		Ref	In place of the production cylinders, JLG recommends using p/n 1684216 for machines built prior to S/N 101615 and 1684217 for machines built S/N 101615 to present when replacing a complete cylinder.	
		Ref	Replacement cylinders have the pad pivot ball welded to the cylinder rod. Parts for both the production and the recommended replacement cylinders are shown in CYLINDER SECTION. Identify your cylinder before ordering parts.	
1	0100011	AR	Loctite #242 (Not Shown)	
2	0100035	AR	Loctite #222 (Not Shown)	
6	1120108	1	Retainer	
7	1681283	1	Head	
8	1684206	1	Rod, Cylinder	
9	1682721	1	Barrel Weldment (Cylinder p/n 1684216)	
9	1683967	1	Barrel Weldment (Cylinder p/n 1684217)	
10	2220885	1	Plug (Cylinder p/n 1684216)	
10	2220883	2	Plug (Cylinder p/n 1684217)	
12	3300465	1	Locknut	
13	4846584	1	Pad, Jack	
14	3480092	1	Piston	
15	3573513	1	Plate	
18	Kit	1	Ring, Wear	
19	Kit	2	Ring, Guidelock	
20	Kit	1	O-Ring	
21	Kit	1	O-Ring	
22	Kit	1	Wiper, Rod	
23	Kit	1	Seal, Rod	
24	Kit	2	Seal	
26	Not Required	0	Valve, Counter Balance (Cylinder p/n 1684216)	
26	4640495	1	Valve, Counter Balance (Cylinder p/n 1684217)	
27	4640613	1	Valve, Check (Cylinder p/n 1684216)	
27	4641156	1	Valve, Check (Cylinder p/n 1684217)	
27	7011345	1	Cartridge (Cylinder p/n 1684217)	
27	2900770	1	Kit, Seal (Cylinder p/n 1684217)	
28	3760460	2	Ring, Retainer	
29	3900321	3	Screw 1/2in-13NC x 1 1/4in	
30	4713000	1	Washer 1 1/4in	
	2901941	1	Seal Kit (Includes Items 18-24)	

SECTION 5 - CYLINDERS

FIGURE 5-4. LEVELING JACK CYLINDER ASSEMBLY (HYDRAULIC JACK OPTION WITH INTERLOCK)



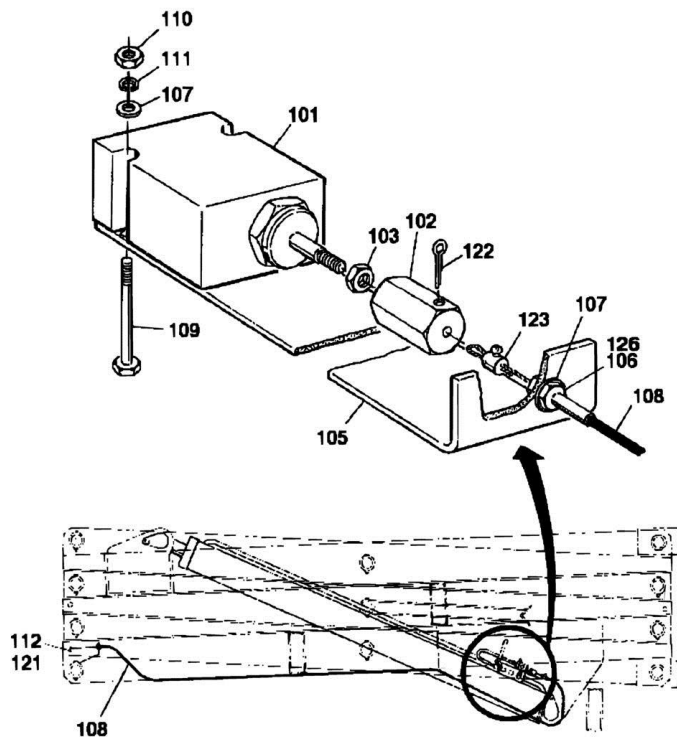
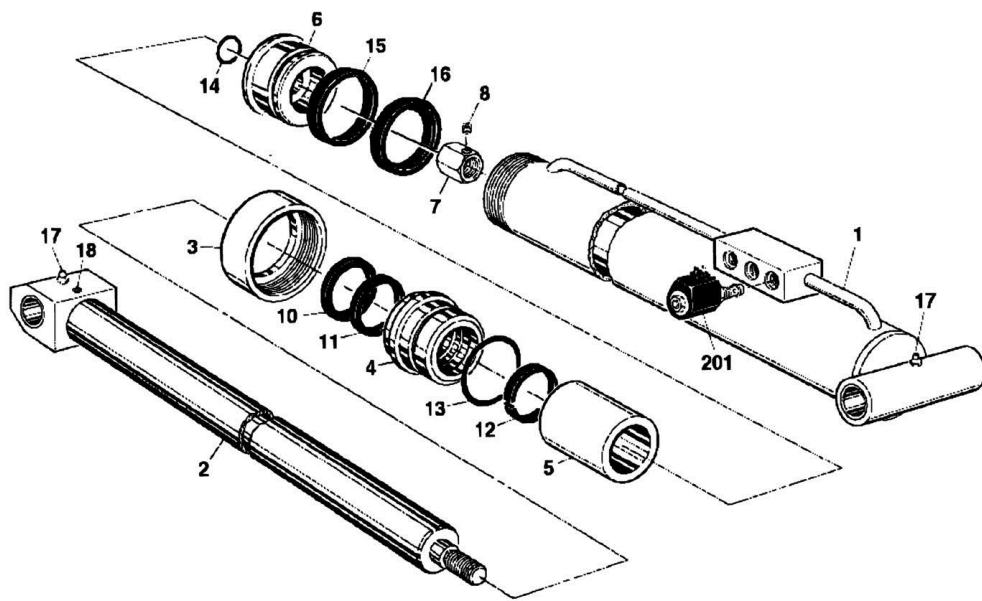
SECTION 5 - CYLINDERS

FIGURE 5-4. LEVELING JACK CYLINDER ASSEMBLY (HYDRAULIC JACK OPTION WITH INTERLOCK)

ITEM	PART NUMBER	QTY	DESCRIPTION	REV
	1682657	Ref	LEVELING JACK CYLINDER ASSEMBLY (HYDRAULIC JACK OPTION WITH INTERLOCK)	A
1	1682658	1	Barrel Weldment	
2	1682660	1	Rod Weldment	
3	1120387	1	Retainer, Head	
4	1682364	1	Head	
5	3480123	1	Piston	
6	3300270	1	Nut	
7	4565686	1	Tube, Spacer	
8	4640438	1	Valve, Cartridge Check	
8	2900770	1	Seal Kit - 4640438 Valve	
9	3900170	1	Setscrew 3/8in-16NC x 3/8in	
10	2200221	1	Plug, Pipe - 1/8in NPT	
11	Kit	1	Wiper, Rod	
12	Kit	1	Seal, Rod	
13	Kit	1	O-Ring	
14	Kit	1	Ring, Wear	
15	Kit	1	Ring, Wear	
16	Kit	1	O-Ring	
17	Kit	1	T-Seal	
18	0100011	AR	Loctite #242 (Not Shown)	
19	0100038	AR	Primer, Locking (Not Shown)	
20	0100035	AR	Loctite #222 (Not Shown)	
21	0100020	AR	Sealant, Pipe (Not Shown)	
	2901208	1	Seal Kit (Includes Items 11-17)	

SECTION 5 - CYLINDERS

FIGURE 5-5. LIFT CYLINDER ASSEMBLIES



SECTION 5 - CYLINDERS

FIGURE 5-5. LIFT CYLINDER ASSEMBLIES

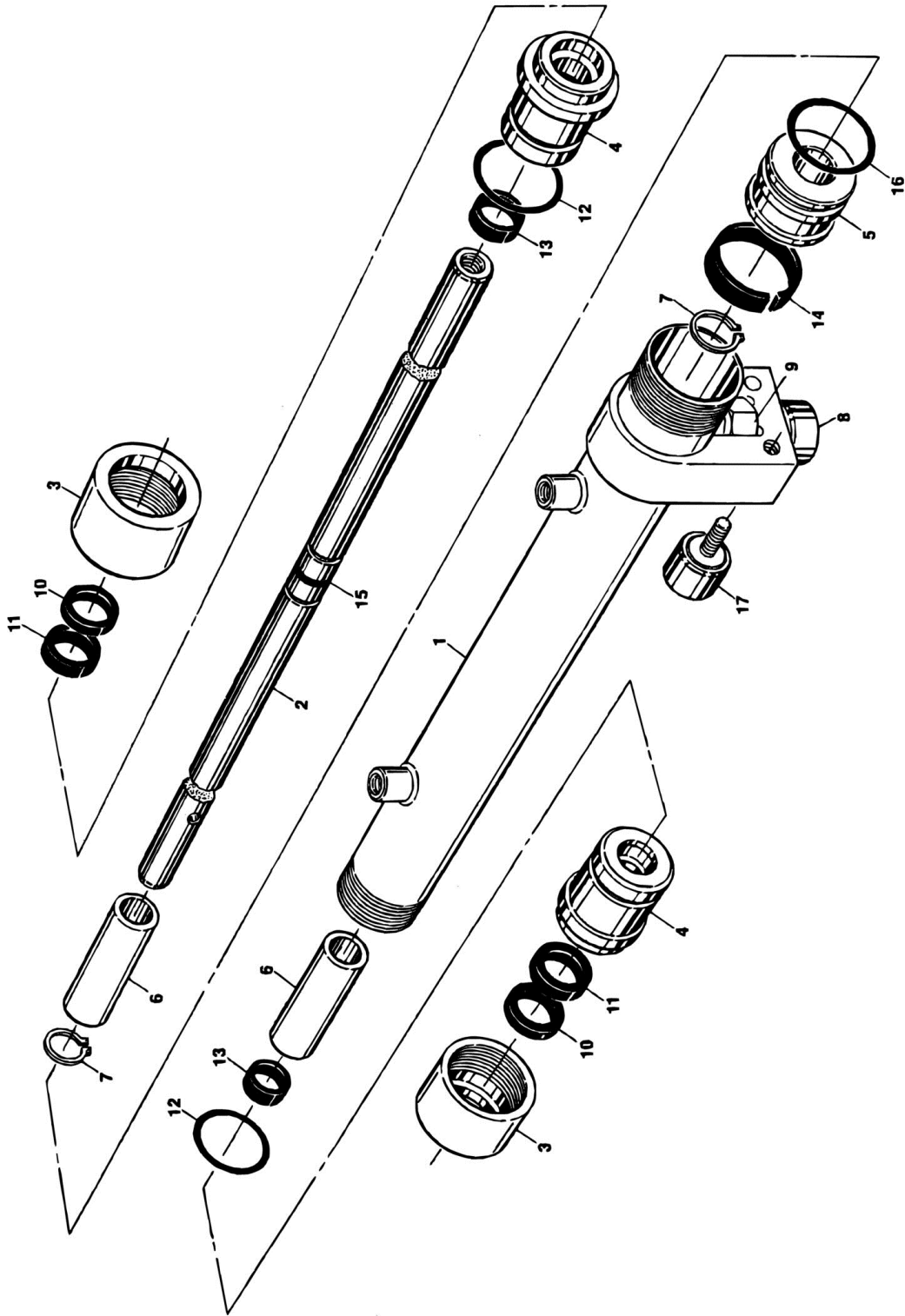
ITEM	PART NUMBER	QTY	DESCRIPTION	REV
		Ref	Note: Machines built prior to S/N 28190 use cylinders p/n 1682243 or 1682593 which use a T-seal.	
		Ref	When rebuilding these cylinders JLG recommends using the seal kit listed below per specific model (40RTS or 33/25RTS) and a p/n 3480214 piston in place of the original components.	
		Ref	The p/n 3480214 piston uses 1 lock ring and 1 seal. If the p/n 3480214 piston has already been installed, the new, unused piston can be returned to JLG.	
		Ref	Machines built S/N 28190 to present use cylinders p/n 1683465 or 1683466 which already use the p/n 3480214 piston.	
		Ref	LIFT CYLINDER ASSEMBLIES	
	1683466	Ref	40RTS	B
	1683465	Ref	33RTS and 25RTS	B
1		Ref	Barrel Weldment	
1	1682080	1	Barrel Weldment (40RTS)	
1	1682594	1	Barrel Weldment (33RTS & 25RTS)	
1	0961379	2	Bushing, Bronze	
2		Ref	Rod Weldment	
2	1682100	1	Rod Weldment (40RTS)	
2	1682082	1	Rod Weldment (33RTS & 25RTS)	
2	0961380	2	Bushing, Bronze	
3	1120358	1	Retainer, Head	
4		Ref	Head	
4	1682076	1	Head (40RTS)	
4	1682098	1	Head (33RTS & 25RTS)	
5		Ref	Tube, Spacer	
5	4564707	1	Tube, Spacer (40RTS)	
5	4565605	1	Tube, Spacer (33RTS & 25RTS)	
6	3480214	1	Piston	
7	3300286	1	Nut	
8	3900170	1	Setscrew 3/8in-16NC x 3/8in	
10	Kit	1	Wiper, Rod	
11	Kit	1	Seal, Rod	
12	Kit	1	Ring, Wear	
13	Kit	1	O-Ring	
14	Kit	1	O-Ring	
15	Kit	2	Ring, Lock	
16	Kit	2	Seal, Piston	
17	2160002	2	Fitting, Grease	
18	2180527	1	Plug, Pipe (Located on Rod End)	
19	0100011	AR	LOCTITE #242	
20	0100020	AR	Sealant, Pipe	
21	0100035	AR	Loctite #222	
22	0100038	AR	Primer, Locking	
	2901442	1	Seal Kit - 40RTS (Includes Items 10 thru 16)	
	2901323	1	Seal Kit - 33RTS & 25RTS (Includes Items 10 thru 16)	
	0251791	Ref	MANUAL DESCENT VALVE INSTALLATION (OPTIONAL)	11
101	4640699	1	Valve, Pull	
101	2900503	1	Seal Kit - 4640699 Valve	
102	0080190	1	Adapter	
103	3311402	1	Nut, Jam 1/4in-20NC	

SECTION 5 - CYLINDERS

ITEM	PART NUMBER	QTY	DESCRIPTION	REV
105	0902720	1	Bracket, Cable Mounting	
106	3321402	4	Nut, Jam 1/4in-28NF	
108		Ref	Cable, Manual Descent	
108	1060643	1	Cable, Manual Descent (Was P/N 1060377) (Prior to SN 28149)	
108	1060664	1	Cable, Manual Descent (SN 38795 to Present)	
109	0641416	2	Bolt 1/4in-20NC x 2in	
110	3311401	2	Nut 1/4in-20NC	
111	4761400	2	Lockwasher 1/4in	
112	3760170	1	Ring	
120	1701437	1	Decal - Manual Descent (Not Shown)	
121	3841127	1	Rod	
122	3450405	1	Pin, Cotter 1/8in x 1 1/4in	
123	4220044	1	Stop, Throttle	
126	4751000	4	Washer	
		Ref	HOLDING VALVE INSTALLATION	
201	4640382	1	Cartridge, Holding Valve	
201	7009742	1	Coil (Vickers/Modular Controls Version)	
201	2900503	1	Seal Kit (Vickers/Modular Controls Version)	
201	7000645	1	Coil (Hydraforce Version)	
201	2900800	1	Seal Kit (Hydraforce Version)	

SECTION 5 - CYLINDERS

FIGURE 5-6. STEER CYLINDER ASSEMBLY (Prior to SN 9667)



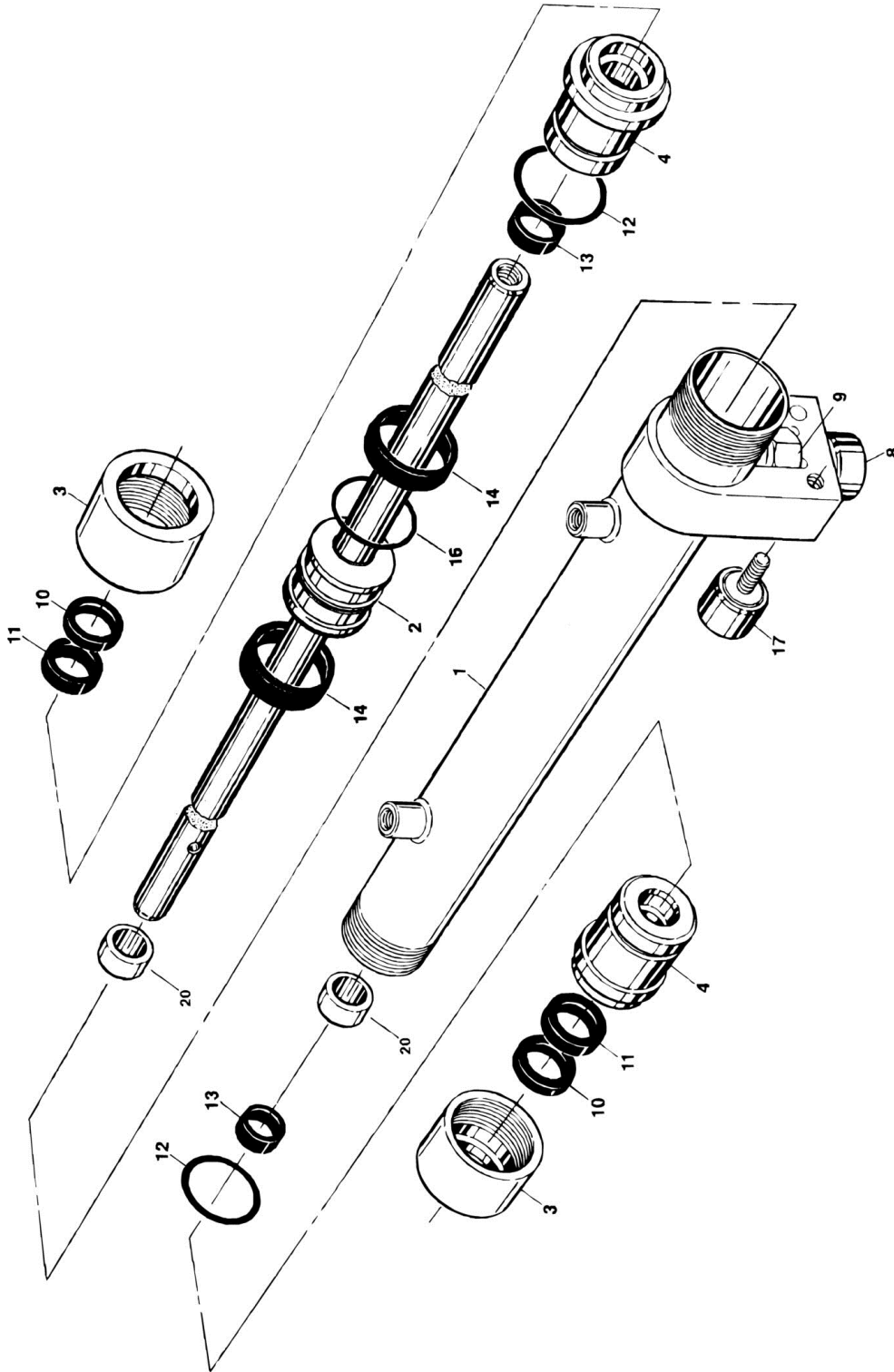
SECTION 5 - CYLINDERS

FIGURE 5-6. STEER CYLINDER ASSEMBLY (Prior to SN 9667)

ITEM	PART NUMBER	QTY	DESCRIPTION	REV
	1682681	Ref	STEER CYLINDER ASSEMBLY (Prior to SN 9667)	C
1	1682682	1	Barrel Weldment	
2	1682684	1	Rod Weldment	
3	1120108	2	Retainer, Head	
4	1681344	2	Head	
5	3480164	1	Piston	
6	4565716	2	Tube, Spacer	
7	3760143	2	Ring, Retainer	
8	3860056	1	Follower, Cam	
9	3300357	1	Nut, Special	
10	Kit	2	Wiper, Rod	
11	Kit	2	Seal, Rod	
12	Kit	2	O-Ring	
13	Kit	2	Ring, Wear	
14	Kit	1	Ring, Wear	
15	Kit	1	T-Seal	
16	Kit	1	O-Ring	
17	0440085	2	Bearing	
18	0100011	AR	Loctite #242 (Not Shown)	
19	0100035	AR	Loctite #222 (Not Shown)	
	2901210	1	Seal Kit (Includes Items 10-16)	

SECTION 5 - CYLINDERS

FIGURE 5-7. STEER CYLINDER ASSEMBLY (SN 9667 to Present)



SECTION 5 - CYLINDERS

FIGURE 5-7. STEER CYLINDER ASSEMBLY (SN 9667 to Present)

ITEM	PART NUMBER	QTY	DESCRIPTION	REV
	1682967	Ref	STEER CYLINDER ASSEMBLY (SN 9667 to Present)	5
1	1682682	1	Barrel Weldment	
2	1682987	1	Rod Weldment	
3	1120108	2	Retainer, Head	
4	1681344	2	Head	
8	3860056	1	Follower, Cam	
9	3300357	1	Nut, Special	
10	Kit	2	Wiper, Rod	
11	Kit	2	Seal, Rod	
12	Kit	2	O-Ring	
13	Kit	2	Ring, Wear	
14	Kit	1	Ring, Wear	
16	Kit	1	"T" Seal	
17	0440085	2	Bearing	
18	0100011	AR	Loctite #242 (Not Shown)	
19	0100035	AR	Loctite #222 (Not Shown)	
20	4568055	2	Tube, Spacer	
	2901261	1	Seal Kit (Includes Items 10-14 & 16)	

SECTION 6 - HYDRAULICS

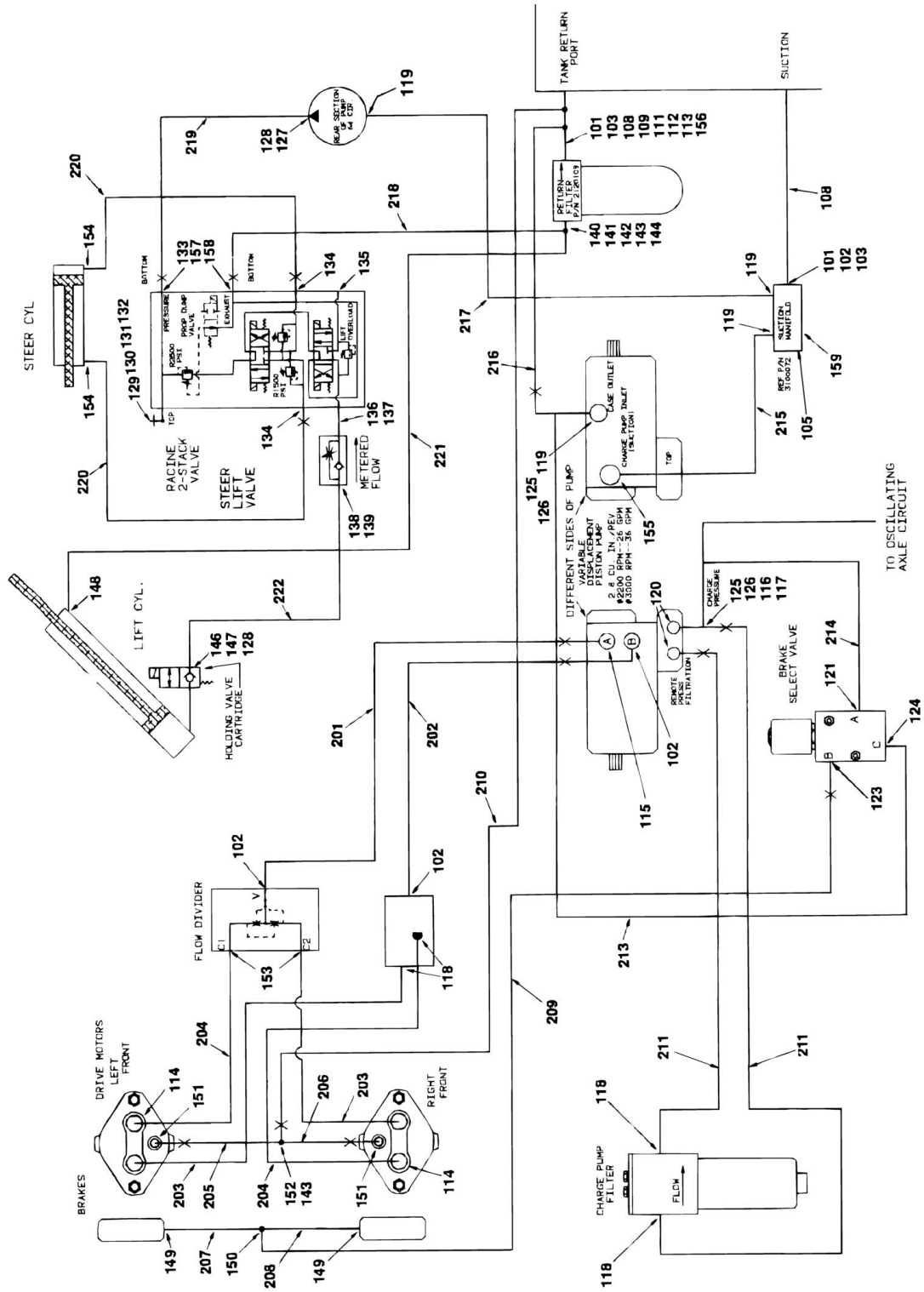
SECTION 6 - HYDRAULICS

FIGURE 6-1. HYDRAULIC DIAGRAM LIST

ITEM	PART NUMBER	QTY	DESCRIPTION	REV
		Ref	Note: Information on Diagrams Not Shown is Available From JLG Service/Parts Departments.	
	0254000	Ref	Hydraulic Diagram - Auxiliary Lift (Optional)	
		Ref	Hydraulic Diagram - Leveling Jacks (Optional)	
	2792024		Hydraulic Diagram (Prior to SN 101615)	
	2792538		Hydraulic Diagram (SN 101615 to Present)	
	0251791		Hydraulic Diagram - Manual Descent (Optional)	
	0253569		Hydraulic Diagram - Oil Cooler (Optional)	
		Ref	Hydraulic Diagram - Oscillating Axle (Optional) (See HYDRAULIC DIAGRAM - AXLE (OSCILLATING) for details)	
	2791574		Hydraulic Diagram (Prior to SN 97717)	
	2792519		Hydraulic Diagram (SN 97717 to Present)	
	2791939		Hydraulic Diagram - Standard 2WD/2WS (See HYDRAULIC DIAGRAM - 2WD/2WS for details)	
	2791938		Hydraulic Diagram - Standard 2WD/4WS	
	2791937		Hydraulic Diagram - Standard 4WD/2WS (See HYDRAULIC DIAGRAM - 4WD/2WS for details)	
	2791936		Hydraulic Diagram - Standard 4WD/4WS (See HYDRAULIC DIAGRAM - 4WD/4WS for details)	
	2791962		Hydraulic Diagram - Tow Package (Optional)	
	2792370		Hydraulic Schematic	

SECTION 6 - HYDRAULICS

FIGURE 6-2. HYDRAULIC DIAGRAM - 2WD/2WS



SECTION 6 - HYDRAULICS

FIGURE 6-2. HYDRAULIC DIAGRAM - 2WD/2WS

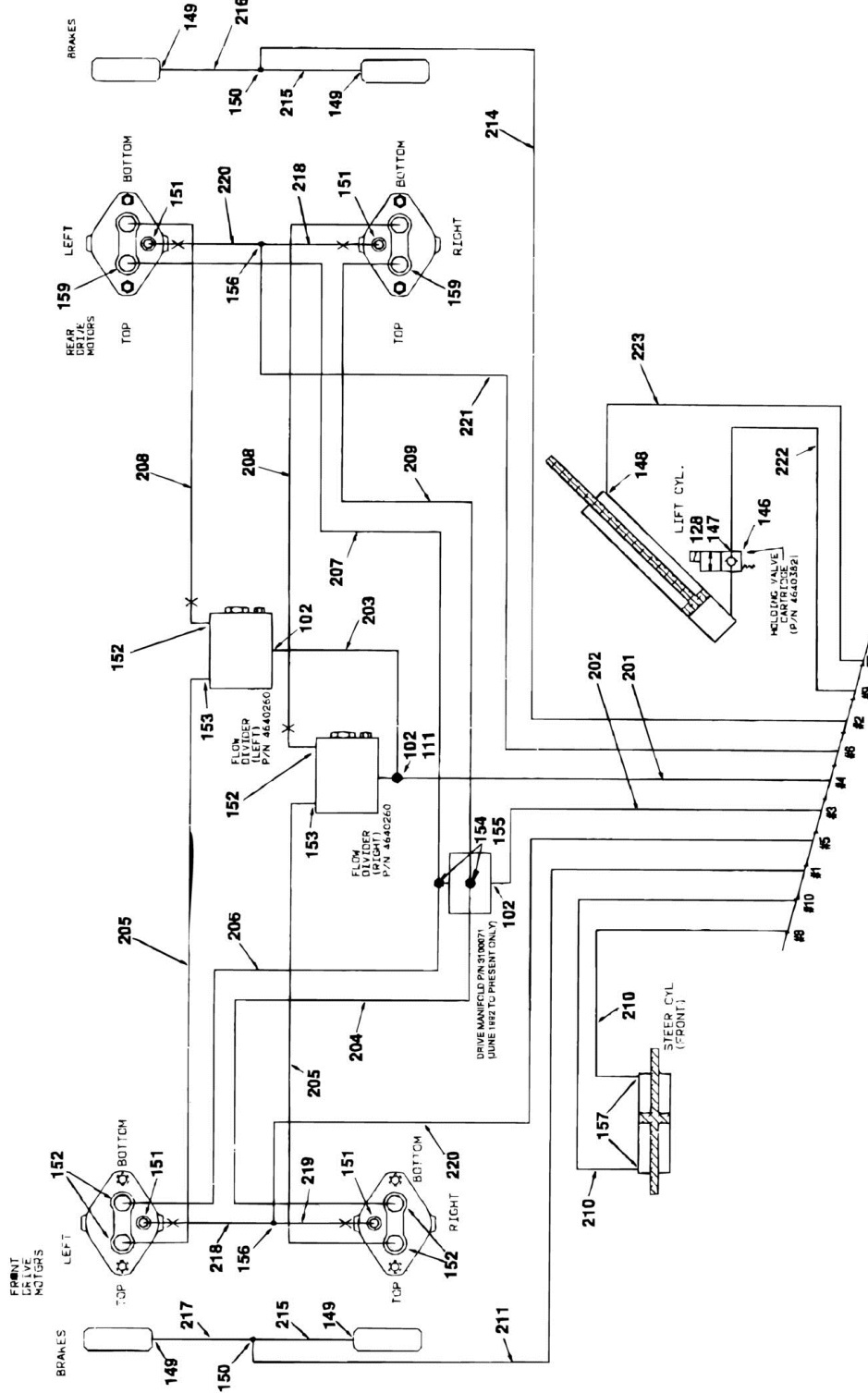
ITEM	PART NUMBER	QTY	DESCRIPTION	REV
	2791939	Ref	HYDRAULIC FITTINGS INSTALLATION	11
101	2210003	3	Fitting, Swivel	
102	2220377	5	Fitting, Straight	
103	1320033	8	Clamp, Hose	
105	3100075	1	Block, Manifold	
108	2720373	2	Hose, Suction 1in (2.54cm) x 8 3/4in (20cm)	
109	2220403		Fitting, 90	
111	2220642	1	Fitting, Tee	
112	2220275	1	Fitting, Reducer	
113	2220710	1	Fitting, Reducer	
114		Ref	Fitting, Straight Options:	
114	2220451	1	ADPT,ST S JIC/ORB 12-12 FG (Prior to SN 54201)	
114	2220498	4	ADPT,45 S JIC/ORB 12-12 FG (SN 54201 to Present)	
115	2220646	1	Fitting, 90	
116	2220609	1	Fitting, Reducer	
117	2220635	1	Fitting, Tee	
118	2220578	4	Fitting, 90	
119	2220451	4	Fitting, Straight	
120	2220408	2	Fitting, Straight	
121	2220495	1	Fitting, 90	
123	2220417	1	Fitting, Straight	
124	2220343	1	Fitting, Straight	
125	2220700	1	Fitting, Tee	
126	2220621	1	Fitting, Reducer	
127	2220374	1	Fitting, Straight	
128	2220386	1	Fitting, 90	
129	2220446	1	Fitting, Reducer	
130	2220438	1	Fitting, Nipple	
131	2220428	1	Fitting, Coupling	
132	2220429	1	Cap, Dust	
133	2220758	1	Fitting, Straight	
134	2220468	2	Fitting, Straight	
135	2220238	1	Fitting, Plug	
136	2220113	1	Fitting, 90	
137	2220280	1	Fitting, Nipple	
138	4640216	1	Valve, Adjustable Colorflow	
139	2220580	1	Fitting, 90	
140	2220696	1	Fitting, Reducer	
141	2220282	1	Fitting, Reducer	
142	2220679	1	Fitting, Tee	
143	2220619	3	Fitting, Reducer	
144	2220507	1	Fitting, 90	
146	4640382	1	Valve, Cartridge	
146	7009742	1	Coil (Vickers/Modular Controls Version)	
146	2900503	1	Seal Kit (Vickers/Modular Controls Version)	
146	7000645	1	Coil (Hydraforce Version)	
146	2900800	1	Seal Kit (Hydraforce Version)	
147	2220796	1	Fitting, 90	
148	2220473	1	Fitting, 90	
149	2220466	2	Fitting, 90	

SECTION 6 - HYDRAULICS

ITEM	PART NUMBER	QTY	DESCRIPTION	REV
150	2220504	1	Fitting, Tee	
151	2220371	2	Fitting, Straight	
152	2220362	1	Fitting, Tee	
153	2220435	2	Fitting, Straight	
154	2220472	2	Fitting, 90	
155	2220568	1	Fitting, 45	
156	2220345	1	Fitting, Straight	
157	2220512	1	Fitting, Straight	
158	2220373	1	Fitting, 90	
159	4360449	1	Switch, Temperature	
	2901224	Ref	HYDRAULIC HOSE KIT	E
201	2752340	1	Hose	
202	2752341	1	Hose	
203	2752254	2	Hose	
204	2752255	2	Hose	
205	2750990	1	Hose	
206	2750919	1	Hose	
207	2751021	1	Hose	
208	2751427	1	Hose	
209	2751410	1	Hose	
210	2752491	1	Hose	
211	2752242	2	Hose	
213	2750778	1	Hose	
214	2750918	1	Hose	
215	2752531	1	Hose	
216	2752520	1	Hose	
217	2752532	1	Hose	
218	2750968	1	Hose	
219	2750759	1	Hose	
220	2750896	2	Hose	
221	2752460	1	Hose	
222	2752490	1	Hose	

SECTION 6 - HYDRAULICS

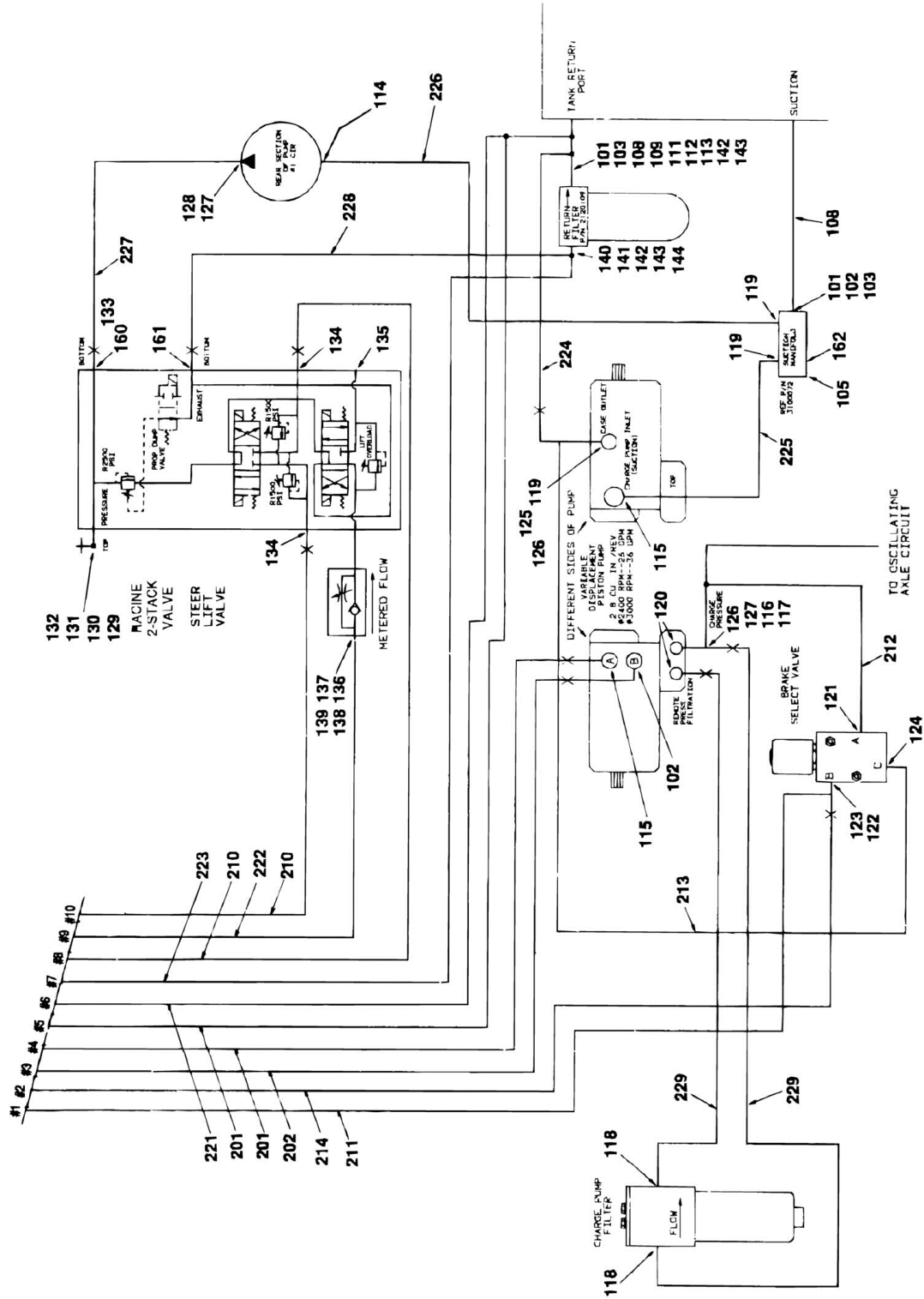
FIGURE 6-3. HYDRAULIC DIAGRAM - 4WD/2WS



SEE PAGE 2 OF 2

SECTION 6 - HYDRAULICS

SEE PAGE 1 OF 2



SECTION 6 - HYDRAULICS

FIGURE 6-3. HYDRAULIC DIAGRAM - 4WD/2WS

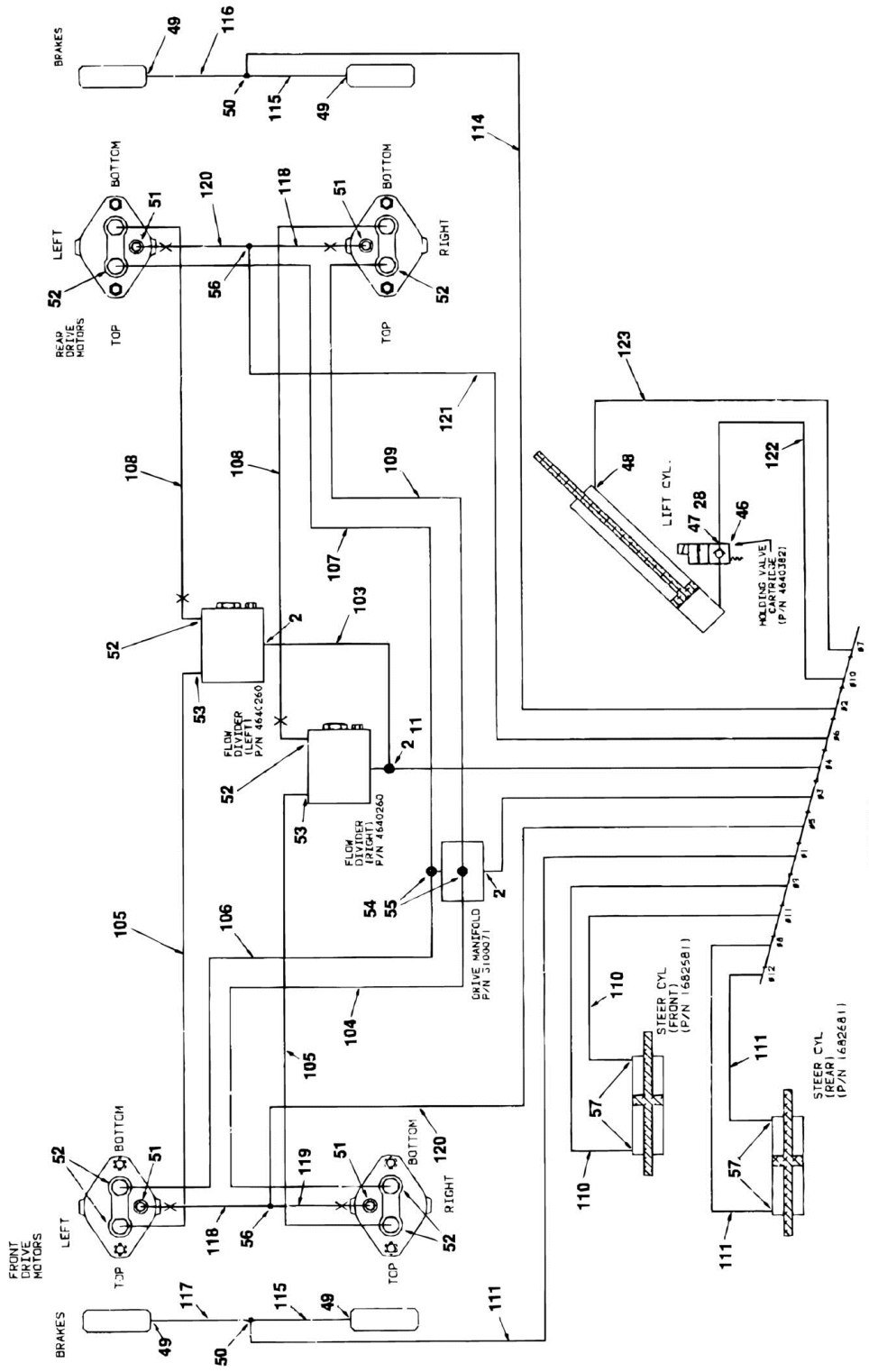
ITEM	PART NUMBER	QTY	DESCRIPTION	REV
	2791937	Ref	HYDRAULIC FITTINGS INSTALLATION	11
101	2210003	3	Fitting, Swivel	
102	2220377	5	Fitting, Straight	
103	1320033	8	Clamp, Hose	
105	3100075	1	Block, Manifold	
108	2720373	2	Hose, Suction 1in (2.54cm) x 8 3/4in (20cm)	
109	2220403	1	Fitting, 90	
111	2220642	1	Fitting, Tee	
112	2220275	1	Fitting, Reducer	
113	2220710	1	Fitting, Reducer	
114	2220451	1	Fitting, Straight	
115	2220646	2	Fitting, 90	
116	2220609	1	Fitting, Reducer	
117	2220635	1	Fitting, Tee	
118	2220578	2	Fitting, 90	
119	2220451	3	Fitting, Straight	
120	2220408	2	Fitting, Straight	
121	2220495	1	Fitting, 90	
122	2220250	1	Fitting, Reducer	
123	2220584	1	Fitting, Tee	
124	2220343	1	Fitting, Straight	
125	2220700	1	Fitting, Tee	
126	2220621	1	Fitting, Reducer	
127	2220374	1	Fitting, Straight	
128	2220386	1	Fitting, 90	
129	2220446	1	Fitting, Reducer	
130	2220438	1	Fitting, Nipple	
131	2220428	1	Fitting, Coupling	
132	2220429	1	Cap, Dust	
133	2220758	1	Fitting, Straight	
134	2220468	2	Fitting, Straight	
135	2220238	1	Fitting, Plug	
136	2220113	1	Fitting, 90	
137	2220280	1	Fitting, Nipple	
138	4640216	1	Valve, Adjustable Colorflow	
139	2220580	1	Fitting, 90	
140	2220696	1	Fitting, Reducer	
141	2220282	1	Fitting, Reducer	
142	2220679	2	Fitting, Tee	
143	2220619	3	Fitting, Reducer	
144	2220507	1	Fitting, 90	
146	4640382	1	Valve, Cartridge	
146	7009742	1	Coil (Vickers/Modular Controls Version)	
146	2900503	1	Seal Kit (Vickers/Modular Controls Version)	
146	7000645	1	Coil (Hydraforce Version)	
146	2900800	1	Seal Kit (Hydraforce Version)	
147	2220796	1	Fitting, 90	
148	2220473	1	Fitting, 90	
149	2220415	4	Fitting, Straight	
150	2220504	2	Fitting, Tee	

SECTION 6 - HYDRAULICS

ITEM	PART NUMBER	QTY	DESCRIPTION	REV
151	2220371	4	Fitting, Straight	C
152	2220366	8	Fitting, 90	
153	2220375	2	Fitting, Straight	
154	2220622	4	Fitting, Reducer	
155	2220695	2	Fitting, Tee	
156	2220490	2	Fitting, Tee	
157	2220472	2	Fitting, 90	
159	2220375	4	Fitting, Straight	
160	2220512	1	Fitting, Straight	
161	2220373	1	Fitting, 90	
162	4360449	1	Switch, Temperature	
	2901225	Ref	HYDRAULIC HOSE KIT	
201	2752321	1	Hose	
202	2752330	1	Hose	
203	2752339	1	Hose	
204	2752385	1	Hose	
205	2752386	2	Hose	
206	2752388	1	Hose	
207	2752387	1	Hose	
208	2752390	2	Hose	
209	2752389	1	Hose	
210	2750896	2	Hose	
211	2750894	1	Hose	
212	2750918	1	Hose	
213	2750778	1	Hose	
214	2751398	1	Hose	
215	2752430	2	Hose	
216	2752432	1	Hose	
217	2752431	1	Hose	
218	2750910	2	Hose	
219	2751006	1	Hose	
220	2751110	2	Hose	
221	2751111	1	Hose	
222	2752490	1	Hose	
223	2752460	1	Hose	
224	2752520	1	Hose	
225	2752531	1	Hose	
226	2752532	1	Hose	
227	2750759	1	Hose	
228	2750968	1	Hose	
229	2752523	2	Hose	

SECTION 6 - HYDRAULICS

FIGURE 6-4. HYDRAULIC DIAGRAM - 4WD/4WS



SEE PG 2 OF 2

SECTION 6 - HYDRAULICS

FIGURE 6-4. HYDRAULIC DIAGRAM - 4WD/4WS

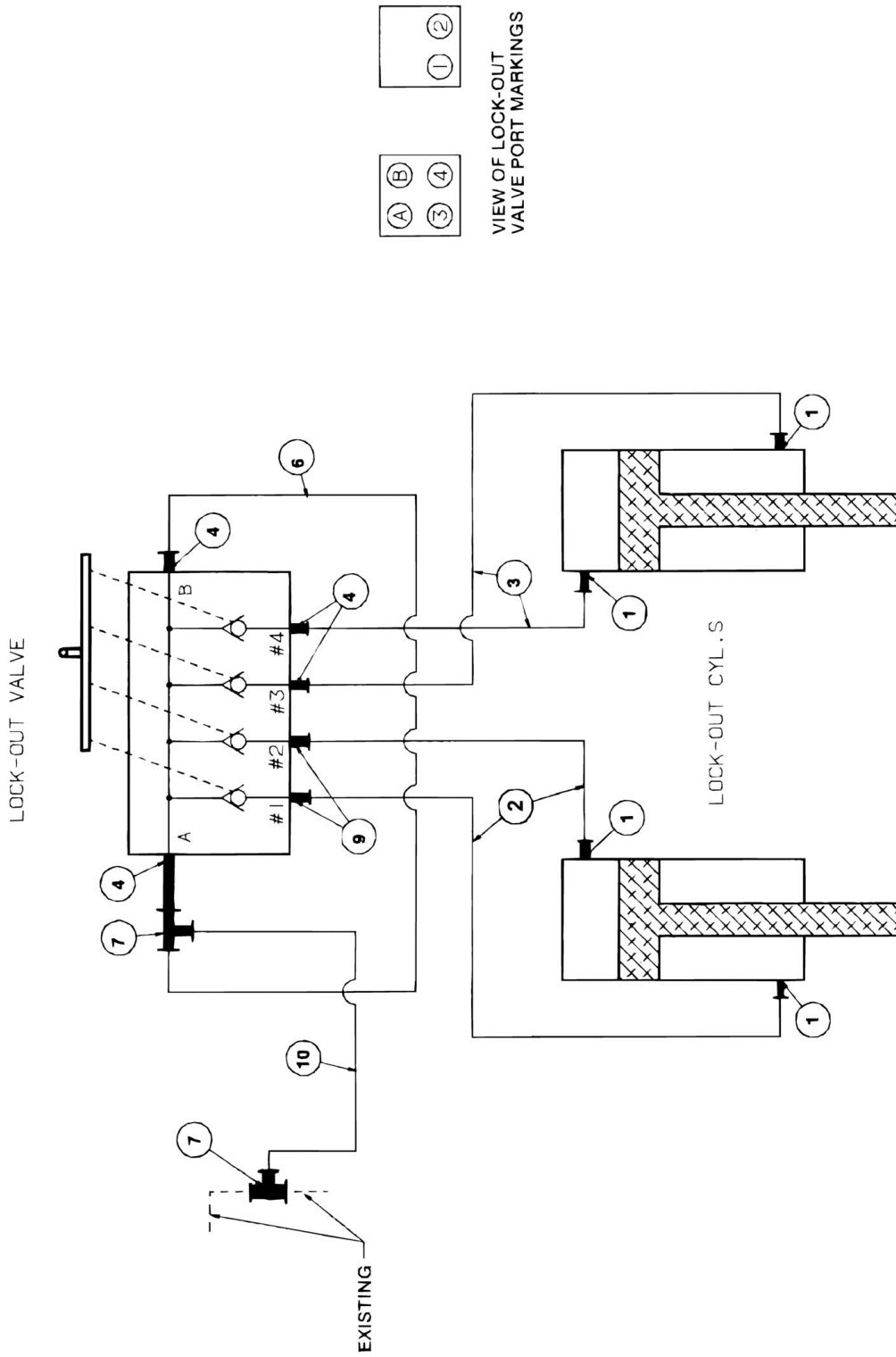
ITEM	PART NUMBER	QTY	DESCRIPTION	REV
	2791936	Ref	HYDRAULIC FITTINGS INSTALLATION	9
1	2210003	3	Fitting, Swivel	
2	2220377	5	Fitting, Straight	
3	1320033	8	Clamp, Hose	
5	3100075	1	Block, Manifold	
6	0100020	AR	Sealant, Pipe (Not Shown)	
8	2720373	2	Hose, Suction 1in (2.54cm) x 8 3/4in (20cm)	
9	2220403	1	Fitting, 90	
11	2220642	1	Fitting, Tee	
12	2220275	1	Fitting, Reducer	
13	2220710	1	Fitting, Reducer	
14	2220498	1	Fitting, 45	
15	2220646	2	Fitting, 90	
16	2220609	1	Fitting, Reducer	
17	2220635	1	Fitting, Tee	
18	2220578	2	Fitting, 90	
19	2220451	3	Fitting, Straight	
20	2220408	2	Fitting, Straight	
21	2220495	1	Fitting, 90	
22	2220250	1	Fitting, Reducer	
23	2220584	1	Fitting, Tee	
24	2220343	1	Fitting, Straight	
25	2220700	1	Fitting, Tee	
26	2220621	1	Fitting, Reducer	
27	2220373	1	Fitting, Straight	
28	2220386	1	Fitting, 90	
29	2220446	1	Fitting, Reducer	
30	2220438	1	Fitting, Nipple	
31	2220428	1	Fitting, Coupling	
32	2220429	1	Cap, Dust	
33	2220758	1	Fitting, Straight	
34	2220468	4	Fitting, Straight	
35	2220238	1	Fitting, Plug	
36	2220113	1	Fitting, 90	
37	2220280	1	Fitting, Nipple	
38	4640216	1	Valve, Adjustable Colorflow	
39	2220580	1	Fitting, 90	
40	2220696	1	Fitting, Reducer	
41	2220282	1	Fitting, Reducer	
42	2220679	2	Fitting, Tee	
43	2220619	3	Fitting, Reducer	
44	2220507	1	Fitting, 90	
46	4640382	1	Valve, Cartridge	
46	7009742	1	Coil (Vickers/Modular Controls Version)	
46	2900503	1	Seal Kit (Vickers/Modular Controls Version)	
46	7000645	1	Coil (Hydraforce Version)	
46	2900800	1	Seal Kit (Hydraforce Version)	
47	2220796	1	Fitting, 90	
48	2220473	1	Fitting, 90	
49	2220415	4	Fitting, Straight	

SECTION 6 - HYDRAULICS

ITEM	PART NUMBER	QTY	DESCRIPTION	REV
50	2220504	2	Fitting, Tee	
51	2220371	4	Fitting, Straight	
52	2220366	10	Fitting, 90	
53	2220375	2	Fitting, Straight	
54	2220622	4	Fitting, Reducer	
55	2220695	2	Fitting, Tee	
56	2220490	2	Fitting, Tee	
57	2220472	2	Fitting, 90	
59	2220512	1	Fitting, Straight	
60	2220373	1	Fitting, 90	
61	4360449	1	Switch, Temperature	
	2901222	Ref	HYDRAULIC HOSE KIT	B
101	2752321	1	Hose	
102	2752330	1	Hose	
103	2752339	1	Hose	
104	2752385	1	Hose	
105	2752386	2	Hose	
106	2752388	1	Hose	
107	2752387	1	Hose	
108	2752390	2	Hose	
109	2752389	1	Hose	
110	2750896	2	Hose	
111	2750894	3	Hose	
112	2750918	1	Hose	
113	2750778	1	Hose	
114	2751398	1	Hose	
115	2752430	2	Hose	
116	2752432	1	Hose	
117	2752431	1	Hose	
118	2750910	2	Hose	
119	2751006	1	Hose	
120	2751110	2	Hose	
121	2751111	1	Hose	
122	2752490	1	Hose	
123	2752460	1	Hose	
124	2752520	1	Hose	
125	2752531	1	Hose	
126	2752532	1	Hose	
127	2750759	1	Hose	
128	2750968	1	Hose	
129	2752242	2	Hose	

SECTION 6 - HYDRAULICS

FIGURE 6-5. HYDRAULIC DIAGRAM - AXLE (OSCILLATING)



SECTION 6 - HYDRAULICS

FIGURE 6-5. HYDRAULIC DIAGRAM - AXLE (OSCILLATING)

ITEM	PART NUMBER	QTY	DESCRIPTION	REV
		Ref	HYDRAULIC DIAGRAM - AXLE (OSCILLATING)	
	2791574	Ref	HYDRAULIC DIAGRAM (Prior to SN 97717)	5
	2792519	Ref	HYDRAULIC DIAGRAM (SN 97717 to Present)	1
1		Ref	Fitting Options:	
1	2220472	4	ADPT,90 S JIC/ORB 4-6 FG (Prior to SN 54201)	
1	2220414	4	ADPT,ST S JIC/NPTF 4-4 FG (SN 54201 to Present)	
2	2750760	2	Hose	
3	2751010	2	Hose	
4	2220582	4	Fitting	
6	2750900	1	Hose	
7	2220605	2	Fitting, Tee	
8	0100020	AR	Sealant, Pipe (Not Shown)	
9	2220472	2	Fitting, 90	
10	2750897	1	Hose	

SECTION 7 - ELECTRICAL

SECTION 7 - ELECTRICAL

FIGURE 7-1. ELECTRICAL DIAGRAMS AND COMPONENTS LIST

ITEM	PART NUMBER	QTY	DESCRIPTION	REV
		Ref	Note: Electrical Diagrams shown in the following pages indicated by an asterisk. Electrical Diagrams are available through the JLG Service Department.	
	1282015	Ref	ALARMS ELECTRICAL DIAGRAMS (DWG ONLY)	C
	0253727	Ref	Descent Alarm (B/M Only)	B
	0253728	Ref	Motion Alarm (B/M Only)	A
	0253446	Ref	Travel Alarm (B/M Only)	A
	0140032	1	Alarm, Horn	
	3990010	AR	Diode - 6 Amp	
	3740049	1	Relay (Located in Ground Control Box)	
	1540002	1	Capacitor	
	0254000	Ref	AUXILIARY LIFT ELECTRICAL DIAGRAM (OPTIONAL)	B
		Ref	CABLES AND HARNESES	
		Ref	Lift Cylinder to Ground Control Box	
	1060341	25 ft/7.6m	Lift Cylinder to Ground Control Box 33RTS (16/2)	
	1060016	24 ft/7.3m	Lift Cylinder to Ground Control Box 25RTS & 40RTS (16/3) (Prior to SN 70343)	
		Ref	Platform to Ground Control Box Harnesses	
		Ref	40RTS without Jacks and Drive Lights Options:	
	4921556	1	40RTS without Jacks and Drive Lights (Prior to SN 58038)	2
	4922255	1	40RTS without Jacks and Drive Lights (SN 58038 to Present)	2
		Ref	33RTS without Jacks and Drive Lights Options:	
	4921558	1	33RTS without Jacks and Drive Lights (Prior to SN 58038)	2
	4922254	1	33RTS without Jacks and Drive Lights (SN 58038 to Present)	2
		Ref	25RTS without Jacks and Drive Lights Options:	
	4921560	1	25RTS without Jacks and Drive Lights (Prior to SN 58038)	2
	4922253	1	25RTS without Jacks and Drive Lights (SN 58038 to Present)	2
		Ref	Cable, Electrical - 16/24	
	1060458	96 ft/29.3m	Cable, Electrical (40RTS) (Prior to SN 75287)	
	1060826	96 ft/29.3m	Cable, Electrical (40RTS) (SN 75287 to Present)	
	1060458	86 ft/26.2m	Cable, Electrical (33RTS) (Prior to SN 75287)	
	1060826	86 ft/26.2m	Cable, Electrical (33RTS) (SN 75287 to Present)	
	1060458	75 ft/22.9m	Cable, Electrical (25RTS) (Prior to SN 75287)	
	1060826	75 ft/22.9m	Cable, Electrical (25RTS) (SN 75287 to Present)	
	4460473	1	Clamp, Cable	
	4460468	1	Cap, Dust	
	4460462	1	Plug, Socket - 23 Position	
	4460465	23	Socket, Female	
		Ref	40RTS with Jacks and Drive Lights	
	4921557	1	40RTS with Jacks and Drive Lights (Prior to SN 58038)	3
	4922250	1	40RTS with Jacks and Drive Lights (SN 58038 to Present)	2
		Ref	33RTS with Jacks and Drive Lights	
	4921559	1	33RTS with Jacks and Drive Lights (Prior to SN 58038)	3
	4922249	1	33RTS with Jacks and Drive Lights (SN 58038 to Present)	2

SECTION 7 - ELECTRICAL

ITEM	PART NUMBER	QTY	DESCRIPTION	REV
		Ref	25RTS with Jacks and Drive Lights	
	4921561	1	25RTS with Jacks and Drive Lights (Prior to SN 58038)	3
	4922248	1	25RTS with Jacks and Drive Lights (SN 58038 to Present)	2
		Ref	Cable, Electrical - 16/20	
	1060459	96 ft/29.3m	Cable, Electrical (40RTS) (Prior to SN 75287)	
	1060825	96 ft/29.3m	Cable, Electrical (40RTS) (SN 75287 to Present)	
	1060459	86 ft/26.2m	Cable, Electrical (33RTS) (Prior to SN 75287)	
	1060825	86 ft/26.2m	Cable, Electrical (33RTS) (SN 75287 to Present)	
	1060459	75 ft/22.9m	Cable, Electrical (25RTS) (Prior to SN 75287)	
	1060825	75 ft/22.9m	Cable, Electrical (25RTS) (SN 75287 to Present)	
	4460473	1	Clamp, Cable	
	4460468	1	Cap, Dust	
	4460481	1	Plug, Socket - 23 Position	
	4460464	20	Pin, Male	
	4460466	3	Seal, Plug	
	1060308	Ref	Receptacle 110V Platform to Ground - 12/3 Cable	
	1060308	75 ft ft/22.9m	12/3 Cable (40RTS) (Prior to SN 70343)	
	1060308	80 ft/24.4m	12/3 Cable (40RTS) (SN 70343 to Present)	
	1060308	65 ft/19.8m	12/3 Cable (33RTS) (Prior to SN 70343)	
	1060308	70/21.3m	12/3 Cable (33RTS) (SN 70343 to Present)	
	1060308	55 ft/16.8m	12/3 Cable (25RTS) (Prior to SN 70343)	
	1060308	60 ft/18.3m	12/3 Cable (25RTS) (SN 70343 to Present)	
		Ref	CIRCUIT CARD ELECTRICAL DIAGRAM	
	0610103	Ref	Circuit Card Electrical Diagram (Prior to February 1995)	
	0610114	Ref	Circuit Card Electrical Diagram (February 1995 to Present)	
	4932451	Ref	DUAL FUEL ELECTRICAL DIAGRAM (OPTIONAL ON FORD ENGINES)	-
	1281738	Ref	DUAL FUEL ELECTRICAL DIAGRAM (OPTIONAL ON FORD ENGINES)	H
	0258916	Ref	ENGINE COLD START DIAGRAM (DEUTZ ENGINE MACHINES) (OPTIONAL)	1-A
	0258686	Ref	ENGINE SHUTDOWN ELECTRICAL DIAGRAM (DEUTZ ENGINE MACHINES) (OPTIONAL)	A
		Ref	GENERATOR ELECTRICAL DIAGRAM (OPTIONAL)	
	4932387	Ref	110V and Deutz Engines (Prior to August 1994)	-
	4932734	Ref	110V and Deutz Engines (August 1994 to Present)	3
	4932041	Ref	110V and Ford Engines (Prior to August 1994)	B
	4932735	Ref	110V and Ford Engines (August 1994 to Present)	5
	3990010	1	Diode 6 Amp	
	3740049	2	Relay (Located in Ground Control Box)	
	0254736	Ref	HIGH TEMPERATURE WARNING ELECTRICAL DIAGRAM	-
		Ref	LEVELING JACKS ELECTRICAL DIAGRAM (OPTIONAL)	
	0254076	Ref	With Interlock	C
	1282105	Ref	With Interlock	D

SECTION 7 - ELECTRICAL

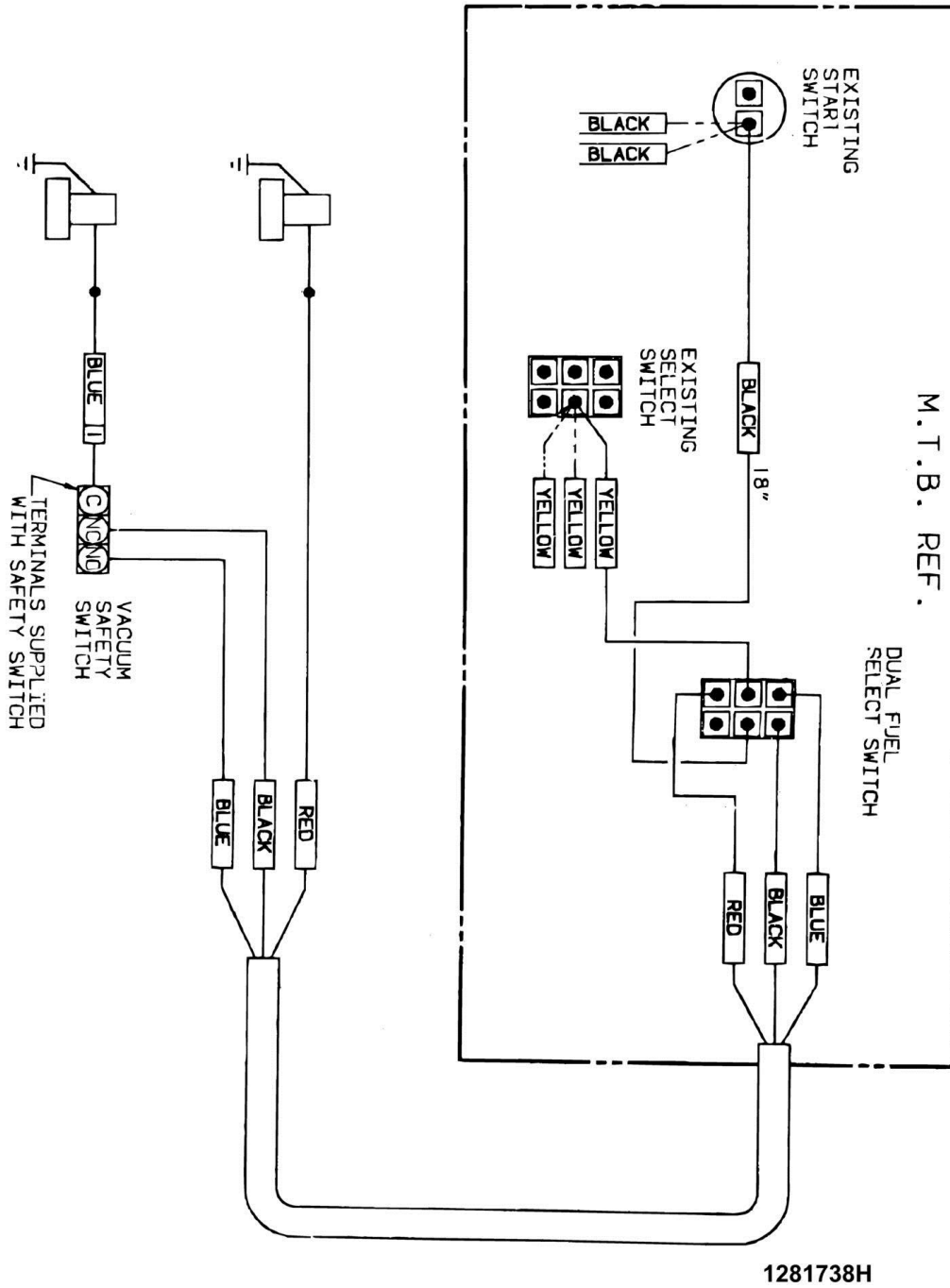
ITEM	PART NUMBER	QTY	DESCRIPTION	REV
	4932810	Ref	Without Interlock (Prior to SN 76372)	D
	4933144	Ref	Without Interlock (SN 76372 to Present)	E
		Ref	LIGHTS ELECTRICAL DIAGRAM (OPTIONAL)	
	0253821	Ref	Headlights and Taillights	3
	1282038	Ref	Headlights and Taillights	E
	0253818	Ref	Headlights, Taillights, Brake Lights and Signal Lights	3
	1282038	Ref	Headlights, Taillights, Brake Lights and Signal Lights	E
	4932624	Ref	Panel Lights - Ground Control Box	-
	4932623	Ref	Panel Lights - Platform Console Box	-
	0253792	Ref	Platform Worklights with 2 Lights (25RTS)	-
	1282033	Ref	Platform Worklights with 2 Lights (25RTS)	B
	0253793	Ref	Platform Worklights with 2 Lights (33RTS)	-
	1282033	Ref	Platform Worklights with 2 Lights (33RTS)	B
	0253794	Ref	Platform Worklights with 2 Lights (40RTS)	-
	1282033	Ref	Platform Worklights with 2 Lights (40RTS)	B
	0257913	Ref	Platform Worklights with 4 Lights	1
	0253852	Ref	Platform Worklights with Cable Reels	B
	0253569	Ref	OIL COOLER ELECTRICAL DIAGRAM	A
		Ref	OVERLOAD PROTECTION INSTALLATION (JAPANESE SPECS)	
	0257772	Ref	Overload Protection Installation (Japanese Specs) (Prior to SN 83966)	A
	0270785	Ref	Overload Protection Installation (Japanese Specs) (SN 83966 to Present)	E
		Ref	PLATFORM ELECTRICAL DIAGRAMS	
	4932602	Ref	Deutz Engine Machines (Prior to SN 57701)	B
	1282009	Ref	Deutz Engine Machines (Prior to SN 57701)	N
	4933095	Ref	Deutz Engine Machines (SN 57701 to Present)	2
	1283063	Ref	Deutz Engine Machines (SN 57701 to Present)	F
	4932602	Ref	Ford Engine Machines (Prior to SN 57701)	B
	1282008	Ref	Ford Engine Machines (Prior to SN 57701)	N
	4933095	Ref	Ford Engine Machines (SN 57701 to Present)	2
	1283062	Ref	Ford Engine Machines (SN 57701 to Present)	F
	3990010	AR	Diode - 6 Amp	
	0254112	Ref	PROXIMITY SWITCHES ELECTRICAL DIAGRAM	B
		Ref	STANDARD ELECTRICAL DIAGRAM	
	4932604	Ref	Deutz Engine Machines (Prior to SN 61097)	9
	1282009	Ref	Deutz Engine Machines (Prior to SN 61097)	N
	4932604	Ref	Deutz Engine Machines (SN 61097 to Present)	9
	1283063	Ref	Deutz Engine Machines (SN 61097 to Present)	F
	3990010	5	Diode - 6 Amp	
	4921562	1	Harness (Valves to Ground Control Box)	B
		Ref	Harness (Engine to Ground Control Box)	
	4921564	1	Harness (Engine to Ground Control Box) (Prior to August 1995)	A
	4921787	1	Harness (Engine to Ground Control Box) (August 1995 to Present)	
	4460457	4	Socket, Female	
	4460460	1	Connector - 4 Position	
	1060341	64 ft/19.5m	Cable, Electrical - 16/2 (To Limit Switches and Lift Down Coil)	
	3730003	1	Resistor - 20 ohm	
	4932603	Ref	Ford VSG-411 Engine Machines (Prior to January 1995)	7
	1282008	Ref	Ford VSG-411 Engine Machines (Prior to January 1995)	H

SECTION 7 - ELECTRICAL

ITEM	PART NUMBER	QTY	DESCRIPTION	REV
	4932758	Ref	Ford VSG-411 Engine Machines (Jan. 1995 to S/N 61097)	6
	1282348	Ref	Ford VSG-411 Engine Machines (Jan. 1995 to S/N 61097)	D
	4932758	Ref	Ford VSG-411 Engine Machines (SN 61097 to Present)	6
	1283062	Ref	Ford VSG-411 Engine Machines (SN 61097 to Present)	F
	3990010	5	Diode - 6 Amp	
	4921562	1	Harness (Valves to Ground Control Box)	B
		Ref	Harness Options: (Engine to Ground Control Box)	4
	4921563	1	Harness Options: (Engine to Ground Control Box) (Prior to January 1995)	A
	4921718	1	Harness Options: (Engine to Ground Control Box) (January 1995 to Present)	B
	4460457	4	Socket, Female	
	4460460	1	Connector - 4 Position	
	1060341	64	Cable, Electrical - 16/2 (To Limit Switches and Lift Down Coil)	
		ft/19.5m		
	4932758	Ref	Ford VSG-413 Engine Machines (Prior to SN 61097)	6
	1282348	Ref	Ford VSG-413 Engine Machines (Prior to SN 61097)	D
	4932758	Ref	Ford VSG-413 Engine Machines (Prior to SN 61097)	6
	1283062	Ref	Ford VSG-413 Engine Machines (Prior to SN 61097)	F
	3990010	5	Diode - 6 Amp	
	4921562	1	Harness (Valves to Ground Control Box)	B
		Ref	Harness (Engine to Ground Control Box)	
	4921718	1	Harness (Engine to Ground Control Box) (Prior to SN 44593)	
	4922044	1	Harness Options: (Engine to Ground Control Box) (SN 44593 to Present)	4
	3990010	1	Diode - 6 Amp	
	4460457	4	Socket, Female	
	4460460	1	Connector - 4 Position	
	4460589	7	Socket, Female	
	4460608	7	Seal, Pin	
	4460587	1	Connector - 8 Position	
	4460588	1	Lock, Terminal	
	4460183	3	Terminal, Connector	
	1060341	64	Cable, Electrical - 16/2 (To Limit Switches and Lift Down Coil)	
		ft/19.5m		
	4933042	Ref	STATIC STEER ELECTRICAL DIAGRAM (4WD/2WS)	1
	1282951	Ref	STATIC STEER ELECTRICAL DIAGRAM (4WD/2WS)	A
	4933043	Ref	STATIC STEER ELECTRICAL DIAGRAM (4WD/4WS)	2
	1282951	Ref	STATIC STEER ELECTRICAL DIAGRAM (4WD/4WS)	A
	1282137	Ref	TILT INDICATOR ELECTRICAL DIAGRAM (OPTIONAL)	A
	0254111	Ref	With Drive/Lift Lockout	A
	0254262	Ref	With Lift Lockout	3

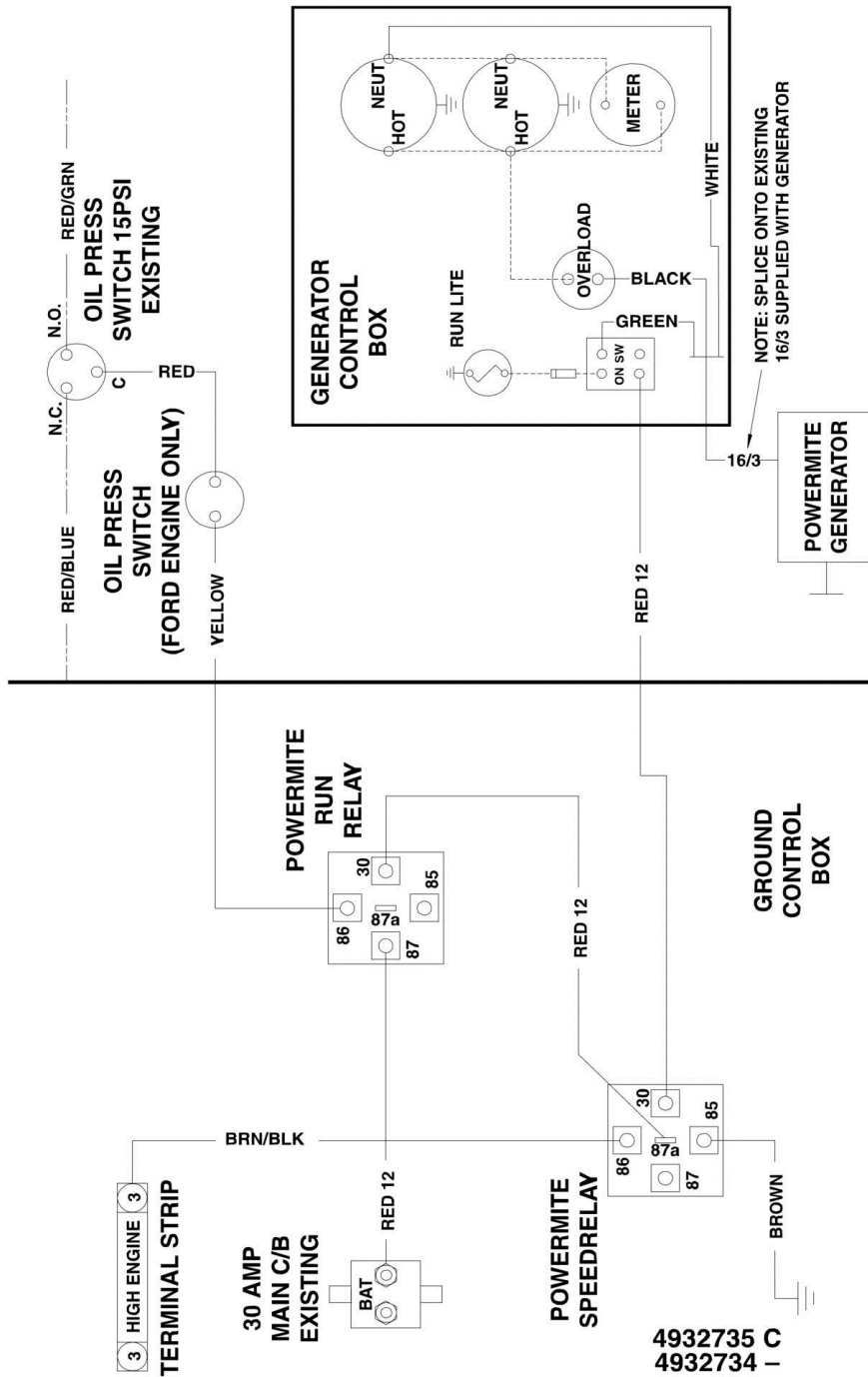
SECTION 7 - ELECTRICAL

FIGURE 7-2. ELECTRICAL DIAGRAM - DUAL FUEL (FORD ENGINE OPTION).



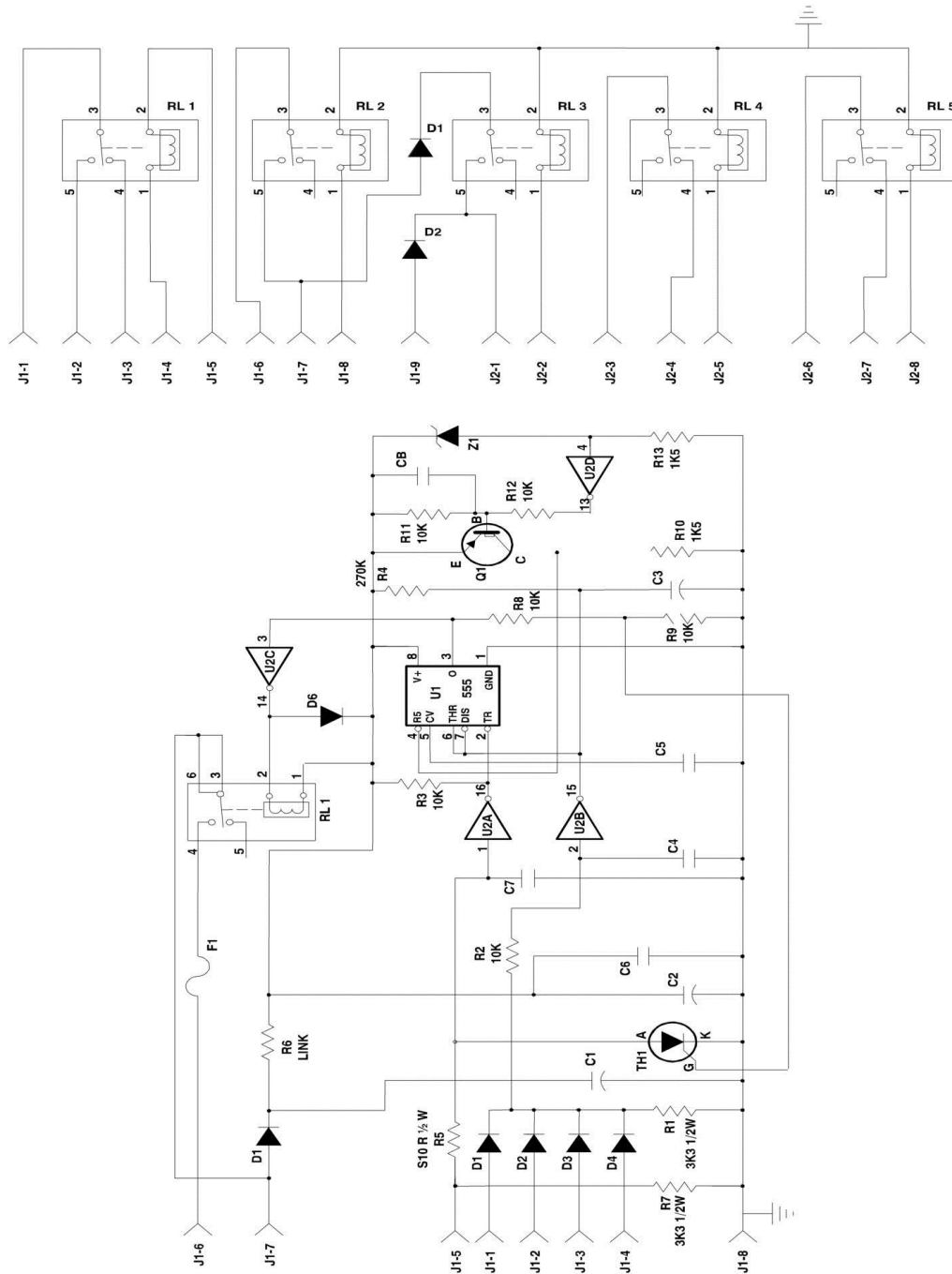
SECTION 7 - ELECTRICAL

FIGURE 7-3. ELECTRICAL DIAGRAM - 110V GENERATOR.

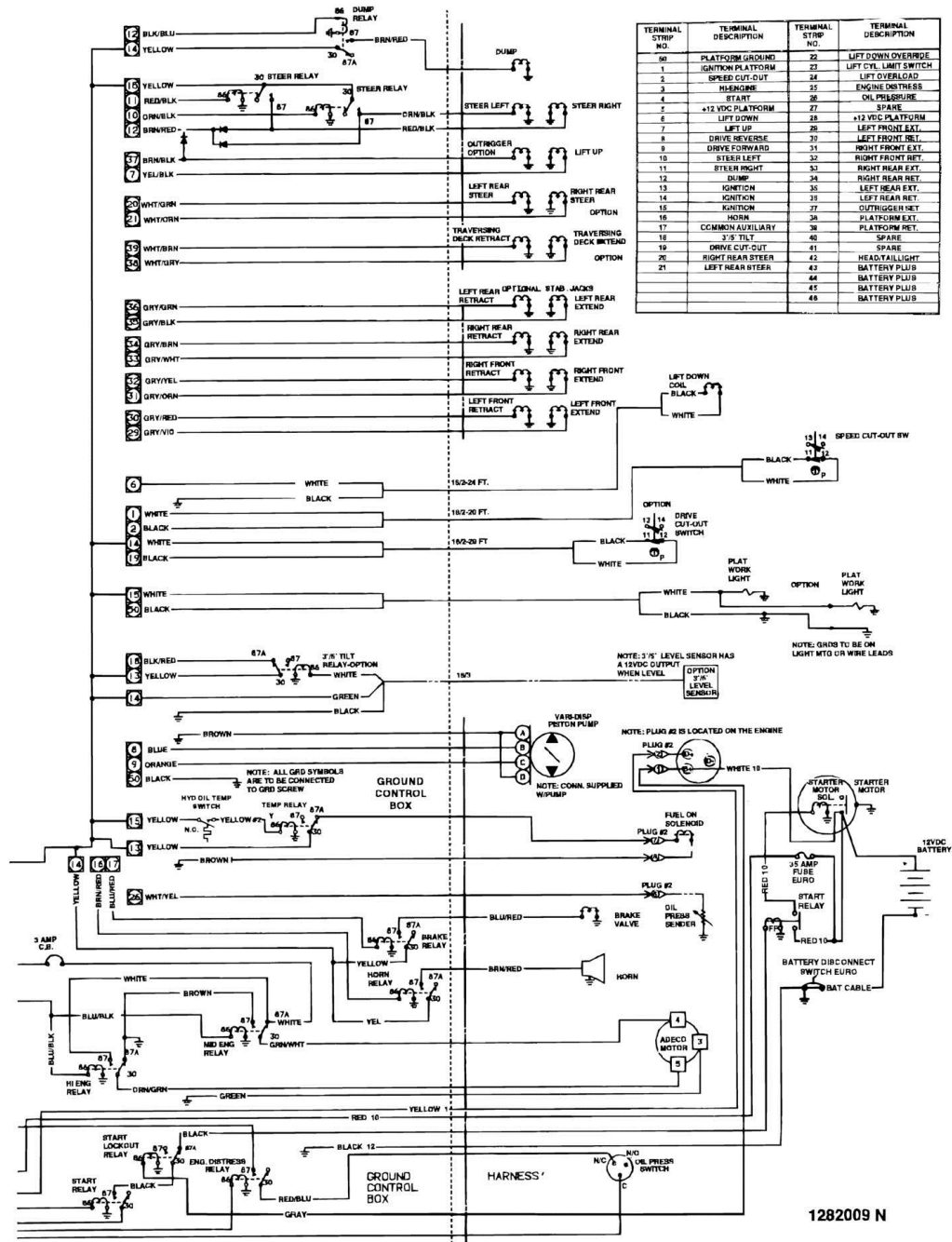


SECTION 7 - ELECTRICAL

FIGURE 7-4. ELECTRICAL DIAGRAM - 0610114 CIRCUIT CARD.

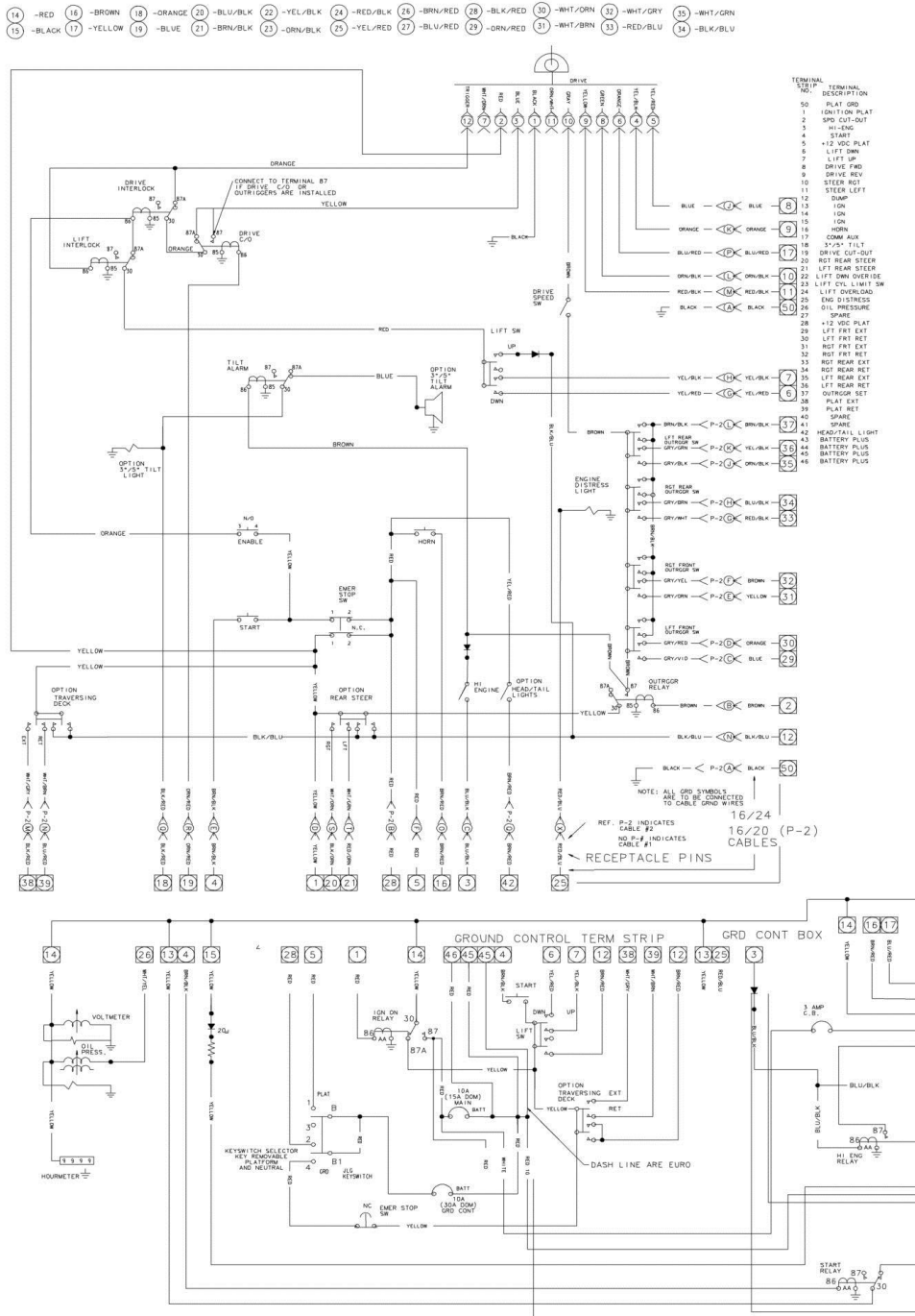


SECTION 7 - ELECTRICAL



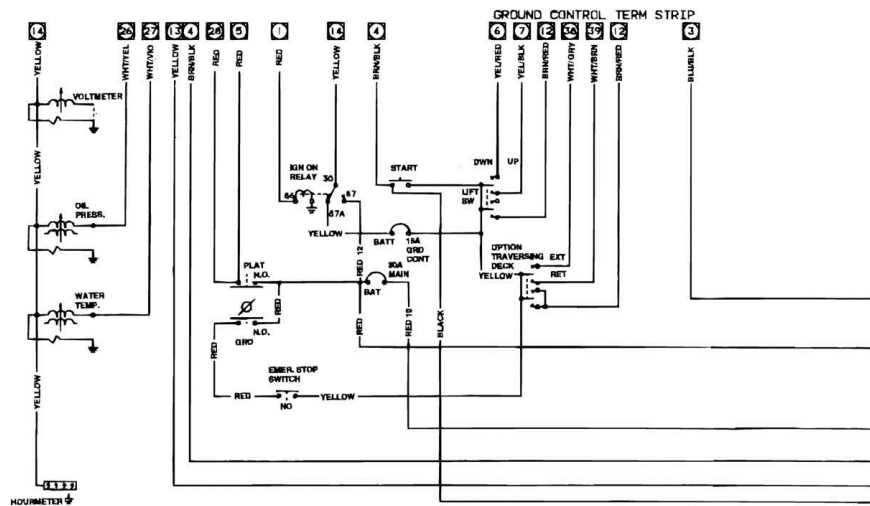
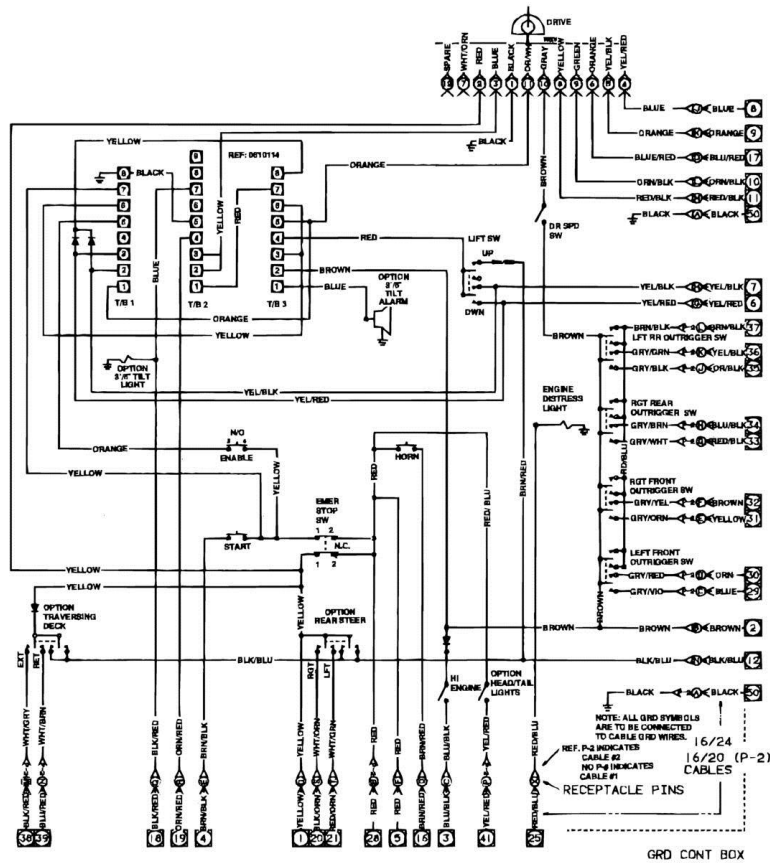
SECTION 7 - ELECTRICAL

FIGURE 7-6. ELECTRICAL DIAGRAM - DEUTZ ENGINE MACHINES (SN 61097 to Present)

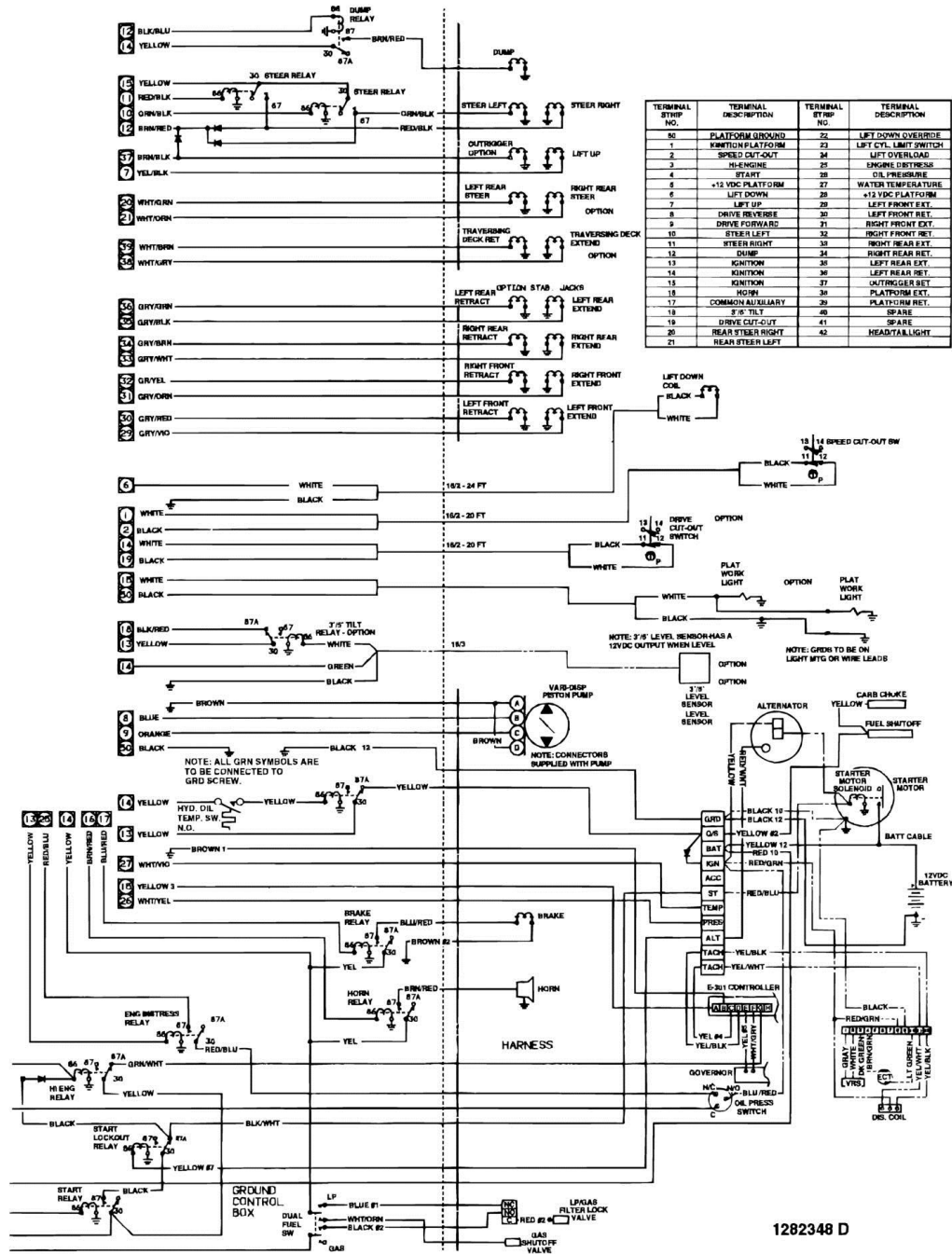


SECTION 7 - ELECTRICAL

FIGURE 7-7. ELECTRICAL DIAGRAM - FORD ENGINE MACHINES (Prior to SN 61097)



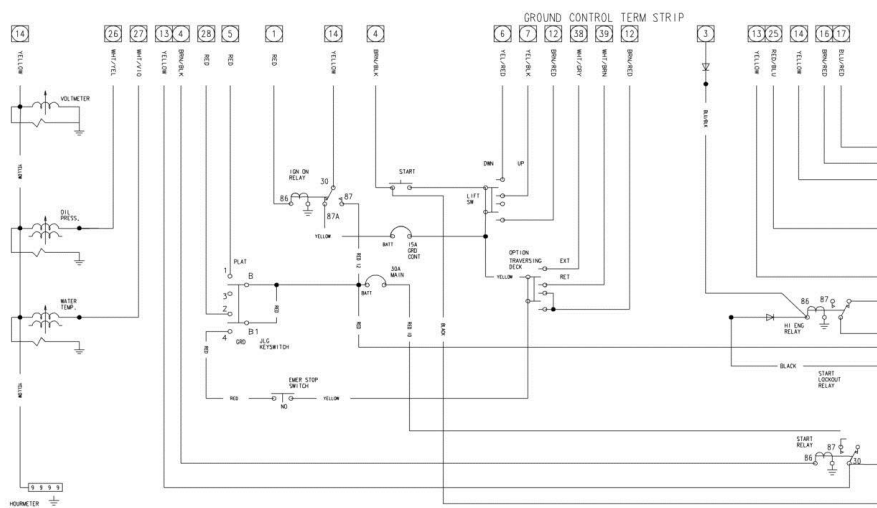
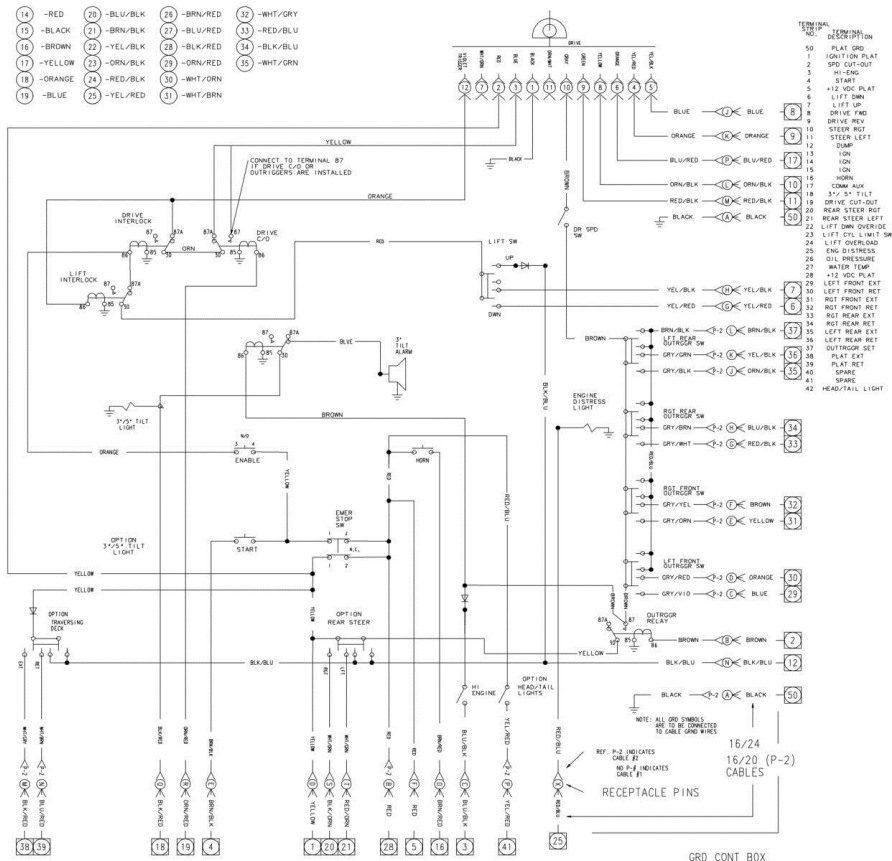
SECTION 7 - ELECTRICAL



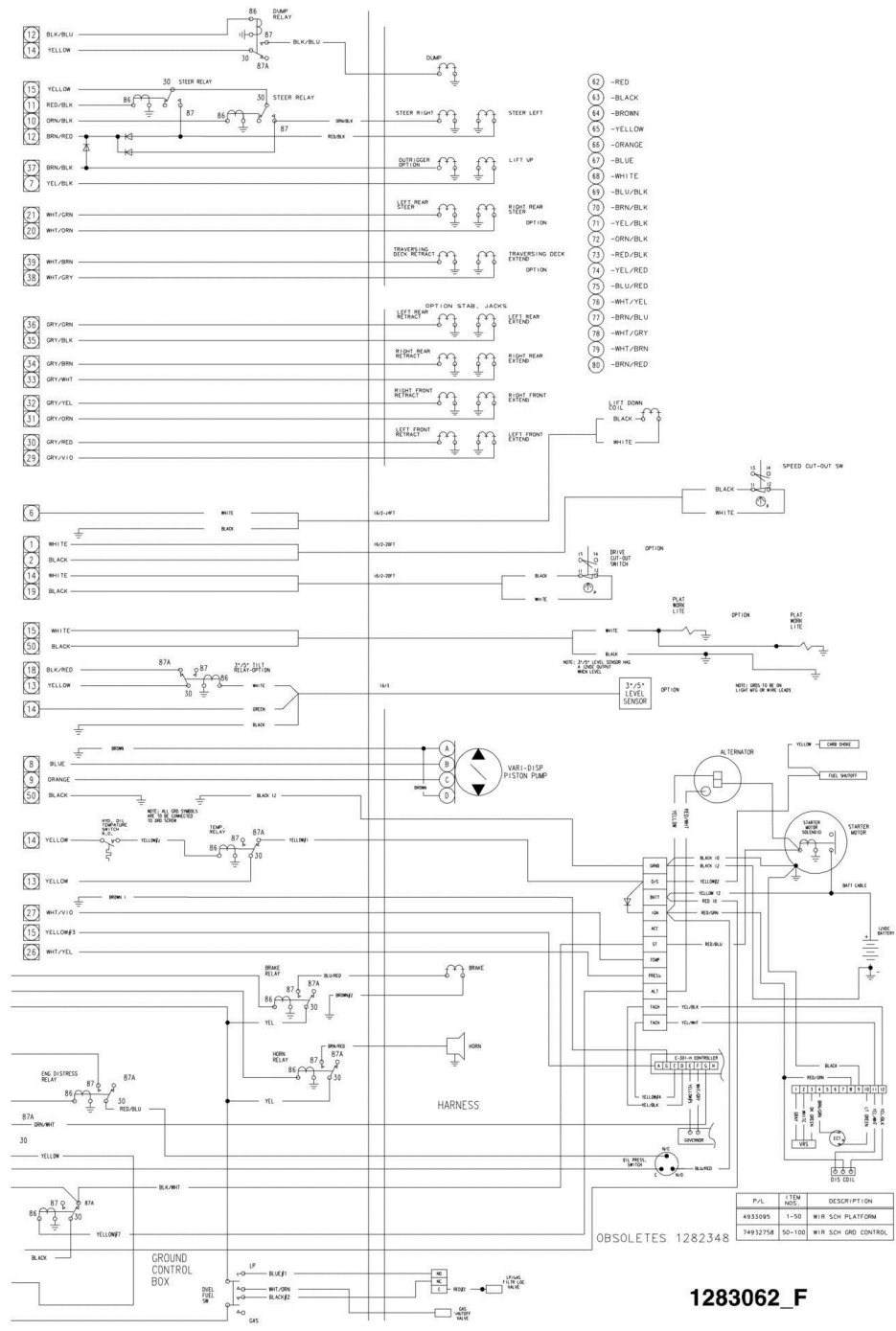
1282348 D

SECTION 7 - ELECTRICAL

FIGURE 7-8. ELECTRICAL DIAGRAM - FORD ENGINE MACHINES (SN 61097 to Present)



SECTION 7 - ELECTRICAL

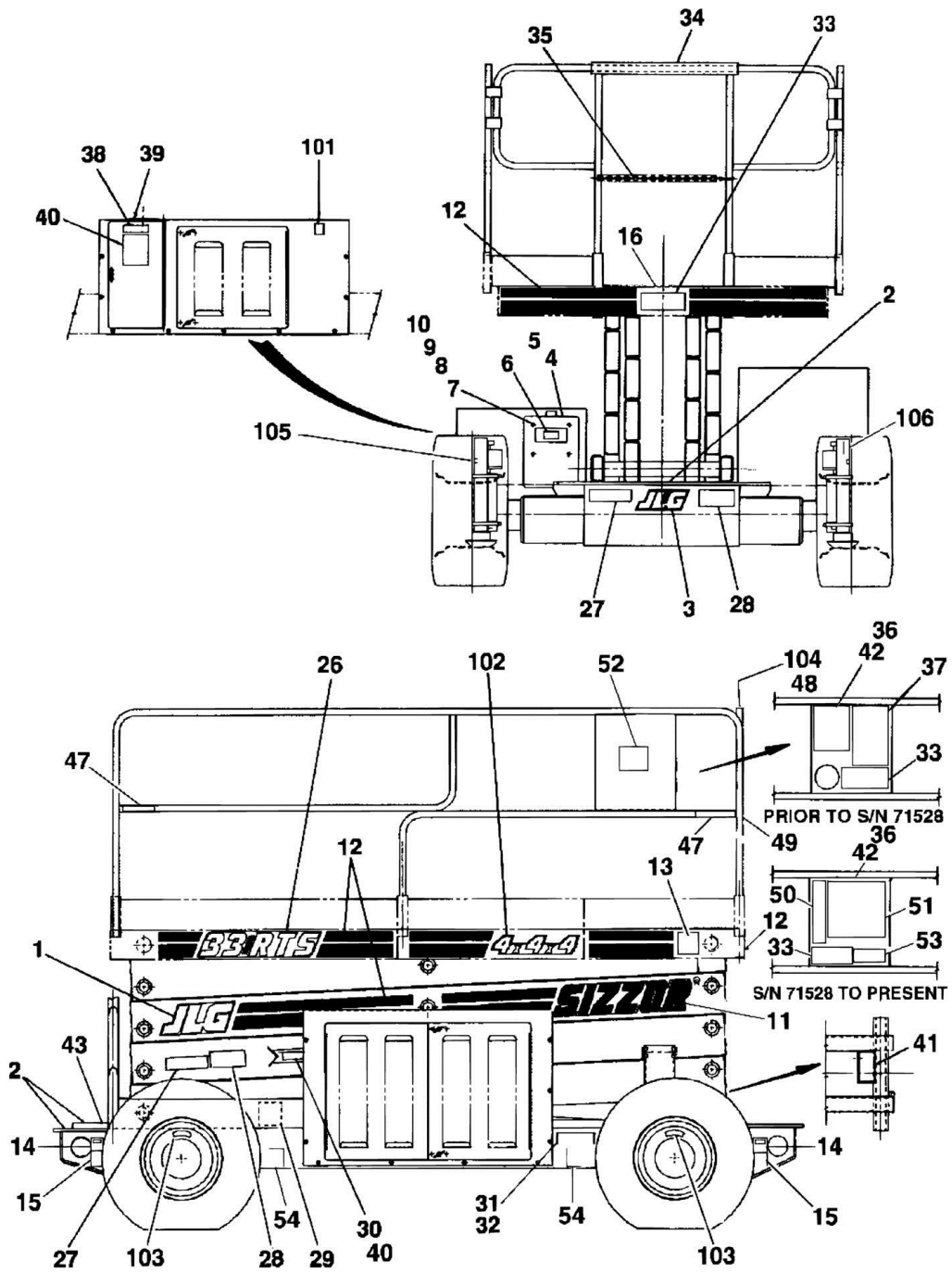


1283062_F

SECTION 8 - DECALS

SECTION 8 - DECALS

FIGURE 8-1. DECALS INSTALLATIONS - STANDARD



SECTION 8 - DECALS

FIGURE 8-1. DECALS INSTALLATIONS - STANDARD

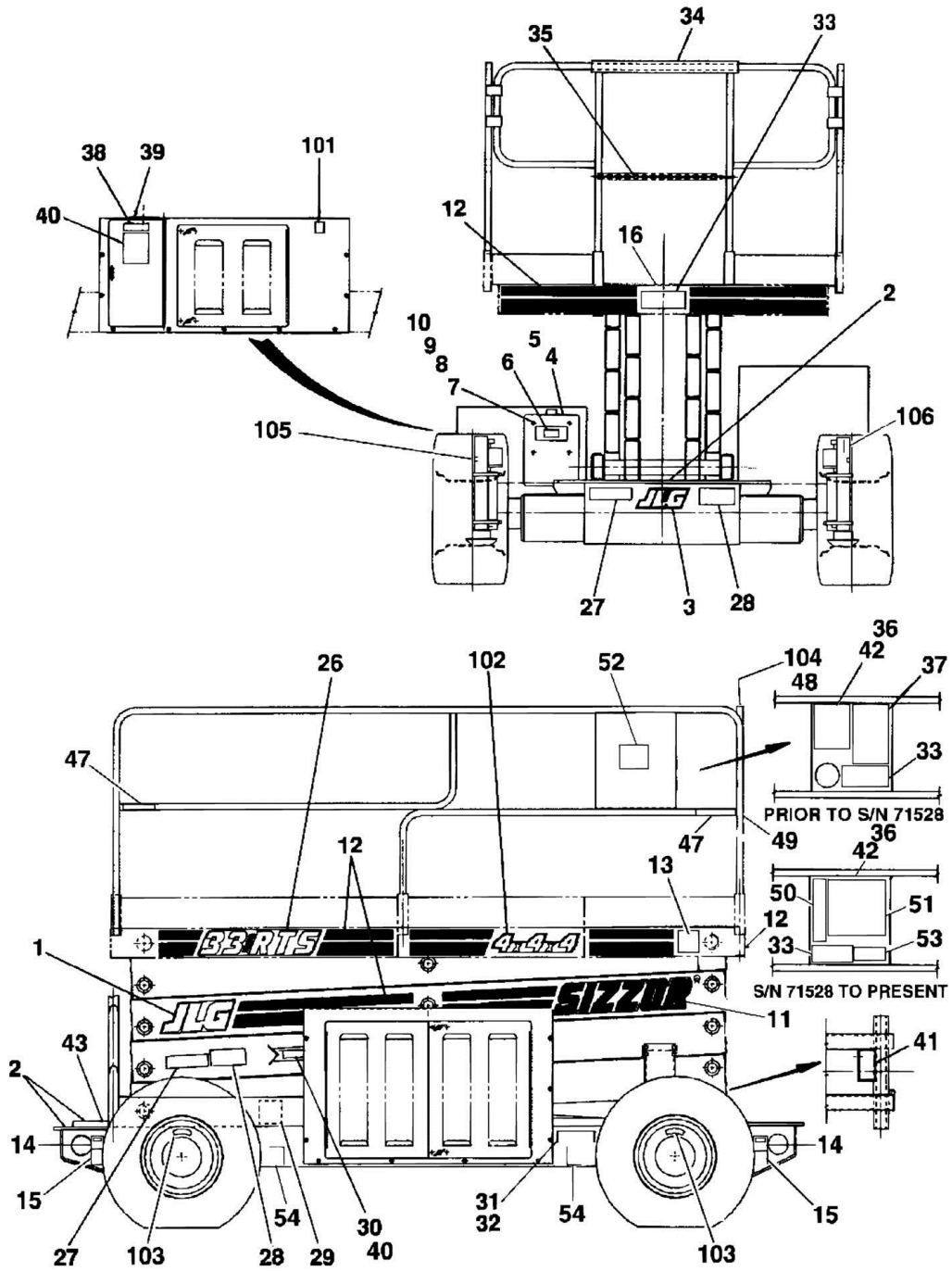
ITEM	PART NUMBER	QTY	DESCRIPTION	REV
		Ref	Decals Installation	
	0253661	Ref	Decal Installation - Common Parts	10
	0271148	Ref	Decal Installation - JLG	1
1		Ref	Decal - JLG Options:	
1	1701832	2	Decal (Prior to SN 81608)	
1	1701871	2	Decal (SN 81608 to Present)	
2	4420039	3 ft/.9m	Tape, Safety Tread (Prior to SN 65031)	
3	1701871	3	Decal - JLG (Prior to SN 81608)	
4	0860520	1	Box, Manual Storage	
5	1060279	1	Cable, Lanyard	
6		Ref	Decal - Manual Options:	
6	1701509	1	Decal (was p/n 1703788) (Prior to SN 102555)	
7	0641405	4	Bolt 1/4in-20NC x 5/8in	
8	4751400	4	Flatwasher 1/4in	
9	4761400	4	Lockwasher 1/4in (Prior to SN 71528)	
10	3311405	4	Locknut 1/4in-20NC	
11	1701843	2	Decal - Sizzor (Prior to SN 81608)	
12	1701837	30 ft/9m	Decal - Stripe (Black) (Prior to SN 67941)	
13	Not Available	1	Decal - Bar Code	
14		Ref	Decal - Tie Down Options:	
14	1703814	4	Decal - Tie Down (was p/n 1702300) (SN 45396 through 71528)	
15	1703811	4	Decal - Lifting Lug (SN 71528 to Present)	
16	4420067	2 ft/.6m	Tape, Safety Tread (SN 71528 to Present)	
	2902075	1	Kit, Decal (Includes Items 6,14 & 15)	
		Ref	DECAL INSTALLATIONS - MODEL SPECIFIC	
	0253662	Ref	Decal (25RTS)	9
	0253669	Ref	Decal (33RTS)	9
	0253676	Ref	Decal (40RTS)	8
26		Ref	Decal - Model Designation Options:	
26	1701885	2	Decal (25RTS)	
26	1701886	2	Decal (33RTS)	
26	1701887	2	Decal (40RTS)	
27		Ref	Nameplate - Danger Options:	
27	1703818	4	Nameplate - Danger (was p/n 3250873) (Prior to SN 71528)	
29		Ref	Decal - Inspection Options:	
29	1702153	1	Decal - Inspection (was p/n 1700593) (Prior to SN 23500)	
30		Ref	Decal - Safety Prop Options:	
30	1704526	1	Decal - Safety Prop (was p/n 1701839) (Prior to SN 71528)	
31	Not Available	1	Nameplate - Serial Number	
32	2080057	4	Amtak (Was 3820001)	
33		Ref	Decal - Capacity Options:	
33		Ref	25RTS Options:	
33	3252754	3	Fixed Deck	
33	3252750	3	Extension Deck	
33		Ref	33RTS Options:	
33	3252755	3	Fixed Deck	
33	3252751	3	Extension Deck	
33		Ref	40RTS Options:	
33	3252756	3	Fixed Deck	

SECTION 8 - DECALS

ITEM	PART NUMBER	QTY	DESCRIPTION	REV
33	3252752	3	Extension Deck	
34	3340564	1	Pad	
35	2820024		Tubing Options:	
35	2820024	30	Tubing, Vinyl (Prior to SN 71528)	
		in./76cm		
35	2820097	2 ft/.6m	Tubing, Mesh (SN 71528 to Present)	
36		Ref	Nameplate - Billboard	
36	3252309	1	Nameplate - Billboard (Prior to June 1993) (was p/n 3252223)	
36	3572123	1	Plate, Billboard (SN 71528 to Present)	
38	1701840	1	Decal - Ground/Emergency Controls	
39	1701504	1	Decal - Hydraulic Fluid	
40	3251249	1	Nameplate - Daily Safety Check List (Prior to SN 71528)	
40	1704478	1	Decal - Safety Prop (SN 71528 to Present)	
41		Ref	Decal - Manual Lowering Options:	
41	1703822	1	Decal - Manual Lowering (was p/n 1701437) (Prior to SN 26763)	
42	3820019	4	Rivet	
43		Ref	Decal - Battery Options:	
43	1704479	1	Decal - Battery (was p/n 1700719) (Prior to SN 71528)	
43	1704479	1	Decal - Battery (SN 71528 to Present)	
47		Ref	Decal - Attach Lanyard Here Options:	
47	1704277	4	Prior to SN 71528 (was p/n 1702612)	
48	1703821	1	Decal - Control Box Location (SN 71528 to Present)	
49	1702249	1	Decal - Gate (SN 71528 to Present)	
50	1704480	1	Decal - Legend (SN 71528 to Present)	
51	1703816	1	Decal - Danger/Warning (SN 71528 to Present)	
52	3251813	1	Nameplate - USA (SN 71528 to Present)	
53	1704521	1	Decal - Gradeability (SN 71528 to Present)	
54		Ref	Decal - Max Tire Load Options:	
54	1704522	4	25RTS	
54	1704523	4	33RTS	
54	1704524	4	40RTS	
	2902076	1	Kit, Decal (Includes Items 27, 29, 30, 38-41, 43, 47-53)	
		Ref	DECAL INSTALLATION - OPTIONAL	
101		Ref	Decal - Fuel Options:	
101	1701542	1	Gas Machines (Prior to May 1993 was p/n1700430)	
	1701542	1	Gas Machines (May 1993 to Present)	
101	1701505	1	Diesel Machines (Prior to May 1993 was p/n1700428)	
102		Ref	Decal - Drive/Steer Designation Options:	
101	1701505	1	Diesel Machines (May 1993 to Present)	
102	1701833	2	Decal - 4x2x2 (2WD/2WS Machines)	
102	1701834	2	Decal - 4x2x4 (2WD/4WS Machines)	
102	1701835	2	Decal - 4x4x2 (4WD/2WS Machines)	
102	1701836	2	Decal - 4x4x4 (4WD/4WS Machines)	
103	1702137	4	Decal - Tire Pressure (with Pneumatic Tires)	
104	1703792	1	Decal - Platform Extension Capacity	
105		Ref	Decal - Leveling Jack Maximum Load Options:	
105	1703875	4	25RTS	
105	1703874	4	33RTS/40RTS	
106	1701214	8	Decal - O/R Warning (SN 71528 to Present)	
	2910009	1	Decal Kit - Domestic 25/33/40RTS (Includes Items 38, 39, 40, 48-54)	

SECTION 8 - DECALS

FIGURE 8-2. DECALS INSTALLATIONS - COUNTRY SPEC



SECTION 8 - DECALS

FIGURE 8-2. DECALS INSTALLATIONS - COUNTRY SPEC

ITEM	PART NUMBER	QTY	DESCRIPTION	REV
		Ref	Decals Installation	
	0253661	Ref	Decal Installation - Common Parts	9
	0271148	Ref	Decal Installation - JLG	1
1		Ref	Decal - JLG Options:	
1	1701832	2	Decal - JLG (Prior to SN 81608)	
1	1701871	2	Decal - JLG (SN 81608 to Present)	
2	4420039	3 ft/.9m	Tape, Safety Tread (Prior to SN 65031)	
3	1701871	3	Decal - JLG (Prior to SN 81608)	
4	0860520	1	Box, Manual Storage	
5	1060279	1	Cable, Lanyard	
6	1701509	1	Decal - Manual Options: 1 (was p/n 1703788) (Prior to SN 102555)	
6	1701509	1	Decal - Manual Options: 1 (was p/n 1703788) (SN 102555 to Present)	
6		Ref	Decal - Manual Options:	
6	1701509	1	Decal - Manual (was p/n 1703788) (Prior to SN 102555)	
7	0641405	4	Bolt 1/4in-20NC x 5/8in	
8	4751400	4	Flatwasher 1/4in	
9	4761400	4	Lockwasher 1/4 (Prior to SN 71528)	
10	3311405	4	Locknut 1/4in-20NC	
11	1701843	2	Decal - Sizzor (Prior to SN 81608)	
12	1701837	30 ft/9m	Decal - Stripe (Black) (Prior to SN 67941)	
13	Not Available	1	Decal - Bar Code	
14		Ref	Decal - Tie Down Options:	
14	1703814	4	Decal - Tie Down (was p/n 1702300) (SN 45396 through 71528)	
14	1703814	1	Decal - Tie Down Options: (was p/n 1702300) (SN 45396 through 71528)	
14	1703814	1	Decal - Tie Down Options: (SN 71528 to Present)	
15	1703811	4	Decal - Lifting Lug (SN 71528 to Present)	
16	4420067	2 ft/.6m	Tape, Safety Tread (SN 71528 to Present)	
	2902075	1	Kit, Decal (Includes Items 6,14 & 15)	
		Ref	DECAL INSTALLATIONS - MODEL SPECIFIC	
	0257552	Ref	Brazilian Portugese 25RTS	6
	0257553	Ref	Brazilian Portugese 33RTS	6
	0257554	Ref	Brazilian Portugese 40RTS	6
	0257543	Ref	Canadian French 25RTS	5
	0257544	Ref	Canadian French 33RTS	5
	0257545	Ref	Canadian French 40RTS	5
	0257673	Ref	Japanese 25RTS	4
	0257674	Ref	Japanese 33RTS	4
	0257675	Ref	Japanese 40RTS	4
	0255882	Ref	Latin American Spanish 25RTS	5
	0255883	Ref	Latin American Spanish 33RTS	5
	0255884	Ref	Latin American Spanish 40RTS	5
26		Ref	Decal - Model Designation Options:	
26	1701885	2	25RTS	
26	1701886	2	33RTS	
26	1701887	2	40RTS	
27		Ref	Nameplate - Danger Options:	

SECTION 8 - DECALS

ITEM	PART NUMBER	QTY	DESCRIPTION	REV
27		Ref	Brazilian Portugese	
27	1703833	2	Brazilian Portugese (was p/n 1703612) (Prior to SN 71528)	
27	1703833	2	Nameplate - Danger (SN 71528 to Present)	
27		Ref	Canadian French	
27	1703865	2	Canadian French (was p/n 1703499) (Prior to SN 71528)	
27	1703865	2	Nameplate - Danger (SN 71528 to Present)	
27		Ref	Japanese	
27	1703849	2	Japanese (was p/n 1701620=+#) (Prior to SN 71528)	
27	1703849	2	Nameplate - Danger (SN 71528 to Present)	
27		Ref	Latin American Spanish	
27	1703841	2	Latin American Spanish (was p/n 1702554) (Prior to SN 71528)	
27	1703841	2	Nameplate - Danger (SN 71528 to Present)	
28		Ref	Decal - Crushing Hazard Options:	
28	1703612	4	Brazilian Portugese (Prior to SN 71528)	
28	Not Required	0	Brazilian Portugese (SN 71528 to Present)	
28	Not Required	0	Canadian French	
28	1702350	4	Japanese (Prior to SN 71528)	
28	Not Required	0	Japanese (SN 71528 to Present)	
28	1702559	4	Latin American Spanish (Prior to SN 71528)	
28	Not Required	0	Latin American Spanish (SN 71528 to Present)	
29		Ref	Decal - Inspection Options:	
29	Not Required	0	Brazilian Portugese (Prior to SN 71528)	
29	1703833	1	Brazilian Portugese (SN 71528 to Present)	
29	1703074	1	Canadian French	
29	1701621	1	Japanese	
29	1702552	1	Latin American Spanish	
30		Ref	Decal - Safety Prop Options:	
30		Ref	Brazilian Portugese	
30	1704526	2	Brazilian Portugese (was p/n 1703550) (Prior to SN 71528)	
30	1704526	2	Brazilian Portugese (SN 71528 to Present)	
30		Ref	Canadian French	
30	1704526	1	Decal - Safety Prop (was p/n 1701512) (Prior to SN 71528)	
30	1704526	1	Decal - Safety Prop	
30		Ref	Japanese	
30	1704526	1	Decal - Safety Prop (was p/n 1701622) (Prior to SN 71528)	
30	1704526	1	Decal - Safety Prop (SN 71528 to Present)	
30		Ref	Latin American Spanish	
30	1704526	1	Decal - Safety Prop (was p/n 1701856) (Prior to SN 71528)	
30	1704526	1	Decal - Safety Prop (SN 71528 to Present)	
31	Not Available	1	Nameplate - Serial Number	
32	2080057	4	Amtak (Was 3820001)	
33		Ref	Decal - Capacity Options:	
33	3252548	1	Brazilian Portugese and Latin American Spanish	
33		Ref	25RTS with Fixed Deck	
33	3252549	1	Brazilian Portugese and Latin American Spanish	
33		Ref	25RTS with Extendable Deck	
33	3252550	1	Brazilian Portugese and Latin American Spanish	
33		Ref	33RTS with Fixed Deck	
33	3252551	1	Brazilian Portugese and Latin American Spanish	
33		Ref	33RTS with Extendable Deck	
33	3252552	1	Brazilian Portugese and Latin American Spanish	

SECTION 8 - DECALS

ITEM	PART NUMBER	QTY	DESCRIPTION	REV
33		Ref	40RTS with Fixed Deck	
33	3252553	1	Brazilian Portugese and Latin American Spanish	
33		Ref	40RTS with Extendable Deck	
33		Ref	Canadian French 25RTS	
33	3252667	1	Canadian French 25RTS (was p/n 3252231) (Prior to SN 71528)	
33	3252667	1	Canadian French 25RTS (SN 71528 to Present)	
33		Ref	Canadian French 33RTS	
33	3252686	1	Canadian French 33RTS (was p/n 3252232) (Prior to SN 71528)	
33	3252686	1	Canadian French 33RTS (SN 71528 to Present)	
33		Ref	Canadian French 40RTS	
33	3252687	1	Canadian French 40RTS (was p/n 3252233) (Prior to SN 71528)	
33	3252687	1	Canadian French 40RTS (SN 71528 to Present)	
33	1703628	1	Japanese 25RTS	
33	1703629	1	Japanese 33RTS	
33	1703630	1	Japanese 40RTS	
34	3340564	1	Pad	
35	2820024	30	Tubing, Vinyl	
		in/76cm		
36		Ref	Nameplate - Billboard Options:	
36		Ref	Brazilian Portugese and Canadian French	
36	3252123	1	Brazilian Portugese and Canadian French (was p/n 3252230) (Prior to SN 71528)	
36	3252123	1	Brazilian Portugese and Canadian French (SN 71528 to Present)	
36		Ref	Japanese	
36	3252123	1	Japanese (was p/n 3252430) (Prior to SN 71528)	
36	3252123	1	Japanese (SN 71528 to Present)	
36		Ref	Latin American Spanish	
36	3252123	1	Latin American Spanish (was p/n 3252487) (Prior to SN 71528)	
36	3252123	1	Latin American Spanish (SN 71528 to Present)	
37		Ref	Nameplate - Caution Options:	
37	1703552	1	Brazilian Portugese (Prior to SN 71528)	
37	Not Required	0	Brazilian Portugese (SN 71528 to Present)	
37	1701511	1	Canadian French (Prior to SN 71528)	
37	Not Required	0	Canadian French (SN 71528 to Present)	
37	Not Required	0	Japanese	
37	Not Required	0	Latin American Spanish	
38		Ref	Decal - Ground/Emergency Controls Options:	
38		Ref	Brazilian Portugese	
38	1704542	1	Brazilian Portugese (was p/n 1703551) (Prior to SN 71528)	
38	1704542	1	Brazilian Portugese (SN 71528 to Present)	
38	1701515	1	Canadian French	
38	1701624	1	Japanese	
38		Ref	Latin American Spanish	
38	1704549	1	Latin American Spanish (was p/n 1701858) (Prior to SN 71528)	
38	1704549	1	Latin American Spanish (SN 71528 to Present)	
39	1701504	1	Decal - Hydraulic Fluid	
40		Ref	Nameplate - Daily Safety Check List Options (Prior to SN	

SECTION 8 - DECALS

ITEM	PART NUMBER	QTY	DESCRIPTION	REV
			71528)	
40	Not Required	0	Brazilian Portugese and Canadian French	
40	1702351	1	Japanese	
40	1702592	1	Latin American Spanish	
40	1704478	1	Decal - Safety Prop Options (SN 71528 to Present)	
41		Ref	Decal - Manual Lowering Options:	
41	1703822	1	Decal - Manual Lowering (was p/n 1701510) (Prior to SN 71528)	
41	1703822	1	Decal - Manual Lowering (SN 71528 to Present)	
42	3820019	4	Rivet	
43		Ref	Decal - Battery Options:	
43		Ref	Brazilian Portugese	
43	1704550	1	Brazilian Portugese (was Not Used) (Prior to SN 71528)	
43	1704550	1	Brazilian Portugese (SN 71528 to Present)	
43		Ref	Canadian French	
43	1704552	1	Canadian French (was p/n 1703077) (Prior to SN 71528)	
43	1704552	1	Canadian French (SN 71528 to Present)	
43		Ref	Japanese	
43	1704553	1	Japanese (was p/n 1701625=+#) (Prior to SN 71528)	
43	1704553	1	Japanese (SN 71528 to Present)	
43		Ref	Latin American Spanish	
43	1704551	1	Latin American Spanish (was p/n 1702560) (Prior to SN 71528)	
43	1704551	1	Latin American Spanish (SN 71528 to Present)	
47		Ref	Decal - Attach Lanyard Here Options:	
47		Ref	Brazilian Portugese	
47	1704277	4	Brazilian Portugese (was p/n 1703900) (Prior to SN 71528)	
47	1704277	1	Brazilian Portugese (SN 71528 to Present)	
47		Ref	Canadian French	
47	1704277	1	Canadian French (was p/n 1703860) (Prior to SN 71528)	
47	1704277	1	Canadian French (SN 71528 to Present)	
47	Not Required	0	Japanese (Prior to SN 71528)	
47	1704277	1	Japanese (SN 71528 to Present)	
47		Ref	Latin American Spanish	
47	1704277	1	Latin American Spanish (was p/n 1702690) (Prior to SN 71528)	
47	1704277	1	Latin American Spanish (SN 71528 to Present)	
48		Ref	Decal - Control Box Location Options:	
48	1703829	1	Brazilian Portugese (SN 71528 to Present)	
48	1703861	1	Canadian French (SN 71528 to Present)	
48	1703845	1	Japanese (SN 71528 to Present)	
48	1703837	1	Latin American Spanish (SN 71528 to Present)	
49		Ref	Decal - Gate Options:	
49	1703707	1	Brazilian Portugese (SN 71528 to Present)	
49	Not Required	0	Canadian French (SN 71528 to Present)	
49	Not Required	0	Japanese (SN 71528 to Present)	
49	1702594	1	Latin American Spanish (SN 71528 to Present)	
50		Ref	Decal - Legend Options:	
50	1704543	1	Brazilian Portugese (SN 71528 to Present)	
50	1704557	1	Canadian French (SN 71528 to Present)	
50	1704560	1	Japanese (SN 71528 to Present)	
50	1704554	1	Latin American Spanish (SN 71528 to Present)	

SECTION 8 - DECALS

ITEM	PART NUMBER	QTY	DESCRIPTION	REV
51		Ref	Decal - Danger/Warning Options:	
51	1703835	1	Brazilian Portugese (SN 71528 to Present)	
51	1703867	1	Canadian French (SN 71528 to Present)	
51	1704278	1	Japanese (SN 71528 to Present)	
51	1703843	1	Latin American Spanish (SN 71528 to Present)	
52	3251813	1	Nameplate - USA	
53		Ref	Decal - Grade ability Options:	
53	1704547	1	Brazilian Portugese (SN 71528 to Present)	
53	1704558	1	Canadian French (SN 71528 to Present)	
53	1703845	1	Japanese (SN 71528 to Present)	
53	1704561	1	Latin American Spanish (SN 71528 to Present)	
54		Ref	Decal - Max Tire Load Options:	
54	1704522	4	25RTS	
54	1704523	4	33RTS	
54	1704524	4	40RTS	
		Ref	DECAL INSTALLATION - OPTIONAL	
101		Ref	Decal - Fuel Options:	
101	1701542	1	Gas Machines	
101	1701505	1	Diesel Machines	
102		Ref	Decal - Drive/Steer Designation Options:	
102	1701833	2	Decal - 4x2x2 (2WD/2WS Machines)	
102	1701834	2	Decal - 4x2x4 (2WD/4WS Machines)	
102	1701835	2	Decal - 4x4x2 (4WD/2WS Machines)	
102	1701836	2	Decal - 4x4x4 (4WD/4WS Machines)	
103	1702137	4	Decal - Tire Pressure (with Pneumatic Tires)	
104	1703792	1	Decal - Platform Extension Capacity	
105		Ref	Decal - Leveling Jack Maximum Load Options:	
105	1703875	4	25RTS	
105	1703874	4	33RTS/40RTS	
106		Ref	Decal - O/R Warning Options (SN 71528 to Present)	
106	1704535	8	Brazilian Portugese	
106	1704537	8	Canadian French	
106	1704536	8	Japanese	
106	1704534	8	Latin American Spanish	
	2900946	1	Decal Kit - Brazilian Portugese 33RTS (Includes Items 26, 27, 28, 30, 34, 36, 38, & 41)	
	2900964	1	Decal Kit - Japanese 25RTS (Includes Items with 26, 27, 28, 41, & 43)	
	2900965	1	Decal Kit - Japanese 33RTS (Includes Items 26, 27, 28, 41 & 43)	
	2900966	1	Decal Kit - Japanese 40RTS (Includes Items 26, 27, 28, 41 & 43)	

SECTION 9 - RECOMMENDED SERVICE PARTS STOCK

SECTION 9 - RECOMMENDED SERVICE PARTS STOCK

SECTION 9 - RECOMMENDED SERVICE PARTS STOCK

FIGURE 9-1. MODEL 25/33/40RTS STANDARD PARTS

ITEM	PART NUMBER	QTY	DESCRIPTION	REV
	Note	Ref	Note: The following list will service fleets of machine (built to current production per date on the front cover) with emergency repair parts which can be installed in the fields. Parts from the list should be replaced when inventory is depleted to keep service parts stock supplied. For further information, contact your JLG dealer or the JLG Industries Parts Department.	
		Ref	STANDARD PARTS	
	1340062	1	Breather, (for fleets of 1-4)	
	1340062	1	Breather, (for fleets of 5-9)	
	1340062	1	Breather, (for fleets of 10 or more)	
	7000418	1	Coil, (for fleets of 1-4)	
	7000418	1	Coil, (for fleets of 5-9)	
	7000418	1	Coil, (for fleets of 10 or more)	
	7000645	1	Coil, (for fleets of 1-4)	
	7000645	1	Coil, (for fleets of 5-9)	
	7000645	1	Coil, (for fleets of 10 or more)	
	2120136	1	Element, Pressure Filter, (for fleets of 1-4)	
	2120136	1	Element, Pressure Filter, (for fleets of 5-9)	
	2120136	1	Element, Pressure Filter, (for fleets of 10 or more)	
	7004214	4	Element, Air Filter, (for fleets of 1-4)	
	7004214	8	Element, Air Filter, (for fleets of 5-9)	
	7004214	12	Element, Air Filter, (for fleets of 10 or more)	
	7007496	1	Coil Assembly, (for fleets of 1-4)	
	7007496	1	Coil Assembly, (for fleets of 5-9)	
	7007496	1	Coil Assembly, (for fleets of 10 or more)	
	3740049	1	Relay, (for fleets of 1-4)	
	3740049	1	Relay, (for fleets of 5-9)	
	3740049	1	Relay, (for fleets of 10 or more)	
	4360216	1	Breaker, Circuit 30-Amp, (for fleets of 1-4)	
	4360216	1	Breaker, Circuit 30-Amp, (for fleets of 5-9)	
	4360216	1	Breaker, Circuit 30-Amp, (for fleets of 10 or more)	
	4360232	1	Breaker, Circuit 10-Amp, (for fleets of 1-4)	
	4360232	1	Breaker, Circuit 10-Amp, (for fleets of 5-9)	
	4360232	1	Breaker, Circuit 10-Amp, (for fleets of 10 or more)	
	4360274	1	Switch, Push Button, (for fleets of 1-4)	
	4360274	1	Switch, Push Button, (for fleets of 5-9)	
	4360274	1	Switch, Push Button, (for fleets of 10 or more)	
	4360469	1	Switch, Key, (for fleets of 1-4)	
	4360469	1	Switch, Key, (for fleets of 5-9)	
	4360469	1	Switch, Key, (for fleets of 10 or more)	
	2860030	1	Key, Replacement, (for fleets of 1-4)	
	2860030	1	Key, Replacement, (for fleets of 5-9)	
	2860030	1	Key, Replacement, (for fleets of 10 or more)	
	4360475	1	Switch, Push/Pull (Emergency Stop), (for fleets of 1-4)	
	4360475	1	Switch, Push/Pull (Emergency Stop), (for fleets of 5-9)	
	4360475	1	Switch, Push/Pull (Emergency Stop), (for fleets of 10 or more)	
	4360314	1	Switch, Toggle (Lift), (for fleets of 1-4)	
	4360314	1	Switch, Toggle (Lift), (for fleets of 5-9)	
	4360314	1	Switch, Toggle (Lift), (for fleets of 10 or more)	

SECTION 9 - RECOMMENDED SERVICE PARTS STOCK

ITEM	PART NUMBER	QTY	DESCRIPTION	REV
	4360339	1	Switch, Push Button (Enable), (for fleets of 1-4)	
	4360339	1	Switch, Push Button (Enable), (for fleets of 5-9)	
	4360339	1	Switch, Push Button (Enable), (for fleets of 10 or more)	
	7012658	2	Fuse 7.5-Amp, (for fleets of 1-4)	
	7012658	2	Fuse 7.5-Amp, (for fleets of 5-9)	
	7012658	2	Fuse 7.5-Amp, (for fleets of 10 or more)	
	1600290	1	Controller, PQ, (for fleets of 1-4)	
	1600290	1	Controller, PQ, (for fleets of 5-9)	
	1600290	1	Controller, PQ, (for fleets of 10 or more)	
	4360336	1	Switch, Toggle, (for fleets of 1-4)	
	4360336	1	Switch, Toggle, (for fleets of 5-9)	
	4360336	1	Switch, Toggle, (for fleets of 10 or more)	
	4360329	1	Switch, Toggle, (for fleets of 1-4)	
	4360329	1	Switch, Toggle, (for fleets of 5-9)	
	4360329	1	Switch, Toggle, (for fleets of 10 or more)	
	7020500	1	Switch, Rocker, (for fleets of 1-4)	
	7020500	1	Switch, Rocker, (for fleets of 5-9)	
	7020500	1	Switch, Rocker, (for fleets of 10 or more)	
	7003751	1	Potentiometer, (for fleets of 1-4)	
	7003751	1	Potentiometer, (for fleets of 5-9)	
	7003751	1	Potentiometer, (for fleets of 10 or more)	
	7009742	1	Coil (Vickers/Modular Controls Version), (for fleets of 1-4)	
	7009742	1	Coil (Vickers/Modular Controls Version), (for fleets of 5-9)	
	7009742	1	Coil (Vickers/Modular Controls Version), (for fleets of 10 or more)	
	3990010	2	Diode 6-Amp, (for fleets of 1-4)	
	3990010	2	Diode 6-Amp, (for fleets of 5-9)	
	3990010	2	Diode 6-Amp, (for fleets of 10 or more)	

SECTION 9 - RECOMMENDED SERVICE PARTS STOCK

FIGURE 9-2. MODEL 25/33/40RTS VARIABLE PARTS

ITEM	PART NUMBER	QTY	DESCRIPTION	REV
	Note	Ref	Note: The following list will service fleets of machine (built to current production per date on the front cover) with emergency repair parts which can be installed in the fields. Parts from the list should be replaced when inventory is depleted to keep service parts stock supplied. For further information, contact your JLG dealer or the JLG Industries Parts Department.	
		Ref	VARIABLE PARTS	
	4360300	1	Switch, Limit, (for fleets of 1-4)	
	4360300	1	Switch, Limit, (for fleets of 5-9)	
	4360300	1	Switch, Limit, (for fleets of 10 or more)	
	4360548	1	Switch, Limit, (for fleets of 1-4)	
	4360548	1	Switch, Limit, (for fleets of 5-9)	
	4360548	1	Switch, Limit, (for fleets of 10 or more)	
	7004368	1	Coil - 4640123 Valve (Hydraforce Version), (for fleets of 1-4)	
	7004368	1	Coil - 4640123 Valve (Hydraforce Version), (for fleets of 5-9)	
	7004368	1	Coil - 4640123 Valve (Hydraforce Version), (for fleets of 10 or more)	
	7000558	1	Coil - 4640123 Valve (FPS Version), (for fleets of 1-4)	
	7000558	1	Coil - 4640123 Valve (FPS Version), (for fleets of 5-9)	
	7000558	1	Coil - 4640123 Valve (FPS Version), (for fleets of 10 or more)	
	4640049	1	Coil (Machines with Leveling Jacks), (for fleets of 1-4)	
	4640049	1	Coil (Machines with Leveling Jacks), (for fleets of 5-9)	
	4640049	1	Coil (Machines with Leveling Jacks), (for fleets of 10 or more)	
	2120110	4	Element, Hydraulic - 25 Micron, (for fleets of 1-4)	
	2120110	8	Element, Hydraulic - 25 Micron, (for fleets of 5-9)	
	2120110	12	Element, Hydraulic - 25 Micron, (for fleets of 10 or more)	
	2120129	4	Element, Hydraulic - 10 Micron, (for fleets of 1-4)	
	2120129	8	Element, Hydraulic - 10 Micron, (for fleets of 5-9)	
	2120129	12	Element, Hydraulic - 10 Micron, (for fleets of 10 or more)	
	7014500	12	Filter, Oil (1 Dozen) (Ford Engine Machines), (for fleets of 1-4)	
	7014500	12	Filter, Oil (1 Dozen) (Ford Engine Machines), (for fleets of 5-9)	
	7014500	12	Filter, Oil (1 Dozen) (Ford Engine Machines), (for fleets of 10 or more)	
	7022174	4	Filter, Fuel (VSG- 413 Ford Engine Machines), (for fleets of 1-4)	
	7022174	8	Filter, Fuel (VSG- 413 Ford Engine Machines), (for fleets of 5-9)	
	7022174	12	Filter, Fuel (VSG- 413 Ford Engine Machines), (for fleets of 10 or more)	
	3740067	1	Relay (Deutz Engine Machines), (for fleets of 1-4)	
	3740067	1	Relay (Deutz Engine Machines), (for fleets of 5-9)	
	3740067	1	Relay (Deutz Engine Machines), (for fleets of 10 or more)	
	7016331	12	Filter, Oil (Deutz Engine Machines), (for fleets of 1-4)	
	7016331	12	Filter, Oil (Deutz Engine Machines), (for fleets of 5-9)	
	7016331	12	Filter, Oil (Deutz Engine Machines), (for fleets of 10 or more)	
	7012598	4	Filter, Fuel, (for fleets of 1-4)	
	7012598	8	Filter, Fuel, (for fleets of 5-9)	
	7012598	12	Filter, Fuel, (for fleets of 10 or more)	
	4360212	1	Breaker, Circuit (Deutz Engine Machines Only), (for fleets of 1-4)	
	4360212	1	Breaker, Circuit (Deutz Engine Machines Only), (for fleets of 5-9)	
	4360212	1	Breaker, Circuit (Deutz Engine Machines Only), (for fleets of 10 or more)	
	3740077	1	Relay (Deutz Engine Machines Only), (for fleets of 1-4)	

SECTION 9 - RECOMMENDED SERVICE PARTS STOCK

ITEM	PART NUMBER	QTY	DESCRIPTION	REV
	3740077	1	Relay (Deutz Engine Machines Only), (for fleets of 5-9)	
	3740077	1	Relay (Deutz Engine Machines Only), (for fleets of 10 or more)	

SECTION 10 - SPECIAL OPTIONS LIST

SECTION 10 - SPECIAL OPTIONS LIST

FIGURE 10-1. SPECIAL OPTIONS LIST

ITEM	PART NUMBER	QTY	DESCRIPTION	REV
		Ref	SPECIAL OPTIONS LIST	
		Ref	Note: This list is to accommodate machines ordered with special equipment. Options may not be applicable to all models. For more specific parts information contact the JLG Parts Department.	
	0254242	Ref	Airline to Platform Installation - 1/2in (25RTS)	
	0250914	Ref	Airline to Platform Installation - 1/2in (33RTS)	
	0256425	Ref	Airline to Platform Installation - 1/2in (40RTS)	
	0253877	Ref	Arms Installation - 30 ft. Height Limit	
	0254090	Ref	Arms Installation - 30 ft. Height Limit	
		Ref	Note: See note in CYLINDERS SECTION regarding lift cylinders.	
	1683469	1	Lift Cylinder Assembly was p/n 1682917 (Prior to SN 23500)	
	1683469	Ref	Lift Cylinder Assembly (SN 23500 to Present)	
	2901323	1	Seal Kit - Lift Cylinder	
	0251798	Ref	Arm Stops Installation	
	0254000	Ref	Auxiliary Lift Installation	
		Ref	Cylinder Bellows Installation Options	
	0460068	Ref	Lift Cylinder (25RTS & 33RTS)	
	0253787	Ref	Steer Cylinders - 2WS	
	1282031	Ref	Steer Cylinders - 2WS	
	0253790	Ref	Steer Cylinders - 4WS	
	1282031	Ref	Steer Cylinders - 4WS	
	0253815	Ref	Counterweight Installation - 70 MPH Wind Speed/30 ft Height Requirement (United Airline Specs)	
		Ref	Decal Options	
	1702788	Ref	Decal - Biodegradable Oil Use	
	0273257	Ref	Decal - Hertz	
	0254226	Ref	Decals - United Airlines	
	2910157	Ref	Decal Kit - United Airlines	
	0271911	Ref	Decal - United Rentals	
	0256487	Ref	Decals - Warning Prop 65 (Diesel Machines) (California Specs)	
	1282593	Ref	Decals - Warning Prop 65 (Diesel Machines) (California Specs)	
	0256488	Ref	Decals - Warning Prop 65 (Gas Machines) (California Specs)	
	1282593	Ref	Decals - Warning Prop 65 (Gas Machines) (California Specs)	
		Ref	Electrical Connector Kits	
	1001148902	Ref	Amp Connector Kit	
	1001148903	Ref	Deutsch DT Connector Kit	
	1001148904	Ref	Deutsch HD Connector Kit	
	1001148905	Ref	Packard Connector Kit	
	1001148906	Ref	Various Connector Kit	
	0257919	Ref	Engine Installation (Ford Engine Gas Machines) (United Airline Specs)	
	0257918	Ref	Engine Installation (Ford Engine Dual Fuel Machines) (United Airline Specs)	
	0258916	Ref	Engine Cold Start Kit Installation (Deutz Engine Machines)	
	0250815	Ref	Engine Heater Installation (Ford Engine Machines)	
	0254131	Ref	Fan Guard Installation (Ford Engine Machines)	

SECTION 10 - SPECIAL OPTIONS LIST

ITEM	PART NUMBER	QTY	DESCRIPTION	REV
		Ref	Filter Kits:	
		Ref	Deutz F2L1011 Engine	
	1001111693	1	Combined Filter Kit (Hydraulic/Air and Fuel/Engine Oil)	
	1001111668	1	Hydraulic/Air Filter	
	1001111686	1	Fuel/Engine Oil Filter	
		Ref	Deutz F2L1011 Engine (Piston Pump)	
	1001111692	1	Combined Filter Kit (Hydraulic/Air and Fuel/Engine Oil)	
	1001111667	1	Hydraulic/Air Filter	
	1001111684	1	Fuel/Engine Oil Filter	
		Ref	Ford VSG-411 Engine	
	2910472	NLA	Combined Filter Kit (Hydraulic/Air and Fuel/Engine Oil) (Use p/n 2910943)	
	2910943	1	Combined Filter Kit (Hydraulic/Air and Fuel/Engine Oil)	
		Ref	Ford VSG-413 Engine	
	2910471	NLA	Combined Filter Kit (Hydraulic/Air and Fuel/Engine Oil) (Use p/n 2910943)	
	2910943	1	Combined Filter Kit (Hydraulic/Air and Fuel/Engine Oil)	
		Ref	Fluids	
	2300014	AR	Fluids (Mobil 424)	
	2300027	AR	Fluids (Mobil 224H Bio)	
	2300016	AR	Fluids (Mobil DTE 13M)	
	2300021	AR	Union Carbide Ucon HP5046 Fire Resistant	
	0257763	Ref	Footswitch Installation (Japanese Spec)	
	0253902	Ref	Fuel Filter Installation (Spin-On Type)	
	0253901	Ref	Ground Control Box Installation (United Airlines Specs)	
	0253818	Ref	Headlights/Taillights at Both Front and Rear of Machine	
	1282038	Ref	Headlights/Taillights at Both Front and Rear of Machine	
	0259219	Ref	Hose Shield Installation (4WD/2WS)	
	0259220	Ref	Hose Shield Installation (4WD/4WS)	
	0254132	Ref	Hood Installation - Left Side (United Airline Specs)	
	0254152	Ref	Hood Installation - Right Side (United Airline Specs)	
	0253569	Ref	Oil Cooler Installation	
		Ref	Overload Protection Installation (Japanese Spec)	
	0257772	Ref	Overload Protection (Prior to SN 83966)	A
	0270785	Ref	Overload Protection (SN 83966 to Present)	E
	0256972	Ref	Pipe Rack Installation(25RTS & 33RTS)	
	Not Available	Ref	Pipe Rack Installation (40RTS)	
	0253826	Ref	Platform Bumpers Installation - Extendable Platform Machines	
	0253878	Ref	Platform Console Box Assembly (United Airlines Specs)	
	0257380	Ref	Platform Door Return Spring Installation	
	0254110	Ref	Platform Handrails with Inner Rails Installation	
	0254112	Ref	Platform Proximity Switches Installation	
	0253852	Ref	Platform Worklights with Automatic Retract Cords Installation	
	0257913	Ref	Platform Worklights with Four Worklights Installation	
	0254925	Ref	Terminal Boots Installation	
	2901813	Ref	Tie Strap Kit	
		Ref	Tools for Service	
	7002820	1	Arbor Set (For Installation of Bushings)	
	7002821	1	Crimper, Wire	
	7002823	1	Extractor, Pin - Universal	
	4460467	AR	Extractor, Pin #16 Gauge	
	4460510	AR	Extractor, Pin #12 Gauge	

SECTION 10 - SPECIAL OPTIONS LIST

ITEM	PART NUMBER	QTY	DESCRIPTION	REV
	7004275	1	Installer, Cylinder Seal - 1in	
	7004276	1	Installer, Cylinder Seal - 1 1/2in	
	7002826	1	Installer, Cylinder Seal - 2in	
	7016654	1	Screwdriver, Magnetic	
	7002822	1	Screwdriver, Potentiometer	
	7002828	1	Stripper, Wire	

PART NUMBER INDEX

PART NUMBER INDEX

0060023.....81	0250790..... 77, 99	0253676..... 195	0255103..... 17
0080039..... 65, 71, 82	0250815..... 212	0253678..... 43	0255114..... 84
0080046..... 82	0250886..... 18	0253688..... 63	0255660..... 18
0080092..... 64, 70, 77	0250887..... 18	0253689..... 65	0255661..... 18
0080163..... 66, 72, 83	0250888..... 18	0253690..... 63	0255662..... 18
0080167..... 77	0250914..... 212	0253691..... 65	0255785..... 43
0080172..... 81	0250999..... 118	0253701..... 127	0255882..... 199
0080175..... 64, 70	0251259..... 18	0253719..... 98	0255883..... 199
0080177..... 81	0251260..... 18	0253720..... 98	0255884..... 199
0080190..... 147	0251261..... 18	0253723..... 97	0256425..... 212
0080200..... 67, 73	0251548..... 83	0253724..... 97	0256487..... 212
0100009..... 63, 69, 128	0251660..... 18	0253727..... 36, 174	0256488..... 212
0100011..... 10, 11, 15, 17, 18, 83, 87, 101, 102, 109, 114, 118, 139, 143, 145, 147, 151, 153	0251661..... 17	0253728..... 36, 174	0256848..... 83
0100019..... 10, 11, 12, 35, 65, 71	0251791..... 147, 156	0253733..... 51, 128	0256898..... 83
0100020..... 51, 65, 71, 145, 147, 168, 171	0251798..... 212	0253787..... 212	0256924..... 35
0100035..... 97, 127, 137, 139, 143, 145, 147, 151, 153	0251801..... 83, 87	0253790..... 212	0256972..... 213
0100038..... 140, 145, 147	0251945..... 67, 73	0253792..... 117, 176	0257380..... 213
0100043..... 82	0251978..... 101	0253793..... 117, 176	0257412..... 52
0100048..... 71	0252484..... 17	0253794..... 117, 176	0257413..... 52
0140001..... 64, 70, 81	0252525..... 11	0253803..... 121	0257433..... 118
0140011..... 128	0252532..... 10, 128	0253815..... 212	0257543..... 199
0140032..... 36, 174	0252586..... 114	0253818..... 176, 213	0257544..... 199
0181637..... 101	0252587..... 110	0253821 39, 99, 128, 176	0257545..... 199
0181684..... 121, 125	0252588..... 106	0253826..... 213	0257552..... 199
0181847..... 127	0252739..... 35	0253850..... 118	0257553..... 199
0200368..... 109	0252740..... 35	0253852..... 176, 213	0257554..... 199
0200372..... 110, 113	0252741..... 35	0253875..... 67, 73, 83	0257673..... 199
0200373..... 109, 114	0252742..... 35	0253877..... 212	0257674..... 199
0200402..... 105	0252772..... 11	0253878..... 213	0257675..... 199
0200403..... 105	0252790..... 9	0253901..... 213	0257763..... 213
0200404..... 106	0252808..... 66	0253902..... 213	0257772..... 176, 213
0200409..... 121	0252955..... 113	0253913..... 118	0257872..... 69
0200452..... 105, 109	0252956..... 109	0254000 156, 174, 212	0257873..... 71
0200454..... 105, 109, 113	0252957..... 105	0254076 39, 99, 128, 175	0257910..... 101
0200455..... 113	0252958..... 113	0254086..... 113	0257911..... 69
0200456..... 109	0252959..... 109	0254087..... 113	0257912..... 71
0200457..... 109	0252960..... 105	0254088..... 109	0257913..... 176, 213
0200458..... 105, 109, 113	0253026..... 117	0254089..... 109	0257918..... 212
0200459..... 114	0253033..... 121	0254090..... 212	0257919..... 212
0200460..... 114	0253059..... 9, 10	0254091..... 105	0258290..... 43
0200461..... 105	0253061..... 49	0254092..... 105	0258393..... 18
0200462..... 105	0253063..... 49	0254101..... 97	0258394..... 18
0200463..... 105	0253069..... 49	0254102..... 97	0258395..... 18
0200464..... 105, 109, 113	0253070..... 49	0254105..... 98	0258576..... 113
0200465..... 106, 114	0253078..... 10	0254106..... 98	0258577..... 113
0200519..... 110, 113	0253079..... 45	0254110..... 213	0258659..... 18
0200520..... 110, 114	0253080..... 35	0254111 51, 128, 177	0258660..... 18
0200556..... 105, 109, 113	0253087..... 19	0254112 176, 213	0258661..... 18
0200557..... 109	0253088..... 19	0254131..... 212	0258686..... 83, 175
0200620..... 113	0253089..... 19	0254132..... 213	0258697..... 125
0200621..... 113	0253171..... 11	0254152..... 213	0258719..... 125
0200628..... 105	0253172..... 11	0254153..... 65	0258916..... 175, 212
0200629..... 105	0253195..... 51	0254154..... 65	0258967..... 114
0200630..... 109	0253299..... 101	0254226..... 212	0258968..... 110
0200631..... 109, 113	0253361..... 81	0254242..... 212	0259219..... 213
0250317..... 118	0253445..... 102	0254262 51, 128, 177	0259220..... 213
0250444..... 79	0253446..... 36, 174	0254380..... 118	0259488..... 84
0250597..... 83	0253447..... 77	0254381..... 118	0270365..... 102
0250687..... 101	0253448..... 36	0254382..... 118	0270492..... 52
	0253449..... 36	0254736 67, 73, 175	0270785..... 176, 213
	0253545..... 17	0254881..... 121	0271148..... 195, 199
	0253569 156, 176, 213	0254925..... 213	0271467..... 11
	0253655..... 117	0255005..... 9	0271468..... 11
	0253661..... 195, 199	0255006..... 9, 10	0271499..... 45
	0253662..... 195	0255037 67, 74, 79	0271581..... 43
	0253669..... 195	0255038..... 83, 87	0271582..... 51

PART NUMBER INDEX

0271583.....	43	0641530.....	50	0901870.....	117	1120358.....	147
0271911.....	212	0641608 ...	10, 11, 12, 50, 51, 63, 69, 106, 110, 114	0901897.....	127	1120361.....	50
0273257.....	212	0641610 ...	11, 36, 64, 65, 66, 70, 71, 72, 77, 81	0901916.....	121, 125	1120362.....	52
0320008.....	15	0641612 ...	11, 12, 35, 36, 82	0901927.....	39	1120387.....	145
0320015.....	139	0641614.....	11, 12	0901928.....	39	1120485.....	52
0340002.....	65, 71, 82	0641620.....	121	0901930.....	118	1120486.....	52
0361651.....	45	0641624 ...	106, 110, 114	0902214.....	11, 12	1140009.....	66, 72
0361815.....	87	0641626.....	52	0902215.....	11, 12	1260017.....	45
0361817.....	81	0641632.....	12, 64, 70	0902244.....	81	1260136.....	117
0362043.....	82	0641676.....	125	0902293.....	39	1281738.....	175
0362080.....	45	0641710.....	65, 71	0902382.....	65, 71	1282008.....	176
0362100.....	102	0641726.....	63, 69	0902456.....	127	1282009.....	176
0362126.....	45	0641810.....	17, 18	0902514.....	127	1282015.....	174
0362591.....	99	0641812.....	63, 69, 82	0902720.....	148	1282031.....	212
0363019.....	45	0641826.....	63, 69	0902733.....	45	1282033.....	176
0400002.....	66, 81	0641828.....	43	0902734.....	45	1282038.....	176, 213
0400003.....	65, 81	0641840.....	81	0920084.....	17, 23	1282105.....	175
0400075.....	72, 81	0642012.....	39	0920110.....	17, 23	1282137.....	177
0400174.....	72, 81	0642014.....	17, 18, 43	0960238.....	97, 99	1282348.....	177
0440085.....	151, 153	0642016.....	39, 43	0960407.....	118	1282593.....	212
0440161.....	10, 11	0642018.....	39, 45	0960523.....	9	1282951.....	177
0440174.....	10	0642622.....	9, 10, 11	0961029.....	9, 11, 12	1283062.....	176, 177
0440175.....	10	0642624.....	45	0961247.....	79	1283063.....	176
0440183.....	10	0642636.....	45	0961335.....	106, 110, 114	1320014.....	64, 70
0460068.....	212	0681506.....	139	0961378.....	64, 71	1320019.....	82, 84
0480057.....	79	0681510.....	87	0961379.....	147	1320020.....	66, 72
0480059.....	87	0681606.....	139	0961380.....	147	1320021.....	84
0560467.....	15	0681610.....	79, 87	0961664.....	9, 106, 110, 114	1320022.....	65, 72, 77, 82
0560679.....	15	0681714 ...	106, 110, 113	0961783.....	106, 110, 114	1320023.....	77
0560901.....	11	0700605.....	83	0961938.....	12	1320026.....	65, 66, 71, 72
0610103.....	175	0700808.....	66, 69, 72	1001101076.....	117	1320032.....	64, 70, 77
0610110.....	127	0700810.....	83	1001111667.....	213	1320033.....	159, 164, 168
0610114.....	127, 175	0700819.....	67, 73	1001111668.....	213	1320058.....	64, 65, 70
0630137.....	10	0701010.....	81	1001111684.....	213	1320059.....	82
0630327.....	39	0701012.....	69, 87	1001111686.....	213	1320060.....	83
0630360.....	65, 71	0701013.....	83	1001111692.....	213	1320061 ...	106, 110, 114, 119, 125
0630370.....	66, 72, 81	0701014.....	63	1001111693.....	213	1320095.....	77
0630403.....	65, 71	0701015.....	70	1001148902.....	212	1320176.....	82
0630476.....	118	0701016.....	83	1001148903.....	212	1320180.....	71, 82
0641404.....	127	0701017.....	87	1001148904.....	212	1320187.....	50
0641405 ...	51, 64, 70, 77, 82, 195, 199	0701018.....	98	1001148905.....	212	1320188.....	50
0641406 ...	43, 65, 71, 81, 82, 98, 101, 102, 117, 118	0721004.....	10, 65, 98	1001148906.....	212	1320189.....	50
0641408 ..	35, 63, 98, 101, 102, 121, 125	0721006.....	98	1060016.....	174	1320190.....	50
0641410 ..	63, 69, 98, 102	0750806.....	98	1060093.....	81	1320192.....	50
0641416 ...	117, 118, 121, 125, 148	0751006.....	101	1060221.....	63, 69	1320193.....	50
0641418.....	125	0840046.....	72, 83	1060254.....	66, 72, 81	1320194.....	50
0641420.....	49, 121, 125	0840047.....	72, 83	1060279.....	195, 199	1320195.....	50
0641424.....	82	0860038.....	118	1060308.....	119, 175	1320197.....	50
0641506.....	50	0860520.....	195, 199	1060341 ..	39, 40, 99, 102, 118, 174, 176, 177	1320198.....	50, 51
0641507 ...	45, 69, 79, 87, 119	0860799.....	127	1060360.....	66, 72, 81	1320199.....	51
0641508 ...	45, 65, 71, 81, 106, 110, 114	0861338.....	97	1060379.....	117, 121, 125	1320200.....	50
0641510.....	12, 36	0861377.....	127	1060380.....	127	1320202.....	49
0641511 ..	50, 79, 121, 125	0900479.....	45	1060406.....	81	1320237.....	35
0641512.....	81	0901387.....	65, 71	1060458.....	174	1340020.....	65, 71, 82
0641514.....	50, 121	0901419.....	63, 69	1060459.....	175	1340021.....	50
0641516.....	121	0901609.....	79, 87	1060515.....	87	1340062.....	50, 206
0641518.....	15	0901650.....	79	1060643.....	148	1380124.....	10, 11
0641522.....	77	0901705.....	82	1060664.....	148	1380132.....	121, 125
0641526 ...	106, 110, 114	0901778.....	64, 70, 82	1060825.....	175	1440227 ...	105, 109, 114
0641528 ...	105, 110, 114	0901817.....	81	1060826.....	174	1540002.....	36, 174
		0901853.....	50	1100062.....	35	1600157.....	127, 131
		0901855.....	35	1100101.....	35	1600269.....	69
		0901858.....	63, 64	1120108.....	137, 139, 143, 151, 153	1600290 ...	127, 133, 207
				1120161.....	65, 71	1600325.....	69
				1120311.....	10	1660114.....	45
						1660157.....	64, 70

PART NUMBER INDEX

1660184.....83	1702137 196, 203	2000106 81, 84	2220373.... 160, 165, 168, 169
1660204.....9, 10, 11	1702153 195	2000118 63	2220374..... 159, 164
1660205.....9, 10, 11	1702249 196	2000130 63	2220375..... 165, 169
1660207.....66	1702350 200	2000133 63	2220377.... 159, 164, 168
1660234.....83	1702351 202	2000137 81, 84	2220386.... 159, 164, 168
1670560.....101	1702552 200	2000147 63	2220403.... 159, 164, 168
1670680.....84	1702559 200	2000155 69, 72	2220408.... 159, 164, 168
1670841.....72, 82	1702592 202	2000177 69, 72	2220414.....171
1681283.....139, 143	1702594 202	2060019 64	2220415..... 164, 168
1681322.....137	1702698 18	2060030 70	2220417..... 159
1681344.....151, 153	1702788 212	2080057 195, 200	2220428.... 159, 164, 168
1681609.....137	1703074 200	2120077 77	2220429.... 159, 164, 168
1682076.....147	1703162 72	2120109 50	2220435..... 160
1682080.....147	1703175 118	2120110 50, 208	2220438.... 159, 164, 168
1682082.....147	1703552 201	2120112 67, 73	2220446.... 159, 164, 168
1682098.....147	1703612 200	2120129 50, 208	2220451.... 159, 164, 168
1682100.....147	1703628 201	2120135 64, 70, 82	2220466..... 159
1682185.....12, 137	1703629 201	2120136 .. 64, 70, 82, 206	2220468.... 159, 164, 168
1682186.....137	1703630 201	2160002 9, 11, 12, 45, 147	2220472.... 160, 165, 169, 171
1682364.....145	1703707 202	2160003 10, 11	2220473.... 159, 164, 168
1682594.....147	1703792 196, 203	2180104 77	2220490..... 165, 169
1682657.....39, 145	1703811 195, 199	2180318 83	2220495.... 159, 164, 168
1682658.....145	1703814 43, 195, 199	2180348 82	2220498..... 159, 168
1682660.....145	1703816 196	2180360 ... 64, 67, 70, 74, 77, 83	2220504.... 160, 164, 169
1682681.....9, 10, 151	1703818 195	2180387 77	2220507.... 159, 164, 168
1682682.....151, 153	1703821 196	2180389 77	2220512.... 160, 165, 169
1682684.....151	1703822 196, 202	2180527 147	2220568..... 160
1682720.....139	1703829 202	2180535 77	2220578.... 159, 164, 168
1682721.....139, 143	1703833 200	2180536 77	2220580.... 159, 164, 168
1682723.....139	1703835 203	2180537 64, 70, 83	2220582..... 171
1682967....9, 10, 11, 153	1703837 202	2180623 77	2220584..... 164, 168
1682987.....153	1703841 200	2180643 83	2220605..... 171
1683465....109, 113, 147	1703843 203	2180658 15	2220609.... 159, 164, 168
1683466.....105, 147	1703845 202, 203	2180666 82	2220619.... 159, 164, 168
1683469.....212	1703849 200	2180730 82, 83	2220621.... 159, 164, 168
1683966.....139	1703861 202	2180745 51	2220622..... 165, 169
1683967.....139, 143	1703865 200	2180749 67, 74, 83	2220635.... 159, 164, 168
1684206.....143	1703867 203	2200108 52	2220642.... 159, 164, 168
1684216.....43, 143	1703874 196, 203	2200221 145	2220646.... 159, 164, 168
1684217.....43, 143	1703875 43, 196, 203	2200222 15, 50	2220648..... 77
1700598.....119	1704277 196, 202	2200233 51	2220675..... 65, 71, 77
1700599.....119	1704278 203	2200261 64, 83	2220679.... 159, 164, 168
1700818.....77	1704478 196, 202	2200462 82	2220695..... 165, 169
1701214.....196	1704479 196	2210003 ... 159, 164, 168	2220696.... 159, 164, 168
1701437.....148	1704480 196	2210066 51	2220700.... 159, 164, 168
1701504.....196, 201	1704521 196	2220003 77	2220710.... 159, 164, 168
1701505.....196, 203	1704522 196, 203	2220113 ... 159, 164, 168	2220758.... 159, 164, 168
1701509.....195, 199	1704523 196, 203	2220237 56, 59	2220796.... 159, 164, 168
1701511.....201	1704524 196, 203	2220238 56, 59, 159, 164, 168	2220805..... 77, 82
1701515.....201	1704526 195, 200	2220240 51	2220883..... 139, 143
1701542.....196, 203	1704534 203	2220242 51	2300014..... 213
1701621.....200	1704535 203	2220250 164, 168	2300016..... 213
1701624.....201	1704536 203	2220273 64, 70, 83	2300021..... 213
1701683.....98	1704537 203	2220275 ... 159, 164, 168	2300027..... 213
1701785.....39, 43	1704542 201	2220280 ... 159, 164, 168	2360347..... 9
1701832.....195, 199	1704543 202	2220282 ... 159, 164, 168	2360352..... 9
1701833.....196, 203	1704547 203	2220290 77	2360465..... 9
1701834.....196, 203	1704549 201	2220317 82	2360466..... 9
1701835.....196, 203	1704550 202	2220343 ... 159, 164, 168	2420009..... 97
1701836.....196, 203	1704551 202	2220345 160	2420033..... 64, 70
1701837.....195, 199	1704552 202	2220362 160	2420038..... 118
1701840.....196	1704553 202	2220364 77	2420084..... 98
1701843.....195, 199	1704554 202	2220366 165, 169	2420091..... 97
1701871.....195, 199	1704557 202	2220371 ... 160, 165, 169	2420110..... 82
1701885.....195, 199	1704558 203		
1701886.....195, 199	1704560 202		
1701887.....195, 199	1704561 203		

PART NUMBER INDEX

2420111 98	2752491 160	2902064 63	3300286 147
2420115 51	2752520 160, 165, 169	2902075 195, 199	3300353 101, 102
2420118 64, 70	2752523 165	2902076 196	3300357 151, 153
2420131 67, 73	2752531 160, 165, 169	2910009 196	3300465 143
2420159 98	2752532 160, 165, 169	2910157 212	3310601 97, 127
2420164 98	2780167 17, 27	2910471 213	3310805 43
2420183 52	2780169 17, 27	2910472 213	3311001 ... 35, 40, 63, 69, 79, 87, 97, 127
2420203 79, 87	2780175 18, 27	2910943 213	3311005 39
2460011 79, 87	2780177 10	2920026 128	3311401 ... 39, 63, 65, 69, 97, 99, 101, 118, 148
2500005 63, 69	2780191 17, 18, 31	2920029 128	3311402 147
2560088 121, 125	2780193 17, 31	2920105 102	3311405 ... 49, 51, 64, 70, 71, 81, 83, 101, 102, 117, 121, 125, 195, 199
2560141 127	2780195 17, 31	2920110 39	3311501 ... 35, 36, 65, 71, 77, 79, 81, 87, 119
2600161 98	2791574 156, 171	2920111 117	3311505 12, 49, 105, 110, 114, 121, 125
2620037 45	2791936 156, 168	2920113 39	3311601 ... 63, 65, 69, 71, 77, 79, 82
2680387 101	2791937 156, 164	2920162 79, 87	3311605 ... 11, 12, 36, 49, 51, 52, 64, 70, 106, 110, 114, 121, 125
2680395 101	2791938 156	2940042 101, 102	3311701 65, 71
2680396 101	2791939 156, 159	3010088 117	3311705 ... 63, 65, 69, 71, 106, 110, 113
2680406 101	2791962 156	3010099 50	3311801 17
2720042 64, 70, 77	2792024 156	3020021 66, 72, 83	3311805 ... 39, 63, 69, 81
2720058 65, 72, 82	2792370 156	3100071 50	3312001 39, 43
2720112 77	2792519 156, 171	3100075 ... 159, 164, 168	3312005 43, 45
2720118 77	2792538 156	3160158 17, 18, 21	3312202 122
2720271 82	2820024 ... 117, 196, 201	3200201 63, 69	3321001 128
2720341 64, 70	2820047 101	3200202 63, 69	3321402 64, 70, 148
2720342 82	2820097 117, 196	3220036 84	3321501 64, 70
2720351 82	2860012 79, 87	3220083 67, 73, 83	3322202 125
2720373 ... 159, 164, 168	2860030 97, 206	3220084 65, 71	3322602 9, 10, 11
2720437 77	2900034 28	3220086 84	3322603 10
2750759 ... 160, 165, 169	2900379 137	3220118 84	3323002 45
2750760 171	2900503 ... 147, 148, 159, 164, 168	3250872 45	3323403 10
2750778 ... 160, 165, 169	2900714 21	3251249 196	3340564 196, 201
2750894 165, 169	2900745 49	3251476 87	3340579 ... 105, 110, 114
2750896 ... 160, 165, 169	2900752 92	3251813 196, 203	3340653 121, 125
2750897 171	2900756 51	3252123 201	3340674 ... 106, 110, 114
2750900 171	2900766 23	3252234 117	3340841 45, 98, 106, 110, 114
2750910 165, 169	2900767 23	3252235 121	3340848 ... 106, 110, 114
2750918 ... 160, 165, 169	2900768 23	3252252 97	3420158 45
2750919 160	2900770 ... 139, 140, 143, 145	3252308 97	3420292 45
2750968 ... 160, 165, 169	2900800 ... 148, 159, 164, 168	3252309 196	3420352 45
2750990 160	2900816 33	3252310 127	3420372 45
2751006 165, 169	2900826 92	3252356 72	3421190 10, 11
2751010 171	2900827 92	3252548 200	3421243 10
2751021 160	2900946 203	3252549 200	3421284 15
2751110 165, 169	2900964 203	3252550 200	3421335 12
2751111 165, 169	2900965 203	3252552 200	3421453 ... 113, 121, 125, 127
2751398 165, 169	2900966 203	3252553 201	3422091 45
2751410 160	2901208 145	3252620 127	3422137 12
2751427 160	2901210 151	3252635 97	3422219 117
2752242 160, 169	2901222 169	3252667 201	3422267 ... 105, 109, 114
2752254 160	2901224 160	3252686 201	3422268 ... 105, 109, 114
2752255 160	2901225 165	3252687 201	3422269 ... 105, 109, 114
2752321 165, 169	2901261 153	3252750 195	3422270 ... 105, 109, 114
2752330 165, 169	2901323 147, 212	3252751 195	3422271 ... 105, 109, 114
2752339 165, 169	2901330 110	3252752 196	3422272 ... 105, 109, 114
2752340 160	2901331 106	3252754 195	3422273 ... 105, 109, 114
2752341 160	2901332 114	3252755 195	
2752385 165, 169	2901333 114	3252756 195	
2752386 165, 169	2901442 147	3290607 65, 71	
2752387 165, 169	2901541 64	3300012 10, 17, 18	
2752388 165, 169	2901648 114	3300029 66, 72, 81	
2752389 165, 169	2901813 213	3300048 97, 99	
2752390 165, 169	2901941 140, 143	3300177 98	
2752430 165, 169	2902023 139	3300228 9, 10, 11	
2752431 165, 169	2902024 117	3300270 145	
2752432 165, 169	2902025 117	3300273 137	
2752460 ... 160, 165, 169		3300281 140	
2752490 ... 160, 165, 169			

PART NUMBER INDEX

3422274.....	105, 109, 114	3571077.....	125	3910610.....	118	4360289.....	98, 128
3422401.....	11, 12	3571078.....	125	3910804.....	98	4360290.....	97
3422735.....	105, 109, 113	3572123.....	196	3911004.....	79, 87	4360300.....	35, 208
3422738.....	105, 109, 113	3573513.....	143	3911008.....	98, 128	4360314.....	98, 128, 206
3430407.....	15	3580134.....	79, 87	3911012.....	63, 69	4360329.....	128, 207
3440410.....	35	3580158.....	87	3911014.....	64, 70	4360331.....	99
3440413.....	35	3600164.....	63, 81, 91	3911020.....	39	4360336.....	128, 207
3440420.....	35, 39, 43	3600206.....	63, 69, 82, 95	3911024.....	71	4360339.....	127, 207
3440616.....	11, 12	3600213.....	84	3911040.....	39	4360348.....	51
3450202.....	81	3600260.....	63, 69, 81, 91	3921008.....	72	4360354.....	51
3450203.....	15	3620027.....	66, 72	3930820.....	43	4360357.....	64, 70
3450405.....	148	3640621.....	97	3931032.....	35	4360358.....	83
3450610.....	10	3640810.....	117	3941004.....	121	4360449.....	160, 165, 169
3451012.....	10	3640811.....	117	3941404.....	102	4360469.....	97, 206
3480092.....	139, 143	3640846.....	121, 125	3951003.....	81	4360475.....	98, 128, 206
3480116.....	137	3640850.....	117	3960047.....	15	4360476.....	128
3480123.....	145	3640865.....	97	3960353.....	10	4360478.....	98
3480164.....	151	3720011.....	77	3960407.....	82	4360542.....	79, 87
3480214.....	147	3730003.....	176	3960423.....	67, 73	4360548.....	39, 43, 208
3510381.....	117	3740049.....	36, 40, 97, 99, 128, 174, 175, 206	3980003.....	66, 81	4400040.....	77
3510382.....	121	3740067.....	83, 208	3980007.....	72, 81	4400273.....	50
3510407.....	117	3740077.....	98, 208, 209	3990010.....	36, 174, 175, 176, 177, 207	4400274.....	51
3510408.....	121	3760143.....	151	4030287.....	9	4400275.....	77
3510478.....	121	3760170.....	117, 125, 127, 148	4030288.....	9	4400281.....	77
3510653.....	117	3760261.....	139	4031709.....	65	4400282.....	50, 51
3510700.....	125	3760274.....	118	4060092.....	118	4400402.....	50
3510701.....	125	3760321.....	118	4060713.....	65, 71	4400420.....	77
3520022.....	51	3760348.....	122, 125	4060802.....	128	4400421.....	77
3520028.....	79, 87, 97	3760348.....	122, 125	4060807.....	51, 117	4400430.....	50
3520046.....	64, 70	3760453.....	139	4060829.....	102	4400431.....	51
3520070.....	98	3760460.....	143	4060848.....	43	4400432.....	50, 51
3520071.....	36	3780183.....	11, 12	4060969.....	101	4420008.....	127
3520072.....	117, 122, 125	3790012.....	97, 98, 99, 128	4070829.....	121, 125	4420037.....	97
3520078.....	84	3790042.....	128	4070987.....	98	4420039.....	195, 199
3520079.....	128	3790116.....	15	4130279.....	10	4420052.....	39, 43
3520081.....	128	3790152.....	64, 70, 82	4130280.....	10	4420067.....	195, 199
3520082.....	43, 127	3790231.....	15	4130287.....	9	4460035.....	99, 102
3533291.....	63, 69	3820001.....	45	4130288.....	9	4460043.....	102
3533445.....	63, 69	3820019.....	101, 196, 202	4130289.....	9	4460049.....	35, 119
3533663.....	65, 71	3820020.....	125	4130316.....	9	4460051.....	97, 99, 118, 119
3533664.....	65, 71	3820020.....	125	4130317.....	9	4460071.....	97
3534073.....	101	3820030.....	11, 12	4160078.....	15	4460138.....	119
3534074.....	101	3840833.....	15	4160116.....	39, 43	4460183.....	177
3534089.....	101	3840854.....	15	4200004.....	121, 125	4460185.....	118
3534309.....	118	3840979.....	77	4220044.....	148	4460190.....	79, 87, 118
3535348.....	101	3841049.....	64, 70	4240033.....	118	4460206.....	118
3535350.....	101	3841127.....	148	4280280.....	82	4460226.....	131, 133
3535352.....	101	3841143.....	12, 45	4280284.....	121	4460227.....	131, 133
3535353.....	101	3841144.....	106, 110, 114	4280298.....	11, 12	4460259.....	99
3535551.....	82	3841180.....	121	4300032.....	39	4460260.....	99
3536092.....	36	3841184.....	45	4300038.....	35, 36	4460267.....	98
3536144.....	66, 82	3841203.....	106, 110, 114	4300056.....	64, 70	4460298.....	97, 99
3536151.....	65, 71	3841208.....	43	4300090.....	64, 70	4460299.....	97
3536156.....	45	3841221.....	39	4300092.....	17	4460300.....	97
3536157.....	45	3841233.....	122, 125	4340569.....	79	4460301.....	97, 99
3536299.....	117	3841326.....	43	4360037.....	67, 74, 83	4460302.....	81
3536349.....	101	3860037.....	15	4360065.....	83	4460303.....	98
3536350.....	102	3860056.....	151, 153	4360157.....	67, 73	4460305.....	97
3536351.....	102	3860057.....	121	4360188.....	77	4460306.....	97
3536481.....	64, 70	3860059.....	121, 125	4360212.....	98, 208	4460307.....	97
3536622.....	102	3900170.....	137, 140, 145, 147	4360216.....	97, 206	4460309.....	97
3536708.....	140	3900177.....	127	4360232.....	97, 206	4460343.....	131, 133
3537609.....	125	3900178.....	128	4360267.....	98, 127	4460367.....	131, 133
3537619.....	121, 125	3900256.....	118	4360274.....	97, 128, 206	4460428.....	39, 43
3537973.....	45	3900275.....	71	4360281.....	98	4460457.....	176, 177
3570420.....	102	3900321.....	143	4360282.....	128	4460460.....	176, 177
3570421.....	101			4360284.....	97	4460462.....	174

PART NUMBER INDEX

4460463	127	4711000	119	4843410.....	87	4933095	176
4460464	175	4711400 .35, 81, 83, 101,		4843497.....	63, 69	4933144	176
4460465	99, 174	117		4843513.....	82	70000163.....	66, 72
4460466	175	4711500 69, 71, 119, 125		4843533.....	65	70000929.....	67, 73
4460467	213	4711600	51, 52	4843635.....	18	70001111 .. 28, 29, 32, 33	
4460468	174, 175	4711800	17	4843706.....	121	70001136	85
4460470	99, 127	4712000	39, 43	4843934.....	81	70001137	85
4460471	99, 127	4712600	10, 11, 45	4844024.....	101	70001138	85
4460473	174, 175	4713000	143	4844059.....	11, 12	70001349 .. 28, 29, 32, 33	
4460480	99	4740034	10	4844119.....	35	70001940	33
4460481	175	4740066	98	4844120.....	36	7000202	27
4460510	213	4740120	98, 128	4844121.....	36	7000206	27
4460587	177	4740185 11, 12, 64, 70		4844122.....	36	7000214	27, 31
4460588	177	4740195	81	4844129.....	11	7000217	27, 31
4460589	177	4740229 106, 110, 114		4844185.....	77	7000230	27
4460608	177	4740273	63, 69	4844186.....	36	7000241	32
4460660	65, 71	4740274	63, 69	4844192.....	117	7000242	27, 32
4460663	64, 71	4740308	12, 83	4844346.....	43	7000246	27
4460968	39, 43	4740401 106, 110, 114		4844554.....	39	7000247 27, 28, 31, 32	
4520123	18, 19	4740415	39, 43	4844562.....	97	7000248	27, 31
4520129	18, 19	4750600	128	4844867.....	11, 12	7000250 27, 28, 31, 33	
4520207	18	4750800	43	4844868.....	11	7000251	27, 31
4564606	137	4751000 ... 35, 39, 63, 69,		4845246.....	64, 69	7000252	27, 31
4564707	147	98, 148		4845649.....	71	7000253	27, 31
4565347	82	4751400 ... 39, 43, 49, 51,		4845854.....	125	7000257	27
4565348	82	63, 69, 71, 83, 99, 101,		4845855.....	125	7000258	27
4565605	147	102, 118, 121, 125,		4845938.....	127	7000260	28, 33
4565647	139	195, 199		4846041.....	35	7000261	28, 33
4565686	145	4751500 ... 12, 35, 36, 45,		4846047.....	36	7000262	28, 33
4565716	151	49, 65, 70, 79, 87, 121		4846048.....	36	7000263	28, 32, 33
4565790	121, 125	4751600 ... 10, 11, 12, 35,		4846584.....	143	70003160	85
4565830	65, 71	36, 49, 64, 65, 71, 77,		4860126.....	18	70003161	85
4565956	65, 71	79, 81, 88, 106, 110,		4920385.....	10, 11	70003162.....	85
4566617	84	114, 121, 125		4921556.....	174	7000413	56
4567159	84	4751700 ... 39, 63, 65, 69,		4921557.....	174	7000414	56, 59
4567910	71	71, 105, 110, 113		4921558.....	174	7000417	55
4568055	153	4751800	63, 69, 81	4921559.....	174	7000418	56, 59, 206
4640049	61, 208	4752000	39, 45	4921560.....	174	7000448	59
4640113	18	4752200	122, 125	4921561.....	175	7000468	55, 59
4640123	49	4761000 ... 10, 35, 63, 69,		4921562.....	176, 177	7000470	56, 59
4640216 159, 164, 168		79, 87, 97, 118, 127		4921563.....	177	7000549	61
4640260	49	4761400 ... 35, 39, 43, 63,		4921564.....	176	7000558	49, 208
4640261	45	65, 69, 77, 83, 97, 99,		4921586.....	39, 43	7000585	61
4640273	12, 137	101, 102, 118, 148,		4921718.....	177	7000586	61
4640352	51, 61	195, 199		4921787.....	176	7000600	61
4640382 ... 148, 159, 164,		4761500 ... 15, 35, 36, 50,		4922044.....	177	7000645 51, 59, 148, 159,	
168		65, 70, 71, 77, 79, 81,		4922248.....	175	164, 168, 206	
4640391	77	87, 118, 119		4922249.....	174	7000693	84
4640392	18	4761600 ... 12, 35, 36, 45,		4922250.....	174	7000699	84
4640438	145	50, 51, 63, 65, 66, 69,		4922253.....	174	7000884	66, 72
4640443	49	71, 72, 77, 79, 87		4922254.....	174	7000892	66, 72
4640485	12, 15	4761700	65, 71	4922255.....	174	7000893	66
4640495	140, 143	4761800 ... 17, 18, 43, 63,		4922584.....	43	7000894	66, 72
4640578	49, 55	69, 82		4932041.....	175	7001438	91
4640613	139, 143	4762000 17, 18, 39, 43		4932387.....	175	7001498	92
4640629	49	4770600 97, 118, 127		4932451.....	175	7001909	28, 32
4640699	147	4771000	39	4932602.....	176	7001911	28, 32
4640767	49, 55	4791400	127	4932603.....	176	7001912	28, 32
4640812	11, 12	4812000	87	4932604.....	176	7001913	28, 32
4640841	49	4831900 ... 66, 67, 70, 72,		4932623.....	176	7001922	31
4640844	49, 55	73, 83		4932624.....	176	7001931	28, 32
4640845	50, 55	4832000 63, 69, 81, 83		4932734.....	175	7001985	28, 32
4640847	49	4842621	11, 12	4932735.....	175	7001997	27
4640943	49, 59	4842981	118	4932758.....	177	7002229	55
4640944	50, 59	4843248 105, 110, 114		4932810.....	176	7002294	55
4641156	139, 143	4843336	121	4933042.....	177	7002304	55
4641191	51	4843375	97	4933043.....	177	7002315	55, 59

PART NUMBER INDEX

7002320.....	55	7006056.....	61	7007653.....	27, 31	7011717.....	23
7002321.....	55	7006062.....	61	7007654.....	27, 31	7011923.....	131, 133
7002322.....	55	7006075.....	49	7007683.....	31	7011931.....	131
7002323.....	55	7007208.....	91	7007684.....	32	7011932.....	131
7002324.....	55	7007321.....	49	7007685.....	32	7011933.....	131
7002326.....	55	7007412.....	92	7007686.....	32	7011934.....	131
7002328.....	55	7007413.....	91	7007687.....	32	7011935.....	131
7002329.....	55	7007414.....	91	7007688.....	32	7011936.....	131
7002333.....	56, 59	7007416.....	91	7007689.....	32	7011938.....	131, 133
7002334.....	55, 56, 59	7007417.....	91	7007690.....	32	7011940.....	131, 133
7002335.....	56, 59	7007419.....	91	7007691.....	31	7011982.....	133
7002336.....	56, 59	7007420.....	91	7007692.....	31	7011991.....	133
7002338.....	55, 56, 59	7007421.....	91	7007697.....	27	7011997.....	133
7002339.....	56, 59	7007422.....	91	7007874.....	21	7012513.....	79, 87
7002340.....	55, 56, 59	7007423.....	91	7007875.....	21	7012514.....	79, 87
7002341.....	56, 59	7007424.....	91	7007876.....	21	7012518.....	49
7002344.....	56, 59	7007425.....	91	7007878.....	21	7012558.....	79, 87
7002345.....	56, 59	7007435.....	91	7007879.....	21	7012564.....	67, 73
7002346.....	55, 56, 59	7007436.....	91	7007880.....	21	7012575.....	84
7002348.....	56, 59	7007437.....	91	7007914.....	23	7012577.....	66, 72
7002444.....	55, 59	7007438.....	91	7007923.....	23	7012578.....	66, 72
7002447.....	59	7007439.....	91	7007924.....	23	7012593.....	127
7002448.....	59	7007440.....	91	7007933.....	23	7012598.....	84, 208
7002449.....	59	7007441.....	91	7007970.....	23	7012599.....	84
7002451.....	59	7007442.....	91	7007977.....	23	7012611.....	128
7002820.....	213	7007444.....	91	7007979.....	23	7012612.....	128
7002821.....	213	7007445.....	91	7007980.....	23	7012626.....	84
7002822.....	214	7007449.....	91	7007983.....	23	7012653.....	66
7002823.....	213	7007453.....	91	7007985.....	23	7012658.....	127, 207
7002826.....	214	7007454.....	91	7007986.....	23	7012698.....	84
7002828.....	214	7007456.....	91	7007987.....	23	7012903.....	51
7003657.....	79, 87	7007458.....	92	7008828.....	81	7014100.....	33
7003751.....	131, 133, 207	7007461.....	92	7009739.....	49	7014101.....	33
7003772.....	131	7007466.....	92	7009742 ...	148, 159, 164, 168, 207	7014102.....	33
7003789.....	131	7007468.....	92	7010120.....	92	7014103.....	33
7003790.....	131, 133	7007469.....	92	7010121.....	92	7014108.....	33
7003791.....	131, 133	7007470.....	92	7010122.....	92	7014109.....	33
7003825.....	55, 59	7007471.....	92	7010128.....	27	7014110.....	33
7004214... ..	65, 71, 82, 206	7007472.....	92	7010428.....	27	7014112.....	33
7004275.....	214	7007474.....	92	7010429.....	28	7014113.....	33
7004276.....	214	7007475.....	92	7010459.....	31	7014500.....	66, 73, 208
7004368.....	49, 208	7007476.....	92	7010469.....	31, 33	7014680.....	66
7004821.....	56, 59	7007477.....	92, 95	7010470.....	31	7014681.....	67
7004822.....	55	7007478.....	92	7010473.....	31, 33	7014683.....	84
7004823.....	55	7007482.....	92	7010474.....	32	7014687.....	66
7004834.....	55	7007483.....	92	7010475.....	33	7016308.....	84
7004835.....	55	7007484.....	92	7010476.....	33	7016309.....	84
7004836.....	55	7007485.....	92	7010477.....	33	7016331.....	84, 208
7004837.....	55	7007486.....	92	7010478.....	33	7016332.....	84
7004838.....	55	7007487.....	92	7010698.....	97	7016602.....	67, 73
7004839.....	55	7007488.....	92	7010953.....	95	7016627.....	118
7004841.....	55	7007490.....	92	7010956.....	95	7016628.....	39
7004859.....	55, 59	7007491.....	92	7010957.....	95	7016649.....	52
7004894.....	55	7007492.....	92	7010959.....	95	7016654.....	214
7004906.....	21	7007494.....	92	7010960.....	95	7016661.....	66, 67, 72
7004907.....	21	7007496.....	92, 206	7010961.....	95	7017067.....	27, 31
7004908.....	21	7007497.....	92	7010963.....	95	7017080.....	27, 31
7004910.....	21	7007498.....	92	7010973.....	95	7017096.....	27, 31
7004917.....	21	7007499.....	92	7010982.....	95	7017454.....	51
7006002.....	61	7007601.....	27	7011118.....	59	7017516.....	77
7006033.....	61	7007603.....	27, 31	7011161.....	59	7018602.....	23
7006034.....	61	7007617.....	32	7011345.....	143	7018603.....	23
7006036.....	61	7007634.....	27	7011712.....	23	7018605.....	23
7006037.....	61	7007643.....	28, 32	7011713.....	23	7018606.....	23
7006039.....	61	7007650... ..	27, 28, 31, 33	7011714.....	23	7018607.....	23
7006041.....	61	7007651.....	28, 33	7011715.....	23	7018608.....	24
7006053.....	61	7007652.....	27, 31	7011716.....	23	7018609.....	23

PART NUMBER INDEX

7019607	84, 85	7019950	67, 73	7020257	52	7020511	133
7019666	67, 73	7019951	67, 73	7020404	85	7020520	133
7019667	67, 73	7019954	67, 73	7020406	85	7020528	133
7019668	67, 73	7019959	67, 73	7020411	84	7020541	133
7019670	66, 72	7019960	67, 73	7020414	84, 85	7021869	73
7019917	67, 73	7019987	67, 73	7020417	84	7022100	73
7019919	67, 73	7019989	67, 73	7020424	84	7022172	73
7019933	66, 72	7019998	73	7020425	84	7022174	72, 208
7019934	66, 72	7019999	73	7020426	84	7022180	67
7019935	66, 72	7020027	85	7020429	85	7023471	66, 72
7019936	67, 73	7020108	79, 87	7020434	85	7023650	72
7019937	67, 73	7020109	79, 87	7020437	84	7023651	73
7019938	67, 73	7020110	79, 87	7020456	84	7023668	66
7019939	67	7020111	79, 87	7020465	84	7023670	66, 72
7019941	67, 73	7020115	67	7020467	84	7023676	65
7019942	67, 73	7020116	67	7020477	85	7023937	51
7019943	67, 73	7020119	67	7020496	84	7024321	66, 72
7019944	67, 73	7020121	67	7020500	133, 207	7024413	84
7019945	67, 73	7020175	128	7020501	133	7025153	67, 73
7019946	67, 73	7020176	128	7020502	133	7026199	79, 87
7019947	67, 73	7020190	79, 87	7020503	133	7027607	66, 72
7019948	67, 73	7020191	79, 87	7020504	133	8320270	84
7019949	66	7020193	79, 87	7020509	133		