



Illustrated Parts Manual

Models **600A** **600AJ**

Prior to
SN 0300069000

P/N
3120719

December 14, 2015

ANSI



An Oshkosh Corporation Company

REVISION LOG

NOTES:

ADE SYSTEM IDENTIFICATION

Most 600A and 600AJ machines from S/N 64249 incorporate the ADE System, but no clean S/N break exist. The following machine serial numbers prior to S/N 64249 also utilize ADE System: 63908, 63912, 63932, 63936, 63938, 63954, 63959 and 63963. A machine that incorporates ADE System can be outwardly identified by the analyzer connection at the base of the platform control box.



MANUAL REVISION LOG:

February 1996 - Original Issue Of Manual

September 1997 - Revised (Manual edited to 0010519 Revision 31)

February, 1998 - Change 1 (Manual edited to 0010519 Revision 37)

Pages Affected:

Cover

Effectivity Page: a

Table of Contents Pages: i & ii

Section 1 Pages: 1-1 & 1-28 to 1-30

Section 2 Pages: 2-1, 2-2, 2-4 to 2-6, 2-10, 2-20, 2-22 to 2-24, 2-26, 2-27, 2-29, 2-31 to 2-36,
2-38, 2-39, 2-42, 2-45, 2-48, to 2-51, 2-58 to 2-59B, 2-62 to 2-65 & 2-67 to 2-69

Section 3 Pages: 3-1, 3-13, 3-21 to 3-24

Section 4 Pages: 4-1, 4-5 to 4-9, 4-17 & 4-18

Section 5 Pages: 5-1 & 5-28 to 5-30

Section 7 Pages: 7-1 to 7-28

Section 8 Pages: 8-4 & 8-5

Section 9 Pages: 9-1

REVISION LOG

Section 10 Pages: 10-2

February 12, 1999 - Revised (Manual edited to 0010519 Revision 50)
September 30, 1999 - Revised (Manual edited to 0010519 Revision 58)
March 1, 2000 - Revised (Manual edited to 0010519 Revision 63)
August 22, 2001 - Revised (Manual edited to 0010519 Revision 73 & 0010577 Revision 6 With ADE System)
March 1, 2002 - Revised (Manual edited to 0010577 Revision 9)
July 31, 2002 - Revised (Manual edited to 0010577 Revision 18)
February 15, 2003 - Added "Prior to S/N 0300069000" to Front Cover. Refer to Parts Manual 3121177Manual for Machines Built S/N 0300069000 to 0300087000.
March 6, 2003 - Revised Manual
June 16, 2003 - Revised Manual
May 5, 2004 - Revised Manual
April 11, 2005 - Revised Manual
November 15, 2005 - Revised Manual
April 18, 2006 - Revised Manual
July 19, 2006 - Revised Manual
December 12, 2006 - Revised Manual
May 1, 2007 - Revised Manual
August 16, 2007 - Revised Manual
December 4, 2007 - Revised Manual
March 31, 2008 - Revised Manual
September 15, 2008 - Revised Manual
February 15, 2009 - Revised Manual
August 1, 2009 - Revised Manual
March 25, 2010 - Revised Manual
August 15, 2010 - Revised Manual
May 27, 2011 - Revised Manual
August 29, 2011 - Revised Manual
December 23, 2011 - Revised Manual
April 27, 2012 - Revised Manual
July 24, 2012 - Revised Manual
November 2, 2012 - Revised Manual
March 7, 2013 - Revised Manual
June 6, 2013 - Revised Manual
September 1, 2013 - Revised Manual
June 1, 2015 - Revised Manual
December 14, 2015 - Revised Manual (Revision 4)

GENERAL INFORMATION

SECTION 6 CYLINDER

FIGURE 6-3. LIFT CYLINDER ASSEMBLY

PG# Model Designation Manual #

SECTION 6 CYLINDER

FIGURE 6-3. LIFT CYLINDER ASSEMBLY

ITEM #	PART NUMBER	QTY	DESCRIPTION	REV.
	1001140104		LIFT CYLINDER ASSEMBLY	B
1	0100011	AR	Compound, Locking	
2	0630535	3	Cap screw 1/4-20 x 1-1/8	
3	0791003	1	Screw #10-24 x 3/8	
4	0961897	1	Bushing, Tapered	
5	1300136	1	Clamp, Cable	
6	1663063	1	Head	
7	2220862	1	Plug, O-Ring	
8	2220865	2	Plug, O-Ring	
9	2220866	1	Plug, O-Ring	
10	3020039	AR	Lubricant	
11	0460262	1	Piston	
12	3750371	1	Ring, Washer	
13	3931420	8	Cap screw 1/4-20 x 1-1/4	
14	2801824	8	Cap screw 1/2-13 x 1-1/2	
15	3931003	1	Screw #10-24 x 3/8	
16	4100999	1	Spacer	
17	4640999	1	Cartridge, Holding Valve (Non Vented)	
17	2900792		Kt, Seal - 4640999 Cartridge Valve	
18	4641248	1	Cartridge, Counterbalance Valve (Non Vented)	
18	70004186		Kt, Seal - 4641248 Cartridge Valve	
19	1001137991	1	Sensor, Cylinder Length	
20	1001118070	1	Cap, Retainer	
21	1001118084	1	Barrel	
21A	0961950	2	Bushing	
22	1001118096	1	Rod	
22A	0961950	2	Bushing	
100	1001139996	1	Kt, Seal (Includes Items 101-109)	
101	See Note	2	Ring, Wear (Note: Use pin 1001139996)	
102	See Note	1	Ring, Back-Up (Note: Use pin 1001139996)	
103	See Note	2	Ring, Lock (Note: Use pin 1001139996)	
104	See Note	2	Ring, Back-Up (Note: Use pin 1001139996)	
105	See Note	2	O-Ring (Note: Use pin 1001139996)	
106	See Note	1	O-Ring (Note: Use pin 1001139996)	
107	See Note	1	Seal (Note: Use pin 1001139996)	
108	See Note	1	Wiper, Rod (Note: Use pin 1001139996)	
109	See Note	2	Seal (Note: Use pin 1001139996)	
200	1001119126	1	Kt, Sensor Magnet (Includes Items 201-203)	
201	See Note	NBS	Stem, Spacer (Note: Use pin 1001115105)	
202	1001118096	1	Magnet, Sensor	
203	1001118096	1	Ring, Internal Retaining	

Manual # Model Designation PG#

1) MACHINE IDENTIFICATION

Machines are identified by model and in some cases a combination of models, serial number (SN) or regional standard (i.e ANS, CE, CSA). Components may also be identified by SN or manufacturer. Common components that may be identified by these characteristics are engines and hydraulic components.

2) PARTS MANUAL ORGANIZATION

Product information in this manual is organized under section titles. Frame, Cylinder, Hydraulic and Electrical are a few examples. Each section is organized by figure and page number. The information within the Figure is then organized by item number, part number, description and corresponding illustration (s).

3) TABLE OF CONTENTS

A table of contents is found toward the beginning of the manual. Figure number, description and page number are provided for quick reference to the page containing the related information.

4) RECOMMENDED SPARE PARTS

The Recommended Spare Parts, located near the end of the manual, reference most frequently used maintenance parts.

5) PART NUMBER INDEX

A numerical index listing all part numbers and the corresponding page number(s) appears at the back of the manual.

GENERAL INFORMATION

6) NON-SERVICED PARTS

In some instances, it is necessary to display non-serviced parts, assemblies or installations. In the case of assemblies and installations there will be a Ref in the Qty column. In case of parts that are not available for service within assemblies or components, there will be a NSS (Not Sold Separately) or NLA (No Longer Available) listed in the Qty. column of the manual.

7) PARTS LIST ITEM NUMBERS

Numbers shown in the item# column correspond to numbers used in the associated illustration (s). Item numbers which are missing from the sequence in the parts list are not used on that page

8) INDENTED PARTS DESCRIPTION

An indented part description is included in the item under which it is indented.

9) ABB REVIATION AND SYMBOLS

AC.....	.. Alternating Current	LCD	Liquid Crystal Display
ADE.....	..Advanced Design Electronics	LED	Light Emitting Diodes
ANSIAmerican National Standards Institute	LH.....	.. Left Hand
AR.....	..As Required	LSSLoad Sensing System
ASSY Assembly	M(m).....	..Metric/Meter
AUX.....	..A uxiliary	MM (mm)Milimeter
AWG.....	..American Wire Gauge	mA.....	.. Milliamps
B/M.....	.. Bill of Material	NLA.....	..No Longer Available
CE.....	..European Conformity	NPT National Pipe Threads
CCWCounter Clockwise	NSSNot Sold Separately
cm.....	..Centimeter	OD.....	..Outside Diameter
CW.....	..Clockwise	ORB.....	..O-Ring Bos s
CSA.....	..Canadian Standards Association	ORFS.....	..O-Ring Face Seal
CYL.....	..Cylinder	OZ (oz).....	..Ounces
DIA.....	..Diameter	PGPage
DC.....	..Direct Current	P/N.....	..Part Number
EMSEmergency Stop	qt.....	..Quarts
ENGEngine	QTY.....	..Quantity
FT(ft).....	..Feet	REFReference
GA(Ga).....	..G auge	REVRevision Level
HYDHydraulic	RH.....	..Right Hand
Hz.....	..Hertz	SAE.....	..Society of Automotive E ngineers
ID.....	..Inside Diameter	SN.....	..Serial Number
in.....	..inches	SPEC(S).....	..Specifications
ISO.....	..I nternational Organization for Stand ards	T/T.....	..Turntable
JIC.....	..Joint Industry Council	UGMUniv ersal G round Module
KGKilogram	V.....	..Volts
L.....	..Liter	W.....	..Watts
LB.....	..P ounds	#.....	..Number

10) ILLUSTRATION REFERENCE LETTERS

When necessary, illustrations may contain reference letters that are intended to track information (i. e. hoses, harnesses) from one point to another or to track visual enlargement of components to show details that may be located in another area on the illustration.

Note: Due to continuous product improvements, JLG Industries, Inc. reserves the right to make specification changes without prior notification. Contact JLG Industries, Inc. for updated information.

TABLE OF CONTENTS

SECTION 1 - FRAME.....	11
FIGURE 1-1. 2WD FRONT AXLE AND STEERING INSTALLATIONS	12
FIGURE 1-2. 4WD FRONT AXLE AND STEERING INSTALLATIONS	16
FIGURE 1-3. 4WS REAR STEERING INSTALLATIONS	20
FIGURE 1-4. TIRE AND WHEEL DRIVE INSTALLATIONS	24
FIGURE 1-5. DRIVE HUB ASSEMBLY	28
FIGURE 1-6. DRIVE BRAKE ASSEMBLY.....	30
FIGURE 1-7. DRIVE MOTOR ASSEMBLY - SUNSTRAND (2WD).....	34
FIGURE 1-8. DRIVE MOTOR ASSEMBLY - REXROTH (4WD).....	36
FIGURE 1-9. TOW PACKAGE INSTALLATION (OPTIONAL)	38
SECTION 2 - TURNTABLE	41
FIGURE 2-1. CONTROL VALVES INSTALLATIONS	42
FIGURE 2-2. MAIN VALVE BLOCK ASSEMBLY	46
FIGURE 2-3. ACCESSORY VALVE ASSEMBLIES	50
FIGURE 2-4. SWING DRIVE, TURNTABLE BEARING AND LOCK INSTALLATIONS.....	52
FIGURE 2-5. SWING HUB ASSEMBLY	54
FIGURE 2-6. SWING BRAKE ASSEMBLY	56
FIGURE 2-7. SWING MOTOR ASSEMBLY	60
FIGURE 2-8. CONTINENTAL ENGINE INSTALLATIONS	62
FIGURE 2-9. GENERATOR INSTALLATION (OPTIONAL - CONTINENTAL ENGINE MACHINES).....	68
FIGURE 2-10. DEUTZ ENGINE INSTALLATION - WITHOUT NOISE REDUCTION (Prior to SN 0300029930)	72
FIGURE 2-11. DEUTZ ENGINE INSTALLATION - WITH NOISE REDUCTION (SN 0300028190 through 0300069000)	78
FIGURE 2-12. GENERATOR INSTALLATION (OPTIONAL - DEUTZ ENGINE MACHINES)	86
FIGURE 2-13. FORD ENGINE INSTALLATIONS (Prior to SN 0300037117).....	90
FIGURE 2-14. FORD ENGINE INSTALLATIONS - LRG425 WITH CARBURETOR (SN 0300037117 through 0300069000).....	98
FIGURE 2-15. FORD ENGINE INSTALLATIONS - LRG-425 WITH EFI (SN 0300048907 through 0300069000).....	106
FIGURE 2-16. DUAL FUEL INSTALLATION (OPTIONAL - FORD ENGINE WITH CARBURETOR MACHINES).....	112
FIGURE 2-17. DUAL FUEL INSTALLATION (OPTIONAL - FORD ENGINE MACHINES WITH EFI) (SN 0300048907 through 0300069000)	114
FIGURE 2-18. GENERATOR INSTALLATION (OPTIONAL - FORD ENGINE MACHINES).....	116
FIGURE 2-19. ISUZU ENGINE INSTALLATION - 4JB1	120
FIGURE 2-20. PISTON PUMP ASSEMBLY	124
FIGURE 2-21. GEAR PUMP ASSEMBLY	130
FIGURE 2-22. TANKS INSTALLATION.....	132
FIGURE 2-23. ROTARY COUPLING INSTALLATIONS.....	136
FIGURE 2-24. GROUND CONTROL BOX INSTALLATIONS (Prior to SN 0300064249).....	138
FIGURE 2-25. GROUND CONTROL BOX INSTALLATIONS (ADE SYSTEM) (SN 0300064249 through 0300069000).....	144
FIGURE 2-26. ELECTRICAL OPTIONS INSTALLATIONS (TURNTABLE MOUNTED)	148
FIGURE 2-27. ENGINE TRAY JACK INSTALLATIONS (OPTIONAL)	152
FIGURE 2-28. HOODS INSTALLATIONS - WITHOUT NOISE REDUCTION	154
FIGURE 2-29. HOODS INSTALLATIONS - WITH NOISE REDUCTION	158
SECTION 3 - BOOM	163
FIGURE 3-1. BOOMS AND CYLINDERS INSTALLATION - 600A.....	164
FIGURE 3-2. BOOMS AND CYLINDERS INSTALLATION - 600AJ.....	168
FIGURE 3-3. TOWER BOOM ASSEMBLIES	174
FIGURE 3-4. MAIN BOOM ASSEMBLIES	178
FIGURE 3-5. ROTATOR ASSEMBLIES (FRONT ENTRY PLATFORM).....	182
FIGURE 3-6. ROTATOR ASSEMBLIES (SIDE ENTRY PLATFORM).....	186
FIGURE 3-7. VALVES AND SWITCHES INSTALLATION (BOOM MOUNTED)	188
FIGURE 3-8. BOOM WIPERS INSTALLATIONS (OPTIONAL).....	190
SECTION 4 - PLATFORM.....	193
FIGURE 4-1. PLATFORM COMPONENTS INSTALLATION (FRONT ENTRY).....	194
FIGURE 4-2. PLATFORM COMPONENTS INSTALLATION (SIDE ENTRY).....	198
FIGURE 4-3. PLATFORM CONSOLE ASSEMBLY (Prior to SN 0300064249)	202
FIGURE 4-4. PLATFORM CONSOLE ASSEMBLY (WITH ADE SYSTEM) (SN 0300064249 through 0300069000)	208
FIGURE 4-5. CONTROLLER ASSEMBLY (SWING AND LIFT) (Prior to SN 0300039749)	212
FIGURE 4-6. CONTROLLER ASSEMBLY (SWING AND LIFT) (SN 0300039749 through 0300064249).....	214
FIGURE 4-7. CONTROLLER ASSEMBLY (SWING AND LIFT) (WITH ADE SYSTEM) (ORIGINAL EQUIPMENT) (SN 0300064249 through 0300069000).....	216

TABLE OF CONTENTS

FIGURE 4-8. CONTROLLER ASSEMBLY (SWING AND LIFT) (WITH ADE SYSTEM) (SERVICE REPLACEMENT) (SN 0300064249 through 0300069000)	218
FIGURE 4-9. CONTROLLER ASSEMBLY (SWING AND LIFT) (WITH ADE SYSTEM) (SERVICE REPLACEMENT) (SN 0300064249 through 0300069000)	220
FIGURE 4-10. CONTROLLER ASSEMBLY (DRIVE AND STEER) (Prior to SN 0300039749)	224
FIGURE 4-11. CONTROLLER ASSEMBLY (DRIVE AND STEER) (SN 0300039749 through 0300064249)	228
FIGURE 4-12. CONTROLLER ASSEMBLY (DRIVE AND STEER) (WITH ADE SYSTEM) (ORIGINAL EQUIPMENT) (SN 0300064249 through 0300069000)	230
FIGURE 4-13. CONTROLLER ASSEMBLY (DRIVE AND STEER) (WITH ADE SYSTEM) (SERVICE REPLACEMENT) (SN 0300064249 through 0300069000)	232
FIGURE 4-14. CONTROLLER ASSEMBLY (DRIVE AND STEER) (WITH ADE SYSTEM) (SERVICE REPLACEMENT) (SN 0300064249 through 0300069000)	234
FIGURE 4-15. SOFT TOUCH SYSTEM INSTALLATION (OPTIONAL) (SN 0300039749 through 0300064249).....	236
SECTION 5 - CYLINDER.....	239
FIGURE 5-1. AXLE LOCKOUT CYLINDER ASSEMBLY	240
FIGURE 5-2. PLATFORM LEVEL CYLINDER ASSEMBLIES (Prior to SN 0300024714).....	242
FIGURE 5-3. PLATFORM LEVEL CYLINDER ASSEMBLIES (SN 0300024714 through 0300069000)	244
FIGURE 5-4. LEVEL (UPRIGHT) CYLINDER ASSEMBLY	248
FIGURE 5-5. LIFT (ARTICULATING JIB) CYLINDER ASSEMBLY - 600AJ	250
FIGURE 5-6. LIFT (MAIN BOOM) CYLINDER ASSEMBLY	252
FIGURE 5-7. LIFT (TOWER BOOM) CYLINDER ASSEMBLY	254
FIGURE 5-8. MASTER CYLINDER ASSEMBLIES	256
FIGURE 5-9. STEER CYLINDER ASSEMBLIES	260
FIGURE 5-10. TELESCOPE (MAIN BOOM) CYLINDER ASSEMBLIES	262
FIGURE 5-11. TELESCOPE (TOWER BOOM) CYLINDER ASSEMBLY	264
FIGURE 5-12. CYLINDER BELLOWS INSTALLATION (OPTIONAL)	266
SECTION 6 - HYDRAULIC	269
FIGURE 6-1. DRIVE HYDRAULIC DIAGRAM - 2WD/2WS	270
FIGURE 6-2. DRIVE HYDRAULIC DIAGRAM - 4WD/2WS	272
FIGURE 6-3. HYDRAULIC DIAGRAM - OSCILLATING AXLE	276
FIGURE 6-4. HYDRAULIC DIAGRAM - STANDARD	278
FIGURE 6-5. HYDRAULIC DIAGRAM LIST.....	282
SECTION 7 - ELECTRICAL.....	283
FIGURE 7-1. ELECTRICAL DIAGRAM LIST	284
FIGURE 7-2. ELECTRICAL SCHEMATIC - DIESEL MACHINES WITH COLORED WIRING (Prior to SN 0300035129)	288
FIGURE 7-3. ELECTRICAL SCHEMATIC - DIESEL MACHINES WITH NUMBERED COLORED WIRING (SN 0300035129 through 0300069000)	292
FIGURE 7-4. ELECTRICAL SCHEMATIC - DIESEL UL MACHINES WITH NUMBERED COLORED WIRING (SN 0300039457 through 0300069000)	296
FIGURE 7-5. ELECTRICAL SCHEMATIC - GAS MACHINES WITH COLORED WIRING (Prior to SN 0300035129)	300
FIGURE 7-6. ELECTRICAL SCHEMATIC - GAS MACHINES WITH NUMBERED COLORED WIRING (SN 0300035129 through 0300048907)	304
FIGURE 7-7. ELECTRICAL SCHEMATIC - GAS MACHINES WITH EFI SYSTEM (SN 0300048907 through 0300069000)	308
FIGURE 7-8. ELECTRICAL SCHEMATIC - GAS UL MACHINES WITH NUMBERED COLORED WIRING (SN 0300039457 through 0300069000)	312
FIGURE 7-9. ELECTRICAL SCHEMATIC - UL MACHINES (LP ONLY WITH NUMBERED COLORED WIRING (SN 0300039457 through 0300069000)	316
FIGURE 7-10. ELECTRICAL SCHEMATIC - ISUZU ENGINE (SN 0300063908 through 0300069000).....	320
FIGURE 7-11. ELECTRICAL SCHEMATIC - DIESEL/GAS MACHINES (WITH ADE SYSTEM) (SN 0300064249 through 0300069000)	324
FIGURE 7-12. HARNESS COMPONENTS INSTALLATION (Prior to SN 0300064249).....	328
FIGURE 7-13. HARNESS COMPONENTS INSTALLATION (WITH ADE SYSTEM) (SN 0300064249 through 0300064269).....	340
FIGURE 7-14. HARNESS COMPONENTS INSTALLATION (WITH ADE SYSTEM) (SN 0300064270 through 0300069000).....	348
SECTION 8 - DECALS	357
FIGURE 8-1. DECALS INSTALLATION - STANDARD	358
FIGURE 8-2. DECAL INSTALLATION - COUNTRY SPEC.....	362
SECTION 9 - RECOMMENDED SERVICE PARTS STOCK.....	367

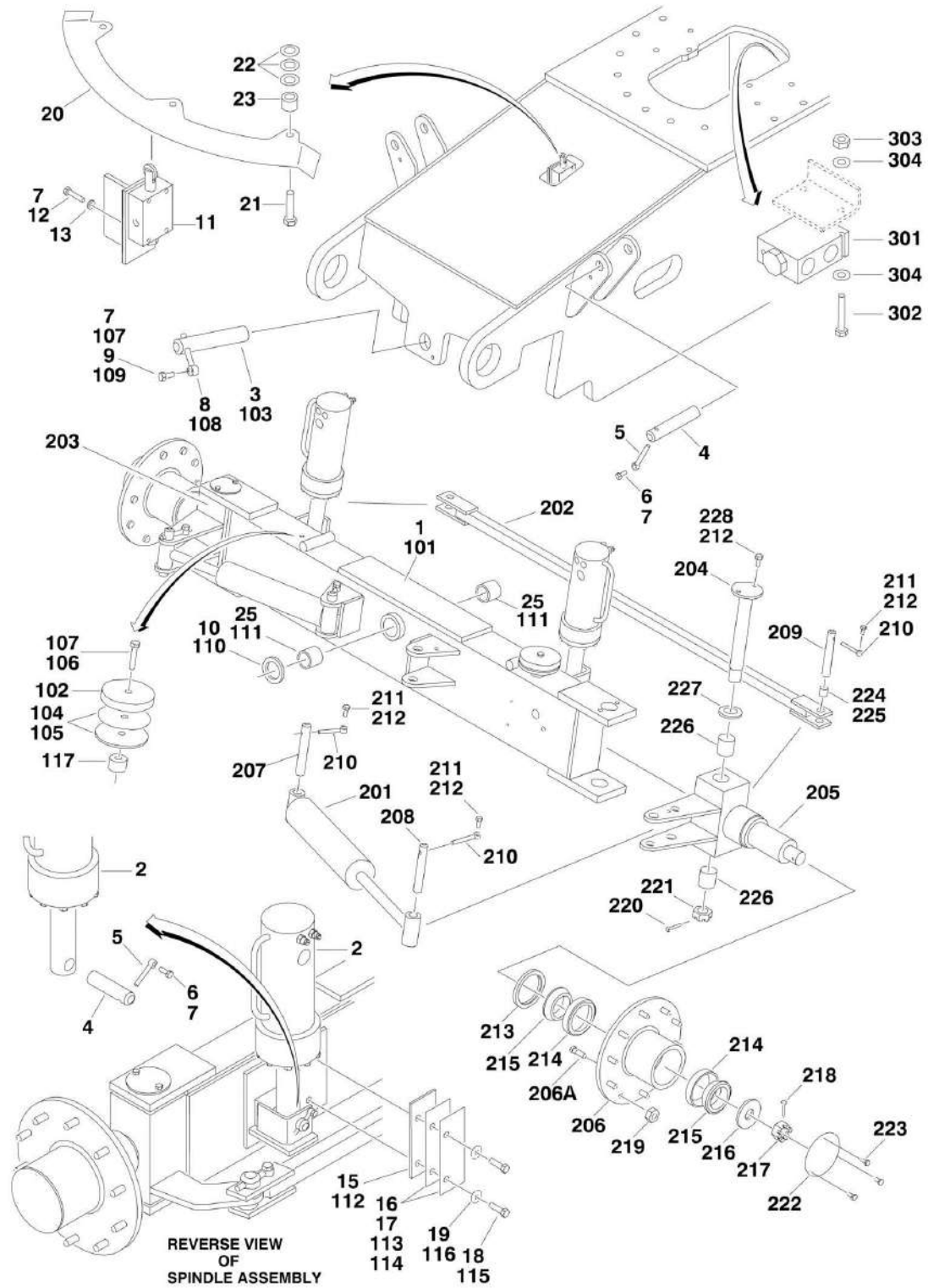
TABLE OF CONTENTS

FIGURE 9-1. MODELS 600A/600AJ/N600AJ.....	368
FIGURE 9-2. MODELS 600A/600AJ/N600AJ.....	370
SECTION 10 - SPECIAL OPTIONS.....	371
FIGURE 10-1. SPECIAL OPTIONS.....	372
PART NUMBER INDEX.....	375

SECTION 1 - FRAME

SECTION 1 - FRAME

FIGURE 1-1. 2WD FRONT AXLE AND STEERING INSTALLATIONS



SECTION 1 - FRAME

FIGURE 1-1. 2WD FRONT AXLE AND STEERING INSTALLATIONS

ITEM	PART NUMBER	QTY	DESCRIPTION	REV
		Ref	AXLE INSTALLATIONS - OSCILLATING	
	0255404	Ref	ANSI 8ft/2.4m Wide Machines (Prior to SN 0300041868)	7
	0256398	Ref	ANSI 8ft/2.4m Wide Machines (SN 0300041868 through 0300069000)	3
	0255418	Ref	ANSI 7ft/2.1m Wide Machines (Prior to SN 0300041868)	6
	0256397	Ref	ANSI 7ft/2.1m Wide Machines (SN 0300041868 through 0300069000)	4
	0256398	Ref	CSA 8ft/2.4m Wide Machines	3
	0256397	Ref	CSA 7ft/2.1m Wide Machines	4
1		Ref	Axle Weldment Options:	
1	4844929	1	8 ft/2.4m Wide Machine	
1	4844960	1	7 ft/2.1m Wide Machine	
2	1683280	2	Lockout Cylinder Assembly (See CYLINDER SECTION for Breakdown)	
3		Ref	Pin, Pivot Options:	
3	3422431	NLA	ANSI (Use p/n 3422592)	
3	3422592	1	ANSI and CSA (SN 0300041868 through 0300069000)	
4	3422426	4	Pin, Cylinder	
5	3841143	4	Keeper, Pin	
6	0641608	4	Bolt 3/8in-16NC x 1in	
7	0100011	AR	Compound, Locking	
8	3841258	1	Keeper, Pin	
9	0642012	1	Bolt 5/8in-11NC x 1-1/2in	
10	4740158	1	Thrustwasher	
11	4640871	1	Valve, Cam	
11	7012693	1	Seal Kit - 4640871 Valve	
11	7002840	1	Tool, Pin Removal	
12	0641414	4	Bolt 1/4in-20NC x 1-7/8in	
13	4711400	8	Flatwasher 1/4in Thin	
15	3538047	2	Plate, Wear	
16	4070878	4	Shim, (.06)	
17	4070879	4	Shim, (.12)	
18	0641612	4	Bolt 3/8in-16NC x 1-1/2in	
19	4711600	4	Flatwasher 3/8in Thin	
20	1100098	1	Cam, Lockout	
21	0641820	3	Bolt 1/2in-13NC x 2in	
22	4751800	9	Flatwasher 1/2in Regular	
23	4566832	3	Tube, Spacer	
25	0961950	2	Bushing	
		Ref	AXLE INSTALLATIONS - FIXED	
	0255416	Ref	ANSI 8ft/2.4m Wide Machines (Prior to SN 0300041868)	3
	0256623	Ref	ANSI 8ft/2.4m Wide Machines (SN 0300041868 through 0300069000)	3
	0255419	Ref	ANSI 7ft/2.1m Wide Machines (Prior to SN 0300041868)	3
	0256624	Ref	ANSI 7ft/2.1m Wide Machines (SN 0300041868 through 0300069000)	2
	0256623	Ref	CSA 8ft/2.4m Wide Machines	3
	0256624	Ref	CSA 7ft/2.1m Wide Machines	2
101		Ref	Axle Weldment Options:	
101	4844929	1	8ft/2.4 Wide Machines	
101	4844960	1	7ft/2.1 Wide Machines	

SECTION 1 - FRAME

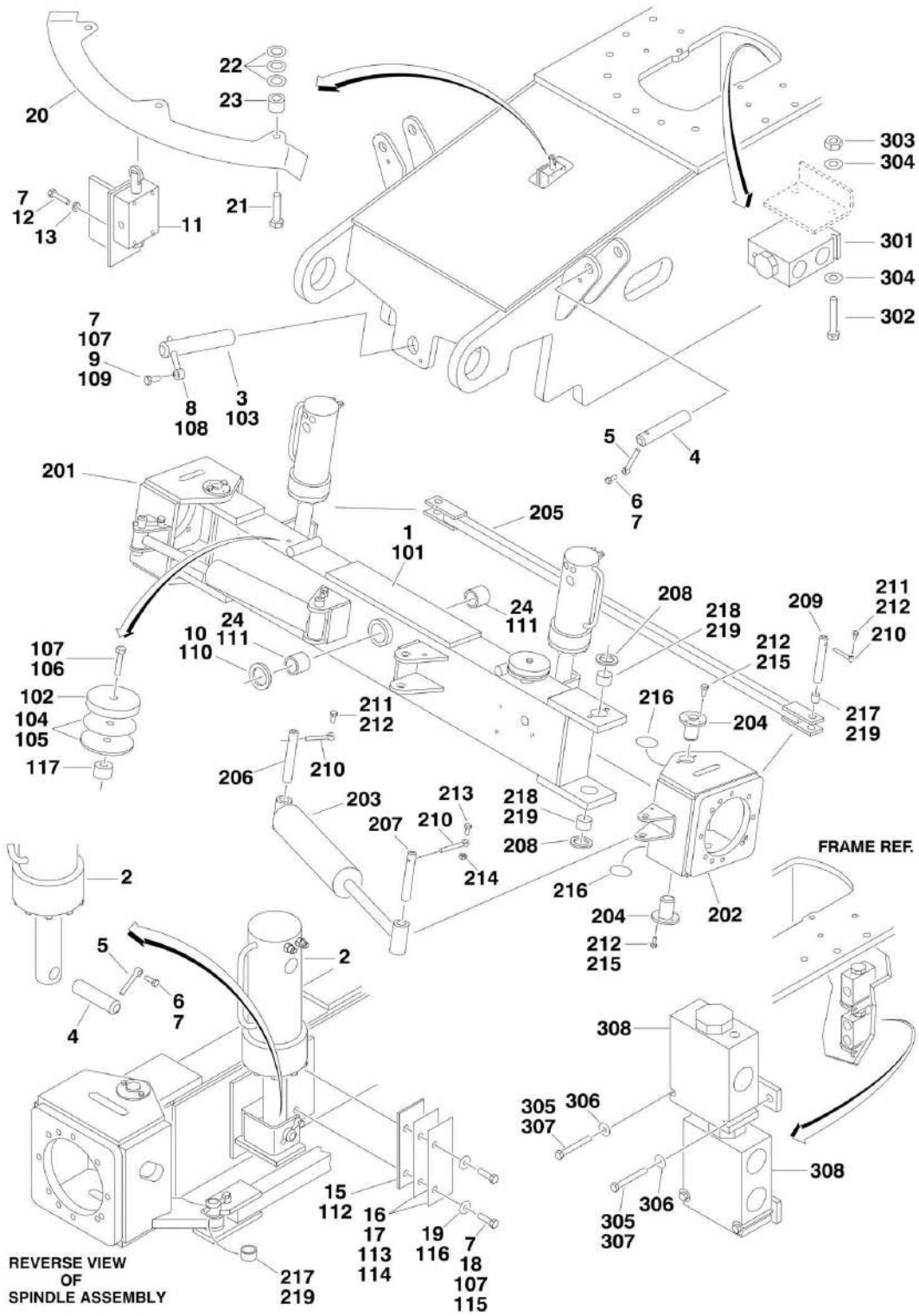
ITEM	PART NUMBER	QTY	DESCRIPTION	REV
102	3539877	2	Plate, Stop	
103		Ref	Pin, Pivot Options:	
103	3422325	NLA	ANSI Machines (Use p/n 3422592)	
103	3422592	1	ANSI Machines and CSA Machines (SN 0300041868 through 0300069000)	
104	4070944	AR	Shim (.06)	
105	4070945	AR	Shim (.25)	
106	0641826	4	Bolt 1/2in-13NC x 3-1/4in	
107	0100019	AR	Compound, Locking	
108	3841258	1	Keeper, Pin	
109	0642012	1	Bolt 5/8in-11NC x 1-1/2in	
110	4740158	1	Thrustwasher	
111	0961950	2	Bushing	
112	3538047	2	Plate, Wear	
113	4070878	AR	Shim (.06)	
114	4070879	AR	Shim (.12)	
115	0641612	4	Bolt 3/8in-16NC x 1-1/2in	
116	4711600	4	Flatwasher 3/8in Thin	
117	3539879	2	Plate, Stop	
		Ref	STEERING INSTALLATIONS	
	0255405	Ref	ANSI 8ft/2.4m Wide Machines (Prior to SN 0300041868)	4
	0256388	Ref	ANSI 8ft/2.4m Wide Machines (SN 0300041868 through 0300069000)	4
	0255406	Ref	ANSI 7ft/2.1m Wide Machines (Prior to SN 0300041868)	3
	0256391	Ref	ANSI 7ft/2.1m Wide Machines (SN 0300041868 through 0300069000)	4
	0256388	Ref	CSA 8ft/2.4m Wide Machines	4
	0256391	Ref	CSA 7ft/2.1m Wide Machines	4
201		Ref	Steer Cylinder Assembly Options: (See CYLINDER SECTION for Breakdown)	
201	1683208	2	8ft/2.4 Wide Machines	
201	1683304	2	7ft/2.1 Wide Machines	
202		Ref	Tie-Rod Options:	
202	3841262	1	8ft/2.4 Wide Machines	
202	3841263	1	7ft/2.1 Wide Machines	
203		Ref	Spindle Options: (Right Side)	
203	4130325	NLA	ANSI (Note: Use p/n 4130341)	
203	4130341	1	ANSI and CSA (SN 0300041868 through 0300069000)	
204	3422427	2	Kingpin	
205		Ref	Spindle Options: (Left Side)	
205	4130326	NLA	ANSI (Use p/n 4130340)	
205	4130340	1	ANSI and CSA (SN 0300041868 through 0300069000)	
206	2780212	2	Hub	
206A	0630490	16	Stud, Wheel (8 Per Hub)	
207	3422426	2	Pin	
208	3422429	2	Pin	
209	3422430	2	Pin	
210	3841143	6	Keeper	
211	0641608	6	Bolt 3/8in-16NC x 1in	
212	0100011	AR	Compound, Locking	
213	3960098	2	Seal	
214	0440019	4	Cone, Bearing	

SECTION 1 - FRAME

ITEM	PART NUMBER	QTY	DESCRIPTION	REV
215	0440018	4	Cup, Bearing	
216	4740016	2	Washer, Hardened	
217	3323403	2	Nut, Slotted 1-1/2in-12NF	
218	3450810	2	Pin, Cotter 1/4in x 2 1/2in	
219	3300106	16	Lugnut 5/8in	
220	3451012	2	Pin, Cotter 1/4in x 3in	
221	3313403	2	Nut, Slotted 1-1/2in-6NC	
222	1120460	2	Cap, Hub	
223	0641404	6	Bolt 1/4in-20NC x 1/2in	
224	0962005	2	Bushing	
225	0100063	AR	Loctite #RC609	
226		Ref	Bushing Options:	
226	0961948	4	Bushing (Prior to SN 0300062140)	
226	0962272	4	Bushing (SN 0300062140 through 0300069000)	
227	0440161	2	Thrustwasher	
228	0681608	4	Bolt 3/8in-16NC x 1in (Grade 8)	
	2890245	1	Wheel Bearing Retention Washer Replacement Kit (Includes Items 216 & 218)	
		Ref	VALVE INSTALLATIONS	
	0255413	Ref	Valve Installations (Prior to SN 0300056718)	5-C
	0270123	Ref	Valve Installations (SN 0300056718 through 0300069000)	2-B
301	4640923	1	Valve, Flow Divider	
301	7012442	1	Cartridge	
301	7012980	1	Seal Kit - 7012442 Cartridge	
301	7012993	1	Orifice	
302	0641522	2	Bolt 5/16in-18NC x 2-3/4in	
303	3311505	2	Locknut 5/16in-18NC	
304	4751500	4	Flatwasher 5/16in Regular	
305	4060808	3.5	Shield, Flex Trim (Not Shown)	
		ft/1.1m		

SECTION 1 - FRAME

FIGURE 1-2. 4WD FRONT AXLE AND STEERING INSTALLATIONS



SECTION 1 - FRAME

FIGURE 1-2. 4WD FRONT AXLE AND STEERING INSTALLATIONS

ITEM	PART NUMBER	QTY	DESCRIPTION	REV
		Ref	AXLE INSTALLATIONS - OSCILLATING	
	0255415	Ref	ANSI (Prior to SN 0300041868)	4
	0256392	Ref	ANSI (SN 0300041868 through 0300069000)	3
	0256392	Ref	CSA	3
1	4845041	1	Axle Weldment	
2	1683280	2	Lockout Cylinder Assembly (See CYLINDER SECTION for Breakdown)	
3		Ref	Pin, Pivot Options:	
3	3422431	NLA	ANSI (Use p/n 3422592) (Prior to SN 0300041868)	
3	3422592	1	ANSI and CSA (SN 0300041868 through 69000)	
4	3422426	4	Pin, Cylinder	
5	3841143	4	Keeper, Pin	
6	0641608	4	Bolt 3/8in-16NC x 1in	
7	0100011	AR	Compound, Locking	
8	3841258	1	Keeper	
9	0642012	1	Bolt 5/8in-11NC x 1-1/2in	
10	4740158	1	Thrustwasher	
11	4640871	1	Valve, Cam	
11	7012693	1	Seal Kit - 4640871 Valve	
11	7002840	1	Tool, Pin Removal	
12	0641414	4	Bolt 1/4in-20NC x 1-3/4in	
13	4711400	4	Flatwasher 1/4in Thin	
15	3538047	2	Plate, Axle Wear	
16	4070878	AR	Shim (.06)	
17	4070879	AR	Shim (.12)	
18	0641608	4	Bolt 3/8in-16NC x 1in	
19	4711600	4	Flatwasher 3/8in Thin	
20	1100098	1	Cam, Lockout	
21	0641816	3	Bolt 1/2in-13NC x 2in	
22	4751800	AR	Flatwasher 1/2in Regular	
23	4566832	3	Spacer, Tube	
24	0961950	2	Bushing, Bronze	
		Ref	AXLE INSTALLATIONS - FIXED	
	0255417	Ref	ANSI (Prior to SN 0300041868)	3
	0256625	Ref	ANSI Machines (SN 0300041868 through 0300069000)	3
	0256625	Ref	CSA	3
101	4845041	1	Axle Weldment	
102	3539877	2	Plate, Stop	
103		Ref	Pin, Pivot Options:	
103	3422431	NLA	ANSI (Use p/n 3422592) (Prior to SN 0300041868)	
103	3422592	1	ANSI and CSA (SN 0300041868 through 0300069000)	
104	4070944	AR	Shim (.06)	
105	4070945	AR	Shim (.25)	
106	0641820	2	Bolt 1/2in-13NC x 2-1/2in	
107	0100019	AR	Compound, Locking	
108	3841258	1	Keeper, Pin	
109	0642012	1	Bolt 5/8in-11NC x 1-1/2in	
110	4740158	1	Thrustwasher	
111	0961950	2	Bushing	
112	3538047	2	Plate, Wear	

SECTION 1 - FRAME

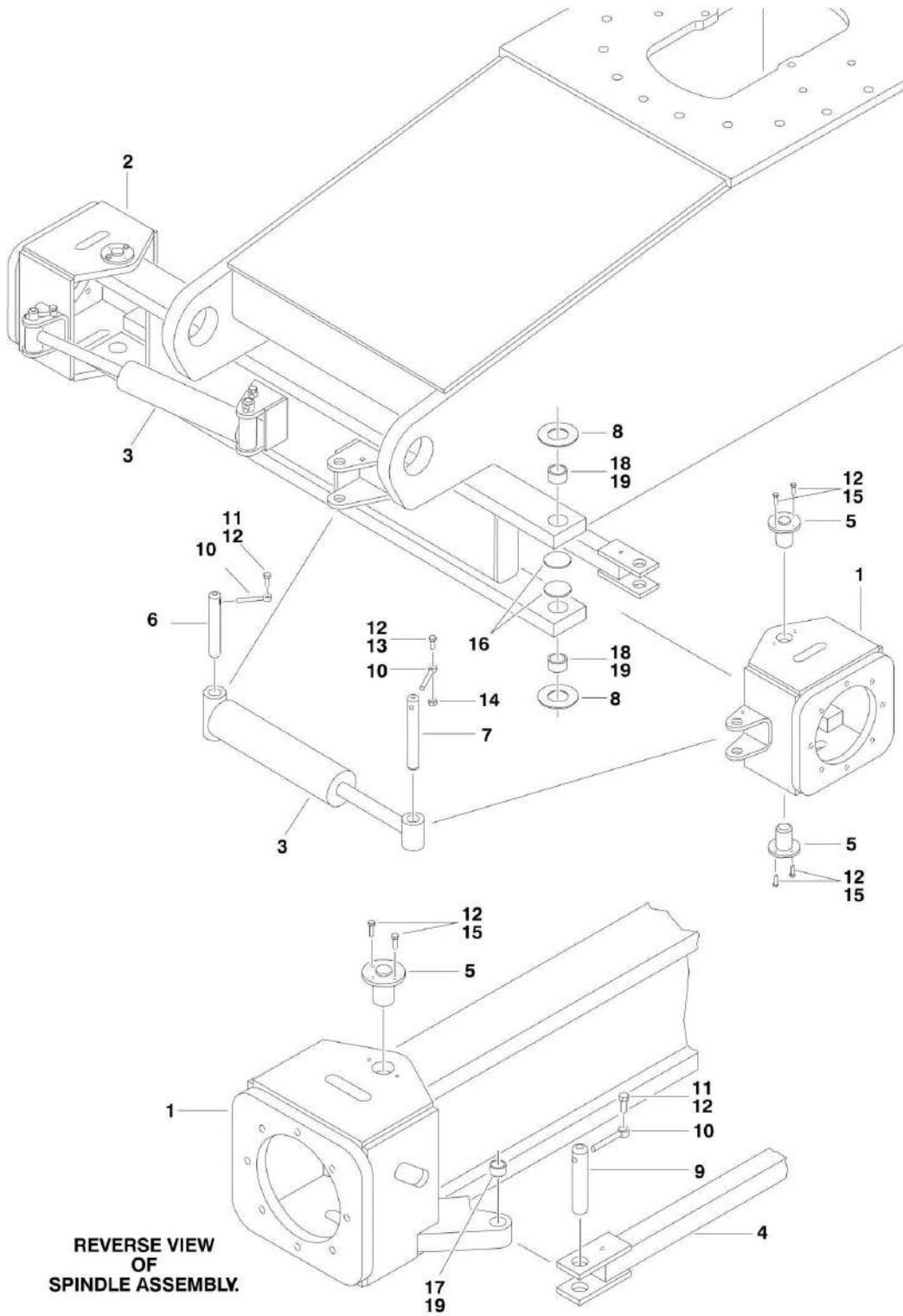
ITEM	PART NUMBER	QTY	DESCRIPTION	REV
113	4070878	AR	Shim (.06)	
114	4070879	AR	Shim (.12)	
115	0641612	4	Bolt 3/8in-16NC x 1-1/2in	
116	4711600	4	Flatwasher 3/8in Thin	
117	3539879	2	Plate, Stop	
		Ref	STEERING INSTALLATIONS	
	0255411	Ref	ANSI (Prior to SN 0300041868)	3
	0256399	Ref	ANSI (SN 0300041868 through 0300069000)	4
	0256399	Ref	CSA	4
201	4130330	1	Spindle - Right Side	
202	4130331	1	Spindle - Left Side	
203	1683208	2	Steer Cylinder Assembly (See CYLINDER SECTION for Breakdown)	
204		Ref	Pin, Pivot Options:	
204	3422492	NLA	ANSI (Use p/n 3422802) (Prior to SN 0300041868)	
204	3422590	NLA	ANSI (Use p/n 3422802) (SN 0300041868 through 0300043444)	
204	3422802	1	ANSI (SN 0300043445 through 0300069000)	
204	3422590	NLA	CSA (Use p/n 3422802) (Prior to SN 0300043445)	
204	3422802	1	Pin, Pivot CSA (SN 0300043445 through 0300069000)	
205	3841285	1	Tie-Rod	
206	3422426	2	Pin, Steer Cylinder	
207	3422429	2	Pin, Steer Cylinder	
208	0440161	4	Thrustwasher	
209	3422430	2	Pin, Tie-Rod	
210	3841143	6	Keeper, Pin	
211	0641608	4	Bolt 3/8in-16NC x 1in	
212	0100011	AR	Compound, Locking	
213	0641610	2	Bolt 3/8in-16NC x 1-1/4in	
214	3311605	2	Locknut 3/8in-16NC	
215	0681608	8	Bolt 3/8in-16NC x 1in (Grade 8)	
216	1670752	4	Cover, Kingpin Only (Prior to SN 0300043445)	
217	0962005	2	Bushing, Bronze	
218		Ref	Bushing Options:	
218	0961948	NLA	Bushing (Use p/n 0962272) (Prior to SN 0300044952)	
218	0962272	4	Bushing (SN 0300044952 through 0300069000)	
219	0100063	AR	Loctite #RC609	
		Ref	VALVE INSTALLATIONS	
	0255414	Ref	Valve Installations (Prior to SN 0300056718)	6-C
	0270124	Ref	Valve Installations (SN 0300056718 through 0300069000)	3-D
301	4640923	1	Valve, Flow Divider	
301	7012992	1	Cartridge	
301	7012980	1	Seal Kit- 7012992 Cartridge	
301	7012993	1	Orifice	
302	0641522	2	Bolt 5/16in-18NC x 2-3/4in	
303	3311505	2	Locknut 5/16in-18NC	
304	4751500	4	Flatwasher 5/16in Regular	
305	0641520	4	Bolt 5/16in-18NC x 2-1/2in	
306	4751500	4	Flatwasher 5/16in Regular	
307	0100011	AR	Compound, Locking (Prior to SN 0300068274)	
308	4640937	2	Valve, Flow Divider	
308	7012978	1	Cartridge	

SECTION 1 - FRAME

ITEM	PART NUMBER	QTY	DESCRIPTION	REV
308	7012980	1	Seal Kit- 7012978 Cartridge	
308	7012994	1	Orifice	
309	4060808	3/5ft/1.1m	Shield, Flex Trim	

SECTION 1 - FRAME

FIGURE 1-3. 4WS REAR STEERING INSTALLATIONS



SECTION 1 - FRAME

FIGURE 1-3. 4WS REAR STEERING INSTALLATIONS

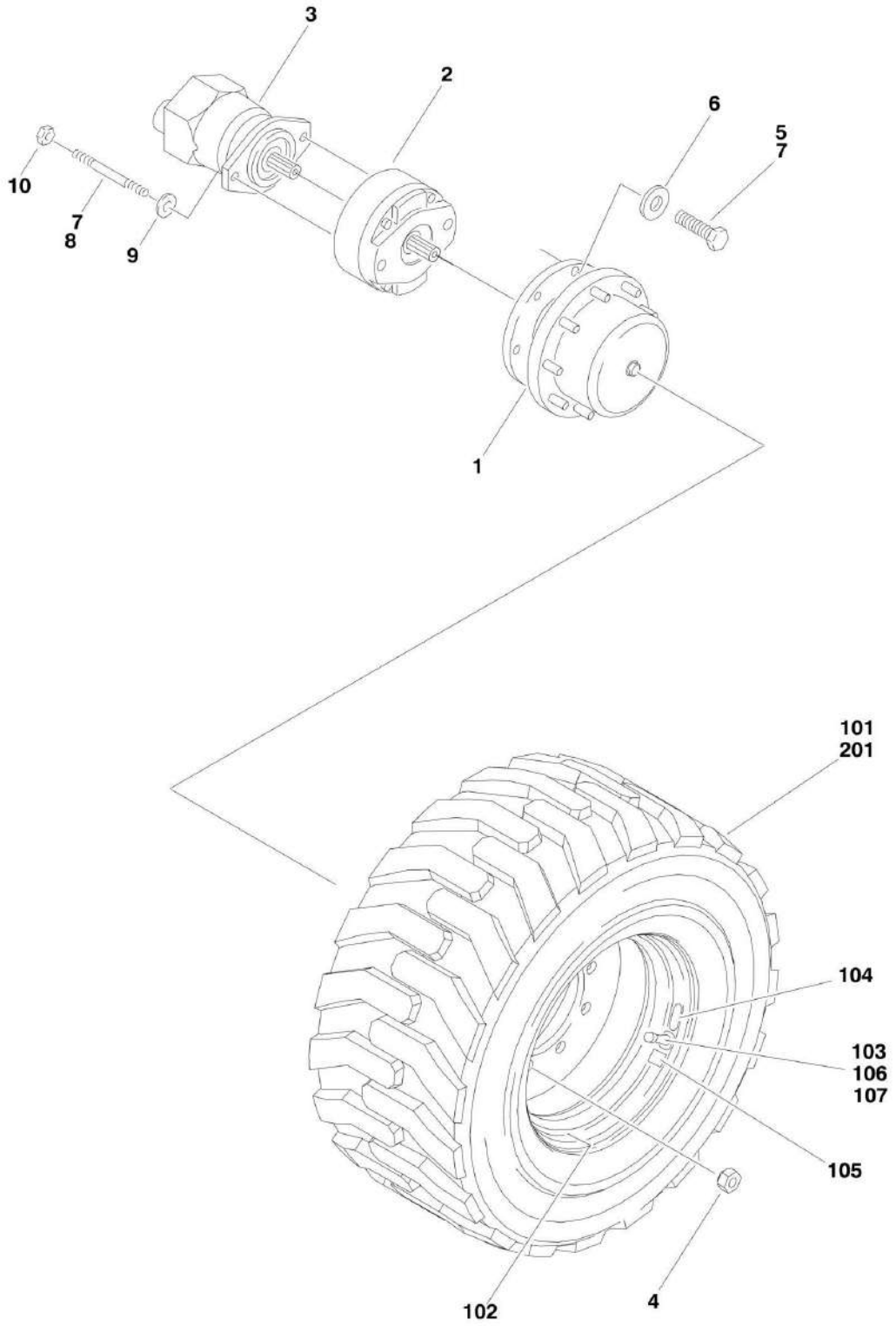
ITEM	PART NUMBER	QTY	DESCRIPTION	REV
		Ref	4WS REAR STEERING INSTALLATIONS OPTIONS:	
	0256716	Ref	2WD/4WS ANSI 8ft Wide/2.4m Machines (Prior to SN 0300041868)	2
	0256717	Ref	2WD/4WS ANSI 8ft Wide/2.4m Machines (SN 0300041868 through 0300069000)	2
	0255854	Ref	2WD/4WS ANSI 7ft Wide/2.1m Machines (Prior to SN 0300041868)	2
	0256523	Ref	2WD/4WS ANSI 7ft Wide/2.1m Machines (SN 0300041868 through 0300069000)	2
	0255412	Ref	4WD/4WS ANSI Machines (Prior to SN 0300041868)	2
	0256715	Ref	4WD/4WS ANSI Machines (SN 0300041868 through 0300069000)	2
	0256717	Ref	2WD/4WS CSA 8ft Wide/2.4m Machines	2
	0256523	Ref	2WD/4WS CSA 7ft Wide/2.1m Machines	2
	0256715	Ref	4WD/4WS CSA Machines	2
		Ref	REAR STEERING INSTALLATION	
	0255411	Ref	ANSI 8 ft/2.4m Width Frame (Prior to SN 0300041868)	4
	0256399	Ref	ANSI 8 ft/2.4m Width Frame (SN 0300041868 through 0300069000)	4
	0255855	Ref	ANSI 7 ft/2.1m Width Frame (Prior to SN 0300041868)	3
	0256400	Ref	ANSI 7 ft/2.1m Width Frame (SN 0300041868 through 0300069000)	4
	0256399	Ref	CSA 8 ft/2.4m Width Frame	4
	0256400	Ref	CSA 7 ft/2.1m Width Frame	4
1	4130331	1	Spindle - Right Side	
2	4130330	1	Spindle - Left Side	
3		Ref	Steer Cylinder Assembly (See CYLINDER SECTION for Breakdown)	
3	1683208	2	8 ft/2.4m Wide Machine	
3	1683304	2	7 ft/2.1m Wide Machine	
4		Ref	Tie-Rod Options:	
4	3841285	1	8 ft/2.4m Wide Machine	
4	3841291	1	7 ft/2.1m Wide Machine	
5		Ref	Kingpin Options:	
5	3422492	NLA	ANSI (Use p/n 3422802) (Prior to SN 0300041868)	
5	3422590	NLA	ANSI (Use p/n 3422802) (SN 0300041868 through 0300043444)	
5	3422802	4	ANSI (SN 0300043445 through 0300069000)	
5	3422590	NLA	CSA (Use p/n 3422802) (SN 0300043445 through 0300069000)	
5	3422802	4	CSA (SN 0300043445 through 0300069000)	
6	3422426	2	Pin, Steer Cylinder	
7	3422429	2	Pin, Steer Cylinder	
8	0440161	4	Thrustwasher	
9	3422430	2	Pin, Tie-Rod	
10	3841143	6	Keeper, Pin	
11	0641608	4	Bolt 3/8in-16NC x 1in	
12	0100011	AR	Compound, Locking	
13	0641610	2	Bolt 3/8in-16NC x 1-1/4in	
14	3311605	2	Locknut 3/8in-16NC	
15	0681608	8	Bolt 3/8in-16NC x 1in (Grade 8)	
16	1670752	4	Cover, Kingpin Only (Prior to SN 0300043445)	

SECTION 1 - FRAME

ITEM	PART NUMBER	QTY	DESCRIPTION	REV
17	0962005	2	Bushing, Bronze	
18		Ref	Bushing Options:	
18	0961948	NLA	Bushing (Use p/n 0962272) (Prior to SN 0300044952)	
18	0962272	4	Bushing (SN 0300044952 through 0300069000)	
19	0100063	AR	Loctite #RC609	

SECTION 1 - FRAME

FIGURE 1-4. TIRE AND WHEEL DRIVE INSTALLATIONS



SECTION 1 - FRAME

FIGURE 1-4. TIRE AND WHEEL DRIVE INSTALLATIONS

ITEM	PART NUMBER	QTY	DESCRIPTION	REV
		Ref	WHEEL DRIVE INSTALLATIONS	
	0255413	Ref	Wheel Drive Installation 2WD (Prior to SN 0300056718)	5-C
	0270123	Ref	Wheel Drive Installation 2WD (SN 0300056718 through 0300069000)	2-B
	0255414	Ref	Wheel Drive Installation 4WD (Prior to SN 0300056718)	6-C
	0270124	Ref	Wheel Drive Installation 4WD (SN 0300056718 through 0300069000)	3-D
1	2780213	AR	Drive Hub Assembly (1 Per Drive Wheel) (See DRIVE HUB ASSEMBLY for Breakdown)	
2		Ref	Drive Brake Assembly (1 Per Drive Wheel) (See DRIVE BRAKE ASSEMBLY for Breakdown)	
2	0920084	AR	Drive Brake Assembly (Prior to SN 0300033476)	
2	0920110	AR	Drive Brake Assembly (SN 0300033476 through 0300056717)	
2	0920117	NLA	Drive Brake Assembly (Use p/n 0920119) (SN 0300056718 through 0300069000)	
3		Ref	Drive Motor Assembly (1 Per Wheel Drive) Options:	
3	3160205	2	Drive Motor Assembly 2WD (See DRIVE MOTOR ASSEMBLY - SUNSTRAND (2WD) for Breakdown)	
3	3160204	4	Drive Motor Assembly 4WD (See DRIVE MOTOR ASSEMBLY - REXROTH (4WD) for Breakdown)	
4	3300106	AR	Lugnut (8 Per Wheel)	
5	0682016	AR	Bolt 5/8in-11NC x 2in (8 Per Drive Wheel) (Grade 8)	
6	4895000	AR	Flatwasher 5/8in Hardened (8 Per Drive Wheel)	
7	0100011	AR	Compound, Locking (Prior to SN 0300068274)	
8		Ref	Stud (2 Per Drive Wheel) Options:	
8	4300120	AR	Stud 1/2in-13NC x 5-1/2in (Prior to SN 0300056718)	
8	4300097	AR	Stud 1/2in-13NC x 5-1/8in (SN 0300056718 through 0300069000)	
9	4891800	AR	Flatwasher, 1/2in Hardened (2 Per Drive Wheel)	
10	3311801	AR	Nut 1/2in-13NC (2 Per Wheel Drive)	
		Ref	8 FT/2.4M WIDTH MACHINES TIRE AND WHEEL INSTALLATION OPTIONS:	
	0255420	Ref	Tire and Wheel Installation - Pneumatic	-
	0271612	Ref	Tire and Wheel Installation - Pneumatic	1
	0272296	Ref	Tire and Wheel Installation - Pneumatic TS	1
	0255421	Ref	Tire and Wheel Installation - Foam Filled	-
	0271613	Ref	Tire and Wheel Installation - Foam Filled	1
		Ref	Note: Assemblies may require ballast/foam filling to manufacturer's specifications prior to installing on a machine. Refer to Operation and Safety or Service and Maintenance Manuals. Purchase individual tire and/or rim only if able to foam fill tire and wheel assembly, otherwise, purchase complete assembly.	
	0255513	2	Tire and Wheel Assembly - Galaxy Pneumatic (Right Side)	1-A
	0271609	2	Tire and Wheel Assembly - OTR Pneumatic (Right Side)	A
	0272331	2	Tire and Wheel Assembly - OTR Pneumatic TS (Right Side)	A
	0255605	2	Tire and Wheel Assembly - Galaxy Foam-Filled (Right Side)	-/-
	0271611	2	Tire and Wheel Assembly - OTR Foam-Filled (Right Side)	A
	0255514	2	Tire and Wheel Assembly - Galaxy Pneumatic (Left Side)	A
	0271608	2	Tire and Wheel Assembly - OTR Pneumatic (Left Side)	1-A
	0272332	2	Tire and Wheel Assembly - OTR Pneumatic TS (Left Side)	A
	0255606	2	Tire and Wheel Assembly - Galaxy Foam-Filled (Left Side)	-/-
	0271610	2	Tire and Wheel Assembly - OTR Foam-Filled (Left Side)	A

SECTION 1 - FRAME

ITEM	PART NUMBER	QTY	DESCRIPTION	REV
101		Ref	Tire 14 x 17.5 Options:	
101	4520171	AR	Galaxy (1 Per Assembly)	
101	4520259	AR	OTR (1 Per Assembly)	
102	4860158	AR	Rim, Wheel (1 Per Assembly)	
103	4640113	AR	Valve, Air	
104	1702740	AR	Decal - Tire Pressure	
105	1705364	AR	Decal - Tire Sealant (OTR Pneumatic TS Only)	
106	1120552	AR	Chemical, Tire Sealant (Green) (OTR Pneumatic TS Only)	
107	1300019	AR	Cap, Valve Stem (Green) (OTR Pneumatic TS Only)	
		Ref	8FT/2.4M & 7FT/2.1M WIDTH FRAME MACHINES TIRE AND WHEEL INSTALLATION OPTIONS:	
	0255422	Ref	Tire and Wheel Installation - Air-Boss	-
	0258764	Ref	Tire and Wheel Installation - Air-Boss (Non-Marking) (SN 0300039220 through 0300069000)	2
201		Ref	Tire and Wheel Assembly - Right Side Options:	
201	4520172	2	Air-Boss	
201	4520210	2	Air-Boss (Non-Marking)	
201		Ref	Tire and Wheel Assembly - Left Side Options:	
201	4520173	2	Air-Boss	
201	4520211	2	Air-Boss (Non-Marking)	
201		Ref	Tire Repair Section (20 Per Assembly) Options:	
201	7016206	80	Air-Boss	
201	7020135	80	Air-Boss (Non-Marking)	
	0255397	Ref	WHEEL COVER INSTALLATION (OPTIONAL) (NOT SHOWN)	2-A
301	1670777	4	Cover, Wheel	
302	0641542	16	Bolt 5/16in-18NC x 5-1/4in	
303	0100011	AR	Compound, Locking	

SECTION 1 - FRAME

FIGURE 1-5. DRIVE HUB ASSEMBLY

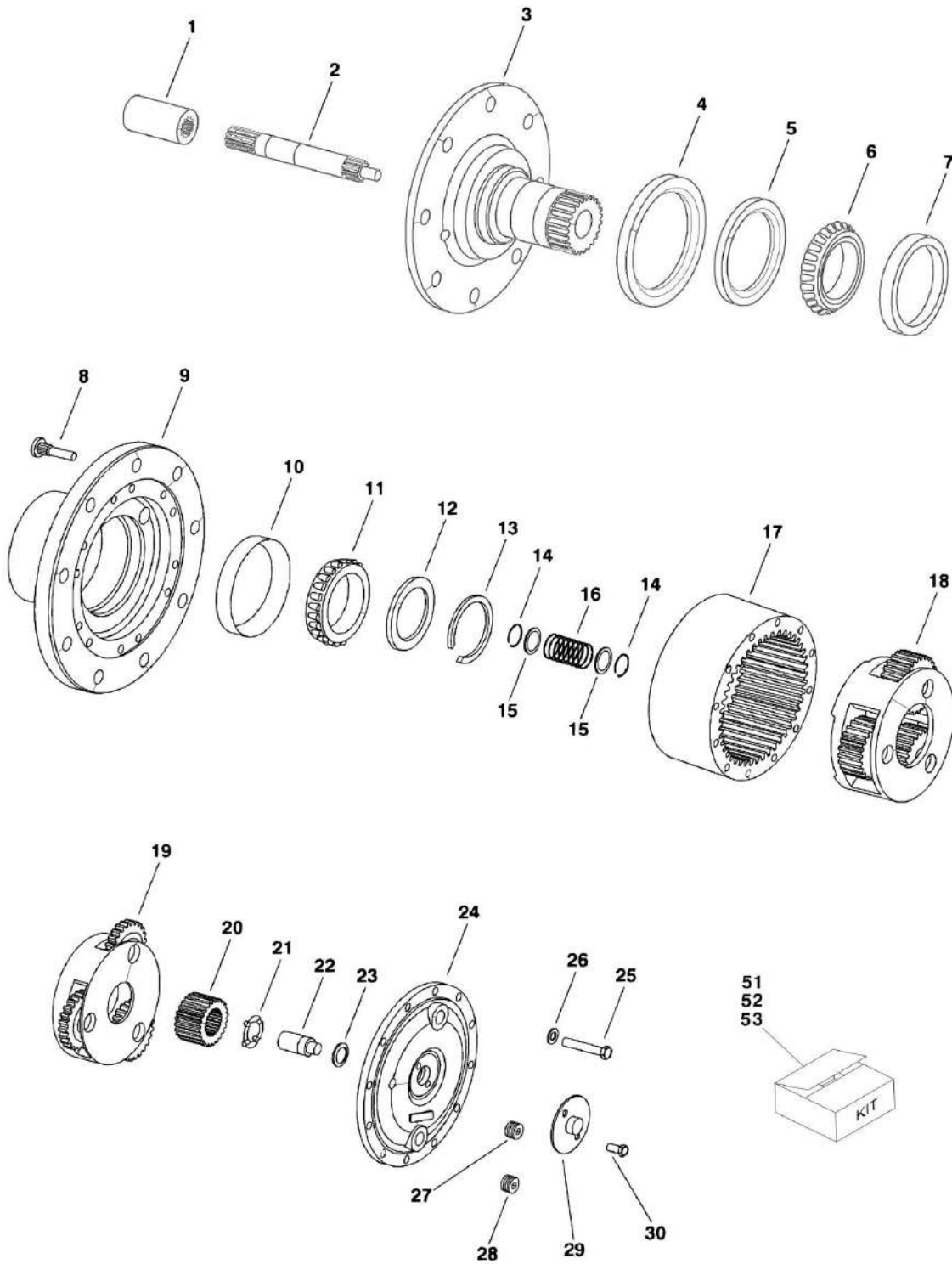
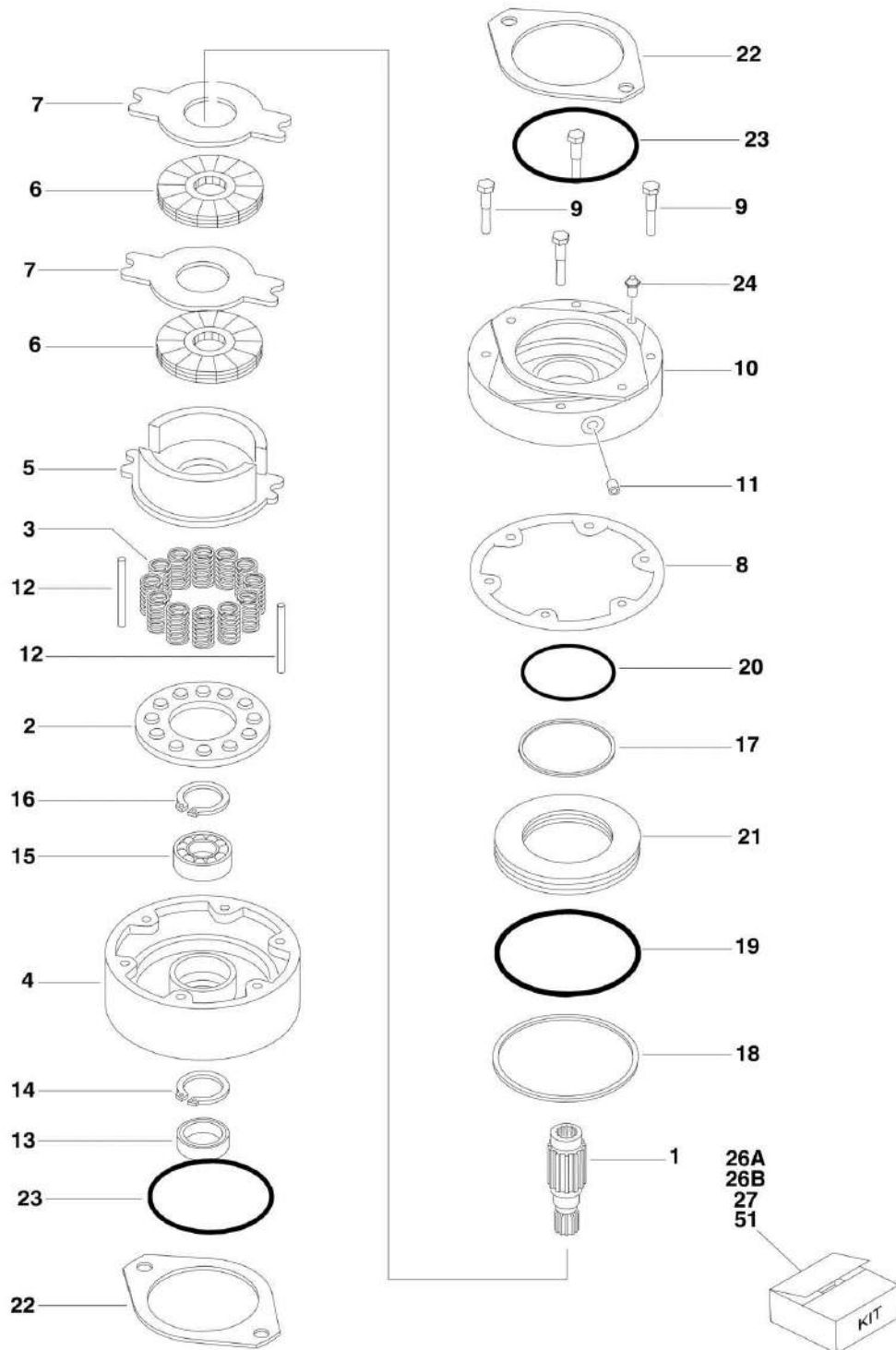


FIGURE 1-5. DRIVE HUB ASSEMBLY

ITEM	PART NUMBER	QTY	DESCRIPTION	REV
	2780213	Ref	DRIVE HUB ASSEMBLY	B
1	7014700	1	Coupling - 13 Teeth	
2	7014701	1	Shaft, Input - 13 Teeth	
3		Ref	Spindle Options:	
3	7014702	1	With Threaded Holes	
3	7014731	1	Without Threaded Holes	
4	7014728	1	Seal, Boot	
5	See Note	NSS	Seal, Oil (Note: Use Item 51 or 52)	
6	See Note	NSS	Cone, Bearing (Note: Use Item 52)	
7	See Note	NSS	Cup, Bearing (Note: Use Item 52)	
8	7014727	8	Bolt, Wheel 5/8in	
9	7014706	1	Hub	
10	See Note	NSS	Cup, Bearing (Note: Use Item 52)	
11	See Note	NSS	Cone, Bearing (Note: Use Item 52)	
12	7001711	1	Thrustwasher	
13	See Note	1	Retaining Ring Kit (Note: Use Item 51, 52 or 53)	
14	7014711	2	Ring, Retaining	
15	7014712	2	Thrustwasher	
16	7014710	1	Spring	
17	7014713	1	Gear, Ring	
18	7014714	1	Secondary Carrier Assembly	
19	7014715	1	Primary Carrier Assembly	
20	7014716	1	Gear, Sun - 15 Teeth	
21	7014722	1	Thrustwasher	
22	7014717	1	Plunger, Disengage	
23	7014718	1	O-Ring	
24	7014719	1	Cover, Hub	
25	7014721	12	Bolt	
26	7014720	12	Flatwasher	
27	7014725	1	Plug, Magnetic	
28	7014726	1	Plug, Pipe	
29	7014723	1	Cover, Disengage	
30	7014724	2	Bolt	
51	7014730	1	Seal Kit (Includes Items 5 & 13)	
52	7014729	1	Bearing and Seal Kit (Includes Items 5, 6, 7, 10, 11 & 13)	
53	7014709	1	Retaining Ring Kit (Includes Qty 6 Retaining Rings)	

SECTION 1 - FRAME

FIGURE 1-6. DRIVE BRAKE ASSEMBLY



SECTION 1 - FRAME

FIGURE 1-6. DRIVE BRAKE ASSEMBLY

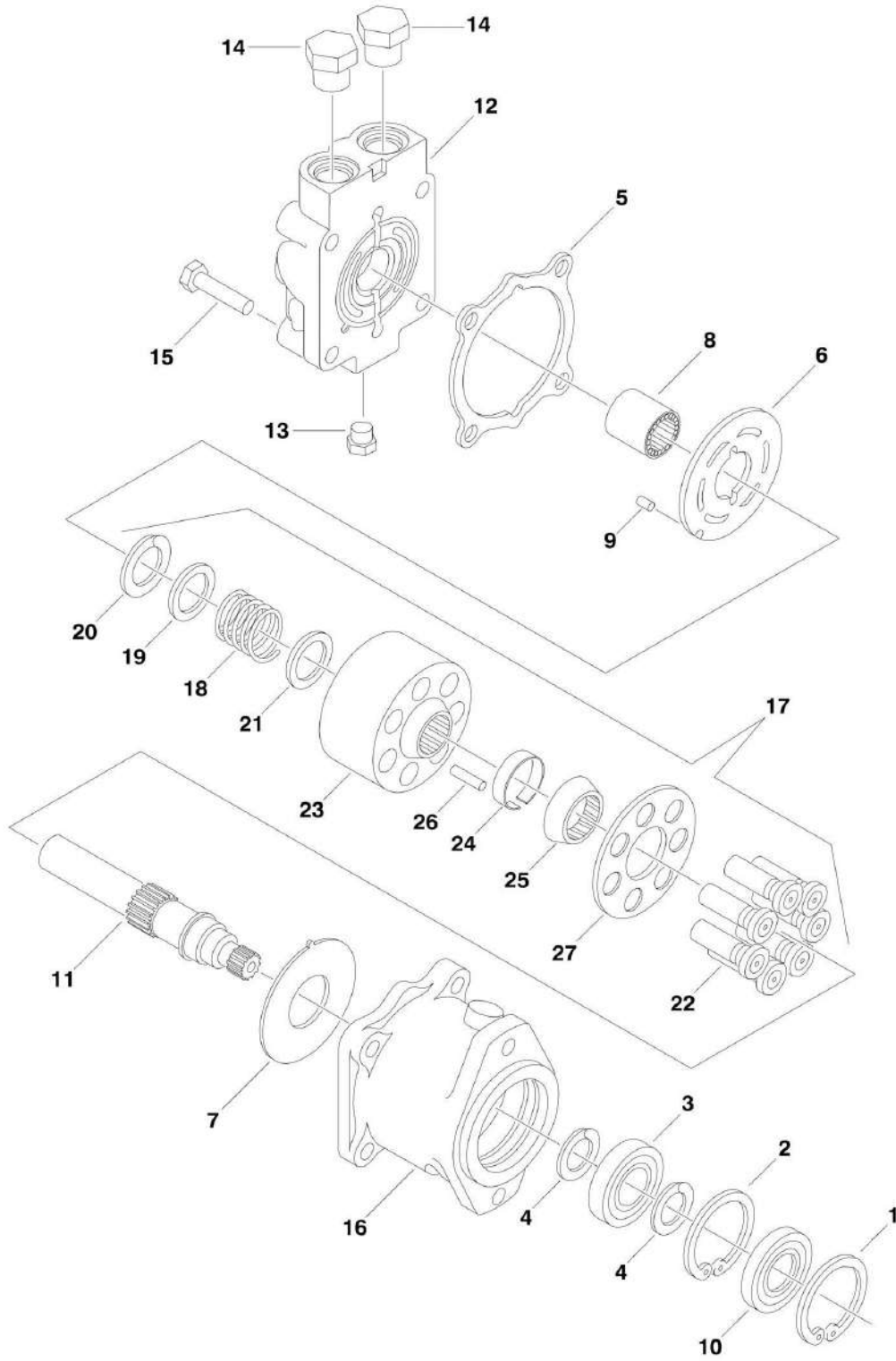
ITEM	PART NUMBER	QTY	DESCRIPTION	REV
		Ref	DRIVE BRAKE ASSEMBLY OPTIONS:	
	0920084	Ref	Drive Brake Assembly (Prior to SN 0300033476)	A
	0920110	Ref	Drive Brake Assembly (SN 0300033476 through 0300056536)	C
1	7011712	1	Shaft Options:	
2		Ref	Guide, Spring Options:	
2	7011717	1	0920084 Brake (Prior to SN 0300033476)	
2	7018606	1	0920110 Brake (SN 0300033476 through 0300056536)	
3		Ref	Spring Options:	
3	7007979	6	0920084 Brake (Inner) (Prior to SN 0300033476)	
3	7007980	6	0920084 Brake (Outer) (Prior to SN 0300033476)	
3	7007970	6	0920110 Brake (Red) (SN 0300033476 through 0300056536)	
3	7018602	3	0920110 Brake (Blue) (SN 0300033476 through 0300056536)	
4		Ref	Housing Options:	
4	7011713	1	0920084 Brake (Prior to SN 0300033476)	
4	7018605	1	0920110 Brake (SN 0300033476 through 0300056536)	
5		Ref	Return Plate and Separator Assembly Options:	
5	See Note	NSS	Return, Plate - 0920084 Brake (Note: Use Item 27) (Prior to SN 0300033476)	
5	7011715	2	Separator Assy - 0920084 Brake (Prior to SN 0300033476)	
5	7011714	4	Pin	
5	7007983	2	Separator	
5	See Note	1	Return Plate and Separator - 0920110 Brake (Note: Use Item 27) (SN 0300033476 through 0300056536)	
6	See Note	NSS	Rotor (Note: Use Item 27)	
7	See Note	NSS	Stator (Note: Use Item 27)	
8	See Note	NSS	Seal, Case (Note: Use Item 26A, 26B or 27)	
9		Ref	Bolt, Washer Head Options:	
9	7007985	4	0920084 Brake (Prior to SN 0300033476)	
9	7018607	4	0920110 Brake (SN 0300033476 through 0300056536)	
10	7007986	1	Cover	
11		Ref	Hardware Options:	
11	7000796	1	Screw, Bleeder (Prior to SN 0300033906)	
11	7018609	1	Plug, Pipe (SN 0300033906 through 0300056536)	
12	7007987	2	Pin, Dowel	
13	See Note	NSS	Seal, Oil (Note: Use Item 26A or 26B)	
14	7011716	1	Ring, Retaining	
15	See Note	NSS	Bearing (Note: Use Item 26B)	
16	7007977	1	Ring, Retaining	
17	See Note	NSS	Ring, Back-up (Note: Use Item 26A)	
18	See Note	NSS	Ring, Back-up (Note: Use Item 26A)	
19	See Note	NSS	O-Ring (Note: Use Item 26A)	
20	See Note	NSS	O-Ring (Note: Use Item 26A)	
21		Ref	Piston Options:	
21	7007923	1	0920084 Brake (Prior to SN 0300033476)	
21	7018603	1	0920110 Brake (SN 0300033476 through 0300056536)	
22	7007933	2	Gasket	
23	See Note	NSS	O-Ring (Note: Use Item 26A, 26B or 27)	
24	7007924	1	Plug, Pipe	
26		Ref	Seal Kit Options:	
26A	2900766	1	Seal Kit (Includes Items 8, 13, 17, 18, 19, 20, 22 & 23)	

SECTION 1 - FRAME

ITEM	PART NUMBER	QTY	DESCRIPTION	REV
26B	2900768	1	Seal Kit (Includes Items 8, 13, 15, 22 & 23)	B
27		Ref	Lining Kit Options: (Includes Items 5, 6, 7, 8, 22 & 23)	
27	2900767	1	0920084 Brake (Prior to SN 0300033476)	
27	7018608	1	0920110 Brake (SN 0300033476 through 0300056535)	
		Ref	DRIVE BRAKE ASSEMBLY (NOT SHOWN) (NOTE: WAS P/N 0920117 - USE P/N 0920119 FOR REPLACEMENT.) (SN 0300056536 through 0300069000)	
51	7018612	1	Kit, Repair - 0920117 & 0920119 Brakes	
51	7000731	1	Gasket, Mounting Face	
		Ref	Note: No Other Parts Available.	

SECTION 1 - FRAME

FIGURE 1-7. DRIVE MOTOR ASSEMBLY - SUNSTRAND (2WD)



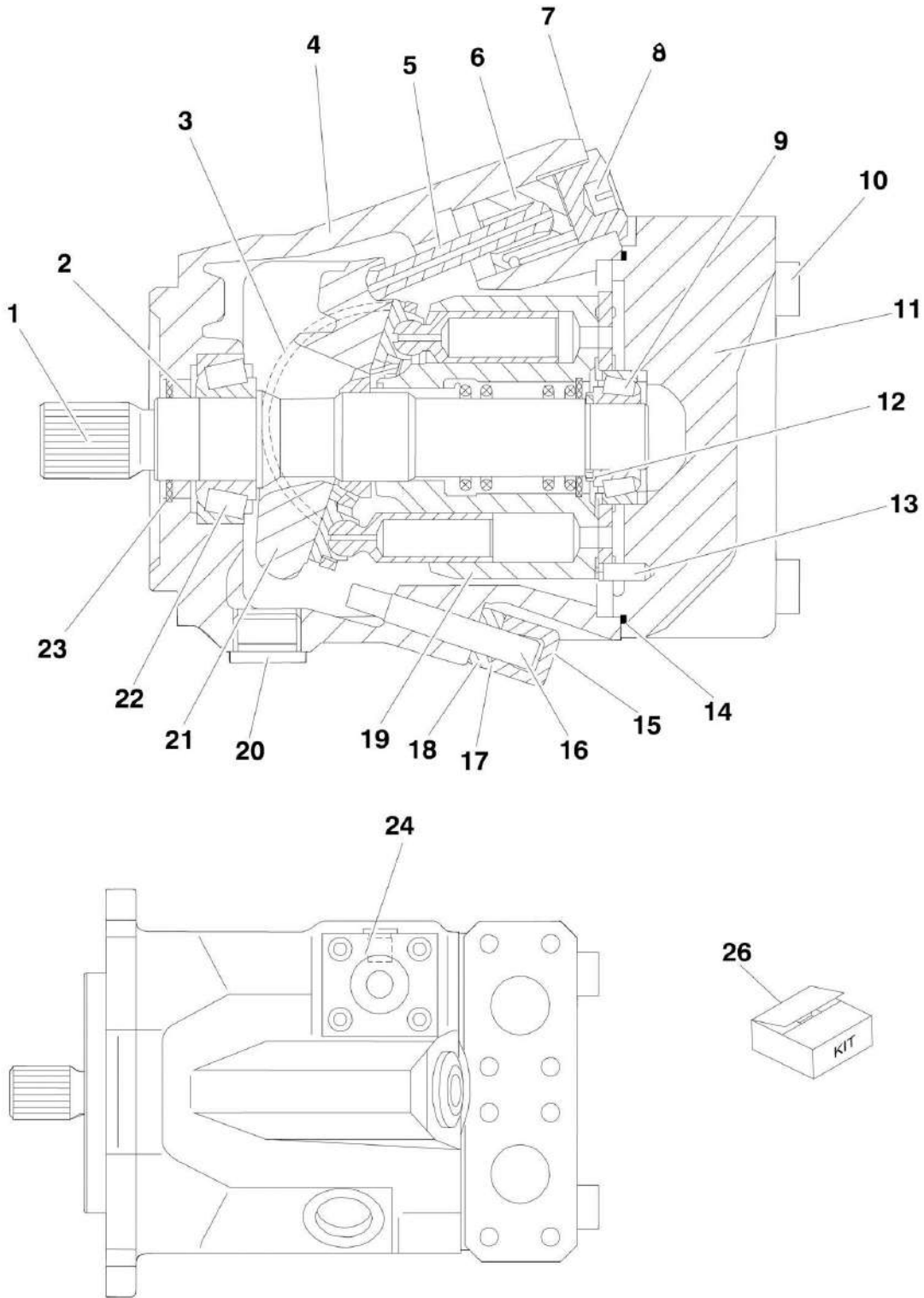
SECTION 1 - FRAME

FIGURE 1-7. DRIVE MOTOR ASSEMBLY - SUNSTRAND (2WD)

ITEM	PART NUMBER	QTY	DESCRIPTION	REV
	3160205	Ref	DRIVE MOTOR ASSEMBLY - SUNSTRAND (2WD)	B
1	7007438	1	Ring, Retaining	
2	7007438	1	Ring, Retaining	
3	7007437	1	Bearing, Ball	
4	7007439	2	Ring, Retaining	
5	7010108	1	Gasket, End Cap	
6	7010109	1	Plate, Motor Valve	
7	7010110	1	Plate, Thrust	
8	7007425	1	Bearing, Needle	
9	7007446	1	Pin	
10	7007459	1	Seal, Lip	
11	7010111	1	Shaft	
12	7010112	1	Cap, End	
13	7010113	1	Plug	
14	7010114	2	Plug	
15	7010115	4	Screw	
16	3160205	1	Housing (Note: Not Available for Purchase)	
17	7010116	1	Cylinder Block Assembly (Includes Items 18-27)	
18	7007428	1	Spring	
19	7007427	1	Washer	
20	7007426	1	Ring, Retaining	
21	7007429	1	Washer	
22	7010117	7	Piston Assembly	
23	7010118	1	Block, Cylinder	
24	7007430	1	Retainer, Pin	
25	7007434	1	Guide, Slip Retainer	
26	7007431	3	Pin, Slip Retainer	
27	7010119	1	Retainer, Slip	

SECTION 1 - FRAME

FIGURE 1-8. DRIVE MOTOR ASSEMBLY - REXROTH (4WD)



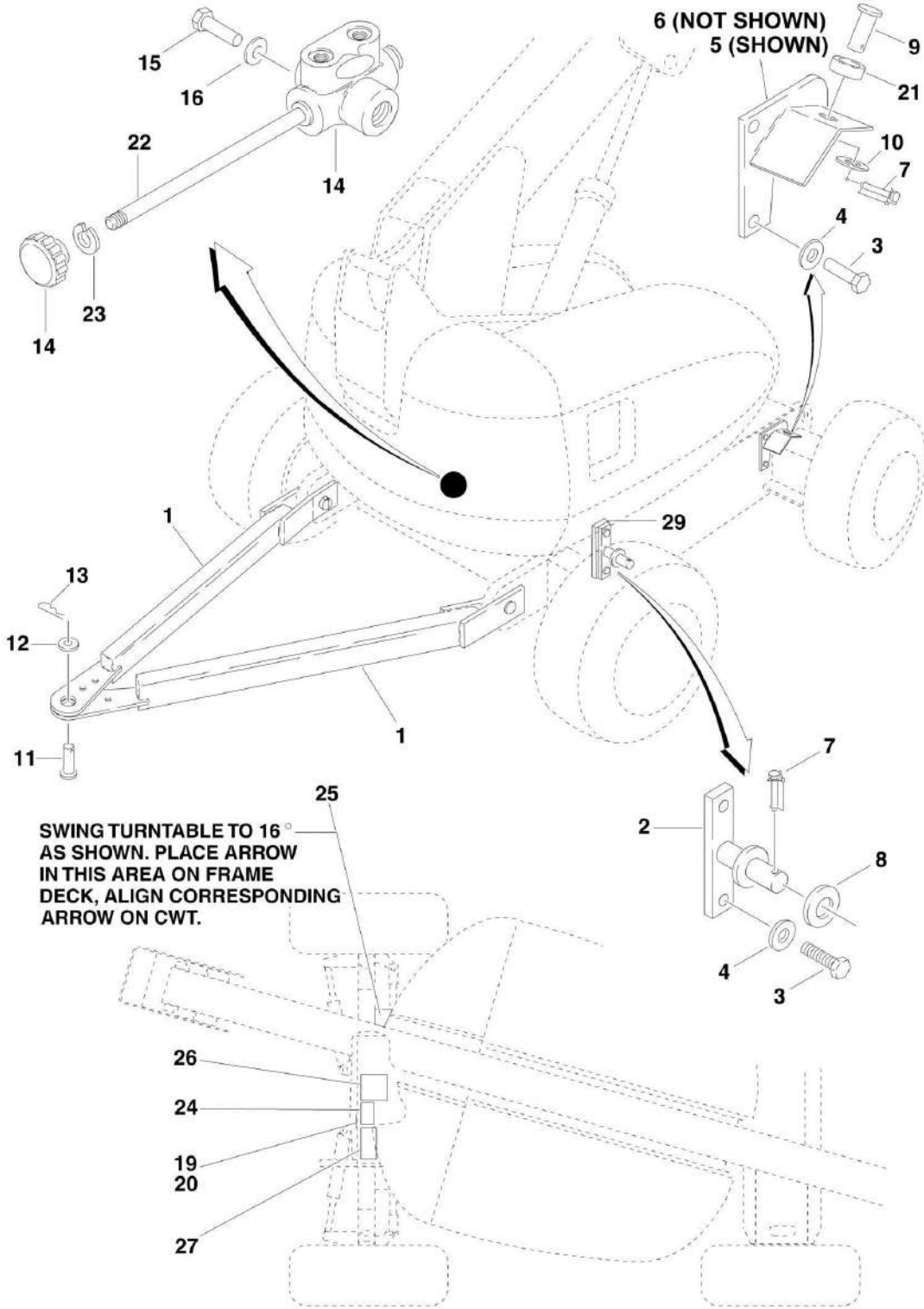
SECTION 1 - FRAME

FIGURE 1-8. DRIVE MOTOR ASSEMBLY - REXROTH (4WD)

ITEM	PART NUMBER	QTY	DESCRIPTION	REV
	3160204	Ref	DRIVE MOTOR ASSEMBLY - REXROTH (4WD)	A
1	7012701	1	Shaft - 13 Teeth	
2	See Note	NSS	Seal, Shaft (Note: Use Item 26)	
3	7012702	2	Bearing, Cradle	
4	3160204	1	Housing (Note: Not Available for Purchase)	
5	7012703	1	Rod, Piston	
6	7012704	1	Piston, Stroking	
7	See Note	NSS	O-Ring (Note: Use Item 26)	
8	7012705	1	Nut, Adaptor	
9	7012706	1	Bearing, Roller	
10	7012707	4	Bolt, Socket Head M12 x 65	
11	7012708	1	Block, Port	
12	7012709	1	Shim	
13	7012710	1	Pin, Dowel M6 x 18	
14	See Note	NSS	O-Ring (Note: Use Item 26)	
15	7012711	1	Nut, Cap M10 x 1	
16	7012712	1	Screw, Adjusting	
17	See Note	NSS	O-Ring (Note: Use Item 26)	
18	7012713	1	Nut, Jam M10 x 1	
19	7012716	1	Rotary Group Assembly	
20	See Note	1	Plug (Note: Not Available for Purchase)	
21	7024036	1	Plate, Swash	
22	7012714	1	Bearing, Roller	
23	7012715	1	V-Ring	
24	7012700	1	Control Plate Assembly (Prior to SN 0300029852)	
26	2900788	1	Seal Kit (Includes Items 2, 7, 14, 17 and O-Rings under Item 24)	

SECTION 1 - FRAME

FIGURE 1-9. TOW PACKAGE INSTALLATION (OPTIONAL)



SECTION 1 - FRAME

FIGURE 1-9. TOW PACKAGE INSTALLATION (OPTIONAL)

ITEM	PART NUMBER	QTY	DESCRIPTION	REV
		Ref	TOW INSTALLATION OPTIONS:	
	0257436	Ref	7ft/2.1m Width Machines - Standard	3
	0259427	Ref	7ft/2.1m Width Machines - CSA	1
	0257101	Ref	8ft/2.4m Width Machines - Standard	2
	0259426	Ref	8ft/2.4m Width Machines - CSA	1
1	4845281	1	Tow Bar Weldment	
2		Ref	Bracket, Tow Bar Options:	
2	Not Required	2	7ft/2.1m Width Machines	
2	4845283	2	8ft/2.4m width machines	
3		Ref	Bolt 3/8in-16NC x 1in Options:	
3	Not Required	8	7ft/2.1m Width Machines	
3	0641608	8	8ft/2.4m width machines	
4		Ref	Flatwasher 3/8in Options:	
4	Not Required	8	7ft/2.1m Width Machines	
4	4711600	8	8ft/2.4m width machines	
5		Ref	Bracket, Tow Bar Options:	
5	Not Required	8	7ft/2.1m Width Machines	
5	4845450	1	8ft/2.4m width machines	
6		Ref	Bracket, Tow Bar Options:	
6	Not Required	1	7ft/2.1m Width Machines	
6	4845451	1	8ft/2.4m width machines	
7	3421453	4	Pin, Snap	
8	4712600	AR	Flatwasher 1in	
9	3422553	2	Pin, Tow Bar	
10	4713400	2	Flatwasher 1 1/2in	
11	3422553	1	Pin, Tow Bar	
12	4713000	2	Flatwasher 1 1/4in	
13	3420592	1	Hairpin	
14	4640261	1	Diversion Valve Assembly	
15	0641505	2	Bolt 5/16in-18NC x 5/8in	
16	4711500	2	Flatwasher 5/16in	
19		Ref	Nameplate Options:	
19	3250872	1	Standard	
19	1704272	1	CSA	
20		Ref	Rivet Options:	
20	3820001	4	Standard	
20	Not Required	4	CSA	
21	4567172	2	Tube, Spacer	
22	3841329	1	Rod Extension	
23	4761600	1	Lockwasher 3/8in	
24		Ref	Decal - Instruction Options:	
24	1703403	1	Standard	
24	1704275	1	CSA	
25	1703404	2	Decal - Match Arrow	
26	1703444	1	Decal	
27		Ref	Decal	
27	1703450	1	Standard	
27	1704274	1	CSA	
28	3539662	1	Plate, Valve Mounting (Not Shown)	
29		Ref	Bar, Tow Clamp Options:	

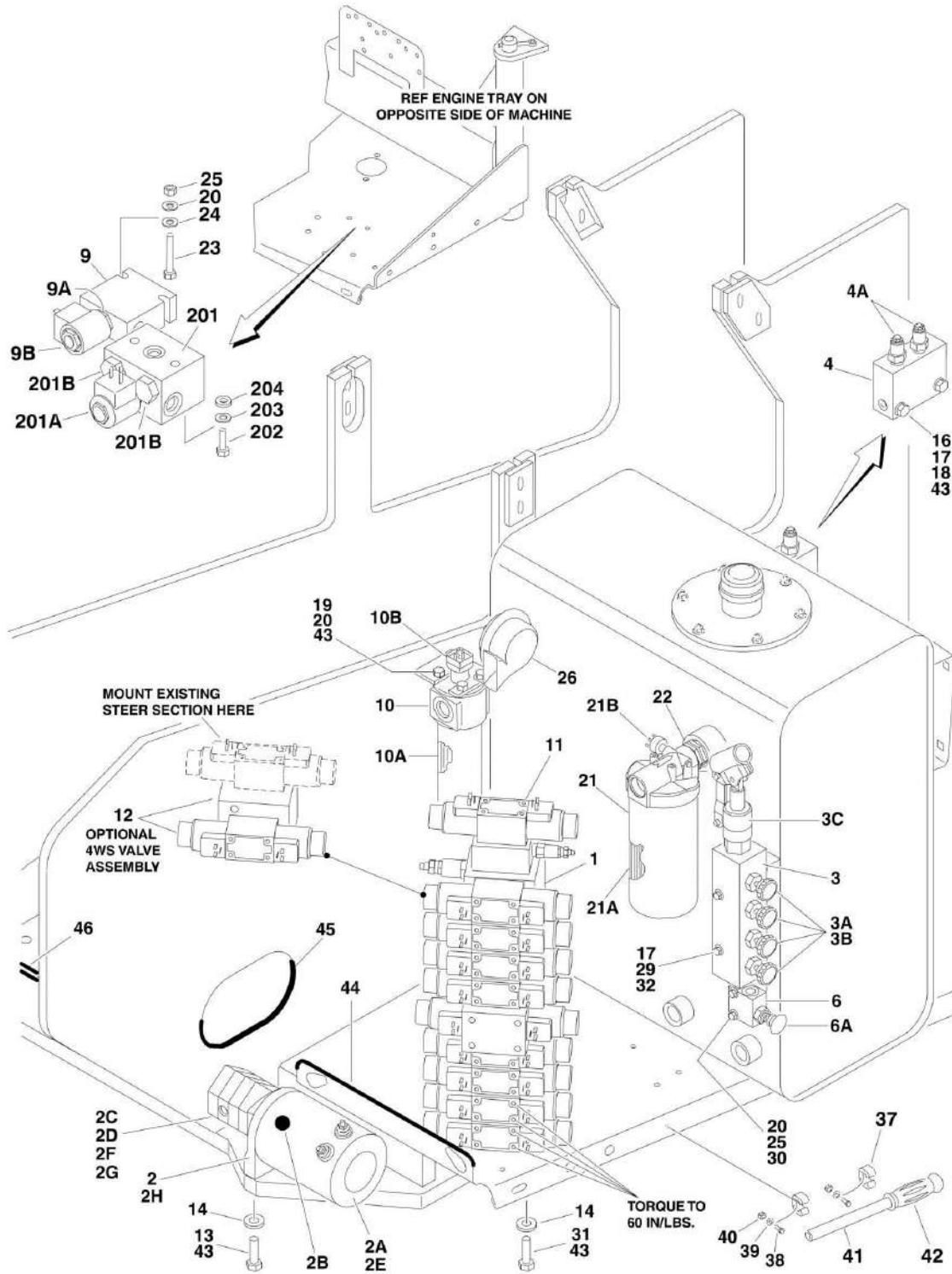
SECTION 1 - FRAME

ITEM	PART NUMBER	QTY	DESCRIPTION	REV
29	Not Required	4	7ft/2.1m Width Machines	
29	0362519	4	8ft/2.4m width machines	

SECTION 2 - TURNTABLE

SECTION 2 - TURNTABLE

FIGURE 2-1. CONTROL VALVES INSTALLATIONS



SECTION 2 - TURNTABLE

FIGURE 2-1. CONTROL VALVES INSTALLATIONS

ITEM	PART NUMBER	QTY	DESCRIPTION	REV
		Ref	CONTROL VALVES INSTALLATIONS	
	0255440	Ref	Control Valves Installations 600A 2WS	9
	0255442	Ref	Control Valves Installations 600A 4WS	9
	0255441	Ref	Control Valves Installations 600AJ 2WS	11
	0255443	Ref	Control Valves Installations 600AJ 4WS	9
1		Ref	Main Valve Block Assembly (See MAIN VALVE BLOCK ASSEMBLY for Breakdown) Options:	
1	4640920	1	Main Valve Block Assembly (Prior to SN 0300041204)	
1	4641097	1	Main Valve Block Assembly (SN 0300041204 through 0300069000)	
2	3600243	1	Auxiliary Pump Assembly	A
2A	7013755	1	Replacement Motor	
2A	7013799	1	Brush Kit - 7013755 Motor	
2B	7013711	1	Coupling	
2C	7013796	1	Replacement Pump	
2C	See Note	1	Seal Kit (Note: Purchase Individual Components)	
2C	7016700	1	Seal, Oil	
2C	7016701	1	O-Ring	
2C	7016702	1	O-Ring	
2D	7022203	4	Bolt (Pump to Bracket)	
2E	7016744	2	Bolt (Motor to Bracket)	
3	4640930	1	Manual Descent Valve Assembly	
3A	7012954	4	Cartridge, Needle	
3A	7012953	4	Seal, Kit - 7012954 Cartridge	
3B	7012961	4	Knob	
3C	7012694	1	Cartridge, Pump	
3C	7012699	1	Seal Kit - 7012694 Cartridge	
4	4640908	1	Counterbalance Valve Assembly	
4A	7011328	2	Cartridge, Counterbalance	
4A	2900770	2	Seal Kit - 7011328 Cartridge	
6	4640866	1	Manual Pull Valve Assembly	
6	2900708	1	Seal Kit - 4640866 Valve	
6A	7012959	1	Knob	
9	4640907	1	Brake Valve Assembly	
9A	7012941	1	Cartridge without Coil	
9A	7012907	1	Seal Kit - 7012941 Cartridge	
9B	7012944	1	Coil	
10	2120146	1	Hydraulic Pressure Filter Assembly	
10A	2120150	1	Element, Filter	
10B	7016312	1	Switch, Clog Indicator	
11		Ref	Articulating Jib Valve Kit (See ACCESSORY VALVE ASSEMBLIES for Breakdown) Options:	
11	Not Required	1	Articulating Jib Valve Kit 600A - 2WS/600A - 4WS	
11	4640921	1	Articulating Jib Valve Kit 600AJ - 2WS/600AJ - 4WS	
11		Ref	Harness, Articulating Jib Options (Not Shown - See ELECTRICAL SECTION for Breakdown)	
11	4921771	1	Harness, Articulating Jib (Prior to SN 0300035129)	
11	4921927	1	Harness, Articulating Jib (SN 0300035129 through 0300069000)	
12		Ref	4WS Valve Assembly (See ACCESSORY VALVE ASSEMBLIES for Breakdown) Options:	

SECTION 2 - TURNTABLE

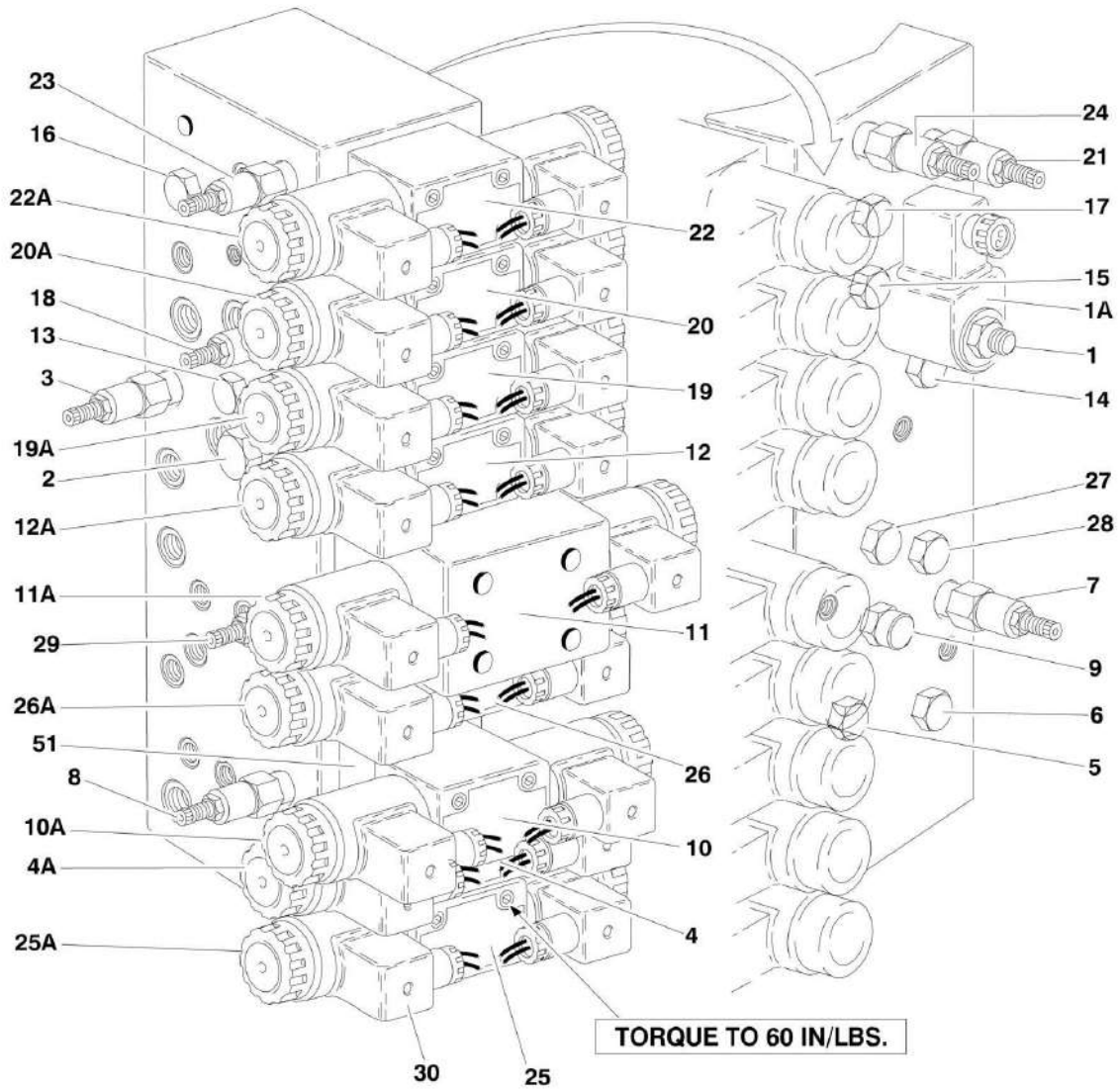
ITEM	PART NUMBER	QTY	DESCRIPTION	REV
12	Not Required	1	4WS Valve Assembly 600A - 2WS/600AJ - 2WS	
12	4640922	1	4WS Valve Assembly 600A - 4WS/600AJ - 4WS	
12	7012774	1	Valve, Block	
12	7012773	1	Seal Kit	
12	7012772	2	Coil	
12	7012771	2	Nut	
12	7017420	2	Cartridge, Relief Valve	
12	7012998	2	Seal Kit - 7017420 Cartridge (1 Per Cartridge)	
12		Ref	Harness, 4WS Options (Not Shown - See ELECTRICAL SECTION for Breakdown):	
12	4921772	1	Harness, 4WS (Prior to SN 0300035129)	
12	4921928	1	Harness, 4WS (SN 0300035129 through 0300069000)	
13	0641613	2	Bolt 3/8in-16NC x 1-5/8in	
14	4711600	2	Flatwasher 3/8in Thin	
16	4891800	2	Flatwasher 1/2in Hardened	
17	4711500	8	Flatwasher 5/16in Thin	
18	3311501	2	Nut 5/16in-18NC	
19	0651406	4	Bolt 1/4in-28NF x 3/4in	
20	4711400	14	Flatwasher 1/4in Thin	
21	2120145	1	Return Filter Assembly	B
21A	2120149	1	Element, Filter	
21B	7016313	1	Switch, Clog Indicator	
22	2220893	1	Fitting, Adaptor	
23	0641416	2	Bolt 1/4in-20NC x 2in	
24	4891400	2	Flatwasher 1/4in Hardened	
25	3311405	6	Locknut 1/4in x 20NC	
26	0140001	1	Horn	
29	0641522	2	Bolt 5/16in-18NC x 2-3/4in	
30	0641414	2	Bolt 1/4in-20NC x 1-3/4in	
31	0641608	3	Bolt 3/8in-16NC x 1in	
32	3311505	2	Locknut 5/16in-18NC	
37	1380136	2	Clip, Gripper	
38	3910806	2	Screw #8 x 3/4in	
39	4750800	4	Flatwasher #8 Regular	
40	3310805	2	Locknut #8	
41	2560122	1	Handle	
42	2560123	1	Grip, Handle	
43	0100011	AR	Compound, Locking	
44	4060804	16	Trim-Loc 3/16in	
45	4060918	79 in/1.9m	Trim-Loc 5/8in	
46	4060807	18	Trim-Loc 3/8in	
		in/46cm		
		Ref	TILT INDICATOR INSTALLATION OPTIONS:	
	0255361	Ref	Tilt Indicator Installation (Prior to SN 0300023179)	2/-
	0256375	Ref	Tilt Indicator Installation (SN 0300023179 through 0300064249)	1
101		Ref	Sensor, Tilt Indicator Options:	
101	4360306	1	Sensor, Tilt Indicator (Prior to SN 0300023179)	
101	4360417	1	Sensor, Tilt Indicator (SN 0300023179 through 0300069000)	
102	0641406	2	Bolt 1/4in-20NC x 3/4in	
103	3311405	2	Locknut 1/4in-20NC	
	2792195	Ref	4WD DRIVE HYDRAULIC DIAGRAM	8

SECTION 2 - TURNTABLE

ITEM	PART NUMBER	QTY	DESCRIPTION	REV
201	4640906	1	Valve, 2-Speed Motor Control	
201A	7012974	1	Cartridge without Coil	
201A	7012905	1	Seal Kit	
201A	7012944	1	Coil	
201B	See Note	2	Cartridge, Check Valve (Note: Not Available for Purchase)	
201B	7012972	2	Seal Kit	
202	0641508	2	Bolt 5/16in-18NC x 1in	
203	4891500	2	Flatwasher 5/16in Hardened	
204	4711500	2	Flatwasher 5/16in Thin	

SECTION 2 - TURNTABLE

FIGURE 2-2. MAIN VALVE BLOCK ASSEMBLY



SECTION 2 - TURNTABLE

FIGURE 2-2. MAIN VALVE BLOCK ASSEMBLY

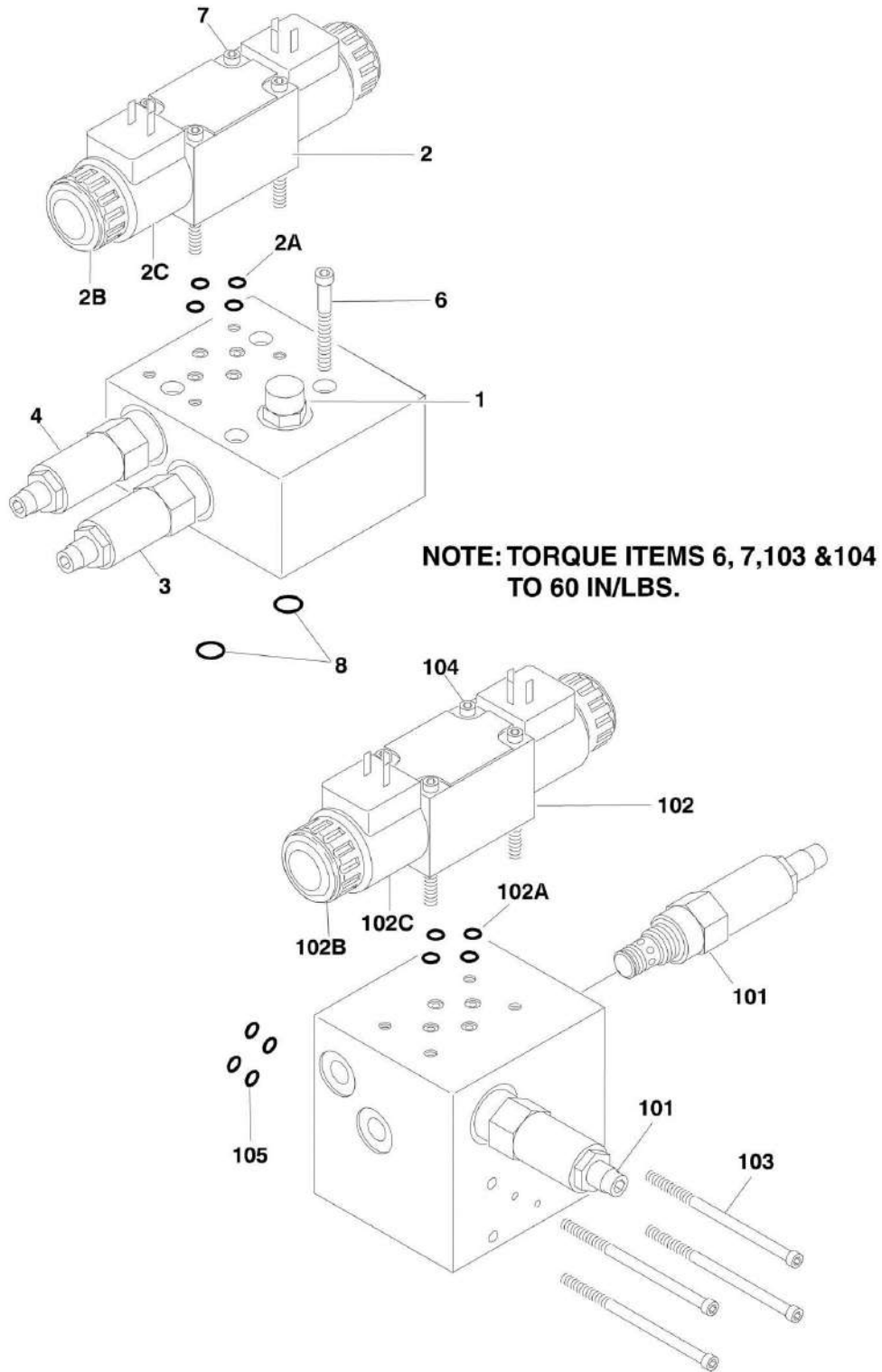
ITEM	PART NUMBER	QTY	DESCRIPTION	REV
		Ref	MAIN VALVE BLOCK ASSEMBLY	
	4640920	Ref	Main Valve Block Assembly (Prior to SN 0300041204)	D
	4641097	Ref	Main Valve Block Assembly (SN 0300041204 through 0300069000)	B
1	7017410	1	Cartridge, without Coil	
1	7012967	1	Seal Kit - 7017410 Cartridge	
1A	7012944	1	Coil	
2	7017411	1	Cartridge, Pressure Sensing	
2	7012518	1	Seal Kit	
3	7017418	1	Cartridge (Main Relief)	
3	7012998	1	Seal Kit	
4	70001976	1	Control Valve Assembly (Platform Level) (was p/n 7012770)	
4	7012773	1	Seal Kit	
4A	7012772	2	Coil	
4A	7018912	2	Nut	
5	7012914	1	Cartridge, Check Valve	
5	7012918	1	Seal Kit - 7012914 Cartridge	
6	7012914	1	Cartridge, Check Valve	
6	7012918	1	Seal Kit - 7012914 Cartridge	
7	7017428	1	Cartridge, Relief Valve (Platform Level Backward Relief)	
7	7012998	1	Seal Kit - 7017428 Cartridge	
8	7017427	1	Cartridge, Relief Valve (Platform Level Forward Relief)	
8	7012998	1	Seal Kit - 7012912 Cartridge	
9	7012989	1	Cartridge, Flow Control	
9	7012953	1	Seal Kit - 7012989 Cartridge	
10	70001976	1	Control Valve Assembly (Platform Rotate) (was p/n 7012770)	
10	7012773	1	Seal Kit	
10A	7012772	2	Coil	
10A	7018912	2	Nut	
11		Ref	Control Valve Assembly Options (Upper Tele):	
11	70000579	1	Control Valve Assembly (was p/n 7012766) (Prior to SN 0300092881)	
11	70000579	1	Control Valve Assembly (SN 0300092881 through 0300069000)	
		Ref	Note: Refer to Vendor P/N on Valve Nameplate before ordering Parts. 7012766 is RR00567495 or R900567495. 70000579 is R900930080.	
11		Ref	Seal Kit Options:	
11	7012769	1	7012766 Valve	
11	70000583	1	70000579 Valve	
11A		Ref	Coil Options:	
11A	7012772	1	7012766 Valve (was p/n 7012768)	
11A	70000582	1	70000579 Valve	
11A		Ref	Nut, Coil Options:	
11A	7018912	1	7012766 Valve	
11A	70000580	1	70000579 Valve	
12	7012775	1	Control Valve Assembly (Flow Control)	
12	7012773	1	Seal Kit	
12A	7012772	2	Coil	
12A	7018912	2	Nut	
13	7010542	1	Cartridge, Shuttle	

SECTION 2 - TURNTABLE

ITEM	PART NUMBER	QTY	DESCRIPTION	REV
13	7010543	1	Seal Kit - 7010542 Cartridge	
14	7010542	1	Cartridge, Shuttle	
14	7010543	1	Seal Kit - 7010542 Cartridge	
15	7010542	1	Cartridge, Shuttle	
15	7010543	1	Seal Kit - 7010542 Cartridge	
16	7010542	1	Cartridge, Shuttle	
16	7010543	1	Seal Kit - 7010542 Cartridge	
17	7010542	1	Cartridge, Shuttle	
17	7010543	1	Seal Kit - 7010542 Cartridge	
18	7017420	1	Cartridge, Relief Valve	
18	7012998	1	Seal Kit - 7017420 Cartridge	
19	7012775	1	Control Valve Assembly (Upper Lift)	
19	7012773	1	Seal Kit	
19	7012799	1	Lanyard Assembly (Not Shown)	
19A	7012772	2	Coil	
19A	7018912	2	Nut	
20	7012775	1	Control Valve Assembly (Swing)	
20	7012773	1	Seal Kit	
20A	7012772	2	Coil	
20A	7018912	2	Nut	
21	7017423	1	Cartridge, Relief Valve (Swing Right/Left Relief)	
21	7012998	1	Seal Kit - 7017423 Cartridge	
22	7012774	1	Control Valve Assembly (Steer)	
22	7012773	1	Seal Kit	
22A	7012772	2	Coil	
22A	7018912	2	Nut	
23	7017428	1	Cartridge, Relief Valve (Steer Left Relief)	
23	7012998	1	Seal Kit - 7017428 Cartridge	
24	7017428	1	Cartridge, Relief Valve (Steer Right Relief)	
24	7012998	1	Seal Kit - 7017428 Cartridge	
25	70001976	1	Control Valve Assembly (Lower Tele) (was p/n 7012770)	
25	7012773	1	Seal Kit	
25A	7012772	2	Coil	
25A	7018912	2	Nut	
26	7018952	1	Control Valve Assembly (Lower Lift) Options:	
26	7012769	1	Seal Kit	
26A	7012772	2	Coil	
26A	7018912	2	Nut	
26A	7012799	1	Lanyard Cable Assembly	
27	7012969	1	Cartridge, Check	
27	7012967	1	Seal Kit - 7012969 Cartridge	
28	7012914	1	Cartridge, Check	
28	7012918	1	Seal Kit - 7012914 Cartridge	
30	4460499	19	Connector, Din with Diode (Part of Valve Harness)	
	2901763	1	Rotate Sandwich Valve Kit	A
51	7021310	1	Block, Valve	

SECTION 2 - TURNTABLE

FIGURE 2-3. ACCESSORY VALVE ASSEMBLIES



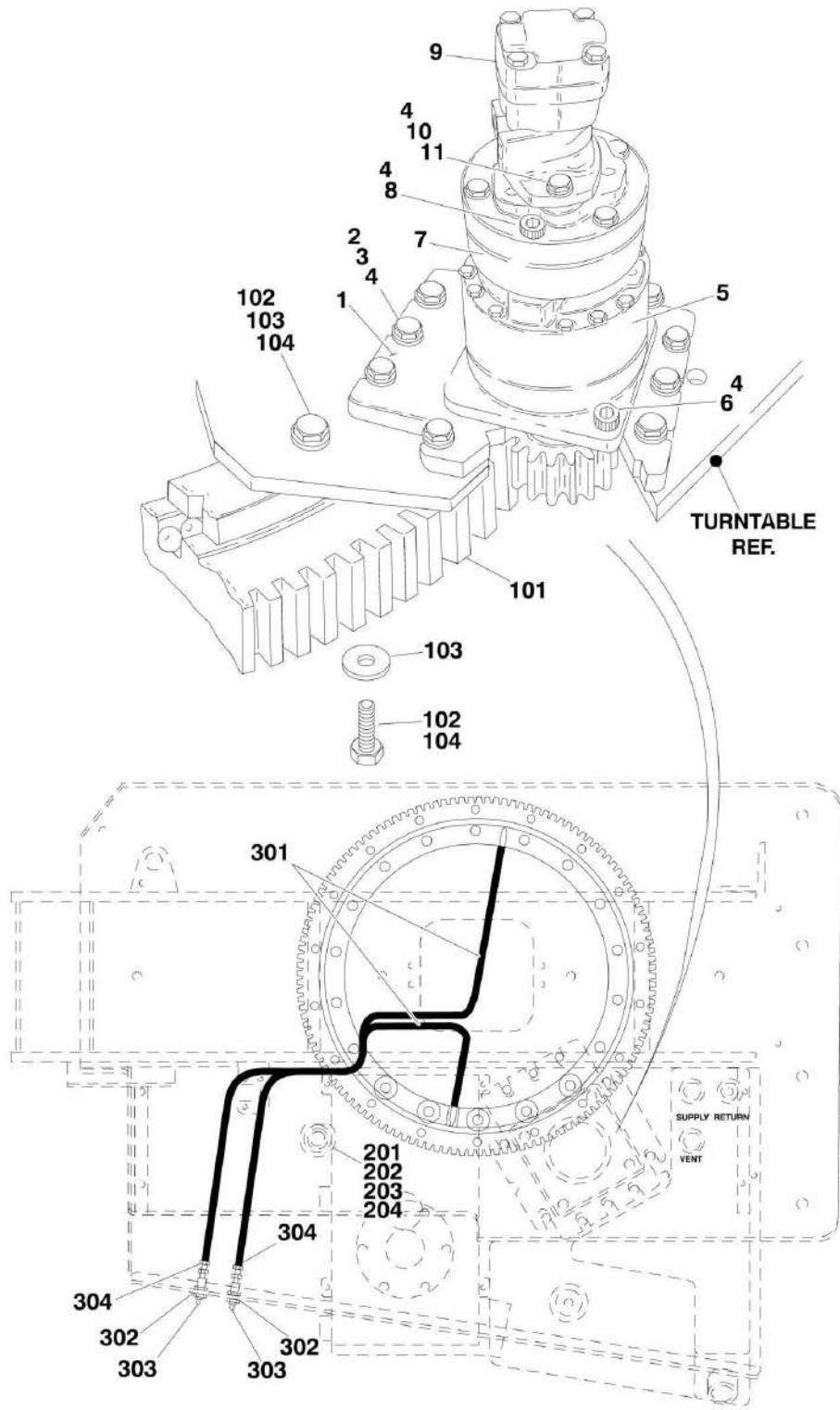
SECTION 2 - TURNTABLE

FIGURE 2-3. ACCESSORY VALVE ASSEMBLIES

ITEM	PART NUMBER	QTY	DESCRIPTION	REV
	4640921	Ref	ARTICULATING JIB VALVE ASSEMBLY	D
1	7012965	1	Cartridge, Flow Control	
1	7012953	1	Seal Kit - 7012965 Cartridge	
2	70001976	1	Directional Control Valve Assembly (was p/n 7012770)	
2	7012773	1	Seal Kit	
2A	7018945	4	O-Ring	
2B	7018912	2	Nut	
2C	7012772	2	Coil	
3	7017421	1	Cartridge, Relief	
3	7012998	1	Seal Kit - 7017421 Cartridge	
4	7017422	1	Cartridge, Relief	
4	7012998	1	Seal Kit - 7017422 Cartridge	
5	4460499	2	Connector, Din with Diode (Part of Valve Harness)	
6	7018946	4	Capscrew, Socket Head #10-24NC x 5in (Not Shown - Used to Mount Valve Assembly)	
7	7018942	4	Capscrew, Socket Head #10-24NC x 2in	
8	7012776	4	O-Ring (Not Shown - Used to Mount to Main Valve)	
	4640922	Ref	4WS VALVE ASSEMBLY	B
101	7017420	2	Cartridge, Flow Control	
101	7012998	2	Seal Kit - 7017420 Cartridge	
102	7012774	1	Directional Control Valve Assembly	
102	7012773	1	Seal Kit	
102A	7018945	4	O-Ring	
102B	7018912	2	Nut	
102C	7012772	2	Coil	
103	7018946	4	Capscrew, Socket Head #10-24NC x 5in (Used to Mount Valve Assembly)	
104	7018942	4	Capscrew, Socket Head #10-24NC x 2in	
105	7018948	4	O-Ring (Used to Mount to Main Valve)	

SECTION 2 - TURNTABLE

FIGURE 2-4. SWING DRIVE, TURNTABLE BEARING AND LOCK INSTALLATIONS



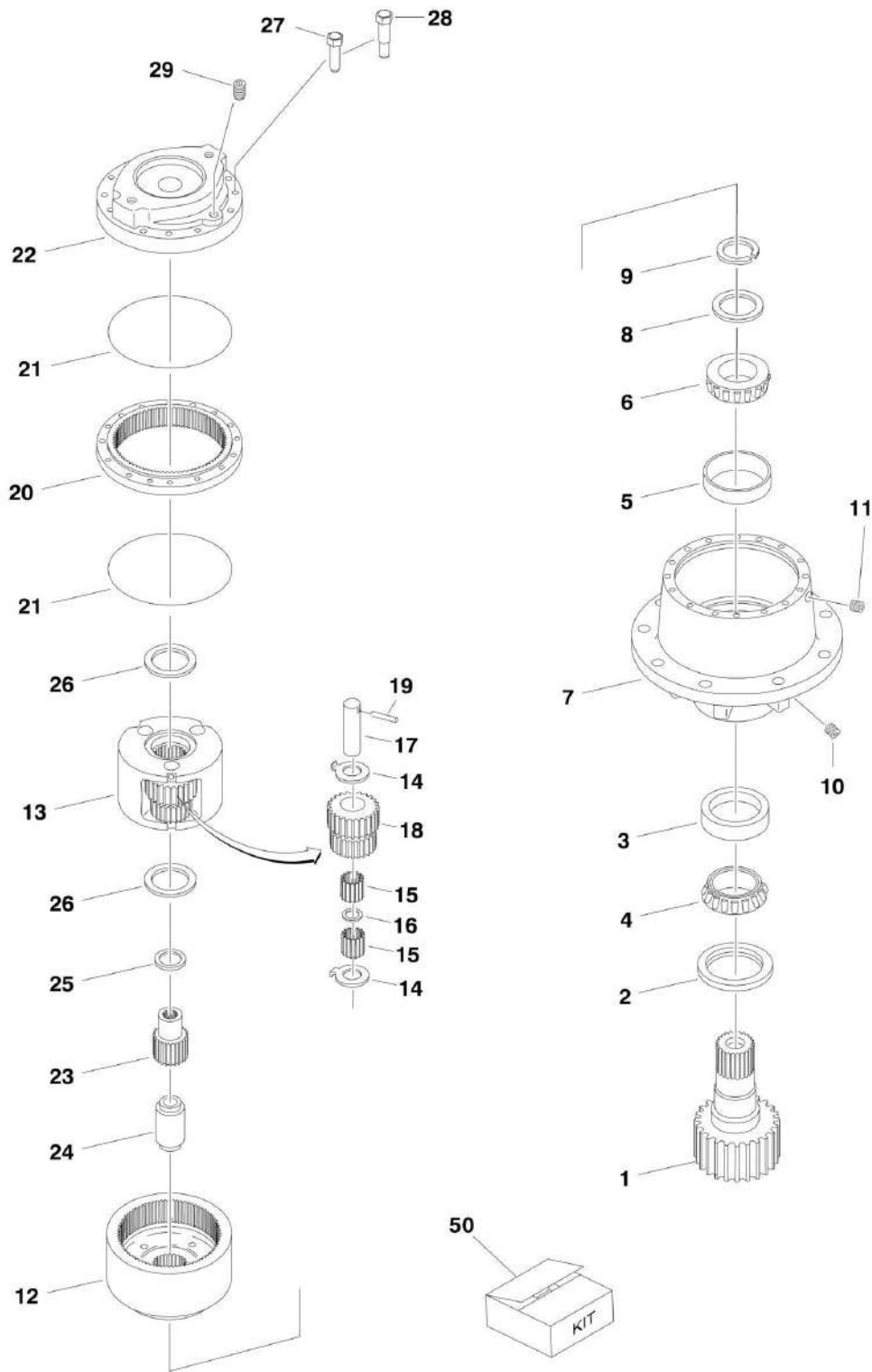
SECTION 2 - TURNTABLE

FIGURE 2-4. SWING DRIVE, TURNTABLE BEARING AND LOCK INSTALLATIONS

ITEM	PART NUMBER	QTY	DESCRIPTION	REV
		Ref	SWING DRIVE INSTALLATIONS	
	0255025	Ref	Swing Drive Installations (Prior to SN 0300064566)	4-B
	0270329	Ref	Swing Drive Installations (SN 0300064566 through 0300069000)	A
1	3537318	1	Plate, Swing Drive Mounting	
2	0642018	10	Bolt 5/8in - 11NC x 2-1/4in	
3	4892000	10	Flatwasher 5/8in Hardened	
4	0100011	AR	Compound, Locking	
5	2780205	1	Hub, Swing Assembly (See SWING HUB ASSEMBLY for Breakdown)	
6	3932224	4	Bolt 1/2in - 13NC x 1-1/2in	
7		Ref	Brake, Swing Assembly (See SWING BRAKE ASSEMBLY for Breakdown)	
7	See Note	1	Brake, Swing Assembly (Note: Recommend using 0920109 in place of original 0920083) (Prior to SN 0300033476)	
7	0920109	1	Brake, Swing Assembly (SN 0300033476 through 0300064565)	
7	0920119	1	Brake, Swing Assembly (SN 0300064566 through 0300069000)	
8	3931860	2	Bolt Socket Head 1/2in - 13NC x 3-3/4in (Prior to SN 0300064566)	
9		Ref	Motor, Swing Assembly (See SWING MOTOR ASSEMBLY for Breakdown)	
9	3160200	1	Motor, Swing Assembly (Prior to SN 0300064566)	
9	3160273	1	Motor, Swing Assembly (SN 0300064566 through 0300069000)	
10		Ref	Bolt Options:	
10	0641811	2	Bolt 1/2in-13NC x 1-3/8in (Prior to SN 0300064566)	
10	0681836	2	Bolt 1/2in-13NC x 4-1/2in (SN 0300064566 through 0300069000)	
11	4891800	2	Flatwasher 1/2in Hardened	
	0254798	Ref	TURNTABLE BEARING INSTALLATION	A-A
101	0440207	NLA	Bearing Kit (Use p/n 2915087) (Kit Includes Bearing and Mounting Hardware)	
102	0682016	36	Bolt 5/8in - 11NC x 2in (Grade 8)	
103	4892000	36	Flatwasher 5/8in Hardened	
104	0100019	AR	Compound, Locking	
	0255410	Ref	TURNTABLE LOCK INSTALLATION	-
201	4844958	1	Pin	
202	3421565	1	Pin, Snap	
203	3760170	2	Ring, Quick Release	
204	1260017	9 in/23cm	Chain	
	0255444	Ref	REMOTE BEARING LUBE INSTALLATION	1
301	2751032	2	Hose, Grease	
302	2180344	2	Fitting, Bulkhead	
303	2160002	2	Fitting, Grease	
304	2220001	2	Fitting, Straight	

SECTION 2 - TURNTABLE

FIGURE 2-5. SWING HUB ASSEMBLY



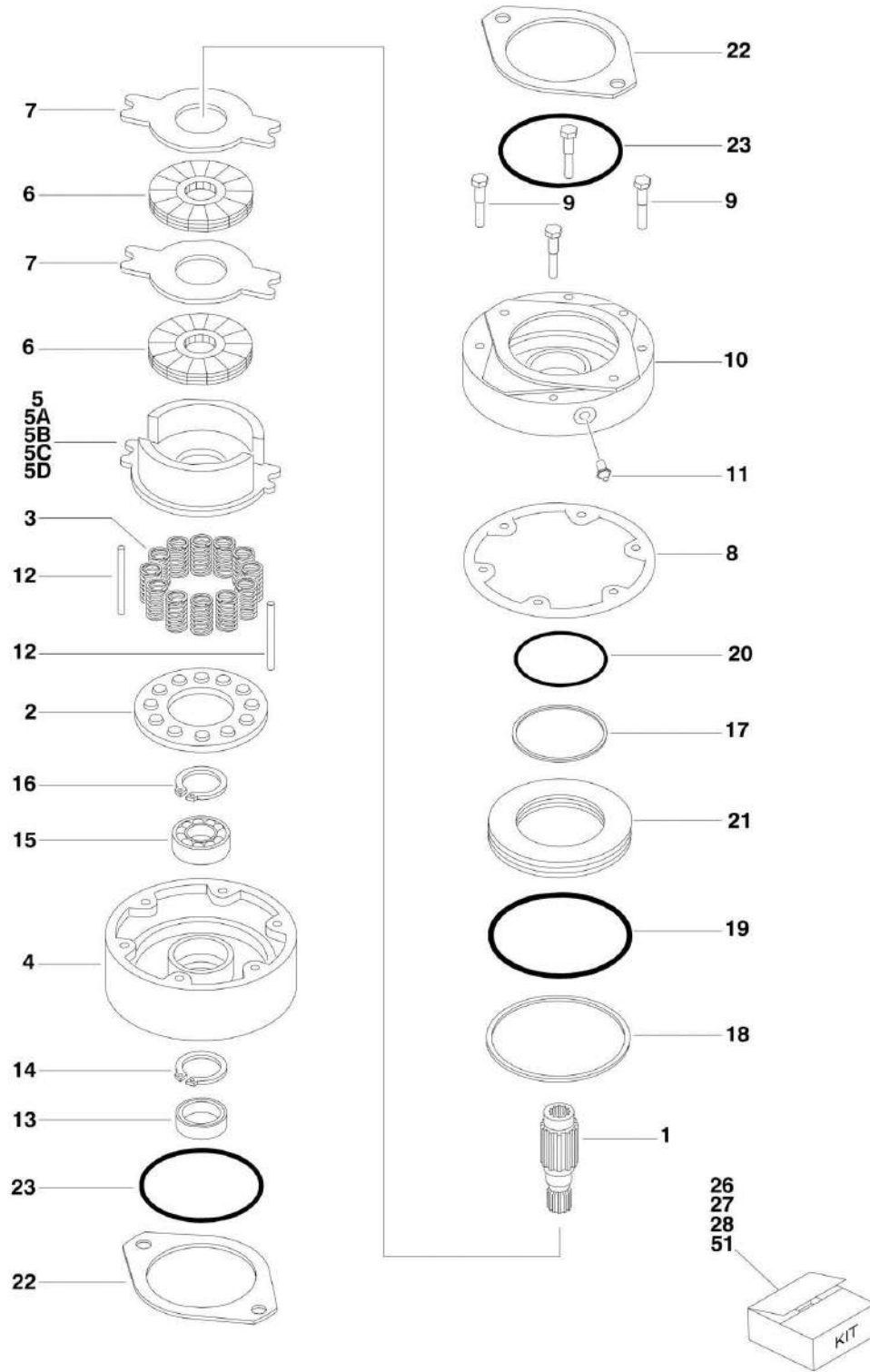
SECTION 2 - TURNTABLE

FIGURE 2-5. SWING HUB ASSEMBLY

ITEM	PART NUMBER	QTY	DESCRIPTION	REV
	2780205	Ref	SWING HUB ASSEMBLY	-
		Ref	HOUSING ASSEMBLY	
1	7010492	1	Shaft, Output	
2	7000228	1	Seal, Lip	
3	7000255	1	Cup, Bearing	
4	7000256	1	Cone, Bearing	
5	7000257	1	Cup, Bearing	
6	7000258	1	Cone, Bearing	
7	7017089	1	Housing	
8	7007633	1	Thrustwasher	
9	7000229	1	Ring, Retaining	
10	7010494	2	Pipe, Plug	
11	7001928	2	Pipe, Plug	
12	7000246	2	Gear, Internal	
13		Ref	CARRIER ASSEMBLY	
13	7001931	1	Carrier	
14	7001985	6	Thrustwasher, Tanged	
15	7001909	96	Bearing, Needle	
16	7000263	3	Spacer, Thrust	
17	7001911	3	Shaft, Planet	
18	7001987	3	Gear, Cluster	
19	7010474	3	Roll Pin	
20	7001988	1	Ring Gear	
21	7000230	2	O-Ring	
22	7000209	1	Cover, Input	
23	7010488	1	Gear, Sun	
24	7000269	1	Spacer, Input	
25	7000270	1	Thrustwasher	
26	7000253	2	Thrustwasher	
27	7000217	8	Bolt	
28	7000214	4	Bolt, Shoulder	
29	7000242	1	Pipe, Plug	
50	7024100	1	Seal Kit (Includes Items 2, 9, 21 & 26)	

SECTION 2 - TURNTABLE

FIGURE 2-6. SWING BRAKE ASSEMBLY



SECTION 2 - TURNTABLE

FIGURE 2-6. SWING BRAKE ASSEMBLY

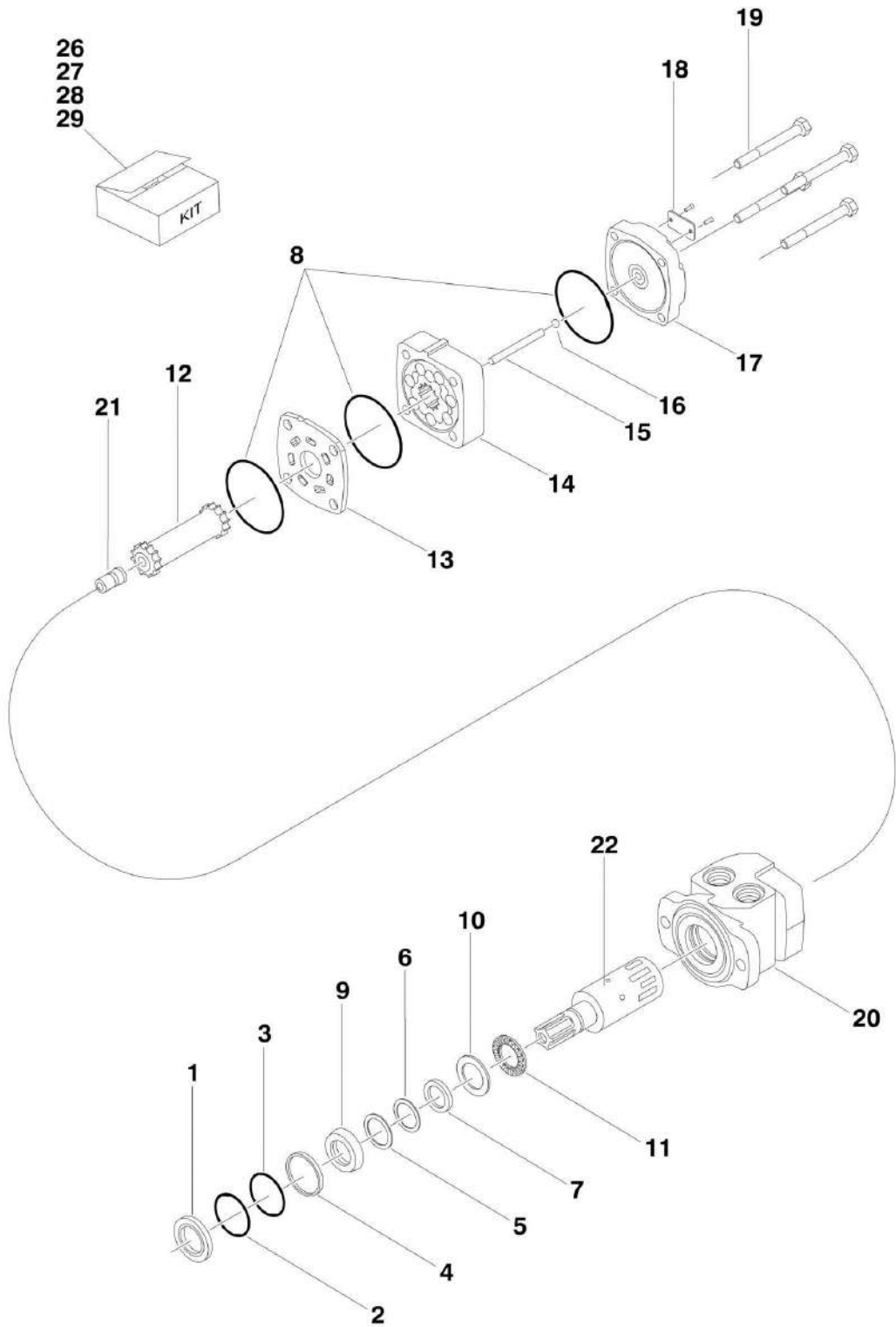
ITEM	PART NUMBER	QTY	DESCRIPTION	REV
		Ref	SWING BRAKE ASSEMBLY OPTIONS:	
	0920083	Ref	Swing Brake Assembly (Prior to SN 0300033476)	A
	0920109	Ref	Swing Brake Assembly (SN 0300033476 through 0300064566)	B
1	7011720	1	Shaft	
2		Ref	Guide, Spring Options:	
2	7011717	1	0920083 Brake (Prior to SN 0300033476)	
2	7018606	1	0920109 Brake (SN 0300033476 through 0300069000)	
3		Ref	Spring Options:	
3	7007979	6	0920083 Brake (Inner) (Prior to SN 0300033476)	
3	7007980	6	0920083 Brake (Outer) (Prior to SN 0300033476)	
3	7007970	6	0920109 Brake (Red) (SN 0300033476 through 0300064566)	
3	7018602	3	0920109 Brake (Blue) (SN 0300033476 through 0300064566)	
4		Ref	Housing Options:	
4	7011713	1	0920083 Brake (Prior to SN 0300033476)	
4	7018605	1	0920109 Brake (SN 0300033476 through 0300064566)	
5		Ref	Return Plate and Separator Assembly Options:	
5A		Ref	0920083 Brake (Prior to SN 0300033476)	
5B	See Note	NSS	Plate, Return - 0920083 Brake (Note: Use Item 28) (Prior to SN 0300033476)	
5C	7011715	2	Separator Assy - 0920083 Brake (Prior to SN 0300033476)	
5C	7011714	4	Pin	
5C	7007983	2	Separator	
5D	See Note	NSS	0920109 Brake (Note: Use Item 28) (SN 0300033476 through 0300064566)	
6	See Note	NSS	Rotor (Note: Use Item 28)	
7	See Note	NSS	Stator (Note: Use Item 28)	
8	See Note	NSS	Seal, Oil (Note: Use Item 26 or 27)	
9		Ref	Bolt, Washer Head Options:	
9	7007985	4	0920083 Brake (Prior to SN 0300033476)	
9	7018607	4	0920109 Brake (SN 0300033476 through 0300064566)	
10	7011719	1	Cover	
11		Ref	Hardware Options:	
11	7007914	1	Screw, Bleeder (Prior to SN 0300033906)	
11	7018609	1	Plug, Pipe (SN 0300033906 through 0300064566)	
12	7007987	2	Pin, Dowel	
13	See Note	NSS	Seal, Oil (Note: Use Item 26 or 27)	
14	7011716	1	Ring, Retaining	
15	See Note	NSS	Bearing (Note: Use Item 27)	
16	7007977	1	Ring, Retaining	
17	See Note	NSS	Ring, Back-up (Note: Use Item 26)	
18	See Note	NSS	Ring, Back-up (Note: Use Item 26)	
19	See Note	NSS	O-Ring (Note: Use Item 26)	
20	See Note	NSS	O-Ring (Note: Use Item 26)	
21		Ref	Piston Options:	
21	7007923	1	0920083 Brake (Prior to SN 0300033476)	
21	7018603	1	0920109 Brake (SN 0300033476 through 0300064566)	
22	7007934	2	Gasket	
23	See Note	NSS	O-Ring (Note: Use Item 26, 27 or 28)	
26	2900766	1	Seal Kit (Includes Items 8, 13, 17, 18, 19, 20, 22 & 23)	
27	2900768	1	Bearing Kit (Includes Items 8, 13, 14, 15, 16, 22 & 23)	

SECTION 2 - TURNTABLE

ITEM	PART NUMBER	QTY	DESCRIPTION	REV
28		Ref	Lining Kit Options:	
28	2900767		0920083 Brake (Includes Items 5B, 6, 7, 8, 22 & 23) (Prior to SN 0300033476)	
28	7018608		0920109 Brake (Includes Items 5D, 6, 7, 8, 22 & 23) (SN 0300033476 through 0300064565)	
	0920119	Ref	SWING BRAKE ASSEMBLY (NOT SHOWN) (SN 0300064566 through 0300069000)	B
51	7018612	1	Kit, Repair	
		Ref	Note: Repair Kit Only (No Other Service Parts Available)	

SECTION 2 - TURNTABLE

FIGURE 2-7. SWING MOTOR ASSEMBLY



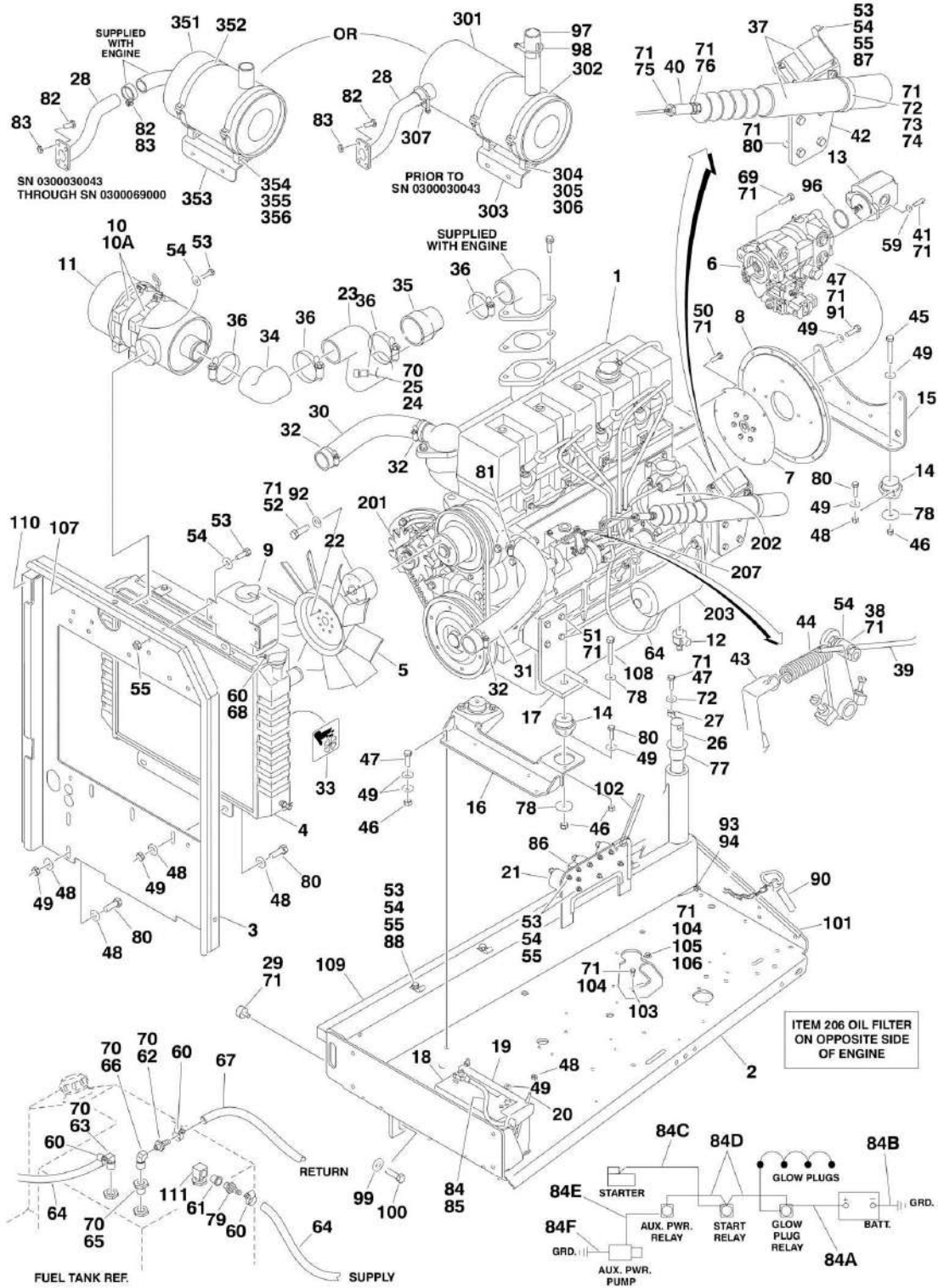
SECTION 2 - TURNTABLE

FIGURE 2-7. SWING MOTOR ASSEMBLY

ITEM	PART NUMBER	QTY	DESCRIPTION	REV
		Ref	SWING MOTOR ASSEMBLY OPTIONS:	
	3160200	Ref	Swing Motor Assembly (Prior to SN 0300064566)	C
	3160273	Ref	Swing Motor Assembly (SN 0300064566 through 0300069000)	B
1	See Note	NSS	Seal, Dust (Note: Use Item 26)	
2	See Note	NSS	Ring, Split Wire (Note: Use Item 26)	
3	See Note	NSS	Shim, Metal Back-up (Note: Use Item 26)	
4	See Note	NSS	Seal, High Pressure (Note: Use Item 26)	
5	See Note	NSS	Shim, Metal Back-up (Note: Use Item 26)	
6	See Note	NSS	Seal, Teflon Back-up (Note: Use Item 26)	
7	See Note	NSS	Seal, Shaft (Note: Use Item 26)	
8	See Note	NSS	Seal, Body (Note: Use Item 26)	
9	See Note	NSS	Carrier, Seal (Note: Use Item 27)	
10	See Note	NSS	Thrustwasher (Note: Use Item 27)	
11		Ref	Bearing, Thrust Options:	
11	7005842	1	Motor p/n 3160200	
11	7016422	1	Motor p/n 3160273	
12	7005889	1	Link, Drive	
13		Ref	Plate, Wear Options:	
13	7005845	1	Motor p/n 3160200	
13	7016423	1	Motor p/n 3160273	
14	7005890	1	Rotor Assembly	
15	7005891	1	Pin, Drive Link	
16	See Note	NSS	Ball (Note: Use Item 28)	
17	See Note	NSS	Cover, End (Note: Use Item 28)	
18	See Note	NSS	Tag, I.D. (Note: Not Available for Purchase)	
19	7005892	4	Bolt	
20		Ref	Housing Options:	
20	7005841	1	Motor p/n 3160200	
20	7016425	1	Motor p/n 3160273	
21	7005893	1	Plug, Cooling	
22		Ref	Shaft Options:	
22	7005894	1	Motor p/n 3160200	
22	7016426	1	Motor p/n 3160273	
26	7005881	1	Seal Kit (Includes Items 1-8)	
27	7005882	1	Seal Carrier Kit (Includes Items 9 & 10)	
28		Ref	End Cover Kit (Includes Items 16 & 17) Options:	
28	7005848	1	Motor p/n 3160200	
28	7016424	1	Motor p/n 3160273	
29		Ref	Housing/Shaft Kit (Includes Items 20-22) Options:	
29	7005895	1	Motor p/n 3160200	
29	7016427	1	Motor p/n 3160273	

SECTION 2 - TURNTABLE

FIGURE 2-8. CONTINENTAL ENGINE INSTALLATIONS



SECTION 2 - TURNTABLE

FIGURE 2-8. CONTINENTAL ENGINE INSTALLATIONS

ITEM	PART NUMBER	QTY	DESCRIPTION	REV
		Ref	CONTINENTAL ENGINE INSTALLATIONS	
	0255327	Ref	Continental Engine Installations (Prior to SN 0300030043)	4-C
	0256754	Ref	Continental Engine Installations (SN 0300030043 through 0300069000)	1-B
1	2000131	1	Engine - Continental TMD-27 Diesel	
2		Ref	Tray Engine Options:	
2	4844961	1	Tray Engine (Prior to SN 0300030043)	
2	4845404	1	Tray Engine (SN 0300030043 through 0300069000)	
3		Ref	Plate, Radiator Mounting Options:	
3	3538724	1	Plate, Radiator Mounting (Prior to SN 0300030043)	
3	3539872	1	Plate, Radiator Mounting (SN 0300030043 through 0300069000)	
4	3620030	1	Cooler, Oil	
5	2060025	1	Fan	
6		Ref	Piston Pump Assembly Options (See PISTON PUMP ASSEMBLY for Breakdown):	
6	3600164	1	13 Tooth Pump (Original Equipment) (Prior to SN 0300030043)	
6	3600260	1	15 Tooth Pump (Optional for Field Replacement) (SN 0300030043 through 0300069000)	
7		Ref	Coupling, Pump Options:	
7	1660183	1	13 Tooth Pump (Original Equipment) (Prior to SN 0300030043)	
7	1660233	1	15 Tooth Pump (Optional for Field Replacement) (SN 0300030043 through 0300069000)	
8	0080181	1	Plate, Pump Adaptor	
9	1580011	1	Container, Coolant Overflow	
10		Ref	Air Cleaner Assembly Options:	
10	1340056	1	Air Cleaner Assembly (Prior to SN 0300030043)	
10	1340060	1	Air Cleaner Assembly (SN 0300030043 through 0300069000)	
10A	7012664	1	Element, Air Cleaner	
11	0340041	2	Band, Mounting	
12	4640952	1	Valve, Oil Drain	
13	3600242	1	Gear Pump Assembly (See GEAR PUMP ASSEMBLY for Breakdown)	
14		Ref	Mount, Rubber Engine Options:	
14	3200378	4	Front and Rear (Prior to SN 0300030043)	
14	3200362	2	Rear (SN 0300030043 through 0300069000)	
14	3200362	2	Front (SN 0300030043 through 0300069000)	
15	3537287	1	Bracket, Engine Mounting - Rear	
16	3537691	1	Bracket, Engine Mounting - Front	
17	3537290	2	Support, Engine	
18	0400075	1	Battery	
19	0181727	1	Hold-Down, Battery	
20	0630498	2	Rod, Hold-Down	
21	3740067	3	Relay	
22	0080215	1	Spacer, Fan	
23		Ref	Tube, Air Intake Options:	
23	4845059	1	Tube, Air Intake (Prior to SN 0300030043)	
23	4845453	1	Tube, Air Intake (SN 0300030043 through 0300069000)	
24	4360392	1	Switch, Restriction Indicator	
25	2180798	1	Fitting	
26	3422446	1	Pin, Pivot	

SECTION 2 - TURNTABLE

ITEM	PART NUMBER	QTY	DESCRIPTION	REV
27	3841143	1	Keeper, Pin	
28		Ref	Tube, Exhaust Options:	
28	4845157	1	Tube, Exhaust (Prior to SN 0300030043)	
28	4567072	1	Tube, Exhaust (SN 0300030043 through 0300069000)	
29	0940070	1	Bumper, Rubber	
30	2720395	1	Hose, Oil Cooler - Top	
31	2720396	1	Hose, Oil Cooler - Bottom	
32	1320012	3	Clamp, Hose	
33		Ref	Nameplate - Fan Caution Options:	
33	3250914	2	Nameplate - Fan Caution (Prior to SN 0300030043)	
33	1703162	2	Nameplate - Fan Caution (SN 0300030043 through 0300069000)	
34	0080201	1	Elbow, Rubber	
35	0080216	1	Reducer, Rubber	
36	1320016	4	Clamp, Hose	
37	0060033	NLA	Actuator Assembly (Use p/n 2910000) (See ELECTRICAL SECTION for Breakdown)	
38	1660220	1	Swivel	
39	3841288	1	Rod, Throttle	
40	1660222	1	Coupling, Throttle	
41	3931620	2	Bolt, Socket Head 3/8in-16NC x 1-1/4in	
42	3539139	1	Plate, Actuator Mounting	
43	0902159	1	Bracket, Spring	
44	4160138	1	Spring	
45	0641818	4	Bolt 1/2in-13NC x 2-1/4in	
46	3311608	4	Locknut 1/2in-13NC	
47	0641610	6	Bolt 3/8in-16NC x 1-1/4in	
48	3311605	22	Locknut 3/8in-16NC x 1-1/4in	
49	4751600	56	Flatwasher 3/8in Regular	
50	0681606	6	Bolt 3/8-16NC x 3/4in (Grade 8)	
51	0701414	8	Bolt Metric M14-2 x 30mm	
52	0700819	4	Bolt Metric M8-25 x 55mm	
53	0641406	20	Bolt 1/4in-20NC x 3/4in	
54	4751400	35	Flatwasher 1/4in Regular	
55	3311405	17	Locknut 1/4in-20NC	
56	0721004	2	Bolt #10-24NC x 1/2in	
57	3321001	2	Nut #10-24NC	
58	4751000	10	Flatwasher #10 Regular	
59	4891600	2	Flatwasher 3/8in Hardened	
60	1320022	8	Clamp, Hose	
61	2220273	2	Fitting, Reducer	
62	2180536	1	Fitting, Straight	
63	2220313	1	Fitting, 90	
64	2750532	21.5 t/6.5m	Hose 3/8in	
65	2220250	1	Fitting, Reducer	
66	2220459	1	Fitting, 90	
67	2720271	15 ft/4.6m	Hose 3/16in	
68	2720058	6 in/15cm	Hose 5/16in	
69	0641812	2	Bolt 1/2in-13NC x 1-1/2in	
70	0100020	AR	Sealant, Thread	
71	0100011	AR	Compound, Locking	

SECTION 2 - TURNTABLE

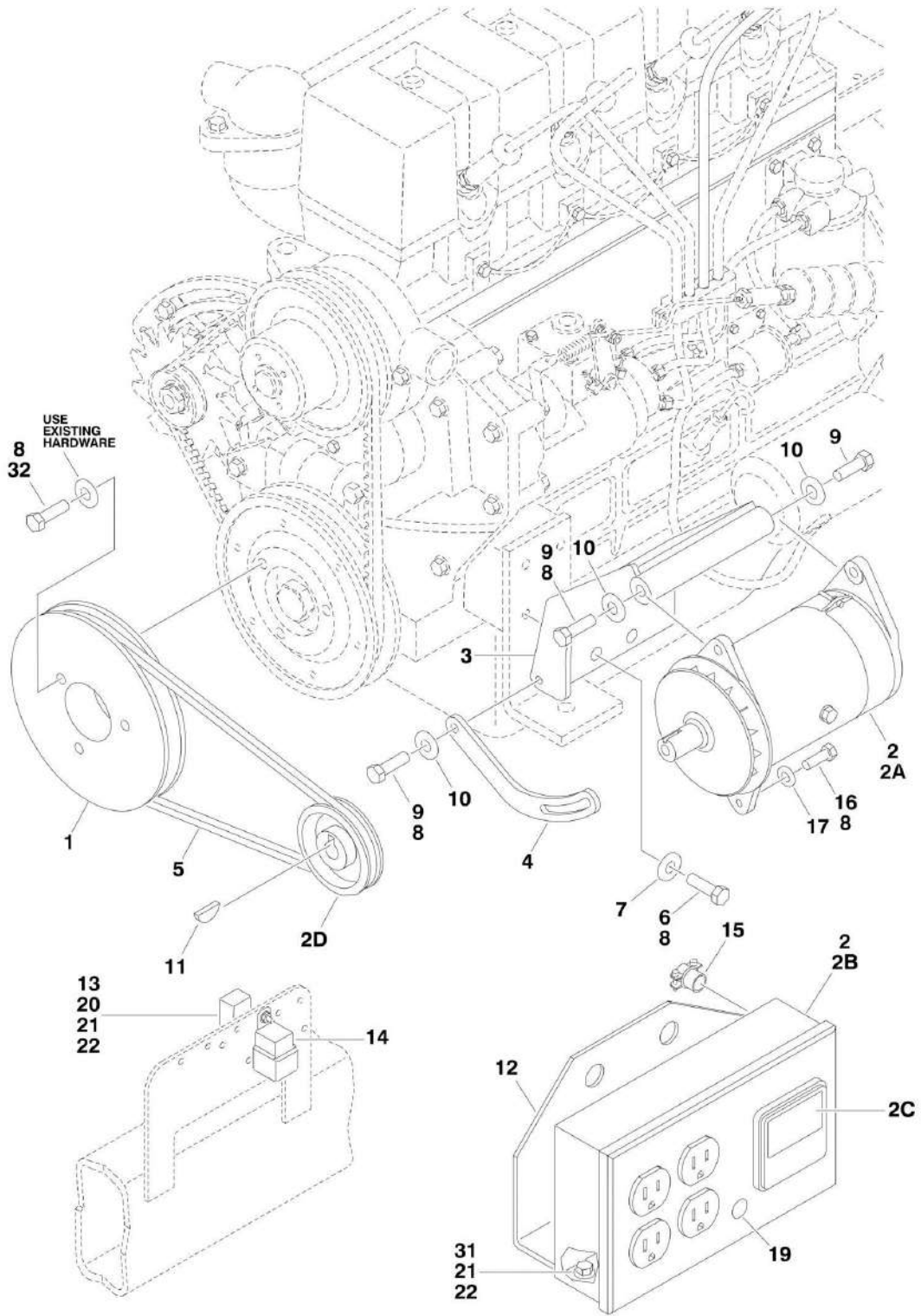
ITEM	PART NUMBER	QTY	DESCRIPTION	REV
72	4740442	1	Washer, Bellville	
73	3900217	1	Bolt, Socket Head Shoulder	
74	0962031	1	Bushing, Flanged	
75	3321402	1	Nut, Jam 1/4in-28NF	
76	3321602	1	Nut, Jam 3/8in-24NF	
77	0961986	2	Bushing, Flanged	
78	4740274	4	Washer, Snubbing	
79	2220720	1	Fitting, Barbed	
80	0641608	20	Bolt 3/8in-16NC x 1in	
81	1320031	1	Clamp, Hose	
82	0641712	2	Bolt 7/16in-14NC x 1-1/2in	
83	3311705	2	Locknut 7/16in-14NC	
84	2901363	1	Battery Cable Kit	
84A	7016800	1	Cable, Battery (Red)	
84B	7016809	1	Cable, Battery (Black)	
84C	7016810	1	Cable (Red)	
84D	7016811	1	Cable (Red)	
84E	7016806	1	Cable (Red)	
84F	7016805	1	Cable (Black Only) (Prior to SN 0300025556)	
85	4460611	1	Terminal, Battery Jumper Post	
86	4360294	1	Breaker, Circuit - 30 Amp	
87	1320222	1	J-Clip 3/8in Only (Prior to SN 0300025556)	
88	1320223	9	J-Clip 1/2in	
89	0700605	1	Bolt, Metric	
90	3422532	1	Pin, Hitch	
91	0641612	12	Bolt 3/8in-16NC x 1-1/2in	
92	4831900	4	Lockwasher, Metric M8	
93	0641407	1	Bolt 1/4in-20NC x 7/8in	
94	4711400	1	Flatwasher 1/4in Thin	
95	1701505	1	Decal - Diesel (Not Shown - Located on Hood)	
96	3790152	1	O-Ring	
97	4566986	1	Tube, Adapter (Prior to SN 0300030043)	
98	1320019	1	Clamp, Exhaust (Prior to SN 0300030043)	
99	0642010	1	Bolt 5/8in-11NC x 1-1/4in	
100	4752000	1	Flatwasher 5/8in Regular	
101	4060805	7 in/18cm	Flex-Trim 1/4in	
102	4060804	16 in/40cm	Flex-Trim 3/16in	
103	1060637	1	Lanyard	
104	0641808	2	Bolt 1/2in-13NC x 1in	
105	3311801	1	Nut 1/2in-13NC	
106	4751800	1	Flatwasher 1/2in Regular	
107		Ref	Seal Options:	
107	Not Required	0	Seal (Prior to SN 0300030043)	
107	3960389	5 ft/1.5m	Seal (SN 0300030043 through 0300069000)	
108	0641826	2	Bolt 1/2in-13NC x 3-1/4in	
109		Ref	Seal, Foam Gasket Options:	
109	Not Required	0	Seal, Foam Gasket (Prior to SN 0300030043)	
109	3960468	1	Seal, Foam Gasket (SN 0300030043 through 0300069000)	
110		Ref	Seal, Foam Gasket Options:	
110	Not Required	0	Seal, Foam Gasket (Prior to SN 0300030043)	
110	3960469	1	Seal, Foam Gasket (SN 0300030043 through 0300069000)	

SECTION 2 - TURNTABLE

ITEM	PART NUMBER	QTY	DESCRIPTION	REV
111	7019658	1	Fitting 90 W/Pick-Up Tube	
		Ref	ENGINE COMPONENTS	
201	7016323	1	Alternator	
202	7016324	1	Filter, Fuel	
203	7016325	1	Starter	
204	7016326	1	Switch, Water Temperature (Not Shown)	
205	7016327	1	Switch, Low Oil Pressure (Not Shown)	
206	7016340	1	Filter, Oil	
207	7020073	1	Pump, Fuel	
		Ref	MUFFLER INSTALLATIONS (Prior to SN 0300030043)	
	0255873	Ref	Standard Equipment (Spark Arresting)	-
	0255874	Ref	Optional Equipment (Purifier)	-
301		Ref	Muffler Options:	
301	3220097	1	Spark Arresting	
301	3220099	1	Purifier	
302	0340041	2	Clamp, Band	
303	0902216	1	Bracket	
304	0641508	4	Bolt 5/16in-18NC x 1in	
305	4711500	8	Flatwasher 5/16in Thin	
306	3311505	4	Locknut 5/16in-18NC	
307	1320019	1	Clamp, Exhaust	
		Ref	MUFFLER INSTALLATIONS (SN 0300030043 through 0300069000)	
	0256687	Ref	Standard Equipment (Spark Arresting)	-
	0256688	Ref	Optional Equipment (Purifier)	-
351		Ref	Muffler Options:	
351	3220105	1	Spark Arresting	
351	3220107	1	Purifier	
351	70001017	1	Clamp	
352	0340046	2	Clamp, Band	
353	0902310	1	Bracket	
354	0641508	4	Bolt 5/16in-18NC x 1in	
355	4711500	8	Flatwasher 5/16in Thin	
356	3311505	4	Locknut 5/16in-18NC	
357	4567073	1	Tube, Exhaust	

SECTION 2 - TURNTABLE

FIGURE 2-9. GENERATOR INSTALLATION (OPTIONAL - CONTINENTAL ENGINE MACHINES)



SECTION 2 - TURNTABLE

FIGURE 2-9. GENERATOR INSTALLATION (OPTIONAL - CONTINENTAL ENGINE MACHINES)

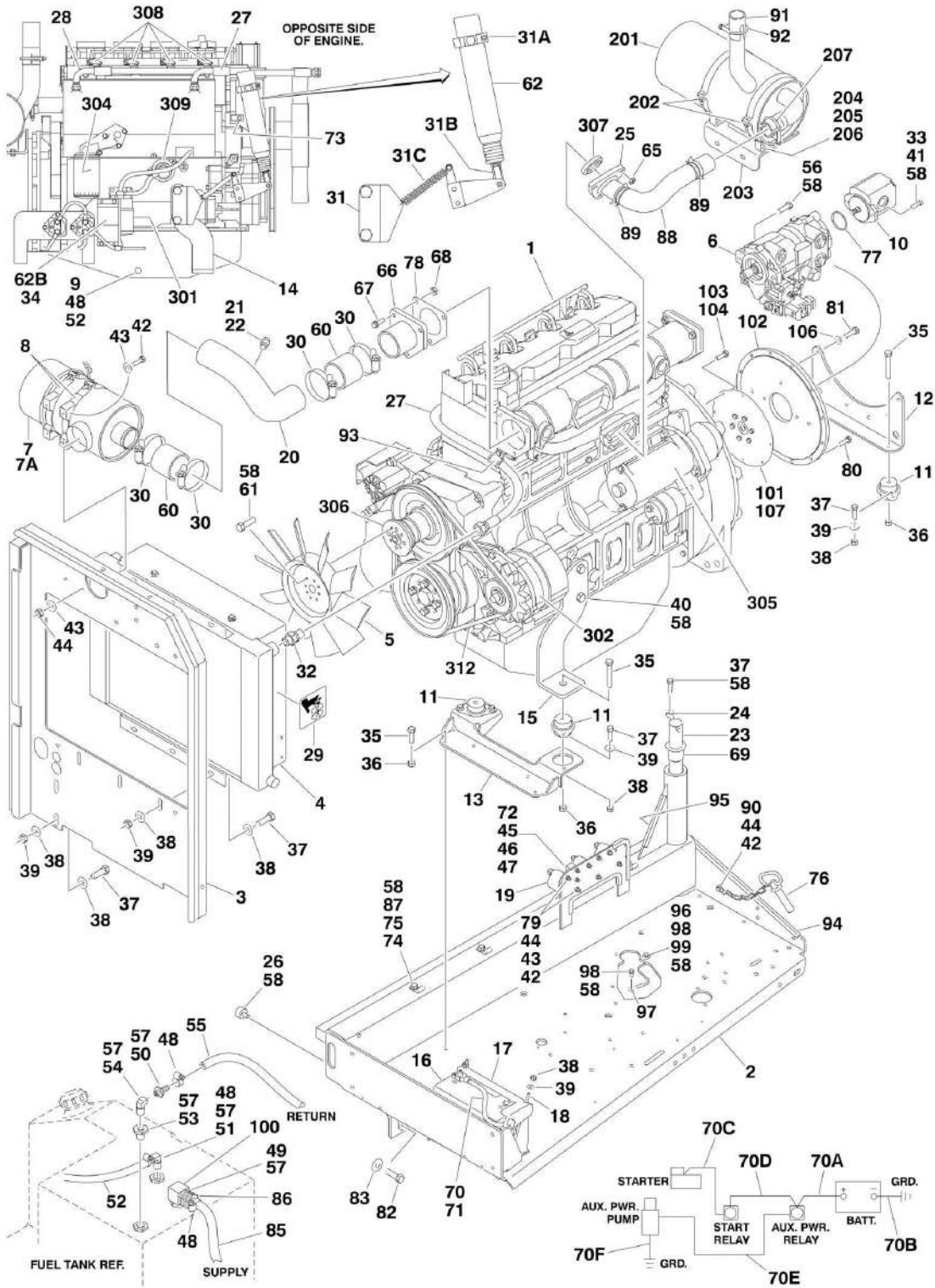
ITEM	PART NUMBER	QTY	DESCRIPTION	REV
		Ref	GENERATOR INSTALLATIONS	
		Ref	Note: Number Colored Wiring Starts After SN 0300035129.	
	0255395	Ref	110 Volt Generator (Prior to SN 0300035129)	4-C
	0257852	Ref	110 Volt Generator (SN 0300035129 through 0300069000)	1-A
	0256895	Ref	220 Volt Generator (Prior to SN 0300035129)	-/-
	0257855	Ref	220 Volt Generator (SN 0300035129 through 0300069000)	2-A
1	3580255	1	Pulley	
2		Ref	Generator and Control Box Assembly Options:	
2	2460011		110 Volt Generator/Box Assembly	
2	2460013	1	220 Volt Generator/Box Assembly	
2A		Ref	Generator, Replacement Options:	
2A	7012558	1	110 Volt Generator Only	
2A	1001100321	1	220 Volt Generator Only	
2A	7020193	1	Cord, Power - 12ft Length	
2A		Ref	Armature with Slip Rings Options:	
2A	7026199	1	Armature for 110 Volt	
2A	70000123	1	Armature for 220 Volt	
2A	7020108	4	Brushes	
2A	7020109	4	Holder, Brush	
2A	7012513	4	Cap, Brush Holder	
2A	7012514	1	Fan	
2A	7020110	1	Bell, Front	
2A	7020111	1	Bell, Rear	
2A	7020190	2	Bearing	
2B		Ref	Box, Control Options:	
2B	7003657	1	110 Volt Control Box Only	
2B	70002235	1	220 Volt Control Box Only	
2B	3520028	1	Plug, Hole	
2B		Ref	Receptacle Options:	
2B	4460190	1	Receptacle, Standard (110V Only)	
2B	4460027	1	Receptacle, Twistlock (110V Only)	
2B	70000124	1	Receptacle, Double (220V/50Hz Only)	
2B	70000125	1	Receptacle, Single (220V/50Hz Only)	
2B		Ref	Circuit Breaker Options:	
2B	4360542	1	Circuit Breaker for 110 Volt	
2B	7000126	1	Circuit Breaker for 220 Volt	
2B	7020191	1	Switch, Toggle	
2B	2920162	1	Lamp	
2C		Ref	Voltmeter Options:	
2C	2420203	1	Voltmeter for 110 Volt	
2C	7020192	1	Voltmeter for 220 Volt	
2D	3580134	1	Pulley	
2D	7027887	1	Key, Woodruff	
3	4845181	1	Bracket, Generator Mounting	
4	0200530	1	Arm, Adjusting	
5	0480050	1	V-Belt	
6	0701417	4	Bolt, Metric M14 x 45mm	
7	4751900	4	Flatwasher 9/16in Regular	
8	0100011	AR	Compound, Locking	
9	0681612	3	Bolt 3/8in-16NC x 1-1/2in (Grade 8)	

SECTION 2 - TURNTABLE

ITEM	PART NUMBER	QTY	DESCRIPTION	REV
10	4751600	5	Flatwasher 3/8in Regular	
11	2860012	1	Key, Woodruff	
12	3539504	1	Plate, Mounting	
13	4360294	1	Breaker, Circuit 30 Amp	
14	3740080	1	Relay, Bosch	
15	4460023	1	Connector, Strain Relief	
16	0641508	1	Bolt 5/16in-18NC x 1in	
17	4751500	1	Flatwasher 5/16in Regular	
19	3520028	1	Plug, Hole	
20	0721006	2	Bolt #10-24NC x 3/4in	
21	3311005	4	Locknut #10-24NC	
22	4751000	9	Flatwasher #10 Regular	
25	4360336	1	Switch, Toggle (Not Shown - Located at Platform)	
26	4740397	1	Bushing (Not Shown - Located at Platform)	
27	4060802	1	Guard, Switch (Not Shown - Located at Platform)	
29	2820031	4 in/10cm	Heat Shrink (Not Shown - Located at Platform)	
30	3251102	1	Decal - On/Off (Not Shown - Located at Platform)	
31	0721004	2	Bolt #10-24NC x 1/2in	
32	0701015	3	Bolt, Metric Socket Head 10mm x 35mm	

SECTION 2 - TURNTABLE

FIGURE 2-10. DEUTZ ENGINE INSTALLATION - WITHOUT NOISE REDUCTION (Prior to SN 0300029930)



SECTION 2 - TURNTABLE

FIGURE 2-10. DEUTZ ENGINE INSTALLATION - WITHOUT NOISE REDUCTION (Prior to SN 0300029930)

ITEM	PART NUMBER	QTY	DESCRIPTION	REV
	0255425	Ref	ENGINE ASSEMBLY AND INSTALLATION	11-J
1	2000132	1	Engine - Deutz F4M1011F Diesel	
2	4844961	1	Tray Engine	
3	3538724	1	Plate, Radiator Mounting	
4	3620033	1	Cooler, Oil	
5	2060025	1	Fan	
6		Ref	Piston Pump Assembly Options: (See PISTON PUMP ASSEMBLY for Breakdown)	
6	3600164	1	13 Tooth Pump (Original Equipment)	
6	3600260	1	15 Tooth Pump (Option for Field Replacement Requires 15 Tooth Coupling P/N 1660234)	
7	1340056	1	Air Cleaner Assembly	
7A	7012664	1	Element, Air Cleaner	
8	0340041	2	Band, Mounting	
9	4640751	1	Valve, Oil Drain	
10	3600242	1	Gear Pump Assembly (See GEAR PUMP ASSEMBLY for Breakdown)	
11	3200378	4	Mount, Rubber Engine	
12	3537420	1	Bracket, Engine Mounting - Rear	
13	3537691	1	Bracket, Engine Mounting - Front	
14	3537416	1	Support, Engine - Right	
15	3537417	1	Support, Engine - Left	
16	0400075	1	Battery	
17	0181727	1	Hold-Down, Battery	
18	0630498	2	Rod, Hold-Down	
19	3740067	2	Relay	
20	4845080	1	Tube, Air Intake	
21	4360392	1	Switch, Restrictor Indicator	
22	2180798	1	Fitting	
23	3422448	1	Pin, Pivot	
24	3841143	1	Keeper, Pin	
25	4845162	1	Tube, Exhaust	
26	0940070	1	Bumper, Rubber	
27	2720397	1	Hose, Oil Cooler - Left (36in)	
28	2720398	1	Hose, Oil Cooler - Right (30in)	
29	1703162	2	Nameplate - Fan Caution Options	
30	1320016	4	Clamp, Hose	
31	2901392	1	Throttle Mounting Kit	
31A	7008833	1	Bracket, Throttle	
31B	7008835	1	Coupling, Ball Joint	
31C	7008836	1	Spring	
31D	7023340	AR	Screw, Shoulder 3/8in x 3/8in (Not Shown)	
32	2220451	2	Fitting, Straight	
33	3931620	2	Bolt, Socket Head 3/8in-16NC x 1-1/4in	
34	0902243	1	Bracket, Control Module Mounting	
35	0641816	4	Bolt 1/2in-13NC x 2in	
36	3311805	4	Locknut 1/2in-13NC	
37	0641610	21	Bolt 3/8in-16NC x 1-1/4in	
38	3311605	22	Locknut 3/8in-16NC	

SECTION 2 - TURNTABLE

ITEM	PART NUMBER	QTY	DESCRIPTION	REV
39	4751600	44	Flatwasher 3/8in Regular	
40	0701414	4	Bolt Metric M14-2 x 30mm	
41	4891600	2	Washer, Hardened 3/8in	
42	0641406	12	Bolt 1/4in-20NC x 3/4in	
43	4751400	20	Flatwasher 1/4in Regular	
44	3311405	13	Locknut 1/4in-20NC	
45	0721004	2	Bolt #10-24NC x 5/8in	
46	3311005	2	Locknut #10-24NC	
47	4751000	2	Flatwasher #10 Regular	
48	1320022	6	Clamp, Hose	
49	2220273	2	Fitting, Reducer	
50	2180536	1	Fitting, Straight	
51	2220313	1	Fitting, 90	
52	2750532	6 ft/1.83m	Hose 3/8in	
53	2220250	1	Fitting, Reducer	
54	2220459	1	Fitting, 90	
55	2720271	15 ft/4.6m	Hose 3/16in	
56	0641812	4	Bolt 1/2in-13NC x 1-1/2in	
57	0100020	AR	Sealant, Thread	
58	0100011	AR	Compound, Locking	
60	2720351	6 in/15cm	Coupling, Rubber Intake	
61	0700810	4	Bolt, Metric M8 x 20mm	
62	0060033	NLA	Actuator Assembly (Use p/n 2910000) (See ELECTRICAL SECTION for Breakdown)	
65	3290801	3	Nut, Metric M8-1.25	
66	0080177	1	Air Intake Adapter Weldment	
67	0641510	3	Bolt 5/16in-18NC x 1-1/4in	
68	3311505	3	Locknut 5/16in-18NC	
69	0961986	2	Bushing, Flanged	
70	2901358	1	Battery Cable Kit	
70A	7016800	1	Cable, Battery (Red)	
70B	7016812	1	Cable, Battery (Black)	
70C	7016802	1	Cable (Red)	
70D	7016803	1	Cable (Red)	
70E	7016804	1	Cable (Red)	
70F	7016805	1	Cable (Black) (Prior to SN 0300025556)	
71	4460611	1	Terminal, Battery Jumper Post	
72	4360294	1	Breaker, Circuit - 30 Amp	
73	1320222	1	J-Clip 3/8in	
74	1320223	3	J-Clip 1/2in	
75	0641606	3	Bolt 3/8in-16NC x 3/4in	
76	3422533	1	Pin, Hitch	
77	3790152	1	O-Ring	
78	3960407	1	Gasket	
79	4791400	4	Starwasher 1/4in	
80	0701012	4	Bolt, Metric M10 x 25mm	
81	0701015	4	Bolt, Metric M10 x 35mm	
82	0642010	1	Bolt 5/8in-11NC x 1-1/4in	
83	4752000	1	Flatwasher 5/8in Regular	
84	1701505	1	Decal - Diesel (Not Shown - Located on Hood)	
85	2720058	16 ft/4.9m	Hose	
86	2220794	1	Fitting, Barbed	

SECTION 2 - TURNTABLE

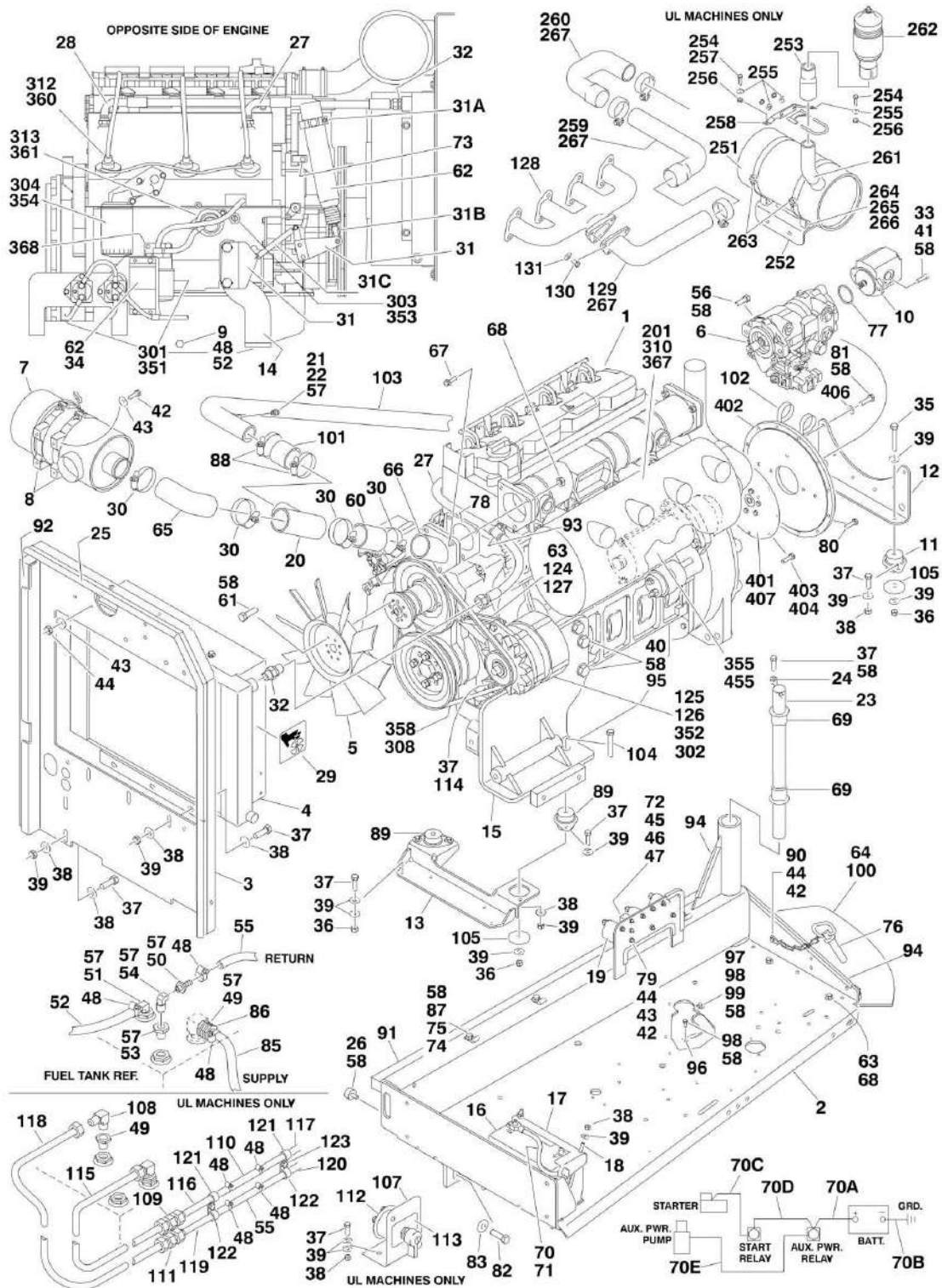
ITEM	PART NUMBER	QTY	DESCRIPTION	REV
87	4711600	3	Flatwasher 3/8in Thin	
88	4100025	19	Sleeve, Fiberglass	
		in/49cm		
89	4920385	2 ft/60cm	Wire	
90	4711400	1	Flatwasher 1/4in Thin	
91	4566986	1	Tube, Adapter	
92	1320019	1	Clamp, Exhaust	
93	1320060	1	Clamp, Hose	
94	4060805	7 in/18cm	Flex-Trim 1/4in	
95	4060804	16	Flex-Trim 3/16in	
		in/40cm		
96	4751800	1	Flatwasher 1/2in Regular	
97	1060637	1	Lanyard	
98	0641808	2	Bolt 1/2in-13NC x 1in	
99	3311801	1	Nut 1/2in-13NC	
100	7019658	1	Fitting 90 W/Pick-Up Tube	
	0256191	Ref	PUMP COUPLING INSTALLATION	-
101		Ref	Coupling, Hayes Options:	
101	1660184	1	13 Tooth Pump (Originally Equipped)	
101	1660234	1	15 Tooth Pump (Option for field replacement)	
102	0080163	1	Plate, Pump Adapter	
103	0700810	6	Bolt, Metric M8 x 20mm	
104	4831900	6	Lockwasher M8	
106	4832000	8	Lockwasher M10	
107	3020021	AR	Grease, Coupling	
		Ref	MUFFLER INSTALLATIONS	
	0255875	Ref	Standard Equipment	-
	0255876	Ref	Optional Purifier	-
201		Ref	Muffler Options:	
201	3220100	1	Standard Spark Arresting	
201	3220101	1	Optional Catalytic Purifier	
202	0340041	2	Band, Clamp	
203	0902217	1	Bracket	
204	0641508	4	Bolt 5/16in-18NC x 1in	
205	4711500	8	Flatwasher 5/16in Thin	
206	3311505	4	Locknut 5/16in-18NC	
207	1320019	1	Clamp, Exhaust	
	2000132	Ref	ENGINE COMPONENTS	
301	7020023	1	Filter, Fuel (was p/n 7016328)	
302	7000663	1	Alternator (was p/n 7016329 & 7020410)	
302	70002234	1	Bracket, Adjusting (Not Shown)	
303	7016330	1	Switch, Oil Pressure (Not Shown)	
304	7016331	1	Filter, Oil	
305	7016332	1	Starter	
306	70000787	1	Support, Fan	
307	7000699	1	Seal (Doughnut)	
308	7012599	4	Pump, Fuel Injection	
308	7020427	4	Injection (Not Shown)	
309	7012698	1	Pump, Fuel Supply	
309	7020411	1	Seal, Pump to Block	
309	7016309	1	Washer, Copper	
310	7019607	1	Shutdown, Throttle (Not Shown)	

SECTION 2 - TURNTABLE

ITEM	PART NUMBER	QTY	DESCRIPTION	REV
311	7020404	1	Washer, Oil Drain Plug (Not Shown)	
312	7020408	1	V-Belt	
313	7020418	1	Dipstick Oil Level (Not Shown)	
314	7020419	1	Hose, Fuel Return (Not Shown)	
315	7020431	1	Gasket, Valve Cover (Not Shown)	
316	See Note	1	Flywheel/Ring Gear Assembly (Not Shown) (Note: Not Available for Purchase)	
316	7020477	1	Ring Gear Only (Not Shown)	
317	7024565	1	Sensor, Tach (Not Shown - Located on Flywheel Housing)	
318	7027250	1	Spring, Actuator (Not Shown)	

SECTION 2 - TURNTABLE

FIGURE 2-11. DEUTZ ENGINE INSTALLATION - WITH NOISE REDUCTION (SN 0300028190 through 030069000)



SECTION 2 - TURNTABLE

FIGURE 2-11. DEUTZ ENGINE INSTALLATION - WITH NOISE REDUCTION (SN 0300028190 through 030069000)

ITEM	PART NUMBER	QTY	DESCRIPTION	REV
		Ref	ENGINE ASSEMBLY AND INSTALLATIONS	
	0256757	Ref	Engine Assembly and Installation (Standard) (SN 0300028190 through 030064248)	9-H
	0270850	Ref	Engine Assembly and Installation - With ADE System (SN 0300064249 through 0300069000)	8-G
	0257706	Ref	Engine Assembly and Installation (UL) (SN 0300039457 through 0300069000)	4-C
1		Ref	Engine - Deutz F4M1011F Diesel Options:	
1	2000146	1	Standard/UL Machines	
1	2000173	1	Engine - Deutz F4M1011F Diesel ADE System (SN 0300028190 through 0300065628)	
1	2000189	1	Engine - Deutz F4M1011F Diesel ADE System (SN 0300065629 through 0300069000)	
2	4845404	1	Tray Engine	
3		Ref	Plate, Radiator Mounting Options:	
3	3539872	1	Standard Machines	
3	3571421	1	Plate, Radiator Mounting UL Machines (SN 0300039457 through 0300069000)	
4	3620033	1	Cooler, Oil	
5	2060025	1	Fan	
6	3600260	1	Piston Pump Assembly (See PISTON PUMP ASSEMBLY for Breakdown)	
7		Ref	Air Cleaner Assembly Options:	
7	1340060	1	Standard Machines	
7A	7012664	1	Element	
7A	1340050	1	Air Cleaner Assembly UL Machines (SN 0300039457 through 0300069000)	
7A	7010638	1	Element	
8	0340041	2	Band, Mounting	
9	4640751	1	Valve, Oil Drain	
10	3600242	1	Gear Pump Assembly (See GEAR PUMP ASSEMBLY for Breakdown)	
11	3200378	2	Mount, Rubber Engine (Rear)	
12	3537420	1	Bracket, Engine Mounting - Rear	
13	3539971	1	Bracket, Engine Mounting - Front	
14	3537416	1	Support, Engine - Right	
15		Ref	Support, Engine - Left Options:	
15	3537417	1	Support, Engine - Left (SN 0300028190 through 0300064393)	
15	4846479	1	Support, Engine - Left (SN 0300064394 through 0300068965)	
15	4846566	1	Support, Engine - Left (SN 0300068966 through 0300069000)	
16	0400075	1	Battery	
17	0181727	1	Hold-Down, Battery	
18	0630498	2	Rod, Hold-Down	
19	3740067	2	Relay	
20		Ref	Tee, Air Intake Tube Options:	
20	4567112	1	Tee, Air Intake Tube (Standard Only) (SN 0300028190 through 0300042668)	
20	4845080	1	Weldment, Air Intake Tube (UL Machines Only)	
21	4360392	1	Switch, Restrictor Indicator	
22	2180798	1	Fitting	
23	3422448	1	Pin, Pivot	

SECTION 2 - TURNTABLE

ITEM	PART NUMBER	QTY	DESCRIPTION	REV
24	3841143	1	Keeper, Pin	
25	3960389	5 ft/1.5m	Seal	
26	0940070	1	Bumper, Rubber	
27		Ref	Hose, Oil Cooler - Left Options:	
27	2720397	1	Hose 36in (SN 0300028190 through 0300034756)	
27	2720398	1	Hose 30in (SN 0300034757 through 0300069000)	
28	2720398	1	Hose, Oil Cooler - Right (30in)	
29	1703162	2	Nameplate - Fan Caution	
30	1320016	4	Clamp, Hose	
31	2901392	1	Throttle Mounting Kit (SN 0300028190 through 0300064248)	
31A	7008833	1	Bracket, Throttle	
31B	7008835	1	Coupling, Ball Joint	
31C	7008836	1	Spring	
31D	7023340	AR	Screw, Shoulder 3/8in x 3/8in (Not Shown)	
32	2220451	2	Fitting, Straight	
33	3931620	2	Capscrew, Socket Head 3/8in-16NC x 1-1/4in	
34		Ref	Bracket, Control Module Mounting Options:	
34	0902243	1	Bracket, Control Module Mounting (SN 0300028190 through 0300044157)	
34	0902511	1	Bracket, Control Module Mounting (SN 0300044158 through 0300064393)	
34	Not Required	0	Not Required (SN 0300064394 through 0300069000)	
35	0641818	2	Bolt 1/2in-13NC x 2-1/4in	
36	3311805	4	Locknut 1/2in-13NC	
37	0641610	AR	Bolt 3/8-16NC x 1-1/4in	
38	3311605	AR	Locknut 3/8in-16NC	
39	4751600	AR	Flatwasher 3/8in Regular	
40	0701414	AR	Bolt 1/4in-20NC x 3/4in	
41	4891600	2	Flatwasher 3/8in Hardened	
42	0641407	AR	Bolt 1/4in-20NC x 7/8in	
43	4751400	AR	Flatwasher 1/4in Regular	
44	3311405	AR	Locknut 1/4in-20NC	
45	0721005	2	Bolt #10-24NC x 5/8in (SN 0300028190 through 0300064248)	
46	3321005	2	Locknut #10-24NC (SN 0300028190 through 0300064248)	
47	4751000	2	Flatwasher #10 Regular (SN 0300028190 through 0300064248)	
48	1320022	6	Clamp, Hose	
49	2220273	2	Fitting, Reducer	
50	2180536	1	Fitting, Straight	
51	2220313	1	Fitting, 90	
52	2750532	6 ft/1.83m	Hose 3/8in	
53	2220250	1	Fitting, Reducer	
54	2220459	1	Fitting, 90	
55	2720271	15 ft/4.6m	Hose 3/16in	
56	0641812	4	Bolt 1/2in-13NC x 1-1/2in	
57	0100020	AR	Sealant, Thread	
58	0100011	AR	Compound, Locking	
60		Ref	Coupling, Rubber Intake Options:	
60	2720351	6 in/15cm	Coupling, Rubber Intake (SN 0300028190 through 0300067976)	
60	2720449	1	Coupling, Rubber Intake (SN 0300067977 through 0300069000)	
61	0700808	4	Bolt, Metric M8 x 16mm	

SECTION 2 - TURNTABLE

ITEM	PART NUMBER	QTY	DESCRIPTION	REV
62	0060033	NLA	Actuator Assembly (Use p/n 2910000) (See ELECTRICAL SECTION for Breakdown) (SN 0300028190 through 0300064248)	
63	0641507	AR	Bolt 5/16in-18NC x 7/8in	
64	3380428	1	Panel, Rubber	
65	2720434	1	Elbow, Rubber	
66	4845395	1	Air Intake Adapter Weldment	
67	0641510	3	Bolt 5/16in-18NC x 1-1/4in	
68	3311505	7	Locknut 5/16in-18NC	
69	0961986	2	Bushing, Flanged	
70	2901358	1	Battery Cable Kit (Standard)	
70A	7016800	1	Cable, Battery (Red)	
70B	7016812	1	Cable, Battery (Black)	
70C	7016802	1	Cable (Red)	
70D	7016803	1	Cable (Red)	
70E	7016804	1	Cable (Red)	
70F	Not Required	0	Not Required	
70	2901540	1	Battery Cable Kit (UL Machines Only)	
70A	7016826	1	Cable, Battery (Red)	
70B	7016812	1	Cable, Battery (Black)	
70C	7016845	1	Cable (Red)	
70D	7016815	1	Cable (Red)	
70E	7016816	1	Cable (Red)	
70F	7016827	1	Cable (Red)	
71	4460611	1	Terminal, Battery Jumper Post	
72	4360294	1	Breaker, Circuit - 30 Amp (SN 0300028190 through 0300064248)	
73	1320222	1	J-Clip 3/8in	
74	1320223	3	J-Clip 1/2in	
75	0641606	3	Bolt 3/8in-16NC x 3/4in	
76		Ref	Pin, Hitch Options:	
76	3422532	1	Standard Machines	
76	3422533	1	UL Machines	
77	3790152	1	O-Ring	
78	3960407	1	Gasket	
79	4791400	4	Starwasher 1/4in	
80	0701012	4	Bolt, Metric M10 x 25mm	
81	0701015	4	Bolt, Metric M10 x 35mm	
82	0642010	1	Bolt 5/8in-11NC x 1-1/4in	
83	4752000	1	Flatwasher 5/8in Regular	
84	1701505	1	Decal - Diesel (Not Shown - Located on Hood)	
85	2720058	16 ft/4.9m	Hose	
86	2220794	1	Fitting, Barbed	
87	4711600	3	Flatwasher 3/8in Thin	
88	1320031	2	Clamp Only (SN 0300028190 through 0300042668)	
89	3200362	2	Mount, Rubber Engine (Front)	
90	4711400	1	Flatwasher 1/4in Thin	
91	3960468	1	Seal, Foam Gasket	
92	3960469	1	Seal, Foam Gasket	
93	1320060	1	Clamp, Hose Only (SN 0300028190 through 0300034757)	
94	4060805	2.9 ft/0.88m	Flex-Trim 1/4in	

SECTION 2 - TURNTABLE

ITEM	PART NUMBER	QTY	DESCRIPTION	REV
95	4711900	6	Flatwasher 9/16in Thin (SN 0300064394 through 0300069000)	
96	4751800	2	Flatwasher 1/2in Regular	
97	1060637	1	Lanyard	
98	0641808	2	Bolt 1/2in-13NC x 1in	
99	3311801	1	Nut 1/2in-13NC	
100	3539956	1	Plate, Support	
101	2720423	1	Hose Only (SN 0300028190 through 0300042668)	
102	1320131	2	Clamp Only (SN 0300028190 through 0300042668)	
103		Ref	Tuning Tube Weldment Options:	
103	4845394	1	Tuning Tube Weldment (SN 0300028190 through 0300042667)	
103	4567815	1	Tuning Tube Weldment (SN 0300042668 through 0300069000)	
104	0641826	2	Bolt 1/2in-13NC x 3-1/4in	
105	4740274	4	Washer, Snubbing	
107	3570238	1	Plate, Switch Mounting (UL Machines Only)	
108	2180703	1	Fitting, 90 (UL Machines Only)	
109	2221023	1	Fitting, Union (UL Machines Only)	
110	2720058	1.66 ft/0.6m	Hose (UL Machines Only)	
111	2221028	1	Fitting, Union (UL Machines Only)	
112	4360256	1	Switch, Battery Disconnect (UL Machines Only)	
113	1703476	1	Decal, Battery Disconnect (UL Machines Only)	
114	4567576	1	Spacer, Tube (UL Machines Only)	
115	4567213	1	Tubing, Fuel (UL Machines Only)	
116	4567214	1	Tubing, Fuel (UL Machines Only)	
117	4567574	1	Tubing, Fuel (UL Machines Only)	
118	4567571	1	Tubing, Fuel (UL Machines Only)	
119	4567572	1	Tubing, Fuel (UL Machines Only)	
120	4567573	1	Tubing, Fuel (UL Machines Only)	
121	1320245	5	Clamp (UL Machines Only)	
122	1320244	5	Clamp (UL Machines Only)	
123	3931408	5	Bolt 1/4in-20NC x 1/2in (UL Machines Only)	
124	0902417	1	Bracket, Alternator (UL Machines Only)	
125	0160020	1	Alternator (UL) 72 Amp (UL Machines Only)	
126	3580259	1	Pulley, Alternator (UL Machines Only)	
127	4751500	1	Flatwasher 5/16in Regular (UL Machines Only)	
128	3100076	1	Manifold, Exhaust (UL Machines Only)	
129	4567428	1	Weldment, Exhaust Tube (UL Machines Only)	
130	0700812	3	Bolt 8mm x 25mm (UL Machines Only)	
131	4831900	3	Lockwasher 8mm (UL Machines Only)	
132	7019658	1	Fitting 90 W/Pick-Up Tube	
		Ref	MUFFLER INSTALLATIONS	
	0256689	Ref	Standard Equipment (Spark Arresting)	-
	0256690	Ref	Optional Equipment (Catalytic)	-
201		Ref	Muffler Options:	
201	3220103	1	Spark Arresting	
201	3220104	1	Catalytic	
201		Ref	Clamp Options:	
201	1320176	1	Muffler p/n 3220103	
201	70001017	1	Muffler p/n 3220104	
201	7024398	1	Tube, Exhaust	

SECTION 2 - TURNTABLE

ITEM	PART NUMBER	QTY	DESCRIPTION	REV
201	7024560	1	Plug, Brass	
201	7020471	4	Gasket	
	0258569	Ref	MUFFLER INSTALLATION - UL	1
251	3220113	1	Muffler, Spark Arrestor	
251	70001017	1	Clamp	
252	3570754	1	Plate, Muffler Mount	
253	4845668	1	Weldment, Exhaust Tube	
254	3900232	5	Bolt, Button Head 3/8in-16NC x 1-1/4in	
255	4751600	5	Flatwasher 3/8in Regular	
256	3311601	5	Nut 3/8in-16NC	
257	0100011	AR	Compound, Locking (Not Shown)	
258	0902473	1	Bracket	
259	4567429	1	Tube, Exhaust	
260	4567430	1	Tube, Exhaust	
261	4567431	1	Tube, Exhaust	
262	3220111	1	Spark Arrestor	
263	0340046	2	Band, Muffler	
264	0641507	4	Bolt 5/16in-18NC x 7/8in	
265	4711500	8	Flatwasher 5/16in Thin	
266	3311505	4	Locknut 5/16in-18NC	
267	4100025	3.5	Sleeve	
		ft/1.06m		
	2000146	Ref	ENGINE COMPONENTS (SN 0300028190 through 0300064248)	
301	7016328	1	Filter, Fuel (was p/n 7016639)	
302	7000663	1	Alternator (was p/ns 7016329, 7020436 & 7020410)	
303	7016330	1	Switch, Oil Pressure	
304	7016331	1	Filter, Oil (was p/n 7016641)	
304	70002813	1	Gasket, Filter Head to Engine Block	
305	7016332	1	Starter	
306	7026631	1	Dipstick, Engine Oil (was p/ns 7019664 & 7016640) (Not Shown)	
306	70001002	1	Tube, Oil Dipstick (was p/n 7019664) (Not Shown)	
307	7020025	1	Switch, Engine Temperature (Not Shown)	
308	7020414	1	V-Belt	
309		Ref	Gasket, Cylinder Head Options (Not Shown):	
309	70001681	1	1 Notch	
309	70002411	1	2 Notches	
309	70002530	1	3 Notches	
309	7020431	1	Gasket, Valve Cover (Not Shown)	
310	7000699	1	Seal (Doughnut)	
310	7020471	4	Gasket (Muffler to Head)	
310	See Note	8	Nut, Muffler Attaching (Note: Not Available for Purchase)	
311	7019607	1	Shutdown, Throttle (was p/n 7016359) (Not Shown)	
312	7012599	4	Pump, Fuel Injection	
312	7020427	4	Injector, Fuel (Not Shown)	
312	7020425	4	Nozzle (Not Shown)	
313	7020463	1	Pump, Fuel Supply	
313	7020419	1	Hose, Fuel Return	
314	7020027	1	Flywheel/Ring Gear Assembly (Not Shown)	
314	7020477	1	Ring Gear Only (Not Shown)	
315	7020404	1	Washer, Oil Drain Plug (Not Shown)	
316	7027250	1	Spring, Actuator (Not Shown)	
317	7020465	2	Cap, Oil Fill (Not Shown - Located on Top and Left Sides)	

SECTION 2 - TURNTABLE

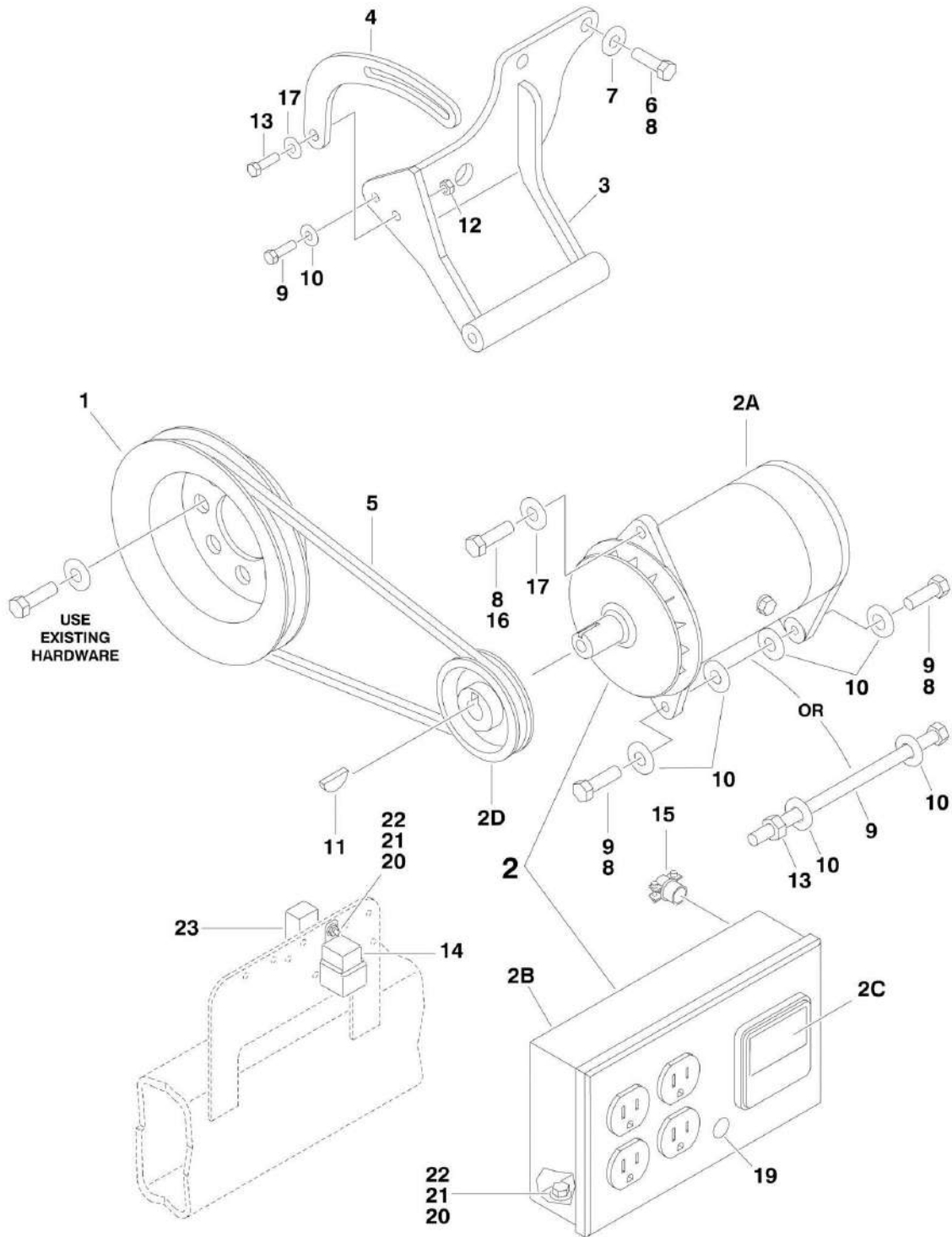
ITEM	PART NUMBER	QTY	DESCRIPTION	REV
		Ref	ENGINE COMPONENTS	
	2000173	Ref	Engine Components ADE System (SN 0300064249 through 0300065628)	
	2000189	Ref	Engine Components ADE System (SN 0300065629 through 0300069000)	
351	7016328	1	Filter, Fuel	
352	7000663	1	Alternator	
352	70003556		Pulley, Alternator	
352	7020464	1	Regulator, Voltage	
352	70002234	1	Bracket, Adjustable	
353	7020461	1	Switch, Oil Pressure	
354	7016331	1	Filter, Oil	
355		Ref	Starter Options:	
355	7016332	1	2000173 Engine	
355	7020479	1	2000189 Engine	
355	See Note	1	Relay (Note: Not Available for Purchase)	
355	7026608	2	Bolt, Starter Mounting	
355	70001498	1	Shield, Starter Heat (Not Shown)	
356	7026631	1	Dipstick Oil Level (Not Shown)	
356	7020487	1	Seal, Dipstick (Not Shown)	
356	70001002		Tube, Dipstick	
357	7020168	1	Switch, Engine Temperature (Not Shown)	
357	7020480	1	Seal, Temp Switch (Not Shown)	
358	7020408	1	V-Belt	
359	7020458	1	Fuel, Solenoid (Not Shown)	
360	7020462	4	Fuel Injection Pump	
360	7026522	4	Injector, Fuel (Includes Nozzle Element) (Not Shown)	
361		Ref	Fuel Pump Supply Options:	
361	7020463	1	2000173 Engine	
361	7020463	1	2000189 Engine (was p/n 7024413)	
361	7020411	1	Seal, Pump to Block (Not Shown)	
362	7020465	2	Cap, Oil Fill (Not Shown - Located on Top and Left Sides)	
363	7020474	1	Pump, Oil Lube (Not Shown - Located on Left Side)	
363	7020468	1	Ring, Pump Sealing	
364	7020449	4	Gasket, Intake Manifold to Engine Block (Not Shown)	
365		Ref	Sensor, Tach (Not Shown - Located on Flywheel Housing)	
365	7024565	1	2000173 Engine	
365	7024565	1	2000189 Engine (was p/n 7020481)	
366	7020458	1	Actuator, Throttle (Not Shown)	
366	7026607	1	Spring, Actuator (was p/n 7027276)	
367	7020471	4	Gasket, Exhaust Manifold to Engine Block	
368	70001423	1	Head, Fuel Filter	
369		Ref	Gasket, Head Options (Not Shown):	
369	70001681	1	1 Notch Gasket	
369	70002411	1	2 Notch Gasket	
369	70002530	1	3 Notches	
370		Ref	Flywheel (Not Shown)	
370	7020027	1	2000173 Engine	
370	See Note	1	2000189 Engine (Note: Not Available for Purchase)	
	0256847	Ref	PUMP COUPLING INSTALLATION	-
401	1660234	1	Coupling, Hayes	
402	0080163	1	Plate, Pump Adapter	

SECTION 2 - TURNTABLE

ITEM	PART NUMBER	QTY	DESCRIPTION	REV
403	0700810	6	Bolt Metric 8mm x 20mm	
404	4831900	6	Lockwasher 8mm	
406	4832000	8	Lockwasher 10mm	
407	3020021	AR	Grease, Coupling	

SECTION 2 - TURNTABLE

FIGURE 2-12. GENERATOR INSTALLATION (OPTIONAL - DEUTZ ENGINE MACHINES)



SECTION 2 - TURNTABLE

FIGURE 2-12. GENERATOR INSTALLATION (OPTIONAL - DEUTZ ENGINE MACHINES)

ITEM	PART NUMBER	QTY	DESCRIPTION	REV
		Ref	GENERATOR INSTALLATION OPTIONS:	
		Ref	Note: Numbered Colored Wiring starts after SN 0300035129	
	0255396	Ref	110V Generator (Prior to SN 0300035129)	3
	0257853	Ref	110V Generator (SN 0300035129 through 0300064248)	3
	0271544	Ref	110V Generator - ADE System (SN 0300064249 through 0300068965)	3
	0272480	Ref	110V Generator - ADE System (SN 0300068966 through 0300069000)	2
	0257160	Ref	220V Generator (Prior to SN 0300035129)	2
	0257857	Ref	220V Generator (SN 0300035129 through 0300064248)	4
	0271547	Ref	220V Generator - ADE System (SN 0300064249 through 0300068965)	3
	0272481	Ref	220V Generator - ADE System (SN 0300068966 through 0300069000)	2
1	3580158	1	Pulley	
2		Ref	Generator and Control Box Assembly Options:	
2	2460011	1	110Volt Assembly (Prior to SN 0300066056)	I
2	2460032	1	110Volt Assembly (SN 0300066056 through 0300069000)	C
2	2460013	1	220Volt Assembly (Prior to SN 0300066056)	B
2	2460034	1	220Volt Assembly (SN 0300066056 through 0300068965)	B
2	2460013	1	220Volt Assembly (SN 0300068966 through 0300069000)	B
2A		Ref	Generator, Replacement Options:	
2A	7012558	1	110 Volt Generator Only	
2A	1001100321		220 Volt Generator Only	
		Ref	Note: Replacement Generators come standard with p/n 3580134 pulley. This pulley may not be correct for all applications. Refer to pulley options below.	
2A	7020193	1	Cord, Power - 12ft Length	
2A		Ref	Armature with Slip Rings Options:	
2A	7026199	1	Armature for 110 Volt	
2A	70000123	1	Armature for 220 Volt	
2A	7020108	4	Brushes	
2A	7020109	4	Holder, Brush	
2A	7012513	4	Cap, Brush Holder	
2A	7012514	1	Fan	
2A	7020110	1	Bell, Front	
2A	7020111	1	Bell, Rear	
2A	7020190	2	Bearing	
2B		Ref	Box, Control Options:	
2B	7003657	1	110 Volt Control Box Only	
2B	70002235	1	220 Volt Control Box Only	
2B	3520028	1	Plug, Hole	
2B		Ref	Receptacle Options:	
2B	4460190	1	Receptacle, Standard (110V Only)	
2B	4460027	1	Receptacle, Twistlock (110V Only)	
2B	70000124	1	Receptacle, Double (220V Only)	
2B	70000125	1	Receptacle, Single (220V Only)	
2B		Ref	Circuit Breaker Options:	
2B	4360542	1	Circuit Breaker for 110 Volt	
2B	7000126	1	Circuit Breaker for 220 Volt	
2B	7020191	1	Switch, Toggle	

SECTION 2 - TURNTABLE

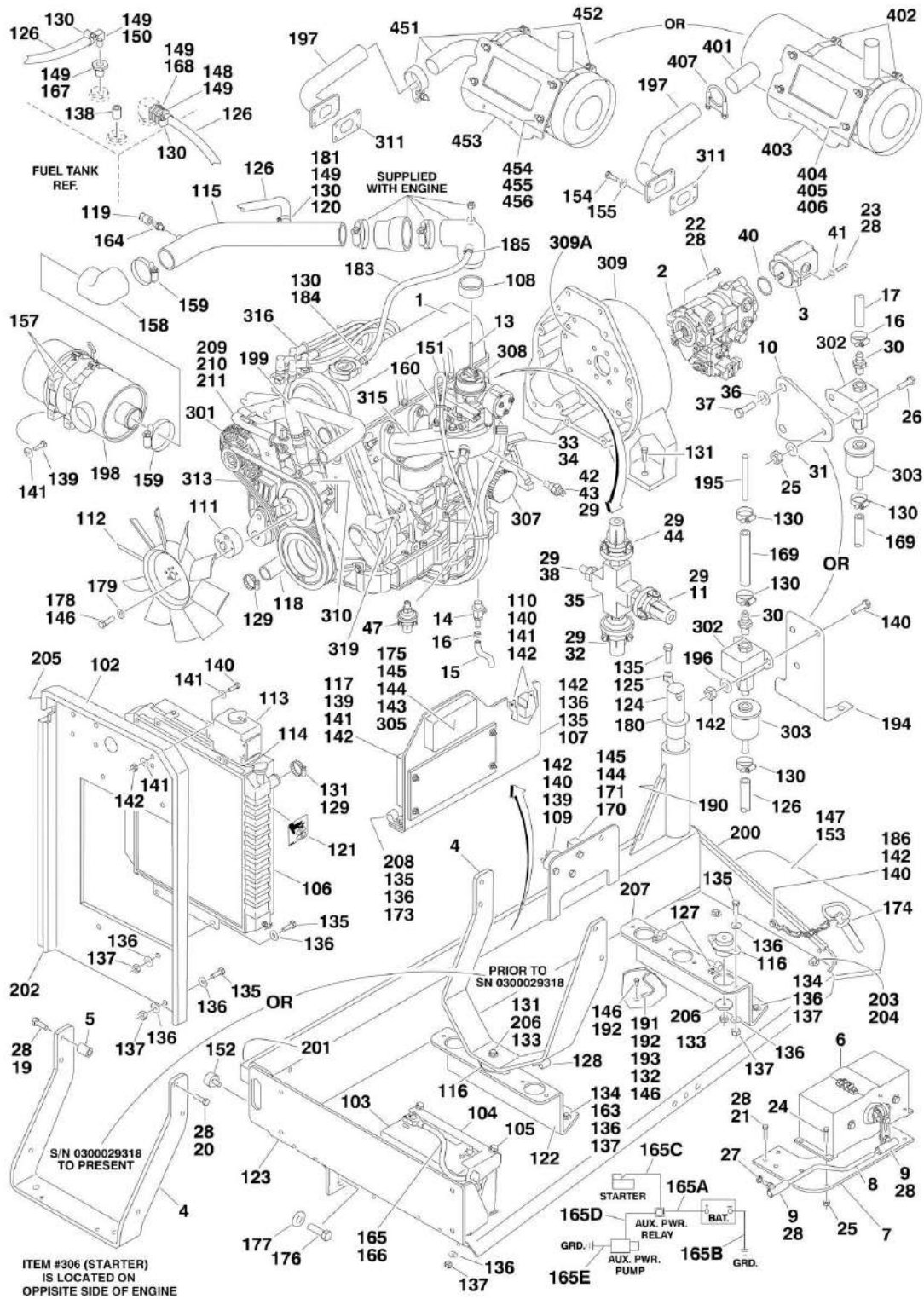
ITEM	PART NUMBER	QTY	DESCRIPTION	REV
2B	2920162	1	Lamp	
2C		Ref	Voltmeter Options:	
2C	2420203	1	Voltmeter for 110 Volt	
2C	7020192	1	Voltmeter for 220 Volt	
2D		Ref	Pulley Options:	
2D	3580134	1	Pulley 110V (Prior to SN 0300066056)	
2D	3580276	1	Pulley 110V (SN 0300066056 through 0300069000)	
2D	3580134	1	Pulley 220V (Prior to SN 0300066056)	
2D	3580276	1	Pulley 220V (SN 0300066056 through 0300068965)	
2D	3580134	1	Pulley 220V (SN 0300068966 through 0300069000)	
2D	7027887	1	Key, Woodruff	
3		Ref	Bracket, Generator Mounting Options:	
3	4845184	1	Bracket, Generator Mounting (Prior to SN 0300034200)	
3	4845531	1	Bracket, Generator Mounting (SN 0300034200 through 0300064394)	
4		Ref	Arm, Adjusting Options:	
4	0200530	1	Arm, Adjusting (Prior to SN 0300064394)	
4	0200741	1	Arm, Adjusting (SN 0300064394 through 0300068965)	
4	0200742	1	Arm, Adjusting (SN 0300068966 through 0300069000)	
5		Ref	V-Belt Option:	
5	0480050	1	V-Belt (Prior to SN 0300064394)	
5	0480119	1	V-Belt (SN 0300064394 through 0300066055)	
5	0480111	1	V-Belt (SN 0300066056 through 0300068965)	
5	0480121	1	V-Belt (SN 0300068966 through 0300069000)	
6	0711414	2	Bolt, Metric 14mm x 30mm (Prior to SN 0300064394)	
7		Ref	Hardware Options:	
7	4751900	2	Flatwasher 9/16in Regular (Prior to SN 0300064394)	
7	0641610	1	Bolt 3/8in-16NC x 1-1/2in (SN 0300064394 through 0300069000)	
8	0100011	AR	Compound, Locking	
9		Ref	Bolt Options:	
9	0681612	3	Bolt 3/8in-16NC x 1-1/2in (Grade 8) (Prior to SN 0300064394)	
9	0641772	1	Bolt 7/16in-14NC x 9in (SN 0300064394 through 0300069000)	
10	4751600	6	Flatwasher 3/8in Regular	
11	2860012	1	Key, Woodruff	
12	3311605	1	Locknut 3/8in-16NC	
13		Ref	Hardware Options:	
13	0700819	1	Bolt, Metric 8mm x 55mm (Prior to SN 0300064394)	
13	3311705	1	Locknut 7/16in-14NC (SN 0300064394 through 0300069000)	
14	3740080	1	Relay	
15	4460023	1	Connector, Strain Relief	
16	0641508	1	Bolt 5/16in-18NC x 1in	
17	4751500	AR	Flatwasher 5/16in Regular	
19	3520028	1	Plug, Hole	
20	0721006	4	Bolt #10-24NC x 3/4in	
21	3311005	4	Locknut #10-24NC	
22	4751000	9	Flatwasher #10 Regular	
23	4360294	1	Breaker, Circuit - 30 Amp	
25	4360336	1	Switch, Toggle (Not Shown - Located at Platform)	
26	4740397	1	Bushing (Not Shown - Located at Platform)	
27	4060802	1	Guard, Switch (Not Shown - Located at Platform)	
29	2820031	4 in/10cm	Heat Shrink (Not Shown - Located at Platform)	

SECTION 2 - TURNTABLE

ITEM	PART NUMBER	QTY	DESCRIPTION	REV
30	3251102	1	Decal (Not Shown - Located at Platform)	

SECTION 2 - TURNTABLE

FIGURE 2-13. FORD ENGINE INSTALLATIONS (Prior to SN 0300037117)



SECTION 2 - TURNTABLE

FIGURE 2-13. FORD ENGINE INSTALLATIONS (Prior to SN 0300037117)

ITEM	PART NUMBER	QTY	DESCRIPTION	REV
		Ref	ENGINE ASSEMBLIES	
	0255628	Ref	Standard Gas Engines (Prior to SN 0300029318)	9
	0256809	Ref	Standard Gas Engines (SN 0300029318 through 0300037117)	3
	0255629	Ref	Dual Fuel Engines (Prior to SN 0300029318)	9
	0256810	Ref	Dual Fuel Engines (SN 0300029318 through 0300037117)	3
1		Ref	Engine - Ford LRG-423 Options:	
1	2000126	1	Engine - Ford LRG-423 (Prior to SN 0300029318)	
1	2000149	1	Engine - Ford LRG-423 (SN 0300029318 through 0300037117)	
2		Ref	Piston Pump Assembly Options: (See PISTON PUMP ASSEMBLY for Breakdown)	
2	3600164	1	13 Tooth Pump (Original Equipment)	
2	3600260	1	15 Tooth Pump (Optional for Field Replacement)	
3	3600242	1	Gear Pump Assembly (See GEAR PUMP ASSEMBLY for Breakdown)	
4		Ref	Mount, Engine (Front) Options:	
4	3200377	1	Mount, Engine (Front) (Prior to SN 0300029318)	
4	3539972	1	Mount, Engine (Front) (SN 0300029318 through 0300037117)	
5	4566605	1	Tube, Spacer	
6	2500005	1	Actuator, Precision Governor	
7	0902088	1	Bracket, Precision Governor	
8	3841255	1	Rod, Throttle	
9	1660157	2	Coupling, Ball joint	
10	0902087	1	Bracket, Fuel Pump Mounting (Prior to SN 0300029083)	
11	4360037	1	Switch, Oil Pressure	
12	2220273	1	Fitting, Reducer	
13	4300056	1	Stud, Carburetor	
14		Ref	Valve, Oil Drain Options:	
14	4640750	1	Valve, Oil Drain 14mm (Prior to SN 0300027347)	
14	4640989	1	Valve, Oil Drain 12mm (SN 0300027347 through 0300037117)	
15	2750532	6 in/21cm	Hose	
16	1320022	3	Clamp	
17	2720058	18 in/46cm	Hose, Fuel Line - 5/16in ID (Prior to SN 0300029083)	
18	2180536	1	Fitting, Barbed	
19	0701022	2	Bolt, Metric 10mm-1.5 x 70mm	
20	0701014	2	Bolt, Metric 10mm-1.5 x 30mm	
21	0700810	3	Bolt, Metric 8mm-1.25 x 20mm	
22	0641810	2	Bolt 1/2in-13NC x 1-1/4in	
23	3931620	2	Capscrew, Socket Head 3/8in-16NC x 1-1/4in	
24	0641408	4	Bolt 1/4in-20NC x 1in	
25	3311405	5	Locknut 1/4in-20NC	
26	0641404	2	Bolt 1/4in-20NC x 1/2in (Prior to SN 0300029083)	
27	3321401	2	Nut 1/4in-28NF	
28	0100011	AR	Compound, Locking	
29	0100020	AR	Sealant, Pipe	
30	2220315	1	Fitting, Barbed (Prior to SN 0300029083)	
31	4791400	2	Starwasher, 1/4in External (Prior to SN 0300029083)	
32	4360065	1	Switch, Oil Pressure	
33	4564281	1	Tube, Dipstick	

SECTION 2 - TURNTABLE

ITEM	PART NUMBER	QTY	DESCRIPTION	REV
34	2420109	1	Gauge, Oil Dipstick (Prior to SN 0300039075)	
34	2420189	1	Gauge, Oil Dipstick (SN 0300039075 through 0300037117)	
35	2220994	1	Fitting, Cross	
36	4791600	2	Starwasher, 3/8in External (Prior to SN 0300029083)	
37	0701015	1	Bolt, Metric M10 x 35mm (Prior to SN 0300029083)	
38	2220437	1	Fitting, Reducer	
40	3790152	1	O-Ring	
41	4891600	2	Washer, Hardened	
42	4360157	1	Switch, Water Temperature	
43	2220250	1	Fitting, Reducer	
44	4360405	1	Switch, Oil Pressure	
45	1320223	2	J-Clip 1/2in Only (Not Shown) (SN 0300029318 through 0300037117)	
46	1320222	1	J-Clip 3/8in Only (Not Shown) (SN 0300029318 through 0300037117)	
47	4360455	1	Switch, Temperature 150 (SN 0300029318 through 0300037117)	
		Ref	ENGINE INSTALLATIONS	
	0255424	Ref	Standard Gas Engines (Prior to SN 0300029318)	6-E
	0256756	Ref	Standard Gas Engines (SN 0300029318 through 0300037117)	2-B
	0255427	Ref	Dual Fuel Engines (Prior to SN 0300029318)	7-F
	0256759	Ref	Dual Fuel Engines (SN 0300029318 through 0300037117)	3-C
102		Ref	Plate, Radiator Mounting Options:	
102	3538724	1	Plate, Radiator Mounting (Prior to SN 0300029318)	
102	3539872	1	Plate, Radiator Mounting (SN 0300029318 through 0300037117)	
103	0400075	1	Battery	
104	0181727	1	Tie-Down	
105	0630498	2	Bolt, Tie-Down	
106	3620032	1	Radiator	
107	3538873	1	Bracket, Controller	
108	0080091	1	Choke Adapter	
109	3740067	1	Relay, Auxiliary Power Relay	
110	3740080	2	Relay, Bosch Relay	
111	0080214	1	Adapter, Fan Spacer	
112	2060025	1	Fan, Suction	
113	1580011	1	Container, Coolant Overflow Container	
114	2720058	1	Hose, Radiator Overflow	
115	4845035	1	Tube, Air Cleaner	
116	3200362	4	Mount, Rubber	
117	1600211	1	Controller, Governor	
118		Ref	Hose, Radiator (Lower) Options:	
118	2720393	1	Hose, Radiator (Lower) (Prior to SN 0300029318)	
118	2720435	1	Hose, Radiator (Lower) (SN 0300029318 through 0300037117)	
119	4360392	1	Switch, Restriction Indicator Switch	
120	2220720	1	Fitting, Barbed	
121	1703162	1	Nameplate - Fan Caution	
122		Ref	Bracket, Engine Mounting (Front) Options:	
122	3537288	1	Bracket, Engine Mounting (Front) (Prior to SN 0300029318)	
122	3570103	1	Bracket, Engine Mounting (Front) (SN 0300029318 through 0300037117)	
123		Ref	Tray Weldment Options:	

SECTION 2 - TURNTABLE

ITEM	PART NUMBER	QTY	DESCRIPTION	REV
123	4844961	1	Tray Weldment (Prior to SN 0300029318)	
123	4845404	1	Tray Weldment (SN 0300029318 through 0300037117)	
124	3422448	1	Pin, Pivot	
125	3841143	1	Pin, Keeper	
126	2750532	5 ft/1.5m	Hose	
127	1320070	2	Clamp, Hose (Prior to SN 0300025814)	
128	1320060	1	Clamp, Hose - 0.625	
129	1320012	4	Clamp, Hose, Radiator	
130	1320022	11	Clamp, Hose	
131	0641828	AR	Bolt 1/2in-13NC x 3-1/2in	
132	4751800	AR	Flatwasher 1/2in Regular	
133	3311805	AR	Hex Nut 1/2in - 13UNC	
134	0641610	AR	Bolt 3/8in-16NC x 1-1/4in	
135	0641608	AR	Bolt 3/8in-16NC x 1in	
136	4751600	AR	Flatwasher 3/8in Regular	
137	3311605	AR	Locknut 3/8in-16UNC	
138	2200233	1	Plug, Pipe	
139	0641408	12	Bolt 1/4in-20NC x 1in	
140	0641406	10	Bolt 1/4in-20NC x 3/4in	
141	4751400	20	Flatwasher 1/4in Regular	
142	3311405	20	Locknut 1/4in x 20NC	
143	0721014	2	Bolt #10-24NC x 1-3/4in	
144	4751000	4	Flatwasher #10 Regular	
145	3311005	4	Hex Nut #10-24NC	
146	0100011	AR	Compound, Locking	
147	3380428	1	Panel, Rubber (SN 0300029318 through 0300037117)	
148	2220270	1	Fitting, Barbed	
149	0100020	AR	Sealant, Pipe	
150	2180467	1	Fitting, 90 Barbed	
151	2720271	4.5 ft/1.4m	Vacuum Hose 3/16in	
152	0940070	1	Bumper, Rubber	
153	3539956	1	Plate, Support (SN 0300029318 through 0300037117)	
154	0701012	4	Bolt 10mm x 1.5 x 25mm	
155	4832000	4	Lockwasher	
157		Ref	Band, Mounting Options:	
157	0340002	2	Band, Mounting (Prior to SN 0300025814)	
157	0340041	2	Band, Mounting (SN 0300025814 through 0300037117)	
158	0080201	1	Fitting, 90 Reducing	
159	1320016	3	Clamp, Worm Gear	
160	4240032	5	Strap, Tie	
162	4240099	6	Strap, Tie	
163	4791600	AR	Starwasher 3/8in	
164	2180798	1	Fitting, Restriction Indicator	
165	2901362	1	Battery Cable Kit	
165A	7016800	1	Cable, Battery (Red)	
165B	7016807	1	Cable, Battery (Black)	
165C	7016808	1	Cable (Red)	
165D	7016804	1	Cable (Red)	
165E	7016805	1	Cable (Black Only) (Prior to SN 0300027360)	
166	4460611	1	Terminal, Battery Jumper Post	
167	2220250	1	Fitting, Reducer	

SECTION 2 - TURNTABLE

ITEM	PART NUMBER	QTY	DESCRIPTION	REV
168	2220273	1	Fitting, Reducer	
169	2720058	15.3 ft/4.7m	Hose 5/16in	
170	0721004	2	Bolt #10-24NC x 1/2in	
171	4360294	1	Breaker, Circuit-30 AMP	
173	1320223	AR	J-Clip 1/2in	
174	3422533	1	Pin, Hitch	
175	1320061	1	Clamp	
176	0642010	1	Bolt 5/8in-11NC x 1-1/4in	
177	4752000	1	Flatwasher 5/8in Regular	
178	0700819	4	Bolt M8 x 1.25 x 55mm	
179	4831900	4	Lockwasher M8	
180	0961986	2	Bearing, Flange	
181	2200221	1	Plug, Pipe	
182	1701542	1	Decal - Gasoline (Not Shown - Located Near Tank)	
183	2720160	18 in/46cm	Hose	
184	4562516	1	Tube	
185	1320032	1	Clamp, Hose	
186	4711400	1	Flatwasher, 1/4in Thin	
190	4060804	19 in/49cm	Flex-Trim 3/16in (SN 0300025814 through 0300037117)	
191	1060637	1	Cable, Lanyard (SN 0300027103 through 0300037117)	
192	1641808	2	Bolt 1/2in-13NC x 1in (SN 0300027103 through 0300037117)	
193	3311801	1	Hex Nut 1/2in-13 NC (SN 0300027103 through 0300037117)	
194	3570104	1	Plate, Fuel Pump Mounting (SN 0300029083 through 0300037117)	
195	4567169	1	Tube, Fuel (SN 0300029083 through 0300037117)	
196	4791400	2	Starwasher 1/4in (SN 0300029083 through 0300037117)	
197		Ref	Tube, Exhaust Options:	
197	4845152	1	Tube, Exhaust (Prior to SN 0300029318)	
197	4567071	1	Tube, Exhaust (SN 0300029318 through 0300037117)	
198		Ref	Air Cleaner Assembly Options:	
198	1340056	1	Air Cleaner Assembly (Prior to SN 0300029318)	
198	1340060	1	Air Cleaner Assembly (SN 0300029318 through 0300037117)	
198	7012664	1	Element, Air Cleaner	
199		Ref	Hose, Radiator (Top) Options:	
199	2720394	1	Hose, Radiator (Top) (Prior to SN 0300029318)	
199	2720436	1	Hose, Radiator (Top) (SN 0300029318 through 0300037117)	
200		Ref	Flex-Trim 1/4in Options:	
200	4060805	16 in/40cm	Flex-Trim 1/4in (Prior to SN 0300029318)	
200	4060806	16 in/40cm	Flex-Trim 1/4in (SN 0300029318 through 0300037117)	
201	3960468	1	Seal, Foam Gasket (SN 0300029318 through 0300037117)	
202	3960469	1	Seal, Foam Gasket (SN 0300029318 through 0300037117)	
203	0641507	3	Bolt 5/16in-18NC x 7/8in (SN 0300029318 through 0300037117)	
204	3311505	3	Locknut 5/16in-18NC (SN 0300029318 through 0300037117)	
205	3960389	5 ft/15m	Seal (SN 0300029318 through 0300037117)	
206	4740274	4	Washer, Snubbing (SN 0300029318 through 0300037117)	
207		Ref	Bracket, Engine Mounting (Rear) Options:	
207	3537288	1	Bracket, Engine Mounting (Rear) (Prior to SN 0300029318)	
207	3570133	1	Bracket, Engine Mounting (Rear) (SN 0300029318 through	

SECTION 2 - TURNTABLE

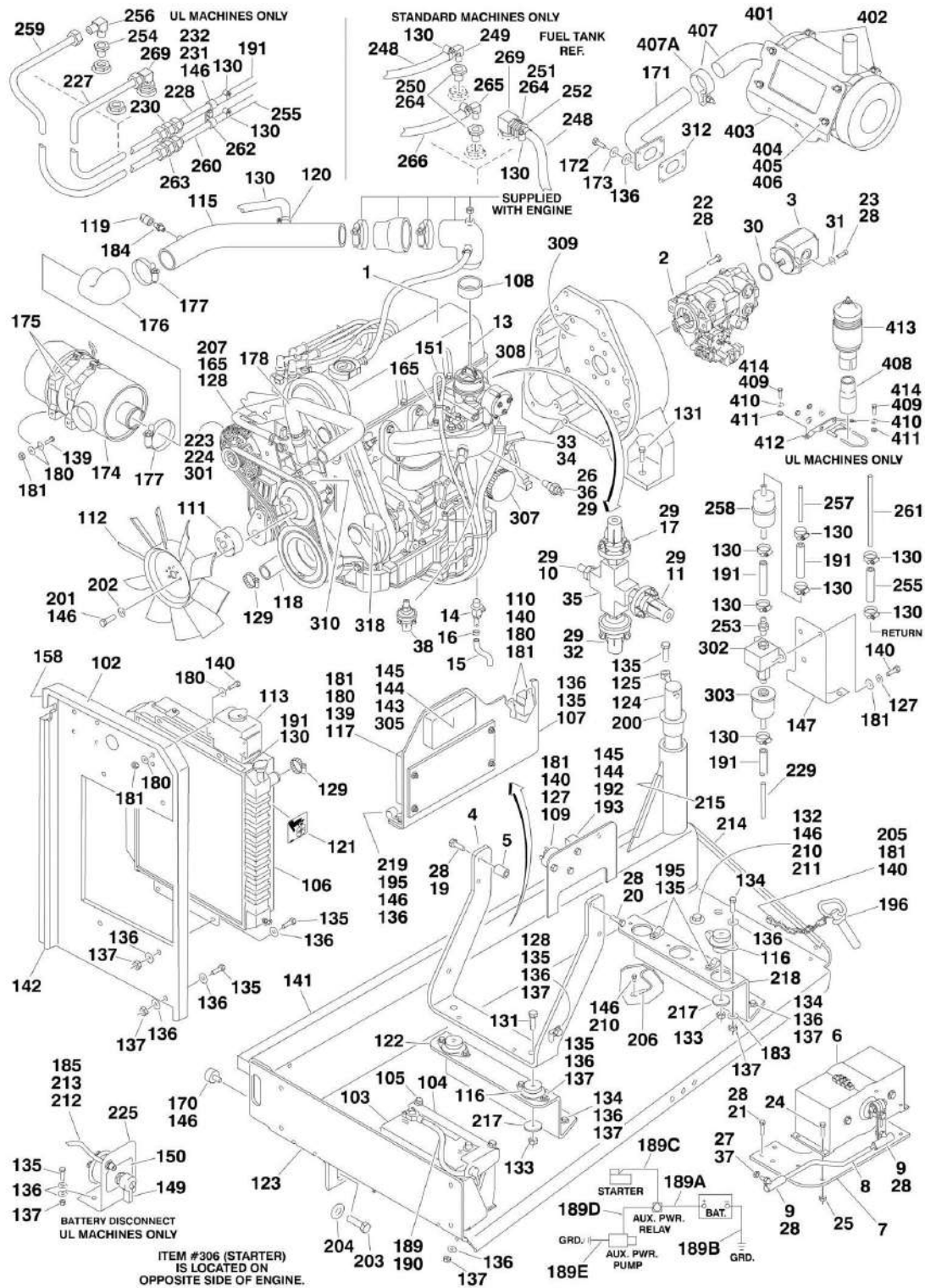
ITEM	PART NUMBER	QTY	DESCRIPTION	REV
208	0641606	3	0300037117) Bolt 3/8in-16NC x 3/4in Only (SN 0300030209 through 0300037117)	
209	4100025	18 in/46cm	Sleeve, Fiberglass Only (SN 0300030209 through 0300037117)	
210	1320060	1	Clamp, Hose Only (SN 0300030209 through 0300037117)	
211	4240099	2	Tie-Strap Only (SN 0300030209 through 0300037117)	
212	7019658	1	Fitting 90 W/Pick-Up Tube	
		Ref	FORD ENGINE COMPONENTS	
	2000126	Ref	Ford Engine (Prior to SN 0300029318)	
	2000149	Ref	Ford Engine (SN 0300029318 through 0300037117)	
301	7012680	1	Alternator	
302	7016600	1	Fuel Pump Assembly	
303	7016601	1	Filter, Fuel	
304	7012682	1	Harness, Engine Wiring (Not Shown)	
305	7012681	1	Module, Ignition	
306	7012679	1	Starter (was p/n 7000868)	
306	7025145	1	Solenoid, Starter	
307	7021869	1	Filter, Oil (was p/n 7014501)	
308	7012690	1	Carburetor (Standard Gas and LP)	
308	7024321	1	Gasket, Carburetor (Top)	
308	7000646	1	Gasket, Carburetor	
308	7016605	1	Choke, Automatic	
308	7012683	1	Spring	
308	7023471	1	Float Assy	
308	7019933	1	Carburetor Repair Kit	
309		Ref	Flywheel and Coupling Assembly	
309	1660218	1	Flywheel and Coupling Assembly - 13 Tooth Pump	
309	See Note	1	Flywheel and Coupling Assembly - 15 Tooth Pump (Note: Not Available for Purchase)	
309	7022180	1	Gear, Ring	
309A	1660249	1	Coupling - 13 Tooth Pump (Original Equipped) (was p/n 7012656)	
309A	1660250	1	Coupling, Pump - 15 Tooth Pump (was p/n 7016662)	
310	7022153	1	Water Pump Assembly (was p/n 7016638)	
311	70002307	1	Gasket, Exhaust Manifold to Pipe	
311	7022143	1	Gasket, Exhaust Manifold to Head (Not Shown)	
311	7025126	1	Gasket, Intake Manifold to Head (Not Shown) (was p/n 7019923)	
312	7000884	1	Solenoid, Fuel (Not Shown)	
313	7019921	1	V-Belt	
314	7019925	1	Valve, PCV (Not Shown)	
315	7019929	1	Pulley, Idler (Not Shown)	
316	7019930	1	Ignition Coil Assy	
316	7019931	1	Spark Plug Wires (Set)	
316	7019932	4	Spark Plug	
317	7020120	1	Housing, Bell	
318	7022178	1	Sensor, Crank Shaft (Not Shown)	
319	7022150	1	Belt, Timing	
		Ref	MUFFLER INSTALLATIONS (Prior to SN 0300029318)	
	0255864	Ref	Standard Spark Arresting	-
	0255865	Ref	Optional Catalytic	-
401		Ref	Muffler Options:	

SECTION 2 - TURNTABLE

ITEM	PART NUMBER	QTY	DESCRIPTION	REV
401	3220097	1	Standard Spark Arresting	
401	3220098	1	Optional Catalytic	
402	0340041	2	Band	
403	0902212	1	Bracket, Muffler	
404	0641508	4	Bolt 5/16in-18NC x 1in	
405	4711500	8	Flatwasher 5/16in Thin	
406	3311505	4	Locknut 5/16in-18NC	
407	1320019	1	Clamp, Exhaust	
		Ref	MUFFLER INSTALLATIONS (SN 0300029318 through 0300037117)	
	0256685	Ref	Standard Spark Arresting	2
	0256686	Ref	Optional Catalytic	-
451		Ref	Muffler Options:	
451	3220105	1	Standard Spark Arresting	
451	3220106	1	Optional Catalytic	
451	70001017	1	Clamp	
452	0340046	2	Band	
453	0902309	1	Bracket, Muffler	
454	0641507	4	Bolt 5/16in-18NC x 7/8in	
455	4711500	8	Flatwasher 5/16in Thin	
456	3311505	4	Locknut 5/16in-18NC	
457	4567073	1	Tube, Exhaust	

SECTION 2 - TURNTABLE

FIGURE 2-14. FORD ENGINE INSTALLATIONS - LRG425 WITH CARBURETOR (SN 0300037117 through 0300069000)



SECTION 2 - TURNTABLE

FIGURE 2-14. FORD ENGINE INSTALLATIONS - LRG425 WITH CARBURETOR (SN 0300037117 through 0300069000)

ITEM	PART NUMBER	QTY	DESCRIPTION	REV
	0257992	Ref	ENGINE ASSEMBLY	4
1		Ref	Engine - Ford LRG-425 Options:	
1	2000156	1	Engine - Ford LRG-425 (SN 0300037117 through 0300039819)	
1	2000160	1	Engine - Ford LRG-425 (SN 0300039820 through 0300069000)	
2		Ref	Piston Pump Assembly Options (See PISTON PUMP ASSEMBLY for Breakdown):	
2	3600164	NLA	Piston Pump Assembly Options (Use p/n 3600260) (SN 0300037117 through 0300029317)	
2	3600260	1	Piston Pump Assembly Options (SN 0300029318 through 0300069000)	
3	3600242	1	Gear Pump Assembly (See GEAR PUMP ASSEMBLY for Breakdown)	
4	3539972	1	Plate, Engine Mounting - Front	
5	4566605	1	Tube, Spacer	
6	2500005	1	Actuator, Precision Governor	
7	0902088	1	Bracket, Precision Governor	
8	3841255	1	Rod, Throttle	
9	1660157	2	Coupling, Ball joint	
10	2220437	1	Fitting, Reducer	
11	4360037	1	Switch, Oil Pressure	
12	2220273	1	Fitting, Reducer	
13	4300056	1	Stud, Carburetor	
14	4640989	1	Valve, Oil Drain	
15	2750532	6 in/21cm	Hose	
16	1320022	2	Clamp	
17	4360405	1	Switch, Oil Pressure	
18	2180536	1	Fitting, Barbed	
19	0701022	2	Bolt, Metric 10mm-1.5 x 70mm	
20	0701014	2	Bolt, Metric 10mm-1.5 x 30mm	
21	0700810	3	Bolt, Metric 8mm-1.25 x 20mm	
22	0641812	4	Bolt 1/2in-13NC x 1-1/2in	
23	3931620	2	Capscrew, Socket Head 3/8in-16NC x 1-1/4in	
24	0641408	4	Bolt 1/4in-20NC x 1in	
25	3311405	5	Locknut 1/4in-20NC	
26	2220250	1	Fitting, Reducer	
27	3321401	2	Nut 1/4in-28NF	
28	0100011	AR	Compound, Locking	
29	0100020	AR	Sealant, Pipe	
30	3790152	1	O-Ring	
31	4891600	2	Flatwasher 3/8in Hardened	
32	4360065	1	Switch, Oil Pressure	
33	4564281	1	Tube, Dipstick	
34	2420187	1	Dipstick	
35	2220994	1	Fitting, Cross	
36	4360157	1	Switch, Water Temperature	
37	4751000	2	Flatwasher #10 Regular	
38	4360455	1	Switch, Temperature	
39	1320223	3	J-Clip 1/2in (Not Shown)	
40	1320222	1	J-Clip 3/8in (Not Shown)	
		Ref	ENGINE INSTALLATIONS	

SECTION 2 - TURNTABLE

ITEM	PART NUMBER	QTY	DESCRIPTION	REV
	0257996	Ref	Standard Gas Machines (SN 0300037117 through 0300048907)	6
	0258604	Ref	LP Gas Machines (UL) (SN 0300039457 through 0300069000)	4
	0257999	Ref	Dual Fuel Machines (SN 0300037117 through 0300048907)	6
	0257703	Ref	Dual Fuel Machines (UL) (SN 0300039457 through 0300069000)	8
102		Ref	Mount, Radiator Options:	
102	3539872	1	Standard Machines	
102	3571421	1	Mount, Radiator UL Machines (SN 0300039457 through 0300069000)	
103	0400075	1	Battery	
104	0181727	1	Tie-Down	
105	0630498	2	Bolt, Tie-Down	
106	3620040	1	Radiator	
107	3538873	1	Bracket, Controller	
108	0080091	1	Choke Adapter	
109	3740067	1	Relay, Auxiliary Power Relay	
110	3740080	2	Relay, Bosch Relay	
111	0080214	1	Adapter, Fan Spacer	
112	2060025	1	Fan, Suction	
113	1580011	1	Container, Coolant Overflow Container	
114	0641606	5	Bolt 3/8in-16NC x 3/4in (Not Shown Used with Item #267)	
115	4845035	1	Tube, Air Cleaner	
116	3200362	4	Mount, Rubber	
117	1600211	1	Controller, Governor	
118	2720435	1	Hose, Lower Radiator (Lower)	
119	4360392	1	Switch, Restriction Indicator Switch	
120	2220720	1	Fitting, Barbed	
121	1703162	2	Decal - Fan Blade	
122	3570103	1	Plate, Engine Mount (Front)	
123	4845404	1	Tray, Engine	
124	3422448	1	Pin, Pivot	
125	3841143	1	Pin, Keeper	
126	0840026	1	Boot, Electrical (UL Machines Only) (Not Shown)	
127	4791400	AR	Starwasher 1/4in	
128	1320060	2	Clamp, Hose - 0.625	
129	1320012	4	Clamp, Hose, Radiator	
130	1320022	AR	Clamp, Hose	
131	0641828	AR	Bolt 1/2in-13NC x 3-1/2in	
132	4751800	AR	Flatwasher 1/2in Regular	
133	3311805	AR	Hex Nut 1/2in - 13UNC	
134	0641610	AR	Bolt 3/8in-16NC x 1-1/4in	
135	0641608	AR	Bolt 3/8in-16NC x 1in	
136	4751600	AR	Flatwasher 3/8in Regular	
137	3311605	AR	Locknut 3/8in-16UNC	
138	Not Required	0	Not Required	
139	0641408	10	Bolt 1/4in-20NC x 1in	
140	0641406	AR	Bolt 1/4in-20NC x 3/4in	
141	3960468	1	Seal, Foam Gasket	
142	3960469	1	Seal, Foam Gasket	
143	0721006	2	Bolt #10-24NC x 3/4in	
144	4751000	AR	Flatwasher #10 Regular	
145	3311005	4	Hex Nut #10-24NC	

SECTION 2 - TURNTABLE

ITEM	PART NUMBER	QTY	DESCRIPTION	REV
146	0100011	AR	Compound, Locking	
147	3570104	1	Plate, Fuel Pump (Not Required on UL Machines with LP)	
149	4360265	1	Switch, Battery Disconnect (UL Machines Only)	
150	1703476	1	Decal, Battery Disconnect (UL Machines Only)	
151	2720271	4.5 ft/1.4m	Vacuum Hose 3/16in	
158	3960389	5 ft/1.5m	Seal	
165	4240033	5	Strap, Tie	
166	4240099	3	Strap, Tie	
170	0940070	1	Bumper, Rubber	
171	4567071	1	Tube, Exhaust	
172	0701012	6	Bolt, Metric M10 x 25mm	
173	4832000	4	Lockwasher M10	
174		Ref	Air Cleaner Assembly Options:	
174	1340060	1	Standard Machines	
174	7012664	1	Element	
174	1340050	1	Air Cleaner Assembly UL Machines (SN 0300039457 through 0300069000)	
174	7010638	1	Element	
175	0340041	2	Band, Mounting	
176	0080201	1	Elbow, Rubber	
177	1320016	3	Clamp	
178	2720436	1	Hose, Radiator (Upper)	
180	4751400	AR	Flatwasher 1/4in Regular	
181	3311405	AR	Locknut 1/4in-20NC	
183	4791600	4	Starwasher 3/8in	
184	2180798	1	Fitting, Restriction Indicator	
185	1703631	1	Decal, Caution LP Gas (UL Machines W/Dual Fuel Only)	
189	2901362	1	Battery Cable Kit	C
189A	7016800	1	Cable, Battery (Red)	
189B	7016807	1	Cable, Battery (Black)	
189C	7016808	1	Cable (Red)	
189D	7016804	1	Cable (Red)	
189E	Not Required	0	Not Required	
189	2901539	1	Battery Cable Kit (UL Machines Only)	A
189A	7016826	1	Cable, Battery (Red)	
189B	7016807	1	Cable, Battery (Black)	
189C	7016808	1	Cable (Red)	
189D	7016827	1	Cable (Red)	
189E	7016816	1	Cable (Black)	
190	4460611	1	Terminal, Battery Jumper Post	
191	2720058	AR	Hose 5/16in	
192	0721004	2	Bolt #10-24NC x 1/2in	
193	4360294	1	Breaker, Circuit-30 AMP	
195	1320223	4	J-Clip 1/2in	
196	3422533	1	Pin, Hitch	
197	1701542	1	Decal - Gasoline (Not Shown - Located Near Tank) (Not Required on UL Machines with LP)	
200	0961986	2	Bearing, Flange	
201	0700819	4	Bolt M8 x 1.25 x 55mm	
202	4831900	4	Lockwasher M8	
203	0642010	1	Bolt 5/8in-11NC x 1-1/4in	

SECTION 2 - TURNTABLE

ITEM	PART NUMBER	QTY	DESCRIPTION	REV
204	4752000	1	Flatwasher 5/8in Regular	
205	4711400	1	Flatwasher, 1/4in Thin	
206	1060637	1	Cable, Lanyard	
207	4100025	1	Sleeve, Fiberglass	
209	4845612	1	Weldment, Alternator Mount (UL Machines Only)	
210	1641808	2	Bolt 1/2in-13NC x 1in	
211	3311801	1	Hex Nut 1/2in-13 UNC	
212	3790012	1	O-Ring (UL Machines with Dual Fuel Only)	
213		Ref	Switch Options: (UL Machines with Dual Fuel Only)	
213	4360336	1	Switch (SN 0300037117 through 0300049548)	
213	4360331	1	Switch (SN 0300049549 through 0300069000)	
214	4060806	16	Flex-Trim	
		in/41cm		
215	4060804	19	Flex-Trim	
		in/49cm		
217	4740274	4	Washer, Snubbing	
218	3570133	1	Bracket, Engine Mounting (Rear)	
219	0641606	3	Bolt 3/8in-16NC x 3/4in	
220	0181942	1	Angle, Alternator Mount (UL Machines Only) (Not Shown Located on Opposite Side of Engine)	
221	0701010	1	Bolt, Metric M10-1.5 x 20mm (UL Machines Only) (Not Shown Located on Opposite Side of Engine)	
222	0641624	1	Bolt 3/8in-16NC x 3in (UL Machines Only) (Not Shown Located on Opposite Side of Engine)	
223	0160020	1	Alternator 72 Amp (UL Machines Only)	
224	3580260	1	Pulley (UL Machines Only)	
225	3570238	1	Plate, Switch Mounting (UL Machines Only)	
226	1320222	1	J-Clip 3/8in (Not Shown)	
227	4567213	1	Tubing Fuel 5/16in (UL Machines with Dual Fuel Only)	
228	4567214	1	Tubing Fuel 5/16in (UL Machines with Dual Fuel Only)	
229	4567215	1	Tubing Fuel 5/16in (UL Machines with Dual Fuel Only)	
230	2221023	1	Fitting (UL Machines with Dual Fuel Only)	
231	1320245	5	Clamp (UL Machines with Dual Fuel Only)	
232	3941404	3	Bolt 1/4in-20NC x 1/2in (UL Machines with Dual Fuel Only)	
248	2750532	5 ft/1.5m	Hose 3/8in	
249	2180467	1	Fitting, 90 Barbed	
250	2220250	1	Fitting, Straight Reducer	
251	2220273	1	Fitting, Reducer	
252	2220270	1	Fitting, Barbed	
253	2220315	2	Fitting, Barbed	
254	2220273	1	Fitting, Reducer (UL Machines Only) (SN 0300037117 through 0300049548)	
255	2720338	2.5	Hose	
		ft/0.8m		
256	2180703	1	Fitting, 90 (SN 0300037117 through 0300049548)	
257	4567730	1	Tube, Fuel Line	
258	2120169	1	Filter, By-Pass	
259	4567571	1	Tube, Fuel Line (UL Machines Only)	
260	4567572	1	Tube, Fuel Line (UL Machines Only)	
261	4567731	1	Tube, Fuel Line (UL Machines Only)	
262	1320244	4	Clamp (UL Machines Only)	
263	2221028	1	Fitting (UL Machines Only)	
264	0100020	AR	Sealant	

SECTION 2 - TURNTABLE

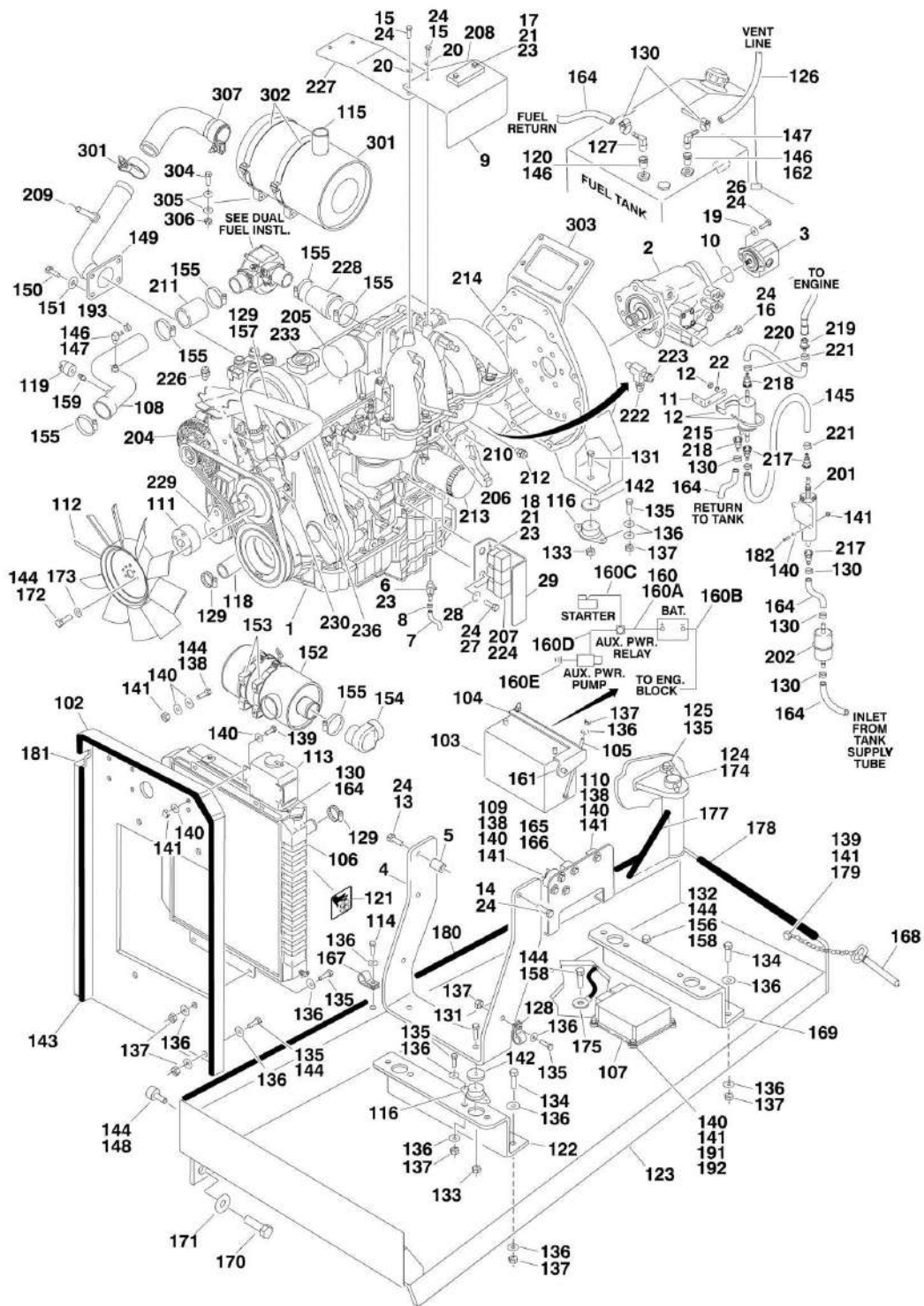
ITEM	PART NUMBER	QTY	DESCRIPTION	REV
265	2220317	1	Fitting 90	
266	2720015	1	Fuel Line 1/4in	
267	3539988	1	Plate (Not Shown Located on Turntable)	
269	7019658	1	Fitting 90 W/Pick-Up Tube	
		Ref	FORD ENGINE LRG-425 COMPONENTS	
	2000156	Ref	Ford Engine Lrg-425 Components (SN 0300037117 through 0300039819)	
	2000160	Ref	Ford Engine Lrg-425 Components (SN 0300039820 through 0300069000)	
301	7019977	1	Alternator with Pulley and Regulator	
301	7000897	1	Alternator without Pulley and Regulator	
301	7019997	1	Regulator	
302		Ref	Fuel Pump Assembly Options:	
302	7016600	1	Fuel Pump Assembly (Facet) (SN 0300037117 through 0300039819)	
302	7019983	1	Fuel Pump Assembly (Airtex) (SN 0300039820 through 0300069000)	
303	7016601	1	Strainer, Fuel	
304	7019980	1	Harness, Engine Wiring (Not Shown)	
305	7023687	1	Module, Ignition (was p/n 7019961)	
306	7012679	1	Starter	
307	7021868	1	Filter, Oil	
308	7019988	1	Carburetor (was p/n 7019974) (SN 0300037117 through 0300039819)	
308	7019933	1	Carburetor Kit	
308	7027292	1	Float Assembly	
308	70000163	1	Needle, Spring Loaded (Fuel Valve)	
308	7025122	1	Base, Carburetor	
308	7016605	1	Choke, Automatic	
308	70000646	1	Gasket, Carburetor (Bottom) (was p/n 7019975)	
308	7024321	1	Gasket, Carburetor (Top)	
309	7019976	1	Flywheel	
309	7022180	1	Ring Gear	
309	7020120	1	Bell Housing	
309A	1660250	1	Coupling, Pump (15 Tooth) (was p/n 7016662)	
310	7022153	1	Water Pump Assembly	
310	7019985	1	Pulley, Water Pump	
310	7019982	1	Tube, Water Pump Inlet	
310	7022156	1	Thermostat	
311	7022178	1	Sensor, Crank Shaft (Not Shown)	
312	70002307	1	Gasket, Exhaust (Manifold to Pipe)	
312	7022143	1	Gasket, Exhaust (Manifold to Cylinder Head - Not Shown)	
312	7019924	1	Manifold, Exhaust (Not Shown)	
313	7027402	1	Belt, Drive (was p/n 7019979)	
313	7019978	1	Tensioner, Belt (Not Shown)	
314	7025126	1	Manifold, Intake (was p/n 7019923)	
314	7025125	1	Gasket, Intake (Manifold to Cylinder Head)	
315	7000884	1	Solenoid, Fuel (Not Shown)	
316	7022151	1	Cap, Oil Fill	
317		Ref	Spark Plug Options (Not Shown):	
317	See Note	4	Spark Plug (2000156 Engine) (Note: Not Available for Purchase) (SN 0300037117 through 0300039819)	
317	7019932	4	Spark Plug (2000160 Engine) (SN 0300039820 through	

SECTION 2 - TURNTABLE

ITEM	PART NUMBER	QTY	DESCRIPTION	REV
			0300069000)	
317		Ref	Wire Set, Spark Plug (Not Shown) Options:	
317	7022157	1	Wire Set, Spark Plug (2000156 Engine) (SN 0300037117 through 0300039819)	
317	7019931	1	Spark Plug (2000160 Engine) (SN 0300039820 through 0300069000)	
317	7019930	1	Coil, Ignition	
318	7022150	1	Belt, Timing	
		Ref	MUFFLER INSTALLATIONS	
	0258390	Ref	Standard Spark Arresting	1
	0258391	Ref	Optional Catalytic	1
	0258571	Ref	UL Machines	3
401		Ref	Muffler Options:	
401	3220113	1	Standard Spark Arresting	
401	3220114	1	Optional Catalytic	
401	70001017	1	Clamp	
402	0340046	2	Band	
403	0902309	1	Bracket, Muffler	
404	0641507	4	Bolt 5/16in-18NC x 7/8in	
405	4711500	8	Flatwasher 5/16in Thin	
406	3311505	4	Locknut 5/16in-18NC	
407	4567073	1	Tube, Exhaust	
407A	70001017	1	Clamp	
408	4845668	1	Weldment, Exhaust Tube (UL Machines Only)	
409	3900232	5	Bolt, Button Head 3/8in-16NC x 1-1/4in (UL Machines Only)	
410	4751600	5	Flatwasher 3/8in Regular (UL Machines Only)	
411	3311601	7	Nut 3/8in-16NC (UL Machines Only)	
412	0902473	1	Bracket, Exhaust Support (UL Machines Only)	
413	3220111	1	Spark Arrestor (UL Machines Only)	
414	0100011	AR	Compound, Locking (UL Machines Only)	

SECTION 2 - TURNTABLE

FIGURE 2-15. FORD ENGINE INSTALLATIONS - LRG-425 WITH EFI (SN 0300048907 through 0300069000)



SECTION 2 - TURNTABLE

FIGURE 2-15. FORD ENGINE INSTALLATIONS - LRG-425 WITH EFI (SN 0300048907 through 0300069000)

ITEM	PART NUMBER	QTY	DESCRIPTION	REV
		Ref	ENGINE ASSEMBLIES	
	0270196	Ref	Standard Gas Machines (SN 0300048907 through 0300064248)	1-A
	0270849	Ref	Standard Gas Machines (With ADE System) (SN 0300064249 through 0300069000)	2-B
	0270181	Ref	Dual Fuel Machines (SN 0300048907 through 0300064248)	4-C
	0270847	Ref	Dual Fuel Machines (With ADE System) (SN 0300064249 through 0300069000)	4-D
1		Ref	Engine - Ford LRG-425 Options:	
1	2000164	1	Standard Gas Machines (SN 0300048907 through 0300064248)	
1	2000172	1	Standard Gas Machines (SN 0300064249 through 0300069000)	
1	2000166	1	Dual Fuel Machines (SN 0300048907 through 0300063048)	
1	2000181	1	Dual Fuel Machines (SN 0300063049 through 0300064248)	
1	2000174	1	Dual Fuel Machines (SN 0300064249 through 0300064269)	
1	2000182	1	Dual Fuel Machines (SN 0300064270 through 0300069000)	
2	3600260	1	Piston Pump Assembly (See PISTON PUMP ASSEMBLY for Breakdown)	
3	3600242	1	Gear Pump Assembly (See GEAR PUMP ASSEMBLY for Breakdown)	
4	3539972	1	Plate, Engine Mounting - Front	
5	4566605	1	Tube, Spacer	
6	4640989	1	Valve, Oil Drain	
7	2750532	1	Hose	
		ft/30.5cm		
8	1320022	1	Clamp	
9	3572307	1	Plate, Module Mounting (SN 0300048907 through 0300064698)	
10	3790152	1	O-Ring	
11	0902539	1	Bracket, Fuel Filter/Pressure Regulator	
12	1320019	1	Clamp, Exhaust	
13	0701022	2	Bolt, Metric 10mm-1.5 x 70mm	
14	0701014	2	Bolt, Metric 10mm-1.5 x 30mm	
15	0700810	3	Bolt, Metric 8mm-1.25 x 20mm	
16	0641812	2	Bolt 1/2in-13NC x 1-1/2in	
17	0721010	2	Bolt #10-24NC x 1-1/4in (SN 0300048907 through 0300064698)	
18	0721006	3	Bolt #10-24NC x 3/4in	
19	4891600	2	Flatwasher 3/8in Hardened	
20	4751500	2	Flatwasher 5/16in Regular (SN 0300048907 through 0300064698)	
21	4751000	AR	Flatwasher #10 Regular	
22	4761500	2	Lockwasher 5/16in	
23	3311005	AR	Locknut #10-24NC	
24	0100011	AR	Compound, Locking	
25	0100020	AR	Sealant	
26	3931620	2	Screw 3/8in-16NC x 1-1/4in	
27	0701010	2	Bolt, Metric 10mm-1.5 x 20mm	
28	4832000	2	Flatwasher M10	
29	3572308	1	Plate, Relay Mount	
30	2220124	1	Fitting, 45 (Dual Fuel Machines Only) (Not Shown) (SN 0300048907 through 0300064270)	
		Ref	ENGINE INSTALLATIONS	

SECTION 2 - TURNTABLE

ITEM	PART NUMBER	QTY	DESCRIPTION	REV
	0259761	Ref	Standard Gas Machines (SN 0300048907 through 0300064248)	7-E
	0270848	Ref	Standard Gas Machines (With ADE System) (SN 0300064249 through 0300069000)	5-D
	0259762	Ref	Dual Fuel Machines (SN 0300048907 through 0300064248)	6-E
	0270846	Ref	Dual Fuel Machines (With ADE System) (SN 0300064249 through 0300069000)	5-E
102	3539872	1	Mount, Radiator	
103		Ref	Battery Options:	
103	0400075	1	Battery (Wet)	
103	7016180	1	Battery (Dry)	
104	0181727	1	Battery Hold-Down	
105	0630498	2	Bolt, Tie-Down	
106	3620040	1	Radiator	
107		Ref	Controller, ECM Options:	
107	1600298	1	Controller, ECM (SN 0300048907 through 0300064248)	
107	1600314	1	Controller, ECM (SN 0300064249 through 0300069000)	
108		Ref	Tube, Air Intake Options:	
108	4846248	1	Standard Gas Machines	
108	4846236	1	Dual Fuel Machines	
109	3740067	1	Relay (Auxiliary Power)	
110	3740080	1	Relay, Bosch	
111	0080214	1	Spacer, Fan	
112	2060025	1	Fan	
113	1580011	1	Tank, Coolant Recovery	
114	0641606	8	Bolt 3/8in-16NC x 3/4in	
115	3539988	1	Plate, Baffle (Not Shown)	
116	3200362	4	Mount, Rubber	
117	4100025	1.5 ft/0.5m	Sleeve	
118	2720435	1	Hose, Radiator - Bottom	
119	4360392	1	Indicator, Clogged Filter	
120	2220430	1	Fitting, Reducer	
121	1703162	2	Decal - Fan Blade	
122	3572279	1	Plate, Engine Mount (Front)	
123	4845404	1	Tray Weldment	
124	3422448	1	Pin, Pivot	
125	3841143	1	Pin, Keeper	
126	2750532	5 ft/1.52m	Hose	
127	2220805	1	Fitting, Barbed 90	
128	1320060	1	Clamp	
129	1320012	4	Clamp, Hose	
130	1320022	8	Clamp	
131	0641828	4	Bolt 1/2in-13NC x 3-1/2in	
132	4751800	1	Flatwasher 1/2in Regular	
133	3311805	4	Locknut 1/2in-13NC	
134	0641610	8	Bolt 3/8in-16NC x 1-1/4in	
135	0641608	16	Bolt 3/8in-16NC x 1in	
136	4751600	53	Flatwasher 3/8in Regular	
137	3311605	31	Locknut 3/8in-16NC	
138	0641408	7	Bolt 1/4in-20NC x 1in	
139	0641406	6	Bolt 1/4in-20NC x 3/4in	
140	4751400	22	Flatwasher 1/4in Regular	

SECTION 2 - TURNTABLE

ITEM	PART NUMBER	QTY	DESCRIPTION	REV
141	3311405	19	Locknut 1/4in-20NC	
142	4740274	4	Washer, Snubbing	
143	3960389	5 ft/1.52m	Seal	
144	0100011	AR	Compound, Locking	
145	2720472	1	Hose	
146	0100020	AR	Sealant	
147		Ref	Fitting, Barbed Options:	
147	2180371	1	Fitting, Barbed (SN 0300048907 through 0300052684)	
147	2180467	1	Fitting, Barbed (SN 0300052685 through 0300057586)	
147	2180371	1	Fitting, Barbed (SN 0300057587 through 0300063763)	
147	2220767	1	Fitting, Barbed (SN 0300063764 through 0300069000)	
148	0940070	1	Bumper, Rubber	
149	4567879	1	Tube, Exhaust	
150	0701012	4	Bolt, Metric 10mm-1.5 x 25mm	
151	4832000	4	Lockwasher, Metric 10mm	
152	1340060	1	Air Cleaner Assembly	
152	7012664	1	Element, Air Cleaner	
153	0340041	2	Band, Air Cleaner	
154	0080201	1	Elbow, Rubber	
155	1320016	AR	Clamp	
156	3311801	1	Nut 1/2in-13NC	
157	2720436	1	Hose, Radiator - Top	
158	0641808	2	Bolt 1/2in-13NC x 1in	
159	2180798	1	Fitting, Restrictor Indicator	
160	2901362	1	Battery Cable Kit	C
160A	7016800	1	Cable, Battery (Red)	
160B	7016807	1	Cable, Battery (Black)	
160C	7016808	1	Cable (Red)	
160D	7016804	1	Cable (Red)	
160E	Not Required	0	Not Required	
161	4460611	1	Terminal, Battery Jumper Post	
162	2220250	2	Fitting, Reducer	
163	Not Required	0	Not Required	
164	2720058	12 ft/3.7m	Hose, Fuel Line	
165	0701004	2	Bolt #10-24NC x 1/2in (SN 0300048907 through 0300064249)	
166	4360294	1	Breaker, Circuit (SN 0300048907 through 0300064249)	
167	1320223	3	Clamp	
168	3422533	1	Pin, Hitch	
169	3572280	1	Plate, Engine Mount (Rear)	
170	0642010	1	Bolt 5/8in-11NC x 1-1/4in	
171	4752000	1	Flatwasher 5/8in Regular	
172	0700819	4	Bolt, Metric 8mm x 55mm	
173	4831900	4	Lockwasher, Metric 8mm	
174	0961986	2	Flange, Bearing	
175	1060637	1	Lanyard	
177	4060804	2.9 ft/0.88m	Flexible Trim 3/16in	
178	4060806	1.3 ft/0.40m	Flexible Trim 5/16in (SN 0300048907 through 0300067817)	
179	4711400	1	Flatwasher 1/4in Thin	
180	3960468	1	Seal, Foam 1-1/4in x 1-1/4in x 47-1/4in	
181	3960469	1	Seal, Foam 1-1/4in x 1-1/4in x 32in	

SECTION 2 - TURNTABLE

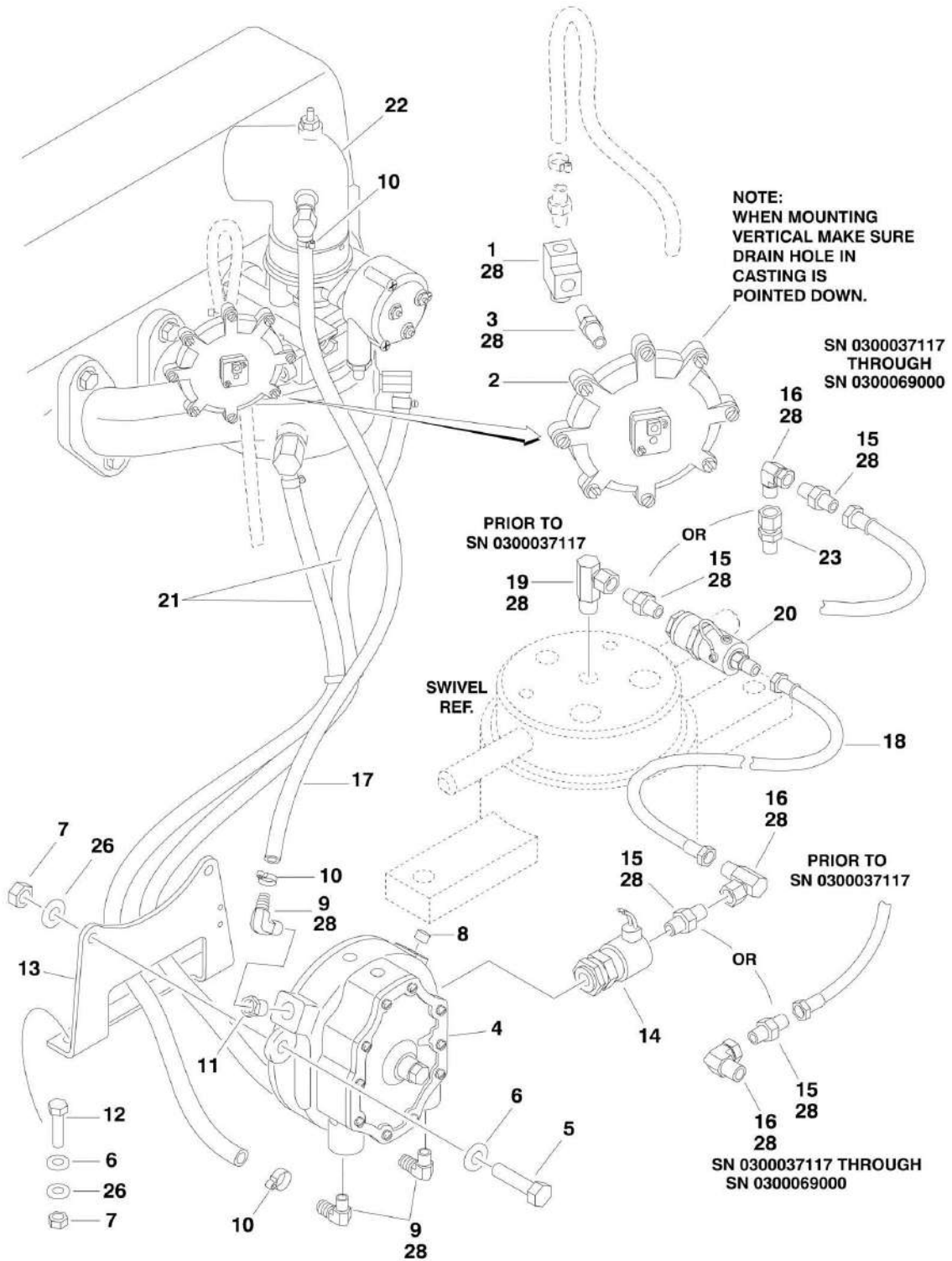
ITEM	PART NUMBER	QTY	DESCRIPTION	REV
182	0641410	3	Bolt 1/4in-20NC x 1-1/4in	
183	4360336	1	Switch (Dual Fuel Machines)	
184	3790012	1	O-Ring	
191	4568158	4	Standoff (SN 0300056937 through 0300069000)	
192	0641424	4	Bolt 1/4in-20NC x 3in (SN 0300056937 through 0300069000)	
193	1320032	1	Clamp (SN 0300056937 through 0300069000)	
		Ref	ENGINE COMPONENTS	
	2000164	Ref	Standard Gas (SN 0300048907 through 0300064248)	
	2000166	Ref	Standard Gas (SN 0300048907 through 0300064248)	
	2000181	Ref	Standard Gas (SN 0300048907 through 0300064248)	
	2000172	Ref	Standard Gas (SN 0300064249 through 0300069000)	
	2000174	Ref	Dual Fuel (SN 0300064249 through 0300064269)	
	2000182	Ref	Dual Fuel (SN 0300064270 through 0300069000)	
201	3600377	1	Fuel Pump and Isolator Assembly (was p/n 7022133)	
201	7022134	1	Harness, Fuel Pump Wiring	
202	91083218	1	Filter, Fuel (was p/n 7022135)	
203	7019986	1	Starter (Not Shown)	
204	7019977	1	Alternator with Pulley and Regulator	
204	7000897	1	Alternator without Pulley and Regulator	
205		Ref	Actuator, Throttle Options:	
205	7022136	1	Actuator, Throttle (SN 0300048907 through 0300064248)	
205	7023655	1	Actuator, Throttle (SN 0300064249 through 0300069000)	
205	7023652	1	Plate, Actuator Adapter	
205	7023654	1	Gasket, Actuator to Adapter Plate	
205	7023653	2	Bolt (Adapter Plate to Intake Manifold)	
205	7023656	4	Bolt (Actuator to Adapter Plate)	
206	7019996	1	Sensor, Air Temperature (was p/n 7023661)	
206	7023662	1	Bracket, Air Temperature Sensor	
207	7023663	1	Harness, ECM (was p/n 7022137)	
208	7022139	1	Sensor, MAP	
209	7019994	1	Sensor, EGR	
210	2420187	1	Dipstick	
210	4564281	1	Tube, Dipstick	
211		Ref	Horn, Rubber Air Options:	
211	2720341	1	Horn, Rubber Air (SN 0300048907 through 0300064248)	
211	7023658	1	Horn, Rubber Air (SN 0300064249 through 0300069000)	
212	7023637	1	Switch, Oil Pressure	
213	7021868	1	Filter, Oil (was p/n 7022147 & 7022173)	
214	1660250	1	Coupling, Pump (was p/n 7016662)	
214	7019976	1	Flywheel	
214	7022180	1	Ring Gear	
214	7020120	1	Bell Housing	
215	7019993	1	Pressure Regulator and Filter Assembly	
216	70002307	1	Gasket, Exhaust Manifold to Pipe (Not Shown)	
216	7022143	1	Gasket, Exhaust Manifold to Head (Not Shown)	
217	7022158	3	Connector	
218	7022159	2	Connector	
219	7022160	1	Connector	
220	7022161	2	Tube, Supply	
221	7022162	2	Clamp	
222	7022142	1	Switch, Pressure (Black) (SN 0300048907 through 0300064249)	

SECTION 2 - TURNTABLE

ITEM	PART NUMBER	QTY	DESCRIPTION	REV
223	7023637	1	Switch, Shutdown (White) (SN 0300048907 through 0300064249)	
224	7023613	3	Relay	
225	7023644	1	Hose, Water Pump (By-Pass) (Not Shown)	
226	7022178	1	Sensor, Crank Shaft	
227	3573241	1	Plate, LP Mixer Mounting (Engine p/n 2000182 Only)	
228	2720341	1	Hose, Rubber	
229	7027402	1	Belt, Drive	
229	70002567	1	Tensioner, Belt	
230	7022153	1	Pump, Water	
230	7022154	1	Gasket, Water Pump	
230	7022155	1	Sensor, Water Temperature (Not Shown)	
230	7022164	1	Sensor, High Coolant Temperature (2000166 Engine) (Not Shown)	
230	7027411	1	Unit, Water Sender (2000174 Engine) (Not Shown)	
230	7022156	1	Thermostat (Not Shown)	
230	7023644	1	Hose, Water Pump (By-Pass) (Not Shown)	
231	7019925	1	PCV Valve (Not Shown)	
232	7019930	1	Coil, Ignition (Not Shown)	
232	7022157	1	Wire Set, Spark Plug (Not Shown)	
232	7019932	4	Spark Plug (was p/n 7012595)	
233	7022151	1	Cap, Oil Fill	
234	7022149	1	Gasket Kit, Lower Manifold (Not Shown)	
234	7025124	1	Gasket Kit, Upper Manifold (was p/n 7022148) (Not Shown)	
234	7022144	1	Gasket, Upper Manifold Throttle (Not Shown)	
235	7023657	1	Harness, TPS Harness (Not Shown)	
236	7022150	1	Belt, Timing	
	3124114	1	Service Manual, Ford EFI System Diagnostic	
		Ref	MUFFLER INSTALLATIONS	
	0258390	Ref	Standard Spark Arresting	1
	0258391	Ref	Optional Catalytic	1
301		Ref	Muffler Options:	
301	3220113	1	Standard Spark Arresting	
301	3220114	1	Optional Catalytic	
301	70001017	1	Clamp	
302	0340046	2	Band	
303	0902309	1	Bracket, Muffler	
304	0641507	4	Bolt 5/16in-18NC x 7/8in	
305	4711500	8	Flatwasher 5/16in Thin	
306	3311505	4	Locknut 5/16in-18NC	
307	4567073	1	Tube, Exhaust	
307	70001017	1	Clamp	

SECTION 2 - TURNTABLE

FIGURE 2-16. DUAL FUEL INSTALLATION (OPTIONAL - FORD ENGINE WITH CARBURETOR MACHINES)



SECTION 2 - TURNTABLE

FIGURE 2-16. DUAL FUEL INSTALLATION (OPTIONAL - FORD ENGINE WITH CARBURETOR MACHINES)

ITEM	PART NUMBER	QTY	DESCRIPTION	REV
		Ref	DUAL FUEL INSTALLATION	
1	2180360	1	Fitting, Tee	
2	4360188	1	Switch, Vacuum	
3	2180104	1	Fitting, Nipple	
4	4700005	1	Vaporizer/Regulator	
4	7017515	1	Repair Kit - 4700005	
5	0641416	2	Bolt 1/4in-20NC x 2in	
6	4751400	8	Flatwasher 1/4in Regular	
7	3311405	4	Locknut 1/4in-20UNC	
8	2200204	1	Plug, Pipe	
9	2220675	3	Fitting, 90 Barbed	
10	1320017	4	Clamp	
11	2220251	1	Fitting, Reducer	
12	0641408	2	Bolt 1/4in-20NC x 1in	
13	0902132	1	Bracket, Vaporizer	
14	2120077	1	Filter Lock	
15	2180418	2	Fitting, LP	
16	2220064	2	Fitting, 90	
17	2720112	AR	Hose, Vapor	
18	2720392	1	Hose, LP (Prior to SN 0300037117)	
18	2720144	1	Hose (SN 0300037117 through 0300069000)	
19	2220082	1	Fitting, 90 (Prior to SN 0300037117)	
20	4640391	1	Valve, Fuel Lock (Prior to SN 0300037117)	
21	2720042	30 in/76cm	Hose	
22	0080124	1	Adapter, Carb	
23	2220005	1	Fitting, Reducer	
24		Ref	Decal-LPG (Not Shown - See Decal Installation) Options:	
24	1701543	2	Decal-LPG	
24	1703911	2	Decal-LPG (UL Machines with LP Only)	
25	1700818	2	Decal- Liquid Withdrawal System (Not Shown - See Decal Installation)	
26	4791400	4	Starwasher 1/4in	
27	4240099	AR	Strap, Tie (Not Shown)	
28	0100020	AR	Sealant, Pipe	
29	0721006	2	Bolt #10-24NC x 3/4in (Not Shown UL Machines Only)	
30	4751000	2	Flatwasher #10 Regular (Not Shown UL Machines Only)	
31	3311005	2	Locknut #10-24NC (Not Shown UL Machines Only)	
32	3570752	1	Plate, Shield (Not Shown UL Machines Only)	
33	1703909	1	Decal - GS/LPS (Not Shown UL Machines with LP Only)	

SECTION 2 - TURNTABLE

FIGURE 2-17. DUAL FUEL INSTALLATION (OPTIONAL - FORD ENGINE MACHINES WITH EFI) (SN 0300048907 through 0300069000)

ITEM	PART NUMBER	QTY	DESCRIPTION	REV
	2000166	Ref	DUAL FUEL ENGINE COMPONENTS (SN 0300048907 through 0300064248)	C
	2000181	Ref	DUAL FUEL ENGINE COMPONENTS (SN 0300048907 through 0300064248)	A
	2000174	Ref	DUAL FUEL ENGINE COMPONENTS (WITH ADE SYSTEM) (SN 0300064249 through 0300064269)	
	2000182	Ref	DUAL FUEL ENGINE COMPONENTS (WITH ADE SYSTEM) (SN 0300064270 through 69000)	
	See Note	1	Dual Fuel Conversion Kit (Note: Includes hose, fittings, clamps and items indented below. For replacement hose, fittings and clamps supply locally.) (Note: Not Available - See Your Ford Dealer)	
1	7022165	1	Mixer	
1	7022171	1	Repair Kit - 7022165 Mixer	
1	7023645	1	Gasket, Mixer	
3	7022167	1	Convertor	
3	7022170	1	Repair Kit - 7022167 Convertor	
4	7023680	1	Filter, LP Shut-Off (was p/n 7022169)	
4	7023680	1	Electrical Connector Kit (No Longer Available - was p/n 7023679)	
5	7022168	1	Valve, Solenoid	
6	4360188	1	Switch, Vacuum	
7	7023603	1	Adapter	
7	7023659	1	Gasket, Adapter	
7	7023660	4	Screw M6 x 14mm	
8	7022166	1	Adaptor	
9	3572722	1	Bracket	
10	70000121	1	Hose, LP	
	0259762	Ref	Dual Fuel Machines (SN 0300048907 through 0300064248)	6-E
	0270846	Ref	Dual Fuel Machines (With ADE System) (SN 0300064249 through 0300069000)	5-E
187	2720392	1	Hose	
188	2180418	1	Fitting, Straight	
189	2220064	1	Fitting, 90	
190		Ref	Fitting, Reducer Options:	
190	2221019	1	Fitting, Reducer (SN 0300048907 through 0300064248)	
190	2220005	1	Fitting, Reducer (SN 0300064249 through 0300069000)	

SECTION 2 - TURNTABLE

FIGURE 2-18. GENERATOR INSTALLATION (OPTIONAL - FORD ENGINE MACHINES)

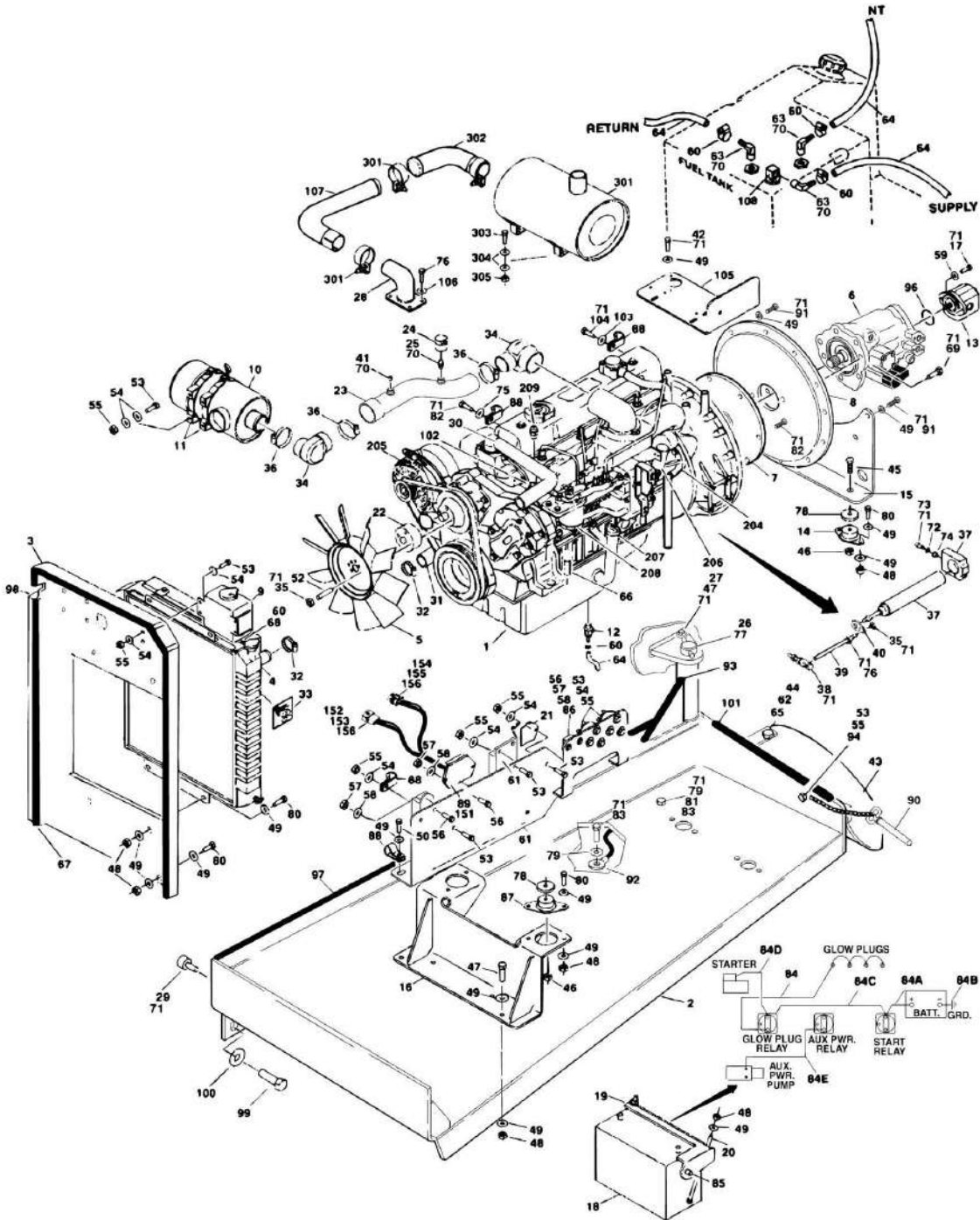
ITEM	PART NUMBER	QTY	DESCRIPTION	REV
		Ref	GENERATOR INSTALLATION OPTIONS:	
	0255394	Ref	110V Generator (Prior to SN 0300035129)	2
	0257851	Ref	110V Generator (SN 0300035129 through 0300064248)	2
	0271545	Ref	110V Generator - ADE System (SN 0300064249 through 0300069000)	3
	0257159	Ref	220V Generator (Prior to SN 0300035129)	-
	0257856	Ref	220V Generator (SN 0300035129 through 0300064248)	3
	0271546	Ref	220V Generator - ADE System (SN 0300064249 through 0300069000)	4
1	3580250	1	Pulley	
2		Ref	Generator and Control Box Assembly Options:	
2	2460011	1	110Volt Assembly (Prior to SN 0300066056)	I
2	2460032	1	110Volt Assembly (SN 0300066056 through 0300069000)	C
2	2460013	1	220Volt Assembly (Prior to SN 0300066056)	B
2	2460034	1	220Volt Assembly (SN 0300066056 through 0300066746)	B
2	2460013	1	220Volt Assembly (SN 0300066747 through 0300069000)	B
2A		Ref	Generator, Replacement Options:	
2A	7012558	1	110 Volt Generator Only	
2A	1001100321	1	220 Volt Generator Only	
		Ref	Note: Replacement Generators come standard with p/n 3580134 pulley. This pulley may not be correct for all applications. Refer to pulley options below.	
2A	7020193	1	Cord, Power - 12ft Length	
2A		Ref	Armature with Slip Rings Options:	
2A	7026199	1	Armature for 110 Volt	
2A	70000123	1	Armature for 220 Volt	
2A	7020108	4	Brushes	
2A	7020109	4	Holder, Brush	
2A	7012513	4	Cap, Brush Holder	
2A	7012514	1	Fan	
2A	7020110	1	Bell, Front	
2A	7020111	1	Bell, Rear	
2A	7020190	2	Bearing	
2B		Ref	Box, Control Options:	
2B	7003657	1	110 Volt Control Box Only	
2B	70002235	1	220 Volt Control Box Only	
2B	3520028	1	Plug, Hole	
2B		Ref	Receptacle Options:	
2B	4460190	1	Receptacle, Standard (110V Only)	
2B	4460027	1	Receptacle, Twistlock (110V Only)	
2B	70000124	1	Receptacle, Double (220V Only)	
2B	70000125	1	Receptacle, Single (220V Only)	
2B		Ref	Circuit Breaker Options:	
2B	4360542	1	Circuit Breaker for 110 Volt	
2B	7000126	1	Circuit Breaker for 220 Volt	
2B	7020191	1	Switch, Toggle	
2B	2920162	1	Lamp	
2C		Ref	Voltmeter Options:	
2C	2420203	1	Voltmeter for 110 Volt	
2C	7020192	1	Voltmeter for 220 Volt	

SECTION 2 - TURNTABLE

ITEM	PART NUMBER	QTY	DESCRIPTION	REV
2D		Ref	Pulley Options:	
2D	3580134	1	Pulley 110V (Prior to SN 0300066056)	
2D	3580276	1	Pulley 110V (SN 0300066056 through 0300069000)	
2D	3580134	1	Pulley 220V (Prior to SN 0300066056)	
2D	3580276	1	Pulley 220V (SN 0300066056 through 0300066746)	
2D	3580134	1	Pulley 220V (SN 0300066747 through 0300069000)	
2D	7027887	1	Key, Woodruff	
3		Ref	Bracket, Generator Mounting Options:	
3	0902210	1	Bracket, Generator Mounting (Prior to SN 0300064498)	
3	0902756	1	Bracket, Generator Mounting (SN 0300064498 through 0300069000)	
4	0200547	1	Arm, Adjusting	
5		Ref	V-Belt Options:	
5	0480050	1	V-Belt Used W/p/n 2460011 & 2460013	
5	0480111	1	V-Belt Used W/p/n 2460032 & 2460034	
6	0701015	2	Bolt, Metric 10mm x 35mm	
7	4812000	2	Flatwasher 10mm	
8	0100011	AR	Compound, Locking	
9	0681612	AR	Bolt 3/8in-16NC x 1-1/2in (Grade 8)	
10	4751600	6	Flatwasher 3/8in Regular	
11	2860012	1	Key, Woodruff	
12	3311605	1	Locknut 3/8in-16NC	
13	4564417	1	Spacer, Tube	
15	4460023	1	Connector, Strain Relief	
16	0641508	1	Bolt 5/16in-18NC x 1in	
17	4751500	2	Flatwasher 5/16in Regular	
19	3520028	1	Plug, Hole	
20	0721006	4	Bolt #10-24NC x 3/4in	
21	3311005	4	Locknut #10-24NC	
22	4751000	9	Flatwasher #10 Regular	
23	4360294	1	Breaker, Circuit - 30 Amp	
24	3740080	1	Relay, Bosch	
25	4360336	1	Switch, Toggle (Not Shown - Located at Platform)	
26	4740397	1	Bushing (Not Shown - Located at Platform)	
27	4060802	1	Guard, Switch (Not Shown - Located at Platform)	
29	2820031	4 in/10cm	Heat Shrink (Not Shown - Located at Platform)	
30	3251102	1	Decal (Not Shown - Located at Platform)	
31	0641772	1	Bolt 7/16in-14NC x 9in (SN 0300064498 through 0300069000)	
32	3311705	1	Locknut 7/16in-14NC (SN 0300064498 through 0300069000)	

SECTION 2 - TURNTABLE

FIGURE 2-19. ISUZU ENGINE INSTALLATION - 4JB1



SECTION 2 - TURNTABLE

FIGURE 2-19. ISUZU ENGINE INSTALLATION - 4JB1

ITEM	PART NUMBER	QTY	DESCRIPTION	REV
	0270645	Ref	ENGINE INSTALLATIONS	2-B
1	2000151	1	Engine - Isuzu 4JB1	
2	4845404	1	Tray Weldment	
3	3539872	1	Mount, Radiator	
4	3620040	1	Radiator	
5	2060025	1	Fan	
6	3600260	1	Piston Pump Assembly (See PISTON PUMP ASSEMBLY for Breakdown)	
7	1660239	1	Coupling	
8	0080181	1	Plate, Pump Adapter	
9	1580011	1	Tank, Coolant Recovery	
10	1340060	1	Air Cleaner Assembly	
10	7012664	1	Element, Air Cleaner	
11	0340041	2	Band, Air Cleaner	
12	4641019	1	Valve, Oil Drain	
13	3600242	1	Gear Pump Assembly (See GEAR PUMP ASSEMBLY for Breakdown)	
14	3200401	2	Plate, Engine Mount (Rear)	
15	3570283	1	Plate, Engine Mounting - Rear	
16	4845532	1	Plate Weldment, Engine Mounting - Front	
17	3931620	2	Screw 3/8in-16NC x 1-1/4in	
18		Ref	Battery Options:	
18	0400075	1	Battery (Wet)	
18	7016180	1	Battery (Dry)	
19	0181727	1	Battery Hold-Down	
20	0630498	2	Bolt, Tie-Down	
21	3740067	1	Relay (Auxiliary Power)	
22	0080230	1	Spacer, Fan	
23	4845035	1	Tube, Air Intake	
24	4360392	1	Indicator, Clogged Filter	
25	2180798	1	Fitting, Restrictor Indicator	
26	3422448	1	Pin, Pivot	
27	3841143	1	Pin, Keeper	
28	4846510	1	Weldment Tube, Exhaust	
29	0940070	1	Bumper, Rubber	
30	2720441	1	Hose, Radiator - Top	
31	2720442	1	Hose, Radiator - Bottom	
32	1320012	4	Clamp	
33	1703162	2	Decal - Fan Blade	
34	0080201	2	Elbow, Rubber	
35	3311401	6	Nut 1/4in-20NC	
36	1320016	4	Clamp	
37	0060033	1	Kit - Throttle Actuator	
38	1660220	1	Throttle Swivel	
39	3841516	1	Throttle Rod	
40	3572601	1	Plate, Throttle Rod Mount	
41	2200221	1	Fitting, Plug	
42	0701012	4	Bolt, Metric 10mm-1.5 x 25mm	
43	3380428	1	Panel, Rubber	
44	3539956	1	Plate, Hold-Down	

SECTION 2 - TURNTABLE

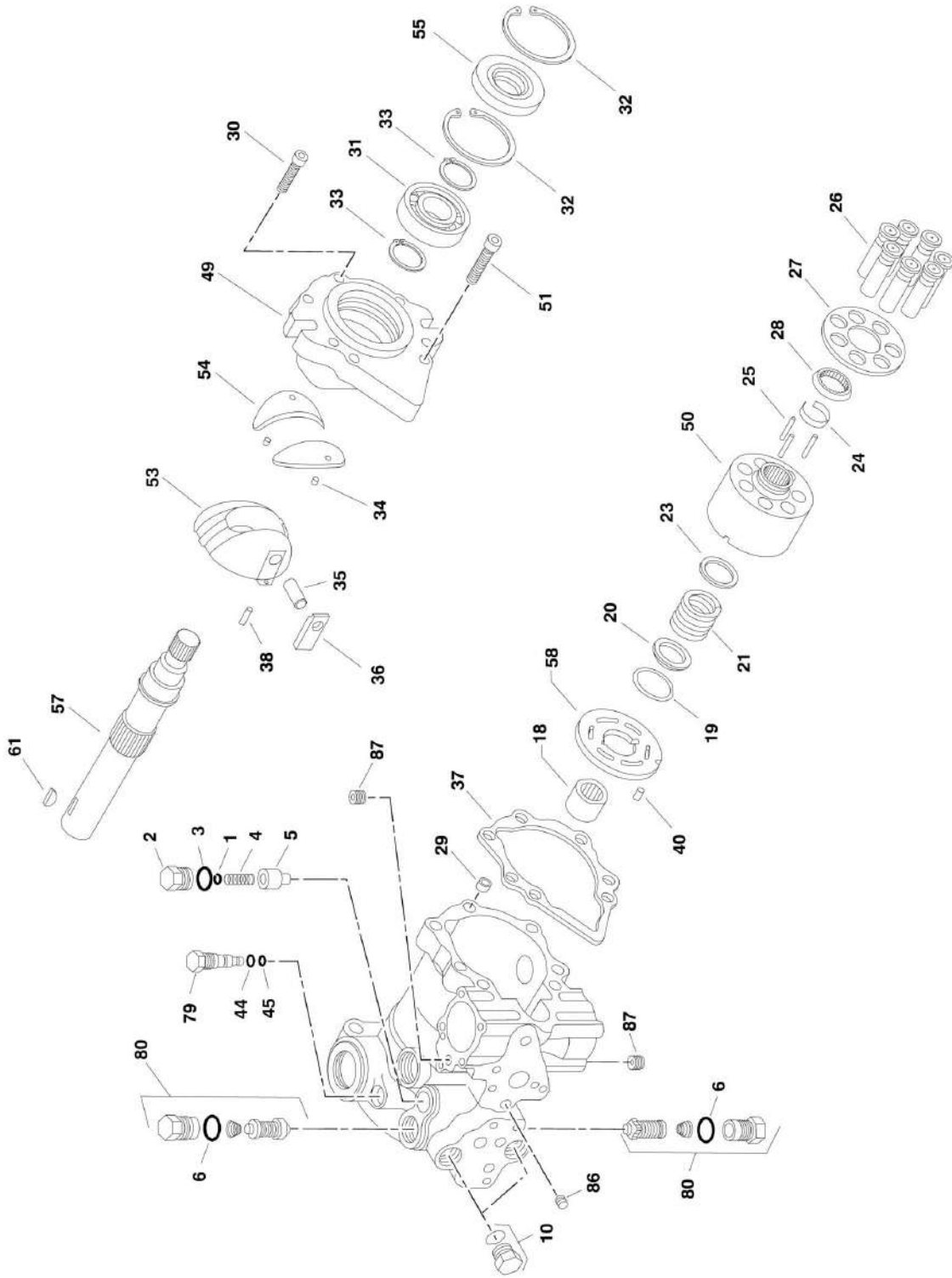
ITEM	PART NUMBER	QTY	DESCRIPTION	REV
45	0641818	2	Bolt 1/2in-13NC x 2-1/4in	
46	3311805	4	Locknut 1/2in-13NC	
47	0641610	5	Bolt 3/8in-16NC x 1-1/4in	
48	3311605	22	Locknut 3/8in-16NC	
49	4751600	63	Flatwasher 3/8in Regular	
50	0681606	3	Bolt 3/8in-16NC x 3/4in	
51	0641508	3	Bolt 5/16in-18NC x 1in	
52	4300148	4	Stud, Fan Mounting	
53	0641406	18	Bolt 1/4in-20NC x 3/4in	
54	4751400	31	Flatwasher 1/4in Regular	
55	3311405	18	Locknut 1/4in-20NC	
56	0721006	5	Bolt #10-24NC x 3/4in	
57	3311001	5	Nut #10-24NC	
58	4751000	5	Flatwasher #10 Regular	
59	4891600	2	Flatwasher 3/8in Hardened	
60	1320022	8	Clamp	
61	0902527	1	Bracket, Control Module Mounting	
62	4751500	3	Flatwasher 5/16in Regular	
63	2220313	3	Fitting, Barbed 90	
64	2750532	31 ft/9.4m	Hose	
65	3311505	6	Locknut 5/16in-18NC	
66	0641828	2	Bolt 1/2in-13NC x 3-1/2in	
67	3960389	5 ft/1.52m	Seal	
68	2720058	12 ft/3.7m	Hose, Fuel Line	
69	0641812	2	Bolt 1/2in-13NC x 1-1/2in	
70	0100020	AR	Sealant	
71	0100011	AR	Compound, Locking	
72	4740442	1	Washer, Belleville	
73	3900217	1	Screw, Shoulder	
74	0962031	1	Bushing, Flange	
75	4711600	1	Flatwasher 3/8in Thin	
76	0700810	4	Bolt, Metric 8mm-1.25 x 20mm	
77	0961986	2	Bushing, Flange	
78	4740274	4	Washer, Snubbing	
79	4751800	3	Flatwasher 1/2in Regular	
80	0641608	16	Bolt 3/8in-16NC x 1in	
81	3311801	1	Nut 1/2in-13NC	
82	0701010	9	Bolt, Metric 10mm-1.5 x 20mm	
83	0641808	2	Bolt 1/2in-13NC x 1in	
84	2901959	1	Battery Cable Kit	A
84A	7016800	1	Cable, Battery (Red)	
84B	7016831	1	Cable, Battery (Black)	
84C	7016811	1	Cable (Red)	
84D	7016802	1	Cable (Red)	
84E	7016804	1	Cable (Red)	
85	4460611	1	Terminal, Battery Jumper Post	
86	4360294	1	Breaker, Circuit	
87	3200362	2	Engine Mount (Front)	
88	1320223	12	Clamp	
90	3422533	1	Pin, Hitch	
91	0701015	12	Bolt, Metric 10mm-1.5 x 35mm	

SECTION 2 - TURNTABLE

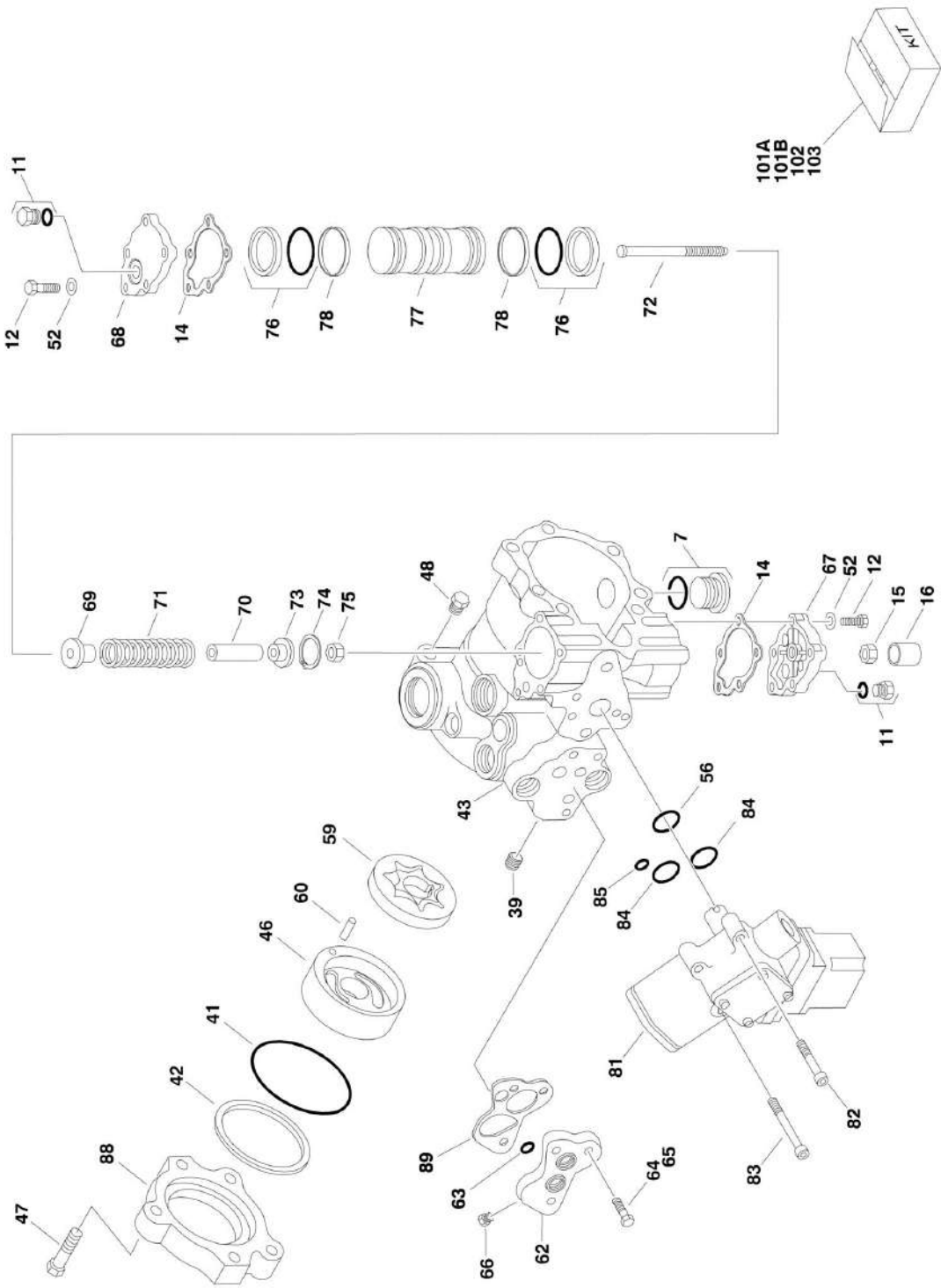
ITEM	PART NUMBER	QTY	DESCRIPTION	REV
92	1060637	1	Lanyard	
93	4060804	1 ft/0.3m	Flexible Trim 3/16in (SN 0300063908 through 0300067817)	
94	4711400	1	Flatwasher 1/4in Thin	
95	1701505	1	Decal - Diesel	
96	3790152	1	O-Ring	
97	3960468	1	Seal, Foam 1-1/4in x 1-1/4in x 47-1/4in	
98	3960469	1	Seal, Foam 1-1/4in x 1-1/4in x 32in	
99	0642010	1	Bolt 5/8in-11NC x 1-1/4in	
100	4752000	1	Flatwasher 5/8in Regular	
101	4060805	2.9 ft/0.88m	Flexible Trim 1/4in	
102	1320222	1	Clamp	
103	4711500	1	Flatwasher 5/16in Thin	
104	0700808	1	Bolt, Metric 8mm-1.25 x 16mm	
105	3573279	1	Plate, Exhaust Mount	
106	4831900	4	Lockwasher 8mm	
107	4568355	1	Exhaust Pipe	
108	7019658	1	Fitting 90 W/Pick-Up Tube	
	0259198	Ref	TIMER MODULE PLUGS ASSEMBLY	2-B
151	3740126	1	Relay, Timer Module	
152	4460476	1	Housing - Receptacle	
153	4460475	3	Pin - Male	
154	4460459	1	Housing - Plug	
155	4460457	3	Socket - Female	
156	4460458	6	Seal	
		Ref	ENGINE COMPONENTS	
201	7022127	1	Switch, Oil Pressure (Not Shown)	
202	7022177	1	Solenoid, Engine Stop (Not Shown)	
203	7023634	1	Filter, Oil (Not Shown)	
204	7023635	1	Starter	
205	7023638	1	Alternator	
206	7023639	1	Solenoid, Shutdown 12Volt	
207	7023640	1	Gauge, Oil Level	
208	7023641	1	Filter, Fuel	
209	7023642	1	Switch, Water Pressure	
	0271672	Ref	MUFFLER INSTALLATION	1
301	3220128	1	Muffler - Spark Arresting	
301	70001017	1	Clamp	
302	4567073	1	Tube, Exhaust	
303	0641507	4	Bolt 5/16in-18NC x 1in	
304	4711500	4	Flatwasher 5/16in Thin	
305	3311505	4	Locknut 5/16in-18NC	

SECTION 2 - TURNTABLE

FIGURE 2-20. PISTON PUMP ASSEMBLY



SECTION 2 - TURNTABLE



SECTION 2 - TURNTABLE

FIGURE 2-20. PISTON PUMP ASSEMBLY

ITEM	PART NUMBER	QTY	DESCRIPTION	REV
		Ref	PISTON PUMP ASSEMBLIES	
	3600164	Ref	Piston Pump Assemblies 13 Tooth Pump Spline (Prior to SN 0300029318)	A
	3600260	Ref	Piston Pump Assemblies 15 Tooth Pump Spline (SN 0300029318 through 0300069000)	-
1	7007413	1	Shim Kit	
2	7007414	1	Plug	
3	See Note	NSS	O-Ring (Note: Use Item 101A)	
4	7007416	1	Spring, Relief Valve	
5	7007417	1	Valve, Relief	
6	See Note	NSS	O-Ring (Note: Use Item 101A)	
7	7007419	2	Plug	
10	7007420	2	Plug	
11	7007208	2	Plug	
12	7007421	10	Screw	
14	See Note	NSS	Gasket, Servo Cover (Note: Use Item 101A)	
15	7007423	1	Nut, Special	
16	7007424	1	Cover, Adjustment	
18	7007425	1	Bearing, Needle	
19	See Note	NSS	Ring, Retaining (Note: Use Item 103)	
20	See Note	NSS	Washer (Note: Use Item 103)	
21	See Note	NSS	Spring (Note: Use Item 103)	
23	See Note	NSS	Washer (Note: Use Item 103)	
24	See Note	NSS	Retainer (Note: Use Item 103)	
25	See Note	NSS	Pin, Slipper Holddown (Note: Use Item 103)	
26	See Note	NSS	Piston Assembly (Note: Use Item 103)	
27	See Note	NSS	Retainer, Slipper (Note: Use Item 103)	
28	See Note	NSS	Guide, Retainer (Note: Use Item 103)	
29	7007435	1	Pin, Spring	
30	7007436	1	Screw, 12 Point Head	
31	7007437	1	Bearing, Ball	
32	7007438	2	Ring, Retainer	
33	7007439	2	Ring	
34	7007440	2	Pin, Spring	
35	7007441	1	Handle, Pin	
36	7007442	1	Sleeve, Bearing	
37	See Note	NSS	Gasket, Front Cover (Note: Use Item 101A)	
38	7007444	1	Pin	
39	7007445	1	Plug, Expansion	
40	See Note	NSS	Pin (Note: Use Item 103)	
41	See Note	NSS	O-Ring (Note: Use Item 101A or 102)	
42	See Note	NSS	Ring, Load Temper (Note: Use Item 101A or 102)	
43	7007449	1	Housing, Pump	
44	See Note	NSS	Ring, Back-up (Note: Use Item 101A)	
45	See Note	NSS	O-Ring (Note: Use Item 101A)	
46	See Note	NSS	Cover, Gerotor (Note: Use Item 102)	
47	7007453	3	Bolt, Hex	
48	7007208	1	Plug	
49	7007454	1	Cover, Front	
50	See Note	NSS	Block, Cylinder (Note: Use Item 103)	

SECTION 2 - TURNTABLE

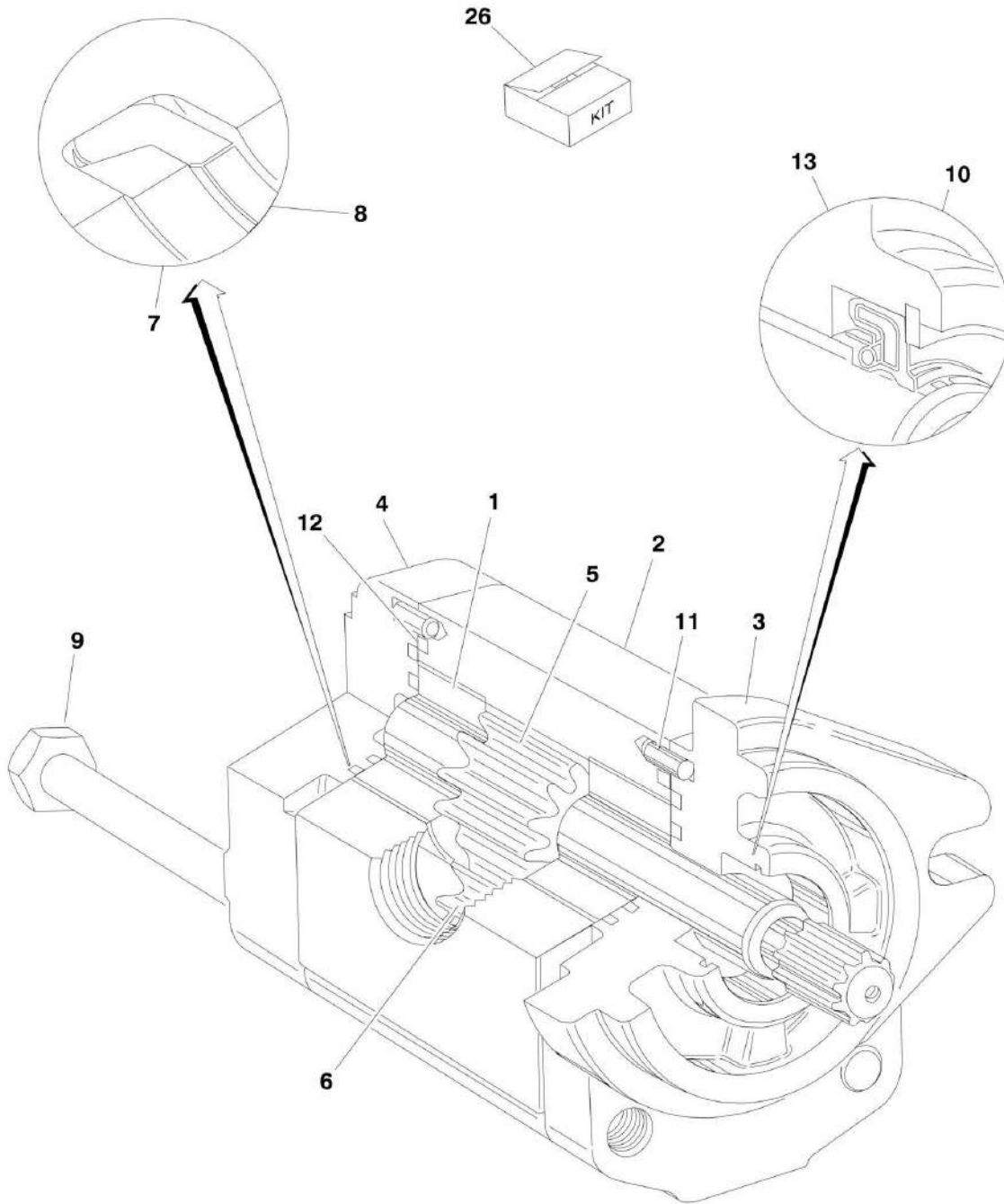
ITEM	PART NUMBER	QTY	DESCRIPTION	REV
51	7007456	6	Screw	
52	7001438	10	Washer	
53	See Note	NSS	Swash Plate (Note: Use Item 103)	
54	7007458	1	Journal, Bearing	
55	7007459	1	Seal, Lip	
56	See Note	NSS	O-Ring (Note: Use Item 101A)	
57		Ref	Shaft, Main Pump Options:	
57	7007461	1	Shaft, Main Pump 13 Tooth Spline (Prior to SN 29318)	
57	7010121	1	Shaft, Main Pump 15 Tooth Spline (SN 29318 through 69000)	
58	7021214	1	Plate, Valve	
59	7007463	1	Gerotor Assembly	
60	See Note	NSS	Pin (Note: Use Item 102)	
61	See Note	NSS	Key, Woodruff (Note: Use Item 102)	
62	7007466	1	Adaptor, Remote Filtration (Without By-Pass)	
63	See Note	NSS	O-Ring (Note: Use Item 101A)	
64	7007468	2	Screw	
65	7007469	2	Screw	
66	7007470	1	Plug	
67	7007471	1	Cover, Servo (With Adjuster)	
67	7007490	2	Stop, Servo (Not Shown)	
67	7007491	2	Nut, Special (Not Shown)	
67	7007492	2	Ring, External (Not Shown)	
68	7007482	1	Cover, Servo (Without Adjuster)	
69	7007483	1	Guide, Spring	
70	7007484	1	Stop, Servo	
71	7007485	1	Spring	
72	7007486	1	Screw	
73	7007487	1	Guide, Spring	
74	7007488	1	Ring, Retaining	
75	7007499	1	Locknut	
76	See Note	NSS	Ring, Piston (Note: Use Item 101A or 101B)	
77	7007494	1	Piston, Servo	
78	See Note	NSS	O-Ring (Note: Use Item 101A or 101B)	
79	7007472	1	Valve, Bypass	
80	7010122	2	Valve, Pressure Relief (Includes Item 6) (was p/n 7007473)	
81	7007474	1	Control, Dual Oil-Filled	
81	7007496	1	Coil Assembly (Pilot)	
81	7007497	1	Plug (Pump)	
81	7007498	1	Plug (Valve Harness)	
82	7007478	2	Screw	
83	7001498	2	Screw	
84	See Note	NSS	O-Ring (Note: Use Item 101A)	
85	See Note	NSS	O-Ring (Note: Use Item 101A)	
86	7007475	1	Plug, Orifice/Screen (.156)	
87	7007477	2	Plug, Orifice (.37)	
88	7007476	1	Adapter, Auxiliary Pump	
89	7010120	1	Spacer/Gasket	
101		Ref	Seal Kit Options:	
101A	2900752	1	Complete (Includes Items 3, 6, 14, 37, 41, 42, 44, 45, 55, 56, 63, 76, 78, 84 & 85)	
101B	7007412	1	Servo Piston (Includes Items 76 & 78)	
102	2900826	1	Charge Pump Kit (Includes Items 41, 42, 46, 59, 60 & 61)	

SECTION 2 - TURNTABLE

ITEM	PART NUMBER	QTY	DESCRIPTION	REV
103	2900827	1	Cylinder Block Kit (Includes Items 19-28, 40, 50, 53 & 58)	

SECTION 2 - TURNTABLE

FIGURE 2-21. GEAR PUMP ASSEMBLY



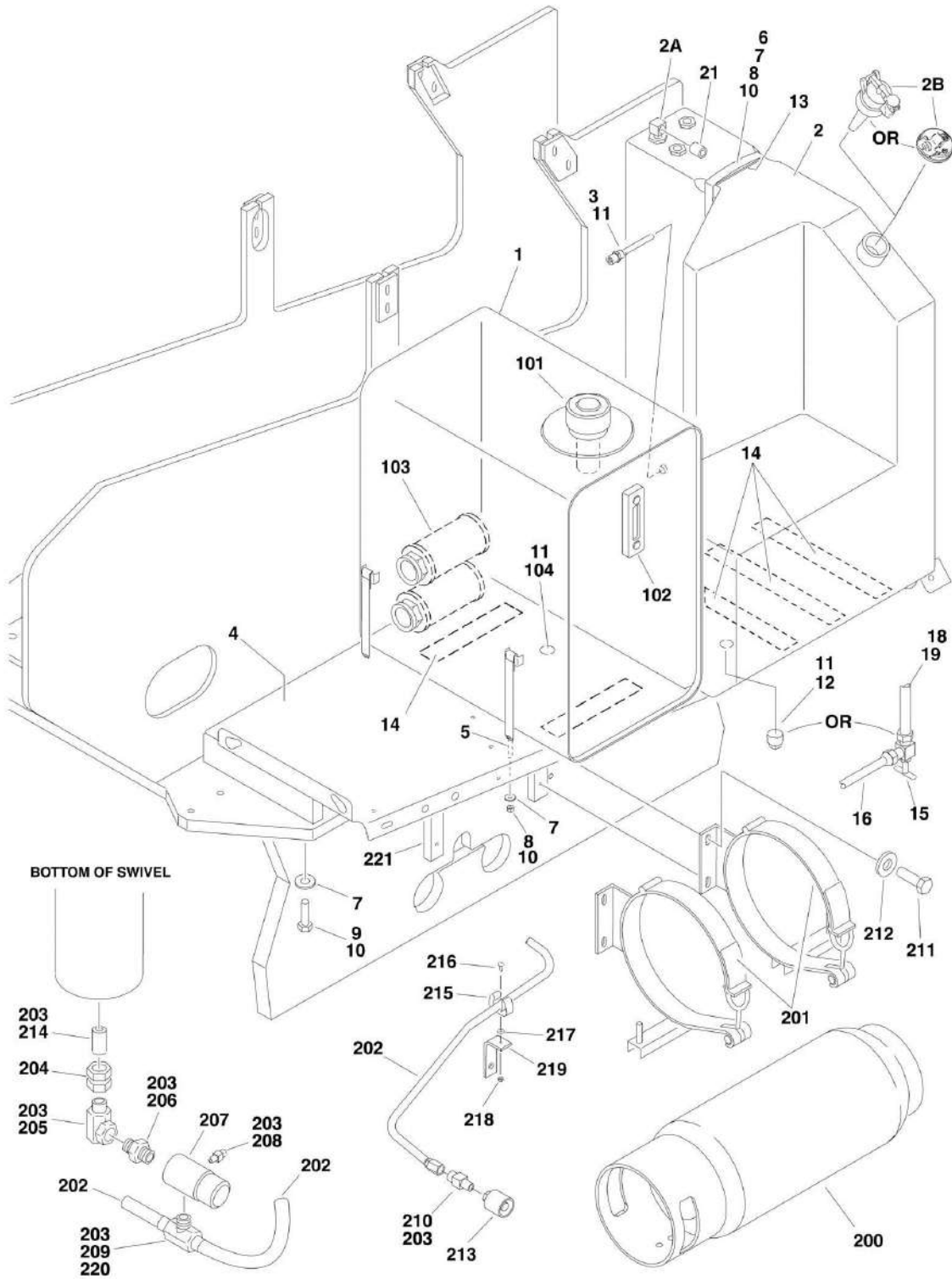
SECTION 2 - TURNTABLE

FIGURE 2-21. GEAR PUMP ASSEMBLY

ITEM	PART NUMBER	QTY	DESCRIPTION	REV
	3600242	Ref	GEAR PUMP ASSEMBLY	
1	7010105	2	Bearing/Bushing	
2	See Note	1	Housing (Note: Use p/n 3600242)	
3	See Note	1	Flange (Note: Use p/n 3600242)	
4	7010103	1	Cover	
5	7012987	1	Gear, Drive	
6	7012988	1	Gear, Idler	
7	See Note	NSS	Ring, Anti-Extrusion (Note: Use Item 26)	
8	See Note	NSS	Seal (Note: Use Item 26)	
9	See Note	4	Bolt (Note: Not Available for Purchase)	
10	7010104	1	Ring, Retaining	
11	See Note	4	Pin, Dowel (Note: Not Available for Purchase)	
12	See Note	NSS	Seal, O-Ring (Note: Use Item 26)	
13	See Note	NSS	Seal, Shaft (Note: Use Item 26)	
26	7007489	1	Seal Kit (Includes Items 7, 8, 12 & 13)	

SECTION 2 - TURNTABLE

FIGURE 2-22. TANKS INSTALLATION



SECTION 2 - TURNTABLE

FIGURE 2-22. TANKS INSTALLATION

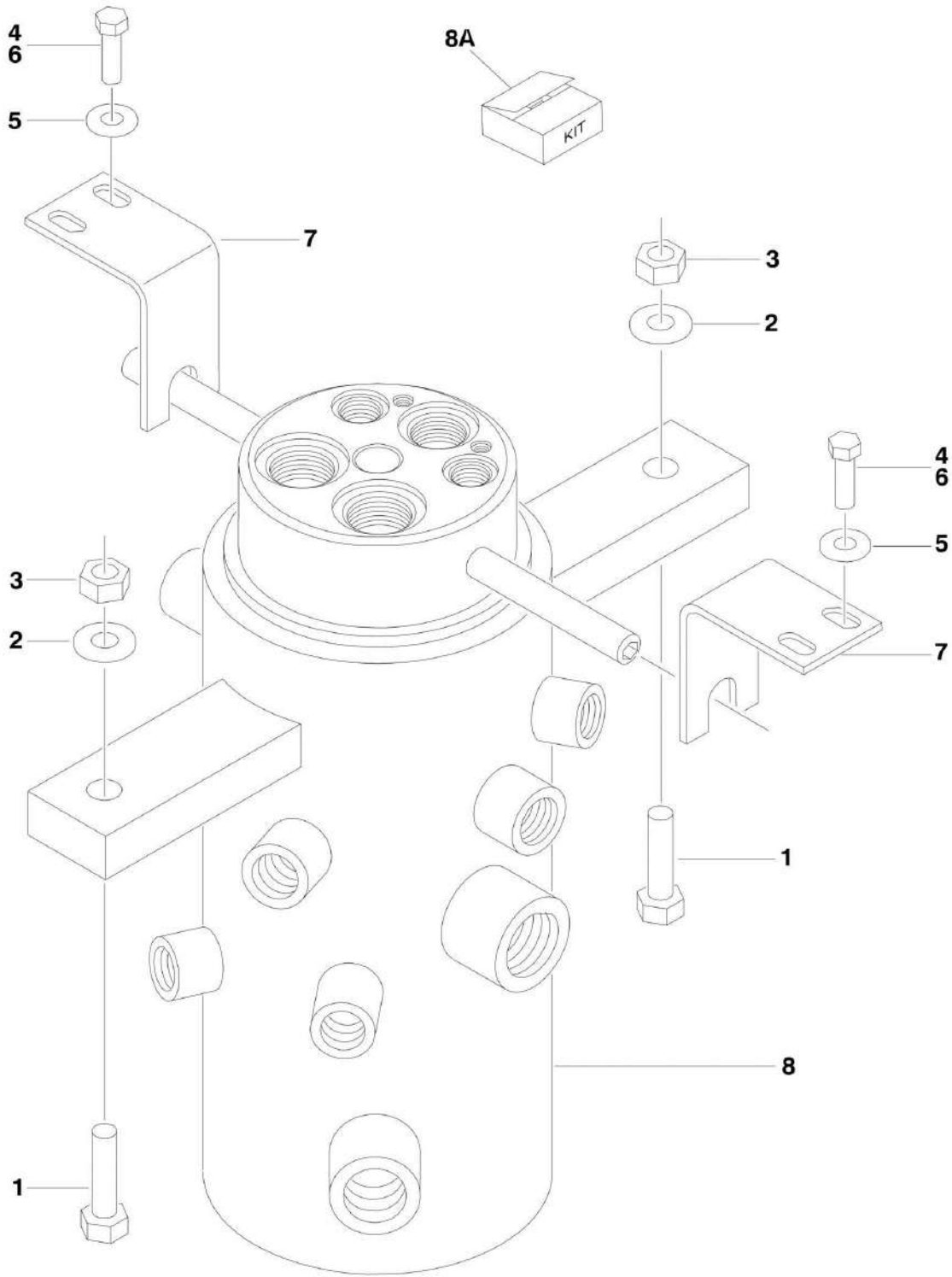
ITEM	PART NUMBER	QTY	DESCRIPTION	REV
	0255409	Ref	TANKS INSTALLATION (STANDARD PARTS)	6
	0257339	Ref	TANKS INSTALLATION (GAS MACHINES WITH LOCKING CAP) (Prior to SN 0300048907)	2
	0270395	Ref	TANKS INSTALLATION (GAS MACHINES WITH LOCKING CAP) (SN 0300048907 through 0300069000)	1
	0257482	Ref	TANKS INSTALLATION (DIESEL MACHINES WITH LOCKING CAP)	1
	0257671	Ref	TANKS INSTALLATION (UL)	3
	0258606	Ref	TANKS INSTALLATION (UL LP GAS ONLY)	1
1	4400372	1	Hydraulic Tank Assembly (See Items 101-104 for Breakdown)	
2		Ref	Tank, Fuel Options:	
2	4400373	1	Tank, Fuel Standard (Prior to SN 0300030687)	
2	4400399	1	Tank, Fuel Standard (SN 0300030687 through 0300069000)	
2	4400407	1	UL Machines Only	
2	Not Required	1	UL Machines LP Gas Only	
2A	7019658	1	Fitting, 90 W/Pick-Up Tube	
2B		Ref	Cap Options:	
2B	7016314	1	Standard - Non-Locking (Part of Item 2)	
2B	1120484	1	Red Lockable Cap - Gas/Dual Fuel Machines (Not Included with Tank - Purchase Separately) (Lock Not Included)	
2B	1120487	1	Blue Lockable Cap - Diesel Machines (Not Included with Tank - Purchase Separately) (Lock Not Included)	
2B	1120367	1	UL Machines (Not Included with Tank - Purchase Separately)	
2B	Not Required	1	UL Machines LP Gas Only	
3	4360436	1	Switch, Fuel Level	
4	4844964	1	Hydraulic Tray Weldment	
5	4240112	4	Strap, Tank	
6	4240102	1	Strap, Tank (Not Required on UL Machines)	
7	4751600	12	Flatwasher 3/8in Regular	
8	3311601	6	Nut 3/8in-16NC	
9	0641614	6	Bolt 3/8in-16NC x 1-3/4in	
10	0100011	AR	Compound, Locking	
11		Ref	Sealant, Pipe Options:	
11	0100079	AR	(Standard Machines)	
11	0100020	AR	(UL Machines)	
12		Ref	Fitting Options:	
12	2200222	1	Fitting (Prior to SN 0300048907)	
12	2200233	1	Fitting (SN 0300048907 through 0300069000)	
13	4280295	25 in/44cm	Strip, Protective	
14	4420038	AR	Tape, Rubber	
15		Ref	Fitting Options:	
15	4641022	1	Standard Gas Machines, Valve, Needle - Located on Bottom of Fuel Tank (SN 0300048907 through 0300069000)	
15	4641022	1	UL Gas Machines, Valve, Needle - Located on Top of Fuel Tank	
15	Not Required	1	Diesel Machines	
16	4568116	1	Tube, Fuel (SN 0300048907 through 0300069000)	
18	0100062	AR	Retaining Compound #680 (Not Shown) (SN 0300048907 through 0300069000)	
19	4568119	1	Tube, Fuel (SN 0300048907 through 0300069000)	
20	2180703	1	Fitting, 90 (Not Shown Located on Top of Fuel Tank) (UL Machines Only)	

SECTION 2 - TURNTABLE

ITEM	PART NUMBER	QTY	DESCRIPTION	REV
21	2220273	1	Fitting, Reducer (UL Machines Only)	
	4400372	Ref	HYDRAULIC OIL TANK ASSEMBLY	J
101		Ref	Filler/Breather Assembly Options:	
101	7014803	1	Filler/Breather Assembly Prior to June 1997	
101	7014810	1	Filler/Breather Assembly June 1997 to SN 0300069000	
101	7014811	1	Cap, Breather (Fits 7014803 & 7014810)	
102	7014802	1	Gage, Sight	
103	7014801	2	Strainer	
104	7014800	1	Plug, Magnetic	
	0255524	Ref	LP TANK BRACKETS INSTALLATION	7
200		Ref	Tank, LP Options:	
200	4400275	1	Aluminum	
200	4400420	1	Steel	
201	1320220	2	Clamp	
201	1320127	2	Clamp, Toggle (1 Per Clamp)	
202	2720144	2	Hose	
203	0100020	AR	Sealant, Pipe	
204	2221019	1	Fitting, Reducer	
205		Ref	Fitting, 90 Swivel Options:	
205	2180125	1	Fitting, 90 Swivel (Prior to SN 0300039820)	
205	2220599	1	Fitting, 90 Swivel (SN 0300039820 through 0300040158)	
205	2180125	1	Fitting, 90 Swivel (SN 0300040159 through 0300069000)	
206	2220261	1	Fitting, Nipple	
207	2180388	1	Fitting, Bulkhead	
208	2180389	1	Valve, Relief	
209		Ref	Fitting, Tee Options:	
209	2180800	1	Fitting, Tee (Prior to SN 0300041400)	
209	2220418	1	Fitting, Tee (SN 0300041400 through 0300069000)	
210	2180387	2	Fitting, Straight	
211	0641606	8	Bolt 3/8in-16NC x 3/4in	
212	4751600	8	Flatwasher 3/8in Regular	
213	2180418	2	Fitting, Connector	
214	2221018	1	Fitting, Nipple	
215	1320218	2	Clamp, Spring (SN 0300034410 through 0300069000)	
216	3910808	2	Screw #8-32NC x 1/2in (SN 0300034410 through 0300069000)	
217	4750800	4	Flatwasher #8 Regular (SN 0300034410 through 0300069000)	
218	3310805	2	Locknut #8-32NC (SN 0300034410 through 0300069000)	
219	0181949	2	Angle, Support (SN 0300034410 through 0300069000)	
220	2221024	2	Fitting, Union Ball Check (SN 0300034410 through 0300069000)	
221	0362519	4	Bar (SN 0300034410 through 0300069000)	

SECTION 2 - TURNTABLE

FIGURE 2-23. ROTARY COUPLING INSTALLATIONS



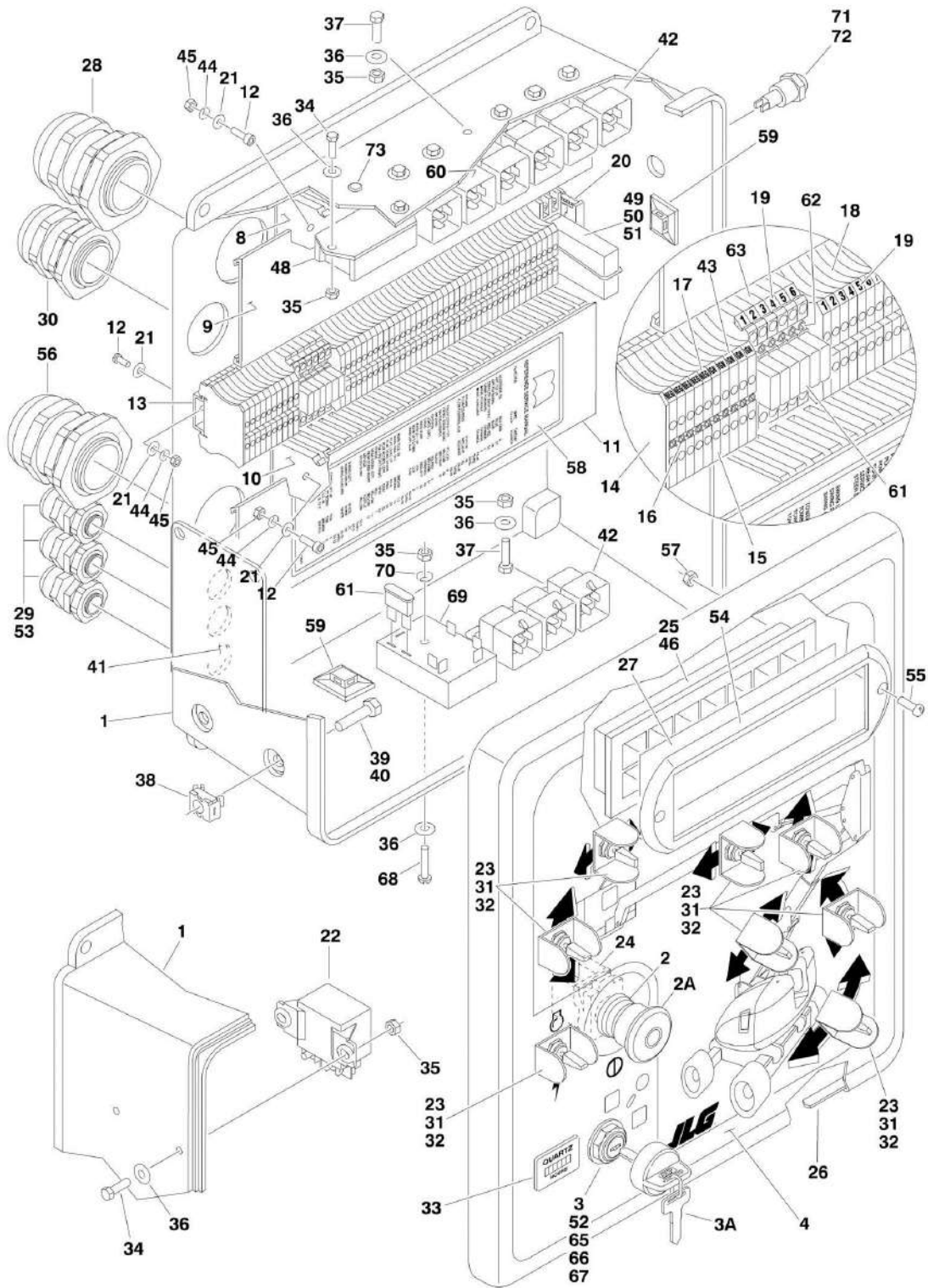
SECTION 2 - TURNTABLE

FIGURE 2-23. ROTARY COUPLING INSTALLATIONS

ITEM	PART NUMBER	QTY	DESCRIPTION	REV
		Ref	ROTARY COUPLING INSTALLATIONS	
	0255262	Ref	2WS	5
	0255294	Ref	4WS	2
1	0641820	2	Bolt 1/2in-13NC x 2-1/2in	
2	4751800	4	Flatwasher 1/2in Regular	
3	3311805	2	Locknut 1/2in-13NC	
4	0641611	4	Bolt 3/8in-16NC x 1-3/8in	
5	4751600	4	Flatwasher 3/8in Regular	
6	0100011	AR	Compound, Locking	
7		Ref	Bracket	
7	0902109	NLA	Bracket (Use p/n 0902520) (Prior to SN 0300041296)	
7	0902520	2	Bracket (SN 0300041296 through 0300069000)	
8		Ref	Coupling, Rotary Options:	
8	1660219	1	2WS	
8	1660223	1	4WS	
8A		Ref	Seal Kit Options:	
8A	7013187	1	2WS	
8A	7016342	1	4WS	
8A		Ref	Rebuilt Coupling Options:	
8A	1660219RR	1	2WS	
8A	1660223RR	1	4WS	

SECTION 2 - TURNTABLE

FIGURE 2-24. GROUND CONTROL BOX INSTALLATIONS (Prior to SN 0300064249)



SECTION 2 - TURNTABLE

FIGURE 2-24. GROUND CONTROL BOX INSTALLATIONS (Prior to SN 0300064249)

ITEM	PART NUMBER	QTY	DESCRIPTION	REV
		Ref	Note: Numbered Colored Wiring Starts with SN 35129	
		Ref	GROUND CONTROL BOX ASSEMBLY OPTIONS:	
		Ref	Continental Engine Machines	
	0860991	Ref	Continental Engine Machines (Prior to SN 0300035129)	8-F
	0861121	Ref	Continental Engine Machines (SN 0300035129 through 0300064248)	2-B
	0860994	Ref	Continental Engine Machines (Prior to SN 0300035129)	8-F
	0861122	Ref	Continental Engine Machines (SN 0300035129 through 0300064248)	2-B
		Ref	Deutz Engine Machines	
	0860990	Ref	Deutz Engine Machines (Prior to SN 0300035129)	10
	0861117	Ref	Deutz Engine Machines (SN 0300035129 through 0300064248)	5-E
	0861244	Ref	Deutz Engine Machines (600A - UL) (SN 0300039457 through 0300064249)	3-C
	0860993	Ref	Deutz Engine Machines (Prior to SN 0300035129)	10
	0861118	Ref	Deutz Engine Machines (SN 0300035129 through 0300064248)	5-E
	0861245	Ref	Deutz Engine Machines (600AJ - UL) (SN 0300039457 through 0300064249)	3-C
		Ref	Ford Engine Machines	
	0860989	Ref	Ford Engine Machines (Prior to SN 0300030947)	6-D
	0861102	Ref	Ford Engine Machines (SN 0300030947 through 0300035128)	1-A
	0861115	Ref	Ford Engine Machines (SN 0300035129 through 0300049548)	4-B
	0861333	Ref	Ford Engine Machines (600A with EFI) (SN 0300049549 through 0300064249)	2-B
	0861232	Ref	Ford Engine Machines (600A UL) (Prior to SN 0300030947)	3-C
	0861251	Ref	Ford Engine Machines (600A) (UL LP Machines Only) (SN 0300039457 through 0300064249)	3-C
	0860992	Ref	Ford Engine Machines (Prior to SN 0300030947)	8-E
	0861103	Ref	Ford Engine Machines (SN 0300030947 through 0300035128)	2-B
	0861116	Ref	Ford Engine Machines (SN 0300035129 through 0300064248)	4-C
	0861332	Ref	Ford Engine Machines (600AJ with EFI) (SN 0300049549 through 64249)	2-B
	0861233	Ref	Ford Engine Machines (600AJ UL) (SN 0300039457 through 0300064249)	3-C
	0861252	Ref	Ford Engine Machines (600AJ UL) (LP Gas Only) (SN 0300039457 through 0300064249)	3-C
		Ref	Isuzu Engine Machines	
	0861506	Ref	Isuzu Engine Machines (600A)	1
	0861507	Ref	Isuzu Engine Machines (600AJ)	1
1		Ref	Box, Fiberglass Options:	
1	0861018	1	Box, Fiberglass (Prior to SN 0300035129)	
1	0861131	1	Box, Fiberglass (SN 0300044645 through 0300044651)	
1	0861302	1	Box, Fiberglass (SN 0300044652 through 0300064249)	
2		Ref	Switch, Emergency Stop Options:	
2	4360395	1	Switch, Emergency Stop (Prior to SN 0300036019)	
2	4360289	1	Switch, Emergency Stop (SN 0300036019 through 0300044651)	
2	4360475	1	Switch, Emergency Stop (SN 0300044652 through 0300064249)	
2A		Ref	Cap Options:	

SECTION 2 - TURNTABLE

ITEM	PART NUMBER	QTY	DESCRIPTION	REV
2A	7016315	1	Cap, Red (Used on Switch p/n 4360395)	
2A	7012611	1	Cap, Mushroom Head (Used on Switch p/n 4360289)	
2A	7020175	1	Cap, Red (Used on Switch p/n 4360475)	
2A	7012612	1	Boot (Used on Switch p/n 4360289)	
2A	7020176	1	Block, Contact (Used on Switch p/n 4360475)	
3		Ref	Switch, Key Options:	
3	4360315	1	Switch, Key (Prior to SN 0300044652)	
3	4360469	1	Switch, Key (Common Key) (SN 0300044652 through 0300064249)	
3A	7012560	1 Set	Key Replacement (Use with 4360315 Switch)	
3A	2860030	1 Set	Key Replacement (Use with 4360469 Common KeySwitch)	
4		Ref	Decal - Faceplate Options:	
4	1702633	1	Decal - Faceplate 600A (Prior to SN 0300035129)	
4	1703467	1	Decal - Faceplate 600A (SN 0300035129 through 0300064248)	
4	1702537	1	Decal - Faceplate 600AJ (Prior to SN 0300035129)	
4	1703468	1	Decal - Faceplate 600AJ (SN 0300035129 through 0300064248)	
5		Ref	Engine Harness Assembly Options (Not Shown) (See ELECTRICAL SECTION for Breakdown):	
5		Ref	Continental Engine Machines	
5	4921738	1	Continental Engine Machines (Prior to SN 0300035129)	
5	4921926	1	Continental Engine Machines (SN 0300035129 through 0300064248)	
5		Ref	Deutz Engine Machines	
5	4921737	1	Deutz Engine Machines (Prior to SN 0300035129)	
5	4921925	1	Deutz Engine Machines (SN 0300035129 through 0300064248)	
5	4922185	1	Deutz Engine Machines UL (SN 0300039457 through 0300064249)	
5		Ref	Ford Engine Machines	
5	4921736	1	Ford Engine Machines (Prior to SN 0300030947)	
5	4921970	1	Ford Engine Machines (SN 0300030947 through 0300035128)	
5	4921924	1	Ford Engine Machines (SN 0300035129 through 0300049548)	
5	4922329	1	Ford Engine Machines (SN 0300049549 through 0300064249)	
5	4922166	1	Ford Engine Machines UL (SN 0300039457 through 0300064249)	
5	4922200	1	Ford Engine Machines UL (LP Gas Only) (SN 0300039457 through 0300064249)	
5	4922380	1	Isuzu Engine Machines	
6		Ref	Valve Harness Assembly Options (Not Shown) (See ELECTRICAL SECTION for Breakdown):	
6	4921739	1	Valve Harness Assembly (Prior to SN 0300026233)	
6	4921848	1	Valve Harness Assembly (SN 0300026233 through 0300035128)	
6	4921922	1	Valve Harness Assembly (SN 0300035129 through 0300064248)	
6	4922165	1	UL/LP Machines Only (SN 0300039457 through 0300064249)	
8	1840012	1	Duct, Wiring - 2in/5cm	
9	1840013	1	Duct, Cover - 2in/5cm	
10	1840014	1	Duct, Wiring - 3in/7.6cm	
11	1840015	1	Duct, Cover - 3in/7.6cm	

SECTION 2 - TURNTABLE

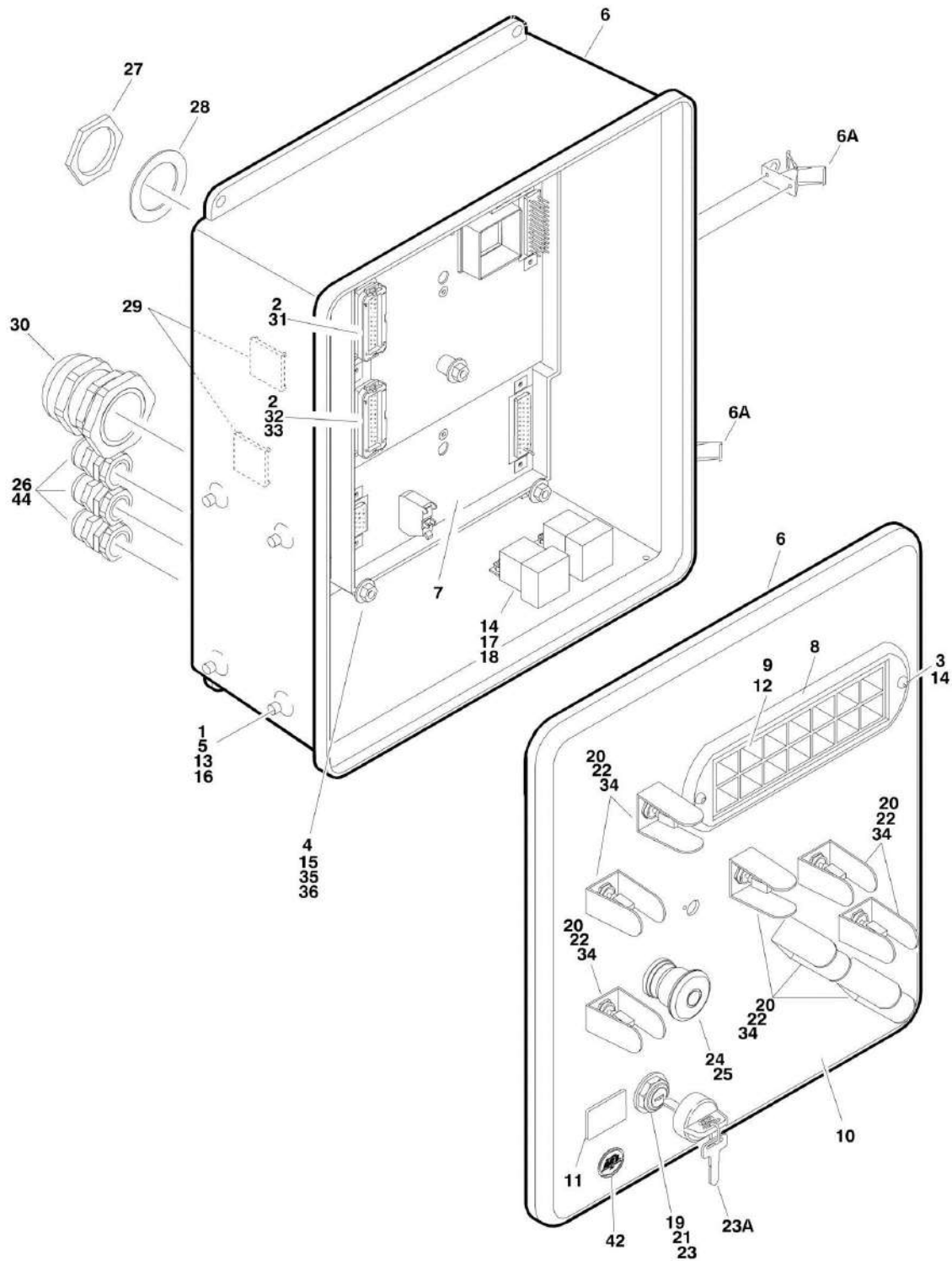
ITEM	PART NUMBER	QTY	DESCRIPTION	REV
12	3910608	6	Screw #6-32NC x 1/2in	
13	3640970	1	Rail	
14	4460602	1	Barrier, Terminal	
15	4460601	10	Block, Terminal	
16	4460603	1	Bussbar - 10 Position (Requires being cut into (2) 5 position bussbars)	
17	4460631	AR	Marker, Terminal (Negative)	
18	4460600	AR	Block, Terminal	
19	4460628	AR	Marker, Terminal (1-50)	
20	4460607	1	Stop, Terminal	
21	4750600	12	Flatwasher #6 Regular	
22	3740112	1	Relay, Bosch	
23	4360314	AR	Switch, Toggle	
24		Ref	Switch, Contact Block Options:	
24	4360282	1	Switch, Contact Block (Prior to SN 0300044652)	
24	4360476	1	Switch, Contact Block (SN 0300044652 through 0300064249)	
25	2760105	1	Housing, Display Light	
25	2920129	7	Bulb, Light	
25	4120035	7	Socket, Light	
26	4420038	4 in/10cm	Insulation, Adhesive Foam	
27	1702610	1	Decal - Ground Control Display	
28	4460526	1	Connector, Strain Relief	
29	4460428	3	Connector, Strain Relief	
30	4460426	1	Connector, Strain Relief	
31	4740444	AR	Washer, Special	
32	4060906	AR	Shield, Toggle Switch	
33	2420172	1	Gauge, Hourmeter	
34	0721005	AR	Screw #10-24NC x 5/8in	
35	3311001	AR	Nut #10-24NC	
36	4751000	AR	Flatwasher #10 Regular	
37		Ref	Screw Options:	
37	0721004	AR	Screw #10-24NC (Prior to SN 0300063908)	
37	3900268	AR	Screw #10-24NC x 1/2in (SN 0300063908 through 0300064249)	
38	3300205	4	Nut, Retainer	
39	0641506	4	Bolt 5/16in-18NC x 3/4in	
40	0100011	AR	Compound, Locking	
41	3539219	1	Plate, Reinforcement	
42	3740049	AR	Relay - SPDT	
43	4460630	AR	Marker, Terminal (Ignition)	
44	4760600	6	Lockwasher #6	
45	3310601	6	Nut #6-32NC	
46	3700010	1	Reflector Only (Prior to SN 0300027331)	
48		Ref	Timer, Glow Plug Options:	
48	4360402	1	Continental Engines	
48	Not Required	0	Deutz, Isuzu and Ford Engines	
48	Not Required	0	UL - Deutz, Isuzu and Ford Engines	
49		Ref	Socket, Relay Options:	
49	4120012	1	Ford Engines	
49	Not Required	0	Deutz, Isuzu and Continental Engines	
49	Not Required	0	UL - Deutz, Isuzu and Continental Engines	
50		Ref	Relay Options:	

SECTION 2 - TURNTABLE

ITEM	PART NUMBER	QTY	DESCRIPTION	REV
50	3740057	1	Ford Engines	
50	Not Required	0	Deutz, Isuzu, Continental Engines and Ford Engines	
50	Not Required	0	UL - Deutz, Isuzu, Continental Engines and Ford Engines	
51		Ref	Spring, Relay Options:	
51	3740066	1	Ford Engines	
51	Not Required	0	Deutz, Isuzu, Continental Engines and Ford Engines	
51	Not Required	0	UL - Deutz, Isuzu, Continental Engines and Ford Engines	
52	3300390	1	Nut with Weather Resistant Boot (SN 0300027331 through 0300044652)	
53	3520054	1	Plug, Hole (SN 0300028933 through 0300035128)	
54	1670829	1	Bezel (SN 0300035129 through 0300064248)	
55	0630518	AR	Capscrew, Button Head (SN 0300035129 through 0300064249)	
56		Ref	Connector, Strain Relief Options:	
56	4460526	1	Connector, Strain Relief (Prior to SN 0300035129)	
56	4460711	1	Connector, Strain Relief (SN 0300035129 through 0300064248)	
57	3300408	2	Locknut, Plastic Insert (SN 0300035129 through 0300064248)	
58	1703622	1	Decal - Service Manual Reference (SN 0300035129 through 0300064248)	
59	4460234	6	Base, Tie-Strap (SN 0300035129 through 0300064248)	
60	4460758	6	Block, Terminal (UL Machines Only) (SN 0300039457 through 0300069000)	
61	2400057	6	Fuse, 15 Amp (UL Machines Only) (SN 0300039457 through 0300064249)	
62	4460760	1	Bar, Bridge (UL Machines Only) (SN 0300039457 through 0300064249)	
63	3740132	6	Relay (UL Machines Only) (SN 0300039457 through 0300064249)	
64	2400057	6	Fuse, 15 Amp (UL Machines Only) (SN 0300041997 through 0300064249)	
65	4070991	1	Shim .125 (UL Machines Only) (SN 0300044652 through 0300064249)	
66	4070987	1	Shim .015 (UL Machines Only) (SN 0300044652 through 0300064249)	
67	3910804	6	Screw (UL Machines Only) (SN 0300044652 through 0300064249)	
68	3911024	1	Screw #10-24NC x 1-1/2in (SN 0300048907 through 0300064248)	
69		Ref	Timer, Relay Options (SN 0300048907 through 0300064248)	
69	3740113	1	Ford Engines with EFI	
69	Not Required	0	Ford, Deutz, Isuzu and Continental Engines	
70	4761000	1	Lockwasher #10 (SN 0300048907 through 0300064248)	
71		Ref	Hardware Options:	
71	4360387	1	Switch, Push Button (Ford Engines with EFI)	
71	3520026	1	Plug (Ford, Deutz, Isuzu and Continental Engines)	
72	0100009	AR	Adhesive (Ford, Deutz, Isuzu and Continental Engines Only)	
73		Ref	Plug Options:	
73	Not Required	0	Ford Engines with EFI and Continental Engines	
73	3520174	AR	Deutz and Isuzu Engines	

SECTION 2 - TURNTABLE

FIGURE 2-25. GROUND CONTROL BOX INSTALLATIONS (ADE SYSTEM) (SN 0300064249 through 0300069000)



SECTION 2 - TURNTABLE

FIGURE 2-25. GROUND CONTROL BOX INSTALLATIONS (ADE SYSTEM) (SN 0300064249 through 0300069000)

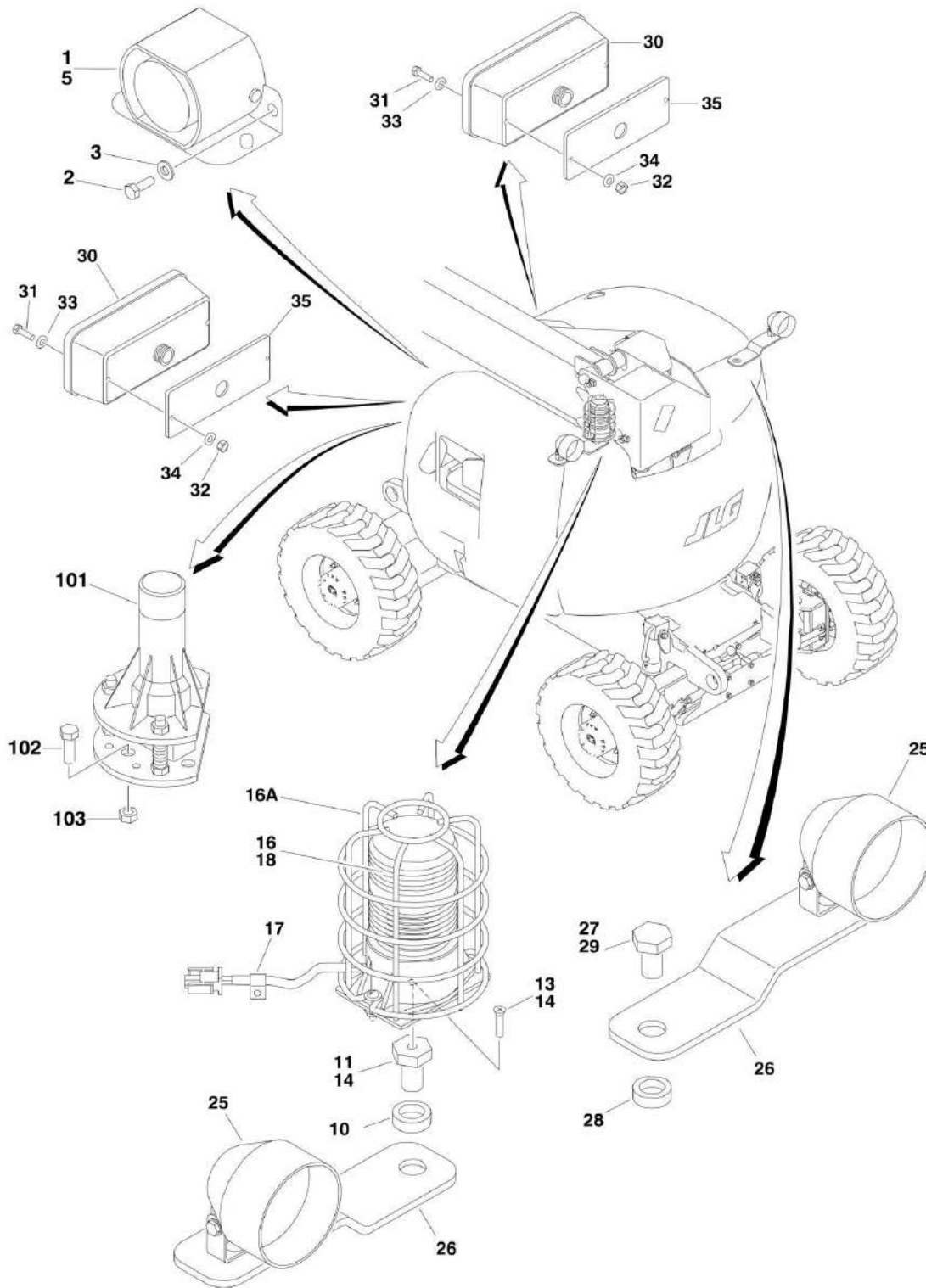
ITEM	PART NUMBER	QTY	DESCRIPTION	REV
		Ref	GROUND CONTROL BOX ASSEMBLIES	
		Ref	Deutz Engine Machines	
	0861410	Ref	Deutz Engine Machines 600A (SN 0300064249 through 0300064269)	E
	0861470	Ref	Deutz Engine Machines 600A (SN 0300064270 through 0300069000)	E
	0861411	Ref	Deutz Engine Machines 600AJ (SN 0300064249 through 0300064269)	E
	0861471	Ref	Deutz Engine Machines 600AJ (SN 0300064270 through 0300069000)	E
		Ref	Ford Engine Machines	
	0861408	Ref	Ford Engine Machines 600A (SN 0300064249 through 0300064269)	E
	0861468	Ref	Ford Engine Machines 600A (SN 0300064270 through 0300069000)	E
	0861409	Ref	Ford Engine Machines 600AJ (SN 0300064249 through 0300064269)	E
	0861469	Ref	Ford Engine Machines 600AJ (SN 0300064270 through 0300069000)	E
1	0100011	AR	Compound, Locking	
2	0100048	AR	Grease, Dielectric	
3	0630518	2	Capscrew, Button Head	
4	0630548	5	Tap, Bolt 2 1/2in	
5	0641506	4	Bolt 5/16in-18NC x 3/4in	
6	0861407	1	Box, Fiberglass	
6A	7020246	2	Latch	
7		Ref	Module, Ground Control Options (Re-calibration Required when Replaced):	
7	1600312	1	Module, Ground Control (SN 0300064249 through 0300064269)	
7	1600327	NLA	Module, Ground Control (Use p/n 2915014) (SN 0300064270 through 0300069000)	
8	1670829	1	Bezel	
9	1702610	1	Decal - Ground Control Display	
10		Ref	Decal - Faceplate Options:	
10	1703467	1	Decal - Faceplate (600A)	
10	1703468	1	Decal - Faceplate (600AJ)	
11	2420172	1	Gauge, Hourmeter	
12	2760105	1	Housing, Display Light	
13	3300205	4	Nut, Retainer	
14	3300408	AR	Locknut, Plastic Insert	
15	3311401	10	Nut 1/4in-20NC	
16	3539219	1	Plate, Reinforcement	
17	3740049	2	Relay	
18	3900268	2	Screw, Flange #10 x 1/2in	
19	3910804	6	Screw #8-32NC x 1/4in	
20	4060906	8	Shield, Toggle Switch	
21	4070987	1	Shim (.125in)	
22	4360328	8	Switch, Toggle	
23	4360469	1	Switch, Key	
23A	2860030	1	Key Replacement	

SECTION 2 - TURNTABLE

ITEM	PART NUMBER	QTY	DESCRIPTION	REV
24	4360475	1	Switch, Emergency Stop	
25	4360476	1	Switch, Contact Block	
26	4460426	AR	Terminal, Strain Relief	
27	4460470	1	Nut, Terminal	
28	4460471	1	Lockwasher, Terminal	
29	4460488	7	Mounting Base, Terminal	
30	4460526	1	Connector, Strain Relief	
31	4460874	1	Connector, Natural	
32	4460875	1	Connector, Gray	
33	4460905	4	Connector, Amp Seal Plug	
34	4740444	9	Washer, Special	
35	4751400	20	Flatwasher 1/4in Regular	
36	4761400	10	Lockwasher 1/4in	
40		Ref	Harness, Analyzer Cable Options: (Not Shown)	
40	4922485	1	Harness, Analyzer Cable (SN 0300064249 through 0300064269)	
40	4922666	1	Harness, Analyzer Cable (SN 0300064270 through 0300069000)	
42	1705132	1	Decal - Control ADE (SN 0300066873 through 0300069000)	
44	3520035	1	Plug, Cap (SN 0300068131 through 0300069000)	

SECTION 2 - TURNTABLE

FIGURE 2-26. ELECTRICAL OPTIONS INSTALLATIONS (TURNTABLE MOUNTED)



SECTION 2 - TURNTABLE

FIGURE 2-26. ELECTRICAL OPTIONS INSTALLATIONS (TURNTABLE MOUNTED)

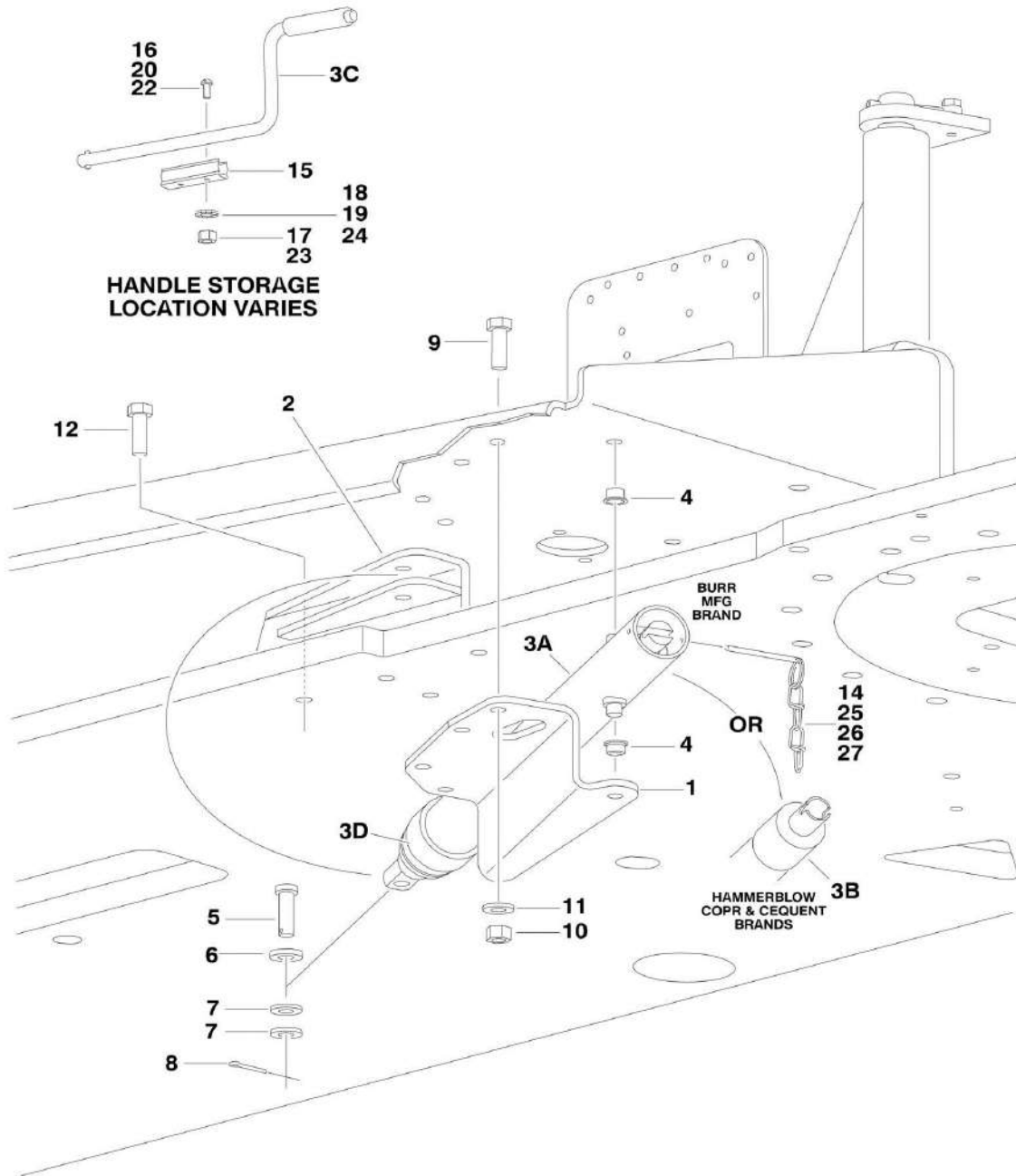
ITEM	PART NUMBER	QTY	DESCRIPTION	REV
		Ref	ALARMS INSTALLATIONS	
	0255368	Ref	Alarms Installations (Prior to SN 0300035129)	2
	0257886	Ref	Alarms Installations (SN 0300035129 through 0300064248)	1
	0270833	Ref	Alarms Installations (ADE System) (SN 0300064249 through 0300069000)	1
1		Ref	Alarm/Harness Assembly Options:	
1	0255914	1	Alarm/Harness Assembly (Colored Wiring) (Prior to SN 0300035129)	
1	0257886	1	Alarm/Harness Assembly (Numbered Colored Wiring) (SN 0300035129 through 0300069000)	
2	0641406	2	Bolt 1/4in-20NC x 3/4in	
3	4711400	2	Flatwasher 1/4in Thin	
5	0100048	AR	Sealant, Silicone	
		Ref	STROBE LIGHT INSTALLATIONS (AMBER) (OPTIONAL)	
	0255393	Ref	Strobe Light Installations (Amber) (Optional) (Colored Wiring) (Prior to SN 0300035129)	1
	0257885	Ref	Strobe Light Installations (Amber) (Optional) (Numbered Colored Wiring) (SN 0300035129 through 0300064248)	2
	0270805	Ref	Strobe Light Installations (Amber) (Optional) (ADE System) (SN 0300064249 through 0300069000)	1
10	4220162	1	Spacer, Stop (Used with ECCO Model 6640 Only)	
11		Ref	Adapter Options:	
11	0630491	1	Adapter used with ECCO Model 6640	
11	0080241	1	Adapter used with ECCO Model 6650	
12	3539281	1	Plate, Mounting (Used with ECCO Model 6640 Only)	
13	0741606	1	Screw, Flathead Countersunk 3/8in-16NC x 3/4in (Used with ECCO Model 6640 Only)	
14	0100011	AR	Compound, Locking	
15	4240032	1	Tie-Strap (Not Shown)	
16	0255917	NLA	Strobe Light/Guard/Harness Assembly (Use p/n 0272507)	
16	2920130	NLA	Strobe Light/Guard/Harness Assembly (Use p/n 0272507)	
16	2920214	NLA	Strobe Light/Guard/Harness Assembly (Use p/n 0272507)	
16		Ref	Bulb, Replacement Options:	
16	7016380	1	Bulb used with ECCO Model 6640	
16	70001941	1	Bulb used with ECCO Model 6650	
16A		Ref	Guard Options:	
16A	4060907	1	Guard used with ECCO Model 6640	
16A	2920215	1	Guard used with ECCO Model 6650	
17	4460234	1	Clamp	
18	0100048	AR	Sealant, Silicone	
		Ref	LIGHTS INSTALLATIONS (OPTIONAL)	
	0255387	Ref	Lights Installations (Optional) (Colored Wiring) (Prior to SN 0300035129)	2
	0257884	Ref	Lights Installations (Optional) (Numbered Colored Wiring) (SN 0300035129 through 0300064248)	1
	0271552	Ref	Lights Installations (Optional) (ADE System) (SN 0300064249 through 0300069000)	2
25	2920110	2	Headlight	
26	0902206	2	Bracket, Mounting	
27	0642612	1	Bolt 1in-8NC x 1-1/2in	
28	4220162	2	Spacer	
29	0100011	AR	Compound, Locking	

SECTION 2 - TURNTABLE

ITEM	PART NUMBER	QTY	DESCRIPTION	REV
30	2920113	2	Taillight	
31	3911040	4	Screw, Machine #10-24NC x 2 1/2	
32	3311005	4	Nut #10-24NC	
33	4751000	4	Flatwasher #10 Regular	
34	4740362	4	Washer, Fender	
35	3960461	2	Gasket	
37	4240032	21	Tie-Strap (Not Shown)	
38	4460234	21	Mount, Tie-Strap (Not Shown)	
39	4360336	1	Switch, Toggle (Not Shown - Located on Console)	
40	3790012	1	O- Ring (Not Shown - Located on Console)	
41	3820001	11	Pop Rivet (Not Shown)	
		Ref	TILT INDICATOR INSTALLATION OPTIONS:	
	0255361	Ref	Tilt Indicator Installation Options: (Prior to SN 0300023179)	2/-
	0256375	Ref	Tilt Indicator Installation Options: (SN 0300023179 through 0300064249)	1
101		Ref	Sensor, Tilt Indicator Options:	
101	4360306	1	Sensor, Tilt Indicator (Prior to SN 0300023179)	
101	4360417	1	Sensor, Tilt Indicator (SN 0300023179 through 0300064249)	
102	0641406	2	Bolt 1/4in-20NC x 3/4in	
103	3311405	2	Locknut 1/4in-20NC	

SECTION 2 - TURNTABLE

FIGURE 2-27. ENGINE TRAY JACK INSTALLATIONS (OPTIONAL)



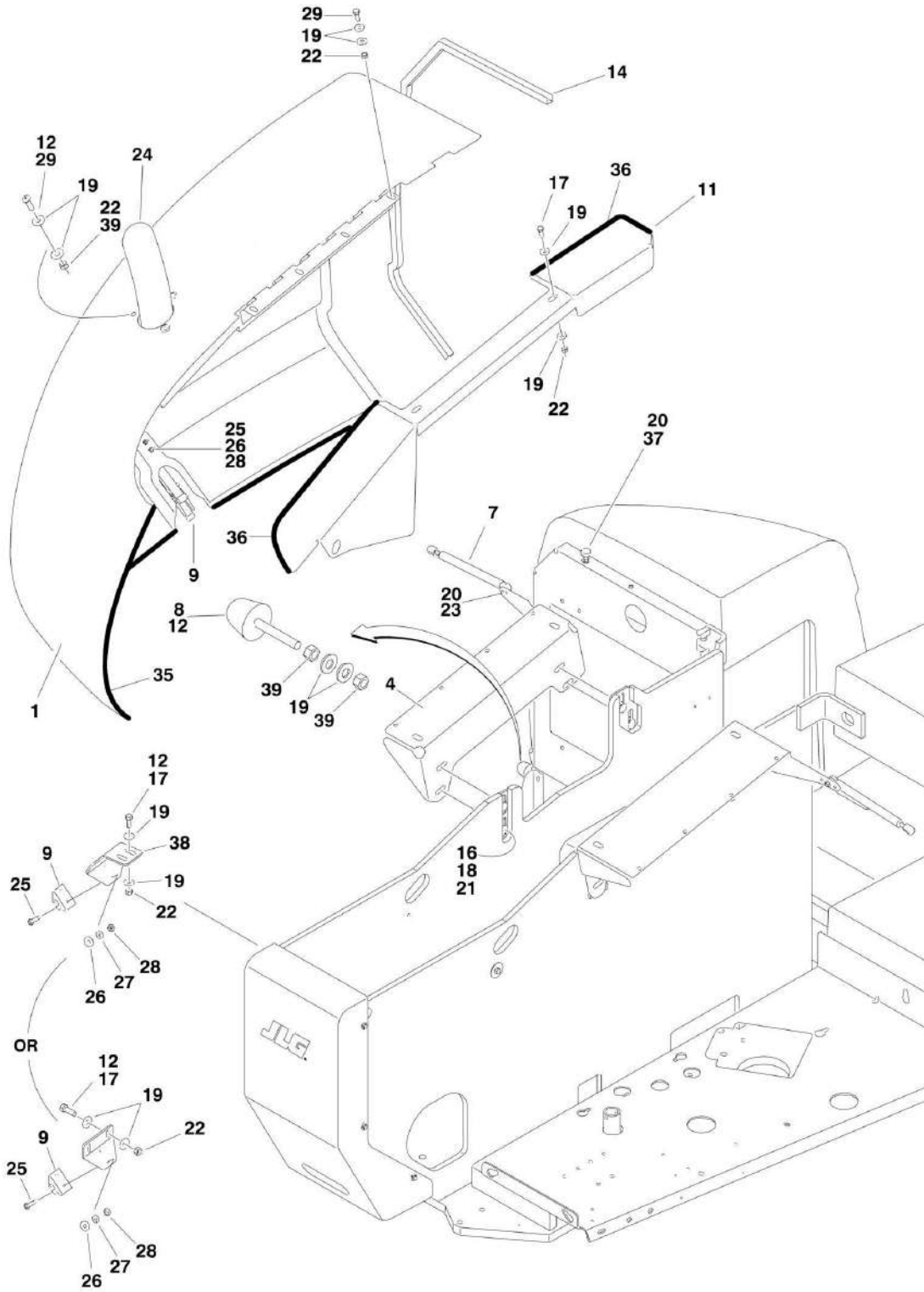
SECTION 2 - TURNTABLE

FIGURE 2-27. ENGINE TRAY JACK INSTALLATIONS (OPTIONAL)

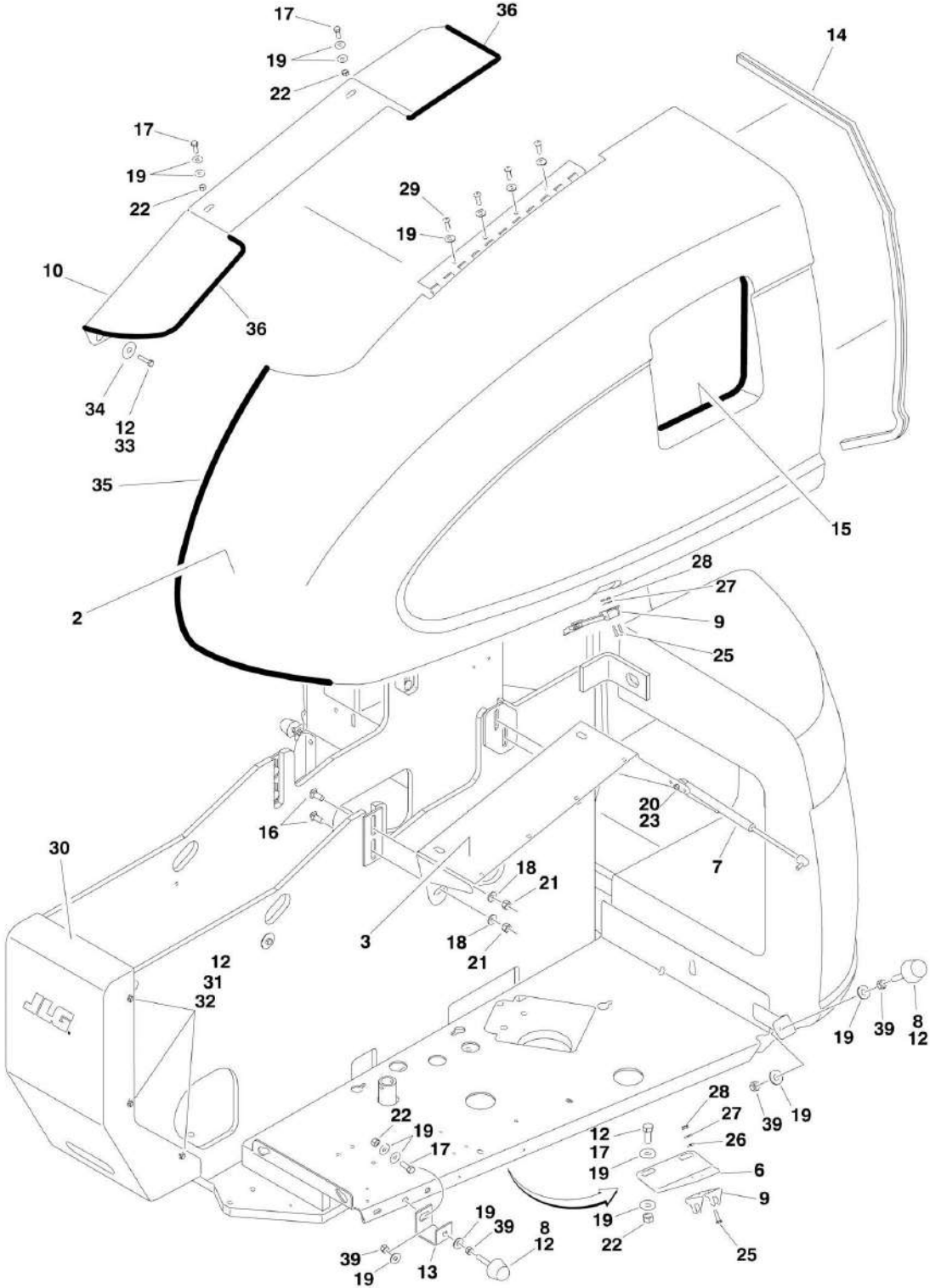
ITEM	PART NUMBER	QTY	DESCRIPTION	REV
	0255880	Ref	ENGINE TRAY JACK INSTALLATION	5-G
1	3537445	1	Bracket	
2	4845163	1	Bracket	
3	2840016	1	Hydraulic Jack Assembly (Prior to SN 0300027329)	
3	2840018	1	Hydraulic Jack Assembly (SN 0300027329 through 0300069000)	
3A		Ref	Burr Manufacturing Brand	
3B		Ref	Hammerblow Corp and Cequent Brands	
3C		Ref	Handle Options:	
3C	7016374	1	Burr Manufacturing Brand	
3C	7024598	1	Hammerblow Corp and Cequent Brands	
3D	7016322	1	Wiper (Burr Manufacturing Brand Only)	
4	0962051	2	Bushing, Flanged	
5	3430816	1	Pin, Clevis	
6	4891800	1	Flatwasher 1/2in Hardened	
7	4711800	AR	Flatwasher 1/2in Thin	
8	3450404	1	Pin, Cotter 1/8in x 1in	
9	0641609	4	Bolt 3/8in-16NC x 1-1/8in	
10	3311605	4	Locknut 3/8in-16NC	
11	4891600	4	Flatwasher 3/8in Hardened	
12	0641810	4	Bolt 1/2in-13NC x 1-1/4in	
14	3422530	1	Pins and Chain	
15	1380147	1	Clip, Spring	
16	3910610	2	Screw, Machine #6-32NC x 1-1/8in (Prior to SN 0300027570)	
17	3310601	2	Nut #6-32NC (Prior to SN 0300027570)	
18	4750600	2	Flatwasher #6 Regular (Prior to SN 0300027570)	
19	4751000	2	Flatwasher #10 Regular (Prior to SN 0300027570)	
20	0100011	AR	Compound, Locking (Prior to SN 0300027570)	
22	3910608	2	Screw #6-32NC x 1in (SN 0300027570 through 0300069000)	
23	3310601	2	Nut #6-32NC (SN 0300027658 through 0300069000)	
24	4770600	2	Starwasher #6 (SN 0300027658 through 0300069000)	
25	0641406	1	Bolt 1/4in-20NC x 3/4in (SN 0300031342 through 0300069000)	
26	4751400	2	Flatwasher 1/4in Regular (SN 0300031342 through 0300069000)	
27	3311405	1	Locknut 1/4in-20NC (SN 0300031342 through 0300069000)	

SECTION 2 - TURNTABLE

FIGURE 2-28. HOODS INSTALLATIONS - WITHOUT NOISE REDUCTION



SECTION 2 - TURNTABLE



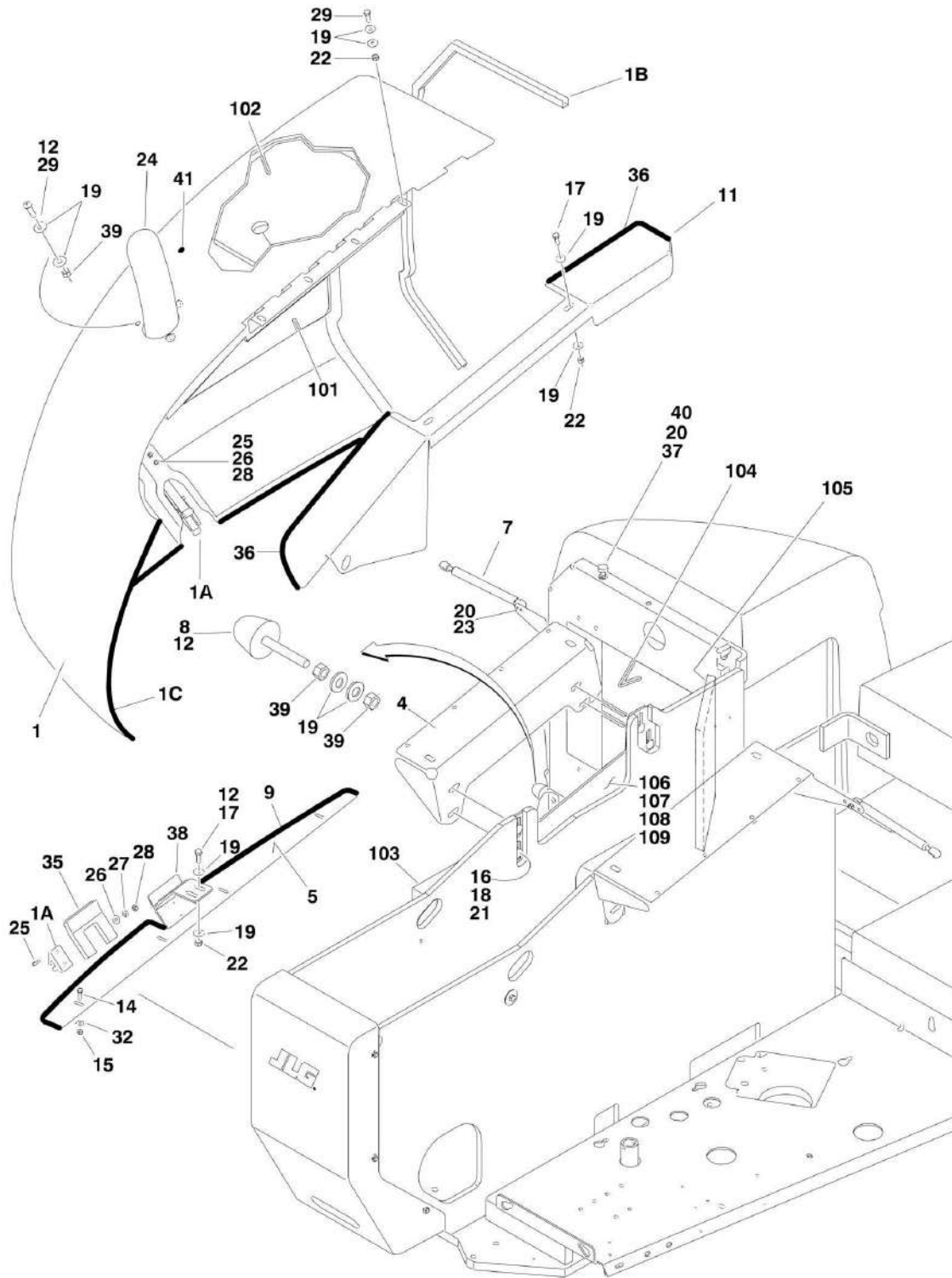
SECTION 2 - TURNTABLE

FIGURE 2-28. HOODS INSTALLATIONS - WITHOUT NOISE REDUCTION

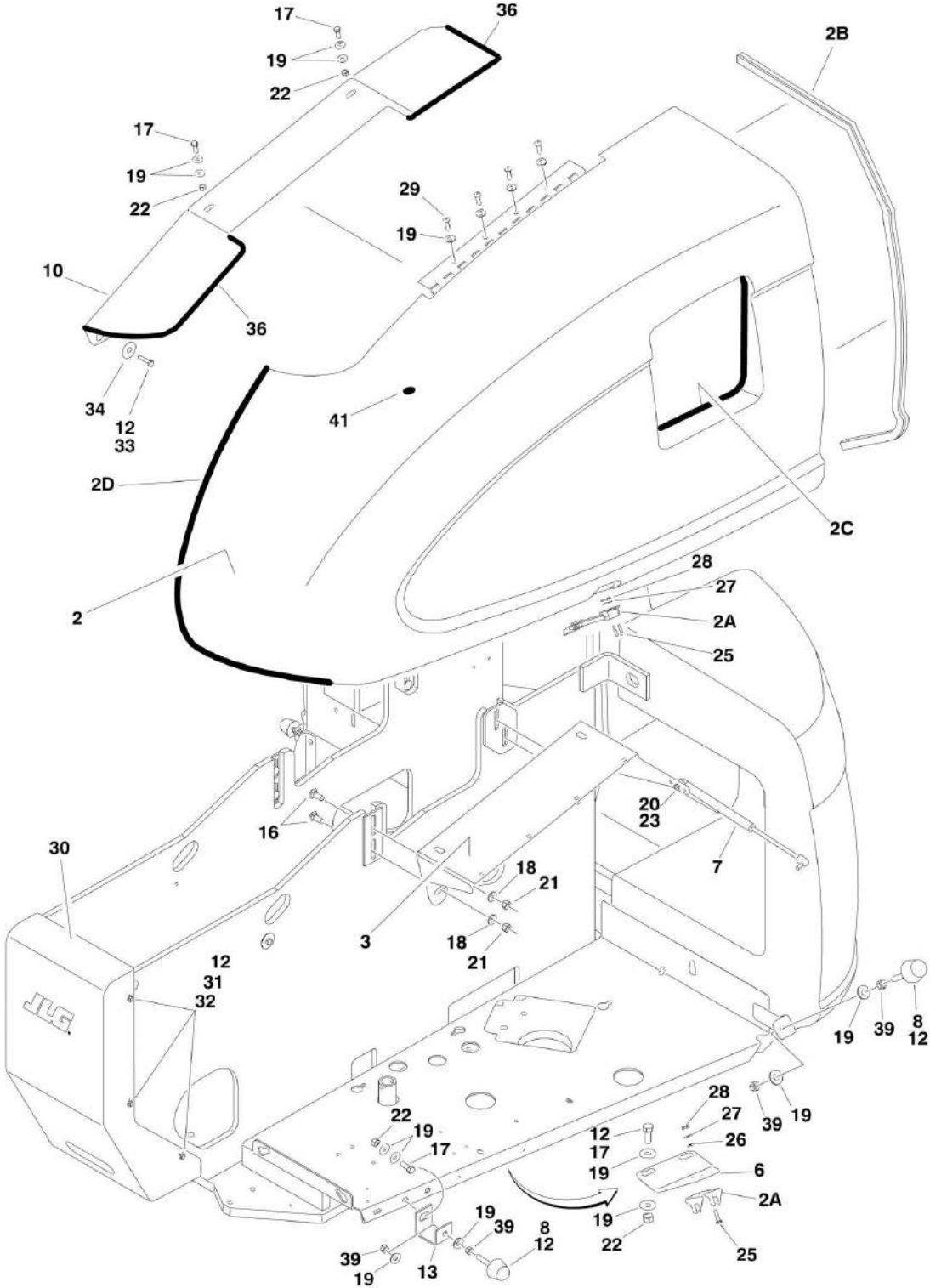
ITEM	PART NUMBER	QTY	DESCRIPTION	REV
		Ref	HOODS INSTALLATIONS	
	0255407	Ref	Deutz Engine Machines	3
	0256019	Ref	Ford Engine Machines	3
1	2680427	1	Hood - Engine Side (Includes Items 9, 14, 15 & 35) Options:	
1	2680423	1	Deutz Engine	
1	2680427	1	Ford Engine	
2	2680424	NLA	Hood - Tank Side (Use p/n 1671243)	
3	4845203	1	Mount - Tank Side	
4	4845200	1	Mount - Engine Side	
5	0902237	1	Bracket, Latch - Engine Side Only (Prior to SN 0300027349)	
6	0902242	1	Bracket, Latch - Tank Side	
7	4160143	2	Spring, Gas (Prior to SN 0300027329)	
7	4160152	2	Spring, Gas (SN 0300027329 through 0300069000)	
8	0940071	4	Bumper	
9	2940088	2	Latch, Hood (Part of Items 1 & 2)	
10	2680434	1	Spacer, Hood (Tank Side)	
11	2680433	1	Spacer, Hood (Engine Side)	
12	0100011	AR	Compound, Locking	
13	0902219	1	Bracket, Bumper	
14	3960462	11 ft/3.4m	Trim (Part of Items 1 & 2)	
15	3960447	55 in/1.4m	Trim (Part of Items 1 & 2)	
16	0630507	8	Bolt, Carriage 1/2in-13NC x 1-1/4in	
17	0641608	12	Bolt 3/8in-16NC x 1in	
18	4751800	8	Flatwasher 1/2in Regular	
19	4751600	48	Flatwasher 3/16in Regular	
20	4751500	4	Flatwasher 5/16in Regular	
21	3311805	8	Locknut 1/2in-13NC	
22	3311605	23	Locknut 3/8in-16NC	
23	3311505	2	Locknut 5/16in-18NC	
24	4845194	1	Outlet, Exhaust	
25	0721006	4	Bolt #10-24NC x 3/4in	
26	4751000	4	Flatwasher #10 Regular	
27	4761000	4	Lockwasher #10	
28	3311001	4	Bolt #10-24NC	
29	3900232	11	Bolt, Button Head 3/8in-16NC x 1in	
30	1670770	1	Cover, Turntable - Steel (Prior to SN 0300027941)	
30	1670767	1	Cover, Turntable - Polyethylene (SN 0300027941 through 0300069000)	
31	0641404	6	Bolt 1/4in-20NC x 1/2in	
32	4751400	6	Flatwasher 1/4in Regular	
33	0641606	2	Bolt 3/8in-16NC x 3/4in	
34	4740076	2	Washer, Fender	
35	3960389	6.3 ft/1.9m	Seal (Part of Items 1 & 2)	
36	3960418	6.5 ft/2m	Seal	
37	0940049	1	Bumper (SN 0300027349 through 0300069000)	
38	0902313	1	Bracket, Latch - Engine Side (SN 0300027349 through 0300069000)	
39	3311601	3	Nut 3/8in-16NC	

SECTION 2 - TURNTABLE

FIGURE 2-29. HOODS INSTALLATIONS - WITH NOISE REDUCTION



SECTION 2 - TURNTABLE



SECTION 2 - TURNTABLE

FIGURE 2-29. HOODS INSTALLATIONS - WITH NOISE REDUCTION

ITEM	PART NUMBER	QTY	DESCRIPTION	REV
		Ref	HOODS INSTALLATIONS	
	0256821	Ref	Deutz and Continental Engine Machines	4
	0258579	Ref	Deutz Engine (UL Machines)	1
	0256933	Ref	Ford/Isuzu Engine Machines	4
	0258580	Ref	Ford Engines (UL Machines) (SN 0300039457 through 0300069000)	1
1		Ref	Hood - Engine Side Options:	
1	2680423	1	Deutz Engine (Prior to SN 0300037414)	
1	2680440	1	Deutz Engine (SN 0300037414 through 0300069000)	
1	2680427	1	Ford Engine (Prior to SN 0300037414)	
1	2680442	1	Ford/Isuzu Engine (SN 0300037414 through 0300069000)	
1	2680447	1	Ford Engine (UL Machines)	
1A	2940088	1	Latch, Hood	
1B	3960462	AR	Trim	
1C	3960389	AR	Seal	
2	2680424	NLA	Hood - Tank Side (Use p/n 1671216) (Prior to SN 0300037414)	
2	2680441	NLA	Hood - Tank Side (Use p/n 1671216) (SN 0300037414 through 0300069000)	
2A	2940088	1	Latch, Hood	
2B	3960462	AR	Trim	
2C	3960438	AR	Trim	
2D	3960389	AR	Seal	
3	4845203	1	Mount - Tank Side	
4	4845414	1	Mount - Engine Side	
5	3539923	1	Plate, Seal	
6	0902242	1	Bracket, Latch - Tank Side	
7	4160152	2	Spring, Gas (Prior to SN 0300030959)	
7	4160143	2	Spring, Gas (SN 0300030959 through 0300069000)	
8	0940071	4	Bumper	
9	3960389	3.5 ft/1m	Seal (Prior to SN 0300037414)	
10	2680434	1	Spacer, Hood (Tank Side)	
11	2680433	1	Spacer, Hood (Engine Side)	
12	0100011	AR	Compound, Locking	
13	0902219	1	Bracket, Bumper	
14	0641407	4	Bolt 1/4in-20NC x 7/8in	
15	3311405	4	Locknut 1/4in-20NC	
16	0630507	8	Bolt, Carriage 1/2in-13NC x 1-1/4in	
17	0641608	11	Bolt 3/8in-16NC x 1in	
18	4740171	8	Flatwasher 1/2in Hardened	
19	4751600	40	Flatwasher 3/16in Regular	
20	4751500	4	Flatwasher 5/16in Regular	
21	3311805	8	Locknut 1/2in-13NC	
22	3311605	23	Locknut 3/8in-16NC	
23	3311505	2	Locknut 5/16in-18NC	
24	4845194	1	Outlet, Exhaust	
25	0721006	4	Bolt #10-24NC x 3/4in	
26	4751000	4	Flatwasher #10 Regular	
27	4761000	4	Lockwasher #10	
28	3311001	4	Bolt #10-24NC	
28	3311005	4	Locknut #10-24NC (SN 37414 through 0300069000)	

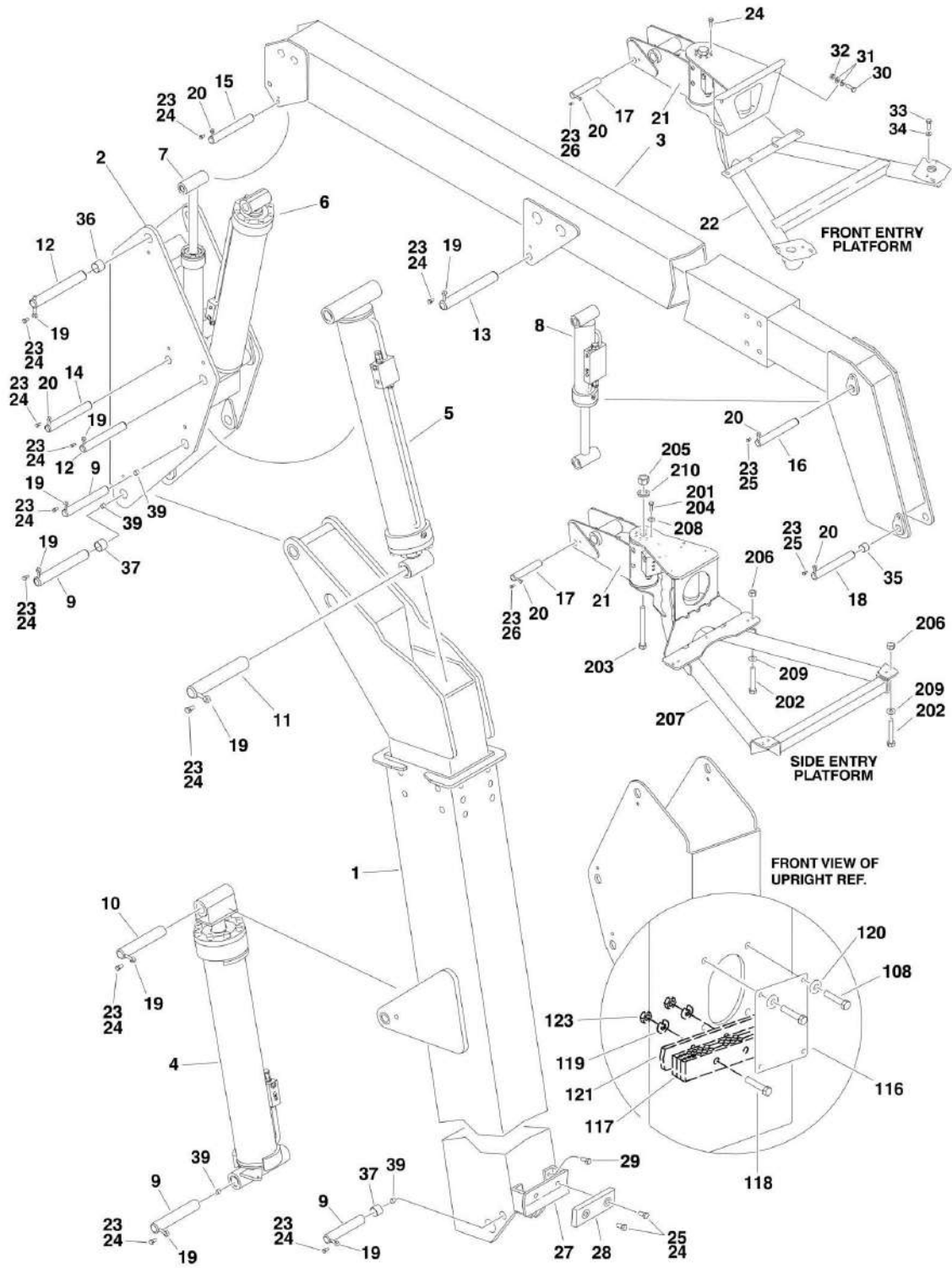
SECTION 2 - TURNTABLE

ITEM	PART NUMBER	QTY	DESCRIPTION	REV
29	3900232	11	Bolt, Button Head 3/8in-16NC x 1in	
30	1670767	1	Cover, Turntable	
31	0641404	6	Bolt 1/4in-20NC x 1/2in	
32	4751400	6	Flatwasher 1/4in Regular	
34	4740076	2	Washer, Fender	
35	3960467	1	Seal, Foam	
36	3960418	6.5 ft/2m	Seal (Prior to SN 0300037414)	
36	3960418	7 ft/2.1m	Seal (SN 37414 through 0300069000)	
37	0940049	1	Bumper (SN 0300027349 through 0300069000)	
38	0902335	1	Bracket, Latch - Engine Side	
39	3311601	11	Nut 3/8in-16NC	
40	3311501	2	Nut 5/16in-18NC (SN 0300037414 through 0300069000)	
41	3520033	2	Plug (SN 0300037414 through 0300069000)	
	0256822	Ref	NOISE REDUCTION INSTALLATION	-
101	2820076	1	Foam, Acoustical	
102	2820077	1	Foam, Acoustical	
103	2820078	1	Foam, Acoustical	
104	2820082	1	Foam, Acoustical	
105	2820083	1	Foam, Acoustical	
106	3539988	1	Plate, Baffle	
107	0641606	5	Bolt 3/8in-16NC x 3/4in	
108	4751600	5	Flatwasher 3/8in Regular	
109	0100011	AR	Compound, Locking	

SECTION 3 - BOOM

SECTION 3 - BOOM

FIGURE 3-1. BOOMS AND CYLINDERS INSTALLATION - 600A



SECTION 3 - BOOM

FIGURE 3-1. BOOMS AND CYLINDERS INSTALLATION - 600A

ITEM	PART NUMBER	QTY	DESCRIPTION	REV
		Ref	BOOMS AND CYLINDERS INSTALLATION - 600A	
	0255238	Ref	ANSI - Boom and Cylinder Installation (Machines with Front Entry Platform Built) (Prior to SN 0300041868)	12
	0256321	Ref	ANSI/CSA - Boom and Cylinder Installation (Machines with Front Entry Platform Built) (SN 0300041868 through 0300069000)	5
	0272326	Ref	ANSI/CSA - Boom and Cylinder Installation (Machines with Side Entry Platform)	1
1	0801019	1	Tower Boom Assembly -Tower (See TOWER BOOM ASSEMBLIES for Breakdown)	
2		Ref	Upright Weldment Options:	
2	4844945	NLA	Upright Weldment (Use p/n 4846005) (Prior to SN 0300042671)	
2	4846005	1	Upright Weldment (SN 0300042671 through 0300069000)	
3	0801022	1	Main Boom Assembly (See MAIN BOOM ASSEMBLIES for Breakdown)	
4	1683288	1	Tower Lift Cylinder Assembly (See CYLINDER SECTION for Breakdown)	
5	1683299	NLA	Upright Level Cylinder Assembly (See CYLINDER SECTION for Breakdown) (Use p/n 1684498)	
6	1683294	1	Main Lift Cylinder Assembly (See CYLINDER SECTION for Breakdown)	
7	1683266	1	Master Cylinder Assembly (See CYLINDER SECTION for Breakdown)	
8		Ref	Platform Level Cylinder Assembly Options (See CYLINDER SECTION for Breakdown)	
8	1683271	1	Platform Level Cylinder Assembly (Prior to SN 0300024714)	
8	1683415	1	Platform Level Cylinder Assembly (SN 0300024714 through 0300069000)	
9		Ref	Pin Options:	
9	3422442	NLA	ANSI (Use p/n 3422571) (Prior to SN 0300041868)	
9	3422571	4	ANSI and CSA (SN 0300041868 through 0300069000)	
10		Ref	Pin Options:	
10	3422444	NLA	ANSI (Use p/n 3422573) (Prior to SN 0300041868)	
10	3422573	1	ANSI and CSA (SN 0300041868 through 0300069000)	
11	3422575	1	Pin	
12		Ref	Pin Options:	
12	3422443	NLA	ANSI (Use p/n 3422572)	
12	3422572	2	ANSI and CSA (SN 0300041868 through 0300069000)	
13		Ref	Pin Options:	
13	3422452	NLA	ANSI (Use p/n 3422576) (Prior to SN 0300041868)	
13	3422576	1	ANSI and CSA (SN 0300041868 through 0300069000)	
14		Ref	Pin Options:	
14	3422434	NLA	ANSI (Use p/n 3422565) (Prior to SN 0300041868)	
14	3422565	1	ANSI and CSA (SN 0300041868 through 0300069000)	
15		Ref	Pin Options:	
15	3422453	NLA	ANSI (Use p/n 3422577) (Prior to SN 0300041868)	
15	3422577	1	ANSI and CSA (SN 0300041868 through 0300069000)	
16		Ref	Pin Options:	
16	3422454	NLA	ANSI (Use p/n 3422578) (Prior to SN 0300041868)	
16	3422578	1	ANSI and CSA (SN 0300041868 through 0300069000)	
17		Ref	Pin Options:	

SECTION 3 - BOOM

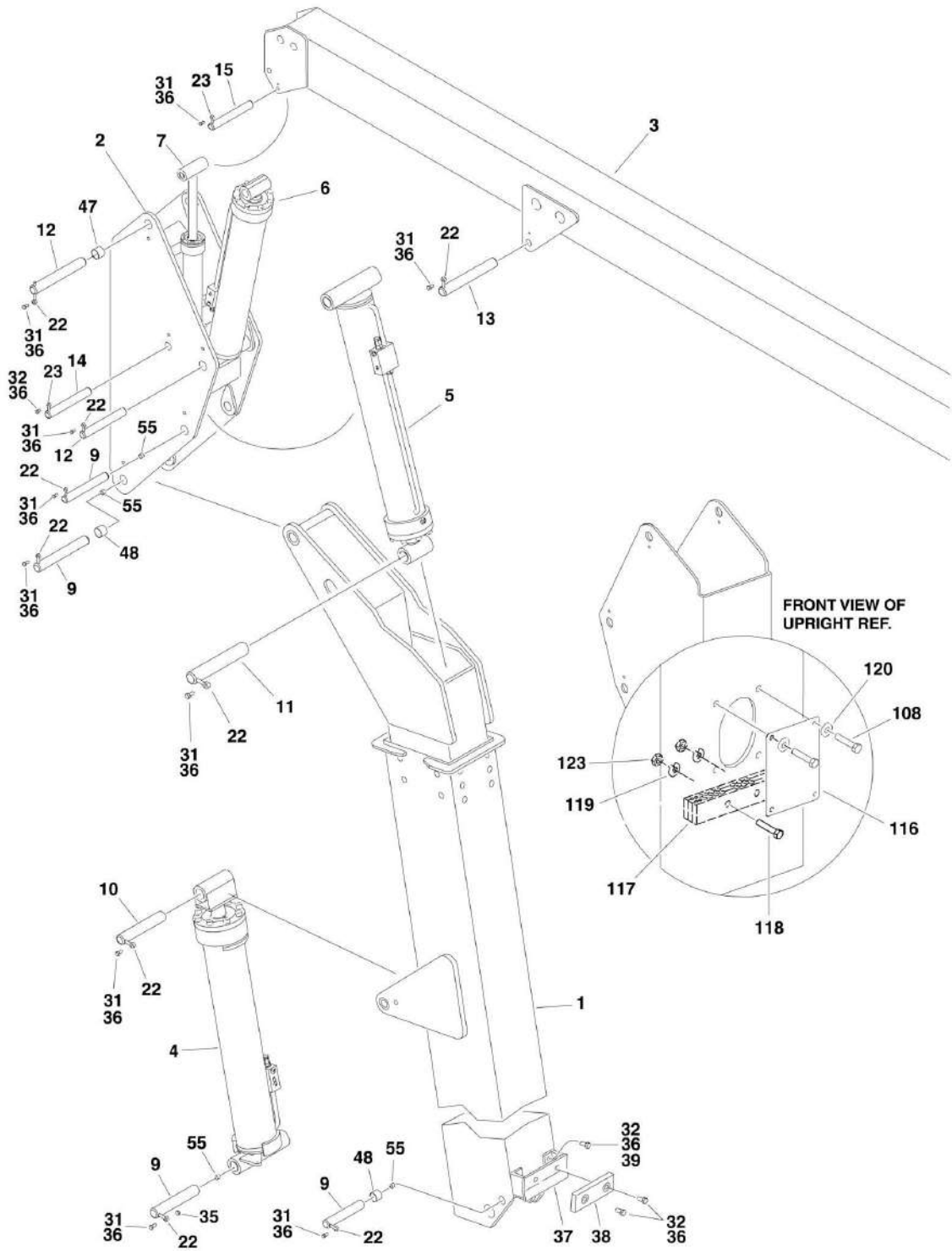
ITEM	PART NUMBER	QTY	DESCRIPTION	REV
17	3422489	NLA	ANSI (Use p/n 3422580) (Prior to SN 0300041868)	
17	3422580	1	ANSI and CSA (SN 0300041868 through 0300069000)	
18		Ref	Pin Options:	
18	3422447	1	ANSI (Use p/n 3422582) (Prior to SN 0300041868)	
18	3422582	1	ANSI and CSA (SN 0300041868 through 0300069000)	
19	3841203	9	Keeper, Pin - 1/2in	
20	3841143	5	Keeper, Pin - 3/8in	
21		Ref	Rotator Assembly Options:	
21	0060076	1	Front Entry Platform (p/n was 0060035) (See ROTATOR ASSEMBLIES (FRONT ENTRY PLATFORM) for Breakdown)	
21	0060068	1	Side Entry Platform (See ROTATOR ASSEMBLIES (SIDE ENTRY PLATFORM) for Breakdown)	
22		Ref	Platform Support Weldment Options:	
22	4844790	1	Front Entry Platform Machines (Prior to SN 0300036526)	
22	4845682	1	Front Entry Platform Machines (SN 0300036526 through 0300038050)	
22	4844790	1	Front Entry Platform Machines (SN 0300038051 through 0300069000)	
		Ref	Note: For Side Entry Platform Machines See Items 201 to 210 for Support Installation	
23	0100011	AR	Compound, Locking	
24	0641810	AR	Bolt 1/2in-13NC x 1-1/4in	
25	0741607	AR	Screw, Countersunk 3/8in-16NC x 7/8in	
26	3900166	1	Screw, Socket Head Countersunk - 3/8in-16NC x 7/8in	
27	4845127	1	Boom Rest Weldment (Front Entry Platform)	
28	0561076	1	Block, Boom Rest	
29	0641605	4	Bolt 3/8in-16NC x 5/8in	
30	0641820	4	Bolt 1/2in-13NC x 2-1/2in (Front Entry Platform Machines)	
31	4711800	8	Flatwasher 1/2in Thin (Front Entry Platform Machines)	
32	3311805	4	Locknut 1/2in-13NC (Front Entry Platform Machines)	
33	0681610	4	Bolt 3/8in-16NC x 1-1/4in (Grade 8) (Front Entry Platform Machines)	
34	4711600	4	Flatwasher 3/8in Thin (Front Entry Platform Machines)	
35	0961951	2	Bushing	
36	0961948	2	Bushing	
37	0961949	4	Bushing	
39	3900239	4	Setscrew Only (SN 0300027329 through 0300069000)	
	0255423	Ref	POWER TRACK INSTALLATION	10-I
108	0641403	4	Bolt 1/4in-20NC x 3/8in	
116	3539779	1	Plate, Cover	
117		Ref	Clamp, Block Options:	
117	1320229	1	Clamp, Block (Prior to SN 0300034102)	
117	1320243	1	Clamp, Block (SN 0300034102 through 0300069000)	
118		Ref	Bolt Options:	
118	0641624	2	Bolt 3/8in-16NC x 3in (Prior to SN 0300034102)	
118	0641532	2	Bolt 5/16in-18NC x 4in (SN 0300034102 through 0300069000)	
119	4751600	2	Flatwasher 3/8in Regular	
120	4751400	4	Flatwasher 1/4in Regular	
121		Ref	Plate Options:	
121	3539930	1	Plate (SN 0300027207 through 0300034101)	
121	3570374	1	Plate (SN 0300034102 through 0300069000)	
123	3311505	2	Nut 5/16in-18NC Only (SN 0300034102 through 0300069000)	
	0272070	Ref	PLATFORM SUPPORT INSTALLATIONS (SIDE ENTRY	B

SECTION 3 - BOOM

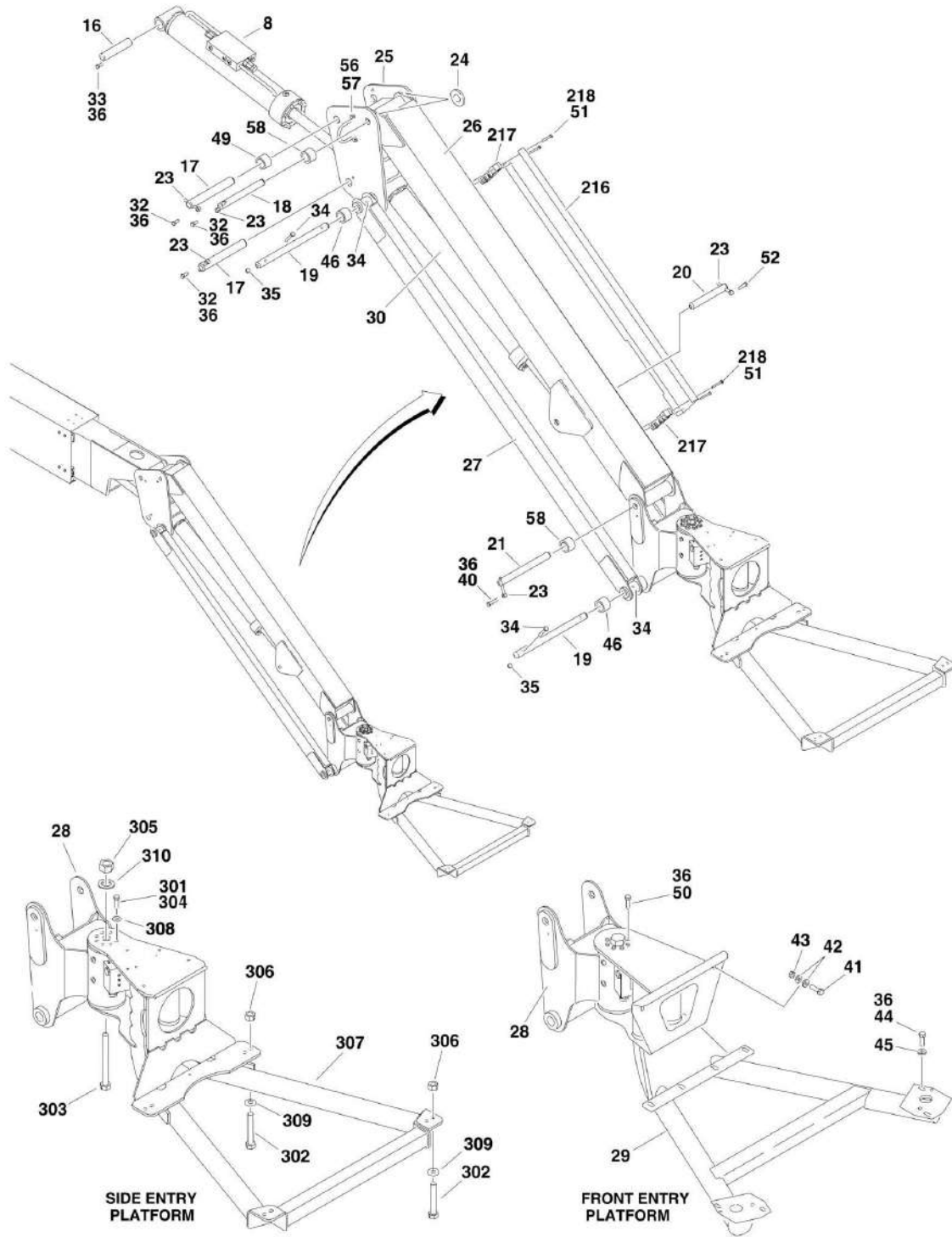
ITEM	PART NUMBER	QTY	DESCRIPTION	REV
			PLATFORM MACHINES)	
201	0100011	AR	Compound, Locking	
202	0641812	8	Bolt 1/2in-13NC x 1-1/2in	
203	0642682	1	Bolt 1in-8NC x 10-1/4in	
204	0681608	8	Bolt 3/8in-16NC x 1in	
205	3272605	1	Locknut 1in-8NC	
206	3311805	8	Locknut 1/2in-13NC	
207	4846573	1	Support Weldment	
208	4891600	8	Flatwasher 3/8in Hardened	
209	4891800	8	Flatwasher 1/2in Hardened	
210	4892600	1	Flatwasher 1in Hardened	

SECTION 3 - BOOM

FIGURE 3-2. BOOMS AND CYLINDERS INSTALLATION - 600AJ



SECTION 3 - BOOM



SECTION 3 - BOOM

FIGURE 3-2. BOOMS AND CYLINDERS INSTALLATION - 600AJ

ITEM	PART NUMBER	QTY	DESCRIPTION	REV
		Ref	BOOMS AND CYLINDERS INSTALLATION - 600AJ	
	0255239	Ref	ANSI - Boom and Cylinder Installation (Front Entry Platform Machines Built) (Prior to SN 0300041868)	17
	0256322	Ref	ANSI - Boom and Cylinder Installation (Front Entry Platform Machines Built) (SN 0300041868 through 0300064249)	7
	0256322	Ref	CSA - Boom and Cylinder Installation (Front Entry Platform Machines Built) (Prior to SN 0300064249)	7
	0271338	Ref	ANSI/CSA - Boom and Cylinder Installation (With ADE System) (Front Entry Platform Machines Built) (SN 0300064249 through 0300069000)	5
	0272135	Ref	ANSI/CSA - Boom and Cylinder Installation (With ADE System) (Side Entry Platform)	1
1	0801019	1	Tower Boom Assembly -Tower (See TOWER BOOM ASSEMBLIES for Breakdown)	
2		Ref	Upright Weldment Options:	
2	4844945	NLA	Upright Weldment (Use p/n 4846006)	
2	4846006	1	Upright Weldment (SN 0300042671 through 0300069000)	
3	0801025	1	Main Boom Assembly (See MAIN BOOM ASSEMBLIES for Breakdown)	
4	1683288	1	Tower Lift Cylinder Assembly (See CYLINDER SECTION for Breakdown)	
5	1683299	NLA	Upright Level Cylinder Assembly (See CYLINDER SECTION for Breakdown) (Use p/n 1684498)	
6	1683294	1	Main Lift Cylinder Assembly (See CYLINDER SECTION for Breakdown)	
7	1683263	1	Master Cylinder Assembly (See CYLINDER SECTION for Breakdown)	
8		Ref	Platform Level Cylinder Assembly Options (See CYLINDER SECTION for Breakdown)	
8	1683253	1	Platform Level Cylinder Assembly (Prior to SN 0300024714)	
8	1683418	1	Platform Level Cylinder Assembly (SN 0300024714 through 0300069000)	
9		Ref	Pin Options:	
9	3422442	NLA	ANSI (Use p/n 3422571) (Prior to SN 0300041868)	
9	3422571	4	ANSI and CSA (SN 0300041868 through 0300069000)	
10		Ref	Pin Options:	
10	3422444	NLA	ANSI (Use p/n 3422573) (Prior to SN 0300041868)	
10	3422573	1	ANSI and CSA (SN 0300041868 through 0300069000)	
11	3422575	1	Pin	
12		Ref	Pin Options:	
12	3422443	NLA	ANSI (Use p/n 3422572) (Prior to SN 0300041868)	
12	3422572	2	ANSI and CSA (SN 0300041868 through 0300069000)	
13		Ref	Pin Options:	
13	3422452	NLA	ANSI (Use p/n 3422576)	
13	3422576	1	ANSI and CSA (SN 0300041868 through 0300069000)	
14		Ref	Pin Options:	
14	3422435	NLA	ANSI (Use p/n 3422566) (Prior to SN 0300041868)	
14	3422566	1	ANSI and CSA (SN 0300041868 through 0300069000)	
15		Ref	Pin Options:	
15	3422477	NLA	ANSI (Use p/n 3422579) (Prior to SN 0300041868)	
15	3422579	1	ANSI and CSA (SN 0300041868 through 0300069000)	
16		Ref	Pin Options:	
16	3422440	NLA	ANSI (Use p/n 3422583) (Prior to SN 0300041868)	

SECTION 3 - BOOM

ITEM	PART NUMBER	QTY	DESCRIPTION	REV
16	3422583	1	ANSI and CSA (SN 0300041868 through 0300069000)	
17		Ref	Pin Options:	
17	3422422	NLA	ANSI (Use p/n 3422561) (Prior to SN 030041868)	
17	3422561	2	ANSI and CSA (SN 0300041868 through 0300069000)	
18		Ref	Pin Options:	
18	3422419	NLA	ANSI (Use p/n 3422860) (Prior to SN 030041868)	
18	3422558	NLA	ANSI and CSA (Use p/n 3422860) (SN 0300041868 through 0300053999)	
18	3422860	1	ANSI and CSA (SN 0300054000 through 0300069000)	
19		Ref	Pin Options:	
19	3422420	NLA	ANSI (Use p/n 3422861) (Prior to SN 0300041868)	
19	3422559	NLA	ANSI and CSA (Use p/n 3422861) (SN 0300041868 through 0300053999)	
19	3422861	2	ANSI and CSA (SN 0300054000 through 0300069000)	
20		Ref	Pin Options:	
20	3422421	NLA	ANSI (Use p/n 3422867) (Prior to SN 0300041868)	
20	3422560	NLA	ANSI and CSA (Use p/n 3422867) (SN 0300041868 through 0300053999)	
20	3422867	1	ANSI and CSA (SN 0300054000 through 0300069000)	
21		Ref	Pin Options:	
21	3422432	NLA	ANSI (Use p/n 3422563) (Prior to SN 0300041868)	
21	3422563	1	ANSI and CSA (Front Entry Platform) (SN 0300041868 through 0300069000)	
21	3422860	1	ANSI and CSA(Side Entry Platform) (SN 0300041868 through 0300069000)	
22	3841203	9	Keeper, Pin - 1/2in	
23	3841143	7	Keeper, Pin - 3/8in	
24	4740439	2	Thrustwasher	
25	4844815	1	Pivot Weldment	
26	4844816	1	Tube Weldment - Top	
27	4844817	2	Tube Weldment - Bottom	
28		Ref	Rotator Assembly Options:	
28	0060074	1	Front Entry Platform (p/n was 0060031) (See ROTATOR ASSEMBLIES (FRONT ENTRY PLATFORM) for Breakdown)	
28	0060066	1	Side Entry Platform (See ROTATOR ASSEMBLIES (SIDE ENTRY PLATFORM) for Breakdown)	
29		Ref	Support Weldment Options:	
29	4844790	1	Front Entry Platform (Prior to SN 0300036526)	
29	4845682	1	Front Entry Platform (SN 0300036526 through 0300038050)	
29	4844790	1	Front Entry Platform (SN 0300038051 through 0300067540)	
		Ref	Note: For Side Entry Platform See Items 301 to 310 for Support Installation.	
30	1683258	1	Extend-A-Reach Lift Cylinder Assembly (See CYLINDER SECTION for Breakdown)	
31	0641810	9	Bolt 1/2in-13NC x 1-1/4in	
32	0641607	AR	Bolt 3/8in-16NC x 7/8in	
33	0741607	1	Screw, Countersunk 3/8in-16NC x 7/8in	
34	0641618	4	Bolt 3/8in-16NC x 2-1/4in	
35	3311605	5	Locknut 3/8in-16NC	
36	0100011	AR	Compound, Locking	
37	4845127	1	Boom Rest Weldment (Front Entry Platform)	
38	0561076	1	Block, Boom Rest	
39	0641605	4	Bolt 3/8in-16NC x 5/8in	

SECTION 3 - BOOM

ITEM	PART NUMBER	QTY	DESCRIPTION	REV
40	0461614	1	Bolt 3/8in-16NC x 1-3/4in	
41	0641820	4	Bolt 1/2in-13NC x 2-1/2in (Front Entry Platform)	
42	4711800	8	Flatwasher 1/2in Thin (Front Entry Platform)	
43	3311805	4	Locknut 1/2in-13NC (Front Entry Platform)	
44	0681610	4	Bolt 3/8in-16NC x 1-1/4in (Grade 8) (Front Entry Platform)	
45	4711600	4	Flatwasher 3/8in Thin (Front Entry Platform)	
46	0961947	6	Bushing	
47	0961948	2	Bushing	
48	0961949	4	Bushing	
49	0961951	2	Bushing	
50	0641810	6	Bolt 1/2in-13NC x 1in (Prior to SN 0300067540)	
51	2080044	4	Rivnut	
52	0641611	1	Bolt 3/8in-16NC x 1-3/8in	
55	3900239	4	Setscrew Only (SN 0300027329 through 0300069000)	
56	3841340	1	Loop, Hose Only (SN 0300033678 through 0300069000)	
57	0641606	2	Bolt 3/8in-16NC x 3/4in Only (SN 0300033678 through 0300069000)	
58	0962335	4	Bushing	
	0255423	Ref	POWER TRACK INSTALLATION	10-I
108	0641403	4	Bolt 1/4in-20NC x 3/8in	
116	3539779	1	Plate, Cover	
117		Ref	Clamp, Block Options:	
117	1320229	1	Clamp, Block (Prior to SN 0300034102)	
117	1320243	1	Clamp, Block (SN 0300034102 through 0300069000)	
118		Ref	Bolt Options:	
118	0641624	2	Bolt 3/8in-16NC x 3in (Prior to SN 0300034102)	
118	0641532	2	Bolt 5/16in-18NC x 4in (SN 0300034102 through 0300069000)	
119	4751600	2	Flatwasher 3/8in Regular	
120	4751400	4	Flatwasher 1/4in Regular	
121		Ref	Plate Options:	
121	3539930	1	Plate (SN 0300027207 through 0300034101)	
121	3570374	1	Plate (SN 0300034102 through 0300069000)	
123	3311505	2	Nut 5/16in-18NC Only (SN 0300034102 through 0300069000)	
	0270821	Ref	CABLE INSTALLATION	3-B
216	1670769	1	Cover	
217	0561237	2	Clamp, Block	
218	0641416	4	Bolt 1/4in-20NC x 2in	
	0272070	Ref	PLATFORM SUPPORT INSTALLATIONS (SIDE ENTRY PLATFORM)	B
301	0100011	AR	Compound, Locking	
302	0641812	8	Bolt 1/2in-13NC x 1-1/2in	
303	0642682	1	Bolt 1in-8NC x 10-1/4in	
304	0681608	8	Bolt 3/8in-16NC x 1in	
305	3272605	1	Locknut 1in-8NC	
306	3311805	8	Locknut 1/2in-13NC	
307	4846573	1	Support Weldment	
308	4891600	8	Flatwasher 3/8in Hardened	
309	4891800	8	Flatwasher 1/2in Hardened	
310	4892600	1	Flatwasher 1in Hardened	

SECTION 3 - BOOM

FIGURE 3-3. TOWER BOOM ASSEMBLIES

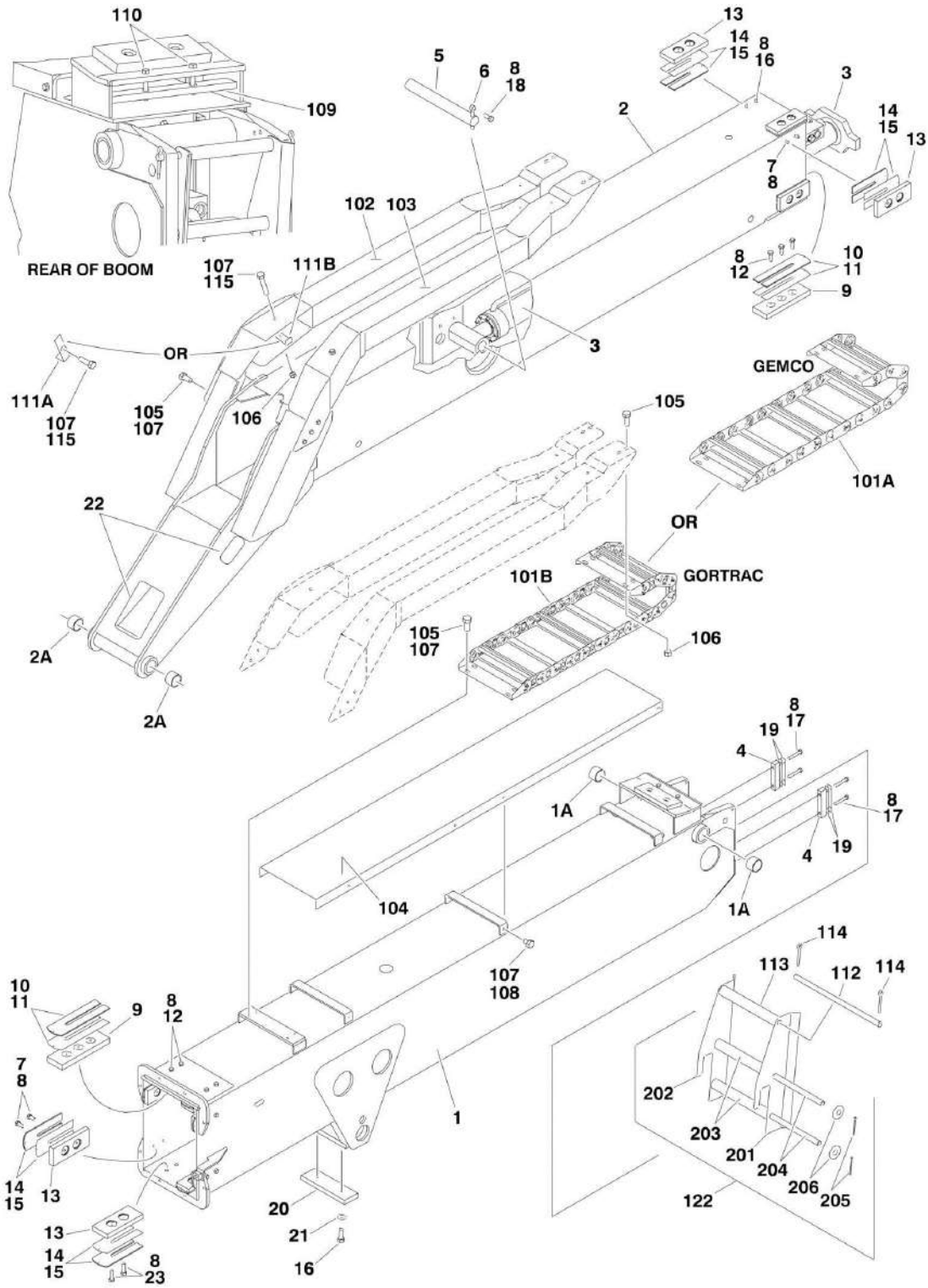


FIGURE 3-3. TOWER BOOM ASSEMBLIES

ITEM	PART NUMBER	QTY	DESCRIPTION	REV
	0801019	Ref	TOWER BOOM ASSEMBLY	7-H
1	0801020	1	Base Weldment (Prior to SN 0300027207)	
1	0801085	1	Base Weldment (SN 0300027207 through 0300069000)	
1A	0961949	2	Bushing	
2	0801021	1	Fly Weldment	
2A	0961949	2	Bushing	
3	1683312	1	Cylinder Assembly - Tower Telescope (See CYLINDER SECTION for Breakdown)	
4	0561185	2	Block, Attach	
5	3422575	1	Pin	
6	3841203	1	Keeper, Pin	
7	0641606	26	Bolt 3/8in-16NC x 3/4in	
8	0100011	AR	Compound, Locking	
9		Ref	Pad, Wear Options:	
9	3340705	4	Pad, Wear (Prior to SN 0300064394)	
9	3340871	4	Pad, Wear (SN 0300064394 through 0300069000)	
10	4070863	AR	Shim .12	
11	4070864	AR	Shim .05	
12	0641612	12	Bolt 3/8in-16NC x 1-1/2in	
13		Ref	Pad, Wear Options:	
13	3340756	12	Pad, Wear (Prior to SN 0300064394)	
13	3340881	12	Pad, Wear (SN 0300064394 through 0300069000)	
14	4070897	AR	Shim .05	
15	4070898	AR	Shim .12	
16	0641608	6	Bolt 3/8in-16NC x 1in	
17	0641618	4	Bolt 3/8in-16NC x 2-1/4in	
18	0641809	1	Bolt 3/8in-16NC x 1-1/8in	
19	4070929	AR	Shim	
20	0561248	1	Block, Boom Rest Only (SN 0300027207 through 0300069000)	
21	4711600	2	Flatwasher 3/8in Thin	
22	4060808	31	Flex-Trim Only (SN 0300027207 through 0300069000)	
		in/79cm		
23	0641610	4	Bolt 3/8in-16NC x 1-1/4in (SN 0300038051 through 0300069000)	
	0255423	Ref	POWER TRACK INSTALLATION	10-I
101		Ref	Power Track Assembly Options:	
		Ref	Note: Various Power Tracks use on this model. Identify brand before ordering parts.	
101A	1180339	NLA	Gemco Brand Power Track (Use p/n 1001099835)	
101A		Ref	Replacement Parts:	
101A	7016502	AR	Repair Section (Includes 10 Link Pin, 4 Radius Links, 4 Carrier Links, 1 Carrier Weldment, 10 Slugs and 20 Bearing Plates)	
101A	7016510	2 Pair	Feet, Mounting	
101A	7006152	AR	Pin Kit (Includes 1 pin, 1 Retaining Ring and 4 Washers)	
101B	1001099835	1	Gortrac Brand Power Track	
101B		Ref	Replacement Parts:	
101B	70002001	AR	Repair Section	
101B	70002002	1	Mounting Bracket Kit	
102	4844984	NLA	Tube Weldment (Right Side) (Use p/n 1001151542)	
103	4844983	NLA	Tube Weldment (Left Side) (Use p/n 1001151586)	
104	3539228	1	Plate, Cover	

SECTION 3 - BOOM

ITEM	PART NUMBER	QTY	DESCRIPTION	REV
105	0641607	14	Bolt 3/8in-16NC x 7/8in	
106	3311605	6	Locknut 3/8in-16NC	
107	0100011	AR	Compound, Locking	
108	0641403	10	Bolt 1/4in-20NC x 3/8in	
109	3539236	1	Plate, Hose Clamp	
110	0641516	2	Bolt 5/16in-18NC x 2in	
111		Ref	Plate Options:	
111A	3539412	2	Plate (Prior to SN 0300034102)	
111B	3570375	2	Plate (SN 0300034102 through 0300069000)	
112	3841295	1	Rod	
113	4566892	1	Tube (Prior to SN 0300034102)	
113	4567241	1	Tube (SN 0300034102 through 0300069000)	
114	3450606	2	Pin, Cotter	
115	0641628	2	Bolt 3/8in-16NC x 3-1/2in	
122	0257573	1	Roller Hanger Assembly (Includes Items 201-205 Only) (SN 0300034084 through 0300069000)	
	0257573	Ref	ROLLER HANGER ASSEMBLY	1-A
201	3570277	1	Plate (Left Side)	
202	3570270	1	Plate (Right Side)	
203	4567241	2	Roller, Tube	
204	3841347	2	Rod	
205	3450306	4	Pin, Cotter	
206	4751800	4	Flatwasher 1/2in Regular	

SECTION 3 - BOOM

FIGURE 3-4. MAIN BOOM ASSEMBLIES

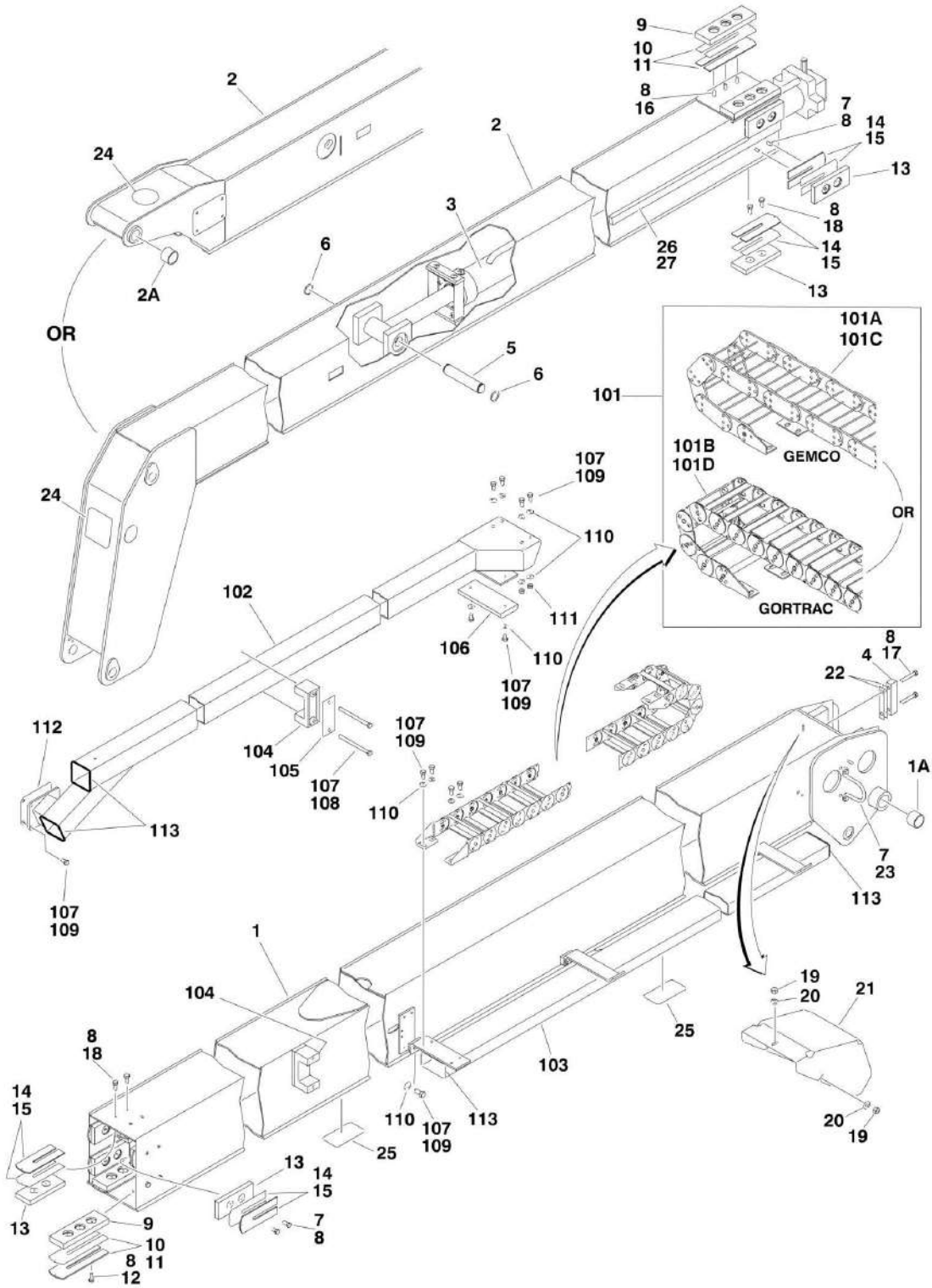


FIGURE 3-4. MAIN BOOM ASSEMBLIES

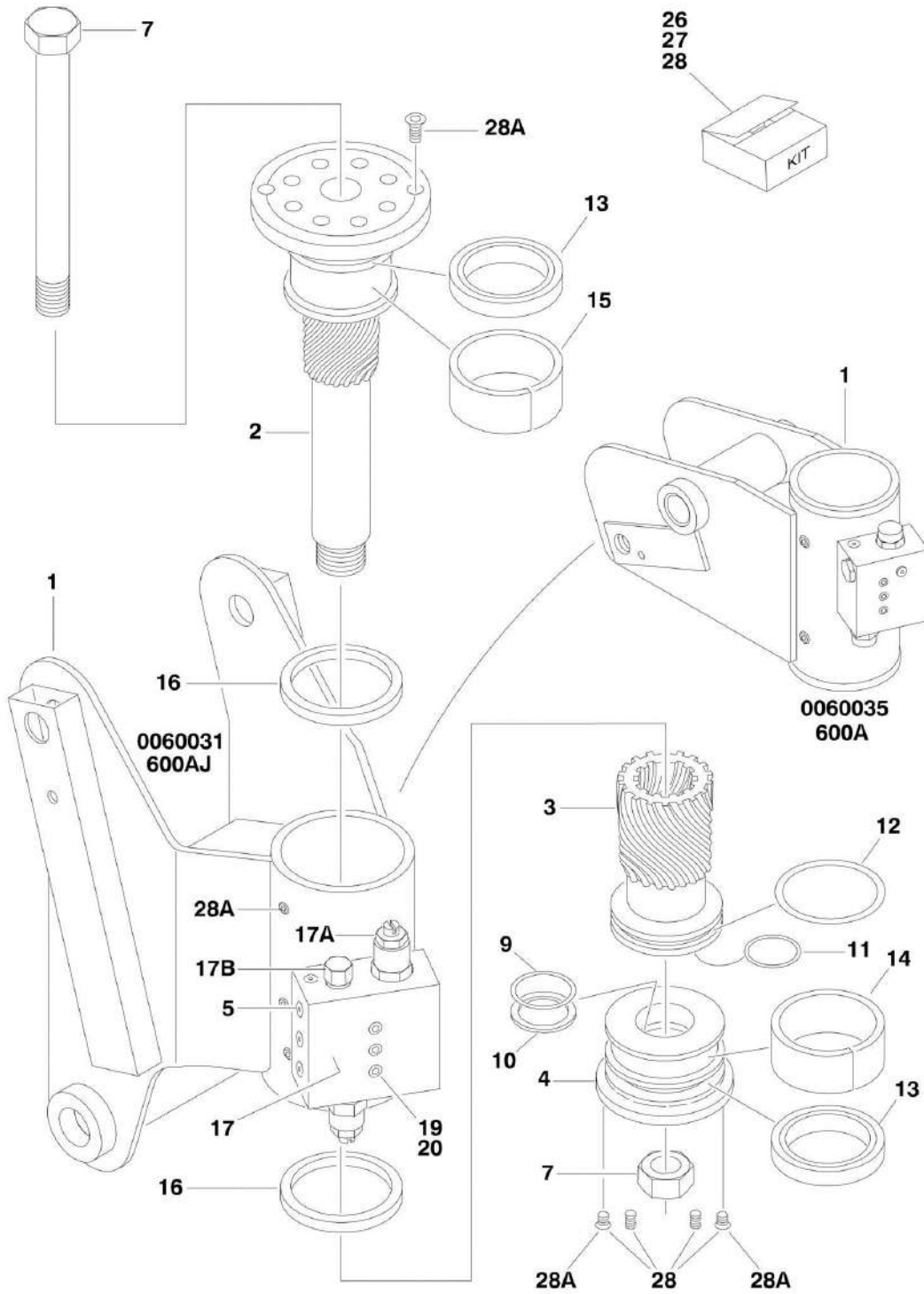
ITEM	PART NUMBER	QTY	DESCRIPTION	REV
	0801022	Ref	BOOM ASSEMBLY - 600A	12-F
	0801025	Ref	BOOM ASSEMBLY - 600AJ	7-D
1		Ref	Base Weldment Options:	
1	0801023	1	Base Weldment 600A	
1	0801026	1	Base Weldment 600AJ	
1A	0961948	2	Bushing (Note: Must Be Purchased Separately)	
2		Ref	Fly Weldment Options:	
2	0801066	1	Fly Weldment (Prior to SN 0300024714)	
2	0801078	1	Fly Weldment (SN 0300024714 through 0300053958)	
2	0801228	1	Fly Weldment (SN 0300053959 through 0300069000)	
2	0801027	1	Fly Weldment 600AJ	
2A		Ref	Bushing (Note: Must be Purchased Separately)	
2A	Not Required	2	Bushing 600A	
2A	0961951	2	Bushing 600AJ	
3		Ref	Telescope Cylinder Assembly Options: (See CYLINDER SECTION for Breakdown)	
3	1683307	1	Telescope Cylinder Assembly 600A	
3	1683317	1	Telescope Cylinder Assembly 600AJ	
4	0561185	2	Block	
5	3422457	1	Pin	
6	3760133	2	Ring, Retaining	
7	0641606	18	Bolt 3/8in-16NC 3/4in	
8	0100011	AR	Compound, Locking	
9		Ref	Pad, Wear Options:	
9	3340705	4	Pad, Wear (Prior to SN 0300064394)	
9	3340871	4	Pad, Wear (SN 0300064394 through 0300069000)	
10	4070863	AR	Shim .12	
11	4070864	AR	Shim .05	
12	0641610	6	Bolt 3/8in-16NC x 1-1/4in	
13		Ref	Pad, Wear Options:	
13	3340756	12	Pad, Wear (Prior to SN 0300064394)	
13	3340881	12	Pad, Wear (SN 0300064394 through 0300069000)	
14	4070897	AR	Shim .05	
15	4070898	AR	Shim .12	
16	0641608	6	Bolt 3/8in-16NC x 1in	
17	0641618	4	Bolt 3/8in-16NC x 2-1/4in	
18	0641607	8	Bolt 3/8in-16NC x 7/8in	
19	3311401	3	Nut 1/4in-20NC	
20	4751400	3	Flatwasher 1/4in Regular	
21	1670768	1	Cover, Boom	
22	4070929	AR	Shim	
23	4845384	NLA	Clamp, Hose (Use p/n 3841340) (SN 0300027207 through 0300033682)	
23	3841340	1	Clamp, Hose (SN 0300033683 through 0300069000)	
24	4060805	AR	Flex-Trim (SN 0300027207 through 0300069000)	
25	1670836	6	Cover, Boom (SN 0300034047 through 0300069000)	
26		Ref	Tape, Two Sided Foam Options:	
26	4420060	10 ft/3m	Tape, Two Sided Foam 600A	
26	Not Required	10 ft/3m	Tape, Two Sided Foam 600AJ	
27		Ref	Bar, Fiberglass Options:	

SECTION 3 - BOOM

ITEM	PART NUMBER	QTY	DESCRIPTION	REV
27	0362529	1	Bar, Fiberglass 600A	
27	Not Required	1	Bar, Fiberglass 600AJ	
	0255281	Ref	POWER TRACK INSTALLATION - 600A	6-E
	0255288	Ref	POWER TRACK INSTALLATION - 600AJ	5-D
101		Ref	Power Track Assembly Options:	
		Ref	Note: Various Power Tracks use on this model. Identify brand before ordering parts.	
101A	1180336	NLA	600A - Gemco Brand Power Track (Use p/n 1001007153)	
101A		Ref	Replacement Parts:	
101A	7006140	AR	Repair Section (Includes 10 Link Pin, 4 Radius Links, 8 Carrier Links, 4 Rod Carrier, 8 Screws, 10 Slugs and 20 Bearing Plates) (600A)	
101A	7006151	2 Pair	Feet, Mounting (600A)	
101A	7006161	AR	Rod (600A)	
101A	7006152	AR	Pin Kit (Includes 1 pin, 1 Retaining Ring and 4 Washers) (600A)	
101B	1001107153	1	600A - Gortrac Brand Power Track	
101B		Ref	Replacement Parts:	
101C	70002011	AR	Repair Section (600A)	
101B	70002012	1	Mounting Bracket Kit (600A)	
101C	1180338	NLA	600AJ - Gemco Brand Power Track (Use p/n 1001099836)	
101C		Ref	Replacement Parts:	
101C	7016519	AR	Repair Section (Includes 10 Link Pin, 4 Radius Links, 8 Carrier Links, 4 Rod Carrier, 8 Screws, 10 Slugs and 20 Bearing Plates) (600AJ)	
101C	7006151	2 Pair	Feet, Mounting (600AJ)	
101C	7016521	AR	Rod (600AJ)	
101C	7006158	AR	Screw (600AJ)	
101C	7006152	AR	Pin Kit (Includes 1 pin, 1 Retaining Ring and 4 Washers) (600AJ)	
101D	1001099836	1	600AJ - Gortrac Brand Power Track	
101D		Ref	Replacement Parts:	
101D	70001999	AR	Repair Section (600AJ)	
101D	70002000	1	Mounting Bracket Kit (600AJ)	
102		Ref	Tube Weldment Options:	
102	4844969	1	Tube Weldment 600A	
102	4844978	1	Tube Weldment 600AJ	
103		Ref	Support, Power Track Options:	
103	4844972	1	Support, Power Track 600A	
103	4844979	1	Support, Power Track 600AJ	
104	3340764	2	Pad, Wear	
105	3538758	1	Plate, Cover Support	
106		Ref	Pad Options:	
106	3340787	1	Pad 600A	
106	3340765	1	Pad 600AJ	
107	0100011	AR	Compound, Locking	
108	0641640	2	Bolt 3/8in-16NC x 5in	
109	0641606	22	Bolt 3/8in-16NC x 3/4in	
110	4711600	18	Flatwasher 3/8in Thin	
111	3311605	4	Locknut 3/8in-16NC	
112	4070932	AR	Shim	
113	4060804	AR	Flex-Trim (SN 0300027207 through 0300069000)	

SECTION 3 - BOOM

FIGURE 3-5. ROTATOR ASSEMBLIES (FRONT ENTRY PLATFORM)



SECTION 3 - BOOM

FIGURE 3-5. ROTATOR ASSEMBLIES (FRONT ENTRY PLATFORM)

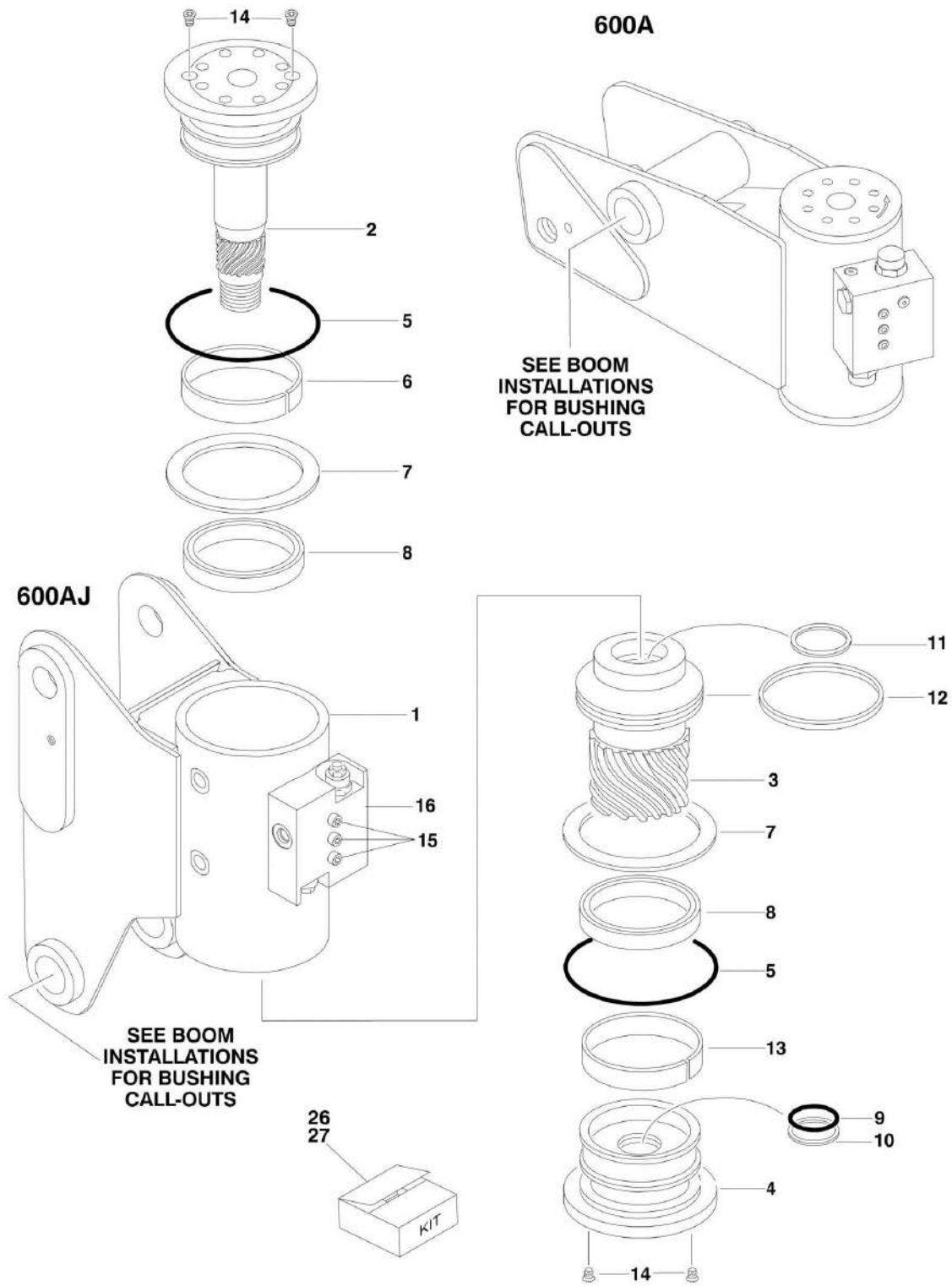
ITEM	PART NUMBER	QTY	DESCRIPTION	REV
		Ref	ROTATOR ASSEMBLIES	
	0060035	Ref	Rotator Assemblies 600A (Original Equipment)	G
	0060076	Ref	Rotator Assemblies 600A (Service Replacement)	B
	0060031	Ref	Rotator Assemblies 600AJ (Original Equipment)	H
	0060074	Ref	Rotator Assemblies 600AJ (Service Replacement)	B
		Ref	Note: Before ordering parts, identify whether original equipment rotator has been replaced with service replacement. Service replacement rotator uses spacer plate bolted on the top with 8 capscrews (Not shown - located at item 2). Original equipment rotator does not use spacer plate.	
1	See Note	1	Housing/Ring Gear Assembly (Note: Note Available - Purchase Complete Assembly)	
2		Ref	Shaft Weldment Options:	
2	7017177	1	0060035 Rotators	
2	7017117	1	0060031 Rotators	
2	7017162	1	0060076 & 0060074 Rotators	
2	See Note	1	Plate, Spacer (Not Shown) (0060076 & 0060074 Rotators Only) (Note: Note Available for Purchase)	
3		Ref	Piston/Sleeve Options:	
3	7017115	1	0060035 & 0060031 Rotators	
3	7017163	1	0060076 & 0060074 Rotators	
4		Ref	Cap, End Options:	
4	7017174	1	0060035 Rotators	
4	7017116	1	0060031 Rotators	
4	7017164	1	0060076 & 0060074 Rotators	
5	See Note	6	Plug, Port (Note: Note Available for Purchase)	
7	7017102	1	Tie-Rod/Locknut Assy (Prior to SN 0300039950)	
7	7017119	1	Bolt 1in-8NC x 11in (SN 0300039950 through 0300069000)	
7	3272605	AR	Locknut 1in-8NC (SN 0300039950 through 0300069000)	
9	See Note	1	Seal, Cap (Note: Use Item 26)	
10	See Note	1	Ring, Back-up (Cap) (Note: Use Item 26)	
11	See Note	1	Seal, Rod (Note: Use Item 26)	
12	See Note	1	Seal, Piston (Note: Use Item 26)	
13	See Note	2	Packing, Bearing (Note: Use Item 26)	
14	See Note	1	Bearing, Cap (Note: Use Item 27)	
15	See Note	1	Bearing, Shaft (Note: Use Item 27)	
16	See Note	2	Thrustwasher (Note: Use Item 27)	
17		Ref	Valve Assembly Options:	
17	7017101	1	0060035 & 0060031 Rotators	
17	7017183	1	0060076 & 0060074 Rotators	
17A		Ref	Cartridge, Valve Options:	
17A	7011331	2	Cartridge for Helac p/n 24736	
17A	7017193	2	Cartridge for Helac p/n 27600	
17A	2900770	2	Seal Kit - 7011331 Valve	
17A	7017183	2	Seal Kit - 7017193 Valve (Note: Not Available for Purchase)	
17B		Ref	Cartridge, Valve Options:	
17B	7011332	AR	Cartridge for Helac p/n 24736	
17B	See Note	1	Cartridge for Helac p/n 27600 (Not Shown - Located on Side of Valve Block) (Note: Not Available for Purchase)	
17B	7011346	2	Seal Kit - 7011332 Valve	

SECTION 3 - BOOM

ITEM	PART NUMBER	QTY	DESCRIPTION	REV
17B	See Note	1	Seal Kit - Valve Located on Side of Block (Note: Not Available for Purchase)	
18	7017118	2	Setscrew (0060035 & 0060031 Rotators Only)	
19	See Note	3	Bolt 1/4 x 1-1/2 (Grade 8) (Note: Not Available for Purchase)	
20	3790110	3	O-Ring (Not Shown - Located between Valve and Actuator Housing)	
26		Ref	Seal Kit Options (Includes Items 9-13):	
26	7017157	1	0060035 & 0060031 Rotators	
26	7017158	1	0060076 & 0060074 Rotators	
27		Ref	Bearing Kit Options (Includes Items 14-16):	
27	7017106	1	0060035 Rotators	
27	7017156	1	0060031 Rotators	
27	7017159	1	0060076 & 0060074 Rotators	
28	7017142	1	Hardware Kit Hardware Kit for 0060035 & 0060031 Rotators (Includes End Cap Dowel Pins and Items 6 & 28A)	
28A	70001697	6	Screw, Countersunk 1/4in-20NC x 3/8in Grade 8	

SECTION 3 - BOOM

FIGURE 3-6. ROTATOR ASSEMBLIES (SIDE ENTRY PLATFORM)



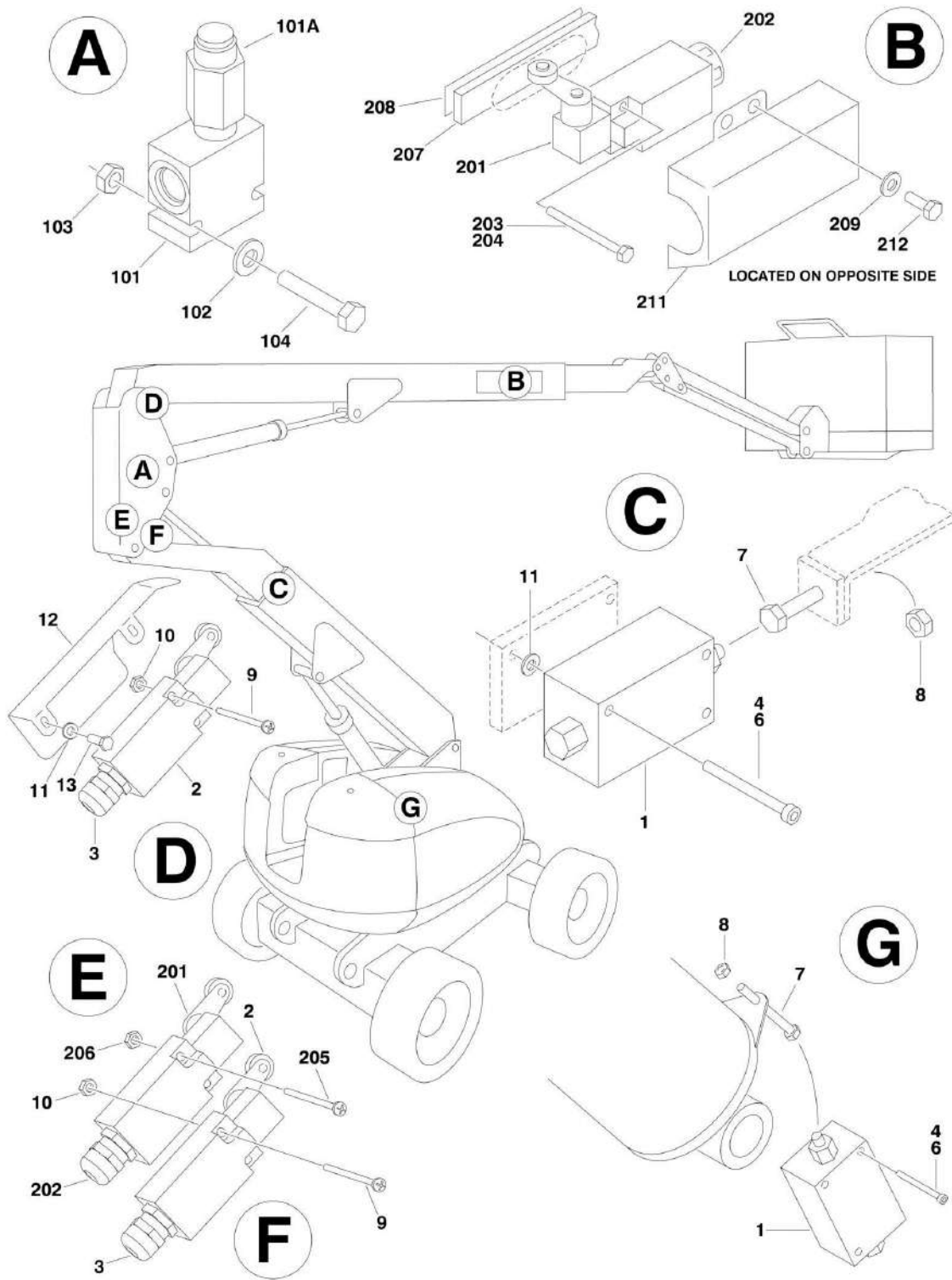
SECTION 3 - BOOM

FIGURE 3-6. ROTATOR ASSEMBLIES (SIDE ENTRY PLATFORM)

ITEM	PART NUMBER	QTY	DESCRIPTION	REV
		Ref	ROTATOR ASSEMBLIES	
	0060068	Ref	Rotator Assemblies (600A)	A
	0060066	Ref	Rotator Assemblies (600AJ)	C
1	See Note	1	Housing/Ring Gear Assembly (Note: Not Available - Purchase Complete Assembly)	
2	7017162	1	Weldment, Shaft	
3	7017163	1	Piston/Sleeve Assembly	
4	7017164	1	Cap, End	
5	See Note	NSS	O-Ring (Note: Use Item 26)	
6	See Note	NSS	Bearing, Shaft (Note: Use Item 27)	
7	See Note	NSS	Thrustwasher (Note: Use Item 27)	
8	See Note	NSS	Packing, Bearing (Note: Use Item 26)	
9	See Note	NSS	Seal, Cap (Note: Use Item 26)	
10	See Note	NSS	Ring, Back-up Cap (Note: Use Item 26)	
11	See Note	NSS	Seal, Rod (Note: Use Item 26)	
12	See Note	NSS	Seal, Piston (Note: Use Item 26)	
13	See Note	NSS	Bearing, Cap (Note: Use Item 27)	
14	70001697	6	Capscrew 1/4in-20NC x 3/8in (Grade 8)	
15	See Note	3	Bolt 1/4 x 1-1/2 (Grade 8) (Note: Not Available for Purchase)	
16	7017183	1	Valve Assembly	
16	7017193	2	Cartridge, Valve	
16	7017193	2	Seal Kit - 7017193 Valve (Note: Not Available for Purchase)	
16	See Note	1	Cartridge, Valve (Not Shown - Located on Side of Block) (Note: Not Available for Purchase)	
16	See Note	1	Seal Kit - Valve Located on Side of Block (Note: Not Available for Purchase)	
26	7017158	1	Seal Kit (Includes Items 5, 8-12 & Hardware Kit)	
27	7017159	1	Bearing Kit (Includes Items 6, 7 & 13)	

SECTION 3 - BOOM

FIGURE 3-7. VALVES AND SWITCHES INSTALLATION (BOOM MOUNTED)



SECTION 3 - BOOM

FIGURE 3-7. VALVES AND SWITCHES INSTALLATION (BOOM MOUNTED)

ITEM	PART NUMBER	QTY	DESCRIPTION	REV
	0255438	Ref	BOOM VALVES AND LIMIT SWITCHES INSTALLATION (STANDARD)	6-G
1		Ref	Valve, Manual 2-Way Options:	
1	4640925	2	Valve, Manual 2-Way (Prior to SN 0300037959)	
1	4641045	2	Valve, Manual 2-Way (SN 0300037959 through 0300042377)	
1	4641105	2	Valve, Manual 2-Way (SN 0300042378 through 0300049398)	
1	4641139	2	Valve, Manual 2-Way (SN 0300049399 through 0300069000)	
2	See Note	2	Switch, Limit (was p/n 4360322 - Purchase p/ns 4360578 & 4460968 as Replacement)	
3		Ref	Connector, Strain Relief Options:	
3	4460428	2	Use with p/n 4360322 Switch	
3	4460968	2	Use with p/n 4360578 Switch	
4	3931430	6	Bolt, Socket Head 1/4in-20NC x 1-7/8in	
6	0100011	AR	Compound, Locking	
7	0630427	2	Bolt, Special	
8	3311801	2	Nut 1/2in-13NC	
9	3930824	4	Bolt, Socket Head #8-32NC x 1-1/2in	
10	3310801	4	Nut #8-32NC	
11	4751400	8	Flatwasher 1/4in Regular	
12	1670819	1	Cover, Switch (SN 0300027349 through 0300069000)	
13	3931408	2	Bolt, Socket 1/4in-20NC x 1/2in (SN 0300027349 through 0300069000)	
	0255440	Ref	VALVES INSTALLATION - 600A 2WS	9
	0255441	Ref	VALVES INSTALLATION - 600AJ 2WS	11
	0255442	Ref	VALVES INSTALLATION - 600A 4WS	9
	0255443	Ref	VALVES INSTALLATION - 600AJ 4WS	9
101	4640929	1	Valve Assembly (Relief)	
101A	7012970	1	Cartridge	
101A	7012953	1	Seal Kit - 7012970 Cartridge	
102	4711400	2	Flatwasher 1/4in Thin	
103	3311405	2	Locknut 1/4in-20NC	
104	0641424	2	Bolt 1/4in-20NC x 3in	
	0255699	Ref	LIMIT SWITCHES INSTALLATION - 600A DUAL CAPACITY	3-C
201	See Note	2	Switch, Limit (was p/n 4360322 - Purchase p/ns 4360578 & 4460968 as Replacement)	
202		Ref	Connector, Strain Relief Options:	
202	4460428	2	Use with p/n 4360322 Switch	
202	4460968	2	Use with p/n 4360578 Switch	
203	0100035	AR	Compound, Locking	
204	3930816	2	Bolt, Socket Head #8-32NC x 1in	
205	3930824	2	Bolt, Socket Head #8-32NC x 1-1/2in	
206	3310805	2	Locknut #8-32NC	
207	0362529	1	Bar, Fiberglass	
208	4420060	9.8 ft/3m	Tape, Foam	
209	4751400	4	Flatwasher 1/4in Regular (SN 0300028924 through 0300069000)	
211	1670824	1	Cover, Switch (SN 0300028924 through 0300069000)	
212	0641403	4	Bolt 1/4in-20NC x 3/8in (SN 0300028924 through 0300069000)	

SECTION 3 - BOOM

FIGURE 3-8. BOOM WIPERS INSTALLATIONS (OPTIONAL)

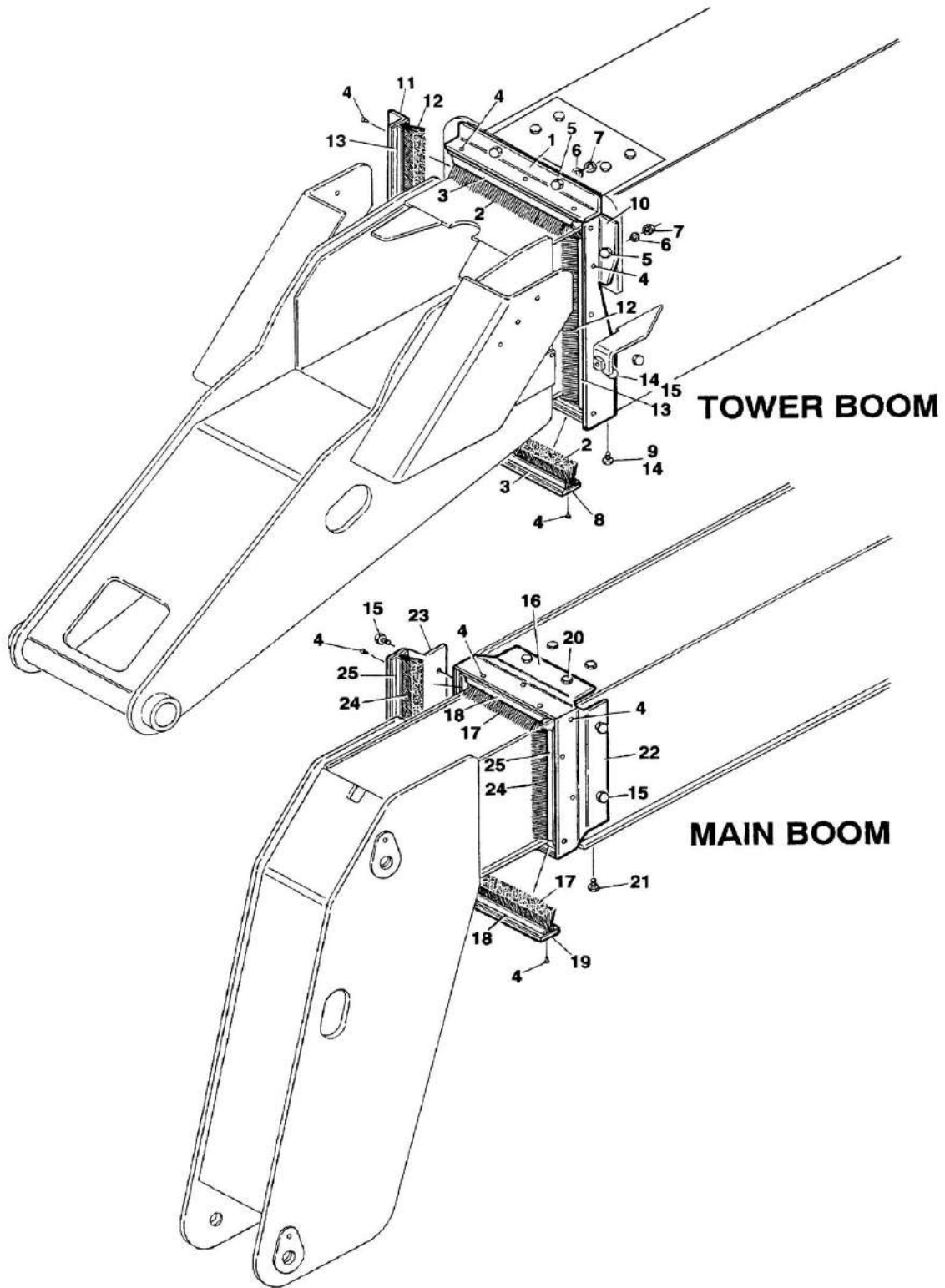


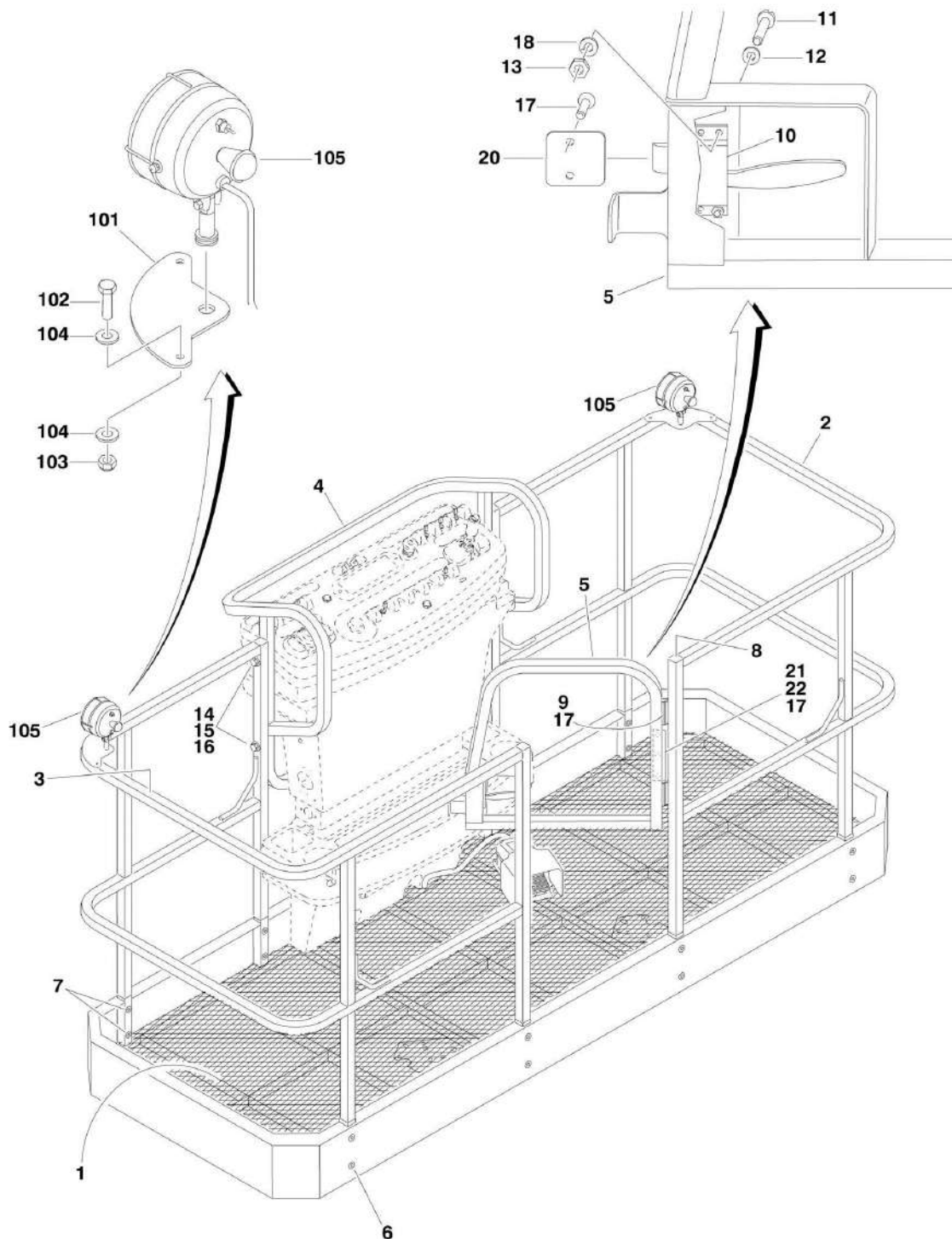
FIGURE 3-8. BOOM WIPERS INSTALLATIONS (OPTIONAL)

ITEM	PART NUMBER	QTY	DESCRIPTION	REV
		Ref	BOOM WIPERS INSTALLATION (STANDARD PARTS)	
	0256276	Ref	Boom Wipers Installation - 600A	2
	0256366	Ref	Boom Wipers Installation - 600AJ	3
1	3200386	2	Mount, Wiper (Tower Top)	
2	0540078	2	Brush, Wiper (Tower Top and Bottom)	
3	2660071	2	Holder, Brush (Tower Top and Bottom)	
4	3820001	30	Rivet	
5	0641409	8	Bolt 1/4in-20NC x 1-1/8in	
6	4761400	8	Lockwasher 1/4in	
7	3311401	8	Nut 1/4in-20NC	
8	3200388	1	Mount, Wiper (Tower Bottom) (Prior to SN 0300038141)	
9	0641611	2	Bolt 3/8in-16NC x 1-3/8in (Prior to SN 0300038141)	
10	3200387	1	Mount, Wiper (Tower Side - Left Side) (Prior to SN 0300038141)	
10	3200407		Mount, Wiper (Tower Side - Left Side) (SN 0300038141 through 0300069000)	
11	3200393	1	Mount, Wiper (Tower Side - Right Side) (Prior to SN 0300038141)	
11	3200408		Mount, Wiper (Tower Side - Right Side) (SN 0300038141 through 0300069000)	
12	0540099	2	Brush, Wiper (Tower Side)	
13	2660099	2	Holder, Brush (Tower Side)	
14	0100011	AR	Compound, Locking	
15	0641607	4	Bolt 3/8in-16NC x 7/8in	
16	3200389	1	Mount, Wiper (Main Top)	
17	0540083	2	Brush, Wiper (Main Top and Bottom)	
18	2660082	2	Holder, Brush (Main Top and Bottom)	
19	3200390	1	Mount, Wiper (Main Bottom)	
20	0641608	2	Bolt 3/8in-16NC x 1in	
21	0641611	2	Bolt 3/8in-16NC x 1-3/8in	
22		Ref	Mount, Wiper (Main Side - Left Side) Options:	
22	3200394	1	Mount, Wiper (Main Side - Left Side) (600A)	
22	3200396	1	Mount, Wiper (Main Side - Left Side) (600AJ)	
23		Ref	Mount, Wiper (Main Side - Right Side) Options:	
23	3200395	1	Mount, Wiper (Main Side - Right Side) (600A)	
23	3200397	1	Mount, Wiper (Main Side - Right Side) (600AJ)	
24		Ref	Brush, Wiper (Main Side)	
24	0540104	2	Brush, Wiper (Main Side) (600A)	
24	0540104	2	Brush, Wiper (Main Side) (Prior to SN 0300049396)	
24	0540107	2	Brush, Wiper (Main Side) (SN 0300049396 through 0300069000)	
25		Ref	Holder, Brush (Main Side)	
25	2660105	2	Holder, Brush (Main Side) (600A)	
25	2660105	2	Holder, Brush (Main Side) (Including 0300049396)	
25	2660109	2	Holder, Brush (Main Side) (SN 0300049396 through 0300069000)	

SECTION 4 - PLATFORM

SECTION 4 - PLATFORM

FIGURE 4-1. PLATFORM COMPONENTS INSTALLATION (FRONT ENTRY)



SECTION 4 - PLATFORM

FIGURE 4-1. PLATFORM COMPONENTS INSTALLATION (FRONT ENTRY)

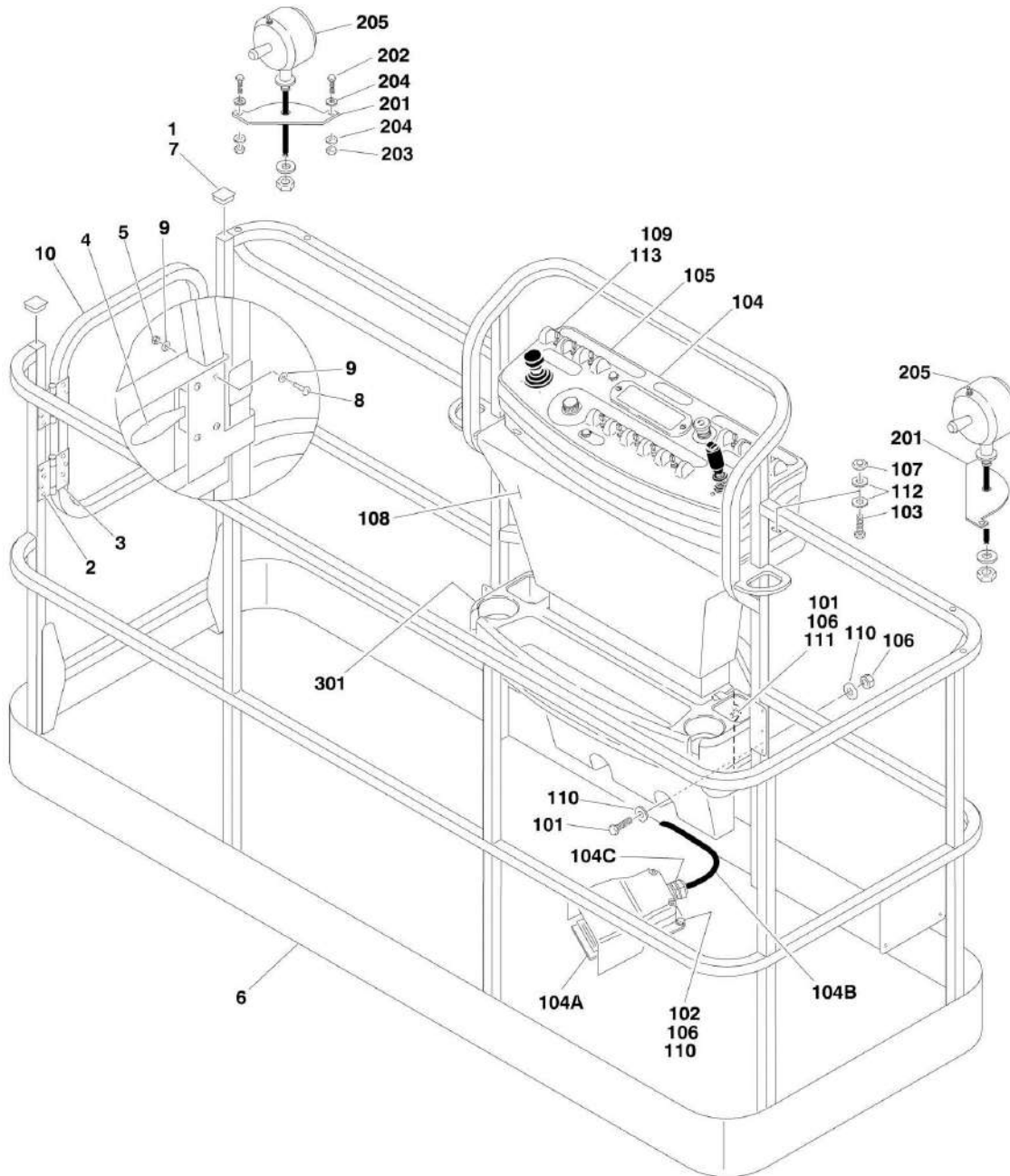
ITEM	PART NUMBER	QTY	DESCRIPTION	REV
		Ref	PLATFORM OPTIONS:	
	3510760	Ref	4ft (1.22m) with Self-Closing Gate	3
	3510728	Ref	5ft (1.52m) with Self-Closing Gate	3
	3510497	Ref	6ft (1.83m) Standard	8
	3510542	Ref	6ft (1.83m) with Self-Closing Gate	3
	3510545	Ref	6ft (1.83m) with Mesh to Top Rail	-
	3510565	Ref	6ft (1.83m) with Mesh to Top Rail and Self-Closing Gate	3
	3510488	Ref	8ft (2.44m) Standard	8
	3510543	Ref	8ft (2.44m) Self-Closing Gate	3
	3510546	Ref	8ft (2.44m) with Mesh to Top Rail	-
	3510566	Ref	8ft (2.44m) with Mesh to Top Rail and Self-Closing Gate	4
1		Ref	Floor Weldment Options:	
1	4846253	1	4ft (1.22m)	
1	4846101	1	5ft (1.52m)	
1	4844954	1	6ft (1.83m)	
1	4844928	1	8ft (2.44m)	
2		Ref	Rail Weldment - Right Side Options:	
2	4846254	1	4ft (1.22m) (Standard)	
2	4846102	1	5ft (1.52m) (Standard)	
2	4844955	1	6ft (1.83m) (Standard)	
2	4845408	1	6ft (1.83m) (Mesh to Top Rail)	
2	4844924	1	8ft (2.44m) (Standard)	
2	4845412	1	8ft (2.44m) (Mesh to Top Rail)	
3		Ref	Rail Weldment - Left Side Options:	
3	4846255	1	4ft (1.22m) (Standard)	
3	4846103	1	5ft (1.52m) (Standard)	
3	4844956	1	6ft (1.83m) (Standard)	
3	4845409	1	6ft (1.83m) (Mesh to Top Rail)	
3	4844925	1	8ft (2.44m) (Standard)	
3	4845413	1	8ft (2.44m) (Mesh to Top Rail)	
4		Ref	Rail Weldment - Back Options:	
4	4844927	1	Rail Weldment - Back (Prior to SN 0300026233)	
4	4845328	1	Rail Weldment - Back (SN 0300026233 through 0300069000)	
5		Ref	Gate Weldment Options:	
5		Ref	With Self-Closing Gate	
5	4845426	1	4ft (1.22m) Platform	
5	4845426	1	5ft (1.52m) Platform	
5	4845327	1	6ft (1.83m) Platform (Prior to SN 0300027649)	
5	4844926	1	6ft (1.83m) Platform (SN 0300027649 through 0300069000)	
5	4845327	1	8ft (2.44m) Platform (Prior to SN 0300027649)	
5	4844926	1	8ft (2.44m) Platform (SN 0300027649 through 0300069000)	
5		Ref	Standard Gate	
5	4844926	1	6ft (1.83m) Platform (Prior to SN 0300026233)	
5	4845327	1	6ft (1.83m) Platform (SN 0300026233 through 0300069000)	
5	4844926	1	8ft (2.44m) Platform (Prior to SN 0300026233)	
5	4845327	1	8ft (2.44m) Platform (SN 0300026233 through 0300069000)	
5		Ref	With Self-Closing Gate and Mesh to Top Rail	
5	4845469	1	6ft (1.83m) Platform	
5	4845469	1	8ft (2.44m) Platform	
5		Ref	Mesh to Top Rail	

SECTION 4 - PLATFORM

ITEM	PART NUMBER	QTY	DESCRIPTION	REV
5	4845410	1	6ft (1.83m) Platform	
5	4845410	1	8ft (2.44m) Platform	
6	3900207	AR	Fastener	
		Ref	Note: P/N 3900207 Fastener may be replaced with p/n 0641416 bolt, p/n 4751400 flatwasher, p/n 3311405 locknut and p/n 3300151 acorn type nut. Acorn type nut required to meet industry safety requirements.	
7	3300393	AR	Collar	
8	3520072	4	Plug, Cap	
9		Ref	Hinge Options:	
9	2600216	2	Standard Gate (Prior to SN 0300067388)	
9	2600219	2	Self-Closing Gate (Prior to SN 0300067388)	
9	2600287	2	Standard/Self-Closing Gate (SN 0300067388 through 0300069000)	
10	2940074	1	Latch	
11	3911008	4	Screw #10-24NC x 1/2in	
12	4751000	4	Flatwasher #10 Regular	
13	3311005	4	Nut #10-24NC	
14	0641524	4	Bolt 5/16in-18NC x 3in	
15	3311505	4	Locknut 5/16in-18NC	
16	4751500	4	Flatwasher 5/16in Regular	
17	2080040	13	Fastener	
17	7016652	1	Fastener Tool (Small Fasteners Only)	
18	4761000	4	Lockwasher 3/8in (Prior to SN 0300067388)	
20	3539685	1	Plate, Latch	
21		Ref	Stop, Gate Options:	
21	4220165	1	Standard Gate	
21		Ref	Self-Closing Gate	
21	4220168	1	Self-Closing Gate (Prior to SN 0300030834)	
21	4220165	1	Self-Closing Gate (SN 0300030834 through 0300069000)	
22	4060803	0.6 ft/0.2m	Trim	
		Ref	PLATFORM WORKLIGHTS INSTALLATIONS (OPTIONAL)	
	0255392	Ref	Platform Worklights Installations (Optional) (Colored Wiring) (Prior to SN 0300035129)	2-B
	0258048	Ref	Platform Worklights Installations (Optional) (Numbered Colored Wiring) (SN 0300035129 through 0300064248)	2-F
	0270814	Ref	Platform Worklights Installations (Optional) (ADE System) (SN 0300064249 through 0300069000)	3-E
101	3536089	2	Plate, Mounting	
102	0641414	4	Bolt 1/4in-20NC x 1-3/4in	
103	3311405	4	Locknut 1/4in-20NC	
104	4711400	8	Flatwasher 1/4in Thin	
105	2920140	2	Worklight	
105	7016399	2	Bulb, Replacement (1 Per Worklight)	
106	4240099	10	Tie-Strap	
107	2820035	9 ft/2.8m	Loom, Vinyl (Not Shown)	
108	4460042	2	End, Terminal (Not Shown)	
109	4460598	1	Connector, Strain Relief (Not Shown)	

SECTION 4 - PLATFORM

FIGURE 4-2. PLATFORM COMPONENTS INSTALLATION (SIDE ENTRY)



SECTION 4 - PLATFORM

FIGURE 4-2. PLATFORM COMPONENTS INSTALLATION (SIDE ENTRY)

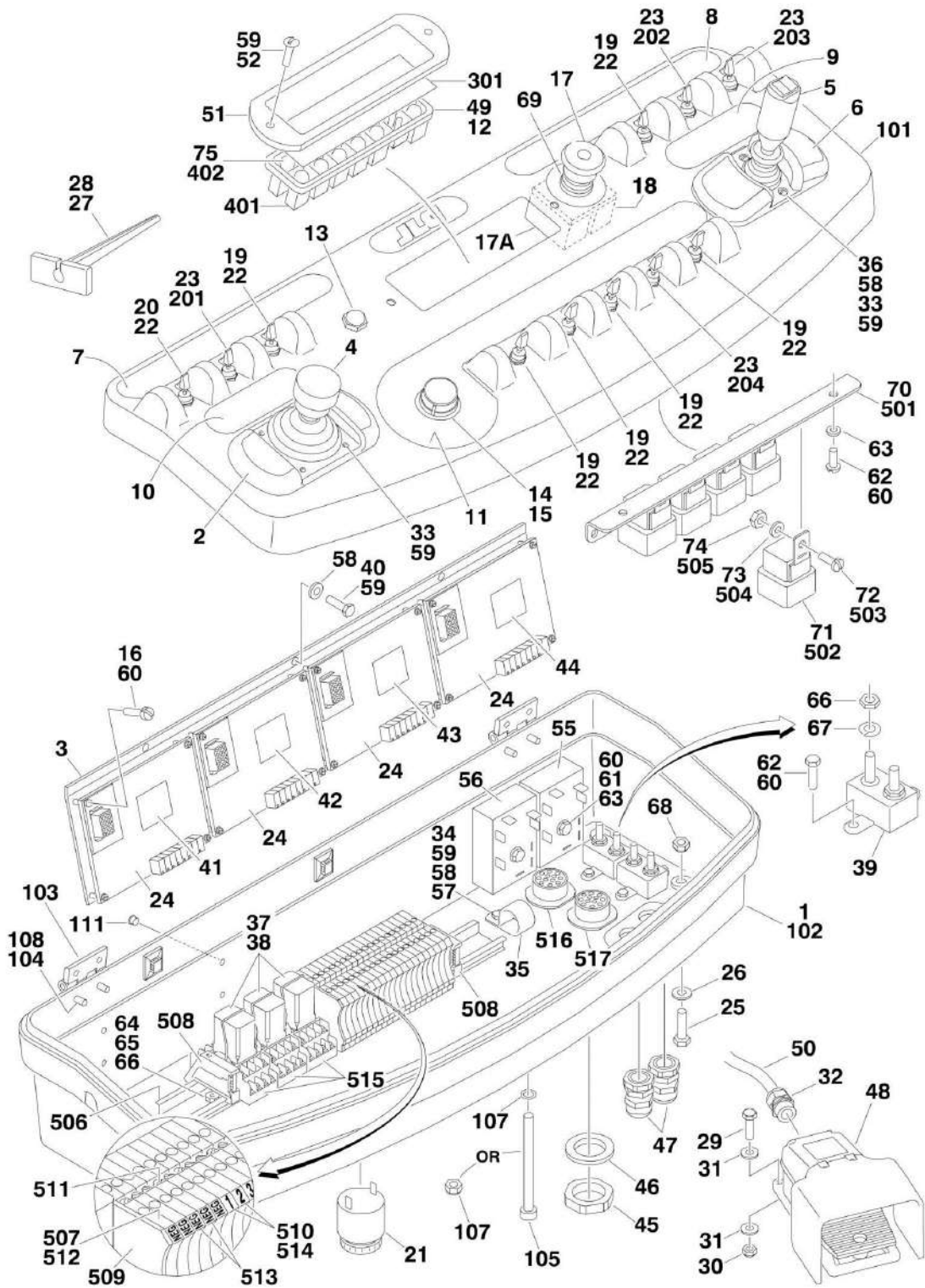
ITEM	PART NUMBER	QTY	DESCRIPTION	REV
		Ref	PLATFORM ASSEMBLIES:	
	3510822	NLA	8ft (2.44m) with No Mesh (Use p/n 1001144023)	B-A
	3510833	NLA	6ft (1.83m) with No Mesh (Use p/n 1001144024)	B-A
		Ref	Note: When replacing 8ft/2.44m platform with Soft Touch option, new Soft Touch Rail p/n 4846673 must be purchased to accommodate limit switch locations.	
		Ref	Note: When replacing platform on machines with SkyCutter option, new bracket p/n 1001145405 must be purchased to accommodate SkyCutter components.	
1	0100040	AR	Sealant, Adhesive	
2	2080040	16	Fastener, Huck	
3	2600281	2	Hinge, Self-Closing	
4	2940074	1	Latch	
5	3311001	4	Nut #10-24NC	
6	See Note	1	Platform Weldment (Note: Purchase Platform Assembly)	
7	3520072	2	Cap-Plug	
8	3911008	4	Screw #10-24NC x 1in	
9	4751000	8	Flatwasher #10 Regular	
10		Ref	Gate Weldment Options:	
10	4846452	1	Gate for Original Equipment Platform p/n 3510822, 3510833	
10	1001144629	1	Gate for Service Replacement Platform p/ns 1001144023, 1001144024	
		Ref	CONSOLE BOX INSTALLATIONS	
	0271945	Ref	Console Box Installations 2WD	A
	0271941	Ref	Console Box Installations 4WD	A
101	0641406	4	Bolt 1/4in-20NC x 3/4in	
102	0641408	3	Bolt 1/4in-20NC x 1in	
103	0641610	4	Bolt 3/8in-16NC x 1-1/4in	
104	0861517	1	Platform Console Box Assembly (See PLATFORM CONSLE BOX ASSEMBLY for Breakdown)	
104A	0272970	1	Footswitch Assembly (Includes Footswitch and Items 104B & 104C)	
		Ref	Note: Assembly p/n 0272970 may use either p/n 4360031 or p/n 1001117320. If Original Equipment was replaced as an "assembly," p/n 1001117320 may have been used as part of the Service Replacement. Identify component before ordering parts.	
104A		Ref	Footswitch Less Cable Options:	
104A	4360031	1	Original Equipment	
104A	1001117320	1	Service Replacement	
104A		Ref	Block, Contact Options (see Note Above):	
104A	7000625	2	Contact Block for 4360031 Footswitch	
104A	70003483	1	Contact Block for 1001117320 Footswitch	
104B	1060918	7 ft/2.14m	Cable, Electrical - 18/3	
104C	4460071	1	Connector, Strain Relief	
105		Ref	Decal - Horn Options:	
105	1702563	1	2WD	
105	1702676	1	4WD	
106	3311405	7	Locknut 1/4in-20NC	
107	3311605	4	Locknut 3/8in-16NC	
108	3380434	1	Panel, Decal Mount	
109	4360331	1	Switch (4WD)	

SECTION 4 - PLATFORM

ITEM	PART NUMBER	QTY	DESCRIPTION	REV
110	4740362	7	Washer, Fender 1/4in	
111	4751400	4	Flatwasher 1/4in Regular	
112	4751600	8	Flatwasher 3/8in Regular	
113	3790012	1	O-Ring	
	0270814	Ref	WORKLIGHTS INSTALLATIONS (OPTIONAL)	3-E
201	3536089	2	Plate, Mounting	
202	0641414	4	Bolt 1/4in-20NC x 1-3/4in	
203	3311405	4	Locknut 1/4in-20NC	
204	4711400	8	Flatwasher 1/4in Thin	
205	2920140	2	Worklight	
205	7016399	2	Bulb, Replacement (1 Per Worklight)	
206	4240099	10	Tie-Strap (Not Shown)	
207	2820035	9	Loom, Vinyl (Not Shown)	
209	4460598	1	Connector, Strain Relief (Not Shown - Located at Console Box)	
		Ref	TRAY INSTALLATIONS (OPTIONAL)	
301	1580012	1	Tray, Storage (Center)	
302	1580013	1	Tray, Storage (Rail Mounted - Not Shown)	

SECTION 4 - PLATFORM

FIGURE 4-3. PLATFORM CONSOLE ASSEMBLY (Prior to SN 0300064249)



SECTION 4 - PLATFORM

FIGURE 4-3. PLATFORM CONSOLE ASSEMBLY (Prior to SN 0300064249)

ITEM	PART NUMBER	QTY	DESCRIPTION	REV
		Ref	Note: Numbered Colored Wiring starts with SN 0300035129	
		Ref	PLATFORM CONSOLE AND FOOTSWITCH ASSEMBLIES OPTIONS:	
	0861043	Ref	Platform Console and Footswitch Assemblies 2WD (Prior to SN 0300029430)	8-F
	0861084	Ref	Platform Console and Footswitch Assemblies 2WD (SN 0300029430 through 0300035128)	8-A
	0861135	Ref	Platform Console and Footswitch Assemblies 2WD (SN 0300035129 through 0300064248)	7-E
	0861042	Ref	Platform Console and Footswitch Assemblies 4WD (Prior to SN 0300029430)	8-F
	0861083	Ref	Platform Console and Footswitch Assemblies 4WD (SN 0300029430 through 0300035128)	3-A
	0861134	Ref	Platform Console and Footswitch Assemblies 4WD (SN 0300035129 through 0300064248)	7-E
1	0860984	1	Box, Console Assembly (See Items 101-108 for Breakdown)	
2	4340678	1	Support, Hand	
3	3538819	1	Plate, Mounting	
4		Ref	Controller Assembly (Lift and Swing) Options:	
4	1600242	1	Controller Assembly (Lift and Swing) (See OEM CONTROLLER ASSEMBLY (SWING AND LIFT) for Breakdown) (Prior to SN 0300039654)	
4	1600284	1	Controller Assembly (Lift and Swing) (See OEM CONTROLLER ASSEMBLY (SWING AND LIFT) for Breakdown) (SN 0300039654 through 0300064249)	
5		Ref	Controller Assembly (Drive and Steer) Options:	
5	1600239	1	Controller Assembly (Drive and Steer) (See OEM CONTROLLER ASSEMBLY (DRIVE/STEER) for Breakdown) (Prior to SN 0300039654)	
5	1600283	1	OEM CONTROLLER ASSEMBLY (DRIVE/STEER) (See OEM CONTROLLER ASSEMBLY (DRIVE/STEER) for Breakdown) (SN 0300039654 through 0300064249)	
6	4340684	1	Support, Hand	
7		Ref	Decal - Controls Options: (Console Left Side)	
7	1702563	1	Decal - Controls (Prior to June 1996)	
7	1702676	1	Decal - Controls (June 1996 to SN 0300064249)	
8	1702564	1	Decal (Stop)	
9	1702565	1	Decal (Drive and Steer)	
10	1702566	1	Decal (Lift and Swing)	
11	1702567	1	Decal (Speed/Lower Lift/Tele/Rotate/Jib)	
12	2760105	1	Housing, Display Light	
13	4360387	1	Switch, Pushbutton	
14	2560136	1	Knob, Speed Control	
15	4360407	1	Controller, Speed	
15	See Note	1	Gasket "Top Hat" (Included with Switch) (Note: Not Available - Purchase Complete Controller.)	
15	70003784	1	Seal	
16	3910610	16	Screw #6-32NC x 5/8in	
17		Ref	Switch, Emergency Stop Options:	
17	4360395	1	Switch, Emergency Stop (Prior to SN 0300036019)	
17	4360289	1	Switch, Emergency Stop (SN 0300035129 through 0300044644)	
17	4360475	1	Switch, Emergency Stop (SN 0300044645 through	

SECTION 4 - PLATFORM

ITEM	PART NUMBER	QTY	DESCRIPTION	REV
			0300064249)	
17A		Ref	Cap Options:	
17A	7016315	1	Cap, Red (Used on Switch p/n 4360395)	
17A	7012611	1	Cap, Mushroom Head (Used on Switch p/n4360289)	
17A	7012612	1	Boot (Used on Switch p/n 4360289)	
17A	7020175	1	Cap, Red (Used on Switch p/n 4360475)	
17A	7020176	1	Block, Contact (SN 0300044645 through 0300064249))	
18		Ref	Block, Contact Options:	
18	4360282	1	Block, Contact (Prior to SN 0300044645))	
18	4360476	1	Block, Contact (SN 0300044645 through 0300064249))	
19	4360314	6	Switch, Toggle	
20		Ref	Switch, Toggle Options:	
20	4360345	1	Switch, Toggle 2WD	
20	4360331	1	Switch, Toggle 4WD	
21	0140026	1	Alarm	
22	3790012	7	O-Ring	
23	3520028	4	Plug, Hole (For switch call-outs at these locations, refer to options installation below)	
24	1600218	4	Card, Control	
24	7016346	4	Fuse - 5 Amp (1Per Card)	
25		Ref	Bolt Options:	
25	0641606	4	Bolt 3/8in-16NC x 3/4in (Prior to SN 0300039778))	
25	0641610	4	Bolt 3/8in-16NC x 1-1/4in (SN 0300039778 through 0300064249))	
26	4751600	4	Flatwasher 3/8in Regular	
27	4460467	1	Tool, Pin Extraction (Blue 16-18 Gauge) (Not Shown)	
28	4460510	1	Tool, Pin Extraction (Yellow 12-14 Gauge) (Not Shown)	
29	0641408	3	Bolt 1/4in-20NC x 1in	
30	3311405	3	Locknut 1/4in-20NC	
31	4740362	3	Washer, Fender 1/4in	
32	4460071	1	Connector, Strain Relief	
33	0641404	8	Bolt 1/4in-20NC x 1/2in	
34	3311401	1	Nut 1/4in-20NC	
35	1320060	1	Clamp	
36	1320095	1	Clamp	
37	3740058	3	Relay - 4PDT	
38	3740063	3	Spring, Relay	
39	4360232	2	Breaker, Circuit - 15 Amp	
40	3931412	3	Capscrew, Socket Head 1/4in-20NC x 3/4in (Prior to SN 0300039749))	
40	0641406	3	Bolt 1/4in-20NC x 3/4in (SN 0300039749 through 0300064249))	
41	1703090	1	Decal - Control Card (Lift)	
42	1703091	1	Decal - Control Card (Swing)	
43	1703092	1	Decal - Control Card (Flow Control)	
44	1703093	1	Decal - Control Card (Drive)	
45	4460470	2	Nut, Conduit	
46	4460471	2	Washer	
47	4460428	2	Connector, Strain Relief	
48	4360031	1	Footswitch	
48	7000625	2	Block, Contact	
49	3700010	14	Reflector (Prior to SN 0300027331))	
51	1670829	1	Bezel	

SECTION 4 - PLATFORM

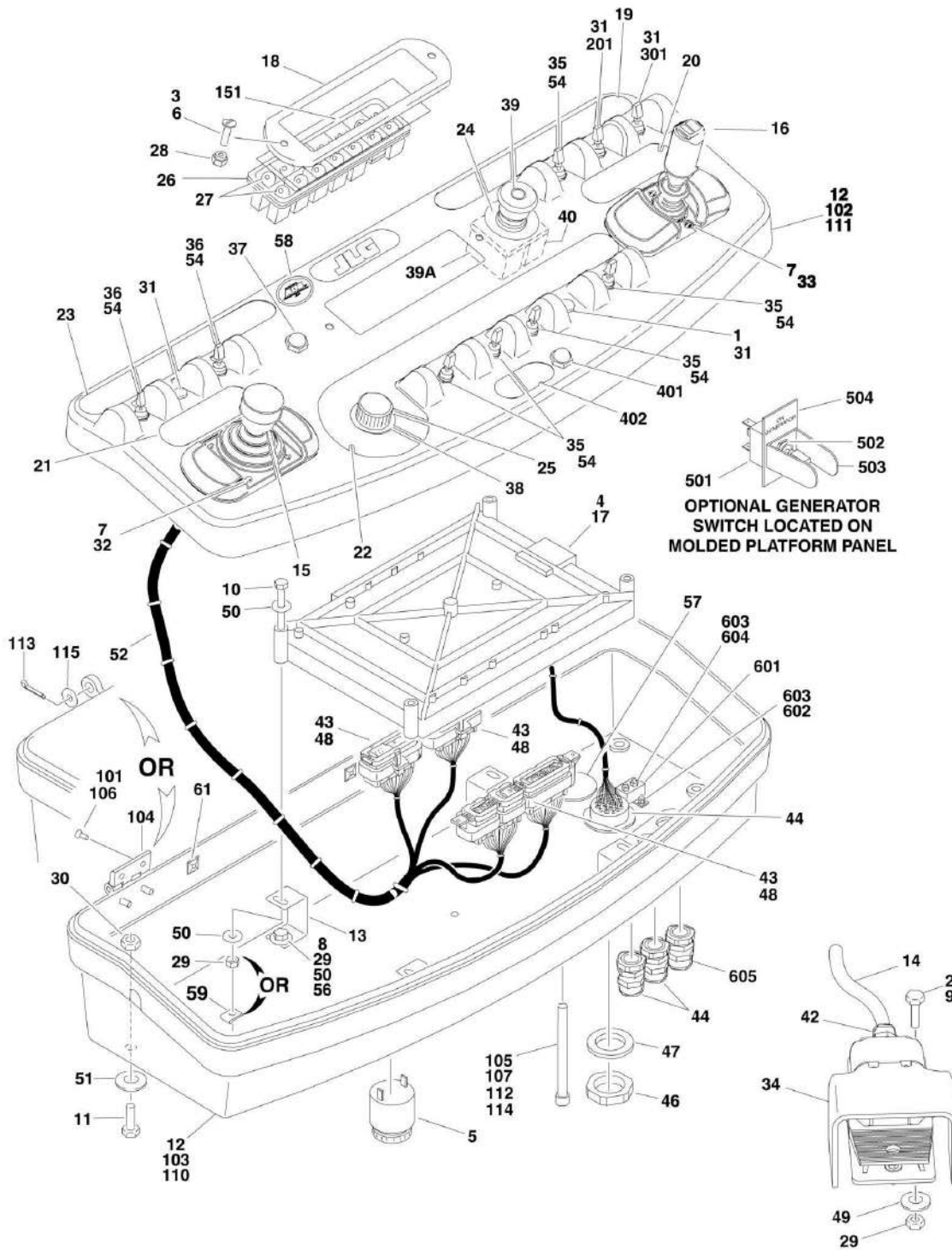
ITEM	PART NUMBER	QTY	DESCRIPTION	REV
52	0630464	2	Screw, Button Head #10-24NC x 1/2in	
55	3740113	1	Relay, Time Delay	
56	3740115	1	Relay, Time Delay	
57	0641406	1	Bolt 1/4in-20NC x 3/4in	
58	4751400	5	Flatwasher 1/4in Regular	
59	0100011	AR	Compound, Locking	
60	0100035	AR	Compound, Locking	
61	0721010	2	Screw, Machine #10-24NC x 1-1/4in	
62	0721003	4	Screw, Machine #10-24NC x 3/8in	
63	4751000	2	Flatwasher #10 Regular	
64	0721004	2	Bolt #10-32NF x 1/2in	
65	4711000	2	Flatwasher #10 Thin	
66	4761000	6	Lockwasher #10	
67	3311001	4	Nut #10-24NC	
68	3311605	4	Locknut 3/8in-16NC	
69	1704260	1	Decal - EMS	
70	3539275	1	Plate, Relay Mounting (SN 0300049954 through 0300064249)	
71	3740049	5	Relay, Bosch (SN 0300049954 through 0300064249)	
72	0721003	5	Screw #10-24NC x 3/8in (SN 0300049954 through 0300064249)	
73	4751000	5	Flatwasher #10 Regular (SN 0300049954 through 0300064249)	
74	3311005	5	Locknut #10-24NC (SN 0300049954 through 0300064249)	
75	2920129	12	Bulb, Light (SN 0300049954 through 0300064249)	
	0860984	Ref	CONSOLE BOX ASSEMBLY	6-E
101	1220022	1	Lid, Cast	
102	1220023	1	Bottom, Box	
103	2600211	2	Hinge	
104	3900224	8	Capscrew, Socket Head Countersunk 6mm x 16mm	
105	3931672	1	Capscrew, Socket Head 3/8in-16NC x 4-1/2in	
107		Ref	Fastener Options:	
107	See Note	1	O-Ring (Prior to May 1996) (Note: Recommend using 3311601 Nut in place of original 3790109O-Ring)	
107	3311601	1	Nut 3/8in-16NC	
108	0100011	AR	Compound, Locking	
111	3520173	4	Plug (SN 0300038808 through 0300064249)	
		Ref	CONSOLE BOX OPTIONS	
201		Ref	4WS Switch Option Components	
201	4360331	1	Switch, Toggle	
201	3790012	1	O-Ring	
202		Ref	Dual Switch Option Components	
202	4360336	1	Switch, Toggle	
202	3790012	1	O-Ring	
203		Ref	Lights Switch Option Components	
203	4360336	1	Switch, Toggle	
203	3790012	1	O-Ring	
204		Ref	Articulating Jib Switch Option Components	
204	4360314	1	Switch, Toggle	
204	3790012	1	O-Ring	
	0236631	Ref	LIGHT PANEL DECAL INSTALLATION	-
301	1702387	1	Decal - Light Panel Display	
		Ref	HARNES COMPONENTS	
401	4120035	7	Base, Light	
402	2920129	7	Bulb, Light	

SECTION 4 - PLATFORM

ITEM	PART NUMBER	QTY	DESCRIPTION	REV
		Ref	ELECTRICAL COMPONENTS INSTALLATIONS:	
	0861041	Ref	Electrical components installations: (Colored Wiring) (Prior to SN 0300029430)	5-D
	0861082	Ref	Electrical components installations: (Colored Wiring) (SN 0300029430 through 0300035128)	1-A
	4921991	Ref	Electrical components installations: (Numbered Colored Wiring) (SN 0300035129 through 0300064248)	1-D
501	3539275	1	Plate, Relay Mounting (Prior to SN 0300049954)	
502	3740049	8	Relay, Bosch (Prior to SN 0300049954)	
503	0721003	8	Screw #10-24NC x 3/8in (Prior to SN 0300049954)	
504	4751000	8	Flatwasher #10 Regular (Prior to SN 0300049954)	
505	3311005	8	Locknut #10-24NC (Prior to SN 0300049954)	
506		Ref	Track Options:	
506	3640970	1	Track (Prior to SN 0300035129)	
506	3641182	1	Track (SN 0300035129 through 0300064248)	
507		Ref	Block, Terminal Options:	
507	4460601	10	Block, Terminal (Prior to SN 0300035129)	
507	4460600	10	Block, Terminal (SN 0300035129 through 0300064248)	
508	4460607	2	Stop, End	
509	4460602	1	Barrier, Terminal	
510	4460629	2	Marker, Terminal (6-15)	
511	4460603	1	Bar, Buss - 10 Position (Cut into [2] 5 Position Bars)	
512		Ref	Block, Terminal Options:	
512	4460601	10	Block, Terminal (Prior to SN 0300035129)	
512	4460600	10	Block, Terminal (SN 0300035129 through 0300064248)	
513	4460631	1	Marker, Terminal (Negative)	
514	4460632	1	Marker, Terminal (1-5)	
515	4120013	3	Socket, Relay	
516	4460613	1	Connector - 21 Position	
517	4460503	1	Connector - 31 Position	
519	4240032	20	Tie-Strap (Not Shown)	
520	4240018	10	Tie-Strap (Not Shown)	

SECTION 4 - PLATFORM

FIGURE 4-4. PLATFORM CONSOLE ASSEMBLY (WITH ADE SYSTEM) (SN 0300064249 through 0300069000)



SECTION 4 - PLATFORM

FIGURE 4-4. PLATFORM CONSOLE ASSEMBLY (WITH ADE SYSTEM) (SN 0300064249 through 0300069000)

ITEM	PART NUMBER	QTY	DESCRIPTION	REV
		Ref	CONSOLE BOX AND FOOTSWITCH ASSEMBLIES	
	0861415	Ref	Console Box and Footswitch Assemblies (SN 0300064249 through 0300064269)	E
	0861474	Ref	Console Box and Footswitch Assemblies (SN 0300064270 through 0300068917)	B
	0861517	Ref	Console Box and Footswitch Assemblies (SN 0300068918 through 0300069000)	A
1	0100009	AR	Sealant	
2	0100020	AR	Sealant	
3	0100035	AR	Compound, Locking	
4	0100048	AR	Grease, Dielectric	
5	0140011	1	Alarm	
6	0630464	2	Screw, Button Head #10-24NC x 1/2in	
7	0641404	8	Bolt 1/4in-20NC x 1/2in	
8	0641406	4	Bolt 1/4in-20NC x 3/4in	
9	0641408	3	Bolt 1/4in-20NC x 1in	
10	0641416	4	Bolt 1/4in-20NC x 2in	
11	0641610	4	Bolt 3/8in-16NC x 1-1/4in	
12		Ref	Box, Console Options:	
		Ref	Note: No exact SN break exists. SN 0300067725 through SN 0300068965 may use either box.	
12	0861414	1	Box, Console - Aluminum (See Items 101-107 for Breakdown) (SN 0300064249 through 0300067725)	
12	0861537	1	Box, Console - Die Cast (See Items 110-115 for Breakdown) (SN 0300068965 through 0300069000)	
13	0902751	4	Bracket, Card Support	
14		Ref	Cable Options:	
14	1060330	7 ft/2.1m	Cable, 16/3 (SN 0300064249 through 0300064269)	
14	1060918	8 ft/2.4m	Cable, 18/3 (SN 0300064270 through 0300069000)	
15	1600317	NLA	Controller Assembly (Lift and Swing) (See OEM CONTROLLER ASSEMBLY (SWING AND LIFT) (WITH ADE SYSTEM) for Breakdown) (Use p/n 1001129555)	
16	1600318	NLA	Controller Assembly (Drive and Steer) (See OEM CONTROLLER ASSEMBLY (DRIVE/STEER) (WITH ADE SYSTEM) for Breakdown) (Use p/n 1001212415)	
17	1600313	1	Controller, Module (Re-calibration Required when Replaced)	
18	1670829	1	Bezel	
19	1702564	1	Decal (Stop)	
20	1702565	1	Decal (Drive and Steer)	
21	1702566	1	Decal (Lift and Swing)	
22	1702567	1	Decal (Function Speed)	
23	1702676	1	Decal (Horn)	
24	1704260	1	Decal - EMS	
25	2560136	1	Handle, Knob	
26	2760105	1	Housing, Display Light	
27	2920129	12	Bulb, Light	
28	3300408	2	Locknut, Nylon Insert	
29	3311405	11	Locknut 1/4in-20NC	
30	3311605	4	Locknut 3/8in-16NC	
31	3520028	4	Plug, Hole 1/2in	
32	4340678	1	Support, Hand	

SECTION 4 - PLATFORM

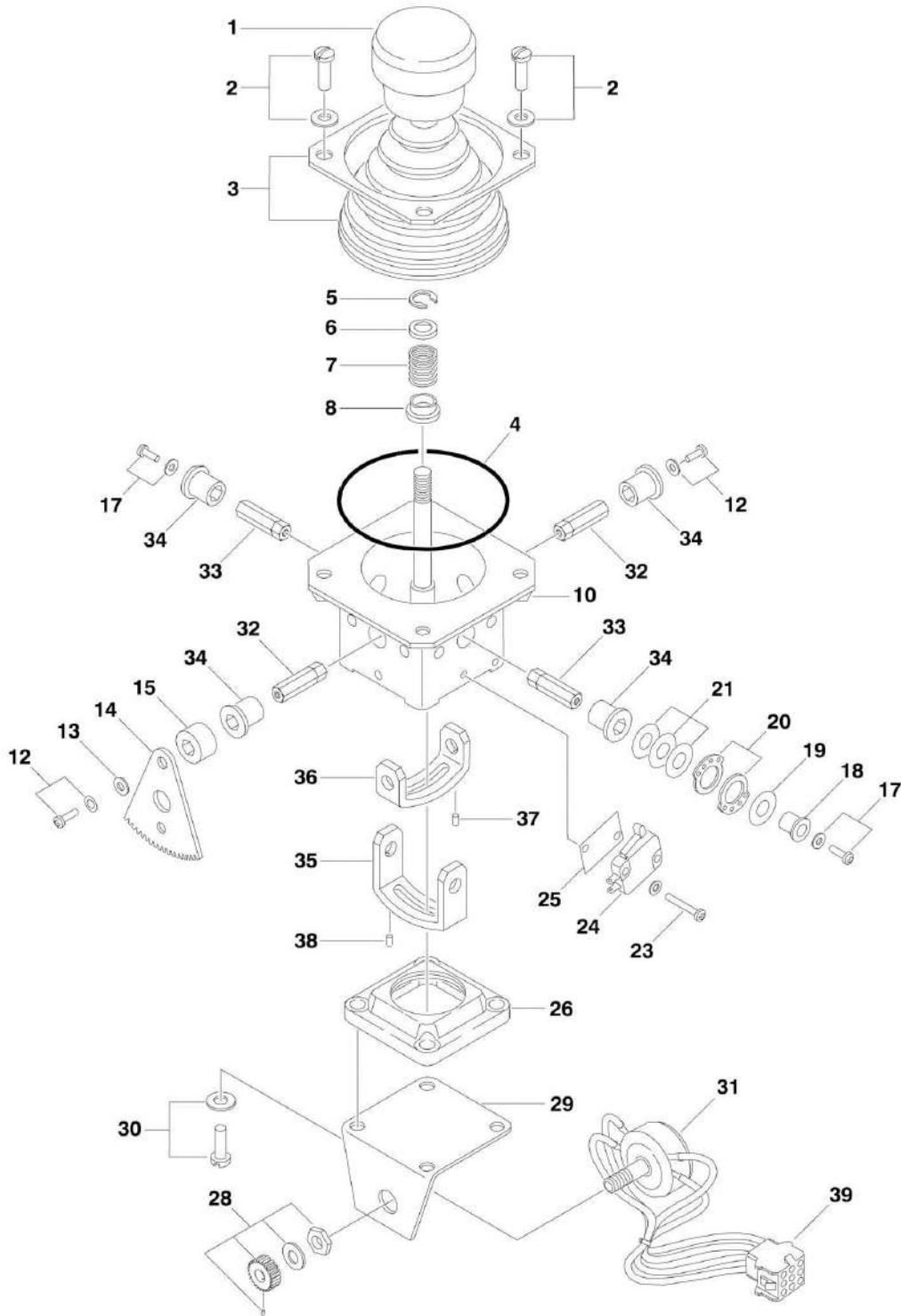
ITEM	PART NUMBER	QTY	DESCRIPTION	REV
33	4340684	1	Support, Hand	
34	4360031	1	Footswitch	
34	7000625	2	Block, Contact	
35	4360328	6	Switch, Toggle	
36	4360331	1	Switch, Toggle	
37	4360387	1	Switch, Pushbutton	
38	4360407	1	Controller, Speed	
38	See Note	1	Gasket "Top Hat" (Included with Switch) (Note: Not Available - Purchase Complete Controller.)	
38	70003784	1	Seal	
39	4360475	1	Switch, Emergency Stop	
39	7020175	1	Cap, Red	
39A	7020176	1	Contact Block	
40	4360476	1	Block, Contact	
41	4460042	3	Terminal, Ring (Not Shown)	
42	4460071	1	Connector, Strain Relief	
43	4460226	2	Socket, Contact	
44	4460428	2	Connector, Strain Relief	
45	4460464	1	Terminal, Deutsch	
46	4460470	1	Nut, Terminal	
47	4460471	1	Lockwasher, Terminal	
48	4460905	5	Connector, Amp Seal Plug	
49	4740362	3	Washer 1/4in (Fender)	
50	4751400	16	Flatwasher 1/4in Regular	
51	4751600	4	Flatwasher 3/8in Regular	
52		Ref	Harness, Platform Box Options:	
52	4922509	1	Harness, Platform Box (SN 0300064249 through 0300064269)	
52	4922639	1	Harness, Platform Box (SN 0300064270 through 0300069000)	
53		Ref	Harness, Analyzer Cable Options: (Not Shown)	
53	4922485	1	Harness, Analyzer Cable (SN 0300064249 through 0300064269)	
53	4922666	1	Harness, Analyzer Cable (SN 0300064270 through 0300069000)	
53	4460871	4	Terminal, Socket	
53	4460761	1	Housing - 4 Position	
53	4460227	4	Pin	
54	3790012	7	O-Ring	
55	4460708	2	Connector, Female - 15 Position (Not Shown - See ELECTRICAL Section for Location)	
56	0100081	AR	Adhesive (Not Shown) (SN 0300064398 through 0300069000)	
57	1671037	1	Cover (SN 0300068918 through 0300069000)	
58	1705132	1	Decal - ADE (SN 0300068918 through 0300069000)	
59	3300353	4	Nut, Tinnerman (SN 0300068918 through 0300069000)	
60	4460226	3	Wire, Tie (Not Shown) (SN 0300068918 through 0300069000)	
61	4460488	1	Base, Mounting (SN 0300068918 through 0300069000)	
	0861414	Ref	CONSOLE BOX ASSEMBLY - ALUMINUM	C
101	0100011	AR	Compound, Locking	
102	0861414	1	Console Top (Note: Not Available for Purchase)	
103	0861414	1	Console Bottom (Note: Not Available for Purchase)	
104	2600211	2	Hinge	
105	3311601	1	Nut 3/8in-16NC	
106	3900224	8	Screw Countersunk	

SECTION 4 - PLATFORM

ITEM	PART NUMBER	QTY	DESCRIPTION	REV
107	3931672	1	Screw 3/8in-16NC x 4-1/2in	
108	3520174	3	Plug, 3/16 (Not Shown)	
	0861537	Ref	CONSOLE BOX ASSEMBLY - DIE CAST	A
110	1220096	1	Console Bottom	
111	1220102	1	Console Top	
112	3311601	1	Nut 3/8in-16NC	
113	3450304	2	Pin, Cotter	
114	3931672	1	Screw 3/8in-16NC x 4-1/2in	
115	4711500	2	Flatwasher 5/16 Thin	
	0256631	Ref	LIGHT PANEL DECAL INSTALLATION	-
151	1702387	1	Decal - Display	
	0270764	Ref	DUAL FUEL SWITCH INSTALLATION	3
201	4360336	1	Switch, Toggle	
201	3790012	1	O-Ring	
	0271552	Ref	HEAD AND TAIL LIGHTS INSTALLATION (OPTIONAL)	1
301	4360336	1	Switch, Toggle	
301	3790012	1	O-Ring	
		Ref	SOFT TOUCH SYSTEM INSTALLATION (OPTIONAL)	
	0271550	Ref	6FT PLATFORM	1
	0271551	Ref	8FT PLATFORM	1
401	4360387	1	Switch, Pushbutton	
402	1702938	1	Decal - Soft Touch Override	
		Ref	GENERATOR INSTALLATION (OPTIONAL)	
	0271544	Ref	110v Deutz	1
	0271547	Ref	220v Deutz	4
	0271545	Ref	110v Ford	1
	0271546	Ref	220v Ford	4
501	4360336	1	Switch, Toggle	
502	4740397	1	Bushing	
503	4060802	1	Guard, Switch	
504	3251102	1	Decal - Generator ON/OFF	
	0270814	Ref	PLATFORM WORKLIGHT INSTALLATION (OPTIONAL)	3
601	4360232	1	Breaker, Circuit - 15Amp	
602	0721003	2	Bolt #10-24NC x 3/8in	
603	4761000	4	Lockwasher #10	
604	3311001	2	Nut #10-24NC	
605	4460598	1	Connector, Strain Relief	

SECTION 4 - PLATFORM

FIGURE 4-5. CONTROLLER ASSEMBLY (SWING AND LIFT) (Prior to SN 0300039749)



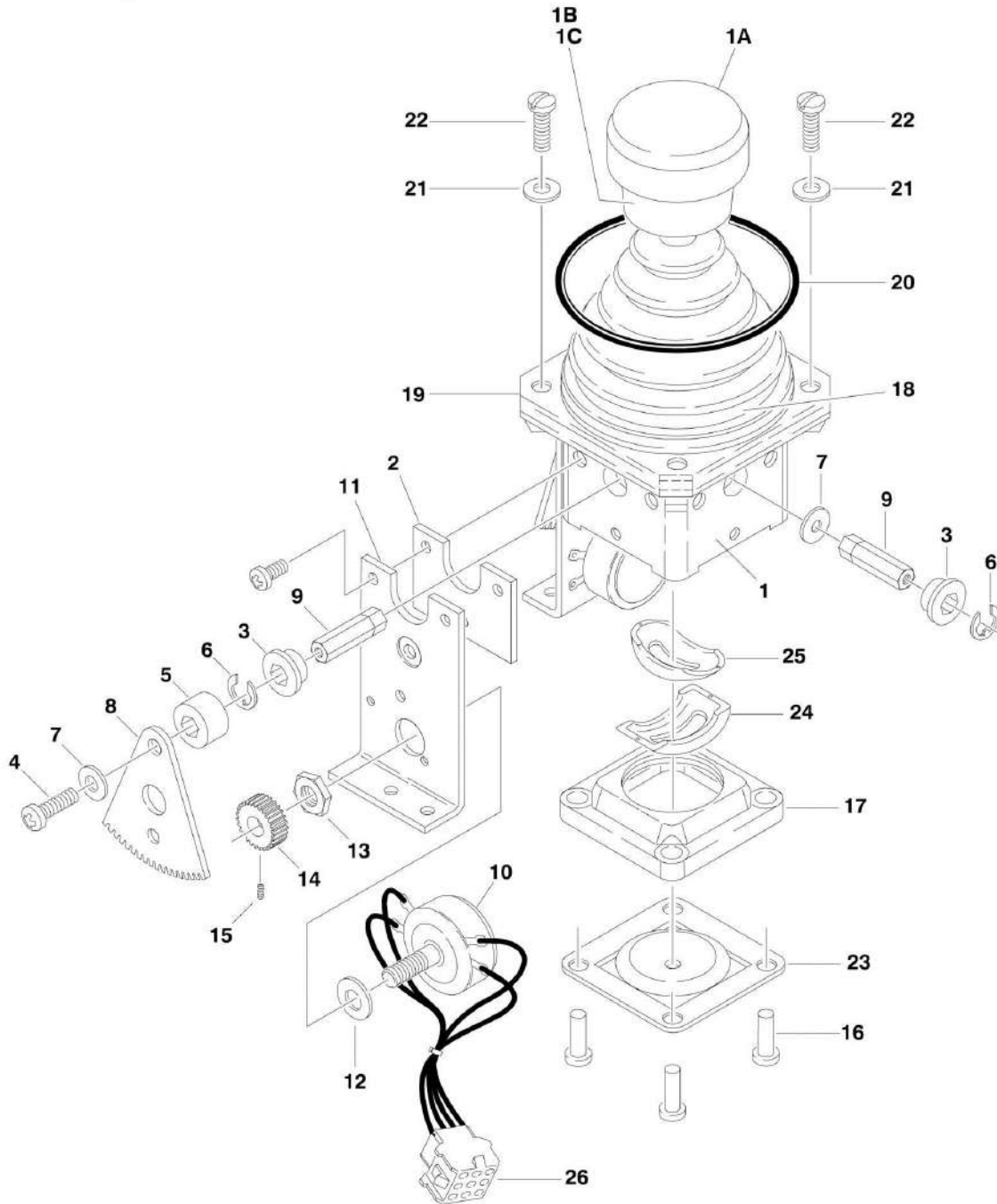
SECTION 4 - PLATFORM

FIGURE 4-5. CONTROLLER ASSEMBLY (SWING AND LIFT) (Prior to SN 0300039749)

ITEM	PART NUMBER	QTY	DESCRIPTION	REV
	1600242	Ref	CONTROLLER ASSEMBLY (LIFT/SWING) (Prior to SN 0300039749)	A
1	7003951	1	Knob, Handle	
2	7022811	4	Screw M14 x 25mm	
2	See Note	4	Washer (Note: Not Available - Purchase Locally)	
3	7022813	1	Plate (was p/n 7003954)	
3	7022813	1	Boot (was p/n 7003955)	
4	7003956	1	O-Ring	
5	7003957	1	Ring, Retaining	
6	7003959	1	Retainer, Spring	
7	7003958	1	Spring, Return	
8	7003960	1	Bushing, Nylon Shaft	
10	1600424	1	Casting, Handle (Note: Not Available for Purchase)	
12	See Note	2/2	Screw M3 x .05 and Starwasher M3 (Note: Not Available - Purchase Locally)	
13	See Note	2	Spacer (Note: Not Available for Purchase)	
14	7003977	2	Gear, Drive	
15	See Note	2	Bearing (Note: Not Available for Purchase)	
17	See Note	2	Screw M3 (Note: Not Available - Purchase Locally)	
17	See Note	2	Washer, Wavy (Note: Not Available for Purchase)	
18	7019193	2	Coupling, Cam	
19	See Note	2	Spacer, Cam (Note: Not Available for Purchase)	
20	See Note	4	Cam, 4 Hole (Note: Not Available for Purchase)	
21	See Note	6	Cam (Note: Not Available for Purchase)	
23	See Note	4/4	Screw and Washer (Note: Not Available - Purchase Locally)	
24	7003961	2	Micro-Switch	
25	See Note	2	Insulator (Note: Not Available for Purchase)	
26	See Note	1	Gate (Note: Not Available for Purchase)	
28	7003976	2	Gear	
28	See Note	2	Setscrew (Note: Not Available - Purchase Locally)	
28	See Note	2	Spacer (Note: Not Available for Purchase)	
28	See Note	2	Nut (Note: Not Available - Purchase Locally)	
29	See Note	1	Plate, Pot Mounting (Note: Not Available for Purchase)	
30	See Note	4/4	Screw M4 x 14 and Washer M4 (Note: Not Available - Purchase Locally)	
31	7003974	2	Potentiometer	
32	7019192	1	Pin	
33	7019104	2	Pin	
34	7019111	2	Bushing	
35	7019122	1	Limiters, Gate - Outer	
36	7019123	1	Limiters, Gate - Inner	
37	See Note	1	Setscrew (Note: Not Available - Purchase Locally)	
38	See Note	1	Setscrew (Note: Not Available - Purchase Locally)	
39	4460266	1	Cap, Connector - 9 Pin	
39	4460268	8	Socket, Female (Not Shown)	
39	4460265	1	Plug - 9 Pin (Part of Platform Wiring) (Not Shown)	
39	4460267	8	Pin, Male (Part of Platform Wiring) (Not Shown)	

SECTION 4 - PLATFORM

FIGURE 4-6. CONTROLLER ASSEMBLY (SWING AND LIFT) (SN 0300039749 through 0300064249)



SECTION 4 - PLATFORM

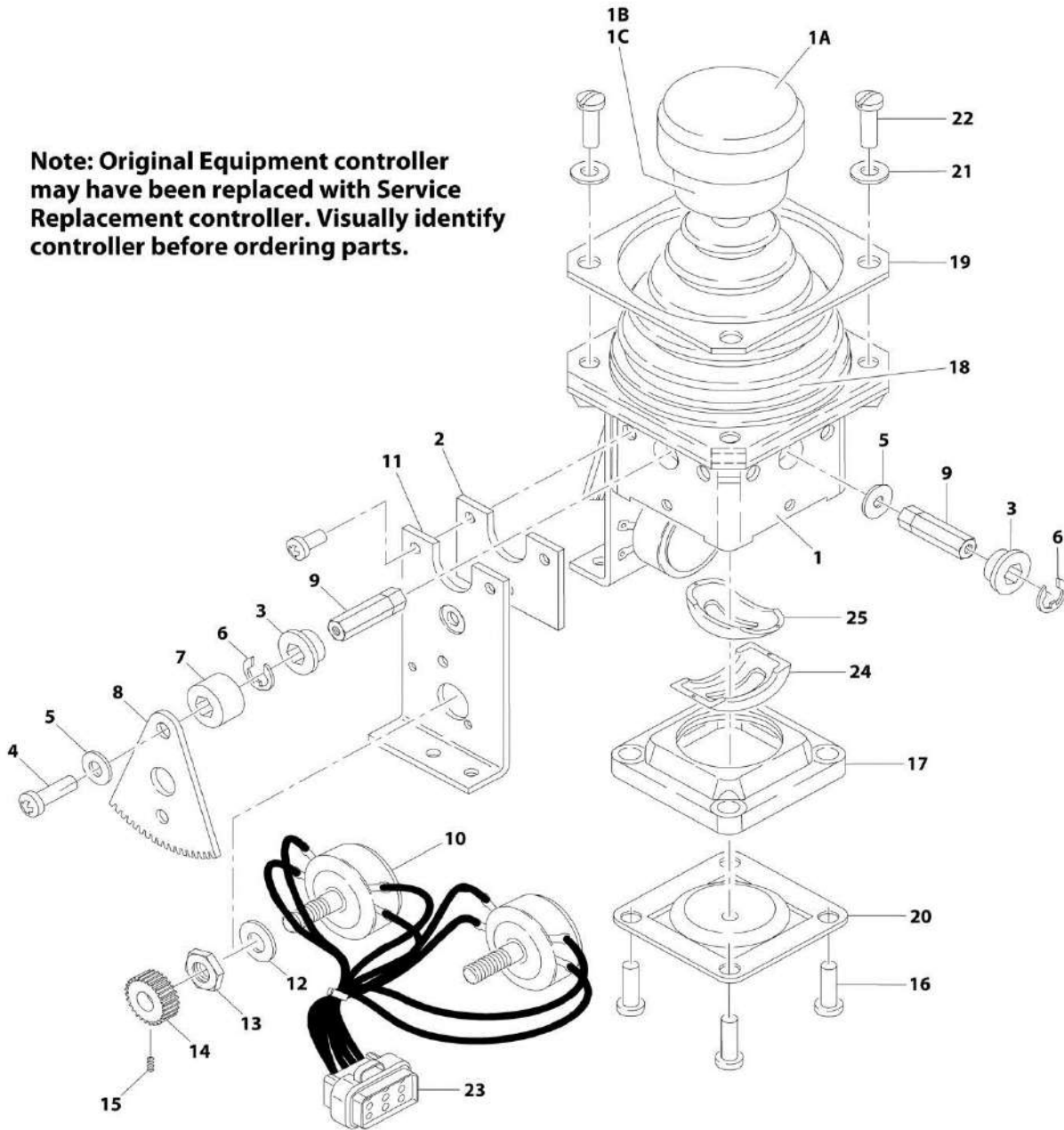
FIGURE 4-6. CONTROLLER ASSEMBLY (SWING AND LIFT) (SN 0300039749 through 0300064249)

ITEM	PART NUMBER	QTY	DESCRIPTION	REV
	1600284	Ref	CONTROLLER ASSEMBLY (LIFT/SWING) (SN 0300039749 through 0300064249)	A
1	7019141	1	Mechanical Assembly (Includes Base, Handle Stem and Items 1A, 1B, 1C & 18 Boot)	
1A	7019197	1	Handle Cap and Rod	
1B	7003928	1	Spring	
1C	7022808	1	Cap, Lift	
2	7019142	2	Plate	
3	7019111	4	Bearing, Gear	
4	7019143	2	Screw	
5	7019144	2	Spacer, Cam	
6	7019145	4	E-Clip	
7	7019174	2	Spacer	
8	7003977	2	Gear, Drive	
9	7019147	4	Shaft	
10	7003974	2	Potentiometer	
11	7019142	2	Plate	
12	7003992	2	Washer	
13	7003993	2	Nut	
14	7003976	2	Gear, Slave	
15	7019149	2	Setscrew	
16	7003952	4	Screw	
17	7019150	1	Gate	
18	7022813	1	Boot (was p/n 7003955)	
19	7022813	1	Plate, Plastic (was p/n 7003954)	
20	7003956	1	Gasket	
21	7003953	4	Washer	
22	7022811	4	Screw	
23	See Note	1	Center, Detent (Note: Not Available for Purchase)	
24	7019122	1	Gimble, Outer	
25	7019123	1	Gimble, Inner	
26	4460266	1	Connector - 9 Pin	
26	4460268	8	Socket, Female	
26	4460265	1	Plug - 9 Pin (Part of Platform Wiring) (Not Shown)	
26	4460267	8	Pin, Male (Part of Platform Wiring) (Not Shown)	

SECTION 4 - PLATFORM

FIGURE 4-7. CONTROLLER ASSEMBLY (SWING AND LIFT) (WITH ADE SYSTEM) (ORIGINAL EQUIPMENT) (SN 0300064249 through 0300069000)

Note: Original Equipment controller may have been replaced with Service Replacement controller. Visually identify controller before ordering parts.



ART_1600317

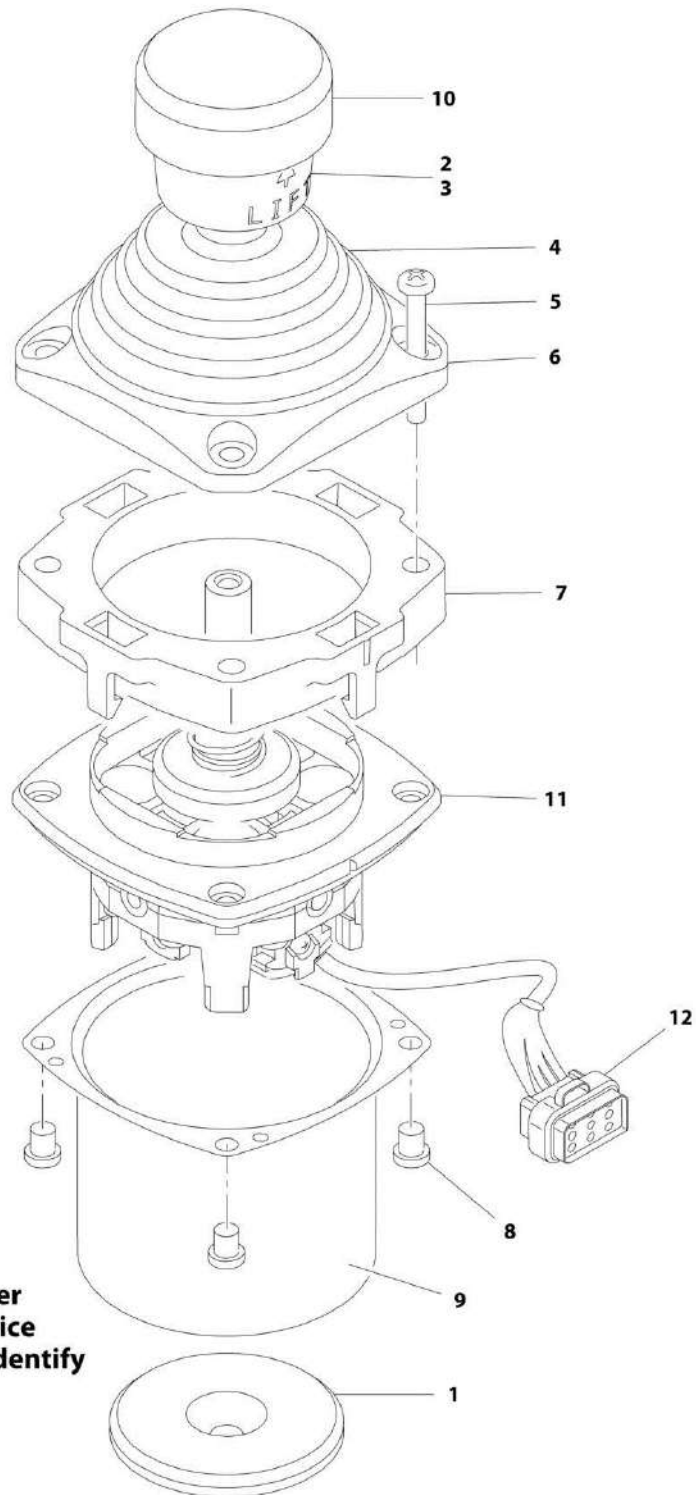
SECTION 4 - PLATFORM

FIGURE 4-7. CONTROLLER ASSEMBLY (SWING AND LIFT) (WITH ADE SYSTEM) (ORIGINAL EQUIPMENT) (SN 0300064249 through 0300069000)

ITEM	PART NUMBER	QTY	DESCRIPTION	REV
		Ref	Note: Original Equipment controller may have been replaced with Service Replacement controller. Visually identify controller before ordering parts.	
	1600317	Ref	CONTROLLER ASSEMBLY	C
		Ref	Note: Use p/n 1001129555 Kit as Replacement.	
1	7019141	1	Mechanical Assembly (Includes Base, Handle Stem and Items 1A, 1B, 1C & 18)	
1A	7019197	1	Handle Cap and Rod	
1B	7003928	1	Spring	
1C	7022808	1	Cap, Lift	
2	7019171	2	Plate	
3	7019111	4	Bearing, Gear	
4	7019143	2	Screw	
5	7019144	2	Spacer, Cam	
6	7019145	4	E-Clip	
7	7019174	2	Spacer	
8	7003977	2	Gear, Drive	
9		Ref	Shaft Options:	
9	7019147	2	Shaft, Short	
9	7019177	2	Shaft, Long	
10	7022818	2	Potentiometer	
11	7019142	2	Plate	
12	7003992	2	Washer	
13	7003993	2	Nut	
14	7003976	2	Gear, Slave	
15	7019149	2	Setscrew	
16	7022816	4	Screw	
17	7019150	1	Gate	
18	7022814	1	Boot	
19	7022815	1	Bezel	
20	See Note	NSS	Center, Detent (Note: Use p/n 1001129555)	
21	7003953	4	Washer	
22	7022817	4	Screw	
23	7022819	1	Plug, Male 8 Position (Natural)	
23	4460871	8	Socket, Female	
24	7019122	1	Gimble, Outer	
25	7019123	1	Gimble, Inner	

SECTION 4 - PLATFORM

FIGURE 4-8. CONTROLLER ASSEMBLY (SWING AND LIFT) (WITH ADE SYSTEM) (SERVICE REPLACEMENT) (SN 0300064249 through 0300069000)



Note: Original Equipment controller may have been replaced with Service Replacement controller. Visually identify controller before ordering parts.

ART_100118417

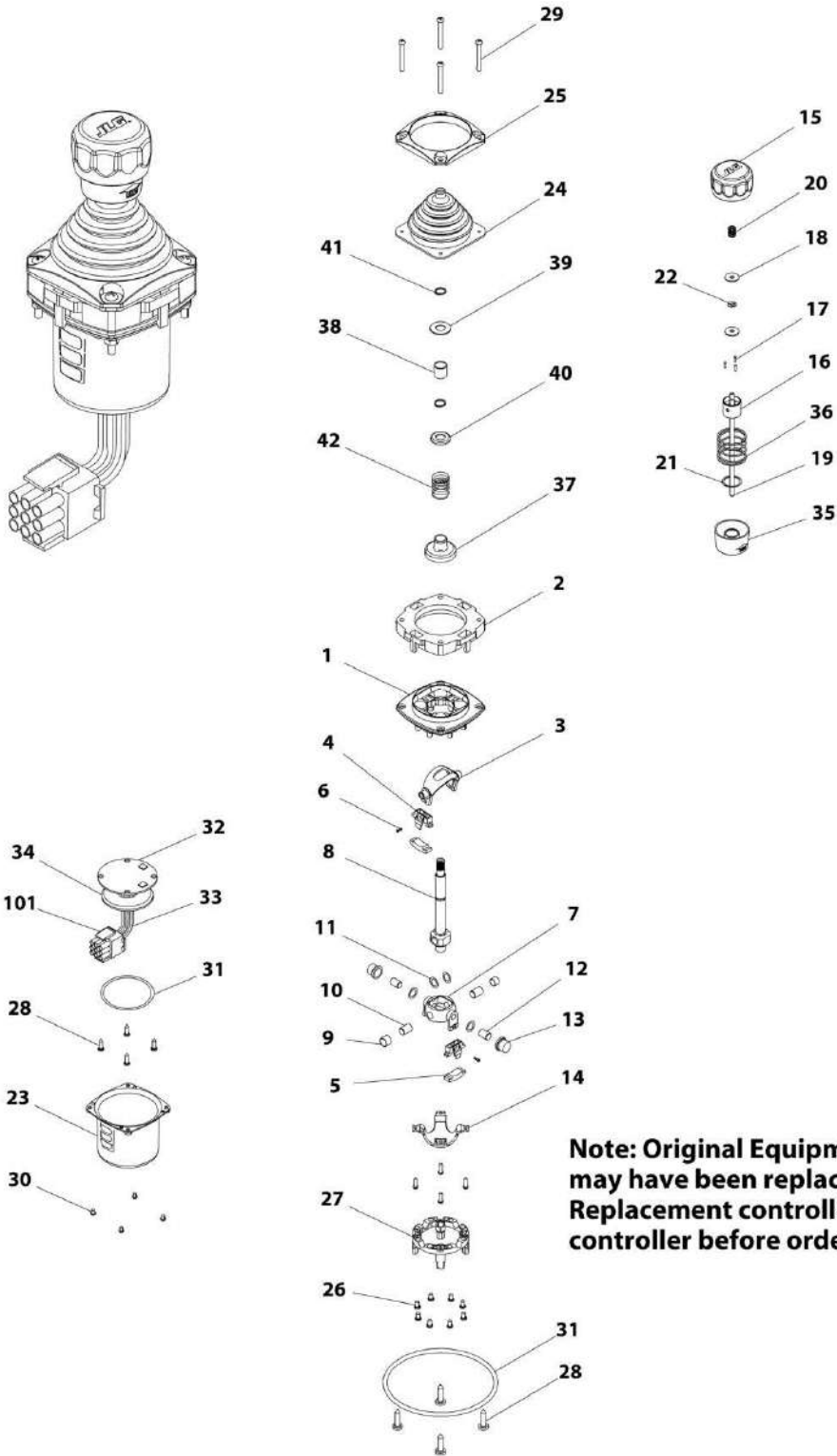
SECTION 4 - PLATFORM

FIGURE 4-8. CONTROLLER ASSEMBLY (SWING AND LIFT) (WITH ADE SYSTEM) (SERVICE REPLACEMENT) (SN 0300064249 through 0300069000)

ITEM	PART NUMBER	QTY	DESCRIPTION	REV
		Ref	Note: Original Equipment controller may have been replaced with Service Replacement controller. Visually identify controller before ordering parts.	
	1001118417	Ref	CONTROLLER ASSEMBLY	E
		Ref	Note: Use p/n 1001129555 as Replacement.	
1	70002730	1	Gasket	
2	7003928	1	Spring	
3	7022808	1	Cap, Lift	
4	70002731	1	Boot	
5	70002732	4	Screw	
6	7022815	1	Bezel	
7	70002733	1	Adapter	
8	70002734	4	Screw	
9	70002735	1	Can, Enclosure	
10	70002906	1	Cap	
11	See Note	NSS	Mechanical Assembly (Note: Use p/n 1001129555)	
12	7022819	1	Connector - 8 Position	
12	4460871	6	Socket, Female	

SECTION 4 - PLATFORM

FIGURE 4-9. CONTROLLER ASSEMBLY (SWING AND LIFT) (WITH ADE SYSTEM) (SERVICE REPLACEMENT) (SN 0300064249 through 0300069000)



Note: Original Equipment controller may have been replaced with Service Replacement controller. Visually identify controller before ordering parts.

ART_1001166539

SECTION 4 - PLATFORM

FIGURE 4-9. CONTROLLER ASSEMBLY (SWING AND LIFT) (WITH ADE SYSTEM) (SERVICE REPLACEMENT) (SN 0300064249 through 0300069000)

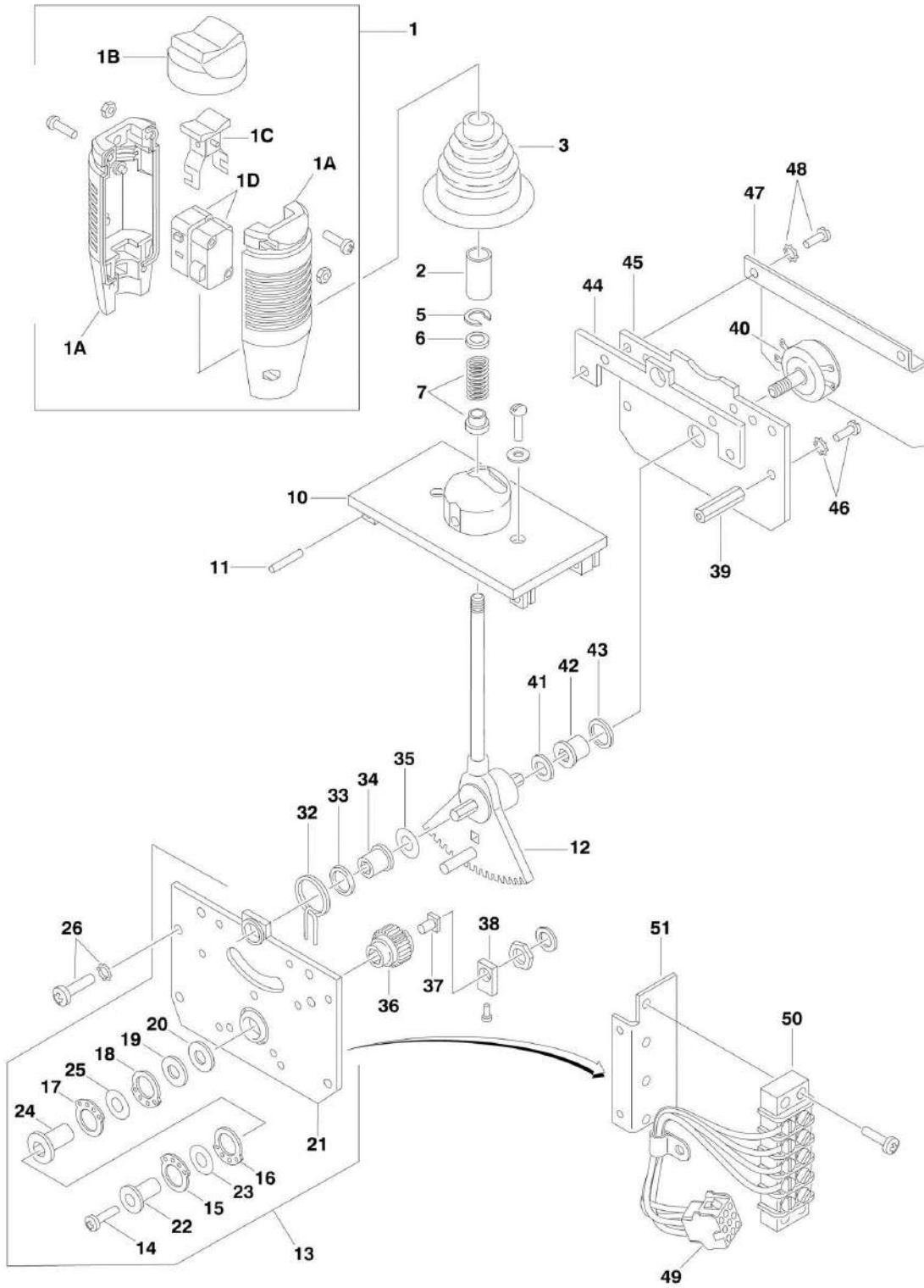
ITEM	PART NUMBER	QTY	DESCRIPTION	REV
		Ref	Note: Original Equipment controller may have been replaced with Service Replacement controller. Visually identify controller before ordering parts.	
	1001166539	Ref	CONTROLLER ASSEMBLY	D
		Ref	Note: Use p/n 1001129555 as Replacement.	
1	See Note	NSS	Main Cast Body (Note: Not Available - Purchase Complete Assembly)	
2	70004752	1	Adapter	
3	See Note	NSS	Pivot Arm, Plastic (Note: Not Available - Purchase Complete Assembly)	
4	See Note	NSS	Holder, Magnet (Note: Not Available - Purchase Complete Assembly)	
5	See Note	NSS	Arc, Magnet (Note: Not Available - Purchase Complete Assembly)	
6	See Note	NSS	Screw (Note: Not Available for Purchase)	
7	See Note	NSS	Pivot Arm, Cast (Note: Not Available - Purchase Complete Assembly)	
8	See Note	NSS	Shaft, Main (Note: Not Available - Purchase Complete Assembly)	
9	See Note	NSS	Bearing (Note: Not Available - Purchase Complete Assembly)	
10	See Note	NSS	Pin (Note: Not Available - Purchase Complete Assembly)	
11	See Note	NSS	Shim (Note: Not Available - Purchase Complete Assembly)	
12	See Note	NSS	Pin (Note: Not Available - Purchase Complete Assembly)	
13	See Note	NSS	Bearing (Note: Not Available - Purchase Complete Assembly)	
14	See Note	NSS	Dome, Centering (Note: Not Available - Purchase Complete Assembly)	
15	70004753	1	Cap	
16	70004754	1	Insert, Cap	
17	70004755	3	Pin	
18	70004756	2	Washer	
19	70004757	1	Pin, Centering	
20	70004758	1	Spring	
21	70004759	1	Ring, Retaining	
22	70004760	1	E-Ring	
23	70004761	1	Can, Enclosure	
24	70004762	1	Boot	
25	70004763	1	Bezel	
26	See Note	NSS	Screw (Note: Not Available for Purchase)	
27	See Note	NSS	Base, Mounting (Note: Not Available - Purchase Complete Assembly)	
28	See Note	NSS	Screw (Note: Not Available for Purchase)	
29	70004764	4	Screw	
30	70004765	4	Screw	
31	70004766	1	O-Ring	
32	See Note	NSS	Plate (Note: Not Available - Purchase Complete Assembly)	
33	See Note	NSS	Harness (Note: Not Available - Purchase Complete Assembly)	
34	70004767	1	Grommet, Rubber	
35	70004768	1	Housing	
36	70004769	1	Spring	
37	70004770	1	Stopper	
38	70004771	1	Spacer	
39	70004772	1	Washer	

SECTION 4 - PLATFORM

ITEM	PART NUMBER	QTY	DESCRIPTION	REV
40	70004773	1	Disc	
41	70004774	2	Ring, Retaining	
42	70004775	1	Spring	
101	4460265	1	Connector - 9 Position	
101	4460226	6	Socket, Female	

SECTION 4 - PLATFORM

FIGURE 4-10. CONTROLLER ASSEMBLY (DRIVE AND STEER) (Prior to SN 0300039749)



SECTION 4 - PLATFORM

FIGURE 4-10. CONTROLLER ASSEMBLY (DRIVE AND STEER) (Prior to SN 0300039749)

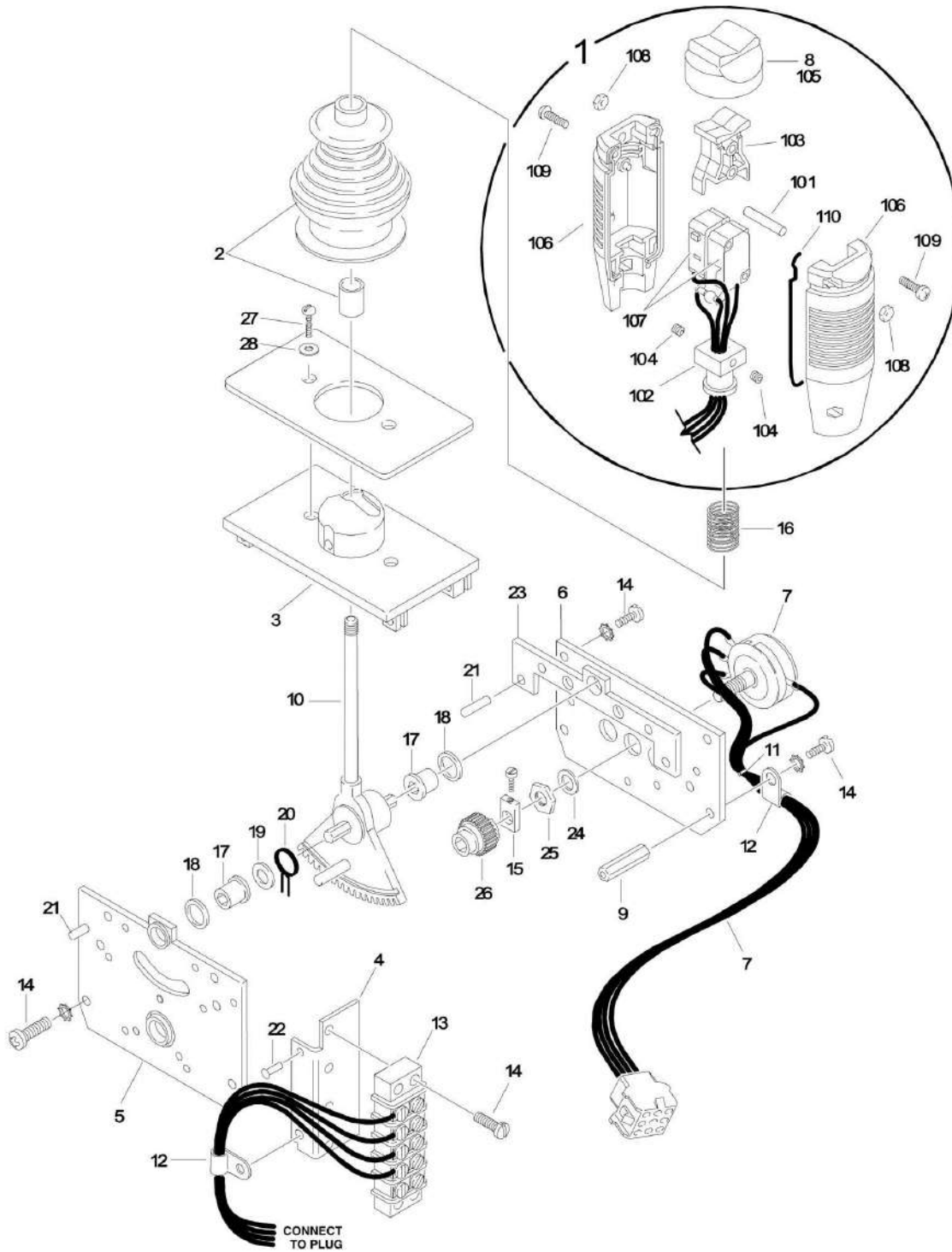
ITEM	PART NUMBER	QTY	DESCRIPTION	REV
	1600239	Ref	CONTROLLER ASSEMBLY (DRIVE/STEER) (Prior to SN 0300039749)	C
1	7003978	1	Handle Assembly	
1A	7003973	2	Half, Handle	
1B	7003972	1	Boot, Switch	
1C	7003981	1	Rocker	
1D	7003982	2	Switch, Micro	
2	7003984	1	Coupling	
3	7003966	1	Boot	
5	7003957	1	Ring, Retainer	
6	7003967	1	Flatwasher	
7	7003968	1	Detent, Assembly	
10	7019160	1	Plate, Base	
11	See Note	1	Pin (Note: Not Available for Purchase)	
12	7003963	1	Shaft/Gear Assembly	
13	See Note	1	Micro Cam Assembly (Includes Items 14-25) (Note: Not Available for Purchase)	
14	See Note	1	Screw (Note: Not Available - Purchase Locally)	
15	See Note	1	Cam, 4 Hole (Note: Not Available for Purchase)	
16	See Note	1	Cam, 4 Hole (Note: Not Available for Purchase)	
17	See Note	1	Cam, 4 Hole (Note: Not Available for Purchase)	
18	See Note	1	Cam, 4 Hole (Note: Not Available for Purchase)	
19	See Note	1	Spacer, Cam (Note: Not Available for Purchase)	
20	See Note	1	Spacer, Cam (Note: Not Available for Purchase)	
21	See Note	1	Plate, Cam - Left Side (Note: Not Available for Purchase)	
22	See Note	1	Coupling, Cam (Note: Not Available for Purchase)	
23	See Note	1	Spacer, Cam (Note: Not Available for Purchase)	
24	See Note	1	Coupling, Cam (Note: Not Available for Purchase)	
25	See Note	1	Spacer, Cam (Note: Not Available for Purchase)	
26	See Note	4	Screw (Note: Not Available - Purchase Locally)	
26	See Note	4	Washer (Note: Not Available - Purchase Locally)	
32	7003946	1	Spring, Return	
33	See Note	1	Spacer (Note: Not Available for Purchase)	
34	See Note	1	Bearing (Note: Not Available for Purchase)	
35	See Note	1	Washer, Cam Retainer (Note: Not Available for Purchase)	
36	See Note	1	Gear, Slave (Note: Not Available for Purchase)	
37	See Note	1	Nut/Cam Assembly (Note: Not Available for Purchase)	
38	See Note	1	Coupling, Potentiometer (Note: Not Available for Purchase)	
39	See Note	2	Stand-Off (Note: Not Available for Purchase)	
40	7003974	1	Potentiometer	
41	See Note	1	Washer, Cam Retainer (Note: Not Available for Purchase)	
42	See Note	1	Bearing (Note: Not Available for Purchase)	
43	See Note	1	Spacer (Note: Not Available for Purchase)	
44	See Note	1	Plate, Mounting (Note: Not Available for Purchase)	
45	See Note	1	Plate, Potentiometer (Note: Not Available for Purchase)	
46	See Note	2	Screw (Note: Not Available - Purchase Locally)	
46	See Note	2	Washer (Note: Not Available - Purchase Locally)	
47	See Note	1	Heat Shrink (Note: Not Available for Purchase)	
48	See Note	2	Screw (Note: Not Available - Purchase Locally)	
48	See Note	2	Washer (Note: Not Available - Purchase Locally)	

SECTION 4 - PLATFORM

ITEM	PART NUMBER	QTY	DESCRIPTION	REV
49	4460266	1	Connector, Amp (9Pin) (Not Shown)	
49	4460268	7	Socket (Not Shown)	
49	4460265	1	Plug, Amp (9 Pin) (Not Shown - Part of Harness)	
49	4460267	7	Pin (Not Shown - Part of Harness)	
50	7003886	1	Strip, Terminal - 3 Position	
50	See Note	1	Strip, Terminal - 5 Position (Note: Not Available for Purchase)	
51	7003985	1	Brace	

SECTION 4 - PLATFORM

FIGURE 4-11. CONTROLLER ASSEMBLY (DRIVE AND STEER) (SN 0300039749 through 0300064249)



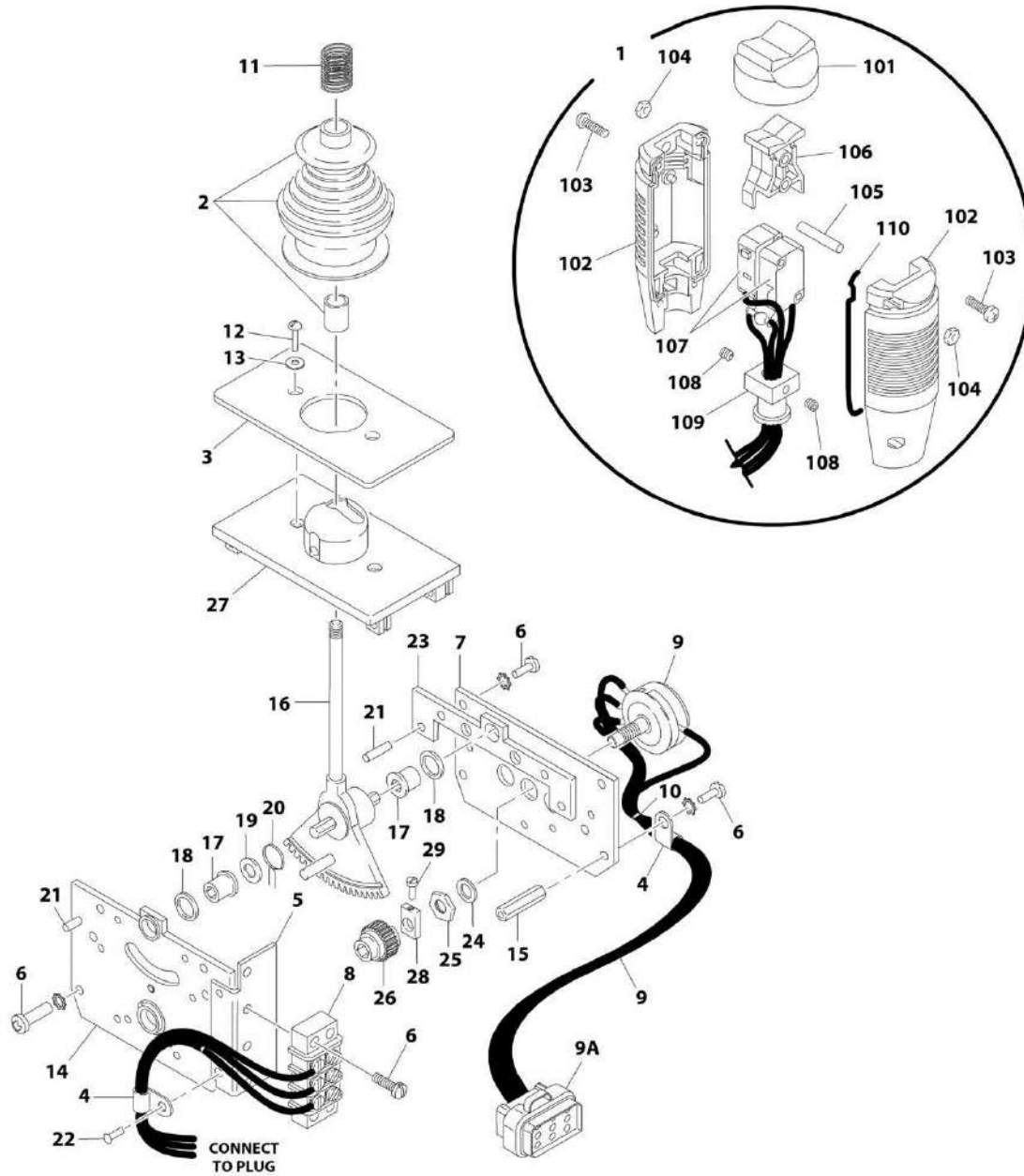
SECTION 4 - PLATFORM

FIGURE 4-11. CONTROLLER ASSEMBLY (DRIVE AND STEER) (SN 0300039749 through 0300064249)

ITEM	PART NUMBER	QTY	DESCRIPTION	REV
	1600283	Ref	CONTROLLER ASSEMBLY (DRIVE/STEER) (SN 0300039749 through 0300064249)	A
1	7022810	1	Handle Assembly (See items 101-110 for Breakdown)	
2	7019161	1	Boot and Sleeve	
3	7019160	1	Cast Housing Assembly	
4	7019159	1	Bracket, Mounting	
5	7019158	1	Plate, Mounting (Left Side)	
6	7019157	1	Plate, Pot Mounting	
7	7019156	1	Electric Assembly	
8	7003972	1	Boot, Rocker	
9	7019115	2	Stand-Off	
10	7019155	1	Shaft 8mm	
11	7019151	AR	Tie-Strap	
12	7019154	2	Clamp, Wire	
13	7019153	1	Strip, Terminal - 5 Position	
14	7019117	8	Screw	
15	7019163	1	Potentiometer Coupling Assembly	
16	7019162	1	Spring	
17	7019111	2	Bearing	
18	7019110	2	Spacer, Head Gear	
19	7019112	1	Washer	
20	7003946	1	Spring, Return	
21	7019103	4	Pin	
22	See Note	1	Rivet (Note: Not Available - Purchase Locally)	
23	7019168	1	Plate, Mounting (Right Side)	
24	7003992	1	Washer	
25	7003993	1	Nut	
26	7003935	1	Gear, Slave	
27	7003969	2	Screw	
28	7003941	2	Washer	
	7022810	Ref	HANDLE ASSEMBLY	
101	7019164	1	Axle	
102	7019194	1	Coupling	
103	7019165	1	Rocker	
104	7003983	2	Setscrew	
105	7003972	1	Boot, Switch	
106	7003973	2	Half, Handle	
107	7019166	2	Switch, Micro	
108	7019167	4	Nut	
109	7003980	4	Screw	
110	7003989	2	Gasket	

SECTION 4 - PLATFORM

FIGURE 4-12. CONTROLLER ASSEMBLY (DRIVE AND STEER) (WITH ADE SYSTEM) (ORIGINAL EQUIPMENT) (SN 0300064249 through 0300069000)



Note: Original Equipment controller may have been replaced with Service Replacement controller. Visually identify controller before ordering parts.

ART_1600318

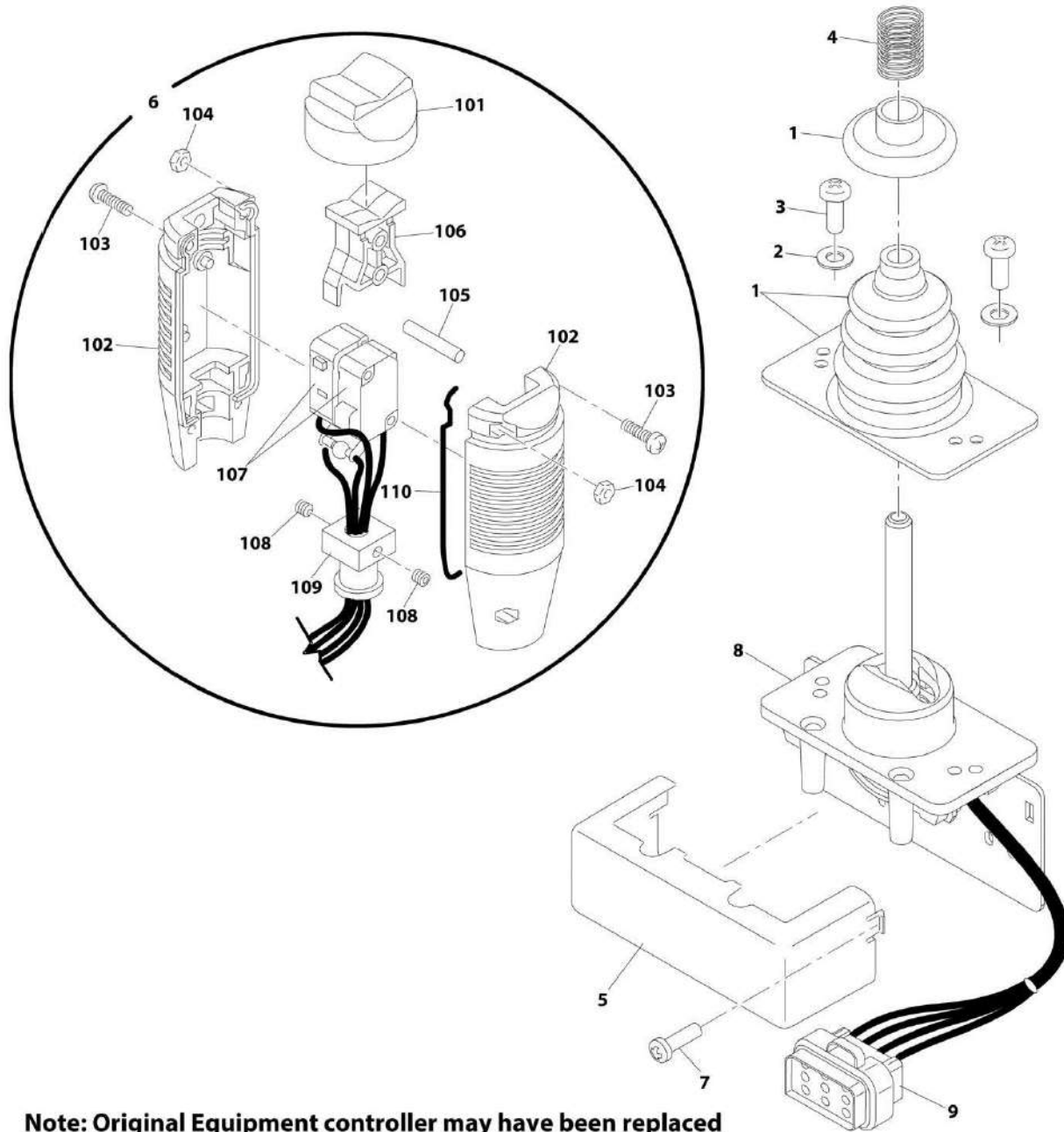
SECTION 4 - PLATFORM

FIGURE 4-12. CONTROLLER ASSEMBLY (DRIVE AND STEER) (WITH ADE SYSTEM) (ORIGINAL EQUIPMENT) (SN 0300064249 through 0300069000)

ITEM	PART NUMBER	QTY	DESCRIPTION	REV
		Ref	Note: Original Equipment controller may have been replaced with Service Replacement controller. Visually identify controller before ordering parts.	
	1600318	Ref	CONTROLLER ASSEMBLY	C
		Ref	Note: Use p/n 1001212415 as Replacement.	
1	7022812	1	Handle Assembly (See Items 101-110 for Breakdown)	
2	7019161	1	Boot and Sleeve	
3	7003933	1	Gasket	
4	7019154	2	Clamp, Wire	
5	7022823	1	Bracket, Mounting	
6	7003994	1	Screw	
7	7022822	1	Plate, Pot Mounting	
8	7003986	1	Strip, Terminal - 3 Position	
9	7022824	1	Electric Assembly	
9A	1001113961	1	Plug, Male - 8 Position (Black) (was p/n 7022825)	
9A	4460871	7	Socket, Female	
10	7019151	AR	Tie-Strap	
11	7019162	1	Spring	
12	7003969	2	Screw	
13	7003941	2	Washer	
14	See Note	NSS	Plate, Mounting (Left Side) (Note: Use p/n 1001166538)	
15	7019115	2	Stand-Off	
16	7019155	1	Shaft 8mm	
17	7019111	2	Bearing	
18	7019110	2	Spacer, Head Gear	
19	7019112	1	Washer	
20	7003946	1	Spring, Return	
21	7019103	4	Pin	
22	See Note	NSS	Rivet (Note: Not Available - Purchase Locally)	
23	7019168	1	Plate, Mounting (Right Side)	
24	7003992	1	Washer	
25	7003993	1	Nut	
26	7003935	1	Gear, Slave	
27	7019160	1	Plate, Base	
28	7019114	1	Coupling, Potentiometer	
29	See Note	NSS	Cup Point Screw (Note: Not Available for Purchase)	
	7022812	Ref	HANDLE ASSEMBLY	
101	7003972	1	Boot, Switch	
102	7003973	2	Half, Handle	
103	7003980	4	Screw	
104	7019167	4	Nut	
105	7019164	1	Axle	
106	7019165	1	Rocker	
107	See Note	NSS	Wiring for Controller Assembly p/n 1600318 (Note: Use p/n 1001166538)	
107	7019166	2	Switch, Micro	
108	7003983	2	Setscrew	
109	7019194	1	Coupling	
110	7003989	2	Gasket	

SECTION 4 - PLATFORM

FIGURE 4-13. CONTROLLER ASSEMBLY (DRIVE AND STEER) (WITH ADE SYSTEM) (SERVICE REPLACEMENT) (SN 0300064249 through 0300069000)



Note: Original Equipment controller may have been replaced with Service Replacement controller. Visually identify controller before ordering parts.

ART_1001118416

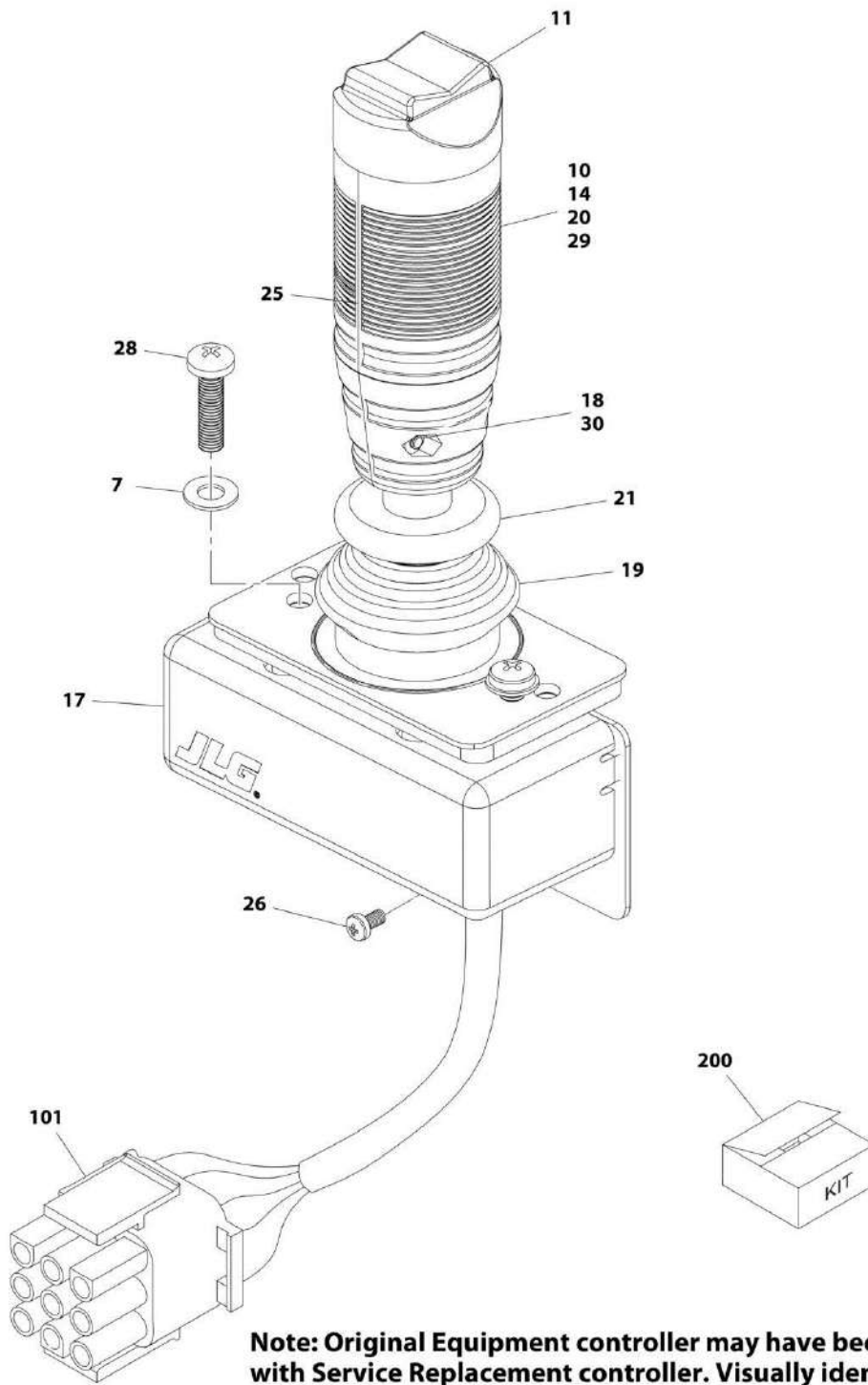
SECTION 4 - PLATFORM

FIGURE 4-13. CONTROLLER ASSEMBLY (DRIVE AND STEER) (WITH ADE SYSTEM) (SERVICE REPLACEMENT) (SN 0300064249 through 0300069000)

ITEM	PART NUMBER	QTY	DESCRIPTION	REV
		Ref	Note: Original Equipment controller may have been replaced with Service Replacement controller. Visually identify controller before ordering parts.	
	1001118416	Ref	CONTROLLER ASSEMBLY	D
		Ref	Note: Use p/n 1001212415 as Replacement.	
1	70002724	1	Boot and Control Lock Assembly	
2	7003941	2	Washer	
3	70002725	2	Screw	
4	7019162	1	Spring	
5	70002726	1	Enclosure	
6	70002727	1	Handle Assembly (See Items 101-110 for Breakdown)	
7	70002728	1	Screw	
8	See Note	NSS	Mechanical Assembly (Note: Use p/n 1001166538)	
9	1001113961	1	Plug, Male - 8 Position (Black) (was p/n 7022825)	
9	4460871	7	Socket, Female	
	70002727	Ref	HANDLE ASSEMBLY	
101	7003972	1	Boot, Switch	
102	7003973	2	Half, Handle	
103	7003980	4	Screw	
104	7019167	4	Nut	
105	7019164	1	Axle	
106	7019165	1	Rocker	
107	70002729	1	Wiring Assembly	
107	7003982	2	Switch, Micro	
108	7003983	2	Set Screw	
109	7019194	1	Coupling	
110	7003989	2	Gasket	

SECTION 4 - PLATFORM

FIGURE 4-14. CONTROLLER ASSEMBLY (DRIVE AND STEER) (WITH ADE SYSTEM) (SERVICE REPLACEMENT) (SN 0300064249 through 0300069000)



ART_1001166538

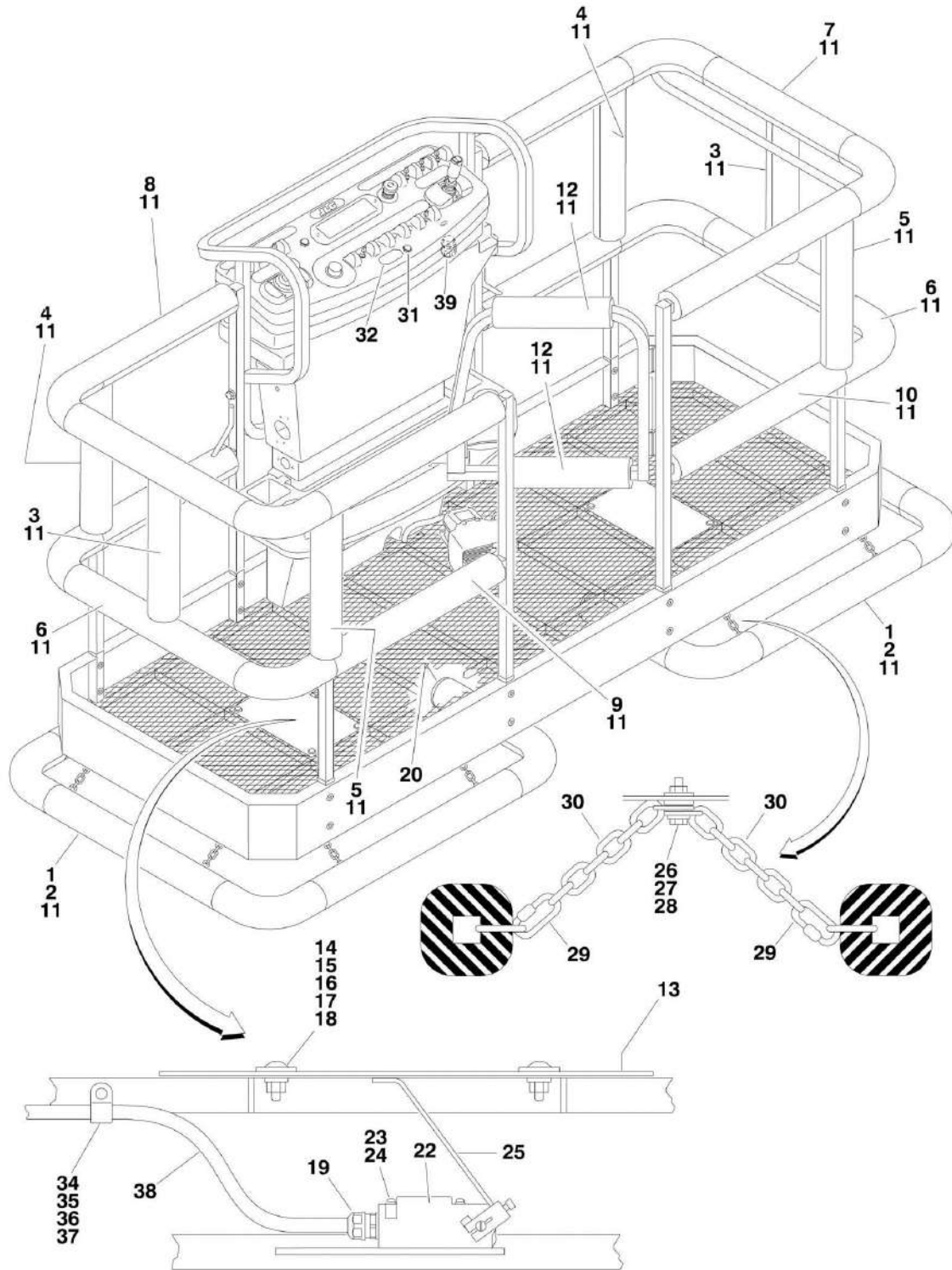
SECTION 4 - PLATFORM

FIGURE 4-14. CONTROLLER ASSEMBLY (DRIVE AND STEER) (WITH ADE SYSTEM) (SERVICE REPLACEMENT) (SN 0300064249 through 0300069000)

ITEM	PART NUMBER	QTY	DESCRIPTION	REV
		Ref	Note: Original Equipment controller may have been replaced with Service Replacement controller. Visually identify controller before ordering parts.	
	1001166538	Ref	CONTROLLER ASSEMBLY	E
		Ref	Note: Use p/n 1001212415 as Replacement.	
7	70004738	2	Washer	
10	70004739	1	Roller	
11	70004740	1	Boot, Switch	
14	70004741	2	Half, Handle	
17	70004742	1	Enclosure	
18	70004743	4	Nut	
19	70004744	NLA	Boot, Controller (Note: Use Item 200)	
20	70004745	NLA	Tube, Locking (Note: Use Item 200)	
21	70004746	NLA	Disc, Locking (Note: Use Item 200)	
25	70004747	2	Seal, Rope	
26	70004748	1	Screw, M3 x 6	
28	70004749	2	Screw, M5 x 20	
29	70004750	1	Pin, Dowel	
30	70004751	4	Screw, M3 x 16	
101	4460265	1	Connector - 9 Position	
101	4460226	7	Socket, Female	
200	70005230	1	Boot Kit (Includes Items 19-21)	

SECTION 4 - PLATFORM

FIGURE 4-15. SOFT TOUCH SYSTEM INSTALLATION (OPTIONAL) (SN 0300039749 through 0300064249)



SECTION 4 - PLATFORM

FIGURE 4-15. SOFT TOUCH SYSTEM INSTALLATION (OPTIONAL) (SN 0300039749 through 0300064249)

ITEM	PART NUMBER	QTY	DESCRIPTION	REV
		Ref	SOFT TOUCH SYSTEM INSTALLATION OPTIONS:	
	0255885	Ref	6ft/1.8m Platforms (Prior to SN 0300035129)	3
	0257849	Ref	6ft/1.8m Platforms (SN 0300035129 through 0300064248)	1
	0271550	Ref	6ft/1.8m Platforms - ADE System (SN 0300064249 through 0300069000)	1
	0255886	Ref	8ft/2.4m Platforms (Prior to SN 0300035129)	3
	0257850	Ref	8ft/2.4m Platforms (SN 0300035129 through 0300064248)	1
	0271551	Ref	8ft/2.4m Platforms - ADE System (SN 0300064249 through 0300069000)	1
1		Ref	Rail Weldment Options:	
1	4845308	2	6ft/1.8m Platforms	
1	4845309	2	8ft/2.4m Platforms	
2		Ref	Cover, Rail Options:	
2	1670804	2	6ft/1.8m Platforms	
2	1670803	2	8ft/2.4m Platforms	
3	1670787	2	Cover, End Post	
4	1670785	2	Cover, Front Right Post	
5	1670786	2	Cover, Front Left Post	
6	1670793	2	Cover, End Mid Rail	
7		Ref	Cover, Right End Top Options:	
7	1670798	1	6ft/1.8m Platforms	
7	1670796	1	8Ft/2.4m Platforms	
8		Ref	Cover, Left End Top Options:	
8	1670797	1	6ft/1.8m Platforms	
8	1670795	1	8Ft/2.4m Platforms	
9		Ref	Cover, Left Mid Rail Options:	
9	1670799	1	6ft/1.8m Platforms	
9	1670789	1	8Ft/2.4m Platforms	
10		Ref	Cover, Right Mid Rail Options:	
10	1670801	1	6ft/1.8m Platforms	
10	1670791	1	8Ft/2.4m Platforms	
11	0940038	70	Padding, Bumper	
		ft/21.4m		
12	1670788	2	Cover, Gate	
13	3539719	2	Plate, Switch Strike	
14	0630462	8	Bolt, Carriage	
15	4761500	8	Lockwasher 5/16in	
16	4751800	8	Flatwasher 1/2in Regular	
17	3311501	8	Nut 5/16in-18NC	
18	4751500	8	Flatwasher 5/16in Regular	
19	4460049	2	Connector, Strain Relief	
20	3530072	4	Plug, Cap	
22	4360057	2	Switch, Limit	
23	0731005	4	Bolt #10-32NC x 5/8in	
24	4751000	4	Lockwasher #10	
25	0200550	2	Arm, Switch	
26	0641612	8	Bolt 3/8in-16NC x 1-1/2in	
27	4751600	40	Flatwasher 3/8in Regular	
28	3311605	8	Locknut 3/8in-16NC	

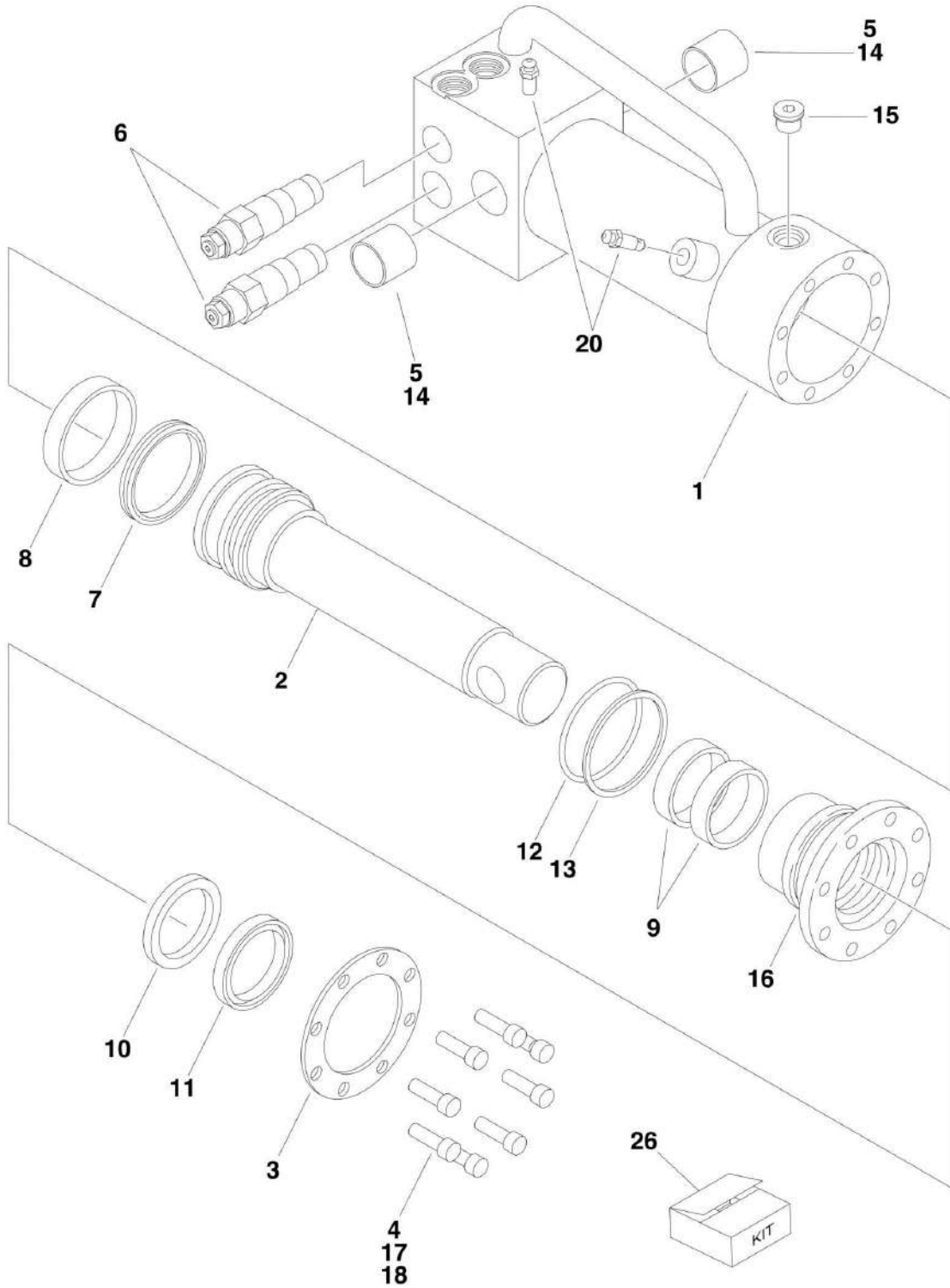
SECTION 4 - PLATFORM

ITEM	PART NUMBER	QTY	DESCRIPTION	REV
29	3010088	16	Link, Quick	
30	1260136	10 ft/3m	Chain	
31	4360387	1	Switch, Push Button	
32	1702938	1	Decal - Soft Touch Override	
34	1320040	4	Clamp	
35	0641406	4	Bolt 1/4in-20NC x 3/4in	
36	4711400	8	Flatwasher 1/4in Thin	
37	3311405	4	Locknut 1/4in-20NC	
38		Ref	Cable Options:	
38	1060341	16 ft/4.9m	Cable, Electrical - 16/2 (Prior to SN 0300029105)	
38	1060330	16 ft/4.9m	Cable, Electrical - 16/3 (SN 0300029105 through 0300064248)	
38	1060341	16 ft/4.9m	Cable, Electrical - 16/2 (SN 0300064249 through 0300069000)	
39		Ref	Connector, Strain Relief Options:	
39	4460428	1	Connector, Strain Relief (Prior to SN 0300032415)	
39	4460425	1	Connector, Strain Relief (SN 0300032415 through 0300069000)	

SECTION 5 - CYLINDER

SECTION 5 - CYLINDER

FIGURE 5-1. AXLE LOCKOUT CYLINDER ASSEMBLY



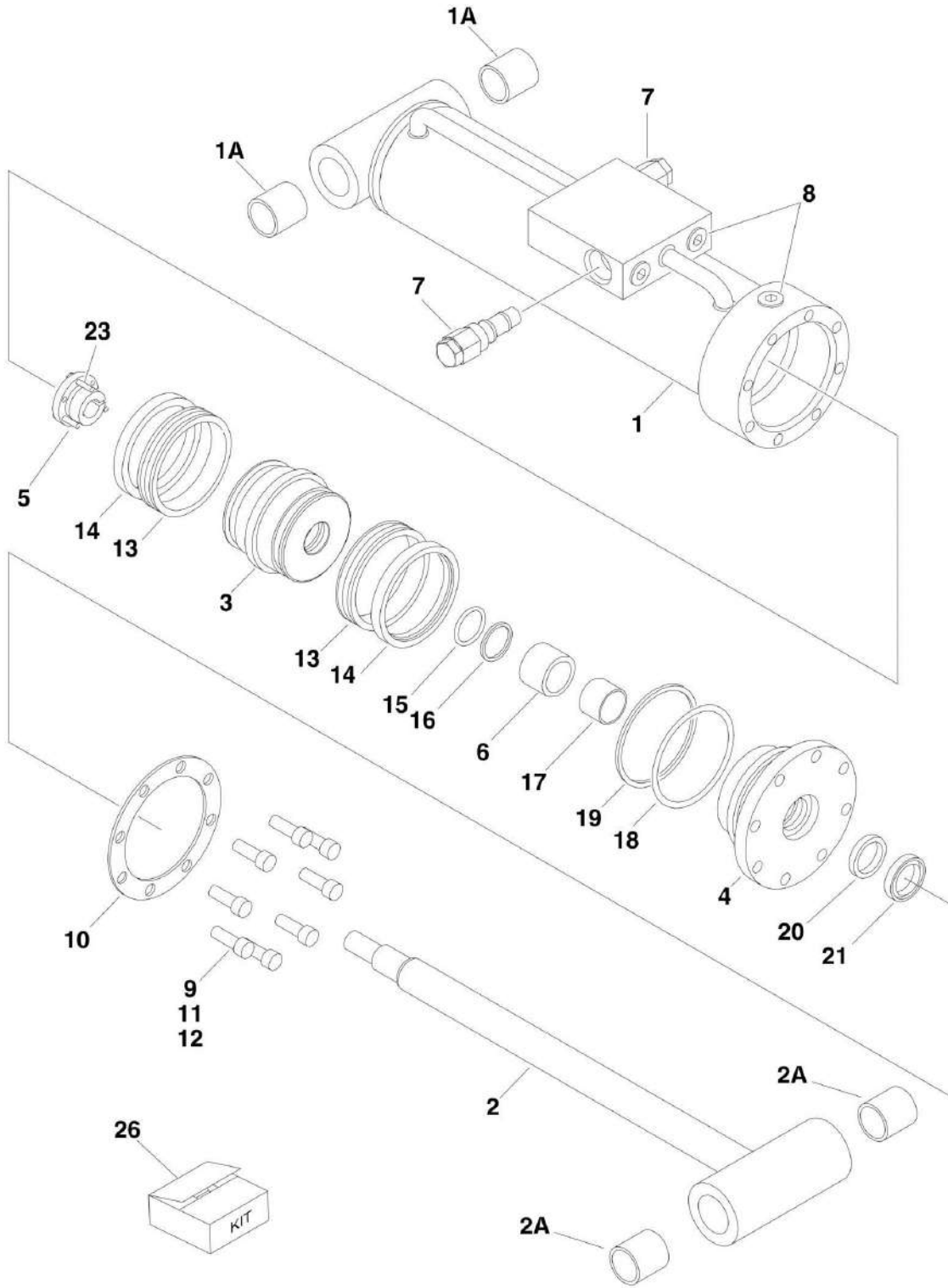
SECTION 5 - CYLINDER

FIGURE 5-1. AXLE LOCKOUT CYLINDER ASSEMBLY

ITEM	PART NUMBER	QTY	DESCRIPTION	REV
	1683280	Ref	AXLE LOCKOUT CYLINDER ASSEMBLY	6-D
1	1683281	1	Barrel Weldment	
2	1683283	1	Rod Weldment	
3	3760369	1	Ring, Washer	
4	0681610	8	Bolt 3/8in-16NC x 1-1/4in (Grade 8)	
5		Ref	Bushing Options:	
5	0961890	4	Bushing (Prior to SN 0300069092)	
5	0962474	4	Bushing (SN 0300069092 through 0300069000)	
6		Ref	Valve, Cartridge Options:	
6	4640525	2	Valve, Cartridge (Prior to SN 0300056900)	
6	4641162	2	Valve, Cartridge (SN 0300056900 through 0300069000)	
6	2900770	2	Seal Kit - 4640525 Valve	
7	See Note	NSS	Seal (Note: Use Item 26)	
8	See Note	NSS	Ring, Wear (Note: Use Item 26)	
9	See Note	NSS	Ring, Wear (Note: Use Item 26)	
10	See Note	NSS	Seal, Rod (Note: Use Item 26)	
11	See Note	NSS	Wiper, Rod (Note: Use Item 26)	
12	See Note	NSS	O-Ring (Note: Use Item 26)	
13	See Note	NSS	Ring, Back-up (Note: Use Item 26)	
14	0100063	AR	Adhesive	
15	2220885	1	Plug, O-Ring	
16	1683057	1	Head	
17	0100011	AR	Compound, Locking	
18	0100038	AR	Primer, Locking	
20	4640858	2	Valve, Bleeder	
26	2901321	1	Seal Kit (Includes Items 7-13)	

SECTION 5 - CYLINDER

FIGURE 5-2. PLATFORM LEVEL CYLINDER ASSEMBLIES (Prior to SN 0300024714)



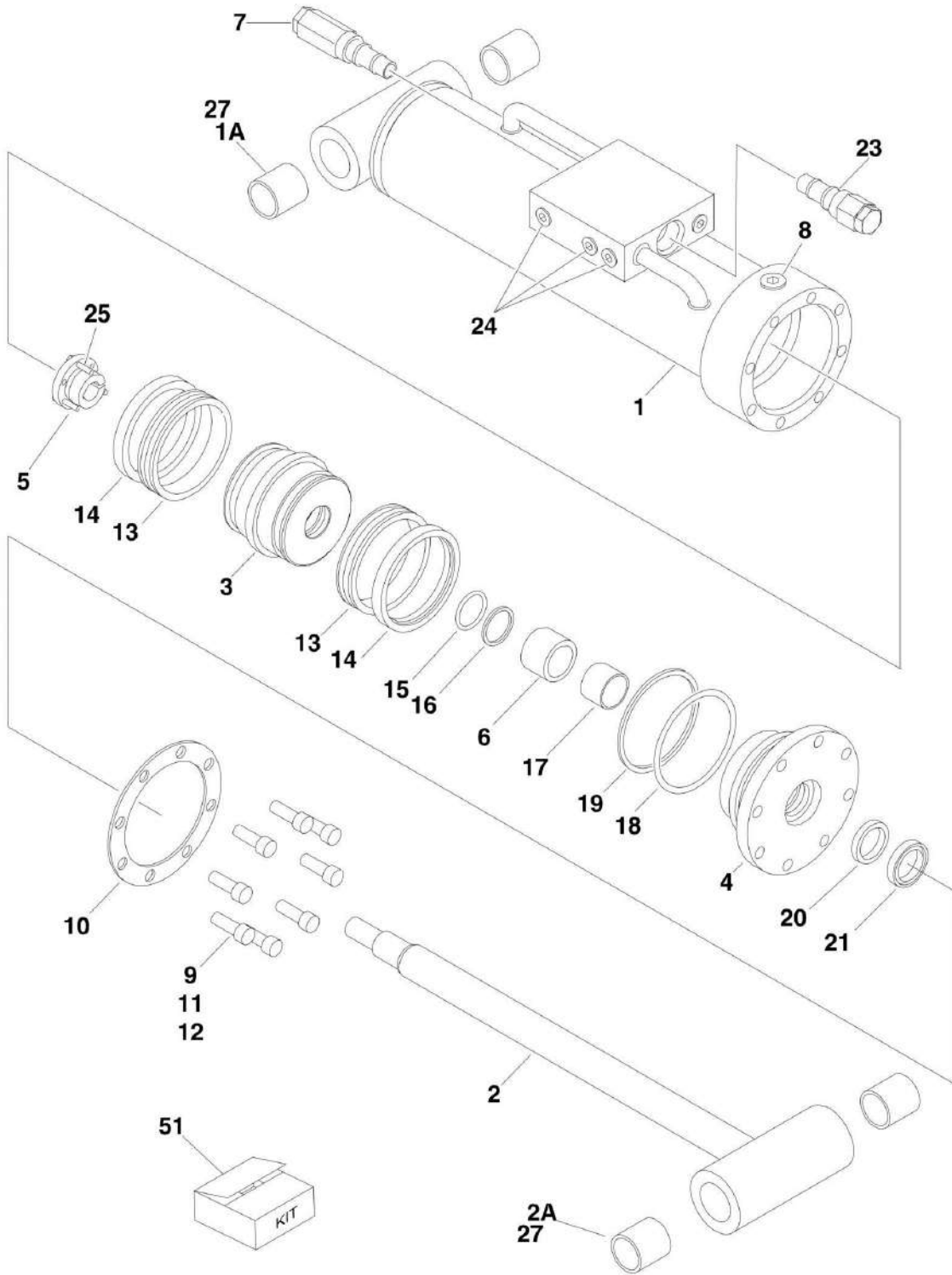
SECTION 5 - CYLINDER

FIGURE 5-2. PLATFORM LEVEL CYLINDER ASSEMBLIES (Prior to SN 0300024714)

ITEM	PART NUMBER	QTY	DESCRIPTION	REV
	1683271	Ref	PLATFORM LEVEL CYLINDER ASSEMBLY - 600A	2-B
	1683253	Ref	PLATFORM LEVEL CYLINDER ASSEMBLY - 600AJ	3-E
1		Ref	Barrel Options:	
1	1683272	1	Barrel 600A	
1	1683254	1	Barrel 600AJ	
1A		Ref	Bushing Options:	
1A	0961947	2	Bushing 600A	
1A	0961951	2	Bushing 600AJ	
2		Ref	Rod Options:	
2	1683274	1	Rod 600A	
2	1683333	1	Rod 600AJ	
2A		Ref	Bushing Options:	
2A	0961947	2	Bushing 600A	
2A	0961951	2	Bushing 600AJ	
3		Ref	Piston Options:	
3	3480210	1	Piston 600A	
3	3480188	1	Piston 600AJ	
4		Ref	Head Options:	
4	1683053	1	Head 600A	
4	1683055	1	Head 600AJ	
5		Ref	Bushing, Tapered Options:	
5	0961893	1	Bushing, Tapered 600A	
5	0961894	1	Bushing, Tapered 600AJ	
6	4566468	1	Spacer	
7	4640509	1	Cartridge, Valve	
7	2900792	1	Seal Kit - 4640509 Valve	
8	2220885	1	Plug, O-Ring	
9		Ref	Capscrew Options:	
9	3931516	8	600A - Capscrew, Socket Head 5/16in-18NC x 1in	
9	3931620	8	600AJ - Capscrew, Socket Head 3/8in-16NC x 1-1/4in	
10		Ref	Ring, Washer Options:	
10	3760368	1	Ring, Washer 600A	
10	3760369	1	Ring, Washer 600AJ	
11	0100011	AR	Compound, Locking	
12	0100038	AR	Primer, Locking	
13	See Note	2	Seal (Note: Use Item 26)	
14	See Note	2	Ring, Lock (Note: Use Item 26)	
15	See Note	1	O-Ring (Note: Use Item 26)	
16	See Note	1	Ring, Back-up (Note: Use Item 26)	
17	See Note	1	Ring, Wear (Note: Use Item 26)	
18	See Note	1	O-Ring (Note: Use Item 26)	
19	See Note	1	Ring, Back-up (Note: Use Item 26)	
20	See Note	1	Seal, Rod (Note: Use Item 26)	
21	See Note	1	Wiper (Note: Use Item 26)	
23	0630535	3	Bolt #10 - 24NC x 1-1/8in	
26		Ref	Seal Kit Options (Includes Items 13-21):	
26	2901303	1	Seal Kit 600A	
26	2901301	1	Seal Kit 600AJ	

SECTION 5 - CYLINDER

FIGURE 5-3. PLATFORM LEVEL CYLINDER ASSEMBLIES (SN 0300024714 through 0300069000)



SECTION 5 - CYLINDER

FIGURE 5-3. PLATFORM LEVEL CYLINDER ASSEMBLIES (SN 0300024714 through 0300069000)

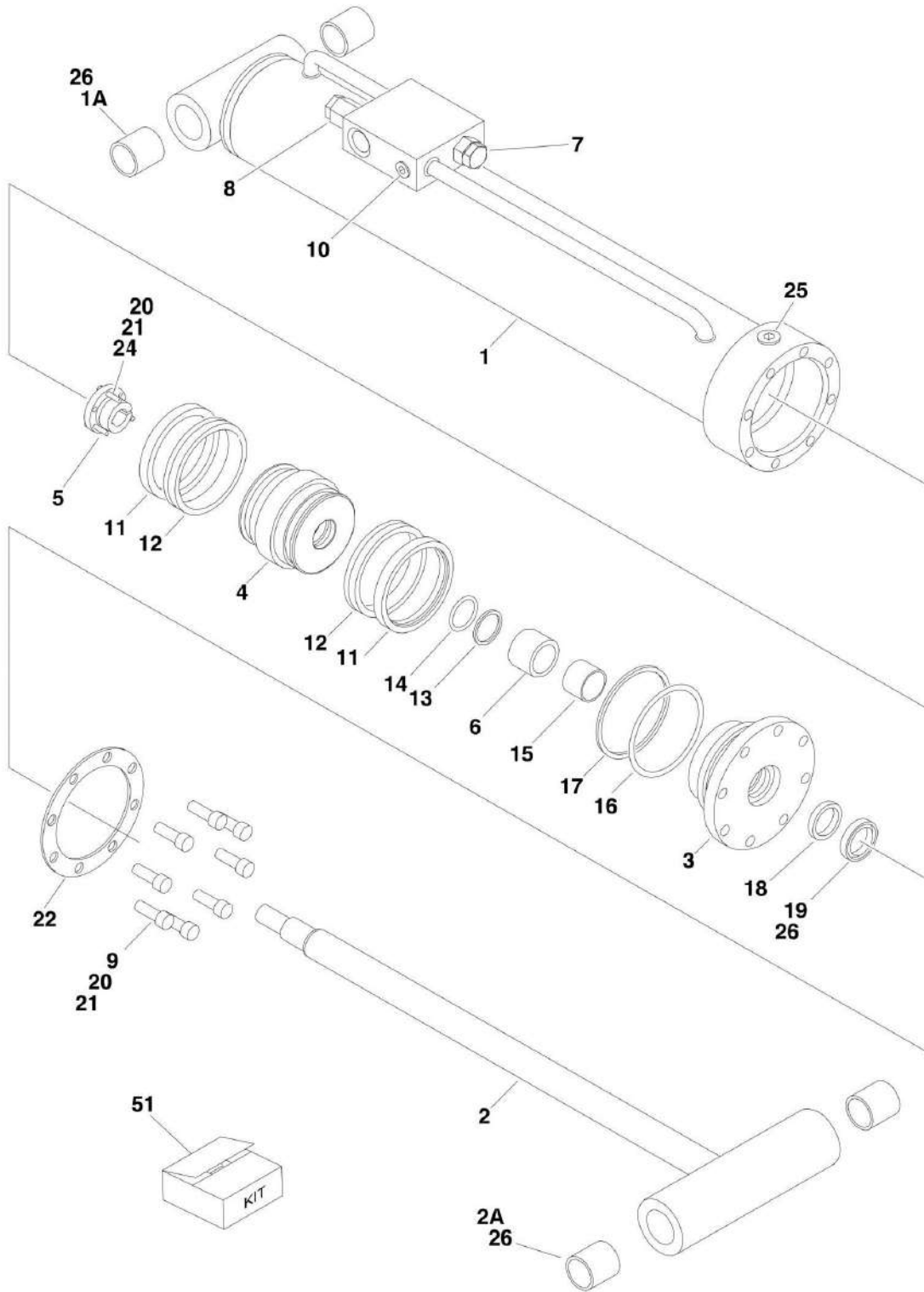
ITEM	PART NUMBER	QTY	DESCRIPTION	REV
	1683415	Ref	PLATFORM LEVEL CYLINDER ASSEMBLY - 600A	C
	1683418	Ref	PLATFORM LEVEL CYLINDER ASSEMBLY - 600AJ	D
1		Ref	Barrel Weldment Options:	
1	1683416	1	Barrel Weldment (Note: Includes Item 1A) (SN 0300024714 through 0300053551)	
1	1683977	1	Barrel Weldment (Note: Includes Item 1A) (SN 0300053552 through 0300069000)	
1	1683419	1	Barrel Weldment (Note: Includes Item 1A) (SN 0300024714 through 0300052684)	
1	1683952	1	Barrel Weldment (Note: Item 1A not included. Purchase Separately) (SN 0300052685 through 0300069000)	
1A		Ref	Bushing Options:	
1A	0961947	2	600A - Bushing	
1A	0961951	2	600AJ - Bushing	
2		Ref	Rod Weldment Options:	
2	1683274	1	Rod Weldment (Note: Includes Item 2A) (SN 0300024714 through 0300053551)	
2	1683976	1	Rod Weldment (Note: Includes Item 1A) (SN 0300053552 through 0300069000)	
2	1683333	1	Rod Weldment (Note: Includes Item 1A) (SN 0300024714 through 0300052684)	
2	1683963	1	Rod Weldment (Note: Item 2A not included. Purchase Separately) (SN 0300052685 through 0300069000)	
2A		Ref	Bushing Options:	
2A	0961947	2	600A - Bushing	
2A	0961951	2	600AJ - Bushing	
3		Ref	Piston Options:	
3	3480210	1	Piston 600A	
3	3480188	1	Piston 600AJ	
4		Ref	Head Options:	
4	1683053	1	Head 600A	
4	1683055	1	Head 600AJ	
5		Ref	Bushing, Tapered (Includes Item 25) Options:	
5	0961893	1	Bushing, Tapered 600A	
5	0961894	1	Bushing, Tapered 600AJ	
6	4566468	1	Spacer	
7	4640509	1	Cartridge, Valve	
7	2900792	1	Seal Kit - 4640509 Valve	
8	2220885	1	Plug, O-Ring	
9		Ref	Capscrew, Socket Head Options:	
9	3931516	8	600A - Capscrew 5/16in-18NC x 1in	
9	3931620	8	600AJ - Capscrew 3/8in-16NC x 1-1/4in	
10		Ref	Ring, Washer Options:	
10	3760368	1	Ring, Washer 600A	
10	3760369	1	Ring, Washer 600AJ	
11	0100011	AR	Compound, Locking	
12	0100038	AR	Primer, Locking	
13	See Note	2	Seal (Note: Use Item 51)	
14	See Note	2	Ring, Lock (Note: Use Item 51)	
15	See Note	1	O-Ring (Note: Use Item 51)	
16	See Note	1	Ring, Back-up (Note: Use Item 51)	

SECTION 5 - CYLINDER

ITEM	PART NUMBER	QTY	DESCRIPTION	REV
17	See Note	1	Ring, Wear (Note: Use Item 51)	
18	See Note	1	O-Ring (Note: Use Item 51)	
19	See Note	1	Ring, Back-up (Note: Use Item 51)	
20	See Note	1	Seal, Rod (Note: Use Item 51)	
21	See Note	1	Wiper (Note: Use Item 51)	
23	4640932	1	Cartridge, Valve	
23	7011112	1	Seal Kit - 4640932 Valve	
24	2220883	8	Plug, O-Ring	
25		Ref	Bolt Options:	
25	0630534	3	600A - Bolt #10 - 24NC x 1in	
25	0630535	3	600AJ - Bolt 1/4in - 20NC x 1-1/8in	
27	0100063	AR	Adhesive	
51		Ref	Seal Kit Options (Includes Items 13-21):	
51	2901303	1	Seal Kit 600A	
51	2901301	1	Seal Kit 600AJ	

SECTION 5 - CYLINDER

FIGURE 5-4. LEVEL (UPRIGHT) CYLINDER ASSEMBLY



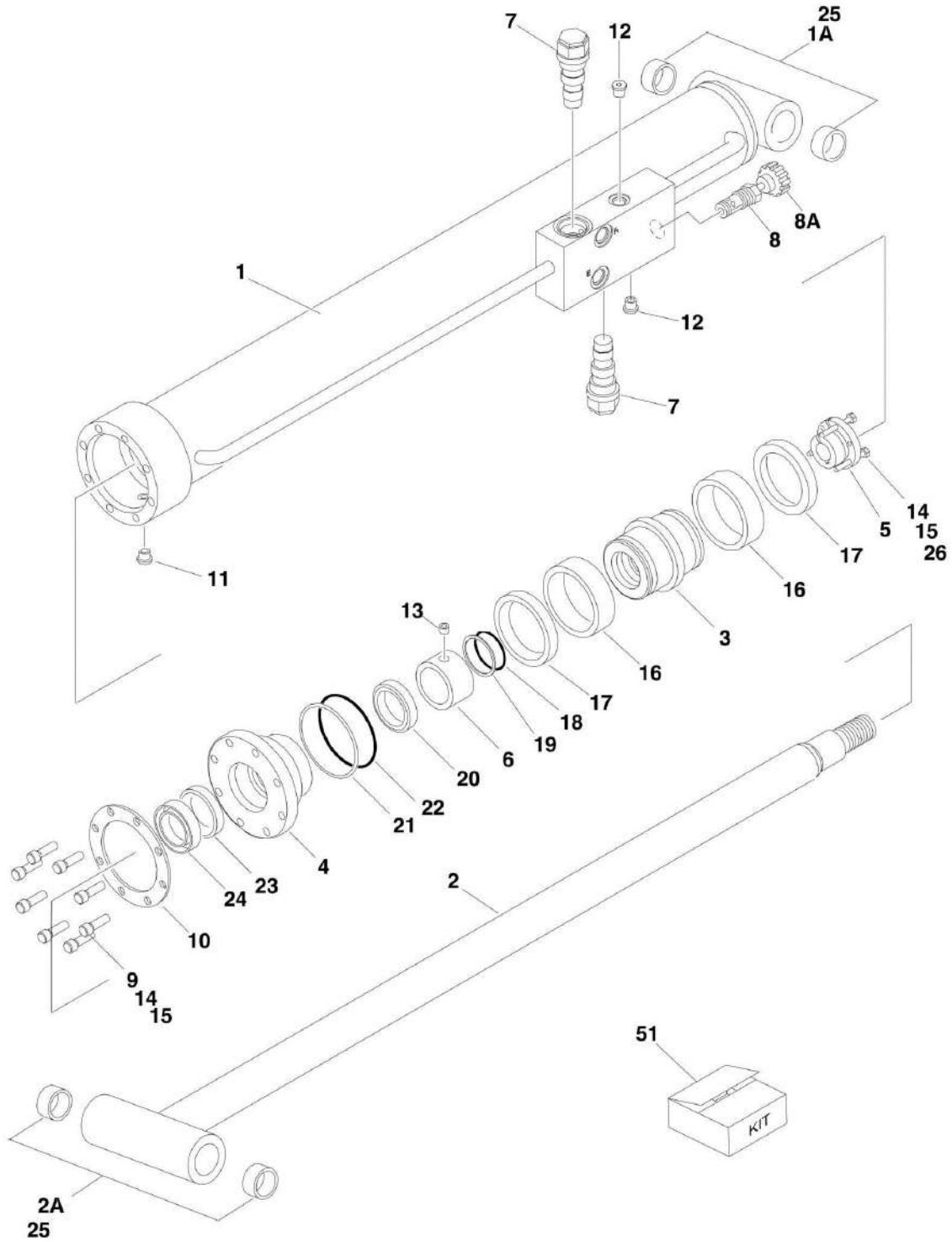
SECTION 5 - CYLINDER

FIGURE 5-4. LEVEL (UPRIGHT) CYLINDER ASSEMBLY

ITEM	PART NUMBER	QTY	DESCRIPTION	REV
		Ref	LEVEL (UPRIGHT) CYLINDER ASSEMBLY	
	1683299	Ref	Original Equipment	F
	1684498	Ref	Service Replacement	C
		Ref	Note: Original Equipment components may have been replaced with Service Replacement components part. Identify p/n stamped on cylinder before ordering parts.	
1		Ref	Barrel Weldment Options:	
1	1683300	1	Barrel Weldment (Prior to SN 0300056430)	
1	1684014	NLA	Barrel Weldment (Original Equipment) (Use p/n0370035)	
1	0370035	1	Service Replacement	
1A	0961949	2	Bushing	
2		Ref	Rod Weldment Options:	
2	1683302	1	Rod Weldment (Prior to SN 0300056430)	
2	1684015	1	Rod Weldment (SN 0300056430 through 0300069000)	
2A	0961949	2	Bushing	
3	1683067	1	Head	
4	3480206	1	Piston	
5	0961898	1	Bushing, Tapered (Use item #24 in place of supplied bolts)	
6	4566501	1	Spacer, Tube	
7	4640509	1	Cartridge, Valve	
7	2900792	1	Seal Kit - 4640509 Valve	
8	4640605	1	Cartridge, Valve	
8	2900792	1	Seal Kit - 4640605 Valve	
9	3932032	8	Bolt, Socket Head 5/16in-11NC x 2in	
10	2220883	2	Plug, O-Ring	
11	See Note	NSS	Ring, Lock (Note: Use Item 51)	
12	See Note	NSS	Seal, Hydrolock (Note: Use Item 51)	
13	See Note	NSS	O-Ring (Note: Use Item 51)	
14	See Note	NSS	Ring, Back-up (Note: Use Item 51)	
15	See Note	NSS	Ring, Wear (Note: Use Item 51)	
16	See Note	NSS	O-Ring (Note: Use Item 51)	
17	See Note	NSS	Ring, Back-up (Note: Use Item 51)	
18	See Note	NSS	Seal, Rod (Note: Use Item 51)	
19	See Note	NSS	Wiper (Note: Use Item 51)	
20	0100011	AR	Compound, Locking	
21	0100038	AR	Primer, Locking	
22	3760372	1	Washer, Ring	
24	0630536	3	Bolt 3/8in-16NC x 1-1/2in	
25	2220886	1	Plug, O-Ring	
26	0100063	AR	Adhesive	
51	2901285	1	Seal Kit (Includes Items 11-19)	

SECTION 5 - CYLINDER

FIGURE 5-5. LIFT (ARTICULATING JIB) CYLINDER ASSEMBLY - 600AJ



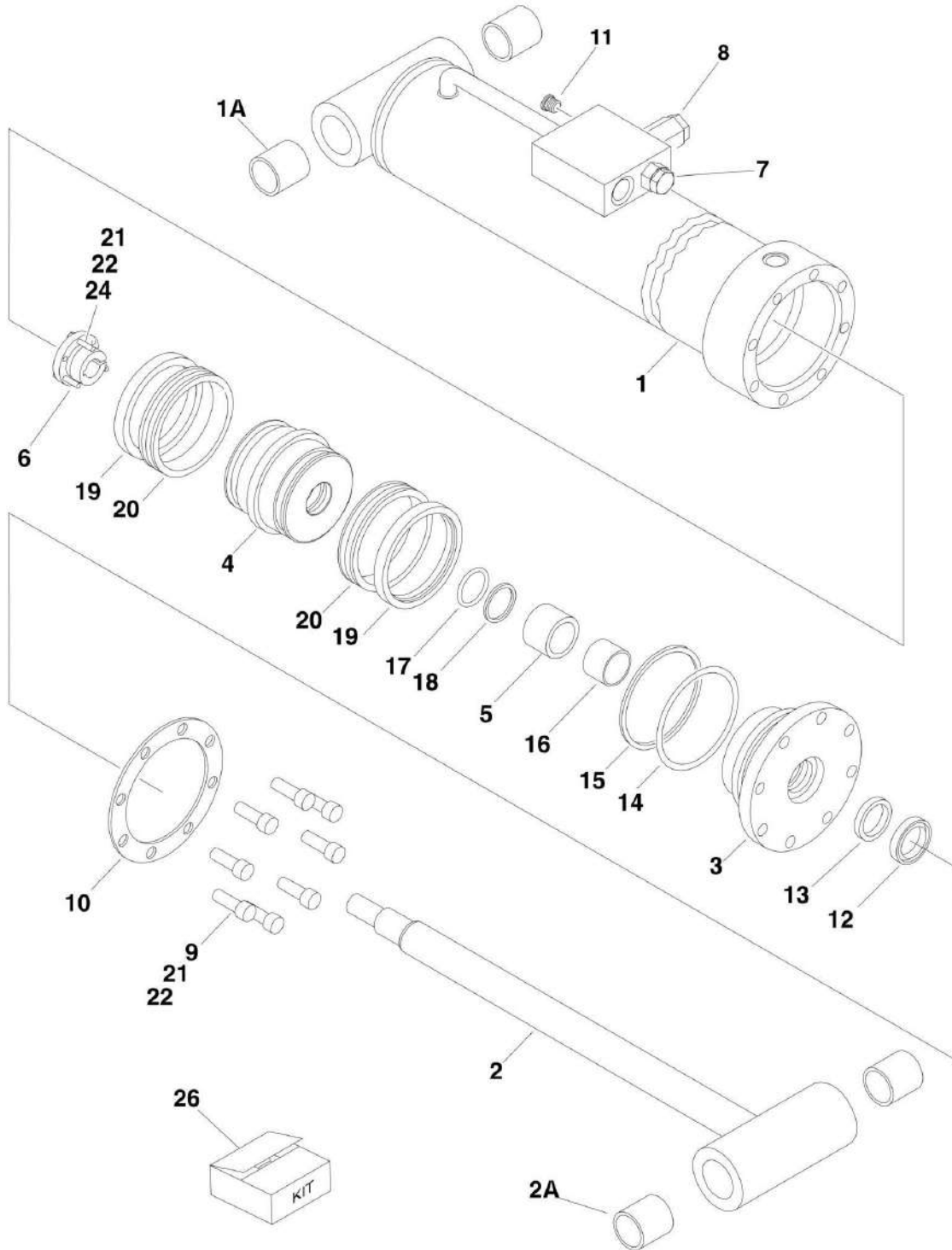
SECTION 5 - CYLINDER

FIGURE 5-5. LIFT (ARTICULATING JIB) CYLINDER ASSEMBLY - 600AJ

ITEM	PART NUMBER	QTY	DESCRIPTION	REV
	1683258	Ref	LIFT CYLINDER ASSEMBLY - 600AJ	C
1		Ref	Barrel Options:	
1	1683259	1	Barrel (Prior to SN 0300062140)	
1	1684092	1	Barrel (SN 0300062140 through 0300069000)	
1A		Ref	Bushing Options:	
1A	0961947	2	Bushing (Prior to SN 0300062140)	
1A	0962336	2	Bushing (SN 0300062140 through 0300069000)	
2		Ref	Rod Options:	
2	1683261	1	Rod (Prior to SN 0300062140)	
2	1684090	1	Rod (SN 0300062140 through 0300069000)	
2A		Ref	Bushing Options:	
2A	0961947	2	Bushing (Prior to SN 0300062140)	
2A	0962336	2	Bushing (SN 0300062140 through 0300069000)	
3	3480210	1	Piston	
4	1683053	1	Head	
5	0961893	1	Bushing, Tapered	
6	4566471	1	Spacer	
7	4640509	2	Cartridge, Valve	
7	2900792	2	Seal Kit - 4640509 Valve	
8	4640902	1	Cartridge, Valve	
8	7012953	1	Seal Kit - 4640902 Valve	
8A	7012961	1	Knob	
9	3931516	8	Capscrew, Socket Head 5/16in-18NC x 1in	
10	3760368	1	Ring, Washer	
11	2220885	1	Plug, O-Ring #6	
12	2220883	2	Plug, O-Ring #4	
13	3900141	1	Setscrew 1/4in-20NC x 3/8in	
14	0100011	AR	Compound, Locking	
15	0100038	AR	Primer, Locking	
16	See Note	NSS	Seal (Note: Use Item 51)	
17	See Note	NSS	Ring, Lock (Note: Use Item 51)	
18	See Note	NSS	O-Ring (Note: Use Item 51)	
19	See Note	NSS	Ring, Back-up (Note: Use Item 51)	
20	See Note	NSS	Ring, Wear (Note: Use Item 51)	
21	See Note	NSS	O-Ring (Note: Use Item 51)	
22	See Note	NSS	Ring, Back-up (Note: Use Item 51)	
23	See Note	NSS	Seal, Rod (Note: Use Item 51)	
24	See Note	NSS	Wiper (Note: Use Item 51)	
25	0100063	AR	Adhesive	
26	0630534	3	Bolt #10 - 24NC x 1in	
51	2901303	1	Seal Kit (Includes Items 16-24)	

SECTION 5 - CYLINDER

FIGURE 5-6. LIFT (MAIN BOOM) CYLINDER ASSEMBLY



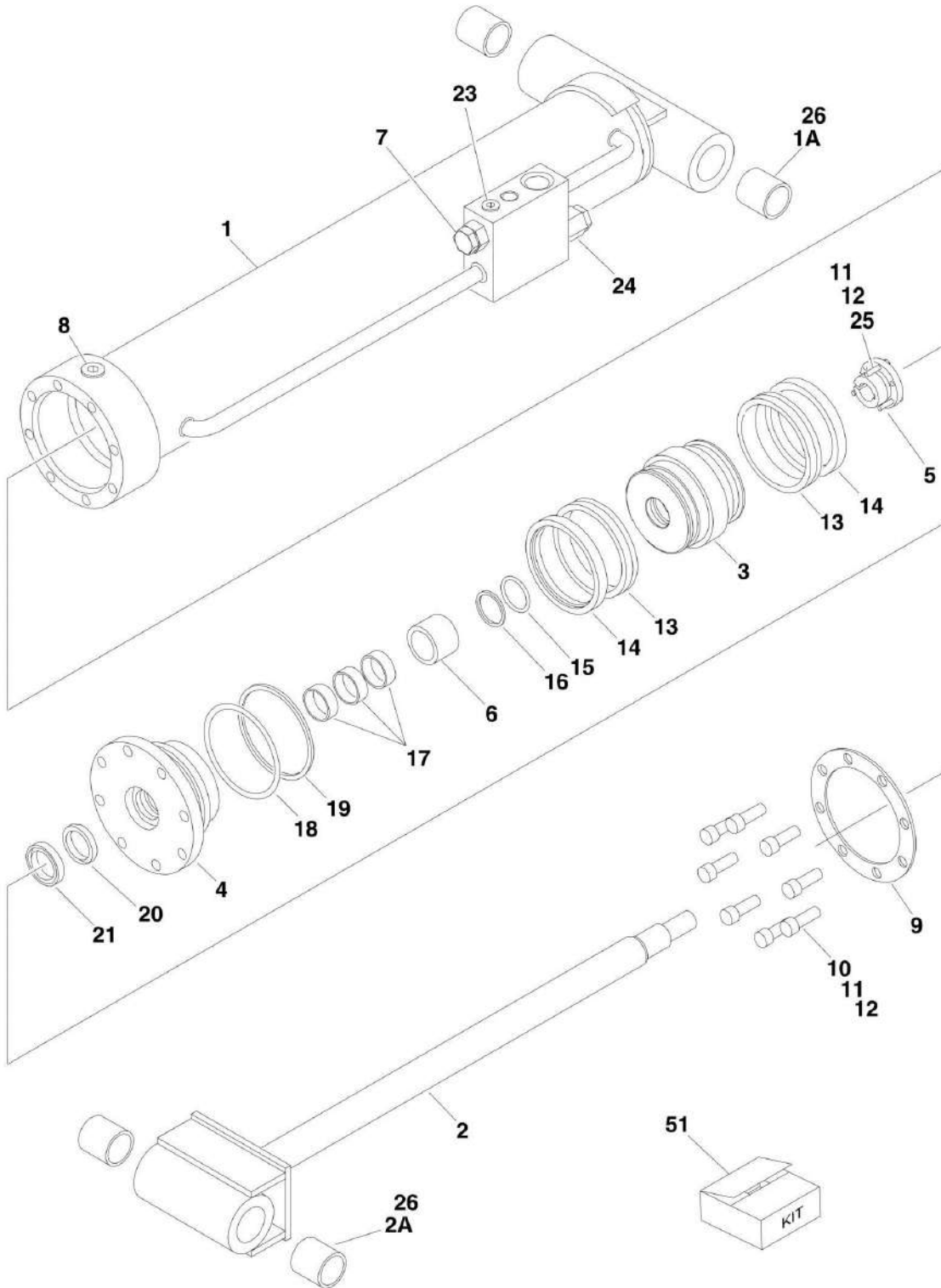
SECTION 5 - CYLINDER

FIGURE 5-6. LIFT (MAIN BOOM) CYLINDER ASSEMBLY

ITEM	PART NUMBER	QTY	DESCRIPTION	REV
	1683294	Ref	LIFT (MAIN BOOM) CYLINDER ASSEMBLY	G
1		Ref	Barrel Options:	
1	1683295	1	Barrel (Prior to SN 0300055554)	
1	1684001	1	Barrel (SN 0300055554 through 0300069000)	
1A	0961948	2	Bushing	
2		Ref	Rod Options:	
2	1683297	1	Rod (Prior to SN 0300055554)	
2	1684005	1	Rod (SN 0300055554 through 0300069000)	
2A	0961948	2	Bushing	
3	1683061	1	Head	
4	3480211	1	Piston	
5	4566408	1	Spacer	
6	0961897	1	Bushing, Tapered	
7	4640438	1	Cartridge, Valve	
7	2900770	1	Seal Kit - 4640438 Valve	
8	4640509	1	Cartridge, Valve	
8	2900792	1	Seal Kit - 4640509 Valve	
9	3931720	8	Capscrew, Socket Head 7/16in-14NC x 1-1/4in	
10	3760370	1	Ring, Washer	
11	2220883	1	Plug, O-Ring #6	
12	See Note	NSS	Wiper (Note: Use Item 26)	
13	See Note	NSS	Seal, Rod (Note: Use Item 26)	
14	See Note	NSS	O-Ring (Note: Use Item 26)	
15	See Note	NSS	Ring, Back-up (Note: Use Item 26)	
16	See Note	NSS	Ring, Wear (Note: Use Item 26)	
17	See Note	NSS	O-Ring (Note: Use Item 26)	
18	See Note	NSS	Ring, Back-up (Note: Use Item 26)	
19	See Note	NSS	Ring, Lock (Note: Use Item 26)	
20	See Note	NSS	Seal (Note: Use Item 26)	
21	0100011	AR	Compound, Locking	
22	0100038	AR	Primer, Locking	
24	0630535	3	Bolt 1/4in-20NC x 1-1/8in	
26	2901273	1	Seal Kit (Includes Items 12-20)	

SECTION 5 - CYLINDER

FIGURE 5-7. LIFT (TOWER BOOM) CYLINDER ASSEMBLY



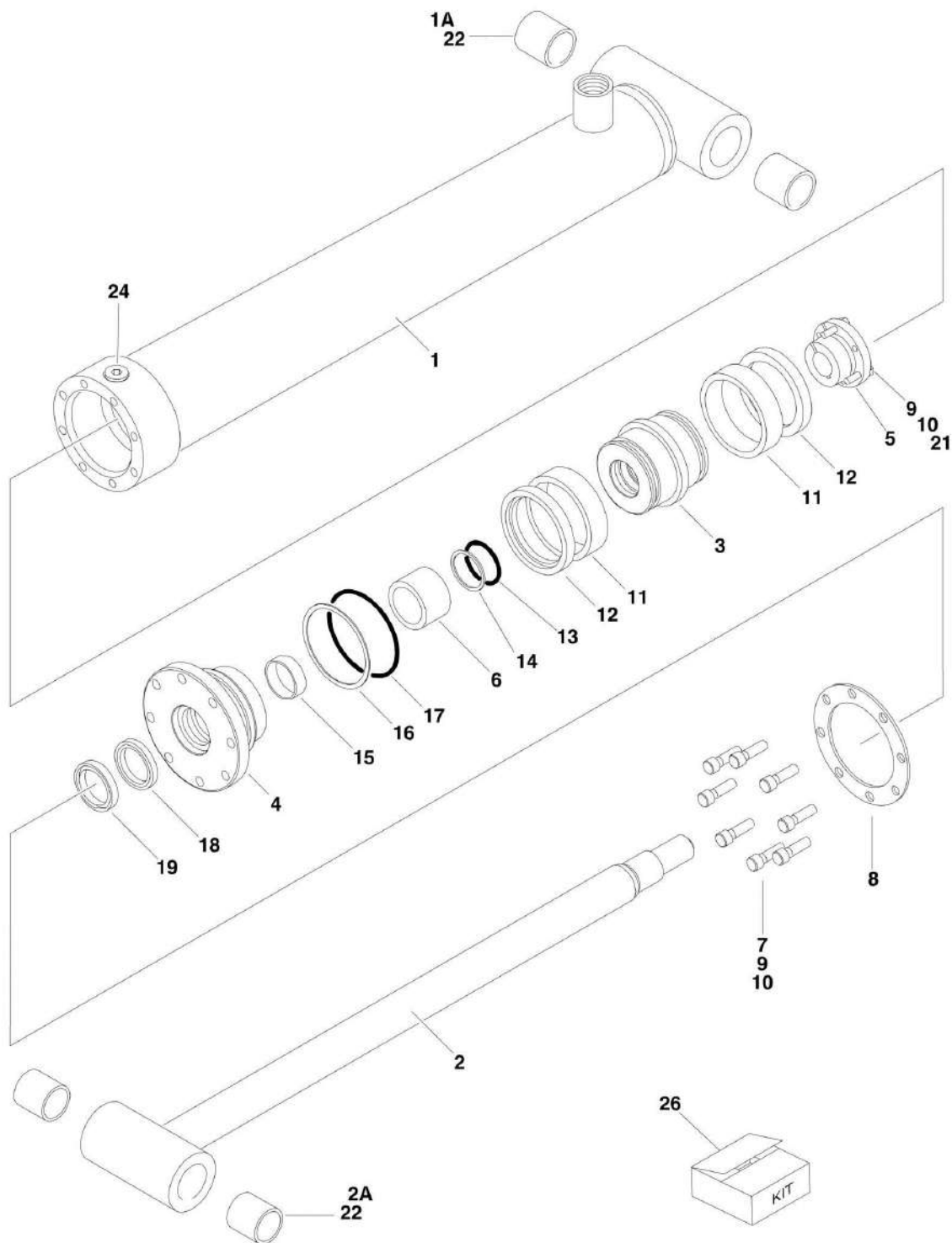
SECTION 5 - CYLINDER

FIGURE 5-7. LIFT (TOWER BOOM) CYLINDER ASSEMBLY

ITEM	PART NUMBER	QTY	DESCRIPTION	REV
	1683288	Ref	LIFT (TOWER BOOM) CYLINDER ASSEMBLY	L
1		Ref	Barrel Options:	
1	1683289	1	Barrel (Prior to SN 0300057328)	
1	1684017	1	Barrel (SN 0300057328 through 0300069000)	
1A	0961949	2	Bushing	
2		Ref	Rod Options:	
2	1683291	1	Rod (Prior to SN 0300057328)	
2	1684019	1	Rod (SN 0300057328 through 0300069000)	
2A	0961949	2	Bushing	
3	3480216	1	Piston	
4	1683069	1	Head	
5	0961899	1	Bushing, Tapered	
6	4566667	1	Spacer	
7	4640605	1	Cartridge, Valve	
7	2900792	1	Seal Kit - 4640605	
8	2220888	1	Plug, O-Ring #12	
9	3760384	1	Ring, Washer	
10	3932240	8	Capscrew, Socket Head 3/4in-10NC x 2-1/2in	
11	0100011	AR	Compound, Locking	
12	0100038	AR	Primer, Locking	
13	See Note	NSS	Seal (Note: Use Item 51)	
14	See Note	NSS	Ring, Lock (Note: Use Item 51)	
15	See Note	NSS	O-Ring (Note: Use Item 51)	
16	See Note	NSS	Ring, Back-up (Note: Use Item 51)	
17	See Note	NSS	Ring, Wear (Note: Use Item 51)	
18	See Note	NSS	O-Ring (Note: Use Item 51)	
19	See Note	NSS	Ring, Back-up (Note: Use Item 51)	
20	See Note	NSS	Seal, Rod (Note: Use Item 51)	
21	See Note	NSS	Wiper (Note: Use Item 51)	
23	2220883	2	Plug, O-Ring #4	
24	4640509	1	Counterbalance	
24	2900792	1	Seal Kit - 4640509	
25	0630536	3	Bolt 3/8in-16NC x 1-1/2in	
26	0100063	AR	Adhesive	
51	2901322	1	Seal Kit (Includes Items 13-21)	

SECTION 5 - CYLINDER

FIGURE 5-8. MASTER CYLINDER ASSEMBLIES



SECTION 5 - CYLINDER

FIGURE 5-8. MASTER CYLINDER ASSEMBLIES

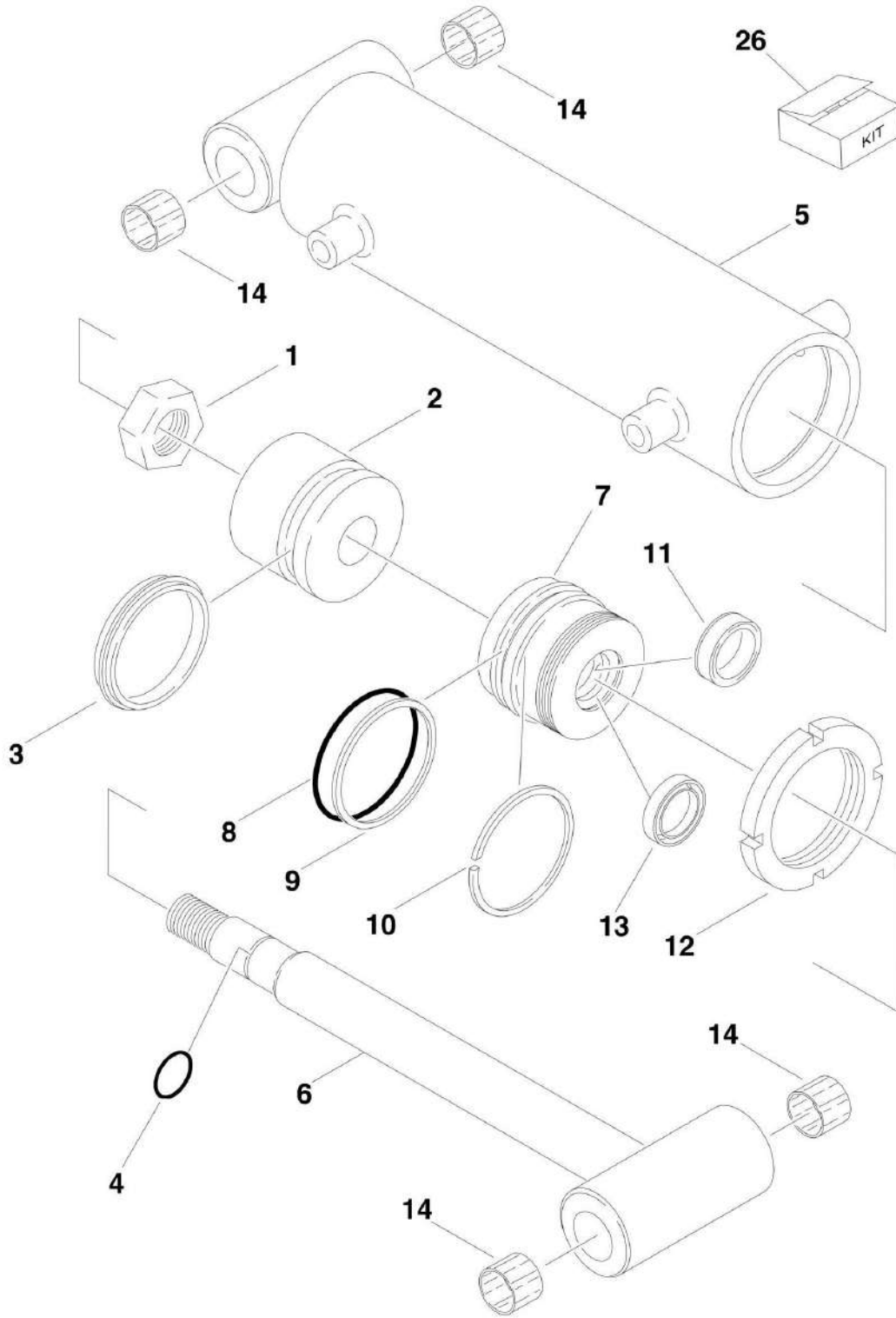
ITEM	PART NUMBER	QTY	DESCRIPTION	REV
	1683266	Ref	MASTER CYLINDER ASSEMBLY - 600A	C
	1683263	Ref	MASTER CYLINDER ASSEMBLY - 600AJ	E
1		Ref	Barrel Options:	
1	1683267	1	Barrel 600A (Note: Includes Item 1A) (Prior to SN 0300053542)	
1	1683972	1	Barrel 600A (Note: Includes Item 1A) (SN 0300053542 through 0300069000)	
1	1683264	1	Barrel 600AJ: (Note: Includes Item 1A) (Prior to SN 0300052685)	
1	1683949	1	Barrel 600AJ: (Note: Includes Item 1A not included. Purchase Separately) (SN 0300052685 through 0300069000)	
1A		Ref	Bushing Options:	
1A	0961947	2	600A - Bushing	
1A	0961951	2	600AJ - Bushing	
2		Ref	Rod Options:	
2	1683269	1	Rod (Note: Includes Item 2A) (Prior to SN 0300053542)	
2	1683973	1	Rod (Note: Includes Item 2A) (SN 0300053542 through 0300069000)	
2	1683256	1	Rod (Note: Includes Item 2A) (Prior to SN 0300052685)	
2	1683962	1	Rod (Note: Includes Item 2A not included. Purchase Separately) (SN 0300052685 through 0300069000)	
2A		Ref	Bushing Options:	
2A	0961947	2	600A - Bushing	
2A	0961951	2	600AJ - Bushing	
3		Ref	Piston Options:	
3	3480210	1	Piston 600A	
3	3480188	1	Piston 600AJ	
4		Ref	Head Options:	
4	1683053	1	Head 600A	
4	1683055	1	Head 600AJ	
5		Ref	Bushing, Tapered Options (Use item 21 in place of supplied bolts):	
5	0961893	1	Bushing, Tapered 600A	
5	0961894	1	Bushing, Tapered 600AJ	
6	4566468	1	Spacer	
7		Ref	Capscrew, Socket Head Options:	
7	3931516	8	600A - Capscrew, Socket Head 5/16in-18NC x 1in	
7	3931620	8	600AJ - Capscrew, Socket Head 3/8in-16NC x 1-1/4in	
8		Ref	Ring, Washer Options:	
8	3760368	1	Ring, Washer 600A	
8	3760369	1	Ring, Washer 600AJ	
9	0100011	AR	Compound, Locking	
10	0100038	AR	Primer, Locking	
11	See Note	NSS	Seal (Note: Use Item 26)	
12	See Note	NSS	Ring, Lock (Note: Use Item 26)	
13	See Note	NSS	O-Ring (Note: Use Item 26)	
14	See Note	NSS	Ring, Back-up (Note: Use Item 26)	
15	See Note	NSS	Ring, Wear (Note: Use Item 26)	
16	See Note	NSS	O-Ring (Note: Use Item 26)	
17	See Note	NSS	Ring, Back-up (Note: Use Item 26)	
18	See Note	NSS	Seal, Rod (Note: Use Item 26)	
19	See Note	NSS	Wiper (Note: Use Item 26)	
21		Ref	Bolt Options:	

SECTION 5 - CYLINDER

ITEM	PART NUMBER	QTY	DESCRIPTION	REV
21	0630534	3	600A - Bolt #10 - 24NC x 1in	
21	0630535	3	600AJ - Bolt 1/4in-20NC x 1-1/8in	
22	0100063	AR	Adhesive	
24	2220885	1	Plug, O-Ring #6 - 600AJ Only (SN 0300052685 through 0300069000)	
26		Ref	Seal Kit Options (Includes Items 11-19):	
26	2901303	1	Seal Kit 600A	
26	2901301	1	Seal Kit 600AJ	

SECTION 5 - CYLINDER

FIGURE 5-9. STEER CYLINDER ASSEMBLIES



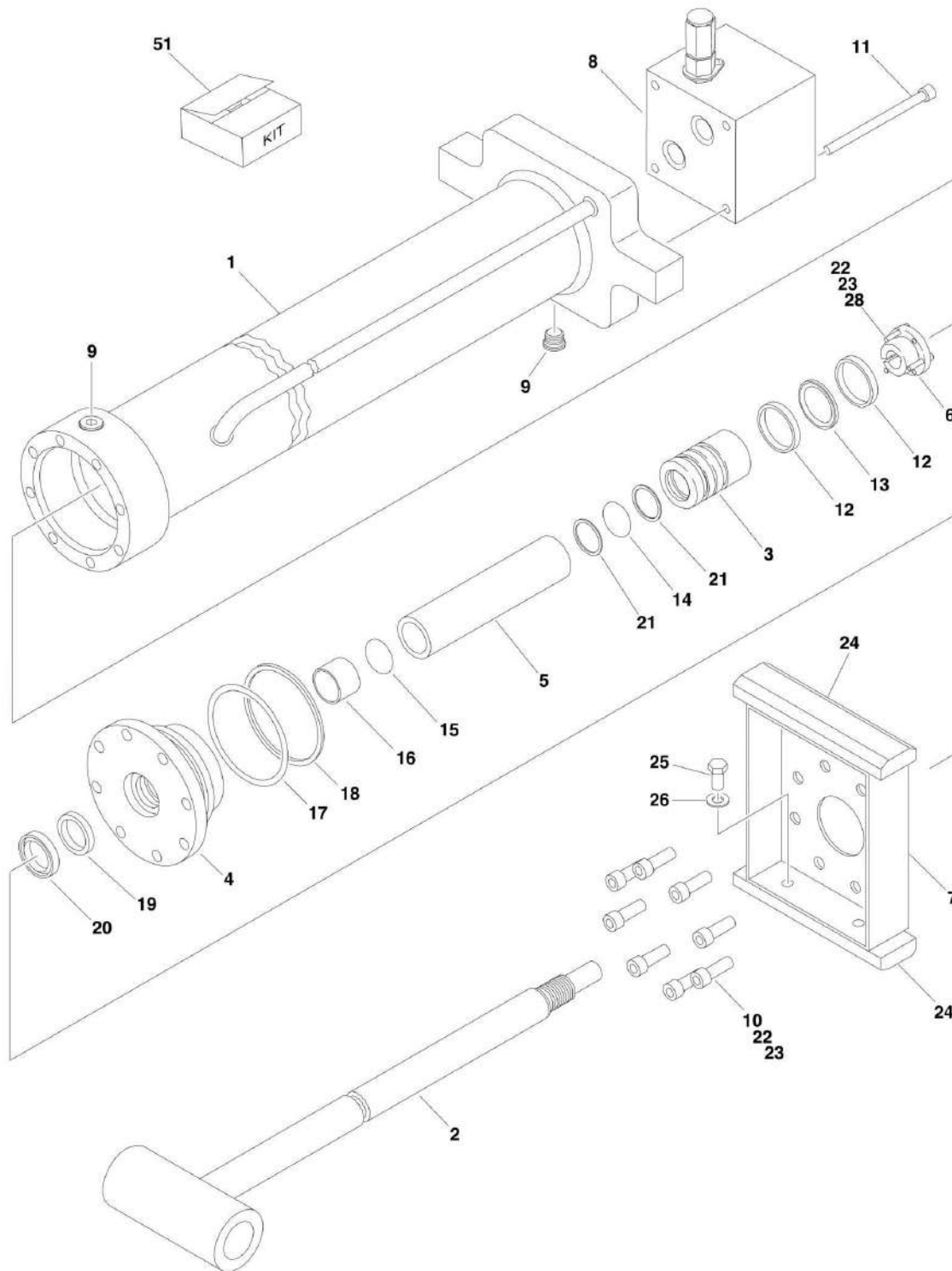
SECTION 5 - CYLINDER

FIGURE 5-9. STEER CYLINDER ASSEMBLIES

ITEM	PART NUMBER	QTY	DESCRIPTION	REV
		Ref	STEER CYLINDER ASSEMBLIES	
	1683208	Ref	8ft/2.4m Width Machines	C
	1683304	Ref	7ft/2.1m Width Machines	A
1	7001626	1	Locknut	
2	7001627	1	Piston	
3	See Note	NSS	Seal (Note: Use Item 26)	
4	See Note	NSS	O-Ring (Note: Use Item 26)	
5	See Note	1	Barrel (Note: Not Available for Purchase)	
6		Ref	Rod Options:	
6	7001633	1	8ft/2.4m Width Machines	
6	7001628	1	7ft/2.1m Width Machines	
7	7001629	1	Guide	
8	See Note	NSS	O-Ring (Note: Use Item 26)	
9	See Note	NSS	Ring, Back-up (Note: Use Item 26)	
10	See Note	NSS	Ring, Retaining (Note: Use Item 26)	
11	See Note	NSS	Seal, Lip (Note: Use Item 26)	
12	7001630	1	Nut, Spanner	
13	See Note	NSS	Ring, Wiper (Note: Use Item 26)	
14		Ref	Bushing Options:	
14	0961977	4	8ft/2.4m Width Machines	
14	0961890	4	7ft/2.1m Width Machines	
26	7001625	1	Seal Kit (Includes Items 3, 4, 8-11 & 13)	

SECTION 5 - CYLINDER

FIGURE 5-10. TELESCOPE (MAIN BOOM) CYLINDER ASSEMBLIES



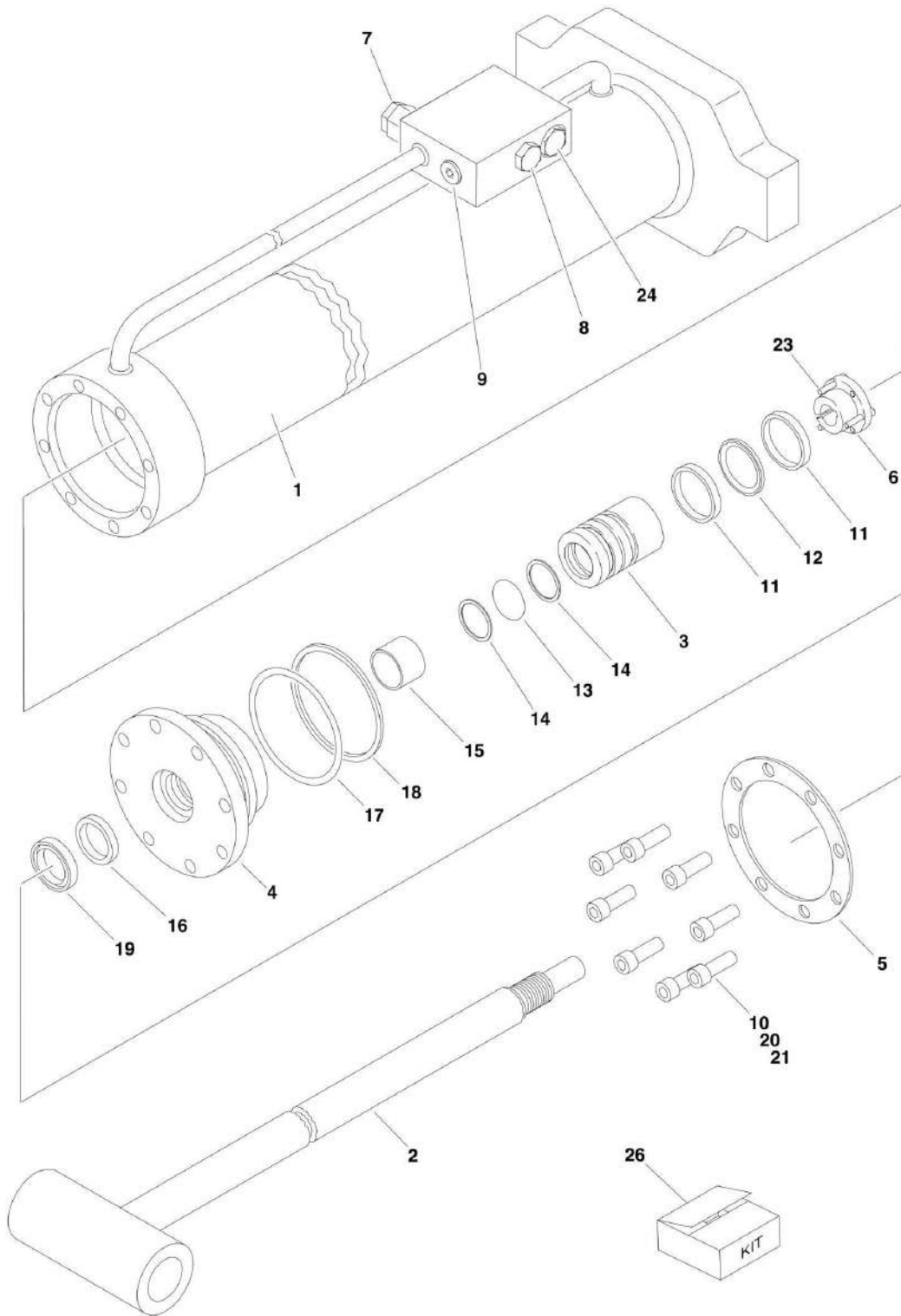
SECTION 5 - CYLINDER

FIGURE 5-10. TELESCOPE (MAIN BOOM) CYLINDER ASSEMBLIES

ITEM	PART NUMBER	QTY	DESCRIPTION	REV
	1683307	Ref	TELESCOPE CYLINDER ASSEMBLY - 600A	3-E
	1683317	Ref	TELESCOPE CYLINDER ASSEMBLY - 600AJ	3-E
1		Ref	Barrel Options:	
1	1683308	1	Barrel 600A	
1	1683318	1	Barrel 600AJ	
2		Ref	Rod Options:	
2	1683310	1	Rod 600A	
2	1683320	1	Rod 600AJ	
3	3480212	1	Piston	
4	1683054	1	Head	
5	4566425	1	Spacer	
6	0961896	1	Bushing, Tapered	
7		Ref	Plate, Wear Pad Mounting Options:	
7	3538771	1	Plate, Wear Pad Mounting 600A	
7	3538247	1	Plate, Wear Pad Mounting 600AJ	
8	4640862	1	Valve Block Assembly (No Service Parts Available -Replace Complete Assembly)	
9	2220885	2	Plug, O-Ring	
10	3931516	8	Capscrew, Socket Head 5/16in-18NC x 1in	
11	3931448	4	Capscrew, Socket Head 1/4in-20NC x 3in	
12	See Note	NSS	Ring, Wear (Note: Use Item 51)	
13	See Note	NSS	Seal (Note: Use Item 51)	
14	See Note	NSS	O-Ring (Note: Use Item 51)	
15	See Note	NSS	O-Ring (Note: Use Item 51)	
16	See Note	NSS	Ring, Wear (Note: Use Item 51)	
17	See Note	NSS	O-Ring (Note: Use Item 51)	
18	See Note	NSS	Ring, Back-up (Note: Use Item 51)	
19	See Note	NSS	Seal, Rod (Note: Use Item 51)	
20	See Note	NSS	Wiper (Note: Use Item 51)	
21	See Note	NSS	Ring, Back-up (Note: Use Item 51)	
22	0100038	AR	Primer, Locking	
23	0100011	AR	Compound, Locking	
24	3340608	2	Pad, Wear	
25	0641604	4	Bolt 3/8in-16NC x 1/2in	
26	4751600	4	Flatwasher 3/8in Regular	
28	0630535	3	Bolt 1/4in-20NC x 1-1/8in	
51	2901278	1	Seal Kit (Includes Items 12-21)	

SECTION 5 - CYLINDER

FIGURE 5-11. TELESCOPE (TOWER BOOM) CYLINDER ASSEMBLY



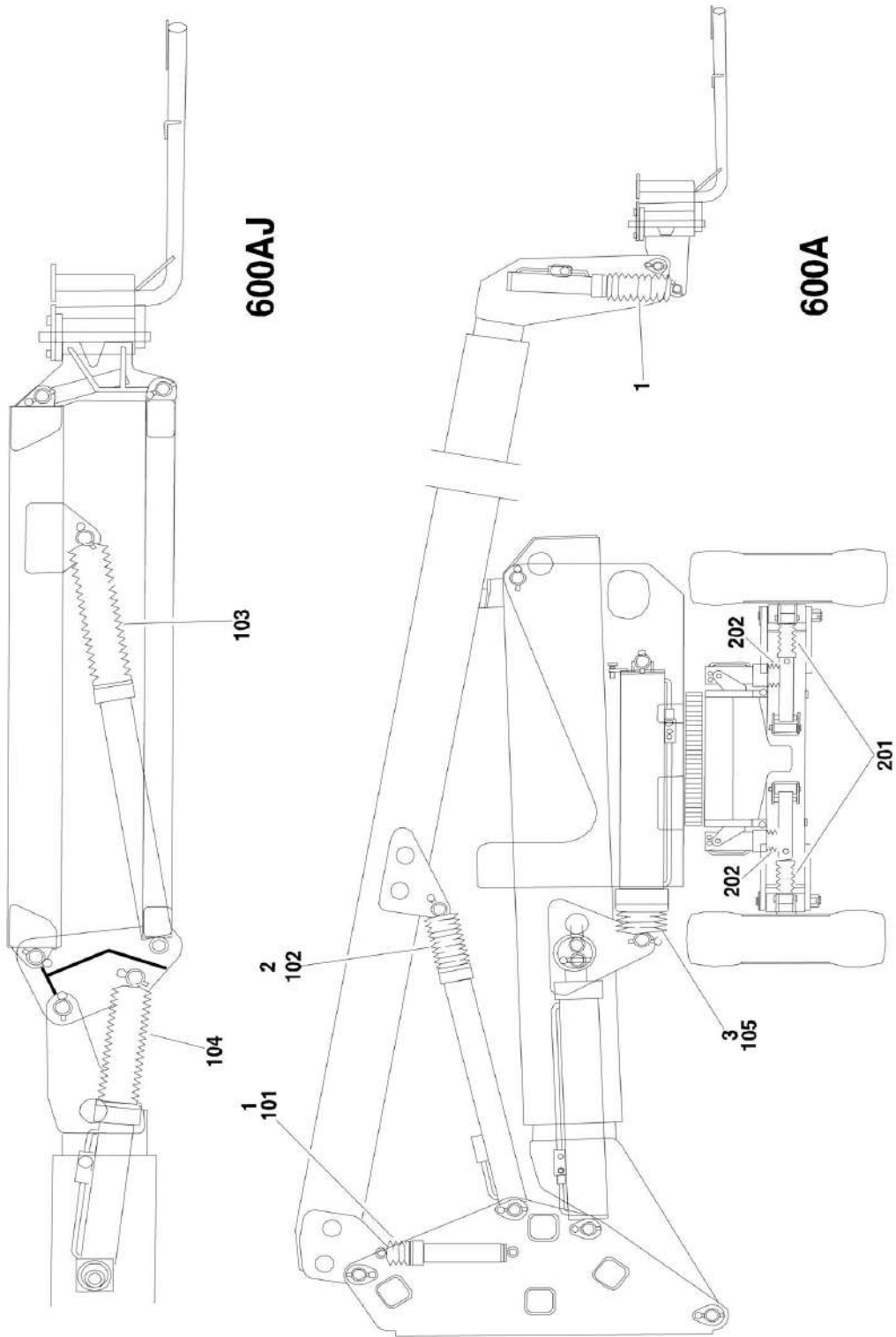
SECTION 5 - CYLINDER

FIGURE 5-11. TELESCOPE (TOWER BOOM) CYLINDER ASSEMBLY

ITEM	PART NUMBER	QTY	DESCRIPTION	REV
	1683312	Ref	TELESCOPE (TOWER BOOM) CYLINDER ASSEMBLY	4-E
1	1683313	1	Barrel	
2	1683314	1	Rod	
3	3480212	1	Piston	
4	1683054	1	Head	
5	3760368	1	Ring, Washer	
6	0961896	1	Bushing, Tapered	
7	4640509	2	Cartridge, Valve	
7	2900792	2	Seal Kit - 4640509 Valve	
8	4640647	1	Cartridge, Valve	
8	2900770	1	Seal Kit - 4640647 Valve	
9	2220883	1	Plug, O-Ring	
10	3931516	8	Capscrew, Socket Head 5/16in-18NC x 1in	
11	See Note	NSS	Ring, Wear (Note: Use Item 26)	
12	See Note	NSS	T-Seal (Note: Use Item 26)	
13	See Note	NSS	O-Ring (Note: Use Item 26)	
14	See Note	NSS	Ring, Back-up (Note: Use Item 26)	
15	See Note	NSS	Ring, Wear (Note: Use Item 26)	
16	See Note	NSS	Seal, Rod (Note: Use Item 26)	
17	See Note	NSS	O-Ring (Note: Use Item 26)	
18	See Note	NSS	Ring, Back-up (Note: Use Item 26)	
19	See Note	NSS	Wiper (Note: Use Item 26)	
20	0100038	AR	Primer, Locking	
21	0100011	AR	Compound, Locking	
23	0630535	3	Bolt 1/4in-20NC x 1-1/8in	
24	4640509	1	Cartridge, Valve (Recommend using 4640999 as a replacement) (Prior to SN 0300028176)	
24	2900792	1	Seal Kit - 4640509 Valve	
24	4640999	1	Cartridge, Valve (SN 0300028176 through 0300069000)	
24	7011185	1	Seal Kit - 4640999 Valve	
26	2901278	1	Seal Kit (Includes Items 11-19)	

SECTION 5 - CYLINDER

FIGURE 5-12. CYLINDER BELLOWS INSTALLATION (OPTIONAL)



SECTION 5 - CYLINDER

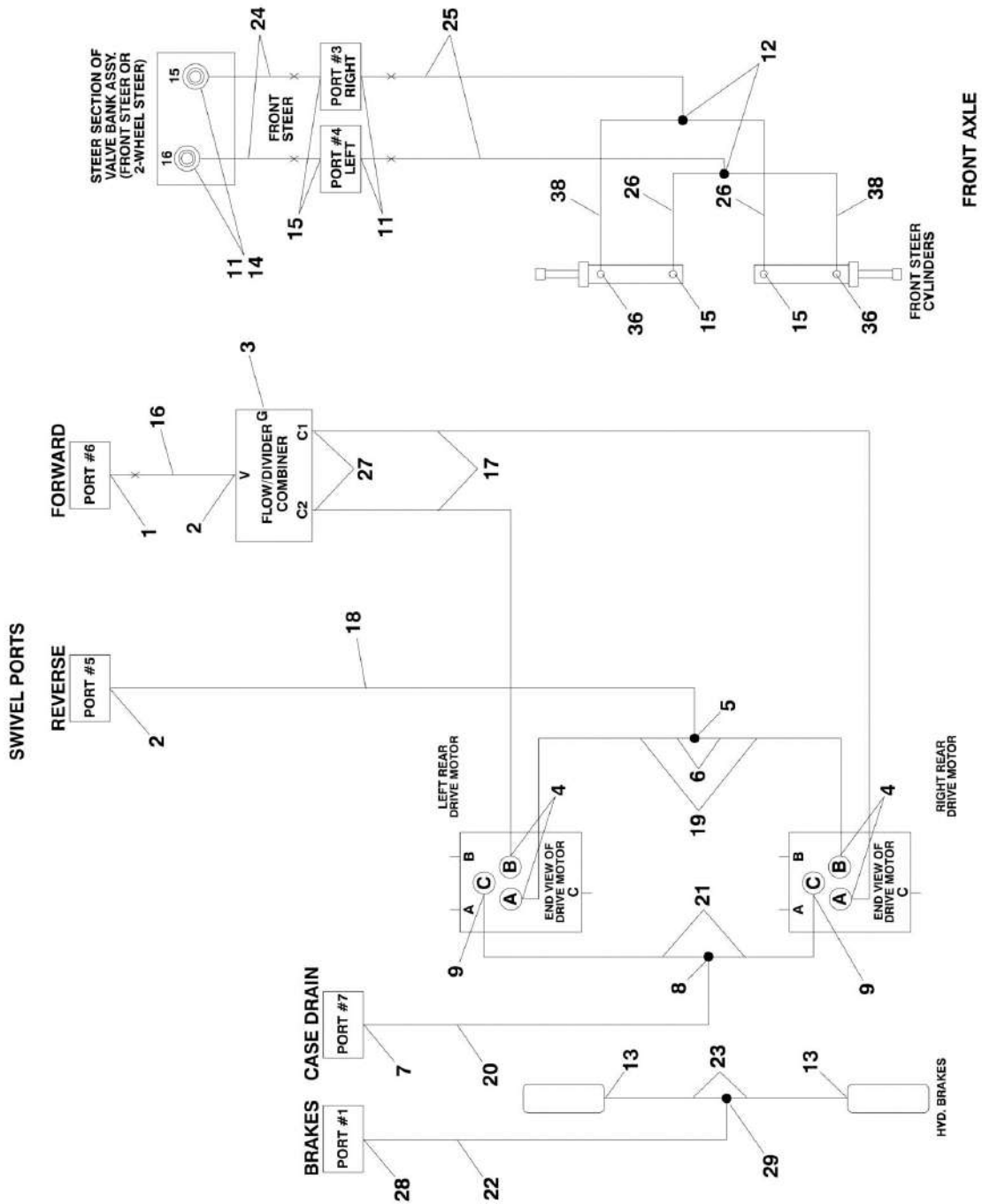
FIGURE 5-12. CYLINDER BELLOWS INSTALLATION (OPTIONAL)

ITEM	PART NUMBER	QTY	DESCRIPTION	REV
	0255927	Ref	CYLINDER BELLOWS INSTALLATION (600A)	1
1	0460152	2	Bellows, Cylinder (Master and Platform Level Cylinders)	
2	0460155	1	Bellows, Cylinder (Main Lift Cylinder)	
3	0460154	1	Bellows, Cylinder (Tower Lift Cylinder)	
	0255928	Ref	CYLINDER BELLOWS INSTALLATION (600AJ)	2
101	0460151	1	Bellows, Cylinder (Master and Platform Level Cylinders)	
102	0460155	1	Bellows, Cylinder (Main Lift Cylinder)	
103	0460161	1	Bellows, Cylinder (Articulating Jib Lift Cylinder)	
104	0460160	1	Bellows, Cylinder (Articulating Jib Level Cylinder)	
105	0460154	1	Bellows, Cylinder (Tower Lift Cylinder)	
	1282490	Ref	CYLINDER BELLOWS INSTALLATION (FRAME)	-
	0255482	Ref	2WD/2WS & 4WD/2WS 8ft/2.4m Width Machines with Oscillating Axle	-
	0255483	Ref	2WD/2WS & 4WD/2WS 8ft/2.4m Width Machines with Fixed Axle	-
	0255486	Ref	2WD/4WS & 4WD/2WS 8ft/2.4m Width Machines with Oscillating Axle	-
	0255487	Ref	2WD/4WS & 4WD/4WS 8ft/2.4m Width Machines with Fixed Axle	-
	0255484	Ref	2WD/2WS 7ft/2.1m Width Machines with Oscillating Axle	-
	0255485	Ref	2WD/2WS 7ft/2.1m Width Machines with Fixed Axle	-
	0255488	Ref	2WD/4WS 7ft/2.1m Width Machines with Oscillating Axle	-
	0255489	Ref	2WD/4WS 7ft/2.1m Width Machines with Fixed Axle	-
201		Ref	Bellows, Cylinder (Steer Cylinder)	
201	0460150	AR	8ft/2.4m Width Machines	
201	0460157	AR	7ft/2.1m Width Machines	
202		Ref	Bellows, Cylinder (Oscillating Axle Cylinders)	
202	0460159	AR	With Oscillating Axle	
202	Not Required	0	Without Oscillating Axle	

SECTION 6 - HYDRAULIC

SECTION 6 - HYDRAULIC

FIGURE 6-1. DRIVE HYDRAULIC DIAGRAM - 2WD/2WS



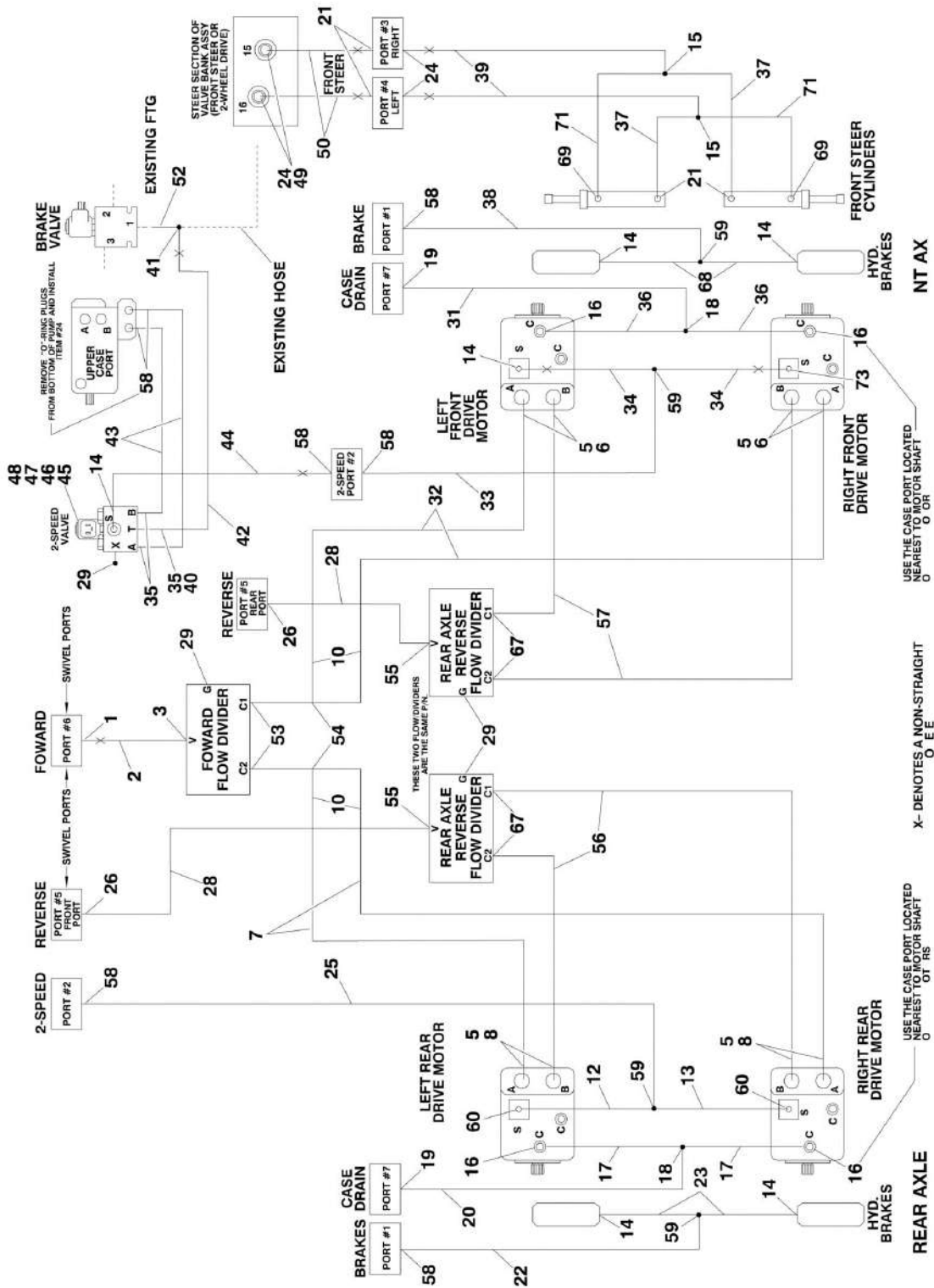
SECTION 6 - HYDRAULIC

FIGURE 6-1. DRIVE HYDRAULIC DIAGRAM - 2WD/2WS

ITEM	PART NUMBER	QTY	DESCRIPTION	REV
	2792193	Ref	DRIVE HYDRAULIC DIAGRAM - 2WD/2WS	4
1	2220377	1	Fitting, Straight	
2	2220365	2	Fitting, 45	
3	2220235	1	Fitting, Plug	
4	2220451	4	Fitting, Straight	
5	2220363	1	Fitting, Tee	
6	2220710	2	Fitting, Reducer	
7	2220375	1	Fitting, Straight	
8	2220362	1	Fitting, Tee	
9	2220373	2	Fitting, Straight	
11	2220371	2	Fitting, Straight	
12	2220490	2	Fitting, Tee	
13	2220466	2	Fitting, 90	
14	2220507	2	Fitting, 90	
15	2220473	4	Fitting, 90	
16	2752354	1	Hose	
17	2752258	2	Hose	
18	2752324	1	Hose	
19	2752245	2	Hose	
20	2752813	1	Hose	
21	2752814	2	Hose	
22	2752602	1	Hose	
23	2752459	2	Hose	
24	2752620	2	Hose	
25	2752473	2	Hose	
26	2752966	2	Hose	
27	2220435	2	Fitting, Straight	
28	2220582	1	Fitting, Straight	
29	2220504	1	Fitting, Straight	
36	2220501	2	Fitting, 45	
38	2752970	2	Hose	

SECTION 6 - HYDRAULIC

FIGURE 6-2. DRIVE HYDRAULIC DIAGRAM - 4WD/2WS



SECTION 6 - HYDRAULIC

FIGURE 6-2. DRIVE HYDRAULIC DIAGRAM - 4WD/2WS

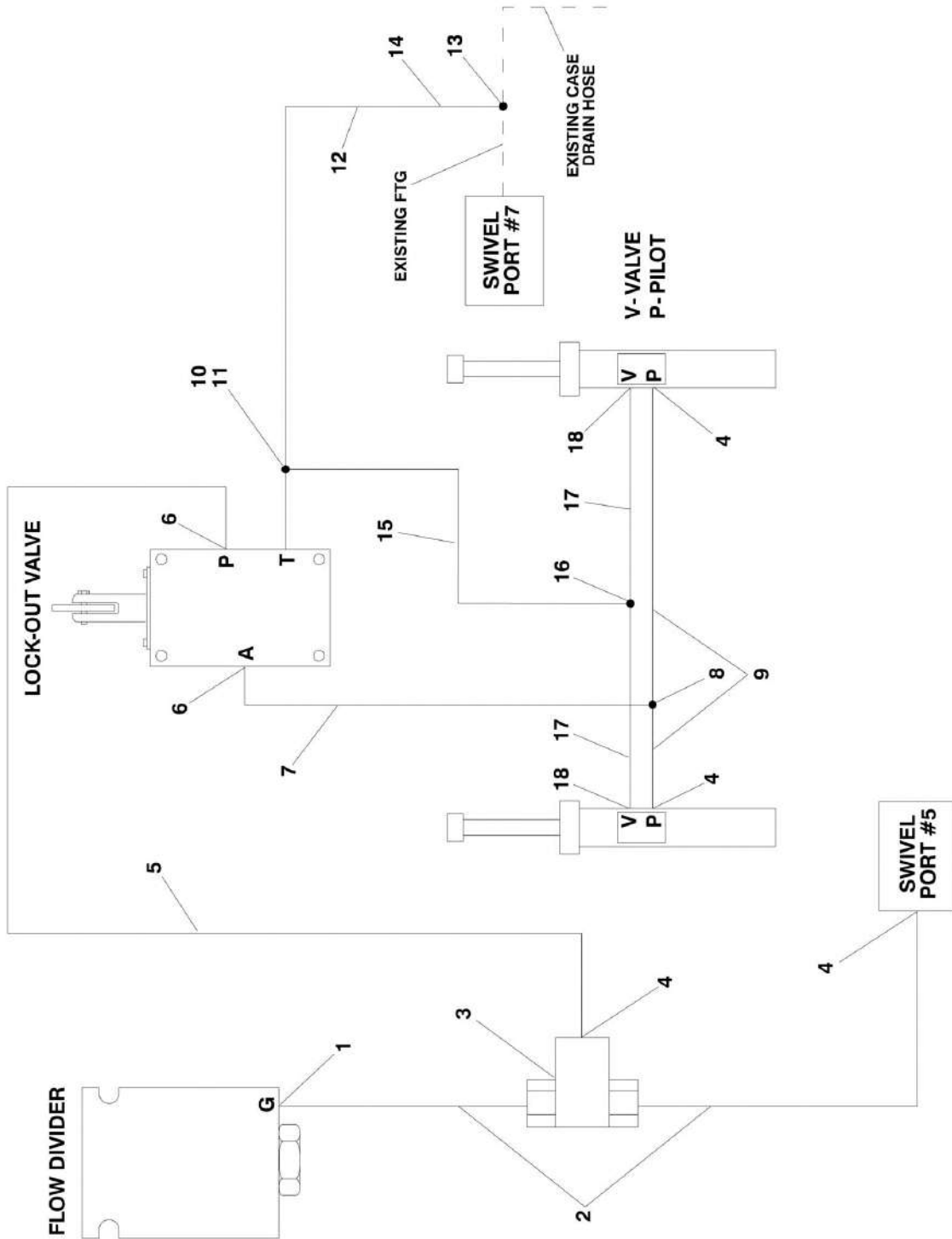
ITEM	PART NUMBER	QTY	DESCRIPTION	REV
	2792195	Ref	DRIVE HYDRAULIC DIAGRAM - 4WD/2WS	8
1	2220377	1	Fitting, Straight	
2	2752349	1	Hose	
3	2220365	1	Fitting, 45	
5	2220833	8	Fitting, Reducer	
6	2220500	4	Fitting, 45	
7	2752398	2	Hose	
8	2220596	4	Fitting, 90	
10	2220622	4	Fitting, Reducer (Prior to SN 0300058640)	
12	2751017	1	Hose (Prior to SN 0300037775)	
12	2751013	1	Hose (SN 0300037775 through 0300069000)	
13	2750770	1	Hose (Prior to SN 0300037775)	
12	2751013	1	Hose (SN 0300037775 through 0300069000)	
14	2220466	6	Fitting, 90	
15	2220490	2	Fitting, Tee	
16	2220671	4	Fitting, 90	
17	2752807	2	Hose	
18	2220362	2	Fitting, Tee	
19	2220375	2	Fitting, Straight	
20	2752813	1	Hose	
21	2220473	6	Fitting, 90	
22	2752602	1	Hose	
23	2752592	2	Hose	
24	2220371	4	Fitting, Straight	
25	2750756	1	Hose	
26	2220568	2	Fitting, 45	
28	2752249	2	Hose	
29	2220235	4	Fitting, Plug	
31	2752807	1	Hose	
32	2752890	2	Hose	
33	2750790	1	Hose	
34	2752919	2	Hose	
35	2220415	3	Fitting, Straight	
36	2752899	2	Hose	
37	2752966	2	Hose	
38	2752593	1	Hose	
39	2752473	2	Hose	
40	2220909	1	Fitting, Office (.015)	
41	2220605	1	Fitting, Tee	
42	2752573	1	Hose	
43	2751427	2	Hose	
44	2751396	1	Hose	
45	4640906	1	Valve, 2-Speed Motor Control	
45	7012974	1	Cartridge without Coil	
45	7012905	1	Seal Kit	
45	7012944	1	Coil	
45	4640906	2	Cartridge, Check Valve (Note: Not Available for Purchase)	
45	7012972	2	Seal Kit	
46	0641508	2	Bolt 5/16in-18NC x 1in	
47	4891500	2	Flatwasher 5/16in Hardened	

SECTION 6 - HYDRAULIC

ITEM	PART NUMBER	QTY	DESCRIPTION	REV
48	4711500	2	Flatwasher 5/16in Thin	
49	2220507	2	Fitting, 90	
50	2752620	2	Hose	
52	2220914	1	Orifice (.043)	
53		Ref	Fitting, Reducer Options:	
53	2220550	2	Fitting, Reducer (Prior to SN 0300058640)	
53	2220833	2	Fitting, Reducer (SN 0300058640 through 0300069000)	
54		Ref	Fitting, Tee Options:	
54	2220738	2	Fitting, Tee (Prior to SN 0300058640)	
54	2220602	2	Fitting, Tee (SN 0300058640 through 0300069000)	
55	2220435	2	Fitting, Straight	
56	2752398	2	Hose	
57	2752889	2	Hose	
58	2220582	5	Fitting, Straight	
59	2220504	4	Fitting, Tee	
60	2220466	2	Fitting, Straight	
67	2220800	4	Fitting, Straight	
68	2752912	2	Hose	
69	2220501	2	Fitting, 45	
71	2752970	2	Hose	
73	2220502	1	Fitting, 45 (SN 0300057328 through 0300069000)	

SECTION 6 - HYDRAULIC

FIGURE 6-3. HYDRAULIC DIAGRAM - OSCILLATING AXLE



SECTION 6 - HYDRAULIC

FIGURE 6-3. HYDRAULIC DIAGRAM - OSCILLATING AXLE

ITEM	PART NUMBER	QTY	DESCRIPTION	REV
	2792230	Ref	HYDRAULIC DIAGRAM - OSCILLATING AXLE	-
1	2220466	1	Fitting, 90	
2	2751020	2	Hose	
3	4640939	1	Valve, Shuttle	
4	2220582	6	Fitting, Straight	
5	2751013	1	Hose	
6	2220415	2	Fitting, Straight	
7	2750900	1	Hose	
8	2220504	1	Fitting, Tee	
9	2752920	2	Hose	
10	2220603	1	Fitting, Straight	
11	2220635	1	Fitting, Tee	
12	2752824	1	Hose	
13	2220385	1	Fitting, Tee	
14	2220619	1	Fitting, Reducer	
15	2752823	1	Hose	
16	2220490	1	Fitting, Tee	
17	2752962	2	Hose	
18	2220371	2	Fitting, Straight	

SECTION 6 - HYDRAULIC

FIGURE 6-4. HYDRAULIC DIAGRAM - STANDARD

ITEM	PART NUMBER	QTY	DESCRIPTION	REV
	2792188	Ref	HYDRAULIC DIAGRAM - STANDARD (600A)	18
	2792189	Ref	HYDRAULIC DIAGRAM - STANDARD (600AJ)	19
3	2220377	3	Fitting, Straight	
4	2220646	2	Fitting, 90	
5	2752655	1	Hose	
6	2220578	3	Fitting, 90	
7	2220366	2	Fitting, 90	
8	2220385	2	Fitting, Tee	
9	2220618	3	Fitting, Reducer	
10	2752500	1	Hose	
11	2752519	1	Hose	
12	2753132	1	Hose	
13	2220472	2	Fitting, 90	
14	2752928	1	Hose	
15	2220375	2	Fitting, Straight	
16	2752591	1	Hose	
17	2220466	8	Fitting, 90	
18	2220415	5	Fitting, Straight	
20	2752723	1	Hose	
21	2220379	2	Fitting, Straight	
22	2752656	1	Hose	
23	2220567	1	Fitting, 90	
24	2752724	1	Hose	
25	2220376	1	Fitting, Straight	
26	2220810	1	Fitting, Reducer	
27	4640744	1	Valve, Check	
28	2752604	2	Hose (Note: Also Requires #69 & #68 for Complete Run Up Boom)	
29	2752929	1	Hose	
30	2220602	AR	Fitting, Tee	
31	2220619	AR	Fitting, Reducer	
32	2220416	1	Fitting, 90	
33	2752635	1	Hose	
34	2753133	1	Hose	
35	2220497	2	Fitting, Straight	
36	2752573	5	Hose	
37	2220414	AR	Fitting, Straight (600A - Qty.1 / 600AJ - Qty.2) (Prior to SN 030058640)	
38	2220428	AR	Fitting, Quick Coupling (600A - Qty.3 / 600AJ - Qty.4)	
39	2220429	AR	Cap, Dust (600A - Qty.3 / 600AJ - Qty.4)	
40	2220873	2	Fitting	
41	2752600	2	Hose	
42	2220582	6	Fitting, Straight	
43	2752506	1	Hose (600A)	
43	2752516	1	Hose (600AJ)	
44	2220596	3	Fitting, 90	
45	2220628	6	Fitting, 90	
46	2220609	7	Fitting, Reducer	
47	2220381	AR	Fitting, Long Straight (600A - Qty.5 / 600AJ - Qty.6)	
48	2220974	1	Fitting, Long Straight	
49	2220923	5	Fitting, Long Straight	

SECTION 6 - HYDRAULIC

ITEM	PART NUMBER	QTY	DESCRIPTION	REV
50	2220374	3	Fitting	
51	2220574	1	Fitting, Straight	
52	2220921	1	Fitting, Reducer	
53	2220498	1	Fitting, 45	
54	2752783	1	Hose	
55	2752469	1	Hose	
56	2220372	AR	Fitting, Straight (600A - Qty.5 /600AJ - Qty.7)	
57	2220899	2	Fitting, Tee	
58	2752636	1	Hose (600A)	
58	2752468	1	Hose (600AJ)	
59	2220371	1	Fitting, Straight (600A Only)	
60	2220657	1	Fitting, 45 (600A Only)	
61		Ref	Fitting, Tee Options:	
61	2220635	1	Fitting, Tee (Prior to SN 0300068131)	
61	2221065	1	Fitting, Tee (SN 0300068131 through 0300069000)	
62		Ref	Hose Options:	
62	2752466	1	Hose (Prior to SN 0300068131)	
62	2752462	1	Hose (SN 0300068131 through 0300069000)	
63	2753134	1	Hose	
64	2752497	1	Hose	
65	2220999	1	Fitting, Tee	
67	2220500	1	Fitting, 45	
68	2752601	3	Hose (Note: Also Requires #69 & #28 or #76 for Complete Run Up Boom)	
69	2220510	3	Fitting, Coupling	
70	2220468	2	Fitting, Straight	
71	2753052	1	Hose	
72	2220502	4	Fitting, 45	
73	2752603	2	Hose	
74	2753055	1	Hose	
75	2752939	2	Hose	
76	2752579	1	Hose (Note: Also Requires #69 & #68 for Complete Run Up Boom)	
77	2220654	AR	Fitting, 90	
78	2220511	1	Fitting, Coupling (600AJ Only)	
79	2753056	1	Hose	
80	2752991	1	Hose	
81	2753135	1	Hose	
82	2752434	1	Hose	
84	2753047	2	Hose (600AJ Only) (Also Requires #78 & #106 for Complete Run Up Boom)	
85	2220473	1	Fitting, 90 (600AJ Only)	
86	2752453	1	Hose	
87	2752593	1	Hose	
88	2752988	1	Hose	
89	2752990	1	Hose	
90	2752985	1	Hose	
91	2752343	1	Hose	
92		Ref	Hose Options:	
92	2752356	1	Hose (Prior to SN 0300064394)	
92	2752341	1	Hose (SN 0300064394 through 0300069000)	
93	2752592	1	Hose	
94	2220998	2	Fitting, Straight	

SECTION 6 - HYDRAULIC

ITEM	PART NUMBER	QTY	DESCRIPTION	REV
95	2220603	2	Fitting, Straight	
96	2753046	1	Hose (600A)	
96	2752650	1	Hose (600AJ)	
97	2752444	1	Hose (600AJ Only) (Prior to SN 0300052685)	
98	2220473	1	Fitting, 90	
100	2180724	1	Fitting, Modified 90 (600AJ Only)	
101	2180380	1	Plug, Orifice .06 (600AJ Only)	
102	0100011	AR	Compound, Locking	
103	0100038	AR	Primer, Locking	
104	1703534	2	Decal, Hose Tags (Not Shown)	
105	2752989	2	Hose	
106	2752618	2	Hose (600AJ Only) (Note: Also Requires #78 & #84 for Complete Run Up Boom)	
107	2752987	1	Hose	
108	2220373	1	Fitting, Straight	
109	2220947	1	Fitting, Straight	
110	2221036	1	Fitting, O-Ring	
111	2752484	1	Hose	
112	2220873	1	Fitting, Nipple (SN 0300058640 through 0300069000)	
113	2221053	1	Fitting, Tee (SN 0300068131 through 0300069000)	

SECTION 6 - HYDRAULIC

FIGURE 6-5. HYDRAULIC DIAGRAM LIST

ITEM	PART NUMBER	QTY	DESCRIPTION	REV
		Ref	Note: Diagrams not shown are available from JLG Service/Parts Departments.	
	1282396	Ref	Drive Hydraulic Diagrams	
		Ref	Drive Hydraulic Diagrams 600A & 600AJ With 8ft/2.4m Width Frame:	
	2792193	Ref	2WD/2WS	
	2792194	Ref	2WD/4WS	
	2792195	Ref	4WD/2WS	
	2792196	Ref	4WD/4WS	
		Ref	Drive Hydraulic Diagrams 600A & 600AJ with 7ft/2.1m Width Frame:	
	2792191	Ref	2WD/2WS	
		Ref	2WD/2WS	
	2792230	Ref	Oscillating Axle Hydraulic Diagram	
	2792188	Ref	Standard Hydraulic Diagram - 600A	
	1282396	Ref	Standard Hydraulic Diagram - 600A	
	2792189	Ref	Standard Hydraulic Diagram - 600AJ	
	1282396	Ref	Standard Hydraulic Diagram - 600AJ	
	2792177	Ref	Standard Hydraulic Schematic	
	2792405	Ref	Tool Circuit Hydraulic Diagram	
	2792315	Ref	Tow Hydraulic Diagram	

SECTION 7 - ELECTRICAL

SECTION 7 - ELECTRICAL

FIGURE 7-1. ELECTRICAL DIAGRAM LIST

ITEM	PART NUMBER	QTY	DESCRIPTION	REV
		Ref	Note: Diagrams not shown are available from the JLG Service Department.	
		Ref	Note: Numbered Wiring Starts with SN 0300035129	
		Ref	ALARM ELECTRICAL DIAGRAMS	
	4932783	Ref	Alarm Electrical Diagrams (Prior to SN 0300035129)	-
	1282474	Ref	Alarm Electrical Diagrams (Prior to SN 0300035129)	A
	4932903	Ref	Alarm Electrical Diagrams - Motion (SN 0300035129 through 0300036476)	2
	1282685	Ref	Alarm Electrical Diagrams - Motion (SN 0300035129 through 0300036476)	D
	4933025	Ref	Alarm Electrical Diagrams - Motion (SN 0300036477 through 0300069000)	1
	1282937	Ref	Alarm Electrical Diagrams – Motion (SN 0300036477 through 0300069000)	A
	4932902	Ref	Alarm Electrical Diagrams - Travel (SN 0300035129 through 0300036476)	2
	1282685	Ref	Alarm Electrical Diagrams - Travel (SN 0300035129 through 0300036476)	D
	4933026	Ref	Alarm Electrical Diagrams - Travel (SN 0300036477 through 0300069000)	1
	1282937	Ref	Alarm Electrical Diagrams - Travel (SN 0300036477 through 0300069000)	A
	1282571	Ref	COLD WEATHER START ELECTRICAL DIAGRAM (DEUTZ)	F
		Ref	DRIVE CUT-OUT ELECTRICAL DIAGRAMS	
	4932894	Ref	Above Elevation (Prior to SN 0300035129)	1
	1282672	Ref	Above Elevation (Prior to SN 0300035129)	-
	4932990	Ref	Above Elevation (SN 0300035129 through 0300069000)	2
	1282828	Ref	Above Elevation (SN 0300035129 through 0300069000)	B
	4932896	Ref	Above Elevation Tilt (Prior to SN 0300035129)	1
	1282672	Ref	Above Elevation Tilt (Prior to SN 0300035129)	-
	4932993	Ref	Above Elevation Tilt (SN 0300035129 through 0300069000)	2
	1282828	Ref	Above Elevation Tilt (SN 0300035129 through 0300069000)	B
	3640493	1	Rail, Mounting	
	4460607	2	Stop, Terminal	
	4120013	1	Socket, Relay	
	3740058	1	Relay 4PDT	
	2740063	1	Spring, Relay	
		Ref	ENGINE LOW OIL SHUTDOWN ELECTRICAL DIAGRAMS	
	4932977	Ref	Engine Low Oil Shutdown Electrical Diagrams (Prior to SN 0300035129)	1-A
	4932986	Ref	Engine Low Oil Shutdown Electrical Diagrams (SN 0300035129 through 0300069000)	2-B
		Ref	GENERATOR ELECTRICAL DIAGRAMS	
	4932828	Ref	Generator Electrical Diagrams 110V (Prior to SN 0300035129)	2-C
	4932915	Ref	Generator Electrical Diagrams 110V (SN 0300035129 through 0300056085)	2-C
	4933150	Ref	Generator Electrical Diagrams 110V (SN 0300056086 through 0300064248)	2-B
	4933215	Ref	Generator Electrical Diagrams 110Volt (ADE System (SN 0300064249 through 0300069000)	1-A
	4932940	Ref	Generator Electrical Diagrams 220V (Prior to SN 0300035129)	-/-

SECTION 7 - ELECTRICAL

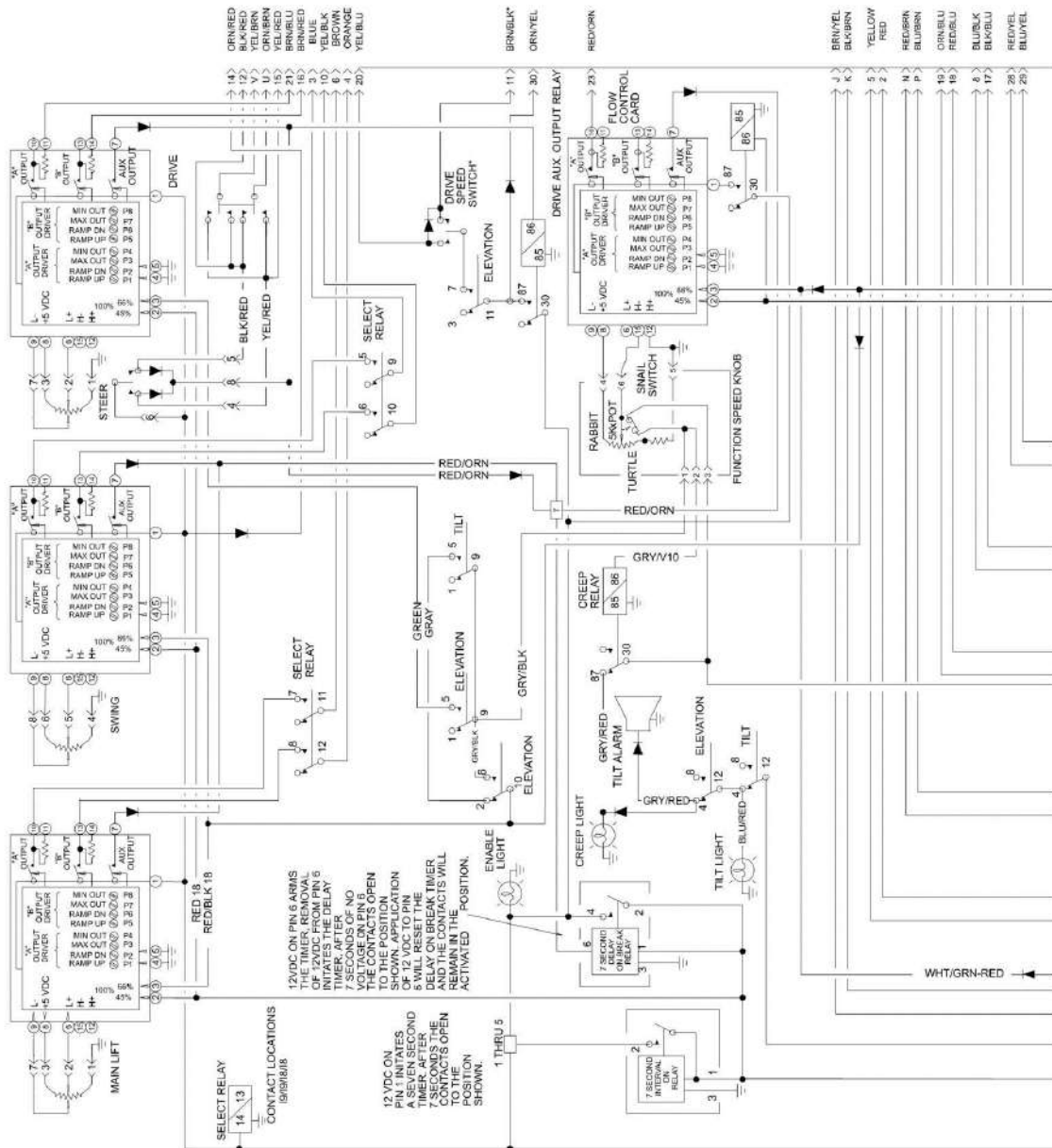
ITEM	PART NUMBER	QTY	DESCRIPTION	REV
	4932989	Ref	Generator Electrical Diagrams 220V (SN 0300035129 through 0300056085)	1-B
	4933149	Ref	Generator Electrical Diagrams 220 Volt (SN 0300056086 through 0300064248)	2-B
	4933162	Ref	Generator Electrical Diagrams 220 Volt (ADE System (SN 0300064249 through 0300069000)	1-A
		Ref	LIGHTS ELECTRICAL DIAGRAMS:	
	4932839	Ref	Headlight/Taillight (Prior to SN 0300035129)	1-A
	4932917	Ref	Headlight/Taillight (SN 0300035129 through 0300064248)	3-D
	4922095	1	Harness (Located in Platform Console Box)	
	3740049	1	Relay	
	4933219	Ref	Headlight/Taillight (ADE System) (SN 0300064249 through 0300069000)	1-A
	4922484	1	Harness (Located in Ground Console Box)	
	3740049	1	Relay	
	4933006	Ref	LOAD SENSING SYSTEM ELECTRICAL DIAGRAM	1
		Ref	OIL COOLER ELECTRICAL DIAGRAMS	
	0256779	Ref	Continental Machines	
	1282668	Ref	Continental Machines	
	0256765	Ref	Deutz Machines	
	1282665	Ref	Duetz Manuals	
	0256778	Ref	Ford Machines	
	1282663	Ref	Ford Machines	
	0270723	Ref	PLATFORM BEACON ELECTRICAL DIAGRAM	1-A
		Ref	PLATFORM ELECTRICAL DIAGRAMS	
	4932848	Ref	Platform Electrical Diagrams (Prior to SN 0300029430)	1-E
	4932914	Ref	Platform Electrical Diagrams (SN 0300029430 through 0300035128)	5-D
	4932905	Ref	Platform Electrical Diagrams (SN 0300035129 through 0300069000)	7-E
	4922509	Ref	Platform Electrical Diagrams with ADE System (SN 0300064249 through 0300064269)	3-D
	4922639	Ref	Platform Electrical Diagrams with ADE System (SN 0300064270 through 0300069000)	C
		Ref	PLATFORM SOFT TOUCH SYSTEM ELECTRICAL DIAGRAMS:	
	4932815	Ref	Platform Soft Touch System Electrical Diagrams (Prior to SN 0300035129)	-
	4932980	Ref	Platform Soft Touch System Electrical Diagrams (SN 0300035129 through 0300069000)	2-C
	3740057	1	Relay (Located in Platform Console Box)	
	4120012	1	Socket, Relay (Located in Platform Console Box)	
	3740066	1	Spring, Relay (Located in Platform Console Box)	
	3740049	1	Relay (Located in Platform Console Box)	
	4460600	1	Block, Terminal (Located in Platform Console Box)	
	4933218	Ref	PLATFORM SOFT TOUCH SYSTEM ELECTRICAL DIAGRAM (WITH ADE SYSTEM) (SN 0300064249 through 0300069000)	1-A
		Ref	PLATFORM WORKLIGHTS ELECTRICAL DIAGRAMS	
	0255392	Ref	Platform Worklights Electrical Diagrams (Prior to SN 0300035129)	2-B
	0258048	Ref	Platform Worklights Electrical Diagrams (SN 0300035129 through 0300064248)	2-E
	0270814	Ref	Platform Worklights Electrical Diagrams with ADE System (SN 0300064249 through 0300069000)	2-C
	4932971	Ref	POWER TOOL ELECTRICAL DIAGRAM	2-A

SECTION 7 - ELECTRICAL

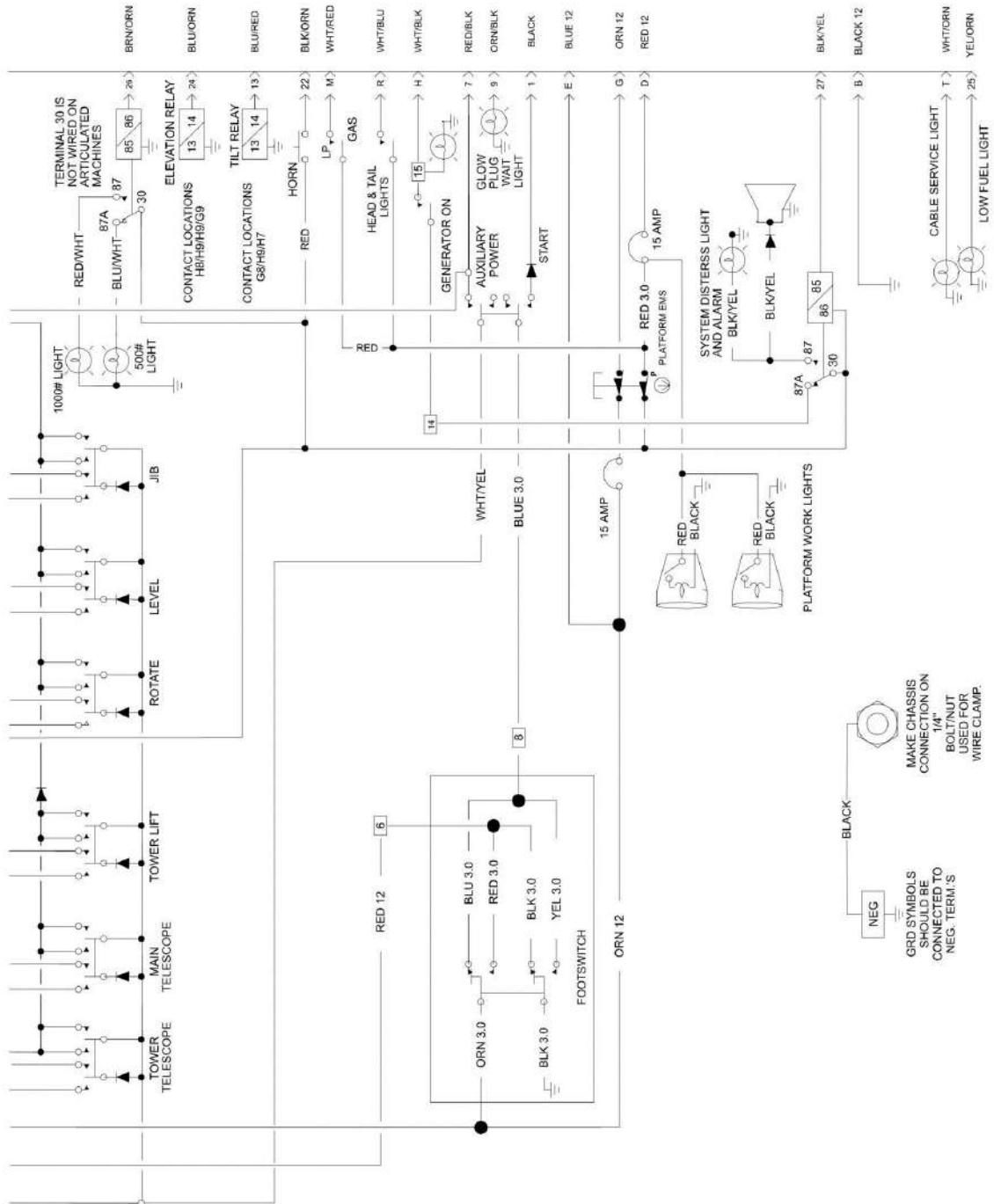
ITEM	PART NUMBER	QTY	DESCRIPTION	REV
	0259644	Ref	REMOTE CONTROL ELECTRICAL DIAGRAMS	3-C
		Ref	STANDARD ELECTRICAL DIAGRAMS	
	4932799	Ref	Continental Engine Machines (Prior to SN 0300035129)	6-F
	4932906	Ref	Continental Engine Machines (SN 0300035129 through 0300069000)	2-B
	4932798	Ref	Deutz Engine Machines (Prior to SN 0300035129)	5-G
	4932911	Ref	Deutz Engine Machines (SN 0300035129 through 0300064248)	6-F
	4933168	Ref	Deutz Engine (With ADE System) (SN 0300064249 through 0300069000)	5-F
	4933063	Ref	Deutz Engine - UL Machines (SN 0300039457 through 0300069000)	2-D
	4932797	Ref	Ford Engine Machines (Prior to SN 0300030947)	4-E
	4932962	Ref	Ford Engine Machines (SN 0300030947 through 0300035128)	1-B
	4932909	Ref	Ford Engine Machines (SN 0300035129 through 0300048906)	4-C
	4933114	Ref	Ford Engine (SN 0300048907 through 0300064248)	4-D
	4933167	Ref	Ford EFI Engine (With ADE System) (SN 0300064249 through 0300069000)	4-F
	4933055	Ref	Ford Engine - UL Machines (SN 0300039457 through 0300069000)	2-E
	4933228	Ref	Isuzu Engine (SN 0300063908 through 0300069000)	1-A
		Ref	STANDARD ELECTRICAL SCHEMATICS	
	1870039	Ref	Continental and Deutz (Prior to SN 0300035129)	RL-D
	1870053	Ref	Continental and Deutz (SN 0300035129 through 0300069000)	E
	1870087	Ref	UL - Deutz (SN 0300039457 through 0300069000)	A
	1870038	Ref	Ford (Prior to SN 0300035129)	D
	1870052	Ref	Ford (SN 0300035129 through 0300048906)	E
	1870113	Ref	Ford with EFI (SN 0300048907 through 0300064249)	A
	1870075	Ref	UL - Ford (SN 0300039457 through 0300069000)	B
	1870089	Ref	UL - Ford LP Only (SN 0300039457 through 0300069000)	B
	1870131	Ref	Isuzu (SN 0300063908 through 0300069000)	A
	1870132	Ref	Deutz/Ford EFI (With ADE System) (SN 0300064249 through 0300069000)	B
		Ref	STROBE LIGHT ELECTRICAL DIAGRAMS	
	4932812	Ref	Strobe Light Electrical Diagrams (Prior to SN 0300035129)	-
	1282474	Ref	Strobe Light Electrical Diagrams (Prior to SN 0300035129)	-
	4932904	Ref	Strobe Light Electrical Diagrams (SN 0300035129 through 0300036476)	2
	1282685	Ref	Strobe Light Electrical Diagrams (SN 0300035129 through 0300036476)	D
	4933027	Ref	Strobe Light Electrical Diagrams (SN 0300036477 through 0300064248)	1
	1282937	Ref	Strobe Light Electrical Diagrams with ADE System (SN 0300036477 through 0300064248)	A
	0255919	Ref	Strobe Light Electrical Diagrams with ADE System (SN 0300064249 through 0300069000)	-/-

SECTION 7 - ELECTRICAL

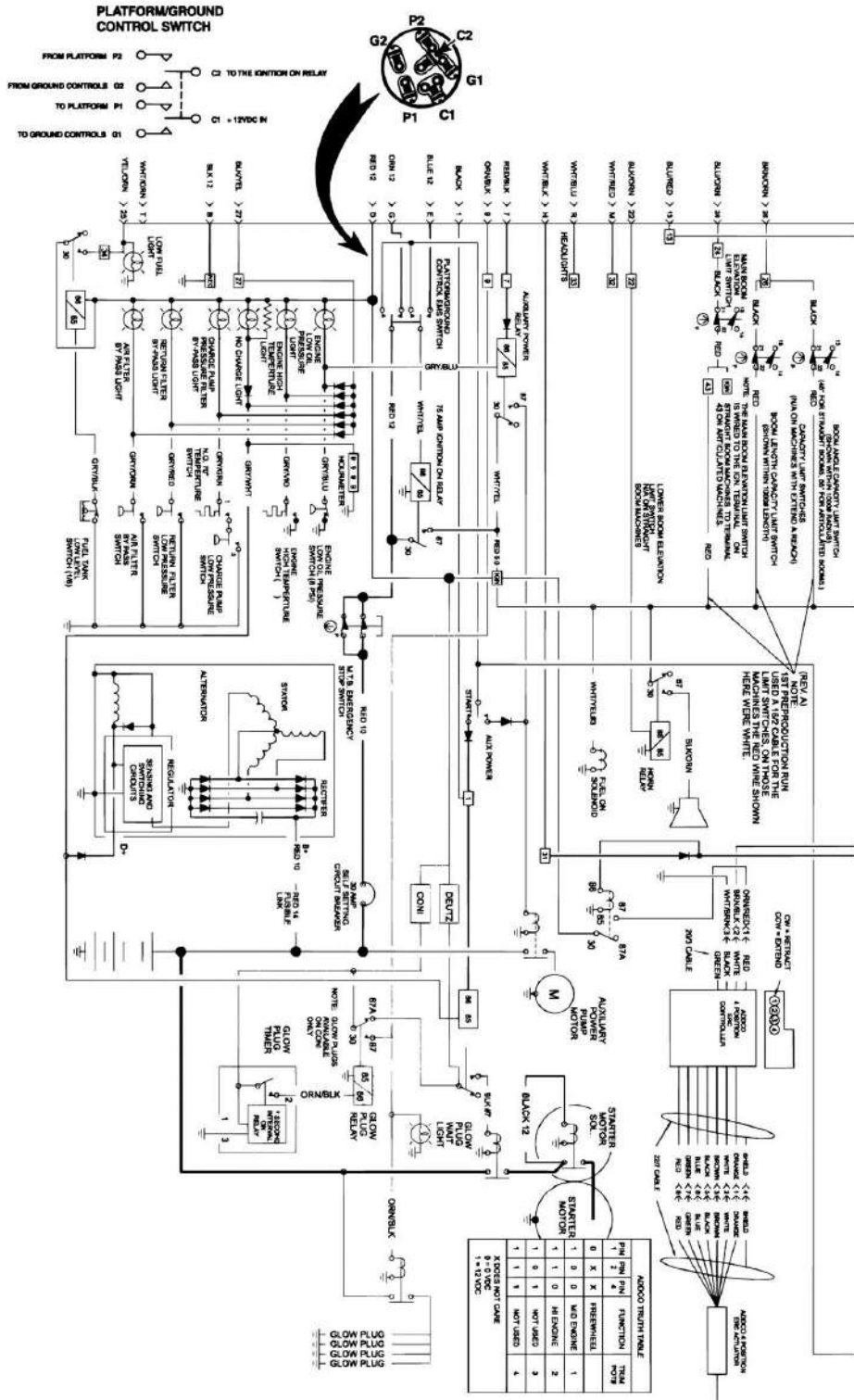
FIGURE 7-2. ELECTRICAL SCHEMATIC - DIESEL MACHINES WITH COLORED WIRING (Prior to SN 0300035129)



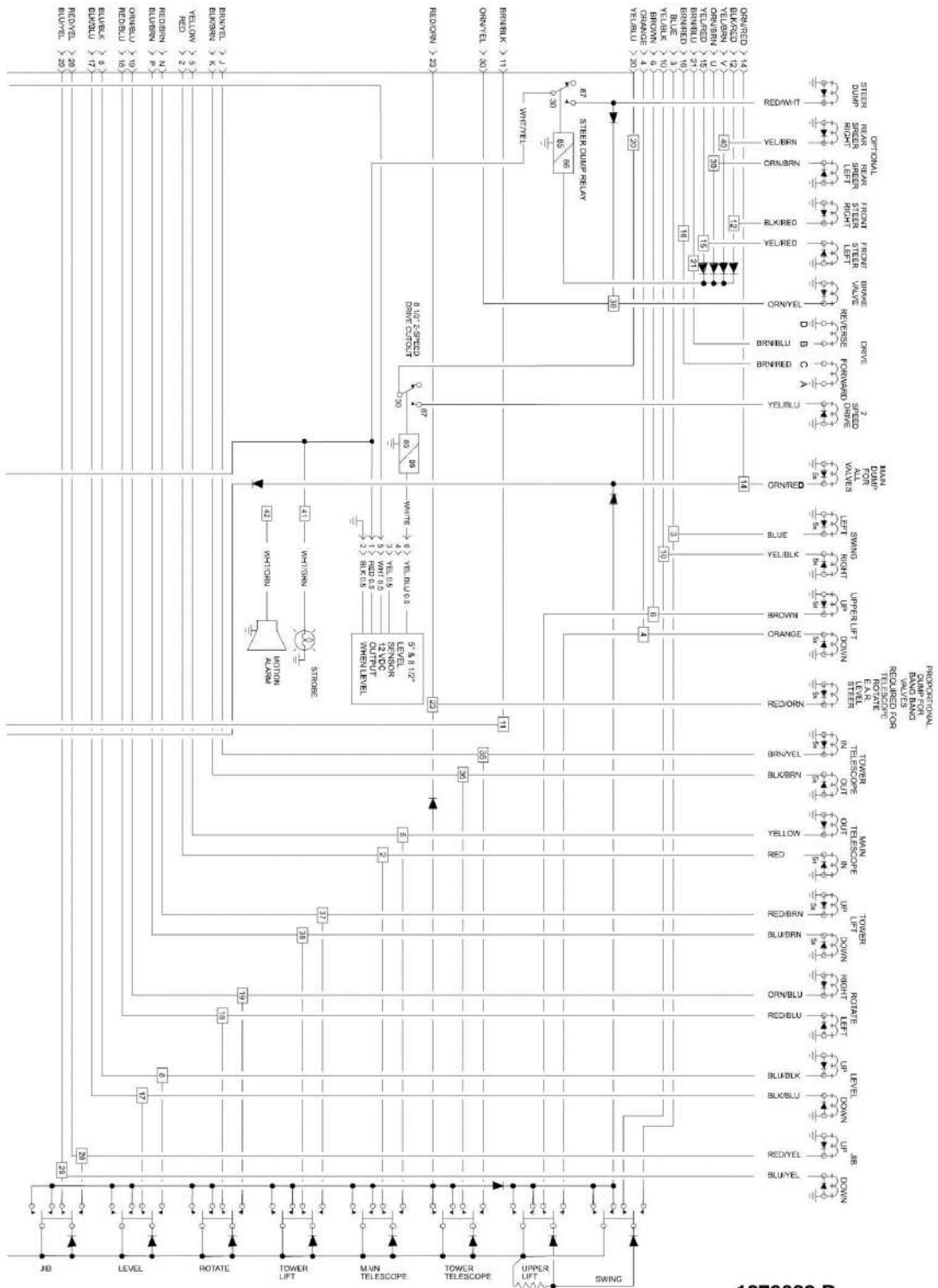
SECTION 7 - ELECTRICAL



SECTION 7 - ELECTRICAL



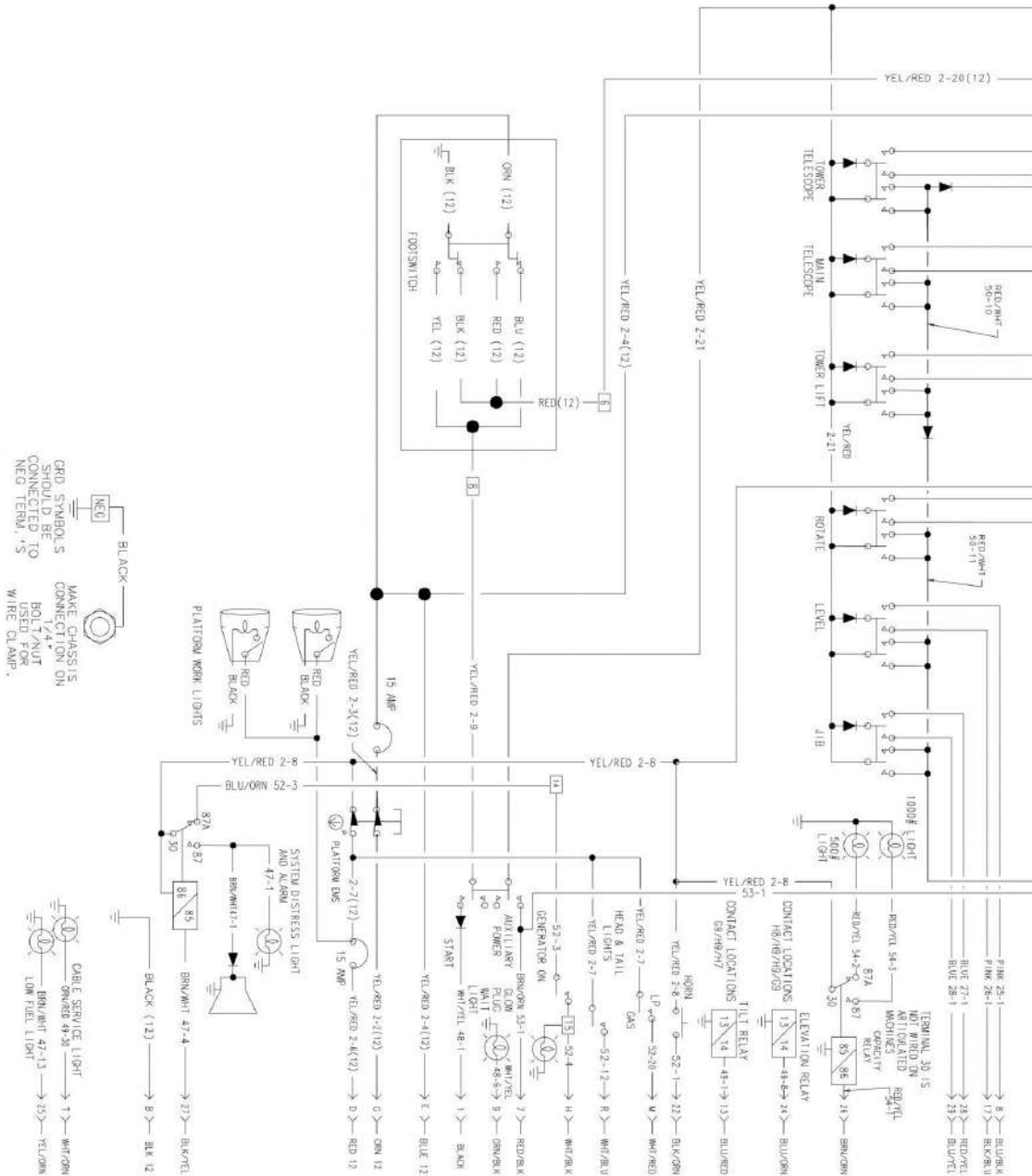
SECTION 7 - ELECTRICAL



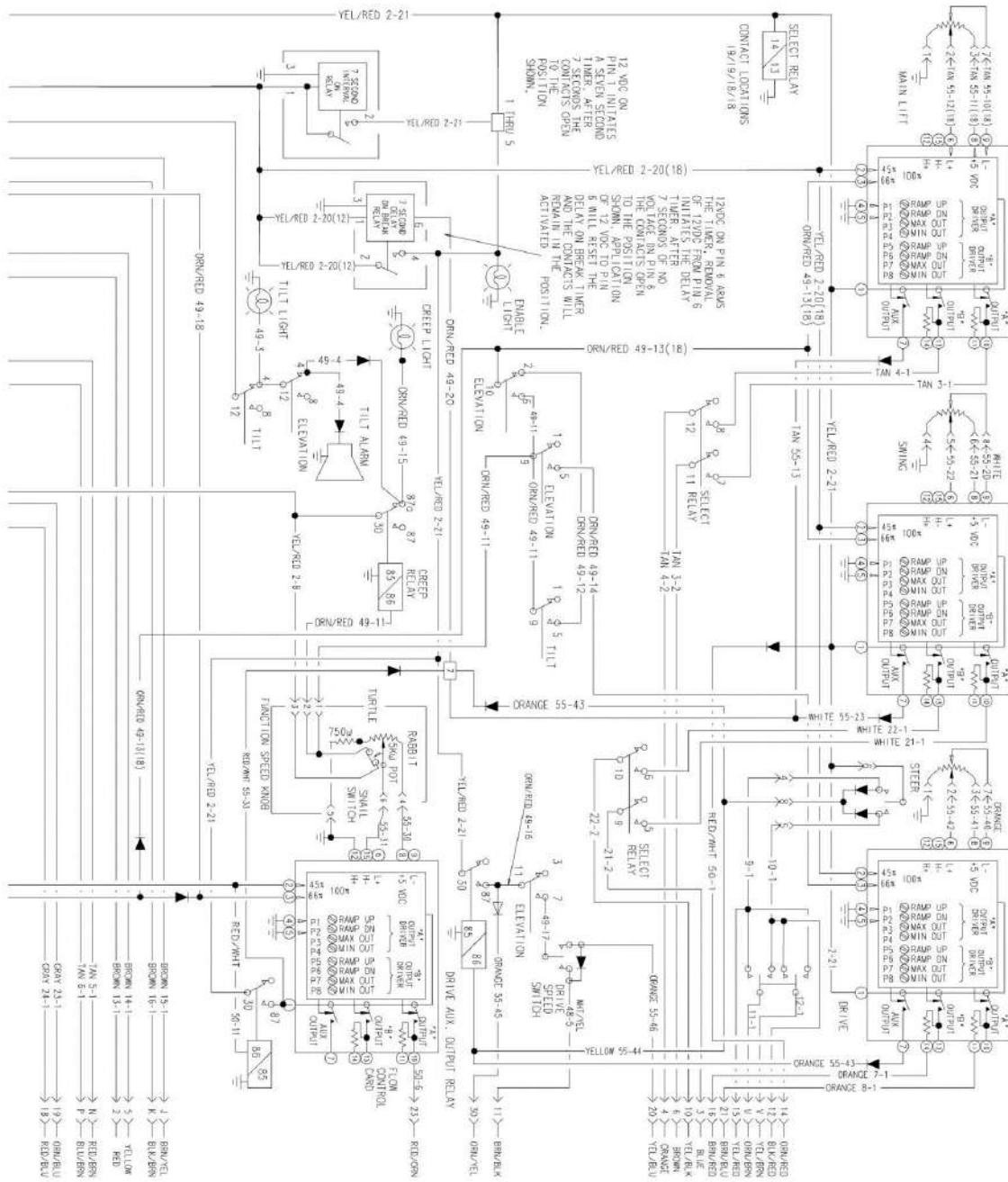
1870039 D

SECTION 7 - ELECTRICAL

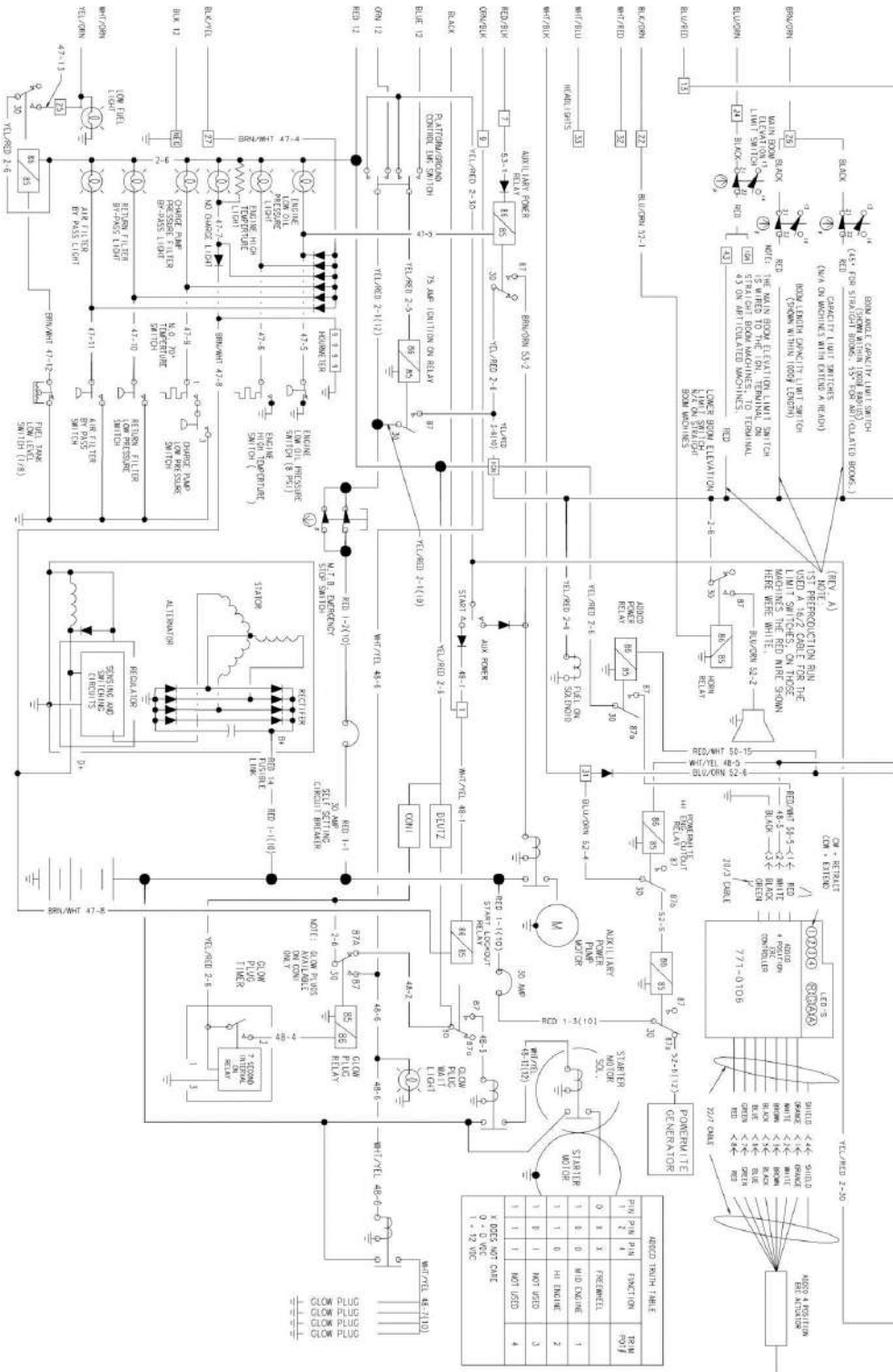
FIGURE 7-3. ELECTRICAL SCHEMATIC - DIESEL MACHINES WITH NUMBERED COLORED WIRING (SN 0300035129 through 0300069000)



SECTION 7 - ELECTRICAL



SECTION 7 - ELECTRICAL



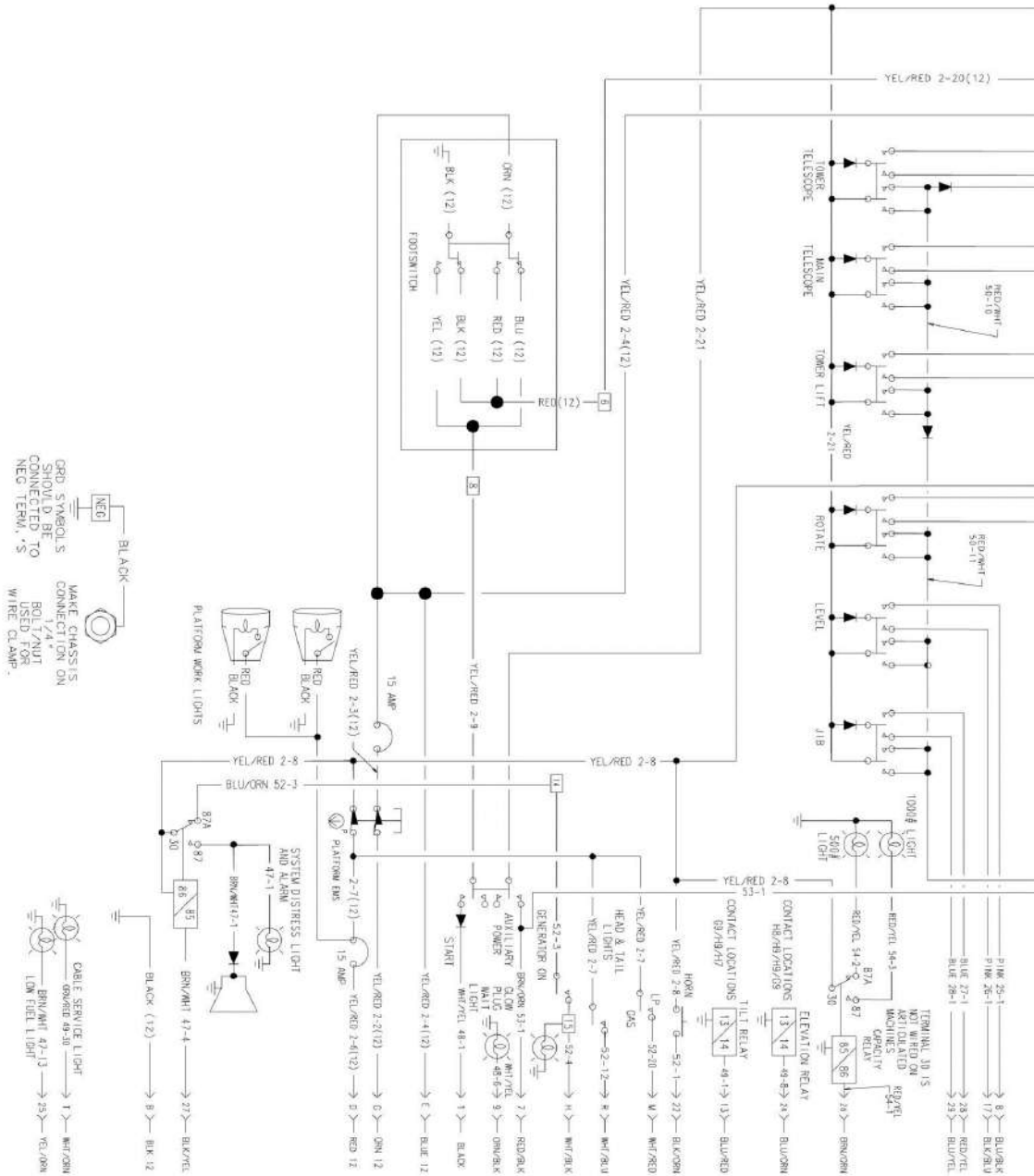
WHT/REL 48-110

WHT/REL 48-110	GEN	TRANS	RECT	REG	SWITCHING REG	CP	REL	INT	TEMP
1	1	1	1	1	1	1	1	1	1
2	2	2	2	2	2	2	2	2	2
3	3	3	3	3	3	3	3	3	3
4	4	4	4	4	4	4	4	4	4

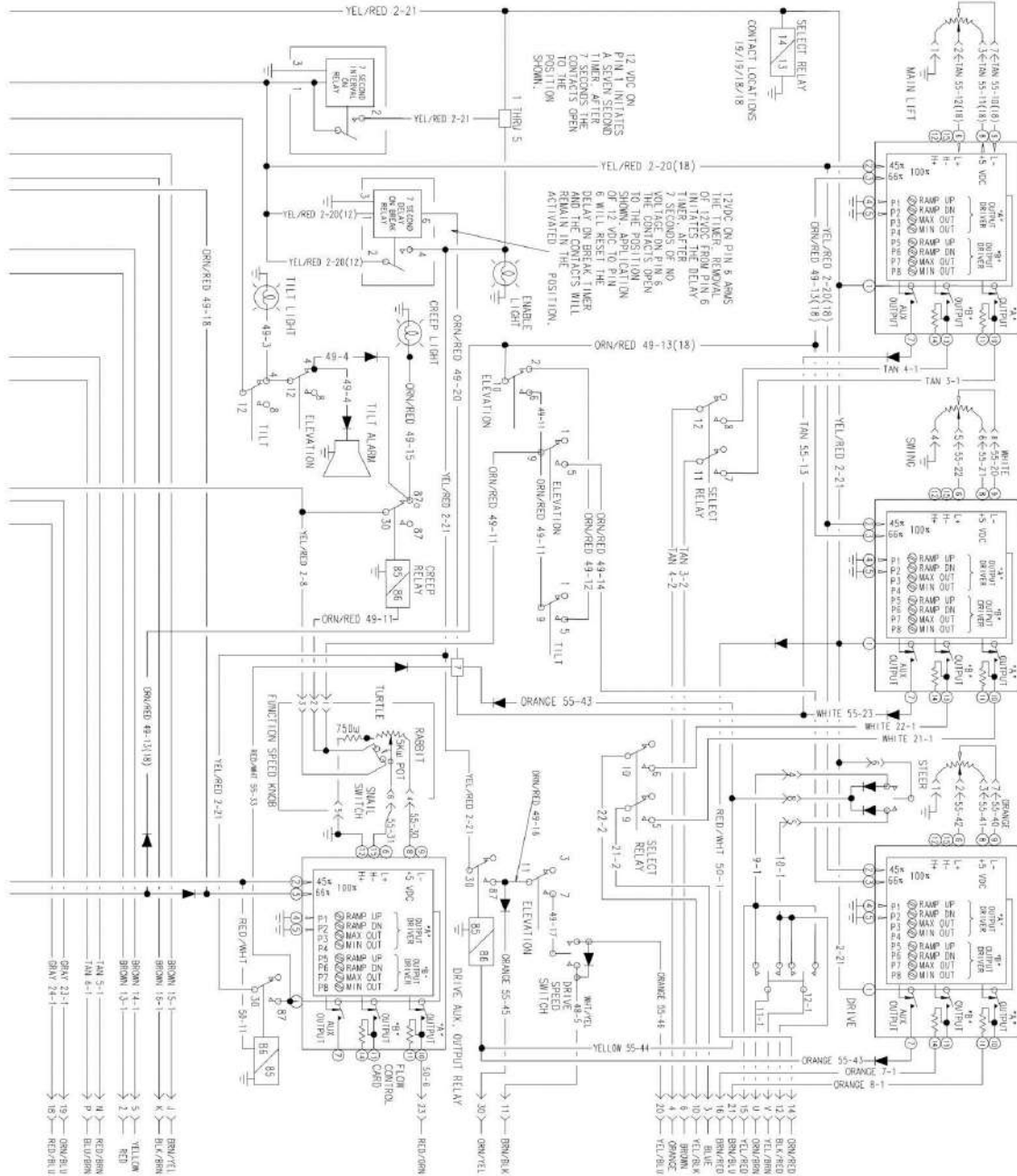
GEN: 200V AC
TRANS: 200V/115V
RECT: 115V DC
REG: 115V DC
SWITCHING REG: 115V DC
CP: 115V AC
REL: 115V AC
INT: 115V AC
TEMP: 115V AC

SECTION 7 - ELECTRICAL

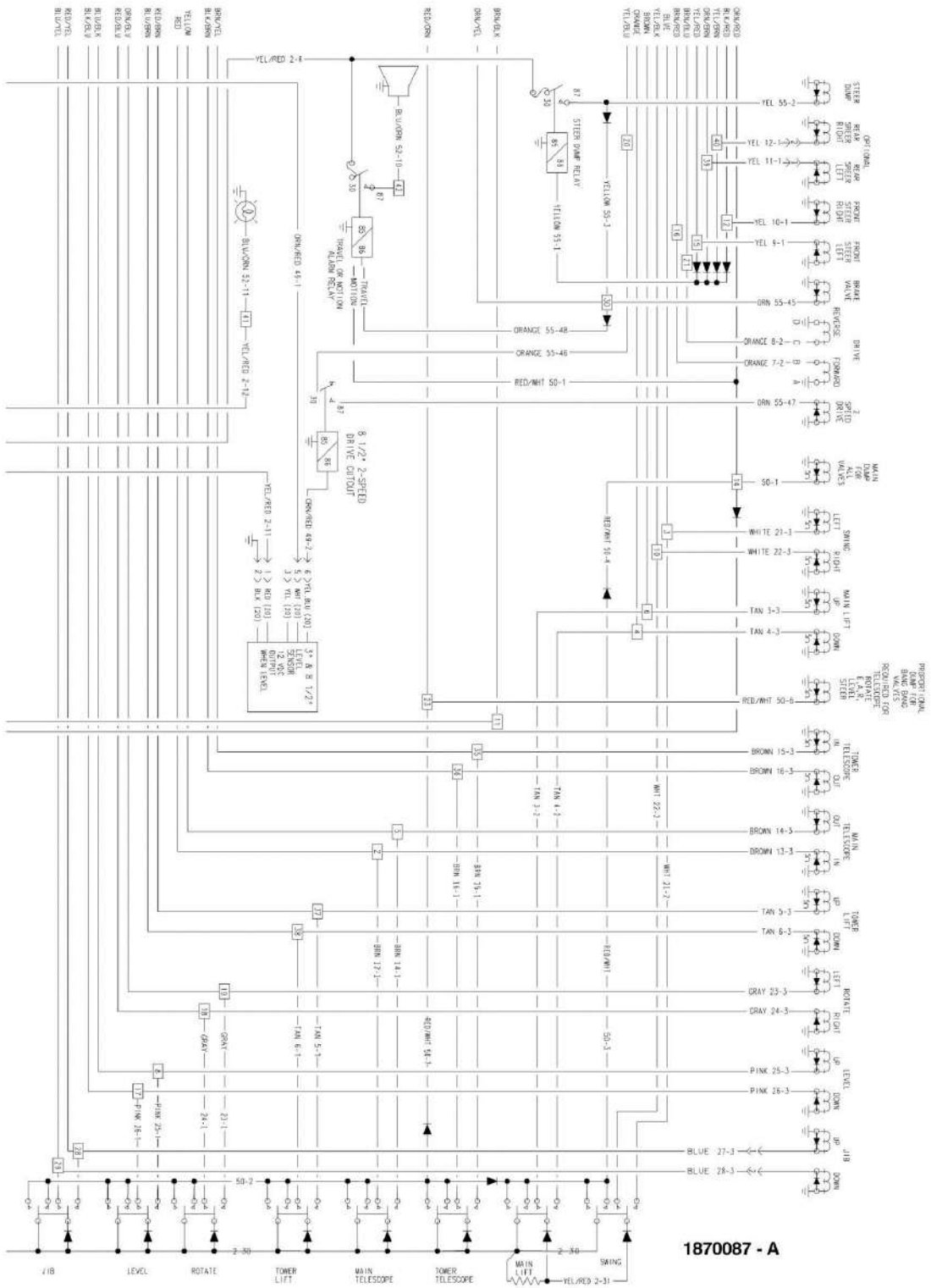
FIGURE 7-4. ELECTRICAL SCHEMATIC - DIESEL UL MACHINES WITH NUMBERED COLORED WIRING (SN 0300039457 through 0300069000)



SECTION 7 - ELECTRICAL

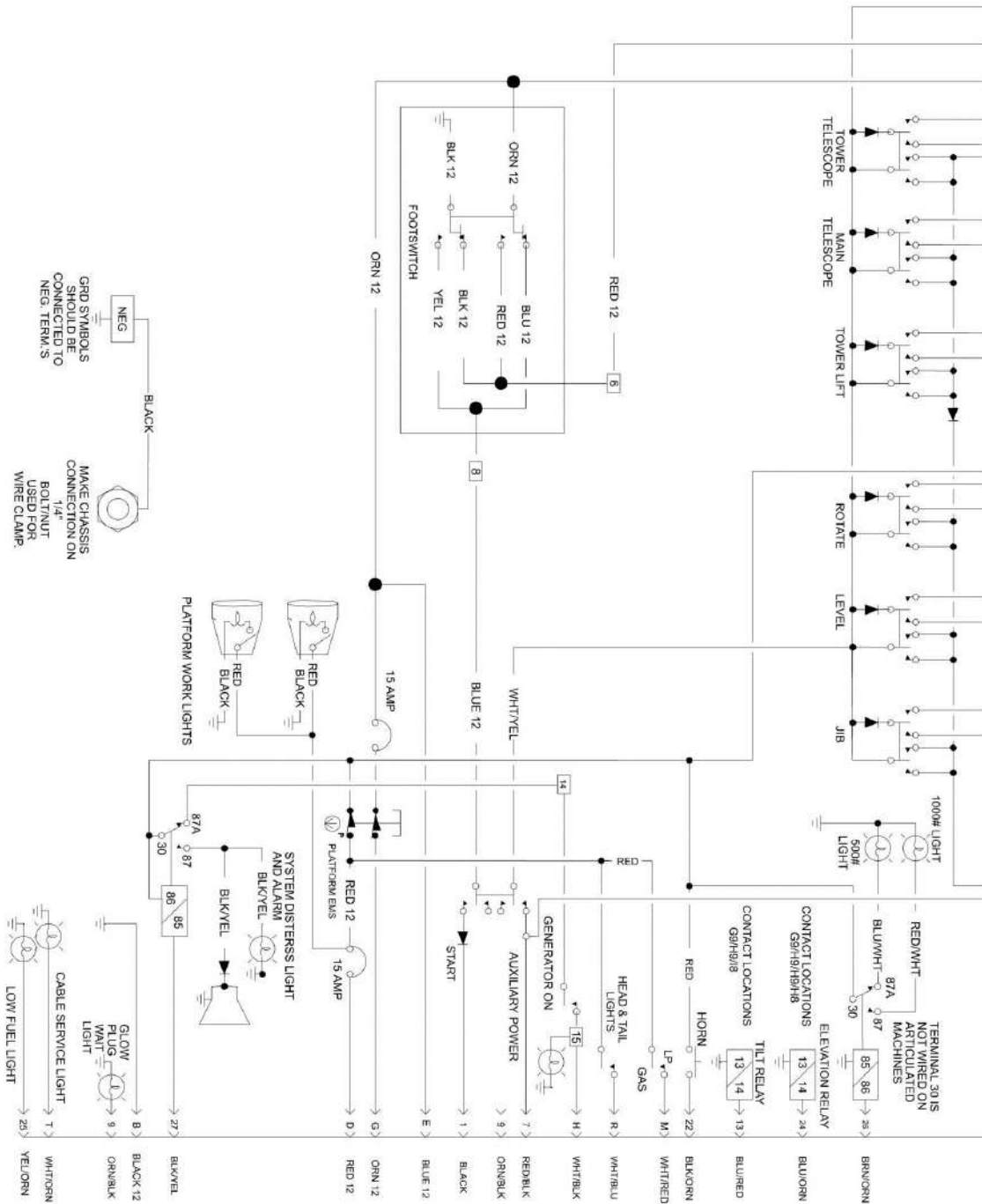


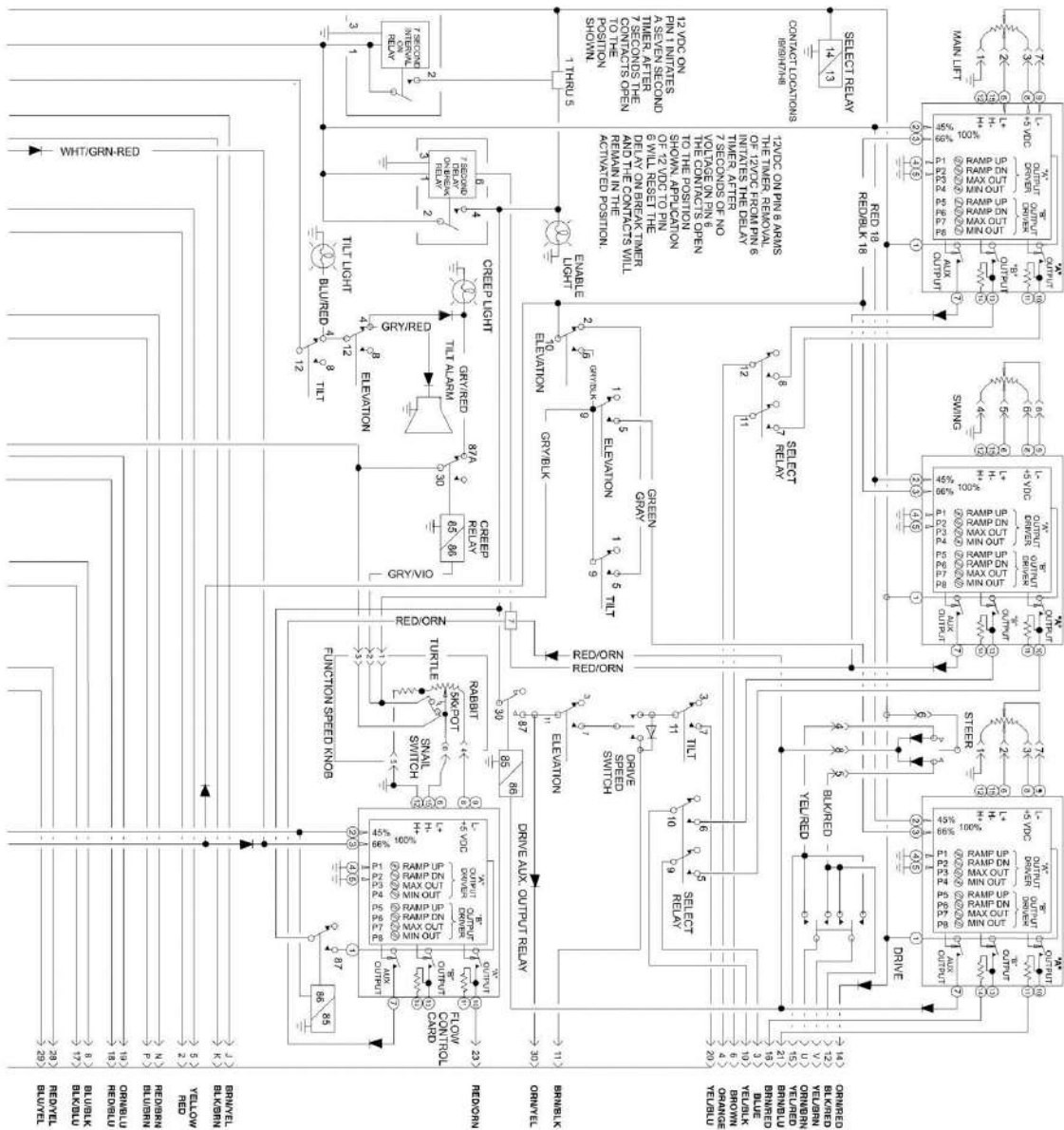
SECTION 7 - ELECTRICAL



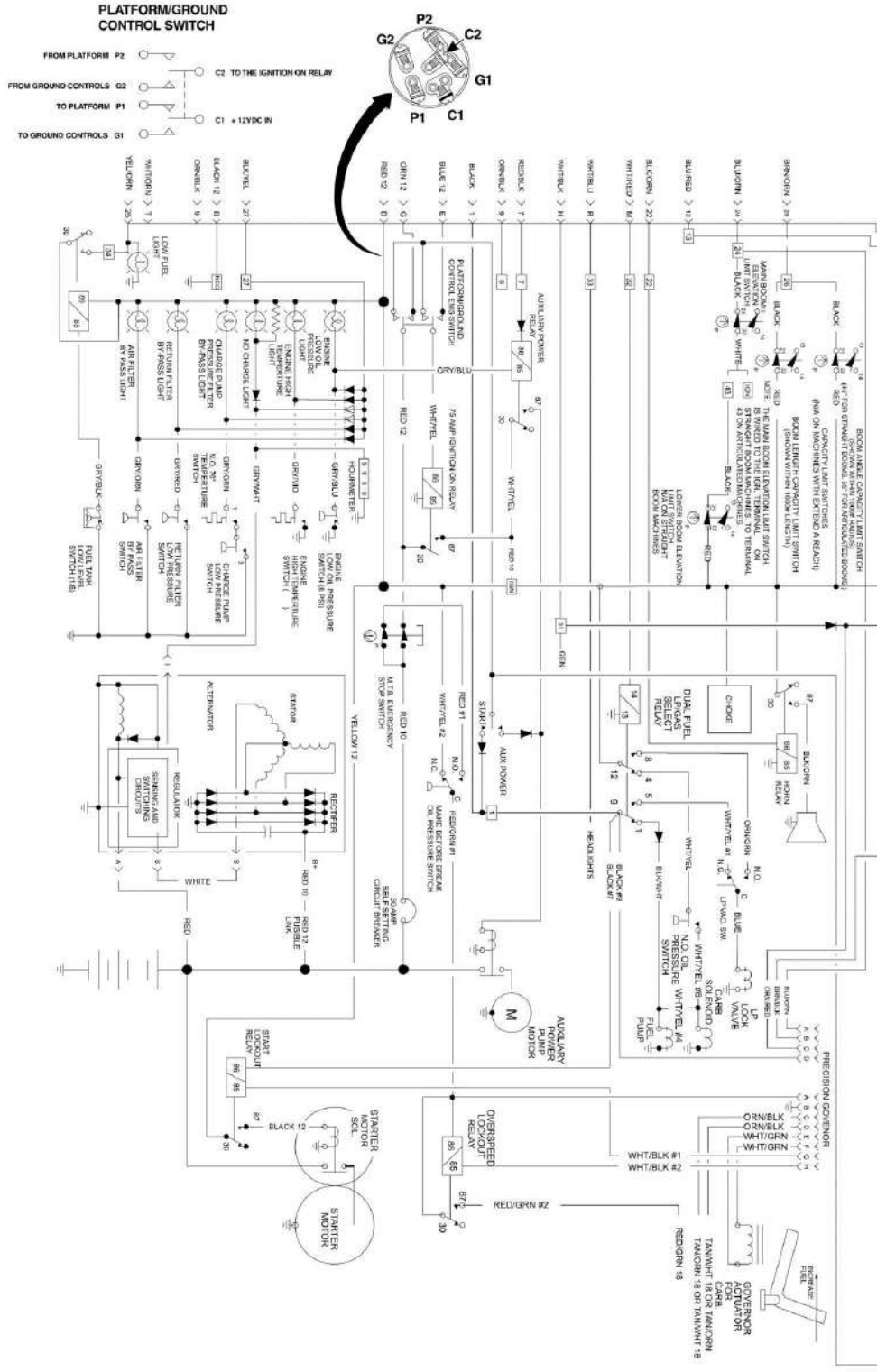
SECTION 7 - ELECTRICAL

FIGURE 7-5. ELECTRICAL SCHEMATIC - GAS MACHINES WITH COLORED WIRING (Prior to SN 0300035129)

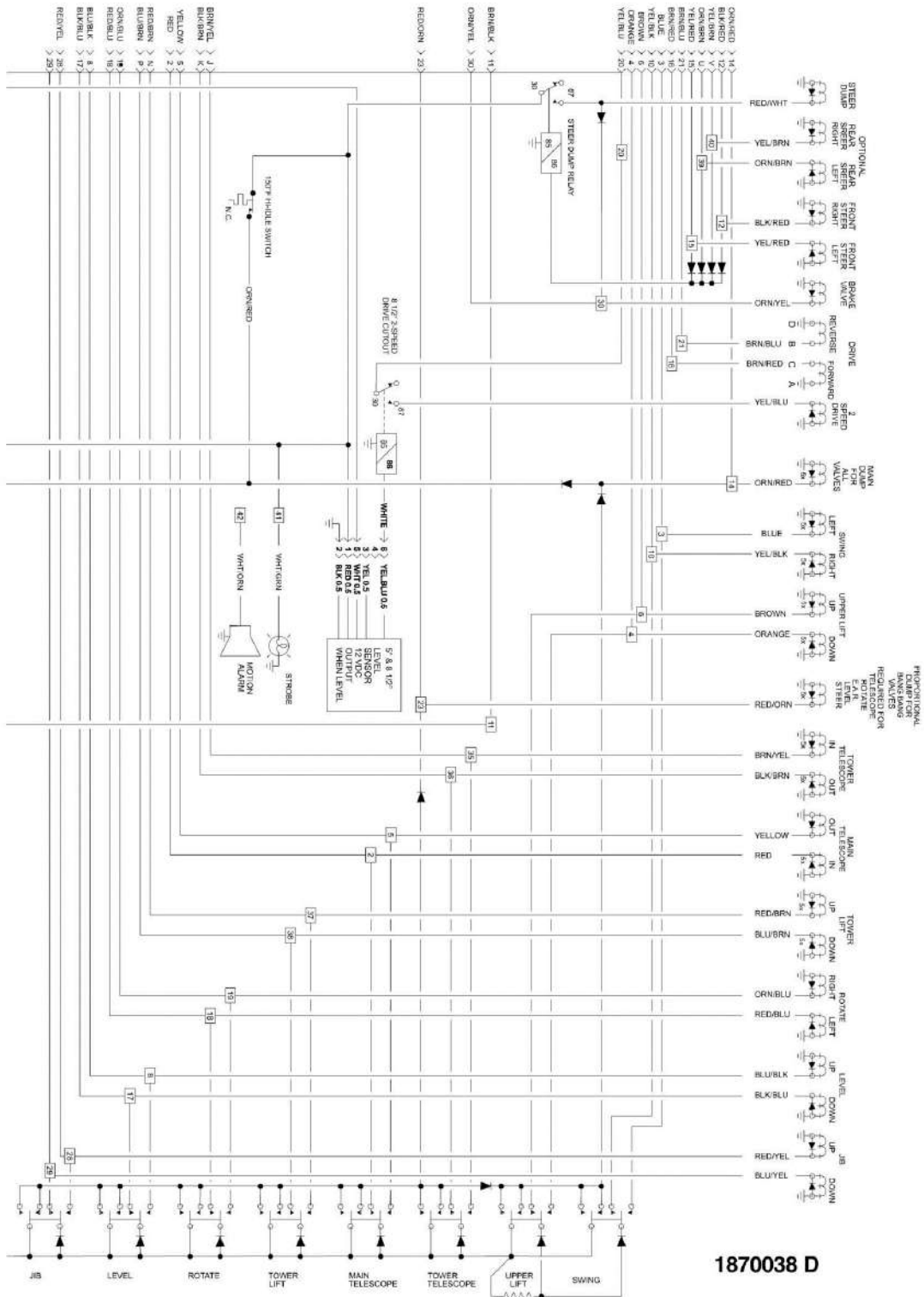




SECTION 7 - ELECTRICAL

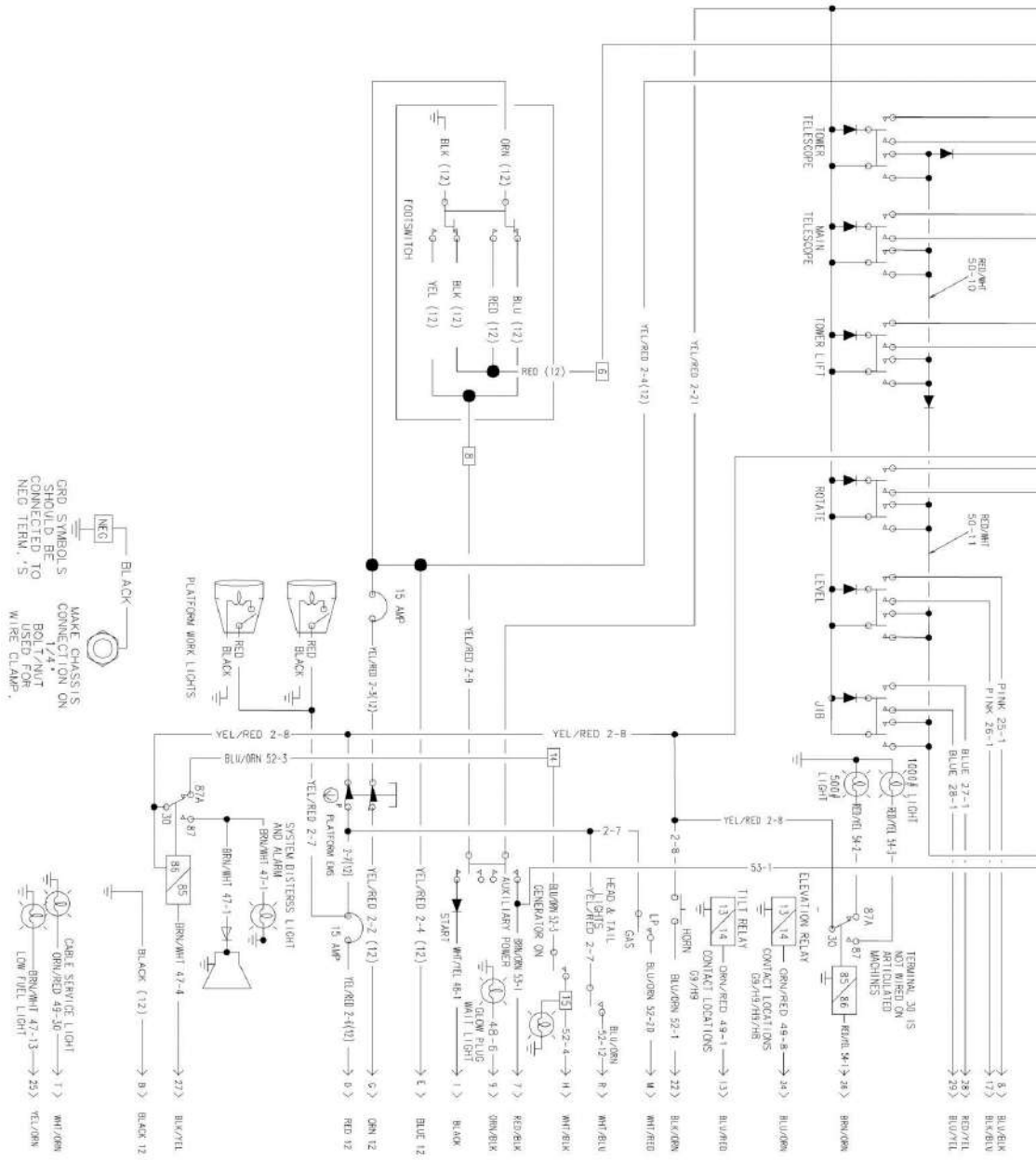


SECTION 7 - ELECTRICAL

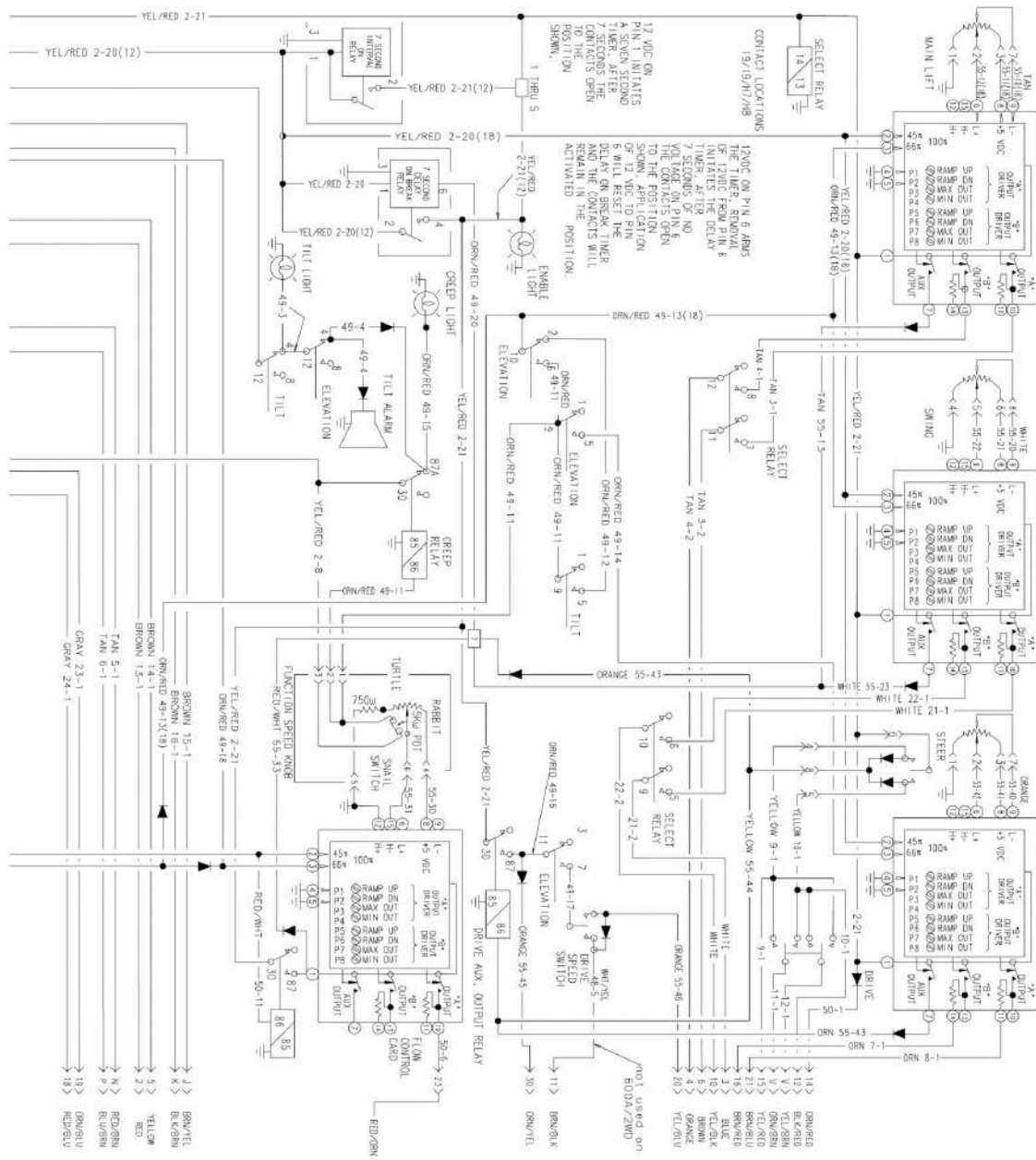


SECTION 7 - ELECTRICAL

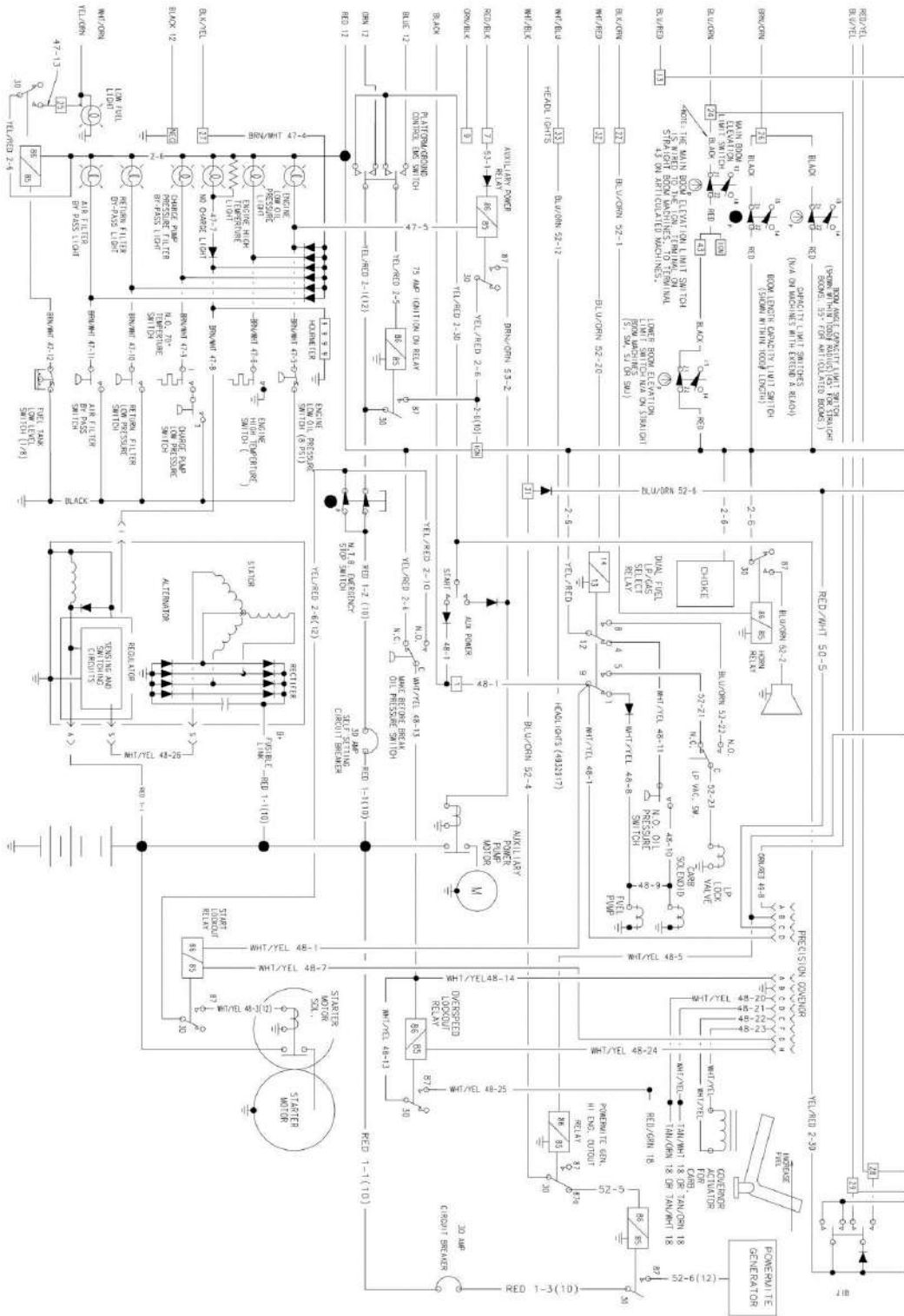
FIGURE 7-6. ELECTRICAL SCHEMATIC - GAS MACHINES WITH NUMBERED COLORED WIRING (SN 0300035129 through 0300048907)



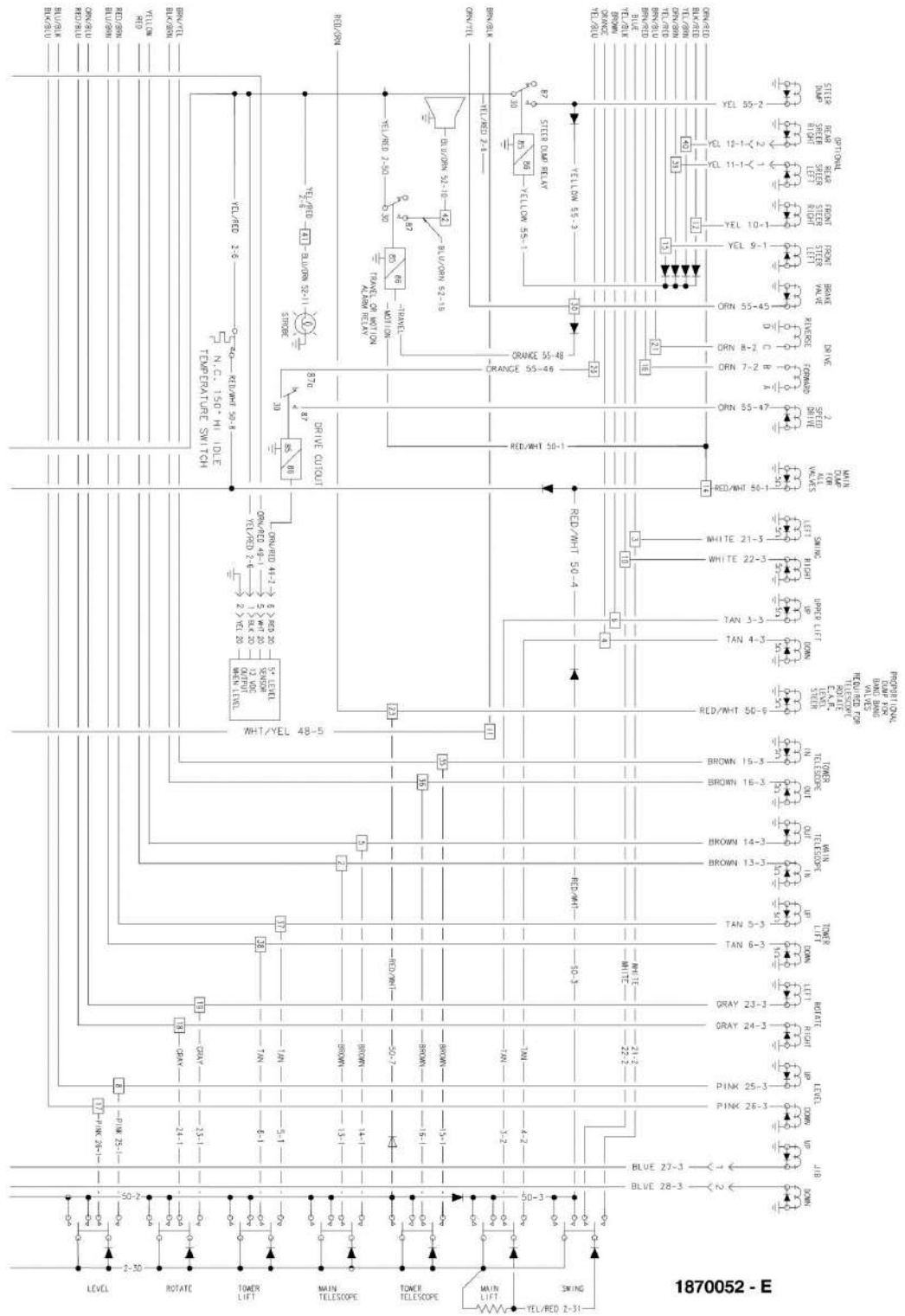
SECTION 7 - ELECTRICAL



SECTION 7 - ELECTRICAL



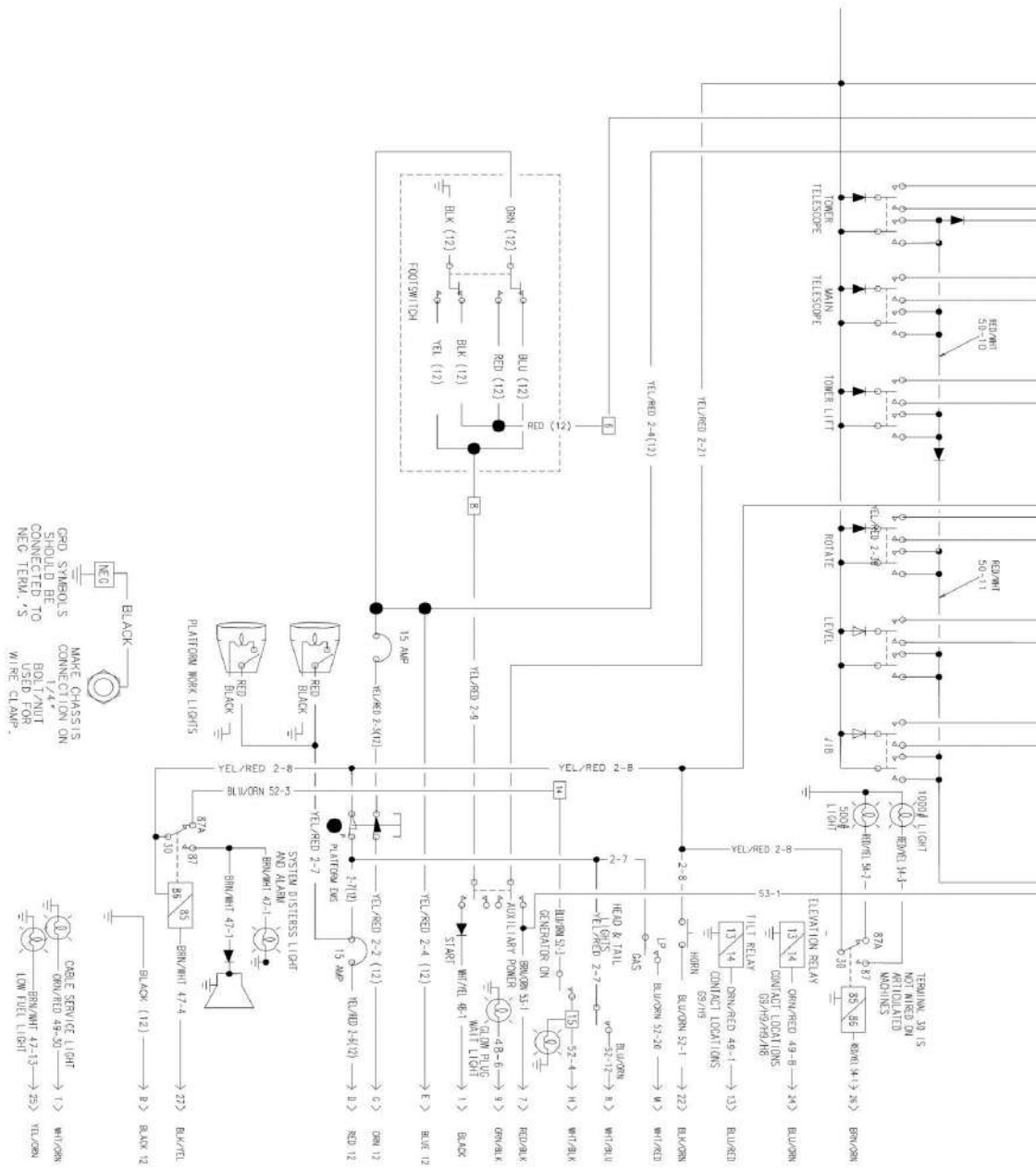
SECTION 7 - ELECTRICAL



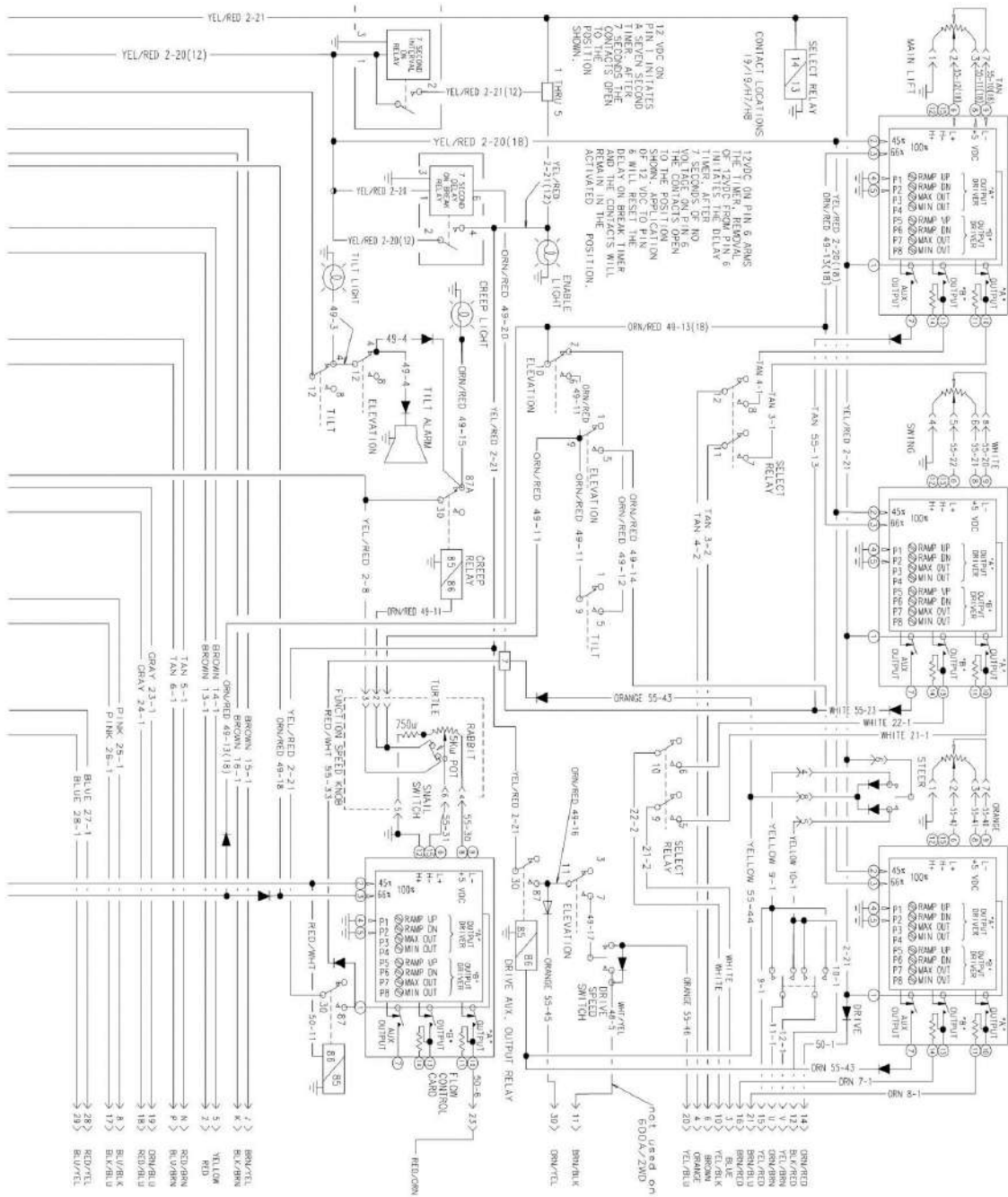
1870052 - E

SECTION 7 - ELECTRICAL

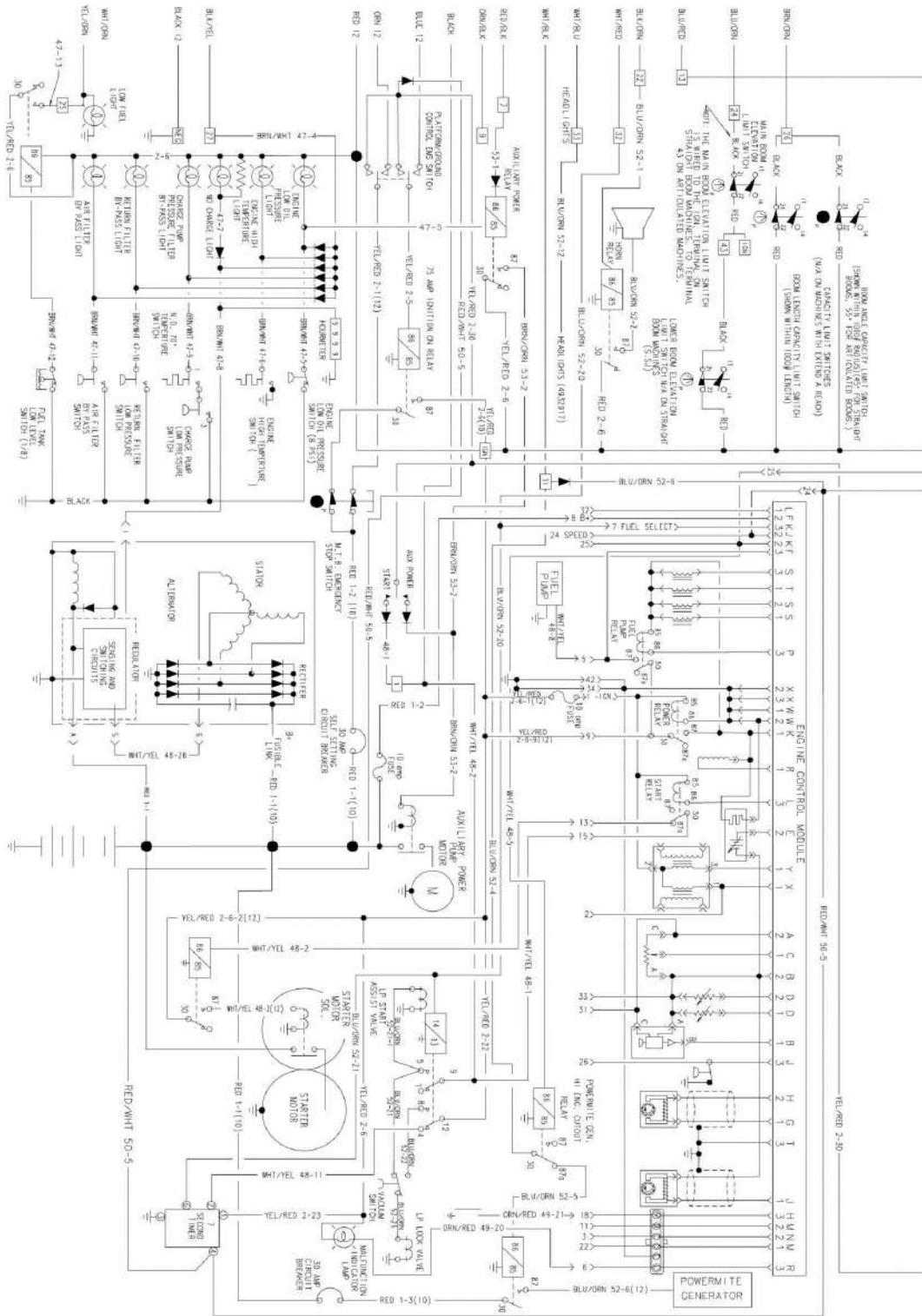
FIGURE 7-7. ELECTRICAL SCHEMATIC - GAS MACHINES WITH EFI SYSTEM (SN 030004897 through 030006900)



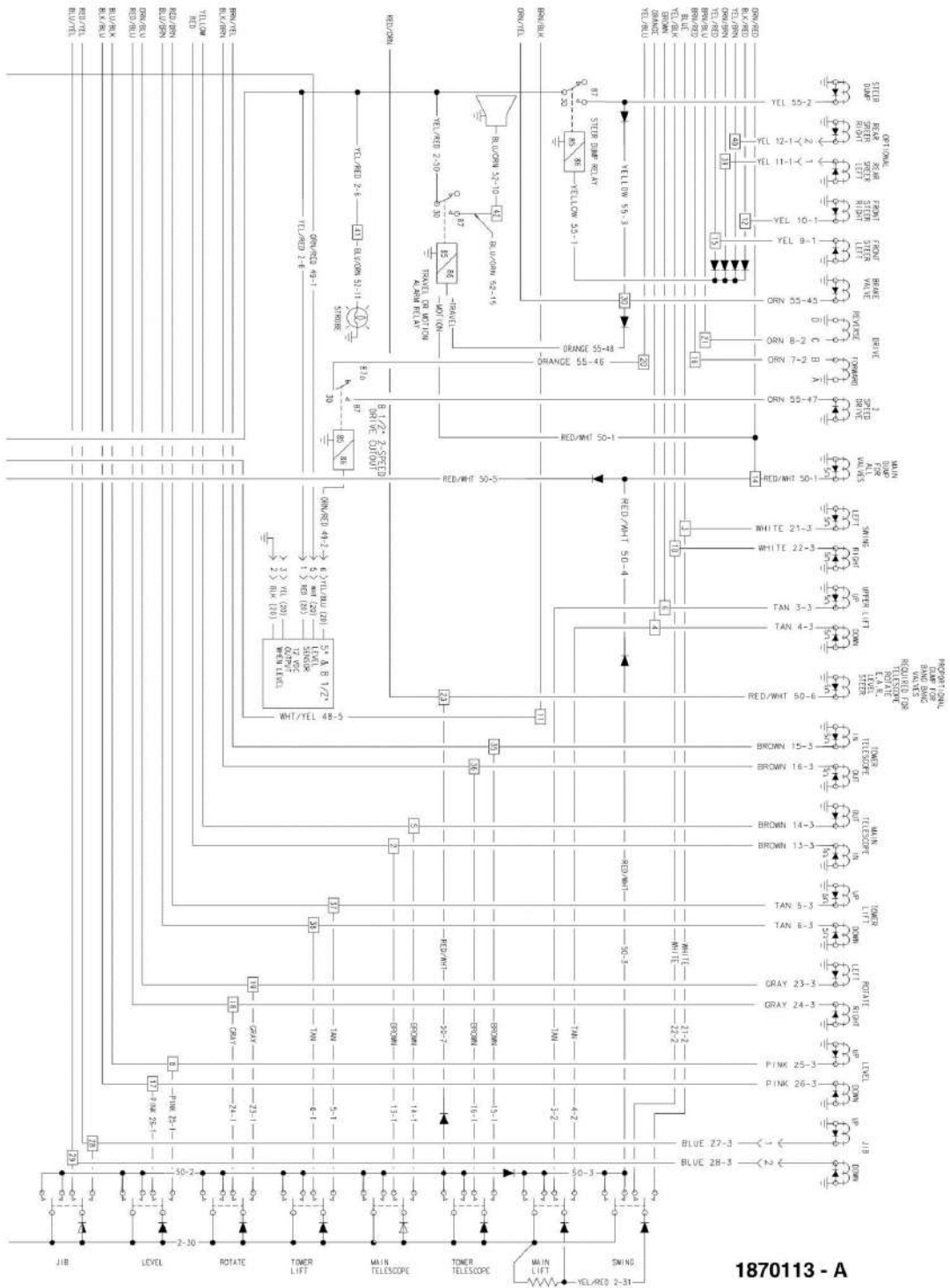
SECTION 7 - ELECTRICAL



SECTION 7 - ELECTRICAL

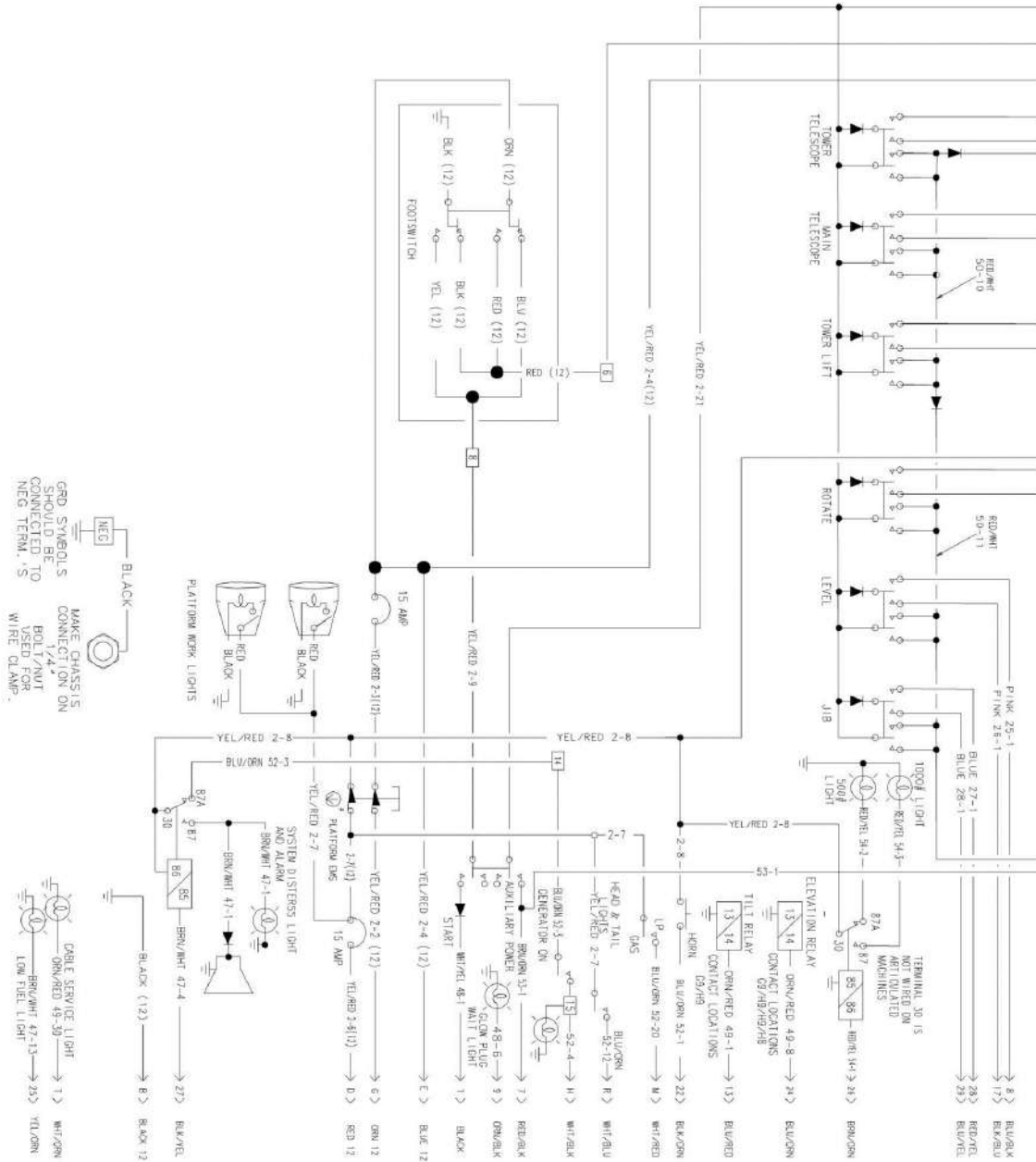


SECTION 7 - ELECTRICAL

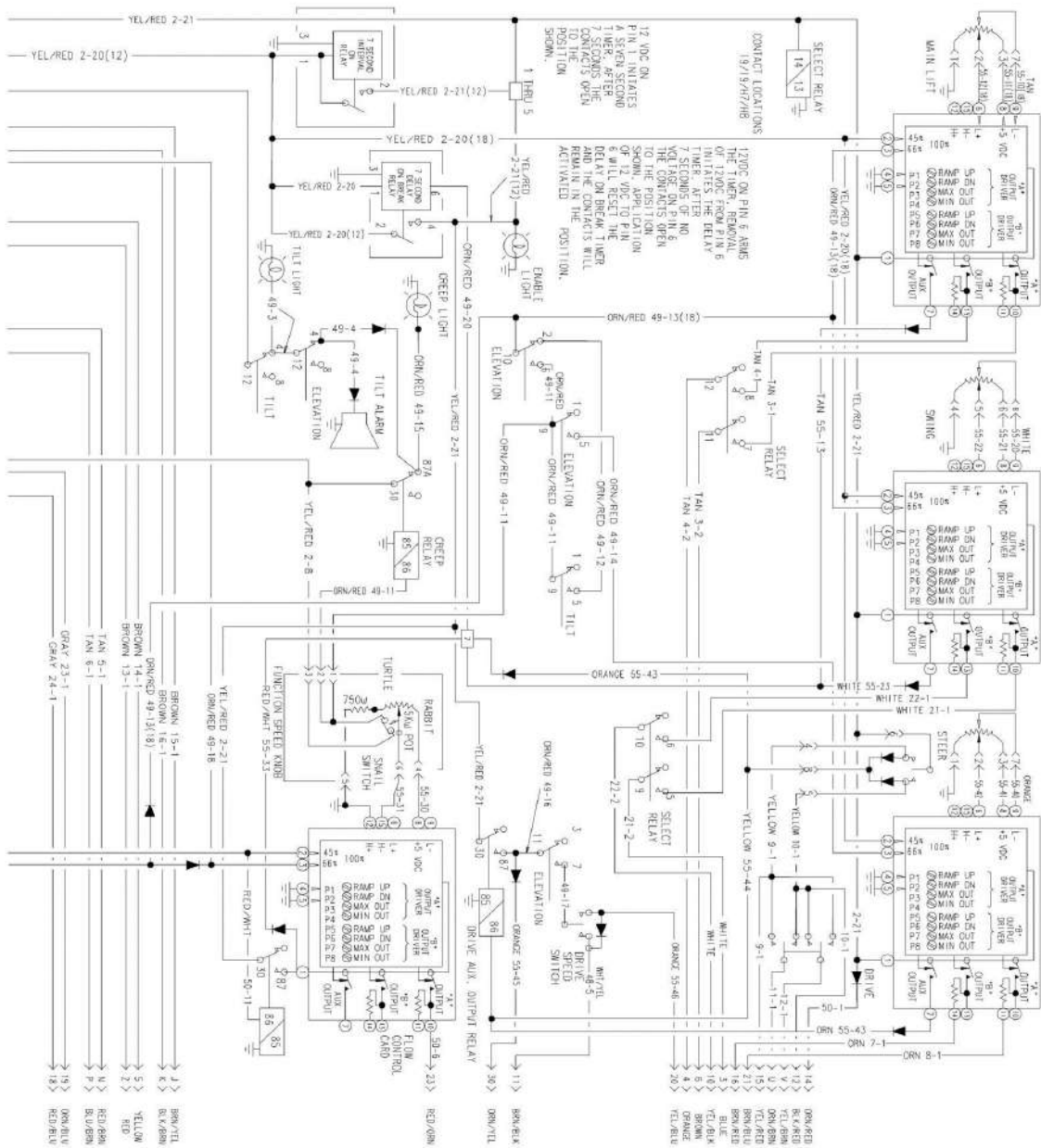


SECTION 7 - ELECTRICAL

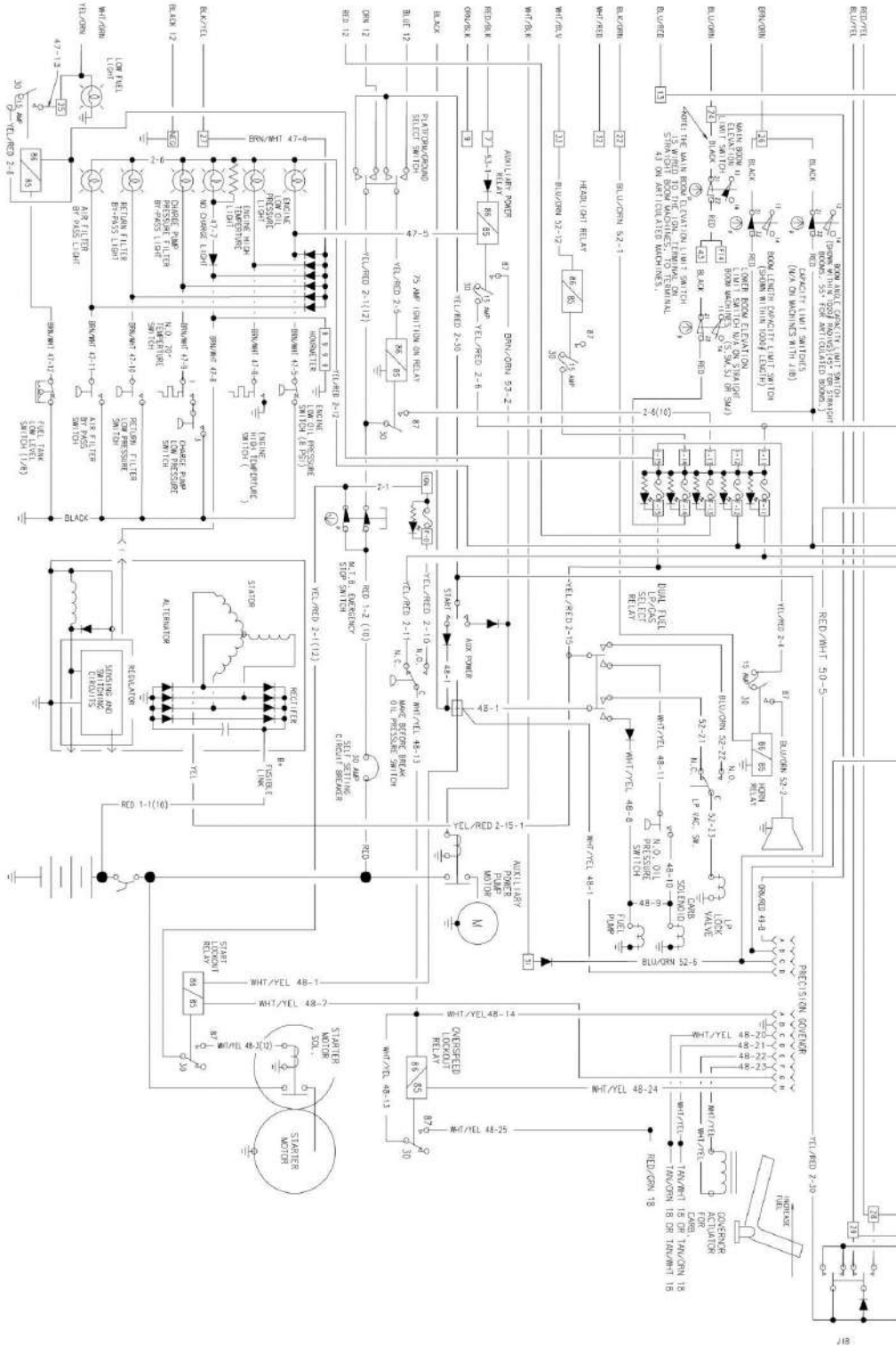
FIGURE 7-8. ELECTRICAL SCHEMATIC - GAS UL MACHINES WITH NUMBERED COLORED WIRING (SN 0300039457 through 0300069000)



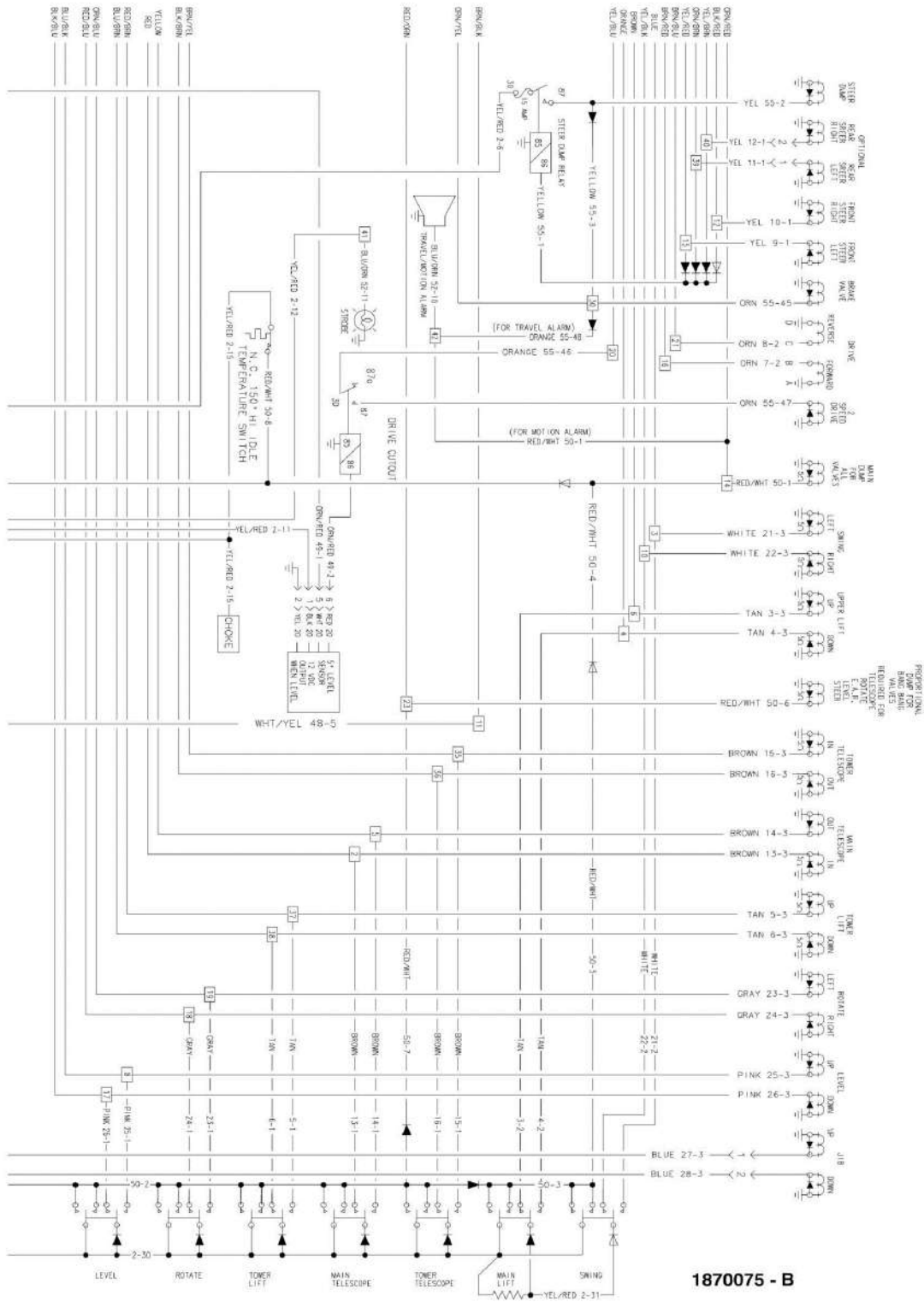
SECTION 7 - ELECTRICAL



SECTION 7 - ELECTRICAL

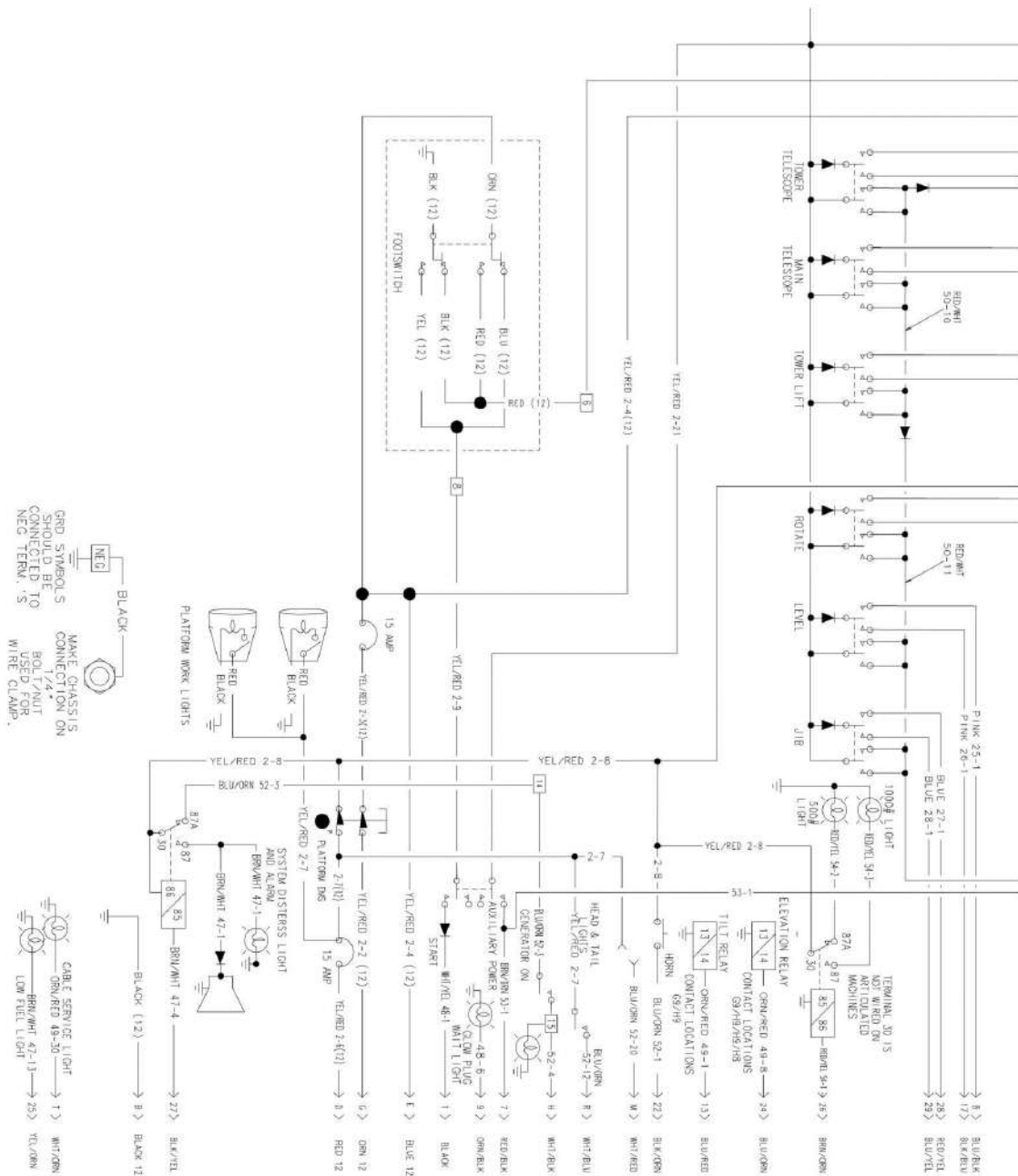


SECTION 7 - ELECTRICAL

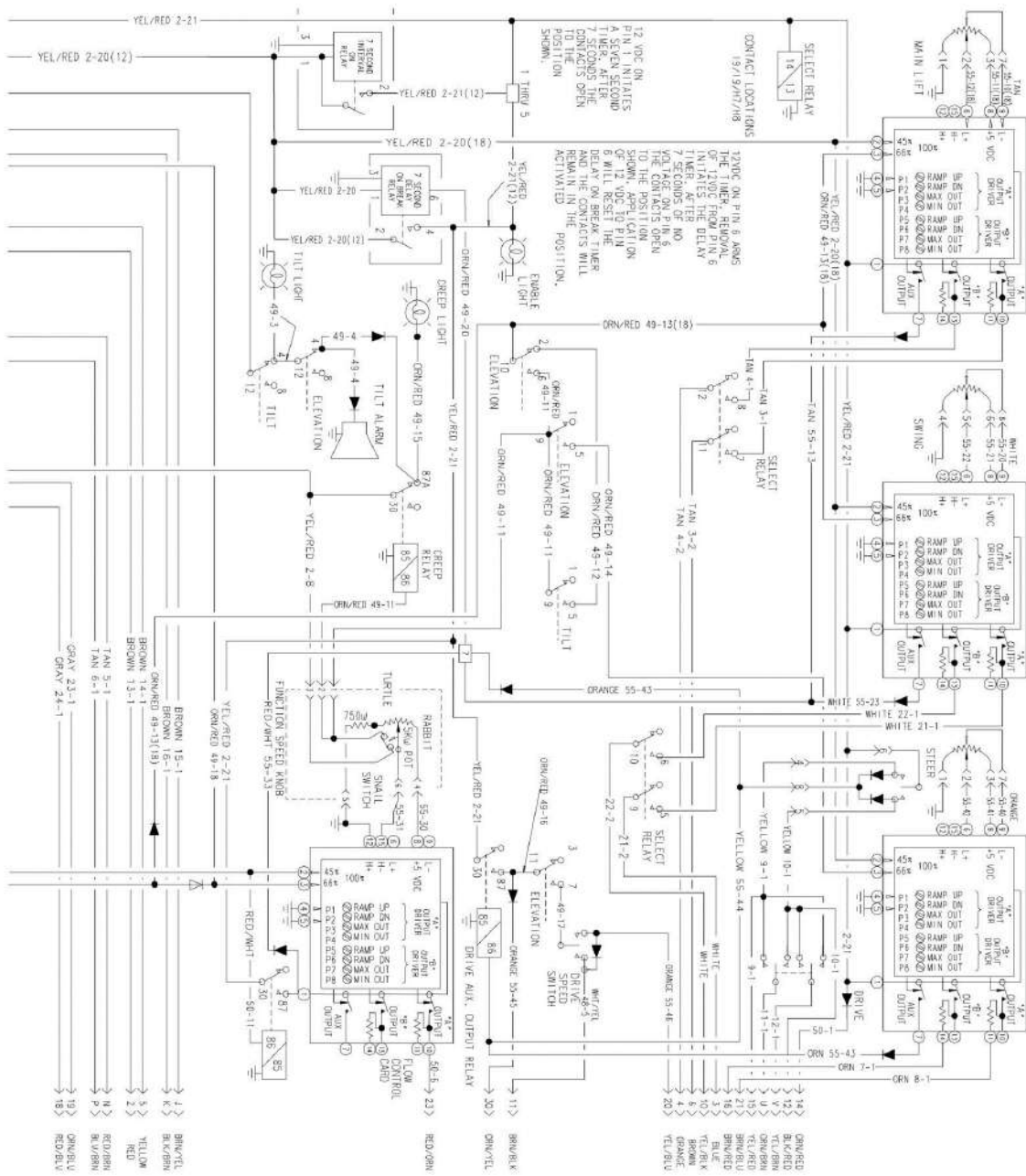


SECTION 7 - ELECTRICAL

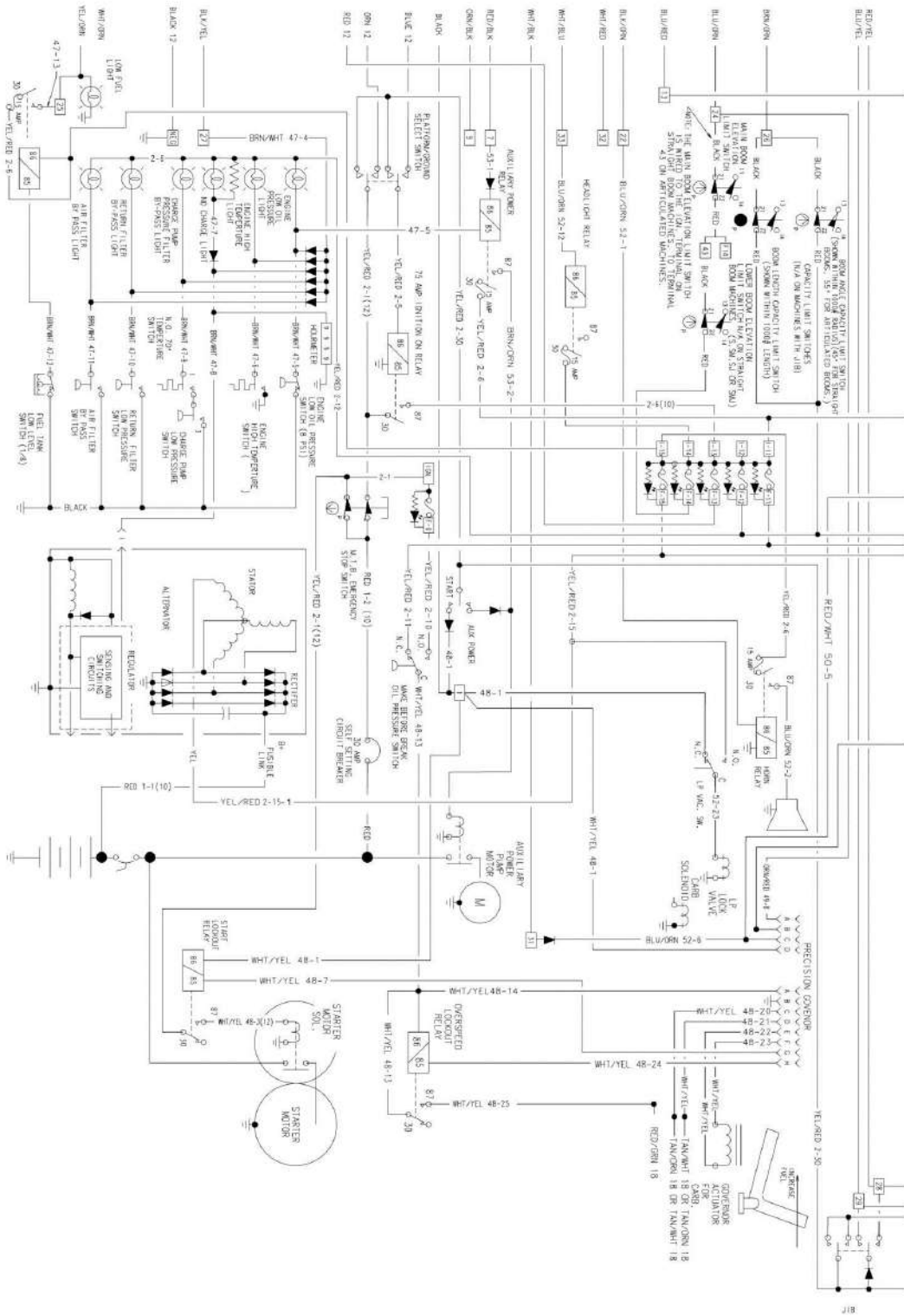
FIGURE 7-9. ELECTRICAL SCHEMATIC - UL MACHINES (LP ONLY WITH NUMBERED COLORED WIRING (SN 0300039457 through 0300069000)



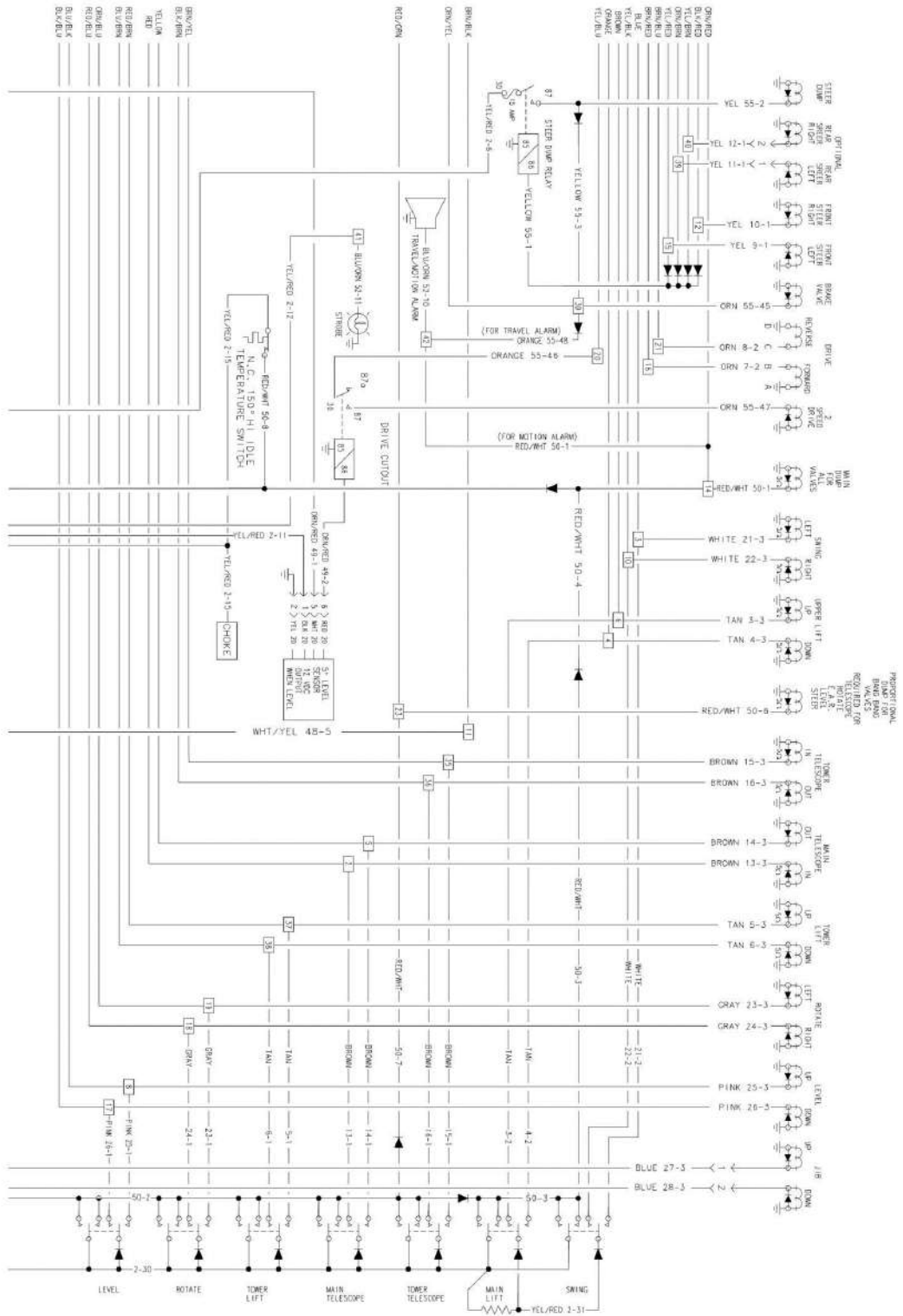
SECTION 7 - ELECTRICAL



SECTION 7 - ELECTRICAL

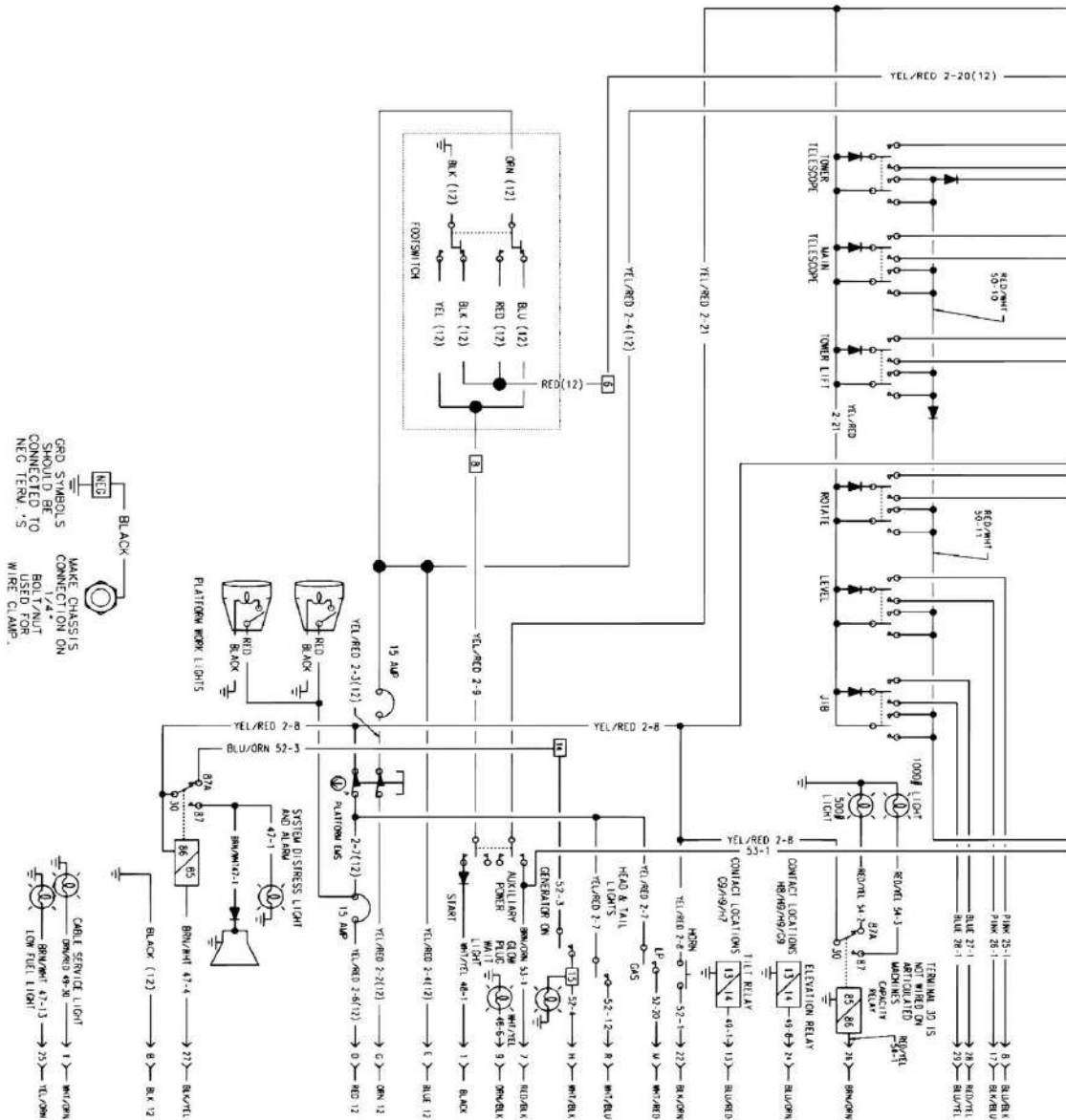


SECTION 7 - ELECTRICAL

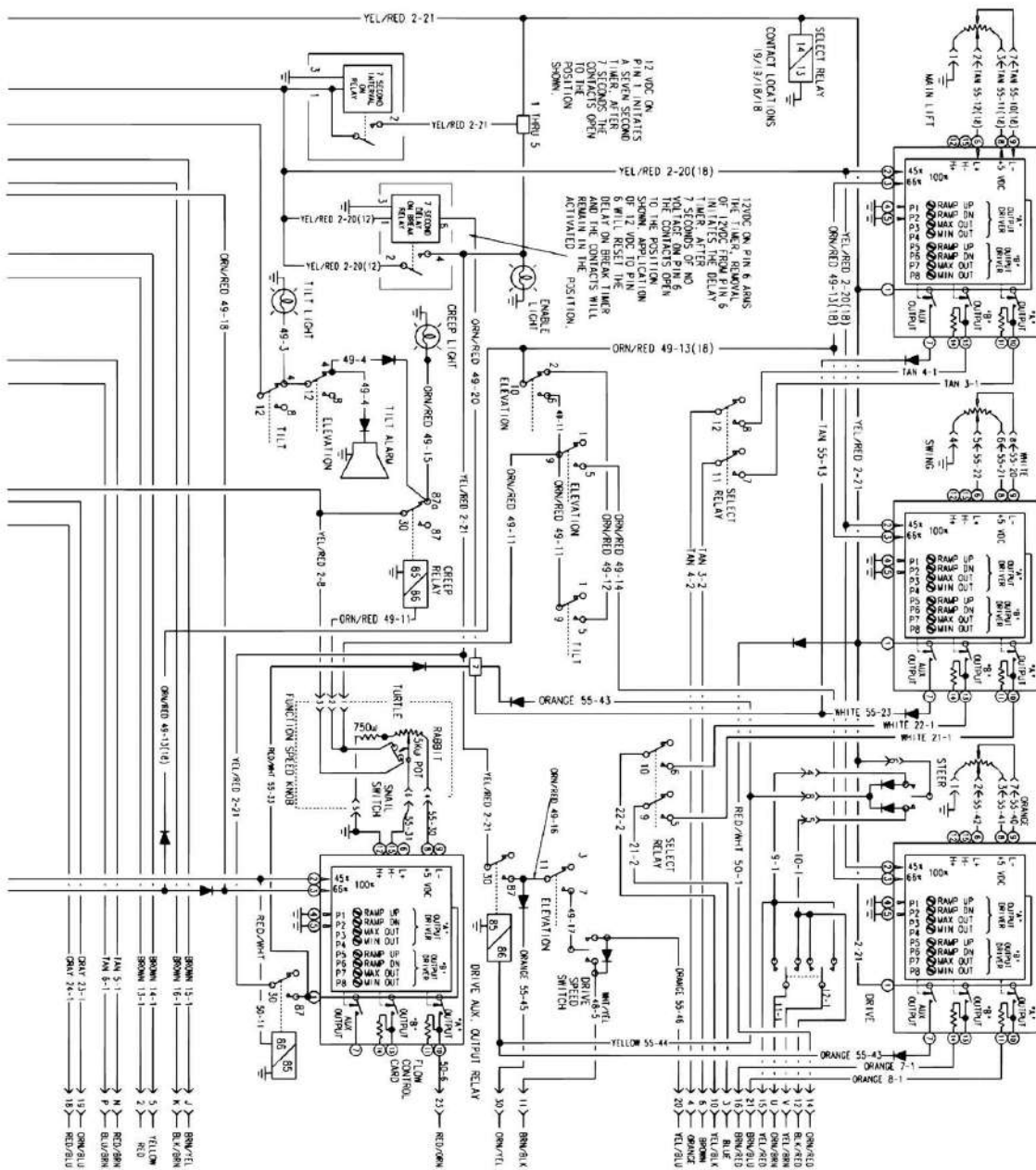


SECTION 7 - ELECTRICAL

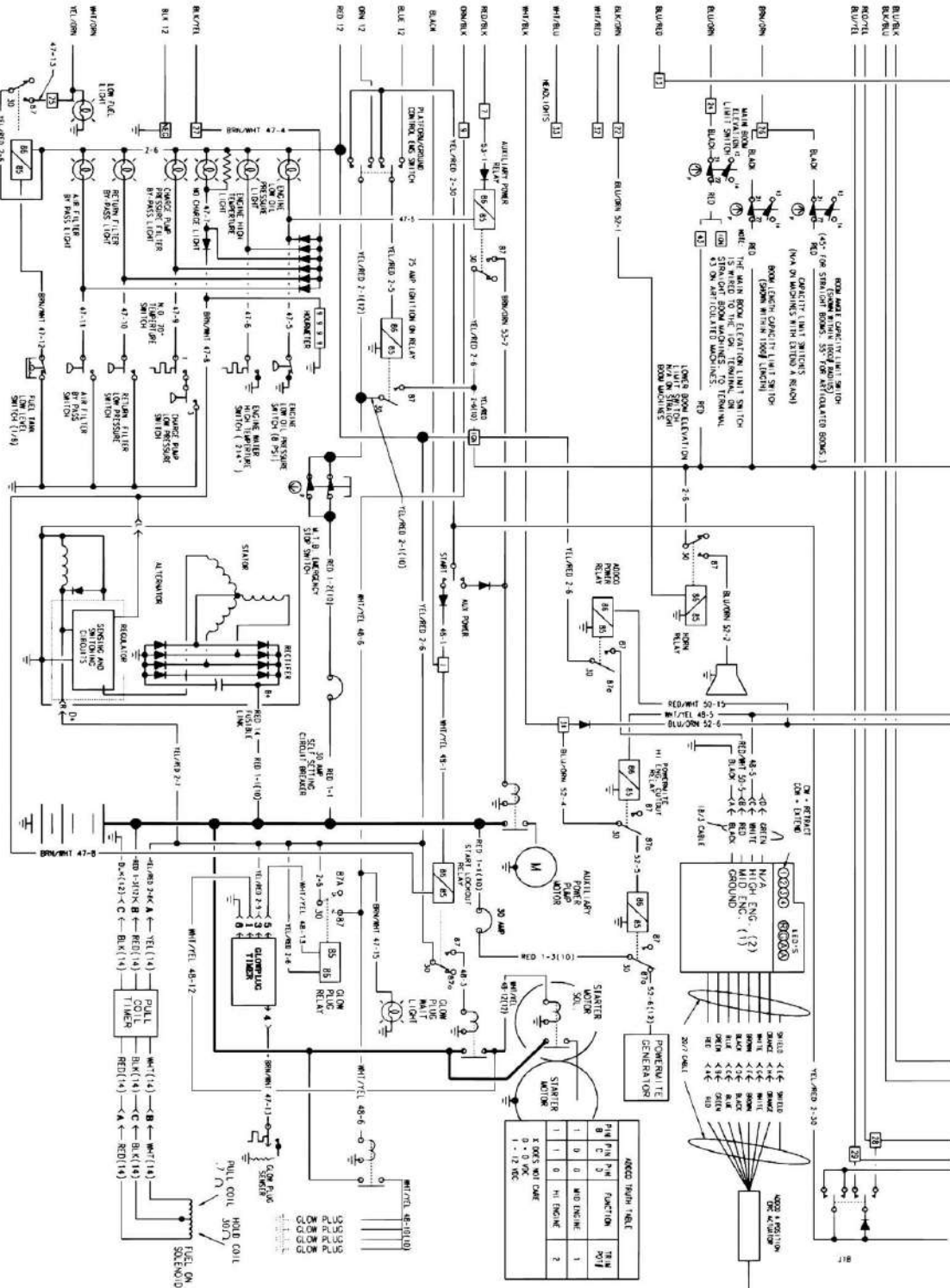
FIGURE 7-10. ELECTRICAL SCHEMATIC - ISUZU ENGINE (SN 0300063908 through 0300069000)



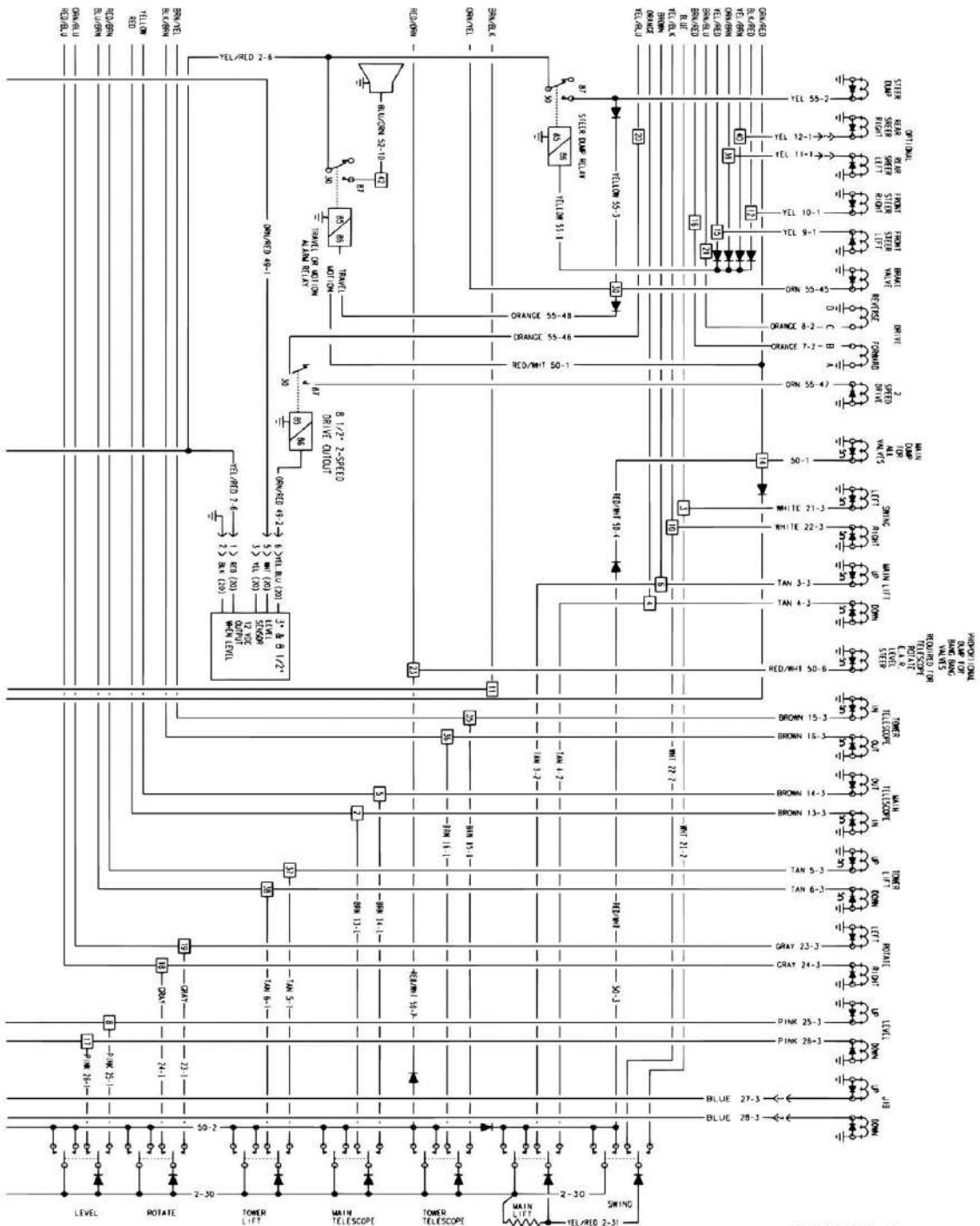
SECTION 7 - ELECTRICAL



SECTION 7 - ELECTRICAL



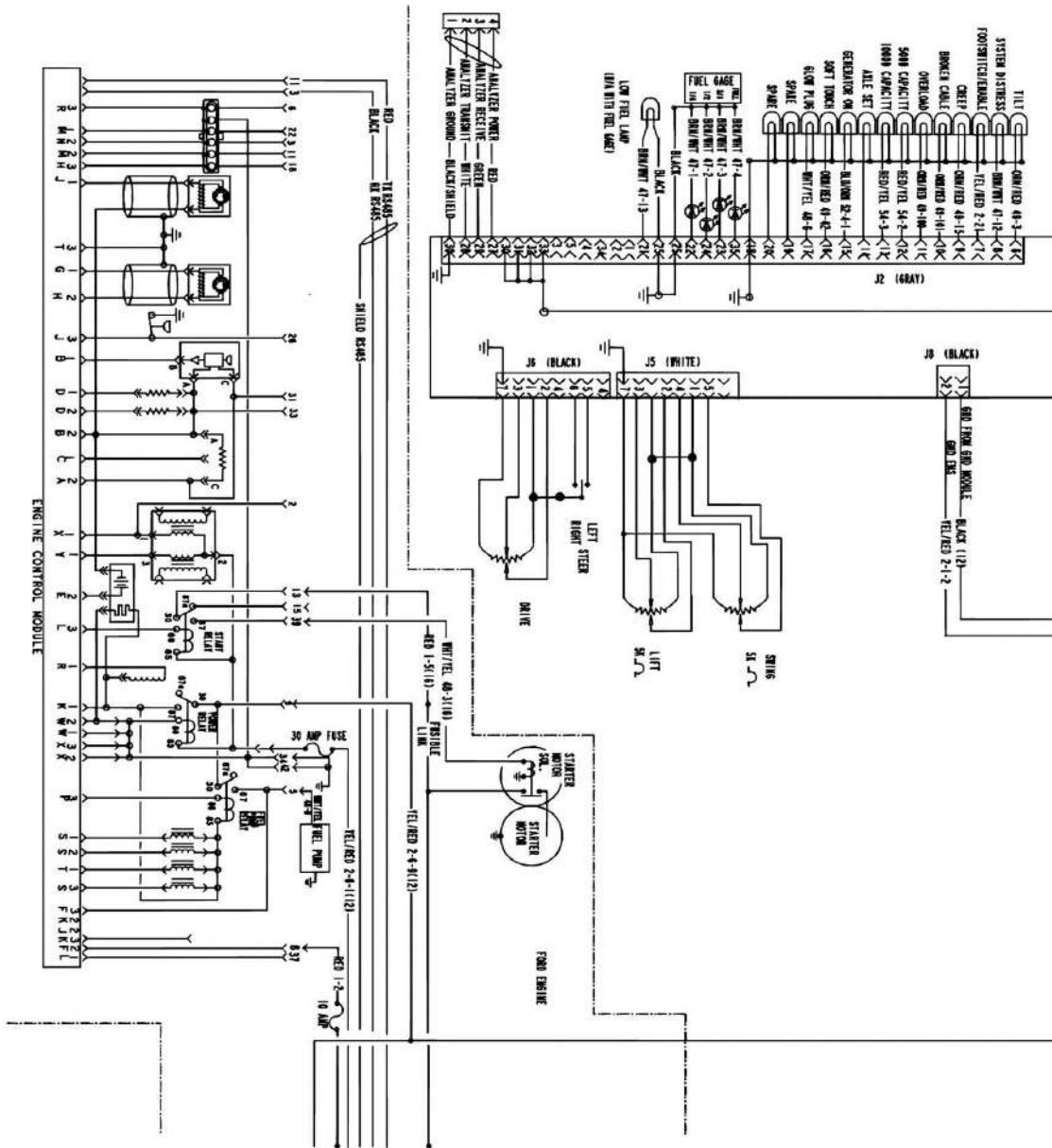
SECTION 7 - ELECTRICAL



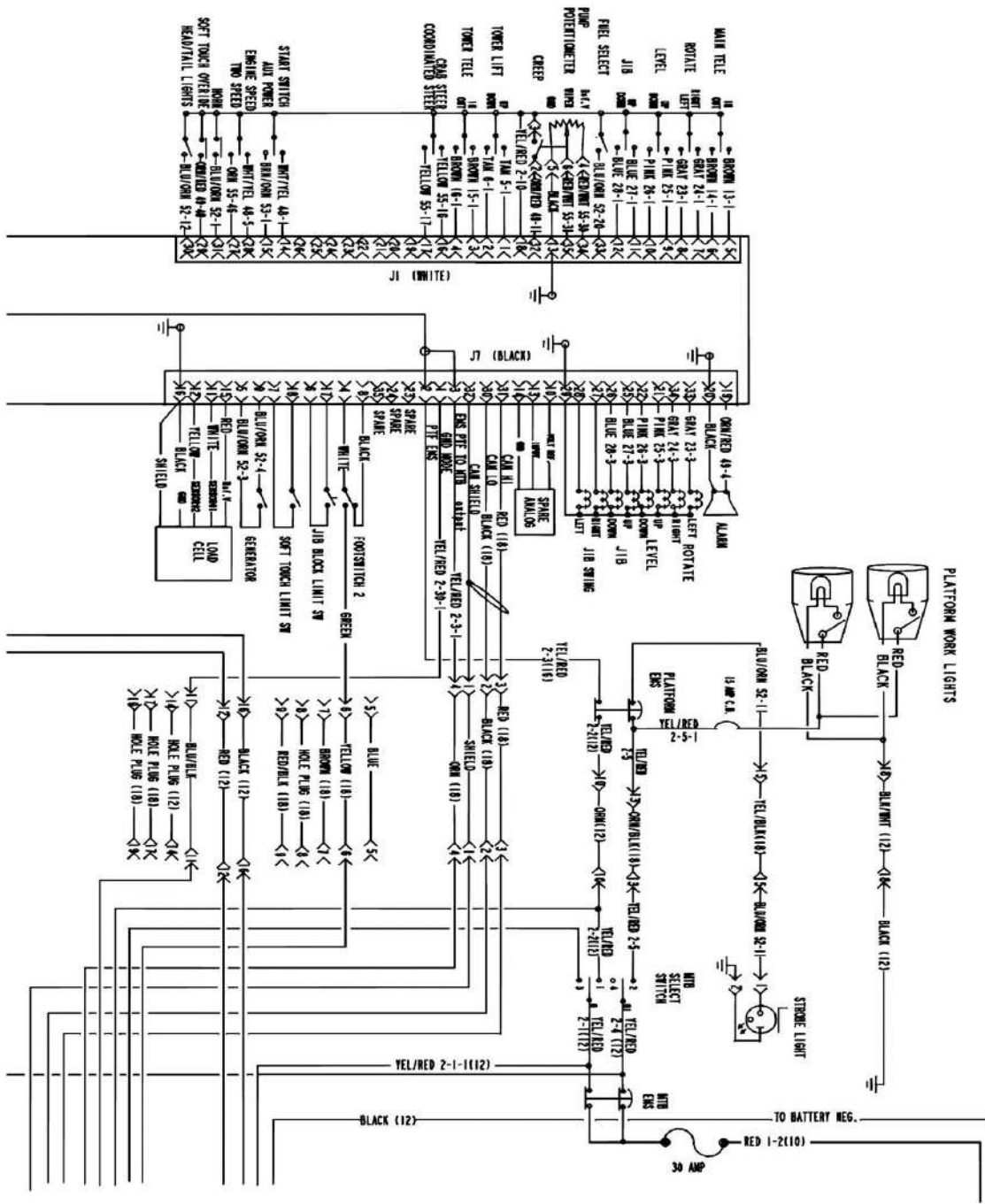
1870131 -A

SECTION 7 - ELECTRICAL

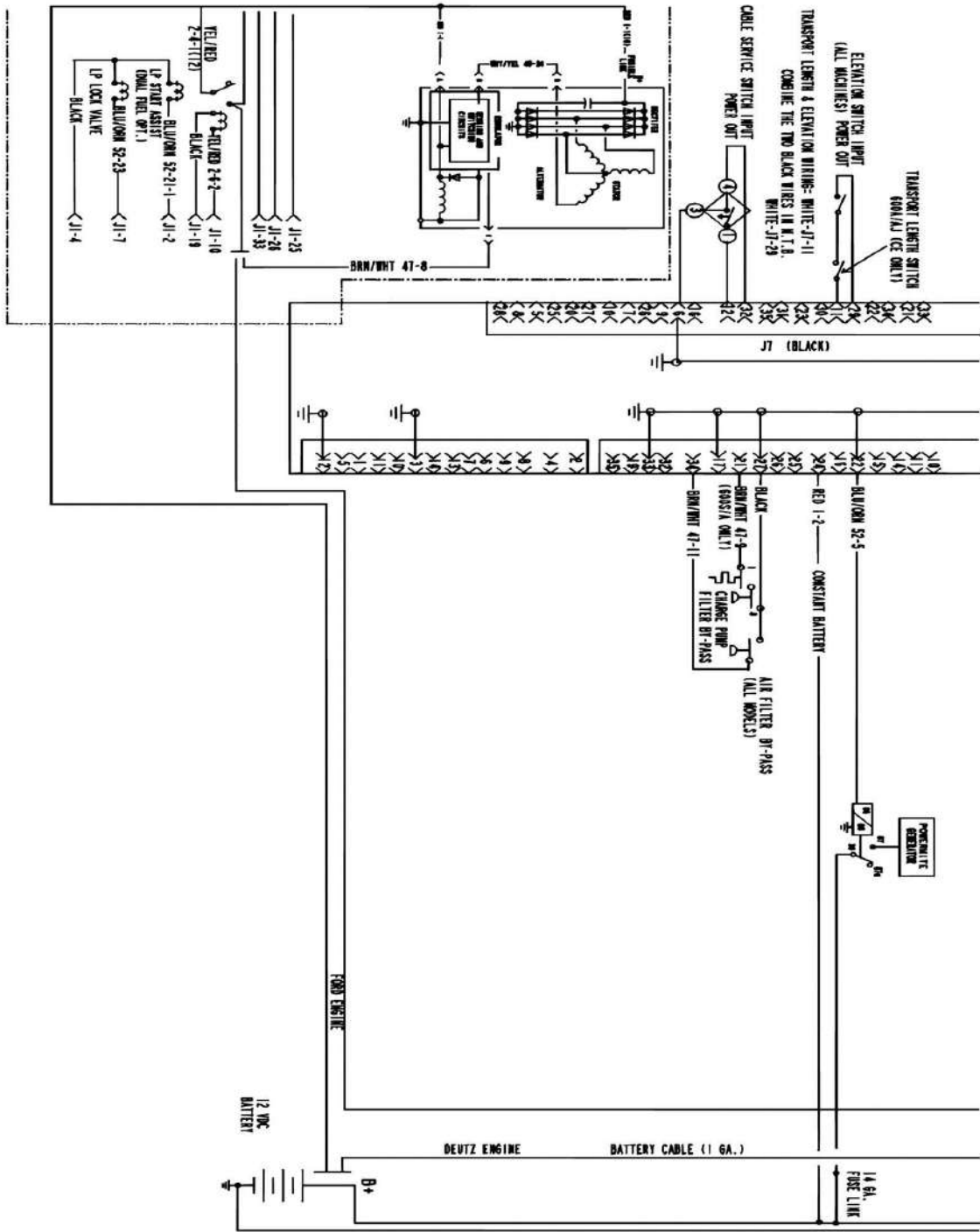
FIGURE 7-11. ELECTRICAL SCHEMATIC - DIESEL/GAS MACHINES (WITH ADE SYSTEM) (SN 0300064249 through 0300069000)



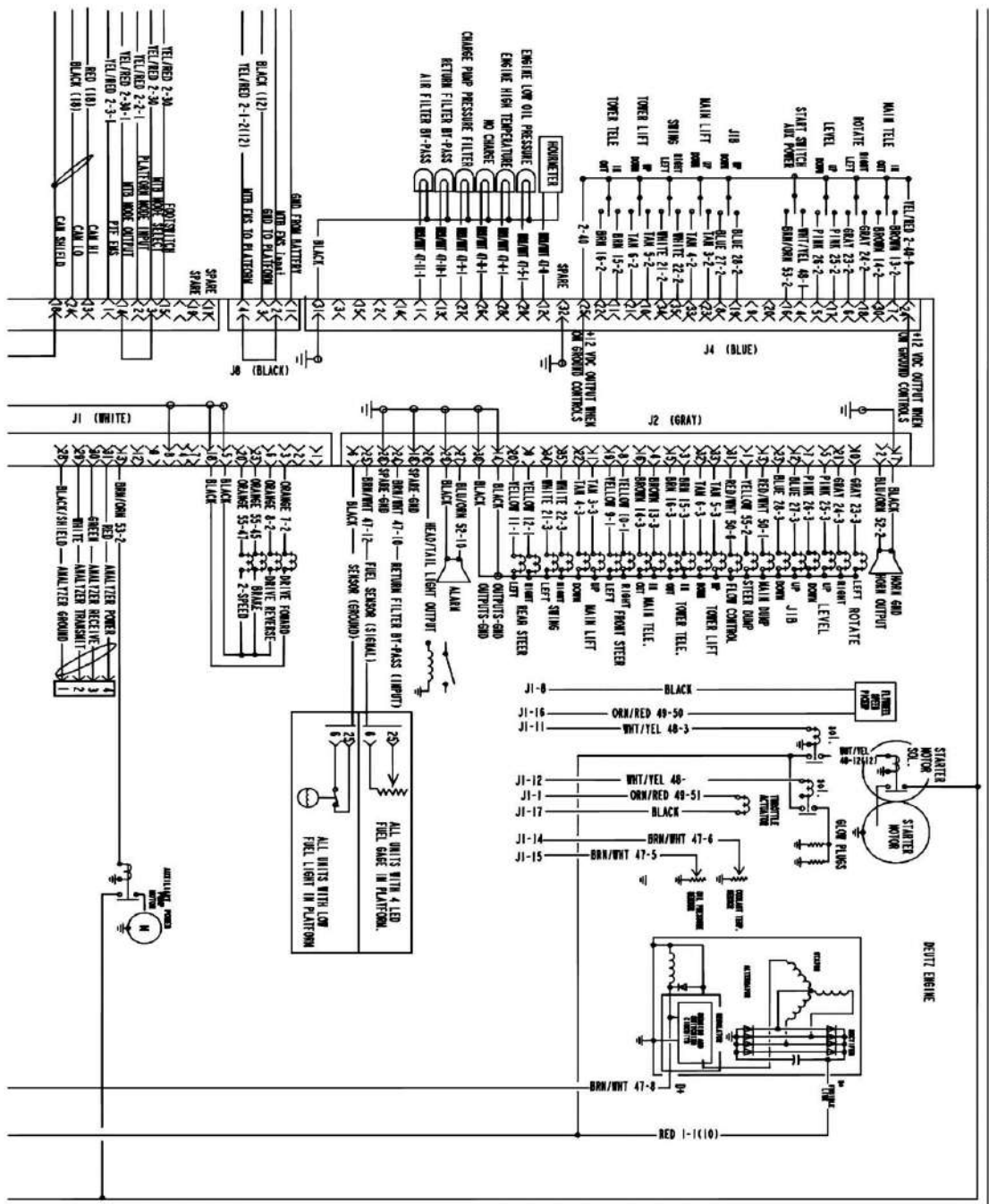
SECTION 7 - ELECTRICAL



SECTION 7 - ELECTRICAL



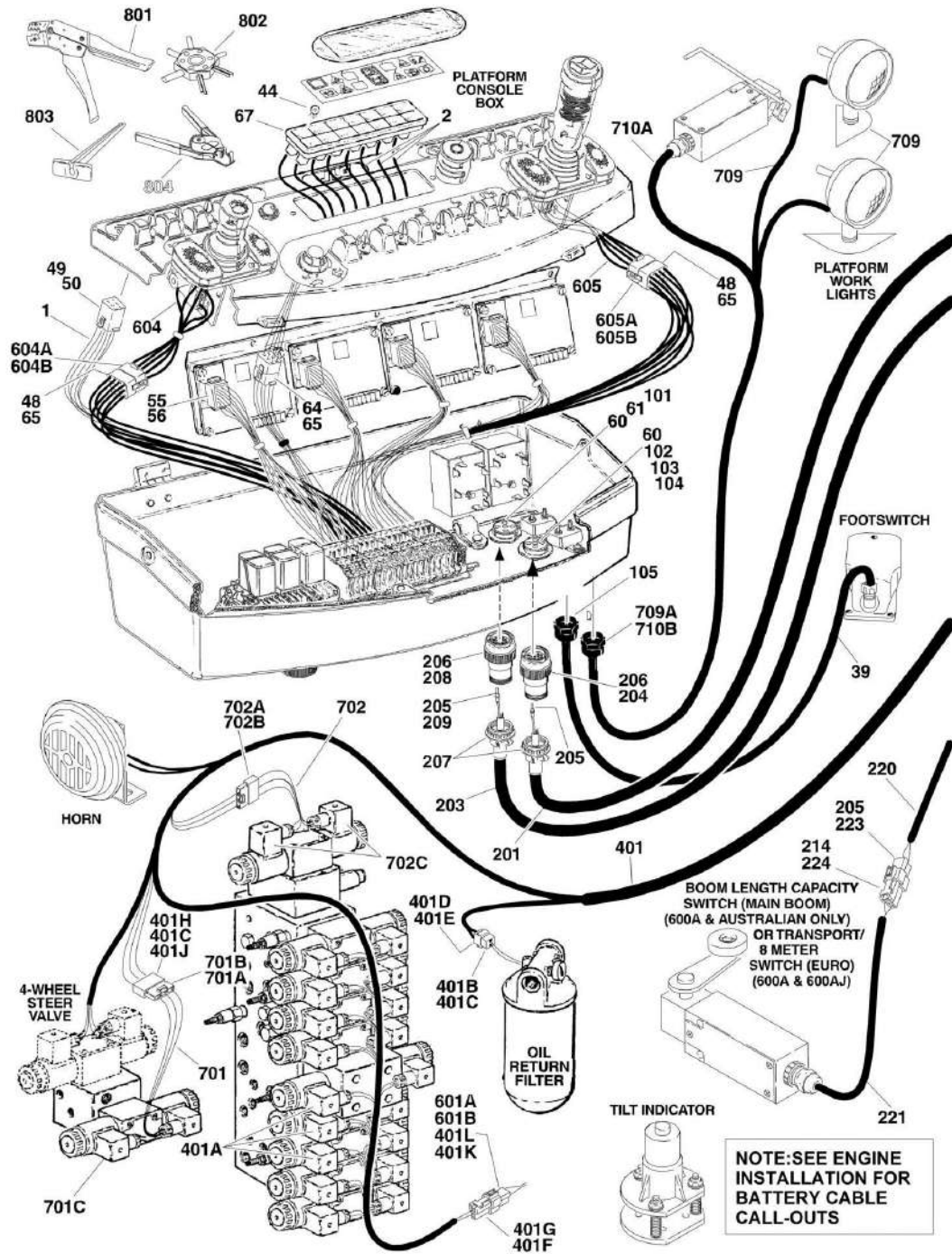
SECTION 7 - ELECTRICAL



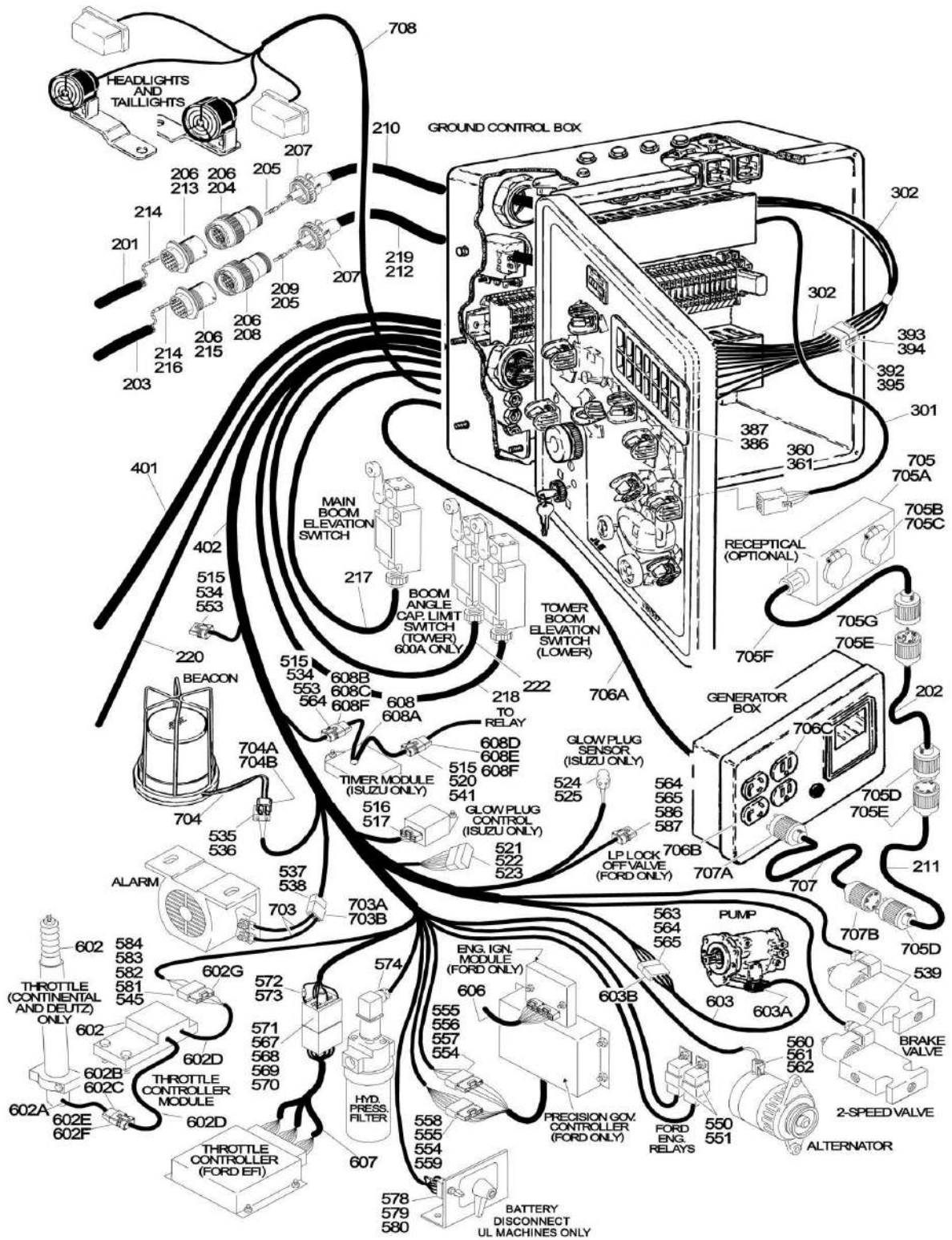
1870132 - B

SECTION 7 - ELECTRICAL

FIGURE 7-12. HARNESS COMPONENTS INSTALLATION (Prior to SN 0300064249)



SECTION 7 - ELECTRICAL



SECTION 7 - ELECTRICAL

FIGURE 7-12. HARNESS COMPONENTS INSTALLATION (Prior to SN 0300064249)

ITEM	PART NUMBER	QTY	DESCRIPTION	REV
		Ref	PLATFORM BOX WIRING DIAGRAMS	
		Ref	(Note: Numbered Colored Wiring starts with SN 0300035129.	
	4932848	Ref	Platform Box Wiring Diagrams (Prior to SN 0300029430)	1-E
	4932914	Ref	Platform Box Wiring Diagrams (SN 0300029430 through 0300035128)	5-D
	4921991	Ref	Platform Box Wiring Diagrams (SN 0300035129 through 0300064248)	2-E
	4932905	Ref	Platform Box Wiring Diagrams (SN 0300035129 through 0300064248)	7-E
1	Not Available	AR	Harness, Switch (Make from Individual Wires)	
2	Not Available	AR	Harness, Light Panel (Make from Individual Wires)	
39		Ref	Cable, Electrical (To Footswitch - Does Not Include Terminal Ends) Options:	
39	1060012	7 ft/2.1m	Cable, Electrical (Prior to SN 0300060643)	
39	1060515	7 ft/2.1m	Cable, Electrical (SN 0300060643 through 0300064249)	
44	2920129	12	Bulb, Light	
48	4460265	2	Plug - 9 Position	
49	4460418	8	Connector - 6 Position	
50	4460419	62	Socket, Female	
55		Ref	Connector - 15 Position Options:	
55	4460620	4	Connector - 15 Position (Prior to SN 0300035129)	
55	4460720	4	Connector - 15 Position (SN 0300035129 through 0300064248)	
56		Ref	Socket, Female Options:	
56	4460621	43	Socket, Female (Prior to SN 0300035129)	
56	4460721	43	Socket, Female (SN 0300035129 through 0300064248)	
60	4460464	40	Pin, Deutsch (14-16 Gauge)	
61	4460508	4	Pin, Deutsch (10-12 Gauge)	
62	3990010	13	Diode 3 Amp (Not Shown)	
64	4460225	1	Connector - 6 Position	
65	4460267	21	Pin, Male	
66	3990010	11	Diode 6 Amp (Not Shown)	
68	4120035	12	Base, Light	
		Ref	PLATFORM BOX ASSEMBLY COMPONENTS	
101	4460613	1	Receptacle - 21 Pin	
102	4460503	1	Receptacle - 3 Pin	
103	4460470	2	Nut, Conduit	
104	4460471	2	Washer	
105	4460428	1	Connector, Strain Relief	
		Ref	BOOM CABLES INSTALLATIONS	
	0255478	Ref	Boom Cables Installations 600A	5
	0255479	Ref	Boom Cables Installations 600AJ	6
201	1060516	46.5 ft/14.2m	Cable, Electrical - 16/30 (Does not include terminals)	
202	1060494	46.5 ft/14.2m	Cable, Electrical - 12/3 (Does not include plug ends)	
203	1060603	46.5 ft/14.2m	Cable, Electrical- 12/4 & 16/10 (Does Not Include Terminals)	
204	4460502	2	Plug, Connector (31 Pin)	
205	4460465	AR	Socket, Female - #16	
206	4460466	25	Seal, Plug	

SECTION 7 - ELECTRICAL

ITEM	PART NUMBER	QTY	DESCRIPTION	REV
207	4460473	4	Clamp, Cable	
208	4460614	2	Plug, Connector (19 Pin)	
209	4460509	8	Socket, Female - #12	
210	1060516	37 ft/11.3m	Cable, Electrical- 16/30 (Does Not Include Terminals)	
211	1060494	45 ft/13.7m	Cable, Electrical- 12/3 (Does Not Include Plug Ends)	
212	1060603	37 ft/11.3m	Cable, Electrical- 12/4 & 16/10 (Does Not Include Terminals)	
213	4460503	1	Receptacle, Connector (31 Pin)	
214	4460464	AR	Pin, Male - #16	
215	4460613	1	Receptacle, Connector (19 Pin)	
216	4460508	4	Pin, Male - #12	
217	1060016	37 ft/11.3m	Cable, Electrical - 16/3	
218	1060016	AR	Cable, Electrical - 16/3 Options:	
218	1060016	37 ft/11.3m	Cable, Electrical - 16/3 600A	
218	1060016	37 ft/11.3m	Cable, Electrical - 16/3 600AJ (Prior to SN 0300044952)	
218	1060016	18 ft/5.5m	Cable, Electrical - 16/3 600AJ (SN 0300044952 through 0300064249)	
219	2820031	8 in/20cm	Heat Shrink	
220	1060016	37 ft/11.3m	Cable, Electrical - 16/3 (Does Not Include Terminals) (600A Only)	
221	1060016	18 ft/5.5m	Cable, Electrical - 16/3 (Does Not Include Terminals) (600A Only)	
222	1060016	37 ft/11.3m	Cable, Electrical - 16/3 (Does Not Include Terminals) (600A Only)	
223	4460539	1	Connector, Terminal (600A Only)	
224	4460536	1	Plug, Terminal (600A Only)	
225	1670769	1	Cover (Not Shown - Located on 600AJ Jib Only)	
226	0561237	2	Clamp, Block (Not Shown - Located on 600AJ Jib Only)	
227	0461416	4	Bolt 1/4in-20NC x 2in (Not Shown - Located 600AJ Jib Only)	
	Ref		GROUND CONTROL BOX WIRING DIAGRAMS	
	Ref		Note: Numbered Colored Wiring starts with SN 0300035129.	
	4932799	Ref	Continental Engine Machines (Prior to SN 0300035129)	7-E
	4932912	Ref	Continental Engine Machines (SN 0300035129 through 0300064248)	2-B
	4932798	Ref	Deutz Engine Machines (Prior to SN 0300035129)	6-G
	4932911	Ref	Deutz Engine Machines (SN 0300035129 through 0300064248)	6-F
	4933063	Ref	Deutz Engine Machines (UL) (SN 0300039457 through 0300064249)	2-D
	4932797	Ref	Ford Engine Machines (Prior to SN 0300030947)	4-E
	4932962	Ref	Ford Engine Machines (SN 0300030947 through 0300035128)	3-A
	4932909	Ref	Ford Engine Machines (SN 0300035129 through 0300048906)	4-C
	4933114	Ref	Ford Engine (SN 0300048907 through 0300064248)	4-D
	4933055	Ref	Ford Engine Machines (UL) (SN 0300039457 through 0300064249)	2-E
	4933228	Ref	Isuzu Engine (SN 0300063908 through 0300064249)	1-A
301		Ref	Harness, Switch Options:	
301	Not Available		Harness, Switch (Make From Individual Wires) (Prior to SN 0300035129)	
301	4921992	AR	Harness, Switch (Includes Items 360 & 361) (SN 0300035129)	4-E

SECTION 7 - ELECTRICAL

ITEM	PART NUMBER	QTY	DESCRIPTION	REV
301	4922168	AR	through 0300064248) Harness, Switch UL (Includes Items 360 & 361) (SN 0300039457 through 0300064249)	1-A
302		Ref	Harness, Light Panel Options:	
302	Not Available		Harness, Light Panel (Make From Individual Wires) (Prior to SN 0300035129)	
302	4922002	AR	Harness, Light Panel (SN 0300035129 through 0300064248)	2-C
303		Ref	Sub-Harness, Start Options: (Not Shown)	
303	Not Available		Sub-Harness, Start (Make From Individual Wires) (Prior to SN 0300035129)	
303	4922007	AR	Sub-Harness, Start (With Continental Engines) (SN 0300035129 through 0300069000)	2-B
303	4922008	AR	Sub-Harness, Start (With Deutz/Isuzu Engines) (SN 0300035129 through 0300064248)	4-D
303	4922006	AR	Sub-Harness, Start (With Ford Engines) (SN 0300035129 through 0300064248)	2-B
303	4922335	AR	Sub-Harness, Start (Ford Engine with EFI) (SN 0300048907 through 0300064248)	2-B
360	4460418	AR	Connector - 6 Position	
361	4460419	AR	Socket, Female	
372	4460508	4	Pin, Deutsch (Not Shown - Ford Only)	
384	3990010	AR	Diode 6 Amp (Not Shown)	
386	4120035	AR	Base, Light	
386	4460634	AR	Insert, Terminal (Signal Wire)	
386	4460635	AR	Insert, Terminal (Double Wire)	
387	2920129	AR	Bulb, Light	
388	3990001	7	Diode 3 Amp (Not Shown)	
389	3730099	1	Resistor 750 Ohm (Not Shown) Options:	
389		Ref	UL Machines	
389		Ref	Standard Machines (Prior to SN 0300056086)	
391	3730022	1	Resistor 500 Ohm (Not Shown - Located at Alternator Light) (Prior to SN 0300036354)	
391	3730023	1	Resistor 510 Ohm (Not Shown - Located at Alternator Light) (SN 0300036354 through 0300064249)	
392	4460267	6	Pin, Male	
393	4460268	6	Socket, Female	
394	4460224	1	Connector, Female	
395	4460225	1	Connector, Male	
		Ref	GROUND CONTROL BOX ASSEMBLY COMPONENTS	
		Ref	Note: Numbered Colored Wiring starts with SN 0300035129	
401		Ref	Valve Harness Assembly Options:	
401	4921739	1	Valve Harness Assembly (Prior to SN 0300026233)	3-D
401	4921848	1	Valve Harness Assembly (SN 0300026233 through 0300035128)	-/D
401	4921922	1	Valve Harness Assembly (SN 0300035129 through 0300064248)	3-F
401	4922165	1	Valve Harness Assembly UL (SN 0300039457 through 0300064249)	3-C
401A	4460499	19	Connector, DIN	
401B	4460320	2	Connector, Female - 2 Position	
401C	4460267	7	Pin, Male	
401D	4460424	1	Plug, Male - 2 Position	
401E	4460268	5	Socket, Female	
401F	4460539	1	Plug, Male - 3 Position (Prior to SN 0300026233)	

SECTION 7 - ELECTRICAL

ITEM	PART NUMBER	QTY	DESCRIPTION	REV
401F	4460225	1	Plug, Male - 6 Position (SN 0300026233 through 0300064249)	
401G	4460465	3	Socket, Female (Prior to SN 0300026233)	
401G	4460267	3	Pin, Male (SN 0300026233 through 0300064249)	
401H	4460326	1	Plug, Male - 3 Position	
401J	4460445	1	Connector, Female - 3 Position	
401K	4460536	1	Connector, Deutsch - 3 Position (Prior to SN 0300026233)	
401K	See Note	AR	Connector - 6 Position (SN 0300026233 through 0300064249)	
401L	4460464	3	Pin, Male (Prior to SN 0300026233)	
401L	See Note	AR	Pin (Note: After SN 0300026233, #401K & #401L are no longer part of Valve Harness. See Tilt Indicator Harness) (SN 0300026233 through 0300064249)	
402		Ref	Engine Harness Assembly Options: (See Items 501-574)	
402	4921738	1	Continental Engine Machines (Prior to SN 0300035129)	4-D
402	4921926	1	Continental Engine Machines (SN 0300035129 through 0300064248)	3-D
402	4921737	1	Deutz Engine Machines (Prior to SN 0300035129)	4-D
402	4921925	1	Deutz Engine Machines (SN 0300035129 through 0300064248)	6-G
402	4922185	1	Deutz Engine Machines (UL) (SN 0300039457 through 0300064249)	3-D
402	4921736	1	Ford Engine Machines (Prior to SN 0300030947)	6-E
402	4921970	1	Ford Engine Machines (SN 0300030947 through 0300035128)	1-A
402	4921924	1	Ford Engine Machines (SN 0300035129 through 0300048906)	3-C
402	4922329	1	Ford Engine (SN 0300048907 through 0300064249)	5-E
402	4922166	1	Ford Engine Machines (UL) (SN 0300039457 through 0300064249)	5-E
402	4922200	1	Ford Engine Machines (UL LP Only) (SN 0300039457 through 0300064249)	4-D
		Ref	ENGINE HARNESS ASSEMBLY OPTIONS:	
		Ref	Note: Numbered Wiring starts with SN 0300035129.	
	4921738	Ref	Continental Engines (Prior to SN 0300035129)	4-E
	4921926	Ref	Continental Engines (SN 0300035129 through 0300064248)	3-D
	4921737	Ref	Deutz Engines (Prior to SN 0300035129)	4-E
	4921925	Ref	Deutz Engines (SN 0300035129 through 0300064248)	6-G
	4922185	Ref	UL - Deutz Engines (SN 0300039457 through 0300064249)	3-D
	4921736	Ref	Ford Engines (Prior to SN 0300030947)	4-E
	4921970	Ref	Ford Engines (SN 0300030947 through 0300035128)	1-A
	4921924	Ref	Ford Engines (SN 0300035129 through 0300048906)	3-C
	4922329	Ref	Ford Engines (SN 0300048907 through 0300064248)	5-E
	4922166	Ref	Ford Engines (UL) (SN 0300039457 through 0300064249)	5-E
	4922200	Ref	Ford Engines (UL/LP Only) (SN 0300039457 through 0300064249)	4-D
	4922380	Ref	Isuzu Engines (SN 0300063908 through 0300064249)	1-A
515	4460780	8	Seal, Terminal (Isuzu Engine Only)	
516	4460784	1	Housing, Terminal - 6 Position (Isuzu Engine Only)	
517	4460783	AR	Terminal, Spade (Isuzu Engine Only)	
520	4460850	3	Pin, Male (Isuzu Engine Only)	
521	4460465	12	Socket, Female - #16 (Isuzu Engine Only)	
522	4460836	1	Connector, Deutch - 12 Position (Isuzu Engine Only)	
523	4460837	1	Connector, Housing (Isuzu Engine Only)	
524	4460856	1	Connector, Glow Plug Sensor (Isuzu Engine Only)	
525	4460857	2	Terminal, Glow Plug Sensor (Isuzu Engine Only)	
528		Ref	Socket, Female Options:	
528	4460268	13	Deutz/Isuzu Engine	

SECTION 7 - ELECTRICAL

ITEM	PART NUMBER	QTY	DESCRIPTION	REV
528	Not Required	0	Ford Engine	
529	4460267	AR	Pin, Male	
534	4460790	5	Socket, Female (Isuzu Engine Only)	
535	4460424	AR	Plug, Male - 2 Position	
536	4460268	AR	Socket, Female	
537	4460320	AR	Connector, Female - 2 Position	
538	4460267	AR	Pin, Male	
539	4460499	AR	Connector, DIN with Diode	
541	4460476	1	Housing (Isuzu Engine Only)	
545		Ref	Housing, Terminal - 3 Position Options (Prior to SN 44047)	
545	4460445	1	Deutz Engine	
545	Not Required	0	Ford Engine	
547		Ref	Plug, Male - 9 Position Options:	
547	4460265	1	Deutz Engine	
547	Not Required	0	Ford Engine	
548		Ref	Connector, Female - 9 Position Options:	
548	4460266	1	Deutz Engine	
548	Not Required	0	Ford Engine	
550		Ref	Plug, Sealed Options:	
550	Not Required	0	Deutz Engine	
550	4460374	AR	Ford Engine	
551		Ref	Terminal Options:	
551	Not Required	0	Deutz Engine	
551	4460375	AR	Ford Engine	
553	4460459	2	Housing (Isuzu Engine Only)	
554		Ref	Seal - Red Options:	
554	Not Required	0	Deutz Engine	
554	4460608	AR	Ford Engine	
555		Ref	Pin, Male Options:	
555	Not Required	0	Deutz Engine	
555	4460589	AR	Ford Engine	
556		Ref	Connector - 4 Pin Options:	
556	Not Required	0	Deutz Engine	
556	4460590	AR	Ford Engine	
557		Ref	Lock, Housing Options:	
557	Not Required	0	Deutz Engine	
557	4460591	AR	Ford Engine	
558		Ref	Connector - 8 Pin Options:	
558	Not Required	0	Deutz Engine	
558	4460587	AR	Ford Engine	
559		Ref	Lock, Housing Options:	
559	Not Required	0	Deutz Engine	
559	4460588	AR	Ford Engine	
560		Ref	Socket, Female Options:	
560	Not Required	0	Deutz Engine	
560	4460582	3	Ford Engine	
561		Ref	Lock, Housing Options:	
561	Not Required	0	Deutz Engine	
561	4460580	1	Ford Engine	
562		Ref	Connector Options:	
562	Not Required	0	Deutz Engine	

SECTION 7 - ELECTRICAL

ITEM	PART NUMBER	QTY	DESCRIPTION	REV
562	4460579	1	Ford Engine	
563	4460460	1	Connector, Male - 4 Position	
564	4460457	AR	Terminal, Female	
565	4460458	AR	Seal, Terminal	
567		Ref	Housing, Connector - 42 Position Options:	
567	Not Required	0	Deutz Engine	
567	4460713	1	Ford Engine	
568		Ref	Lock, Wedge - Center Options:	
568	Not Required	0	Deutz Engine	
568	4460725	1	Ford Engine	
569		Ref	Lock, Wedge - Side Options:	
569	Not Required	0	Deutz Engine	
569	4460726	2	Ford Engine	
570		Ref	Plug, Hole Options:	
570	Not Required	0	Deutz Engine	
570	4460800	29	Ford Engine	
571		Ref	Pin, Male Options:	
571	Not Required	0	Deutz Engine	
571	4460799	9	Ford Engine	
572		Ref	Fuse Options:	
572	Not Required	0	Deutz Engine	
572	2400061	2	Ford Engine	
573		Ref	Holder, Fuse Options:	
573	Not Required	0	Deutz Engine	
573	2400060	2	Ford Engine	
574	4460449	1	DIN Connector without Diode	
575 to 577	Not Required	0	Not Required	
578		Ref	Connector, 6 Position Options:	
578	Not Required	0	Deutz Engine	
578	4460418	1	Ford Engine (UL Machines Only)	
579		Ref	Terminal, Female Options:	
579	Not Required	0	Deutz Engine	
579	4460419	6	Ford Engine (UL Machines Only)	
580		Ref	Diode, 6 Amp Options:	
580	Not Required	0	Deutz Engine	
580	3990010	1	Ford Engine (UL Machines Only)	
581		Ref	Housing - 4 Position Options:	
581	4460777	1	Deutz and Isuzu Engine (SN 0300044047 through 0300064249)	
581	Not Required	0	Ford Engine	
582		Ref	Terminal, Lock Options:	
582	4460591	1	Deutz and Isuzu Engine (SN 0300044047 through 0300064249)	
582	Not Required	0	Ford Engine	
583		Ref	Socket Options:	
583	4460589	3	Deutz and Isuzu Engine (SN 0300044047 through 0300064249)	
583	Not Required	0	Ford Engine	
584		Ref	Seal, Cable Options:	
584	4460608	3	Deutz and Isuzu Engine (SN 0300044047 through 0300064249)	
584	Not Required	0	Ford Engine	

SECTION 7 - ELECTRICAL

ITEM	PART NUMBER	QTY	DESCRIPTION	REV
586		Ref	Connector - 2 Pin Options:	
586	Not Required	0	Deutz Engine	
586	4460742	1	Ford Engine (SN 0300058640 through 0300064249)	
587	See Note	1	Dual Fuel Shut-Off Filter Harness (Note: Not Available for Purchase)	
587	7023679	1	Electrical Connector Kit (Includes [1] 2 Position Connector, 2 Pins and 2 Seals)	
		Ref	STANDARD HARNESS COMPONENTS	
		Ref	Note: Numbered Wiring starts with SN 0300035129.	
601	See Note	1	Tilt Indicator Harness (Note: Not Available for Purchase) Note: Prior to SN 0300026233, #601A & 601B are part of Valve Harness. See Valve Harness.	
601A	See Note	AR	Pin (Prior to SN 0300026233)	
601A	4460268	6	Socket, Female (SN 0300026233 through 0300064249)	
601B	See Note	1	Plug (Prior to SN 0300026233)	
601B	4460224	1	Connector, Female - 6 Position (SN 0300026233 through 0300064249)	
602	See Note	1	Throttle Actuator/Controller Harness (Deutz, Isuzu and Continental) (Note: Not Available for Purchase)	
602	0060033	NLA	Throttle Actuator and Controller Assembly (Use p/n 2910000)	
602	7008833	1	Mounting Clamp Kit (Not Shown)	
602	7008836	1	Spring, Retract (Not Shown)	
602A	See Note	1	Throttle Actuator and Harness (Purchase p/n 2910000) (Note: Not Available for Purchase)	
602A	7016336	1	Boot Kit	
602B	See Note	9	Pin, Male (Note: Not Available for Purchase)	
602C	See Note	1	Connector, Male (Note: Not Available for Purchase)	
602D	2910001	1	Controller and Harnesses	
602E	See Note	9	Socket, Female (Note: Not Available for Purchase)	
602F	See Note	1	Connector, Female (Note: Not Available for Purchase)	
602G	See Note	1	Plug, Male - 4 Position (Note: Not Available for Purchase)	
602G	4460693	4	Pin, Male	
602G	4460591	1	Clip	
602G	4460608	4	Seal, Terminal	
603	See Note	1	Sunstrand Pump Harness (Note: Not Available for Purchase)	
603A	7007497	1	Plug (Pump End)	
603B	7007498	1	Plug (Engine Harness End)	
604	See Note	1	Controller Harness Assembly (Lift and Swing) (Note: Not Available for Purchase)	
604A	4460266	1	Connector, Female - 9 Position	
604B	4460268	7	Socket, Female	
605	See Note	1	Controller Harness/Circuit Board Assembly (Drive and Steer) (Note: Not Available for Purchase)	
605A	4460266	1	Connector, Female - 9 Position	
605B	4460268	7	Socket, Female	
606		Ref	Ford Engine Harness Options (For replacement parts refer to Ford engine dealer (Ford Carburetor Engine Machines):	
606	7012682	1	Ford LRG423	
606	7019980	1	Ford LRG425	
607	7023663	1	Ford Engine Harness (For replacement parts refer to Ford engine dealer (Ford EFI Engine Machines)	
608	0259198	1	Timer Module Assembly (Isuzu Engine Only)	2-B
608A	3740126	1	Relay, Timer Module	
608B	4460476	1	Housing, Receptacle	

SECTION 7 - ELECTRICAL

ITEM	PART NUMBER	QTY	DESCRIPTION	REV
608C	4460475	3	Pin, Male	
608D	4460459	1	Housing, Terminal	
608E	4460457	3	Socket, Female	
608F	4460458	6	Seal, Terminal	
609	See Note	1	Speed Controller Harness Assembly (Note: Not Available for Purchase)	
609A	4460224	1	Connector, Female - 6 Position	
609A	4460268	6	Socket, Female	
		Ref	OPTIONAL HARNESS COMPONENTS	
		Ref	Note: Numbered Colored Wiring starts with SN 0300035129.	
701		Ref	4WS Valve Harness Options:	
701	4921772	1	4WS Valve Harness (Prior to SN 0300035129)	
701	4921928	1	4WS Valve Harness (SN 0300035129 through 0300064248)	
701A	4460268	3	Socket, Female	
701B	4460445	1	Connector, Female - 3 Position	
701C	4460499	2	Connector, DIN with Diode	
702		Ref	Articulating Jib Valve Harness Options: (600AJ Only)	
702	4921771	1	Articulating Jib Valve Harness (Prior to SN 0300035129)	
702	4921927	1	Articulating Jib Valve Harness (SN 0300035129 through 0300064248)	
702A	4460326	1	Plug, Male - 3 Position	
702B	4460267	3	Pin, Male	
702C	4460499	2	Connector, DIN with Diode	
703		Ref	Alarm Harness Options: (Includes Alarm)	
703	0255914	1	Alarm Harness Options (Prior to SN 0300035129)	
703	0257887	1	Alarm Harness Options (SN 0300035129 through 0300064248)	
703A	4460424	1	Plug, Male - 2 Position	
703B	4460268	2	Socket, Female	
704	0255917	1	Strobe Light Harness (Includes Strobe Light)	
704A	4460320	1	Connector, Female - 2 Position	
704B	4460267	2	Pin, Male	
705	0255382	Ref	AC (110V) to Platform Receptacle Components	3
705	1282520	Ref	AC (110V) to Platform Receptacle Components	D
705	0257176	Ref	AC (220V) to Platform Receptacle Components	3
705	1282520	Ref	AC (220V) to Platform Receptacle Components	D
705A	0860038	1	Box, Switch	
705B		Ref	Receptacle Options:	
705B	4460346	1	110V GFI	
705B	4460125	1	220V GFI	
705C		Ref	Shield, Cover Options:	
705C	4060700	1	110V GFI	
705C	4060092	1	220V GFI	
705D		Ref	Plug, Male Options:	
705D	4460205	2	110V GFI	
705D	4460233	2	220V GFI	
705E		Ref	Connector, Female Options:	
705E	4460134	2	110V GFI	
705E	4460701	2	220V GFI	
705F		Ref	Harness-Receptacle Box to Boom Options:	
705F	4921801	1	110V	
705F	See Note	1	220V (Note: Not Available for Purchase)	
705F	1060494	18	Cable, Electrical - 12/3	

SECTION 7 - ELECTRICAL

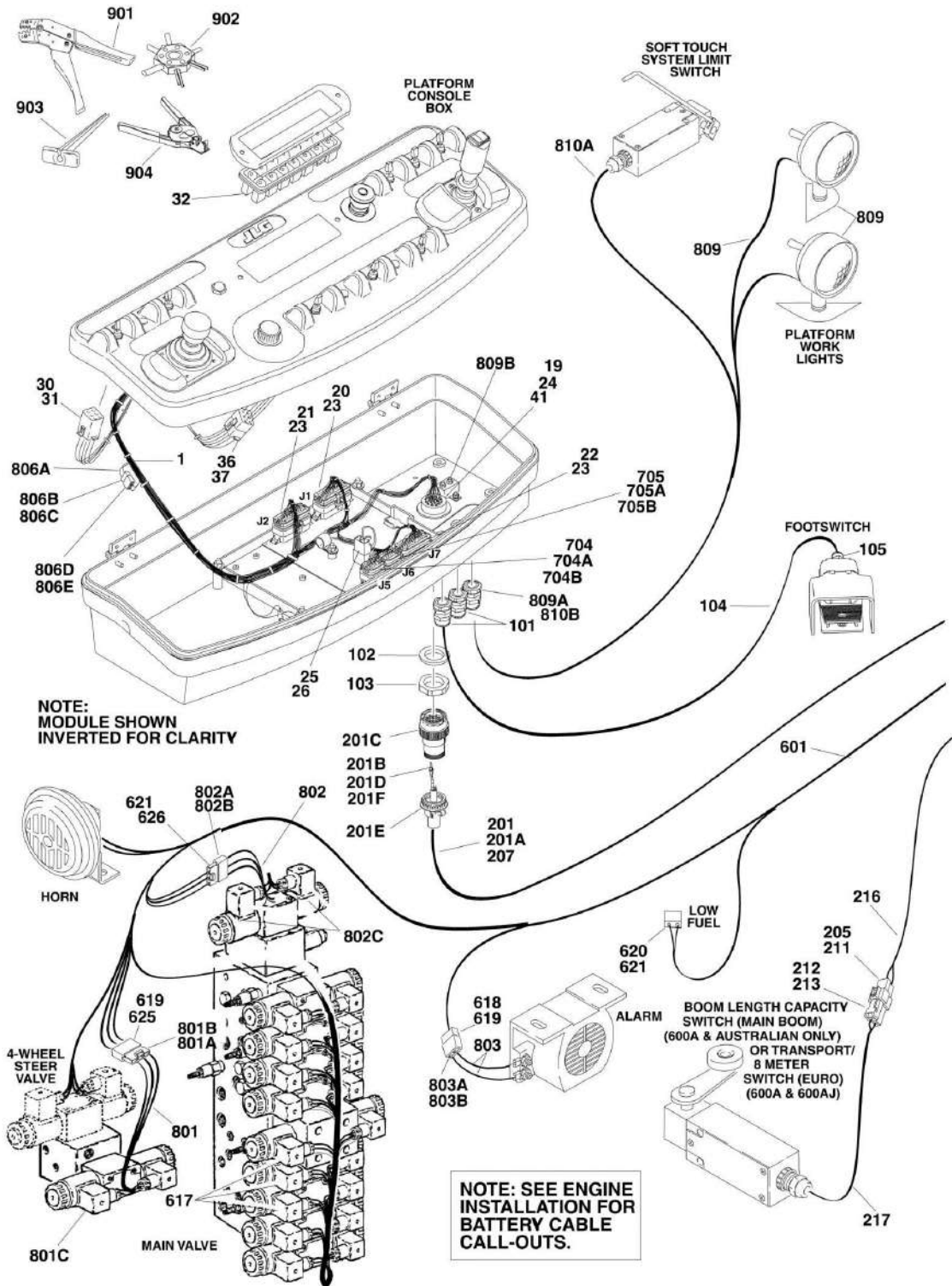
ITEM	PART NUMBER	QTY	DESCRIPTION	REV
		in/47cm		
705G	4460205	1	Plug, Male (110V)	
705G	4460233	1	Plug, Male (220V)	
705H	0961127	1	Bushing, Snap (Not Shown (Prior to SN 0300040858))	
706		Ref	Generator Electrical Components	
706	4932828	Ref	Generator Electrical Components 110V (Prior to SN 0300035129)	2-C
706	4932940	Ref	Generator Electrical Components 220V (Prior to SN 0300035129)	1-A
706	4932915	Ref	Generator Electrical Components 110V (SN 0300035129 through 0300064248)	1-A
706	4932989	Ref	Generator Electrical Components 220V (SN 0300035129 through 0300064248)	-/-
706	3990010	1	Diode - 6 Amp (Not Shown)	
706A		Ref	Harness - On/Off Switch (Powermite Control Box to Ground Control Box)	
706A	4921828	1	Harness - On/Off Switch (Powermite Control Box to Ground Control Box) (Prior to SN 0300035129)	
706A	4921938	1	Harness - On/Off Switch (Powermite Control Box to Ground Control Box) (SN 0300035129 through 0300064248)	
706B	4460027	1	Receptacle, Electrical (Industrial) (110V)	
706B	4460125	1	Receptacle, Electrical (220V)	
706C	4460190	1	Receptacle, Electrical (Standard) (110V)	
706C	4460125	1	Receptacle, Electrical (220V)	
707	4921829	1	Generator to Rear of Boom Harness (110V)	
707	4921955	1	Generator to Rear of Boom Harness (220V)	
		Ref	Note: Harness used to connect AC at platform harness to generator receptacle to power platform receptacle.	
707	1060494	6 ft/1.8m	Cable, Electrical - 12/3	
707A	4460205	1	Plug, Male (110V)	
707A	4460233	1	Plug, Male (220V)	
707B	4460134	1	Receptacle, Female (110V)	
707B	4460701	1	Receptacle, Female (220V)	
708	See Note	1	Lights Harness (Note: Not Available for Purchase)	
708	3740049	1	Relay (Not Shown)	
708	1060341	37	Cable, Electrical - 16/2	
		ft/11.3m		
709	2920140	2	Platform Worklights Harness (Includes Light and Wire Only)	
709	2820035	9 ft/2.8m	Loom, Vinyl	
709	7016399	1	Bulb, Replacement (50 watts) (1 Per)	
709A	4460598	1	Connector, Strain Relief	
709A	4460442	2	Terminal (Not Shown-Located in Platform Console)	
710	See Note	1	Soft-Touch System Harness (Note: Not Available for Purchase)	
710A	1060330	16 ft/4.9m	Cable, Electrical - 16/3 (Prior to SN 0300029105)	
710A	1060341	16 ft/4.9m	Cable, Electrical - 16/3 (SN 0300029105 through 0300064249)	
710B		Ref	Connector, Strain Relief Options:	
710B	4460428		Connector, Strain Relief (Prior to SN 0300029105)	
710B	4460425		Connector, Strain Relief (SN 0300029105 through 0300064249)	
		Ref	TOOLS	
801	7002821	1	Crimper (For Wire to Pin/Socket Connections)	
802	7002823	1	Extractor (For Removal of Pin/Socket from Connectors)	
803	4460467	1	Extractor, Pin (Blue 16-18 Gauge) (For Removal of Pin/Socket from Connectors)	
803	4460510	1	Extractor, Pin (Yellow 12-14 Gauge) (For Removal of Pin/Socket	

SECTION 7 - ELECTRICAL

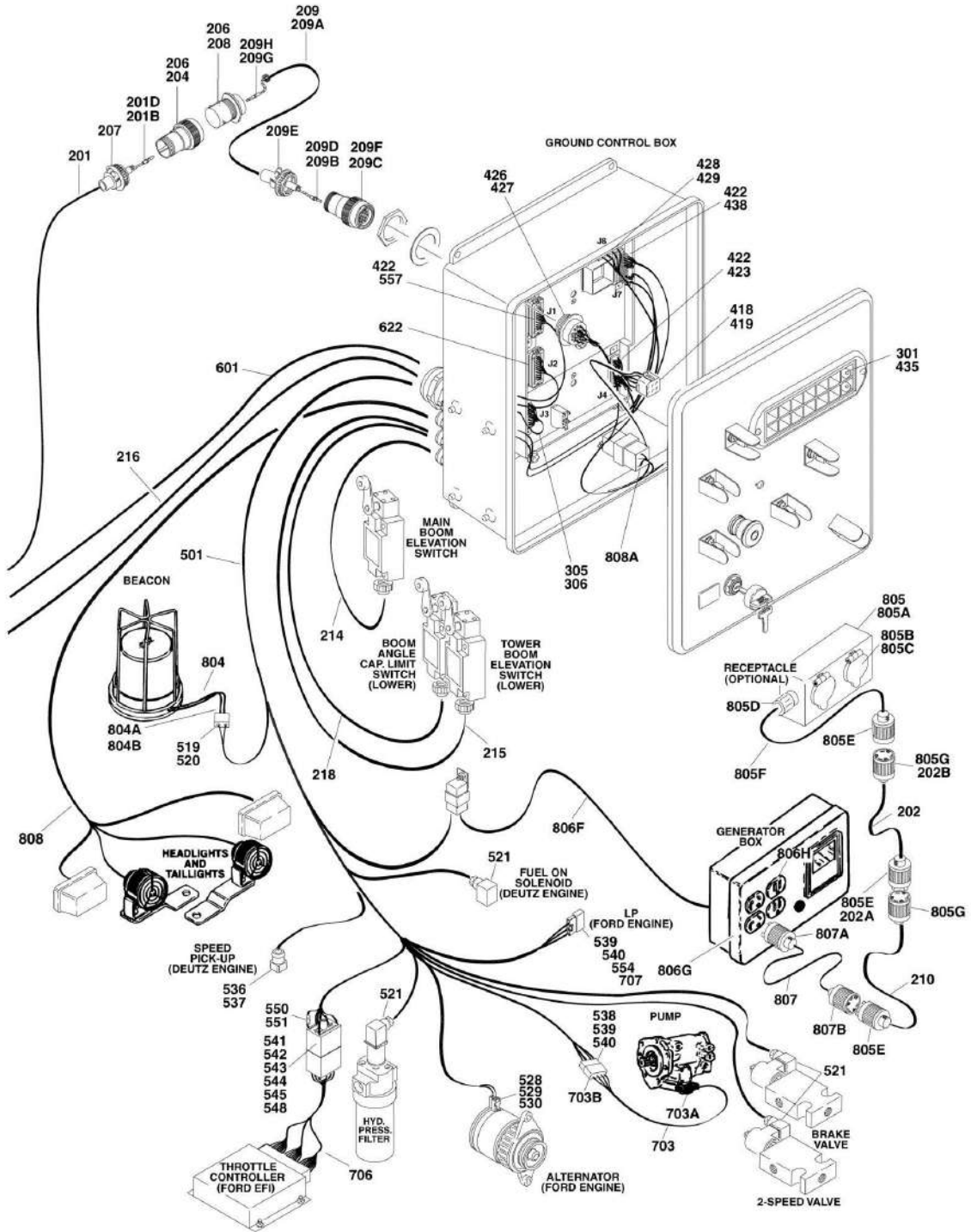
ITEM	PART NUMBER	QTY	DESCRIPTION	REV
804	8896941	1	from Connectors) Stripper, Wire	

SECTION 7 - ELECTRICAL

FIGURE 7-13. HARNESS COMPONENTS INSTALLATION (WITH ADE SYSTEM) (SN 0300064249 through 0300064269)



SECTION 7 - ELECTRICAL



SECTION 7 - ELECTRICAL

FIGURE 7-13. HARNESS COMPONENTS INSTALLATION (WITH ADE SYSTEM) (SN 0300064249 through 0300064269)

ITEM	PART NUMBER	QTY	DESCRIPTION	REV
	4922509	Ref	PLATFORM BOX HARNESS ASSEMBLY	3-D
1	4922509	1	Harness, Console Box	
19	4460866	1	Connector - 19 Position	
20	4460874	1	Connector - 35 Position (Natural)	
21	4460875	1	Connector - 35 Position (Gray)	
22	4460873	1	Connector - 35 Position (Black)	
23	4460871	48	Socket, Female	
24	4460464	7	Pin, Male (16 Gauge)	
25	4460879	1	Terminal, Housing 2 Position	
26	4460887	2	Terminal, (12 Gauge)	
30	4460418	4	Connector - 6 Position	
31	4460419	12	Terminal, Female	
32	4120035	7	Base, Light	
36	4460225	1	Connector - 6 Position	
37	4460227	6	Pin	
41	4460508	3	Pin, Male (12 Gauge)	
		Ref	PLATFORM BOX ASSEMBLY COMPONENTS	
101	4460428	2	Connector, Strain Relief	
102	4460470	1	Nut, Conduit	
103	4460471	1	Washer	
104	1060330	1	Cable, Electrical - 16/3	
105	4460071	1	Connector, Strain Relief	
		Ref	BOOM CABLES INSTALLATION	
	0270818	Ref	Boom Cables Installations 600A	3
	0270820	Ref	Boom Cables Installations 600AJ	3
201	4922493	1	Harness, Main Boom	
201A	1060896	45.5 ft/13.9m	Cable	
201B	4460465	22	Socket, Female - #16	
201C	4460865	1	Connector - 19 Position	
201D	4460509	8	Socket, Female - #12	
201E	4460473	1	Clamp, Cable	
201F	4460466	4	Seal, Plug	
202	1060494	46 ft/14m	Cable, Electrical - 12/3 (Does not include plug ends)	
202A	4460205	1	Plug, Male (110V)	
202B	4460134	1	Connector, Female (110V)	
204	4460865	1	Connector - 19 Position	
205	4460465	3	Socket, Female - #16	
206	4460466	8	Seal, Plug	
207	4460473	1	Clamp, Cable	
208	4460866	1	Connector - 19 Position	
209	4922494	1	Harness, Lower Boom Cable	
209A	1060896	35.5 ft/10.8m	Cable	
209B	4460465	11	Socket, Female - #16	
209C	4460865	1	Connector - 19 Position	
209D	4460509	4	Socket, Female - #12	
209E	4460473	1	Clamp, Cable	
209F	4460466	4	Seal, Plug	

SECTION 7 - ELECTRICAL

ITEM	PART NUMBER	QTY	DESCRIPTION	REV
209G	4460464	11	Pin, Male (16 Gauge)	
209H	4460508	4	Pin, Male (12 Gauge)	
210	1060494	33 ft/10m	Cable, Electrical - 12/3 (Does not include plug ends)	
211	4460539	1	Connector, Terminal (600A Only)	
212	4460536	1	Plug, Terminal (600A Only)	
213	4460464	3	Pin, Male (16 Gauge)	
214	1060902	37 ft/11.3m	Cable, Electrical - 18/2 Main Boom Limit Switch	
215	1060902		Cable, Electrical - 18/2 Tower Boom Limit Switch	
215	1060902	37 ft/11.3m	Cable, Electrical - 18/2 Main Boom Limit Switch 600A	
215	1060902	18 ft 5.5m	Cable, Electrical - 18/2 Main Boom Limit Switch 600AJ	
216	1060902	37 ft/11.3m	Cable, Electrical - 18/2 Main Boom Length (600A Only)	
217	1060902	19 ft/5.8m	Cable, Electrical - 18/2 Main Boom Length (600A Only)	
218	1060902	37 ft/11.3m	Cable, Electrical - 18/2 Main Boom Cap. Angle (600A Only)	
		Ref	GROUND CONTROL BOX DIAGRAMS	
	4933168	Ref	Deutz Engine	5-F
	4933167	Ref	Ford EFI Engine	4-F
301	2920129	6	Bulb, Light	
306	4460871	6	Socket, Female	
307	2400065	1	Fuse, 30Amp (Not Shown)	
308	2400066	1	Fuse, Holder W/Cover (Not Shown)	
	4922516	Ref	GROUND CONTROL HARNESS ASSEMBLY	4-E
418	4460419	27	Terminal, Female	
419	4460418	9	Connector - 6 Position	
422	4460871	39	Socket, Female	
423	4460876	1	Connector - 35 Position (Blue)	
426	4460464	10	Pin, Male (16 Gauge)	
427	4460866	1	Connector - 19 Position	
428	4460878	1	Housing, Terminal - 4 Position	
429	4460887	3	Terminal	
435	4120035	6	Base, Light	
438	4460873	1	Connector - 35 Position (Black)	
		Ref	ENGINE HARNESS ASSEMBLY	
	4922515	Ref	Deutz Engine	5-E
	4922514	Ref	Ford Engine	6-F
501		Ref	Harness, Assembly Options:	
501	4922515	1	Deutz Engine	
501	4922514	1	Ford Engine	
519	4460424	1	Receptacle, Female - 2 Position	
520	4460268	2	Socket, Female	
521	4460880	AR	DIN Connector without Diode	
528	4460582	3	Terminal (Ford Engine Only)	
529	4460580	1	Lock, Terminal (Ford Engine Only)	
530	4460579	1	Housing - 3 Position (Ford Engine Only)	
536	4460890	1	Housing - 2 Position (Deutz Engine Only)	
537	4460889	2	Terminal (Deutz Engine Only)	
538	4460460	1	Connector, Male - 4 Position	
539	4460457	AR	Terminal, Female	
540	4460458	AR	Seal, Terminal	

SECTION 7 - ELECTRICAL

ITEM	PART NUMBER	QTY	DESCRIPTION	REV
541	4460713	1	Connector, Housing 42 Position (Ford Engine Only)	
542	4460725	1	Connector Wedge Lock, Center (Ford Engine Only)	
543	4460726	2	Connector Wedge Lock, Side (Ford Engine Only)	
544	4460800	29	Connector, Plug (Ford Engine Only)	
545	4460799	7	Pin, Male (Ford Engine Only)	
548	4460728	3	Pin, Male (Ford Engine Only)	
550	2400061	2	Fuse (Ford Engine Only)	
551	2400060	2	Holder, Fuse (Ford Engine Only)	
554	4460742	1	Connector, Male - 2 Position (Ford Engine Only)	
557	4460871	AR	Socket, Female	
	4922508	Ref	VALVE HARNESS ASSEMBLY	4-D
601	4922508	1	Harness, Assembly	
617	4460880	15	DIN Connector	
618	4460320	1	Connector, Female - 2 Position	
619	4460267	5	Pin, Male	
620	4460424	1	Connector, Male - 2 Position	
621	4460268	5	Socket, Female	
622	4460871	28	Socket, Female	
625	4460326	1	Connector, Male - 3 Position	
626	4460445	1	Connector, Female - 3 Position	
		Ref	STANDARD HARNESS COMPONENTS	
703	See Note	1	Pump Harness (Note: Not Available for Purchase)	
703A	7007497	1	Plug (Pump End)	
703B	7007498	1	Plug (Engine Harness End)	
704	See Note	1	Controller Harness Assembly (Lift and Swing) (Note: Not Available for Purchase)	
704B	4460871	8	Socket, Female	
705	See Note	1	Controller Harness/Circuit Board Assembly (Drive and Steer) (Note: Not Available for Purchase)	
705A	7022825	1	Plug, Male - 8 Position (Black)	
705B	4460871	7	Socket, Female	
706	7023663	1	Ford Engine Harness (For replacement parts refer to Ford engine dealer (Ford EFI Engine Machines)	
707	See Note	1	Dual Fuel Shut-Off Filter Harness (Not Shown) (Note: Not Available for Purchase)	
707	7023679	1	Electrical Connector Kit (Includes [1] 2 Position Connector, 2 Pins and 2 Seals)	
		Ref	OPTIONAL HARNESS COMPONENTS	
801	4921928	1	4WS Valve Harness	
801A	4460268	3	Socket, Female	
801B	4460445	1	Connector, Female - 3 Position	
801C	4460499	2	Connector, DIN with Diode	
802	4921927	1	Jib Valve Harness (600AJ Only)	
802A	4460326	1	Plug, Male - 3 Position	
802B	4460267	3	Pin, Male	
802C	4460499	2	Connector, DIN with Diode	
803	0257887	1	Alarm Harness (Includes Alarm)	
803A	4460424	1	Plug, Male - 2 Position	
803B	4460268	2	Socket, Female	
804	0255917	1	Strobe Light Harness (Includes Strobe Light)	
804A	4460320	1	Connector, Female - 2 Position	
804B	4460267	2	Pin, Male	

SECTION 7 - ELECTRICAL

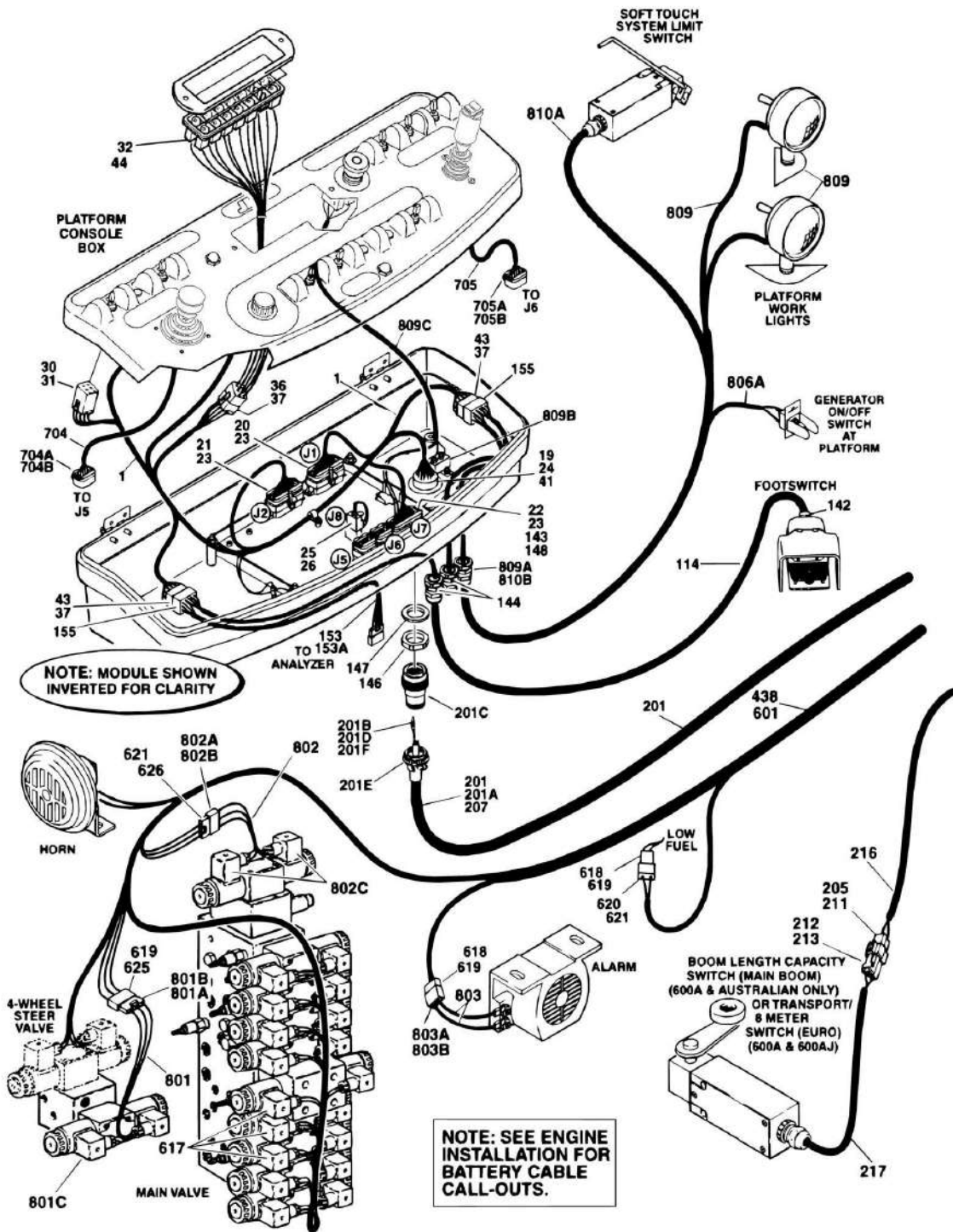
ITEM	PART NUMBER	QTY	DESCRIPTION	REV
805		Ref	AC to Platform Receptacle Components Options:	
805	0255382	Ref	110V GFI Receptacle	1-A
805	0257176	Ref	220V Receptacle	-/A
805A	0860038	1	Box, Switch	
805B		Ref	Receptacle Options:	
805B	4460346	1	110V GFI	
805B	4460125	1	220V	
805C		Ref	Shield, Cover Options:	
805C	4060700	1	110V GFI	
805C	4060092	1	220V	
805D	4460071	1	Connector, Strain Relief	
805E		Ref	Plug, Male Options:	
805E	4460205	2	110V GFI	
805E	4460233	2	220V	
805F	4921801	1	Harness-Receptacle Box to Boom	
805F	1060494	18 in/47cm	Cable, Electrical - 12/3	
805G		Ref	Connector, Female Options:	
805G	4460134	2	110V GFI	
805G	4460701	2	220V	
806		Ref	Generator Electrical Components	
806	4933215	Ref	110V	1-A
806	4933216	Ref	220V	1-A
806	3990010	1	Diode - 6 Amp (Not Shown)	
806A	4922641	1	Harness - On/Off Switch	
806B	4460320	1	Connector, Female - 2 Position	
806C	4460267	2	Pin, Male	
806D	4460424	1	Plug, Male - 2 Position	
806E	4460268	2	Socket, Female	
806F	4922482	1	Powermite Control Box to Relay	
806G	4460027	1	Receptacle, Electrical (Industrial) (110V)	
806G	4460125	1	Receptacle, Electrical (220V)	
806H	4460190	1	Receptacle, Electrical (Standard) (110V)	
806H	4460125	1	Receptacle, Electrical (220V)	
807	4921829	1	Generator to Rear of Boom Harness (110V)	
807	4921954	1	Generator to Rear of Boom Harness (220V)	
		Ref	Note: Harness used to connect AC at platform harness to generator receptacle to power platform receptacle.	
807	1060494	6 ft/1.8m	Cable, Electrical - 12/3 (110V)	
807	1060494	26 ft/8m	Cable, Electrical - 12/3 (220V)	
807A	4460205	1	Plug, Male (110V)	
807A	4460233	1	Plug, Male (220V)	
807B	4460134	1	Receptacle, Female (110V)	
807B	4460701	1	Receptacle, Female (220V)	
808	See Note	1	Lights Harness (Note: Not Available for Purchase)	
808	1060341	37 ft/11.3m	Cable, Electrical - 16/3	
808A	3740049	1	Relay	
808B	4922643	1	Harness, Bag (Located at Ground Control Box) (Not Shown)	
809	2920140	2	Platform Worklights Harness (Includes Light and Wire Only)	
809	2820035	9 ft/2.8m	Loom, Vinyl	
809	7016399	1	Bulb, Replacement (50 watts) (1 Per)	

SECTION 7 - ELECTRICAL

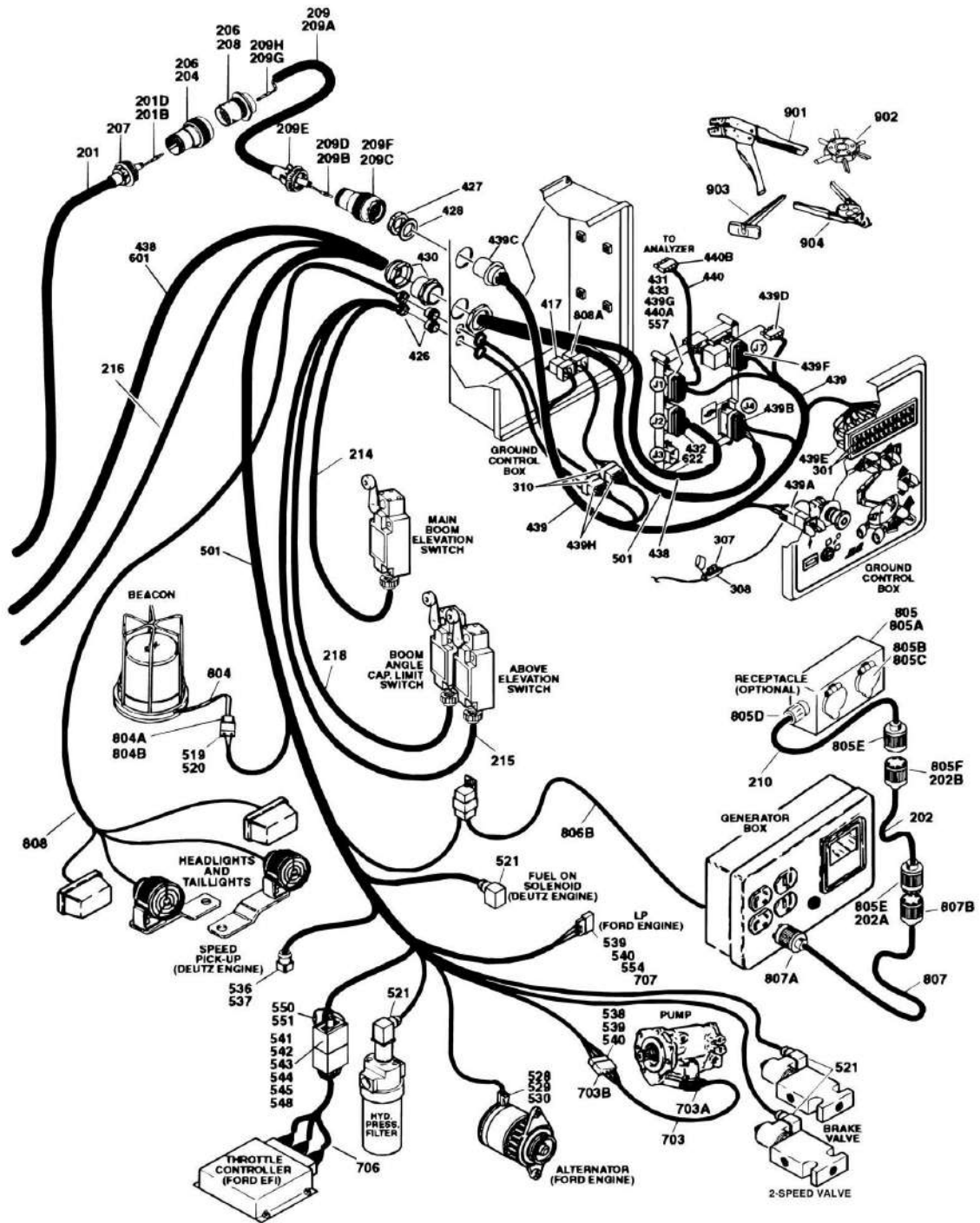
ITEM	PART NUMBER	QTY	DESCRIPTION	REV
809A	4460598	1	Connector, Strain Relief	
809B	4360232	1	Circuit Breaker, 15Amp	
810	See Note	1	Soft-Touch System Harness (Note: Not Available for Purchase)	
810A	1060341	16 ft/4.9m	Cable, Electrical - 16/3	
810B	4460425	1	Connector, Strain Relief	
		Ref	TOOLS	
901	7002821	1	Crimper (For Wire to Pin/Socket Connections)	
902	7002823	1	Extractor (For Removal of Pin/Socket from Connectors)	
903	4460467	1	Extractor, Pin (Blue 16-18 Gauge) (For Removal of Pin/Socket from Connectors)	
903	4460510	1	Extractor, Pin (Yellow 12-14 Gauge) (For Removal of Pin/Socket from Connectors)	
904	7002828	1	Stripper, Wire	
905	1001137005	1	Software Cable Kit (Not Shown)	

SECTION 7 - ELECTRICAL

FIGURE 7-14. HARNESS COMPONENTS INSTALLATION (WITH ADE SYSTEM) (SN 0300064270 through 0300069000)



SECTION 7 - ELECTRICAL



SECTION 7 - ELECTRICAL

FIGURE 7-14. HARNESS COMPONENTS INSTALLATION (WITH ADE SYSTEM) (SN 0300064270 through 0300069000)

ITEM	PART NUMBER	QTY	DESCRIPTION	REV
	4922639	Ref	PLATFORM BOX HARNESS ASSEMBLY	C
1	4922639	1	Harness, Console Box	
19	4460866	1	Connector - 19 Position	
20	4460874	1	Connector - 35 Position (Natural)	
21	4460875	1	Connector - 35 Position (Gray)	
22	4460873	1	Connector - 35 Position (Black)	
23	4460871	70	Socket, Female	
24	4460464	7	Pin, Male (16 Gauge)	
25	4460879	1	Terminal, Housing 2 Position	
26	4460887	2	Terminal, (12 Gauge)	
30	4460418	8	Connector - 6 Position	
31	4460419	24	Terminal, Female	
32	4120035	12	Base, Light	
36	4460225	1	Connector - 6 Position	
37	4460227	28	Pin, Male	
41	4460508	3	Pin, Male (12 Gauge)	
43	4460434	2	Connector - 15 Position	
44	2920129	12	Lamp, Indicator	
		Ref	PLATFORM BOX ASSEMBLY COMPONENTS	
104	0100048	AR	Grease, Dielectric (Not Shown)	
114	1060918	8 ft/2.4m	Cable, Electrical - 18/3	
142	4460071	1	Connector, Strain Relief	
143	4460226	2	Socket, Female	
144	4460428	2	Connector, Strain Relief	
146	4460470	1	Nut, Terminal	
147	4460471	1	Lockwasher, Terminal	
148	4460905	5	Seal, Plug	
153	4922666	1	Harness, Analyzer Cable	1-A
153	4460226	4	Socket, Female (Not Shown - Located at J2)	
153A	4460761	1	Connector, Female - 4 Position	
153A	4460227	4	Pin, Male	
155	4460708	2	Terminal, 15 Pin Mate-N-Loc	
		Ref	BOOM CABLES INSTALLATION	
	0270818	Ref	Boom Cables Installations 600A	5
	0270820	Ref	Boom Cables Installations 600AJ	5
	0272624	Ref	Boom Cables Installations 600A (With 7500W Generator) (SkyPower)	1
	0272625	Ref	Boom Cables Installations 600AJ (With 7500W Generator) (SkyPower)	1
201	4922493	1	Harness, Main Boom	
201A	1060896	45.5 ft/13.9m	Cable	
201B	4460465	22	Socket, Female - #16	
201C	4460865	1	Connector - 19 Position	
201D	4460509	8	Socket, Female - #12	
201E	4460473	1	Clamp, Cable	
201F	4460466	4	Seal, Plug	
202	1060494	46 ft/14m	Cable, Electrical - 12/3 (Does not include plug ends)	
202A	4460205	1	Plug, Male (110V)	

SECTION 7 - ELECTRICAL

ITEM	PART NUMBER	QTY	DESCRIPTION	REV
202B	4460134	1	Connector, Female (110V)	
202	4922810	1	Harness, Electrical - 8/5 (Does not include plug ends) (With 7500W Generator)	
202	1060945	47 ft/14.3m	Cable, Electrical - 8/5 (With 7500W Generator)	
204	4460865	1	Connector - 19 Position	
205	4460465	2	Socket, Female - #18	
206	4460466	8	Seal, Plug	
207	4460473	1	Clamp, Cable	
208	4460866	1	Connector - 19 Position	
209	4922494	1	Harness, Lower Boom Cable	
209A	1060896	35.5 ft/10.8m	Cable	
209B	4460465	22	Socket, Female - #16	
209C	4460865	1	Connector - 19 Position	
209D	4460509	8	Socket, Female - #12	
209E	4460473	1	Clamp, Cable	
209F	4460466	4	Seal, Plug	
209G	4460464	11	Pin, Male (16 Gauge) (SN 0300064270 through 0300064697)	
209H	4460508	4	Pin, Male (12 Gauge) (SN 0300064270 through 0300064697)	
210	1060494	33 ft/10m	Cable, Electrical - 12/3 (Does not include plug ends)	
210	4922811	1	Harness, Electrical - 8/5 (Does not include plug ends) (With 7500W Generator)	
210	1060945	36 ft/10.9m	Cable, Electrical - 8/5 (With 7500W Generator)	
211		Ref	Connector, Terminal (600A Only) Options:	
211	4460539	1	Connector, Terminal (SN 0300064270 through 0300064697)	
211	4460891	1	Connector, Terminal (SN 0300064698 through 0300069000)	
212		Ref	Plug, Terminal (600A Only) Options:	
212	4460536	1	Plug, Terminal (SN 0300064270 through 0300064697)	
212	4460897	1	Plug, Terminal (SN 0300064698 through 0300069000)	
213	4460464	AR	Pin, Male (16 Gauge)	
214	1060902	37 ft/11.3m	Cable, Electrical - 18/2 Main Boom Limit Switch	
215	1060902		Cable, Electrical - 18/2 Tower Boom Limit Switch	
215	1060902	37 ft/11.3m	Cable, Electrical - 18/2 Tower Boom Limit Switch 600A	
215	1060902	18 ft/5.5m	Cable, Electrical - 18/2 Tower Boom Limit Switch 600AJ	
216	1060902	37 ft/11.3m	Cable, Electrical - 18/2 Main Boom Length (600A Only)	
217	1060902	19 ft/5.8m	Cable, Electrical - 18/2 Main Boom Length (600A Only)	
218	1060902	37 ft/11.3m	Cable, Electrical - 18/2 Main Boom Cap. Angle (600A Only)	
		Ref	GROUND CONTROL BOX DIAGRAMS	
	4933213	Ref	Deutz Engine	2-B
	4933212	Ref	Ford EFI Engine	2-B
301	2920129	6	Bulb, Light	
307	2400065	1	Fuse, 30Amp	
308	2400066	1	Fuse, Holder W/Cover	
310	4460708	2	Receptacle, Female - 15 Position	
310	4460226	10	Socket, Female	
310	4922637	1	Harness, Jumper (Not Shown)	
		Ref	GROUND CONTROL HARNESS ASSEMBLY	

SECTION 7 - ELECTRICAL

ITEM	PART NUMBER	QTY	DESCRIPTION	REV
417	3740049	1	Relay	
426	4460426	2	Connector, Strain Relief	
427	4460470	1	Nut, Terminal	
428	4460471	1	Lockwasher, Terminal	
430	4460526	1	Connector, Strain Relief	
431	4460874	1	Connector (Natural)	
432	4460875	1	Connector (Gray)	
433	4460905	4	Connector, Amp Seal Plug	
437		Ref	Engine Harness Assembly (Not Shown - See 501 to 566 for Breakdown)	
437	4922515	1	Deutz Engine Machines	
437	4922514	1	Ford Engine Machines with EFI	
438	4922508	1	Valve Harness Assembly (See 601 to 628 for Breakdown)	
439	4922638	1	Ground Control Box Harness Assembly	3-C
439A	4460418	9	Connector, Female- 6 Position	
439A	4460419	27	Socket, Female	
439B	4460876	1	Connector, 35- Position	
439B	4460871	AR	Socket, Female	
439B	4460905	2	Seal, Plug	
439C	4460866	1	Connector - 19 Position	
439C	4460464	10	Pin, Male Deutsch (16 Gauge)	
439D	4460878	1	Housing, Terminal- 4 Position	
439D	4460887	3	Terminal (12 Gauge)	
439E	4120035	6	Base, Light	
439E	4460634	7	Terminal (16 Gauge)	
439F	4460873	1	Connector, 35- Position (Black)	
439F	4460871	AR	Socket, Female	
439F	4460635	5	Terminal (12 Gauge)	
439G	4460871	AR	Socket, Female	
439H	4460434	2	Plug, Male 15- Position	
439H	4460227	AR	Pin	
439I	3990010	2	Diode - 6 Amp (Not Shown)	
440	4922666	1	Cable, Analyzer	1-A
440A	4460226	4	Socket, Female	
440B	4460761	1	Connector, Female 4- Position	
440B	4460227	4	Pin, Male	
441		Ref	Ground Control Box Wiring Diagram (Not Shown - See Items 301 to 310 for Breakdown)	
441	4933213	1	Deutz Engine	
441	4933212	1	Ford Engine	
		Ref	ENGINE HARNESS ASSEMBLY	
	4922515	Ref	Deutz Engine	5-E
	4922514	Ref	Ford Engine	6-F
501		Ref	Harness, Assembly Options:	
501	4922515	1	Deutz Engine	
501	4922514	1	Ford Engine	
519	4460424	1	Receptacle, Female - 2 Position	
520	4460268	2	Socket, Female	
521	4460880	AR	DIN Connector without Diode	
528	4460582	3	Terminal (Ford Engine Only)	
529	4460580	1	Lock, Terminal (Ford Engine Only)	
530	4460579	1	Housing - 3 Position (Ford Engine Only)	

SECTION 7 - ELECTRICAL

ITEM	PART NUMBER	QTY	DESCRIPTION	REV
536	4460890	1	Housing - 2 Position (Deutz Engine Only)	
537	4460889	2	Terminal (Deutz Engine Only)	
538	4460460	1	Connector, Male - 4 Position	
539	4460457	AR	Terminal, Female	
540	4460458	AR	Seal, Terminal	
541	4460713	1	Connector, Housing 42 Position (Ford Engine Only)	
542	4460725	1	Connector Wedge Lock, Center (Ford Engine Only)	
543	4460726	2	Connector Wedge Lock, Side (Ford Engine Only)	
544	4460800	29	Connector, Plug (Ford Engine Only)	
545	4460799	7	Pin, Male (Ford Engine Only)	
548	4460728	3	Pin, Male (Ford Engine Only)	
550	2400061	2	Fuse (Ford Engine Only)	
551	2400060	2	Holder, Fuse (Ford Engine Only)	
554	4460742	1	Connector, Male - 2 Position (Ford Engine Only)	
557	4460871	AR	Socket, Female	
	4922508	Ref	VALVE HARNESS ASSEMBLY	4-D
601	4922508	1	Harness, Assembly	
617	4460880	15	DIN Connector	
618	4460320	1	Connector, Female - 2 Position	
619	4460267	5	Pin, Male	
620	4460424	1	Connector, Male - 2 Position	
621	4460268	5	Socket, Female	
622	4460871	28	Socket, Female	
625	4460326	1	Connector, Male - 3 Position	
626	4460445	1	Connector, Female - 3 Position	
		Ref	STANDARD HARNESS COMPONENTS	
703	See Note	1	Pump Harness (Note: Not Available for Purchase)	
703A	7007497	1	Plug (Pump End)	
703B	7007498	1	Plug (Engine Harness End)	
704	See Note	1	Controller Harness Assembly (Lift and Swing) (Note: Not Available for Purchase)	
704A	7022819	1	Connector, Male - 9 Position	
704B	7022820	8	Socket, Female	
705	See Note	1	Controller Harness/Circuit Board Assembly (Drive and Steer) (Note: Not Available for Purchase)	
705A	7022825	1	Connector, Male - 9 Position	
705B	7022820	7	Socket, Female	
706	7023663	1	Ford Engine Harness (For replacement parts refer to Ford engine dealer (Ford EFI Engine Machines)	
707	See Note	1	Dual Fuel Shut-Off Filter Harness (Not Shown) (Note: Not Available for Purchase)	
707	7023679	1	Electrical Connector Kit (Includes [1] 2 Position Connector, 2 Pins and 2 Seals)	
		Ref	OPTIONAL HARNESS COMPONENTS	
801	4921928	1	4WS Valve Harness	
801A	4460268	3	Socket, Female	
801B	4460445	1	Connector, Female - 3 Position	
801C	4460499	2	Connector, DIN with Diode	
802	4921927	1	Jib Valve Harness (600AJ Only)	
802A	4460326	1	Plug, Male - 3 Position	
802B	4460267	3	Pin, Male	
802C	4460499	2	Connector, DIN with Diode	

SECTION 7 - ELECTRICAL

ITEM	PART NUMBER	QTY	DESCRIPTION	REV
803	0257887	1	Alarm Harness (Includes Alarm)	
803A	4460424	1	Plug, Male - 2 Position	
803B	4460268	2	Socket, Female	
804	0255917	1	Strobe Light Harness (Includes Strobe Light)	
804A	4460320	1	Connector, Female - 2 Position	
804B	4460267	2	Pin, Male	
805		Ref	AC to Platform Receptacle Components Options:	
805	0255382	Ref	110V GFI Receptacle	4
805	0257176	Ref	220V Receptacle	4
805	0272433	Ref	With 7500W Generator (SkyPower)	1
805A	0860038	1	Box, Switch	
805B		Ref	Receptacle Options:	
805B	4460346	1	110V GFI	
805B	4460125	1	220V	
805C		Ref	Shield, Cover Options:	
805C	4060700	1	110V GFI	
805C	4060092	1	220V	
805D	4460071	1	Connector, Strain Relief	
805E		Ref	Plug, Male Options:	
805E	4460205	2	110V GFI	
805E	4460233	2	220V	
805E	4460959	2	With 7500W Generator (SkyPower)	
805F		Ref	Connector, Female Options:	
805F	4460134	1	110V GFI	
805F	4460701	1	220V	
806		Ref	Generator Electrical Components	
806	4933215	Ref	110V	1-A
806	4933216	Ref	220V	1-A
806	3990010	1	Diode - 6 Amp (Not Shown)	
806A	4922641	1	Harness - On/Off Switch	
806B	4922482	1	Harness - Powermite Control Box to Relay	
807	4921829	1	Generator to Rear of Boom Harness (110V)	
807	4921954	1	Generator to Rear of Boom Harness (220V)	
		Ref	Note: Harness used to connect AC at platform harness to generator receptacle to power platform receptacle.	
807	1060494	6 ft/1.8m	Cable, Electrical - 12/3 (110V)	
807	1060494	26 ft/8m	Cable, Electrical - 12/3 (220V)	
807A	4460205	1	Plug, Male (110V)	
807A	4460233	1	Plug, Male (220V)	
807B	4460134	1	Receptacle, Female (110V)	
807B	4460701	1	Receptacle, Female (220V)	
807B	4460960	1	With 7500W Generator (SkyPower)	
808	See Note	1	Lights Harness (Note: Not Available for Purchase)	
808	1060341	37 ft/11.3m	Cable, Electrical - 16/3	
808A	3740049	1	Relay	
808B	4922643	1	Harness, Bag (Located at Ground Control Box) (Not Shown)	
809	2920140	2	Platform Worklights Harness (Includes Light and Wire Only)	
809	2820035	9 ft/2.8m	Loom, Vinyl	
809	7016399	1	Bulb, Replacement (50 watts) (1 Per)	
809A	4460598	1	Connector, Strain Relief	
809B	4360232	1	Circuit Breaker, 15Amp	

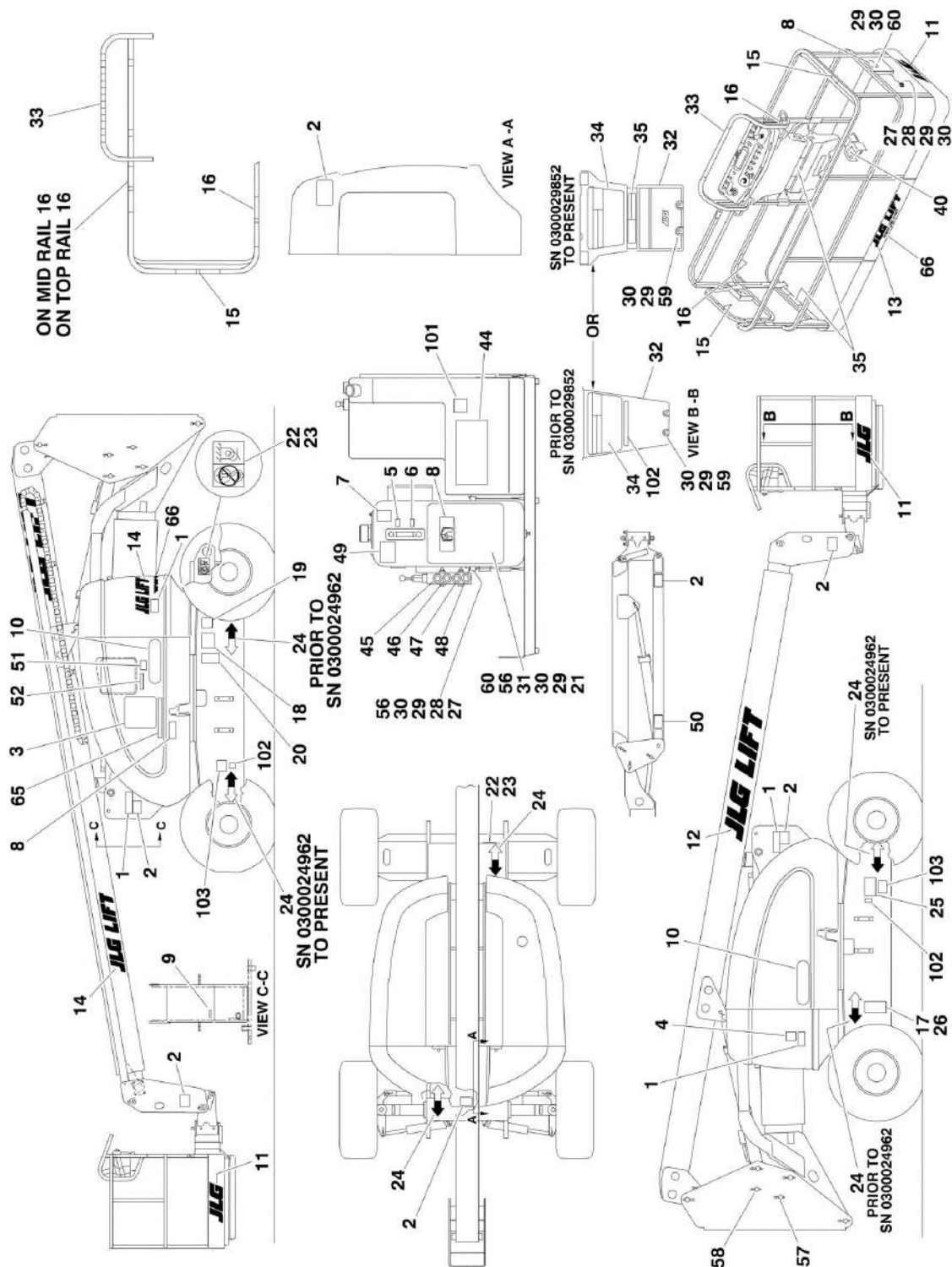
SECTION 7 - ELECTRICAL

ITEM	PART NUMBER	QTY	DESCRIPTION	REV
810	See Note	1	Soft-Touch System Harness (Note: Not Available for Purchase)	
810A	1060341	16 ft/4.9m	Cable, Electrical - 16/3	
810B	4460425	1	Connector, Strain Relief	
		Ref	TOOLS	
901	7002821	1	Crimper (For Wire to Pin/Socket Connections)	
902	7002823	1	Extractor (For Removal of Pin/Socket from Connectors)	
903	4460467	1	Extractor, Pin (Blue 16-18 Gauge) (For Removal of Pin/Socket from Connectors)	
903	4460510	1	Extractor, Pin (Yellow 12-14 Gauge) (For Removal of Pin/Socket from Connectors)	
904	7002828	1	Stripper, Wire	
905	2901443	1	Analyzer Kit (Not Shown) (SN 0300064249 through 0300069000)	
906	1001137005	1	Software Cable Kit (Not Shown)	

SECTION 8 - DECALS

SECTION 8 - DECALS

FIGURE 8-1. DECALS INSTALLATION - STANDARD



SECTION 8 - DECALS

FIGURE 8-1. DECALS INSTALLATION - STANDARD

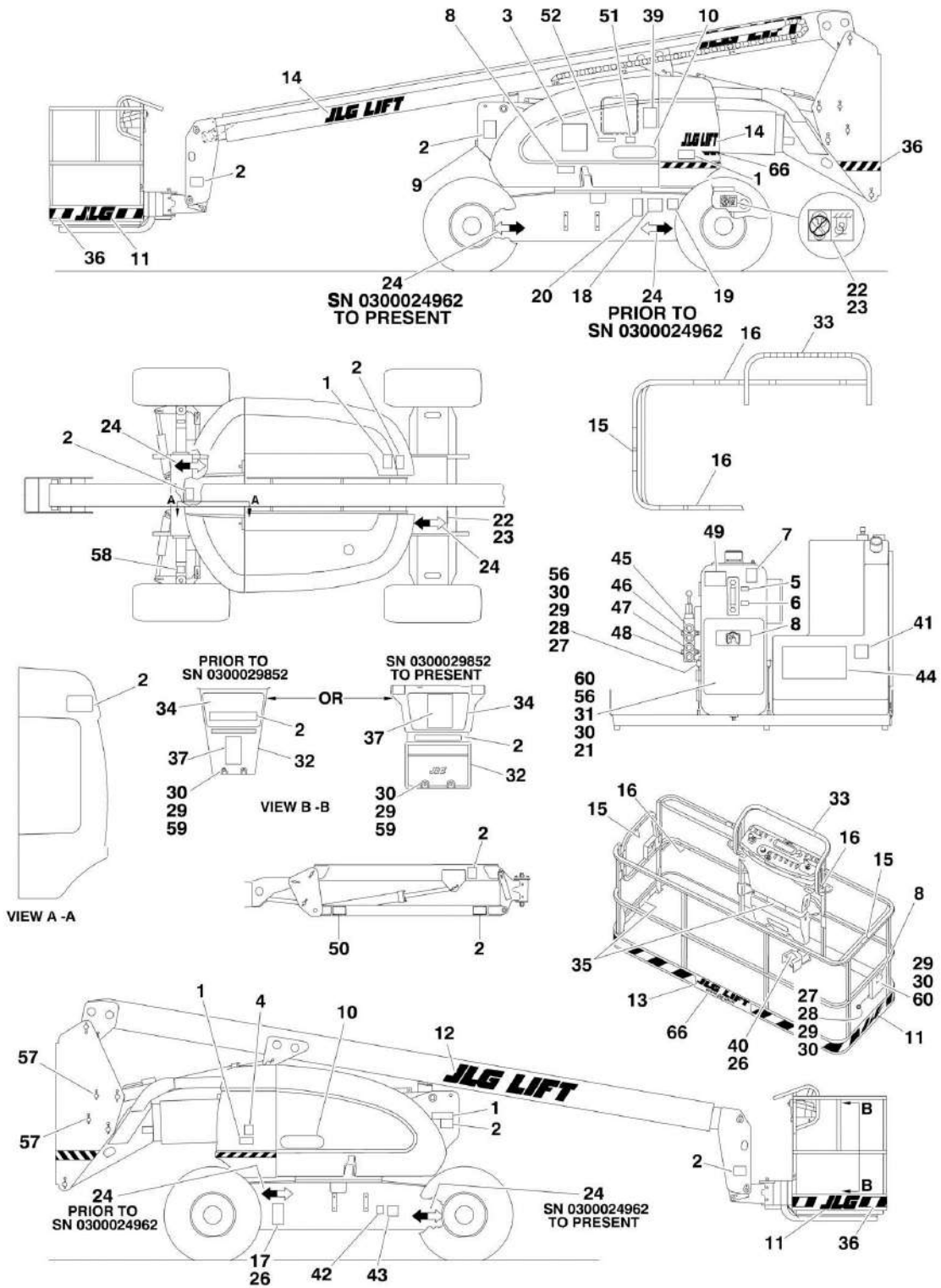
ITEM	PART NUMBER	QTY	DESCRIPTION	REV
		Ref	DECAL INSTALLATIONS (STANDARD PARTS)	
	0271010	Ref	Decals Installation - JLG Logo	1
	0255452	Ref	Decals Installation - 600A	13
	0255456	Ref	Decals Installation - 600AJ	13
1	1702292	4	Decal - Electrocution (Prior to SN 0300040380)	
1	1703805	4	Decal - Electrocution (SN 0300040380 through 0300069000)	
2	1702284	6	Decal - Crushing (Prior to SN 0300040380)	
2	1703804	6	Decal - Crushing (Prior to SN 0300040380)	
3	1702783	1	Decal - Ground Control Warning (Prior to SN 0300040380)	
3	1703798	1	Decal - Ground Control Warning (SN 0300040380 through 0300069000)	
4	3251813	1	Decal - USA	
5	1701502	1	Decal - High Oil Level	
6	1701503	1	Decal - Low Oil Level	
7	1701504	1	Decal - Hydraulic Oil	
8	1701509	AR	Decal - Manual	
9	3251243	1	Nameplate - 120V-60Hz	
10		Ref	Decal Options:	
10	1702818	2	Decal - 600A	
10	1702819	2	Decal - 600AJ	
11	1702773	2	Decal - JLG (5in Height)	
12	1702861	1	Decal - JLG Lift (8in Height)	
13	1702774	1	Decal - JLG Lift (3-1/2in Height)	
14	1702860	2	Decal - JLG Lift (5in Height)	
15	1702868	2	Decal - No Hands	
16		Ref	Decal - Attach Lanyard Here Options:	
16	1702612	4	Decal - Attach Lanyard (Prior to SN 0300061066)	
16	1704277	4	Decal - Attach Lanyard (SN 0300061066 through 0300069000)	
17	See Note	1	Nameplate, Serial Number (Note: Not Available for Purchase)	
18	1702153	1	Decal - Inspection	
19	See Note	1	Decal - Bar Code (Note: Not Available for Purchase)	
20	1700584	1	Decal - Patent	
21	4562083	4	Tube, Spacer (Prior to SN 0300027329)	
21	4567080	4	Tube, Spacer (SN 0300027329 through 0300069000)	
22	1702300	4	Decal - Tie Down/Lift	
23	1701500	4	Decal - Tie Down/Lift	
24	1701529	4	Decal - Arrow	
25	1702282	1	Decal - Warning (Prior to SN 0300040380)	
26	3820001	4	Rivet	
27	0641408	1	Bolt 1/4in-20NC x 1in	
28	1060279	1	Cable, Lanyard	
29	3311401	AR	Nut 1/4in	
30	4751400	AR	Flatwasher 1/4in Regular	
31	0860520	1	Box, Manual Storage	
32	3380423	1	Panel, Pedestal (Prior to SN 0300029852)	
32	3380434	1	Panel, Pedestal (SN 0300029852 through 0300069000)	
33	1702784	1	Decal - Legend	
34	1702785	1	Decal - Warning/Danger (Prior to SN 0300040380)	
34	1703797	1	Decal - Warning/Danger (SN 0300040380 through 0300069000)	
35		Ref	Decal Options:	

SECTION 8 - DECALS

ITEM	PART NUMBER	QTY	DESCRIPTION	REV
35	1702786	2	600A - Decal - Warning (Prior to SN 0300029852)	
35	1703181	2	600A - Decal - Warning (SN 0300029852 through 0300040379)	
35	1704096	2	600A - Decal - Warning (SN 0300040380 through 0300069000)	
35	1701645	2	600AJ - Decal - Maximum Capacity	
44	1702926	1	Decal - Instructions	
45	1702903	1	Decal - #1	
46	1702927	1	Decal - #2	
47	1702924	1	Decal - #3	
48	1702925	1	Decal - #4	
49	1702265	1	Decal	
50		Ref	Decal Options:	
50	Not Required	0	Decal (600A)	
50	1702908	2	600AJ - Decal	
51	1702901	1	Decal	
52		Ref	Decal Capacity Options:	
52	1702966	1	600A - Decal - 500LBS Unrestricted Capacity (Prior to SN 0300040380)	
52	1704104	1	600A - Decal - 500LBS Unrestricted Capacity (SN 0300040380 through 0300069000)	
52	1702688	1	600AJ - Decal - 500LBS Maximum Capacity	
56	0100011	AR	Compound, Locking	
57		Ref	Plug Options:	
57	3250032	2	600A - Plug, Hole 1-1/4in	
57	Not Required	2	Plug (600AJ)	
58		Ref	Plug Options:	
58	Not Required	2	Plug (600A)	
58	3250033	2	600AJ - Plug, Hole 1in	
59	0641414	2	Bolt 1/4in-20NC x 1-3/4in	
60	0641406	4	Bolt 1/4in-20NC x 3/4in	
65	1703808	1	Decal - Legend MTB	
66	1704885	2	Decal - Website (SN 0300067890 through 0300069000)	
		Ref	DECAL INSTALLATION (OPTIONAL PARTS)	
101		Ref	Decal - Fuel	
101	1701505	1	Diesel	
101	1701542	1	Gas	
102	1701543	1	Decal - LP Gas	
103		Ref	Decal - Warning Prop 65	
103	1702962	1	Diesel	
103	1702961	1	Gas	

SECTION 8 - DECALS

FIGURE 8-2. DECAL INSTALLATION - COUNTRY SPEC



SECTION 8 - DECALS

FIGURE 8-2. DECAL INSTALLATION - COUNTRY SPEC

ITEM	PART NUMBER	QTY	DESCRIPTION	REV
		Ref	DECAL INSTALLATIONS	
	0271010	Ref	Decals Installation - JLG Logo	1
	0257495	Ref	Decals Installation - JLG Logo 600A BRAZIL SPEC (SPANISH/PORTUGUESE LANGUAGES)	4
	0259331	Ref	Decals Installation - JLG Logo 600A Canadian Spec (English/French Languages)	8
	0256284	Ref	Decals Installation - JLG Logo 600A Japanese Spec	2
	0256670	Ref	Decals Installation - JLG Logo 600A Latin American Spec (English/Spanish Languages)	8
	0255453	Ref	Decals Installation - JLG Logo 600A Common Decals (Use with Brazil and Japanese Specs)	10
	0257496	Ref	Decals Installation - JLG Logo 600AJ BRAZILIAN SPEC (SPANISH/PORTUGUESE LANGUAGES)	4
	0259332	Ref	Decals Installation - JLG Logo 600AJ Canadian Spec (English/French Languages)	8
	0256291	Ref	Decals Installation - JLG Logo 600AJ Japanese Spec	2
	0256671	Ref	Decals Installation - JLG Logo 600AJ Latin American Spec (English/Spanish Languages)	8
	0255457	Ref	Decals Installation - JLG Logo 600AJ Common Decals (Use with Brazil and Japanese Specs)	11
1		Ref	Decal - Danger Electrocution Options:	
1	Not Required	4	Brazil and Japanese Specs	
1	1703936	4	Canadian Spec	
1	1702585	4	Latin American Spec	
2		Ref	Decal - Crushing Options:	
2	1701518	6	Brazil and Japanese Specs	
2	1703948	6	Canadian Spec	
2	1702583	6	Latin American Spec	
3		Ref	Decal - Danger/Warning Options:	
3	Not Required	1	Brazil and Japanese Specs	
3	1703930	1	Canadian Spec	
3	1702971	1	Latin American Spec	
4		Ref	Decal - USA Options:	
4	Not Required	1	Brazil and Japanese Specs	
4	3251813	1	Canadian Spec	
4	3251813	AR	Latin American Spec	
5	1701502	1	Decal - High Oil Level	
6	1701503	1	Decal - Low Oil Level	
7	1701504	1	Decal - Hydraulic Oil	
8	1701509	AR	Decal - Manual	
9		Ref	Nameplate - Voltage Options:	
9	Not Required	1	Brazil and Japanese Specs	
9	3251243	1	Canadian Spec (120V-60Hz)	
9	1703453	1	Latin American Spec	
10		Ref	Decal - Model Designation Options:	
10	1702818	2	Decal - Model Designation (600A)	
10	1702819	2	Decal - Model Designation (600AJ)	
11	1702773	2	Decal - JLG (5in Height)	
12	1702861	2	Decal - JLG Lift (8in Height)	
13	1702774	1	Decal - JLG (3-1/2in Height)	
14	1702860	2	Decal - JLG Lift (5in Height)	

SECTION 8 - DECALS

ITEM	PART NUMBER	QTY	DESCRIPTION	REV
15		Ref	Decal - No Hands Options:	
15	1703899	2	Brazil Spec	
15	1704000	2	Canadian Spec	
15	Not Required	2	Japanese Spec	
15	1702975	2	Latin American Spec	
16		Ref	Decal - Attach Lanyard Here Options:	
16	1703900	4	Brazil Spec (Prior to SN 0300061066)	
16	1704277	4	Brazil Spec (SN 0300061066 through 0300069000)	
16	1704003	4	Canadian Spec (Prior to SN 0300061066)	
16	1704277	4	Canadian Spec (SN 0300061066 through 0300069000)	
16	Not Required	4	Japanese Spec	
16	1702690	4	Latin American Spec (Prior to SN 0300061066)	
16	1704277	4	Latin American Spec (SN 0300061066 through 0300069000)	
17	See Note	1	Nameplate - Serial Number (Note: Not Available for Purchase)	
18		Ref	Decal - Inspection Options:	
18	Not Required	1	Brazil Spec	
18	1704006	1	Canadian Spec	
18	Not Required	1	Japanese Spec	
18	1702552	1	Latin American Spec	
19	See Note	1	Decal - Bar Code (Note: Not Available for Purchase)	
20		Ref	Decal - Patent Options:	
20	1700584	1	Brazil and Japanese Specs	
20	1700584	1	Canadian Spec	
20	1702573	1	Latin American Spec	
21	4567080	4	Tube, Spacer (Prior to SN 0300038630)	
22	1702300	4	Decal - Tie Down/Lift	
23	1701500	4	Decal - Tie Down/Lift	
24	1701529	4	Decal - Arrow	
26	3820001	4	Rivet	
27	0641408	1	Bolt 1/4in-20NC x 1in	
28	1060279	1	Cable, Lanyard	
29	3311405	AR	Locknut 1/4in-20NC	
30	4751400	AR	Flatwasher 1/4in Regular	
31	0860520	1	Box, Manual Storage	
32		Ref	Panel, Pedestal Options:	
32	3380423	1	Panel, Pedestal (Prior to SN 0300029672)	
32	3380434	1	Panel, Pedestal (SN 0300029672 through 0300069000)	
33		Ref	Decal - Legend Options:	
33	Not Required	1	Brazil and Japanese Specs	
33	1702784	1	Canadian Spec	
33	1702972	1	Latin American Spec	
34		Ref	Decal - Warning/Danger Options:	
34	Not Required	1	Brazil and Japanese Specs	
34	1703924	1	Canadian Spec	
34	1702973	1	Latin American Spec	
35		Ref	Decal - Warning Options:	
35	Not Required	2	Decal - Warning (600A Brazil Spec)	
35	Not Required	2	Decal - Warning (600AJ Brazil Spec)	
35	1704099	2	Decal - Warning (600A Canadian Spec)	
35	1703996	2	Decal - Warning (600AJ Canadian Spec)	
35	Not Required	2	Decal - Warning (600A Japanese Spec)	

SECTION 8 - DECALS

ITEM	PART NUMBER	QTY	DESCRIPTION	REV
35	Not Required	2	Decal - Warning (600AJ Japanese Spec)	
35	1702974	2	Decal - Warning (600A Latin American Spec) (Prior to SN 0300047410)	
35	1704100	2	Decal - Warning (600A Latin American Spec) (SN 0300047410 through 0300069000)	
35	1702974	2	Decal - Warning (600AJ Latin American Spec)	
36	4420051	21 ft/6.4m	Decal - Corner Warning Stripe (Prior to SN 0300038630)	
37		Ref	Decal - Capacity Options:	
37	1703536	1	Brazil Spec	
37	Not Required	1	Canadian Spec	
37	1701924	1	Japanese Spec	
37	Not Required	1	Latin American Spec	
38		Ref	Decal - Caution Options:	
38	1703538	1	Brazil Spec	
38	Not Required	1	Canadian Spec	
38	1703188	1	Japanese Spec	
38	Not Required	1	Latin American Spec	
39		Ref	Decal - Caution Options:	
39	1703548	1	Brazil Spec	
39	Not Required	1	Canadian Spec	
39	1701923	1	Japanese Spec	
39	Not Required	1	Latin American Spec	
40		Ref	Decal - Footswitch Options:	
40	3252540	1	Brazil Spec	
40	1703984	1	Canadian Spec	
40	3252220	1	Japanese Spec	
40	3252489	1	Latin American Spec	
41		Ref	Decal - Fuel Options:	
41	1701505	1	Diesel Machines	
41	1701542	1	Gas Machines	
42		Ref	Decal - LPG Gas	
42	Not Required	0	Non-Dual Fuel Machines	
42	1701543	1	Dual Fuel Machines	
43		Ref	Decal - LP Gas Liquid Withdrawal System	
43	Not Required	0	Non-Dual Fuel Machines	
43	1700818	1	Dual Fuel Machines (English Language)	
43	1704271	1	Dual Fuel Machines (Canadian Spec)	
43	1702720	1	Dual Fuel Machines (Spanish Language)	
44		Ref	Decal - Instructions Options:	
44	1703549	1	Brazil Spec	
44	1704268	1	Canadian Spec	
44	1703007	1	Japanese Spec	
44	1702979	1	Latin American Spec	
45	1702903	1	Decal - #1	
46	1702927	1	Decal - #2	
47	1702924	1	Decal - #3	
48	1702925	1	Decal - #4	
49		Ref	Decal Options:	
49	1703544	1	Brazil Spec	
49	1703990	1	Canadian Spec	
49	1702271	1	Japanese Spec	
49	1702617	1	Latin American Spec	

SECTION 8 - DECALS

ITEM	PART NUMBER	QTY	DESCRIPTION	REV
50		Ref	Decal Options:	
50	Not Required	0	Decal (600A)	
50	1703541	2	Decal (600AJ)	
51		Ref	Decal Options:	
51	1703543	1	Brazil Spec	
51	1704116	1	Canadian Spec	
51	1703004	1	Japanese Spec	
51	1702976	1	Latin American Spec	
52		Ref	Decal - Capacity Options:	
52	Not Required	1	Decal - Capacity (600A Brazil Spec)	
52	Not Required	1	Decal - Capacity (600AJ Brazil Spec)	
52	1704107	1	Decal - Capacity (600A Canadian Spec)	
52	1704112	1	Decal - Capacity (600AJ Canadian Spec)	
52	Not Required	1	Decal - Capacity (600A Japanese Spec)	
52	Not Required	1	Decal - Capacity (600AJ Japanese Spec)	
52	1703097	1	Decal - Capacity (600A Latin American Spec) (Prior to SN 0300047410)	
52	1704108	1	Decal - Capacity (600A Latin American Spec) (SN 0300047410 through 0300069000)	
52	1702689	1	Decal - Capacity (600AJ Latin American Spec)	
56	0100011	AR	Compound, Locking	
57		Ref	Plug Options:	
57	3520032	2	Plug (600A)	
57	3520033	2	Plug (600AJ)	
58		Ref	Decal - Wheel Load Options:	
58	Not Required	0	Canadian and Latin American Specs	
58	1703098	4	Brazil and Japanese Spec (SN 0300026221 through 0300029671)	
58	1703469	4	Brazil and Japanese Specs (SN 0300029672 through 0300069000)	
59	0641414	2	Bolt 1/4in-20NC x 1-3/4in	
60	0641406	4	Bolt 1/4in-20NC x 3/4in	
65		Ref	Decal - Legend Options:	
65	Not Required	1	Brazil Spec	
65	1703808	1	Canadian Spec	
65	Not Required	1	Japanese Spec	
65	Not Required	1	Latin American Spec	
66	1704885	2	Decal - Website (SN 0300067890 through 0300069000)	

SECTION 9 - RECOMMENDED SERVICE PARTS STOCK

SECTION 9 - RECOMMENDED SERVICE PARTS STOCK

SECTION 9 - RECOMMENDED SERVICE PARTS STOCK

FIGURE 9-1. MODELS 600A/600AJ/N600AJ

ITEM	PART NUMBER	QTY	DESCRIPTION	REV
	Note	Ref	Note: The following list will service fleets of machines (built to current production per date on the front cover) with emergency repair parts which can be installed in the field. Parts from the list should be replaced when inventory is depleted to keep service parts stock supplied. For further information, contact your JLG dealer or the JLG Industries Parts Department.	
		Ref	STANDARD PARTS	
	7012944	1	Coil	
	2120150	4	Element, Filter	
	7016312	1	Switch, Indicator	
	2120149	4	Element, Filter	
	7016313	1	Switch, Indicator	
	7012772	1	Coil	
	7012768	1	Coil	
	7012664	4	Element, Air Cleaner	
	3740067	1	Relay	
	4360392	1	Switch, Indicator	
	4360294	1	Breaker, Circuit	
	7014810	1	Breather	
	4360475	1	Switch, Mushroom	
	4360469	1	Switch, Key	
	2860030	1	Key, Replacement	
	4360328	1	Switch, Toggle	
	4360476	1	Contact, Switch Block	
	3740049	1	Relay	
	7016502	2	Power Track Repair Section	
	7006140	2	Power Track Repair Section	
	7006152	24	Power Track Pin Kit	
	2940074	1	Latch	
	4360331	1	Switch, Toggle	
	7022818	1	Potentiometer	
	7022824	1	Electric Assembly	
	7019166	1	Switch, Micro	
	4360387	1	Switch, Push Button	
	2400061	2	Fuse, 10Amp	
	2400065	2	Fuse, 30Amp	
	3990010	2	Diode	

SECTION 9 - RECOMMENDED SERVICE PARTS STOCK

FIGURE 9-2. MODELS 600A/600AJ/N600AJ

ITEM	PART NUMBER	QTY	DESCRIPTION	REV
	Note	Ref	Note: The following list will service fleets of machines (built to current production per date on the front cover) with emergency repair parts which can be installed in the field. Parts from the list should be replaced when inventory is depleted to keep service parts stock supplied. For further information, contact your JLG dealer or the JLG Industries Parts Department.	
		Ref	VARIABLE PARTS	
	7016324	4	Filter, Fuel (Machines with Continental Engine)	
	7016340	12	Filter, Oil (Machines with Continental Engine)	
	7016328	4	Filter, Fuel (Machines with Deutz Engine)	
	7016331	12	Filter, Oil (Machines with Deutz Engine)	
	7016601	4	Filter, Fuel (Machines with Carburetor Ford Engine)	
	7021868	12	Filter, Oil (Machines with Ford Engine)	
	7016601	4	Filter, Fuel (Machines with Ford EFI Engine)	
	3740080	1	Relay, Bosch (Machines with Generator)	

SECTION 10 - SPECIAL OPTIONS

SECTION 10 - SPECIAL OPTIONS

FIGURE 10-1. SPECIAL OPTIONS

ITEM	PART NUMBER	QTY	DESCRIPTION	REV
		Ref	Note: This list is to accommodate machines ordered with special equipment. Options may not be applicable to all models. For more specific parts information contact JLG Parts Department.	
		Ref	MISCELLANEOUS SPECIAL OPTIONS	
		Ref	Airline to Platform Installation Options:	
	0256342	Ref	Airline to Platform Installation (1/2in - 600A)	
	0271475	Ref	Airline to Platform Installation (1/2in Airline and (1) Welding Cable - 600A)	
	0258966	Ref	Airline to Platform Installation (1/2in - 600AJ)	
	0255368	Ref	Alarm Installation (Tilt)	
	0255400	Ref	Alternator Installation - Enclosed	
	0256789	Ref	Camera Mount Assembly	
		Ref	ClearSky (Telematics) Kits	
	1001104982	Ref	ANSI Spec	
	1001104983	Ref	ANSI Export/Japanese Spec	
	1001104984	Ref	CSA Spec	
		Ref	Note: Refer to ClearSky (Telematics) Manual p/n 3128499 for Serviceable Parts.	
	0256059	Ref	Cold Weather Package - Continental	
	0256060	Ref	Cold Weather Package - Deutz	
	0258927	Ref	Cold Weather Package with Glow Plugs - Deutz	
	0271333	Ref	Cold Weather Package with Glow Plugs - Deutz (With ADE System) (Prior to SN 0300064249)	
	0271912	Ref	Cold Weather Package with Glow Plugs - Deutz (With ADE System) (SN 0300064249 through 0300069000)	
	0257157	Ref	Cold Weather Package with Ether Start - Deutz	
	0255386	Ref	Cold Weather Package - Ford	
	0272077	Ref	Cold Weather Package - Isuzu	
		Ref	Container - Tray Storage Options:	
	1580012	1	Center	
	1580013	1	Rail	
		Ref	Decal Installations Options:	
	1702788	1	Decal - Biodegradable Hydraulic Fluid	
	1704174	1	Decal - Syn Biodegradable Hydraulic Fluid	
	0253550	Ref	Decal Installation - CSA	
	3252221	1	Nameplate - CSA	
	0256957	Ref	Decal Installation - Lanyard Attach (GM K-1 Spec)	
	0256487	Ref	Decal Installation - Prop 65 Warning (Diesel Machines) (California Spec)	
	0256488	Ref	Decal Installation - Prop 65 Warning (Gasoline Machines) (California Spec)	
	0257195	Ref	Government Warranty Decal Installation	
	0271123	Ref	Sunbelt Decals Installation	
		Ref	United Decals Installation Options:	
	0270958	Ref	United Decals Installation (Prior to SN 0300069252)	
	0271895	Ref	United Decals Installation (SN 0300069252 through 0300069000)	
	0272312	Ref	Decal Installation - Tire Sealant	
	2902203	1	Kit - Tire Sealant	
		Ref	Decal Kit Options:	

SECTION 10 - SPECIAL OPTIONS

ITEM	PART NUMBER	QTY	DESCRIPTION	REV
	2910023	Ref	Decal Kit - 600A (ANSI Spec)	
	2900968	Ref	Decal Kit - 600AJ (ANSI Spec)	
	2900936	Ref	Decal Kit - 600A (Brazil Spec)	
	2910046	Ref	Decal Kit - 600AJ (Brazil Spec)	
	2910869	NLA	Decal Kit - Platform (Use p/n 1001119561)	
	0259639	Ref	Drive/Steer Remote Installation	
	0259644	1	Control Box, Remote	
		Ref	Filter Kits:	
		Ref	Combined Filter Kit (Hydraulic/Air and Fuel/Engine Oil)	
	2910463	NLA	Deutz Engine (Use p/n 1001110993)	
	2910461	NLA	Ford LRG-423 Engine (Use p/n 1001114038)	
	2910946	NLA	Ford LRG-423 Engine (Use p/n 1001114038)	
	2910462	1	Ford LRG-425 W/Carb Engine (SN 0300037117 through 0300069000)	
	2910460	NLA	Ford LRG-425 W/EFI Engine (Use p/n 1001114039)	
		Ref	Hydraulic/Air Filter	
	1001109692	1	Deutz and Ford Engine	
	2910931	1	Deutz and Engine W/Noise Reduction (Prior to SN 0300064249)	
		Ref	Fuel/Engine Oil Filter	
	1001110133	1	Deutz Engine Only	
	4060959	Ref	Footswitch Shield	
	See Note	Ref	Generator (2500W) Installation Kit (Note: Contact JLG Parts Dept)	
	1001175815	Ref	Generator (4000W/50Hz) Installation Kit	
	See Note	Ref	Generator (7500W) Installation Kit (Note: Contact JLG Parts Dept)	
	0258928	Ref	Glow Plug Installation (Deutz)	
	0271548	Ref	Glow Plug Installation (Deutz) (With ADE System)	
	0258696	Ref	Engine Block Heater Installation (Ford Engine Machines)	
	2910100	Ref	Kit, Hose/Cable Chafe	
	1702720	Ref	LP Gas Decal (Latin America)	
	0256780	Ref	Oil Cooler Installation - Continental	
	1282668	Ref	Oil Cooler Installation - Continental	
	0256765	Ref	Oil Cooler Installation - Deutz	
	1282665	Ref	Oil Cooler Installation - Deutz	
	0256778	Ref	Oil Cooler Installation - Ford	
	1283309	Ref	Oil Cooler Installation - Ford	
	0256343	Ref	Oxy-Acetylene Lines to Platform Installation	
	0270723	Ref	Platform Beacon Installation	
	0255398	Ref	Platform Console Cover Installation (Prior to SN 0300067890)	
	1670764	1	Cover, Console	
	1670784	1	Tear Away Sheet (10 Pack)	
	0258703	Ref	Platform Console Cover Installation (SN 0300067890 through 0300069000)	
	1001205175	Ref	Platform Console Cover Add-on Kit	
		Ref	Platform Entry Kit	
	1001142504	Ref	Kit, Replace Swing Gate with Drop Bar	
	1001142505	Ref	Kit, Replace Drop Bar with Swing Gate	
	0256829	Ref	Platform Self-Closing Gate Installation (GM Spec)	
	0270511	Ref	Platform Top Rail W/Gate (6FT) Installation (CSA)	
	0271771	Ref	Platform Top Rail W/Gate (8FT) Installation (CSA)	

SECTION 10 - SPECIAL OPTIONS

ITEM	PART NUMBER	QTY	DESCRIPTION	REV
		Ref	Platform Huck Fasteners Replacement Hardware	
	0641614	AR	Bolt 1/4in-20NC x 2in	
	3311405	AR	Locknut 1/4in-20NC	
	4711400	AR	Flatwasher 1/4in Thin	
	3300151	AR	Acorn Nut 1/4in-20NC	
	0257616	Ref	Precision Governor Controller Relocation	
	4922016	1	Harness, Extension	
		Ref	Sky Accessory:	
	0272618	Ref	SkyPower - 7500W 60Hz	
	0272435	Ref	Decal - SkyPower	
	0272590	Ref	Plasma Cutter (SkyCutter)	
	0272599	Ref	Decal - SkyCutter	
	0272254	Ref	Welder - Stick, 250A	
	0272448	Ref	Decal - SkyWelder	
		Ref	Note: For Breakdown of Sky Accessories Refer to Accessory Manual p/n 3124242	
		Ref	SkyGuard Component Options:	
	1001149560	Ref	SkyGuard Complete Add-On Kit (Non-UGM Machines)	
	1001137672	Ref	SkyGuard Platform Sensor Kit	
	1001143256	Ref	SkyGuard Blue Beacon Kit	
	0272301	Ref	Tire Sealant Installation	
		Ref	Tools for Service	
	2901443	1	Analyzer Kit	
	7002840	1	Antirotaion Pin Removal Tool	
	8896941	1	Wire Stripper	
	7002821	1	Wire Crimper (To install wire ends to wires)	
	7002823	1	Pin/Socket Extractor - Universal (To Remove Pins/Sockets from Connectors)	
	4460467	1	Extractor - 16-18 Gauge (For Removal of Pin/Sockets from Deutsch Connectors)	
	4460510	1	Extractor - 12-14 Gauge (For Removal of Pin/Sockets from Deutsch Connectors)	
	7002822	1	Screwdriver, Potentiometer (To Adjust Drive Controllers)	
	7016654	1	Screwdriver, Magnetic	
	7004275	1	Seal Installation Tool - 1in	
	7004276	1	Seal Installation Tool - 1-1/2in	
	7002826	1	Seal Installation Tool - 2in	
	7016655	1	Wire Rope Sheave Gauge	
	7016652	1	Huck Bolt Faster (For Small Huck Bolts Only)	
	4921850	1	Throttle Service Harness	
	4922012	1	"Rexroth" Card Service Harness	
	1001137005	1	Software Cable Kit	
	7002840	1	Pin Removal Tool (Oscillating Axle Cam Valve)	
	0255385	Ref	Tool (Hydraulic) Circuit Installation - Deutz Engine/Ford Engine (600A & 600AJ) (Prior to SN 0300066200)	
	0272350	Ref	Tool (Hydraulic) Circuit Installation - Deutz Engine/Ford Engine (600A & 600AJ) (SN 0300066200 through 0300069000)	
	0255901	Ref	Tool (Hydraulic) Circuit Installation - Deutz Engine 600AJ	
	0255384	Ref	Tool (Hydraulic) Circuit Installation - Ford Engine 600A	
	0255900	Ref	Tool (Hydraulic) Circuit Installation - Ford Engine 600AJ	
	0257728	Ref	Tube Rack Installation	
	0258918	Ref	Utility Rack Installation	
	0256344	Ref	Weld Leads Installation	

PART NUMBER INDEX

PART NUMBER INDEX

0060031.....183	0255025.....53	0255514.....25	0256756.....92
0060033..64, 74, 81, 121, 336	0255238.....165	0255524.....134	0256757.....79
0060035.....183	0255239.....170	0255605.....25	0256759.....92
0060066.....171, 187	0255262.....137	0255606.....25	0256765.....285, 373
0060068.....166, 187	0255281.....180	0255628.....91	0256778.....285, 373
0060074.....171, 183	0255288.....180	0255629.....91	0256779.....285
0060076.....166, 183	0255294.....137	0255699.....189	0256780.....373
0080091.....92, 100	0255327.....63	0255854.....21	0256789.....372
0080124.....113	0255361.....44, 150	0255855.....21	0256809.....91
0080163.....75, 84	0255368.....149, 372	0255864.....95	0256810.....91
0080177.....74	0255382... 337, 345, 354	0255865.....95	0256821.....160
0080181.....63, 121	0255384.....374	0255873.....66	0256822.....161
0080201 64, 93, 101, 109, 121	0255385.....374	0255874.....66	0256829.....373
0080214.....92, 100, 108	0255386.....372	0255875.....75	0256847.....84
0080215.....63	0255387.....149	0255876.....75	0256895.....69
0080216.....64	0255392.....196, 285	0255880.....153	0256933.....160
0080230.....121	0255393.....149	0255885.....237	0256957.....372
0080241.....149	0255394.....117	0255886.....237	0257101.....39
0100009.....142, 209	0255395.....69	0255900.....374	0257157.....372
0100011...13, 14, 17, 18, 21, 25, 26, 44, 53, 64, 69, 74, 80, 83, 88, 91, 93, 99, 101, 104, 107, 109, 118, 122, 133, 137, 141, 145, 149, 153, 156, 160, 161, 166, 167, 171, 172, 175, 176, 179, 180, 189, 191, 205, 210, 241, 243, 245, 249, 251, 253, 255, 257, 263, 265, 281, 360, 366	0255396.....87	0255901.....374	0257159.....117
0100019.....14, 17, 53	0255397.....26	0255914.....149, 337	0257160.....87
0100020...64, 74, 80, 91, 93, 99, 102, 107, 109, 113, 122, 133, 134, 209	0255398.....373	0255917... 149, 337, 344, 354	0257176... 337, 345, 354
0100035.....189, 205, 209	0255400.....372	0255919.....286	0257195.....372
0100038...241, 243, 245, 249, 251, 253, 255, 257, 263, 265, 281	0255404.....13	0255927.....267	0257339.....133
0100040.....199	0255405.....14	0255928.....267	0257436.....39
0100048...145, 149, 209, 350	0255406.....14	0256019.....156	0257482.....133
0100062.....133	0255407.....156	0256059.....372	0257495.....363
0100063..15, 18, 22, 241, 246, 249, 251, 255, 258	0255409.....133	0256060.....372	0257496.....363
0100079.....133	0255410.....53	0256191.....75	0257573.....176
0100081.....210	0255411.....18, 21	0256276.....191	0257576.....374
0140001.....44	0255412.....21	0256284.....363	0257671.....133
0140011.....209	0255413.....15, 25	0256291.....363	0257703.....100
0140026.....204	0255414.....18, 25	0256321.....165	0257706.....79
0160020.....82, 102	0255415.....17	0256322.....170	0257728.....374
0181727...63, 73, 79, 92, 100, 108, 121	0255416.....13	0256342.....372	0257849.....237
0181942.....102	0255417.....17	0256343.....373	0257850.....237
0181949.....134	0255418.....13	0256344.....374	0257851.....117
0200530.....69, 88	0255419.....13	0256366.....191	0257852.....69
0200547.....118	0255420.....25	0256375.....44, 150	0257853.....87
0200550.....237	0255421.....25	0256388.....14	0257855.....69
0200741.....88	0255422.....26	0256391.....14	0257856.....117
0200742.....88	0255423... 166, 172, 175	0256392.....17	0257857.....87
0236631.....205	0255424.....92	0256397.....13	0257884.....149
0253550.....372	0255425.....73	0256398.....13	0257885.....149
0254798.....53	0255427.....92	0256399.....18, 21	0257886.....149
	0255438.....189	0256400.....21	0257887... 337, 344, 354
	0255440.....43, 189	0256487.....372	0257992.....99
	0255441.....43, 189	0256488.....372	0257996.....100
	0255442.....43, 189	0256489.....372	0257999.....100
	0255443.....43, 189	0256523.....21	0258048.....196, 285
	0255444.....53	0256623.....13	0258390.....104, 111
	0255452.....359	0256624.....13	0258391.....104, 111
	0255453.....363	0256625.....17	0258569.....83
	0255456.....359	0256631.....211	0258571.....104
	0255457.....363	0256670.....363	0258579.....160
	0255478.....330	0256671.....363	0258580.....160
	0255479.....330	0256685.....96	0258604.....100
	0255482.....267	0256686.....96	0258606.....133
	0255483.....267	0256687.....66	0258696.....373
	0255484.....267	0256688.....66	0258703.....373
	0255485.....267	0256689.....82	0258764.....26
	0255486.....267	0256690.....82	0258918.....374
	0255487.....267	0256715.....21	0258927.....372
	0255488.....267	0256716.....21	0258928.....373
	0255489.....267	0256717.....21	0258966.....372
	0255513.....25	0256754.....63	0259198.....123, 336

PART NUMBER INDEX

0259331	363	0272433	354	0641404 15, 91, 156, 161,		0641818	64, 80, 122
0259332	363	0272435	374	204, 209		0641820 13, 17, 137, 166,	
0259426	39	0272448	374	0641406....44, 64, 74, 93,		172	
0259427	39	0272480	87	100, 108, 122, 149,		0641826	14, 65, 82
0259639	373	0272481	87	150, 153, 199, 204,		0641828	93, 100, 108,
0259644	286, 373	0272590	374	205, 209, 238, 360, 366		122	
0259761	108	0272599	374	0641407	65, 80, 160	0642010 ...	65, 74, 81, 94,
0259762	108, 115	0272618	374	0641408..91, 93, 99, 100,		101, 109, 123	
0270123	15, 25	0272624	350	108, 113, 199, 204,		0642012	13, 14, 17
0270124	18, 25	0272625	350	209, 359, 364		0642018	53
0270181	107	0272970	199	0641409	191	0642612	149
0270196	107	0340002	93	0641410	110	0642682	167, 172
0270329	53	0340041 ...	63, 66, 73, 75,	0641414 ..	13, 17, 44, 196,	0651406	44
0270395	133	79, 93, 96, 101, 109,		200, 360, 366		0681606	64, 122
0270511	373	121		0641416	44, 113, 172,	0681608 .	15, 18, 21, 167,
0270645	121	0340046 .	66, 83, 96, 104,	209		172	
0270723	285, 373	111		0641424	110, 189	0681610	166, 172, 241
0270764	211	0362519	40, 134	0641505	39	0681612	69, 88, 118
0270805	149	0362529	180, 189	0641506	141, 145	0681836	53
0270814 ...	196, 200, 211,	0370035	249	0641507	81, 83, 94, 96,	0682016	25, 53
285		0400075 ...	63, 73, 79, 92,	104, 111, 123		0700605	65
0270818	342, 350	100, 108, 121		0641508	45, 66, 70, 75,	0700808	80, 123
0270820	342, 350	0440018	15	88, 96, 118, 122, 273		0700810 ...	74, 75, 85, 91,
0270821	172	0440019	14	0641510	74, 81	99, 107, 122	
0270833	149	0440161	15, 18, 21	0641516	176	0700812	82
0270846	108, 115	0440207	53	0641520	18	0700819 .	64, 88, 94, 101,
0270847	107	0460150	267	0641522	15, 18, 44	109	
0270848	108	0460151	267	0641524	196	0701004	109
0270849	107	0460152	267	0641532	166, 172	0701010	102, 107, 122
0270850	79	0460154	267	0641542	26	0701012 .	74, 81, 93, 101,
0270958	372	0460155	267	0641604	263	109, 121	
0271010	359, 363	0460157	267	0641605	166, 171	0701014	91, 99, 107
0271123	372	0460159	267	0641606 ..	74, 81, 95, 100,	0701015 ...	70, 74, 81, 92,
0271333	372	0460160	267	102, 108, 134, 156,		118, 122	
0271338	170	0460161	267	161, 172, 175, 179,		0701022	91, 99, 107
0271475	372	0461416	331	180, 204		0701414	64, 74, 80
0271544	87, 211	0461614	172	0641607	171, 176, 179,	0701417	69
0271545	117, 211	0480050	69, 88, 118	191		0711414	88
0271546	117, 211	0480111	88, 118	0641608	13, 14, 17, 18,	0721003	205, 206, 211
0271547	87, 211	0480119	88	21, 39, 44, 65, 93, 100,		0721004 ...	64, 70, 74, 94,
0271548	373	0480121	88	108, 122, 156, 160,		101, 141, 205	
0271550	211, 237	0540078	191	175, 179, 191		0721005	80, 141
0271551	211, 237	0540083	191	0641609	153	0721006 70, 88, 100, 107,	
0271552	149, 211	0540099	191	0641610	18, 21, 64, 73,	113, 118, 122, 156, 160	
0271608	25	0540104	191	80, 88, 93, 100, 108,		0721010	107, 205
0271609	25	0540107	191	122, 175, 179, 199,		0721014	93
0271610	25	0561076	166, 171	204, 209		0731005	237
0271611	25	0561185	175, 179	0641611	137, 172, 191	0741606	149
0271612	25	0561237	172, 331	0641612	13, 14, 18, 65,	0741607	166, 171
0271613	25	0561248	175	175, 237		0801019	165, 170, 175
0271672	123	0630427	189	0641613	44	0801020	175
0271771	373	0630462	237	0641614	133, 374	0801021	175
0271895	372	0630464	205, 209	0641618	171, 175, 179	0801022	165, 179
0271912	372	0630490	14	0641624	102, 166, 172	0801023	179
0271941	199	0630491	149	0641628	176	0801025	170, 179
0271945	199	0630498 ...	63, 73, 79, 92,	0641640	180	0801026	179
0272070	166, 172	100, 108, 121		0641712	65	0801027	179
0272077	372	0630507	156, 160	0641772	88, 118	0801066	179
0272135	170	0630518	142, 145	0641808 ..	65, 75, 82, 109,	0801078	179
0272254	374	0630534 ...	246, 251, 258	122		0801085	175
0272296	25	0630535 ...	243, 246, 253,	0641809	175	0801228	179
0272301	374	258, 263, 265		0641810	91, 153, 166,	0840026	100
0272312	372	0630536	249, 255	171, 172		0860038	337, 345, 354
0272326	165	0630548	145	0641811	53	0860520	359, 364
0272331	25	0641403 ...	166, 172, 176,	0641812	64, 74, 80, 99,	0860984	203, 205
0272332	25	189		107, 122, 167, 172		0860989	139
0272350	374			0641816	17, 73	0860990	139

PART NUMBER INDEX

0860991.....	139	0902511.....	80	1001166539.....	221	1320070.....	93
0860992.....	139	0902520.....	137	1001175815.....	373	1320095.....	204
0860993.....	139	0902527.....	122	1001205175.....	373	1320127.....	134
0860994.....	139	0902539.....	107	1060012.....	330	1320131.....	82
0861018.....	139	0902751.....	209	1060016.....	331	1320176.....	82
0861041.....	206	0902756.....	118	1060279.....	359, 364	1320218.....	134
0861042.....	203	0920083.....	57	1060330 ...	209, 238, 338,	1320220.....	134
0861043.....	203	0920084.....	25, 31	342		1320222....	65, 74, 81, 92,
0861082.....	206	0920109.....	53, 57	1060341 ...	238, 338, 345,	99, 102, 123	
0861083.....	203	0920110.....	25, 31	346, 354, 355		1320223....	65, 74, 81, 92,
0861084.....	203	0920117.....	25	1060494 ...	330, 331, 337,	94, 99, 101, 109, 122	
0861102.....	139	0920119.....	53, 58	338, 342, 343, 345,		1320229.....	166, 172
0861103.....	139	0940038.....	237	350, 351, 354		1320243.....	166, 172
0861115.....	139	0940049.....	156, 161	1060515.....	330	1320244.....	82, 102
0861116.....	139	0940070 ...	64, 73, 80, 93,	1060516.....	330, 331	1320245.....	82, 102
0861117.....	139	101, 109, 121		1060603.....	330, 331	1340050.....	79, 101
0861118.....	139	0940071.....	156, 160	1060637 ...	65, 75, 82, 94,	1340056.....	63, 73, 94
0861121.....	139	0961127.....	338	102, 109, 123		1340060..	63, 79, 94, 101,
0861122.....	139	0961890.....	241, 261	1060896	342, 350, 351	109, 121	
0861131.....	139	0961893 ...	243, 245, 251,	1060902.....	343, 351	1380136.....	44
0861134.....	203	257		1060918	199, 209, 350	1380147.....	153
0861135.....	203	0961894 ...	243, 245, 257	1060945.....	351	1580011	63, 92, 100, 108,
0861232.....	139	0961896.....	263, 265	1100098.....	13, 17	121	
0861233.....	139	0961897.....	253	1120367.....	133	1580012.....	200, 372
0861244.....	139	0961898.....	249	1120460.....	15	1580013.....	200, 372
0861245.....	139	0961899.....	255	1120484.....	133	1600211.....	92, 100
0861251.....	139	0961947 ...	172, 243, 245,	1120487.....	133	1600218.....	204
0861252.....	139	251, 257		1120552.....	26	1600239.....	203, 225
0861302.....	139	0961948 .	15, 18, 22, 166,	1180336.....	180	1600242.....	203, 213
0861332.....	139	172, 179, 253		1180338.....	180	1600283.....	203, 229
0861333.....	139	0961949 ...	166, 172, 175,	1180339.....	175	1600284.....	203, 215
0861407.....	145	249, 255		1220022.....	205	1600298.....	108
0861408.....	145	0961950.....	13, 14, 17	1220023.....	205	1600312.....	145
0861409.....	145	0961951 ...	166, 172, 179,	1220096.....	211	1600313.....	209
0861410.....	145	243, 245, 257		1220102.....	211	1600314.....	108
0861411.....	145	0961977.....	261	1260017.....	53	1600317.....	209, 217
0861414.....	209, 210	0961986 ...	65, 74, 81, 94,	1260136.....	238	1600318.....	209, 231
0861415.....	209	101, 109, 122		1282396.....	282	1600327.....	145
0861468.....	145	0962005.....	15, 18, 22	1282474.....	284, 286	1600424.....	213
0861469.....	145	0962031.....	65, 122	1282490.....	267	1641808.....	94, 102
0861470.....	145	0962051.....	153	1282520.....	337	1660157.....	91, 99
0861471.....	145	0962272.....	15, 18, 22	1282571.....	284	1660183.....	63
0861474.....	209	0962335.....	172	1282663.....	285	1660184.....	75
0861506.....	139	0962336.....	251	1282665.....	285, 373	1660218.....	95
0861507.....	139	0962474.....	241	1282668.....	285, 373	1660219.....	137
0861517.....	199, 209	1001099835.....	175	1282672.....	284	1660219RR.....	137
0861537.....	209, 211	1001099836.....	180	1282685.....	284, 286	1660220.....	64, 121
0902087.....	91	1001100321 ..	69, 87, 117	1282828.....	284	1660222.....	64
0902088.....	91, 99	1001104982.....	372	1282937.....	284, 286	1660223.....	137
0902109.....	137	1001104983.....	372	1283309.....	373	1660223RR.....	137
0902132.....	113	1001104984.....	372	1300019.....	26	1660233.....	63
0902159.....	64	1001107153.....	180	1320012	64, 93, 100, 108,	1660234.....	75, 84
0902206.....	149	1001109692.....	373	121		1660239.....	121
0902210.....	118	1001110133.....	373	1320016 ...	64, 73, 80, 93,	1660249.....	95
0902212.....	96	1001113961.....	231, 233	101, 109, 121		1660250.....	95, 103, 110
0902216.....	66	1001117320.....	199	1320017.....	113	1670752.....	18, 21
0902217.....	75	1001118416.....	233	1320019 ...	65, 66, 75, 96,	1670764.....	373
0902219.....	156, 160	1001118417.....	219	107		1670767.....	156, 161
0902237.....	156	1001137005....	346, 355,	1320022 ...	64, 74, 80, 91,	1670768.....	179
0902242.....	156, 160	374		93, 99, 100, 107, 108,		1670769.....	172, 331
0902243.....	73, 80	1001137672.....	374	122		1670770.....	156
0902309.....	96, 104, 111	1001142504.....	373	1320031.....	65, 81	1670777.....	26
0902310.....	66	1001142505.....	373	1320032.....	94, 110	1670784.....	373
0902313.....	156	1001143256.....	374	1320040.....	238	1670785.....	237
0902335.....	161	1001144629.....	199	1320060 ...	75, 81, 93, 95,	1670786.....	237
0902417.....	82	1001149560.....	374	100, 108, 204		1670787.....	237
0902473.....	83, 104	1001166538.....	235	1320061.....	94	1670788.....	237

PART NUMBER INDEX

1670789.....	237	1683949.....	257	1702786.....	360	1703936.....	363
1670791.....	237	1683952.....	245	1702788.....	372	1703948.....	363
1670793.....	237	1683962.....	257	1702818.....	359, 363	1703984.....	365
1670795.....	237	1683963.....	245	1702819.....	359, 363	1703990.....	365
1670796.....	237	1683972.....	257	1702860.....	359, 363	1703996.....	364
1670797.....	237	1683973.....	257	1702861.....	359, 363	1704000.....	364
1670798.....	237	1683976.....	245	1702868.....	359	1704003.....	364
1670799.....	237	1683977.....	245	1702901.....	360	1704006.....	364
1670801.....	237	1684001.....	253	1702903.....	360, 365	1704096.....	360
1670803.....	237	1684005.....	253	1702908.....	360	1704099.....	364
1670804.....	237	1684014.....	249	1702924.....	360, 365	1704100.....	365
1670819.....	189	1684015.....	249	1702925.....	360, 365	1704104.....	360
1670824.....	189	1684017.....	255	1702926.....	360	1704107.....	366
1670829... 142, 145, 204, 209		1684019.....	255	1702927.....	360, 365	1704108.....	366
1670836.....	179	1684090.....	251	1702938.....	211, 238	1704112.....	366
1671037.....	210	1684092.....	251	1702961.....	360	1704116.....	366
1683053... 243, 245, 251, 257		1684498.....	249	1702962.....	360	1704174.....	372
1683054.....	263, 265	1700584.....	359, 364	1702966.....	360	1704260.....	205, 209
1683055... 243, 245, 257		1700818.....	113, 365	1702971.....	363	1704268.....	365
1683057.....	241	1701500.....	359, 364	1702972.....	364	1704271.....	365
1683061.....	253	1701502.....	359, 363	1702973.....	364	1704272.....	39
1683067.....	249	1701503.....	359, 363	1702974.....	365	1704274.....	39
1683069.....	255	1701504.....	359, 363	1702975.....	364	1704275.....	39
1683208.. 14, 18, 21, 261		1701505 . 65, 74, 81, 123, 360, 365		1702976.....	366	1704277.....	359, 364
1683253.....	170, 243	1701509.....	359, 363	1702979.....	365	1704885.....	360, 366
1683254.....	243	1701518.....	363	1703004.....	366	1705132.....	146, 210
1683256.....	257	1701519.....	363	1703007.....	365	1705364.....	26
1683258.....	171, 251	1701529.....	359, 364	1703090.....	204	1840012.....	140
1683259.....	251	1701542 94, 101, 360, 365		1703091.....	204	1840013.....	140
1683261.....	251	1701543 113, 360, 365		1703092.....	204	1840014.....	140
1683263.....	170, 257	1701645.....	360	1703093.....	204	1840015.....	140
1683264.....	257	1701923.....	365	1703097.....	366	1870038.....	286
1683266.....	165, 257	1701923.....	365	1703098.....	366	1870039.....	286
1683267.....	257	1701924.....	365	1703162... 64, 73, 80, 92, 100, 108, 121		1870052.....	286
1683269.....	257	1702153.....	359	1703181.....	360	1870053.....	286
1683271.....	165, 243	1702265.....	360	1703188.....	365	1870075.....	286
1683272.....	243	1702271.....	365	1703403.....	39	1870087.....	286
1683274.....	243, 245	1702282.....	359	1703404.....	39	1870089.....	286
1683280.....	13, 17, 241	1702284.....	359	1703444.....	39	1870113.....	286
1683281.....	241	1702292.....	359	1703445.....	39	1870131.....	286
1683283.....	241	1702300.....	359, 364	1703450.....	39	1870132.....	286
1683288... 165, 170, 255		1702387.....	205, 211	1703453.....	363	2000126.....	91, 95
1683289.....	255	1702537.....	140	1703467.....	140, 145	2000131.....	63
1683291.....	255	1702552.....	364	1703468.....	140, 145	2000132.....	73, 75
1683294... 165, 170, 253		1702563.....	199, 203	1703469.....	366	2000146.....	79, 83
1683295.....	253	1702564.....	203, 209	1703476.....	82, 101	2000149.....	91, 95
1683297.....	253	1702565.....	203, 209	1703534.....	281	2000151.....	121
1683299... 165, 170, 249		1702566.....	203, 209	1703536.....	365	2000156.....	99, 103
1683300.....	249	1702567.....	203, 209	1703538.....	365	2000160.....	99, 103
1683302.....	249	1702573.....	364	1703541.....	366	2000164.....	107, 110
1683304..... 14, 21, 261		1702583.....	363	1703543.....	366	2000166... 107, 110, 115	
1683307.....	179, 263	1702585.....	363	1703544.....	365	2000172.....	107, 110
1683308.....	263	1702610.....	141, 145	1703548.....	365	2000173.....	79, 84
1683310.....	263	1702612.....	359	1703549.....	365	2000174... 107, 110, 115	
1683312.....	175, 265	1702617.....	365	1703622.....	142	2000181... 107, 110, 115	
1683313.....	265	1702633.....	140	1703631.....	101	2000182... 107, 110, 115	
1683314.....	265	1702676 199, 203, 209		1703797.....	359	2000189.....	79, 84
1683317..... 179, 263		1702688.....	360	1703798.....	359	2060025... 63, 73, 79, 92, 100, 108, 121	
1683318.....	263	1702689.....	366	1703804.....	359	2080040.....	196, 199
1683320.....	263	1702690.....	364	1703805.....	359	2080044.....	172
1683333.....	243, 245	1702720.....	365, 373	1703808.....	360, 366	2120077.....	113
1683415.....	165, 245	1702740.....	26	1703899.....	364	2120145.....	44
1683416.....	245	1702773.....	359, 363	1703900.....	364	2120146.....	43
1683418.....	170, 245	1702774.....	359, 363	1703909.....	113	2120149.....	44, 368
1683419.....	245	1702783.....	359	1703911.....	113	2120150.....	43, 368
		1702784.....	359, 364	1703924.....	364	2120169.....	102
		1702785.....	359	1703930.....	363		

PART NUMBER INDEX

2160002.....53	2220468 280	2221024 134	2720441.....121
2180104.....113	2220472 279	2221028 82, 102	2720442.....121
2180125.....134	2220473 ... 271, 273, 280,	2221036 281	2720449.....80
2180344.....53	281	2221053 281	2720472.....109
2180360.....113	2220490 ... 271, 273, 277	2221065 280	2740063.....284
2180371.....109	2220497 279	2400057 142	2750532...64, 74, 80, 91,
2180380.....281	2220498 280	2400060 ... 335, 344, 353	93, 99, 102, 107, 108,
2180387.....134	2220500 273, 280	2400061 ... 335, 344, 353,	122
2180388.....134	2220501 271, 274	368	2750756.....273
2180389.....134	2220502 274, 280	2400065 ... 343, 351, 368	2750770.....273
2180418.... 113, 115, 134	2220504 ... 271, 274, 277	2400066 343, 351	2750790.....273
2180467.... 93, 102, 109	2220507 271, 274	2420109 92	2750900.....277
2180536...64, 74, 80, 91,	2220510 280	2420172 141, 145	2751013.....273, 277
99	2220511 280	2420187 99, 110	2751017.....273
2180703.....82, 102, 133	2220550 274	2420189 92	2751020.....277
2180724.....281	2220567 279	2420203 69, 88, 117	2751032.....53
2180798...63, 73, 79, 93,	2220568 273	2460011 69, 87, 117	2751396.....273
101, 109, 121	2220574 280	2460013 69, 87, 117	2751427.....273
2180800.....134	2220578 279	2460032 87, 117	2752245.....271
2200204.....113	2220582 ... 271, 274, 277,	2460034 87, 117	2752249.....273
2200221.....94, 121	279	2500005 91, 99	2752258.....271
2200222.....133	2220596 273, 279	2560122 44	2752324.....271
2200233.....93, 133	2220599 134	2560123 44	2752341.....280
2220001.....53	2220602 274, 279	2560136 203, 209	2752343.....280
2220005.....113, 115	2220603 277, 281	2600211 205, 210	2752349.....273
2220064.....113, 115	2220605 273	2600216 196	2752354.....271
2220082.....113	2220609 279	2600219 196	2752356.....280
2220124.....107	2220618 279	2600281 199	2752398.....273, 274
2220235.....271, 273	2220619 277, 279	2600287 196	2752434.....280
2220250...64, 74, 80, 92,	2220622 273	2660071 191	2752444.....281
93, 99, 102, 109	2220628 279	2660082 191	2752453.....280
2220251.....113	2220635 277, 280	2660099 191	2752459.....271
2220261.....134	2220646 279	2660105 191	2752462.....280
2220270.....93, 102	2220654 280	2660109 191	2752466.....280
2220273...64, 74, 80, 91,	2220657 280	2680423 156, 160	2752468.....280
94, 99, 102, 134	2220671 273	2680424 156, 160	2752469.....280
2220313...64, 74, 80, 122	2220675 113	2680427 156, 160	2752473.....271, 273
2220315.....91, 102	2220710 271	2680433 156, 160	2752484.....281
2220317.....103	2220720 65, 92, 100	2680434 156, 160	2752497.....280
2220362.....271, 273	2220738 274	2680440 160	2752500.....279
2220363.....271	2220767 109	2680441 160	2752506.....279
2220365.....271, 273	2220794 74, 81	2680442 160	2752516.....279
2220366.....279	2220800 274	2680447 160	2752519.....279
2220371...271, 273, 277,	2220805 108	2720015 103	2752573.....273, 279
280	2220810 279	2720042 113	2752579.....280
2220372.....280	2220833 273, 274	2720058 ... 64, 74, 81, 82,	2752591.....279
2220373.....271, 281	2220873 279, 281	91, 92, 94, 101, 109,	2752592.....273, 280
2220374.....280	2220883 ... 246, 249, 251,	122	2752593.....273, 280
2220375...271, 273, 279	253, 255, 265	2720112 113	2752600.....279
2220376.....279	2220885 ... 241, 243, 245,	2720144 113, 134	2752601.....280
2220377...271, 273, 279	251, 258, 263	2720160 94	2752602.....271, 273
2220379.....279	2220886 249	2720271 ... 64, 74, 80, 93,	2752603.....280
2220381.....279	2220888 255	101	2752604.....279
2220385.....277, 279	2220893 44	2720338 102	2752618.....281
2220414.....279	2220899 280	2720341 110, 111	2752620.....271, 274
2220415...273, 277, 279	2220909 273	2720351 74, 80	2752635.....279
2220416.....279	2220914 274	2720392 113, 115	2752636.....280
2220418.....134	2220921 280	2720393 92	2752650.....281
2220428.....279	2220923 279	2720394 94	2752655.....279
2220429.....279	2220947 281	2720395 64	2752656.....279
2220430.....108	2220974 279	2720396 64	2752723.....279
2220435.....271, 274	2220994 92, 99	2720397 73, 80	2752724.....279
2220437 92, 99	2220998 280	2720398 73, 80	2752783.....280
2220451 73, 80, 271	2220999 280	2720423 82	2752807.....273
2220459...64, 74, 80	2221018 134	2720434 81	2752813.....271, 273
2220466...271, 273, 274,	2221019 115, 134	2720435 92, 100, 108	2752814.....271
277, 279	2221023 82, 102	2720436 94, 101, 109	2752823.....277

PART NUMBER INDEX

2752824.....	277	2900826.....	127	3200401.....	121	3311801... 25, 65, 75, 82,	
2752889.....	274	2900827.....	128	3200407.....	191	94, 102, 109, 122, 189	
2752890.....	273	2900936.....	373	3200408.....	191	3311805 . 73, 80, 93, 100,	
2752899.....	273	2900968.....	373	3220097.....	66, 96	108, 122, 137, 156,	
2752912.....	274	2901273.....	253	3220098.....	96	160, 166, 167, 172	
2752919.....	273	2901278.....	263, 265	3220099.....	66	3313403.....	15
2752920.....	277	2901285.....	249	3220100.....	75	3321001.....	64
2752928.....	279	2901301... 243, 246, 258		3220101.....	75	3321005.....	80
2752929.....	279	2901303... 243, 246, 251,	258	3220103.....	82	3321401.....	91, 99
2752939.....	280	2901321.....	241	3220104.....	82	3321402.....	65
2752962.....	277	2901322.....	255	3220105.....	66, 96	3321602.....	65
2752966.....	271, 273	2901358.....	74, 81	3220106.....	96	3323403.....	15
2752970.....	271, 274	2901362.....	93, 101, 109	3220107.....	66	3340608.....	263
2752985.....	280	2901363.....	65	3220111.....	83, 104	3340705.....	175, 179
2752987.....	281	2901392.....	73, 80	3220113.....	83, 104, 111	3340756.....	175, 179
2752988.....	280	2901443.....	355, 374	3220114.....	104, 111	3340764.....	180
2752989.....	281	2901539.....	101	3220128.....	123	3340765.....	180
2752990.....	280	2901540.....	81	3250032.....	360	3340787.....	180
2752991.....	280	2901763.....	48	3250033.....	360	3340871.....	175, 179
2753046.....	281	2901959.....	122	3250872.....	39	3340881.....	175, 179
2753047.....	280	2902203.....	372	3250914.....	64	3380423.....	359, 364
2753052.....	280	2910001.....	336	3251102. 70, 89, 118, 211		3380428.....	81, 93, 121
2753055.....	280	2910023.....	373	3251243.....	359, 363	3380434... 199, 359, 364	
2753056.....	280	2910046.....	373	3251813.....	359, 363	3420592.....	39
2753132.....	279	2910100.....	373	3252220.....	365	3421453.....	39
2753133.....	279	2910460.....	373	3252221.....	372	3421565.....	53
2753134.....	280	2910461.....	373	3252489.....	365	3422325.....	14
2753135.....	280	2910462.....	373	3252540.....	365	3422419.....	171
2760105... 141, 145, 203,	209	2910463.....	373	3272605.... 167, 172, 183		3422420.....	171
2780205.....	53, 55	2910869.....	373	3290801.....	74	3422421.....	171
2780212.....	14	2910931.....	373	3300106.....	15, 25	3422422.....	171
2780213.....	25, 29	2910946.....	373	3300151.....	374	3422426... 13, 14, 17, 18,	21
2792177.....	282	2920110.....	149	3300205.....	141, 145	3422427.....	14
2792188.....	279, 282	2920113.....	150	3300353.....	210	3422429.....	14, 18, 21
2792189.....	279, 282	2920129... 141, 205, 209,	330, 332, 343, 350, 351	3300390.....	142	3422430.....	14, 18, 21
2792191.....	282	2920130.....	149	3300393.....	196	3422431.....	13, 17
2792193.....	271, 282	2920140... 196, 200, 338,	345, 354	3300408.... 142, 145, 209		3422432.....	171
2792194.....	282	2920162.....	69, 88, 117	3310601.....	141, 153	3422433.....	165
2792195.....	44, 273, 282	2920214.....	149	3310801.....	189	3422434.....	165
2792196.....	282	2920215.....	149	3310805.....	44, 134, 189	3422435.....	170
2792230.....	277, 282	2940074... 196, 199, 368		3311001.... 122, 141, 156,	160, 199, 205, 211	3422440.....	170
2792315.....	282	2940088.....	156, 160	3311005.... 70, 74, 88, 93,	100, 107, 113, 118,	3422442.....	165, 170
2792405.....	282	3010088.....	238	150, 160, 196, 205, 206		3422443.....	165, 170
2820031 70, 88, 118, 331		3020021.....	75, 85	3311401.... 121, 145, 179,	191, 204, 359	3422444.....	63
2820035... 196, 200, 338,	345, 354	3100076.....	82	3311405.... 44, 64, 74, 80,	91, 93, 99, 101, 109,	3422447.....	166
2820076.....	161	3124114.....	111	113, 122, 150, 153,	160, 189, 196, 199,	3422448 . 73, 79, 93, 100,	108, 121
2820077.....	161	3160200.....	53, 61	200, 204, 209, 238,	364, 374	3422452.....	165, 170
2820078.....	161	3160204.....	25, 37	3311501.....	44, 161, 237	3422453.....	165
2820082.....	161	3160205.....	25, 35	3311505.... 15, 18, 44, 66,	74, 75, 81, 83, 94, 96,	3422454.....	165
2820083.....	161	3160273.....	53, 61	104, 111, 122, 123,	156, 160, 166, 172, 196	3422457.....	179
2840016.....	153	3200362 . 63, 81, 92, 100,	108, 122	3311601.....	83, 104, 133,	3422477.....	170
2840018.....	153	3200377.....	91	156, 161, 205, 210, 211		3422489.....	166
2860012.....	70, 88, 118	3200378.....	63, 73, 79	3311605.... 18, 21, 64, 73,	80, 88, 93, 100, 108,	3422492.....	18, 21
2860030... 140, 145, 368		3200386.....	191	118, 122, 153, 156,	160, 171, 176, 180,	3422530.....	153
2890245.....	15	3200387.....	191	199, 205, 209, 237		3422532.....	65, 81
2900708.....	43	3200388.....	191	3311608.....	64	3422533 . 74, 81, 94, 101,	109, 122
2900752.....	127	3200389.....	191	3311705.....	65, 88, 118	3422553.....	39
2900766.....	31, 57	3200390.....	191			3422558.....	171
2900767.....	32, 58	3200393.....	191			3422559.....	171
2900768.....	32, 57	3200394.....	191			3422560.....	171
2900770... 43, 183, 241,	253, 265	3200395.....	191			3422561.....	171
2900788.....	37	3200396.....	191			3422563.....	171
2900792... 243, 245, 249,	251, 253, 255, 265	3200397.....	191			3422565.....	165
						3422566.....	170

PART NUMBER INDEX

3422571.....165, 170	3538758.....180	3641182.....206	3911008.....196, 199
3422572.....165, 170	3538771.....263	3700010.....141, 204	3911024.....142
3422573.....165, 170	3538819.....203	3730022.....332	3911040.....150
3422575.....165, 170, 175	3538873.....92, 100	3730023.....332	3930816.....189
3422576.....165, 170	3539139.....64	3730099.....332	3930824.....189
3422577.....165	3539219.....141, 145	3740049...141, 145, 205,	3931408.....82, 189
3422578.....165	3539228.....175	206, 285, 338, 345,	3931412.....204
3422579.....170	3539236.....176	352, 354, 368	3931430.....189
3422580.....166	3539275.....205, 206	3740057.....142, 285	3931448.....263
3422582.....166	3539281.....149	3740058.....204, 284	3931516....243, 245, 251,
3422583.....171	3539412.....176	3740063.....204	257, 263, 265
3422590.....18, 21	3539504.....70	3740066.....142, 285	3931620....64, 73, 80, 91,
3422592.....13, 14, 17	3539662.....39	3740067...63, 73, 79, 92,	99, 107, 121, 243, 245,
3422802.....18, 21	3539685.....196	100, 108, 121, 368	257
3422860.....171	3539719.....237	3740080.70, 88, 92, 100,	3931672.....205, 211
3422861.....171	3539779.....166, 172	108, 118, 370	3931720.....253
3422867.....171	3539872.63, 79, 92, 100,	3740112.....141	3931860.....53
3430816.....153	108, 121	3740113.....142, 205	3932032.....249
3450304.....211	3539877.....14, 17	3740115.....205	3932224.....53
3450306.....176	3539879.....14, 18	3740126.....123, 336	3932240.....255
3450404.....153	3539923.....160	3740132.....142	3941404.....102
3450606.....176	3539930.....166, 172	3760133.....179	3960098.....14
3450810.....15	3539956.....82, 93, 121	3760170.....53	3960389..65, 80, 94, 101,
3451012.....15	3539971.....79	3760368...243, 245, 251,	109, 122, 156, 160
3480188....243, 245, 257	3539972.....91, 99, 107	257, 265	3960407.....74, 81
3480206.....249	3539988...103, 108, 161	3760369...241, 243, 245,	3960418.....156, 161
3480210....243, 245, 251,	3570103.....92, 100	257	3960438.....160
257	3570104.....94, 101	3760370.....253	3960447.....156
3480211.....253	3570133.....94, 102	3760372.....249	3960461.....150
3480212.....263, 265	3570238.....82, 102	3760384.....255	3960462.....156, 160
3480216.....255	3570270.....176	3790012...102, 110, 150,	3960467.....161
3510488.....195	3570277.....176	200, 204, 205, 210, 211	3960468..65, 81, 94, 100,
3510497.....195	3570283.....121	3790110.....184	109, 123
3510542.....195	3570374.....166, 172	3790152...65, 74, 81, 92,	3960469..65, 81, 94, 100,
3510543.....195	3570375.....176	99, 107, 123	109, 123
3510545.....195	3570752.....113	3820001....39, 150, 191,	3990001.....332
3510546.....195	3570754.....83	359, 364	3990010....330, 332, 335,
3510565.....195	3571421.....79, 100	3841143...13, 14, 17, 18,	338, 345, 352, 354, 368
3510566.....195	3572279.....108	21, 64, 73, 80, 93, 100,	4060092....337, 345, 354
3510728.....195	3572280.....109	108, 121, 166, 171	4060700....337, 345, 354
3510760.....195	3572307.....107	3841203...166, 171, 175	4060802.70, 88, 118, 211
3510822.....199	3572308.....107	3841255.....91, 99	4060803.....196
3510833.....199	3572601.....121	3841258.....13, 14, 17	4060804....44, 65, 75, 94,
3520026.....142	3572722.....115	3841262.....14	102, 109, 123, 180
3520028....69, 70, 87, 88,	3573241.....111	3841263.....14	4060805...65, 75, 81, 94,
117, 118, 204, 209	3573279.....123	3841285.....18, 21	123, 179
3520032.....366	3580134.....69, 88, 118	3841288.....64	4060806.....94, 102, 109
3520033.....161, 366	3580158.....87	3841291.....21	4060807.....44
3520035.....146	3580250.....117	3841295.....176	4060808.....15, 19, 175
3520054.....142	3580255.....69	3841329.....39	4060906.....141, 145
3520072.....196, 199	3580259.....82	3841340.....172, 179	4060907.....149
3520173.....205	3580260.....102	3841347.....176	4060918.....44
3520174.....142, 211	3580276.....88, 118	3841516.....121	4060959.....373
3530072.....237	3600164...63, 73, 91, 99,	3900141.....251	4070863.....175, 179
3536089.....196, 200	126	3900166.....166	4070864.....175, 179
3537287.....63	3600242...63, 73, 79, 91,	3900207.....196	4070878....13, 14, 17, 18
3537288.....92, 94	99, 107, 121, 131	3900217.....65, 122	4070879....13, 14, 17, 18
3537290.....63	3600243.....43	3900224.....205, 210	4070897.....175, 179
3537318.....53	3600260...63, 73, 79, 91,	3900232....83, 104, 156,	4070898.....175, 179
3537416.....73, 79	99, 107, 121, 126	161	4070929.....175, 179
3537417.....73, 79	3600377.....110	3900239.....166, 172	4070932.....180
3537420.....73, 79	3620030.....63	3900268.....141, 145	4070944.....14, 17
3537445.....153	3620032.....92	3910608.....141, 153	4070945.....14, 17
3537691.....63, 73	3620033.....73, 79	3910610.....153, 203	4070987.....142, 145
3538047.....13, 14, 17	3620040....100, 108, 121	3910804.....142, 145	4070991.....142
3538247.....263	3640493.....284	3910806.....44	4100025..75, 83, 95, 102,
3538724.....63, 73, 92	3640970.....141, 206	3910808.....134	108

PART NUMBER INDEX

4120012 141, 285	4360475 ... 139, 146, 203, 210, 368	4460428..... 141, 189, 204, 210, 238, 330, 338, 342, 350	4460614 331
4120013 206, 284	4360476 ... 141, 146, 204, 210, 368	4460434..... 350, 352	4460620 330
4120035 ... 141, 205, 330, 332, 342, 343, 350, 352	4360542 69, 87, 117	4460442..... 338	4460621 330
4130325 14	4400275 134	4460445.... 333, 334, 337, 344, 353	4460628 141
4130326 14	4400372 133, 134	4460449..... 335	4460629 206
4130330 18, 21	4400373 133	4460457.... 123, 335, 337, 343, 353	4460630 141
4130331 18, 21	4400399 133	4460458.... 123, 335, 337, 343, 353	4460631 141, 206
4130340 14	4400407 133	4460459.... 123, 334, 337	4460632 206
4130341 14	4400420 134	4460460..... 335, 343, 353	4460634 332, 352
4160138 64	4420038 133, 141	4460464.... 210, 330, 331, 333, 342, 343, 350, 351, 352	4460635 332, 352
4160143 156, 160	4420051 365	4460465.... 330, 333, 342, 350, 351	4460693 336
4160152 156, 160	4420060 179, 189	4460466.... 330, 342, 350, 351	4460701 ... 337, 338, 345, 354
4220162 149	4460023 70, 88, 118	4460467.... 204, 338, 346, 355, 374	4460708 210, 350, 351
4220165 196	4460027 69, 87, 117, 338, 345	4460470.... 146, 204, 210, 330, 342, 350, 352	4460711 142
4220168 196	4460042 196, 210	4460471.... 146, 204, 210, 330, 342, 350, 352	4460713 335, 344, 353
4240018 206	4460049 237	4460473.... 331, 342, 350, 351	4460720 330
4240032 93, 149, 150, 206	4460071 ... 199, 204, 210, 342, 345, 350, 354	4460475..... 123, 337	4460721 330
4240033 101	4460125 ... 337, 338, 345, 354	4460476.... 123, 334, 336	4460725 335, 344, 353
4240099 93, 95, 101, 113, 196, 200	4460134 ... 337, 338, 342, 345, 351, 354	4460488..... 146, 210	4460726 335, 344, 353
4240102 133	4460190 69, 87, 117, 338, 345	4460499 48, 51, 332, 334, 337, 344, 353	4460728 344, 353
4240112 133	4460205 ... 337, 338, 342, 345, 350, 354	4460502..... 330	4460742 ... 336, 344, 353
4280295 133	4460224 ... 332, 336, 337	4460503..... 206, 330, 331	4460758 142
4300056 91, 99	4460225 ... 330, 332, 333, 342, 350	4460508.... 330, 331, 332, 342, 343, 350, 351	4460760 142
4300097 25	4460226 ... 210, 222, 235, 350, 351, 352	4460509.... 331, 342, 350, 351	4460761 210, 350, 352
4300120 25	4460227 ... 210, 342, 350, 352	4460510.... 204, 338, 346, 355, 374	4460777 335
4300148 122	4460233 ... 337, 338, 345, 354	4460526.... 141, 142, 146, 352	4460780 333
4340678 203, 209	4460234 ... 142, 149, 150	4460536.... 331, 333, 343, 351	4460783 333
4340684 203, 210	4460265 ... 213, 215, 222, 226, 235, 330, 334	4460539.... 331, 332, 343, 351	4460784 333
4360031 199, 204, 210	4460266 ... 213, 215, 226, 334, 336	4460579..... 335, 343, 352	4460790 334
4360037 91, 99	4460267 ... 213, 215, 226, 330, 332, 333, 334, 337, 344, 345, 353, 354	4460580..... 334, 343, 352	4460799 ... 335, 344, 353
4360057 237	4460268 ... 213, 215, 226, 332, 333, 334, 336, 337, 343, 344, 345, 352, 353, 354	4460587 334	4460800 335, 344, 353
4360065 91, 99	4460320 ... 332, 334, 337, 344, 345, 353, 354	4460588 334	4460836 333
4360157 92, 99	4460326 ... 333, 337, 344, 353	4460589 334, 335	4460837 333
4360188 113, 115	4460346 337, 345, 354	4460590 334	4460850 333
4360232 ... 204, 211, 346, 354	4460374 334	4460591 334, 335, 336	4460856 333
4360256 82	4460375 334	4460598.... 196, 200, 211, 338, 346, 354	4460857 333
4360265 101	4460418 ... 330, 332, 335, 342, 343, 350, 352	4460600..... 141, 206, 285	4460865 342, 350, 351
4360282 141, 204	4460419 ... 330, 332, 335, 342, 343, 350, 352	4460601 141, 206	4460866 ... 342, 343, 350, 351, 352
4360289 139, 203	4460424 ... 332, 334, 337, 343, 344, 345, 352, 353, 354	4460602 141, 206	4460871 ... 210, 217, 219, 231, 233, 342, 343, 344, 350, 352, 353
4360294 ... 65, 70, 74, 81, 88, 94, 101, 109, 118, 122, 368	4460425 ... 238, 338, 346, 355	4460603 141, 206	4460873 ... 342, 343, 350, 352
4360306 44, 150	4460426 141, 146, 352	4460607 141, 206, 284	4460874 ... 146, 342, 350, 352
4360314 141, 204, 205		4460608.... 334, 335, 336	4460875 ... 146, 342, 350, 352
4360315 140		4460611.... 65, 74, 81, 93, 101, 109, 122	4460876 343, 352
4360328 145, 210, 368		4460613..... 206, 330, 331	4460878 343, 352
4360331 ... 102, 199, 204, 205, 210, 368			4460879 342, 350
4360336 70, 88, 102, 110, 118, 150, 205, 211			4460880 ... 343, 344, 352, 353
4360345 204			4460887 ... 342, 343, 350, 352
4360387 ... 142, 203, 210, 211, 238, 368			4460889 343, 353
4360392 ... 63, 73, 79, 92, 100, 108, 121, 368			4460890 343, 353
4360395 139, 203			4460891 351
4360402 141			4460897 351
4360405 92, 99			4460905 ... 146, 210, 350, 352
4360407 203, 210			4460959 354
4360417 44, 150			4460960 354
4360436 133			4460968 189
4360455 92, 99			4520171 26
4360469 140, 145, 368			4520172 26

PART NUMBER INDEX

4520173.....26	4640920..... 43, 47	134, 137, 156, 160,	4845328.....195
4520210.....26	4640921..... 43, 51	161, 166, 172, 200,	4845384.....179
4520211.....26	4640922..... 44, 51	204, 210, 237, 263	4845394..... 82
4520259.....26	4640923..... 15, 18	4751800 ... 13, 17, 65, 75,	4845395..... 81
4562083.....359	4640925..... 189	82, 93, 100, 108, 122,	4845404.. 63, 79, 93, 100,
4562516.....94	4640929..... 189	137, 156, 176, 237	108, 121
4564281.....91, 99, 110	4640930..... 43	4751900 69, 88	4845408.....195
4564417.....118	4640932..... 246	4752000 ... 65, 74, 81, 94,	4845409.....195
4566408.....253	4640937..... 18	102, 109, 123	4845410.....196
4566425.....263	4640939..... 277	4760600 141	4845412.....195
4566468.....243, 245, 257	4640952..... 63	4761000 ... 142, 156, 160,	4845413.....195
4566471.....251	4640989..... 91, 99, 107	196, 205, 211	4845414.....160
4566501.....249	4640999..... 265	4761400 146, 191	4845426.....195
4566605.....91, 99, 107	4641019..... 121	4761500 107, 237	4845450..... 39
4566667.....255	4641022..... 133	4761600 39	4845451.....39
4566832..... 13, 17	4641045..... 189	4770600 153	4845453.....63
4566892.....176	4641097..... 43, 47	4791400 ... 74, 81, 91, 94,	4845469.....195
4566986.....65, 75	4641105..... 189	100, 113	4845531..... 88
4567071.....94, 101	4641139..... 189	4791600 92, 93, 101	4845532.....121
4567072.....64	4641162..... 241	4812000 118	4845612.....102
4567073 66, 96, 104, 111,	4700005..... 113	4831900 ... 65, 75, 82, 85,	4845668..... 83, 104
123	4711000..... 205	94, 101, 109, 123	4845682.....166, 171
4567080.....359, 364	4711400 ... 13, 17, 44, 65,	4832000 . 75, 85, 93, 101,	4846005.....165
4567112.....79	75, 81, 94, 102, 109,	107, 109	4846006.....170
4567169.....94	123, 149, 189, 196,	4844790 166, 171	4846101.....195
4567172.....39	200, 238, 374	4844815 171	4846102.....195
4567213..... 82, 102	4711500 ... 39, 44, 45, 66,	4844816 171	4846103.....195
4567214..... 82, 102	75, 83, 96, 104, 111,	4844817 171	4846236.....108
4567215.....102	123, 211, 274	4844924 195	4846248.....108
4567241.....176	4711600 ... 13, 14, 17, 18,	4844925 195	4846253.....195
4567428..... 82	39, 44, 75, 81, 122,	4844926 195	4846254.....195
4567429.....83	166, 172, 175, 180	4844927 195	4846255.....195
4567430.....83	4711800 ... 153, 166, 172	4844928 195	4846452.....199
4567431.....83	4711900 82	4844929 13	4846479..... 79
4567571..... 82, 102	4712600 39	4844945 165, 170	4846510.....121
4567572..... 82, 102	4713000 39	4844954 195	4846566.....79
4567573..... 82	4713400 39	4844955 195	4846573..... 167, 172
4567574..... 82	4740016 15	4844956 195	4860158.....26
4567576..... 82	4740076 156, 161	4844958 53	4891400.....44
4567730.....102	4740158 13, 14, 17	4844960 13	4891500.....45, 273
4567731.....102	4740171 160	4844961 63, 73, 93	4891600.... 64, 74, 80, 92,
4567815..... 82	4740274. 65, 82, 94, 102,	4844964 133	99, 107, 122, 153, 167,
4567879.....109	109, 122	4844969 180	172
4568116.....133	4740362 ... 150, 200, 204,	4844972 180	4891800.. 25, 44, 53, 153,
4568119.....133	210	4844978 180	167, 172
4568158.....110	4740397. 70, 88, 118, 211	4844979 180	4892000.....53
4568355.....123	4740439 171	4844983 175	4892600..... 167, 172
4640113.....26	4740442 65, 122	4844984 175	4895000.....25
4640261.....39	4740444 141, 146	4845035 92, 100, 121	4920385.....75
4640391.....113	4750600 141, 153	4845041 17	4921736..... 140, 333
4640438.....253	4750800 44, 134	4845059 63	4921737..... 140, 333
4640509.... 243, 245, 249,	4751000 ... 64, 70, 74, 80,	4845080 73, 79	4921738..... 140, 333
251, 253, 255, 265	88, 93, 99, 100, 107,	4845127 166, 171	4921739.....140, 332
4640525.....241	113, 118, 122, 141,	4845152 94	4921771.....43, 337
4640605.....249, 255	150, 153, 156, 160,	4845157 64	4921772..... 44, 337
4640647.....265	196, 199, 205, 206, 237	4845162 73	4921801.....337, 345
4640744.....279	4751400 ... 64, 74, 80, 93,	4845163 153	4921828.....338
4640750.....91	101, 108, 113, 122,	4845181 69	4921829.... 338, 345, 354
4640751.....73, 79	146, 153, 156, 161,	4845184 88	4921848..... 140, 332
4640858.....241	166, 172, 179, 189,	4845194 156, 160	4921850.....374
4640862.....263	200, 205, 210, 359, 364	4845200 156	4921922..... 140, 332
4640866.....43	4751500 ... 15, 18, 70, 82,	4845203 156, 160	4921924..... 140, 333
4640871.....13, 17	88, 107, 118, 122, 156,	4845281 39	4921925..... 140, 333
4640902.....251	160, 196, 237	4845283 39	4921926..... 140, 333
4640906.....45, 273	4751600 ... 64, 70, 74, 80,	4845308 237	4921927..... 43, 337, 344,
4640907.....43	83, 88, 93, 100, 104,	4845309 237	353
4640908.....43	108, 118, 122, 133,	4845327 195	

PART NUMBER INDEX

4921928 44, 337, 344, 353	4932977 284	7000256.....55	7000731 32
4921938 338	4932980 285	70002567111	7000796 31
4921954 345, 354	4932986 284	700025755	7000884 95, 103
4921955 338	4932989 285, 338	700025855	7000897 103, 110
4921970 140, 333	4932990 284	700026355	7001438 127
4921991 206, 330	4932993 284	700026955	7001498 127
4921992 331	4933006 285	700027055	7001625 261
4922002 332	4933025 284	70002724233	7001626 261
4922006 332	4933026 284	70002725233	7001627 261
4922007 332	4933027 286	70002726233	7001628 261
4922008 332	4933055 286, 331	70002727233	7001629 261
4922012 374	4933063 286, 331	70002728233	7001630 261
4922016 374	4933114 286, 331	70002729233	7001633 261
4922095 285	4933149 285	70002730219	7001711 29
4922165 140, 332	4933150 284	70002731219	7001909 55
4922166 140, 333	4933162 285	70002732219	7001911 55
4922168 332	4933167 286, 343	70002733219	7001928 55
4922185 140, 333	4933168 286, 343	70002734219	7001931 55
4922200 140, 333	4933212 351, 352	70002735219	7001985 55
4922329 140, 333	4933213 351, 352	7000281383	7001987 55
4922335 332	4933215 284, 345, 354	70002906219	7001988 55
4922380 140, 333	4933216 345, 354	70003483199	7002821 ... 338, 346, 355, 374
4922482 345, 354	4933218 285	7000355684	7002822 374
4922484 285	4933219 285	70003784203, 210	7002823 ... 338, 346, 355, 374
4922485 146, 210	4933228 286, 331	70004738235	7002826 374
4922493 342, 350	70000121 115	70004739235	7002828 346, 355
4922494 342, 351	70000123 69, 87, 117	70004740235	7002840 13, 17, 374
4922508 ... 344, 352, 353	70000124 69, 87, 117	70004741235	7003657 69, 87, 117
4922509 ... 210, 285, 342	70000125 69, 87, 117	70004742235	7003886 226
4922514 343, 352	70000163 103	70004743235	7003928 ... 215, 217, 219
4922515 343, 352	70000579 47	70004744235	7003933 231
4922516 343	70000580 47	70004745235	7003935 229, 231
4922637 351	70000582 47	70004746235	7003941 ... 229, 231, 233
4922638 352	70000583 47	70004747235	7003946 ... 225, 229, 231
4922639 ... 210, 285, 350	70000646 103	70004748235	7003951 213
4922641 345, 354	70000787 75	70004749235	7003952 215
4922643 345, 354	70001002 83, 84	70004750235	7003953 215, 217
4922666 ... 146, 210, 350, 352	70001017 .66, 82, 83, 96, 104, 111, 123	70004751235	7003956 213, 215
4922810 351	7000126 69, 87, 117	70004752221	7003957 213, 225
4922811 351	70001423 84	70004753221	7003958 213
4932783 284	70001498 84	70004754221	7003959 213
4932797 286, 331	70001681 83, 84	70004755221	7003960 213
4932798 286, 331	70001697 184, 187	70004756221	7003961 213
4932799 286, 331	70001941 149	70004757221	7003963 225
4932812 286	70001976 47, 48, 51	70004758221	7003966 225
4932815 285	70001999 180	70004759221	7003967 225
4932828 284, 338	70002000 180	70004760221	7003968 225
4932839 285	70002001 175	70004761221	7003969 229, 231
4932848 285, 330	70002002 175	70004762221	7003972 ... 225, 229, 231, 233
4932894 284	70002011 180	70004763221	7003973 ... 225, 229, 231, 233
4932896 284	70002012 180	70004764221	7003974 ... 213, 215, 225
4932902 284	7000209 55	70004765221	7003976 ... 213, 215, 217
4932903 284	7000214 55	70004766221	7003977 ... 213, 215, 217
4932904 286	7000217 55	70004767221	7003978 225
4932905 285, 330	70002234 75, 84	70004768221	7003980 ... 229, 231, 233
4932906 286	70002235 69, 87, 117	70004769221	7003981 225
4932909 286, 331	7000228 55	70004770221	7003982 225, 233
4932911 286, 331	7000229 55	70004771221	7003983 ... 229, 231, 233
4932912 331	7000230 55	70004772222	7003984 225
4932914 285, 330	70002307 ... 95, 103, 110	70004773222	7003985 226
4932915 284, 338	70002307 ... 95, 103, 110	70004774222	7003986 231
4932917 285	70002411 83, 84	70004775222	7003989 ... 229, 231, 233
4932940 284, 338	7000242 55	70005230235	
4932962 286, 331	7000246 55	7000625 ... 199, 204, 210	
4932971 285	7000253 55	700064695	
	70002530 83, 84	700066375, 83, 84	
	7000255 55	700069975, 83	

PART NUMBER INDEX

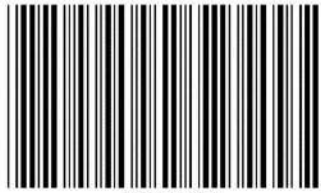
7003992....215, 217, 229, 231	7007471 127	7011112 246	7012944..43, 45, 47, 273, 368
7003993....215, 217, 229, 231	7007472 127	7011185 265	7012953..43, 47, 51, 189, 251
7003994.....231	7007474 127	7011328 43	7012954.....43
7004275.....374	7007475 127	7011331 183	7012959.....43
7004276.....374	7007476 127	7011332 183	7012961.....43, 251
7005841.....61	7007477 127	7011346 183	7012965.....51
7005842.....61	7007478 127	7011712 31	7012967.....47, 48
7005845.....61	7007482 127	7011713 31, 57	7012969.....48
7005848.....61	7007483 127	7011714 31, 57	7012970.....189
7005881.....61	7007484 127	7011715 31, 57	7012972.....45, 273
7005882.....61	7007485 127	7011716 31, 57	7012974.....45, 273
7005889.....61	7007486 127	7011717 31, 57	7012978.....18
7005890.....61	7007487 127	7011719 57	7012980.....15, 18, 19
7005891.....61	7007488 127	7011720 57	7012987.....131
7005892.....61	7007489 131	7012442 15	7012988.....131
7005893.....61	7007490 127	7012513 69, 87, 117	7012989.....47
7005894.....61	7007491 127	7012514 69, 87, 117	7012992.....18
7005895.....61	7007492 127	7012518 47	7012993.....15, 18
7006140.....180, 368	7007494 127	7012558 69, 87, 117	7012994.....19
7006151.....180	7007496 127	7012560 140	7012998....44, 47, 48, 51
7006152....175, 180, 368	7007497 ... 127, 336, 344, 353	7012599 75, 83	7013187.....137
7006158.....180	7007498 ... 127, 336, 344, 353	7012611 140, 204	7013711.....43
7006161.....180	7007499 127	7012612 140, 204	7013755.....43
7007208.....126	7007633 55	7012664 ... 63, 73, 79, 94, 101, 109, 121, 368	7013796.....43
7007412.....127	7007914 57	7012679 95, 103	7013799.....43
7007413.....126	7007923 31, 57	7012680 95	7014700.....29
7007414.....126	7007929 31, 57	7012681 95	7014701.....29
7007416.....126	7007924 31	7012682 95, 336	7014702.....29
7007417.....126	7007933 31	7012683 95	7014706.....29
7007419.....126	7007934 57	7012690 95	7014709.....29
7007420.....126	7007970 31, 57	7012693 13, 17	7014710.....29
7007421.....126	7007977 31, 57	7012694 43	7014711.....29
7007423.....126	7007979 31, 57	7012698 75	7014712.....29
7007424.....126	7007980 31, 57	7012699 43	7014713.....29
7007425.....35, 126	7007983 31, 57	7012700 37	7014714.....29
7007426.....35	7007985 31, 57	7012701 37	7014715.....29
7007427.....35	7007986 31	7012702 37	7014716.....29
7007428.....35	7007987 31, 57	7012703 37	7014717.....29
7007429.....35	7008833 73, 80, 336	7012704 37	7014718.....29
7007430.....35	7008835 73, 80	7012705 37	7014719.....29
7007431.....35	7008836 73, 80, 336	7012706 37	7014720.....29
7007434.....35	7010103 131	7012707 37	7014721.....29
7007435.....126	7010104 131	7012708 37	7014722.....29
7007436.....126	7010105 131	7012709 37	7014723.....29
7007437.....35, 126	7010108 35	7012710 37	7014724.....29
7007438.....35, 126	7010109 35	7012711 37	7014725.....29
7007439.....35, 126	7010110 35	7012712 37	7014726.....29
7007440.....126	7010111 35	7012713 37	7014727.....29
7007441.....126	7010112 35	7012714 37	7014728.....29
7007442.....126	7010113 35	7012715 37	7014729.....29
7007444.....126	7010114 35	7012716 37	7014730.....29
7007445.....126	7010115 35	7012768 368	7014731.....29
7007446.....35	7010116 35	7012769 47, 48	7014800.....134
7007449.....126	7010117 35	7012771 44	7014801.....134
7007453.....126	7010118 35	7012772 ... 44, 47, 48, 51, 368	7014802.....134
7007454.....126	7010119 35	7012773 44, 47, 48, 51	7014803.....134
7007456.....127	7010120 127	7012774 44, 48, 51	7014810.....134, 368
7007458.....127	7010121 127	7012775 47, 48	7014811.....134
7007459.....35, 127	7010122 127	7012776 51	7016180.....108, 121
7007461.....127	7010474 55	7012777 48	7016206.....26
7007463.....127	7010488 55	7012799 48	7016309.....75
7007466.....127	7010492 55	7012905 45, 273	7016312.....43, 368
7007468.....127	7010494 55	7012907 43	7016313.....44, 368
7007469.....127	7010542 47, 48	7012914 47, 48	7016314.....133
7007470.....127	7010543 48	7012918 47, 48	7016315.....140, 204
	7010638 79, 101	7012941 43	

PART NUMBER INDEX

7016322.....	153	7017142.....	184	7019164.....	229, 231, 233	7020463.....	83, 84
7016323.....	66	7017156.....	184	7019165.....	229, 231, 233	7020464.....	84
7016324.....	66, 370	7017157.....	184	7019166.....	229, 231, 368	7020465.....	83, 84
7016325.....	66	7017158.....	184, 187	7019167.....	229, 231, 233	7020468.....	84
7016326.....	66	7017159.....	184, 187	7019168.....	229, 231	7020471.....	83, 84
7016327.....	66	7017162.....	183, 187	7019171.....	217	7020474.....	84
7016328.....	83, 84, 370	7017163.....	183, 187	7019174.....	215, 217	7020477.....	76, 83
7016330.....	75, 83	7017164.....	183, 187	7019177.....	217	7020479.....	84
7016331 ..	75, 83, 84, 370	7017174.....	183	7019192.....	213	7020480.....	84
7016332.....	75, 83, 84	7017177.....	183	7019193.....	213	7020487.....	84
7016336.....	336	7017183.....	183, 187	7019194.....	229, 231, 233	7021214.....	127
7016340.....	66, 370	7017193.....	183, 187	7019197.....	215, 217	7021310.....	48
7016342.....	137	7017410.....	47	7019607.....	75, 83	7021868 ...	103, 110, 370
7016346.....	204	7017411.....	47	7019658.....	66, 75, 82, 95, 103, 123, 133	7021869.....	95
7016374.....	153	7017418.....	47	7019921.....	95	7022127.....	123
7016380.....	149	7017420.....	44, 48, 51	7019924.....	103	7022134.....	110
7016399 ...	196, 200, 338, 345, 354	7017421.....	51	7019925.....	95, 111	7022136.....	110
7016422.....	61	7017422.....	51	7019929.....	95	7022139.....	110
7016423.....	61	7017423.....	48	7019930.....	95, 104, 111	7022142.....	110
7016424.....	61	7017427.....	47	7019930.....	95, 104, 111	7022143.....	95, 103, 110
7016425.....	61	7017428.....	47, 48	7019931.....	95, 104	7022144.....	111
7016426.....	61	7017515.....	113	7019932.....	95, 103, 111	7022149.....	111
7016427.....	61	7018602.....	31, 57	7019933.....	95, 103	7022150.....	95, 104, 111
7016502.....	175, 368	7018603.....	31, 57	7019976.....	103, 110	7022151.....	103, 111
7016510.....	175	7018605.....	31, 57	7019977.....	103, 110	7022153.....	95, 103, 111
7016519.....	180	7018606.....	31, 57	7019978.....	103	7022154.....	111
7016521.....	180	7018607.....	31, 57	7019980.....	103, 336	7022155.....	111
7016600.....	95, 103	7018608.....	32, 58	7019982.....	103	7022156.....	103, 111
7016601.....	95, 103, 370	7018609.....	31, 57	7019983.....	103	7022157.....	104, 111
7016605.....	95, 103	7018612.....	32, 58	7019985.....	103	7022158.....	110
7016652.....	196, 374	7018912.....	47, 48, 51	7019986.....	110	7022159.....	110
7016654.....	374	7018942.....	51	7019988.....	103	7022160.....	110
7016655.....	374	7018945.....	51	7019993.....	110	7022161.....	110
7016700.....	43	7018946.....	51	7019994.....	110	7022162.....	110
7016701.....	43	7018948.....	51	7019996.....	110	7022164.....	111
7016702.....	43	7018952.....	48	7019997.....	103	7022165.....	115
7016744.....	43	7019103.....	229, 231	7020023.....	75	7022166.....	115
7016800 ...	65, 74, 81, 93, 101, 109, 122	7019104.....	213	7020025.....	83	7022167.....	115
7016802.....	74, 81, 122	7019110.....	229, 231	7020027.....	83, 84	7022168.....	115
7016803.....	74, 81	7019111 ...	213, 215, 217, 229, 231	7020073.....	66	7022170.....	115
7016804 ..	74, 81, 93, 101, 109, 122	7019112.....	229, 231	7020108.....	69, 87, 117	7022171.....	115
7016805.....	65, 74, 93	7019114.....	231	7020109.....	69, 87, 117	7022177.....	123
7016806.....	65	7019115.....	229, 231	7020110.....	69, 87, 117	7022178.....	95, 103, 111
7016807.....	93, 101, 109	7019117.....	229	7020111.....	69, 87, 117	7022180.....	95, 103, 110
7016808.....	93, 101, 109	7019122 ...	213, 215, 217	7020120.....	95, 103, 110	7022203.....	43
7016809.....	65	7019123 ...	213, 215, 217	7020135.....	26	7022808 ...	215, 217, 219
7016810.....	65	7019141.....	215, 217	7020168.....	84	7022810.....	229
7016811.....	65, 122	7019142.....	215, 217	7020175.....	140, 204, 210	7022811.....	213, 215
7016812.....	74, 81	7019143.....	215, 217	7020176.....	140, 204, 210	7022812.....	231
7016815.....	81	7019144.....	215, 217	7020190.....	69, 87, 117	7022813.....	213, 215
7016816.....	81, 101	7019145.....	215, 217	7020191.....	69, 87, 117	7022814.....	217
7016826.....	81, 101	7019147.....	215, 217	7020192.....	69, 88, 117	7022815.....	217, 219
7016827.....	81, 101	7019149.....	215, 217	7020193.....	69, 87, 117	7022816.....	217
7016831.....	122	7019150.....	215, 217	7020246.....	145	7022817.....	217
7016845.....	81	7019151.....	229, 231	7020404.....	76, 83	7022818.....	217, 368
7017089.....	55	7019153.....	229	7020408.....	76, 84	7022819 ...	217, 219, 353
7017101.....	183	7019154.....	229, 231	7020411.....	75, 84	7022820.....	353
7017102.....	183	7019155.....	229, 231	7020414.....	83	7022822.....	231
7017106.....	184	7019156.....	229	7020418.....	76	7022823.....	231
7017115.....	183	7019157.....	229	7020419.....	76, 83	7022824.....	231, 368
7017116.....	183	7019158.....	229	7020425.....	83	7022825.....	344, 353
7017117.....	183	7019159.....	229	7020427.....	75, 83	7023340.....	73, 80
7017118.....	184	7019160 ...	225, 229, 231	7020431.....	76, 83	7023471.....	95
7017119.....	183	7019161.....	229, 231	7020449.....	84	7023603.....	115
		7019162 ...	229, 231, 233	7020458.....	84	7023613.....	111
		7019163.....	229	7020461.....	84	7023634.....	123
				7020462.....	84	7023635.....	123

PART NUMBER INDEX

7023637.....	110, 111	7023656.....	110	7024100.....	55	7026522.....	84
7023638.....	123	7023657.....	111	7024321.....	95, 103	7026607.....	84
7023639.....	123	7023658.....	110	7024398.....	82	7026608.....	84
7023640.....	123	7023659.....	115	7024560.....	83	7026631.....	83, 84
7023641.....	123	7023660.....	115	7024565.....	76, 84	7027250.....	76, 83
7023642.....	123	7023662.....	110	7024598.....	153	7027292.....	103
7023644.....	111	7023663 ...	110, 336, 344, 353	7025122.....	103	7027402.....	103, 111
7023645.....	115	7023679 ...	336, 344, 353	7025124.....	111	7027411.....	111
7023652.....	110	7023680.....	115	7025125.....	103	7027887.....	69, 88, 118
7023653.....	110	7023687.....	103	7025126.....	95, 103	8896941.....	339, 374
7023654.....	110	7024036.....	37	7025145.....	95	91083218.....	110
7023655.....	110			7026199.....	69, 87, 117		



3120719



An Oshkosh Corporation Company

JLG Industries, Inc.
1 JLG Drive
McConnellsburg PA. 17233-9533
USA
Phone: +1-717-485-5161
Customer Support Toll Free: 1-877-554-5438
Fax: +1-717-485-6417

JLG Worldwide Locations

JLG Industries (Australia)
P.O. Box 5119
11 Bolwarra Road
Port Macquarie
N.S.W. 2444
Australia
Phone: +61 2 65811111
Fax: +61 2 65813058

JLG Latino Americana Ltd.
Rua Antonia Marlins Luiz, 580
Distrito Industrial João Narezzi
13347-404 Indaiatuba - SP
Brazil
Phone: +55 19 3936 8870
Fax: +55 19 3935 2312

JLG Industries (UK) Ltd
Bentley House
Bentley Avenue
Middleton
Greater Manchester
M24 2GP
England
Phone: +44 (0)161 654 1000
Fax: +44 (0)161 654 1001

JLG France SAS
Z.I. de Baulieu
47400 Fauillet
France
Phone: +33 (0)5 53 88 31 70
Fax: +33 (0)5 53 88 31 79

JLG Deutschland GmbH
Max-Planck-Str. 21
D - 27721 Ritterhude-Ihlpohl
Germany
Phone: +49 (0)421 69 350 20
Fax: +49 (0)421 69 350 45

JLG Equipment Services Ltd.
Rm 1107 Landmark North
39 Lung Sum Avenue
Sheung Shui N.T.
Hong Kong
Phone: +852 2639 5783
Fax: +852 2639 5797

JLG Industries (Italia) s.r.l.
Via Po, 22
20010 Pregnana Milanese - MI
Italy
Phone: +39 029 359 5210
Fax: +39 029 359 5845

JLG Europe B.V.
Polaris Avenue 63
2132 JH Hoofddorp
The Netherlands
Phone: +31 (0)23 565 5665
Fax: +31 (0)23 557 2493

JLG Polska
Ul. Krolewska
00-060 Warszawa
Poland
Phone: +48 (0)914 320 245
Fax: +48 (0)914 358 200

Plataformas Elevadoras
JLG Iberica, S.L.
Trapadella, 2
P.I. Castellbisbal Sur
08755Castellbisbal, Barcelona
Spain
Phone: +34 93 772 4 700
Fax: +34 93 771 1762

JLG Sverige AB
Enkopingsvagen 150
Box 704
SE - 176 27 Jarfalla
Sweden
Phone: +46 (0)850 659 500
Fax: +46 (0)850 659 534

www.jlg.com