



# Illustrated Parts Manual

**Models**  
**1532E/1932E**  
**2033E/2046E**  
**2646E/2658E**

P/N  
3120726

*January 27, 2012*

**ANSI**



An Oshkosh Corporation Company



# REVISION LOG

**Power Down Machines** include machines built through S/Ns 34920 except those S/Ns listed below.

**Gravity Down Machines** include machines with S/Ns 33685, 33686, 33687, 33691, 33692, 33693, 33697, 33698, 33699, 33701 to 33707, 34044, 34049, 34141, 34142, 34143, 34172, 34173, 34174 and 34921 to present.

April 1997      Original Issue (Separated 3123000 Complete Manual into 3 Individual Manuals. Added Gravity Down Machine components.)

June 1997      Change 1

Affected Pages:

Cover and Pages A and i

Section 1 Pages: 1-5/1-5A Blank, 1-5B,1-14,1-15,1-20,1-21/1-22

Blank, 1-23,1-32

Section 2 Pages: 2-11/2-12 Blank, 2-13,2-17/2-18 Blank

Section 3 Pages: 2-23/3-24 Blank, 3-31

Section 4 Pages: 4-1, 4-24 to 4-31/4-32 Blank

Section 5 Pages: 5-3

Section 6 Pages: 6-6, 6-7

Section 7 Pages: 7-6, 7-7, 7-8, 7-10, 7-11, 7-12

Section 9 Pages: 9-10

Section 10 Pages: 10-1, 10-2

May 1998      Revised

July 1, 1999    Revised

August 1, 2000 Revised

May 30, 2002   Revised

June 14, 2004   Revised

January 31, 2009 Revised

January 27, 2012 Revised

# REVISION LOG

# TABLE OF CONTENTS

FIGURE NO.	TITLE	PAGE NO.
<b>SECTION 1 - FRAME .....1-1</b>		
1-1	DRIVE AND STEERING INSTALLATION .....	1-2
1-2	DRIVE MOTOR ASSEMBLIES - WHITE .....	1-8
1-3	DRIVE MOTOR ASSEMBLIES - EATON .....	1-12
1-4	AXLE/BRAKE INSTALLATIONS (POWER DOWN MACHINES) .....	1-14
1-5	AXLE/BRAKE INSTALLATIONS (GRAVITY DOWN MACHINES) .....	1-18
1-6	JLG POTHOLE PROTECTION SYSTEM INSTALLATION (POWER DOWN MACHINES) .....	1-20
1-7	JLG POTHOLE PROTECTION SYSTEM INSTALLATION (GRAVITY DOWN MACHINES) .....	1-24
1-8	FRAME MOUNTED COMPONENTS INSTALLATION (POWER DOWN MACHINES) ..	1-28
1-9	FRAME MOUNTED COMPONENTS INSTALLATION (GRAVITY DOWN MACHINES) ..	1-34
1-10	BATTERY CHARGER ASSEMBLIES - STANDARD .....	1-40
1-11	BATTERY CHARGER ASSEMBLIES - REPLACEMENT KIT .....	1-44
<b>SECTION 2 - GROUND COMPONENTS .....2-1</b>		
2-1	HYDRAULIC COMPONENTS AND COVER INSTALLATION - 1532E/1932E (POWER DOWN MACHINES) .....	2-2
2-2	HYDRAULIC COMPONENTS AND COVERS INSTALLATION - 1532E/1932E (GRAVITY DOWN MACHINES) .....	2-4
2-3	HYDRAULIC COMPONENTS AND COVERS INSTALLATION - 2033E/2046E/2646E/2658E (POWER DOWN MACHINES) .....	2-6
2-4	HYDRAULIC COMPONENTS AND COVERS INSTALLATION - 2033E/2046E/2646E/2658E (GRAVITY DOWN MACHINES) .....	2-10
2-5	VALVE ASSEMBLY .....	2-14
2-6	ELECTRICAL COMPONENTS INSTALLATIONS (AT GROUND CONTROLS) .....	2-18
2-7	BATTERY INSTALLATIONS .....	2-22
<b>SECTION 3 - SCISSOR ARMS .....3-1</b>		
3-1	SCISSOR ARMS INSTALLATION - 1532E (POWER DOWN MACHINES) .....	3-2
3-2	SCISSOR ARMS INSTALLATION - 1532E (GRAVITY DOWN MACHINES) .....	3-6
3-3	SCISSOR ARMS INSTALLATION - 1932E (POWER DOWN MACHINES) .....	3-10
3-4	SCISSOR ARMS INSTALLATION - 1932E (GRAVITY DOWN MACHINES) .....	3-14
3-5	SCISSOR ARMS INSTALLATION - 2033E/2046E (POWER DOWN MACHINES) ....	3-18
3-6	SCISSOR ARMS INSTALLATION - 2033E/2046E (GRAVITY DOWN MACHINES) ....	3-22
3-7	SCISSOR ARMS INSTALLATION - 2646E/2658E (POWER DOWN MACHINES) ....	3-26
3-8	SCISSOR ARMS INSTALLATION - 2646E/2658E (GRAVITY DOWN MACHINES) ....	3-30
<b>SECTION 4 - PLATFORM .....4-1</b>		
4-1	PLATFORM INSTALLATION - MANUALLY OPERATED EXTENSION .....	4-2
4-2	HANDRAILS AND EXTENSION INSTALLATION - STANDARD RAILS (MANUALLY OPERATED) (1532E/1932E) .....	4-8
4-3	HANDRAILS AND EXTENSION INSTALLATION -STANDARD RAILS (MANUALLY OPERATED) (2033E/2046E/2646E/2658E) .....	4-12
4-4	HANDRAILS AND EXTENSION INSTALLATION - FOLDDOWN RAILS (MANUALLY OPERATED) (1532E/1932E) .....	4-18
4-5	HANDRAILS AND EXTENSION INSTALLATION - FOLDDOWN RAILS (MANUALLY OPERATED) (2033E/2046E/2646E/2658E) .....	4-22
4-6	PLATFORM ASSEMBLY - POWER OPERATED (2033E/2046E/2646E/ 2658E) ....	4-28
4-7	EXTENSION INSTALLATION - POWER OPERATED (2033E/2046E/ 2646E/2658E) .	4-32
4-8	HANDRAILS INSTALLATION - POWER OPERATED PLATFORMS (2033E/2046E/2646E/2658E) .....	4-36

# TABLE OF CONTENTS

FIGURE NO.	TITLE	PAGE NO.
4-9	HANDRAILS INSTALLATION - OPTIONAL FOLDDOWN RAILS POWER OPERATED PLATFORM (2046E/2646E) .....	4-40
4-10	PLATFORM CONSOLE BOX ASSEMBLY .....	4-44
4-11	CONTROLLER ASSEMBLY - OEM .....	4-48
4-12	CONTROLLER ASSEMBLY - PQ .....	4-50
<b>SECTION 5 - CYLINDERS .....</b>		<b>5-1</b>
5-1	BRAKE CYLINDER ASSEMBLY .....	5-2
5-2	LIFT CYLINDER COMPONENTS ASSEMBLY(1532/1932 POWER DOWN MACHINES BUILT PRIOR TO S/N 27181) .....	5-4
5-3	LIFT CYLINDER COMPONENTS ASSEMBLY (1532/1932 POWERDOWN MACHINES BUILT S/N 27181 TO PRESENT) .....	5-8
5-4	LIFT CYLINDER COMPONENTS ASSEMBLY (1532E/1932E GRAVITY DOWN MACHINES) .....	5-10
5-5	LIFT CYLINDER COMPONENTS ASSEMBLY (2033E/2046E POWER DOWN MACHINES BUILT PRIOR TO S/N 27085 & 2646E/2658E POWER DOWN MACHINES BUILT PRIOR TO S/N 26916) .....	5-14
5-6	LIFT CYLINDER COMPONENTS ASSEMBLY (2033E/2046E POWER DOWN MACHINES BUILT S/N 27085 TO PRESENT & 2646E/2658E POWER DOWN MACHINES BUILT S/N 26916 TO PRESENT) .....	5-18
5-7	LIFT CYLINDER COMPONENTS ASSEMBLY (2033E/2046E/2646E/2658E GRAVITY DOWN MACHINES) .....	5-22
5-8	PLATFORM EXTENSION CYLINDER ASSEMBLIES .....	5-26
5-9	STEER CYLINDER ASSEMBLY .....	5-28
<b>SECTION 6 - HYDRAULIC .....</b>		<b>6-1</b>
6-1	HYDRAULIC DIAGRAM (POWER DOWN MACHINES) .....	6-2
6-2	HYDRAULIC DIAGRAM (GRAVITY DOWN MACHINES) .....	6-6
6-3	HYDRAULIC DIAGRAM LIST .....	6-10
<b>SECTION 7 - ELECTRICAL .....</b>		<b>7-1</b>
7-1	ELECTRICAL DIAGRAM LIST .....	7-2
7-2	STANDARD ELECTRICAL DIAGRAM (POWER DOWN MACHINES) .....	7-4
7-3	STANDARD ELECTRICAL DIAGRAM (GRAVITY DOWN MACHINES) .....	7-6
7-4	HARNESS AND CABLE ASSEMBLIES .....	7-8
<b>SECTION 8 - DECALS .....</b>		<b>8-1</b>
8-1	DECALS INSTALLATION - 1532E/1932E POWER DOWN MACHINES (STANDARD) .	8-2
8-2	DECALS INSTALLATION - 1532E/1932E POWER DOWN MACHINES (COUNTRY SPEC) .....	8-6
8-3	DECALS INSTALLATION - 2033E/2046E/2646E/2658E POWER DOWN MACHINES (STANDARD) .....	8-10
8-4	DECALS INSTALLATION - 2033E/2046E/2646E/2658E POWER DOWN MACHINES (COUNTRY SPEC) .....	8-14
8-5	DECAL INSTALLATION - GRAVITY DOWN MACHINES .....	8-18
<b>SECTION 9 - RECOMMENDED SERVICE PARTS STOCK .....</b>		<b>9-1</b>
<b>SECTION 10 - SPECIAL OPTIONS .....</b>		<b>10-1</b>

# TABLE OF CONTENTS

FIGURE NO.	TITLE	PAGE NO.
	SECTION 11 - PART NUMBER INDEX .....	11-1

# TABLE OF CONTENTS

FIGURE NO.

TITLE

PAGE NO.

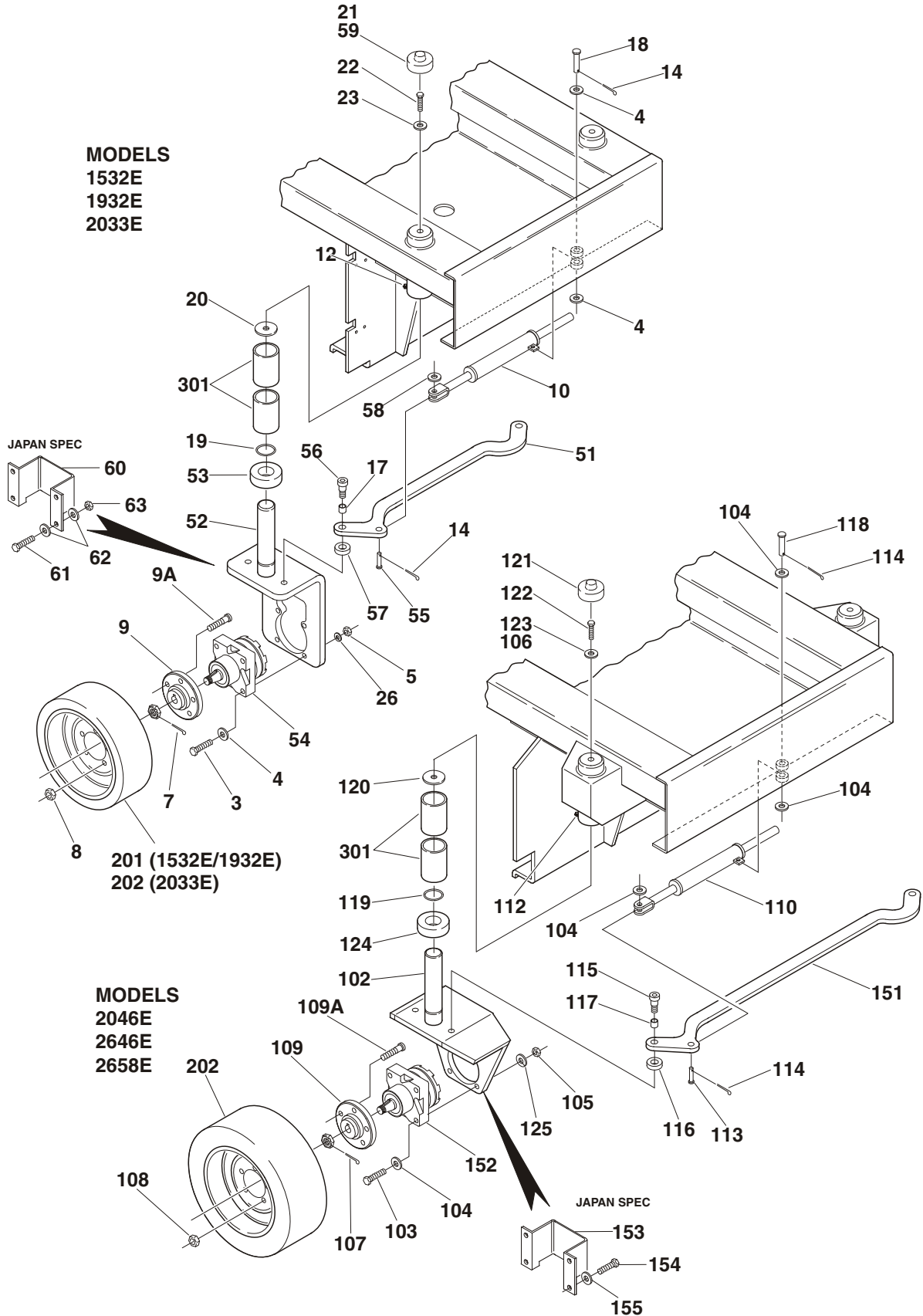


# SECTION 1 FRAME

<b>TABLE OF CONTENTS</b>		
<b>FIGURE</b>	<b>DESCRIPTION</b>	<b>PAGE</b>
1-1	DRIVE AND STEERING INSTALLATIONS .....	1-2
1-2	DRIVE MOTOR ASSEMBLIES- WHITE .....	1-8
1-3	DRIVE MOTOR ASSEMBLIES- EATON .....	1-12
1-4	AXLE/BRAKE INSTALLATIONS (POWER DOWN MACHINES) .....	1-14
1-5	AXLE/BRAKE INSTALLATIONS (GRAVITY DOWN MACHINES) .....	1-18
1-6	JLG POTHOLE PROTECTION SYSTEM INSTALLATIONS (POWER DOWN MACHINES) ...	1-20
1-7	JLG POTHOLE PROTECTION SYSTEM INSTALLATIONS (GRAVITY DOWN MACHINES) ..	1-24
1-8	FRAME MOUNTED COMPONENTS INSTALLATIONS (POWER DOWN MACHINES) .....	1-28
1-9	FRAME MOUNTED COMPONENTS INSTALLATIONS (GRAVITY DOWN MACHINES) .....	1-34
1-10	BATTERY CHARGER ASSEMBLIES - STANDARD.....	1-40
1-11	BATTERY CHARGER ASSEMBLIES - REPLACEMENT KIT .....	1-44

# SECTION 1 FRAME

FIGURE 1-1. DRIVE AND STEERING INSTALLATION



# SECTION 1 FRAME

**FIGURE 1-1. DRIVE AND STEERING INSTALLATION**

FIG & ITEM #	PART NUMBER	DESCRIPTION	QTY.	REV.
		<b>DRIVE AND STEERING INSTALLATION - 1532E/ 1932E/2033E</b>	Ref.	
1 to 2	Not Used			
3	0641826	Bolt 1/2"-13NC x 3 1/4"	8	
4	4740453	Flatwasher 1/2" Special	A/R	
5	3311801	Nut 1/2"-13NC	8	
6	0100011	Loctite #242 (Not Shown)	A/R	
7	3450406	Pin, Cotter 1/8" x 1 1/2"	2	
8	3300255	Nut, Wheel	10	
9	2780216	Hub	2	
9A	7012613	Bolt, Wheel (5 Per Hub)	10	
10		Steer Cylinder Assembly Options (See Section 5 for Breakdown):	1	
	1683351	Prior to S/N 24267		
	1683428	S/N 24267 to Present		
11	Not Used			
12	2160002	Fitting, Grease (Prior to S/N 30800)	2	
	2160006	Fitting, Grease (S/N 30800 to S/N 42315)	2	
	2160008	Fitting, Grease (S/N 42315 to Present)	2	
	1120064	Cap, Grease Fitting	A/R	
13	Not Used			
14	3450403	Pin, Cotter 1/8" x 3/4"	2	
15 to 16	Not Used			
17	0962013	Bushing, Fiberglide	2	
18	3430824	Pin, Clevis	1	
19	3780166	O-Ring	2	
20	4740419	Washer, Thrust	2	
21	1120417	Cap	2	
22	0641611	Bolt 3/8"-16NC x 1 3/8"	2	
23	4711600	Flatwasher 3/8" Narrow	2	
24 to 25	Not Used			
26	4761800	Lockwasher 1/2" (S/N 28527 to Present)	8	
		<b>DRIVE AND STEERING INSTALLATIONS - 1532E/ 1932E/2033E (VARIABLE PARTS)</b>	Ref.	
	0255933	<b>1532E/1932E (Prior To S/N 24267)</b>	Ref.	B
	0256636	<b>1532E/1932E (S/N 24267 to S/N 36748)</b>	Ref.	10
	0257567	<b>1532E/1932E (S/N 36748 to Present)</b>	Ref.	7
	0255597	<b>2033E With Manually Operated Extension (Standard Machines) (Prior to S/N 24267 Except S/N 23603, 23604 &amp; 23605)</b>	Ref.	B
	0256635	<b>2033E With Manually Operated Extension (Standard Machines) (S/N 23603, 23604, 23605 &amp; 24267 to S/N 36748)</b>	Ref.	9
	0257568	<b>2033E With Manually Operated Extension (Standard Machines) (S/N 36748 to Present)</b>	Ref.	6
	0258882	<b>2033E With Power Operated Extension (Standard Machines)</b>	Ref.	1

# SECTION 1 FRAME

**FIGURE 1-1. DRIVE AND STEERING INSTALLATION**

FIG & ITEM #	PART NUMBER	DESCRIPTION	QTY.	REV.
	0257723	<b>2033E With Manually Operated Extension (Japanese Machines)</b>	Ref.	6
	0257723	<b>2033E With Power Operated Extension (Japanese Machines)</b>	Ref.	1
51		Tie-Rod Options:	1	
	3841296	1532E/1932E Prior to S/N 24267		
	3841322	1532E/1932E S/N 24267 to S/N 45299		
	3841387	1532E/1932E S/N 45299 to Present		
	3841273	2033E Prior to S/N 24267 except S/N 23603, 23604 & 23605	1	
	3841321	2033E S/N 23603, 23604, 23605 & 24267 to S/N 40773	1	
	3841379	2033E S/N 40773 to Present	1	
52		Spindle Options:	2	
	4130336	1532E/1932E		
	4130329	2033E (Standard)		
	4130348	2033 (Japanese)		
53		Spacer Options:	A/R	
	Not Required	1532E/1932E	0	
	4566833	2033E	2	
54		Drive Motor Assembly Options:	2	
	3160207	1532E/1932E Prior to S/N 36748 (See Figure 1-2 for Breakdown)		
	3160219	1532E/1932E S/N 36748 to Present (See Figure 1-3 for Breakdown)		
	3160214	2033E with Manually Operated Extension Built Prior to S/N36748 (See Figure 1-2 For Breakdown)		
	3160220	2033E with Manually Operated Extension Built S/N 36748 to Present (See Figure 1-3 For Breakdown)		
	3160208	2033E with Powered Operated Extension (See Figure 1-2 For Breakdown)		
55		Pin, Clevis Options:	1	
	3430811	1532E/1932E		
	3430812	2033E		
56		Bolt, Shoulder Options:	2	
	0630495	1532E/1932E Prior to S/N 28527		
	0630516	1532E/1932E S/N 28527 to Present		
	0630495	2033E		
57		Spacer, Bushing Options:	2	
	0962014	1532E/1932E Prior to S/N 28527		
	0962085	1532E/1932E S/N 28527 to Present		
	0962014	2033E		
58		Flatwasher	1	
	4711800	1532E/1932E		
	4740453	2033E		
59	0100001	Adhesive (S/N 41485 to Present)	A/R	
60		Spacer Options:	A/R	
	Not Required	Standard Machines	0	
	1670838	Japanese Machines	2	

# SECTION 1 FRAME

**FIGURE 1-1. DRIVE AND STEERING INSTALLATION**

FIG & ITEM #	PART NUMBER	DESCRIPTION	QTY.	REV.
61		Bolt Options:	A/R	
	Not Required	Standard Machines	0	
	0641412	Japanese Machines	8	
62		Flatwasher Options:	A/R	
	Not Required	Standard Machines	0	
	4711400	Japanese Machines	16	
63		Locknut Options:	A/R	
	Not Required	Standard Machines	0	
	3311405	Japanese Machines	2	
64	0100081	Adhesive #454	A/R	
		<b>DRIVE AND STEERING INSTALLATION - 2046E/2646E/ 2658E (STANDARD PARTS)</b>	Ref.	
101	Not Used			
102		Spindle Options:	2	
	4130332	Standard Spec		
	4130349	Japanese Spec		
103	0641826	Bolt 1/2"-13NC x 3 1/4"	8	
104	4740453	Flatwasher 1/2" Special	10	
105	3311801	Nut 1/2"-13NC	8	
106	0100011	Loctite #242	A/R	
107	3450406	Pin, Cotter 1/8" x 1 1/2"	2	
108	3300255	Nut, Wheel	10	
109	2780216	Hub	2	
109A	7012613	Bolt, Wheel (5 Per Hub)	10	
110		Steer Cylinder Assembly Options (See Section 5 for Breakdown):	1	
	1683351	Prior to S/N 24267		
	1683429	S/N 24267 to Present		
111	Not Used			
112	2160002	Fitting, Grease (Prior to S/N 30800)	2	
	2160006	Fitting, Grease (S/N 30800 to S/N 42315)	2	
	2160008	Fitting, Grease (S/N 42315 to Present)	2	
	1120064	Cap, Grease Fitting	A/R	
113	3430812	Pin, Clevis	1	
114	3450403	Pin, Cotter 1/8" x 3/4"	2	
115	0630495	Bolt, Shoulder	2	
116	0962014	Spacer	2	
117	0962013	Bushing, Fiberglide	2	
118	3430824	Pin	1	
119	3780166	O-Ring	2	
120	4740419	Thrustwasher	2	
121	1120417	Cap	2	
122	0641612	Bolt 3/8"-16NC x 1 1/2"	2	
123	4711600	Flatwasher 3/8" Narrow	2	
124	4566833	Spacer	2	
125	4761800	Lockwasher 1/2"	8	
126	0100081	Adhesive #454 (Not Shown)	A/R	

# SECTION 1 FRAME

SECTION 1 FRAME

**FIGURE 1-1. DRIVE AND STEERING INSTALLATION**

FIG & ITEM #	PART NUMBER	DESCRIPTION	QTY.	REV.
		<b>DRIVE AND STEERING INSTALLATIONS - 2046E/ 2646E/2658E (VARIABLE PARTS)</b>	Ref.	
	0255634	<b>2046E/2646E Standard Machine (Prior To S/N 24267)</b>	Ref.	B
	0256653	<b>2046E/2646E Standard Machines (S/N 24267 to S/N 36748)</b>	Ref.	9
	0257570	<b>2046E Standard Machines (S/N 36748 to S/N 37751)</b>	Ref.	2
	0257571	<b>2646E Standard Machines (S/N 36748 to S/N 37751)</b>	Ref.	2
	0256653	<b>2046E/2646E Standard Machines (S/N 37751 to Present)</b>	Ref.	9
	0257722	<b>2646E Japanese Machines</b>	Ref.	5
	0255635	<b>2658E Standard Machines (Prior to S/N 24267)</b>	Ref.	B
	0256654	<b>2658E Standard Machines (S/N 24267 to S/N36748)</b>	Ref.	9
	0257572	<b>2658E Standard Machines (S/N 36748 to S/N 37751)</b>	Ref.	2
	0256654	<b>2658E Standard Machines (S/N 37751 to Present)</b>	Ref.	9
	0258631	<b>2658E (Japanese Machines)</b>	Ref.	2
151		Tie-Rod Options:	1	
	3841277	2046E/2646E Prior to S/N 24267		
	3841320	2046E/2646E S/N 24267 to Present		
	3841278	2658E Prior to S/N 24267		
	3841324	2658E S/N 24267 to S/N 36748		
	3841320	2658E S/N 36748 to S/N 37751		
	3841324	2658E S/N 37751 to Present		
152		Drive Motor Assembly Options:	2	
	3160208	2046E/2646E (Prior to S/N 36748) (See Figure 1-2 for Breakdown)		
	3160220	2046E (S/N 36748 to S/N 37751) (See Figure 1-3 for Breakdown)		
	3160221	2646E (S/N 36748 to S/N 37751) (See Figure 1-3 for Breakdown)		
	3160208	2046E/2646E (S/N 37751 to Present) (See Figure 1-2 for Breakdown)		
	3160208	2658E (Prior to 36748) (See Figure 1-2 for Break- down)		
	3160221	2658E (S/N 36748 to S/N 37751) (See Figure 1-3 for Breakdown)		
	3160208	2658E (S/N 37751 to Present) (See Figure 1-2 for Breakdown)		
153		Cover (Japan Spec)	A/R	
	Not Required	Standard Machines	0	
	1670839	Japanese Machines	2	
154		Bolt 1/4"-20NC x 3/4" (Japan Spec)	A/R	
	Not Required	Standard Machines	0	
	0641406	Japanese Machines	8	
155		Flatwasher 1/4"-20NC (Japan Spec)	A/R	
	Not Required	Standard Machines	0	
	4711400	Japanese Machines	8	

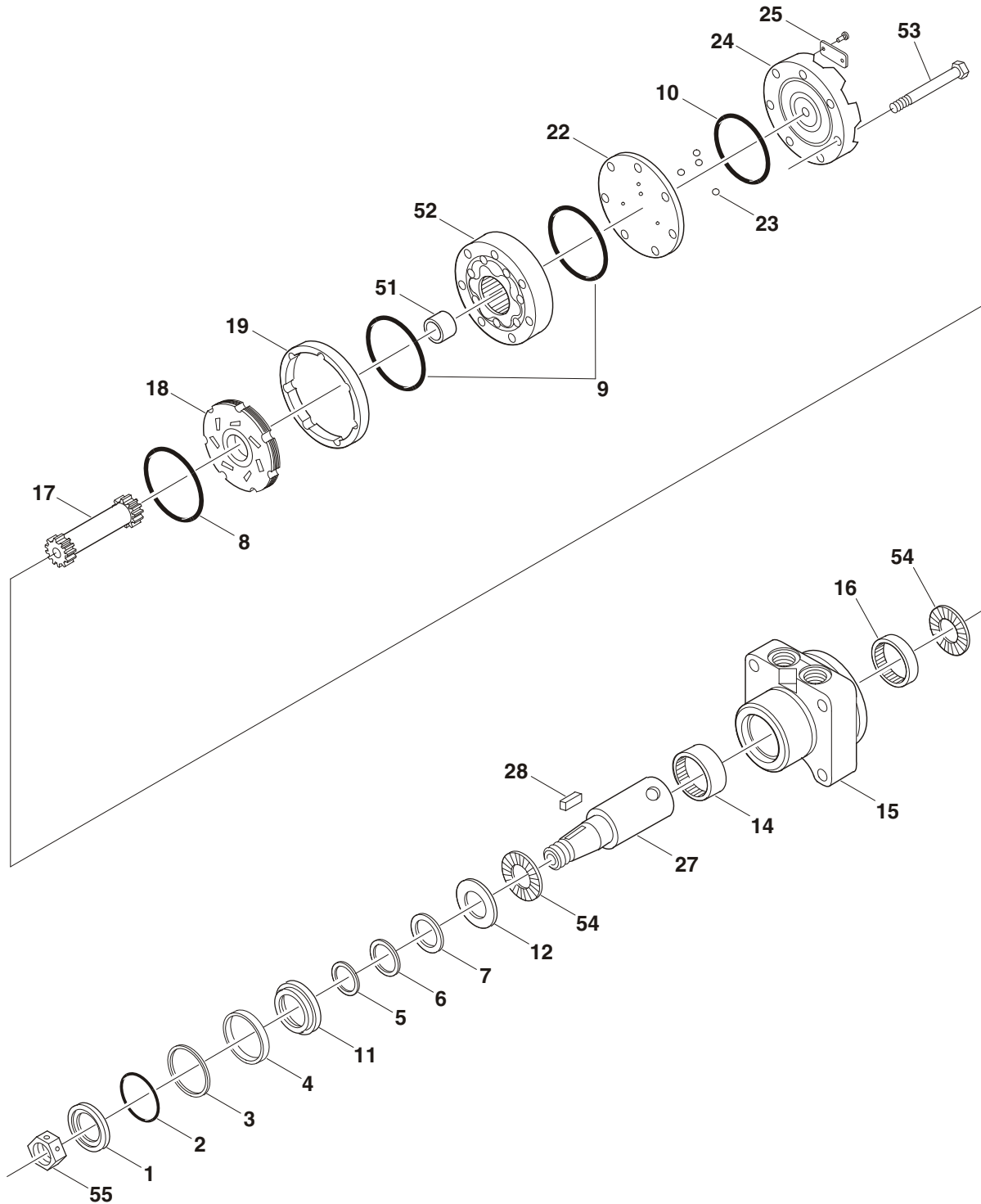
# SECTION 1 FRAME

**FIGURE 1-1. DRIVE AND STEERING INSTALLATION**

FIG & ITEM #	PART NUMBER	DESCRIPTION	QTY.	REV.
201		<b>TIRE AND WHEEL INSTALLATIONS - 1532E/1932E</b>	Ref.	
	0255680	<b>Black Tire And Wheel Installation</b>	Ref.	
	0255683	<b>Standard Non-Marking Tire And Wheel Installation</b>	Ref.	
		Tire Options:	4	
	4520175	Black - 4.50 x 14	A/R	
	4520177	Non-Marking Standard	A/R	
		<b>TIRE AND WHEEL INSTALLATIONS - 2033E/2046E/ 2646E/2658E</b>	Ref.	
	0255679	<b>Black Tire And Wheel Installation</b>	Ref.	
	0255682	<b>Standard Non-Marking Tire And Wheel Installation</b>	Ref.	
	0256334	<b>Flotation Tire And Wheel Installation - 7.5 x 16</b>	Ref.	
202	0257156	<b>Flotation Tire And Wheel Installation - 7 x 16</b>	Ref.	
		Tire Options:	4	
	4520174	Black - 5.0 x 16	A/R	
	4520176	Non-Marking Standard	A/R	
	4520183	Flotation - 7.5 x 16	A/R	
	4520191	Flotation - 7 x 16	A/R	
		<b>FRAME WELDMENTS OPTIONS:</b>	Ref.	
		Note: To determine Power or Gravity Down refer to page A.		
	2360399	1532E (Power Down)	1	
	2360428	1532E (Gravity Down)	1	
2360399	1932E (Power Down) (Common)	1		
2360428	1932E (Gravity Down) (Common)	1		
2360418	1932E (Power Down) (Canada Only)	1		
2360429	1932E (Gravity Down) (Canada Only)	1		
2360395	2033E (Power Down)	1		
2360430	2033E (Gravity Down) (Standard Machines)	1		
2360447	2033E (Gravity Down) (Japanese Machines)	1		
2360396	2046E/2646E (Power Down)	1		
2360432	2046E/2646E (Gravity Down) (Standard Machines)	1		
2360446	2046E/2646E (Gravity Down) (Japanese Machines)	1		
2360443	2646E (Gravity Down) (Power Deck Machines)	1		
2360397	2658E (Power Down)	1		
2360434	2658E (Gravity Down)	1		
2360442	2658E (Gravity Down) (Power Deck Machines)	1		
301	0962017	Bushing	4	

# SECTION 1 FRAME

FIGURE 1-2. DRIVE MOTOR ASSEMBLIES - WHITE



SECTION 1 FRAME



# SECTION 1 FRAME

**FIGURE 1-2. DRIVE MOTOR ASSEMBLIES - WHITE**

FIG & ITEM #	PART NUMBER	DESCRIPTION	QTY.	REV.
		<b>DRIVE MOTOR ASSEMBLY (STANDARD PARTS)</b>	Ref.	
1	Kit	Seal, Dust	1	
2	Kit	Ring, Wire	1	
3	Kit	Shim, Back-Up	1	
4	Kit	Seal, High Pressure	1	
5	Kit	Shim, Back-Up	1	
6	Kit	Seal, Back-Up	1	
7	Kit	Seal, Shaft	1	
8	Kit	Seal, Housing	1	
9	Kit	Seal, Body	2	
10	Kit	Seal, End Cover	1	
11	Kit	Carrier, Seal	1	
12	Kit	Thrust Washer	1	
13	Not Used			
14	7016400	Bearing, Front Housing	1	
15	7016401	Housing	1	
16	7016402	Bearing, Rear Housing	1	
17	7016403	Link, Drive	1	
18	7016404	Manifold	1	
19	7016405	Boot, Manifold	1	
20 to 21	Not Used			
22	Kit	Plate, Balance	1	
23	Kit	Ball, Steel	4	
24	7016413	Cover, End	1	
25	Not Serviced	Tag, Identification	1	
26	Not Used			
27	7016410	Shaft	1	
28	7016411	Key	1	
		-----		
	7005898	Seal and Carrier Kit (Includes Kit P/N's 7005896 and 7005897)	1	
	7005896	Seal Kit (Includes Items 1-10)	1	
	7005897	Carrier Kit (Includes Items 11 and 12)	1	
	7016408	Balance Plate Kit (Includes Items 22 and 23)	1	
		<b>DRIVE MOTOR ASSEMBLY (VARIABLE PARTS)</b>	Ref.	
	3160207	<b>1532E/1932E</b>	Ref.	B
	3160214	<b>2033E</b>	Ref.	B
	3160208	<b>2046E/2646E/2658E</b>	Ref.	B
51		Spacer, Drive Link Options:	1	
	7016414	1532E/1932E		
	7016419	2033E		
	7016406	2046E/2646E/2658E		
52		Rotor Assembly Options:	1	
	7016415	1532E/1932E		
	7016420	2033E		
	7016407	2046E/2646E/2658E		
53		Bolt, Assembly Options:	6	
	7016416	1532E/1932E		
	7016409	2033E		
	7016409	2046E/2646E/2658E		
54		Bearing, Thrust Options:	2	
	7005899	1532E/1932E		
	7016418	2033E		
	7005899	2046E/2646E/2658E		

# SECTION 1 FRAME

SECTION  
1  
FRAME

FIGURE 1-2. DRIVE MOTOR ASSEMBLIES - WHITE

FIG & ITEM #	PART NUMBER	DESCRIPTION	QTY.	REV.
55	7016412 7016421 7016412	Nut Options: 1532E/1932E 2033E 2046E/2646E/2658E	1	

# SECTION 1 FRAME

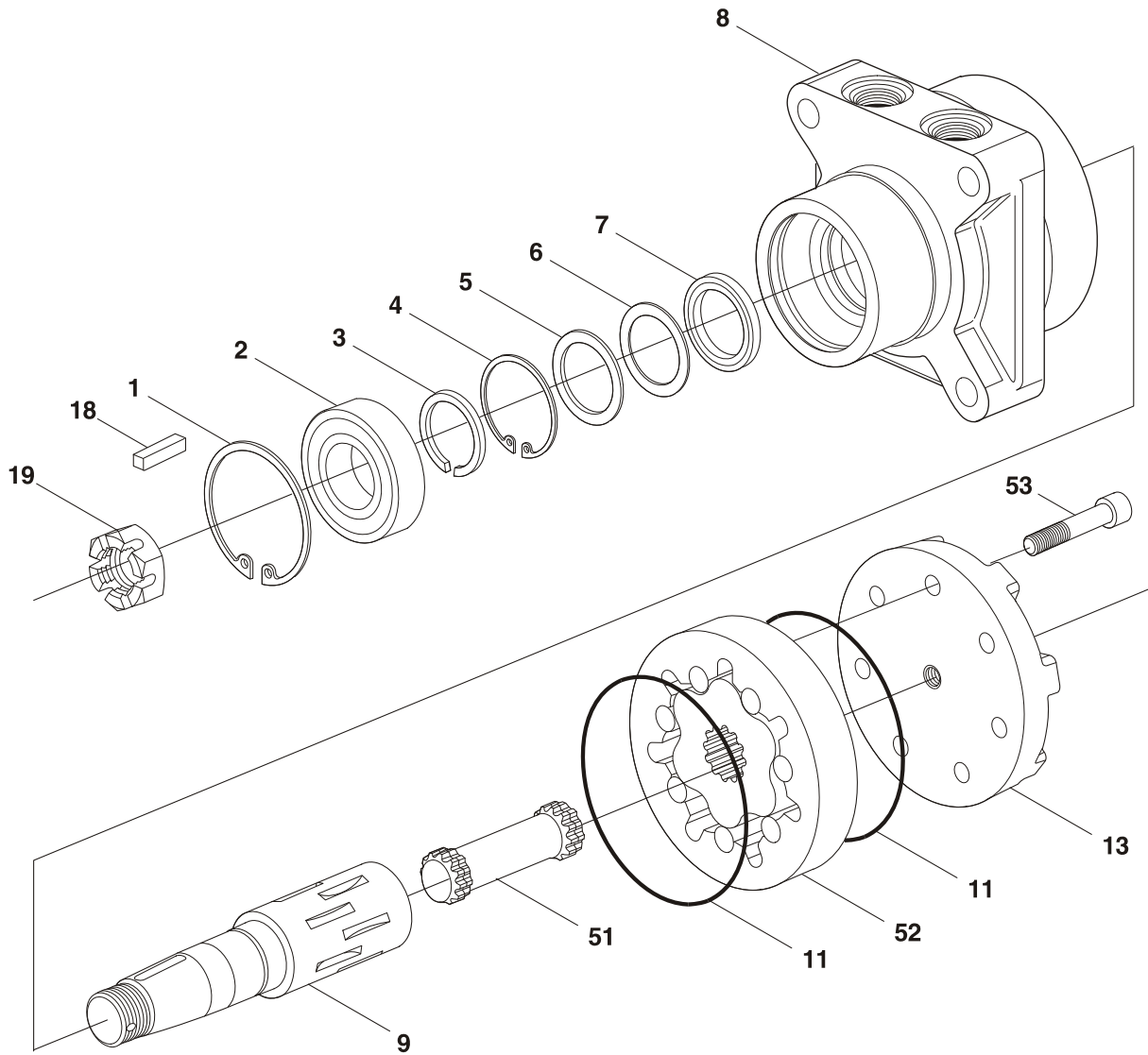
FIGURE 1-2. DRIVE MOTOR ASSEMBLIES - WHITE

FIG & ITEM #	PART NUMBER	DESCRIPTION	QTY.	REV.

**S  
E  
C  
T  
I  
O  
N  
  
1  
  
F  
R  
A  
M  
E**

# SECTION 1 FRAME

FIGURE 1-3. DRIVE MOTOR ASSEMBLIES - EATON



SECTION  
1  
FRAME

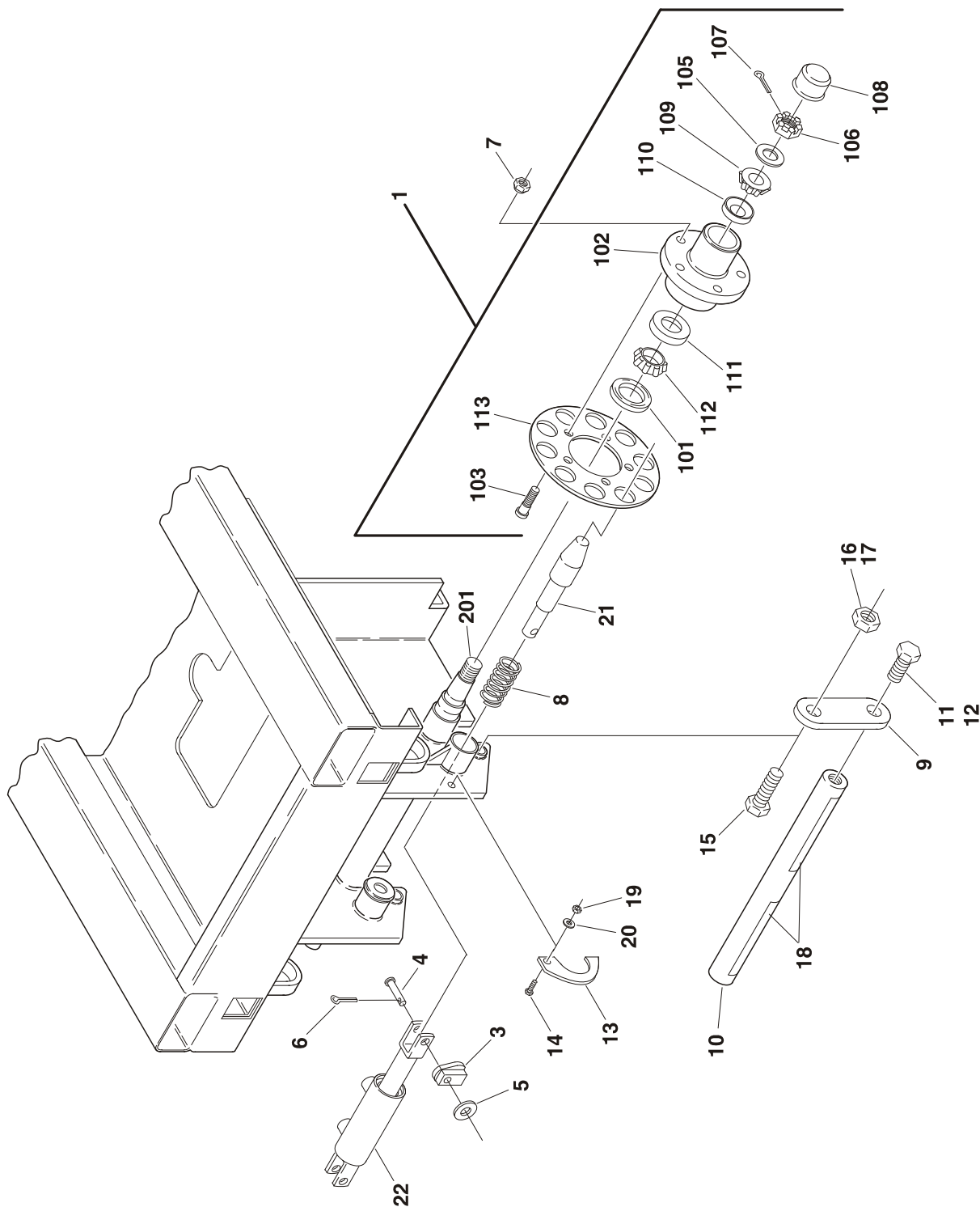
# SECTION 1 FRAME

**FIGURE 1-3. DRIVE MOTOR ASSEMBLIES - EATON**

FIG & ITEM #	PART NUMBER	DESCRIPTION	QTY.	REV.
		<b>DRIVE MOTOR ASSEMBLY (STANDARD PARTS)</b>	Ref.	
1	7007892	Ring, Retaining	1	
2	7007893	Bearing, Ball	1	
3	7007894	Ring, Retaining	1	
4	7007895	Ring, Retaining	1	
5	7007896	Washer	1	
6	7009919	Washer, Back-Up	1	
7	7009920	Seal, Pressure	1	
8	7007897	Housing	1	
9	7007898	Shaft, Output	1	
10	Not Used			
11	7020300	Seal	2	
12	Not Used			
13	7020302	Cover, End	1	
14 to 17	Not Used			
18	7020312	Key	1	
19	7009934	Nut	1	
20	7020304	Poppet (Not Shown)	2	
		-----		
	7020305	Seal Kit	1	
		<b>DRIVE MOTOR ASSEMBLY (VARIABLE PARTS)</b>	Ref.	
	3160219	<b>1532E/1932E</b>	Ref.	A
	3160220	<b>2033E</b>	Ref.	A
	3160221	<b>2046E/2646E/2658E</b>	Ref.	A
51		Link, Drive Options:	1	
	7007899	1532E/1932E		
	7020306	2033E		
	7020308	2046E/2646E/2658E		
52		Rotor Assembly	1	
	7020301	1532E/1932E		
	7020307	2033E		
	7020309	2046E/2646E/2658E		
53		Bolt	6	
	7020303	1532E/1932E		
	7020310	2033E		
	7020310	2046E/2646E/2658E		

# SECTION 1 FRAME

FIGURE 1-4. AXLE/BRAKE INSTALLATIONS (POWER DOWN MACHINES)



# SECTION 1 FRAME

**FIGURE 1-4. AXLE/BRAKE INSTALLATIONS (POWER DOWN MACHINES)**

FIG & ITEM #	PART NUMBER	DESCRIPTION	QTY.	REV.
		<b>Note: To determine Power or Gravity Down refer to Page A.</b>		
		<b>BRAKE INSTALLATION (STANDARD PARTS)</b>	Ref.	
1	2780215	Hub Assembly (See Items 101-113 for Breakdown)	2	
2	Not Used			
3	4845037	Cam, Brake	2	
4	3430620	Pin, Clevis	2	
5	4751600	Flatwasher 3/8"	2	
6	3450504	Pin, Cotter (Prior to S/N 33691)	2	
	3450403	Pin, Cotter (S/N 33691 to Present)	2	
7	3300255	Lugnut	5	
8	4160137	Spring	2	
		<b>BRAKE INSTALLATION (VARIABLE PARTS)</b>	Ref.	
	0256596	<b>1532E/1932E</b>	Ref.	B
	0255614	<b>2033E</b>	Ref.	D
	0255636	<b>2046E/2646E</b>	Ref.	D
	0255637	<b>2658E</b>	Ref.	D
9		Link Options:	A/R	
	Not Required	1532E/1932E/2046E/2646E/2658E	0	
	3010112	2033E	2	
10		Bar Options:	A/R	
	Not Required	1532E/1932E/2046E/2646E/2658E	0	
	0362510	2033E	1	
11		Bolt 7/8"-9NC x 1 1/2" (Grade 8) Options:	A/R	
	Not Required	1532E/1932E/2046E/2646E/2658E	0	
	0682412	2033E	2	
12	0100019	Loctite #271	A/R	
13		Latch, Forklift Bar Options:	A/R	
	Not Required	1532E/1932E/2046E/2646E/2658E	0	
	2940097	2033E	1	
14		Bolt 1/4"-20NC x 7/8" Options:	A/R	
	Not Required	1532E/1932E/2046E/2646E/2658E	0	
	0641407	2033E	1	
15		Bolt 1"-8NC x 2 1/2" (Grade 8) Options:	A/R	
	Not Required	1532E/1932E/2046E/2646E/2658E	0	
	0682620	2033E	2	
16		Locknut 1"-8NC (Grade 8) Options:	A/R	
	Not Required	1532E/1932E/2046E/2646E/2658E	0	
	3272605	2033E	2	
17	3020017	Grease (S/N 33691 to Present)	A/R	
18		Decal - Forklift Area Options:	A/R	
	Not Required	1532E/1932E/2046E/2646E/2658E	0	
	1701508	2033E	2	
19		Locknut 1/4"-20NC Options:	A/R	
	Not Required	1532E/1932E/2046E/2646E/2658E	0	
	3311405	2033E	2	
20		Flatwasher 1/4" Options:	A/R	
	Not Required	1532E/1932E/2046E/2646E/2658E	0	
	4751400	2033E	2	
21		Rod, Brake Options:	2	
	3841274	1532E/1932E/2033E		
	3841280	2046E/2646E		

# SECTION 1 FRAME

SECTION 1 FRAME

**FIGURE 1-4. AXLE/BRAKE INSTALLATIONS (POWER DOWN MACHINES)**

FIG & ITEM #	PART NUMBER	DESCRIPTION	QTY.	REV.
22		Brake Cylinder Assembly Options (See Section 5 for Breakdown):	1	
	1683362	1532E/1932E/2046E/2646E/2658E Prior to S/N 33691		
	1683499	1532E/1932E/2046E/2646E/2658E S/N 33691 to Present		
	1683362	2033E		
	2780215	<b>HUB ASSEMBLY</b>	Ref.	B
101	7010649	Seal	1	
102	7019695	Housing	1	
103	7019696	Stud, Wheel	5	
104	Not Used			
105	7019697	Washer	1	
106	7010641	Nut, Slotted	1	
107	7010642	Pin, Cotter	1	
108	7010648	Cap, Dust	1	
109	7010646	Cone, Outer	1	
110	7003903	Cup, Outer	1	
111	7010651	Cup, Inner	1	
112	7010647	Cone, Inner	1	
113	1760165	Disc, Brake	1	
		<b>ASSOCIATED FRAME COMPONENTS</b>	Ref.	
201		Axle Weldment Options:	1	
	0280145	1532E/1932E/2033E		
	0280146	2046E/2646E		
	0280147	2658E		



# SECTION 1 FRAME

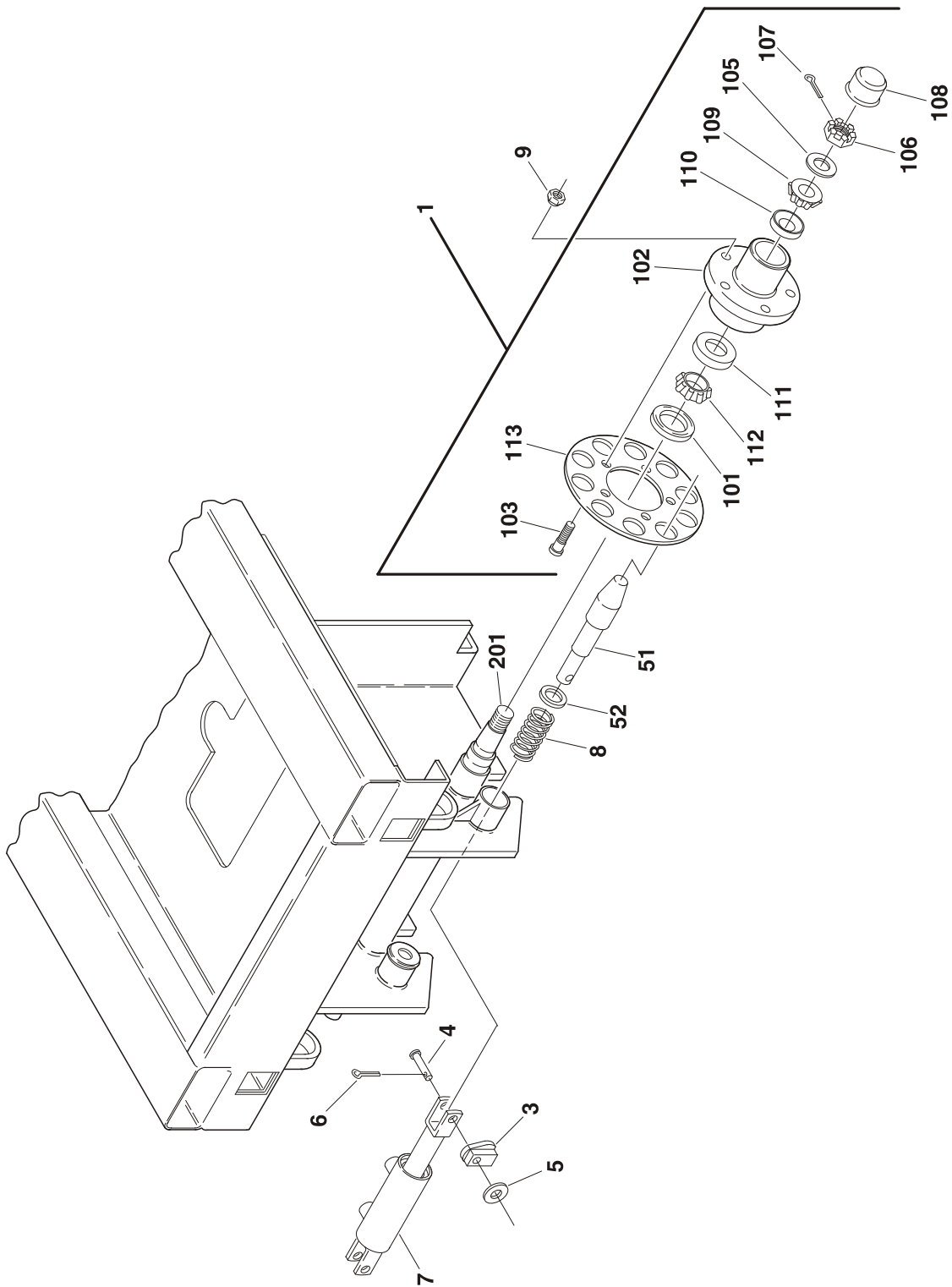
FIGURE 1-4. AXLE/BRAKE INSTALLATIONS (POWER DOWN MACHINES)

FIG & ITEM #	PART NUMBER	DESCRIPTION	QTY.	REV.

**S  
E  
C  
T  
I  
O  
N  
  
1  
  
F  
R  
A  
M  
E**

# SECTION 1 FRAME

FIGURE 1-5. AXLE/BRAKE INSTALLATIONS (GRAVITY DOWN MACHINES)



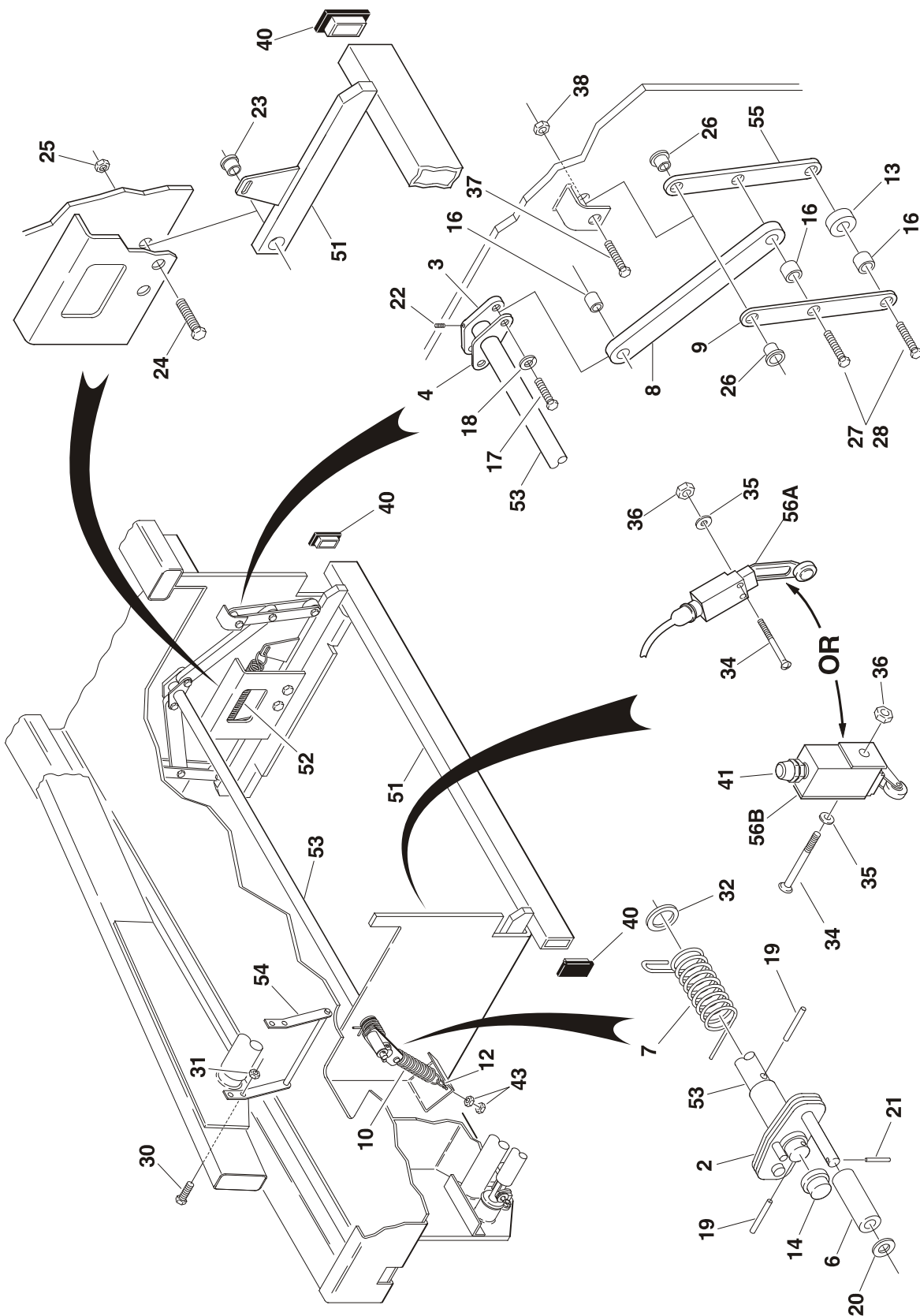
# SECTION 1 FRAME

**FIGURE 1-5. AXLE/BRAKE INSTALLATIONS (GRAVITY DOWN MACHINES)**

FIG & ITEM #	PART NUMBER	DESCRIPTION	QTY.	REV.
		<b>Note: To determine Power or Gravity Down refer to Page A.</b>		
		<b>BRAKE INSTALLATION (STANDARD PARTS)</b>	Ref.	
1	2780215	Hub Assembly (See Items 101-113 for Breakdown)	2	
2	Not Used			
3	4845037	Cam, Brake	2	
4	3430620	Pin, Clevis	2	
5	4711600	Flatwasher 3/8" Narrow	2	
6	3450403	Pin, Cotter	2	
7	1683557	Brake Cylinder Assembly (See Section 5 for Breakdown)	1	
8	4160137	Spring	2	
9	3300255	Lugnut	5	
		<b>BRAKE INSTALLATIONS (VARIABLE PARTS)</b>	Ref.	
	0257183	<b>1532E/1932E</b>	Ref.	3
	0257184	<b>2033E</b>	Ref.	3
	0257185	<b>2046E/2646E</b>	Ref.	2
	0257186	<b>2658E</b>	Ref.	2
51		Rod, Brake Options:	2	
	3841332	1532E/1932E/2033E		
	3841333	2046E/2646E		
	3841334	2658E		
52		Spacer Options:	A/R	
	Not Required	1532E/1932E/2033E		
	Not Required	2046E/2646E/2658E Prior to S/N35949		
	4567265	2046E/2646E/2658E S/N35949 to Present		
	2780215	<b>HUB ASSEMBLY</b>	Ref.	B
101	7010649	Seal	1	
102	7019695	Housing	1	
103	7019696	Stud, Wheel	5	
104	Not Used			
105	7019697	Washer	1	
106	7010641	Nut, Slotted	1	
107	7010642	Pin, Cotter	1	
108	7010648	Cap, Dust	1	
109	7010646	Cone, Outer	1	
110	7010650	Cup, Outer	1	
111	7010651	Cup, Inner	1	
112	7010647	Cone, Inner	1	
113	1760165	Disc, Brake	1	
		<b>ASSOCIATED FRAME COMPONENTS</b>	Ref.	
201		Axle Weldment Options:	1	
	0280145	1532E/1932E/2033E		
	0280146	2046E/2646E		
	0280147	2658E		

# SECTION 1 FRAME

FIGURE 1-6. JLG POTHOLE PROTECTION SYSTEM INSTALLATION (POWER DOWN MACHINES)



# SECTION 1 FRAME

**FIGURE 1-6. JLG POTHOLE PROTECTION SYSTEM INSTALLATION (POWER DOWN MACHINES)**

FIG & ITEM #	PART NUMBER	DESCRIPTION	QTY.	REV.
		<b>Note: To determine Power or Gravity Down refer to Page A.</b>		
		<b>POTHOLE PROTECTION SYSTEM INSTALLATION (STANDARD PARTS)</b>	Ref.	
1	Not Used			
2	4844987	Pivot Weldment	1	
3	3538809	Plate, Cam	2	
4	3538808	Plate, Cam	2	
5	Not Used			
6	3860065	Roller	1	
7	4160133	Spring, Torsion	1	
8	0362484	Bar, Link	4	
9	0362485	Bar, Actuator	4	
10	4160141	Spring, Extension	1	
11	Not Used			
12	0630398	Eye-Bolt	1	
13	0362483	Bar, Roller	4	
14	0961997	Bearing, Flange	4	
15	Not Used			
16	0961994	Bearing, Spacer	12	
17	0641612	Bolt - 3/8"-16NC x 1 1/2"	4	
18	4761600	Lockwasher - 3/8"	4	
19	3440828	Roll Pin - 1/4" x 1 3/4"	2	
20	4711800	Flatwasher - 1/2" Narrow	1	
21	3440418	Roll Pin - 1/8" x 1 1/8"	1	
22	3951005	Setscrew - #10-24NC x 5/8"	2	
23	0961995	Bearing, Flange	4	
24	0642224	Bolt - 3/4" - 10NC x 3"	4	
25	3312205	Locknut - 3/4"-10NC	4	
26	0961996	Bearing, Flange	8	
27	0641611	Bolt - 3/8"-16NC x 1 3/8"	8	
28	0100011	Loctite - #242	A/R	
29	Not Used			
30	0641508	Bolt - 5/16"-18NC x 1"	2	
31	3311505	Locknut - 5/16"-18NC	2	
32	4712400	Flatwasher 7/8" Narrow	1	
33	Not Used			
34	3911028	Screw Machine - #10-24NC x 1 3/4"	4	
35	4751000	Flatwasher - #10	4	
36	3311005	Locknut - #10-24NC	4	
37	0641622	Bolt 3/8"-16NC x 2 3/4"	4	
38	3311605	Locknut - 3/8"-16NC	4	
39	Not Used			
40	1120481	Cap, End (S/N 24267 to Present Only)	4	
41	4460662	Connector, Strain Relief	2	
42	Not Used			
43	3311501	Nut 5/16"-18NC	2	

# SECTION 1 FRAME

SECTION 1 FRAME

**FIGURE 1-6. JLG POTHOLE PROTECTION SYSTEM INSTALLATION (POWER DOWN MACHINES)**

FIG & ITEM #	PART NUMBER	DESCRIPTION	QTY.	REV.
		<b>POTHOLE PROTECTION SYSTEM INSTALLATIONS (VARIABLE PARTS)</b>	Ref.	
	0255724	<b>1532E/1932E</b>	Ref.	7
	0255516	<b>2033E</b>	Ref.	11
	0255638	<b>2046E/2646E</b>	Ref.	11
	0255639	<b>2658E</b>	Ref.	11
51		Bar, Support Options:	A/R	
	4845104	1532E/1932E Prior to S/N 24267	2	
	4845360	1532E/1932E Right Side S/N 24267 to Present	1	
	4845383	1532E/1932E Left Side S/N 24267 to Present	1	
	4845268	2033E Prior to S/N 24267	2	
	4845357	2033E S/N 24267 to Present	2	
	4845269	2046E/2646E Prior to S/N 24267	2	
	4845358	2046E/2646E S/N 24267 to Present	2	
	4845270	2658E Prior to S/N 24267	2	
	4845359	2658E S/N 24267 to Present	2	
52		Spring, Extension Options:	2	
	4160134	1532E/1932E/2033E		
	4160146	2046E/2646E/2658E		
53		Rod, Pivot Options:	1	
	3841308	1532E/1932E		
	3841266	2033E/2046E/2646E/2658E		
54		Actuator Options:	1	
	4845319	1532E/1932E		
	4845077	2033E/2046E/2646E/2658E		
55		Bar, Actuator Options:	4	
	0362511	Prior to S/N 31231		
	0362654	S/N 31231 to Present		
56		Switch, Limit Options:	2	
56A	4360397	Prior to S/N 31231		
56B	4360401	S/N 31231 to Present		

# SECTION 1 FRAME

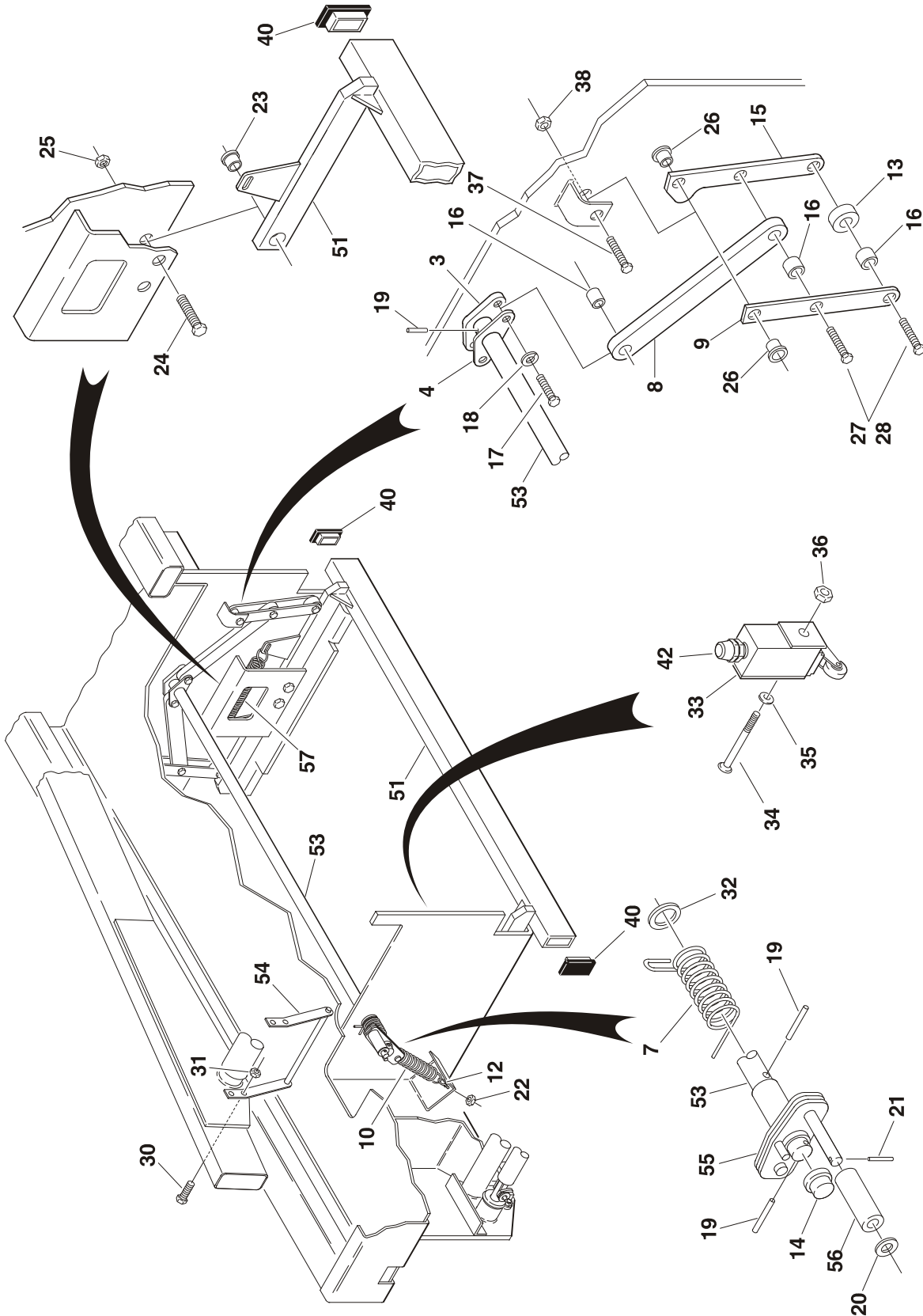
FIGURE 1-6. JLG POTHOLE PROTECTION SYSTEM INSTALLATION (POWER DOWN MACHINES)

FIG & ITEM #	PART NUMBER	DESCRIPTION	QTY.	REV.

**S  
E  
C  
T  
I  
O  
N  
  
1  
  
F  
R  
A  
M  
E**

# SECTION 1 FRAME

FIGURE 1-7. JLG POTHOLE PROTECTION SYSTEM INSTALLATION (GRAVITY DOWN MACHINES)





# SECTION 1 FRAME

**FIGURE 1-7. JLG POTHOLE PROTECTION SYSTEM INSTALLATION (GRAVITY DOWN MACHINES)**

FIG & ITEM #	PART NUMBER	DESCRIPTION	QTY.	REV.
		<b>Note: To determine Power or Gravity Down refer to Page A.</b>		
		<b>POTHOLE PROTECTION SYSTEM INSTALLATION (STANDARD PARTS)</b>	Ref.	
1	Not Used			
2	Not Used			
3	3570198	Plate, Cam	2	
4	4845385	Bushing Weldment	2	
5	Not Used			
6	Not Used			
7	4160133	Spring, Torsion	1	
8	0362484	Bar, Link	4	
9	0362485	Bar, Actuator	4	
10	4160141	Spring, Extension	1	
11	Not Used			
12	0630398	Eye-Bolt	1	
13	0362483	Bar, Roller	4	
14	0961997	Bearing, Flange	4	
15	0362654	Bar, Actuator	4	
16	0961994	Bearing, Spacer	12	
17	0641612	Bolt - 3/8"-16NC x 1 1/2"	4	
18	4761600	Lockwasher - 3/8"	4	
19	3440828	Roll Pin - 1/4" x 1 3/4"	5	
20	4711800	Flatwasher - 1/2" Narrow	1	
21	3440418	Roll Pin - 1/8" x 1 1/8"	1	
22	3311501	Nut 5/16-18NC (S/N 39132 to Present)	2	
23	0961995	Bearing, Flange	4	
24	0642224	Bolt - 3/4" - 10NC x 3"	4	
25	3312205	Locknut - 3/4"-10NC	4	
26	0961996	Bearing, Flange	8	
27	0641611	Bolt - 3/8"-16NC x 1 3/8"	8	
28	0100011	Loctite - #242	A/R	
29	Not Used			
30	0641508	Bolt - 5/16"-18NC x 1"	4	
31	3311505	Locknut - 5/16"-18NC	4	
32	4712400	Flatwasher 7/8" Narrow (Prior to S/N 37119)	1	
33	4360401	Switch, Limit	2	
34	3911024	Screw Machine - #10-24NC x 1 1/2"	4	
35	4751000	Flatwasher - #10	4	
36	3311005	Locknut - #10-24NC	4	
37	0641622	Bolt 3/8"-16NC x 2 3/4"	4	
38	3311605	Locknut - 3/8"-16NC	4	
39	Not Used			
40	1120481	Cap, End	4	
41	Not Used			
42	4460662	Connector, Strain Relief	2	

# SECTION 1 FRAME

SECTION 1 FRAME

**FIGURE 1-7. JLG POTHOLE PROTECTION SYSTEM INSTALLATION (GRAVITY DOWN MACHINES)**

FIG & ITEM #	PART NUMBER	DESCRIPTION	QTY.	REV.
		<b>POTHOLE PROTECTION SYSTEM INSTALLATION (VARIABLE PARTS)</b>		
	0257330	<b>1532E/1932E</b>	Ref.	5
	0257331	<b>2033E</b>	Ref.	5
	0257332	<b>2046E/2646E</b>	Ref.	6
	0257333	<b>2658E</b>	Ref.	6
51		Bar, Support Options:	A/R	
	4845360	1532E/1932E Right Side	1	
	4845383	1532E/1932E Left Side	1	
	4845490	2033E	2	
	4845358	2046E/2646E	2	
	4845359	2658E	2	
52	Not Used			
53		Rod, Pivot Options:	1	
	3841337	1532E/1932E		
	3841338	2033E/2046E/2646E/2658E		
54		Actuator Options:	1	
	4845319	1532E/1932E		
	4845077	2033E/2046E/2646E/2658E		
55		Pivot Weldment Options:	1	
	4845529	1532E/1932E		
	4844987	2033E		
	4844987	2046E/2646E/2658E Prior to S/N 39109		
	4845529	2046E/2646E/2658E S/N 39109 to Present		
56		Roller Options:	1	
	3860079	1532E/1932E		
	3860065	2033E		
	3860065	2046E/2646E/2658E Prior to S/N 39109		
	3860079	2046E/2646E/2658E S/N 39109 to Present		
57		Spring, Extension Options:	2	
	4160134	1532E/1932E/2033E		
	4160146	2046E/2646E/2658E		

# SECTION 1 FRAME

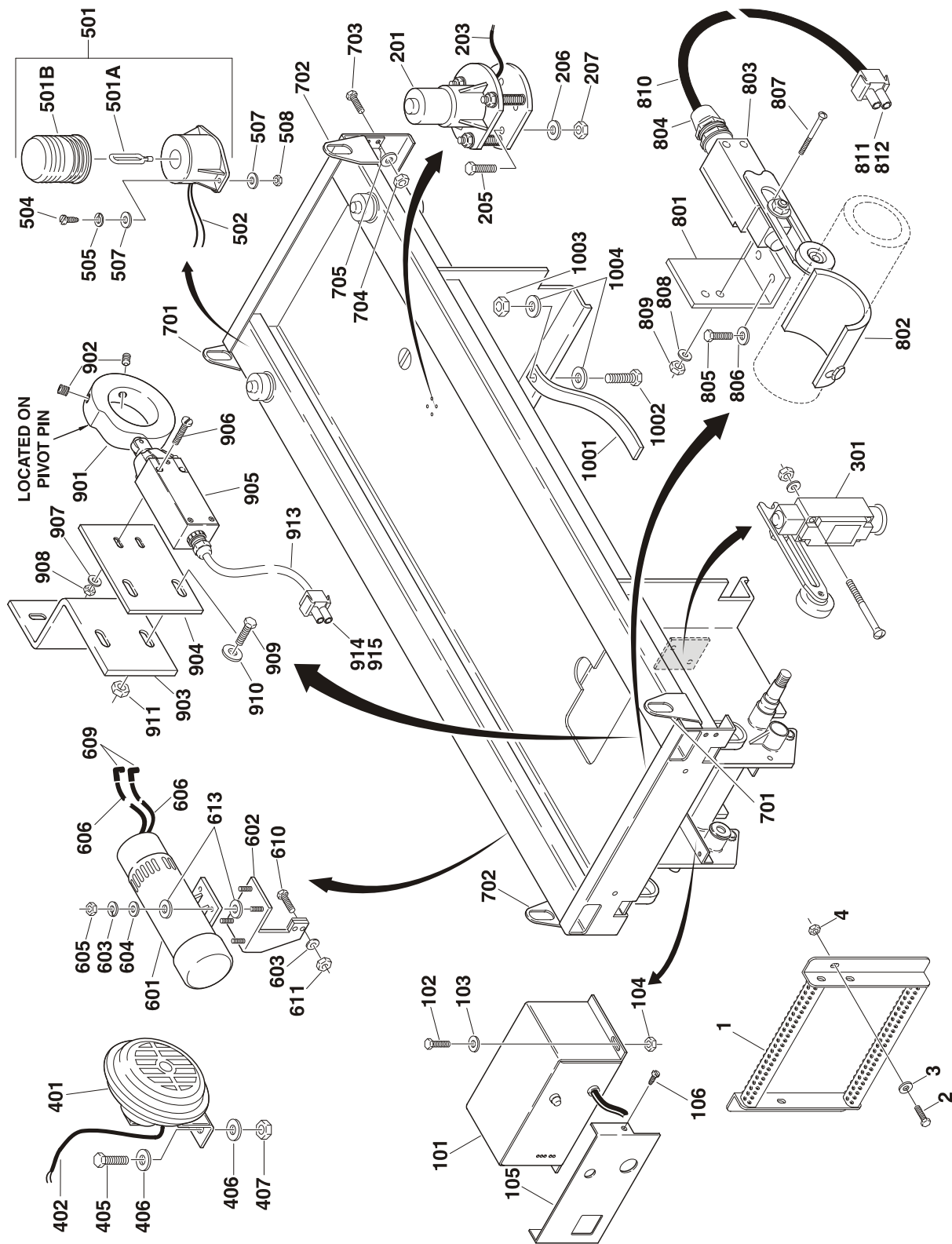
FIGURE 1-7. JLG POTHOLE PROTECTION SYSTEM INSTALLATION (GRAVITY DOWN MACHINES)

FIG & ITEM #	PART NUMBER	DESCRIPTION	QTY.	REV.

**S  
E  
C  
T  
I  
O  
N  
  
1  
  
F  
R  
A  
M  
E**

# SECTION 1 FRAME

FIGURE 1-8. FRAME MOUNTED COMPONENTS INSTALLATION (POWER DOWN MACHINES)



# SECTION 1 FRAME

**FIGURE 1-8. FRAME MOUNTED COMPONENTS INSTALLATION (POWER DOWN MACHINES)**

FIG & ITEM #	PART NUMBER	DESCRIPTION	QTY.	REV.
		<b>Note: To determine Power or Gravity Down refer to Page A.</b>		
		<b>LADDER INSTALLATION</b>	Ref.	
	0256564	<b>1532E/1932E</b>	Ref.	A
	0256641	<b>2033E/2046E/2646E/2658E</b>	Ref.	B
1	4845312	Ladder Weldment	1	
2	0641812	Bolt 1/2"-13NC x 1 1/2"	2	
3	4751800	Flatwasher 1/2"	4	
4	3311805	Locknut 1/2"-13NC	2	
		<b>BATTERY CHARGER INSTALLATIONS</b>	Ref.	
		<b>1532E/1932E/2033E/2046E/2646E:</b>	Ref.	
	0255640	<b>120V/60HZ ANSI Spec</b>	Ref.	6
	0257480	<b>220V/60HZ ANSI Spec</b>	Ref.	1
	0256369	<b>240V/50HZ ANSI Export Spec</b>	Ref.	5
	0256371	<b>120V/50-60HZ Japanese Spec</b>	Ref.	5
		<b>2658E:</b>	Ref.	
	0256437	<b>120V/60HZ ANSI Spec</b>	Ref.	B
	0257481	<b>220V/60HZ ANSI Spec</b>	Ref.	1
	0256438	<b>240V/50HZ ANSI Export Spec</b>	Ref.	4
	0256440	<b>120V/50-60HZ Japanese Spec</b>	Ref.	B
101		Battery Charger Assembly Options (See Figure 1-10 & 1-11 for Breakdown):	1	
	Use 2901846	60Hz/120V (Was p/n 0400138)		
	Use 2901844	60Hz/220V (Was p/n 0400163)		
	Use 2901844	50Hz/240V (Was p/n 0400145)		
	Use 2901845	50-60Hz/120V (Was p/n 0400147)		
102	0641506	Bolt 5/16"-18NC x 3/4"	2	
103	4711500	Flatwasher 5/16" Narrow	4	
104	3311505	Locknut 5/16"-18NC	2	
105		Shield Options:	1	
	4060927	1532E/1932E/2033E/2046E/2646E		
	4060928	2658E		
106	3941406	Screw, Self-Tapping 1/4"-20NC x 3/4"	2	
107	0100011	Loctite #242 (Not Shown)	A/R	
		<b>TILT INDICATOR INSTALLATION</b>	Ref.	
	0255948	<b>Non-UL Machines (Optional)</b>	Ref.	F
	0256861	<b>U/L Machines</b>	Ref.	A
201	4360434	Switch, Level Indication	1	
202	0140011	Alarm (Not Shown - Located on Platform Console)	1	
203	4921819	Harness	1	
204	0861070	Cover (Not Shown - U/L Machines Only)	1	
205	0641407	Bolt 1/4"-20NC x 7/8"	2	
206	4751400	Flatwasher 1/4"	2	
207	3311405	Locknut 1/4"-20NC	2	

# SECTION 1 FRAME

**FIGURE 1-8. FRAME MOUNTED COMPONENTS INSTALLATION (POWER DOWN MACHINES)**

FIG & ITEM #	PART NUMBER	DESCRIPTION	QTY.	REV.
	0255784	<b>HI-DRIVE LIMIT SWITCH INSTALLATION (OPTIONAL)</b>	Ref.	3/C
301	4360397	Switch, Limit	1	
	3911024	Screw, Machine #10-24NC x 1 1/2"	2	
	4751000	Flatwasher #10	2	
	3311001	Nut #10-24NC	2	
	0100011	Loctite (Not Shown)	A/R	
	4761000	Lockwasher #10	2	
	0255950	<b>HORN INSTALLATION (OPTIONAL)</b>	Ref.	C
401	0140022	Horn	1	
402	4921821	Harness (See Section 7 for Breakdown)	1	
403	4360387	Switch, Push Button (Not Shown - Located on Platform Console)	1	
404	Not Used			
405	0641408	Bolt 1/4"-20NC x 1"	1	
406	4751400	Flatwasher 1/4"	2	
407	3311405	Locknut 1/4"-20NC	1	
		<b>BEACON LIGHT INSTALLATION (OPTIONAL)</b>	Ref.	
	0255949	<b>Non-UL Machines (Optional)</b>	Ref.	4/F
	0256859	<b>U/L Machines</b>	Ref.	1/A
501		Beacon Light Assembly Options:	1	
	2920119	Prior to S/N 23604		
	2920146	S/N 23604 to Present		
501A	7016319	Bulb, Light	1	
501B		Amber Lens Options:	1	
	7016320	Lens - 3 1/8" Height		
	7016372	Lens - 4 1/8" Height		
502	4921822	Harness (See Section 10-7 for Breakdown)	1	
503	4060865	Cage (Not Shown - U/L Machines Only)	1	
504	0721006	Screw, Machine #10-24NC x 3/4"	2	
505	4761000	Lockwasher #10	2	
506	Not Used			
507	4751000	Flatwasher #10	4	
508	3311001	Nut #10-24	2	
		<b>110V GENERATOR INSTALLATION</b>	Ref.	
	0256790	<b>1532E/1932E</b>	Ref.	A
	0256785	<b>2033E</b>	Ref.	A
	0255962	<b>2046E/2646E/2658E</b>	Ref.	E
601	2460022	Generator	1	
	7023336	Repair Kit	1	
602		Mounting Bracket Options:	1	
	0902344	1532E/1932E		
	0902341	2033E		
	0902340	2046E/2646E/2658E		
603	4751500	Flatwasher 5/16"	8	
604	4751700	Flatwasher 7/16"	4	
605	3311505	Locknut 5/16"-18NC	4	
606	1060627	Cable	2	
607 to 608	Not Used			
609	0840027	Boot, Cable	2	
610	0641510	Bolt 5/16"-18NC x 1 1/4"	2	
611	3311505	Locknut 5/16"-18NC	2	

# SECTION 1 FRAME

**FIGURE 1-8. FRAME MOUNTED COMPONENTS INSTALLATION (POWER DOWN MACHINES)**

FIG & ITEM #	PART NUMBER	DESCRIPTION	QTY.	REV.
612	3820023	Rivet (Not Shown)	2	
613	4740455	Washer, Nylon	8	
	0256374	<b>LIFTING LUGS INSTALLATION - MODELS 1532E/1932E/2046E/2646E/2658E</b>	Ref.	-
	0256373	<b>LIFTING LUGS INSTALLATION - MODEL 2033E ONLY</b>	Ref.	-
701	3539735	Lug, Lift (Right Rear/Left Front)	2	
	4845314	Models 1532E/1932E/2046E/2646E/2658E Model 2033E Only		
702	3539736	Lug, Lift (Left Rear/Right Front)	2	
	4845315	Models 1532E/1932E/2046E/2646E/2658E Model 2033E Only		
703	0641610	Bolt 3/8"-16NC x 1 1/4"	8	
704	3311605	Locknut 3/8"-16NC	8	
705	4751600	Flatwasher 3/8"	8	
	0256766	<b>1000LBS DRIVE CUTOUT SWITCH INSTALLATION (OPTIONAL) (S/N 26893, 26895, 28787, 29373, 30159 &amp; 30359 Only)</b>	Ref.	-
801	3539952	Bracket	1	
802	4567109	Cam	1	
803	4360401	Switch, Limit	1	
804	4460662	Connector, Strain Relief	1	
805	3941506	Screw, Self-Tapping 5/16" x 3/4"	2	
806	4751500	Flatwasher 5/16"	2	
807	3911024	Screw, Machine #10-24NC x 1 1/2"	2	
808	4751000	Flatwasher #10	4	
809	3311005	Locknut #10-24NC	2	
810	1060341	Cable, Electrical - 16/2	6ft/1.8m	
811	4460320	Housing, Terminal	1	
812	4460268	Socket, Terminal	2	
	0256844	<b>1000LBS DRIVE CUT-OUT SWITCH INSTALLATION (OPTIONAL) (All except S/N 26893, 26895, 28787, 29373, 30159 &amp; 30359)</b>	Ref.	3/C
901	1440325	Collar	1	
902	3951603	Setscrew 3/8"-16NC x 3/8"	2	
903	3570030	Bracket	1	
904	3570029	Plate	1	
905	4360321	Switch, Limit	1	
906	3911020	Screw, Machine #10-24NC x 1 1/4"	2	
907	4751000	Flatwasher #10	2	
908	3311005	Locknut #10-24NC	2	
909	0641405	Bolt 1/4"-20NC x 5/8"	2	
910	4751400	Flatwasher 1/4"	4	
911	3311405	Locknut 1/4"-20NC	2	
912	4460428	Connector, Strain Relief	1	
913	1060341	Cable, Electrical - 16/2	9ft/2.74m	
914	4460320	Housing, Terminal	1	
915	4460268	Socket, Terminal	2	
916	0100011	Loctite #242 (Not Shown)	A/R	

# SECTION 1 FRAME

**SECTION 1 FRAME**

**FIGURE 1-8. FRAME MOUNTED COMPONENTS INSTALLATION (POWER DOWN MACHINES)**

FIG & ITEM #	PART NUMBER	DESCRIPTION	QTY.	REV.
	0257372	<b>STATIC STRAP INSTALLATION</b>	Ref.	A/1
1001	4240084	Strap, Static	1	
1002	0641408	Bolt 1/4"-20NC x 1"	1	
1003	3311405	Locknut 1/4"-20NC	1	
1004	4751400	Flatwasher 1/4"	2	



# SECTION 1 FRAME

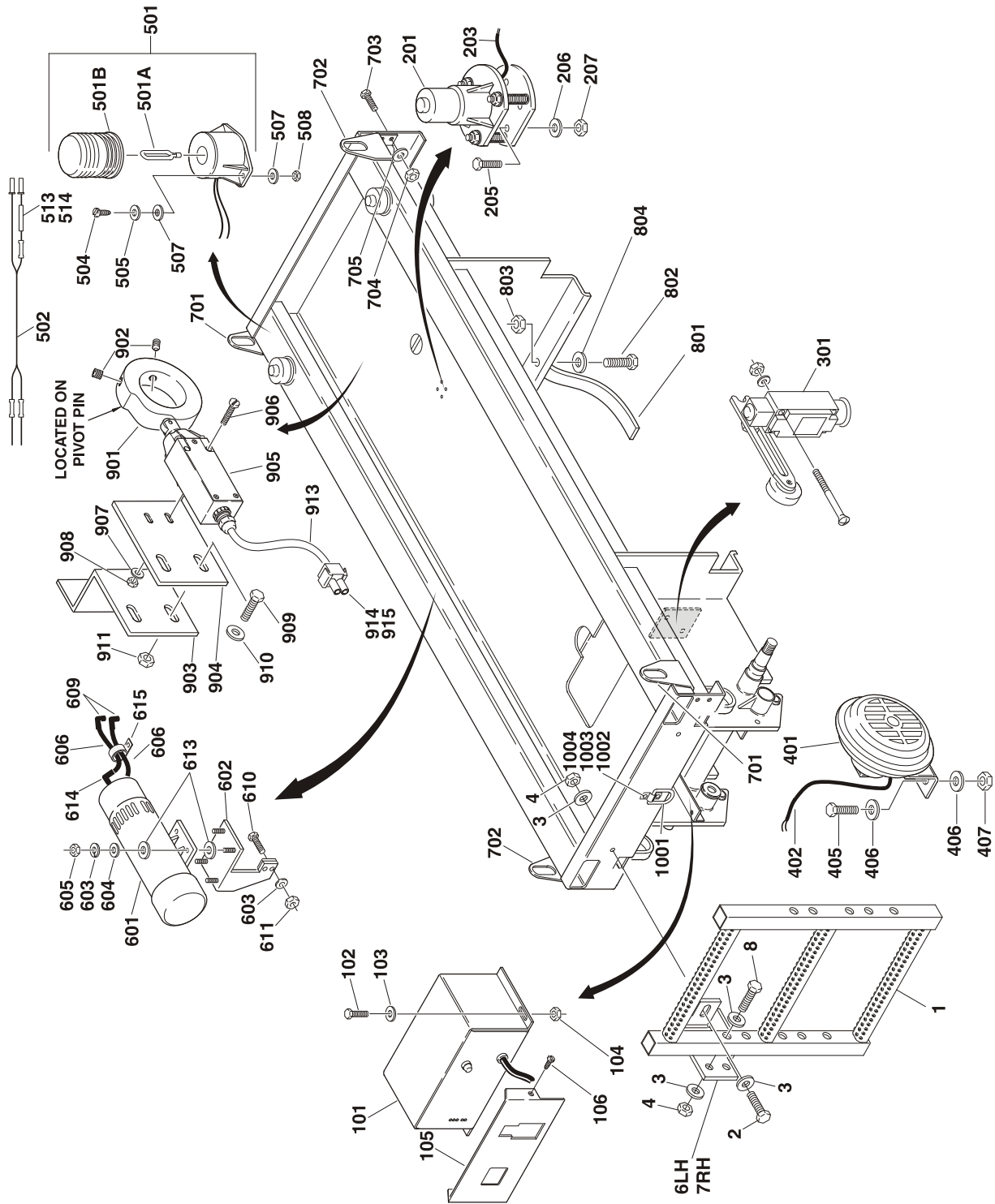
FIGURE 1-8. FRAME MOUNTED COMPONENTS INSTALLATION (POWER DOWN MACHINES)

FIG & ITEM #	PART NUMBER	DESCRIPTION	QTY.	REV.

**S  
E  
C  
T  
I  
O  
N  
  
1  
  
F  
R  
A  
M  
E**

# SECTION 1 FRAME

FIGURE 1-9. FRAME MOUNTED COMPONENTS INSTALLATION (GRAVITY DOWN MACHINES)



# SECTION 1 FRAME

**FIGURE 1-9. FRAME MOUNTED COMPONENTS INSTALLATION (GRAVITY DOWN MACHINES)**

FIG & ITEM #	PART NUMBER	DESCRIPTION	QTY.	REV.
		<b>Note: To determine Power or Gravity Down refer to Page A.</b>		
	0257261	<b>LADDER INSTALLATION</b>	Ref.	1/A
1	4845480	Ladder Weldment	1	
2	0641812	Bolt 1/2"-13NC x 1 1/2"	2	
3	4751800	Flatwasher 1/2"	4	
4	3311805	Locknut 1/2"-13NC	2	
		<b>BATTERY CHARGER INSTALLATIONS</b>	Ref.	
		<b>1532E/1932E:</b>	Ref.	
	0257270	120V/60HZ ANSI Spec	Ref.	2
	0257480	220V/60HZ ANSI Spec	Ref.	1
	0257271	240V/50HZ ANSI Export Spec	Ref.	2
	0257273	120V/50-60HZ Japanese Spec	Ref.	2
		<b>2033E/2046E/2646E/2658E:</b>	Ref.	
	0257275	120V/60HZ ANSI Spec	Ref.	1
	0257481	220V/60HZ ANSI Spec	Ref.	1
	0257276	240V/50HZ ANSI Export Spec	Ref.	1
	0257273	120V/50-60HZ Japanese Spec (2033E/2046E/2646E)	Ref.	2
	0257278	120V/50-60HZ Japanese Spec (2658E)	Ref.	1
101		Battery Charger Assembly Options (See Figure 1-10 for Breakdown):	1	
	Use 2901846	60Hz/120V (Was p/n 0400138)		
	Use 2901844	60Hz/220V (Was p/n 0400163)		
	Use 2901844	50Hz/240V (Was p/n 0400145)		
	Use 2901845	50-60Hz/120V (Was p/n 0400147)		
102	0641506	Bolt 5/16"-18NC x 3/4"	2	
103	4711500	Flatwasher 5/16" Narrow	4	
104	3311505	Locknut 5/16"-18NC	2	
105		Shield Options:	A/R	
	4060927	1532E/1932E	1	
	Not Required	2033E/2046E/2646E/2658E	0	
106	3941406	Screw, Self-Tapping 1/4"-20NC x 3/4"	2	
107	0100011	Loctite #242 (Not Shown)	A/R	
		<b>TILT INDICATOR INSTALLATION (OPTIONAL)</b>	Ref.	
	0255948	<b>Non-UL Machines (Optional)</b>	Ref.	7
	0256861	<b>U/L Machines</b>	Ref.	A2
201	4360434	Switch, Level Indication	1	
202	0140011	Alarm (Not Shown - Located on Platform Console) (Prior to S/N 43888)	1	
203	4921819	Harness	1	
204	0861070	Cover (Not Shown - U/L Machines Only)	1	
205	0641407	Bolt 1/4"-20NC x 7/8"	2	
206	4751400	Flatwasher 1/4"	2	
207	3311405	Locknut 1/4"-20NC	2	

# SECTION 1 FRAME

**FIGURE 1-9. FRAME MOUNTED COMPONENTS INSTALLATION (GRAVITY DOWN MACHINES)**

FIG & ITEM #	PART NUMBER	DESCRIPTION	QTY.	REV.
	0255784	<b>HI-DRIVE LIMIT SWITCH INSTALLATION (OPTIONAL)</b>	Ref.	5/D
301	4360397	Switch, Limit	1	
	3911024	Screw, Machine #10-24NC x 1 1/2"	2	
	4751000	Flatwasher #10	2	
	3311001	Nut #10-24NC	2	
	0100011	Loctite (Not Shown)	A/R	
	4761000	Lockwasher #10	2	
	4460662	Connector, Strain Relief (S/N 46829 to Present)	1	
	1060680	Cable, Electrical - 18/2 (S/N 46829 to Present)	78in/2m	
	0255950	<b>HORN INSTALLATION (OPTIONAL)</b>	Ref.	4
401	0140022	Horn	1	
402	4921988	Harness (See Section 7 for Breakdown)	1	
403	4360387	Switch, Push Button (Not Shown - Located on Platform Console)	1	
404	Not Used			
405	0641408	Bolt 1/4"-20NC x 1"	1	
406	4751400	Flatwasher 1/4"	2	
407	3311405	Locknut 1/4"-20NC	1	
	0255949	<b>BEACON LIGHT INSTALLATION (OPTIONAL)</b>	Ref.	
	0255949	<b>Non-UL Machines (Optional)</b>	Ref.	6/D
	0256859	<b>U/L Machines</b>	Ref.	2/A
501	2920146	Beacon Light Assembly Options:	1	
501A	7016319	Bulb, Light	1	
501B		Amber Lens Options:	1	
	7016320	Lens - 3 1/8" Height		
	7016372	Lens - 4 1/8" Height		
502	4921822	Harness (See Section 10-7 for Breakdown) (Prior to S/N 44696)	1	
	1060341	Harness (See Section 10-7 for Breakdown) (S/N 44696 to Present)	10ft/3.0m	
503	4060865	Cage (Not Shown - U/L Machines Only)	1	
504	0721006	Screw, Machine #10-24NC x 3/4"	2	
505	4761000	Lockwasher #10	2	
506	Not Used			
507	4751000	Flatwasher #10	4	
508	3311001	Nut #10-24	2	
509 to 512	Not Used			
513	4460044	Holder, Fuse (S/N 44696 to Present)	1	
514	2400056	Fuse, AGC-1/2 0.5A, 250V (S/N 44696 to Present)	1	
		<b>GENERATOR INSTALLATION</b>	Ref.	
	0256790	<b>110V - 1532E/1932E</b>	Ref.	4
	0257174	<b>220V - 1532E/1932E</b>	Ref.	1
	0256785	<b>110V - 2033E</b>	Ref.	4
	0257173	<b>220V - 2033E</b>	Ref.	1
	0255962	<b>110V - 2046E/2646E/2658E</b>	Ref.	8
	0257172	<b>220V - 2046E/2646E/2658E</b>	Ref.	1
601		Generator Options:	1	
	2460022	110 Volt		
	7023336	Repair Kit	1	
	2460031	220 Volt		

# SECTION 1 FRAME

**FIGURE 1-9. FRAME MOUNTED COMPONENTS INSTALLATION (GRAVITY DOWN MACHINES)**

FIG & ITEM #	PART NUMBER	DESCRIPTION	QTY.	REV.
602		Mounting Bracket Options:	1	
	0902344	1532E/1932E (Prior to S/N 51987 Only)		
	0902340	2033E/2046E/2646E/2658E (Prior to S/N 43889)		
		Note: For 2033/2046E/2646E/2658E S/N 43889 to present moved to frame - bracket not required.		
603	4751500	Flatwasher 5/16"	A/R	
604	4751700	Flatwasher 7/16"	A/R	
605	3311505	Locknut 5/16"-18NC	A/R	
	2080048	Rivnut	A/R	
606	1060627	Cable	2	
607 to 608	Not Used			
609	0840027	Boot, Cable	2	
610	0641510	Bolt 5/16"-18NC x 1 1/4"	A/R	
611	3311505	Locknut 5/16"-18NC	A/R	
612	3820023	Rivet (Not Shown)	A/R	
613	4740455	Washer, Nylon	8	
614	0840025	Boot, Cable	2	
615	1320095	Clamp	1	
	0256374	<b>LIFTING LUGS INSTALLATION - MODELS 1532E/1932E/2046E/2646E/2658E</b>	Ref.	-
	0256373	<b>LIFTING LUGS INSTALLATION - MODEL 2033E ONLY</b>	Ref.	2
701		Lug, Lift (Right Rear/Left Front)	2	
	3539735	Models 1532E/1932E/2046E/2646E/2658E		
	4845314	Model 2033E Only		
702		Lug, Lift (Left Rear/Right Front)	2	
	3539736	Models 1532E/1932E/2046E/2646E/2658E		
	4845315	Model 2033E Only		
703	0641610	Bolt 3/8"-16NC x 1 1/4"	8	
704	3311605	Locknut 3/8"-16NC	8	
705	4751600	Flatwasher 3/8"	8	
	0257372	<b>STATIC STRAP INSTALLATION</b>	Ref.	3/D
801	4240084	Strap, Static	1	
802	0641408	Bolt 1/4"-20NC x 1" (Prior to S/N 33411)	1	
	3941406	Self Tapping 1/4"-UNC-2A x 3/4" (S/N 33411 to Present)	1	
803	3311405	Locknut 1/4"-20NC (Prior to S/N 33411)	1	
804	4751400	Flatwasher 1/4"	2	
		<b>DRIVE CUT-OUT SWITCH INSTALLATION (OPTIONAL)</b>	Ref.	
	0256844	<b>1000Lbs Drive Cut-out Switch I</b>	Ref.	3/C
	0259108	<b>Elevated Drive Cut-out Switch</b>	Ref.	1/A
901	1440325	Collar	1	
902	3951603	Setscrew 3/8"-16NC x 3/8"	2	
903	3570030	Bracket	1	
904	3570029	Plate	1	
905	4360321	Switch, Limit	1	
906	3911020	Screw, Machine #10-24NC x 1 1/4"	2	
907	4751000	Flatwasher #10	2	
908	3311005	Locknut #10-24NC	2	
909	0641405	Bolt 1/4"-20NC x 5/8"	2	
910	4751400	Flatwasher 1/4"	4	
911	3311405	Locknut 1/4"-20NC	2	
912	4460428	Connector, Strain Relief	1	
913	1060341	Cable, Electrical - 16/2	9ft/2.74m	

# SECTION 1 FRAME

SECTION 1 FRAME

**FIGURE 1-9. FRAME MOUNTED COMPONENTS INSTALLATION (GRAVITY DOWN MACHINES)**

FIG & ITEM #	PART NUMBER	DESCRIPTION	QTY.	REV.
914	4460320	Housing, Terminal	1	
915	4460268	Socket, Terminal	2	
916	0100011	Loctite #242 (Not Shown)	A/R	
	0257266	<b>TIE-DOWNS INSTALLATION</b>	Ref.	2/A
1001	3760365	D-Ring	2	
1002	0630485	Bolt, Carriage 3/8"-16NC x 1" (2 per Tie-Down)	4	
1003	4751600	Flatwasher 3/8" (2 per Tie-Down)	4	
1004	3311605	Locknut 3/8"-16NC (2 per Tie-Down)	4	

# SECTION 1 FRAME

FIGURE 1-9. FRAME MOUNTED COMPONENTS INSTALLATION (GRAVITY DOWN MACHINES)

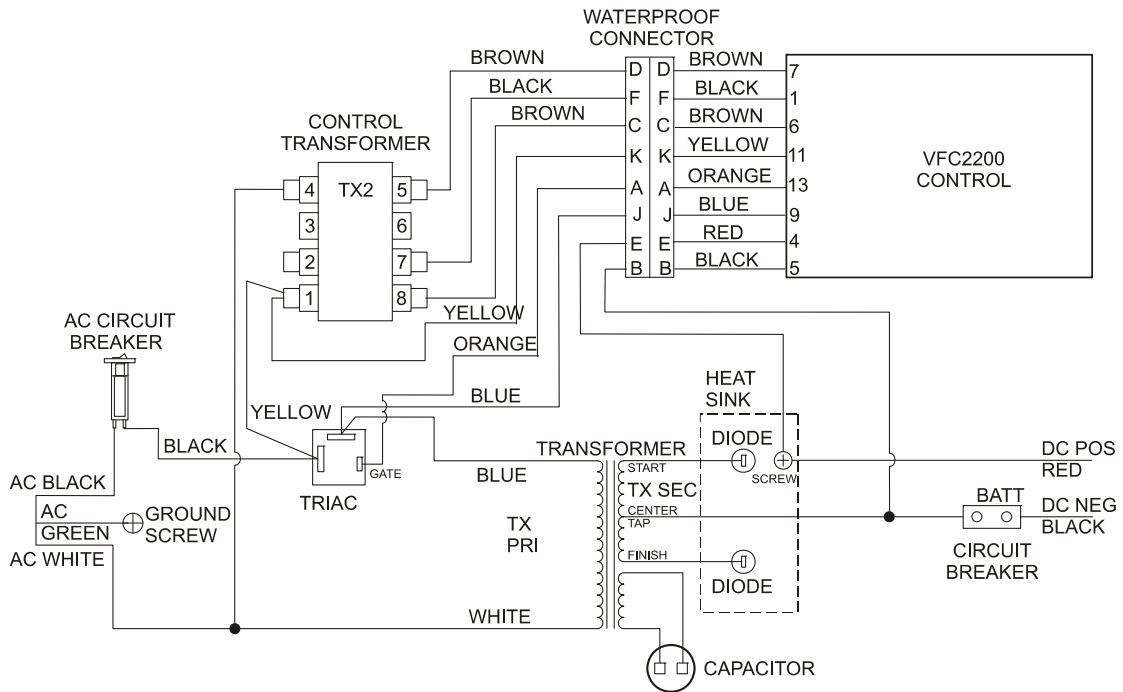
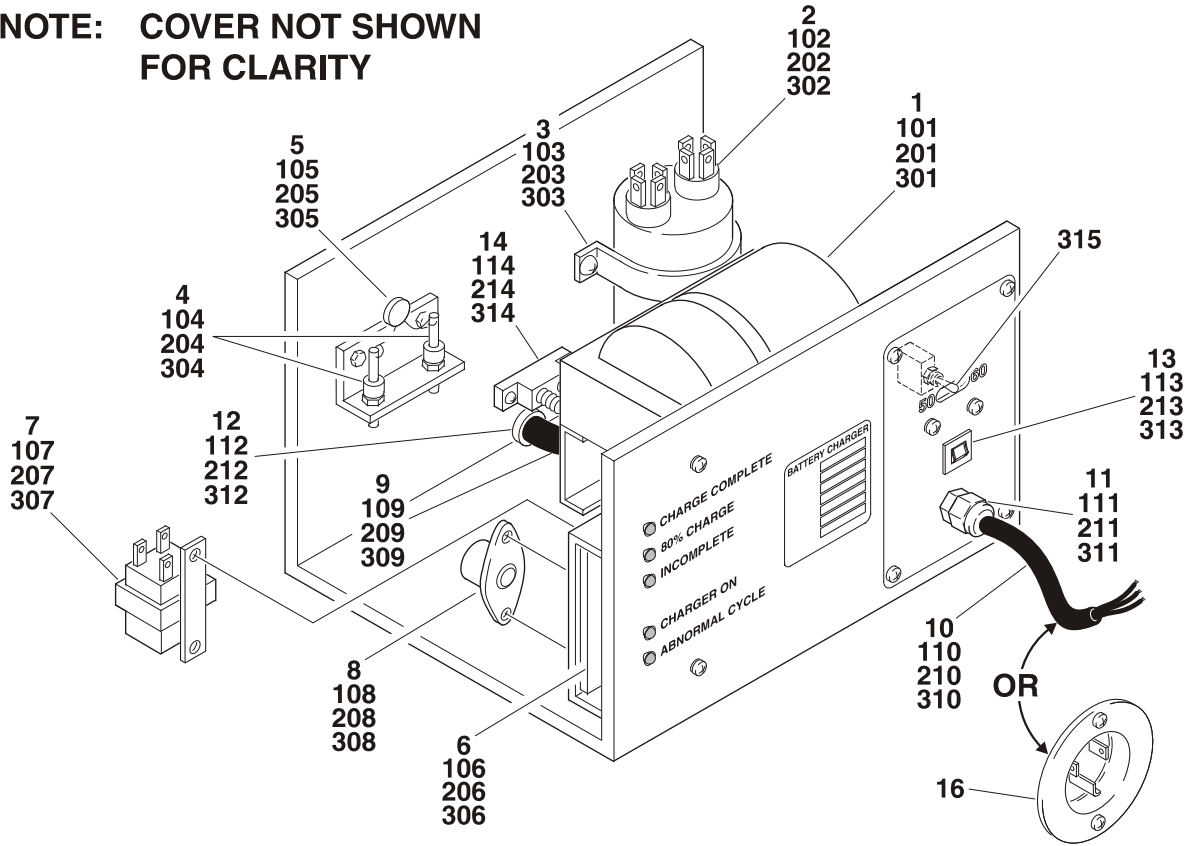
FIG & ITEM #	PART NUMBER	DESCRIPTION	QTY.	REV.

**S  
E  
C  
T  
I  
O  
N  
  
1  
  
F  
R  
A  
M  
E**

# SECTION 1 FRAME

FIGURE 1-10. BATTERY CHARGER ASSEMBLIES - STANDARD

NOTE: COVER NOT SHOWN FOR CLARITY





# SECTION 1 FRAME

**FIGURE 1-10. BATTERY CHARGER ASSEMBLIES - STANDARD**

FIG & ITEM #	PART NUMBER	DESCRIPTION	QTY.	REV.
		<b>BATTERY CHARGER ASSEMBLIES</b> Note: Charger Serial Number Nameplate located on front of charger. First line is the charger spec and date code. Prior to Mid-February 1996 Example: BA515 (spec) AP (date code). First letter in the date code indicates month (A-January/B-February/C-March/etc. with exception of let- "I" which is not used). Second letter indicates year (S-T-1996). After Mid-February 1996 Example: BA515 (spec) 9631 (date code). First and second digits in the date code indicate year. Third and fourth digits indicate week of manufacture.	Ref.	
	0400138	<b>BATTERY CHARGER ASSEMBLY - 60HZ/120V (ANSI SPEC)</b>	Ref.	E
1	7011502	Transformer	1	
2	7011512	Capacitor	1	
3	7011560	Strap, Capacitor	1	
4	7011576	Diode	2	
5	7011596	Varistor	1	
6	7011678	Board, Circuit (Prior to April 1996)	1	
	7018540	Board, Circuit (April 1996 to Present)	1	
	7011680	Harness - 8 Wire from PC Board	1	
7	7011518	Controller, Transformer	1	
8	7011517	Triac	1	
9	7011687	Cord, DC	1	
10	7011688	Cord, AC (Prior to Date Code 9616)	1	
11	7011528	Relief, Strain	1	
12	7018516	Relief, Strain	1	
13	7018525	Breaker, Circuit - AC	1	
14	7011509	Breaker, Circuit - DC	1	
15	Not Required			
16	7011513	Socket, AC (Date Code 9616 to Present)	1	
17	7018509	Cover, Case (Not Shown)	1	
	0400163	<b>BATTERY CHARGER ASSEMBLY - 60HZ/220V (ANSI SPEC)</b>	Ref.	A
101	7018543	Transformer	1	
102	7011512	Capacitor	1	
103	7011511	Strap, Capacitor	1	
104	7011576	Diode	2	
105	7011596	Varistor	1	
106	7018542	Board, Circuit	1	
	7018513	Harness - 8 Wire from PC Board	1	
107	7011551	Controller, Transformer	1	
108	7011517	Triac	1	
109	7011687	Cord, DC	1	
110	7018515	Cord, AC	1	
111	7011528	Relief, Strain	1	
112	7018516	Relief, Strain	1	
113	7018514	Breaker, Circuit - AC	1	
114	7011509	Breaker, Circuit - DC	1	
115 to 116	Not Required			
117	Not Available	Cover, Case (Not Shown)	1	

# SECTION 1 FRAME

SECTION 1 FRAME

**FIGURE 1-10. BATTERY CHARGER ASSEMBLIES - STANDARD**

FIG & ITEM #	PART NUMBER	DESCRIPTION	QTY.	REV.
	0400145	<b>BATTERY CHARGER ASSEMBLY - 50HZ/240V (ANSI EXPORT SPEC)</b>	Ref.	B
201	7018524	Transformer	1	
202	7011523	Capacitor	1	
203	7011560	Strap, Capacitor	1	
204	7011576	Diode	2	
205	7011596	Varistor	1	
206	7018512	Board, Circuit	1	
	7018513	Harness - 8 Wire from PC Board	1	
207	7011551	Controller, Transformer	1	
208	7011517	Triac	1	
209	7011687	Cord, DC	1	
210	7018515	Cord, AC	1	
211	7011528	Relief, Strain	1	
212	7018516	Relief, Strain	1	
213	7018514	Breaker, Circuit - AC	1	
214	7011509	Breaker, Circuit - DC	1	
215 to 216	Not Required			
217	7018509	Cover, Case (Not Shown)	1	
	0400147	<b>BATTERY CHARGER ASSEMBLY - 50-60HZ/120V (JAPANESE SPEC)</b>	Ref.	B
301	7011666	Transformer	1	
302	7011624	Capacitor	1	
303	7011560	Strap, Capacitor	1	
304	7011576	Diode	2	
305	Not Available	Varistor	1	
306	7018523	Board, Circuit	1	
	7018513	Harness - 8 Wire from PC Board	1	
307	7011626	Controller, Transformer	1	
308	7011517	Triac	1	
309	7011687	Cord, DC	1	
310	7018526	Cord, AC	1	
311	7011528	Relief, Strain	1	
312	7018516	Relief, Strain	1	
313	7018525	Breaker, Circuit - AC	1	
314	7011509	Breaker, Circuit - DC	1	
315	7011552	Switch, 50-60Hz	1	
316	Not Required			
317	7018509	Cover, Case (Not Shown)	1	

# SECTION 1 FRAME

FIGURE 1-10. BATTERY CHARGER ASSEMBLIES - STANDARD

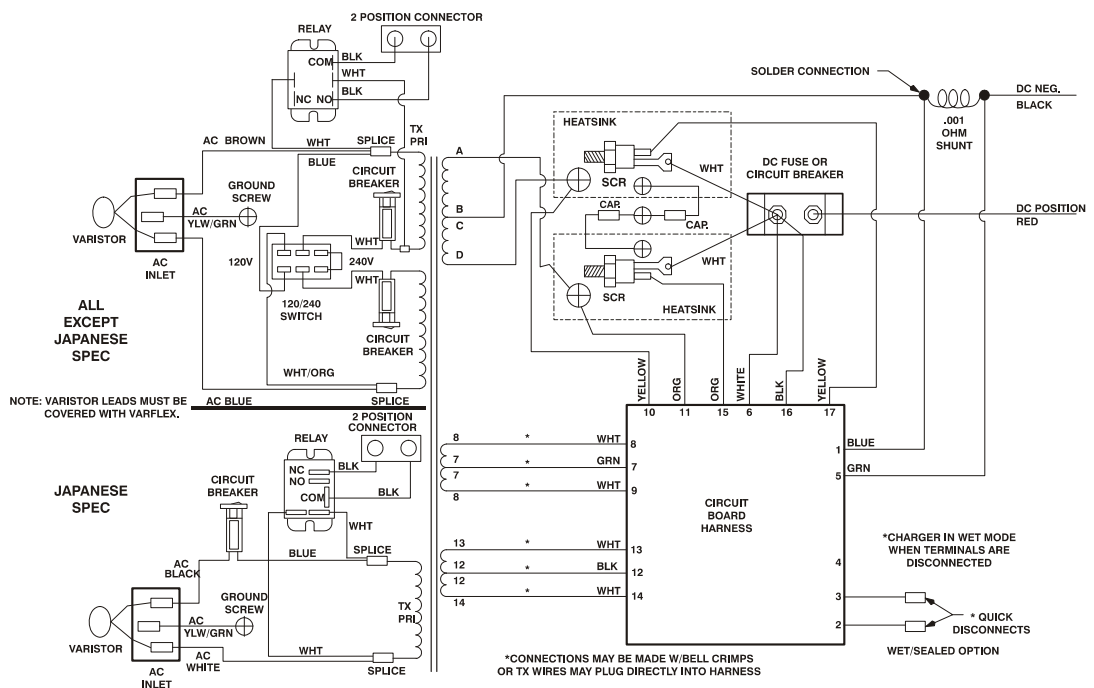
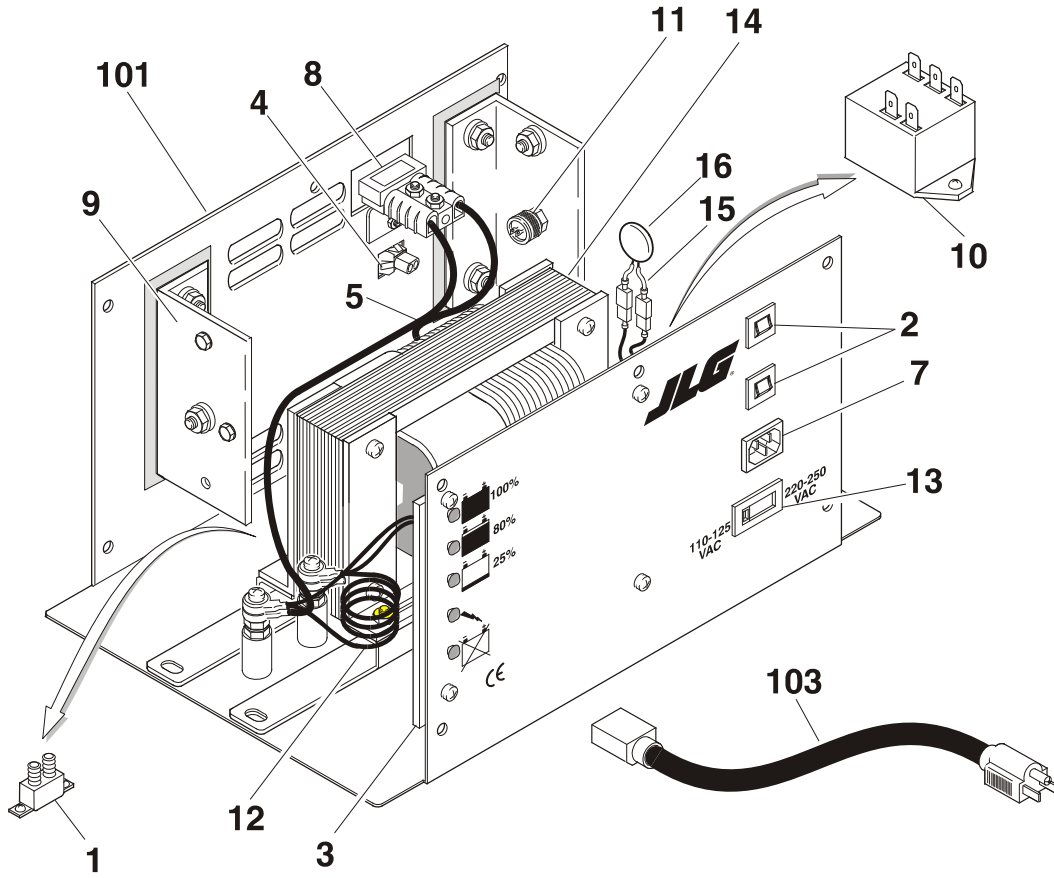
FIG & ITEM #	PART NUMBER	DESCRIPTION	QTY.	REV.

**S  
E  
C  
T  
I  
O  
N  
  
1  
  
F  
R  
A  
M  
E**

# SECTION 1 FRAME

**FIGURE 1-11. BATTERY CHARGER ASSEMBLIES - REPLACEMENT KIT**

NOTE: COVER NOT SHOWN FOR CLARITY



# SECTION 1 FRAME

**FIGURE 1-11. BATTERY CHARGER ASSEMBLIES - REPLACEMENT KIT**

FIG & ITEM #	PART NUMBER	DESCRIPTION	QTY.	REV.
		<b>BATTERY CHARGER ASSEMBLIES</b>		
	0400178	<b>All except Japanese Spec</b>	Ref.	B
	0400179	<b>Japanese Spec</b>	Ref.	B
1	7011509	Breaker, Circuit - DC	1	
2		Breaker, Circuit - AC	A/R	
	7018514	All except Japanese Spec	2	
	7018525	Japanese Spec	1	
3		Board, Circuit	1	
	7018578	All except Japanese Spec		
	7018598	Japanese Spec		
4	7011621	Connector	1	
5	7020638	Cord -DC	1	
6		Harness	1	
	7018582	All except Japanese Spec		
	7020671	Japanese Spec		
7	7018583	Plug, AC Inlet	1	
8	7011590	Plug, DC	1	
9		Rectifier Assembly	2	
	7018585	All except Japanese Spec		
	7020672	Japanese Spec		
10		Relay	1	
	7018564	All except Japanese Spec		
	7018506	Japanese Spec		
11		SCR	1	
	7018555	All except Japanese Spec		
	7020673	Japanese Spec		
12		Shunt Assembly	1	
	7020605	All except Japanese Spec		
	7020674	Japanese Spec		
13		Switch	1	
	7018586	All except Japanese Spec		
	Not Required	Japanese Spec		
14		Transformer	1	
	7020639	All except Japanese Spec		
	7020675	Japanese Spec		
15		Varistor Assembly	1	
	7018589	All except Japanese Spec		
	7020603	Japanese Spec		
16	7018537	Varistor	1	
17	7020637	Cover, Case (Not Shown)	1	

# SECTION 1 FRAME

SECTION 1 FRAME

**FIGURE 1-11. BATTERY CHARGER ASSEMBLIES - REPLACEMENT KIT**

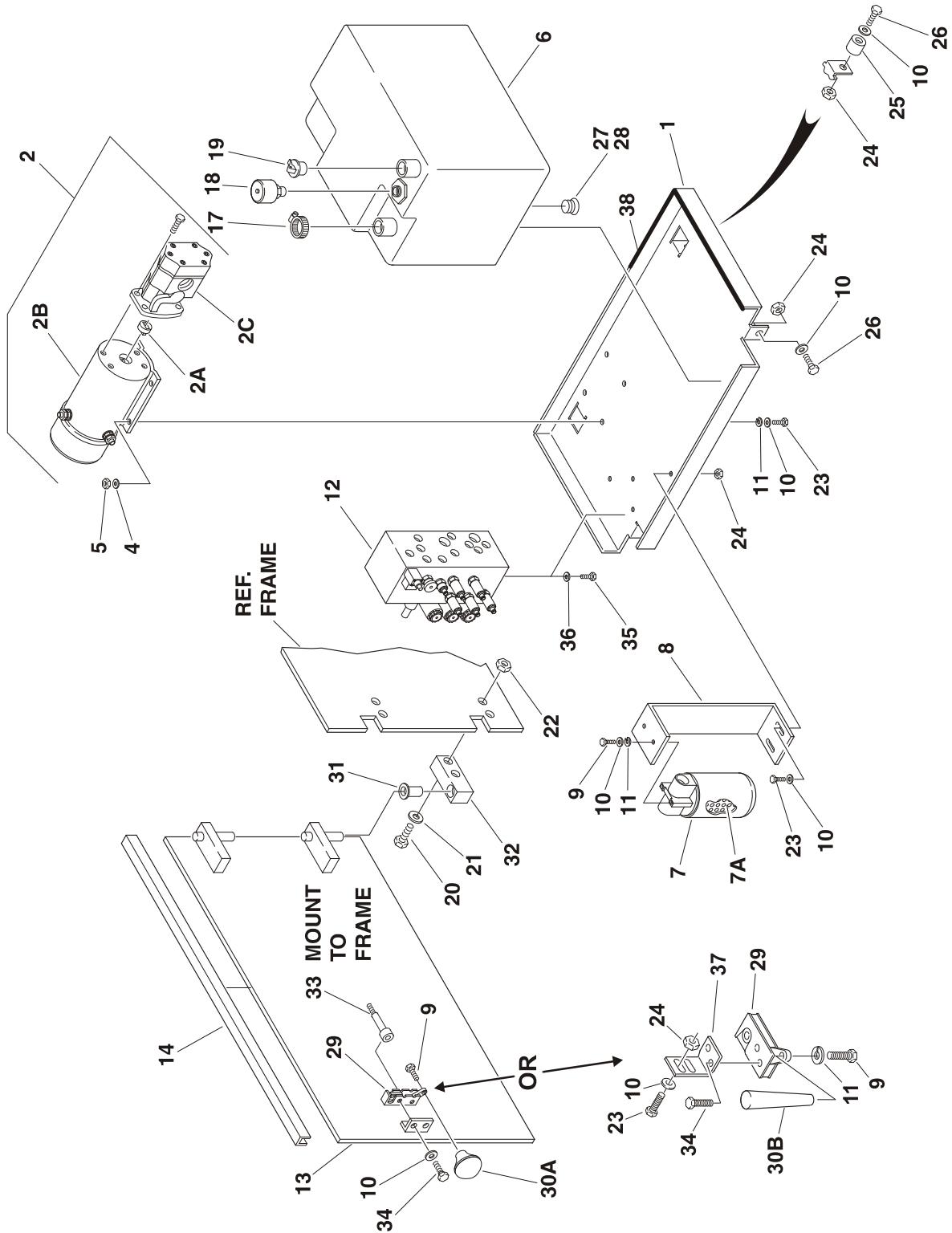
FIG & ITEM #	PART NUMBER	DESCRIPTION	QTY.	REV.
		<b>AC CHARGER CORD INSTALLATIONS</b>	Ref.	1
	2901846	<b>ANSI Spec (60Hz/120V)</b>		
	2901844	<b>ANSI Spec (60Hz/220V)</b>		
	2901844	<b>ANSI Export Spec (50Hz/240V)</b>		
	2901845	<b>Japanese Spec (50-60Hz/120V)</b>	1	
101		Battery Charger Assembly Options:	1	
	0400178	All Spec except Japanese Spec		
	0400179	Japanese Spec		
102	4922233	Harness (Not Shown)	1	
103		AC Cord Assembly Options:	1	
	1060688	ANSI Spec (60Hz/120V)		
	1060689	ANSI Spec (60Hz/220V)		
	1060689	ANSI Export Spec (50Hz/240V)		
	1060688	Japanese Spec (50-60Hz/120V)		

# SECTION 2 GROUND COMPONENTS

<b>TABLE OF CONTENTS</b>		
<b>FIGURE</b>	<b>DESCRIPTION</b>	<b>PAGE</b>
2-1	HYDRAULIC COMPONENTS AND COVERS INSTALLATION - 1532E/1932E (POWER DOWN MACHINES) .....	2-2
2-2	HYDRAULIC COMPONENTS AND COVERS INSTALLATION - 1532E/1932E (GRAVITY DOWN MACHINES) .....	2-4
2-3	HYDRAULIC COMPONENTS AND COVERS INSTALLATION - 2033E/2046E/2646E/2658E (POWER DOWN MACHINES) .....	2-6
2-4	HYDRAULIC COMPONENTS AND COVERS INSTALLATION - 2033E/2046E/2646E/2658E (GRAVITY DOWN MACHINES) .....	2-10
2-5	VALVE ASSEMBLY .....	2-14
2-6	ELECTRICAL COMPONENTS INSTALLATIONS (AT GROUND CONTROLS) .....	2-18
2-7	BATTERY INSTALLATIONS .....	2-22

## SECTION 2 GROUND COMPONENTS

**FIGURE 2-1. HYDRAULIC COMPONENTS AND COVER INSTALLATION - 1532E/1932E (POWER DOWN MACHINES)**





# SECTION 2 GROUND COMPONENTS

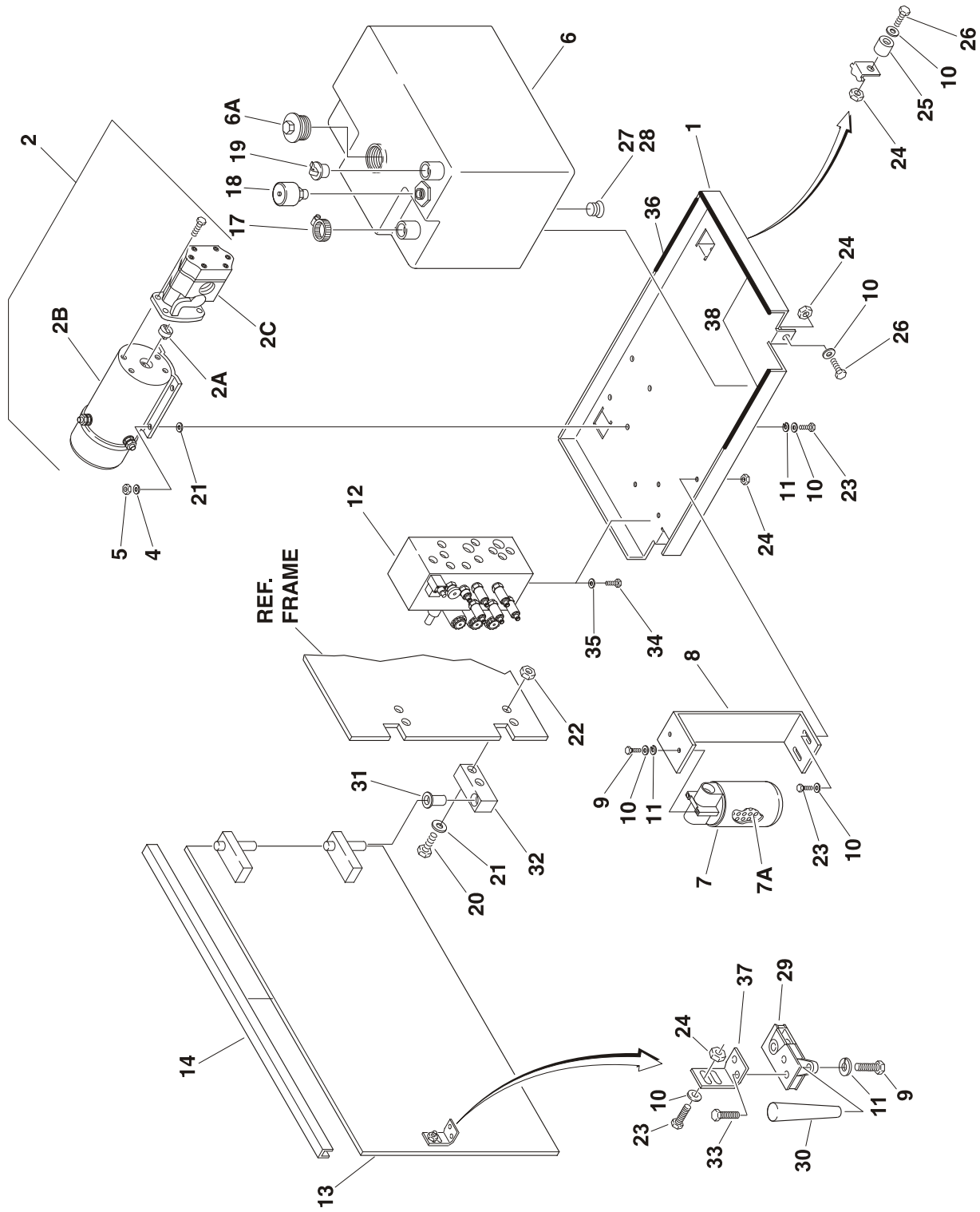
**FIGURE 2-1. HYDRAULIC COMPONENTS AND COVER INSTALLATION - 1532E/1932E (POWER DOWN MACHINES)**

FIG & ITEM #	PART NUMBER	DESCRIPTION	QTY.	REV.
		<b>Note: To determine Power or Gravity Down refer to page A.</b>		
	0255893	<b>HYDRAULIC COMPONENTS INSTALLATION (STD)</b>	Ref.	H
	0256922	<b>HYDRAULIC COMPONENTS INSTALLATION (U/L)</b>	Ref.	A
1		Tray Weldment Options:	1	
	4845271	Prior to S/N 24267		
	4845365	S/N 24267 to Present		
2	3600219	Pump/Motor Assembly	1	C
2A	7013711	Coupling	1	
2B	7016742	Motor	1	
	Use 7016781	Brush Kit (W/Prestolite Motor) (was p/n 7016748)	1	
	7016706	Brush Kit (W/Ohio Motor)	1	
2C	7016703	Pump	1	
	7016700	Seal, Shaft	1	
3	2901207	Motor Band Kit (Not Shown - U/L Machines Only)	1	
4	4711600	Flatwasher 3/8"	4	
5	3311605	Locknut 3/8"-16NC	4	
6	4400388	Tank, Hydraulic	1	
7	2120105	Filter Assembly	1	
7A	2120072	Element, Filter	1	
8	0902221	Bracket	1	
9	0641405	Bolt 1/4"-20NC x 5/8"	4	
10	4711400	Flatwasher 1/4"	16	
11	4761400	Lockwasher 1/4"	3	
12	4640951	Valve Assembly (See Figure 2-5 for Breakdown)	1	
13	1780291	Door Weldment	1	
14	3960389	Seal	34in/86cm	
15 to 16	Not Used			
17	1320033	Clamp, Hose	2	
18	1340052	Breather	1	
19	3520077	Plug, Quick Snap	1	
20	0641816	Bolt 1/2"-13NC x 2"	4	
21	4751800	Flatwasher 1/2"	8	
22	3311805	Locknut 1/2"-13NC	4	
23	0641408	Bolt 1/4"-20NC x 1"	A/R	
24	3311405	Locknut 1/4"	8	
25	4566849	Spacer	2	
26	0641412	Bolt 1/4"-20NC x 1-1/2"	4	
27	2200233	Plug, Drain	1	
28	0100020	Sealant	A/R	
29	2940098	Latch	1	
30A	2560140	Knob (Prior to S/N 27620)	1	
30B	2560137	Knob (S/N 27620 to Present)	1	
31	0962004	Bushing, Flanged Bronze	2	
32	0362566	Bar, Hinge	2	
33	2940099	Striker (Prior to S/N 27620 Only)	1	
34	0641406	Bolt 1/4"-20NC x 3/4"	2	
35	0641506	Bolt 5/16"-18NC x 3/4"	3	
36	4711500	Flatwasher 5/16" Narrow	3	
37	0902365	Bracket, Latch Mounting (S/N 27620 to Present Only)	1	
38	4420038	Weatherstrip	1ft/30.5cm	

**SECTION 2 GROUND COMPONENTS**

## SECTION 2 GROUND COMPONENTS

**FIGURE 2-2. HYDRAULIC COMPONENTS AND COVERS INSTALLATION - 1532E/1932E (GRAVITY DOWN MACHINES)**



# SECTION 2 GROUND COMPONENTS

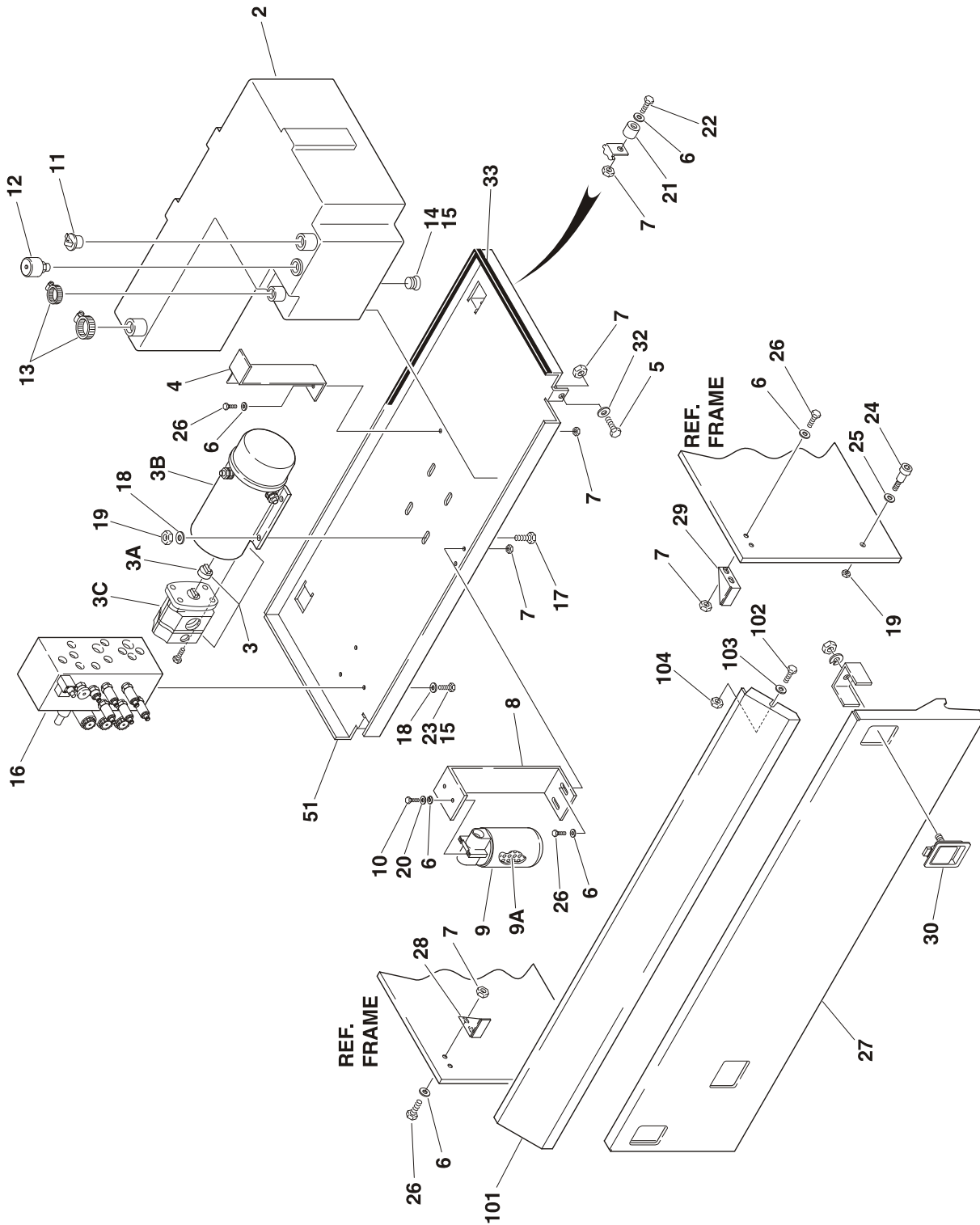
**FIGURE 2-2. HYDRAULIC COMPONENTS AND COVERS INSTALLATION - 1532E/1932E (GRAVITY DOWN MACHINES)**

FIG & ITEM #	PART NUMBER	DESCRIPTION	QTY.	REV.
		<b>Note: To determine Power or Gravity Down refer to page A.</b>		
	0257208	<b>HYDRAULIC COMPONENTS INSTALLATION (STD)</b>	Ref.	4/B
	0257209	<b>HYDRAULIC COMPONENTS INSTALLATION (U/L)</b>	Ref.	6/C
1	4845365	Tray Weldment	1	
2	3600266	Pump/Motor Assembly	1	B
2A	7013711	Coupling	1	
2B	7016742	Motor	1	
	Use 7016781	Brush Kit (was p/n 7016748)	1	
2C	7016743	Pump	1	
	Not Available	Seal, Shaft	1	
	7016746	Plate, Adapter	1	
	7016747	Gasket (Between Pump and Adapter)	1	
3	2901207	Motor Band Kit (Not Shown - U/L Machines Only)	1	
4	4711500	Flatwasher 5/16" Narrow	4	
5	3311505	Locknut 5/16"-18NC	4	
6	4400388	Tank, Hydraulic	1	
6A	1120491	Cap with O-Ring (S/N 38283 to Present) (was p/n 7020063 without O-Ring)	1	
7	2120105	Filter Assembly	1	
7A	2120072	Element, Filter	1	
8	0902221	Bracket	1	
9	0641405	Bolt 1/4"-20NC x 5/8"	4	
10	4711400	Flatwasher 1/4" Narrow	16	
11	4761400	Lockwasher 1/4"	3	
12		Valve Assembly Options (See Figure 2-5 for Breakdown):	1	
	4641004	Prior to S/N 41086		
	4641021	S/N 41086 to Present		
13	1780291	Door Weldment	1	
14	3960389	Seal	34in/86cm	
15 to 16	Not Used			
17	1320033	Clamp, Hose	2	
18	1340052	Breather	1	
19	3520077	Plug, Quick Snap	1	
20	0641816	Bolt 1/2"-13NC x 2"	4	
21	4751800	Flatwasher 1/2"	12	
22	3311805	Locknut 1/2"-13NC	4	
23	0641408	Bolt 1/4"-20NC x 1"	A/R	
24	3311405	Locknut 1/4"	8	
25	4566849	Spacer	2	
26	0641412	Bolt 1/4"-20NC x 1-1/2"	4	
27	2200233	Plug, Drain	1	
28	0100020	Sealant	A/R	
29	2940098	Latch	1	
30	2560137	Knob	1	
31	0962004	Bushing, Flanged Bronze	2	
32	0362566	Bar, Hinge	2	
33	0641406	Bolt 1/4"-20NC x 3/4"	2	
34	0641506	Bolt 5/16"-18NC x 3/4"	3	
35	4711500	Flatwasher 5/16" Narrow	3	
36	4420038	Weatherstrip	1ft/30.5cm	
37	0902365	Bracket, Latch Mounting	1	
38	4420037	Weatherstrip (U/L Machines Only)	2.25ft/68.5cm	

**SECTION 2 GROUND COMPONENTS**

## SECTION 2 GROUND COMPONENTS

**FIGURE 2-3. HYDRAULIC COMPONENTS AND COVERS INSTALLATION - 2033E/2046E/2646E/2658E (POWER DOWN MACHINES)**



# SECTION 2 GROUND COMPONENTS

**FIGURE 2-3. HYDRAULIC COMPONENTS AND COVERS INSTALLATION - 2033E/2046E/2646E/2658E (POWER DOWN MACHINES)**

FIG & ITEM #	PART NUMBER	DESCRIPTION	QTY.	REV.
		<b>Note: To determine Power or Gravity Down refer to page A.</b>		
		<b>HYDRAULIC COMPONENTS INSTALLATION (STANDARD PARTS)</b>	Ref.	
1	Not Used			
2		Hydraulic Tank Options:	1	
	4400378	Prior to S/N 21507		
	4400394	S/N 21507 to Present		
3	3600219	Pump/Motor Assembly	1	
3A	7013711	Coupling	1	
3B	7016742	Motor	1	
	Use 7016781	Brush Kit (W/Prestolite Motor) (was p/n 7016748)	1	
	7016706	Brush Kit (W/Ohio Motor)	1	
3C	7016703	Pump	1	
	7016700	Seal, Shaft	1	
4	0902198	Bracket	1	
5	0641408	Bolt 1/4"-20NC x 1"	2	
6	4711400	Flatwasher 1/4"	20	
7	3311405	Locknut 1/4"-2NC	11	
8	0902137	Bracket, Filter	1	
9	2120105	Filter	1	
9A	2120072	Element, Filter	1	
10	0641405	Bolt - 1/4"-20NC x 5/8"	2	
11	3520077	Plug, Quick Snap	1	
12	1340052	Breather	1	
13	1320033	Clamp, Hose	2	
14	2200233	Plug, Drain	1	
15	0100020	Sealant	A/R	
16	4640951	Valve Assembly (See Figure 2-5 for Breakdown)	1	
17	0641506	Bolt 5/16"-18NC x 1"	4	
18	4711500	Flatwasher - 5/16" Narrow	11	
19	3311505	Locknut 5/16"-18NC	6	
20	4761400	Lockwasher 1/4"	2	
21	4566849	Spacer	2	
22	0641412	Bolt 1/4"-20NC x 1 1/2"	2	
23	0641506	Bolt 5/16"-18NC x 3/4"	3	
24	2940099	Striker, Latch	2	
25	4751400	Flatwasher 1/4"	4	
26	0641406	Bolt 1/4"-20NC x 3/4"	7	
27	3539766	Plate, Valve Cover	1	
28	0181874	Angle, Latch Stop (Right Side)	1	
29	0181875	Angle, Latch Stop (Left Side)	1	
30	2940045	Latch, Paddle	2	
31	2901207	Motor Band Kit (Not Shown - U/L Machines Only)	1	
32	4751400	Flatwasher 1/4"	4	
33	4420038	Weatherstrip	2ft/61cm	

**SECTION 2 GROUND COMPONENTS**

# SECTION 2 GROUND COMPONENTS

**FIGURE 2-3. HYDRAULIC COMPONENTS AND COVERS INSTALLATION - 2033E/2046E/2646E/2658E (POWER DOWN MACHINES)**

FIG & ITEM #	PART NUMBER	DESCRIPTION	QTY.	REV.
		Note: To determine Power or Gravity Down refer to page A.		
		<b>HYDRAULIC COMPONENTS INSTALLATIONS (VARIABLE PARTS)</b>	Ref.	
	0256420	Standard 2033E	Ref.	E
	0256862	U/L 2033E	Ref.	B
	0256422	Standard 2046E/2546E/2658E	Ref.	E
	0256888	U/L 2046E/2546E/2658E	Ref.	B
51		Tray Options:	1	
	4845311	2033E Prior to S/N 24267		
	4845366	2033E S/N 24267 to Present		
	3539239	2046E/2546E/2658E Prior to S/N 24267		
	3539875	2046E/2546E/2658E S/N 24267 to Present		
	0255938	<b>SIDE COVERS INSTALLATION - 2033E</b>	Ref.	4/D
	0255939	<b>SIDE COVERS INSTALLATION - 2046E/2646E</b>	Ref.	A
	0255940	<b>SIDE COVERS INSTALLATION - 2658E</b>	Ref.	A
101		Cover Options:	1	
	3539445	2033E (Prior to S/N 33224)		
	4060937	2033E (S/N 33224 to Present)		
	3539446	2046E/2646E		
	3539447	2658E		
102	0641408	Bolt, 1/4"-20NC x 1"	2	
103	4751400	Flatwasher - 1/4"	4	
104	3311405	Locknut - 1/4"-20NC	2	

**SECTION 2 GROUND COMPONENTS**

# SECTION 2 GROUND COMPONENTS

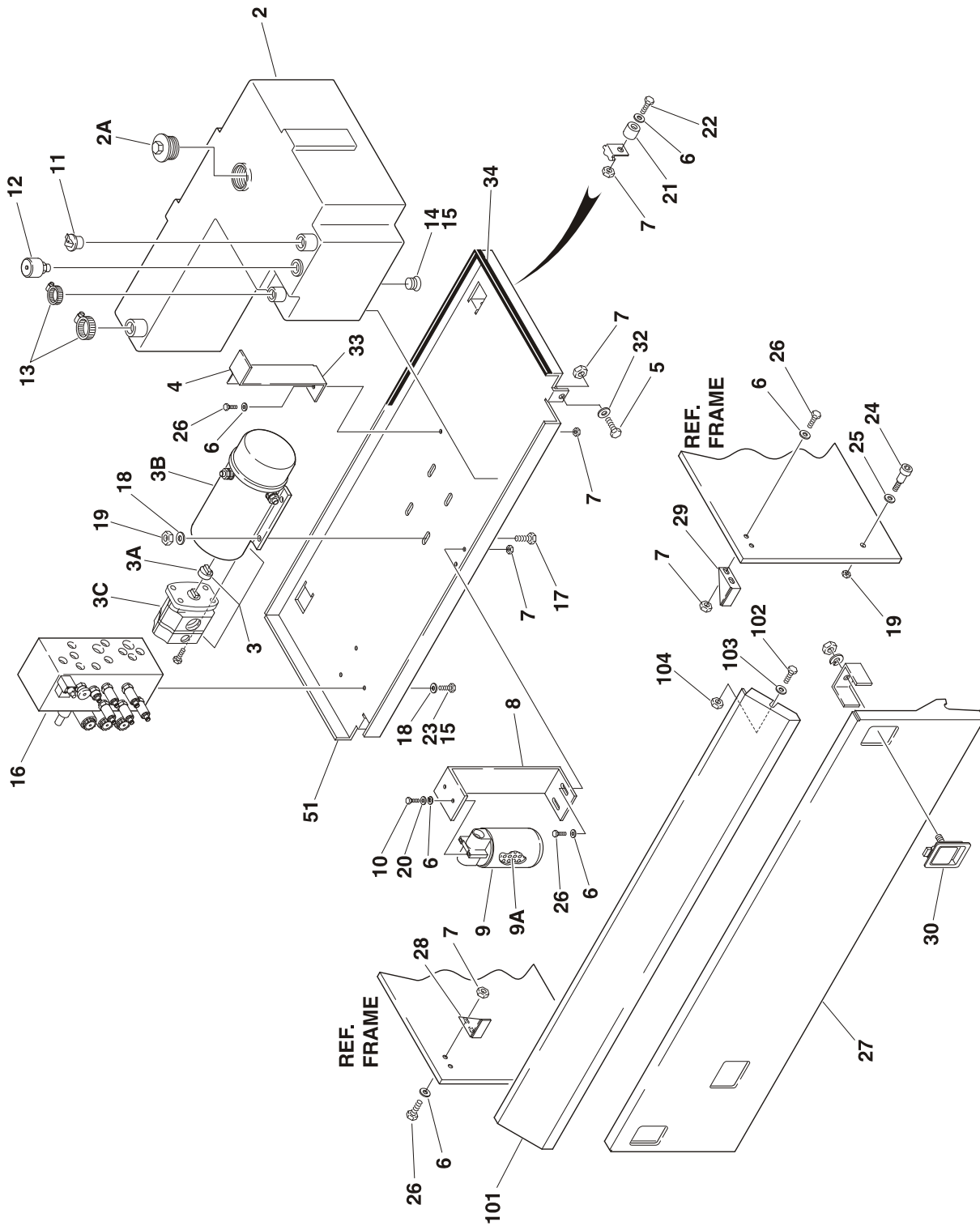
FIGURE 2-3. HYDRAULIC COMPONENTS AND COVERS INSTALLATION - 2033E/2046E/2646E/  
2658E (POWER DOWN MACHINES)

FIG & ITEM #	PART NUMBER	DESCRIPTION	QTY.	REV.

**SECTION 2 GROUND COMPONENTS**

## SECTION 2 GROUND COMPONENTS

**FIGURE 2-4. HYDRAULIC COMPONENTS AND COVERS INSTALLATION - 2033E/2046E/2646E/2658E (GRAVITY DOWN MACHINES)**





# SECTION 2 GROUND COMPONENTS

**FIGURE 2-4. HYDRAULIC COMPONENTS AND COVERS INSTALLATION - 2033E/2046E/2646E/2658E (GRAVITY DOWN MACHINES)**

FIG & ITEM #	PART NUMBER	DESCRIPTION	QTY.	REV.
		<b>Note: To determine Power or Gravity Down refer to page A.</b>		
		<b>HYDRAULIC COMPONENTS INSTALLATION (STANDARD PARTS)</b>	Ref.	
1	Not Used			
2	4400394	Hydraulic Tank Assembly	1	
2A	1120491	Cap with O-Ring (S/N 38283 to Present) (was p/n 7020063 without O-Ring)	1	
3	3600266	Pump/Motor Assembly (Standard Machines)	1	B
	3600269	Pump/Motor Assembly (Japanese Machines)	1	A
3A	7013711	Coupling	1	
3B	7016742	Motor	1	
	Use 7016781	Brush Kit (was p/n 7016748)	1	
3C	7016743	Pump	1	
	Not Available	Seal, Shaft	1	
	7016747	Gasket (Between Pump and Adapter)	1	
4	0902198	Bracket	1	
5	0641408	Bolt 1/4"-20NC x 1"	2	
6	4711400	Flatwasher 1/4"	20	
7	3311405	Locknut 1/4"-2NC	11	
8	0902137	Bracket, Filter	1	
9	2120105	Filter	1	
9A	2120072	Element, Filter	1	
10	0641405	Bolt - 1/4"-20NC x 5/8"	2	
11	3520077	Plug, Quick Snap	1	
12	1340052	Breather	1	
13	1320033	Clamp, Hose	2	
14	2200233	Plug, Drain	1	
15	0100020	Sealant	A/R	
16		Valve Assembly Options (See Figure 2-5 for Breakdown):	1	
	4641004	Prior to S/N 41086		
	4641021	S/N 41086 to Present		
17	0641506	Bolt 5/16"-18NC x 1"	4	
18	4711500	Flatwasher - 5/16" Narrow	11	
19	3311505	Locknut 5/16"-18NC	6	
20	4761400	Lockwasher 1/4"	2	
21	4566849	Spacer	2	
22	0641412	Bolt 1/4"-20NC x 1 1/2"	2	
23	0641506	Bolt 5/16"-18NC x 3/4"	3	
24	2940099	Striker, Latch	2	
25	4751400	Flatwasher 1/4"	4	
26	0641406	Bolt 1/4"-20NC x 3/4"	7	
27	3539766	Plate, Valve Cover	1	
28	0181874	Angle, Latch Stop (Right Side)	1	
29	0181875	Angle, Latch Stop (Left Side)	1	
30	2940045	Latch, Paddle	2	
31	2901207	Motor Band Kit (Not Shown - U/L Machines Only)	1	
32	4751400	Flatwasher 1/4"	4	
33	4420038	Weatherstrip	1ft/31cm	
34	4420037	Weatherstrip (S/N 38184 to Present)	38in/96cm	

**SECTION 2 GROUND COMPONENTS**

# SECTION 2 GROUND COMPONENTS

SECTION 2 GROUND COMPONENTS

**FIGURE 2-4. HYDRAULIC COMPONENTS AND COVERS INSTALLATION - 2033E/2046E/2646E/2658E (GRAVITY DOWN MACHINES)**

FIG & ITEM #	PART NUMBER	DESCRIPTION	QTY.	REV.
		Note: To determine Power or Gravity Down refer to page A.		
		<b>HYDRAULIC COMPONENTS INSTALLATION (VARIABLE PARTS)</b>	Ref.	
	0257210	2033E Standard	Ref.	4/B
	0257211	2033E U/L	Ref.	4/B
	0257642	2033E Japanese Spec	Ref.	3/B
	0257212	2046E/2546E/2658E Standard	Ref.	4/B
	0257213	2046E/2546E/2658E U/L	Ref.	4/B
	0257643	2046E/2546E/2658E Japanese Spec	Ref.	3/B
51		Tray Weldment Options:	1	
	4845366	2033E		
	3539875	2046E/2646E/2658E		
		<b>SIDE COVERS INSTALLATION - 2033E</b>	Ref.	
	0258182	2033E	Ref.	1/A
	0255939	2046E/2646E	Ref.	A
	0255940	2658E	Ref.	A
101		Cover Options:	1	
	4060937	2033E		
	3539446	2046E/2646E		
	3539447	2658E		
102		Hardware Options:	4	
	3941406	2033E (Screw, Self Tapping 1/4"-20 x 3/4")		
	0641408	2046E/2646E/2658E (Bolt 1/4"-20NC x 1")		
103	4751400	Flatwasher - 1/4"	A/R	
104	3311405	Locknut - 1/4"-20NC	A/R	

# SECTION 2 GROUND COMPONENTS

FIGURE 2-4. HYDRAULIC COMPONENTS AND COVERS INSTALLATION - 2033E/2046E/2646E/  
2658E (GRAVITY DOWN MACHINES)

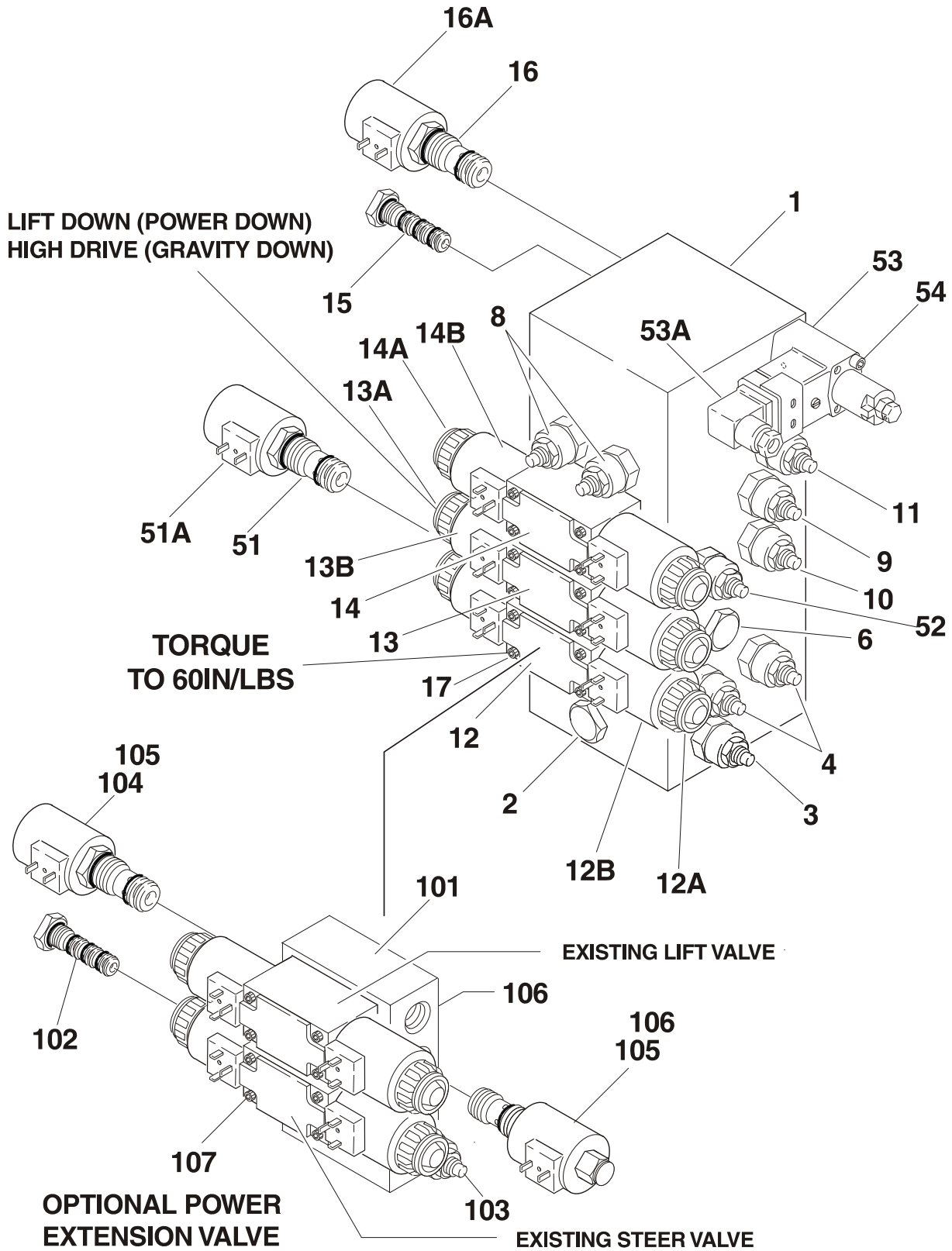
FIG & ITEM #	PART NUMBER	DESCRIPTION	QTY.	REV.

**SECTION 2 GROUND COMPONENTS**

# SECTION 2 GROUND COMPONENTS

FIGURE 2-5. VALVE ASSEMBLY

SECTION 2 GROUND COMPONENTS



# SECTION 2 GROUND COMPONENTS

**FIGURE 2-5. VALVE ASSEMBLY**

FIG & ITEM #	PART NUMBER	DESCRIPTION	QTY.	REV.
		<b>Note: To determine Power or Gravity Down refer to page A.</b>		
		<b>VALVE ASSEMBLY (STANDARD PARTS)</b>	Ref.	
1	Not Serviced	Block, Valve	1	
2	7018300	Cartridge, Valve (Shuttle)	1	
	7018301	Seal Kit - 7018300 Cartridge	1	
3	7018302	Cartridge, Valve (Main Relief)	1	
	7016351	Seal Kit - 7018302 Cartridge	1	
4	7018919	Cartridge, Valve (Steer Relief)	2	
	7016351	Seal Kit	2	
5	Not Used			
6	7018304	Cartridge, Valve (High Drive Check)	1	
	7016351	Seal Kit - 7018304 Cartridge	1	
7	Not Used			
8	7018305	Cartridge, Valve (Counterbalance)	2	
	7016337	Seal Kit - 7016338 Cartridge	2	
9	7018307	Cartridge, Valve (Brake)	1	
	7018308	Seal Kit - 7018307 Cartridge	1	
10	7018303	Cartridge, Valve (Lift Relief Up)	1	
	7016351	Seal Kit - 7018303 Cartridge	1	
11	7018312	Cartridge, Valve (Tow)	1	
	7018313	Seal Kit - 7018312 Cartridge	1	
12	7012793	Rexroth Valve Section (Steer)	1	
	7012773	Seal Kit	1	
12A	7018912	Nut	2	
12B	7018917	Coil	2	
13	7012794	Rexroth Valve Section - Lift Up/Lift Down (Power Down)	2	
		Rexroth Valve Section - Lift Up/High Drive (Gravity Down)	2	
	7012773	Seal Kit	1	
13A	7018912	Nut	2	
13B	7018917	Coil	2	
14	7012794	Rexroth Valve Section (Drive)	2	
	7012773	Seal Kit	1	
14A	7018912	Nut	2	
14B	7018917	Coil	2	
15	7018314	Cartridge, Valve (Flow Divider)	1	
	7018315	Seal Kit - 7018314 Cartridge	1	
16	7018309	Cartridge Without Coil (Posi-Trac)	1	
	7018310	Seal Kit - 7018309 Cartridge	1	
16A	7018311	Coil	1	
17	3931032	Capscrew, Socket Head #10-24NC x2"	12	
18	Not Used			
		<b>VALVE ASSEMBLY (VARIABLE PARTS)</b>	Ref.	
	4640951	<b>Power Down Machines</b>	Ref.	B
	4641004	<b>Gravity Down Machines (Prior to S/N 41086)</b>	Ref.	A
	4641021	<b>Gravity Down Machines (S/N 41086 to Present)</b>	Ref.	A
51		Cartridge, Without Coil (High Drive) Options:	A/R	
	7016348	Power Down Machines	1	
	7016349	Seal Kit - 7016348 Cartridge	1	
	Not Required	Gravity Down Machines	0	
51A		Coil Options:	A/R	
	7016352	Power Down Machines	1	
	Not Required	Gravity Down Machines	0	

**SECTION 2 GROUND COMPONENTS**

# SECTION 2 GROUND COMPONENTS

SECTION 2 GROUND COMPONENTS

**FIGURE 2-5. VALVE ASSEMBLY**

FIG & ITEM #	PART NUMBER	DESCRIPTION	QTY.	REV.
52	7018920	Cartridge, Valve (Lift Relief Down) Options: Power Down Machines	A/R 1	
	7016351	Seal Kit - 7018920 Cartridge	1	
	Not Required	Gravity Down Machines	0	
53		Cartridge (Pressure Switch) Options:	A/R	
	7012792	Power Down Machines	1	
	7018918	O-Ring	1	
	7012792	Gravity Down Machines Prior to S/N 41086	1	
	7018918	O-Ring	1	
53A	Not Required	Gravity Down Machines S/N 41086 to Present	0	
		Connector, DIN Options:	A/R	
	4460449	Power Down Machines	1	
54	4460449	Gravity Down Machines Prior to S/N 41086	1	
	Not Required	Gravity Down Machines S/N 41086 to Present	0	
		Capscrew, Socket Head #8-32NC x 1 3/4"	A/R	
54	3930828	Power Down Machines	4	
	3930828	Gravity Down Machines Prior to S/N 41086	4	
	Not Required	Gravity Down Machines S/N 41086 to Present	0	
	4641035	<b>VALVE ASSEMBLY - PLATFORM EXTENSION</b>	Ref.	A
101	Not Serviced	Block, Manifold		
102	7018300	Cartridge, Valve (Shuttle)	1	
	7018301	Kit, Seal	1	
103	7018919	Cartridge, Valve (Pressure Relief)	1	
	7016351	Kit, Seal	1	
104	7018967	Cartridge, Without Coil	1	
	7016352	Coil	1	
105	7016352	Coil	1	
106	7018968	O-Ring	8	
107	7018969	Bolt #10-24 x 4"	8	

# SECTION 2 GROUND COMPONENTS

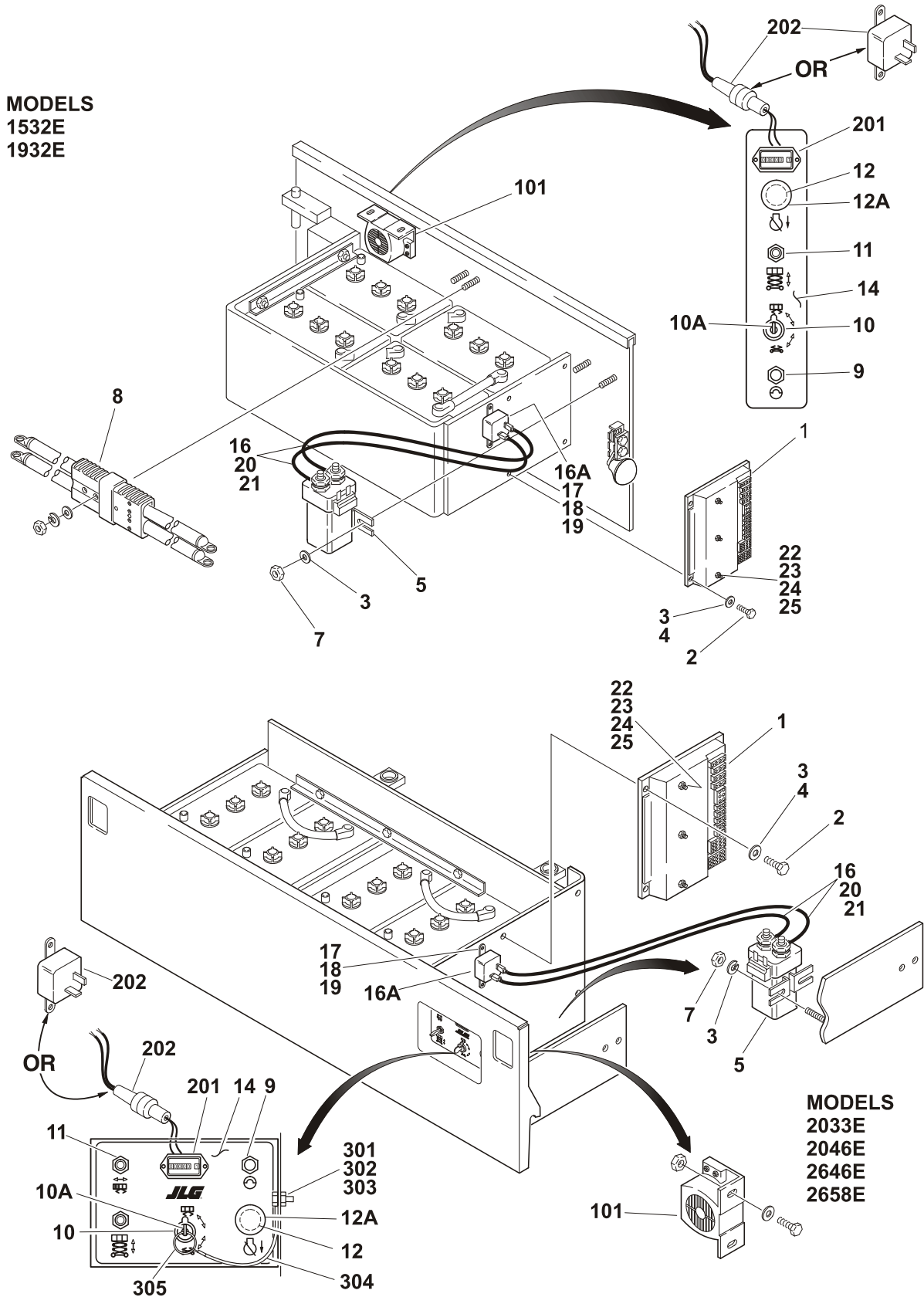
FIGURE 2-5. VALVE ASSEMBLY

FIG & ITEM #	PART NUMBER	DESCRIPTION	QTY.	REV.

**S  
E  
C  
T  
I  
O  
N  
  
2  
  
G  
R  
O  
U  
N  
D  
  
C  
O  
M  
P  
O  
N  
E  
N  
T  
S**

# SECTION 2 GROUND COMPONENTS

FIGURE 2-6. ELECTRICAL COMPONENTS INSTALLATIONS (AT GROUND CONTROLS)





# SECTION 2 GROUND COMPONENTS

**FIGURE 2-6. ELECTRICAL COMPONENTS INSTALLATIONS (AT GROUND CONTROLS)**

FIG & ITEM #	PART NUMBER	DESCRIPTION	QTY.	REV.
		<b>GROUND CONTROLS INSTALLATION</b>		
	0255971	1532E/1932E Standard Machines Prior to S/N 49391	Ref.	12
	0258782	1532E/1932E Standard Machines S/N 49391 to Present	Ref.	1
	0256918	1532E/1932E U/L Machines Prior to S/N 49391	Ref.	4
	0258784	1532E/1932E U/L Machines S/N 49391 to Present	Ref.	1
	0255960	2033E/2046E/2646E/2658E Standard Machines without Power Deck Prior to S/N 49391	Ref.	7
	0258785	2033E/2046E/2646E/2658E Standard Machines without Power Deck S/N 49391 to Present	Ref.	1
	0257599	2033E/2046E/2646E/2658E Standard Machines with Power Deck Prior to S/N 49391	Ref.	6
	0258788	2033E/2046E/2646E/2658E Standard Machines with Power Deck S/N 49391 to Present	Ref.	1
	0256858	2033E/2046E/2646E/2658E U/L Machines without Power Deck Prior to S/N 49391	Ref.	4
	0258787	2033E/2046E/2646E/2658E U/L Machines without Power Deck S/N 49391 to Present	Ref.	1
	0257600	2033E/2046E/2646E/2658E U/L Machines with Power Deck Prior to S/N 49391	Ref.	3
	0258789	2033E/2046E/2646E/2658E U/L Machines with Power Deck S/N 49391 to Present	Ref.	1
1		Controller, SMART System TM Options:	1	
	1600233	Prior to S/N 29221		
	1600258	S/N 29221 to S/N 49391		
	1600286	S/N 49391 to Present		
		<b>Note: When replaced, controller must be configured to appropriate model and options using analyzer kit p/n 2901443 or computer software kit p/n 2900874.</b>		
2	0641406	Bolt 1/4"-20NC x 3/4"	4	
3	4751400	Flatwasher 1/4"	A/R	
4	0100020	Sealant	A/R	
5		Relay Options:	1	
	Use 3740130	Standard Machine Prior to S/N 30199 (was p/n 3740117)		
	Use 3740130	Standard Machine S/N 30199 to S/N 44433 (was p/n 3740120)		
	3740130	Standard Machine (S/N 44433 to Present)		
	3740117	Standard Machines without 1600286 Controller Operated in Cold Weather Regions		
	3740121	U/L Machine		
6	Not Used			
7	3311405	Locknut 1/4"-20NC	A/R	
8		Cable Assembly Options:	1	
	1060606	1532E/1932E		
	4460618	Connector, Anderson	2	
	Not Required	2033E/2046E/2646E/2658E		
9	4360070	Breaker, Circuit	1	
10	4360432	Switch, Keyed Select	1	
	7019604	Switch Kit (Includes o-rings, boot and locking ring)	1	
10A	2860030	Key, Replacement	1	
11	4360328	Switch, Toggle	A/R	
12	4360395	Switch, Emergency Stop (Prior to S/N 44433)	1	
12A	7016315	Cap	1	
12	4360289	Switch, Emergency Stop (S/N 44433 to Present)	1	
12A	7012612	Boot	1	
13	Not Used			

# SECTION 2 GROUND COMPONENTS

SECTION 2 GROUND COMPONENTS

**FIGURE 2-6. ELECTRICAL COMPONENTS INSTALLATIONS (AT GROUND CONTROLS)**

FIG & ITEM #	PART NUMBER	DESCRIPTION	QTY.	REV.
14	3252479	Nameplate - Ground Controls Options: 1532E/1932E	1	
	3252478	2033E/2046E/2646E/2658E		
15	0100076	Silicone - 8lbs Pail (Not Shown-Spread on back of Item 1)	A/R	
	7016397	Silicone - 5oz Tube (Not Shown-Spread on back of Item 1)	A/R	
16	4921986	Harness, Relay (S/N 31685 to Present) (Power Down Machines)	1	
	4921990	Harness, Relay (Gravity Down Machines)	1	
16A	3740069	Relay (S/N 31685 to Present)	1	
17	3911008	Screw #10-24NC x 1" (S/N 31685 to Present)	1	
18	4751000	Flatwasher #10 (S/N 31685 to Present)	2	
19	3311005	Locknut #10-24NC (S/N 31685 to Present)	1	
20	4460259	Terminal (S/N 31685 to Present)	2	
21	4460260	Housing, Terminal (S/N 31685 to Present)	2	
22	4740479	Washer, Brass 1/4"	6	
23	4300133	Stud, Brass 1/4"	3	
24	4761400	Lockwasher 1/4"	3	
25	3311401	Nut 1/4"-20NC	3	
		<b>ALARM INSTALLATIONS</b>	Ref.	
		<b>PRIOR TO AUGUST 1996:</b>		
	0256682	<b>STANDARD ALARM - 1532E/1932E</b>	Ref.	-
	0255951	<b>STANDARD ALARM - 2033E/2046E/2646E/2658E</b>	Ref.	C
		<b>AUGUST 1996 TO PRESENT:</b>		
	0256959	<b>DESCENT ALARM - 1532E/1932E</b>	Ref.	-
	0256960	<b>MOTION ALARM - 1532E/1932E</b>	Ref.	-
	0256964	<b>TRAVEL ALARM - 1532E/1932E</b>	Ref.	-
	0256961	<b>DESCENT ALARM - 2033E/2046E/2646E/2658E</b>	Ref.	-
	0256962	<b>MOTION ALARM - 2033E/2046E/2646E/2658E</b>	Ref.	-
	0256965	<b>TRAVEL ALARM - 2033E/2046E/2646E/2658E</b>	Ref.	-
101	0140033	Alarm (Remove Ground Strap Before Installation)	1	
	0641408	Bolt 1/4"-20NC x 1"	2	
	4711400	Flatwasher 1/4" Narrow	4	
	3311405	Locknut 1/4"-20NC	2	
	0256056	<b>HOURMETER GAUGE INSTALLATION - 1532E/1932E</b>	Ref.	4
	0256058	<b>HOURMETER GAUGE INSTALLATION - 2033E/2046E/2646E/2658E</b>	Ref.	5
201	2420165	Gauge, Hourmeter	1	
202	2420179	Filter, Hourmeter (Use in-line version in place of bolt-on version when equipped)	1	
	0256423	<b>KEY ATTACH INSTALLATION (OPTIONAL)</b>	Ref.	A
301	0641406	Bolt 1/4"-20NC x 3/4"	1	
302	4751400	Flatwasher 1/4"	2	
303	3311405	Locknut 1/4"-20NC	1	
304	1060379	Cable, Lanyard	1	
305	3760170	Ring	1	

# SECTION 2 GROUND COMPONENTS

FIGURE 2-6. ELECTRICAL COMPONENTS INSTALLATIONS (AT GROUND CONTROLS)

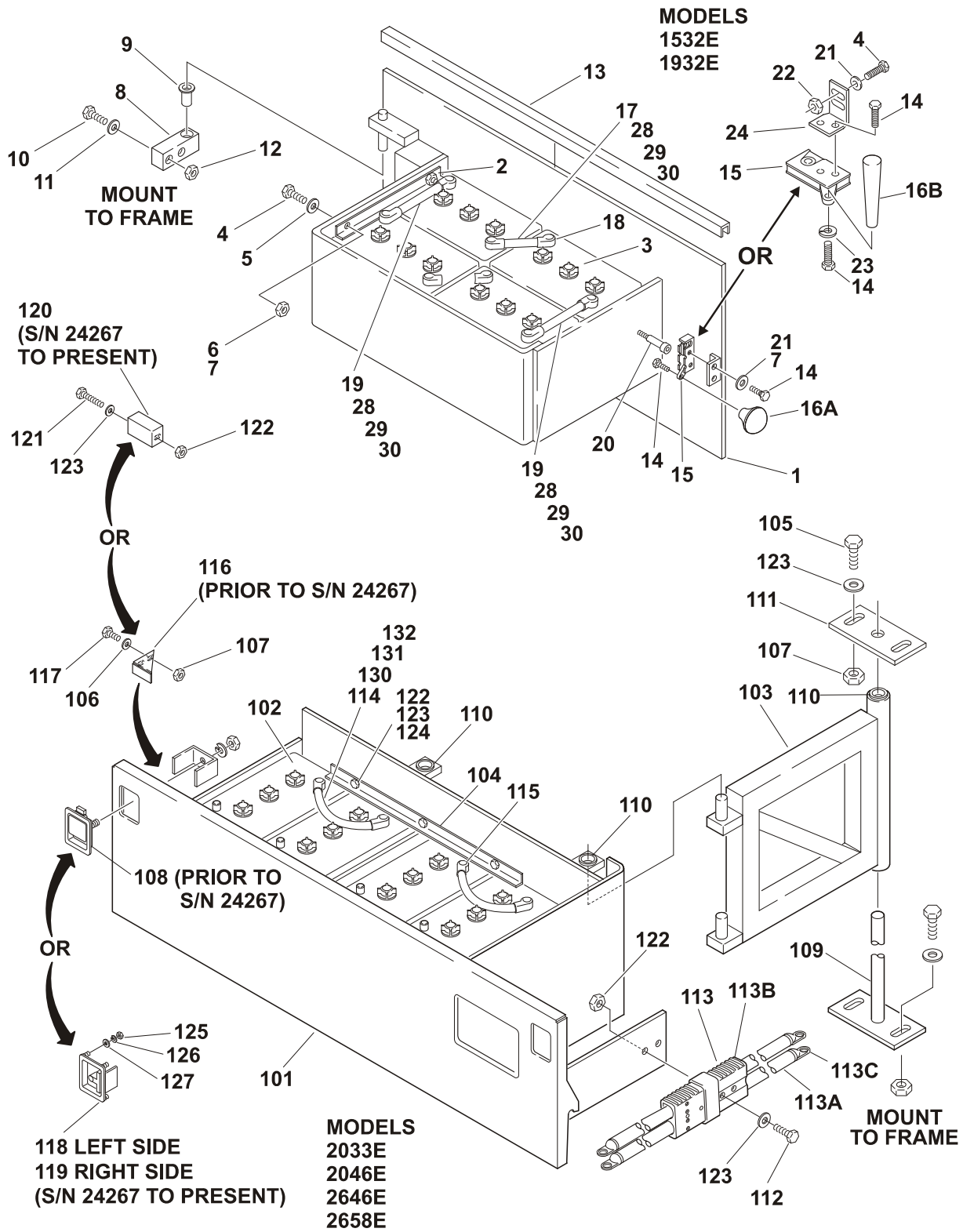
FIG & ITEM #	PART NUMBER	DESCRIPTION	QTY.	REV.

**S  
E  
C  
T  
I  
O  
N  
  
2  
  
G  
R  
O  
U  
N  
D  
  
C  
O  
M  
P  
O  
N  
E  
N  
T  
S**

# SECTION 2 GROUND COMPONENTS

FIGURE 2-7. BATTERY INSTALLATIONS

SECTION 2 GROUND COMPONENTS



# SECTION 2 GROUND COMPONENTS

**FIGURE 2-7. BATTERY INSTALLATIONS**

FIG & ITEM #	PART NUMBER	DESCRIPTION	QTY.	REV.
	0255891	<b>BATTERY INSTALLATION - STD 1532E/1932E</b>	Ref.	11
	0256921	<b>BATTERY INSTALLATION - U/L 1532E/1932E</b>	Ref.	5
1	1780290	Battery Door Weldment	1	
2	0181880	Angle, Mounting	2	
3	0400067	Battery (Wet) (Standard)	4	
	0400113	Battery (Dry) (Shipping Option)	4	
4	0641408	Bolt, 1/4"-20NC x 1"	6	
5	4751400	Flatwasher 1/4"	8	
6	3311401	Nut, 1/4"-20NC	4	
7	0100011	Loctite #242	A/R	
8	0362566	Bar, Hinge	2	
9	0962004	Bushing, Flanged Bronze	2	
10	0641816	Bolt, 1/2"-13NC x 2"	4	
1	4751800	Flatwasher 1/2"	8	
12	3311801	Nut, 1/2"-13NC	4	
13	3960389	Seal	34in/6cm	
14	0641406	Bolt, 1/4"-20NC x 3/4"	3	
15	2940098	Latch	1	
16A	2560140	Knob (Prior to S/N 27620)	1	
16B	2560137	Knob (S/N 27620 to Present)	1	
17	1060561	Cable - 12in/30.5cm	1	
18	0840031	Terminal Boot	8	
19	1060635	Cable - 9in/23cm	2	
20	2940099	Striker, Latch (Prior to S/N 27620)	1	
21	4711400	Flatwasher 1/4" Narrow	2	
22	3311405	Locknut 1/4"-20NC	4	
23	4761400	Lockwasher 1/4"	2	
24	0902365	Bracket, Latch Mounting	1	
25	2820088	Shield, Phenolic 10x20 (Not Shown - U/L Machines Only)	4	
26	2820084	Shield, Phenolic 10x8 (Not Shown - U/L Machines Only)	2	
27	4240084	Strap, Static (Not Shown - U/L Machines Only)	1	
28	3300429	Nut 5/16" (S/N 41458 to Present)	8	
29	4740474	Washer 5/16" (S/N 41458 to Present)	8	
30	0630526	Bolt 5/16"-18NC x 1 1/4" (S/N 41458 to Present)	8	
	0256421	<b>BATTERY INSTALLATION - STD 2033E/2046E/2646E/2658E</b>	Ref.	10
	0256850	<b>BATTERY INSTALLATION - U/L 2033E/2658E</b>	Ref.	5
	0257437	<b>BATTERY INSTALLATION - U/L 2046E/2646E</b>	Ref.	3
101	4845326	Battery Door Weldment	1	
102	0400151	Battery (Wet) (Standard)	4	
	Not Available	Battery (Dry) (Shipping Option)	4	
	0400067	Battery (Wet) (Standard) (UL Machines Only)	4	
	0400113	Battery (Dry) (Shipping Option - UL Machines Only)	4	
103	4845129	Hinge	2	
104	0181622	Angle, Battery Holddown	1	
105	0791608	Bolt 3/8"-16NC x 1"	8	
106	4240084	Strap, Static (Not Shown - U/L Machines Only)	1	
107	3311608	Locknut, Flanged 3/8"-16NC	8	
108	2940045	Latch, Paddle (Prior to S/N 24267)	2	
109	4845130	Hinge	2	
110	0962004	Bushing, Flanged Bronze	8	
111	3538844	Plate	2	
112	0641414	Bolt 1/4"-20NC x 1 3/4"	2	

# SECTION 2 GROUND COMPONENTS

SECTION 2 GROUND COMPONENTS

**FIGURE 2-7. BATTERY INSTALLATIONS**

FIG & ITEM #	PART NUMBER	DESCRIPTION	QTY.	REV.
113	1060605	Cable, Battery	1	
113A	1060048	Cable	9ft/2.74m	
113B	4460618	Connector, Anderson	2	
113C	4460022	Terminal Eyelet	4	
114	1060635	Cable, Battery	3	
115	0840031	Boot, Terminal	8	
116	0181874	Angle, Latch Stop (Left Side) (Prior to S/N 24267)	1	
	0181875	Angle, Latch Stop (Right Side) (Prior to S/N 24267)	1	
117	0641406	Bolt 1/4"-20NC x 3/4" (Prior to S/N 24267)	4	
118	2940100	Latch, "T"-Handle (Left Side) (S/N 24267 to Present)	1	
119	2940101	Latch, "T"-Handle (Right Side) (S/N 24267 to Present)	1	
120	4220166	Stop, Door (S/N 24267 to Present)	1	
121	0641424	Bolt 1/4"-20NC x 3"	1	
122	3271405	Locknut 1/4"-20NC (Grade 8)	6	
123	4711400	Flatwasher 1/4" Narrow	14	
124	0641408	Bolt 1/4"-20NC x 1"	3	
125	3311001	Nut #10-24NC	8	
126	4751000	Flatwasher #10	8	
127	4761000	Lockwasher #10	8	
128	2820084	Shield, Phenolic 10"x8" (Not Shown - U/L Machines Only)	10	
129	2820087	Shield, Phenolic 10"x30" (Not Shown - U/L 2033E/2658E Machines Only)	1	
	2820094	Shield, Phenolic 3 1/2"x30" (Not Shown - U/L 2046E/2646E Machines Only)	1	
	2820095	Shield, Phenolic 4 1/2"x30" (Not Shown - U/L 2046E/2646E Machines Only)	1	
130	3300429	Nut 5/16" (S/N 41458 to Present)	8	
131	4740474	Washer 5/16" (S/N 41458 to Present)	8	
132	0630526	Bolt 5/16"-18NC x 1 1/4" (S/N 41458 to Present)	8	

# SECTION 3 SCISSOR ARMS

<b>TABLE OF CONTENTS</b>		
<b>FIGURE</b>	<b>DESCRIPTION</b>	<b>PAGE</b>
3-1	SCISSOR ARMS INSTALLATION - 1532E (POWER DOWN MACHINES) .....	3-2
3-2	SCISSOR ARMS INSTALLATION - 1532E (GRAVITY DOWN MACHINES) .....	3-6
3-3	SCISSOR ARMS INSTALLATION - 1932E (POWER DOWN MACHINES) .....	3-10
3-4	SCISSOR ARMS INSTALLATION - 1932E (GRAVITY DOWN MACHINES) .....	3-14
3-5	SCISSOR ARMS INSTALLATION - 2033E/2046E (POWER DOWN MACHINES).....	3-18
3-6	SCISSOR ARMS INSTALLATION - 2033E/2046E (GRAVITY DOWN MACHINES).....	3-22
3-7	SCISSOR ARMS INSTALLATION - 2646E/2658E (POWER DOWN MACHINES).....	3-26
3-8	SCISSOR ARMS INSTALLATION - 2646E/2658E (GRAVITY DOWN MACHINES).....	3-30





# SECTION 3 SCISSOR ARMS

**FIGURE 3-1. SCISSOR ARMS INSTALLATION - 1532E (POWER DOWN MACHINES)**

FIG & ITEM #	PART NUMBER	DESCRIPTION	QTY.	REV.
	0255697	<b>SCISSOR ARMS INSTALLATION - 1532E (POWER DOWN MACHINES)</b> <b>Note: To determine Power or Gravity Down refer to page A.</b>	Ref.	9/J
1	Not Used			
2	0200538	Arm Weldment (Top and Bottom Inboard)	2	
3	0200539	Arm Weldment (Mid Inboard)	1	
4	0200540	Arm Weldment (Top and Bottom Outboard)	2	
5	0200541	Arm Weldment (Mid Outboard)	2	
6	3422494	Pin	6	
7	3422495	Pin	2	
8	3422496	Pin	2	
9	4845040	Prop, Safety (Prior to S/N 28355)	1	
	4845431	Prop, Safety (S/N 28355 to Present)	1	
10	0962015	Bushing, Split (Prior to S/N 28355)	1	
	4240125	Bushing, Split (S/N 28355 to Present)	1	
11	3422488	Pin	2	
12		Lift Cylinder Assembly (See Section 5 for Breakdown)	1	
	1683377	Prior to S/N27181		
	1683475	S/N27181 to Present		
13	3340784	Pad, Slide Block (Prior to S/N 29539)	4	
	3340629	Pad, Slide Block (S/N 29539 to Present)	4	
14	3340645	Pad, Polyurethane	3	
15	4740438	Washer, Special	14	
16	3760387	Ring, Retaining	14	
17	0641522	Bolt 5/16"-18NC x 2 3/4"	2	
18	4711500	Flatwasher 5/16" Narrow	8	
19	4751500	Flatwasher 5/16" Regular	8	
20	3311505	Locknut 5/16"-18NC	24	
21	0641508	Bolt 5/16"-18NC x 1"	2	
22	0641520	Bolt 5/16"-18NC x 2 1/2"	12	
23 to 33	Not Used			
34	0962010	Bushing, Garmax (4 Per Weldment)	8	
35	0962010	Bushing, Garmax (3 Per Weldment)	6	
36	0641524	Bolt 5/16"-18NC x 3"	8	
37	4240114	Strap (Prior to S/N 28355)	1	
	4240128	Strap (S/N 28355 to Present)	1	
	2901366	----- Arm Kit - 1532E (Includes Items 2-5 & 9)	1	A
	0252586	<b>ARM PADS INSTALLATION</b>	Ref.	-
101	3340645	Pad	16	
	0256386	<b>ARM CAPS INSTALLATION</b>	Ref.	-
201	1120480	Cap	8	
202	Not Used			
203	1120479	Cap	16	

SECTION 3 SCISSOR ARMS

# SECTION 3 SCISSOR ARMS

**FIGURE 3-1. SCISSOR ARMS INSTALLATION - 1532E (POWER DOWN MACHINES)**

FIG & ITEM #	PART NUMBER	DESCRIPTION	QTY.	REV.
		<b>Note: To determine Power or Gravity Down refer to page A.</b>		
	0256527	<b>CABLE/HOSE CLAMPS INSTALLATION (NOT SHOWN)</b>	Ref.	5/E
	1320224	Clamp, Loop 5/8"	10	
	3941406	Screw, Self-Tapping 1/4" x 3/4"	5	
	4240018	Tie-Strap 15"/38cm	10	
	4751400	Flatwasher 1/4"	5	
	4240033	Tie-Strap 7.5"/19cm	15	
	4460328	Connector, Strain Relief (Located On Platform)	1	
	4240127	Tie-Strap 21"/53cm	4	

**SECTION 3 SCISSOR ARMS**

# SECTION 3 SCISSOR ARMS

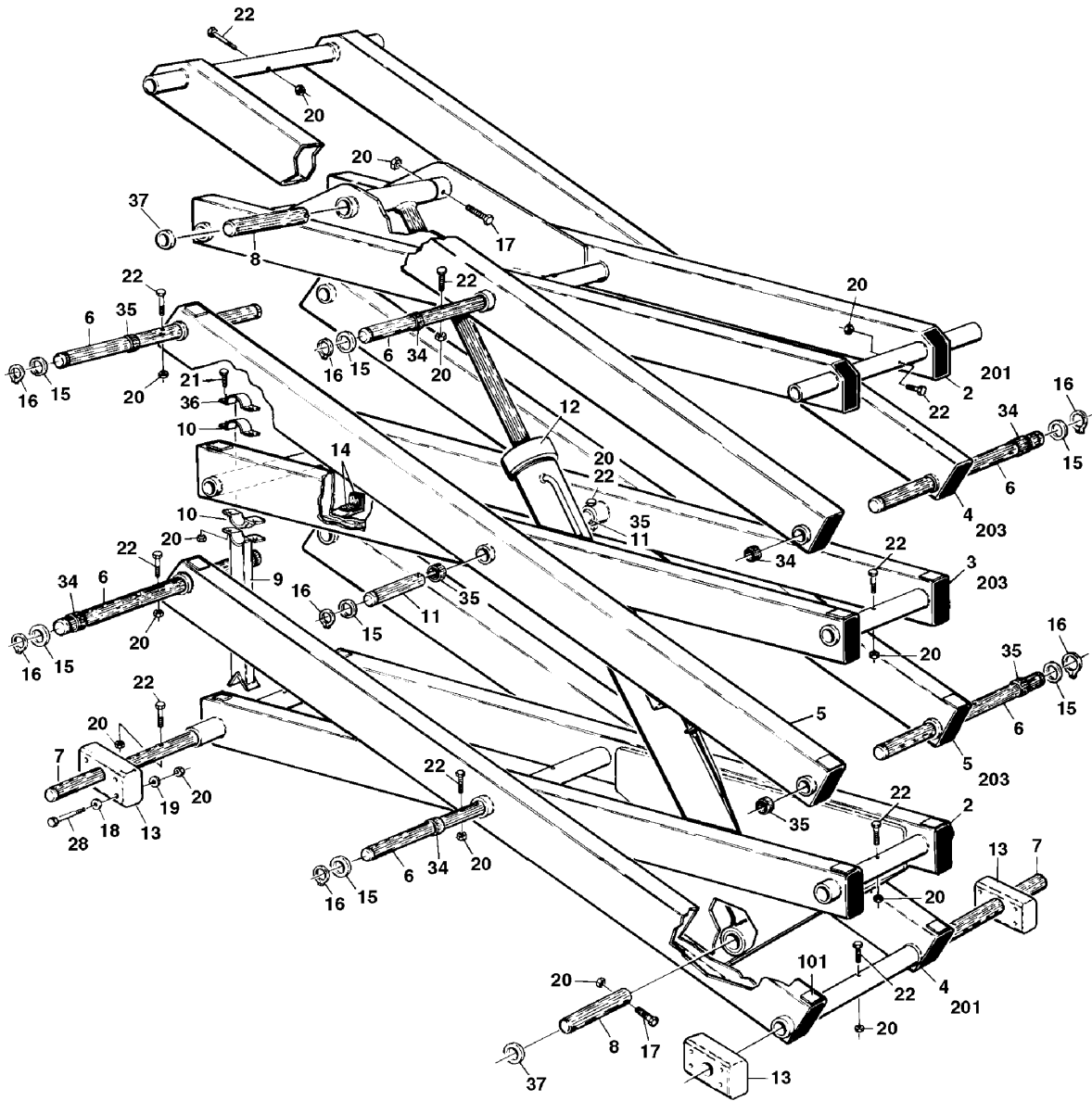
FIGURE 3-1. SCISSOR ARMS INSTALLATION - 1532E (POWER DOWN MACHINES)

FIG & ITEM #	PART NUMBER	DESCRIPTION	QTY.	REV.

**S  
E  
C  
T  
I  
O  
N  
  
3  
  
S  
C  
I  
S  
S  
O  
R  
  
A  
R  
M  
S**

# SECTION 3 SCISSOR ARMS

FIGURE 3-2. SCISSOR ARMS INSTALLATION - 1532E (GRAVITY DOWN MACHINES)



SECTION 3 SCISSOR ARMS

# SECTION 3 SCISSOR ARMS

**FIGURE 3-2. SCISSOR ARMS INSTALLATION - 1532E (GRAVITY DOWN MACHINES)**

FIG & ITEM #	PART NUMBER	DESCRIPTION	QTY.	REV.
	0257115	<b>Note: To determine Power or Gravity Down refer to page A. SCISSOR ARMS INSTALLATION - 1532E (GRAVITY DOWN MACHINES)</b>	Ref.	4/C
1	Not Used			
2	0200538	Arm Weldment (Top and Bottom Inboard)	2	
3	0200539	Arm Weldment (Mid Inboard)	1	
4	0200540	Arm Weldment (Top and Bottom Outboard)	2	
5	0200541	Arm Weldment (Mid Outboard)	2	
6	3422494	Pin	6	
7	3422495	Pin	2	
8	3422496	Pin	2	
9	4845475	Prop, Safety	1	
10	4240125	Bushing, Split	1	
11	3422488	Pin	2	
12	1683500	Lift Cylinder Assembly (See Section 5 for Breakdown)	1	
13	3340629	Pad, Slide Block	4	
14		Pad Options:	3	
	3340645	Prior to S/N 47288 (Polyurethane)		
	3340841	S/N 47288 to Present (PVC)		
15	4740438	Washer, Special	14	
16	3760387	Ring, Retaining	14	
17	0641522	Bolt 5/16"-18NC x 2 3/4"	2	
18	4711500	Flatwasher 5/16" Narrow	8	
19	4751500	Flatwasher 5/16" Regular	8	
20	3311505	Locknut 5/16"-18NC	24	
21	0641508	Bolt 5/16"-18NC x 1"	2	
22	0641520	Bolt 5/16"-18NC x 2 1/2"	12	
23 to 27	Not Used			
28	0641524	Bolt 5/16"-18NC x 3"	8	
29 to 33	Not Used			
34	0962010	Bushing, Garmax	8	
35	0962010	Bushing, Garmax	6	
36	4240128	Strap	1	
37	4740307	Shim	2	
		-----		
	2901501	Arm Kit - 1532E (Includes Items 2-5 & 9)	1	A
	0252586	<b>ARM PADS INSTALLATION</b>	Ref.	3
101		Pad Options:	16	
	3340645	Prior to S/N 47288 (Polyurethane)		
	3340841	S/N 47288 to Present (PVC)		
	0256386	<b>ARM CAPS INSTALLATION</b>	Ref.	2
201	1120480	Cap	8	
202	Not Used			
203	1120479	Cap	16	
204	0100080	Adhesive (Not Shown)	A/R	

SECTION 3 SCISSOR ARMS

# SECTION 3 SCISSOR ARMS

**FIGURE 3-2. SCISSOR ARMS INSTALLATION - 1532E (GRAVITY DOWN MACHINES)**

FIG & ITEM #	PART NUMBER	DESCRIPTION	QTY.	REV.
		<b>Note: To determine Power or Gravity Down refer to page A.</b>		
	0256527	<b>CABLE/HOSE CLAMPS INSTALLATION (NOT SHOWN)</b>	Ref.	8/G
	1320224	Clamp, Loop 5/8"	10	
	3941406	Screw, Self-Tapping 1/4" x 3/4"	5	
	4240018	Tie-Strap 15"/38cm (Prior to S/N 38168)	10	
	4751400	Flatwasher 1/4" (Prior to S/N 38168)	5	
	4240033	Tie-Strap 7.5"/19cm	15	
	4460328	Connector, Strain Relief (Located On Platform) (Prior to S/N 45030)	1	
	4460071	Connector, Strain Relief (Located On Platform) (S/N 45030 to Present)	1	
	4240127	Tie-Strap 21"/53cm	4	
	4060807	Shield, Edge Trim	1 ft./30.5	
	1320095	Clamp	1	
	0641408	Bolt 1/4'-20NC x 1"	2	
	3311405	Nut 1/4"-20NC	2	

**SECTION 3 SCISSOR ARMS**

# SECTION 3 SCISSOR ARMS

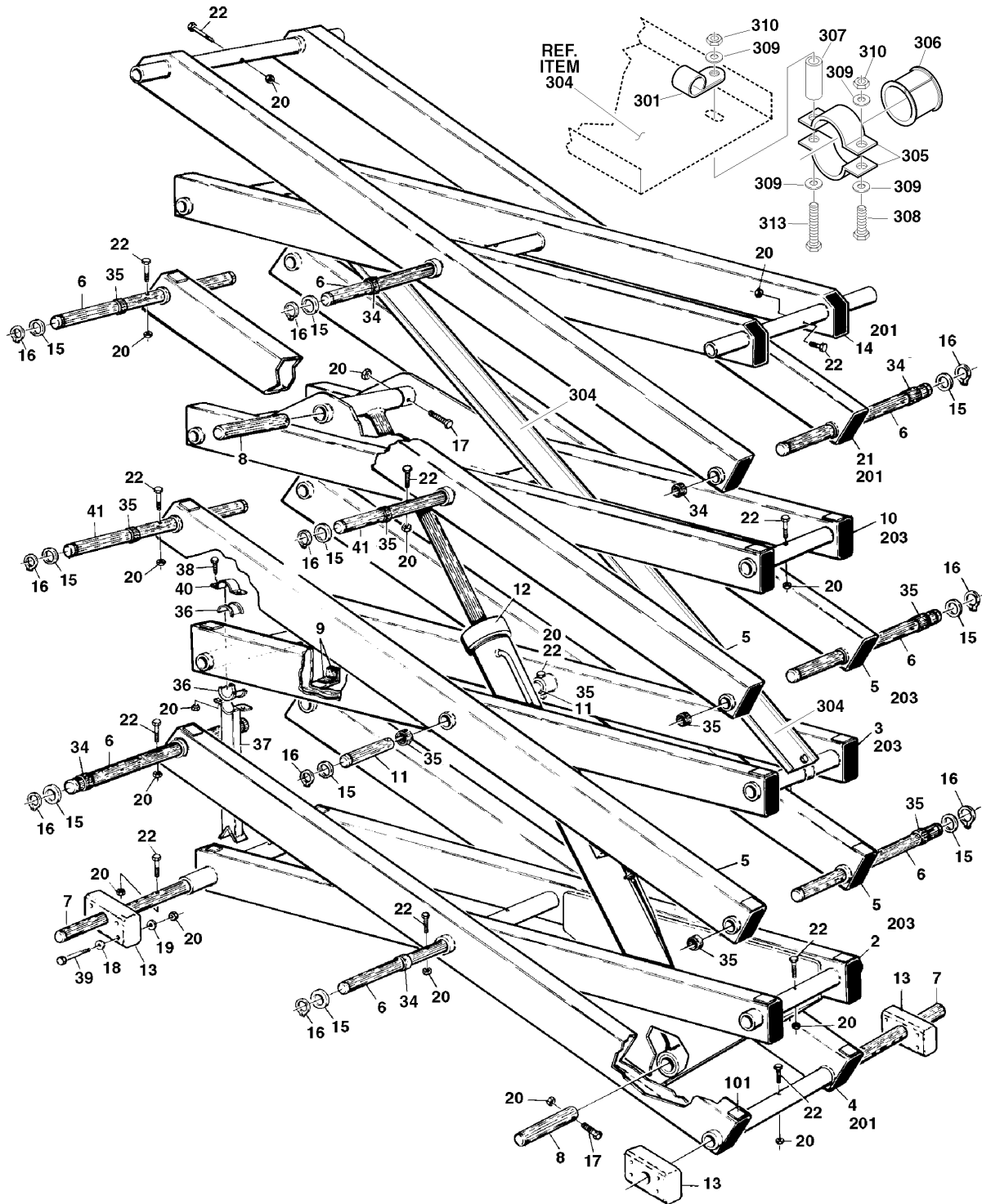
FIGURE 3-2. SCISSOR ARMS INSTALLATION - 1532E (GRAVITY DOWN MACHINES)

FIG & ITEM #	PART NUMBER	DESCRIPTION	QTY.	REV.

**S  
E  
C  
T  
I  
O  
N  
  
3  
  
S  
C  
I  
S  
S  
O  
R  
  
A  
R  
M  
S**

# SECTION 3 SCISSOR ARMS

FIGURE 3-3. SCISSOR ARMS INSTALLATION - 1932E (POWER DOWN MACHINES)





# SECTION 3 SCISSOR ARMS

**FIGURE 3-3. SCISSOR ARMS INSTALLATION - 1932E (POWER DOWN MACHINES)**

FIG & ITEM #	PART NUMBER	DESCRIPTION	QTY.	REV.
	0255751	<b>COMMON MACHINES</b>	Ref.	11/L
	0256537	<b>CANADIAN MACHINES</b>	Ref.	9/J
		<b>Note: To determine Power or Gravity Down refer to page A.</b>		
1	Not Used			
2	0200538	Arm Weldment (Bottom Inboard)	1	
3	0200539	Arm Weldment (Lower Mid Inboard)	1	
4	0200540	Arm Weldment (Bottom Outboard)	1	
5	0200541	Arm Weldment (Lower and Upper Mid Outboard)	4	
6	3422494	Pin	7	
7	3422495	Pin	2	
8	3422496	Pin	2	
9	3340645	Pad, Polyurethane	3	
10	0200542	Arm Weldment (Upper Mid Inboard)	1	
11	3422488	Pin	2	
12		Lift Cylinder Assembly (See Section 5 for Breakdown)	1	
	1683377	Prior to S/N27181		
	1683475	S/N27181 to Present		
13	3340784	Pad, Slide (Prior to S/N 29098)	4	
	3340629	Pad, Slide (S/N 29098 to Present)	4	
14	0200543	Arm Weldment (Top Inboard)	1	
15	4740438	Washer, Special	14	
16	3760387	Ring, Retaining	14	
17	0641522	Bolt 5/16"-18NC x 2 3/4"	12	
18	4711500	Flatwasher 5/16" Narrow	8	
19	4751500	Flatwasher 5/16" Regular	8	
20	3311505	Locknut 5/16"-18NC	24	
21	0200544	Arm Weldment (Top Outboard)	1	
22	0641520	Bolt 5/16"-18NC x 2 1/2"	12	
23 to 33	Not Used			
34	0962010	Bushing, Garmax (4 Per Weldment)	4	
35	0962010	Bushing, Garmax (3 Per Weldment)	12	
36	0962015	Bushing, Split (Prior to S/N 28355)	1	
	4240125	Bushing, Split (S/N 28355 to Present)	1	
37	4845040	Prop, Safety (Prior to S/N 28355)	1	
	4845431	Prop, Safety (S/N 28355 to Present)	1	
38	0641508	Bolt 5/16"-18NC x 1"	2	
39	0641524	Bolt 5/16"-18NC x 3"	8	
40	4240114	Strap (Prior to S/N 28355)	1	
	4240128	Strap (S/N 28355 to Present)	1	
41		Pin Options:	2	
	3422494	Common		
	3422596	Canada Only		
		-----		
	2901367	Arm Kit - 1932E (Includes #s 2-5, 10, 14, 21 & 37)	1	A
	0252587	<b>ARM PADS INSTALLATION</b>	Ref.	-
101	3340645	Pad	24	

SECTION 3 SCISSOR ARMS

# SECTION 3 SCISSOR ARMS

**FIGURE 3-3. SCISSOR ARMS INSTALLATION - 1932E (POWER DOWN MACHINES)**

FIG & ITEM #	PART NUMBER	DESCRIPTION	QTY.	REV.
		<b>Note: To determine Power or Gravity Down refer to page A.</b>		
	0256387	<b>ARM CAPS INSTALLATION</b>	Ref.	—
201	1120480	Cap	8	
202	Not Used			
203	1120479	Cap	24	
	0256528	<b>CABLE/HOSE TRAY INSTALLATION</b>	Ref.	6/F
301	1320224	Clamp, Loop 5/8"	12	
302	3941406	Screw, Self-Tapping (Not Shown - Used with Item 2)	9	
303	4240018	Tie-Strap 15"/38cm(Not Shown)	12	
304	3539796	Tray	1	
305	4240114	Strap (Requires Bushing #306) (Prior to S/N 28355)	4	
	4240125	Strap (Does NOT Require Bushing) (S/N 28355 to Present)	4	
306	0962015	Bushing, Split (Prior to S/N 28355 Only)	2	
307	4565665	Spacer, Tube (Prior to S/N 31100)	2	
	4567167	Spacer, Tube (S/N 31100 to Present)	2	
308	0641406	Bolt 1/4"-20NC x 3/4"	2	
309	4711400	Flatwasher 1/4" Narrow	9	
310	3311405	Locknut 1/4"-20NC	4	
311	4240033	Tie-Strap 7.5"/19cm (Not Shown)	20	
312	4460328	Connector, Strain Relief (Not Shown - Located on Platform)	1	
313	0641420	Bolt 1/4"-20NC x 2 1/2"	2	
314	4240127	Tie-Strap 21"/53cm (Not Shown)	4	

**SECTION 3 SCISSOR ARMS**

# SECTION 3 SCISSOR ARMS

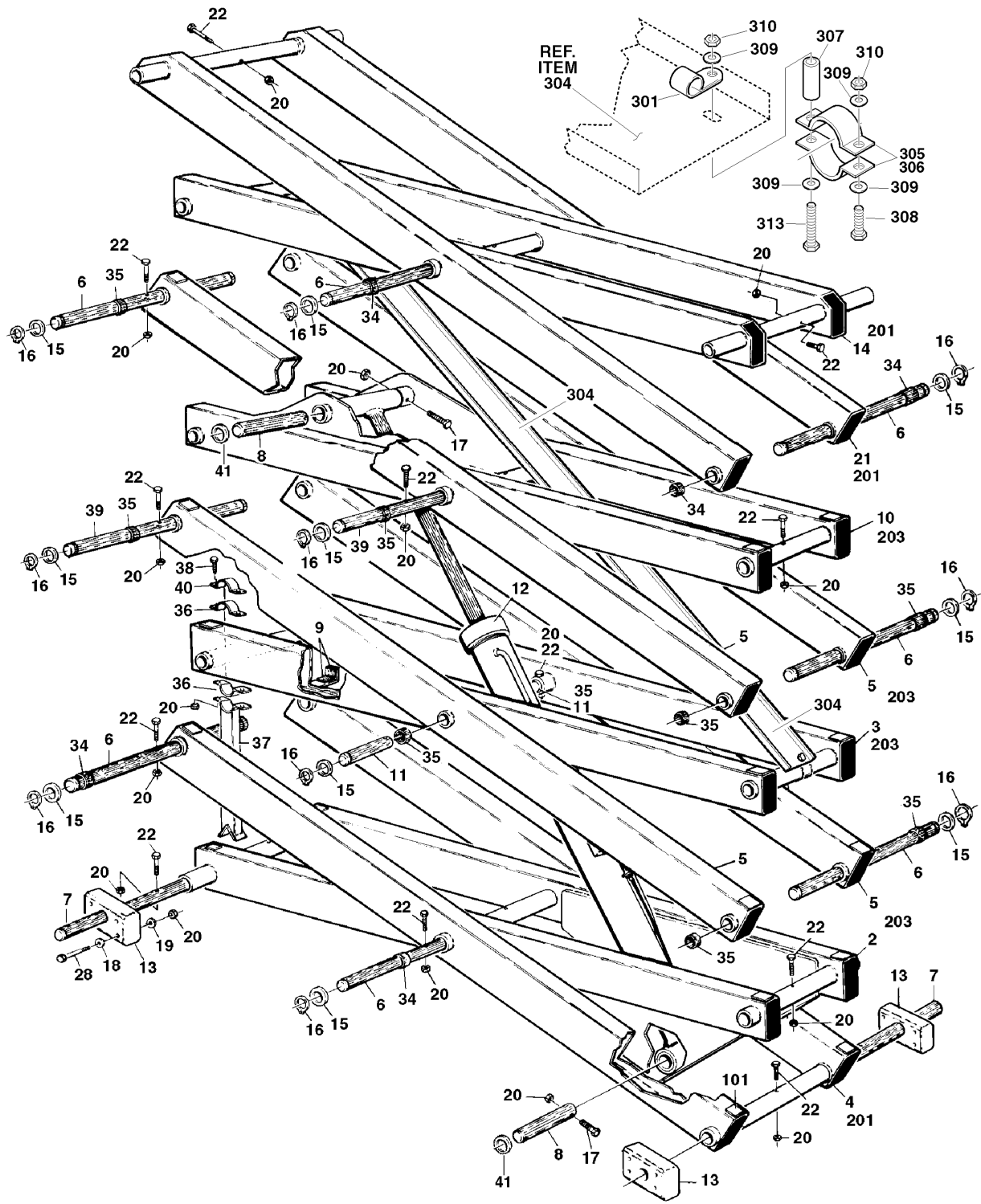
FIGURE 3-3. SCISSOR ARMS INSTALLATION - 1932E (POWER DOWN MACHINES)

FIG & ITEM #	PART NUMBER	DESCRIPTION	QTY.	REV.

**S  
E  
C  
T  
I  
O  
N  
  
3  
  
S  
C  
I  
S  
S  
O  
R  
  
A  
R  
M  
S**

# SECTION 3 SCISSOR ARMS

FIGURE 3-4. SCISSOR ARMS INSTALLATION - 1932E (GRAVITY DOWN MACHINES)



SECTION 3 SCISSOR ARMS

# SECTION 3 SCISSOR ARMS

**FIGURE 3-4. SCISSOR ARMS INSTALLATION - 1932E (GRAVITY DOWN MACHINES)**

FIG & ITEM #	PART NUMBER	DESCRIPTION	QTY.	REV.
	0257116	<b>COMMON MACHINES</b>	Ref.	6/C
	0257117	<b>CANADIAN MACHINES</b>	Ref.	6/C
		<b>Note: To determine Power or Gravity Down refer to page A.</b>		
1	Not Used			
2	0200538	Arm Weldment (Bottom Inboard)	1	
3	0200539	Arm Weldment (Lower Mid Inboard)	1	
4	0200540	Arm Weldment (Bottom Outboard)	1	
5	0200541	Arm Weldment (Lower and Upper Mid Outboard)	4	
6	3422494	Pin	7	
7	3422495	Pin	2	
8	3422496	Pin	2	
9		Pad Options:	3	
	3340645	Prior to S/N 47288 (Polyurethane)		
	3340841	S/N 47288 to Present (PVC)		
10	0200542	Arm Weldment (Upper Mid Inboard)	1	
11	3422488	Pin	2	
12	1683500	Lift Cylinder Assembly (See Section 5 for Breakdown)	1	
13	3340629	Pad, Slide	4	
14	0200543	Arm Weldment (Top Inboard)	1	
15	4740438	Washer, Special	20	
16	3760387	Ring, Retaining	20	
17	0641522	Bolt 5/16"-18NC x 2 3/4"	2	
18	4711500	Flatwasher 5/16" Narrow	8	
19	4751500	Flatwasher 5/16" Regular	8	
20	3311505	Locknut 5/16"-18NC	24	
21	0200544	Arm Weldment (Top Outboard)	1	
22	0641520	Bolt 5/16"-18NC x 2 1/2"	12	
23 to 27	Not Used			
28	0641524	Bolt 5/16"-18NC x 3"	8	
29 to 33	Not Used			
34	0962010	Bushing, Garmax	8	
35	0962010	Bushing, Garmax	12	
36	4240125	Bushing, Split	1	
37	4845475	Prop, Safety	1	
38	0641508	Bolt 5/16"-18NC x 1"	2	
39		Pin Options:	2	
	3422494	Common		
	3422596	Canada Only		
40	4240128	Strap	1	
41	4740307	Shim	2	
	2901502	----- Arm Kit - 1932E (Includes items 2-5, 10, 14, 21 & 37)	1	1/A
	0252587	<b>ARM PADS INSTALLATION</b>	Ref.	3
101		Pad Options:	24	
	3340645	Prior to S/N 47288 (Polyurethane)		
	3340841	S/N 47288 to Present (PVC)		

SECTION 3 SCISSOR ARMS

# SECTION 3 SCISSOR ARMS

**FIGURE 3-4. SCISSOR ARMS INSTALLATION - 1932E (GRAVITY DOWN MACHINES)**

FIG & ITEM #	PART NUMBER	DESCRIPTION	QTY.	REV.
	0256387	<b>Note: To determine Power or Gravity Down refer to page A. ARM CAPS INSTALLATION</b>	Ref.	2
201	1120480	Cap	8	
202	Not Used			
203	1120479	Cap	24	
204	0100080	Adhesive (Not Shown)	A/R	
	0256528	<b>CABLE/HOSE TRAY INSTALLATION</b>	Ref.	10/1
301	1320224	Clamp, Loop 5/8"	11	
302	3941406	Screw, Self-Tapping (Not Shown - Used with Item 2)	8	
303	4240018	Tie-Strap 15"/38cm(Not Shown) (Prior to S/N 38168)	12	
304	3539796	Tray	1	
305	4240125	Strap	4	
306	4240128	Strap (S/N 57976 to Present Only)	4	
307	4567167	Spacer, Tube	2	
308	0641408	Bolt 1/4"-20NC x 1"	2	
309	4711400	Flatwasher 1/4" Narrow	6	
310	3311405	Locknut 1/4"-20NC	4	
311	4240033	Tie-Strap 7.5"/19cm (Not Shown)	20	
312	4460328	Connector, Strain Relief (Not Shown - Located On Platform) (Prior to S/N 45030)	1	
	4460071	Connector, Strain Relief (Not Shown - Located On Platform) (S/N 45030 to Present)	1	
313	0641422	Bolt 1/4"-20NC x 2 3/4"	2	
314	4240127	Tie-Strap 21"/53cm (Not Shown)	4	
315	4060807	Shield, Trim Edge (Not Shown - Located on Frame)	1ft/30.5m	
316	1320095	Clamp (Not Shown)	1	
317	1320061	Clamp (Not Shown) (Prior to S/N 38168)	3	

**SECTION 3 SCISSOR ARMS**

# SECTION 3 SCISSOR ARMS

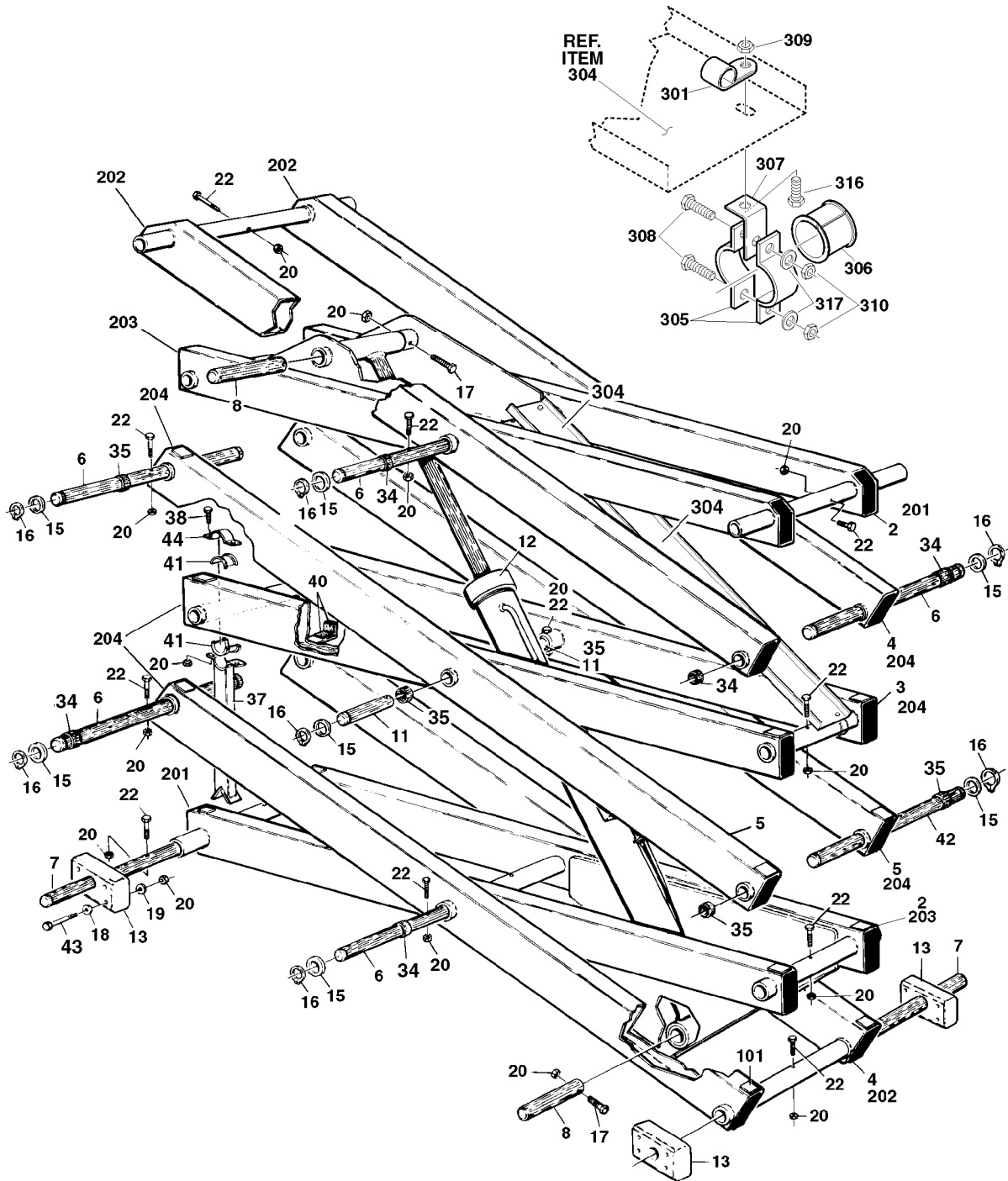
FIGURE 3-4. SCISSOR ARMS INSTALLATION - 1932E (GRAVITY DOWN MACHINES)

FIG & ITEM #	PART NUMBER	DESCRIPTION	QTY.	REV.

**S  
E  
C  
T  
I  
O  
N  
  
3  
  
S  
C  
I  
S  
S  
O  
R  
  
A  
R  
M  
S**

# SECTION 3 SCISSOR ARMS

FIGURE 3-5. SCISSOR ARMS INSTALLATION - 2033E/2046E (POWER DOWN MACHINES)



SECTION 3 SCISSOR ARMS



# SECTION 3 SCISSOR ARMS

**FIGURE 3-5. SCISSOR ARMS INSTALLATION - 2033E/2046E (POWER DOWN MACHINES)**

FIG & ITEM #	PART NUMBER	DESCRIPTION	QTY.	REV.
	0255571	<b>COMMON MACHINES</b>	Ref.	11
	0256381	<b>CANADIAN MACHINES</b>	Ref.	8
		<b>Note: To determine Power or Gravity Down refer to page A.</b>		
1	Not Used			
2	0200531	Arm Weldment (Top and Bottom Inboard)	2	
3	0200532	Arm Weldment (Mid Inboard)	1	
4	0200533	Arm Weldment (Top and Bottom Outboard)	2	
5	0200534	Arm Weldment (Mid Outboard)	2	
6	3422483	Pin	5	
7	3422484	Pin	2	
8	3422485	Pin	2	
9 to 10	Not Used			
11	3422488	Pin	2	
12		Lift Cylinder Assembly (See Section 5 for Breakdown)	1	
	1683352	Prior to S/N27085		
	1683473	S/N27085 to Present		
13	3340784	Pad, Slide Block (Prior to S/N 29022)	4	
	3340629	Pad, Slide Block (S/N 29022 to Present)	4	
14	Not Used			
15	4740438	Washer, Special	14	
16	3760387	Ring, Retaining	14	
17	0641522	Bolt 5/16"-18NC x 2 3/4"	2	
18	4711500	Flatwasher 5/16" Narrow	8	
19	4751500	Flatwasher 5/16" Regular	8	
20	3311505	Locknut 5/16"-18NC	24	
21	Not Used			
22	0681520	Bolt 5/16"-18NC x 2 1/2" Grade 8	12	
23 to 33	Not Used			
34	0962010	Bushing, Garmax (4 Per Weldment)	8	
35	0962010	Bushing, Garmax (3 Per Weldment)	6	
36	Not Used			
37	4845040	Prop, Safety (Prior to S/N 28355)	1	
	4845431	Prop, Safety (S/N 28355 to Present)	1	
38	0641508	Bolt 5/16"-18NC x 1"	2	
39	Not Used			
40	3340645	Pad	3	
41	0962015	Bushing, Split (Prior to S/N 28355)	1	
	4240125	Bushing, Split (S/N 28355 to Present)	1	
42	3422483	Pin (Common)	1	
	3422587	Pin (Canada Only)	1	
43	0641524	Bolt 5/16"-18NC x 3"	8	
44	4240114	Strap (Prior to S/N 28355)	1	
	4240128	Strap (S/N 28355 to Present)	1	
		-----		
	2901340	Arm Kit - 2033E/2046E (Includes Items 2-5 & 37)	1	A
	0252586	<b>ARM PADS INSTALLATION</b>	Ref.	-
101	3340645	Pad	16	

SECTION 3 SCISSOR ARMS

# SECTION 3 SCISSOR ARMS

**FIGURE 3-5. SCISSOR ARMS INSTALLATION - 2033E/2046E (POWER DOWN MACHINES)**

FIG & ITEM #	PART NUMBER	DESCRIPTION	QTY.	REV.
		<b>Note: To determine Power or Gravity Down refer to page A.</b>		
	0256063	<b>ARM CAPS INSTALLATION</b>	Ref.	
201	1120474	Cap	4	
202	1120475	Cap	4	
203	1120472	Cap	4	
204	1120473	Cap	12	
	0256509	<b>CABLE/HOSE TRAY INSTALLATION</b>	Ref.	5/E
301	1320224	Clamp, Loop 5/8"	13	
302	3941406	Screw, Self-Tapping (Not Shown - Used with Item 2)	8	
303	4240018	Tie-Strap 15"/38cm (Not Shown)	12	
304	3539264	Tray	1	
305	4240114	Strap (Requires Bushing #306) (Prior to S/N 28355)	4	
	4240125	Strap (Does NOT Require Bushing) (S/N 28355 to Present)	4	
306	0962015	Bushing, Split (Prior to S/N 28355 Only)	2	
307	4240116	Strap, Mounting Angle	3	
308	0641508	Bolt 5/16"-18NC x 1"	4	
309	3311405	Locknut 1/4"-20NC	2	
310	3311505	Locknut 5/16"-18NC	4	
311	4240033	Tie-Strap 7.5"/19cm(Not Shown)	24	
312	4460328	Connector, Strain Relief (Not Shown - Located on Platform)	1	
313	4240127	Tie-Strap 21"/53cm (Not Shown)	4	
314 to 315	Not Used			
316	0641406	Bolt 1/4"-20 x 3/4"	2	
317	4711500	Flatwasher 5/16"	8	

**SECTION 3 SCISSOR ARMS**

# SECTION 3 SCISSOR ARMS

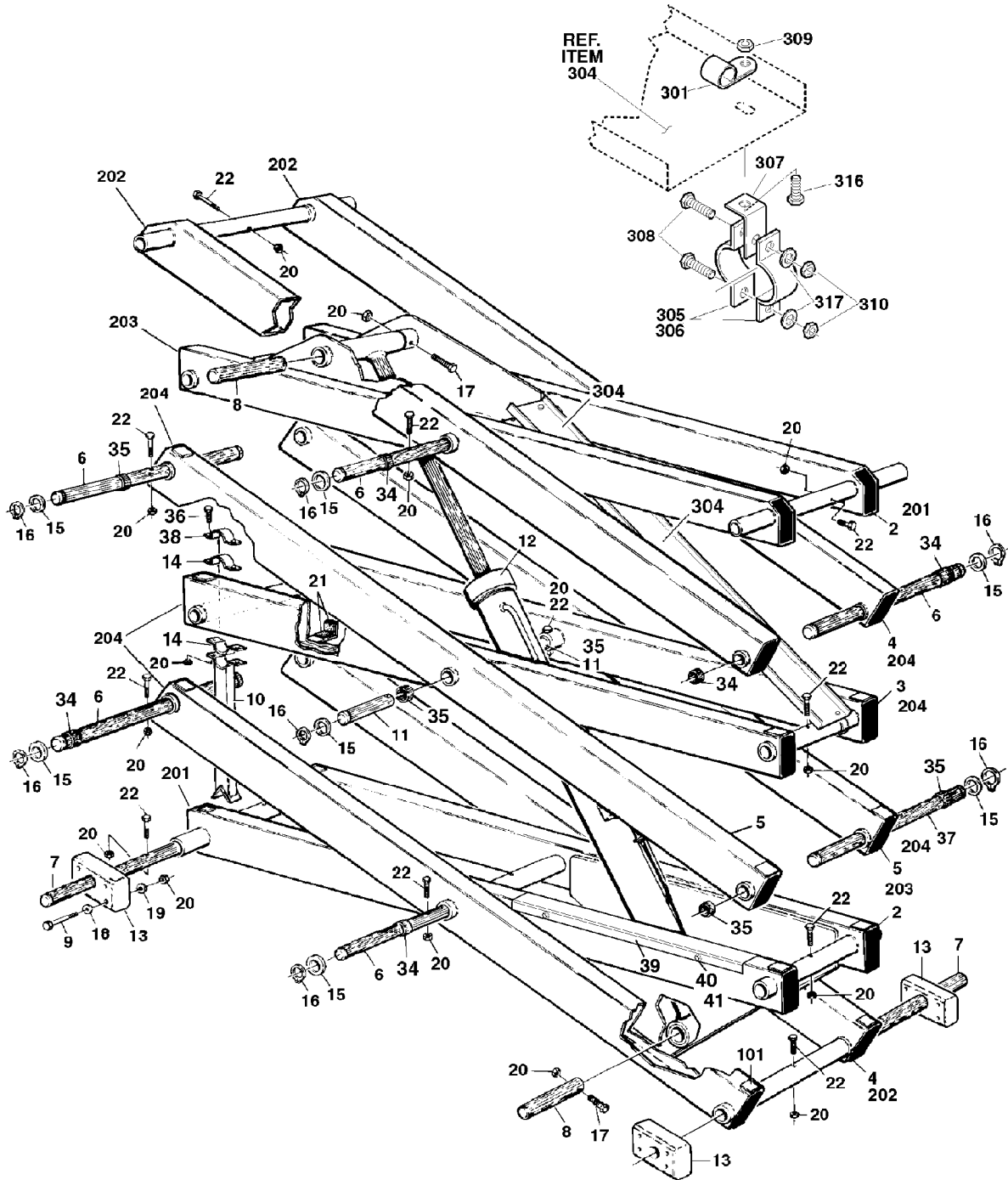
FIGURE 3-5. SCISSOR ARMS INSTALLATION - 2033E/2046E (POWER DOWN MACHINES)

FIG & ITEM #	PART NUMBER	DESCRIPTION	QTY.	REV.

**S  
E  
C  
T  
I  
O  
N  
  
3  
  
S  
C  
I  
S  
S  
O  
R  
  
A  
R  
M  
S**

# SECTION 3 SCISSOR ARMS

FIGURE 3-6. SCISSOR ARMS INSTALLATION - 2033E/2046E (GRAVITY DOWN MACHINES)



SECTION 3 SCISSOR ARMS

# SECTION 3 SCISSOR ARMS

**FIGURE 3-6. SCISSOR ARMS INSTALLATION - 2033E/2046E (GRAVITY DOWN MACHINES)**

FIG & ITEM #	PART NUMBER	DESCRIPTION	QTY.	REV.
	0257118	<b>COMMON MACHINES</b>	Ref.	4
	0257119	<b>CANADIAN MACHINES</b>	Ref.	4
	0257640	<b>JAPANESE MACHINES</b>	Ref.	4
		<b>Note: To determine Power or Gravity Down refer to page A.</b>		
1	Not Used			
2	0200531	Arm Weldment (Top and Bottom Inboard) (Standard)	2	
	0200531	Arm Weldment (Top Inboard) (Japanese Spec)	1	
	0200564	Arm Weldment (Bottom Inboard) (Japanese Spec)	1	
3	0200532	Arm Weldment (Mid Inboard)	1	
4	0200533	Arm Weldment (Top and Bottom Outboard)	2	
5	0200534	Arm Weldment (Mid Outboard)	2	
6	3422483	Pin	5	
7	3422484	Pin	2	
8	3422485	Pin	2	
9	0641524	Bolt 5/16"-18NC x 3"	8	
10	4845475	Prop, Safety	1	
11	3422488	Pin	2	
12	1683501	Lift Cylinder Assembly (See Section 5 for Breakdown)	1	
13	3340629	Pad, Slide Block	4	
14	4240125	Bushing, Split	1	
15	4740438	Washer, Special	14	
16	3760387	Ring, Retaining	14	
17	0641522	Bolt 5/16"-18NC x 2 3/4"	2	
18	4711500	Flatwasher 5/16" Narrow	8	
19	4751500	Flatwasher 5/16" Regular	8	
20	3311505	Locknut 5/16"-18NC	24	
21		Pad Options:	3	
	3340645	Prior to S/N 47288 (Polyurethane)		
	3340841	S/N 47288 to Present (PVC)		
22	0681520	Bolt 5/16"-18NC x 2 1/2" Grade 8	12	
23 to 33	Not Used			
34	0962010	Bushing, Garmax	8	
35	0962010	Bushing, Garmax	6	
36	0641508	Bolt 5/16"-18NC x 1"	2	
37	3422483	Pin (Common)	1	
	3422587	Pin (Canada Only)	1	
38	4240128	Strap	1	
39	1670837	Cover, Arm (Japanese Spec)	1	
40	4711400	Flatwasher (Japanese Spec)	4	
41	3941406	Self Tapping 1/4" (Japanese Spec)	4	
	2901503	Arm Kit - 2033E/2046E (Includes Items 2-5 & 10)	1	A
	2901524	Arm Kit - 2033E/2046E (Includes Items 2-5 & 10) (Japanese Spec)	1	A
	0252586	<b>ARM PADS INSTALLATION</b>	Ref.	3
101		Pad Options:	16	
	3340645	Prior to S/N 47288 (Polyurethane)		
	3340841	S/N 47288 to Present (PVC)		

SECTION 3 SCISSOR ARMS

# SECTION 3 SCISSOR ARMS

**FIGURE 3-6. SCISSOR ARMS INSTALLATION - 2033E/2046E (GRAVITY DOWN MACHINES)**

FIG & ITEM #	PART NUMBER	DESCRIPTION	QTY.	REV.
		<b>Note: To determine Power or Gravity Down refer to page A.</b>		
	0256063	<b>ARM CAPS INSTALLATION</b>	Ref.	
201	1120474	Cap	4	
202	1120475	Cap	4	
203	1120472	Cap	4	
204	1120473	Cap	12	
205	0100080	Adhesive (Not Shown)	A/R	
	0256509	<b>CABLE/HOSE TRAY INSTALLATION</b>	Ref.	9/G
301	1320224	Clamp, Loop 5/8"	13	
302	3941406	Screw, Self-Tapping (Not Shown - Used with Item 2)	8	
303	4240018	Tie-Strap 15"/38cm (Not Shown)	12	
304	3539264	Tray	1	
305	4240125	Strap	4	
306	4240128	Strap (S/N 57976 to Present Only)	4	
307	4240116	Strap, Mounting Angle	2	
308	0641510	Bolt 5/16"-18NC x 1 1/4"	4	
309	3311405	Locknut 1/4"-20NC	2	
310	3311505	Locknut 5/16"-18NC	4	
311	4240033	Tie-Strap 7.5"/19cm (Not Shown)	24	
312	4460328	Connector, Strain Relief (Not Shown - Located On Platform) (Prior to S/N 45030)	1	
	4460071	Connector, Strain Relief (Not Shown - Located On Platform) (S/N 45030 to Present)	1	
313	4240127	Tie-Strap 21"/53cm (Not Shown)	4	
314	4060807	Shield, Trim Edge (Not Shown - Located on Frame)	1ft/30.5m	
315	1320095	Clamp (Not Shown)	2	
316	0641406	Bolt 1/4"-20NC x 3/4"	2	
317	4711500	Flatwasher 5/16" Narrow	8	

**SECTION 3 SCISSOR ARMS**

# SECTION 3 SCISSOR ARMS

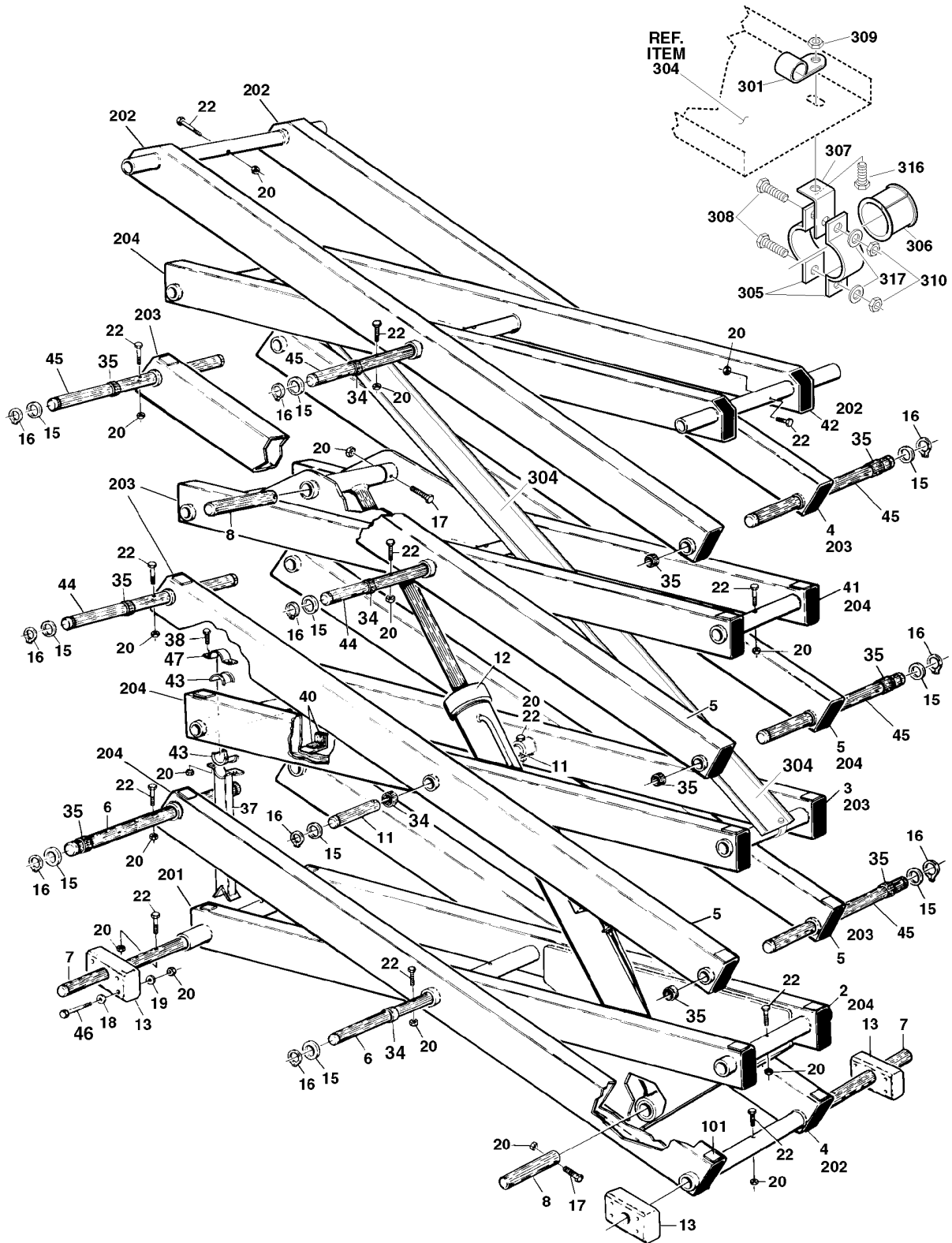
FIGURE 3-6. SCISSOR ARMS INSTALLATION - 2033E/2046E (GRAVITY DOWN MACHINES)

FIG & ITEM #	PART NUMBER	DESCRIPTION	QTY.	REV.

**S  
E  
C  
T  
I  
O  
N  
  
3  
  
S  
C  
I  
S  
S  
O  
R  
  
A  
R  
M  
S**

# SECTION 3 SCISSOR ARMS

FIGURE 3-7. SCISSOR ARMS INSTALLATION - 2646E/2658E (POWER DOWN MACHINES)



SECTION 3 SCISSOR ARMS



# SECTION 3 SCISSOR ARMS

**FIGURE 3-7. SCISSOR ARMS INSTALLATION - 2646E/2658E (POWER DOWN MACHINES)**

FIG & ITEM #	PART NUMBER	DESCRIPTION	QTY.	REV.
	0255618	<b>Note: To determine Power or Gravity Down refer to page A.</b>		
	0256380	<b>COMMON MACHINES</b>	Ref.	1
	Not Available	<b>CANADIAN MACHINES</b>	Ref.	1
		<b>JAPANESE MACHINES</b>	Ref.	
1	Not Used			
2	0200531	Arm Weldment (Bottom Inboard)	1	
3	0200532	Arm Weldment (Lower Mid Inboard)	1	
4	0200533	Arm Weldment (Bottom and Top Outboard)	2	
5	0200537	Arm Weldment (Lower and Upper Mid Outboard)	4	
6	3422483	Pin	2	
7	3422484	Pin	2	
8	3422485	Pin	2	
9 to 10	Not Used			
11	3422488	Pin	2	
12		Lift Cylinder Assembly (See Section 5 for Breakdown)	1	
	1683363	Prior to S/N26916		
	1683474	S/N26916 to Present		
13	3340784	Pad, Slide Block (Prior to S/N 28909)	4	
	3340629	Pad, Slide Block (S/N 28909 to Present)	4	
14	Not Used			
15	4740438	Washer, Special	14	
16	3760387	Ring, Retaining	14	
17	0641522	Bolt 5/16"-18NC x 2 3/4"	2	
18	4711500	Flatwasher 5/16" Narrow	8	
19	4751500	Flatwasher 5/16" Regular	8	
20	3311505	Locknut 5/16"-18NC	24	
21	Not Used			
22	0681520	Bolt 5/16"-18NC x 2 1/2" Grade 8	12	
23 to 33	Not Used			
34	0962010	Bushing, Garmax	8	
35	0962010	Bushing, Garmax	12	
36	Not Used			
37	4845040	Prop, Safety (Prior to S/N 28355)	1	
	4845431	Prop, Safety (S/N 28355 to Present)	1	
38	0641508	Bolt 5/16"-18NC x 1"	2	
39	Not Used			
40	3340645	Pad	24	
41	0200535	Arm Weldment (Upper Mid Inboard)	1	
42	0200536	Arm Weldment (Top Inboard)	1	
43	0962015	Bushing, Split (Prior to S/N 28355)	1	
	4240125	Bushing, Split (S/N 28355 to Present)	1	
44	3422597	Pin (Common)	2	
	3422589	Pin (Canada Only)	2	
45	3422483	Pin (Common)	5	
	3422587	Pin (Canada Only)	5	
46	0641524	Bolt 5/16"-18NC x 3"	8	
47	4240114	Strap (Prior to S/N 28355)	1	
	4240128	Strap (S/N 28355 to Present)	1	
	2901352	Arm Kit - 2646E/2658E (Includes Items 2-5, 10, 14, 21 & 37)	1	A

**SECTION 3 SCISSOR ARMS**

# SECTION 3 SCISSOR ARMS

**FIGURE 3-7. SCISSOR ARMS INSTALLATION - 2646E/2658E (POWER DOWN MACHINES)**

FIG & ITEM #	PART NUMBER	DESCRIPTION	QTY.	REV.
		<b>Note: To determine Power or Gravity Down refer to page A.</b>		
	0252587	<b>ARM PADS INSTALLATION</b>	Ref.	—
101	3340645	Pad	24	
	0256064	<b>ARM CAPS INSTALLATION</b>	Ref.	—
201	1120474	Cap	2	
202	1120475	Cap	6	
203	1120472	Cap	14	
204	1120473	Cap	10	
	0256510	<b>CABLE/HOSE TRAY INSTALLATION</b>	Ref.	5/E
301	1320224	Clamp, Loop 5/8"	17	
302	3941406	Screw, Self-Tapping (Not Shown - Used with Item 2)	8	
303	4240018	Tie-Strap 15"/38cm(Not Shown)	16	
304	3539265	Tray	1	
305	4240114	Strap (Requires Bushing #306) (Prior to S/N 28355)	4	
	4240125	Strap (Does NOT Require Bushing) (S/N 28355 to Present)	4	
306	0962015	Bushing, Split (Prior to S/N 28355 Only)	2	
307	4240116	Strap, Mounting Angle	3	
308	0641510	Bolt 5/16"-18NC x 1 1/4"	4	
309	3311405	Locknut 1/4"-20NC	2	
310	3311505	Locknut 5/16"-18NC	4	
311	4240033	Tie-Strap 7.5"/19cm (Not Shown)	30	
312	4460328	Connector, Strain Relief (Not Shown - Located on Platform)	1	
313	4240127	Tie-Strap 21"/53cm (Not Shown)	4	
314 to 315	Not Used			
316	0641406	Bolt 1/4"-20 x 3/4"	2	
317	4711500	Flatwasher 5/16"	8	

**SECTION 3 SCISSOR ARMS**

# SECTION 3 SCISSOR ARMS

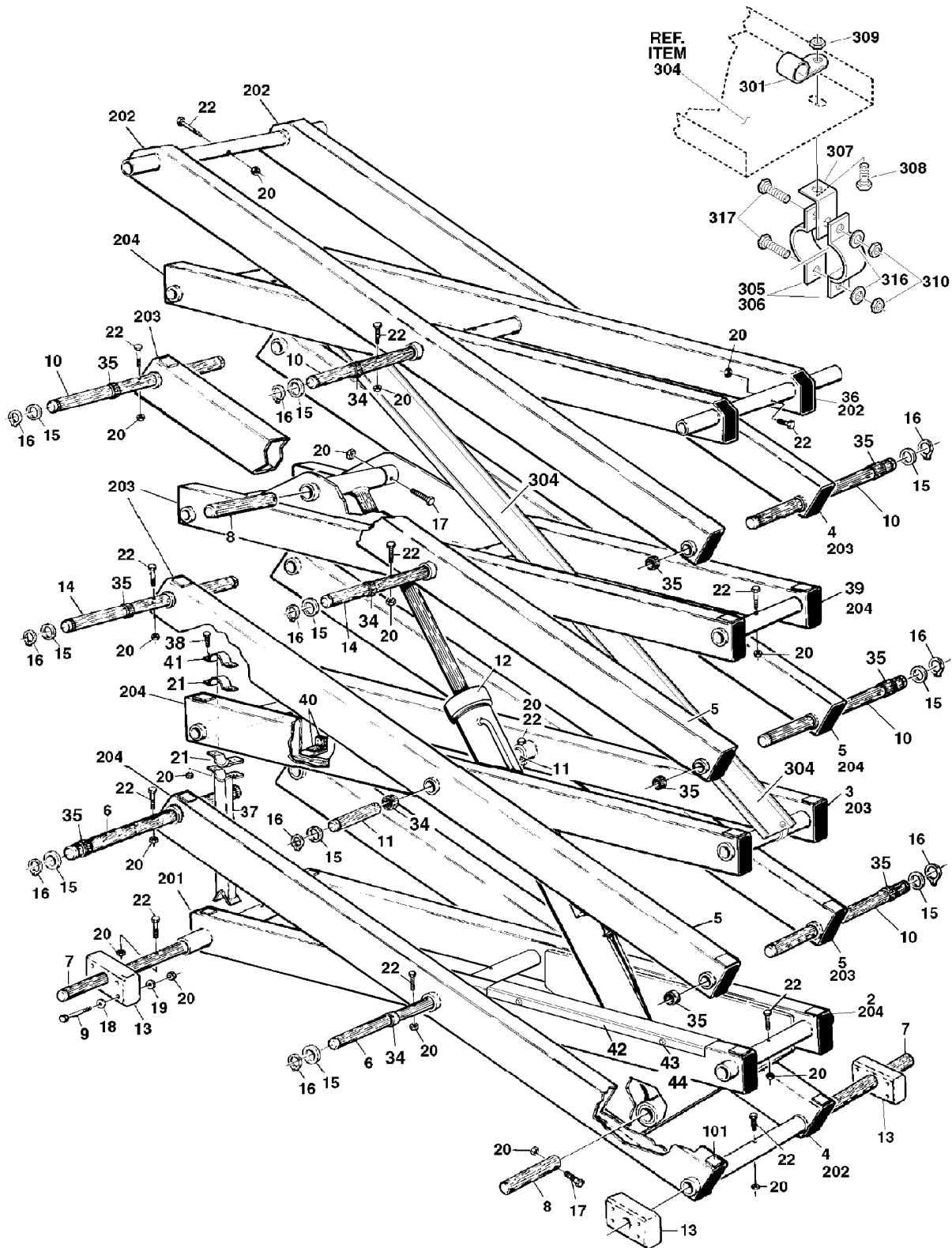
FIGURE 3-7. SCISSOR ARMS INSTALLATION - 2646E/2658E (POWER DOWN MACHINES)

FIG & ITEM #	PART NUMBER	DESCRIPTION	QTY.	REV.

**S  
E  
C  
T  
I  
O  
N  
  
3  
  
S  
C  
I  
S  
S  
O  
R  
  
A  
R  
M  
S**

# SECTION 3 SCISSOR ARMS

FIGURE 3-8. SCISSOR ARMS INSTALLATION - 2646E/2658E (GRAVITY DOWN MACHINES)



SECTION 3 SCISSOR ARMS

# SECTION 3 SCISSOR ARMS

**FIGURE 3-8. SCISSOR ARMS INSTALLATION - 2646E/2658E (GRAVITY DOWN MACHINES)**

FIG & ITEM #	PART NUMBER	DESCRIPTION	QTY.	REV.
	0257120	<b>COMMON MACHINES</b>	Ref.	5
	0257121	<b>CANADIAN MACHINES</b>	Ref.	5
	0257641	<b>JAPANESE MACHINES</b>	Ref.	4
		<b>Note: To determine Power or Gravity Down refer to page A.</b>		
1	Not Used			
2	0200531	Arm Weldment (Bottom Inboard) (Standard)	1	
	0200564	Arm Weldment (Bottom Inboard) (Japanese Spec)	1	
3	0200532	Arm Weldment (Lower Mid Inboard)	1	
4	0200533	Arm Weldment (Bottom and Top Outboard)	2	
5	0200537	Arm Weldment (Lower and Upper Mid Outboard)	4	
6	3422483	Pin	2	
7	3422484	Pin	2	
8	3422485	Pin	2	
9	0641524	Bolt 5/16"-18NC x 3"	8	
10	3422483	Pin (Common)	5	
	3422587	Pin (Canada Only)	5	
11	3422488	Pin	2	
12	1683502	Lift Cylinder Assembly (See Section 5 for Breakdown)	1	
13	3340629	Pad, Slide Block	4	
14	3422597	Pin (Common)	2	
	3422589	Pin (Canada Only)	2	
15	4740438	Washer, Special	20	
16	3760387	Ring, Retaining	20	
17	0641522	Bolt 5/16"-18NC x 2 3/4"	2	
18	4711500	Flatwasher 5/16" Narrow	8	
19	4751500	Flatwasher 5/16" Regular	8	
20	3311505	Locknut 5/16"-18NC	24	
21	4240125	Bushing, Split	1	
22	0681520	Bolt 5/16"-18NC x 2 1/2" Grade 8	12	
23 to 33	Not Used			
34	0962010	Bushing, Garmax	8	
35	0962010	Bushing, Garmax	12	
36	0200536	Arm Weldment (Top Inboard)	1	
37	4845475	Prop, Safety	1	
38	0641508	Bolt 5/16"-18NC x 1"	2	
39	0200535	Arm Weldment (Upper Mid Inboard)	1	
40		Pad Options:	3	
	3340645	Prior to S/N 47288 (Polyurethane)		
	3340841	S/N 47288 to Present (PVC)		
41	4240128	Strap	1	
42	1670837	Cover, Arm (Japanese Spec)	1	
43	4711400	Flatwasher (Japanese Spec)	4	
44	3941406	Self Tapping 1/4" (Japanese Spec)	4	
		-----		
	2901504	Arm Kit - 2646E/2658E (Includes Items 2-5, 36, 37 & 39)	1	1
	2901525	Arm Kit - 2033E/2046E (Includes Items 2-5, 36, 37 & 39) (Japanese Spec)	1	A
	0252587	<b>ARM PADS INSTALLATION</b>	Ref.	3
101		Pad Options:	24	
	3340645	Prior to S/N 47288 (Polyurethane)		
	3340841	S/N 47288 to Present (PVC)		

SECTION 3 SCISSOR ARMS

# SECTION 3 SCISSOR ARMS

**FIGURE 3-8. SCISSOR ARMS INSTALLATION - 2646E/2658E (GRAVITY DOWN MACHINES)**

FIG & ITEM #	PART NUMBER	DESCRIPTION	QTY.	REV.
		<b>Note: To determine Power or Gravity Down refer to page A.</b>		
	0256064	<b>ARM CAPS INSTALLATION</b>	Ref.	—
201	1120474	Cap	2	
202	1120475	Cap	6	
203	1120472	Cap	14	
204	1120473	Cap	10	
205	0100080	Adhesive (Not Shown)	A/R	
	0256510	<b>CABLE/HOSE TRAY INSTALLATION</b>	Ref.	9/G
301	1320224	Clamp, Loop 5/8"	17	
302	3941406	Screw, Self-Tapping (Not Shown - Used with Item 2)	8	
303	4240018	Tie-Strap 15"/38cm (Not Shown)	16	
304	3539265	Tray	1	
305	4240125	Strap	4	
306	4240128	Strap (S/N 57976 to Present Only)	4	
307	4240116	Strap, Mounting Angle	2	
308	0641406	Bolt 1/4"-20NC x 3/4"	6	
309	3311405	Locknut 1/4"-20NC	2	
310	3311505	Locknut 5/16"-18NC	4	
311	4240033	Tie-Strap 7.5"/19cm(Not Shown)	30	
312	4460328	Connector, Strain Relief (Not Shown - Located On Platform) (Prior to S/N 45030)	1	
	4460071	Connector, Strain Relief (Not Shown - Located On Platform) (S/N 45030 to Present)	1	
313	4240127	Tie-Strap 21"/53cm (Not Shown)	4	
314	4060807	Shield, Trim Edge (Not Shown - Located on Frame)	2	1ft/30.5m
315	1320095	Clamp (Not Shown)	2	
316	4711500	Flatwasher 5/16" Narrow	8	
317	0641510	Bolt 5/16"-18NC x 1 1/4"	2	

**SECTION 3 SCISSOR ARMS**

# SECTION 4 PLATFORM

<b>TABLE OF CONTENTS</b>		
<b>FIGURE</b>	<b>DESCRIPTION</b>	<b>PAGE</b>
4-1	PLATFORM INSTALLATION -MANUALLY OPERATED EXTENSION . . . . .	4-2
4-2	HANDRAILS AND EXTENSION INSTALLATION - STANDARD RAILS (MANUALLY OPERATED) (1532E/1932E) . . . . .	4-8
4-3	HANDRAILS AND EXTENSION INSTALLATION - STANDARD RAILS (MANUALLY OPERATED) (2033E/2046E/2646E/2658E) . . . . .	4-12
4-4	HANDRAILS AND EXTENSION INSTALLATION - FOLDDOWN RAILS (MANUALLY OPERATED) (1532E/1932E) . . . . .	4-18
4-5	HANDRAILS AND EXTENSION INSTALLATION - FOLDDOWN RAILS (MANUALLY OPERATED) (2033E/2046E/2646E/2658E) . . . . .	4-22
4-6	PLATFORM ASSEMBLY - POWER OPERATED (2033E/2046E/2646E/2658E) . . . . .	4-28
4-7	EXTENSION INSTALLATION - POWER OPERATED (2033E/2046E/2646E/2658E). . . . .	4-32
4-8	HANDRAILS INSTALLATION - POWER OPERATED PLATFORMS (2033E/2046E/2646E 2658E) . . . . .	4-36
4-9	HANDRAILS INSTALLATION - OPTIONAL FOLDDOWN RAILS POWER OPERATED PLATFORM) (2046E/2646E) . . . . .	4-40
4-10	PLATFORM CONSOLE BOX ASSEMBLY . . . . .	4-44
4-11	CONTROLLER ASSEMBLY - OEM . . . . .	4-48
4-12	CONTROLLER ASSEMBLY - PQ . . . . .	4-50

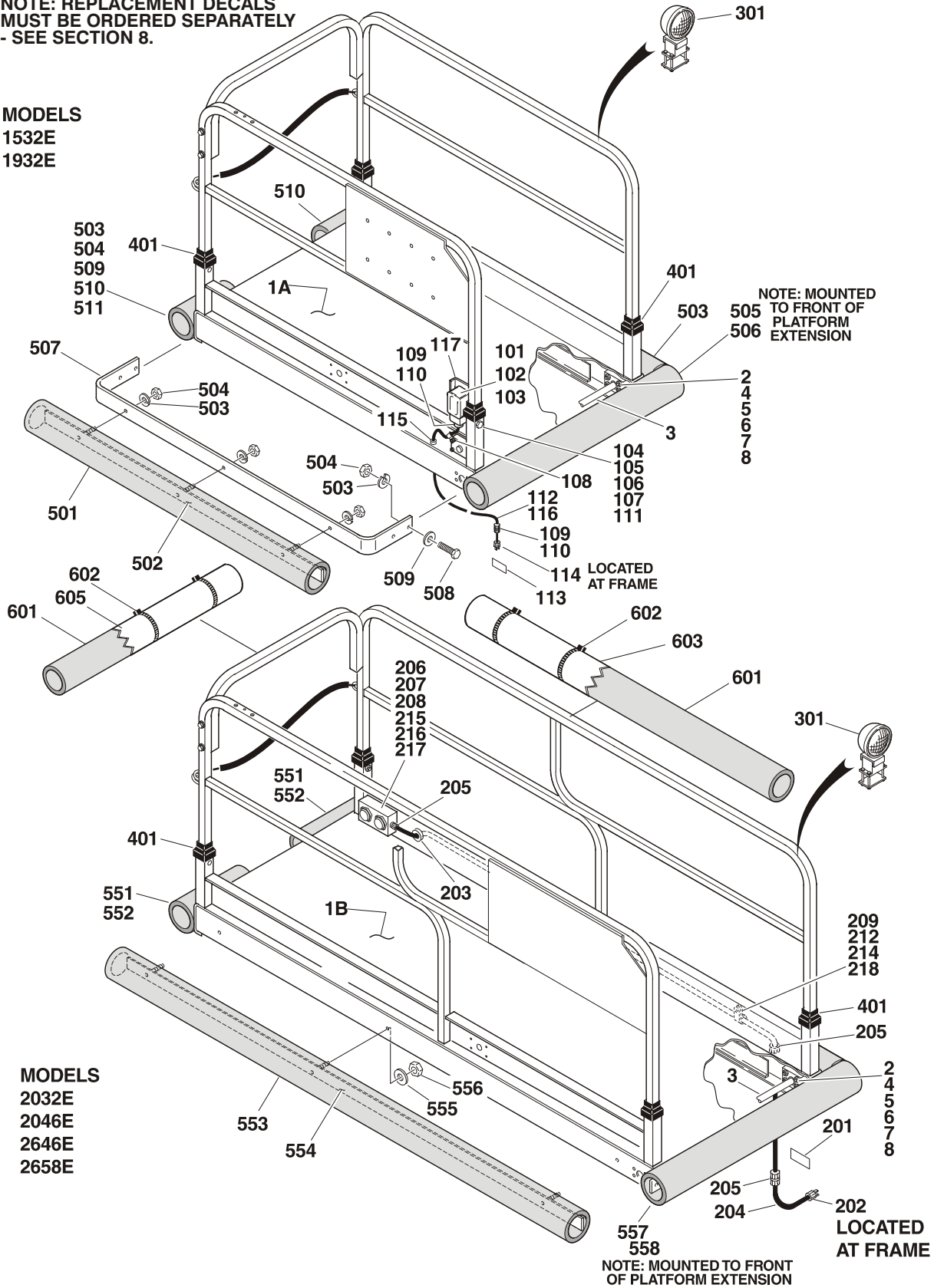
SECTION 4 PLATFORM

# SECTION 4 PLATFORM

FIGURE 4-1. PLATFORM INSTALLATION - MANUALLY OPERATED EXTENSION

NOTE: REPLACEMENT DECALS  
MUST BE ORDERED SEPARATELY  
- SEE SECTION 8.

MODELS  
1532E  
1932E



MODELS  
2032E  
2046E  
2646E  
2658E

SECTION 4 PLATFORM



# SECTION 4 PLATFORM

**FIGURE 4-1. PLATFORM INSTALLATION - MANUALLY OPERATED EXTENSION**

FIG & ITEM #	PART NUMBER	DESCRIPTION	QTY.	REV.
		<b>PLATFORM INSTALLATIONS</b>		
	0256410	<b>1532E Standard Platform</b>	Ref.	B
	0256842	<b>1532E Platform with Anchor Rings</b>	Ref.	A
	0256614	<b>1932E Standard Platform</b>	Ref.	2
	0256845	<b>1932E Platform with Anchor Rings</b>	Ref.	2
	0256411	<b>2033E Standard Platform</b>	Ref.	3
	0256841	<b>2033E Platform with Anchor Rings</b>	Ref.	2
	0256812	<b>2046E/2646E Standard Platform</b>	Ref.	2
	0256840	<b>2046E/2646E Platform with Anchor Rings</b>	Ref.	2
	0256413	<b>2658E Standard Platform</b>	Ref.	2
	0256839	<b>2658E Platform with Anchor Rings</b>	Ref.	2
1		Platform Weldment Options:	1	
1A	3510536	1532E/1932E Standard Platform		
1A	3510553	1532E/1932E Platform with Anchor Rings		
1A	3510532	2033E Standard Platform		
1A	3510551	2033E Platform with Anchor Rings		
1B	3510531	2046E/2646E Standard Platform		
1B	3510549	2046E/2646E Platform with Anchor Rings		
1B	3510530	2658E Standard Platform		
1B	3510547	2658E Platform with Anchor Rings		
2	3340629	Block, Slide Pad	4	
3	3421895	Pin, Attach	2	
4		Bushing, Spacer Options:	4	
	0962070	1532E		
	0962073	1932E/2033E Prior to S/N 42492		
	0962154	1932E/2033E S/N 42492 to Present		
	0962069	2046E/2646E/2658E Prior to S/N 42492		
	0962154	2046E/2646E/2658E S/N 42492 to Present		
5	0641522	Bolt 5/16"-18NC x 2 3/4"	8	
6	4751500	Flatwasher 5/16" Regular	8	
7	4711500	Flatwasher 5/16" Narrow	8	
8	3311505	Nut 5/16"-18NC	8	
		<b>OPTIONAL RECEPTACLE INSTALLATIONS</b>		
	0256052	<b>110V (1532E)</b>	Ref.	7
	0256053	<b>110V (1932E)</b>	Ref.	7
	0259134	<b>110V (1932E) (UL)</b>	Ref.	1
	0256711	<b>220V (1532E)</b>	Ref.	4
	0256712	<b>220V (1932E)</b>	Ref.	4
101	0860038	Box, Receptacle	1	
102		Receptacle Options:	1	
	4460346	110V with GFI		
	4460347	110V (UL)		
	Supply Locally	220V		

**SECTION 4 PLATFORM**

# SECTION 4 PLATFORM

**FIGURE 4-1. PLATFORM INSTALLATION - MANUALLY OPERATED EXTENSION**

FIG & ITEM #	PART NUMBER	DESCRIPTION	QTY.	REV.
103		Cover, Weatherproof Options:	1	
	4060700	110V		
	4060092	110V (UL)		
	Supply Locally	220V		
104	0641420	Bolt 1/4"-20NC x 2 1/2"	1	
105	4751400	Flatwasher 1/4"	3	
106	4761400	Lockwasher 1/4" (Prior to S/N 37715)	4	
107	3311401	Nut 1/4"-20NC (Prior to S/N 37715)	3	
	3311405	Locknut 1/4"-20NC (S/N 37715 to Present)	3	
108	1320061	Clamp	1	
109		Connector, Terminal Options:	3	
	Use 4460051	Prior to S/N 46829 (was P/N 4460049)		
	4460051	S/N 46829 to Present		
110	0960407	Bushing, Reducer (Prior to S/N 46829 Used with P/N 4460049)	3	
111	0641406	Bolt 1/4"-20NC x 3/4"	2	
112	1060308	Cable, Electrical - 12/3	A/R	
		1532E	28ft/8.5m	
		1932E	35ft/10.7m	
113		Nameplate Options:	1	
	Use 1703464	120V/60Hz Prior to S/N 37466 (was P/N 3251243)		
	1703464	120V/60Hz S/N 37466 to Present		
	3252507	220V-50/60Hz		
114		Plug, Connector Options:	1	
	4460138	110V		
	Supply Locally	220V		
115	2540002	Grommet (Prior to S/N 37715)	3	
116	4240033	Tie-Strap	A/R	
117	3535681	Plate, Mounting - Receptacle Box	1	
118	4460315	Terminal (Not Shown)	3	
		<b>OPTIONAL RECEPTACLE INSTALLATIONS</b>		
	0256505	<b>110V without GFI (2033E)</b>	Ref.	6
	0256506	<b>110V without GFI (2046E)</b>	Ref.	6
	0256507	<b>110V without GFI (2646E/2658E)</b>	Ref.	4
	0256517	<b>110V with GFI (2033E)</b>	Ref.	7
	0256518	<b>110V with GFI (2046E)</b>	Ref.	5
	0256519	<b>110V with GFI (2646E/2658E)</b>	Ref.	5
	0256514	<b>110V with U/L Approved (2033E)</b>	Ref.	6
	0256515	<b>110V with U/L Approved (2046E)</b>	Ref.	4
	0256516	<b>110V with U/L Approved (2646E/2658E)</b>	Ref.	4
	0256704	<b>220V (2033E)</b>	Ref.	5
	0256705	<b>220V (2046E)</b>	Ref.	5
	0256706	<b>220V (2646E/2658E)</b>	Ref.	2
201		Nameplate Options:	1	
	Use 1703464	120V/60Hz Prior to S/N 37466 (was P/N 3251243)		
	1703464	120V/60Hz S/N 37466 to Present		
	3252507	220V-50/60Hz		

**SECTION 4 PLATFORM**

# SECTION 4 PLATFORM

**FIGURE 4-1. PLATFORM INSTALLATION - MANUALLY OPERATED EXTENSION**

FIG & ITEM #	PART NUMBER	DESCRIPTION	QTY.	REV.
202	4460138	Plug, Connector Options: 110V	1	
	Supply Locally	220V		
203	2540002	Grommet	A/R	
204	1060308	Cable, Electrical - 12/3	A/R	
		2033E/2046E	42ft/13m	
		2646E/2658E	45ft/14m	
205	4460051	Connector, Strain Relief	A/R	
206		Box, Receptacle Options:	1	
	0860038	110V		
	Supply Locally	220V		
207		Receptacle Options:	1	
	4460190	110V without GFI		
	4460346	110V with GFI		
	4460347	110V with UL Approved		
	Supply Locally	220V		
208		Cover, Weatherproof Options:	1	
	4060092	110V without GFI		
	4060700	110V with GFI		
	4060092	110V with UL Approved		
	Supply Locally	220V		
209	1320061	Clamp	4	
210 to 211	Not Used			
212	4751500	Flatwasher 5/16"	A/R	
213	Not Used			
214	3311505	Locknut 5/16"-18NC	A/R	
215	0721004	Bolt #10-16 x 1/2" (Prior to S/N 42560)	A/R	
	3900256	Bolt #10-24NC x 1 1/4" (S/N 42560 to Present)	A/R	
216	4751000	Flatwasher #10	A/R	
217	4761000	Lockwasher #10	A/R	
218	0641505	Bolt 5/16"-18NC x 3/4"	3	
219	4240033	Tie-Strap (Not Shown - Located On Arms)	16	
220	2820025	Guard, Plastic Spring (Not Shown)	1ft/.3m	
221	4460315	Terminal (Not Shown)	3	
		<b>OPTIONAL WORKLIGHTS INSTALLATIONS</b>	Ref.	
	0255963	<b>1532E</b>	Ref.	5
	0258213	<b>1532E with Fold Down Rails</b>	Ref.	1
	0256200	<b>1932E</b>	Ref.	4
	0258214	<b>1932E with Fold Down Rails</b>	Ref.	1
	0256198	<b>2033E/2046E</b>	Ref.	C
	0258215	<b>2033E/2046E with Fold Down Rails</b>	Ref.	1
	0256199	<b>2646E/2658E</b>	Ref.	C
	0258216	<b>2646E/2658E with Fold Down Rails</b>	Ref.	1
301	2920093	Worklight Assembly	2	
	7016630	Bulb, Replacement (1 Per Light)	2	
	0901930	Bracket, Mounting	2	

SECTION 4 PLATFORM

# SECTION 4 PLATFORM

**FIGURE 4-1. PLATFORM INSTALLATION - MANUALLY OPERATED EXTENSION**

FIG & ITEM #	PART NUMBER	DESCRIPTION	QTY.	REV.
301 (cont'd)	1060341	Cable, Electrical - 16/2 (Not Shown)	A/R	
		1532E	40ft/12.2m	
		1932E	48ft/14.6m	
		2033E/2046E	54ft/16.5m	
		2646E/2658E	61ft/18.6m	
	4360164	Breaker, Circuit - 5 Amp (Not Shown)	1	
	0256609	<b>HANDRAIL BOOTS INSTALLATION</b>	Ref.	-
401	0840035	Boot, Handrail	4	
		<b>BUMPER PADS INSTALLATIONS</b>		
	0254171	<b>1532E/1932E</b>	Ref	A/A
	0257398	<b>2033E</b>	Ref	1/A
501	0940060	Pad, Bumper (Side) (1532E/1932E)	2	
	0940057	Pad, Bumper (Side) (2033E)	2	
502	4844586	Bar, Bumper (Side Outer) (1532E/1932E)	2	
	4844414	Bar, Bumper (Side Outer) (2033E)	2	
503	4761400	Lockwasher 1/4"	16	
504	3311401	Nut 1/4"-20NC	20	
505	0940061	Pad, Bumper (Front)	1	
506	4844585	Rail, Bumper (Front Outer)	1	
507	0362273	Rail, Bumper (Inner) (1532E/1932E)	2	
	0362666	Rail, Bumper (Inner) (2033E)	2	
508	0641407	Bolt 1/4"-20NC x 7/8" (1532E/1932E)	4	
	0641412	Bolt 1/4"-20NC x 1 1/2" (2033E)	4	
509	4751400	Flatwasher 1/4"	13	
510	0940065	Pad, Bumper (Rear)	2	
511	0641416	Bolt 1/4"-20NC x 2"	4	
		<b>BUMPER PADS INSTALLATIONS</b>		
	0257367	<b>2046E/2646E</b>	Ref	2/B
	0257397	<b>2658E</b>	Ref	2/A
551	0940080	Pad, Bumper (Rear) (2046E/2646E)	2	
	0940081	Pad, Bumper (Rear) (2658E)	2	
552	4845496	Bar, Bumper (Rear) (2046E/2646E)	2	
	4845497	Bar, Bumper (Rear) (2658E)	2	
553	0940057	Pad, Bumper (Side)	2	
554	4844414	Rail, Bumper (Side)	2	
555	4751400	Flatwasher 1/4"	13	
556	3311405	Locknut 1/4"-20NC	13	
557	0940079	Pad, Bumper (Front) (2046E/2646E)	1	
	0940082	Pad, Bumper (Front) (2658E)	1	
558	4845495	Rail, Bumper (Front) (2046E/2646E)	1	
	4845498	Rail, Bumper (Front) (2658E)	1	

**SECTION 4 PLATFORM**

# SECTION 4 PLATFORM

**FIGURE 4-1. PLATFORM INSTALLATION - MANUALLY OPERATED EXTENSION**

FIG & ITEM #	PART NUMBER	DESCRIPTION	QTY.	REV.
		<b>TOP RAIL PADDING INSTALLATIONS - 2033E/2046E/2646E/2658E</b>	Ref	
	0257664	<b>2033E/2046E/2646E/2658E Without Vinyl Covers (S/N 42423 to Present)</b>	Ref	2/A
	0258058	<b>2033E With Vinyl Covers (S/N 42423 to Present)</b>	Ref	2/A
	0258018	<b>2046E/2646E With Vinyl Covers (S/N 42423 to Present)</b>	Ref	1/A
	0258019	<b>2658E With Vinyl Covers (S/N 42423 to Present)</b>	Ref	1/A
601	3340612	Pad	24ft/7.3m	
602	4240018	Tie Straps	A/R	
603	1670849	Cover, Sides Options: Without Vinyl Covers With Vinyl Covers	2	
604	Not Required	Cover, Front Options: (Not Shown) Without Vinyl Covers	2	
	1670856	2033E/2046E/2646E with Vinyl Covers		
	1670847	2658E with Vinyl Covers		
605	Not Required	Cover, Rear Options: Without Vinyl Covers	1	
	1670857	2033E/2046E/2646E with Vinyl Covers		
	1670848	2658E with Vinyl Covers		

**SECTION 4 PLATFORM**



# SECTION 4 PLATFORM

**FIGURE 4-2. HANDRAILS AND EXTENSION INSTALLATION - STANDARD RAILS (MANUALLY OPERATED) (1532E/1932E)**

FIG & ITEM #	PART NUMBER	DESCRIPTION	QTY.	REV.
		<b>STANDARD HANDRAILS INSTALLATION</b>	Ref.	
	0251879	<b>1532E/1932E Prior to S/N 38569 with Standard Handrails</b>	Ref.	E
	0257681	<b>1532E/1932E S/N 38569 to Present with Standard Handrails</b>	Ref.	4
	0257979	<b>1532E/1932E CSA Spec with Standard Handrails</b>	Ref.	3
	0256702	<b>1532E/1932E Prior to S/N 38569 with Safety Attach Handrails</b>	Ref.	-
	0257680	<b>1532E/1932E S/N 38569 to Present with Safety Attach Handrails</b>	Ref.	4
	0257980	<b>1532E/1932E CSA Spec with Safety Attach Handrails</b>	Ref.	4
	0257987	<b>1532E/1932E Japanese Spec with Safety Attach Handrails</b>	Ref.	3
1		Handrail - Right Side Options:	1	
	3640750	Standard Handrails Prior to S/N 38569		
	3641209	Standard Handrails S/N 38569 to Present		
	3641143	Safety Attach Handrails Prior to S/N 38569		
	3641214	Safety Attach Handrails S/N 38569 to Present		
2		Handrail - Left Side Options:	1	
	3640751	Standard Handrails		
	3641144	Safety Attach Handrail		
3	4565201	Tube - Rear	1	
4	1260136	Chain	2ft./6m	
5	3010088	Link	2	
6	Use 1001101076	Snap Latch Repair Kit (Includes Item 5) (was p/n 2940064)	1	
7	0641424	Bolt 1/4"-20NC x 3" (Prior to S/N 38569)	A/R	
	0641420	Bolt 1/4"-20NC x 2 1/2" (S/N 38569 to Present)	A/R	
8	4751400	Flatwasher 1/4" Wide	A/R	
9	4761400	Lockwasher 1/4" (Prior to S/N 38569)	A/R	
10	3311401	Nut 1/4"-20NC (Prior to S/N 38569)	A/R	
	3311405	Locknut 1/4"-20NC (S/N 38569 to Present)	A/R	
11	Not Used			
12	3520072	Plug, Cap	2	
13	2820024	Tubing, Vinyl (Prior to S/N 38569)	2ft./6m	
	2820097	Tubing, Mesh (S/N 38569 to Present)	2ft./6m	
14	3570381	Plate, Placard	1	
15	3820019	Pop Rivet	6	
16	3900184	Screw, Button Head #10-24NC x 5/8"	4	
17	3340612	Pad (S/N 38569 to Present)	1.5ft/.5m	
18	3300375	Nut, Joint Connector	4	
19	1702612	Decal - Safety Attachment (With Safety Attach Points Not Shown)	2	
20	3300374	Nut, Joint Connector (CSA Machines)	4	

**SECTION 4 PLATFORM**

# SECTION 4 PLATFORM

**FIGURE 4-2. HANDRAILS AND EXTENSION INSTALLATION - STANDARD RAILS (MANUALLY OPERATED) (1532E/1932E)**

FIG & ITEM #	PART NUMBER	DESCRIPTION	QTY.	REV.
		<b>PLATFORM EXTENSION INSTALLATION</b>	Ref.	E
101	Not Used			
102	4843706	Mount, Roller (Prior to S/N 26763)	4	
	3537619	Mount, Roller (S/N 26763 to Present)	4	
103	0641510	Bolt 5/16"-18NC x 1 1/4"	15	
104	0641512	Bolt 5/16"-18NC x 1 1/2"	1	
105	3311505	Locknut 5/16"-18NC	18	
106	3860052	Roller (Prior to S/N 26763)	4	
	3860059	Roller (S/N 26763 to Present)	4	
106A	4712200	Shim, Flatwasher (Steel)	A/R	
	4740066	Shim, Flatwasher (Thin Bronze)	A/R	
107	0181684	Stop, Angle	4	
108	0641406	Bolt 1/4"-20NC x 3/4"	1'	
109 to 110	Not Used			
111	3841074	Rod, Release	1	
112	2980113	Lever, Release	1	
113	2560088	Grip, Handle	1	
114	0641405	Bolt 1/4"-20NC x 5/8"	12	
115	3311405	Locknut 1/4"-20NC	13	
116	3422723	Rollpin 1/8" x 7/8"	2	
117	4160078	Spring	1	
118	0361912	Block, Latch	1	
119	2940061	Latch, Weldment	1	
120	3251852	Nameplate - Capacity (Prior to S/N 38573)	1	
121	3820001	Rivet (Prior to S/N 38573)	2	
122	4751500	Flatwasher 5/16"	20	
123	0641516	Bolt 5/16"-18NC x 2"	2	
124	3252136	Nameplate-Control Box Location (Prior to S/N 38573)	A/R	
125	4711400	Flatwasher 1/4" Narrow	4	
126	Not Used			
127	0901830	Bracket, Latch	2	
128	0901906	Bracket, Retaining (Prior to S/N 38573)	2	
129	0641414	Bolt 1/4"-20NC x 1 3/4" (Prior to S/N 38573)	4	
130	4751400	Flatwasher 1/4" (Prior to S/N 38573)	8	
131	3841233	Rod, Roller Support	4	
132	3312202	Nut, Jam 3/4"-10NC (Prior to S/N 43782)	4	
	3322202	Nut, Jam 3/4"-10NC (S/N 43782 to Present)	4	
133	3760348	Ring, Retaining	4	
134	4752200	Flatwasher 3/4"	4	
135	1320224	Clamp (S/N 33685 to Present)	1	
136	4791400	Starwasher (S/N 33685 to Present)	4	
	2901573	Kit, Extension Latch (Includes Items 111,116,117, 118,119 and 127)	1	



# SECTION 4 PLATFORM

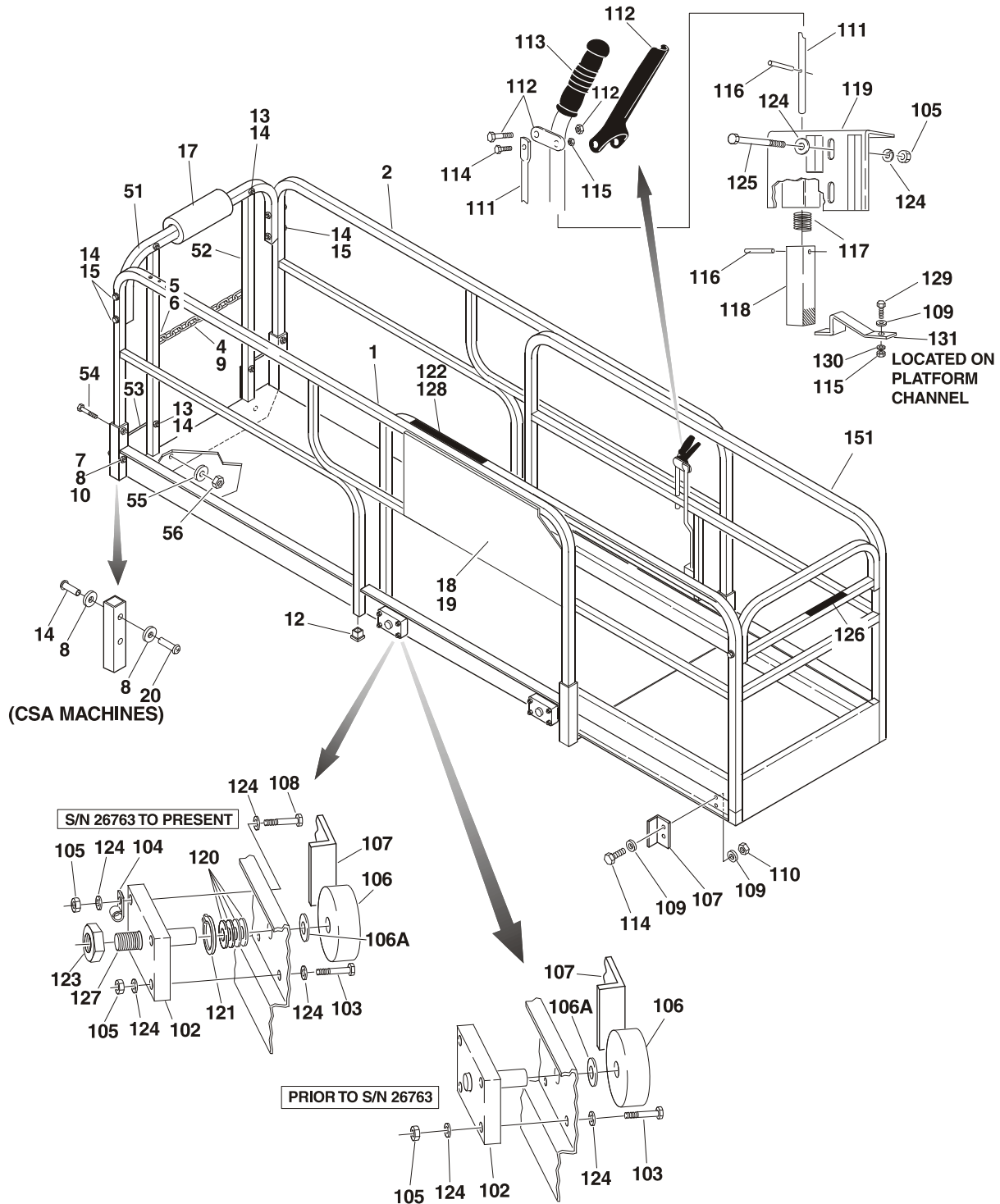
**FIGURE 4-2. HANDRAILS AND EXTENSION INSTALLATION - STANDARD RAILS (MANUALLY OPERATED) (1532E/1932E)**

FIG & ITEM #	PART NUMBER	DESCRIPTION	QTY.	REV.
		<b>PLATFORM EXTENSION INSTALLATIONS (VARIABLE PARTS)</b>	Ref.	
	0252737	<b>Power Down Machines</b>	Ref.	E
	0257281	<b>All Gravity Down Machines Except Japanese &amp; CSA Spec</b>	Ref.	3
	0257283	<b>Japanese Spec Gravity Down Machines</b>	Ref.	3
	0257466	<b>CSA Spec Gravity Down Machines</b>	Ref.	3
151		Extension Weldment Options:	1	
	3510492	Power Down Machines	1	
	3510567	Gravity Down Machines (Standard Machines)	1	
	3510587	Gravity Down Machines (CSA Machines)	1	
		<b>OPTIONAL PLATFORM EXTENSION LIMIT SWITCHES INSTALLATION</b>		
	0256667	<b>1532E</b>	Ref.	-
	0256664	<b>1932E/2033E/2646E</b>	Ref.	-
	0256668	<b>2646E/2658E</b>	Ref.	-
201	4360277	Switch, Limit	1	
202	4360236	Actuator, Switch	1	
203	4360278	Roller and Arm	1	
204	4460052	Connector, Strain Relief	1	
205	3900168	Screw, Special	2	
206	4920140	Lockwire	2	
207	4460052	Connector, Strain Relief	1	
208	3534995	Plate, Mounting	1	
209	3931416	Bolt, Socket Head 1/4"-20NC x 1"	2	
210	3311401	Nut 1/4"-20NC	2	
211	4761400	Lockwasher 1/4"	2	
212	3520072	Plug, Cap	1	
213	1060341	Cable, Electrical - 16/2	A/R	
214	3300047	Locknut, Conduit	1	
215	0960239	Bushing	1	
	0256784	<b>RAIL HEIGHT EXTENSIONS INSTALLATION (CALIFORNIA SPEC) (NOT SHOWN)</b>	Ref.	A
	3641145	Extender Weldment (Side)	2	
	3641146	Extender Weldment (End)	1	
	0630511	Screw, Self-Tapping	6	
	3520072	Plug, Tube	6	

SECTION 4 PLATFORM

# SECTION 4 PLATFORM

FIGURE 4-3. HANDRAILS AND EXTENSION INSTALLATION -STANDARD RAILS  
(MANUALLY OPERATED) (2033E/2046E/2646E/2658E)



SECTION 4 PLATFORM

# SECTION 4 PLATFORM

**FIGURE 4-3. HANDRAILS AND EXTENSION INSTALLATION -STANDARD RAILS (MANUALLY OPERATED) (2033E/2046E/2646E/2658E)**

FIG & ITEM #	PART NUMBER	DESCRIPTION	QTY.	REV.
		<b>HANDRAILS INSTALLATION (STANDARD PARTS)</b>	Ref.	
1		Handrail - Right Side Options:	1	
	3640727	Standard Handrail Prior to S/N 38569		
	3641210	Standard Handrail S/N 38569 to Present		
	3641130	Handrail with Safety Attach Points Prior to S/N 38569		
	3641213	Handrail with Safety Attach Points S/N 38569 to Present		
2		Handrail - Left Side Options:	1	
	3640728	Standard Handrail		
	3641131	Handrail with Safety Attach Points		
3	Not Used			
4	1260136	Chain	2 ft./ .6m	
5	3010088	Link	2	
6	Use 1001101076	Snap Latch Repair Kit (Includes Item 5) (was p/n 2940064)	1	
7	0641424	Bolt 1/4"-20NC x 3" (Prior to S/N 38569)	A/R	
	0641420	Bolt 1/4"-20NC x 2 1/2" (S/N 38569 to Present)	A/R	
8	4751400	Flatwasher 1/4" Wide	A/R	
9	2820097	Tubing, Mesh	2ft./ .6m	
10	3311405	Locknut 1/4"-20NC	A/R	
11	Not Used			
12	3520072	Plug, Cap	4	
13	3300373	Nut, Joint Connector 1 1/4"	8	
14	3900184	Screw, Button Head #10-24NC x 5/8"	A/R	
15	3300375	Connector, Joint 2 3/8"	4	
16	1702612	Decal - Safety Attachment (With Safety Attach Points Not Shown)	2	
17	3340612	Pad	1.5ft/.5m	
18	3570381	Plate, Placard	1	
19	3820019	Pop Rivet	6	
20	3300374	Nut, Joint Connector (CSA Machines)	4	
		<b>HANDRAILS INSTALLATIONS (VARIABLEPARTS)</b>	Ref.	
	0251304	<b>2033E Built Prior to S/N 38569 with Standard Handrails (Not Shown)</b>	Ref.	F
	0257685	<b>2033E Built S/N 38569 to Present with Standard Handrails (Not Shown)</b>	Ref.	4
	0257981	<b>2033E CSA Spec with Standard Handrails (Not Shown)</b>	Ref.	3
	0256699	<b>2033E Prior to S/N 38569 with Safety Attach Handrails (Not Shown)</b>	Ref.	-
	0257686	<b>2033E S/N 38569 to Present with Safety Attach Handrails (Not Shown)</b>	Ref.	4
	0257687	<b>2033E Japanese Spec with Safety Handrails (Not Shown)</b>	Ref.	4
	0257982	<b>2033E CSA Spec with Safety Handrails (Not Shown)</b>	Ref.	3
	0251393	<b>2046E/2646E Prior to S/N 38569 with Standard Handrails</b>	Ref.	H

**SECTION 4 PLATFORM**

# SECTION 4 PLATFORM

**FIGURE 4-3. HANDRAILS AND EXTENSION INSTALLATION -STANDARD RAILS (MANUALLY OPERATED) (2033E/2046E/2646E/2658E)**

FIG & ITEM #	PART NUMBER	DESCRIPTION	QTY.	REV.
	0257695	2046E/2646E S/N 38569 to Present with Standard Handrails	Ref.	4
	0257983	2046E/2646E CSA Spec with Standard Handrails	Ref.	4
	0256700	2046E/2646E Prior to S/N 38569 with Safety Attach Handrails (Not Shown)	Ref.	-
	0257697	2046E/2646E S/N 38569 to Present with Safety Attach Handrails (Not Shown)	Ref.	4
	0257701	2046E/2646E Japanese Spec with Safety Attach Handrails (Not Shown)	Ref.	4
	0257984	2046E/2646E CSA Spec with Safety Attach Handrails (Not Shown)	Ref.	4
	0251395	2658E Prior to S/N 38569 with Standard Handrails	Ref.	H
	0257696	2658E S/N 38569 to Present with Standard Handrails	Ref.	4
	0257985	2658E CSA Spec with Standard Handrails	Ref.	4
	0256364/0256701	2658E Prior to S/N 38569 with Safety Attach Handrails	Ref.	B/-
	0257698	2658E S/N 38569 to Present with Safety Attach Handrails	Ref.	4
	0257986	2658E CSA Spec with Safety Attach Handrails	Ref.	4
	0257990	2658E Japanese Spec with Safety Attach Handrails	Ref.	3
51		Tube, Handrail - Rear Options:	1	
	4565201	2033E		
	4565202	2046E/2646E		
	4565203	2658E		
52		Tube, Handrail - Rear Vertical Options:	A/R	
	Not Required	2033E	0	
	3640713	2046E/2646E/2658E Except CSA Machines	2	
	3640713	2046E/2646E/2658E CSA Machines Prior to S/N 46994	2	
	3641268	2046E/2646E/2658E CSA Machines S/N 46994 to Present	2	
53		Kickplate - Rear Options:	A/R	
	Not Required	2033E	0	
	3534742	2046E/2646E	2	
	3534743	2658E	2	
54	0641608	Bolt 3/8"-16NC x 1"	4	
55	4751600	Flatwasher 3/8"	4	
56	3311605	Locknut 3/8"-16NC	2	
		<b>PLATFORM EXTENSION INSTALLATION (STANDARD PARTS)</b>	Ref.	
101	Not Used			
102	4843706	Mounting Weldment - Roller (Prior to (S/N26763)	4	
	3537619	Mounting Weldment - Roller (S/N26763 to Present)	4	
103	0641510	Bolt 5/16"-18NC x 1 1/4"	15	
104	1320224	Clamp (S/N26763 to Present)	1	
105	3311505	Locknut 5/16"-18NC	18	

**SECTION 4 PLATFORM**

# SECTION 4 PLATFORM

**FIGURE 4-3. HANDRAILS AND EXTENSION INSTALLATION -STANDARD RAILS (MANUALLY OPERATED) (2033E/2046E/2646E/2658E)**

FIG & ITEM #	PART NUMBER	DESCRIPTION	QTY.	REV.
106	3860052	Roller (Prior to S/N26763)	4	
	3860059	Roller (S/N26763 to Present)	4	
106A	4712200	Shim, Flatwasher (Steel)	A/R	
	4740066	Shim, Flatwasher (Thin Bronze)	A/R	
107	0181684	Angle, Stop	4	
108	0641512	Bolt 5/16"-18NC x 1 1/2" (S/N26763 to Present)	1	
109	4711400	Flatwasher 1/4" Narrow	4	
110	3311405	Locknut 1/4"-20NC (Prior to S/N 38530)	8	
111	3841074	Rod, Release	1	
112	2980113	Release Lever Assembly	1	
113	2560088	Grip, Handle	1	
114	0641406	Bolt 1/4"-20NC x 3/4"	1	
115	3311405	Locknut 1/4"-20NC	3	
116	3422723	Rollpin 1/8" x 7/8"	2	
117	4160078	Spring	1	
118	0361912	Bar, Latch	1	
119	2940061	Latch Weldment	1	
120	4752200	Flatwasher 3/4" (S/N26763 to Present)	4	
121	3760348	Ring, Retaining (S/N26763 to Present)	4	
122	3251852	Nameplate - Capacity (Prior to S/N 38530)	1	
123	3312202	Nut, Jam 3/4"-10NC (S/N26763 to S/N 43782)	4	
	3322202	Nut, Jam 3/4"-10NC (S/N43782 to Present)	4	
124	4751500	Flatwasher 5/16"	20	
125	0641516	Bolt 5/16"-18NC x 2"	2	
126	3252136	Nameplate -Control Box Location (Prior to S/N38530)	A/R	
127	3841233	Rod, Roller Support (S/N26763 to Present)	4	
128	3820001	Rivet (Prior to S/N 38530)	4	
129	0641405	Bolt 1/4"-20NC x 5/8"	12	
130	4791400	Starwasher	4	
131	0901830	Bracket, Latch	2	
	2901573	----- Kit, Extension Latch (Includes Items 111, 116, thru 119 and 131)		

**SECTION 4 PLATFORM**

# SECTION 4 PLATFORM

**FIGURE 4-3. HANDRAILS AND EXTENSION INSTALLATION -STANDARD RAILS (MANUALLY OPERATED) (2033E/2046E/2646E/2658E)**

FIG & ITEM #	PART NUMBER	DESCRIPTION	QTY.	REV.
		<b>STANDARD PLATFORM EXTENSION INSTALLATIONS (VARIABLE PARTS)</b>	Ref.	
	0251202	2033E Power Down Machines	Ref.	G
	0257292	2033E Gravity Down Machines	Ref.	4
	0257474	2033E CSA Spec Gravity Down Machines	Ref.	3
	0257298	2033E Japanese Spec Gravity Down Machines	Ref.	4
	0251249	2046E/2646E Power Down Machines	Ref.	F
	0257293	2046E/2646E Gravity Down Machines	Ref.	4
	0257476	2046E/2646E CSA Spec Gravity Down Machines	Ref.	3
	0257299	2046E/2646E Japanese Spec Gravity Down Machine	Ref.	4
	0251250	2658E Power Down Machines	Ref.	F
	0257294	2658E Gravity Down Machines	Ref.	4
	0257477	2658E CSA Spec Gravity Down Machines	Ref.	4
	0257300	2658E Japanese Spec Gravity Down Machines	Ref.	4
151		Platform Extension Weldment Options:	1	
	3510489	2033E Power Down Machines		
	3510571	2033E Gravity Down Machines		
	3510588	2033E Gravity Down Machines (CSA)		
	3510316	2046E and 2646E Power Down Machines		
	3510572	2046E and 2646E Gravity Down Machines		
	3510590	2046E and 2646E Gravity Down Machines (CSA)		
	3510317	2658E Power Down Machines		
	3510573	2658E Gravity Down Machines		
	3510591	2658E Gravity Down Machines (CSA)		
		<b>RAIL HEIGHT EXTENSIONS INSTALLATION (CALIFORNIA SPEC) (NOT SHOWN)</b>	Ref.	—
	0256784	2033E	Ref.	A
	0256786	2046E/2646E	Ref.	A
	0256787	2658E	Ref.	A
	3641145	Extender Weldment (Side)	2	
		Extender Weldment Options (End):	1	
	3641146	Extender Weldment (End) (2033E)		
	3641147	Extender Weldment (End) (2046E/2646E)		
	3641148	Extender Weldment (End) (2658E)		
	0630511	Screw, Self-Tapping	6	
	3520072	Plug, Tube	6	

**SECTION 4 PLATFORM**

# SECTION 4 PLATFORM

FIGURE 4-3. HANDRAILS AND EXTENSION INSTALLATION -STANDARD RAILS (MANUALLY OPERATED) (2033E/2046E/2646E/2658E)

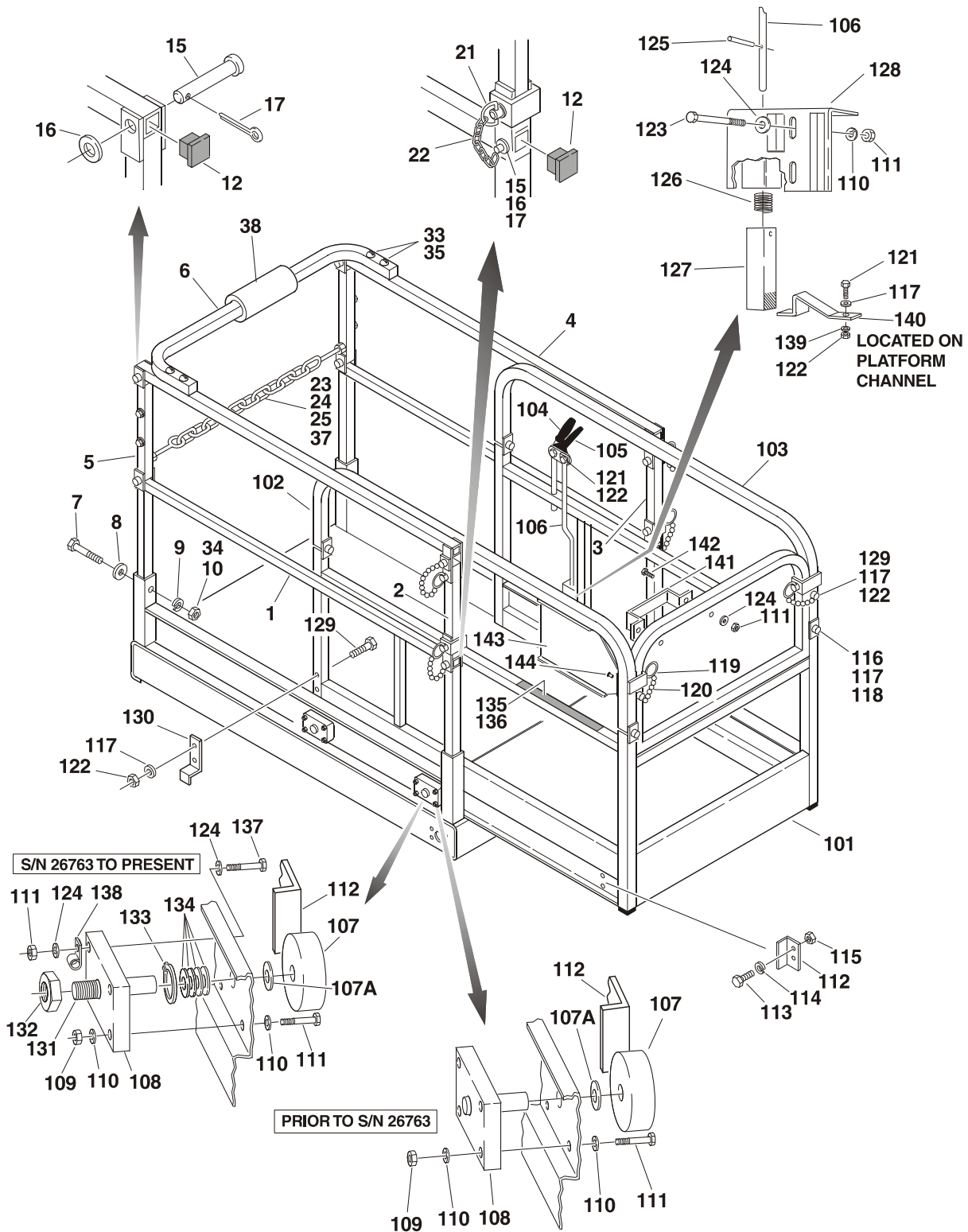
FIG & ITEM #	PART NUMBER	DESCRIPTION	QTY.	REV.

**S  
E  
C  
T  
I  
O  
N  
  
4  
  
P  
L  
A  
T  
F  
O  
R  
M**

# SECTION 4 PLATFORM

FIGURE 4-4. HANDRAILS AND EXTENSION INSTALLATION - FOLDDOWN RAILS (MANUALLY OPERATED) (1532E/1932E)

SECTION 4 PLATFORM





# SECTION 4 PLATFORM

**FIGURE 4-4. HANDRAILS AND EXTENSION INSTALLATION - FOLDDOWN RAILS (MANUALLY OPERATED) (1532E/1932E)**

FIG & ITEM #	PART NUMBER	DESCRIPTION	QTY.	REV.
	0254236	<b>FOLDDOWN HANDRAILS INSTALLATION</b>	Ref.	5
	0257460	<b>FOLDDOWN HANDRAILS INSTALLATION</b>	Ref.	4
1	3640886	Rail Weldment - Lower Side	2	
2	3640742	Rail Weldment - Upper Front Right Side	1	
3	3640753	Rail Weldment - Upper Front Left Side	1	
4	3640885	Rail Weldment - Upper Side	2	
5	4565191	Tube, Rail - Upper Rear Side (Prior to S/N 38589)	2	
	3641235	Tube, Rail - Upper Rear Side (S/N 38589 to Present)	2	
6	4565285	Tube, Rail - Upper Rear Top	1	
7	0641424	Bolt 1/4"-20NC x 3" (Prior to S/N 38589)	4	
	0641420	Bolt 1/4"-20NC x 2 1/2" (S/N 38589 to Present)	4	
8	4751400	Flatwasher 1/4"	8	
9	4761400	Lockwasher 1/4" (Prior to S/N 38589)	4	
10	3311401	Nut 1/4"-20NC	4	
11	Not Used			
12	3520072	Plug, Cap	10	
13 to 14	Not Used			
15	3430416	Pin, Clevis	8	
16	4711400	Flatwasher 1/4" Narrow	16	
17	3450203	Pin, Cotter	8	
18 to 20	Not Used			
21	3421913	Pin, Quick Release	4	
22	1260017	Chain	28in/71cm	
23	1260136	Chain	18in/46cm	
24	3010088	Link	2	
25	2940056	Latch, Snap (Prior to S/N 38589)	1	
	Use 1001101076	Snap Latch Repair Kit (Includes Item 24) (was p/n 2940064) (S/N 38589 to Present)		
26 to 32	Not Used			
33	3900184	Screw, Button Head	4	
34	3300374	Nut, Connector (CSA Machines)	4	
35	3300375	Nut, Connector	4	
36	Not Used			
37	2820097	Tubing, Mesh	2 ft./6m	
38	3340612	Pad	1.5ft/.5m	

SECTION 4 PLATFORM

# SECTION 4 PLATFORM

**FIGURE 4-4. HANDRAILS AND EXTENSION INSTALLATION - FOLDDOWN RAILS (MANUALLY OPERATED) (1532E/1932E)**

FIG & ITEM #	PART NUMBER	DESCRIPTION	QTY.	REV.
		<b>PLATFORM EXTENSION INSTALLATIONS</b>	Ref.	
	0254237	<b>Power Down Machines</b>	Ref.	D
	0257284	<b>Gravity Down Machines</b>	Ref.	4
	0257465	<b>Gravity Down Machines (CSA)</b>	Ref.	4
		<b>Note: To determine Power or Gravity Down refer to page A.</b>		
101		Extension Weldment Options:	1	
	3510495	Power Down Machines		
	3510569	Gravity Down Machines		
	3510586	Gravity Down Machines (CSA)		
102	3640888	Handrail - Right Side	1	
	3641185	Handrail - Right Side (CSA Machines)	1	
103	3640887	Handrail - Left Side	1	
	3641184	Handrail - Left Side (CSA Machines)	1	
104	2560088	Grip, Handle	1	
105	2980113	Release Lever Assembly	1	
106	3841201	Rod, Release	1	
107	3860052	Roller (Prior to S/N 26763)	4	
	3860059	Roller (S/N 26763 to Present)	4	
107A	4712200	Shim, Flatwasher (Steel)	A/R	
	4740066	Shim, Flatwasher (Thin Bronze)	A/R	
108	4843706	Mounting Weldment - Roller (Prior to S/N 26763)	4	
	3537619	Mounting Weldment - Roller (S/N 26763 to Present)	4	
109	0641510	Bolt 5/16"-18NC x 1 1/4"	15	
110	4761500	Lockwasher 5/16" (Prior to S/N 38573)	18	
111	3311501	Nut 5/16"-18NC (Prior to S/N 38573)	18	
	3311505	Locknut 5/16"-18NC (S/N 38573 to Present)	20	
112	0181684	Angle	4	
113	0641406	Bolt 1/4"-20NC x 3/4"	1	
114	4761400	Lockwasher 1/4" (Prior to S/N 38573)	12	
115	3311401	Nut 1/4"-20NC (Prior to S/N 38573)	8	
116	3430416	Pin, Clevis 1/4" x 2"	4	
117	4711400	Flatwasher 1/4" Narrow	10	
118	3450203	Pin, Cotter 1/16" x 3/4"	4	
119	3421913	Pin, Quick Release	2	
120	1260017	Chain (2 Lengths 7 in./17.8 Each)	14in./35.6cm	
121	0641406	Bolt 1/4"-20NC x 3/4" (Prior to S/N 38573)	1	
	0641405	Bolt 1/4"-20NC x 5/8" (S/N 38573 to Present)	12	
122	3311405	Locknut 1/4"-20NC	15	
123	0641516	Bolt 5/16"-18NC x 2"	2	
124	4751500	Flatwasher 5/16"	22	
125	3422723	Rollpin 1/8" x 7/8"	2	
126	4160078	Spring	1	
127	0361912	Bar, Latch	1	
128	2940061	Latch Weldment	1	
129	0641416	Bolt 1/4"-20NC x 2"	2	

**SECTION 4 PLATFORM**

# SECTION 4 PLATFORM

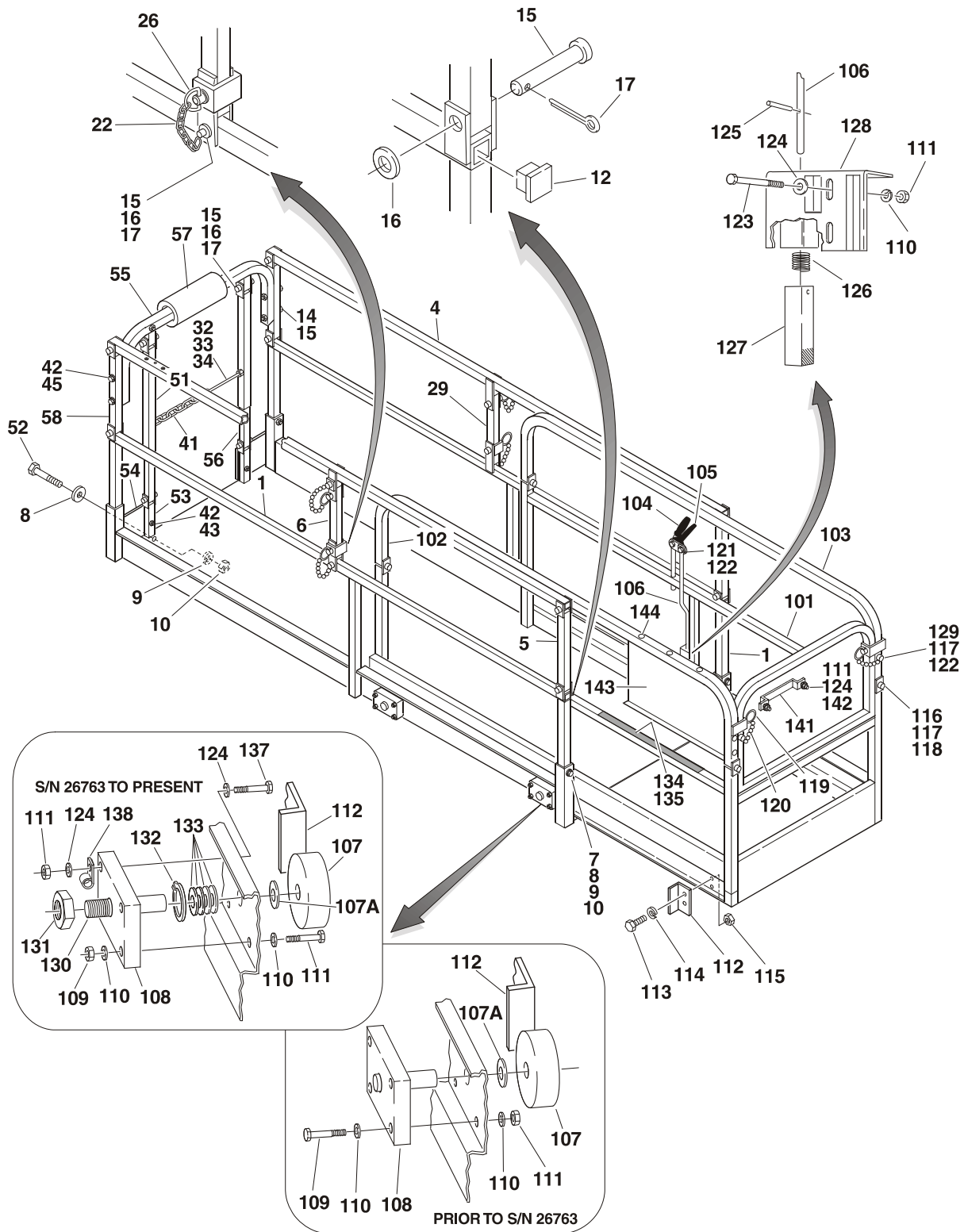
**FIGURE 4-4. HANDRAILS AND EXTENSION INSTALLATION - FOLDDOWN RAILS (MANUALLY OPERATED) (1532E/1932E)**

FIG & ITEM #	PART NUMBER	DESCRIPTION	QTY.	REV.
130	0901906	Bracket, Retaining (Prior to S/N 38573)	2	
131	3841233	Rod, Roller Support (S/N26763 to Present)	4	
132	3312202	Nut, Jam 3/4"-10NC (S/N26763 to S/N 43782)	4	
	3322202	Nut, Jam 3/4"-10NC (S/N43782 to Present)	4	
133	3760348	Ring, Retaining (S/N26763 to Present)	4	
134	4752200	Flatwasher 3/4" (S/N26763 to Present)	4	
135	3251852	Nameplate - Extension Capacity (Prior to S/N 38573)	1	
136	3820001	Rivet (Prior to S/N 38573)	2	
137	0641512	Bolt 5/16"-18NC x 1 1/2" (S/N 38573 to Present)	1	
138	1320224	Clamp (S/N 38573 to Present)	1	
139	4791400	Starwasher (S/N 38573 to Present)	4	
140	0901830	Bracket, Latch	2	
141	4845814	Support Weldment (S/N 47925 to Present Only)	1	
142	0641505	Bolt 5/16"-18NC x 5/8" (S/N47925 to Present Only)	2	
143	3571010	Plate (S/N 47925 to Present Only)	1	
144	3820019	Rivet (S/N 47925 to Present Only)	5	
		-----		
	2901571	Kit, Extension Latch (Includes Items 106, 125 thru 128 and 140)		

SECTION 4 PLATFORM

# SECTION 4 PLATFORM

FIGURE 4-5. HANDRAILS AND EXTENSION INSTALLATION - FOLDDOWN RAILS (MANUALLY OPERATED) (2033E/2046E/2646E/2658E)



SECTION 4 PLATFORM

# SECTION 4 PLATFORM

**FIGURE 4-5. HANDRAILS AND EXTENSION INSTALLATION - FOLDDOWN RAILS (MANUALLY OPERATED) (2033E/2046E/2646E/2658E)**

FIG & ITEM #	PART NUMBER	DESCRIPTION	QTY.	REV.
		<b>FOLD-DOWN HANDRAIL INSTALLATION (STANDARD PARTS WHEN EQUIPPED)</b>	Ref.	
1	3640738	Handrail - Lower Side	2	
2 to 3	Not Used			
4	3640740	Handrail - Top Side	2	
5	4565191	Tube - Ends	4	
6	3640742	Tube - Center (Right Side)	1	
7	0641420	Bolt 1/4"-20NC x 2 1/2" (2033E)	A/R	
	0641424	Bolt 1/4"-20NC x 3" (2046E/2646E)	A/R	
8	4751400	Flatwasher 1/4"	A/R	
9	4761400	Lockwasher 1/4" (Prior to S/N 38589) (2033E)	A/R	
	4761400	Lockwasher 1/4" (2046E/2646E)	A/R	
10	3311405	Locknut 1/4"-20NC (2033E)	A/R	
	3311401	Nut 1/4"-20NC (2046E/2646E)	A/R	
11	Not Used			
12	3520072	Plug, Cap	A/R	
13 to 14	Not Used			
15	3430416	Pin, Clevis 1/4" x 2"	A/R	
16	4711400	Flatwasher 1/4"	A/R	
17	3450203	Pin, Cotter 1/16" x 3/4"	A/R	
18 to 21	Not Used			
22	1260017	Chain (4 Lengths 7 in./17.8 cm each)	28in./.7m	
23 to 25	Not Used			
26	3421913	Pin, Quick Release	4	
27 to 28	Not Used			
29	3640753	Tube - Center (Left Side)	1	
30	Not Used			
32	1260136	Chain	2.5 ft./.8m	
33	3010088	Link	2	
34	2700056	Snap-Hook (Prior to S/N 38589)	1	
	Use 1001101076	Snap Latch Repair Kit (Includes Item 33) (was p/n 2940064) (S/N 38589 to Present)	1	
35 to 40	Not Used			
41	2820097	Tubing, Mesh	2.5ft/.6m	
42	3900184	Screw, Button Head #10-24NC x 5/8"	A/R	
43	3300373	Nut, Joint Connector 1 1/4"	6	
44	Not Used			
45	3300375	Nut, Joint Connector 2 3/8"	4	
46 to 47	Not Used			
48	0100011	Loctite #242 (Not Shown)	A/R	

**SECTION 4 PLATFORM**

# SECTION 4 PLATFORM

**FIGURE 4-5. HANDRAILS AND EXTENSION INSTALLATION - FOLDDOWN RAILS (MANUALLY OPERATED) (2033E/2046E/2646E/2658E) (CONTINUED)**

FIG & ITEM #	PART NUMBER	DESCRIPTION	QTY.	REV.
		<b>FOLD-DOWN HANDRAIL INSTALLATION (VARIABLE PARTS)</b>	Ref.	
	0252681	<b>2033E</b>	Ref.	7
	0257461	<b>2033E CSA Spec</b>	Ref.	5
	0252677	<b>2046E/2646E</b>	Ref.	6
	0257462	<b>2046E/2646E CSA Spec</b>	Ref.	4
	0252679	<b>2658E</b>	Ref.	5
	0257463	<b>2658E CSA Spec</b>	Ref.	4
51		Handrail - Top Rear Vertical Options:	A/R	
	Not Required	2033E	0	
	3640743	2046E/2646E/2658E	2	
52	0641408	Bolt 1/4"-20NC x 1"	A/R	
53		Handrail - Bottom Rear Vertical Options:	A/R	
	Not Required	2033E	0	
	3640761	2046E/2646E/2658E	2	
54		Kickplate - Rear Options:	A/R	
	Not Required	2033E	0	
	3535337	2046E/2646E Prior to S/N 26738	2	
	3534742	2046E/2646E S/N 26738 to Present	2	
	3535492	2658E	2	
55		Handrail - Rear Options:	1	
	4565285	2033E		
	3640744	2046E/2646E		
	3640745	2658E		
56		Handrail - Center Rear Vertical Options:	A/R	
	Not Required	2033E	0	
	4565261	2046E/2646E/2658E	2	
57		Pad Options:	A/R	
	3340612	2033E	1.5ft/.5m	
	3340564	2046E/2646E/2658E	1	
58		Tube -Ends Options:	2	
	3641235	2033E		
	4565191	2046E/2646E/2658E		

**SECTION 4 PLATFORM**

# SECTION 4 PLATFORM

**FIGURE 4-5. HANDRAILS AND EXTENSION INSTALLATION - FOLDDOWN RAILS (MANUALLY OPERATED) (2033E/2046E/2646E/2658E) (CONTINUED)**

FIG & ITEM #	PART NUMBER	DESCRIPTION	QTY.	REV.
		<b>PLATFORM EXTENSION INSTALLATION</b>	Ref.	
	0253383	<b>2033E Power Down Machines</b>	Ref.	C
	0257286	<b>2033E Gravity Down Machines</b>	Ref.	5
	0257475	<b>2033E Gravity Down Machines (CSA Spec)</b>	Ref.	5
	0253391	<b>2046E/2646E Power Down Machines</b>	Ref.	B
	0257287	<b>2046E/2646E Gravity Down Machines</b>	Ref.	3
	0257484	<b>2046E/2646E Gravity Down Machines (CSA Spec)</b>	Ref.	3
	0253392	<b>2658E Power Down Machines</b>	Ref.	B
	0257288	<b>2658E Gravity Down Machines</b>	Ref.	3
	0257485	<b>2658E Gravity Down Machines (CSA Spec)</b>	Ref.	4
		<b>Note: To determine Power or Gravity Down refer to page A.</b>		
101		Platform Extension Weldment Options:	1	
	3510494	2033E Power Down Machines		
	3510574	2033E Gravity Down Machines		
	3510589	2033E Gravity Down Machines (CSA)		
	3510391	2046E/2646E Power Down Machines		
	3510575	2046E/2646E Gravity Down Machines		
	3510592	2046E/2646E Gravity Down Machines (CSA)		
	3510392	2658E Power Down Machines		
	3510576	2658E Gravity Down Machines		
	3510570	2658E Gravity Down Machines (CSA)		
102		Handrail - Right Side	1	
	Use 3641315	2033E Prior to S/N 56927 (was p/n 3640749)		
	3641315	2033E S/N 56927 to Present		
	3640749	2046E/2646E/2658E		
103	3640748	Handrail - Left Side	1	
104	2560088	Grip, Handle	1	
105	2980113	Release Lever Assembly	1	
106	3841201	Rod, Release	1	
107	3860052	Roller (Prior to S/N 26763)	4	
	3860059	Roller (S/N 26763 to Present)	4	
107A	4712200	Shim, Flatwasher (Steel)	A/R	
	4740066	Shim, Flatwasher (Thin Bronze)	A/R	
108	4843706	Mounting Weldment - Roller (Prior to S/N 26763)	4	
	3537619	Mounting Weldment - Roller (S/N 26763 to Present)	4	
109	0641510	Bolt 5/16"-18NC x 1 1/4"	16	
110	4761500	Lockwasher 5/16" (Prior to S/N 38529)	18	
111	3311501	Nut 5/16"-18NC (Prior to S/N 38529)	18	
	3311505	Locknut 5/16"-18NC (S/N 38529 to Present)	20	
112	0181684	Angle	4	
113	0641406	Bolt 1/4"-20NC x 3/4"	1	
114	4761400	Lockwasher 1/4" (Prior to S/N 38529)	12	
115	3311401	Nut 1/4"-20NC (Prior to S/N 38529)	8	
116	3430416	Pin, Clevis 1/4" x 2"	4	
117	4711400	Flatwasher 1/4" Narrow	10	

**SECTION 4 PLATFORM**

# SECTION 4 PLATFORM

**FIGURE 4-5. HANDRAILS AND EXTENSION INSTALLATION - FOLDDOWN RAILS (MANUALLY OPERATED) (2033E/2046E/2646E/2658E) (CONTINUED)**

FIG & ITEM #	PART NUMBER	DESCRIPTION	QTY.	REV.
118	3450203	Pin, Cotter 1/16" x 3/4"	4	
119	3421913	Pin, Quick Release	2	
120	1260017	Chain (2 Lengths 7 in./17.8 Each)	14in./35.6cm	
121	0641406	Bolt 1/4"-20NC x 3/4" (Prior to S/N 38529)	1	
	0641405	Bolt 1/4"-20NC x 5/8" (S/N 38529 to Present)	12	
122	3311405	Locknut 1/4"-20NC	15	
123	0641516	Bolt 5/16"-18NC x 2"	2	
124	4751500	Flatwasher 5/16"	22	
125	3422723	Rollpin 1/8" x 7/8"	2	
126	4160078	Spring	1	
127	0361912	Bar, Latch	1	
128	2940061	Latch Weldment	1	
129	0641416	Bolt 1/4"-20NC x 2"	2	
130	3841233	Rod, Roller Support (S/N26763 to Present)	4	
131	3312202	Nut, Jam 3/4"-10NC (S/N26763 to S/N 43782)	4	
	3322202	Nut, Jam 3/4"-10NC (S/N43782 to Present)	4	
132	3760348	Ring, Retaining (S/N26763 to Present)	4	
133	4752200	Flatwasher 3/4" (S/N26763 to Present)	4	
134	3251852	Nameplate - Extension Capacity (Prior to S/N 38529)	1	
135	3820001	Rivet (Prior to S/N 38529)	2	
136	Not Used			
137	0641512	Bolt 5/16"-18NC x 1 1/2" (S/N 38529 to Present)	1	
138	1320224	Clamp (S/N 38529 to Present)	1	
139	4791400	Starwasher (S/N 38529 to Present)	4	
140	0901830	Bracket, Latch	2	
141		Support Weldment Options:	1	
	Not Required	2033E Prior to S/N 47925		
	4845814	2033E S/N 47925 to Present		
	Not Required	2046E/2646E/2658E		
142	0641505	Bolt 5/16"-18NC x 5/8"	A/R	
143		Plate (S/N 47925 to Present Only)	1	
	Not Required	2033E Prior to S/N 47925		
	3571010	2033E S/N 47925 to Present		
	Not Required	2046E/2646E/2658E		
144	3820019	Rivet	A/R	
		-----		
	2901571	Kit, Extension Latch (Includes Items 106, 125 thru 128 and 140)		

**SECTION 4 PLATFORM**



# SECTION 4 PLATFORM

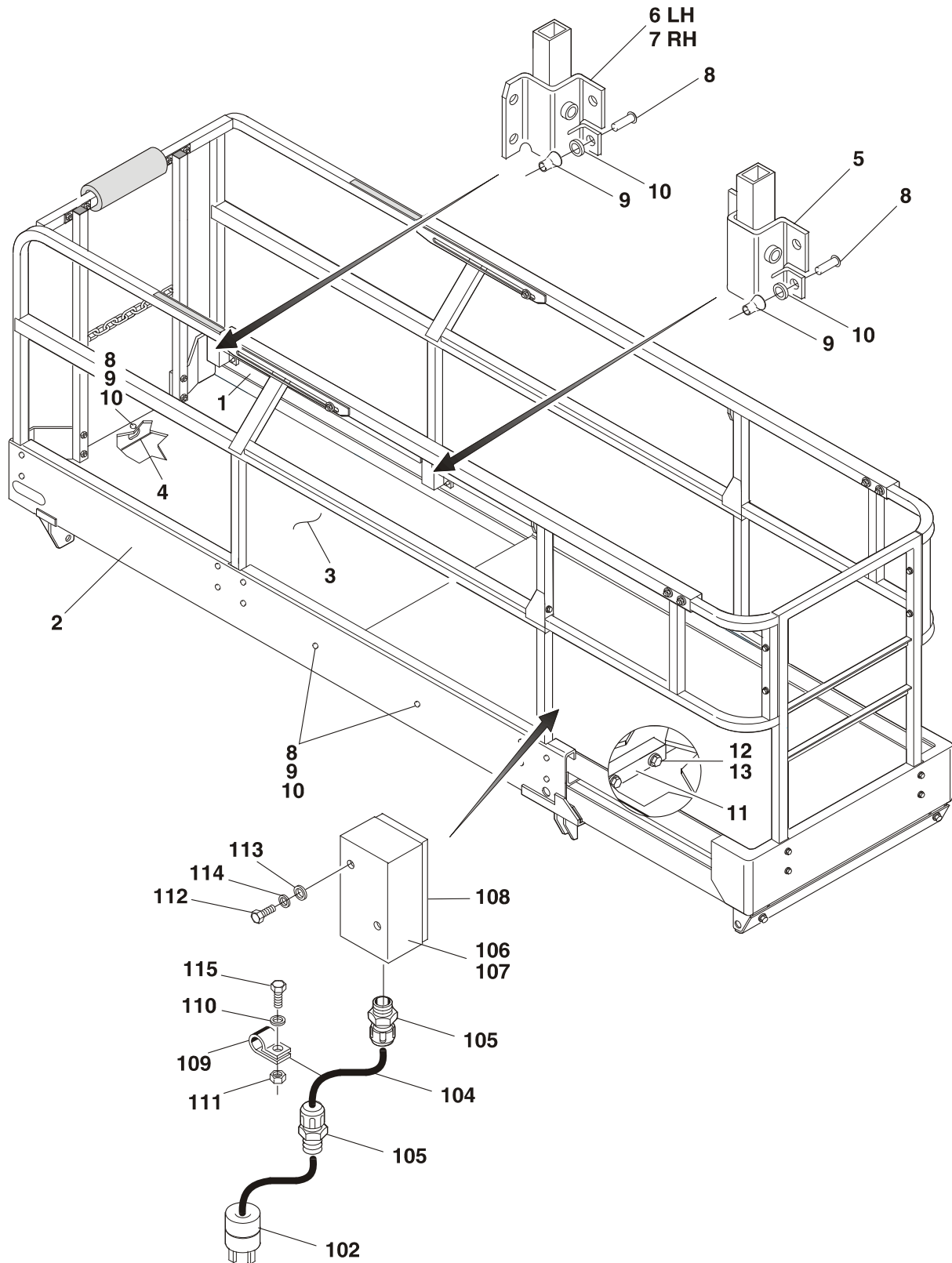
FIGURE 4-5. HANDRAILS AND EXTENSION INSTALLATION - FOLDDOWN RAILS (MANUALLY OPERATED) (2033E/2046E/2646E/2658E) (CONTINUED)

FIG & ITEM #	PART NUMBER	DESCRIPTION	QTY.	REV.

**S  
E  
C  
T  
I  
O  
N  
  
4  
  
P  
L  
A  
T  
F  
O  
R  
M**

# SECTION 4 PLATFORM

FIGURE 4-6.PLATFORM ASSEMBLY - POWER OPERATED (2033E/2046E/2646E/2658E)



SECTION 4 PLATFORM

# SECTION 4 PLATFORM

**FIGURE 4-6. PLATFORM ASSEMBLY - POWER OPERATED (2033E/2046E/2646E/ 2658E)**

FIG & ITEM #	PART NUMBER	DESCRIPTION	QTY.	REV.
		<b>PLATFORM ASSEMBLY OPTIONS:</b>	Ref.	
	3510555	<b>2033E MACHINES</b>	Ref.	1
	3510556	<b>2046E/2646E MACHINES</b>	Ref.	1
	3510557	<b>2658E MACHINES</b>	Ref.	1
1	4845405	Kickplate - LH	1	
2	4845406	Kickplate - RH	1	
3		Plate, Deck Options:	1	
	3570000	2033E Machines		
	3570001	2046E/2646E Machines		
	3570002	2658E Machines		
4		Plate, Platform End Options:	1	
	3570009	2033E Machines		
	3570010	2046E/2646E Machines		
	3570011	2658E Machines		
5	0902345	Bracket, Rail Pocket	4	
6	0902346	Bracket, Rear Rail Pocket - LH	1	
7	0902347	Bracket, Rear Rail Pocket - RH	1	
8	2080041	Fastener	A/R	
9	1440322	Collar	A/R	
10	4711400	Flatwasher 1/4" Narrow	A/R	
11	3340826	Pad, Front Spacer (2046E/2646E/2658E Machines Only)	2	
12	0641408	Bolt 1/4"-20NC x 1" (2046E/2646E/2658E Machines Only)	4	
13	3311405	Nut 1/4"-20NC (2046E/2646E/2658E Machines Only)	4	
		<b>OPTIONAL RECEPTACLE INSTALLATIONS</b>	Ref.	
	0257523	<b>110 Volt Receptacle - 2033E</b>	Ref.	5
	0257524	<b>110 Volt Receptacle (GFI) - 2033E</b>	Ref.	6
	0257525	<b>110 Volt Receptacle (UL) - 2033E</b>	Ref.	5
	0257526	<b>220 Volt Receptacle - 2033E</b>	Ref.	3
	0257529	<b>110 Volt Receptacle - 2046E</b>	Ref.	4
	0257530	<b>110 Volt Receptacle (GFI) - 2046E</b>	Ref.	5
	0257531	<b>110 Volt Receptacle (UL) - 2046E</b>	Ref.	4
	0257532	<b>220 Volt Receptacle - 2046E</b>	Ref.	3
	0257534	<b>110 Volt Receptacle - 2646E/2658E</b>	Ref.	4
	0257535	<b>110 Volt Receptacle (GFI) - 2646E/2658E</b>	Ref.	5
	0257536	<b>110 Volt Receptacle (UL) - 2646E/2658E</b>	Ref.	4
	0257537	<b>220 Volt Receptacle - 2646E/2658E</b>	Ref.	3
101	1703464	Decal, 110 Volt Ac Power (Not Shown)	1	
	3252507	Nameplate, 220V-50/60HZ (Not Shown)	1	
102	4460138	Connector, Plug (110 Volt Only)	1	
103	2540002	Grommet (2033 Machines Only) (Not Shown)	3in/7.6cm	

**SECTION 4 PLATFORM**

# SECTION 4 PLATFORM

**FIGURE 4-6. PLATFORM ASSEMBLY - POWER OPERATED (2033E/2046E/2646E/ 2658E)**

FIG & ITEM #	PART NUMBER	DESCRIPTION	QTY.	REV.
104		Cable - 12/3 Options:		
	1060308	Cable - 2033E	42ft/12.8m	
	1060308	Cable - 2046E	43ft/13.1m	
	1060308	Cable - 2646E/2658E	46ft/14m	
105	4460051	Connector	A/R	
106	0860038	Box, Receptacle	1	
107		Terminal, Receptacle Options:		
	4460190	110 Volt	1	
	4460346	110 Volt (GFI)	1	
	4460347	110 Volt (Isolated Ground)	1	
	Supply Locally	220V	1	
108		Shield, Weather Proof Cover Options:	1	
	4060092	110 & 220 Volt		
	4060700	110 Volt (GFI)		
109	1320061	Clamp (2033E Machines Only)	1	
110	4751500	Flatwasher 5/16" (2033E Machines Only)	1	
111	3311505	Locknut 5/16"-18NC (2033E Machines Only)	1	
112		Bolt Options:	2	
	3900256	Self Drilling #10-16 x 1 1/4" (110 Volt Receptacle)		
	0721006	Bolt #10-24 x 3/4" (220 Volt Receptacle)		
113	4711000	Flatwasher #10	2	
114	4761000	Lockwasher #10	2	
115	0641505	Bolt 5/16"-18NC x 5/8" (2033E Machines Only)	1	
116	4240033	Tie Strap (Not Shown)	A/R	
117	4460315	Terminal (Not Shown)	3	

**SECTION 4 PLATFORM**

# SECTION 4 PLATFORM

FIGURE 4-6. PLATFORM ASSEMBLY - POWER OPERATED (2033E/2046E/2646E/ 2658E)

FIG & ITEM #	PART NUMBER	DESCRIPTION	QTY.	REV.

**S  
E  
C  
T  
I  
O  
N  
  
4  
  
P  
L  
A  
T  
F  
O  
R  
M**



# SECTION 4 PLATFORM

**FIGURE 4-7. EXTENSION INSTALLATION - POWER OPERATED (2033E/2046E/ 2646E/2658E)**

FIG & ITEM #	PART NUMBER	DESCRIPTION	QTY.	REV.
		<b>PLATFORM INSTALLATIONS:</b>	Ref.	
	3510561	<b>PLATFORM (4FT.) 2033E MACHINES</b>	Ref.	3
	3510558	<b>PLATFORM (6FT.) 2033E MACHINES</b>	Ref.	3
	3510562	<b>PLATFORM (4FT.) 2046E/2646E MACHINES</b>	Ref.	3
	3510559	<b>PLATFORM (6FT.) 2046E/2646E MACHINES</b>	Ref.	3
	3510563	<b>PLATFORM (4FT.) 2658E MACHINES</b>	Ref.	3
	3510560	<b>PLATFORM (6FT.) 2658E MACHINES</b>	Ref.	3
1		Platform Options:	1	
	3510555	30 x 88 - 2033E Machines		
	3510556	42 x 88 - 2046E/2646E Machines		
	3510557	50 x 88 - 2658E Machines		
2		Shield Options:	1	
	4060929	2033E Machines		
	4060930	2046E/2646E Machines		
	4060931	2658E Machines		
3		Plate, Extension Deck Options:	1	
	3570003	2033E Machines		
	3570004	2046E/2646E Machines		
	3570005	2658E Machines		
4	4845416	Tube, Extension - RH	1	
5	4845416	Tube, Extension - LH	1	
6	3340812	Pad	2	
7	0641404	Bolt 1/4"-20NC x 1/2"	4	
8	3340813	Pad	2	
9	3311405	Locknut 1/4"-20	6	
10	4751400	Flatwasher 1/4" Wide	8	
11	0741407	Screw 1/4"-20NC x 7/8"	2	
12	3340814	Pad	2	
13	3911408	Screw 1/4"-20NC x 1/2"	4	
14	0100011	Loctite #242	A/R	
15	0641608	Bolt 3/8"-16NC x 1"	8	
16	4751600	Flatwasher 3/8" Wide	16	
17	3311605	Locknut 3/8"-16	8	
18	3340825	Pad	2	
19	0641604	Bolt 3/8"-16NC x 1/2"	4	
20	4761600	Lockwasher 3/8"	2	
21	0902355	Bracket, Switch Mount	1	
22	4360401	Switch, Limit	1	
23	3931024	Screw #10-24 x 1.5"	2	
24	4751000	Flatwasher #10 Wide	2	
25	3311005	Locknut #10-24	2	
26	1320026	Clamp	2	
27	4751500	Flatwasher 5/16" Wide	A/R	
28	3311505	Locknut 5/16"-18	A/R	
29		Cylinder, Extension Options:	1	
	1683376	4ft. Platform		
	1683375	6ft. Platform		

**SECTION 4 PLATFORM**

# SECTION 4 PLATFORM

**FIGURE 4-7. EXTENSION INSTALLATION - POWER OPERATED (2033E/2046E/ 2646E/2658E)**

FIG & ITEM #	PART NUMBER	DESCRIPTION	QTY.	REV.
30	4712200	Flatwasher 3/4" Narrow	4	
31	3322201	Nut 3/4"-16NC	2	
32	3431220	Pin, Clevis 3/4" x 2.5"	2	
33	3450406	Pin, Cotter 1/8" x 1.5"	2	
34	0641407	Bolt 1/4"-20NC x 7/8"	2	
35		Front Plate Weldment Options:	1	
	4845483	2033E Machines		
	4845484	42 x 88 - 2046E/2646E Machines		
	4845485	50 x 88 - 2658E Machines		
36		Pin Options:	2	
	3422487	2033E Machines		
	3422515	2046E/2646E Machines		
	3422517	2658E Machines		
37		Bushing, Spacer Options:	4	
	Not Required	2033E Machines		
	0962044	2046E/2646E Machines		
	0962045	2658E Machines		
38	3340783	Pad, Slide Block	4	
39	0641516	Bolt 5/16"-18NC x 2"	8	
40	3340815	Pad	1	
41	1703491	Decal	2	
42	4340702	Tray, Support	2	
43	0181922	UHMW Angle	2	
44	1320012	Clamp 2"	4	
45	0641406	Bolt 1/4"-20NC x 3/4"	2	
46	0641506	Bolt 5/16"-18NC x 3/4"	4	
47	4460052	Connector, Strain Relief (S/N 50260 to Present)	1	

**SECTION 4 PLATFORM**



# SECTION 4 PLATFORM

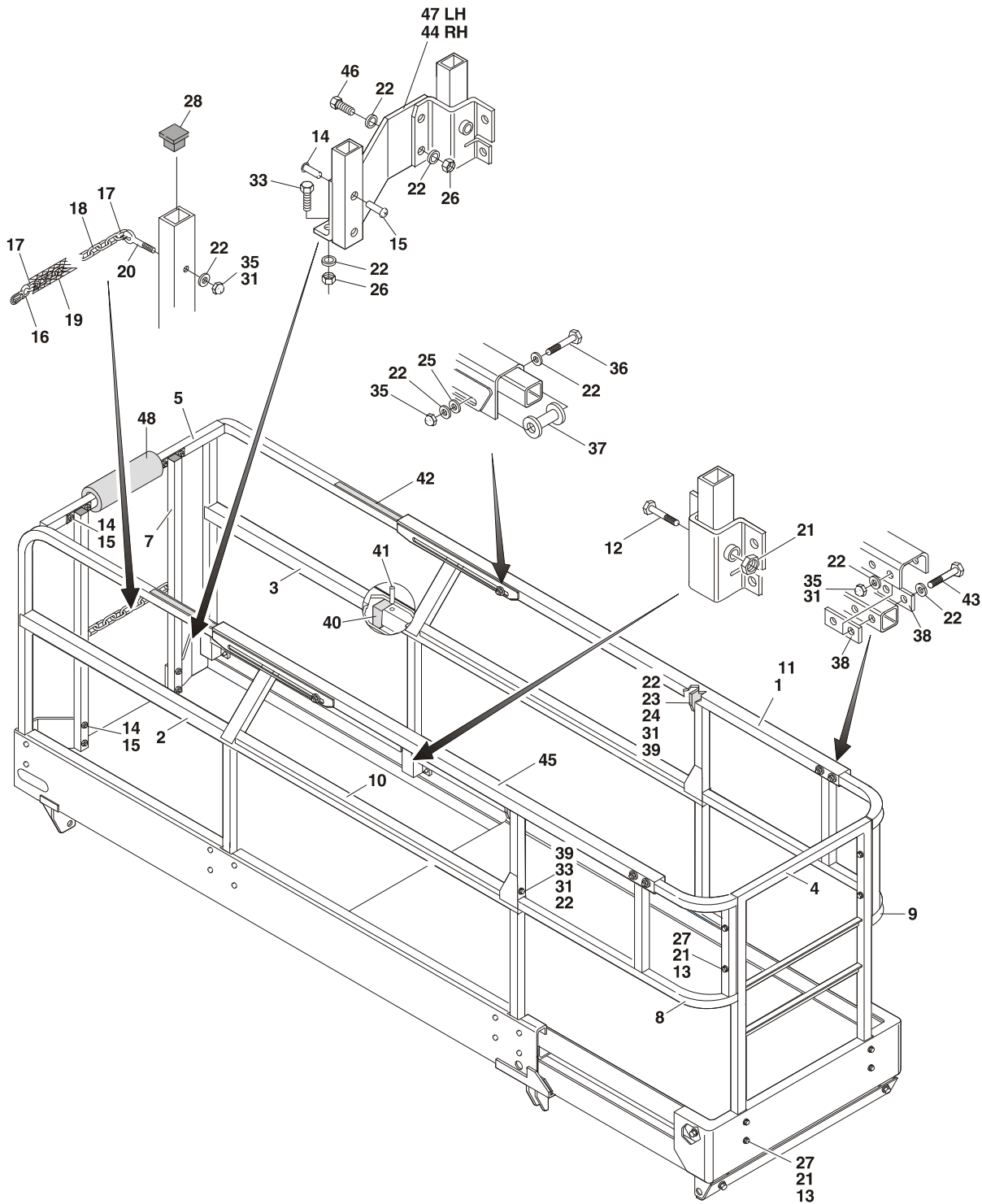
FIGURE 4-7. EXTENSION INSTALLATION - POWER OPERATED (2033E/2046E/ 2646E/2658E)

FIG & ITEM #	PART NUMBER	DESCRIPTION	QTY.	REV.

**S  
E  
C  
T  
I  
O  
N  
  
4  
  
P  
L  
A  
T  
F  
O  
R  
M**

# SECTION 4 PLATFORM

FIGURE 4-8. HANDRAILS INSTALLATION - POWER OPERATED PLATFORMS  
(2033E/2046E/2646E/2658E)



SECTION 4 PLATFORM

# SECTION 4 PLATFORM

**FIGURE 4-8. HANDRAILS INSTALLATION - POWER OPERATED PLATFORMS (2033E/2046E/2646E/2658E)**

FIG & ITEM #	PART NUMBER	DESCRIPTION	QTY.	REV.
		<b>HANDRAILS INSTALLATION OPTIONS:</b>	Ref.	
	0256103	<b>Standard - 2033E Machines</b>	Ref.	5
	0257653	<b>CSA - 2033E Machines</b>	Ref.	1
	0256104	<b>Standard - 2046E/2646E Machines</b>	Ref.	5
	0257654	<b>CSA - 2046E/2646E Machines</b>	Ref.	4
	0256105	<b>Standard - 2658E Machines</b>	Ref.	5
	0257655	<b>CSA - 2658E Machines</b>	Ref.	4
1		Handrail Kit Options:	1	
	2901403	2033E Standard Machines (Includes Items 2-5, 8-11 and 45)		
	2901527	2033E CSA Machines (Includes Items 2-5, 8-11 and 45)		
	2901404	2046E/2646E Standard Machines (Includes Items 2-5, 7-11 and 45)		
	2901528	2046E/2646E CSA Machines (Includes Items 2-5, 7-11 and 45)		
	2901405	2658E Standard Machines (Includes Items 2-5, 7-11 and 45)		
	2901529	2658E CSA Machines (Includes Items 2-5, 7-11 and 45)		
2		Rail Weldment - Right Side Options:	1	
	3641082	Standard - Rail Weldment		
	3641203	CSA - Rail Weldment		
3		Rail Weldment - Left Side Options:	1	
	3641083	Standard - Rail Weldment		
	3641204	CSA - Rail Weldment		
4		Rail Weldment - Extension - Front Options:	1	
	3641149	Standard - Rail Weldment		
	3641207	CSA - Rail Weldment		
5		Tube, Crossbar Options:	1	
	4567135	2033E Machines		
	4567136	2046E/2646E Machines		
	4567137	2658E Machines		
6	Not Used			
7		Rail Weldment - End Options:	1	
	Not Required	2033E Machines		
	3641152	Standard - 2046E/2646E/2658E Machines		
	3641208	CSA - 2046E/2646E/2658E Machines		
8		Rail Weldment - Extension Right Side Options:	1	
	3641084	2033E Machines		
	3641088	2046E/2646E Machines		
	3641090	2658E Machines		
9		Rail Weldment - Extension Left Side Options:	1	
	3641085	2033E Machines		
	3641089	2046E/2646E Machines		
	3641091	2658E Machines		
10	4060915	Shield, Midrail Cover	1	

# SECTION 4 PLATFORM

**FIGURE 4-8. HANDRAILS INSTALLATION - POWER OPERATED PLATFORMS (2033E/2046E/2646E/2658E) (CONTINUED)**

FIG & ITEM #	PART NUMBER	DESCRIPTION	QTY.	REV.
11	1271305	Channel, Top Rail	1	
12	0630501	Bolt 5/16"-18NC x 2 1/4"	6	
13	4711500	Flatwasher 5/16" Narrow	A/R	
14	3300373	Nut, Binding Post	A/R	
15	3900184	Screw #10-24	A/R	
16	Use 1001101076	Snap Latch Repair Kit (Includes Item 17) (was p/n 2940064)	1	
17	3010088	Link	2	
18	1260136	Chain	24in/61cm	
19		Tubing Options:		
	2820097	Tubing, Mesh	24in/61cm	
	2820024	Tubing, Vinyl (CSA 2033E Only)	24in/61cm	
20	0630494	Bolt, Eye	2	
21	3311505	Locknut 5/16"-18NC	6	
22	4751400	Flatwasher 1/4" Wide	A/R	
23	0641410	Bolt 1/4"-20NC x 1 1/4"	4	
24	0561262	Block, Slide	2	
25	4740411	Washer, Nylon	4	
26		Locknut 1/4"-20NC Options:	6	
	Not Required	2033E Machines		
	3311405	2046E/2646E/2658E Machines		
27	0641516	Bolt 5/16"-18NC x 2"	8	
28	3520072	Plug, Cap	A/R	
29		Bolt #10-24 x 1/2" Options:	2	
	Not Required	2033E Machines		
	3921008	2046E/2646E/2658E Machines		
30		Flatwasher #10 Wide Options:	2	
	Not Required	2033E Machines		
	4751000	2046E/2646E/2658E Machines		
31	0100011	Loctite #242	A/R	
32	Not Used			
33	0641408	Bolt 1/4"-20NC x 1"	4	
34	Not Used			
35	3300151	Nut, Acorn 1/4"-20NC	8	
36	0641424	Bolt 1/4"-20NC x 3"	2	
37	3860075	Roller	2	
38	0561234	Block, Spacer	4	
39	2080043	Rivnut 1/4"-20NC	12	
40	3340801	Pad, Midrail	2	
41	3440420	Pin, Roll 1/8" x 1 1/4"	2	
42	4420055	Tape, UHWM	24in/61cm	
43	0641420	Bolt 1/4"-20NC x 2 1/2"	4	
44		End Kick Panel Right Side Options:	1	
	Not Required	2033E Machines		
	3380437	2046E/2646E Machines		
	3380438	2658E Machines		
45	1271337	Channel Weldment	1	

**SECTION 4 PLATFORM**

# SECTION 4 PLATFORM

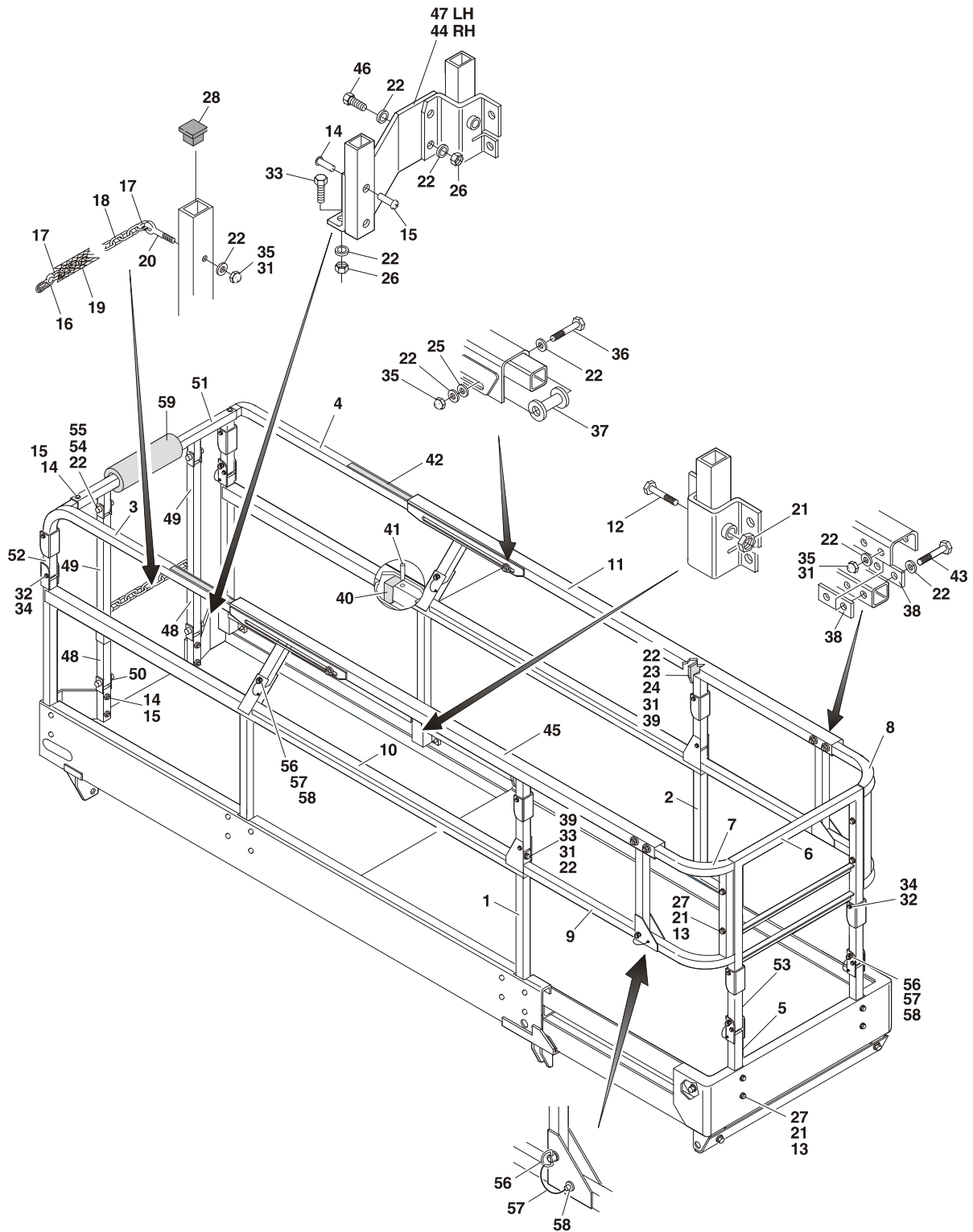
**FIGURE 4-8. HANDRAILS INSTALLATION - POWER OPERATED PLATFORMS (2033E/2046E/2646E/2658E) (CONTINUED)**

FIG & ITEM #	PART NUMBER	DESCRIPTION	QTY.	REV.
46	Not Required 0641406	Bolt 1/4"-20NC x 3/4" Options: 2033E Machines 2046E/2646E/2658E Machines	4	
47	Not Required 3380439 3380440	End Kick Panel Left Side Options: 2033E Machines 2046E/2646E Machines 2658E Machines	1	
48	3340612	Pad	17in/43cm	

SECTION 4 PLATFORM

# SECTION 4 PLATFORM

FIGURE 4-9. HANDRAILS INSTALLATION - OPTIONAL FOLDDOWN RAILS  
POWER OPERATED PLATFORM (2046E/2646E)



SECTION 4 PLATFORM

# SECTION 4 PLATFORM

**FIGURE 4-9. HANDRAILS INSTALLATION - OPTIONAL FOLDDOWN RAILS POWER OPERATED PLATFORM (2046E/2646E)**

FIG & ITEM #	PART NUMBER	DESCRIPTION	QTY.	REV.
	0258005	<b>HANDRAILS INSTALLATION</b>	Ref.	2
1	3641239	Rail Weldment - Right Side	1	
2	3641240	Rail Weldment - Left Side	1	
3	3641241	Rail Weldment - Extension - Right Side Upper	1	
4	3641242	Rail Weldment - Extension - Left Side Upper	1	
5	3641243	Rail Weldment - Extension - Front Lower	2	
6	3641244	Rail Weldment - Extension - Front	1	
7	3641245	Rail Weldment - Extension Right Side	1	
8	3641246	Rail Weldment - Extension Left Side	1	
9	4567453	Tube, Extension	2	
10	4060915	Shield, Midrail Cover	2	
11	1271305	Channel, Top Rail	1	
12	0630501	Bolt 5/16"-18NC x 2 1/4"	6	
13	4711500	Flatwasher 5/16" Narrow	16	
14	3300373	Nut, Binding Post	6	
15	3900184	Screw #10-24	6	
16	Use 1001101076	Snap Latch Repair Kit (Includes Item 17) (was p/n 2940064)	1	
17	3010088	Link	2	
18	1260136	Chain	24in/61cm	
19	2820097	Tubing, Mesh	24in/61cm	
20	0630494	Bolt, Eye	2	
21	3311505	Locknut 5/16"-18NC	8	
22	4751400	Flatwasher 1/4" Wide	40	
23	0641410	Bolt 1/4"-20NC x 1 1/4"	4	
24	0561262	Block, Slide	2	
25	4740411	Washer, Nylon	4	
26	3311405	Locknut 1/4"-20NC	6	
27	0641516	Bolt 5/16"-18NC x 2"	8	
28	3520072	Plug, Cap	20	
29	3921008	Bolt #10-24 x 1/2"	2	
30	4751000	Flatwasher #10 Wide	2	
31	0100011	Loctite #242	A/R	
32	3911432	Screw, 1/4"-20NC x 2"	12	
33	0641408	Bolt 1/4"-20NC x 1"	2	
34	Not Used			
35	3300151	Nut, Acorn 1/4"-20NC	18	
36	0641424	Bolt 1/4"-20NC x 3"	2	
37	3860075	Roller	2	
38	0561234	Block, Spacer	4	
39	2080043	Rivnut 1/4"-20NC	8	
40	3340801	Pad, Midrail	2	
41	3440420	Pin, Roll 1/8" x 1 1/4"	2	
42	4420055	Tape, UHWM	24in/61cm	
43	0641420	Bolt 1/4"-20NC x 2 1/2"	4	
44	3380437	End Kick Panel Right Side	1	

**SECTION 4 PLATFORM**

# SECTION 4 PLATFORM

**FIGURE 4-9. HANDRAILS INSTALLATION - OPTIONAL FOLDDOWN RAILS POWER OPERATED PLATFORM (2046E/2646E) (CONTINUED)**

FIG & ITEM #	PART NUMBER	DESCRIPTION	QTY.	REV.
45	1271337	Channel Weldment	1	
46	0641406	Bolt 1/4"-20NC x 3/4"	4	
47	3380439	End Kick Panel Left Side	1	
48	4565261	Tube	2	
49	3640743	Rail, Weldment	2	
50	3641248	Rail, Weldment	2	
51	3641249	Crossbar, Weldment	1	
52	4567451	Tube, Link	4	
53	4567512	Tube, Front Link	2	
54	3430416	Pin, Clevis	4	
55	3450203	Pin, Cotter	4	
56	3422219	Pin, Snapper	6	
57	1060379	Cable, Lanyard	6	
58	3941004	Screw, Self Tapping	6	
59	3340612	Pad	24in/61cm	
60	3311501	Nut 5/16"-18NC	6	
61	3760170	Key Ring	6	

**SECTION 4 PLATFORM**



# SECTION 4 PLATFORM

FIGURE 4-9. HANDRAILS INSTALLATION - OPTIONAL FOLDDOWN RAILS POWER OPERATED PLATFORM (2046E/2646E) (CONTINUED)

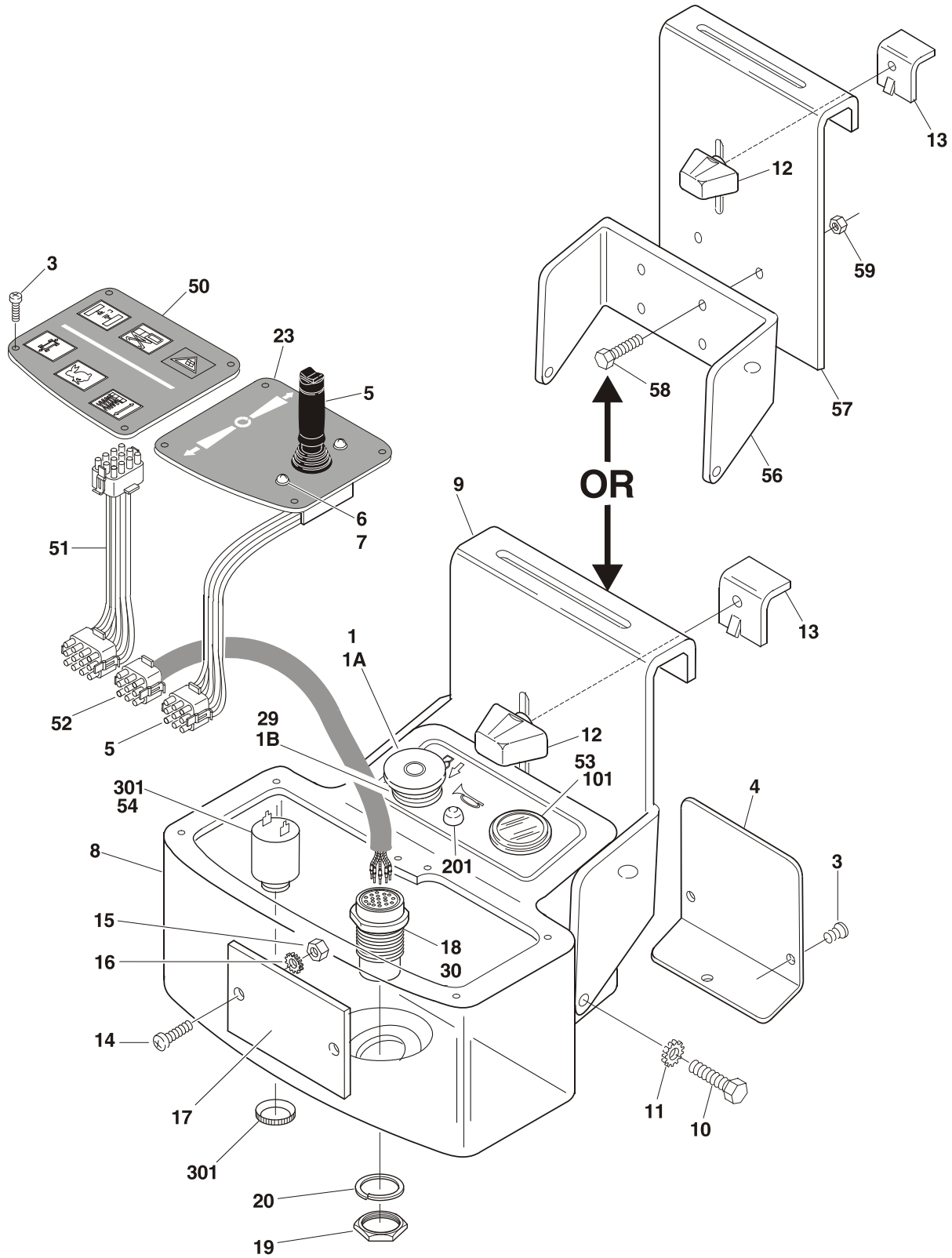
FIG & ITEM #	PART NUMBER	DESCRIPTION	QTY.	REV.

**S  
E  
C  
T  
I  
O  
N  
  
4  
  
P  
L  
A  
T  
F  
O  
R  
M**

# SECTION 4 PLATFORM

FIGURE 4-10.PLATFORM CONSOLE BOX ASSEMBLY

SECTION  
4  
PLATFORM



# SECTION 4 PLATFORM

**FIGURE 4-10. PLATFORM CONSOLE BOX ASSEMBLY**

FIG & ITEM #	PART NUMBER	DESCRIPTION	QTY.	REV.
		<b>CONSOLE BOX ASSEMBLY (STANDARD PARTS)</b>	Ref.	
		<b>Note: To determine Power or Gravity Down refer to Page A</b>		
1	4360289	Switch, Emergency Stop	1	
1A	7012611	Head, Mushroom	1	
1B	7012612	Boot	1	
2	Not Used			
3	3900177	Screw	11	
4	4060914	Cover, Rear	1	
5		Controller Assembly Options (See Figure 4-11 or 4-12 for Breakdown):	1	
	See Note	Prior to S/N 29608 (OEM) (Note: Use P/N 2890047 in place of original P/N 1600235)		
	See Note	S/N 29608 to S/N 35956 (OEM) (Note: Use P/N 2890047 in place of original P/N 1600257)		
	See Note	S/N 35957 to S/N 35964 (PQ) (Note: Use P/N 1600276 in place of original P/N 1600266)		
	See Note	S/N 35965 to S/N 36011(OEM) (Note: Use P/N 2890047 in place of original P/N 1600257)		
	See Note	S/N 36012 to S/N 43888 (PQ) (Note: Use P/N 1600276 in place of original P/N 1600266)		
	1600276	S/N 43888 to Present (PQ)		
6	4740120	Washer, Nylon	2	
7	3900178	Screw, Machine #10-32NF x 3/4"	2	
8	0861013	Box, Platform	1	
9		Hanger Bracket Option:	1	
	0902234	Prior to S/N24273 except S/N 23804		
	0902298	S/N 23804 only and S/N 24273 to S/N 43888		
	7020075	Cap, Rubber (Right Side)	1	
	7020076	Cap, Rubber (Left Side)	1	
10	3900227	Bolt 1/4"-20NC x 1/2" (Black)	4	
11	4791400	Starwasher 1/4"	4	
12	2560141	Thumbscrew	1	
13	0181847	Angle	1	
14	3900226	Screw #6-32NC x 1" (Black)	2	
15	3310601	Nut #6-32NC	2	
16	4770600	Starwasher #6	2	
17	0610123	Card, Circuit	1	
18	4460463	Receptacle, Male (23 Pin)	1	
19	4460470	Nut, Receptacle	1	
20	4460471	Lockwasher, Receptacle	1	
21 to 22	Not Used			
23		Lid, Nameplate Options:	1	
	3252481	Prior to S/N 36042 (Use with OEM Controller)		
	3252542	S/N 36042 to Present (Use with PQ Controller)		
24 to 28	Not Used			
29	4740066	Washer, Bronze (S/N 50260 to Present)	1	

**SECTION 4 PLATFORM**

# SECTION 4 PLATFORM

**FIGURE 4-10. PLATFORM CONSOLE BOX ASSEMBLY**

FIG & ITEM #	PART NUMBER	DESCRIPTION	QTY.	REV.
30	4460466	Plug, Terminal (S/N 50260 to Present)	9	
		<b>CONSOLE BOX ASSEMBLY (VARIABLE PARTS)</b>	Ref.	
	0256963	<b>Power Down Machines without Tilt Light</b>	Ref.	3
	0256041	<b>Power Down Machines with Tilt Light</b>	Ref.	4
	0257378	<b>Gravity Down Machines without Tilt Light</b>	Ref.	6
	0257540	<b>Gravity Down Machines without Tilt Light &amp; with Battery Gauge</b>	Ref.	5
	0257377	<b>Gravity Down Machines with Tilt Light</b>	Ref.	6
	0257539	<b>Gravity Down Machines with Tilt Light &amp; Battery Gauge</b>	Ref.	5
50		Switch, Keypad Options:	1	
	4360450	Power Down Machines without Tilt Light		
	4360403	Power Down Machines with Tilt Light		
	4360450	Gravity Down Machines without Tilt Light		
	4360450	Gravity Down Machines without Tilt Light & with Battery Gauge		
	4360403	Gravity Down Machines with Tilt Light		
	4360403	Gravity Down Machines with Tilt Light & Battery Gauge		
51		Harness - Membrane Switch Options: (See Section 7 for Breakdown)	1	
	4921782	Power Down Machines		
	4921895	Gravity Down Machines		
52		Harness - Platform Console Box Options (See Section 7 for Breakdown)	1	
	4921783	Power Down Machines		
	4921896	Gravity Down Machines		
53		Gauge, Battery Discharge Indicator Options:	A/R	
	Not Required	Without Battery Gauge	0	
	2420176	With Battery Gauge	1	
54		Alarm Options:	A/R	
	Not Required	Power Down Machines	0	
	Not Required	Gravity Down Machines without Tilt Light	0	
	0140011	Gravity Down Machines with Tilt Light	1	
	0140011	Gravity Down Machines with Tilt Light & Battery Gauge	1	
55	Not Required			
56		Bracket Options:	A/R	
	Not Required	Power Down Machines	0	
	0902439	Gravity Down Machines	1	
57		Bracket Options:	A/R	
	Not Required	Power Down Machines	0	
	0902438	Gravity Down Machines	1	
58	0641405	Bolt 1/4"-20NC x 5/8"	4	
59	3311401	Nut 1/4"-20NC	4	

**SECTION 4 PLATFORM**

# SECTION 4 PLATFORM

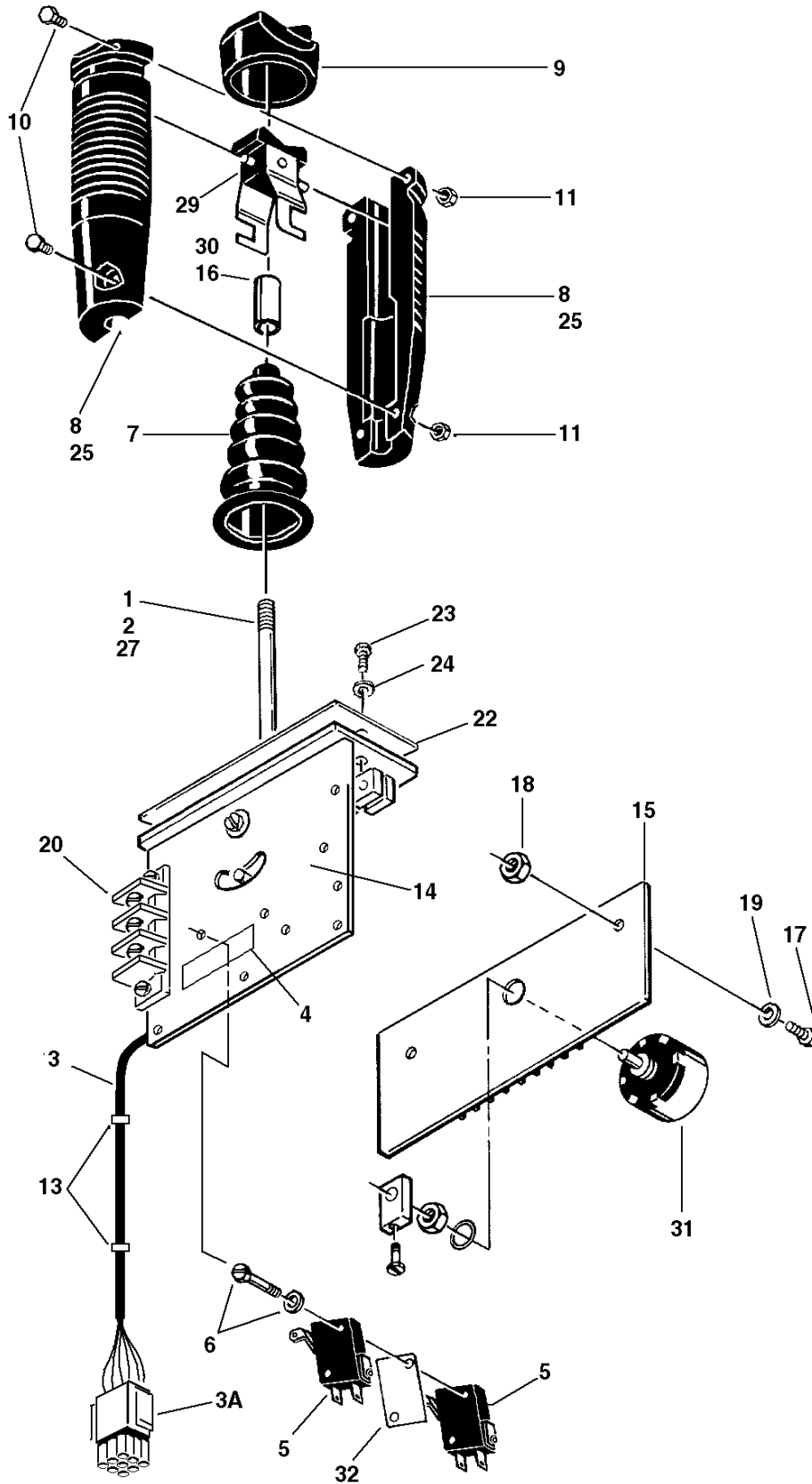
**FIGURE 4-10. PLATFORM CONSOLE BOX ASSEMBLY**

FIG & ITEM #	PART NUMBER	DESCRIPTION	QTY.	REV.
101	0256057	<b>BATTERY DISCHARGE INDICATOR INSTALLATION (POWER DOWN MACHINES - OPTIONAL)</b>	Ref.	—
	2420176	Gauge, Battery Discharge Indicator	1	
201	0255950	<b>HORN COMPONENTS INSTALLATION</b>	Ref.	4
	4360387	Button, Horn	1	
301	0255948	<b>TILT ALARM INSTALLATION</b>	Ref.	A
	0140011	Alarm	1	

SECTION 4 PLATFORM

# SECTION 4 PLATFORM

FIGURE 4-11. CONTROLLER ASSEMBLY - OEM



SECTION 4 PLATFORM

# SECTION 4 PLATFORM

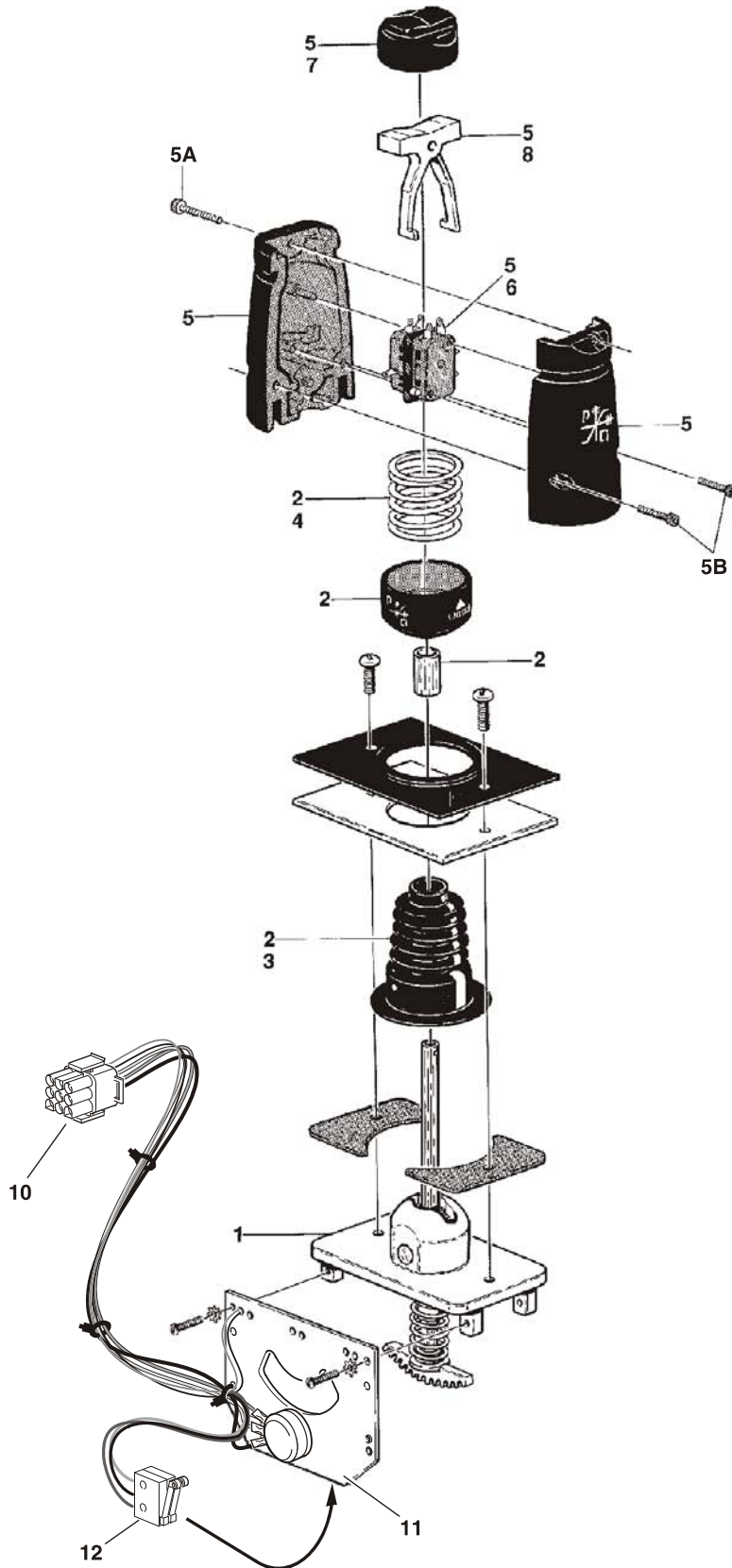
**FIGURE 4-11. CONTROLLER ASSEMBLY - OEM**

FIG & ITEM #	PART NUMBER	DESCRIPTION	QTY.	REV.
		<b>CONTROLLER ASSEMBLY - OEM</b>	Ref.	
	1600235	<b>Controller Assembly - OEM</b>	Ref.	—
	1600257	<b>Controller Assembly - OEM</b>	Ref.	C
1	7003946	Spring, Handle Return	1	
2		Shaft Assembly Options:	1	
	7019100	Prior to S/N 29608		
	7019102	S/N 29608 to Present		
3		Harness, Electrical (Lower)	1	
	7003999	Prior to S/N 29608		
	7019101	S/N 29608 to Present		
3A	4460265	Connector, Receptacle - 9 Pin	1	
4	Not Serviced	Label	1	
5	7003961	Microswitch	2	
6	7003998	Screw	2	
7	7003966	Boot	1	
8	7003973	Handle Halves	2	
9	7003972	Cap, Rubber	1	
10	7003980	Screw	4	
11	7003979	Nut	4	
12	7003995	Harness, Electrical (Upper) (Not Shown)	1	
13	Not Serviced	Tie-strap	10	
14	Not Serviced	Housing	1	
15	7003995	Plate, Pot Mounting	1	
16*	7003983	Setscrew	2	
17	7003994	Screw	2	
18	7003993	Nut	2	
19	7003992	Washer	2	
20	7003991	Strip, Terminal	1	
21	0100011	Loctite (Not Shown)	A/R	
22	7003933	Gasket	1	
23	7003990	Screw	2	
24	7003969	Washer	2	
25	7003989	Gasket, Handle	2	
26	Not Serviced	Grease	A/R	
27	0100015	Loctite (Not Shown)	A/R	
28	7003988	Setscrew	1	
29	7003981	Rocker	1	
30	7003984	Coupling	1	
31	7003997	Potentiometer	1	
32	Not Serviced	Insulator	1	
		-----		
	7003978	Handle Assembly (Includes Items 7-11, 25, 29 & 30)	1	

**SECTION 4 PLATFORM**

# SECTION 4 PLATFORM

FIGURE 4-12. CONTROLLER ASSEMBLY - PQ



SECTION  
4  
PLATFORM



# SECTION 4 PLATFORM

**FIGURE 4-12. CONTROLLER ASSEMBLY - PQ**

FIG & ITEM #	PART NUMBER	DESCRIPTION	QTY.	REV.
		<b>CONTROLLER ASSEMBLY - PQ</b>	Ref.	
	1600266	<b>Prior to S/N 43888</b>	Ref.	—
	1600276	<b>S/N 43888 to Present</b>	Ref.	B
	7011978	Handle Assembly	1	
1	7011979	Mechanism, Handle	1	
2	7020516	Slidelock Assembly (Was p/n 7011933)	1	
3	7020519	Boot (Was p/n 7003772)	1	
4	7011934	Spring, Compression	1	
5	7011935	Handle Grip Assembly	1	
	7011976	Handle Halves	2	
5A	7020536	Screw #6-32NC x 1	1	
	7011972	Lockwasher	1	
	7011970	Nut	1	
5B	7011971	Screw	2	
	7011972	Lockwasher	2	
	7011970	Nut	2	
6	7003789	Microswitch Assembly (Includes (2) switches, (1) separator and the wiring.)	1	
	7020500	Microswitch	2	
7	7003790	Cap, Rubber	1	
8	7003791	Actuator, Switch	1	
9	Not Used			
10	4460265	Connector	1	
	4460267	Pin, Male	A/R	
11	7011980	Electrical Assembly	1	
	7011925	Potentiometer	1	
12	7003771	Switch	2	
		<b>Notes:</b>		
		- 1600266 Controller has microswitch located on right side of cam.		
		- 1600276 Controller has microswitch located on left side of cam.		
		- 7011980 Electrical Assembly has microswitch located on left side of cam. When replacing Electrical Assembly, use part number 7011980 for both 1600266 and both 1600266 and 1600276 controllers.		

# SECTION 4 PLATFORM

FIGURE 4-12. CONTROLLER ASSEMBLY - PQ

FIG & ITEM #	PART NUMBER	DESCRIPTION	QTY.	REV.

**S  
E  
C  
T  
I  
O  
N  
  
4  
  
P  
L  
A  
T  
F  
O  
R  
M**

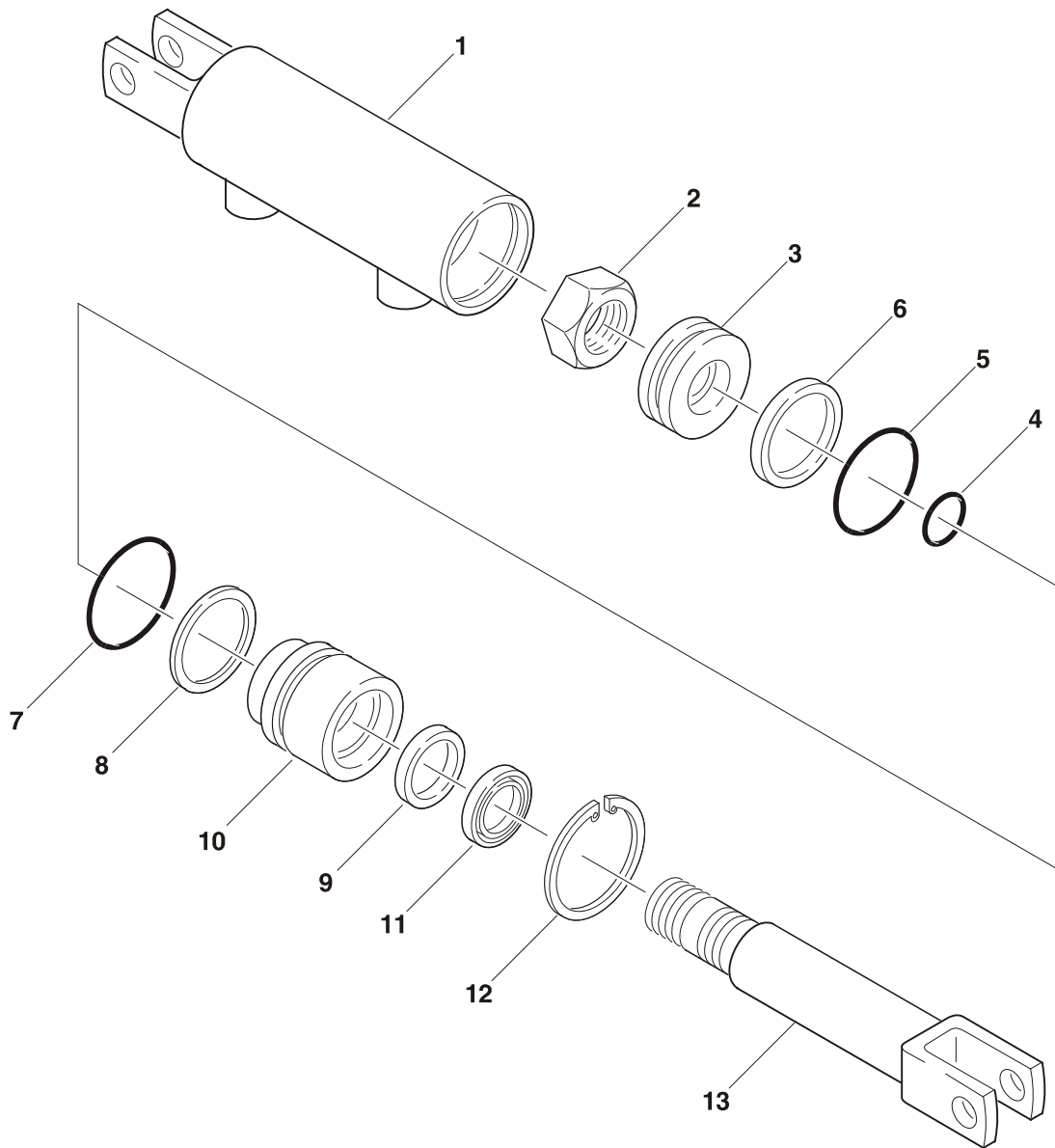
# SECTION 5 CYLINDERS

<b>TABLE OF CONTENTS</b>		
<b>FIGURE</b>	<b>DESCRIPTION</b>	<b>PAGE</b>
5-1	BRAKE CYLINDER ASSEMBLY .....	5-2
5-2	LIFT CYLINDER COMPONENTS ASSEMBLY (1532/1932 POWER DOWN MACHINES BUILT PRIOR TO S/N 27181).....	5-4
5-3	LIFT CYLINDER COMPONENTS ASSEMBLY (1532E/1932E POWER DOWN MACHINES BUILT S/N 27181 TO PRESENT).....	5-8
5-4	LIFT CYLINDER COMPONENTS ASSEMBLY (1532E/1932E GRAVITY DOWN MACHINES) .....	5-10
5-5	LIFT CYLINDER COMPONENTS ASSEMBLY (2033E/2046E POWER DOWN MACHINES BUILT PRIOR TO S/N 27085 & 2646E/2658E POWER DOWN MACHINES BUILT PRIOR TO S/N 26916).....	5-14
5-6	LIFT CYLINDER COMPONENTS ASSEMBLY (2033E/2046E POWER DOWN MACHINES BUILT S/N 27085 TO PRESENT & 2646E/2658E POWER DOWN MACHINES BUILT S/N 26916 TO PRESENT).....	5-18
5-7	LIFT CYLINDER COMPONENTS ASSEMBLY (2033E/2046E/2646E/2658E GRAVITY DOWN MACHINES).....	5-22
5-8	PLATFORM EXTENSION CYLINDER ASSEMBLIES .....	5-26
5-9	STEER CYLINDER ASSEMBLY .....	5-28

SECTION 5 CYLINDER

# SECTION 5 CYLINDERS

FIGURE 5-1. BRAKE CYLINDER ASSEMBLY



SECTION 5 CYLINDER

# SECTION 5 CYLINDERS

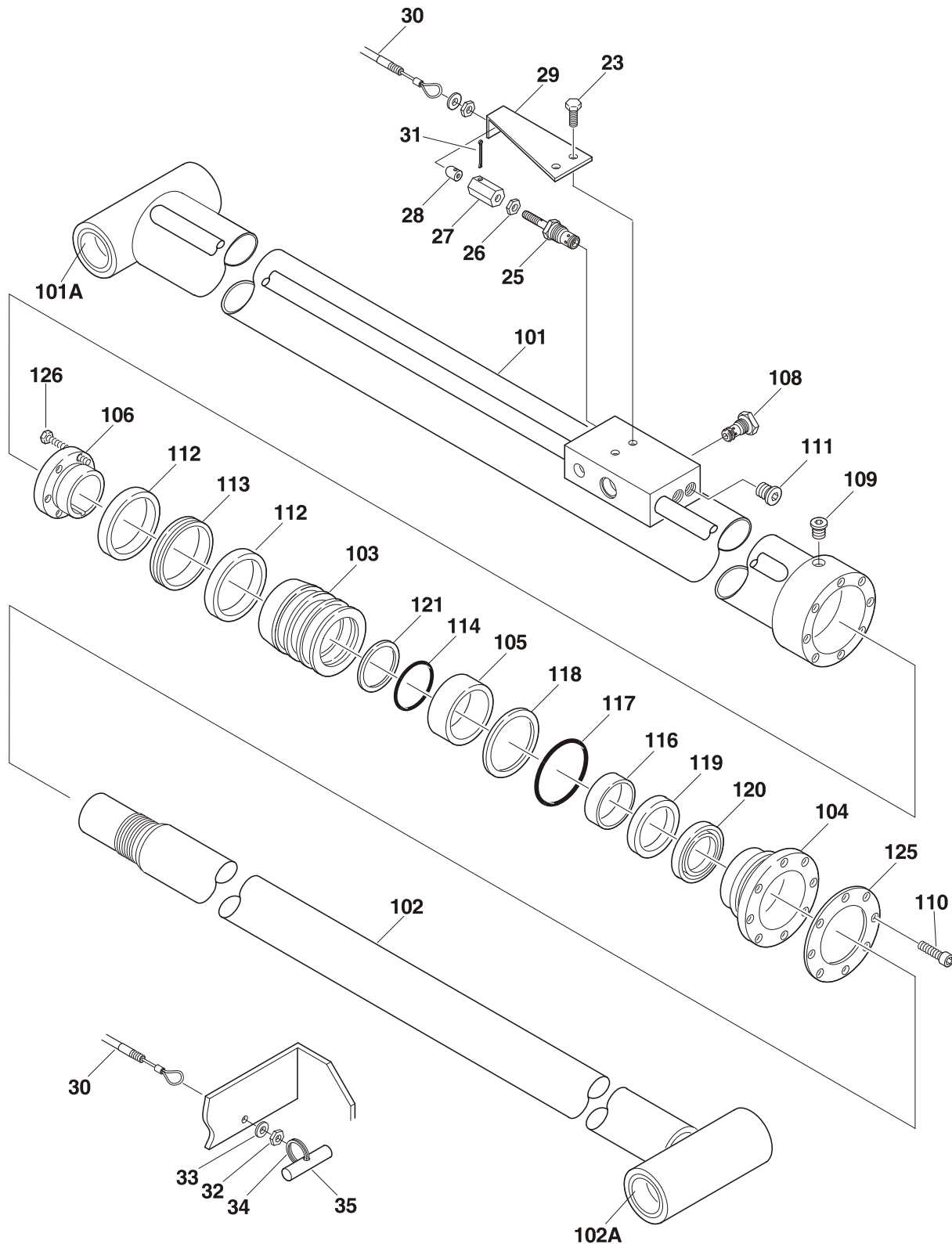
**FIGURE 5-1. BRAKE CYLINDER ASSEMBLY**

FIG & ITEM #	PART NUMBER	DESCRIPTION	QTY.	REV.
		<b>Note: To determine Power or Gravity Down refer to page A.</b>		
		<b>BRAKE CYLINDER ASSEMBLY</b>	Ref.	
	1683362	<b>Power Down Machines</b>	Ref.	C
	1683557	<b>Gravity Down Machines</b>	Ref.	A
1	Not Serviced	Barrel	1	
2	7001609	Locknut	1	
3		Piston Options:	1	
	7017201	Power Down Machines		
	7017220	Gravity Down Machines		
4	Kit	O-Ring	1	
5	Kit	O-Ring	1	
6	Kit	Seal, Piston	1	
7	Kit	O-Ring	1	
8	Kit	Ring, Back-up	1	
9	Kit	Seal	1	
10		Guide Options:	1	
	7001097	Power Down Machines		
	7017221	Gravity Down Machines		
11	Kit	Ring, Wiper	1	
12	Kit	Ring, Retainer	1	
13		Rod	1	
	7017202	Power Down Machines		
	7017222	Gravity Down Machines		
		-----		
		Seal Kit Options (Includes Items 4-9, 11 & 12)	1	
	7017200	Power Down Machines - 1683362 Cylinder	1	
	7017223	Gravity Down Machines - 1683557 Cylinder		

SECTION 5 CYLINDER

# SECTION 5 CYLINDERS

FIGURE 5-2. LIFT CYLINDER COMPONENTS ASSEMBLY  
(1532/1932 POWER DOWN MACHINES BUILT PRIOR TO S/N 27181)



SECTION 5 CYLINDER

# SECTION 5 CYLINDERS

**FIGURE 5-2. LIFT CYLINDER COMPONENTS ASSEMBLY (1532/1932 POWER DOWN MACHINES BUILT PRIOR TO S/N 27181)**

FIG & ITEM #	PART NUMBER	DESCRIPTION	QTY.	REV.
		<b>Note: To determine Power or Gravity Down refer to page A.</b>		
		<b>LIFT CYLINDER SUB-ASSEMBLY</b>	Ref.	
1 to 22	Not Used			
23	0641506	Bolt 5/16"-18NC x 3/4"	2	
24	0100011	Loctite #242	A/R	
25	4640717	Cartridge, Valve (Manual Descent)	1	
26	3311402	Nut, Jam 1/4"-20NC	1	
27	0080190	Adapter	1	
28	4220044	Stop, Throttle (Prior to S/N 28355 Only)	1	
29	0902151	Bracket	1	
30		Cable Assembly Options:	1	
	Use 1060644	Prior to S/N 28175 (was p/n 1060597)		
	1060644	S/N 28175 to Present		
	7019602	Bellows Kit (Use with 1060644 Cable Only)	1	
	7019600	T-Handle (Use with 1060644 Cable Only)	1	
31	3450405	Pin, Cotter	1	
32	3321402	Nut, Jam 1/4"-28NF	4	
33	4711400	Flatwasher 1/4"	4	
34	3760170	Ring (Prior to 28175 Only)	1	
35	3841127	Rod, Manual Descent (Prior to 28175 Only)	1	
	1683377	<b>LIFT CYLINDER ASSEMBLY - 1532E/1932E</b>	Ref.	A
101	1683379	Barrel Weldment	1	
101A	0962012	Bushing, Garmax	2	
102	1683380	Rod Weldment	1	
102A	0962012	Bushing, Garmax	2	
103	3480212	Piston	1	
104	1683054	Head	1	
105	4566819	Spacer	1	
106	0961896	Bushing, Tapered	1	
107	Not Used			
108	4640509	Cartridge, Valve	1	
	2900792	Seal Kit - 4640509 Valve	1	
109	2220885	Plug, O-Ring	2	
110	3931516	Capscrew, Socket Head 5/16"-18NC x 1"	8	
111	2220883	Plug, O-Ring	3	
112	Kit	Ring, Wear	2	
113	Kit	T-Seal	1	
114	Kit	O-Ring	1	
115	Not Used			
116	Kit	Ring, Wear	1	
117	Kit	O-Ring	1	
118	Kit	Ring, Back-up	1	

**SECTION 5 CYLINDER**

# SECTION 5 CYLINDERS

**FIGURE 5-2. LIFT CYLINDER COMPONENTS ASSEMBLY (1532/1932 POWER DOWN MACHINES BUILT PRIOR TO S/N 27181) (CONTINUED)**

FIG & ITEM #	PART NUMBER	DESCRIPTION	QTY.	REV.
119	Kit	Seal, Rod	1	
120	Kit	Wiper	1	
121	Kit	Ring, Back-up	1	
122	0100038	Primer, Locking	A/R	
123	0100011	Loctite #242	A/R	
124	Not Used			
125	3760368	Ring, Washer	1	
126	0641408	Bolt 1/4"-20NC x 1"	3	
		-----		
	2901278	Seal Kit - 1683377 Cylinder (Includes Items 112-121)	1	

**SECTION 5 CYLINDER**



# SECTION 5 CYLINDERS

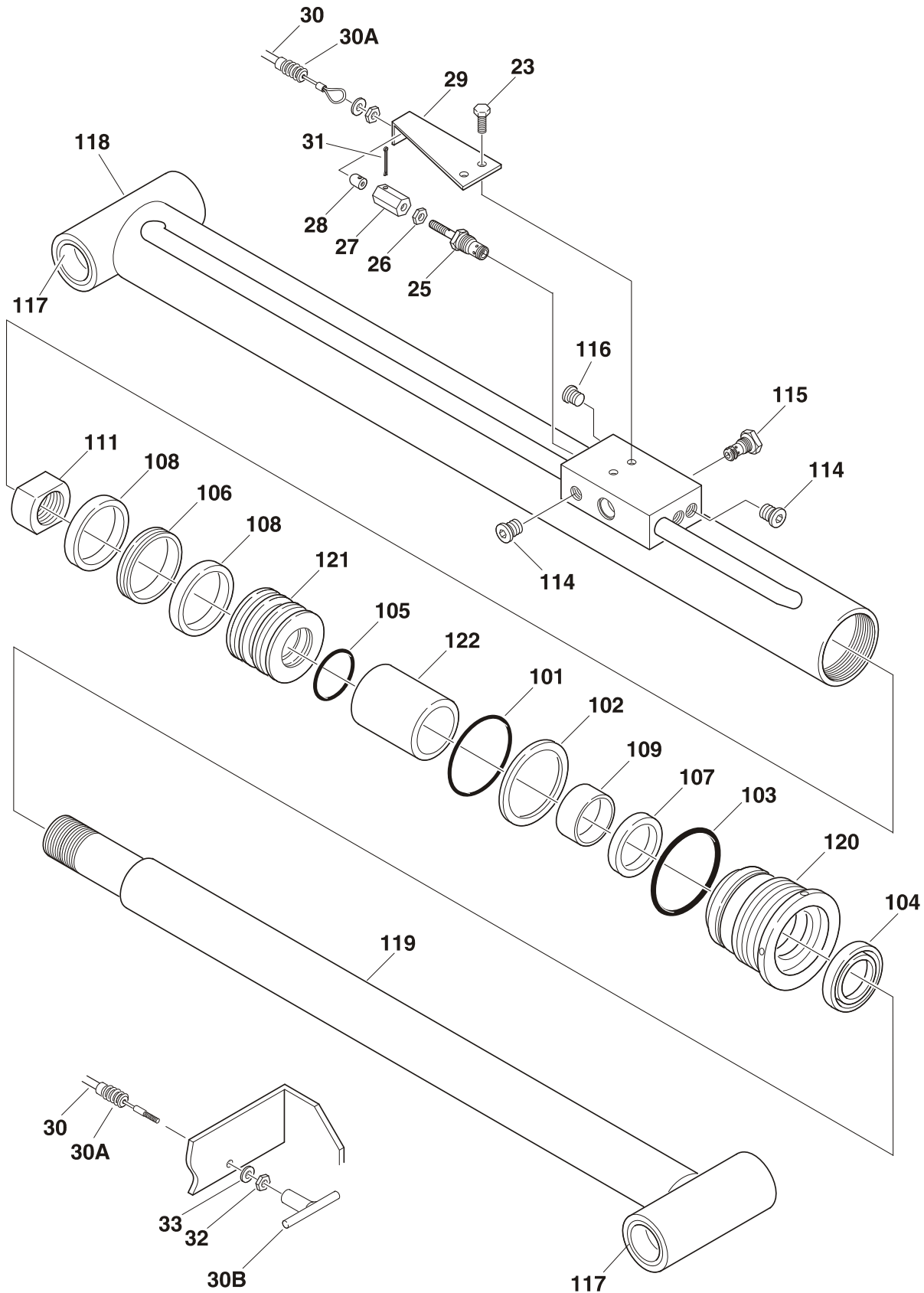
FIGURE 5-2. LIFT CYLINDER COMPONENTS ASSEMBLY (1532/1932 POWER DOWN MACHINES BUILT PRIOR TO S/N 27181) (CONTINUED)

FIG & ITEM #	PART NUMBER	DESCRIPTION	QTY.	REV.

**S  
E  
C  
T  
I  
O  
N  
  
5  
  
C  
Y  
L  
I  
N  
D  
E  
R**

# SECTION 5 CYLINDERS

FIGURE 5-3. LIFT CYLINDER COMPONENTS ASSEMBLY (1532/1932 POWER DOWN MACHINES BUILT S/N 27181 TO PRESENT)



SECTION 5 CYLINDER

# SECTION 5 CYLINDERS

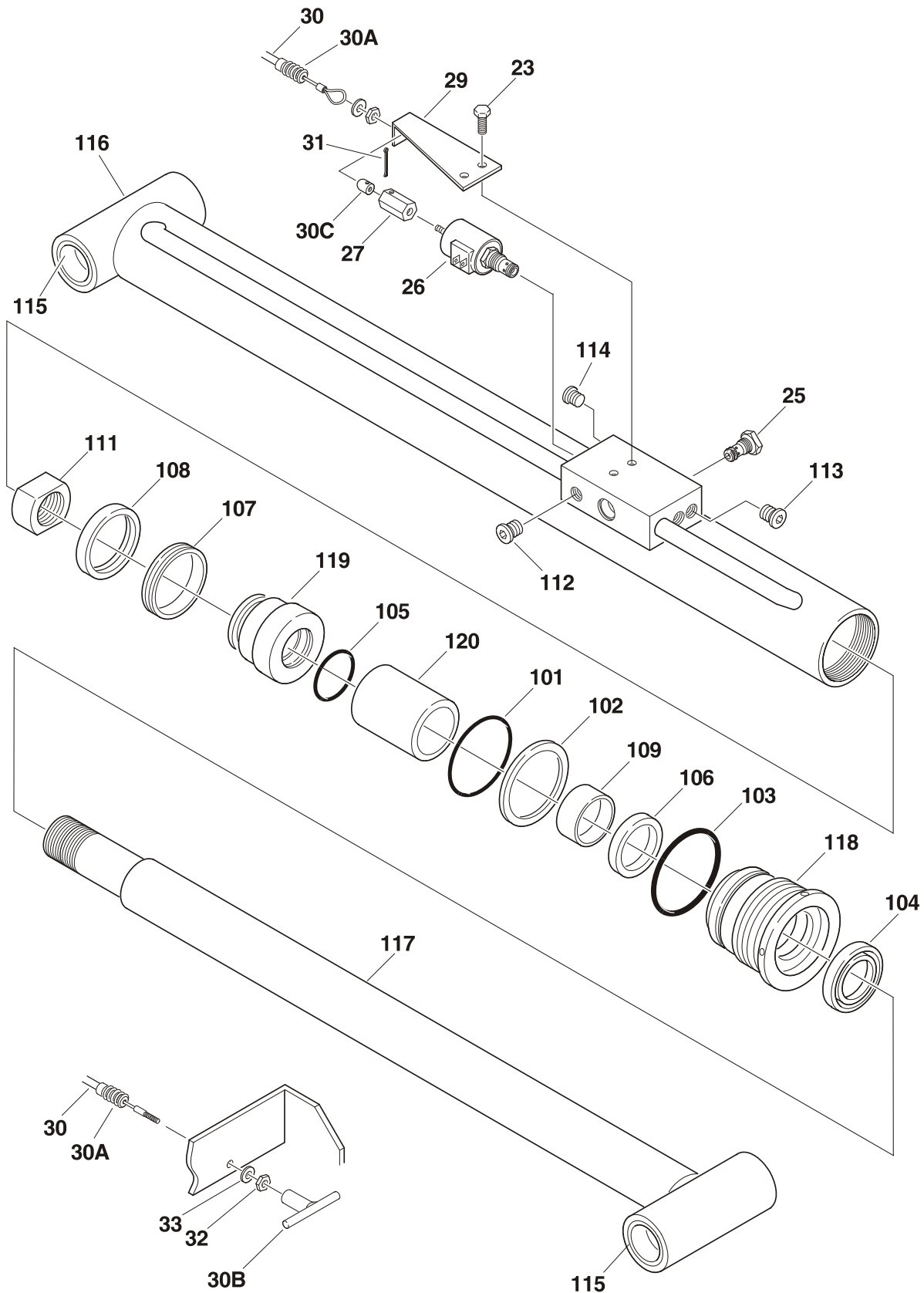
(Continued)  
**FIGURE 5-3. LIFT CYLINDER COMPONENTS ASSEMBLY (1532/1932 POWER DOWN MACHINES BUILT S/N 27181 TO PRESENT)**

FIG & ITEM #	PART NUMBER	DESCRIPTION	QTY.	REV.
		<b>Note: To determine Power or Gravity Down refer to page A.</b>		
		<b>LIFT CYLINDER SUB-ASSEMBLY</b>	Ref.	
1 to 22	Not Used			
23	0641506	Bolt 5/16"-18NC x 3/4"	4	
24	0100011	Loctite #242	A/R	
25	4640717	Cartridge, Valve (Manual Descent)	1	
26	3311402	Nut, Jam 1/4"-20NC	1	
27	0080190	Adapter	1	
28	4220044	Stop, Throttle (Prior to S/N 28355 Only)	1	
29	0902151	Bracket	1	
30		Cable Assembly Options:	1	
	Use 1060644	Prior to S/N 28175 (was p/n 1060597)		
	1060644	S/N 28175 to Present		
30A	7019602	Bellows Kit (Use with 1060644 Cable Only)	1	
30B	7019600	T-Handle (Use with 1060644 Cable Only)	1	
31	3450405	Pin, Cotter	1	
32	3321402	Nut, Jam 1/4"-28NF	4	
33	4711400	Flatwasher 1/4"	4	
	1683475	<b>LIFT CYLINDER ASSEMBLY - 1532E/1932E</b>	Ref.	-
101	Kit	O-Ring	1	
102	Kit	Ring, Back-up	1	
103	Kit	O-Ring	1	
104	Kit	Wiper	1	
105	Kit	O-Ring	1	
106	Kit	Seal	1	
107	Kit	Seal	1	
108	Kit	Ring, Wear	2	
109	Kit	Ring, Wear	1	
110	Not Used			
111	7017367	Locknut	1	
112	7005312	Plug (Not Shown)	1	
113	7005315	Plug (Not Shown)	2	
114	7005365	Plug	3	
115	7017372	Cartridge, Valve	1	
	Not Available	Seal Kit - 7017372 Valve	1	
116	Not Serviced	Plug	1	
117	7017378	Bushing, Garmax	4	
118	Not Serviced	Barrel Weldment	1	
119	7017383	Rod Weldment	1	
120	7017382	Head	1	
121	7017381	Piston	1	
122	7017380	Spacer	1	
		-----		
	7017379	Seal Kit - 1683475 Cylinder (Includes Items 101-109)	1	

SECTION 5 CYLINDER

# SECTION 5 CYLINDERS

FIGURE 5-4. LIFT CYLINDER COMPONENTS ASSEMBLY (1532E/1932E GRAVITY DOWN MACHINES)



SECTION 5 CYLINDER

# SECTION 5 CYLINDERS

**FIGURE 5-4. LIFT CYLINDER COMPONENTS ASSEMBLY (1532E/1932E GRAVITY DOWN MACHINES)**

FIG & ITEM #	PART NUMBER	DESCRIPTION	QTY.	REV.
		<b>Note: To determine Power or Gravity Down refer to page A.</b>		
		<b>LIFT CYLINDER SUB-ASSEMBLY</b>	Ref.	
1 to 22	Not Used			
23	0641506	Bolt 5/16"-18NC x 3/4"	4	
24	0100011	Loctite #242 (Not Shown)	A/R	
25		Cartridge, Valve (Restrictor/Check) Options:	1	
	4641012	1532E		
	4641014	1932E		
	7012953	Seal Kit - 4641012 and 4641014 Cartridges	1	
26	4641001	Cartridge, Valve (Solenoid with Manual Descent)	1	
	7012967	Seal Kit - 4641001 Valve	1	
	7017444	Solenoid	1	
27	0080228	Adapter	1	
28	Not Used			
29	0902371	Bracket (1532E) (Prior to S/N 43167)	1	
	0902421	Bracket (1532E) (S/N 43167 to Present)	1	
	0902151	Bracket (1932E) (Prior to S/N 37703)	1	
	0902371	Bracket (1932E) (S/N 37703 to S/N 43167)	1	
	0902421	Bracket (1932E) (S/N 43167 to Present)	1	
30	1060644	Cable Assembly	1	
30A	7019602	Bellows Kit	1	
30B	7019600	T-Handle	1	
30C	4220044	Stop, Throttle	1	
31	3450405	Pin, Cotter	1	
32	3321402	Nut, Jam 1/4"-28NF	4	
33	4711400	Flatwasher 1/4" Narrow	4	
	1683500	<b>LIFT CYLINDER ASSEMBLY - 1532E/1932E</b>	Ref.	A
101	Kit	O-Ring	1	
102	Kit	Ring, Back-up	1	
103	Kit	O-Ring	1	
104	Kit	Wiper	1	
105	Kit	O-Ring	1	
106	Kit	Seal	1	
107	Kit	Seal	1	
108	Kit	Ring, Lock	2	
109	Kit	Ring, Wear	1	
110	Not Used			
111	7017367	Locknut	1	
112	7005358	Plug	2	
113	7019803	Plug	1	
114	7019302	Plug	2	
115	7017378	Bushing, Garmax	4	

SECTION 5 CYLINDER

# SECTION 5 CYLINDERS

**FIGURE 5-4. LIFT CYLINDER COMPONENTS ASSEMBLY (1532E/1932E GRAVITY DOWN MACHINES) (CONTINUED)**

FIG & ITEM #	PART NUMBER	DESCRIPTION	QTY.	REV.
116	7019801	Barrel Weldment	1	
117	7019800	Rod Weldment	1	
118	7017382	Head	1	
119	7017399	Piston	1	
120	7017398	Spacer	1	
		-----		
	7017389	Seal Kit - 1683500 Cylinder (Includes Items 101-109)	1	

**SECTION 5 CYLINDER**

# SECTION 5 CYLINDERS

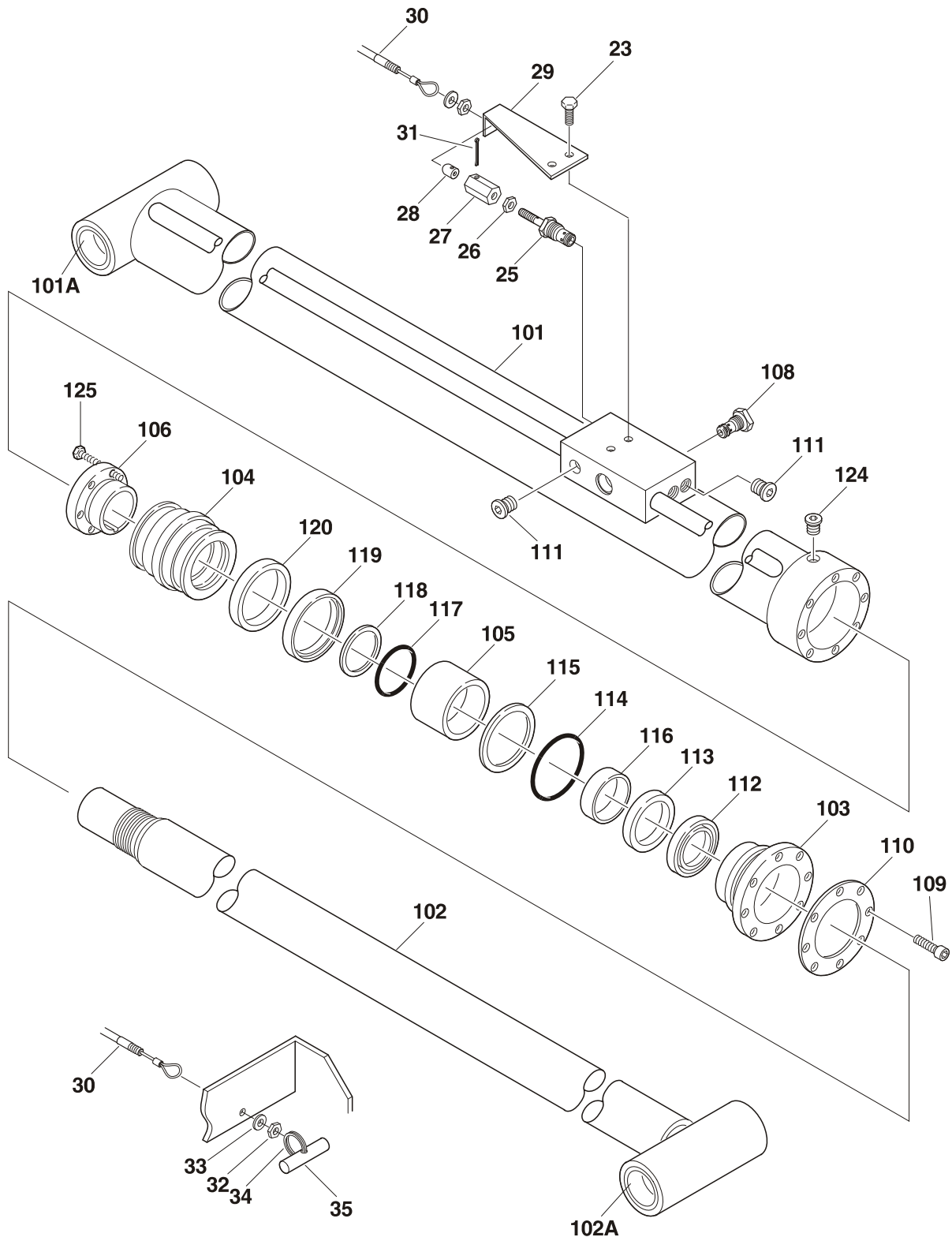
FIGURE 5-4. LIFT CYLINDER COMPONENTS ASSEMBLY (1532E/1932E GRAVITY DOWN MACHINES) (CONTINUED)

FIG & ITEM #	PART NUMBER	DESCRIPTION	QTY.	REV.

**S  
E  
C  
T  
I  
O  
N  
  
5  
  
C  
Y  
L  
I  
N  
D  
E  
R**

# SECTION 5 CYLINDERS

FIGURE 5-5. LIFT CYLINDER COMPONENTS ASSEMBLY (2033E/2046E POWER DOWN MACHINES BUILT PRIOR TO S/N 27085 & 2646E/2658E POWER DOWN MACHINES BUILT PRIOR TO S/N 26916)



SECTION 5 CYLINDER



# SECTION 5 CYLINDERS

**FIGURE 5-5. LIFT CYLINDER COMPONENTS ASSEMBLY (2033E/2046E POWER DOWN MACHINES BUILT PRIOR TO S/N 27085 & 2646E/2658E POWER DOWN MACHINES BUILT PRIOR TO S/N 26916)**

FIG & ITEM #	PART NUMBER	DESCRIPTION	QTY.	REV.
		<b>Note: To determine Power or Gravity Down refer to page A.</b>		
		<b>LIFT CYLINDER SUB-ASSEMBLY</b>	Ref.	
1 to 22	Not Used			
23	0641506	Bolt 5/16"-18NC x 3/4"	4	
24	0100011	Loctite #242	A/R	
25	4640717	Cartridge, Valve (Manual Descent)	1	
26	3311402	Nut, Jam 1/4"-20NC	1	
27	0080190	Adapter	1	
28	4220044	Stop, Throttle	1	
29	0902151	Bracket	1	
30		Cable Assembly Options (Verify Length Before Ordering):	1	
	1060377	112" Length		
	1060643	136" Length		
	7019602	Bellows Kit (Use with 1060643 Cable Only)	1	
	7019600	T-Handle (Use with 1060643 Cable Only)	1	
31	3450405	Pin, Cotter	1	
32	3321402	Nut, Jam 1/4"-28NF	4	
33	4711400	Flatwasher 1/4"	4	
34	3760170	Ring	1	
35	3841127	Rod, Manual Descent	1	
		<b>LIFT CYLINDER ASSEMBLY</b>	Ref.	
	1683352	<b>2033E/2046E</b>	Ref.	E
	1683363	<b>2646E/2658E</b>	Ref.	D
101		Barrel Weldment Options:	1	
	1683367	2033E/2046E		
	1683353	2646E/2658E		
101A	0962012	Bushing, Garmax	2	
102		Rod Weldment Options:	1	
	1683369	2033E/2046E		
	1683355	2646E/2658E		
102A	0962012	Bushing, Garmax	2	
103		Head Options:	1	
	1683056	2033E/2046E		
	1683061	2646E/2658E		
104		Piston Options:	1	
	3480218	2033E/2046E		
	3480211	2646E/2658E		
105		Spacer Options:	1	
	4566787	2033E/2046E		
	4565008	2646E/2658E		

SECTION 5 CYLINDER

# SECTION 5 CYLINDERS

**FIGURE 5-5. LIFT CYLINDER COMPONENTS ASSEMBLY (2033E/2046E POWER DOWN MACHINES BUILT PRIOR TO S/N 27085 & 2646E/2658E POWER DOWN MACHINES BUILT PRIOR TO S/N 26916)**

FIG & ITEM #	PART NUMBER	DESCRIPTION	QTY.	REV.
106		Bushing, Tapered Options:	1	
	0961896	2033E/2046E		
	0961897	2646E/2658E		
107	Not Used			
108	4640509	Cartridge, Valve	1	
	2900792	Seal Kit - 4640509 Valve	1	
109		Capscrew, Socket Head Options:	8	
	3931620	2033E/2046E Capscrew 3/8"-16NC x 1 1/4"		
	3931720	2646E/2658E Capscrew 7/16"-14NC x 1 1/4"		
110		Ring, Washer Options:	1	
	3760369	2033E/2046E		
	3760370	2646E/2658E		
111	2220883	Plug, O-Ring	3	
112	Kit	Wiper	1	
113	Kit	Seal, Rod	1	
114	Kit	O-Ring	1	
115	Kit	Ring, Back-up	1	
116	Kit	Ring, Wear	1	
117	Kit	O-Ring	1	
118	Kit	Ring, Back-up	2	
119	Kit	Ring, Lock	2	
120	Kit	Seal	2	
121	0100011	Loctite #242	A/R	
122	0100038	Primer, Locking	A/R	
123	Not Used			
124	2220885	Plug, O-Ring	1	
125		Bolt Options:	3	
	0630535	2033E/2046E Bolt 1/4"-20NC x 1 1/8"		
	0641409	2646E/2658E Bolt 1/4"-20NC x 1 1/8"		
		-----		
		Seal Kit (Includes Items 112-120)	1	
	2901353	2033E/2046E 1683352 Cylinder		
	2901273	2646E/2658E 1683363 Cylinder		

**SECTION 5 CYLINDER**

# SECTION 5 CYLINDERS

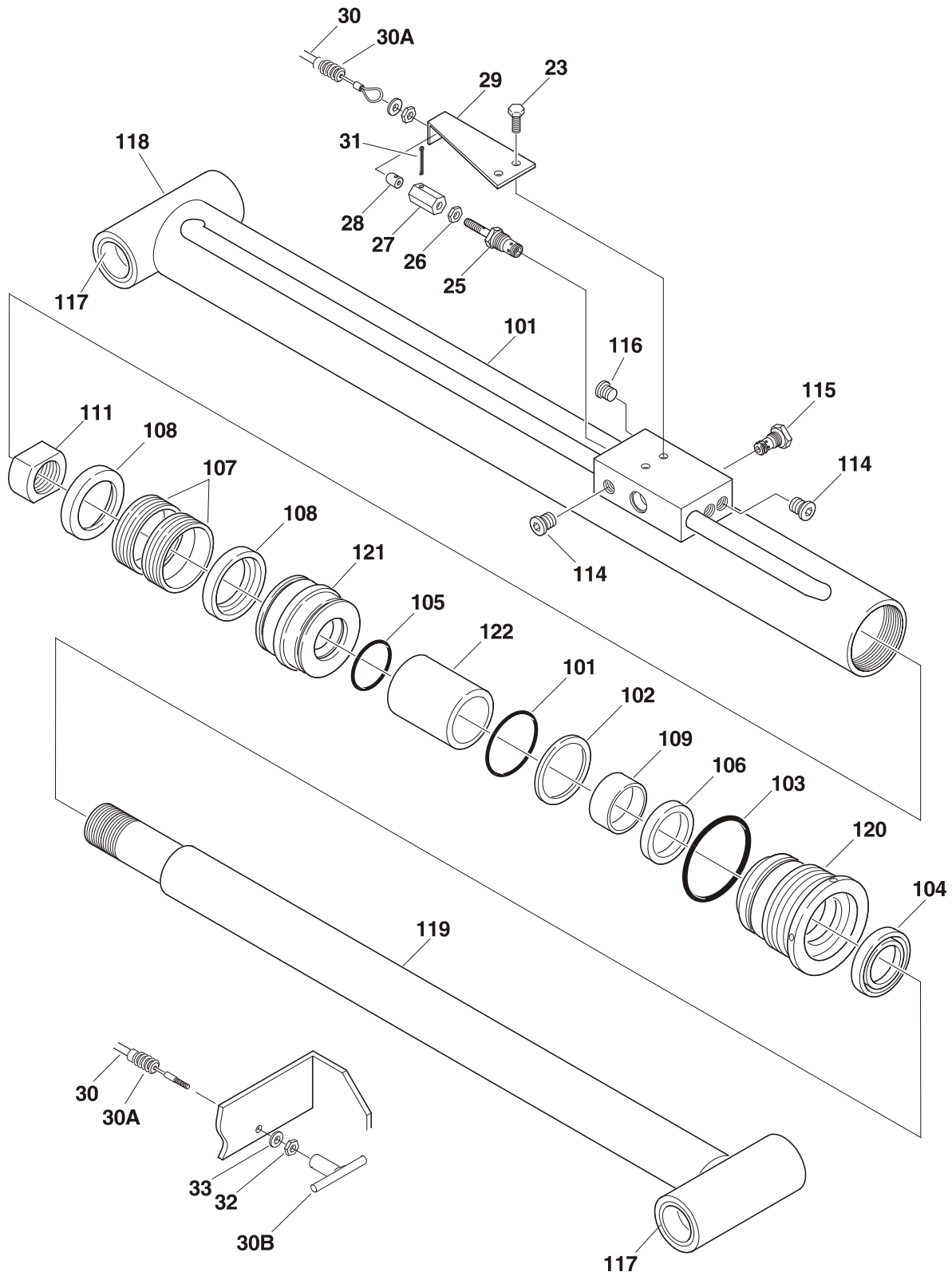
FIGURE 5-5. LIFT CYLINDER COMPONENTS ASSEMBLY (2033E/2046E POWER DOWN MACHINES BUILT PRIOR TO S/N 27085 & 2646E/2658E POWER DOWN MACHINES BUILT PRIOR TO S/N 26916)

FIG & ITEM #	PART NUMBER	DESCRIPTION	QTY.	REV.

**S  
E  
C  
T  
I  
O  
N  
  
5  
  
C  
Y  
L  
I  
N  
D  
E  
R**

# SECTION 5 CYLINDERS

FIGURE 5-6. LIFT CYLINDER COMPONENTS ASSEMBLY (2033E/2046E POWER DOWN MACHINES BUILT S/N 27085 TO PRESENT & 2646E/2658E POWER DOWN MACHINES BUILT S/N 26916 TO PRESENT)



SECTION 5 CYLINDER

# SECTION 5 CYLINDERS

**FIGURE 5-6. LIFT CYLINDER COMPONENTS ASSEMBLY (2033E/2046E POWER DOWN MACHINES BUILT S/N 27085 TO PRESENT & 2646E/2658E POWER DOWN MACHINES BUILT S/N 26916 TO PRESENT)**

FIG & ITEM #	PART NUMBER	DESCRIPTION	QTY.	REV.
		<b>Note: To determine Power or Gravity Down refer to page A.</b>		
		<b>LIFT CYLINDER SUB-ASSEMBLY</b>	Ref.	
1 to 22	Not Used			
23	0641506	Bolt 5/16"-18NC x 3/4"	4	
24	0100011	Loctite #242	A/R	
25	4640717	Cartridge, Valve (Manual Descent)	1	
26	3311402	Nut, Jam 1/4"-20NC	1	
27	0080190	Adapter	1	
28	4220044	Stop, Throttle (Prior to S/N 28175 Only)	1	
29	0902151	Bracket	1	
30		Cable Assembly Options (Verify Length Before Ordering):	1	
	1060377	112" Length		
	1060643	136" Length		
30A	7019602	Bellows Kit (Use with 1060643 Cable Only)	1	
30B	7019600	T-Handle (Use with 1060643 Cable Only)	1	
31	3450405	Pin, Cotter	1	
32	3321402	Nut, Jam 1/4"-28NF	4	
33	4711400	Flatwasher 1/4"	4	
34	3760170	Ring (Prior to S/N 28133 Only - Not Shown)	1	
35	3841127	Rod, Manual Descent (Prior to S/N 28133 Only - Not Shown)	1	
		<b>LIFT CYLINDER ASSEMBLY</b>	Ref.	
	1683473	<b>2033E/2046E</b>	Ref.	-
	1683474	<b>2646E/2658E</b>	Ref.	-
101	Kit	O-Ring	1	
102	Kit	Ring, Back-up	1	
103	Kit	O-Ring	1	
104	Kit	Wiper	1	
105	Kit	O-Ring	1	
106	Kit	Seal	1	
107	Kit	Seal	2	
108	Kit	Ring, Guidelock	2	
109	Kit	Ring, Wear Options:	A/R	
		2033E/2046E	1	
		2646E/2658E	2	
110	Not Used			
111		Locknut Options:	1	
	7003212	2033E/2046E		
	7003226	2646E/2658E		
112	7005312	Plug (Not Shown)	1	
113	7005315	Plug (Not Shown)	2	

**SECTION 5 CYLINDER**

# SECTION 5 CYLINDERS

**FIGURE 5-6. LIFT CYLINDER COMPONENTS ASSEMBLY (2033E/2046E POWER DOWN MACHINES BUILT S/N 27085 TO PRESENT & 2646E/2658E POWER DOWN MACHINES BUILT S/N 26916 TO PRESENT) (CONTINUED)**

FIG & ITEM #	PART NUMBER	DESCRIPTION	QTY.	REV.
114	7005356	Plug	3	
115	7017372	Cartridge, Valve	1	
	Not Available	Seal Kit - 7017372 Valve	1	
116	Not Serviced	Plug	1	
117	7017378	Bushing, Garmax	4	
118	Not Serviced	Barrel Weldment	1	
119		Rod Weldment Options:	1	
	7017377	2033E/2046E		
	7017388	2646E/2658E		
120		Head Options:	1	
	7017376	2033E/2046E		
	7017386	2646E/2658E		
121		Piston Options:	1	
	7017375	2033E/2046E		
	7017385	2646E/2658E		
122		Spacer Options:	1	
	7017374	2033E/2046E		
	7017385	2646E/2658E		
		-----		
		Seal Kit Options (Includes Items 101-109)	1	
	7017373	2033E/2046E 1683473 Cylinder		
	7017384	2646E/2658E 1683474 Cylinder		

**SECTION 5 CYLINDER**

# SECTION 5 CYLINDERS

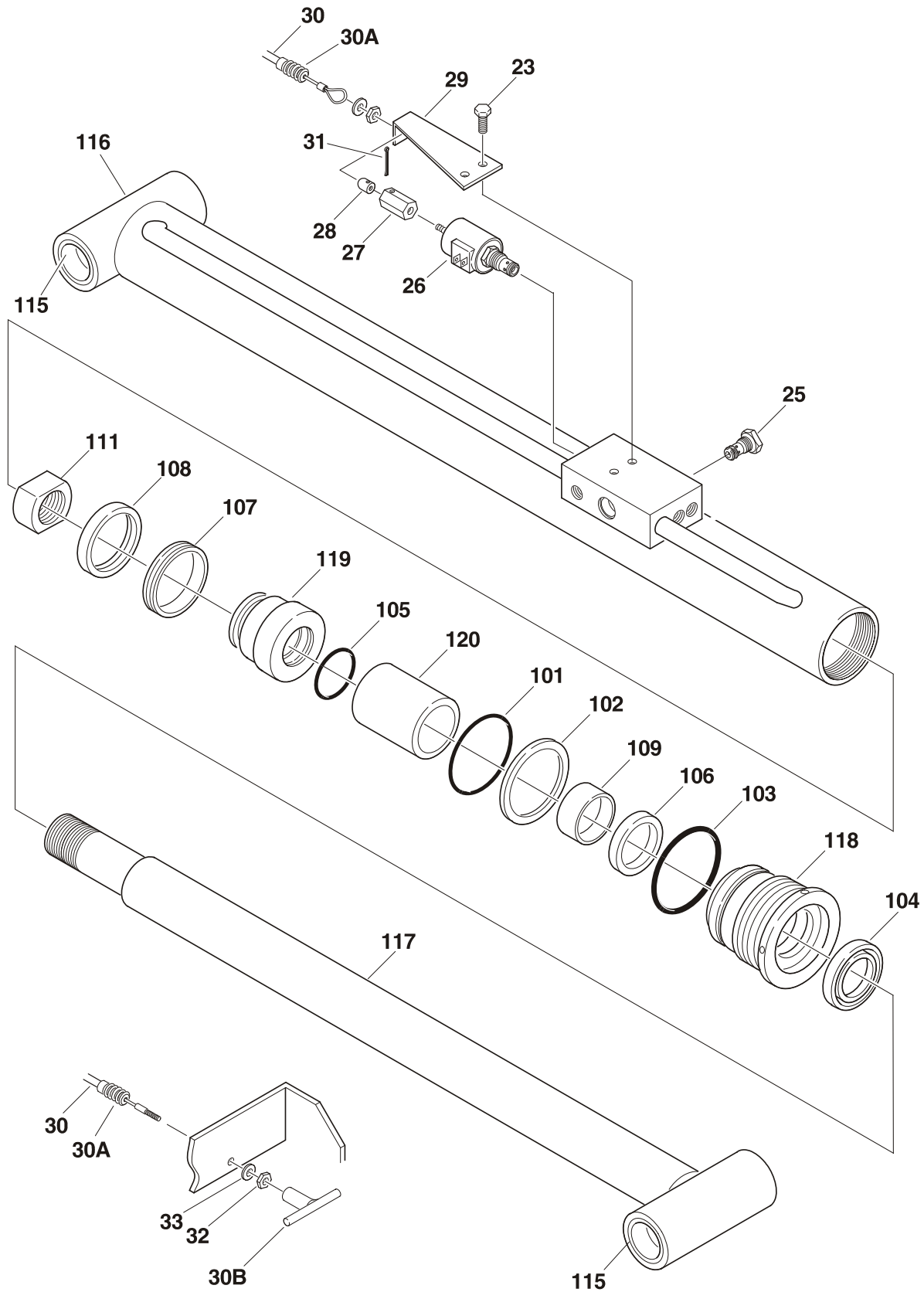
FIGURE 5-6. LIFT CYLINDER COMPONENTS ASSEMBLY (2033E/2046E POWER DOWN MACHINES BUILT S/N 27085 TO PRESENT & 2646E/2658E POWER DOWN MACHINES BUILT S/N 26916 TO PRESENT) (CONTINUED)

FIG & ITEM #	PART NUMBER	DESCRIPTION	QTY.	REV.

**S  
E  
C  
T  
I  
O  
N  
  
5  
  
C  
Y  
L  
I  
N  
D  
E  
R**

# SECTION 5 CYLINDERS

FIGURE 5-7. LIFT CYLINDER COMPONENTS ASSEMBLY (2033E/2046E/2646E/2658E GRAVITY DOWN MACHINES)



SECTION 5 CYLINDER



# SECTION 5 CYLINDERS

**FIGURE 5-7. LIFT CYLINDER COMPONENTS ASSEMBLY (2033E/2046E/2646E/ 2658E GRAVITY DOWN MACHINES)**

FIG & ITEM #	PART NUMBER	DESCRIPTION	QTY.	REV.
		<b>Note: To determine Power or Gravity Down refer to page A.</b>		
		<b>LIFT CYLINDER SUB-ASSEMBLY</b>	Ref.	
1 to 22	Not Used			
23	0641506	Bolt 5/16"-18NC x 3/4"	4	
24	0100011	Loctite #242 (Not Shown)	A/R	
25		Cartridge, Valve (Restrictor/Check) Options:	1	
	4641002	2033E/2046E		
	4641015	2646E/2658E		
	7012953	Seal Kit - 4641002 and 4641015 Cartridges	1	
26	4641001	Cartridge, Valve (Solenoid with Manual Descent)	1	
	7017445	Cartridge - 4641001 Valve	1	
	7017444	Solenoid - 4641001 Valve	1	
	7012967	Seal Kit - 4641001 Valve	1	
27	0080228	Adapter	1	
28	4220044	Stop, Throttle (Prior to S/N 37703)	1	
29	0902371	Bracket (Prior to S/N 43167)	1	
	0902421	Bracket (S/N 43167 to Present)	1	
30	1060643	Cable Assembly (Prior to S/N 37703)	1	
	1060650	Cable Assembly (S/N 37703 to Present)	1	
30A	7019602	Bellows Kit	1	
30B	7019600	T-Handle	1	
31	3450405	Pin, Cotter	1	
32	3321402	Nut, Jam 1/4"-28NF	4	
33	4711400	Flatwasher 1/4"	4	
		<b>LIFT CYLINDER ASSEMBLY</b>		
	1683501	<b>2033E/2046E</b>	Ref.	A
	1683502	<b>2646E/2658E</b>	Ref.	A
101	Kit	O-Ring	1	
102	Kit	Ring, Back-up	1	
103	Kit	O-Ring	1	
104	Kit	Wiper	1	
105	Kit	O-Ring	1	
106	Kit	Seal	1	
107	Kit	Seal	1	
108	Kit	Ring, Guidelock	1	
109	Kit	Ring, Wear Options:	A/R	
		2033E/2046E	1	
		2646E/2658E	2	
110	Not Used			
111		Locknut Options:	1	
	7003212	2033E/2046E		
	7003226	2646E/2658E		

**SECTION 5 CYLINDER**

# SECTION 5 CYLINDERS

**FIGURE 5-7. LIFT CYLINDER COMPONENTS ASSEMBLY (2033E/2046E/2646E/ 2658E GRAVITY DOWN MACHINES) (CONTINUED)**

FIG & ITEM #	PART NUMBER	DESCRIPTION	QTY.	REV.
112 to 114	Not Used			
115	0962012	Bushing, Garmax	4	
116	Not Serviced	Barrel Weldment	1	
117		Rod Weldment	1	
	7019812	2033E/2046E		
	7019807	2646E/2658E		
118		Head Options:	1	
	7019811	2033E/2046E		
	7017387	2646E/2658E		
119		Piston Options:	1	
	7019810	2033E/2046E		
	7019806	2646E/2658E		
120		Spacer Options:	1	
	7019809	2033E/2046E		
	7019805	2646E/2658E		
		-----		
		Seal Kit Options (Includes Items 101-109):	1	
	7019808	2033E/2046E - 1683501 Cylinder		
	7019804	2646E/2658E - 1683502 Cylinder		

**SECTION 5 CYLINDER**

# SECTION 5 CYLINDERS

FIGURE 5-7. LIFT CYLINDER COMPONENTS ASSEMBLY (2033E/2046E/2646E/ 2658E GRAVITY DOWN MACHINES) (CONTINUED)

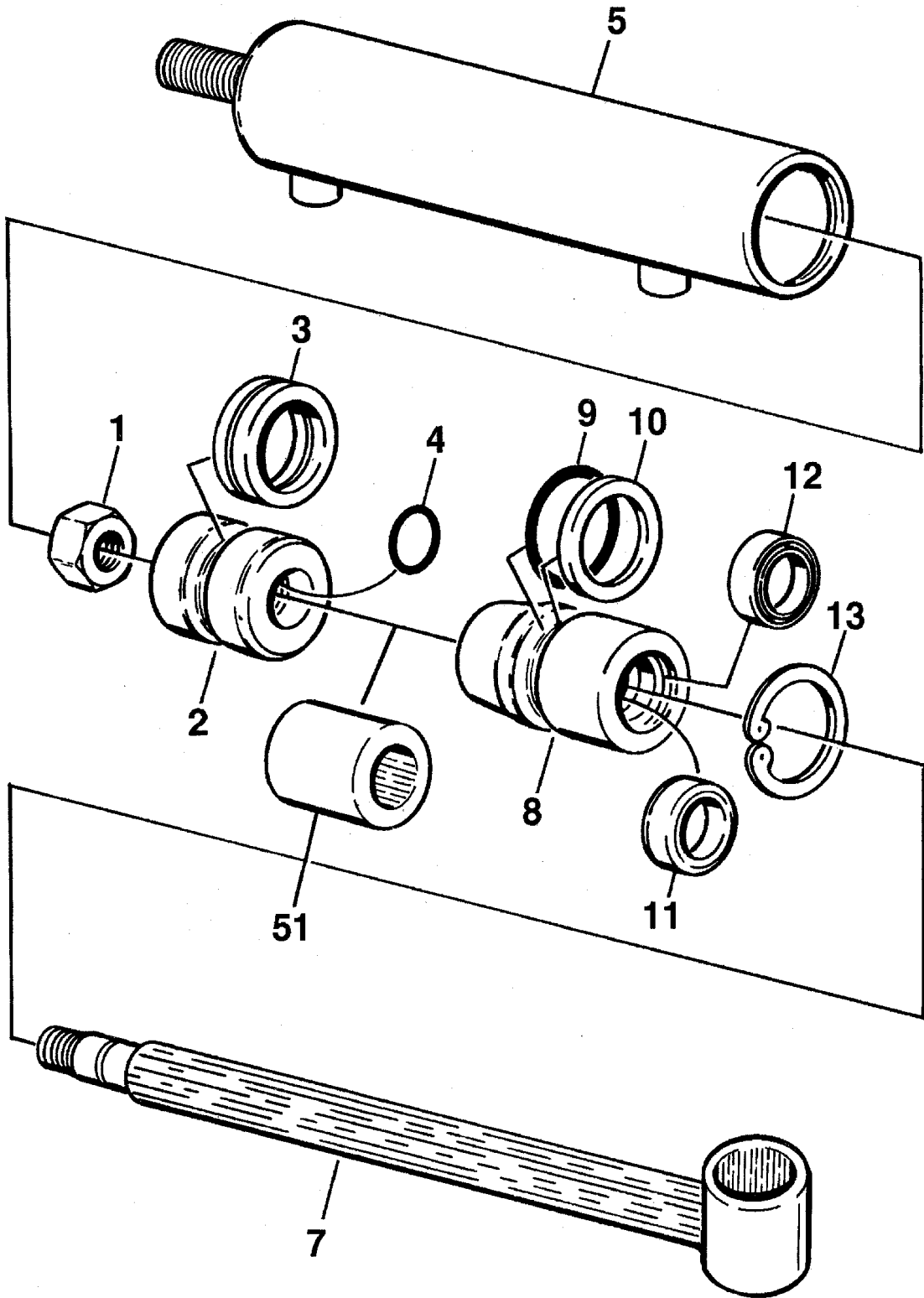
FIG & ITEM #	PART NUMBER	DESCRIPTION	QTY.	REV.

**S  
E  
C  
T  
I  
O  
N  
  
5  
  
C  
Y  
L  
I  
N  
D  
E  
R**

# SECTION 5 CYLINDERS

FIGURE 5-8.PLATFORM EXTENSION CYLINDER ASSEMBLIES

SECTION 5 CYLINDER



# SECTION 5 CYLINDERS

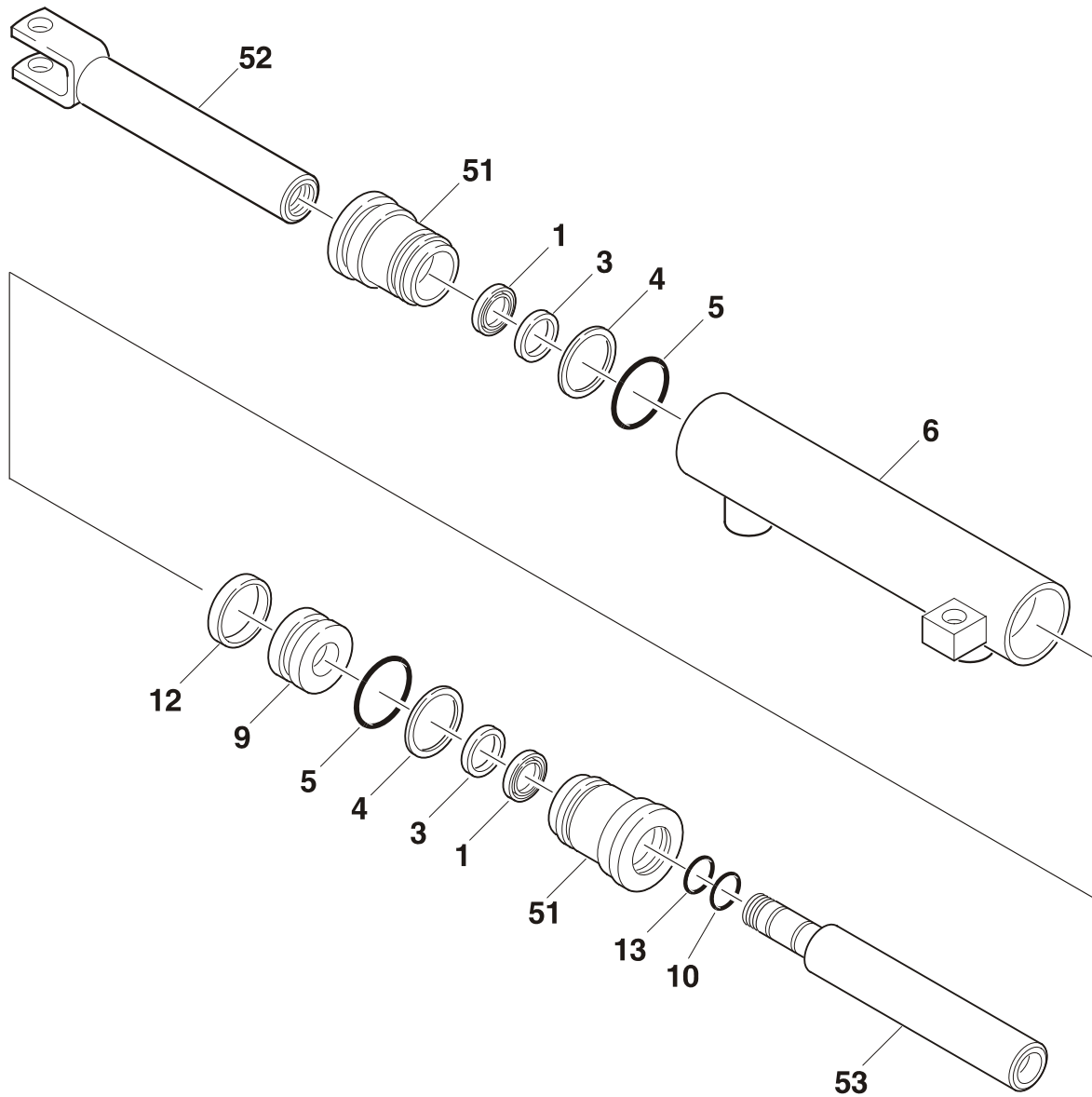
**FIGURE 5-8. PLATFORM EXTENSION CYLINDER ASSEMBLIES**

FIG & ITEM #	PART NUMBER	DESCRIPTION	QTY.	REV.
		<b>CYLINDER ASSEMBLY (STANDARD PARTS)</b>	Ref.	
1	7001609	Nut	1	
2	7001610	Piston	1	
3	Kit	Seal, Piston	1	
4	Kit	O-Ring	1	
5	Not Serviced	Barrel	1	
6	Not Used			
7	7017204	Rod	1	
8	7001613	Guide	1	
9	Kit	O-Ring	1	
10	Kit	Ring, Back-up	1	
11	Kit	Seal	1	
12	Kit	Seal, Wiper	1	
13	Kit	Ring, Retainer	1	
		-----		
	7001608	Seal Kit - 1683376 and 1683375 Cylinders (Includes Items 3, 4, and 9 - 13)	1	
		<b>CYLINDER ASSEMBLY (VARIABLE PARTS)</b>	Ref.	
	1683376	<b>4FT Platform Extension</b>	Ref.	B
	1683375	<b>6FT Platform Extension</b>	Ref.	B
51		Tube, Spacer Options:	1	
	7017205	4FT Platform Extension		
	7017203	6FT Platform Extension		

SECTION 5 CYLINDER

# SECTION 5 CYLINDERS

FIGURE 5-9. STEER CYLINDER ASSEMBLY



SECTION 5 CYLINDER

# SECTION 5 CYLINDERS

**FIGURE 5-9. STEER CYLINDER ASSEMBLY**

FIG & ITEM #	PART NUMBER	DESCRIPTION	QTY.	REV.
		<b>STEER CYLINDER ASSEMBLY (STANDARD PARTS)</b>	Ref.	
1	Kit	Wiper	2	
2	Not Used			
3	Kit	U-Cup	2	
4	Kit	Ring, Back-up	2	
5	Kit	O-Ring	2	
6	Not Serviced	Barrel	1	
7 to 8	Not Used			
9	7016708	Piston	1	
10	Kit	O-Ring	1	
11	Not Used			
12	Kit	Seal, Piston	1	
13	Kit	O-Ring	1	
		-----		
	7016707	Seal Kit- Cylinder (Includes Items 1-5, 10, 12 and 13)	1	
		<b>STEER CYLINDER ASSEMBLY (VARIABLE PARTS)</b>	Ref.	
	1683351	<b>1532E/1932E/2033E PRIOR TO S/N 24267</b>	Ref.	A
	1683428	<b>1532E/1932E/2033E S/N 24267 TO PRESENT</b>	Ref.	B
	1683351	<b>2046E/2646E/2658E PRIOR TO S/N 24267</b>	Ref.	A
	1683429	<b>2046E/2646E/2658E S/N 24267 TO PRESENT</b>	Ref.	B
51	Not Serviced	Guide Options:	2	
	7017207	Prior to S/N 24267		
		S/N 24267 to Present		
52		Rod with Clevis Options:	1	
	7001632	Prior to S/N 24267		
	7017208	S/N 24267 to Present		
53		Rod Options:	1	
	7016709	Prior to S/N 24267		
	7017209	S/N 24267 to Present		

**SECTION 5 CYLINDER**

# SECTION 5 CYLINDERS

FIGURE 5-9. STEER CYLINDER ASSEMBLY (CONTINUED)

FIG & ITEM #	PART NUMBER	DESCRIPTION	QTY.	REV.

**S  
E  
C  
T  
I  
O  
N  
  
5  
  
C  
Y  
L  
I  
N  
D  
E  
R**



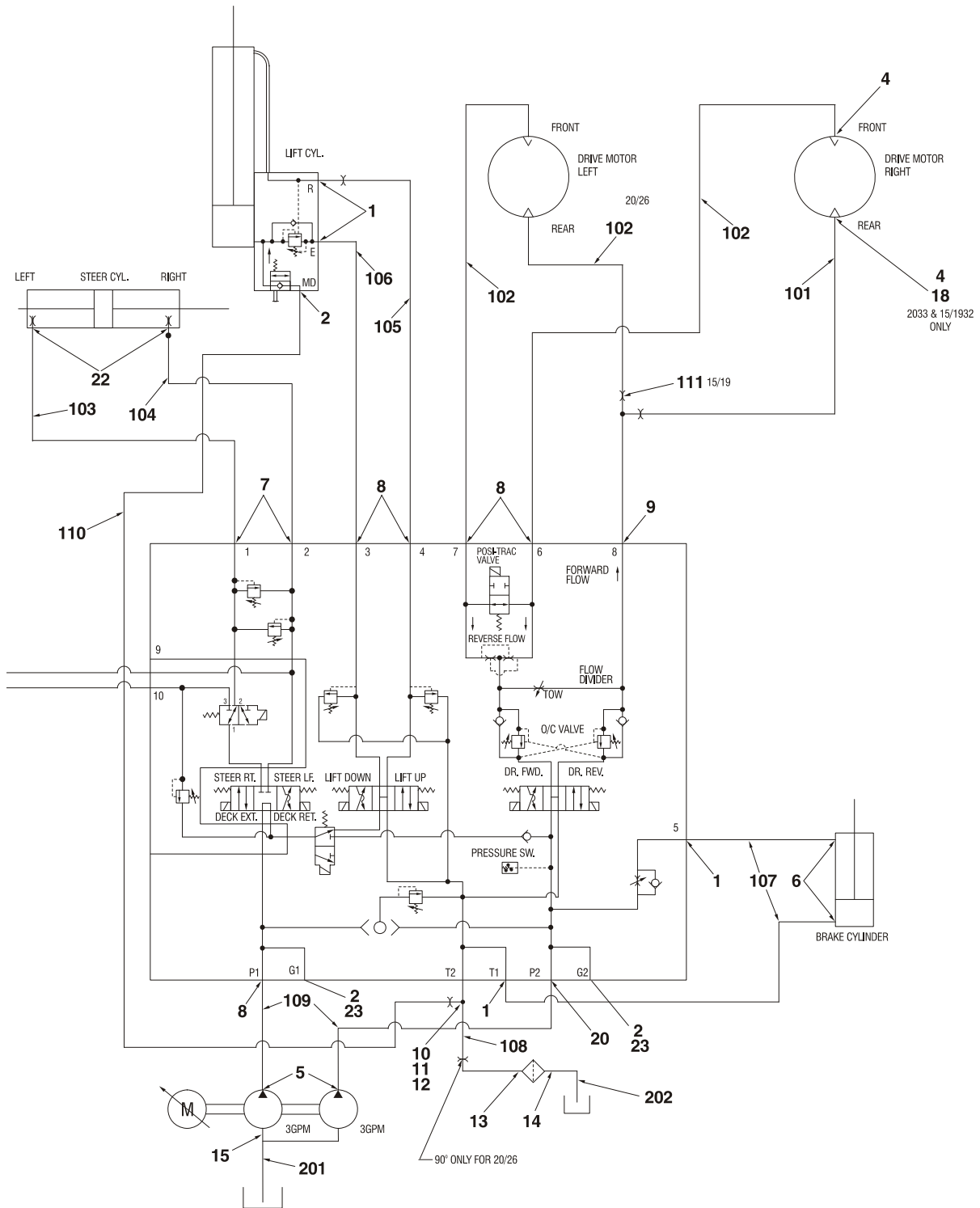
# SECTION 6 HYDRAULIC

TABLE OF CONTENTS		
FIGURE	DESCRIPTION	PAGE
6-1	HYDRAULIC DIAGRAM - STANDARD (POWER DOWN MACHINES) .....	6-2
6-2	HYDRAULIC DIAGRAM - STANDARD (GRAVITY DOWN MACHINES) .....	6-6
6-3	HYDRAULIC DIAGRAM LIST .....	6-10

**S  
E  
C  
T  
I  
O  
N  
  
6  
  
H  
Y  
D  
R  
A  
U  
L  
I  
C**

# SECTION 6 HYDRAULIC

FIGURE 6-1. HYDRAULIC DIAGRAM (POWER DOWN MACHINES)



SECTION 6 HYDRAULIC

4  
18  
2033 & 15/1932  
ONLY

# SECTION 6 HYDRAULIC

**FIGURE 6-1. HYDRAULIC DIAGRAM (POWER DOWN MACHINES)**

FIG & ITEM #	PART NUMBER	DESCRIPTION	QTY.	REV.
		<b>Note: To determine Power or Gravity Down refer to page A.</b>		
	2792219	<b>HYDRAULIC DIAGRAM - 1532E/1932E</b>	Ref.	E
	2792220	<b>HYDRAULIC DIAGRAM - 2033E</b>	Ref.	F
	2792221	<b>HYDRAULIC DIAGRAM - 2046E/2646E</b>	Ref.	F
	2792222	<b>HYDRAULIC DIAGRAM - 2658E</b>	Ref.	F
1	2220473	Fitting, 90°	4	
2	2220466	Fitting, 90°	3	
3	2220585	Fitting, 90°	2	
4	2220218	Fitting, Reducer (1532E/1932E/2033E)	4	
	2220828	Fitting, 90° (2046E/2646E/2658E)	4	
5	2220628	Fitting, 90°(1532E/1932E)	2	
	2220372	Fitting, Straight (2033E/2046E/2646E/2658E)	2	
6	2220773	Fitting, 90°	2	
7	2220415	Fitting, Straight	2	
8	2220371	Fitting, Straight	5	
9	2220606	Fitting, Tee	1	
10	2220373	Fitting, Straight	1	
11	2220618	Fitting, Reducer	1	
12	2220602	Fitting, Tee (1532E/1932E)	1	
	2220385	Fitting, Tee (2033E/2046E/2646E/2658E)	1	
13	2220470	Fitting, Straight (1532E/1932E)	1	
	2220346	Fitting, Straight (2033E/2046E/2646E/2658E)	1	
14	2220347	Fitting, Straight	1	
15	2220664	Fitting, 90°	1	
16 to 17	Not Used			
18	2221000	Fitting, 90°(1532E/1932E/2033E Only)	4	
	7019673	Seal Kit (Hex Top Style Fitting - 1 Kit per Fitting)	A/R	
	7020072	Seal Kit (Round Top Style Fitting - 1 Kit per Fitting)	A/R	
19	0100020	Sealant, Pipe	A/R	
20	2220501	Fitting, 45°	1	
21	1320225	Clamp, Hose	1	
22	2221014	Fitting, Orifice	2	
23	2220515	Fitting, Cap	2	
		<b>HOSE KIT</b>	Ref.	
	2901409	<b>1532E/1932E</b>	Ref.	D
	2901382	<b>2033E</b>	Ref.	C
	2901383	<b>2046E/2646E</b>	Ref.	C
	2901384	<b>2658E</b>	Ref.	C
101	2752969	Hose (1532E/1932E)	1	
	2752956	Hose (2033E)	1	
	2752958	Hose (2046E/2646E)	1	
	2752960	Hose (2658E)	1	

**SECTION 6 HYDRAULIC**

# SECTION 6 HYDRAULIC

**FIGURE 6-1. HYDRAULIC DIAGRAM (POWER DOWN MACHINES)**

FIG & ITEM #	PART NUMBER	DESCRIPTION	QTY.	REV.
102	2752968	Hose (1532E/1932E)	2	
	2752957	Hose (2033E)	3	
	2752959	Hose (2046E/2646E)	3	
	2752961	Hose (2658E)	3	
103	2752593	Hose (1532E/1932E)	2	
	2752606	Hose (2033E/2046E/2646E)	1	
	2752608	Hose (2658E)	1	
104	Not Required	Hose (1532E/1932E)	0	
	2752607	Hose (2033E/2046E/2646E)	1	
	2752609	Hose (2658E)	1	
105	2752175	Hose (1532E/1932E)	2	
	2752639	Hose (2033E/2046E/2646E/2658E)	1	
106	Not Required	Hose (1532E/1932E)	0	
	2752638	Hose (2033E/2046E/2646E/2658E)	1	
107	2752478	Hose (1532E/1932E)	2	
	2750999	Hose (2033E/2046E/2646E/2658E)	2	
108	2752496	Hose (1532E/1932E)	1	
	2752931	Hose (2033E/2046E/2646E/2658E)	1	
109	2752963	Hose (1532E/1932E)	2	
	2752463	Hose (2033E/2046E/2646E/2658E)	2	
110	2752647	Hose (1532E/1932E)	1	
	2752646	Hose (2033E/2046E/2646E/2658E)	1	
111	2752964	Hose (1532E/1932E)	1	
	Not Required	Hose (2033E/2046E/2646E/2658E)	0	
		<b>TUBE KIT</b>	Ref.	
	2901410	<b>1532E/1932E</b>	Ref.	A
	2901385	<b>2033E/2046E/2646E/2658E</b>	Ref.	A
201	4566968	Tube, Suction (1532E/1932E)	1	
	4566897	Tube, Suction (2033E/2046E/2646E/2658E Prior to S/N 21507)	1	
	4567026	Tube, Suction (2033E/2046E/2646E/2658E S/N 21507 to Present)	1	
202	4566969	Tube, Return (1532E/1932E)	1	
	4566898	Tube, Return (2033E/2046E/2646E/2658E)	1	

**SECTION 6 HYDRAULIC**

# SECTION 6 HYDRAULIC

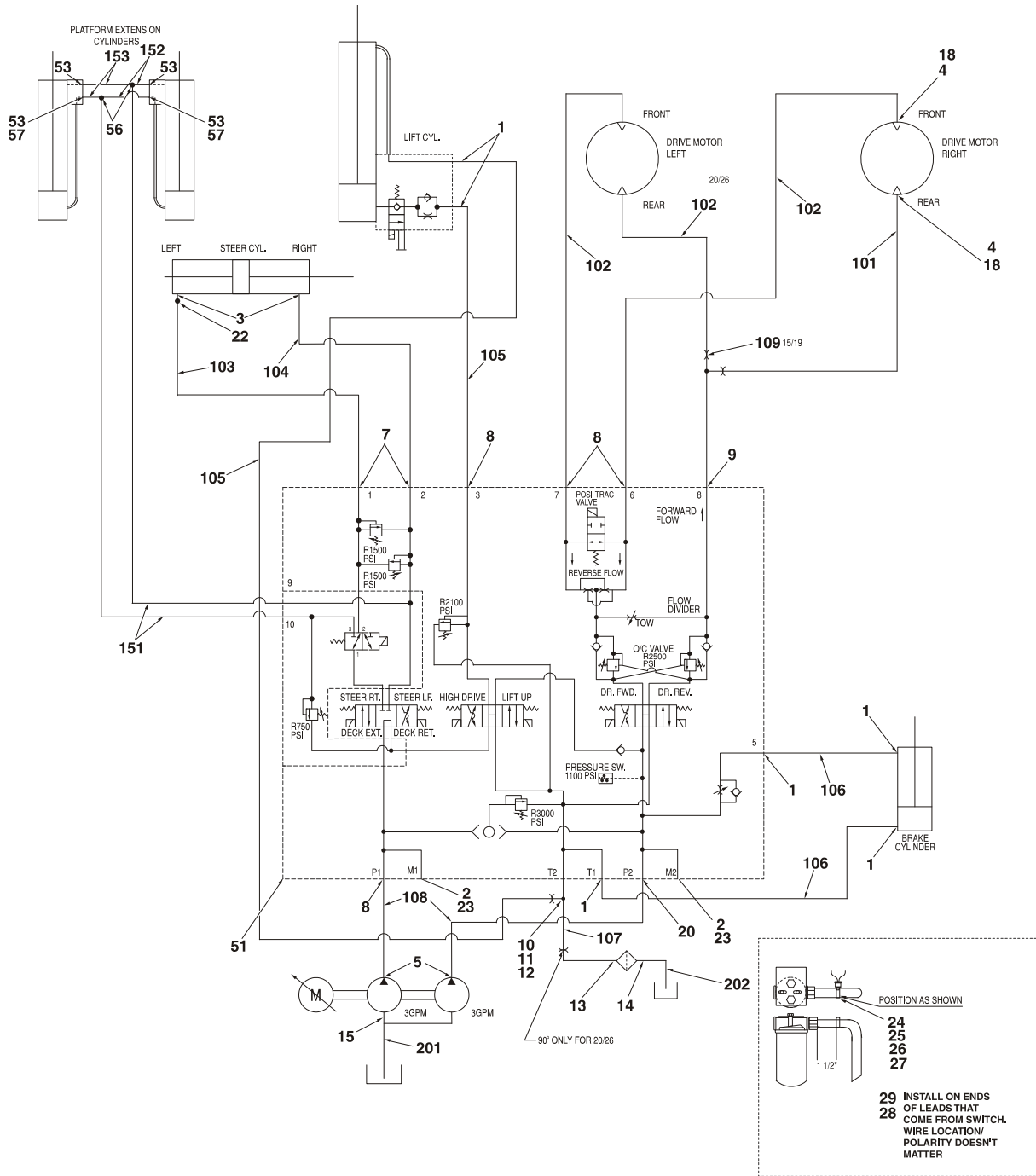
FIGURE 6-1. HYDRAULIC DIAGRAM (POWER DOWN MACHINES)

FIG & ITEM #	PART NUMBER	DESCRIPTION	QTY.	REV.

**S  
E  
C  
T  
I  
O  
N  
  
6  
  
H  
Y  
D  
R  
A  
U  
L  
I  
C**

# SECTION 6 HYDRAULIC

FIGURE 6-2. HYDRAULIC DIAGRAM (GRAVITY DOWN MACHINES)



SECTION 6 HYDRAULIC

# SECTION 6 HYDRAULIC

**FIGURE 6-2. HYDRAULIC DIAGRAM (GRAVITY DOWN MACHINES)**

FIG & ITEM #	PART NUMBER	DESCRIPTION	QTY.	REV.
		<b>Note: To determine Power or Gravity Down refer to page A.</b>		
	2792316	<b>HYDRAULIC DIAGRAM - 1532E/1932E</b>	Ref.	6
	2792317	<b>HYDRAULIC DIAGRAM - 2033E</b>	Ref.	7
	2792318	<b>HYDRAULIC DIAGRAM - 2046E/2646E</b>	Ref.	8
	2792319	<b>HYDRAULIC DIAGRAM - 2658E</b>	Ref.	8
1	2220473	Fitting, 90°	5	
2	2220466	Fitting, 90°	4	
3	2220585	Fitting, 90°	2	
4	2220218	Fitting, Reducer	4	
5	2220628	Fitting, 90° (1532E/1932E)	2	
	2220372	Fitting, Straight (2033E/2046E/2646E/2658E)	2	
6	2220775	Fitting, 90°	1	
7	2220415	Fitting, Straight	2	
8	2220371	Fitting, Straight	4	
9	2220606	Fitting, Tee	1	
10	2220373	Fitting, Straight	1	
11	2220619	Fitting, Reducer (1532E/1932E)	1	
	2220618	Fitting, Reducer (2033E/2046E/2646E/2658E)	1	
12	2220385	Fitting, Tee	1	
13	2220470	Fitting, Straight (1532E/1932E)	1	
	2220346	Fitting, Straight (2033E/2046E/2646E/2658E)	1	
14	2220347	Fitting, Straight	1	
15	2220664	Fitting, 90°	1	
16 to 17	Not Used			
18	2221000	Fitting, 90°	4	
	7019673	Seal Kit (Hex Top Style Fitting - 1 Kit per Fitting)	A/R	
	7020072	Seal Kit (Round Top Style Fitting - 1 Kit per Fitting)	A/R	
19	0100020	Sealant, Pipe (Not Shown)	A/R	
20	2220501	Fitting, 45°	1	
21	1320225	Clamp, Hose	1	
22	2221014	Fitting, Orifice	1	
23	2220515	Fitting, Cap	4	
24	1320242	Clamp	1	
25	4360461	Switch, Temperature	1	
26	3310601	Nut #6-32	1	
27	0100011	Loctite #242	A/R	
28	4460320	Plug, Terminal	1	
29	4460267	Pins	2	
	2792268	<b>HYDRAULIC DIAGRAM POWER EXTENSION - 2033E</b>	Ref.	4
	2792269	<b>HYDRAULIC DIAGRAM POWER EXTENSION - 2046E</b>	Ref.	4
	2792270	<b>HYDRAULIC DIAGRAM POWER EXTENSION - 2646E</b>	Ref.	4
	2792271	<b>HYDRAULIC DIAGRAM POWER EXTENSION - 2658E</b>	Ref.	4
51	4641035	Valve (See Figure 2-5 for Breakdown)	1	
52	2220371	Fitting, Straight	2	

**SECTION 6 HYDRAULIC**

# SECTION 6 HYDRAULIC

**FIGURE 6-2. HYDRAULIC DIAGRAM (GRAVITY DOWN MACHINES)**

FIG & ITEM #	PART NUMBER	DESCRIPTION	QTY.	REV.
53	2220501	Fitting, 45°	A/R	
54 to 55	Not Used			
56	2220490	Fitting, Tee	2	
57	2220473	Fitting, 90° (2033E Only)	2	
	2901489	<b>HOSE KIT - 1532E/1932E</b>	Ref.	2
	2901490	<b>HOSE KIT - 2033E</b>	Ref.	2
	2901491	<b>HOSE KIT - 2046E/2646E</b>	Ref.	2
	2901492	<b>HOSE KIT - 2658E</b>	Ref.	2
101	2752969	Hose (1532E/1932E)	1	
	2752956	Hose (2033E)	1	
	2752958	Hose (2046E/2646E)	1	
	2752960	Hose (2658E)	1	
102	2752968	Hose (1532E/1932E)	2	
	2752957	Hose (2033E)	3	
	2752959	Hose (2046E/2646E)	3	
	2752961	Hose (2658E)	3	
103	2752593	Hose (1532E/1932E)	2	
	2752606	Hose (2033E/2046E/2646E)	1	
	2752608	Hose (2658E)	1	
104	Not Required	Hose (1532E/1932E)	0	
	2752607	Hose (2033E/2046E/2646E)	1	
	2752609	Hose (2658E)	1	
105	2752175	Hose (1532E/1932E)	2	
	2752638	Hose (2033E/2046E/2646E/2658E)	1	
106	2752478	Hose (1532E/1932E)	2	
	2750999	Hose (2033E/2046E/2646E/2658E)	2	
107	2752496	Hose (1532E/1932E)	1	
	2752931	Hose (2033E/2046E/2646E/2658E)	2	
108	2752963	Hose (1532E/1932E)	2	
	2752463	Hose (2033E/2046E/2646E/2658E)	1	
109	2752964	Hose (1532E/1932E)	1	
	Not Required	Hose (2033E/2046E/2646E/2658E)		
	2901424	<b>HOSE KIT POWER EXTENSION - 2033E</b>	Ref.	3
	2901506	<b>HOSE KIT POWER EXTENSION - 2046E</b>	Ref.	2
	2901425	<b>HOSE KIT POWER EXTENSION - 2646E</b>	Ref.	2
	2901507	<b>HOSE KIT POWER EXTENSION - 2658E</b>	Ref.	2
151	2752644	Hose (2033E/2046E)	2	
	2752645	Hose (2646E/2658E)	2	
152	2752479	Hose (2033E)	2	
	2752648	Hose (2046E/2646E)	2	
	2752467	Hose (2658E)	2	
153	2752648	Hose (2033E)	2	
	2752467	Hose (2046E/2646E)	2	
	2750779	Hose (2658E)	2	

**SECTION 6 HYDRAULIC**



# SECTION 6 HYDRAULIC

**FIGURE 6-2. HYDRAULIC DIAGRAM (GRAVITY DOWN MACHINES)**

FIG & ITEM #	PART NUMBER	DESCRIPTION	QTY.	REV.
		<b>TUBE KIT</b>	Ref.	
	2901410	<b>1532E/1932E</b>	Ref.	A
	2901385	<b>2033E/2046E/2646E/2658E</b>	Ref.	A
201	4566968	Tube, Suction (1532E/1932E)	1	
	4566897	Tube, Suction (2033E/2046E/2646E/2658E Prior to S/N 21507)	1	
	4567026	Tube, Suction (2033E/2046E/2646E/2658E S/N 21507 to Present)	1	
202	4566969	Tube, Return (1532E/1932E)	1	
	4566898	Tube, Return (2033E/2046E/2646E/2658E)	1	

**SECTION 6 HYDRAULIC**

# SECTION 6 HYDRAULIC

**FIGURE 6-3.HYDRAULIC DIAGRAM LIST**

FIG & ITEM #	PART NUMBER	DESCRIPTION	QTY.	REV.
		<b>Note: Diagram with asterisk (*) are shown in the preceding pages. Information on diagrams not shown is available from JLG Service/Parts Departments.</b>		
	1282480*	Hydraulic Diagrams - Hydraulically Operated Platform	Ref.	
	2792268*	2033E	Ref.	
	2792269*	2046E	Ref.	
	2792270*	2646E	Ref.	
	2792271*	2658E	Ref.	
	1282480*	Hydraulic Diagrams - Standard (Power Down Machines)	Ref.	
	2792219*	1532E/1932E	Ref.	
	2792220*	2033E	Ref.	
	2792221*	2046E/2646E	Ref.	
	2792222*	2658E	Ref.	
	1282726*	Hydraulic Diagrams - Standard (Gravity Down Machines)	Ref.	
	2792316*	1532E/1932E	Ref.	
	2792317*	2033E	Ref.	
	2792318*	2046E/2646E	Ref.	
	2792319*	2658E	Ref.	

**SECTION 6 HYDRAULIC**

# SECTION 7 ELECTRICAL

## TABLE OF CONTENTS

FIGURE	DESCRIPTION	PAGE
7-1	ELECTRICAL DIAGRAM LIST . . . . .	7-2
7-2	STANDARD ELECTRICAL DIAGRAM (POWER DOWN MACHINES) . . . . .	7-4
7-3	STANDARD ELECTRICAL DIAGRAM (GRAVITY DOWN MACHINES) . . . . .	7-6
7-4	HARNESS AND CABLE ASSEMBLIES . . . . .	7-8

**S  
E  
C  
T  
I  
O  
N  
  
7  
  
E  
L  
E  
C  
T  
R  
I  
C  
A  
L**

# SECTION 7 ELECTRICAL

**FIGURE 7-1.ELECTRICAL DIAGRAM LIST**

FIG & ITEM #	PART NUMBER	DESCRIPTION	QTY.	REV.
		<b>Note: Diagrams with asterisks (*) are shown in the following pages. Diagrams not shown are available from the JLG Service Department.</b>		
	1282507/1282773*	<b>ALARMS ELECTRICAL DIAGRAM</b>	Ref.	G/F
	1282507/1282773*	<b>BEACON LIGHT ELECTRICAL DIAGRAM</b>	Ref.	G/F
	1282507/1282773*	<b>GENERATOR ELECTRICAL DIAGRAM</b>	Ref.	G/F
	1282430	<b>GROUND TO PLATFORM CABLE ASSEMBLIES</b>	Ref.	–
	4921753	<b>Cable Assembly - 1532E</b>	Ref.	A
	4921754	<b>Cable Assembly - 1932E</b>	Ref.	A
	4921755	<b>Cable Assembly - 2033E/2046E</b>	Ref.	A
	4921756	<b>Cable Assembly - 2646E/2658E</b>	Ref.	A
	0257665	<b>PERIMETER SWITCHES ELECTRICAL</b>	Ref.	2/B
	0253616/0254367	<b>PLATFORM EXTENSION SWITCH ELECTRICAL DIAGRAM</b>	Ref.	B/–
	1282507/1282773*	<b>PLATFORM WORKLIGHTS ELECTRICAL DIAGRAM</b>	Ref.	E
	1282507*	<b>STANDARD ELECTRICAL DIAGRAM (POWER DOWN MACHINES)</b>	Ref.	G
	4932832*	<b>1532E/1932E</b>	Ref.	6
	4932831*	<b>2033E/2046E/2646E/2658E</b>	Ref.	7
	1282657	<b>STANDARD ELECTRICAL DIAGRAM (POWER DOWN MACHINES WITH S/N 31325 TO 31329)</b>	Ref.	A
	4932965	<b>2646E</b>	Ref.	1
	1282773*	<b>STANDARD ELECTRICAL DIAGRAM (GRAVITY DOWN MACHINES)</b>	Ref.	F
	4932973*	<b>1532E/1932E</b>	Ref.	4
	4932972*	<b>2033E/2046E/2646E/2658E</b>	Ref.	3
	1282507/1282773*	<b>TILT SWITCH ELECTRICAL DIAGRAM</b>	Ref.	G/F

**SECTION 7 ELECTRICAL**

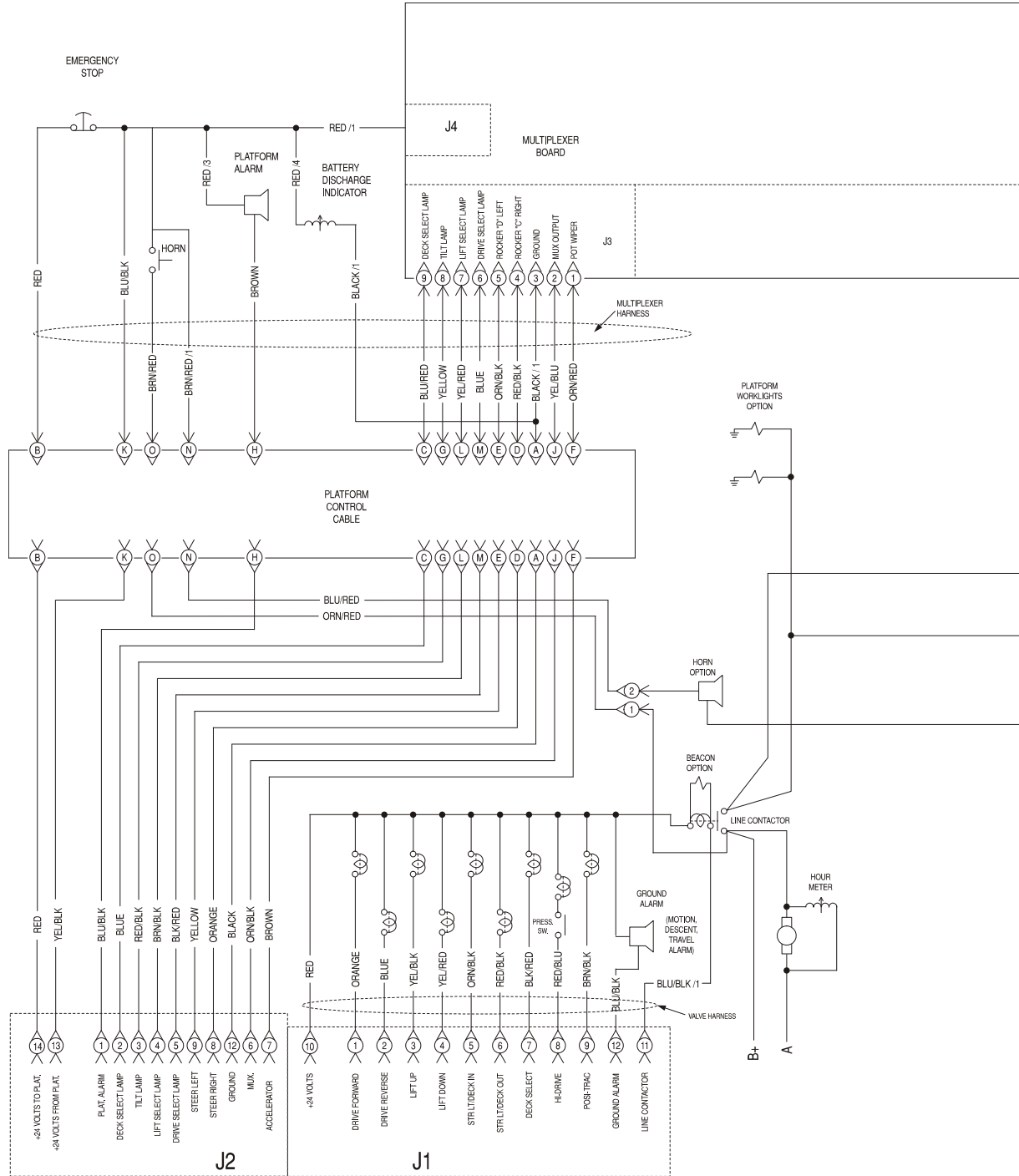
# SECTION 7 ELECTRICAL

FIG & ITEM #	PART NUMBER	DESCRIPTION	QTY.	REV.

**S  
E  
C  
T  
I  
O  
N  
  
7  
  
E  
L  
E  
C  
T  
R  
I  
C  
A  
L**

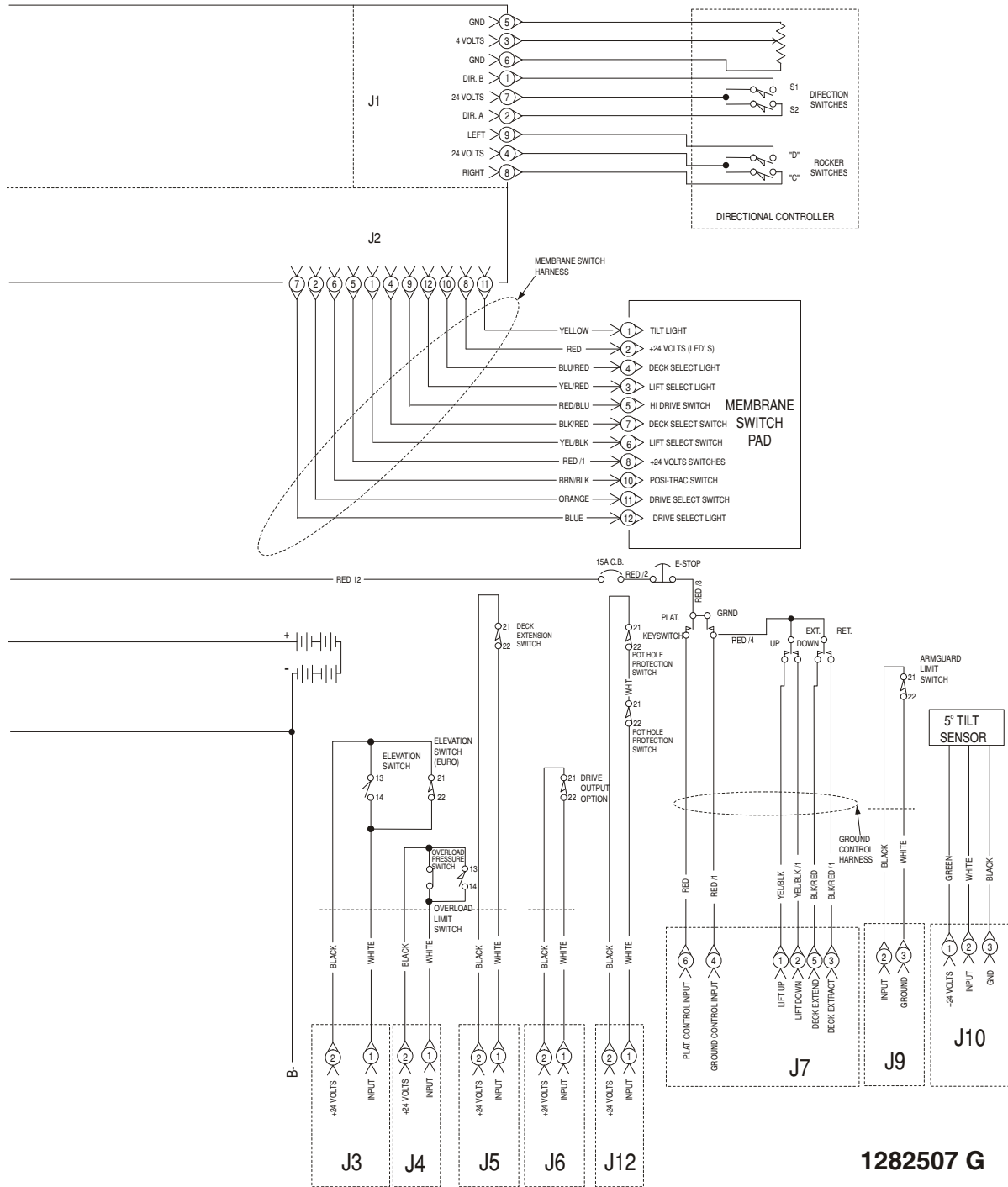
# SECTION 7 ELECTRICAL

FIGURE 7-2. STANDARD ELECTRICAL DIAGRAM (POWER DOWN MACHINES)



SECTION 7 ELECTRICAL

# SECTION 7 ELECTRICAL

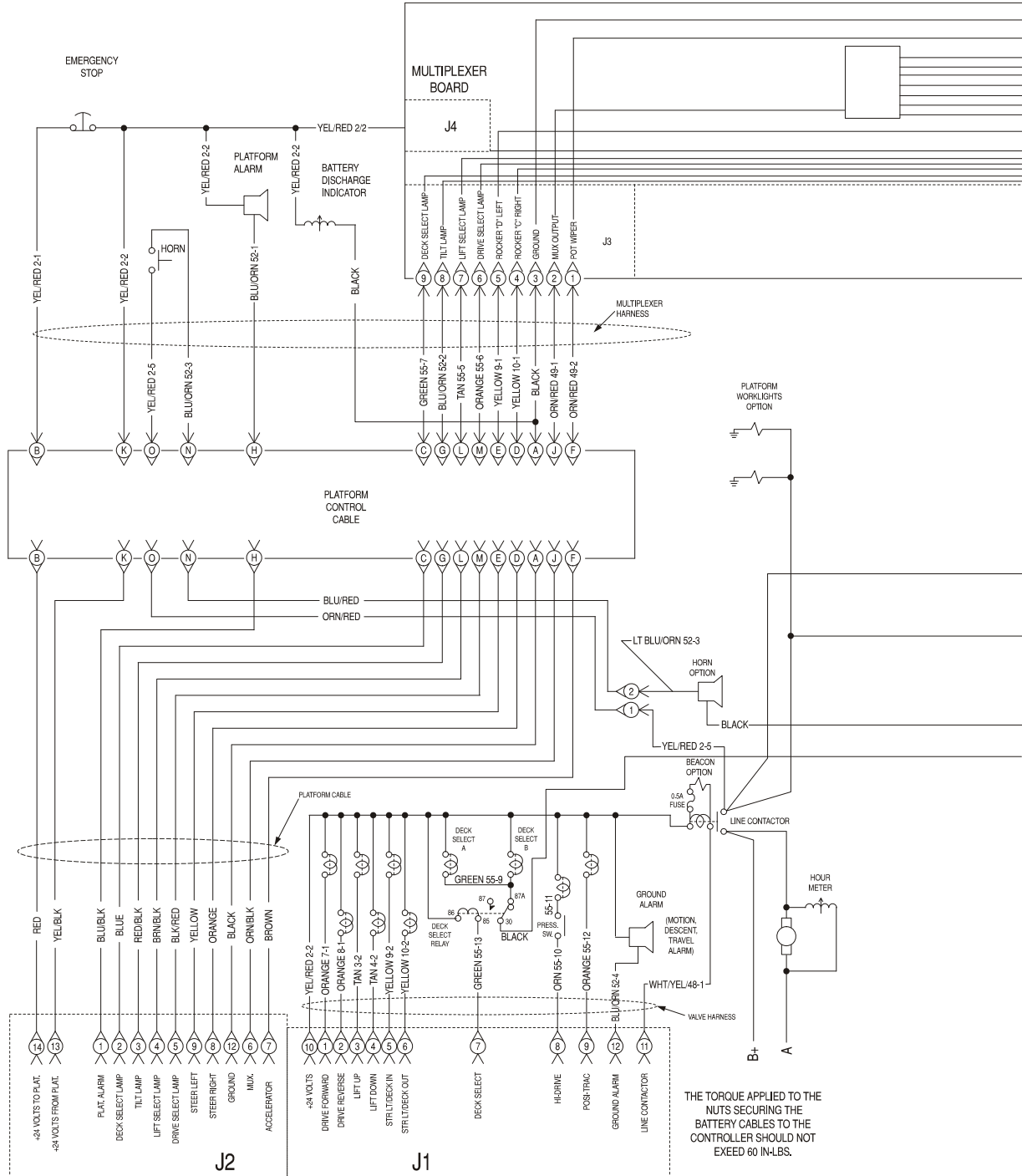


1282507 G

SECTION 7 ELECTRICAL

# SECTION 7 ELECTRICAL

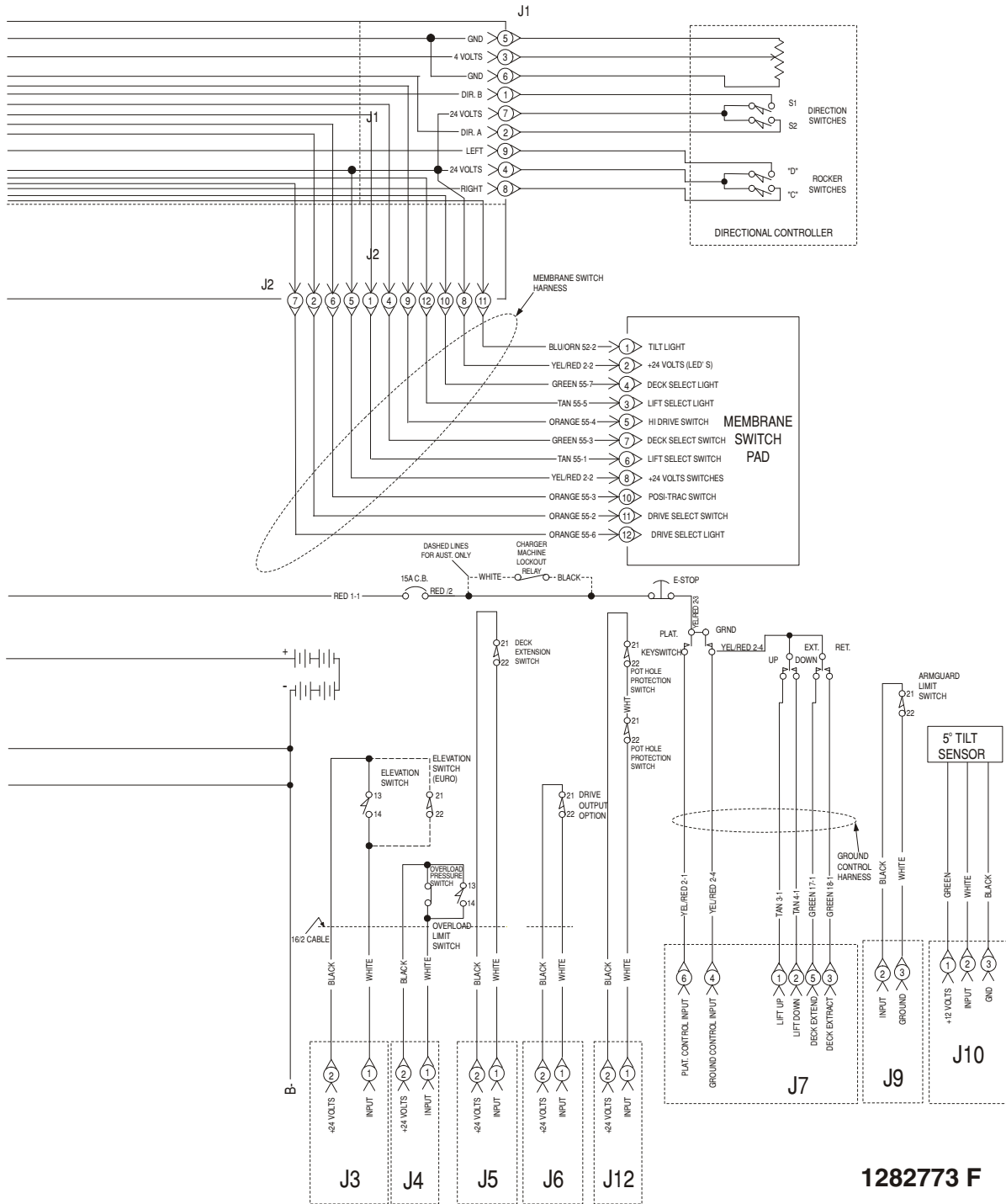
FIGURE 7-3. STANDARD ELECTRICAL DIAGRAM (GRAVITY DOWN MACHINES)



SECTION 7 ELECTRICAL



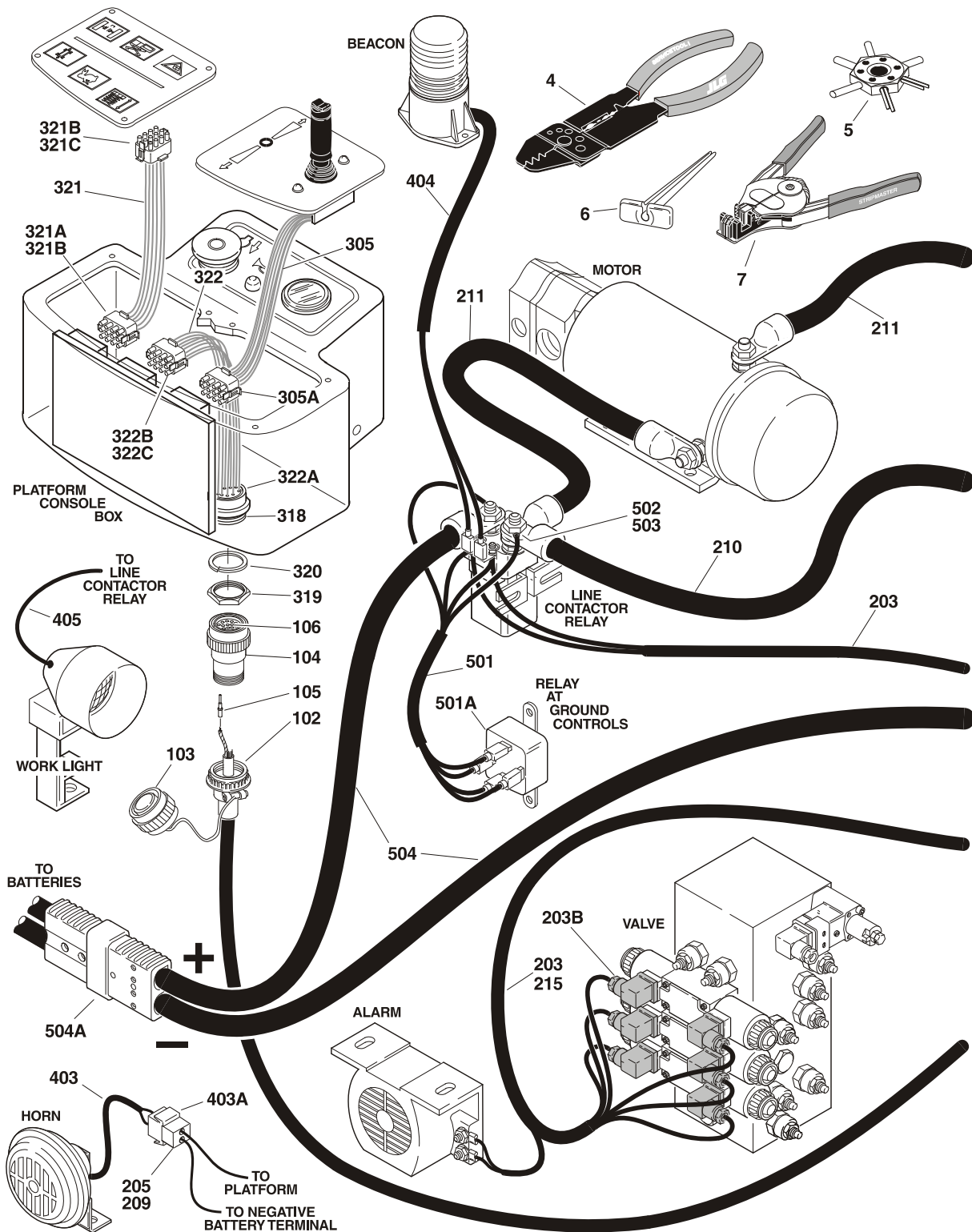
# SECTION 7 ELECTRICAL



SECTION 7 ELECTRICAL

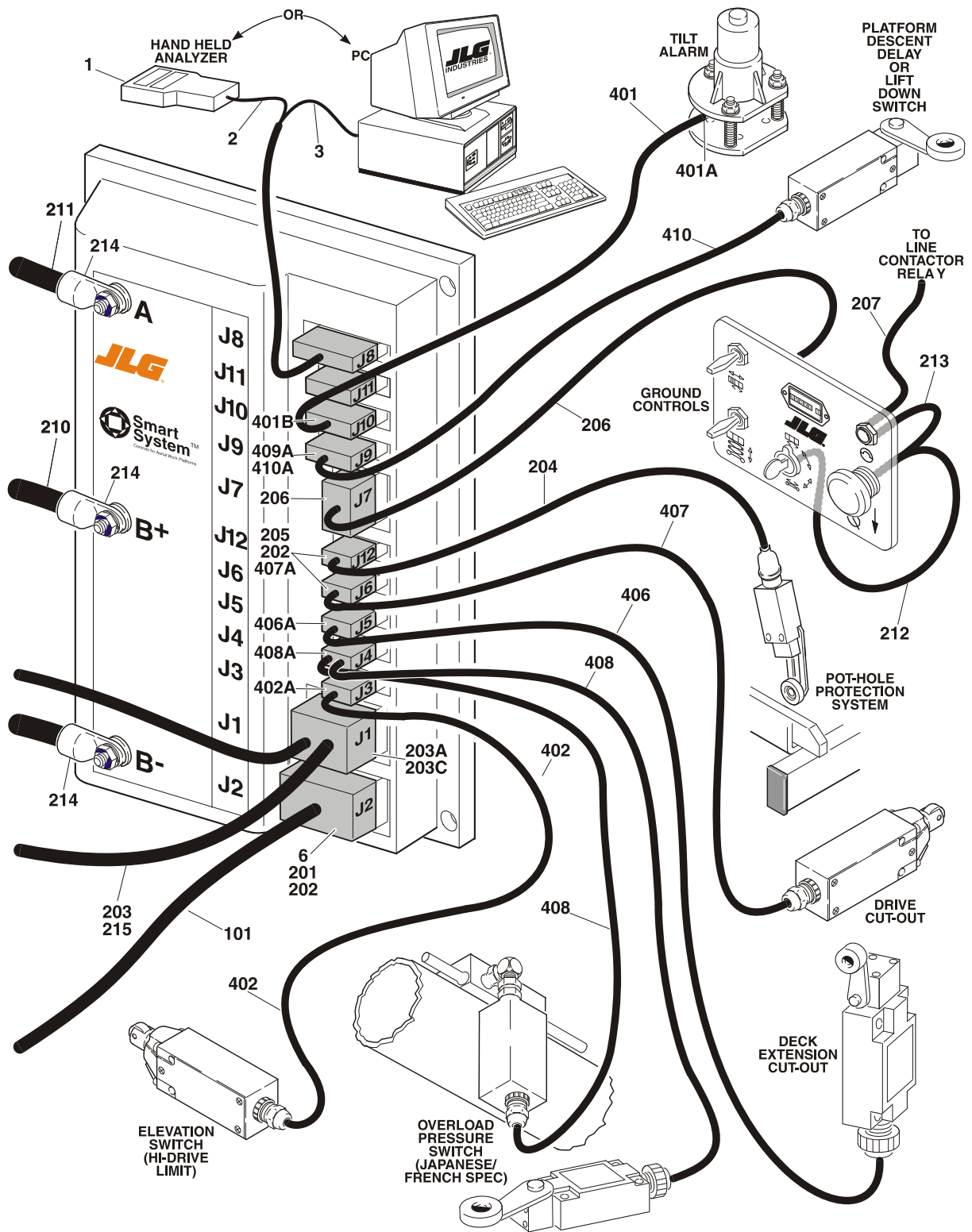
# SECTION 7 ELECTRICAL

FIGURE 7-4. HARNESS AND CABLE ASSEMBLIES



SECTION 7 ELECTRICAL

# SECTION 7 ELECTRICAL



SECTION 7 ELECTRICAL

# SECTION 7 ELECTRICAL

**FIGURE 7-4. HARNESS AND CABLE ASSEMBLIES**

FIG & ITEM #	PART NUMBER	DESCRIPTION	QTY.	REV.
		<b>Note: To determine Power or Gravity Down refer to Page A.</b>		
		<b>TOOLS</b>	Ref.	
	2900874	Configurator Kit (Computer Software Kit)	1	
	2901443	Analyzer and Cable Kit (Includes 1600244 & 1060633)	1	
1	1600244	Analyzer, SMART System Controller	1	
2	1060633	Cable, Communication (Analyzer to Controller)	1	
3	1060629	Cable, Communication (PC to Controller)	1	
4	7002821	Crimper (For Wire to Pin/Socket Connections)	1	
5	7002823	Extractor (For Removal of Pins/Sockets from Connectors)	1	
6	4460467	Extractor - 16-18 Gauge (For Removal of Pins/Sockets from Deutsch Connectors)	1	
	4460510	Extractor - 12-14 Gauge (For Removal of Pins/Sockets from Deutsch Connectors)	1	
7	7002828	Stripper, Wire	1	
	0100048	Compound, Silicone (Use on connectors/receptacles)	A/R	
	1282430	<b>CABLE ASSEMBLIES - GROUND TO PLATFORM</b> <b>Note: Assemblies do not include connectors at controller.</b>	Ref.	—
	4921753	<b>Cable Assembly - 1532E</b>	Ref.	B
	4921754	<b>Cable Assembly - 1932E</b>	Ref.	B
	4921755	<b>Cable Assembly - 2033E/2046E</b>	Ref.	A
	4921756	<b>Cable Assembly - 2646E/2658E</b>	Ref.	A
101	1060608	Cable, Electrical - 18/14 1532E 1932E 2033E/2046E 2646E/2658E	A/R 36FT/11M 42FT/12.8M 46FT/14M 54FT/16.5M	
102	4460473	Clamp, Cable	1	
103	4460468	Cap, Dust	1	
104	4460462	Connector - 23 Pin	1	
105	4460465	Socket, Female	A/R	
106	4460466	Plug, Sealing	A/R	

**SECTION 7 ELECTRICAL**

# SECTION 7 ELECTRICAL

**FIGURE 7-4. HARNESS AND CABLE ASSEMBLIES (CONTINUED)**

FIG & ITEM #	PART NUMBER	DESCRIPTION	QTY.	REV.
		<b>WIRING DIAGRAMS</b>	Ref.	
	4932832	<b>1532E/1932E Power Down Units</b>	Ref.	6
	4932973	<b>1532E/1932E Gravity Down Units</b>	Ref.	4
	4932831	<b>2033E/2046E/2646E/2658E Power Down Units</b>	Ref.	7
	4932972	<b>2033E/2046E/2646E/2658E Gravity Down Units</b>	Ref.	3
		<b>Note: To determine Power or Gravity Down refer to Page A.</b>		
201	4460434	Connector - 15 Pin	1	
202	4460268	Socket, Female	18	
203		Harness, Valve	1	
	4921784	Power Down Machines except S/N 31325-31329		E
	4921889	Power Down Machines S/N 31325-31329 Only		1/A
	4921958	Gravity Down Machines (Prior to S/N 36817)		1/A
	4922013	Gravity Down Machines (S/N 36817 to S/N 37824)		2
	4922025	Gravity Down Machines (S/N 37824 to Present)		1/A
203A	4460268	Socket	12	
203B	4460449	Connector, DIN	10	
203C	4460343	Connector - 12 Pin	1	
204	1060341	Cable, Electrical - 16/2	27ft/8.23m	
205	4460320	Connector - 2 Pin	4	
206		Harness - Ground Control	1	
	4921786	1532E/1932E Power Down Machines		B
	4921894	1532E/1932E Gravity Down Machines		B
	4921785	2033E/2046E/2646E/2658E Power Down Machines		B
	4921890	2033E/2046E/2646E/2658E Gravity Down Machines		B
206A	4460268	Socket	A/R	
	4460225	Connector - 6 Pin	1	
207		Harness - Ground Power	1	
	4921831	Power Down Machines		
	4922014	1532E/1932E Gravity Down Machines		
	4921891	2033E/2046E/2646E/2658E Gravity Down Machines		
208	Not Used			
209	4460267	Pin	2	
210		Cable, Battery	1	
	1060636	1532E/1932E		
	1060561	2033E/2046E/2646E/2658E		
211	1060622	Cable, Battery	2	
212		Harness - Keyswitch	1	
	4921832	Power Down Machines		B
	4921892	Gravity Down Machines		2/B
213		Harness - Emergency Stop	1	
	4921833	Power Down Machines		B
	4921893	Gravity Down Machines		2/B
214	0840025	Boot, Terminal	6	
215	4922011	Harness - Lift Down (S/N 36817 to Present)	1	

**SECTION 7 ELECTRICAL**

# SECTION 7 ELECTRICAL

**FIGURE 7-4. HARNESS AND CABLE ASSEMBLIES (CONTINUED)**

FIG & ITEM #	PART NUMBER	DESCRIPTION	QTY.	REV.
		<b>PLATFORM CONSOLE BOX ASSEMBLIES</b>	Ref.	
		<b>Note: To determine Power or Gravity Down refer to Page A.</b>		
301 to 304	Not Used			
305	7003999	Harness-Controller (OEM) (Prior to S/N 29608)	1	
	7019101	Harness-Controller (OEM) (S/N 29608 to Present)	1	
	Not Available	Harness-Controller (PQ) (Part of 7011980 Electrical Assy)	0	
305A	4460265	Connector	1	
	4460267	Pin, Male	A/R	
306 to 317	Not Used			
318	4460463	Receptacle, Male - 23 Pin	1	
319	4460470	Nut, Receptacle	1	
320	4460471	Lockwasher, Receptacle	1	
321		Harness - Membrane Switch	1	
	4921782	Power Down Machines		B
	4921895	Gravity Down Machines		1/A
321A	4460268	Socket, Female	A/R	
321B	4460343	Receptacle	2	
321C	4460267	Pin, Male	A/R	
322		Harness - Platform Console Box	1	
	4921783	Power Down Machines		6
	4921896	Gravity Down Machines		3/C
	0100048	Compound, Silicone	A/R	
322A	4460464	Pin, Male	A/R	
322B	4460267	Pin, Male	A/R	
	4460265	Receptacle	1	
		<b>ACCESSORIES HARNESS ASSEMBLIES</b>	Ref.	
		<b>Note: To determine Power or Gravity Down refer to Page A.</b>		
401	4921819	Harness - Tilt Alarm	1	A
	1060330	Cable, Electrical - 16/3	8ft/2.4m	
401A	4460445	Connector - 3 Pin	1	
	4460227	Pin, Male	3	
401B	4460326	Plug, Connector	1	
	4460268	Socket, Female	3	
402	Not Available	Harness - Hi-Drive Limit	1	
	1060341	Cable, Electrical - 16/2 (Prior to S/N 46829)	6ft/1.8m	
	1060680	Cable, Electrical - 18/2 (S/N 46829 to Present)	78in/2m	
402A	4460320	Housing, Terminal	1	
	4460268	Socket, Female	2	
403		Harness - Horn	1	
	4921821	Power Down Machines		2
	4921988	Gravity Down Machines		1/A
403A	4460424	Receptacle - 2 Position	1	
	4460268	Socket, Female	2	

**SECTION 7 ELECTRICAL**

# SECTION 7 ELECTRICAL

**FIGURE 7-4. HARNESS AND CABLE ASSEMBLIES (CONTINUED)**

FIG & ITEM #	PART NUMBER	DESCRIPTION	QTY.	REV.
404	4921822	Harness - Beacon (Prior to S/N 44696)	1	
	1060341	Cable, Electrical - 16/2 (S/N 44696 to Present)	10ft/3.0m	
405	Not Available	Harness - Worklight	1	
	1060341	Cable, Electrical - 16/2	A/R	
		1532E	40ft/12.2m	
		1932E	48ft/14.6m	
		2033E/2046E	54ft/16.5m	
		2646E/2658E	61ft/18.6m	
	4360164	Breaker, Circuit - 5 Amp (Not Shown)	1	
406	Not Available	Harness - Deck Extend Cutout	1	
	1060341	Cable, Electrical - 16/2	A/R	
		1532E	22FT/6.7M	
		1932E	38FT/11.6M	
		2033E/2046E	46FT/14M	
		2646E/2658E	54FT/16.5M	
406A	4460320	Connector	1	
	4460268	Socket, Female	2	
407	Not Available	Harness - Drive Cutout	1	
	1060341	Cable, Electrical - 16/2	9ft/2.74m	
407A	4460320	Housing, Terminal	1	
	4460268	Socket, Female	2	
408	Not Available	Harness - Overload (Japanese/French Spec)	1	
	1060341	Cable, Electrical - 16/2	35ft/11m	
408A	4460320	Housing, Terminal	1	
	4460268	Socket, Female	2	
409	Not Available	Harness - Lift Down Switch (When Equipped)	1	
	1060341	Cable, Electrical - 16/2	A/R	
409A	4460320	Connector	1	
	4460268	Socket, Female	2	
410	Not Available	Harness - Platform Descent Delay Switch (1532E-2646E Euro Machines Only with S/N 30542 or Newer)	1	
	1060341	Cable, Electrical - 16/2	6ft/1.8m	
410A	4460320	Housing, Terminal	1	
	4460268	Socket, Female	2	
		<b>GROUND CONTROL BOX ASSEMBLIES</b>	Ref.	
		<b>Note: To determine Power or Gravity Down refer to Page A.</b>		
501		Harness, Relay	1	
	4921986	Power Down Machines (S/N 31685 to Present)		1/A
	4921990	Gravity Down Machines		1/A
501A	3740069	Relay	1	
502	4460259	Terminal (S/N 31685 to Present)	2	
503	4460260	Housing, Terminal (S/N 31685 to Present)	2	
504		Battery Cable Harness Assembly	1	
	1060606	1532E/1932E		3/C
	1060605	2033E/2046E/2646E/2658E		2/B
504A	4460618	Connector, Anderson	2	

SECTION 7 ELECTRICAL

# SECTION 7 ELECTRICAL

FIGURE 7-4. HARNESS AND CABLE ASSEMBLIES (CONTINUED)

FIG & ITEM #	PART NUMBER	DESCRIPTION	QTY.	REV.

**S  
E  
C  
T  
I  
O  
N  
  
7  
  
E  
L  
E  
C  
T  
R  
I  
C  
A  
L**



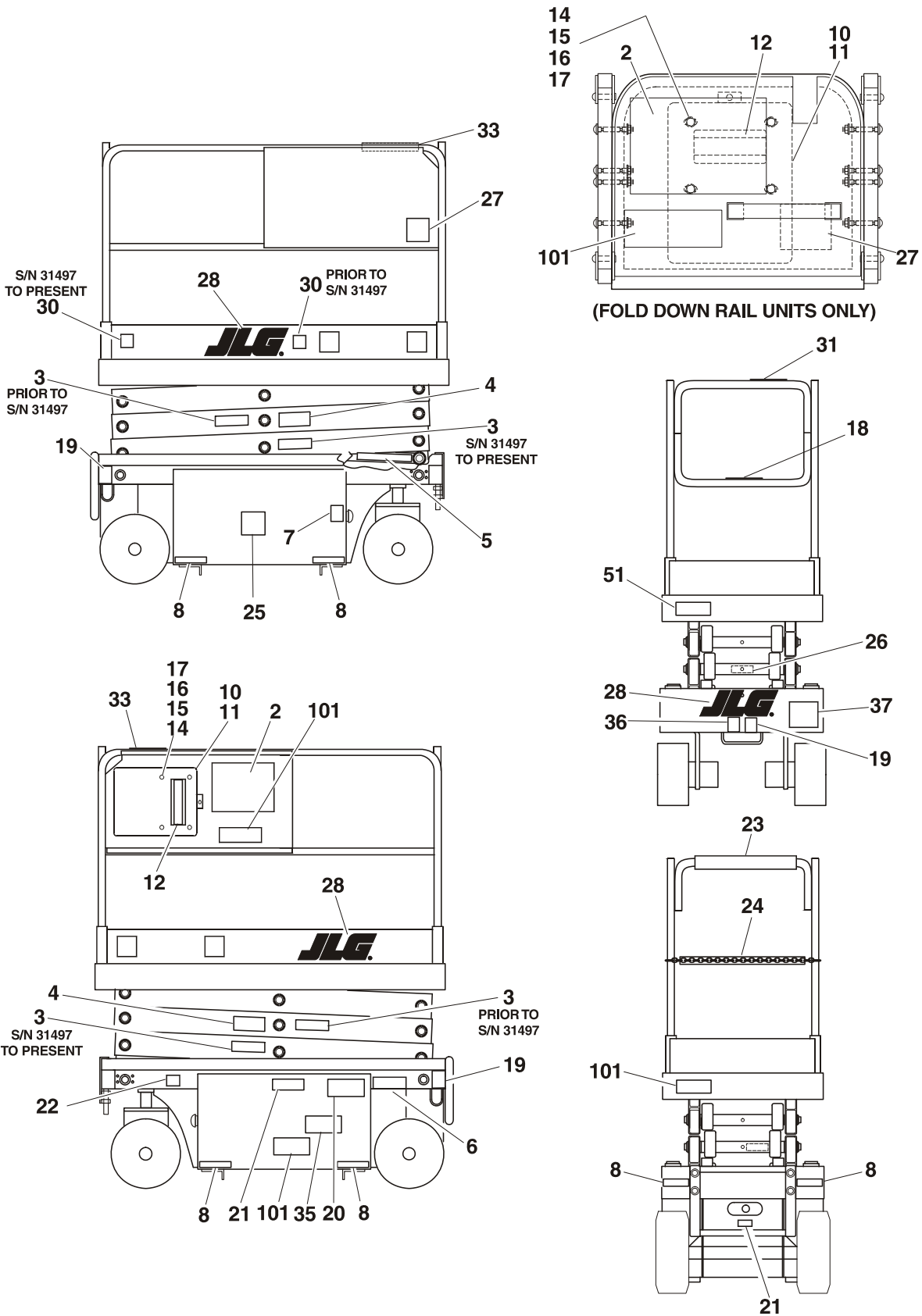
# SECTION 8 DECALS

<b>TABLE OF CONTENTS</b>		
<b>FIGURE</b>	<b>DESCRIPTION</b>	<b>PAGE</b>
8-1	DECALS INSTALLATION - 1532E/1932E POWER DOWN MACHINES (STANDARD) . . . . .	8-2
8-2	DECALS INSTALLATION - 1532E/1932E POWER DOWN MACHINES (COUNTRY SPEC) . . .	8-6
8-3	DECALS INSTALLATION - 2033E/2046E/2646E/2658E POWER DOWN MACHINES (STANDARD) . . . . .	8-10
8-4	DECALS INSTALLATION -2033E/2046E/2646E/2658E POWER DOWN MACHINES (COUNTRY SPEC) . . . . .	8-14
8-5	DECALS INSTALLATION -GRAVITY DOWN MACHINES . . . . .	8-18

SECTION  
8  
DECALS

# SECTION 8 DECALS

FIGURE 8-1.DECALS INSTALLATION - 1532E/1932E POWER DOWN MACHINES (STANDARD)



SECTION 8 DECALS

# SECTION 8 DECALS

**FIGURE 8-1. DECALS INSTALLATION - 1532E/1932E POWER DOWN MACHINES (STANDARD)**

FIG & ITEM #	PART NUMBER	DESCRIPTION	QTY.	REV.
		<b>Note: To determine Power or Gravity Down refer to page A.</b>		
	0256975	<b>DECAL INSTALLATION (COMMON PARTS)</b>	Ref.	–
	0256414	<b>DECAL INSTALLATION - 1532E</b>	Ref.	8
	0256415	<b>DECAL INSTALLATION - 1932E</b>	Ref.	8
1	Not Used			
2	1702954	Decal - Danger	1	
3	1702250	Decal - Electrocution	2	
4	1702246	Decal - Crushing	2	
5	1701839	Decal - Safety Prop	2	
6	Not Available	Nameplate - Serial Number	1	
7	1701504	Decal - Hydraulic Oil	1	
8	1701508	Decal - Fork Lift Area (Prior to S/N 31497)	6	
9	Not Used			
10	0860520	Box, Manual Storage	1	
11	1060279	Cable, Lanyard	1	
12	1701509	Decal - Manual	1	
13	Not Used			
14	0641405	Bolt 1/4"-20NC x 5/8"	4	
15	4751400	Flatwasher 1/4"	4	
16	4761400	Lockwasher 1/4"	4	
17	3311401	Nut 1/4"-20NC	4	
18	3251852	Nameplate - Capacity	1	
19	1702300	Decal - Tie Down	3	
20	1702248	Decal - Ground Control	1	
21	1702279	Decal - Charging	2	
22	1701510	Decal - Manual Descent	1	
23	3340612	Pad	2ft/61cm	
24	2820024	Tubing, Vinyl	2ft/61cm	
25	1702153	Decal - Inspection	1	
26	1702939	Decal - Prop Location	1	
27	3251813	Decal - Made in USA	1	
28	1702773	Decal - JLG	3	
29	Not Used			
30	1702631	Decal - Bar Code	1	
31	3252136	Decal - Control Box Location	1	
32	Not Used			
33	1703078	Decal - Legend	1	
34	Not Used			
35	1703240	Decal - Platform/Ground Control Switch Operation (S/N 31497 to Present Only)	1	
36	1703191	Decal -Towing/Winching (S/N 31497 to Present Only)	1	
37	1703398	Decal -Towing/Winching (Graphic) (S/N 31497 to Present Only)	1	
38 to 50	Not Used			

# SECTION 8 DECALS

**FIGURE 8-1. DECALS INSTALLATION - 1532E/1932E POWER DOWN MACHINES (STANDARD)**

FIG & ITEM #	PART NUMBER	DESCRIPTION	QTY.	REV.
51	3252467	Decal, Model Designation Options: 1532E	1	
	3252468	1932E		
		<b>DECAL INSTALLATION (OPTIONAL PARTS)</b>	Ref.	
101		Decal - Capacity Options:	3	
	3252466	1532E		
	3252465	1932E		

**SECTION 8 DECALS**

# SECTION 8 DECALS

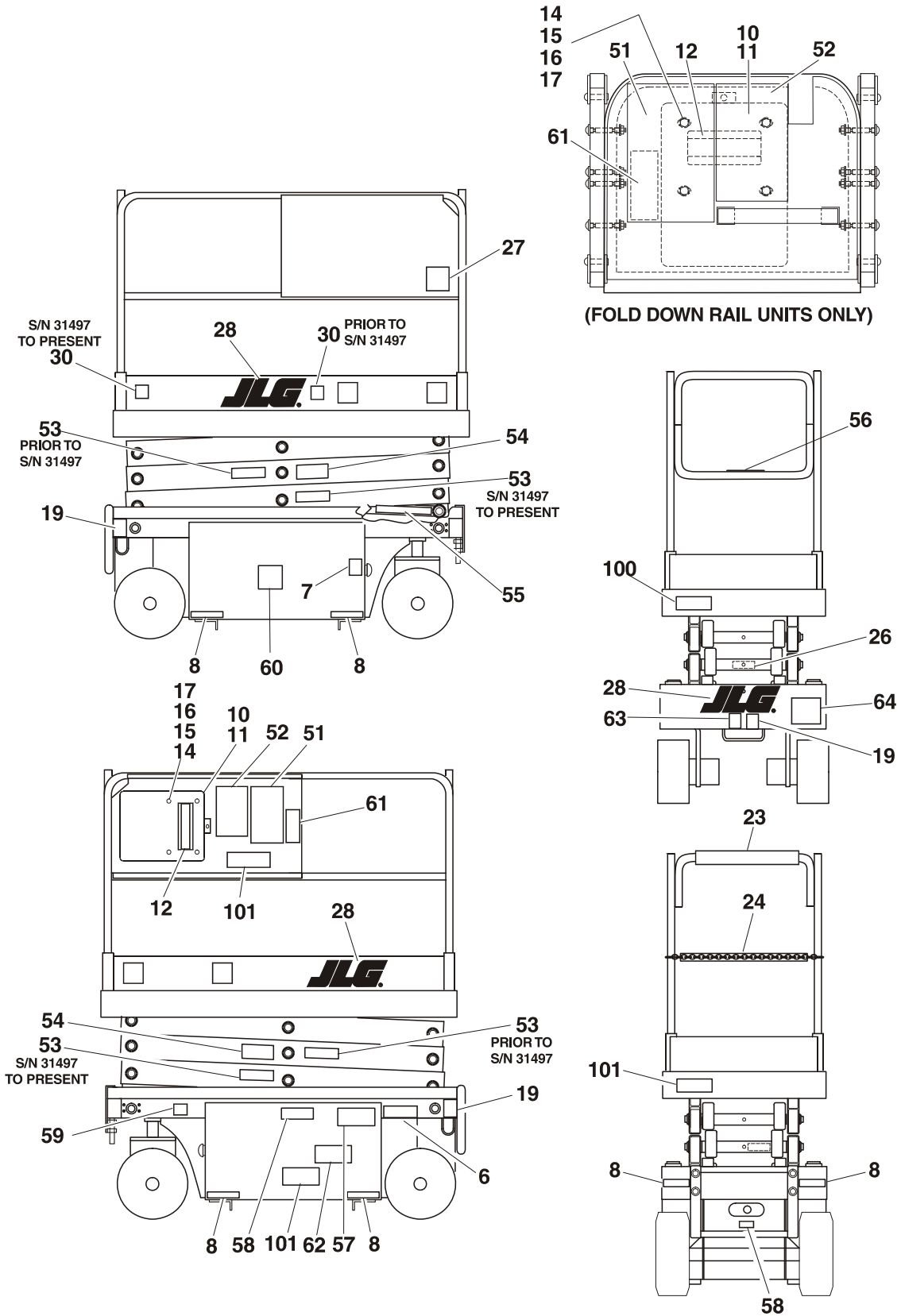
FIGURE 8-1. DECALS INSTALLATION - 1532E/1932E POWER DOWN MACHINES (STANDARD)

FIG & ITEM #	PART NUMBER	DESCRIPTION	QTY.	REV.

**S  
E  
C  
T  
I  
O  
N  
  
8  
  
D  
E  
C  
A  
L  
S**

# SECTION 8 DECALS

FIGURE 8-2.DECALS INSTALLATION - 1532E/1932E POWER DOWN MACHINES (COUNTRY SPEC)



SECTION 8 DECALS

# SECTION 8 DECALS

**FIGURE 8-2. DECALS INSTALLATION - 1532E/1932E POWER DOWN MACHINES (COUNTRY SPEC)**

FIG & ITEM #	PART NUMBER	DESCRIPTION	QTY.	REV.
		<b>Note: To determine Power or Gravity Down refer to page A.</b>		
	0256975	<b>DECAL INSTALLATION (COMMON PARTS)</b>	Ref.	-
		<b>DECAL INSTALLATION (STANDARD PARTS)</b>	Ref.	I
1 to 5	Not Used			
6	Not Available	Nameplate - Serial Number	1	
7	1701504	Decal - Hydraulic Oil	1	
8	1701508	Decal - Fork Lift Area	6	
9	Not Used			
10	0860520	Box, Manual Storage	1	
11	1060279	Cable, Lanyard	1	
12	1701509	Decal - Manual	1	
13	Not Used			
14	0641405	Bolt 1/4"-20NC x 5/8"	4	
15	4751400	Flatwasher 1/4"	4	
16	4761400	Lockwasher 1/4"	4	
17	3311401	Nut 1/4"-20NC	4	
18	Not Used			
19	1702300	Decal - Tie Down	3	
20 to 22	Not Used			
23	3340564	Pad	2ft/61cm	
24	2820024	Tubing, Vinyl	2ft/61cm	
25	Not Used			
26	1702939	Decal - Prop Location	1	
27	3251813	Decal - Made in USA	1	
28	1702773	Decal - JLG	3	
29	Not Used			
30	1702631	Decal - Bar Code	1	
		<b>DECAL INSTALLATIONS (VARIABLE PARTS)</b>	Ref.	
	0256445	<b>1532E CSA Spec (Canadian French)</b>	Ref.	6
	0256479	<b>1532E Japanese Spec</b>	Ref.	5
	0256480	<b>1532E Latin America Spanish Spec</b>	Ref.	5
	0256603	<b>1932E CSA Spec (Canadian French)</b>	Ref.	7
	0256471	<b>1932E Japanese Spec</b>	Ref.	6
	0256470	<b>1932E LATIN AMERICA SPANISH</b>	Ref.	6
51		Decal - Caution Options:	1	
	1701629	Canadian French		
	3252151	Japanese Spec		
	1701861	Latin America Spanish Spec		
52		Decal - Danger Options:	1	
	3252115	Canadian French		
	3252149	Japanese Spec		
	1702556	Latin America Spanish Spec		

**SECTION 8 DECALS**

# SECTION 8 DECALS

**FIGURE 8-2. DECALS INSTALLATION - 1532E/1932E POWER DOWN MACHINES (COUNTRY SPEC)**

FIG & ITEM #	PART NUMBER	DESCRIPTION	QTY.	REV.
53	1703076	Decal - Electrocutation Options: Canadian French	2	
	1701620	Japanese Spec		
	1702554	Latin America Spanish Spec		
54	1703075	Decal - Crushing Options: Canadian French	2	
	1701626	Japanese Spec		
	1702559	Latin America Spanish Spec		
55	1701512	Decal - Safety Prop Options: Canadian French	2	
	1701622	Japanese Spec		
	1701856	Latin America Spanish Spec		
56	3252499	Nameplate - Capacity Options: Canadian French	1	
	Not Required	Japanese Spec		
	3252454	Latin America Spanish Spec		
57	1701515	Decal - Ground Control Options: Canadian French	1	
	1701624	Japanese Spec		
	1701858	Latin America Spanish Spec		
58	1703077	Decal - Charging Options: Canadian French	2	
	1701625	Japanese Spec		
	1702553	Latin America Spanish Spec		
59	1701510	Decal - Manual Descent Options: Canadian French	1	
	1701628	Japanese Spec		
	1701510	Latin America Spanish Spec		
60	1703074	Decal - Inspection Options: Canadian French	1	
	1701621	Japanese Spec		
	1702552	Latin America Spanish Spec		
61	Not Required	Decal - Caution Options: Canadian French		
	3252158	Japanese Spec		
	Not Required	Latin America Spanish Spec		
62	1703405	Decal - Platform/Ground Control Switch Operation Options (S/N 31497 to Present Only): Canadian French	1	
	1703408	Japanese Spec		
	1703411	Latin America Spanish Spec		
63	1703193	Decal -Towing/Winching Options (S/N 31497 to Present Only): Canadian French	1	
	1703197	Japanese Spec		
	1703198	Latin America Spanish Spec		



# SECTION 8 DECALS

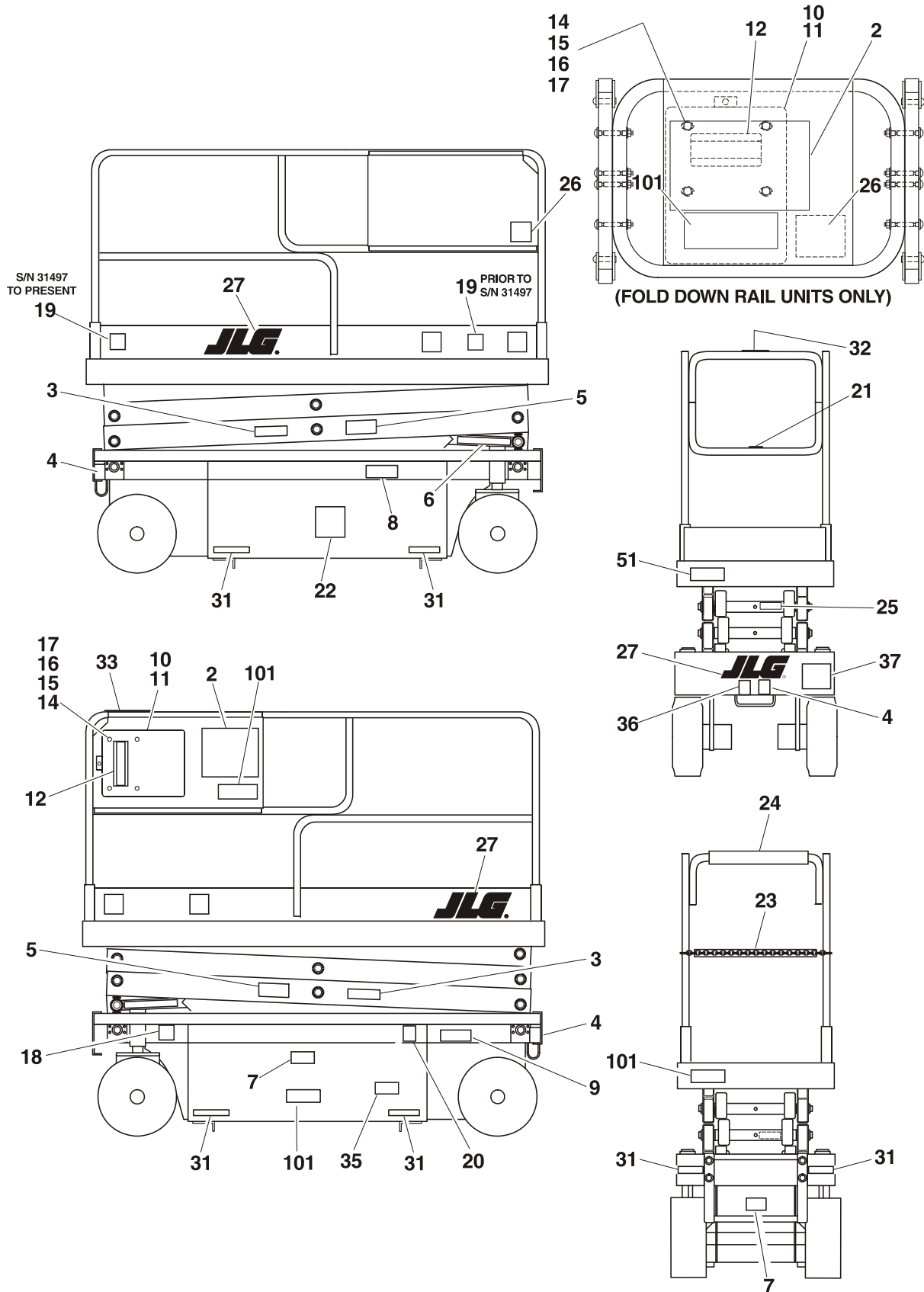
**FIGURE 8-2. DECALS INSTALLATION - 1532E/1932E POWER DOWN MACHINES (COUNTRY SPEC)**

FIG & ITEM #	PART NUMBER	DESCRIPTION	QTY.	REV.
64		Decal -Towing/Winching Options (Graphic) (S/N 31497 to Present Only):	1	
	1703415	Canadian French		
	1703419	Japanese Spec		
	1703420	Latin America Spanish Spec		
		<b>DECAL INSTALLATION (OPTIONAL PARTS)</b>	Ref.	
100		Decal - Model Options:	1	
	3252467	1532E		
	3252468	1932E		
101		Decal - Capacity Options:	1	
	3252524	Canadian French - 1532E		
	3252300	Japanese - 1532E		
	3252493	Latin America Spanish - 1532E		
	3252525	Canadian French - 1932E		
	3252300	Japanese - 1932E		
	3252452	Latin America Spanish - 1932E		

**SECTION 8 DECALS**

# SECTION 8 DECALS

FIGURE 8-3.DECALS INSTALLATION - 2033E/2046E/2646E/2658E POWER DOWN MACHINES (STANDARD)



SECTION 8 DECALS

# SECTION 8 DECALS

**FIGURE 8-3. DECALS INSTALLATION - 2033E/2046E/2646E/2658E POWER DOWN MACHINES (STANDARD)**

FIG & ITEM #	PART NUMBER	DESCRIPTION	QTY.	REV.
		<b>Note: To determine Power or Gravity Down refer to page A.</b>		
	0256976	<b>DECAL INSTALLATION (COMMON PARTS)</b>	Ref.	-
		<b>DECAL INSTALLATION (STANDARD PARTS)</b>	Ref.	I
1	Not Used			
2	1702954	Decal - Danger	1	
3	1702250	Decal - Electrocution	2	
4	1702300	Decal - Tie-Down	3	
5	1702246	Decal - Crushing	2	
6	1701839	Decal - Safety Prop	1	
7	1702279	Decal - Charging	2	
8	1702248	Decal - Ground Control	1	
9	Not Available	Nameplate - Serial Number	1	
10	0860520	Box, Manual Storage	1	
11	1060279	Cable, Lanyard	1	
12	1701509	Decal - Manual	1	
13	Not Used			
14	0641405	Bolt 1/4"-20NC x 5/8"	4	
15	4751400	Flatwasher 1/4"	4	
16	4761400	Lockwasher 1/4"	4	
17	3311401	Nut 1/4"-20NC	4	
18	1701510	Decal - Manual Descent	1	
19	1702631	Decal - Bar Code	1	
20	1701504	Decal - Hydraulic Oil	1	
21	3251852	Nameplate - Capacity	1	
22	1702153	Decal - Inspection	1	
23	2820024	Tubing, Vinyl	2ft/61cm	
24	3340612	Pad	2ft/61cm	
25	1702939	Decal - Prop Location	1	
26	3251813	Decal - Made in USA	1	
27	1702773	Decal - JLG	3	
28 to 30	Not Used			
31	1701508	Decal - Fork Lift Area	A/R	
32	3252136	Decal - Control Box Location	1	
33	1703078	Decal - Legend	1	
34	Not Used			
35	1703240	Decal - Platform/Ground Control Switch Operation (S/N 31497 to Present Only)	1	
36	1703191	Decal -Towing/Winching (S/N 31497 to Present Only)	1	
37	1703398	Decal -Towing/Winching (Graphic) (S/N 31497 to Present Only)	1	

# SECTION 8 DECALS

**FIGURE 8-3. DECALS INSTALLATION - 2033E/2046E/2646E/2658E POWER DOWN MACHINES (STANDARD) (CONTINUED)**

FIG & ITEM #	PART NUMBER	DESCRIPTION	QTY.	REV.
51		<b>DECAL INSTALLATION (VARIABLE PARTS)</b>	Ref.	
	0256416	<b>2033E</b>	Ref.	E
	0256417	<b>2046E</b>	Ref.	7
	0256418	<b>2646E</b>	Ref.	7
	0256419	<b>2658E</b>	Ref.	7
		Decal - Designation Options:	1	
	3252469	2033E		
	3252470	2046E		
	3252471	2646E		
	3252472	2658E		
101		<b>DECAL INSTALLATION (OPTIONAL PARTS)</b>	Ref.	
		Decal - Capacity Options:	A/R	
	3252460	2033E/2646E		
	3252463	2046E/2658E		
	3252463	2033E/2646E with 1000lbs Capacity		

**SECTION 8 DECALS**

# SECTION 8 DECALS

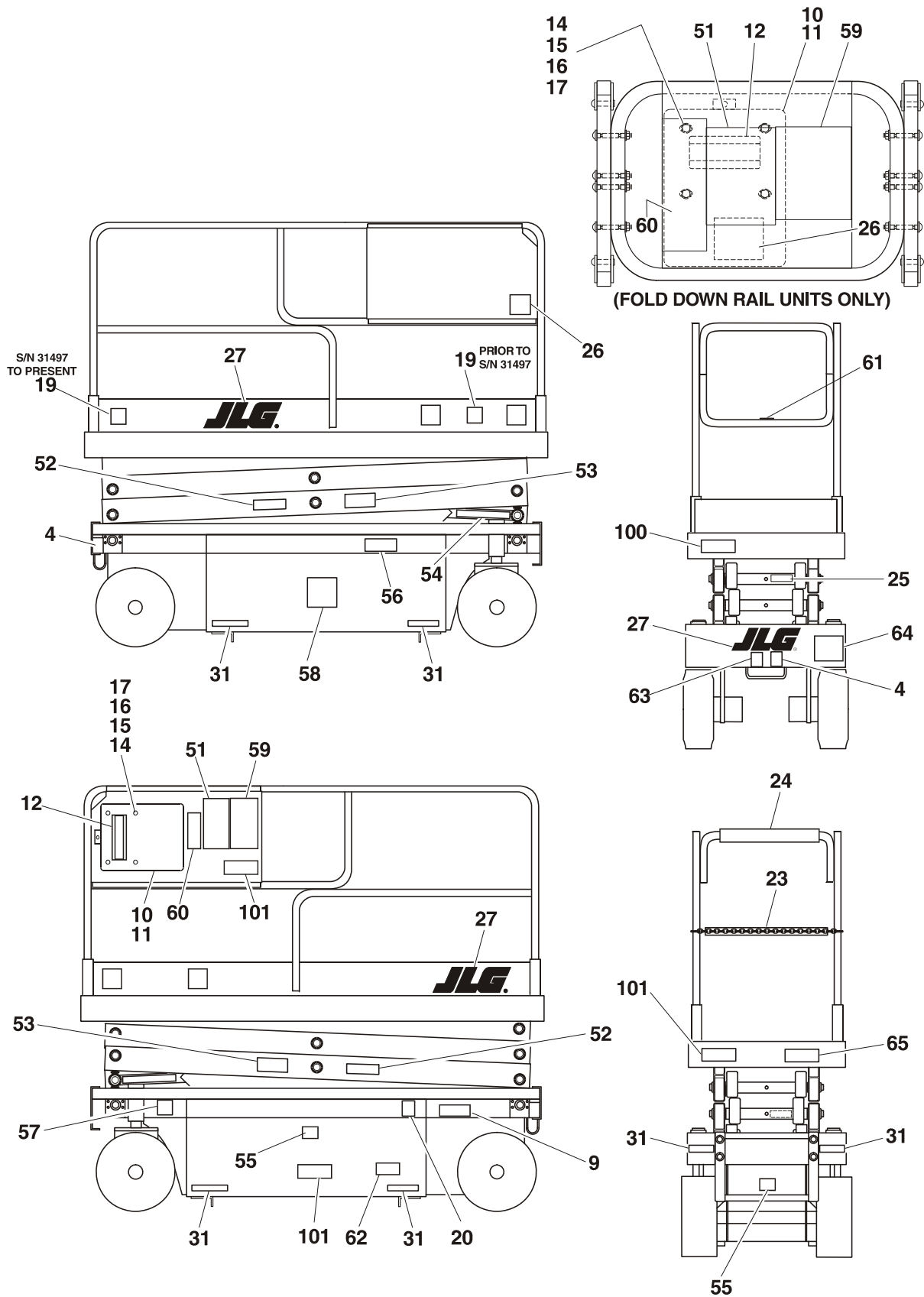
FIGURE 8-3. DECALS INSTALLATION - 2033E/2046E/2646E/2658E POWER DOWN MACHINES  
(STANDARD) (CONTINUED)

FIG & ITEM #	PART NUMBER	DESCRIPTION	QTY.	REV.

**S  
E  
C  
T  
I  
O  
N  
  
8  
  
D  
E  
C  
A  
L  
S**

# SECTION 8 DECALS

FIGURE 8-4. DECALS INSTALLATION - 2033E/2046E/2646E/2658E POWER DOWN MACHINES (COUNTRY SPEC)



SECTION 8 DECALS

# SECTION 8 DECALS

**FIGURE 8-4. DECALS INSTALLATION - 2033E/2046E/2646E/2658E POWER DOWN MACHINES (COUNTRY SPEC)**

FIG & ITEM #	PART NUMBER	DESCRIPTION	QTY.	REV.
		<b>Note: To determine Power or Gravity Down refer to page A.</b>		
	0256976	<b>DECAL INSTALLATION (STANDARD PARTS)</b>	Ref.	–
		<b>DECAL INSTALLATION (STANDARD PARTS)</b>	Ref.	1
1 to 3	Not Used			
4	1702300	Decal - Tie-Down	3	
5 to 8	Not Used			
9	Not Available	Nameplate - Serial Number	1	
10	0860520	Box, Manual Storage	1	
11	1060279	Cable, Lanyard	1	
12	1701509	Decal - Manual	1	
13	Not Used			
14	0641405	Bolt 1/4"-20NC x 5/8"	4	
15	4751400	Flatwasher 1/4"	4	
16	4761400	Lockwasher 1/4"	4	
17	3311401	Nut 1/4"-20NC	4	
18	Not Used			
19	1702631	Decal - Bar Code	1	
20	1701504	Decal - Hydraulic Oil	1	
21 to 22	Not Used			
23	2820024	Tubing, Vinyl	2ft/61cm	
24	3340564	Pad	2ft/61cm	
25	1702939	Decal - Prop Location	1	
26	3251813	Decal - Made in USA	1	
27	1702773	Decal - JLG	3	
28 to 30	Not Used			
31	1701508	Decal - Forklift Area	A/R	
		<b>DECAL INSTALLATION (VARIABLE PARTS)</b>	Ref.	
	0256604	<b>2033E CSA Spec Canadian French</b>	Ref.	6
	0256429	<b>2033E Japanese Spec</b>	Ref.	4
	0256428	<b>2033E Latin America Spanish Spec</b>	Ref.	–
	0256605	<b>2046E CSA Spec Canadian French</b>	Ref.	5
	0256448	<b>2046E Japanese Spec</b>	Ref.	4
	0256446	<b>2046E Latin America Spanish Spec</b>	Ref.	–
	0256606	<b>2646E CSA Spec Canadian French</b>	Ref.	6
	0256455	<b>2646E Japanese Spec</b>	Ref.	4
	0256447	<b>2646E Latin America Spanish Spec</b>	Ref.	–
	0256607	<b>2658E CSA Spec Canadian French</b>	Ref.	6
	0256463	<b>2658E Japanese Spec</b>	Ref.	4
	0256462	<b>2658E Latin America Spanish Spec</b>	Ref.	–
51		Decal - Caution Options:	1	
	1701629	Canadian French		
	3252151	Japanese Spec		
	1702555	Latin America Spanish Spec		

# SECTION 8 DECALS

**FIGURE 8-4. DECALS INSTALLATION - 2033E/2046E/2646E/2658E POWER DOWN MACHINES  
(COUNTRY SPEC) (CONTINUED)**

FIG & ITEM #	PART NUMBER	DESCRIPTION	QTY.	REV.
52	1703076	Decal - Electrocutation Options: Canadian French	2	
	1701620	Japanese Spec		
	1702554	Latin America Spanish Spec		
53	1703075	Decal - Crushing Options: Canadian French	2	
	1701626	Japanese Spec		
	1702559	Latin America Spanish Spec		
54	1701512	Decal - Safety Prop Options: Canadian French	1	
	1701622	Japanese Spec		
	1701856	Latin America Spanish Spec		
55	1703077	Decal - Charging Options: Canadian French	2	
	1701625	Japanese Spec		
	1702553	Latin America Spanish Spec		
56	1701515	Decal - Ground Control Options: Canadian French	1	
	1701624	Japanese Spec		
	1701858	Latin America Spanish Spec		
57	1701510	Decal - Manual Descent Options: Canadian French	1	
	1701628	Japanese Spec		
	1701510	Latin America Spanish Spec		
58	1703074	Decal - Inspection Options: Canadian French	1	
	1701621	Japanese Spec		
	1702552	Latin America Spanish Spec		
59	1701511	Decal - Danger Options: Canadian French	1	
	3252149	Japanese Spec		
	1702556	Latin America Spanish Spec		
60	Not Required	Options: Canadian French		
	3252158	Japanese Spec		
	Not Required	Latin America Spanish Spec		
61	3252499	Nameplate - Extension Capacity Options: Canadian French	1	
	Not Required	Japanese Spec		
	3252454	Latin America Spanish Spec		
62	1703405	Decal - Platform/Ground Control Switch Operation Options (S/N 31497 to Present Only): Canadian French	1	
	1703408	Japanese Spec		
	1703411	Latin America Spanish Spec		



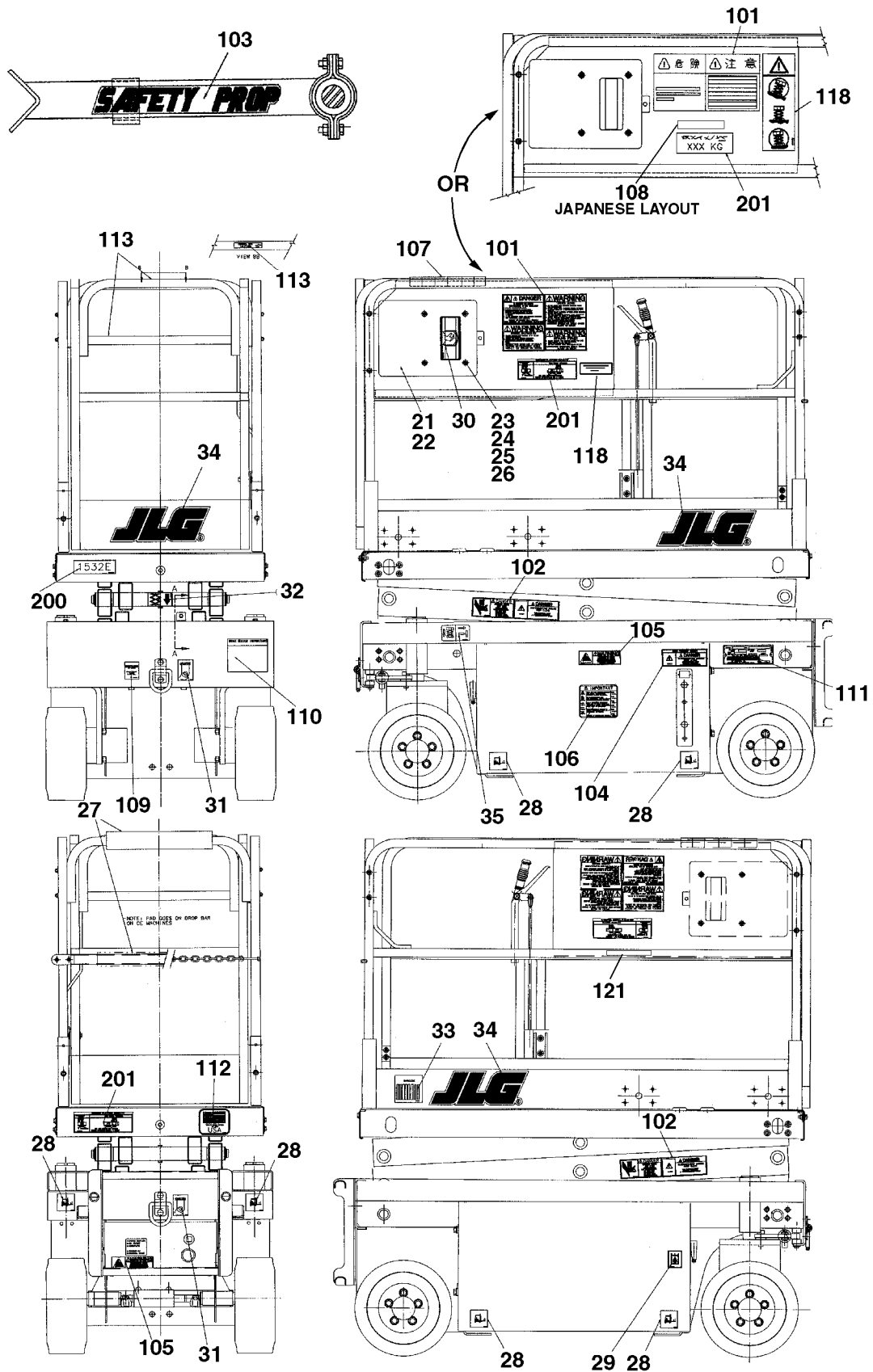
# SECTION 8 DECALS

**FIGURE 8-4. DECALS INSTALLATION - 2033E/2046E/2646E/2658E POWER DOWN MACHINES  
(COUNTRY SPEC) (CONTINUED)**

FIG & ITEM #	PART NUMBER	DESCRIPTION	QTY.	REV.
63		Decal -Towing/Winching Options (S/N 31497 to Present Only):	1	
	1703193	Canadian French		
	1703197	Japanese Spec		
	1703198	Latin America Spanish Spec		
64		Decal -Towing/Winching (Graphic) Options (S/N 31497 to Present Only):	1	
	1703415	Canadian French		
	1703419	Japanese Spec		
	1703420	Latin America Spanish Spec		
65		Decal - Forklift Procedure Options (2033E Built S/N 32667 to Present Only):	1	
	1703458	Canadian French		
	1703461	Japanese Spec		
	1703462	Latin America Spanish Spec		
		<b>DECAL INSTALLATION (OPTIONAL PARTS)</b>	Ref.	
100		Decal - Model Designation Options:	1	
	3252469	2033E		
	3252470	2046E		
	3252471	2646E		
	3252472	2658E		
101		Decal - Capacity Options:	2	
	3252526	Canadian French - 2033E/2646E		
	3252152	Japanese - 2033E/2646E		
	3252450	Latin America Spanish - 2033E/2646E		
	3252527	Canadian French - 2046E/2658E		
	3252178	Japanese - 2046E/2658E		
	3252451	Latin America Spanish - 2046E/2658E		

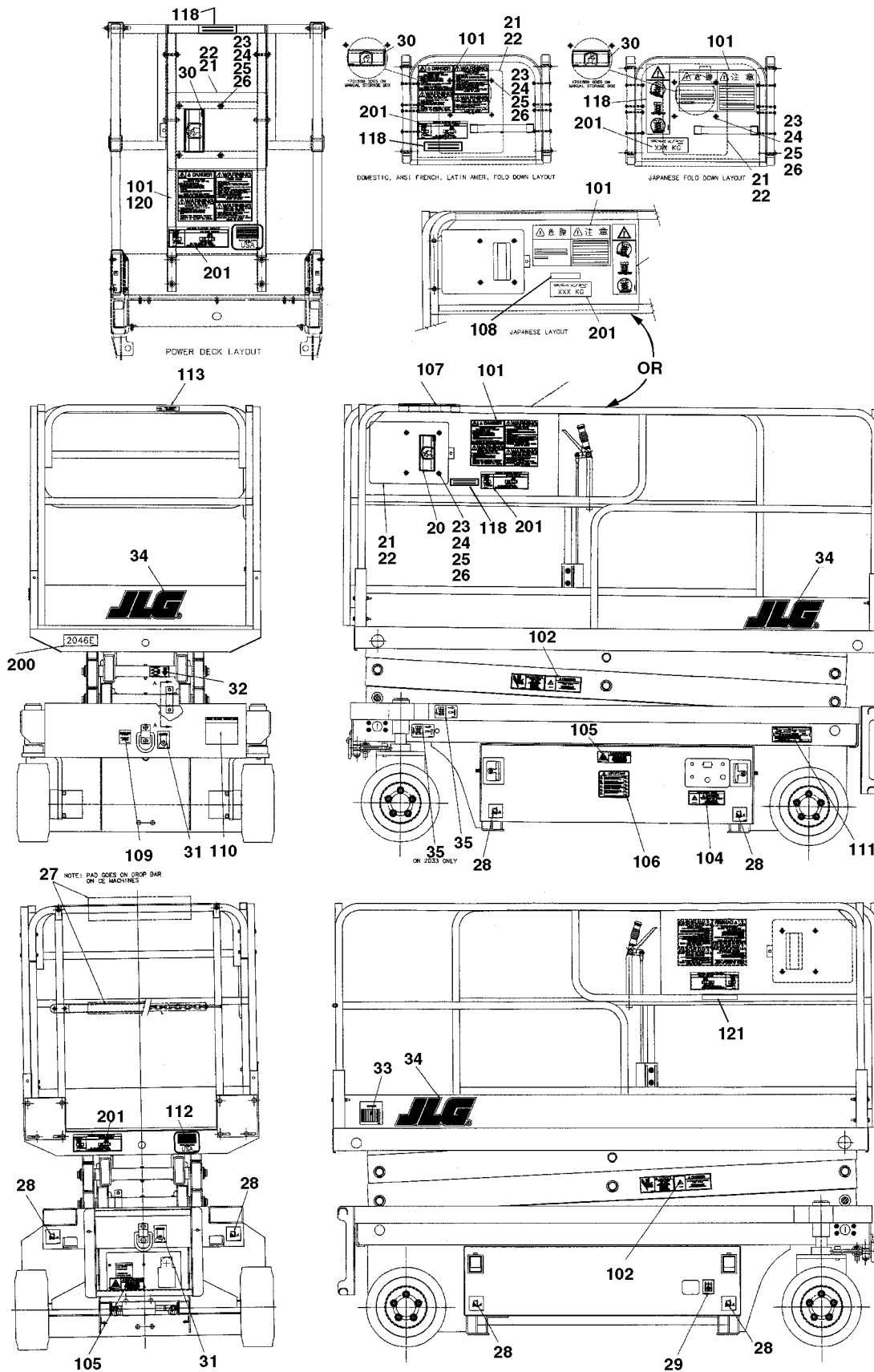
# SECTION 8 DECALS

FIGURE 8-5. DECAL INSTALLATION - GRAVITY DOWN MACHINES



SECTION 8 DECALS

# SECTION 8 DECALS



SECTION 8 DECALS

# SECTION 8 DECALS

**FIGURE 8-5. DECAL INSTALLATION - GRAVITY DOWN MACHINES**

FIG & ITEM #	PART NUMBER	DESCRIPTION	QTY.	REV.
		<b>Note: To determine Power or Gravity Down refer to page A.</b>		
	0257342	<b>DECAL INSTALLATION (STANDARD PARTS)</b>	Ref.	5
1 to 20	Not Used			
21	0860520	Box, Manual Storage	1	
22	1060279	Cable, Lanyard	1	
23	0641405	Bolt 1/4"-20NC x 5/8"	4	
24	4751400	Flatwasher 1/4"	4	
25	4761400	Lockwasher 1/4" (Prior to S/N 38529)	4	
26	3311401	Nut 1/4"-20NC" (Prior to S/N 38529)	4	
26	3311405	Locknut 1/4"-20NC" (S/N 38529 to Present)	4	
27	3340564	Pad (Prior to S/N 46777)	2ft/61cm	
28		Decal - Fork Lift Area Options:	A/R	
	1703073	Prior to S/N 50425		
	1704016	S/N 50425 to Present		
29	1701504	Decal - Hydraulic Oil	1	
30	1701509	Decal - Manual	1	
31	1702300	Decal - Tie-Down	3	
32	1702939	Decal - Prop Location	1	
33	Not Available	Decal - Bar Code	1	
34	1702773	Decal - JLG	3	
35	1701510	Decal - Manual Descent	1	
		<b>DECAL INSTALLATION (VARIABLE PARTS)</b>	Ref.	
	0257343	<b>ANSI Spec without Power Deck Extension</b>	Ref.	4
	0257364	<b>ANSI Spec with Power Deck Extension</b>	Ref.	4
	0257559	<b>Brazil Spec 1532E/1932E</b>	Ref.	4
	0257555	<b>Brazil Spec 2033E/2046E/2646E/2658E</b>	Ref.	4
	0257346	<b>CSA Spec Canadian French</b>	Ref.	4
	0257344	<b>Japanese Spec without Power Deck Extension</b>	Ref.	4
	0257592	<b>Japanese Spec with Power Deck Extension</b>	Ref.	2
	0257345	<b>Latin American Spanish Spec</b>	Ref.	2
101		Decal Options:	1	
	1702954	ANSI Spec without Power Deck Extension		
	1702459	ANSI Spec with Power Deck Extension		
	1703552	Brazil Spec		
	1703392	Canadian French Spec		
	1702954	Japanese Spec without Power Deck Extension		
	1702459	Japanese Spec with Power Deck Extension		
	1703393	Latin American Spanish Spec		
102		Decal - Crushing/Electrocution Options:	2	
	1703496	ANSI Spec		
	1703583	Brazil Spec		
	1703499	Canadian French Spec		
	1703497	Japanese Spec		
	1703498	Latin American Spanish Spec		

**SECTION 8 DECALS**

# SECTION 8 DECALS

**FIGURE 8-5. DECAL INSTALLATION - GRAVITY DOWN MACHINES (CONTINUED)**

FIG & ITEM #	PART NUMBER	DESCRIPTION	QTY.	REV.
103		Decal - Safety Prop Options:	1	
	1701839	ANSI Spec		
	1703550	Brazil Spec		
	1701512	Canadian French Spec		
	1701622	Japanese Spec		
104	1701856	Latin American Spanish Spec	1	
		Decal - Ground Control Options:		
	1702249	ANSI Spec		
	1703554	Brazil Spec		
	1701515	Canadian French Spec		
105	1701624	Japanese Spec	2	
	1701858	Latin American Spanish Spec		
		Decal - Charging Options:		
	1702279	ANSI Spec		
	Not Required	Brazil Spec		
106	1703077	Canadian French Spec	1	
	1701625	Japanese Spec		
	1702553	Latin American Spanish Spec		
		Decal - Inspection Options:		
	1702153	ANSI Spec		
107	Not Required	Brazil Spec	1	
	1703074	Canadian French Spec		
	1701621	Japanese Spec		
	1702552	Latin American Spanish Spec		
		Decal - Legend Options:		
108	1703078	ANSI Spec	1	
	Not Required	Brazil Spec		
	Not Required	Canadian French Spec		
	Not Required	Japanese Spec		
	Not Required	Latin American Spanish Spec		
109		Decal - Lift Down Options:	1	
	Not Required	ANSI Spec		
	Not Required	Brazil Spec		
	Not Required	Canadian French Spec		
	1703562	Japanese Spec		
110	Not Required	Latin American Spanish Spec	1	
		Decal - Towing/Winching Options:		
	1703191	ANSI Spec		
	1703556	Brazil Spec		
	1703193	Canadian French Spec		
111	1703197	Japanese Spec	1	
	1703198	Latin American Spanish Spec		
		Decal - Towing/Winching (Graphic) Options:		
	1703398	ANSI Spec		
	1703557	Brazil Spec		
	Not Available	Nameplate - Serial Number	1	

**SECTION 8 DECALS**

# SECTION 8 DECALS

**FIGURE 8-5. DECAL INSTALLATION - GRAVITY DOWN MACHINES (CONTINUED)**

FIG & ITEM #	PART NUMBER	DESCRIPTION	QTY.	REV.
112		Decal Options:	1	
	3251813	ANSI Spec without Power Deck Extension		
	Not Required	ANSI Spec with Power Deck Extension		
	3251813	Brazil Spec		
	3251813	Canadian French Spec		
	3251813	Japanese Spec without Power Deck Extension		
	Not Required	Japanese Spec with Power Deck Extension		
	3251813	Latin American Spanish Spec		
113		Decal - Control Box Location Options:	1	
	3252136	ANSI Spec		
	Not Required	Brazil Spec		
	3252136	Canadian French Spec		
	Not Required	Japanese Spec		
	Not Required	Latin American Spanish Spec		
114		Decal - Maximum Tire Load Options:	4	
	Not Required	ANSI Spec		
	1703766	Brazil Spec 1532E		
	1703767	Brazil Spec 1932E		
	1703768	Brazil Spec 2033E		
	1703769	Brazil Spec 2046E		
	1703770	Brazil Spec 2646E		
	1703771	Brazil Spec 2658E		
	Not Required	Canadian French Spec		
	Not Required	Japanese Spec		
	Not Required	Latin American Spanish Spec		
115 to 117	Not Used			
118		Decal - Platform Operation Options:	1	
	1703528	ANSI Spec		
	1703605	Brazil Spec		
	1703528	Canadian French Spec		
	3252158	Japanese Spec		
	1703563	Latin American Spanish Spec		
119	Not Used			
120	3820014	Pop Rivet	A/R	
121		Nameplate - Extension Capacity Options (S/N 38529 to Present):	1	
	3251852	ANSI Spec without Power Deck Extension		
	Not Required	ANSI Spec with Power Deck Extension		
	3252454	Brazil Spec		
	3252080	Canadian French Spec		
	3252296	Japanese Spec		
	3252454	Latin American Spanish Spec		
		-----		
		Decal Kit Options:	1	
	2900973	ANSI Spec without Power Deck Extension 2046E (Includes Items 35,101,103-107, 109,110 & 112)		
	2900957	ANSI Spec without Power Deck Extension 1532E/1932E/2033E/2046E/2646E/2658E (Includes Items 35,101-107, 109,110,112,113,118 & 121)		

# SECTION 8 DECALS

**FIGURE 8-5. DECAL INSTALLATION - GRAVITY DOWN MACHINES (CONTINUED)**

FIG & ITEM #	PART NUMBER	DESCRIPTION	QTY.	REV.
	2900962	ANSI Spec with Power Deck Extension 2033E/2046E/2646E/2658E (Includes Items 28-32,34,35,101-107, 109,110,112,113 & 118)		
	2900945	Brazil Spec 1532E (Includes Items 28-32,34,35,101, 102,104,109,110,112,118 & 121)		
	2900947	Brazil Spec 1932E (Includes Items 28-32,34,35,101, 102,104,109,110,112,118 & 121)		
	2900926	Brazil Spec 2033E/2046E/2646E/2658E (Includes Items 28-32,34,35,101, 102,104,109,110,112,118 & 121)		
	2900960	Canadian French Spec (Includes Items 28-32,34,35, 101-106, 109,110,112,113,118 & 121)		
	2900959	Japanese Spec without Power Deck Extension (Includes Items 28-32,34,35,101-106,108-110, 112, 118 & 121)		
	2900963	Japanese Spec with Power Deck Extension (Includes Items 28-32,34,35,101-106,108-110 & 118)		
	2900958	Latin American Spanish Spec (Includes Items 28-32, 34,35, 101-106, 109,110,112,118 & 121)		
		<b>DECAL INSTALLATION (OPTIONAL PARTS)</b>	Ref.	
200		Decal - Model Designation Options:	1	
	3252467	1532E		
	3252468	1932E		
	3252469	2033E		
	3252470	2046E		
	3252471	2646E		
	3252472	2658E		
201		Decal - Capacity Options:	2	
		1532E:		
	3252466	600LBS (ANSI Spec)		
	3252524	270KGS (CSA Canadian French Spec)		
	3252300	270KGS (Japanese Spec)		
	3252493	270KGS (Latin America Spanish)		
		1932E:		
	3252465	500LBS (ANSI Spec)		
	3252525	230KGS (CSA Canadian French Spec)		
	3252539	230KGS (Japanese Spec)		
	3252452	230KGS (Latin American Spanish Spec)		

**SECTION 8 DECALS**

# SECTION 8 DECALS

**FIGURE 8-5. DECAL INSTALLATION - GRAVITY DOWN MACHINES (CONTINUED)**

FIG & ITEM #	PART NUMBER	DESCRIPTION	QTY.	REV.
201 (cont'd)		2033E/2646E:		
	3252460	750LBS (ANSI Spec)		
	3252461	750LBS (ANSI Spec with 4Ft Hydraulic Extension)		
	3252462	750LBS (ANSI Spec with 6Ft Hydraulic Extension)		
	3252463	1000LBS (ANSI Spec)		
	3252526	340KGS (CSA Canadian French Spec)		
	3252152	340KGS (Japanese Spec)		
	1703618	340KGS (Japanese Spec with 4Ft Hydraulic Extension)		
	1703619	340KGS (Japanese Spec with 6Ft Hydraulic Extension)		
	3252450	340KGS (Latin American Spanish Spec)		
		2046E/2658E:		
	3252461	750LBS (ANSI Spec with 4Ft Hydraulic Extension)		
	3252462	750LBS (ANSI Spec with 6Ft Hydraulic Extension)		
	3252463	1000LBS (ANSI Spec)		
	3252527	455KGS (CSA Canadian French Spec)		
	3252178	455KGS (Japanese Spec)		
	1703618	750LBS (Japanese Spec with 4Ft Hydraulic Extension)		
	1703619	750LBS (Japanese Spec with 6Ft Hydraulic Extension)		
	3252451	455KGS (Latin American Spanish Spec)		

**SECTION 8 DECALS**



# SECTION 9 RECOMMENDED SERVICE PARTS STOCK

## MODELS 1532E/1932E/2033E/2046E/2646E/2658E

The following list will service fleets of machines (built to current production per date on the front cover) with emergency repair parts which can be installed in the field. Parts from the list should be replaced when inventory is depleted to keep service parts stock supplied. For further information, contact your JLG dealer or the JLG Industries Parts Department.

JLG PART NUMBER	DESCRIPTION	QTY PER FLEET		
		1-4	5-9	10 OR MORE
<b>STANDARD PARTS</b>				
7018525	Breaker, Circuit - AC (Figure 1-10)	1	1	1
7011509	Breaker, Circuit - DC (Figure 1-10)	1	1	1
7013711	Coupling (Figures 2-1, 2-2, 2-3 and 2-4)	1	1	1
2120072	Element, Filter (Figures 2-1, 2-2, 2-3 and 2-4)	4	8	12
1340052	Breather (Figures 2-1, 2-2, 2-3 and 2-4)	1	2	3
7018311	Coil, Valve Cartridge (Figure 2-5)	1	1	1
7018917	Coil, Valve Cartridge (Figure 2-5)	1	1	1
7016352	Coil, Valve Cartridge (Figure 2-5)	1	1	1
1600286	Controller, JLG SMART System TM (Figure 2-6)	1	1	1
4360070	Breaker, Circuit (Figure 2-6)	1	1	1
4360432	Switch, Key (Figure 2-6)	1	1	1
2860030	Key, Replacement (Figure 2-6)	1	1	1
4360328	Switch, Toggle (Figure 2-6)	1	1	1
4360289	Switch, Emergency Stop (Figures 2-6 and 4-10)	1	1	1
3740069	Relay (Figure 2-6)	1	1	1
1600276	Controller, Directional (Figure 4-10)	1	1	1
0610123	PC Board (Figure 4-10)	1	1	1
7017444	Coil, Valve Cartridge (Figures 5-4 and 5-7)	1	1	1
<b>VARIABLE PARTS</b>				
4360401	Limit Switch (Figures 1-6, 1-7 & 4-7)	1	1	1
4360397	Limit Switch (Figures 1-8 & 1-9)	1	1	1
4360434	Switch, Tilt Indicator (Optional) (Figure 1-9)	1	1	1
4360321	Limit Switch (1000 Lbs Machines) (Figure 1-9)	1	1	1
7011552	Switch, 50-60HZ (Japanese Spec) (Figure 1-10)	1	1	1
3740130	Relay (Common) (Figure 2-6)	1	1	1
3740121	Relay (U/L Listed) (Figure 2-6)	1	1	1
4360403	Switch Membrane With Tilt Light (Figure 4-10)	1	1	1
4360450	Switch Membrane Without Tilt Light (Figure 4-10)	1	1	1

# SECTION 9 RECOMMENDED SERVICE PARTS

MODELS 1532E/1932E/2033E/2046E/2646E/2658E

The following list will service fleets of machines (built to current production per date on the front cover) with emergency repair parts which can be installed in the field. Parts from the list should be replaced when inventory is depleted to keep service parts stock supplied. For further information, contact your JLG dealer or the JLG Industries Parts Department.

JLG PART NUMBER	DESCRIPTION	QTY PER FLEET		
		1-4	5-9	10 OR MORE

# SECTION 10 SPECIAL OPTIONS

**Note: This list is to accommodate machines ordered with special equipment. Options may not be applicable to all models. For more specific parts information contact JLG Parts Department.**

FIG & ITEM #	PART NUMBER	DESCRIPTION	QTY.	REV.
		<b>MISCELLANEOUS SPECIAL OPTIONS</b>	Ref.	
		<b>Note: To determine Power or Gravity Down refer to page A.</b>		
	0259107	<b>AIR LINE ASSEMBLY (OPTIONAL)</b>	Ref.	
	0257491	<b>ARMS ASSEMBLY/INSTALLATION - 11FT. (UNITED)</b>	Ref.	
	0257638	<b>ASSEMBLY STEER &amp; DRIVE INSTALLATION - 2646E (JAPAN OPTION) (TAIYO KENKI SPEC)</b>	Ref.	
	0258631	<b>ASSEMBLY STEER &amp; DRIVE INSTALLATION - 2658E (TAIYO KENKI SPEC)</b>	Ref.	
	0256789	<b>CAMERA MOUNT ASSEMBLY</b>	Ref.	
	2900887	<b>COLD WEATHER KIT</b>	Ref.	
		<b>COVERS (JAPANESE SPEC)</b>	Ref.	
		Cover, Drive Motor	2	
	1670838	2033E		
	1670839	2646E		
	1670837	Cover, Lower Arm	1	
	4060941	Cover, Platform Console Box	1	
	1282681	<b>DECAL INSTALLATION - LANYARD ATTACH</b>	Ref.	
	1702612	Decal (Common)	2	
	1703175	Decal (Hertz and GM Units)	2	
	0252972	<b>DECAL INSTALLATION - CSA</b>	Ref.	
	3252191	Decal - CSA	1	
	0259106	<b>DECAL INSTALLATION - UNITED (INDOOR USE)</b>	Ref.	
	0257647	<b>DECAL INSTALLATION - UNITED (OUTDOOR USE)</b>	Ref.	
	3252314	Decal - UNITED AIR LINES	2	
	2900949	Decal Kit - UNITED AIR LINES	1	
	0253760	<b>DECAL INSTALLATION - U/L</b>	Ref.	
	3251503	Decal - U/L Battery Information	1	
	3251899	Decal - EE	1	
	3251960	Decal - U/L Fuse	1	
	3252474	Decal - U/L	1	
	2360445	<b>FRAME - (UNITED)</b>	Ref.	
	0256583/1282609	<b>OVERLOAD PROTECTION INSTALLATION - 1532E/</b>	Ref.	

**SECTION 10 SPECIAL OPTIONS**

# SECTION 10 SPECIAL OPTIONS

SECTION 10 SPECIAL OPTIONS

FIG & ITEM #	PART NUMBER	DESCRIPTION	QTY.	REV.
	0256582/1282609	<b>1932E POWER DOWN UNITS (JAPANESE SPEC) OVERLOAD PROTECTION INSTALLATION - 2033E/ 2046E/2646E/2658E POWER DOWN UNITS (JAPANESE SPEC)</b>	Ref.	
	0257264/1282744	<b>OVERLOAD PROTECTION INSTALLATION - 1532E/ 1932E GRAVITY DOWN UNITS (JAPANESE SPEC)</b>	Ref.	
	02572632/128244	<b>OVERLOAD PROTECTION INSTALLATION - 2033E/ 2046E/2646E/2658E GRAVITY DOWN UNITS (JAPANESE SPEC)</b>	Ref.	
	0257665	<b>PERIMETER SWITCHES INSTALLATION</b>	Ref.	
	4360215	Switch	4	
	4360387	Switch	1	
	3251596	Decal - Tag Proximity	1	
	0259061	<b>PLATFORM BUMPERS INSTALLATION WITH POWER DECK (2033E)</b>	Ref.	
	0259062	<b>PLATFORM BUMPERS INSTALLATION WITH POWER DECK (2046E/2646E)</b>	Ref.	
	0259063	<b>PLATFORM BUMPERS INSTALLATION WITH POWER DECK (2658E)</b>	Ref.	
	0257379	<b>PLATFORM CONTROL BOX WITH FOOTSWITCH INSTALLATION (JAPANESE OPTION ONLY)</b>	Ref.	
	0257541	<b>PLATFORM CONTROL BOX WITH FOOTSWITCH AND BATTERY GAUGE INSTALLATION (JAPANESE OPTIONS ONLY)</b>	Ref.	
	0258065	<b>PLATFORM CONTROL BOX WITH FOOTSWITCH/ W/TILT AND BATTERY GAUGE INSTALLATION (PRATT WHITNEY)</b>	Ref.	
	0257593	<b>PLATFORM EXTENSION INSTALLATION -1532E (TREAD GRIP) (UNITED)</b>	Ref.	
	0257684	<b>PLATFORM EXTENSION INSTALLATION -1532E (FOLDDOWN RAILS) (UNITED)</b>	Ref.	
	0259209	<b>PLATFORM HANDRAILS INSTALLATION WITH DRYWALL GATE (POWER DECK MACHINES)</b>	Ref.	
	0259213	<b>PLATFORM GATE INSTALLATION WITH 1/2 SWING DRYWALL GATE (POWER DECK MACHINES)</b>	Ref.	
	0257594	<b>PLATFORM INSTALLATION (UNITED)</b>	Ref.	
	9983983	<b>PLATFORM INSTALLATION WITH SIDE ENTRY (2658E)</b>	Ref.	

# SECTION 10 SPECIAL OPTIONS

FIG & ITEM #	PART NUMBER	DESCRIPTION	QTY.	REV.
	0257049	<b>PIPE RACKS INSTALLATION</b>	Ref.	
	0253647	<b>PRESSURE CHECKS INSTALLATION (PRIOR TO S/N 24267)</b>	Ref.	
	0256659	<b>PRESSURE CHECKS INSTALLATION (S/N 24267 TO PRESENT)</b>	Ref.	
	0256508	<b>RECEPTACLE INSTALLATION - 110V RUSSELL STOLL</b>	Ref.	
	4460013	Plug, Connector	1	
	4460124	Receptacle	1	
	0252973	<b>SELF-CLOSING GATE INSTALLATION</b>	Ref.	
	2901533	<b>TEMPERATURE SWITCH SERVICE KIT</b>	Ref.	
	0257728	<b>TUBE RACK INSTALLATION</b>	Ref.	
		<b>TOOLS FOR SERVICE</b>	Ref.	
	2900874	Configurator Kit (Computer Software Kit)	1	
	2901443	Analyzer and Cable Kit (Includes 1600244 & 1060633)	1	
	1600244	Analyzer, SMART System Controller	1	
	1060633	Cable, Communication (Analyzer to Controller)	1	
	1060629	Cable, Communication (PC to Controller)	1	
	7002820	Arbor Set (Set of 2 for Installation of Garmax and Excelite Bushings)	1	
	8896941	Wire Stripper	1	
	7002821	Wire Crimper (To Install Wire Ends to Wires)	1	
	7002823	Pin/Socket Extractor - Universal (To Remove Pins/ Sockets from Connectors)	1	
	4460467	Extractor - 16-18 Gauge (For Removal of Pins/ Sockets from Deutsch Connectors)	1	
	4460510	Extractor - 12-14 Gauge (For Removal of Pins/ Sockets from Deutsch Connectors)	1	
	7002822	Screwdriver, Potentiometer (To Adjust Drive Controllers)	1	
	7016654	Screwdriver, Magnetic	1	
	7004275	Seal Installation Tool - 1"	1	
	7004276	Seal Installation Tool - 1 1/2"	1	
	7002826	Seal Installation Tool - 2"	1	
	2901443	Analyzer Kit	1	

# SECTION 10 SPECIAL OPTIONS

**S  
E  
C  
T  
I  
O  
N  
  
1  
0  
  
S  
P  
E  
C  
I  
A  
L  
  
O  
P  
T  
I  
O  
N  
S**

FIG & ITEM #	PART NUMBER	DESCRIPTION	QTY.	REV.

# SECTION 11 PART NUMBER INDEX

Part Number	Page	Part Number	Page	Part Number	Page	Part Number	Page
0080190	5-5, 5-9, 5-15, 5-19		31	0256064	3-28, 3-32	0256528	3-12, 3-16
0080228	5-11, 5-23	0252677	4-24	0256103	4-37	0256537	3-11
0100001	1-4	0252679	4-24	0256104	4-37	0256564	1-29
0100011	1-3, 1-5, 1-21, 1-25, 1-29, 1-30, 1-31, 1-35, 1-36, 1-38, 2-23, 4-23, 4-33, 4-38, 4-41, 4-49, 5-5, 5-6, 5-9, 5- 11, 5-15, 5-16, 5-19, 5-23, 6-7	0252681	4-24	0256105	4-37	0256582	10-2
		0252737	4-11	0256198	4-5	0256583	10-1
		0252972	10-1	0256199	4-5	0256596	1-15
		0252973	10-3	0256200	4-5	0256603	8-7
		0253383	4-25	0256334	1-7	0256604	8-15
		0253391	4-25	0256364	4-14	0256605	8-15
		0253392	4-25	0256369	1-29	0256606	8-15
		0253616	7-2	0256371	1-29	0256607	8-15
0100015	4-49	0253647	10-3	0256373	1-31, 1-37	0256609	4-6
0100019	1-15	0253760	10-1	0256374	1-31, 1-37	0256614	4-3
0100020	2-3, 2-5, 2-7, 2-11, 2-19, 6-3, 6-7	0254171	4-6	0256380	3-27	0256635	1-3
		0254236	4-19	0256381	3-19	0256636	1-3
0100038	5-6, 5-16	0254237	4-20	0256386	3-3, 3-7	0256653	1-6
0100048	7-10, 7-12	0254367	7-2	0256387	3-12, 3-16	0256654	1-6
0100076	2-20	0255516	1-22	0256410	4-3	0256659	10-3
0100080	3-7, 3-16, 3-24, 3-32	0255571	3-19	0256411	4-3	0256664	4-11
0100081	1-5	0255597	1-3	0256413	4-3	0256667	4-11
0140011	1-29, 1-35, 4-46, 4- 47	0255614	1-15	0256414	8-3	0256668	4-11
		0255618	3-27	0256415	8-3	0256682	2-20
0140022	1-30, 1-36	0255634	1-6	0256416	8-12	0256699	4-13
0140033	2-20	0255635	1-6	0256417	8-12	0256700	4-14
0181622	2-23	0255636	1-15	0256418	8-12	0256701	4-14
0181684	4-10, 4-15, 4-20, 4- 25	0255637	1-15	0256419	8-12	0256702	4-9
		0255638	1-22	0256420	2-8	0256704	4-4
0181847	4-45	0255639	1-22	0256421	2-23	0256705	4-4
0181874	2-7, 2-11, 2-24	0255640	1-29	0256422	2-8	0256706	4-4
0181875	2-7, 2-11, 2-24	0255641	1-29	0256423	2-20	0256711	4-3
0181880	2-23	0255679	1-7	0256428	8-15	0256712	4-3
0181922	4-34	0255680	1-7	0256429	8-15	0256766	1-31
0200531	3-19, 3-23, 3-27, 3- 31	0255682	1-7	0256437	1-29	0256784	4-11, 4-16
		0255683	1-7	0256438	1-29	0256785	1-30, 1-36
0200532	3-19, 3-23, 3-27, 3- 31	0255697	3-3	0256440	1-29	0256786	4-16
		0255724	1-22	0256445	8-7	0256787	4-16
0200533	3-19, 3-23, 3-27, 3- 31	0255751	3-11	0256446	8-15	0256789	10-1
		0255784	1-30, 1-36	0256447	8-15	0256790	1-30, 1-36
0200534	3-19, 3-23	0255891	2-23	0256448	8-15	0256812	4-3
0200535	3-27, 3-31	0255893	2-3	0256455	8-15	0256839	4-3
0200536	3-27, 3-31	0255933	1-3	0256462	8-15	0256840	4-3
0200537	3-27, 3-31	0255938	2-8	0256463	8-15	0256841	4-3
0200538	3-3, 3-7, 3-11, 3-15	0255939	2-8, 2-12	0256470	8-7	0256842	4-3
0200539	3-3, 3-7, 3-11, 3-15	0255940	2-8, 2-12	0256471	8-7	0256844	1-31, 1-37
0200540	3-3, 3-7, 3-11, 3-15	0255948	1-29, 1-35, 4-47	0256479	8-7	0256845	4-3
0200541	3-3, 3-7, 3-11, 3-15	0255949	1-30, 1-36	0256480	8-7	0256850	2-23
0200542	3-11, 3-15	0255950	1-30, 1-36, 4-47	0256505	4-4	0256858	2-19
0200543	3-11, 3-15	0255951	2-20	0256506	4-4	0256859	1-30, 1-36
0200544	3-11, 3-15	0255960	2-19	0256507	4-4	0256861	1-29, 1-35
0200564	3-23, 3-31	0255962	1-30, 1-36	0256508	10-3	0256862	2-8
0251202	4-16	0255963	4-5	0256509	3-20, 3-24	0256888	2-8
0251249	4-16	0255971	2-19	0256510	3-28, 3-32	0256918	2-19
0251250	4-16	0256041	4-46	0256514	4-4	0256921	2-23
0251304	4-13	0256052	4-3	0256515	4-4	0256922	2-3
0251393	4-13	0256053	4-3	0256516	4-4	0256959	2-20
0251395	4-14	0256056	2-20	0256517	4-4	0256960	2-20
0251879	4-9	0256057	4-47	0256518	4-4	0256961	2-20
0252586	3-3, 3-7, 3-19, 3-23	0256058	2-20	0256519	4-4	0256962	2-20
0252587	3-11, 3-15, 3-28, 3- 31	0256063	3-20, 3-24	0256527	3-4, 3-8	0256963	4-46

# SECTION 11 PART NUMBER INDEX

Part Number	Page	Part Number	Page	Part Number	Page	Part Number	Page
0256964	2-20	0257372	1-32, 1-37	0257665	7-2, 10-2	0362484	1-21, 1-25
0256965	2-20	0257377	4-46	0257680	4-9	0362485	1-21, 1-25
0256975	8-3, 8-7	0257378	4-46	0257681	4-9	0362510	1-15
0256976	8-11, 8-15	0257379	10-2	0257684	10-2	0362511	1-22
0257049	10-3	0257397	4-6	0257685	4-13	0362566	2-3, 2-5, 2-23
0257115	3-7	0257398	4-6	0257686	4-13	0362654	1-22, 1-25
0257116	3-15	0257437	2-23	0257687	4-13	0362666	4-6
0257117	3-15	0257460	4-19	0257695	4-14	0400067	2-23
0257118	3-23	0257461	4-24	0257696	4-14	0400113	2-23
0257119	3-23	0257462	4-24	0257697	4-14	0400138	1-41
0257120	3-31	0257463	4-24	0257698	4-14	0400145	1-42
0257121	3-31	0257465	4-20	0257701	4-14	0400147	1-42
0257156	1-7	0257466	4-11	0257722	1-6	0400151	2-23
0257172	1-36	0257474	4-16	0257723	1-4	0400163	1-41
0257173	1-36	0257475	4-25	0257728	10-3	0400178	1-45, 1-46
0257174	1-36	0257476	4-16	0257979	4-9	0400179	1-45, 1-46
0257183	1-19	0257477	4-16	0257980	4-9	0561234	4-38, 4-41
0257184	1-19	0257480	1-29, 1-35	0257981	4-13	0561262	4-38, 4-41
0257185	1-19	0257481	1-29, 1-35	0257982	4-13	0610123	4-45, 9-1
0257186	1-19	0257484	4-25	0257983	4-14	0630398	1-21, 1-25
0257208	2-5	0257485	4-25	0257984	4-14	0630485	1-38
0257209	2-5	0257491	10-1	0257985	4-14	0630494	4-38, 4-41
0257210	2-12	0257523	4-29	0257986	4-14	0630495	1-4, 1-5
0257211	2-12	0257524	4-29	0257987	4-9	0630501	4-38, 4-41
0257212	2-12	0257525	4-29	0257990	4-14	0630511	4-11, 4-16
0257213	2-12	0257526	4-29	0258005	4-41	0630516	1-4
0257261	1-35	0257529	4-29	0258018	4-7	0630526	2-23, 2-24
02572632	10-2	0257530	4-29	0258019	4-7	0630535	5-16
0257264	10-2	0257531	4-29	0258058	4-7	0641404	4-33
0257266	1-38	0257532	4-29	0258065	10-2	0641405	1-31, 1-37, 2-3, 2-5, 2-7, 2-11, 4-10, 4-15, 4-20, 4-26, 4-46, 8-3, 8-7, 8- 11, 8-15, 8-20
0257270	1-35	0257534	4-29	0258182	2-12	0641406	1-6, 2-3, 2-5, 2-7, 2- 11, 2-19, 2-20, 2-23, 2-24, 3-12, 3-20, 3-24, 3-28, 3-32, 4-4, 4-10, 4-15, 4-20, 4-25, 4-26, 4-34, 4-39, 4-42
0257271	1-35	0257535	4-29	0258213	4-5	0641407	1-15, 1-29, 1-35, 4- 6, 4-34
0257273	1-35	0257536	4-29	0258214	4-5	0641408	1-30, 1-32, 1-36, 2- 3, 2-5, 2-7, 2-8, 2-11, 2-12, 2-20, 2-23, 2-24, 3-8, 3-16, 4-24, 4-29, 4-38, 4-41, 5-6
0257275	1-35	0257537	4-29	0258215	4-5	0641409	5-16
0257276	1-35	0257539	4-46	0258216	4-5	0641410	4-38, 4-41
0257278	1-35	0257540	4-46	0258631	1-6, 10-1	0641412	1-5, 2-3, 2-5, 2-7, 2- 11, 4-6
0257281	4-11	0257541	10-2	0258782	2-19	0641414	2-23, 4-10
0257283	4-11	0257555	8-20	0258784	2-19	0641416	4-6, 4-20, 4-26
0257284	4-20	0257559	8-20	0258785	2-19	0641420	3-12, 4-4, 4-9, 4-13, 4-19, 4-23, 4-38, 4-41
0257286	4-25	0257567	1-3	0258787	2-19		
0257287	4-25	0257568	1-3	0258788	2-19		
0257288	4-25	0257570	1-6	0258789	2-19		
0257292	4-16	0257571	1-6	0258882	1-3		
0257293	4-16	0257572	1-6	0259061	10-2		
0257294	4-16	0257592	8-20	0259062	10-2		
0257298	4-16	0257593	10-2	0259063	10-2		
0257299	4-16	0257594	10-2	0259106	10-1		
0257300	4-16	0257599	2-19	0259107	10-1		
0257330	1-26	0257600	2-19	0259108	1-37		
0257331	1-26	0257638	10-1	0259134	4-3		
0257332	1-26	0257640	3-23	0259209	10-2		
0257333	1-26	0257641	3-31	0259213	10-2		
0257342	8-20	0257642	2-12	0280145	1-16, 1-19		
0257343	8-20	0257643	2-12	0280146	1-16, 1-19		
0257344	8-20	0257647	10-1	0280147	1-16, 1-19		
0257345	8-20	0257653	4-37	0361912	4-10, 4-15, 4-20, 4- 26		
0257346	8-20	0257654	4-37	0362273	4-6		
0257364	8-20	0257655	4-37	0362483	1-21, 1-25		
0257367	4-6	0257664	4-7				



# SECTION 11 PART NUMBER INDEX

Part Number	Page	Part Number	Page	Part Number	Page	Part Number	Page
0641422	3-16	0902137	2-7, 2-11	1060330	7-12	1320224	3-4, 3-8, 3-12, 3-16, 3-20, 3-24, 3-28, 3-32, 4-10, 4-14, 4-21, 4-26
0641424	2-24, 4-9, 4-13, 4-19, 4-23, 4-38, 4-41	0902151	5-5, 5-9, 5-11, 5-15, 5-19	1060341	1-31, 1-36, 1-37, 4-6, 4-11, 7-11, 7-12, 7-13	1320225	6-3, 6-7
0641505	4-5, 4-21, 4-26, 4-30	0902221	2-3, 2-5	1060377	5-15, 5-19	1320242	6-7
0641506	1-29, 1-35, 2-3, 2-5, 2-7, 2-11, 4-34, 5-5, 5-9, 5-11, 5-15, 5-19, 5-23	0902234	4-45	1060379	2-20, 4-42	1340052	2-3, 2-5, 2-7, 2-11, 9-1
0641508	1-21, 1-25, 3-3, 3-7, 3-11, 3-15, 3-19, 3-20, 3-23, 3-27, 3-31	0902298	4-45	1060561	2-23, 7-11	1440322	4-29
0641510	1-30, 1-37, 3-24, 3-28, 3-32, 4-10, 4-14, 4-20, 4-25	0902340	1-30, 1-37	1060597	5-5, 5-9	1440325	1-31, 1-37
0641512	4-10, 4-15, 4-21, 4-26	0902341	1-30	1060605	2-24, 7-13	1600233	2-19
0641516	4-10, 4-15, 4-20, 4-26, 4-34, 4-38, 4-41	0902344	1-30, 1-37	1060606	2-19, 7-13	1600235	4-49
0641520	3-3, 3-7, 3-11, 3-15	0902345	4-29	1060608	7-10	1600244	7-10, 10-3
0641522	3-3, 3-7, 3-11, 3-15, 3-19, 3-23, 3-27, 3-31, 4-3	0902346	4-29	1060622	7-11	1600257	4-49
0641524	3-3, 3-7, 3-11, 3-15, 3-19, 3-23, 3-27, 3-31	0902347	4-29	1060627	1-30, 1-37	1600258	2-19
0641604	4-33	0902355	4-33	1060629	7-10, 10-3	1600266	4-51
0641608	4-14, 4-33	0902365	2-3, 2-5, 2-23	1060633	7-10, 10-3	1600276	4-45, 4-51, 9-1
0641610	1-31, 1-37	0902371	5-11, 5-23	1060635	2-23, 2-24	1600286	2-19, 9-1
0641611	1-3, 1-21, 1-25	0902421	5-11, 5-23	1060636	7-11	1670837	3-23, 3-31, 10-1
0641612	1-5, 1-21, 1-25	0902438	4-46	1060643	5-15, 5-19, 5-23	1670838	1-4, 10-1
0641622	1-21, 1-25	0902439	4-46	1060644	5-5, 5-9, 5-11	1670839	1-6, 10-1
0641812	1-29, 1-35	0940057	4-6	1060650	5-23	1670847	4-7
0641816	2-3, 2-5, 2-23	0940060	4-6	1060680	1-36, 7-12	1670848	4-7
0641826	1-3, 1-5	0940061	4-6	1060688	1-46	1670849	4-7
0642224	1-21, 1-25	0940065	4-6	1060689	1-46	1670856	4-7
0681520	3-19, 3-23, 3-27, 3-31	0940079	4-6	1120064	1-3, 1-5	1670857	4-7
0682412	1-15	0940080	4-6	1120417	1-3, 1-5	1683054	5-5
0682620	1-15	0940081	4-6	1120472	3-20, 3-24, 3-28, 3-32	1683056	5-15
0721004	4-5	0940082	4-6	1120473	3-20, 3-24, 3-28, 3-32	1683061	5-15
0721006	1-30, 1-36, 4-30	0960239	4-11	1120474	3-20, 3-24, 3-28, 3-32	1683351	1-3, 1-5, 5-29
0741407	4-33	0960407	4-4	1120475	3-20, 3-24, 3-28, 3-32	1683352	3-19, 5-15
0791608	2-23	0961896	5-5, 5-16	1120479	3-3, 3-7, 3-12, 3-16	1683353	5-15
0840025	1-37, 7-11	0961897	5-16	1120480	3-3, 3-7, 3-12, 3-16	1683355	5-15
0840027	1-30, 1-37	0961994	1-21, 1-25	1120481	1-21, 1-25	1683362	1-16, 5-3
0840031	2-23, 2-24	0961995	1-21, 1-25	1120488	2-5, 2-11	1683363	3-27, 5-15
0840035	4-6	0961996	1-21, 1-25	1120491	2-5, 2-11	1683367	5-15
0860038	4-3, 4-5, 4-30	0961997	1-21, 1-25	1260017	4-19, 4-20, 4-23, 4-26	1683369	5-15
0860520	8-3, 8-7, 8-11, 8-15, 8-20	0962004	2-3, 2-5, 2-23	1260136	4-9, 4-13, 4-19, 4-23, 4-38, 4-41	1683375	4-33, 5-27
0861013	4-45	0962010	3-3, 3-7, 3-11, 3-15, 3-19, 3-23, 3-27, 3-31	1271305	4-38, 4-41	1683376	4-33, 5-27
0861070	1-29, 1-35	0962012	5-5, 5-15, 5-24	1271337	4-38, 4-42	1683377	3-3, 3-11, 5-5
0901830	4-10, 4-15, 4-21, 4-26	0962013	1-3, 1-5	1282430	7-2, 7-10	1683379	5-5
0901906	4-10, 4-21	0962014	1-4, 1-5	1282444	10-2	1683380	5-5
0901930	4-5	0962015	3-3, 3-11, 3-12, 3-19, 3-20, 3-27, 3-28	1282480	6-10	1683428	1-3, 5-29
		0962017	1-7	1282507	7-2	1683429	1-5, 5-29
		0962044	4-34	1282609	10-1, 10-2	1683473	3-19, 5-19
		0962045	4-34	1282657	7-2	1683474	3-27, 5-19
		0962069	4-3	1282681	10-1	1683475	3-3, 3-11, 5-9
		0962070	4-3	1282726	6-10	1683499	1-16
		0962073	4-3	1282744	10-2	1683500	3-7, 3-15, 5-11
		0962085	1-4	1282773	7-2	1683501	3-23, 5-23
		0962154	4-3	1320012	4-34	1683502	3-31, 5-23
		1001101076	4-9, 4-13, 4-19, 4-23, 4-38, 4-41	1320026	4-33	1683557	1-19, 5-3
		1060048	2-24	1320033	2-3, 2-5, 2-7, 2-11	1701504	8-3, 8-7, 8-11, 8-15, 8-20
		1060279	8-3, 8-7, 8-11, 8-15, 8-20	1320061	3-16, 4-4, 4-5, 4-30	1701508	1-15, 8-3, 8-7, 8-11, 8-15
		1060308	4-4, 4-5, 4-30	1320095	1-37, 3-8, 3-16, 3-24, 3-32	1701509	8-3, 8-7, 8-11, 8-15, 8-20
						1701510	8-3, 8-8, 8-11, 8-16,

# SECTION 11 PART NUMBER INDEX

Part Number	Page	Part Number	Page	Part Number	Page	Part Number	Page
	8-20	1703458	8-17	2220619	6-7	2752956	6-3, 6-8
1701511	8-16	1703461	8-17	2220628	6-3, 6-7	2752957	6-4, 6-8
1701512	8-8, 8-16, 8-21	1703462	8-17	2220664	6-3, 6-7	2752958	6-3, 6-8
1701515	8-8, 8-16, 8-21	1703464	4-4, 4-29	2220773	6-3	2752959	6-4, 6-8
1701620	8-8, 8-16	1703491	4-34	2220775	6-7	2752960	6-3, 6-8
1701621	8-8, 8-16, 8-21	1703496	8-20	2220828	6-3	2752961	6-4, 6-8
1701622	8-8, 8-16, 8-21	1703497	8-20	2220883	5-5, 5-16	2752963	6-4, 6-8
1701624	8-8, 8-16, 8-21	1703498	8-20	2220885	5-5, 5-16	2752964	6-4, 6-8
1701625	8-8, 8-16, 8-21	1703499	8-20	2221000	6-3, 6-7	2752968	6-4, 6-8
1701626	8-8, 8-16	1703528	8-22	2221014	6-3, 6-7	2752969	6-3, 6-8
1701628	8-8, 8-16	1703550	8-21	2360395	1-7	2780215	1-15, 1-16, 1-19
1701629	8-7, 8-15	1703552	8-20	2360396	1-7	2780216	1-3, 1-5
1701839	8-3, 8-11, 8-21	1703554	8-21	2360397	1-7	2792219	6-3, 6-10
1701856	8-8, 8-16, 8-21	1703556	8-21	2360399	1-7	2792220	6-3, 6-10
1701858	8-8, 8-16, 8-21	1703557	8-21	2360418	1-7	2792221	6-3, 6-10
1701861	8-7	1703562	8-21	2360428	1-7	2792222	6-3, 6-10
1702153	8-3, 8-11, 8-21	1703563	8-22	2360429	1-7	2792268	6-7, 6-10
1702246	8-3, 8-11	1703583	8-20	2360430	1-7	2792269	6-7
1702248	8-3, 8-11	1703605	8-22	2360432	1-7	2792270	6-7, 6-10
1702249	8-21	1703618	8-24	2360434	1-7	2792271	6-7, 6-10
1702250	8-3, 8-11	1703619	8-24	2360442	1-7	2792316	6-7, 6-10
1702279	8-3, 8-11, 8-21	1703766	8-22	2360443	1-7	2792317	6-7, 6-10
1702300	8-3, 8-7, 8-11, 8-15, 8-20	1703767	8-22	2360445	10-1	2792318	6-7, 6-10
1702459	8-20	1703768	8-22	2360446	1-7	2792319	6-7, 6-10
1702552	8-8, 8-16, 8-21	1703769	8-22	2360447	1-7	2820024	4-9, 4-38, 8-3, 8-7, 8-11, 8-15
1702553	8-8, 8-16, 8-21	1703770	8-22	2400056	1-36	2820025	4-5
1702554	8-8, 8-16, 8-21	1703771	8-22	2420165	2-20	2820084	2-23, 2-24
1702555	8-15	1704016	8-20	2420176	4-46, 4-47	2820087	2-24
1702556	8-7, 8-16	1760165	1-16, 1-19	2420179	2-20	2820088	2-23
1702559	8-8, 8-16	1780290	2-23	2460022	1-30, 1-36	2820094	2-24
1702612	4-9, 4-13, 10-1	1780291	2-3, 2-5	2460031	1-36	2820095	2-24
1702631	8-3, 8-7, 8-11, 8-15	2080041	4-29	2540002	4-4, 4-5, 4-29	2820097	4-9, 4-13, 4-19, 4-23, 4-38, 4-41
1702773	8-3, 8-7, 8-11, 8-15, 8-20	2080043	4-38, 4-41	2560088	4-10, 4-15, 4-20, 4-25	2860030	2-19, 9-1
1702939	8-3, 8-7, 8-11, 8-15, 8-20	2080048	1-37	2560137	2-3, 2-5, 2-23	2900792	5-5, 5-16
1702954	8-3, 8-11, 8-20	2120072	2-3, 2-5, 2-7, 2-11, 9-1	2560140	2-3, 2-23	2900874	7-10, 10-3
1703073	8-20	2120105	2-3, 2-5, 2-7, 2-11	2560141	4-45	2900887	10-1
1703074	8-8, 8-16, 8-21	2160002	1-3, 1-5	2700056	4-23	2900926	8-23
1703075	8-8, 8-16	2160006	1-3, 1-5	2750779	6-8	2900945	8-23
1703076	8-8, 8-16	2160008	1-3, 1-5	2750999	6-4, 6-8	2900947	8-23
1703077	8-8, 8-16, 8-21	2200233	2-3, 2-5, 2-7, 2-11	2752175	6-4, 6-8	2900949	10-1
1703078	8-3, 8-11, 8-21	2220218	6-3, 6-7	2752463	6-4, 6-8	2900957	8-22
1703175	10-1	2220346	6-3, 6-7	2752467	6-8	2900958	8-23
1703191	8-3, 8-11, 8-21	2220347	6-3, 6-7	2752478	6-4, 6-8	2900959	8-23
1703193	8-8, 8-17, 8-21	2220371	6-3, 6-7	2752479	6-8	2900960	8-23
1703197	8-8, 8-17, 8-21	2220372	6-3, 6-7	2752496	6-4, 6-8	2900962	8-23
1703198	8-8, 8-17, 8-21	2220373	6-3, 6-7	2752593	6-4, 6-8	2900963	8-23
1703240	8-3, 8-11	2220385	6-3, 6-7	2752606	6-4, 6-8	2900973	8-22
1703392	8-20	2220415	6-3, 6-7	2752607	6-4, 6-8	2901207	2-3, 2-5, 2-7, 2-11
1703393	8-20	2220466	6-3, 6-7	2752608	6-4, 6-8	2901273	5-16
1703398	8-3, 8-11, 8-21	2220470	6-3, 6-7	2752609	6-4, 6-8	2901278	5-6
1703405	8-8, 8-16	2220473	6-3, 6-7, 6-8	2752638	6-4, 6-8	2901340	3-19
1703408	8-8, 8-16	2220490	6-8	2752639	6-4	2901352	3-27
1703411	8-8, 8-16	2220501	6-3, 6-7, 6-8	2752644	6-8	2901353	5-16
1703415	8-9, 8-17, 8-21	2220515	6-3, 6-7	2752645	6-8	2901366	3-3
1703419	8-9, 8-17, 8-21	2220585	6-3, 6-7	2752646	6-4	2901367	3-11
1703420	8-9, 8-17, 8-21	2220602	6-3	2752647	6-4	2901382	6-3
		2220606	6-3, 6-7	2752648	6-8	2901383	6-3
		2220618	6-3, 6-7	2752931	6-4, 6-8		

# SECTION 11 PART NUMBER INDEX

Part Number	Page	Part Number	Page	Part Number	Page	Part Number	Page
2901384	6-3	3251596	10-2	3300429	2-23, 2-24		3-19, 3-23, 3-27, 3-28, 3-31
2901385	6-4, 6-9	3251813	8-3, 8-7, 8-11, 8-15, 8-22	3310601	4-45, 6-7	3340783	4-34
2901403	4-37			3311001	1-30, 1-36, 2-24	3340784	3-3, 3-11, 3-19, 3-27
2901404	4-37	3251852	4-10, 4-15, 4-21, 4-26, 8-3, 8-11, 8-22	3311005	1-21, 1-25, 1-31, 1-37, 2-20, 4-33	3340801	4-38, 4-41
2901405	4-37			3311401	2-20, 2-23, 4-4, 4-6, 4-9, 4-11, 4-19, 4-20, 4-23, 4-25, 4-46, 8-3, 8-7, 8-11, 8-15, 8-20	3340812	4-33
2901409	6-3	3251899	10-1			3340813	4-33
2901410	6-4, 6-9	3251960	10-1			3340814	4-33
2901424	6-8	3252080	8-22			3340815	4-34
2901425	6-8	3252115	8-7			3340825	4-33
2901443	7-10, 10-3	3252136	4-10, 4-15, 8-3, 8-11, 8-22	3311402	5-5, 5-9, 5-15, 5-19	3340826	4-29
2901489	6-8			3311405	1-5, 1-15, 1-29, 1-30, 1-31, 1-32, 1-35, 1-36, 1-37, 2-3, 2-5, 2-7, 2-8, 2-11, 2-12, 2-19, 2-20, 2-23, 3-8, 3-12, 3-16, 3-20, 3-24, 3-28, 3-32, 4-4, 4-6, 4-9, 4-10, 4-13, 4-15, 4-20, 4-23, 4-26, 4-29, 4-33, 4-38, 4-41, 8-20	3340841	3-7, 3-15, 3-23, 3-31
2901490	6-8	3252149	8-7, 8-16			3380437	4-38, 4-41
2901491	6-8	3252151	8-7, 8-15			3380438	4-38
2901492	6-8	3252152	8-17, 8-24			3380439	4-39, 4-42
2901501	3-7	3252158	8-8, 8-16, 8-22			3380440	4-39
2901502	3-15	3252178	8-17, 8-24			3421895	4-3
2901503	3-23	3252191	10-1			3421913	4-19, 4-20, 4-23, 4-26
2901504	3-31	3252296	8-22			3422219	4-42
2901506	6-8	3252300	8-9, 8-23			3422483	3-19, 3-23, 3-27, 3-31
2901507	6-8	3252314	10-1			3422484	3-19, 3-23, 3-27, 3-31
2901524	3-23	3252450	8-17, 8-24			3422485	3-19, 3-23, 3-27, 3-31
2901525	3-31	3252451	8-17, 8-24			3422487	4-34
2901527	4-37	3252452	8-9, 8-23	3311501	1-21, 1-25, 4-20, 4-25, 4-42	3422488	3-3, 3-7, 3-11, 3-15, 3-19, 3-23, 3-27, 3-31
2901528	4-37	3252454	8-8, 8-16, 8-22			3422494	3-3, 3-7, 3-11, 3-15
2901529	4-37	3252460	8-12, 8-24			3422495	3-3, 3-7, 3-11, 3-15
2901533	10-3	3252461	8-24			3422496	3-3, 3-7, 3-11, 3-15
2901571	4-21, 4-26	3252462	8-24			3422515	4-34
2901573	4-10, 4-15	3252463	8-12, 8-24			3422517	4-34
2901844	1-29, 1-35, 1-46	3252465	8-4, 8-23			3422587	3-19, 3-23, 3-27, 3-31
2901845	1-29, 1-35, 1-46	3252466	8-4, 8-23			3422589	3-27, 3-31
2901846	1-29, 1-35, 1-46	3252467	8-4, 8-9, 8-23			3422596	3-11, 3-15
2920093	4-5	3252468	8-4, 8-9, 8-23			3422597	3-27, 3-31
2920119	1-30	3252469	8-12, 8-17, 8-23			3422723	4-10, 4-15, 4-20, 4-26
2920146	1-30, 1-36	3252470	8-12, 8-17, 8-23			3430416	4-19, 4-20, 4-23, 4-25, 4-42
2940045	2-7, 2-11, 2-23	3252471	8-12, 8-17, 8-23			3430620	1-15, 1-19
2940056	4-19	3252472	8-12, 8-17, 8-23			3430811	1-4
2940061	4-10, 4-15, 4-20, 4-26	3252474	10-1			3430812	1-4, 1-5
2940064	4-9, 4-13, 4-19, 4-23, 4-38, 4-41	3252478	2-20			3430824	1-3, 1-5
		3252479	2-20			3431220	4-34
2940097	1-15	3252481	4-45			3440418	1-21, 1-25
2940098	2-3, 2-5, 2-23	3252493	8-9, 8-23			3440420	4-38, 4-41
2940099	2-3, 2-7, 2-11, 2-23	3252499	8-8, 8-16			3440828	1-21, 1-25
2940100	2-24	3252507	4-4, 4-29			3450203	4-19, 4-20, 4-23, 4-26, 4-42
2940101	2-24	3252524	8-9, 8-23			3450403	1-3, 1-5, 1-15, 1-19
2980113	4-10, 4-15, 4-20, 4-25	3252525	8-9, 8-23			3450405	5-5, 5-9, 5-11, 5-15, 5-19, 5-23
3010088	4-9, 4-13, 4-19, 4-23, 4-38, 4-41	3252526	8-17, 8-24			3450406	1-3, 1-5, 4-34
		3252527	8-17, 8-24			3450504	1-15
3010112	1-15	3252539	8-23				
3020017	1-15	3252542	4-45				
3160207	1-4, 1-9	3271405	2-24				
3160208	1-4, 1-6, 1-9	3272605	1-15				
3160214	1-4, 1-9	3300047	4-11				
3160219	1-4, 1-13	3300151	4-38, 4-41				
3160220	1-4, 1-6, 1-13	3300255	1-3, 1-5, 1-15, 1-19				
3160221	1-6, 1-13	3300373	4-13, 4-23, 4-38, 4-41				
3251243	4-4	3300374	4-9, 4-13, 4-19				
3251503	10-1	3300375	4-9, 4-13, 4-19, 4-23				
				3300429	2-23, 2-24		
				3310601	4-45, 6-7		
				3311001	1-30, 1-36, 2-24		
				3311005	1-21, 1-25, 1-31, 1-37, 2-20, 4-33		
				3311401	2-20, 2-23, 4-4, 4-6, 4-9, 4-11, 4-19, 4-20, 4-23, 4-25, 4-46, 8-3, 8-7, 8-11, 8-15, 8-20		
				3311402	5-5, 5-9, 5-15, 5-19		
				3311405	1-5, 1-15, 1-29, 1-30, 1-31, 1-32, 1-35, 1-36, 1-37, 2-3, 2-5, 2-7, 2-8, 2-11, 2-12, 2-19, 2-20, 2-23, 3-8, 3-12, 3-16, 3-20, 3-24, 3-28, 3-32, 4-4, 4-6, 4-9, 4-10, 4-13, 4-15, 4-20, 4-23, 4-26, 4-29, 4-33, 4-38, 4-41, 8-20		
				3311501	1-21, 1-25, 4-20, 4-25, 4-42		
				3311505	1-21, 1-25, 1-29, 1-30, 1-35, 1-37, 2-5, 2-7, 2-11, 3-3, 3-7, 3-11, 3-15, 3-19, 3-20, 3-23, 3-24, 3-27, 3-28, 3-31, 3-32, 4-3, 4-5, 4-10, 4-14, 4-20, 4-25, 4-30, 4-33, 4-38, 4-41		
				3311605	1-21, 1-25, 1-31, 1-37, 1-38, 2-3, 4-14, 4-33		
				3311608	2-23		
				3311801	1-3, 1-5, 2-23		
				3311805	1-29, 1-35, 2-3, 2-5		
				3312202	4-10, 4-15, 4-21, 4-26		
				3312205	1-21, 1-25		
				3321402	5-5, 5-9, 5-11, 5-15, 5-19, 5-23		
				3322201	4-34		
				3322202	4-10, 4-15, 4-21, 4-26		
				3340564	4-24, 8-7, 8-15, 8-20		
				3340612	4-7, 4-9, 4-13, 4-19, 4-24, 4-39, 4-42, 8-3, 8-11		
				3340629	3-3, 3-7, 3-11, 3-15, 3-19, 3-23, 3-27, 3-31, 4-3		
				3340645	3-3, 3-7, 3-11, 3-15,		

# SECTION 11 PART NUMBER INDEX

Part Number	Page	Part Number	Page	Part Number	Page	Part Number	Page
3480211	5-15	3539239	2-8	3641144	4-9	3841274	1-15
3480212	5-5	3539264	3-20, 3-24	3641145	4-11, 4-16	3841277	1-6
3480218	5-15	3539265	3-28, 3-32	3641146	4-11, 4-16	3841278	1-6
3510316	4-16	3539445	2-8	3641147	4-16	3841280	1-15
3510317	4-16	3539446	2-8, 2-12	3641148	4-16	3841296	1-4
3510391	4-25	3539447	2-8, 2-12	3641149	4-37	3841308	1-22
3510392	4-25	3539735	1-31, 1-37	3641152	4-37	3841320	1-6
3510489	4-16	3539736	1-31, 1-37	3641184	4-20	3841321	1-4
3510492	4-11	3539766	2-7, 2-11	3641185	4-20	3841324	1-6
3510494	4-25	3539796	3-12, 3-16	3641203	4-37	3841332	1-19
3510495	4-20	3539875	2-8	3641204	4-37	3841333	1-19
3510530	4-3	3539952	1-31	3641207	4-37	3841334	1-19
3510531	4-3	3570000	4-29	3641208	4-37	3841337	1-26
3510532	4-3	3570001	4-29	3641209	4-9	3841338	1-26
3510536	4-3	3570002	4-29	3641210	4-13	3841379	1-4
3510547	4-3	3570003	4-33	3641213	4-13	3841387	1-4
3510549	4-3	3570004	4-33	3641214	4-9	3860052	4-10, 4-15, 4-20, 4-25
3510551	4-3	3570005	4-33	3641235	4-19, 4-24	3860059	4-10, 4-15, 4-20, 4-25
3510553	4-3	3570009	4-29	3641239	4-41	3860065	1-21, 1-26
3510555	4-29, 4-33	3570010	4-29	3641240	4-41	3860075	4-38, 4-41
3510556	4-29, 4-33	3570011	4-29	3641241	4-41	3860079	1-26
3510557	4-29, 4-33	3570029	1-31, 1-37	3641242	4-41	3900168	4-11
3510558	4-33	3570030	1-31, 1-37	3641243	4-41	3900177	4-45
3510559	4-33	3570198	1-25	3641244	4-41	3900178	4-45
3510560	4-33	3570381	4-9, 4-13	3641245	4-41	3900184	4-9, 4-13, 4-19, 4-23, 4-38, 4-41
3510561	4-33	3571010	4-21, 4-26	3641246	4-41	3900226	4-45
3510562	4-33	3600219	2-3, 2-7	3641248	4-42	3900227	4-45
3510563	4-33	3600266	2-5, 2-11	3641249	4-42	3900256	4-5, 4-30
3510567	4-11	3600269	2-11	3641268	4-14	3911008	2-20
3510569	4-20	3640713	4-14	3641315	4-25	3911020	1-31, 1-37
3510570	4-25	3640727	4-13	3740069	2-20, 7-13, 9-1	3911024	1-25, 1-30, 1-31, 1-36
3510571	4-16	3640728	4-13	3740117	2-19	3911028	1-21
3510572	4-16	3640738	4-23	3740120	2-19	3911408	4-33
3510573	4-16	3640740	4-23	3740121	2-19, 9-1	3911432	4-41
3510574	4-25	3640742	4-19, 4-23	3740130	2-19, 9-1	3921008	4-38, 4-41
3510575	4-25	3640743	4-24, 4-42	3760170	2-20, 4-42, 5-5, 5-15, 5-19	3930828	2-16
3510576	4-25	3640744	4-24	3760348	4-10, 4-15, 4-21, 4-26	3931024	4-33
3510586	4-20	3640745	4-24	3760365	1-38	3931032	2-15
3510587	4-11	3640748	4-25	3760368	5-6	3931416	4-11
3510588	4-16	3640749	4-25	3760369	5-16	3931516	5-5
3510589	4-25	3640750	4-9	3760370	5-16	3931620	5-16
3510590	4-16	3640751	4-9	3760387	3-3, 3-7, 3-11, 3-15, 3-19, 3-23, 3-27, 3-31	3931720	5-16
3510591	4-16	3640753	4-19, 4-23	3780166	1-3, 1-5	3941004	4-42
3510592	4-25	3640761	4-24	3820001	4-10, 4-15, 4-21, 4-26	3941406	1-29, 1-35, 1-37, 2-12, 3-4, 3-8, 3-12, 3-16, 3-20, 3-23, 3-24, 3-28, 3-31, 3-32
3520072	4-9, 4-11, 4-13, 4-16, 4-19, 4-23, 4-38, 4-41	3640885	4-19	3820014	8-22	3941506	1-31
3520077	2-3, 2-5, 2-7, 2-11	3640886	4-19	3820019	4-9, 4-13, 4-21, 4-26	3951005	1-21
3534742	4-14, 4-24	3640887	4-20	3820023	1-31, 1-37	3951603	1-31, 1-37
3534743	4-14	3640888	4-20	3841074	4-10, 4-15	3960389	2-3, 2-5, 2-23
3534995	4-11	3641082	4-37	3841127	5-5, 5-15, 5-19	4	4-29
3535337	4-24	3641083	4-37	3841201	4-20, 4-25	4060092	4-4, 4-5, 4-30
3535492	4-24	3641084	4-37	3841233	4-10, 4-15, 4-21, 4-26	4060700	4-4, 4-5, 4-30
3535681	4-4	3641088	4-37	3841266	1-22		
3537619	4-10, 4-14, 4-20, 4-25	3641089	4-37	3841273	1-4		
3538808	1-21	3641090	4-37				
3538809	1-21	3641091	4-37				
3538844	2-23	3641130	4-13				
		3641131	4-13				
		3641143	4-9				

# SECTION 11 PART NUMBER INDEX

Part Number	Page	Part Number	Page	Part Number	Page	Part Number	Page
4060807	3-8, 3-16, 3-24, 3-32	4360289	..... 2-19, 4-45, 9-1	4460468	..... 7-10		11, 5-15, 5-19, 5-23
4060865	..... 1-30, 1-36	4360321	..... 1-31, 1-37, 9-1	4460470	..... 4-45, 7-12	4711500	1-29, 1-35, 2-3, 2-5, 2-7, 2-11, 3-3, 3-7, 3-11, 3-15, 3-19, 3-20, 3-23, 3-24, 3-27, 3-28, 3-31, 3-32, 4-3, 4-38, 4-41
4060914	..... 4-45	4360328	..... 2-19, 9-1	4460471	..... 4-45, 7-12		
4060915	..... 4-37, 4-41	4360387	1-30, 1-36, 4-47, 10-2	4460473	..... 7-10		
4060927	..... 1-29, 1-35			4460510	..... 7-10, 10-3		
4060928	..... 1-29	4360395	..... 2-19	4460618	... 2-19, 2-24, 7-13		
4060929	..... 4-33	4360397	1-22, 1-30, 1-36, 9-1	4460662	1-21, 1-25, 1-31, 1-36		
4060930	..... 4-33	4360401	1-22, 1-25, 1-31, 4-33, 9-1	4520174	..... 1-7		
4060931	..... 4-33			4520175	..... 1-7	4711600	.. 1-3, 1-5, 1-19, 2-3
4060937	..... 2-8, 2-12	4360403	..... 4-46, 9-1	4520176	..... 1-7	4711800	..... 1-4, 1-21, 1-25
4060941	..... 10-1	4360432	..... 2-19, 9-1	4520177	..... 1-7	4712200	4-10, 4-15, 4-20, 4-25, 4-34
4130329	..... 1-4	4360434	..... 1-29, 1-35, 9-1	4520183	..... 1-7		
4130332	..... 1-5	4360450	..... 4-46, 9-1	4520191	..... 1-7	4712400	..... 1-21, 1-25
4130336	..... 1-4	4360461	..... 6-7	4565008	..... 5-15	4740066	4-10, 4-15, 4-20, 4-25, 4-45
4130348	..... 1-4	4400378	..... 2-7	4565191	... 4-19, 4-23, 4-24		
4130349	..... 1-5	4400388	..... 2-3, 2-5	4565201	..... 4-9, 4-14	4740120	..... 4-45
4160078	4-10, 4-15, 4-20, 4-26	4400394	..... 2-7, 2-11	4565202	..... 4-14	4740307	..... 3-7, 3-15
		4420037	..... 2-5, 2-11	4565203	..... 4-14	4740411	..... 4-38, 4-41
4160133	..... 1-21, 1-25	4420038	.. 2-3, 2-5, 2-7, 2-11	4565261	..... 4-24, 4-42	4740419	..... 1-5
4160134	..... 1-22, 1-26	4420055	..... 4-38, 4-41	4565285	..... 4-19, 4-24	4740438	3-3, 3-7, 3-11, 3-15, 3-19, 3-23, 3-27, 3-31
4160137	..... 1-15, 1-19	4460013	..... 10-3	4565665	..... 3-12		
4160141	..... 1-21, 1-25	4460022	..... 2-24	4566787	..... 5-15	4740453	..... 1-3, 1-4, 1-5
4160146	..... 1-22, 1-26	4460044	..... 1-36	4566819	..... 5-5	4740455	..... 1-31, 1-37
4220044	5-5, 5-9, 5-11, 5-15, 5-19, 5-23	4460049	..... 4-4	4566833	..... 1-4, 1-5	4740474	..... 2-23, 2-24
4220166	..... 2-24	4460051	..... 4-4, 4-5, 4-30	4566849	. 2-3, 2-5, 2-7, 2-11	4740479	..... 2-20
4240018	3-4, 3-8, 3-12, 3-16, 3-20, 3-24, 3-28, 3-32, 4-7	4460052	..... 4-11, 4-34	4566897	..... 6-4, 6-9	4751000	1-21, 1-25, 1-30, 1-31, 1-36, 1-37, 2-20, 2-24, 4-5, 4-33, 4-38, 4-41
4240033	3-4, 3-8, 3-12, 3-16, 3-20, 3-24, 3-28, 3-32, 4-4, 4-5, 4-30	4460071	3-8, 3-16, 3-24, 3-32	4566898	..... 6-4, 6-9	4751400	1-15, 1-29, 1-30, 1-31, 1-32, 1-35, 1-36, 1-37, 2-7, 2-8, 2-11, 2-12, 2-19, 2-20, 2-23, 3-4, 3-8, 4-4, 4-6, 4-9, 4-10, 4-13, 4-19, 4-23, 4-33, 4-38, 4-41, 8-3, 8-7, 8-11, 8-15, 8-20
4240084	..... 1-32, 1-37, 2-23	4460124	..... 10-3	4566968	..... 6-4, 6-9		
4240114	. 3-3, 3-11, 3-12, 3-19, 3-20, 3-27, 3-28	4460138	..... 4-4, 4-5, 4-29	4566969	..... 6-4, 6-9		
4240116	3-20, 3-24, 3-28, 3-32	4460190	..... 4-5, 4-30	4567026	..... 6-4, 6-9		
4240125	3-3, 3-7, 3-11, 3-12, 3-15, 3-16, 3-19, 3-20, 3-23, 3-24, 3-27, 3-28, 3-31, 3-32	4460225	..... 7-11	4567109	..... 1-31		
4240127	3-4, 3-8, 3-12, 3-16, 3-20, 3-24, 3-28, 3-32	4460227	..... 7-12	4567135	..... 4-37		
4240128	3-3, 3-7, 3-11, 3-15, 3-16, 3-19, 3-23, 3-24, 3-27, 3-31, 3-32	4460259	..... 2-20, 7-13	4567136	..... 4-37		
		4460260	..... 2-20, 7-13	4567137	..... 4-37		
4300133	..... 2-20	4460265	..... 4-49, 4-51, 7-12	4567167	..... 3-16		
4340702	..... 4-34	4460267	4-51, 6-7, 7-11, 7-12	4567265	..... 1-19		
4360070	..... 2-19, 9-1	4460268	1-31, 1-38, 7-11, 7-12, 7-13	4567451	..... 4-42		
4360164	..... 4-6, 7-13			4567453	..... 4-41		
4360215	..... 10-2	4460315	..... 4-4, 4-5, 4-30	4567512	..... 4-42		
4360236	..... 4-11	4460320	.. 1-31, 1-38, 6-7, 7-11, 7-12, 7-13	4640509	..... 5-5, 5-16		
4360277	..... 4-11	4460326	..... 7-12	4640717	5-5, 5-9, 5-15, 5-19		
4360278	..... 4-11	4460328	3-4, 3-8, 3-12, 3-16, 3-20, 3-24, 3-28, 3-32	4640951	..... 2-3, 2-7, 2-15	4751500	1-30, 1-31, 1-37, 3-3, 3-7, 3-11, 3-15, 3-19, 3-23, 3-27, 3-31, 4-3, 4-5, 4-10, 4-15, 4-20, 4-26, 4-30, 4-33
				4641001	..... 5-11, 5-23		
		4460343	..... 7-11, 7-12	4641002	..... 5-23		
		4460346	..... 4-3, 4-5, 4-30	4641004	..... 2-5, 2-11, 2-15		
		4460347	..... 4-3, 4-5, 4-30	4641012	..... 5-11		
		4460424	..... 7-12	4641014	..... 5-11		
		4460428	..... 1-31, 1-37	4641015	..... 5-23		
		4460434	..... 7-11	4641021	..... 2-5, 2-11, 2-15	4751600	1-15, 1-31, 1-37, 1-38, 4-14, 4-33
		4460445	..... 7-12	4641035	..... 2-16, 6-7		
		4460449	..... 2-16, 7-11	4711000	..... 4-30	4751700	..... 1-30, 1-37
		4460462	..... 7-10	4711400	1-5, 1-6, 2-3, 2-5, 2-7, 2-11, 2-20, 2-23, 2-24, 3-12, 3-16, 3-23, 3-31, 4-10, 4-15, 4-19, 4-20, 4-23, 4-25, 4-29, 5-5, 5-9, 5-	4751800	1-29, 1-35, 2-3, 2-5, 2-23
		4460463	..... 4-45, 7-12			4752200	4-10, 4-15, 4-21, 4-26
		4460464	..... 7-12			4761000	1-30, 1-36, 2-24, 4-5, 4-30
		4460465	..... 7-10			4761400	. 2-3, 2-5, 2-7, 2-11,
		4460466	..... 4-46, 7-10				
		4460467	..... 7-10, 10-3				

# SECTION 11 PART NUMBER INDEX

Part Number	Page	Part Number	Page	Part Number	Page	Part Number	Page
	2-20, 2-23, 4-4, 4-6, 4-9, 4-11, 4- 19, 4-20, 4-23, 4-25, 8-3, 8-7, 8- 11, 8-15, 8-20	4761500	4-20, 4-25	4761600	1-21, 1-25, 4-33	4761800	1-3, 1-5
4770600	4-45	4791400	4-10, 4-15, 4-21, 4- 26, 4-45	4843706	4-10, 4-14, 4-20, 4- 25	4844414	4-6
4844585	4-6	4844586	4-6	4844987	1-21, 1-26	4845037	1-15, 1-19
4845040	3-3, 3-11, 3-19, 3-27	4845077	1-22, 1-26	4845104	1-22	4845129	2-23
4845130	2-23	4845268	1-22	4845269	1-22	4845270	1-22
4845271	2-3	4845311	2-8	4845312	1-29	4845314	1-31, 1-37
4845315	1-31, 1-37	4845319	1-22, 1-26	4845326	2-23	4845357	1-22
4845358	1-22, 1-26	4845359	1-22, 1-26	4845360	1-22, 1-26	4845365	2-3, 2-5
4845366	2-8, 2-12	4845383	1-22, 1-26	4845385	1-25	4845405	4-29
4845416	4-33	4845431	3-3, 3-11, 3-19, 3-27	4845475	3-7, 3-15, 3-23, 3-31	4845480	1-35
4845483	4-34	4845484	4-34	4845485	4-34	4845490	1-26
4845495	4-6	4845496	4-6	4845497	4-6	4845498	4-6
4845529	1-26	4845814	4-21, 4-26	4920140	4-11	4921753	7-2, 7-10
4921754	7-2, 7-10	4921755	7-2, 7-10	4921756	7-2, 7-10	4921782	4-46, 7-12
4921783	4-46, 7-12	4921784	7-11	4921785	7-11	4921786	7-11
4921819	1-29, 1-35, 7-12	4921821	1-30, 7-12	4921822	1-30, 1-36, 7-13	4921831	7-11
4921832	7-11	4921833	7-11	4921889	7-11	4921890	7-11
4921891	7-11	4921892	7-11	4921893	7-11	4921894	7-11
4921895	4-46, 7-12	4921896	4-46, 7-12	4921958	7-11	4921986	2-20, 7-13
4921988	1-36, 7-12	4921990	2-20, 7-13	4922011	7-11	4922013	7-11
4922014	7-11	4922025	7-11	4922233	1-46	4932831	7-2, 7-11
4932832	7-2, 7-11	4932965	7-2	4932972	7-2, 7-11	4932973	7-2, 7-11
7001097	5-3	7001608	5-27	7001609	5-3, 5-27	7001610	5-27
7001613	5-27	7001632	5-29	7002820	10-3	7002821	7-10, 10-3
7002822	10-3	7002823	7-10, 10-3	7002826	10-3	7002828	7-10
7003212	5-19, 5-23	7003226	5-19, 5-23	7003771	4-51	7003789	4-51
7003790	4-51	7003791	4-51	7003903	1-16	7003933	4-49
7003946	4-49	7003961	4-49	7003966	4-49	7003969	4-49
7003972	4-49	7003973	4-49	7003978	4-49	7003979	4-49
7003980	4-49	7003981	4-49	7003983	4-49	7003984	4-49
7003988	4-49	7003989	4-49	7003990	4-49	7003991	4-49
7003992	4-49	7003993	4-49	7003994	4-49	7003995	4-49
7003997	4-49	7003998	4-49	7003999	4-49, 7-12	7004275	10-3
7004276	10-3	7005312	5-9, 5-19	7005315	5-9, 5-19	7005356	5-20
7005358	5-11	7005365	5-9	7005896	1-9	7005897	1-9
7005898	1-9	7005899	1-9	7007892	1-13	7007893	1-13
7007894	1-13	7007895	1-13	7007896	1-13	7007897	1-13
7007898	1-13	7007899	1-13	7009919	1-13	7009920	1-13
7009934	1-13	7010641	1-16, 1-19	7010642	1-16, 1-19	7010646	1-16, 1-19
7010647	1-16, 1-19	7010648	1-16, 1-19	7010649	1-16, 1-19	7010650	1-19
7010651	1-16, 1-19	7011502	1-41	7011509	1-41, 1-42, 1-45, 9-1	7011511	1-41
7011512	1-41	7011513	1-41	7011517	1-41, 1-42	7011518	1-41
7011523	1-42	7011528	1-41, 1-42	7011551	1-41, 1-42	7011552	1-42, 9-1
7011560	1-41, 1-42	7011576	1-41, 1-42	7011590	1-45	7011596	1-41, 1-42
7011621	1-45	7011624	1-42	7011626	1-42	7011666	1-42
7011678	1-41	7011680	1-41	7011687	1-41, 1-42	7011688	1-41
7011925	4-51	7011934	4-51	7011935	4-51	7011970	4-51
7011971	4-51	7011972	4-51	7011976	4-51	7011978	4-51
7011979	4-51	7011980	4-51	7012611	4-45	7012612	2-19, 4-45
7012613	1-3, 1-5	7012773	2-15	7012792	2-16	7012793	2-15
7012794	2-15	7012953	5-11, 5-23	7012967	5-11, 5-23	7013711	2-3, 2-5, 2-7, 2-11, 9-1
7016315	2-19	7016319	1-30, 1-36	7016320	1-30, 1-36	7016337	2-15
7016348	2-15	7016349	2-15	7016351	2-15, 2-16	7016352	2-15, 2-16, 9-1
7016372	1-30, 1-36	7016397	2-20	7016400	1-9	7016401	1-9
7016402	1-9	7016403	1-9	7016404	1-9	7016405	1-9
7016406	1-9	7016407	1-9	7016408	1-9	7016409	1-9
7016410	1-9	7016411	1-9	7016412	1-10	7016413	1-9
7016414	1-9						

## SECTION 11 PART NUMBER INDEX

Part Number	Page	Part Number	Page	Part Number	Page	Part Number	Page
7016415	1-9	7018303	2-15	7019803	5-11		
7016416	1-9	7018304	2-15	7019804	5-24		
7016418	1-9	7018305	2-15	7019805	5-24		
7016419	1-9	7018307	2-15	7019806	5-24		
7016420	1-9	7018308	2-15	7019807	5-24		
7016421	1-10	7018309	2-15	7019808	5-24		
7016630	4-5	7018310	2-15	7019809	5-24		
7016654	10-3	7018311	2-15, 9-1	7019810	5-24		
7016700	2-3, 2-7	7018312	2-15	7019811	5-24		
7016703	2-3, 2-7	7018313	2-15	7019812	5-24		
7016706	2-3, 2-7	7018314	2-15	7020072	6-3, 6-7		
7016707	5-29	7018315	2-15	7020075	4-45		
7016708	5-29	7018506	1-45	7020076	4-45		
7016709	5-29	7018509	1-41, 1-42	7020300	1-13		
7016742	2-3, 2-5, 2-7, 2-11	7018512	1-42	7020301	1-13		
7016743	2-5, 2-11	7018513	1-41, 1-42	7020302	1-13		
7016746	2-5	7018514	1-41, 1-42, 1-45	7020303	1-13		
7016747	2-5, 2-11	7018515	1-41, 1-42	7020304	1-13		
7016748	2-3, 2-5, 2-7, 2-11	7018516	1-41, 1-42	7020305	1-13		
7016781	2-3, 2-5, 2-7, 2-11	7018523	1-42	7020306	1-13		
7017200	5-3	7018524	1-42	7020307	1-13		
7017201	5-3	7018525	1-41, 1-42, 1-45, 9-1	7020308	1-13		
7017202	5-3	7018526	1-42	7020309	1-13		
7017203	5-27	7018537	1-45	7020310	1-13		
7017204	5-27	7018540	1-41	7020312	1-13		
7017205	5-27	7018542	1-41	7020500	4-51		
7017207	5-29	7018543	1-41	7020516	4-51		
7017208	5-29	7018555	1-45	7020519	4-51		
7017209	5-29	7018564	1-45	7020536	4-51		
7017220	5-3	7018578	1-45	7020603	1-45		
7017221	5-3	7018582	1-45	7020605	1-45		
7017222	5-3	7018583	1-45	7020637	1-45		
7017223	5-3	7018585	1-45	7020638	1-45		
7017367	5-9, 5-11	7018586	1-45	7020639	1-45		
7017372	5-9, 5-20	7018589	1-45	7020671	1-45		
7017373	5-20	7018598	1-45	7020672	1-45		
7017374	5-20	7018912	2-15	7020673	1-45		
7017375	5-20	7018917	2-15, 9-1	7020674	1-45		
7017376	5-20	7018918	2-16	7020675	1-45		
7017377	5-20	7018919	2-15, 2-16	7023336	1-30, 1-36		
7017378	5-9, 5-11, 5-20	7018920	2-16	8896941	10-3		
7017379	5-9	7018967	2-16	9983983	10-2		
7017380	5-9	7018968	2-16				
7017381	5-9	7018969	2-16				
7017382	5-9, 5-12	7019100	4-49				
7017383	5-9	7019101	4-49, 7-12				
7017384	5-20	7019102	4-49				
7017385	5-20	7019302	5-11				
7017386	5-20	7019600	5-5, 5-9, 5-11, 5-15, 5-19, 5-23				
7017387	5-24						
7017388	5-20	7019602	5-5, 5-9, 5-11, 5-15, 5-19, 5-23				
7017389	5-12						
7017398	5-12	7019604	2-19				
7017399	5-12	7019673	6-3, 6-7				
7017444	5-11, 5-23, 9-1	7019695	1-16, 1-19				
7017445	5-23	7019696	1-16, 1-19				
7018300	2-15, 2-16	7019697	1-16, 1-19				
7018301	2-15, 2-16	7019800	5-12				
7018302	2-15	7019801	5-12				

# SECTION 11 PART NUMBER INDEX

Part Number	Page	Part Number	Page	Part Number	Page	Part Number	Page
-------------	------	-------------	------	-------------	------	-------------	------







3120726



An Oshkosh Corporation Company

Corporate Office  
JLG Industries, Inc.  
1 JLG Drive  
McConnellsburg PA. 17233-9533  
USA

☎ (717) 485-5161

📠 (717) 485-6417

## JLG Worldwide Locations

JLG Industries (Australia)  
P.O. Box 5119  
11 Bolwarra Road  
Port Macquarie  
N.S.W. 2444  
Australia

☎ +61 2 65 811111

📠 +61 2 65 813058

JLG Latino Americana Ltda.  
Rua Eng. Carlos Stevenson,  
80-Suite 71  
13092-310 Campinas-SP  
Brazil

☎ +55 19 3295 0407

📠 +55 19 3295 1025

JLG Industries (UK) Ltd  
Bentley House  
Bentley Avenue  
Middleton  
Greater Manchester  
M24 2GP - England

☎ +44 (0)161 654 1000

📠 +44 (0)161 654 1001

JLG France SAS  
Z.I. de Baulieu  
47400 Fauillet  
France

☎ +33 (0)5 53 88 31 70

📠 +33 (0)5 53 88 31 79

JLG Deutschland GmbH  
Max-Planck-Str. 21  
D - 27721 Ritterhude - Ihlpohl  
Germany

☎ +49 (0)421 69 350 20

📠 +49 (0)421 69 350 45

JLG Equipment Services Ltd.  
Rm 1107 Landmark North  
39 Lung Sum Avenue  
Sheung Shui N. T.  
Hong Kong

☎ (852) 2639 5783

📠 (852) 2639 5797

JLG Industries (Italia) s.r.l.  
Via Po. 22  
20010 Pregnana Milanese - MI  
Italy

☎ +39 029 359 5210

📠 +39 029 359 5845

Oshkosh-JLG Singapore  
Technology Equipment Pte  
Ltd  
29 Tuas Ave 4,  
Jurong Industrial Estate  
Singapore, 639379

☎ +65-6591 9030

📠 +65-6591 9031

Plataformas Elevadoras  
JLG Iberica, S.L.  
Trapadella, 2  
P.I. Castellbisbal Sur  
08755 Castellbisbal, Barcelona  
Spain

☎ +34 93 772 4700

📠 +34 93 771 1762

JLG Sverige AB  
Enkopingsvagen 150  
Box 704  
SE - 176 27 Jarfalla  
Sweden

☎ +46 (0)850 659 500

📠 +46 (0)850 659 534