



# Illustrated Parts Manual

**Models**  
**30e**  
**35e/n35e**  
**40e/n40e**  
**45e**

P/N  
3120744

October 4, 2012

**ANSI**



An Oshkosh Corporation Company



## REVISION LOG

October 1997 - Original Issue Of Manual (Was originally part of combine manual 3120595)

November 1998 - Revised

October 18, 2000 - Revised (Manual edited to 0010501 Revision 45 - Model 30electric)

(Manual edited to 0010491 Revision 63 - Model 35electric)

(Manual edited to 0010500 Revision 58 - Model 40electric)

(Manual edited to 0010489 Revision 55 - Model 45electric)

April 16, 2003 - Revised (Manual edited to 0010501 Revision 48 - Model 30electric)

(Manual edited to 0010491 Revision 71 - Model 35electric)

(Manual edited to 0010500 Revision 63 - Model 40electric)

(Manual edited to 0010489 Revision 57 - Model 45electric)

January 31, 2007 - Revised Manual

October 29, 2010 - Revised Manual

October 4, 2012 - Revised Manual (Revision 1)



# TABLE OF CONTENTS

SECTION 1 - FRAME.....	7
FIGURE 1-1. FRAME AND STEERING INSTALLATION - MODEL 30ELECTRIC.....	8
FIGURE 1-2. FRAME AND STEERING INSTALLATIONS - MODELS 35ELECTRIC, 40ELECTRIC & 45ELECTRIC .....	12
FIGURE 1-3. TIRE AND WHEEL DRIVE INSTALLATION .....	16
FIGURE 1-4. DRIVE BRAKE ASSEMBLY.....	22
FIGURE 1-5. DRIVE HUB ASSEMBLY - MODEL 30ELECTRIC.....	24
FIGURE 1-6. DRIVE HUB ASSEMBLY - MODELS 35ELECTRIC, 40ELECTRIC, 45ELECTRIC .....	26
FIGURE 1-7. ELECTRICAL COMPONENTS INSTALLATION (FRAME MOUNTED).....	28
FIGURE 1-8. BATTERY CHARGER ASSEMBLY .....	34
FIGURE 1-9. BATTERY CHARGER ASSEMBLY - 220V/50HZ UL (SERVICE REPLACEMENT - LATIN AMERICA/BRAZIL SPEC).....	38
FIGURE 1-10. HYDRAULIC COMPONENTS AND COVERS INSTALLATION (FRAME MOUNTED).....	40
SECTION 2 - TURNTABLE .....	45
FIGURE 2-1. TURNTABLE MOUNTED COMPONENTS INSTALLATIONS - MODEL 30ELECTRIC.....	46
FIGURE 2-2. TURNTABLE MOUNTED COMPONENTS INSTALLATIONS - MODEL 35ELECTRIC.....	48
FIGURE 2-3. TURNTABLE MOUNTED COMPONENTS INSTALLATIONS - MODEL 40ELECTRIC & 45ELECTRIC.....	50
FIGURE 2-4. CONTROL VALVE ASSEMBLY - MODELS 35ELECTRIC, 40ELECTRIC & 45ELECTRIC .....	52
FIGURE 2-5. SWING DRIVE AND TURNTABLE BEARING INSTALLATIONS - MODELS 30ELECTRIC & 35ELECTRIC .....	56
FIGURE 2-6. SWING BEARING ASSEMBLY - MODELS 30ELECTRIC & 35ELECTRIC (POST PRODUCTION SERVICE REPLACEMENT).....	58
FIGURE 2-7. SWING DRIVE AND TURNTABLE BEARING INSTALLATIONS - MODELS 40ELECTRIC & 45ELECTRIC .....	60
FIGURE 2-8. SWING BEARING ASSEMBLY - MODELS 40ELECTRIC & 45ELECTRIC (POST PRODUCTION SERVICE REPLACEMENT).....	62
FIGURE 2-9. SWING MOTOR ASSEMBLY .....	64
FIGURE 2-10. GROUND CONTROL COMPONENTS INSTALLATIONS - MODEL 30ELECTRIC.....	66
FIGURE 2-11. GROUND CONTROL COMPONENTS INSTALLATIONS - MODELS 35ELECTRIC, 40ELECTRIC & 45ELECTRIC .....	70
FIGURE 2-12. TURNTABLE AND HOOD INSTALLATION - MODEL 30ELECTRIC.....	74
FIGURE 2-13. TURNTABLE AND HOOD INSTALLATION - MODEL 35ELECTRIC.....	76
FIGURE 2-14. TURNTABLE AND HOOD INSTALLATION - MODEL 40ELECTRIC & 45ELECTRIC.....	80
SECTION 3 - BOOM .....	83
FIGURE 3-1. BOOMS AND LIMIT SWITCHES INSTALLATION MODEL 30ELECTRIC .....	84
FIGURE 3-2. BOOMS AND LIMIT SWITCHES INSTALLATION MODEL 35ELECTRIC .....	88
FIGURE 3-3. BOOMS INSTALLATION - MODELS 40ELECTRIC & 45ELECTRIC .....	92
FIGURE 3-4. LIMIT SWITCHES, CABLES AND CLAMPS INSTALLATION - MODEL 40ELECTRIC & 45ELECTRIC.....	96
FIGURE 3-5. UPPER BOOM COMPONENTS ASSEMBLY - MODELS 35ELECTRIC, 40ELECTRIC & 45ELECTRIC .....	100
SECTION 4 - PLATFORMS .....	103
FIGURE 4-1. PLATFORM AND COMPONENTS INSTALLATION - MODEL 30ELECTRIC .....	104
FIGURE 4-2. PLATFORM AND COMPONENTS INSTALLATION - MODEL 35ELECTRIC, 40ELECTRIC & 45ELECTRIC.....	108
FIGURE 4-3. ROTATOR MOTOR/PUMP/TANK ASSEMBLY .....	112
FIGURE 4-4. PLATFORM CONSOLE ASSEMBLY.....	114
FIGURE 4-5. CONTROL ASSEMBLY (DRIVE/STEER).....	118
SECTION 5 - CYLINDER.....	121
FIGURE 5-1. LIFT CYLINDER ASSEMBLY - MODEL 30ELECTRIC.....	122
FIGURE 5-2. UPPER LIFT CYLINDER ASSEMBLIES - MODELS 35ELECTRIC, 40ELECTRIC & 45ELECTRIC .....	124
FIGURE 5-3. MID LIFT CYLINDER ASSEMBLIES - MODELS 40ELECTRIC & 45ELECTRIC .....	128
FIGURE 5-4. LOWER LIFT CYLINDER ASSEMBLIES - MODELS 35ELECTRIC, 40ELECTRIC & 45ELECTRIC .....	132
FIGURE 5-5. MASTER CYLINDER ASSEMBLY - MODELS 35ELECTRIC, 40ELECTRIC & 45ELECTRIC .....	136
FIGURE 5-6. PLATFORM ROTATOR CYLINDER ASSEMBLY - MODELS 35ELECTRIC, 40ELECTRIC & 45ELECTRIC .....	138
FIGURE 5-7. SLAVE CYLINDER ASSEMBLY - MODELS 35ELECTRIC, 40ELECTRIC & 45ELECTRIC.....	140
FIGURE 5-8. STEER CYLINDER ASSEMBLIES .....	142
FIGURE 5-9. TELESCOPE CYLINDER ASSEMBLIES - MODELS 35ELECTRIC, 40ELECTRIC & 45ELECTRIC .....	144
FIGURE 5-10. CYLINDER BELLOWS INSTALLATION - MODEL 30ELECTRIC (OPTIONAL) .....	146
FIGURE 5-11. CYLINDER BELLOWS INSTALLATION - MODELS 35ELECTRIC, 40ELECTRIC & 45ELECTRIC (OPTIONAL).....	148
SECTION 6 - HYDRAULICS.....	151

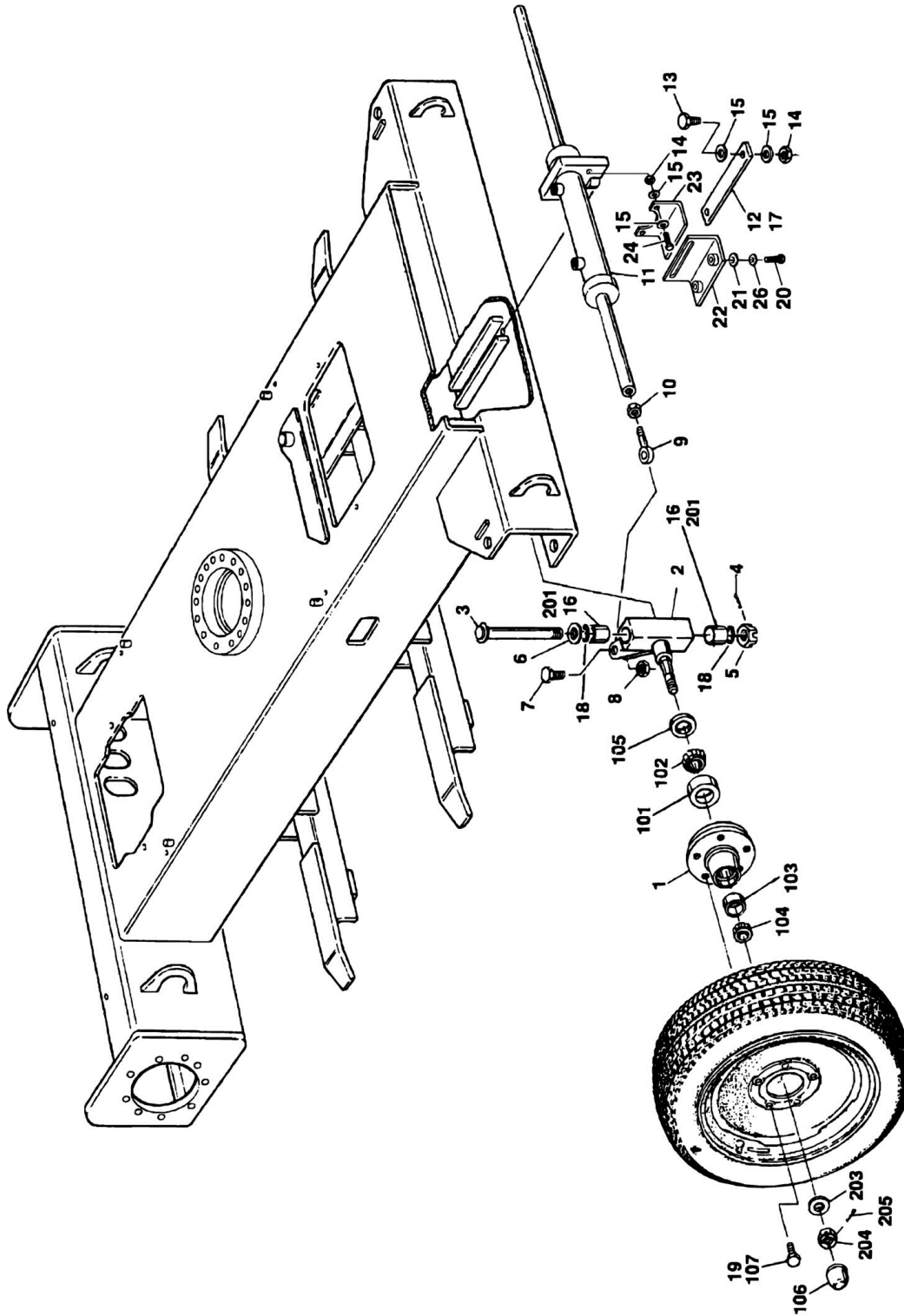
# TABLE OF CONTENTS

FIGURE 6-1. HYDRAULICS DIAGRAM LIST .....	152
FIGURE 6-2. HYDRAULIC DIAGRAM - 30ELECTRIC .....	154
FIGURE 6-3. HYDRAULIC DIAGRAM - 35ELECTRIC .....	156
FIGURE 6-4. HYDRAULIC DIAGRAM - 40ELECTRIC & 45ELECTRIC .....	158
SECTION 7 - ELECTRICAL.....	161
FIGURE 7-1. ELECTRICAL COMPONENTS AND DIAGRAMS LIST - 30ELECTRIC.....	162
FIGURE 7-2. ELECTRICAL COMPONENTS AND DIAGRAMS LIST - 35ELECTRIC/40ELECTRIC/45ELECTRIC.....	164
FIGURE 7-3. ELECTRICAL SCHEMATIC - 30ELECTRIC WITH COLORED WIRE (SHEET 1 OF 4) (Prior to SN 36544).....	168
FIGURE 7-4. ELECTRICAL SCHEMATIC - 30ELECTRIC WITH NUMBERED COLORED WIRE (SHEET 1 OF 4) (SN 36544 to Present).....	172
FIGURE 7-5. ELECTRICAL SCHEMATIC - 35ELECTRIC/40ELECTRIC/45ELECTRIC WITH COLORED WIRE (SHEET 1 OF 4) (Prior to SN 36648) .....	176
FIGURE 7-6. ELECTRICAL SCHEMATIC - 35ELECTRIC/40ELECTRIC/45ELECTRIC WITH NUMBERED COLORED WIRE (SHEET 1 OF 4) (SN 36648 to Present) .....	180
FIGURE 7-7. HARNESS COMPONENTS INSTALLATION .....	184
SECTION 8 - DECALS .....	193
FIGURE 8-1. DECALS INSTALLATION - 30ELECTRIC .....	194
FIGURE 8-2. DECALS INSTALLATION - 35ELECTRIC .....	198
FIGURE 8-3. DECALS INSTALLATION - 40ELECTRIC & 45ELECTRIC .....	202
SECTION 9 - RECOMMENDED SERVICE PARTS STOCK .....	205
FIGURE 9-1. 30/35/40/45 ELECTRIC LIFTS STANDARD PARTS.....	206
FIGURE 9-2. 30/35/40/45 ELECTRIC LIFTS VARIABLE PARTS.....	208
SECTION 10 - SPECIAL OPTIONS .....	209
FIGURE 10-1. SPECIAL OPTIONS .....	210
PART NUMBER INDEX.....	215

**SECTION 1 - FRAME**

# SECTION 1 - FRAME

## FIGURE 1-1. FRAME AND STEERING INSTALLATION - MODEL 30ELECTRIC





# SECTION 1 - FRAME

## FIGURE 1-1. FRAME AND STEERING INSTALLATION - MODEL 30ELECTRIC

ITEM	PART NUMBER	QTY	DESCRIPTION	REV
		Ref	<b>FRAME WELDMENT OPTIONS:</b>	
	2360378	1	Frame Weldment	
		Ref	<b>STEERING AND SPINDLES INSTALLATION</b>	
	0252243	Ref	<b>Steering and Spindles Installation (Prior to SN 0300052767)</b>	8
	0270291	Ref	<b>Steering and Spindles Installation (SN 0300052767 to Present)</b>	2
1	1001139010	2	Hub Assembly (Includes Items 101-107) (was p/n 2780186)	
		Ref	<b>Note: Original Equipment Hub p/n 2780186 uses Wheel Bolts. Service Replacement Hub p/n 1001139010 uses pressed in studs - Lugnuts p/n 3300255 must be ordered separately.</b>	
2	4130286	2	Spindle Weldment (Includes Items 201-205)	
3	3421988	2	Kingpin	
4	3450810	2	Pin, Cotter 1/4in x 2 1/2in	
5	3313003	2	Nut, Slotted 1 1/4in - 7NC	
6	0440162	2	Washer, Thrust	
7	0642016	2	Bolt 5/8in-16NC x 2in	
8	3312005	2	Locknut 5/8in-16NC	
9	3841146	2	Rod-End	
10	3322002	2	Nut, Jam 5/8in-16NC	
11		Ref	Steer Cylinder Assembly (See CYLINDER SECTION for Breakdown)	
11	1682527	1	Steer Cylinder Assembly ( <b>Prior to SN 37950</b> )	
11	1683695	1	Steer Cylinder Assembly ( <b>SN 37950 to Present</b> )	
12	3340644	1	Pad, Wear	
13	0641510	2	Bolt 5/16in-18NC x 1 1/4in	
14	3311505	2	Locknut 5/16in-18NC	
15	4751500	4	Flatwasher 5/16in	
16	3020022	AR	Grease	
17	4070809	AR	Shim	
18	3780182	4	O-Ring	
19	See Note	10	Bolt, Wheel (Note: Refer to Item 107)	
20	0641608	2	Bolt 3/8in-16NC x 1 ( <b>SN 0300052767 through 0300053809</b> )	
21	4740453	2	Flatwasher 3/8 ( <b>SN 0300052767 through 0300053809</b> )	
22	0182002	1	Angle ( <b>SN 0300052767 through 0300053809</b> )	
23	0182000	1	Angle ( <b>SN 0300052767 through 0300053809</b> )	
24	0641514	2	Bolt 5/16in-18NC x 1 3/4 ( <b>SN 0300052767 through 0300053809</b> )	
25	0100019	AR	Loctite (Not Shown) ( <b>SN 0300052767 through 0300053809</b> )	
26	4711600	2	Flatwasher 3/8in (Narrow) ( <b>SN 0300052767 through 0300053809</b> )	
	2780186	Ref	<b>HUB ASSEMBLY (ORIGINAL EQUIPMENT)</b>	C
	1001139010	Ref	<b>HUB ASSEMBLY (SERVICE REPLACEMENT)</b>	A
		Ref	<b>Note: Original Equipment Hub p/n 2780186 uses Wheel Bolts. Service Replacement Hub p/n 1001139010 uses pressed in studs - Lugnuts p/n 3300255 must be ordered separately.</b>	
101	7012519	2	Cup, Bearing - Inner (1 Per Hub)	
102	7012520	2	Cone, Bearing - Inner (1 Per Hub)	
103	7012521	2	Cup, Bearing - Outer (1 Per Hub)	
104	7012522	2	Cone, Bearing - Outer (1 Per Hub)	
105	7012523	2	Seal (1 Per Hub)	
106	1001102354	2	Cap, Dust (1 Per Hub) (was p/n 7012524)	
107	0630016	10	Bolt, Wheel (5 Per Hub) (was p/n 7012525) (Used on Original	

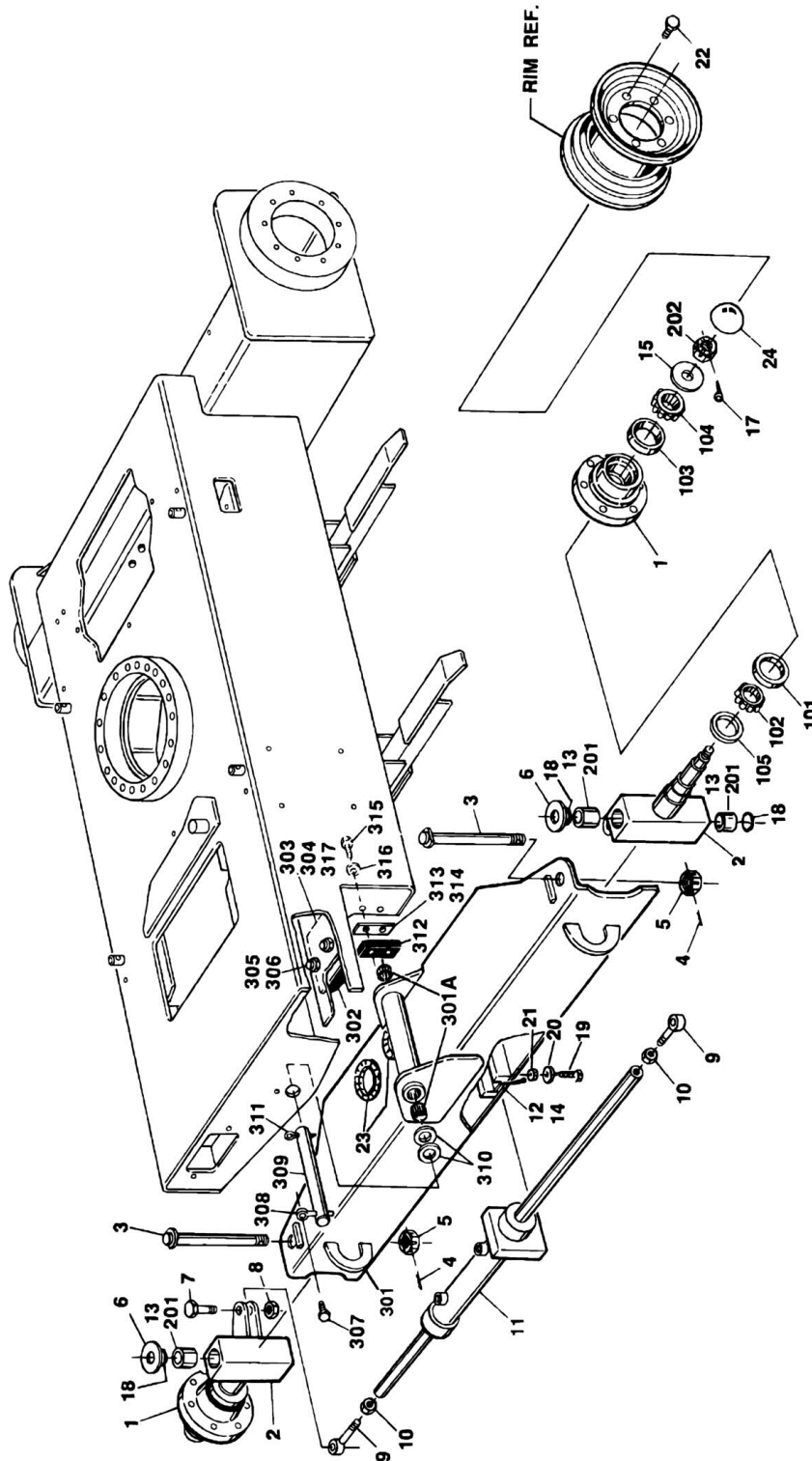
## SECTION 1 - FRAME

ITEM	PART NUMBER	QTY	DESCRIPTION	REV
107	7016360	10	Equipment Hub p/n 2780186) Stud, Wheel (5 Per Hub) (Used on Service Replacement Hub p/n 1001139010) (Not Shown)	
107	3300255	10	Lugnut (5 Per Hub) (Used with Service Replacement Hub p/n 1001139010 - Must be purchased separately) (Not Shown)	
	2900804	2	Bearing and Seal Kit (Includes Qty 1 of Items 101-105)	
	4130286	Ref	<b>SPINDLE WELDMENT</b>	
201	0961621	4	Bushing, Bronze (2 Per Spindle)	
203	7012542	2	Washer (1 Per Spindle)	
204	7012541	2	Nut, Slotted (1 Per Spindle)	
205	7012543	2	Pin, Cotter (1 Per Spindle)	



# SECTION 1 - FRAME

FIGURE 1-2. FRAME AND STEERING INSTALLATIONS - MODELS 35ELECTRIC, 40ELECTRIC & 45ELECTRIC



## SECTION 1 - FRAME

**FIGURE 1-2. FRAME AND STEERING INSTALLATIONS - MODELS 35ELECTRIC, 40ELECTRIC & 45ELECTRIC**

ITEM	PART NUMBER	QTY	DESCRIPTION	REV
		Ref	<b>FRAME WELDMENT OPTIONS:</b>	
	2360371	1	Model 35electric ( <b>Prior to SN 24526</b> )	
	2360405	1	Model 35electric ( <b>SN 24526 to Present</b> )	
	2360375	1	Model n35electric ( <b>Prior to SN 23550</b> )	
	2360404	1	Model n35electric ( <b>SN 23550 to Present</b> )	
	2360372	1	Model 40electric ( <b>Prior to SN 24233</b> )	
	2360406	1	Model 40electric ( <b>SN 24233 to Present</b> )	
	2360373	1	Model n40electric ( <b>Prior to SN 25492</b> )	
	2360407	1	Model n40electric ( <b>SN 25492 to Present</b> )	
	2360379	1	Model 45electric ( <b>Prior to SN 24324</b> )	
	2360408	1	Model 45electric ( <b>SN 24324 to Present</b> )	
	9983829	2	Lifting Lug Repair Plate (Right) (45electric)	
	9983833	2	Lifting Lug Repair Plate (Left) (45electric)	
		Ref	<b>STEERING AND SPINDLES INSTALLATIONS</b>	
	0253594	Ref	<b>Standard 35/40/45electric Prior to June 1994</b>	8-G
	0255011	Ref	<b>Standard 35/40/45electric June 1994 to Present</b>	4-C
	0253594	Ref	<b>CSA 35/40/45electric</b>	8-G
	0253735	Ref	<b>Standard n35/n40electric Prior to June 1994</b>	7-F
	0255012	Ref	<b>Standard n35/n40electric June 1994 to Present</b>	4-C
	0253735	Ref	<b>CSA n35/n40electric</b>	7-F
1	2780201	2	Hub Assembly (See Items 101-107 for Breakdown)	
2		Ref	Spindle Weldment Options (See Items 201-202 for Breakdown):	
2	4130302	2	Standard Machines Prior to June 1994	
2	4130319	2	Standard Machines June 1994 to Present	
2	4130302	2	CSA Machines	
3	3421988	2	Kingpin	
4	3450810	2	Pin, Cotter 1/4in x 2 1/4in	
5	3313003	2	Nut, Slotted 1 1/4 -7NC	
6	0440162	2	Washer, Thrust	
7	0642016	2	Bolt 5/8in-11NC x 2in	
8	3312005	2	Locknut 5/8in-11NC	
9	3841146	2	End, Rod	
10	3322002	2	Nut, Jam 5/8in-18NF	
11		Ref	Steer Cylinder Assembly (See CYLINDER SECTION for Breakdown):	
11	1682527		Steer Cylinder Assembly 35/40/45electric ( <b>Prior to SN 37950</b> )	
11	1683695		Steer Cylinder Assembly 35/40/45electric ( <b>SN 37950 to Present</b> )	
11	1682893		Steer Cylinder Assembly n35/n40electric ( <b>Prior to SN 37950</b> )	
11	1683696		Steer Cylinder Assembly n35/n40electric ( <b>SN 37950 to Present</b> )	
12	3340644	1	Pad, Wear	
13	3020022	AR	Grease	
14	4070809	AR	Shim	
15	4712400	2	Flatwasher 7/8in	
17	3450506	2	Pin, Cotter	
18	3780182	4	O-Ring	
19	0641510	1	Bolt 5/16in-18NC x 1 1/4in	
20	4751500	1	Flatwasher 5/16in	

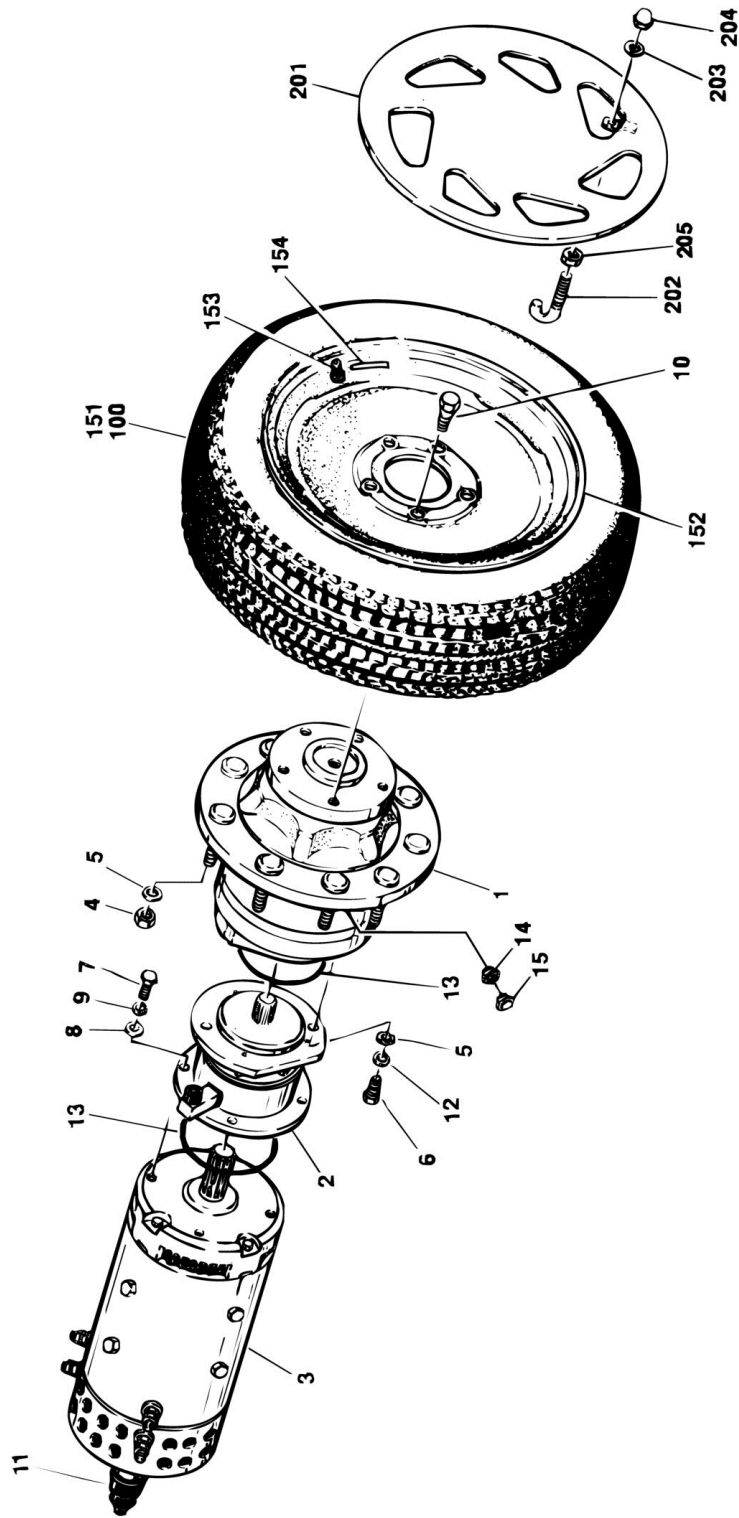
# SECTION 1 - FRAME

ITEM	PART NUMBER	QTY	DESCRIPTION	REV
21	3311505	1	Locknut 5/16in-18NC	
22	0630016	12	Bolt, Wheel 1/2in-20NF x 1in	
23	4060808	2 ft/.61m	Trim	
24	1120457	2	Cap, Dust	
	2780201	Ref	<b>HUB ASSEMBLY</b>	D
101	Kit	2	Cup, Bearing - Inner (1 Per Hub)	
102	Kit	2	Cone, Bearing - Inner (1 Per Hub)	
103	Kit	2	Cup, Bearing - Outer (1 Per Hub)	
104	Kit	2	Cone, Bearing - Outer (1 Per Hub)	
105	Kit	2	Seal (1 Per Hub)	
	2900842	2	BEARING KIT (INCLUDES QTY. 1 OF ITEM 101-105)	
		Ref	<b>SPINDLE ASSEMBLY</b>	
201	0961621	4	Bushing (2 Per Spindle)	
202	3322403	2	Nut, Slotted 7/8in-14NF (1 Per Spindle)	
		Ref	<b>AXLE INSTALLATIONS</b>	
	0253613	Ref	<b>Axle Installations 35/40/45electric</b>	D
	0253734	Ref	<b>Axle Installations n35/n40electric</b>	D
301		Ref	Axle Weldment Options:	
301	4844324	1	Axle Weldment 35/40/45electric	
301	4844369	1	Axle Weldment n35/n40electric	
301A	0961621	2	Bushing	
302	0940048	2	Bumper	
303	4070832	AR	Shim 1/2in-13mm	
304	4070833	AR	Shim 1/16in-1.6mm	
305	0641814	4	Bolt 1/2in-13NC x 1 3/4in	
306	3311805	4	Locknut 1/2in-13NC	
307	0641608	1	Bolt 3/8in-16NC x 1in	
308	3841143	1	Pin, Keeper	
309	3422170	1	Pin, Axle	
310	4740247	2	Washer, Thrust	
311	3451210	1	Pin, Cotter 3/8in x 2 1/2in	
312	3340450	2	Pad, Wear	
313	4070834	AR	Shim 1/4in-6.4mm	
314	4070835	AR	Shim 1/16in-1.6mm	
315	0641610	4	Bolt 3/8in-16NC x 1 1/4in	
316	4751600	4	Flatwasher 3/8in	
317	4070853	AR	Shim 1/32in-.8mm	
	0100011	AR	Loctite #242 (Not Shown)	



# SECTION 1 - FRAME

## FIGURE 1-3. TIRE AND WHEEL DRIVE INSTALLATION





# SECTION 1 - FRAME

## FIGURE 1-3. TIRE AND WHEEL DRIVE INSTALLATION

ITEM	PART NUMBER	QTY	DESCRIPTION	REV
		Ref	<b>WHEEL DRIVE INSTALLATIONS</b>	
	0254710	Ref	<b>Wheel Drive Installations 30electric U/L Models</b>	8
	0257551	Ref	<b>Wheel Drive Installations 30electric Non-U/L Models</b>	1
	0254485	Ref	<b>Wheel Drive Installations 35/40electric U/L Models</b>	8
	0257549	Ref	<b>Wheel Drive Installations 35/40electric Non-U/L Models</b>	1
	0254485	Ref	<b>Wheel Drive Installations n35/n40electric U/L Models Prior to October 1994</b>	8
	0255111	Ref	<b>Wheel Drive Installations n35/n40electric U/L Models Oct 1994 to Present</b>	3
	0257548	Ref	<b>Wheel Drive Installations n35/n40electric Non-U/L Models</b>	1
	0254599	Ref	<b>Wheel Drive Installations 45electric U/L Models</b>	7
	0257550	Ref	<b>Wheel Drive Installations 45electric Non-U/L Models</b>	1
1		Ref	Drive Hub Assembly Options:	
1	2780185	1	Drive Hub Assembly 30electric (See DRIVE HUB ASSEMBLY - MODEL 30electric for Breakdown)	
1	2780198	1	Drive Hub Assembly 35/40/45electric (See DRIVE HUB ASSEMBLY - MODELS 35electric, 40electric, 45electric for Breakdown)	
1	2780198	1	Drive Hub Assembly n35/n40electric Non-U/L Models (See DRIVE HUB ASSEMBLY - MODELS 35electric, 40electric, 45electric for Breakdown)	
1	2780198	1	Drive Hub Assembly n35/n40electric U/L Models Prior to October 1994 (See DRIVE HUB ASSEMBLY - MODELS 35electric, 40electric, 45electric for Breakdown)	
1	2780206	1	Drive Hub Assembly n35/n40electric U/L Models October 1994 to Present (SeeDRIVE HUB ASSEMBLY - MODELS 35electric, 40electric, 45electric for Breakdown)	
2	0920090	2	Drive Brake Assy (See DRIVE BRAKE ASSEMBLY for Breakdown)	
3	3160186	2	Drive Motor Assembly	
3	2900811	2	Repair Kit (Includes All Bearings, Brushes, Springs and Wavy Washer (1 Per Motor)	
3	7012546	2	Field Coil Kit (1 Per Motor)	
4	3321801	18	Nut 1/2in-20NF	
4	0100011	AR	Loctite #242	
5	4711800	22	Flatwasher 1/2in Narrow	
6	0641811	4	Bolt 1/2in-13NC	
7	0641608	8	Bolt 3/8in-16NC x 1in	
8	4711600	8	Flatwasher 3/16in Narrow	
9	4761600	8	Lockwasher 3/16in	
10	0630016	Ref	Bolt, Wheel	
10	0630016	10	Bolt, Wheel 30electric	
10	0630016	12	Bolt, Wheel 35/40/45electric	
11	3990053	1	Sensor, Tach Drive	
11	7012609	1	Boot, Rubber	
12	4761800	4	Lockwasher 1/2in	
13	3790240	2	O-Ring	
14	2220273	2	Fitting, Reducer <b>(SN 32280 to Present)</b>	
15	2180819	2	Vent, Breather <b>(SN 32280 to Present)</b>	
		Ref	<b>TIRE AND WHEEL INSTALLATION OPTIONS - MODEL 30electric</b>	
	0252349	Ref	<b>Tire and Wheel Assembly (ST205/75R16 Pneumatic)</b>	
	0253347	Ref	<b>Tire and Wheel Assembly (26x7x20 Non-Marking)</b>	

# SECTION 1 - FRAME

ITEM	PART NUMBER	QTY	DESCRIPTION	REV
100	0252352	4	Tire and Wheel Assembly (ST205/75R16 Pneumatic) (Includes Items 151-154)	
100	0252431	4	Tire and Wheel Assembly (ST205/75R16 Foam-Filled) (Sold as an Assembly Only)	
100	4520151	4	Tire and Wheel Assembly (26x7x20 Non-Marking) (Sold as an Assembly Only)	
		Ref	<b>TIRE AND WHEEL INSTALLATION OPTIONS - MODEL 35electric, 40electric &amp; 45electric</b>	
	0256835	Ref	<b>Tire and Wheel Assy (G78-15 Pneumatic/6in Rim)</b>	
	0254484	Ref	<b>Tire and Wheel Assy (LT215/85R16 Pneumatic/8in Rim)</b>	
	0256837	Ref	<b>Tire and Wheel Assy (G78-15 Foam-Filled/6in Rim)</b>	
	0254866	Ref	<b>Tire and Wheel Assy (LT215/85R16 Foam-Filled/8in Rim)</b>	
	0254120	Ref	<b>Tire and Wheel Assy (22x6x16 Solid)</b>	
	0254874	Ref	<b>Tire and Wheel Assy (6.50x16 Solid Non-Marking)</b>	
	0254121	Ref	Tire and Wheel Assy (22x6x16 Solid Non-Marking)	
100	0256834	4	Tire and Wheel Assy (G78-15 Pneumatic/6in Rim) (Includes Items 151-154) (Models 35electric & 40electric)	
100	0256640	4	Tire and Wheel Assy (G78-15 Pneumatic/8in Rim) (Includes Items 151-154) (Models 35electric & 40electric)	
100	0254481	3	Tire and Wheel Assy (LT215/85R16 Pneumatic/8in Rim) (Includes Items 151-154) (Models 35electric & 45electric)	
100	0253439	4	Tire and Wheel Assy (ST225/75R15 Pneumatic/8in Rim) (Includes Items 151-154)(Models 35electric & 40electric)	
100	0256836	4	Tire and Wheel Assy (G78-15 Foam-Filled/6in Rim) (Models 35electric & 40electric)	
100	0256642	4	Tire and Wheel Assy (G78-15 Foam-Filled/8in Rim) (Models 35electric & 40electric)	
100	0254865	2	Tire and Wheel Assy (LT215/85R16 Foam-Filled/8in Rim) (Models 35electric & 45electric)	
100	0253784	4	Tire and Wheel Assy (ST225/75R15 Foam-Filled/8in Rim) (Models 35electric, 40electric & 45electric)	
100	4520154	4	Tire and Wheel Assy (22x6x16 Solid) (Models 35electric & 40electric)	
100	4520155	4	Tire and Wheel Assy (22x6x16 Solid Non-Marking) (Models 35electric & 40electric)	
100	4520159	4	Tire and Wheel Assy (6.50x16 Solid Non-Marking) (Models 35electric, 40electric & 45electric)	
100	4520198		Tire and Wheel Assy (7.50x15 Solid Static Conductive) (Model 45electric)	
		Ref	<b>Note: Assemblies may require ballast/foam filling to manufacturer's specifications prior to installing on a machine. Refer to Operation and Safety or Service &amp; Maintenance Manuals. Purchase individual tire and/or rim only if able to foam fill tire and wheel assembly, otherwise, purchase complete assembly.</b>	
	0256834	Ref	<b>TIRE AND WHEEL ASSEMBLY (G78-15 PNEUMATIC/6IN RIM) (MODELS 35ELECTRIC &amp; 40ELECTRIC)</b>	-
	0256640	Ref	<b>TIRE AND WHEEL ASSEMBLY (G78-15 PNEUMATIC/8IN RIM) (MODELS 35ELECTRIC &amp; 40ELECTRIC)</b>	A
	0254481	Ref	<b>TIRE AND WHEEL ASSEMBLY (LT215/85R16 PNEUMATIC/6IN RIM) (MODELS 35electric &amp; 45electric)</b>	B
	0253439	Ref	<b>TIRE AND WHEEL ASSEMBLY (ST225/75R16 PNEUMATIC/8IN RIM) (MODELS 35electric &amp; 40electric)</b>	B
	0252352	Ref	<b>TIRE AND WHEEL ASSEMBLY (ST205/75R16 PNEUMATIC/6IN RIM) (MODEL 30electric)</b>	B
151		Ref	Tire (1 Per Assembly) Options:	
151	4520184	4	G78-15 Pneumatic/6in Rim	

## SECTION 1 - FRAME

ITEM	PART NUMBER	QTY	DESCRIPTION	REV
151	4520184	4	G78-15 Pneumatic/8in Rim	
151	4520265	4	LT215/85R16 Pneumatic/6in Rim (p/n was 4520156)	
151	4520148	4	ST225/75R16 Pneumatic/8in Rim	
151	4520139	4	ST205/75R16 Pneumatic/6in Rim	
152		Ref	Rim (1 Per Assembly) Options:	
152	4860169	4	G78-15 Pneumatic/6in Rim	
152	4860137	4	G78-15 Pneumatic/8in Rim	
152	4860142	4	LT215/85R16 Pneumatic/6in Rim	
152	4860137	4	ST225/75R16 Pneumatic/8in Rim	
152	4860136	4	ST205/75R16 Pneumatic/6in Rim	
153	4640392	4	Stem, Valve	
154		Ref	Decal - Tire Pressure (1 Per Assembly) Options:	
154	1701812	4	G78-15 Pneumatic/6in Rim	
154	1701812	4	G78-15 Pneumatic/8in Rim	
154	1702275	4	LT215/85R16 Pneumatic/6in Rim (Prior to September 1995)	
154	1702740	4	LT215/85R16 Pneumatic/6in Rim (September 1995 to Present)	
154	1701812	4	ST225/75R16 Pneumatic/8in Rim	
154	1701643	4	ST205/75R16 Pneumatic/6in Rim	
		Ref	<b>Note: Assemblies may require ballast/foam filling to manufacturer's specifications prior to installing on a machine. Refer to Operation and Safety or Service and Maintenance Manuals.</b>	
		Ref	<b>Purchase individual tire and/or rim only if able to foam fill tire and wheel assembly, otherwise, purchase complete assembly.</b>	
		Ref	<b>HUB CAP INSTALLATION (OPTIONAL)</b>	
	0252754	Ref	<b>Use on Model 30electric</b>	B
	0253864	Ref	<b>Use on Model 35electric/40electric with 8in Rim/Pneumatic and 8in Rim/Foam-Filled Tires. use on Model 45electric with 8in Rim/Foam-Filled Tires.</b>	B
	0254590	Ref	<b>Use on Models 35electric &amp; 45electric with 8in Rim /Pneumatic Tires.</b>	C
	0256832	Ref	<b>Use on Model 35electric/40electric/45electric with 6in Rims</b>	-
	0254155	Ref	<b>Use on Model 35electric &amp; 40electric with Solid Tires</b>	B
201		Ref	Hubcap Options:	
201	1670633	4	Hubcap Model 30electric	
201	1670633	4	Hubcap Model 35electric/ 40electric with 8in Rim/Pneumatic and 8in Rim/ Foam-Filled Tires. use on Model 45electric with 8in Rim/ Foam-Filled Tires.	
201	1670810	4	Hubcap Models 35electric & 45electric with 8in Rim /Pneumatic Tires.	
201	1670808	4	Hubcap Model 35electric/ 40electric/ 45electric with 6in Rims	
201	1670692	4	Hubcap Model 35electric & 40electric with Solid Tires	
202		Ref	Bolt Options:	
202	0630455	8	J-Bolt 5/16in-18NC - Model 30electric	
202	0630465	8	J-Bolt 5/16in-18NC - Model 35electric/40electric with 8in Rim/ Pneumatic and 8in Rim/Foam-Filled Tires. use on Model 45electric with 8in Rim/Foam-Filled Tires.	
202	0641510	8	Bolt 5/16in-18NC x 1 1/4in - Models 35electric & 45electric with 8in Rim /Pneumatic Tires.	
202	0630513	8	J-Bolt 5/16in-18NC - Model 35electric/40electric/45electric with 6in Rims	
202	0641518	8	Bolt 5/16in-18NC x 2 1/4in - Model 35electric & 40electric with Solid Tires	
203	4761500	8	Lockwasher 5/16in	

## SECTION 1 - FRAME

ITEM	PART NUMBER	QTY	DESCRIPTION	REV
204		Ref	Nut, Acorn 5/16in-18NC Options:	
204	3300356	8	Nut, Acorn 5/16in-18NC Model 30electric	
204	3300356	8	Nut, Acorn 5/16in-18NC Model 35electric/ 40electric with 8in Rim/ Pneumatic and 8in Rim/ Foam-Filled Tires. use on Model 45electric with 8in Rim/ Foam-Filled Tires.	
204	Not Required	0	Nut, Acorn 5/16in-18NC Models 35electric & 45electric with 8in Rim /Pneumatic Tires.	
204	3300356	8	Nut, Acorn 5/16in-18NC Model 35electric/ 40electric/ 45electric with 6in Rims	
204	Not Required	0	Nut, Acorn 5/16in-18NC Model 35electric & 40electric with Solid Tires	
205		Ref	Nut 5/16in-18NC Options:	
205	3311501	8	Nut 5/16in-18NC Model 30electric	
205	3311501	8	Nut 5/16in-18NC Model 35electric/ 40electric with 8in Rim/ Pneumatic and 8in Rim/ Foam-Filled Tires. use on Model 45electric with 8in Rim/ Foam-Filled Tires.	
205	Not Required	0	Nut 5/16in-18NC Models 35electric & 45electric with 8in Rim /Pneumatic Tires.	
205	3311501	8	Nut 5/16in-18NC Model 35electric/ 40electric/ 45electric with 6in Rims	
205	Not Required	0	Nut 5/16in-18NC Model 35electric & 40electric with Solid Tires	



# SECTION 1 - FRAME

FIGURE 1-4. DRIVE BRAKE ASSEMBLY

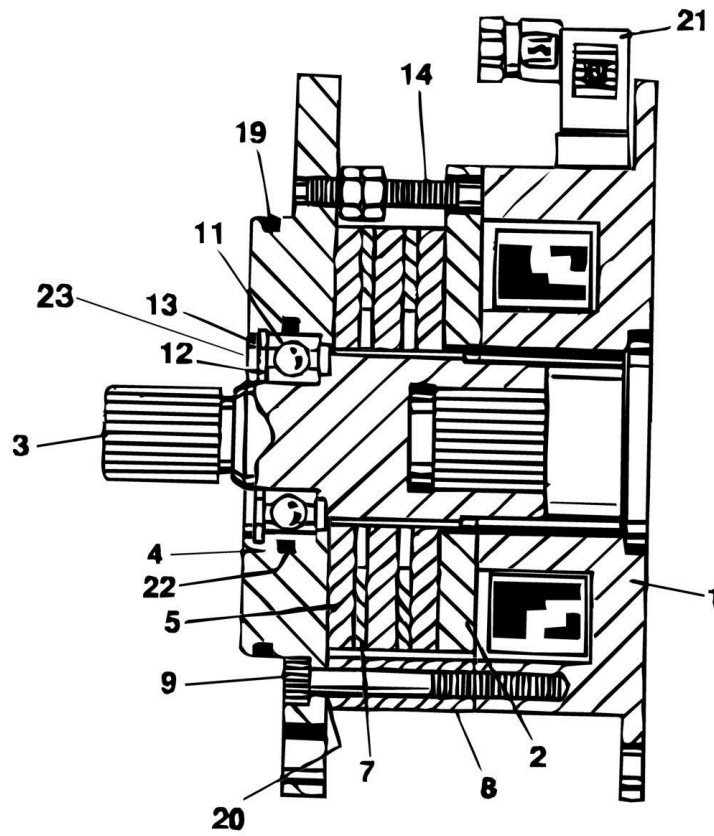
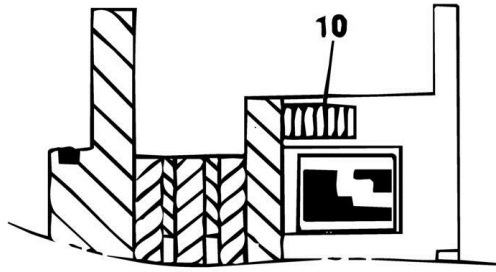
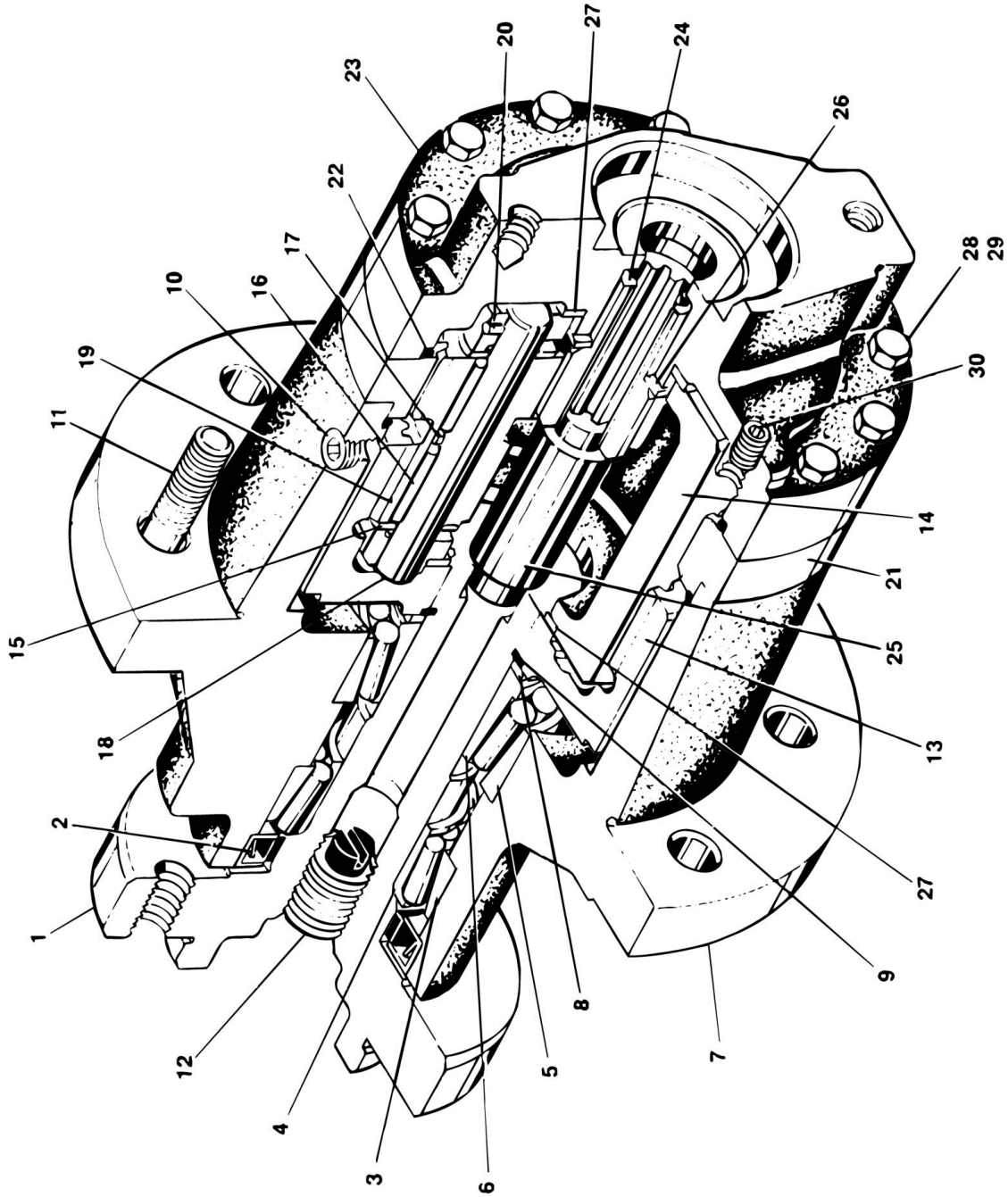


FIGURE 1-4. DRIVE BRAKE ASSEMBLY

ITEM	PART NUMBER	QTY	DESCRIPTION	REV
	0920090	Ref	<b>DRIVE BRAKE ASSEMBLY</b>	B
1	7012552	1	Magnet and Coil Assembly	
2	7012582	1	Armature	
3	7012554	1	Shaft	
4	Not Available	1	Plate, Mounting	
5	Kit	3	Plate, Friction (Solid)	
7	Kit	2	Plate, Outer	
8	7012692	3	Spacer	
9	7014116	3	Bolt, Metric Socket Head	
10	Kit	8	Spring, Compression	
11	7026609	1	Bearing, Ball	
12	7014129	1	Ring, Retainer (External)	
13	7014130	1	Ring, Retainer (Internal)	
14	7012689	3	Manual Release Assembly	
19	3790240	1	O-Ring	
20	7012691	AR	Shim	
21	7012580	1	Connector, Electrical	
21	7014127	1	Plug, Base	
22	3790225	1	O-Ring (January 1995 to Present)	
23	7014128	1	Seal <b>(SN 50521 to Present)</b>	
	7012583	1	Repair Kit (Includes Items 5, 7, 10, 11 & 22)	

# SECTION 1 - FRAME

## FIGURE 1-5. DRIVE HUB ASSEMBLY - MODEL 30ELECTRIC





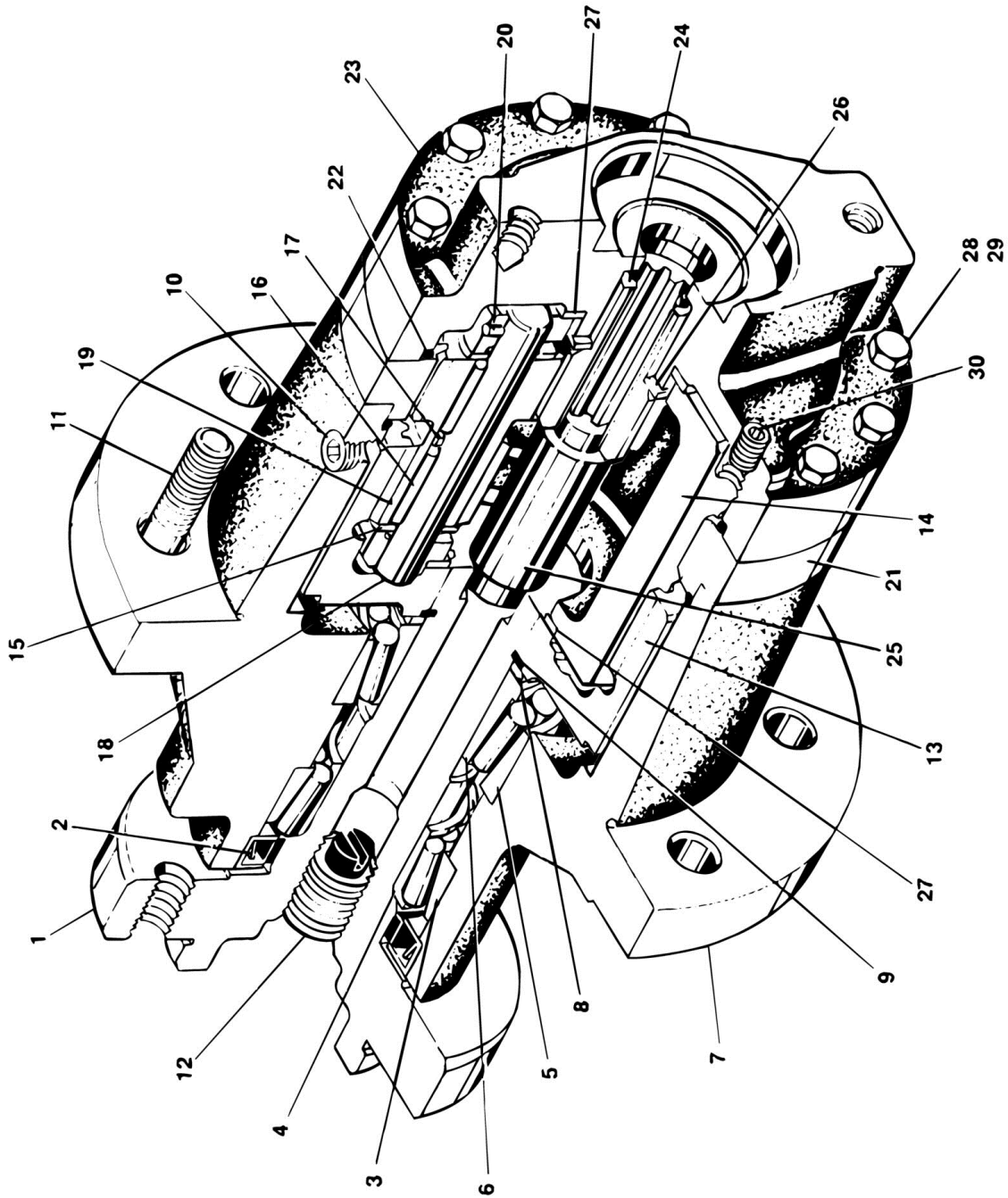
# SECTION 1 - FRAME

## FIGURE 1-5. DRIVE HUB ASSEMBLY - MODEL 30ELECTRIC

ITEM	PART NUMBER	QTY	DESCRIPTION	REV
	2780185	Ref	<b>DRIVE HUB ASSEMBLY - MODEL 30electric</b>	B
		Ref	Hub-Shaft Assembly	
1	7010463	1	Spindle	
2	7000228	1	Seal, Lip (Part of Seal Kit p/n 2900034)	
3	7000255	1	Cup, Bearing (Outer)	
4	7000256	1	Cone, Bearing (Outer)	
5	7000257	1	Cup, Bearing (Inner)	
6	7000258	1	Cone, Bearing (Inner)	
7	7000259	1	Housing	
8	7000232	1	Thrustwasher (Part of Seal Kit p/n 2900034)	
9	7000229	1	Ring, Retaining (Part of Seal Kit p/n 2900034)	
10	7000242	2	Plug, Pipe - 1/4in NPTF	
11	7000241	9	Stud, Wheel 1/2in-20NF	
12	7001952	1	Plug, Pipe 3/4in NPTF	
13	7000246	1	Gear, Internal	
		Ref	Carrier Assembly	
14	7001931	1	Carrier	
15	7001985	6	Thrustwasher, Tanged	
16	7001909	96	Bearing, Needle	
17	7000263	3	Spacer, Thrust	
18	7001911	3	Shaft, Planet	
19	7001912	3	Gear, Cluster	
20	7001913	3	Rollpin	
21	7000248	1	Gear, Ring	
22	7000230	2	O-Ring (Part of Seal Kit p/n 2900034)	
23	7000209	1	Cover, Input	
24	7010461	1	Gear, Sun	
25	7000269	1	Spacer, Input	
26	7000270	1	Thrustwasher	
27	7000253	2	Thrustwasher	
28	7000217	8	Bolt, Hex	
29	7000214	4	Bolt, Shoulder	
30	7000242	1	Plug, Pipe 1/4in NPTF	
	2900034	1	Seal Kit (Includes Items 2, 8, 9 & 22)	

# SECTION 1 - FRAME

FIGURE 1-6. DRIVE HUB ASSEMBLY - MODELS 35ELECTRIC, 40ELECTRIC, 45ELECTRIC



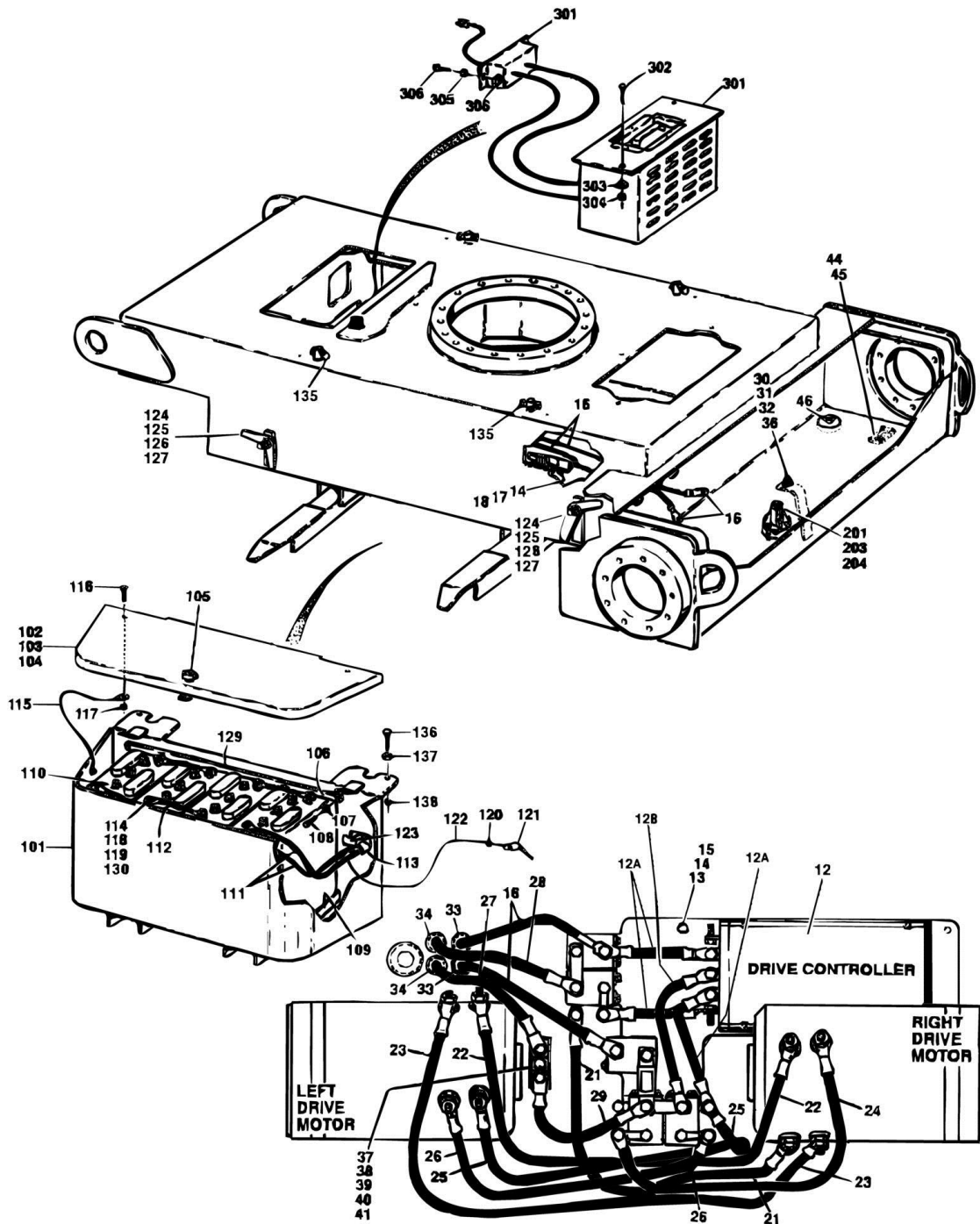
## SECTION 1 - FRAME

**FIGURE 1-6. DRIVE HUB ASSEMBLY - MODELS 35ELECTRIC, 40ELECTRIC, 45ELECTRIC**

ITEM	PART NUMBER	QTY	DESCRIPTION	REV
	2780198	Ref	<b>DRIVE HUB ASSEMBLY - MODEL 35ELECTRIC, 40ELECTRIC &amp; 45ELECTRIC</b>	B
	2780198	Ref	<b>DRIVE HUB ASSEMBLY - MODEL N35ELECTRIC &amp; N40 ELECTRIC BUILT PRIOR TO OCTOBER 1994</b>	B
	2780206	Ref	<b>DRIVE HUB ASSEMBLY - MODEL N35ELECTRIC &amp; N40ELECTRIC BUILT OCTOBER 1994 TO PRESENT</b>	-
		Ref	Hub-Shaft Assembly	
1	7010486	1	Spindle	
2	7000228	1	Seal, Lip (Part of Seal Kit)	
3	7000255	1	Cup, Bearing (Outer)	
4	7000256	1	Cone, Bearing (Outer)	
5	7000257	1	Cup, Bearing (Inner)	
6	7000258	1	Cone, Bearing (Inner)	
7	7000259	1	Housing	
8	7000232	1	Thrustwasher (Part of Seal Kit)	
9	7000229	1	Ring, Retaining (Part of Seal Kit)	
10	7000242	2	Plug, Pipe - 1/4in NPTF	
11	7000241	9	Stud, Wheel 1/2in-20NF	
12	7001952	1	Plug, Pipe 3/4in NPTF	
13	7000246	1	Gear, Internal (2780198)	
13	7010491	1	Gear, Internal (2780206)	
		Ref	Carrier Assembly	
14	7010481	1	Carrier (2780198)	
14	7010489	1	Carrier (2780206)	
15	7001985	6	Washer, Tanged Thrust	
16	7001909	96	Bearing, Needle	
17	7000263	3	Spacer, Thrust	
18	7010483	3	Shaft, Planet	
19	7010484	3	Gear, Cluster (2780198)	
19	7010490	3	Gear, Cluster (2780206)	
20	7010474	3	Rollpin	
21	7000248	1	Gear, Ring	
22	7000230	2	O-Ring (Part of Seal Kit)	
23	7000209	1	Cover, Input	
24	7010482	1	Gear, Sun	
25	7010485	1	Spacer, Input	
26	7007642	1	Thrustwasher	
27	7000253	2	Thrustwasher (Part of Seal Kit)	
28	7001923	8	Bolt, Hex (2780198)	
28	7000217	8	Bolt, Hex (2780206)	
29	7000214	4	Bolt, Shoulder	
30	7000242	1	Plug, Pipe 1/4in NPTF	
	2900034	1	Seal Kit (Includes Items 2, 8, 9 & 22)	
	2900661	1	Seal Kit (Includes Items 2, 9, 22 & 27)	

# SECTION 1 - FRAME

## FIGURE 1-7. ELECTRICAL COMPONENTS INSTALLATION (FRAME MOUNTED)



## SECTION 1 - FRAME

**FIGURE 1-7. ELECTRICAL COMPONENTS INSTALLATION (FRAME MOUNTED)**

ITEM	PART NUMBER	QTY	DESCRIPTION	REV
		Ref	<b>DRIVE CONTACTOR INSTALLATIONS</b>	
	0254710	Ref	Drive Contactor Installations 30electric U/L	8
	0257551	Ref	Drive Contactor Installations 30electric Non-U/L	1
	0254485	Ref	Drive Contactor Installations 35/40electric U/L	8
	0257549	Ref	Drive Contactor Installations 35/40electric Non-U/L	1
	0254485	Ref	Drive Contactor Installations n35/n40electric U/L Prior to October 1994	8
	0255111	Ref	Drive Contactor Installations n35/n40electric U/L Oct 1994 to Present	3
	0257548	Ref	Drive Contactor Installations n35/n40electric Non-U/L	1
	0254599	Ref	Drive Contactor Installations 45electric U/L	7
	0257550	Ref	Drive Contactor Installations 45electric Non-U/L	1
12		Ref	Contactor Plate Assembly Options (See ELECTRICAL SECTION for Breakdown of Additional Components)	
12	0254549	1	Contactor Plate Assembly 30e/35e/n35e/40e/n40e	
12	0254597	1	Contactor Plate Assembly 45e	
12A	70003552	3	Cable, Electrical (8.5in/21.5cm)	
12B	70003553	1	Cable, Electrical (10in/25.4cm)	
13	0641408	3	Bolt 1/4in-20NC x 1in	
14	4711400	7	Flatwasher 1/4in	
15	4761400	3	Lockwasher 1/4in	
16	1060404	1	Cable Assembly	
17	0641416	4	Bolt 1/4in-20NC x 2in	
18	3311405	4	Locknut 1/4in-20NC	
21	1060464	1	Cable - 37in/94cm Length	
22	1060465	1	Cable - 42in/106.7cm Length	
23	1060466	1	Cable - 44in/111.8cm Length	
24	1060467	1	Cable - 27in/68.6cm Length	
25	1060468	1	Cable - 33in/83.8cm Length	
26	1060469	1	Cable - 29in/73.7cm Length	
27	1060535	1	Cable - 36in/91.4cm Length	
28	1060435	1	Cable - 48in/122cm Length	
29	1060534	1	Cable - 12in/30.5cm Length	
30	0641508	1	Bolt 5/16in-18NC x 1in	
31	3311505	1	Locknut 5/16in-18NC	
32	4751500	2	Flatwasher 5/16in	
33	2540020	2	Grommet	
34	2540019	2	Grommet	
35	0840027	2	Cover, Battery Terminal (Not Shown - Located on Motor)	
36	4240084	1	Strap, Static	
37	2400045	1	Fuse	
38	2400044	1	Fuseholder	
39	0741008	2	Screw #10-24NC x 1in	
40	4751000	2	Flatwasher #10	
41	3311005	2	Locknut #10-24NC	
43	2540023	1	Grommet (30electric Non U/L Machines Only)	
44	3538157	2	Plate, Drain	
45	0791004	8	Screw, Lock #110-24NC x 1/2in	
46	1670835	4	Cover, Drain (U/L Machines)	
		Ref	<b>BATTERY BOX INSTALLATIONS</b>	

# SECTION 1 - FRAME

ITEM	PART NUMBER	QTY	DESCRIPTION	REV
		Ref	<b>Note: See SPECIAL OPTIONS SECTION for Gel-Cell Batteries</b>	
	0254499	Ref	<b>Battery Box Installations 30electric U/L with Wet Batteries</b>	7
	0257556	Ref	<b>Battery Box Installations 30electric Non U/L with Wet Batteries</b>	2
	0256123	Ref	<b>Battery Box Installations 30electric U/L with Dry Batteries</b>	-
	0254483	Ref	<b>Battery Box Installations 35electric U/L with Wet Batteries (Prior to SN 0300024526)</b>	6
	0256121	Ref	<b>Battery Box Installations 35electric U/L with Wet Batteries (SN 0300024526 to Present)</b>	9
	0257557	Ref	<b>Battery Box Installations 35electric Non U/L with Wet Batteries</b>	3
	0256125	Ref	<b>Battery Box Installations 35electric U/L with Dry Batteries (Prior to SN 0300024526)</b>	2
	0254483	Ref	<b>Battery Box Installations n35electric U/L with Wet Batteries (Prior to SN 0300023550)</b>	6
	0256121	Ref	<b>Battery Box Installations n35electric U/L with Wet Batteries (SN 0300023550 to Present)</b>	9
	0257557	Ref	<b>Battery Box Installations n35electric Non U/L with Wet Batteries</b>	2
	0256125	Ref	<b>Battery Box Installations n35electric U/L with Dry Batteries</b>	2
	0254276	Ref	<b>Battery Box Installations 40electric U/L with Wet Batteries (Prior to SN 0300024233)</b>	H
	0256530	Ref	<b>Battery Box Installations 40electric U/L with Wet Batteries (SN 0300024233 to Present)</b>	6
	0257558	Ref	<b>Battery Box Installations 40electric Non U/L with Wet Batteries</b>	2
	0256124	Ref	<b>Battery Box Installations 40electric U/L with Dry Batteries (Prior to SN 0300050377)</b>	A
	0270258	Ref	<b>Battery Box Installations 40electric U/L with Dry Batteries (SN 0300050377 to Present)</b>	1
	0254276	Ref	<b>Battery Box Installations n40electric U/L with Wet Batteries (Prior to SN 0300025492)</b>	H
	0257558	Ref	<b>Battery Box Installations n40electric Non U/L with Wet Batteries</b>	1
	0256530	Ref	<b>Battery Box Installations n40electric U/L with Wet Batteries (SN 0300025492 to Present)</b>	6
	0256124	Ref	<b>Battery Box Installations n40electric U/L with Dry Batteries (Prior to SN 0300050377)</b>	2
	0270258	Ref	<b>Battery Box Installations n40electric U/L with Dry Batteries (SN 0300050377 to Present)</b>	1
	0254276	Ref	<b>Battery Box Installations 45electric U/L with Wet Batteries (Prior to SN 0300024324)</b>	H
	0256530	Ref	<b>Battery Box Installations 45electric U/L with Wet Batteries (SN 0300024324 to Present)</b>	6
	0257558	Ref	<b>Battery Box Installations 45electric Non U/L with Wet Batteries</b>	1
	0256124	Ref	<b>Battery Box Installations 45electric U/L with Dry Batteries (Prior to SN 0300050377)</b>	A
	0270258	Ref	<b>Battery Box Installations 45electric U/L with Dry Batteries (SN 0300050377 to Present)</b>	1
101		Ref	Battery Box Weldment Options:	
101	4844689	1	Battery Box Weldment 30electric	
101	4844632	1	Battery Box Weldment 35electric (Prior to SN 0300024526)	
101	4845262	1	Battery Box Weldment 35electric (SN 0300024526 to Present)	
101	4844632	1	Battery Box Weldment n35electric (Prior to SN 0300023550)	
101	4845262	1	Battery Box Weldment n35electric (SN 0300023550 to Present)	

## SECTION 1 - FRAME

ITEM	PART NUMBER	QTY	DESCRIPTION	REV
101	4844424	1	Battery Box Weldment 40electric ( <b>Prior to SN 0300024233</b> )	
101	4845343	1	Battery Box Weldment 40electric ( <b>SN 0300024233 to Present</b> )	
101	4844424	1	Battery Box Weldment n40electric ( <b>Prior to SN 0300025492</b> )	
101	4845343	1	Battery Box Weldment n40electric ( <b>SN 0300025492 to Present</b> )	
101	4844424	1	Battery Box Weldment 45electric ( <b>Prior to SN 0300024324</b> )	
101	4845343	1	Battery Box Weldment 45electric ( <b>SN 0300024324 to Present</b> )	
102	1670696	2	Cover, Battery Box	
103	2820063	2	Insulator, Cover (U/L Machines Only)	
104	0100065	AR	Adhesive (U/L Machines Only)	
105	2940073	2	Latch	
106	4565640	2	Tube	
107		Ref	Hardware Options:	
107	3300029	4	Wingnut 3/8in-16NC (Not Shown) (30electric)	
107	4711500	8	Flatwasher 5/16in Thin (35electric/40electric/45electric)	
108		Ref	Hardware Options:	
108	0630453	4	Bolt (30electric)	
108	0641512	4	Bolt (35electric/40electric/45electric)	
109		Ref	Liner, Box Options:	
109	3000003	2	Liner, Box 30electric/40electric/45electric	
109	3000004	2	Liner, Box 35electric ( <b>Prior to SN 0300044788</b> )	
109	3000003	2	Liner, Box 35electric ( <b>SN 0300044788 to Present</b> )	
110		Ref	Battery Options:	
110	0400069	8	Wet (30electric)	
110	0400112	8	Dry (30electric)	
110	0400121	8	Wet (35electric)	
110	0400136	8	Dry (35electric)	
110	0400055	8	Wet (40electric/45electric)	
110	0400107	8	Dry (40electric/45electric)	
111	1060405	2	Cable, Battery	
112	1060092	6	Cable, Battery	
113	0100048	AR	Silicon Compound	
114	0100051	AR	Grease, Terminal	
115	1060492	4	Lanyard	
116	0630407	8	Screw, Button Head 1/4in x 5/8in	
117	3311405	8	Locknut 1/4in-20NC	
118	0840031	12	Boot, Terminal - "d" shape	
119	0840032	4	Boot, Terminal - "b" shape	
120		Ref	Hardware Options:Grommet	
120	2540016	2	Grommet (U/L Machines)	
120	3520054	2	Plug (Non U/L Machines)	
121	3760170	2	Ring	
122	1060491	2	Cable, Lanyard	
123	1320172	2	Handle, Pull	
124	4300107	4	Stud 1/2in-16NC x 2in	
125	4751800	8	Flatwasher 1/2in	
126	2940093	2	Latch (Left Hand) (35electric SN 0300024526 to Present/n35electric SN 0300023550 to Present/40electric SN 0300024233 to Present/n40electric SN 0300025492 to Present/45electric SN 0300024324 to Present)	
127	3311805	4	Locknut 1/2in-13NC	
128	2940094	2	Latch (Right Hand) (35electric SN 0300024526 to Present)	

# SECTION 1 - FRAME

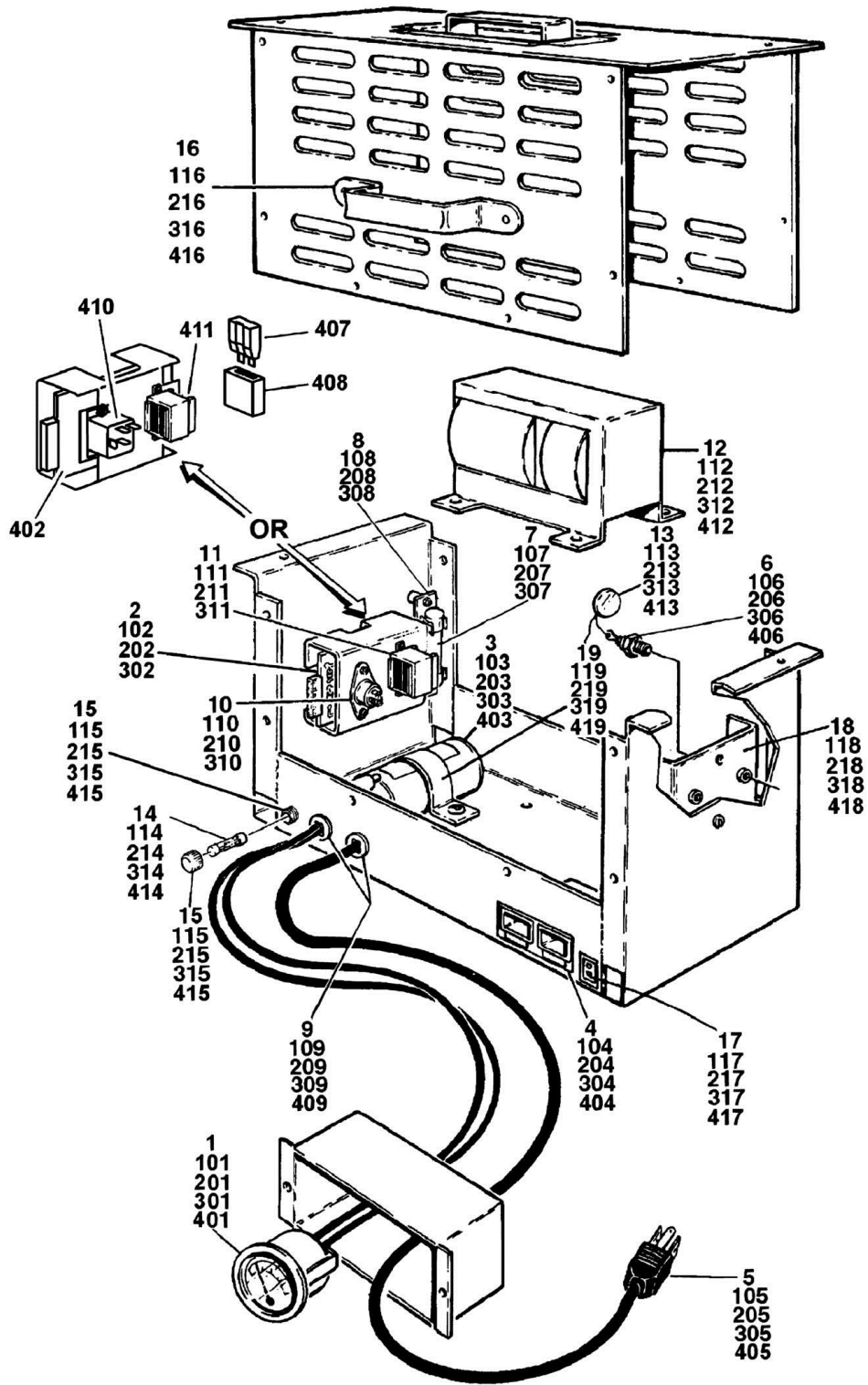
ITEM	PART NUMBER	QTY	DESCRIPTION	REV
			Present/n35electric SN 0300023550 to Present/40electric SN 0300024233 to Present/n40electric SN 0300025492 to Present/45electric SN 0300024324 to Present)	
129		Ref	Insulator Options:	
129	Not Required	0	Non U/L Machines	
129	2820065	4	Insulator 30electricU/L	
129	2820066	4	Insulator 35electric U/L	
129	2820067	4	Insulator 40electric/45electric U/L	
130	4761500	16	Lockwasher 5/16in	
135	3421799	4	Pin, Quick Release (30electric/35electric Prior to SN 0300024526/n35electric Prior to SN 0300023550/40electric Prior to SN 0300024233/n40electric Prior to SN 0300025492/45electric Prior to SN 0300024324)	
136	0641612	4	Bolt 3/8in-16NC x 1 1/2in	
137	4751600	8	Flatwasher 3/8in	
138	3311605	4	Locknut 3/8in-16NC	
	0254603	Ref	<b>TILT INDICATOR INSTALLATION</b>	-
201	4360371	1	Sensor, Level	
201	7012608	1	Fuse 1.5 Amp (Black Version)	
201	Not Required	0	Fuse (Blue and Orange Version)	
203	0641406	2	Bolt 1/4in-20NC x 3/4in	
204	3311405	2	Locknut 1/4in-20NC	
		Ref	<b>BATTERY CHARGER INSTALLATIONS</b>	
		Ref	<b>Note: See SPECIAL OPTIONS SECTION for Gel-Cell Battery Chargers and Connections</b>	
	0254801	Ref	<b>110V/60HZ UL USA/CSA/LATIN AMERICA SPECS</b>	A
	0257564	Ref	<b>110V/60Hz Non-UL USA/CSA/Latin America Spec</b>	2
	0257479	Ref	<b>220V/60Hz UL USA/CSA/Latin America/Brazil Specs</b>	2
	0255743	Ref	<b>220V/50Hz UL Latin America Spec</b>	2
	0253241	Ref	<b>100V/50-60Hz Non-UL Japanese Spec</b>	5
301		Ref	Battery Charger Assembly Options (See BATTERY CHARGER ASSEMBLY for Breakdown)	
301	0400124		110V/60Hz U/L USA/CSA/Latin America Specs	
301	0400162		110V/60Hz Non-U/L USA/CSA/Latin America Specs	
301	0400158		220V/60Hz U/L USA/CSA/Latin America Specs	
301	0400137		220V/50Hz U/L USA/CSA/Latin America Specs	
301	0400135		100V/60Hz Non-U/L Japanese Spec	
302	0641408	2	Bolt 1/4in-20NC x 1in	
303	4711400	2	Flatwasher 1/4in Narrow	
304	3311405	2	Locknut 1/4in-20NC	
305	4761400	2	Lockwasher 1/4in	
306	0641408	2	Bolt 1/4in-20NC x 1in	
307		Ref	Instructions Decal Options (Not Shown):	
307	1701695	1	110V English Language	
307	1702352	1	220V English Language	
307	1702950	1	110V Spanish Language	
307	1702949	1	220V Spanish Language	
308	3300181	2	Nut, Retainer 1/4in-20NC	





# SECTION 1 - FRAME

## FIGURE 1-8. BATTERY CHARGER ASSEMBLY



# SECTION 1 - FRAME

## FIGURE 1-8. BATTERY CHARGER ASSEMBLY

ITEM	PART NUMBER	QTY	DESCRIPTION	REV
		Ref	<b>Note: Battery charger serial number nameplate located on right side of charger. First line is the charger spec and date code. Prior to mid-February 1996 Example: BA515 (Spec) AP (Date Code).</b>	
		Ref	<b>First letter in the date code indicates month (A - January/ B - February/C- March/etc. With exception of letter "I" which is not used). Second letter indicates year (N-1992/O-1993/P-1994/S-1995/T-1996 etc.).</b>	
		Ref	<b>After mid-February 1996 Example: BA515 (Spec) 9631 (Date Code). First and second digits in the date code indicate year. Third and fourth digits indicate the week of manufacture.</b>	
	0400124	Ref	<b>BATTERY CHARGER ASSEMBLY (PRODUCTION) - 110V/60HZ U/L USA/CSA/LATIN AMERICA SPECS</b>	-
		Ref	<b>Note: This Charger Was Used During Production and Uses A Triac. Service Replacement Chargers Use A Relay. See Items 401-420 For Chargers Containing A Relay.</b>	
1	7011573	1	Ammeter	
2		Ref	Circuit Board Options:	
2	7011662	1	Prior to January 1995 (Was p/n 7011629)	
2	7011662	1	January 1995 to Present	
3	7018500	1	Condenser (Was p/n 7011574)	
4	7011590	1	Connector, DC	
5	7011643	1	Cord, AC	
6	7011576	2	Diode	
7	7011593	1	Fuse, DC - 45 Amp	
8	7011594	1	Holder, Fuse - DC	
9	7011646	2	Relief, Strain (AC Cord)	
9	7011528	1	Relief, Strain (DC Cord)	
10	7011517	1	Triac	
11	7011518	1	Transformer, Control	
12	7011595	1	Transformer, Main	
13	7011584	1	Varistor	
14	7011645	1	Fuse, AC - 25 Amp	
15	7011507	1	Holder, Fuse - AC	
16	Not Available	2	Handle	
17	7011621	1	Connector, Enable Switch	
18	7011610	1	Heatsink	
19	7011511	1	Strap, Condenser	
	0400162	Ref	<b>BATTERY CHARGER ASSEMBLY-110V/60HZ NON-UL USA/CSA/LATIN AMERICA SPECS</b>	A
101	7011573	1	Ammeter	
102	7011662	1	Board, Circuit	
103	7020624	1	Condenser (Was p/n 7011574)	
104	7011590	1	Connector, DC	
105	7011591	1	Cord, AC	
106	7011668	2	Diode	
107	7011593	1	Fuse, DC - 45 Amp	
108	7011594	1	Holder, Fuse - DC	
109	7011646	2	Relief, Strain (AC Cord)	
109	7011528	1	Relief, Strain (DC Cord)	
110	7018572	1	Triac	
111	7011518	1	Transformer, Control	

# SECTION 1 - FRAME

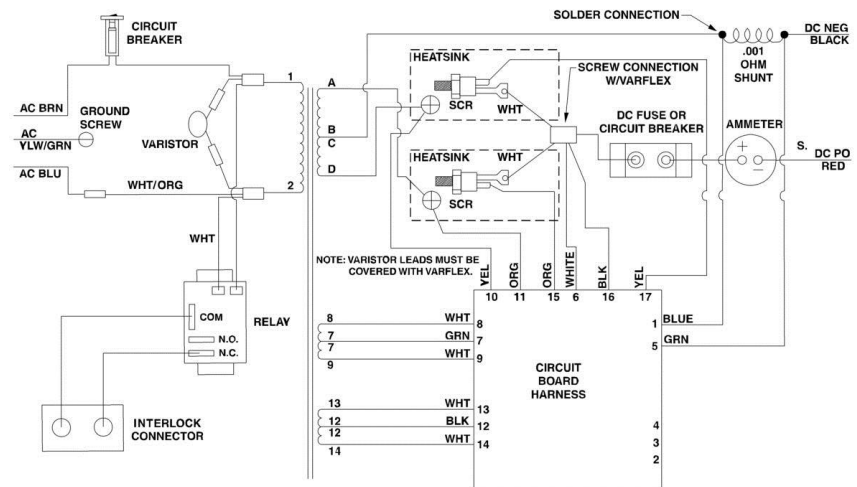
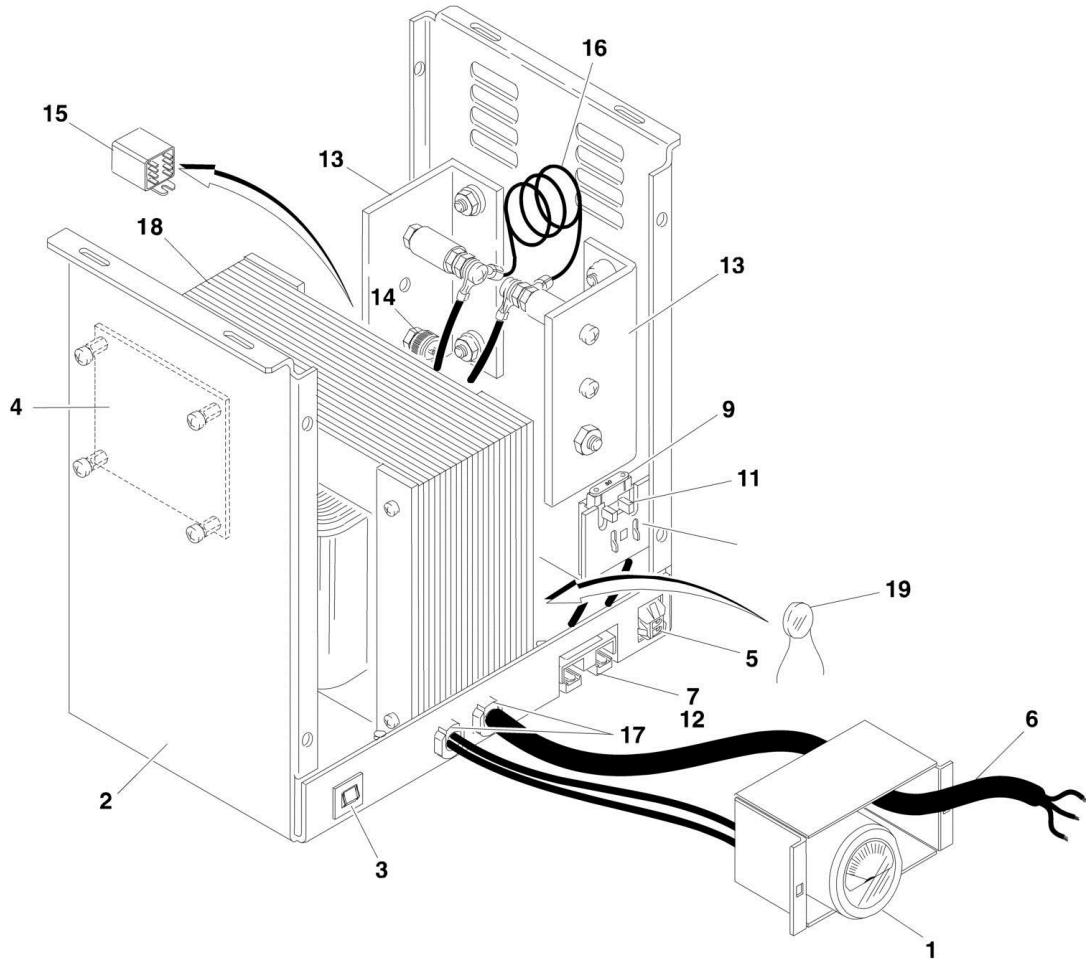
ITEM	PART NUMBER	QTY	DESCRIPTION	REV
112	7018574	1	Transformer, Main	
113	7011584	1	Varistor	
114	7011645	1	Fuse, AC - 25 Amp	
115	7011507	1	Holder, Fuse - AC	
116	Not Available	2	Handle	
117	7011621	1	Connector, Enable Switch	
118	7018539	1	Heatsink	
119	7011511	1	Strap, Condenser	
	0400158	Ref	<b>BATTERY CHARGER ASSEMBLY 220V/60HZ ULUSA/CSA/LATIN AMERICA/BRAZIL SPECS</b>	B
201	7011573	1	Ammeter	
202	7018538	1	Board, Circuit	
203	7020624	1	Condenser (Was p/n 7011574)	
204	7011590	1	Connector, DC	
205	7011677	1	Cord, AC	
206	7011668	2	Diode	
207	7018570	1	Fuse, DC - 80 Amp	
208	7018571	1	Holder, Fuse - DC	
209	7011646	2	Relief, Strain (AC Cord)	
209	7011528	1	Relief, Strain (DC Cord)	
210	7018572	1	Triac	
211	7011551	1	Transformer, Control	
212	7018573	1	Transformer, Main	
213	7011584	1	Varistor	
214	7018569	1	Fuse, AC - 15 Amp	
215	7011507	1	Holder, Fuse - AC	
216	Not Available	2	Handle	
217	7011621	1	Connector, Enable Switch	
218	7018539	1	Heatsink	
219	7011511	1	Strap, Condenser	
	0400137	Ref	<b>BATTERY CHARGER ASSEMBLY 220V/50HZ UL LATIN AMERICA/BRAZIL SPEC (Note: Complete Charger No Longer Available For Replacement Use Charger p/n 0400198. See BATTERY CHARGER ASSEMBLY - 220V/50HZ UL (SERVICE REPLACEMENT - LATIN AMERICA/BRAZIL SPEC) for Service Parts Breakdown of Charger p/n 0400198.)</b>	B
301	7011573	1	Ammeter	
302	7018538	1	Board, Circuit	
303	7011574	1	Condenser	
304	7011590	1	Connector, DC	
305		Ref	Cord, AC Options:	
305	7011572	1	Prior to Date Code 9906	
305	7011674	1	Date Code 9907 to Present	
306	7011576	2	Diode	
307	7011593	1	Fuse, DC - 80 Amp	
308	7011594	1	Holder, Fuse - DC	
309	7011646	2	Relief, Strain (AC Cord)	
309	7011528	1	Relief, Strain (DC Cord)	
310	7011517	1	Triac	
311	7011551	1	Transformer, Control	
312	7011598	1	Transformer, Main	
313	7011584	1	Varistor	
314	7011508	1	Fuse, AC - 15 Amp	

## SECTION 1 - FRAME

ITEM	PART NUMBER	QTY	DESCRIPTION	REV
315	7011507	1	Holder, Fuse - AC	
316	Not Available	2	Handle	
317	7011621	1	Connector, Enable Switch	
318	7018539	1	Heatsink	
319	7011511	1	Strap, Condenser	
	0400124	Ref	<b>BATTERY CHARGER ASSEMBLY (SERVICE REPLACEMENT) - 110V/60HZ U/L USA/CSA/LATIN AMERICA SPECS (Note: This Charger Is Used For Service Replacement And Uses a Relay. Production Chargers Used a Triac. See Items 1-19 For Chargers Containing a Triac.)</b>	-
401	7011573	1	Ammeter	
402	7022961	1	Board, Circuit	
403	7020624	1	Condenser	
404	7011590	1	Connector, DC	
405	7022962	1	Cord, AC	
406	7011668	1	Diode	
407	7020691	1	Fuse, DC	
408	7018571	1	Holder, Fuse - DC	
409	7011646	2	Relief, Strain (AC Cord)	
409	7020659	1	Relief, Strain (DC Cord)	
410	7018506	1	Relay	
411	7011518	1	Transformer, Control	
412	7022963	1	Transformer, Main	
413	7011596	1	Varistor	
414	7011645	1	Fuse, AC	
415	7011507	1	Holder, Fuse - AC	
416	Not Available	2	Handle	
417	7011621	1	Connector, Enable Switch	
418	7018539	1	Heatsink	
419	7011511	1	Strap, Condenser	
420	7020687	1	Harness, Relay (Not Shown)	

# SECTION 1 - FRAME

FIGURE 1-9. BATTERY CHARGER ASSEMBLY - 220V/50HZ UL (SERVICE REPLACEMENT - LATIN AMERICA/BRAZIL SPEC)



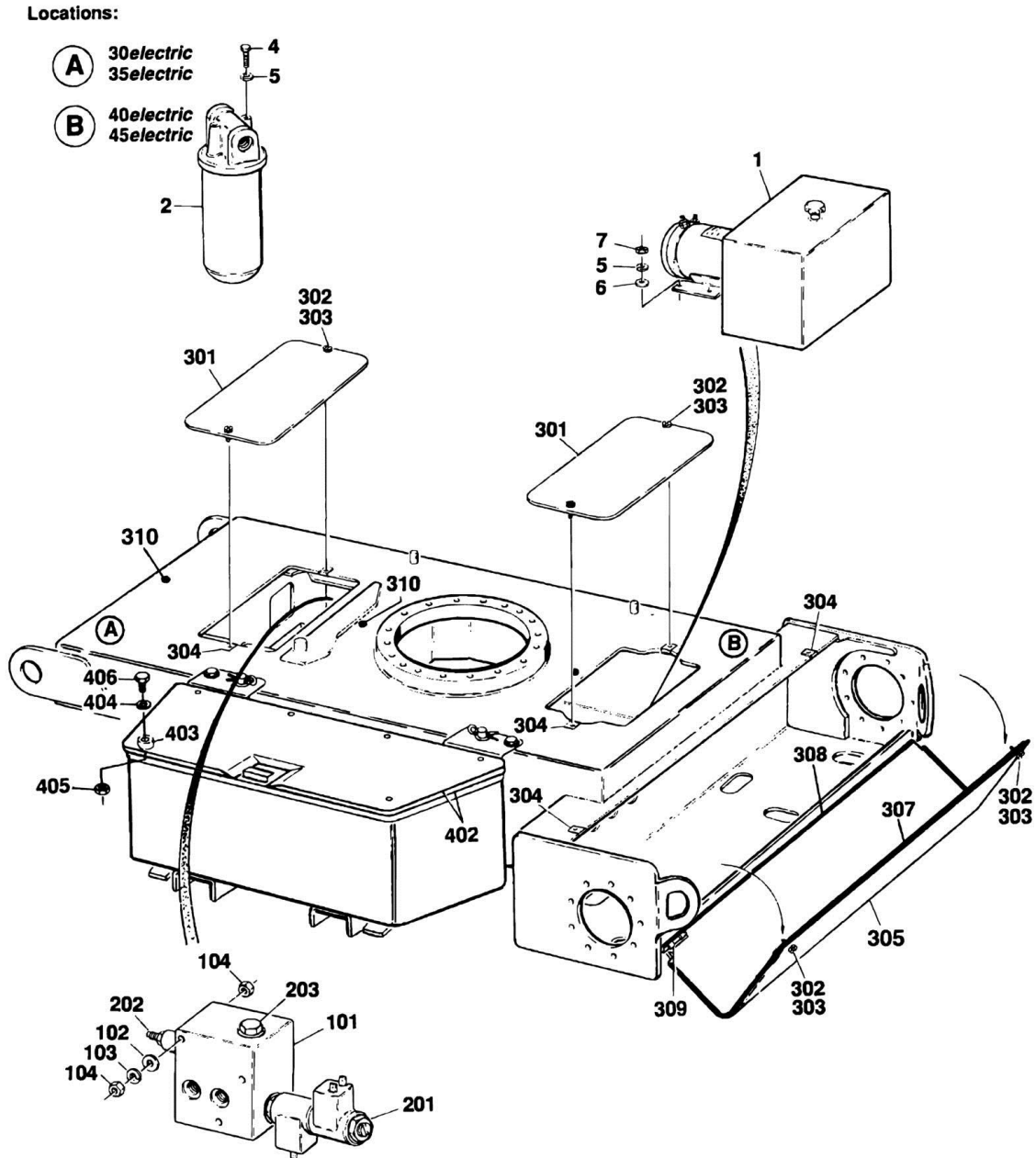
## SECTION 1 - FRAME

**FIGURE 1-9. BATTERY CHARGER ASSEMBLY - 220V/50HZ UL (SERVICE REPLACEMENT - LATIN AMERICA/BRAZIL SPEC)**

ITEM	PART NUMBER	QTY	DESCRIPTION	REV
	0400198	Ref	<b>BATTERY CHARGER ASSEMBLY - LATIN AMERICA/BRAZIL SPECS (SERVICE REPLACEMENT FOR 0400137 BATTERY CHARGER)</b>	
1	7011573	1	Ammeter (was p/n 7022915)	
2	7022904	1	Cover Assembly, Case	
3	7018525	1	Breaker, Circuit	
4	7022938	1	Board, Circuit (was p/n 7022934)	
5	7011621	1	Connector	
6	7022914	1	Cord, AC	
7	7022916	1	Cord, DC	
8	7018577	2	Capacitor Assembly (Not Shown)	
9	7011593	1	Fuse, DC - 45 Amp	
10	7020658	1	Harness (Not Shown)	
11	7011594	1	Holder, Fuse - DC	
12	7011590	1	Connector, DC	
13	7020649	2	Recifier Assembly	
14	7020650	1	Recifier (1 Per Assembly)	
15	7018563	1	Relay	
16	7020674	1	Shunt Assembly	
17	7011529	1	Strain Relief	
17	7020659	1	Strain Relief	
18	7022939	1	Transformer (was p/n 7022917)	
19	7020633	1	Varistor Assembly	

# SECTION 1 - FRAME

FIGURE 1-10. HYDRAULIC COMPONENTS AND COVERS INSTALLATION (FRAME MOUNTED)





## SECTION 1 - FRAME

**FIGURE 1-10. HYDRAULIC COMPONENTS AND COVERS INSTALLATION (FRAME MOUNTED)**

ITEM	PART NUMBER	QTY	DESCRIPTION	REV
	0254708	Ref	<b>MOTOR/PUMP/TANK AND FILTER INSTALLATION - MODEL 30ELECTRIC</b>	
	0252339	Ref	<b>MOTOR/PUMP/TANK AND FILTER INSTALLATION - MODEL 35ELECTRIC</b>	E
	0271913	Ref	<b>MOTOR/PUMP/TANK AND FILTER INSTALLATION (W/FILTER FOR FIRE RESISTANT HYDRAULIC FLUID) - MODEL 35ELECTRIC</b>	1
	0254299	Ref	<b>MODEL/PUMP/TANK AND FILTER INSTALLATION - MODEL 40ELECTRIC &amp; 45ELECTRIC</b>	B
1		Ref	Pump/Motor/Tank Assembly Options:	
1		Ref	Pump/Motor/Tank Assembly <b>(Prior to SN 27665)</b>	
1	3600192	1	Pump/Motor/Tank Assembly	A
1	7013700	1	Pump Assembly	
1	2900813	1	Seal Kit (Includes All O-Rings, Seals and Filters)	
1	7013702	1	Filter	
1	7013703	1	Electric Motor Assembly	
1	7022200	1	Brush Kit (Lessen Motor) (was p/n 7013704)	
1	7016766	1	Brush Kit (Ohio Motor)	
1	7013729	1	Coupling	
1	7013706	1	Reservoir	
1	7013707	1	Relief Cartridge Assembly	
1	7013708	1	Check Valve Assembly	
1	7013709	1	Breather/Dipstick Assembly	
1		Ref	Breather/Dipstick Assembly <b>(SN 27665 to Present)</b>	
1	3600261	1	Pump/Motor/Tank Assy	B
1	7016717	1	Pump Assembly	
1	7013701	1	Seal Kit (Includes all O-Rings, Seals and Filters)	
1	7013723	1	Filter	
1	70002418	1	Fitting, 90, Elbow Suction	
1	7013716	1	Seal, Shaft	
1	7013743	1	O-Ring	
1	7013717	1	Washer	
1	7013727	1	Cover, Suction	
1	7013713	2	Bolt, Torx (Pump to Motor)	
1	7013728	2	Screw M6-10 x 12mm	
1	3931516	1	Screw 5/16in-18 x 1in	
1	7013703	1	Electric Motor Assembly	
1	7022200	1	Brush Kit	
1	7022202	1	Armature	
1	7016740	1	Endhead	
1	7013744	1	Adaptor, Endhead	
1	7016739	4	Lockwasher	
1	7016725	4	Screw 1/4in-20NC x 3/4in	
1	7013748	1	Tag, Caution	
1	7013729	1	Coupling	
1	7013706	1	Reservoir	
1	7013750	1	Relief Cartridge Assy.	
1	7013715	1	Ball, Steel	
1	7013733	1	Spring	
1	7013719	1	Ball, Steel	
1	7013722	1	Plug, Magnet	

# SECTION 1 - FRAME

ITEM	PART NUMBER	QTY	DESCRIPTION	REV
1	7013740	4	Screw 12-24 x .29	
1	7013770	1	Screw, Valve Adjustment	
2	2120105	1	Filter, Return	
2	2120072	1	Element, Filter	
2	2120165	1	Filter, Return (For Fire Resistant Hydraulic Oil)	
2	2120158	1	Element, Filter	
3	0100009	AR	Silicone	
4	3911410	2	Screw, Machine 1/4in-20NC x 5/8in	
5	4761400	6	Lockwasher 1/4in	
6	4751400	4	Flatwasher 1/4in	
7	3311401	4	Nut 1/4in-20NC	
	0252290	Ref	<b>VALVE INSTALLATION - MODEL 30ELECTRIC</b>	B
	0254298	Ref	<b>VALVE INSTALLATION - MODEL 35ELECTRIC</b>	2
	0253650	Ref	<b>VALVE INSTALLATION - MODEL 40ELECTRIC &amp; 45ELECTRIC</b>	8
101	4640726	1	Control Valve Assembly (See Items 201-203 for Breakdown)	
102	4751400	2	Flatwasher 1/4in	
103	4761400	2	Lockwasher 1/4in	
104	3311401	2	Nut 1/4in-20NC	
	4640726	Ref	<b>CONTROL VALVE ASSEMBLY - HYDRO-AIR (STEER)</b>	G
201	7010537	1	Cartridge - Complete Solenoid (Steer Directional Controls)	
201	7010538	2	Coil	
201	7010539	1	Seal Kit	
201	7012951	1	Weatherproof Kit	
202	7010540	1	Cartridge - Complete (Steer Pressure Relief) <b>(Prior to SN 31641)</b>	
202	7010541	1	Seal Kit	
202	7012912	1	Cartridge - Complete (Steer Pressure Relief) <b>(SN 31641 to Present)</b>	
202	7012998	1	Seal Kit	
203	7010542	1	Cartridge - Complete (Steer Shuttle Valve)	
203	7010543	1	Seal Kit	
		Ref	<b>FRAME COVERS INSTALLATIONS</b>	
	0254605	Ref	<b>Frame Covers Installations 30electric</b>	B-2
	0254291	Ref	<b>Frame Covers Installations 35/40/45electric</b>	A
	0254292	Ref	<b>Frame Covers Installations 35/40/45electric</b>	A
301	3535959	2	Plate, Cover	
302	3900174	6	Screw, Special	
303	3760308	6	Retainer	
304	1380138	6	Clip, Receptacle	
305		Ref	Cover, Rear Axle Options:	
305	4844778	1	Cover, Rear Axle 30electric	
305	4844602	1	Cover, Rear Axle 35/40/45electric	
305	4844603	1	Cover, Rear Axle n35/n40electric	
306	0940036	2	Bumper, Rubber	
307	3960447	8 ft/2.5m	Seal, Self-Grip	
308	3960433	4 ft/1.3m	Seal	
309	3300371	4	Wingnut	
310	3520026	3	Plug, Hole	
	0252986	Ref	<b>OPTIONAL BATTERY BOX COVERS INSTALLATION - MODEL 30ELECTRIC ONLY</b>	-
402	1670650	2	Cover, Battery Box	
403	4565755	12	Tube	
404	4711400	12	Flatwasher 1/4in	

**SECTION 1 - FRAME**

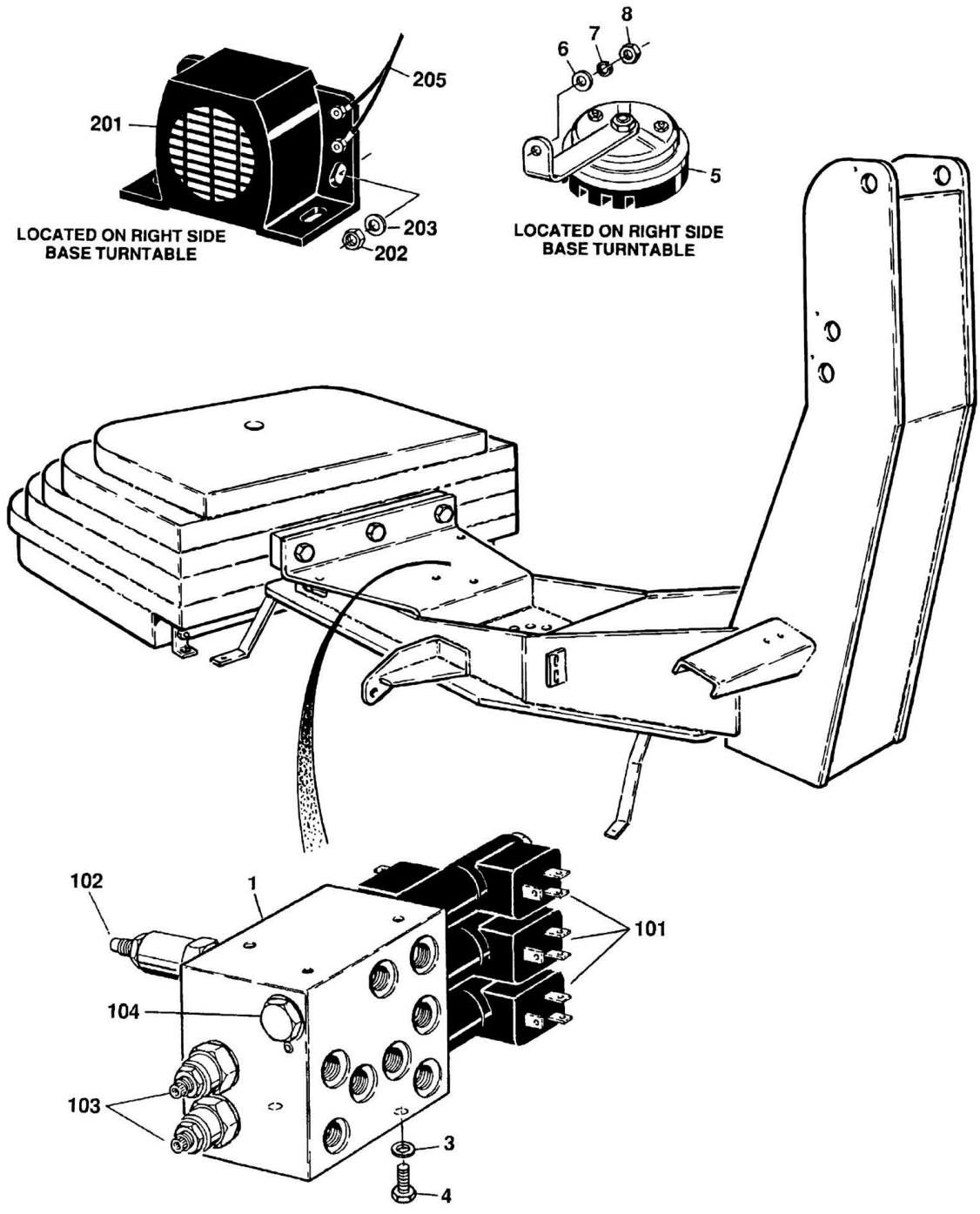
<b>ITEM</b>	<b>PART NUMBER</b>	<b>QTY</b>	<b>DESCRIPTION</b>	<b>REV</b>
405	3311405	12	Locknut 1/4in-20NC	
406	0641412	12	Bolt 1/4in-20NC x 1 1/2in	



**SECTION 2 - TURNTABLE**

# SECTION 2 - TURNTABLE

FIGURE 2-1. TURNTABLE MOUNTED COMPONENTS INSTALLATIONS - MODEL 30ELECTRIC



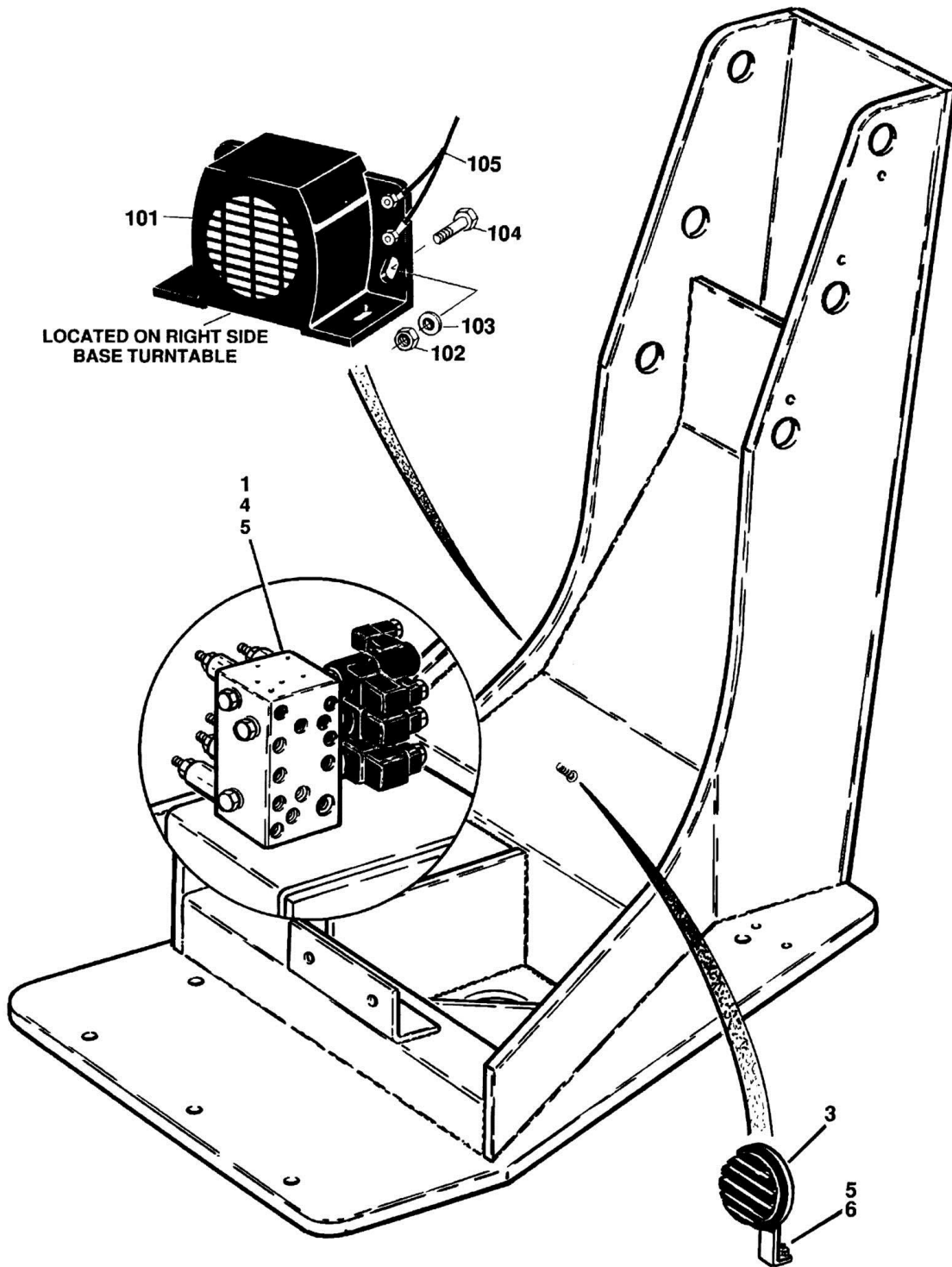
## SECTION 2 - TURNTABLE

**FIGURE 2-1. TURNTABLE MOUNTED COMPONENTS INSTALLATIONS - MODEL 30ELECTRIC**

ITEM	PART NUMBER	QTY	DESCRIPTION	REV
	0252290	Ref	<b>VALVE AND HORN INSTALLATION</b>	B
1	4640725	1	Control Valve Assembly - Hydro-Air (Swing and Lift) (Includes Items 101-104)	
3	4761500	2	Lockwasher 5/16in	
4	0641508	2	Bolt 5/16in-18NC x 1in	
5	0140028	1	Horn	
6	4751400	1	Flatwasher 1/4in	
7	4761400	1	Lockwasher 1/4in	
8	3311401	1	Nut 1/4in-20NC	
	4640725	Ref	<b>CONTROL VALVE ASSEMBLY - HYDRO-AIR (SWING AND LIFT)</b>	A
101	7010546	3	Cartridge - Complete (Direction Control - Swing, Main/Main/Upper Lift Up/Down and Tower/Lower Lift Up/Down)	
101	7010538	6	Coil (2 Per Cartridge)	
101	7010539	3	Seal Kit	
102	7010540	3	Cartridge - Complete (Swing Crossover/Pressure Relief/Relief/Lift Down Relief)	
102	7010541	3	Seal Kit	
103	7010544	2	Cartridge - Complete (Lift Down Speed/Flow Control)	
103	7010545	2	Seal Kit	
104	7010542	1	Cartridge - Complete (Swing Shuttle Valve)	
104	7010543	1	Seal Kit	
		Ref	<b>MOTION ALARM KITS (OPTIONAL)</b>	
	2901212	Ref	<b>Motion Alarm Kits (Optional) without Numbered Colored Wire (Prior to SN 36544)</b>	-
	2901560	Ref	<b>Motion Alarm Kits (Optional) with Numbered Colored Wire (SN 36544 to Present)</b>	1
201	0140031	1	Alarm, Motion (Remove ground strap before installation)	
202	3311405	2	Locknut 1/4in-20NC	
203	4711400	4	Flatwasher 1/4in	
205		Ref	Harness Options:	
205	4921425	1	Harness without Numbered Colored Wire <b>(Prior to SN 36544)</b>	
205	4922076	1	Harness with Numbered Colored Wire <b>(SN 36544 to Present)</b>	

## SECTION 2 - TURNTABLE

FIGURE 2-2. TURNTABLE MOUNTED COMPONENTS INSTALLATIONS - MODEL 35ELECTRIC





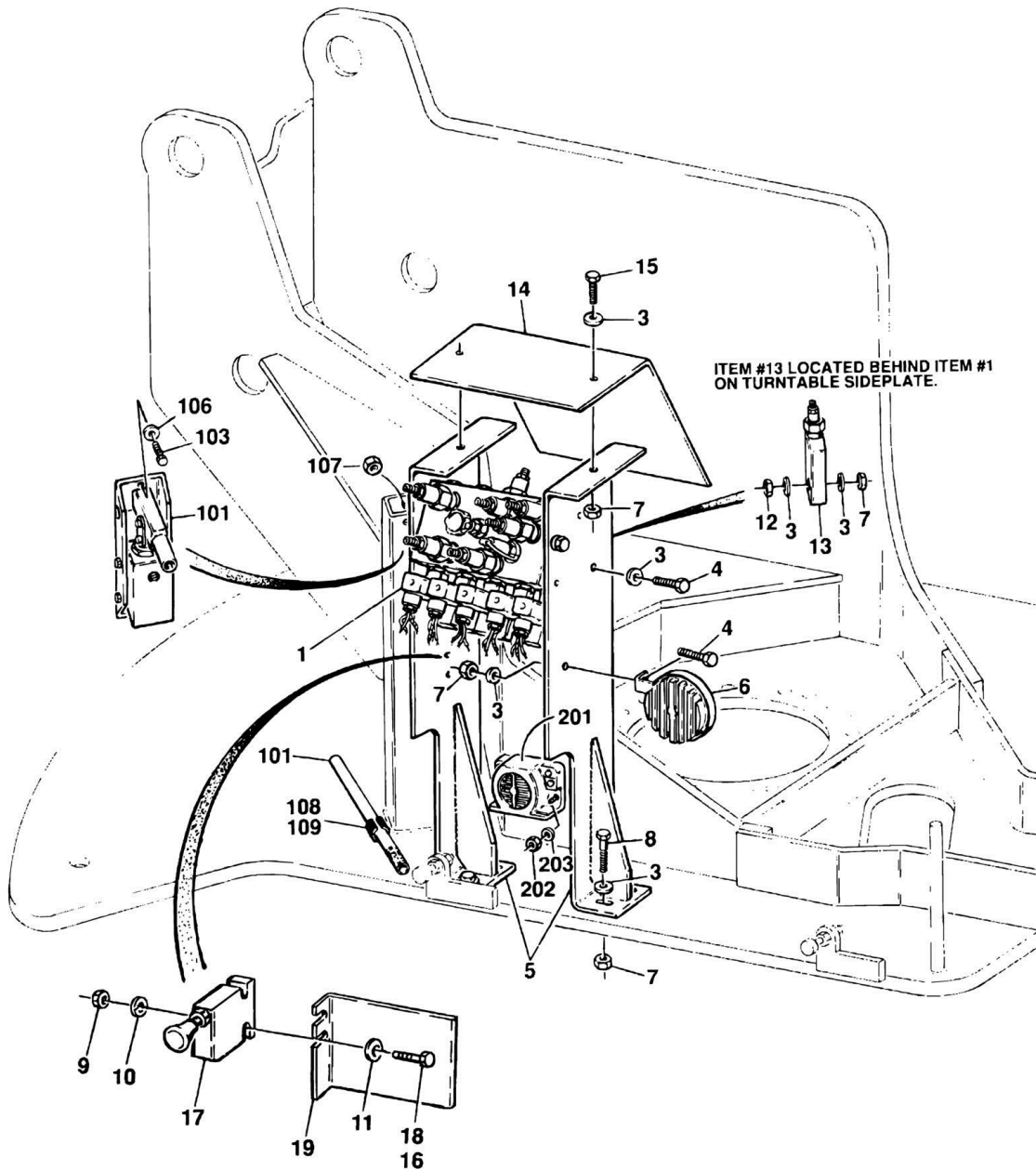
## SECTION 2 - TURNTABLE

**FIGURE 2-2. TURNTABLE MOUNTED COMPONENTS INSTALLATIONS - MODEL 35ELECTRIC**

ITEM	PART NUMBER	QTY	DESCRIPTION	REV
	0254298	Ref	<b>VALVES AND HORN INSTALLATION</b>	2
1		Ref	Control Valve Assembly Options (See CONTROL VALVE ASSEMBLY for Breakdown):	
1	4640843	1	Control Valve Assembly <b>(Prior to SN 34056)</b>	
1	4641026	1	Control Valve Assembly <b>(SN 34056 to Present)</b>	
3	0140028	1	Horn	
4	0641507	2	Bolt 5/16in-18NC x 7/8in	
5	4751500	3	Flatwasher 5/16in	
6	3311505	1	Locknut 5/16in-18NC	
	0100011	AR	Loctite #242	
		Ref	<b>MOTION ALARM KITS</b>	
	2901302	Ref	<b>Motion Alarm Kits without Numbered Colored Wire (Prior to SN 36648)</b>	A
	2901600	Ref	<b>Motion Alarm Kits with Numbered Colored Wire (SN 36648 to Present)</b>	1
101	0140031	1	Alarm, Motion (Remove ground strap before installation)	
102	3311405	2	Locknut 1/4in-20NC	
103	4711400	4	Flatwasher 1/4in	
104	0641410	2	Bolt 1/4in-20NC x 1 1/4in	
105		Ref	Harness	
105	4921425	1	Harness without Numbered Colored Wire <b>(Prior to SN 36648)</b>	
105	4922076	1	Harness with Numbered Colored Wire <b>(SN 36648 to Present)</b>	

## SECTION 2 - TURNTABLE

FIGURE 2-3. TURNTABLE MOUNTED COMPONENTS INSTALLATIONS - MODEL 40ELECTRIC & 45ELECTRIC



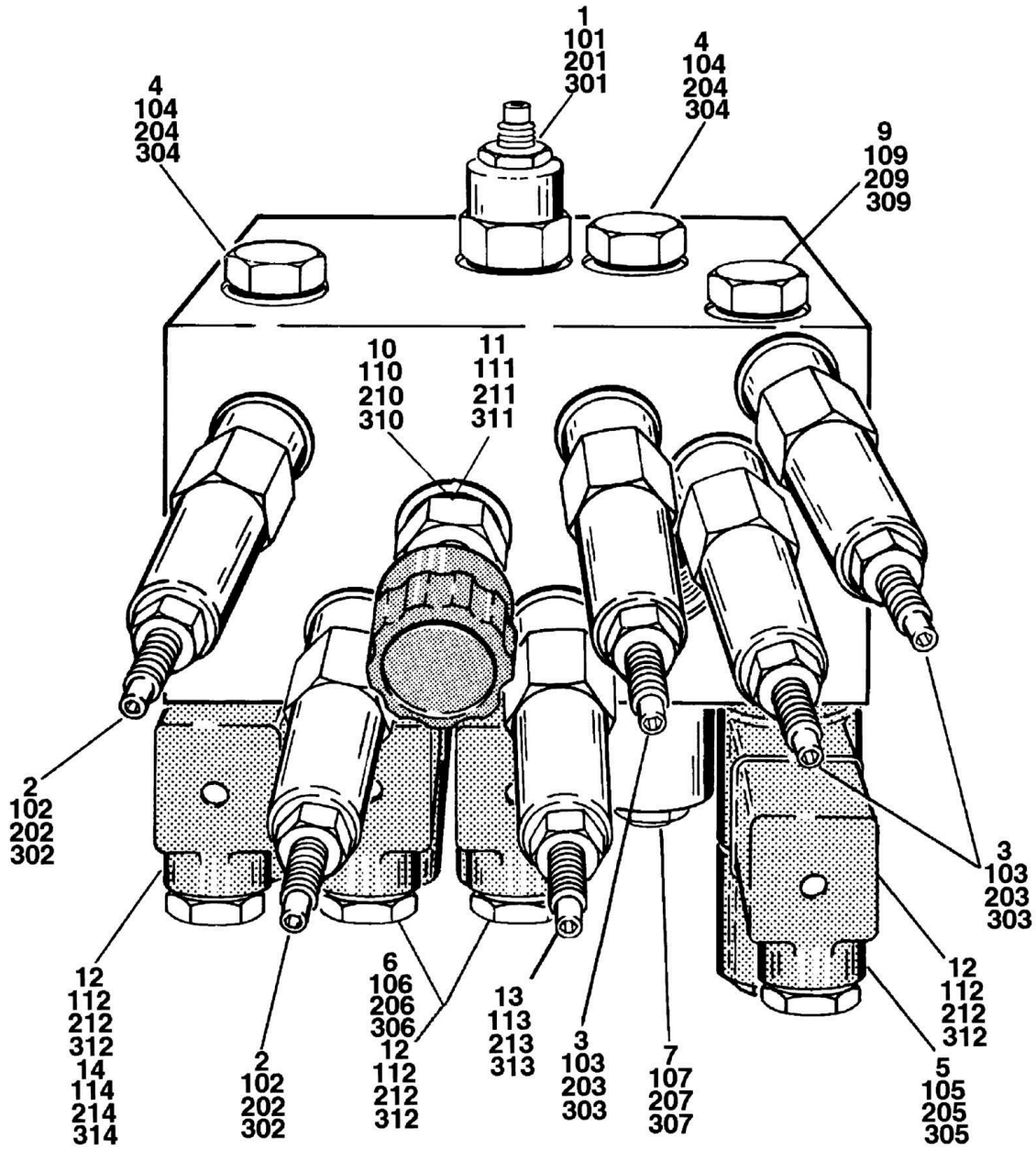
## SECTION 2 - TURNTABLE

**FIGURE 2-3. TURNTABLE MOUNTED COMPONENTS INSTALLATIONS - MODEL 40ELECTRIC & 45ELECTRIC**

ITEM	PART NUMBER	QTY	DESCRIPTION	REV
	0253650	Ref	<b>VALVES AND HORN INSTALLATION</b>	8-F
1		Ref	Control Valve Assembly Options (See CONTROL VALVE ASSEMBLY for Breakdown):	
1	4640797	1	Control Valve Assembly ( <b>Prior to SN 0300034056</b> )	
1	4641025	1	Control Valve Assembly ( <b>SN 0300034056 to Present</b> )	
3	4711500	12	Flatwasher 5/16in Thin	
4	0641506	4	Bolt 5/16in-18NC x 3/4in	
5	4844365	1	Bracket, Valve Mounting	
6	0140028	1	Horn	
7	3311505	7	Locknut 5/16in-18NC	
8	0641514	4	Bolt 5/16in-18NC	
9	3311401	6	Nut 1/4in-20NC	
10	4761400	4	Lockwasher 1/4in	
11	4751400	6	Flatwasher 1/4in Regular	
12	3311501	1	Nut 5/16in-18NC	
13	4640814	1	Relief Valve Assembly	
13	7011322	1	Cartridge, Valve	
14	4060854	1	Shield, Valve	
15	0641508	2	Bolt 5/16in-18NC x 1in	
16	0100011	AR	Loctite #242 (Not Shown)	
17	4640866	1	Manual Valve Assembly	
17	2900708	1	Seal Kit - 4640866 Valve	
18	0641418	2	Bolt 1/4in-20NC x 2 1/4in	
19	0902051	1	Bracket, Decal Mounting ( <b>Prior to SN 0300052185</b> )	
	0253708	Ref	<b>MANUAL DESCENT COMPONENTS INSTALLATION</b>	C
101	3600179	1	Pump Assembly	
101	2900779	1	Seal Kit	
101	7010652	1	Handle	
101	3600179	NLA	Pump w/o Handle (was p/n 7016673 - No Longer Available)	
103	0641518	2	Bolt 5/16in-18NC x 2 1/4in	
106	4751500	4	Flatwasher 5/16in Regular	
107	3311501	2	Nut 5/16in-18NC	
108	1380132	1	Clip, Gripper	
109	4300106	1	Stud, Special	
		Ref	<b>ALARM KITS</b>	
	2901249	Ref	<b>Motion Alarm Kit without Numbered Colored Wire (Prior to SN 0300036648)</b>	2
	2901601	Ref	<b>Motion Alarm Kit with Numbered Colored Wire (SN 0300036648 to Present)</b>	1
	2901250	Ref	<b>Tilt Alarm Kit</b>	A
201	0140031	1	Alarm, Motion (Remove ground strap before installation)	
202	3311405	2	Locknut 1/4in-20NC	
203	4711400	4	Flatwasher 1/4in Regular	
204		Ref	Harness Options (Not Shown):	
204	4921425	1	Harness w/o Numbered Colored Wire ( <b>Prior to SN 0300036648</b> )	
204	4922076	1	Harness with Numbered Colored Wire ( <b>SN 0300036648 to Present</b> )	

## SECTION 2 - TURNTABLE

FIGURE 2-4. CONTROL VALVE ASSEMBLY - MODELS 35ELECTRIC, 40ELECTRIC & 45ELECTRIC



**SECTION 2 - TURNTABLE**

**FIGURE 2-4. CONTROL VALVE ASSEMBLY - MODELS 35ELECTRIC, 40ELECTRIC & 45ELECTRIC**

ITEM	PART NUMBER	QTY	DESCRIPTION	REV
		Ref	<b>CONTROL VALVE ASSEMBLY - MODELS 35ELECTRIC, 40ELECTRIC &amp; 45ELECTRIC</b>	
	4640797	Ref	<b>CONTROL VALVE ASSEMBLY - MODELS 45electric &amp; 40electric (Prior to SN 34056)</b>	C
1	7009795	1	Cartridge, Flow Control Valve (Lower Lift Down)	
2	7010540	2	Cartridge, Relief Valve (Upper Lift Down and Swing)	
3	7012912	3	Cartridge, Relief Valve (Platform Level and Telescope)	
4	7010542	2	Cartridge, Shuttle Valve (Swing)	
5	7010546	1	Cartridge, Solenoid Valve (Platform Level)	
5	7010538	2	Coil (2 Per Assembly)	
6	7012948	2	Cartridge, Solenoid Valve (Lift)	
6	7010538	4	Coil (2 Per Assembly)	
7	7012946	2	Cartridge, Solenoid Valve (Telescope)	
7	7010538	2	Coil (1 Per Assembly)	
9	7012914	2	Cartridge, Check Valve (Platform Level)	
10	7012947	1	Cartridge, Valve (Manual Descent)	
11	7012949	1	Knob	
12	4460499	8	Connector, Electrical	
13	7012912	1	Cartridge, Relief Valve (Lower Lift)	
14	7010546	1	Cartridge, Solenoid Valve (Swing)	
14	7010538	2	Coil (2 Per Assembly)	
	7010545	1	Seal Kit (For Item 1)	
	7010541	6	Seal Kit (For Items 2, 3 & 13)	
	7010543	5	Seal Kit (For Items 4, 7 & 10)	
	7010539	4	Seal Kit (For Items 5, 6 & 14)	
	7012918	2	Seal Kit (For Item 9)	
	7012951	6	Weatherproofing Kit (For Items 5, 6, 7 & 14)	
	4641025	Ref	<b>CONTROL VALVE ASSEMBLY - MODELS 45electric &amp; 40electric (SN 34056 to Present)</b>	A
101	7012997	1	Cartridge, Flow Control Valve (Lower Lift Down)	
102	7012981	2	Cartridge, Relief Valve (Upper Lift Down and Swing)	
103	7012912	3	Cartridge, Relief Valve (Platform Level and Telescope)	
104	7010542	2	Cartridge, Shuttle Valve (Swing)	
105	7017401	1	Cartridge, Solenoid Valve (Platform Level)	
105	7010538	2	Coil (2 Per Assembly)	
106	7012948	2	Cartridge, Solenoid Valve (Lift)	
106	7010538	4	Coil (2 Per Assembly)	
107	7012999	2	Cartridge, Solenoid Valve (Telescope)	
107	7010538	2	Coil (1 Per Assembly)	
109	7012914	2	Cartridge, Check Valve (Platform Level)	
110	7012947	1	Cartridge, Valve (Manual Descent)	
111	7012949	1	Knob	
112	4460499	8	Connector, Electrical	
113	7012912	1	Cartridge, Relief Valve (Lower Lift)	
114	7017433	1	Cartridge, Solenoid Valve (Swing)	
114	7010538	2	Coil (2 Per Assembly)	
	7012901	1	Seal Kit (For Item 101)	
	7012998		Seal Kit (For Items 102, 103 & 113)	
	7010543	2	Seal Kit (For Items 104)	
	7017402	2	Seal Kit (For Items 105)	

## SECTION 2 - TURNTABLE

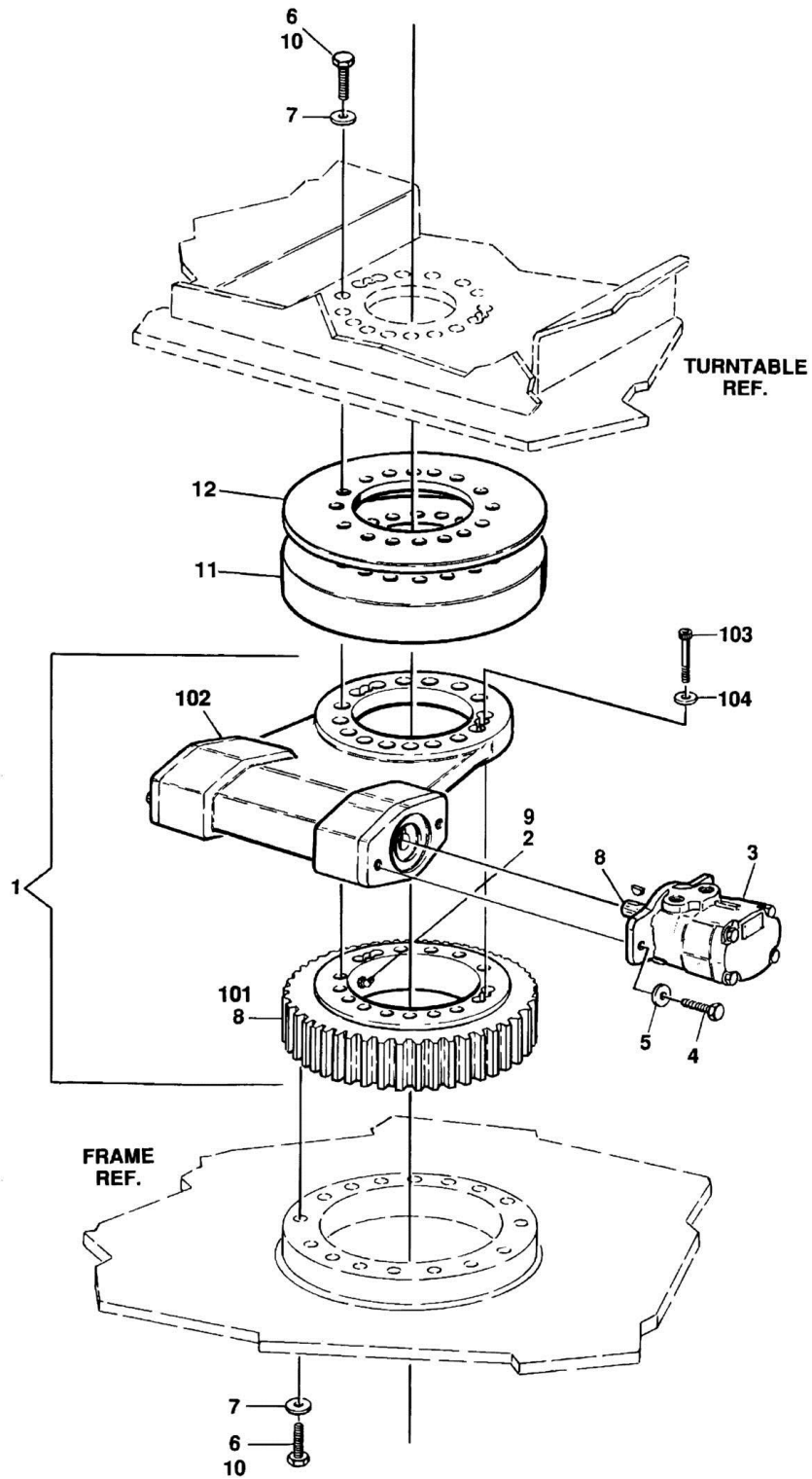
ITEM	PART NUMBER	QTY	DESCRIPTION	REV
	7012903	2	Seal Kit (For Items 106)	
	7012907	2	Seal Kit (For Items 107)	
	7012918	2	Seal Kit (For Item 109)	
	7012518	1	Seal Kit (For Item 110)	
	7017403	2	Weatherproofing Kit (For Items 106)	
	7017435	2	Weatherproofing Kit (For Items 107)	
	7012951	4	Weatherproofing Kit (For Items 105 & 114)	
	4640843	Ref	<b>CONTROL VALVE ASSEMBLY - MODEL 35electric (Prior to SN 34056)</b>	-
201	Not Required	0	Not Required	
202	7010540	2	Cartridge, Flow Control Valve (Upper Lift and Swing)	
203	7012912	3	Cartridge, Relief Valve (Platform Level and Telescope)	
204	7010542	2	Cartridge, Shuttle Valve (Swing)	
205	7010546	1	Cartridge, Solenoid Valve (Platform Level and Swing)	
205	7010538	2	Coil (2 Per Assembly)	
206	7010546	2	Cartridge, Solenoid Valve	
206	7010538	4	Coil (2 Per Assembly)	
207	7012946	2	Cartridge, Solenoid Valve	
207	7010538	2	Coil (1 Per Assembly)	
209	7012914	2	Cartridge, Check Valve (Platform Level)	
210	Not Required	0	Not Required	
211	Not Required	0	Not Required	
212	4460499	8	Connector, Electrical	
213	7010540	1	Cartridge, Relief Valve (Lower Lift)	
214	7010546	1	Cartridge, Solenoid Valve (Swing)	
214	7010538	2	Coil (2 Per Assembly)	
	7010541	6	Seal Kit (For Items 202, 203 & 213)	
	7010543	4	Seal Kit (For Items 204 & 207)	
	7012918	2	Seal Kit (For Item 209)	
	7010539	4	Seal Kit (For Items 205, 206 & 214)	
	7012951	6	Weatherproofing Kit (For Items 205, 206, 207 & 214)	
	4641026	Ref	<b>CONTROL VALVE ASSEMBLY - MODELS 35electric (SN 34056 to Present)</b>	A
301	Not Required	0	Not Required	
302	7012981	2	Cartridge, Relief Valve (Upper Lift Down and Swing)	
303	7012912	3	Cartridge, Relief Valve (Platform Level and Telescope)	
304	7010542	2	Cartridge, Shuttle Valve (Swing)	
305	7010546	1	Cartridge, Solenoid Valve (Platform Level)	
305	7010538	2	Coil (2 Per Assembly)	
306	7010546	2	Cartridge, Solenoid Valve (Lift)	
306	7010538	4	Coil (2 Per Assembly)	
307	7012946	2	Cartridge, Solenoid Valve (Telescope)	
307	7010538	2	Coil (1 Per Assembly)	
309	7012914	2	Cartridge, Check Valve (Platform Level)	
310	Not Required	0	Not Required	
311	Not Required	0	Not Required	
312	4460499	8	Connector, Electrical	
313	7012981	1	Cartridge, Relief Valve (Lower Lift)	
314	7010537	1	Cartridge, Solenoid Valve (Swing)	
314	7010538	2	Coil (2 Per Assembly)	
	7012998	1	Seal Kit (For Items 302, 303 & 313)	
	7010543	2	Seal Kit (For Items 304 & 307)	

**SECTION 2 - TURNTABLE**

<b>ITEM</b>	<b>PART NUMBER</b>	<b>QTY</b>	<b>DESCRIPTION</b>	<b>REV</b>
	7017402	2	Seal Kit (For Items 305 & 306)	
	7012918	2	Seal Kit (For Item 309)	

## SECTION 2 - TURNTABLE

FIGURE 2-5. SWING DRIVE AND TURNTABLE BEARING INSTALLATIONS - MODELS 30ELECTRIC & 35ELECTRIC





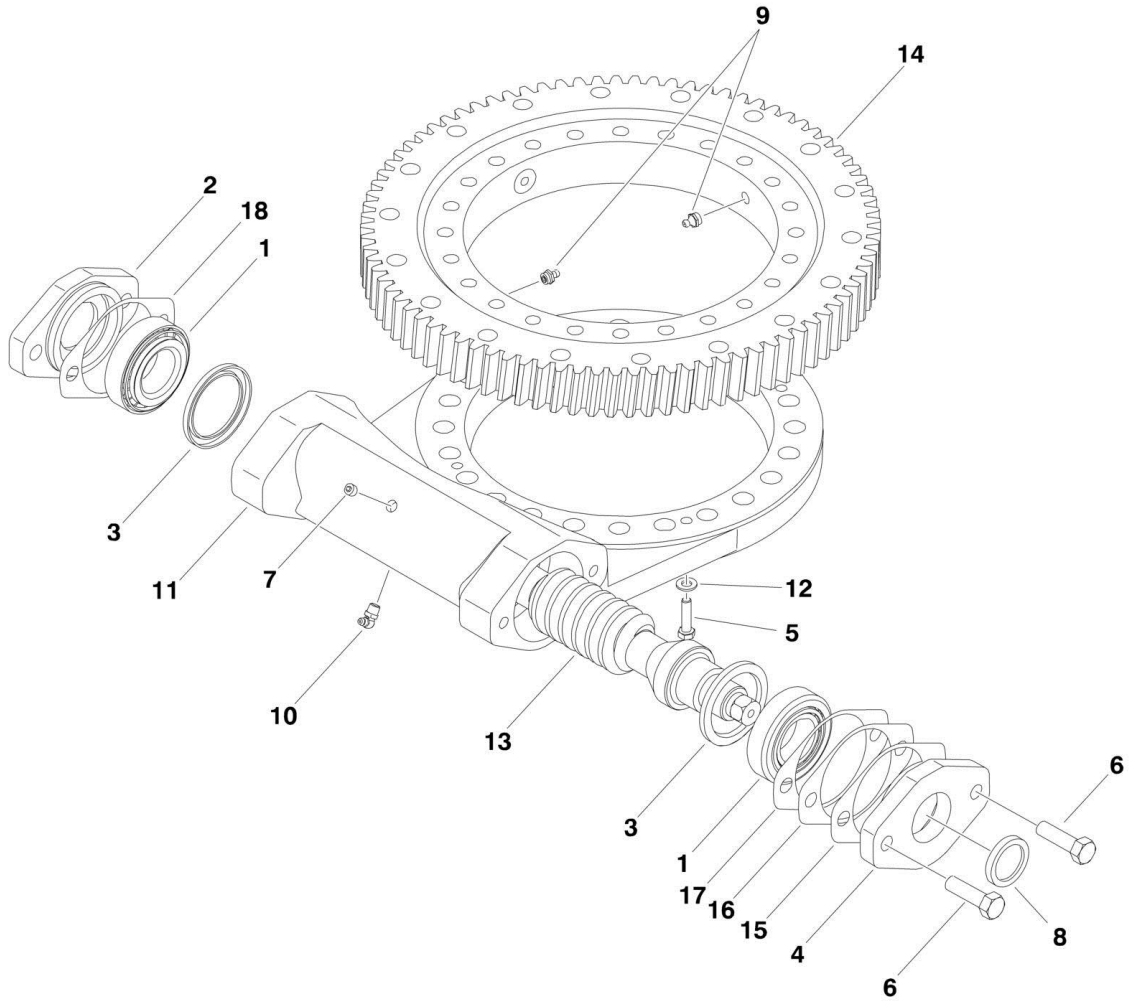
**SECTION 2 - TURNTABLE**

**FIGURE 2-5. SWING DRIVE AND TURNTABLE BEARING INSTALLATIONS - MODELS 30ELECTRIC & 35ELECTRIC**

ITEM	PART NUMBER	QTY	DESCRIPTION	REV
		Ref	<b>SWING DRIVE AND TURNTABLE BEARING INSTALLATIONS</b>	
	0253185	Ref	<b>Swing Drive and Turntable Bearing Installations 30electric</b>	4
	0254830	Ref	<b>Swing Drive and Turntable Bearing Installations n35electric</b>	3
	0254831	Ref	<b>Swing Drive and Turntable Bearing Installations 35electric</b>	3
1		Ref	Turntable Bearing and Rotation Box Assembly Options:	
1	0440202	1	Production (See Items 101-104 for Breakdown)	
1	0440338	1	Post Production Service Replacement (See SWING BEARING ASSEMBLY for Breakdown)	
2	2160003	1	Fitting, Grease - 45	
3	3160182	1	Swing Motor Assy (See SWING DRIVE AND TURNTABLE BEARING INSTALLATIONS for Breakdown)	
4	0681814	2	Bolt 1/2in-13NC x 1 3/4in (Grade 8)	
5	4740171	2	Washer, Hardened	
6		Ref	Bolt	
6	0682022	32	Bolt 30electric (5/8in-20NC x 2 3/4in Grade 8)	
6	0682024	16	Bolt n35electric (5/8in-20NC x 3in Grade 8)	
6	0682040	16	Bolt n35electric (5/8in-20NC x 5in Grade 8)	
6	0682024	32	Bolt 35electric (5/8in-20NC x 3in Grade 8)	
7	4892000	32	Washer, Hardened	
8	3020027	AR	Grease, Bearing (5 Gallon Bucket) <b>(Prior to SN 31641)</b>	
8	3020036	AR	Grease, Bearing <b>(SN 31641 to Present)</b>	
9	3020029	AR	Grease, Bearing	
10	0100019	AR	Loctite #271	
11		Ref	Plate, Counterweight Options:	
11	Not Required	0	Plate, Counterweight 30electric & 35electric	
11	4844797	1	Plate, Counterweight n35electric	
12		Ref	Plate, Spacer Options:	
12	Not Required	0	Plate, Spacer 30electric & 35electric	
12	3538052	1	Plate, Spacer n35electric	
	0440202	Ref	<b>TURNTABLE BEARING AND ROTATION BOX ASSEMBLY (PRODUCTION)</b>	C
101	7012584	1	Bearing, Turntable	
102	7012585	1	Swing Rotation Box Assembly	
102	7012654	1	Seal, Outer - Capped End (1.75 O.D.)	
102	7016676	1	Seal, Outer - Capped End (2.063 O.D.)	
102	7012655	1	Seal, Outer - Motor End	
102	7016682	1	Shims Kit	
102	7023484	1	Cap, End	
102	7027730	2	Seal, Inner	
103	3931414	2	Bolt, Socket Head 1/4in-20NC	
104	4761400	2	Lockwasher 1/4in	

## SECTION 2 - TURNTABLE

FIGURE 2-6. SWING BEARING ASSEMBLY - MODELS 30ELECTRIC & 35ELECTRIC (POST PRODUCTION SERVICE REPLACEMENT)



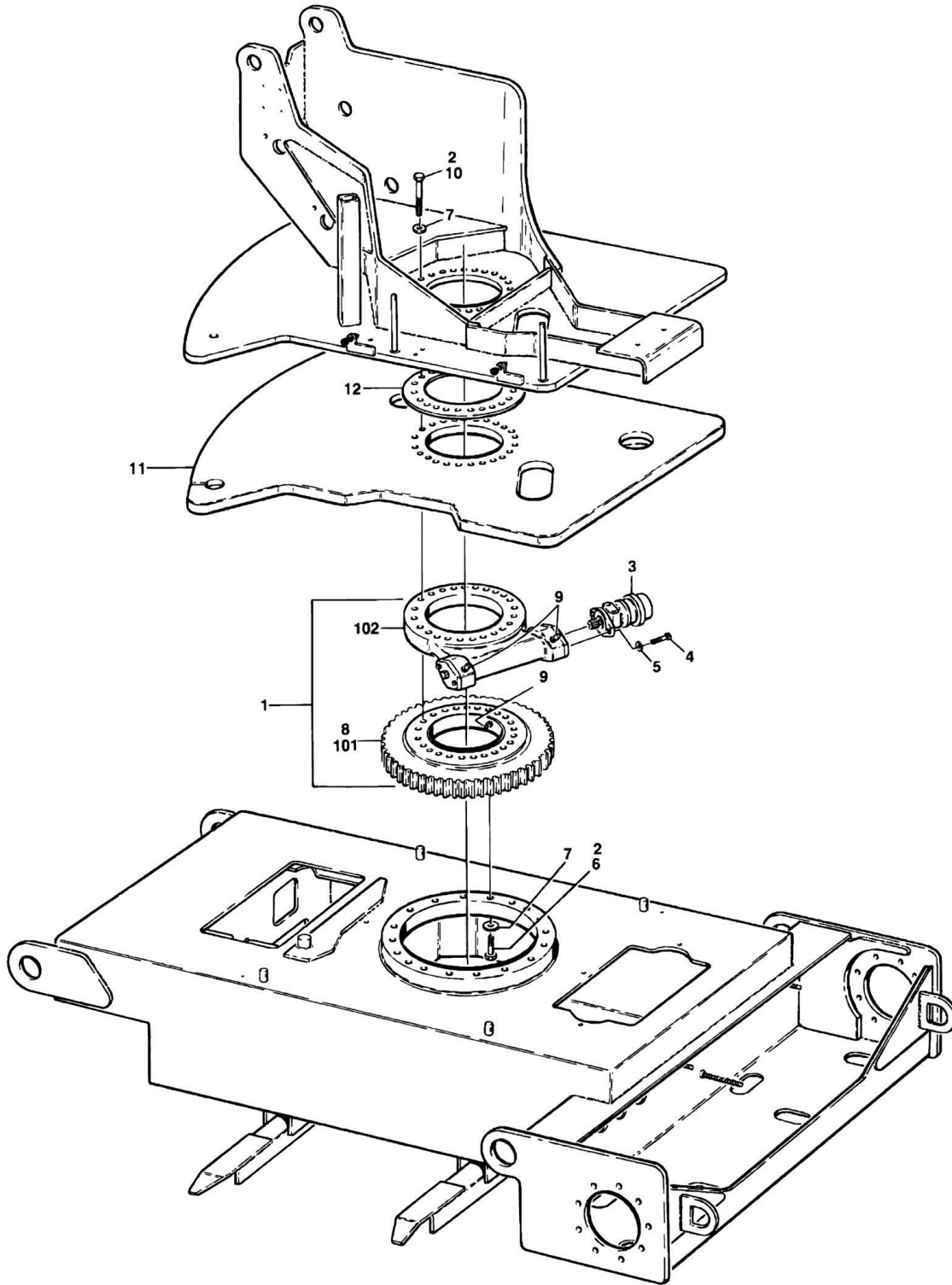
## SECTION 2 - TURNTABLE

**FIGURE 2-6. SWING BEARING ASSEMBLY - MODELS 30ELECTRIC & 35ELECTRIC (POST PRODUCTION SERVICE REPLACEMENT)**

ITEM	PART NUMBER	QTY	DESCRIPTION	REV
	0440338	Ref	<b>SWING BEARING ASSEMBLY</b>	A
1	7026042	2	Cup, Bearing	
1	7026043	2	Cone, Bearing	
2	7027356	1	Adapter, Motor	
3	7027361	2	Seal	
4	7027354	1	Cap, End	
5	70000864	2	Bolt, 1/4in-20 x 1 1/8in	
6	0641812	2	Bolt, 1/2in-13 x 1 1/2in	
7	70000865	1	Plug	
8	7027360	1	Seal	
9	7027359	1	Fitting, Grease	
10	7027358	2	Fitting, Grease	
11	Not Available	1	Housing	
12	4891400	2	Flatwasher, 1/4in	
13	70000866	1	Gear, Worm	
14	70000867	1	Gear, Ring	
15	7027352	AR	Gasket, .010 (Brown)	
16	7027351	AR	Gasket, .0075 (Clear)	
17	7027350	AR	Gasket, .005 (Blue)	
18	7027353	1	Gasket, .020 (Yellow)	

## SECTION 2 - TURNTABLE

FIGURE 2-7. SWING DRIVE AND TURNTABLE BEARING INSTALLATIONS - MODELS 40ELECTRIC & 45ELECTRIC



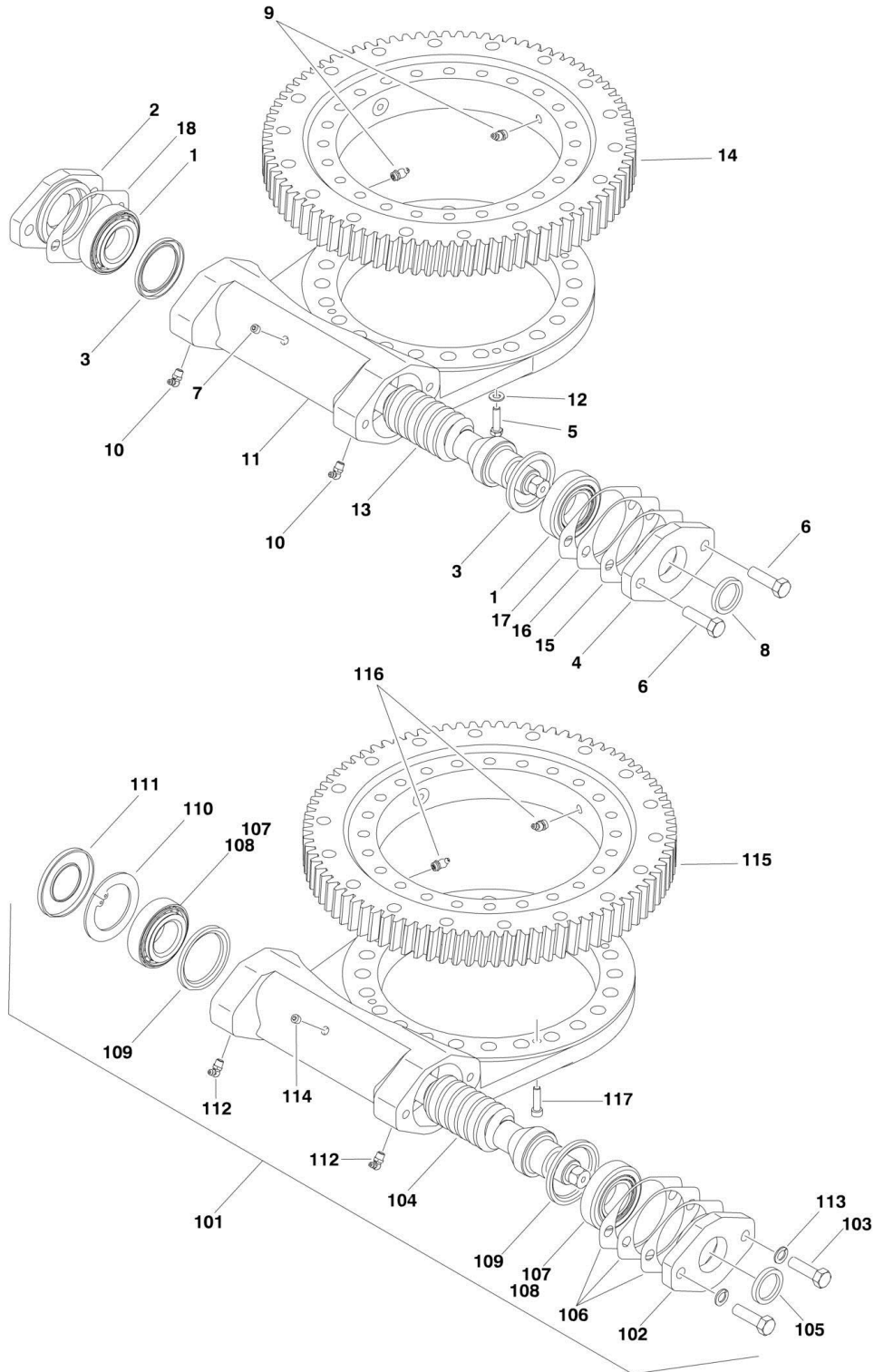
## SECTION 2 - TURNTABLE

**FIGURE 2-7. SWING DRIVE AND TURNTABLE BEARING INSTALLATIONS - MODELS 40ELECTRIC & 45ELECTRIC**

ITEM	PART NUMBER	QTY	DESCRIPTION	REV
		Ref	<b>SWING DRIVE AND TURNTABLE BEARING INSTALLATION</b>	
	0253508	Ref	<b>Swing Drive and Turntable Bearing Installations 40electric</b>	3
	0253533	Ref	<b>Swing Drive and Turntable Bearing Installations n40electric</b>	4
	0253508	Ref	<b>Swing Drive and Turntable Bearing Installations 45electric</b>	3
1		Ref	Turntable Bearing and Rotation Box Assembly Options:	
1	0440203	1	Production (See Items 101-102 for Breakdown)	
1	0440339	1	Post Production Service Replacement (See SWING BEARING ASSEMBLY for Breakdown)	
2	0100019	AR	Loctite	
3	3160182	1	Swing Motor Assy (See SWING MOTOR ASSEMBLY for Breakdown)	
4	0681814	2	Bolt 1/2in-13NC x 1 3/4in Grade 8	
5	4740171	2	Washer, Hardened	
6	0682026	18	Bolt 5/8in-11NC x 3 1/4in	
7	4740393	42	Washer, Hardened	
8	3020027	AR	Grease, Bearing (5 Gallon Bucket) <b>(Prior to SN 31641)</b>	
8	3020036	AR	Grease, Bearing <b>(SN 31641 to Present)</b>	
9	3020029	AR	Grease, Bearing	
10		Ref	Bolt Options:	
10	0682028	24	Bolt 40electric (Bolt 5/8in-11NC x 3 1/2in Grade 8)	
10	0682048	24	Bolt n40electric (Bolt 5/8in-11NC x 6in Grade 8)	
10	0682028	24	Bolt 45electric (Bolt 5/8in-11NC x 3 1/2in Grade 8)	
11		Ref	Plate, Counterweight Options:	
11	Not Required	0	Plate, Counterweight 40electric & 45electric	
11	4844595	1	Plate, Counterweight n40electric	
12		Ref	Plate, Spacer Options:	
12	Not Required	0	Plate, Spacer 40electric & 45electric	
12	3536755	1	Plate, Spacer n40electric	
	0440203	Ref	<b>TURNTABLE BEARING AND ROTATION BOX ASSEMBLY (PRODUCTION)</b>	E
101	7012596	1	Bearing, Turntable	
102	7012597	1	Swing Rotation Box Assembly	
102	7012654	1	Seal, Outer - Capped End (1.75 O.D.)	
102	7016676	1	Seal, Outer - Capped End (2.063 O.D.)	
102	7012655	1	Seal, Outer - Motor End	
102	7027730	2	Seal, Inner	

## SECTION 2 - TURNTABLE

FIGURE 2-8. SWING BEARING ASSEMBLY - MODELS 40ELECTRIC & 45ELECTRIC (POST PRODUCTION SERVICE REPLACEMENT)



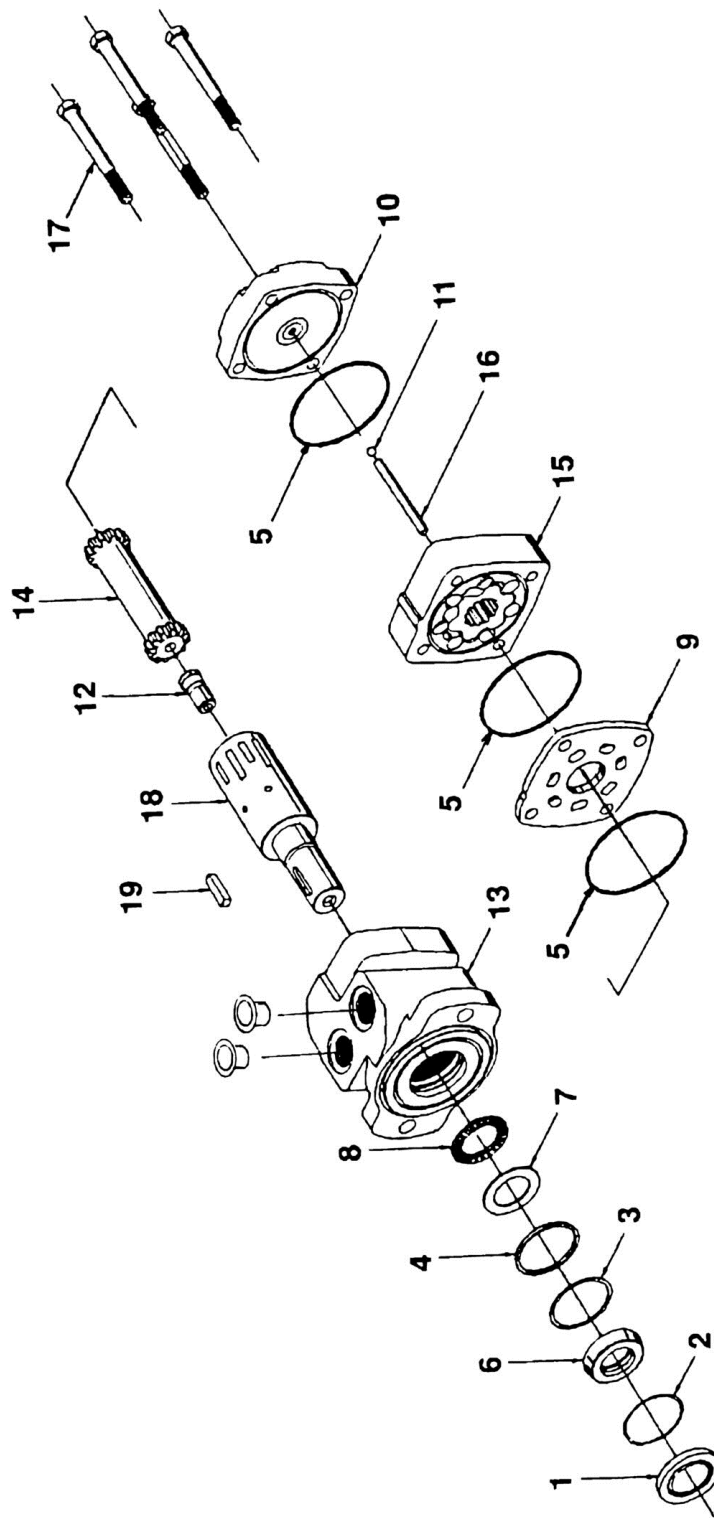
**SECTION 2 - TURNTABLE**

**FIGURE 2-8. SWING BEARING ASSEMBLY - MODELS 40ELECTRIC & 45ELECTRIC (POST PRODUCTION SERVICE REPLACEMENT)**

ITEM	PART NUMBER	QTY	DESCRIPTION	REV
		Ref	<b>Note: Visually identify the brand before ordering replacement parts.</b>	
	0440339	Ref	<b>SWING BEARING ASSEMBLY (PERFECTION GEAR) (POST PRODUCTION)</b>	C
1	7026042	2	Bearing, Cup	
1	7026043	2	Bearing, Cone	
2	7027356	1	Adapter, Motor	
3	7027361	2	Seal	
4	7027354	1	Cap, End	
5	0641510	2	Bolt 5/16in-18NC x 1 1/4in	
6	0641812	2	Bolt 1/2in-13NC x 1 1/2in	
7	70000865	1	Plug	
8	7027360	1	Seal	
9	7027359	2	Straight Fitting, Grease	
9	2160003	2	Fitting, Grease - 45	
10	7027358	2	90, Fitting, Grease	
11	Not Available	1	Housing	
12	4891500	2	Flatwasher 5/16in (Hardened)	
13	7027363	1	Gear, Worm	
14	70000868	1	Ring, Bearing	
15	7027352	AR	Gasket (.010 - Brown)	
16	7027351	AR	Gasket (.0075 - Clear)	
17	7027350	AR	Gasket (.005 - Blue)	
18	7027353	1	Gasket (.020 - Yellow)	
	0440203	Ref	<b>SWING BEARING ASSEMBLY (KAYDON) (PRODUCTION) (Note: When replacing major components, consider replacing with p/n 0440339 Complete Bearing Assembly.)</b>	G
101	7012597	1	Swing Rotation Box Assembly	
102	7023484	1	Cap, End	
103	Not Available	2	Bolt 1/2in-13NC x 1 1/2in Grade 8	
104	Not Available	1	Gear, Worm	
105	7012654	1	Seal, Outer - Capped End (1.75 O.D.)	
105	7016676	1	Seal, Outer - Capped End (2.063 O.D.)	
106	7016682	1	Shims Kit (Includes Qty 3 each of .005, .0075 & .010 Shims)	
107	70001677	2	Cup, Bearing	
108	90206369	2	Cone, Bearing	
109	7027730	2	Seal, Inner	
110	Not Available	1	Ring, Retaining	
111	7012655	1	Seal, Outer - Motor End	
112	2160001	2	Fitting, Grease - 90	
113	Not Available	2	Lockwasher 1/2in	
114		Ref	Component Options:	
114	Not Available		Plug, Pipe	
114	2160001	1	Fitting, Grease - 45	
115	7012596	1	Bearing, Turntable	
116	2160003	2	Fitting, Grease - 45	
117	Not Available	4	Capscrew, Socket Head 5/16in-18NC	
117	Not Available	4	Washer 5/16in (Not Shown)	

# SECTION 2 - TURNTABLE

## FIGURE 2-9. SWING MOTOR ASSEMBLY





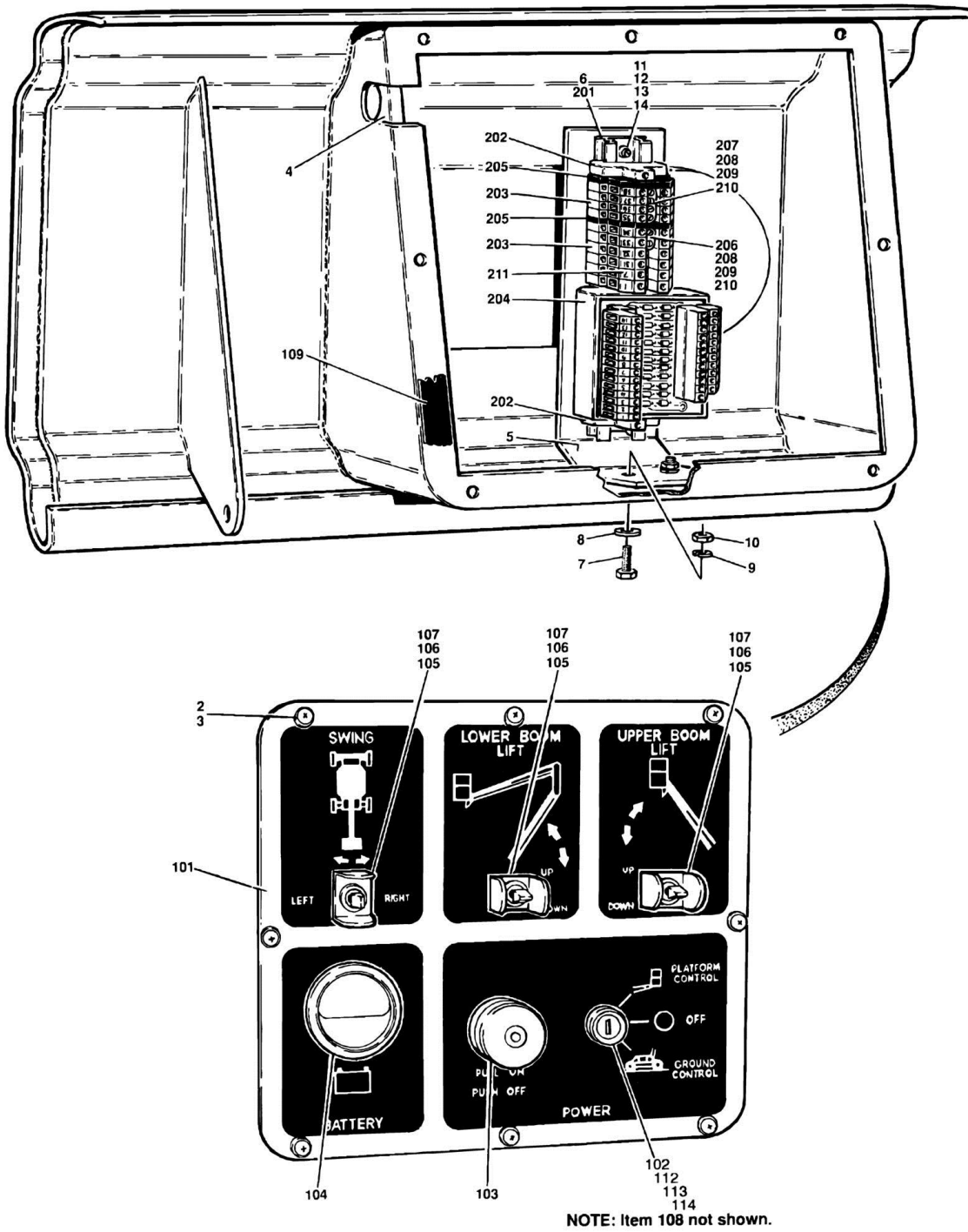
**SECTION 2 - TURNTABLE**

**FIGURE 2-9. SWING MOTOR ASSEMBLY**

ITEM	PART NUMBER	QTY	DESCRIPTION	REV
	3160182	Ref	<b>SWING MOTOR ASSEMBLY</b>	-
1	Kit	1	Seal, Dust	
2	Kit	1	Ring, Retainer	
3	Kit	1	Shim, Back-Up	
4	Kit	1	Seal, Housing	
5	Kit	3	Seal, Body	
6	Kit	1	Seal, Shaft	
6	Kit	1	Ring, Teflon Back-Up	
6	Kit	1	Shim, Back-Up	
7	7016417	1	Washer, Thrust	
8	7005809	1	Bearing, Thrust	
9	7005812	1	Plate, Wear	
10	7005874	1	Cover, End	
11	Not Available	AR	Ball (Part of Item 10)	
12	7005876	1	Plug, Cooling	
13	7005804	1	Housing	
14	7005811	1	Link, Drive	
15	7005877	1	Rotor Set Assembly	
16	7005878	AR	Pin, Drive Link	
17	7005821	4	Bolt	
18	7005879	1	Shaft	
19	7005880	1	Key	
	7005881	1	Seal Kit (Includes Items 1-6)	

# SECTION 2 - TURNTABLE

FIGURE 2-10. GROUND CONTROL COMPONENTS INSTALLATIONS - MODEL 30ELECTRIC



## SECTION 2 - TURNTABLE

**FIGURE 2-10. GROUND CONTROL COMPONENTS INSTALLATIONS - MODEL 30ELECTRIC**

ITEM	PART NUMBER	QTY	DESCRIPTION	REV
		Ref	<b>GROUND CONTROL BOX INSTALLATION</b>	
	0254739	Ref	<b>Standard Spec Without Numbered Colored Wire (Prior to SN 36544)</b>	A
	0258046	Ref	<b>Standard Spec with Numbered Colored Wire (SN 36544 to Present)</b>	1
	0254740	Ref	<b>Japanese Spec Without Numbered Colored Wire (Prior to SN 36544)</b>	A
	0258045	Ref	<b>Japanese Spec with Numbered Colored Wire (SN 36544 to Present)</b>	1
2	0630464	8	Screw #10-24NC x 1/2in	
3	4740120	8	Washer, Nylon	
4	1380139	1	Clip	
5	3537992	1	Plate, Mounting	
6	4460545	1	Terminal Strip Assembly (See Items 201-211 for Breakdown)	
7	0641406	2	Bolt 1/4in-20NC x 3/4in	
8	4740362	2	Flatwasher, Special	
9	4751400	2	Flatwasher 1/4in	
10	3311405	2	Locknut 1/4in-20NC	
11	3910608	2	Screw #6-32NC x 1/2in	
12	4760600	2	Lockwasher #6	
13	4750600	2	Flatwasher #6	
14	3310601	2	Nut #6-32NC	
		Ref	<b>GROUND CONTROL BOX ASSEMBLY</b>	
	0860914	Ref	<b>Standard Spec Without Numbered Colored Wire (Prior to SN 36544)</b>	2
	0861180	Ref	<b>Standard Spec with Numbered Colored Wire (SN 36544 to Present)</b>	2
	0860915	Ref	<b>Japanese Spec Without Numbered Colored Wire (Prior to SN 36544)</b>	A
	0861181	Ref	<b>Japanese Spec with Numbered Colored Wire (SN 36544 to Present)</b>	2
101		Ref	Nameplate, Ground Control Options:	
101	3252349	1	Nameplate, Ground Control <b>(Prior to SN 47045)</b>	
101	3252648	1	Nameplate, Ground Control <b>(SN 47045 to Present)</b>	
102	4360346	1	Switch, Master Key (Select) <b>(Prior to SN 47045)</b>	
102	7012587	1	Key, Replacement	
102	4360473	1	Switch, Master Key (Select) <b>(SN 47045 to Present)</b>	
102	2860030	1	Key, Replacement	
103	4360289	1	Switch, Emergency Stop <b>(Prior to SN 47045)</b>	
103	7012611	1	Head, Mushroom	
103	7012612	1	Boot	
103	4360475	1	Switch, Emergency Stop <b>(SN 47045 to Present)</b>	
103	7020175	1	Cap/E-Stop With Sealing Ring	
103	7020176	1	Contact Block With Mount Collar	
104	2420106	1	Meter, Battery Capacity	
105	4360314	3	Switch, Toggle	
106	4060802	3	Shield, Toggle Switch	
107	4740397	3	Washer, Spacer	
108	4460234	3	Mount, Cable Tie (Located on Back of Nameplate)	
109	4420037	4 ft/1.2m	Tape, Insulation	
111	Not Required	0	Not Required	

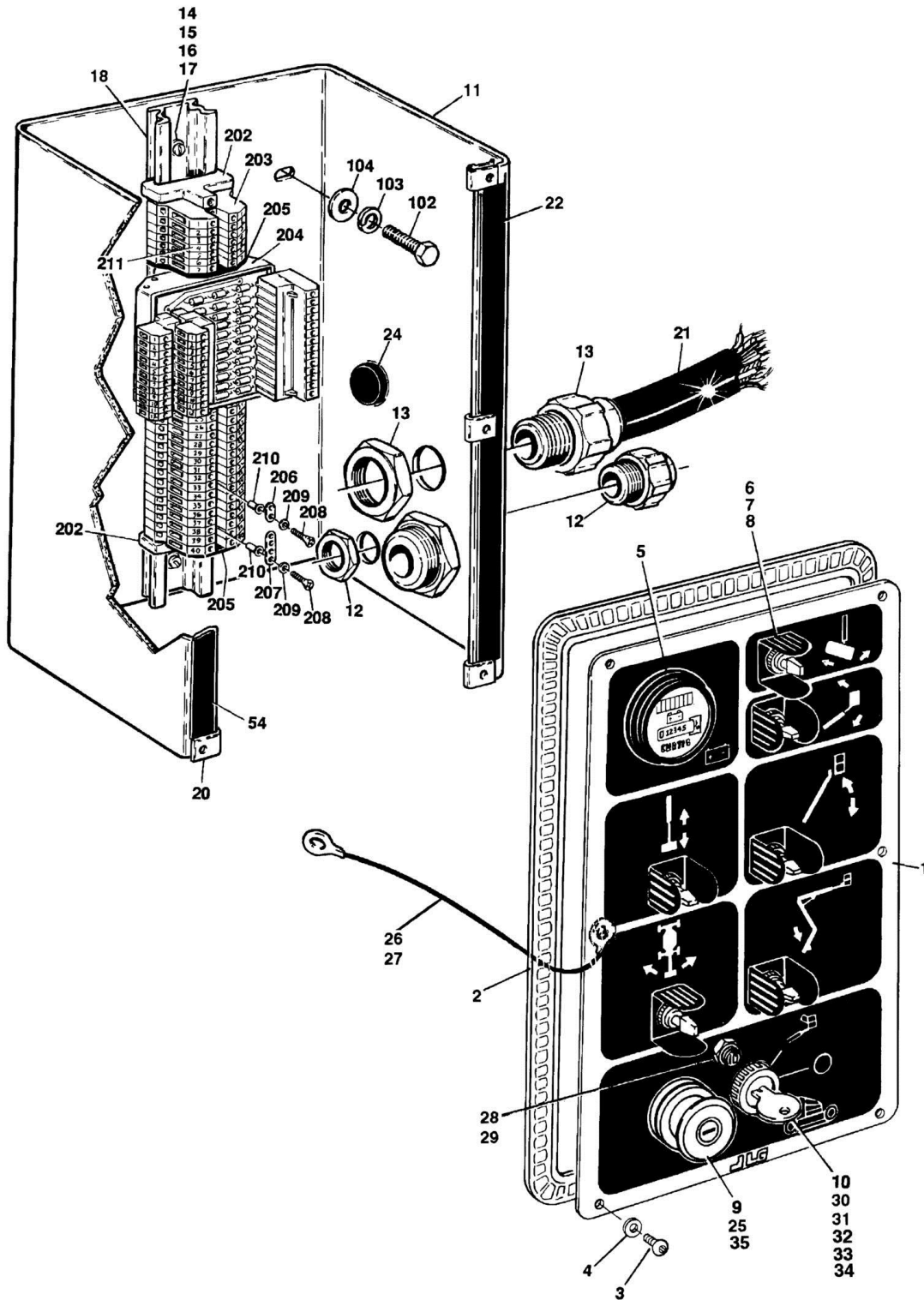
## SECTION 2 - TURNTABLE

ITEM	PART NUMBER	QTY	DESCRIPTION	REV
112	4070987	1	Shim,.015 (SN 47045 to Present)	
113	4070991	1	Shim,.125 (SN 47045 to Present)	
114	3910804	6	Screw #8-32NC x 1/4in (SN 47045 to Present)	
	4460545	Ref	<b>TERMINAL STRIP ASSEMBLY</b>	-
201	3640930	1	Rail	
202	4460299	2	Stop, Terminal	
203	4460298	10	Block, Terminal	
204	0610107	1	Card, Circuit	
205	4460300	2	Barrier, Terminal	
206	4460308	1	Bar, Buss - 2 Position	
207	4460310	1	Bar, Buss - 4 Position	
208	4460305	6	Screw	
209	4460306	6	Washer	
210	4460307	6	Sleeve	
211	4460301	2	Strip, Marking	



# SECTION 2 - TURNTABLE

## FIGURE 2-11. GROUND CONTROL COMPONENTS INSTALLATIONS - MODELS 35ELECTRIC, 40ELECTRIC & 45ELECTRIC



## SECTION 2 - TURNTABLE

**FIGURE 2-11. GROUND CONTROL COMPONENTS INSTALLATIONS - MODELS 35ELECTRIC, 40ELECTRIC & 45ELECTRIC**

ITEM	PART NUMBER	QTY	DESCRIPTION	REV
		Ref	<b>GROUND CONTROL BOX ASSEMBLY</b>	
	0860916	Ref	<b>Standard Spec 35electric without Numbered Colored Wire (Prior to SN 36648)</b>	6
	0861188	Ref	<b>Standard Spec 35electric with Numbered Colored Wire (SN 36648 to Present)</b>	4
	0860918	Ref	<b>Standard Spec 40electric &amp; 45electric without Numbered Colored Wire (Prior to SN 36648)</b>	3
	0861190	Ref	<b>Standard Spec 40electric &amp; 45electric without Numbered Colored Wire (SN 36648 to Present)</b>	3
	0860917	Ref	<b>Japanese Spec 35electric without Numbered Colored Wire (Prior to SN 36648)</b>	5
	0861189	Ref	<b>Japanese Spec 35electric with Numbered Colored Wire (SN 36648 to Present)</b>	4
	0860919	Ref	<b>Japanese Spec 40electric &amp; 45electric without Numbered Colored Wire (Prior to SN 36648)</b>	3
	0861191	Ref	<b>Japanese Spec 40electric &amp; 45electric without Numbered Colored Wire (SN 36648 to Present)</b>	3
1		Ref	Lid Options:	
1	3252350	1	Lid 35electric <b>(Prior to SN 47045)</b>	
1	3252649	1	Lid 35electric <b>(SN 47045 to Present)</b>	
1	3252351	1	Lid 40electric & 45electric	
2		Ref	Seal Options:	
2	3960447	50 in/1.3m	Seal 35electric	
2	3960438	50 in/1.3m	Seal 40electric & 45electric	
3	0630464	6	Screw #10-24NC x 1/2in	
4	4740120	6	Washer, Nylon	
5	2420106	1	Voltmeter	
5	7012665	1	Guard, Domed	
6	4360314	6	Switch, Toggle	
7	4060802	6	Guard, Switch	
8	4740397	6	Spacer	
9	4360289	1	Switch, Emergency Stop <b>(Prior to SN 47045)</b>	
9	7012611	1	Head, Mushroom	
9	7012612	1	Boot	
9	4360475	1	Switch, Emergency Stop <b>(SN 47045 to Present)</b>	
9	7020175	1	Cap/E-Stop With Sealing Ring	
9	7020176	1	Contact Block With Mount Collar	
10	4360346	1	Switch, Master Key (Select) (Standard Spec) <b>(Prior to SN 47045)</b>	
10	7012587	1	Key, Replacement	
10	4360473	1	Switch, Master Key (Select) (Standard Spec) <b>(SN 47045 to Present)</b>	
10	2860030	1	Key, Replacement	
10	4360347	1	Switch, Master Key (Select) (Japanese Spec) <b>(Prior to SN 47045)</b>	
10	7012587	1	Key, Replacement	
10	4360474	1	Switch, Master Key (Select) (Japanese Spec) <b>(SN 47045 to Present)</b>	
10	2860030	1	Key, Replacement	
11		Ref	Box Weldment Options:	
11	Not Required	0	Box Weldment 35electric	

## SECTION 2 - TURNTABLE

ITEM	PART NUMBER	QTY	DESCRIPTION	REV
11	0860883	1	Box Weldment 40electric & 45electric	
12	4460425	2	Connector, Strain Relief	
13	4460426	1	Connector, Strain Relief	
14	3910608	2	Screw, Round Head #6-32NC x 1/2in	
15	4760600	2	Lockwasher #6	
16	4750600	2	Flatwasher #6	
17	3310601	2	Nut #6-32NC	
18	4460530	1	Terminal Strip Assembly (See Items 201-211 for Breakdown)	
20	3300365	6	Nut, Retainer	
21		Ref	Harness - Chassis and Valve Options (See ELECTRICAL SECTION for Breakdown):	
21	4921643	1	Harness - Chassis and Valve without Numbered Colored Wire <b>(Prior to SN 36648)</b>	
21	4922039	1	Harness - Chassis and Valve with Numbered Colored Wire <b>(SN 36648 to Present)</b>	
22	4420008	4 ft/.3m	Tape, Seal	
23	0100048	AR	Silicone (Not Shown)	
24		Ref	Plug, Hole Options:	
24	Not Required	0	Plug, Hole 35electric	
24	3520084	1	Plug, Hole 40electric & 45electric	
25		Ref	Block, Contact Options:	
25	4360282	1	Block, Contact <b>(Prior to SN 47045)</b>	
25	4360476	1	Block, Contact <b>(SN 47045 to Present)</b>	
26		Ref	Cable, Lanyard Options:	
26	Not Required	0	Cable, Lanyard 35electric	
26	1060584	1	Cable, Lanyard 40electric & 45electric	
27	3311011	AR	Nut, Push #10	
28	4360069	1	Breaker, Circuit - 10 Amp (March 1995 to Present Only)	
29	3300396	1	Nut, Special (March 1995 to Present Only)	
30	3300412	1	Nut, Keyswitch (35electric Only) <b>(SN 34783 through 49748)</b>	
31	3300413	1	Nut, Cap (35electric Only Only) <b>(SN 34783 through 49748)</b>	
32	4070987	1	Shim,.015 <b>(SN 47045 to Present)</b>	
33	4070991	1	Shim,.125 <b>(SN 47045 to Present)</b>	
34	3910804	6	Screw #8-32NC x 1/4in <b>(SN 47045 to Present)</b>	
35	1704260	1	Decal - EMS (Japanese Spec Only) <b>(SN 47045 to Present)</b>	
		Ref	<b>GROUND CONTROL BOX INSTALLATIONS</b>	
	0254536	Ref	<b>Standard Spec 35electric without Numbered Colored Wire (Prior to SN 36648)</b>	A
	0258061	Ref	<b>Standard Spec 35electric with Numbered Colored Wire (SN 36648 to Present)</b>	1
	0254399	Ref	<b>Standard Spec 40electric &amp; 45electric without Numbered Colored Wire (Prior to SN 36648)</b>	A
	0258063	Ref	<b>Standard Spec 40electric &amp; 45electric without Numbered Colored Wire (SN 36648 to Present)</b>	1
	0254537	Ref	<b>Japanese Spec 35electric without Numbered Colored Wire (Prior to SN 36648)</b>	A
	0258062	Ref	<b>Japanese Spec 35electric with Numbered Colored Wire (SN 36648 to Present)</b>	1
	0254400	Ref	<b>Japanese Spec 40electric &amp; 45electric without Numbered Colored Wire (Prior to SN 36648)</b>	A
	0258064	Ref	<b>Japanese Spec 40electric &amp; 45electric without Numbered Colored Wire (SN 36648 to Present)</b>	1
102	0641605	4	Bolt 3/8in-16NC x 5/8in	
103	4761600	4	Lockwasher 3/8in	

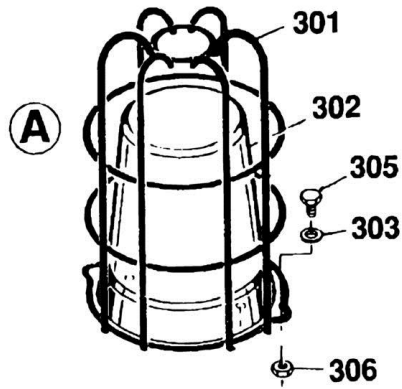


**SECTION 2 - TURNTABLE**

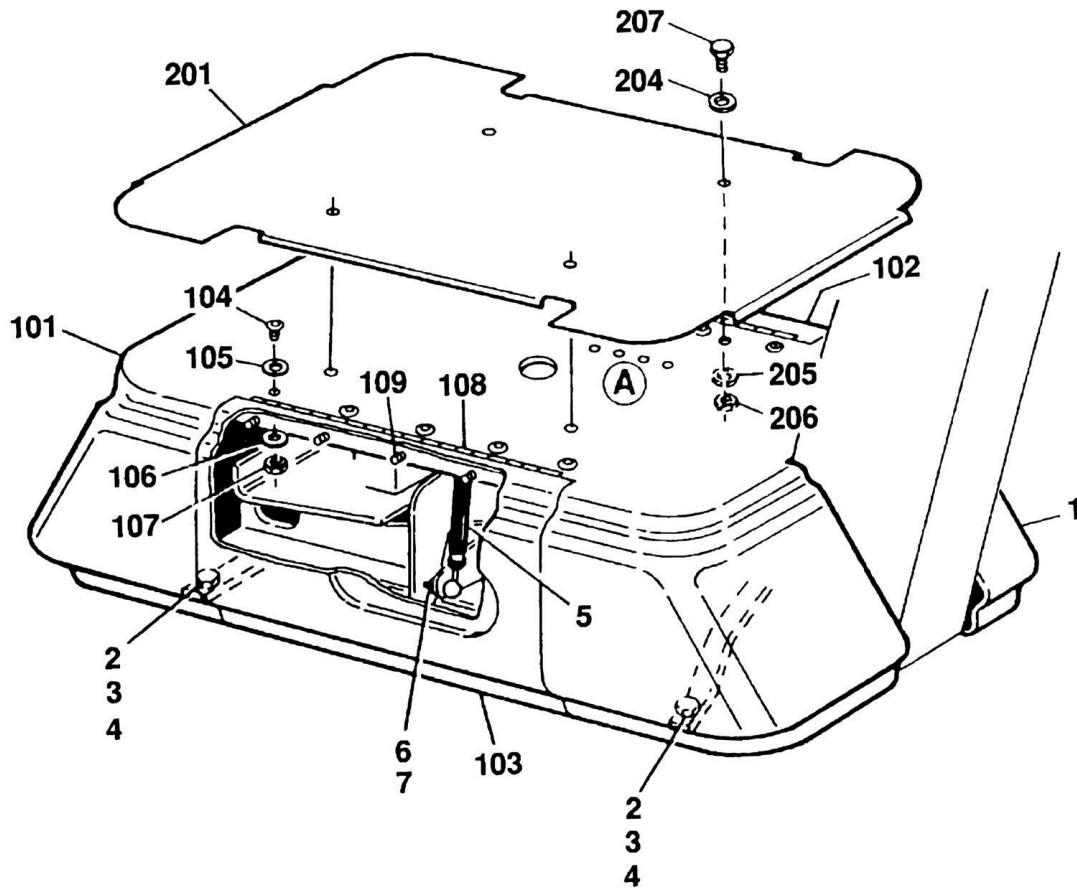
ITEM	PART NUMBER	QTY	DESCRIPTION	REV
104	4751600	4	Flatwasher 3/8in	
	4460530	Ref	<b>TERMINAL STRIP ASSEMBLY</b>	A
201	3640920	1	Rail, Mounting	
202	4460299	2	Stop, Terminal	
203	4460298	26	Block, Terminal	
204	0610107	1	Card, Circuit	
205	4460300	3	Barrier, Terminal	
206	4460308	1	Bar, Buss - 2 Position	
207	4460310	1	Bar, Buss - 4 Position	
208	4460305	6	Screw, Terminal	
209	4460306	6	Washer, Terminal	
210	4460307	6	Sleeve, Terminal	
211	4460301	2	Strip, Terminal Numbering	

## SECTION 2 - TURNTABLE

FIGURE 2-12. TURNTABLE AND HOOD INSTALLATION - MODEL 30ELECTRIC



LOCATED ON COVER



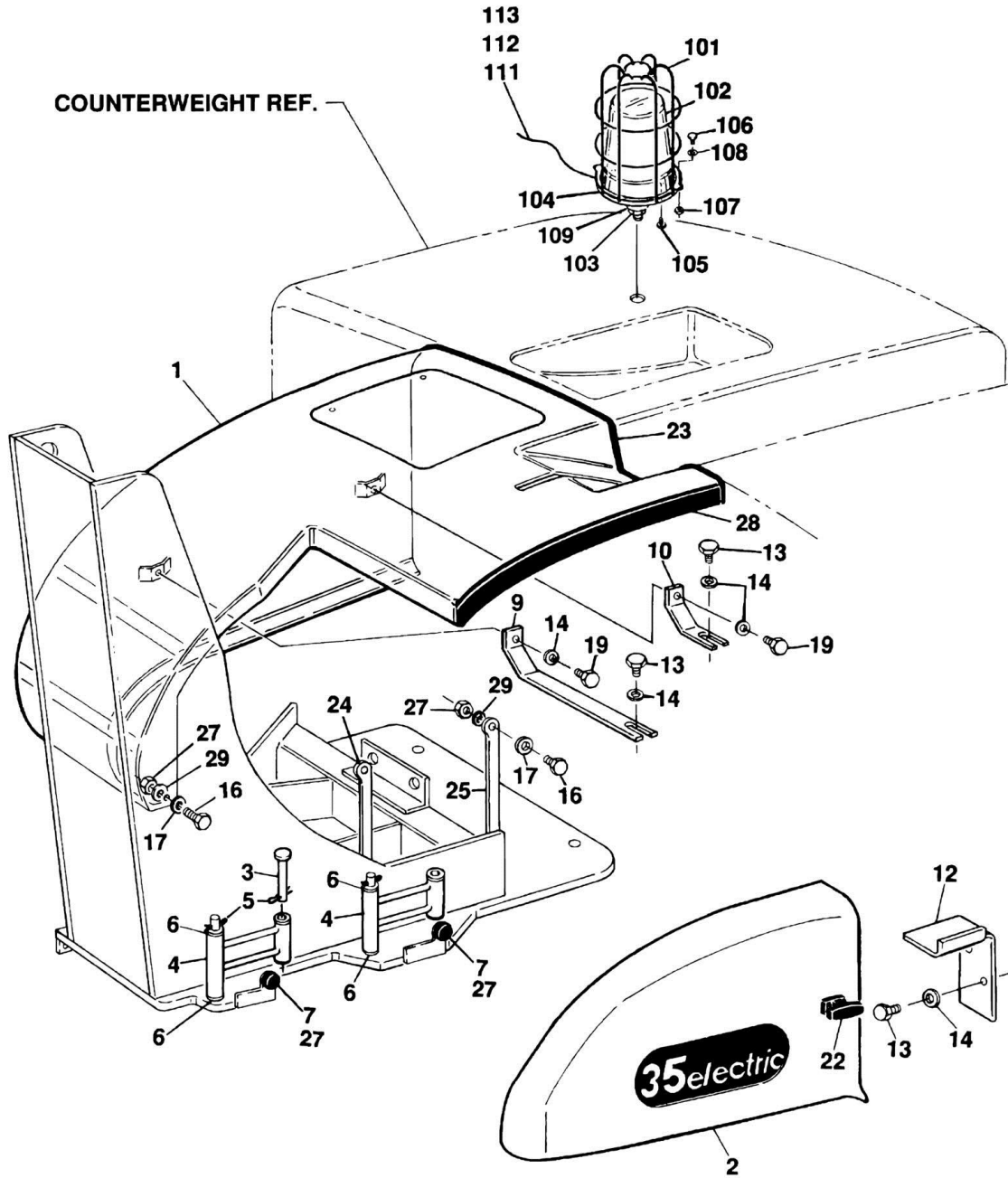
## SECTION 2 - TURNTABLE

**FIGURE 2-12. TURNTABLE AND HOOD INSTALLATION - MODEL 30ELECTRIC**

ITEM	PART NUMBER	QTY	DESCRIPTION	REV
	4620086	1	<b>TURNTABLE</b>	
	0254743	Ref	<b>HOODS INSTALLATION</b>	-
		Ref	<b>Note: Replacement Decals Must be Ordered Separately.</b>	
1	0254744	1	Hood Assembly (Includes Items 101-109)	
2	0641510	4	Bolt 5/16in-18NC x 1 1/4in	
3	4711500	8	Flatwasher 5/16in Narrow	
4	3311505	4	Locknut 5/16in-18NC	
5	4160117	2	Spring, Gas	
6	4761500	4	Lockwasher 5/16in	
7	3311501	4	Nut 5/16in-18NC	
	0254744	Ref	<b>HOOD ASSEMBLY</b>	-
		Ref	<b>Note: Replacement Decals Must be Ordered Separately.</b>	
101	2680404	1	Hood	
102	2680413	1	Door (Ground Control Panel)	
103	2680405	1	Door (Manual Storage Panel)	
104	0630457	10	Bolt, Button	
105	4711400	20	Flatwasher 1/4in Narrow	
106	4751400	10	Flatwasher 1/4in Narrow	
107	3311401	10	Nut 1/4in-20NC	
108	2600192	2	Hinge, Door	
109	0630448	20	Bolt, Button	
	0252986	Ref	<b>COVER INSTALLATION (OPTIONAL)</b>	2
201	4844182	1	Cover	
204	4711500	8	Flatwasher 5/16in Narrow	
205	4761500	4	Lockwasher 5/16in	
206	3311501	4	Nut 5/16in-18NC	
207	0641514	4	Bolt 5/16in-18NC x 1 3/4in	
	0254745	Ref	<b>BEACON KIT (OPTIONAL)</b>	B
301	4060865	1	Guard, Strobe	
302	2920119	1	Light, Strobe (Amber) <b>(Prior to SN 28019)</b>	
302	2920146	1	Light, Strobe (Amber) <b>(SN 28019 to Present)</b>	
302	7016319	1	Bulb, Light	
302		Ref	Amber Lens Options:	
302	7016320	1	Lens - 3 1/8in Height	
302	7016372	1	Lens - 4 1/8in Height	
303	4751000	4	Flatwasher #10	
305	0721008	2	Bolt #10-24NC x 1in	
306	3311005	2	Locknut #10-24NC	

# SECTION 2 - TURNTABLE

FIGURE 2-13. TURNTABLE AND HOOD INSTALLATION - MODEL 35ELECTRIC



**SECTION 2 - TURNTABLE**

**FIGURE 2-13. TURNTABLE AND HOOD INSTALLATION - MODEL 35ELECTRIC**

ITEM	PART NUMBER	QTY	DESCRIPTION	REV
	4620101	1	<b>TURNTABLE</b>	
	0254698	Ref	<b>HOODS INSTALLATION</b>	D
		Ref	<b>Note: Replacement Decals Must be Ordered Separately.</b>	
1	2680239	1	Hood - Left Side	
1	7012624	1	Access Panel Assembly	
1	7016353	2	Access Panel Fastener Kit	
2	2680240	1	Hood - Right Side	
3	3430840	2	Pin, Clevis	
4	0253687	2	Hinge	
5	3420156	4	Hairpin	
6	4711800	AR	Flatwasher 1/2in Narrow	
7	0940049	2	Bumper	
9	0902045	1	Bracket	
10	0902044	1	Bracket	
12	0902046	1	Bracket	
13	0641608	6	Bolt 3/8in-16NC x 1in	
14	4751600	8	Flatwasher 3/8in	
16	0630476	5	Capscrew, Button Head	
17	4751500	5	Flatwasher 5/16in	
18	0100011	AR	Loctite #242 (Not Shown)	
19	0641606	2	Bolt 3/8in-16NC x 3/4in	
22	2940071	1	Latch	
23	3960453	76 in/2m	Seal	
24	0902055	1	Bracket	
25	0902056	1	Bracket	
27	3311501	9	Nut 5/16in-18NC	
28	3960433	20 in/51cm	Seal	
29	4761500	5	Lockwasher 5/16in	
		Ref	<b>OPTIONAL STROBE LIGHT INSTALLATIONS</b>	
	0254544	Ref	<b>Optional Strobe Light Installations Prior to January 1995</b>	E
	0255611	Ref	<b>Optional Strobe Light Installations January 1995 to Present</b>	3
101	4060865	1	Guard, Light	
102		Ref	Light, Strobe Options (Amber):	
102	2920119	1	Light ( <b>Prior to SN 28019</b> )	
102	2920146	1	Light ( <b>SN 28019 to Present</b> )	
102	7016319	1	Bulb, Light	
102		Ref	Amber Lens Options:	
102	7016320	1	Lens - 3 1/8in Height	
102	7016372	1	Lens - 4 1/8in Height	
103		Ref	Bolt, Special Options:	
103	0630491	1	Bolt, Special Prior to January 1995	
103	0630474	1	Bolt, Special January 1995 to Present	
104	3537903	1	Plate, Mounting	
105	0741606	1	Screw, Flathead 3/8in-16NC x 3/4in	
106	0721008	2	Bolt #10-24NC x 1in	
107	3311005	2	Locknut #10-24NC	
108	4751000	4	Flatwasher #10	
109		Ref	Spacer Options:	
109	4220162		Spacer Prior to January 1995	

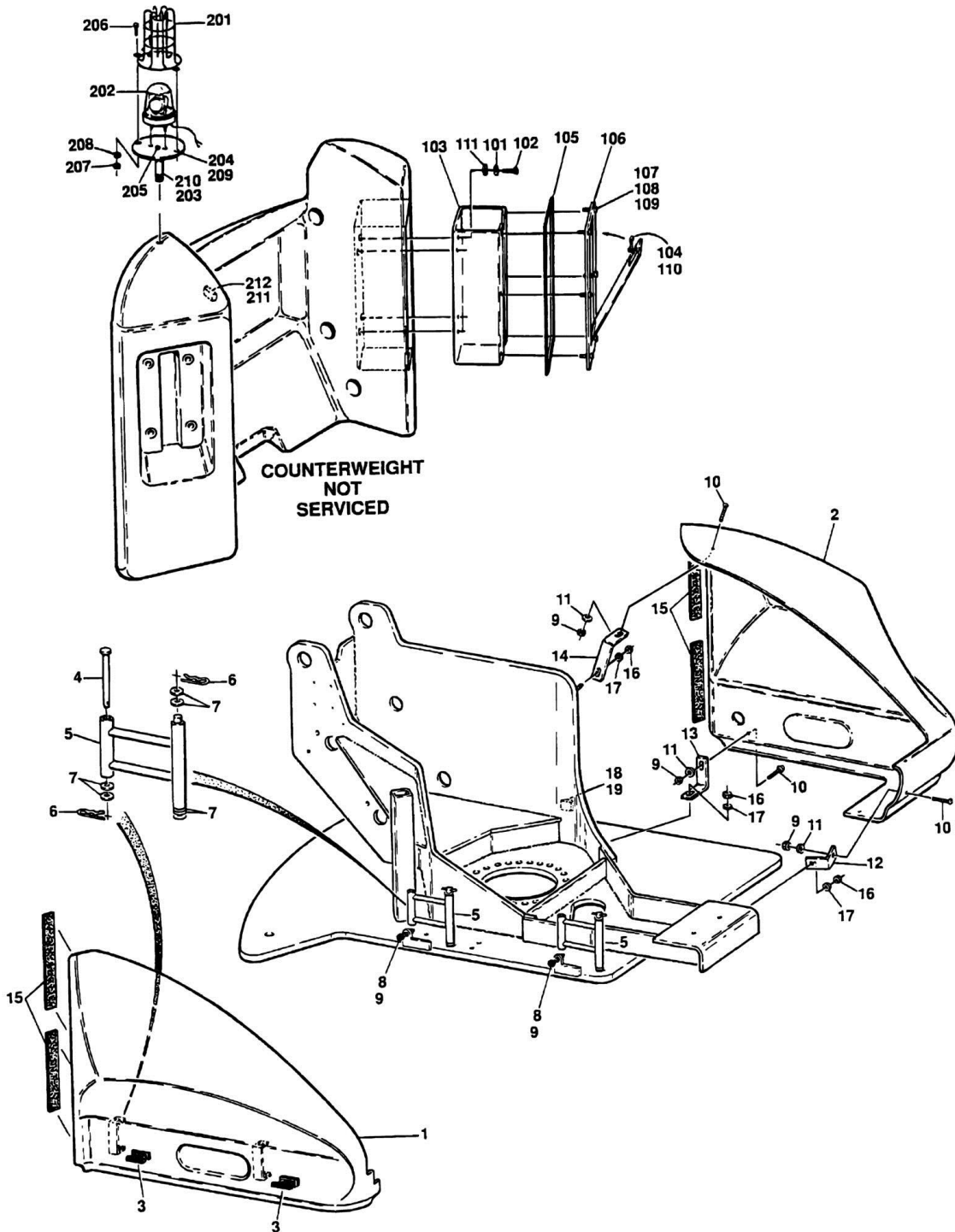
## SECTION 2 - TURNTABLE

ITEM	PART NUMBER	QTY	DESCRIPTION	REV
109	4220111		Spacer January 1995 to Present	
110	0100011	AR	Loctite #242	
111	4240032	1	Tie-Strap	
112	4460234	1	Clamp	
113	2820036	16 in/41cm	Loom (Not Shown)	



# SECTION 2 - TURNTABLE

FIGURE 2-14. TURNTABLE AND HOOD INSTALLATION - MODEL 40ELECTRIC & 45ELECTRIC





**SECTION 2 - TURNTABLE**

**FIGURE 2-14. TURNTABLE AND HOOD INSTALLATION - MODEL 40ELECTRIC & 45ELECTRIC**

ITEM	PART NUMBER	QTY	DESCRIPTION	REV
	4620088	1	<b>TURNTABLE</b>	
	0253709	Ref	<b>HOODS INSTALLATION</b>	7
		Ref	<b>Note: Replacement Decals Must be Ordered Separately.</b>	
1		Ref	Hood (Left Side) Options:	
1	2680410	1	Hood (Left Side) <b>(Prior to SN 48140)</b>	
1	2680473	1	Hood (Left Side) <b>(SN 48140 to Present)</b>	
2		Ref	Hood (Right Side) Options:	
2	2680411	1	Hood (Right Side) <b>(Prior to SN 48140)</b>	
2	2680475	1	Hood (Right Side) <b>(SN 48140 to Present)</b>	
3	2940071	2	Latch	
4	3430840	2	Pin, Clevis	
5	0253687	2	Swing Hinge Assembly	
6	3420156	4	Hairpin	
7	4751800	AR	Flatwasher 1/2in	
8	0940049	2	Bumper <b>(Prior to SN 48140)</b>	
9	3311501	3	Nut 5/16in-18NC	
10	0630468	3	Screw, Button Head 5/16in-18NC x 1in	
11	4751500	5	Flatwasher 5/16in	
12	0901923	1	Bracket, Mounting - Right Front	
13	0901923	1	Bracket, Mounting - Right Side Bottom	
14	0901921	1	Bracket, Mounting - Right Side Top	
15	3960453	5 ft/1.6m	Seal, Door	
16	3311601	1	Nut 3/8in-16NC	
17	4751600	1	Flatwasher 3/8in	
18	1320043	1	Clamp	
19	0641510	2	Bolt 5/16in-18NC x 1 1/4in	
20	4751400	1	Flatwasher 1/4in	
21	3311401	1	Nut 1/4in-20NC	
21	0100011	AR	Loctite (Not Shown)	
	0253984	Ref	<b>STORAGE COMPARTMENT INSTALLATION</b>	B
101	4761600	4	Lockwasher 3/8in	
102	0641605	4	Bolt 3/8in-16NC x 5/8in	
103	3536691	1	Box, Storage	
104	2940042	1	Latch	
105	3960438	50 in/1.3m	Seal	
106	4844404	1	Door Front Weldment	
107	4740120	6	Washer, Nylon	
108	0630464	6	Screw, Button Head #10-24NC x 1/2in	
109	3300365	6	Retainer, Nut #10-24NC	
110	0100011	AR	Loctite #242	
111	4751600	4	Flatwasher	
	0254544	Ref	<b>OPTIONAL STROBE LIGHT INSTALLATION</b>	7
201	4060865	1	Guard, Light	
202	2920119	1	Light, Strobe (Amber) <b>(Prior to SN 28019)</b>	
202	2920146	1	Light, Strobe (Amber) <b>(SN 28019 to Present)</b>	
202	7016319	1	Bulb, Light	
202		Ref	Amber Lens Options:	
202	7016320	1	Lens - 3 1/8in Height	
202	7016372	1	Lens - 4 1/8in Height	
203	0630491	1	Bolt, Special	

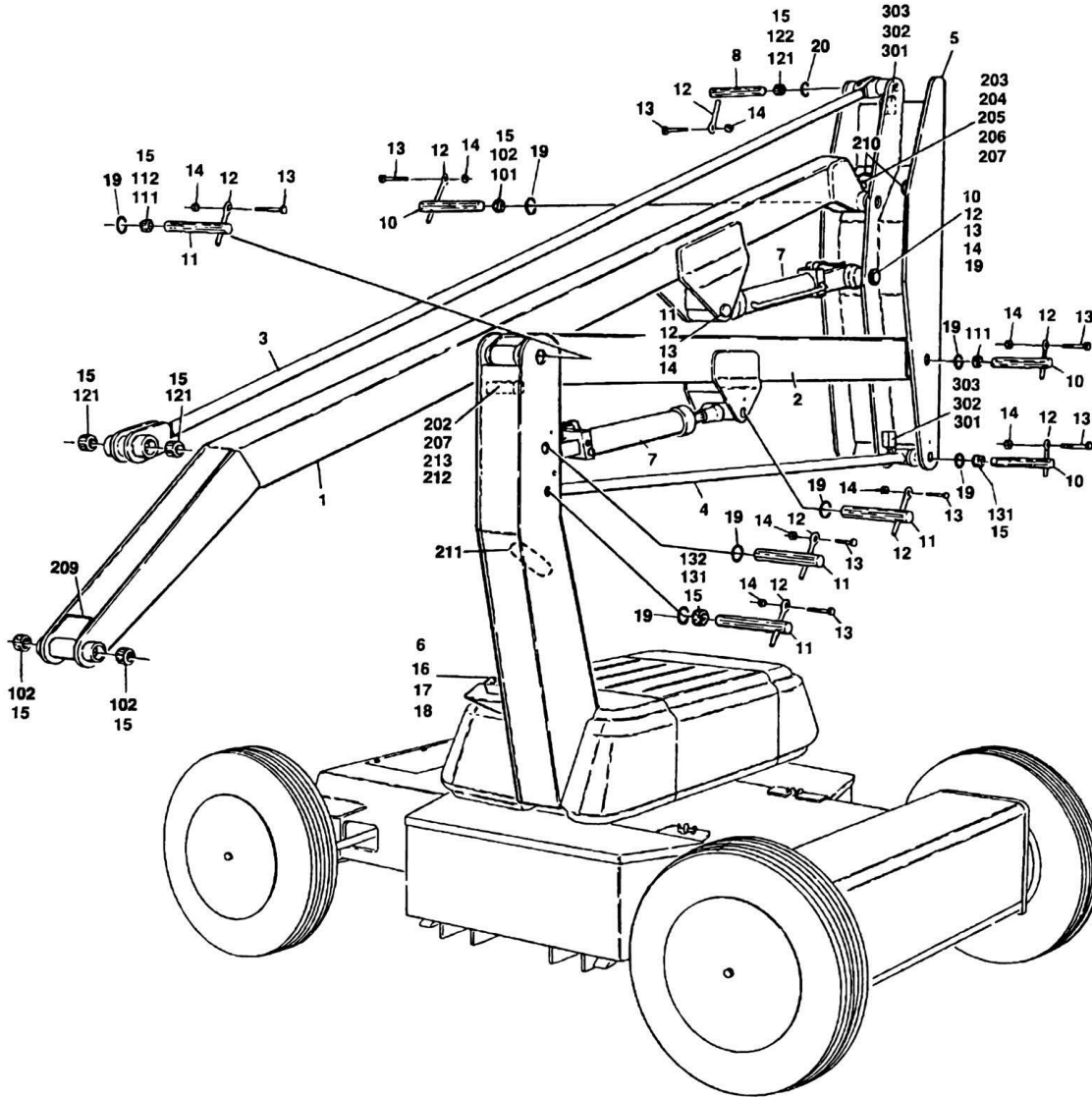
## SECTION 2 - TURNTABLE

ITEM	PART NUMBER	QTY	DESCRIPTION	REV
204	3537903	1	Plate, Mounting	
205	0741606	1	Screw, Flathead 3/8in-16NC x 3/4in	
206	0721008	2	Bolt #10-24NC x 1in	
207	3311005	2	Locknut #10-24NC	
208	4751000	4	Flatwasher #10	
209	4220162	1	Spacer	
210	0100011	AR	Loctite #242	
211	4240032	1	Tie-Strap	
212	4460234	1	Clamp	
213	2820036	AR	Loom (Not Shown)	

**SECTION 3 - BOOM**

# SECTION 3 - BOOM

## FIGURE 3-1. BOOMS AND LIMIT SWITCHES INSTALLATION MODEL 30ELECTRIC



## SECTION 3 - BOOM

### FIGURE 3-1. BOOMS AND LIMIT SWITCHES INSTALLATION MODEL 30ELECTRIC

ITEM	PART NUMBER	QTY	DESCRIPTION	REV
	0252318	Ref	<b>BOOMS INSTALLATION</b>	C
1	0800750	1	Main/Upper Boom Assembly (Includes Items 101 & 102)	
2	0800749	1	Tower/Lower Boom Assembly (Includes Items 111)	
3	4844027	1	Main/Upper Level Link Assembly (Includes Item 121)	
4	4844026	1	Tower/Lower Level Link Assy (Includes Item 131)	
5	4844028	1	Upright Weldment	
6	0560995	1	Block, Bumper	
7	1682662	2	Lift Cylinder Assy (See CYLINDER SECTION for Breakdown)	
8	3422006	1	Pin, Attach	
10	3421985	4	Pin, Attach	
11	3421986	5	Pin, Attach	
12	3841143	10	Pin, Keeper	
13	0641509	10	Bolt 5/16in-18NC x 1 1/2in	
14	3311505	10	Locknut 5/16in-18NC	
15	3020022	AR	Grease, Bearing	
16	0641410	2	Bolt 1/4in-20NC x 1 1/4in	
17	4751400	2	Flatwasher 1/4in	
18	3311405	2	Locknut 1/4in-20NC	
19	3780183	18	O-Ring	
20	3780181	2	O-Ring	
	0800750	Ref	<b>MAIN/UPPER BOOM ASSEMBLY</b>	
101	0961602	2	Bushing, Teflon	
102	0961608	2	Bushing, Teflon	
	0800749	Ref	<b>TOWER/LOWER BOOM ASSEMBLY</b>	
111	0961602	4	Bushing, Teflon	
	4844027	Ref	<b>MAIN/UPPER LEVEL LINK ASSEMBLY</b>	
121	0961608	4	Bushing, Teflon	
	4844026	Ref	<b>TOWER/LOWER LEVEL LINK ASSEMBLY</b>	
131	0961602	4	Bushing, Teflon	
		Ref	<b>CLAMPS AND CABLE INSTALLATIONS</b>	
	0254738	Ref	<b>Clamps and Cable Installations w/o Numbered Colored Wire (Prior to SN 36544)</b>	A
	0258226	Ref	<b>Clamps and Cable Installations w/ Numbered Colored Wire (SN 36544 to Present)</b>	1-A
201		Ref	Harness - Main Boom Options (Not Shown - See ELECTRICAL SECTION for Breakdown):	
201	4921659	1	Harness - Main Boom (Prior to SN 36544)	
201	4922061	1	Harness - Main Boom (SN 36544 to Present)	
202	0561157	1	Block, Clamp	
203	0561158	1	Block, Clamp	
204	0641414		Bolt 1/4in-20NC x 1 3/4in	
205	3311405	2	Locknut 1/4in-20NC	
206	0641410	2	Bolt 1/4in-20NC x 1 1/4in	
207	4761400	4	Lockwasher 1/4in	
208	4240099	20	Tie-Strap (Not Shown)	
209	4060804	18	Protector, Edge (3/16in-4.8mm)	
		in/25cm		
210	4060805	40	Protector, Edge (1/4in-6.4mm)	
		in/102cm		
211	4060807	29	Protector, Edge (3/8in-9.5mm)	
		in/73cm		

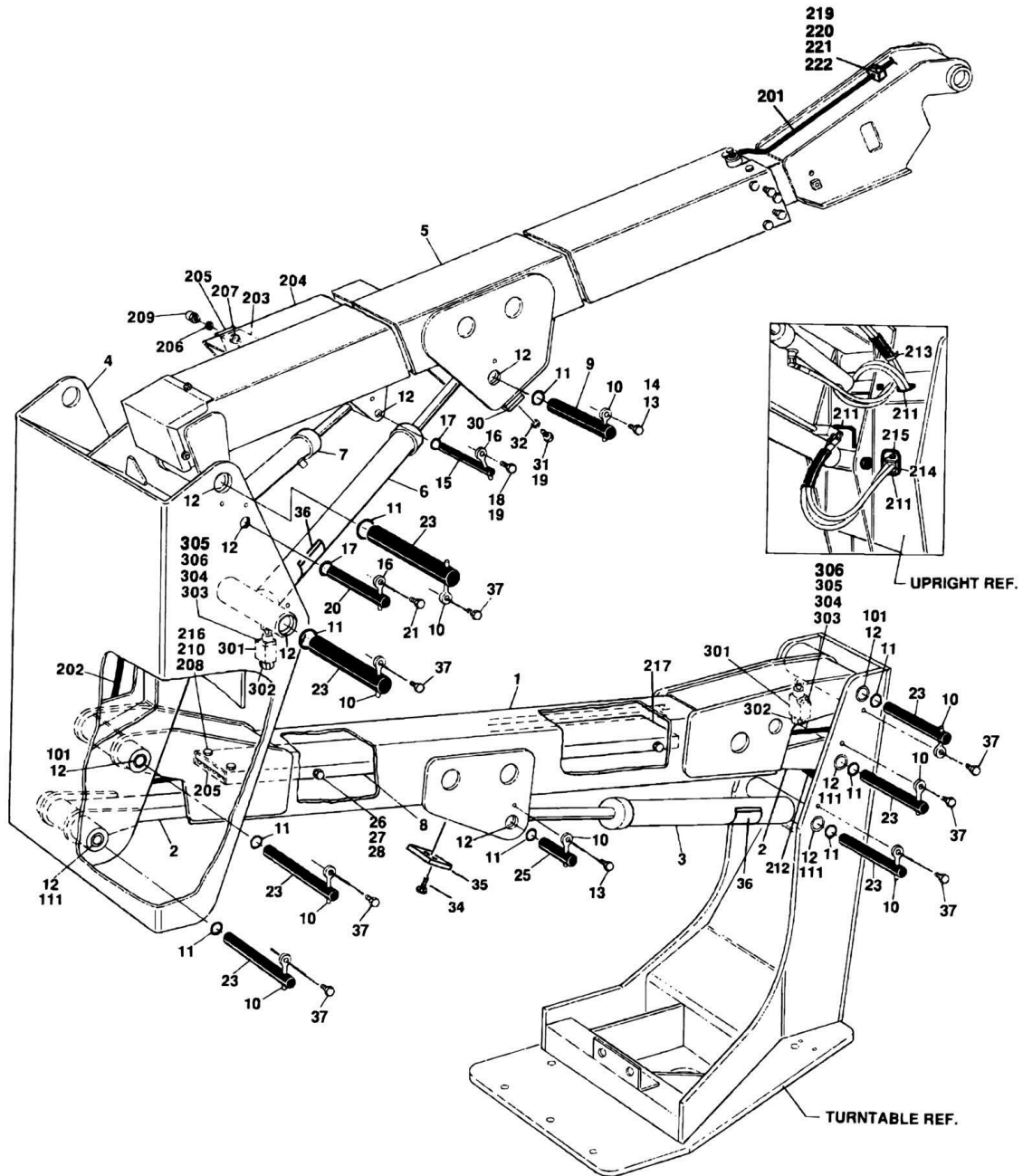
## SECTION 3 - BOOM

ITEM	PART NUMBER	QTY	DESCRIPTION	REV
212	4751400	2	Flatwasher 1/4in	D
213	3311401	2	Nut 1/4in-20NC	
	0252303	Ref	<b>BOOM LIMIT SWITCHES INSTALLATION</b>	
301	4360321	2	Switch, Limit	
302	3900168	4	Bolt, Special	
303	4751000	4	Flatwasher	
304	3311005	4	Locknut #10-24NC	
305	4920140	AR	Wire, Safety	
306	4460428	2	Connector, Strain Relief	



# SECTION 3 - BOOM

## FIGURE 3-2. BOOMS AND LIMIT SWITCHES INSTALLATION MODEL 35ELECTRIC





## SECTION 3 - BOOM

**FIGURE 3-2. BOOMS AND LIMIT SWITCHES INSTALLATION MODEL 35ELECTRIC**

ITEM	PART NUMBER	QTY	DESCRIPTION	REV
	0254190	Ref	<b>BOOM INSTALLATION</b>	14
1		Ref	Lower Boom Weldment Options (Includes Item 101)	
1	0800866	1	Lower Boom Weldment Prior to August 1994	
1	0801007	1	Lower Boom Weldment August 1994 to Present	
2	4844576	1	Lower Link Weldment (Includes Item 111)	
3	1682980	1	Lower Lift Cylinder Assembly (See CYLINDER SECTION for Breakdown)	
4	4844588	1	Upright Weldment	
5	0800832	1	Upper Boom Assembly (See UPPER BOOM COMPONENTS ASSEMBLY for Breakdown)	
6		Ref	Upper Lift Cylinder Assembly Options (See CYLINDER SECTION for Breakdown):	
6	1682958	1	Upper Lift Cylinder Assembly ( <b>Prior to SN 29899</b> )	
6	1683509	1	Upper Lift Cylinder Assembly ( <b>SN 29899 to Present</b> )	
7		Ref	Master Cylinder Assembly Options (See CYLINDER SECTION for Breakdown)	
7	1682877	1	Master Cylinder Assembly Prior to January 1995	
7	1683325	1	Master Cylinder Assembly January 1995 to Present	
8	3537220	1	Plate, Cable	
9	3422178	1	Pin	
10	3841203	9	Keeper, Pin	
11	3780184	18	O-Ring	
12	3020022	AR	Grease	
13	0641812	2	Bolt 1/2in-13NC x 1 1/2in	
14	3311805	2	Locknut 1/2in-13NC	
15	3422180	1	Pin	
16	3841143	2	Keeper, Pin	
17	3780181	4	O-Ring	
18	0641610	1	Bolt 3/8in-16NC x 1 1/4in	
19	3311605	3	Locknut 3/8in-16NC	
20	3422179	1	Pin	
21	0641608	1	Bolt 3/8in-16NC x 1in	
23	3422177	7	Pin	
25	3422176	1	Pin	
26	0641408	4	Bolt 1/4in-20NC x 1in	
27	4751400	4	Flatwasher 1/4in	
28	3311405	4	Locknut 1/4in-20NC	
30	0561076	1	Block, Boom Rest	
31	0641614	2	Bolt 3/8in-16NC x 1 3/4in	
32	4751600	4	Flatwasher 3/8in	
33	0100011	AR	Loctite #242 (Not Shown)	
34	0641606	2	Bolt 3/8in-16NC x 3/4in	
35	0561173	1	Block, Boom Rest	
36	1701714	1	Decal - Manual Descent ( <b>Prior to SN 32126</b> )	
37	0641808	7	Bolt 1/2in-13NC x 1in	
		Ref	<b>LOWER BOOM WELDMENTS</b>	
	0800866	Ref	<b>Lower Boom Weldments Prior to August 1994</b>	-
	0801007	Ref	<b>Lower Boom Weldments August 1994 to Present</b>	B-2
101	0961726	4	Bushing, Teflon	
	4844576	Ref	<b>LOWER LINK WELDMENT</b>	-

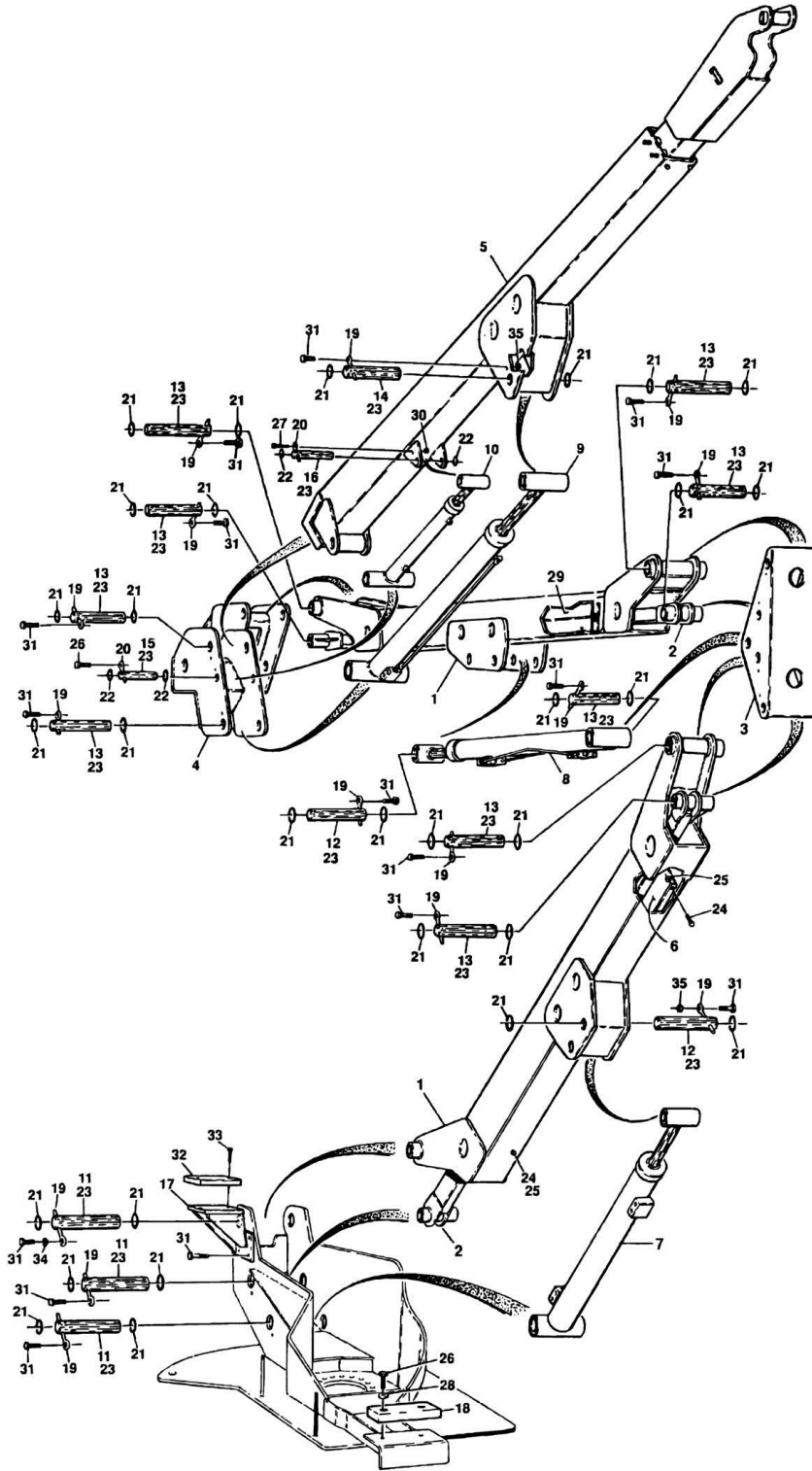
## SECTION 3 - BOOM

ITEM	PART NUMBER	QTY	DESCRIPTION	REV
111	0961726	4	Bushing, Teflon	
		Ref	<b>CABLES AND CLAMPS INSTALLATIONS</b>	
	0254595	Ref	<b>Clamps and Cable Installations w/o Numbered Colored Wire (Prior to SN 36648)</b>	D
	0258565	Ref	<b>Clamps and Cable Installations w/ Numbered Colored Wire (SN 36648 to Present)</b>	1
201		Ref	Harness - Upper Boom Options (See ELECTRICAL SECTION for Breakdown)	
201	4921644	1	Harness - Upper Boom <b>(Prior to SN 36648)</b>	
201	4922128	1	Harness - Upper Boom <b>(SN 36648 to Present)</b>	
202	4921650	1	Harness-Lower Boom (See ELECTRICAL SECTION for Breakdown)	
203	0561090	2	Clamp, Block	
204	3536999	1	Cover	
205	1320205	2	Clamp	
206	4751400	12	Flatwasher 1/4in	
207	3311401	6	Nut 1/4in-20NC	
208	3311505	2	Locknut 5/16in-18NC	
209	3300151	6	Nut, Acorn 1/4in-20NC	
210	0641514	2	Bolt 5/16in-18NC x 1 3/4in	
211	4060805	6 ft/1.8m	Trim 1/4in	
212	4060808	10 in/25cm	Trim 1/2in	
213	4240099	26	Tie-Strap	
214	1320159	1	Clamp	
215	0641511	1	Bolt 5/16in-18NC x 1 3/8in	
216	4751500	4	Flatwasher 5/16in	
217	4060803	6 in/15cm	Trim 1/16in-1/8in	
218	0100011	AR	Loctite #242 (Not Shown)	
219	1320195	1	Cover, Clamp	
220	1320199	1	Clamp	
221	0641520	1	Bolt 5/16in-18NC x 2 1/2in	
222	3311505	1	Locknut 5/16in-18NC	
	0254815	Ref	<b>BOOM LIMIT SWITCHES INSTALLATION</b>	A
301	4360321	2	Switch, Limit	
302	4460428	2	Connector, Strain Relief	
303	3311005	4	Locknut #10-24NC	
304	4751000	4	Flatwasher #10	
305	3900168	2	Bolt #10-24NC x 1 1/2in	
306	1060341	34 ft/10.4m	Cable, Electrical	



# SECTION 3 - BOOM

## FIGURE 3-3. BOOMS INSTALLATION - MODELS 40ELECTRIC & 45ELECTRIC



## SECTION 3 - BOOM

### FIGURE 3-3. BOOMS INSTALLATION - MODELS 40ELECTRIC & 45ELECTRIC

ITEM	PART NUMBER	QTY	DESCRIPTION	REV
		Ref	<b>BOOMS INSTALLATION (STANDARD PARTS)</b>	
	0253455	Ref	<b>Booms Installation 40electric</b>	13
	0254040	Ref	<b>Booms Installation 45electric</b>	8
1		Ref	Tower Boom Weldment Options:	
1	0800831	2	Tower Boom Weldment 40electric	
1	0800852	2	Tower Boom Weldment 45electric	
1	0961726	8	Bushing, Teflon (4 Per Assembly)	
2		Ref	Link, Level Options (Base and Mid):	
2	4844302	2	Link, Level 40electric	
2	4844541	2	Link, Level 45electric	
2	0961726	8	Bushing, Teflon (4 Per Assembly)	
3		Ref	Upright Weldment Options (Bottom):	
3	4844303	1	Upright Weldment 40electric	
3	4844427	1	Upright Weldment 45electric	
4	4844304	1	Upright Weldment (Top)	
5		Ref	Upper Boom Assembly Options (See UPPER BOOM COMPONENTS ASSEMBLY for Breakdown):	
5	0800832	1	Upper Boom Assembly 40electric	
5	0800853	1	Upper Boom Assembly 45electric	
6		Ref	Plate, Hose Guard Options:	
6	3536491	1	Plate, Hose Guard 40electric	
6	3537045	1	Plate, Hose Guard 45electric	
7		Ref	Cylinder Assembly - Lower Lift Options (See CYLINDER SECTION for Breakdown)	
7	1682855	1	Cylinder Assembly - Lower Lift 40electric ( <b>Prior to SN 33111</b> )	
7	1683518	1	Cylinder Assembly - Lower Lift 40electric ( <b>SN 33111 to Present</b> )	
7	1683013	1	Cylinder Assembly - Lower Lift 45electric ( <b>Prior to SN 33090</b> )	
7	1683521	1	Cylinder Assembly - Lower Lift 45electric ( <b>SN 33090 to Present</b> )	
8		Ref	Cylinder Assembly - Mid Lift Options (See CYLINDER SECTION for Breakdown):	
8	1682861	1	Cylinder Assembly - Mid Lift 40electric ( <b>Prior to SN 33111</b> )	
8	1683519	1	Cylinder Assembly - Mid Lift 40electric ( <b>SN 33111 to Present</b> )	
8	1683018	1	Cylinder Assembly - Mid Lift 45electric ( <b>Prior to SN 33090</b> )	
8	1683522	1	Cylinder Assembly - Mid Lift 45electric ( <b>SN 33090 to Present</b> )	
9		Ref	Cylinder Assembly Options - Upper Lift (See CYLINDER SECTION for Breakdown)	
9	1682867	1	Cylinder Assembly Prior to March 1995	
9	1683337	1	Cylinder Assembly March 1995 to SN 29899	
9	1683506	1	Cylinder Assembly ( <b>SN 29899 through 33089</b> )	
9	1683520	1	Cylinder Assembly ( <b>SN 33090 to Present</b> )	
10		Ref	Cylinder Assembly Options - Master (See CYLINDER SECTION for Breakdown)	
10	1682877	1	Cylinder Assembly Prior to January 1995	
10	1683325	1	Cylinder Assembly January 1995 to Present	
11	3422175	3	Pin, Pivot	
12	3422176	2	Pin, Pivot	
13	3422177	9	Pin, Pivot	
14	3422178	1	Pin, Pivot	
15	3422179	1	Pin, Pivot	

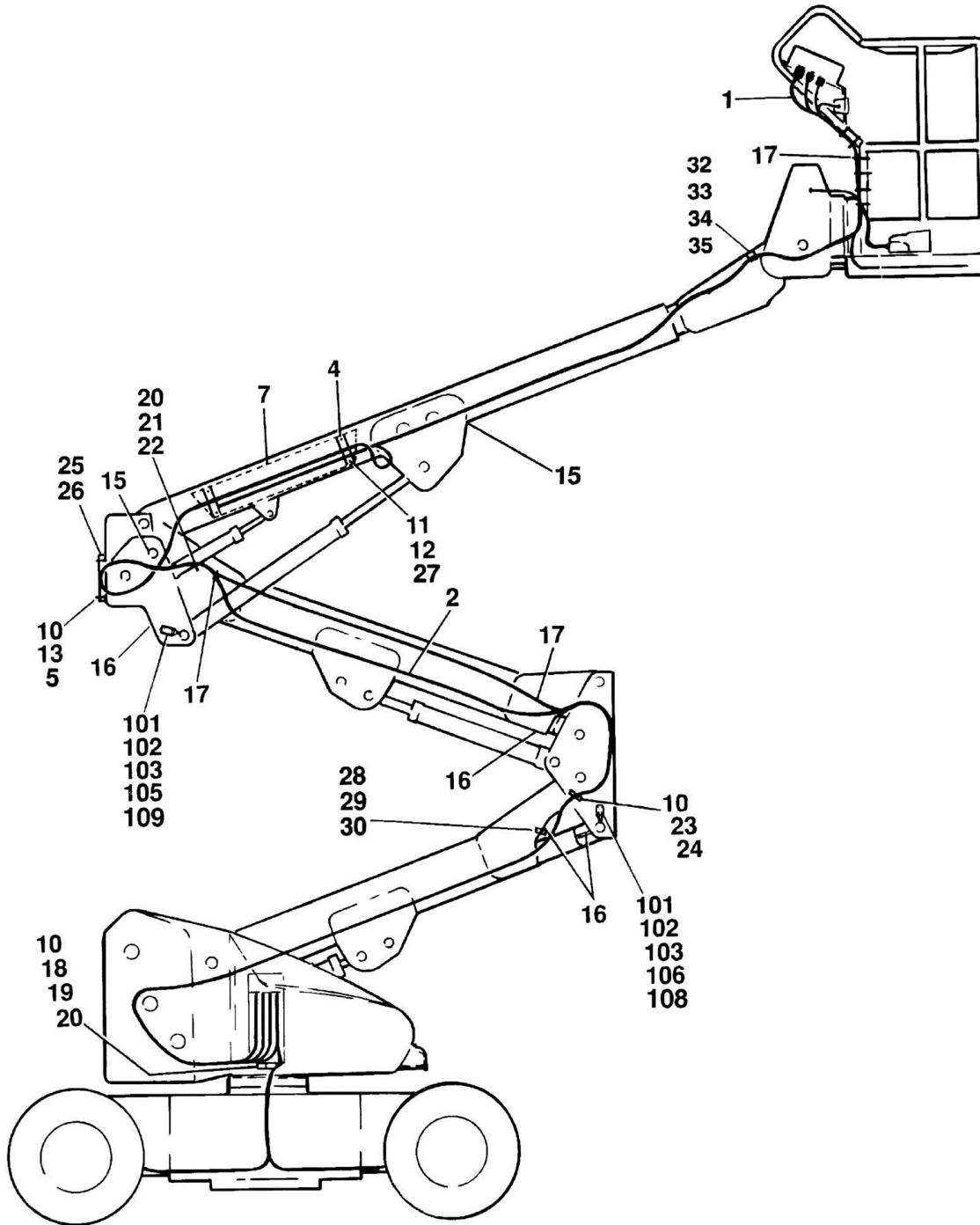
## SECTION 3 - BOOM

ITEM	PART NUMBER	QTY	DESCRIPTION	REV
16	3422180	1	Pin, Pivot	
17	4844467	1	Boom Rest Weldment	
18	0561076	1	Block, Boom Rest	
19	3841203	15	Keeper, Pin - 1/2in	
20	3841143	2	Keeper, Pin - 3/8in	
21	3780184	30	O-Ring - 2in	
22	3780181	4	O-Ring - 1in	
23	3020022	AR	Grease	
24	0641506	4	Bolt 5/16in-18NC x 3/4in	
25	3311505	4	Locknut 5/16in-18NC	
26	0641608	3	Bolt 3/8in-16NC x 1in	
27	0641610	1	Bolt 3/8in-16NC x 1 1/4in	
28	4751600	2	Flatwasher 3/8in	
29		Ref	Tube Options:	
29	4566427	1	Tube 40electric	
29	4566356	1	Tube 45electric	
30	3311605	1	Locknut 3/8in-16NC	
31	0641812	6	Bolt 1/2in-13NC x 1 1/2in	
32	0940048	1	Bumper	
33	0641806	2	Bolt 1/2in-13NC x 3/4in	
34	0641810	12	Bolt 1/2in-13NC x 1 1/4in	
35	3311805	3	Locknut 1/2in-13NC	



# SECTION 3 - BOOM

FIGURE 3-4. LIMIT SWITCHES, CABLES AND CLAMPS INSTALLATION - MODEL 40ELECTRIC & 45ELECTRIC





## SECTION 3 - BOOM

**FIGURE 3-4. LIMIT SWITCHES, CABLES AND CLAMPS INSTALLATION - MODEL 40ELECTRIC & 45ELECTRIC**

ITEM	PART NUMBER	QTY	DESCRIPTION	REV
		Ref	<b>CLAMPS AND CABLES INSTALLATIONS</b>	
	0254647	Ref	<b>Clamps and Cables Installations 40electric without Numbered Colored Wire (Prior to SN 36648)</b>	6
	0258563	Ref	<b>Clamps and Cables Installations 40electric with Numbered Colored Wire (SN 36648 to Present)</b>	1
	0254041	Ref	<b>Clamps and Cables Installations 45electric without Numbered Colored Wire (Prior to SN 36648)</b>	7
	0258564	Ref	<b>Clamps and Cables Installations 45electric with Numbered Colored Wire (SN 36648 to Present)</b>	1
1		Ref	Harness Assembly - Upper Boom Options (See ELECTRICAL SECTION for Breakdown):	
1	4921644	1	Harness Assembly - Upper Boom 40electric ( <b>Prior to SN 36648</b> )	
1	4922128	1	Harness Assembly - Upper Boom 40electric ( <b>SN 36648 to Present</b> )	
1	4921645	1	Harness Assembly - Upper Boom 45electric ( <b>Prior to SN 36648</b> )	
1	4922127	1	Harness Assembly - Upper Boom 45electric ( <b>SN 36648 to Present</b> )	
2		Ref	Harness Assembly - Tower Boom Options (See ELECTRICAL SECTION for Breakdown):	
2	4921581	1	Harness Assembly - Tower Boom 40electric	
2	4921591	1	Harness Assembly - Tower Boom 45electric	
4	0561090	2	Block, Hose Clamp	
5	0561091	1	Block, Hose Clamp	
7	3536999	1	Shield	
10	4751500	5	Flatwasher 5/16in	
11	4751400	12	Flatwasher 1/4in	
12	3311401	6	Nut 1/4in-20NC	
13	0641514	3	Bolt 5/16in-18NC x 1 3/4in	
15		Ref	Trim Options:	
15	4060807	3.6 ft/1.1m	Trim 40electric (was p/n 4060805)	
15	4060805	3.6 ft/1.1m	Trim 45electric	
16	4060808	8 ft/2.4m	Trim 1/2in	
17	4240099	26	Tie-Strap	
20	3311505	1	Locknut 5/16in-18NC	
21	4566243	1	Roller	
22	0641560	1	Bolt 5/16in-18NC x 7 1/2in	
23	0641512	1	Bolt 5/16in-18NC x 1 1/2in	
24	1320205	1	Clamp, Hose	
25	1670697	1	Cover, Hose	
26	0630467	4	Capscrew, Button 5/16in-18NC x 1/2in	
27	3300151	6	Nut, Acorn 1/4in - 20NC	
28	1320040	1	Clamp, Cable	
29	0641410	1	Bolt 1/4in-20NC x 1 1/4in	
30	3311405	1	Locknut 1/4in-20NC	
31	0100011	AR	Loctite #242 (Not Shown)	
32	1320195	1	Cover, Clamp	
33	1320199	1	Clamp	
34	0641520	1	Bolt 5/16in-18NC x 2 1/2in	
35	3311505	1	Locknut 5/16in-18NC	

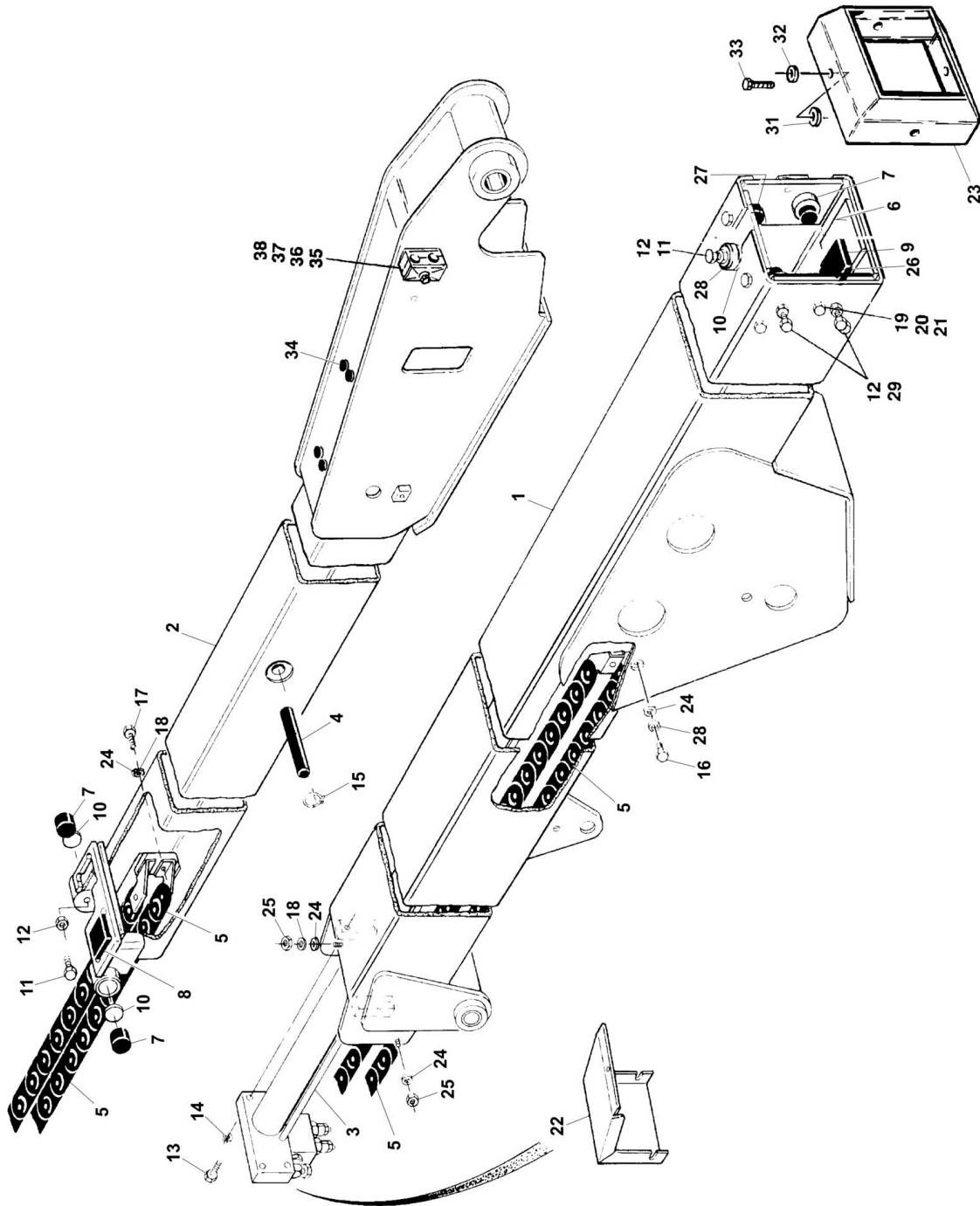
## SECTION 3 - BOOM

ITEM	PART NUMBER	QTY	DESCRIPTION	REV
		Ref	<b>BOOM LIMIT SWITCHES INSTALLATIONS (40ELECTRIC)</b>	
	0253704	Ref	<b>Boom Limit Switches Installations 40electric</b>	5
	0254875	Ref	<b>Boom Limit Switches Installations 45electric</b>	4
101	4360321	2	Switch, Limit	
102	4460428	2	Connector, Strain Relief	
103	3311005	4	Locknut #10-24NC	
105		Ref	Bolt, Socket Head Options: #10-24NC X 1 1/2in	
105	3900168	2	Bolt, Socket Head (#10-24NC x 1 1/2in) <b>(Prior to SN 33795)</b>	
105	3900246	2	Bolt, Socket Head (#10-24NC x 1 3/4in) <b>(SN 33795 to Present)</b>	
106		Ref	Bolt, Socket Head Options:	
106	3900097	2	Bolt, Socket Head (#10-24NC x 2 1/8in) <b>(Prior to SN 33795)</b>	
106	3900104	2	Bolt, Socket Head (#10-24NC x 2 1/4in) <b>(SN 33795 to Present)</b>	
107	1060341	AR	Cable, Electrical - 16/2	
107	1060341	48 ft/17.7m	Cable, Electrical - 16/2 40electric	
107	1060341	58 ft/15m	Cable, Electrical - 16/2 45electric	
108	1670832	1	Cover, Switch Lower <b>(SN 33795 to Present)</b>	
109	1670833	1	Cover, Switch Upper <b>(SN 33795 to Present)</b>	



# SECTION 3 - BOOM

FIGURE 3-5. UPPER BOOM COMPONENTS ASSEMBLY - MODELS 35ELECTRIC, 40ELECTRIC & 45ELECTRIC



## SECTION 3 - BOOM

**FIGURE 3-5. UPPER BOOM COMPONENTS ASSEMBLY - MODELS 35ELECTRIC, 40ELECTRIC & 45ELECTRIC**

ITEM	PART NUMBER	QTY	DESCRIPTION	REV
		Ref	<b>UPPER BOOM ASSEMBLIES</b>	
	0800832	Ref	<b>Upper Boom Assemblies 35electric</b>	18-P
	0800832	Ref	<b>Upper Boom Assemblies 40electric</b>	18-P
	0800853	Ref	<b>Upper Boom Assemblies 45electric</b>	13-J
1		Ref	Base Weldment Options:	
1	0800833	1	Base Weldment 35electric & 40electric	
1	0800854	1	Base Weldment 45electric	
1	0961726	2	Bushing, Teflon	
2		Ref	Fly Weldment Options:	
2	0800834	1	Fly Weldment 35electric & 40electric	
2	0800855	1	Fly Weldment 45electric	
2	0961726	2	Bushing, Teflon	
3		Ref	Telescope Cylinder Assembly Options (See CYLINDER SECTION for Breakdown):	
3	1682887	1	Telescope Cylinder Assembly 35electric & 40electric	
3	1682947	1	Telescope Cylinder Assembly 45electric	
4		Ref	Pin, Mounting Options:	
4	3422185	1	Pin, Mounting 35electric & 40electric	
4	3422263	1	Pin, Mounting 45electric (Prior to February 1995)	
4	3422185	1	Pin, Mounting 45electric (February 1995 to SN 57117)	
4	3422901	1	Pin, Mounting 45electric <b>(SN 57117 to Present)</b>	
5	1180302	1	Powertrack	
5	7019698	40	Links, Replacement	
5	7019699	1	Bracket, End	
6	4844579	1	Holder, Wear Pad (Base Front Bottom)	
7	3340663	8	Pad, Wear (Base Front Top and Sides/Fly Rear Sides and Bottom)	
8		Ref	Pad, Wear Options (Fly Rear Top):	
8	3340666	2	Pad, Wear <b>(Prior to SN 31965)</b>	
8	3340820	2	Pad, Wear <b>(SN 31965 to Present)</b>	
9	3340682	1	Pad, Wear (Base Front Bottom)	
10	1760160	8	Disc	
11	0630487	6	Bolt, Special	
12	3311602	8	Nut, Jam 3/8in-16NC	
13	0641818	4	Bolt 1/2in-13NC x 2 1/4in	
14	4761800	4	Lockwasher 1/2in	
15	3760115	2	Ring, Retaining	
16	0641405	2	Bolt 1/4in-20NC x 5/8in	
17	0641404	2	Bolt 1/4in-20NC x 1/2in	
18	4761400	7	Lockwasher 1/4in	
19	0641606	7	Bolt 3/8in-16NC x 3/4in	
20	4761600	7	Lockwasher 3/8in	
21	0100011	AR	Loctite #242	
22	1670678	1	Cover, Boom	
23	1670698	1	Cover, Boom	
24	4751400	7	Flatwasher 1/4in	
25	3311401	3	Nut 1/4in-20NC	
26		Ref	Holder, Wear Pad Options (Base Front Left Side):	
26	1220038	2	Holder, Wear Pad (was p/n 4844383) <b>(Prior to SN 35014)</b>	

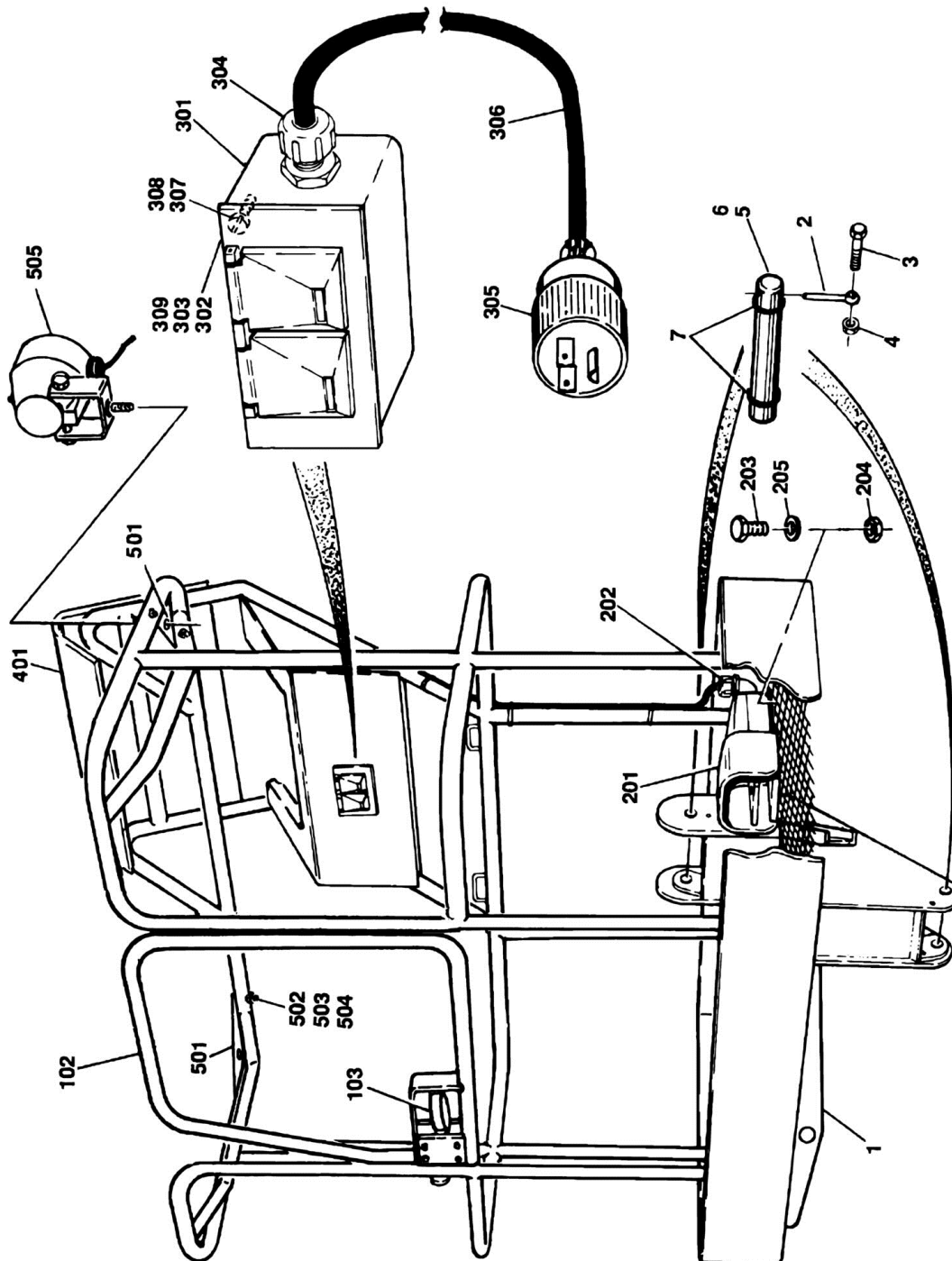
## SECTION 3 - BOOM

ITEM	PART NUMBER	QTY	DESCRIPTION	REV
26	1220038	2	Holder, Wear Pad <b>(SN 35014 to Present)</b>	
27		Ref	Holder, Wear Pad Options (Base Front Right Side):	
27	1220039	2	Holder, Wear Pad (was p/n 4844384) <b>(Prior to SN 35014)</b>	
27	1220039	2	Holder, Wear Pad <b>(SN 35014 to Present)</b>	
28		Ref	Holder, Wear Pad Options (Base Front Top):	
28	1220040	2	Holder, Wear Pad (was p/n 4844386) <b>(Prior to SN 35014)</b>	
28	1220040	2	Holder, Wear Pad <b>(SN 35014 to Present)</b>	
29	0630399	2	Bolt 3/8in-16NC x 2 1/4in	
30	0100009	AR	Silicone (Not Shown)	
31	4740413	5	Spacer	
32	4751600	5	Flatwasher 3/8in	
33	0641608	5	Bolt 3/8in-16NC x 1in	
34	3520034	4	Plug, Hole	
35	1320195	1	Cover, Clamp (March 1995 to Present Only)	
36	1320199	1	Clamp (March 1995 to Present Only)	
37	0641520	1	Bolt 5/16in-18NC x 2 1/4in (March 1995 to Present) Only)	
38	3311505	1	Locknut 5/16in-18NC (March 1995 to Present Only)	

**SECTION 4 - PLATFORMS**

# SECTION 4 - PLATFORMS

FIGURE 4-1. PLATFORM AND COMPONENTS INSTALLATION - MODEL 30ELECTRIC





## SECTION 4 - PLATFORMS

**FIGURE 4-1. PLATFORM AND COMPONENTS INSTALLATION - MODEL 30ELECTRIC**

ITEM	PART NUMBER	QTY	DESCRIPTION	REV
		Ref	<b>PLATFORM INSTALLATIONS</b>	
	0254645	Ref	<b>Platform with Lift Gate</b>	A
	0254646	Ref	<b>Platform with Swing Gate</b>	2
		Ref	<b>Note: Replacement Decals Must be Ordered Separately.</b>	
1		Ref	Platform Assembly Options:	
1	3510458	1	Platform with Lift Gate (Prior to May 1995) (Not Shown)	
1	3510502	1	Platform with Lift Gate (May 1995 to Present) (Not Shown)	
1	3510459	1	Platform with Swing Gate (Prior to May 1995)	
1	3510503	1	Platform with Swing Gate (May 1995 to SN 33712)	
1	3510599	1	Platform with Swing Gate <b>(SN 33712 to Present)</b>	
2	3841143	2	Pin, Keeper	
3	0641509	2	Bolt 5/16in-18NC x 1 1/8in	
4	3311505	2	Locknut 5/16in-18NC	
5	3421983	2	Pin, Attach	
6	3020022	AR	Grease, Bearing	
7	3780181	4	O-Ring	
		Ref	<b>PLATFORM ASSEMBLY COMPONENTS</b>	
102		Ref	Swing Gate Assemblies Options:	
102	1780265	1	Swing Gate Assembly <b>(Prior to SN 33712)</b>	
102	1780299	1	Swing Gate Assembly <b>(SN 33712 to Present)</b>	
102	4844102	1	Lift Gate Assembly (Not Shown)	
103	2940006	1	Latch	
103	2560010	1	Handle	
	0252408	Ref	<b>FOOTSWITCH INSTALLATION</b>	5
201	4360031	1	Footswitch Assembly	
201	7000625	2	Block, Contact	
201	3252347	1	Decal	
		Ref	<b>Note: Decal for other languages See SPECIAL OPTIONS SECTION</b>	
202		Ref	Connector, Strain Relief Options:	
202	4460422	1	Connector, Strain Relief - 90 <b>(Prior to SN 42965)</b>	
202	4460071	1	Connector, Strain Relief - Straight <b>(SN 42965 to Present)</b>	
203	0641408	3	Bolt 1/4in-20NC x 1in	
204	3311405	3	Locknut 1/4in-20NC	
205	4751400	3	Flatwasher 1/4in	
207	4060803	2 in/5cm	Flex-Trim (Not Shown)	
	0252358	Ref	<b>OPTIONAL 110VAC RECEPTACLE INSTALLATION</b>	F
301	0860038	1	Box, Switch	
302	4460347	1	Receptacle, Electrical	
303	4060092	1	Shield, Cover	
304	4460071	1	Connector, Strain Relief	
305	4460205	1	Plug, Electrical	
306	1060330	40 ft./12.2m	Cable, Electrical 16/3	
307	3910606	4	Screw, Machine #6-32NC x 3/8in	
308	4760600	4	Lockwasher #6	
309	3960422	1	Gasket, Shield	
		Ref	<b>OPTIONAL CONSOLE COVER KITS</b>	
	2901213	Ref	<b>Standard Machines</b>	-
	0254955	Ref	<b>U/L Machines</b>	A

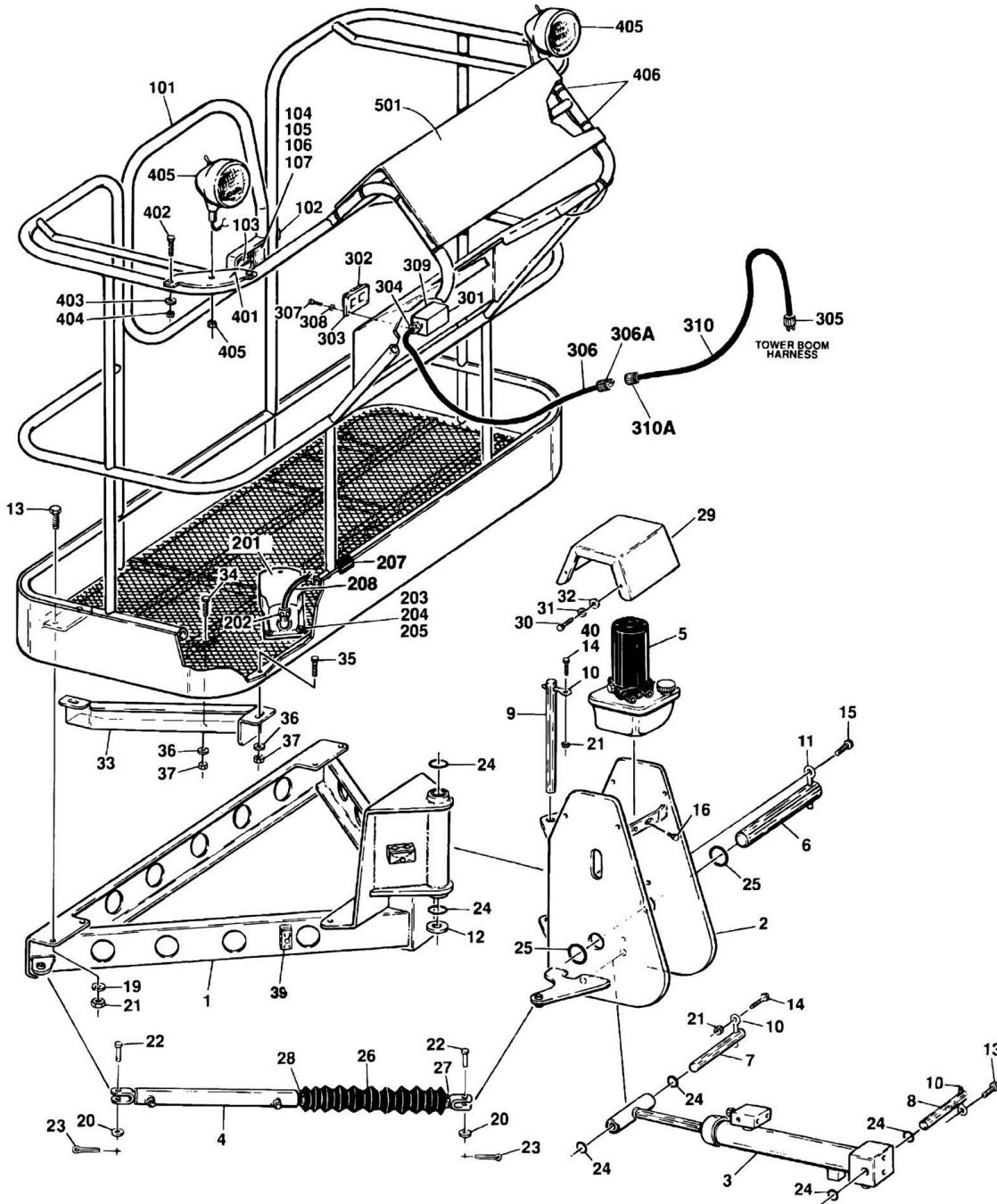
## SECTION 4 - PLATFORMS

ITEM	PART NUMBER	QTY	DESCRIPTION	REV
401		Ref	Cover, Console Options:	
401	1670636	1	Standard Machines	
401	1670732	1	U/L Machines	
401	1020005	2	Button, Tear Away Mount	
401	1670688	1	Cover, Tear Away	
		Ref	<b>OPTIONAL WORK LIGHTS KITS</b>	
	2901251	Ref	<b>Optional Work Lights Kits (Prior to SN 36544)</b>	E
	2901561	Re	<b>Optional Work Lights Kits (SN 36544 to Present)</b>	2
501	3536089	2	Plate, Mounting	
502	0641414	4	Bolt 1/4in-20NC x 1 3/4in	
503	3311405	4	Locknut 1/4in-20NC	
504	4711400	4	Flatwasher 1/4in Narrow	
505	2920095	2	Light Assembly	
505	7016356	2	Bulb, Replacement (1 per Light)	
506	4240099	10	Tie-Strap (Not Shown)	
511		Ref	Connector, Strain Relief Options (Not Shown - Located at Console Box):	
511	4460598	1	Connector, Strain Relief <b>(Prior to SN 28755)</b>	
511	4460428	1	Connector, Strain Relief <b>(SN 28755 to Present)</b>	



# SECTION 4 - PLATFORMS

## FIGURE 4-2. PLATFORM AND COMPONENTS INSTALLATION - MODEL 35ELECTRIC, 40ELECTRIC & 45ELECTRIC



## SECTION 4 - PLATFORMS

**FIGURE 4-2. PLATFORM AND COMPONENTS INSTALLATION - MODEL 35ELECTRIC, 40ELECTRIC & 45ELECTRIC**

ITEM	PART NUMBER	QTY	DESCRIPTION	REV
	0253698	Ref	<b>ROTATOR AND SUPPORT INSTALLATION</b>	M
1	4844465	1	Support Weldment	
1	0961608	2	Bushing, Bronze (Platform Pivot)	
1	0961749	2	Bushing, Bronze (Rotator Cylinder Pivot)	
1	1320050	2	Clamp, Hose	
2	4844466	1	Pivot Weldment	
2	0961749	2	Bushing, Bronze (Rotator Cylinder Pivot)	
3		Ref	Slave Cylinder Assembly Options (See CYLINDER SECTION for Breakdown)	
3	1682876	1	Slave Cylinder Assembly Prior to January 1995	
3	1683285	1	Slave Cylinder Assembly January 1995 to Present	
4	1682930	1	Rotator Cylinder Assembly (See CYLINDER SECTION for Breakdown)	
5	3600207	1	Rotator Pump, Motor and Tank Assembly (See ROTATOR MOTOR/PUMP/TANK ASSEMBLY for Breakdown)	
6	3422176	1	Pin, Pivot	
7	3422180	1	Pin, Pivot	
8	3422181	1	Pin, Pivot	
9	3422191	1	Pin, Pivot	
10	3841143	3	Pin, Keeper	
11	3841203	1	Pin, Keeper	
12	4740007	1	Washer, Thrust	
13	0641607	8	Bolt 3/8in-16NC x 7/8in	
14	0641608	1	Bolt 3/8in-16NC x 1in	
15	0641810	1	Bolt 1/2in-13NC x 1 1/4in	
16	0641605	2	Bolt 3/8in-16NC x 5/8in	
19	4751600	9	Flatwasher 3/8in	
20	4751800	2	Flatwasher 1/2in	
21	3311605	9	Locknut 3/8in-16NC	
22	3430816	2	Pin, Clevis 1/2in x 2in	
23	3450405	2	Pin, Cotter	
24	3780181	6	O-Ring	
25	3780184	2	O-Ring	
26	0460106	1	Bellows	
27	1320017	1	Clamp, Hose	
28	1320031	1	Clamp, Hose	
29	1670690	1	Cover, Motor	
30	3941405	4	Screw, Self-Tapping 1/4in x 5/8in	
31	4751400	4	Flatwasher 1/4in	
32	4761400	4	Lockwasher 1/4in	
33	4060855	1	Shield	
34	0641505	1	Bolt 5/16in-18NC x 5/8in	
35	0641516	2	Bolt 5/16in-18NC x 2in	
36	4751500	6	Flatwasher 5/16in	
37	3311505	3	Locknut 5/16in-18NC	
38	0100011	AR	Loctite #242 (Not Shown)	
39	1320159	1	Clamp, Hose	
40	0641610	1	Bolt 3/8in-16NC x 1 1/4in	
		Ref	<b>PLATFORM WELDMENTS</b>	

## SECTION 4 - PLATFORMS

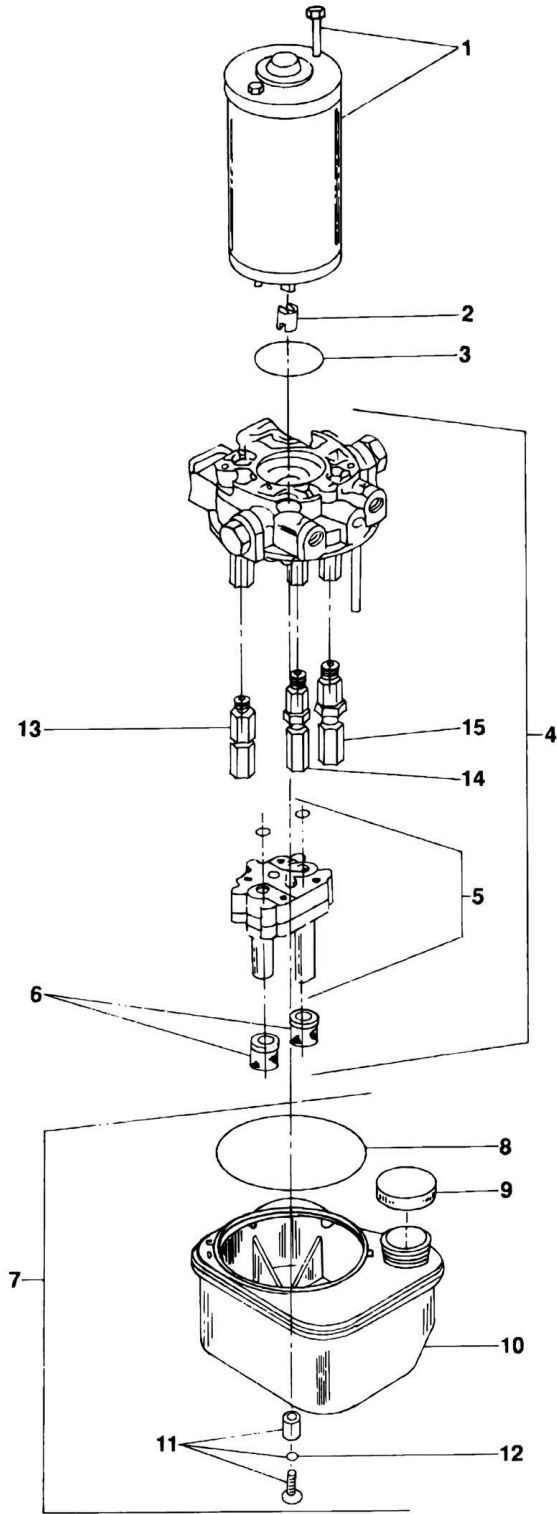
ITEM	PART NUMBER	QTY	DESCRIPTION	REV
	3510434	Ref	26in x 48in (Prior to May 1995)	-
	3510504	Ref	26in x 48in (May 1995 to SN 33712)	A
	3510596	Ref	26in x 48in (SN 33712 to Present)	B-2
	3510600	Ref	26in x 48in (With Mesh to Top Rail) (SN 32838 through 33711)	1
	3510601	Ref	26in x 48in (With Mesh to Top Rail) (SN 33712 to Present)	C-2
	3510460	Ref	26in x 60in (Prior to May 1995)	-
	3510498	Ref	26in x 60in (May 1995 to SN 33712)	A
	3510584	Ref	26in x 60in (SN 33712 to Present)	A-1
	3510507	Ref	26in x 60in (With Mesh to Top Rail) (Prior To May 1995)	-
	3510513	Ref	26in X 60in (With Mesh to Top Rail) (May 1995 TO SN 33712)	A
	3510598	Ref	26in x 60in (With Mesh to Top Rail) (SN 33712 to Present)	A-3
		Ref	<b>Note: Replacement Decals Must be Ordered Separately.</b>	
101		Ref	Door Weldment Options (Includes Items 102-107):	
101	1780265	1	Without Mesh (Prior to SN 33712)	
101	1780299	1	Without Mesh (SN 33712 to Present)	
101	1780289	1	With Mesh to Top Rail (Prior to SN 33712)	
101	1780300	1	With Mesh to Top Rail (SN 33712 to Present)	
102		Ref	Latch, Door Options:	
102	2940006	1	Latch, Door (Prior to SN 33712)	
102	2940074	1	Latch, Door (SN 33712 to Present)	
103		Ref	Handle, Door Options:	
103	2560010	1	Handle, Door (Prior to SN 33712)	
103	Not Required	0	Handle, Door (SN 33712 to Present)	
104	3911016	4	Screw, Machine #10-24NC x 1in	
105	4761000	4	Lockwasher #10	
106	4751000	4	Flatwasher #10	
107	3311001	4	Nut #10-24NC	
	0252408	Ref	<b>FOOTSWITCH INSTALLATION</b>	5
201	4360031	1	Footswitch Assembly	
201	7000625	2	Block, Contact	
201	3252347	1	Decal	
		Ref	<b>Note: Decal for other languages See SPECIAL OPTIONS SECTION</b>	
202		Ref	Connector, Strain Relief Options:	
202	4460422	1	Connector, Strain Relief - 90 (Prior to SN 42965)	
202	4460071	1	Connector, Strain Relief - Straight (SN 42965 to Present)	
203	0641408	3	Bolt 1/4in-20NC x 1in	
204	3311401	3	Nut 1/4in-20NC	
205	4751400	3	Flatwasher 1/4in	
207	4060803	2 in/5cm	Flex-Trim	
208	4921396	1	Harness (Console Box to Footswitch)	
		Ref	<b>RECEPTACLE BOX INSTALLATION (OPTIONAL)</b>	
	0254542	Ref	Receptacle Box Installation 35electric with 110VAC Receptacle	D
	0253716	Ref	Receptacle Box Installation 40electric with 110VAC Receptacle	E
	0254042	Ref	Receptacle Box Installation 45electric with 110VAC Receptacle	D
	0257103	Ref	Receptacle Box Installation 45electric with 220VAC Receptacle	-
301	0860038	1	Box, Electrical	
302		Ref	Receptacle, Electrical Options:	

## SECTION 4 - PLATFORMS

ITEM	PART NUMBER	QTY	DESCRIPTION	REV
302	4460347	1	110VAC	
302	4460125	1	220VAC	
303	4060092	1	Cover, Receptacle	
304	4460071	1	Connector, Strain Relief	
305		Ref	Plug	
305	4460205	1	110VAC	
305	4460233	1	220VAC	
306		Ref	Harness Options (Upper Boom):	
306	4921647	1	Harness 35electric	
306	4921569	1	Harness 40electric	
306	4921593	1	Harness 45electric	
306A	4460205	1	Plug, Male	
307		Ref	Screw, Machine Options:	
307	3910606	4	110VAC (#6-32NC x 3/8in)	
307	4460233	4	220VAC (#10 x 1/2in)	
308	4760600	4	Lockwasher Options:	
308	4460205	4	110VAC (#6)	
308	4460233	4	220VAC (#10)	
309	3960422	1	Gasket	
310		Ref	Harness Options (Lower Boom):	
310	4921646	1	Harness 35electric	
310	4921568	1	Harness 40electric	
310	4921592	1	Harness 45electric	
310A	4460134	1	Receptacle	
311	4460315	1	Terminal (Not Shown - 220VAC Machines Only)	
312		Ref	Decal Options (Not Shown):	
312	3251243	1	110VAC	
312	3252507	1	220VAC	
		Ref	<b>OPTIONAL WORK LIGHTS KITS</b>	
	2901251	Ref	<b>Optional Work Lights Kits (Prior to SN 36544)</b>	E
	2901561	Ref	<b>Optional Work Lights Kits (SN 36544 to Present)</b>	2
401	3536089	2	Plate, Mounting	
402	0641414	4	Bolt 1/4in-20NC x 1 3/4in	
403	3311405	4	Locknut 1/4in-20NC	
404	4711400	4	Flatwasher 1/4in Narrow	
405	2920095	2	Floodlight	
405	7016356	2	Bulb, Replacement (1per Light)	
406	4240099	10	Tie-Strap	
409	2820035	9 ft/2.7m	Loom, Vinyl (Not Shown)	
411		Ref	Connector, Strain Relief Options (Not Shown - Located at Console Box):	
411	4460598	1	Connector, Strain Relief <b>(Prior to SN 28755)</b>	
411	4460428	1	Connector, Strain Relief <b>(SN 28755 to Present)</b>	
	2901213	Ref	<b>OPTIONAL CONSOLE COVER KIT - STANDARD MACHINES</b>	-
501	1670636	1	Cover	
	0254955	Ref	<b>OPTIONAL CONSOLE COVER KIT - U/L MACHINES (NOT SHOWN)</b>	A
501	1670732	1	Cover, Console	
501	1020005	AR	Button, Tear Away	
501	1670688	AR	Cover, Tear Away	

# SECTION 4 - PLATFORMS

## FIGURE 4-3. ROTATOR MOTOR/PUMP/TANK ASSEMBLY





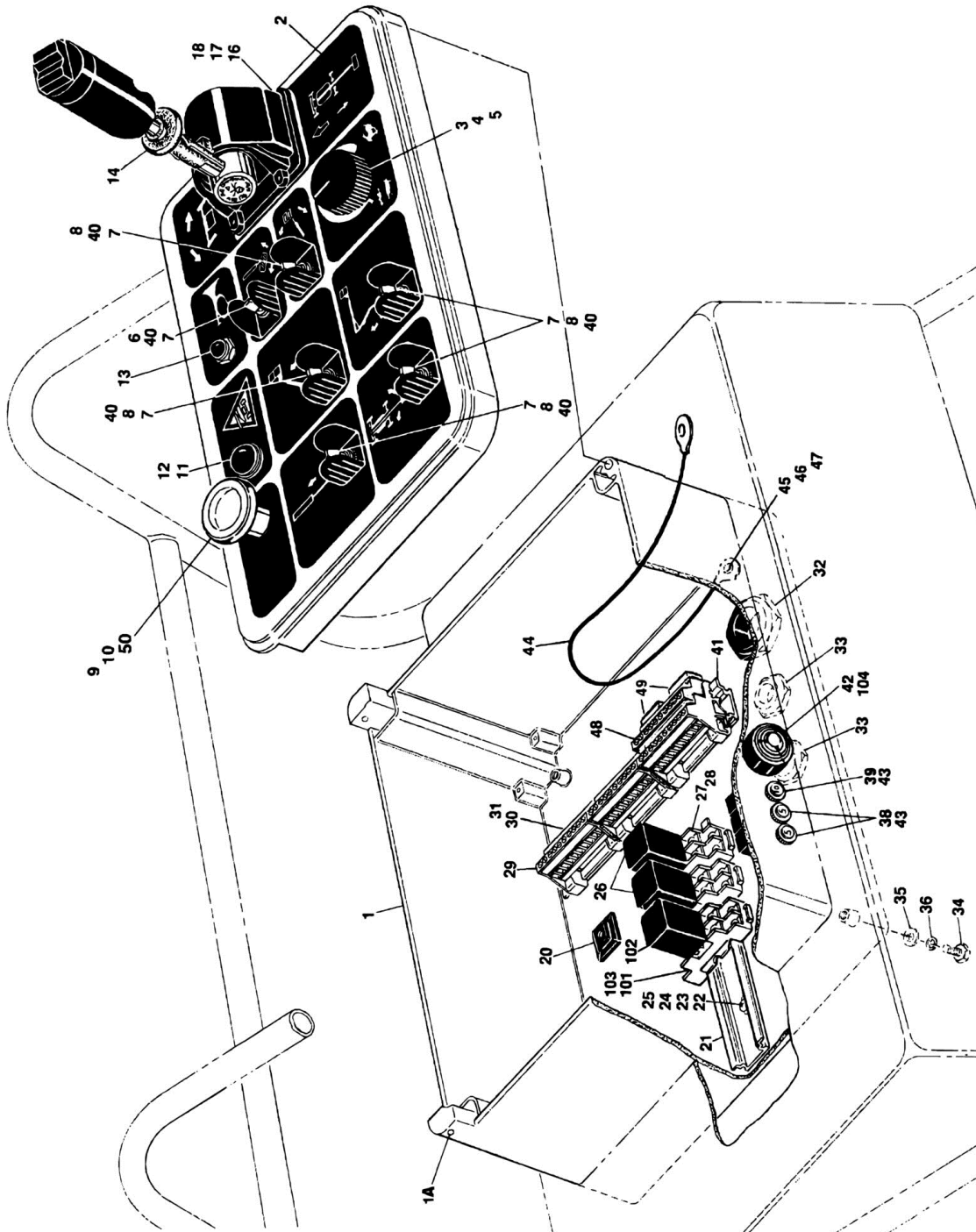
## SECTION 4 - PLATFORMS

**FIGURE 4-3. ROTATOR MOTOR/PUMP/TANK ASSEMBLY**

ITEM	PART NUMBER	QTY	DESCRIPTION	REV
	3600207	Ref	<b>ROTATOR MOTOR/PUMP/TANK ASSEMBLY</b>	-
1	7003550	1	Motor (Includes Mounting Bolts)	
1	Not Available	1	Brush/Spring Kit	
2	7003551	1	Coupling	
3	Kit	1	O-Ring	
4	7003552	1	Pump/Adapter Assembly	
5	7003553	1	Pump Assembly	
6	7003554	1	Filter	
7	7003555	1	Reservoir Assembly	
8	Kit	1	Seal	
9	7003556	1	Cap, Reservoir	
10	7003557	1	Reservoir	
11	7003558	1	Mounting Kit	
12	Kit	4	O-Ring	
13	7003559	1	Cartridge - Thermal Relief Valve	
14	7003560	1	Cartridge - High Pressure Relief Valve	
15	7003561	1	Cartridge - Low Pressure Relief Valve	
	7003562	1	Seal Kit (Includes Items 3,8,12 and Pump Seals and O-Rings)	

# SECTION 4 - PLATFORMS

## FIGURE 4-4. PLATFORM CONSOLE ASSEMBLY



## SECTION 4 - PLATFORMS

**FIGURE 4-4. PLATFORM CONSOLE ASSEMBLY**

ITEM	PART NUMBER	QTY	DESCRIPTION	REV
		Ref	<b>PLATFORM CONSOLE ASSEMBLY</b>	
	0860920	Ref	<b>Platform Console Assembly 30electric (Prior to SN 31037)</b>	4
	0861058	Ref	<b>Platform Console Assembly 30electric (SN 31037 through 36543)</b>	A
	0861184	Ref	<b>Platform Console Assembly 30electric (SN 36544 to Present)</b>	3
	0860921	Ref	<b>Platform Console Assembly 35electric (Prior to SN 31037)</b>	D
	0861059	Ref	<b>Platform Console Assembly 35electric (SN 31037 through 36647)</b>	2
	0861186	Ref	<b>Platform Console Assembly 35electric (SN 36648 to Present)</b>	3
	0860922	Ref	<b>Platform Console Assembly 40electric &amp; 45electric (Prior to SN 31037)</b>	C
	0861060	Ref	<b>Platform Console Assembly 40electric &amp; 45electric (SN 31037 through 36647)</b>	A
	0861187	Ref	<b>Platform Console Assembly 40electric &amp; 45electric (SN 36648 to Present)</b>	3
1		Ref	Box Assembly Options:	
1	0860895	1	Box Assembly 30electric ( <b>Prior to SN 31037</b> )	
1	0861057	1	Box Assembly 30electric ( <b>SN 31037 to Present</b> )	
1	0860876	1	Box Assembly 35electric/40electric/45electric ( <b>Prior to SN 31037</b> )	
1	0861056	1	Box Assembly 35electric/40electric/45electric ( <b>SN 31037 to Present</b> )	
1A	2900859	1	Hinge Pin/Retainer/Gasket Kit	
2		Ref	Decal Options:	
2	1702287	1	Decal 30electric ( <b>Prior to SN 47045</b> )	
2	1704414	1	Decal 30electric ( <b>SN 47045 to Present</b> )	
2	1702286	1	Decal 35electric ( <b>Prior to SN 47045</b> )	
2	1704415	1	Decal 35electric ( <b>SN 47045 to Present</b> )	
2	1702285	1	Decal 40electric/45electric ( <b>Prior to SN 47045</b> )	
2	1704416	1	Decal 40electric/45electric ( <b>SN 47045 to Present</b> )	
3		Ref	Potentiometer Options (Function Speed):	
3	4360365	1	Potentiometer ( <b>Prior to SN 31037</b> )	
3	4360445	1	Potentiometer ( <b>SN 31037 to Present</b> )	
4	3300352	1	Nut, Special ( <b>Prior to SN 31037</b> )	
5		Ref	Knob Options:	
5	2560115	1	Knob ( <b>Prior to SN 31037</b> )	
5	2560136	1	Knob ( <b>SN 31037 to Present</b> )	
6		Ref	Switch, Toggle Options (Basket Rotate):	
6	Not Required	0	Switch, Toggle 30electric	
6	4360314	1	Switch, Toggle 35electric/40electric/45electric	
7	4060802	AR	Guard, Switch	
8	4360328	5	Switch, Toggle (Swing/Lift/Tele/Level)	
9		Ref	Switch, Push-Pull Options (Emergency Stop):	
9	4360317	1	Switch ( <b>Prior to SN 31037</b> )	
9	7012566	1	Lens	
9	7012517	1	Bulb	
9	4360289	1	Switch ( <b>SN 31037 through 47044</b> )	
9	7012611	1	Push-Pull Mush Head	
9	7012612	1	Boot	
9	4360475	1	Switch, Emergency Stop ( <b>SN 47045 to Present</b> )	
9	7020175	1	Cap/E-Stop With Sealing Ring	

## SECTION 4 - PLATFORMS

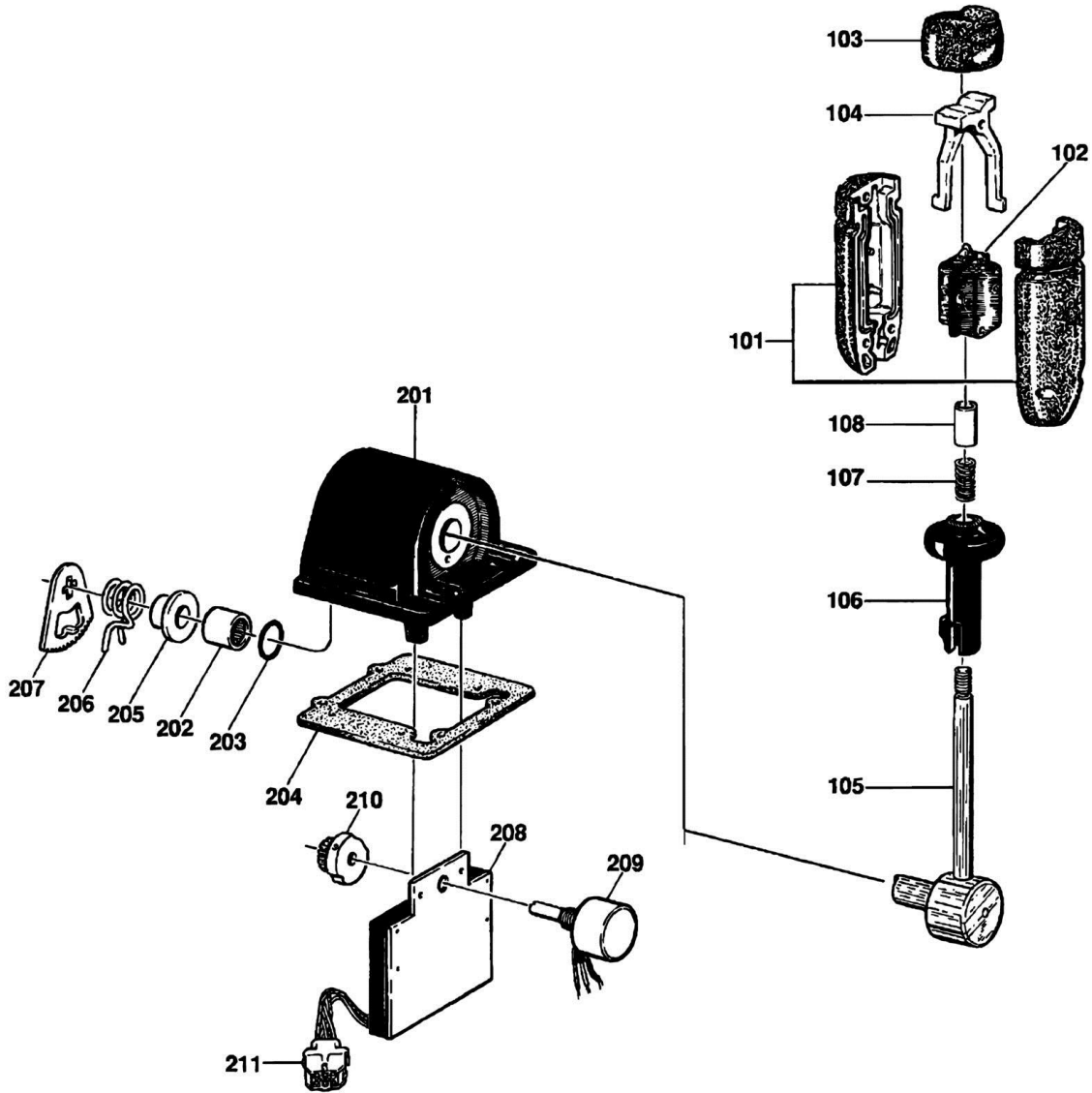
ITEM	PART NUMBER	QTY	DESCRIPTION	REV
9	7020176	1	Contact Block With Mount Collar	
10		Ref	Block, Contact Options:	
10	4360282	1	Block, Contact ( <b>Prior to SN 47045</b> )	
10	4360476	1	Block, Contact ( <b>SN 47045 to Present</b> )	
11	2920120	1	Light, Indicator	
12	2920107	1	Bulb	
13	4360274	1	Switch, Push Button (Horn)	
14	1600175	1	Controller Assembly (Drive/Steer) (See CONTROL ASSEMBLY (DRIVE/STEER) for Breakdown)	
15	0720805	4	Screw, Machine #8-32NC x 5/8in	
16	4750800	4	Flatwasher #8	
17	4760800	4	Lockwasher #8	
18	3537234	1	Plate, Controller Support	
19	3520031	1	Plug, Hole	
20	4460488	4	Mount, Cable Tie	
21	3640834	AR	Strip, Terminal	
22	3910608	4	Screw #6-32NC x 1 1/2in	
23	4760600	4	Lockwasher #6	
24	4750600	4	Flatwasher #6	
25	3310601	4	Nut #6-32NC	
26	3740087	AR	Relay	
27	4120027	AR	Base, Relay	
28	3740063	AR	Spring, Relay	
29	4460522	3	Block, Terminal	
30	4460525	2	Markers, Terminal	
31	4460524	3	Lock, Terminal	
32	4460526	1	Connector, Strain Relief	
33	4460428	AR	Connector, Strain Relief	
34	0641508	4	Bolt 5/16in-18NC x 1in	
35	4751500	4	Flatwasher 5/16in	
36	4761500	4	Lockwasher 5/16in	
38	4360112	2	Breaker, Circuit - 5 Amp	
39		Ref	Breaker, Circuit - 10 Amp	
39	Not Required	0	Breaker, Circuit - 10 Amp 30electric	
39	4360069	1	Breaker, Circuit - 10 Amp 35electric/40electric/45electric	
40	4740420	6	Washer, Sealing	
41	3640930	1	Rail	
42	0100029	AR	Silicone	
43	3790012	3	O-Ring	
44	1060329	1	Lanyard	
45	0731003	1	Bolt #10-24NC x 3/8in	
46	4751000	1	Flatwasher #10	
47	4761000	1	Lockwasher #10	
48		Ref	Plug, Terminal Options:	
48	Not Required	0	Plug, Terminal 30electric	
48	4460523	1	Plug, Terminal 35electric/40electric/45electric	
49		Ref	Bridge, Insertion Options:	
49	Not Required	0	Bridge, Insertion 30electric	
49	4460529	2	Bridge, Insertion 35electric/40electric/45electric	
50	1704260	1	Decal - EMS ( <b>SN 47045 to Present</b> )	
		Ref	<b>OPTIONAL TILT ALARM KIT (OPTIONAL)</b>	
	2901216	Ref	<b>Optional Tilt Alarm Kit 30electric</b>	

## SECTION 4 - PLATFORMS

ITEM	PART NUMBER	QTY	DESCRIPTION	REV
	2901250	Ref	<b>Optional Tilt Alarm Kit 35electric</b>	
	4932681	Ref	<b>Optional Tilt Alarm Kit 40electric &amp; 45electric</b>	
101	4120027	1	Base, Relay	
102	3740087	1	Relay	
103	3740063	1	Spring, Relay	
104	0140030	1	Alarm	
105	3990001	AR	Diode - 3.5 Amp (Not Shown)	

# SECTION 4 - PLATFORMS

## FIGURE 4-5. CONTROL ASSEMBLY (DRIVE/STEER)



## SECTION 4 - PLATFORMS

**FIGURE 4-5. CONTROL ASSEMBLY (DRIVE/STEER)**

ITEM	PART NUMBER	QTY	DESCRIPTION	REV
	1600175	Ref	<b>CONTROLLER ASSEMBLY (DRIVE/STEER)</b>	-
	7003795	Ref	<b>ROCKER SWITCH GRIP HANDLE ASSEMBLY</b>	
101	7003792	2	Half, Handle	
102	7003789	1	Switch, Rocker	
103	7003790	1	Cap, Rubber	
104	7003791	1	Actuator, Switch	
105	7003793	1	Shaft, Handle	
106	Kit	1	Lock, Slide	
107	Kit	1	Spring	
108	Kit	1	Sleeve	
109	7011973	1	Bolt 1/4in-20NC x 3/8in with Hole Drilled in Center (Not Shown)	
	7003722	1	Slide Lock Repair Kit (Includes Items 106-108)	
		Ref	<b>HOUSING AND INTERNAL COMPONENTS</b>	
201	7003702	1	Housing Assembly (Includes Items 202 & 203)	
202	7003739	1	Bushing, Bronze	
203	3790112	1	O-Ring	
204	7003703	1	Gasket	
205	7003744	1	Guide, Spring	
206	7003719	1	Spring, Torsion	
207	7011904	1	Sector, Gear	
208	7011942	1	Electrical Assembly	
209	7003751	1	Potentiometer	
210	7003788	1	Gear, Brass Spur	
210	7020511	1	Set Screw	
211		Ref	Harness Connector Components:	
211	4460266	1	Cap, Female - 9 Pin	
211	4460265	1	Plug, Male	
211	4460226	9	Socket, Female	
211	4460227	9	Pin, Male	

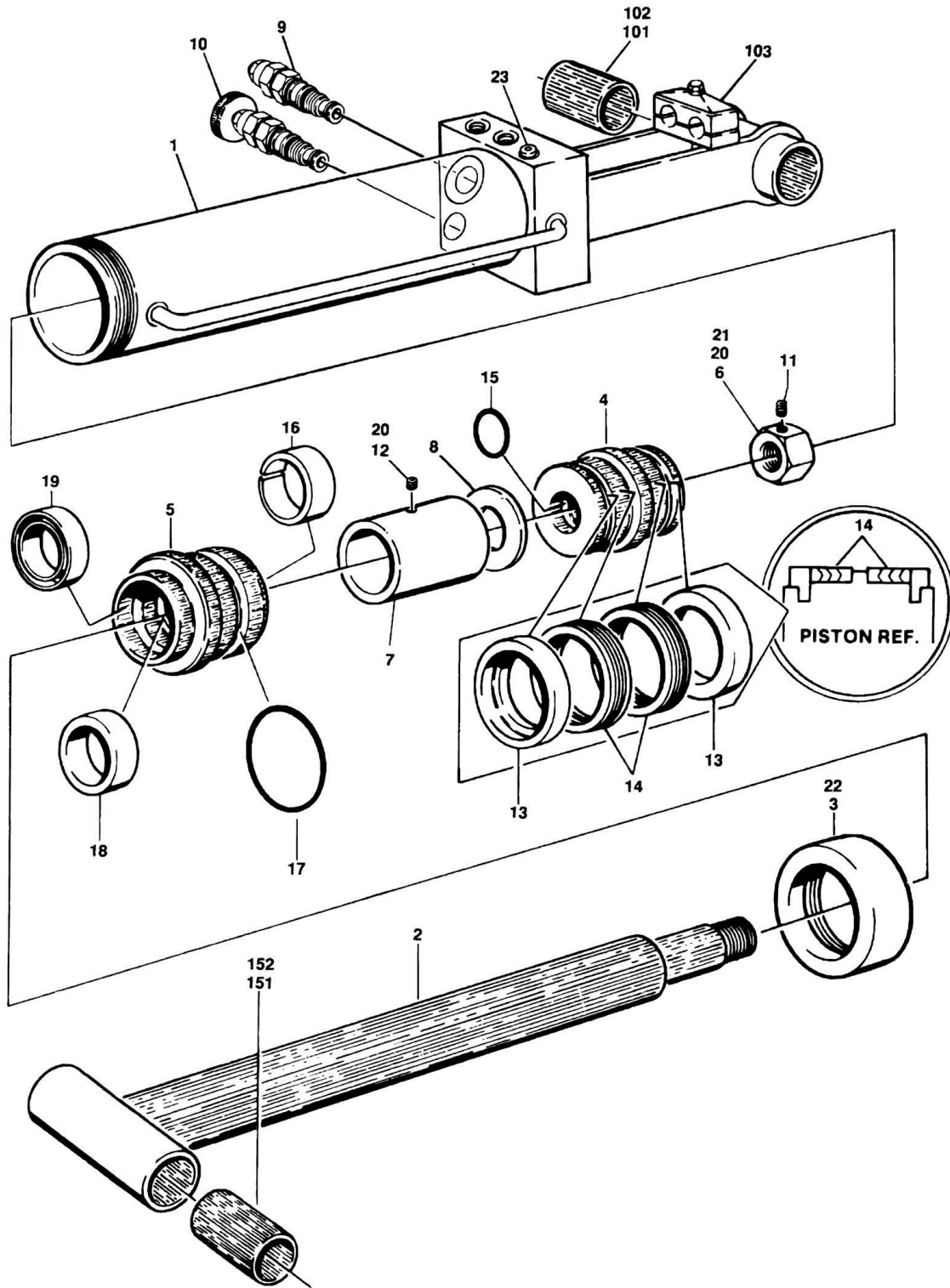




**SECTION 5 - CYLINDER**

# SECTION 5 - CYLINDER

## FIGURE 5-1. LIFT CYLINDER ASSEMBLY - MODEL 30ELECTRIC



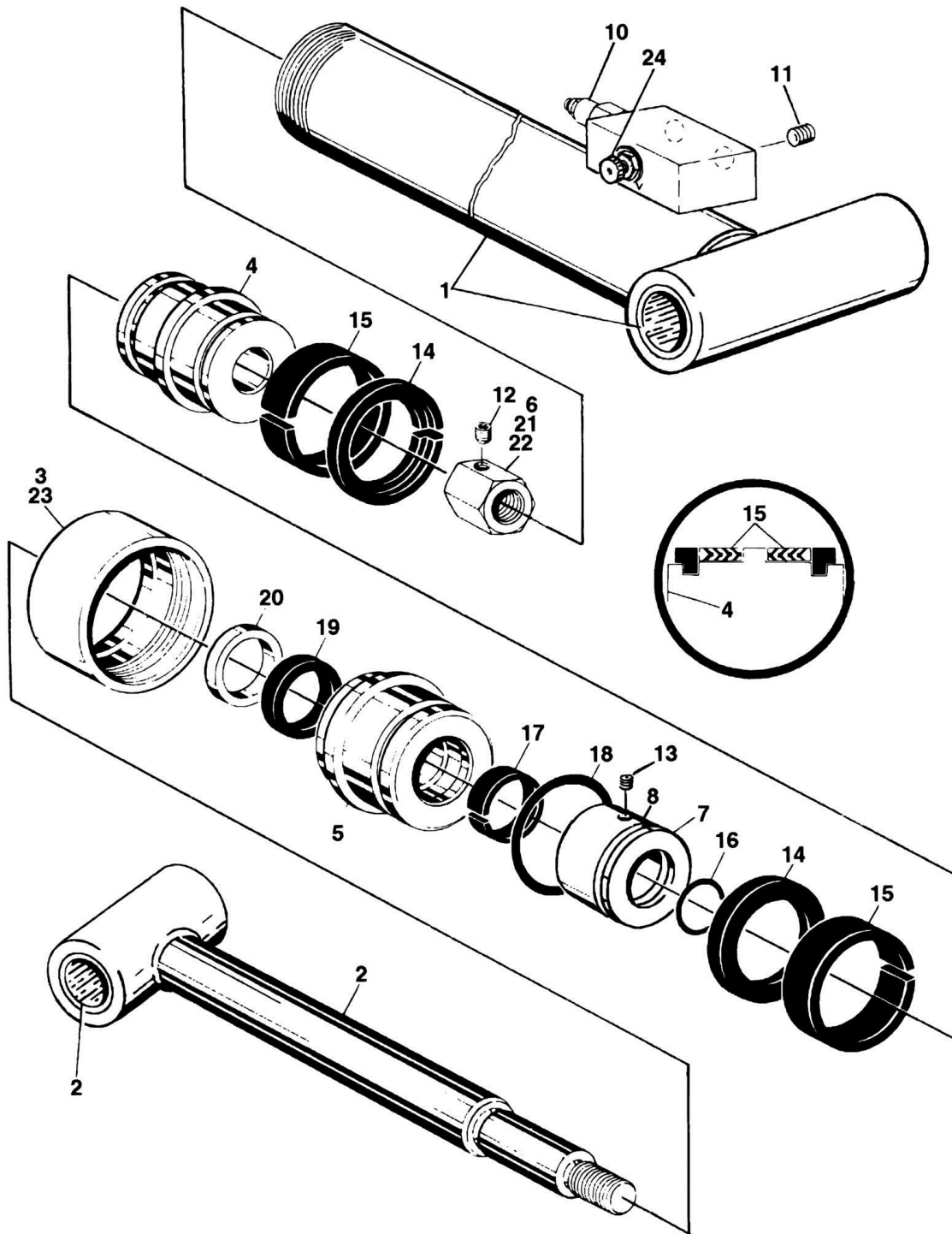
## SECTION 5 - CYLINDER

**FIGURE 5-1. LIFT CYLINDER ASSEMBLY - MODEL 30ELECTRIC**

ITEM	PART NUMBER	QTY	DESCRIPTION	REV
	1682662	Ref	<b>LIFT CYLINDER ASSEMBLY - MODEL 30ELECTRIC</b>	E-6
1	1682663	1	Barrel Assembly (Includes Items 101-103)	
2	1682544	1	Rod Assembly (Includes Items 151-152)	
3	1120108	1	Retainer	
4	3480115	1	Piston	
5	1681344	1	Head	
6	3300279	1	Nut	
7	4565332	1	Spacer, Tube	
8	4740394	1	Washer	
9		Ref	Holding Cartridge Valve Options:	
9	4641084	1	Cartridge (Prior to Sept 1995) (was p/n 4640746)	
9	4641084	1	Cartridge (Sept 1995 to SN 39627) (was p/n 4640938)	
9	4641084	1	Cartridge ( <b>SN 39627 to Present</b> )	
9	2900770	1	Seal Kit - 4640746/460938/4641084 Cartridges	
10	4640799	1	Valve, Needle Cartridge	
10	7010545	1	Seal Kit - 4640799 Cartridge	
10		Ref	Knob Options:	
10	7012961	1	Black (Machines Built Through 1997)	
10	7017438	1	Red (Machines Built 1998 to Present)	
11	3900170	1	Setscrew 3/8in-16NC x 3/8in	
12	3951402	1	Setscrew 1/4in-20NC x 1/4in	
13	Kit	2	Ring, Lock	
14	Kit	2	Seal	
15	Kit	1	O-Ring	
16	Kit	1	Ring, Wear	
17	Kit	1	O-Ring	
18	Kit	1	Seal, Rod	
19	Kit	1	Seal, Wiper	
20	0100011	AR	Loctite #242	
21	0100038	AR	Primer, Locking	
22	0100035	AR	Loctite #222	
23	2220883	2	Plug, O-Ring	
	2900371	2	Seal Kit (Includes Items 13-19) (1 Per Cylinder)	
	1682663	Ref	<b>BARREL ASSEMBLY</b>	
101	0961602	2	Bushing, Teflon (Includes Item 102)	
102	3790029	2	O-Ring (1 Per Bushing)	
103	1320051	1	Clamp	
	1682544	Ref	<b>ROD ASSEMBLY</b>	
151	0961602	2	Bushing, Teflon (Includes Item 152)	
152	3790029	2	O-Ring (1 Per Bushing)	

# SECTION 5 - CYLINDER

FIGURE 5-2. UPPER LIFT CYLINDER ASSEMBLIES - MODELS 35ELECTRIC, 40ELECTRIC & 45ELECTRIC



## SECTION 5 - CYLINDER

**FIGURE 5-2. UPPER LIFT CYLINDER ASSEMBLIES - MODELS 35ELECTRIC, 40ELECTRIC & 45ELECTRIC**

ITEM	PART NUMBER	QTY	DESCRIPTION	REV
		Ref	<b>UPPER LIFT CYLINDER ASSEMBLIES</b>	
	1682867	Ref	<b>Upper Lift Cylinder Assemblies 40electric &amp; 45electric (Prior to March 1995)</b>	E
	1683337	Ref	<b>Upper Lift Cylinder Assemblies 40electric &amp; 45electric (March 1995 to SN 29898)</b>	-
	1683506	Ref	<b>Upper Lift Cylinder Assemblies 40electric &amp; 45electric (SN 29899 through 33089)</b>	-
	1683520	Ref	<b>Upper Lift Cylinder Assemblies 40electric &amp; 45electric (SN 33090 to Present)</b>	A-1
	1682958	Ref	<b>Upper Lift Cylinder Assemblies 35electric (Prior to SN 29899)</b>	D
	1683509	Ref	<b>Upper Lift Cylinder Assemblies 35electric (SN 29899 to Present)</b>	1
1		Ref	Barrel Weldment Options:	
1		Ref	Barrel Weldment 40electric & 45electric	
1	1682868	1	1682867 Cylinder (Prior to March 1995)	
1	1682868	1	1683337 Cylinder (March 1995 to SN 29898)	
1	1682868	1	1683506 Cylinder ( <b>SN 29899 through 33089</b> )	
1	1683514	1	1683520 Cylinder ( <b>SN 33090 to Present</b> )	
1	1682988	1	Barrel Weldment 35electric	
1	0961726	2	Bushing, Teflon	
2		Ref	Rod Weldment Options:	
2		Ref	Rod Weldment 40electric & 45electric	
2	1682870	1	1682867 Cylinder (Prior to March 1995)	
2	1682870	1	1683337 Cylinder (March 1995 to SN 29898)	
2	1683505	1	1683506 Cylinder ( <b>SN 29899 through 33089</b> )	
2	1683505	1	1683520 Cylinder ( <b>SN 33090 to Present</b> )	
2		Ref	Rod Weldment 35electric	
2	1682972	1	1682958 Cylinder ( <b>Prior to SN 29899</b> )	
2	1683508	1	1683509 Cylinder ( <b>SN 29899 to Present</b> )	
2	0961726	2	Bushing, Teflon	
3	1120108	1	Retainer	
4	3480115	1	Piston	
5		Ref	Head Options:	
5		Ref	Head 40electric & 45electric	
5	1681344	1	1682867 Cylinder (Prior to March 1995)	
5	1681344	1	1683337 Cylinder (March 1995 to SN 29898)	
5	1683504	1	1683506 Cylinder ( <b>SN 29899 through 33089</b> )	
5	1683504	1	1683520 Cylinder ( <b>SN 33090 to Present</b> )	
5		Ref	Head 35electric	
5	1681344	1	1682958 Cylinder ( <b>Prior to SN 29899</b> )	
5	1683504	1	1683509 Cylinder ( <b>SN 29899 to Present</b> )	
6		Ref	Nut, Hex Options:	
6	3300279	1	Nut, Hex 40electric & 45electric	
6	3300315	1	Nut, Hex 35electric	
7		Ref	Washer Options:	
7		Ref	Washer 40electric & 45electric	
7	4740394	1	1682867 Cylinder (Prior to March 1995)	
7	4740394	1	1683337 Cylinder (March 1995 to SN 29898)	
7	Not Required	0	1683506 Cylinder ( <b>SN 29899 through 33089</b> )	
7	Not Required	0	1683520 Cylinder ( <b>SN 33090 to Present</b> )	

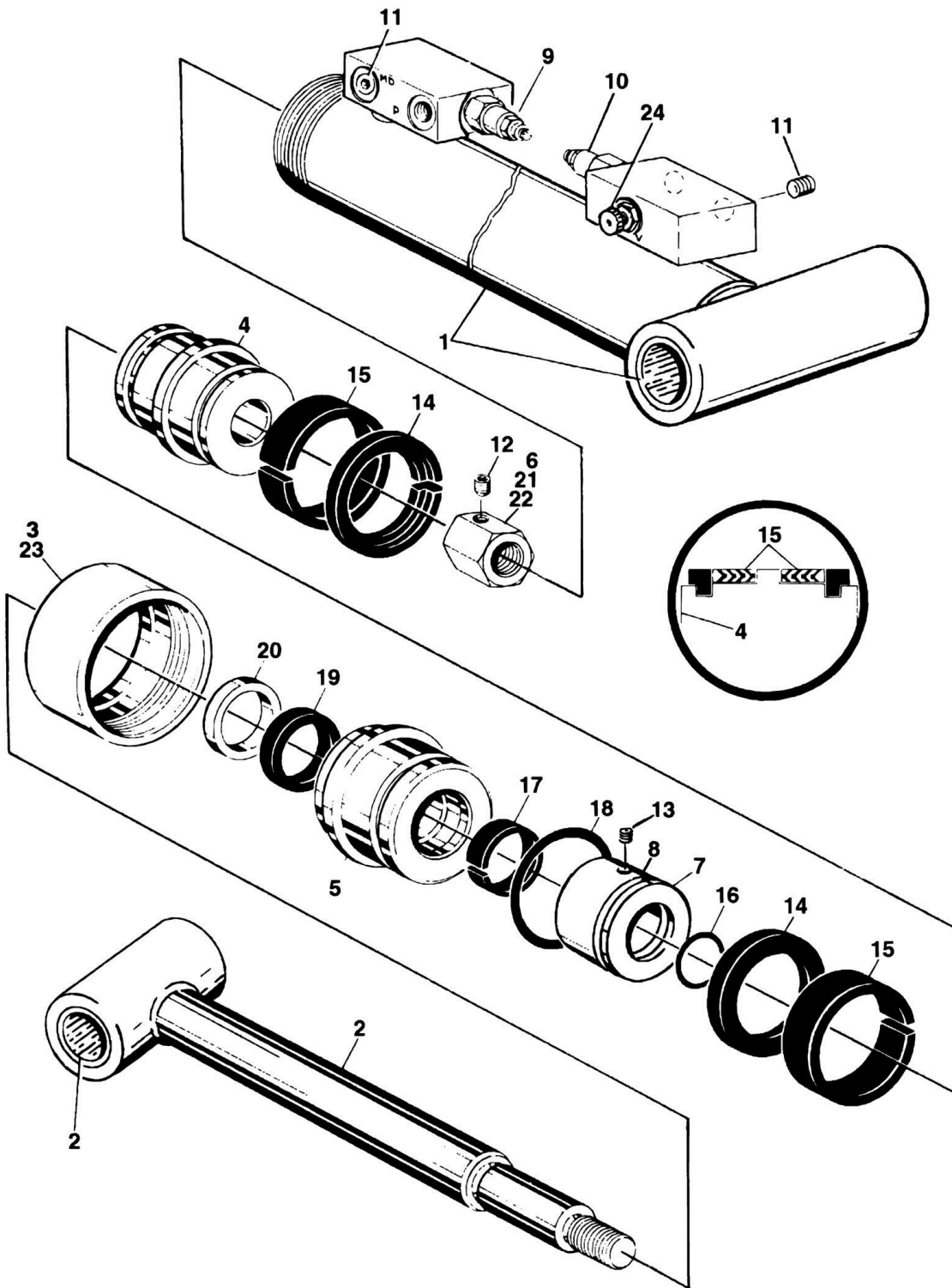
## SECTION 5 - CYLINDER

ITEM	PART NUMBER	QTY	DESCRIPTION	REV
7		Ref	Washer 35electric	
7	4740394	1	1682958 Cylinder <b>(Prior to SN 29899)</b>	
7	Not Required	0	1683509 Cylinder <b>(SN 29899 to Present)</b>	
8		Ref	Spacer Options:	
8		Ref	Spacer 40electric & 45electric	
8	4566009	1	1682867 Cylinder (Prior to March 1995)	
8	4566009	1	1683337 Cylinder (March 1995 to SN 29898)	
8	4567177	1	1683506 Cylinder <b>(SN 29899 through 33089)</b>	
8	4567177	1	1683520 Cylinder <b>(SN 33090 to Present)</b>	
8		Ref	Spacer 35electric	
8	4566473	1	1682958 Cylinder <b>(Prior to SN 29899)</b>	
8	4567180	1	1683509 Cylinder <b>(SN 29899 to Present)</b>	
9	Not Required	0	Not Required	
10		Ref	Cartridge, Holding Options:	
10		Ref	Cartridge, Holding 40electric & 45electric	
10	4640771	1	Cartridge (Prior to March 1995)	
10	4640936	1	Cartridge (March 1995 to Present)	
10	2900770	1	Seal Kit - 4640771 & 4640936 Valves	
10		Ref	Cartridge, Holding 35electric	
10	4640771	1	Cartridge, Holding Valve	
10	2900770	1	Seal Kit - 4640771 Valve	
11		Ref	Plug Options:	
11	2220885	1	Plug 40electric & 45electric	
11	Not Required	0	Plug 35electric	
12	3900170	1	Setscrew 3/8in-16NC x 3/8in	
13	3951402	1	Setscrew 1/4in-20NC x 1/4in	
14	Kit	2	Ring, Lock	
15	Kit	2	Seal, Piston	
16	Kit	1	O-Ring	
17	Kit	1	Ring, Wear	
18	Kit	1	O-Ring	
19	Kit	1	Seal, Rod	
20	Kit	1	Wiper Rod	
21	0100011	AR	Loctite #242	
22	0100038	AR	Primer, Locking	
23	0100035	AR	Loctite #222	
24		Ref	Cartridge, Needle Valve Options:	
24	Not Required	0	Cartridge, Needle Valve 40electric & 45electric	
24	4640799	1	Cartridge, Needle Valve 35electric	
		Ref	Seal Kit Options (Includes Items 14-20):	
		Ref	Seal Kit 40electric & 45electric	
	2900371	1	1682867 & 1683337 Cylinder <b>(Prior to SN 29899)</b>	
	2901496	1	1683506 & 1683520 Cylinder <b>(SN 29899 to Present)</b>	
		Ref	Seal Kit 35electric	
	2900371	1	1682958 Cylinder <b>(Prior to SN 29899)</b>	
	2901496	1	1683509 Cylinder <b>(SN 29899 to Present)</b>	



# SECTION 5 - CYLINDER

FIGURE 5-3. MID LIFT CYLINDER ASSEMBLIES - MODELS 40ELECTRIC & 45ELECTRIC





## SECTION 5 - CYLINDER

**FIGURE 5-3. MID LIFT CYLINDER ASSEMBLIES - MODELS 40ELECTRIC & 45ELECTRIC**

ITEM	PART NUMBER	QTY	DESCRIPTION	REV
		Ref	<b>MID LIFT CYLINDER ASSEMBLY</b>	
	1683018	Ref	<b>Mid Lift Cylinder Assembly 45electric (Prior to SN 33090)</b>	D-4
	1683522	Ref	<b>Mid Lift Cylinder Assembly 45electric (SN 33090 to Present)</b>	A-1
	1682861	Ref	<b>Mid Lift Cylinder Assembly 40electric (Prior to SN 33111)</b>	C-3
	1683519	Ref	<b>Mid Lift Cylinder Assembly 40electric (SN 33111 to Present)</b>	A-1
1		Ref	Barrel Weldment Options:	
1		Ref	Barrel Weldment 45electric	
1	1683019	1	1683018 Cylinder <b>(Prior to SN 33090)</b>	
1	1683516	1	1683522 Cylinder <b>(SN 33090 to Present)</b>	
1		Ref	Barrel Weldment 40electric	
1	1682862	1	1682861 Cylinder <b>(Prior to SN 33111)</b>	
1	1683513	1	1683519 Cylinder <b>(SN 33111 to Present)</b>	
1	0961726	2	Bushing, Teflon	
2		Ref	Rod Weldment Options:	
2	1683021	1	Rod Weldment 45electric	
2	1682864	1	Rod Weldment 40electric	
2	0961726	2	Bushing, Teflon	
3		Ref	Retainer Options:	
3	1120305	1	Retainer 45electric	
3	1120108	1	Retainer 40electric	
4		Ref	Piston Options:	
4	3480113	1	Piston 45electric	
4	3480115	1	Piston 40electric	
5		Ref	Head Options:	
5	1682209	1	Head 45electric	
5	1681344	1	Head 40electric	
6		Ref	Nut, Hex Options:	
6	3300281	1	Nut, Hex 45electric	
6	3300279	1	Nut, Hex 40electric	
7		Ref	Washer Options:	
7	4740207	1	Washer 45electric	
7	4740394	1	Washer 40electric	
8		Ref	Spacer Options:	
8	4566435	1	Spacer 45electric	
8	4565994	1	Spacer 40electric	
9	4640634	1	Cartridge, Holding Valve	
9	2900770	1	Seal Kit - 4640634	
10	4640816	1	Cartridge, Holding Valve	
10	2900770	1	Seal Kit - 4640771 Valve	
11	2220885	2	Plug	
12	3900170	1	Setscrew 3/8in-16NC x 3/8in	
13		Ref	Setscrew 1/4in-20NC x 1/4in Options:	
13	Not Required	0	Setscrew 1/4in-20NC x 1/4in 45electric	
13	3951402	1	Setscrew 1/4in-20NC x 1/4in 40electric	
14	Kit	2	Ring, Lock	
15	Kit	2	Seal, Piston	
16	Kit	1	O-Ring	
17	Kit	1	Ring, Wear	
18	Kit	1	O-Ring	
19	Kit	1	Seal, Rod	

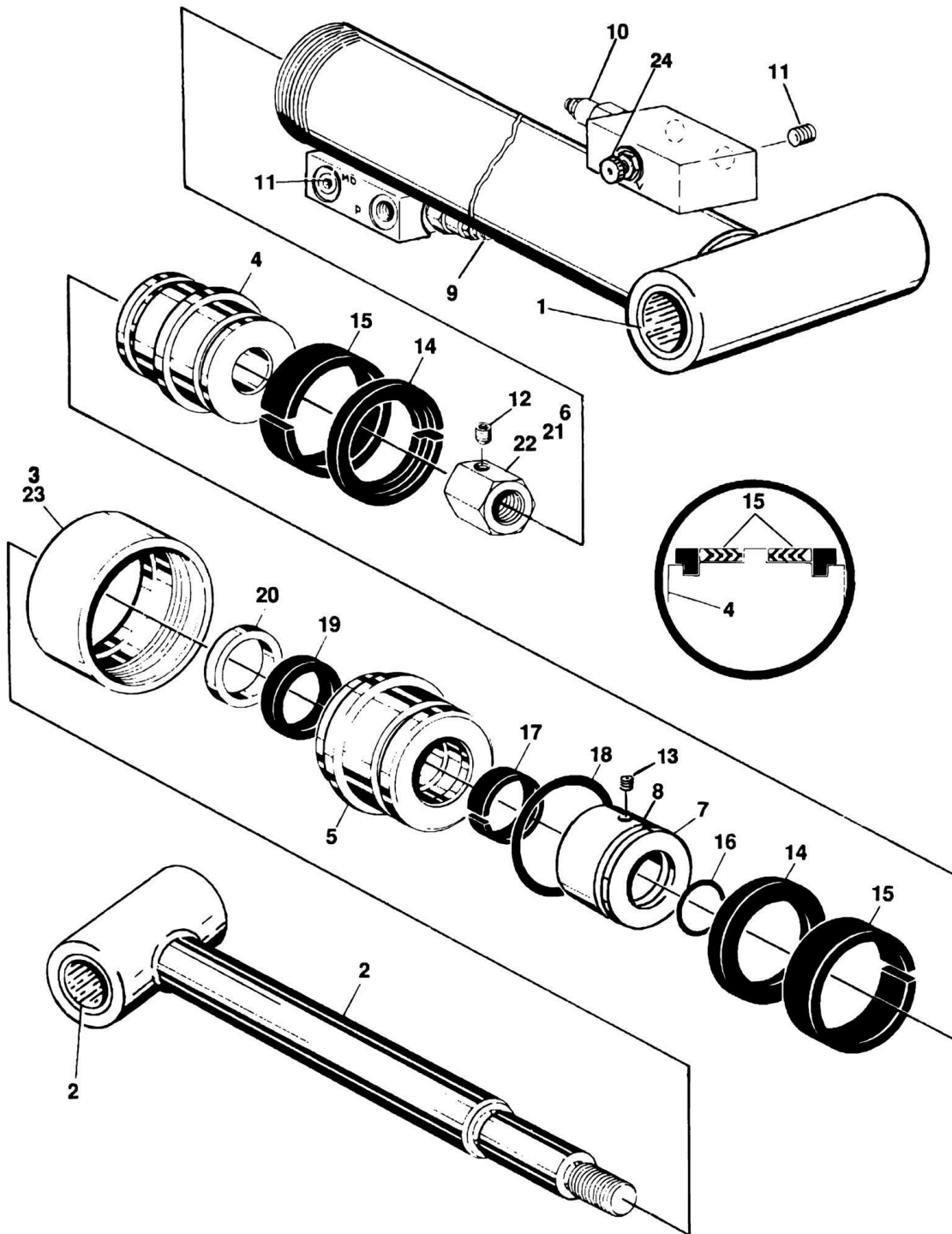
## SECTION 5 - CYLINDER

ITEM	PART NUMBER	QTY	DESCRIPTION	REV
20	Kit	1	Wiper Rod	
21	0100011	AR	Loctite #242	
22	0100038	AR	Primer, Locking	
23	0100035	AR	Loctite #222	
24	Not Required	0	Not Required	
		Ref	Mid Lift Cylinder Assembly 45electric	
	2901154	1	Seal Kit - 1683018 & 1683522 Mid Lift Cylinder (Includes Items 14-20)	
		Ref	Mid Lift Cylinder Assembly 40electric	
	2900371	1	Seal Kit - 1682861 & 1683519 Mid Lift Cylinder (Includes Items 64-70)	



# SECTION 5 - CYLINDER

FIGURE 5-4. LOWER LIFT CYLINDER ASSEMBLIES - MODELS 35ELECTRIC, 40ELECTRIC & 45ELECTRIC



## SECTION 5 - CYLINDER

**FIGURE 5-4. LOWER LIFT CYLINDER ASSEMBLIES - MODELS 35ELECTRIC, 40ELECTRIC & 45ELECTRIC**

ITEM	PART NUMBER	QTY	DESCRIPTION	REV
		Ref	<b>LOWER LIFT CYLINDER ASSEMBLY</b>	
	1683013	Ref	<b>Lower Lift Cylinder Assembly 45electric (Prior to SN 33090)</b>	4
	1683521	Ref	<b>Lower Lift Cylinder Assembly 45electric (SN 33090 to Present)</b>	A-1
	1682855	Ref	<b>Lower Lift Cylinder Assembly 40electric (Prior to SN 33111)</b>	D-4
	1683518	Ref	<b>Lower Lift Cylinder Assembly 40electric (SN 33111 to Present)</b>	A-1
	1682980	Ref	<b>Lower Lift Cylinder Assembly 35electric</b>	4
1		Ref	Barrel Weldment Options:	
1		Ref	Barrel Weldment 45electric	
1	1683014	1	1683013 Cylinder <b>(Prior to SN 33090)</b>	
1	1683515	1	1683521 Cylinder <b>(SN 33090 to Present)</b>	
1		Ref	Barrel Weldment 40electric	
1	1682856	1	1682855 Cylinder <b>(Prior to SN 33111)</b>	
1	1683512	1	1683518 Cylinder <b>(SN 33111 to Present)</b>	
1	1682981	1	Barrel Weldment 35electric	
1	0961726	2	Bushing, Teflon	
2		Ref	Rod Weldment Options:	
2	1683016	1	Rod Weldment 45electric	
2	1682858	1	Rod Weldment 40electric	
2	1682983	1	Rod Weldment 35electric	
2	0961726	2	Bushing, Teflon	
3		Ref	Retainer Options:	
3	1120094	1	Retainer 45electric	
3	1120305	1	Retainer 40electric	
3	1120305	1	Retainer 35electric	
4		Ref	Piston Options:	
4	3480102	1	Piston 45electric	
4	3480113	1	Piston 40electric	
4	3480113	1	Piston 35electric	
5		Ref	Head Options:	
5	1682323	1	Head 45electric	
5	1682209	1	Head 40electric	
5	1682209	1	Head 35electric	
6	3300281	1	Nut, Hex	
7		Ref	Washer Options:	
7	Not Required	0	Washer 45electric	
7	4740207	1	Washer 40electric	
7	4740207	1	Washer 35electric	
8		Ref	Spacer Options:	
8	4566432	1	Spacer 45electric	
8	4565992	1	Spacer 40electric	
8	4566261	1	Spacer 35electric	
9		Ref	Cartridge, Holding Valve Options:	
9		Ref	Cartridge, Holding Valve 40/45electric	
9	4640634	1	Cartridge, Holding Valve	
9	2900770	1	Seal Kit - 4640634 Valve	
9	Not Required	0	Cartridge, Holding Valve 35electric	
10		Ref	Cartridge, Holding Valve Options:	
10		Ref	Cartridge, Holding Valve 40/45electric	
10	4640816	1	Cartridge, Holding Valve	

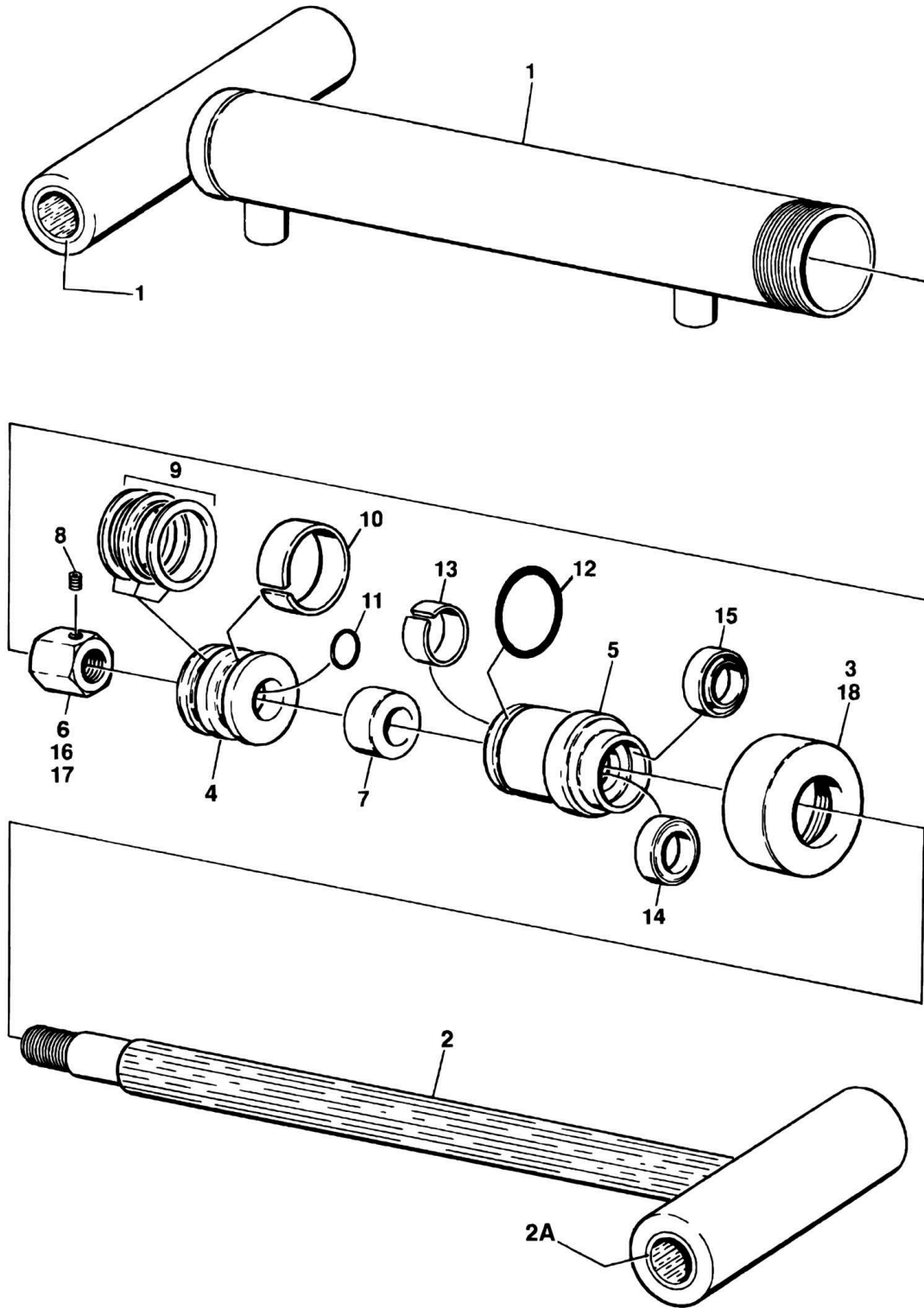
## SECTION 5 - CYLINDER

ITEM	PART NUMBER	QTY	DESCRIPTION	REV
10	2900770	1	Seal Kit - 4640816 Valve	
10		Ref	Cartridge, Holding Valve 35electric	
10	4640746	1	Cartridge, Holding Valve	
10	2900770	1	Seal Kit - 4640634 Valve	
11	2220885	2	Plug	
12	3900170	1	Setscrew 3/8in-16NC x 3/8in	
13	Not Required	0	Not Required	
14	Kit	2	Ring, Lock	
15	Kit	2	Seal, Piston	
16	Kit	1	O-Ring	
17	Kit	1	Ring, Wear	
18	Kit	1	O-Ring	
19	Kit	1	Seal, Rod	
20	Kit	1	Wiper, Rod	
21	0100011	AR	Loctite #242	
22	0100038	AR	Primer, Locking	
23	0100035	AR	Loctite #222	
24		Ref	Cartridge, Needle Valve Options:	
24	Not Required	0	Cartridge, Needle Valve 40/45electric	
24	4640799	1	Cartridge, Needle Valve 35electric	
		Ref	Cartridge, Needle Valve 45electric	
	2901170	1	Seal Kit - 1683013 & 1683521 Lower Lift Cylinders (Includes Items 14-20)	
		Ref	Cartridge, Needle Valve 40electric	
	2901154	1	Seal Kit - 1682855 & 1683518 Tower Lift Cylinders (Includes Items 14-20)	
		Ref	Cartridge, Needle Valve 35electric	
	2901154	1	Seal Kit - 1682980 Lower Lift Cylinder (Includes Items 14-20)	



# SECTION 5 - CYLINDER

FIGURE 5-5. MASTER CYLINDER ASSEMBLY - MODELS 35ELECTRIC, 40ELECTRIC & 45ELECTRIC





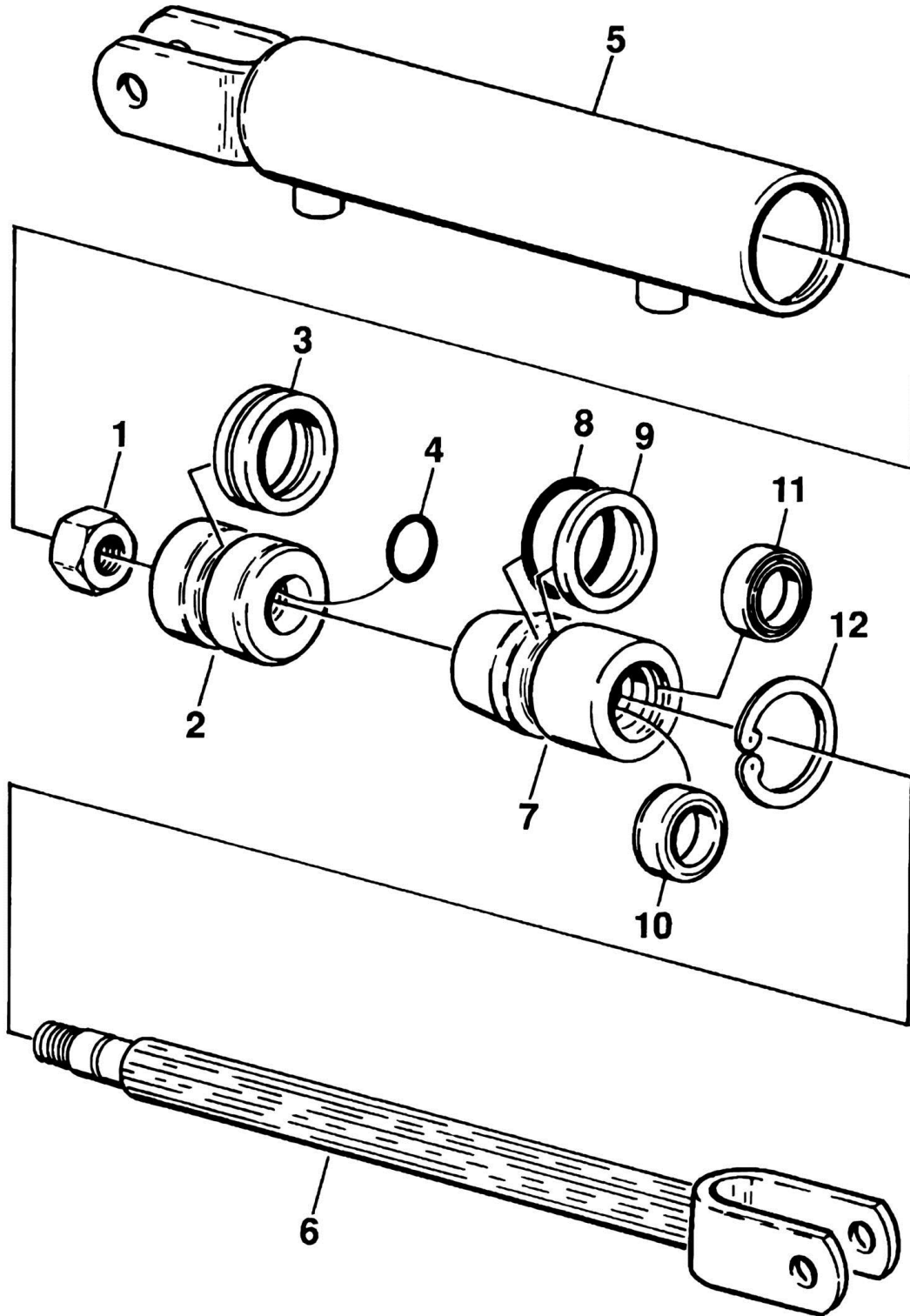
## SECTION 5 - CYLINDER

**FIGURE 5-5. MASTER CYLINDER ASSEMBLY - MODELS 35ELECTRIC, 40ELECTRIC & 45ELECTRIC**

ITEM	PART NUMBER	QTY	DESCRIPTION	REV
		Ref	<b>MASTER CYLINDER ASSEMBLY - MODELS</b>	
	1682877	Ref	<b>40electric &amp; 45electric (Prior to January 1995)</b>	A
	1683325	Ref	<b>40electric &amp; 45electric (January 1995 to Present)</b>	1-A
1	1682879	1	Barrel Weldment	
1	0961608	2	Bushing, Teflon	
2		Ref	Rod Weldment Options:	
2	1682881	1	1682877 Cylinder (Prior to January 1995)	
2	1683286	1	1683325 Cylinder (January 1995 to Present)	
2A	0961608	2	Bushing, Teflon	
3	1120110	1	Retainer	
4		Ref	Piston Options:	
4	3480123	1	1682877 Cylinder (Prior to January 1995)	
4	3480217	1	1683325 Cylinder (January 1995 to Present)	
5	1682154	1	Head	
6		Ref	Nut, Hex Options:	
6	3300309	1	1682877 Cylinder (Prior to January 1995)	
6	3300308	1	1683325 Cylinder (January 1995 to Present)	
7	4566023	1	Spacer, Tube	
8	3900170	1	Setscrew 3/8in-16NC x 3/8in	
9	Kit	1	T-Seal	
10	Kit	1	Ring, Wear	
11	Kit	1	O-Ring	
12	Kit	1	O-Ring	
13	Kit	1	Ring, Wear	
14	Kit	1	Seal, Rod	
15	Kit	1	Wiper, Rod	
16	0100038	AR	Primer, Locking	
17	0100011	AR	Loctite #242	
18	0100035	AR	Loctite #222	
	2901147	1	Seal Kit (Includes Items 9-15)	

# SECTION 5 - CYLINDER

FIGURE 5-6. PLATFORM ROTATOR CYLINDER ASSEMBLY - MODELS 35ELECTRIC, 40ELECTRIC & 45ELECTRIC



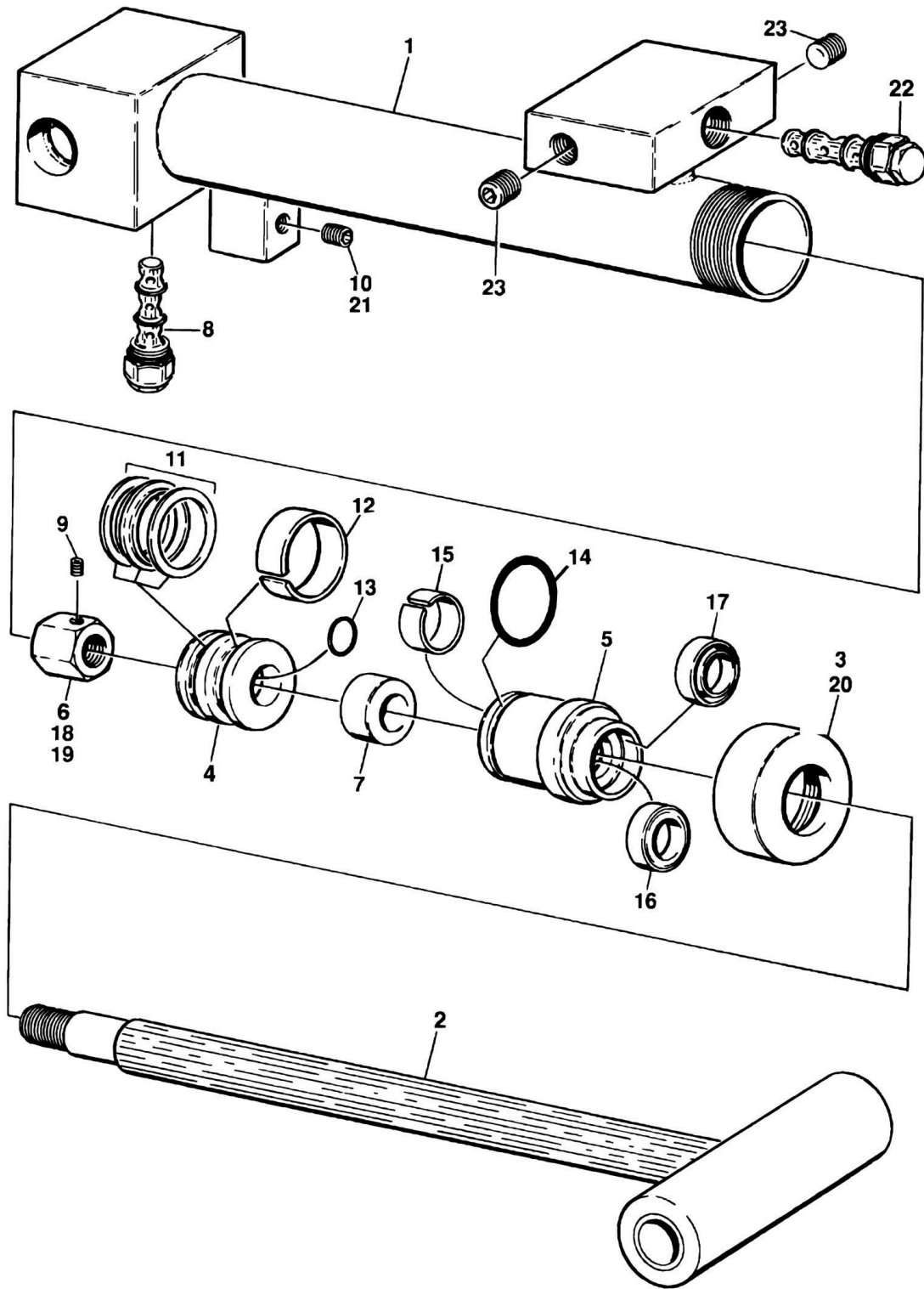
## SECTION 5 - CYLINDER

**FIGURE 5-6. PLATFORM ROTATOR CYLINDER ASSEMBLY - MODELS 35ELECTRIC, 40ELECTRIC & 45ELECTRIC**

ITEM	PART NUMBER	QTY	DESCRIPTION	REV
	1682930	Ref	<b>PLATFORM ROTATOR CYLINDER ASSEMBLY - MODELS 35electric, 40electric &amp; 45electric</b>	B
1	7001609	1	Nut, Hex	
2	7001610	1	Piston	
3	Kit	1	Seal	
4	Kit	1	O-Ring	
5	7001611	1	Barrel Weldment	
6	7001612	1	Rod	
7	7001613	1	Head	
8	Kit	1	O-Ring	
9	Kit	1	Ring, Back-up	
10	Kit	1	Seal	
11	Kit	1	Wiper	
12	7001614	1	Ring, Retainer	
	7001608	1	Seal Kit - 1682930 Cylinder (Includes Items 3,4 & 8-11)	

# SECTION 5 - CYLINDER

FIGURE 5-7. SLAVE CYLINDER ASSEMBLY - MODELS 35ELECTRIC, 40ELECTRIC & 45ELECTRIC



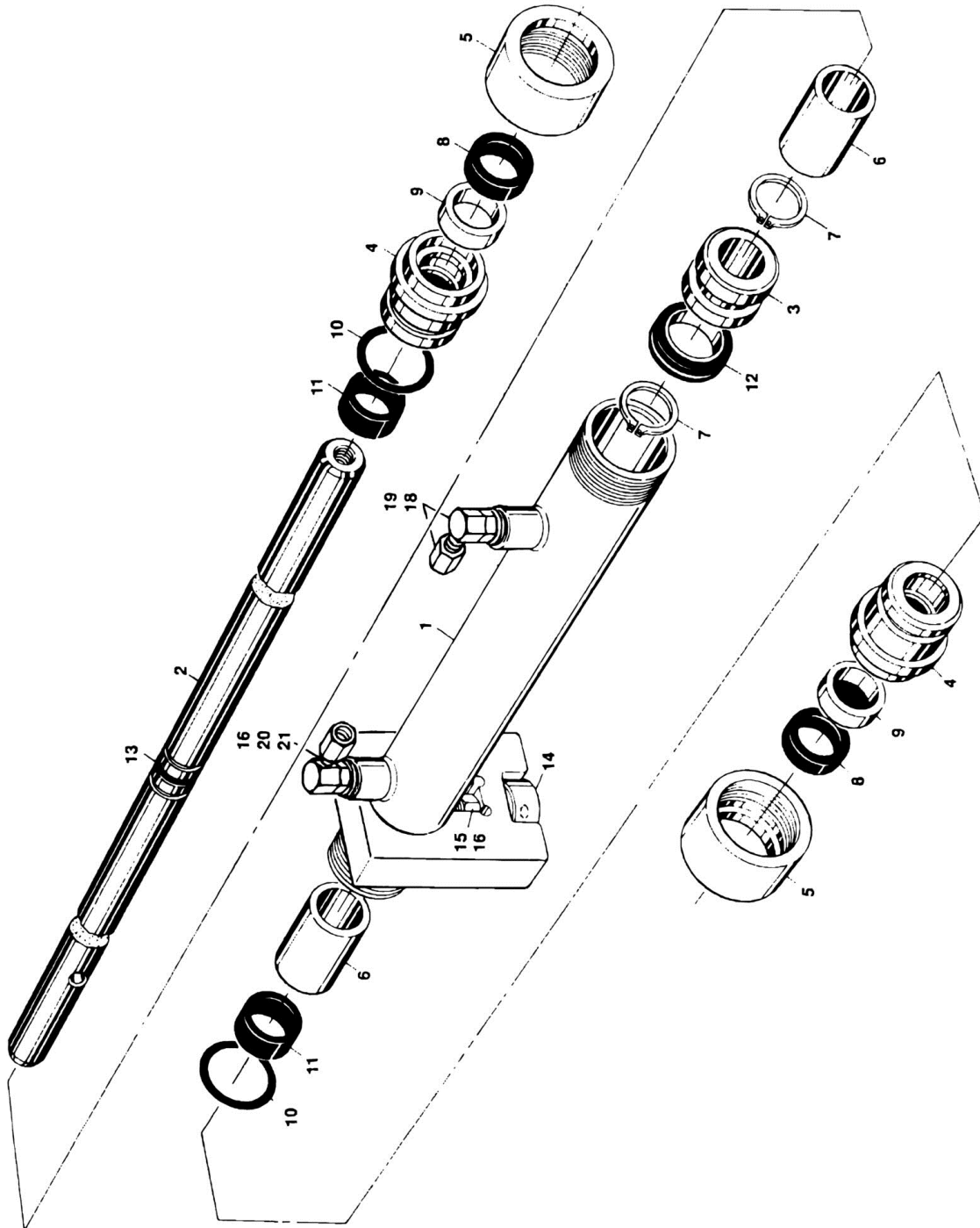
## SECTION 5 - CYLINDER

**FIGURE 5-7. SLAVE CYLINDER ASSEMBLY - MODELS 35ELECTRIC, 40ELECTRIC & 45ELECTRIC**

ITEM	PART NUMBER	QTY	DESCRIPTION	REV
		Ref	<b>SLAVE CYLINDER ASSEMBLY</b>	
	1682876	Ref	<b>Slave Cylinder Assembly Prior to January 1995</b>	C
	1683285	Ref	<b>Slave Cylinder Assembly January 1995 to Present</b>	A
1	1682878	1	Barrel Weldment	
1	0961608	2	Bushing, Teflon	
2		Ref	Rod Weldment Options:	
2	1682881	1	1682876 Cylinder (Prior to January 1995)	
2	1683286	1	1683285 Cylinder (January 1995 to Present)	
2	0961608	2	Bushing, Teflon	
3	1120110	1	Retainer	
4		Ref	Piston Options:	
4	3480123	1	1682876 Cylinder (Prior to January 1995)	
4	3480217	1	1683285 Cylinder (January 1995 to Present)	
5	1682154	1	Head	
6		Ref	Nut, Hex Options:	
6	3300309	1	1682876 Cylinder (Prior to January 1995)	
6	3300308	1	1683285 Cylinder (January 1995 to Present)	
7	4566023	1	Spacer, Tube	
8	4640509	1	Valve, Holding	
9	3900170	1	Setscrew 3/8in-16NC x 3/8in	
10	2200222	1	Plug, Pipe	
11	Kit	1	T-Seal	
12	Kit	1	Ring, Wear	
13	Kit	1	O-Ring	
14	Kit	1	O-Ring	
15	Kit	1	Ring, Wear	
16	Kit	1	Seal, Rod	
17	Kit	1	Wiper, Rod	
18	0100038	AR	Primer, Locking	
19	0100011	AR	Loctite #242	
20	0100035	AR	Loctite #222	
21	0100020	AR	Sealant, Pipe	
22		Ref	Cartridge, Holding Valve Options:	
22	4640509	1	Cartridge (1682876 Cylinder-Prior to Jan 1995)	
22	2900792	1	Seal Kit - 4640509 Valve	
22	4640932	1	Cartridge (1683285 Cylinder-Jan 1995 to Present)	
22	7011112	1	Seal Kit - 4640932 Valve	
23	2220883	2	Plug, Socket Hex	
	2901147	1	Seal Kit - 1682876 & 1683285 Cylinder (Includes Items 11-17)	

# SECTION 5 - CYLINDER

## FIGURE 5-8. STEER CYLINDER ASSEMBLIES



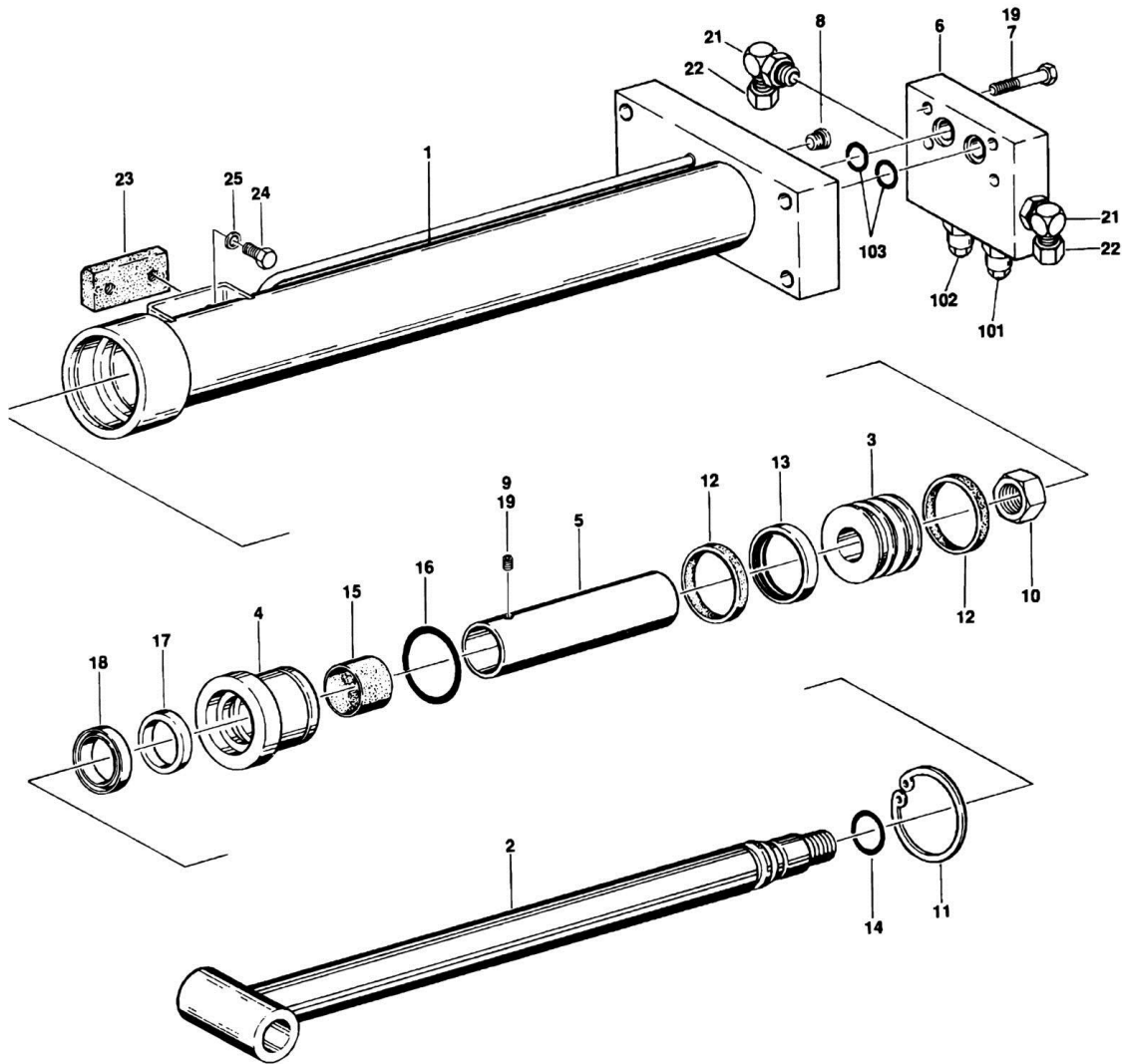
## SECTION 5 - CYLINDER

### FIGURE 5-8. STEER CYLINDER ASSEMBLIES

ITEM	PART NUMBER	QTY	DESCRIPTION	REV
		Ref	<b>STEER CYLINDER ASSEMBLIES</b>	
	1682527	Ref	<b>Steer Cylinder Assemblies 35electric/40electric/45electric (Prior to SN 37950)</b>	C-5
	1683695	Ref	<b>Steer Cylinder Assemblies 35electric/40electric/45electric (SN 37950 to Present)</b>	A-2
	1682893	Ref	<b>Steer Cylinder Assemblies n35electric/n40electric (Prior to SN 37950)</b>	B-3
	1683696	Ref	<b>Steer Cylinder Assemblies n35electric/n40electric (SN 37950 to Present)</b>	A-2
1		Ref	Barrel Weldment Options:	
1	1682528	1	1682527 & 1682893 Cyls <b>(Prior to SN 37950)</b>	
1	1683694	1	1683695 & 1683696 Cyls <b>(SN 37950 to Present)</b>	
2		Ref	Rod Weldment Options:	
2	1682530	1	Rod Weldment 35electric/40electric/45electric	
2	1682894	1	Rod Weldment n35electric/n40electric	
3	3480153	1	Piston	
4	1682364	2	Head	
5	1120387	2	Retainer	
6	4565275	2	Spacer	
7	3760141	2	Ring, Retaining	
8	Kit	2	Seal, Wiper	
9	Kit	2	Seal, Rod	
10	Kit	2	O-Ring	
11	Kit	2	Ring, Wear	
12	Kit	1	T-Seal	
13	Kit	1	O-Ring	
14		Ref	Follower, Cam Options:	
14	3860054	1	Follower, Cam <b>(Prior to SN 31331)</b>	
14	3860076	1	Follower, Cam <b>(SN 31331 through 37949)</b>	
14	3860080	1	Follower, Cam <b>(SN 37950 to Present)</b>	
15	3321802	1	Nut, Jam 1/2in-20NF	
16	0100035	AR	Loctite #222	
18	2220472	1	Fitting, 90	
19	2220515	2	Fitting, Cap	
20	2180699	1	Fitting, Modified	
21	2180394	1	Orifice	
	2901178	1	Seal Kit (Includes Items 8-13)	

# SECTION 5 - CYLINDER

FIGURE 5-9. TELESCOPE CYLINDER ASSEMBLIES - MODELS 35ELECTRIC, 40ELECTRIC & 45ELECTRIC





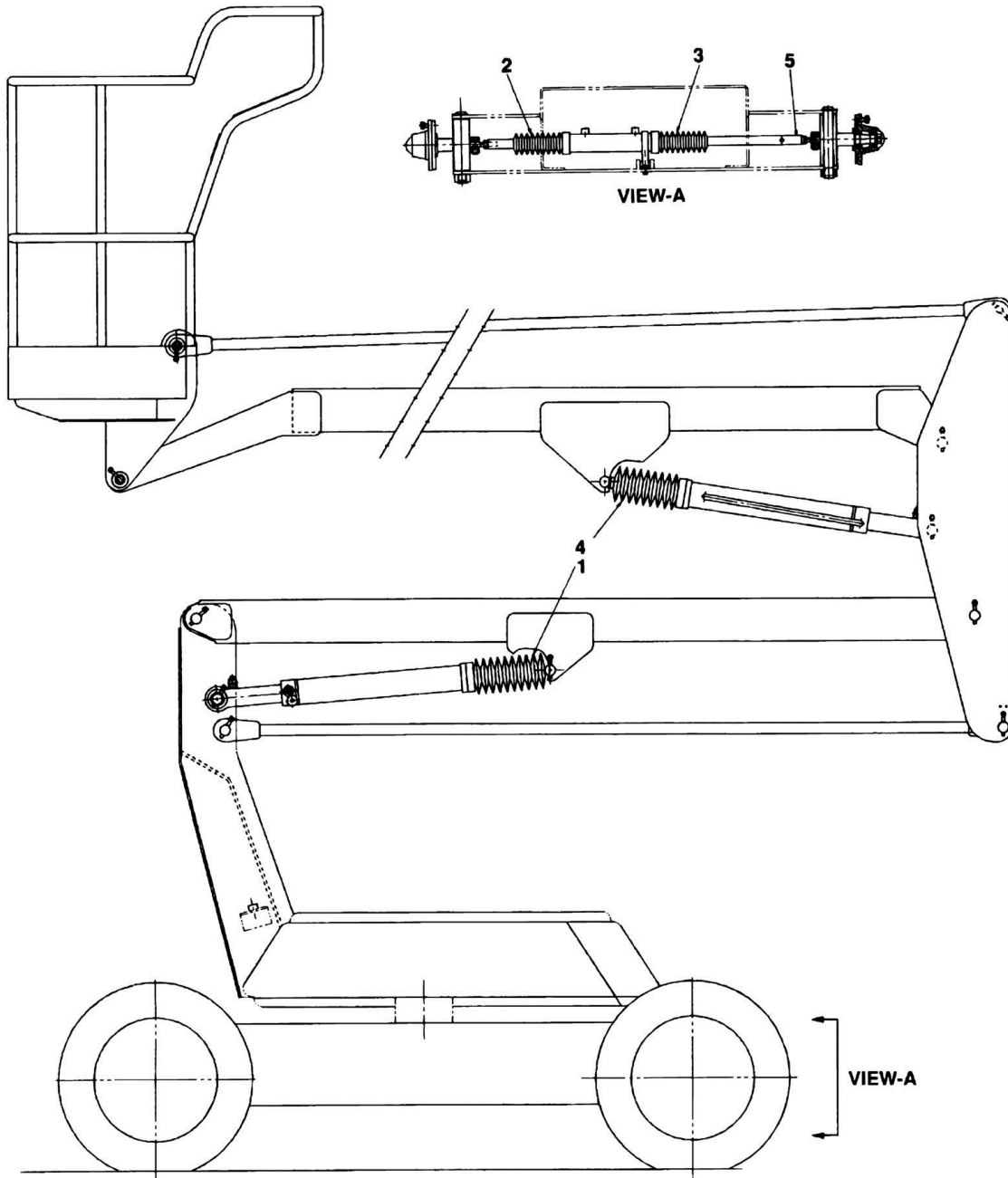
## SECTION 5 - CYLINDER

**FIGURE 5-9. TELESCOPE CYLINDER ASSEMBLIES - MODELS 35ELECTRIC, 40ELECTRIC & 45ELECTRIC**

ITEM	PART NUMBER	QTY	DESCRIPTION	REV
		Ref	<b>TELESCOPE CYLINDER ASSEMBLIES</b>	
	1682947	Ref	<b>Telescope Cylinder Assemblies 45electric</b>	B-2
	1682887	Ref	<b>Telescope Cylinder Assemblies 35electric/40electric</b>	E-5
1		Ref	Barrel Weldment Options:	
1	1682948	1	Barrel Weldment 45electric	
1	1682888	1	Barrel Weldment 35electric/40electric	
2		Ref	Rod Weldment Options:	
2	1682950	1	Rod Weldment 45electric	
2	1682890	1	Rod Weldment 35electric/40electric	
3	3480170	1	Piston	
4	1682892	1	Head	
5	4566027	1	Spacer, Tube	
6	4640807	1	Counterbalance Valve Assembly (See Items 101-103 for Breakdown)	
7	0641512	4	Bolt 5/16in-18NC x 1 1/2in	
8	2220883	2	Plug, O-Ring	
9	3951402	1	Setscrew 1/4in-20NC x 1/4in	
10	3322205	1	Locknut	
11	3760318	1	Ring, Retaining	
12	Kit	2	Ring, Wear	
13	Kit	1	Seal, Cap	
14	Kit	1	O-Ring	
15	Kit	1	Ring, Wear	
16	Kit	1	O-Ring	
17	Kit	1	Seal, Rod	
18	Kit	1	Wiper	
19	0100011	AR	Loctite #242	
21	2220628	2	Fitting, 90	
22	2220516	2	Fitting, Cap	
23	3340679	1	Wear Pad Assembly	
24	0641604	2	Bolt 3/8in-16NC x 1/2in	
25	4761600	2	Lockwasher 3/8in	
26	0100011	AR	Loctite #242	
	2901242	1	Seal Kit (Includes Items 12-18)	
	4640807	Ref	<b>COUNTERBALANCE VALVE ASSEMBLY</b>	B
101	4640771	1	Cartridge, Counterbalance	
102	4640709	1	Cartridge, Vented Counterbalance	
103	3790113	2	O-Ring (Between Valve and Cylinder Block)	
	2900770		Seal Kit (1 Per Cartridge)	

# SECTION 5 - CYLINDER

FIGURE 5-10. CYLINDER BELLOWS INSTALLATION - MODEL 30ELECTRIC (OPTIONAL)



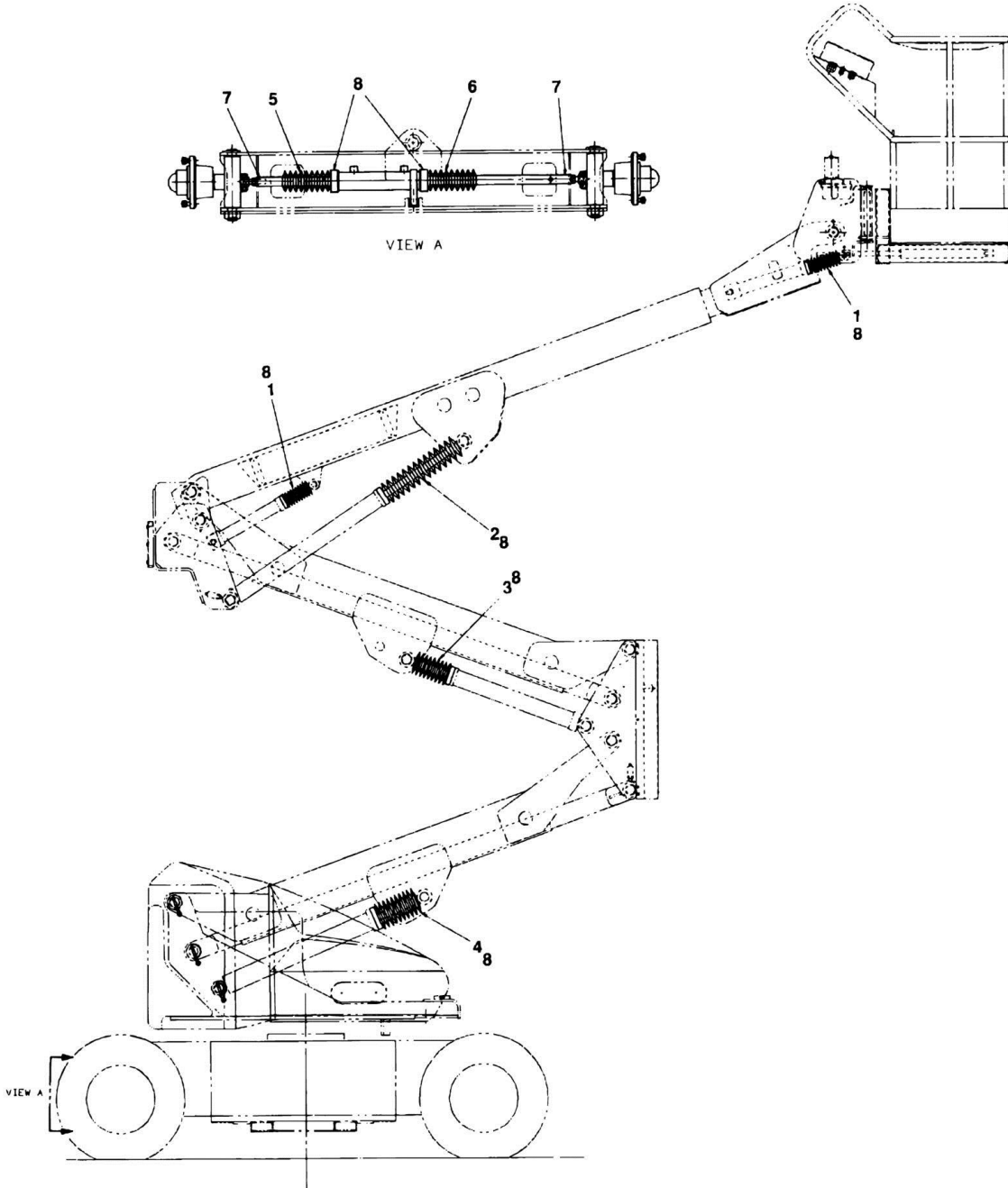
## SECTION 5 - CYLINDER

**FIGURE 5-10. CYLINDER BELLOWS INSTALLATION - MODEL 30ELECTRIC (OPTIONAL)**

ITEM	PART NUMBER	QTY	DESCRIPTION	REV
	0253028	Ref	<b>CYLINDER BELLOWS INSTALLATION - MODEL 30ELECTRIC (OPTIONAL)</b>	-
1	0460096	2	Bellow (Lift Cylinder)	
2	0460102	1	Bellow (Steer Cylinder - Right Side)	
3	0460103	1	Bellow (Steer Cylinder - Left Side)	
4	1320037	4	Clamp	
5	1320033	2	Clamp	

# SECTION 5 - CYLINDER

FIGURE 5-11. CYLINDER BELLOWS INSTALLATION - MODELS 35ELECTRIC, 40ELECTRIC & 45ELECTRIC (OPTIONAL)



## SECTION 5 - CYLINDER

**FIGURE 5-11. CYLINDER BELLOWS INSTALLATION - MODELS 35ELECTRIC, 40ELECTRIC & 45ELECTRIC (OPTIONAL)**

ITEM	PART NUMBER	QTY	DESCRIPTION	REV
	0254851	Ref	<b>OPTIONAL CYLINDER BELLOWS INSTALLATION - MODEL 45electric</b>	A
	0254028	Ref	<b>OPTIONAL CYLINDER BELLOWS INSTALLATION - MODEL 40electric</b>	A
	0254850	Ref	<b>OPTIONAL CYLINDER BELLOWS INSTALLATION - MODEL 35electric</b>	A
1	0460110	2	Bellows, Cylinders (Slave and Master Cylinders)	
2	0460111	1	Bellows, Cylinders (Upper Lift Cylinder) <b>(Prior to SN 29899)</b>	
2	0460115	1	Bellows, Cylinders (Upper Lift Cylinder) <b>(SN 29899 to Present)</b>	
3		Ref	Bellows, Cylinders (Mid Lift Cylinder) Options:	
3	0460113	1	Bellows, Cylinders (Mid Lift Cylinder) 45electric	
3	0460112	1	Bellows, Cylinders (Mid Lift Cylinder) 40electric	
3	Not Required	0	Bellows, Cylinders (Mid Lift Cylinder) 35electric	
4		Ref	Bellows, Cylinders (Tower Lift Cylinder) Options:	
4	0460114	1	Bellows, Cylinders (Tower Lift Cylinder) 45electric	
4	0460113	1	Bellows, Cylinders (Tower Lift Cylinder) 40electric	
4	0460113	1	Bellows, Cylinders (Tower Lift Cylinder) 35electric	
5	0460102	1	Bellows, Cylinders (Steer Cylinder - Right Side)	
6	0460103	1	Bellows, Cylinders (Steer Cylinder - Left Side)	
7	1320033	2	Clamp	
8	1320037	AR	Clamp	



**SECTION 6 - HYDRAULICS**

## SECTION 6 - HYDRAULICS

FIGURE 6-1. HYDRAULICS DIAGRAM LIST

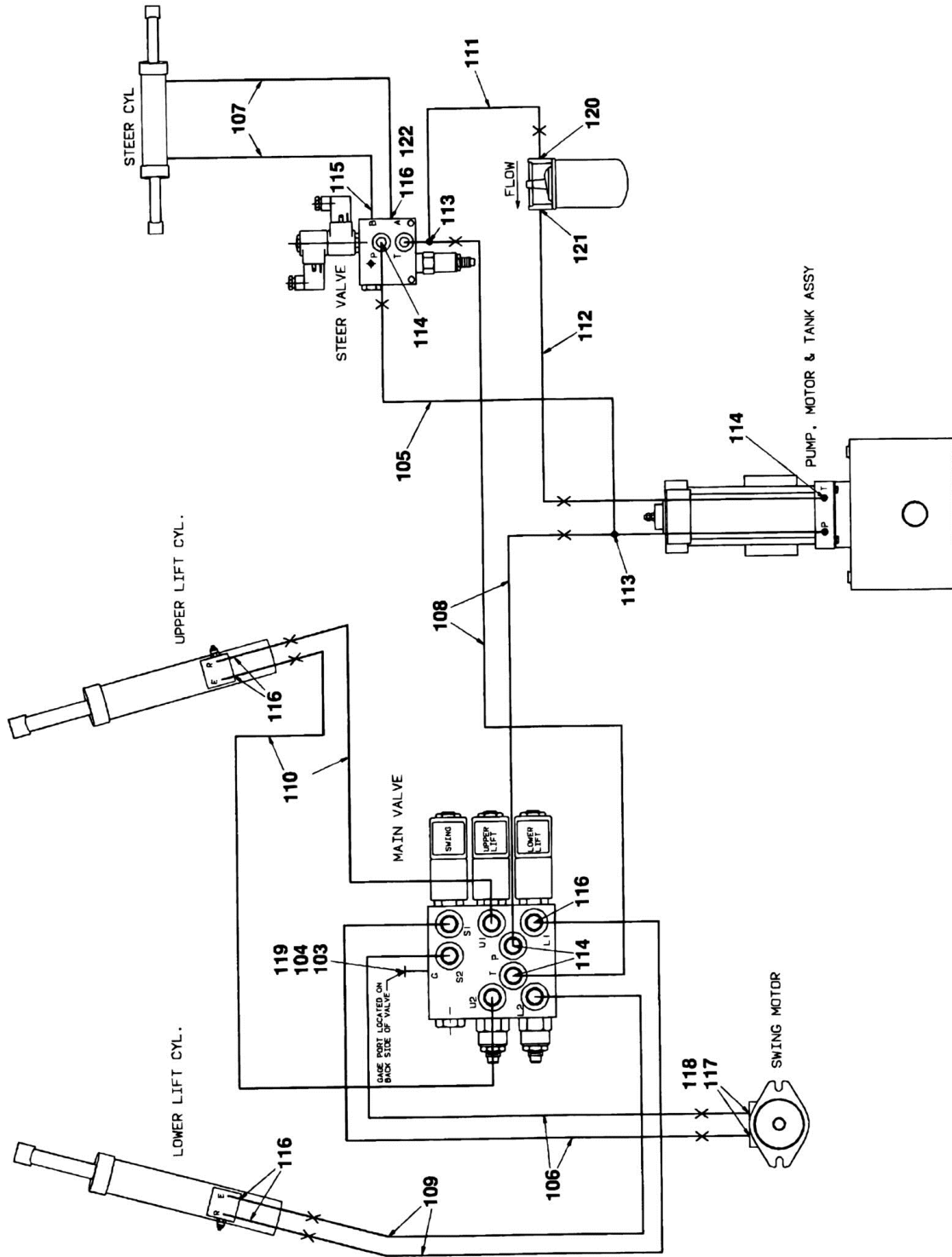
ITEM	PART NUMBER	QTY	DESCRIPTION	REV
		Ref	<b>HYDRAULICS DIAGRAM LIST</b>	
		Ref	<b>Note: Information on diagrams not shown is available from the JLG Service/Parts Departments.</b>	
	2791990		Standard Hydraulic Diagram - 30electric	
	2792142		Standard Hydraulic Diagram - 35electric	
	2792543		W/Fire Resistant Hydraulic Oil Hydraulic Diagram - 35electric	
	2792017		Standard Hydraulic Diagram - 40electric	
	2792144		Standard Hydraulic Diagram - 45electric	
	2792334		Standard Hydraulic Diagram - 45electric <b>(Including 33862)</b>	
	0257428		Simultaneous Drive/Lift/Steer Hydraulic Diagram- 35electric <b>(Prior to SN 35014)</b>	
	0258211		Simultaneous Drive/Lift/Steer Hydraulic Diagram - 35electric <b>(SN 35014 to Present)</b>	
	0257429		Simultaneous Drive/Lift/Steer Hydraulic Diagram-40/45electric <b>(Prior to SN 35014)</b>	
	0258212		Simultaneous Drive/Lift/Steer Hydraulic Diagram-40/45electric <b>(SN 35014 to Present)</b>	
	2791887		Hydraulic Schematic - 30electric	
	2792141		Hydraulic Schematic - 35electric	
	2792012		Hydraulic Schematic - 40electric & 45electric	





# SECTION 6 - HYDRAULICS

## FIGURE 6-2. HYDRAULIC DIAGRAM - 30ELECTRIC



## SECTION 6 - HYDRAULICS

**FIGURE 6-2. HYDRAULIC DIAGRAM - 30ELECTRIC**

ITEM	PART NUMBER	QTY	DESCRIPTION	REV
	2791990	Ref	<b>HYDRAULIC DIAGRAM - 30ELECTRIC</b>	B
103	2220428	1	Fitting, Quick Disconnect	
104	2220429	1	Cap, Dust	
105	2752484	1	Hose	
106	2752453	2	Hose	
107	2752443	2	Hose	
108	2751473	2	Hose	
109	2752454	2	Hose	
110	2752455	2	Hose	
111	2752485	1	Hose	
112	2752486	1	Hose	
113	2220606	2	Fitting, Tee	
114	2220371	4	Fitting, Straight	
115	2220472	1	Fitting, 90	
116	2220582	11	Fitting, Straight	
117	2220497	2	Fitting, Straight	
118	2220609	2	Fitting, Reducer	
119	2220873	1	Fitting	
120	2220492	1	Fitting	
121	2220874	1	Fitting, 90	
122	2220654	1	Fitting, 90	
123	0100020	AR	Sealant, Thread (Not Shown)	



## SECTION 6 - HYDRAULICS

### FIGURE 6-3. HYDRAULIC DIAGRAM - 35ELECTRIC

ITEM	PART NUMBER	QTY	DESCRIPTION	REV
	2792142	Ref	<b>HYDRAULIC DIAGRAM - 35ELECTRIC</b>	E-7
	2792546	Ref	<b>HYDRAULIC DIAGRAM (W/FIRE RESISTANT HYDRAULIC OIL) - 35ELECTRIC</b>	A-1
1	2220606	2	Fitting, Tee	
2	2752484	1	Hose	
3	2752487	1	Hose	
4	2752471	1	Hose	
5		Ref	Fitting Options:	
5	2220874	2	Fitting, 90, (Standard Machines)	
5	2220366	2	Fitting, Straight (W/Fire Resistant Hydraulic Oil)	
6		Ref	Fitting Options:	
6	Not Required	0	Standard Machines	
6	2220619	2	Fitting, Reducer (W/Fire Resistant Hydraulic Oil)	
7	2220371	4	Fitting, Straight	
8	2220603	8	Fitting, Straight	
10	2752489	1	Hose	
11	2752611	1	Hose	
12	2752446	2	Hose	
13	2220582	2	Fitting, Straight	
14	2220415	4	Fitting, Straight	
15	2752459	2	Hose	
16	2220497	2	Fitting, Straight	
17	2220609	2	Fitting, Reducer	
18	2220873	1	Fitting, Pipe	
19	2220428	3	Fitting, Quick Disconnect	
20	2220429	3	Cap, Dust	
21	2752623	2	Hose	
22	2220606	2	Fitting, Tee	
23	2752627	2	Hose	
24	2752580	2	Hose	
25	2220472	6	Fitting, 90	
26	2752624	2	Hose	
27	2752583	2	Hose	
28	2220504	2	Fitting, Tee	
29	2753005	2	Hose	
30	2220727	2	Fitting, Pipe	
31	2220684	2	Fitting, Tee	
32	2752435	1	Hose	
33	2752573	1	Hose	
34	2752574	1	Hose	
35	2752575	1	Hose	
36	4100026	3	Sleeve, Nylon	
37	1702397	1	Tags, Hose (Not Shown)	
38	2220507	2	Fitting, 90	
39	2220584	2	Fitting, Tee	
40		Ref	Fitting, Straight Options:	
40	2220935	2	Fitting, Straight ( <b>Prior to SN 47049</b> )	
40	2221020	2	Fitting, Straight ( <b>SN 47049 to Present</b> )	
41	2752447	2	Hose	
42	2220677	2	Fitting, 45	



## SECTION 6 - HYDRAULICS

**FIGURE 6-4. HYDRAULIC DIAGRAM - 40ELECTRIC & 45ELECTRIC**

ITEM	PART NUMBER	QTY	DESCRIPTION	REV
		Ref	<b>HYDRAULIC DIAGRAM</b>	
	2792017	Ref	<b>Hydraulic Diagram 40electric</b>	14-L
	2792144	Ref	<b>Hydraulic Diagram 45electric</b>	8-H
1	2220606	4	Fitting, Tee	
2	2752484	1	Hose	
3	2752487	1	Hose	
4	2752471	1	Hose	
5	2752488	1	Hose	
6	2220603	8	Fitting, Straight	
7	2220371	2	Fitting, Straight	
8	2220874	2	Fitting, 90	
9	2220473	4	Fitting, 90	
11	2752489	1	Hose	
12	2752611	1	Hose	
13	2220657	5	Fitting, 45	
14	2752446	2	Hose	
15	2220582	3	Fitting, Straight	
16	2220466	1	Fitting, 90	
17	2752433	2	Hose	
18	2220415	1	Fitting, Straight	
19	2220502	4	Fitting, 45	
20	2752459	2	Hose	
21	2220497	2	Fitting, Straight	
22	2220609	6	Fitting, Reducer	
23	2220873	1	Fitting, Pipe	
24	2220428	3	Fitting, Quick Disconnect	
25	2220429	3	Cap, Dust	
26		Ref	Hose	
26	2752619	2	Hose 40electric	
26	2753050	2	Hose 45electric	
27	2220899	4	Fitting, Tee	
28	2752620	1	Hose	
29	2752580	2	Hose	
30	2220472	8	Fitting, 90	
31	2752614	1	Hose	
32	2220635	3	Fitting, Tee	
33		Ref	Hose	
33	2753115	1	Hose 40electric	
33	2753113	1	Hose 45electric	
34		Ref	Hose	
34	2753116	1	Hose 40electric	
34	2753114	1	Hose 45electric	
35	2752462	1	Hose	
36		Ref	Hose	
36	2752621	2	Hose 40electric	
36	2752626	2	Hose 45electric	
37		Ref	Hose	
37	2752579	2	Hose 40electric	
37	2752585	2	Hose 45electric	
38	2220504	2	Fitting, Tee	

## SECTION 6 - HYDRAULICS

ITEM	PART NUMBER	QTY	DESCRIPTION	REV
39		Ref	Hose	
39	2753005	2	Hose 40electric	
39	2752572	2	Hose 45electric	
40	2220727	2	Fitting, Pipe	
41	2220684	2	Fitting, Tee	
42	2752435	1	Hose	
43	2752573	1	Hose	
44	2220677	2	Fitting, 45	
45	2752574	1	Hose	
49	2752575	1	Hose	
50	2752581	1	Hose	
51	4566188	1	Tube	
52		Ref	Tube	
52	4566187	1	Tube 40electric	
52	4566623	1	Tube 45electric	
53	4100026	2	Sleeve, Nylon	
54	2752438	1	Hose	
55	1702124	1	Tags, Hose (Not Shown)	
56		Ref	Fitting, Straight Options:	
56	2220935	2	Fitting, Straight <b>(Prior to SN 47049)</b>	
56	2221020	2	Fitting, Straight <b>(SN 47049 to Present)</b>	
57	2220584	2	Fitting, Tee	
58	2220934	1	Fitting, Tee	
59	4640861	1	Bleeder Kit	
60		Ref	Hose	
60	2752441	1	Hose 40electric	
60	2752440	1	Hose 45electric	
61	2220605	1	Fitting, Tee	
62	2752584	1	Hose	
63	0100020	AR	Sealant (Not Shown)	



**SECTION 7 - ELECTRICAL**

# SECTION 7 - ELECTRICAL

## FIGURE 7-1. ELECTRICAL COMPONENTS AND DIAGRAMS LIST - 30ELECTRIC

ITEM	PART NUMBER	QTY	DESCRIPTION	REV
		Ref	<b>ELECTRICAL COMPONENTS AND DIAGRAMS LIST - 30ELECTRIC</b>	
		Ref	<b>Note: Numbered colored wiring starts with SN 36544. All other electrical drawings are available from the JLG Service Department upon request.</b>	
	0254745	Ref	<b>BEACON LIGHT ELECTRICAL DIAGRAM</b>	A
	4932577	Ref	<b>HORIZONTAL DRIVE CUT-OUT ELECTRICAL DIAGRAM</b>	-
	3740087	1	Relay	
	4120027	1	Base, Relay	
	3740063	1	Spring, Relay	
	4921442	1	Diode Harness	A
	4932617	Ref	<b>LOW VOLTAGE CUTOOUT ELECTRICAL DIAGRAM</b>	A
		Ref	<b>MOTION ALARM ELECTRICAL DIAGRAMS</b>	
	2901212	Ref	<b>Motion Alarm Electrical Diagrams (Prior to SN 36544)</b>	-
	1281811	Ref	<b>Motion Alarm Electrical Diagrams (Prior to SN 36544)</b>	-
	2901560	Ref	<b>Motion Alarm Electrical Diagrams (SN 36544 to Present)</b>	1-A
		Ref	<b>PLATFORM ELECTRICAL DIAGRAMS</b>	
	4932674	Ref	<b>Platform Electrical Diagrams (Prior to SN 33441)</b>	A
	4932936	Ref	<b>Platform Electrical Diagrams (SN 33441 through 36543)</b>	-
	4933002	Ref	<b>Platform Electrical Diagrams (SN 36544 to Present)</b>	B-2
	4932927	Ref	<b>PLATFORM OVERLOAD ELECTRICAL DIAGRAM (WITH PRESSURE SWITCH UNDER BASKET)</b>	2
	2901251	Ref	<b>PLATFORM WORKLIGHTS ELECTRICAL DIAGRAM (Prior to SN 36544)</b>	B
	1281821	Ref	<b>PLATFORM WORKLIGHTS ELECTRICAL DIAGRAM (Prior to SN 36544)</b>	c
	2901561	Ref	<b>PLATFORM WORKLIGHTS ELECTRICAL DIAGRAM (SN 36544 to Present)</b>	2
	1282857	Ref	<b>PLATFORM WORKLIGHTS ELECTRICAL DIAGRAM (SN 36544 to Present)</b>	B
		Ref	<b>SIMULTANEOUS DRIVE/LIFT/STEER ELECTRICAL DIAGRAM (NON-UL MODELS)</b>	
	0257429	Ref	<b>Simultaneous Drive/Lift/Steer Electrical Diagram (Non-UL Models) (Prior to SN 36544)</b>	B-2
	0258210	Ref	<b>Simultaneous Drive/Lift/Steer Electrical Diagram (Non-UL Models) (SN 36544 to Present)</b>	1
	4921980	1	Harness Assembly (Prior to SN 36544)	
	4922041	1	Harness Assembly (SN 36544 to Present)	1-B
	3990001	10	Diode - 3.5 Amp	
	3740063	2	Spring, Relay	
	4120027	2	Socket, Relay	
	3740087	2	Relay, 48 VDC	
		Ref	<b>STANDARD ELECTRICAL DIAGRAM</b>	
	4932675	Ref	<b>Standard Electrical Diagram (Prior to SN 36544)</b>	A
	4933003	Ref	<b>Standard Electrical Diagram (SN 36544 to Present)</b>	2-C
		Ref	<b>STANDARD ELECTRICAL SCHEMATICS</b>	
	1870031	Ref	<b>Standard Electrical Schematics (Prior to SN 36544)</b>	B
	1870067	Ref	<b>Standard Electrical Schematics (SN 36544 to Present)</b>	B
		Ref	<b>TILT ALARM ELECTRICAL DIAGRAM</b>	
	4932681	Ref	<b>Tilt Alarm Electrical Diagram (Prior to SN 36544)</b>	1
	4933014	Ref	<b>Tilt Alarm Electrical Diagram (SN 36544 to Present)</b>	1

## SECTION 7 - ELECTRICAL

ITEM	PART NUMBER	QTY	DESCRIPTION	REV
	4120027	1	Base, Relay	
	3740087	1	Relay - DPDT	
	3740063	1	Spring, Relay	
	0140030	1	Alarm	

## SECTION 7 - ELECTRICAL

**FIGURE 7-2. ELECTRICAL COMPONENTS AND DIAGRAMS LIST -  
35ELECTRIC/40ELECTRIC/45ELECTRIC**

ITEM	PART NUMBER	QTY	DESCRIPTION	REV
		Ref	<b>ELECTRICAL COMPONENTS AND DIAGRAMS LIST - 35ELECTRIC/40ELECTRIC/45ELECTRIC</b>	
		Ref	<b>Note: Numbered colored wiring starts with SN 36648. All other electrical drawings are available from the JLG Service Department upon request.</b>	
		Ref	<b>BEACON ELECTRICAL DIAGRAMS</b>	
	0254544	Ref	<b>Beacon Electrical Diagrams 40electric &amp; 45electric</b>	7
	1282417	Ref	<b>Beacon Electrical Diagrams 40electric &amp; 45electric</b>	G
	0255611	Ref	<b>Beacon Electrical Diagrams 35electric</b>	3
	1282417	Ref	<b>Beacon Electrical Diagrams 35electric</b>	G
		Ref	<b>CUTOUT ELECTRICAL DIAGRAMS</b>	
		Ref	<b>Drive Cutout Above Elevation</b>	
	4932683	Ref	<b>Drive Cutout Above Elevation 45electric (Prior to SN 36648)</b>	1
	1282199	Ref	<b>Drive Cutout Above Elevation 45electric (Prior to SN 36648)</b>	1
	4933012	Ref	<b>Drive Cutout Above Elevation 45electric (SN 36648 to Present)</b>	1
	1282820	Ref	<b>Drive Cutout Above Elevation 45electric (SN 36648 to Present)</b>	1
	3740087	1	Relay	
	4120027	1	Base, Relay	
	3740063	1	Spring, Relay	
	3990001	1	Diode - 3.5 Amp	
		Ref	<b>Drive/Tilt Cutout Above Elevation</b>	
	4932682	Ref	<b>Drive/Tilt Cutout Above Elevation 45electric (Prior to SN 36648)</b>	1
	1282199	Ref	<b>Drive/Tilt Cutout Above Elevation 45electric (Prior to SN 36648)</b>	1
	4933015	Ref	<b>Drive/Tilt Cutout Above Elevation 45electric (SN 36648 to Present)</b>	1
	1282820	Ref	<b>Drive/Tilt Cutout Above Elevation 45electric (SN 36648 to Present)</b>	1
		Ref	<b>Drive Cutout Eight Meter</b>	
	4932686	Ref	<b>Drive Cutout Eight Meter 45electric (Prior to SN 36648)</b>	1
	1282199	Ref	<b>Drive Cutout Eight Meter 45electric (Prior to SN 36648)</b>	1
	4933013	Ref	<b>Drive Cutout Eight Meter 45electric (SN 36648 to Present)</b>	1
	1282820	Ref	<b>Drive Cutout Eight Meter 45electric (SN 36648 to Present)</b>	1
	3740087	1	Relay	
	4120027	1	Base, Relay	
	3740063	1	Spring, Relay	
	3990001	1	Diode - 3.5 Amp	
	4932927	Ref	<b>Platform Overload Cutout (Switch under Plat)</b>	--2
	1060016	6 ft/1.8m	Cable, Electrical - 16/3	
	3990010	2	Diode - 6 Amp	
		Ref	<b>Platform Overload Cutout (Switch at Slave Cyl)</b>	
	4932684	Ref	<b>Platform Overload Cutout (Switch at Slave Cyl) (With Override) (Prior to SN 36648)</b>	1
	1282199	Ref	<b>Platform Overload Cutout (Switch at Slave Cyl) (With Override) (Prior to SN 36648)</b>	1
	4932685	Ref	<b>Platform Overload Cutout (Switch at Slave Cyl) (Without Override) (Prior to SN 36648)</b>	1

## SECTION 7 - ELECTRICAL

ITEM	PART NUMBER	QTY	DESCRIPTION	REV
	1282199	Ref	Platform Overload Cutout (Switch at Slave Cyl) (Without Override) (Prior to SN 36648)	1
	4933010	Ref	Platform Overload Cutout (Switch at Slave Cyl) (With Override) (SN 36648 to Present)	1
	1282820	Ref	Platform Overload Cutout (Switch at Slave Cyl) (With Override) (SN 36648 to Present)	1
	4933011	Ref	Platform Overload Cutout (Switch at Slave Cyl) (Without Override) (SN 36648 to Present)	1
	1282820	Ref	Platform Overload Cutout (Switch at Slave Cyl) (Without Override) (SN 36648 to Present)	1
	3740091	1	Relay	
	4120014	1	Base, Relay	
	4160114	1	Spring, Relay	
	3990001	1	Diode - 3.5 Amp	
	3990010	1	Diode - 6 Amp	
		Ref	<b>LIGHTS ELECTRICAL DIAGRAM</b>	
	4932935	Ref	<b>Headlights and Taillights</b>	A-1
	4932970	Ref	<b>Headlights and Back-up Lights</b>	A-2
	4360199	1	Switch, Toggle SPST	
	3740087	AR	Relay, 48V 50/60 HZ	
	4120027	AR	Socket, Relay	
	3740063	AR	Relay, Spring	
	3990001	AR	Semiconductor, Diode	
	4360069	1	Circuit Breaker	
	0257410	Ref	<b>LOW BATTERY LIFT INTERRUPT ELECTRICAL GRAM DIAGRAM (40/45ELECTRIC - UL MODELS)</b>	B-3
	0259631	Ref	<b>LOW BATTERY LIFT INTERRUPT ELECTRICAL GRAM DIAGRAM (35ELECTRIC - UL MODELS) (SN 47049 to Present)</b>	A-2
	2420049	1	Gauge, Battery Capacity with Relay	
	3252537	1	Nameplate - Low Voltage Interrupt	
	4120027	1	Socket, Relay	
	3740063	2	Relay, Spring	
	3740087	1	Relay 48V 50/60 HZ	
		Ref	<b>MOTION ALARM ELECTRICAL COMPONENTS (OPTIONAL)</b>	
	2901302	Ref	<b>Motion Alarm Electrical Components (Optional) 35electric (Prior to SN 36648)</b>	A
	2901600	Ref	<b>Motion Alarm Electrical Components (Optional) 35electric (SN 36648 to Present)</b>	1
	2901249	Ref	<b>Motion Alarm Electrical Components (Optional) 40/45electric (Prior to SN 36648)</b>	A
	2901601	Ref	<b>Motion Alarm Electrical Components (Optional) 40/45electric (SN 36648 to Present)</b>	1
		Ref	<b>PLATFORM ELECTRICAL DIAGRAMS</b>	
	4932659	Ref	<b>Platform Electrical Diagrams (Prior to SN 33441)</b>	C
	4932937	Ref	<b>Platform Electrical Diagrams (SN 33441 through 36647)</b>	-
	4932988	Ref	<b>Platform Electrical Diagrams (SN 36648 to Present)</b>	2-B
	4932882	Ref	<b>PLATFORM PROXIMITY SWITCHES ELECTRICAL DIAGRAM</b>	B-2
	3740087	1	Relay	
	4120027	1	Base, Relay	
	3740063	1	Spring, Relay	
	3990001	1	Diode - 3.5 Amp	
	2901251	Ref	<b>PLATFORM WORKLIGHTS ELECTRICAL DIAGRAM (Prior to SN 36648)</b>	C
	1281821	Ref	<b>PLATFORM WORKLIGHTS ELECTRICAL DIAGRAM (Prior to</b>	C

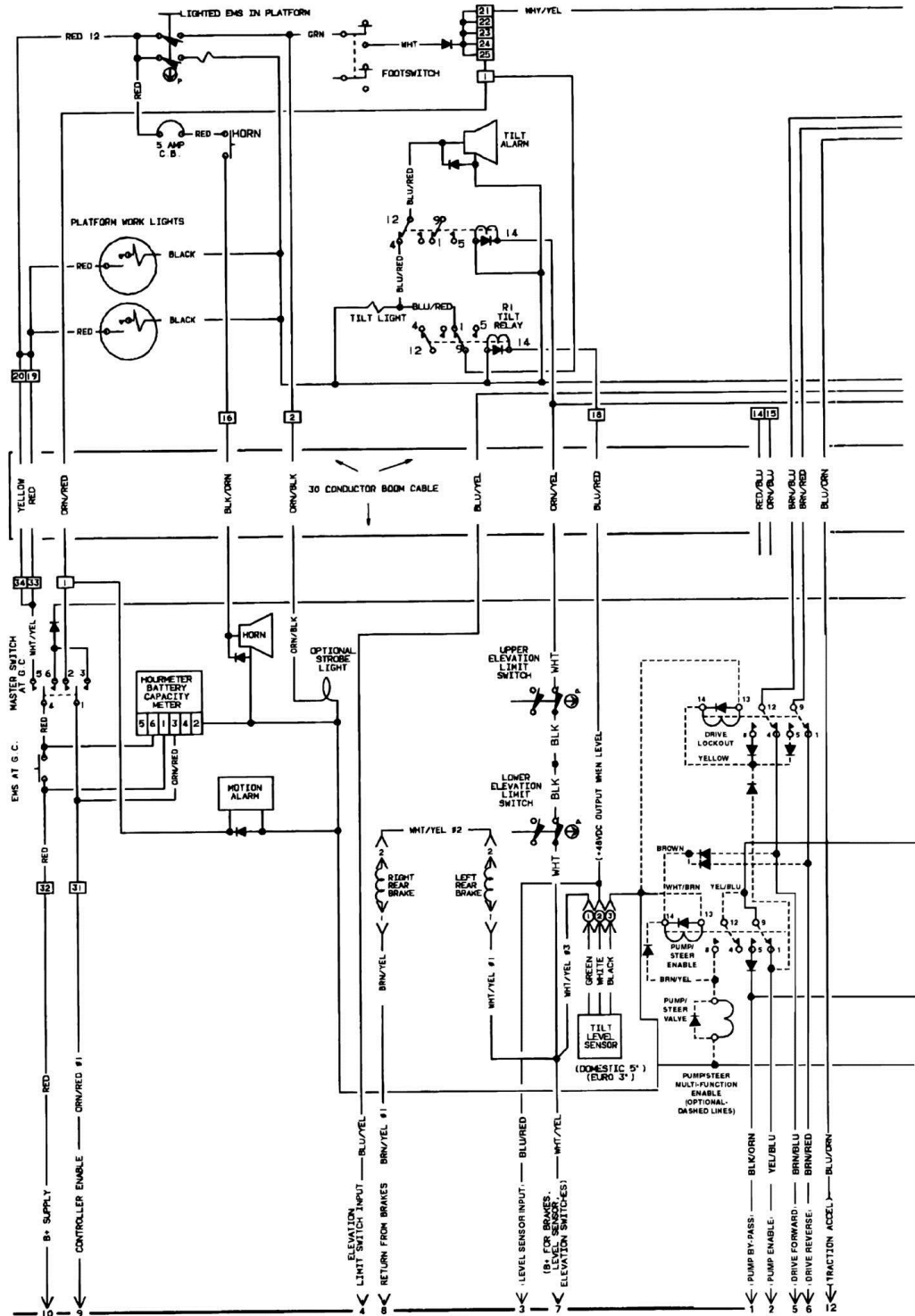
## SECTION 7 - ELECTRICAL

ITEM	PART NUMBER	QTY	DESCRIPTION	REV
	2901561	Ref	<b>SN 36648)</b> <b>PLATFORM WORKLIGHTS ELECTRICAL DIAGRAM (SN 36648 to Present)</b>	2
	1282857	Ref	<b>PLATFORM WORKLIGHTS ELECTRICAL DIAGRAM (SN 36648 to Present)</b>	B
		Ref	<b>SIMULTANEOUS DRIVE/LIFT/STEER ELECTRICAL DIAGRAM (NON-UL MODELS)</b>	
	0257428	Ref	<b>Simultaneous Drive/Lift/Steer Electrical Diagram (Non-UL Models) 35electric (Prior to SN 36648)</b>	B-2
	0258211	Ref	<b>Simultaneous Drive/Lift/Steer Electrical Diagram (Non-UL Models) 35electric (SN 36648 to Present)</b>	A-1
	0257429	Ref	<b>Simultaneous Drive/Lift/Steer Electrical Diagram (Non-UL Models) 40electric/45electric (Prior to SN 36648)</b>	B-2
	0258212	Ref	<b>Simultaneous Drive/Lift/Steer Electrical Diagram (Non-UL Models) 40electric/45electric (SN 36648 to Present)</b>	A-1
		Ref	Harness Assembly Options:	
	4921980	1	Harness Assembly ( <b>Prior to SN 36648</b> )	
	4922041	1	Harness Assembly ( <b>SN 36648 to Present</b> )	1-B
	3990001	10	Diode - 3.5 Amp	
	3740063	2	Spring, Relay	
	4120027	2	Socket, Relay	
	3740087	2	Relay, 48 VDC	
		Ref	<b>STANDARD ELECTRICAL DIAGRAM</b>	
	4932660	Ref	<b>Standard Electrical Diagram (Prior to SN 36648)</b>	H
	4932987	Ref	<b>Standard Electrical Diagram (SN 36648 to Present)</b>	2-C
		Ref	<b>STANDARD ELECTRICAL SCHEMATIC</b>	
	1870032	Ref	<b>Standard Electrical Schematic (Prior to SN 36648)</b>	H
	1870066	Ref	<b>Standard Electrical Schematic (SN 36648 to Present)</b>	B
		Ref	<b>TILT ALARM ELECTRICAL DIAGRAM</b>	
	4932628	Ref	<b>Tilt Alarm Electrical Diagram (Prior to SN 36648)</b>	1
	4932681	Ref	<b>Tilt Alarm Electrical Diagram (Prior to SN 36648)</b>	1
	4933014	Ref	<b>Tilt Alarm Electrical Diagram (SN 36648 to Present)</b>	1
	4120027	1	Base, Relay	
	3740087	1	Relay - DPDT	
	3740063	1	Spring, Relay	
	0140030	1	Alarm	
	3990001	2	Diode - 3.5 Amp	



# SECTION 7 - ELECTRICAL

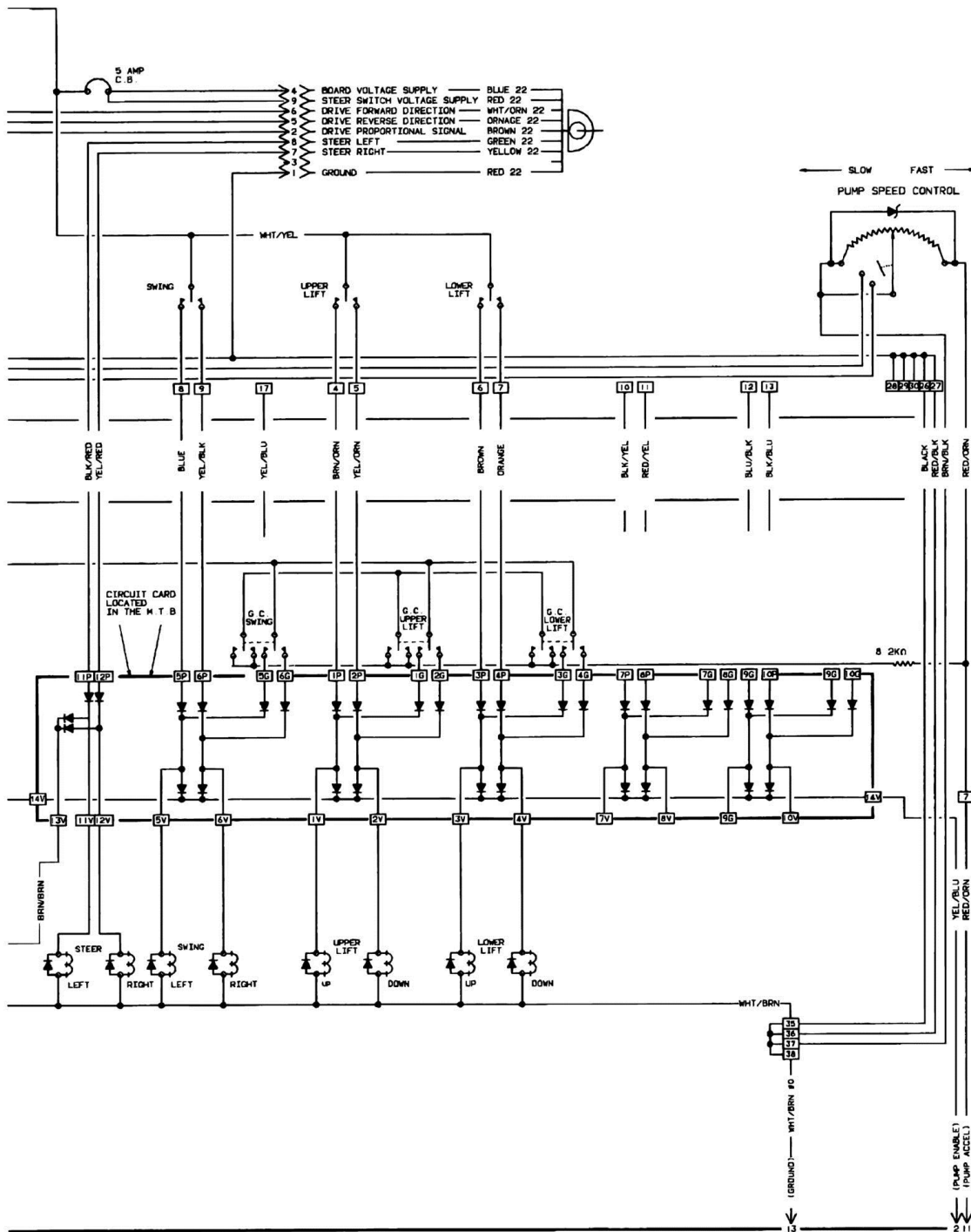
FIGURE 7-3. ELECTRICAL SCHEMATIC - 30ELECTRIC WITH COLORED WIRE (SHEET 1 OF 4) (Prior to SN 36544)



DRIVE/PUMP CONTROLLER 15 PIN PLUG CONNECTOR  
SEE SHEET 3 OF 4 FOR DRIVE/PUMP CONTROLLER SCHEMATIC

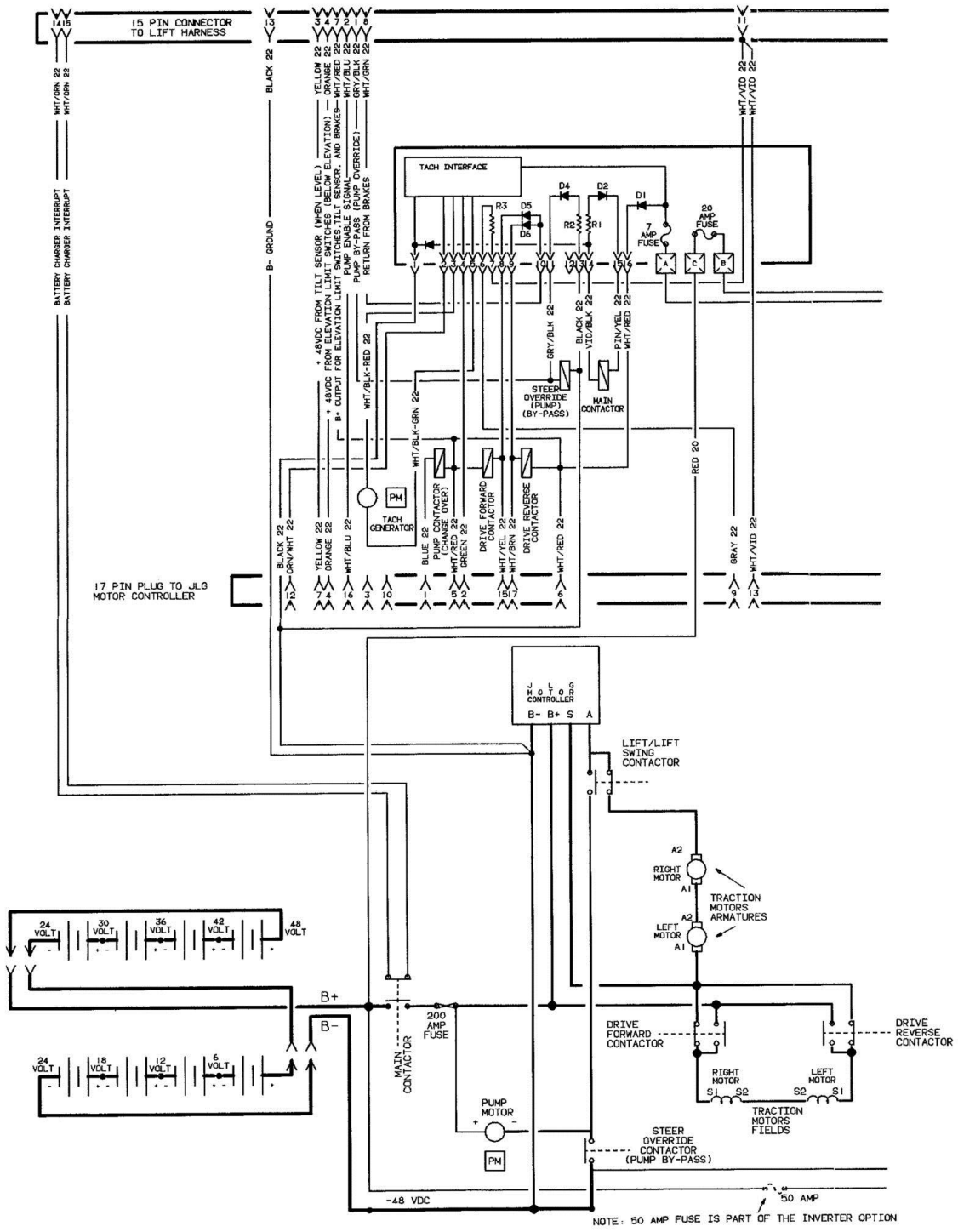


# SECTION 7 - ELECTRICAL

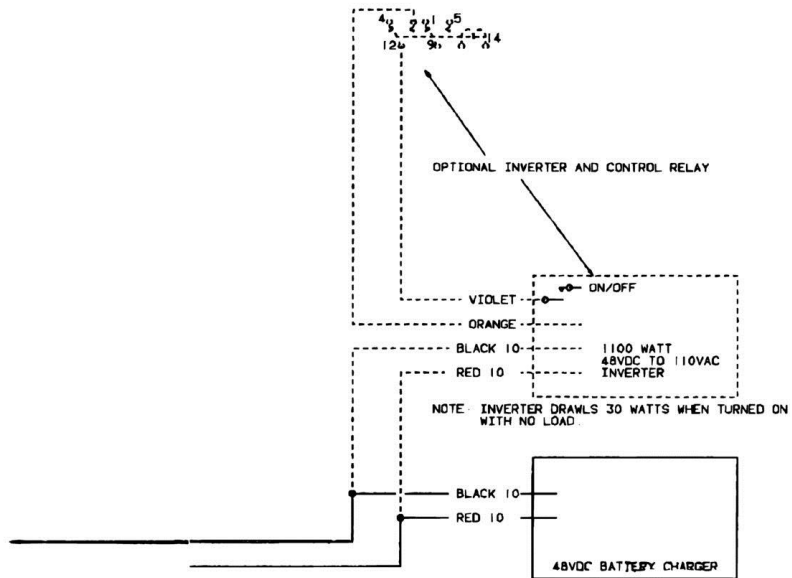
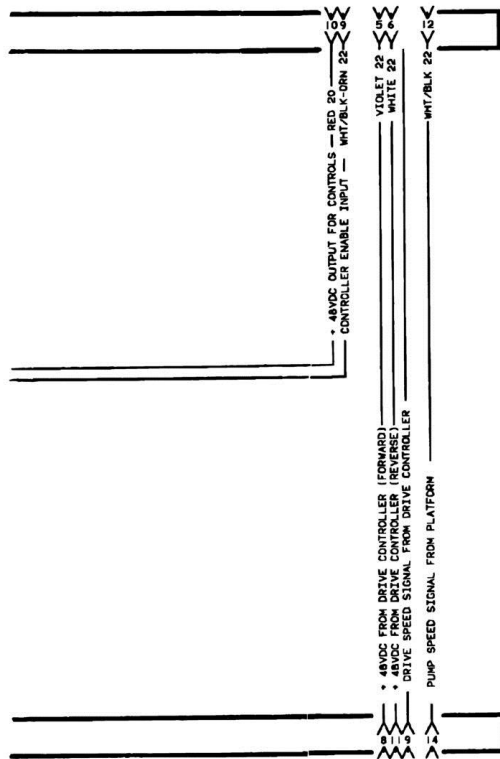


1870031 B

# SECTION 7 - ELECTRICAL



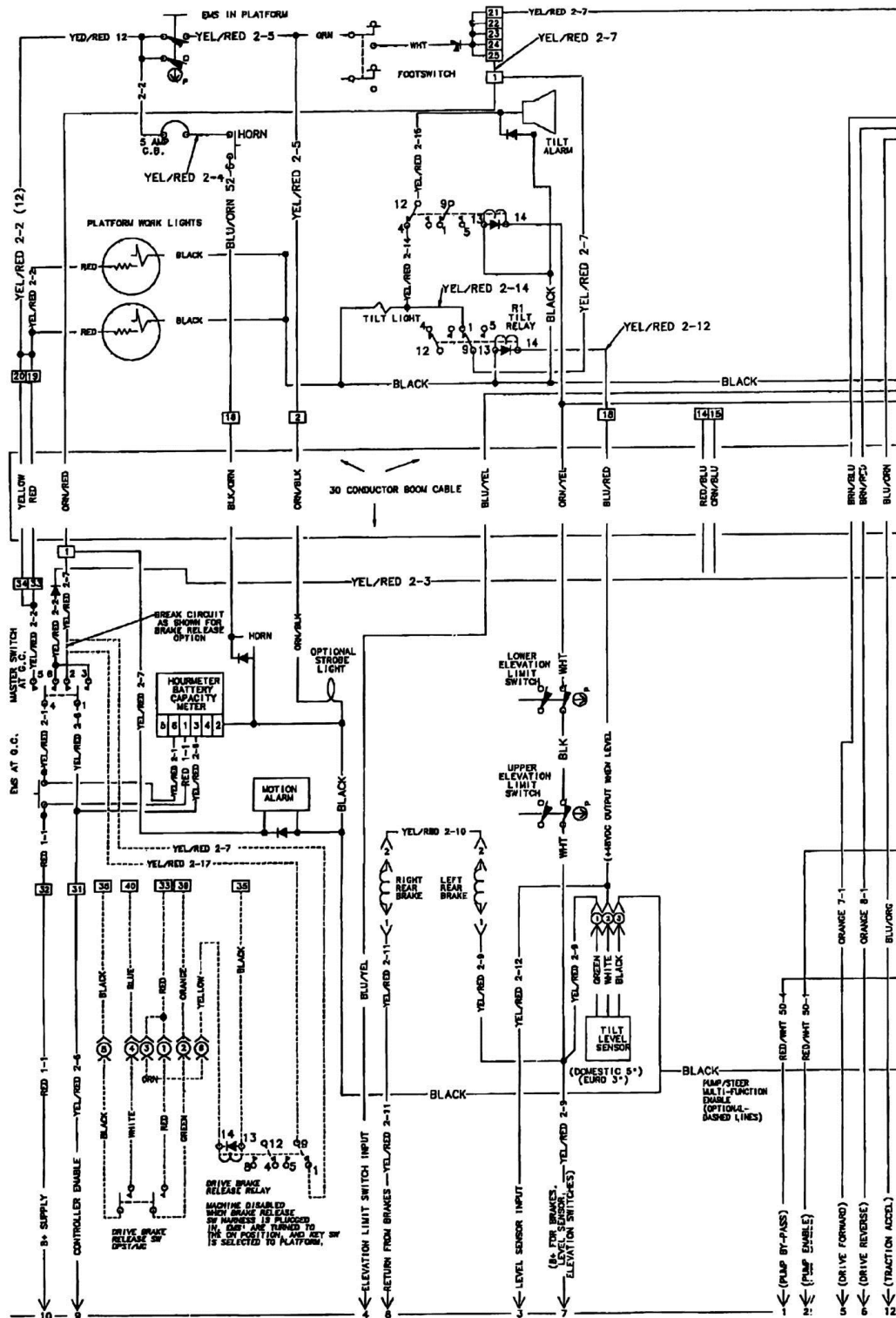
# SECTION 7 - ELECTRICAL



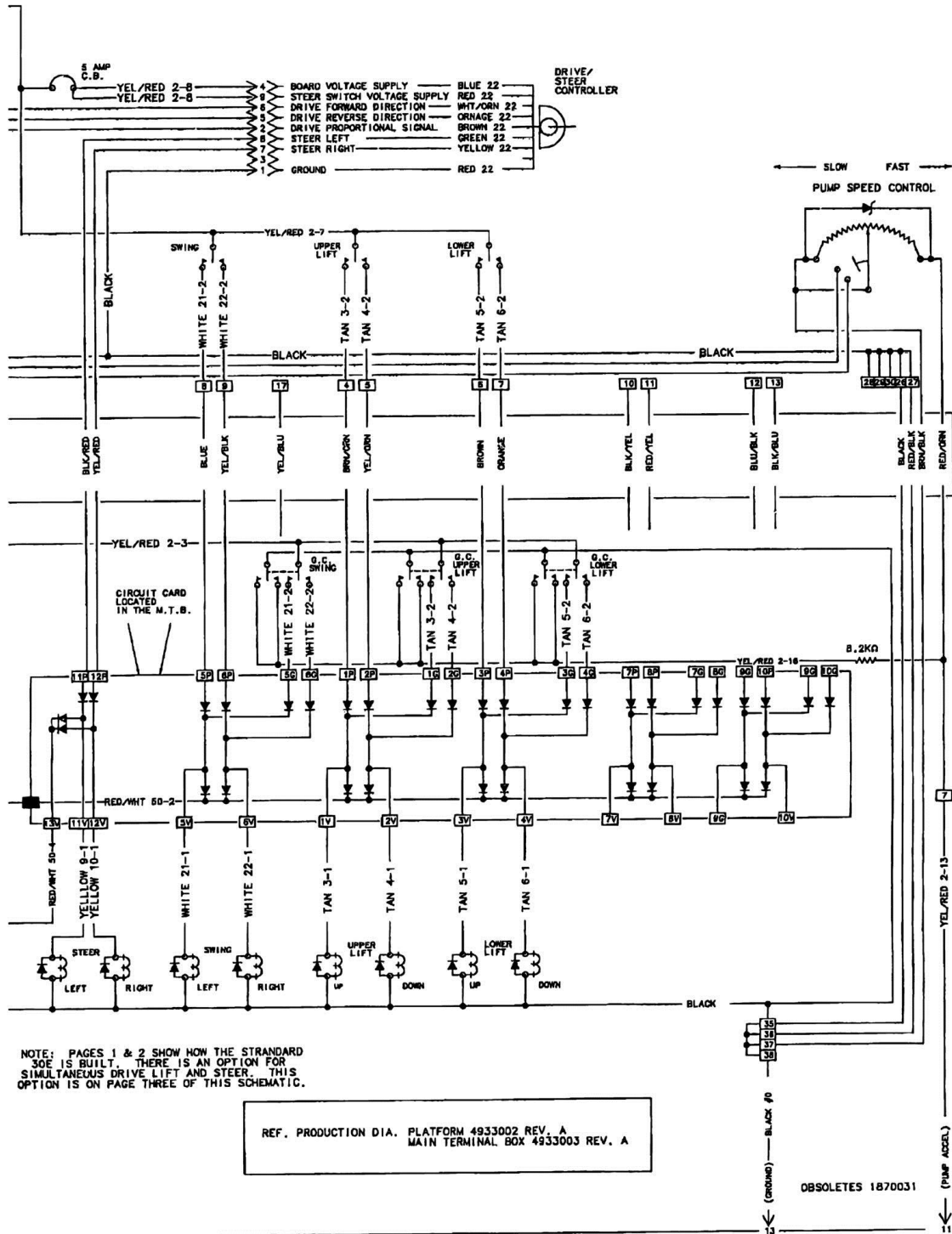
1870031 B

# SECTION 7 - ELECTRICAL

FIGURE 7-4. ELECTRICAL SCHEMATIC - 30ELECTRIC WITH NUMBERED COLORED WIRE (SHEET 1 OF 4) (SN 36544 to Present)



# SECTION 7 - ELECTRICAL



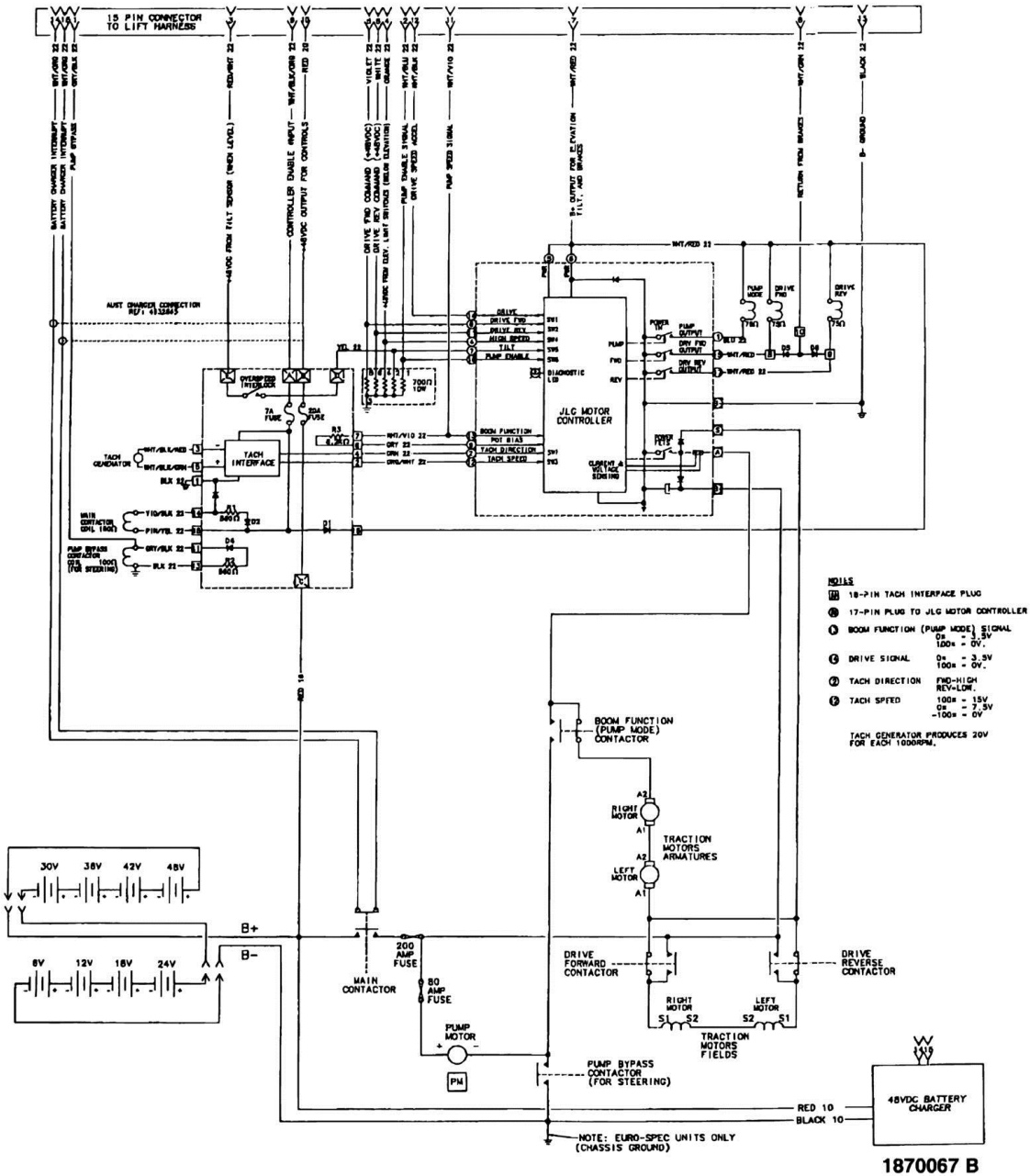
NOTE: PAGES 1 & 2 SHOW HOW THE STANDARD 30E IS BUILT. THERE IS AN OPTION FOR SIMULTANEOUS DRIVE LIFT AND STEER. THIS OPTION IS ON PAGE THREE OF THIS SCHEMATIC.

REF. PRODUCTION DIA. PLATFORM 4933002 REV. A  
 MAIN TERMINAL BOX 4933003 REV. A

DRIVE/PUMP CONTROLLER 15 PIN PLUG CONNECTOR  
 E SHEET 2 OF 2 FOR DRIVE/PUMP CONTROLLER SCHEMATIC

1870067 B

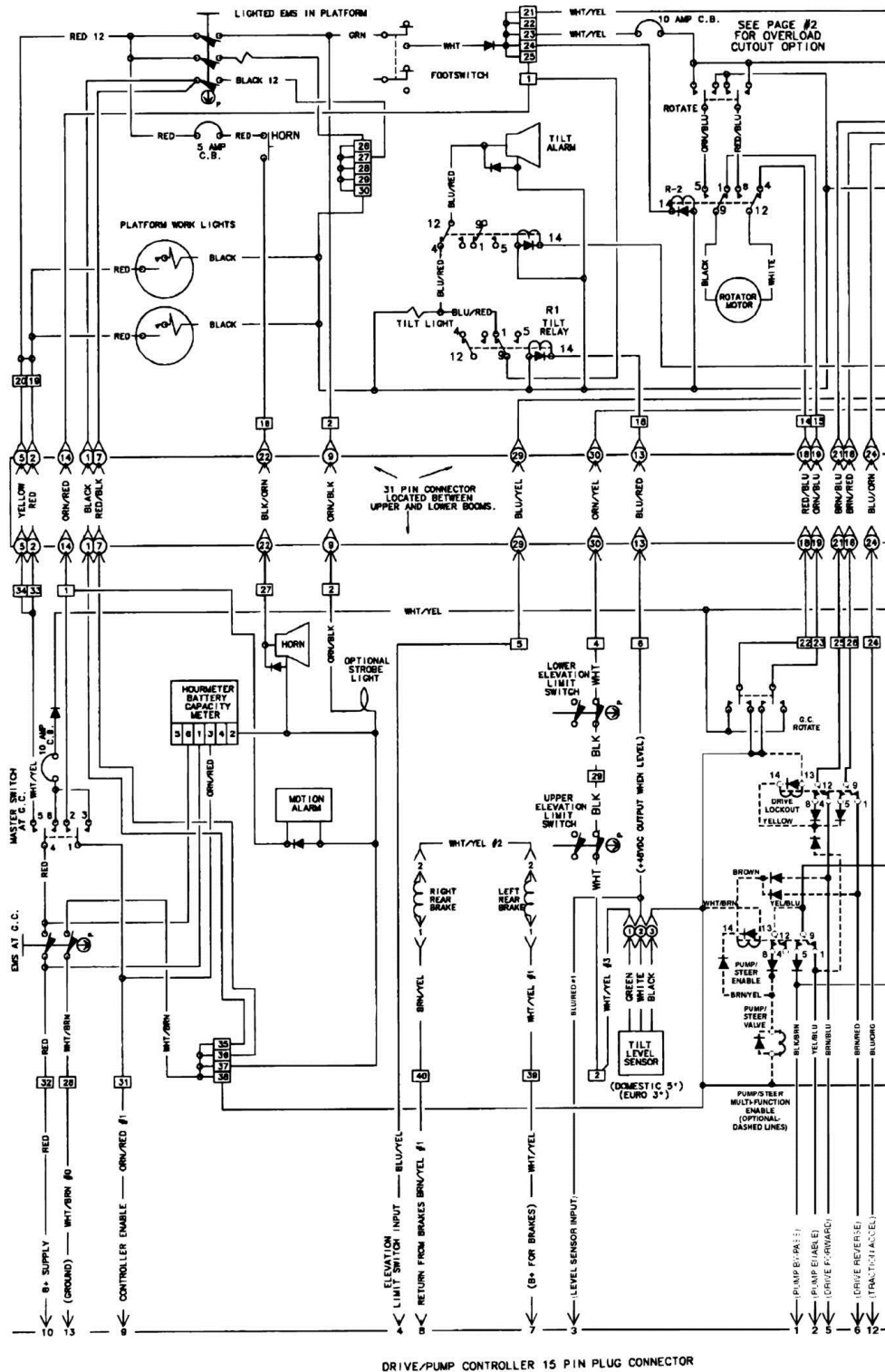
# SECTION 7 - ELECTRICAL



**THIS PAGE INTENTIONALLY LEFT BLANK**

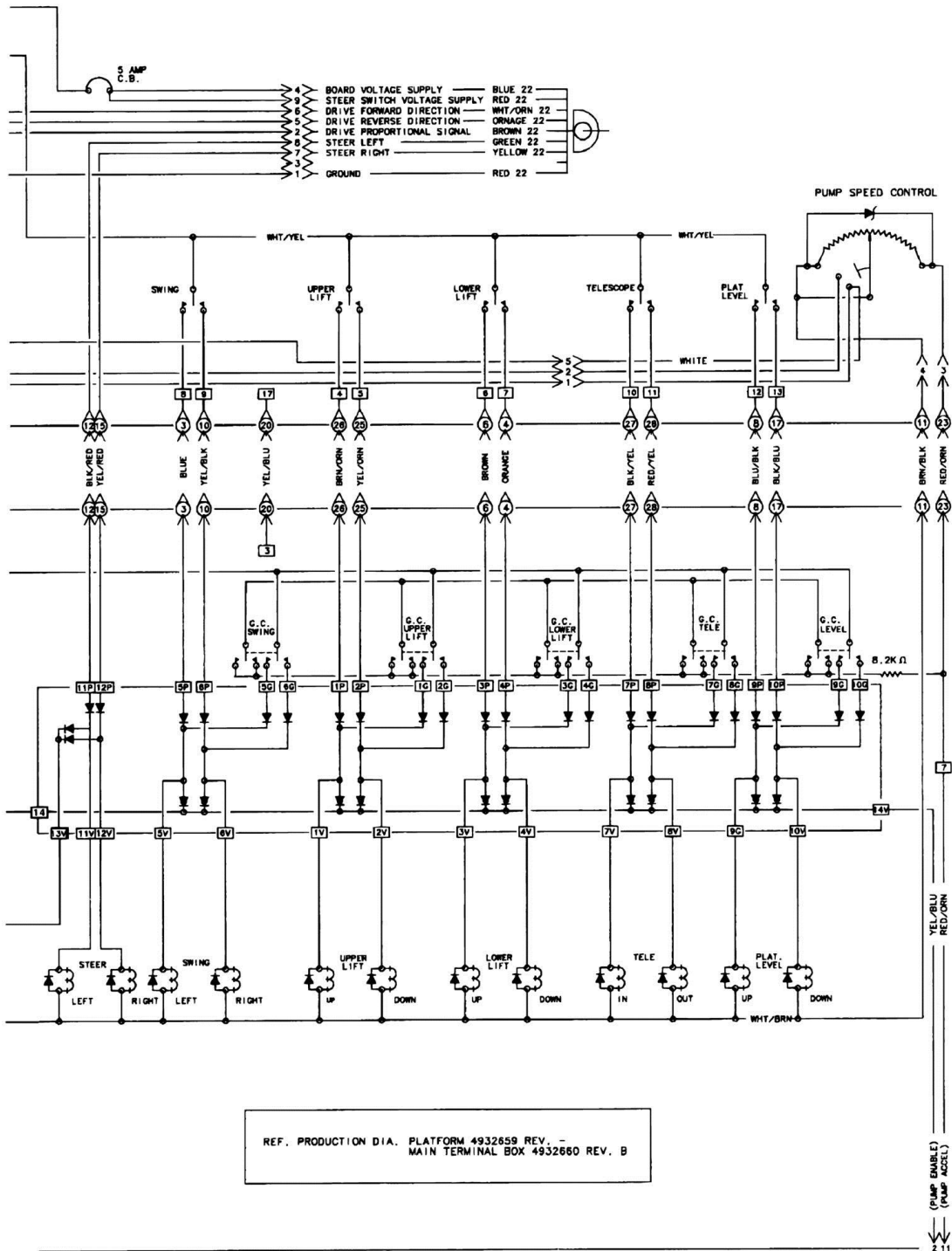
# SECTION 7 - ELECTRICAL

FIGURE 7-5. ELECTRICAL SCHEMATIC - 35ELECTRIC/40ELECTRIC/45ELECTRIC WITH COLORED WIRE (SHEET 1 OF 4) (Prior to SN 36648)





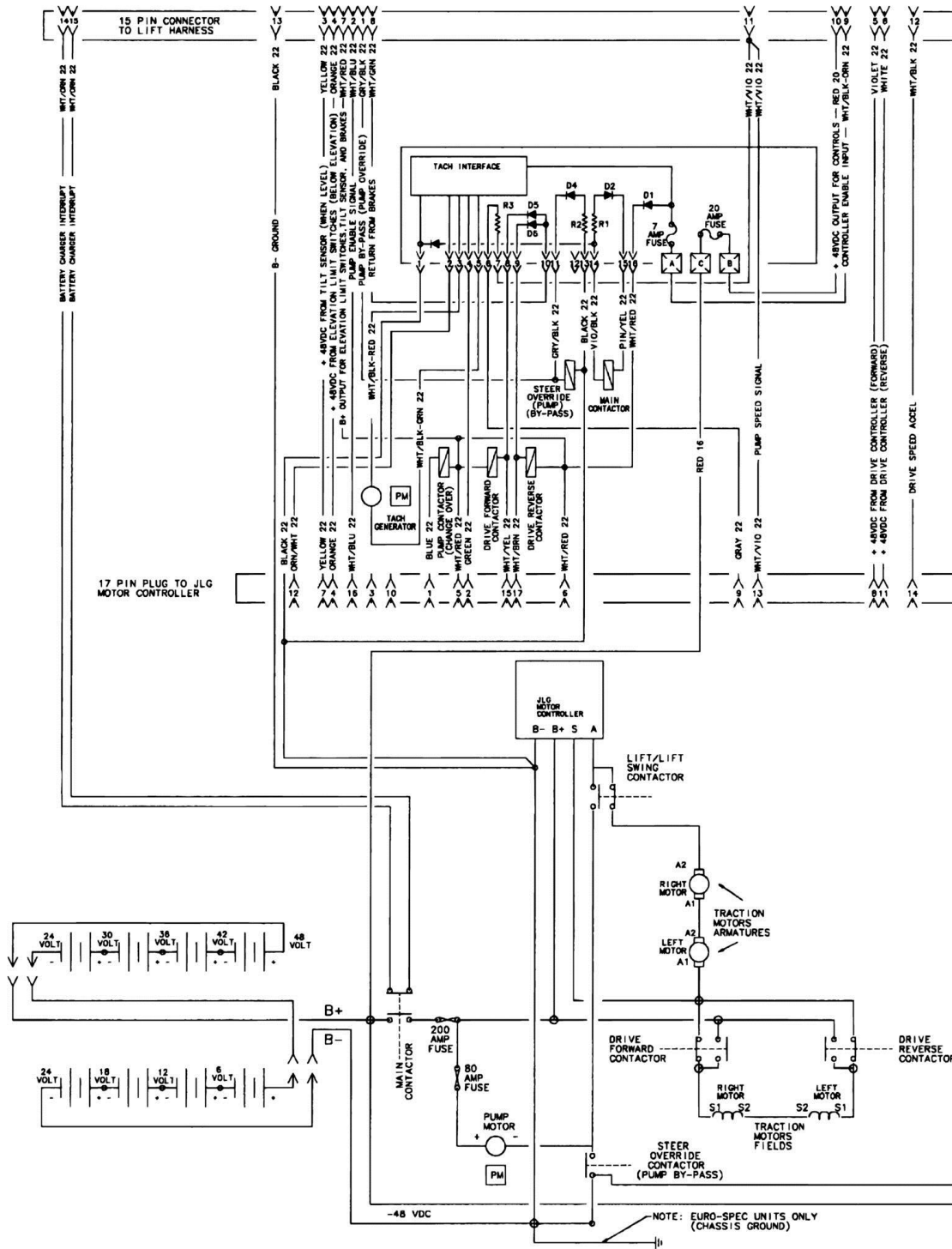
# SECTION 7 - ELECTRICAL



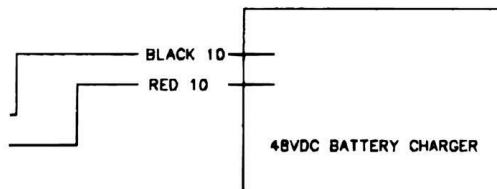
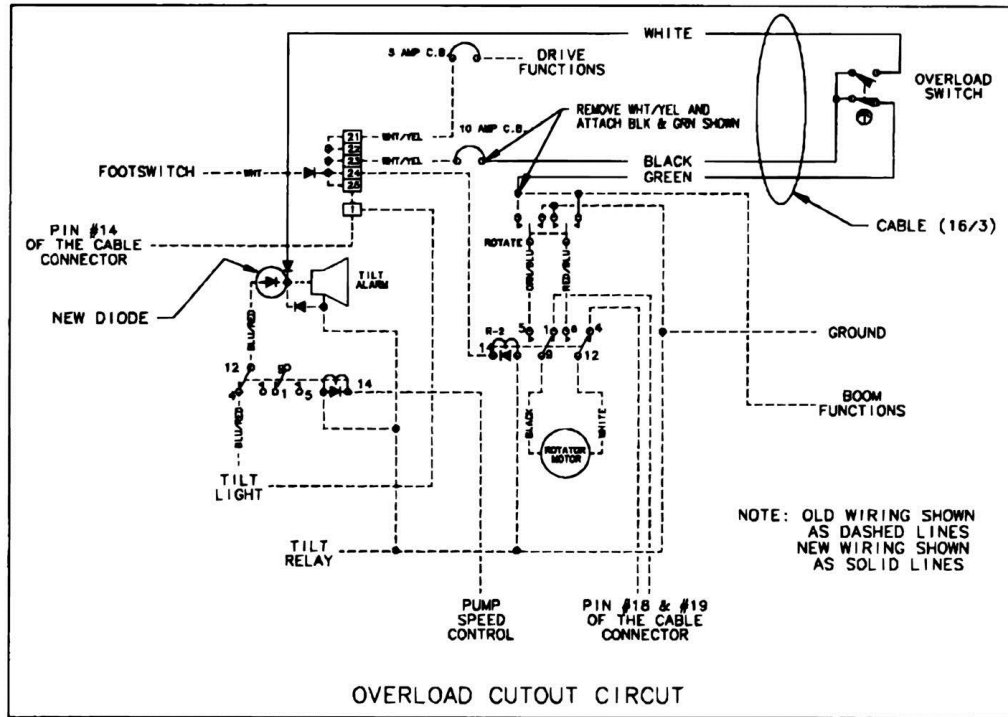
REF. PRODUCTION DIA. PLATFORM 4932659 REV. -  
MAIN TERMINAL BOX 4932660 REV. B

1870032 H

# SECTION 7 - ELECTRICAL



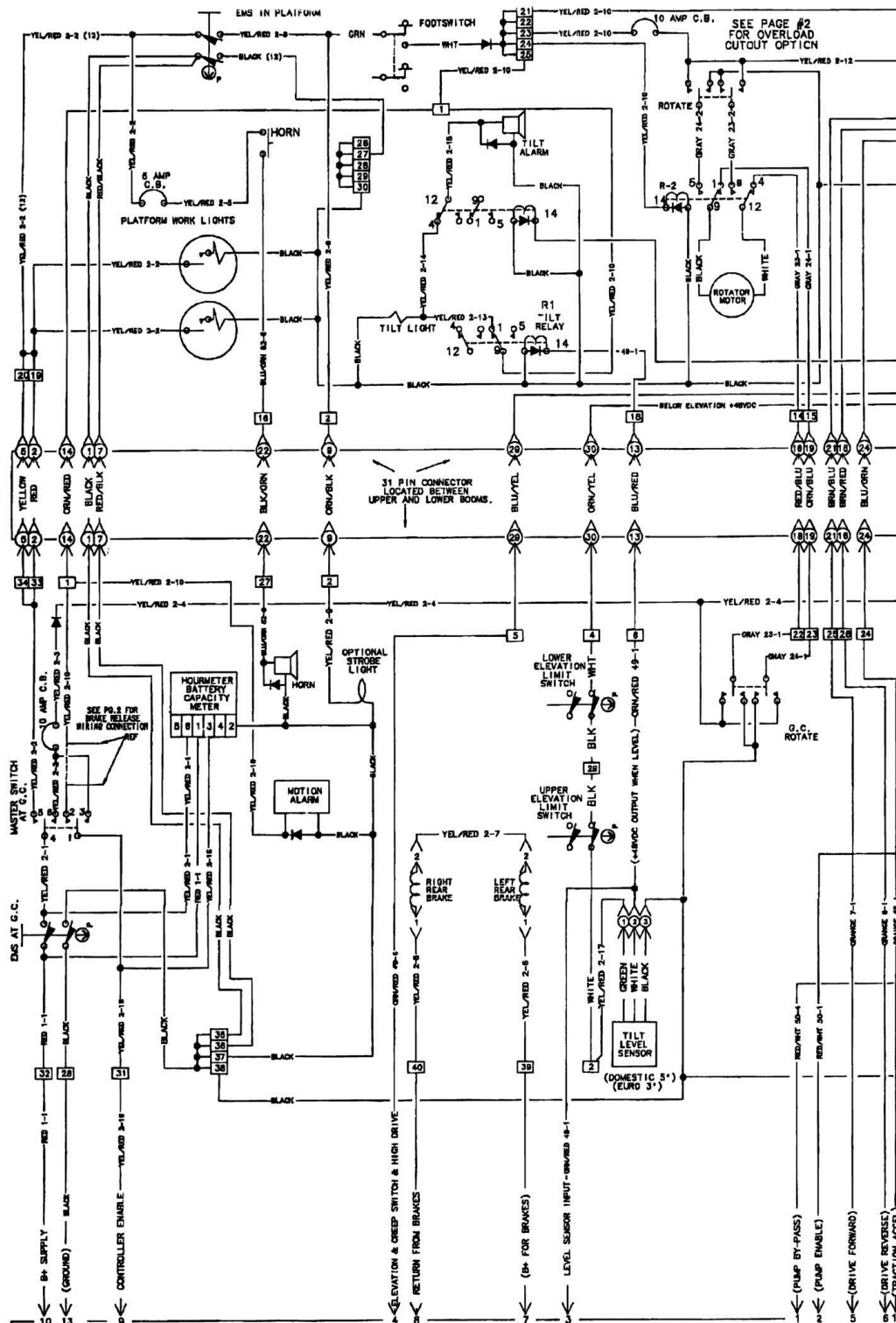
# SECTION 7 - ELECTRICAL



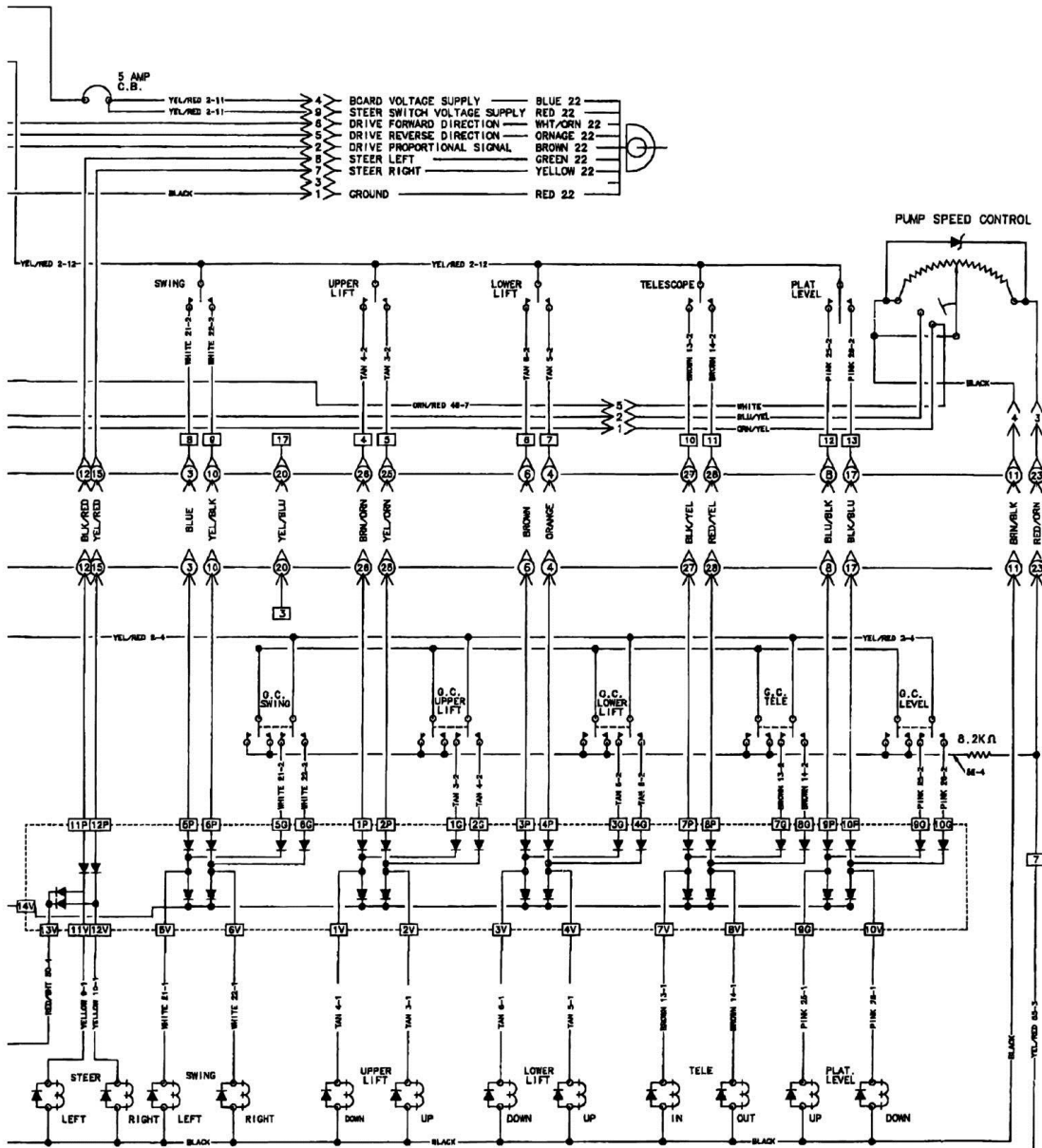
1870032 H

# SECTION 7 - ELECTRICAL

FIGURE 7-6. ELECTRICAL SCHEMATIC - 35ELECTRIC/40ELECTRIC/45ELECTRIC WITH NUMBERED COLORED WIRE (SHEET 1 OF 4) (SN 36648 to Present)



# SECTION 7 - ELECTRICAL



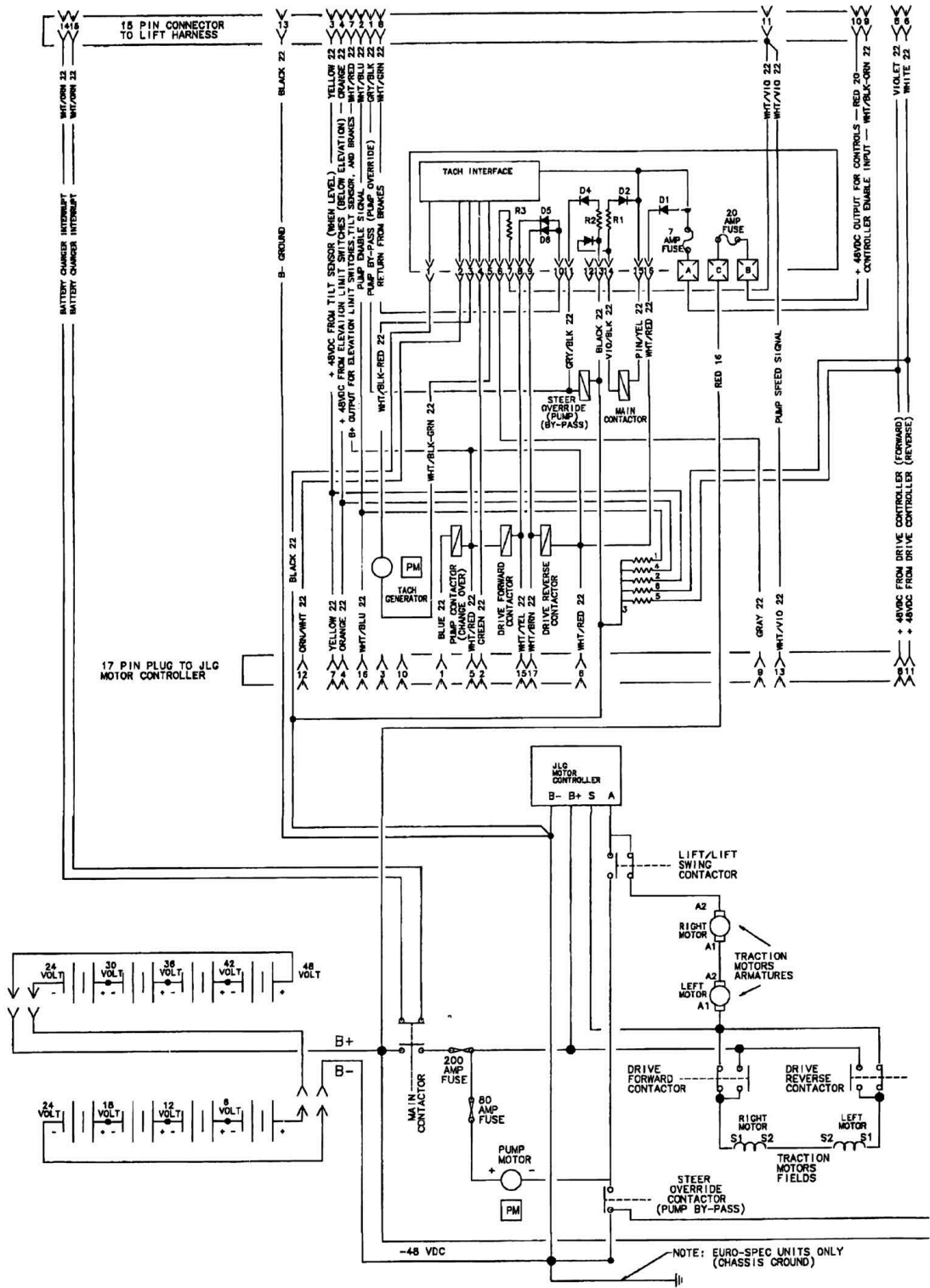
NOTE: PAGES 1 & 2 SHOW HOW THE STANDARD 35E, N35E, 40E, N40E, 45E ARE BUILT. THERE IS AN OPTION FOR SIMULTANEOUS DRIVE LIFT AND STEER. THIS OPTION IS ON PAGE THREE OF THIS SCHEMATIC

REF. PRODUCTION DIA. PLATFORM 4932988 REV. 1  
GROUND CONTROL BOX 4932987 REV. 1

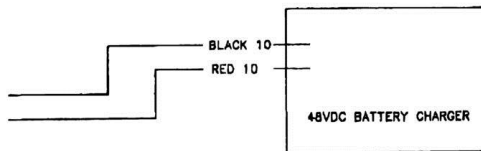
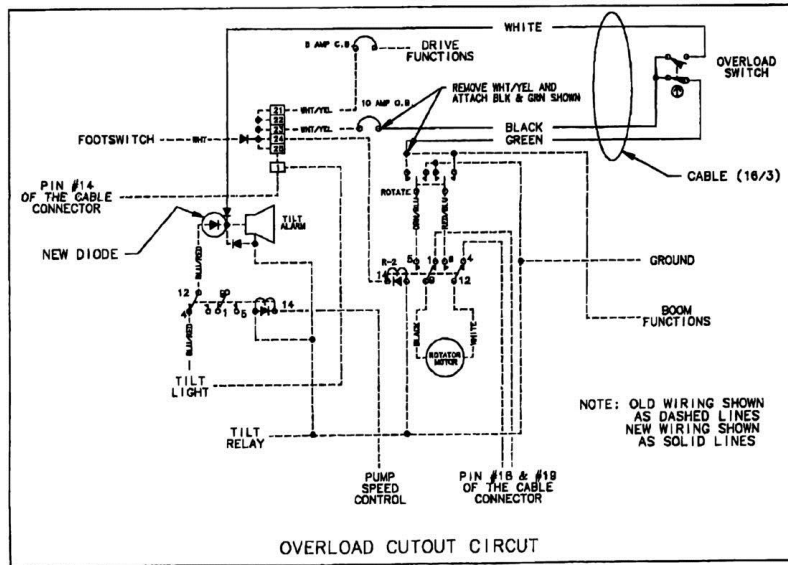
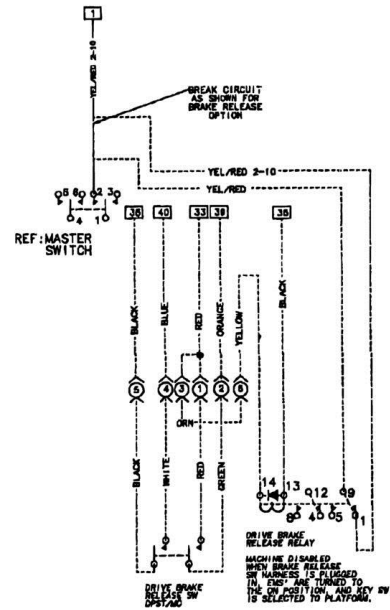
DRIVE/PUMP CONTROLLER 15 PIN PLUG CONNECTOR  
SHEET 2 OF 2 FOR DRIVE/PUMP CONTROLLER SCHEMATIC

1870066 B

# SECTION 7 - ELECTRICAL



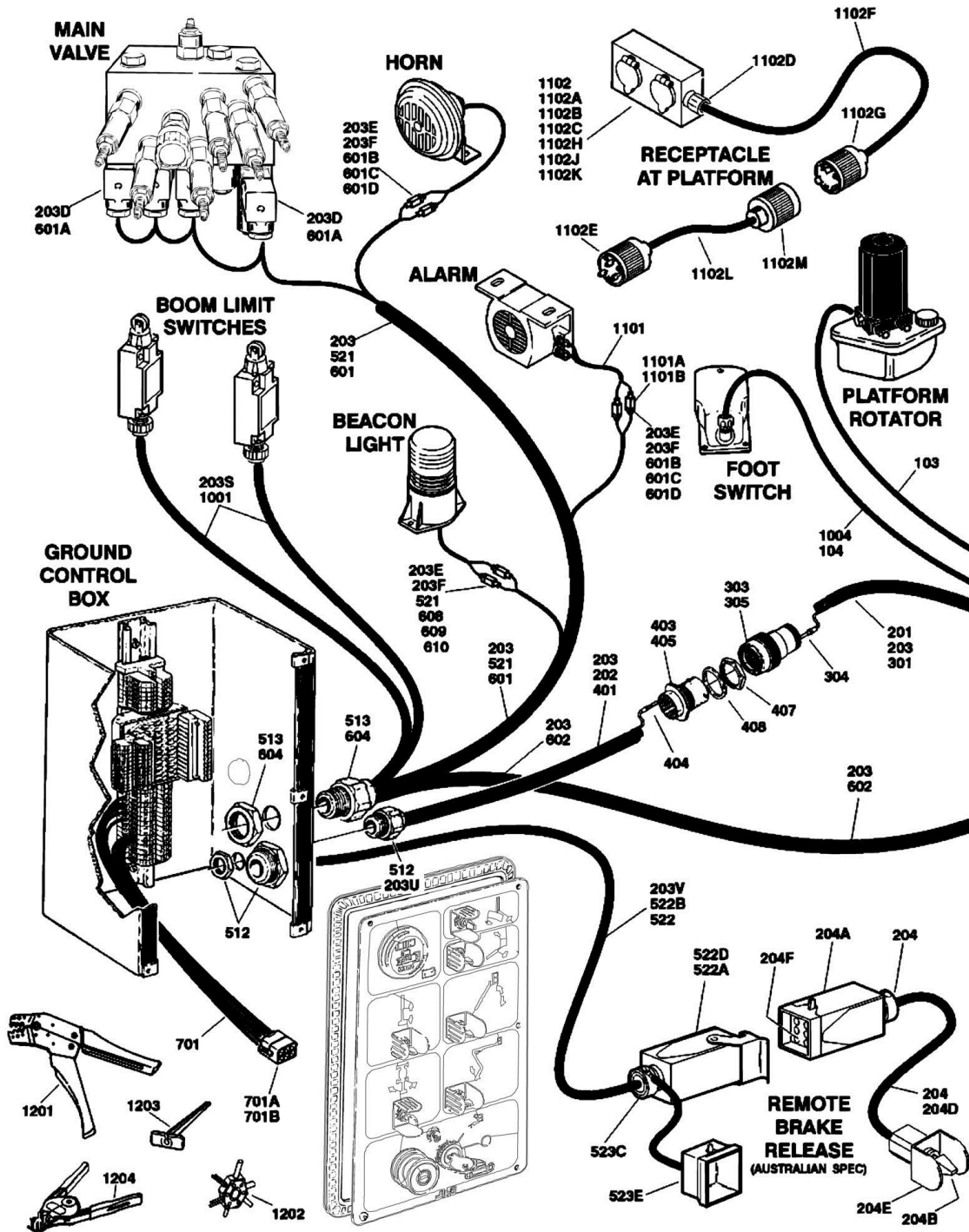
# SECTION 7 - ELECTRICAL



1860066 B

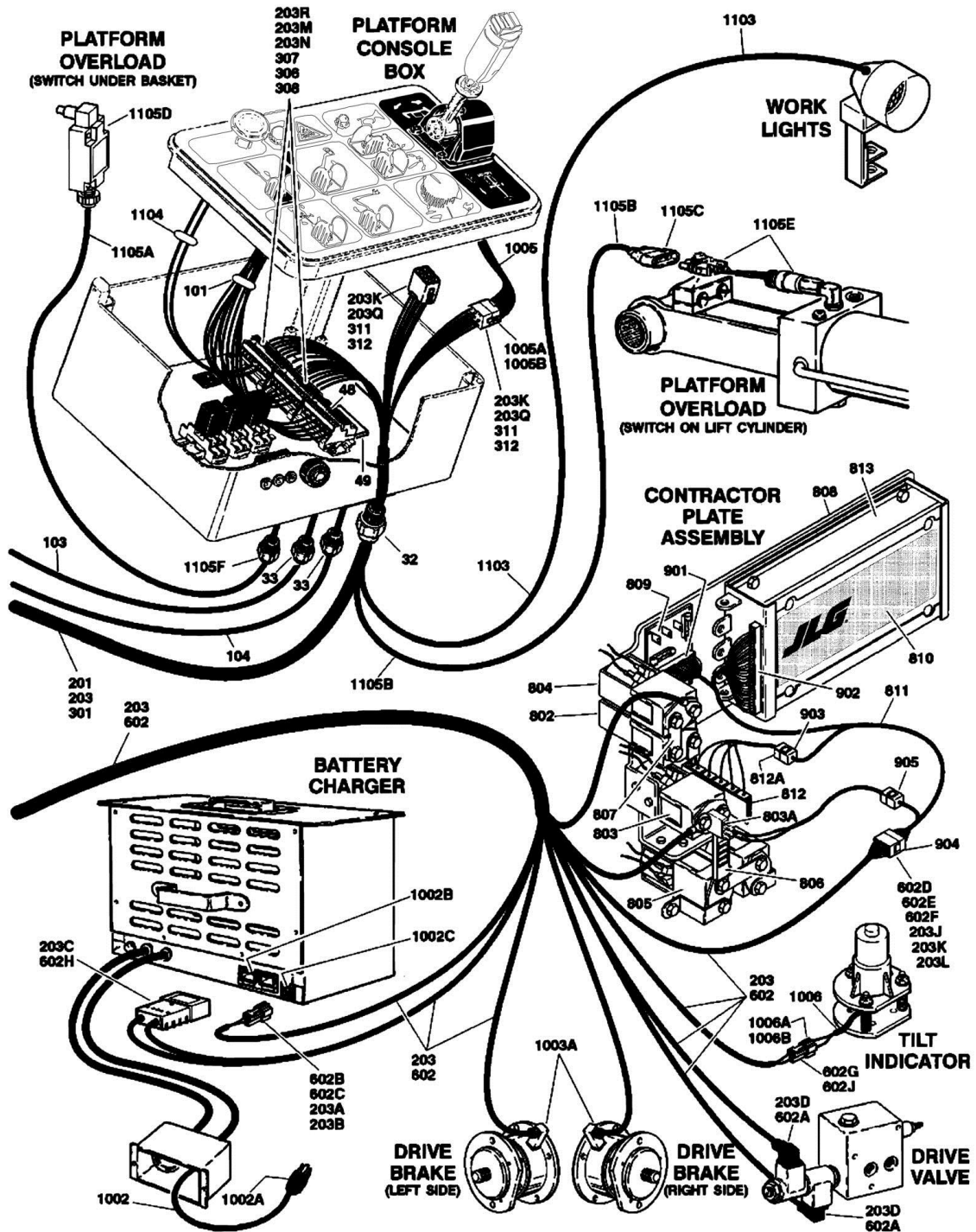
# SECTION 7 - ELECTRICAL

## FIGURE 7-7. HARNESS COMPONENTS INSTALLATION





# SECTION 7 - ELECTRICAL



# SECTION 7 - ELECTRICAL

## FIGURE 7-7. HARNESS COMPONENTS INSTALLATION

ITEM	PART NUMBER	QTY	DESCRIPTION	REV
		Ref	<b>ELECTRICAL HARNESS AND COMPONENTS INSTALLATION</b>	
		Ref	<b>Note: Numbered colored wire starts with sn 36648</b>	
		Ref	<b>NOTE: FOR ALL BATTERY AND CONTACTOR CABLES SEE FRAME SECTION.</b>	
		Ref	<b>PLATFORM CONSOLE BOX COMPONENTS</b>	
32	4460526	1	Connector, Strain Relief	
33	4460428	AR	Connector, Strain Relief	
48		Ref	Plug, Terminal Options:	
48	Not Required	0	Plug, Terminal 30electric	
48	4460523	1	Plug, Terminal 35electric/40electric/45electric	
49		Ref	Bridge, Insertion	
49	Not Required	0	Bridge, Insertion 30electric	
49	4460529	2	Bridge, Insertion 35electric/40electric/45electric	
		Ref	<b>PLATFORM ELECTRICAL DIAGRAMS</b>	
	4932674	Ref	<b>Platform Electrical Diagrams 30electric (Prior to SN 33441)</b>	A
	4932936	Ref	<b>Platform Electrical Diagrams 30electric (SN 33441 through 36543)</b>	-
	4933002	Ref	<b>Platform Electrical Diagrams 30electric (SN 36544 to Present)</b>	2-B
	4932659	Ref	<b>Platform Electrical Diagrams 35/40/45electric (Prior to SN 33441)</b>	C
	4932937	Ref	<b>Platform Electrical Diagrams 35/40/45electric (SN 33441 through 36647)</b>	-
	4932988	Ref	<b>Platform Electrical Diagrams 35/40/45electric (SN 36648 to Present)</b>	2-B
101		Ref	Harness, Platform Console Box Options:	
101	Not Available		Harness, Platform Console Box 30electric ( <b>Prior to SN 36544</b> )	
101	4922056	1	Harness, Platform Console Box 30electric ( <b>SN 36544 to Present</b> )	
101	Not Available		Harness, Platform Console Box 35/40/45electric ( <b>Prior to SN 36648</b> )	
101	4922042	1	Harness, Platform Console Box 35/40/45electric ( <b>SN 36648 to Present</b> )	
102	3990001	2	Diode - 3.5 Amp (Not Shown)	
103	1060341	8 ft/2.4m	Cable, Electrical - 16/2 (35/40/45electric only)	
104	1060330	7 ft/2.2m	Cable, Electrical - 16/3	
110	3990010	1	Diode - 6 Amp (Not Shown)	
		Ref	<b>BOOM CABLES INSTALLATIONS</b>	
	0254738	Ref	<b>Boom Cables Installations 30electric (Prior to SN 36544)</b>	A
	0258226	Ref	<b>Boom Cables Installations 30electric (SN 36544 to Present)</b>	1
	0254595	Ref	<b>Boom Cables Installations 35electric (Prior to SN 36648)</b>	D
	0258565	Ref	<b>Boom Cables Installations 35electric (SN 36648 to Present)</b>	1
	0254647	Ref	<b>Boom Cables Installations 40electric (Prior to SN 36648)</b>	6
	0258563	Ref	<b>Boom Cables Installations 40electric (SN 36648 to Present)</b>	1
	0254041	Ref	<b>Boom Cables Installations 45electric (Prior to SN 36648)</b>	7
	0258564	Ref	<b>Boom Cables Installations 45electric (SN 36648 to Present)</b>	1
201		Ref	Harness Assembly - Upper Boom (See Items 301-315 for Breakdown)	
201	4921644	1	Harness Assembly - Upper Boom 35electric ( <b>Prior to SN 36648</b> )	C
201	4922128	1	Harness Assembly - Upper Boom 35electric ( <b>SN 36648 to</b>	2

## SECTION 7 - ELECTRICAL

ITEM	PART NUMBER	QTY	DESCRIPTION	REV
			<b>Present)</b>	
201	4921644	1	Harness Assembly - Upper Boom 40electric ( <b>Prior to SN 36648</b> )	C
201	4922128	1	Harness Assembly - Upper Boom 40electric ( <b>SN 36648 to Present</b> )	2
201	4921645	1	Harness Assembly - Upper Boom 45electric ( <b>Prior to SN 36648</b> )	D
201	4922127	1	Harness Assembly - Upper Boom 45electric ( <b>SN 36648 to Present</b> )	1
202		Ref	Harness Assembly - Lower Boom (See Items 401-419 for Breakdown)	
202	4921650	1	Harness Assembly - Lower Boom 35electric	B
202	4921581	1	Harness Assembly - Lower Boom 40electric	C
202	4921591	1	Harness Assembly - Lower Boom 45electric	C
203		Ref	Harness Assembly - Boom/Chassis/Valve	
203	4921659	1	Harness Assembly - Boom/Chassis/Valve 30electric ( <b>Prior to SN 36544</b> )	A
203	4922061	1	Harness Assembly - Boom/Chassis/Valve 30electric ( <b>SN 36544 to Present</b> )	2
203	1060516	46.5 ft/14.2m	Cable, Electrical - 16/30	
203A	4460320	1	Connector - 2 Position	
203B	4460268	2	Socket, Female	
203C	4460444	1	Connector, Anderson	
203D	4460499	8	Connector, DIN	
203E	4460454	AR	Terminal, Female	
203F	4460453	AR	Terminal, Male	
203G	4460539	1	Connector - 3 Position	
203H	4460465	3	Socket, Female	
203J	4460434	1	Connector - 15 Position	
203K	4460267	28	Pin, Male	
203L	4460446	1	Terminal, Strain Relief	
203M	4460523	2	Connector - 10 Position	
203N	4460525	1	Markers, Terminal (1-30)	
203P	4460527	1	Bridge, Insertion - 2 Position	
203Q	4460265	1	Connector - 9 Position	
203R	4460225	1	Connector - 6 Position	
203S	1060341	47.5 ft/14.5m	Cable, Electrical 16/2	
203T	3990001	3	Diode - 3.5 Amp	
203U	4460426	1	Connector, Strain Relief	
203V	Not Required	0	Not Required	
204	Not Required	0	Not Required	
204 Ato 204	Not Required	0	Not Required	
		Ref	<b>HARNASS ASSEMBLY - UPPER BOOM (35/40/45electric)</b> <b>(Note: See item 203 for 30electric harness.)</b>	
301	1060516	Ref	Cable, Electrical - 16/30	
301	1060516	27.5 ft/8.4m	Cable, Electrical - 16/30 35electric/45electric	
301	1060516	31 ft/9.5m	Cable, Electrical - 16/30 40electric	
303	4460501	1	Connector - 31 Pin (Female)	
304	4460464	30	Pin, Male	
305	4460466	1	Seal, Terminal	
306	4460523	2	Connector - 10 Position	

## SECTION 7 - ELECTRICAL

ITEM	PART NUMBER	QTY	DESCRIPTION	REV
307	4460525	1	Markers, Terminal (1-30)	
308	4460527	1	Bridge, Insertion - 2 Position	
311	4460265	1	Connector - 9 Position	
312	4460267	13	Pin, Male	
315	4460225	1	Connector - 6 Position	
		Ref	<b>HARNES ASSEMBLY - TOWER BOOM (35/40/45electric)</b> <b>(Note: See item 203 for 30electric harness.)</b>	
401	1060516	AR	Cable, Electrical - 16/30	
401	1060516	27 ft/8.3m	Cable, Electrical - 16/30 35electric	
401	1060516	34 ft/10.4m	Cable, Electrical - 16/30 40electric	
401	1060516	37 ft/11.3m	Cable, Electrical - 16/30 45electric	
403	4460500	1	Receptacle, Connector - 31 Pin (Male)	
404	4460465	30	Socket, Female	
405	4460466	1	Seal, Terminal	
407	4460470	1	Nut, Terminal (Prior to SN October 1995 Only)	
408	4460471	1	Washer, Terminal (Prior to SN October 1995 Only)	
		Ref	<b>GROUND CONTROL BOX COMPONENT (35/40/45electric)</b>	
512	4460425	2	Connector, Strain Relief	
513	4460426	1	Connector, Strain Relief	
521		Ref	Harness - Chassis and Valve Options (See Items 601-610 for Breakdown)	
521	4921643	1	Harness - Chassis and Valve 35/40/45electric <b>(Prior to SN 36648)</b>	
521	4922039	1	Harness - Chassis and Valve 35/40/45electric <b>(SN 36648 to Present)</b>	
522	Not Required	0	Not Required	
		Ref	<b>CHASSIS/VALVE HARNES ASSEMBLY (35/40/45electric)</b> <b>(Note: See item 203 for 30electric harness.)</b>	
601		Ref	Valve Harness Options:	
601	4921641	1	Valve Harness <b>(Prior to SN 36648)</b>	
601	4921882	1	Valve Harness <b>(SN 36648 to Present)</b>	
601A	4460499	10	Connector, DIN	
601B	4460454	3	Terminal, Female	
601C	4460453	4	Terminal, Male	
601D	3990001	2	Diode 3.5 Amp	
602		Ref	Chassis Harness Options:	
602	4921642	1	Chassis Harness <b>(Prior to SN 36648)</b>	
602	4922040	1	Chassis Harness <b>(SN 36648 to Present)</b>	
602A	4460499	2	Connector, DIN	
602B	4460320	1	Connector - 2 Position	
602C	4460268	2	Socket, Female	
602D	4460434	1	Connector - 15 Position	
602E	4460267	15	Pin, Male	
602F	4460446	1	Terminal, Strain Relief	
602G	4460539	1	Connector - 3 Position	
602H	4460444	1	Connector, Anderson	
602J	4460465	3	Socket, Female	
604	4460426	1	Connector, Strain Relief	
608	4460454	2	Terminal, Female	
609	4460453	2	Terminal, Male	
610	3990001	1	Diode 3.5 Amp	

## SECTION 7 - ELECTRICAL

ITEM	PART NUMBER	QTY	DESCRIPTION	REV
		Ref	<b>GROUND CONTROL BOX ELECTRICAL DIAGRAMS</b>	
	4932675	Ref	<b>Ground Control Box Electrical Diagrams 30electric (Prior to SN 36544)</b>	A
	4933003	Ref	<b>Ground Control Box Electrical Diagrams 30electric (SN 36544 to Present)</b>	B-2
	4932660	Ref	<b>Ground Control Box Electrical Diagrams 35/40/45electric (Prior to SN 36648)</b>	H
	4932987	Ref	<b>Ground Control Box Electrical Diagrams 35/40/45electric (SN 36648 to Present)</b>	2-C
701		Ref	Harness - Ground Control Box Options:	
701	Not Available		Harness - Ground Control Box 30electric (Used individual wires and components) <b>(Prior to SN 36544)</b>	
701	4922045	1	Harness - Ground Control Box 30electric <b>(SN 36544 to Present)</b>	
701	Not Available		Harness - Ground Control Box 35/40/45electric (Used individual wires and components) <b>(Prior to SN 36648)</b>	
701	4922043	1	Harness - Ground Control Box 35/40/45electric <b>(SN 36648 to Present)</b>	
701A	4460418	6	Receptacle, Female - 6 Position	
701B	4460419	36	Terminal	
701C	3990010	1	Diode - 6 Amp (Not Shown)	
701D	3730103	1	Resistor 8.2K (Not Shown)	
		Ref	<b>CONTACTOR PLATE ASSEMBLY</b>	
	0254549	Ref	<b>Contactactor Plate Assembly 30electric/35electric/40electric</b>	C
	0254597	Ref	<b>Contactactor Plate Assembly 45electric</b>	C
801	2400045	1	Fuse 80 Amp (Not Shown)	
802	7013301	1	Contactactor (Changeover)	
802	7013316	1	Tip Kit for 7013301 Contactactor	
803	7013306	1	Contactactor (Main)	
803	7013317	1	Tip Kit for 7013306 Contactactor	
803A	7013332	1	Micro Switches Kit for 7013306 Contactactor	
804	7013303	1	Contactactor (By-Pass)	
804	7013318	1	Tip Kit for 7013303 Contactactor	
805	7013302	1	Contactactor (Forward/Reverse)	
805	7013319	1	Tip Kit for 7013302 Contactactor	
806	2400041	1	Fuse, Buss - 200 Amp	
807	7013336	1	Bar, Buss	
808	Not Serviced	1	Plate, Mounting	
809	7013314	1	Board, PC	
809	2400005	1	Fuse, 20Amp	
809	7013322	1	Fuse, 7Amp	
810	Not Serviced	1	Decal	
811	7013313	1	Harness Assembly (See Items 901 to 906 for Breakdown)	
812	7013315	1	Resistor/Bracket Assembly	
812A	4460224	1	Connector, Female	
812A	4460268	6	Socket	
813		Ref	Control Module Options:	
813	7013310-30E	1	Control Module Model 30electric	
813	7013310-35E	1	Control Module Model 35electric	
813	7013310-40E	1	Control Module Model 40electric	
813	7013311	1	Control Module Model 45electric	
	7013313	Ref	<b>CONTACTOR PLATE HARNESS ASSEMBLY</b>	
901	7013325	1	Connector - 16 Position/15 Wire	

## SECTION 7 - ELECTRICAL

ITEM	PART NUMBER	QTY	DESCRIPTION	REV
901	7013320	15	Pin	
902	7013326	1	Connector - 17 Position/16 Wire	
902	7013320	16	Pin	
903	4460225	1	Connector - 6 Position/6 Wire	
903	7013331	6	Pin	
904	7013327	1	Connector - 15 Position/15 Wire	
904	7013329	15	Socket	
905	7013328		Connector - 4 Position/1 Wire (On Harness But Not Required for Lifts)	
905	7013329	1	Socket	
906	7016618	1	Tool, Sevcon Pin Removal (Not Shown)	
		Ref	<b>STANDARD HARNESS COMPONENTS</b>	
1001	Not Available	1	Boom Limit Switch Harness	
1001	1060341	AR	Cable, Electrical 16/2	
1001	1060341	34 ft/10.4m	Cable, Electrical 16/2 35electric	
1001	1060341	48 ft/14.6m	Cable, Electrical 16/2 40electric	
1001	1060341	58 ft/15m	Cable, Electrical 16/2 45electric	
1002		Ref	Battery Charger Electrical Components:	
1002A		Ref	AC Cord - Battery Charger Options:	
1002A	7011643	1	110V/60Hz U/L Spec (USA/CSA/Latin America)	
1002A	7011591	1	110V/60Hz Non-U/L Spec (USA/CSA/Latin America)	
1002A	7011677	1	220V/60Hz U/L Spec (USA/CSA/Latin America/Brazil)	
1002A	7011572	1	220V/50Hz U/L Spec (Latin America/Brazil)	
1002B	7011590	1	Connector, DC	
1002C	7011621	1	Connector, Enable Switch	
1003		Ref	Brake Electrical Components:	
1003A	7012580	2	Connector, Electrical	
1004	4921396	1	Footswitch Harness	
1005	Not Available	1	Controller Harness Assembly	
1005A	4460266	1	Receptacle Female - 9 Position	
1005B	4460226	9	Socket, Female	
1006	Not Available		Tilt Sensor Harness	
1006A	4460536	1	Receptacle, Female - 3 Position	
1006B	4460464	3	Pin, Male	
		Ref	<b>OPTIONAL HARNESS COMPONENTS</b>	
1101		Ref	Motion Alarm Harness Options:	
1101	4921425	1	Motion Alarm Harness ( <b>Prior to SN 36648</b> )	
1101	4922076	1	Motion Alarm Harness ( <b>SN 36648 to Present</b> )	
1101A	4460454	3	Terminal, Female	
1101B	4460453	4	Terminal, Male	
1102		Ref	Receptacle Box at Platform Components	
1102	0252358	Ref	Receptacle Box at Platform Components 30electric with 110VAC Receptacle	F
1102	0254793	Ref	Receptacle Box at Platform Components 30electric with 220VAC Receptacle	A
1102	0254542	Ref	Receptacle Box at Platform Components 35electric with 110VAC Receptacle	D
1102	0253716	Ref	Receptacle Box at Platform Components 40electric with 110VAC Receptacle	E
1102	0254042	Ref	Receptacle Box at Platform Components 45electric with 110VAC Receptacle	D

## SECTION 7 - ELECTRICAL

ITEM	PART NUMBER	QTY	DESCRIPTION	REV
1102	0257103	Ref	Receptacle Box at Platform Components 45electric with 220VAC Receptacle	-
1102A		Ref	Box, Electrical Options:	
1102A	0860038	1	USA/CSA Spec	
1102A	Supply Locally	1	Brazil/Latin American/Japanese Spec	
1102B		Ref	Receptacle, Electrical Options:	
1102B	4460347	1	110VAC USA/CSA Spec	
1102B	4460125	1	220VAC USA/CSA Spec	
1102B	Supply Locally	1	Brazil/Latin American/Japanese Spec	
1102C		Ref	Cover, Receptacle Options:	
1102C	4060092	1	USA/CSA Spec	
1102C	Supply Locally	1	Brazil/Latin American/Japanese Spec	
1102D	4460071	1	Connector, Strain Relief	
1102E		Ref	Plug	
1102E	4460205	1	110VAC USA/CSA Spec	
1102E	4460233	1	220VAC USA/CSA Spec	
1102E	Supply Locally	1	Brazil/Latin American/Japanese Spec	
1102F		Ref	Harness Options (Upper Boom):	
1102F	Not Available		Harness Options (Upper Boom) 30electric	
1102F	1060330	40 ft/12.m	Cable, Electrical - 16/3	
1102F	4921647	1	Harness Options (Upper Boom) 35electric	
1102F	4921569	1	Harness Options (Upper Boom) 40electric	
1102F	4921593	1	Harness Options (Upper Boom) 45electric	
1102G	4460205	1	Plug, Male (35/40/45electric Only)	
1102H		Ref	Screw, Machine Options:	
1102H	3910606	4	110VAC (#6-32NC x 3/8in) (USA/CSA Spec)	
1102H	4460233	4	220VAC (#10 x 1/2in) (USA/CSA Spec)	
1102H	Supply Locally	4	Brazil/Latin American/Japanese Spec	
1102J	4760600	4	Lockwasher Options:	
1102J	4460205	4	110VAC (#6) (USA/CSA Spec)	
1102J	4460233	4	220VAC (#10) (USA/CSA Spec)	
1102J	Supply Locally	4	Brazil/Latin American/Japanese Spec	
1102K		Ref	Gasket	
1102K	3960422	1	USA/CSA Spec	
1102K	Supply Locally	1	Brazil/Latin American/Japanese Spec	
1102L		Ref	Harness Options (Lower Boom):	
1102L	Not Available		Harness Options (Lower Boom) 30electric	
1102L	1060330	40 ft/12.m	Cable, Electrical - 16/3	
1102L	4921646	1	Harness Options (Lower Boom) 35electric	
1102L	4921568	1	Harness Options (Lower Boom) 40electric	
1102L	4921592	1	Harness Options (Lower Boom) 45electric	
1102M	4460134	1	Receptacle (35/40/45electric Only)	
1102N	4460315	1	Terminal (Not Shown - 220VAC USA/CSA Spec Machines Only)	
1102P		Ref	Decal Options (Not Shown):	
1102P	3251243	1	110VAC	
1102P	3252507	1	220VAC/60HZ	
1102P	3251242	1	220VAC/50HZ	
1103	4921428	1	Platform Worklight Harness	
1104		Ref	Platform Options Harness Options:	
1104	Not Available		Platform Options Harness (Prior to SN 36648)	
1104	4922078	1	Platform Options Harness (SN 36648 to Present)	

## SECTION 7 - ELECTRICAL

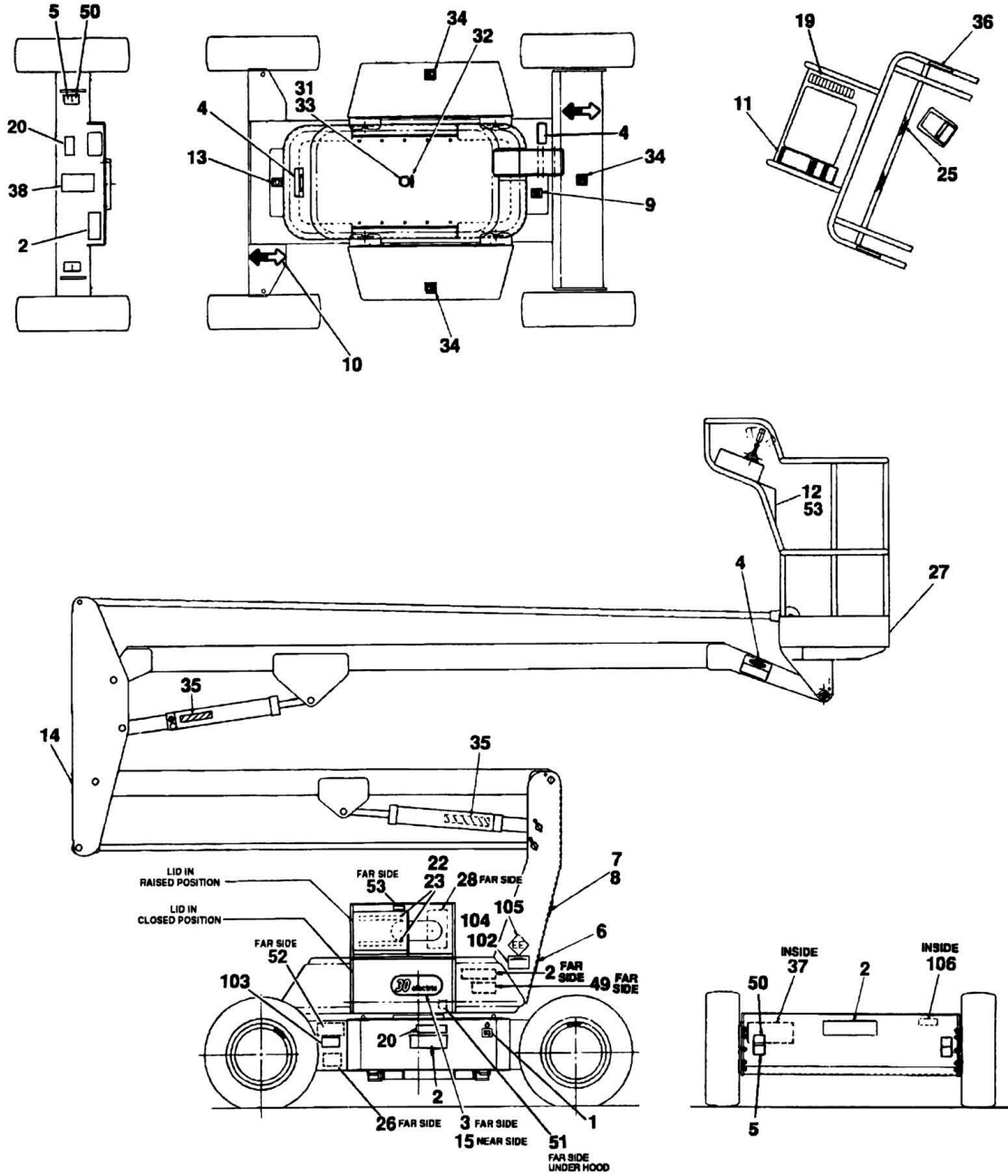
ITEM	PART NUMBER	QTY	DESCRIPTION	REV
1104		Ref	Above Elevation Tilt Alarm	
1104		Ref	Above Elevation Tilt Alarm and Drive Cutout	
1104		Ref	Above Elevation Drive Cutout	
1104		Ref	Eight Meter Drive Cutout	
1104		Ref	Overload with Override (Switch at Slave Cyl)	
1104		Ref	Overload without Override (Switch at Slave Cyl)	
1105		Ref	Overload Switch Harness/Components	
1105		Ref	Harness Options:	
1105A	Not Available		Pressure Switch Located Under Basket (35/40/45electric)	
1105A	1060016	6 ft/1.8m	Cable, Electrical - 16/3	
1105B	4921521	1	Pressure Switch Located at Slave Cylinder	
1105B	4921601	1	Pressure Switch Located at Slave Cylinder	
1105C	4460476	1	Receptacle, Female - 3 Position	
1105C	4460475	3	Pin	
1105		Ref	Pressure Switch Options:	
1105D	4360451	1	Pressure Switch Located Under Basket	
1105E	4360344	1	Pressure Switch Located at Slave Cylinder	
1105F	4460428	1	Connector, Strain Relief	
1106		Ref	Low Voltage Interrupt/Cutout Harness (Not Shown)	
1106	4921566	AR	Low Voltage Interrupt/Cutout Harness 30electric Harness	
1106	4460489	1	Connector (At Low Voltage Cutout Relay)	
1106		Ref	Low Voltage Interrupt/Cutout Harness 35/40/45electric Harness Options:	
1106	4921983	1	Harness (Lift Interrupt to MTB)	
1106	4921984	1	Harness (Lift Interrupt to Rear Axle)	
1107	Not Available	AR	Platform Proximity Switch Harness (35/40/45 electric) (Not Shown - Use individual wires)	
		Ref	<b>TOOLS</b>	
1201	7002821	1	Crimper (For Wire to Pin/Socket Connections)	
1202	7002823	1	Extractor (For Removal of Pin/Socket from Connectors)	
1203	4460467	1	Extractor, Pin (Blue 16-18 Gauge) (For Removal of Pin/Socket from Connectors)	
1203	4460510	1	Extractor, Pin (Yellow 12-14 Gauge) (For Removal of Pin/Socket from Connectors)	
1204	7002828	1	Stripper, Wire	



**SECTION 8 - DECALS**

# SECTION 8 - DECALS

## FIGURE 8-1. DECALS INSTALLATION - 30ELECTRIC



## SECTION 8 - DECALS

**FIGURE 8-1. DECALS INSTALLATION - 30ELECTRIC**

ITEM	PART NUMBER	QTY	DESCRIPTION	REV
	0254703	Ref	<b>DECALS INSTALLATION</b>	8
1	1702155	2	Decal - Battery Disconnect	
2	1702292	5	Decal - Electrocution	
3	1702174	1	Decal - 30electric	
4	1702284	4	Decal - Crushing	
5	1702300	4	Decal - Tie-Down	
6	1700584	1	Decal - Patent	
7	Not Available	1	Nameplate - Manufacturer's Serial Number	
8	3820001	8	Rivet	
9	1701504	1	Decal - Hydraulic Oil	
10	1701642	2	Decal - Arrow	
11		Ref	Decal - Caution/Danger Options:	
11	1702283	1	Decal - Caution/Danger <b>(Prior to SN 27242)</b>	
11	1702935	1	Decal - Caution/Danger <b>(SN 27242 to Present)</b>	
12		Ref	Decal - Caution Options:	
12	1702281	1	Decal - Caution <b>(Prior to SN 27242)</b>	
12	1702936	1	Decal - Caution <b>(SN 27242 to Present)</b>	
13	1701644	1	Decal - Charger	
14	3251813	1	Decal - USA	
15	1702253	1	Decal - 30electric/Manual	
19	1702288	1	Decal - Legend	
20	1702279	3	Decal - Warning	
22	1580008	1	Box, Manual Storage	
23	4420054	20	Tape, Double Sided	
		in/52cm		
25		Ref	Decal - Attach Belt Options:	
25	1702276	2	Decal - Attach Belt <b>(Prior to SN 27246)</b>	
25	1702612	2	Decal - Attach Belt <b>(SN 27246 through 61063)</b>	
25	1704277	2	Decal - Attach Belt <b>(SN 61064 to Present)</b>	
26	1702153	1	Decal - Inspection	
27	1701645	1	Decal - 500Lbs Max Cap <b>(Prior to SN 38573)</b>	
28	1702278	1	Decal - Crushing	
31	0961127	1	Bushing, Snap	
32	3251243	1	Nameplate - 120V - 60Hz	
33	0100010	AR	Loctite	
34	1701691	3	Decal - No Step	
35	1701714	2	Decal - Manual Descent	
36	1702294	2	Decal - No Hands	
37	1702241	1	Decal - Cable Routing	
38	1701695	1	Decal - Charger Instructions	
49	1702282	1	Decal - Warning	
50	1701500	4	Decal - Lift	
51	1702375	1	Decal - Manual Swing	
52	1702631	1	Decal - Bar Code <b>(SN 27246 to Present)</b>	
53	1702688	2	Decal - 500Lbs Max Capacity <b>(SN 27246 to Present)</b>	
54	1701892	2	Decal - JLG Lift <b>(SN 29284 to Present)</b>	
	2900986	1	Decal Kit (Includes Items 2, 3, 4, 5, 6, 9, 11, 12, 13, 14, 15, 19, 25, 26, 28, 32, 34, 35, 37, 49, 50, 51, 52, 53 & 54)	
	0254454	Ref	<b>U/L DECALS INSTALLATION (Prior to SN 33441)</b>	C
	0257661	Ref	<b>U/L DECALS INSTALLATION (SN 33441 to Present)</b>	1

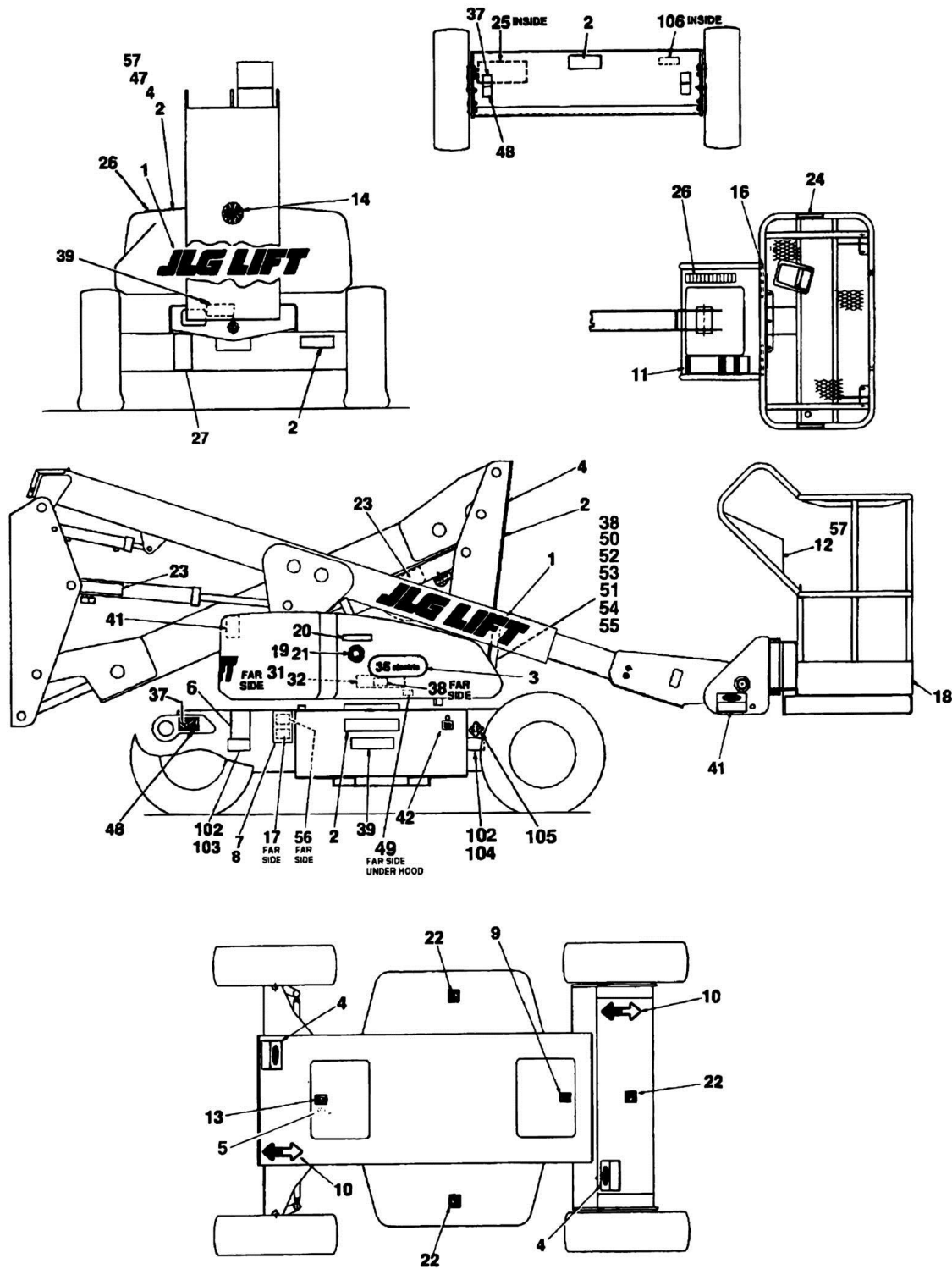
## SECTION 8 - DECALS

ITEM	PART NUMBER	QTY	DESCRIPTION	REV
102	3820001	8	Rivet	
103	3252331	1	Nameplate - Battery Info	
104	3251921	1	Nameplate - U/L Certification	
105	1702251	2	Nameplate - "EE"	
106	1702157	1	Decal - Fuse Replacement	



# SECTION 8 - DECALS

## FIGURE 8-2. DECALS INSTALLATION - 35ELECTRIC



## SECTION 8 - DECALS

### FIGURE 8-2. DECALS INSTALLATION - 35ELECTRIC

ITEM	PART NUMBER	QTY	DESCRIPTION	REV
		Ref	<b>DECALS INSTALLATION</b>	
	0271037	Ref	<b>JLG Logo</b>	1
	0254706	Ref	<b>Decals Installation 35electric</b>	11
	0254731	Ref	<b>Decals Installation n35electric</b>	12
1	1701892	3	Decal - JLG Lift	
2	1702292	5	Decal - Electrocutation	
3		Ref	Decal - Model Options:	
3	1702175	2	Decals Installation JLG 35electric	
3	1702176	2	Decals Installation JLG n35electric	
4	1702278	3	Decal - Crushing	
5	1704412	1	Decal - Hyd Oil	
6	1700584	1	Decal - Patent	
7	Not Available	1	Nameplate - Manufacturer's Serial Number	
8	3820001	8	Rivet	
9	1701504	1	Decal - Hydraulic Oil	
10	1701642	2	Decal - Arrow	
11		Ref	Decal - Caution/Danger Options:	
11	1702283	1	Decal - Caution/Danger <b>(Prior to SN 27242)</b>	
11	1702935	1	Decal - Caution/Danger <b>(SN 27242 to Present)</b>	
12		Ref	Decal - Caution Options:	
12	1702281	1	Decal - Caution <b>(Prior to SN 27242)</b>	
12	1702936	1	Decal - Caution <b>(SN 27242 to Present)</b>	
13	1701644	1	Decal - Charger	
14	3251813	1	Decal - USA	
16		Ref	Decal - Attach Belt Options:	
16	1702276	2	Decal - Attach Belt <b>(Prior to SN 27246)</b>	
16	1702612	2	Decal - Attach Belt <b>(SN 27246 through 61063)</b>	
16	1704277	2	Decal - Attach Belt <b>(SN 61064 to Present)</b>	
17	1702153	1	Decal - Inspection	
18	1701645	1	Decal - 500Lbs Max Cap Only <b>(Prior to SN 38573)</b>	
19	0961127	1	Bushing, Snap	
20	3251243	1	Nameplate - 120V - 60Hz	
21	0100010	AR	Loctite	
22	1701691	3	Decal - No Step	
24	1702294	2	Decal - No Hands	
25	1702241	1	Decal - Cable Routing	
26	1702290	2	Decal - Legend	
27	1701695	1	Decal - Charger Instructions	
31	1580008	1	Box, Manual Storage (Prior to July 1994)	
32	4420054	20 in/52cm	Tape, Double Sided (Prior to July 1994)	
37	1701500	4	Decal - Lift	
38	1701640	1	Decal - Manual	
39	1702279	3	Decal - Warning	
41	1702284	2	Decal - Crushing Hazard	
42	1702155	2	Decal - Battery Disconnect	
47	1702282	1	Decal - Warning	
48	1702300	4	Decal - Tie Down	
49	1702375	1	Decal - Manual Swing (June 1994 to Present)	
50	0860520	1	Box, Manual Storage (July 1994 to Present)	

## SECTION 8 - DECALS

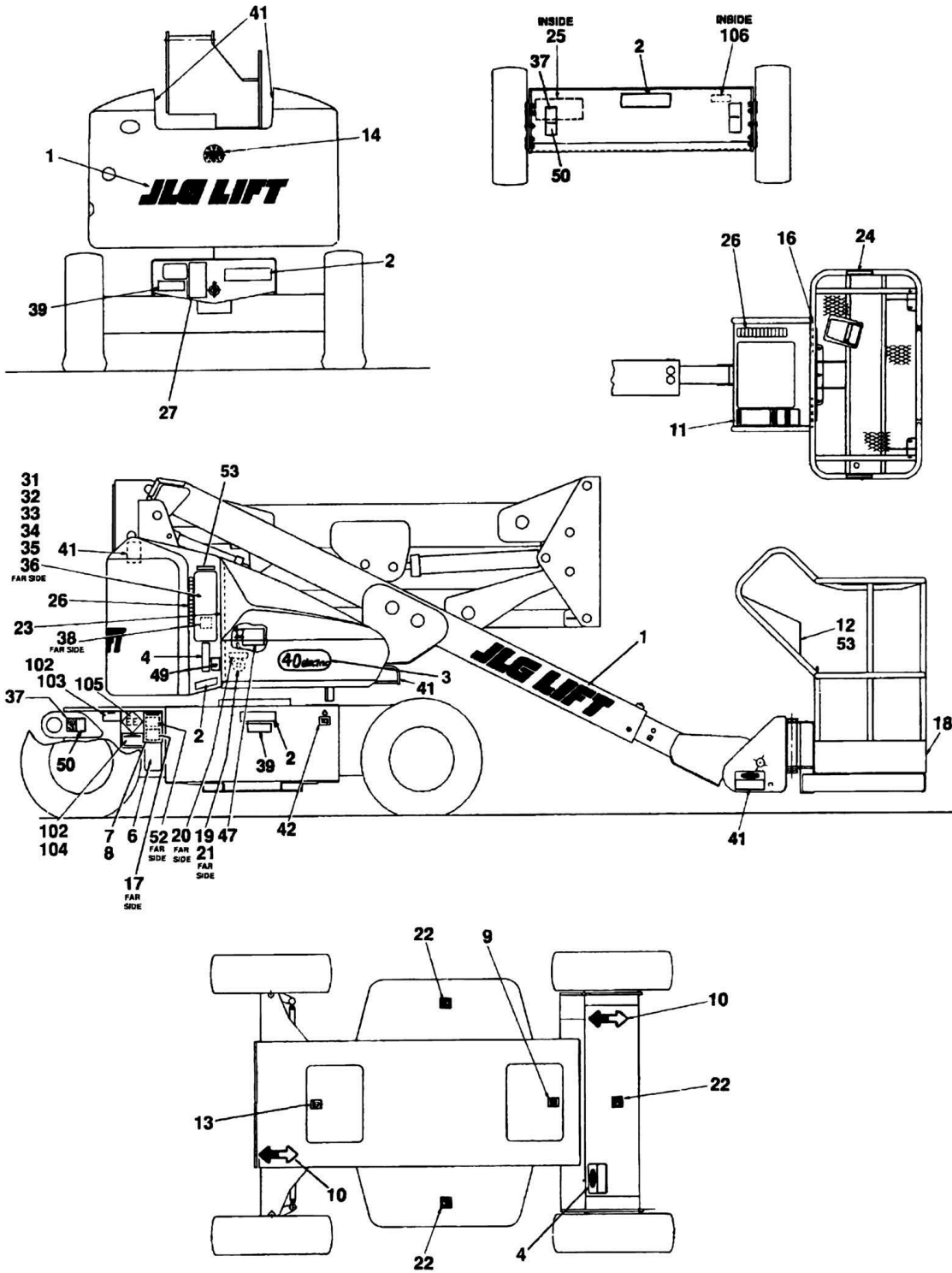
ITEM	PART NUMBER	QTY	DESCRIPTION	REV
51	3941408	4	Screw, Self-Tap 1/4in x 1in	
52	4751400	6	Flatwasher 1/4in	
53	0641408	1	Bolt 1/4in-20NC x 1in	
54	3311405	1	Locknut 1/4in-20NC	
55	1060279	1	Lanyard	
56	1702631	1	Decal - Bar Code <b>(SN 27246 to Present)</b>	
57	1702688	2	Decal - 500Lbs Max Capacity <b>(SN 27246 to Present)</b>	
59	1701714	2	Decal - Manual Descent	
		Ref	Decal Kit Options (Includes Items 2, 3, 4, 6, 9, 10, 12, 14, 16, 17, 20, 24, 25, 26, 37, 38, 39, 41, 42, 47, 48, 49 & 57):	
	2910055	1	Decal Kit 35electric	
	2910036	1	Decal Kit n35electric	
	0254454	Ref	<b>U/L DECALS INSTALLATION (Prior to SN 33402)</b>	C
	0257660	Ref	<b>U/L DECALS INSTALLATION (SN 33402 to Present)</b>	1
102	3820001	8	Rivet	
103	3252331	1	Nameplate - Battery Info	
104	3251921	1	Nameplate - U/L Certification	
105	1702251	2	Nameplate - "EE"	
106	1702157	1	Decal - Fuse Replacement	





# SECTION 8 - DECALS

## FIGURE 8-3. DECALS INSTALLATION - 40ELECTRIC & 45ELECTRIC



## SECTION 8 - DECALS

**FIGURE 8-3. DECALS INSTALLATION - 40ELECTRIC & 45ELECTRIC**

ITEM	PART NUMBER	QTY	DESCRIPTION	REV
		Ref	<b>DECALS INSTALLATION</b>	
	0271039	Ref	<b>JLG Logo</b>	1
	0254540	Ref	<b>Decals Installation 40electric</b>	14
	0254733	Ref	<b>Decals Installation n40electric</b>	9
	0254538	Ref	<b>Decals Installation 45electric</b>	12
1	1701892	3	Decal - JLG Lift	
2	1702292	5	Decal - Electrocutation	
3		Ref	Decal - Model Options:	
3	1702177	2	Decals Installation JLG 40electric	
3	1702178	2	Decals Installation JLG n40electric	
3	1702179	2	Decals Installation JLG 45electric	
4	1702278	1	Decal - Crushing	
6	1700584	1	Decal - Patent	
7	Not Available	1	Nameplate - Manufacturer's Serial Number	
8	3820001	8	Rivet	
9	1701504	1	Decal - Hydraulic Oil	
10	1701642	2	Decal - Arrow	
11		Ref	Decal - Caution/Danger Options:	
11	1702283	1	Decal - Caution/Danger <b>(Prior to SN 27242)</b>	
11	1702935	1	Decal - Caution/Danger <b>(SN 27242 to Present)</b>	
12		Ref	Decal - Caution Options:	
12	1702281	1	Decal - Caution <b>(Prior to SN 27242)</b>	
12	1702936	1	Decal - Caution <b>(SN 27242 to Present)</b>	
13	1701644	1	Decal - Charger	
14	3251813	1	Decal - USA	
16		Ref	Decal - Attach Belt Options:	
16	1702276	2	Decal - Attach Belt <b>(Prior to SN 27246)</b>	
16	1702612	2	Decal - Attach Belt <b>(SN 27246 through 61063)</b>	
16	1704277	2	Decal - Attach Belt <b>(SN 61064 to Present)</b>	
17	1702153	1	Decal - Inspection	
18	1701645	1	Decal - 500Lbs Max Cap <b>(Prior to SN 38573)</b>	
19	0961127	1	Bushing, Snap	
20		Ref	Nameplate - (Option)	
20	3251243	1	Nameplate - 120V - 60Hz	
20	3252507	1	Nameplate - 220V - 50/60Hz	
21	0100010	AR	Loctite	
22	1701691	3	Decal - No Step	
23	1702048	2	Decal - Manual Descent	
24	1702294	2	Decal - No Hands	
25	1702241	1	Decal - Cable Routing	
26	1702288	2	Decal - Legend	
27	1701695	1	Decal - Charger Instructions	
31	1580008	1	Box, Manual Storage	
32	1060279	1	Lanyard	
33	3941003	1	Screw, Self-Tapping	
34	3911408	1	Screw, Round Head 1/4in-20NC x 1/2in	
35	4711400	1	Flatwasher 1/4in	
36	3311401	1	Nut 1/4in-20NC	
37	1701500	4	Decal - Tie Down/Lift	
38	1701640	1	Decal - Manual	

## SECTION 8 - DECALS

ITEM	PART NUMBER	QTY	DESCRIPTION	REV
39	1702279	3	Decal - Danger	
41	1702284	5	Decal - Crushing, Hazard	
42	1702155	2	Decal - Battery Disconnect	
47	1702265	1	Decal - Important	
49	1702282	1	Decal - Warning	
50	1702300	4	Decal - Warning	
52	Not Available	1	Decal - Bar Code <b>(SN 27246 to Present)</b>	
53	1702688	2	Decal - 500Lbs Max Capacity <b>(SN 27246 to Present)</b>	
		Ref	Decal Kit Options (Includes Items 2, 3, 4, 6, 9, 10, 12, 13, 14, 16, 17, 23, 24, 25 & 26):	
	2900930	1	Decal Kit 40electric	
	2910037	1	Decal Kit n40electric	
	2910010	1	Decal Kit 45electric	
	0254454	Ref	<b>U/L DECALS INSTALLATION</b>	4
102	3820001	8	Rivet	
103	3252331	1	Nameplate - Battery Info	
104	3251921	1	Nameplate - U/L Certification	
105	1702251	2	Nameplate - "EE"	
106	1702157	1	Decal - Fuse Replacement	

## **SECTION 9 - RECOMMENDED SERVICE PARTS STOCK**

## **SECTION 9 - RECOMMENDED SERVICE PARTS STOCK**

## SECTION 9 - RECOMMENDED SERVICE PARTS STOCK

FIGURE 9-1. 30/35/40/45 ELECTRIC LIFTS STANDARD PARTS

ITEM	PART NUMBER	QTY	DESCRIPTION	REV
	Note	Ref	<b>Note: The following list will service fleets of machines (built to current production per date on the front cover) with emergency repair parts which can be installed in the field. Parts from the list should be replaced when inventory is depleted to keep service parts stock supplied. For further information, contact your JLG dealer or the JLG Industries Parts Department.</b>	
		Ref	STANDARD PARTS	
	3990053	1	Sensor, Tach, (for fleets of 1 to 4)	
	3990053	1	Sensor, Tach, (for fleets of 5 to 9)	
	3990053	1	Sensor, Tach, (for fleets of 10 or more)	
	2400045	2	Fuse, (for fleets of 1 to 4)	
	2400045	2	Fuse, (for fleets of 5 to 9)	
	2400045	2	Fuse, (for fleets of 10 or more)	
	4360371	1	Sensor, Level, (for fleets of 1 to 4)	
	4360371	1	Sensor, Level, (for fleets of 5 to 9)	
	4360371	1	Sensor, Level, (for fleets of 10 or more)	
	2120072	4	Element, Hydraulic Filter, (for fleets of 1 to 4)	
	2120072	8	Element, Hydraulic Filter, (for fleets of 5 to 9)	
	2120072	12	Element, Hydraulic Filter, (for fleets of 10 or more)	
	7013709	1	Breather/ Dipstick Assembly, (for fleets of 1 to 4)	
	7013709	2	Breather/ Dipstick Assembly, (for fleets of 5 to 9)	
	7013709	3	Breather/ Dipstick Assembly, (for fleets of 10 or more)	
	7010538	1	Coil, (for fleets of 1 to 4)	
	7010538	1	Coil, (for fleets of 5 to 9)	
	7010538	1	Coil, (for fleets of 10 or more)	
	4360473	1	Switch, Key, (for fleets of 1 to 4)	
	4360473	1	Switch, Key, (for fleets of 5 to 9)	
	4360473	1	Switch, Key, (for fleets of 10 or more)	
	2860030	1	Key, Replacement, (for fleets of 1 to 4)	
	2860030	1	Key, Replacement, (for fleets of 5 to 9)	
	2860030	1	Key, Replacement, (for fleets of 10 or more)	
	4360069	1	Breaker, Circuit - 10 Amp, (for fleets of 1 to 4)	
	4360069	1	Breaker, Circuit - 10 Amp, (for fleets of 5 to 9)	
	4360069	1	Breaker, Circuit - 10 Amp, (for fleets of 10 or more)	
	4360475	1	Switch, Emergency Stop, (for fleets of 1 to 4)	
	4360475	1	Switch, Emergency Stop, (for fleets of 5 to 9)	
	4360475	1	Switch, Emergency Stop, (for fleets of 10 or more)	
	4360314	1	Switch, Toggle, (for fleets of 1 to 4)	
	4360314	1	Switch, Toggle, (for fleets of 5 to 9)	
	4360314	1	Switch, Toggle, (for fleets of 10 or more)	
	4360476	1	Contact Block, (for fleets of 1 to 4)	
	4360476	1	Contact Block, (for fleets of 5 to 9)	
	4360476	1	Contact Block, (for fleets of 10 or more)	
	4360031	1	Footswitch, (for fleets of 1 to 4)	
	4360031	1	Footswitch, (for fleets of 5 to 9)	
	4360031	1	Footswitch, (for fleets of 10 or more)	
	4360445	1	Potentiometer, (for fleets of 1 to 4)	
	4360445	1	Potentiometer, (for fleets of 5 to 9)	
	4360445	1	Potentiometer, (for fleets of 10 or more)	

## SECTION 9 - RECOMMENDED SERVICE PARTS STOCK

ITEM	PART NUMBER	QTY	DESCRIPTION	REV
	4360328	1	Switch, Toggle, (for fleets of 1 to 4)	
	4360328	1	Switch, Toggle, (for fleets of 5 to 9)	
	4360328	1	Switch, Toggle, (for fleets of 10 or more)	
	4360274	1	Switch, Push Button, (for fleets of 1 to 4)	
	4360274	1	Switch, Push Button, (for fleets of 5 to 9)	
	4360274	1	Switch, Push Button, (for fleets of 10 or more)	
	4360112	1	Breaker, Circuit - 5 Amp, (for fleets of 1 to 4)	
	4360112	1	Breaker, Circuit - 5 Amp, (for fleets of 5 to 9)	
	4360112	1	Breaker, Circuit - 5 Amp, (for fleets of 10 or more)	
	3740087	1	Relay, (for fleets of 1 to 4)	
	3740087	1	Relay, (for fleets of 5 to 9)	
	3740087	1	Relay, (for fleets of 10 or more)	
	1600175	1	Controller, (for fleets of 1 to 4)	
	1600175	1	Controller, (for fleets of 5 to 9)	
	1600175	1	Controller, (for fleets of of 10 or more)	
	7011942	1	Electrical Assembly - 1600175 Controller, (for fleets of 1 to 4)	
	7011942	1	Electrical Assembly - 1600175 Controller, (for fleets of 5 to 9)	
	7011942	1	Electrical Assembly - 1600175 Controller, (for fleets of 10 or more)	
	7003789	1	Switch, Steer - 1600175 Controller, (for fleets of 1 to 4)	
	7003789	1	Switch, Steer - 1600175 Controller, (for fleets of 5 to 9)	
	7003789	1	Switch, Steer - 1600175 Controller, (for fleets of 10 or more)	
	3990001	2	Diode - 3.5AMP, (for fleets of 1 to 4)	
	3990001	2	Diode - 3.5AMP, (for fleets of 5 to 9)	
	3990001	2	Diode - 3.5AMP, (for fleets of 10 or more)	
	3990010	2	Diode - 6 Amp, (for fleets of 1 to 4)	
	3990010	2	Diode - 6 Amp, (for fleets of 5 to 9)	
	3990010	2	Diode - 6 Amp, (for fleets of 10 or more)	
	2400041	2	Fuse, (for fleets of 1 to 4)	
	2400041	2	Fuse, (for fleets of 5 to 9)	
	2400041	2	Fuse, (for fleets of 10 or more)	
	7013314	1	PC Board, (for fleets of 1 to 4)	
	7013314	1	PC Board, (for fleets of 5 to 9)	
	7013314	1	PC Board, (for fleets of 10 or more)	
	7013315	1	Resistor/Bracket Assembly, (for fleets of 1 to 4)	
	7013315	1	Resistor/Bracket Assembly, (for fleets of 5 to 9)	
	7013315	1	Resistor/Bracket Assembly, (for fleets of 10 or more)	

## SECTION 9 - RECOMMENDED SERVICE PARTS STOCK

FIGURE 9-2. 30/35/40/45 ELECTRIC LIFTS VARIABLE PARTS

ITEM	PART NUMBER	QTY	DESCRIPTION	REV
	Note	Ref	<b>Note: The following list will service fleets of machines (built to current production per date on the front cover) with emergency repair parts which can be installed in the field. Parts from the list should be replaced when inventory is depleted to keep service parts stock supplied. For further information, contact your JLG dealer or the JLG Industries Parts Department.</b>	
		Ref	VARIABLE PARTS	
	7011593	2	Fuse (Machines with 110V Battery), (for fleets of 1 to 4)	
	7011593	2	Fuse (Machines with 110V Battery), (for fleets of 5 to 9)	
	7011593	2	Fuse (Machines with 110V Battery), (for fleets of 10 or more)	
	7011645	2	Fuse (Machines with 110V Battery), (for fleets of 1 to 4)	
	7011645	2	Fuse (Machines with 110V Battery), (for fleets of 5 to 9)	
	7011645	2	Fuse (Machines with 110V Battery), (for fleets of 10 or more)	
	7018570	2	Fuse (Machines with 220V/60Hz Battery), (for fleets of 1 to 4)	
	7018570	2	Fuse (Machines with 220V/60Hz Battery), (for fleets of 5 to 9)	
	7018570	2	Fuse (Machines with 220V/60Hz Battery), (for fleets of 10 or more)	
	7018569	2	Fuse (Machines with 220V/60Hz Battery), (for fleets of 1 to 4)	
	7018569	2	Fuse (Machines with 220V/60Hz Battery), (for fleets of 5 to 9)	
	7018569	2	Fuse (Machines with 220V/60Hz Battery), (for fleets of 10 or more)	
	7011593	2	Fuse (Machines with 220V/50Hz Battery), (for fleets of 1 to 4)	
	7011593	2	Fuse (Machines with 220V/50Hz Battery), (for fleets of 5 to 9)	
	7011593	2	Fuse (Machines with 220V/50Hz Battery), (for fleets of 10 or more)	
	7011508	2	Fuse (Machines with 220V/50Hz Battery), (for fleets of 1 to 4)	
	7011508	2	Fuse (Machines with 220V/50Hz Battery), (for fleets of 5 to 9)	
	7011508	2	Fuse (Machines with 220V/50Hz Battery), (for fleets of 10 or more)	
	4360321	1	Switch, Limit, (for fleets of 1 to 4)	
	4360321	1	Switch, Limit, (for fleets of 5 to 9)	
	4360321	1	Switch, Limit, (for fleets of 10 or more)	
	2940006	1	Latch (30electric), (for fleets of 1 to 4)	
	2940006	1	Latch (30electric), (for fleets of 5 to 9)	
	2940006	1	Latch (30electric), (for fleets of 10 or more)	
	2940074	1	Latch (35/40/45electric), (for fleets of 1 to 4)	
	2940074	1	Latch (35/40/45electric), (for fleets of 5 to 9)	
	2940074	1	Latch (35/40/45electric), (for fleets of 10 or more)	
	7013310-30E	1	Module, Sevcon Control (30electric), (for fleets of 1 to 4)	
	7013310-30E	1	Module, Sevcon Control (30electric), (for fleets of 5 to 9)	
	7013310-30E	1	Module, Sevcon Control (30electric), (for fleets of 10 or more)	
	7013310-40E	1	Module, Sevcon Control (40electric), (for fleets of 1 to 4)	
	7013310-40E	1	Module, Sevcon Control (40electric), (for fleets of 5 to 9)	
	7013310-40E	1	Module, Sevcon Control (40electric), (for fleets of 10 or more)	
	7013311	1	Module, Sevcon Control (45electric), (for fleets of 1 to 4)	
	7013311	1	Module, Sevcon Control (45electric), (for fleets of 5 to 9)	
	7013311	1	Module, Sevcon Control (45electric), (for fleets of 10 or more)	



**SECTION 10 - SPECIAL OPTIONS**

# SECTION 10 - SPECIAL OPTIONS

FIGURE 10-1. SPECIAL OPTIONS

ITEM	PART NUMBER	QTY	DESCRIPTION	REV
	Note	Ref	<b>Note: This list is to accommodate machines ordered with special equipment. Options may not be applicable to all models. For more specific parts information contact JLG Parts Department.</b>	
		Ref	<b>MISCELLANEOUS SPECIAL OPTIONS</b>	
		Ref	<b>Airline Installations</b>	
	0255170	Ref	1/2in (35electric)	
	1282324	Ref	1/2in (35electric)	
	0255027	Ref	1/2in (40electric)	
	1282324	Ref	1/2in (40electric)	
	0255015	Ref	1/2in (45electric)	
	1282324	Ref	1/2in (45electric)	
	0256270	Ref	<b>Aspirator Installation (45electric)</b>	
	0270723	Ref	<b>Amber Beacon on Platform Installation</b>	
	0257438	Ref	<b>Battery Installation - Gel-Cell</b>	
	0400159	2	<b>Battery</b>	
	0256617	Ref	<b>Battery Installation - Less Batteries/Charger</b>	
	0400161	Ref	<b>Battery Charger Installation - Gel-Cell (220V/60HZ)</b>	
	0400160	1	<b>Battery Charger Assembly</b>	
	0257563	1	<b>Offboard Charger Connector Installation</b>	
	0400172	Ref	<b>Battery Charger Installation - Gel-Cell (208V/60HZ)</b>	
	0400171	1	<b>Battery Charger Assembly</b>	
	0257563	1	<b>Offboard Charger Connector Installation</b>	
	0253241	Ref	<b>Battery Charger Installation - Japanese</b>	
	1281899	Ref	<b>Battery Charger Installation - Japanese</b>	
	0400135	1	<b>Battery Charger Assembly</b>	
	0257735	Ref	<b>Cables and Clamps Installation (SN 0300033862 Only)</b>	
	0256789	Ref	<b>Camera Mount Assembly</b>	
	0252927	Ref	<b>Charger Connection Installation - Offboard</b>	
	0257563	Ref	<b>Charger Connection Installation - Offboard (Gel-Cell)</b>	
	0255168	Ref	<b>Charger Extension Cord Installation</b>	
	1702788	Ref	<b>Decal - Biodegradable Hydraulic Fluid</b>	
	1704174	Ref	<b>Decal - SYN Biodegradable Hydraulic Fluid (SN 0300046062 to Present)</b>	
	0257500	Ref	<b>Decal Installation - Brazil (30electric)</b>	
	1282192	Ref	<b>Decal Installation - Brazil (30electric)</b>	
	2900932	1	Decal Kit	
	0257499	Ref	<b>Decal Installation - Brazil (35electric)</b>	
	1282191	Ref	<b>Decal Installation - Brazil (35electric)</b>	
	2900933	1	Decal Kit	
	0257498	Ref	<b>Decal Installation - Brazil (40/45electric)</b>	
	1282179	Ref	<b>Decal Installation - Brazil (40/45electric)</b>	
	2900935	1	Decal Kit (45electric)	
	0253550	Ref	<b>Decal Installation - CSA</b>	
	3252221	1	Nameplate	
	0257195	Ref	<b>Decal Installation - Government Warranty</b>	
	1703179	1	Decal - Warranty	
	0254725	Ref	<b>Decals Installation - Japanese (30electric)</b>	
	0254704	Ref	<b>Decals Installation - Japanese (30electric)</b>	

## SECTION 10 - SPECIAL OPTIONS

ITEM	PART NUMBER	QTY	DESCRIPTION	REV
	0254785	Ref	<b>Decals Installation - Japanese (35electric)</b>	
	0254766	Ref	<b>Decals Installation - Japanese (40/45electric)</b>	
	0257047	Ref	<b>Decals Installation - Lanyard (GM Spec)</b>	
	1282704	Ref	<b>Decals Installation - Lanyard (GM Spec)</b>	
	0255711	Ref	<b>Decals Installation - Latin America (30electric)</b>	
	0254454	Ref	<b>Decals Installation - Latin America (30electric)</b>	
	0255713	Ref	<b>Decals Installation - Latin America (35electric)</b>	
	1282192	Ref	<b>Decals Installation - Latin America (35electric)</b>	
	0255789	Ref	<b>Decals Installation - Latin America (n35electric)</b>	
	1282192	Ref	<b>Decals Installation - Latin America (n35electric)</b>	
	2910119	1	Decal Kit	
	0255715	Ref	<b>Decals Installation - Latin America (40electric)</b>	
	1282179	Ref	<b>Decals Installation - Latin America (40electric)</b>	
	2910119	1	Decal Kit	
	0255790	Ref	<b>Decals Installation - Latin America (n40electric)</b>	
	1282179	Ref	<b>Decals Installation - Latin America (n40electric)</b>	
	0255717	Ref	<b>Decals Installation - Latin America (45electric)</b>	
	1282179	Ref	<b>Decals Installation - Latin America (45electric)</b>	
		Ref	<b>Decals Installation - Simultaneous Drive/Lift/Steer</b>	
	0257452	Ref	<b>Decals Installation 30electric Domestic (Prior to SN 0300036544)</b>	
	0257837	Ref	<b>Decals Installation 30electric Domestic (SN 0300036544 to Present)</b>	
	1703520	1	Decal - Domestic (30electric)	
	0257453	Ref	<b>Decals Installation 30electric Japanese (Prior to SN 0300036544)</b>	
	0257838	Ref	<b>Decals Installation 30electric Japanese (SN 0300036544 to Present)</b>	
	1703525	1	Decal - Japanese (30electric)	
	0257454	Ref	<b>Decals Installation 30electric Latin America (Prior to SN 0300036544)</b>	
	0257839	Ref	<b>Decals Installation 30electric Latin America (SN 0300036544 to Present)</b>	
	1703526	1	Decal - Latin America Spanish (30electric)	
	0257468	Ref	<b>Decals Installation 35electric Domestic (Prior to SN 0300036648)</b>	
	0258204	Ref	<b>Decals Installation 35electric Domestic (SN 0300036648 to Present)</b>	
	1703520	1	Decal - Domestic (35electric)	
	0257469	Ref	<b>Decals Installation 35electric Japanese (Prior to SN 0300036648)</b>	
	0258205	Ref	<b>Decals Installation 35electric Japanese (SN 0300036648 to Present)</b>	
	1703525	1	Decal - Japanese (35electric)	
	0257470	Ref	<b>Decals Installation 35electric Latin America (Prior to SN 0300036648)</b>	
	0258206	Ref	<b>Decals Installation 35electric Latin America (SN 0300036648 to Present)</b>	
	1703526	1	Decal - Latin America Spanish (35electric)	
	0257471	Ref	<b>Decals Installation 40/45electric Domestic (Prior to SN 0300036648)</b>	
	0258207	Ref	<b>Decals Installation 40/45electric Domestic (SN 0300036648 to Present)</b>	
	1703520	1	Decal - Domestic (40/45electric)	

## SECTION 10 - SPECIAL OPTIONS

ITEM	PART NUMBER	QTY	DESCRIPTION	REV
	0257472	Ref	<b>Decals Installation 40/45electric Japanese (Prior to SN 0300036648)</b>	
	0258208	Ref	<b>Decals Installation 40/45electric Japanese (SN 0300036648 to Present)</b>	
	1703525	1	Decal - Japanese (40/45electric)	
	0257473	Ref	<b>Decals Installation 40/45electric Latin America (Prior to SN 0300036648)</b>	
	0258209	Ref	<b>Decals Installation 40/45electric Latin America (SN 0300036648 to Present)</b>	
	1703526	1	Decal - Latin America Spanish (40/45electric)	
	0254877	Ref	<b>Decal Installation - United Airlines</b>	
	3252314	1	Nameplate - United Airlines	
		Ref	<b>Decal Installation - United Rentals</b>	
	0270962	1	Decal Installation - United Rentals 35electric ( <b>Prior to SN 0300068199</b> )	
	0271896	1	Decal Installation - United Rentals 35electric ( <b>SN 0300068199 to Present</b> )	
	0270954	1	Decal Installation - United Rentals 40/45electric	
		Ref	<b>Decal Installation - Sunbelt Rentals</b>	
	0271109	1	Decal Installation 35electric	
	0271108	1	Decal Installation 40/45electric	
	1282975	Ref	<b>Decal Chart - Sunbelt</b>	
		Ref	<b>Electrical Connector Kits</b>	
	1001148902	Ref	Amp/Tyco Electrical Connector Kit	
	1001148903	Ref	Deutsch DT Electrical Connector Kit	
	1001148904	Ref	Deutsch HD Electrical Connector Kit	
	1001148905	Ref	Packard Electrical Connector Kit	
	1001148906	Ref	Various Electrical Connectors Kit	
	0257399	Ref	<b>Head and Tail Light Installation (40/45electric)</b>	
	2920150	2	Lamp, Head	
	2920118	2	Light, Tail	
	0257400	Ref	<b>Head and Back-Up Light Installation (40/45electric)</b>	
	2920150	3	Lamp, Head	
		Ref	<b>Hydraulic Fluids</b>	
	2300014	AR	Mobil 424	
	2300027	AR	Mobil 224H Bio	
	2300029	AR	Mobil EAL ISO 46 Bio	
	2300021	AR	Union Carbide Ucon HP5046 Fire Resistant	
	2901888	Ref	<b>Lift Gate Kit</b>	
	0257410	Ref	<b>Low Batt Lift Interrupt Installation (40/45electric)</b>	
	0259631	Ref	<b>Low Batt Lift Interrupt Installation (35electric)</b>	
	0860848	1	Box Assembly	
	3252537	1	Nameplate - Low Voltage Interrupt	
	2420049	1	Gauge - Battery Capacity	
	4460428	1	Connector, Strain Relief	
	0253804	Ref	<b>Ford Spec Installation (30electric)</b>	
	0253799	Ref	<b>Low Voltage Cutout Installation (30electric)</b>	
	0860849	1	Box Assembly - Low Voltage Cutout	
	3252256	1	Nameplate - Low Voltage Cutout	
	2420049	1	Gauge - Battery Capacity	
	4360274	1	Switch, Push Button	
	4460052	1	Connector, Strain Relief	
	3300047	1	Nut, Conduit	

## SECTION 10 - SPECIAL OPTIONS

ITEM	PART NUMBER	QTY	DESCRIPTION	REV
	0960239	1	Bushing	
	0254788	Ref	<b>Overload Cutout With Override (30electric)</b>	
	1282201	Ref	<b>Overload Cutout With Override (30electric)</b>	
	0254790	Ref	<b>Overload Cutout With Override (35/40/45electric)</b>	
	1282201	Ref	<b>Overload Cutout With Override (35/40/45electric)</b>	
	0254789	Ref	<b>Overload Cutout Without Override (30electric)</b>	
	1282201	Ref	<b>Overload Cutout Without Override (30electric)</b>	
	0254791	Ref	<b>Overload Cutout Without Override (35/40/45electric)</b>	
	1284791	Ref	<b>Overload Cutout Without Override (35/40/45electric)</b>	
	0256436	Ref	<b>Pipe Rack Installation</b>	
	0256829	Ref	<b>Platform Gate Spring Installation (30/35/40/45electric)</b>	
	4160028	1	Spring, Tension	
	0253411	Ref	<b>Platform Mesh and Spring Installation (30electric)</b>	
	0480074	1	Belt, Mesh - Gate Top	
	0480075	1	Belt, Mesh - Gate Bottom	
	0480076	2	Belt, Mesh - Sides	
	0480077	1	Belt, Mesh - Back	
	4160028	1	Spring, Tension	
		Ref	<b>Platform Overload (35/40/45electric)</b>	
	0253411	Ref	<b>Platform Overload Prior to October 1996</b>	
	0257058	Ref	<b>Platform Overload October 1996 to Present</b>	
		Ref	<b>Platform Padding Installations (35/40/45electric)</b>	
	0255167	Ref	<b>26in x 48in Platform (Prior to SN 0300039214)</b>	
	0258771	Ref	<b>26in x 48in Platform (SN 0300039214 to Present)</b>	
	0256563	Ref	<b>26in x 60in Platform (Prior to SN 0300039214)</b>	
	0258772	Ref	<b>26in x 60in Platform (SN 0300039214 to Present)</b>	
	0256703	Ref	<b>Platform Proximity Switches Installation</b>	
	4360305	4	Switch, Proximity	
	3539928	4	Plate, Mounting - Proximity Switch	
	4360274	1	Switch, Push Button	
	3251596	1	Decal - Proximity Switch	
	0258918	Ref	<b>Rack Utility Assembly</b>	
	0257427	Ref	<b>Simultaneous Drive/Lift/Steer (Model 30electric) (Non-UL Models) (Prior to SN 36544)</b>	
	0258210	Ref	<b>Simultaneous Drive/Lift/Steer (Model 30electric) (Non-UL Models) (SN 36544 to Present)</b>	
	0257428	Ref	<b>Simultaneous Drive/Lift/Steer (Model 35 electric) (Non-UL Models) (Prior to SN 36648)</b>	
	0258211	Ref	<b>Simultaneous Drive/Lift/Steer (Model 35 electric) (Non-UL Models) (SN 36648 to Present)</b>	
	0257429	Ref	<b>Simultaneous Drive/Lift/Steer (Models 40electric &amp; 45electric) (Non-UL Models) (Prior to SN 36648)</b>	
	0258212	Ref	<b>Simultaneous Drive/Lift/Steer (Models 40electric &amp; 45electric) (Non-UL Models) (SN 36648 to Present)</b>	
	2901896	Ref	<b>Steer Cylinder Anti-Rotation Kit</b>	
		Ref	<b>Technical Data Supplements</b>	
	3120348	Ref	<b>MAC Battery Charger Technical Supplement</b>	
	3120323	Ref	<b>Operating and Safety Handbook</b>	
	3120351	Ref	<b>PQ Controller Technical Supplement</b>	
		Ref	<b>Tool For Service:</b>	
	2900832	1	Calibrator Kit	
	8896941	1	Wire Stripper	
	7002821	1	Wire Crimper (To install wire ends to wires)	

## SECTION 10 - SPECIAL OPTIONS

ITEM	PART NUMBER	QTY	DESCRIPTION	REV
	7002823	1	Pin/Socket Extractor - Universal (To Remove Pins/Sockets from Connectors)	
	4460467	1	Extractor - 16-18 Gauge (For Removal of Pins/Sockets for Deutsch Connectors)	
	4460510	1	Extractor - 12-14 Gauge (For Removal of Pins/Sockets for Deutsch Connectors)	
	7002822	1	Screwdriver, Potentiometer (To Adjust Drive Controllers)	
	7016654	1	Screwdriver, Magnetic	
	7004275	1	Seal Installation Tool - 1in	
	7004276	1	Seal Installation Tool - 1-1/2in	
	7002826	1	Seal Installation Tool - 2in	

**PART NUMBER INDEX**

# PART NUMBER INDEX

0100009.....42, 102	0254155..... 19	0255011..... 13	0257558.....30
0100010..... 195, 199, 203	0254190..... 89	0255012..... 13	0257563.....210
0100011.... 14, 17, 49, 51, 77, 78, 81, 82, 89, 90, 97, 101, 109, 123, 126, 130, 134, 137, 141, 145	0254276..... 30	0255015..... 210	0257564.....32
0100019.....9, 57, 61	0254291..... 42	0255027..... 210	0257660.....200
0100020..... 141, 155, 160	0254292..... 42	0255111..... 17, 29	0257661.....195
0100029..... 116	0254298..... 42, 49	0255167..... 213	0257735.....210
0100035.... 123, 126, 130, 134, 137, 141, 143	0254299..... 41	0255168..... 210	0257837.....211
0100038.... 123, 126, 130, 134, 137, 141	0254399..... 72	0255170..... 210	0257838.....211
0100048..... 31, 72	0254400..... 72	0255611..... 77, 164	0257839.....211
0100051.....31	0254454... 195, 200, 204, 211	0255711..... 211	0258045.....67
0100065.....31	0254481..... 18	0255713..... 211	0258046.....67
0140028..... 47, 49, 51	0254483..... 30	0255715..... 211	0258061.....72
0140030..... 117, 163, 166	0254484..... 18	0255717..... 211	0258062.....72
0140031..... 47, 49, 51	0254485..... 17, 29	0255743..... 32	0258063.....72
0182000.....9	0254489..... 30	0255789..... 211	0258064.....72
0182002.....9	0254536..... 72	0255790..... 211	0258204.....211
0252243.....9	0254537..... 72	0256121..... 30	0258205.....211
0252290..... 42, 47	0254538..... 203	0256123..... 30	0258206.....211
0252303.....86	0254540..... 203	0256124..... 30	0258207.....211
0252318.....85	0254542..... 110, 190	0256125..... 30	0258208.....212
0252339.....41	0254544..... 77, 81, 164	0256270..... 210	0258209.....212
0252349..... 17	0254549..... 29, 189	0256436..... 213	0258210..... 162, 213
0252352..... 18	0254590..... 19	0256530..... 30	0258211.... 152, 166, 213
0252358..... 105, 190	0254595..... 90, 186	0256563..... 213	0258212.... 152, 166, 213
0252408..... 105, 110	0254597..... 29, 189	0256617..... 210	0258226..... 85, 186
0252431..... 18	0254599..... 17, 29	0256640..... 18	0258563..... 97, 186
0252754..... 19	0254603..... 32	0256642..... 18	0258564..... 97, 186
0252927..... 210	0254605..... 42	0256703..... 213	0258565..... 90, 186
0252986..... 42, 75	0254645..... 105	0256789..... 210	0258771.....213
0253028..... 147	0254646..... 105	0256829..... 213	0258772.....213
0253185.....57	0254647..... 97, 186	0256832..... 19	0258918.....213
0253241..... 32, 210	0254698..... 77	0256834..... 18	0259631..... 165, 212
0253347..... 17	0254698..... 77	0256835..... 18	0270258..... 30
0253411.....213	0254703..... 195	0256836..... 18	0270291.....9
0253439..... 18	0254704..... 210	0256837..... 18	0270723.....210
0253455..... 93	0254706..... 199	0257047..... 211	0270954.....212
0253508..... 61	0254708..... 41	0257058..... 213	0270962.....212
0253533..... 61	0254710..... 17, 29	0257103..... 110, 191	0271037.....199
0253550.....210	0254725..... 210	0257195..... 210	0271039.....203
0253594..... 13	0254731..... 199	0257399..... 212	0271108.....212
0253613..... 14	0254733..... 203	0257400..... 212	0271109.....212
0253650..... 42, 51	0254738..... 85, 186	0257410..... 165, 212	0271896.....212
0253687..... 77, 81	0254739..... 67	0257427..... 213	0271913.....41
0253698..... 109	0254740..... 67	0257428 ... 152, 166, 213	0400055.....31
0253704..... 98	0254743..... 75	0257429 ... 152, 162, 166, 213	0400069.....31
0253708..... 51	0254744..... 75	0257438..... 210	0400107.....31
0253709..... 81	0254745..... 75, 162	0257452..... 211	0400112.....31
0253716..... 110, 190	0254766..... 211	0257453..... 211	0400121.....31
0253734..... 14	0254785..... 211	0257454..... 211	0400124..... 32, 35, 37
0253735..... 13	0254788..... 213	0257454..... 211	0400135..... 32, 210
0253784..... 18	0254789..... 213	0257468..... 211	0400136.....31
0253799.....212	0254790..... 213	0257469..... 211	0400137..... 32, 36
0253804.....212	0254791..... 213	0257470..... 211	0400158..... 32, 36
0253864..... 19	0254793..... 190	0257471..... 211	0400159.....210
0253984..... 81	0254801..... 32	0257472..... 212	0400160.....210
0254028..... 149	0254815..... 90	0257473..... 212	0400161.....210
0254040..... 93	0254830..... 57	0257479..... 32	0400162..... 32, 35
0254041..... 97, 186	0254831..... 57	0257498..... 210	0400171.....210
0254042..... 110, 190	0254850..... 149	0257499..... 210	0400172.....210
0254120..... 18	0254851..... 149	0257500..... 210	0400198..... 39
0254121..... 18	0254865..... 18	0257548..... 17, 29	0440162..... 9, 13
	0254866..... 18	0257549..... 17, 29	0440202..... 57
	0254874..... 18	0257550..... 17, 29	0440203..... 61, 63
	0254875..... 98	0257551..... 17, 29	0440338..... 57, 59
	0254877..... 212	0257556..... 30	0440339..... 61, 63
	0254955..... 105, 111	0257557..... 30	0460096..... 147



## PART NUMBER INDEX

0460102.....	147, 149	0641610 ..	14, 89, 94, 109	0861190.....	71	1282191.....	210
0460103.....	147, 149	0641612.....	32	0861191.....	71	1282192.....	210, 211
0460106.....	109	0641614.....	89	0901921.....	81	1282199.....	164, 165
0460110.....	149	0641806.....	94	0901923.....	81	1282201.....	213
0460111.....	149	0641808.....	89	0902044.....	77	1282324.....	210
0460112.....	149	0641810.....	94, 109	0902045.....	77	1282417.....	164
0460113.....	149	0641811.....	17	0902046.....	77	1282704.....	211
0460114.....	149	0641812 ...	59, 63, 89, 94	0902051.....	51	1282820.....	164, 165
0460115.....	149	0641814.....	14	0902055.....	77	1282857.....	162, 166
0480074.....	213	0641818.....	101	0902056.....	77	1282975.....	212
0480075.....	213	0642016.....	9, 13	0920090.....	17, 23	1284791.....	213
0480076.....	213	0681814.....	57, 61	0940036.....	42	1320017.....	109
0480077.....	213	0682022.....	57	0940048.....	14, 94	1320031.....	109
0560995.....	85	0682024.....	57	0940049.....	77, 81	1320033.....	147, 149
0561076.....	89, 94	0682026.....	61	0960239.....	213	1320037.....	147, 149
0561090.....	90, 97	0682028.....	61	0961127....	195, 199, 203	1320040.....	97
0561091.....	97	0682040.....	57	0961602.....	85, 123	1320043.....	81
0561157.....	85	0682048.....	61	0961608.....	85, 109, 137,	1320050.....	109
0561158.....	85	0720805.....	116	141		1320051.....	123
0561173.....	89	0721008.....	75, 77, 82	0961621.....	10, 14	1320159.....	90, 109
0610107.....	68, 73	0731003.....	116	0961726..	89, 90, 93, 101,	1320172.....	31
0630016.....	9, 14, 17	0741008.....	29	125, 129, 133		1320195.....	90, 97, 102
0630399.....	102	0741606.....	77, 82	0961749.....	109	1320199.....	90, 97, 102
0630407.....	31	0791004.....	29	1001102354.....	9	1320205.....	90, 97
0630448.....	75	0800749.....	85	1001139010.....	9	1380132.....	51
0630453.....	31	0800750.....	85	1001148902.....	212	1380138.....	42
0630455.....	19	0800831.....	93	1001148903.....	212	1380139.....	67
0630457.....	75	0800832.....	89, 93, 101	1001148904.....	212	1580008....	195, 199, 203
0630464.....	67, 71, 81	0800833.....	101	1001148905.....	212	1600175....	116, 119, 207
0630465.....	19	0800834.....	101	1001148906.....	212	1670633.....	19
0630467.....	97	0800852.....	93	1020005.....	106, 111	1670636.....	106, 111
0630468.....	81	0800853.....	93, 101	1060016.....	164, 192	1670650.....	42
0630474.....	77	0800854.....	101	1060092.....	31	1670678.....	101
0630476.....	77	0800855.....	101	1060279.....	200, 203	1670688.....	106, 111
0630487.....	101	0800866.....	89	1060329.....	116	1670690.....	109
0630491.....	77, 81	0801007.....	89	1060330....	105, 186, 191	1670692.....	19
0630513.....	19	0840027.....	29	1060341 90,	98, 186, 187,	1670696.....	31
0641404.....	101	0840031.....	31	190		1670697.....	97
0641405.....	101	0840032.....	31	1060404.....	29	1670698.....	101
0641406.....	32, 67	0860038 ...	105, 110, 191	1060405.....	31	1670732.....	106, 111
0641408 .	29, 32, 89, 105,	0860520.....	199	1060435.....	29	1670808.....	19
110, 200		0860848.....	212	1060464.....	29	1670810.....	19
0641410.....	49, 85, 97	0860849.....	212	1060465.....	29	1670832.....	98
0641412.....	43	0860876.....	115	1060466.....	29	1670833.....	98
0641414.....	85, 106, 111	0860883.....	72	1060467.....	29	1670835.....	29
0641416.....	29	0860895.....	115	1060468.....	29	1681344....	123, 125, 129
0641418.....	51	0860914.....	67	1060469.....	29	1682154.....	137, 141
0641505.....	109	0860915.....	67	1060491.....	31	1682209.....	129, 133
0641506.....	51, 94	0860916.....	71	1060492.....	31	1682323.....	133
0641507.....	49	0860917.....	71	1060516.....	187, 188	1682364.....	143
0641508 ..	29, 47, 51, 116	0860918.....	71	1060534.....	29	1682527.....	9, 13, 143
0641509.....	85, 105	0860919.....	71	1060535.....	29	1682528.....	143
06415109, 13,	19, 63, 75,	0860920.....	115	1060584.....	72	1682530.....	143
81		0860921.....	115	1120094.....	133	1682544.....	123
0641511.....	90	0860922.....	115	1120108....	123, 125, 129	1682662.....	85, 123
0641512.....	31, 97, 145	0861056.....	115	1120110.....	137, 141	1682663.....	123
0641514 9, 51,	75, 90, 97	0861057.....	115	1120305.....	129, 133	1682855.....	93, 133
0641516.....	109	0861058.....	115	1120387.....	143	1682856.....	133
0641518.....	19, 51	0861059.....	115	1120457.....	14	1682858.....	133
0641520.....	90, 97, 102	0861060.....	115	1180302.....	101	1682861.....	93, 129
0641560.....	97	0861180.....	67	1220038.....	101, 102	1682862.....	129
0641604.....	145	0861181.....	67	1220039.....	102	1682864.....	129
0641605.....	72, 81, 109	0861184.....	115	1220040.....	102	1682867.....	93, 125
0641606.....	77, 89, 101	0861186.....	115	1281811.....	162	1682868.....	125
0641607.....	109	0861187.....	115	1281821.....	162, 165	1682870.....	125
06416089, 14,	17, 77, 89,	0861188.....	71	1281899.....	210	1682876.....	109, 141
94, 102, 109		0861189.....	71	1282179.....	210, 211	1682877.....	89, 93, 137

# PART NUMBER INDEX

1682878.....	141	1702175.....	199	2220273.....	17	2600192.....	75
1682879.....	137	1702176.....	199	2220366.....	157	2680239.....	77
1682881.....	137, 141	1702177.....	203	2220371....	155, 157, 159	2680240.....	77
1682887.....	101, 145	1702178.....	203	2220415.....	157, 159	2680404.....	75
1682888.....	145	1702179.....	203	2220428....	155, 157, 159	2680405.....	75
1682890.....	145	1702241....	195, 199, 203	2220429....	155, 157, 159	2680410.....	81
1682892.....	145	1702251....	196, 200, 204	2220466.....	159	2680411.....	81
1682893.....	13, 143	1702253.....	195	2220472... 159	143, 155, 157,	2680413.....	75
1682894.....	143	1702265.....	204	2220473.....	159	2680473.....	81
1682930.....	109, 139	1702275.....	19	2220492.....	155	2680475.....	81
1682947.....	101, 145	1702276....	195, 199, 203	2220497....	155, 157, 159	2751473.....	155
1682948.....	145	1702278....	195, 199, 203	2220502.....	159	2752433.....	159
1682950.....	145	1702279....	195, 199, 204	2220504.....	157, 159	2752435.....	157, 160
1682958.....	89, 125	1702281....	195, 199, 203	2220507.....	157	2752438.....	160
1682972.....	125	1702282....	195, 199, 204	2220515.....	143	2752440.....	160
1682980.....	89, 133	1702283....	195, 199, 203	2220516.....	145	2752441.....	160
1682981.....	133	1702284....	195, 199, 204	2220582....	155, 157, 159	2752443.....	155
1682983.....	133	1702285.....	115	2220584.....	157, 160	2752446.....	157, 159
1682988.....	125	1702286.....	115	2220603.....	157, 159	2752447.....	157
1683013.....	93, 133	1702287.....	115	2220605.....	160	2752453.....	155
1683014.....	133	1702288.....	195, 203	2220606....	155, 157, 159	2752454.....	155
1683016.....	133	1702290.....	199	2220609....	155, 157, 159	2752455.....	155
1683018.....	93, 129	1702292....	195, 199, 203	2220619.....	157	2752459.....	157, 159
1683019.....	129	1702294....	195, 199, 203	2220628.....	145	2752462.....	159
1683021.....	129	1702300....	195, 199, 204	2220635.....	159	2752471.....	157, 159
1683285.....	109, 141	1702352.....	32	2220654.....	155	2752484....	155, 157, 159
1683286.....	137, 141	1702375.....	195, 199	2220657.....	159	2752485.....	155
1683325.....	89, 93, 137	1702397.....	157	2220677.....	157, 160	2752486.....	155
1683337.....	93, 125	1702612....	195, 199, 203	2220684.....	157, 160	2752487.....	157, 159
1683504.....	125	1702631.....	195, 200	2220727.....	157, 160	2752488.....	159
1683505.....	125	1702688....	195, 200, 204	2220873....	155, 157, 159	2752489.....	157, 159
1683506.....	93, 125	1702740.....	19	2220874....	155, 157, 159	2752572.....	160
1683508.....	125	1702788.....	210	2220883....	123, 141, 145	2752573.....	157, 160
1683509.....	89, 125	1702935....	195, 199, 203	2220885....	126, 129, 134	2752574.....	157, 160
1683512.....	133	1702936....	195, 199, 203	2220899.....	159	2752575.....	157, 160
1683513.....	129	1702949.....	32	2220934.....	160	2752579.....	159
1683514.....	125	1702950.....	32	2220935.....	157, 160	2752580.....	157, 159
1683515.....	133	1703179.....	210	2221020.....	157, 160	2752583.....	157
1683516.....	129	1703520.....	211	2300014.....	212	2752584.....	160
1683518.....	93, 133	1703525.....	211, 212	2300021.....	212	2752585.....	159
1683519.....	93, 129	1703526.....	211, 212	2300027.....	212	2752611.....	157, 159
1683520.....	93, 125	1704174.....	210	2300029.....	212	2752614.....	159
1683521.....	93, 133	1704260.....	72, 116	2360371.....	13	2752619.....	159
1683522.....	93, 129	1704277....	195, 199, 203	2360372.....	13	2752620.....	159
1683694.....	143	1704412.....	199	2360373.....	13	2752621.....	159
1683695.....	9, 13, 143	1704414.....	115	2360375.....	13	2752623.....	157
1683696.....	13, 143	1704415.....	115	2360378.....	9	2752624.....	157
1700584....	195, 199, 203	1704416.....	115	2360379.....	13	2752626.....	159
1701500....	195, 199, 203	1760160.....	101	2360404.....	13	2752627.....	157
1701504....	195, 199, 203	1780265.....	105, 110	2360405.....	13	2753005.....	157, 160
1701640.....	199, 203	1780289.....	110	2360406.....	13	2753050.....	159
1701642....	195, 199, 203	1780299.....	105, 110	2360407.....	13	2753113.....	159
1701643.....	19	1780300.....	110	2360408.....	13	2753114.....	159
1701644....	195, 199, 203	1870031.....	162	2400005.....	189	2753115.....	159
1701645....	195, 199, 203	1870032.....	166	2400041.....	189, 207	2753116.....	159
1701691....	195, 199, 203	1870066.....	166	2400044.....	29	2780185.....	17, 25
1701695....	32, 195, 199, 203	1870067.....	162	2400045....	29, 189, 206	2780186.....	9
1701714....	89, 195, 200	2120072.....	42, 206	2420049.....	165, 212	2780198.....	17, 27
1701812.....	19	2120105.....	42	2420106.....	67, 71	2780201.....	13, 14
1701892....	195, 199, 203	2120158.....	42	2540016.....	31	2780206.....	17, 27
1702048.....	203	2120165.....	42	2540019.....	29	2791887.....	152
1702124.....	160	2160001.....	63	2540020.....	29	2791990.....	152, 155
1702153....	195, 199, 203	2160003.....	57, 63	2540023.....	29	2792012.....	152
1702155....	195, 199, 204	2180394.....	143	2560010.....	105, 110	2792017.....	152, 159
1702157....	196, 200, 204	2180699.....	143	2560115.....	115	2792141.....	152
1702174.....	195	2180819.....	17	2560136.....	115	2792142.....	152, 157

## PART NUMBER INDEX

2792144 ..... 152, 159	2940074 ..... 110, 208	3311602.....101	3520034 ..... 102
2792334 ..... 152	2940093 ..... 31	3311605...32, 89, 94, 109	3520054 ..... 31
2792543 ..... 152	2940094 ..... 31	3311805.....14, 31, 89, 94	3520084 ..... 72
2792546 ..... 157	3000003 ..... 31	3312005.....9, 13	3535959 ..... 42
2820035 ..... 111	3000004 ..... 31	3313003.....9, 13	3536089 ..... 106, 111
2820036 ..... 78, 82	3020022 9, 13, 85, 89, 94, 105	3321801.....17	3536491 ..... 93
2820063 ..... 31	3020027 ..... 57, 61	3321802.....143	3536691 ..... 81
2820065 ..... 32	3020029 ..... 57, 61	3322002.....9, 13	3536755 ..... 61
2820066 ..... 32	3020036 ..... 57, 61	3322205.....145	3536999 ..... 90, 97
2820067 ..... 32	3120323 ..... 213	3322403.....14	3537045 ..... 93
2860030 ..... 67, 71, 206	3120348 ..... 213	3340450.....14	3537220 ..... 89
2900034 ..... 25, 27	3120351 ..... 213	3340644.....9, 13	3537234 ..... 116
2900371 ... 123, 126, 130	3160182 ..... 57, 61, 65	3340663.....101	3537903 ..... 77, 82
2900661 ..... 27	3160186 ..... 17	3340666.....101	3537992 ..... 67
2900708 ..... 51	3251242 ..... 191	3340679.....145	3538052 ..... 57
2900770 ... 123, 126, 129, 133, 134, 145	3251243 ... 111, 191, 195, 199, 203	3340682.....101	3538157 ..... 29
2900779 ..... 51	3251596 ..... 213	3340820.....101	3539928 ..... 213
2900792 ..... 141	3251813 ... 195, 199, 203	3420156.....77, 81	3600179 ..... 51
2900804 ..... 10	3251921 ... 196, 200, 204	3421799.....32	3600192 ..... 41
2900811 ..... 17	3252221 ..... 210	3421983.....105	3600207 ..... 109, 113
2900813 ..... 41	3252256 ..... 212	3421985.....85	3600261 ..... 41
2900832 ..... 213	3252314 ..... 212	3421986.....85	3600261 ..... 41
2900842 ..... 14	3252331 ... 196, 200, 204	3421988.....9, 13	3640834 ..... 116
2900859 ..... 115	3252347 ..... 105, 110	3422006.....85	3640920 ..... 73
2900930 ..... 204	3252349 ..... 67	3422170.....14	3640930 ..... 68, 116
2900932 ..... 210	3252350 ..... 71	3422175.....93	3730103 ..... 189
2900933 ..... 210	3252351 ..... 71	3422176.....89, 93, 109	3740063 ... 116, 117, 162, 163, 164, 165, 166
2900935 ..... 210	3252357 ... 111, 191, 203	3422177.....89, 93	3740087 ... 116, 117, 162, 163, 164, 165, 166, 207
2900986 ..... 195	3252537 ..... 165, 212	3422178.....89, 93	3740091 ..... 165
2901147 ..... 137, 141	3252648 ..... 67	3422179.....89, 93	3740091 ..... 165
2901154 ..... 130, 134	3252649 ..... 71	3422180.....89, 94, 109	3760115 ..... 101
2901170 ..... 134	3300029 ..... 31	3422181.....109	3760141 ..... 143
2901178 ..... 143	3300047 ..... 212	3422185.....101	3760170 ..... 31
2901212 ..... 47, 162	3300151 ..... 90, 97	3422191.....109	3760308 ..... 42
2901213 ..... 105, 111	3300181 ..... 32	3422263.....101	3760318 ..... 145
2901216 ..... 116	3300255 ..... 10	3422901.....101	3780181 . 85, 89, 94, 105, 109
2901242 ..... 145	3300279 ... 123, 125, 129	3430816.....109	3780182 ..... 9, 13
2901249 ..... 51, 165	3300281 ..... 129, 133	3430840.....77, 81	3780183 ..... 85
2901250 ..... 51, 117	3300308 ..... 137, 141	3450405.....109	3780184 ..... 89, 94, 109
2901251 ... 106, 111, 162, 165	3300309 ..... 137, 141	3450506.....13	3790012 ..... 116
2901302 ..... 49, 165	3300315 ..... 125	3450810.....9, 13	3790029 ..... 123
2901496 ..... 126	3300352 ..... 115	3451210.....14	3790112 ..... 119
2901560 ..... 47, 162	3300356 ..... 20	3480102.....133	3790113 ..... 145
2901561 ... 106, 111, 162, 166	3300365 ..... 72, 81	3480113.....129, 133	3790125 ..... 23
2901600 ..... 49, 165	3300371 ..... 42	3480115.... 123, 125, 129	3790220 ..... 17, 23
2901601 ..... 51, 165	3300396 ..... 72	3480123.....137, 141	3820001 ... 195, 196, 199, 200, 203, 204
2901888 ..... 212	3300412 ..... 72	3480153.....143	3841143 ... 14, 85, 89, 94, 105, 109
2901896 ..... 213	3300413 ..... 72	3480170.....145	3841146 ..... 9, 13
2910010 ..... 204	3310601 ..... 67, 72, 116	3480217.....137, 141	3841203 ..... 89, 94, 109
2910036 ..... 200	3311001 ..... 110	3510434.....110	3860054 ..... 143
2910037 ..... 204	3311005 ... 29, 75, 77, 82, 86, 90, 98	3510458.....105	3860076 ..... 143
2910055 ..... 200	3311011 ..... 72	3510460.....110	3860080 ..... 143
2910119 ..... 211	3311401 ... 42, 47, 51, 75, 81, 86, 90, 97, 101, 110, 203	3510498.....110	3900097 ..... 98
2920095 ..... 106, 111	3311405 ... 29, 31, 32, 43, 47, 49, 51, 67, 85, 89, 97, 105, 106, 111, 200	3510502.....105	3900104 ..... 98
2920107 ..... 116	3311501 ... 20, 51, 75, 77, 81	3510503.....105	3900168 ..... 86, 90, 98
2920118 ..... 212	3311505 9, 14, 29, 49, 51, 75, 85, 90, 94, 97, 102, 105, 109	3510504.....110	3900170 ... 123, 126, 129, 134, 137, 141
2920119 ..... 75, 77, 81	3311601 ..... 81	3510507.....110	3900174 ..... 42
2920120 ..... 116		3510584.....110	3900246 ..... 98
2920146 ..... 75, 77, 81		3510596.....110	3910606 ... 105, 111, 191
2920150 ..... 212		3510598.....110	3910608 ..... 67, 72, 116
2940006 ... 105, 110, 208		3510599.....105	3910804 ..... 68, 72
2940042 ..... 81		3510600.....110	3911016 ..... 110
2940071 ..... 77, 81		3510601.....110	3911408 ..... 203
2940073 ..... 31		3520026.....42	
		3520031.....116	

# PART NUMBER INDEX

3911410.....42	4360321...86, 90, 98, 208	4460500 ..... 188	4641026.....49, 54
3931414.....57	4360328..... 115, 207	4460501 ..... 187	4641084.....123
3931516.....41	4360344..... 192	4460510 ..... 192, 214	4711400....29, 32, 42, 47,
3941003.....203	4360346 ..... 67, 71	4460522 ..... 116	49, 51, 75, 106, 111,
3941405.....109	4360347 ..... 71	4460523 .... 116, 186, 187	203
3941408.....200	4360365 ..... 115	4460524 ..... 116	4711500.....31, 51, 75
3951402....123, 126, 129,	4360371 ..... 32, 206	4460525 .... 116, 187, 188	4711600.....9, 17
145	4360445 ..... 115, 206	4460526 ..... 116, 186	4711800.....17, 77
3960422....105, 111, 191	4360451 ..... 192	4460527 ..... 187, 188	4712400.....13
3960433.....42, 77	4360473 ..... 67, 71, 206	4460529 ..... 116, 186	4740007.....109
3960438.....71, 81	4360474 ..... 71	4460530 ..... 72, 73	4740120.....67, 71, 81
3960447 .....42, 71	4360475 .67, 71, 115, 206	4460536 ..... 190	4740171.....57, 61
3960453.....77, 81	4360476 ..... 72, 116, 206	4460539 ..... 187, 188	4740207.....129, 133
3990001 ....117, 162, 164,	4420008 ..... 72	4460545 ..... 67, 68	4740247.....14
165, 166, 186, 187,	4420037 ..... 67	4460598 ..... 106, 111	4740362.....67
188, 207	4420054 ..... 195, 199	4520139 ..... 19	4740393.....61
3990010....164, 165, 186,	4460052 ..... 212	4520148 ..... 19	4740394....123, 125, 126,
189, 207	4460071 ... 105, 110, 111,	4520151 ..... 18	129
3990053.....17, 206	191	4520154 ..... 18	4740397.....67, 71
4060092....105, 111, 191	4460125 ..... 111, 191	4520155 ..... 18	4740413.....102
4060802.....67, 71, 115	4460134 ..... 111, 191	4520159 ..... 18	4740420.....116
4060803.....90, 105, 110	4460205 ... 105, 111, 191	4520184 ..... 18, 19	4740453.....9
4060804.....85	4460224 ..... 189	4520198 ..... 18	4750600.....67, 72, 116
4060805.....85, 90, 97	4460225 .... 187, 188, 190	4520265 ..... 19	4750800.....116
4060807.....85, 97	4460226 ..... 119, 190	4565275 ..... 143	4751000....29, 75, 77, 82,
4060808.....14, 90, 97	4460227 ..... 119	4565332 ..... 123	86, 90, 110, 116
4060854.....51	4460233 ..... 111, 191	4565640 ..... 31	4751400....42, 47, 51, 67,
4060855.....109	4460234 ..... 67, 78, 82	4565755 ..... 42	75, 81, 85, 86, 89, 90,
4060865.....75, 77, 81	4460265 .... 119, 187, 188	4565992 ..... 133	97, 101, 105, 109, 110,
4070809.....9, 13	4460266 ..... 119, 190	4565994 ..... 129	200
4070832.....14	4460267 ..... 187, 188	4566009 ..... 126	47515009, 13, 29, 49, 51,
4070833.....14	4460268 .... 187, 188, 189	4566023 ..... 137, 141	77, 81, 90, 97, 109, 116
4070834.....14	4460298 ..... 68, 73	4566027 ..... 145	4751600....14, 32, 73, 77,
4070835.....14	4460299 ..... 68, 73	4566187 ..... 160	81, 89, 94, 102, 109
4070853.....14	4460300 ..... 68, 73	4566188 ..... 160	4751800.....31, 81, 109
4070987.....68, 72	4460301 ..... 68, 73	4566243 ..... 97	476060067, 72, 105, 111,
4070991.....68, 72	4460305 ..... 68, 73	4566261 ..... 133	116, 191
4100026.....157, 160	4460306 ..... 68, 73	4566356 ..... 94	4760800.....116
4120014.....165	4460307 ..... 68, 73	4566427 ..... 94	4761000.....110, 116
4120027 ....116, 117, 162,	4460308 ..... 68, 73	4566432 ..... 133	4761400....29, 32, 42, 47,
163, 164, 165, 166	4460310 ..... 68, 73	4566435 ..... 129	51, 57, 85, 101, 109
4130286.....9, 10	4460315 ..... 111, 191	4566473 ..... 126	4761500....19, 32, 47, 75,
4130302.....13	4460320 ..... 187, 188	4566623 ..... 160	77, 116
4130319.....13	4460347 ... 105, 111, 191	4567177 ..... 126	4761600..17, 72, 81, 101,
4160028.....213	4460418 ..... 189	4567180 ..... 126	145
4160114.....165	4460419 ..... 189	4620086 ..... 75	4761800.....17, 101
4160117.....75	4460422 ..... 105, 110	4620088 ..... 81	4844026.....85
4220111.....78	4460425 ..... 72, 188	4620101 ..... 77	4844027.....85
4220162.....77, 82	4460426 ..... 72, 187, 188	4640392 ..... 19	4844028.....85
4240032.....78, 82	4460428 .86, 90, 98, 106,	4640509 ..... 141	4844102.....105
4240084.....29	111, 116, 186, 192, 212	4640634 ..... 129, 133	4844182.....75
4240099..85, 90, 97, 106,	4460434 ..... 187, 188	4640709 ..... 145	4844302.....93
111	4460444 ..... 187, 188	4640725 ..... 47	4844303.....93
4300106.....51	4460446 ..... 187, 188	4640726 ..... 42	4844304.....93
4300107.....31	4460453 ... 187, 188, 190	4640746 ..... 134	4844324.....14
4360031 ....105, 110, 206	4460454 ... 187, 188, 190	4640771 ..... 126, 145	4844365.....51
4360069....72, 116, 165,	4460464 ..... 187, 190	4640797 ..... 51, 53	4844369.....14
206	4460465 ..... 187, 188	4640799 .... 123, 126, 134	4844404.....81
4360112.....116, 207	4460466 ..... 187, 188	4640807 ..... 145	4844424.....31
4360199.....165	4460467 ..... 192, 214	4640814 ..... 51	4844427.....93
4360274....116, 207, 212,	4460470 ..... 188	4640816 ..... 129, 133	4844465.....109
213	4460471 ..... 188	4640843 ..... 49, 54	4844466.....109
4360282.....72, 116	4460475 ..... 192	4640861 ..... 160	4844467.....94
4360289.....67, 71, 115	4460476 ..... 192	4640866 ..... 51	4844541.....93
4360305.....213	4460488 ..... 116	4640932 ..... 141	4844576.....89
4360314.67, 71, 115, 206	4460489 ..... 192	4640936 ..... 126	4844579.....101
4360317.....115	4460499 .53, 54, 187, 188	4641025 ..... 51, 53	4844588.....89

## PART NUMBER INDEX

4844595 .....	61	4932686 .....	164	7003550.....	113	7011112.....	141
4844602 .....	42	4932882 .....	165	7003551.....	113	7011322.....	51
4844603 .....	42	4932927 .....	162, 164	7003552.....	113	7011507.....	35, 36, 37
4844632 .....	30	4932935 .....	165	7003553.....	113	7011508.....	36, 208
4844689 .....	30	4932936 .....	162, 186	7003554.....	113	7011511.....	35, 36, 37
4844778 .....	42	4932937 .....	165, 186	7003555.....	113	7011517.....	35, 36
4844797 .....	57	4932970 .....	165	7003556.....	113	7011518.....	35, 37
4845262 .....	30	4932987 .....	166, 189	7003557.....	113	7011528.....	35, 36
4845343 .....	31	4932988 .....	165, 186	7003558.....	113	7011529.....	39
4860136 .....	19	4933002 .....	162, 186	7003559.....	113	7011551.....	36
4860137 .....	19	4933003 .....	162, 189	7003560.....	113	7011572.....	36, 190
4860142 .....	19	4933010 .....	165	7003561.....	113	7011573.....	35, 36, 37, 39
4860169 .....	19	4933011 .....	165	7003562.....	113	7011574.....	36
4891400 .....	59	4933012 .....	164	7003702.....	119	7011576.....	35, 36
4891500 .....	63	4933013 .....	164	7003703.....	119	7011584.....	35, 36
4892000 .....	57	4933014 .....	162, 166	7003719.....	119	7011590.....	35, 36, 37, 39, 190
4920140 .....	86	4933015 .....	164	7003722.....	119	7011591.....	35, 190
4921396 .....	110, 190	70000864 .....	59	7003739.....	119	7011593.....	35, 36, 39, 208
4921425 .....	47, 49, 51, 190	70000865 .....	59, 63	7003744.....	119	7011594.....	35, 36, 39
4921428 .....	191	70000866 .....	59	7003751.....	119	7011595.....	35
4921442 .....	162	70000867 .....	59	7003788.....	119	7011596.....	37
4921521 .....	192	70000868 .....	63	7003789.....	119, 207	7011598.....	36
4921566 .....	192	70001677 .....	63	7003790.....	119	7011610.....	35
4921568 .....	111, 191	7000209 .....	25, 27	7003791.....	119	7011621.....	35, 36, 37, 39, 190
4921569 .....	111, 191	7000214 .....	25, 27	7003792.....	119	7011643.....	35, 190
4921581 .....	97, 187	7000217 .....	25, 27	7003793.....	119	7011645.....	35, 36, 37, 208
4921591 .....	97, 187	7000228 .....	25, 27	7003795.....	119	7011646.....	35, 36, 37
4921592 .....	111, 191	7000229 .....	25, 27	7004275.....	214	7011662.....	35
4921593 .....	111, 191	7000230 .....	25, 27	7004276.....	214	7011668.....	35, 36, 37
4921601 .....	192	7000232 .....	25, 27	7005804.....	65	7011674.....	36
4921641 .....	188	7000241 .....	25, 27	7005809.....	65	7011677.....	36, 190
4921642 .....	188	70002418 .....	41	7005811.....	65	7011904.....	119
4921643 .....	72, 188	7000242 .....	25, 27	7005812.....	65	7011942.....	119, 207
4921644 .....	90, 97, 186, 187	7000246 .....	25, 27	7005821.....	65	7011973.....	119
4921645 .....	97, 187	7000248 .....	25, 27	7005874.....	65	7012517.....	115
4921646 .....	111, 191	7000253 .....	25, 27	7005876.....	65	7012518.....	54
4921647 .....	111, 191	7000255 .....	25, 27	7005877.....	65	7012519.....	9
4921650 .....	90, 187	7000256 .....	25, 27	7005878.....	65	7012520.....	9
4921659 .....	85, 187	7000257 .....	25, 27	7005879.....	65	7012521.....	9
4921882 .....	188	7000258 .....	25, 27	7005880.....	65	7012522.....	9
4921980 .....	162, 166	7000259 .....	25, 27	7005881.....	65	7012523.....	9
4921983 .....	192	7000263 .....	25, 27	7007642.....	27	7012541.....	10
4921984 .....	192	7000269 .....	25	7009795.....	53	7012542.....	10
4922039 .....	72, 188	7000270 .....	25	7010461.....	25	7012543.....	10
4922040 .....	188	70003552 .....	29	7010463.....	25	7012546.....	17
4922041 .....	162, 166	70003553 .....	29	7010474.....	27	7012552.....	23
4922042 .....	186	7000625 .....	105, 110	7010481.....	27	7012554.....	23
4922043 .....	189	7001608 .....	139	7010482.....	27	7012566.....	115
4922045 .....	189	7001609 .....	139	7010483.....	27	7012580.....	23, 190
4922056 .....	186	7001610 .....	139	7010484.....	27	7012582.....	23
4922061 .....	85, 187	7001611 .....	139	7010485.....	27	7012583.....	23
4922076 .....	47, 49, 51, 190	7001612 .....	139	7010486.....	27	7012584.....	57
4922078 .....	191	7001613 .....	139	7010489.....	27	7012585.....	57
4922127 .....	97, 187	7001614 .....	139	7010490.....	27	7012587.....	67, 71
4922128 .....	90, 97, 186, 187	7001909 .....	25, 27	7010491.....	27	7012596.....	61, 63
4932577 .....	162	7001911 .....	25	7010537.....	42, 54	7012597.....	61, 63
4932617 .....	162	7001912 .....	25	7010538.....	42, 47, 53, 54, 206	7012608.....	32
4932628 .....	166	7001913 .....	25	7010539.....	42, 47, 53, 54	7012609.....	17
4932659 .....	165, 186	7001923 .....	27	7010540.....	42, 47, 53, 54	7012611.....	67, 71, 115
4932660 .....	166, 189	7001931 .....	25	7010541.....	42, 47, 53, 54	7012612.....	67, 71, 115
4932674 .....	162, 186	7001952 .....	25, 27	7010542.....	42, 47, 53, 54	7012624.....	77
4932675 .....	162, 189	7001985 .....	25, 27	7010543.....	42, 47, 53, 54	7012654.....	57, 61, 63
4932681 .....	117, 162, 166	7002821 .....	192, 213	7010544.....	47	7012655.....	57, 61, 63
4932682 .....	164	7002822 .....	214	7010545.....	47, 53, 123	7012665.....	71
4932683 .....	164	7002823 .....	192, 214	7010546.....	47, 53, 54	7012689.....	23
4932684 .....	164	7002826 .....	214	7010652.....	51		
4932685 .....	164	7002828 .....	192				

## PART NUMBER INDEX

7012691.....23	7013328.....190	7016356.....106, 111	7020633.....39
7012692.....23	7013329.....190	7016360.....10	7020649.....39
7012901.....53	7013331.....190	7016372.....75, 77, 81	7020650.....39
7012903.....54	7013332.....189	7016417.....65	7020658.....39
7012907.....54	7013336.....189	7016618.....190	7020659.....37, 39
7012912.....42, 53, 54	7013700.....41	7016654.....214	7020674.....39
7012914.....53, 54	7013701.....41	7016676.....57, 61, 63	7020687.....37
7012918.....53, 54, 55	7013702.....41	7016682.....57, 63	7020691.....37
7012946.....53, 54	7013703.....41	7016717.....41	7022200.....41
7012947.....53	7013706.....41	7016725.....41	7022202.....41
7012948.....53	7013707.....41	7016739.....41	7022904.....39
7012949.....53	7013708.....41	7016740.....41	7022914.....39
7012951.....42, 53, 54	7013709.....41, 206	7016766.....41	7022916.....39
7012961.....123	7013713.....41	7017401.....53	7022938.....39
7012981.....53, 54	7013715.....41	7017402.....53, 55	7022939.....39
7012997.....53	7013716.....41	7017403.....54	7022961.....37
7012998.....42, 53, 54	7013717.....41	7017433.....53	7022962.....37
7012999.....53	7013719.....41	7017435.....54	7022963.....37
7013301.....189	7013722.....41	7017438.....123	7023484.....57, 63
7013302.....189	7013723.....41	7018500.....35	7026042.....59, 63
7013303.....189	7013727.....41	7018506.....37	7026043.....59, 63
7013306.....189	7013728.....41	7018525.....39	7026609.....23
7013310-30E.....189, 208	7013729.....41	7018538.....36	7027350.....59, 63
7013310-35E.....189	7013733.....41	7018539.....36, 37	7027351.....59, 63
7013310-40E.....189, 208	7013740.....42	7018563.....39	7027352.....59, 63
7013311.....189, 208	7013743.....41	7018569.....36, 208	7027353.....59, 63
7013313.....189	7013744.....41	7018570.....36, 208	7027354.....59, 63
7013314.....189, 207	7013748.....41	7018571.....36, 37	7027356.....59, 63
7013315.....189, 207	7013750.....41	7018572.....35, 36	7027358.....59, 63
7013316.....189	7013770.....42	7018573.....36	7027359.....59, 63
7013317.....189	7014116.....23	7018574.....36	7027360.....59, 63
7013318.....189	7014127.....23	7018577.....39	7027361.....59, 63
7013319.....189	7014128.....23	7019698.....101	7027363.....63
7013320.....190	7014129.....23	7019699.....101	7027730.....57, 61, 63
7013322.....189	7014130.....23	7020175.....67, 71, 115	8896941.....213
7013325.....189	7016319.....75, 77, 81	7020176.....67, 71, 116	90206369.....63
7013326.....190	7016320.....75, 77, 81	7020511.....119	9983829.....13
7013327.....190	7016353.....77	7020624.....35, 36, 37	9983833.....13