



# Illustrated Parts Manual

## **Models 601S**

P/N  
3120747

*September 26, 2012*

**ANSI**



An Oshkosh Corporation Company



## REVISION LOG

March 1998 - Original Issue Of Manual

August 1998 - Revised

April 12, 1999 - Revised (Manual edited to 0010550 Revision 13)

August 6, 1999 - Revised (Manual edited to 0010550 Revision 16)

April 26, 2001 - Revised (Manual edited to 0010550 Revision 31)

(Manual edited to 0010576 Revision 3 With Engine Power Boom Control System)

January 18, 2002 - Revised (Manual edited to 0010576 Revision 11)

May 9, 2002 - Revised (Manual edited to 0010576 Revision 13)

February 27, 2003 - Revised (Manual edited to 0010576 Revision 19)

June 18, 2003 - Revised (Manual edited to 0010576 Revision 22)

September 16, 2003 - Revised (Manual edited to 0010576 Revision 23)

May 28, 2004 - Revised (Manual edited to 0010576 Revision 25)

January 10, 2005 - Revised (Manual edited to 0010576 Revision 25)

August 15, 2005 - Revised (Manual edited to 0010576 Revision 28)

(Manual edited to 0010630 Revision 6 With New Frame)

October 30, 2006 - Revised (Manual edited to 0010630 Revision 9)

April 30, 2007 - Revised (Manual edited to 0010630 Revision 10)

October 15, 2007 - Revised (Manual edited to 0010630 Revision 10)

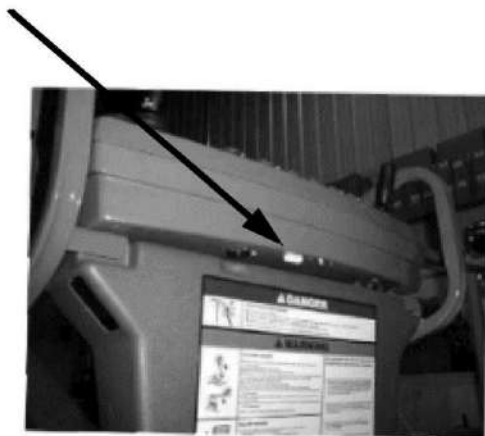
May 1, 2008 - Revised (Manual edited to 0010630 Revision 10)

November 19, 2009 - Revised (Manual edited to 0010630 Revision 10)

September 26, 2012 - Revised (Revision 1)

## ADE SYSTEM IDENTIFICATION

Most 601S machines from SN 62137 incorporate the ADE System, but no clean SN break exist. A machine that incorporates ADE System can be outwardly identified by the analyzer connection at the base of the platform control box as shown by the arrow.







# TABLE OF CONTENTS

SECTION 1 - FRAME.....	7
FIGURE 1-1. 4WD FRONT AXLE AND STEERING INSTALLATIONS (Prior to SN 85132) .....	8
FIGURE 1-2. 4WD FRONT AXLE AND STEERING INSTALLATIONS (SN 85132 to Present) .....	12
FIGURE 1-3. TIRE AND WHEEL DRIVE INSTALLATIONS (Prior to SN 85132) .....	16
FIGURE 1-4. TIRE AND WHEEL DRIVE INSTALLATIONS (SN 85132 to Present) .....	18
FIGURE 1-5. DRIVE HUB ASSEMBLY (Prior to SN 65218) .....	20
FIGURE 1-6. DRIVE HUB ASSEMBLY (SN 65218 through 85131).....	22
FIGURE 1-7. DRIVE HUB ASSEMBLY (SN 85132 to Present).....	24
FIGURE 1-8. DRIVE BRAKE ASSEMBLY (Prior to SN 85132).....	28
FIGURE 1-9. DRIVE MOTOR ASSEMBLY (Prior to SN 85132).....	30
FIGURE 1-10. DRIVE MOTOR ASSEMBLY (4 BOLT ASSEMBLY) (SN 85132 through 98764) .....	32
FIGURE 1-11. DRIVE MOTOR ASSEMBLY (5 BOLT ASSEMBLY) (SN 98765 to Present) .....	34
FIGURE 1-12. FRAME SHIELD INSTALLATION (Prior to SN 85132) .....	36
FIGURE 1-13. DRIVE VALVES AND SHIELDS INSTALLATION (FRAME MOUNTED) (SN 85132 to Present) .....	38
SECTION 2 - TURNTABLE .....	41
FIGURE 2-1. CONTROL VALVES INSTALLATIONS (Prior to SN 85132) .....	42
FIGURE 2-2. CONTROL VALVES INSTALLATIONS (SN 85132 to Present) .....	46
FIGURE 2-3. MAIN CONTROL VALVE ASSEMBLY (Prior to SN 85132).....	50
FIGURE 2-4. MAIN CONTROL VALVE ASSEMBLY (SN 85132 to Present) .....	54
FIGURE 2-5. SWING DRIVE, TURNTABLE BEARING AND LOCK INSTALLATIONS.....	58
FIGURE 2-6. SWING HUB ASSEMBLY .....	62
FIGURE 2-7. SWING BRAKE ASSEMBLY .....	64
FIGURE 2-8. SWING MOTOR ASSEMBLY .....	66
FIGURE 2-9. DEUTZ ENGINE INSTALLATION - 3CYL (Prior to SN 78257) .....	68
FIGURE 2-10. DEUTZ ENGINE INSTALLATION - 3CYL (SN 78257 to Present) .....	76
FIGURE 2-11. DEUTZ ENGINE INSTALLATION - 4CYL (WITHOUT ADE) .....	84
FIGURE 2-12. DEUTZ ENGINE INSTALLATION - 4CYL (WITH ADE) .....	90
FIGURE 2-13. GENERATOR INSTALLATION (DEUTZ ENGINE MODEL - 601S WITH A "ENHANCED HOSTILE ENVIRONMENT PACKAGE") .....	98
FIGURE 2-14. FORD ENGINE INSTALLATION - LRG425 WITH CARBURETOR (Prior to SN 58209) .....	102
FIGURE 2-15. FORD ENGINE INSTALLATION - LRG425 WITH EFI (SN 58209 to Present) .....	108
FIGURE 2-16. DUAL FUEL INSTALLATIONS - FORD LRG425 WITH CARBURETOR (Prior to SN 58209) .....	116
FIGURE 2-17. DUAL FUEL INSTALLATION - FORD LRG425 WITH EFI (SN 58209 to Present) .....	118
FIGURE 2-18. PISTON PUMP ASSEMBLY (Prior to SN 85132) .....	120
FIGURE 2-19. PISTON PUMP ASSEMBLY (SN 85132 to Present).....	124
FIGURE 2-20. PISTON PUMP ASSEMBLY (W/HYDRAULIC WELDER) .....	128
FIGURE 2-21. GEAR PUMP ASSEMBLY .....	132
FIGURE 2-22. GEAR PUMP ASSEMBLY (W/HYDRAULIC WELDER).....	134
FIGURE 2-23. TANK INSTALLATIONS.....	136
FIGURE 2-24. ROTARY COUPLING INSTALLATION (Prior to SN 85132) .....	140
FIGURE 2-25. ROTARY COUPLING INSTALLATION (SN 85132 to Present) .....	142
FIGURE 2-26. GROUND CONTROL BOX ASSEMBLIES (Prior to SN 62137).....	146
FIGURE 2-27. GROUND CONTROL BOX ASSEMBLIES (ADE SYSTEM) (SN 62137 to Present).....	150
FIGURE 2-28. ELECTRICAL OPTIONS INSTALLATION (TURNTABLE MOUNTED).....	154
FIGURE 2-29. HOODS INSTALLATION - MODEL 601S .....	158
FIGURE 2-30. HOODS INSTALLATION - MODEL 601S WITH A "ENHANCED HOSTILE ENVIRONMENT PACKAGE" .....	162
SECTION 3 - BOOM .....	167
FIGURE 3-1. BOOM AND CYLINDER INSTALLATIONS.....	168
FIGURE 3-2. BOOM ASSEMBLIES .....	174
FIGURE 3-3. ROTATOR ASSEMBLY (FRONT ENTRY PLATFORM) .....	178
FIGURE 3-4. ROTATOR ASSEMBLY (SIDE ENTRY PLATFORM) .....	180
FIGURE 3-5. POWER TRACK INSTALLATION - MODEL 601S.....	182
FIGURE 3-6. POWER TRACK INSTALLATION - MODEL 601S WITH A "ENHANCED HOSTILE ENVIRONMENT PACKAGE".....	184
FIGURE 3-7. BOOM WIPERS INSTALLATIONS .....	186
SECTION 4 - PLATFORM.....	189
FIGURE 4-1. PLATFORM COMPONENTS INSTALLATION (FRONT ENTRY PLATFORM) .....	190
FIGURE 4-2. PLATFORM COMPONENTS INSTALLATION - SIDE ENTRY PLATFORM .....	194
FIGURE 4-3. PLATFORM CONSOLE BOX ASSEMBLIES (Prior to SN 62137) .....	198
FIGURE 4-4. PLATFORM CONSOLE BOX ASSEMBLIES - WITH ADE SYSTEM (SN 62137 to Present) .....	204

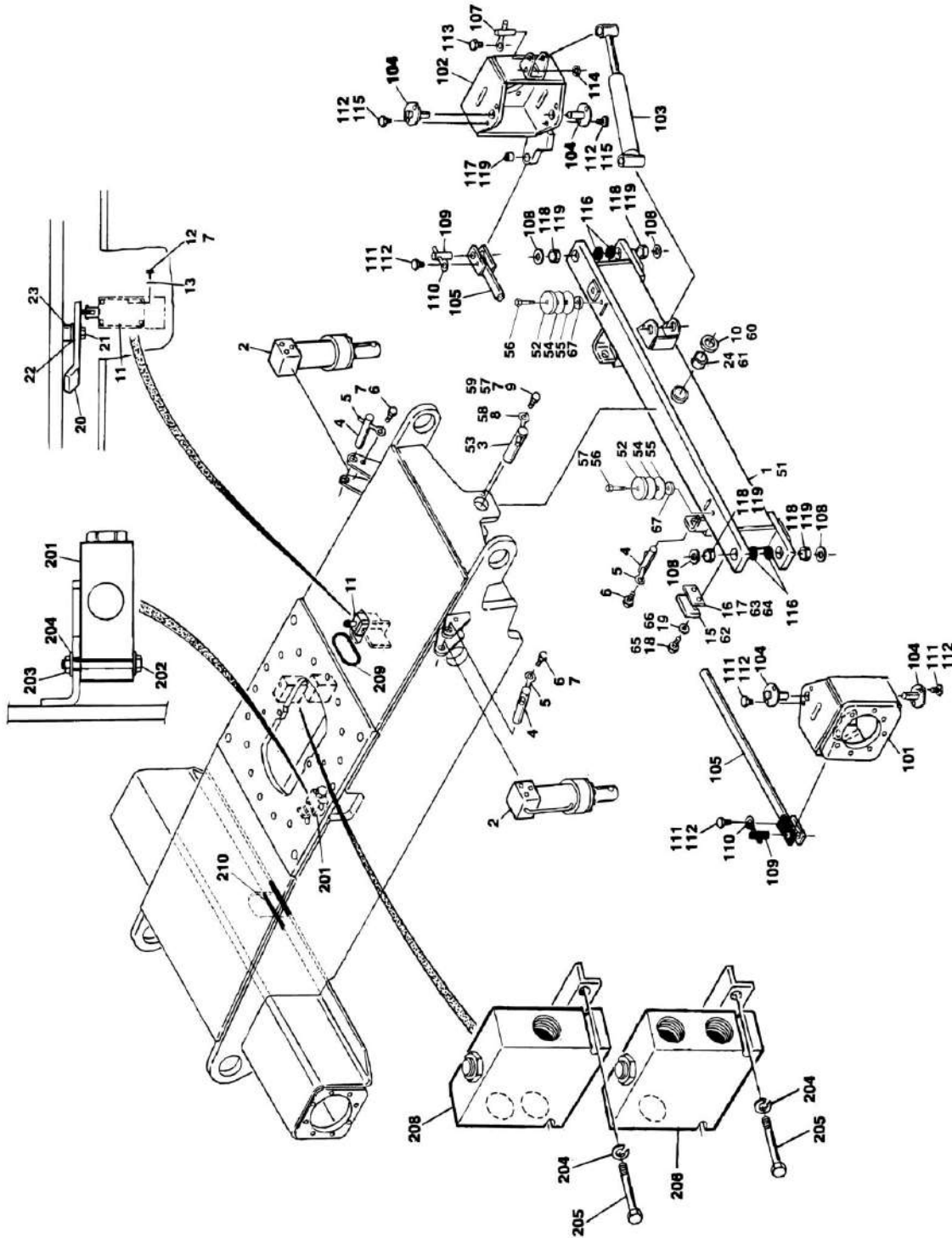
# TABLE OF CONTENTS

FIGURE 4-5. CONTROLLER ASSEMBLY (SWING AND LIFT) (Prior to SN 39653).....	210
FIGURE 4-6. CONTROLLER ASSEMBLY (SWING AND LIFT) (SN 39653 through 62136) .....	212
FIGURE 4-7. CONTROLLER ASSEMBLY (SWING AND LIFT) (WITHOUT ADE SYSTEM) (SN 62137 to Present) .....	214
FIGURE 4-8. CONTROLLER ASSEMBLY (DRIVE AND STEER) (Prior to SN 39653) .....	218
FIGURE 4-9. CONTROLLER ASSEMBLY (DRIVE AND STEER) (SN 39653 through 62136).....	222
FIGURE 4-10. CONTROLLER ASSEMBLY (DRIVE AND STEER) (WITH ADE SYSTEM) (SN 62137 to Present) .....	224
SECTION 5 - CYLINDER.....	227
FIGURE 5-1. AXLE LOCKOUT CYLINDER ASSEMBLY (Prior to SN 85132) .....	228
FIGURE 5-2. AXLE LOCKOUT CYLINDER ASSEMBLY (SN 85132 to Present) .....	230
FIGURE 5-3. PLATFORM LEVEL CYLINDER ASSEMBLY.....	232
FIGURE 5-4. LIFT (BOOM) CYLINDER ASSEMBLY.....	234
FIGURE 5-5. MASTER CYLINDER ASSEMBLY .....	236
FIGURE 5-6. STEER CYLINDER ASSEMBLY (ORIGINAL EQUIPMENT) (Prior to SN 85132).....	238
FIGURE 5-7. STEER CYLINDER ASSEMBLY (ORIGINAL EQUIPMENT) (SN 85132 to Present) .....	240
FIGURE 5-8. STEER CYLINDER ASSEMBLY (SERVICE REPLACEMENT) .....	242
FIGURE 5-9. TELESCOPE CYLINDER ASSEMBLY.....	244
FIGURE 5-10. CYLINDER BELLOWS INSTALLATIONS .....	246
SECTION 6 - HYDRAULIC .....	249
FIGURE 6-1. HYDRAULIC DIAGRAM - DRIVE AND STEER (Prior to SN 85132).....	250
FIGURE 6-2. HYDRAULIC DIAGRAM - DRIVE AND STEER (SN 85132 to Present) .....	254
FIGURE 6-3. HYDRAULIC DIAGRAM - OSCILLATING AXLE (Prior to SN 85132) .....	256
FIGURE 6-4. HYDRAULIC DIAGRAM - OSCILLATING AXLE (SN 85132 to Present).....	258
FIGURE 6-5. HYDRAULIC DIAGRAM - W/HYDRAULIC WELDER (OPTIONAL) .....	260
FIGURE 6-6. HYDRAULIC DIAGRAM - STANDARD (Prior to SN 85132).....	264
FIGURE 6-7. HYDRAULIC DIAGRAM - STANDARD (SN 85132 to Present).....	268
FIGURE 6-8. HYDRAULIC DIAGRAM LIST.....	272
SECTION 7 - ELECTRICAL.....	273
FIGURE 7-1. ELECTRICAL DIAGRAM LIST .....	274
FIGURE 7-2. ELECTRICAL SCHEMATIC - DEUTZ ENGINE MACHINES (Prior to SN 62137) .....	276
FIGURE 7-3. ELECTRICAL SCHEMATIC - FORD ENGINE MACHINES (Prior to SN 58209).....	278
FIGURE 7-4. ELECTRICAL SCHEMATIC - FORD ENGINE MACHINES (SN 58209 through 62136) .....	280
FIGURE 7-5. ELECTRICAL SCHEMATIC - DEUTZ/FORD EFI ENGINE MACHINES (ADE SYSTEM) (W/INTERNAL TILT) (SN 62137 through 99059) .....	282
FIGURE 7-6. ELECTRICAL SCHEMATIC - DEUTZ EMR2 (SN 85132 through 99059) .....	288
FIGURE 7-7. ELECTRICAL SCHEMATIC - DEUTZ TIER 2 (SN 99060 to Present).....	294
FIGURE 7-8. HARNESS COMPONENTS INSTALLATION (Prior to SN 62137) .....	300
FIGURE 7-9. HARNESS COMPONENTS INSTALLATION (WITH ADE SYSTEM) (SN 62137 through 85131) .....	308
FIGURE 7-10. HARNESS COMPONENTS INSTALLATION (DEUTZ EMR2) (SN 85132 to Present).....	316
SECTION 8 - DECALS .....	323
FIGURE 8-1. DECAL INSTALLATION - STANDARD (Prior to SN 87744).....	324
FIGURE 8-2. DECAL INSTALLATION - STANDARD (SN 87744 to Present).....	328
FIGURE 8-3. DECAL INSTALLATION (COUNTRY SPEC) (Prior to SN 87744).....	332
FIGURE 8-4. DECAL INSTALLATION (COUNTRY SPEC) (SN 87744 to Present).....	338
SECTION 9 - RECOMMENDED SERVICE PARTS STOCK.....	345
FIGURE 9-1. MODEL 601S STANDARD PARTS .....	346
FIGURE 9-2. MODEL 601S VARIABLE PARTS .....	348
SECTION 10 - SPECIAL OPTIONS .....	349
FIGURE 10-1. SPECIAL OPTIONS LIST.....	350
FIGURE 10-2. SKY WELDER INSTALLATION.....	352
PART NUMBER INDEX.....	357

**SECTION 1 - FRAME**

# SECTION 1 - FRAME

FIGURE 1-1. 4WD FRONT AXLE AND STEERING INSTALLATIONS (Prior to SN 85132)



# SECTION 1 - FRAME

**FIGURE 1-1. 4WD FRONT AXLE AND STEERING INSTALLATIONS (Prior to SN 85132)**

ITEM	PART NUMBER	QTY	DESCRIPTION	REV
		Ref	<b>FRAME WELDMENT OPTIONS:</b>	
	2360462	1	Frame Weldment (4WD) - Model 601S	
	2360504	1	Frame Weldment (4WD) - Model 601S With "Enhanced Hostile Environment Package"	
		Ref	<b>OSCILLATING AXLE INSTALLATION Options:</b>	
	0257895	Ref	<b>ANSI MACHINES - MODEL 601S (Prior to SN 41861)</b>	5
	0257896	Ref	<b>ANSI MACHINES - MODEL 601S (SN 41861 through 85131)</b>	8
	0257896	Ref	<b>CSA MACHINES - MODEL 601S</b>	7
	0258994	Ref	<b>MODEL 601S with "Enhanced Hostile Environment Package"</b>	3
1	4845651	1	Axle Weldment	
2	1683280	2	Lockout Cylinder Assembly (See CYLINDER SECTION for Breakdown)	
3		Ref	Pin, Axle Pivot Options:	
3	3422592	1	ANSI (Was P/N 3422431) <b>(Prior to SN 41861)</b>	
3	3422592	1	ANSI <b>(SN 41861 through 85131)</b>	
3	3422592	1	CSA	
4	3422426	4	Pin, Cylinder	
5	3841143	4	Keeper, Pin	
6	0641608	4	Bolt 3/8in-16NC x 1in	
7	0100011	AR	Loctite #242	
8	3841258	1	Keeper	
9	0642012	1	Bolt 5/8in-11NC x 1 1/2in	
10	4740158	1	Thrustwasher	
11	4640871	1	Valve, Cam	
11	7012693	1	Seal Kit - 4640871 Valve	
12	0641414	4	Bolt 1/4in-20NC x 1 3/4in	
13	4711400	AR	Flatwasher 1/4in Narrow	
15	3538047	2	Plate, Axle Wear	
16	4070878	AR	Shim (.06)	
17	4070879	AR	Shim (.12)	
18	0641608	4	Bolt 3/8in-16NC x 1in	
19	4711600	4	Flatwasher 3/8in Narrow	
20		Ref	Cam Options:	
20	1100086	1	Cam Model 601S	
20	1100111	1	Cam Model 601S with "Enhanced Hostile Environment Package"	
21	0641814	2	Bolt 1/2in-13NC x 1 3/4in	
22	4751800	AR	Flatwasher 1/2in	
23	4567540	3	Tube, Spacer <b>(Prior to SN 37771)</b>	
24	0961950	2	Bushing, Garmax	
	0259414	Ref	<b>FIXED AXLE INSTALLATION (SN 43310 through 85131)</b>	1-B
51	4845651	1	Axle Weldment	
52	3539877	2	Plate, Stop	
53	3422592	1	Pin, Axle Pivot	
54	4070944	AR	Shim	
55	4070945	AR	Shim	
56	0641826	2	Bolt 1/2in-13NC x 3 1/4in	
57	0100011	AR	Loctite #242	
58	3841258	1	Keeper	
59	0642012	1	Bolt 5/8in-11NC x 1 1/2in	

# SECTION 1 - FRAME

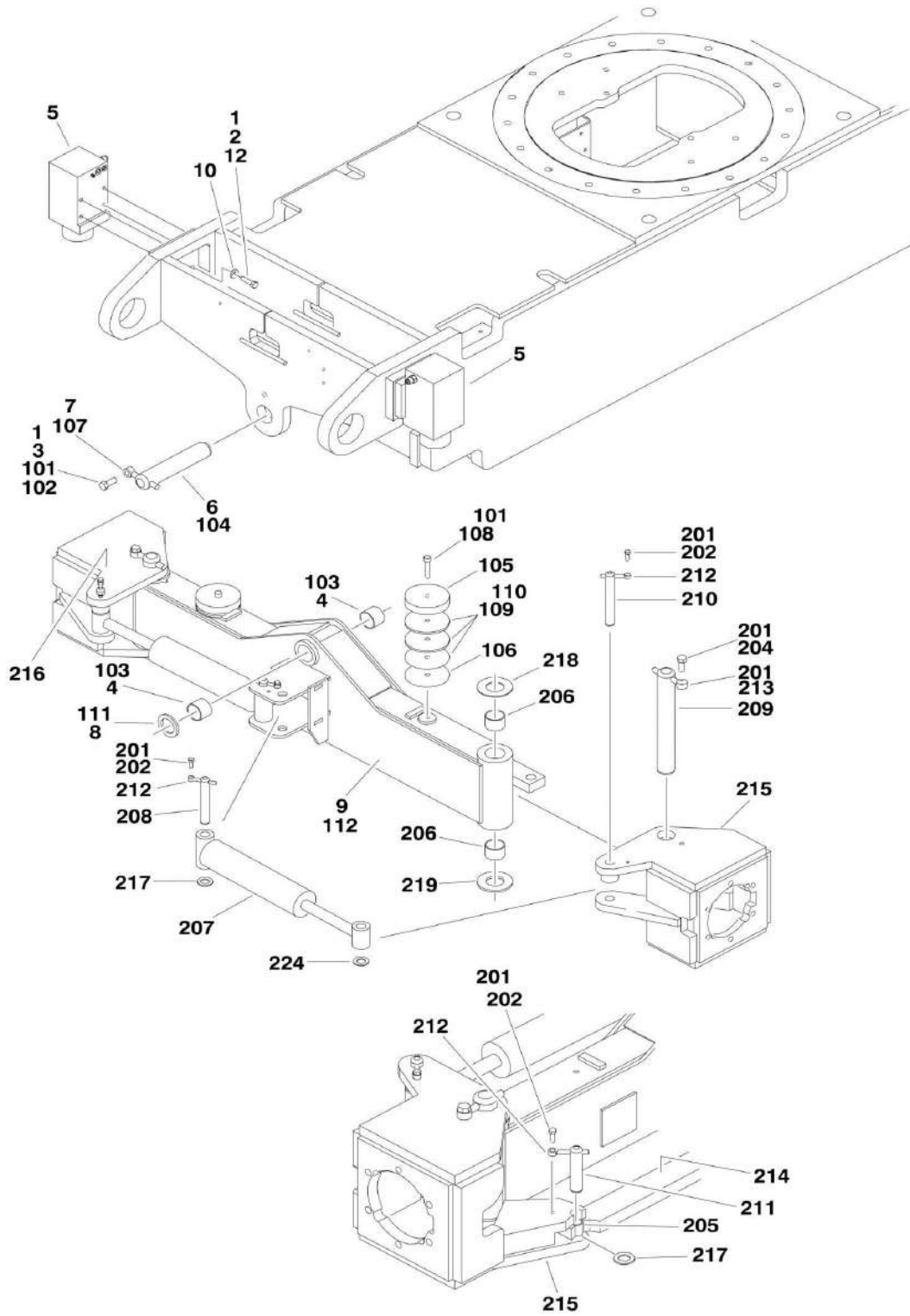
ITEM	PART NUMBER	QTY	DESCRIPTION	REV
60	4740158	1	Thrustwasher	
61	0961950	2	Bushing, Garmax	
62	3538047	2	Plate, Axle Wear	
63	4070878	AR	Shim (.06)	
64	4070879	AR	Shim (.12)	
65	0641608	4	Bolt 3/8in-16NC x 1in	
66	4711600	4	Flatwasher 3/8in Narrow	
67	3571593	2	Plate, Stop	
		Ref	<b>STEERING INSTALLATIONS</b>	
	0257901	Ref	<b>ANSI MACHINES (Prior to SN 41861)</b>	3
	0257902	Ref	<b>ANSI MACHINES (SN 41861 through 85131)</b>	4
	0257902	Ref	<b>CSA MACHINES</b>	4
101	4130362	1	Spindle Weldment (RH)	
102	4130365	1	Spindle Weldment (LH)	
103	1683616	2	Steer Cylinder Assembly (See CYLINDER SECTION for Breakdown)	
104		Ref	Kingpin Options:	
104	3422590	4	ANSI (Was P/N 3422492) <b>(Prior to SN 41861)</b>	
104	3422590	4	ANSI <b>(SN 41861 through 43440)</b>	
104	3422590	4	CSA	
104	3422802	4	ANSI <b>(SN 43441 through 85131)</b>	
104	3422802	4	CSA	
105	3841285	1	Tie-Rod	
106	3422426	1	Pin, Steer Cylinder	
107	3422429	1	Pin, Steer Cylinder	
108	0440161	4	Thrustwasher	
109	3422430	2	Pin, Attach	
110	3841143	4	Pin, Keeper	
111	0641608	3	Bolt 3/8in-16NC x 1in	
112	0100011	AR	Loctite #242	
113	0641610	1	Bolt 3/8in-16NC x 1 1/4in	
114	3311605	1	Locknut 3/8in-16NC	
115	0641608	8	Bolt 3/8in-16NC x 1in	
116	1670752	4	Cover, King Pin <b>(Prior to SN 43441)</b>	
117	0962005	2	Bushing	
118		Ref	Bearing, Garmax Options:	
118	0961948	4	Bearing, Garmax <b>(Prior to SN 44946)</b>	
118	0962272	4	Bearing, Garmax <b>(SN 44946 through 85131)</b>	
119	0100063	AR	Loctite RC-609	
		Ref	<b>DRIVE VALVE INSTALLATION - 4WD OPTIONS:</b>	
	0257907	Ref	<b>Drive Valve Installation - 4WD (Prior to SN 56791)</b>	4
	0270126	Ref	<b>Drive Valve Installation - 4WD (SN 56791 through 65217)</b>	1
	0271684	Ref	<b>Drive Valve Installation - 4WD (SN 65218 through 85131)</b>	3
201	4641052	1	Valve, Flow Divider	
201	7020049	1	Cartridge	
201	7020051	1	Seal Kit	
201	7020050	1	Plug, Orifice	
202	0641522	4	Bolt 5/16in-18NC x 2 5/8in	
203	3311505	4	Locknut 5/16in-18NC	
204	4751500	10	Flatwasher 5/16in	
205	0641520	2	Bolt 5/16in-18NC x 2 1/2in	
207	0100011	AR	Loctite #242	

**SECTION 1 - FRAME**

ITEM	PART NUMBER	QTY	DESCRIPTION	REV
208	4641051	2	Valve, Flow Divider 4WD	
208	7020047	1	Cartridge (1 Per Valve)	
208	7020051	1	Seal Kit	
208	7020048	1	Plug, Orifice	
209	4060808	AR	Flex Trim	
210	4060807	1.6 ft/.49m	Flex Trim <b>(Prior to SN 67821)</b>	

# SECTION 1 - FRAME

## FIGURE 1-2. 4WD FRONT AXLE AND STEERING INSTALLATIONS (SN 85132 to Present)





## SECTION 1 - FRAME

**FIGURE 1-2. 4WD FRONT AXLE AND STEERING INSTALLATIONS (SN 85132 to Present)**

ITEM	PART NUMBER	QTY	DESCRIPTION	REV
		Ref	<b>FRAME WELDMENT OPTIONS:</b>	
	2360699	1	Frame Weldment (4WD) - Model 601S	
	2360706	1	Frame Weldment (4WD) - Model 601S With a "Enhanced Hostile Environment Package"	
	0273081	Ref	<b>AXLE INSTALLATIONS - OSCILLATING</b>	F
1	0100011	AR	Loctite #242	
2	0641814	8	Bolt 1/2in-13NC x 1 3/4in	
3	0642012	1	Bolt 5/8in-11NC x 1 1/2in	
4	0961950	2	Bearing	
5		Ref	Lockout Cylinder Assembly Options (See CYLINDER SECTION for Breakdown):	
5	1684280	2	Lockout Cylinder Assembly ( <b>Prior to SN 89729</b> )	
5	1684465	2	Lockout Cylinder Assembly ( <b>SN 89729 to Present</b> )	
6	3422592	1	Pin, Pivot	
7	3841258	1	Keeper, Pin	
8	4740158	1	Thrustwasher	
9	4846814	1	Axle Weldment	
10	4891800	8	Flatwasher 1/2in Hardened	
12	0100038	AR	Primer #7471	
	0273226	Ref	<b>AXLE INSTALLATIONS - FIXED</b>	A
101	0100011	AR	Loctite #242	
102	0642012	1	Bolt 5/8in-11NC x 1 1/2in	
103	0961950	2	Bearing	
104	3422592	1	Pin, Pivot	
105	3539877	2	Plate, Stop	
106	3539878	2	Plate, Stop	
107	3841258	1	Keeper, Pin	
108	3931840	2	Screw 1/2in-13NC x 2 1/2in	
109	4070944	4	Shim (.06)	
110	4070945	4	Shim (.25)	
111	4740158	1	Thrustwasher	
112	4846814	1	Axle Weldment	
	0273080		<b>STEERING INSTALLATIONS</b>	F
201	0100011	AR	Loctite #242	
202	0641608	6	Bolt 3/8in-16NC x 1in	
204	0642012	2	Bolt 5/8in-11NC x 1 1/2in	
205	0961977	2	Bushing	
206	0962131	4	Bearing	
207		Ref	Steer Cylinder Assembly Options (See CYLINDER SECTION for Breakdown):	
207	1683208	2	Original Equipment	
207	1001097242	2	Service Replacement	
208	3422326	2	Pin, Steer Cylinder	
209	3422900	2	Kingpin	
210	3422902	2	Pin, Steer Cylinder	
211	3422903	2	Pin, Tie-Rod	
212	3841143	6	Shaft, Keeper	
213	3841258	2	Shaft, Keeper	
214	3841510	1	Tie-Rod	
215	4130394	1	Spindle - Left Side	

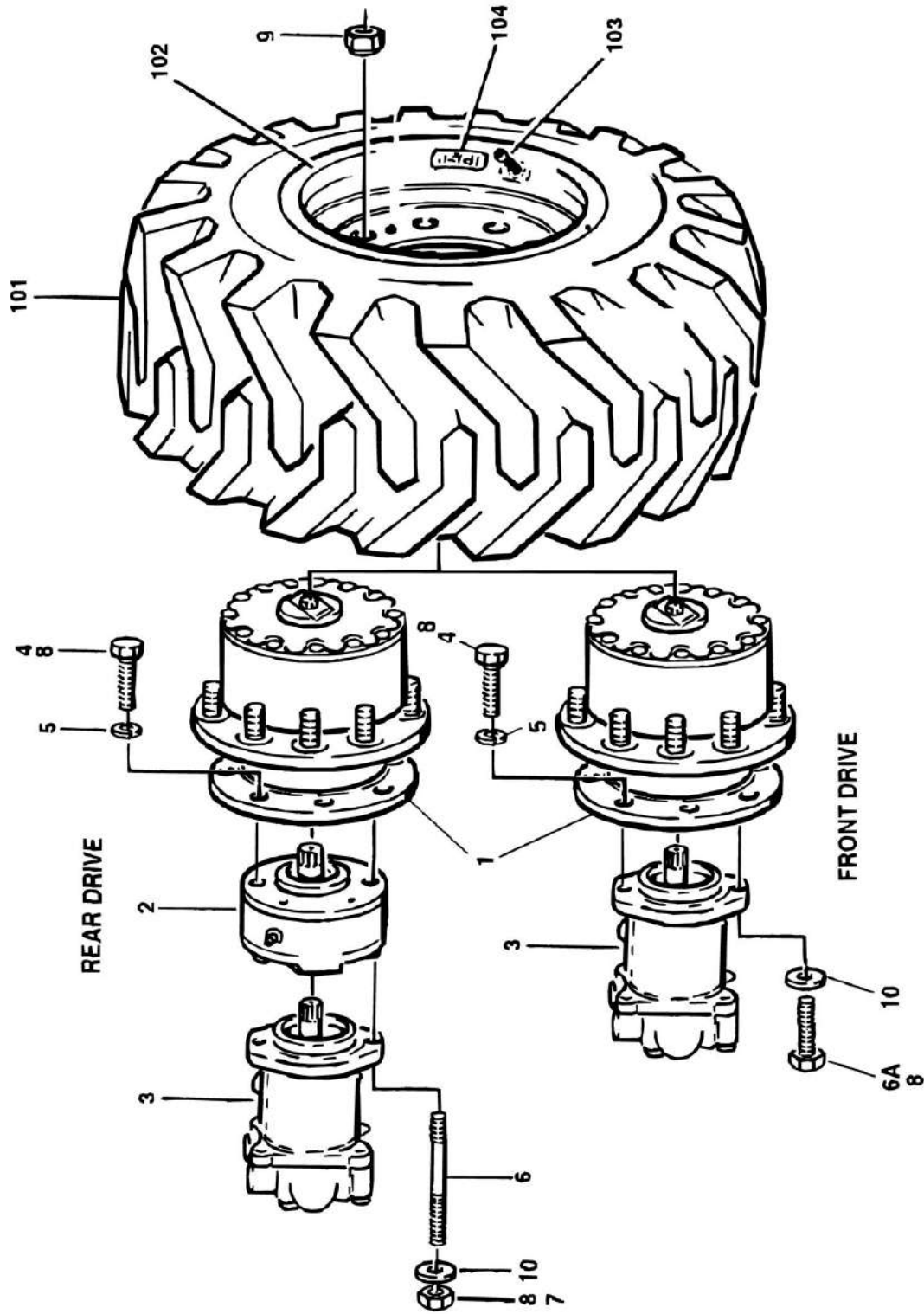
## SECTION 1 - FRAME

ITEM	PART NUMBER	QTY	DESCRIPTION	REV
216	4130395	1	Spindle - Right Side	
217	4740111	6	Thrustwasher	
218	4740256	2	Thrustwasher	
219	4740263	2	Thrustwasher	



# SECTION 1 - FRAME

FIGURE 1-3. TIRE AND WHEEL DRIVE INSTALLATIONS (Prior to SN 85132)



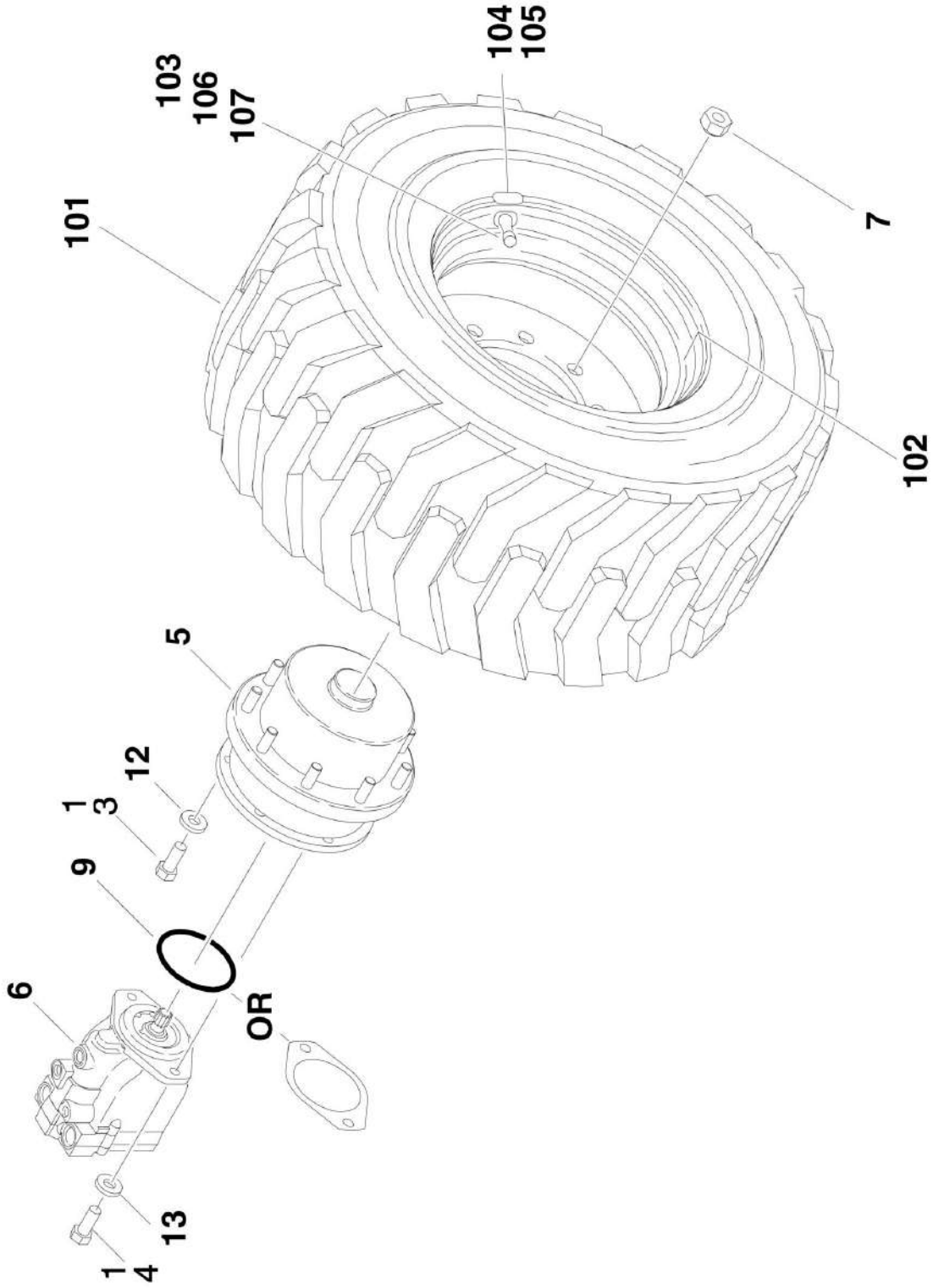
## SECTION 1 - FRAME

**FIGURE 1-3. TIRE AND WHEEL DRIVE INSTALLATIONS (Prior to SN 85132)**

ITEM	PART NUMBER	QTY	DESCRIPTION	REV
		Ref	<b>WHEEL DRIVE INSTALLATION (4WD) OPTIONS:</b>	
	0257907	Ref	<b>Wheel Drive Installation (4WD) (Prior to SN 56791)</b>	4-C
	0270126	Ref	<b>Wheel Drive Installation (4WD) (SN 56791 through 65217)</b>	1-A
	0271684	Ref	<b>Wheel Drive Installation (4WD) (SN 65218 through 85131)</b>	2-B
1		Ref	Drive Hub Assembly Options:	
1	2780213	4	Drive Hub Assembly (See DRIVE HUB ASSEMBLY for Breakdown) <b>(Prior to SN 65218)</b>	
1	2780252	4	Drive Hub Assembly (See DRIVE HUB ASSEMBLY for Breakdown) <b>(SN 65218 through 85131)</b>	
2		Ref	Drive Brake Assembly Options (See DRIVE BRAKE ASSEMBLY for Breakdown):	
2	0920112	2	Drive Brake Assembly <b>(Prior to SN 56791)</b>	
2	0920117	2	Drive Brake Assembly <b>(SN 56791 through 85131)</b>	
3	3160204	4	Drive Motor Assembly (See DRIVE MOTOR ASSEMBLY for Breakdown)	
		Ref	<b>Note: Adjustment required when replacing complete motor. (See Service Manual for Adjustments)</b>	
4	0682016	32	Bolt 1/2in-11NC x 2in (Grade 8)	
5	4712000	32	Flatwasher 5/8in	
6	4300092	4	Stud (2 Per Wheel) <b>(Prior to SN 56791)</b>	
6	4300097	4	Stud (2 Per Wheel) <b>(SN 56791 through 85131)</b>	
6A	0641811	4	Bolt 5/8in-13NC x 3/4in (2 Per Wheel)	
7	3311801	4	Nut 1/2in-13NC (2 Per Wheel)	
8	0100011	AR	Loctite #242	
9	3300106	32	Nut, Wheel	
10	4891800	8	Flatwasher 1/2in	
		Ref	<b>TIRE AND WHEEL INSTALLATIONS</b>	
	0255420	Ref	<b>14-17.5 Pneumatic (Prior to SN 65351)</b>	-
	0271612	Ref	<b>14-17.5 Pneumatic (SN 65351 through 85131)</b>	1
	0255421	Ref	<b>14-17.5 Foam-Filled (Prior to SN 65351)</b>	-
	0271613	Ref	<b>14-17.5 Foam-Filled (SN 65351 through 85131)</b>	1
	0255514	2	14-17.5 Pneumatic Left Side <b>(Prior to SN 65351)</b>	
	0271608	2	14-17.5 Pneumatic Left Side <b>(SN 65351 through 85131)</b>	
	0255513	2	14-17.5 Pneumatic Right Side <b>(Prior to SN 65351)</b>	
	0271609	2	14-17.5 Pneumatic Right Side <b>(SN 65351 through 85131)</b>	
	0255606	2	14-17.5 Foam-Filled Left Side <b>(Prior to SN 65351)</b>	
	0271610	2	14-17.5 Foam-Filled Left Side <b>(SN 65351 through 85131)</b>	
	0255605	2	14-17.5 Foam-Filled Right Side <b>(Prior to SN 65351)</b>	
	0271611	2	14-17.5 Foam-Filled Right Side <b>(SN 65351 through 85131)</b>	
		Ref	<b>Note: Assemblies may require ballast/foam filling to manufacturer's specifications prior to installing on a machine. Refer to Operation and Safety or Service and Maintenance Manuals. Purchase individual tire and/or rim only if able to foam fill tire and wheel assembly, otherwise, purchase complete assembly.</b>	
101		Ref	Tire 14-17.5 Options:	
101	4520171	1	Tire 14-17.5 <b>(Prior to SN 65351)</b>	
101	4520259	1	Tire 14-17.5 <b>(SN 65351 through 85131)</b>	
102	4860158	1	Rim, Wheel	
103	4640113	1	Valve, Air	
104	1702740	1	Decal - 95 PSI	

# SECTION 1 - FRAME

FIGURE 1-4. TIRE AND WHEEL DRIVE INSTALLATIONS (SN 85132 to Present)



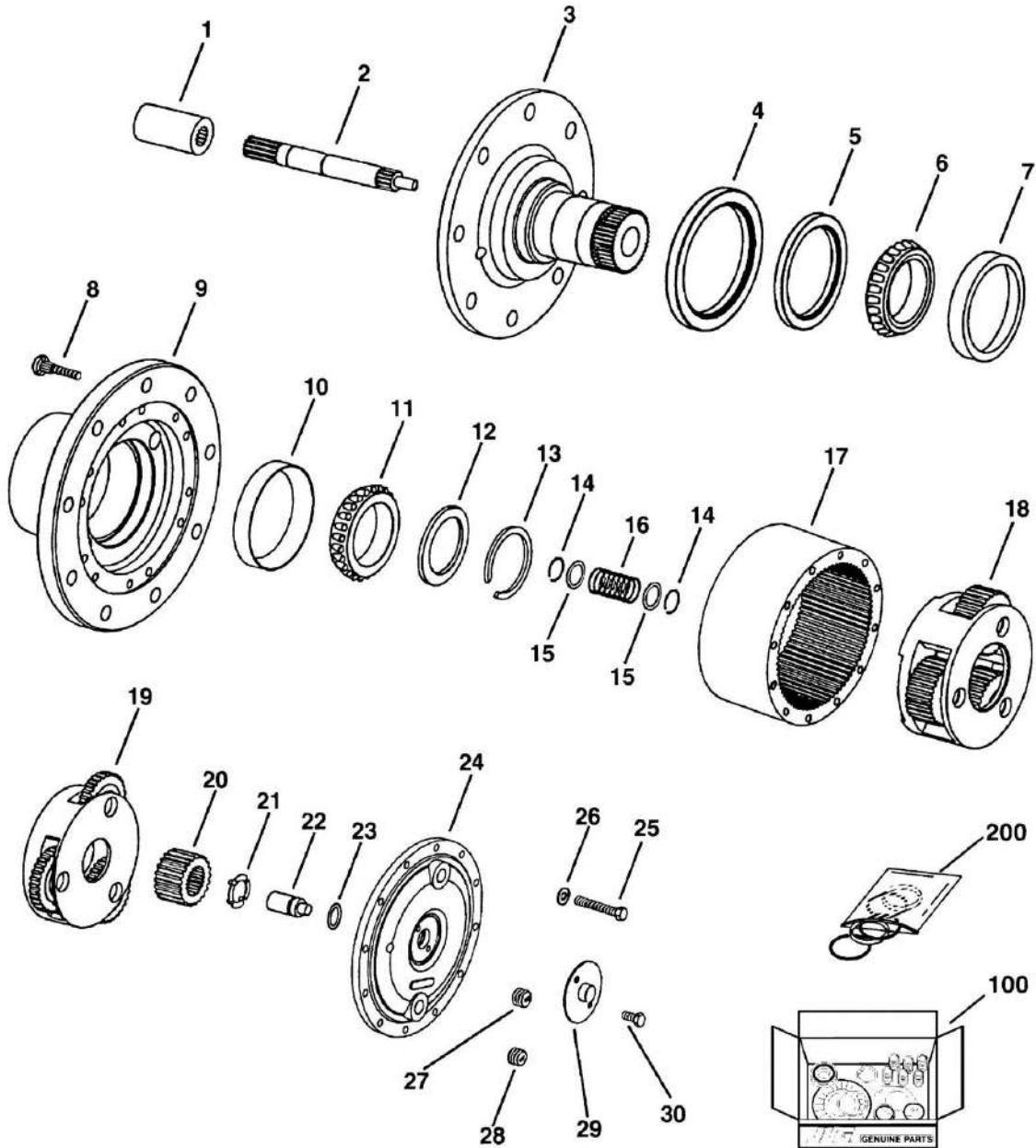
## SECTION 1 - FRAME

**FIGURE 1-4. TIRE AND WHEEL DRIVE INSTALLATIONS (SN 85132 to Present)**

ITEM	PART NUMBER	QTY	DESCRIPTION	REV
	0273048	Ref	<b>WHEEL DRIVE INSTALLATION (4WD)</b>	J
1	0100011	AR	Loctite #242	
3	0681810	8	Bolt 1/2in-13NC x 1 1/4in (Grade 8)	
4	0682016	24	Bolt 5/8in-11NC x 2in (Grade 8)	
5	2780269	4	Drive Hub Assembly (See DRIVE HUB ASSEMBLY for Breakdown)	
6	3160350	4	Drive Motor Assembly (Prior to SN 98765 p/n was 3160300 - See DRIVE MOTOR ASSEMBLY for Breakdown) (SN 98765 to Present p/n 3160350 - See DRIVE MOTOR ASSEMBLY for Breakdown)	
7	3300106	36	Nut, Wheel	
9		Ref	Hardware Options:	
9	3790045	4	O-Ring <b>(Prior to SN 102229)</b>	
9	3960526	4	Gasket <b>(SN 102229 to Present)</b>	
12	4891800	8	Flatwasher 1/2in	
13	4740393	24	Flatwasher 5/8in Hardened	
		Ref	<b>TIRE AND WHEEL INSTALLATIONS</b>	
	4520328	Ref	<b>IN355/55D625 Pneumatic</b>	1
	4520346	Ref	<b>IN355/55D625 Foam-Filled</b>	1
		Ref	<b>Note: Assemblies may require ballast/foam filling to manufacturer's specifications prior to installing on a machine. Refer to Operation and Safety or Service and Maintenance Manuals. Purchase individual tire and/or rim only if able to foam fill tire and wheel assembly, otherwise, purchase complete assembly.</b>	
	4520289	2	IN355/55D625 Pneumatic Left Side	
	4520290	2	IN355/55D625 Pneumatic Right Side	
	4520344	2	IN355/55D625 Foam-Filled Left Side	
	4520345	2	IN355/55D625 Foam-Filled Right Side	
101	4520288	1	Tire 14-17.5 Options:	
102	4860287	1	Rim, Wheel	
103	4640113	1	Valve, Air	
104	1702740	1	Decal - 95 PSI	

# SECTION 1 - FRAME

## FIGURE 1-5. DRIVE HUB ASSEMBLY (Prior to SN 65218)





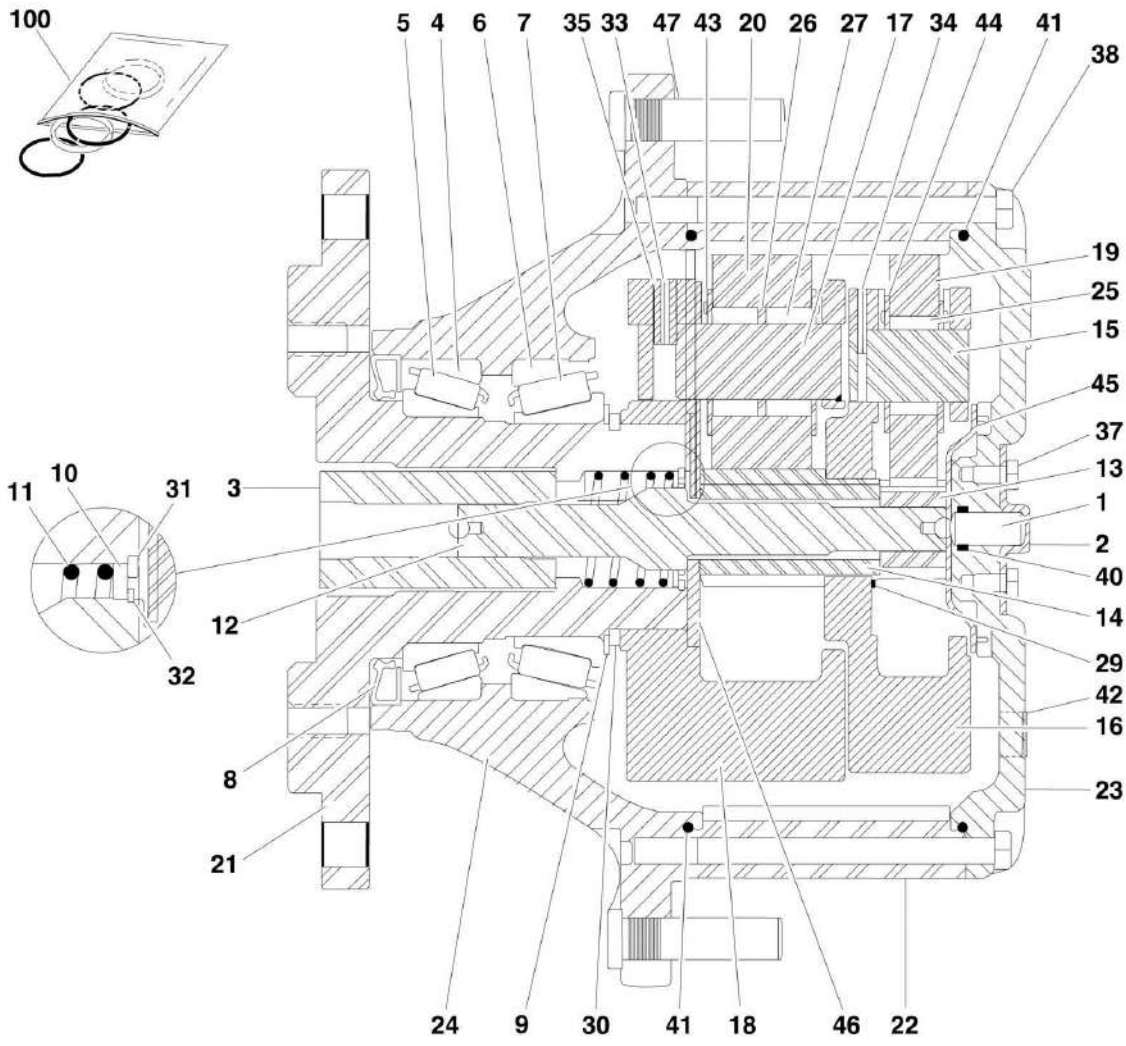
## SECTION 1 - FRAME

**FIGURE 1-5. DRIVE HUB ASSEMBLY (Prior to SN 65218)**

ITEM	PART NUMBER	QTY	DESCRIPTION	REV
	2780213	Ref	<b>DRIVE HUB ASSEMBLY</b>	B
1	7014700	1	Coupling - 13 Teeth	
2	7014701	1	Shaft, Input - 13 Teeth	
3	7014702	1	Spindle	
4	7014728	1	Seal, Boot	
5	7014703	1	Seal, Oil	
6	7014704	1	Cone, Bearing	
7	7014705	1	Cup, Bearing	
8	7014727	8	Bolt, Wheel	
9	7014706	1	Hub	
10	7014707	1	Cup, Bearing	
11	7014708	1	Cone, Bearing	
12	7001711	1	Thrustwasher	
13	7014709	1	Ring, Retaining Kit	
14	7014711	2	Ring, Retaining	
15	7014712	2	Thrustwasher	
16	7014710	1	Spring	
17	7014713	1	Gear, Ring	
18	7014714	1	Secondary Carrier Assembly	
19	7014715	1	Primary Carrier Assembly	
20	7014716	1	Gear, Sun - 15 Teeth	
21	7014722	1	Thrustwasher	
22	7014717	1	Plunger, Disengage	
23	7014718	1	O-Ring	
24	7014719	1	Cover, Hub	
25	7014721	12	Bolt	
26	7014720	12	Flatwasher	
27	7014725	1	Plug, Magnetic	
28	7014726	1	Plug, Pipe	
29	7014723	1	Cover, Disengage	
30	7014724	2	Bolt	
100	7014729	1	Bearing and Seal Kit (Includes Items 5, 6, 7, 10, 11 & 13)	
200	7014730	1	Seal Kit (Includes Items 5 & 13)	

# SECTION 1 - FRAME

## FIGURE 1-6. DRIVE HUB ASSEMBLY (SN 65218 through 85131)



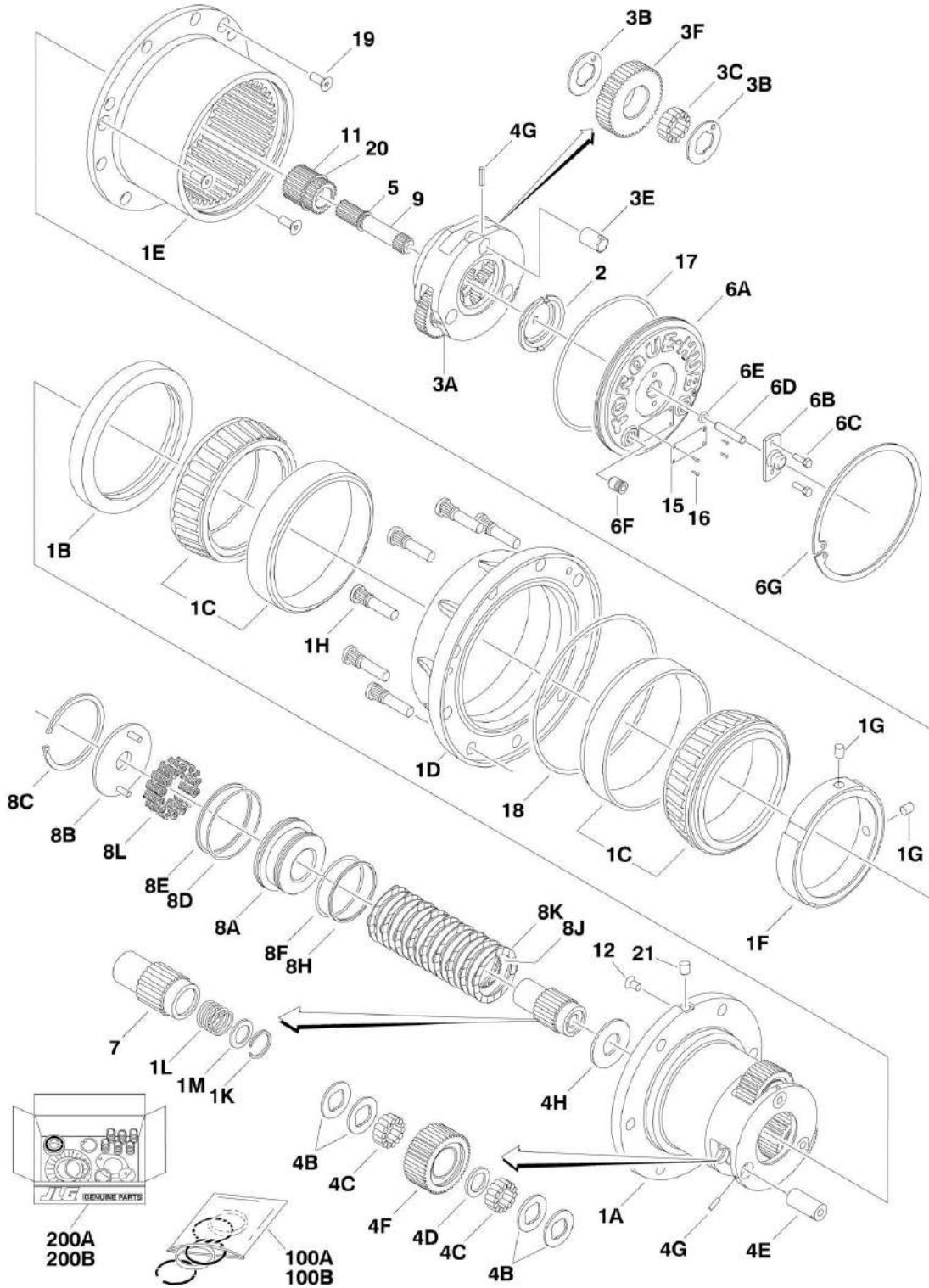
## SECTION 1 - FRAME

**FIGURE 1-6. DRIVE HUB ASSEMBLY (SN 65218 through 85131)**

ITEM	PART NUMBER	QTY	DESCRIPTION	REV
	2780252	Ref	<b>DRIVE HUB ASSEMBLY</b>	B
1	7017029	1	Rod, Disengage	
2	7017093	1	Cover, Disengage	
3	7000290	1	Coupling	
4	7000272	1	Cup, Bearing	
5	7000273	1	Cone, Bearing	
6	7000274	1	Cup, Bearing	
7	7000275	1	Cone, Bearing	
8	7000236	1	Seal, Lip	
9	7000239	1	Thrustwasher	
10	7000282	1	Thrustwasher	
11	7000283	1	Spring	
12	7024157	1	Shaft, Input	
13	7024158	1	Gear, Sun	
14	7024159	1	Gear, Sun	
15	7024160	3	Shaft, Planet	
16	7024161	1	Carrier	
17	7024162	3	Shaft, Planet	
18	7024163	1	Carrier (Make Version)	
19	7024164	3	Gear, Planet (Make Version)	
20	7024165	3	Gear, Planet (Make Version)	
21	7024166	1	Spindle (Make Version)	
22	7024167	1	Gear, Ring	
23	7024168	1	Cover, Plate	
24	7024169	1	Housing	
25	7024170	57	Bearing, Needle	
26	7024171	3	Thrustwasher	
27	7024172	108	Bearing, Needle	
29	7024173	1	Ring, Retaining - Ext	
30	7000240	1	Ring, Retaining - Ext	
31	7000284	1	Ring, Retaining - Int	
32	7000285	1	Ring, Retaining - Ext	
33	7001906	3	Pin, Roll	
34	7024174	3	Pin, Roll	
35	7024175	3	Pin, Spring	
36	7017047	2	Pin, Dowel (Not Shown)	
37	7000216	2	Bolt 1/4in-20NC x 1/2in	
38	7024176	20	Bolt 3/8in-16NC x 5 1/2in (Grade 8)	
40	7000213	1	O-Ring	
41	7024177	2	O-Ring	
42	7017094	2	Plug, Pipe	
43	7024178	6	Thrustwasher	
44	7024179	6	Thrustwasher	
45	7024180	1	Spacer, Thrust	
46	7024181	1	Thrustwasher	
47	7007640	8	Stud, Wheel	
100	7024745	1	Seal Kit - 2780252 Drive Hub	

# SECTION 1 - FRAME

## FIGURE 1-7. DRIVE HUB ASSEMBLY (SN 85132 to Present)



## SECTION 1 - FRAME

**FIGURE 1-7. DRIVE HUB ASSEMBLY (SN 85132 to Present)**

ITEM	PART NUMBER	QTY	DESCRIPTION	REV
	2780269	Ref	<b>DRIVE HUB/BRAKE ASSEMBLY</b>	B
1	Not Available	1	Spindle/Housing Assembly	
1A	7024729	1	Spindle	
1B	70001119	1	Seal	
1C	7024735	2	Bearing (Includes Cup and Cone)	
1D	Not Available	1	Housing	
1E	7024730	1	Ring, Gear	
1F	Item 100A	1	Nut, Bearing	
1G	See Note	2	Setscrew 1/4in-28NF x 1/2in (Note: Part of Items 100A, 100B, 200A & 200B)	
1H	7024732	9	Stud, Wheel	
1K	7024125	1	Ring, Retaining	
1L	7024124	1	Spring	
1M	7024129	1	Thrustwasher	
2	7024741	1	Thrustwasher	
3	Not Available	1	Carrier Assembly	
3A	7024725	1	Carrier	
3B	7024127	6	Thrustwasher	
3C	7024733	42	Bearing, Needle	
3E	7024724	3	Shaft, Planet	
3F	7024727	3	Gear, Planet	
4	Not Available	1	Planet Gear Sub-Assembly	
4B	7024740	12	Thrustwasher	
4C	7024734	84	Bearing, Needle	
4D	7024736	3	Spacer, Thrust	
4E	7024726	3	Shaft, Planet	
4F	7024728	3	Gear, Planet	
4G	7001913	6	Rollpin	
4H	7024742	1	Thrustwasher	
5	7017027	1	Ring, Retaining	
6	Not Available	1	Cover Assembly	
6A	7024731	1	Plate, Cover	
6B	7017093	1	Cap, Disengage	
6C	7000216	2	Bolt 1/2in-20NC x 1/2in	
6D	7024739	1	Pin, Dowel	
6E	7017095	1	O-Ring	
6F	7017072	2	O-Ring	
6G	7024738	1	Ring, Retaining	
7	7024722	1	Coupling	
8	Not Available	1	Brake, Input	
8A	70000782	1	Piston, Brake	
8B	7024743	1	Plate, Pressure	
8C	See Note	1	Ring, Retaining (Note: Use Item 100B, 200A or 200B)	
8D	See Note	1	O-Ring (Note: Use Item 100B or 200A)	
8E	See Note	1	Ring, Back-up (Note: Use Item 100B or 200A)	
8F	See Note	1	O-Ring (Note: Use Item 100B or 200A)	
8H	See Note	1	Ring, Back-up (Note: Use Item 100B or 200A)	
8J	Item 200A	8	Rotor, Brake	
8K	Item 200A	9	Stator, Brake	
8L	Item 200B	AR	Spring, Brake	

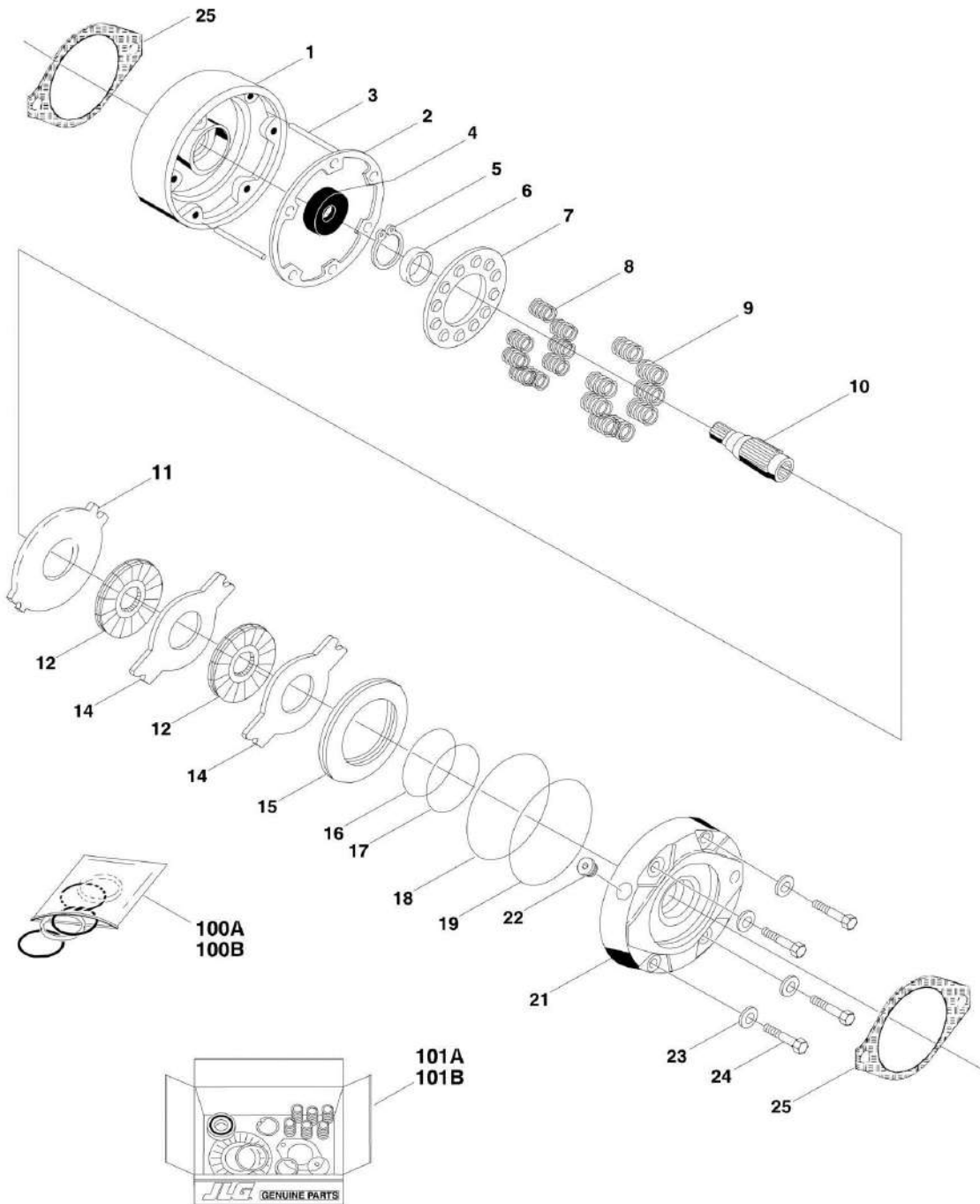
## SECTION 1 - FRAME

ITEM	PART NUMBER	QTY	DESCRIPTION	REV
9	7024721	1	Shaft, Input	
11	7024723	1	Gear, Sun	
12	Not Available	1	Plug	
15	Not Available	1	Plate, ID (Not Shown)	
16	7000281	4	Screw, Drive	
17	7024134	1	O-Ring	
18	Item 100A	1	O-Ring	
19	7017022	3	Screw, Countersunk 3/8in-16NC	
20	7024737	1	Ring, Retaining	
21	Not Available	1	Plug	
100		Ref	Seal Kit Options:	
100A	7024744	1	Hub Seal Kit - Hub (Includes Items 1B, 1F, 1G, 17, 18 & 19)	
100B	7024765	1	Brake Seal Kit (Includes Items 1G, 8C, 8D, 8E, 8F & 8H)	
200		Ref	Seal Kit Options:	
200A	7024764	1	Brake Lining Kit (Includes Items 1G, 8C, 8D, 8E, 8F, 8H, 8J & 8K)	
200B	7024766	1	Brake Spring Kit (Includes Items 1G, 8C & 8L)	



# SECTION 1 - FRAME

## FIGURE 1-8. DRIVE BRAKE ASSEMBLY (Prior to SN 85132)





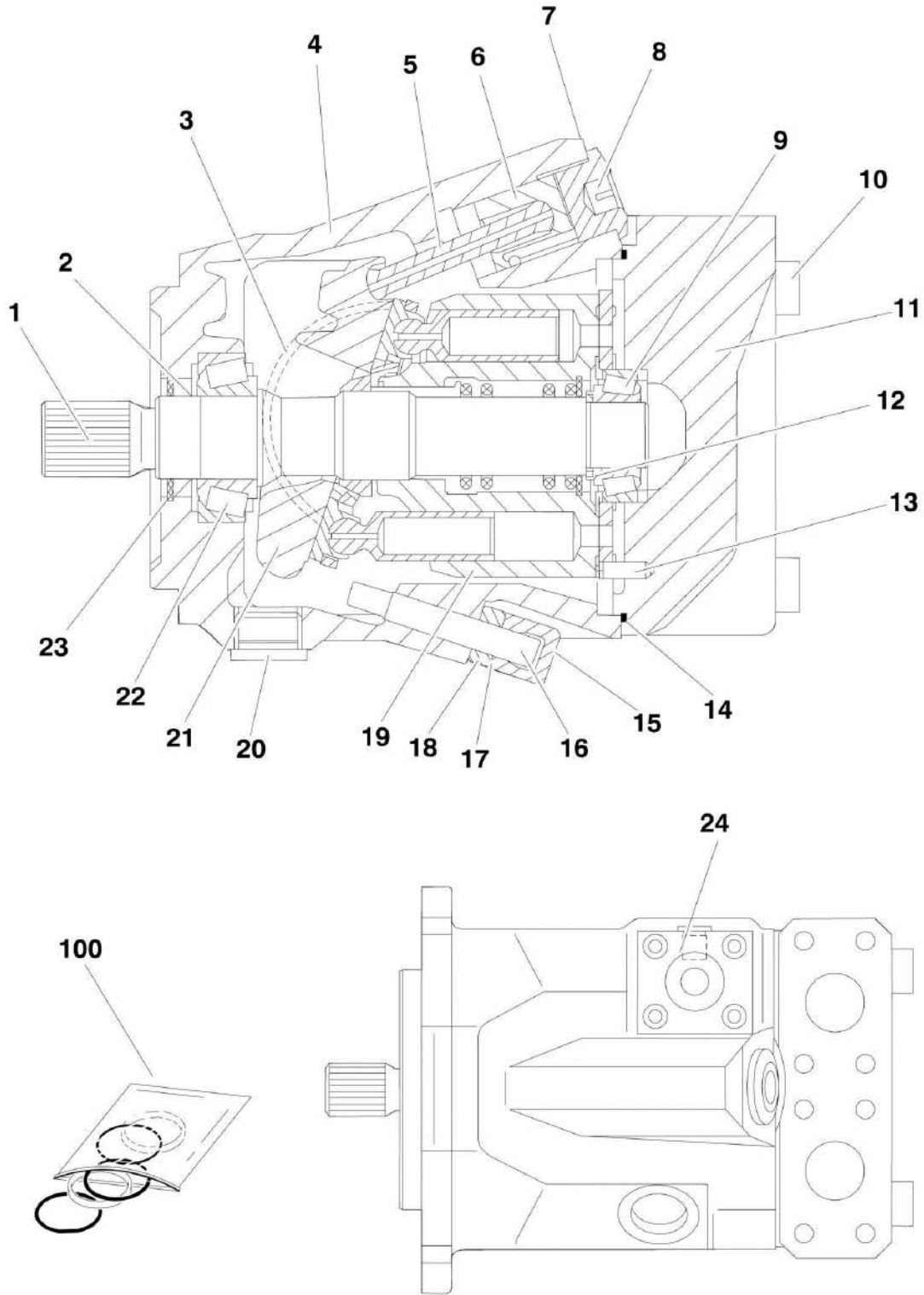
## SECTION 1 - FRAME

**FIGURE 1-8. DRIVE BRAKE ASSEMBLY (Prior to SN 85132)**

ITEM	PART NUMBER	QTY	DESCRIPTION	REV
	0920112	Ref	<b>DRIVE BRAKE ASSEMBLY (Prior to SN 56791)</b>	B
1	7003451	1	Housing	
2	7003452	1	Gasket	
3	7003094	2	Pin, Torque	
4	7003049	1	Bearing, Ball	
5	7003453	1	Ring, Retaining	
6	7003050	1	Seal	
7	7003454	1	Retainer, Spring	
8	7000798	10	Spring, Compression (Small)	
9	7000782	10	Spring, Compression (Large)	
10	7003455	1	Shaft	
11	7003456	1	Disc, Primary	
12	7003457	2	Disc, Rotating	
14	7003459	2	Disc, Stationary	
15	7003460	1	Piston	
16	7000722	1	Ring, Back-Up	
17	7000723	1	O-Ring	
18	7000724	1	Ring, Back-Up	
19	7000725	1	O-Ring	
20	7000796	1	Screw, Bleeder	
21	7003461	1	Plate, Power	
22	7000728	1	Plug, Protective	
23	7003462	4	Flatwasher 1/2in	
24	7003463	4	Bolt 1/2in-13NC	
25	7000731	2	Gasket	
	0920117	Ref	<b>DRIVE BRAKE ASSEMBLY (NOT SHOWN) (SN 56791 through 85131)</b>	B
	7000731	2	Gasket (Between Hub/Brake and Brake/Motor)	
		Ref	<b>Note: Face Mounting Gasket and Repair Kit are the only items available.</b>	
		Ref	<b>KIT OPTIONS</b>	
100		Ref	Seal Kit Options:	
100A	Not Available	1	Seal Kit - 0920112 Brake (Purchase Individual Components) <b>(Prior to SN 56791)</b>	
100B	Not Available	1	Seal Kit - 0920117 Brake (Purchase Repair Kit p/n 7018612) <b>(SN 56791 through 85131)</b>	
101		Ref	Repair Kit Options:	
101A	Not Available	1	Repair Kit - 0920112 Brake (Purchase Individual Components) <b>(Prior to SN 56791)</b>	
101B	70001800	1	Repair Kit - 0920117 Brake (Includes Case Seal, Piston Inner and Outer O-Rings and Back-up Rings, Stator Disc, Rotor Disc, Return Plate, Springs, Oil Seal, Bearing, 2 Retaining Rings and 2 Mounting Face Gaskets) <b>(SN 56791 through 85131)</b>	

# SECTION 1 - FRAME

FIGURE 1-9. DRIVE MOTOR ASSEMBLY (Prior to SN 85132)



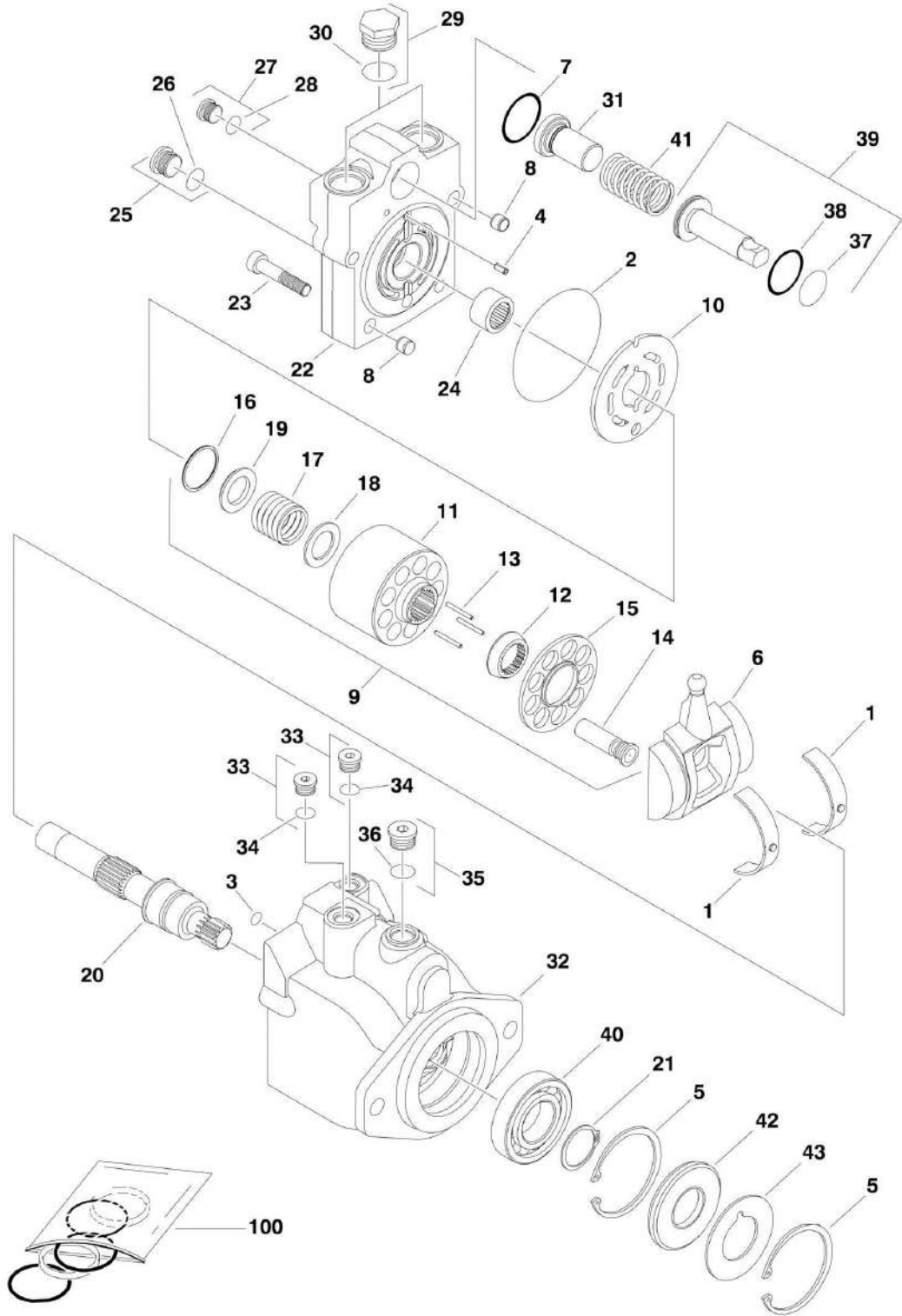
## SECTION 1 - FRAME

**FIGURE 1-9. DRIVE MOTOR ASSEMBLY (Prior to SN 85132)**

ITEM	PART NUMBER	QTY	DESCRIPTION	REV
	3160204	Ref	<b>DRIVE MOTOR ASSEMBLY</b>	A
1	7012701	1	Shaft - 13 Teeth	
2	Item 100	1	Seal, Shaft	
3	7012702	2	Bearing, Cradle	
4	Not Available	1	Housing	
5	7012703	1	Rod, Piston	
6	7012704	1	Piston, Stroking	
7	Item 100	1	O-Ring	
8	7012705	1	Nut, Adapter	
9	7012706	1	Bearing, Roller	
10	7012707	4	Bolt, Metric Socket Head M12 x 65	
11	7012708	1	Block, Port	
12	7012709	1	Shim	
13	7012710	1	Pin, Dowel M6 x 18	
14	Item 100	1	O-Ring	
15	7012711	1	Nut, Cap M10 x 1	
16	7012712	1	Screw, Adjusting	
17	Item 100	2	O-Ring	
18	7012713	1	Nut, Jam M10 x 1	
19	7012716	1	Rotary Group Kit (Includes Item 21)	
20	Not Available	1	Plug	
21	7012716	1	Plate, Swash (Not Available Separately - Must Purchase Item 19)	
22	7012714	1	Bearing, Roller	
23	7012715	1	V-Ring	
24	7012700	1	Control Plate Assembly <b>(Prior to SN 29852)</b>	
100	2900788	1	Seal Kit (Includes Items 2, 7, 14, 17 & O-Rings under Item 24)	

# SECTION 1 - FRAME

FIGURE 1-10. DRIVE MOTOR ASSEMBLY (4 BOLT ASSEMBLY) (SN 85132 through 98764)



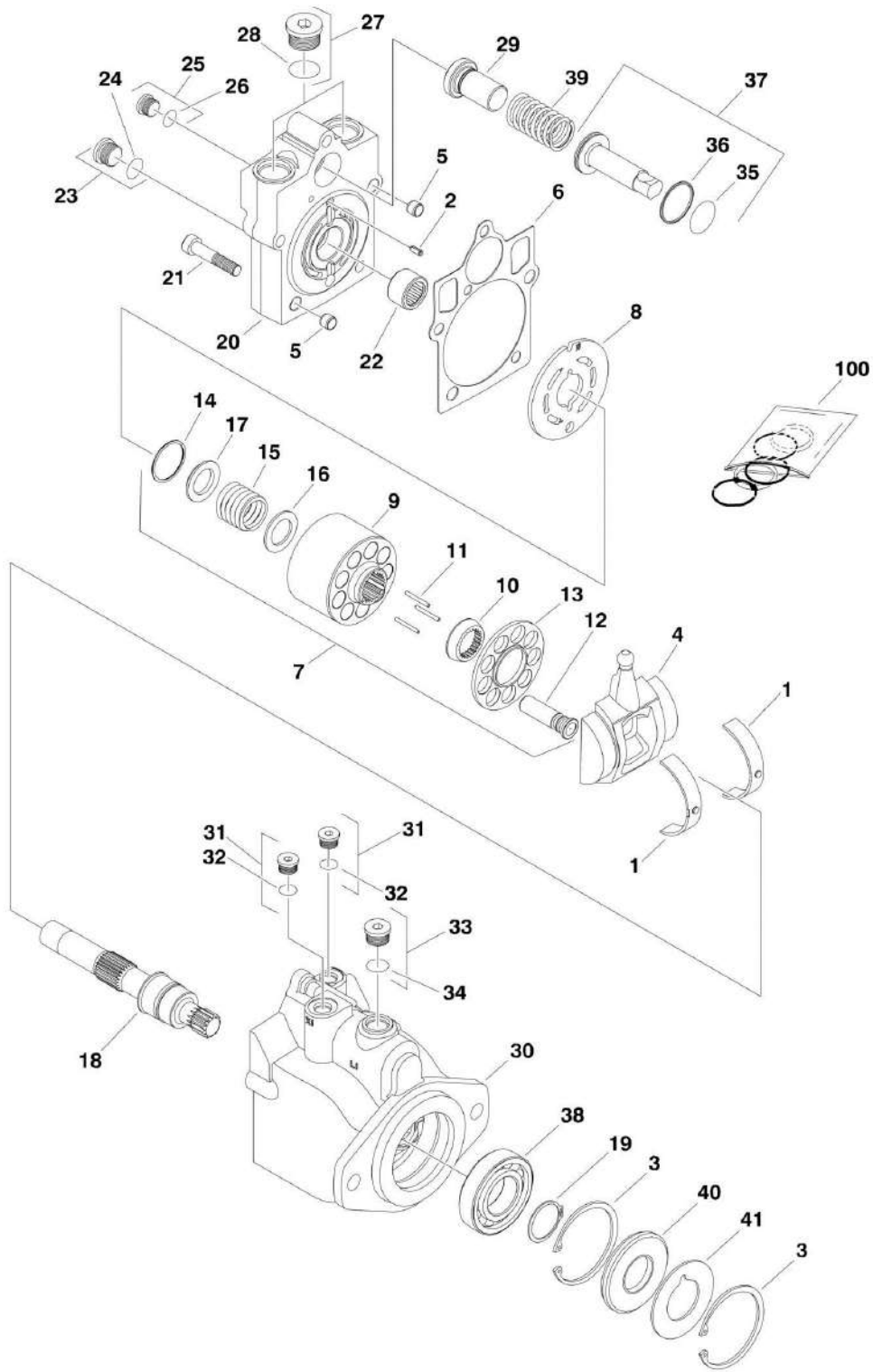
## SECTION 1 - FRAME

**FIGURE 1-10. DRIVE MOTOR ASSEMBLY (4 BOLT ASSEMBLY) (SN 85132 through 98764)**

ITEM	PART NUMBER	QTY	DESCRIPTION	REV
	3160300	Ref	<b>DRIVE MOTOR ASSEMBLY</b>	E
1	7022302	2	Bearing, Journal	
2	Item 100	1	O-Ring	
3	Item 100	1	O-Ring	
4	7007446	1	Pin	
5	7007438	2	Ring, Retaining	
6	7024861	1	Swashplate	
7	Item 100	1	O-Ring	
8	7007435	2	Pin	
9	7022320	1	Cylinder Block Kit (Includes Items 11-19)	
10	7024862	1	Plate, Valve	
11	7024863	1	Block, Cylinder	
12	7024864	1	Guide, Slipper Retainer	
13	7021275	3	Pin, Slipper Hold Down	
14	7024865	9	Piston Assembly	
15	7024866	1	Retainer, Slipper	
16	7022311	1	Ring, Retaining	
17	7024867	1	Spring	
18	7024868	1	Washer	
19	7022314	1	Retainer, Spring	
20	7023910	1	Shaft	
21	7007439	1	Ring, Retaining	
22	7024869	1	Cap, End - Axial	
23	7022368	4	Screw	
24	7021249	1	Bearing, Needle	
25	7022321	1	Plug (Includes Item 26)	
26	Item 100	1	O-Ring	
27	7022318	1	Plug (Includes Item 28)	
28	Item 100	1	O-Ring	
29	7027419	2	Plug (Includes Item 30)	
30	Item 100	2	O-Ring	
31	7022372	1	Seat, Spring	
32	7022370	1	Housing	
33	7022318	2	Plug (Items Item 34)	
34	Item 100	2	O-Ring	
35	7022321	1	Plug (Items Item 36)	
36	Item 100	1	O-Ring	
37	Item 100	1	O-Ring	
38	Item 100	1	Ring, Seal	
39	7024871	1	Piston, Servo	
40	7007437	1	Bearing	
41	7022326	1	Spring	
42	Item 100	1	Seal, Lip	
43	7022371	1	Washer, Support	
100	7022328	1	Seal Kit (Includes Items 2, 3, 7, 26, 28, 30, 34, 36, 37, 38 & 42)	

# SECTION 1 - FRAME

FIGURE 1-11. DRIVE MOTOR ASSEMBLY (5 BOLT ASSEMBLY) (SN 98765 to Present)



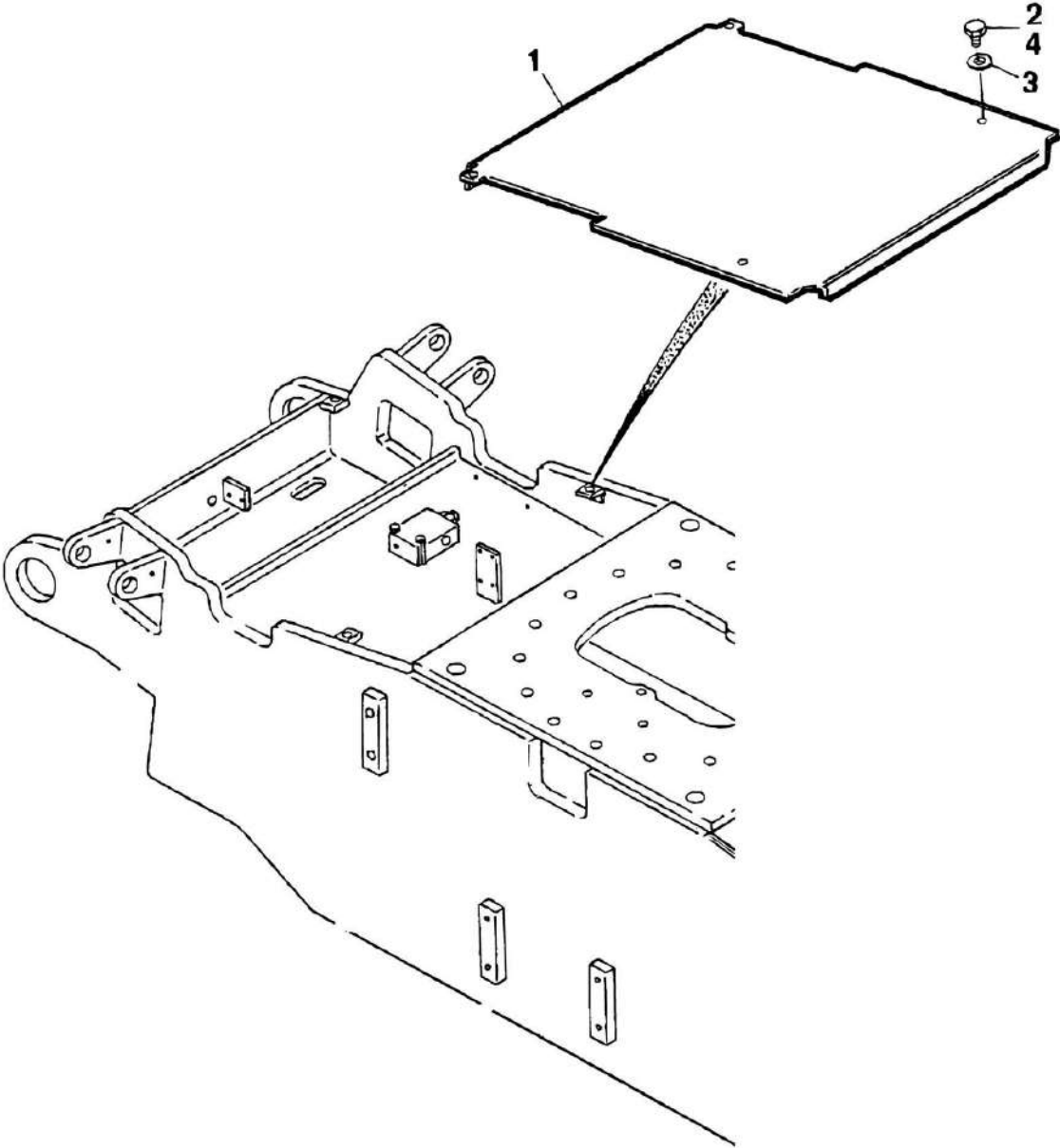
## SECTION 1 - FRAME

**FIGURE 1-11. DRIVE MOTOR ASSEMBLY (5 BOLT ASSEMBLY) (SN 98765 to Present)**

ITEM	PART NUMBER	QTY	DESCRIPTION	REV
	3160350	Ref	<b>DRIVE MOTOR ASSEMBLY</b>	B
1	7022302	2	Bearing, Journal	
2	7007446	1	Pin	
3	7007438	2	Ring, Retaining	
4	70000794	1	Swashplate	
5	Not Available	2	Pin	
6	Item 100	1	Gasket	
7	7027740	1	Cylinder Block Kit (Includes Items 9-17)	
8	7024862	1	Plate, Valve	
9	Not Available	1	Block, Cylinder	
10	Not Available	1	Guide, Slipper Retainer	
11	7021275	3	Pin, Slipper Hold Down	
12	7024865	9	Piston Assembly	
13	Not Available	1	Retainer, Slipper	
14	7022311	1	Ring, Retaining	
15	7024867	1	Spring	
16	7022313	1	Washer	
17	7022314	1	Retainer, Spring	
18	7023910	1	Shaft	
19	7007439	1	Ring, Retaining	
20	70000795	1	Cap, End - Axial	
21	7022368	5	Screw	
22	7021249	1	Bearing, Needle	
23	2220886	1	Plug (Includes Item 24)	
24	Item 100	1	O-Ring	
25	2220883	1	Plug (Includes Item 26)	
26	Item 100	1	O-Ring	
27	7027419	2	Plug (Includes Item 28)	
28	Item 100	2	O-Ring	
29	7022372	1	Seat, Spring	
30	Not Available	1	Housing	
31	2220883	2	Plug (Items Item 32)	
32	Item 100	2	O-Ring	
33	2220886	1	Plug (Items Item 34)	
34	Item 100	1	O-Ring	
35	Item 100	1	O-Ring	
36	Item 100	1	Ring, Seal	
37	7024871	1	Piston, Servo	
38	7007437	1	Bearing	
39	7022326	1	Spring	
40	Item 100	1	Seal, Lip	
41	7022371	1	Washer, Support	
100	7022328	1	Seal Kit (Includes Items 6, 24, 26, 28, 32, 34, 35, 36 & 40)	

**SECTION 1 - FRAME**

**FIGURE 1-12. FRAME SHIELD INSTALLATION (Prior to SN 85132)**





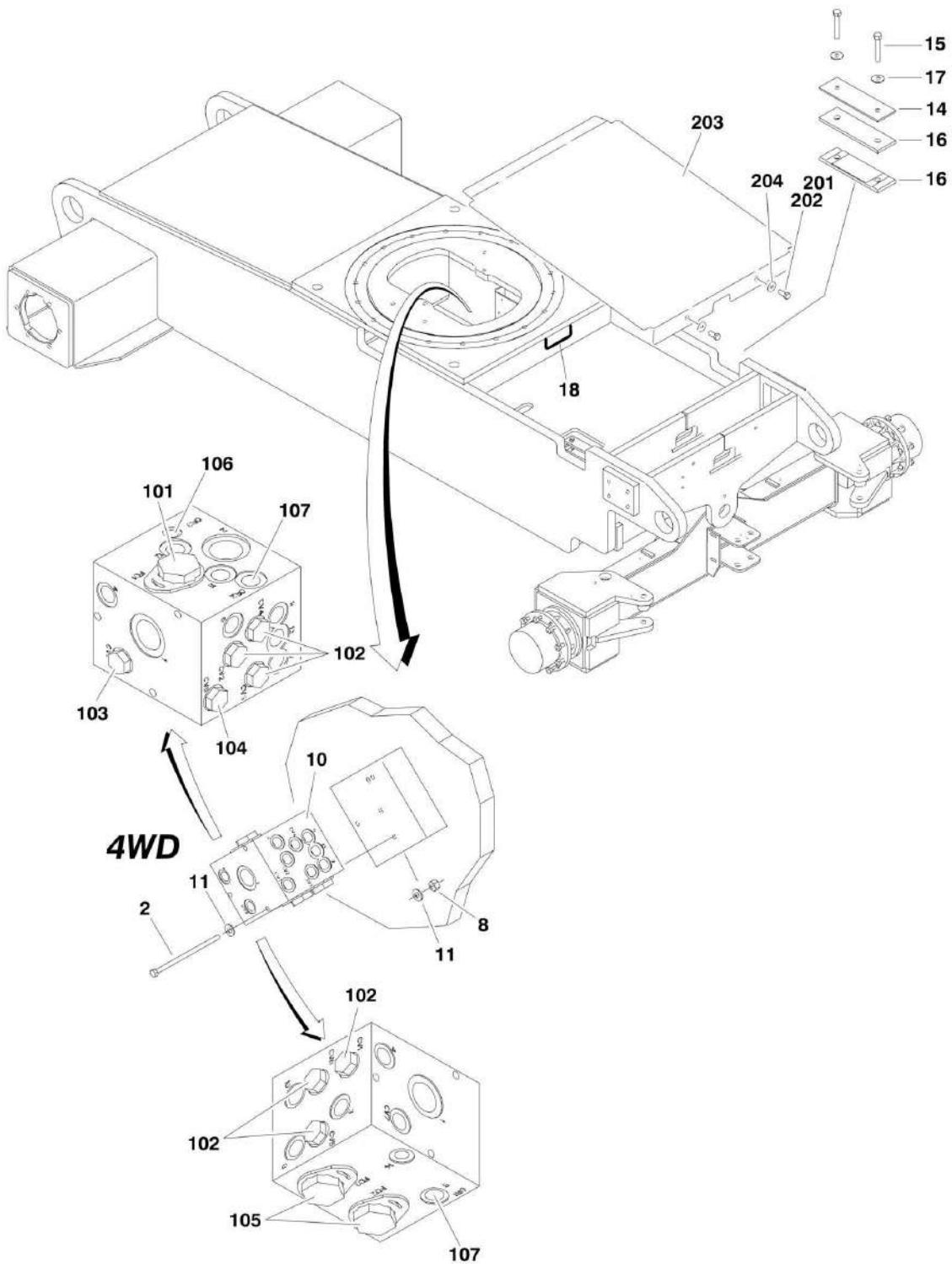
## SECTION 1 - FRAME

**FIGURE 1-12. FRAME SHIELD INSTALLATION (Prior to SN 85132)**

ITEM	PART NUMBER	QTY	DESCRIPTION	REV
	0257909	Ref	<b>FRAME SHIELD INSTALLATION</b>	2
1	4060948	1	Shield, Frame - Front	
2	0641608	4	Bolt 3/8in-16NC x 1in	
3	4711600	4	Flatwasher 3/8in Narrow	
4	0100011	AR	Loctite #242	

# SECTION 1 - FRAME

FIGURE 1-13. DRIVE VALVES AND SHIELDS INSTALLATION (FRAME MOUNTED) (SN 85132 to Present)



## SECTION 1 - FRAME

**FIGURE 1-13. DRIVE VALVES AND SHIELDS INSTALLATION (FRAME MOUNTED) (SN 85132 to Present)**

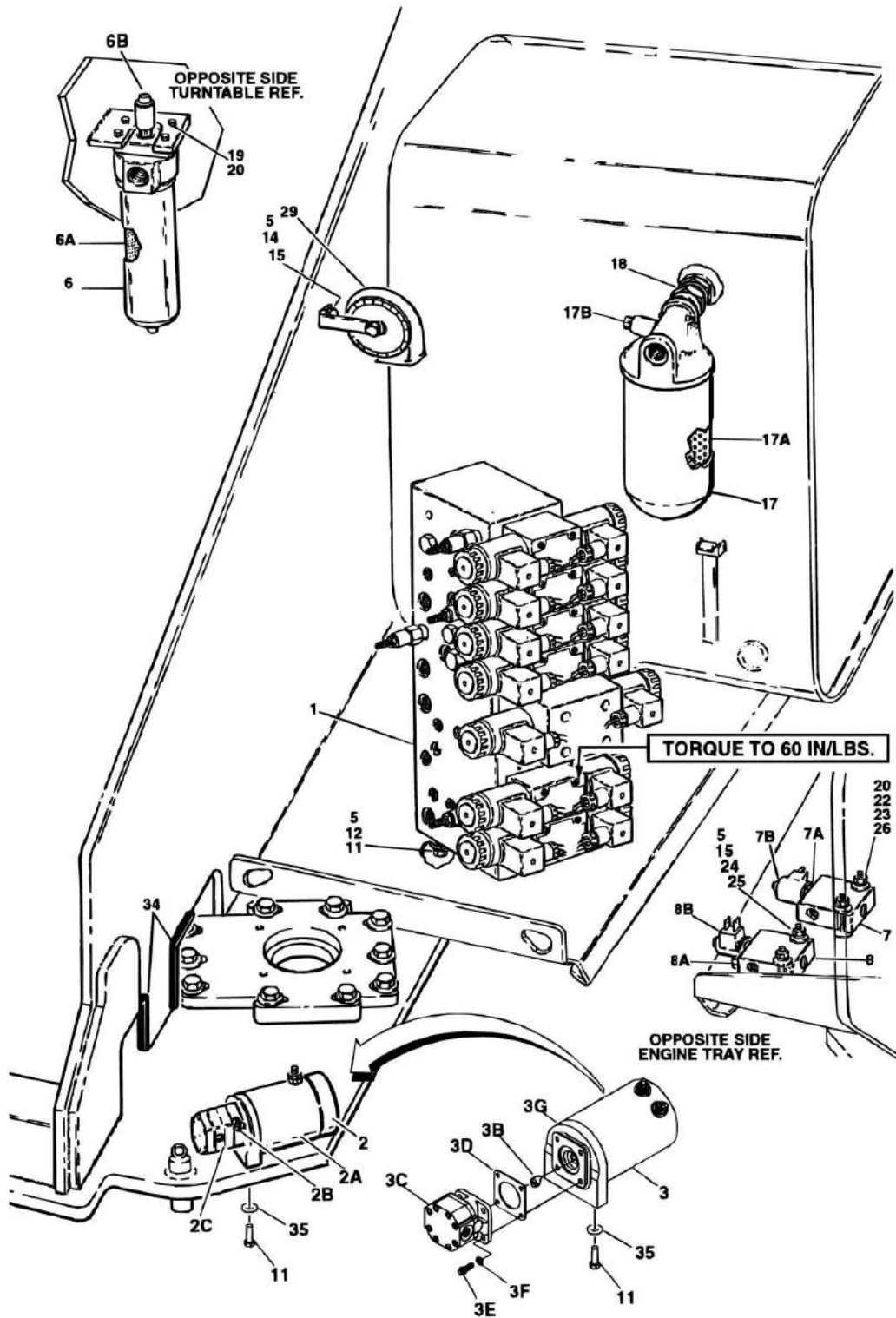
ITEM	PART NUMBER	QTY	DESCRIPTION	REV
	0273048	Ref	<b>DRIVE VALVES INSTALLATION</b>	J
2	0641552	3	Bolt 5/16in-18NC x 6 1/2in	
8	3311505	3	Locknut 5/16in-18NC	
10	4641410	1	Flow Divider Valve Assembly (See Items 101-107 for Breakdown)	
11	4711500	6	Flatwasher 5/16in Narrow	
14	0363012	2	Bar, Clamping	
15	0641618	4	Bolt 3/8in-16NC x 2 1/4in	
16	3340911	4	Rubber, Clamp	
17	4751600	4	Flatwasher 3/8in	
18	4060808	13	Flex-Trim (Was p/n 4060807)	
		in/33cm		
		Ref	<b>FLOW DIVIDER ASSEMBLIES:</b>	
	4641280	Ref	<b>Flow Divider Assemblies (Prior to SN 86892)</b>	C
	4641410	Ref	<b>Flow Divider Assemblies (SN 86892 to Present)</b>	A
101	7023933	1	Valve, Cartridge (Flow Divider)	
101	7021625	1	Seal Kit - Flow Divider Cartridge	
102	7022397	6	Valve, Cartridge (Check)	
102	7022399	6	Seal Kit - Check Cartridge	
103	7023935	1	Valve, Cartridge (Check)	
103	7023936	1	Seal Kit - Check Cartridge	
104		Ref	Valve, Cartridge (Check) Options:	
104	7024850	1	Valve, Cartridge (Check) (Used with p/n 4641280) <b>(Prior to SN 86892)</b>	
104	7024892	1	Valve, Cartridge (Check) (Used with p/n 4641410) <b>(SN 86892 to Present)</b>	
104	7023936	1	Seal Kit - Check Cartridge	
105	7023917	2	Valve, Cartridge (Flow Divider)	
105	7021625	2	Seal Kit - Flow Divider Cartridge	
106	70002063	1	Plug, Orifice	
107	70002064	2	Plug, Orifice	
	0273067	Ref	<b>FRAME SHIELDS INSTALLATION</b>	A
201	0100011	AR	Loctite #242	
202	0641607	AR	Bolt, 3/8in - 16NC x 7/8in	
203	4061058	1	Shield, Frame - Front	
204	4751600	AR	Flatwasher, 3/8in	



**SECTION 2 - TURNTABLE**

# SECTION 2 - TURNTABLE

FIGURE 2-1. CONTROL VALVES INSTALLATIONS (Prior to SN 85132)



## SECTION 2 - TURNTABLE

**FIGURE 2-1. CONTROL VALVES INSTALLATIONS (Prior to SN 85132)**

ITEM	PART NUMBER	QTY	DESCRIPTION	REV
	0257920	Ref	<b>CONTROL VALVES INSTALLATIONS</b>	7
1		Ref	Main Control Valve Assembly Options (See MAIN CONTROL VALVE ASSEMBLY for Breakdown) Options:	
1	4641031	1	Main Control Valve Assembly ( <b>Prior to SN 40026</b> )	
1	4641092	1	Main Control Valve Assembly ( <b>SN 40026 through 41266</b> )	
1	4641098	1	Main Control Valve Assembly ( <b>SN 41267 through 85131</b> )	
2	3600243	1	Auxiliary Pump Assembly ( <b>Prior to SN 70776</b> )	
2A	7013755	1	Replacement Motor	
2A	7013799	1	Brush Kit - 7013755 Motor	
2B	7013711	1	Coupling	
2C	7013796	1	Replacement Pump	
2C	Not Available	1	Seal Kit (Purchase Individual Pieces)	
2C	7016700	1	Seal Oil	
2C	7016701	1	O-Ring	
2C	7016702	1	O-Ring	
3	3600365	1	Auxiliary Pump Assembly ( <b>SN 70776 through 85131</b> )	
3A	7004290	1	Replacement Motor with Endhead Item 3G (Was p/n 7011067)	
3A	7004248	1	Replacement Motor without Endhead Item 3G	
3A	7011065	1	Brush Kit - 7011067 Motor	
3B	7011063	1	Coupling	
3C	7011064	1	Replacement Pump	
3C	7011066	1	Seal Kit	
3D	7011044	1	Gasket	
3E	7011043	4	Bolt	
3F	7011048	4	Lockwasher	
3G	7011062	1	Endhead, Motor	
5	0100011	AR	Loctite #242	
6		Ref	Pressure Filter Assembly Options:	
6	2120209	1	Pressure Filter Assembly (was p/n 2120163) ( <b>Prior to SN 44387</b> )	
6	2120209	1	Pressure Filter Assembly ( <b>SN 44387 to Present</b> )	
6A	2120150	1	Element, Filter (Used with 2120163)	
6A	2120210	1	Element, Filter (Used with 2120209)	
6B	7020020	1	Indicator, Clogged Filter	
6C	70000934	1	O-Ring Filter Bowl (Not Shown)	
7	4640907	1	Valve Assembly (Brake)	
7A	7012941	1	Cartridge without Coil	
7A	7012907	1	Seal Kit - 7012941 Cartridge	
7B	7012944	1	Coil	
8	4640906	1	Solenoid Valve Assembly (2 Speed)	
8A	7023981	1	Cartridge without Coil	
8A	7012905	1	Seal Kit - 7023981 Cartridge	
8B	7012944	1	Coil	
8C	7017481	2	Cartridge, Check	
8C	7012972	1	Seal Kit - 7017481 Cartridge	
11	0641613	5	Bolt 3/8in-16NC x 1 5/8in	
12	4711600	3	Flatwasher 3/8in Narrow	
14	0641506	1	Bolt 5/16in-18NC x 3/4in	
15	4711500	3	Flatwasher 5/16in Narrow	
17	2120164	1	Return Filter Assembly	
17A	2120149	1	Element, Filter	

## SECTION 2 - TURNTABLE

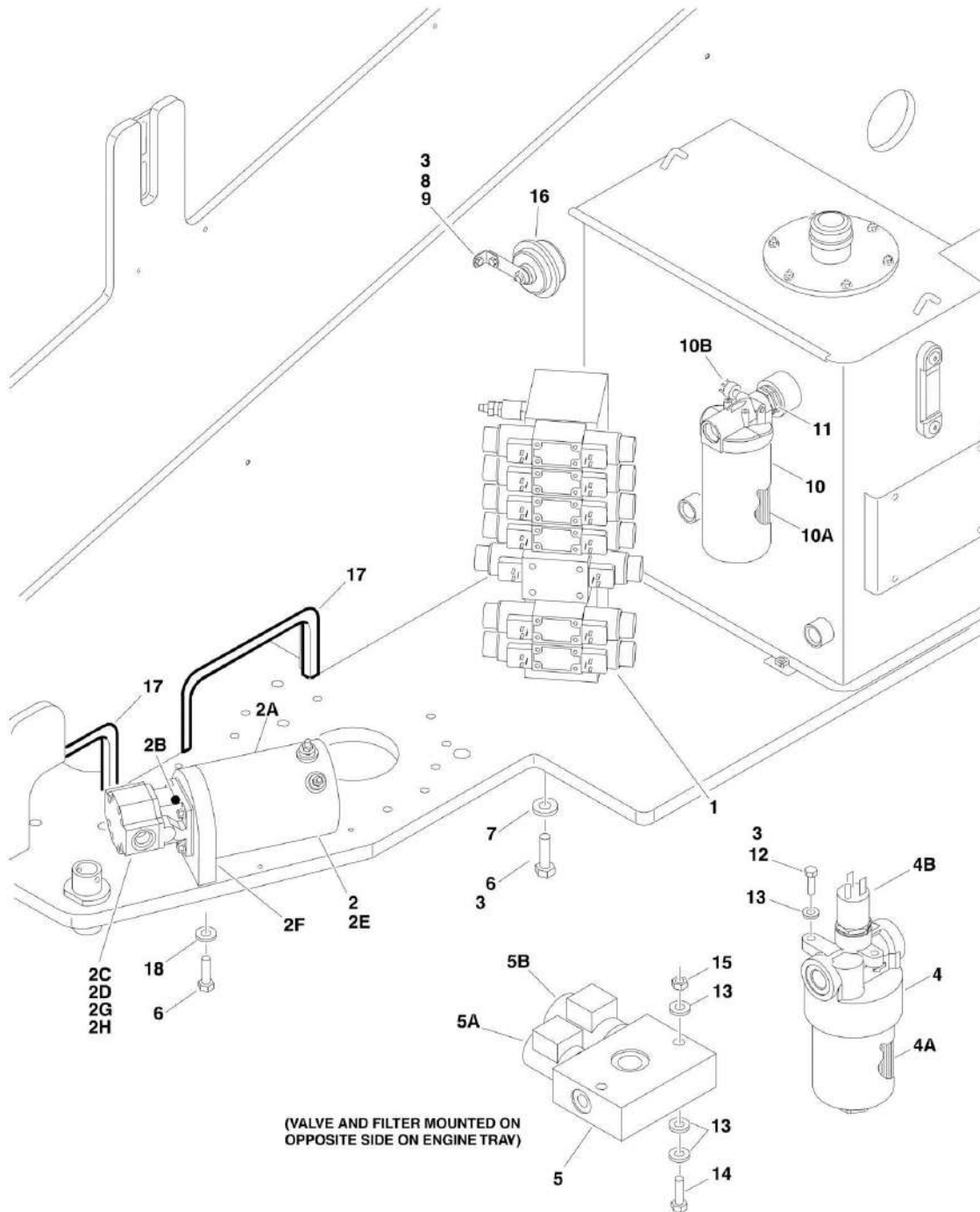
ITEM	PART NUMBER	QTY	DESCRIPTION	REV
17B	7020021	1	Indicator, Clog	
18	2220893	1	Fitting, Adapter	
19	0651406	4	Bolt 1/4in-28NF x 3/4in	
20	4711400	8	Flatwasher 1/4in Narrow	
22	0641416	2	Bolt 1/4in-20NC x 2in	
23	4891400	4	Washer, Hardened 1/4in	
24	0641508	2	Bolt 5/16in-18NC x 1in	
25	4891500	2	Washer, Hardened 5/16in	
26	3311405	2	Locknut 1/4in-20NC	
29	0140001	1	Horn	
34	4060918	40	Flex-Trim	
		in/1.04m		
35	4791600	2	Lockwasher, Star	





# SECTION 2 - TURNTABLE

## FIGURE 2-2. CONTROL VALVES INSTALLATIONS (SN 85132 to Present)



## SECTION 2 - TURNTABLE

**FIGURE 2-2. CONTROL VALVES INSTALLATIONS (SN 85132 to Present)**

ITEM	PART NUMBER	QTY	DESCRIPTION	REV
	0274187	Ref	<b>CONTROL VALVES INSTALLATIONS</b>	5
1		Ref	Main Control Valve Assembly Options (See MAIN CONTROL VALVE ASSEMBLY for Breakdown):	
1	4641096	1	Main Control Valve Assembly ( <b>Prior to SN 92880</b> )	
1	1001091303	1	Main Control Valve Assembly (was p/n 4641451) ( <b>SN 92880 through 0300101768</b> )	
1	1001091303	1	Main Control Valve Assembly ( <b>SN 0300101769 to Present</b> )	
2	3600365	1	Auxiliary Pump Assembly	B
2A	7004290	1	Replacement Motor with Endhead Item 2F (Was p/n 7011067)	
2A	7004248	1	Replacement Motor without Endhead Item 2F	
2A	7011065	1	Brush Kit - 7011067 Motor	
2B	7011063	1	Coupling	
2C	7011064	1	Replacement Pump	
2C	7011066	1	Seal Kit - 7011064 Pump	
2C	Not Available	1	Relief Valve (Replace Complete Pump)	
2D	7011043	4	Bolt (Mounts Pump to Mounting Bracket)	
2E	Not Available	2	Bolt (Motor to Bracket)	
2F	7011062	1	Endhead	
2G	7011044	1	Gasket	
2H	7011048	4	Lockwasher	
3	0100011	AR	Loctite #242	
4	2120209	1	Pressure Filter Assembly (was p/n 2120163)	
4A	2120150	1	Element, Filter (Used with 2120163)	
4A	2120210	1	Element, Filter (Used with 2120209)	
4B	7020020	1	Indicator, Clogged Filter	
4C	70000934	1	O-Ring Filter Bowl (Not Shown)	
5	1001099391	1	Valve Assembly (2 Speed/Brake) (was p/n 4641108)	
5A		Ref	Cartridge and Coil Options:	
5A	7012974	1	Cartridge without Coil (4641108 Valve)	
5A	7010543	1	Seal Kit - 7012974 Cartridge (4641108 Valve)	
5A	7012941	1	Cartridge without Coil (1001099391 Valve)	
5A	7010543	1	Seal Kit - 7012941 Cartridge (1001099391 Valve)	
5B		Ref	Cartridge and Coil Options:	
5B	7012995	1	Cartridge without Coil	
5B	7012518	1	Seal Kit - 7012995 Cartridge	
5B	7012943	1	Coil	
6	0641613	5	Bolt 3/8in-16NC x 1 5/8in	
7	4711600	3	Flatwasher 3/8in Narrow	
8	0641506	1	Bolt 5/16in-18NC x 3/4in	
9	4711500	3	Flatwasher 5/16in Narrow	
10	2120164	1	Return Filter Assembly	
10A	2120149	1	Element, Filter	
10B	7020021	1	Indicator, Clog	
11	2220893	1	Fitting, Adapter	
12	0651406	AR	Bolt 1/4in-28NF x 3/4in	
13	4711400	AR	Flatwasher 1/4in Narrow	
14	0641416	2	Bolt 1/4in-20NC x 2in	
15	3311405	2	Locknut 1/4in-20NC	
16	0140001	1	Horn	
17	4060918	40	Flex-Trim	

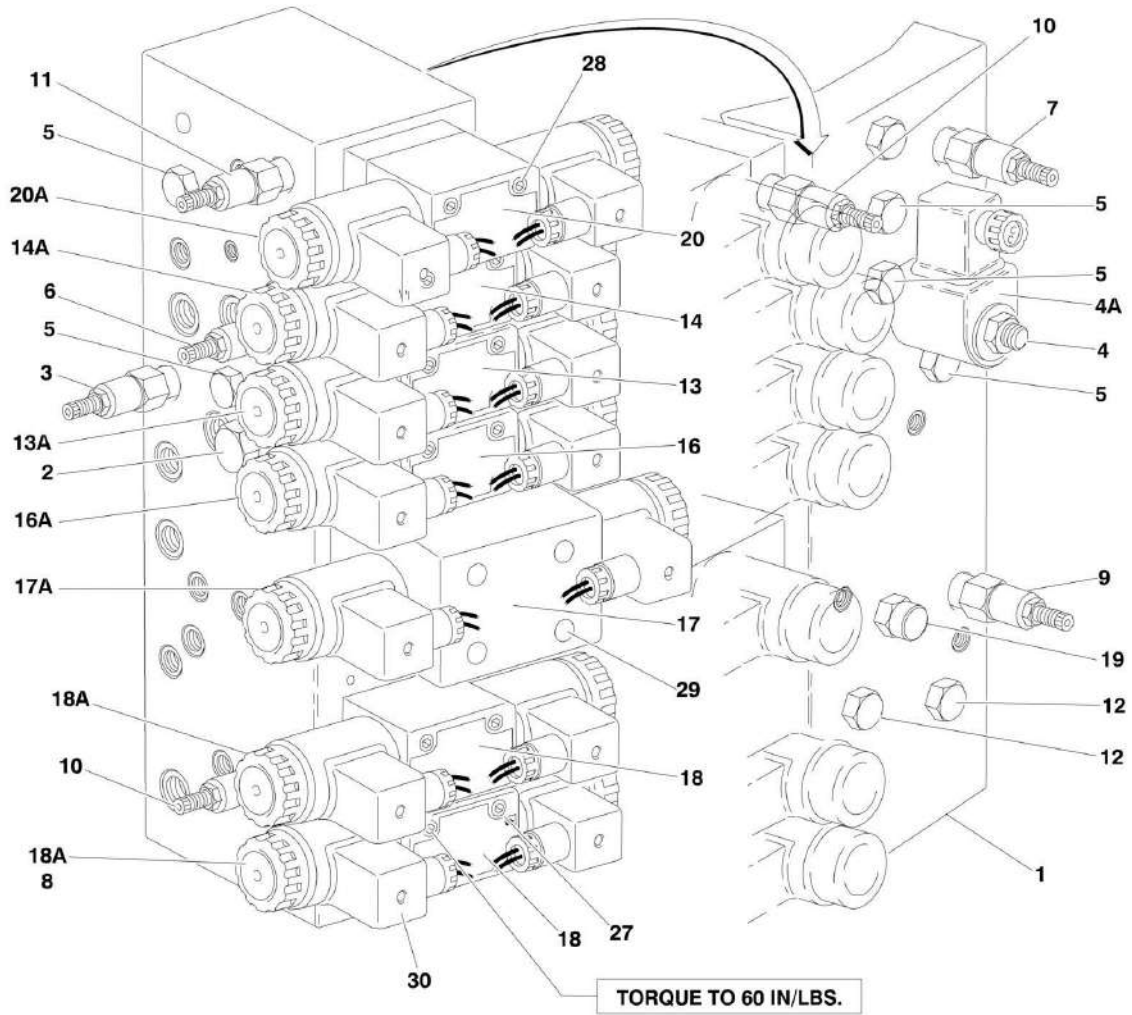
## SECTION 2 - TURNTABLE

ITEM	PART NUMBER	QTY	DESCRIPTION	REV
18	4791600	in/1.04m 2	Lockwasher, Star	



# SECTION 2 - TURNTABLE

## FIGURE 2-3. MAIN CONTROL VALVE ASSEMBLY (Prior to SN 85132)



**SECTION 2 - TURNTABLE**

**FIGURE 2-3. MAIN CONTROL VALVE ASSEMBLY (Prior to SN 85132)**

ITEM	PART NUMBER	QTY	DESCRIPTION	REV
		Ref	<b>MAIN CONTROL VALVE ASSEMBLY</b>	
	4641031	Ref	<b>Main Control Valve Assembly (Prior to SN 40026)</b>	A
	4641092	Ref	<b>Main Control Valve Assembly (SN 40026 through 41266)</b>	B
	4641098	Ref	<b>Main Control Valve Assembly (SN 41267 through 85131)</b>	C
1	Not Serviced	1	Block	
2	7017411	1	Cartridge, Pressure Sensing	
2	7012518	1	Seal Kit - 7017411 Cartridge	
3	7017418	1	Cartridge, Load Sensing (Main Lift)	
3	7012998	1	Seal Kit - 7017418 Cartridge	
4	7017410	1	Cartridge, Load Sensing	
4	7012967	1	Seal Kit - 7017410 Cartridge	
4A	7012944	1	Coil	
5	7010542	1	Cartridge, Shuttle	
5	7010543	1	Seal Kit - 7010542Cartridge	
6	7017420	1	Cartridge, Relief Valve	
6	7012998	1	Seal Kit - 7017420 Cartridge	
7	7017423	1	Cartridge, Relief Valve	
7	7012998	1	Seal Kit - 7017423 Cartridge	
8	7018941	1	Orifice	
9	7017427	1	Cartridge, Relief Valve	
9	7012998	1	Seal Kit - 7017427 Cartridge	
10	7017428	2	Cartridge, Relief Valve	
10	7012998	2	Seal Kit - 7017428 Cartridge	
11	7018985	1	Plug	
11	Not Available	1	Plug, Hollow Seal	
12	7012914	2	Cartridge, Pilot Check	
12	7012918	2	Seal Kit - 7012914 Cartridge	
13	7012775	1	Control Valve Assembly (Lift)	
13	7012773	1	Seal Kit - 7012775 Valve	
13A	7012772	2	Coil	
13A	7018912	2	Nut	
14	7012775	1	Control Valve Assembly (Swing)	
14	7012773	1	Seal Kit - 7012775 Valve	
14A	7012772	2	Coil	
14A	7018912	2	Nut	
16	70001976	1	Control Valve Assembly (Flow Control) (was p/n 7012770)	
16	7012773	1	Seal Kit	
16A	7012772	2	Coil	
16A	7018912	2	Nut	
17	70000579	1	Control Valve Assembly (Tele) (was p/n 7012766)	
		Ref	<b>Note: Refer to Vendor P/N on Valve Nameplate before ordering Parts. P/N 7012766 is RR00567495 or R900567495. P/N 70000579 is R900930080.</b>	
17		Ref	Seal Kit Options:	
17	7012769	1	7012766 Valve	
17	70000583	1	70000579 Valve	
17A		Ref	Coil Options:	
17A	7012772	1	7012766 Valve	
17A	70000582	1	70000579 Valve	
17A		Ref	Nut, Coil Options:	

## SECTION 2 - TURNTABLE

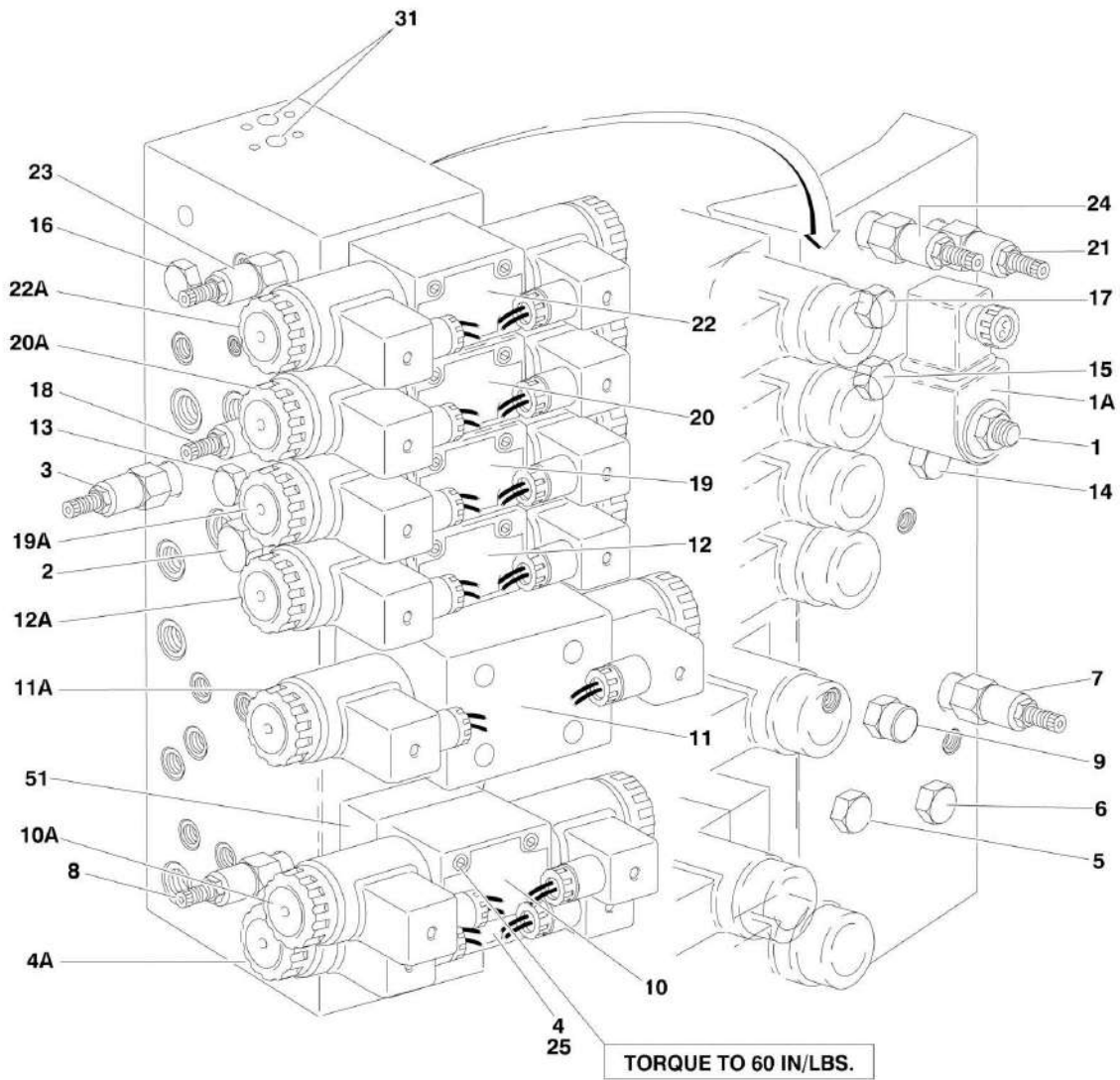
ITEM	PART NUMBER	QTY	DESCRIPTION	REV
17A	7018912	1	7012766 Valve	
17A	70000580	1	70000579 Valve	
18	70001976	2	Control Valve Assembly (Rotate and Platform Level) (was p/n 7012770)	
18	7012773	2	Seal Kit	
18A	7012772	4	Coil	
18A	7018912	4	Nut	
19	7012989	1	Cartridge, Relief Valve (Flow Control)	
19	7012953	1	Seal Kit - 7012989 Cartridge	
20	7012774	1	Control Valve Assembly (Steer)	
20	7012773	1	Seal Kit - 7012774 Valve	
20A	7012772	2	Coil	
20A	7018912	2	Nut	
27	7018942	20	Capscrew #10-24NC x 2in	
28	7018951	4	Capscrew 1/4in-20NC x 1 1/2in	
29	7018986	4	Capscrew #10-24NC x 3 1/2in	
30	4460499	15	Connector, Din with Diode (Part of Valve Harness)	





# SECTION 2 - TURNTABLE

## FIGURE 2-4. MAIN CONTROL VALVE ASSEMBLY (SN 85132 to Present)



**SECTION 2 - TURNTABLE**

**FIGURE 2-4. MAIN CONTROL VALVE ASSEMBLY (SN 85132 to Present)**

ITEM	PART NUMBER	QTY	DESCRIPTION	REV
		Ref	<b>MAIN CONTROL VALVE ASSEMBLIES</b>	
	4641096	Ref	<b>Main Control Valve Assemblies (Prior to SN 92880)</b>	C
	4641451	Ref	<b>Main Control Valve Assemblies (SN 92880 through 101768)</b>	B
	1001091303	Ref	<b>Main Control Valve Assemblies (SN 101769 to Present)</b>	A
1	7017410	1	Cartridge, Without Coil	
1	7012967	1	Seal Kit - 7017410 Cartridge	
1A	7012944	1	Coil	
2	7017464	1	Cartridge, Pressure Sensing	
2	7012518	1	Seal Kit	
3	7012912	1	Cartridge (Main Relief)	
3	7012998	1	Seal Kit	
4	70001976	1	Control Valve Assembly (Platform Level) (was p/n 7012770)	
4	7012773	1	Seal Kit	
4A	7018991	2	Coil	
4A	7021375	2	Nut, Coil	
5	7012914	1	Cartridge, Check Valve	
5	7012918	1	Seal Kit - 7012914 Cartridge	
6	7012914	1	Cartridge, Check Valve	
6	7012918	1	Seal Kit - 7012914 Cartridge	
7	7012912	1	Cartridge, Relief Valve (Platform Level Backward)	
7	7012998	1	Seal Kit - 7012912 Cartridge	
8	7012912	1	Cartridge, Relief Valve (Platform Level Forward)	
8	7012998	1	Seal Kit - 7012912 Cartridge	
9	7012989	1	Cartridge, Flow Control	
9	7012953	1	Seal Kit - 7012989 Cartridge	
10	70001976	1	Control Valve Assembly (Platform Rotate) (was p/n 7012770)	
10	7012773	1	Seal Kit	
10A	7018991	2	Coil	
10A	7021375	2	Nut, Coil	
11		Ref	Control Valve Assembly Options (Upper Tele):	
11	70000579	1	Control Valve Assembly (was p/n 7012766) <b>(Prior to SN 92880)</b>	
11	70000579	1	Control Valve Assembly <b>(SN 92880 to Present)</b>	
		Ref	<b>Note: Refer to Vendor P/N on Valve Nameplate before ordering Parts. P/N 7012766 is RR00567495 or R900567495. P/N 70000579 is R900930080.</b>	
11		Ref	Seal Kit Options:	
11	7012769	1	7012766 Valve	
11	70000583	1	70000579 Valve	
11A		Ref	Coil Options:	
11A	7012772	1	7012766 Valve (Was p/n 7012768)	
11A	70000582	1	70000579 Valve	
11A		Ref	Nut, Coil Options:	
11A	7018912	1	7012766 Valve	
11A	70000580	1	70000579 Valve	
12	7012775	1	Control Valve Assembly (Flow Control)	
12	7012773	1	Seal Kit	
12A	7012772	2	Coil	
12A	7018912	2	Nut	
12A	7024015	2	Pipe, Pole	

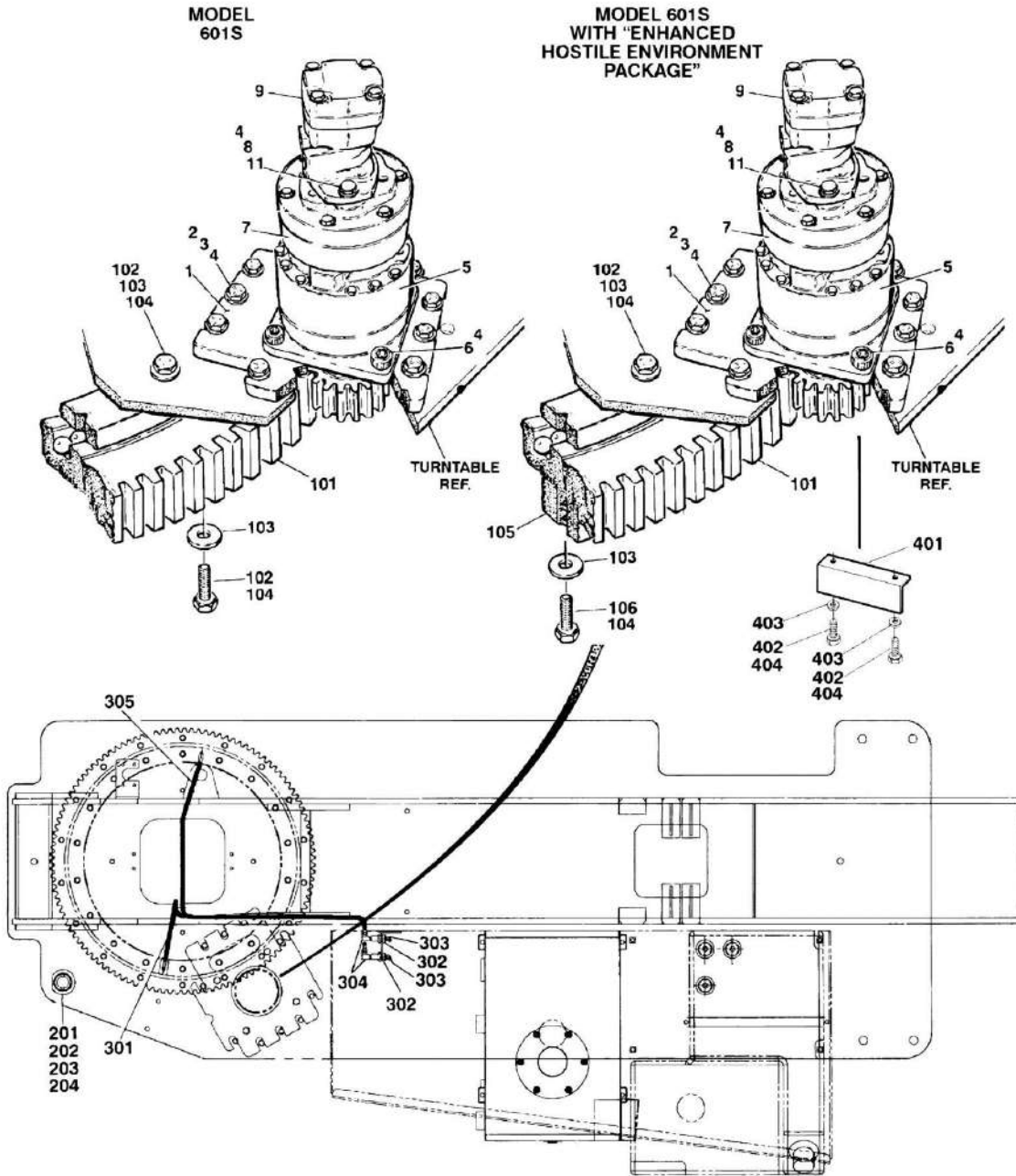
## SECTION 2 - TURNTABLE

ITEM	PART NUMBER	QTY	DESCRIPTION	REV
13	7010542	1	Cartridge, Shuttle	
13	7010543	1	Seal Kit - 7010542 Cartridge	
14	7010542	1	Cartridge, Shuttle	
14	7010543	1	Seal Kit - 7010542 Cartridge	
15	7010542	1	Cartridge, Shuttle	
15	7010543	1	Seal Kit - 7010542 Cartridge	
16	7010542	1	Cartridge, Shuttle	
16	7010543	1	Seal Kit - 7010542 Cartridge	
17	7010542	1	Cartridge, Shuttle	
17	7010543	1	Seal Kit - 7010542 Cartridge	
18	7012912	1	Cartridge, Relief Valve (Upper Lift Down)	
18	7012998	1	Seal Kit - 7012912 Cartridge	
19	7012775	1	Control Valve Assembly (Upper Lift)	
19	7012773	1	Seal Kit	
19A	7012772	2	Coil	
19A	7018912	2	Nut	
19A	7024015	2	Pipe, Pole	
20	7012775	1	Control Valve Assembly (Swing)	
20	7012773	1	Seal Kit	
20A	7012772	2	Coil	
20A	7018912	2	Nut	
20A	7024015	2	Pipe, Pole	
21	7012912	1	Cartridge, Relief Valve (Swing)	
21	7012998	1	Seal Kit - 7012912 Cartridge	
22	7012774	1	Control Valve Assembly (Steer)	
22	7012773	1	Seal Kit	
22A	7012772	2	Coil	
22A	7018912	2	Nut	
22A	7024014	2	Pipe, Pole	
23	7012912	1	Cartridge, Relief Valve (Steer Left)	
23	7012998	1	Seal Kit - 7012912 Cartridge	
24	7012912	1	Cartridge, Relief Valve (Steer Right)	
24	7012998	1	Seal Kit - 7012912 Cartridge	
25	7018941	2	Orifice	
30	4460499	15	Connector, Din with Diode (Part of Valve Harness)	
31	2220885	2	Plug	
	2901763	Ref	<b>ROTATE SANDWICH VALVE KIT</b>	A
51	7021310	1	Block, Valve	



# SECTION 2 - TURNTABLE

## FIGURE 2-5. SWING DRIVE, TURNTABLE BEARING AND LOCK INSTALLATIONS



## SECTION 2 - TURNTABLE

**FIGURE 2-5. SWING DRIVE, TURNTABLE BEARING AND LOCK INSTALLATIONS**

ITEM	PART NUMBER	QTY	DESCRIPTION	REV
		Ref	<b>TURNTABLE WELDMENT OPTIONS:</b>	
	4620116	1	<b>Turntable Weldment - Model 601S</b>	
	4620121	1	<b>Turntable Weldment - Model 601S with "Enhanced Hostile Environment Package"</b>	
		Ref	<b>SWING DRIVE INSTALLATION OPTIONS:</b>	
	0257915	Ref	<b>Swing Drive Installation (Prior to SN 64566)</b>	3-B
	0270330	Ref	<b>Swing Drive Installation (SN 64566 to Present)</b>	B
1	3537318	1	Plate, Swing Drive Mounting	
2	0642018	10	Bolt 5/8in - 11NC x 2 1/4in	
3	4892000	10	Flatwasher, Hardened 5/8in	
4	0100011	AR	Loctite, #242	
5	2780205	1	Hub, Swing Assembly (See SWING HUB ASSEMBLY for Breakdown)	
6	3932224	4	Bolt 1/2in - 13NC x 1 1/2in	
7		Ref	Brake, Swing Assembly (See SWING BRAKE ASSEMBLY for Breakdown)	
7	0920111	1	Brake, Swing Assembly ( <b>Prior to SN 64566</b> )	
7	0920119	1	Brake, Swing Assembly ( <b>SN 64566 to Present</b> )	
8		Ref	Bolt Options:	
8	0681836	2	Bolt 1/2in - 13NC x 4 1/2in ( <b>Prior to SN 64566</b> )	
8	0681832	2	Bolt 1/2in - 13NC x 4in ( <b>SN 64566 to Present</b> )	
9		Ref	Motor, Swing Assembly Options (See SWING MOTOR ASSEMBLY for Breakdown):	
9	3160223	1	Motor, Swing Assembly ( <b>Prior to SN 64764</b> )	
9	3160279	1	Motor, Swing Assembly ( <b>SN 64764 to Present</b> )	
11		Ref	Flatwasher 1/2in (Hardened)	
11	4740171	2	Flatwasher 1/2in ( <b>Prior to SN 64566</b> )	
11	4891800	2	Flatwasher 1/2in ( <b>SN 64566 to Present</b> )	
		Ref	<b>SWING BEARING INSTALLATION OPTIONS:</b>	
	0254798	Ref	<b>Swing Bearing Installation - Model 601S</b>	1
	0258952	Ref	<b>Swing Bearing Installation - Model 601S with "Enhanced Hostile Environment Package"</b>	1
101	2915090	1	Ring Gear Kit (was p/n 0440207) (Kit Includes Ring Gear and Mounting Hardware)	
102	0682016	AR	Bolt 5/8in - 11NC X 2in (Grade 8)	
103	4892000	36	Flatwasher, 5/8in (Hardened)	
104	0100019	AR	Loctite #271	
105	3760417	1	Ring, Spacer (Model 601S with "Enhanced Hostile Environment Package" Machines Only)	
106	0682032	18	Bolt 5/8in-11NC x 4in (Grade 8)	
		Ref	<b>TURNTABLE LOCK INSTALLATION OPTIONS:</b>	
	0239585	Ref	<b>Turntable Lock - Model 601S</b>	B
	0258957	Ref	<b>Turntable Lock - Model 601S with "Enhanced Hostile Environment Package"</b>	1
201		Ref	Pin Options:	
201	3421627	1	Pin - Model 601S	
201	3422769	1	Pin - Model 601S with "Enhanced Hostile Environment Package"	
202	3421565	1	Pin, Snap	
203	3760170	2	Ring, Quick Release	
204	1260017	9 in/23cm	Chain	
	0255316	Ref	<b>REMOTE BEARING LUBE INSTALLATION</b>	3

## SECTION 2 - TURNTABLE

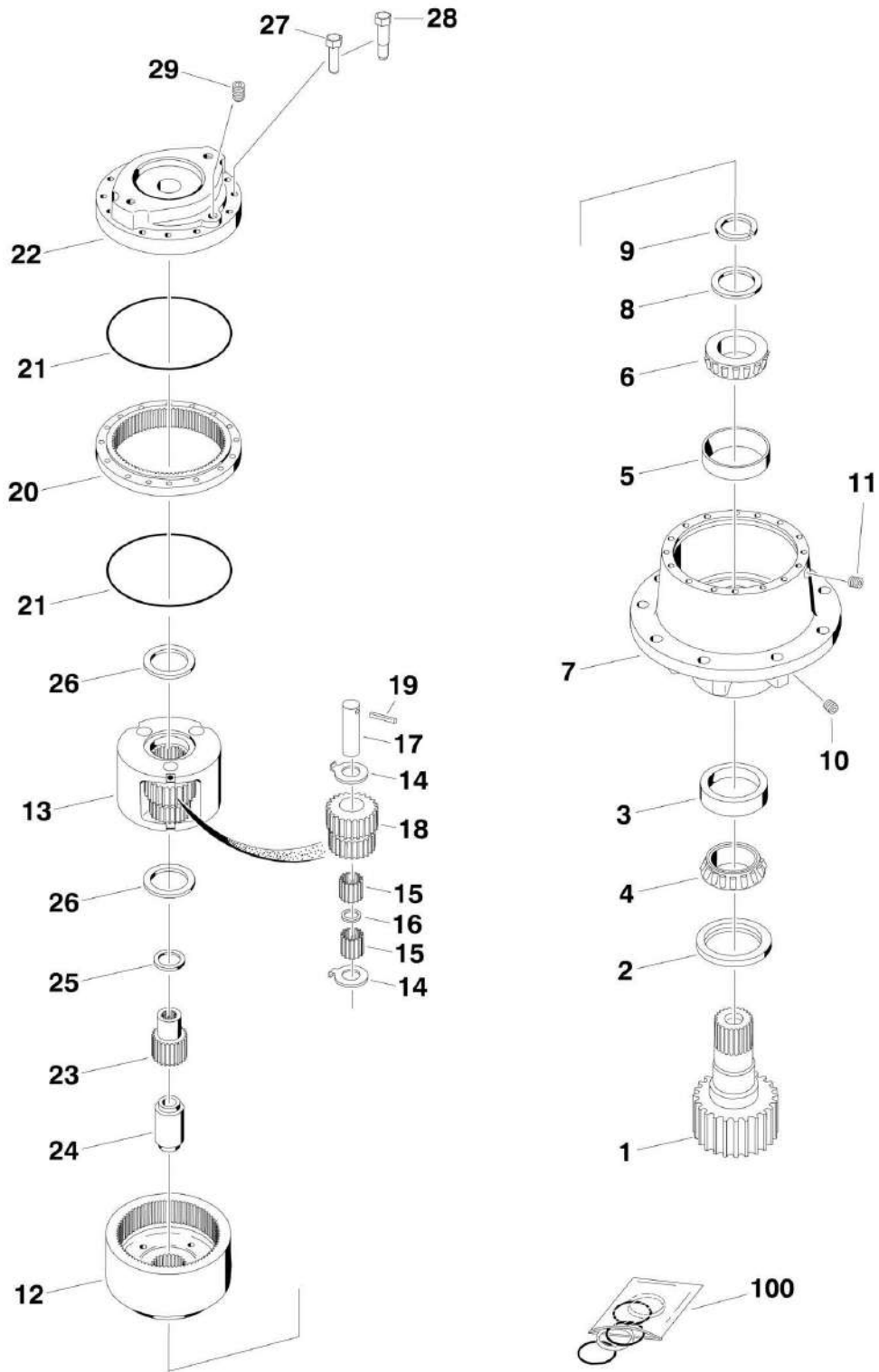
ITEM	PART NUMBER	QTY	DESCRIPTION	REV
301	2751095	1	Hose, Grease ( <b>Prior to SN 70976</b> )	
302	2180344	AR	Fitting, Bulkhead	
303	2160003	AR	Fitting, Grease 45	
304	2220063	AR	Fitting, 90	
305	2751032	1	Hose, Grease	
	0258998	Ref	<b>PINION GEAR DEFLECTORS INSTALLATION - MODEL 601S WITH "ENHANCED HOSTILE ENVIRONMENT PACKAGE"</b>	1
401	3571259	2	Plate	
402	0641608	4	Bolt 3/8in-16NC x 1in	
403	4711600	4	Flatwasher 3/8in (Narrow)	
404	0100011	AR	Loctite #242	





# SECTION 2 - TURNTABLE

## FIGURE 2-6. SWING HUB ASSEMBLY



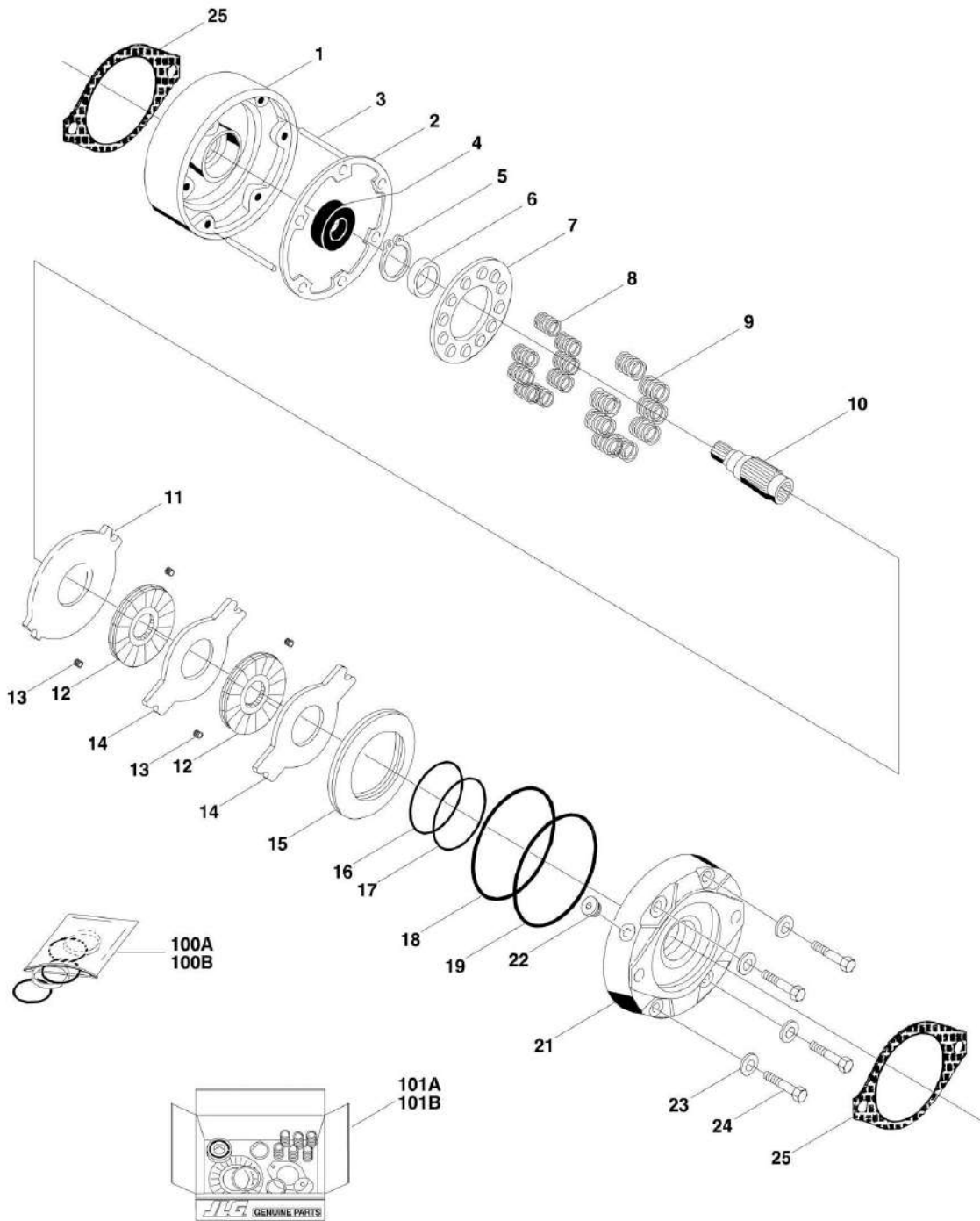
**SECTION 2 - TURNTABLE**

**FIGURE 2-6. SWING HUB ASSEMBLY**

ITEM	PART NUMBER	QTY	DESCRIPTION	REV
	2780205	Ref	<b>SWING HUB ASSEMBLY</b>	-
		Ref	<b>HOUSING ASSEMBLY</b>	
1	7010492	1	Shaft, Output	
2	7000228	1	Seal, Lip	
3	7000255	1	Cup, Bearing	
4	7000256	1	Cone, Bearing	
5	7000257	1	Cup, Bearing	
6	7000258	1	Cone, Bearing	
7	7017089	1	Housing (p/n was 7010496)	
8	7007633	1	Thrustwasher	
9	7000229	1	Ring, Retaining	
10	7010494	2	Pipe, Plug	
11	7001928	2	Pipe, Plug	
12	7000246	2	Gear, In O-Ring	
		Ref	<b>CARRIER ASSEMBLY</b>	
13	7001931	1	Carrier	
14	7001985	6	Thrustwasher, Tanged	
15	7001909	96	Bearing, Needle	
16	7000263	3	Spacer, Thrust	
17	7001911	3	Shaft, Planet	
18	7001987	3	Gear, Cluster	
19	7010474	3	Rollpin	
20	7001988	1	Ring Gear	
21	7000230	1	O-Ring (Black)	
21A	7017070	1	O-Ring (White)	
22	7000209	1	Cover, Input	
23	7010488	1	Gear, Sun	
24	7000269	1	Spacer, Input	
25	7000270	1	Thrustwasher	
26	7000253	2	Thrustwasher	
27	7000217	8	Bolt	
28	7000214	4	Bolt, Shoulder	
29	2200222	1	Pipe, Plug	
100	7024100	1	Seal Kit (Includes Items (2, 9, 21, 21A & 26)	

# SECTION 2 - TURNTABLE

## FIGURE 2-7. SWING BRAKE ASSEMBLY



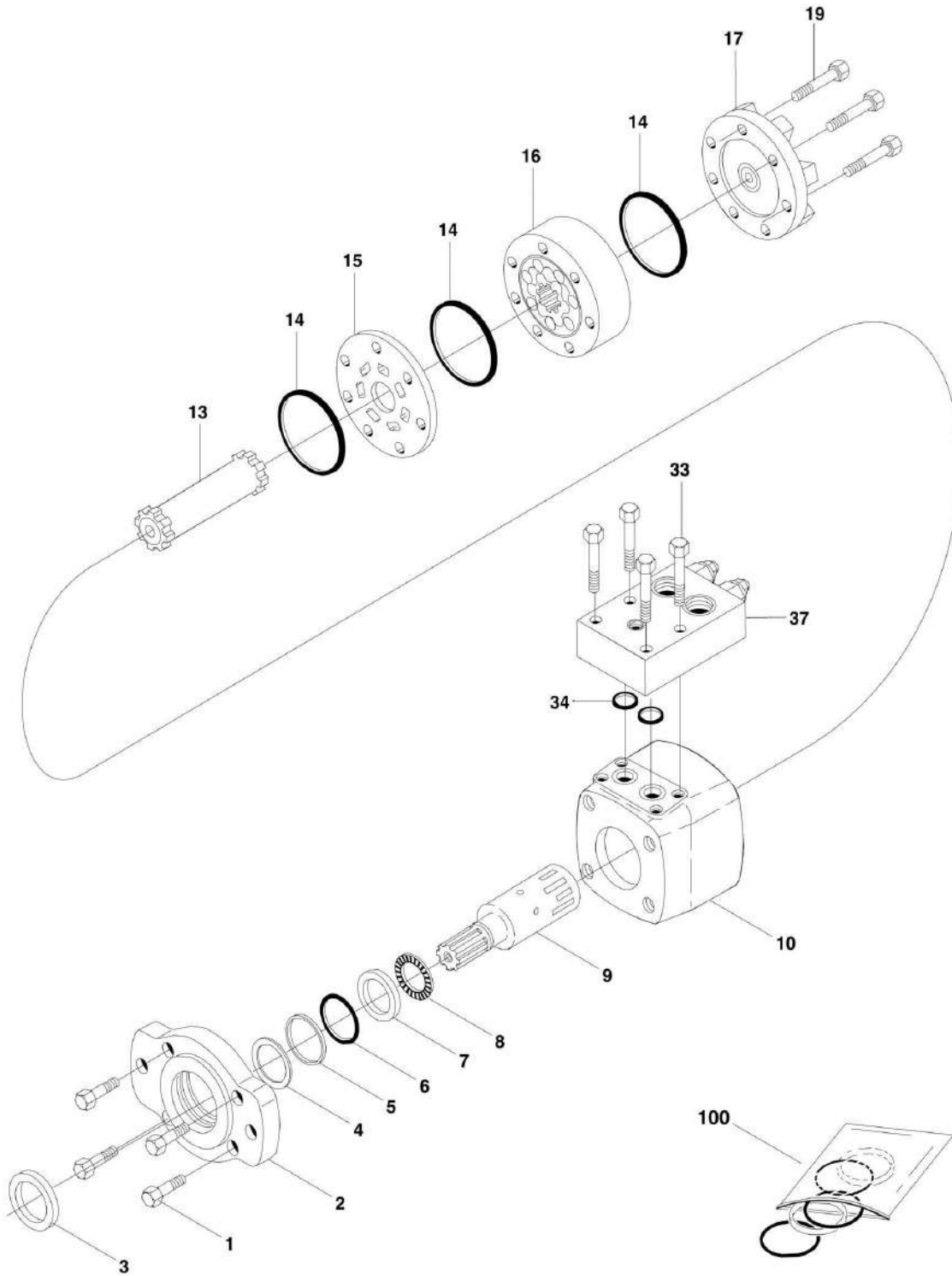
## SECTION 2 - TURNTABLE

### FIGURE 2-7. SWING BRAKE ASSEMBLY

ITEM	PART NUMBER	QTY	DESCRIPTION	REV
	0920111	Ref	<b>SWING BRAKE ASSEMBLY (Prior to SN 64566)</b>	A
1	7003451	1	Housing	
2	7003452	1	Gasket	
3	7003094	2	Torque Pin	
4	7003049	1	Bearing, Ball	
5	7003453	1	Ring, Retaining	
6	7003050	1	Seal	
7	7003454	1	Retainer, Spring	
8	7000798	10	Spring, Compression (Small)	
9	7000782	10	Spring, Compression (Large)	
10	7003455	1	Shaft	
11	7003456	1	Disc, Primary	
12	7003457	2	Disc, Rotating	
13	7003458	4	Spring, Wave	
14	7003459	2	Disc, Stationary	
15	7003460	1	Piston	
16	7000722	1	Ring, Back-Up	
17	7000723	1	O-Ring	
18	7000724	1	Ring, Back-Up	
19	7000725	1	O-Ring	
20	7000796	1	Screw, Bleeder	
21	7003461	1	Plate, Power	
22	7000728	1	Plug, Protective	
23	7003462	4	Washer	
24	7003463	4	Bolt 1/2in-13NC	
25	7000731	2	Gasket	
	0920119	Ref	<b>SWING BRAKE ASSEMBLY (NOT SHOWN) (SN 64566 to Present)</b>	B
		Ref	<b>Note: Repair Kit is the only item available.</b>	
		Ref	<b>KIT OPTIONS</b>	
100		Ref	Seal Kit Options:	
100A	Not Available	1	Seal Kit - 0920111 Brake (Purchase Individual Components) <b>(Prior to SN 64566)</b>	
100B	Not Available	1	Seal Kit - 0920119 Brake (Purchase Repair Kit p/n 70001800) <b>(SN 64566 to Present)</b>	
101		Ref	Repair Kit Options:	
101A	Not Available	1	Repair Kit - 0920111 Brake (Purchase Individual Components) <b>(Prior to SN 64566)</b>	
101B	7018612	1	Repair Kit - 0920119 Brake <b>(SN 64566 to Present)</b>	

# SECTION 2 - TURNTABLE

## FIGURE 2-8. SWING MOTOR ASSEMBLY



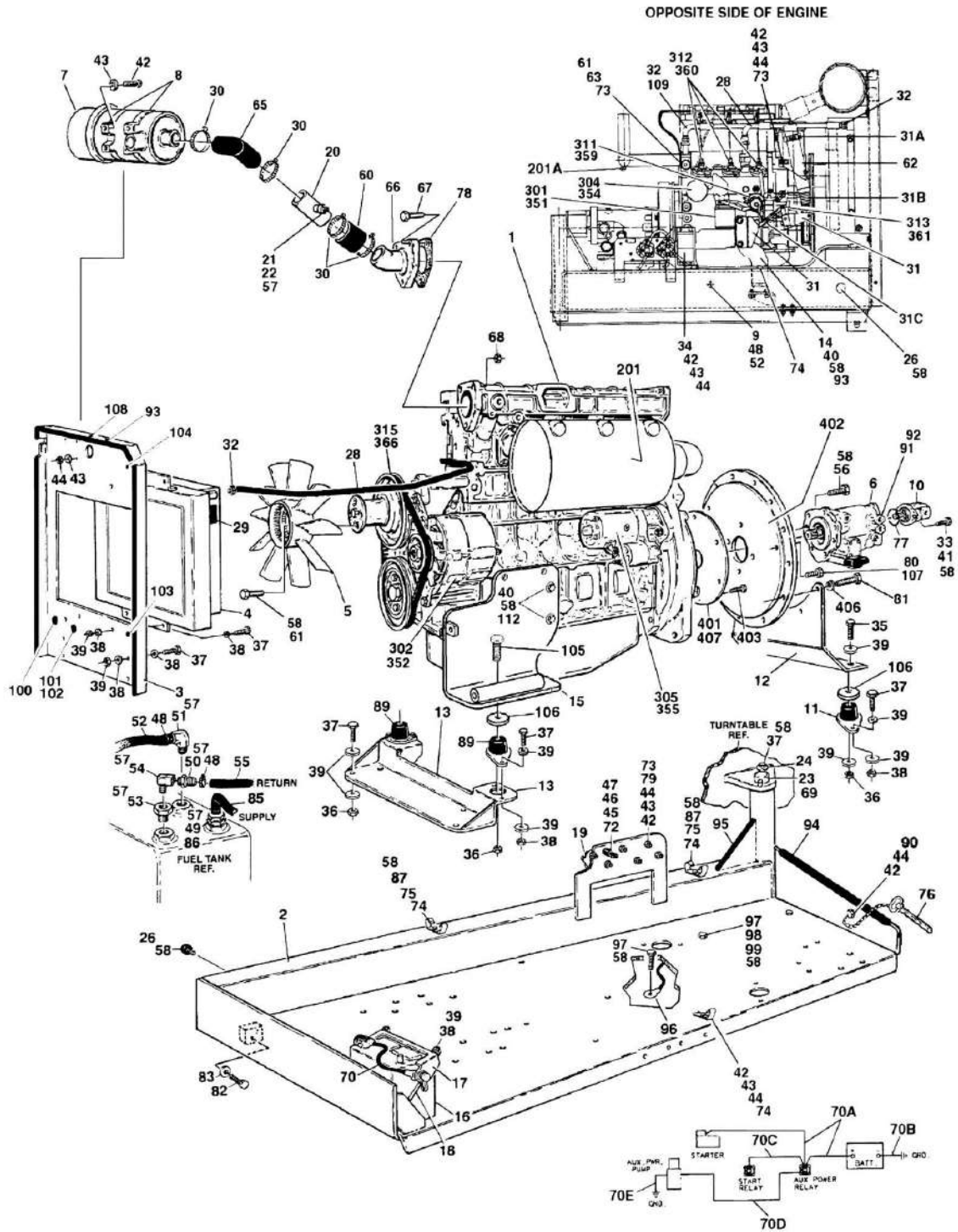
**SECTION 2 - TURNTABLE**

**FIGURE 2-8. SWING MOTOR ASSEMBLY**

ITEM	PART NUMBER	QTY	DESCRIPTION	REV
		Ref	<b>SWING MOTOR ASSEMBLY</b>	
	3160223	Ref	<b>Swing Motor Assembly (Prior to SN 64764)</b>	B
	3160279	Ref	<b>Swing Motor Assembly (SN 64764 to Present)</b>	A
1		Ref	Bolt Options:	
1	7002123	4	Bolt - Motor p/n 3160223 <b>(Prior to SN 64764)</b>	
1	7020357	4	Bolt - Motor p/n 3160279 <b>(SN 64764 to Present)</b>	
2	7009996	1	Flange, Mounting	
3	Item 100	1	Seal, Exclusion	
4	Item 100	1	Washer, Back-up	
5	Item 100	1	Seal, Pressure	
6	Item 100	1	Seal	
7	7002117	1	Race, Bearing	
8	7002111	1	Washer, Thrust	
9	7009998	1	Shaft	
10		Ref	Housing Options:	
10	7020335	1	Housing - Motor p/n 3160223 <b>(Prior to SN 64764)</b>	
10	7020358	1	Housing - Motor p/n 3160279 <b>(SN 64764 to Present)</b>	
13	7020336	1	Drive	
14	Item 100	3	Seal, Body	
15	7020338	1	Plate, Spacer	
16	7020339	1	Rotor Set Assembly	
17	7020346	1	Cap, End	
19	7020340	7	Bolt	
33		Ref	Bolt Options:	
33	7020341	4	Bolt - Motor p/n 3160223 <b>(Prior to SN 64764)</b>	
33	7020353	4	Bolt - Motor p/n 3160279 <b>(SN 64764 to Present)</b>	
34	Item 100	2	O-Ring	
37		Ref	Valve, Counterbalance Options:	
37	7020343	1	Valve - Motor p/n 3160223 <b>(Prior to SN 64764)</b>	
37	7020359	1	Valve - Motor p/n 3160279 <b>(SN 64764 to Present)</b>	
37		Ref	Cartridge, Valve Options:	
37	Not Available	2	Cartridge - Motor p/n 3160223 <b>(Prior to SN 64764)</b>	
37	7020362	2	Cartridge - Motor p/n 3160279 <b>(SN 64764 to Present)</b>	
37		Ref	O-Ring Options:	
37	Not Available	2	O-Ring - Motor p/n 3160223 <b>(Prior to SN 64764)</b>	
37	7020363	2	O-Ring - Motor p/n 3160279 <b>(SN 64764 to Present)</b>	
100	7020360	1	Seal Kit - (Includes Items - 3 thru 6, 14 & 34)	

# SECTION 2 - TURNTABLE

## FIGURE 2-9. DEUTZ ENGINE INSTALLATION - 3CYL (Prior to SN 78257)





## SECTION 2 - TURNTABLE

**FIGURE 2-9. DEUTZ ENGINE INSTALLATION - 3CYL (Prior to SN 78257)**

ITEM	PART NUMBER	QTY	DESCRIPTION	REV
		Ref	<b>DEUTZ ENGINE INSTALLATIONS</b>	
	0257925	Ref	<b>Model 601S (Prior to SN 62137)</b>	8-I
	0258976	Ref	<b>Model 601S With a "Enhanced Hostile Environment Package (Prior to SN 62137)</b>	4-D
	0270798	Ref	<b>Model 601S - Machines With ADE System (SN 62137 through 78256)</b>	9-G
	0270797	Ref	<b>Model 601S With a "Enhanced Hostile Environment Package" - Machines With ADE System (SN 62137 through 78256)</b>	8-F
	0271534	Ref	<b>Model 601S - Machines With ADE System (W/Hydraulic Welder)</b>	8-F
1		Ref	Engine - Deutz F3M1011F Diesel Options:	
1	2000154	1	Engine - Deutz F3M1011F Diesel <b>(Prior to SN 37993)</b>	
1	2000162	1	Engine - Deutz F3M1011F Diesel <b>(SN 37993 through 78256)</b>	
1	2000175	1	With ADE System <b>(Prior to SN 65671)</b>	
1	2000190	1	With ADE System <b>(SN 65671 through 78256)</b>	
2		Ref	Tray Engine Options:	
2	4845404	1	Tray Engine - Model 601S	
2	4845947	1	Tray Engine - Model 601S With a "Enhanced Hostile Environment Package"	
3	3539872	1	Plate, Radiator Mounting	
4	3620033	1	Cooler, Oil	
5	2060025	1	Fan	
6		Ref	Piston Pump Assembly Options:	
6	3600260	1	Standard (See PISTON PUMP ASSEMBLY for Breakdown)	
6	3600333	1	W/Hydraulic Welder (See PISTON PUMP ASSEMBLY (W/HYDRAULIC WELDER) for Breakdown)	
7	1340060	1	Air Cleaner Assembly	
7A	7012664	1	Element, Air Cleaner	
8	0340041	2	Band, Mounting	
9	4640751	1	Valve, Oil Drain	
10		Ref	Gear Pump Assembly Options:	
10	3600242	1	Standard (See GEAR PUMP ASSEMBLY for Breakdown)	
10		Ref	W/Hydraulic Welder Options (See GEAR PUMP ASSEMBLY for Breakdown):	
10	3600297	1	W/Hydraulic Welder <b>(Prior to SN 70877)</b>	
10	3600368	1	W/Hydraulic Welder (No Service Parts Available) <b>(SN 70877 through 78256)</b>	
11	3200378	2	Mount, Rubber Engine (Rear)	
12	3570864	1	Bracket, Engine Mounting - Rear	
13	3539971	1	Bracket, Engine Mounting - Front	
14	3537416	1	Support, Engine - Right	
15		Ref	Support, Engine - Left Options:	
15	3537417	1	Support, Engine - Left <b>(Prior to SN 64398)</b>	
15	4846479	1	Support, Engine - Left <b>(SN 64398 through 78256)</b>	
16	0400075	1	Battery	
17	0181727	1	Hold-Down, Battery	
18	0630498	2	Rod, Hold-Down	
19	3740067	2	Relay	
20	4567495	1	Tee, Air Intake Tube	
21		Ref	Fitting Options:	
21	2200222	1	Fitting, Pipe Plug - Model 601S	

## SECTION 2 - TURNTABLE

ITEM	PART NUMBER	QTY	DESCRIPTION	REV
21	2180798	1	Fitting, Restriction Indicator - Model 601S With a "Enhanced Hostile Environment Package"	
22		Ref	Switch, Restriction Indicator Options:	
22	Not Required	1	Switch - Model 601S	
22	4360392	1	Switch - Model 601S With a "Enhanced Hostile Environment Package"	
23	3422446	1	Pin, Pivot	
24	3841143	1	Keeper, Pin	
25		Ref	Seal Options:	
25	Not Required	0	Seal - Model 601S	
25	3960389	5 ft/1.5m	Seal - Model 601S With a "Enhanced Hostile Environment Package"	
26	0940070	1	Bumper, Rubber	
27		Ref	Angle, Seal Mount Options:	
27	Not Required	1	Angle - Model 601S	
27	0181979	1	Angle - Model 601S With a "Enhanced Hostile Environment Package"	
28	2720398	1	Hose, Oil Cooler	
29	1703162	2	Nameplate - Fan Caution	
30	1320016	4	Clamp, Hose	
31		Ref	Throttle Mounting Kit Options:	
31	Not Required	1	Machines With ADE System	
31	2901392	1	Model 601S & 601S With a "Enhanced Hostile Environment Package"	
31	7023340	1	Screw, Shoulder 3/8in	
31A	7008833	1	Bracket, Throttle	
31B	7008835	1	Coupling, Ball Joint	
31C	7008836	1	Spring	
32	2220451	2	Fitting, Straight	
33	3931620	2	Capscrew 3/8-16NC x 1 1/4in	
34		Ref	Bracket, Control Module Mounting Options:	
34	0902243	1	Bracket, Control Module Mounting ( <b>Prior to SN 56426</b> )	
34	0902511	1	Bracket, Control Module Mounting ( <b>SN 56426 through 64398</b> )	
35	0641818	2	Bolt 1/2in-13NC x 2 1/4in	
36	3311805	4	Locknut 1/2in-13NC	
37	0641608	AR	Bolt 3/8-16NC x 1 1/4in	
38	3311605	24	Locknut 3/8in-16NC	
39	4751600	48	Flatwasher 3/8in	
40	0701414	AR	Bolt, Metric M14-2 x 30mm	
41	4891600	2	Washer, Hardened 3/8in	
42	0641407	AR	Bolt 1/4in-20NC x 7/8in	
43	4751400	AR	Flatwasher 1/4in	
44	3311405	AR	Locknut 1/4in-20NC	
45		Ref	Bolt #10-24NC x 5/8in Options:	
45	Not Required	2	Machines With ADE System	
45	0721005	2	Model 601S & 601S With a "Enhanced Hostile Environment Package"	
46		Ref	Locknut #10-24NC Options:	
46	Not Required	2	Machines With ADE System	
46	3321005	2	Model 601S & 601S With a "Enhanced Hostile Environment Package"	
47		Ref	Flatwasher #10 Options:	
47	Not Required	2	Machines With ADE System	

## SECTION 2 - TURNTABLE

ITEM	PART NUMBER	QTY	DESCRIPTION	REV
47	4751000	2	Model 601S & 601S With a "Enhanced Hostile Environment Package"	
48	1320022	AR	Clamp, Hose	
49	2220273	1	Fitting, Reducer	
50	2180536	1	Fitting, Straight	
51	2220313	1	Fitting, 90	
52	2750532	5.5 ft/1.7m	Hose 3/8in	
53	2220250	1	Fitting, Reducer	
54	2220459	1	Fitting, 90	
55	2720271	11 ft/3.4m	Hose 3/16in	
56	0641812	2	Bolt 1/2in-13NC x 1 1/2in	
57	0100020	AR	Sealant, Thread	
58	0100011	AR	Loctite #242	
60		Ref	Coupling, Rubber Intake Options:	
60	2720351	6 in/15cm	Coupling, Rubber Intake ( <b>Prior to SN 67978</b> )	
60	2720449	1	Coupling, Rubber Intake ( <b>SN 67978 through 78256</b> )	
61	0700808	5	Bolt, Metric M8 x 16mm	
62		Ref	Actuator Assembly Options:	
62	Not Required	1	Machines With ADE System	
62	2910000	1	Actuator Assembly (Was p/n 0060033) (See ELECTRICAL SECTION for Breakdown) - Model 601S & 601S With a "Enhanced Hostile Environment Package"	
63	4831900	1	Lockwasher 8m	
65	2720434	1	Elbow, Rubber	
66	4845395	1	Air Intake Adapter Weldment	
67	0641510	3	Bolt 5/16in-18NC x 1 1/4in	
68	3311505	3	Locknut 5/16in-18NC	
69	0961986	2	Bushing, Flanged	
70	2901568	1	Battery Cable Kit ( <b>Prior to SN 74801</b> )	
70	2902296	1	Battery Cable Kit ( <b>SN 74801 through 78256</b> )	
70A	7016813	1	Cable, Battery (Red) (Kit p/n 2901568)	
70A	1001116240	1	Cable, Battery (Red) (Kit p/n 2902296) (was p/n 7027000)	
70B	7016814	1	Cable, Battery (Black) (Kit p/n 2901568)	
70B	7027004	1	Cable, Battery (Black) (Kit p/n 2902296)	
70C	7016803	1	Cable (Red) (Kit p/n 2901568)	
70C	7027001	NLA	Cable (Red) (Kit p/n 2902296) (No Longer Part of 2902296 Kit - Purchase as Individual Item)	
70D	7016816	1	Cable (Red) (Kit p/n 2901568)	
70D	7027002	1	Cable (Red) (Kit p/n 2902296)	
70E	Not Required	1	Kit p/n 2901568	
70E	7027003	1	Cable (Black) (Kit p/n 2902296)	
72		Ref	Breaker, Circuit Options:	
72	Not Required	1	Machines With ADE System	
72	4360294	1	Breaker, Circuit - 30 Amp - Model 601S & 601S With a "Enhanced Hostile Environment Package"	
73	1320222	1	J-Clip 3/8in	
74	1320223	6	J-Clip 1/2in	
75	0641606	3	Bolt 3/8in-16NC x 3/4in	
76	3422532	1	Pin, Hitch	
77	3790152	1	O-Ring	
78	3960407	1	Gasket	
79	4791400	4	Starwasher 1/4in	

## SECTION 2 - TURNTABLE

ITEM	PART NUMBER	QTY	DESCRIPTION	REV
80	0701012	4	Bolt, Metric M10 x 25mm	
81	0701015	4	Bolt, Metric M10 x 35mm	
82	0642010	1	Bolt 5/8in-11NC x 1 1/4in	
83	4752000	1	Flatwasher 5/8in	
84	1701505	1	Decal - Diesel (Not Shown - Located on Hood)	
85	2720058	11 ft/3.4m	Hose	
86	2220794	1	Fitting, Barbed	
87	4711600	3	Flatwasher 3/8in Narrow	
89	3200362	2	Mount, Rubber Engine (Front)	
90	4711400	1	Flatwasher 1/4in Narrow	
91	4100026	2.5 ft/0.8m	Sleeve, Nylon	
92	4240033	2	Strap, Tie	
93		Ref	Plug 3/8in Options:	
93	Not Required	1	Plug - Model 601S	
93	3520060	1	Plug - Model 601S With a "Enhanced Hostile Environment Package"	
94	4060805	AR	Flex-Trim 1/4in	
95	4060804	7 in/17cm	Flex-Trim 3/16in <b>(Prior to SN 67821)</b>	
96	1060637	1	Lanyard	
97	0641808	2	Bolt 1/2in-13NC x 1in	
98	3311801	1	Nut 1/2in-13NC	
99	4751800	1	Flatwasher 1/2in	
100		Ref	Plug 1 1/2in Options:	
100	Not Required	1	Model 601S	
100	3520035	1	Model 601S With a "Enhanced Hostile Environment Package"	
101		Ref	Plug 1in Options:	
101	Not Required	1	Model 601S	
101	3520033	1	Model 601S With a "Enhanced Hostile Environment Package"	
102		Ref	Adhesive Options:	
102	Not Required	AR	Model 601S	
102	0100010	AR	Model 601S With a "Enhanced Hostile Environment Package"	
103		Ref	Plug 7/16in Options:	
103	Not Required	4	Model 601S	
103	3520054	4	Model 601S With a "Enhanced Hostile Environment Package"	
104		Ref	Plug 5/16in Options:	
104	Not Required	4	Model 601S	
104	3520034	4	Model 601S With a "Enhanced Hostile Environment Package"	
105	0641826	2	Bolt 1/2in-13NC x 3 1/4in	
106	4740274	4	Washer, Snubbing	
107	4832000	8	Lockwasher 10mm	
108		Ref	Plug 9/16in Options:	
108	Not Required	1	Model 601S	
108	3520085	1	Model 601S With a "Enhanced Hostile Environment Package"	
109	2720447	1	Oil Cooler Hose	
110		Ref	Cleaner, Air Pre-Cleaner Options:	
110	Not Required	1	Model 601S	
110	1340061	1	Model 601S With a "Enhanced Hostile Environment Package"	
111		Ref	Seal, Foam Gasket Options:	
111	Not Required	1	Model 601S	
111	3960511	1	Model 601S With a "Enhanced Hostile Environment Package"	
112	4711900	6	Flatwasher 9/16 <b>(SN 64398 through 78256)</b>	

## SECTION 2 - TURNTABLE

ITEM	PART NUMBER	QTY	DESCRIPTION	REV
201		Ref	<b>MUFFLER INSTALLATION</b>	E
201	3220110	1	<b>Spark Arresting</b>	
201A	1320176	1	Clamp, Muffler	
		Ref	<b>ENGINE COMPONENTS</b>	
		Ref	<b>Engine - Deutz F3M1011F Diesel Options:</b>	
	2000154	Ref	<b>Engine - Deutz F3M1011F Diesel (Prior to SN 37993)</b>	
	2000162	Ref	<b>Engine - Deutz F3M1011F Diesel (SN 37993 through 62136)</b>	
	2000175	Ref	<b>Engine - Deutz F3M1011F Diesel (SN 62137 through 65671)</b>	
301	7020023	1	Filter, Fuel	
302	7020410	1	Alternator (was p/n 7016329)	
302	70000851		Bracket, Alternator Mounting	
302	7020464		Regulator, Voltage (Not Shown)	
303		Ref	Switch, Oil Pressure (Not Shown) Options:	
303	7016330	1	2000154/2000162 Engines	
303	7020461	1	2000175 Engine	
304	7016331	1	Filter, Oil (was p/n 7016641)	
305		Ref	Starter Options:	
305	7016332	1	2000154/2000162 Engines	
305	7020479	1	2000175 Engine	
306	7020026	1	Dipstick - Engine Oil (Not Shown)	
306	70001002		Tube (2000162 Engine Only)	
307	7020027	1	Flywheel (Not Shown)	
307	7020477	1	Rim, Gear (Not Shown) (2000162/2000175 Engine Only)	
308	7020022	1	Pump, Injection (Not Shown)	
309	7020024	1	Breather, Crankcase (Not Shown)	
310		Ref	Switch, Oil Temperature (Not Shown) Options:	
310	7020025	1	2000154/2000162 Engines	
310	7020168	1	2000175 Engine	
310	7020480	1	Seal, Temperature Switch for 7020168	
311	7020463	1	Fuel Pump Supply	
312	7024318	3	Fuel Injection Pump	
313		Ref	Actuator, Throttle Options (Not Shown):	
313	7016359	1	2000154/2000162 Engines	
313	7020458	1	2000175 Engine	
313	7027250	1	Spring for 7016359 Actuator	
313	7027276	2	Spring for 7020458 Actuator	
314	7024565	1	Sensor, Tach (Not Shown - Located on Flywheel Housing) (2000175 Engine Only)	
315	7020408	1	V-Belt	
316	70000787	1	Support, Fan (Not Shown) (2000162 Engine Only)	
317	7020446	1	Timing Kit, Belt and Idler (Not Shown)	
318	7020465	1	Cap, Filler (Not Shown)	
319		Ref	Pump, Oil Options (Not Shown):	
319	See Note	1	2000154/2000162 Engines (Note: Not Available for Purchase)	
319	7020467	1	2000175 Engine	
319	7020468	1	2000175 Engine - Seal Between Oil Pump and Engine Block (Not Shown)	
320		Ref	Gasket, Head Options (Not Shown) (2000162 Engine Only):	
320	70003039	1	Gasket - 1 Notch	
320	70003040	1	Gasket - 2 Notch	
320	70003041	1	Gasket - 3 Notch	
	2000190	Ref	<b>ENGINE - DEUTZ F3M1011F DIESEL (SN 65671 through 78256)</b>	

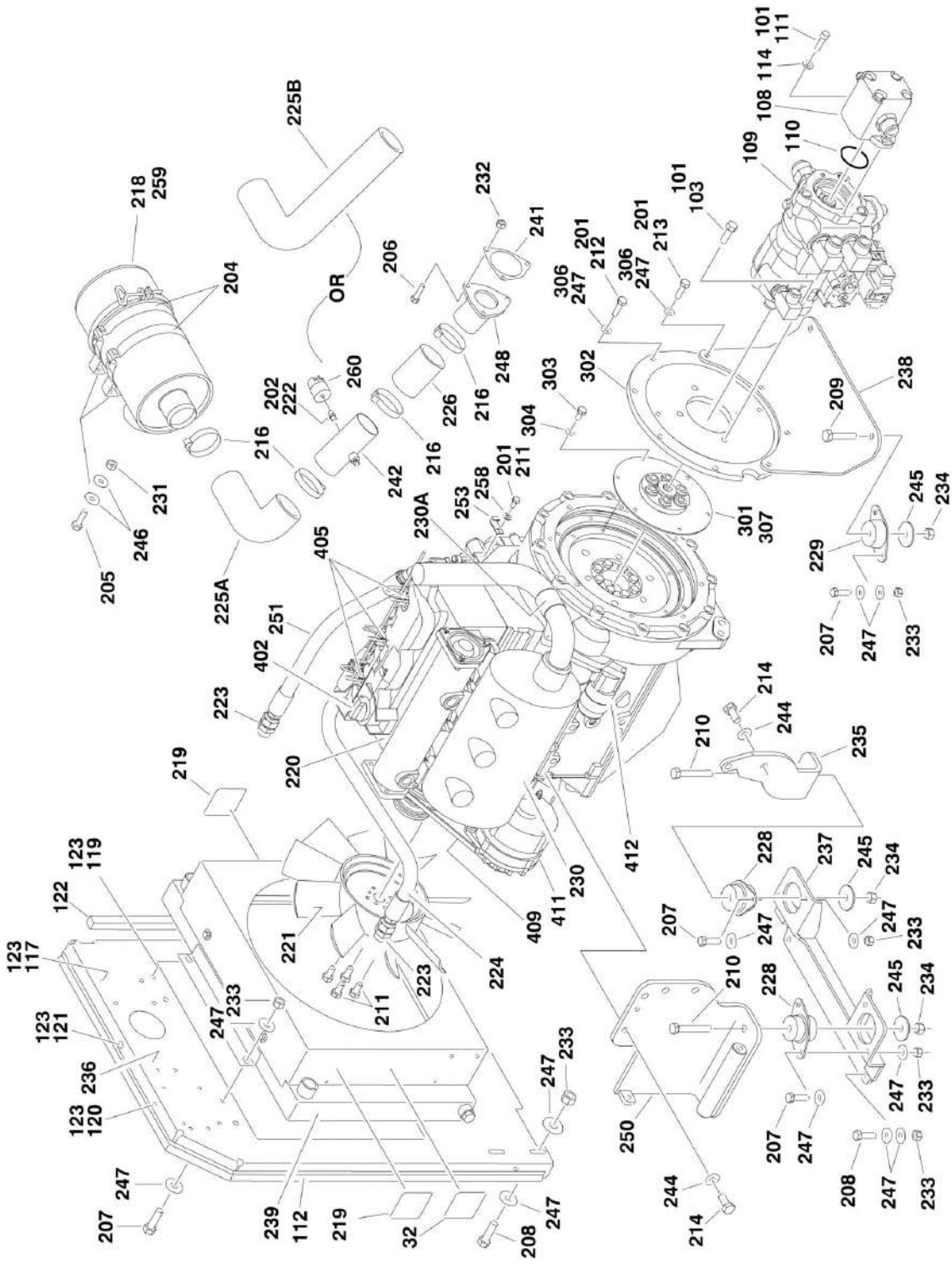
## SECTION 2 - TURNTABLE

ITEM	PART NUMBER	QTY	DESCRIPTION	REV
351	7020023	1	Filter, Fuel	
352	7000663	1	Alternator (was p/n 7020410)	
352	7020464		Regulator, Voltage (Not Shown)	
352	70002234		Bracket, Adjusting	
353	7020461	1	Switch, Oil Pressure (Not Shown)	
354	7016641	1	Oil Filter Assembly	
354	7016331	1	Element	
355	7020479	1	Starter	
356	7020026	1	Dipstick - Engine Oil (Not Shown)	
357	7020465	1	Cap, Filler (Not Shown)	
358	7020168	1	Switch, Oil Temperature (Not Shown)	
359	7020463	1	Fuel Pump Supply (was p/n 7024413)	
359	7020411	1	O-Seal Between Fuel Pump and Engine Block (Not Shown)	
360	7024318	3	Fuel Injection Pump	
361	7020458	1	Actuator, Throttle	
361	7027276	2	Spring for 7020458 Actuator	
362	7024565	1	Sensor, Tach (Not Shown - Located on Flywheel Housing) (was p/n 7020481)	
363	70001871	3	Gasket, Intake Manifold (Not Shown) (was p/n 7020449)	
364	7020471	3	Gasket, Exhaust Manifold to Engine Block (Not Shown)	
365	70000264	1	Flywheel Assembly (Not Shown)	
365	7024579	1	Rim, Gear (Not Shown)	
366	7020408	1	V-Belt	
367	7020467	1	Pump, Oil (Not Shown)	
367	7020468	1	Seal Between Oil Pump and Engine Block (Not Shown)	
368	7020480	1	Seal Ring, Oil Temperature (Not Shown)	
369	7020482	1	Gasket, Kit (Not Shown)	
370	7020488	1	Connector Plug-In (Not Shown)	
	0256847	Ref	<b>PUMP COUPLING INSTALLATION</b>	2
401	1660234	1	Coupling, Hayes	
402	0080163	1	Plate, Pump Adapter	
403	0700810	6	Bolt Metric 8mm x 20mm	
404	4831900	6	Lockwasher 8mm	
406	4832000	8	Lockwasher 10mm <b>(Prior to SN 85132)</b>	
407	3020021	AR	Grease, Coupling (Not Shown)	



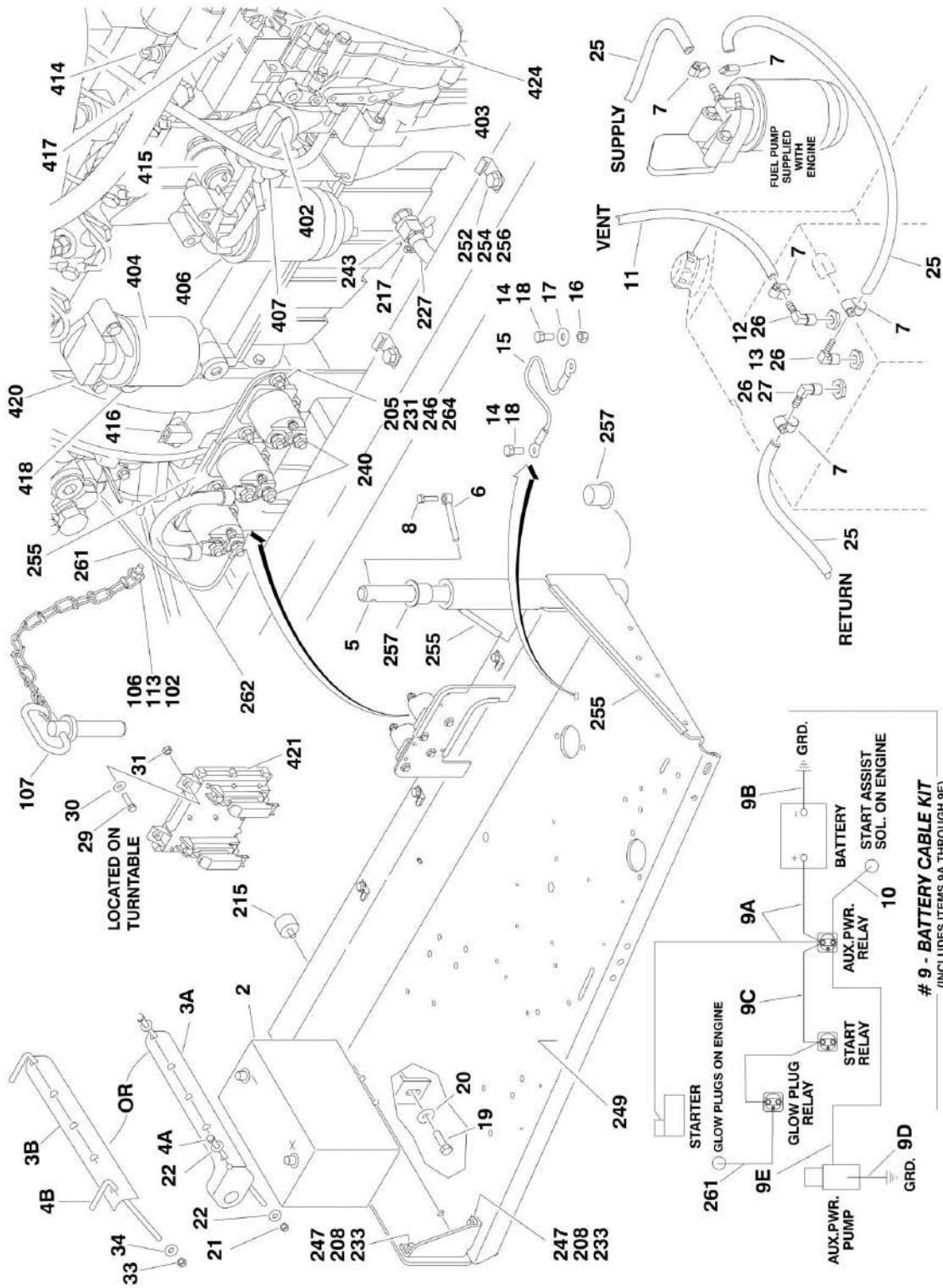
# SECTION 2 - TURNTABLE

FIGURE 2-10. DEUTZ ENGINE INSTALLATION - 3CYL (SN 78257 to Present)





# SECTION 2 - TURNTABLE



## SECTION 2 - TURNTABLE

FIGURE 2-10. DEUTZ ENGINE INSTALLATION - 3CYL (SN 78257 to Present)

ITEM	PART NUMBER	QTY	DESCRIPTION	REV
		Ref	<b>DEUTZ ENGINE INSTALLATIONS</b>	
	0273957	Ref	<b>Deutz Engine Installations 601S (SN 78257 through 85131)</b>	1-A
	0274190	Ref	<b>Deutz Engine Installations 601S (SN 85132 through 86147)</b>	2-B
	0274523	Ref	<b>Deutz Engine Installations 601S (SN 86148 to Present)</b>	E
	0273958	Ref	<b>Deutz Engine Installations 601S - With a "Enhanced Hostile Environment Package (SN 78257 through 85131)</b>	1-A
	0274191	Ref	<b>Deutz Engine Installations 601S - With a "Enhanced Hostile Environment Package (SN 85132 through 86147)</b>	2-B
	0274524	Ref	<b>Deutz Engine Installations 601S - With a "Enhanced Hostile Environment Package (SN 86148 to Present)</b>	E
2	0400075	1	Battery	
3		Ref	Hold-Down, Battery Options:	
3A	0181727	1	Hold-down, Battery <b>(SN 78257 through 110250)</b>	
3B	91401281	1	Hold-down, Battery <b>(SN 110251 to Present)</b>	
4		Ref	Bolt, Battery Hold-down Options:	
4A	0630498	2	Bolt, Battery Hold-down <b>(SN 78257 through 110250)</b>	
4B	1001093382	2	Bolt, Battery Hold-down <b>(SN 110251 to Present)</b>	
5	3422448	1	Pin, Pivot	
6	3841143	1	Pin, Keeper	
7	1320022	5	Clamp, Hose	
8	0641610	1	Bolt 3/8in-16NC x 1 1/4in	
9	2902296	1	Battery Cable Kit	C
		Ref	<b>Note: 2902296 Rev A version is no longer available. Verify weather machine is equipped with 2 or 3 relays on the engine tray. If there are 3 relays, purchase latest revision of 2902296 kit. If there are 2 relays, purchase individual items as replacement.</b>	
9A	1001116241	1	Cable, Battery (Red) (Machines with 2 Relays on Engine Tray) (was p/n 7027000)	
9A	1001116240	1	Cable, Battery (Red) (Machines with 3 Relays on Engine Tray) (was p/n 7027000)	
9B	7027004	1	Cable, Battery (Black)	
9C	7027001	NLA	Cable (Red) (No Longer Part of 2902296 Kit - Purchase as Individual Item)	
9D	7027003	1	Cable (Black)	
9E	7027002	1	Cable (Red)	
10	4922978	1	Harness, Start Assist Solenoid <b>(SN 78257 through 86147)</b>	
11	2750532	4.5 ft/1.4m	Hose	
12	2220313	1	Fitting, 90	
13	2180348	1	Fitting, Straight Barbed	
14	0641808	2	Bolt 1/2in-13NC x 1in	
15	1060637	1	Cable, Lanyard	
16	3311801	1	Nut 1/2in-13NC	
17	4751800	1	Flatwasher 1/2in Wide	
18	0100011	AR	Loctite #242	
19	0642010	1	Bolt 5/8in-11NC x 1 1/4in	
20	4752000	1	Flatwasher 5/8in Wide	
21	3311605	AR	Locknut 3/8in-16NC <b>(SN 78257 through 110250)</b>	
22	4751600	AR	Flatwasher 3/8in Wide <b>(SN 85132 through 110250)</b>	
23	1701505	1	Decal - Diesel (Not Shown - Located on Hood)	
24	4100026	1	Sleeve, Hose Nylon (Not Shown - Located on Drive Hoses)	

## SECTION 2 - TURNTABLE

ITEM	PART NUMBER	QTY	DESCRIPTION	REV
25	2720058	22 ft/6.7m	Hose	
26	0100020	AR	Sealant, Pipe	
27	2221176	1	Fitting, 90 Barbed	
28	4240033	2	Strap, Tie (Not Shown)	
29	0641410	4	Bolt 1/4in-20NC x 1 1/4in ( <b>SN 86148 to Present</b> )	
30	4711400	4	Flatwasher 1/4 ( <b>SN 86148 to Present</b> )	
31	3300454	4	Nut 1/4in-20NC Tapped (601S - With a "Enhanced Hostile Environment Package" Only) ( <b>SN 86148 to Present</b> )	
32		Ref	Decal - Warning Explosion/Fire Options:	
32	1704972	1	ANSI Spec	
32	1706098	1	Australian and CE Spec	
32	1706059	1	Brazilian Spec	
32	1706060	1	Chinese Spec	
32	1706064	1	CSA Spec	
32	1706062	1	Japanese Spec	
32	1706061	1	Korean Spec	
32	1706063	1	Spanish Language	
33	88521205	2	Locknut 5/16in-18NC (Was p/n 3311505) ( <b>SN 110251 to Present</b> )	
34	4751500	2	Flatwasher 5/16in Wide ( <b>SN 110251 to Present</b> )	
		Ref	<b>ENGINE AND PUMP ASSEMBLIES</b>	
	2000248	Ref	<b>Engine and Pump Assemblies 601S (SN 78257 through 85131)</b>	B
	2000269	Ref	<b>Engine and Pump Assemblies 601S (SN 85132 through 86147)</b>	B
	2000301	Ref	<b>Engine and Pump Assemblies 601S (SN 86148 to Present)</b>	B
	2000249	Ref	<b>Engine and Pump Assemblies 601S - With a "Enhanced Hostile Environment Package (SN 85132 through 86147)</b>	B
	2000270	Ref	<b>Engine and Pump Assemblies 601S - With a "Enhanced Hostile Environment Package (SN 85132 through 86147)</b>	B
	2000303	Ref	<b>Engine and Pump Assemblies 601S - With a "Enhanced Hostile Environment Package (SN 86148 to Present)</b>	B
101	0100011	AR	Loctite #242	
102	0641407	1	Bolt 1/4in-20NC x 7/8in	
103	0641812	2	Bolt 1/2in-13NC x 1 1/2in	
105	3020016	2.5 gal	Oil, Motor (Not Shown)	
106	3311405	1	Locknut 1/4in-20NC	
107	3422532	1	Pin, Hitch	
108	3600395	1	Gear Pump Assembly with Fittings (See GEAR PUMP ASSEMBLY for Breakdown)	
109	3600418	1	Piston Pump Assembly with Fittings (See PISTON PUMP ASSEMBLY for Breakdown) ( <b>SN 78257 through 85131</b> )	
109	3600396	1	Piston Pump Assembly with Fittings (See PISTON PUMP ASSEMBLY for Breakdown) ( <b>SN 85132 to Present</b> )	
110	3790152	1	O-Ring	
111	3931620	2	Capscrew 3/8in-16NC x 1 1/4in	
112	3960389	5 ft/1.5m	Seal	
113	4711400	1	Flatwasher 1/4in Narrow	
114	4891600	2	Flatwasher, Hardened	
		Ref	<b>Note: Items 115 to 125 are for Model 601S With A "Enhanced Hostile Environment Package"</b>	
115	0181979	1	Angle, Seal Mounting	
116	3520033	2	Plug 1in (Not Shown - Located on Radiator Mounting Plate)	
117	3520034	8	Plug 5/16in	
118	3520035	1	Cap, Plug (Not Shown - Located on Radiator Mounting Plate) ( <b>SN 78257 through 86147</b> )	

## SECTION 2 - TURNTABLE

ITEM	PART NUMBER	QTY	DESCRIPTION	REV
119	3520054	4	Plug	
120	3520060	1	Plug 3/8in	
121	3520085	1	Plug 1in	
122	3960511	1	Seal	
123	0100010	AR	Adhesive, Superbond	
124	1670836	1	Cover, Boom (Not Shown - Located on Radiator Mounting Plate) <b>(SN 86148 to Present)</b>	
125	3520032	1	Plug 1in (Not Shown - Located on Radiator Mounting Plate) <b>(SN 86148 to Present)</b>	
		Ref	<b>ENGINE ASSEMBLIES</b>	
	2000250	Ref	<b>Engine Assemblies 601S (SN 78257 through 86147)</b>	B
	2000304	Ref	<b>Engine Assemblies 601S (SN 86148 through 92706)</b>	B
	2000346	Ref	<b>Engine Assemblies 601S (SN 92707 to Present)</b>	C
	2000252	Ref	<b>Engine Assemblies 601S - With a "Enhanced Hostile Environment Package (SN 78257 through 86147)</b>	B
	2000302	Ref	<b>Engine Assemblies 601S - With a "Enhanced Hostile Environment Package (SN 86148 through 92706)</b>	B
	2000348	Ref	<b>Engine Assemblies 601S - With a "Enhanced Hostile Environment Package (SN 92707 to Present)</b>	C
201	0100011	AR	Loctite #242	
202	0100020	AR	Sealant, Pipe	
204	0340041	2	Band, Air Cleaner	
205	0641407	AR	Bolt 1/4in-20NC x 7/8in	
206	0641510	3	Bolt 5/16in-18NC x 1 1/4in	
207	0641608	AR	Bolt 3/8in-16NC x 1in	
208	0641610	6	Bolt 3/8in-16NC x 1 1/4in	
209	0641818	2	Bolt 1/2in-13NC x 2 1/4in	
210	0641826	2	Bolt 1/2in-13NC x 3 1/4in	
211	0700808	5	Bolt 8mm x 16mm	
212	0701012	4	Bolt 10mm x 25mm	
213		Ref	Bolt Options:	
213	0701015	4	Bolt 10mm x 35mm <b>(SN 78257 through 86147)</b>	
213	0701014	4	Bolt 10mm x 30mm <b>(SN 86148 to Present)</b>	
214	0701414	6	Bolt 14mm x 130mm	
215	0940070	1	Bumper	
216	1320016	AR	Clamp	
217	1320022	1	Clamp, Hose	
218	1340060	1	Air Cleaner Assembly Filter Element	
218	7012664	1	Element, Filter (Not Shown)	
219	1703162	2	Decal - Caution Fan Blade	
220		Ref	Engine Options (see Items 401-424 for Breakdown):	
220	2000217	1	Engine, Deutz - F4M2011 Tier II <b>(SN 78257 through 86147)</b>	
220	2000273	1	Engine, Deutz - F3M2011 Tier II <b>(SN 86148 through 92706)</b>	
220	2000338	1	Engine, Deutz - F3M2011 Tier II <b>(SN 92707 through 106658)</b>	
220	1001092723	1	Engine, Deutz - D2011L03 Tier III <b>(SN 106659 to Present)</b>	
221	2060025	1	Fan	
222		Ref	Fitting Options:	
222	2200222	1	Fitting, Plug 601S <b>(SN 85132 through 86147)</b>	
222	2180798	1	Fitting (601S - With a "Enhanced Hostile Environment Package) <b>(SN 78257 through 86147)</b>	
222	2200221	1	Fitting <b>(SN 86148 through 106658)</b>	
222	Not Required	0	Not Required <b>(SN 106659 to Present)</b>	
223	2220451	2	Fitting, Straight	

## SECTION 2 - TURNTABLE

ITEM	PART NUMBER	QTY	DESCRIPTION	REV
224	2720398	1	Hose, Oil Cooler	
225		Ref	Elbow, Rubber Options:	
225A	2720434	1	Elbow, Rubber <b>(SN 78257 through 106658)</b>	
225B	1001091179	1	Elbow, Rubber <b>(SN 106659 to Present)</b>	
226	2720449	1	Hose, Air Cleaner Only <b>(SN 78257 through 106658)</b>	
227	2750532	1 ft/30cm	Hose, Oil Drain	
228	3200362	2	Mount, Motor	
229	3200406	2	Mount, Motor	
230	3220110	1	Muffler, Spark Arresting	
230A	1320176	1	Clamp, Muffler	
231	3311405	AR	Locknut 1/4in-20NC	
232	3311505	3	Locknut 5/16in-18NC	
233	3311605	AR	Locknut 3/8in-16NC	
234	3311805	4	Locknut 1/2in-13NC	
235	3537416	1	Plate, Engine Mounting (Front Right Side)	
236	3539872	1	Plate, Radiator Mounting	
237	3539971	1	Plate, Engine Mounting (Front Bottom)	
238	3570864	1	Plate, Engine Mounting (Rear)	
239	3620033	1	Radiator	
240	3740067	Ref	Relay Options:	
240	3740067	2	Relay <b>(SN 78257 through 92706)</b>	
240	3740067	3	Relay <b>(SN 92707 to Present)</b>	
241	3960407	1	Gasket, Air Intake	
242	4567495	1	Tube, Tuning Only <b>(SN 78257 through 106658)</b>	
243	4640751	1	Valve, Oil Drain	
244		Ref	Flatwasher Options:	
244	4711900	6	Flatwasher 9/16in Narrow <b>(SN 78257 through 92706)</b>	
244	4812200	6	Flatwasher (Metric) 14mm <b>(SN 92707 to Present)</b>	
245	4740274	4	Washer, Snubbing	
246	4751400	AR	Flatwasher 1/4in Wide	
247	4751600	AR	Flatwasher 3/8in Wide	
248	4845395	1	Adapter, Air Intake	
249		Ref	Tray, Engine Options:	
249	4845404	1	Tray, Engine 601S	
249	4845947	1	Tray, Engine 601S - With a "Enhanced Hostile Environment Package"	
250	4846479	1	Plate, Engine Mounting (Front Left Side)	
251	2720447	1	Hose, Oil Cooler	
252	0641606	3	Bolt 3/8in-16NC x 3/4in	
253	1320222	2	J-Clip 3/8in	
254	1320223	4	J-Clip 1/2in	
255	4060805	37 in/1m	Flex-Trim	
256	4711600	3	Flatwasher 3/8in Narrow	
257	0961986	2	Bushing, Flanged	
258	4711500	1	Flatwasher 5/16in Narrow	
259	1340061	1	Cleaner, Dust Cap (601S - With a "Enhanced Hostile Environment Package" Only)	
260	4360392	1	Indicator, Restriction (601S - With a "Enhanced Hostile Environment Package" Only) <b>(SN 85132 through 86147)</b>	
261	4923451	1	Harness, Glow Plug <b>(SN 92707 to Present)</b>	
262	1060904	1	Cable, Jumper <b>(SN 92707 to Present)</b>	
263	3020016	2.5 gal	Oil, Motor 15W-40 (Not Shown)	

## SECTION 2 - TURNTABLE

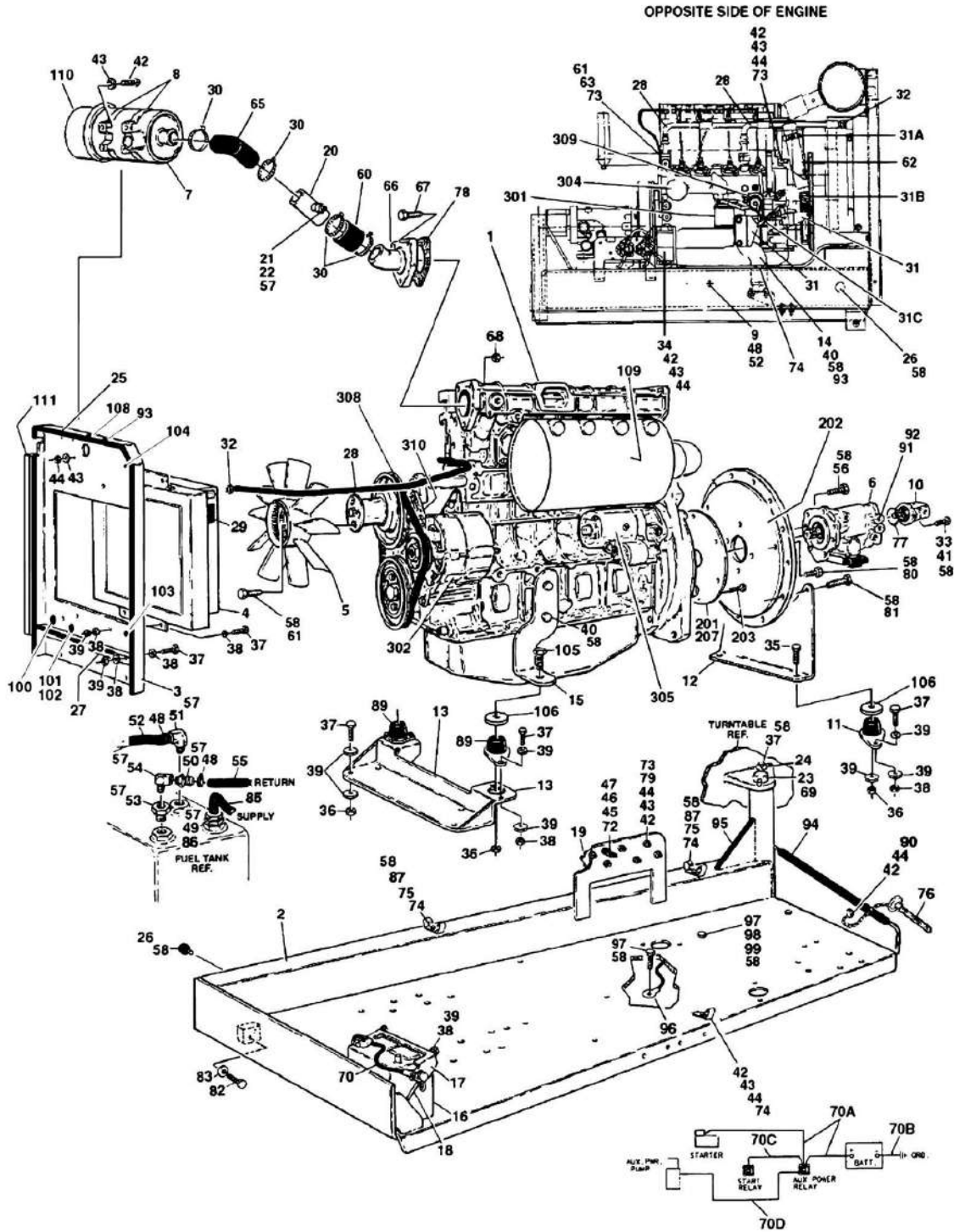
ITEM	PART NUMBER	QTY	DESCRIPTION	REV
264	4711400	12	Flatwasher 1/4in Narrow (SN 92707 to Present)	
	0256847	Ref	<b>PUMP COUPLING INSTALLATION</b>	2
301	1660234	1	Coupling, Hayes	
302	0080163	1	Plate, Pump Adapter	
303	0700810	63	Bolt Metric 8mm x 20mm	
304	4831900	6	Lockwasher 8mm	
306	4832000	8	Lockwasher 10mm (SN 78257 through 84709)	
307	3020021	AR	Grease, Coupling	
		Ref	<b>ENGINE COMPONENTS</b>	
	2000217	Ref	<b>Engine Components (SN 78257 through 86147)</b>	E
	2000273	Ref	<b>Engine Components (SN 86148 through 92706)</b>	B
	2000338	Ref	<b>Engine Components (SN 92707 through 106658)</b>	B
	1001092723	Ref	<b>Engine Components (SN 106659 to Present)</b>	A
401	7020026	1	Dipstick (Not Shown)	
401	7020403	1	Seal, Ring	
401		Ref	Tube, Dipstick Options:	
401	70001002	1	Tube for p/n 2000217	
401	See Note	1	Tube for p/n 2000273, 2000338 & 1001092723 (Note: For correct component, must supply engine serial number to JLG Parts Department)	
402	7020465	1	Cap, Filler	
403	7020495	1	Pump, Oil Lube	
403	7020468	1	Seal Between Oil Pump and Engine Block (Not Shown)	
404	7016331	1	Filter, Oil	
405		Ref	Pump, Injector Options:	
405		Ref	Engine 2000217	
405	7027246	3	Pump, Injector	
405		Ref	Engine 2000273, 2000338 & 1001092723	
405	7027246	3	Series A Injector	
405	7027608	3	Series B Injector	
405	7027609	3	Series C Injector	
405	7027610	3	Series D Injector	
405	7020447	3	Gasket (1 per Injector)	
406	7020023	1	Filter, Fuel	
406	70001423	1	Bracket, Fuel Filter	
407	70000916	1	Pump Fuel Supply	
407	7020411	1	O-Seal Between Fuel Pump and Engine Block (Not Shown)	
407	70001435	1	Fuel Pump Repair Kit (Not Shown)	
408	70001871	3	Gasket, Intake Manifold (Not Shown) (was p/n 7020449)	
409	7020408	1	V-Belt	
410	7020471	3	Gasket, Exhaust Manifold to Engine Block (Not Shown)	
410	70002200	AR	Stud, Exhaust Manifold to Engine Block (Not Shown)	
411	7000663	1	Alternator (was p/n 7020410)	
411	7020464		Regulator, Voltage (Not Shown)	
412	7020479	1	Starter	
412	7026608	1	Relay	
413	Not Available	2	Plug- In Connector (Not Shown)	
414	7027241	1	Transmitter, Temperature (Used on 2000217)	
414	7027791	1	Transmitter, Temperature (Used on 2000273, 2000338 & 1001092723)	
415	7020461	1	Sensor, Oil Pressure (Used on 2000217)	
415	7027790	1	Sensor, Oil Pressure (Used on 2000273, 2000338 &	

## SECTION 2 - TURNTABLE

ITEM	PART NUMBER	QTY	DESCRIPTION	REV
			1001092723)	
416	7024565	1	Sensor, Speed	
417	7020458	1	Actuator, Throttle (Used on 2000217)	
417	7027792	1	Actuator, Throttle (Used on 2000273, 2000338 & 1001092723)	
417	7027276	2	Spring, Actuator	
418	70003475	1	Thermostat (was p/n 7020459) <b>(SN 86148 to Present)</b>	
418	7020460	1	Spring, Compression <b>(SN 86148 to Present)</b>	
419	7024579	1	Gear, Ring 110 Tooth (Located on Flywheel - Not Shown)	
420	7027236	1	Sender, Temperature	
421	7027795	1	Module, Control (Used on 2000273, 2000338 & 1001092723) <b>(SN 86148 to Present)</b>	
421	7027793	1	Connector, EMR2 Control (2000273/2000338 & 1001092723 Engine Only)	
421	7027796	1	Harness, EMR2 Control (2000273/2000338 & 1001092723 Engine Only)	
422	7027245	1	Filter, Fuel (Not Shown - Located in Fuel Supply Line) (Used on 2000217, 2000273, 2000338 & 1001092723) <b>(SN 86148 to Present)</b>	
423	70000345	3	Plug, Glow (Not Shown - Use with 2000338 & 1001092723 only) <b>(SN 92707 to Present)</b>	
424	7027239	1	Solenoid, Start	
425	7027769	1	Connector, Radiator (Not Shown)	
426		Ref	Gasket, Head Options (Not Shown) (Used on 2000273):	
426	70003479	1	Gasket - 1 Notch	
426	70003480	1	Gasket - 2 Notch	
426	70003481	1	Gasket - 3 Notch	
427		Ref	Engine Harness Options (Not Shown):	
427	See Note	1	2000217 Engine Only (Note: Not Available for Purchase)	
427	70001872	1	2000273/2000338 & 1001092723 Engine Only (was p/n 7027794)	
428	70001181	1	Valve, Oil Pressure Relief (Not Shown) (2000338 Engine Only)	

# SECTION 2 - TURNTABLE

FIGURE 2-11. DEUTZ ENGINE INSTALLATION - 4CYL (WITHOUT ADE)





## SECTION 2 - TURNTABLE

**FIGURE 2-11. DEUTZ ENGINE INSTALLATION - 4CYL (WITHOUT ADE)**

ITEM	PART NUMBER	QTY	DESCRIPTION	REV
		Ref	<b>DEUTZ ENGINE INSTALLATIONS</b>	
	10001100378	Ref	<b>Deutz Engine Installations 601S</b>	1-A
	1001100616	Ref	<b>Deutz Engine Installations 601S - With a "Enhanced Hostile Environment Package"</b>	1-A
1	2000146	1	Engine, Deutz - F4M1011F	
2		Ref	Tray, Engine Options:	
2	4845404	1	Model 601S	
2	4845947	1	Model 601S - With a "Enhanced Hostile Environment Package"	
3	3539872	1	Plate, Radiator Mounting	
4	3620033	1	Radiator	
5	2060025	1	Fan	
6	3600260	1	Piston Pump Assembly (See PISTON PUMP ASSEMBLY for Breakdown)	
7	1340060	1	Air Cleaner Assembly Filter Element	
7	7012664	1	Element, Filter (Not Shown)	
8	0340041	2	Band, Air Cleaner	
9	4640751	1	Valve, Oil Drain	
10	3600242	1	Gear Pump Assembly (See GEAR PUMP ASSEMBLY for Breakdown)	
11	3200378	2	Mount, Rubber Engine (Rear)	
12	3537420	1	Plate, Engine Mounting (Rear)	
13	3539971	1	Plate, Engine Mounting (Front Bottom)	
14	3537416	1	Plate, Engine Mounting (Front Right Side)	
15	3537417	1	Plate, Engine Mounting (Front Left Side)	
16	0400075	1	Battery	
17	0181727	1	Hold-Down, Battery	
18	0630498	2	Bolt, Battery Hold-Down	
19	3740067	2	Relay	
20	4567495	1	Tube, Air Intake	
21		Ref	Fitting Options:	
21	2200222	1	Fitting, Plug	
21	2180798	1	Fitting (601S - With a "Enhanced Hostile Environment Package")	
22		Ref	Switch, Restriction Indicator Switch Options	
22	Not Required	0	Model 601S	
22	4360392	1	Model 601S - With a "Enhanced Hostile Environment Package"	
23	3422446	1	Pin, Pivot	
24	3841143	1	Pin, Keeper	
25		Ref	Seal Options:	
25	Not Required	0	Model 601S	
25	3960389	1	Model 601S - With a "Enhanced Hostile Environment Package"	
26	0940070	1	Bumper	
27		Ref	Angle, Seal Mounting Options:	
27	Not Required	0	Model 601S	
27	0181979	1	Model 601S - With a "Enhanced Hostile Environment Package"	
28	2720398	2	Hose, Oil Cooler	
29	1703162	2	Decal - Caution Fan Blade	
30	1320016	4	Clamp	
31	2901392	1	Throttle Mounting Kit	
31A	7008833	1	Bracket, Throttle	

## SECTION 2 - TURNTABLE

ITEM	PART NUMBER	QTY	DESCRIPTION	REV
31B	7008835	1	Coupling, Ball Joint	
31C		Ref	Spring Options:	
31C	7008836	1	Spring (Addco Version)	
31C	7027250	1	Spring (Deutz Version)	
31D	7023340	1	Screw, Shoulder 3/8in x 3/8in (Not Shown)	
32	2220451	2	Fitting, Straight	
33	3931620	2	Capscrew, 3/8in-16NC x 1 1/4in	
34	0902511	1	Bracket, Control Module Mounting	
35	0641818	2	Bolt 1/2in-13NC x 2 1/4in	
36	3311805	4	Locknut 1/2in-13NC	
37	0641610	21	Bolt 3/8in-16NC x 1 1/4in	
38	3311605	22	Locknut 3/8in-16NC	
39	4751600	44	Flatwasher 3/8in Wide	
40	0771414	4	Bolt, Metric M14-2 x 30mm	
41	4891600	2	Flatwasher, Hardened	
42	0641407	13	Bolt 1/4in-20NC x 7/8in	
43	4751400	20	Flatwasher 1/4in	
44	3311405	13	Locknut 1/4in-20NC	
45	0721005	2	Screw #10-24NC x 5/8in	
46	3311005	2	Locknut #10-24NC	
47	4751000	2	Flatwasher #10	
48	1320022	6	Clamp, Hose	
49	2220273	1	Fitting, Reducer	
50	2180536	1	Fitting, Barbed	
51	2220313	1	Fitting,90	
52	2750532	5.5 ft/1.7m	Hose	
53	2220250	1	Fitting, Reducer	
54	2220459	1	Fitting, 90	
55	2720271	11 ft/3.4m	Hose 3/16in	
56	0641812	2	Bolt 1/2in-13NC x 1 1/2in	
57	0100020	AR	Sealant, Thread	
58	0100011	AR	Loctite #242	
60	2720449	1	Coupling, Rubber Intake	
61	0700808	5	Bolt, Metric M8 x 16mm	
62	2910000	1	Actuator Assembly (Was p/n 0060033) (See ELECTRICAL SECTION for Breakdown)	
63	4831900	1	Lockwasher 8mm	
65	2720434	1	Elbow, Rubber	
66	4845395	1	Adapter, Air Intake	
67	0641510	3	Bolt 5/16in-18NC x 1 1/4in	
68	3311405	4	Locknut 1/4in-20NC	
69	0961986	2	Bushing, Flanged	
70	2901568	1	Battery Cable Kit	
70A	7016813	1	Cable, Battery (Red)	
70B	7016814	1	Cable, Battery (Black)	
70C	7016803	1	Cable (Red)	
70D	7016816	1	Cable (Red)	
72	4360294	1	Breaker, Circuit	
73	1320222	2	J-Clip 3/8in	
74	1320223	3	Clamp, J-Clip	
75	0641606	3	Bolt 3/8in-16NC x 3/4in	

## SECTION 2 - TURNTABLE

ITEM	PART NUMBER	QTY	DESCRIPTION	REV
76	3422532	1	Pin, Hitch	
77	3790152	1	O-Ring	
78	3960407	1	Gasket, Air Intake	
79	4791400	4	Lockwasher 1/4in	
80	0701012	4	Bolt 10mm x 25mm	
81	0701015	4	Bolt 10mm x 35mm	
82	0642010	1	Bolt 5/8in-11NC x 1 1/4in	
83	4752000	1	Flatwasher 5/8in Wide	
84	1701505	1	Decal - Diesel (Not Shown - Located on Hood)	
85	2720058	11 ft/3.4m	Hose	
86	2220794	1	Fitting, Barbed	
87	4711600	3	Flatwasher 3/8in Narrow	
89	3200362	2	Mount, Rubber Engine (Front)	
90	4711400	1	Flatwasher 1/4in Narrow	
91	4100026	2.5 ft/0.8m	Sleeve, Nylon	
92	4240033	AR	Strap, Tie	
93		Ref	Plug 3/8in Options:	
93	Not Required	0	Model 601S	
93	3520060	1	Model 601S - With a "Enhanced Hostile Environment Package"	
94	4060805	1.3 ft/0.4m	Flex-Trim	
95	4060804	0.58 ft/0.18m	Flex-Trim	
96	1060637	1	Cable, Lanyard	
97	0641808	2	Bolt 1/2in-13NC x 1in	
98	3311801	1	Nut 1/2in-13NC	
99	4751800	1	Flatwasher 1/2in Wide	
100		Ref	Cap, Plug Options:	
100	Not Required	0	Model 601S	
100	3520035	1	Model 601S - With a "Enhanced Hostile Environment Package"	
101		Ref	Plug 1in Options:	
101	Not Required	0	Model 601S	
101	3520033	1	Model 601S - With a "Enhanced Hostile Environment Package"	
102		Ref	Adhesive, Superbond Options:	
102	Not Required	0	Model 601S	
102	0100010	AR	Model 601S - With a "Enhanced Hostile Environment Package"	
103		Ref	Plug Options:	
103	Not Required	0	Model 601S	
103	3520054	4	Model 601S - With a "Enhanced Hostile Environment Package"	
104		Ref	Plug 5/16in Options:	
104	Not Required	0	Model 601S	
104	3520034	4	Model 601S - With a "Enhanced Hostile Environment Package"	
105	0641826	2	Bolt 1/2in-13NC x 3 1/4in	
106	4740274	4	Washer, Snubbing	
108		Ref	Plug 9/16in Options:	
108	Not Required	0	Model 601S	
108	3520085	4	Model 601S - With a "Enhanced Hostile Environment Package"	
109	1001100680	1	Muffler, Spark Arresting	
109	7024398	1	Tube, Exhaust	
109	7024560	1	Plug, Brass	
110		Ref	Cleaner, Air Pre-Cleaner Options:	

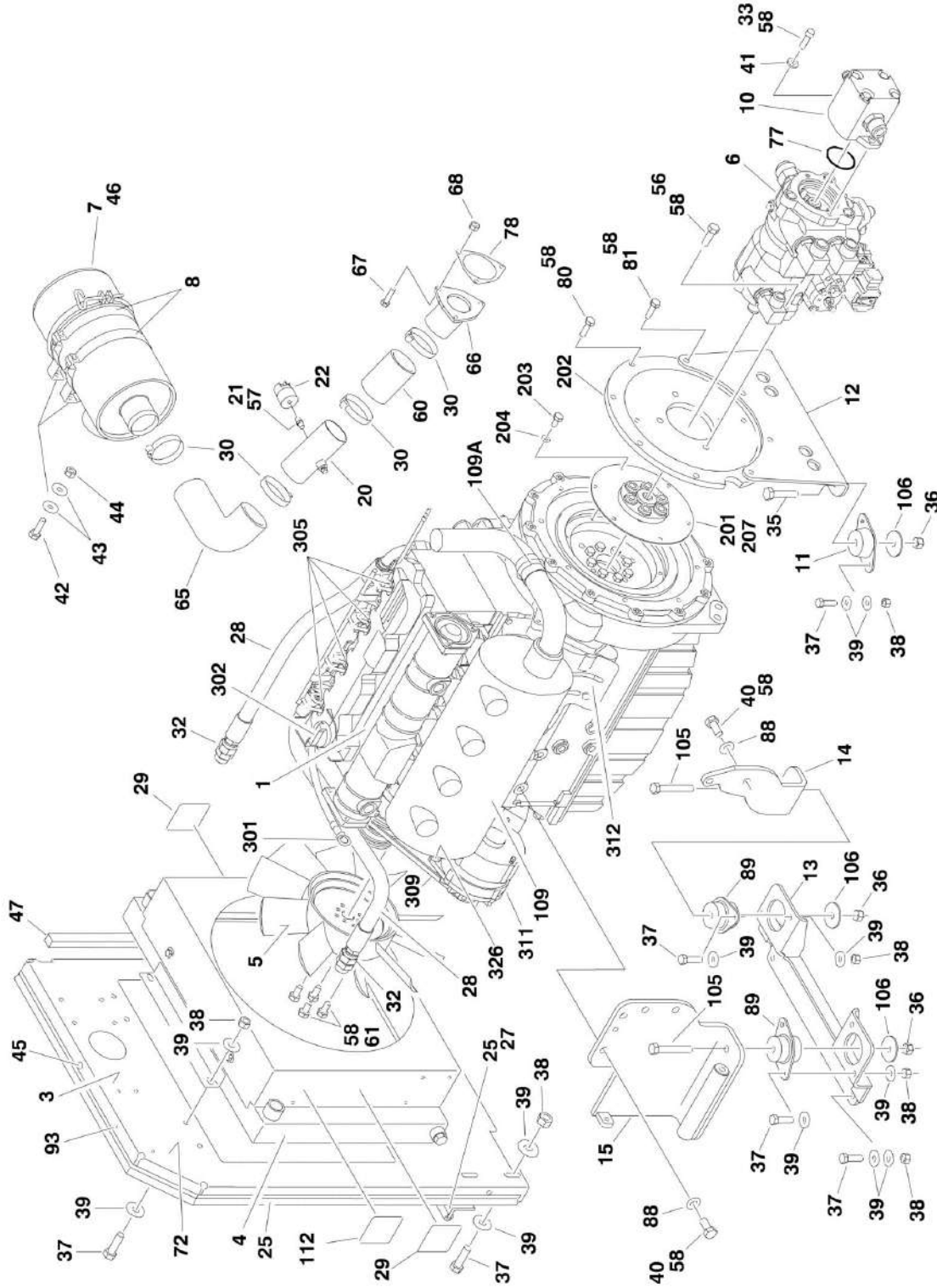
## SECTION 2 - TURNTABLE

ITEM	PART NUMBER	QTY	DESCRIPTION	REV
110	Not Required	0	Cleaner, Air Pre-Cleaner 601S	
110	1340061	1	Cleaner, Air Pre-Cleaner 601S - With a "Enhanced Hostile Environment Package"	
111		Ref	Seal Options:	
111	Not Required	0	Model 601S	
111	3960511	1	Model 601S - With a "Enhanced Hostile Environment Package"	
	0256847	Ref	<b>PUMP COUPLING INSTALLATION</b>	2
201	1660234	1	Coupling, Hayes	
202	0080163	1	Plate, Pump Adapter	
203	0700810	6	Bolt Metric 8mm x 20mm	
204	4831900	6	Lockwasher 8mm	
207	3020021	AR	Grease, Coupling	
	2000146	Ref	<b>ENGINE COMPONENTS</b>	D
301	8320270	1	Filter, Fuel (was p/n 7016328)	
301	70002813	1	Seal (Located Between Filter Head and Engine Block)	
302	7000663	1	Alternator (was p/n 7020410)	
303	7016330	1	Sensor, Oil Pressure (Not Shown)	
304	7016331	1	Filter, Oil	
305	7016332	1	Starter	
306	7016640	1	Dipstick (Not Shown)	
306	7026631	1	Dipstick, Extended (was p/n 7019664)	
306	70001002	1	Housing, Dipstick	
307	7020025	1	Sensor, Oil Temperature (Not Shown)	
308	7020414	1	V-Belt	
309	7020463	1	Pump Fuel Supply	
309	7020411	1	O-Seal (Between Fuel Pump and Engine Block) (Not Shown):	
309	7020432	1	Kit, Lift Pump Repair (Not Shown):	
310	70002234	1	Strap, Alternator	
311	7027250	1	Spring, Shutdown Device (Not Shown)	
312	7000699	1	Seal, Exhaust (Doughnut) (Not Shown)	
313		Ref	Gasket, Cylinder Head Options (Not Shown):	
313	70001681	1	1 Notch	
313	70002411	1	2 Notches	
313	70002530	1	3 Notches	
314	7019607	1	Actuator, Throttle (Not Shown) (was p/n 7016359)	
314	7027250	1	Spring for 7016359 Actuator	
315		Ref	Pump, Fuel Injector Options (Not Shown):	
		Ref	<b>Note: Customer must supply Engine Serial Number before ordering.</b>	
315	7012599	4	Option 1	
315	7020022	4	Option 2	
315	7020427	4	Option 3	
315	7026522	4	Injector, Fuel (Includes Nozzle Element) (Not Shown)	
315	7020425	4	Nozzle (Not Shown)	
316	7020027	1	Flywheel (Not Shown)	
316	7020477	1	Rim, Gear (Not Shown)	
317	7020404	1	Washer, Oil Pan Plug (Not Shown)	
318	7020419	1	Hose, Fuel Return (Not Shown)	
319	7026522	1	Hose, Fuel Return (Not Shown)	
319	7020431		Gasket, Valve Cover (Not Shown)	
320	7020465	1	Cap, Filler (Not Shown)	

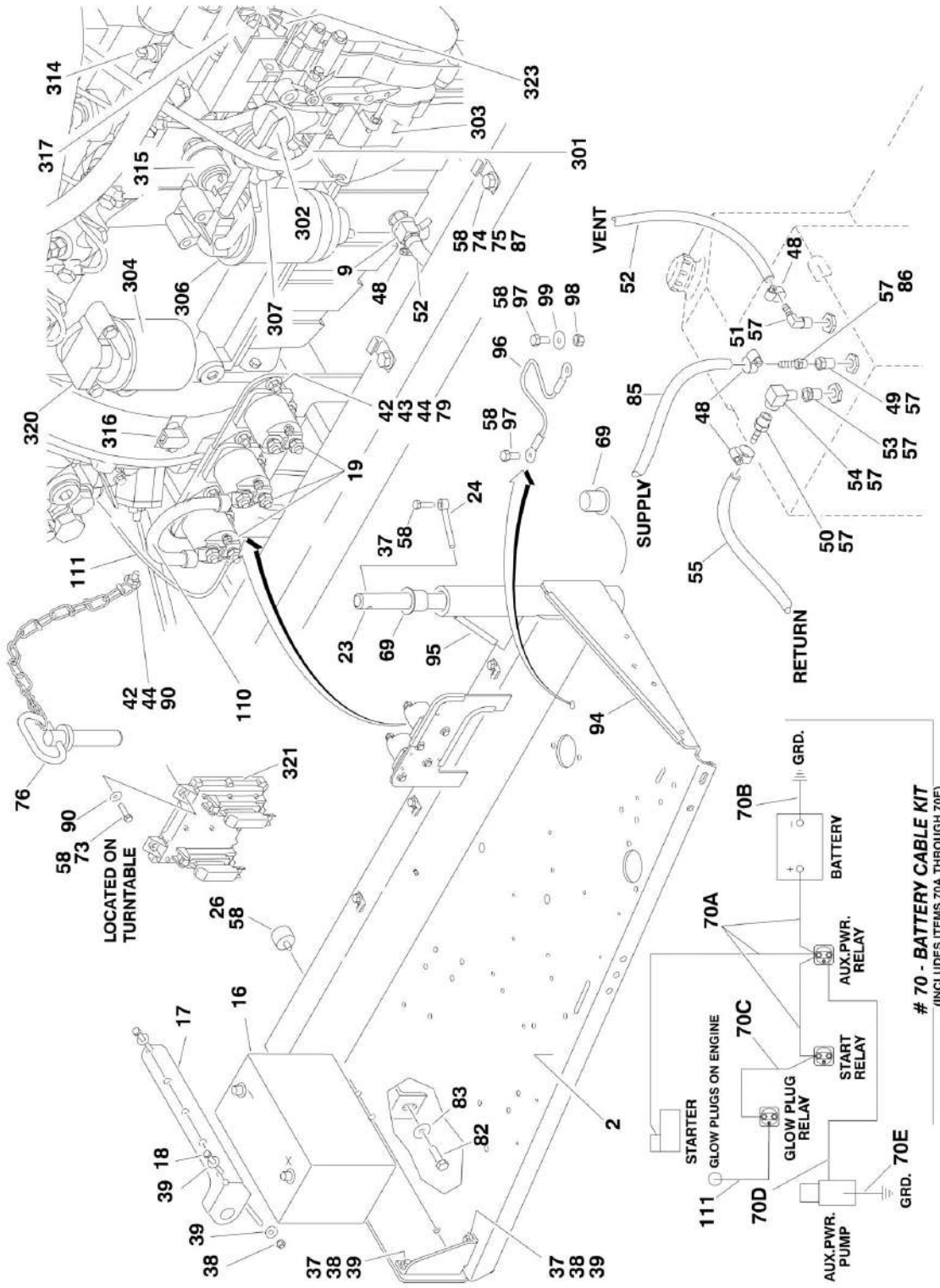


# SECTION 2 - TURNTABLE

## FIGURE 2-12. DEUTZ ENGINE INSTALLATION - 4CYL (WITH ADE)



# SECTION 2 - TURNTABLE



## SECTION 2 - TURNTABLE

FIGURE 2-12. DEUTZ ENGINE INSTALLATION - 4CYL (WITH ADE)

ITEM	PART NUMBER	QTY	DESCRIPTION	REV
		Ref	<b>DEUTZ ENGINE INSTALLATIONS</b>	
	1001100719	Ref	<b>Deutz Engine Installations 601S</b>	1-A
	1001100721	Ref	<b>Deutz Engine Installations 601S (W/Hydraulic Welder)</b>	1-A
	1001100720	Ref	<b>Deutz Engine Installations 601S - With a "Enhanced Hostile Environment Package"</b>	1-A
1	2000339	1	Engine, Deutz - F4M1011F	
2		Ref	Tray, Engine Options:	
2	4845404	1	Tray, Engine 601S	
2	4845947	1	Tray, Engine 601S - With a "Enhanced Hostile Environment Package"	
3	3539872	1	Plate, Radiator Mounting	
4	3620033	1	Radiator	
5	2060025	1	Fan	
6		Ref	Piston Pump Assembly Options:	
6	3600260	1	Standard (See PISTON PUMP ASSEMBLY for Breakdown)	
6	3600333	1	W/Hydraulic Welder (See PISTON PUMP ASSEMBLY (W/HYDRAULIC WELDER) for Breakdown)	
7	1340060	1	Air Cleaner Assembly Filter Element	
7	7012664	1	Element, Filter (Not Shown)	
8	0340041	2	Band, Air Cleaner	
9	4640751	1	Valve, Oil Drain	
10		Ref	Gear Pump Assembly Options:	
10	3600242	1	Standard (See GEAR PUMP ASSEMBLY for Breakdown)	
10	3600368	1	W/Hydraulic Welder (No Service Parts Available)	
11	3200406	2	Mount, Rubber Engine (Rear)	
12	3574978	1	Plate, Engine Mounting (Rear)	
13	3539971	1	Plate, Engine Mounting (Front Bottom)	
14	3537416	1	Plate, Engine Mounting (Front Right Side)	
15	4846566	1	Plate, Engine Mounting (Front Left Side)	
16	0400075	1	Battery	
17	0181727	1	Hold-Down, Battery	
18	0630498	2	Bolt, Battery Hold-Down	
19	3740067	3	Relay	
20	4567495	1	Tube, Air Intake	
21		Ref	Fitting Options:	
21	2200222	1	Fitting, Plug	
21	2180798	1	Fitting (601S - With a "Enhanced Hostile Environment Package")	
22		Ref	Switch, Restriction Indicator Switch Options:	
22	Not Required	0	Model 601S	
22	4360392	1	Model 601S - With a "Enhanced Hostile Environment Package"	
23	3422446	1	Pin, Pivot	
24	3841143	1	Pin, Keeper	
25		Ref	Seal Options:	
25	Not Required	0	Model 601S	
25	3960389	5 ft/1.5m	Model 601S With a "Enhanced Hostile Environment Package"	
26	0940070	1	Bumper	
27		Ref	Angle, Seal Mount Options:	
27	Not Required	1	Model 601S	
27	0181979	1	Model 601S With a "Enhanced Hostile Environment Package"	



## SECTION 2 - TURNTABLE

ITEM	PART NUMBER	QTY	DESCRIPTION	REV
28	2720398	2	Hose, Oil Cooler	
29	1703162	2	Decal - Caution Fan Blade	
30	1320016	4	Clamp	
32	2220451	2	Fitting, Straight	
33	3931620	2	Capscrew, 3/8in-16NC x 1 1/4in	
35	0641818	2	Bolt 1/2in-13NC x 2 1/4in	
36	3311805	4	Locknut 1/2in-13NC	
37	0641610	21	Bolt 3/8in-16NC x 1 1/4in	
38	3311605	22	Locknut 3/8in-16NC	
39	4751600	44	Flatwasher 3/8in Wide	
40	0771414	6	Bolt, Metric M14-2 x 30mm	
41	4891600	2	Flatwasher, Hardened	
42	0641407	13	Bolt 1/4in-20NC x 7/8in	
43	4751400	21	Flatwasher 1/4in	
44	3311405	21	Locknut 1/4in-20NC	
45		Ref	Plug 9/16in Options:	
45	Not Required	1	Model 601S	
45	3520085	1	Model 601S With a "Enhanced Hostile Environment Package"	
46		Ref	Cleaner, Air Pre-Cleaner Options:	
46	Not Required	1	Model 601S	
46	1340061	1	Model 601S With a "Enhanced Hostile Environment Package"	
47		Ref	Seal, Foam Gasket Options:	
47	Not Required	1	Model 601S	
47	3960511	1	Model 601S With a "Enhanced Hostile Environment Package"	
48	1320022	6	Clamp, Hose	
49	2220273	1	Fitting, Reducer	
50	2180536	1	Fitting, Barbed	
51	2220313	1	Fitting, 90	
52	2750532	5.5 ft/1.7m	Hose	
53	2220250	1	Fitting, Reducer	
54	2220459	1	Fitting, 90	
55	2720271	11 ft/3.4m	Hose 3/16in	
56	0641812	2	Bolt 1/2in-13NC x 1 1/2in	
57	0100020	AR	Sealant, Thread	
58	0100011	AR	Loctite #242	
60	2720449	1	Coupling, Rubber Intake	
61	0700808	4	Bolt, Metric M8 x 16mm	
65	2720434	1	Elbow, Rubber	
66	4845395	1	Adapter, Air Intake	
67	0641510	3	Bolt 5/16in-18NC x 1 1/4in	
68	3311405	3	Locknut 1/4in-20NC	
69	0961986	2	Bushing, Flanged	
70	2902296	1	Battery Cable Kit	
70A	1001116240	1	Cable, Battery (Red) (was p/n 7027000)	
70B	7027004	1	Cable, Battery (Black)	
70C	7027001	NLA	Cable (Red) (No Longer Part of 2902296 Kit - Purchase as Individual Item)	
70D	7027002	1	Cable (Red)	
70E	7027003	1	Cable (Black)	
72		Ref	Plug 5/16in Options:	
72	Not Required	4	Model 601S	

## SECTION 2 - TURNTABLE

ITEM	PART NUMBER	QTY	DESCRIPTION	REV
72	3520034	4	Model 601S With a "Enhanced Hostile Environment Package"	
73	0641410	4	Bolt 1/4in-20NC x 1 1/4in	
74	1320223	4	Clamp, J-Clip	
75	0641606	3	Bolt 3/8in-16NC x 3/4in	
76	3422532	1	Pin, Hitch	
77	3790152	1	O-Ring	
78	3960407	1	Gasket, Air Intake	
79	4791400	6	Lockwasher 1/4in	
80	0701012	4	Bolt 10mm x 25mm	
81	0701015	4	Bolt 10mm x 35mm	
82	0642010	1	Bolt 5/8in-11NC x 1 1/4in	
83	4752000	1	Flatwasher 5/8in Wide	
84	1701505	1	Decal - Diesel (Not Shown - Located on Hood)	
85	2720058	11 ft/3.4m	Hose	
86	2220794	1	Fitting, Barbed	
87	4711600	3	Flatwasher 3/8in Narrow	
88	4812200	6	Flatwasher (Metric) 14mm	
89	3200362	2	Mount, Rubber Engine (Front)	
90	4711400	5	Flatwasher 1/4in Narrow	
91	4100026	2.5 ft/0.8m	Sleeve, Nylon (Not Shown - Located on Drive Hoses)	
92	4240033	AR	Strap, Tie (Not Shown - Located on Drive Hoses)	
93		Ref	Plug 3/8in Options:	
93	Not Required	1	Model 601S	
93	3520060	1	Model 601S With a "Enhanced Hostile Environment Package"	
94	4060805	1.3 ft/0.4m	Flex-Trim	
95	4060804	0.58 ft/0.18m	Flex-Trim	
96	1060637	1	Cable, Lanyard	
97	0641808	2	Bolt 1/2in-13NC x 1in	
98	3311801	1	Nut 1/2in-13NC	
99	4751800	1	Flatwasher 1/2in Wide	
100		Ref	Plug 1 1/2in Options (Not Shown):	
100	Not Required	1	Model 601S	
100	3520035	1	Model 601S With a "Enhanced Hostile Environment Package"	
101		Ref	Plug 1in Options (Not Shown):	
101	Not Required	1	Model 601S	
101	3520033	1	Model 601S With a "Enhanced Hostile Environment Package"	
102		Ref	Adhesive Options (Not Shown):	
102	Not Required	AR	Model 601S	
102	0100010	AR	Model 601S With a "Enhanced Hostile Environment Package"	
103		Ref	Plug 7/16in Options (Not Shown):	
103	Not Required	4	Model 601S	
103	3520054	4	Model 601S With a "Enhanced Hostile Environment Package"	
105	0641826	2	Bolt 1/2in-13NC x 3 1/4in	
106	4740274	4	Washer, Snubbing	
109	1001100680	1	Muffler, Spark Arresting	
109	7024398	1	Tube, Exhaust	
109	7024560	1	Plug, Brass	
109A	1320176	1	Clamp, Muffler	
110	1060904	1	Cable, Jumper	

## SECTION 2 - TURNTABLE

ITEM	PART NUMBER	QTY	DESCRIPTION	REV
111	4923379	1	Harness, Glow Plug	
112	1704972	1	Decal - Warning Explosion/Fire	
	0256847	Ref	<b>PUMP COUPLING INSTALLATION</b>	2
201	1660234	1	Coupling, Hayes	
202	0080163	1	Plate, Pump Adapter	
203	0700810	6	Bolt Metric 8mm x 20mm	
204	4831900	6	Lockwasher 8mm	
207	3020021	AR	Grease, Coupling	
	2000339	Ref	<b>ENGINE COMPONENTS</b>	D
301	7026631	1	Dipstick	
301	7020487	1	Seal, Dipstick	
301	70001002	1	Housing, Dipstick	
302	7020465	1	Cap, Filler	
303	70000045	1	Pump, Oil Lube	
303	7020468	1	Seal Between Oil Pump and Engine Block (Not Shown)	
304	7016331	1	Filter, Oil	
305		Ref	Pump, Injector Options:	
305	7027246	4	Series A Injector	
305	7027608	4	Series B Injector	
305	7027609	4	Series C Injector	
305	7027610	4	Series D Injector	
305	7020447	4	Gasket Options (1 per Injector)	
306	8320270	1	Filter, Fuel (was p/n 7016328)	
306	70001423	1	Bracket, Fuel Filter	
307	70000916	1	Pump Fuel Supply	
307	70000919	1	Pump, Hand	
307	7020411	1	O-Seal (Between Fuel Pump and Engine Block) (Not Shown)	
308	70001871	4	Gasket, Intake Manifold (Not Shown) (was p/n 7020449)	
309	7020408	1	V-Belt	
310	7020471	4	Gasket, Exhaust Manifold to Engine Block (Not Shown)	
311	7000663	1	Alternator	
311	7020464	1	Regulator, Voltage (Not Shown)	
312	7020479	1	Starter	
312	7026608	1	Relay	
312	70001498	1	Shield, Heat (Starter)	
313	Not Available	2	Plug- In Connector (Not Shown)	
314	7027791	1	Transmitter, Temperature	
314	Not Available	1	Ring, Sealing	
315	7027790	1	Sensor, Oil Pressure	
316	7024565	1	Sensor, Speed	
317	7027792	1	Actuator, Throttle	
317	7027276	2	Spring, Actuator	
318	70003475	1	Thermostat (Located at rear of engine block - Not Shown) (was p/n 7020459)	
318	7020460	1	Spring, Compression	
319	70000264	1	Flywheel (Not Shown)	
319	7024579	1	Gear, Ring 110 Tooth (Located on Flywheel - Not Shown)	
320	7027236	1	Sender, Temperature	
321	7027795	1	Module, Control	
322	70000345	4	Plug, Glow (Not Shown)	
323	7027239	1	Solenoid, Start	
324	70001847	1	Breather Valve (Not Shown)	

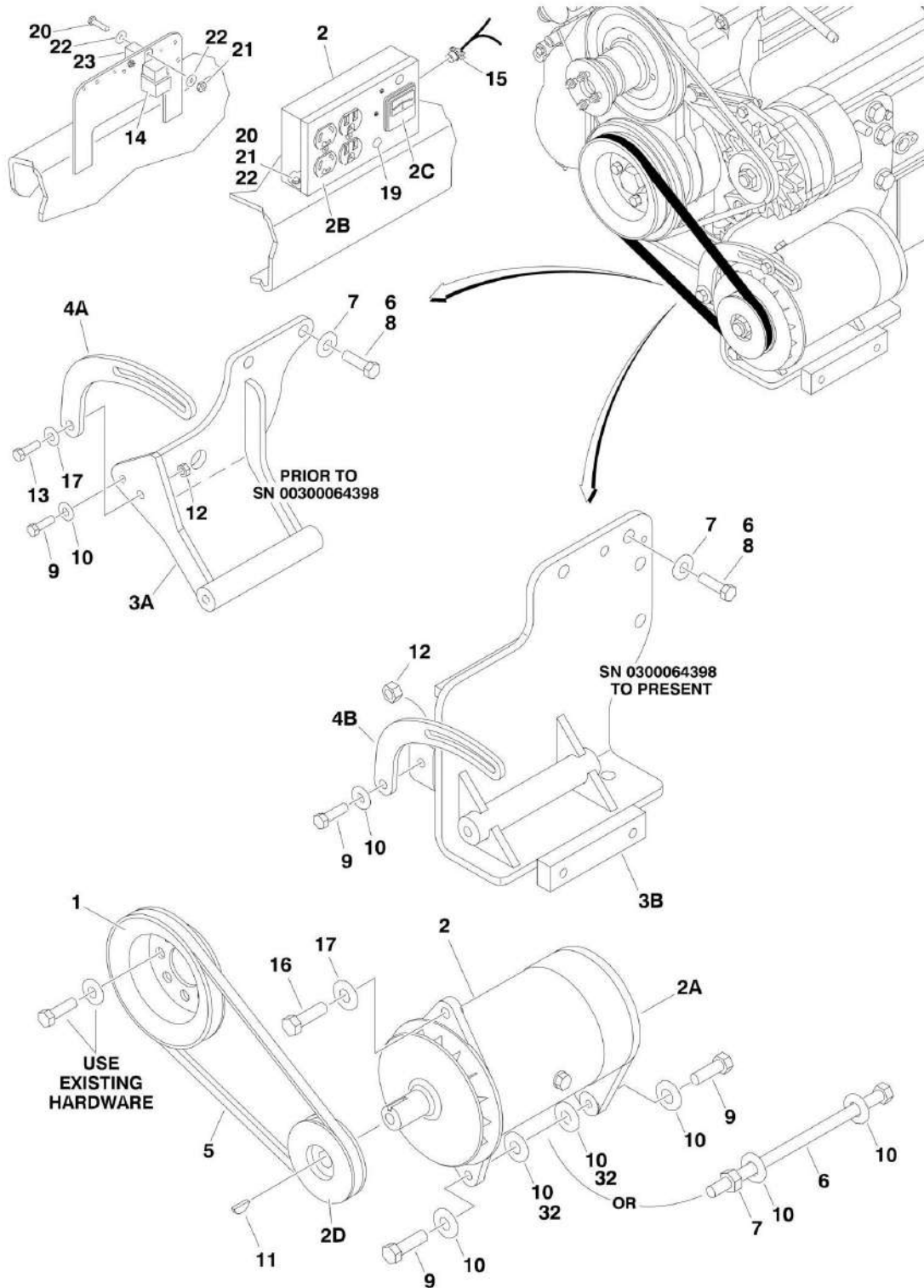
## SECTION 2 - TURNTABLE

ITEM	PART NUMBER	QTY	DESCRIPTION	REV
324	70001126	1	Seal, Breather Valve (Not Shown)	
325	70002200	8	Stud, Exhaust Manifold to Engine Block (Not Shown)	
326	70002234	1	Strap, Alternator	
327		Ref	Gasket, Head Options (Not Shown):	
327	70003001	1	Gasket - 1 Notch	
327	70003002	1	Gasket - 2 Notch	
327	70003003	1	Gasket - 3 Notch	
328	7027795	1	Module, Control	
328	7027793	1	Connector, EMR2 Control	
328	7027796	1	Harness, EMR2 Control	
329	70001872	1	Engine Harness (Not Shown) (was p/n 7027794)	



# SECTION 2 - TURNTABLE

## FIGURE 2-13. GENERATOR INSTALLATION (DEUTZ ENGINE MODEL - 601S WITH A "ENHANCED HOSTILE ENVIRONMENT PACKAGE")



## SECTION 2 - TURNTABLE

**FIGURE 2-13. GENERATOR INSTALLATION (DEUTZ ENGINE MODEL - 601S WITH A "ENHANCED HOSTILE ENVIRONMENT PACKAGE")**

ITEM	PART NUMBER	QTY	DESCRIPTION	REV
	0259312	Ref	GENERATOR INSTALLATIONS (Prior to SN 62137)	1
	0270801	Ref	GENERATOR INSTALLATIONS (WITH ADE SYSTEM) (SN 62137 through 64253)	1
	0271049	Ref	GENERATOR INSTALLATIONS (WITH ADE SYSTEM) (SN 64254 through 82631)	4-D
	0274080	Ref	GENERATOR 110V INSTALLATIONS (WITH ADE SYSTEM) (SN 82632 to Present)	2-B
1	3580158	1	Pulley	
2		Ref	Generator and Control Box Options:	
2	2460011	1	Generator and Control Box (Prior to SN 66085)	
2	2460032	1	Generator and Control Box (SN 66085 through 82631)	
2	2460055	1	Generator and Control Box (SN 82632 to Present)	
2A	7012558	1	Generator	
		Ref	<b>Note: Replacement Generator p/n 7012558 come standard with p/n 3580134 pulley. This pulley may not be correct for all applications. Refer to pulley options below.</b>	
2A	7026199	1	Armature with Slip Rings	
2A	7012513	4	Cap, Brush Holder	
2A	7020108	4	Brush	
2A	7020109	4	Holder, Brush	
2A	7012514	1	Fan	
2A	7020110	1	Bell, Front	
2A	7020111	1	Bell Rear	
2A	7020190	2	Bearing	
2B	7003657	1	Box, Control	
		Ref	<b>Note: Replacement 110V Control Box comes with 2 std Receptacle p/n 4460190. Optional Industrial Twist Lock Receptacles p/n 4460027 must be ordered separately.</b>	
2B	4360542	1	Breaker, Circuit (was p/n 7020194)	
2B	2920162	1	Lamp	
2B	7020191	1	Switch, Toggle	
2B	3520028	1	Plug, Hole	
2C	2420203	1	Voltmeter (was p/n 7010699)	
2D		Ref	Pulley Options:	
2D	3580134	1	Pulley (Prior to SN 66085)	
2D	7020107	1	Pulley (SN 66085 to Present)	
2D	7027887	1	Key, Woodruff	
3		Ref	Bracket, Generator Mounting Options:	
3A	4845531	1	Bracket, Generator Mounting (Prior to SN 0300064398)	
3B	4846566	1	Bracket, Generator Mounting (Part of Engine Assembly) (SN 0300064398 to Present)	
4		Ref	Arm, Adjustment Options:	
4A	0200530	1	Arm, Adjustment (Prior to SN 64398)	
4B	0200741	1	Arm, Adjustment (SN 64398 to Present)	
5		Ref	V-Belt Options:	
5	0480050	1	V-Belt (Prior to SN 64398)	
5	0480119	1	V-Belt (SN 64398 through 66084)	
5	0480111	1	V-Belt (SN 66085 to Present)	
6		Ref	Bolt Options:	
6	0701414	2	Bolt, Metric 14mm x 30mm (Prior to SN 0300064398)	

## SECTION 2 - TURNTABLE

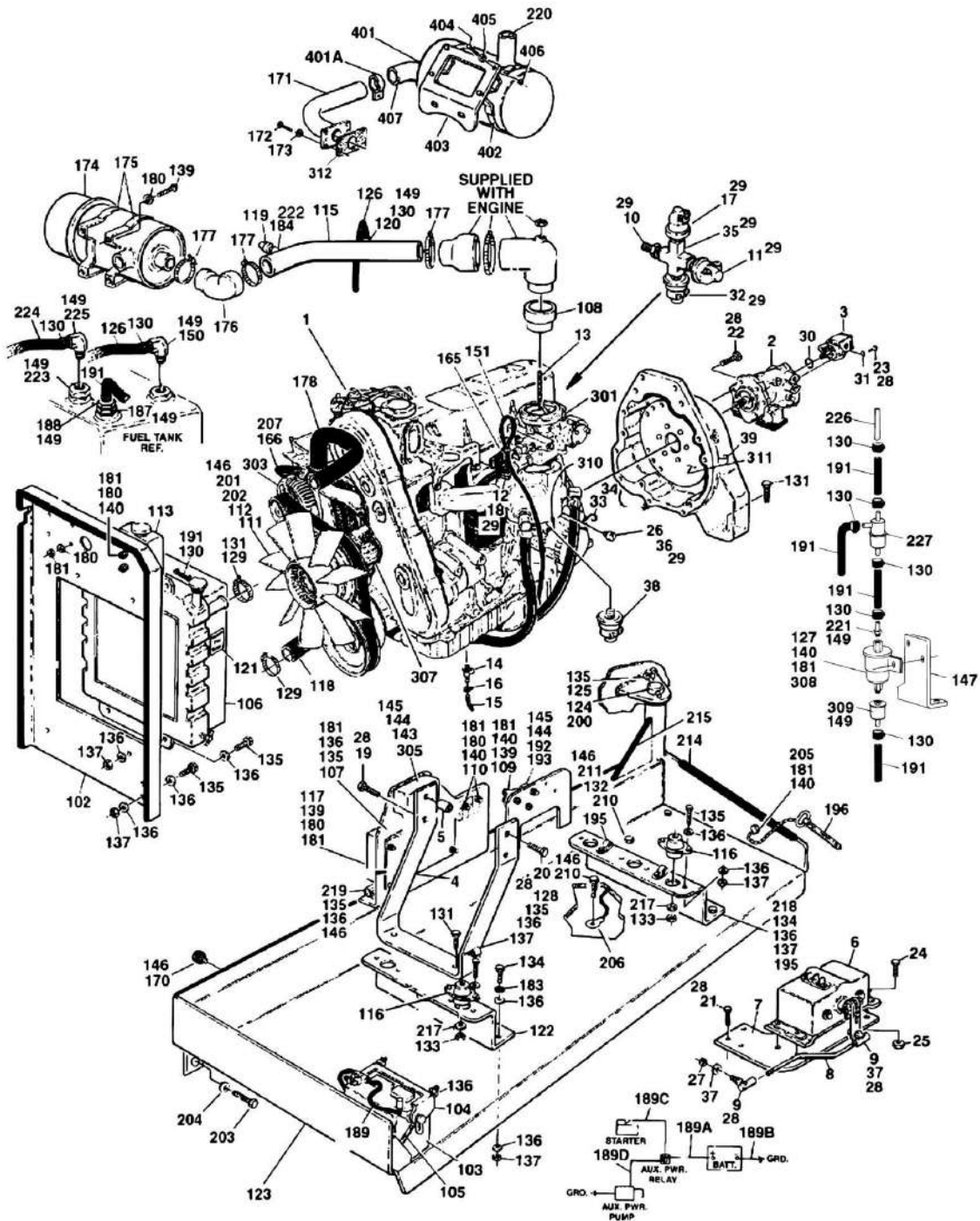
ITEM	PART NUMBER	QTY	DESCRIPTION	REV
6	0641772	1	Bolt 7/16in-14NC x 9in (S/N0300064398 to Present)	
7		Ref	Hardware Options:	
7	4751900	2	Flatwasher 9/16in Regular <b>(Prior to SN 0300064398)</b>	
7	3311705	1	Locknut 7/16in-14NC <b>(SN 0300064398 to Present)</b>	
8	0100011	AR	Compound, Locking	
9		Ref	Bolt Options:	
9	0681612	3	Bolt 3/8in-16NC x 1-1/2in (Grade 8) <b>(Prior to SN 0300064398)</b>	
9	0641610	1	Bolt 3/8in-16NC x 1-1/4in <b>(SN 0300064398 to Present)</b>	
10	4751600	6	Flatwasher 3/8in	
11	2860012	1	Key, Woodruff	
12	3311605	1	Locknut 3/8in-16NC	
13	0700819	1	Bolt 8mm x 55mm <b>(Prior to SN 64398)</b>	
14	3740080	1	Relay	
15	4460023	1	Connector, Strain Relief <b>(Prior to SN 82632)</b>	
16	0641508	AR	Bolt 5/16in-18NC x 1in	
17	4751500	AR	Flatwasher 5/16in	
19	3520028	1	Plug, Hole	
20	0721006	4	Bolt #10-24NC x 3/4in	
21	3311005	4	Locknut #10-24NC	
22	4751000	9	Flatwasher #10	
23	4360294	1	Breaker, Circuit 30 Amp <b>(Prior to SN 82632)</b>	
25	4360336	1	Switch, Toggle (Not Shown - Located on Platform)	
26	4740397	1	Bushing (Not Shown - Located on Platform)	
27	4060802	1	Guard, Switch (Not Shown - Located on Platform)	
29	2820031	4 in/10cm	Heatshrink (Not Shown - Located on Platform)	
30	3251102	1	Decal - On/Off (Not Shown - Located on Platform)	
31	3571497	1	Plate, Control Box Mounting (Not Shown - Located on Turntable) <b>(Prior to SN 62137)</b>	
32	4070585	AR	Shim <b>(SN 92880 to Present)</b>	
	2902085	1	Kit, Powermite Generator (Includes Items 4, 5, 7, 9, 10, 12, 13, 16, 17 & Generator Mounting Bracket and Mounting Hardware)	





# SECTION 2 - TURNTABLE

## FIGURE 2-14. FORD ENGINE INSTALLATION - LRG425 WITH CARBURETOR (Prior to SN 58209)



## SECTION 2 - TURNTABLE

**FIGURE 2-14. FORD ENGINE INSTALLATION - LRG425 WITH CARBURETOR (Prior to SN 58209)**

ITEM	PART NUMBER	QTY	DESCRIPTION	REV
	0257992	Ref	<b>ENGINE ASSEMBLIES</b>	4
1		Ref	Engine - Ford LRG-425 Options:	
1	2000156	1	Engine - Ford LRG-425 <b>(Prior to SN 39829)</b>	
1	2000160	1	Engine - Ford LRG-425 <b>(SN 39829 through 58208)</b>	
2	3600260	1	Piston Pump Assembly (See PISTON PUMP ASSEMBLY for Breakdown)	
3	3600242	1	Gear Pump Assembly (See GEAR PUMP ASSEMBLY for Breakdown)	
4	3539972	1	Plate, Engine Mounting - Front	
5	4566605	1	Tube, Spacer	
6	2500005	1	Actuator, Precision Governor	
7	0902088	1	Bracket, Precision Governor	
8	3841255	1	Rod, Throttle	
9	1660157	2	Coupling, Ball joint	
10	2220437	1	Fitting, Reducer	
11	4360037	1	Switch, Oil Pressure (Normal Open)	
12	2220273	1	Fitting, Reducer	
13	4300056	1	Stud, Carburetor	
14	4640989	1	Valve, Oil Drain	
15	2750532	6 in/21cm	Hose	
16	1320022	1	Clamp	
17	4360405	1	Switch, Oil Pressure (Make Before Break)	
18	2180536	1	Fitting, Barbed	
19	0701022	2	Bolt, Metric 10mm-1.5 x 70mm	
20	0701014	2	Bolt, Metric 10mm-1.5 x 30mm	
21	0700810	3	Bolt, Metric 8mm-1.25 x 20mm	
22	0641812	4	Bolt 1/2in-13NC x 1 1/2in	
23	3931620	2	Capscrew, 3/8in-16NC x 1 1/4in	
24	0641408	4	Bolt 1/4in-20NC x 1in	
25	3311405	5	Locknut 1/4in-20NC	
26	2220250	1	Fitting, Reducer	
27	3321401	2	Nut 1/4in-28NF	
28	0100011	AR	Loctite #242	
29	0100020	AR	Sealant, Pipe	
30	3790152	1	O-Ring	
31	4891600	2	Washer, Hardened 3/8in	
32	4360065	1	Switch, Oil Pressure (L.P. Vacuum Switch)	
33	4564281	1	Tube, Dipstick	
34	2420187	1	Dipstick	
35	2220994	1	Fitting, Cross	
36	4360157	1	Switch, Water Temperature	
37	4751000	2	Flatwasher #10	
38	4360455	1	Switch, Temperature	
39	1320223	3	Clamp, J-Clip	
40	1320222	1	Clamp, J-Clip (Not Shown)	
	0258392	Ref	<b>DUAL FUEL ENGINE INSTALLATION - MODEL 601S</b>	6-F
102	3539872	1	Mount, Radiator	
103	0400075	1	Battery	
104	0181727	1	Tie-Down	
105	0630498	2	Bolt, Tie-Down	

## SECTION 2 - TURNTABLE

ITEM	PART NUMBER	QTY	DESCRIPTION	REV
106	3620040	1	Radiator	
107	3538873	1	Bracket, Controller	
108	0080091	1	Choke Adapter	
109	3740067	1	Relay, Auxiliary Power Relay	
110	3740080	2	Relay, Bosch Relay	
111	0080214	1	Adapter, Fan Spacer	
112	2060025	1	Fan, Suction	
113	1580011	1	Container, Coolant Overflow Container	
115	4845035	1	Tube, Air Cleaner	
116	3200362	4	Mount, Rubber	
117	1600211	1	Controller, Governor	
118	2720435	1	Hose, Lower Radiator (Lower)	
119	4360392	1	Switch, Restriction Indicator Switch <b>(Prior to SN 39819)</b>	
120	2220720	1	Fitting, Barbed	
121	1703162	2	Decal - Fan Blade	
122	3570103	1	Plate, Engine Mount (Front)	
123	4845404	1	Tray, Engine	
124	3422446	1	Pin, Pivot	
125	3841143	1	Pin, Keeper	
126	2750532	6 ft/1.8m	Hose	
127	4791400	9	Lockwasher 1/4in	
128	1320060	2	Clamp, Hose - 0.625	
129	1320012	4	Clamp, Hose, Radiator	
130	1320022	15	Clamp, Hose	
131	0641828	4	Bolt 1/2in-13NC x 3 1/2in	
132	4751800	1	Flatwasher 1/2in	
133	3311805	4	Hex Nut 1/2in - 13UNC	
134	0641610	10	Bolt 3/8in-16NC x 1 1/4in	
135	0641608	18	Bolt 3/8in-16NC x 1in	
136	4751600	63	Flatwasher 3/8in	
137	3311605	27	Locknut 3/8in-16UNC	
139	0641408	8	Bolt 1/4in-20NC x 1in	
140	0641406	15	Bolt 1/4in-20NC x 3/4in	
143	0721006	2	Bolt #10-24NC x 3/4in	
144	4751000	4	Flatwasher #10	
145	3311005	4	Hex Nut #10-24NC	
146	0100011	AR	Loctite #242	
147	3570104	1	Plate, Fuel Pump	
149	0100020	AR	Sealant, Pipe	
150	2180467	1	Fitting, 90 Barbed	
151	2720271	4.5 ft/1.4m	Vacuum Hose 3/16in	
165	4240033	1	Strap, Tie	
166	4240099	3	Strap, Tie	
170	0940070	1	Bumper, Rubber	
171	4567071	1	Tube, Exhaust	
172	0701012	4	Bolt 10m x 1.5 x 25 mm	
173	4832000	4	Lockwasher	
174	1340060	1	Air Cleaner Assembly	
174	7012664	1	Filter, Air Cleaner	
175	0340041	2	Band, Muffler/Air Cleaner	
176	0080201	1	Fitting, 90 Reducing	

## SECTION 2 - TURNTABLE

ITEM	PART NUMBER	QTY	DESCRIPTION	REV
177	1320016	3	Clamp, Worm Gear	
178	2720436	1	Hose, Radiator (Upper)	
180	4751400	27	Flatwasher 1/4in	
181	3311405	23	Locknut 1/4in-20UNC	
183	4791600	4	Star Washer 3/8in	
184	2180798	1	Fitting, Restriction Indicator <b>(Prior to SN 39819)</b>	
185	2200223	1	Plug, Pipe <b>(Prior to SN 39819)</b>	
186	2901608	1	Battery Cable Kit	
187	2220273	1	Fitting, Reducer	
188	2220270	1	Fitting, Reducer	
189	2901583	1	Battery Cable Kit	
189A	7016821	1	Cable, Battery (Red)	
189B	7016822	1	Cable, Battery (Black)	
189C	7016808	1	Cable (Red)	
189D	7016816	1	Cable (Red)	
191	2720058	13.8 ft/4.2m	Hose 5/16in	
192	0721004	2	Bolt #10-24NC x 1/2in	
193	4360294	1	Breaker, Circuit-30 AMP	
195	1320223	4	Clamp, "J" Clip 1/2in	
196	3422532	1	Pin, Hitch	
197	1701542	1	Decal - Gasoline (Not Shown - Located at Fuel Filler)	
199	4567169	1	Tube, Fuel Line <b>(Prior to SN 39819)</b>	
200	0961986	2	Bearing, Flange	
201	0700819	4	Bolt M8 x 1.25 x 55mm	
202	4831900	4	Lockwasher M8	
203	0642010	1	Bolt 5/8in-11NC x 1 1/4in	
204	4752000	1	Flatwasher 5/8in	
205	4711400	1	Flatwasher, 1/4in	
206	1060637	1	Cable, Lanyard	
207	4100025	18 in/46cm	Sleeve, Fiberglass	
210	1641808	2	Bolt 1/2in-13NC x 1in	
211	3311801	1	Hex Nut 1/2in-13 UNC	
214	4060806	16 in/41cm	Flex-Trim	
215	4060804	19 in/49cm	Flex-Trim	
217	4740274	4	Washer, Snubbing	
218	3570133	1	Bracket, Engine Mounting (Rear)	
219	0641606	3	Bolt 3/8in-16NC x 3/4in	
220	2901584	1	Exhaust Extension Kit	
221	2220315	2	Fitting	
222	2200221	1	Fitting	
223	2220250	1	Fitting, Reducer	
224	2720015	12 ft/3.66m	Hose	
225	2220317	1	Fitting, 90 Barbed	
226	4567730	1	Tube, Fuel Line	
227	2120169	1	Filter, By-Pass	
		Ref	<b>ENGINE - FORD LRG-425 COMPONENTS</b>	
	2000156	Ref	Engine - Ford LRG-425 Components <b>(Prior to SN 39829)</b>	

## SECTION 2 - TURNTABLE

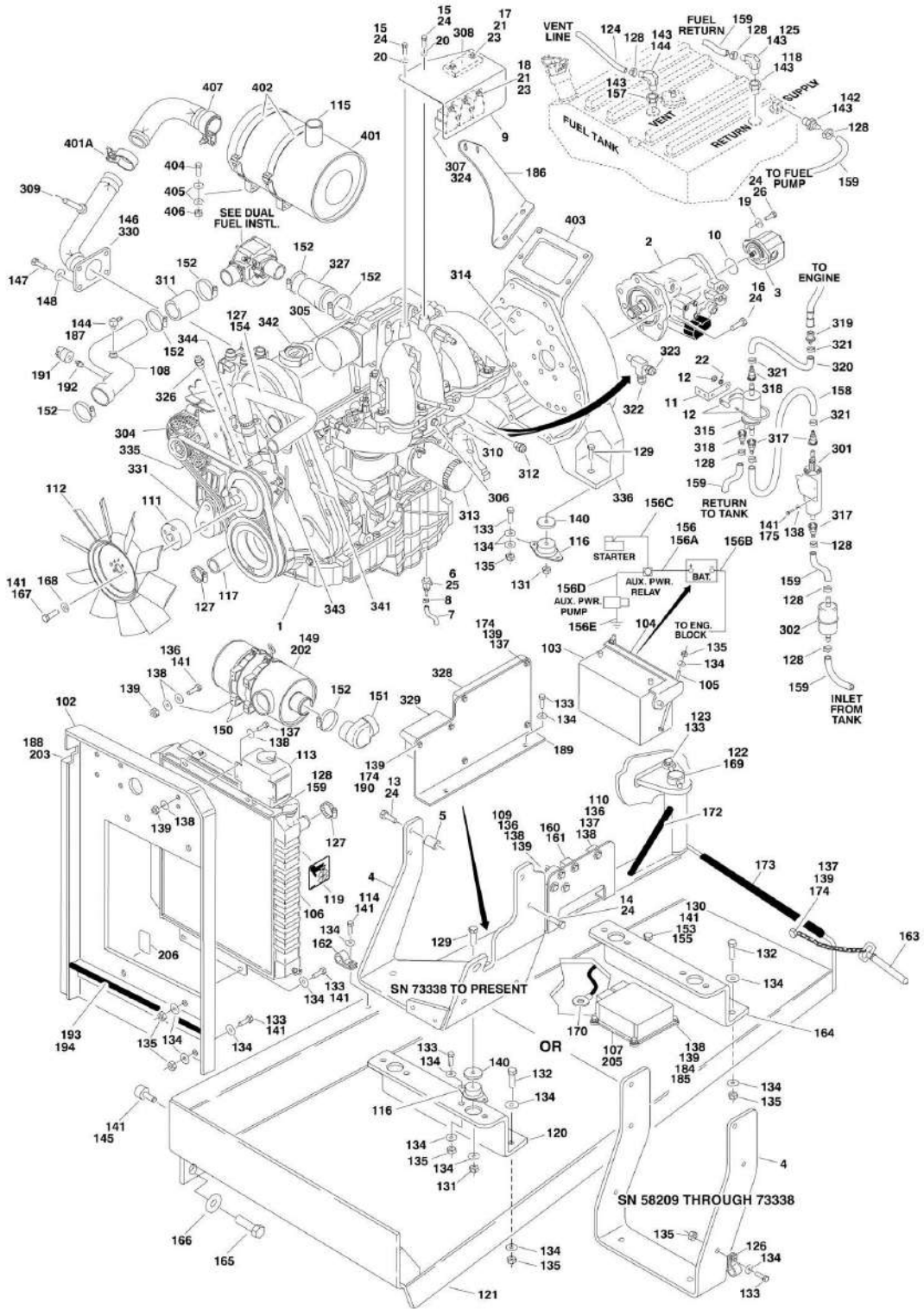
ITEM	PART NUMBER	QTY	DESCRIPTION	REV
	2000160	Ref	Engine - Ford LRG-425 Components <b>(SN 39829 through 58208)</b>	
301		Ref	Carburetor Options:	
301	7019988	1	Carburetor (was p/n 7019974) <b>(Prior to SN 39829)</b>	
301	7019988	1	Carburetor <b>(SN 39829 through 58208)</b>	1
301	7000646	1	Gasket, Carburetor (was p/n 7019975)	1
301	7024321	1	Gasket, Carburetor - Top	
301	7016605	1	Choke, Automatic	
301	7025122	1	Base, Carburetor	
301	7027292	1	Float Assembly	
301	70000163	1	Needle, Spring Loaded	
301	7019933	1	Carburetor Repair Kit	
302		Ref	Starter (Not Shown)	
302	7019986	1	Starter <b>(Prior to SN 39829)</b>	
302	7012679	1	Starter <b>(SN 39829 through 58208)</b>	
303	7019977	1	Alternator with Pulley and Regulator	
303	7019997	1	Regulator	
303	7000897	1	Alternator without Pulley and Regulator	
304	7027402	1	Belt, Drive (Not Shown) (was p/n 7019979)	
304	7019978	1	Tensioner, Belt (Not Shown)	
305	7023687	1	Module, Ignition (was p/n 7019961)	
306	7019980	1	Harness, Engine Wiring (Not Shown)	
307	7019985	1	Water Pump Assembly	
307	7019982	1	Inlet, Water Pump (Not Shown)	
307	7022156	1	Thermostat Assembly (Not Shown)	
308		Ref	Fuel Pump Assembly Options:	
308	7016600	1	Fuel Pump Assembly (Facet) <b>(Prior to SN 39829)</b>	
308	7019983	1	Fuel Pump Assembly (Airtex) <b>(SN 39829 through 58208)</b>	
308	7000884	1	Solenoid, Fuel (Used on 7016600)	
309	7016601	1	Strainer, Fuel	
310	7021869	1	Filter, Oil (was p/n 7014501)	
311	7019976	1	Flywheel	
311	7022180	1	Ring Gear (Not Shown)	
311	1660250	1	Coupling, Pump (15 Tooth) (was p/n7016662)	
312	70002307	1	Gasket, Exhaust (Manifold to Pipe)	
313	7022143	1	Gasket, Exhaust (Manifold to Cylinder Head) (Not Shown)	
314	7025126	1	Manifold, Intake (Not Shown) (was p/n 7019923)	
314	7025125	1	Gasket, Intake Manifold	
314	7019924	1	Manifold, Exhaust (Not Shown)	
315	7019930	1	Coil, Ignition (Not Shown)	
315		Ref	Wire Set - Spark Plug Options:	
315	7022157	1	2000156/2000174 Engine	
315	7019931	1	2000160 Engine	
315		Ref	Spark Plug Options:	
315	Not Available		2000156 Engine	
315	7019932		2000160 Engine	
316	7022178	1	Sensor, Crank	
317	7025134	1	Gasket, Water Outlet (Not Shown)	
318	7022150	1	Belt, Timing (Not Shown - Located on Front of Engine under Timing Cover) (2000160 Engine Only)	
319	7022151	1	Cap, Oil Fill (Not Shown)	
320	7023637	1	Sender, Oil Pressure (2000160 Engine Only)	
	0256685	Ref	<b>MUFFLER INSTALLATION - SPARK ARRESTING</b>	2

**SECTION 2 - TURNTABLE**

<b>ITEM</b>	<b>PART NUMBER</b>	<b>QTY</b>	<b>DESCRIPTION</b>	<b>REV</b>
401	3220105	1	Muffler Spark Arresting	
401A	70001017	2	Clamp, Muffler	
402	0340046	2	Band	
403	0902309	1	Bracket, Muffler	
404	0641507	4	Bolt 5/16in-18NC x 7/8in	
405	4711500	8	Flatwasher 5/16in Narrow	
406	3311505	4	Locknut 5/16in-18NC	
407	4567073	1	Tube, Exhaust	

# SECTION 2 - TURNTABLE

## FIGURE 2-15. FORD ENGINE INSTALLATION - LRG425 WITH EFI (SN 58209 to Present)





## SECTION 2 - TURNTABLE

**FIGURE 2-15. FORD ENGINE INSTALLATION - LRG425 WITH EFI (SN 58209 to Present)**

ITEM	PART NUMBER	QTY	DESCRIPTION	REV
	0259760	Ref	<b>ENGINE ASSEMBLY (SN 58209 through 60187)</b>	1-A
	0270765	Ref	<b>ENGINE ASSEMBLY - WITH ADE SYSTEM (SN 60188 through 71582)</b>	2-A
	0272896	Ref	<b>ENGINE ASSEMBLY - WITH ADE SYSTEM (SN 71583 to Present)</b>	2-B
	0271535	Ref	<b>ENGINE ASSEMBLY - WITH ADE SYSTEM (WITH HYDRAULIC WELDER) (SN 58209 through 71582)</b>	2-A
	0272915	Ref	<b>ENGINE ASSEMBLY - WITH ADE SYSTEM (WITH HYDRAULIC WELDER) (SN 71583 to Present)</b>	1-A
1		Ref	Engine - Ford LRG-425 Options:	
1	2000166	1	Standard	
1	2000174	1	With ADE System <b>(SN 58209 through 71582)</b>	
1	2000193	1	With ADE System <b>(SN 71583 to Present)</b>	
2		Ref	Piston Pump Assembly Options:	
2	3600260	1	Standard (See PISTON PUMP ASSEMBLY for Breakdown)	
2	3600333	1	W/Hydraulic Welder (See PISTON PUMP ASSEMBLY (W/HYDRAULIC WELDER) for Breakdown)	
3		Ref	Gear Pump Assembly Options:	
3	3600242	1	Standard (See PISTON PUMP ASSEMBLY for Breakdown)	
3		Ref	W/Hydraulic Welder Options (See GEAR PUMP ASSEMBLY for Breakdown):	
3	3600297	1	W/Hydraulic Welder <b>(SN 58209 through 70876)</b>	
3	3600368	1	W/Hydraulic Welder (No Service Parts Available) <b>(SN 70877 to Present)</b>	
4		Ref	Plate, Engine Mounting - Front Options:	
4	3539972	1	With Hydraulic Welder	
4	3539972	1	Standard Machines <b>(SN 58209 through 73337)</b>	
4	4846806	1	Standard Machines <b>(SN 73338 to Present)</b>	
5	4566605	1	Tube, Spacer	
6	4640989	1	Valve, Oil Drain	
7	2750532	1	Hose	
		ft/30.5cm		
8	1320022	1	Clamp	
9	3571498	1	Plate, Module Mounting	
10	3790152	1	O-Ring	
11	0902539	1	Bracket, Fuel Filter/Pressure Regulator	
12	1320019	1	Clamp, Exhaust	
13	0701022	2	Bolt, Metric 10mm-1.5 x 70mm	
14	0701014	2	Bolt, Metric 10mm-1.5 x 30mm	
15	0700810	AR	Bolt, Metric 8mm-1.25 x 20mm	
16	0641812	2	Bolt 1/2in-13NC x 1 1/2in	
17	0721014	2	Bolt #10-24NC x 1 3/4in	
18	0721006	3	Bolt #10-24NC x 3/4in	
19	4891600	2	Washer, Hardened 3/8in	
20	4751500	2	Flatwasher 5/16in	
21	4751000	8	Flatwasher #10	
22	4761500	2	Lockwasher 5/16in	
23	3311005	5	Locknut #10-24NC	
24	0100011	AR	Loctite #242	
25	0100020	AR	Loctite #56747(with Hydraulic Welder Only)	
26	3931620	2	Screw 3/8in-16NC x 1 1/4in	

## SECTION 2 - TURNTABLE

ITEM	PART NUMBER	QTY	DESCRIPTION	REV
	0259768	Ref	DUAL FUEL ENGINE INSTALLATION - MODEL 601S (SN 58209 through 60187)	4-C
	0270800	Ref	DUAL FUEL ENGINE INSTALLATION - MODEL 601S (WITH ADE SYSTEM) (SN 60188 through 71582)	5-E
	0272908	Ref	DUAL FUEL ENGINE INSTALLATION - MODEL 601S (WITH ADE SYSTEM) (SN 71583 to Present)	3-C
	0270073	Ref	DUAL FUEL ENGINE INSTALLATION - MODEL 601S WITH A "ENHANCED HOSTILE ENVIRONMENT PACKAGE (SN 58209 through 60187)	4-C
	0270799	Ref	DUAL FUEL ENGINE INSTALLATION - MODEL 601S WITH A "ENHANCED HOSTILE ENVIRONMENT PACKAGE" (WITH ADE SYSTEM) (SN 60188 through 71582)	4-E
	0272909	Ref	DUAL FUEL ENGINE INSTALLATION - MODEL 601S WITH A "ENHANCED HOSTILE ENVIRONMENT PACKAGE" (WITH ADE SYSTEM) (SN 71583 to Present)	4-D
	0271536	Ref	DUAL FUEL ENGINE INSTALLATION - MODEL 601S (WITH ADE SYSTEM) (WITH HYDRAULIC WELDER) (SN 58209 through 71582)	2-B
	0272916	Ref	DUAL FUEL ENGINE INSTALLATION - MODEL 601S (WITH ADE SYSTEM) (WITH HYDRAULIC WELDER) (SN 71583 to Present)	3-C
102	3539872	1	Mount, Radiator	
103		Ref	Battery Options:	
103	0400075	1	Battery (Wet)	
103	7016180	1	Battery (Dry)	
104	0181727	1	Battery Hold-Down	
105	0630498	2	Bolt, Tie-Down	
106	3620040	1	Radiator	
106	7019656	1	Cap, Radiator	
107		Ref	Controller, ECM (SN 58209 through 71582)	
107	1600298	1	Standard and With ADE System	
107	1600314	1	With Hydraulic Welder	
107	2915196	1	ECM Update Kit	
108	4846046	1	Tube, Air Intake	
109	3740067	1	Relay (Auxiliary Power)	
110	3740080	1	Relay, Bosch	
111	0080214	1	Spacer, Fan	
112	2060025	1	Fan	
113	1580011	1	Tank, Coolant Recovery	
114	0641606	3	Bolt 3/8in-16NC x 3/4in	
115	2901584	1	Kit, Exhaust Extension	
116	3200362	4	Mount, Rubber	
117	2720435	1	Hose, Radiator - Bottom	
118	2220430	1	Fitting, Reducer	
119	1703162	2	Decal - Fan Blade	
120		Ref	Plate, Engine Mount (Front) Options:	
120	3570103	1	Standard	
120	3570103	1	With A Enhanced Hostile Environment Package (SN 58209 through 74799)	
120	3574122	1	With A Enhanced Hostile Environment Package (SN 74800 to Present)	
121		Ref	Tray Weldment Options:	
121	4845404	1	Standard	
121	4845404	1	With A Enhanced Hostile Environment Package (SN 58209 through 74799)	
121	4845947	1	With A Enhanced Hostile Environment Package (SN 74800 to	

## SECTION 2 - TURNTABLE

ITEM	PART NUMBER	QTY	DESCRIPTION	REV
			<b>Present)</b>	
122	3422446	1	Pin, Pivot	
123	3841143	1	Pin, Keeper	
124	2750532	5 ft/1.52m	Hose	
125	2220805	1	Fitting, Barbed 90	
126	1320060	1	Clamp <b>(SN 58209 through 74799)</b>	
127	1320012	4	Clamp, Hose	
128	1320022	AR	Clamp	
129	0641828	4	Bolt 1/2in-13NC x 3 1/2in	
130	4751800	1	Flatwasher 1/2in	
131	3311805	4	Locknut 1/2in-13NC	
132	0641610	8	Bolt 3/8in-16NC x 1 1/4in	
133	0641608	AR	Bolt 3/8in-16NC x 1in	
134	4751600	AR	Flatwasher 3/8in	
135	3311605	AR	Locknut 3/8in-16NC	
136	0641408	7	Bolt 1/4in-20NC x 1in	
137	0641406	AR	Bolt 1/4in-20NC x 3/4in	
138	4751400	AR	Flatwasher 1/4in	
139	3311405	AR	Locknut 1/4in-20NC	
140	4740274	4	Washer, Snubbing	
141	0100011	AR	Loctite #242	
142	2220348	1	Fitting, Barbed	
143	0100020	AR	Loctite #56747	
144	2180467	2	Fitting, Barbed	
145	0940070	1	Bumper, Rubber	
146	4567879	1	Tube, Exhaust	
147	0701012	4	Bolt, Metric 10mm-1.5 x 25mm	
148	4832000	4	Lockwasher, Metric 10mm	
149	1340060	1	Air Cleaner Assembly	
149	7012664	1	Element, Air Cleaner	
150	0340041	2	Band, Air Cleaner	
151	0080201	1	Elbow, Rubber	
152	1320016	AR	Clamp	
153	3311801	1	Nut 1/2in-13NC	
154	2720436	1	Hose, Radiator - Top	
155	0641808	2	Bolt 1/2in-13NC x 1in	
156	2901583	1	Battery Cable Kit <b>(SN 58209 through 74799)</b>	D
156	2902297	1	Battery Cable Kit <b>(SN 74800 to Present)</b>	A
156A	7016821	1	Cable, Battery (Red) (Kit p/n 2901583)	
156A	7027006	1	Cable, Battery (Red) (Kit p/n 2902297)	
156B	7016822	1	Cable, Battery (Black) (Kit p/n 2901583)	
156B	7027005	1	Cable, Battery (Black) (Kit p/n 2902297)	
156C	7016808	1	Cable (Red) (Kit p/n 2901583)	
156C	7027007	1	Cable (Red) (Kit p/n 2902297)	
156D	7016816	1	Cable (Red) (Kit p/n 2901583)	
156D	7027002	1	Cable (Red) (Kit p/n 2902297)	
156E	Not Required	0	Kit p/n 2901583	
156E	7027003	1	Cable (Black) (Kit p/n 2902297)	
157	2220250	AR	Fitting, Reducer	
158	2720472	1	Hose, Hi Pressure Fuel Line	
159	2720058	14 ft/4.3m	Hose, Fuel Line	

## SECTION 2 - TURNTABLE

ITEM	PART NUMBER	QTY	DESCRIPTION	REV
160		Ref	Bolt #10-24NC x 1/2in Options: <b>(SN 58209 through 71582)</b>	
160	0701004	2	Standard	
160	Not Required	2	With ADE System and with Hydraulic Welder	
161		Ref	Breaker, Circuit Options <b>(SN 58209 through 71582)</b>	
161	4360294	1	Standard	
161	Not Required	1	With ADE System and with Hydraulic Welder	
162	1320223	3	Clamp	
163	3422532	1	Pin, Hitch	
164	3570133	1	Plate, Engine Mount (Rear)	
165	0642010	1	Bolt 5/8in-11NC x 1 1/4in	
166	4752000	1	Flatwasher 5/8in	
167	0700819	4	Bolt, Metric 8mm x 55mm	
168	4831900	4	Lockwasher, Metric 8mm	
169	0961986	2	Flange, Bearing	
170	1060637	1	Lanyard	
172		Ref	Flexible Trim Options:	
172	4060804	AR	Flexible Trim 3/16in <b>(SN 58209 through 71582)</b>	
172	4060805	AR	Flexible Trim 1/4in <b>(SN 71583 to Present)</b>	
173	4060806	1.3 ft/0.40m	Flexible Trim 5/16in <b>(SN 58209 through 67821)</b>	
174	4711400	AR	Flatwasher 1/4in	
175	0641408	3	Bolt 1/4in-20NC x 1in	
176	4360336	1	Switch, Toggle (Not Shown Located on Console)	
177	3790012	1	O-Ring (Not Shown Located on Console)	
184	4568158	4	Standoff, ECM <b>(SN 58209 through 71582)</b>	
185	0641424	4	Bolt 1/4in-20NC x 3 <b>(SN 58209 through 71582)</b>	
186	0902572	1	Bracket, LP Mounting	
187	1320032	1	Clamp	
188	3960469	1	Seal, Foam 1 3/4in x 1 1/4in x 32in (With Hydraulic Welder Only)	
189	3574162	1	Plate, ECM/Relay Mounting <b>(SN 71583 to Present)</b>	
190	0641414	4	Bolt 1/4in-20NC x 1 3/4in <b>(SN 71583 to Present)</b>	
		Ref	<b>Note: Items 191 to 206 are for Model 601S With A "Enhanced Hostile Environment Package"</b>	
191	4360392	1	Indicator, Clogged Filter	
192	2180798	1	Fitting, Restrictor Indicator	
193	3960389	5 ft/1.5m	Seal	
194	0181979	1	Angle, Seal Mount	
195	3520060	1	Plug, Hole 3/8in (Not Shown)	
196	3520035	1	Plug, Hole 1 1/2in (Not Shown) <b>(SN 58209 through 74799)</b>	
197	3520033	1	Plug, Hole 1in (Not Shown) <b>(SN 58209 through 74799)</b>	
198	0100010	AR	Adhesive (Not Shown) <b>(SN 58209 through 74799)</b>	
199	3520054	4	Plug, Hole 7/16in (Not Shown)	
200	3520034	4	Plug, Hole 5/16in (Not Shown)	
201	3520085	1	Plug, Hole 9/16in (Not Shown)	
202	1340061	1	Cleaner, Air Pre-Cleaner	
203	3960511	1	Seal, Foam 1 3/4in x 1 1/4in x 28 3/4in	
204	4922385	1	Harness, Air Flow (Not Shown)	
205	0100048	AR	Grease Dielectric	
206	1670836	4	Cover <b>(SN 74800 to Present)</b>	
		Ref	<b>ENGINE COMPONENTS</b>	
		Ref	<b>Engine - Ford LRG-425 Options:</b>	
	2000166	Ref	<b>Engine - Ford LRG-425 (SN 58209 through 60187)</b>	

## SECTION 2 - TURNTABLE

ITEM	PART NUMBER	QTY	DESCRIPTION	REV
	2000174	Ref	<b>Engine - Ford LRG-425 (SN 60188 through 71582)</b>	
	2000193	Ref	<b>Engine - Ford LRG-425 (SN 71583 to Present)</b>	
301	3600377	1	Fuel Pump and Isolator Assembly (was p/n 7022133)	
301	7022134	1	Harness, Fuel Pump Wiring	
302	91083218	1	Filter, Fuel (was p/n 7022135)	
303	7019986	1	Starter (Not Shown)	
304	7019977	1	Alternator with Pulley and Regulator	
304	7000897	1	Alternator without Pulley and Regulator	
305	7022136	1	Actuator, Throttle <b>(SN 58209 through 62044)</b>	
305	7023655	1	Actuator, Throttle <b>(SN 62045 through 71582)</b>	
305	7023683	1	Actuator, Throttle <b>(SN 71583 to Present)</b>	
305	7023652	1	Plate, Actuator Adapter (2000174/2000193 Engine Only)	
305	7023654	1	Gasket, Actuator to Adapter Plate (2000174/2000193 Engine Only)	
305	7023653	2	Bolt (Adapter Plate to Intake Manifold) (2000174/2000193 Engine Only)	
305	7023656	4	Bolt (Actuator to Adapter Plate) (2000174/2000193 Engine Only)	
306	7019996	1	Sensor, Air Temperature <b>(SN 58209 through 62044)</b>	
306	7019996	1	Sensor, Air Temperature (was p/n 7023661) <b>(SN 62045 to Present)</b>	
306	7023662	1	Bracket, Air Temperature Sensor	
307	7022137	1	Harness, ECM (2000166 Engines)	
307	7023663	1	Harness, ECM (2000174 Engines)	
307	7023681	1	Harness, EPM (2000193 Engines)	
308	7022139	1	Sensor, MAP	
309	7019994	1	Sensor, EGR <b>(SN 58209 through 71582)</b>	
309	7023682	1	Sensor, EGR <b>(SN 71583 to Present)</b>	
310	2420187	1	Dipstick	
310	4564281	1	Tube, Dipstick (was p/n 7022146)	
311	2720341	1	Horn, Rubber Air	
312	7022142	1	Switch, Oil Pressure	
313	7021868	1	Filter, Oil (was p/n 7022147 & 7014501)	
314	7019976	1	Flywheel	
314	7022180	1	Ring Gear (Not Shown)	
314	1660250	1	Coupling, Pump (15 Tooth) (was p/n7016662)	
315	7019993	1	Pressure Regulator and Filter Assembly	
317	7022158	3	Connector	
318	7022159	2	Connector	
319	7022160	1	Connector	
320	7022161	2	Tube, Supply	
321	7022162	AR	Clamp	
322	7022142	1	Switch, Pressure (Black)	
323	7023637	1	Switch, Shutdown (White)	
324		Ref	Relay Options:	
324	7023613	3	2000164/2000166/2000174 Engines	
324	7023695	3	2000193 Engines	
325	7023644	1	Hose, Water Pump (By-Pass) (Not Shown)	
326	7022178	1	Sensor, Crank	
326	7022179	1	Sensor, Camshaft (Not Shown)	
327	2720341	1	Horn, Rubber Air <b>(SN 58209 through 71582)</b>	
327	7023658	1	Horn, Rubber Air <b>(SN 71583 to Present)</b>	

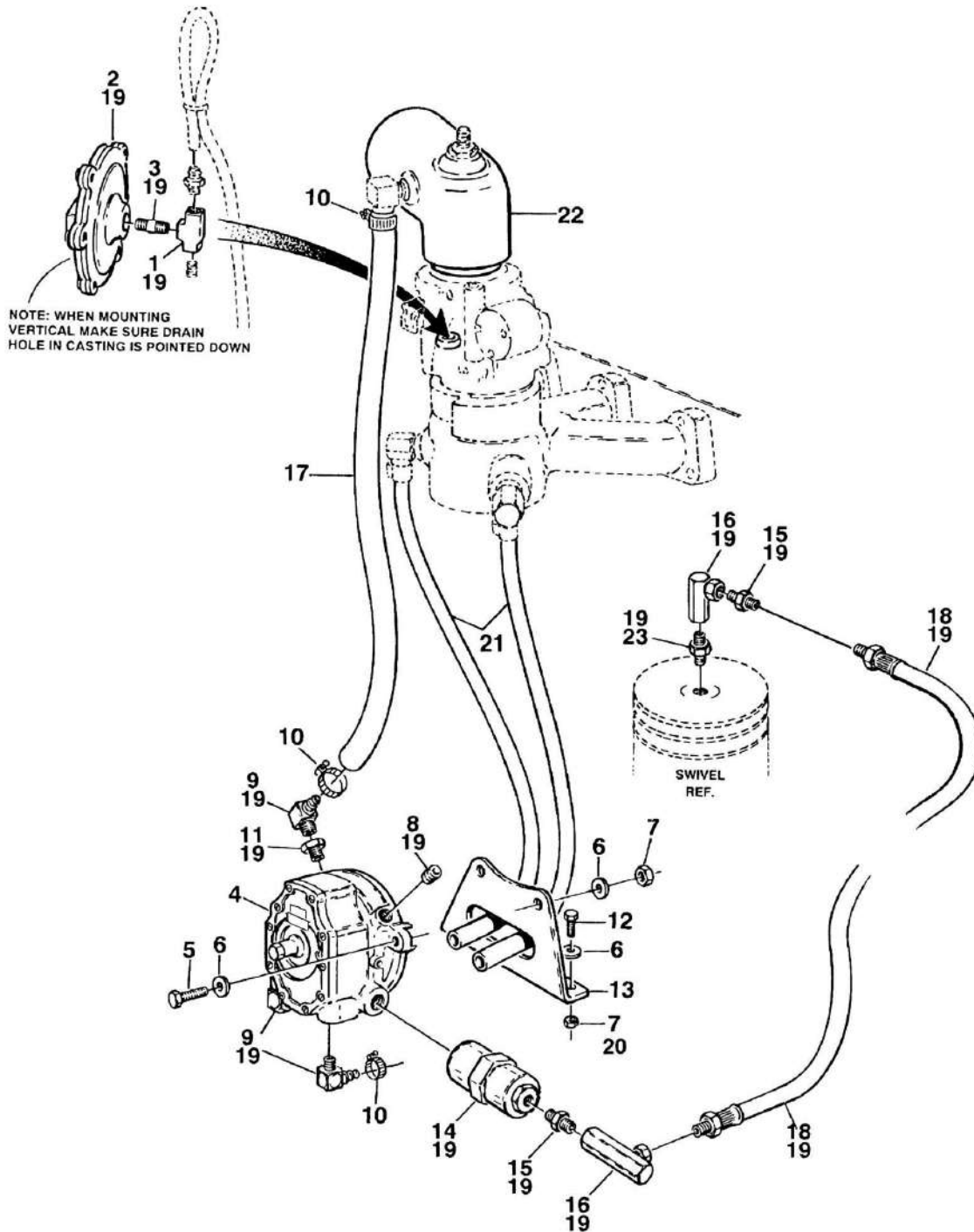
## SECTION 2 - TURNTABLE

ITEM	PART NUMBER	QTY	DESCRIPTION	REV
328	1600363	1	ECM Module (was p/n 7023684) <b>(SN 71583 to Present)</b>	
329	Not Available	1	Power Distribution Box <b>(SN 71583 to Present)</b>	
330	7040050	1	Gasket, Exhaust (Manifold to Pipe) (Engines 2000166 Only)	
330	7022143	1	Gasket, Exhaust (Cylinder Head to Manifold) (Not Shown)	
330	70002307	1	Gasket, Exhaust (Manifold to Pipe) (Engines 2000174/2000193 Only)	
331	70002567	1	Tensioner, Belt	
332	70002568	1	Pulley, Idler (Not Shown) (Engines 2000166 Only)	
333	7019930	1	Coil, Ignition (Not Shown)	
333	7019932	1	Spark Plug (Not Shown)	
333	7022157	1	Wire Set - Spark Plug	
334	7019925	1	PCV Valve (Not Shown)	
335	7027402	1	Belt, Drive (was p/n 7019979)	
336	7020120	1	Housing, Bell (2000166 Engine Only)	
337	7022144	1	Gasket, Upper Manifold Throttle (Not Shown)	
338		Ref	Wire Assembly, TPS Adapter Options (Not Shown):	
338	7022145	1	2000166 Engine	
338	7023657	1	2000174/2000193 Engine	
339	7025124	1	Gasket Kit - Upper (Not Shown) (was p/n 7022148)	
340	7022149	1	Gasket Kit - Lower (Not Shown)	
341	7022150	1	Belt, Timing	
342	7022151	1	Cap, Oil Fill	
343	7022153	1	Pump, Water	
343	7022154	1	Gasket, Water Pump	
344	7022155	1	Sensor, Water Temperature	
344	7022156	1	Thermostat, Water Temperature (Not Shown)	
345	7022164	1	Switch, High Coolant Temperature (Not Shown) (2000166 Engines)	
346	7025134	1	Gasket, Water Outlet (Not Shown)	
	0256685	Ref	<b>MUFFLER INSTALLATION - SPARK ARRESTING</b>	2
401	3220105	1	Muffler Spark Arresting	
401A	70001017	2	Clamp, Muffler	
402	0340046	2	Band	
403	0902309	1	Bracket, Muffler	
404	0641507	4	Bolt 5/16in-18NC x 7/8in	
405	4711500	8	Flatwasher 5/16in Narrow	
406	3311505	4	Locknut 5/16in-18NC	
407	4567073	1	Tube, Exhaust	



## SECTION 2 - TURNTABLE

FIGURE 2-16. DUAL FUEL INSTALLATIONS - FORD LRG425 WITH CARBURETOR (Prior to SN 58209)





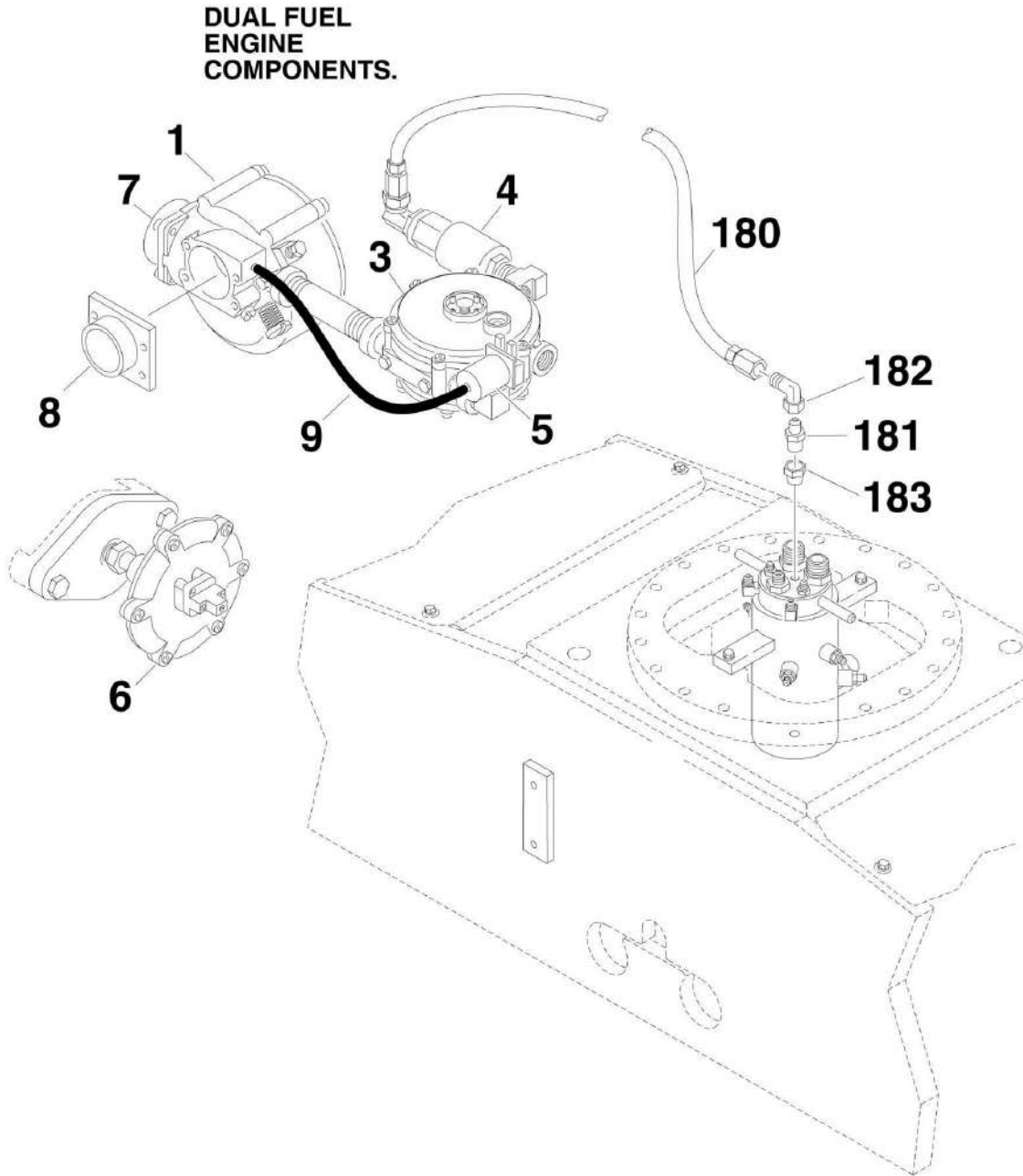
## SECTION 2 - TURNTABLE

**FIGURE 2-16. DUAL FUEL INSTALLATIONS - FORD LRG425 WITH CARBURETOR (Prior to SN 58209)**

ITEM	PART NUMBER	QTY	DESCRIPTION	REV
	0258392	Ref	<b>DUAL FUEL INSTALLATION</b>	6
1	2180104	1	Fitting, Nipple	
2	4360188	1	Switch, Vacuum	
3	2180360	1	Fitting	
4	4700005	1	Vaporizer/Regulator	
4	7017515	1	Repair Kit - 4700005	
5	0641416	2	Bolt 1/4in-20NC x 2in	
6	4751400	8	Flatwasher 1/4in	
7	3311405	4	Locknut 1/4in-20UNC	
8	2200204	1	Plug, Pipe	
9	2220675	3	Fitting, 90 Barbed	
10	1320017	4	Clamp	
11	2220251	1	Fitting, Reducer	
12	0641408	2	Bolt 1/4in-20NC x 1in	
13	0902132	1	Bracket, Vaporizer	
14	2120077	1	Filter Lock	
15	2180418	2	Fitting, LP	
16	2220064	2	Fitting, 90	
17	2720112	3 ft/.9m	Hose, Vapor	
18	2720144	1	Hose	
19	0100020	AR	Loctite #56747	
21	2720042	30 in/76cm	Hose	
22	0080124	1	Adapter, Carb	
23	2220005	1	Fitting, Reducer	
24	1701543	1	Decal-LPG (Not Shown - See DECAL SECTION)	
25	1700818	1	Decal-Liquid Withdrawal System (Not Shown - See DECAL SECTION)	

## SECTION 2 - TURNTABLE

FIGURE 2-17. DUAL FUEL INSTALLATION - FORD LRG425 WITH EFI (SN 58209 to Present)



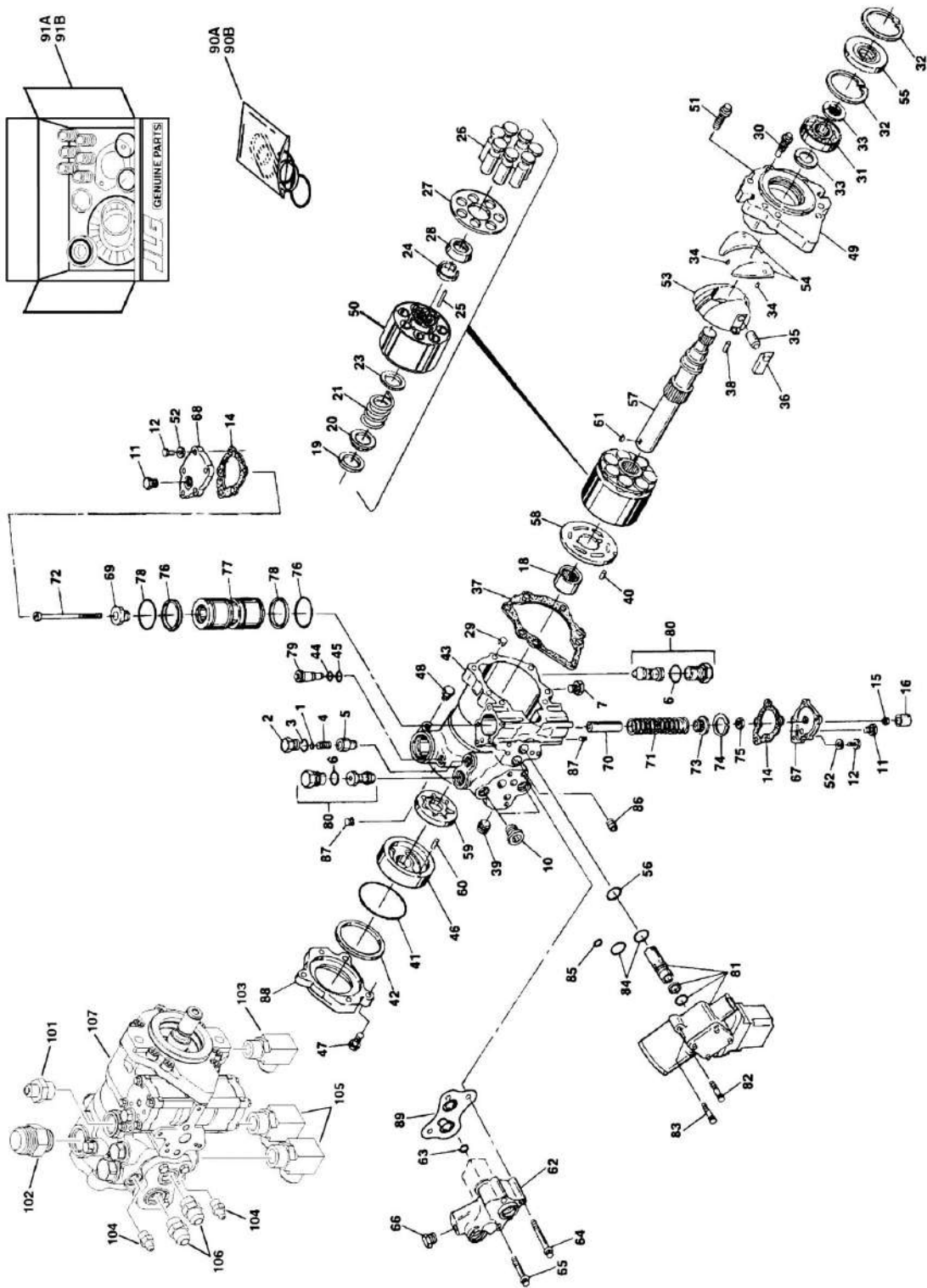
## SECTION 2 - TURNTABLE

**FIGURE 2-17. DUAL FUEL INSTALLATION - FORD LRG425 WITH EFI (SN 58209 to Present)**

ITEM	PART NUMBER	QTY	DESCRIPTION	REV
	2000166	Ref	<b>DUAL FUEL ENGINE COMPONENTS (Prior to SN 60188)</b>	C
	2000174	Ref	<b>DUAL FUEL ENGINE COMPONENTS (WITH ADE SYSTEM) (SN 60188 through 71582)</b>	A
	2000193	Ref	<b>DUAL FUEL ENGINE COMPONENTS (WITH ADE SYSTEM) (SN 71583 to Present)</b>	A
	See Note	Ref	<b>Note: No breakdown on engine p/n 2000193 at time of printing.</b>	
	7023665	1	Dual Fuel Conversion Kit (Note: Includes hose, fittings, clamps and items indented below. For replacement hose, fittings and clamps supply locally.)	
1	7022165	1	Mixer	
1	7022171	1	Repair Kit - 7022165 Mixer	
1	7023645	1	Gasket, Mixer	
3	7022167	1	Convertor	
3	7022170	1	Repair Kit - 7022167 Convertor	
4	7023680	1	Filter, LP Shut-Off (Was p/n 7022169)	
4	7023680	1	Electrical Connector Kit (Includes (1) 2 Position Connector, 2 Pins and 2 Seals) (was p/n 7023679)	
5	7022168	1	Valve, Solenoid	
6	4360188	1	Switch, Vacuum	
7	7023603	1	Adaptor	
7	7023659	1	Gasket	
7	7023660	4	Screw M6 x 14mm	
8	7022166	1	Adaptor	
9	70000099	1	Hose, Mixer to Convertor	
	0259768	Ref	<b>DUAL FUEL ENGINE INSTALLATION - MODEL 601S (Prior to SN 60188)</b>	3-C
	0270800	Ref	<b>DUAL FUEL ENGINE INSTALLATION - MODEL 601S (WITH ADE SYSTEM) (SN 60188 through 71582)</b>	4-D
	0272908	Ref	<b>DUAL FUEL ENGINE INSTALLATION - MODEL 601S (WITH ADE SYSTEM) (SN 71583 to Present)</b>	1-A
	0270073	Ref	<b>DUAL FUEL ENGINE INSTALLATION - MODEL 601S WITH A "ENHANCED HOSTILE ENVIRONMENT PACKAGE" (Prior to SN 60188)</b>	3-C
	0270799	Ref	<b>DUAL FUEL ENGINE INSTALLATION - MODEL 601S WITH A "ENHANCED HOSTILE ENVIRONMENT PACKAGE" (WITH ADE SYSTEM) (SN 60188 through 71582)</b>	4-D
	0272909	Ref	<b>DUAL FUEL ENGINE INSTALLATION - MODEL 601S WITH A "ENHANCED HOSTILE ENVIRONMENT PACKAGE" (WITH ADE SYSTEM) (SN 71583 to Present)</b>	1-A
180	2720392	1	Hose	
181	2180418	1	Fitting, Straight	
182	2220064	1	Fitting, 90	
183	2220005	1	Fitting, Reducer	

# SECTION 2 - TURNTABLE

## FIGURE 2-18. PISTON PUMP ASSEMBLY (Prior to SN 85132)



## SECTION 2 - TURNTABLE

**FIGURE 2-18. PISTON PUMP ASSEMBLY (Prior to SN 85132)**

ITEM	PART NUMBER	QTY	DESCRIPTION	REV
	3600260	Ref	<b>PISTON PUMP ASSEMBLY</b>	B
1	7007413	1	Shim Kit	
2	7007414	1	Plug	
3	Item 90A	1	O-Ring	
4	7007416	1	Spring, Relief Valve	
5	7007417	1	Valve, Relief	
6	Item 90A	1	O-Ring	
7	7007419	2	Plug	
10	7007420	2	Plug	
11	7007208	2	Plug	
12	7007421	10	Screw	
14	Item 90A	1	Gasket, Servo Cover	
15	Not Available	1	Nut, Special	
16	7007424	1	Cover, Adjustment	
18	7007425	1	Bearing, Needle	
19	Item 91B	1	Ring, Retaining	
20	Item 91B	1	Washer	
21	Item 91B	1	Spring	
23	Item 91B	1	Washer	
24	Item 91B	1	Retainer	
25	Item 91B	3	Pin, Slipper Holddown	
26	Item 91B	7	Piston Assembly	
27	Item 91B	1	Retainer, Slipper	
28	Item 91B	1	Guide, Retainer	
29	7007435	1	Pin, Spring	
30	7021202	1	Screw, 12 Point Head	
31	7007437	1	Bearing, Ball	
32	7007438	2	Ring, Retainer	
33	7007439	2	Ring	
34	7007440	2	Pin, Spring	
35	7007441	1	Handle, Pin	
36	7007442	1	Sleeve, Bearing	
37	Item 90A	1	Gasket, Front Cover	
38	7007444	1	Pin	
39	7007445	1	Plug, Expansion	
40	Item 91B	1	Pin	
41	See Note	1	O-Ring (Note: Use Item 90A, 91A or 91B)	
42	See Note	1	Ring, Load Temper (Note: Use Item 90A, 91A or 91B)	
43	7007449	1	Housing, Pump	
44	See Note	1	Ring, Back-up (Note: Use Item 90A or 91B)	
45	See Note	1	O-Ring (Note: Use Item 90A or 91B)	
46	See Note	1	Cover, Gerotor (Note: Use Item 90A or 91B)	
47	7007453	3	Bolt, Hex	
48	7007208	1	Plug	
49	7007454	1	Cover, Front	
50	Item 91B	1	Block, Cylinder	
51	7007456	6	Screw	
52	7001438	10	Washer	
53	Item 91B	1	Swashplate	
54	7007458	2	Journal, Bearing	

## SECTION 2 - TURNTABLE

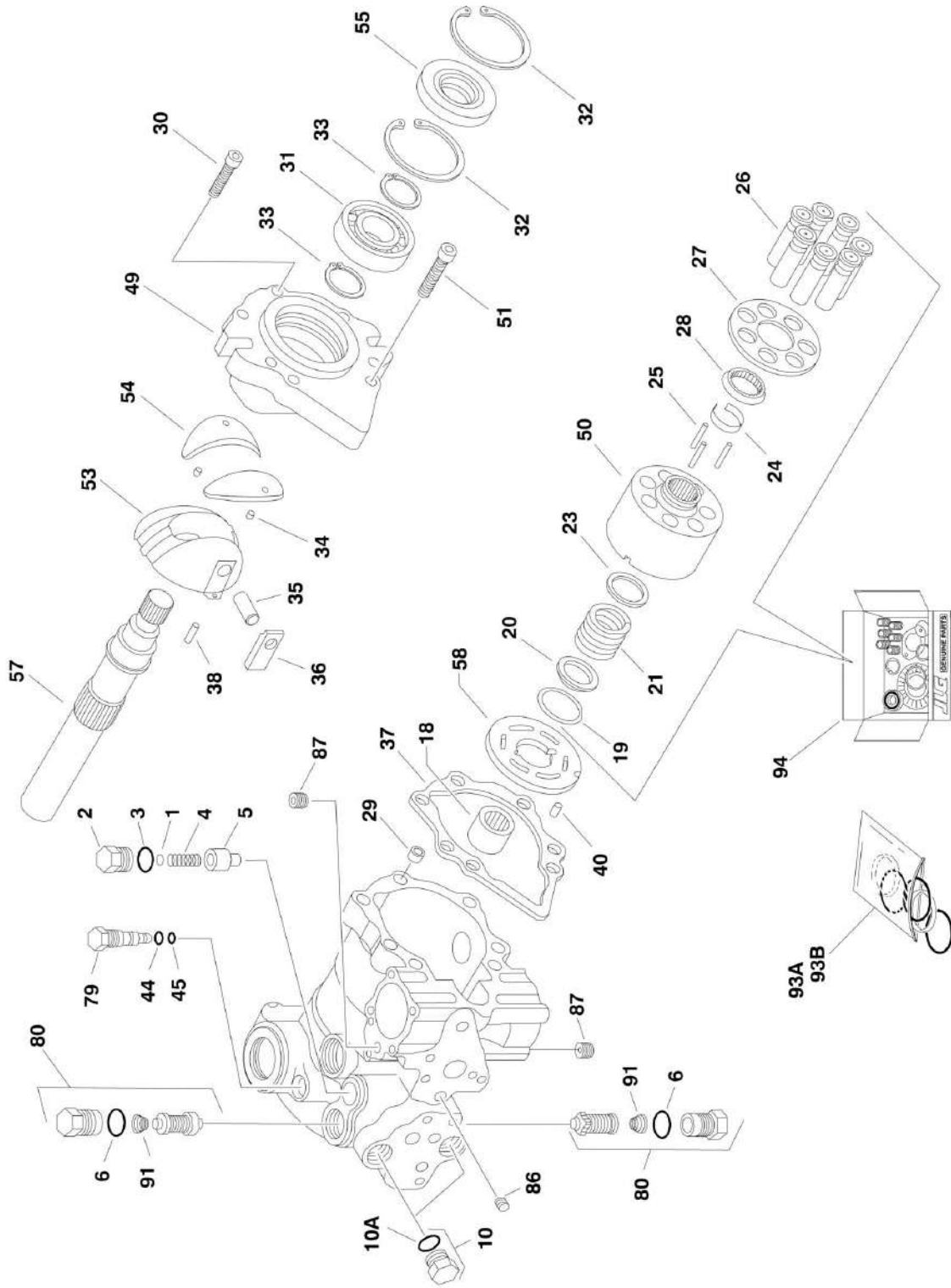
ITEM	PART NUMBER	QTY	DESCRIPTION	REV
55	See Note	1	Seal, Lip (Note: Use Item 90A or 91B)	
56	Item 90A	1	O-Ring	
57	7010121	1	Shaft, Main Pump - 15 Tooth Spline	
58	Item 91B	1	Plate, Valve	
59	Item 91A	1	Gerotor Assembly	
60	Item 91A	1	Pin	
61	Item 91A	1	Key, Woodruff	
62	7007466	1	Adaptor, Remote Filtration	
63	Item 90A	3	O-Ring	
64	7007468	2	Screw	
65	7007469	2	Screw	
66	7007470	1	Plug	
67	7007471	1	Cover, Servo (With Adjuster)	
67	7007490	2	Stop, Servo (Not Shown)	
67	7007491	2	Nut (Not Shown)	
67	7007492	2	Ring, External (Not Shown)	
68	7007482	1	Cover, Servo (With Adjuster)	
69	7007483	1	Guide, Spring	
70	7007484	1	Stop, Servo	
71	7007485	1	Spring	
72	7007486	1	Screw	
73	7007487	1	Guide, Spring	
74	7007488	1	Ring, Retaining	
75	7007499	1	Locknut	
76	See Note	2	Ring, Piston (Note: Use Item 90A or 90B)	
77	7007494	1	Piston, Servo	
78	See Note	2	O-Ring (Note: Use Item 90A or 90B)	
79	7007472	1	Valve, Bypass	
80	7010122	2	Valve, Pressure Relief (Includes Item 6) (was p/n 7007473)	
81	7007474	1	Control, Dual Oil-Filled	
81	7007496	1	Coil Assembly (Pilot)	
81	7007497	1	Plug (Pump)	
81	7007498	1	Plug (Valve Harness)	
82	7007478	2	Screw	
83	7001498	2	Screw	
84	Item 90A	2	O-Ring	
85	Item 90A	1	O-Ring	
86	7007475	1	Plug, Orifice/Screen (.156)	
87	7007477	2	Plug, Orifice (.37)	
88	7007476	1	Adapter, Auxiliary Pump	
89	7010120	1	Spacer/Gasket	
90		Ref	Seal Kit Options:	
90A	2900752	1	Seal Kit - Complete (Includes Items 3, 6, 14, 37, 41, 42, 44, 45, 55, 56, 63, 76, 78, 84 & 85)	
90B	7007412	1	Seal Kit - Servo Piston (Includes Items 76 & 78)	
91		Ref	Repair Kit Options:	
91A	2900826	1	Charger Pump Kit (Includes Items 41, 42, 46, 59, 60 & 61)	
91B	2900827	1	Cylinder Block Kit (Includes Items 19-28, 40-50, 53, 55 & 58)	
	3600418	Ref	<b>PISTON PUMP AND FITTING ASSEMBLIES:</b>	A
101	2220375	1	Fitting	
102	2220479	1	Fitting	
103	2220578	1	Fitting	

**SECTION 2 - TURNTABLE**

<b>ITEM</b>	<b>PART NUMBER</b>	<b>QTY</b>	<b>DESCRIPTION</b>	<b>REV</b>
104	2220582	2	Fitting, Straight	
105	2220646	2	Fitting	
106	2220947		Fitting, Straight	
107	3600260	1	Pump (Includes Items 1 - 89)	

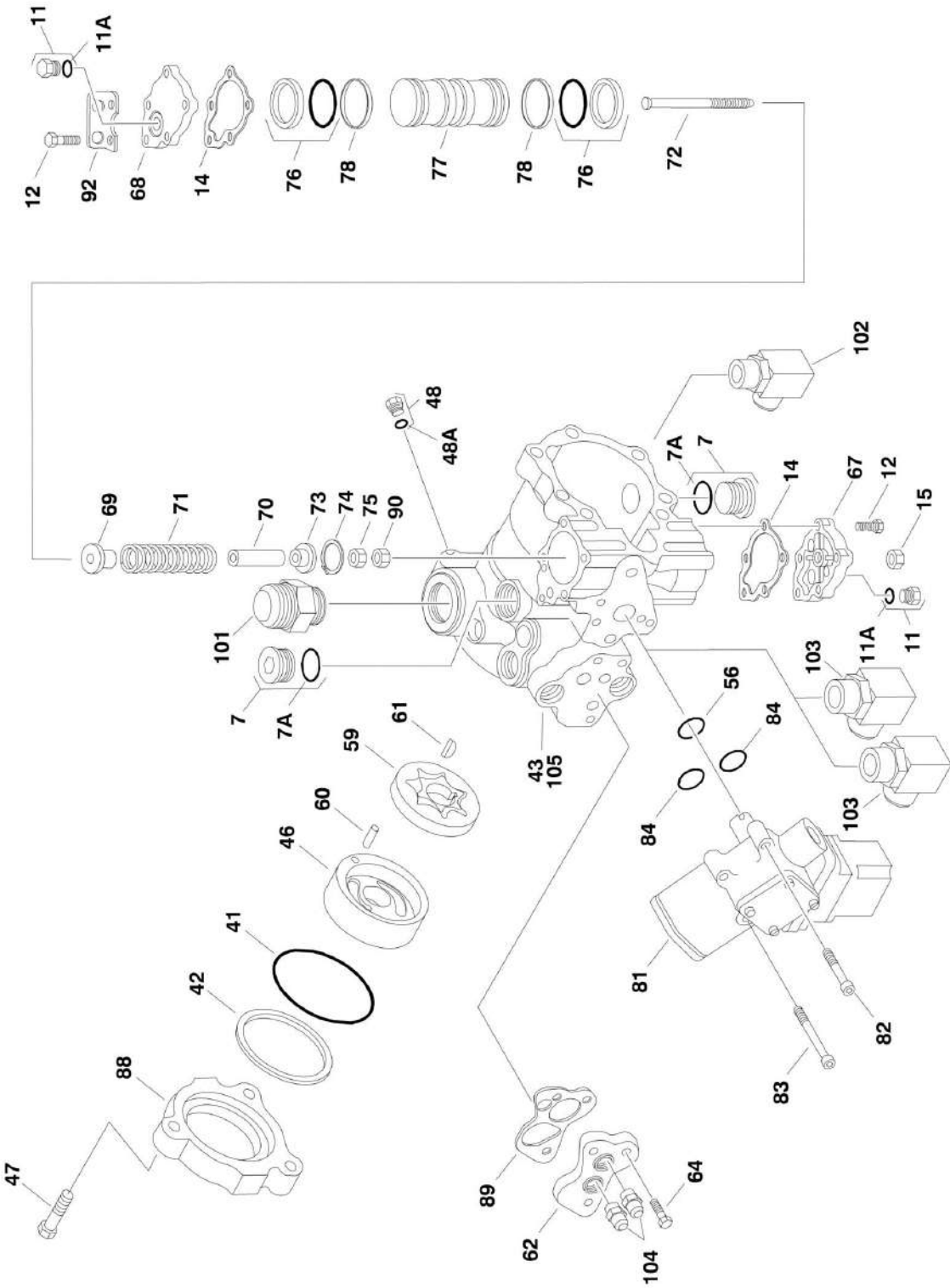
# SECTION 2 - TURNTABLE

## FIGURE 2-19. PISTON PUMP ASSEMBLY (SN 85132 to Present)





SECTION 2 - TURNTABLE



## SECTION 2 - TURNTABLE

FIGURE 2-19. PISTON PUMP ASSEMBLY (SN 85132 to Present)

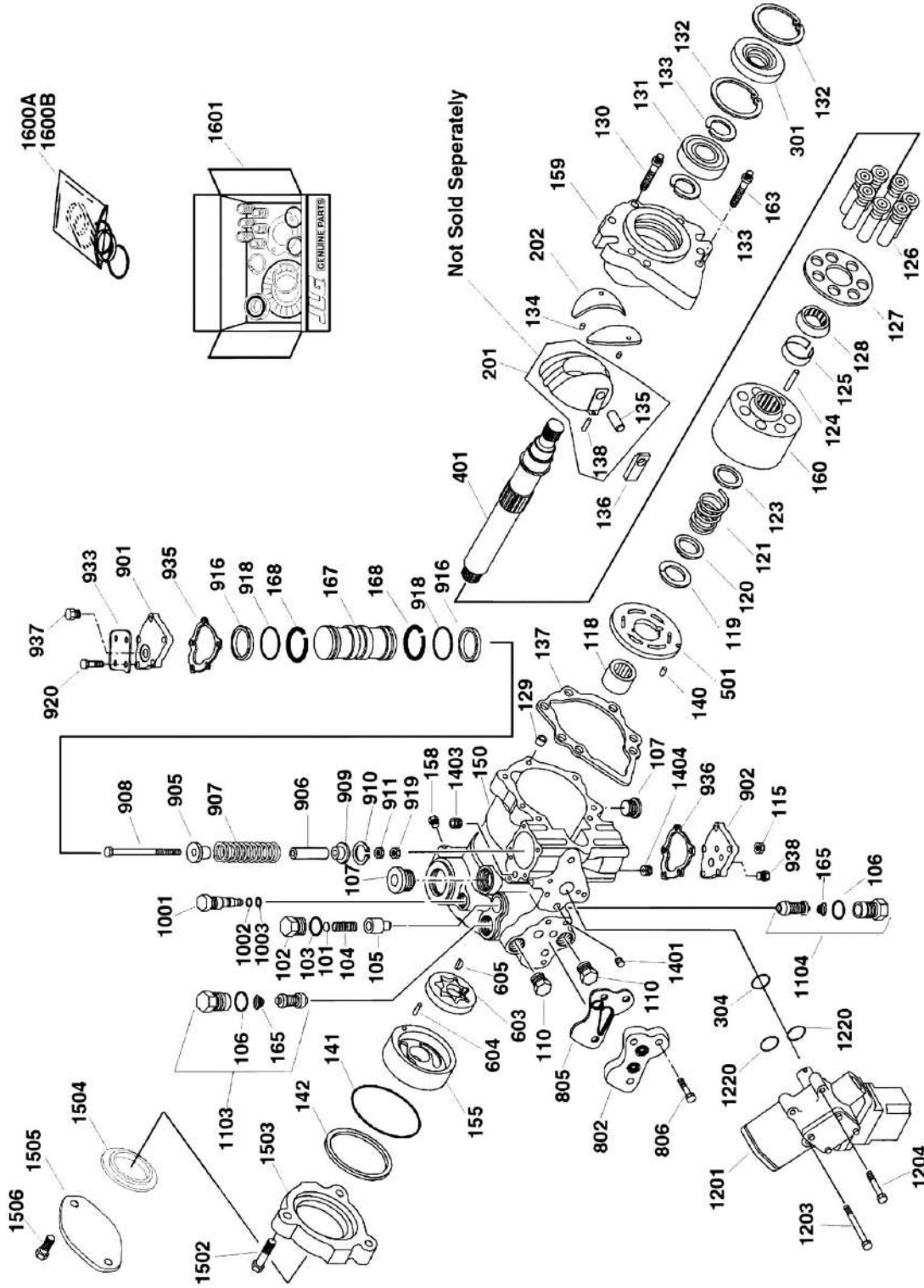
ITEM	PART NUMBER	QTY	DESCRIPTION	REV
	3600381	Ref	<b>PISTON PUMP ASSEMBLY</b>	A
1	7007413	1	Shim Kit	
2	7007414	1	Plug	
3	Item 93A	1	O-Ring	
4	7021200	1	Spring, Relief Valve	
5	7007417	1	Valve, Relief	
6	Item 93A	2	O-Ring	
7	7007419	2	Plug	
7A	7007418	2	O-Ring	
10	7007470	2	Plug	
10A	7021256	2	O-Ring	
11	7007470	2	Plug	
11A	7021256	2	O-Ring	
12	7021223	10	Screw	
14	Item 93A	2	Gasket, Servo Cover	
15	7007423	1	Nut, Special	
18	7007425	1	Bearing, Needle	
19	Item 94	1	Ring, Retaining	
20	Item 94	1	Washer	
21	Item 94	1	Spring	
23	Item 94	1	Washer	
24	Item 94	1	Retainer	
25	Item 94	3	Pin, Slipper Holddown	
26	Item 94	7	Piston Assembly	
27	Item 94	1	Retainer, Slipper	
28	Item 94	1	Guide, Retainer	
29	7007435	1	Pin, Spring	
30	7021202	1	Screw	
31	7007437	1	Bearing, Ball	
32	7007438	2	Ring, Retainer	
33	7007439	2	Ring	
34	7021203	2	Pin, Spring	
35	7007441	1	Handle, Pin	
36	7007442	1	Sleeve, Bearing	
37	Item 93A	1	Gasket, Front Cover	
38	7007444	1	Pin	
40	7007446	1	Pin	
41	Item 93A	1	O-Ring	
42	Item 93A	1	Ring, Load Temper	
43	7023977	1	Housing, Pump	
44	Item 93A	1	Ring, Back-Up	
45	Item 93A	1	O-Ring	
46	7007452	1	Cover, Gerotor	
47	7007453	3	Bolt, Hex	
48	7007208	1	Plug	
48A	7007207	1	O-Ring	
49	7007454	1	Cover, Front	
50	Item 94	1	Block, Cylinder	
51	7021207	6	Screw	
53	7007457	1	Swashplate	

## SECTION 2 - TURNTABLE

ITEM	PART NUMBER	QTY	DESCRIPTION	REV
54	7021212	1	Journal, Bearing	
55	Item 93A	1	Seal, Lip	
56	Item 93A	1	O-Ring	
57	7010121	1	Shaft, Main Pump	
58	7021214	1	Plate, Valve	
59	7007463	1	Gerotor Assembly	
60	7007464	1	Pin	
61	7007465	1	Key, Woodruff	
62	7007466	1	Adaptor, Remote Filtration (Without By-Pass)	
64	7021218	3	Screw	
67	7021220	1	Cover, Servo (Without Adjuster)	
68	7021219	1	Cover, Servo (Without Adjuster)	
69	7023979	1	Guide, Spring	
70	7007484	1	Stop, Servo	
71	7007485	1	Spring	
72	7021221	1	Screw	
73	7007487	1	Guide, Spring	
74	7007488	1	Ring, Retaining	
75	7021222	1	Locknut	
76	See Note	2	Ring, Piston (Note: Use Item 93A or 93B)	
77	7007494	1	Piston, Servo	
78	See Note	2	O-Ring (Note: Use Item 93A or 93B)	
79	7007472	1	Valve, Bypass	
80	7024851	2	Valve, Pressure Relief (Includes Item 6)	
81	7007474	1	Control, Dual Oil-Filled	
81	7007496	1	Coil Assembly (Pilot)	
81	7007497	1	Plug (Pump)	
81	7007498	1	Plug (Valve Harness)	
82	7001498	2	Screw	
83	7007478	2	Screw	
84	7001433	2	O-Ring	
86	7007475	1	Plug, Orifice/Screen (.156)	
87	7007477	2	Plug, Orifice (.37)	
88	7007476	1	Adapter, Auxiliary Pump	
89	7021217	1	Spacer/Gasket	
90	7021206	1	Nut	
91	7024800	2	Spring	
92	7021201	1	Bracket, Lifting	
93		Ref	Seal Kit Options:	
93A	7021232	1	Seal Kit - Complete (Includes Items 3, 6, 14, 37, 41, 42, 44, 45, 55, 56, 76, 78 & 89)	
93B	7007412	1	Seal Kit - Servo Piston (Includes Items 76 & 78)	
94	7010116	1	Cylinder Block Kit (Includes Items 19-28 & 50)	
	3600396	Ref	<b>PISTON PUMP AND FITTING ASSEMBLY</b>	C
101		Ref	Fitting, Straight Options:	
101	2220479	1	Fitting, Straight ( <b>Prior to SN 109245</b> )	
101	2220377	1	Fitting, Straight ( <b>SN 109245 to Present</b> )	
102	2220578	1	Fitting, Straight	
103	2220646	2	Fitting, Straight	
104	2220947	2	Fitting, Straight	
105	3600381	1	Pump Options (Includes Items 1 - 92)	

# SECTION 2 - TURNTABLE

## FIGURE 2-20. PISTON PUMP ASSEMBLY (W/HYDRAULIC WELDER)



## SECTION 2 - TURNTABLE

**FIGURE 2-20. PISTON PUMP ASSEMBLY (W/HYDRAULIC WELDER)**

ITEM	PART NUMBER	QTY	DESCRIPTION	REV
	3600333	Ref	<b>PISTON PUMP ASSEMBLY</b>	A
101	7007413	1	Shim Kit	
102	7007414	1	Plug	
103	Item 1600A	1	O-Ring	
104	7021200	1	Spring, Relief Valve	
105	7007417	1	Valve, Relief	
106	Item 1600A	2	O-Ring (Part of Items 1103 & 1104)	
107	7007419	2	Plug	
110	7007470	2	Plug	
115	7007423	1	Nut, Special	
118	7007425	1	Bearing, Needle	
119	Item 1601	1	Ring, Retainer	
120	Item 1601	1	Washer	
121	Item 1601	1	Spring	
123	Item 1601	1	Retainer	
124	Item 1601	3	Slipper Hold Down Pin	
125	Item 1601	7	Piston Assembly	
126	Item 1601	1	Slipper Retainer	
127	Item 1601	1	Guide, Retainer	
128	Item 1601	1	Block, Cylinder	
129	7007435	1	Pin, Spring	
130	7021202	1	Screw, 12 Point Head	
131	7007437	1	Bearing, Ball	
132	7007438	2	Ring, Retainer	
133	7007439	2	Ring	
134	7021203	2	Pin, Spring	
135	7007441	1	Handle, Pin (Part of Item 201)	
136	7007442	1	Sleeve, Bearing	
137	Item 1600A	1	Gasket, Front Cover	
138	7007444	1	Pin (Part of Item 201)	
140	7007446	1	Pin	
141	Item 1600A	1	O-Ring	
142	Item 1600A	1	Ring, Load Temper	
150	Not Serviced	1	Housing, Pump	
155	7007452	1	Cover, Gerotor	
158	7007208	1	Plug	
159	7007454	1	Cover, Front	
163	7021207	6	Screw	
165	7021264	2	Spring (Part of Items 1103 & 1104)	
167	7007494	1	Piston, Servo	
168	Item 1600A	2	Bearing	
201	7007457	1	Swashplate Assembly (Includes Items 135 & 138)	
202	7021212	2	Journal, Bearing	
301	Item 1600A	1	Seal, Lip	
304	Item 1600A	1	O-Ring	
401	7023978	1	Shaft, Main Pump	
501	7021214	1	Plate, Valve	
603	7007463	1	Gerotor Assembly	
604	7007464	1	Pin	
605	7007465	1	Key, Woodruff	

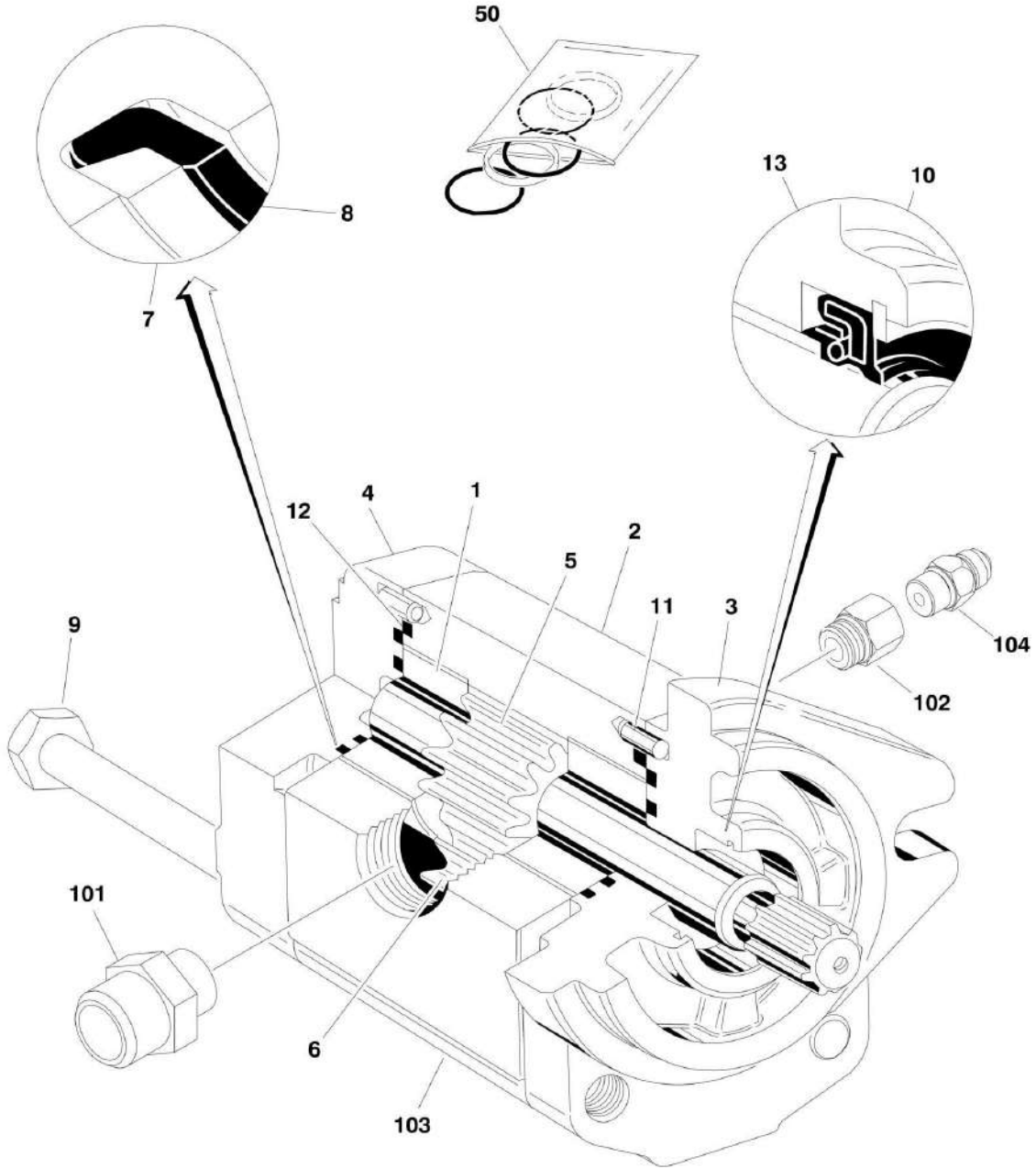
## SECTION 2 - TURNTABLE

ITEM	PART NUMBER	QTY	DESCRIPTION	REV
802	7007466	1	Adaptor, Remote Filtration	
805	Item 1600A	1	Seal, Filter Adapter	
806	7021218	3	Screw	
901	7021219	1	Cover, Servo	
902	7021220	1	Cover, Servo	
905	7023979	1	Guide, Spring	
906	7007484	1	Stop, Servo	
907	7007485	1	Spring	
908	7021221	1	Screw	
909	7007487	1	Guide, Spring	
910	7007488	1	Ring, Retaining	
911	7021222	1	Nut	
916	See Note	2	Ring, Piston (Note: Purchase Item 1600A or 1600B)	
918	See Note	2	O-Ring (Note: Purchase Item 1600A or 1600B)	
919	7021206	1	Nut	
920	7021223	10	Screw	
933	7021201	1	Bracket, Lifting	
935	Item 1600A	1	Gasket, Servo	
936	Item 1600A	1	Gasket, Servo	
937	7007470	1	Plug	
938	7007470	1	Plug	
1001	7007472	1	Valve, Bypass	
1002	Item 1600A	1	Ring, Back-up	
1003	Item 1600A	1	O-Ring	
1103	7010122	1	SCR Kit (Includes items 106 & 165)	
1104	7010122	1	SCR Kit (Includes items 106 & 165)	
1201	7007474	1	Control, Dual Oil-Filled	
1201	7007496	1	Coil Assembly (Pilot)	
1201	7007497	1	Plug (Pump)	
1201	7007498	1	Plug (Valve Harness)	
1203	7007478	2	Screw	
1204	7001498	2	Screw	
1220	Item 1600A	2	O-Ring	
1401	7007475	1	Plug, Orifice/Screen (.156)	
1403	7007477	1	Plug, Orifice	
1404	7007477	1	Plug, Orifice	
1502	7007453	3	Screw	
1503	7007476	1	Adapter, Flange	
1504	7021298	1	Seal	
1505	7021229	1	Plate, Cover	
1506	7007453	2	Screw	
1600		Ref	Seal Kit Options:	
1600A	2900752	1	Seal Kit - Complete (Includes Items 103, 106, 137, 141, 142, 168, 301, 304, 805, 916, 918, 935, 936, 1002, 1003 & 1220)	
1600B	7007412	1	Seal Kit - Servo Piston (Includes Items 916 & 918)	
1601	7010116	1	Cylinder Block Kit (Includes Items 119-128)	



# SECTION 2 - TURNTABLE

## FIGURE 2-21. GEAR PUMP ASSEMBLY





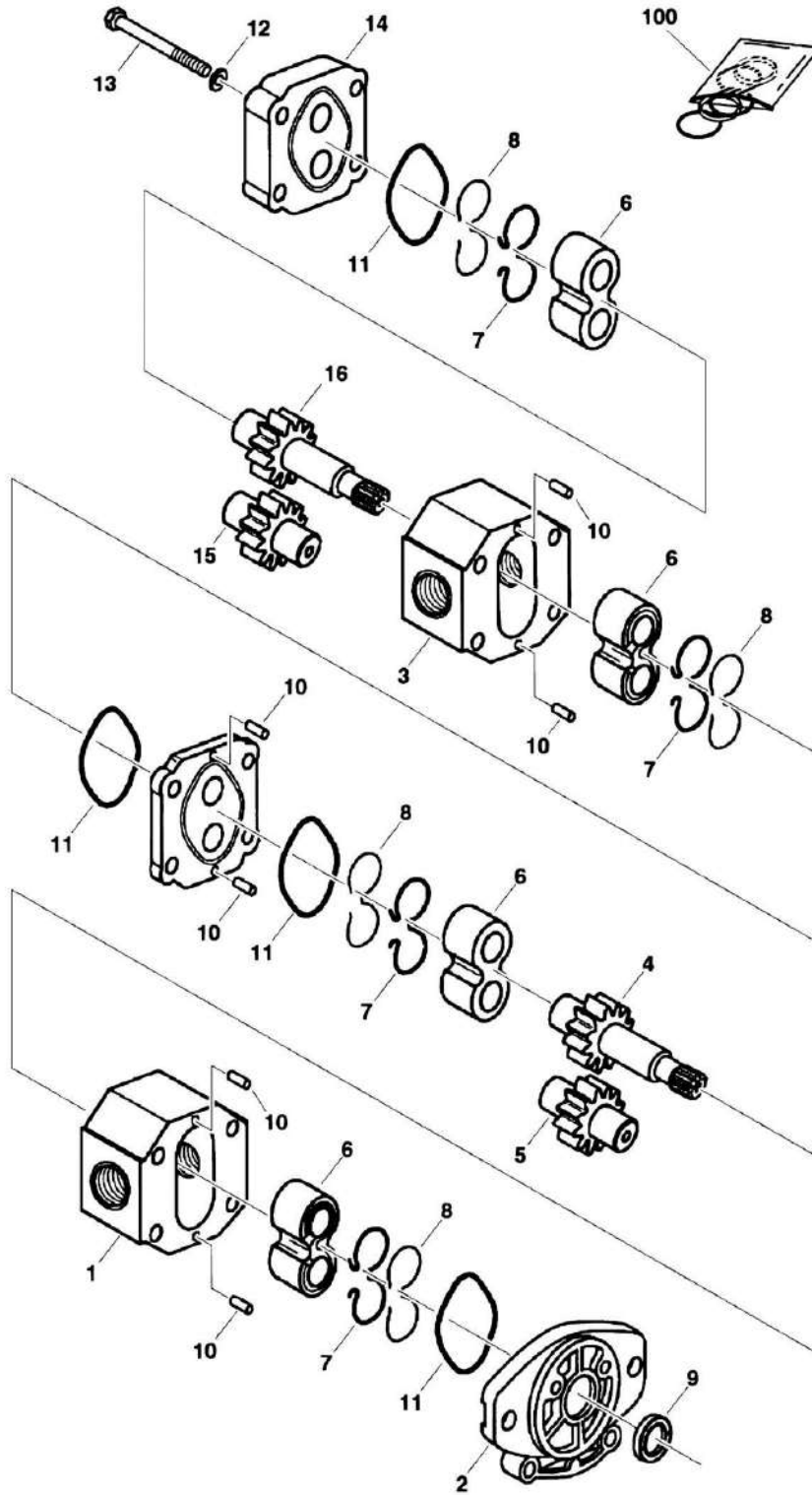
**SECTION 2 - TURNTABLE**

**FIGURE 2-21. GEAR PUMP ASSEMBLY**

ITEM	PART NUMBER	QTY	DESCRIPTION	REV
	3600242	Ref	<b>GEAR PUMP ASSEMBLY</b>	A
1	7010105	2	Bearing/Bushing	
2	Not Serviced	1	Housing	
3	Not Serviced	1	Flange	
4	7010103	1	Cover	
5	7012987	1	Gear, Drive	
6	7012988	1	Gear, Idler	
7	Item 50	2	Ring, Anti-Extrusion	
8	Item 50	2	Seal	
9	Not Serviced	4	Bolt	
10	7010104	1	Ring, Retaining	
11	Not Serviced	4	Pin, Dowel	
12	Item 50	2	Seal, O-Ring	
13	Item 50	1	Seal, Shaft	
50	7007489	1	Seal Kit (Includes Items 7, 8, 12 & 13)	
	3600395	Ref	<b>GEAR PUMP AND FITTING ASSEMBLY</b>	A
101	2220376	1	Fitting, Straight	
102	2220810	1	Fitting, Reducer	
103	3600242	1	Pump, Gear (Includes Items 1 - 13)	
104	4640744	1	Fitting, Check Valve	

# SECTION 2 - TURNTABLE

FIGURE 2-22. GEAR PUMP ASSEMBLY (W/HYDRAULIC WELDER)



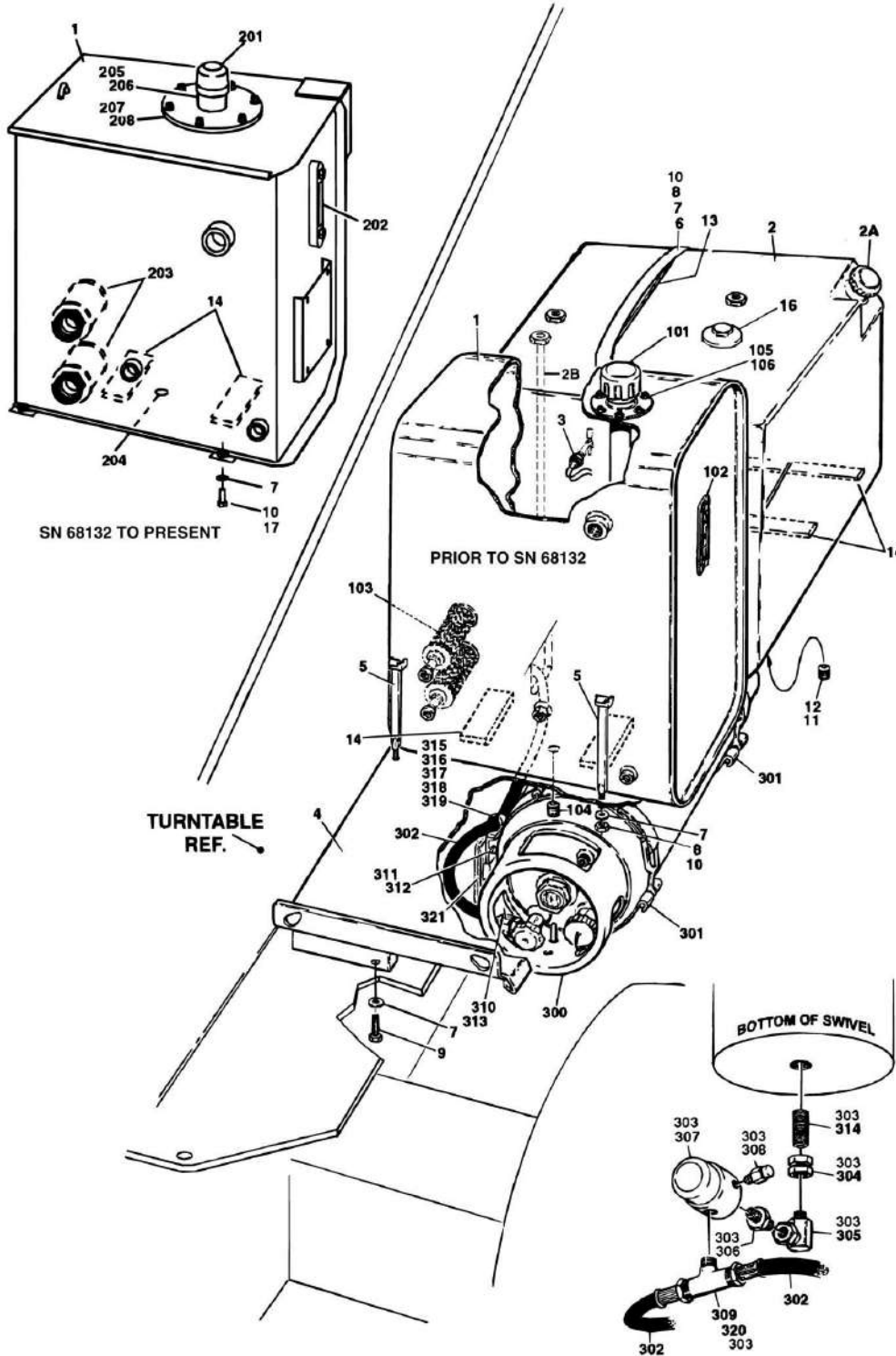
**SECTION 2 - TURNTABLE**

**FIGURE 2-22. GEAR PUMP ASSEMBLY (W/HYDRAULIC WELDER)**

ITEM	PART NUMBER	QTY	DESCRIPTION	REV
	3600297	Ref	<b>GEAR PUMP ASSEMBLY (Prior to SN 70877)</b>	C
		Ref	<b>Note: No service parts are available for Pump p/n 3600368 - Used. Replace complete Pump. (SN 70877 to Present)</b>	
1	Not Available	1	Body, Front	
2	Not Available	1	Cover	
3	Not Available	1	Body, Rear	
4	7023811	1	Gear, Drive	
5	7023812	1	Gear, Idler	
6	Item 100B	4	Block, Bearing	
7	See Note	4	Seal, Load (Note: Use Item 100A or 100B)	
8	See Note	4	Seal, Anti/Extrusion (Note: Use Item 100A or 100B)	
9	See Note	1	Seal, Shaft (Note: Use Item 100A or 100B)	
10	Not Available	6	Pin, Dowel	
11	See Note	4	Seal, Static (Note: Use Item 100A or 100B)	
12	7023813	4	Washer	
13	7023814	4	Screw, Cap	
14	Not Available	1	Cover, Rear	
15	7023812	1	Gear, Idler	
16	7023815	1	Gear, Drive	
100		Ref	Seal Kit Options:	
100A	7023820	1	Minor Seal Kit - 3600297 Pump (Includes Items 7, 8, 9 & 11) <b>(Prior to SN 70877)</b>	
100A	Not Available	1	Minor Seal Kit - 3600368 Pump <b>(SN 70877 to Present)</b>	
100B	7023802	1	Major Seal Kit - 3600297 Pump (Includes Items 6, 7, 8, 9 & 11) <b>(Prior to SN 70877)</b>	
100B	Not Available	1	Major Seal Kit - 3600368 Pump (Includes Items 6, 7, 8, 9 & 11) <b>(SN 70877 to Present)</b>	

# SECTION 2 - TURNTABLE

## FIGURE 2-23. TANK INSTALLATIONS



## SECTION 2 - TURNTABLE

### FIGURE 2-23. TANK INSTALLATIONS

ITEM	PART NUMBER	QTY	DESCRIPTION	REV
	0257921	Ref	<b>TANKS INSTALLATION</b>	7-F
	0271598	Ref	<b>TANKS INSTALLATION (FUEL TANK WITH SIGHT GAGE)</b>	2
	0271537	Ref	<b>TANKS INSTALLATION (WITH HYDRAULIC WELDER OPTION)</b>	1
1		Ref	Hydraulic Tank Assembly Options:	
1	4400375	1	Tank - Machines without Hydraulic Welder (See Items 101-106 for Breakdown) <b>(Prior to SN 68132)</b>	
1	4400449	1	Tank - Machines without Hydraulic Welder (See Items 201-208 for Breakdown) <b>(SN 68132 to Present)</b>	
1	4400441	1	Tank - Machines with Hydraulic Welder (See Items 101-106 for Breakdown)	
2		Ref	Tank, Fuel Options:	
2	4400411	1	Tank, Fuel <b>(Prior to SN 54747)</b>	
2	4400429	1	Tank, Fuel <b>(SN 54747 to Present)</b>	
2	4400442	1	Tank, Fuel (W/Sight Gage)	
2A	7016314	1	Cap, Fuel Tank	
2A	7016649	1	Seal, Cap	
2B	7020043	1	Tube	
5		Ref	Strap, Tank Options:	
5	4240112	4	Strap - Machines without Hydraulic Welder	
5	4240112	4	Strap - Machines with Hydraulic Welder	
6	4240135	1	Strap, Tank	
7	4751600	6	Flatwasher 3/8in	
8	3311601	AR	Nut 3/8in-16NC	
10	0100011	AR	Loctite #242	
11	0100079	AR	Permatex	
12	2200222	1	Fitting	
13	4280295	25	Strip, Protective	
		in/44cm		
14	4420038	6.5	Tape, Rubber	
		ft/1.98m		
15	1320223	1	Clamp (Not Shown)	
16	2220889	1	"O" Ring Plug <b>(Prior to SN 54747)</b>	
16	7016680	1	Gasket <b>(SN 54747 to Present)</b>	
17	0641614	4	Bolt 3/8in-16NC x 1 3/4in <b>(SN 68132 to Present)</b>	
		Ref	<b>HYDRAULIC TANK ASSEMBLY OPTIONS:</b>	
	4400375	Ref	<b>Machines without Hydraulic Welder (Prior to SN 68132)</b>	F
	4400441	Ref	<b>Machines with Hydraulic Welder</b>	A
101	7014811	1	Fill Cap	
102	7014802	1	Gauge, Sight	
103	7014801	2	Strainer	
104		Ref	Plug, Magnetic Options:	
104	7014800	1	Plug - Machines without Hydraulic Welder <b>(Prior to SN 68132)</b>	
104	7014813	1	Plug - Machines with Hydraulic Welder	
105		Ref	Filler Neck Assembly Options:	
105	7014810	1	Filler - Machines without Hydraulic Welder <b>(Prior to SN 68132)</b>	
105	7020256	1	Filler - Machines with Hydraulic Welder	
106		Ref	Screen Options:	
106	7014803	1	Screen - Machines without Hydraulic Welder <b>(Prior to SN 68132)</b>	
106	7014816	1	Screen - Machines with Hydraulic Welder	
		Ref	<b>HYDRAULIC TANK ASSEMBLY (SN 68132 to Present)</b>	

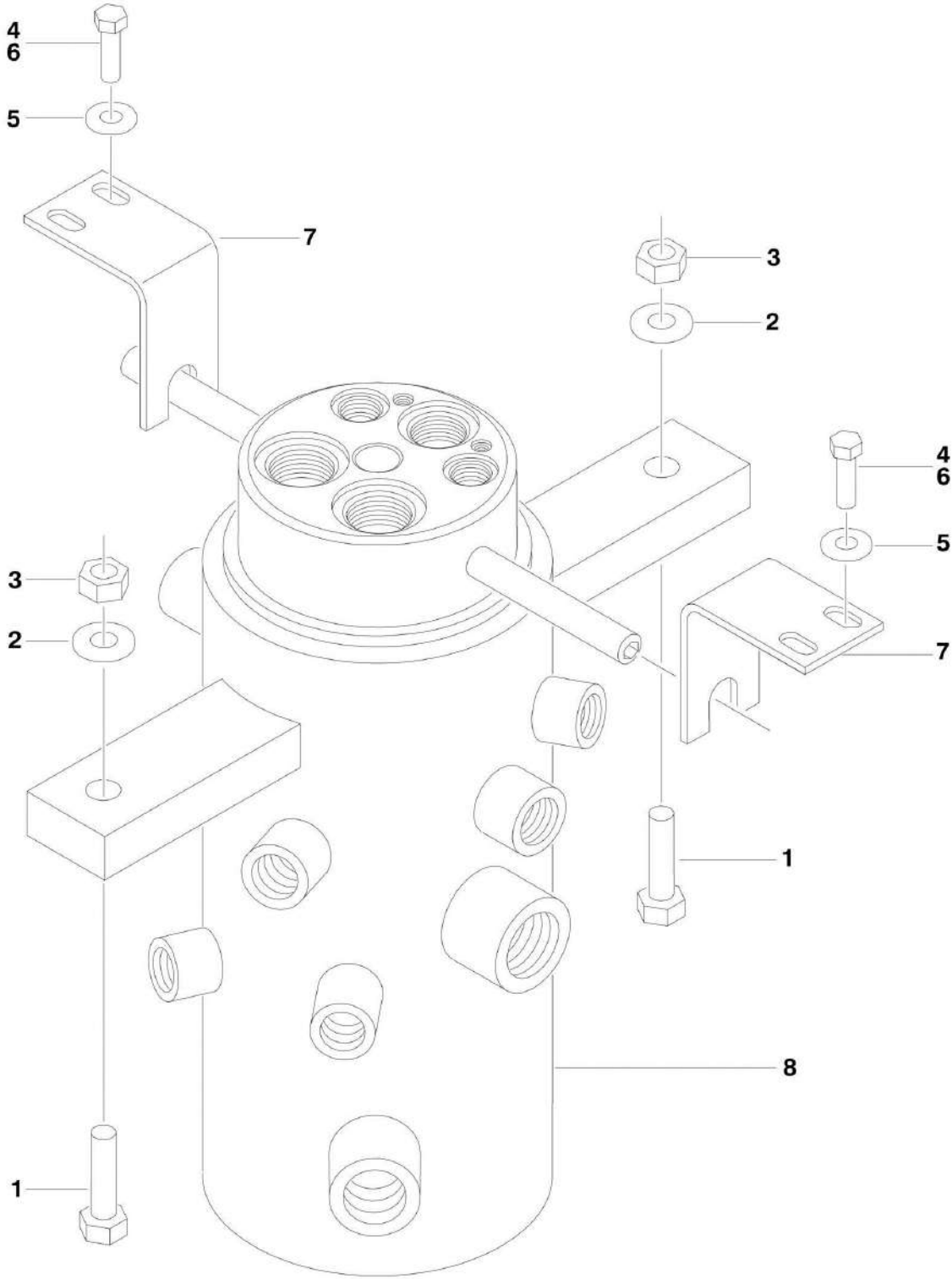
## SECTION 2 - TURNTABLE

ITEM	PART NUMBER	QTY	DESCRIPTION	REV
	4400449	Ref	<b>Machines without Hydraulic Welder (SN 68132 to Present)</b>	F
201	7024444	1	Fill Cap	
202	7024441	1	Gauge, Sight	
203	7024442	2	Strainer	
204	7024446	1	Plug, Magnetic	
205	7024443	1	Filler Neck Assembly	
206	7024445	1	Screen	
207	7024439	1	Cover	
208	7024440	1	Gasket	
	0258339	Ref	<b>LP TANK AND BRACKETS INSTALLATION</b>	1
300		Ref	Tank, lp - 43.5Lbs Options (Not Part of Installation - must be purchased separately)	
300	4400275	1	Tank, LP - Aluminum	
300	4400420	1	Tank, LP - Steel	
301	1320220	2	Clamp Kit - LP	
301	1320127	2	Clamp, Toggle (1 Per Clamp)	
302	2720144	2	Hose	
303	0100020	AR	Sealant, Pipe	
304	2221019	1	Fighting, Red	
305	2180125	1	Fitting, 90	
306	2220261	1	Fitting, Nipple	
307	2180388	1	Filter, Bulkhead	
308	2180389	1	Valve, Relief	
309	2180418	1	Fitting, Tee	
310	2180387	2	Fitting, LP Tank	
311	0641606	8	Bolt 3/8in-16NC x 3/4in	
312	4751600	8	Flatwasher 3/8in	
313	2180418	2	Fitting, Straight	
314	2221018	1	Fitting, Nipple	
315	1320218	2	Clamp, Spring	
316	3910808	2	Screw, Machine #8-32NC x 1/2in	
317	4750800	4	Flatwasher #8	
318	3310805	2	Locknut #8-32NC	
319	0181949	2	Support, Angle	
320	2221024	2	Fitting, Ball Check	
321	0362519	4	Bar, Clamp	



# SECTION 2 - TURNTABLE

FIGURE 2-24. ROTARY COUPLING INSTALLATION (Prior to SN 85132)





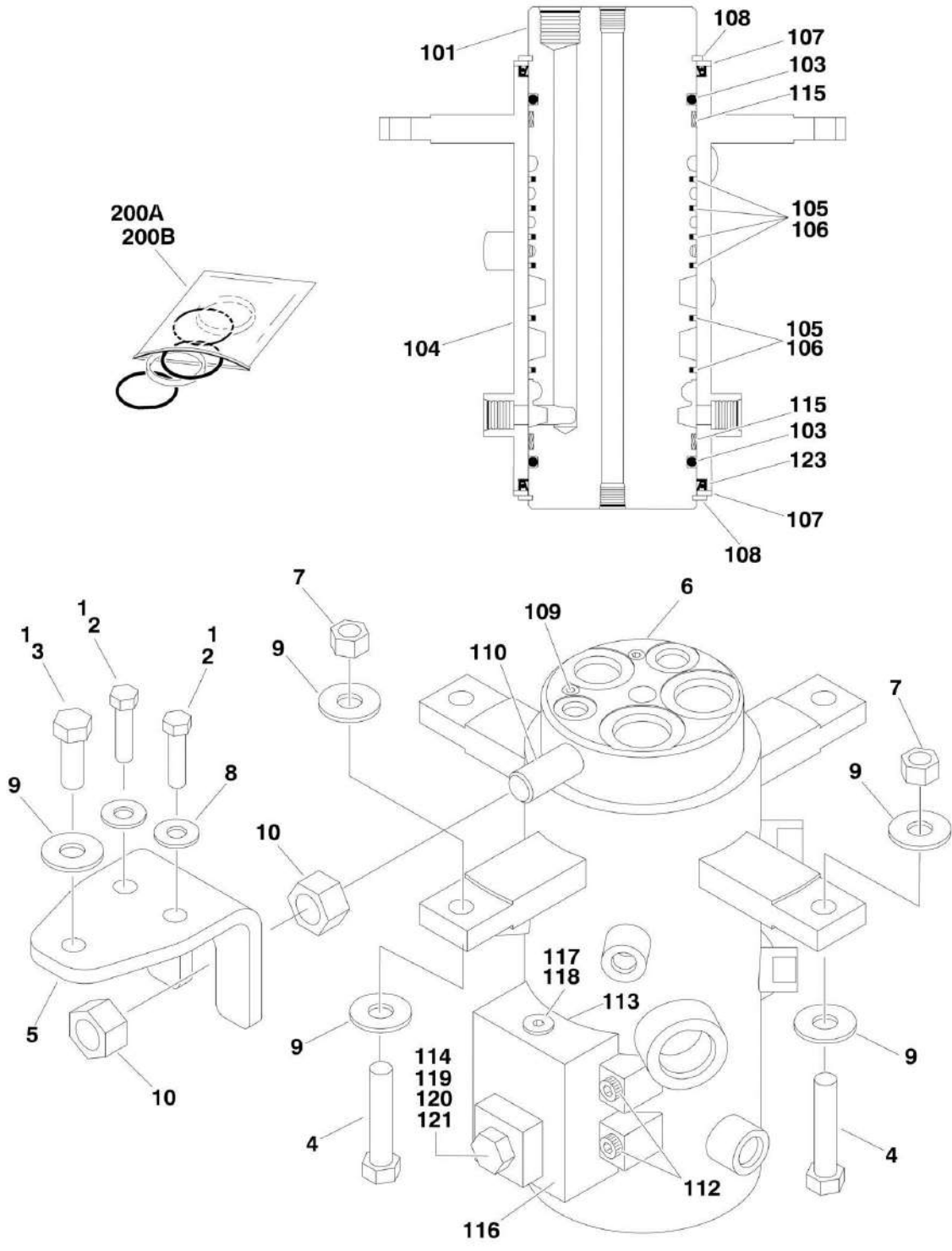
**SECTION 2 - TURNTABLE**

**FIGURE 2-24. ROTARY COUPLING INSTALLATION (Prior to SN 85132)**

ITEM	PART NUMBER	QTY	DESCRIPTION	REV
	0255262	Ref	<b>ROTARY COUPLING INSTALLATION</b>	5
1	0641820	2	Bolt 1/2in-13NC x 2 1/2in	
2	4751800	4	Flatwasher 1/2in	
3	3311805	2	Locknut 1/2in-13NC	
4	0641611	4	Bolt 3/8in-16NC x 1 3/8in	
5	4751600	4	Flatwasher 3/8in	
6	0100011	AR	Loctite #242	
7		Ref	Bracket Options:	
7	0902109	2	Bracket ( <b>Prior to SN 41289</b> )	
7	0902520	2	Bracket ( <b>SN 41289 through 85131</b> )	
8	1660219	1	Rotary Coupling	
8	7013187	1	Seal Kit	
8	1660219RR	1	Rebuilt Coupling	

# SECTION 2 - TURNTABLE

## FIGURE 2-25. ROTARY COUPLING INSTALLATION (SN 85132 to Present)



## SECTION 2 - TURNTABLE

**FIGURE 2-25. ROTARY COUPLING INSTALLATION (SN 85132 to Present)**

ITEM	PART NUMBER	QTY	DESCRIPTION	REV
	0274211	Ref	<b>ROTARY COUPLING INSTALLATIONS</b>	B
1	0100011	AR	Loctite #242	
2	0641612	2	Bolt 3/8in-16NC x 1 1/2in	
3	0641811	1	Bolt 1/2in-13NC x 1 3/8in	
4	0641820	2	Bolt 1/2in-13NC x 2 1/2in	
5	0903056	1	Bracket	
6		Ref	Coupling, Rotary Options (See Items 101-123 for Breakdown):	
6	1660303	1	Coupling, Rotary (Was p/n 1660257) <b>(Prior to SN 0300113987)</b>	
6	1660303	1	Coupling, Rotary <b>(SN 0300113930 to Present)</b>	
7	3271805	2	Locknut 1/2in-13NC	
8	4751600	2	Flatwasher 3/8in	
9	4751800	5	Flatwasher 1/2in	
10	3322201	2	Nut 3/4in-16NC	
		Ref	<b>ROTARY COUPLING ASSEMBLIES</b>	
	1660257	Ref	<b>Rotary Coupling Assemblies (Prior to SN 0300113987)</b>	D
	1660303	Ref	<b>Rotary Coupling Assemblies (SN 0300113987 to Present)</b>	A
101	Not Serviceable	1	Body	
102		Ref	Seal Options:	
102	7026189	1	Coupling p/n 1660257 <b>(Prior to SN 113987)</b>	
102	Item 200B	1	Coupling p/n 1660303 <b>(SN 113987 to Present)</b>	
103	See Note	2	O-Ring (Note: Use Item 200A or 200B)	
104	Not Serviceable	1	Housing	
105	See Note	6	Seal, Cap (Note: Use Item 200A or 200B)	
106	See Note	6	O-Ring (Note: Use Item 200A or 200B)	
107	7026503	2	Ring	
108	7026504	2	Ring, Retaining	
109		Ref	Plug Options:	
109	Not Serviced		Coupling p/n 1660257 <b>(Prior to SN 113987)</b>	
109	80934561	2	Coupling p/n 1660303 <b>(SN 113987 to Present)</b>	
110	Not Serviceable	1	Lug, Torque	
111	Not Serviceable	1	Block, Valve	
112	7026197	4	Bolt 5/16in-18NC x 1 1/4in	
113	See Note	3	O-Ring (Note: Use Item 200A or 200B)	
114	See Note	1	O-Ring (Note: Use Item 200A or 200B)	
115	See Note	2	Bearing (Note: Use Item 200A or 200B)	
116	7024404	1	Block Valve Assembly	
117	7026505	1	Plug	
118	7026506	1	Valve, Check	
119	7026507	1	Plug	
120		Ref	Plunger, Valve Options:	
120	7026508	1	Coupling p/n 1660257 <b>(Prior to SN 113987)</b>	
120	Not Serviced	1	Coupling p/n 1660303 (Use p/n 7024404) <b>(SN 113987 to Present)</b>	
121	7026509	1	Spring, Compression	
122	Not Serviced	AR	Protective Netting (Not Shown) (Rotary Coupling p/n 1660303)	
123		Ref	Seal Options:	
123	7026189	1	Coupling p/n 1660257 <b>(Prior to SN 113987)</b>	
123	Item 200B	1	Coupling p/n 1660303 <b>(SN 113987 to Present)</b>	
200		Ref	Seal Kit Options:	
200A	7026510	1	Coupling p/n 1660257 (Includes Items 103, 105, 106, 113, 114)	

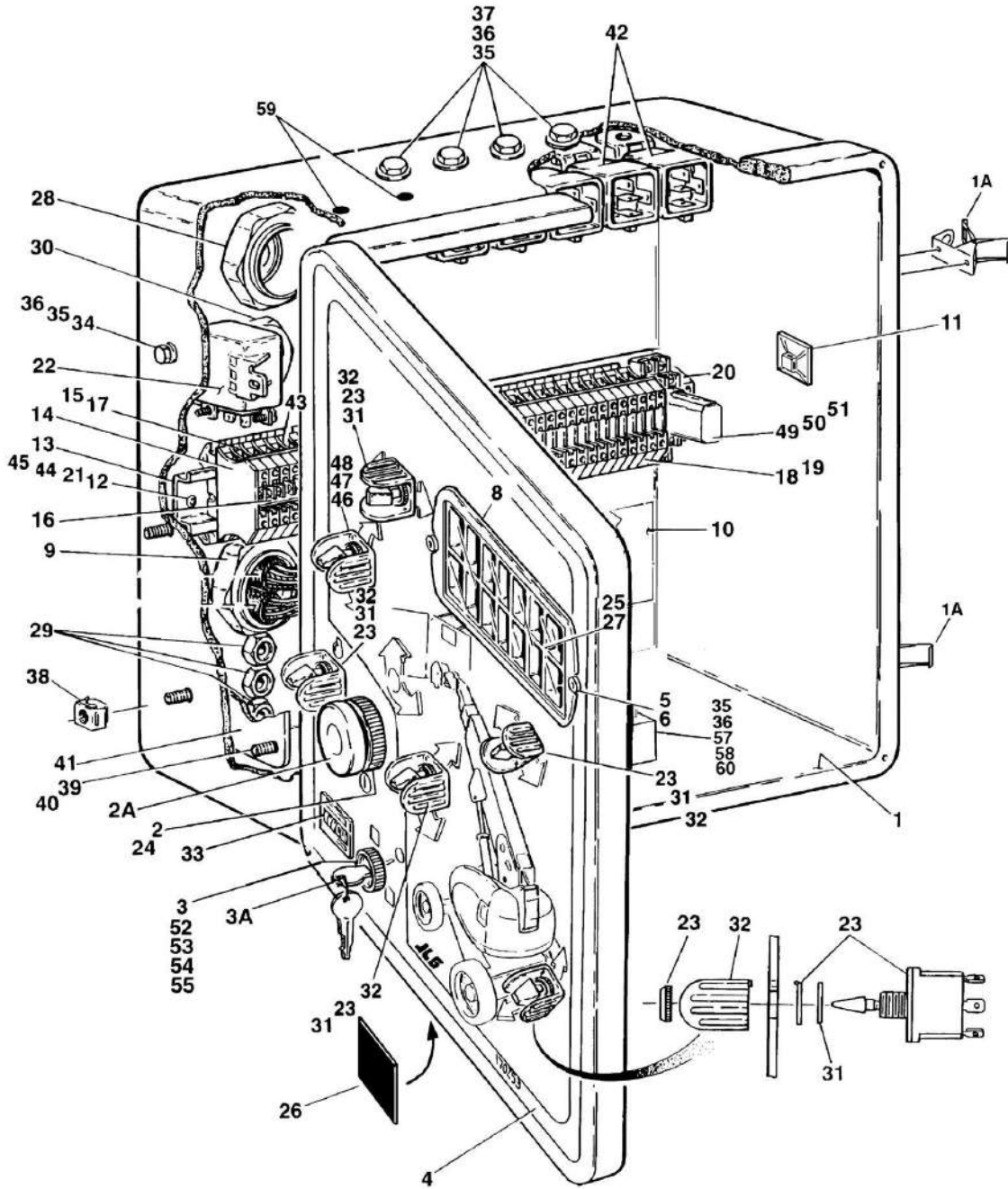
## SECTION 2 - TURNTABLE

ITEM	PART NUMBER	QTY	DESCRIPTION	REV
200B	70001248	1	& 115) (Must Purchase Item 102 Separately) <b>(Prior to SN 113987)</b> Coupling p/n 1660303 (Includes Items 102, 103, 105, 106, 113, 114, 115 & 123) <b>(SN 113987 to Present)</b>	



# SECTION 2 - TURNTABLE

FIGURE 2-26. GROUND CONTROL BOX ASSEMBLIES (Prior to SN 62137)



## SECTION 2 - TURNTABLE

**FIGURE 2-26. GROUND CONTROL BOX ASSEMBLIES (Prior to SN 62137)**

ITEM	PART NUMBER	QTY	DESCRIPTION	REV
		Ref	<b>GROUND CONTROL BOX ASSEMBLIES</b>	
	0861179	Ref	<b>Model 601S - With Deutz Engine</b>	4
	0861269	Ref	<b>Model 601S With a "Enhanced Hostile Environment Package" - With Deutz Engine</b>	3
	0861211	Ref	<b>Model 601S - With Ford Engine (Prior to SN 58209)</b>	2
	0861335	Ref	<b>Model 601S - With Ford Engine (SN 58209 through 62136)</b>	1
1		Ref	Box, Fiberglass Options:	
1	0861132	1	Box, Fiberglass ( <b>Prior to SN 44643</b> )	
1	0861303	1	Box, Fiberglass ( <b>SN 44643 through 62136</b> )	
1A	7020246	2	Latch	
2		Ref	Switch, Emergency Stop Options:	
2	4360289	1	Switch, Emergency Stop ( <b>Prior to SN 44643</b> )	
2	4360475	1	Switch, Emergency Stop ( <b>SN 44643 through 62136</b> )	
2A		Ref	Cap Options:	
2A	7012611	1	Cap, Mushroom Head (Used on Switch p/n 4360289)	
2A	7012612	1	Boot (Used on Switch p/n 4360289)	
2A	7020175	1	Cap, Red (Used on Switch p/n 4360475)	
2A	7020176	1	Contact Block (Used on Switch p/n 4360475)	
3		Ref	Switch, Key Options:	
3	4360315	1	Switch, Key ( <b>Prior to SN 44643</b> )	
3	4360469	1	Switch, Key ( <b>SN 44643 through 62136</b> )	
3A		Ref	Key Replacement Options:	
3A	7012560	1	Key Replacement (Used on Switch p/n 4360315) ( <b>Prior to SN 44643</b> )	
3A	2860030	1	Key Replacement (Used on Switch p/n 4360469) ( <b>SN 44643 through 62136</b> )	
4	1703465	1	Decal - Faceplate	
5	0630518	2	Capscrew, Button Head	
6	3300408	AR	Locknut, Plastic Insert	
8	1670829	1	Bezel	
9	4460711	1	Connector, Strain Relief	
10	1703622	1	Decal - Service Manual Reference	
11	4460234	8	Base, Tie-Strap (Not Shown)	
12	3910608	2	Screw #6-32NC x 1/2in	
13	3640970	1	Rail	
14	4460602	1	Barrier, Terminal	
15	4460601	10	Block, Terminal	
16	4460603	1	Bussbar - 10 Position (Requires being cut into (2) 5 position bussbars)	
17	4460631	AR	Marker, Terminal (Negative)	
18	4460600	AR	Block, Terminal	
19	4460628	AR	Marker, Terminal (1-50)	
20	4460607	1	Stop, Terminal	
21	4750600	4	Flatwasher #6	
22	3740112	1	Relay, Bosch	
23	4360314	AR	Switch, Toggle	
24		Ref	Switch, Contact Block Options:	
24	4360282	1	Switch, Contact Block ( <b>Prior to SN 44643</b> )	
24	4360476	1	Switch, Contact Block ( <b>SN 44643 through 62136</b> )	
25	2760105	1	Housing, Display Light	

## SECTION 2 - TURNTABLE

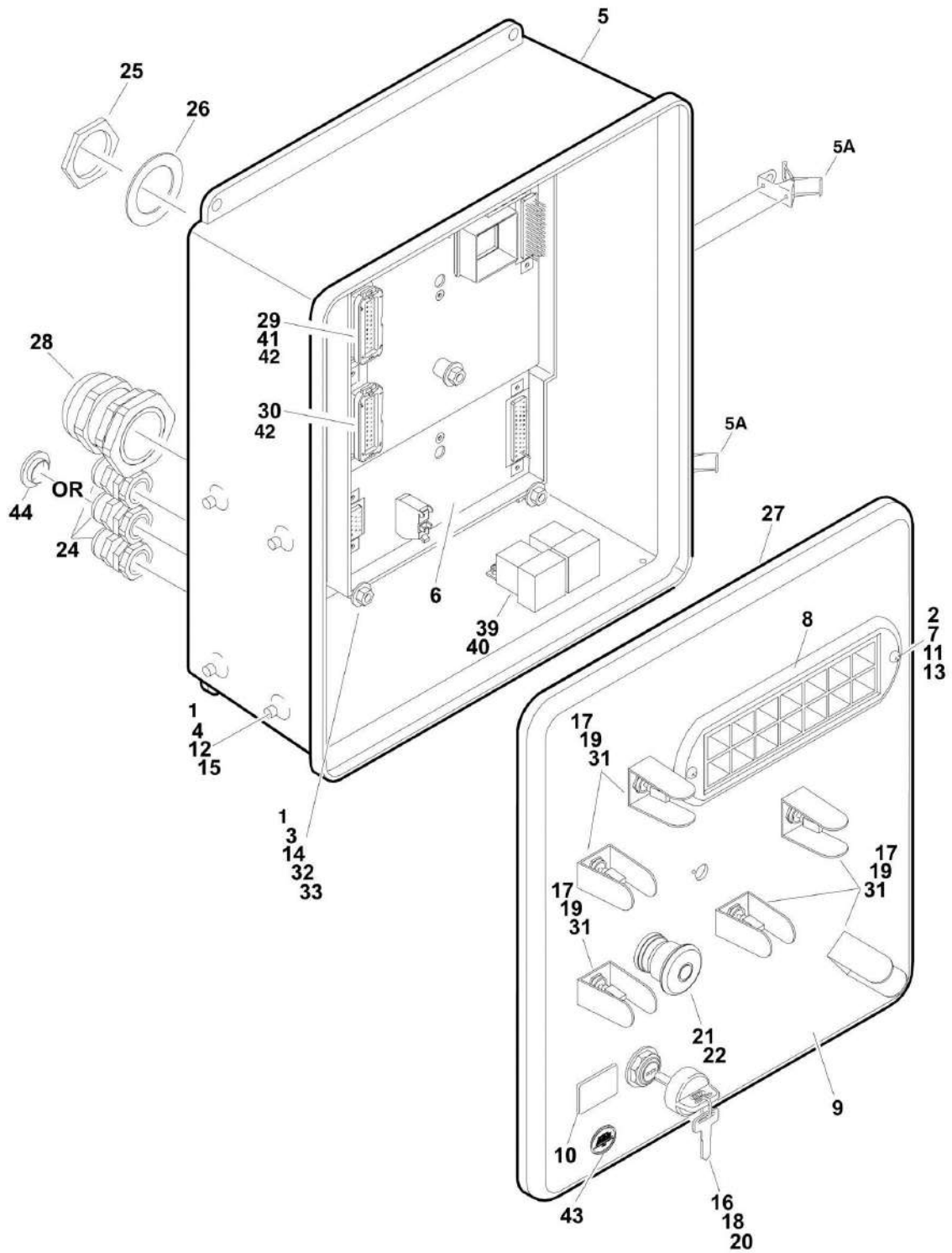
ITEM	PART NUMBER	QTY	DESCRIPTION	REV
26	4420038	4 in/10cm	Insulation, Adhesive Foam	
27	1702610	1	Decal - Ground Control Display	
28	4460526	1	Connector, Strain Relief	
29	4460428	3	Connector, Strain Relief	
30	4460426	1	Connector, Strain Relief	
31	4740444	AR	Washer, Special	
32	4060906	AR	Shield, Toggle Switch	
33	2420172	1	Gauge, Hourmeter	
34	0721005	AR	Screw #10-24NC x 5/8in	
35	3311001	AR	Nut #10-24NC	
36	4751000	AR	Flatwasher #10	
37	0721004	AR	Screw #10-24NC	
38	3300205	4	Nut, Retainer	
39	0641506	4	Bolt 5/16in-18NC x 3/4in	
40	0100011	AR	Loctite #242	
41	3539219	1	Plate, Reinforcement	
42	3740049	6	Relay - SPDT	
43	4460630	1	Marker, Terminal (Ignition)	
44	4760600	2	Lockwasher #6	
45	3310601	2	Nut #6-32NC	
46	4360314	1	Switch, Toggle	
47	4740444	1	Washer, Nylon	
48	4060906	1	Shield, Toggle Switch	
49		Ref	Socket, Relay Options:	
49	Not Required	0	Deutz Engine Machines	
49	4120012	1	Ford Engine Machines	
50		Ref	Relay Options:	
50	Not Required	0	Deutz Engine Machines	
50	3740057	1	Ford Engine Machines	
51		Ref	Spring, Relay Options:	
51	Not Required	0	Deutz Engine Machines	
51	3740066	1	Ford Engine Machines	
52	3300390	1	Nut with Weather Resistant Boot <b>(Prior to SN 44643)</b>	
53	4070991	1	Shim (.125in) <b>(SN 44643 through 62136)</b>	
54	4070987	1	Shim (.015in) <b>(SN 44643 through 62136)</b>	
55	3910804	6	Screw #8-32NC x 1/4 <b>(SN 44643 through 62136)</b>	
57	4761000	1	Lockwasher #10 (Ford Engines with EFI) <b>(SN 58209 through 62136)</b>	
58	3740113	1	Timer, Relay (Ford Engines with EFI) <b>(SN 58209 through 62136)</b>	
59	3520174	AR	Plug 3/16in (Not Shown) <b>(SN 55244 through 62136)</b>	
60	3911024	1	Screw #10-24NC x 1 1/2in (Ford Engines with EFI) <b>(SN 58209 through 62136)</b>	
61	0100009	AR	Adhesive (Not Shown) <b>(SN 55244 through 62136)</b>	
62	3520026	1	Plug 5/8in (Not Shown) <b>(SN 55244 through 62136)</b>	





# SECTION 2 - TURNTABLE

FIGURE 2-27. GROUND CONTROL BOX ASSEMBLIES (ADE SYSTEM) (SN 62137 to Present)



## SECTION 2 - TURNTABLE

**FIGURE 2-27. GROUND CONTROL BOX ASSEMBLIES (ADE SYSTEM) (SN 62137 to Present)**

ITEM	PART NUMBER	QTY	DESCRIPTION	REV
		Ref	<b>GROUND CONTROL BOX ASSEMBLIES</b>	
	0861402	Ref	<b>Model 601S - With Deutz Engine (Prior to SN 64398)</b>	F
	0861487	Ref	<b>Model 601S - With Deutz Engine (SN 64398 through 86147)</b>	F
	0861685	Ref	<b>Model 601S - With Deutz Engine (SN 86148 through 99059)</b>	B
	1810069	Ref	<b>Model 601S - With Deutz Engine (SN 99060 to Present)</b>	A
	0861404	Ref	<b>Model 601S With a "Enhanced Hostile Environment Package" - With Deutz Engine (Prior to SN 64398)</b>	F
	0861485	Ref	<b>Model 601S With a "Enhanced Hostile Environment Package" - With Deutz Engine (SN 64398 through 86147)</b>	F
	0861685	Ref	<b>Model 601S With a "Enhanced Hostile Environment Package" - With Deutz Engine (SN 86148 through 99059)</b>	B
	1810069	Ref	<b>Model 601S With a "Enhanced Hostile Environment Package" - With Deutz Engine (SN 99060 to Present)</b>	A
	0861405	Ref	<b>Model 601S - With Ford Engine (Prior to SN 64398)</b>	E
	0861484	Ref	<b>Model 601S - With Ford Engine (SN 64398 to Present)</b>	E
1	0100011	AR	Loctite #242	
2	0630518	2	Capscrew, Button Head	
3	0630548	5	Bolt	
4	0641506	4	Bolt 5/16in-18NC x 3/4in	
5	0861389	1	Box, Fiberglass	
5A	7020246	2	Latch	
6		Ref	Module, Ground Control Options (Re-calibration Required when Replaced):	
6	1600312	1	Module, Ground Control <b>(Prior to SN 64398)</b>	
6	2915014	1	Module, Ground Control (was p/n 1600327) <b>(SN 64398 through 78256)</b>	
6	1600364	1	Module, Ground Control <b>(SN 78257 through 86147)</b>	
6	1600411	1	Module, Ground Control <b>(SN 86148 to Present)</b>	
6	2915014	1	Update Kit (Includes Module, Cables, Programming Instructions and CD Software)	
7	1670829	1	Bezel	
8		Ref	Decal - Ground Control Display Options:	
8	1702610	1	Decal - Ground Control Display <b>(Prior to SN 86148)</b>	
8	1705753	1	Decal - Ground Control Display <b>(SN 86148 through 99059)</b>	
8	1706712	1	Decal - Ground Control Display <b>(SN 99060 to Present)</b>	
9		Ref	Decal - Faceplate Options:	
9	1703465	1	Decal - Faceplate <b>(Prior to SN 99060)</b>	
9	1706914	1	Decal - Faceplate <b>(SN 99060 to Present)</b>	
10	2420172	1	Gauge, Hourmeter	
11	2760105	1	Housing, Display Light	
12	3300205	4	Nut, Retainer	
13	3300408	AR	Locknut, Plastic Insert	
14	3311401	10	Nut 1/4in-20NC	
15	3539219	1	Plate, Reinforcement	
16	3910804	6	Screw #8-32NC x 1/4in	
17	4060906	6	Shield, Toggle Switch	
18	4070987	1	Shim (.125in)	
19	4360328	6	Switch, Toggle	
20	4360469	1	Switch, Key	
20A	2860030	1	Key Replacement	
21	4360475	1	Switch, Emergency Stop	

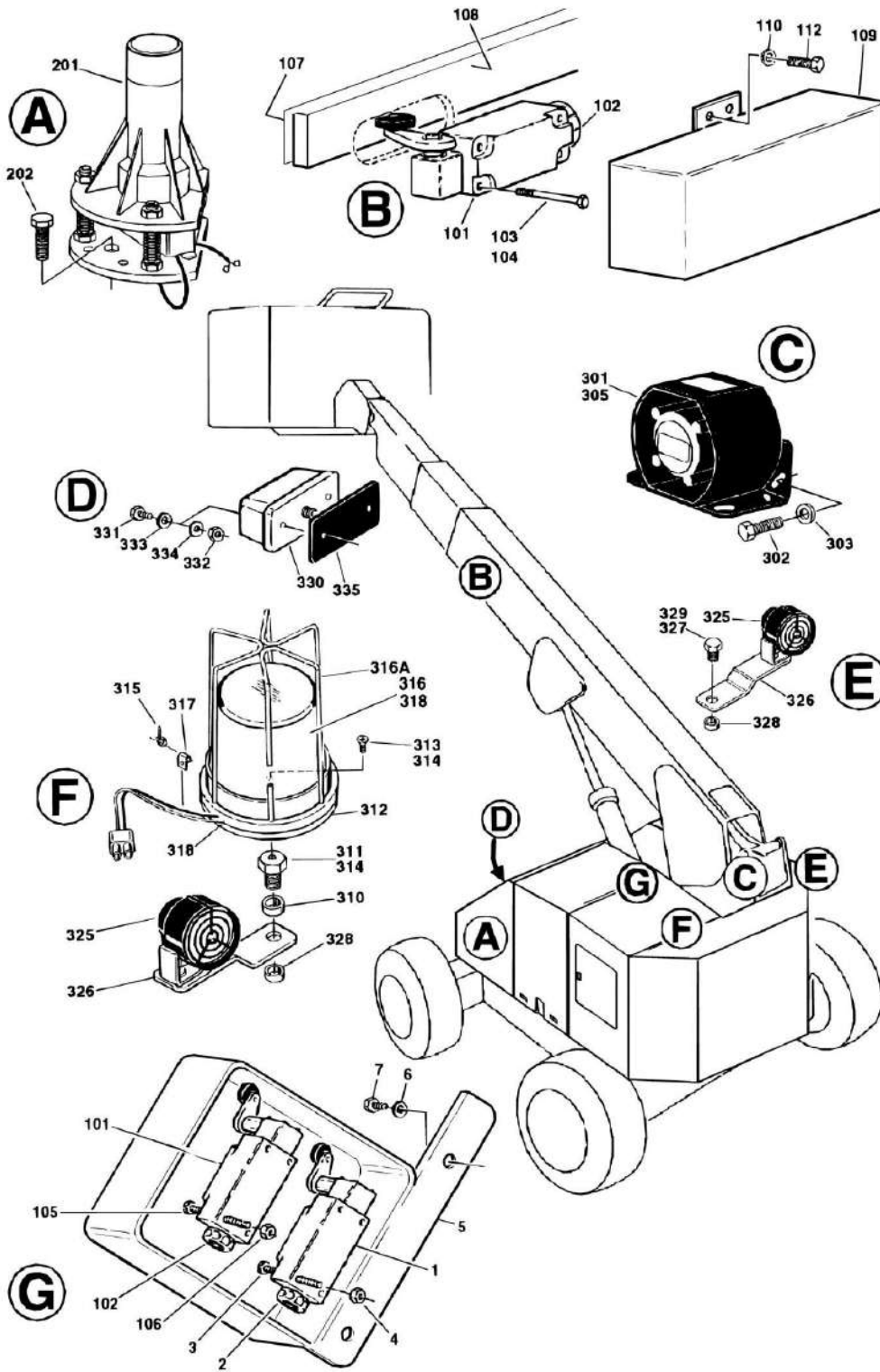
## SECTION 2 - TURNTABLE

ITEM	PART NUMBER	QTY	DESCRIPTION	REV
22	4360476	1	Switch, Contact Block	
23	4460234	2	Tie, Wire (Not Shown)	
24		Ref	Connector, Strain Relief Options:	
24	4460428	3	Connector, Strain Relief <b>(Prior to SN 64398)</b>	
24	4460426	2	Connector, Strain Relief <b>(SN 64398 through 68131)</b>	
24	4460426	1	Connector, Strain Relief <b>(SN 68132 to Present)</b>	
25	4460470	1	Nut, Terminal	
26	4460471	1	Lockwasher, Terminal	
27	4460488	7	Mounting Base, Terminal	
28	4460526	1	Connector, Strain Relief	
29	4460874	1	Connector, Natural	
30	4460875	1	Connector, Gray	
31	4740444	6	Washer, Special	
32	4751400	20	Flatwasher 1/4in	
33	4761400	15	Lockwasher 1/4in	
34		Ref	Harness, Analyzer Cable (Not Shown) Options:	
34	4922485	1	Harness, Analyzer Cable (Not Shown) <b>(Prior to SN 64398)</b>	
34	4922666	1	Harness, Analyzer Cable (Not Shown) <b>(SN 64398 through 86147)</b>	
39	3740049	AR	Relay	
40	3900268	AR	Screw, Flange #10 x 1/2in	
41	4460905	AR	Connector, Amp Seal Plug	
42	0100048	AR	Grease, Dielectric	
43	1705132	1	Decal - ADE Control <b>(SN 66899 through 99059)</b>	
44	3520035	1	Plug, Cap <b>(SN 68132 to Present)</b>	
45		Ref	Valve Harness Assembly (Not Shown - See ELECTRICAL SECTION for Breakdown)	
45	4922490	1	Valve Harness Assembly <b>(Prior to SN 85132)</b>	
45	4923206	1	Valve Harness Assembly <b>(SN 85132 to Present)</b>	
46		Ref	Ground Control Box Harness Assembly (Not Shown - See ELECTRICAL SECTION for Breakdown)	
46	4922487	1	Deutz Engine <b>(Prior to SN 64398)</b>	
46	4922486	1	Ford Engine - LRG425 <b>(Prior to SN 64398)</b>	
46	4922649	1	Deutz/Ford Engine - LRG425 <b>(SN 64398 through 85131)</b>	
46	4923213	1	Deutz Engine <b>(SN 85132 through 99059)</b>	
46	4923577	1	Deutz Engine <b>(SN 99060 to Present)</b>	
47		Ref	Engine Harness Assembly (Not Shown - See ELECTRICAL SECTION for Breakdown)	
47	4922488	1	Deutz Engine <b>(Prior to SN 85132)</b>	
47	4922489	1	Deutz Engine With A "Enhanced Hostile Environment Package" Machines <b>(Prior to SN 85132)</b>	
47	4922519	1	Ford Engine - LRG425 With EFI <b>(Prior to SN 85132)</b>	
47	4923212	1	Deutz Engine <b>(SN 85132 to Present)</b>	



# SECTION 2 - TURNTABLE

## FIGURE 2-28. ELECTRICAL OPTIONS INSTALLATION (TURNTABLE MOUNTED)



**SECTION 2 - TURNTABLE**

**FIGURE 2-28. ELECTRICAL OPTIONS INSTALLATION (TURNTABLE MOUNTED)**

ITEM	PART NUMBER	QTY	DESCRIPTION	REV
		Ref	<b>ELECTRICAL OPTIONS INSTALLATIONS (TURNTABLE MOUNTED)</b>	
	0255335	Ref	<b>LIMIT SWITCH INSTALLATION - ABOVE HORIZONTAL</b>	6
1		Ref	Switch, Limit Options:	
1	4360322	1	Switch, Limit <b>(Prior to SN 74471)</b>	
1	4360549	1	Switch, Limit <b>(SN 74471 through 80897)</b>	
1	4360578	1	Switch, Limit <b>(SN 80898 to Present)</b>	
2		Ref	Connector, Strain Relief Options:	
2	4460428	1	Connector, Strain Relief <b>(Prior to SN 68977)</b>	
2	4460968	1	Connector, Strain Relief <b>(SN 74471 to Present)</b>	
3		Ref	Capscrew Options:	
3	3930828	2	Capscrew, Socket Head #8-32NC x 1 3/4in <b>(Prior to SN 68977)</b>	
3	3931028	2	Capscrew, Socket Head #10-24NC x 1 3/4in <b>(SN 68977 to Present)</b>	
4		Ref	Locknut Options:	
4	3310805	2	Locknut #8-32NC <b>(Prior to SN 68977)</b>	
4	3311005	2	Locknut #10-24NC <b>(SN 68977 to Present)</b>	
5	1670818	1	Cover, Limit Switch	
6	4751400	4	Flatwasher 1/4in	
7	3931408	4	Bolt, 1/4in-20NC x 1in	
	0255698	Ref	<b>LIMIT SWITCH INSTALLATION - DUAL CAPACITY</b>	7-D
101		Ref	Switch, Limit Options:	
101	4360322	2	Switch, Limit <b>(Prior to SN 74471)</b>	
101	4360549	2	Switch, Limit <b>(SN 74471 through 80897)</b>	
101	4360578	2	Switch, Limit <b>(SN 80898 to Present)</b>	
102		Ref	Connector, Strain Relief Options:	
102	4460428	2	Connector, Strain Relief <b>(Prior to SN 68977)</b>	
102	4460968	2	Connector, Strain Relief <b>(SN 74471 to Present)</b>	
103	0100035	AR	Loctite #272	
104	3930816	2	Capscrew, Socket Head #8-32NC x 1in	
105	3930828	2	Capscrew, Socket Head #8-32NC x 1 3/4in	
106	3310805	2	Locknut #8-32NC	
107	4420054	9 ft/2.7m	Tape, Double Sided	
108	1001106479	1	Bar, Fiberglass (was p/n 0362528)	
109	1670824	1	Cover, Limit Switch	
110	4751400	4	Flatwasher 1/4in	
112	0641403	4	Bolt, 1/4in-20NC x 3/8in	
		Ref	<b>TILT INDICATOR SWITCH INSTALLATION OPTIONS:</b>	
	0256375	Ref	<b>Tilt Indicator Switch Installation (Prior to SN 36370)</b>	1
	0258542	Ref	<b>Tilt Indicator Switch Installation (SN 36370 through 62136)</b>	1
	0271500	Ref	<b>Tilt Indicator Switch Installation (ADE System) (SN 62137 to Present)</b>	1
201	4360417	1	Switch, Level Sensing	
202	0641412	2	Bolt 1/4in-20NC x 1 1/2in	
203	3311405	2	Locknut 1/4in-20NC	
	0257886	Ref	<b>ALARMS INSTALLATION (OPTIONAL)</b>	1
301	0257887	1	Alarm/Harness Assembly	
301	0140032	1	Alarm	
301	2820035	6 in/15cm	Loom	
301	4460424	1	Plug	

## SECTION 2 - TURNTABLE

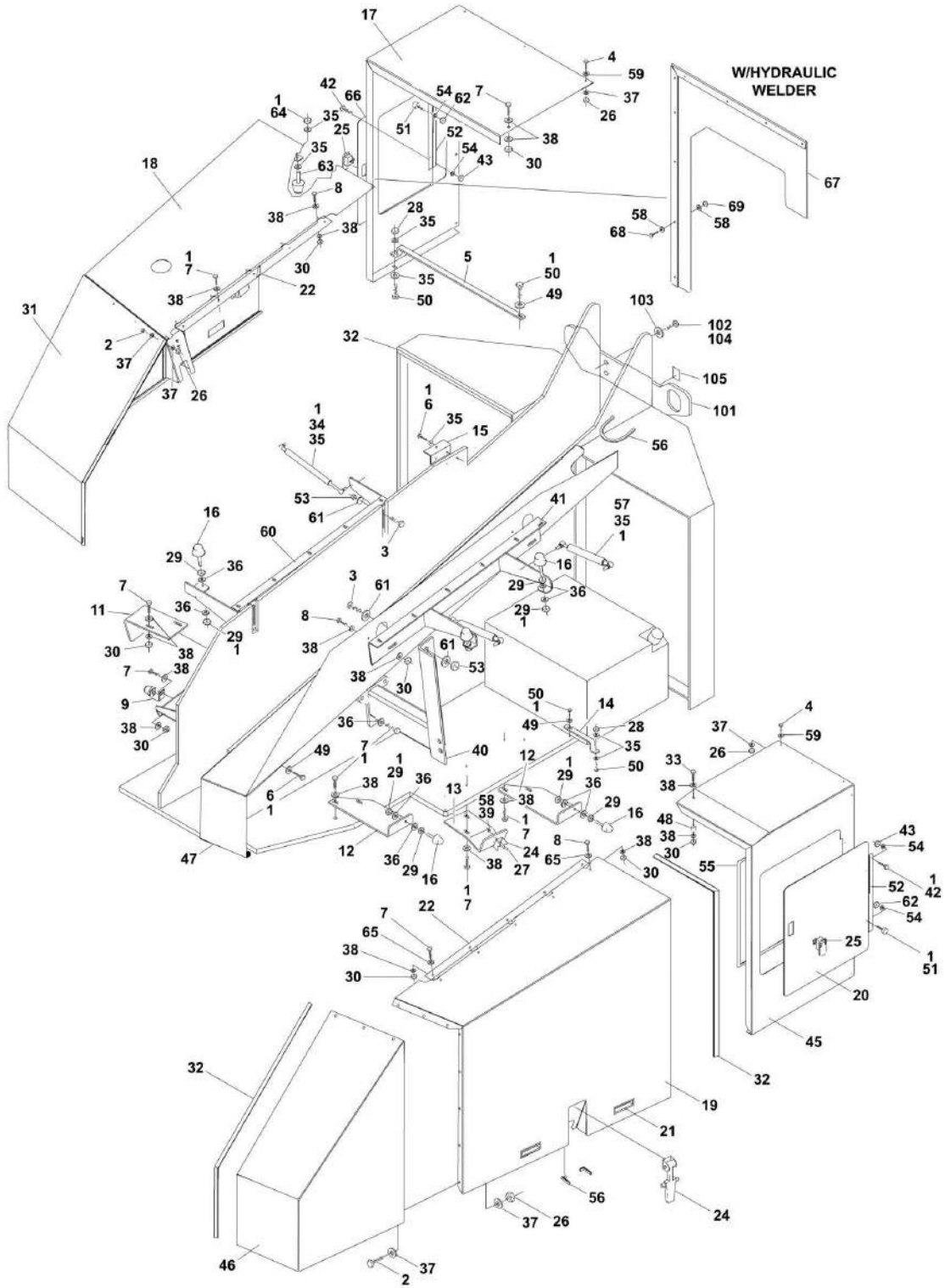
ITEM	PART NUMBER	QTY	DESCRIPTION	REV
301	4460268	2	Socket	
302	0641406	2	Bolt 1/4in-20NC x 3/4in	
303	4711400	2	Flatwasher 1/4in Narrow	
305	0100048	AR	Sealant, Silicone	
	0257885	Ref	<b>STROBE LIGHT INSTALLATIONS (AMBER) (OPTIONAL)</b>	3
310	4220162	1	Spacer, Stop (Used with ECCO Model 6640 Only)	
311		Ref	Adapter Options:	
311	0630491	1	Adapter used with ECCO Model 6640	
311	0080241	1	Adapter used with ECCO Model 6650	
312	3539281	1	Plate, Mounting (Used with ECCO Model 6640 Only)	
313	0741606	1	Screw, Flathead Countersunk 3/8in-16NC x 3/4in (Used with ECCO Model 6640 Only)	
314	0100011	AR	Compound, Locking	
315	4240032	1	Wire-Tile	
316	0272507	1	Strobe Light/Guard/Harness Assembly (was p/n 0255917)	
		Ref	<b>Note: P/N 0272507 includes Items 311 &amp; 316A.</b>	
316		Ref	Bulb, Replacement Options:	
316	7016380	1	Bulb for ECCO Model 6640	
316	70001941	1	Bulb for ECCO Model 6650	
316A		Ref	Guard Options:	
316A	4060907	1	Guard used with ECCO Model 6640	
316A	2920215	1	Guard used with ECCO Model 6650	
317	4460234	1	Clamp	
318	0100048	AR	Sealant, Silicone	
	0259309	Ref	<b>HEAD LIGHT AND TAIL LIGHT INSTALLATIONS - MODEL 601S With a "Enhanced Hostile Environment Package" (OPTIONAL) (Prior to SN 62137)</b>	1
	0270802	Ref	<b>HEAD LIGHT AND TAIL LIGHT INSTALLATIONS - MODEL 601S With a "Enhanced Hostile Environment Package" (OPTIONAL) (SN 62137 through 63912)</b>	1
	0271044	Ref	<b>HEAD LIGHT AND TAIL LIGHT INSTALLATIONS - MODEL 601S With a "Enhanced Hostile Environment Package" (OPTIONAL) (SN 63913 to Present)</b>	2
	0270852	Ref	<b>BRAKE LIGHTS INSTALLATION - MODEL 601S With a "Enhanced Hostile Environment Package" (OPTIONAL) (Prior to SN 62137)</b>	1
	0271370	Ref	<b>BRAKE LIGHTS INSTALLATION - MODEL 601S With a "Enhanced Hostile Environment Package" (OPTIONAL) (SN 62137 to Present)</b>	2
325	2920110	2	Head Light	
326	0902206	2	Bracket, Mounting	
327	0642612	1	Bolt 1in-8NC x 1 1/2in	
328	4220162	2	Spacer	
329	0100011	AR	Loctite #242	
330	2920113	2	Tail Light	
331	3911040	4	Screw, Machine #10-24NC x 2 1/2in	
332	3311005	4	Locknut #10-24NC	
333	4751000	4	Flatwasher #10	
334	4740362	4	Washer, Fender 1/4in	
335	3960461	2	Gasket	
337	4240032	14	Tie-Strap (Not Shown)	
338	4460234	14	Mount, Cable Tie (Not Shown)	





# SECTION 2 - TURNTABLE

## FIGURE 2-29. HOODS INSTALLATION - MODEL 601S



## SECTION 2 - TURNTABLE

### FIGURE 2-29. HOODS INSTALLATION - MODEL 601S

ITEM	PART NUMBER	QTY	DESCRIPTION	REV
	0258042	Ref	<b>HOODS INSTALLATION (STANDARD)</b>	F
	0271571	Ref	<b>HOODS INSTALLATION (W/HYDRAULIC WELDER) (OPTIONAL)</b>	3-D
1	0100011	AR	Loctite #242	
2	0641406	AR	Bolt 1/4in-20NC x 3/4in	
3	0630507	8	Bolt, Carriage 1/2in-13NC x 1 1/4in	
4	0641408	AR	Bolt 1/4in-20NC x 1in	
5	0362759	1	Bar	
6	0641507	AR	Bolt 5/16in-18NC x 7/8in	
7	0641608	29	Bolt 3/8in-16NC x 1in	
8	0641614	10	Bolt 3/8in-16NC x 1 3/4in	
9	0902219	2	Bracket, Bumper	
11	0902480	1	Bracket	
12	0902434	2	Bracket	
13	0902435	1	Bracket	
14	0362760	1	Bar	
15	0181946	1	Angle, Hood Mount	
16	0940071	7	Bumper, Rubber (Hood)	
17		Ref	Cover Options:	
17	1670843	1	Standard	
17	4846473	1	W/Hydraulic Welder	
18	1670851	1	Cover (Engine Side)	
19	1670853	1	Cover (Tank Side)	
20	1780301	1	Door	
21	2560126	4	Handle, Pocket	
22	2600238	2	Hinge	
24	2940088	2	Latch, Hood	
25	2940042	AR	Latch (Lift and Turn)	
26	3311405	31	Locknut 1/4in-20NC	
27	0721005	8	Screw #10-24NC x 5/8in	
28	3311505	2	Locknut 5/16in-18NC	
29	3311601	14	Nut 3/8in-16NC	
30	3311605	18	Locknut 3/8in-16NC	
31	1670866	1	Cover, Nose Weldment	
32	3960389	19.3 ft/5.9m	Seal	
33	0641620	AR	Bolt 3/8in-16NC x 2 1/2in	
34	4160169	2	Spring, Gas	
35	4711500	16	Flatwasher 5/16in (Narrow)	
36	4711600	20	Flatwasher 3/8in (Narrow)	
37	4751400	45	Flatwasher 1/4in (Wide)	
38	4751600	42	Flatwasher 3/8in (Wide)	
39	3311055	8	Locknut #10-24NC	
40	4845692	2	Weldment, Bracket	
41	4845698	1	Weldment, Angle	
42	0630407	AR	Bolt 1/4in-20NC x 5/8in	
43	3311401	AR	Nut 1/4in-20NC	
45	1670861	1	Cover	
46	1670862	1	Cover (Tank Side)	
47	1670863	1	Cover	
48	4567519	1	Tube	

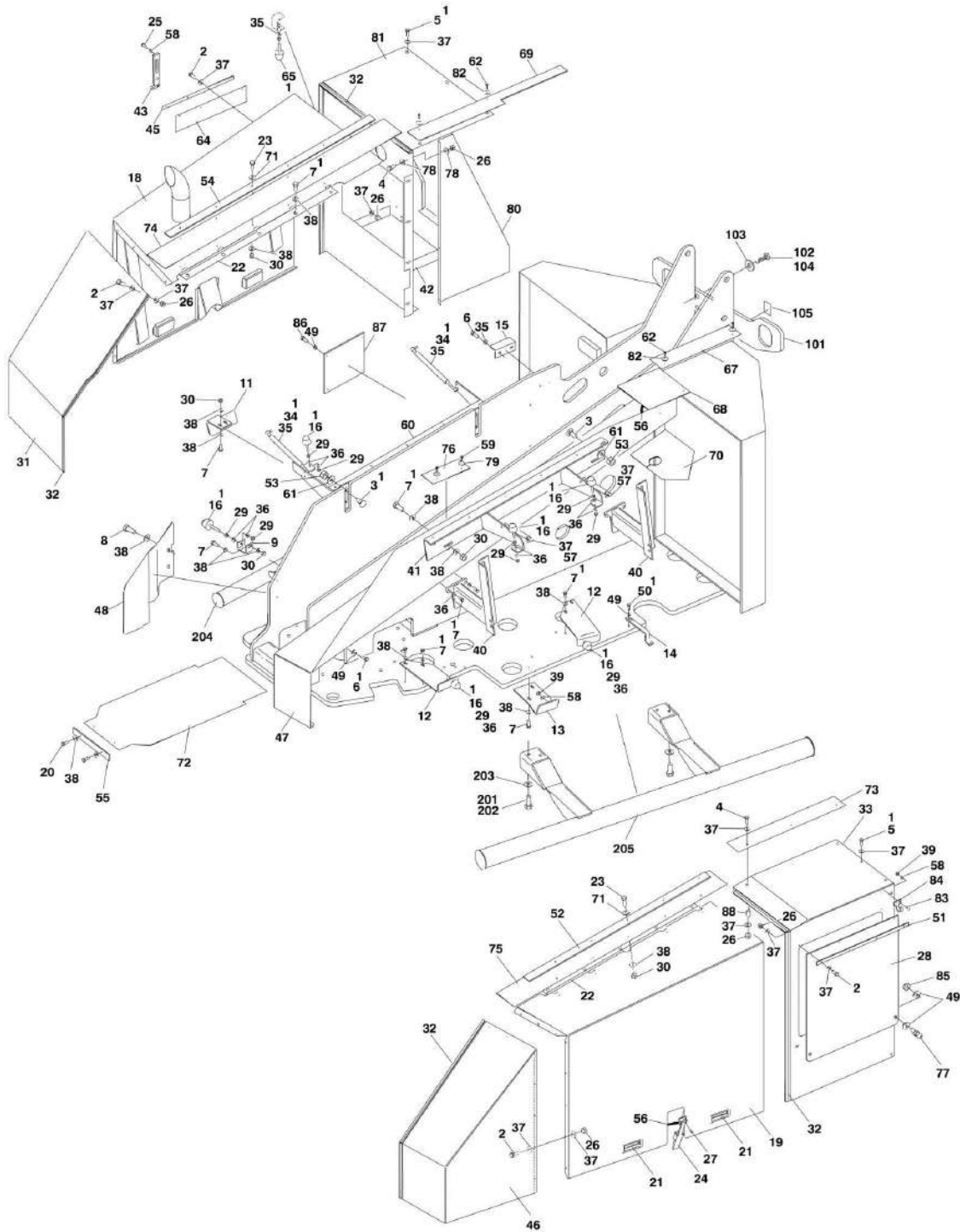
## SECTION 2 - TURNTABLE

ITEM	PART NUMBER	QTY	DESCRIPTION	REV
49	4751500	7	Flatwasher 5/16in (Wide)	
50	0641508	4	Bolt 5/16in-18NC x 1in	
51	0940086	AR	Bumper, Rubber	
52	2600243	AR	Hinge	
53	3311801	8	Nut 1/2in-13NC	
54	4711400	AR	Flatwasher 1/4in (Narrow)	
55	3960417	AR	Seal	
56	4060803	2 ft/0.6m	Shield	
57	4160171	2	Spring, Gas	
58	4751000	AR	Flatwasher #10 (Wide)	
59	4740362	14	Flatwasher 1/4in	
60	4845800	1	Bracket	
61	4891800	8	Flatwasher 1/2in	
62	3300151	AR	Nut, Acorn 1/4in-20NC	
63	0940088	1	Bumper, Hood	
64	3321501	2	Nut 5/16in-24NC	
65	4740483	10	Washer	
66	1780324	1	Door, Hood (W/Hydraulic Welder)	
67	3573275	1	Plate, Baffle (W/Hydraulic Welder)	
68	3911008	10	Screw 10-24NC x 1/2in (W/Hydraulic Welder)	
69	3311001	10	Nut 10-24NC (W/Hydraulic Welder)	
	0258336	Ref	<b>LIFTING PLATE INSTALLATION</b>	1
101	3570920	1	Plate, Lifting	
102	0682014	4	Bolt 5/8in-11NC x 1 3/4in	
103	4892000	4	Flatwasher 5/8in (Hardened)	
104	0100019	AR	Loctite #271	
105	1701500	2	Decal - Tie Down/Lift	



# SECTION 2 - TURNTABLE

## FIGURE 2-30. HOODS INSTALLATION - MODEL 601S WITH A "ENHANCED HOSTILE ENVIRONMENT PACKAGE"



## SECTION 2 - TURNTABLE

**FIGURE 2-30. HOODS INSTALLATION - MODEL 601S WITH A "ENHANCED HOSTILE ENVIRONMENT PACKAGE"**

ITEM	PART NUMBER	QTY	DESCRIPTION	REV
	0259065	Ref	<b>HOODS INSTALLATION (STANDARD)</b>	F
	0271599	Ref	<b>HOODS INSTALLATION (W/SIGHT GAGE)</b>	A
1	0100011	AR	Loctite #242	
2	0641406	25	Bolt 1/4in-20NC x 3/4in	
3	0630507	8	Bolt, Carriage 1/2in-13NC x 1 1/4in	
4	0641404	11	Bolt 1/4in-20NC x 1/2in	
5	0641408	19	Bolt 1/4in-20NC x 1in	
6	0641507	6	Bolt 5/16in-18NC x 7/8in	
7	0641608	28	Bolt 3/8in-16NC x 1in	
8	0641606	2	Bolt 3/8in-16NC x 3/4in	
9	0902219	2	Bracket, Bumper	
11	0902480	1	Bracket	
12	0902434	2	Bracket	
13	0902435	1	Bracket	
14	0362760	1	Bar	
15	0181986	1	Angle, Hood Mount	
16	0940071	7	Bumper, Rubber (Hood)	
18	1670851	1	Cover (Engine Side)	
19	1670853	1	Cover (Tank Side)	
20	0641607	6	Bolt 3/8in-16NC x 7/8in	
21	2560126	4	Handle, Pocket	
22	2600238	2	Hinge	
23	0641618	10	Bolt 3/8in-16NC x 2 1/4in	
24	2940088	2	Latch, Hood	
25	0721004	3	Screw #10-24NC x 1/2in	
26	3311405	36	Locknut 1/4in-20NC	
27	0721005	8	Screw #10-24NC x 5/8in	
28	1670895	1	Cover (Ground Control Door)	
29	3311601	14	Nut 3/8in-16NC	
30	3311605	15	Locknut 3/8in-16NC	
31	1670866	1	Cover, Nose Weldment	
32	3960389	19.3 ft/5.9m	Seal	
33		Ref	Cover (Ground Control) Options:	
33	1670896	1	Standard	
33	1671029	1	W/Sight Gage	
34	4160169	2	Spring, Gas	
35	4711500	16	Flatwasher 5/16in (Narrow)	
36	4711600	20	Flatwasher 3/8in (Narrow)	
37	4751400	52	Flatwasher 1/4in (Wide)	
38	4751600	45	Flatwasher 3/8in (Wide)	
39	3311005	10	Locknut #10-24NC	
40	4845692	2	Weldment, Bracket	
41	4845698	1	Weldment, Angle	
42	2120170	1	Filter, Air	
43	2940080	1	Latch	
45	3571300	1	Plate (Door Hinge)	
46	1670862	1	Cover (Tank Side)	
47	1670863	1	Cover	

## SECTION 2 - TURNTABLE

ITEM	PART NUMBER	QTY	DESCRIPTION	REV
48	3571334	1	Plate (Cover Engine/Turntable)	
49	4751500	27	Flatwasher 5/16in (Wide)	
50	0641508	1	Bolt 5/16in-18NC x 1in	
51	3571407	1	Plate (Ground Control Door Hinge)	
52	3571408	1	Plate (Tank Side)	
53	3311805	8	Locknut 1/2in-13NC	
54	3571409	1	Plate (Engine Side)	
55	3571410	1	Plate (Boom Rest)	
56	4060803	7.5 ft/2.3m	Trinlock	
57	4160171	2	Spring, Gas	
58	4751000	13	Flatwasher #10 (Wide)	
59	3820019	5	Rivet	
60	4845800	1	Weldment, Bracket	
61	4891800	8	Flatwasher 1/2in	
62	3941406	5	Self Tapping 1/4in-20NC x 3/4in	
63	0641506	1	Bolt 5/16in-18NC x 3/4in	
64	3960499	1	Rubber Flap, Door	
65	0940088	1	Bumper (Hood)	
67	3960502	1	Seal (Tank Side CWT)	
68	3960503	1	Seal (Tray to CWT)	
69	3960504	1	Seal (Engine Side Spacer and CWT)	
70	3960505	1	Seal (Tray Power Track)	
71	4740483	10	Washer	
72	3960506	1	Seal	
73	3960507	1	Seal (Ground Control Box)	
74	3960508	1	Seal (Engine Side Hood)	
75	3960509	1	Seal (Tank Side)	
76	3960510	1	Seal (Power Track Tray)	
77	4300137	2	Stud	
78	4711400	20	Flatwasher 1/4in (Narrow)	
79	4740371	5	Washer, Special	
80	4845988	1	Weldment, Air Filter Box	
81	4845989	1	Weldment, Hood/Air Filter Box	
82	4740362	9	Washer, Fender	
83	0741006	2	Screw #10-24NC x 3/4in	
84	2700094	1	Hook	
85	3311505	2	Locknut 5/16in-18NC	
86	0641504	4	Bolt 5/16in-18NC x 1/2in	
87	3571741	1	Plate, Cover	
88	4567519	1	Tube (SN 40026 to Present)	
	0258336	Ref	<b>LIFTING PLATE INSTALLATION</b>	1
101	3570920	1	Plate, Lifting	
102	0682014	4	Bolt 5/8in-11NC x 1 3/4in	
103	4892000	4	Flatwasher 5/8in (Hardened)	
104	0100019	AR	Loctite #271	
105	1701500	2	Decal - Tie Down/Lift	
	0259066	Ref	<b>BUMPER INSTALLATION</b>	A
201	0100011	AR	Loctite #242	
202	0641810	8	Bolt 1/2in-13NC x 1 1/4in	
203	4711800	8	Flatwasher 1/2in (Narrow)	
204	4845957	1	Weldment, Bumper Engine Side	



**SECTION 2 - TURNTABLE**

<b>ITEM</b>	<b>PART NUMBER</b>	<b>QTY</b>	<b>DESCRIPTION</b>	<b>REV</b>
205	4845958	1	Weldment, Bumper Control Panel Side	



**SECTION 3 - BOOM**

# SECTION 3 - BOOM

## FIGURE 3-1. BOOM AND CYLINDER INSTALLATIONS

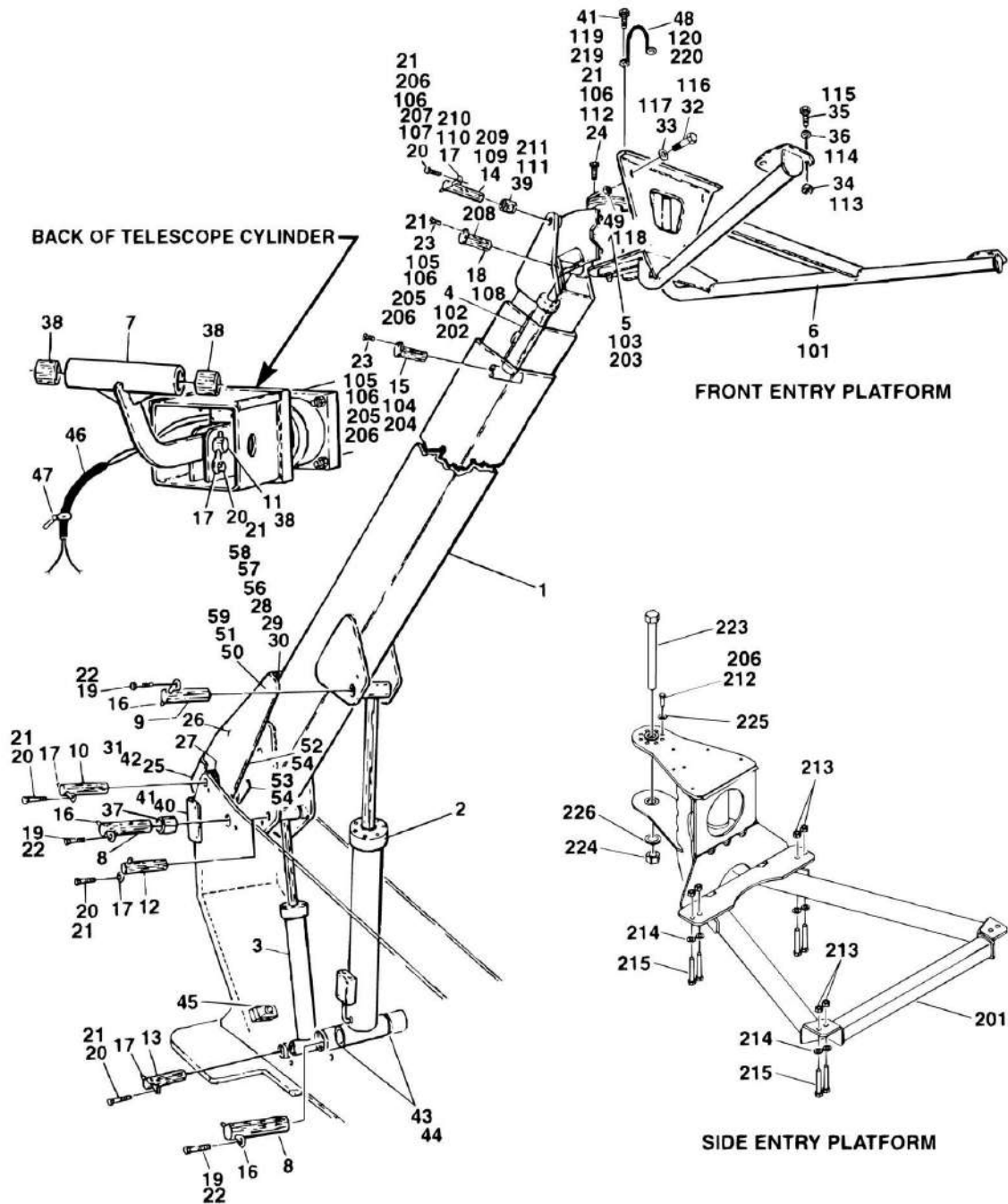


FIGURE 3-1. BOOM AND CYLINDER INSTALLATIONS

ITEM	PART NUMBER	QTY	DESCRIPTION	REV
		Ref	<b>BOOMS AND CYLINDERS INSTALLATIONS OPTIONS:</b>	
	0258002	Ref	<b>ANSI - Model 601S Machines (Prior to SN 41861)</b>	4
	0258004	Ref	<b>ANSI - Model 601S Machines (SN 41861 through 67890)</b>	6
	0258004	Ref	<b>CSA - Model 601S Machines (Front Entry Platform)</b>	6
	0272143	Ref	<b>ANSI/CSA - Model 601S Machines (Side Entry Platform)</b>	5
	0259067	Ref	<b>Model 601S With a "Enhanced Hostile Environment Package" Machines (Front Entry Platform)</b>	5
	0272140	Ref	<b>Model 601S With a "Enhanced Hostile Environment Package" Machines (Side Entry Platform)</b>	4
1		Ref	Boom Assembly Options: (See BOOM ASSEMBLIES for Breakdown)	
1	0801009	1	Model 601S Machines <b>(Prior to SN 38122)</b>	
1	0801166	1	Model 601S Machines <b>(SN 38122 through 74470)</b>	
1	0801382	1	Model 601S Machines <b>(SN 74471 through 96978)</b>	
1	0801476	1	Model 601S Machines <b>(SN 96979 to Present)</b>	
1	0801183	1	Model 601S With a "Enhanced Hostile Environment Package" Machines <b>(Prior to SN 96979)</b>	
1	0801477	1	Model 601S With a "Enhanced Hostile Environment Package" Machines <b>(SN 96979 to Present)</b>	
2	1683666	1	Lift Cylinder Assembly (See CYLINDER SECTION for Breakdown)	
3		Ref	Master Cylinder Assembly Options (See CYLINDER SECTION for Breakdown):	
3	1683266	1	Master Cylinder Assembly <b>(Prior to SN 96979)</b>	
3	1684414	1	Master Cylinder Assembly <b>(SN 96979 to Present)</b>	
4	1683415	1	Platform Level Cylinder Assembly (See Master Cylinder Assembly for Breakdown)	
5		Ref	Rotator Assembly Options:	
5	0060034	1	Rotator Assembly (See ROTATOR ASSEMBLY (FRONT ENTRY PLATFORM) for Breakdown) <b>(Prior to SN 45690)</b>	
5	0060067	1	Rotator Assembly (See ROTATOR ASSEMBLY (SIDE ENTRY PLATFORM) for Breakdown) <b>(SN 67891 to Present)</b>	
6	4845683	1	Weldment, Platform Support <b>(Prior to SN 45690)</b>	
7	1001094043	1	Weldment, Push Link (was p/n 4844944)	
8		Ref	Pin Options: (Cylinder Pivot - T/T End and Boom Pivot)	
8	3422564	2	ANSI (Was p/n 3422433) <b>(Prior to SN 41861)</b>	
8	3422564	2	ANSI and CSA <b>(SN 41861 to Present)</b>	
9		Ref	Pin Options: (Lift Cylinder - Boom End)	
9	3422568	1	ANSI (Was p/n 3422437) <b>(Prior to SN 41861)</b>	
9	3422568	1	ANSI and CSA <b>(SN 41861 through 96978)</b>	
9	3423184	1	ANSI and CSA <b>(SN 96979 to Present)</b>	
10		Ref	Pin Options: (Link - T/T End)	
10	3422566	1	ANSI (Was p/n 3422435) <b>(Prior to SN 41861)</b>	
10	3422566	1	ANSI and CSA <b>(SN 41861 to Present)</b>	
11		Ref	Pin Options: (Link - Boom End)	
11	3422557	1	ANSI (Was p/n 3422418) <b>(Prior to SN 41861)</b>	
11	3422557	1	ANSI and CSA <b>(SN 41861 to Present)</b>	
12		Ref	Pin Options: (Master Cylinder - Boom End)	
12	3422567	1	ANSI (Was p/n 3422436) <b>(Prior to SN 41861)</b>	
12	3422567	1	ANSI and CSA <b>(SN 41861 through 96978)</b>	
12	3422563	1	ANSI and CSA <b>(SN 96979 to Present)</b>	
13		Ref	Pin Options: (Master Cylinder - T/T End)	

## SECTION 3 - BOOM

ITEM	PART NUMBER	QTY	DESCRIPTION	REV
13	3422565	1	ANSI (Was p/n 3422434) (Prior to SN 41861)	
13	3422565	1	ANSI and CSA (SN 41861 to Present)	
14		Ref	Pin Options: (Rotator) (Prior to SN 45690)	
14	3422562	1	ANSI (Was p/n 3422425) (Prior to SN 41861)	
14	3422562	1	ANSI and CSA (SN 41861 to Present)	
15		Ref	Pin Options: (Level Cylinder - Boom End)	
15	3422569	1	ANSI (Was p/n 3422438) (Prior to SN 41861)	
15	3422569	1	ANSI and CSA (SN 41861 to Present)	
16	3841258	3	Keeper, Pin	
17	3841143	5	Keeper, Pin	
18		Ref	Pin Options: (Level Cylinder - Rotator End)	
18	3422580	1	ANSI (Was p/n 3422489) (Prior to SN 41861)	
18	3422580	1	ANSI and CSA (SN 41861 to Present)	
19	0642012	3	Bolt 5/8in-11NC x 1 1/2in	
20	0641608	5	Bolt 3/8in-16NC x 1in	
21	0100011	AR	Loctite #242	
22	0100019	AR	Loctite #271	
23	0741607	2	Screw, Countersunk 3/8in-16NC x 7/8in	
24	0641810	6	Bolt 1/2in-13NC x 1 1/4in (Prior to SN 45690)	
25	3539475	1	Cover, Boom End (Back)	
26		Ref	Cover, Boom End (Top and Sides) Options:	
26	3539476	1	Model 601S	
26	3571287	1	Model 601S With a "Enhanced Hostile Environment Package"	
27	0962057	2	Bushing	
28	3340800	1	Pad, Wear	
29		Ref	U-Bolt Options:	
29	0630458	1	Model 601S Machines	
29	Not Required	1	Model 601S With a "Enhanced Hostile Environment Package" Machines	
30		Ref	Nut Options:	
30	3311402	4	Jam Nut 1/4in-20NC (Model 601S Machines)	
30	3311405	2	Locknut 1/4in-20NC (Model 601S With a "Enhanced Hostile Environment Package" Machines)	
31	0641407	4	Bolt 1/4in-20NC x 7/8in	
32	0641820	2	Bolt 1/2in-13NC x 2 1/2in (Prior to SN 45690)	
33	4751800	4	Flatwasher 1/2in (Prior to SN 45690)	
34	3311605	8	Locknut 3/8in-16NC (Prior to SN 45690)	
35	0681610	8	Bolt 3/8in-16NC x 1 1/4in (Grade 8) (Prior to SN 45690)	
36	4711600	16	Flatwasher 3/8in (Narrow) (Prior to SN 45690)	
37	0961950	2	Bushing	
38	0962006	3	Bushing, Garmax	
39	0961951	2	Bushing, Garmax	
40	3539563	1	Cover	
41	0641604	6	Bolt 3/8in-16NC x 1/2in	
42	2080043	4	Rivnut	
43	4740314	AR	Washer, Thrust	
44	4740158	AR	Washer, Thrust	
45	1320235	1	Clamp	
46	4130033	2 ft/0.6m	Sleeve	
47	4240033	AR	Tie-Strap	
48	3841340	1	Loop, Hose	
49	3311805	2	Locknut 1/2in-13NC (Prior to SN 45690)	

## SECTION 3 - BOOM

ITEM	PART NUMBER	QTY	DESCRIPTION	REV
50	3340851	2	Pad, Wear (Model 601S With a "Enhanced Hostile Environment Package" Machines Only)	
51	4761600	2	Lockwasher 3/8in (Model 601S With a "Enhanced Hostile Environment Package" Machines Only)	
52	1670888	2	Cover, Boom Access (Model 601S With a "Enhanced Hostile Environment Package" Machines Only)	
53	1670889	2	Cover, Boom Access (Model 601S With a "Enhanced Hostile Environment Package" Machines Only)	
54	0641403	8	Bolt 1/4in-20NC x 3/8in (Model 601S With a "Enhanced Hostile Environment Package" Machines Only)	
55	2820104	8 ft/2.4m	Insulator, Hose and Cable (Model 601S With a "Enhanced Hostile Environment Package" Machines Only) (Not Shown) <b>(Prior to SN 45690)</b>	
56	0641409	2	Bolt 1/4in-20NC x 1 1/8in (Model 601S With a "Enhanced Hostile Environment Package" Machines Only)	
57	0362836	1	Bar, Retainer (Model 601S With a "Enhanced Hostile Environment Package" Machines Only)	
58	3960500	1	Seal, Neoprene (Model 601S With a "Enhanced Hostile Environment Package" Machines Only)	
59	0641605	2	Bolt 3/8in-16NC x 5/8in (Model 601S With a "Enhanced Hostile Environment Package" Machines Only)	
		Ref	<b>ROTATOR AND SUPPORT INSTALLATIONS (FRONT ENTRY PLATFORM) OPTIONS:</b>	
	0259489	Ref	<b>Model 601S</b>	1
	0259437	Ref	<b>Model 601S With a "Enhanced Hostile Environment Package"</b>	1
101	4845683	1	Weldment, Platform Support	
102	1683415	1	Platform Level Cylinder Assembly (See CYLINDER SECTION for Breakdown)	
103	0060034	1	Rotator Assembly (See ROTATOR ASSEMBLY (FRONT ENTRY PLATFORM) for Breakdown)	
104	3422569	1	Pin (Level Cylinder - Boom End)	
105	0741607	2	Screw, Countersunk 3/8in-16NC x 7/8in	
106	0100011	AR	Loctite #242	
107	0641608	1	Bolt 3/8in-16NC x 1in	
108	3422580	1	Pin (Level Cylinder - Rotator End)	
109	3422562	1	Pin (Rotator)	
110	3841143	1	Keeper, Pin	
111	0961951	2	Bushing, Garmax	
112	0641810	6	Bolt 1/2in-13NC x 1 1/4in	
113	3311605	8	Locknut 3/8in-16NC	
114	4711600	16	Flatwasher 3/8in (Narrow) <b>(Prior to SN 67891)</b>	
115	0681610	8	Bolt 3/8in-16NC x 1 1/4in (Grade 8)	
116	0641820	2	Bolt 1/2in-13NC x 2 1/2in	
117	4751800	4	Flatwasher 1/2in	
118	3311805	2	Locknut 1/2in-13NC	
119	0641604	2	Bolt 3/8in-16NC x 1/2in	
120	3841340	1	Loop, Hose	
121	4240033	24	Tie-Strap (Model 601S With a "Enhanced Hostile Environment Package" Machines Only) (Not Shown)	
122	2820104	8 ft/2.4m	Insulator, Hose and Cable (Model 601S With a "Enhanced Hostile Environment Package" Machines Only) (Not Shown)	
	0272070	Ref	<b>ROTATOR AND SUPPORT INSTALLATION (SIDE ENTRY PLATFORM)</b>	D
201	4846573	1	Weldment, Platform Support	
202	1683415	1	Platform Level Cylinder Assembly (See CYLINDER SECTION for	

## SECTION 3 - BOOM

ITEM	PART NUMBER	QTY	DESCRIPTION	REV
			Breakdown)	
203	0060067	1	Rotator Assembly (See ROTATOR ASSEMBLY (SIDE ENTRY PLATFORM) for Breakdown)	
204	3422569	1	Pin (Level Cylinder - Boom End)	
205	0741607	2	Screw, Countersunk 3/8in-16NC x 7/8in	
206	0100011	AR	Loctite #242	
207	0641608	1	Bolt 3/8in-16NC x 1in	
208	3422580	1	Pin (Level Cylinder - Rotator End)	
209	3422562	1	Pin (Rotator)	
210	3841143	1	Keeper, Pin	
211	0961951	2	Bushing, Garmax	
212	0681608	8	Bolt 3/8in-16NC x 1in (Grade 8)	
213	3311805	8	Locknut 1/2in-13NC	
214	4891800	8	Flatwasher 1/2in (Hardened)	
215	0641812	8	Bolt 1/2in-13NC x 1 1/2in	
219	0641604	2	Bolt 3/8in-16NC x 1/2in	
220	3841340	1	Loop, Hose	
221	4240033	24	Tie-Strap (Model 601S With a "Enhanced Hostile Environment Package" Machines Only) (Not Shown)	
222	2820104	8 ft/2.4m	Insulator, Hose and Cable (Model 601S With a "Enhanced Hostile Environment Package" Machines Only) (Not Shown)	
223	0642684	1	Bolt 1in-8NC x 10 1/2in	
224	3272605	1	Locknut 1in-8NC	
225	4891600	8	Flatwasher 3/8in (Hardened)	
226	4892600	1	Flatwasher 1in (Hardened)	





# SECTION 3 - BOOM

## FIGURE 3-2. BOOM ASSEMBLIES

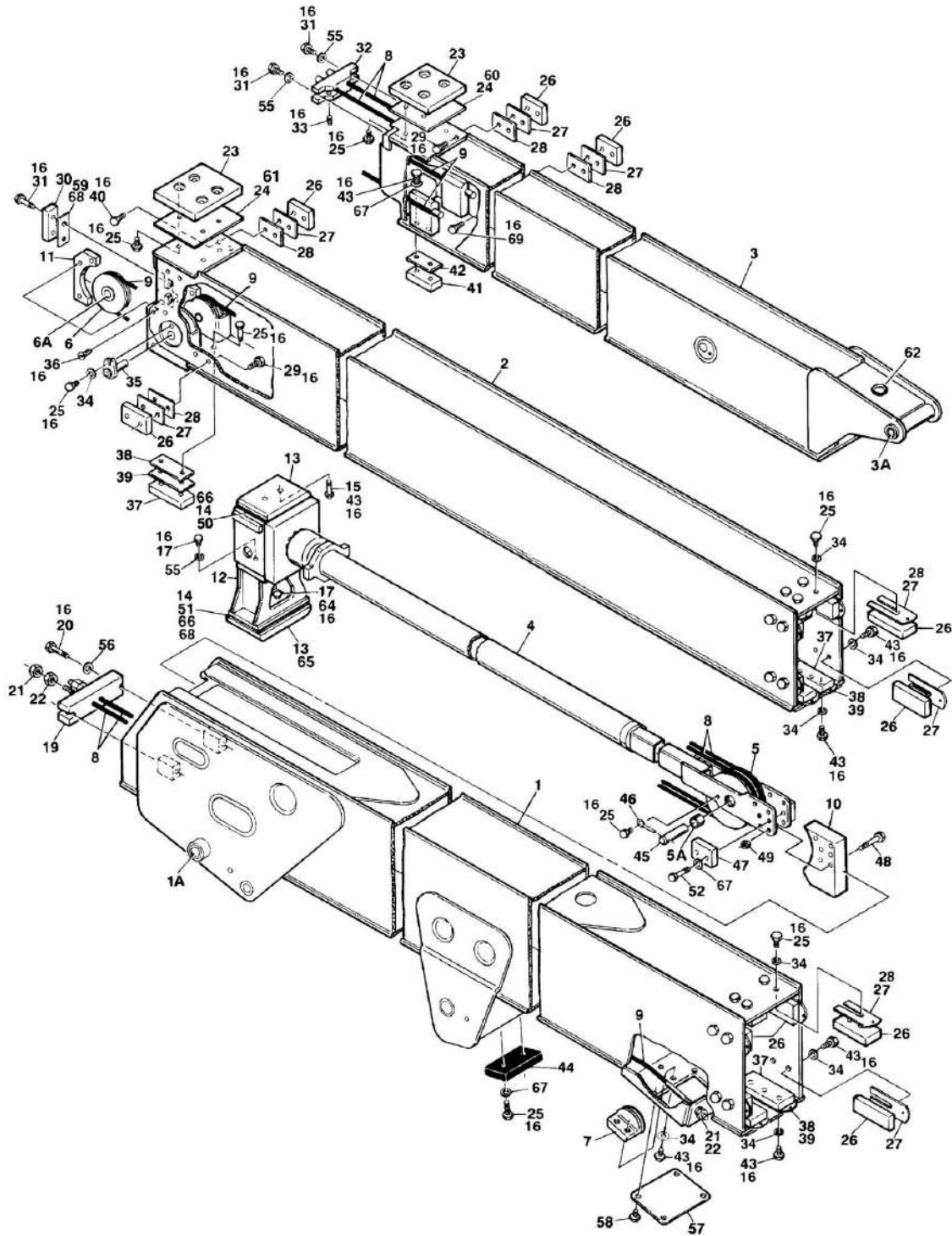


FIGURE 3-2. BOOM ASSEMBLIES

ITEM	PART NUMBER	QTY	DESCRIPTION	REV
	0801009	Ref	<b>BOOM ASSEMBLY - MODEL 601S (Prior to SN 38122)</b>	
	0801166	Ref	<b>BOOM ASSEMBLY - MODEL 601S (SN 38122 through 74470)</b>	8
	0801382	Ref	<b>BOOM ASSEMBLY - MODEL 601S (SN 74471 through 96978)</b>	4
	0801476	Ref	<b>BOOM ASSEMBLY - MODEL 601S (SN 96979 to Present)</b>	2
	0801183	Ref	<b>BOOM ASSEMBLY - MODEL 601S With a "Enhanced Hostile Environment Package" (Prior to SN 96979)</b>	8
	0801477	Ref	<b>BOOM ASSEMBLY - MODEL 601S With a "Enhanced Hostile Environment Package" (SN 96979 to Present)</b>	2
1		Ref	Weldment, Base Options:	
1	0801011	1	Weldment, Base - Model 601S <b>(Prior to SN 38122)</b>	
1	0801167	1	Weldment, Base - Model 601S <b>(SN 38122 through 63252)</b>	
1	0801011	1	Weldment, Base - Model 601S <b>(SN 63253 through 96978)</b>	
1	0801396	1	Weldment, Base - Model 601S <b>(SN 96979 to Present)</b>	
1	0801184	1	Weldment, Base - Model 601S With a "Enhanced Hostile Environment Package" <b>(Prior to SN 96979)</b>	
1	0801468	1	Weldment, Base - Model 601S With a "Enhanced Hostile Environment Package" <b>(SN 96979 to Present)</b>	
1A		Ref	Bushing, Garmax Options:	
1A	0961950	2	Bushing, Garmax <b>(Prior to SN 38122)</b>	
1A	0961956	2	Bushing, Garmax <b>(SN 38122 to Present)</b>	
2		Ref	Weldment, Mid Options:	
2	0801012	1	Weldment, Mid - Model 601S <b>(Prior to SN 74471)</b>	
2	0801372	1	Weldment, Mid - Model 601S <b>(SN 74471 through 100775)</b>	
2	0801524	1	Weldment, Mid - Model 601S <b>(SN 100776 to Present)</b>	
2	0801012	1	Weldment, Base - Model 601S With a "Enhanced Hostile Environment Package" <b>(Prior to SN 100776)</b>	
2	0801525	1	Weldment, Base - Model 601S With a "Enhanced Hostile Environment Package" <b>(SN 100776 to Present)</b>	
3		Ref	Weldment, Fly Options:	
3	0801065	1	Weldment, Fly <b>(Prior to SN 96979)</b>	
3	0801498	1	Weldment, Fly <b>(SN 96979 to Present)</b>	
3A	0961951	2	Bushing, Garmax	
4	1683618	1	Telescope Cylinder Assembly (See CYLINDER SECTION for Breakdown)	
5	3580241	1	Sheave Assembly (Extend)	2-B
5A	0961951	2	Bushing, Garmax	
6	3580243	2	Sheave Assembly (Retract)	1-A
6A	0961951	2	Bushing, Garmax (1 Per Sheave)	
7		Ref	Block, Sheave Options:	
7	3580244	2	Block, Sheave <b>(Prior to SN 41861)</b>	
7	1220078	2	Block, Sheave <b>(SN 41861 to Present)</b>	
8	3890005	2	Cable (Extend)	
9	3890006	2	Cable (Retract)	
10	3580248	1	Guard, Sheave (Extend)	
11	3580249	2	Guard, Sheave (Retract)	
12		Ref	Weldment, Support Wear Pad Options:	
12	4845105	1	Weldment, Support Wear Pad <b>(Prior to SN 38122)</b>	
12	1220042	1	Weldment, Support Wear Pad <b>(SN 38122 through 56362)</b>	
12	4846319	1	Weldment, Support Wear Pad <b>(SN 56363 to Present)</b>	
13		Ref	Wear Pad Options:	
13	3340759	2	Wear Pad <b>(Prior to SN 38122)</b>	

## SECTION 3 - BOOM

ITEM	PART NUMBER	QTY	DESCRIPTION	REV
13	3340844	2	Wear Pad (SN 38122 to Present)	
14		Ref	Shim (.05) Options:	
14	4070909	AR	Shim (.05) (Prior to SN 38122)	
14	4070975	AR	Shim (.05) (SN 38122 through 72078)	
15	0641608	AR	Bolt 3/8in-16NC x 1in (Prior to SN 82632)	
16	0100011	AR	Loctite #242	
17		Ref	Bolt Options:	
17	0681612	4	Bolt 3/8in-16NC x 1 1/2in (Grade 8) (Prior to SN 82632)	
17	0681610	4	Bolt 3/8in-16NC x 1 1/4in (Grade 8) (SN 82632 to Present)	
19	0561184	1	Block, Cable	
20	0641824	2	Bolt 1/2in-13NC x 3in	
21	3312201	4	Nut 3/4in-10NC	
22	3300241	4	Locknut 3/4in-10NC (Special)	
23	3340757	2	Pad, Wear	
24	4070896	4	Shim (.06) (Without Slide-In Slots)	
25	0641607	AR	Bolt 3/8in-16NC x 7/8in	
26		Ref	Pad, Wear Options:	
26	3340756	2	Pad, Wear (Prior to SN 65219)	
26	3340881	2	Pad, Wear (SN 65219 to Present)	
27	4070897	28	Shim (.05)	
28	4070898	24	Shim (.12)	
29		Ref	Bolt Options:	
29	0641605	AR	Bolt 3/8in-16NC x 5/8in (Prior to SN 82632)	
29	0641606	AR	Bolt 3/8in-16NC x 3/4in (SN 82632 to Present)	
30	0561185	2	Block	
31		Ref	Bolt Options:	
31	0641618	6	Bolt 3/8in-16NC x 2 1/4in (Prior to SN 96979)	
31	0641616	6	Bolt 3/8in-16NC x 2in (SN 96979 to Present)	
32	0561183	1	Block	
33	3951608	2	Setscrew 3/8in-16NC x 1in	
34	4711600	AR	Flatwasher 3/8in	
35	3422424	2	Pin (Retract Sheave)	
36	0741612	6	Screw, Countersunk 3/8in-16NC x 1 1/2in	
37		Ref	Pad, Wear Options:	
37	3340705	5	Pad, Wear (Prior to SN 65219)	
37	3340871	5	Pad, Wear (SN 65219 to Present)	
38	4070863	12	Shim (.12)	
39	4070864	12	Shim (.05)	
40	0641613	AR	Bolt 3/8in-16NC x 1 5/8in	
41	3340758	2	Pad, Wear	
42	4070895	8	Shim (.06)	
43		Ref	Bolt Options:	
43	0641610	14	Bolt 3/8in-16NC x 1 1/4in (Prior to SN 82632)	
43	0641608	22	Bolt 3/8in-16NC x 1in (SN 82632 to Present)	
44	0561076	1	Block	
45	3422417	1	Pin (Extend Sheave)	
46	3841143	1	Keeper, Pin	
47	3340755	2	Pad, Wear	
48	0641634	4	Bolt 3/8in-16NC x 4 1/4in	
49	3311605	4	Locknut 3/8in-16NC	
50		Ref	Shim (.12) Options:	

## SECTION 3 - BOOM

ITEM	PART NUMBER	QTY	DESCRIPTION	REV
50	4070910	1	Shim (.12) <b>(Prior to SN 38122)</b>	
50	4070976	1	Shim (.12) <b>(SN 38122 to Present)</b>	
51		Ref	Shim (.25) Options:	
51	4070911	1	Shim (.25) <b>(Prior to SN 38122)</b>	
51	4070977	1	Shim (.25) <b>(SN 38122 through 56362)</b>	
51	4071004	1	Shim (.25) <b>(SN 56363 to Present)</b>	
52		Ref	Bolt Options:	
52	0641640	2	Bolt 3/8in-16NC x 5in <b>(Prior to SN 82632)</b>	
52	0641638	2	Bolt 3/8in-16NC x 4 3/4in <b>(SN 82632 to Present)</b>	
55	4891600	6	Washer 3/8in (Hardened)	
56	4891800	2	Washer 1/2in (Hardened)	
57	3539622	1	Plate, Cover	
58	0641403	4	Bolt 1/4in-20NC x 3/8in	
59	4070929	AR	Shim	
60	4070939	AR	Shim (With Slide-In Slots)	
61	4070940	AR	Shim (With Slide-In Slots)	
62	4060805	6 in/16cm	Flex-Trim	
63	1670836	AR	Cover, Boom (Not Shown)	
64	0681608	4	Bolt 3/8in-16NC x 1in <b>(SN 56363 to Present)</b>	
65	3340900	1	Pad, Wear <b>(SN 56363 to Present)</b>	
66	4071005	AR	Shim <b>(SN 56363 to Present)</b>	
67	4751600	12	Flatwasher 3/8 <b>(SN 82632 to Present)</b>	
68	4071007	AR	Shim <b>(SN 82632 to Present)</b>	
69	0641614	4	Bolt 3/8in-16NC x 1 3/4in <b>(SN 82632 to Present)</b>	

# SECTION 3 - BOOM

## FIGURE 3-3. ROTATOR ASSEMBLY (FRONT ENTRY PLATFORM)

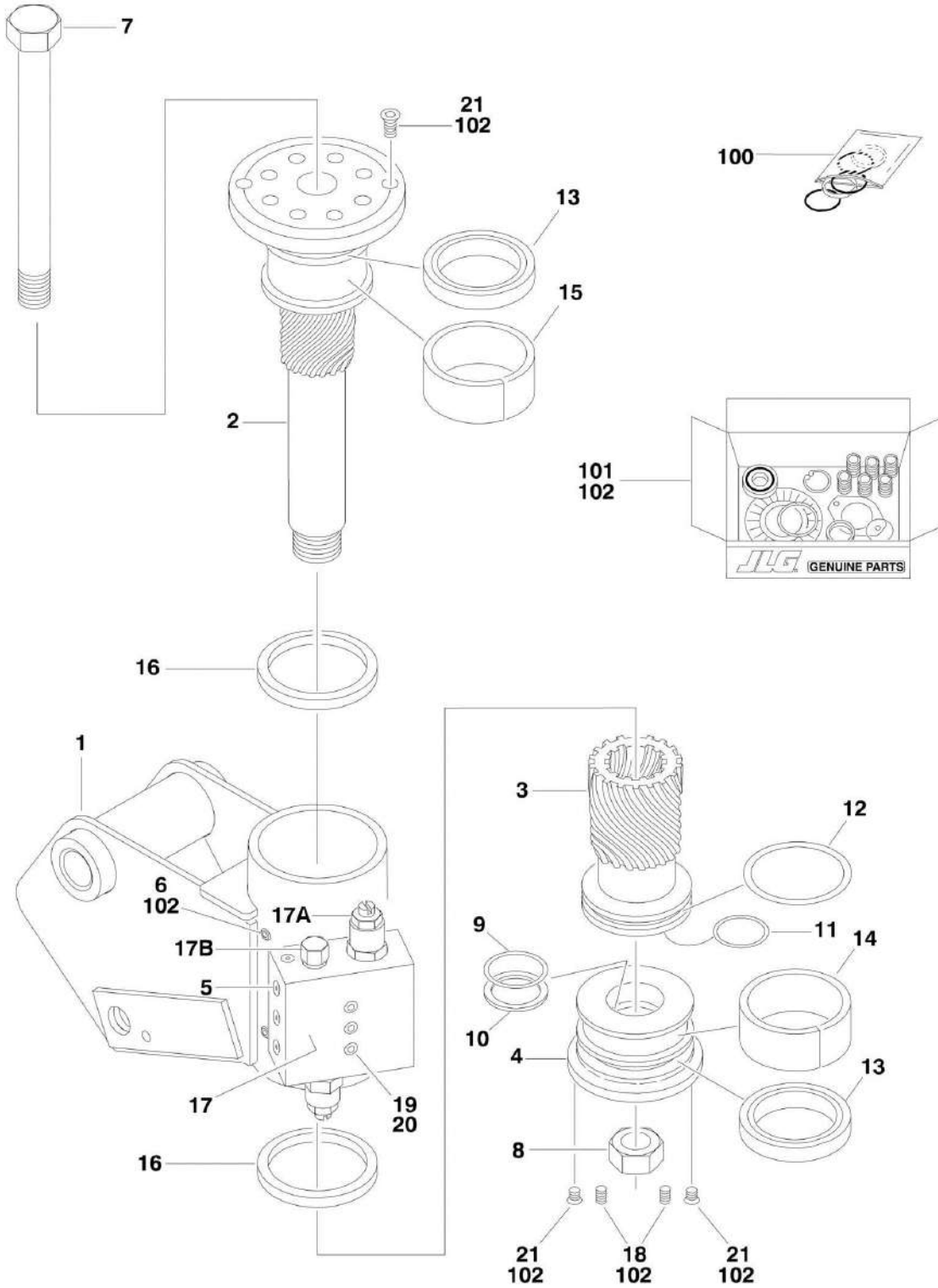
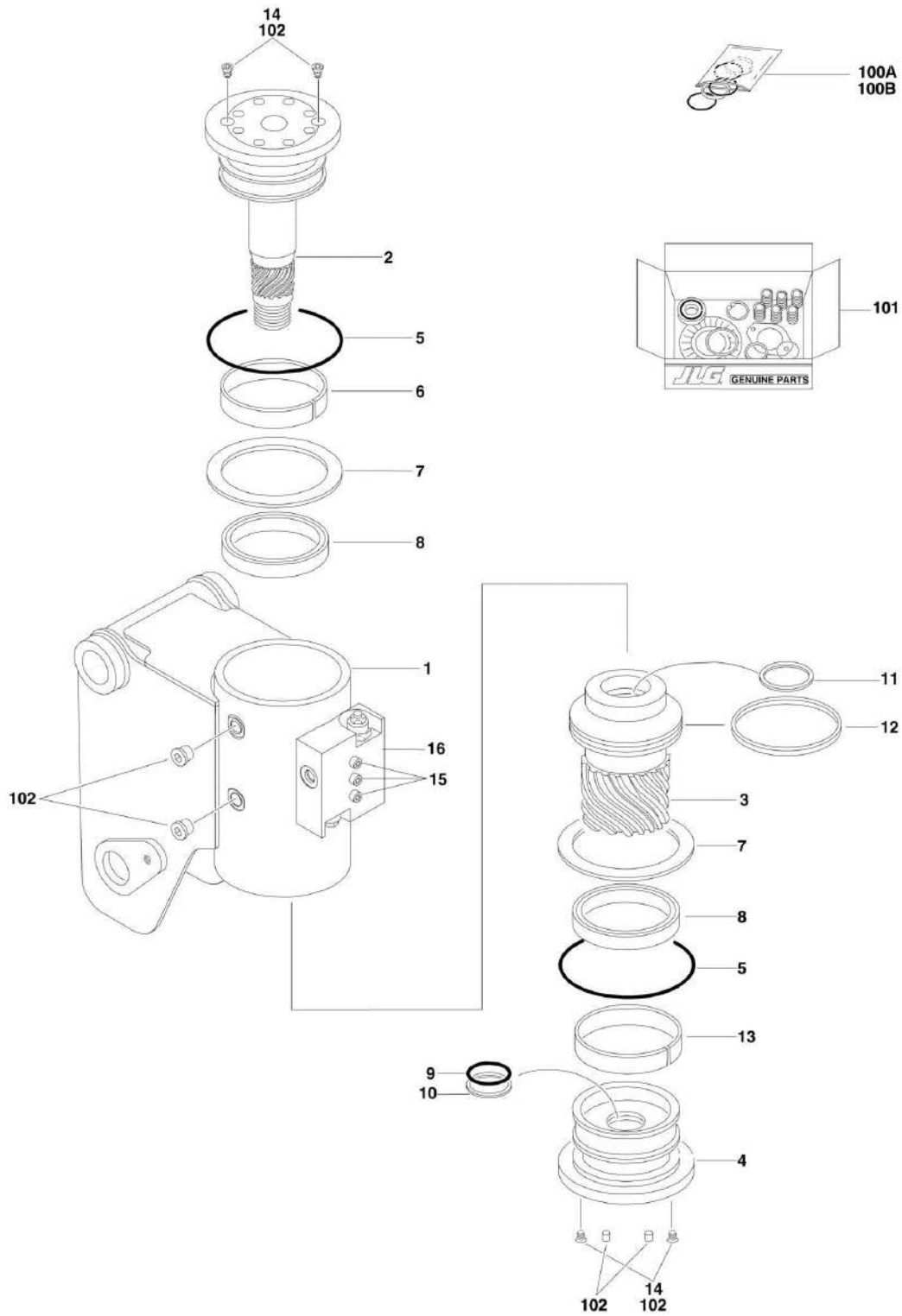


FIGURE 3-3. ROTATOR ASSEMBLY (FRONT ENTRY PLATFORM)

ITEM	PART NUMBER	QTY	DESCRIPTION	REV
	0060034	Ref	<b>ROTATOR ASSEMBLY</b>	G
1	Not Serviced	1	Housing/Ring Gear Assembly	
2	7017177	1	Shaft Weldment (was p/n 7017117)	
3	7017115	1	Piston/Sleeve	
4	7017174	1	Cap, End	
5	Not Serviced	6	Plug, Port	
6	7017142	2	Plug	
7	7017102	1	Tie-Rod/Locknut Assy ( <b>Prior to SN 39950</b> )	
7	7017119	1	Bolt 1in-8NC x 11in ( <b>SN 39950 through 67538</b> )	
8	3272605	AR	Locknut 1in-8NC ( <b>SN 39950 through 67538</b> )	
9	Item 100	1	Seal, Cap	
10	Item 100	1	Ring, Back-up (Cap)	
11	Item 100	1	Seal, Rod	
12	Item 100	1	Seal, Piston	
13	Item 100	2	Packing, Bearing	
14	Item 101	1	Bearing, Cap	
15	Item 101	1	Bearing, Shaft	
16	Item 101	2	Washer, Thrust	
17	7017183	1	Valve Assembly (was p/n 7017101)	
17A		Ref	Cartridge, Valve Options:	
17A	7011331	2	Cartridge for Helac p/n 24736	
17A	7017193	2	Cartridge for Helac p/n 27600	
17A	2900770	2	Seal Kit - 7011331 Valve	
17A	Not Available	2	Seal Kit - 7017193 Valve	
17B		Ref	Cartridge, Valve Options:	
17B	7011332	2	Cartridge for Helac p/n 24736	
17B	Not Available	1	Cartridge for Helac p/n 27600 (Not Shown - Located on Side of Valve Block)	
17B	7011346	2	Seal Kit - 7011332 Valve	
17B	Not Available	1	Seal Kit - Valve Located on Side of Block	
18	7017142	2	Setscrew/Pin	
19	Not Available	3	Bolt 1/4in-20NC	
20	3790110	3	O-Ring (Not Shown - Located between Valve and Actuator Housing)	
21	70001697	4	Screw, Countersunk 1/4in-20NC x 3/8in Grade 8	
100	7017157	1	Seal Kit (Includes Items 9-13)	
101	7017156	1	Bearing Kit (Includes Items 14-16)	
102	7017142	1	Hardware Kit (Includes Items 6, 18 & 21)	

# SECTION 3 - BOOM

## FIGURE 3-4. ROTATOR ASSEMBLY (SIDE ENTRY PLATFORM)





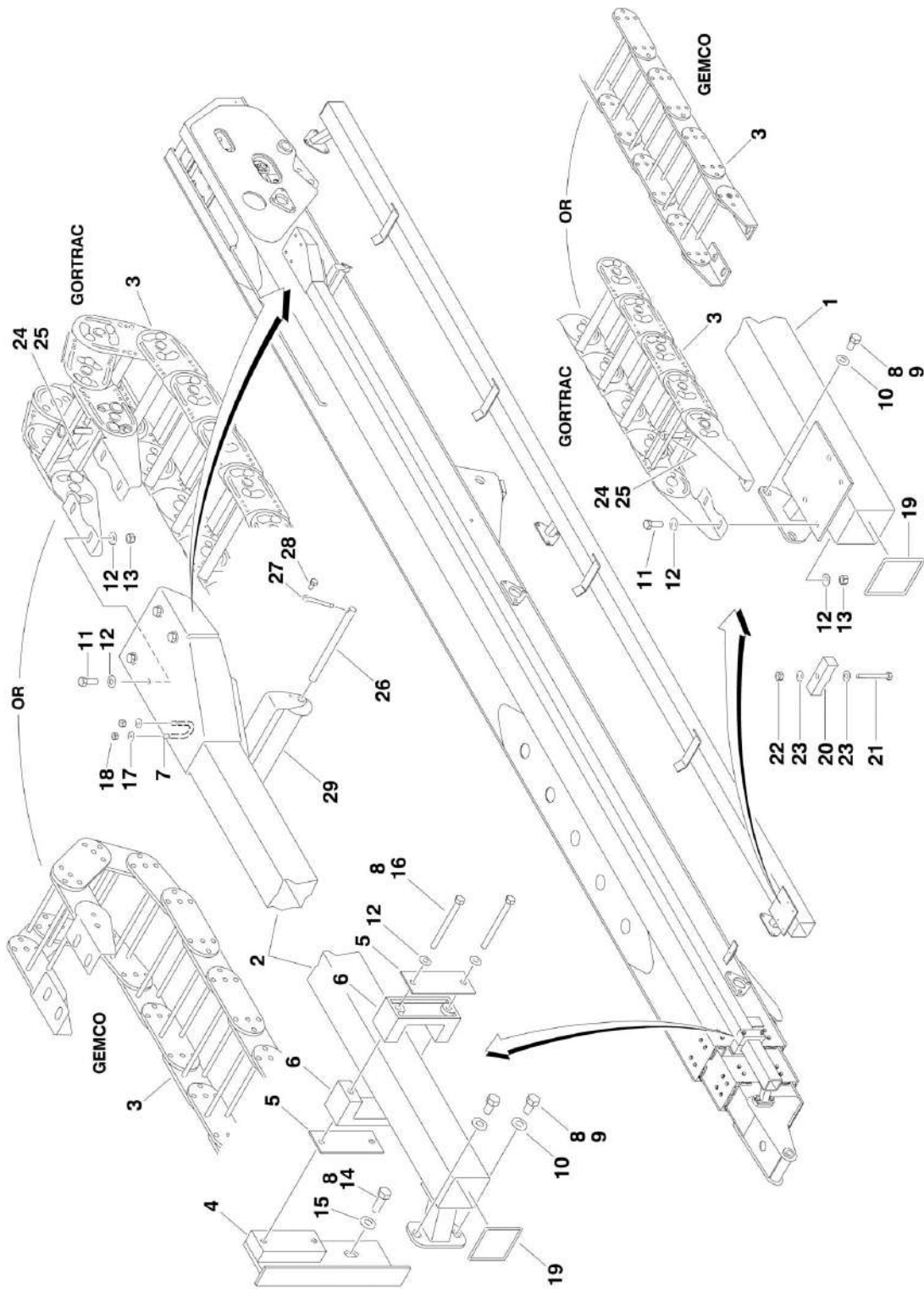
**SECTION 3 - BOOM**

**FIGURE 3-4. ROTATOR ASSEMBLY (SIDE ENTRY PLATFORM)**

ITEM	PART NUMBER	QTY	DESCRIPTION	REV
	0060067	Ref	<b>ROTATOR ASSEMBLY</b>	A
1	Not Serviced	1	Housing/Ring Gear Assembly	
2	7017162	1	Weldment, Shaft	
3	7017163	1	Piston/Sleeve Assembly	
4	7017164	1	Cap, End	
5	See Note	2	O-Ring (Note: Use Item 100A or 100B)	
6	7017159	1	Bearing, Shaft	
7	7017159	2	Washer, Thrust	
8	See Note	2	Packing, Bearing (Note: Use Item 100A or 100B)	
9	See Note	1	Seal, Cap (Note: Use Item 100A or 100B)	
10	See Note	1	Ring, Back-Up Cap (Note: Use Item 100A or 100B)	
11	See Note	1	Seal, Rod (Note: Use Item 100A or 100B)	
12	See Note	1	Seal, Piston (Note: Use Item 100A or 100B)	
13	7017159	1	Bearing, Cap	
14	70001697	6	Screw, Countersunk 1/4in-20NC x 3/8in (Grade 8)	
15	Not Available	3	Bolts 1/4in-20NC (Grade 8)	
16	7017183	1	Valve Assembly	
16	7017193	2	Cartridge, Valve	
16	Not Available	2	Seal Kit - 7017193 Valve	
16	Not Available	1	Cartridge, Valve (Not Shown - Located on Side of Block)	
16	Not Available	1	Seal Kit - Valve Located on Side of Block	
17	7017195	1	Bushing, Shaft	
100		Ref	Seal Kit Options (Includes Items 5 & 8 -12):	
100A	7017158	1	Kit for Machine without Arctic Package	
100B	70000342	1	Kit for Machine with Arctic Package	
101	7017159	1	Bearing Kit (Includes Items 6, 7 & 13)	
102	See Note	1	Hardware Kit (Includes Items 14, 2 Setscrews & 2 Plugs) (Note: Not Available - Purchase Individual Pieces.)	

# SECTION 3 - BOOM

## FIGURE 3-5. POWER TRACK INSTALLATION - MODEL 601S



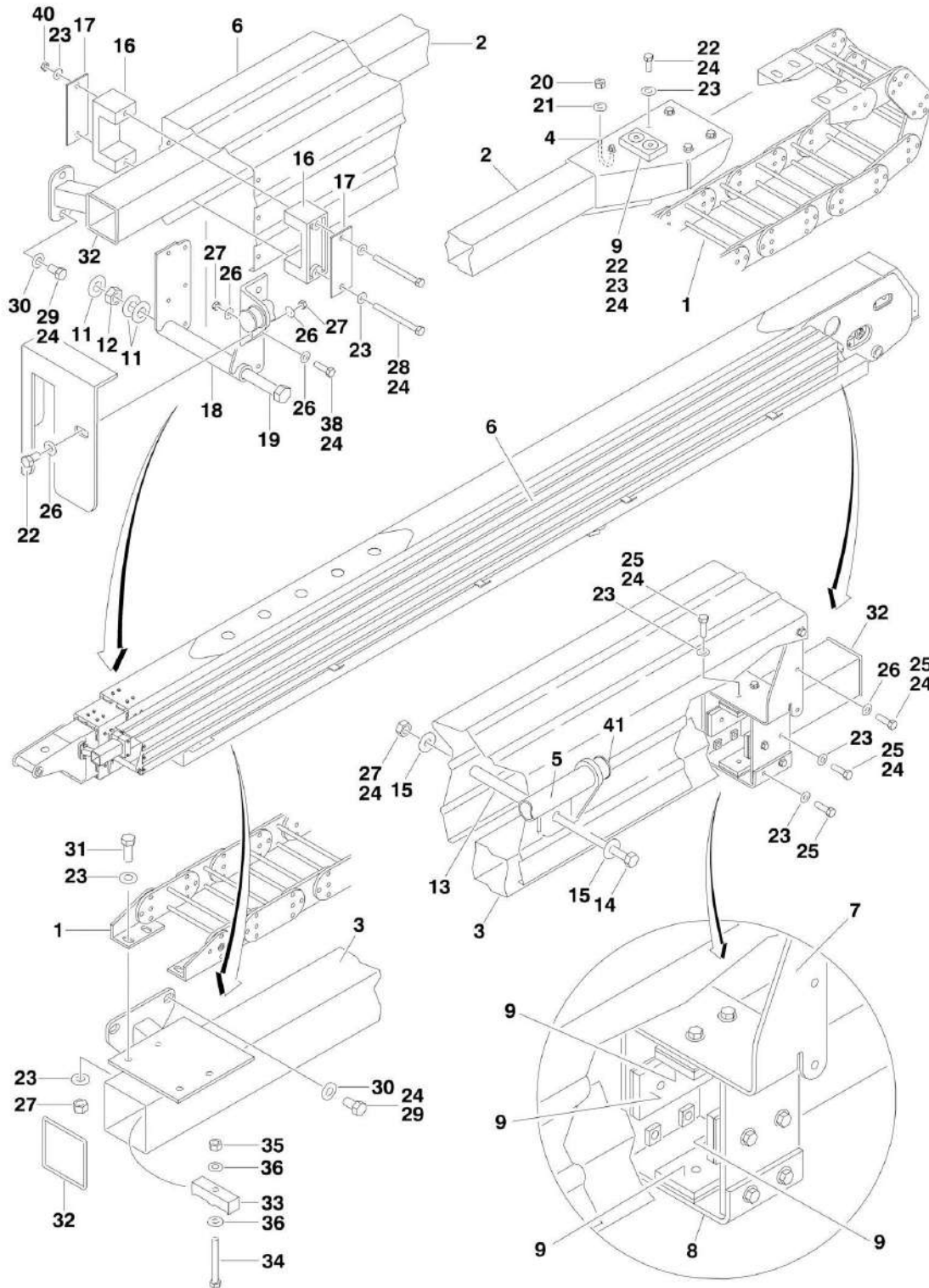
## SECTION 3 - BOOM

### FIGURE 3-5. POWER TRACK INSTALLATION - MODEL 601S

ITEM	PART NUMBER	QTY	DESCRIPTION	REV
	0257988	Ref	<b>POWER TRACK INSTALLATION (Prior to SN 62137)</b>	6
	0270804	Ref	<b>POWER TRACK INSTALLATION (ADE SYSTEM) (SN 62137 to Present)</b>	5
1		Ref	Weldment, Rail Options:	
1	4845670	1	Weldment, Rail <b>(Prior to SN 38122)</b>	
1	4845819	1	Weldment, Rail <b>(SN 38122 to Present)</b>	
2	4845671	1	Weldment, Tube	
3	1001099832		Carrier (was p/n 1180345)	
3	7006138	1	Assembly, Pin (Gemco Brand)	
3	7006143	1	Feet, Mounting (Gemco Brand)	
3	7006158	1	Screws (Gemco Brand)	
3	7006165	1	Kit, Rod (Gemco Brand)	
3	7016527	1	Rod, Spring Loaded Retaining (Gemco Brand)	
3	7016530	1	Repair Section (8in) (Gemco Brand)	
3	7016531	1	Assembly, Clamping Carrier (Gemco Brand)	
3	7016532	1	Ring, Retaining (Gemco Brand)	
3	70002005	1	Power Track - Repair Kit Fits 1 Section (Gortrac Brand)	
3	70002006	1	Power Track - Brackets, Pair of Mounting Feet (Gortrac Brand)	
4	4845677	1	Weldment, Bracket <b>(Prior to SN 74471)</b>	
5	3538758	AR	Plate	
6	3340764	2	Pad, Wear	
7	0630458	1	U-Bolt	
8	0100011	AR	Loctite #242	
9	0641807	11	Bolt 1/2in-13NC x 7/8in	
10	4711800	11	Flatwasher 1/2in (Narrow)	
11	0641608	8	Bolt 3/8in-16NC x 1in	
12	4711600	18	Flatwasher 3/8in (Narrow)	
13	3311605	8	Locknut 3/8in-16NC	
14	0642612	1	Bolt 1in-8NC x 1 1/2in <b>(Prior to SN 74471)</b>	
15	4712600	1	Flatwasher 1in (Narrow) <b>(Prior to SN 74471)</b>	
16	0641644	2	Bolt 3/8in-16NC x 5 1/2in	
17	4711400	2	Flatwasher 1/4in (Narrow)	
18	3311405	2	Locknut 1/4-20NC	
19	4060803	3 ft/0.9m	Shield, Trim	
20	1320247	1	Clamp, Nylon <b>(SN 41861 to Present)</b>	
21	0641522	1	Bolt 5/16in-18NC x 2 3/4in <b>(SN 41861 to Present)</b>	
22	3311505	1	Locknut 5/16in-18NC <b>(SN 41861 to Present)</b>	
23	4711500	2	Flatwasher 5/16in (Narrow) <b>(SN 41861 to Present)</b>	
24	4070994	2	Shim <b>(SN 46466 to Present)</b>	
25	4070995	2	Shim <b>(SN 46466 to Present)</b>	
26	3841013	1	Roller, Rod <b>(SN 59150 to Present)</b>	
27	3450806	1	Pin, Cotter <b>(SN 59150 to Present)</b>	
28	0641404	1	Bolt 1/4in-20NC x 1/2in <b>(SN 59150 to Present)</b>	
29	3860050	1	Roller <b>(SN 59150 to Present)</b>	

# SECTION 3 - BOOM

## FIGURE 3-6. POWER TRACK INSTALLATION - MODEL 601S WITH A "ENHANCED HOSTILE ENVIRONMENT PACKAGE"



## SECTION 3 - BOOM

**FIGURE 3-6. POWER TRACK INSTALLATION - MODEL 601S WITH A "ENHANCED HOSTILE ENVIRONMENT PACKAGE"**

ITEM	PART NUMBER	QTY	DESCRIPTION	REV
	0259050	Ref	<b>POWER TRACK INSTALLATION (Prior to SN 62137)</b>	4
	0270803	Ref	<b>POWER TRACK INSTALLATION (ADE SYSTEM) (SN 62137 to Present)</b>	2
1	1180340	1	Carrier	
1	7019300	83	Link, Replacement	
1	7019301	1	Bracket, End (Sold in Pairs)	
1	7019303	1	Separator	
2	4844968	1	Weldment, Tube	
3	4844963	1	Weldment, Rail	
4	0630458	1	U-Bolt	
5	4845954	1	Weldment, Power Track Guard	
6	1670749	1	Cover	
7	4844966	1	Weldment, Slide Block	
8	3538749	1	Plate	
9	3340763	5	Pad, Wear	
11	4712600	3	Flatwasher 1in (Narrow)	
12	3312602	1	Jam Nut 1in	
13	3841264	5	Rod	
14	0641676	3	Bolt 3/8in-16NC x 9 1/2in	
15	4740076	10	Washer (Fender)	
16	3340855	2	Pad, Wear	
17	3538758	2	Plate	
18	4844967	1	Weldment, Support	
19	0630493	1	Bolt 1in-8NC x 12in	
20	3311405	2	Locknut 1/4-20NC	
21	4711400	2	Flatwasher 1/4in (Narrow)	
22	0641605	7	Bolt 3/8in-16NC x 5/8in	
23	4711600	24	Flatwasher 3/8in (Narrow)	
24	0100011	AR	Loctite #242	
25	0641606	16	Bolt 3/8in-16NC x 3/4in	
26	4751600	14	Flatwasher 3/8in (Wide)	
27	3311605	12	Locknut 3/8in-16NC	
28	0641644	2	Bolt 3/8in-16NC x 5 1/2in	
29	0641807	8	Bolt 1/2in-13NC x 7/8in	
30	4711800	8	Flatwasher 1/2in (Narrow)	
31	0641608	4	Bolt 3/8in-16NC x 1in	
32	4060803	4 ft/1.2m	Shield, Trim	
33	1320247	1	Clamp, Nylon	
34	0641522	1	Bolt 5/16in-18NC x 2 3/4in	
35	3311505	1	Locknut 5/16in-18NC	
36	4711500	2	Flatwasher 5/16in (Narrow)	
37	0641680	2	Bolt 3/8in-16NC x 10in	
38	0641610	2	Bolt 3/8in-16NC x 1 1/4in	
39	3571333	1	Plate, Power Track Cover End	
40	3311602	2	Jam Nut 3/8in-16NC	
41	3520082	2	Plug 1 3/4in	

# SECTION 3 - BOOM

## FIGURE 3-7. BOOM WIPERS INSTALLATIONS

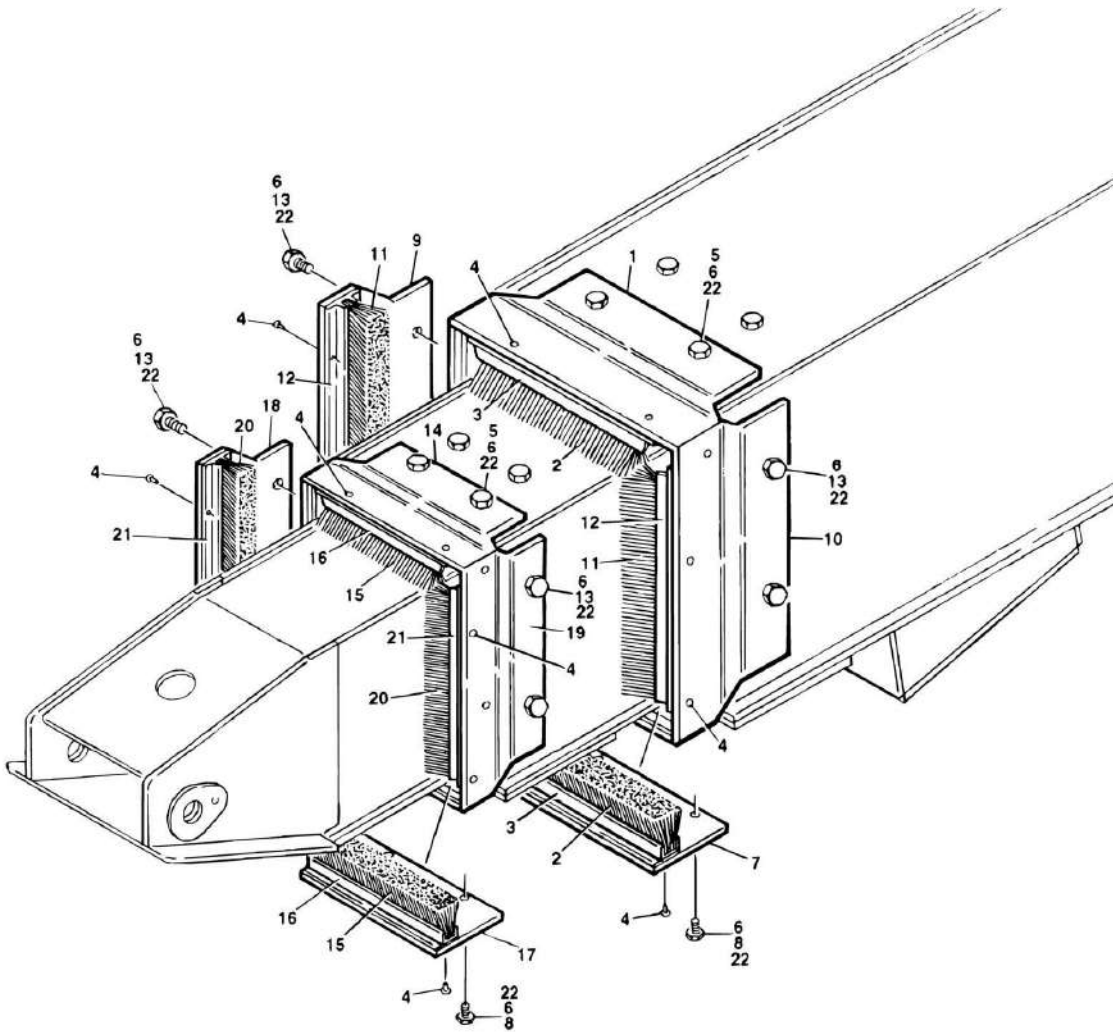


FIGURE 3-7. BOOM WIPERS INSTALLATIONS

ITEM	PART NUMBER	QTY	DESCRIPTION	REV
	0256273	Ref	<b>BOOM WIPERS INSTALLATIONS (OPTIONAL - Model 601S)</b>	3
1	3200382	1	Mount, Wiper (Base Top)	
2	0540102	2	Brush, Wiper (Base Top and Bottom)	
3	2660108	2	Holder, Brush (Base Top and Bottom)	
4	3820001	32	Rivet	
5	0641608	4	Bolt 3/8in-16NC x 1in	
6	0100011	AR	Loctite #242	
7	3200383	1	Mount, Wiper (Base Bottom)	
8	0641611	4	Bolt 3/8in-16NC x 1 3/8in	
9		Ref	Mount, Wiper (Base Left Side) Options:	
9	3200384	1	Mount, Wiper (Base Left Side) <b>(Prior to SN 71583)</b>	
9	3200427	1	Mount, Wiper (Base Left Side) <b>(SN 71583 to Present)</b>	
10		Ref	Mount, Wiper (Base Right Side) Options:	
10	3200385	1	Mount, Wiper (Base Right Side) <b>(Prior to SN 71583)</b>	
10	3200426	1	Mount, Wiper (Base Right Side) <b>(SN 71583 to Present)</b>	
11	0540105	2	Brush, Wiper (Base Sides)	
12	2660106	2	Holder, Brush (Base Sides)	
13	0641606	8	Bolt 3/8in-16NC x 3/4in	
14	3200389	1	Mount, Wiper (Mid Top)	
15	0540083	2	Brush, Wiper (Mid Top and Bottom)	
16	2660082	2	Holder, Brush (Mid Top and Bottom)	
17	3200390	1	Mount, Wiper (Mid Bottom)	
18	3200391	1	Mount, Wiper (Mid Left Side)	
19	3200392	1	Mount, Wiper (Mid Right Side)	
20		Ref	Brush, Wiper (Mid Sides) Options:	
20	0540103	2	Brush, Wiper (Mid Sides) <b>(Prior to SN 71583)</b>	
20	0540112	2	Brush, Wiper (Mid Sides) <b>(SN 71583 to Present)</b>	
21	2660107	2	Holder, Brush (Mid Sides)	
22	4751600	16	Flatwasher 3/8in	

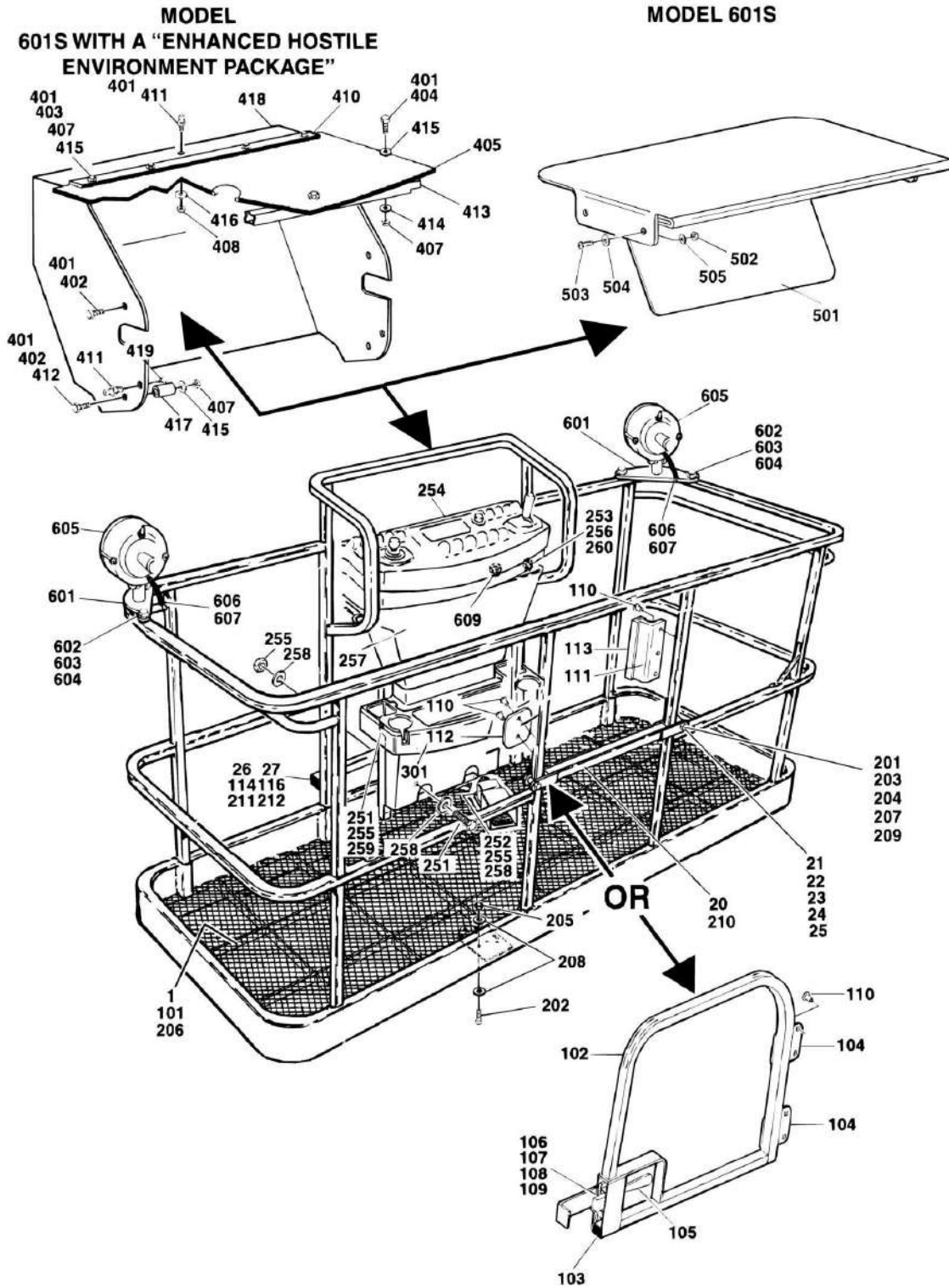




**SECTION 4 - PLATFORM**

# SECTION 4 - PLATFORM

FIGURE 4-1. PLATFORM COMPONENTS INSTALLATION (FRONT ENTRY PLATFORM)



## SECTION 4 - PLATFORM

**FIGURE 4-1. PLATFORM COMPONENTS INSTALLATION (FRONT ENTRY PLATFORM)**

ITEM	PART NUMBER	QTY	DESCRIPTION	REV
		Ref	<b>PLATFORM ASSEMBLIES WITH LIFT GATE OPTIONS:</b>	
	3510655	Ref	<b>30in X 72in with Lift Gate</b>	B
	3510641	Ref	<b>30in X 96in with Lift Gate</b>	B
1		Ref	Platform Weldment Options:	
1	3510654	1	30in x 72in Platform	
1	3510622	1	30in x 96in Platform	
20	4845288	1	Gate, Lift	
21	0641418	2	Bolt 1/4in-20NC x 2 1/4in	
22	4740411	4	Washer, Nylon	
23	3300151	2	Nut 1/4in-20NC	
24	0961845	2	Bushing	
25	4420055	7	Tape, UHMW	
		in/17.8cm		
26	0100010	AR	Adhesive	
27	3520172	2	Plug	
		Ref	<b>PLATFORM ASSEMBLY WITH SWING GATE</b>	
	3510744	Ref	<b>30in X 72in with Swing Gate (Mesh Top)</b>	D
	3510675	Ref	<b>30in X 96in with Swing Gate</b>	1
	3510747	Ref	<b>30in X 96in with Swing Gate (Mesh Top)</b>	D
101		Ref	Platform Weldment Options:	
101	3510743	1	30in x 72in with Swing Gate (Mesh Top)	
101	3510674	1	30in x 96in with Swing Gate	
101	3510746	1	30in x 96in with Swing Gate (Mesh Top)	
102		Ref	Weldment, Gate Options:	
102	4845824	1	30in x 72in with Swing Gate (Mesh Top) (Not Shown)	
102	4845327	1	30in x 96in with Swing Gate	
102	4845824	1	30in x 96in with Swing Gate (Mesh Top) (Not Shown)	
103	3520072	3	Cap	
104	2600216	2	Hinge	
105	2940074	1	Latch	
106	3911008	4	Screw #10-24NC x 1/2in	
107	4751000	4	Flatwasher #10	
108	3311001	4	Nut #10-24NC	
109	4761000	4	Lockwasher #10	
110	2080040	13	Huck Fastener	
111	4220165	1	Stop, Gate	
112	3539685	1	Plate, Catch	
113	4060803	0.6	Trimlock	
		ft/0.18m		
114	0100010	AR	Adhesive	
115	0100074	AR	Silicone (Not Shown)	
116	3520172	2	Plug (Not Shown - Located at top of rails on both sides of Item 102 Gate. Use Item #115 to install.)	
		Ref	<b>PLATFORM ASSEMBLY WITH DROP BAR</b>	
	3510706	Ref	<b>30in X 60in with Drop Bar</b>	B
201	0641418	2	Bolt 1/4in-20NC x 2 1/4in	
202	0641610	6	Bolt 3/8in 16NC x 1 1/4in	
203	0961845	2	Bushing	
204	3300151	2	Nut, Acorn 1/4in-20NC	
205	3311605	6	Locknut 3/8in 16NC	

## SECTION 4 - PLATFORM

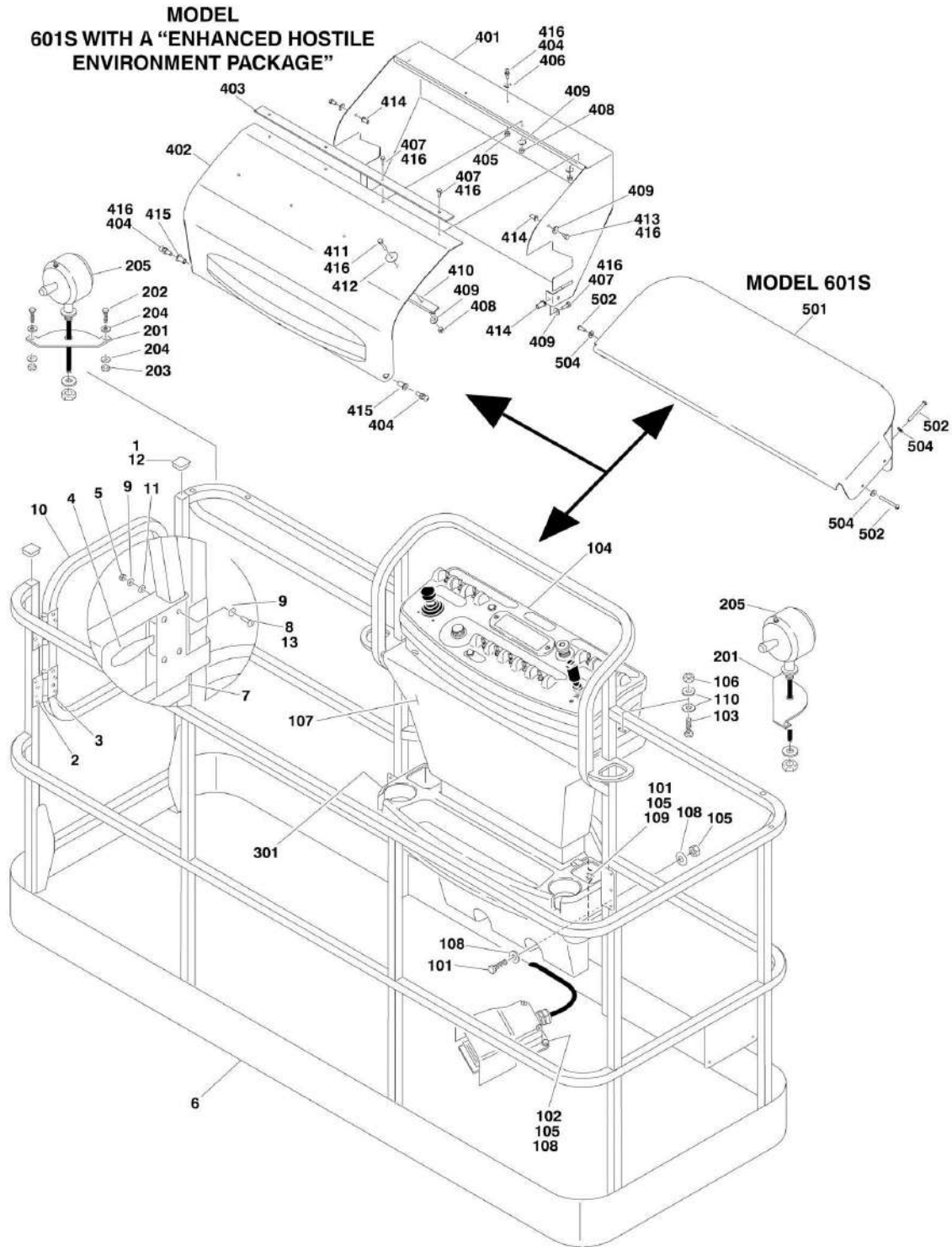
ITEM	PART NUMBER	QTY	DESCRIPTION	REV
206	3510705	1	Platform Weldment 30in x 60in	
207	4420055	4	Tape, UHMW	
208	4711600	12	Flatwasher 3/8in (Narrow)	
209	4740411	4	Washer, Nylon	
210	4845288	1	Weldment, Slide Bar	
211	0100010	AR	Adhesive	
212	3520172	2	Plug (Not Shown - Located at top of rails on both sides of Item 102 Gate. Use Item #115 to install.)	
	0272052	Ref	<b>CONSOLE BOX INSTALLATION (SN 67978 to Present)</b>	A
251	0641406	4	Bolt 1/4in-20NC x 3/4in	
252	0641408	3	Bolt 1/4in-20NC x 1in	
253	0641610	4	Bolt 3/8in 16NC x 1 1/4in	
254	0861526	1	Console Box Assembly	
255	3311405	7	Locknut 1/4in-20NC	
256	3311605	4	Locknut 3/8in-16NC	
257	3380434	1	Panel, Decal Mount	
258	4740362	7	Washer, Fender 1/4in	
259	4751400	4	Flatwasher 1/4in (Wide)	
260	4751600	8	Flatwasher 3/8in (Wide)	
		Ref	<b>TRAY INSTALLATIONS (OPTIONAL)</b>	
301	1580012	1	Tray, Storage (Center)	
302	1580013	1	Tray, Storage (Rail Mounted - Not Shown)	
	0258981	Ref	<b>CONSOLE COVER INSTALLATION - MODEL 601S WITH A "ENHANCED HOSTILE ENVIRONMENT PACKAGE (Prior to SN 65218)</b>	C
	0271675	Ref	<b>CONSOLE COVER INSTALLATION - MODEL 601S WITH A "ENHANCED HOSTILE ENVIRONMENT PACKAGE" (OPTIONAL MODEL 601S) (SN 65218 to Present)</b>	3
401	0100011	AR	Loctite #242	
402	0641404	AR	Bolt 1/4in-20NC x 1/2in	
403	0641406	AR	Bolt 1/4in-20NC x 3/4in	
404	0641412	4	Bolt 1/4in-20NC x 1 1/2in	
405	1670894	1	Cover, Rubber	
406	2080043	AR	Rivnut 1/4in-20NC x 5/8in (Not Shown)	
407	3311405	AR	Locknut 1/4in-20NC	
408	3311505	1	Locknut 5/16in-18NC	
410	3571411	1	Plate	
411	4300137	3	Stud, Threaded Ball	
412	0641416	2	Bolt 1/4in-20NC x 2in <b>(SN 65218 through 70776)</b>	
413	4567850	1	Tube, Support	
414	4740362	4	Washer, Fender	
415	4751400	AR	Flatwasher 1/4in (Wide)	
416	4751500	1	Flatwasher 5/16in (Wide)	
417	4568357	2	Spacer, Tube <b>(SN 65218 through 70776)</b>	
418		Ref	Weldment, Console Cover Options:	
418	4845950	1	Weldment, Console Cover <b>(Prior to SN 65218)</b>	
418	4846506	1	Weldment, Console Cover <b>(SN 65218 to Present)</b>	
419	2080050	2	Rivnut 5/16in-18NC x 3/4in	
	0258703	Ref	<b>CONSOLE COVER INSTALLATION - MODEL 601S (OPTIONAL)</b>	B
501	1670870	1	Cover, Console	
502		Ref	Hardware Options:	
502	3311001	7	Nut #10-24NC <b>(Prior to SN 43864)</b>	

## SECTION 4 - PLATFORM

ITEM	PART NUMBER	QTY	DESCRIPTION	REV
502	0751006	7	Screw, Pan Head Thread Forming (SN 43864 to Present)	
503	3911028	7	Screw #10-24NC x 3/4in (Prior to SN 43864)	
504	4751000	7	Flatwasher #10 (Wide)	
505	4761000	7	Lockwasher #10 (Prior to SN 43864)	
		Ref	<b>PLATFORM WORKLIGHTS INSTALLATION - MODEL 601S WITH A "ENHANCED HOSTILE ENVIRONMENT PACKAGE" (OPTIONAL)</b>	
	0259303	Ref	<b>Platform Worklights Installation (Prior to SN 62137)</b>	1
	0270814	Ref	<b>Platform Worklights Installation (ADE System) (SN 62137 to Present)</b>	3-E
601	3536089	2	Plate, Mounting	
602	0641414	4	Bolt 1/4in-20NC x 1 3/4in	
603	3311405	4	Locknut 1/4in-20NC	
604	4711400	8	Flatwasher 1/4in	
605	2920140	2	Worklight	
605	7016399	2	Bulb, Replacement (1 Per Worklight)	
606	4240099	10	Tie-Strap	
607	2820035	9 ft/2.8m	Loom, Vinyl	
608	4460042	2	End, Terminal (Not Shown)	
609	4460598	1	Connector, Strain Relief	

# SECTION 4 - PLATFORM

## FIGURE 4-2. PLATFORM COMPONENTS INSTALLATION - SIDE ENTRY PLATFORM



## SECTION 4 - PLATFORM

**FIGURE 4-2. PLATFORM COMPONENTS INSTALLATION - SIDE ENTRY PLATFORM**

ITEM	PART NUMBER	QTY	DESCRIPTION	REV
		Ref	<b>PLATFORM ASSEMBLIES:</b>	
	3510822	Ref	<b>3ft x 8ft (0.9m x 2.44m) with No Mesh</b>	E
	3510833	Ref	<b>3ft x 6ft (0.9m x 1.83m) with No Mesh</b>	E
	3510832	Ref	<b>2.5ft x 6ft (0.8m x 1.83m) with No Mesh</b>	E
	3510831	Ref	<b>2.5ft x 5ft (0.8m x 1.52m) with No Mesh</b>	E
	3510830	Ref	<b>2.5ft x 4ft (0.8m x 1.22m) with No Mesh</b>	E
		Ref	<b>Note: Platform and Mesh must be ordered separately for Platforms with Mesh. See SPECIAL OPTIONS SECTION for Mesh Installations.</b>	
1	0100040	AR	Sealant, Adhesive ( <b>Prior to SN 73445</b> )	
2	2080040	16	Fastener, Huck	
3	2600281	2	Hinge, Self-Closing	
4	2940074	1	Latch	
5	3311001	4	Nut #10-24NC ( <b>Prior to SN 77333</b> )	
6	Not Available	1	Platform Weldment (Purchase Platform Assembly)	
7	3520072	1	Cap-Plug	
8		Ref	Hardware Options:	
8	3911008	4	Screw #10-24NC x 1 ( <b>Prior to SN 76408</b> )	
8	3800205	4	Screw #10-24NC x5/8 ( <b>SN 76408 through 77332</b> )	
8	3820020	4	Rivet, Pop ( <b>SN 77333 to Present</b> )	
9	4751000	4	Flatwasher #10 ( <b>Prior to SN 77333</b> )	
10	4846452	1	Gate Weldment	
11	4761000	4	Lockwasher #10 ( <b>SN 68809 through 77332</b> )	
12	3520198	2	Square-Plug ( <b>SN 73445 to Present</b> )	
13	0100011	AR	Loctite #242 ( <b>Prior to SN 77333</b> )	
	0272052	Ref	<b>CONSOLE BOX INSTALLATION (SN 67978 to Present)</b>	A
101	0641406	4	Bolt 1/4in-20NC x 3/4in	
102	0641408	3	Bolt 1/4in-20NC x 1in	
103	0641610	4	Bolt 3/8in 16NC x 1 1/4in	
104	0861526	1	Console Box Assembly	
105	3311405	7	Locknut 1/4in-20NC	
106	3311605	4	Locknut 3/8in-16NC	
107	3380434	1	Panel, Decal Mount	
108	4740362	7	Washer, Fender 1/4in	
109	4751400	4	Flatwasher 1/4in (Wide)	
110	4751600	8	Flatwasher 3/8in (Wide)	
	0270814	Ref	<b>WORKLIGHTS INSTALLATIONS (OPTIONAL)</b>	3-E
201	3536089	2	Plate, Mounting	
202	0641414	4	Bolt 1/4in-20NC x 1 3/4in	
203	3311405	4	Locknut 1/4in-20NC	
204	4711400	8	Flatwasher 1/4in Narrow	
205	2920140	2	Worklight	
205	7016399	2	Bulb, Replacement (1 Per Worklight)	
206	4240099	10	Tie-Strap (Not Shown)	
207	2820035	9	Loom, Vinyl (Not Shown)	
209	4460598	1	Connector, Strain Relief (Not Shown - Located at Console Box)	
		Ref	<b>TRAY INSTALLATIONS (OPTIONAL)</b>	
301	1580012	1	Tray, Storage (Center)	
302	1580013	1	Tray, Storage (Rail Mounted - Not Shown)	
	0271675	Ref	<b>CONSOLE COVER INSTALLATION - MODEL 601S WITH A</b>	C

## SECTION 4 - PLATFORM

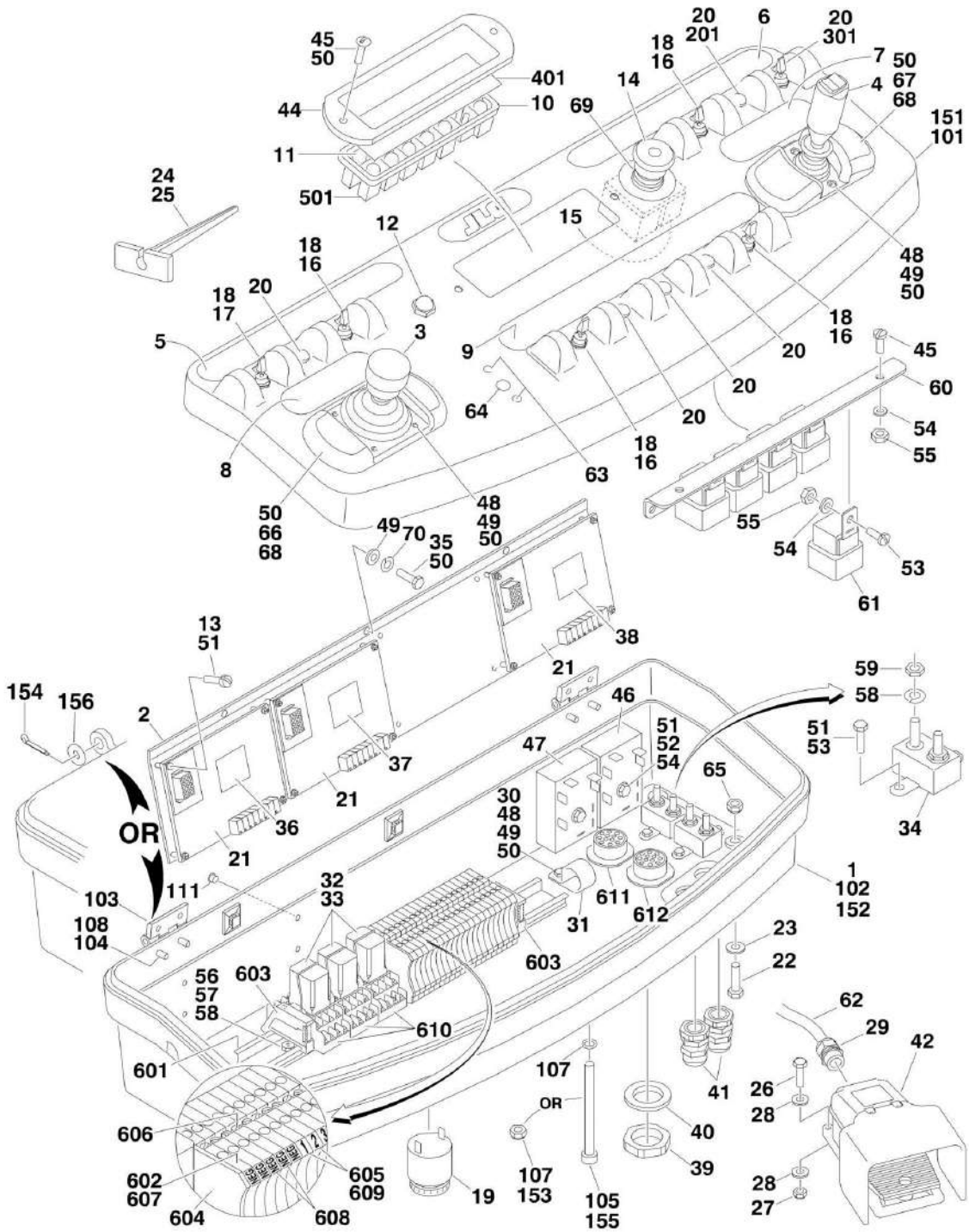
ITEM	PART NUMBER	QTY	DESCRIPTION	REV
			<b>"ENHANCED HOSTILE ENVIRONMENT PACKAGE" (OPTIONAL MODEL 601S)</b>	
401	4846506	1	Weldment, Console Cover	
402	1670894	1	Cover, Rubber	
403	3571411	1	Plate	
404	4300137	3	Stud, Threaded Ball	
405	3311505	1	Locknut 5/16in-18NC	
406	4751500	1	Flatwasher 5/16in (Wide)	
407	0641406	6	Bolt 1/4in-20NC x 3/4in	
408	3311405	6	Locknut 1/4in-20NC	
409	4751400	12	Flatwasher 1/4in (Wide)	
410	4567850	1	Tube, Support	
411	0641412	4	Bolt 1/4in-20NC x 1 1/2in	
412	4740362	4	Washer, Fender	
413	0641404	2	Bolt 1/4in-20NC x 1/2in	
414	2080043	4	Rivnut 1/4in-20NC x 5/8in	
415	2080050	2	Rivnut 5/16in-18NC x 3/4in	
416	0100011	AR	Loctite #242	
	0258703	Ref	<b>CONSOLE COVER INSTALLATION - MODEL 601S (OPTIONAL)</b>	B
501	1670870	1	Cover, Console	
502	0751006	7	Screw, Pan Head Thread Forming	
504	4751000	7	Flatwasher #10 (Wide)	





# SECTION 4 - PLATFORM

## FIGURE 4-3. PLATFORM CONSOLE BOX ASSEMBLIES (Prior to SN 62137)



## SECTION 4 - PLATFORM

**FIGURE 4-3. PLATFORM CONSOLE BOX ASSEMBLIES (Prior to SN 62137)**

ITEM	PART NUMBER	QTY	DESCRIPTION	REV
		Ref	<b>CONSOLE BOX AND FOOTSWITCH ASSEMBLIES</b>	
	0861178	Ref	<b>MODEL 601S</b>	8
	0861264	Ref	<b>MODEL 601S With A "Enhanced Hostile Environment Package"</b>	4
1		Ref	Box, Console Options:	
1	0861535	1	Box, Console - Model 601S (was p/n 0861195) (Original Equipment) (Note: No Service Breakdown)	
1	0861535	1	Box, Console - Model 601S With A "Enhanced Hostile Environment Package" (was p/n 0860984) (Original Equipment) (See Items 101-111 for Breakdown)	
1	0861535	1	Box, Console - Model 601S/ 601S With A "Enhanced Hostile Environment Package" (Service Replacement) (See Items 152-156 for Breakdown)	
2	3538819	1	Plate, Mounting	
3		Ref	Controller Assembly (Lift and Swing) Options:	
3	1600242	1	Controller Assembly (See CONTROLLER ASSEMBLY (SWING AND LIFT) for Breakdown) <b>(Prior to SN 39653)</b>	
3	1600284	1	Controller Assembly (See CONTROLLER ASSEMBLY (SWING AND LIFT) for Breakdown) <b>(SN 39653 through 62136)</b>	
4		Ref	Controller Assembly (Drive and Steer) Options:	
4	1600239	1	Controller Assembly (See CONTROLLER ASSEMBLY (DRIVE AND STEER) for Breakdown) <b>(Prior to SN 39653)</b>	
4	1600283	1	Controller Assembly (See CONTROLLER ASSEMBLY (DRIVE AND STEER) for Breakdown) <b>(SN 39653 through 62136)</b>	
5	1703776	1	Decal (Horn/Drive Speed/Level)	
6	1702564	1	Decal (Stop)	
7	1702565	1	Decal (Drive and Steer)	
8	1702566	1	Decal (Lift and Swing)	
9	1703680	1	Decal (Function Speed)	
10	2760105	1	Housing, Display Light	
11	2920129	7	Bulb, Light	
12	4360387	1	Switch, Pushbutton	
13	3910610	12	Screw #6-32NC x 5/8in	
14		Ref	Switch, Emergency Stop Options:	
14	4360289	1	Switch, Emergency Stop <b>(Prior to SN 44643)</b>	
14	4360475	1	Switch, Emergency Stop <b>(SN 44643 through 62136)</b>	
14		Ref	Cap Options:	
14	7012611	1	Cap, Mushroom Head (Used on Switch p/n 4360289)	
14	7012612	1	Boot (Used on Switch p/n 4360289)	
14	7020175	1	Cap, Red (Used on Switch p/n 4360475)	
14	7020176	1	Contact Block (Used on Switch p/n 4360475)	
15		Ref	Block, Contact Options:	
15	4360282	1	Block, Contact <b>(Prior to SN 44643)</b>	
15	4360476	1	Block, Contact <b>(SN 44643 through 62136)</b>	
16	4360314	4	Switch, Toggle	
17	4360331	1	Switch, Toggle	
18	3790012	5	O-Ring	
19	0140026	1	Alarm	
20	3520028	6	Plug, Hole	
21	1600218	3	Card, Control	
21	7016346	3	Fuse - 5 Amp (1 Per Card)	
22		Ref	Bolt Options:	

## SECTION 4 - PLATFORM

ITEM	PART NUMBER	QTY	DESCRIPTION	REV
22	0641606	4	Bolt 3/8in-16NC x 3/4in ( <b>Prior to SN 36370</b> )	
22	0641608	4	Bolt 3/8in-16NC x 1in ( <b>SN 36370 through 39776</b> )	
22	0641610	4	Bolt 3/8in-16NC x 1 1/4in ( <b>SN 39777 through 62136</b> )	
23	4751600	AR	Flatwasher 3/8in	
24	4460467	1	Tool, Pin Extraction (Blue 16-18 Gauge) (Not Shown)	
25	4460510	1	Tool, Pin Extraction (Yellow 12-14 Gauge) (Not Shown)	
26	0641408	3	Bolt 1/4in-20NC x 1in	
27	3311405	3	Locknut 1/4in-20NC	
28	4740362	3	Washer 1/4in (Fender)	
29	4460071	1	Connector, Strain Relief	
30	3311401	1	Nut 1/4in-20NC	
31	1320060	1	Clamp	
32	3740058	3	Relay - 4PDT	
33	3740063	3	Spring, Relay	
34	4360232	2	Breaker, Circuit - 15 Amp	
35		Ref	Hardware Options:	
35	3931412	3	Capscrew, Socket Head 1/4in-20NC x 3/4in ( <b>Prior to SN 39653</b> )	
35	0641406	3	Bolt 1/4in-20NC x 3/4in ( <b>SN 39653 through 62136</b> )	
36	1703090	1	Decal - Control Card (Lift)	
37	1703091	1	Decal - Control Card (Swing)	
38	1703093	1	Decal - Control Card (Drive)	
39	4460470	2	Nut, Conduit	
40	4460471	2	Washer	
41	4460428	2	Connector, Strain Relief	
42	4360031	1	Footswitch	
42	7000625	2	Block, Contact	
44	1670829	1	Bezel	
45	0630464	AR	Screw, Button Head #10-24NC x 1/2in	
46	3740113	1	Relay, Time Delay	
47	3740115	1	Relay, Time Delay	
48	0641406	AR	Bolt 1/4in-20NC x 3/4in	
49	4751400	AR	Flatwasher 1/4in	
50	0100011	AR	Loctite #242	
51	0100035	AR	Loctite #222	
52	0721010	2	Screw, Machine #10-24NC x 1 1/4in	
53	0721003	AR	Screw, Machine #10-24NC x 3/8in	
54	4751000	AR	Flatwasher #10	
55	3311005	AR	Locknut #10-24NC	
56	0721004	2	Screw, Machine #10-32NC x 1/2in	
57	4711000	2	Flatwasher #10 (Narrow)	
58	4761000	6	Lockwasher #10	
59	3311001	4	Nut #10-24NC	
60		Ref	Plate, Relay Mount Options:	
60	3539275	1	Plate - Model 601S ( <b>Prior to SN 41289</b> )	
60	3571222	1	Plate - Model 601S ( <b>SN 41289 through 62136</b> )	
60	3539275	1	Plate - Model 601S With A "Enhanced Hostile Environment Package"	
61	3740049	AR	Relay	
62	1060515	7 ft/2.1m	Cable, 12/4	
63	3520168	2	Plug 3/16in	
64		Ref	Plug Options:	

## SECTION 4 - PLATFORM

ITEM	PART NUMBER	QTY	DESCRIPTION	REV
64	3520034	1	Plug 5/16in ( <b>Prior to SN 36370</b> )	
64	3520027	1	Plug 11/16in ( <b>SN 36370 through 62136</b> )	
64	3520027	1	Plug 11/16in (601S Only) ( <b>Prior to SN 42670</b> )	
64	3520029	1	Plug 3/4in (601S Only) ( <b>SN 42670 through 62136</b> )	
65	3311605	4	Locknut 3/8in ( <b>SN 39777 through 62136</b> )	
66	4340678	1	Support, Hand (Model 601S With A "Enhanced Hostile Environment Package" Machines Only)	
67	4340684	1	Support, Hand (Model 601S With A "Enhanced Hostile Environment Package" Machines Only)	
68	0641404	8	Bolt 1/4in-20NC x 1/2in (Model 601S With A "Enhanced Hostile Environment Package" Machines Only)	
69	1704260	1	Decal - EMS ( <b>SN 44643 through 62136</b> )	
70	4761400	1	Lockwasher 1/4 (601S Only) ( <b>SN 42945 through 62136</b> )	
	1001109183	1	Decal Kit (Includes Items 5, 6, 7, 8, 9, 69 & 301)	
	0860984	Ref	<b>CONSOLE BOX ASSEMBLY (ORIGINAL EQUIPMENT)</b>	C
101	See Note	1	Lid, Cast (Note: Not Available - Purchase Complete Console Box Assembly.)	
102	See Note	1	Bottom, Box (Note: Not Available - Purchase Complete Console Box Assembly.)	
103	2600211	2	Hinge	
104	3900224	8	Capscrew, Socket Head Countersunk 6mmx 16mm	
105	3931672	1	Capscrew, Socket Head 3/8in-16NC x 4-1/2in	
107		Ref	Fastener Options:	
107	See Note	1	O-Ring (Prior to May 1996) (Note: Recommend using 3311601 Nut in place of original 3790109 O-Ring)	
107	3311601	1	Nut 3/8in-16NC	
108	0100011	AR	Compound, Locking	
111	3520173	4	Plug	
	0861535	Ref	<b>CONSOLE BOX ASSEMBLY (SERVICE REPLACEMENT)</b>	E
151	Not Available	1	Console Top	
152	Not Available	1	Console Bottom	
153	3311601	1	Nut 3/8in-16NC	
154	3470003	2	Pin, Cotter Hair	
155	3931672	1	Capscrew, Socket Head 3/8in-16NC x 4-1/2in	
156	4711500	2	Flatwasher 5/16	
	0258432	Ref	<b>DUAL FUEL SWITCH INSTALLATION (Prior to SN 58209)</b>	1
	0259768	Ref	<b>DUAL FUEL SWITCH INSTALLATION (SN 58209 through 62136)</b>	2
	0270073	Ref	<b>DUAL FUEL SWITCH INSTALLATION (MODEL - 601S WITH A "ENHANCED HOSTILE ENVIRONMENT PACKAGE) (SN 58209 through 62136)</b>	2
201	4360336	1	Switch, Toggle	
201	3790012	1	O-Ring	
	0259309	Ref	<b>HEAD AND TAIL LIGHTS INSTALLATION (OPTIONAL) (MODEL - 601S WITH A "ENHANCED HOSTILE ENVIRONMENT PACKAGE")</b>	1
301	4360336	1	Switch, Toggle	
301	3790012	1	O-Ring	
	0256631	Ref	<b>LIGHT PANEL DECAL INSTALLATION</b>	-
401	1702387	1	Decal - Display	
		Ref	<b>HARNES COMPONENTS</b>	
501	4120035	7	Base, Light	
501	2920129	7	Bulb, Light	
	4922075	Ref	<b>RELAY AND TERMINAL BLOCK INSTALLATIONS</b>	4
601	3641182	1	Track	

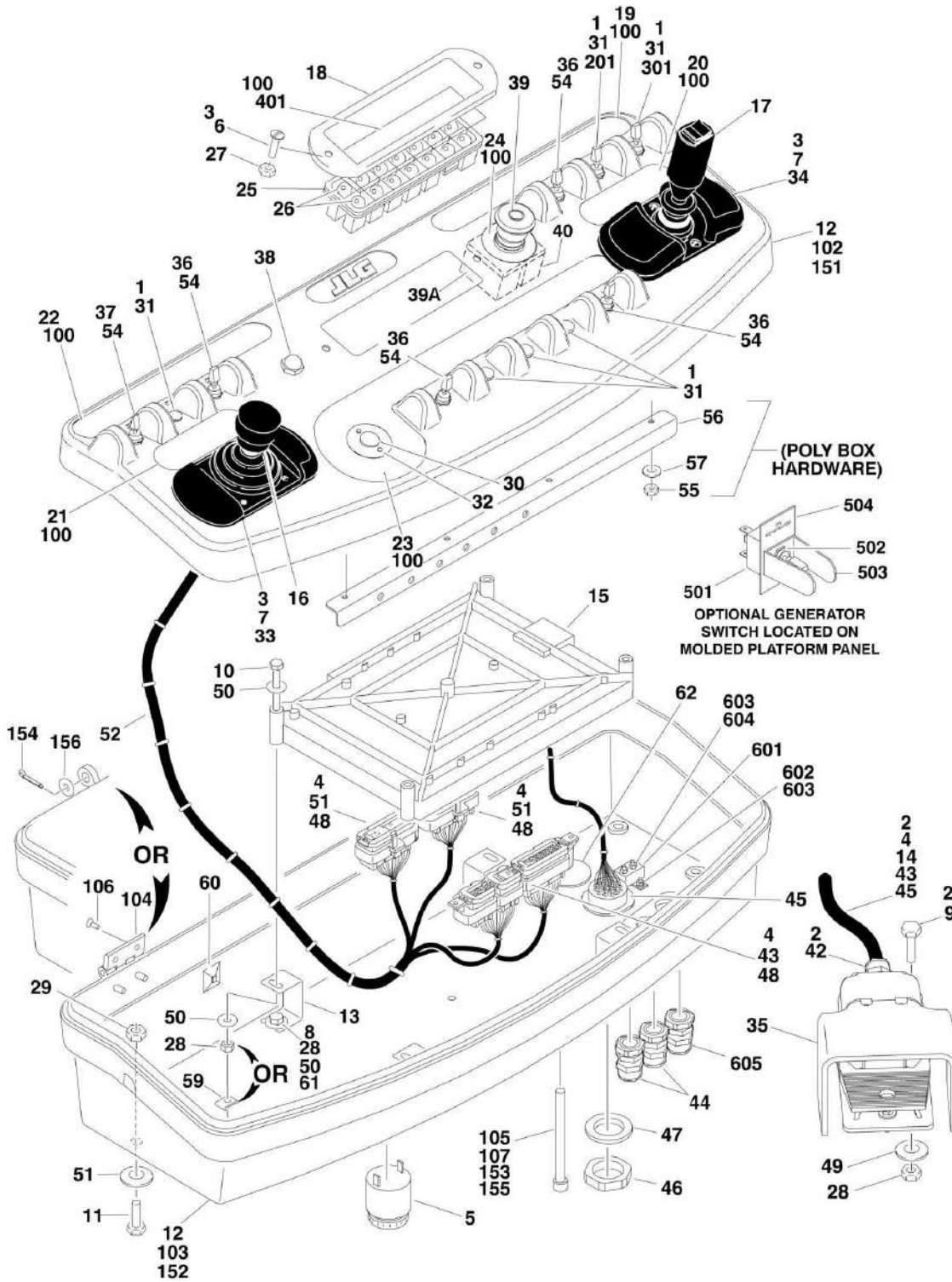
## SECTION 4 - PLATFORM

ITEM	PART NUMBER	QTY	DESCRIPTION	REV
602	4460601	10	Block, Terminal	
603	4460607	2	Stop, End	
604	4460602	1	Barrier, Terminal	
605	4460629	2	Marker, Terminal (6-15)	
606	4460603	1	Bar, Buss - 10 Position (Cut into [2] 5 Position Bars)	
607	4460600	10	Block, Terminal	
608	4460631	1	Marker, Terminal (Negative)	
609	4460632	1	Marker, Terminal (1-5)	
610	4120013	3	Socket, Relay	
611	4460613	1	Connector - 21 Position	
612	4460503	1	Connector - 31 Position	



# SECTION 4 - PLATFORM

FIGURE 4-4. PLATFORM CONSOLE BOX ASSEMBLES - WITH ADE SYSTEM (SN 62137 to Present)





## SECTION 4 - PLATFORM

**FIGURE 4-4. PLATFORM CONSOLE BOX ASSEMBLIES - WITH ADE SYSTEM (SN 62137 to Present)**

ITEM	PART NUMBER	QTY	DESCRIPTION	REV
		Ref	<b>CONSOLE BOX AND FOOTSWITCH ASSEMBLIES</b>	
	0861424	Ref	<b>MODEL 601S (POLY BOX) (Prior to SN 64398)</b>	F
	0861489	Ref	<b>MODEL 601S (POLY BOX) (SN 64398 through 67977)</b>	B
	0861393	Ref	<b>MODEL 601S With A "Enhanced Hostile Environment Package" (ALUMINUM BOX) (Prior to SN 64398)</b>	F
	0861488	Ref	<b>MODEL 601S With A "Enhanced Hostile Environment Package" (ALUMINUM BOX) (SN 64398 through 67977)</b>	B
	0861526	Ref	<b>MODEL 601S/601S With A "Enhanced Hostile Environment Package" (DIE CAST BOX) (SN 67978 to Present)</b>	E
1	0100009	AR	Sealant	
2	0100020	AR	Sealant	
3	0100035	AR	Loctite #222	
4	0100048	AR	Grease, Dielectric	
5		Ref	Alarm Options:	
5	0140026	1	Alarm <b>(Prior to SN 64398)</b>	
5	0140011	1	Alarm <b>(SN 64398 to Present)</b>	
6	0630464	2	Screw, Button Head #10-24NC x 1/2in	
7	0641404	8	Bolt 1/4in-20NC x 1/2in (Aluminum Box) <b>(Prior to SN 67978)</b>	
8		Ref	Bolt Options:	
8	0641406	4	Bolt 1/4in-20NC x 3/4in <b>(Prior to SN 67978)</b>	
8	0641404	4	Bolt 1/4in-20NC x 1/2in <b>(SN 67978 to Present)</b>	
9	0641414	3	Bolt 1/4in-20NC x 1 3/4in	
10		Ref	Bolt Options:	
10	0641418	4	Bolt 1/4in-20NC x 2 1/4in <b>(Prior to SN 64398)</b>	
10	0641416	4	Bolt 1/4in-20NC x 2in <b>(SN 64398 to Present)</b>	
11	0641610	4	Bolt 3/8in-16NC x 1 1/4in	
12		Ref	Box, Console Options:	
12	0861414	1	Box, Aluminum (See Items 101-108 for Breakdown) <b>(Prior to SN 67978)</b>	
12	0861537	1	Box, Die Cast (See Items 151-156 for Breakdown) <b>(SN 64398 to Present)</b>	
12	0861392	1	Box, Poly <b>(Prior to SN 67978)</b>	
13	0902751	4	Bracket, Support	
14		Ref	Cable, Electrical Options:	
14	1060330	7	Cable, Electrical - 16/3 <b>(Prior to SN 64398)</b>	
		ft/2.1mm		
14	1060918	1	Cable, Electrical - 18/3 <b>(SN 64398 to Present)</b>	
15		Ref	Controller, Module (Re-calibration Required when Replaced) Options:	
15	1600313	1	Module <b>(Prior to SN 78257)</b>	
15	1600375	1	Module <b>(SN 78257 to Present)</b>	
16	1600317	1	Controller Assembly (Lift and Swing) (See CONTROLLER ASSEMBLY (SWING AND LIFT) (WITHOUT ADE SYSTEM) for Breakdown)	
17	1600318	1	Controller Assembly (Drive and Steer) (See CONTROLLER ASSEMBLY (DRIVE AND STEER) (WITH ADE SYSTEM) for Breakdown)	
18	1670829	1	Bezel	
19		Ref	Decal (Stop) Options:	
19	1702564	1	Decal <b>(Prior to SN 73286)</b>	
19	1704997	1	Decal <b>(SN 73286 to Present)</b>	
20	1702565	1	Decal (Drive and Steer)	

## SECTION 4 - PLATFORM

ITEM	PART NUMBER	QTY	DESCRIPTION	REV
21	1702566	1	Decal (Lift and Swing)	
22	1702676	1	Decal (Horn)	
23	1703680	1	Decal (Function Speed)	
24	1704260	1	Decal - EMS	
25	2760105	1	Housing, Display Light	
26	2920129	7	Bulb, Light	
27	3300408	2	Insert, Nylon <b>(Prior to SN 67978)</b>	
28	3311405	AR	Locknut 1/4in-20NC	
29	3311605	4	Locknut 3/8in-16NC	
30		Ref	Plug, Hole Options:	
30	3520027	1	Plug <b>(Prior to SN 67978)</b>	
30	3520173	1	Plug <b>(SN 67978 to Present)</b>	
31	3520028	6	Plug, Hole 1/2in	
32	3520174	2	Plug, Hole 3/16in	
33	4340678	1	Support, Hand (Aluminum Box) (Left Side Only) <b>(Prior to SN 67978)</b>	
34	4340684	1	Support, Hand (Aluminum Box) (Right Side Only) <b>(Prior to SN 67978)</b>	
35	4360031	1	Footswitch	
36	4360328	4	Switch, Toggle	
37	4360331	1	Switch, Toggle	
38	4360387	1	Switch, Pushbutton	
39	4360475	1	Switch, Emergency Stop	
39	7020175	1	Cap, Red	
39A	7020176	1	Contact Block	
40	4360476	1	Block, Contact	
42	4460071	1	Connector, Strain Relief	
43	4460226	2	Socket, Contact	
44	4460428	2	Connector, Strain Relief	
45	4460464	1	Terminal, Deutsch	
46	4460470	1	Nut, Terminal	
47	4460471	1	Lockwasher, Terminal	
48	4460905	5	Seal, Plug	
49	4740362	3	Washer, Fender	
50	4751400	16	Flatwasher 1/4in	
51	4751600	AR	Flatwasher 3/8in	
52		Ref	Harness, Platform Box Options: (See ELECTRICAL SECTION for Breakdown)	
52	4922520	1	Harness <b>(Prior to SN 64398)</b>	
52	4922650	1	Harness <b>(SN 64398 through 67977)</b>	
52	4922639	1	Harness <b>(SN 67978 to Present)</b>	
53		Ref	Harness, Analyzer Cable (Not Shown - See ELECTRICAL SECTION for Breakdown)	
53	4922485	1	Harness <b>(Prior to SN 64398)</b>	
53	4922666	1	Harness <b>(SN 64398 to Present)</b>	
54	3790012	5	O-Ring	
55	3311005	4	Locknut #10-24NC (Model 601S Poly Box Only)	
56	3571222	1	Plate, Relay Mount (Model 601S Poly Box Only)	
57	4751000	4	Flatwasher #10 (Model 601S Poly Box Only)	
58	4460708	2	Connector, Female - 15 Position (Not Shown - See ELECTRICAL SECTION for Location) <b>(SN 65858 to Present)</b>	
59	3300353	4	Nut, Tinnerman <b>(SN 64398 to Present)</b>	

## SECTION 4 - PLATFORM

ITEM	PART NUMBER	QTY	DESCRIPTION	REV
60	4460488	1	Base, Mounting (SN 64398 to Present)	
61	0100081	AR	Loctite #454 (SN 64398 to Present)	
62	1671037	1	Cover (SN 64398 to Present)	
100	2910870	1	Decal Kit (Includes Items 19, 20, 21, 22, 23, 24 & 401)	
	0861414	Ref	<b>CONSOLE BOX ASSEMBLY (Prior to SN 67978)</b>	C
101	0100011	AR	Loctite #242 (Not Shown)	
102	Not Available	1	Console Top	
103	Not Available	1	Console Bottom	
104	2600211	2	Hinge	
105	3311601	1	Nut 3/8in-16NC	
106	3900224	8	Screw Countersunk	
107	3931672	1	Screw 3/8in-16NC x 4 1/2in	
108	3520174	3	Plug, Hole (Not Shown - Located in Back of Lid)	
	0861537	Ref	<b>CONSOLE BOX ASSEMBLY (SN 67978 to Present)</b>	E
151	Not Available	1	Console Top	
152	Not Available	1	Console Bottom	
153	3311601	1	Nut 3/8in-16NC	
154		Ref	Pin, Cotter Options:	
154	3450304	2	Pin, Cotter (Prior to SN 74471)	
154	3420156	2	Pin, Cotter Hair (SN 74471 through 88139)	
154	3470003	2	Pin, Cotter Hair (SN 88140 to Present)	
155	0630568	1	Screw 3/8in-16NC x 4 1/2in	
156	4711500	2	Flatwasher 5/16	
	0271415	Ref	<b>DUAL FUEL SWITCH INSTALLATION</b>	A
201	4360336	1	Switch, Toggle	
201	3790012	1	O-Ring	
	0270802	Ref	<b>HEAD AND TAIL LIGHTS INSTALLATION (OPTIONAL) (MODEL - 601S WITH A "ENHANCED HOSTILE ENVIRONMENT PACKAGE) (Prior to SN 63913)</b>	1
	0271044	Ref	<b>HEAD AND TAIL LIGHTS INSTALLATION (OPTIONAL) (MODEL - 601S WITH A "ENHANCED HOSTILE ENVIRONMENT PACKAGE) (SN 63913 to Present)</b>	2
301	4360336	1	Switch, Toggle	
301	3790012	1	O-Ring	
		Ref	<b>LIGHT PANEL DECAL INSTALLATIONS</b>	
	0256631	Ref	<b>DUAL CAPACITY</b>	-
	0256632	Ref	<b>SINGLE CAPACITY</b>	-
401		Ref	Decal - Display Options:	
401	1702387	1	Decal - Display (Dual Capacity)	
401	1703084	1	Decal - Display (Single Capacity)	
		Ref	<b>GENERATOR INSTALLATION (OPTIONAL)</b>	
	0270801	Ref	<b>110V DEUTZ (Prior to SN 64254)</b>	1
	0271049	Ref	<b>110V DEUTZ (SN 64254 through 82631)</b>	3-C
	0274080	Ref	<b>110V DEUTZ (SN 82632 to Present)</b>	2-B
501	4360336	1	Switch, Toggle	
502	4740397	1	Bushing	
503	4060802	1	Guard, Switch	
504	3251102	1	Decal - Generator ON/OFF	
	0270814	Ref	<b>PLATFORM WORKLIGHT INSTALLATION (OPTIONAL)</b>	3
601	4360232	1	Breaker, Circuit - 15Amp	
602	0721003	2	Bolt #10-24NC x 3/8in	
603	4761000	4	Lockwasher #10	

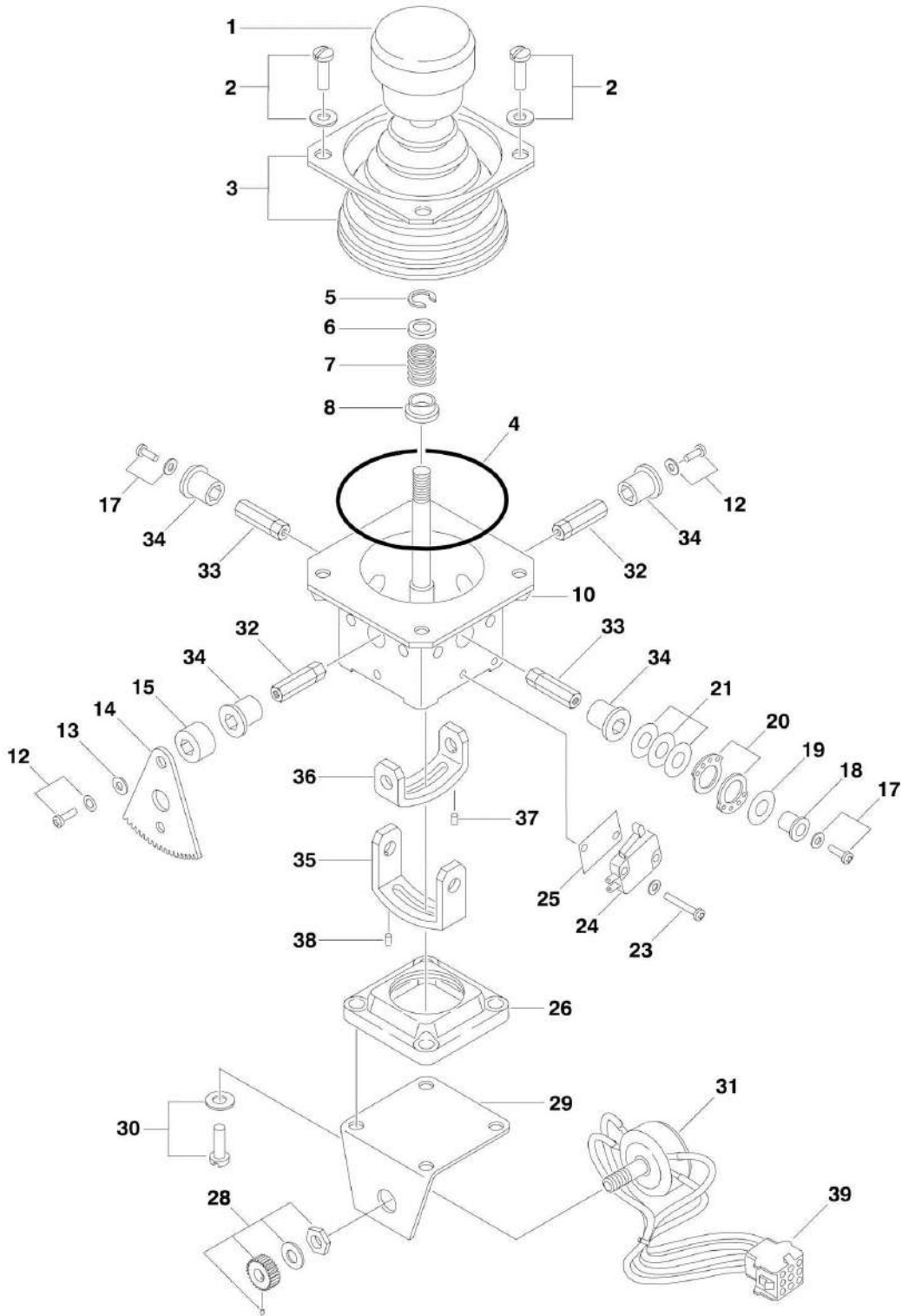
## SECTION 4 - PLATFORM

ITEM	PART NUMBER	QTY	DESCRIPTION	REV
604	3311001	2	Nut #10-24NC	
605	4460598	1	Connector, Strain Relief	



# SECTION 4 - PLATFORM

FIGURE 4-5. CONTROLLER ASSEMBLY (SWING AND LIFT) (Prior to SN 39653)



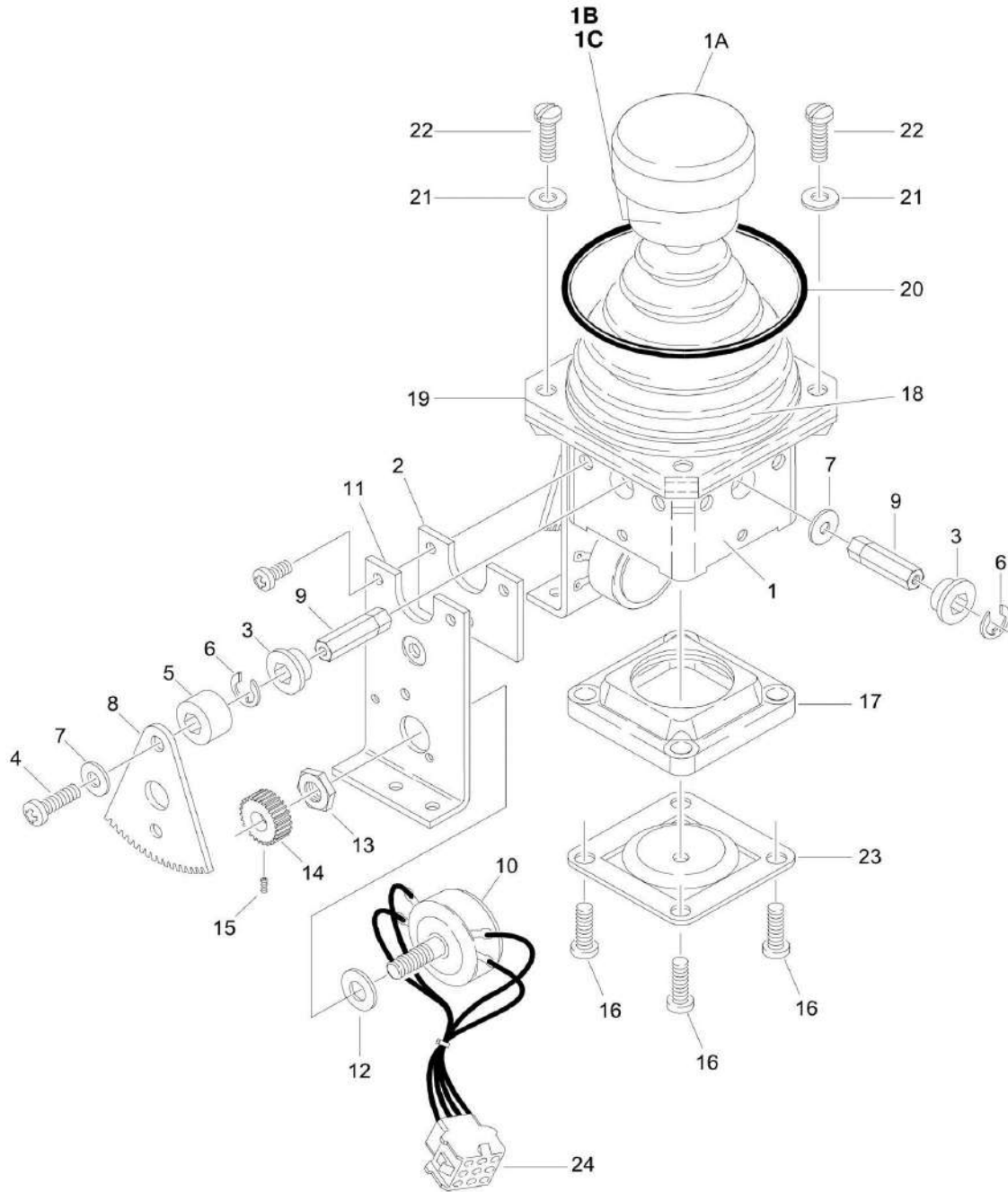
## SECTION 4 - PLATFORM

**FIGURE 4-5. CONTROLLER ASSEMBLY (SWING AND LIFT) (Prior to SN 39653)**

ITEM	PART NUMBER	QTY	DESCRIPTION	REV
	1600284	Ref	<b>CONTROLLER ASSEMBLY (WAS P/N 1600242)</b> <b>Note: Purchase Controller p/n 1600284 for Complete Controller Replacement.</b>	B
		Ref		
1	7003951	1	Knob, Handle	
2	See Note	4	Screw M14 x 25mm (Note: Not Available - Purchase Locally.)	
2	See Note	4	Washer (Note: Not Available - Purchase Locally.)	
3	7022813	1	Plate (was p/n 7003954)	
3	7022813	1	Boot (was p/n 7003955)	
4	7003956	1	O-Ring	
5	7003957	1	Ring, Retaining	
6	7003959	1	Retainer, Spring	
7	7003958	1	Spring, Return	
8	7003960	1	Bushing, Nylon Shaft	
10	1600284	1	Casting, Handle (Note: Not Available for Purchase.)	
12	See Note	2/2	Screw M3 x.05/Starwasher M3 (Note: Not Available - Purchase Locally.)	
13	See Note	2	Spacer (Note: Not Available for Purchase.)	
14	7003977	2	Gear, Drive	
15	See Note	2	Bearing (Note: Not Available for Purchase.)	
17	See Note	2	Screw M3 (Note: Not Available - Purchase Locally.)	
17	See Note	2	Washer, Wavy (Note: Not Available - Purchase Locally.)	
18	7019193	2	Coupling, Cam	
19	See Note	2	Spacer, Cam (Note: Not Available for Purchase.)	
20	See Note	4	Cam, 4 Hole (Note: Not Available for Purchase.)	
21	See Note	6	Cam (Note: Not Available for Purchase.)	
23	See Note	4/4	Screw/Washer (Note: Not Available - Purchase Locally.)	
24	7003961	2	Micro-Switch	
25	See Note	2	Insulator (Note: Not Available for Purchase.)	
26	1600284	1	Gate (Note: Not Available for Purchase.)	
28	7003976	2	Gear	
28	See Note	2	Setscrew (Note: Not Available - Purchase Locally.)	
28	See Note	2	Spacer (Note: Not Available for Purchase.)	
28	See Note	2	Nut (Note: Not Available for Purchase.)	
29	1600284	1	Plate, Pot Mounting (Note: Not Available for Purchase.)	
30	See Note	4/4	Screw M4 x 14/Washer M4 (Note: Not Available - Purchase Locally.)	
31	7003974	2	Potentiometer	
32	7019192	1	Pin	
33	7019104	2	Pin	
34	7019111	2	Bushing	
35	7019122	1	Limiter, Gate - Outer	
36	7019123	1	Limiter, Gate - Inner	
37	See Note	1	Setscrew (Note: Not Available - Purchase Locally.)	
38	See Note	1	Setscrew (Note: Not Available - Purchase Locally.)	
39	4460266	1	Cap, Connector - 9 Pin	
39	4460268	8	Socket, Female	
39	4460265	1	Plug - 9 Pin (Part of Platform Wiring) (Not Shown)	
39	4460267	8	Pin, Male (Part of Platform Wiring) (Not Shown)	

# SECTION 4 - PLATFORM

FIGURE 4-6. CONTROLLER ASSEMBLY (SWING AND LIFT) (SN 39653 through 62136)





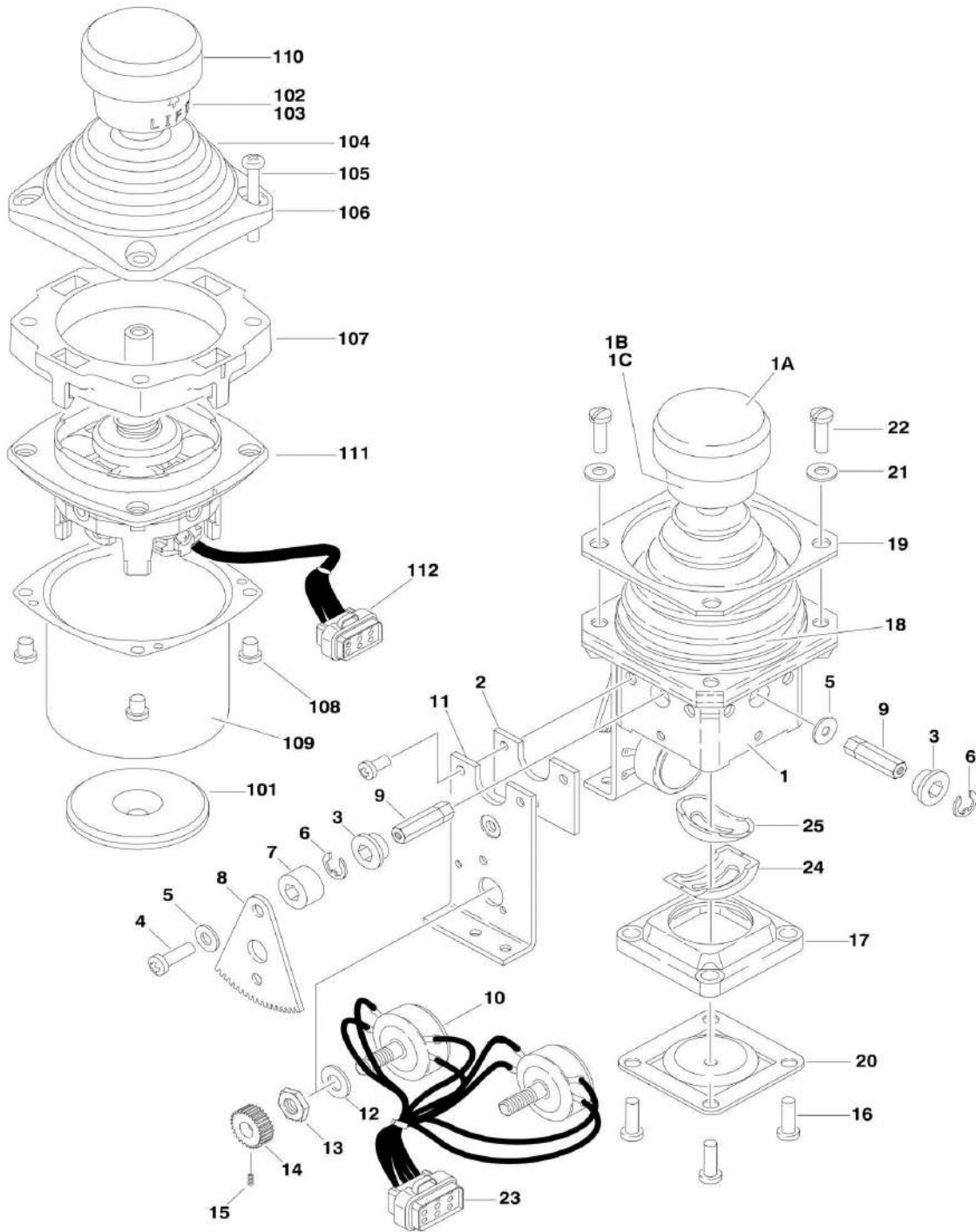
## SECTION 4 - PLATFORM

**FIGURE 4-6. CONTROLLER ASSEMBLY (SWING AND LIFT) (SN 39653 through 62136)**

ITEM	PART NUMBER	QTY	DESCRIPTION	REV
	1600284	Ref	<b>CONTROLLER ASSEMBLY</b>	A
1	7019141	1	Mechanical Assembly (Includes Base, Handle Stem and Items 1A, 1B, 1C & 18 Boot)	
1A	7019197	1	Handle Cap and Rod	
1B	7003928	1	Spring	
1C	7022808	1	Cap, Lift	
2	7019142	2	Plate	
3	7019111	4	Bearing, Gear	
4	7019143	2	Screw	
5	7019144	2	Spacer, Cam	
6	7019145	4	E-Clip	
7	7019174	2	Spacer	
8	7003977	2	Gear, Drive	
9	7019147	4	Shaft	
10	7003974	2	Potentiometer	
11	7019142	2	Plate	
12	7003992	2	Washer	
13	7003993	2	Nut	
14	7003976	2	Gear, Slave	
15	7019149	2	Setscrew	
16	7003952	4	Screw	
17	7019150	1	Gate	
18	7022813	1	Boot (was p/n 7003955)	
19	7022813	1	Plate, Plastic (was p/n 7003954)	
20	7003956	1	Gasket	
21	7003953	4	Washer	
22	7022811	4	Screw	
23	Not Serviced	1	Center, Detent	
24	4460266	1	Connector - 9 Pin	
24	4460268	8	Socket, Female	
24	4460265	1	Plug - 9 Pin (Part of Platform Wiring) (Not Shown)	
24	4460267	8	Pin, Male (Part of Platform Wiring) (Not Shown)	

# SECTION 4 - PLATFORM

FIGURE 4-7. CONTROLLER ASSEMBLY (SWING AND LIFT) (WITHOUT ADE SYSTEM) (SN 62137 to Present)



## SECTION 4 - PLATFORM

**FIGURE 4-7. CONTROLLER ASSEMBLY (SWING AND LIFT) (WITHOUT ADE SYSTEM) (SN 62137 to Present)**

ITEM	PART NUMBER	QTY	DESCRIPTION	REV
		Ref	<b>CONTROLLER ASSEMBLIES</b>	
	1600317	Ref	<b>Controller Assembly (Original Equipment)</b>	B
1	7019141	1	Mechanical Assembly (Includes Base, Handle Stem and Items 1A, 1B, 1C & 18)	
1A	7019197	1	Handle Cap and Rod	
1B	7003928	1	Spring	
1C	7022808	1	Cap, Lift	
2	7019171	2	Plate	
3	7019111	4	Bearing, Gear	
4	7019143	2	Screw	
5	7019144	2	Spacer, Cam	
6	7019145	4	E-Clip	
7	7019174	2	Spacer	
8	7003977	2	Gear, Drive	
9		Ref	Shaft Options:	
9	7019147	2	Shaft, Short	
9	7019177	2	Shaft, Long	
10	7022818	2	Potentiometer	
11	7019142	2	Plate	
12	7003992	2	Washer	
13	7003993	2	Nut	
14	7003976	2	Gear, Slave	
15	7019149	2	Setscrew	
16	7022816	4	Screw	
17	7019150	1	Gate	
18	7022814	1	Boot	
19	7022815	1	Bezel	
20	1001129555	1	Center, Detent (Note: Not Available for Purchase.)	
21	7003953	4	Washer	
22	7022817	4	Screw	
23	7022819	1	Plug, Male 8 Position (Natural)	
23	4460871	8	Socket, Female	
24	7019122	1	Gimble, Outer	
25	7019123	1	Gimble, Inner	
	1001129555	Ref	<b>Controller Assembly (Service Replacement)</b>	A
		Ref	<b>Note: Was p/n 1001118417 Assembly - Use p/n 1001129555 Kit as replacement.</b>	
101	70002730	1	Gasket	
102	7003928	1	Spring	
103	7022808	1	Cap, Lift	
104	70002731	1	Boot	
105	70002732	4	Screw	
106	7022815	1	Bezel	
107	70002733	1	Adapter	
108	70002734	4	Screw	
109	70002735	1	Can, Enclosure	
110	70002906	1	Cap	
111	1001129555	1	Mechanical Assembly (Note: Not Available for Purchase.)	
112	7022819	1	Plug, Male 8 Position (Natural) (Not Shown)	

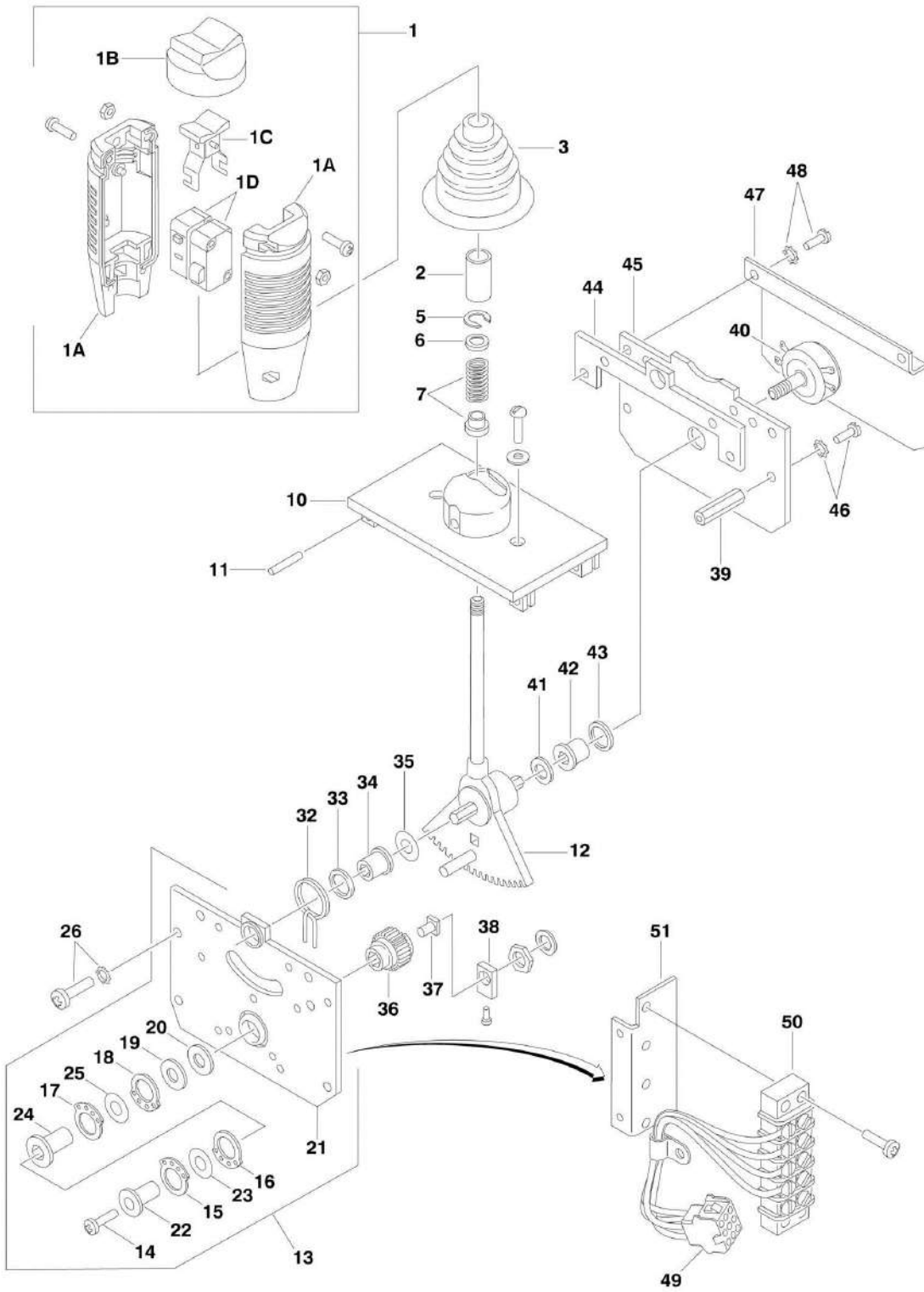
## SECTION 4 - PLATFORM

ITEM	PART NUMBER	QTY	DESCRIPTION	REV
112	4460871	6	Socket, Female	



# SECTION 4 - PLATFORM

## FIGURE 4-8. CONTROLLER ASSEMBLY (DRIVE AND STEER) (Prior to SN 39653)



## SECTION 4 - PLATFORM

**FIGURE 4-8. CONTROLLER ASSEMBLY (DRIVE AND STEER) (Prior to SN 39653)**

ITEM	PART NUMBER	QTY	DESCRIPTION	REV
	1600283	Ref	<b>CONTROLLER ASSEMBLY (WAS P/N 1600239)</b>	C
		Ref		
1	7003978	1	Handle Assembly	
1A	7003973	2	Half, Handle	
1B	7003972	1	Boot, Switch	
1C	7003981	1	Rocker	
1D	7003982	2	Switch, Micro	
2	7003984	1	Coupling	
3	7003966	1	Boot	
5	7003957	1	Ring, Retainer	
6	7003967	1	Flatwasher	
7	7003968	1	Detent, Assembly	
10	1600283	1	Plate, Base (Note: Not Available for Purchase.)	
11	See Note	1	Pin (Note: Not Available for Purchase.)	
12	7003963	1	Shaft/Gear Assembly	
13	1600283	1	Micro Cam Assembly (Includes Items 14-25) (Note: Not Available for Purchase.)	
14	Not Serviced	1	Screw	
15	See Note	1	Cam, 4 Hole (Note: Not Available for Purchase.)	
16	See Note	1	Cam, 4 Hole (Note: Not Available for Purchase.)	
17	See Note	1	Cam, 4 Hole (Note: Not Available for Purchase.)	
18	See Note	1	Cam, 4 Hole (Note: Not Available for Purchase.)	
19	See Note	1	Spacer, Cam (Note: Not Available for Purchase.)	
20	See Note	1	Spacer, Cam (Note: Not Available for Purchase.)	
21	1600283	1	Plate, Cam - Left Side (Note: Not Available for Purchase.)	
22	See Note	1	Coupling, Cam (Note: Not Available for Purchase.)	
23	See Note	1	Spacer, Cam (Note: Not Available for Purchase.)	
24	See Note	1	Coupling, Cam (Note: Not Available for Purchase.)	
25	See Note	1	Spacer, Cam (Note: Not Available for Purchase.)	
26	See Note	4	Screw (Note: Not Available for Purchase.)	
26	See Note	4	Washer (Note: Not Available for Purchase.)	
32	7003946	1	Spring, Return	
33	See Note	1	Spacer (Note: Not Available for Purchase.)	
34	See Note	1	Bearing (Note: Not Available for Purchase.)	
35	See Note	1	Washer, Cam Retainer (Note: Not Available for Purchase.)	
36	See Note	1	Gear, Slave (Note: Not Available for Purchase.)	
37	See Note	1	Nut/Cam Assembly (Note: Not Available for Purchase.)	
38	See Note	1	Coupling, Potentiometer (Note: Not Available for Purchase.)	
39	See Note	2	Stand-Off (Note: Not Available for Purchase.)	
40	7003974	1	Potentiometer	
41	See Note	1	Washer, Cam Retainer (Note: Not Available for Purchase.)	
42	See Note	1	Bearing (Note: Not Available for Purchase.)	
43	See Note	1	Spacer (Note: Not Available for Purchase.)	
44	1600283	1	Plate, Mounting (Note: Not Available for Purchase.)	
45	1600283	1	Plate, Potentiometer (Note: Not Available for Purchase.)	
46	See Note	2	Screw (Note: Not Available - Purchase Locally.)	
46	See Note	2	Washer (Note: Not Available - Purchase Locally.)	
47	1600283	1	Heatsink (Note: Not Available for Purchase.)	
48	See Note	2	Screw (Note: Not Available - Purchase Locally.)	

## SECTION 4 - PLATFORM

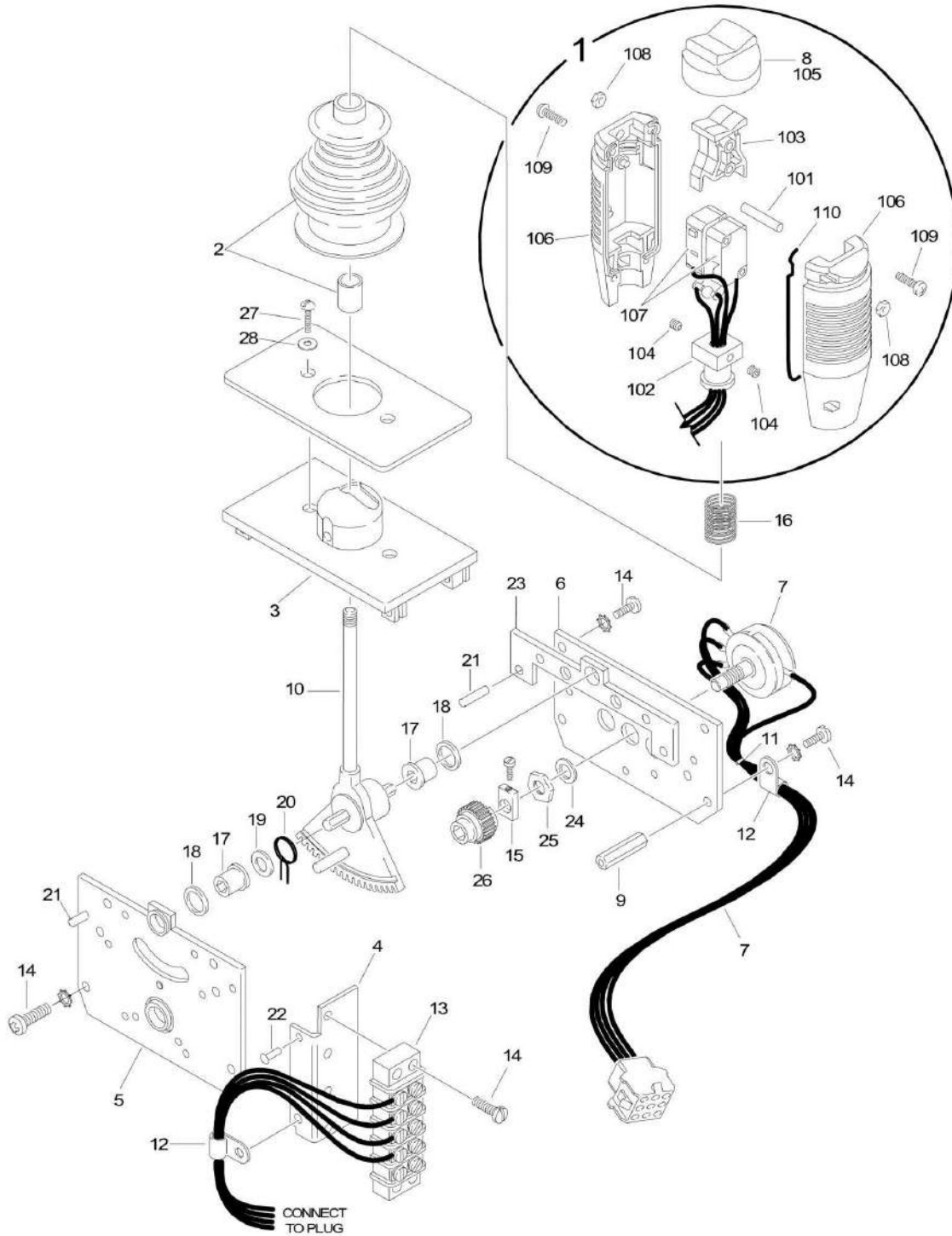
ITEM	PART NUMBER	QTY	DESCRIPTION	REV
48	See Note	2	Washer (Note: Not Available - Purchase Locally.)	
49	4460266	1	Connector, Amp (9Pin) (Not Shown)	
49	4460268	7	Socket (Not Shown)	
49	4460265	1	Plug, Amp (9Pin) (Not Shown - Part of Harness)	
49	4460267	7	Pin (Not Shown - Part of Harness)	
50	7003886	1	Strip, Terminal - 3 Position	
50	See Note	1	Strip, Terminal - 5 Position (Note: Not Available for Purchase.)	
51	7003985	1	Brace	





# SECTION 4 - PLATFORM

## FIGURE 4-9. CONTROLLER ASSEMBLY (DRIVE AND STEER) (SN 39653 through 62136)



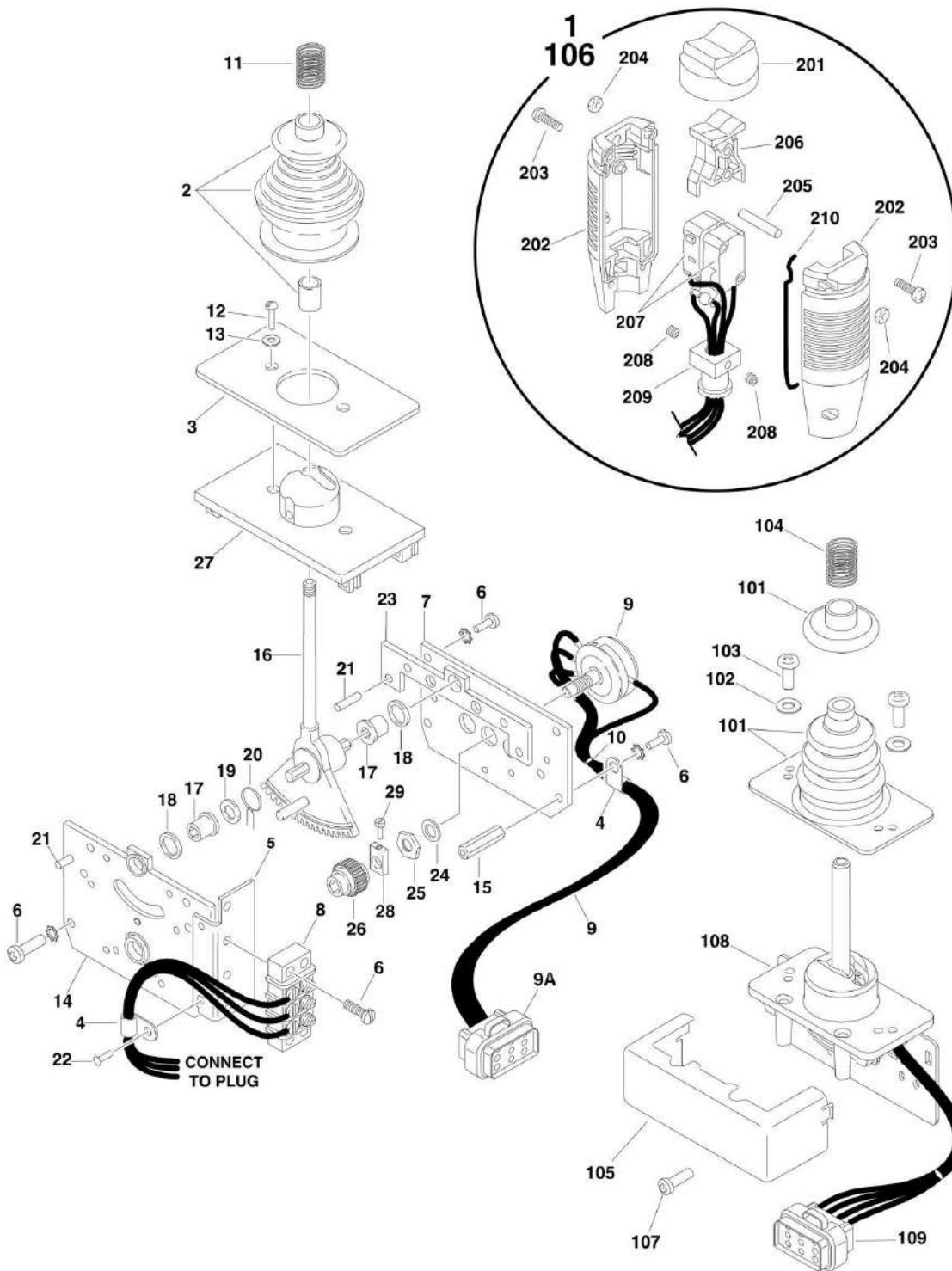
## SECTION 4 - PLATFORM

**FIGURE 4-9. CONTROLLER ASSEMBLY (DRIVE AND STEER) (SN 39653 through 62136)**

ITEM	PART NUMBER	QTY	DESCRIPTION	REV
	1600283	Ref	<b>CONTROLLER ASSEMBLY</b>	B
1	7022810	1	Handle Assembly (See items 101-110 for Breakdown)	
2	7019161	1	Handle Centering Assembly - Boot and Sleeve Only	
3	7019160	1	Cast Housing Assembly	
4	7019159	1	Bracket, Mounting	
5	7019158	1	Plate, Mounting (Left Side)	
6	7019157	1	Plate, Pot Mounting	
7	7019156	1	Electric Assembly	
8	7003972	1	Boot, Rocker	
9	7019115	2	Stand-Off	
10	7019155	1	Shaft 8mm	
11	7019151	AR	Tie-Strap	
12	7019154	2	Clamp, Wire	
13	7019153	1	Strip, Terminal - 5 Position	
14	7019117	8	Screw	
15	7019163	1	Potentiometer Coupling Assembly	
16	7019162	1	Spring	
17	7019111	2	Bearing	
18	7019110	2	Spacer, Head Gear	
19	7019112	1	Washer	
20	7003946	1	Spring, Return	
21	7019103	4	Pin	
22	Not Serviced	1	Rivet	
23	7019168	1	Plate, Mounting (Right Side)	
24	7003992	1	Washer	
25	7003993	1	Nut	
26	7003935	1	Gear, Slave	
27	7003969	2	Screw	
28	7003941	2	Washer	
	7022810	Ref	<b>HANDLE ASSEMBLY</b>	
101	7019164	1	Axle	
102	7019194	1	Coupling	
103	7019165	1	Rocker	
104	7003983	2	Setscrew	
105	7003972	1	Boot, Switch	
106	7003973	2	Half, Handle	
107	7019166	2	Switch, Micro	
108	7019167	4	Nut	
109	7003980	4	Screw	
110	7003989	2	Gasket	

# SECTION 4 - PLATFORM

FIGURE 4-10. CONTROLLER ASSEMBLY (DRIVE AND STEER) (WITH ADE SYSTEM) (SN 62137 to Present)



## SECTION 4 - PLATFORM

**FIGURE 4-10. CONTROLLER ASSEMBLY (DRIVE AND STEER) (WITH ADE SYSTEM) (SN 62137 to Present)**

ITEM	PART NUMBER	QTY	DESCRIPTION	REV
		Ref	<b>CONTROLLER ASSEMBLIES</b>	
	1600318	Ref	<b>Controller Assembly (Original Equipment)</b>	C
1	7022812	1	Handle Assembly (See Items 201-210 for Breakdown)	
2	7019161	1	Boot and Sleeve	
3	7003933	1	Gasket	
4	7019154	2	Clamp, Wire	
5	7022823	1	Bracket, Mounting	
6	7003994	1	Screw	
7	7022822	1	Plate, Pot Mounting	
8	7003986	1	Strip, Terminal - 3 Position	
9	7022824	1	Electric Assembly	
9A	7022825	1	Plug, Male - 8 Position (Black)	
9A	4460871	7	Socket, Female	
10	7019151	AR	Tie-Strap	
11	7019162	1	Spring	
12	7003969	2	Screw	
13	7003941	2	Washer	
14	1001118416	1	Plate, Mounting (Left Side) (Note: Not Available for Purchase.)	
15	7019115	2	Stand-Off	
16	7019155	1	Shaft 8mm	
17	7019111	2	Bearing	
18	7019110	2	Spacer, Head Gear	
19	7019112	1	Washer	
20	7003946	1	Spring, Return	
21	7019103	4	Pin	
22	See Note	1	Rivet (Note: Not Available - Purchase Locally.)	
23	7019168	1	Plate, Mounting (Right Side)	
24	7003992	1	Washer	
25	7003993	1	Nut	
26	7003935	1	Gear, Slave	
27	7019160	1	Plate, Base	
28	7019114	1	Coupling, Potentiometer	
29	See Note	1	Screw, Cup Point (Note: Not Available - Purchase Locally.)	
	1001118416	Ref	<b>Controller Assembly (Service Replacement)</b>	A
101	70002724	1	Boot and Control Lock Assembly	
102	7003941	2	Washer	
103	70002725	2	Screw	
104	7019162	1	Spring	
105	70002726	1	Enclosure	
106	70002727	1	Handle Assembly (See Items 201-210 for Breakdown)	
107	70002728	1	Screw	
108	1001118416	1	Mechanical Assembly (Note: Not Available for Purchase.)	
109	7022825	1	Plug, Male - 8 Position (Black)	
109	4460871	7	Socket, Female	
		Ref	<b>HANDLE ASSEMBLY</b>	
	7022812	Ref	<b>Controller Assembly p/n 1600318</b>	
	70002727	Ref	<b>Controller Assembly p/n 1001118416</b>	
201	7003972	1	Boot, Switch	
202	7003973	2	Half, Handle	

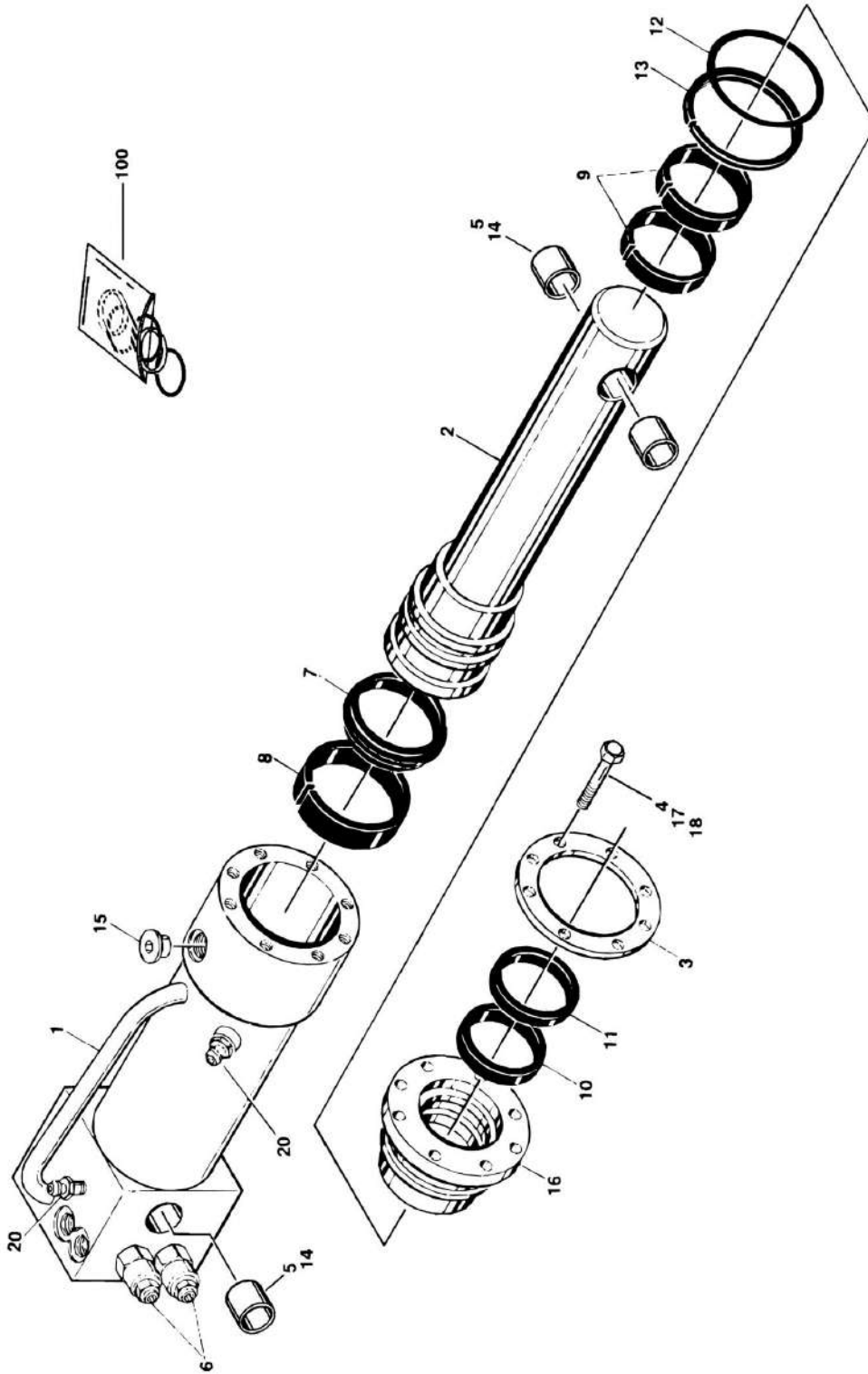
## SECTION 4 - PLATFORM

ITEM	PART NUMBER	QTY	DESCRIPTION	REV
203	7003980	4	Screw	
204	7019167	4	Nut	
205	7019164	1	Axle	
206	7019165	1	Rocker	
207		Ref	Wiring Assembly Options:	
207	7019196	1	Controller Assembly p/n 1600318	
207	70002729	1	Controller Assembly p/n 1001118416	
207		Ref	Switch, Micro	
207	7019166	2	Controller Assembly p/n 1600318	
207	7003982	2	Controller Assembly p/n 1001118416	
208	7003983	2	Setscrew	
209	7019194	1	Coupling	
210	7003989	2	Gasket	

**SECTION 5 - CYLINDER**

# SECTION 5 - CYLINDER

FIGURE 5-1. AXLE LOCKOUT CYLINDER ASSEMBLY (Prior to SN 85132)





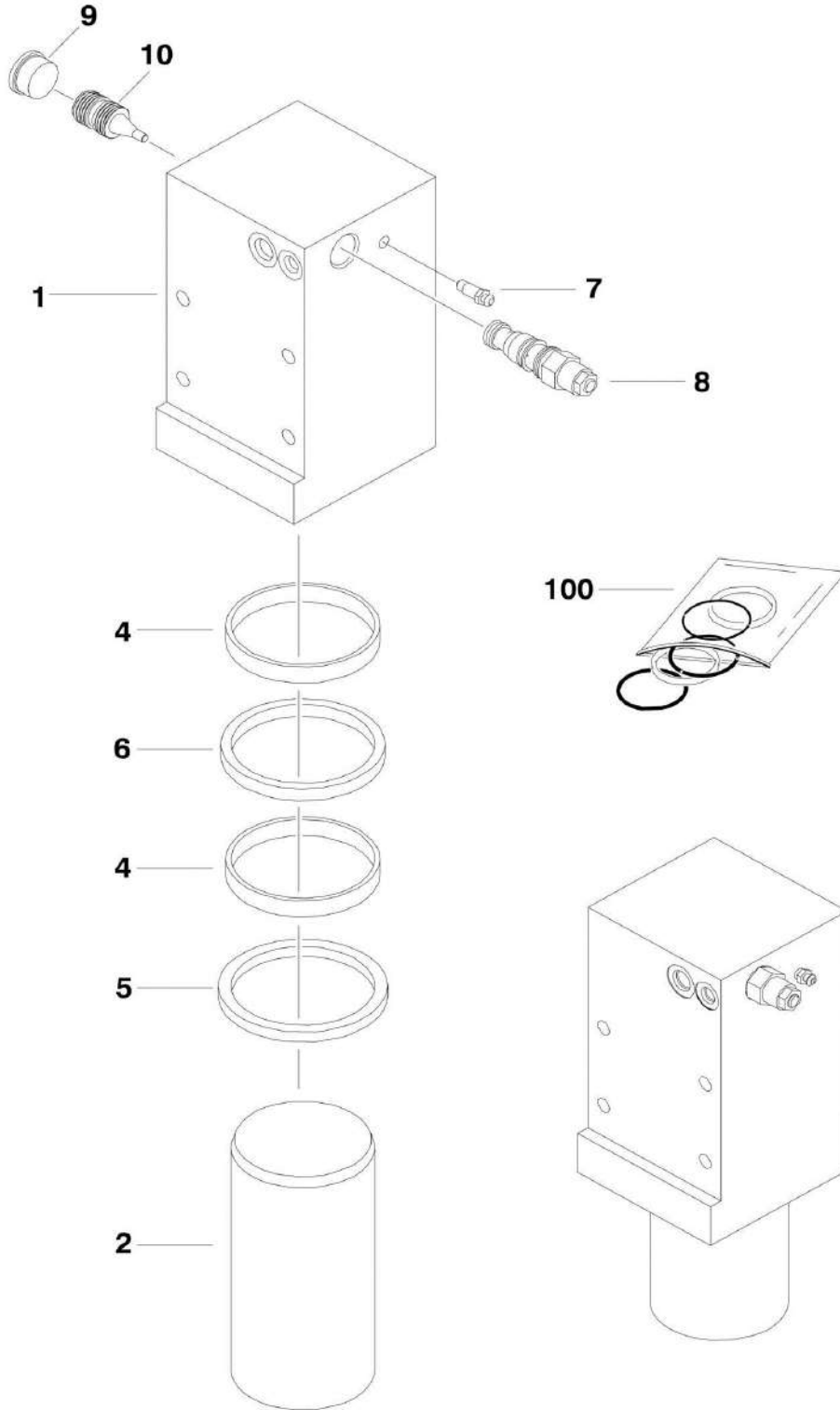
## SECTION 5 - CYLINDER

**FIGURE 5-1. AXLE LOCKOUT CYLINDER ASSEMBLY (Prior to SN 85132)**

ITEM	PART NUMBER	QTY	DESCRIPTION	REV
	1683280	Ref	<b>AXLE LOCKOUT CYLINDER ASSEMBLY</b>	6-D
1	1683281	1	Barrel Weldment	
2	1683283	1	Rod Weldment	
3	3760369	1	Ring, Washer	
4	0681610	8	Bolt 3/8in-16NC x 1 1/4in	
5		Ref	Bushing Options:	
5	0962474	4	Bushing (p/n was 0961890) <b>(Prior to SN 69790)</b>	
5	0962474	4	Bushing <b>(SN 69790 through 85131)</b>	
6	4640525	2	Cartridge, Valve (Counterbalance) <b>(Prior to SN 56905)</b>	
6	2900770	2	Seal Kit - 4640525 Valve (1 Per Assembly)	
6	4641162	2	Cartridge, Valve (Counterbalance) <b>(SN 56905 through 85131)</b>	
6	2900770	2	Seal Kit - 4641162 Valve (1 Per Assembly)	
7	Item 100	1	T-Seal	
8	Item 100	1	Ring, Wear	
9	Item 100	2	Ring, Wear	
10	Item 100	1	Seal, Rod	
11	Item 100	1	Wiper	
12	Item 100	1	O-Ring	
13	Item 100	1	Ring, Back-up	
14	0100063	AR	Loctite RC #609	
15	2220885	1	Plug, O-Ring	
16	1683057	1	Head	
17	0100011	AR	Loctite #242	
18	0100038	AR	Primer, Locking	
20	4640858	2	Valve, Bleeder	
100	2901321	1	Seal Kit (Includes Items 7-13)	

# SECTION 5 - CYLINDER

FIGURE 5-2. AXLE LOCKOUT CYLINDER ASSEMBLY (SN 85132 to Present)



## SECTION 5 - CYLINDER

**FIGURE 5-2. AXLE LOCKOUT CYLINDER ASSEMBLY (SN 85132 to Present)**

ITEM	PART NUMBER	QTY	DESCRIPTION	REV
		Ref	<b>AXLE LOCKOUT CYLINDER ASSEMBLY</b>	
	1684280	Ref	<b>Axle Lockout Cylinder Assembly (Prior to SN 89729)</b>	F
	1684465	Ref	<b>Axle Lockout Cylinder Assembly (SN 89729 to Present)</b>	B
1		Ref	Barrel Options:	
1	1684289	1	Barrel <b>(Prior to SN 89729)</b>	
1	0370026	1	Barrel <b>(SN 89729 to Present)</b>	
2	1684290	1	Rod	
4	Item 100	2	Ring, Wear	
5	Item 100	1	Wiper	
6	Item 100	1	Seal, Rod	
7	4640476	1	Bleeder	
8		Ref	Cartridge, Valve Options:	
8	4641319	1	Cartridge, Valve <b>(Prior to SN 89729)</b>	
8	7024879	1	Seal Kit	
8	4641390	1	Cartridge, Valve <b>(SN 89729 to Present)</b>	
8	7017496	1	Seal Kit	
9	2220890	1	Plug <b>(SN 89729 to Present)</b>	
10	3480288	1	Pilot, Piston <b>(SN 89729 to Present)</b>	
100	2902266	1	Seal Kit (Includes Items 4-6)	



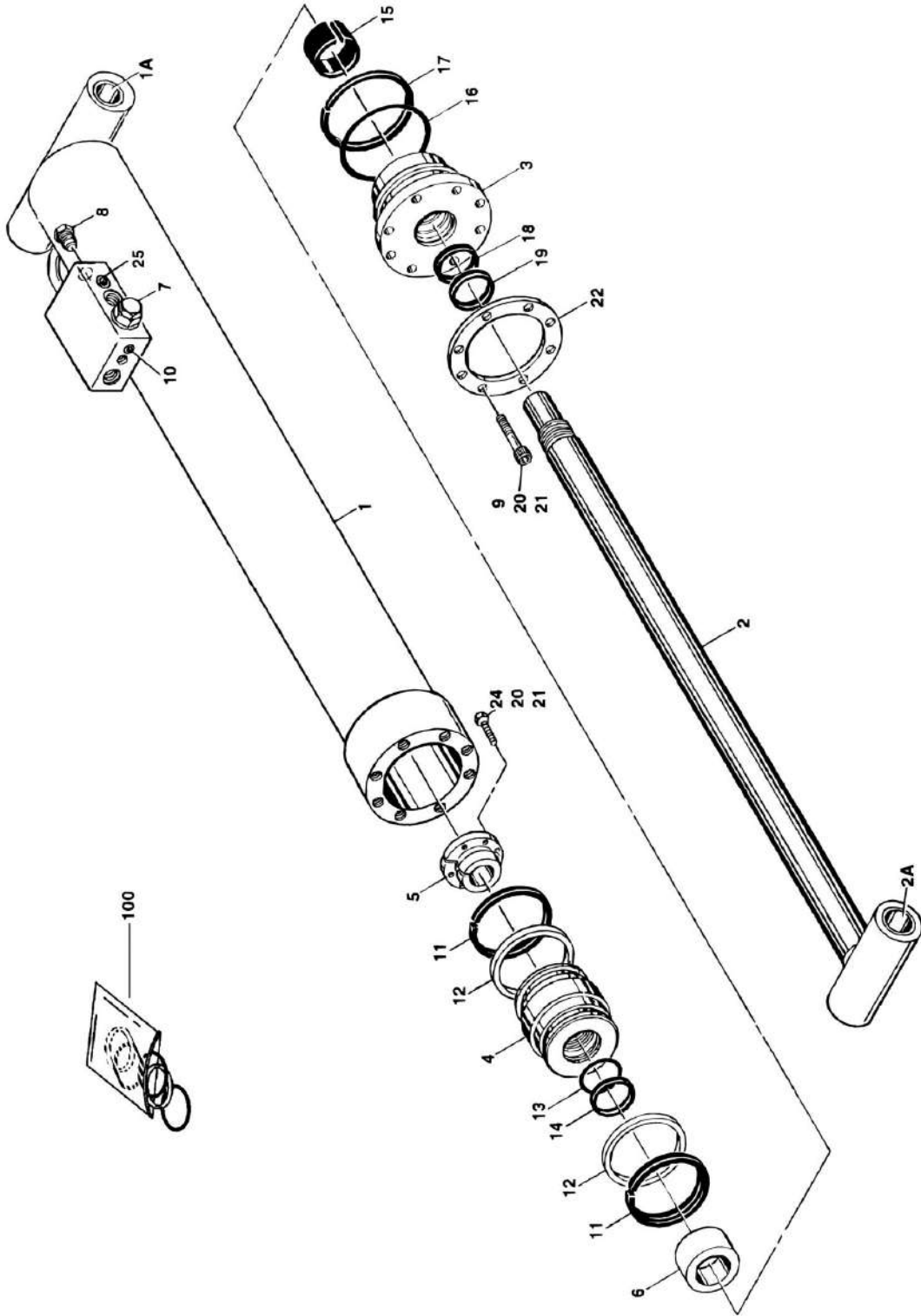
## SECTION 5 - CYLINDER

### FIGURE 5-3. PLATFORM LEVEL CYLINDER ASSEMBLY

ITEM	PART NUMBER	QTY	DESCRIPTION	REV
	1683415	Ref	<b>PLATFORM LEVEL CYLINDER ASSEMBLY</b>	C
1		Ref	Barrel Weldment Options:	
1	1683416	1	Barrel Weldment <b>(Prior to SN 53541)</b>	
1	1683977	1	Barrel Weldment <b>(SN 53541 to Present)</b>	
1A	0961947	2	Bushing, Garmax	
2		Ref	Rod Weldment Options:	
2	1683274	1	Rod Weldment <b>(Prior to SN 53541)</b>	
2	1683976	1	Rod Weldment <b>(SN 53541 to Present)</b>	
2A	0961947	2	Bushing, Garmax	
3	3480210	1	Piston	
4	1683053	1	Head	
5	0961893	1	Bushing, Tapered	
6	4566468	1	Spacer	
7	4640509	1	Cartridge, Valve	
7	2900792	1	Seal Kit - 4640509 Valve	
8	2220885	1	Plug, O-Ring	
9	3931516	8	Bolt, Socket Head 5/16in-18NC x 1in	
10	3760368	1	Ring, Washer	
11	0100011	AR	Loctite #242	
12	0100038	AR	Primer, Locking	
13	Item 100	2	Seal	
14	Item 100	2	Ring, Lock	
15	Item 100	1	O-Ring	
16	Item 100	1	Ring, Back-up	
17	Item 100	1	Ring, Wear	
18	Item 100	1	O-Ring	
19	Item 100	1	Ring, Back-up	
20	Item 100	1	Seal, Rod	
21	Item 100	1	Wiper	
23	4640932	1	Cartridge, Valve	
23	7011112	1	Seal Kit - 4640932 Valve	
24	2220883	8	Plug, O-Ring	
25	0630534	3	Screw, Socket Head (Grip) #10-24NC x 1in <b>(SN 44757 to Present)</b>	
100	2901303	1	Seal Kit (Includes Items 13-21)	

# SECTION 5 - CYLINDER

## FIGURE 5-4. LIFT (BOOM) CYLINDER ASSEMBLY



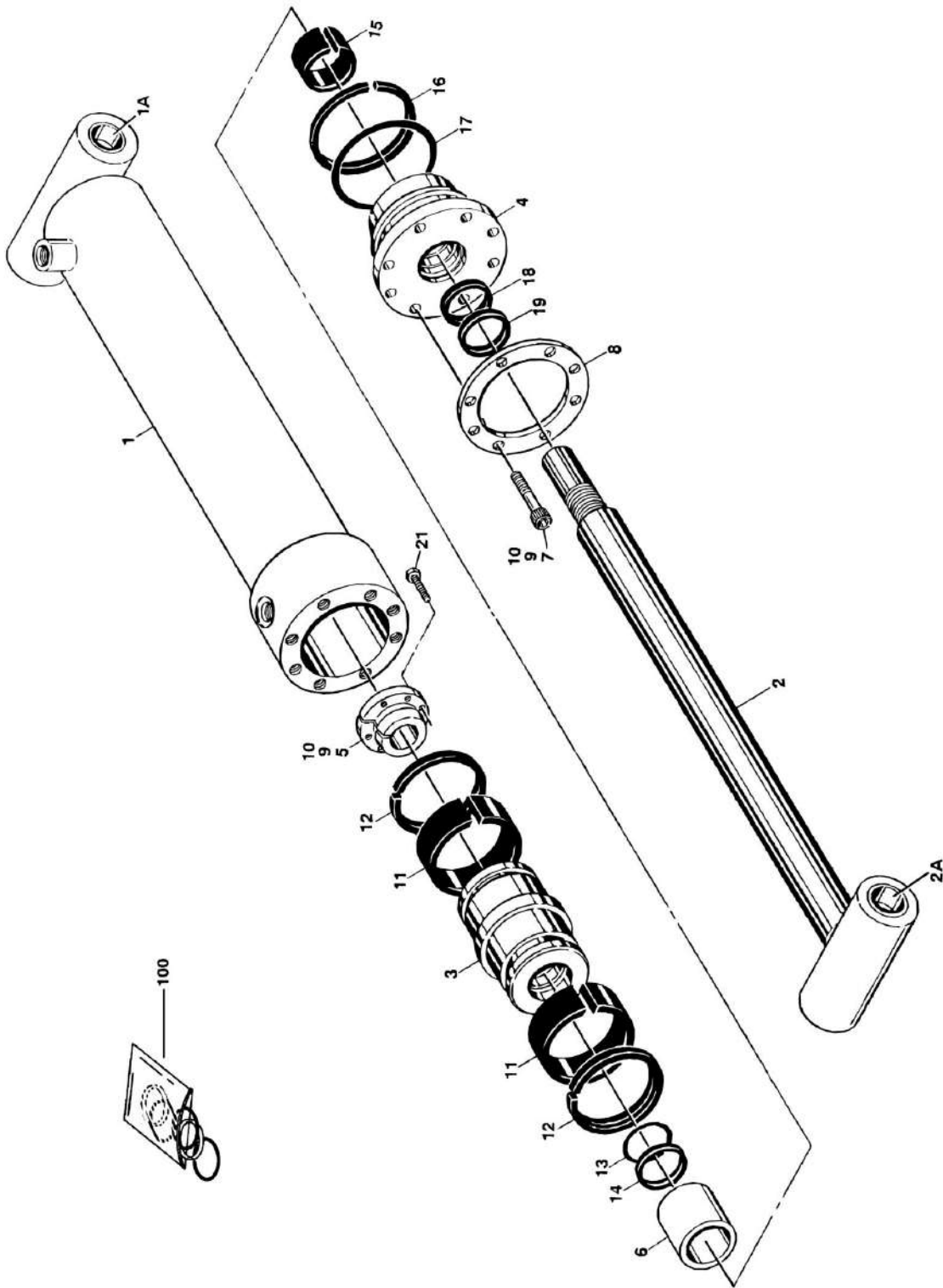
## SECTION 5 - CYLINDER

### FIGURE 5-4. LIFT (BOOM) CYLINDER ASSEMBLY

ITEM	PART NUMBER	QTY	DESCRIPTION	REV
	1683666	Ref	<b>LIFT CYLINDER ASSEMBLY</b>	F
1		Ref	Barrel Weldment Options:	
1	1683276	1	Barrel Weldment <b>(Prior to SN 53552)</b>	
1	1683955	1	Barrel Weldment <b>(SN 53552 to Present)</b>	
1A	0961950	2	Bushing, Garmax	
2		Ref	Rod Weldment Options:	
2	1683278	1	Rod Weldment <b>(Prior to SN 53552)</b>	
2	1683954	1	Rod Weldment <b>(SN 53552 to Present)</b>	
2A	0961950	2	Bushing, Garmax	
3	1683067	1	Head	
4	3480206	1	Piston	
5	0961898	1	Bushing, Tapered (Use item #24 in place of supplied bolts)	
6	4566501	1	Spacer, Tube	
7	4640509	1	Cartridge, Valve (Counterbalance Non-Vented)	
7	2900792	1	Seal Kit - 4640509 Valve	
8	2220239	1	Plug, O-Ring	
9	3932032	8	Bolt, Socket Head 5/16in-11NC x 2in	
10	2220883	2	Plug, O-Ring	
11	Item 100	2	Ring, Lock	
12	Item 100	2	Seal, Hydrolock	
13	Item 100	1	O-Ring	
14	Item 100	2	Ring, Back-up	
15	Item 100	1	Ring, Wear	
16	Item 100	1	O-Ring	
17	Item 100	1	Ring, Back-up	
18	Item 100	1	Seal, Rod	
19	Item 100	1	Wiper	
20	0100011	AR	Loctite #242	
21	0100038	AR	Primer, Locking	
22	3760372	1	Washer, Ring	
24		Ref	Bolt Options:	
24	0641612	3	Bolt 3/8in-16NC x 1 1/2in <b>(Prior to SN 44757)</b>	
24	0630536	3	Screw, Socket Head 3/8in-16NC x 1 1/2in <b>(SN 44757 to Present)</b>	
25	2220235	1	Plug, O-Ring	
26	0100063	AR	Loctite RC609 (Not Shown) <b>(Prior to SN 90183)</b>	
100	2901285	1	Seal Kit (Includes Items 11-19)	

# SECTION 5 - CYLINDER

## FIGURE 5-5. MASTER CYLINDER ASSEMBLY





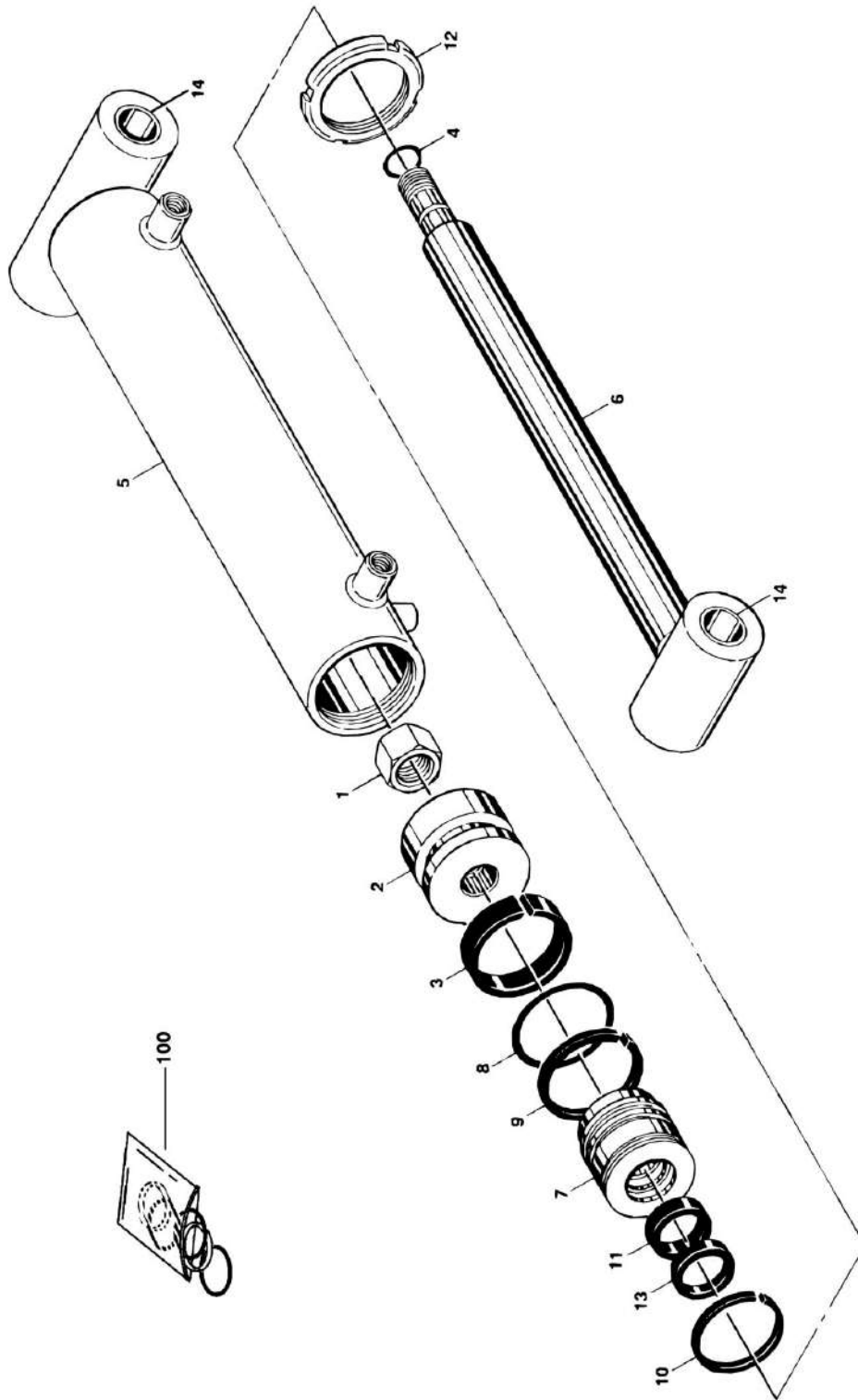
## SECTION 5 - CYLINDER

### FIGURE 5-5. MASTER CYLINDER ASSEMBLY

ITEM	PART NUMBER	QTY	DESCRIPTION	REV
		Ref	<b>MASTER CYLINDER ASSEMBLY</b>	
	1683266	Ref	<b>Master Cylinder Assembly (Prior to SN 96979)</b>	E
	1684414	Ref	<b>Master Cylinder Assembly (SN 96979 to Present)</b>	C
1		Ref	Barrel Weldment Options:	
1	1683267	1	Barrel Weldment <b>(Prior to SN 53541)</b>	
1	1683972	1	Barrel Weldment <b>(SN 53541 to Present)</b>	
1A	0961947	2	Bushing, Garmax	
2		Ref	Rod Weldment Options:	
2	1683269	1	Rod Weldment <b>(Prior to SN 53541)</b>	
2	1683973	1	Rod Weldment <b>(SN 53541 through 98598)</b>	
2	3850020	1	Rod Weldment <b>(SN 98599 to Present)</b>	
2A	0961947	2	Bushing, Garmax	
3	3480210	1	Piston	
4	1683053	1	Head	
5	0961893	1	Bushing, Tapered	
6	4566468	1	Spacer, Tube	
7	3931516	8	Bolt, Socket Head 5/16in-18NC x 1in	
8	3760368	1	Washer, Ring	
9	0100011	AR	Loctite #242	
10	0100038	AR	Primer, Locking	
11	Item 100	2	Seal	
12	Item 100	2	Ring, Lock	
13	Item 100	1	O-Ring	
14	Item 100	1	Ring, Back-up	
15	Item 100	1	Ring, Wear	
16	Item 100	1	O-Ring	
17	Item 100	1	Ring, Back-up	
18	Item 100	1	Seal, Rod	
19	Item 100	1	Wiper	
21	0630534	3	Screw, Socket Head (Grip) #10-24NC x 1in <b>(SN 44757 to Present)</b>	
100	2901303	1	Seal Kit (Includes Items 11-19)	

# SECTION 5 - CYLINDER

FIGURE 5-6. STEER CYLINDER ASSEMBLY (ORIGINAL EQUIPMENT) (Prior to SN 85132)



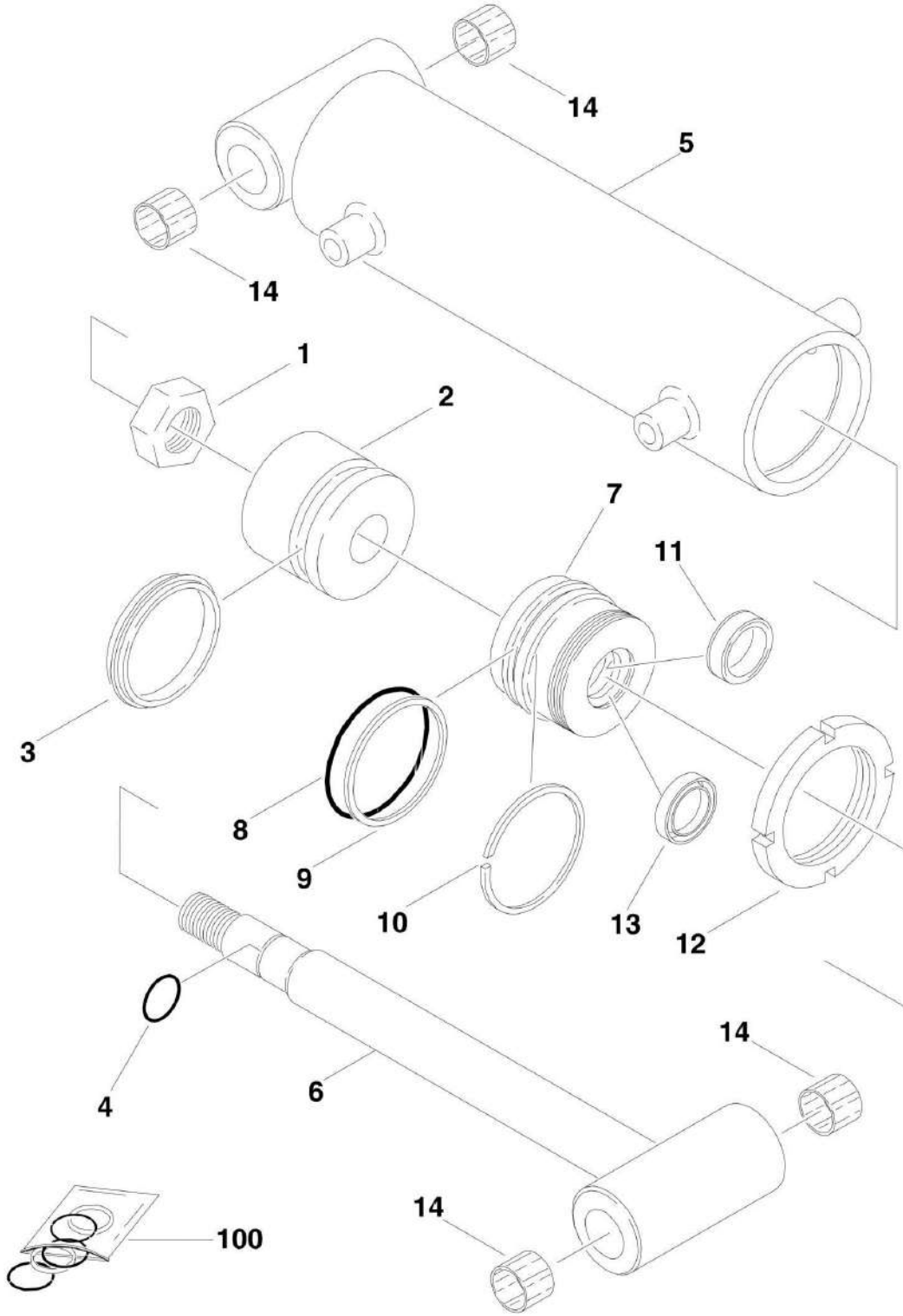
## SECTION 5 - CYLINDER

**FIGURE 5-6. STEER CYLINDER ASSEMBLY (ORIGINAL EQUIPMENT) (Prior to SN 85132)**

ITEM	PART NUMBER	QTY	DESCRIPTION	REV
	1683616	Ref	<b>STEER CYLINDER ASSEMBLY</b>	B
1	7017210	1	Locknut	
2	7017211	1	Piston	
3	Item 100	1	Seal	
4	Item 100	1	O-Ring	
5	7017228	1	Barrel Weldment	
6	7017229	1	Rod Weldment	
7	7017213	1	Head	
8	Item 100	1	O-Ring	
9	Item 100	1	Ring, Back-up	
10	Item 100	1	Ring, Retainer	
11	Item 100	1	Seal	
12	7017214	1	Nut, Spanner	
13	Item 100	1	Wiper	
14	0961977	4	Bushings	
100	7017215	1	Seal Kit (Includes Items 3, 4, 8-11 & 13)	

# SECTION 5 - CYLINDER

FIGURE 5-7. STEER CYLINDER ASSEMBLY (ORIGINAL EQUIPMENT) (SN 85132 to Present)



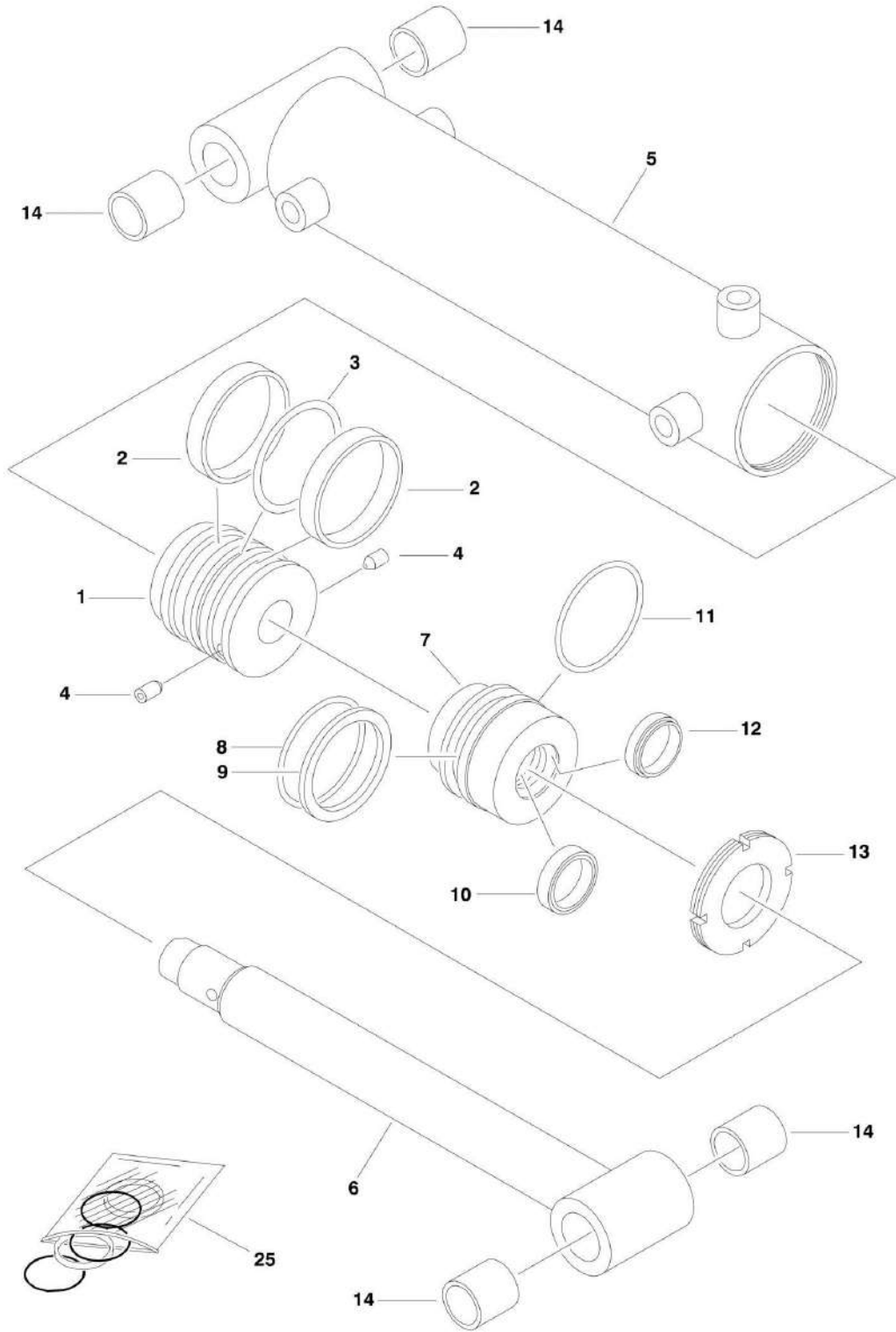
## SECTION 5 - CYLINDER

**FIGURE 5-7. STEER CYLINDER ASSEMBLY (ORIGINAL EQUIPMENT) (SN 85132 to Present)**

ITEM	PART NUMBER	QTY	DESCRIPTION	REV
	1683208	Ref	<b>STEER CYLINDER ASSEMBLY</b>	C
1	7001626	1	Locknut	
2	7001627	1	Piston	
3	Item 100	1	Seal	
4	Item 100	1	O-Ring	
5	Not Serviced	1	Barrel Weldment	
6	7001633	1	Rod Weldment	
7	7001629	1	Head	
8	Item 100	1	O-Ring	
9	Item 100	1	Ring, Back-up	
10	Item 100	1	Ring, Retainer	
11	Item 100	1	Seal, Lip	
12	7001630	1	Nut, Spanner	
13	Item 100	1	Wiper	
14	0961977	4	Bushings	
100	7001625	1	Seal Kit - 1683208 (Includes Items 3, 4, 8-11 & 13)	

# SECTION 5 - CYLINDER

FIGURE 5-8. STEER CYLINDER ASSEMBLY (SERVICE REPLACEMENT)



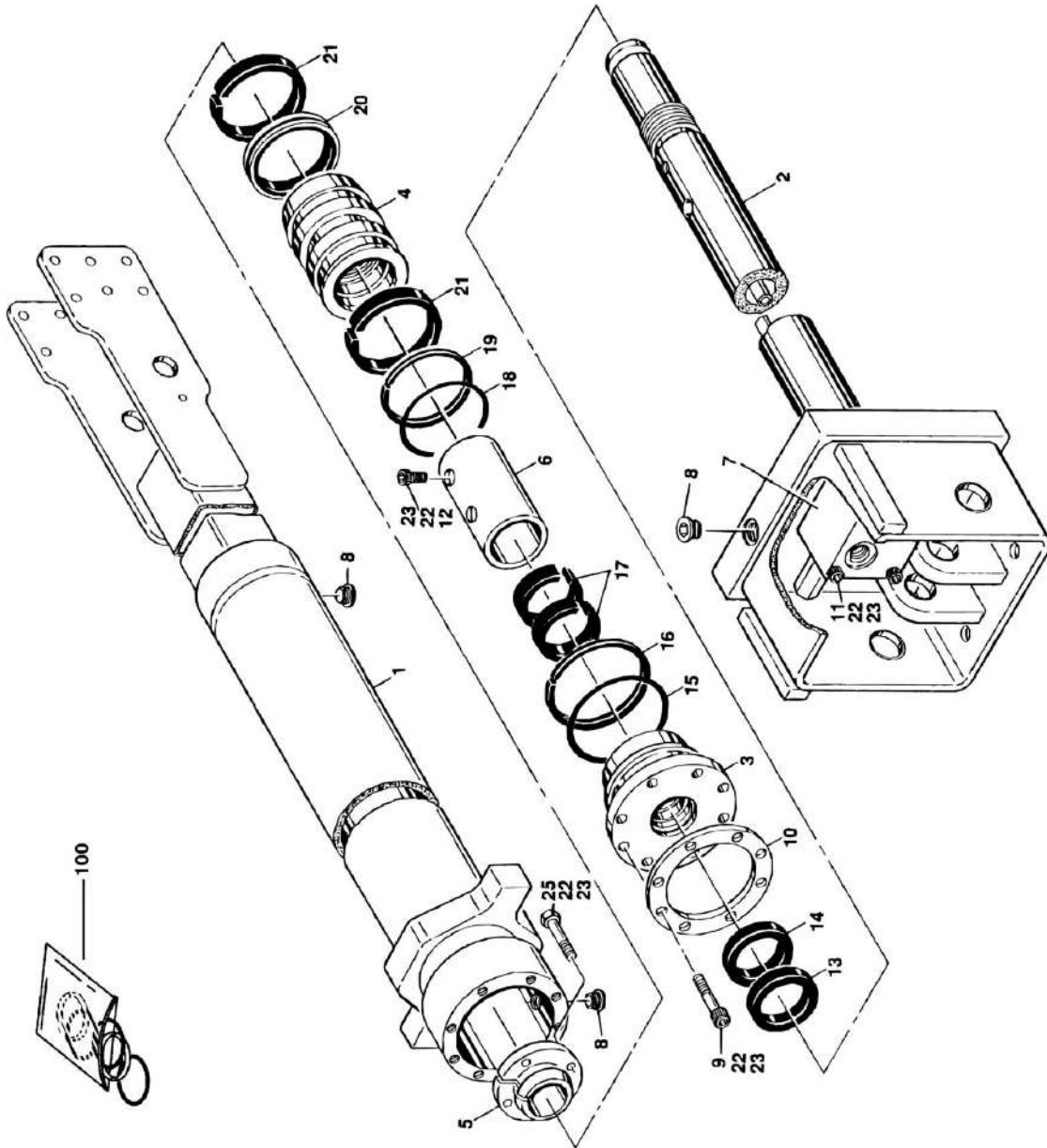
## SECTION 5 - CYLINDER

**FIGURE 5-8. STEER CYLINDER ASSEMBLY (SERVICE REPLACEMENT)**

ITEM	PART NUMBER	QTY	DESCRIPTION	REV
	1001097242	Ref	<b>STEER CYLINDER ASSEMBLY</b>	C
1	70002752	1	Piston	
1	0100011	AR	Compound, Locking	
1	0100038	AR	Primer, Locking	
2	70002757	2	Seal	
3	70002757	1	O-Ring	
4	70002745	2	Setscrew	
5	70002753	1	Barrel	
6	70002754	1	Rod	
7	70002755	1	Head	
8	70002757	1	O-Ring	
9	70002757	1	Ring, Back-Up	
10	70002757	1	Seal	
11	70002757	1	O-Ring	
12	70002757	1	Wiper	
13	70002756	1	Nut, Spanner	
13	0100011	AR	Compound, Locking	
13	0100038	AR	Primer, Locking	
14	0962356	4	Bushing	
25	70002757	1	Seal Kit (Includes Items 2, 3 & 8-12)	

# SECTION 5 - CYLINDER

## FIGURE 5-9. TELESCOPE CYLINDER ASSEMBLY





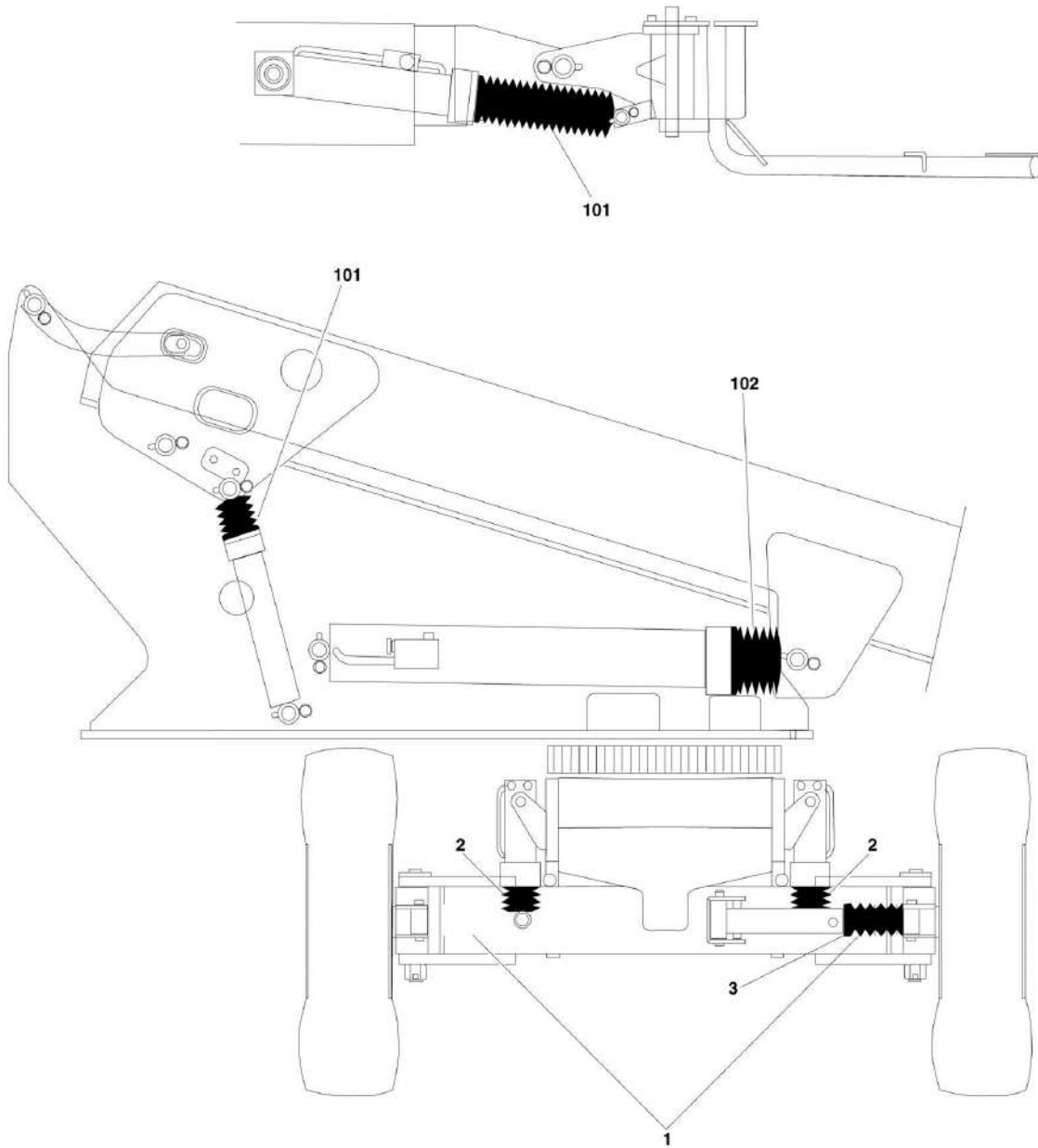
## SECTION 5 - CYLINDER

**FIGURE 5-9. TELESCOPE CYLINDER ASSEMBLY**

ITEM	PART NUMBER	QTY	DESCRIPTION	REV
	1683618	Ref	<b>TELESCOPE CYLINDER ASSEMBLY</b>	3
1	1683619	1	Barrel	
2	1683250	1	Rod	
3	1683057	1	Head	
4	3480205	1	Piston	
5	0961897	1	Bushing, Tapered	
6	4566644	1	Spacer, Tube	
7	4641028	1	Valve Block Assembly	
8	2220885	6	Plug, O-Ring	
9	3931620	8	Capscrew 3/8in-16NC x 1 1/4in	
10	3760369	1	Washer, Ring	
11	3931448	4	Capscrew 1/4in-20NC x 3in	
12	3931508	1	Capscrew 5/16in-18NC x 1/2in	
13	Item 100	1	Wiper	
14	Item 100	1	Seal, Rod	
15	Item 100	1	O-Ring	
16	Item 100	1	Ring, Back-up	
17	Item 100	2	Ring, Wear	
18	Item 100	1	O-Ring	
19	Item 100	2	Ring, Back-up	
20	Item 100	1	T-Seal	
21	Item 100	2	Ring, Wear	
22	0100011	AR	Loctite #242	
23	0100038	AR	Primer, Locking	
25	0630535	3	Bolt 1/4in-20NC x 1 1/8in	
100	2901284	1	Seal Kit (Includes Items 13-21)	

# SECTION 5 - CYLINDER

## FIGURE 5-10. CYLINDER BELLOWS INSTALLATIONS



## SECTION 5 - CYLINDER

### FIGURE 5-10. CYLINDER BELLOWS INSTALLATIONS

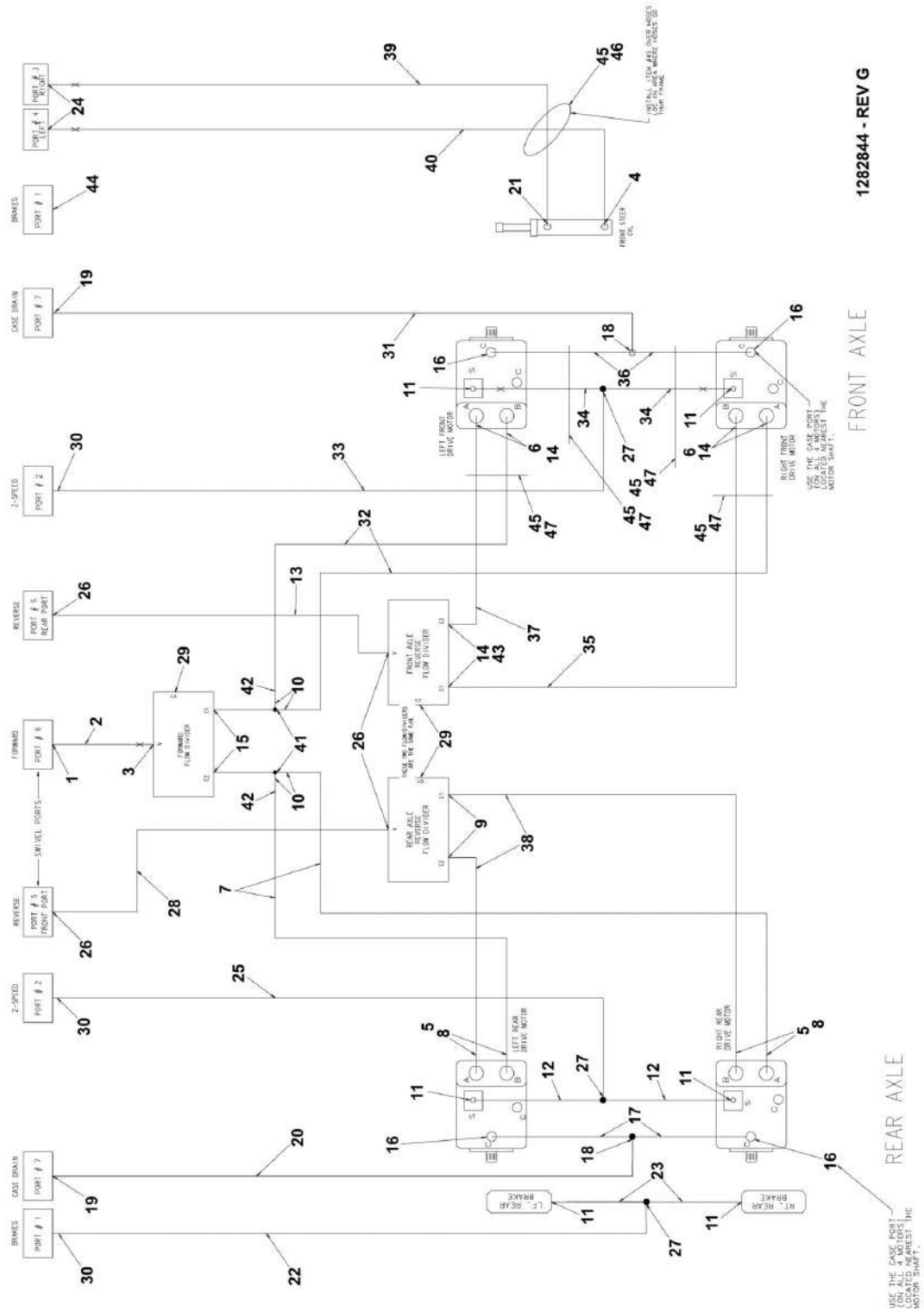
ITEM	PART NUMBER	QTY	DESCRIPTION	REV
		Ref	<b>BELLOWS INSTALLATION - FRAME OPTIONS:</b>	
	0258790	Ref	<b>Oscillating Axle (Prior to SN 85132)</b>	3
	0255354	Ref	<b>Oscillating Axle (SN 85132 to Present)</b>	
	0259429	Ref	<b>Fixed Axle (SN 43200 to Present)</b>	1
1		Ref	Bellows, Cylinder (Steer Cylinder)	
1	0460075	1	Bellows, Cylinder (Steer Cylinder) <b>(Prior to SN 85132)</b>	
1	0460150	1	Bellows, Cylinder (Steer Cylinder) <b>(SN 85132 to Present)</b>	
2		Ref	Bellows, Cylinder (Lockout Cylinder) Options:	
2	0460159	2	Oscillating Axle <b>(Prior to SN 85132)</b>	
2	0460150	2	Oscillating Axle <b>(SN 85132 to Present)</b>	
2	Not Required	2	Fixed Axle	
3	1320058	2	Clamp <b>(SN 42670 to Present)</b>	
	0255929	Ref	<b>BELLOWS INSTALLATION - TURNTABLE</b>	
101	0460152	2	Bellows, Cylinder (Master Cylinder)	
102	0460153	1	Bellows, Cylinder (Lift Cylinder)	



**SECTION 6 - HYDRAULIC**

# SECTION 6 - HYDRAULIC

## FIGURE 6-1. HYDRAULIC DIAGRAM - DRIVE AND STEER (Prior to SN 85132)



1282844 - REV G

FRONT AXLE

REAR AXLE

## SECTION 6 - HYDRAULIC

**FIGURE 6-1. HYDRAULIC DIAGRAM - DRIVE AND STEER (Prior to SN 85132)**

ITEM	PART NUMBER	QTY	DESCRIPTION	REV
		Ref	<b>HYDRAULIC DIAGRAMS - DRIVE AND STEER</b>	
	2792336	Ref	<b>HYDRAULIC DIAGRAMS - MODEL 601S</b>	3
	2792388	Ref	<b>HYDRAULIC DIAGRAMS - MODEL 601S WITH A "ENHANCED HOSTILE ENVIRONMENT PACKAGE"</b>	1
1	2220646	1	Fitting, 90	
2	2752322	1	Hose	
3	2220377	1	Fitting, Straight	
4	2220501	1	Fitting, 45	
5	2220622	4	Fitting, Reducer	
6	2220500	4	Fitting, 45	
7	2752398	2	Hose	
8	2220465	4	Fitting, 90	
9	2220800	2	Fitting, Straight	
10	2220622	4	Fitting, Reducer	
11	2220466	6	Fitting, 90	
12	2751013	2	Hose	
13	2752256	1	Hose	
14	2220833	6	Fitting, Reducer	
15	2220550	2	Fitting, Reducer	
16	2220671	4	Fitting, 90	
17	2752807	2	Hose	
18	2220362	2	Fitting, Tee	
19	2220375	2	Fitting, Straight	
20	2752812	1	Hose	
21	2220473	1	Fitting, 90	
22	2752584	1	Hose	
23	2752592	2	Hose	
24	2220371	2	Fitting, Straight	
25	2751016	1	Hose	
26	2220435	4	Fitting, Straight	
27	2220504	3	Fitting, Tee	
28	2752249	1	Hose	
29	2220235	3	Fitting, Plug	
30	2220582	3	Fitting, Straight	
31	2752810	1	Hose	
32	2752889	2	Hose	
33	2751021	1	Hose	
34	2752918	2	Hose	
35	2752888	1	Hose	
36	2752901	2	Hose	
37	2752893	1	Hose	
38	2752389	2	Hose	
39	2751114	1	Hose	
40	2750909	1	Hose	
41	2220738	2	Fitting, Tee	
42	2220386	2	Fitting, 90	
43	2220596	2	Fitting, 90	
44	2220237	1	Fitting, Plug	
45	4100026	1 ft/0.3m	Sleeve, Nylon	
46	4240033	2	Strap, Tie	

## SECTION 6 - HYDRAULIC

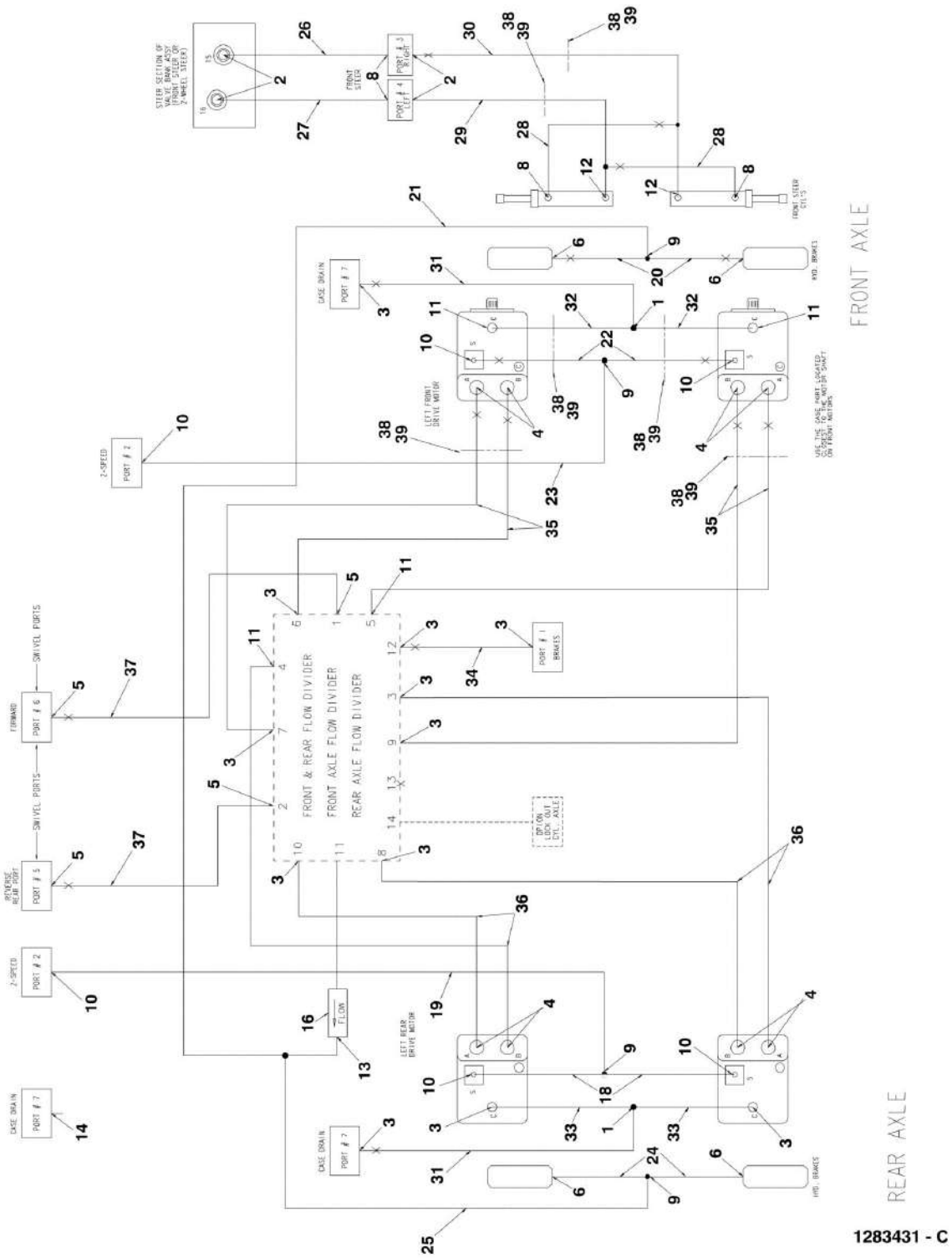
ITEM	PART NUMBER	QTY	DESCRIPTION	REV
47	4240018	12	Strap, Tie (Model - 601S With A "Enhanced Hostile Environment Package" Machines Only)	





# SECTION 6 - HYDRAULIC

## FIGURE 6-2. HYDRAULIC DIAGRAM - DRIVE AND STEER (SN 85132 to Present)



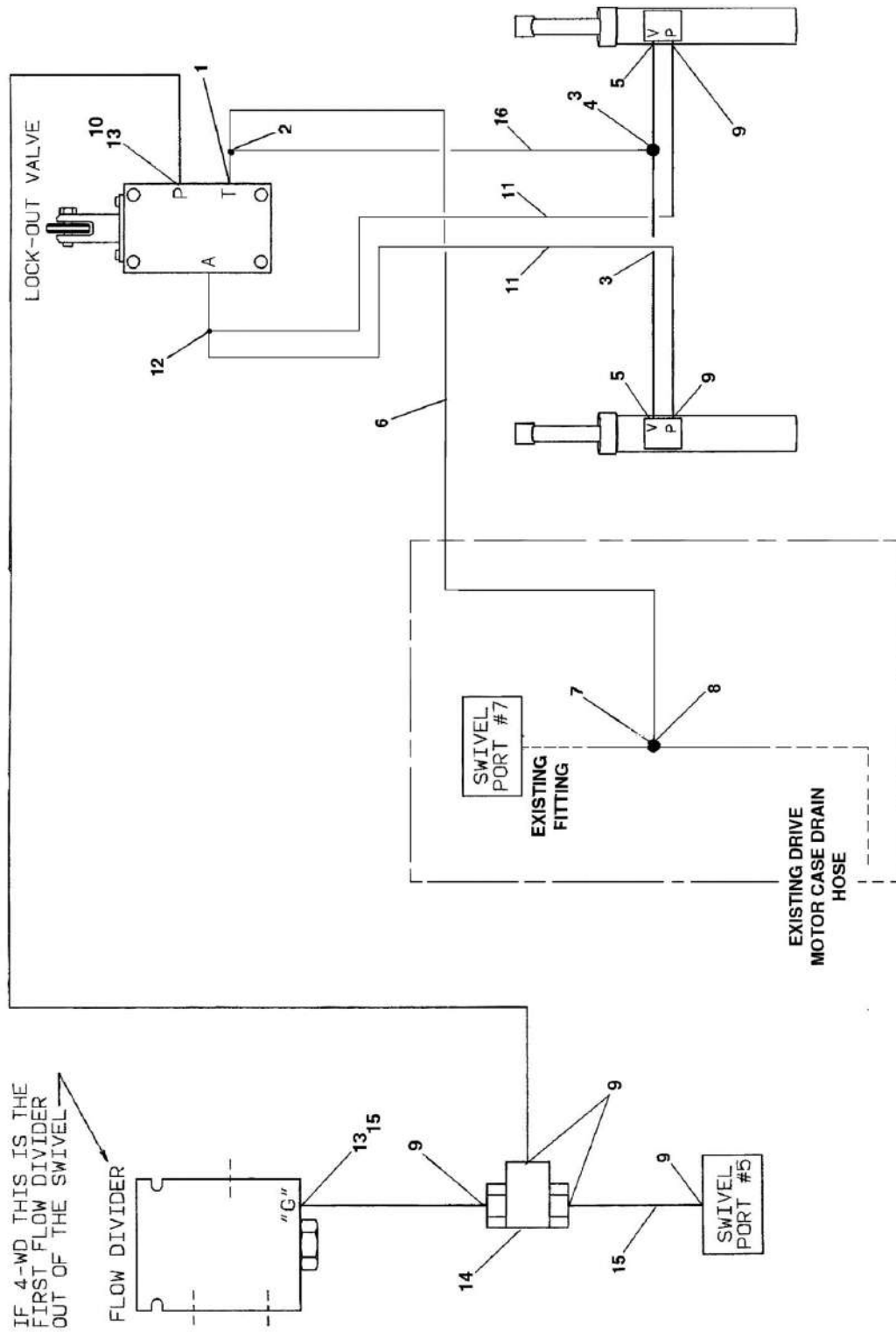
## SECTION 6 - HYDRAULIC

**FIGURE 6-2. HYDRAULIC DIAGRAM - DRIVE AND STEER (SN 85132 to Present)**

ITEM	PART NUMBER	QTY	DESCRIPTION	REV
		Ref	<b>HYDRAULIC DIAGRAMS - DRIVE AND STEER</b>	
	2792695	Ref	<b>HYDRAULIC DIAGRAMS - MODEL 601S</b>	2
	2792696	Ref	<b>HYDRAULIC DIAGRAMS - MODEL 601S WITH A "ENHANCED HOSTILE ENVIRONMENT PACKAGE"</b>	2
1	2220362	2	Fitting, Tee	
2	2220371	4	Fitting, Straight	
3	2220373	12	Fitting, Straight	
4	2220375	8	Fitting, Straight	
5	2220377	4	Fitting, Straight	
6	2220415	4	Fitting, Straight	
8	2220473	4	Fitting, 90	
9	2220504	4	Fitting, Tee	
10	2220582	6	Fitting, Straight	
11	2220596	4	Fitting, 90	
12	2220606	2	Fitting, Tee	
13	2220861	1	Fitting, Tee	
14	2220237	1	Fitting, Plug	
16	4641284	1	Valve, Check	
18	2753925	2	Hose	
19	2753924	1	Hose	
20	2753926	2	Hose	
21	2752909	1	Hose	
22	2752574	2	Hose	
23	2752977	1	Hose	
24	2752592	2	Hose	
25	2752910	1	Hose	
26	2752478	1	Hose	
27	2752632	1	Hose	
28	2753397	2	Hose	
29	2752475	1	Hose	
30	2752611	1	Hose	
31	2752928	2	Hose	
32	2753928	2	Hose	
33	2753929	2	Hose	
34	2752929	1	Hose	
35	2753931	4	Hose	
36	2753930	4	Hose	
37	2752331	2	Hose	
38	4100026	14 ft/4.3m	Sleeve, Nylon (Model - 601S With A "Enhanced Hostile Environment Package" Machines Only)	
39	4240018	12	Strap, Tie (Model - 601S With A "Enhanced Hostile Environment Package" Machines Only)	

# SECTION 6 - HYDRAULIC

FIGURE 6-3. HYDRAULIC DIAGRAM - OSCILLATING AXLE (Prior to SN 85132)



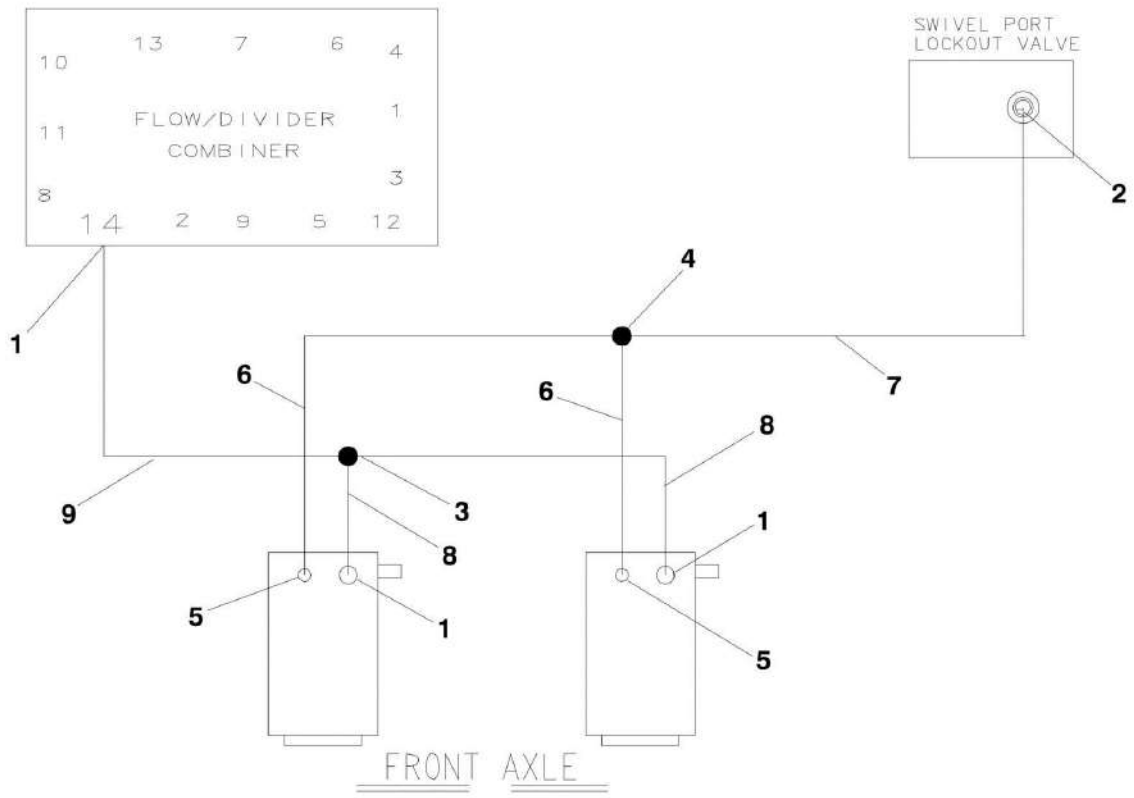
## SECTION 6 - HYDRAULIC

**FIGURE 6-3. HYDRAULIC DIAGRAM - OSCILLATING AXLE (Prior to SN 85132)**

ITEM	PART NUMBER	QTY	DESCRIPTION	REV
		Ref	<b>HYDRAULIC DIAGRAMS - OSCILLATING AXLE</b>	
	2792360	Ref	<b>HYDRAULIC DIAGRAM - MODEL 601S</b>	1-B
	2792389	Ref	<b>HYDRAULIC DIAGRAM - MODEL 601S WITH A "ENHANCED HOSTILE ENVIRONMENT PACKAGE"</b>	1-B
1	2220603	1	Fitting, Straight	
2	2220365	1	Fitting, Tee	
3	2752474	2	Hose	
4	2220490	1	Fitting, Tee	
5	2220371	2	Fitting, Straight	
6	2752823	1	Hose	
7	2220385	1	Fitting, Tee	
8	2220619	1	Fitting, Reducer	
9	2220582	6	Fitting, Straight	
10	2751397	1	Hose	
11	2752920	2	Hose	
12	2220711	1	Fitting, Tee	
13	2220415	2	Fitting, Straight	
14	4640939	1	Valve, Shuttle	
15	2751020	2	Hose	
16	2752822	1	Hose	
17	4100026	2.66 ft	Sleeve, Nylon (Model 601S With A "Enhanced Hostile Environment Package" Machines Only) (Not Shown)	
18	4240018	4	Strap, Tie (Model 601S With A "Enhanced Hostile Environment Package" Machines Only) (Not Shown)	

# SECTION 6 - HYDRAULIC

FIGURE 6-4. HYDRAULIC DIAGRAM - OSCILLATING AXLE (SN 85132 to Present)



## SECTION 6 - HYDRAULIC

**FIGURE 6-4. HYDRAULIC DIAGRAM - OSCILLATING AXLE (SN 85132 to Present)**

ITEM	PART NUMBER	QTY	DESCRIPTION	REV
	2792612	Ref	<b>DRIVE HYDRAULIC DIAGRAM - OSCILLATING AXLE</b>	1
1	2220371	3	Fitting, Straight	
2	2220468	1	Fitting, Straight	
3	2220490	1	Fitting, Tee	
4	2220504	1	Fitting, Tee	
5	2220415	2	Fitting, Straight	
6	2751434	2	Hose	
7	2751410	1	Hose	
8	2753933	2	Hose	
9	2752462	1	Hose	





## SECTION 6 - HYDRAULIC

**FIGURE 6-5. HYDRAULIC DIAGRAM - W/HYDRAULIC WELDER (OPTIONAL)**

ITEM	PART NUMBER	QTY	DESCRIPTION	REV
	2792537	Ref	<b>HYDRAULIC DIAGRAMS - W/WELDER</b>	3
1	2220377	2	Fitting, Straight	
2	2752752	1	Hose	
3	2220380	3	Fitting, Straight	
4	2220377	2	Fitting, Straight	
5	2220578	5	Fitting, 90	
6	2752653	1	Hose	
7	2220408	1	Fitting, Straight	
8	2220628	3	Fitting, 90	
9	2220371	5	Fitting, Straight	
10	2752981	1	Hose	
11	2752478	1	Hose	
12	2220409	1	Fitting, 45	
13	2220810	1	Fitting, Reducer	
14	4640744	1	Valve, Check	
15	2752515	2	Hose	
16	2752654	1	Hose	
17	2220582	5	Fitting, Straight	
18	2751427	2	Hose	
19	2220415	9	Fitting, Straight	
20	2220605	1	Fitting, Tee	
21	2752573	1	Hose	
22	2752594	1	Hose	
23	2220646	2	Fitting, 90	
24	2752340	2	Hose	
25	2220235	1	Fitting, Plug	
26	2220375	2	Fitting, Straight	
27	2220385	1	Fitting, Tee	
28	2752514	1	Hose	
29	2752591	2	Hose	
30	2752783	1	Hose	
31	2220921	1	Fitting, Reducer	
32	2220594	1	Fitting	
33	2220372	2	Fitting, Straight	
34	2752631	1	Hose	
35	2752632	2	Hose	
36	2220373	7	Fitting, Straight	
37	2752515	1	Hose	
38	2752643	1	Hose	
39	2220466	5	Fitting, 90	
40	2752633	2	Hose	
41	2220472	4	Fitting, 90	
42	2220947	2	Fitting, Straight	
43	2752762	1	Hose	
44	2220873	4	Fitting, Straight	
45	2220428	4	Coupling	
46	2220429	4	Cover, Dust	
47	2220618	1	Fitting, Reducer	
48	2752763	2	Hose	
49	2220906	2	Fitting, 90	

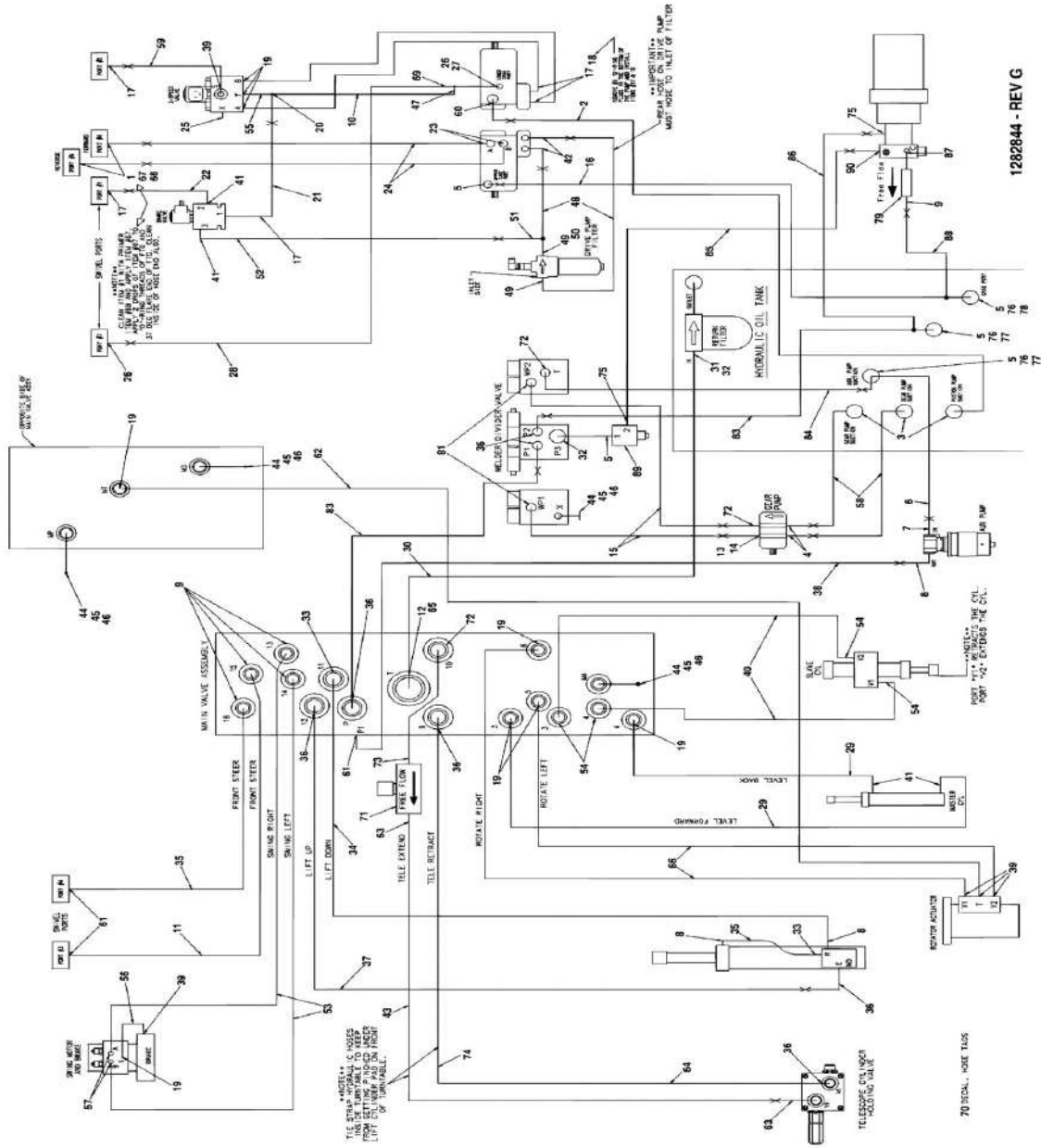
## SECTION 6 - HYDRAULIC

ITEM	PART NUMBER	QTY	DESCRIPTION	REV
50	2220948	1	Fitting, Tee	
51	2220949	1	Fitting, Reducer	
52	2752580	1	Hose	
53	2752463	2	Hose	
54	2220603	4	Fitting, Straight	
55	2220909	1	Fitting, Restrictor	
56	2752444	2	Hose	
57	2220497	2	Fitting, Straight	
58	2752753	2	Hose	
59	2751396	1	Hose	
60	2220479	1	Fitting, Straight	
61	2220473	3	Fitting, 90	
62	2752599	1	Hose	
63	2220950	2	Fitting, 45	
64	2752517	1	Hose	
65	2220974	1	Fitting, Straight	
66	2752598	2	Hose	
67	0100011	AR	Loctite #242	
68	0100038	AR	Loctite Primer	
69	2220386	1	Fitting, 90	
70	1703533	2	Decal	
71	4640757	1	Valve	
72	2220374	3	Fitting, Straight	
73	2220651	1	Fitting, Straight	
74	4240018	7	Tie Strap	
75	2220451	2	Fitting	
76	2220700	3	Fitting, Tee	
77	2220622	2	Fitting, Reducer	
78	2220621	1	Fitting, Reducer	
79	4640774	1	Valve, Check	
81	2220596	2	Fitting, Straight	
83	2752513	2	Hose	
84	2751467	1	Hose	
85	2751353	1	Hose	
86	2751324	1	Hose	
87	2220895	1	Fitting, Straight	
88	2752627	1	Hose	
89	4641215	1	Valve, Needle	
90	2220498	1	Fitting	



# SECTION 6 - HYDRAULIC

## FIGURE 6-6. HYDRAULIC DIAGRAM - STANDARD (Prior to SN 85132)



1282844 - REV G

## SECTION 6 - HYDRAULIC

**FIGURE 6-6. HYDRAULIC DIAGRAM - STANDARD (Prior to SN 85132)**

ITEM	PART NUMBER	QTY	DESCRIPTION	REV
	2792335	Ref	<b>DRIVE HYDRAULIC DIAGRAM - STANDARD</b>	2
1	2220377	2	Fitting, Straight	
2	2752752	1	Hose	
3	2220380	2	Fitting, Straight	
4	2220376	1	Fitting, Straight	
5	2220578	3	Fitting, 90	
6	2752653	1	Hose	
7	2220408	1	Fitting, Straight	
8	2220628	3	Fitting, 90	
9	2220371	4	Fitting, 90	
10	2752981	1	Hose	
11	2752478	1	Hose	
12	2220409	1	Fitting, 45	
13	2220810	1	Fitting, Reducer	
14	4640744	1	Valve, Check	
15	2752504	1	Hose	
16	2752654	1	Hose	
17	2220582	5	Fitting, Straight	
18	2751427	2	Hose	
19	2220415	9	Fitting, Straight	
20	2220605	1	Fitting, Tee	
21	2752573	1	Hose	
22	2752594	1	Hose	
23	2220646	2	Fitting, 90	
24	2752340	2	Hose	
25	2220235	1	Fitting, Plug	
26	2220375	2	Fitting, Straight	
27	2220385	1	Fitting, Tee	
28	2752514	1	Hose	
29	2752591	2	Hose	
30	2752783	1	Hose	
31	2220921	1	Fitting, Reducer	
32	2220498	1	Fitting, 45	
33	2220372	2	Fitting, Straight	
34	2752631	1	Hose	
35	2752632	2	Hose	
36	2220373	5	Fitting, Straight	
37	2752515	1	Hose	
38	2752643	1	Hose	
39	2220466	5	Fitting, 90	
40	2752633	2	Hose	
41	2220472	4	Fitting, 90	
42	2220947	2	Fitting, Straight	
43	2752762	1	Hose	
44	2220873	3	Fitting, Nipple	
45	2220428	3	Fitting, Quick Coupling	
46	2220429	3	Cap, Dust	
47	2220618	1	Fitting, Reducer	
48	2752763	2	Hose	
49	2220906	2	Fitting, 90	

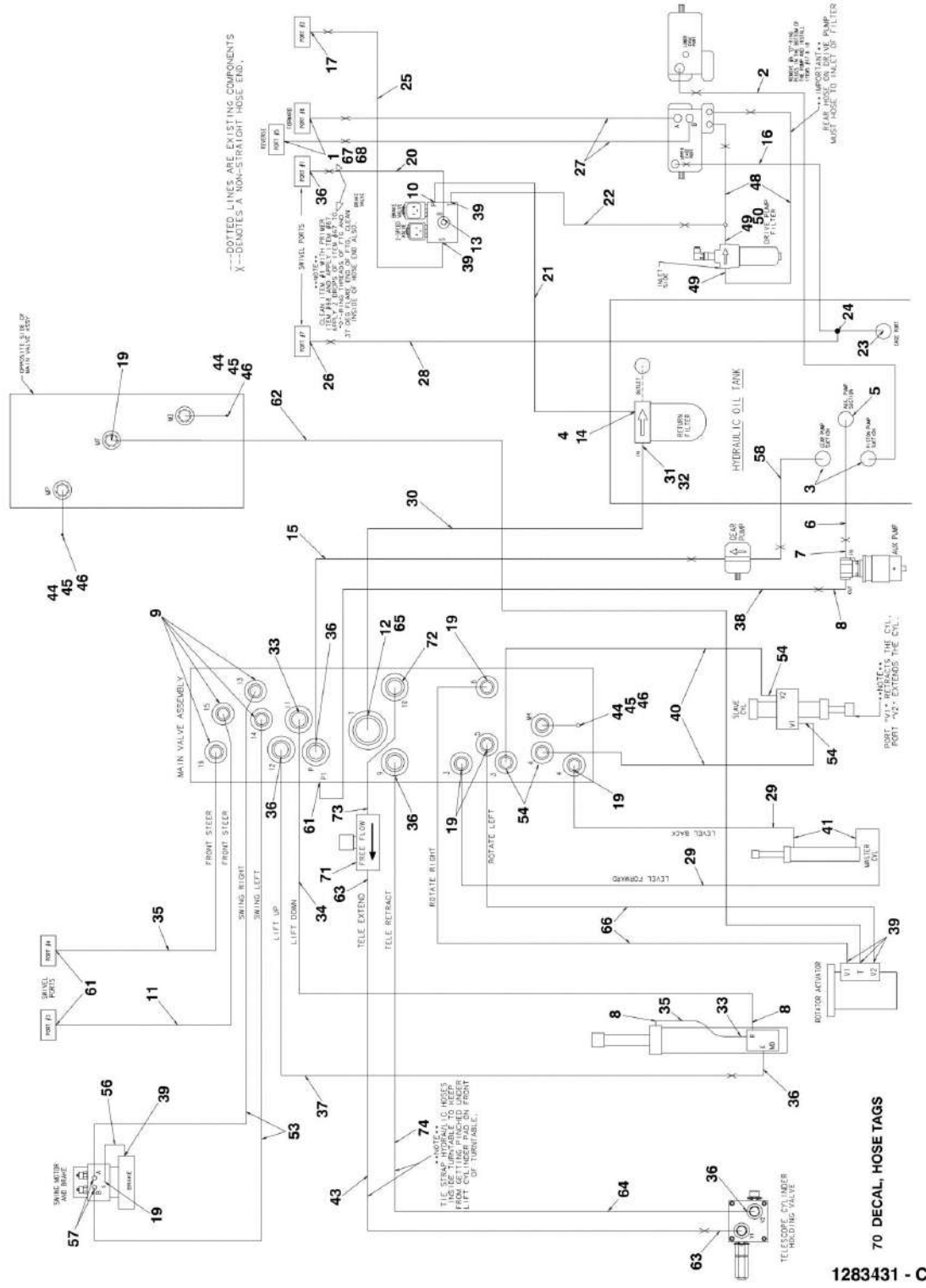
## SECTION 6 - HYDRAULIC

ITEM	PART NUMBER	QTY	DESCRIPTION	REV
50	2220948	1	Fitting, Tee	
51	2220949	1	Fitting, Reducer	
52	2752580	1	Hose	
53	2752463	2	Hose	
54	2220603	4	Fitting, Reducer	
55	2220909	1	Fitting, Restrictor	
56	2752444	1	Hose	
57	2220497	2	Fitting, Straight	
58	2752753	1	Hose, Suction	
59	2751396	1	Hose	
60	2220479	1	Fitting, Straight	
61	2220473	3	Fitting, 90	
62	2752599	1	Hose	
63	2220950	2	Fitting, 45	
64	2752517	1	Hose	
65	2220974	1	Fitting, Long Straight	
66	2752598	2	Hose	
67	0100011	AR	Loctite #242 (Not Shown)	
68	0100038	AR	Loctite, Primer	
69	2220386	1	Fitting, 90	
70	1703533	2	Decal, Hose Tags (Not Shown)	
71	4640757	1	Valve	
72	2220374	1	Fitting, Straight	
73	2220651	1	Fitting, Straight	
74	4240018	7	Strap, Tie	



# SECTION 6 - HYDRAULIC

## FIGURE 6-7. HYDRAULIC DIAGRAM - STANDARD (SN 85132 to Present)





## SECTION 6 - HYDRAULIC

**FIGURE 6-7. HYDRAULIC DIAGRAM - STANDARD (SN 85132 to Present)**

ITEM	PART NUMBER	QTY	DESCRIPTION	REV
		Ref	<b>DRIVE HYDRAULIC DIAGRAM - STANDARD</b>	
	2792694	Ref	<b>Drive Hydraulic Diagram - Standard (Prior to SN 93294)</b>	3
	2792728	Ref	<b>Drive Hydraulic Diagram - Standard (SN 93294 to Present)</b>	1
1	2220377	2	Fitting, Straight	
2	2752752	1	Hose	
3	2220380	2	Fitting, Straight	
4	0100020	AR	Sealant, Pipe	
5	2220578	1	Fitting, 90	
6	2752653	1	Hose	
7	2220408	1	Fitting, Straight	
8	2220628	3	Fitting, 90	
9	2220371	4	Fitting, 90	
10	2220474	1	Fitting, 90	
11	2752478	1	Hose	
12	2220409	1	Fitting, 45	
13	2220596	1	Fitting, 90	
14	2220574	1	Fitting, 90	
15	2752504	1	Hose	
16	2752654	1	Hose	
17	2220582	1	Fitting, Straight	
19	2220415	6	Fitting, Straight	
20	2752502	1	Hose	
21	2753325	1	Hose	
22	2753957	1	Hose	
23	2220738	1	Fitting, Tee	
24	2220407	1	Fitting, 90	
25	2751396	1	Hose	
26	2220375	1	Fitting, Straight	
27	2752340	2	Hose	
28	2753968	1	Hose	
29	2752591	2	Hose	
30	2752783	1	Hose	
31	2220921	1	Fitting, Reducer	
32	2220498	1	Fitting, 45	
33	2220372	2	Fitting, Straight	
34	2752631	1	Hose	
35	2752632	2	Hose	
36	2220373	6	Fitting, Straight	
37	2752515	1	Hose	
38	2752643	1	Hose	
39	2220466	6	Fitting, 90	
40	2752633	2	Hose	
41	2220472	2	Fitting, 90	
43	2752762	1	Hose	
44	2220873	3	Fitting, Nipple	
45	2220428	3	Fitting, Quick Coupling	
46	2220429	3	Cap, Dust	
48	2752763	2	Hose	
49		Ref	Fitting, 90 Options:	
49	2220906	2	Fitting, 90 (Prior to SN 93294)	

## SECTION 6 - HYDRAULIC

ITEM	PART NUMBER	QTY	DESCRIPTION	REV
49	2221042	2	Fitting, 90 (SN 93294 to Present)	
50	2220948	1	Fitting, Tee	
53	2752463	2	Hose	
54	2220603	4	Fitting, Reducer	
56	2752444	1	Hose	
57	2220497	2	Fitting, Straight	
58	2752753	1	Hose, Suction	
61	2220473	3	Fitting, 90	
62	2752599	1	Hose	
63	2220950	2	Fitting, 45	
64	2752517	1	Hose	
65	2220974	1	Fitting, Long Straight	
66	2752598	2	Hose	
67	0100011	AR	Loctite #242 (Not Shown)	
68	0100038	AR	Loctite, Primer	
70	1703533	2	Decal, Hose Tags (Not Shown)	
71	4640757	1	Valve	
72	2220374	1	Fitting, Straight	
73	2220651	1	Fitting, Straight	
74	4240018	7	Strap, Tie	



# SECTION 6 - HYDRAULIC

## FIGURE 6-8. HYDRAULIC DIAGRAM LIST

ITEM	PART NUMBER	QTY	DESCRIPTION	REV
		Ref	<b>Note: Information on diagrams not shown is available from JLG Service/Parts Departments.</b>	
	1282844	Ref	<b>Drive and Steer Hydraulic Diagrams: (Prior to SN 85132)</b>	G
	2792336	Ref	Model 601S - 4WD/2WS Machines	3
	2792388	Ref	Model 601S With A "Enhanced Hostile Environment Package" - 4WD/2WS Machines	1
	1283431	Ref	<b>Drive and Steer Hydraulic Diagrams: (SN 85132 to Present)</b>	A
	2792695	Ref	Model 601S - 4WD/2WS Machines	2
	2792696	Ref	Model 601S With A "Enhanced Hostile Environment Package" - 4WD/2WS Machines	2
		Ref	<b>Oscillating Axle Hydraulic Diagrams:</b>	
	2792360	Ref	Model 601S Machines <b>(Prior to SN 85132)</b>	1-B
	2792612	Ref	Model 601S Machines <b>(SN 85132 to Present)</b>	1
	2792389	Ref	Model 601S With A "Enhanced Hostile Environment Package" Machines <b>(Prior to SN 85132)</b>	1-B
	2792612	Ref	Model 601S With "Enhanced Hostile Environment Package" Machines <b>(SN 85132 to Present)</b>	1
		Ref	<b>Standard Hydraulic Diagrams:</b>	
	1282844	Ref	<b>Standard Hydraulic Diagrams (Prior to SN 85132)</b>	G
	1283431	Ref	<b>Standard Hydraulic Diagrams (SN 85132 to Present)</b>	A
		Ref	<b>Standard Hydraulic Schematic</b>	
	2792338	Ref	<b>Standard Hydraulic Schematic (Prior to SN 85132)</b>	A
	2792698	Ref	<b>Standard Hydraulic Schematic (SN 85132 to Present)</b>	A

**SECTION 7 - ELECTRICAL**

# SECTION 7 - ELECTRICAL

## FIGURE 7-1. ELECTRICAL DIAGRAM LIST

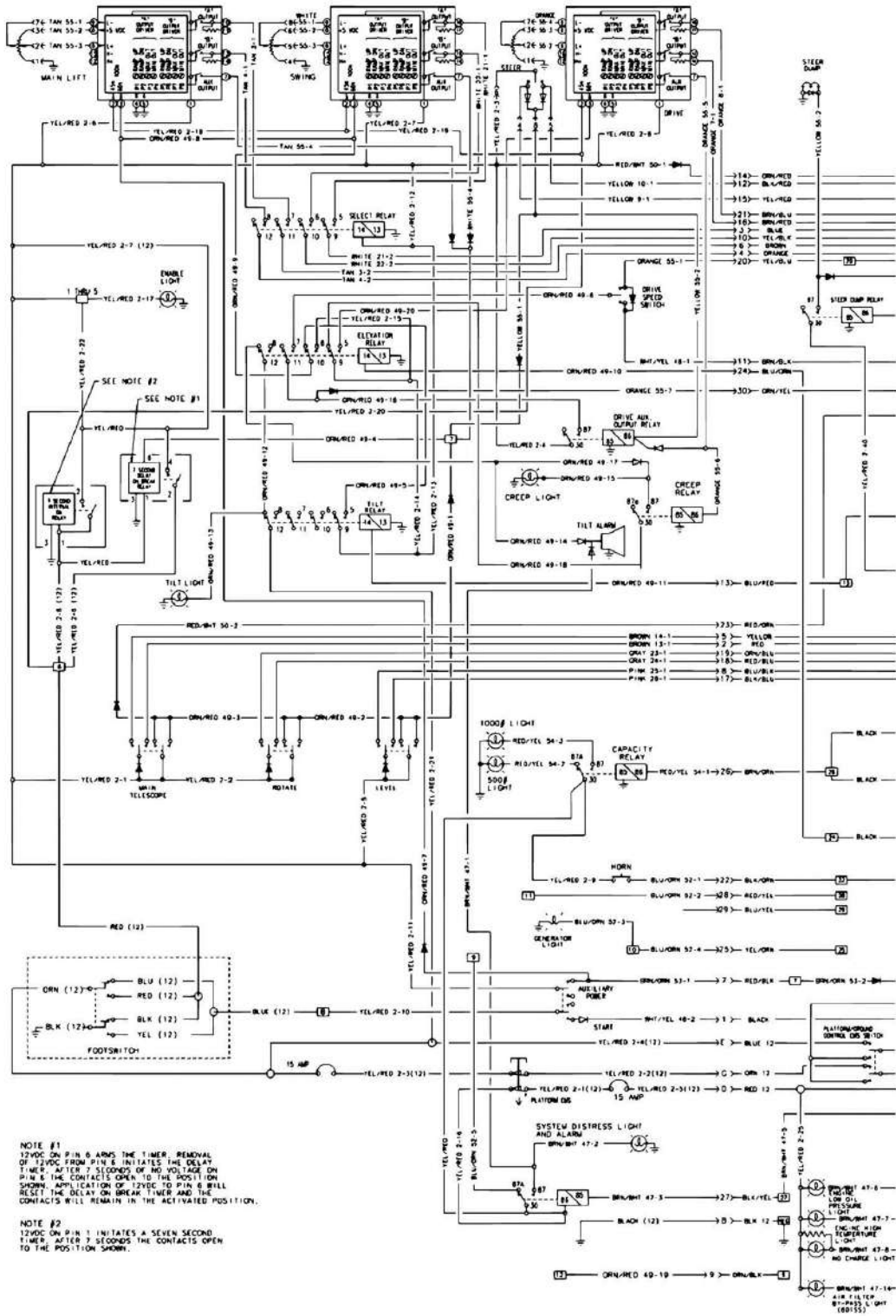
ITEM	PART NUMBER	QTY	DESCRIPTION	REV
		Ref	<b>Note: Diagrams not shown are available from the JLG Service Department.</b>	
		Ref	<b>ALARM ELECTRICAL DIAGRAMS</b>	
	4933026	Ref	<b>Motion Alarm</b>	1
	1282937	Ref	<b>Motion Alarm</b>	A
	4933025	Ref	<b>Travel Alarm</b>	1
	1282937	Ref	<b>Travel Alarm</b>	A
	4933092	Ref	<b>110 VOLT GENERATOR ELECTRICAL DIAGRAM (Prior to SN 62137)</b>	1-A
	4933158	Ref	<b>110 VOLT GENERATOR ELECTRICAL DIAGRAM (ADE SYSTEM) (SN 62137 through 64253)</b>	1-A
	4933215	Ref	<b>110 VOLT GENERATOR ELECTRICAL DIAGRAM (ADE SYSTEM) (SN 64254 through 82631)</b>	1-B
	4933300	Ref	<b>110 VOLT GENERATOR ELECTRICAL DIAGRAM (ADE SYSTEM) (SN 82632 to Present)</b>	1-A
	4922385	Ref	<b>HARNES, AIR CLEANER SENSOR LIGHT (LRG425 With EFI)</b>	1-A
	3990001	1	Diode, 3 Amp	
		Ref	<b>LIGHTS ELECTRICAL DIAGRAM (Prior to SN 62137)</b>	
	4933091	Ref	<b>Headlight/Taillight</b>	2-B
	4922284	1	Harness (Located in Platform Console Box)	
	3740049	1	Relay	
	4933165	Ref	<b>Brake Lights</b>	1-A
	4922506	1	Harness (Located in Ground Control Box)	
	3740049	1	Relay	
	4933027	Ref	<b>Strobe Light</b>	1
	1282937	Ref	<b>Strobe Light</b>	A
		Ref	<b>LIGHTS ELECTRICAL DIAGRAM (ADE SYSTEM) (SN 62137 to Present)</b>	
	4933157	Ref	<b>Headlight/Taillight</b>	2-B
	4922484	1	Harness (Located in Ground Console Box)	
	3740049	1	Relay	
	4933196	Ref	<b>Brake Lights</b>	1-A
	3740049	1	Relay	
	4933027	Ref	<b>Strobe Light</b>	1
	1282937	Ref	<b>Strobe Light</b>	A
		Ref	<b>STANDARD ELECTRICAL DIAGRAMS (Prior to SN 62137)</b>	
	4933008	Ref	<b>Deutz Machines</b>	5-E
	4933081	Ref	<b>Deutz Engine - 601S With A "Enhanced Hostile Environment Package"</b>	3-D
	4933030	Ref	<b>Ford Machines (LRG425 With Carburetor)</b>	1-A
	4933119	Ref	<b>Ford Machines (LRG425 With EFI)</b>	1-A
		Ref	<b>STANDARD ELECTRICAL DIAGRAMS (ADE SYSTEM) (SN 62137 to Present)</b>	
	4933159	Ref	<b>Deutz Machines (Prior to SN 64398)</b>	5-H
	4933225	Ref	<b>Deutz Machines (SN 64398 through 85131)</b>	3-C
	4933318	Ref	<b>Deutz Machines (SN 85132 through 99059)</b>	F
	4933366	Ref	<b>Deutz Machines (SN 99060 to Present)</b>	A
	4933160	Ref	<b>Deutz Engine - 601S With A "Enhanced Hostile Environment Package (Prior to SN 64398)</b>	5-G
	4933223	Ref	<b>Deutz Engine - 601S With A "Enhanced Hostile Environment Package (SN 64398 through 85131)</b>	2-B

## SECTION 7 - ELECTRICAL

ITEM	PART NUMBER	QTY	DESCRIPTION	REV
	4933318	Ref	Deutz Engine - 601S With A "Enhanced Hostile Environment Package (SN 85132 through 99059)	F
	4933366	Ref	Deutz Engine - 601S With A "Enhanced Hostile Environment Package (SN 99060 to Present)	A
	4933161	Ref	Ford Machines (LRG425 With EFI) (Prior to SN 64398)	E
	4933224	Ref	Ford Machines (LRG425 With EFI) (SN 64398 to Present)	2-B
		Ref	<b>STANDARD ELECTRICAL SCHEMATIC</b>	
	1870074	Ref	Deutz Machines (Prior to SN 62137)	C
	1870077	Ref	Ford Machines (Prior to SN 58209)	A
	1870127	Ref	Ford EFI Machines (SN 58209 through 62136)	A
	1870134	Ref	Deutz/Ford EFI (With ADE System) (W/External Tilt) (SN 62137 to Present)	B
	1870132	Ref	Deutz/Ford EFI (With ADE System) (W/Internal Tilt) (Prior to SN 99060)	M
	1870191	Ref	Deutz EMR2 (SN 85132 through 99059)	G
	1870215	Ref	Deutz Tier 2 Engine Machines (SN 99060 to Present)	A

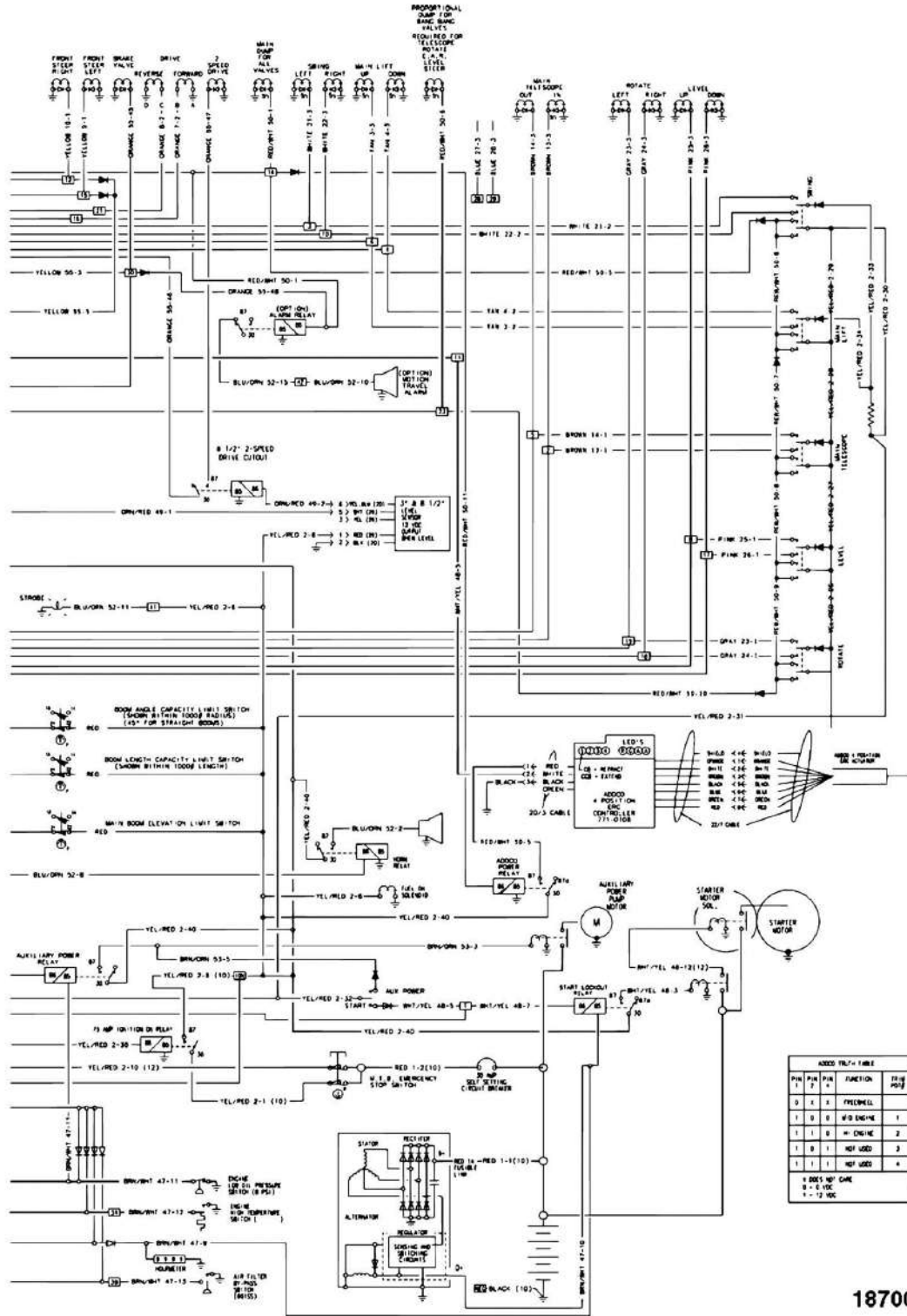
# SECTION 7 - ELECTRICAL

## FIGURE 7-2. ELECTRICAL SCHEMATIC - DEUTZ ENGINE MACHINES (Prior to SN 62137)





# SECTION 7 - ELECTRICAL



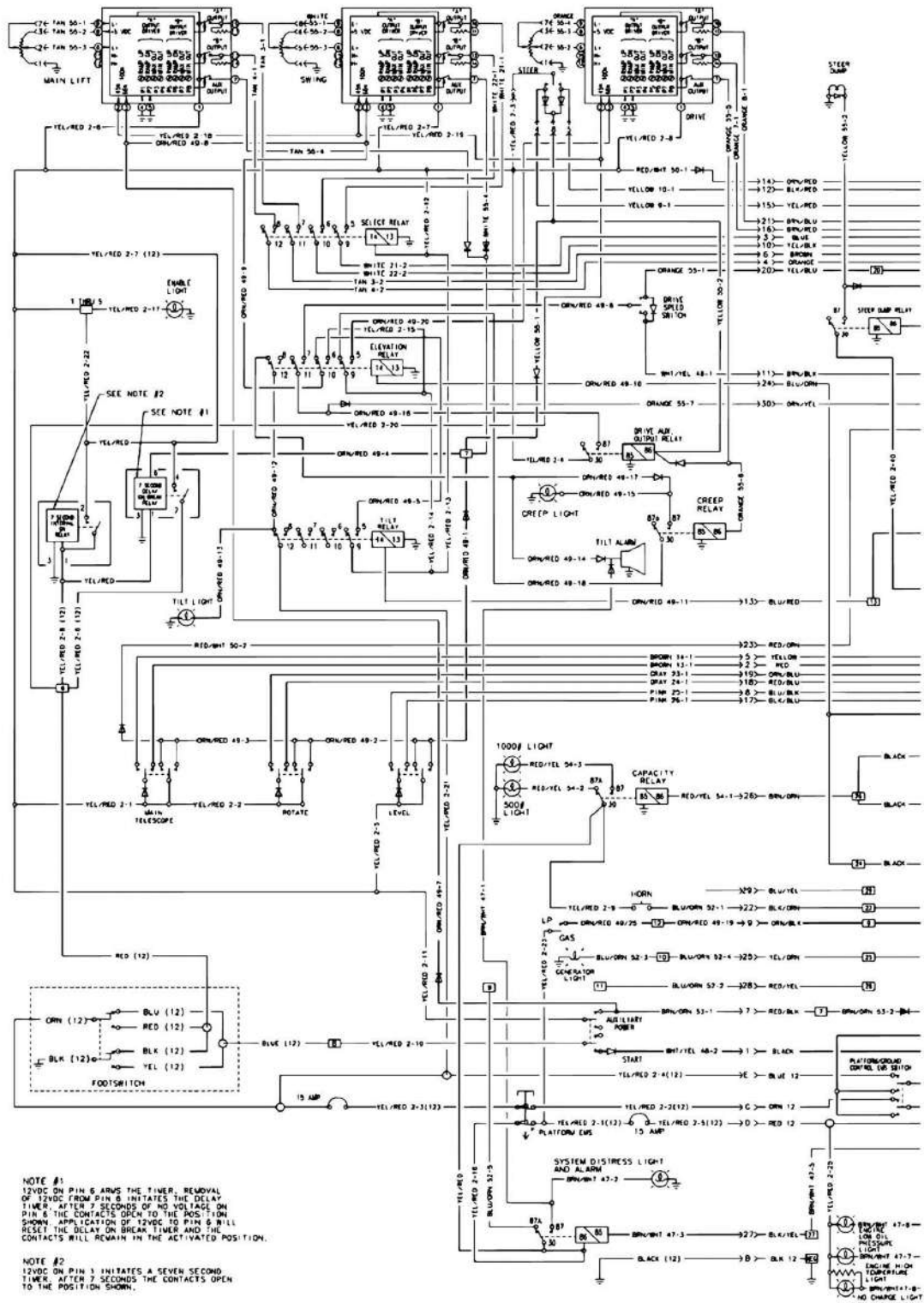
ADD'D RELAY TIME			
PIN	RELAY	FUNCTION	TIME (SEC)
0	X	PRELIMEL	1
1	0	W/O ENGINE	1
1	1	W/O ENGINE	2
1	0	W/O USED	2
1	1	W/O USED	4

4 DOES NOT COUNT  
 0 = 0 SEC  
 1 = 1 SEC

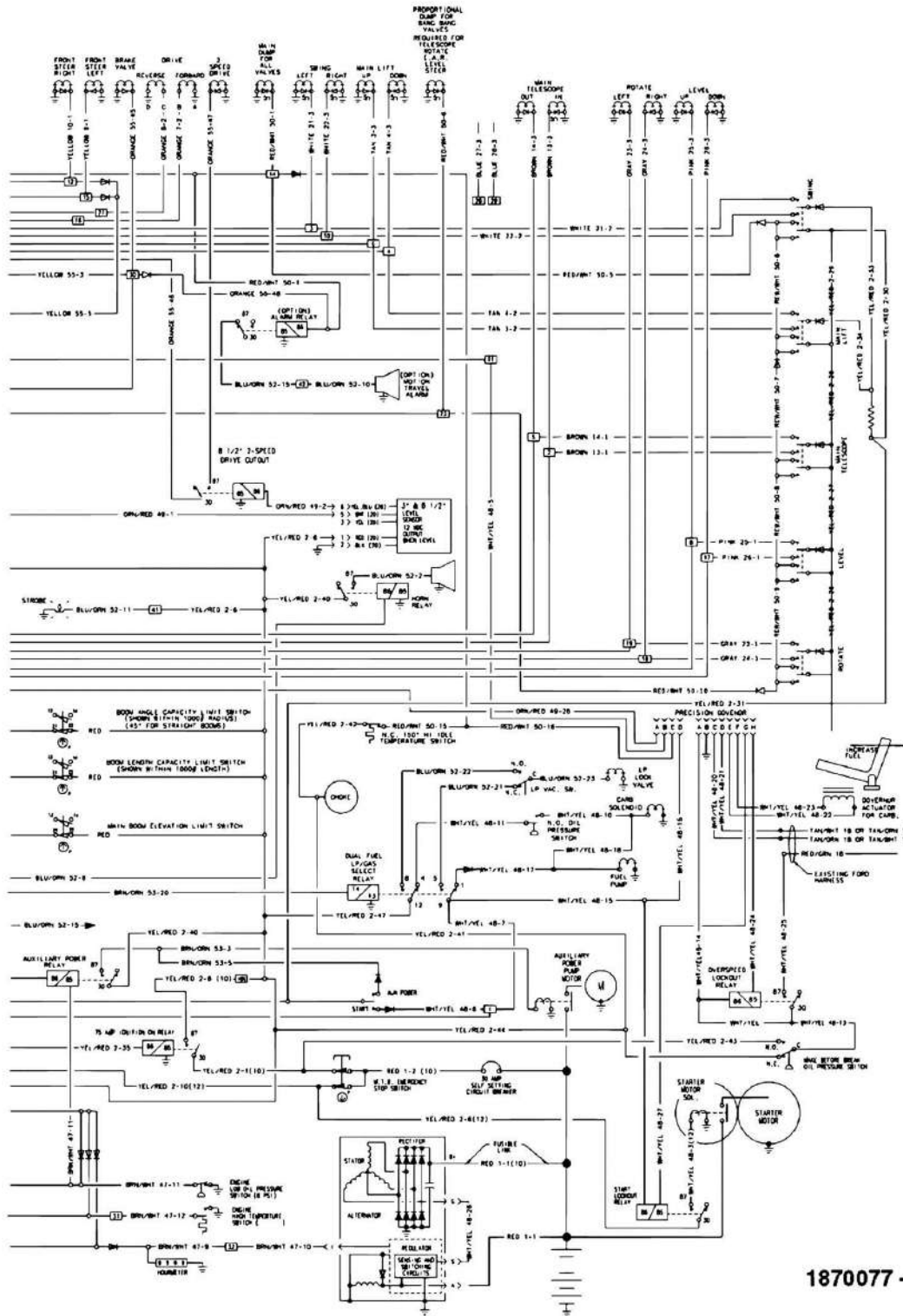
1870074 - C

# SECTION 7 - ELECTRICAL

## FIGURE 7-3. ELECTRICAL SCHEMATIC - FORD ENGINE MACHINES (Prior to SN 58209)



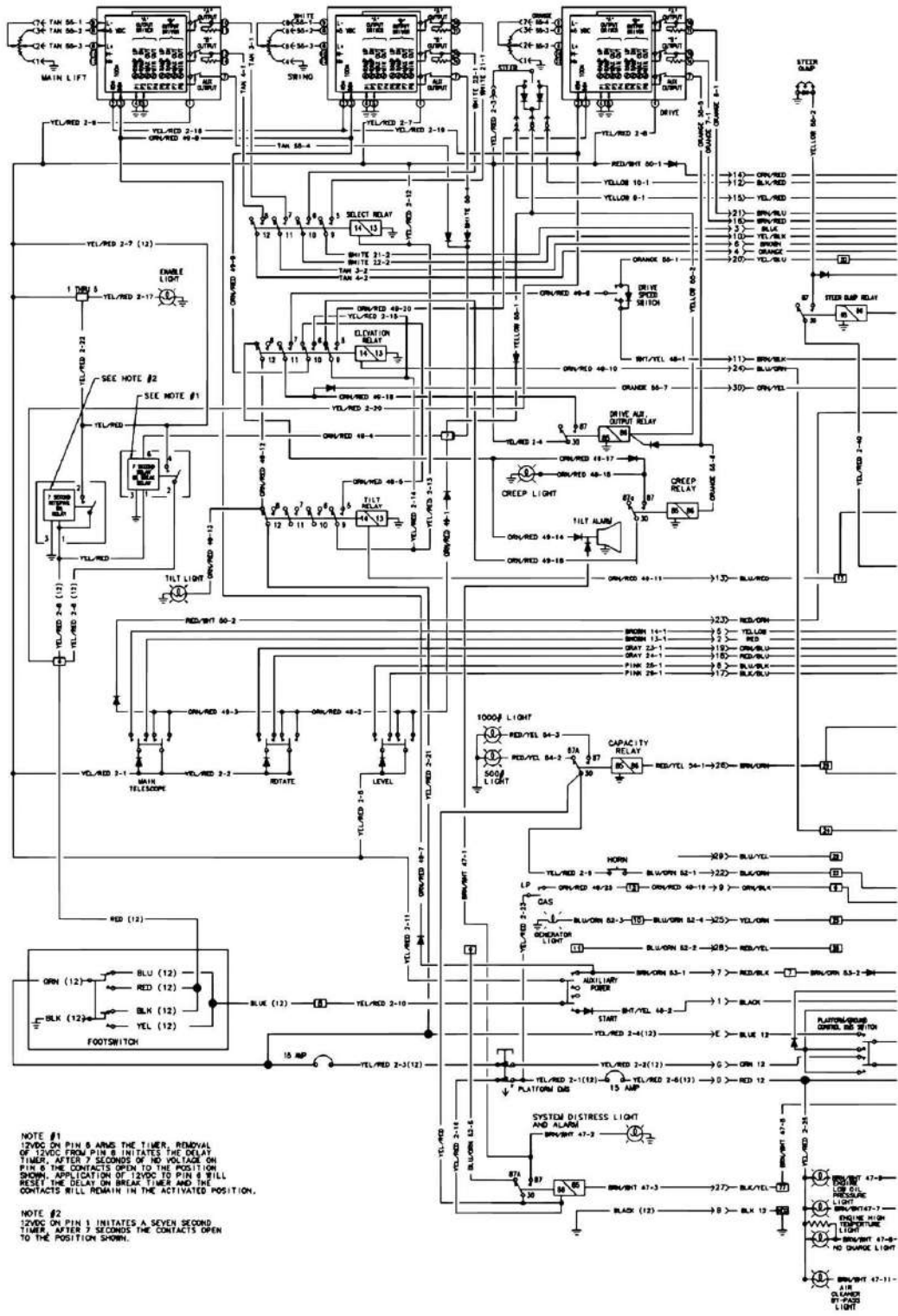
# SECTION 7 - ELECTRICAL



1870077 - A

# SECTION 7 - ELECTRICAL

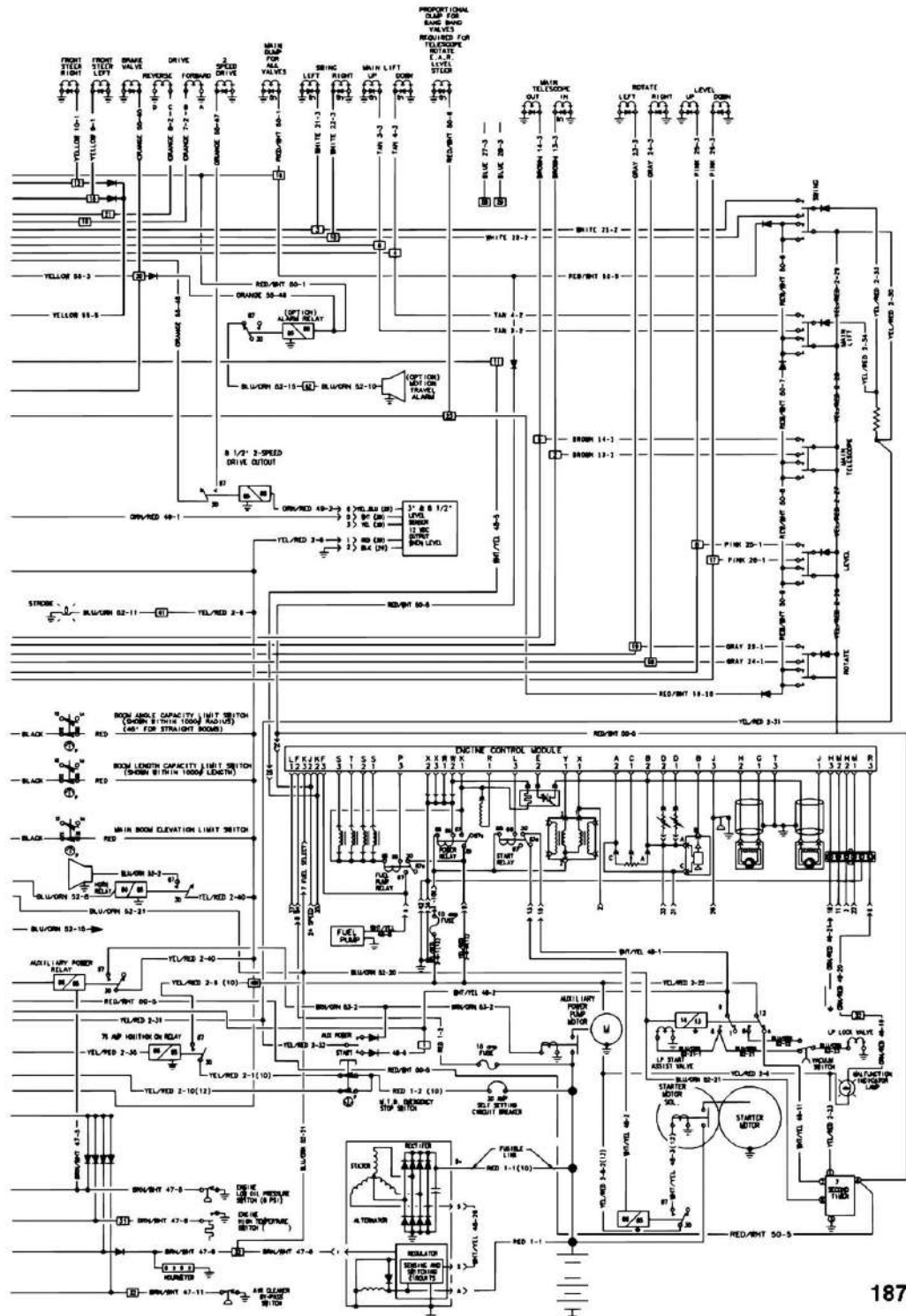
FIGURE 7-4. ELECTRICAL SCHEMATIC - FORD ENGINE MACHINES (SN 58209 through 62136)



NOTE #1  
12VDC ON PIN 8 ARMS THE TIMER. REMOVAL OF 12VDC FROM PIN 8 INITIATES THE DELAY TIMER. AFTER 7 SECONDS OF NO VOLTAGE ON PIN 8 THE CONTACTS OPEN TO THE POSITION SHOWN. APPLICATION OF 12VDC TO PIN 8 WILL RESET THE DELAY ON BREAK TIMER AND THE CONTACTS WILL REMAIN IN THE ACTIVATED POSITION.

NOTE #2  
12VDC ON PIN 1 INITIATES A SEVEN SECOND TIMER. AFTER 7 SECONDS THE CONTACTS OPEN TO THE POSITION SHOWN.

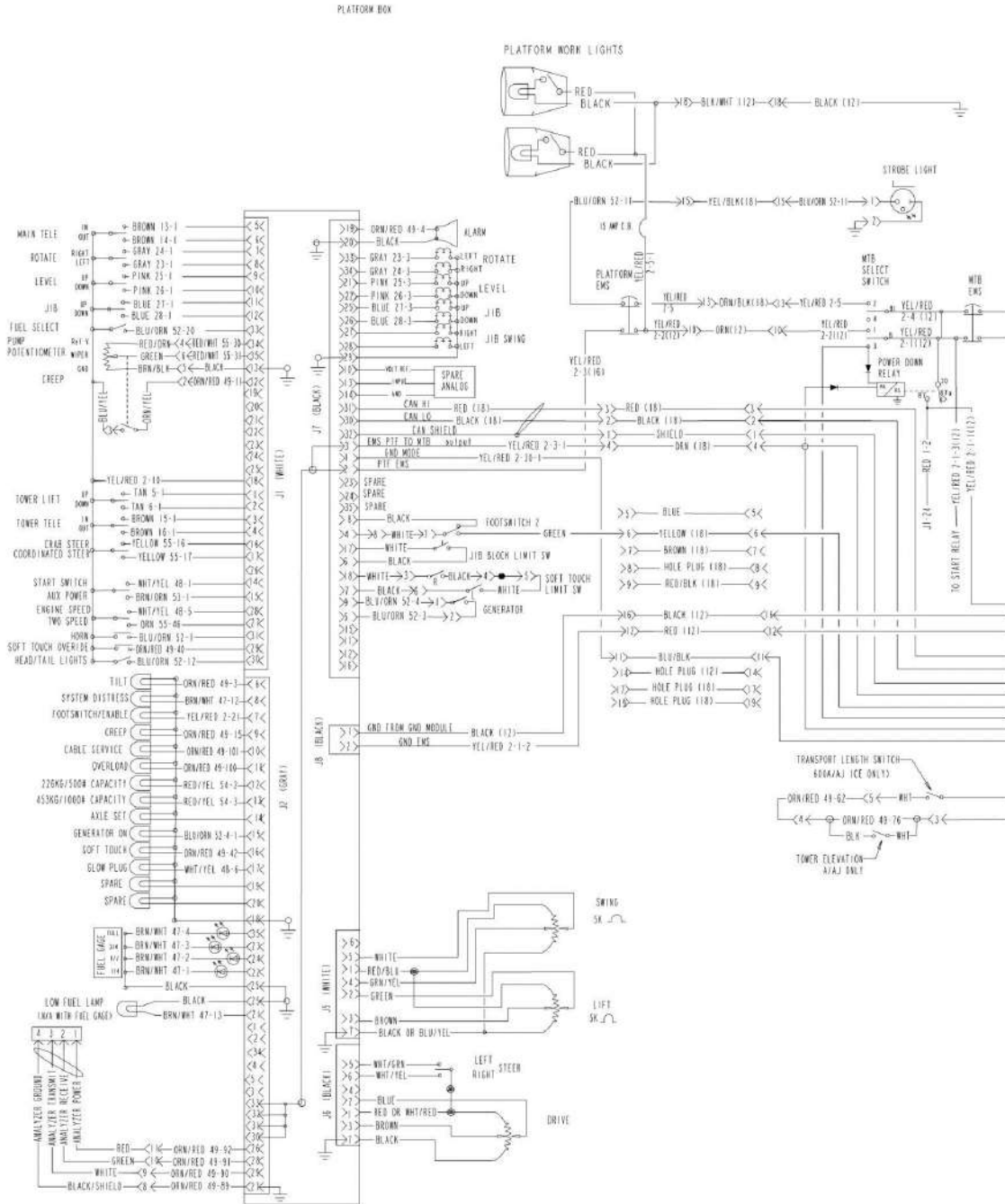
# SECTION 7 - ELECTRICAL



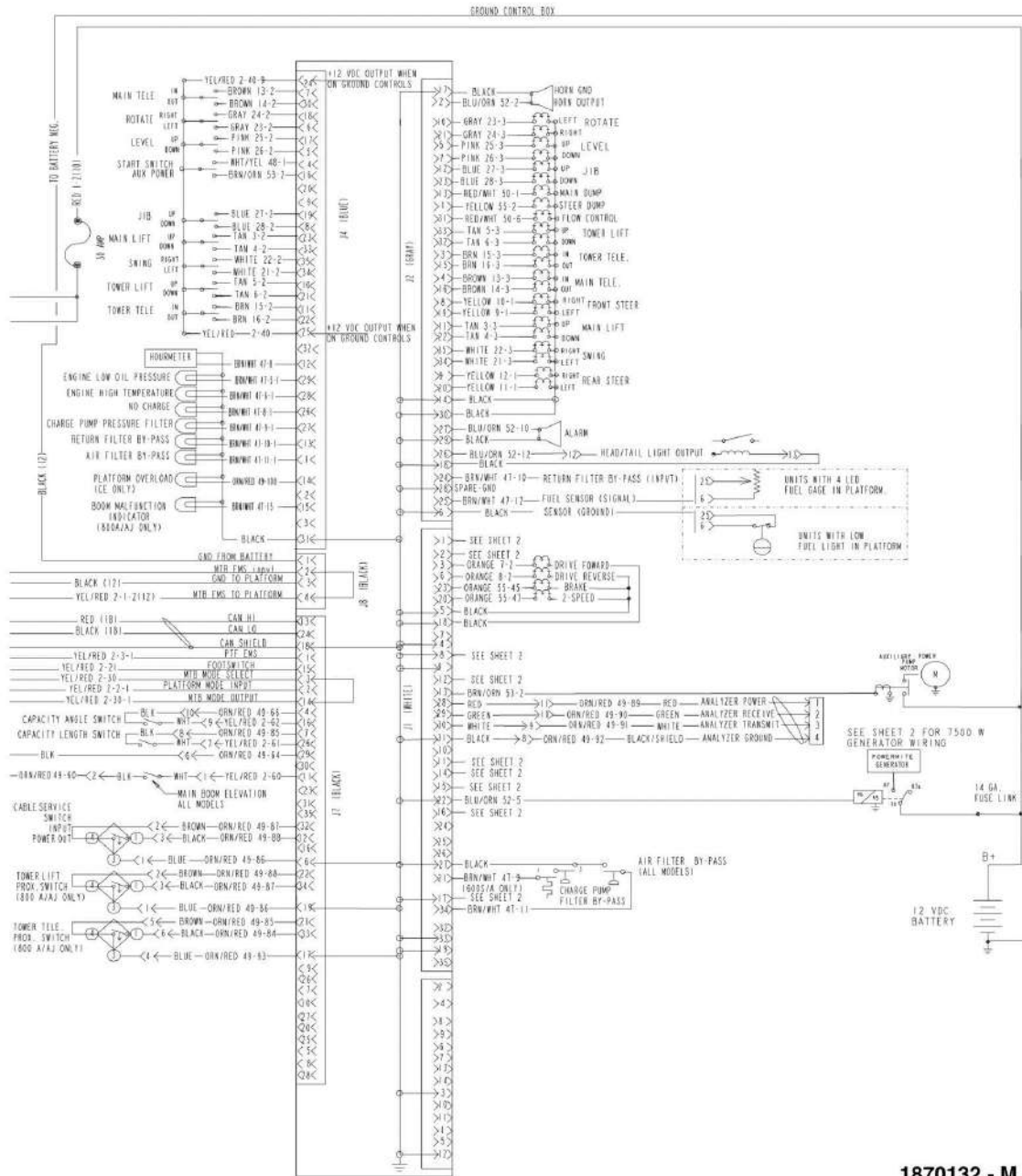
1870127 - A

# SECTION 7 - ELECTRICAL

## FIGURE 7-5. ELECTRICAL SCHEMATIC - DEUTZ/FORD EFI ENGINE MACHINES (ADE SYSTEM) (W/INTERNAL TILT) (SN 62137 through 99059)



# SECTION 7 - ELECTRICAL

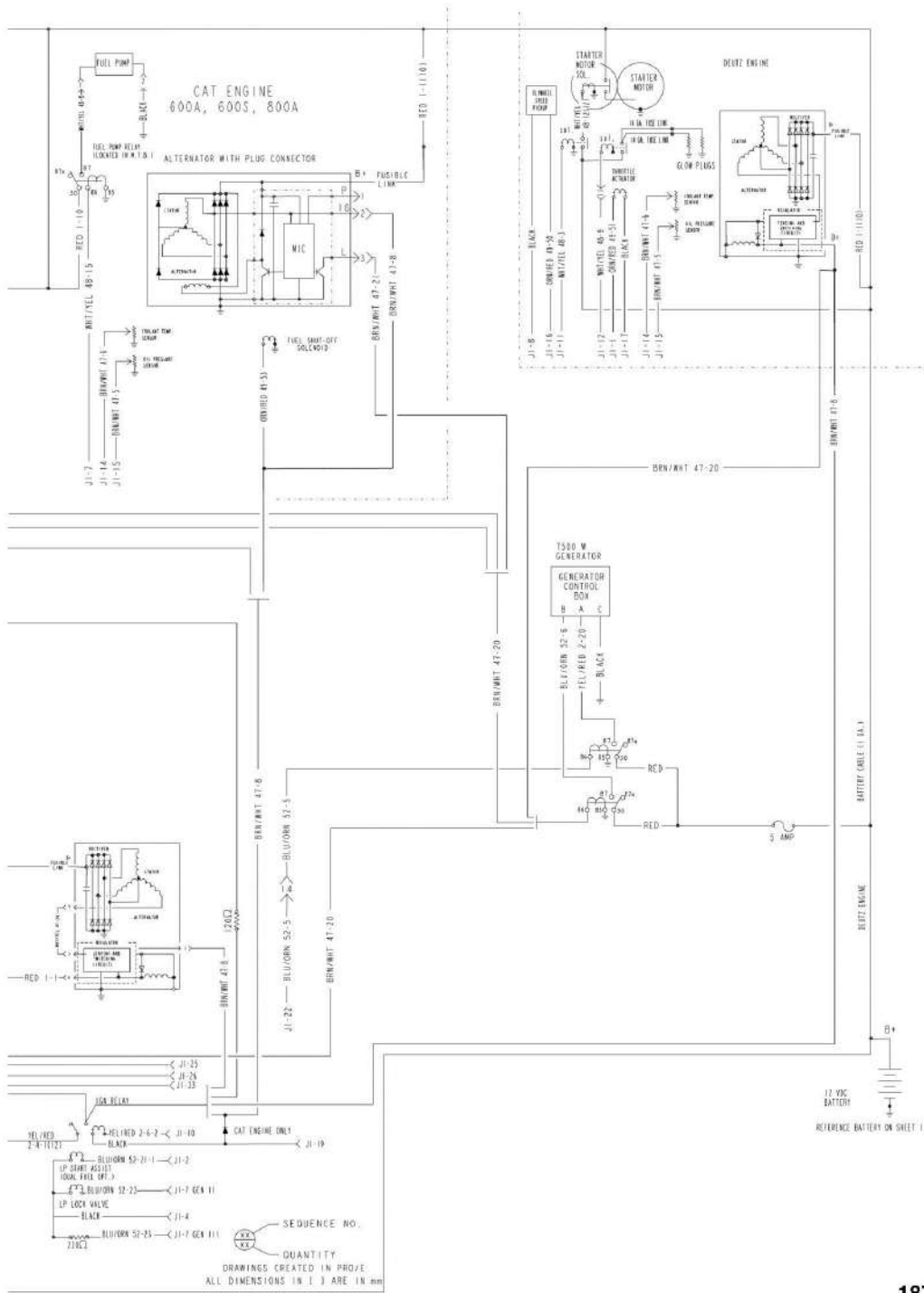


1870132 - M





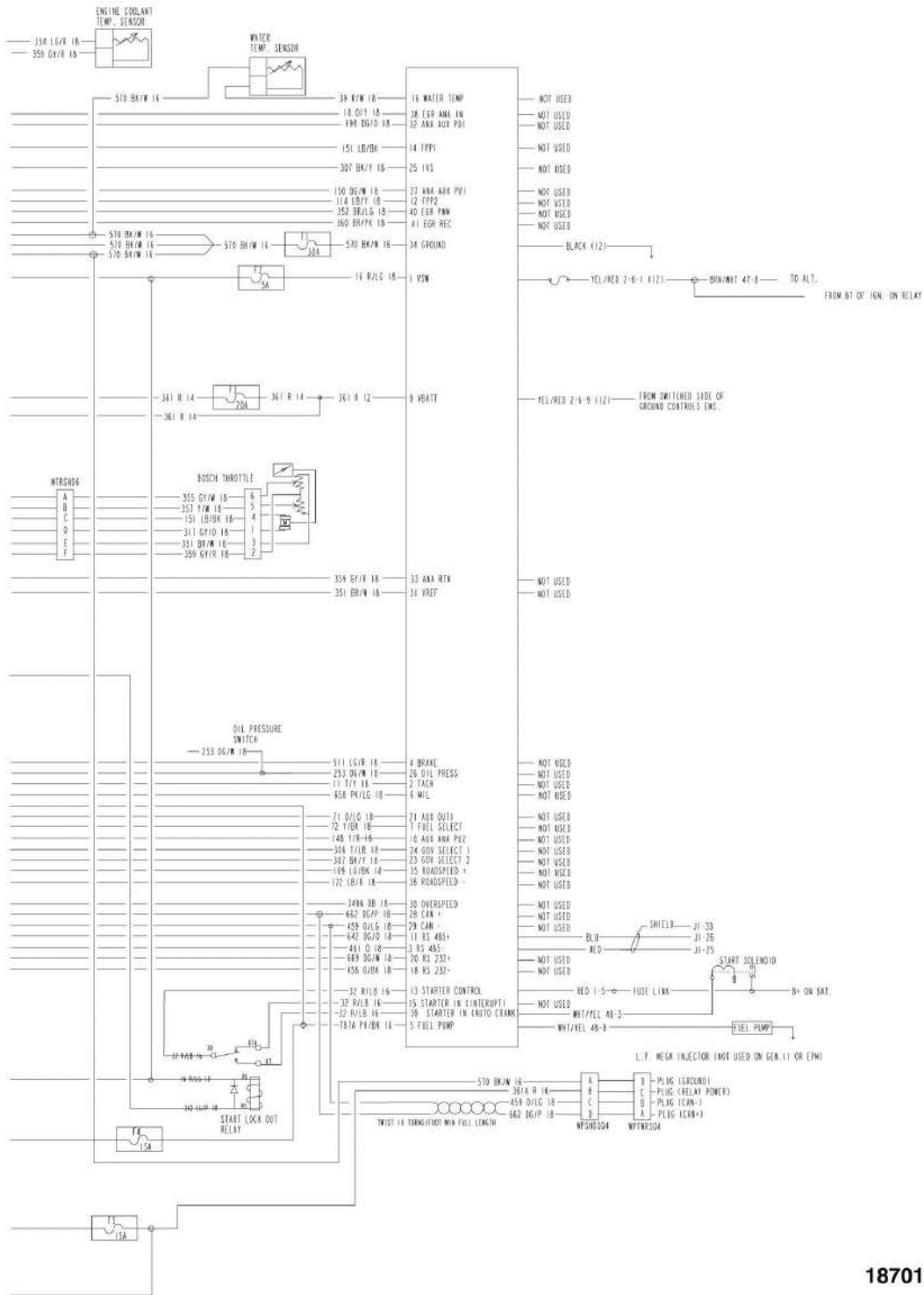
# SECTION 7 - ELECTRICAL



1870132 - M



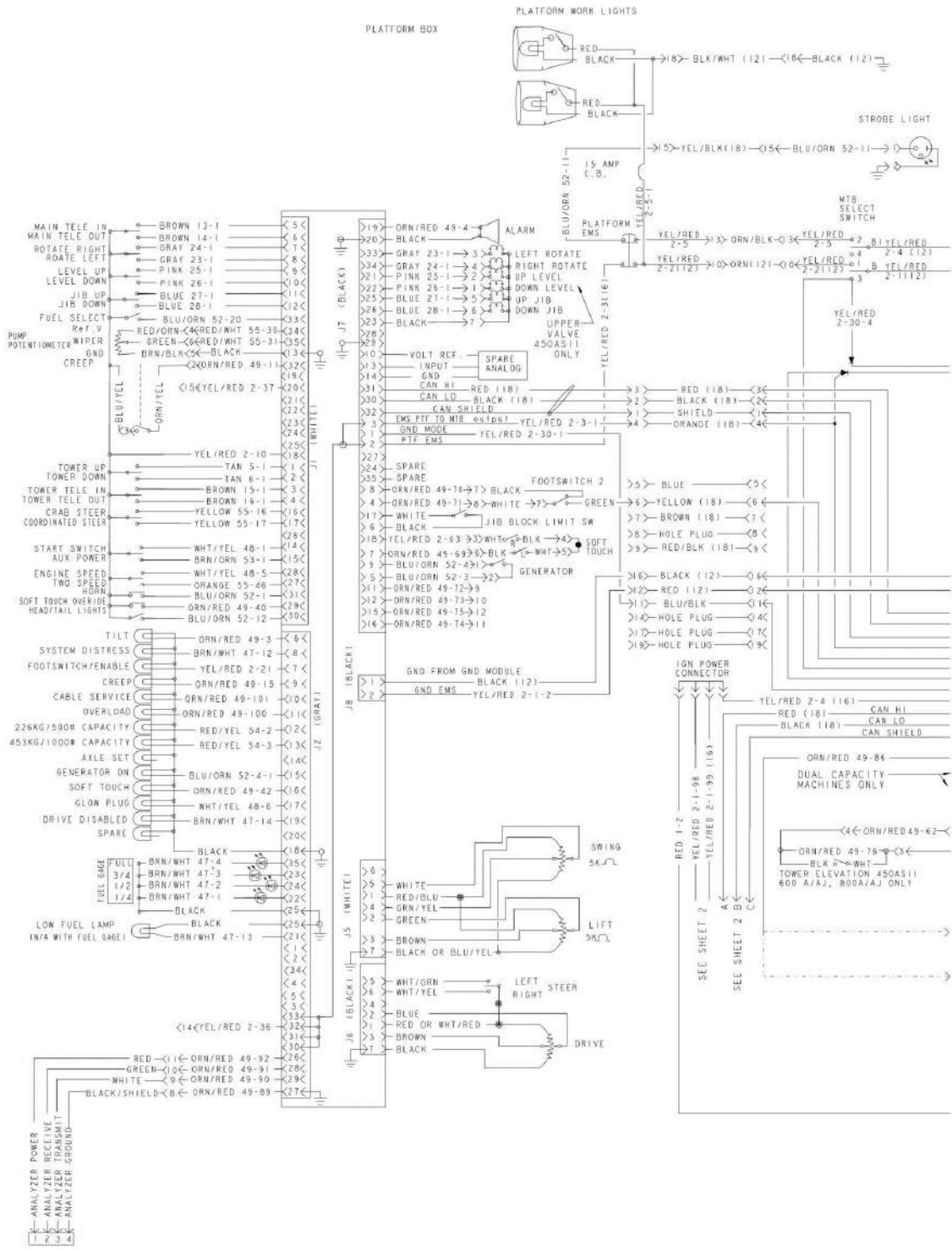
# SECTION 7 - ELECTRICAL



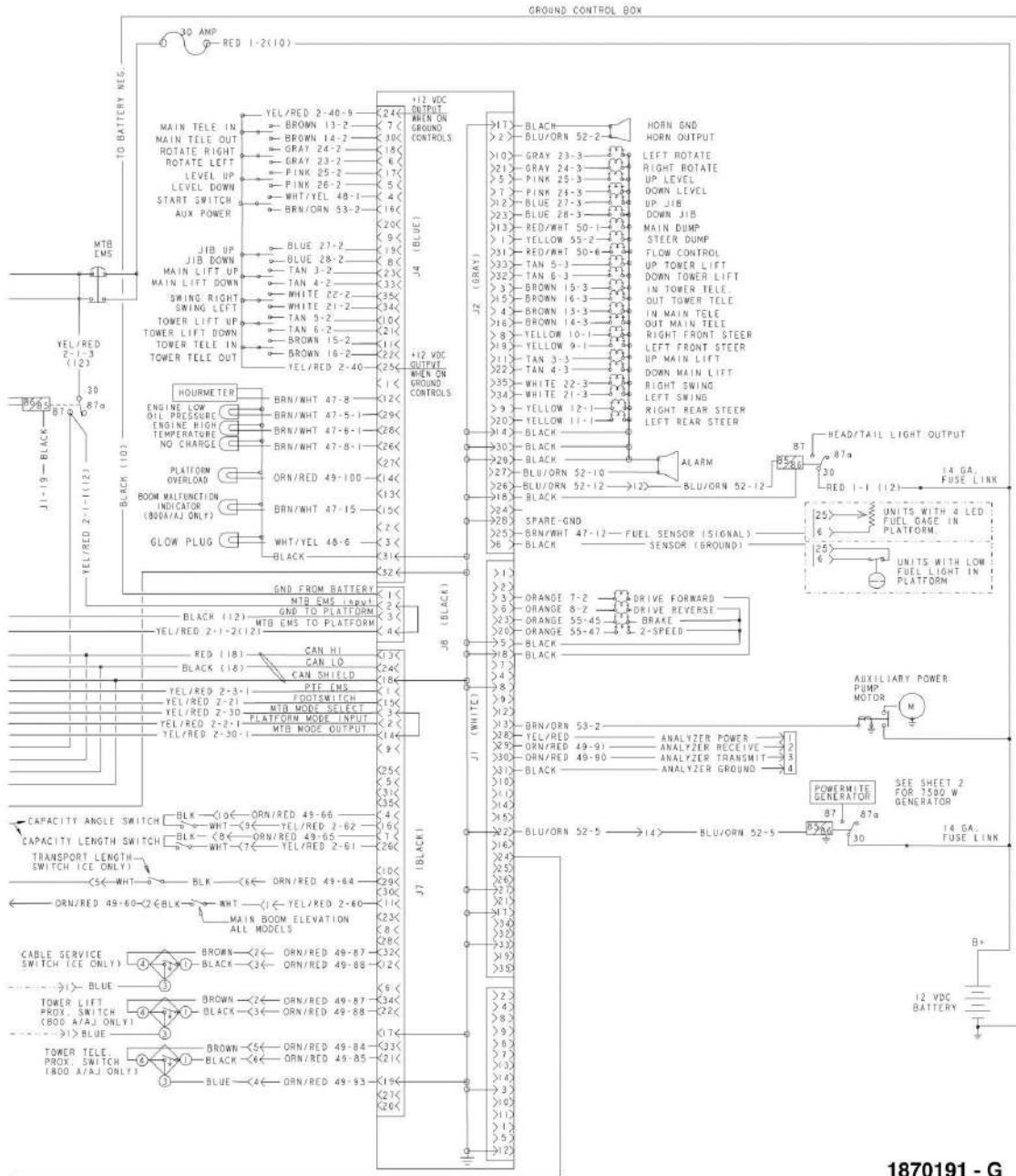
1870132 - M

# SECTION 7 - ELECTRICAL

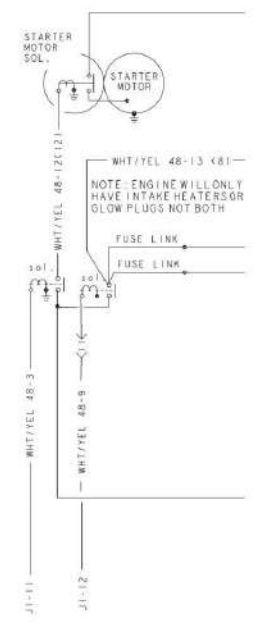
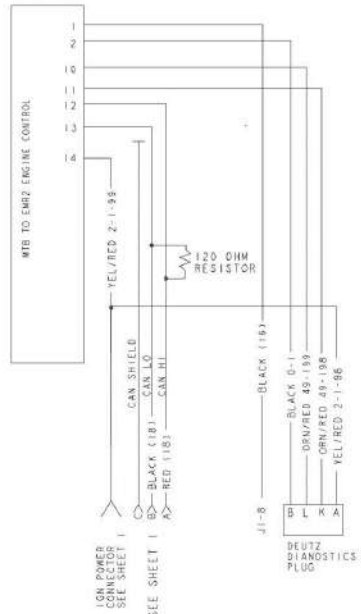
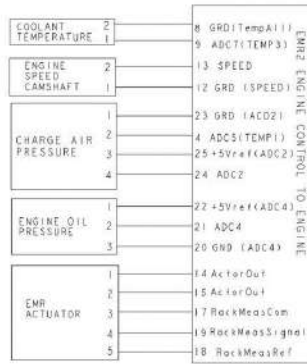
## FIGURE 7-6. ELECTRICAL SCHEMATIC - DEUTZ EMR2 (SN 85132 through 99059)



# SECTION 7 - ELECTRICAL

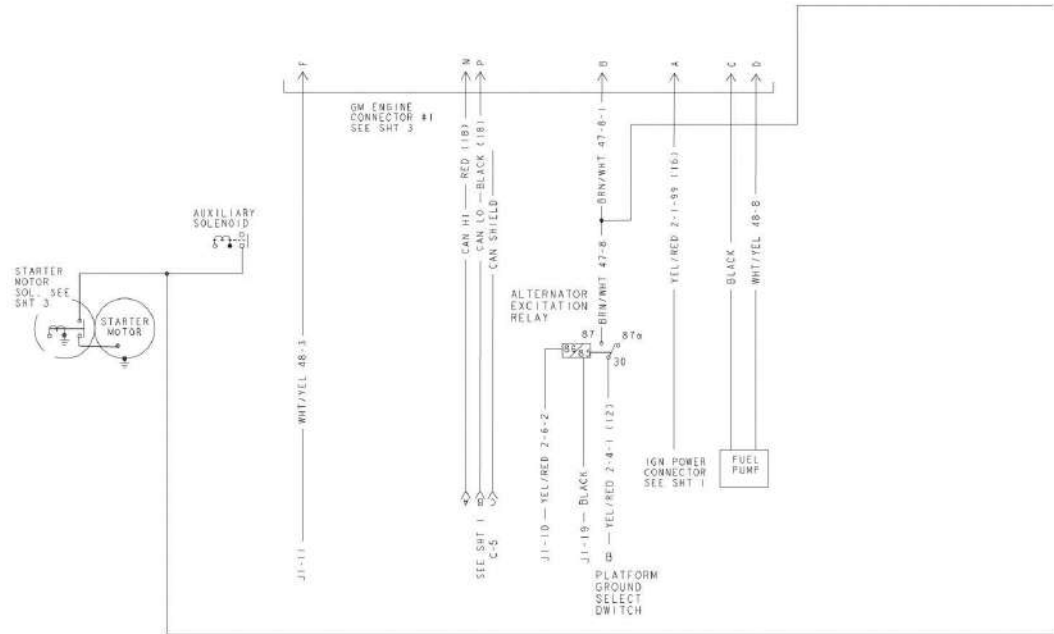


# SECTION 7 - ELECTRICAL

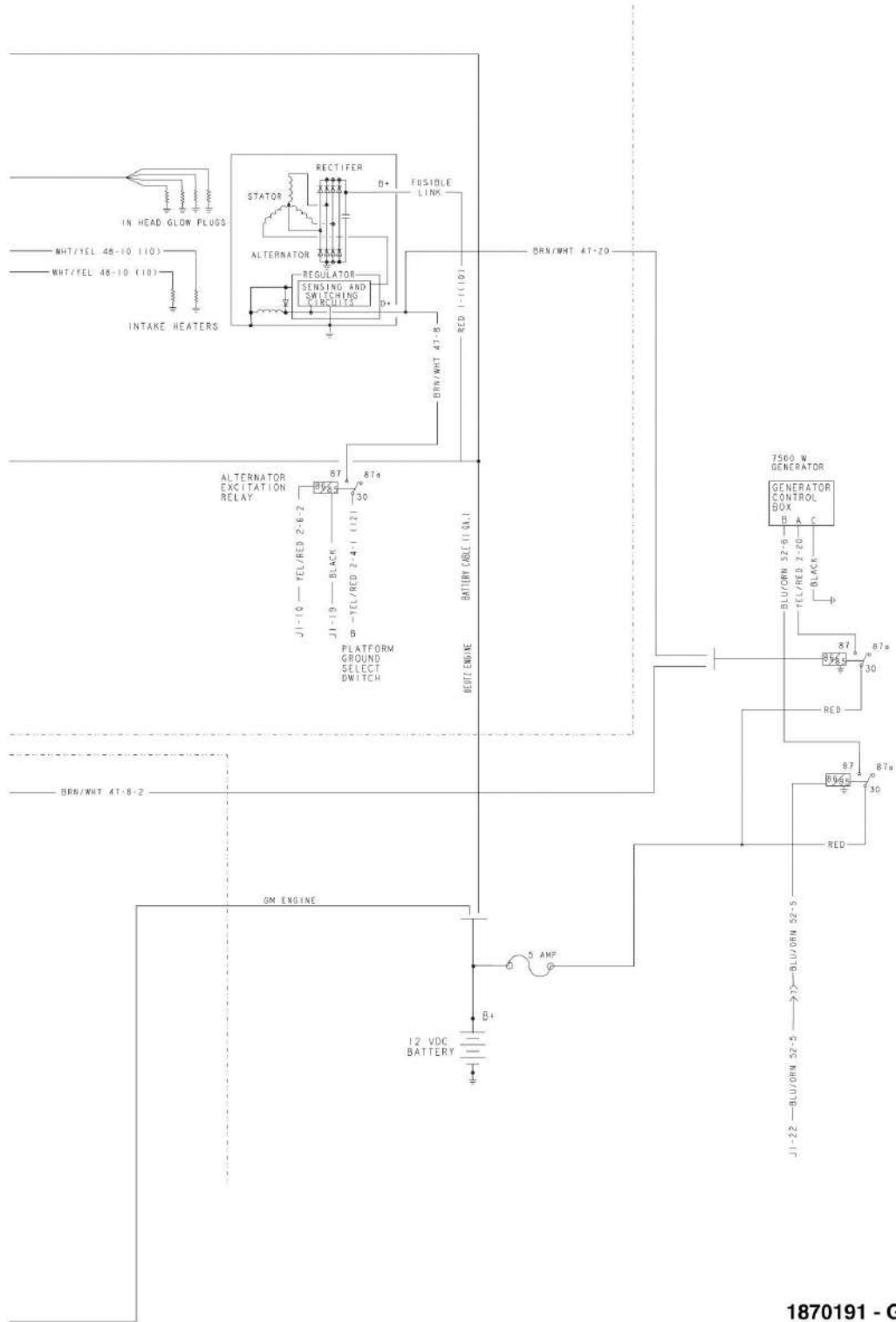


DEUTZ ENGINE      EUTZ ENGINE

GM ENGINE

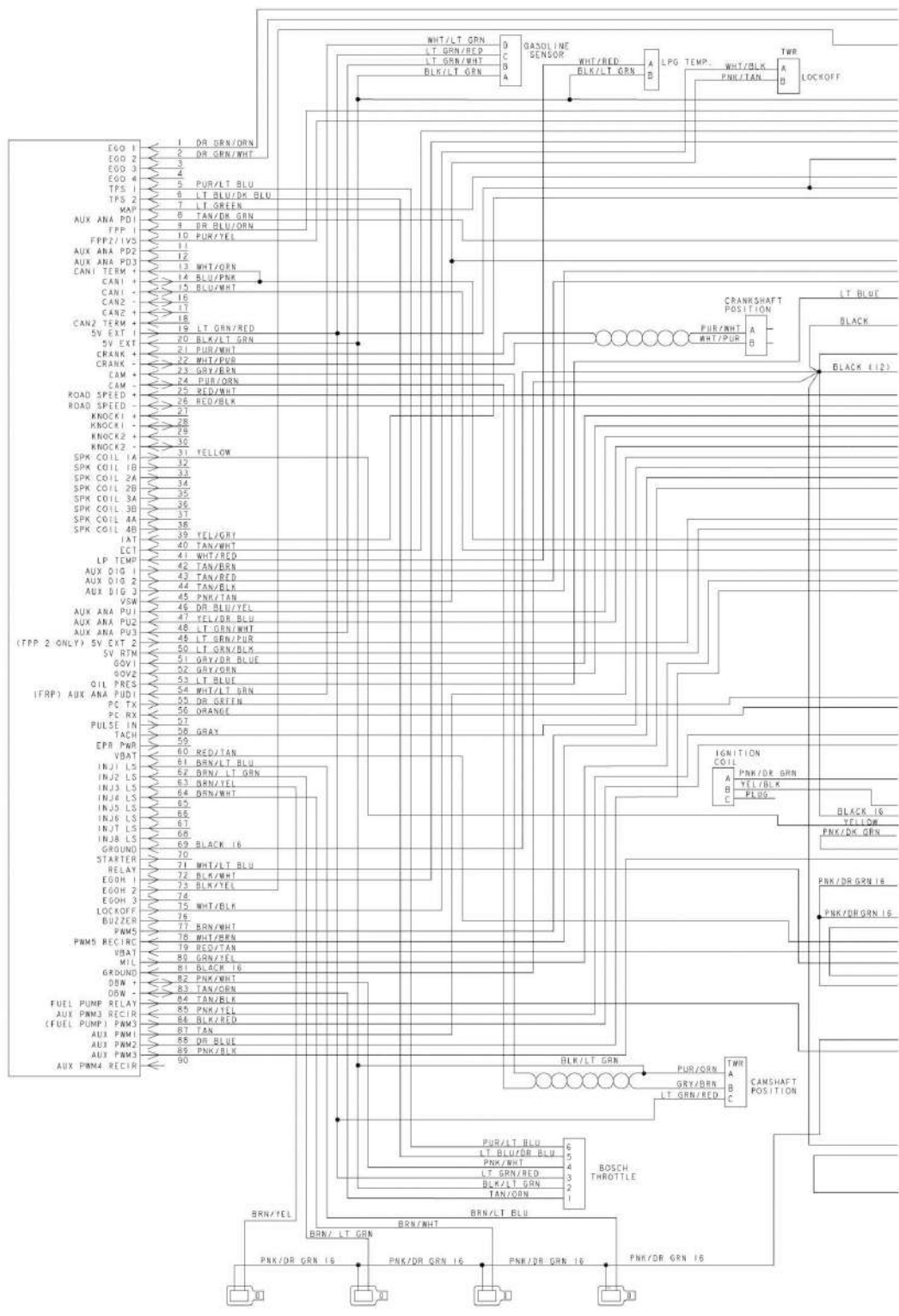


# SECTION 7 - ELECTRICAL



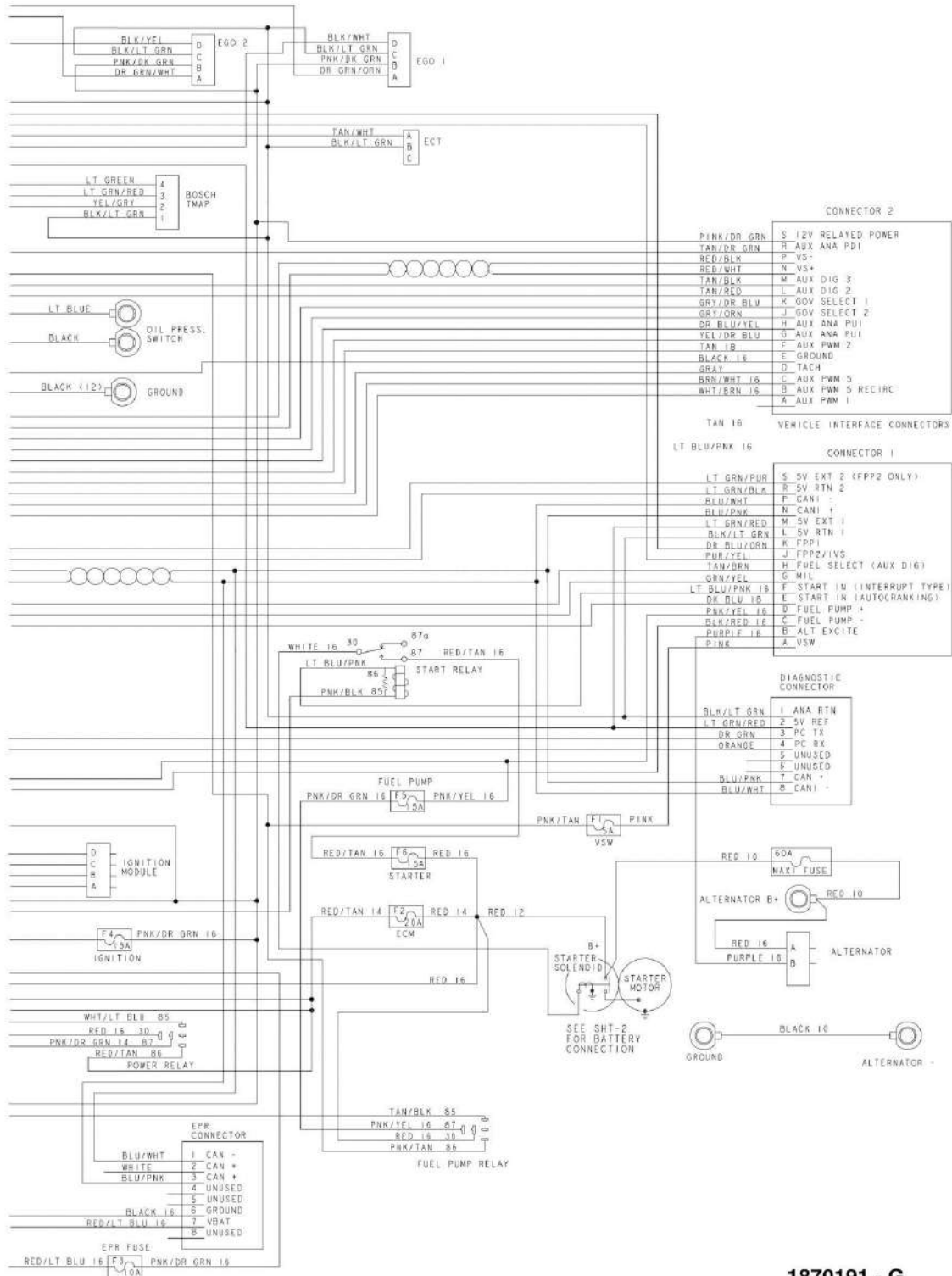
1870191 - G

# SECTION 7 - ELECTRICAL





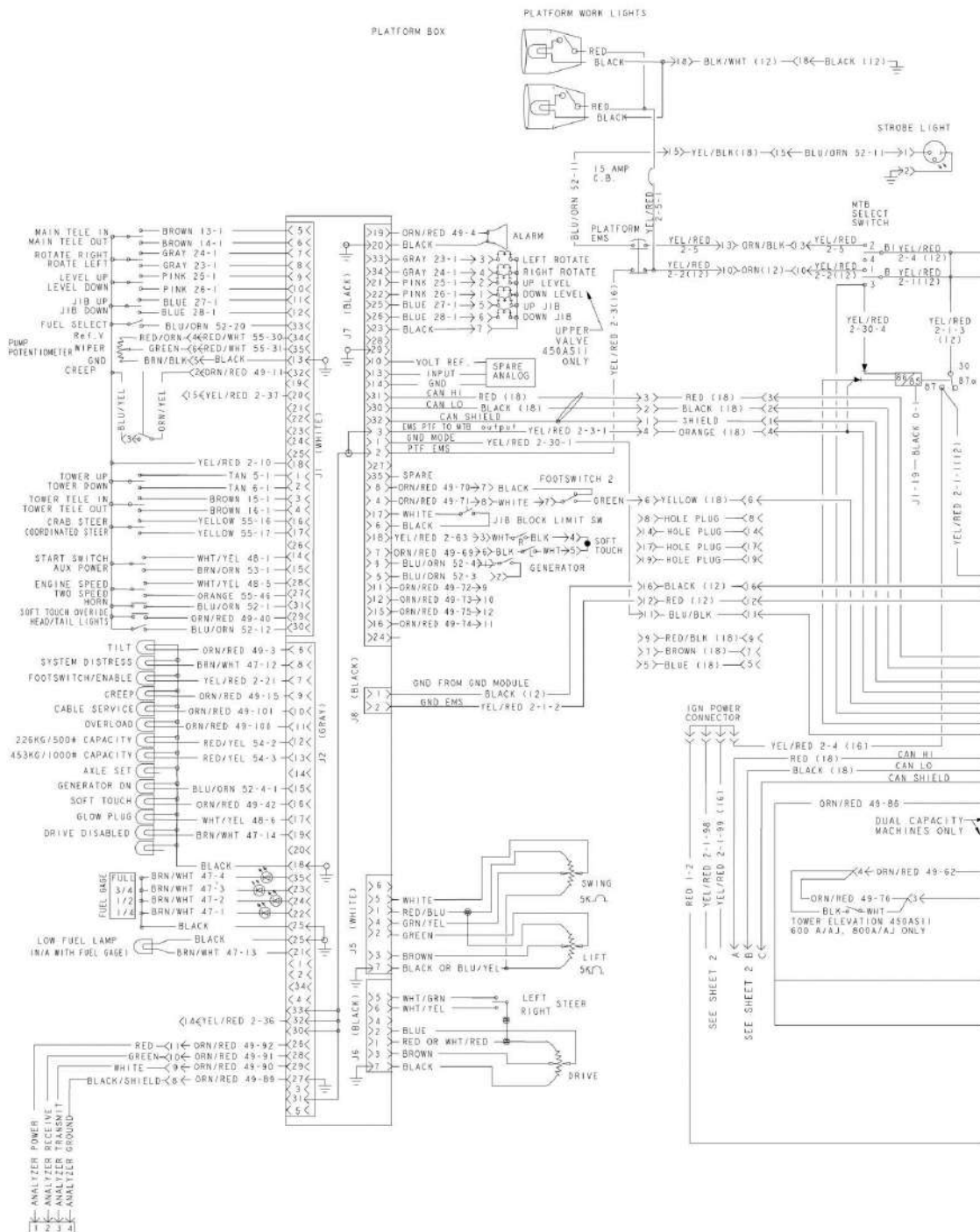
# SECTION 7 - ELECTRICAL



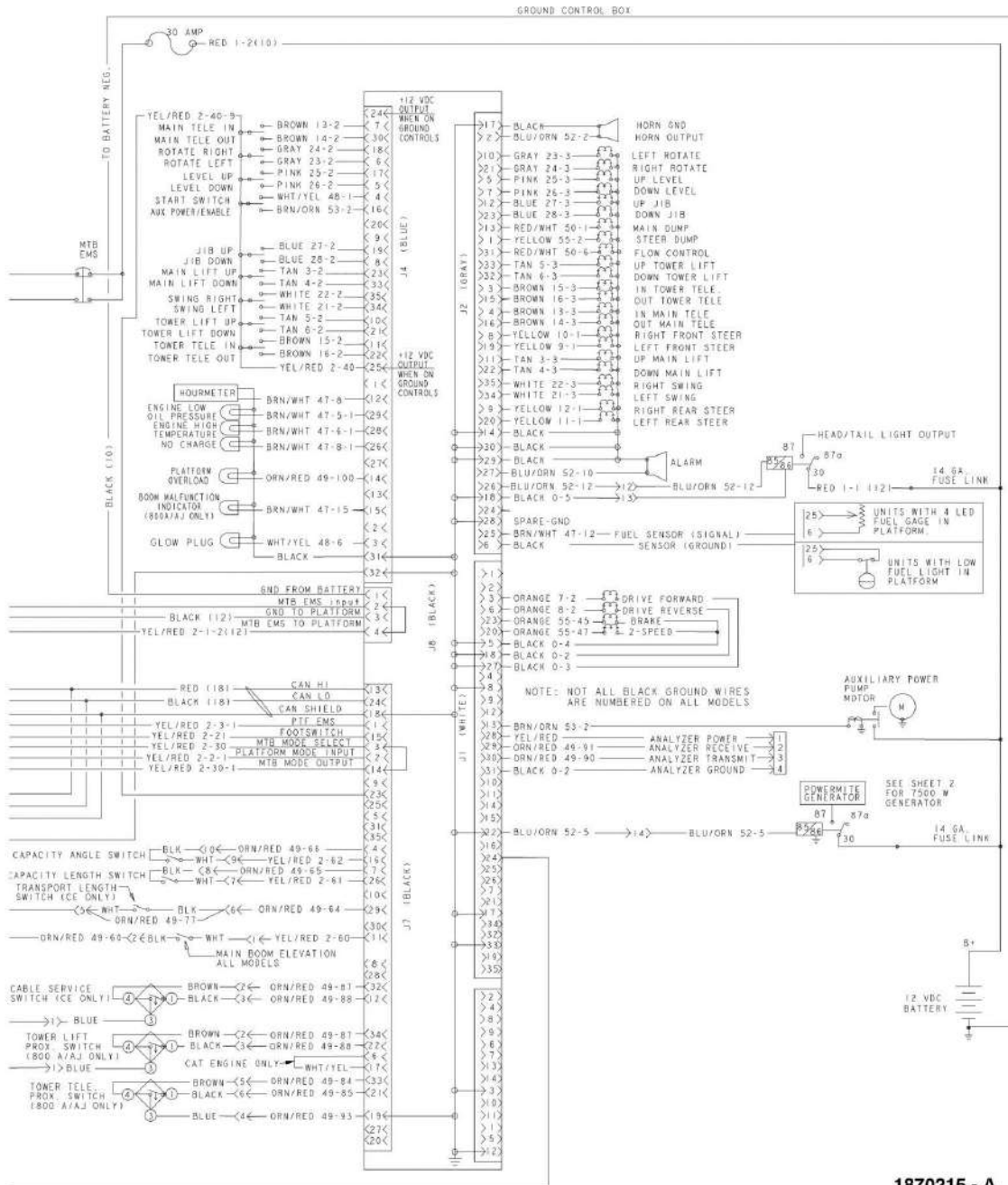
1870191 - G

# SECTION 7 - ELECTRICAL

## FIGURE 7-7. ELECTRICAL SCHEMATIC - DEUTZ TIER 2 (SN 99060 to Present)

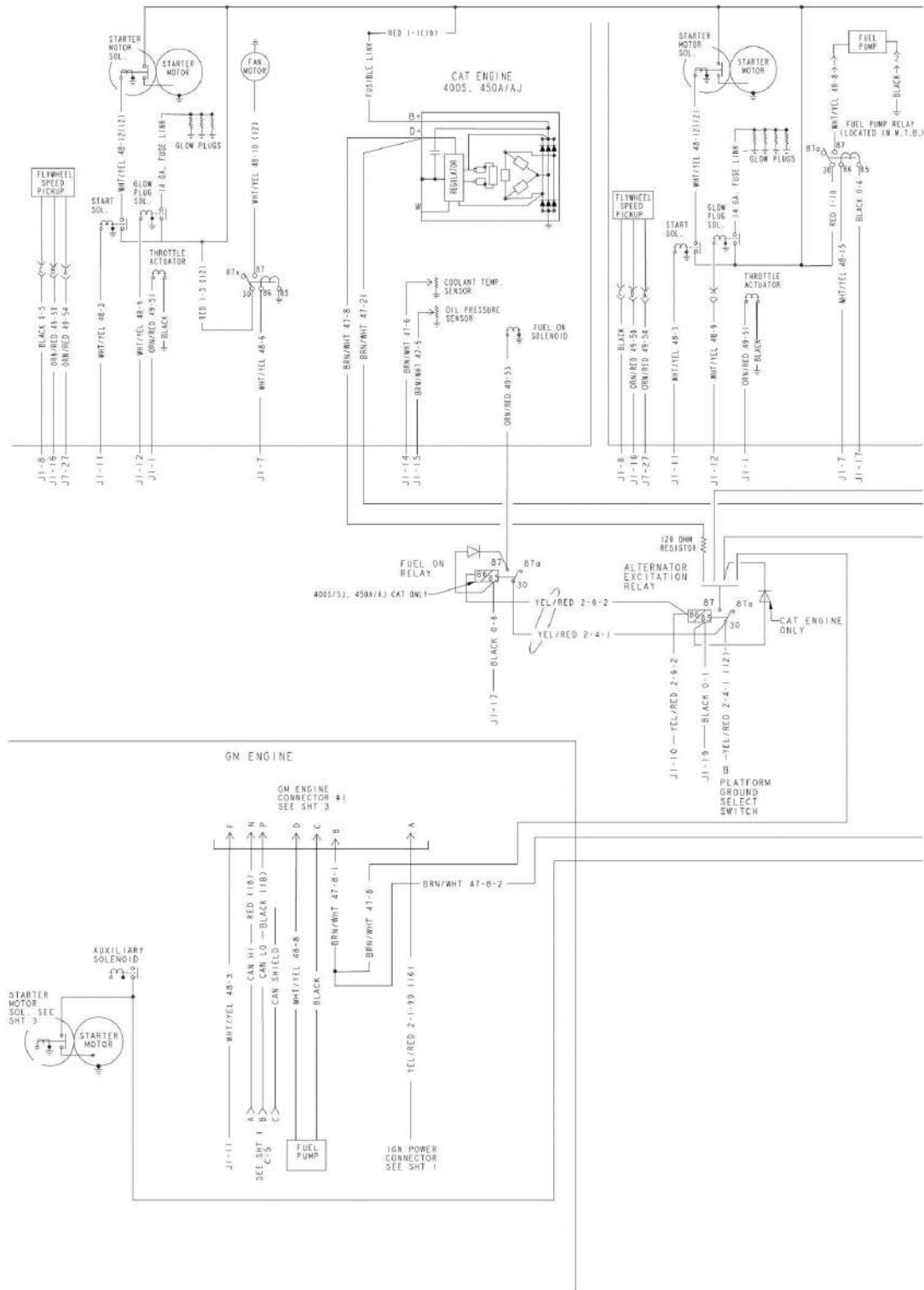


# SECTION 7 - ELECTRICAL

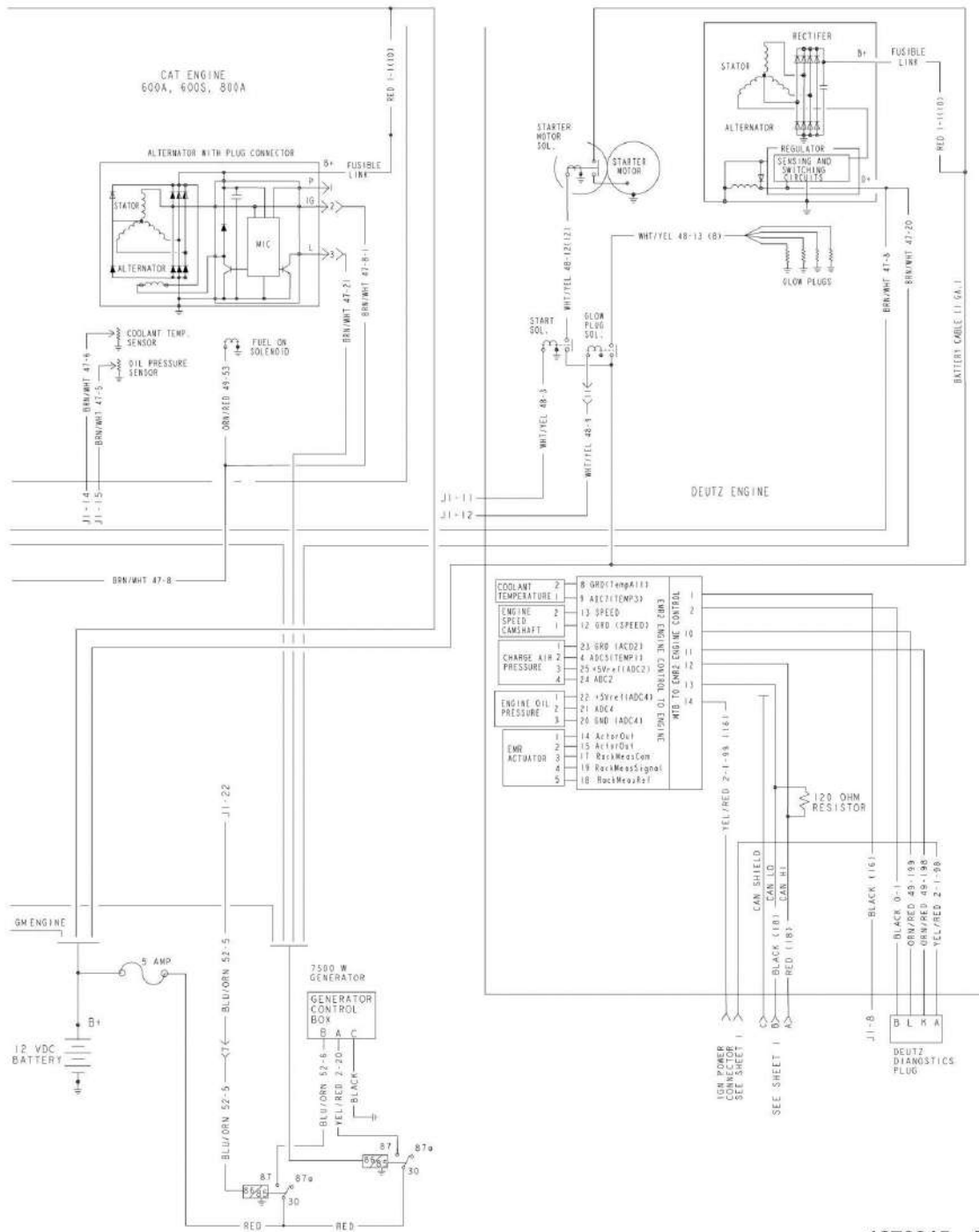


1870215 - A

# SECTION 7 - ELECTRICAL

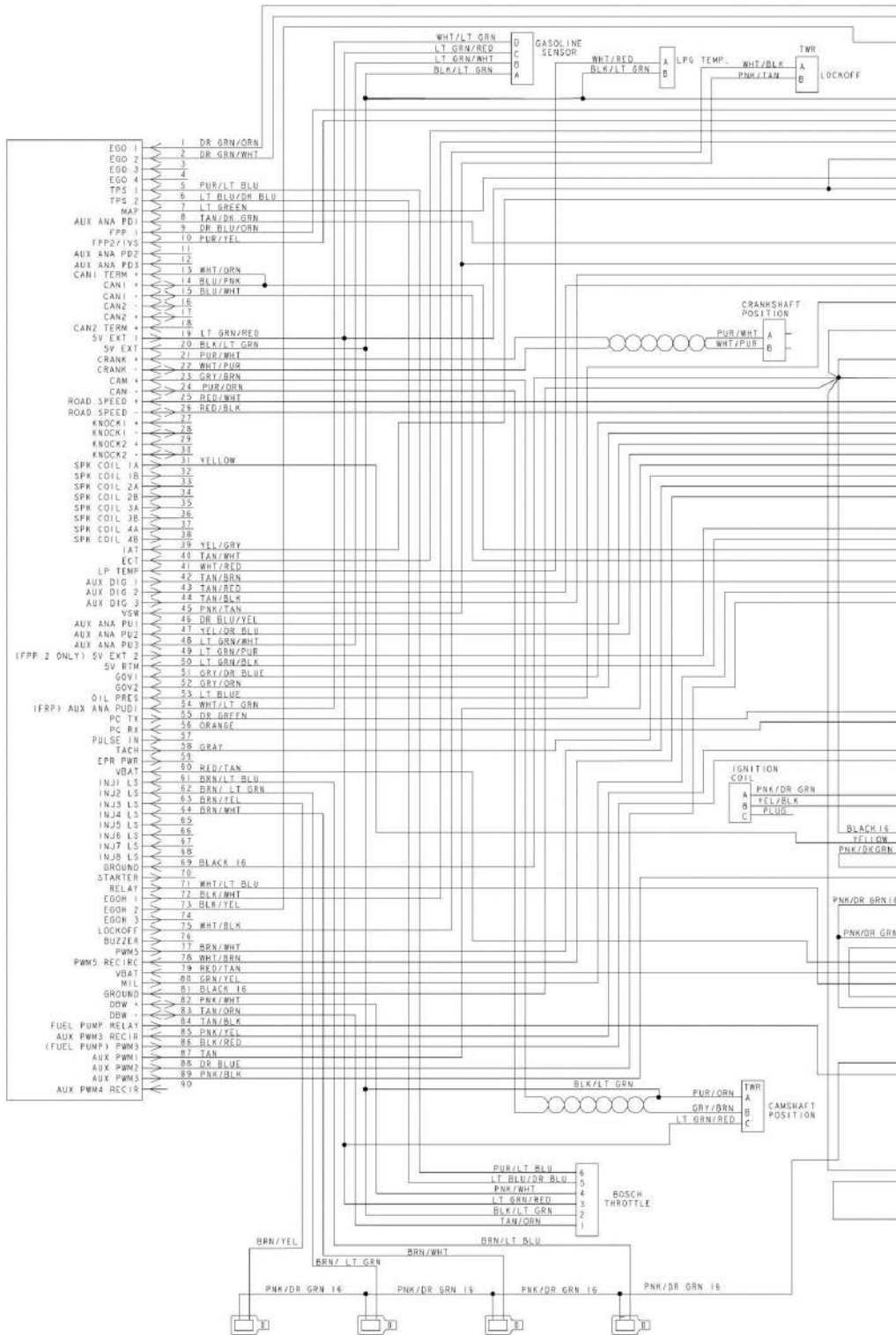


# SECTION 7 - ELECTRICAL

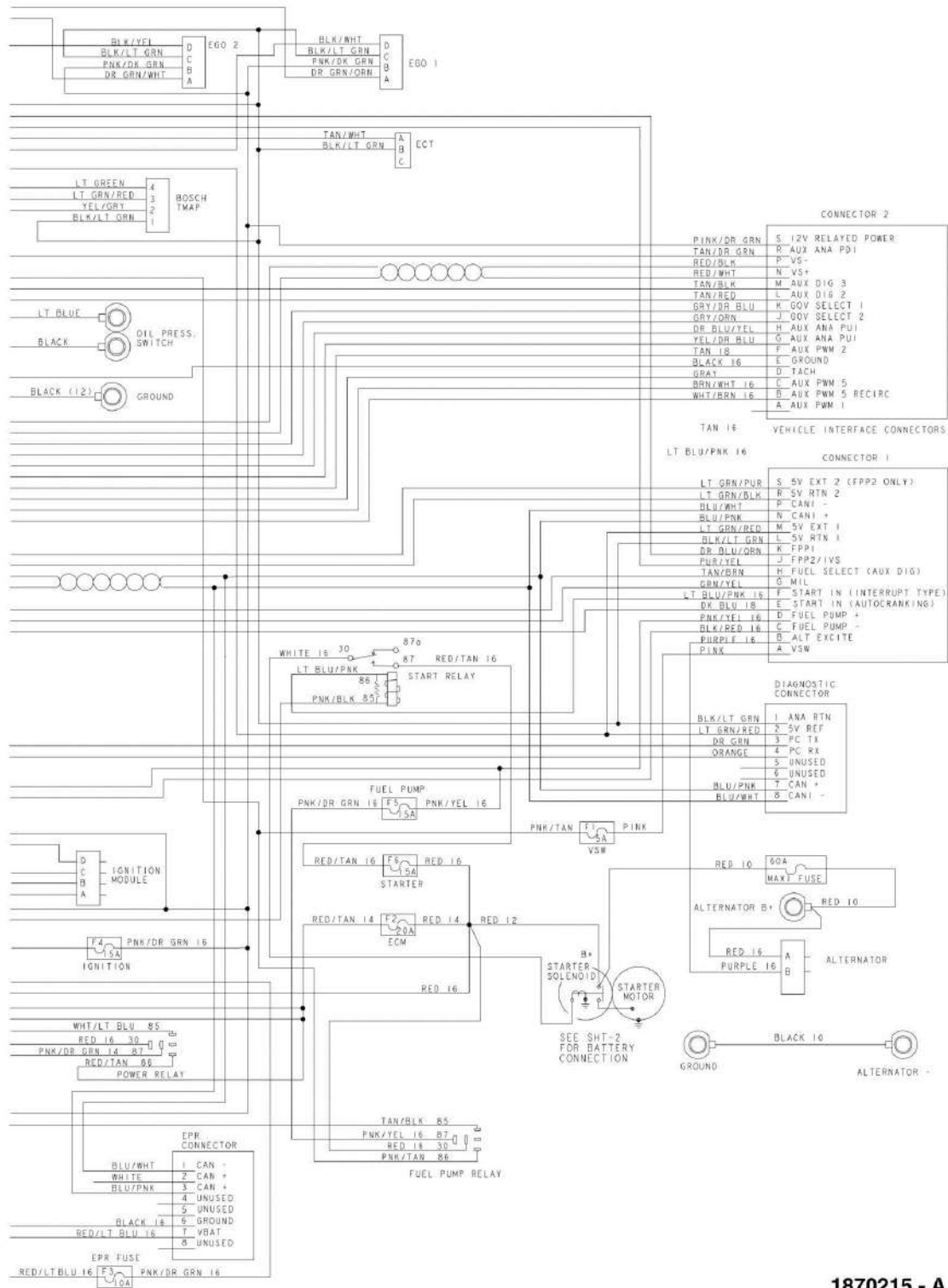


1870215 - A

# SECTION 7 - ELECTRICAL



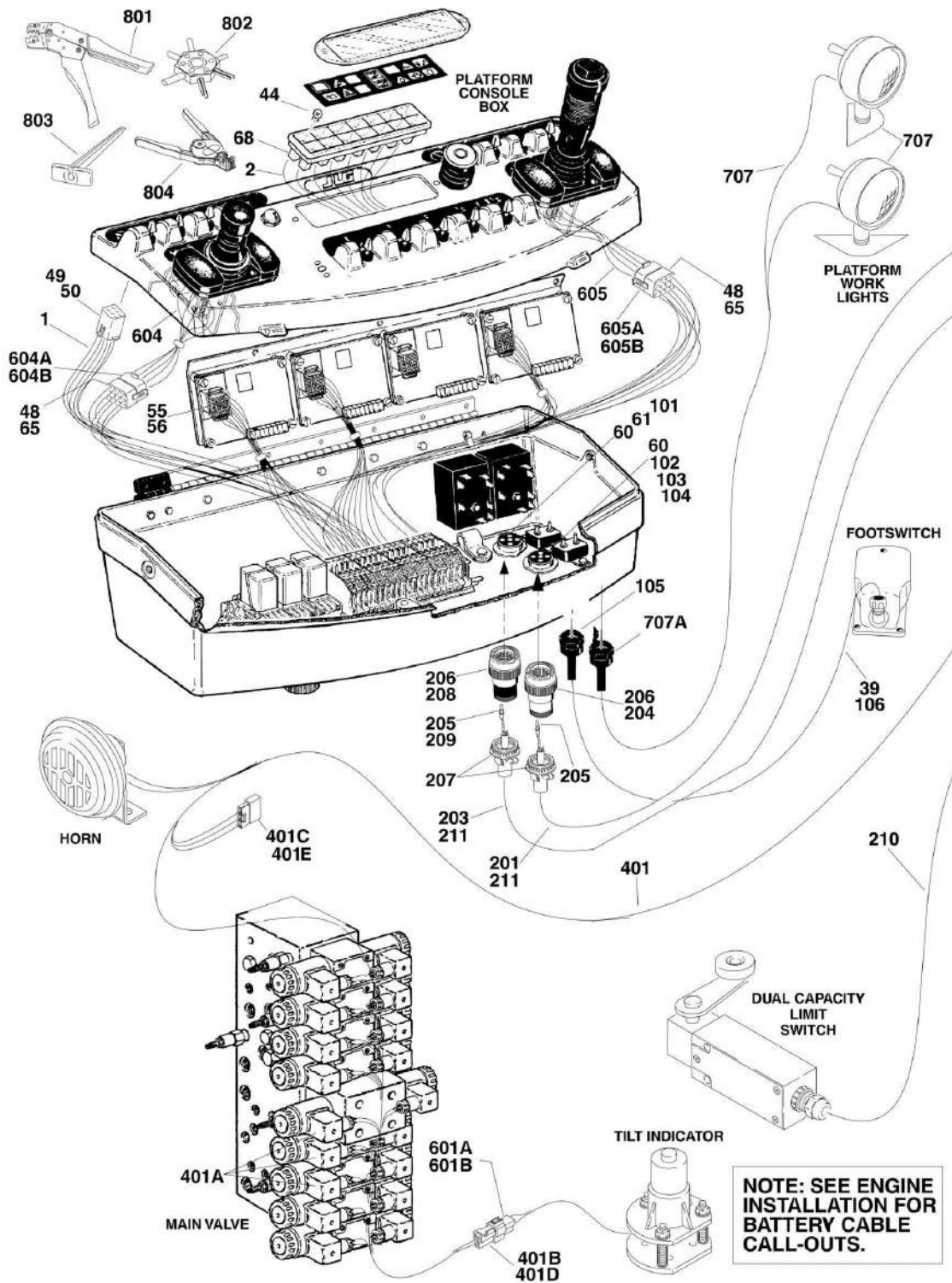
# SECTION 7 - ELECTRICAL



1870215 - A

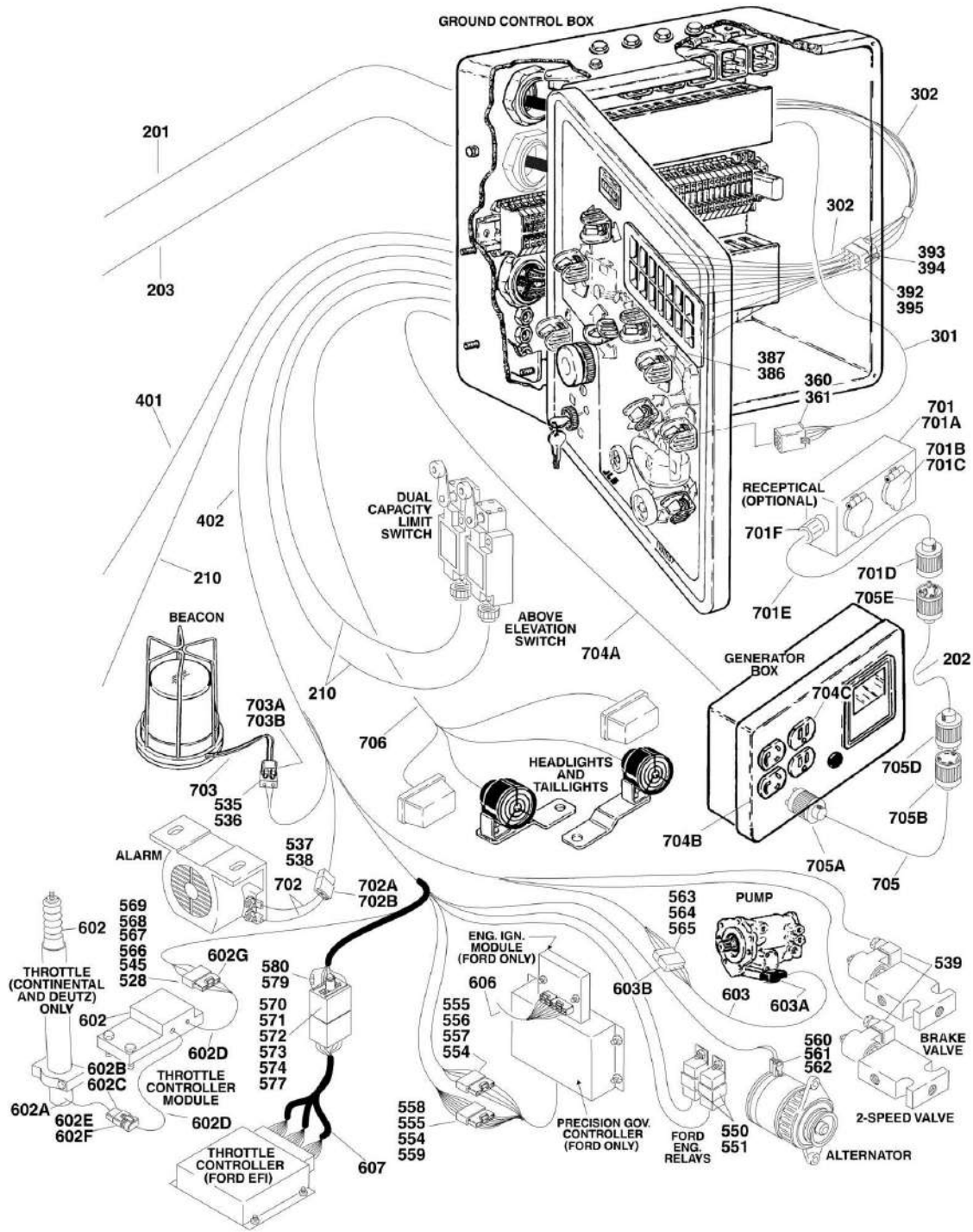
# SECTION 7 - ELECTRICAL

FIGURE 7-8. HARNESS COMPONENTS INSTALLATION (Prior to SN 62137)





# SECTION 7 - ELECTRICAL



# SECTION 7 - ELECTRICAL

## FIGURE 7-8. HARNESS COMPONENTS INSTALLATION (Prior to SN 62137)

ITEM	PART NUMBER	QTY	DESCRIPTION	REV
	4922075	Ref	<b>PLATFORM BOX HARNESS ASSEMBLY</b>	3-C
1	Not Available	AR	Harness, Switch (Made from individual Wires)	
2	Not Available	AR	Harness, Light Panel (Made from individual Wires)	
39	1060515	7 ft/2.13m	Cable, Electrical - 12/4	
44	2920129	7	Bulb, Light	
48	4460265	2	Plug, Male - 9 Position	
49	4460418	5	Connector - 6 Position	
50	4460419	27	Terminal, Female	
55	4460720	3	Connector - 15 Position	
56	4460721	33	Socket, Female	
60	4460464	40	Pin, Male (16 Gauge)	
61	4460508	4	Pin, Male (12 Gauge)	
65	4460267	16	Pin, Male	
66	3990010	17	Diode - 6 Amp (Not Shown)	
68	4120035	7	Base, Light	
		Ref	<b>PLATFORM BOX ASSEMBLY COMPONENTS</b>	
101	4460613	1	Connector - 21 Position	
102	4460503	1	Connector - 31 Position	
103	4460470	2	Nut, Conduit	
104	4460471	2	Washer	
105	4460428	1	Connector, Strain Relief	
106	4460071	1	Connector, Strain Relief	
		Ref	<b>BOOM CABLES INSTALLATION</b>	
	0258074	Ref	<b>Cable w/out AC Cable (Prior to SN 38122)</b>	3
	0258275	Ref	<b>Cable with AC Cable</b>	5
201	1060516	69.5 ft/21.2m	Cable, Electrical - 16/30 (Does not include terminals)	
202		Ref	Cable, Electrical - 12/3 Options: (Does not include plug ends)	
202	Not Required	0	Cable w/out AC Cable	
202	1060494	70 ft/21.3m	Cable with AC Cable	
203		Ref	Cable, Electrical Options: (Does not Include Terminals)	
203	1060602	70 ft/21.3m	Cable w/out AC Cable (12/4 & 16/4)	
203	1060515	70 ft/21.3m	Cable with AC Cable (12/4)	
204	4460502	1	Plug, Connector (31 Pin)	
205	4460465	AR	Socket, Female - #16	
206	4460466	18	Seal, Plug	
207	4460473	2	Clamp, Cable	
208	4460614	1	Plug, Connector (19 Pin)	
209	4460509	4	Socket, Female - #12	
210	1060016	Ref	Cable, Boom Length Options:	
210	1060016	25/7.6m	Cable, Boom Length ( <b>Prior to SN 53733</b> )	
210	1060016	40.5 ft/12.3m	Cable, Boom Length ( <b>SN 53733 through 62048</b> )	
210	1060016	55.5 ft/16.9m	Cable, Boom Length ( <b>SN 62049 through 62136</b> )	
211	4100026	5 ft/1.5m	Sleeve, Nylon	
		Ref	<b>GROUND CONTROL BOX WIRING DIAGRAMS</b>	
	4933008	Ref	<b>Deutz Engine - 601S</b>	4-E

## SECTION 7 - ELECTRICAL

ITEM	PART NUMBER	QTY	DESCRIPTION	REV
	4933081	Ref	<b>Deutz Engine - 601S With A "Enhanced Hostile Environment Package"</b>	3-D
	4933030	Ref	<b>Ford Engine - LRG425 With Carburetor</b>	1-A
	4933119	Ref	<b>Ford Engine - LRG425 With EFI</b>	1-A
301		Ref	Harness, Switch Options:	
301	4922079	1	Deutz and Ford Engine - Model 601S (Includes Items 360 - 361)	
301	4922243	1	Deutz Engine - Model 601S With A "Enhanced Hostile Environment Package"	
302		Ref	Harness, Light Panel Options:	
302	4922087	1	Deutz and Ford LRG425 Engine With Carburetor	
302	4922341	1	Ford LRG425 Engine With EFI	
303		Ref	Sub-Harness, Start Options: (Not Shown)	
303	4922101	1	Deutz Engine	
303	4922139	1	Ford Engine - LRG425 With Carburetor	
303	4922342	1	Ford Engine - LRG425 With EFI	
360	4460418	AR	Connector - 6 Position	
361	4460419	AR	Socket, Female	
372	4460508	4	Pin, Deutsch (Not Shown - Ford Only)	
384	3990010	AR	Diode 6 Amp (Not Shown - Ford Only)	
386	4120035	AR	Base, Light	
386	4460634	AR	Insert, Terminal (Single Wire)	
386	4460635	AR	Insert, Terminal (Double Wire)	
387	2920129	AR	Bulb, Light	
388	3990001	7	Diode 3 Amp (Not Shown)	
389		Ref	Resistor 750 Ohm (Not Shown) Options:	
389	3730115	1	Deutz and Ford LRG425 Engine With Carburetor	
389	3730099	1	Ford LRG425 Engine With EFI	
391	3730023	1	Resistor 510 Ohm (Not Shown - Located at Alternator Light)	
392	4460268	7	Socket, Female	
393		Ref	Plug Options:	
393	4460265	1	Plug, 9 Position <b>(Prior to SN 58209)</b>	
393	4460367	1	Plug, 9 Position <b>(SN 58209 through 62048)</b>	
393	4460343	1	Plug, 12 Position <b>(SN 62049 through 62136)</b>	
394	4460267	10	Pin, Male	
395	4460266	1	Connector, Female	
		Ref	<b>GROUND CONTROL BOX ASSY COMPONENTS</b>	
401	4922081	1	Valve Harness Assembly	2-C
401A	4460499	15	DIN Connector with Diode	
401B	4460267	4	Pin, Male	
401C	4460268	3	Socket, Female	
401D	4460225	1	Housing, Terminal - 6 Position	
401E	4460445	1	Receptacle, Female - 3 Position	
402		Ref	Engine Harness Assembly Options (See Items 501-565 for Breakdown)	
402	4922080	1	Deutz Engine Machines	
402	4922241	1	Deutz Engine Machines With A "Enhanced Hostile Environment Package"	
402	4922135	1	Ford Engine - LRG425 With Carburetor	
402	4922337	1	Ford Engine - LRG425 With EFI	
		Ref	<b>ENGINE HARNESS ASSEMBLY OPTIONS:</b>	
	4922080	Ref	<b>DEUTZ ENGINE</b>	5-F

## SECTION 7 - ELECTRICAL

ITEM	PART NUMBER	QTY	DESCRIPTION	REV
	4922241	Ref	<b>DEUTZ ENGINE With A "Enhanced Hostile Environment Package" MACHINES</b>	4-E
	4922135	Ref	<b>FORD ENGINE - LRG425 With Carburetor</b>	1-A
	4922337	Ref	<b>FORD ENGINE - LRG425 With EFI</b>	4-D
528	4460268	2	Socket, Female (Deutz Engine Only)	
529	4460267	2	Pin, Male (Deutz Engine Only)	
535	4460424	1	Receptacle, Female - 2 Position	
536	4460268	2	Socket, Female	
537	4460320	1	Connector, Female - 2 Position	
538	4460267	2	Pin, Male	
539	4460499	AR	DIN Connector with Diode	
545	4460445	AR	Housing, Terminal - 3 Position (Deutz Engine Only)	
547	4460265	1	Plug, Male - 9 Position (Deutz Engine Only)	
548	4460266	1	Connector, Female - 9 Position (Deutz Engine Only)	
550	4460374	AR	Plug, Sealed (Ford Engine Only)	
551	4460375	AR	Terminal (Ford Engine Only)	
554	4460608	12	Seal, Terminal (Ford LRG425 With Carburetor Engine Only)	
555	4460589	12	Terminal (Ford LRG425 With Carburetor Engine Only)	
556	4460590	1	Housing - 4 Position (Ford LRG425 With Carburetor Engine Only)	
557	4460591	1	Lock, Terminal (Ford LRG425 With Carburetor Engine Only)	
558	4460587	1	Housing - 8 Position (Ford LRG425 With Carburetor Engine Only)	
559	4460588	1	Lock, Terminal (Ford LRG425 With Carburetor Engine Only)	
560	4460582	3	Terminal (Ford Engine Only)	
561	4460580	1	Lock, Terminal (Ford Engine Only)	
562	4460579	1	Housing - 3 Position (Ford Engine Only)	
563	4460460	1	Connector, Male - 4 Position	
564	4460457	4	Terminal, Female	
565	4460458	4	Seal, Terminal	
566	4460777	1	Housing - 4 Position (Deutz Engine Only) <b>(SN 44055 through 62136)</b>	
567	4460591	1	Terminal, Lock (Deutz Engine Only) <b>(SN 44055 through 62136)</b>	
568	4460589	3	Socket (Deutz Engine Only) <b>(SN 44055 through 62136)</b>	
569	4460608	3	Seal, Cable (Deutz Engine Only) <b>(SN 44055 through 62136)</b>	
570	4460713	1	Connector, Housing 42 Position (LRG425 With EFI Only)	
571	4460725	1	Connector Wedge Lock, Center (LRG425 With EFI Only)	
572	4460726	2	Connector Wedge Lock, Side (LRG425 With EFI Only)	
573	4460800	29	Connector, Plug (LRG425 With EFI Only)	
574	4460799	9	Pin, Male (LRG425 With EFI Only)	
575	4460449	1	DIN Connector without Diode (LRG425 With EFI Only)	
577	4460728	4	Pin, Male (LRG425 With EFI Only)	
578	2400061	1	Fuse - 10Amp (LRG425 With EFI Only)	
579	2400060	2	Holder, Fuse (LRG425 With EFI Only)	
580	2400065	1	Fuse - 30Amp (LRG425 With EFI Only)	
		Ref	<b>STANDARD HARNESS COMPONENTS</b>	
601	Not Available	1	Tilt Indicator Harness	
601A	4460268	6	Socket, Female	
601B	4460224	1	Connector, Female - 6 Position	
602	Not Available	1	Throttle Actuator/Controller Harness (Deutz)	
602	2910000	1	Throttle Actuator and Controller Assembly (Was p/n 0060033)	

## SECTION 7 - ELECTRICAL

ITEM	PART NUMBER	QTY	DESCRIPTION	REV
602	7008833	1	Mounting Clamp Kit (Not Shown)	
602	7008836	1	Spring, Retract (Not Shown)	
602A	Not Available	1	Throttle Actuator and Harness (Purchase p/n 2910000)	
602A	7016336	1	Boot Kit	
602B	Not Serviced	3	Pin, Male	
602C	Not Serviced	1	Connector, Male - 9 Position	
602D	2910001	1	Controller and Harness (Purchase p/n 2910000)	
602E	Not Serviced	9	Socket, Female	
602F	Not Serviced	1	Connector, Female	
602G	Not Available	1	Plug, Male - 4 Position	
602G	4460693	4	Pin, Male	
602G	4460591	1	Clip	
602G	4460608	4	Seal, Terminal	
603	Not Available	1	Pump Harness	
603A	7007497	1	Plug (Pump End)	
603B	7007498	1	Plug (Engine Harness End)	
604	Not Available	1	Controller Harness Assembly (Lift and Swing)	
604A	4460266	1	Connector, Female - 9 Position	
604B	4460268	7	Socket, Female	
605	Not Available	1	Controller Harness/Circuit Board Assembly (Drive and Steer)	
605A	4460266	1	Connector, Female - 9 Position	
605B	4460268	7	Socket, Female	
606	7012682	1	Ford Engine Harness (For replacement parts refer to Ford engine dealer (Ford Carburetor Engine Machines)	
607	Not Available	1	Ford Engine Harness (For replacement parts refer to Ford engine dealer (Ford EFI Engine Machines)	
		Ref	<b>OPTIONAL HARNESS COMPONENTS</b>	
701	0258075	Ref	AC (110Volt) to Platform Receptacle Components	1
701A	0860038	1	Box, Receptacle	
701A	3960422	1	Gasket	
701B	4460346	1	110V GFI Receptacle	
701C	4060700	1	Shield, Cover	
701D	4460205	1	Plug, Male	
701E	1060494	18 in/47cm	Cable, Electrical - 12/3	
701F	4460071	1	Connector	
702	0257887	1	Alarm/Harness Assembly	
702	0140032	1	Alarm	
702	2820035	6 in/15cm	Loom	
702A	4460424	1	Plug	
702B	4460268	2	Socket	
702C		Ref	Relay Harness Options: (Not Shown)	
702C	4922123	1	Motion Alarm	
702C	4922124	1	Travel Alarm	
703	Not Available	1	Strobe Light Harness	
703A	4460320	1	Connector, Female - 2 Position	
703B	4460267	2	Pin, Male	
704	4933092	Ref	Generator Electrical Components	A
704	3990010	1	Diode - 6 Amp (Not Shown)	
704A	4921938	1	Harness - On/Off Switch Options (Powermite Control Box to Ground Control Box)	
704B	4460027	1	110V GFI Receptacle	

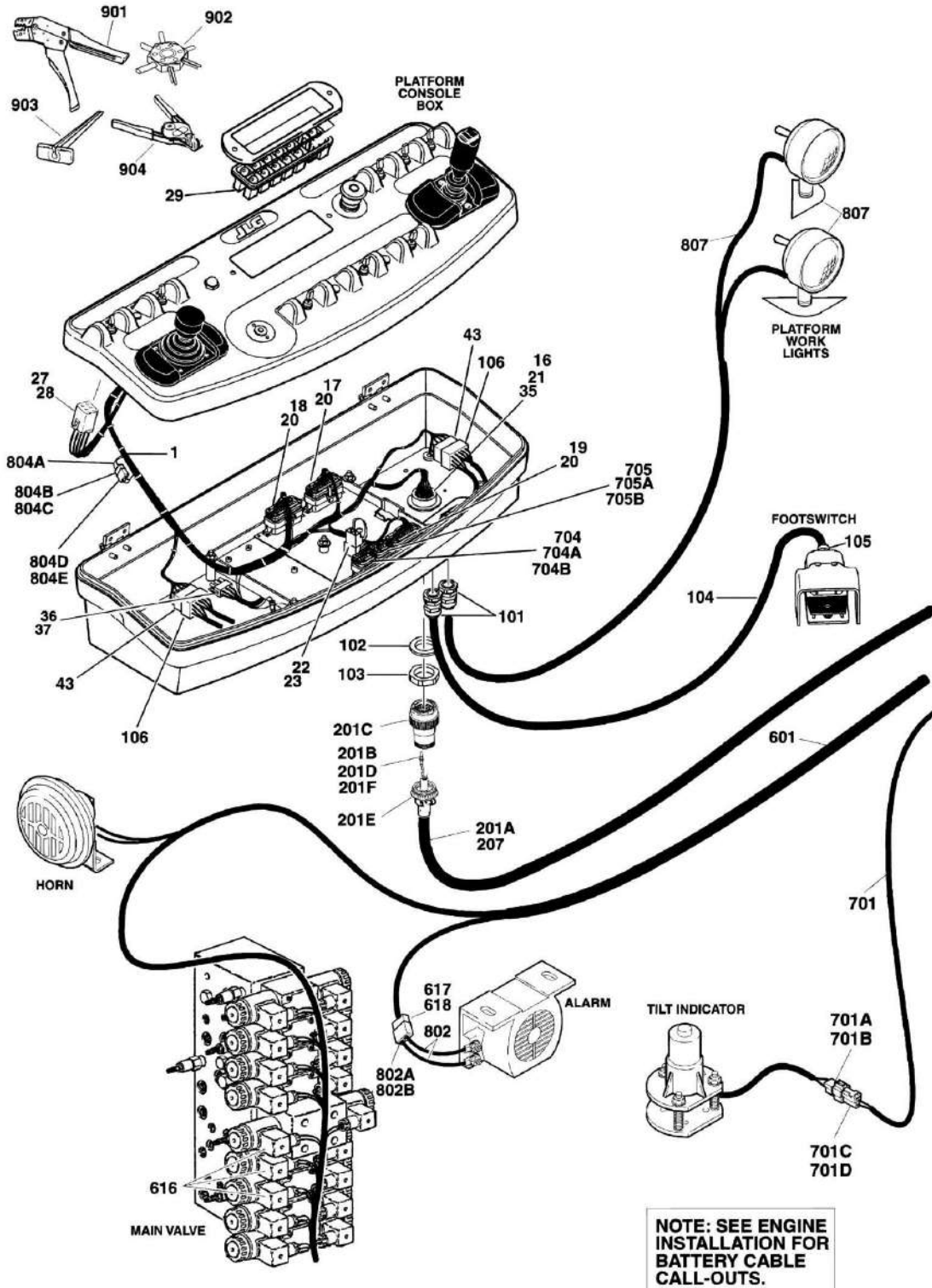
## SECTION 7 - ELECTRICAL

ITEM	PART NUMBER	QTY	DESCRIPTION	REV
704C	4460190	1	110V GFI Receptacle	1
705	4921827	Ref	Generator to Rear of Boom Harness (110V)	
		Ref	<b>Note: Harness used to connect AC at platform harness to generator receptacle to power platform receptacle.</b>	
705	1060494	20 ft/6.1m	Cable, Electrical - 12/3	
705A	4460205	1	Plug, Male (110V)	
705B	4460134	1	Connector, Female (110V)	
706	Not Available	1	Light Harness	
706	3740049	1	Relay (Not Shown)	
706	1060341	37 ft/11.3m	Cable, Electrical 16/2 (Does not Include terminals)	
707	2920140	2	Platform Worklights Harness (Includes Light and Wire Only)	
707	2820035	9 ft/2.8m	Loom, Vinyl	
707A	4460598	1	Connector, Strain Relief	
707A	4460042	2	Terminal (Not Shown - Located in Platform Console)	
		Ref	<b>TOOLS</b>	
801	7002821	1	Crimper (For Wire to Pin/Socket Connections)	
802	7002823	1	Extractor (For Removal of Pin/Socket from Connectors)	
803	4460467	1	Extractor, Pin (Blue 16-18 Gauge) (For Removal of Pin/Socket from Connectors)	
803	4460510	1	Extractor, Pin (Yellow 12-14 Gauge) (For Removal of Pin/Socket from Connectors)	
804	7002828	1	Stripper, Wire	



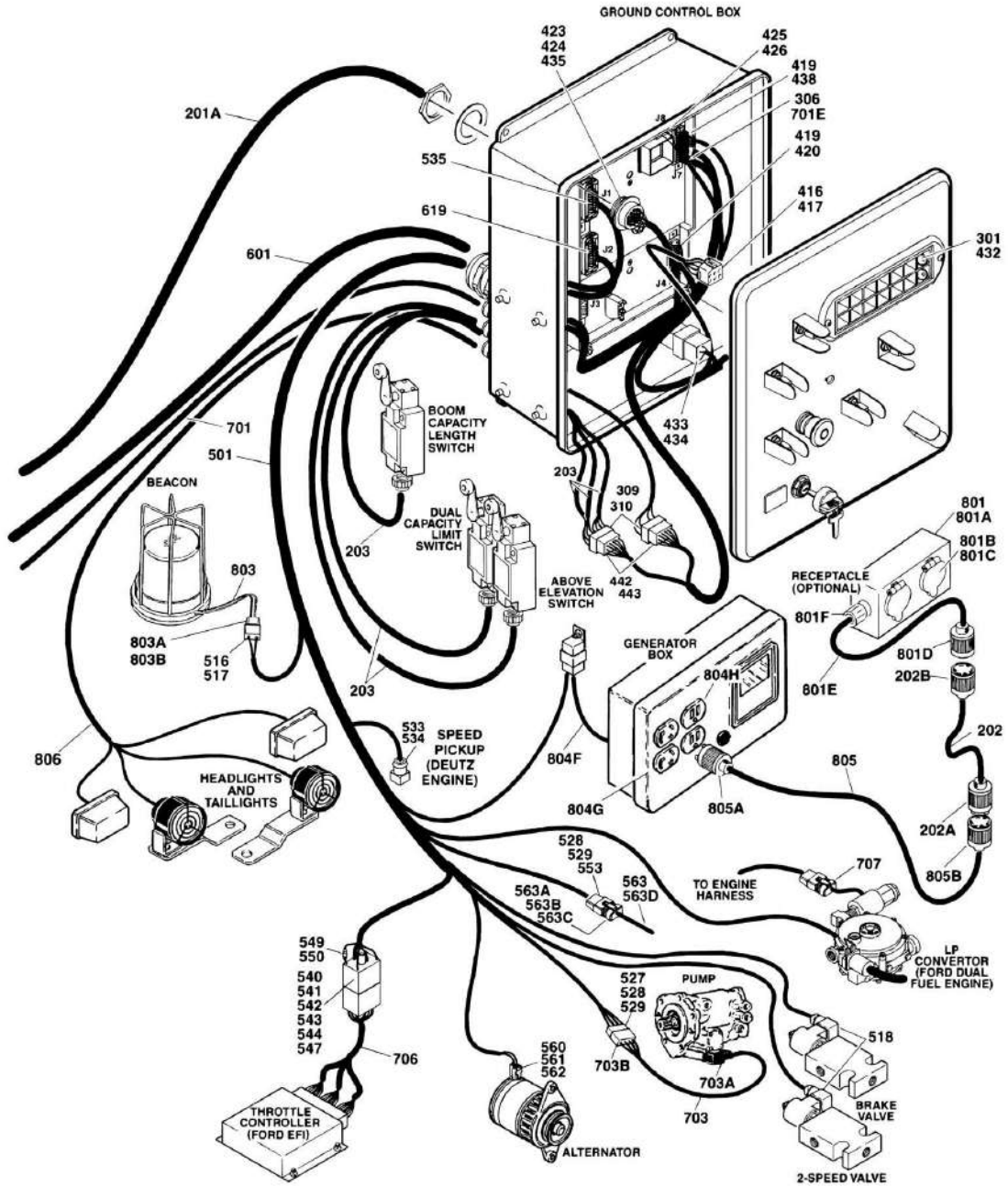
# SECTION 7 - ELECTRICAL

FIGURE 7-9. HARNESS COMPONENTS INSTALLATION (WITH ADE SYSTEM) (SN 62137 through 85131)





# SECTION 7 - ELECTRICAL



## SECTION 7 - ELECTRICAL

**FIGURE 7-9. HARNESS COMPONENTS INSTALLATION (WITH ADE SYSTEM) (SN 62137 through 85131)**

ITEM	PART NUMBER	QTY	DESCRIPTION	REV
		Ref	<b>PLATFORM BOX HARNESS ASSEMBLIES</b>	
	4922520	Ref	<b>Platform Box Harness Assemblies (Prior to SN 64398)</b>	2-B
	4922650	Ref	<b>Platform Box Harness Assemblies (SN 64398 through 67977)</b>	1-A
	4922639	Ref	<b>Platform Box Harness Assemblies (SN 67978 through 85131)</b>	6-G
1		Ref	Harness, Console Box Options:	
1	4922520	1	Harness, Console Box <b>(Prior to SN 64398)</b>	
1	4922650	1	Harness, Console Box <b>(SN 64398 through 67977)</b>	
1	4922639	1	Harness, Console Box <b>(SN 67978 through 85131)</b>	
16	4460866	1	Connector - 19 Position	
17	4460874	1	Connector - 35 Position (Natural)	
18	4460875	1	Connector - 35 Position (Gray)	
19	4460873	1	Connector - 35 Position (Black)	
20	4460871	AR	Socket, Female	
21	4460464	7	Pin, Male (16 Gauge)	
22	4460879	1	Terminal, Housing 2 Position	
23	4460887	2	Terminal, (12 Gauge)	
27	4460418	4	Connector - 6 Position	
28	4460419	12	Terminal, Female	
29	4120035	AR	Base, Light	
35	4460508	3	Pin, Male (12 Gauge)	
36	4460225	1	Plug, Male - 6 Position <b>(SN 67978 through 85131)</b>	
37	4460227	5	Pin, Male <b>(SN 67978 through 85131)</b>	
43	4460434	2	Plug, Male - 15 Position <b>(SN 67978 through 85131)</b>	
43	4460227	23	Pin, Male	
44	2920129	AR	Lamp, Indicator <b>(SN 68642 through 85131)</b>	
		Ref	<b>PLATFORM BOX ASSEMBLY COMPONENTS</b>	
101	4460428	2	Connector, Strain Relief	
102	4460470	1	Nut, Conduit	
103	4460471	1	Washer	
104	1060330	1	Cable, Electrical - 16/3	
105	4460071	1	Connector, Strain Relief	
106	4460708	2	Receptacle - 15 Position	
	0270807	Ref	<b>BOOM CABLES INSTALLATION</b>	3
201	4922468	1	Harness, Main Boom	
201A	1060896	67 ft/20.4m	Cable	
201B	4460465	22	Socket, Female - #16	
201C	4460865	1	Connector - 19 Position	
201D	4460509	8	Socket, Female - #12	
201E	4460473	1	Clamp, Cable	
201F	4460466	4	Seal, Plug	
202		Ref	Cable, Electrical - 12/3 Options (Does not include plug ends):	
202	1060494	69.5 ft/21.8m	Cable, Electrical - 12/3 <b>(Prior to SN 71455)</b>	
202	4922889	1	Cable, Electrical - 12/3 <b>(SN 71455 through 85131)</b>	
202A	4460205	1	Plug, Male (110V)	
202B	4460134	1	Connector, Female (110V)	
203		Ref	Cable, Boom Length Options:	
203	1060680	55.5	Cable, Boom Length <b>(Prior to SN 71455)</b>	

## SECTION 7 - ELECTRICAL

ITEM	PART NUMBER	QTY	DESCRIPTION	REV
		ft/16.9m		
203	1061026	1	Cable, Boom Length (SN 71455 through 85131)	
207	4100026	5 ft/1.5m	Sleeve, Nylon	
		Ref	<b>GROUND CONTROL BOX WIRING DIAGRAMS</b>	
	4933159	Ref	<b>Deutz Engine - 601S (Prior to SN 64398)</b>	H
	4933225	Ref	<b>Deutz Engine - 601S (SN 64398 through 85131)</b>	3-C
	4933160	Ref	<b>Deutz Engine - 601S With A "Enhanced Hostile Environment Package (Prior to SN 64398)</b>	5-G
	4933223	Ref	<b>Deutz Engine - 601S With A "Enhanced Hostile Environment Package (SN 64398 through 85131)</b>	2-B
	4933161	Ref	<b>Ford Engine - LRG425 With EFI (Prior to SN 64398)</b>	E
	4933224	Ref	<b>Ford Engine - LRG425 With EFI (SN 64398 through 85131)</b>	2-B
301	2920129	AR	Bulb, Light	
302	4922636	1	Harness, Jumper (Not Shown) (SN 64398 through 85131)	
306	4460871	AR	Socket, Female	
307	2400065	1	Fuse, 30Amp (Not Shown)	
308	2400066	1	Fuse, Holder W/Cover (Not Shown)	
309	4460708	2	Housing - 15 Position (SN 64398 through 85131)	
310	4460226	11	Pin (SN 64398 through 85131)	
311	4922637	1	Harness, Jumper (Not Shown) (SN 64398 through 85131)	
		Ref	<b>GROUND CONTROL HARNESS ASSEMBLY</b>	
	4922487	Ref	<b>DEUTZ ENGINE (Prior to SN 64398)</b>	4-E
	4922486	Ref	<b>FORD ENGINE - LRG425 (Prior to SN 64398)</b>	3-D
	4922649	Ref	<b>DEUTZ/FORD ENGINE - LRG425 (SN 64398 through 85131)</b>	4-E
416	4460419	AR	Terminal, Female	
417	4460418	AR	Connector - 6 Position	
419	4460871	AR	Socket, Female	
420	4460876	1	Connector - 35 Position (Blue)	
423	4460464	10	Pin, Male (16 Gauge)	
424	4460866	1	Connector - 19 Position	
425	4460878	1	Housing, Terminal - 4 Position	
426	4460887	3	Terminal	
432	4120035	AR	Base, Light	
433	4460741	1	Housing, Relay (Ford Engine Only) (Prior to SN 64398)	
434	4460420	3	Terminal (Ford Engine Only) (Prior to SN 64398)	
435	4460508	3	Pin, Male (12 Gauge)	
438	4460873	1	Connector - 35 Position (Black)	
442	4460434	2	Connector - 15 Position (SN 64398 through 85131)	
443	4460227	22	Pin	
445	3990010	2	Diode 6 Amp (Not Shown)	
		Ref	<b>ENGINE HARNESS ASSEMBLY</b>	
	4922488	Ref	<b>DEUTZ ENGINE</b>	6-E
	4922489	Ref	<b>DEUTZ ENGINE With A "Enhanced Hostile Environment Package" MACHINES</b>	6-E
	4922519	Ref	<b>FORD ENGINE - LRG425 With EFI</b>	7-G
501		Ref	Harness, Assembly Options:	
501	4922488	1	Deutz Engine	
501	4922489	1	Deutz Engine With A "Enhanced Hostile Environment Package" Machines	
501	4922519	1	Ford Engine - LRG425 With EFI	
516	4460424	1	Receptacle, Female - 2 Position	
517	4460268	2	Socket, Female	

## SECTION 7 - ELECTRICAL

ITEM	PART NUMBER	QTY	DESCRIPTION	REV
518	4460880	AR	DIN Connector without Diode	
527	4460460	1	Connector, Male - 4 Position	
528	4460457	AR	Terminal, Female	
529	4460458	AR	Seal, Terminal	
533	4460890	1	Housing - 2 Position	
534	4460889	2	Terminal	
535	4460871	AR	Socket, Female	
540	4460713	1	Connector, Housing 42 Position (LRG425 With EFI Only)	
541	4460725	1	Connector Wedge Lock, Center (LRG425 With EFI Only)	
542	4460726	2	Connector Wedge Lock, Side (LRG425 With EFI Only)	
543	4460800	29	Connector, Plug (LRG425 With EFI Only)	
544	4460799	7	Pin, Male (LRG425 With EFI Only)	
547	4460728	3	Pin, Male (LRG425 With EFI Only)	
549	2400061	2	Fuse (LRG425 With EFI Only)	
550	2400060	2	Holder, Fuse (LRG425 With EFI Only)	
553	4460742	1	Connector, Male - 2 Position	
560	4460582	3	Terminal (LRG425 With EFI Only)	
561	4460580	1	Lock, Terminal (LRG425 With EFI Only)	
562	4460579	1	Housing - 3 Position (LRG425 With EFI Only)	
563	3730120	1	Resistor Assembly <b>(SN 73350 through 85131)</b>	
563A	4460978	1	Receptacle, Male - 2 Position	
563B	4460979	2	Pin, Male	
563C	4460458	2	Seal, Terminal	
563D	3730121	1	Resistor	
	4922490	Ref	<b>VALVE HARNESS ASSEMBLY</b>	7-G
601	4922490	1	Harness, Assembly	
616	4460499	15	DIN Connector with Diode	
617	4460320	1	Connector, Female - 2 Position	
618	4460268	2	Socket, Female	
619	4460871	21	Socket, Female	
625	4460424	1	Plug, Male - 2 Position	
626	4460267	4	Pin, Male	
		Ref	<b>STANDARD HARNESS COMPONENTS</b>	
701	4922621	1	Tilt Indicator Harness	
701A	4460226	4	Pin	
701B	4460224	1	Connector, Female - 6 Position	
701C	4460227	4	Pin	
701D	4460225	1	Connector, Female - 6 Position	
701E	4460871	4	Socket, Female	
703	Not Available	1	Pump Harness	
703A	7007497	1	Plug (Pump End)	
703B	7007498	1	Plug (Engine Harness End)	
704	Not Available	1	Controller Harness Assembly (Lift and Swing)	
704A	7022819	1	Plug, Male - 8 Position (Natural)	
704B	4460871	8	Socket, Female	
705	Not Available	1	Controller Harness/Circuit Board Assembly (Drive and Steer)	
705A	7022825	1	Plug, Male - 8 Position (Black)	
705B	4460871	7	Socket, Female	
706	Not Available	1	Ford Engine Harness (For replacement parts refer to Ford engine dealer (Ford EFI Engine Machines)	
707	Not Available	1	Dual Fuel Shut-Off Filter Harness	
707	7023679	1	Electrical Connector Kit (Includes [1] 2 Position Connector, 2	

## SECTION 7 - ELECTRICAL

ITEM	PART NUMBER	QTY	DESCRIPTION	REV
			Pins & 2 Seals)	
		Ref	<b>OPTIONAL HARNESS COMPONENTS</b>	
801	0258075	Ref	AC (110Volt) to Platform Receptacle Components	1
801A	0860038	1	Box, Receptacle	
801A	3960422	1	Gasket	
801B	4460346	1	110V GFI Receptacle	
801C	4060700	1	Shield, Cover	
801D	4460205	1	Plug, Male	
801E	1060494	18 in/47cm	Cable, Electrical - 12/3	
801F	4460071	1	Connector	
802	0257887	1	Alarm/Harness Assembly	
802	0140032	1	Alarm	
802	2820035	6 in/15cm	Loom	
802A	4460424	1	Plug	
802B	4460268	2	Socket	
802C		Ref	Relay Harness Options: (Not Shown)	
802C	4922123	1	Motion Alarm	
802C	4922124	1	Travel Alarm	
803	Not Available	1	Strobe Light Harness	
803A	4460320	1	Connector, Female - 2 Position	
803B	4460267	2	Pin, Male	
804		Ref	Generator Electrical Components Options:	
804	4933158	Ref	Generator Electrical Components ( <b>Prior to SN 64254</b> )	1
804	4933215	Ref	Generator Electrical Components ( <b>SN 64254 through 85131</b> )	1
804	3990010	1	Diode - 6 Amp (Not Shown)	
804A		Ref	Harness - On/Off Switch Options:	
804A	4922483	1	Harness - On/Off Switch ( <b>Prior to SN 64254</b> )	
804A	4922641	1	Harness - On/Off Switch ( <b>SN 64254 through 85131</b> )	
804B	4460320	1	Connector, Female - 2 Position	
804C	4460267	2	Pin, Male	
804D	4460424	1	Plug, Male - 2 Position	
804E	4460268	2	Socket, Female	
804F	4922482	1	Powermite Control Box to Relay	
804G	4460027	1	110V GFI Receptacle	
804H	4460190	1	110V GFI Receptacle	
805	4921827	Ref	Generator to Rear of Boom Harness (110V)	1
		Ref	<b>Note: Harness used to connect AC at platform harness to generator receptacle to power platform receptacle.</b>	
805	1060494	20 ft/6.1m	Cable, Electrical - 12/3	
805A	4460205	1	Plug, Male (110V)	
805B	4460134	1	Connector, Female (110V)	
806	Not Available	1	Light Harness	
806	3740049	1	Relay (Not Shown)	
806	1060341	37 ft/11.3m	Cable, Electrical 16/2 (Does not Include terminals)	
807	2920140	2	Platform Worklights Harness (Includes Light and Wire Only)	
807	2820035	9 ft/2.8m	Loom, Vinyl	
		Ref	<b>TOOLS</b>	
901	7002821	1	Crimper (For Wire to Pin/Socket Connections)	
902	7002823	1	Extractor (For Removal of Pin/Socket from Connectors)	
903	4460467	1	Extractor, Pin (Blue 16-18 Gauge) (For Removal of Pin/Socket	

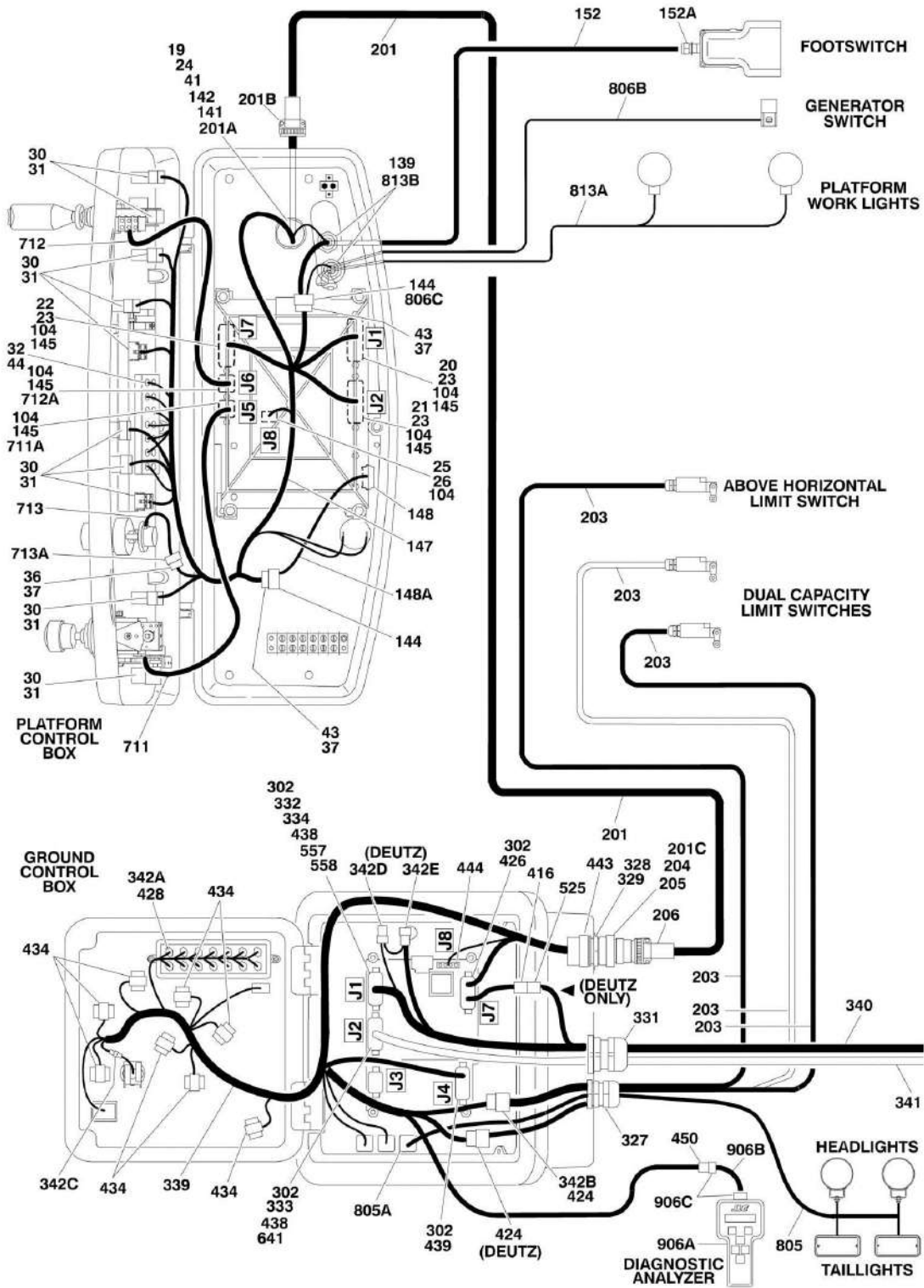
## SECTION 7 - ELECTRICAL

ITEM	PART NUMBER	QTY	DESCRIPTION	REV
903	4460510	1	from Connectors) Extractor, Pin (Yellow 12-14 Gauge) (For Removal of Pin/Socket from Connectors)	
904	7002828	1	Stripper, Wire	
905	2901443	1	Analyzer Kit (Not Shown)	



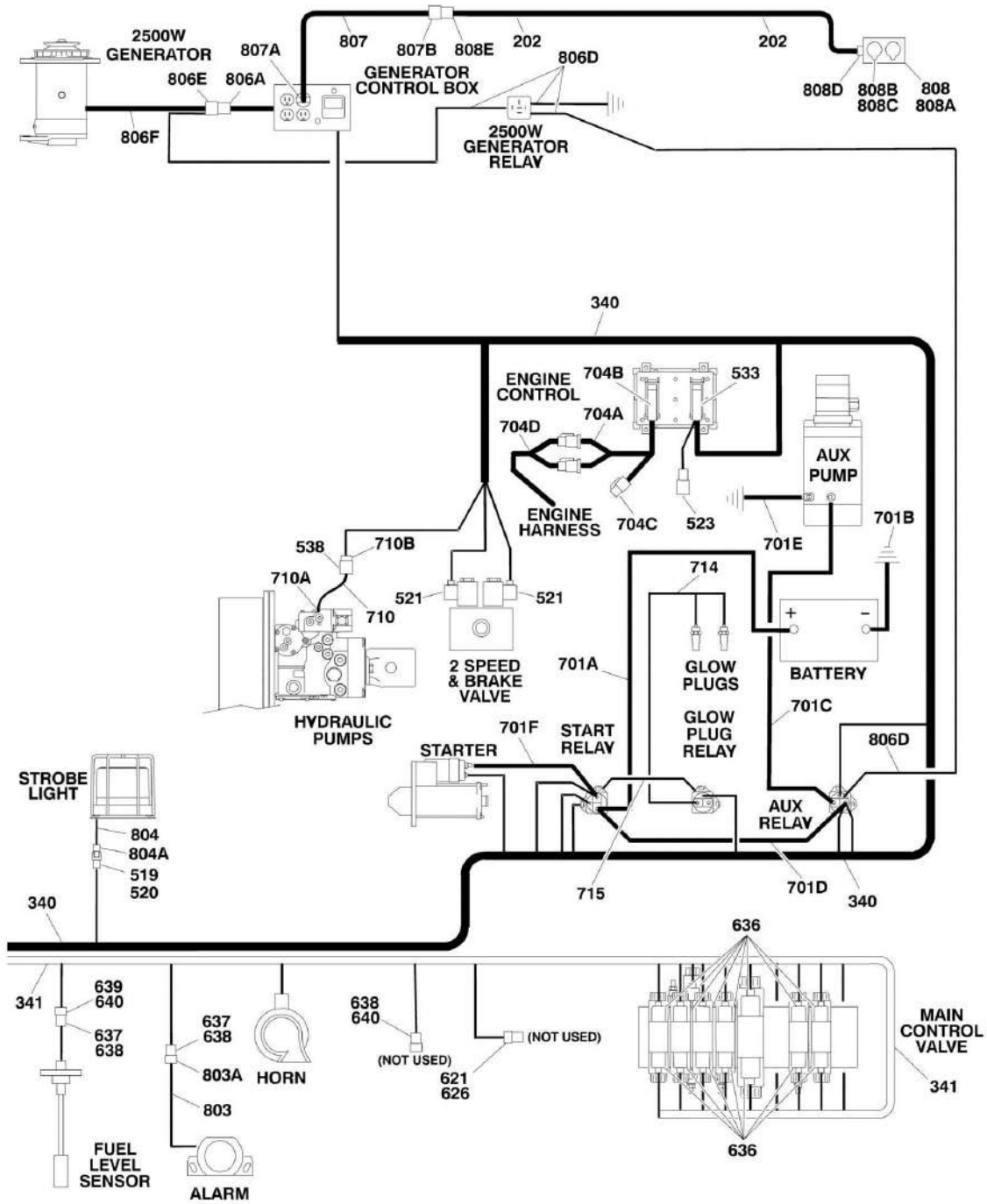
# SECTION 7 - ELECTRICAL

FIGURE 7-10. HARNESS COMPONENTS INSTALLATION (DEUTZ EMR2) (SN 85132 to Present)





# SECTION 7 - ELECTRICAL



## SECTION 7 - ELECTRICAL

**FIGURE 7-10. HARNESS COMPONENTS INSTALLATION (DEUTZ EMR2) (SN 85132 to Present)**

ITEM	PART NUMBER	QTY	DESCRIPTION	REV
	4922639	Ref	<b>PLATFORM BOX HARNESS ASSEMBLY</b>	7-H
19	4460866	1	Connector - 19 Position	
20	4460874	1	Connector - 35 Position (Natural)	
21	4460875	1	Connector - 35 Position (Gray)	
22	4460873	1	Connector - 35 Position (Black)	
23	4460871	AR	Socket, Female	
24	4460464	7	Pin, Male (16 Gauge)	
25	4460879	1	Terminal, Housing 2 Position	
26	4460887	2	Terminal, (12 Gauge)	
30	4460418	9	Connector - 6 Position	
31	4460419	27	Terminal, Female	
32	4120035	AR	Base, Light	
36	4460225	1	Plug, Male- 6 Position	
37	4460227	6	Pin, Male	
41	4460508	3	Pin, Male (12 Gauge)	
43	4460434	2	Connector - 15 Position	
44	2920129	AR	Lamp, Indicator	
		Ref	<b>PLATFORM BOX ASSEMBLY COMPONENTS</b>	
104	0100048	AR	Grease, Dielectric	
139	4460428	2	Connector, Strain Relief	
141	4460470	1	Nut, Terminal	
142	4460471	1	Lockwasher, Terminal	
144	4460708	2	Connector, Female - 15 Position	
145	4460905	5	Seal, Plug	
147	4922639	1	Harness, Platform Console Box (Includes Items 1-44)	
148	4922666	1	Harness, Analyzer Cable	2-B
148	4460226	4	Socket, Female (Not Shown - Located at J2)	
148A	4460761	1	Connector, Female - 4 Position	
148A	4460227	4	Pin, Male	
152	Not Available	1	Footswitch Harness	
152	1060918	8 ft/2.4m	Cable, Electrical - 18/3	
152A	4460071	1	Connector, Strain Relief	
	0270807	Ref	<b>BOOM CABLES INSTALLATION</b>	3
201	4922468	1	Harness, Main Boom	
201	1060896	67 ft/20.4m	Cable	
201A	4460465	11	Socket, Female - #16	
201A	4460865	1	Connector - 19 Position	
201A	4460509	4	Socket, Female - #12	
201A	4460466	4	Seal, Plug	
201B	4460473	1	Clamp, Cable	
201C	4460465	11	Socket, Female - #16	
201C	4460509	4	Socket, Female - #12	
202	4922889	1	Harness, Generator (Does not include plug ends) (69.5ft/21.8m of 12/3 Cable P/N 1060494)	
203	1061026	1	Cable, Boom Length (25.5ft/7.8m of 18/2 Cable P/N 1060680)	
203	1061027	1	Cable, Boom Horizontal (13.5ft/4.2m of 18/2 Cable P/N 1060680)	
204	4460865	1	Plug, Connector (19 Pin)	
205	4460466	4	Seal, Plug	
206	4460473	1	Clamp, Cable	

## SECTION 7 - ELECTRICAL

ITEM	PART NUMBER	QTY	DESCRIPTION	REV
207	4100026	10 ft/3.0m	Sleeve, Nylon	
		Ref	<b>GROUND CONTROL BOX COMPONENTS</b>	
302	0100048	AR	Grease, Dielectric	
327	4460426	2	Connector, Strain Relief	
328	4460470	1	Nut, Terminal	
329	4460471	1	Lockwasher, Terminal	
331	4460526	1	Connector, Strain Relief	
332	4460874	1	Connector (Natural)	
333	4460875	1	Connector (Gray)	
334	4460905	4	Connector, Amp Seal Plug	
339		Ref	Ground Control Box Harness Assembly Options (See Items 401-450 for Breakdown):	
339	4923213	1	Ground Control Box Harness Assembly ( <b>Prior to SN 99060</b> )	
339	4923577	1	Ground Control Box Harness Assembly ( <b>SN 99060 to Present</b> )	
340	4923212		Engine Harness Assembly (See 501 to 557 for Breakdown)	
341	4923206	1	Valve Harness Assembly (See 601 to 646 for Breakdown)	2-B
342		Ref	Ground Control Box Wiring Diagram Options (Not Shown):	
342	4933318	1	Ground Control Box Wiring Diagram ( <b>Prior to SN 99060</b> )	
342	4933366	1	Ground Control Box Wiring Diagram ( <b>SN 99060 to Present</b> )	
342A	2920129	AR	Bulb, Light	
342B	4460708	2	Receptacle, Female - 15 Position	
342B	4460226	13	Socket, Female	
342B	4922637	1	Harness, Jumper (Not Shown)	
342C	2400065	1	Fuse, 30Amp	
342C	2400066	1	Fuse, Holder with Cover	
342D	4460894	1	Plug, Male - 6 Position	
342D	4460892	1	Receptacle, Female - 6 Position	
342E	2902443	1	Receptacle Kit	
342E	4461071	8	Socket, Female	
342E	4461072	1	Receptacle	
342E	4461073	1	Cap, Dust	
342E	4461074	1	Shell, Black	
		Ref	<b>GROUND CONTROL HARNESS ASSEMBLIES</b>	
	4923213	Ref	<b>Ground Control Harness Assemblies (Prior to SN 99060)</b>	E
	4923577	Ref	<b>Ground Control Harness Assemblies (SN 99060 to Present)</b>	A
416	4460536	1	Connector, Female 3- Position	
416	4460943	3	Pin, Male	
421	3990010	2	Diode - 6 Amp (Not Shown)	
424	4460434	2	Plug, Male 15 - Position	
424	4460227	AR	Pin	
426	4460873	1	Plug, Male - 35 Position (Black)	
426	4460871	AR	Socket, Female	
426	4460905	AR	Plug, Seal	
428	4120035	5	Base, Light	
428	4460634	6	Terminal (16 Gauge)	
428	4460635	4	Terminal (12 Gauge)	
434	4460418	7	Connector, Female - 6 Position	
434	4460419	21	Socket, Female	
438	4460871	AR	Socket, Female	
439	4460876	1	Plug, Male - 35 Position (Blue)	
439	4460871	26	Socket, Female	
439	4460905	1	Plug, Seal	

## SECTION 7 - ELECTRICAL

ITEM	PART NUMBER	QTY	DESCRIPTION	REV
443	4460866	1	Connector - 19 Pin	
443	4460464	10	Pin, Male (16 Gauge)	
443	4460508	3	Pin, Male (12 Gauge)	
444	4460878	1	Housing, Terminal - 4 Position	
444	4460887	3	Terminal (12 Gauge)	
450	4460761	1	Connector, Female 4 - Position	
450	4460227	4	Pin, Male	
	4923212	Ref	<b>ENGINE HARNESS ASSEMBLY</b>	E
519	4460424	1	Receptacle, Female - 2 Position	
520	4460268	2	Socket, Female	
521	4460880	2	DIN Connector without Diode	
523	4461070	1	Receptacle, Female With Resistor (3 Position)	
523	4461095	1	Plug, Male - 3 Position	
523	4460944	3	Socket, Female	
525	4460539	1	Connector, Male - 3 Position	
525	4460944	3	Socket, Female	
533	4461052	1	Connector, Receptacle - 25 Position	
533	4461005	5	Terminal (Gold)	
533	4461006	5	Seal, Terminal	
533	4461060	2	Terminal (Tin)	
533	4461054	2	Seal, Terminal	
533	4461053	1	Cover, Plug	
538	4460460	1	Connector, Male - 4 Position	
538	4460457	AR	Terminal, Female	
538	4460458	AR	Seal, Terminal	
557	4460871	AR	Socket, Female	
558	4460226	2	Socket, Female <b>(SN 88140 to Present)</b>	
	4923206	Ref	<b>VALVE HARNESS ASSEMBLY</b>	2-B
636	4460880	15	DIN Connector	
637	4460320	2	Plug, Male - 2 Position	
638	4460267	5	Pin, Male	
639	4460424	1	Receptacle, Female - 2 Position	
640	4460268	5	Socket, Female	
641	4460871	28	Socket, Female	
645	4460326	1	Plug, Male - 3 Position	
646	4460445	1	Receptacle, Female - 3 Position	
		Ref	<b>STANDARD HARNESS COMPONENTS</b>	
701	2902296	1	Battery Cable Kit	C
		Ref	<b>Note: 2902296 Rev A version is no longer available. Verify weather machine is equipped with 2 or 3 relays on the engine tray.</b>	
		Ref	<b>If there are 3 relays, purchase latest revision of 2902296 kit. If there are 2 relays, purchase individual items as replacement.</b>	
701A	100116241	1	Cable, Battery (Red) (Machines with 2 Relays on Engine Tray) (was p/n 7027000)	
701A	100116240	1	Cable, Battery (Red) (Machines with 3 Relays on Engine Tray) (was p/n 7027000)	
701B	7027004	1	Cable, Battery (Black)	
701C	7027002	1	Cable (Red)	
701D	7027001	NLA	Cable (Red) (No Longer Part of 2902296 Kit - Purchase as Individual Item if Required)	
701E	7027003	1	Cable (Black)	
701F	7027000	1	Cable, Battery (Red)	

## SECTION 7 - ELECTRICAL

ITEM	PART NUMBER	QTY	DESCRIPTION	REV
704	Not Available	AR	Deutz Engine Harness Components	
704A	7027796	1	Deutz Engine Harness	
704B	4461052	1	Receptacle, Female - 25 Position	
704B	4461053	1	Cover, Receptacle	
704B	4461005	5	Terminal	
704B	4461006	5	Seal (Used with p/n 4461005)	
704B	4461060	2	Terminal	
704B	4461054	2	Seal (Used with p/n 4461060)	
704B	4461008	18	Plug, Hole	
704C	7027793	1	Plug-In, Connector	
704D	7027794	1	Deutz Engine Harness (For other replacement parts refer to Deutz engine dealer)	
710	Not Available	1	Pump Harness	
710A	7007497	1	Plug (Pump End)	
710B	7007498	1	Plug (Engine Harness End)	
711	Not Available	1	Controller Harness Assembly (Lift and Swing)	
711A	7022819	1	Plug, Male - 8 Position (Natural)	
711A	4460871	8	Socket, Female	
712	Not Available	1	Controller Harness/Circuit Board Assembly (Drive and Steer)	
712A	7022825	1	Plug, Male - 8 Position (Black)	
712A	4460871	7	Socket, Female	
713	Not Available	1	Controller Harness (Speed Control)	
713A	4460224	1	Receptacle, Female - 6 Position	
713A	4460226	6	Socket, Female	
714	4923451	1	Harness, Glow Plugs (Deutz Engine Machines Only) <b>(SN 92707 to Present)</b>	
715	1060904	1	Cable, Jumper (Deutz Engine Machines Only) <b>(SN 92707 to Present)</b>	
		Ref	<b>OPTIONAL HARNESS COMPONENTS</b>	
803	0257887	1	Alarm Harness (Includes Alarm)	
803	0140032	1	Alarm	
803	2820035	6 in/15cm	Loom	
803A	4460424	1	Plug, Male - 2 Position	
803B	4460268	2	Socket, Female	
804	0272507	1	Strobe Light Harness Options (Includes Strobe Light):	
804A	4460320	1	Connector, Female - 2 Position	
804B	4460267	2	Pin, Male	
805	Not Available	1	Headlight and Taillight/Chassis Illumination Harness	
805	1060341	37 ft/11.3m	Cable, Electrical 16/2	
805A	3740049	1	Relay	
805A	4460259	3	Terminal	
805A	4460260	4	Housing, Terminal	
805A	4460297	1	Terminal	
805A	4922643	1	Lights Harness for Ground Control Box	1-A
805A	4460226	2	Socket, Female	
806	4933300	AR	2500W Generator Electrical Components	1-A
806A	4460321	1	Connector, Male - 4 Position	
806A	4460906	4	Socket, Female	
806B	4922641	1	Harness - On/Off Switch	
806C	4460226	2	Socket, Female	
806D	4922970	1	Powermite Control Box to Relay	

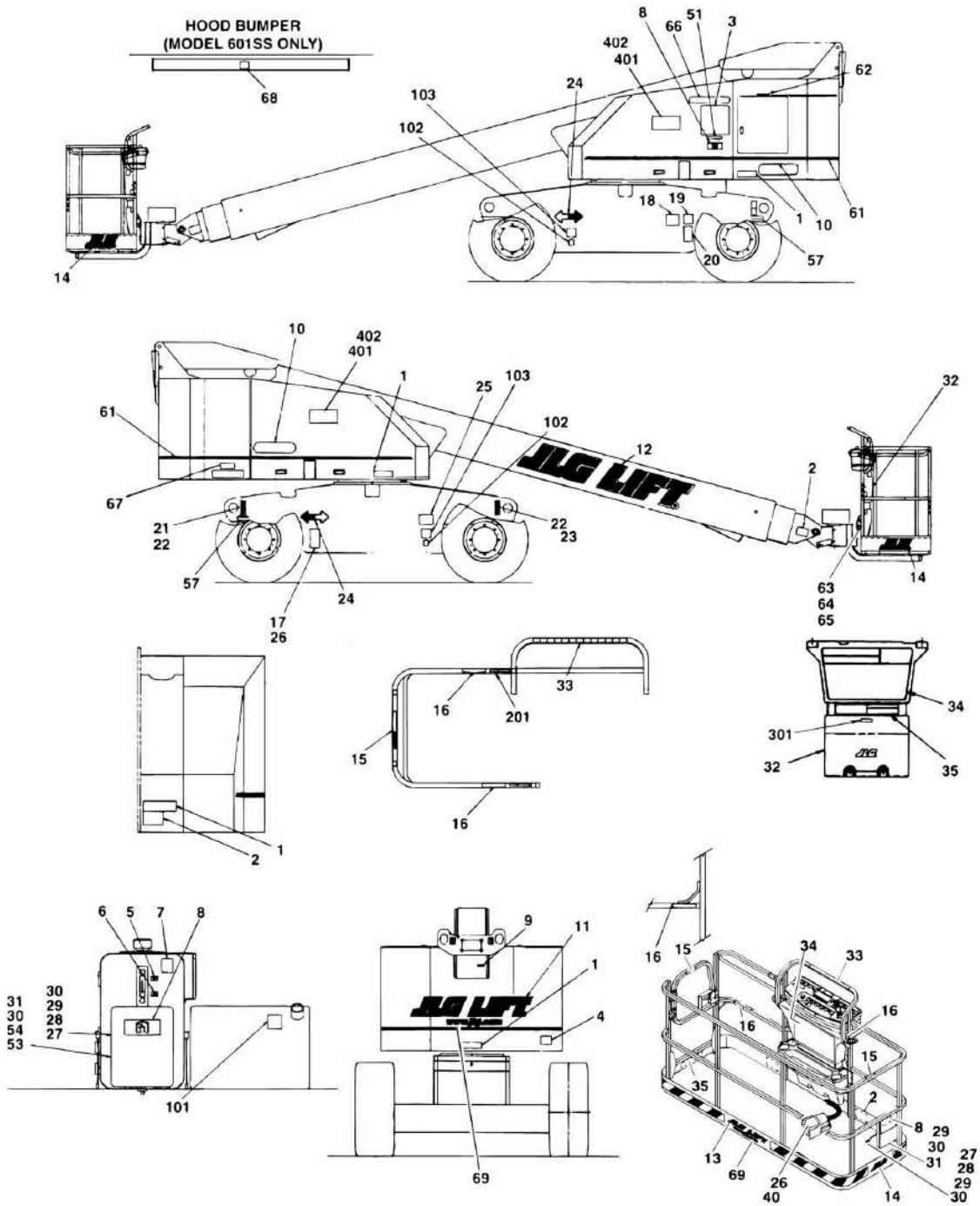
## SECTION 7 - ELECTRICAL

ITEM	PART NUMBER	QTY	DESCRIPTION	REV
806E	4460961	1	Connector, Female - 4 Position	
806E	4460705	4	Pin, Male	
806F	7020193	12 ft/3.7m	Cord, Power	
807		Ref	Generator to Rear of Boom Harness Options:	
		Ref	<b>Note: Harness used to connect AC at platform harness to generator receptacle to power platform receptacle.</b>	
807	4921827	1	110V	2
807	4921829	1	110V (Welder)	2
807		Ref	Cable, Electrical - 12/3 Options:	
807	1060494	20 ft/6m	110V	
807	1060494	6 ft/2m	110V (Welder)	
807A	4460205	1	Plug, Male	
807A	4460027	1	Receptacle, Twist Lock	
807B	4460134	1	Receptacle, Female	
808	0258075	Ref	AC to Platform Receptacle Components	1
808A	0860038	1	Box, Switch	
808B	4460346	1	Receptacle	
808C	4060700	1	Shield, Cover	
808C	3960422	1	Gasket	
808D	4460071	1	Connector, Strain Relief	
808E	4460205	1	Plug, Male	
813		Ref	Platform Worklights Components	
813A	2920140	2	Platform Worklights External Harness (Includes Light and Wire Only)	
813B	4460426	1	Connector, Strain Relief	
		Ref	<b>TOOLS</b>	
901	7002821	1	Crimper (For Wire to Pin/Socket Connections) (Not Shown)	
902	7002823	1	Extractor (For Removal of Pin/Socket from Connectors) (Not Shown)	
903	4460467	1	Extractor, Pin (Blue 16-18 Gauge) (For Removal of Pin/Socket from Connectors) (Not Shown)	
904	4460510	1	Extractor, Pin (Yellow 12-14 Gauge) (For Removal of Pin/Socket from Connectors) (Not Shown)	
905	7002828	1	Stripper, Wire (Not Shown)	
906	2901443	1	Analyzer Kit (Not Shown)	
906A	1600244	1	Analyzer	
906B	1060633	1	Cable, Analyzer	1-A
906C	4460321	2	Plug, Male	
906C	4460226	8	Socket, Female	
907	1001137005	1	Software Cable Kit (Not Shown)	

**SECTION 8 - DECALS**

# SECTION 8 - DECALS

## FIGURE 8-1. DECAL INSTALLATION - STANDARD (Prior to SN 87744)





## SECTION 8 - DECALS

**FIGURE 8-1. DECAL INSTALLATION - STANDARD (Prior to SN 87744)**

ITEM	PART NUMBER	QTY	DESCRIPTION	REV
		Ref	<b>STANDARD DECAL INSTALLATIONS</b>	
	0271031	Ref	<b>Decal - JLG</b>	2
	0258057	Ref	<b>Model 601S</b>	15
	0259203	Ref	<b>Model 601S With A "Enhanced Hostile Environment Package"</b>	10
1		Ref	Decal - Electrocutation Options:	
1	1702292	4	Decal - Electrocutation <b>(Prior to SN 40399)</b>	
1	1703805	4	Decal - Electrocutation <b>(SN 40399 through 87743)</b>	
2		Ref	Decal - Crushing Options:	
2	1702284	3	Decal - Crushing <b>(Prior to SN 40399)</b>	
2	1703804	3	Decal - Crushing <b>(SN 40399 through 87743)</b>	
3		Ref	Decal - Danger/Warning Options:	
3	1702783	1	Decal - Danger/Warning <b>(Prior to SN 40399)</b>	
3	1703798	1	Decal - Danger/Warning <b>(SN 40399 through 87743)</b>	
4	3251813	1	Decal - USA	
5	1701502	1	Decal - High Oil Level	
6	1701503	1	Decal - Low Oil Level	
7	1701504	1	Decal - Hydraulic Oil	
8	1701509	1	Decal - Manual	
9	3251243	1	Nameplate - 120V-60Hz	
10	1703765	2	Decal - Model 601S	
11	1702861	1	Decal - JLG Lift (8in)	
12	1702862	1	Decal - JLG Lift (12in)	
13	1702774	1	Decal - JLG Lift (3 1/2in)	
14	1702773	2	Decal - JLG (5in)	
15	1702868	2	Decal - No Hands	
16		Ref	Decal - Attach Lanyard Here Options:	
16	1702612	3	Model 601S <b>(Prior to SN 47600)</b>	
16	1704277	3	Model 601S <b>(SN 47600 through 87743)</b>	
16	1704277	3	Model 601S With A "Enhanced Hostile Environment Package"	
17	Not Available	1	Nameplate - Serial Number	
18	1702153	1	Decal - Inspection	
19	Not Available	1	Decal - Bar Code	
20	1700584	1	Decal - Patent	
21	1701499	2	Decal - Tie Down /Lift	
22	1702300	4	Decal - Tie Down /Lift	
23	1701500	2	Decal - Tie Down /Lift	
24	1701529	4	Decal- Arrow	
25	1702282	1	Decal - Warning <b>(Prior to SN 40399)</b>	
26	3820001	4	Rivet	
27	0641408	1	Bolt 1/4in-20NC x 1in	
28	1060279	1	Cable, Lanyard	
29	3311405	5	Locknut 1/4in-20NC	
30	4751400	6	Flatwasher 1/4in	
31	0860520	1	Box, Manual Storage	
32	3380434	1	Panel, Pedestal <b>(Prior to SN 77242)</b>	
33	1702784	1	Decal - Legend	
34		Ref	Decal - Danger/Warning Options:	
34	1702785	1	Decal - Danger/Warning <b>(Prior to SN 40399)</b>	
34	1703797	1	Decal - Danger/Warning <b>(SN 40399 through 87743)</b>	
35		Ref	Decal - Max Capacity Options:	

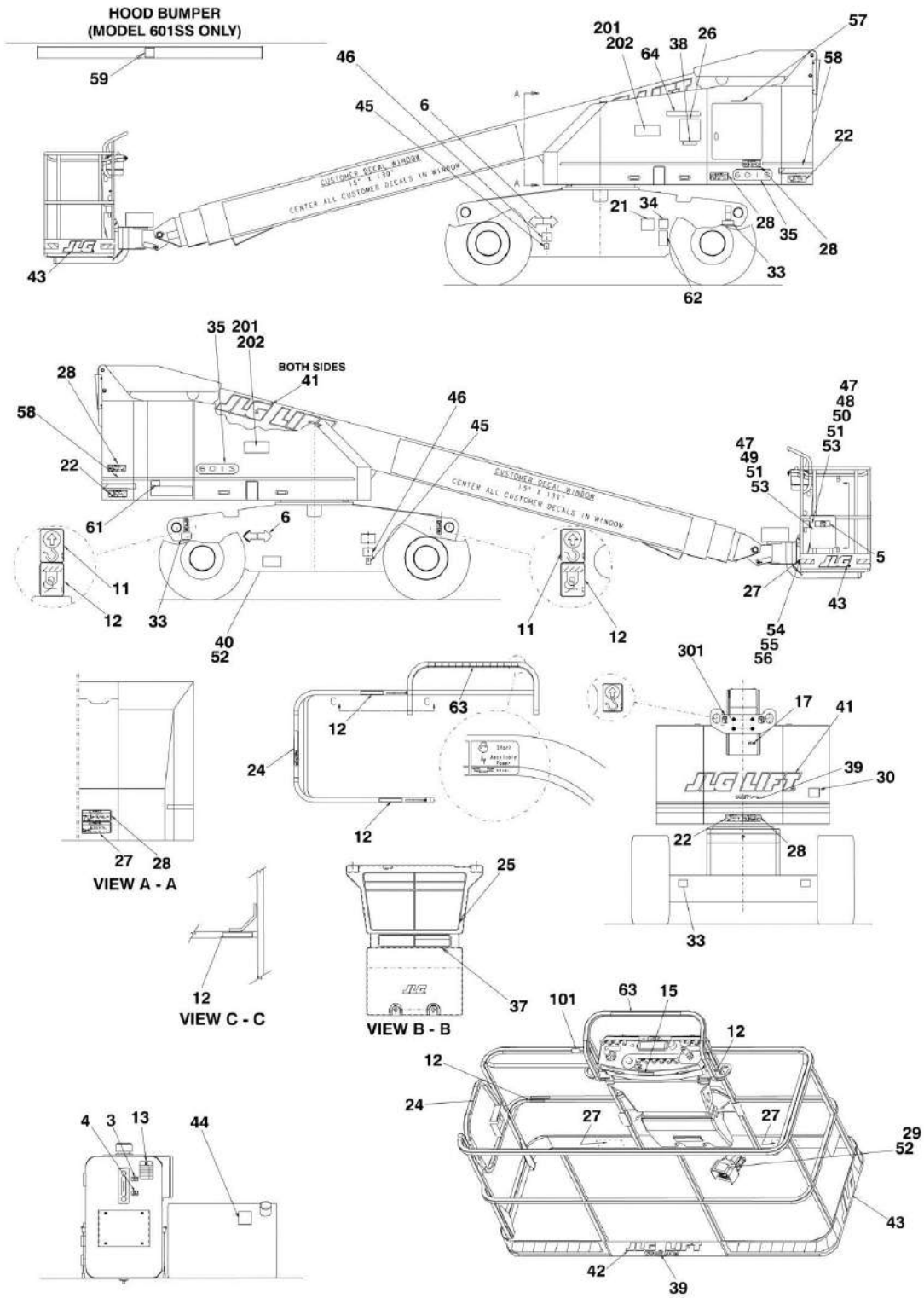
## SECTION 8 - DECALS

ITEM	PART NUMBER	QTY	DESCRIPTION	REV
35	1703181	2	500 Lbs Max Cap - Model 601S <b>(Prior to SN 40399)</b>	
35	1704096	2	500 Lbs Max Cap - Model 601S <b>(SN 40399 through 87743)</b>	
35	1704238	2	750 Lbs Max Cap - Model 601S With A "Enhanced Hostile Environment Package"	
51		Ref	Decal - 500LBS Unrestricted Capacity Options:	
51	1702966	1	500 Lbs Max Cap - Model 601S <b>(Prior to SN 40399)</b>	
51	1704104	1	500 Lbs Max Cap - Model 601S <b>(SN 40399 through 87743)</b>	
51	1704234	1	750 Lbs Max Cap - Model 601S With A "Enhanced Hostile Environment Package"	
53	0641406	4	Bolt 1/4in-20NC x 3/4in <b>(Prior to SN 51919)</b>	
54	0100011	AR	Loctite #242	
57	1704243	4	Decal - Tire Load <b>(SN 69790 through 87743)</b>	
58	0641414	2	Bolt 1/4in-20NC x 1 3/4in	
59	3520172	2	Plug, Spec Square 1 1/2 <b>(SN 36294 through 52687)</b>	
60	0100010	AR	Adhesive <b>(SN 36294 through 52687)</b>	
61	4280308	25 ft/7.6m	Strip <b>(SN 36294 through 87743)</b>	
62	1700037	1	Decal - Ground Control	
63	0641606	2	Bolt 3/8in-16NC x 3/4 <b>(SN 36294 through 87743)</b>	
64	4751600	2	Flatwasher 3/8in <b>(SN 36294 through 87743)</b>	
65	3311605	2	Locknut 3/8in <b>(SN 36294 through 87743)</b>	
66	1703808	1	Decal - Legend <b>(SN 40399 through 87743)</b>	
67		Ref	Decal - Engine Air Cleaner Options:	
67	Not Required	0	Model 601S	
67	1704237	1	Model 601S With A "Enhanced Hostile Environment Package"	
68		Ref	Decal - No Step Options:	
68	Not Required	0	Model 601S	
68	1704235	2	Model 601S With A "Enhanced Hostile Environment Package"	
69	1704885	2	Decal - Website	
	2910034		Decal Kit - Standard Model 601S (Note: Included p/n 1703805, 1703804, 1703798, Items 4 thru 8, 10 thru 15, p/n 1702612 & 1704277, item 18, 20 thru 24, 33, p/n 1703797, 1704096, 1704104 & item 66)	
		Ref	<b>DECAL INSTALLATION (OPTIONAL PARTS)</b>	
101		Ref	Decal - Fuel Options:	
101	1701542	1	Gas	
101	1701505	1	Diesel	
102	1701543	1	Decal - LP Gas	
103	1700818	1	Decal - Liquid Withdrawal System	
	0256488	Ref	<b>PROP 65 DECAL INSTALLATION - MODEL 601S GAS MACHINES</b>	-
	0256487	Ref	<b>PROP 65 DECAL INSTALLATION - MODELS 601S/601S WITH A "ENHANCED HOSTILE ENVIRONMENT PACKAGE" DIESEL MACHINES</b>	2
201		Ref	Decal - Prop 65 Options:	
201	1702961	1	Gas Machines	
201	1702962	1	Diesel Machines	
	0253550	Ref	<b>DECAL INSTALLATION - CSA</b>	D
301	3252221	1	Decal - Nameplate	
	0259068	Ref	<b>LIFTING DECAL INSTALLATION - MODEL 601S WITH A "ENHANCED HOSTILE ENVIRONMENT PACKAGE"</b>	1
401	3252621	2	Decal - Lifting Diagram	
402	3820001	8	Rivet	



# SECTION 8 - DECALS

## FIGURE 8-2. DECAL INSTALLATION - STANDARD (SN 87744 to Present)



## SECTION 8 - DECALS

**FIGURE 8-2. DECAL INSTALLATION - STANDARD (SN 87744 to Present)**

ITEM	PART NUMBER	QTY	DESCRIPTION	REV
		Ref	<b>STANDARD DECAL INSTALLATIONS</b>	
	0274093	Ref	<b>Decal - JLG</b>	1
	0273909	Ref	<b>Model 601S</b>	1-A
	0273910	Ref	<b>Model 601S With A "Enhanced Hostile Environment Package"</b>	1-A
2	1701499	2	Decal - Tie Down/Lift	
3	1701502	1	Decal - High Oil Level	
4	1701503	1	Decal - Low Oil Level	
5	1701509	1	Decal - Manual	
6	1701529	4	Decal - Arrow	
10	1703811	2	Decal - Tie Down/Lift	
11	1703814	4	Decal - Tie Down	
12	1704277	4	Decal - Attach Lanyard	
13	1704412	1	Decal - Hydraulic Oil Chart	
17	3251243	1	Nameplate - 120V-60Hz	
21	1702153	1	Decal - Inspection	
22	1703953	4	Decal - Warning/Crushing	
24	1702868	2	Decal - No Hands	
25	1703797	1	Decal - Warning/Danger	
26	1705336	1	Decal - Warning Inspection	
27	1703804	6	Decal - Warning Crushing	
28	1703805	4	Decal - Danger Electrocution	
30	3251813	1	Decal - USA	
33	2902352	1	Decal Kit - Tire Load	
33	1704243	4	Decal - Tire Load	
34	Not Available	1	Decal - Bar Code	
35	1703765	2	Decal - Model 601S	
37		Ref	Decal - Max Capacity Options:	
37	1704096	2	500 Lbs Max Cap - Model 601S	
37	1704238	2	750 Lbs Max Cap - Model 601S With A "Enhanced Hostile Environment Package"	
38		Ref	Decal - 500LBS Unrestricted Capacity Options:	
38	1704104	1	500 Lbs Max Cap - Model 601S	
38	1704234	1	750 Lbs Max Cap - Model 601S With A "Enhanced Hostile Environment Package"	
39	1704885	2	Decal - Website	
40	Not Available	1	Nameplate - Serial Number	
41	1702861	3	Decal - JLG Lift (8in)	
42	1702774	1	Decal - JLG Lift (3 1/2in)	
43	1702773	2	Decal - JLG (5in)	
44	1701505	1	Decal - Fuel	
47	0100011	AR	Loctite #242	
48	0641408	1	Bolt 1/4in-20NC x 1in	
49	0860520	1	Box, Manual Storage	
50	1060279	1	Cable, Lanyard	
51	3311405	5	Locknut 1/4in-20NC	
52	3820001	9	Rivet	
53	4751400	10	Flatwasher 1/4in	
54	0641606	2	Bolt 3/8in-16NC x 3/4in	
55	4751600	2	Flatwasher 3/8in	
56	3311605	2	Locknut 3/8in	

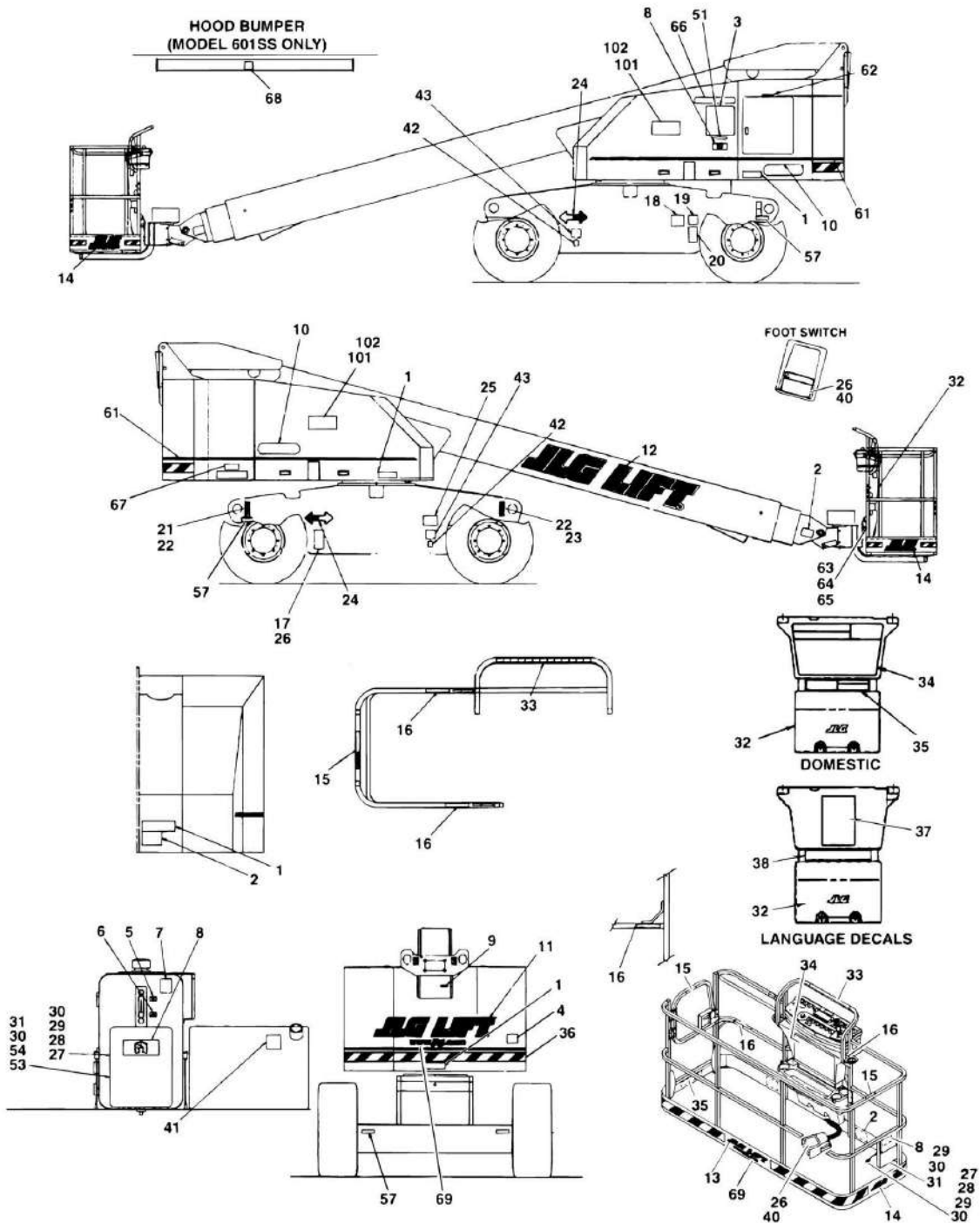
## SECTION 8 - DECALS

ITEM	PART NUMBER	QTY	DESCRIPTION	REV
57	1700037	1	Decal - Ground Control	
58	4280308	25 ft/7.6m	Strip	
62	1700584	1	Decal - Patent	
63	1702784	1	Decal - Legend	
64	1703808	1	Decal - Legend	
	2902303	1	Master Decal Kit (Includes Items 2-17)	
	2902307	1	ANSI Spec Decal Kit (Includes Items 19-31)	
	0256487	Ref	<b>PROP 65 DECAL INSTALLATION</b>	2
101	1702962	1	Decal - Prop 65	
	0259068	Ref	<b>LIFTING DECAL INSTALLATION - MODEL 601S WITH A "ENHANCED HOSTILE ENVIRONMENT PACKAGE"</b>	1
201	3252621	2	Decal - Lifting Diagram	
202	3820001	8	Rivet	
	0258336	Ref	<b>LIFTING PLATE INSTALLATION</b>	1
301	1701500	4	Decal - Tie Down/Lift	



# SECTION 8 - DECALS

FIGURE 8-3. DECAL INSTALLATION (COUNTRY SPEC) (Prior to SN 87744)





## SECTION 8 - DECALS

**FIGURE 8-3. DECAL INSTALLATION (COUNTRY SPEC) (Prior to SN 87744)**

ITEM	PART NUMBER	QTY	DESCRIPTION	REV
		Ref	<b>DECAL INSTALLATIONS</b>	
	0271031	Ref	<b>Decal - JLG</b>	2
		Ref	<b>Model 601S:</b>	
	0259502	Ref	<b>Canadian French Language</b>	9
	0259263	Ref	<b>Chinese Language</b>	9
	0259275	Ref	<b>Japanese Language</b>	8
	0259279	Ref	<b>Korean Language</b>	8
	0259473	Ref	<b>Latin America Language</b>	9
		Ref	<b>Model 601S With A "Enhanced Hostile Environment Package":</b>	
	0259503	Ref	<b>Canadian French Language</b>	9
	0259261	Ref	<b>Chinese Language</b>	8
	0259276	Ref	<b>Japanese Language</b>	8
	0259262	Ref	<b>Korean Language</b>	8
	0259491	Ref	<b>Latin America Language</b>	9
1		Ref	Decal - Electrocutation Options:	
1	1703936	4	Canadian French Language	
1	1703937	4	Chinese Language	
1	1703938	4	Japanese Language	
1	1703939	4	Korean Language	
1	1703940	4	Latin America Language	
2		Ref	Decal - Crushing Options:	
2	1703948	3	Canadian French Language	
2	1703949	3	Chinese Language	
2	1703950	3	Japanese Language	
2	1703951	3	Korean Language	
2	1703952	3	Latin America Language	
3		Ref	Decal - Danger/Warning Options:	
3	1703930	1	Canadian French Language	
3	1703931	1	Chinese Language	
3	1703932	1	Japanese Language	
3	1703933	1	Korean Language	
3	1703934	1	Latin America Language	
4		Ref	Decal - USA Options:	
4	3251813	1	Canadian French Language	
4	Not Required	0	Chinese Language	
4	Not Required	0	Japanese Language	
4	Not Required	0	Korean Language	
4	3251813	1	Latin America Language	
5	1701502	1	Decal - High Oil Level	
6	1701503	1	Decal - Low Oil Level	
7	1701504	1	Decal - Hydraulic Oil	
8	1701509	1	Decal - Manual	
9		Ref	Nameplate - 120V-60Hz Options:	
9	3251243	1	Canadian French Language	
9	Not Required	0	Chinese Language	
9	Not Required	0	Japanese Language	
9	Not Required	0	Korean Language	
9	3251243	1	Latin America Language	
10	1703765	2	Decal - Model 601S	
11	1702861	1	Decal - JLG Lift (8in)	

## SECTION 8 - DECALS

ITEM	PART NUMBER	QTY	DESCRIPTION	REV
12	1702862	1	Decal - JLG Lift (12in)	
13	1702774	1	Decal - JLG Lift (3 1/2in)	
14	1702773	2	Decal - JLG (5in)	
15		Ref	Decal - No Hands Options:	
15	1704000	2	Canadian French Language	
15	Not Required	0	Chinese Language	
15	Not Required	0	Japanese Language	
15	Not Required	0	Korean Language	
15	1704002	2	Latin America Language	
16	1704277	3	Decal - Attach Lanyard Here	
17	Not Available	1	Nameplate - Serial Number	
18		Ref	Decal - Inspection Options:	
18	1704003	1	Canadian French Language - Model 601S <b>(Prior to SN 61068)</b>	
18	1704006	1	Canadian French Language - Model 601S <b>(SN 61068 through 87743)</b>	
18	1704003	1	Canadian French Language - Model 601S With A "Enhanced Hostile Environment Package <b>(Prior to SN 61068)</b>	
18	1704277	1	Canadian French Language - Model 601S With A "Enhanced Hostile Environment Package <b>(SN 61068 through 87743)</b>	
18	Not Required	0	Chinese Language	
18	Not Required	0	Japanese Language	
18	Not Required	0	Korean Language	
18	1704008	1	Latin America Language	
19	Not Available	1	Decal - Bar Code	
20	1700584	1	Decal - Patent	
21	1701499	2	Decal - Tie Down/Lift	
22	1702300	4	Decal - Tie Down/Lift	
23	1701500	2	Decal - Tie Down/Lift	
24	1701529	4	Decal - Arrow	
25	Not Required	0	Not Required	
26	3820001	8	Rivet	
27	0641408	1	Bolt 1/4in-20NC x 1in	
28	1060279	1	Cable, Lanyard	
29	3311405	5	Locknut 1/4in-20NC	
30	4751400	6	Flatwasher 1/4in	
31	0860520	1	Box, Manual Storage	
32	3380434	1	Panel, Pedestal <b>(Prior to SN 77242)</b>	
33		Ref	Decal - Legend Options:	
33	1702784	1	Canadian French Language	
33	Not Required	0	Chinese Language	
33	Not Required	0	Japanese Language	
33	Not Required	0	Korean Language	
33	Not Required	0	Latin America Language	
34		Ref	Decal - Danger/Warning Options:	
34	1704099	1	Canadian French Language	
34	Not Required	0	Chinese Language	
34	Not Required	0	Japanese Language	
34	Not Required	0	Korean Language	
34	1703928	1	Latin America Language	
35		Ref	Decal - Warning/500 Lbs Options:	
35	Not Required	0	Canadian French Language	

## SECTION 8 - DECALS

ITEM	PART NUMBER	QTY	DESCRIPTION	REV
35	1704101	2	Chinese Language	
35	Not Required	0	Japanese Language	
35	Not Required	0	Korean Language	
35	1704100	2	Latin America Language (Model 601S Only)	
36		Ref	Warning Strips Options:	
36	Not Required	0	Canadian French Language	
36	4420051	17.4 ft/5.3m	Chinese Language	
36	4420051	17.4 ft/5.3m	Japanese Language	
36	4420051	17.4 ft/5.3m	Korean Language	
36	Not Required	0	Latin America Language	
37		Ref	Decal - Warning/Danger Options:	
37	Not Required	0	Canadian French Language	
37	1703925	1	Chinese Language	
37	1703926	1	Japanese Language	
37	1703927	1	Korean Language	
37	Not Required	0	Latin America Language	
38		Ref	Decal - 230/500 Max Cap Options:	
38		Ref	Model 601S:	
38	Not Required	0	Canadian French Language	
38	1703996	1	Chinese Language ( <b>Prior to SN 76408</b> )	
38	1704101	1	Chinese Language ( <b>SN 76408 through 87743</b> )	
38	1703996	1	Japanese Language	
38	1703996	1	Korean Language	
38	Not Required	0	Latin America Language	
38		Ref	Decal - 340/750 Max Cap Options:	
38	1704233	1	Model 601S With A "Enhanced Hostile Environment Package"	
40		Ref	Decal - Footswitch Options:	
40	1703984	1	Canadian French Language	
40	1703982	1	Chinese Language	
40	1703980	1	Japanese Language	
40	1703981	1	Korean Language	
40	1703985	1	Latin America Language	
41		Ref	Decal - Fuel Options:	
41	1701542	1	Gas	
41	1701505	1	Diesel	
42		Ref	Decal - LP Gas Options:	
42	1701543	1	Canadian French Language	
42	Not Required	0	Chinese Language	
42	Not Required	0	Japanese Language	
42	Not Required	0	Korean Language	
42	1701543	1	Latin America Language	
43		Ref	Decal - LP Gas Liquid Withdrawal System Options:	
43	1700816	1	Canadian French Language	
43	Not Required	0	Chinese Language	
43	Not Required	0	Japanese Language	
43	Not Required	0	Korean Language	
43	1700816	1	Latin America Language	
51		Ref	Decal - 500LBS Unrestricted Capacity Options:	
51		Ref	Model 601S:	

## SECTION 8 - DECALS

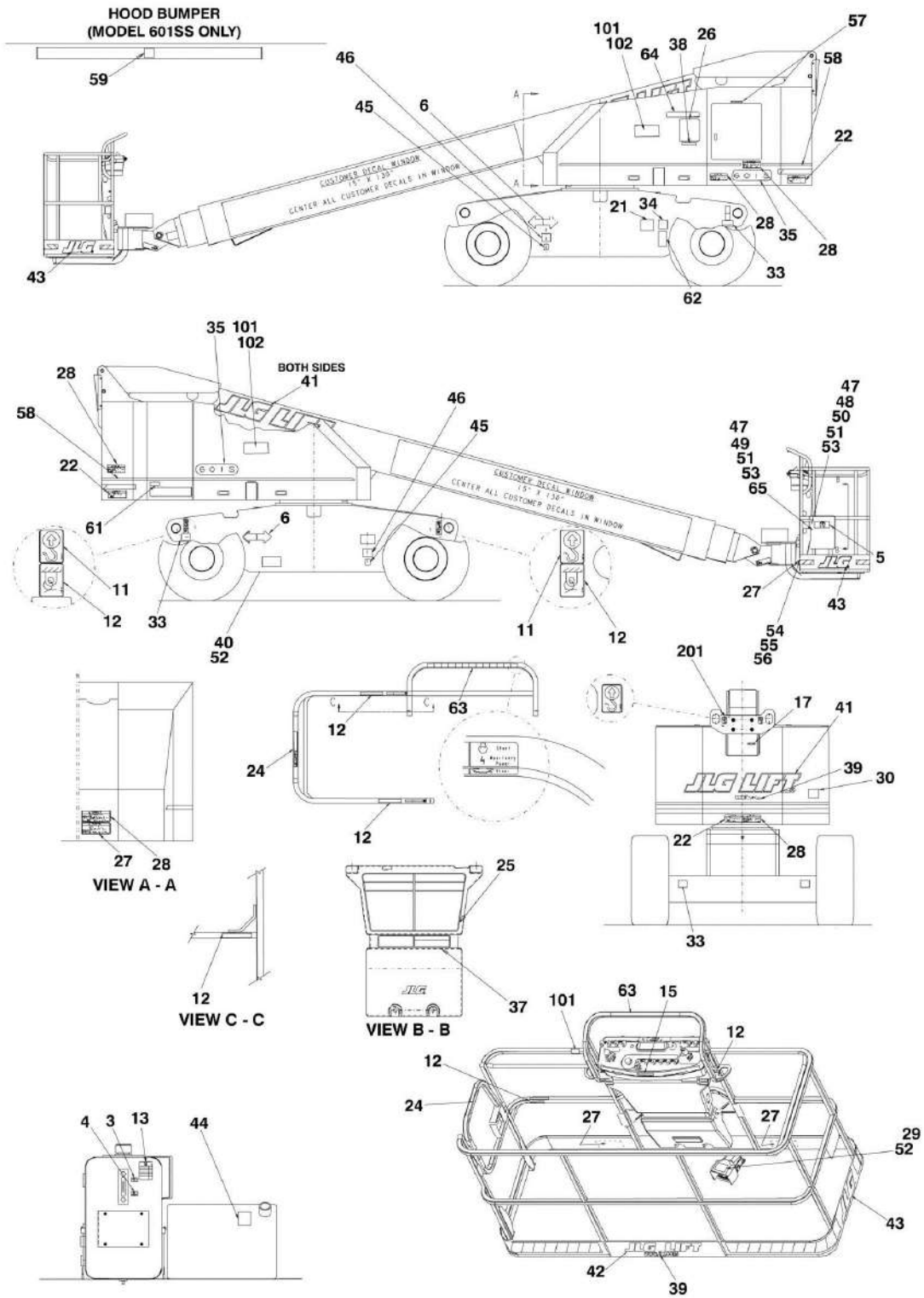
ITEM	PART NUMBER	QTY	DESCRIPTION	REV
51	1704107	1	Canadian French Language	
51	Not Required	0	Chinese Language	
51	Not Required	0	Japanese Language	
51	Not Required	0	Korean Language	
51	1704108	1	Latin America Language	
51		Ref	Decal - 340/750 Max Cap Options:	
51		Ref	Model 601S With A "Enhanced Hostile Environment Package"	
51	1704409	1	Canadian French Language	
51	Not Required	0	Chinese Language	
51	Not Required	0	Japanese Language	
51	Not Required	0	Korean Language	
51	1704409	1	Latin America Language	
53	0641406	4	Bolt 1/4in-20NC x 3/4in <b>(Prior to SN 51919)</b>	
54	0100011	AR	Loctite #242	
57		Ref	Decal - Max Tire Load Options:	
57	1704243	4	Canadian French Language	
57	1704243	4	Chinese Language	
57	1704243	4	Japanese Language	
57	1704243	4	Korean Language	
57	Not Required	0	Latin America Language	
59	3520172	2	Plug, Spec. Square 1 1/2in <b>(Prior to SN 52687)</b>	
60	0100010	AR	Adhesive <b>(Prior to SN 52687)</b>	
61	4280308	25 ft/7.6m	Strip	
62		Ref	Decal - Ground Control Options:	
62	1701515	1	Canadian French Language	
62	1704383	1	Chinese Language	
62	1701920	1	Japanese Language	
62	1704382	1	Korean Language	
62	1701789	1	Latin America Language	
63	0641606	2	Bolt 3/8in-16NC x 3/4in	
64	4751600	2	Flatwasher 3/8in	
65	3311605	2	Locknut 3/8in	
66		Ref	Decal - Legend Options:	
66	1703808	1	Canadian French Language	
66	Not Required	0	Chinese Language	
66	Not Required	0	Japanese Language	
66	Not Required	0	Korean Language	
66	Not Required	0	Latin America Language	
67		Ref	Decal - Engine Air Cleaner Options:	
67	Not Required	0	Model 601S	
67		Ref	Model 601S With A "Enhanced Hostile Environment Package":	
67	1704408	1	Canadian French Language	
67	1704381	1	Chinese Language	
67	1704381	1	Japanese Language	
67	1704381	1	Korean Language	
67	1704408	1	Latin America Language	
68		Ref	Decal - No Step Options:	
68	Not Required	0	Model 601S:	
68	1704235	2	Model 601S With A "Enhanced Hostile Environment Package"	
69	1704885	2	Decal - Website	
		Ref	<b>LIFTING DECAL INSTALLATION - MODEL 601S WITH A</b>	

## SECTION 8 - DECALS

ITEM	PART NUMBER	QTY	DESCRIPTION	REV
	0259068	Ref	"ENHANCED HOSTILE ENVIRONMENT PACKAGE"	1
	0270017	Ref	<b>ANSI</b>	1
101		Ref	<b>ANSI EXPORT</b>	
101	3252621	2	Decal - Lifting Diagram Options:	
101	3252671	2	ANSI	
102	3820001	8	ANSI Export	
			Rivet	

# SECTION 8 - DECALS

FIGURE 8-4. DECAL INSTALLATION (COUNTRY SPEC) (SN 87744 to Present)



## SECTION 8 - DECALS

**FIGURE 8-4. DECAL INSTALLATION (COUNTRY SPEC) (SN 87744 to Present)**

ITEM	PART NUMBER	QTY	DESCRIPTION	REV
		Ref	<b>DECAL INSTALLATIONS</b>	
	0274093	Ref	<b>Decal - JLG</b>	1
		Ref	<b>Model 601S:</b>	
	0274001	Ref	<b>Brazilian Language</b>	4
	0273997	Ref	<b>Canadian French Language</b>	3
	0273993	Ref	<b>Chinese Language</b>	4
	0274003	Ref	<b>Japanese Language</b>	4
	0273991	Ref	<b>Korean Language</b>	4
	0273995	Ref	<b>Latin America Language</b>	3
		Ref	<b>Model 601S With A "Enhanced Hostile Environment Package":</b>	
	0274002	Ref	<b>Brazilian Language</b>	4
	0273998	Ref	<b>Canadian French Language</b>	3
	0273994	Ref	<b>Chinese Language</b>	4
	0274004	Ref	<b>Japanese Language</b>	4
	0273992	Ref	<b>Korean Language</b>	4
	0273996	Ref	<b>Latin America Language</b>	3
2	1701499	2	Decal - Tie Down /Lift	
3	1701502	1	Decal - High Oil Level	
4	1701503	1	Decal - Low Oil Level	
5	1701509	1	Decal - Manual	
6	1701529	4	Decal- Arrow	
10	1703811	2	Decal - Tie Down /Lift	
11	1703814	4	Decal - Tie Down	
12	1704277	4	Decal - Attach Lanyard	
13	1704412	1	Decal - Hydraulic Oil Chart	
15		Ref	Decal - CSA Options:	
15	1705514	1	CSA Spec Only	
15	Not Required	0	All Other Specs	
17		Ref	Nameplate Options:	
17	3251243	1	120V-60Hz	
17	3252507	1	220V-50/60Hz	
21		Ref	Decal - Inspection Options:	
21	1705901	1	Brazilian Spec	
21	Not Required	0	Chinese Spec	
21	1704006	1	CSA Spec	
21	Not Required	0	Japanese Spec	
21	Not Required	0	Korean Spec	
21	1704007	1	Latin American Spec	
22		Ref	Decal - Warning/Crushing Options:	
22	1705903	4	Brazilian Spec	
22	1703943	4	Chinese Spec	
22	1703942	4	CSA Spec	
22	1703944	4	Japanese Spec	
22	1703945	4	Korean Spec	
22	1703941	4	Latin American Spec	
24		Ref	Decal - No Hands Options:	
24	1705967	2	Brazilian Spec	
24	1705968	2	Chinese Spec	
24	1704000	2	CSA Spec	
24	Not Required	0	Japanese Spec	

## SECTION 8 - DECALS

ITEM	PART NUMBER	QTY	DESCRIPTION	REV
24	1705969	2	Korean Spec	
24	1704001	2	Latin American Spec	
25		Ref	Decal - Danger/Warning Options:	
25	1705895	1	Brazilian Spec	
25	1703925	1	Chinese Spec	
25	1703924	1	CSA Spec	
25	1703926	1	Japanese Spec	
25	1703927	1	Korean Spec	
25	1703923	1	Latin American Spec	
26		Ref	Decal - Warning Inspection Options:	
26	1705896	1	Brazilian Spec	
26	1705348	1	Chinese Spec	
26	1705347	1	CSA Spec	
26	1705344	1	Japanese Spec	
26	1705345	1	Korean Spec	
26	1705917	1	Latin American Spec	
27		Ref	Decal - Warning Crushing Options:	
27	1705898	6	Brazilian Spec	
27	1703949	6	Chinese Spec	
27	1703948	6	CSA Spec	
27	1703950	6	Japanese Spec	
27	1703951	4	Korean Spec	
27	1703947	6	Latin American Spec	
28		Ref	Decal - Danger Electrocutation Options:	
28	1705897	5	Brazilian Spec	
28	1703937	5	Chinese Spec	
28	1703936	5	CSA Spec	
28	1703938	5	Japanese Spec	
28	1703939	5	Korean Spec	
28	1703935	5	Latin American Spec	
29		Ref	Nameplate - Footswitch Options:	
29	1705902	1	Brazilian Spec	
29	1703982	1	Chinese Spec	
29	1703984	1	CSA Spec	
29	1703980	1	Japanese Spec	
29	1703981	1	Korean Spec	
29	1703983	1	Latin American Spec	
30		Ref	Decal - USA Options:	
30	3251813	1	All Specs Except Korean Spec	
30	Not Required	0	Korean Specs	
33	2902352	1	Decal Kit - Tire Load	
33	1704243	4	Decal - Tire Load	
34	Not Available	1	Decal - Bar Code	
35	1703765	2	Decal - Model 601S	
37		Ref	Decal - Max Capacity Options:	
37		Ref	Model 601S	
37		Ref	Decal - Max Capacity Model 601S: <b>(Prior to SN 100527)</b>	
37	1706380	2	Brazilian Spec	
37	1704101	2	Chinese Spec	
37	1704099	2	CSA Spec	
37	1703996	2	Japanese Spec	



## SECTION 8 - DECALS

ITEM	PART NUMBER	QTY	DESCRIPTION	REV
37	1703996	2	Korean Spec	
37	1704100	2	Latin American Spec	
37		Ref	Decal - Max Capacity Model 601S: <b>(SN 100527 to Present)</b>	
37	1706380	2	Brazilian Spec	
37	1707060	2	Chinese Spec	
37	1704099	2	CSA Spec	
37	1707059	2	Japanese Spec	
37	1707058	2	Korean Spec	
37	1704198	2	Latin American Spec	
37		Ref	Model 601S With A "Enhanced Hostile Environment Package"	
37		Ref	Decal - Max Capacity Model 601S: <b>(Prior to SN 100527)</b>	
37	1706382	2	Brazilian Spec	
37	1704233	2	Chinese Spec	
37	1704233	2	CSA Spec	
37	1703996	2	Japanese Spec	
37	1704233	2	Korean Spec	
37	1704233	2	Latin American Spec	
37		Ref	Decal - Max Capacity Model 601S: <b>(SN 100527 to Present)</b>	
37	1707057	2	Brazilian Spec	
37	1707151	2	Chinese Spec	
37	1707154	2	CSA Spec	
37	1707059	2	Japanese Spec	
37	1707150	2	Korean Spec	
37	1707152	2	Latin American Spec	
38		Ref	Decal - Unrestricted Capacity Options:	
38		Ref	Model 601S	
38		Ref	Decal - Unrestricted Capacity Model 601S: <b>(Prior to SN 100527)</b>	
38	1706381	1	Brazilian Spec	
38	Not Required	0	Chinese Spec	
38	1704107	1	CSA Spec	
38	Not Required	0	Japanese Spec	
38	Not Required	0	Korean Spec	
38	1704108	1	Latin American Spec	
38		Ref	Decal - Unrestricted Capacity Model 601S: <b>(SN 100527 to Present)</b>	
38	1707051	1	Brazilian Spec	
38	1707044	1	Chinese Spec <b>(SN 102531 to Present)</b>	
38	1707046	1	CSA Spec	
38	1707054	1	Japanese Spec <b>(SN 102531 to Present)</b>	
38	1707042	1	Korean Spec <b>(SN 102531 to Present)</b>	
38	1707048	1	Latin American Spec	
38		Ref	Model 601S With A "Enhanced Hostile Environment Package"	
38		Ref	Decal - Unrestricted Capacity Model 601S: <b>(Prior to SN 100527)</b>	
38	1706382	1	Brazilian Spec	
38	Not Required	0	Chinese Spec	
38	1704409	1	CSA Spec	
38	Not Required	0	Japanese Spec	
38	Not Required	0	Korean Spec	
38	1704409	1	Latin American Spec	
38		Ref	Decal - Unrestricted Capacity Model 601S: <b>(SN 100527 to</b>	

## SECTION 8 - DECALS

ITEM	PART NUMBER	QTY	DESCRIPTION	REV
			<b>Present)</b>	
38	1707052	1	Brazilian Spec	
38	1001091442	1	Chinese Spec	
38	1707155	1	CSA Spec	
38	1707054	1	Japanese Spec <b>(SN 102531 to Present)</b>	
38	1001091443	1	Korean Spec	
38	1707153	1	Latin American Spec	
39	1704885	2	Decal - Website	
40	Not Available	1	Nameplate - Serial Number	
41	1702861	3	Decal - JLG Lift (8in)	
42	1702774	1	Decal - JLG Lift (3 1/2in)	
43	1702773	2	Decal - JLG (5in)	
44	1701505	1	Decal - Fuel	
47	0100011	AR	Loctite #242	
48	0641408	1	Bolt 1/4in-20NC x 1in	
49	0860520	1	Box, Manual Storage	
50	1060279	1	Cable, Lanyard	
51	3311405	5	Locknut 1/4in-20NC	
52	3820001	AR	Rivet	
53	4751400	10	Flatwasher 1/4in	
54	0641606	2	Bolt 3/8in-16NC x 3/4in	
55	4751600	2	Flatwasher 3/8in	
56	3311605	2	Locknut 3/8in	
57		Ref	Decal - Ground Control Options:	
57	1701789	1	Brazilian Spec	
57	1704382	1	Chinese Spec	
57	1701515	1	CSA Spec	
57	1701920	1	Japanese Spec	
57	1704382	1	Korean Spec	
57	1701789	1	Latin American Spec	
58	4280308	25 ft/7.6m	Strip	
59		Ref	Decal - No Step Options:	
59	Not Required	0	Model 601S	
59	1704235	2	Model 601S With A "Enhanced Hostile Environment Package"	
61		Ref	Decal - Engine Air Cleaner Options:	
61	Not Required	0	Model 601S	
61		Ref	Model 601S With A "Enhanced Hostile Environment Package"	
61	Not Required	0	Brazilian Spec	
61	1704381	2	Chinese Spec	
61	1704408	2	CSA Spec	
61	1704237	2	Japanese Spec	
61	1704381	2	Korean Spec	
61	1704408	2	Latin American Spec	
62		Ref	Decal - Patent Options:	
62	1700584	1	All Specs Except Brazilian Spec	
62	1702573	1	Brazilian Specs	
63		Ref	Decal - Legend Options:	
63		Ref	All Specs Except Brazilian Spec Options:	
63	1702784	AR	All Specs Except Brazilian Spec <b>(Prior to SN 99060)</b>	
63	1706931	AR	All Specs Except Brazilian Spec <b>(SN 99060 to Present)</b>	
63	Not Required	0	Brazilian Specs	

## SECTION 8 - DECALS

ITEM	PART NUMBER	QTY	DESCRIPTION	REV
64		Ref	Decal - Legend Options:	
64		Ref	All Specs Except Brazilian Spec Options:	
64	1703808	1	All Specs Except Brazilian Spec <b>(Prior to SN 99060)</b>	
64	1706941	1	All Specs Except Brazilian Spec <b>(SN 99060 to Present)</b>	
64	Not Required	0	Brazilian Specs	
65	0641406	4	Bolt 1/4in-20NC x 3/4in <b>(SN 99060 to Present)</b>	
	2902303	1	Master Decal Kit (Includes Items 2-17)	
		Ref	Spec Decal Kit Options (Includes Items 19-31):	
	2902312	1	Brazilian Spec	
	2902309	1	Chinese Spec	
	2902322	1	CSA Spec	
	2902308	1	Japanese Spec	
	2902310	1	Korean Spec	
	2902311	1	Latin American Spec	
	0270017	Ref	<b>LIFTING DECAL INSTALLATION - MODEL 601S WITH A "ENHANCED HOSTILE ENVIRONMENT PACKAGE"</b>	1
101	3252671	2	Decal - Lifting Diagram	
102	3820001	8	Rivet	
	0258336	Ref	<b>LIFTING PLATE INSTALLATION</b>	1
201	1701500	4	Decal - Tie Down /Lift	



## **SECTION 9 - RECOMMENDED SERVICE PARTS STOCK**

## **SECTION 9 - RECOMMENDED SERVICE PARTS STOCK**

## SECTION 9 - RECOMMENDED SERVICE PARTS STOCK

FIGURE 9-1. MODEL 601S STANDARD PARTS

ITEM	PART NUMBER	QTY	DESCRIPTION	REV
	Note	Ref	<b>Note: The following list will service one machine (built to current production per date on the front cover) with emergency repair parts which can be installed in the field. Parts from the list should be replaced when inventory is depleted to keep service parts stock supplied. For further information, contact your JLG dealer or the JLG Industries Parts Department.</b>	
		Ref	<b>STANDARD PARTS</b>	
	2120149	4	Element, Filter	
	2120210	4	Element Filter	
	7012943	1	Coil	
	7012944	1	Coil	
	7012772	1	Coil	
	7018991	1	Coil	
	70000582	1	Coil	
	7012664	1 Dozen	Element, Air Cleaner	
	3740067	1	Relay	
	4360392	1	Switch, Indicator	
	7024444	1	Breather, Hydraulic Tank	
	4360328	1	Switch, Toggle	
	3740049	1	Relay	
	4360469	1	Switch, Key	
	2860030	1	Key, Replacement	
	4360475	1	Switch, Mushroom	
	4360476	1	Contact, Switch Block	
	7016530	2	Powertrack Repair Section (Gemco Brand)	
	7006138	24	Powertrack Pin Kit (Gemco Brand)	
	70002005	2	Powertrack Repair Kit (Gortrac Brand)	
	2940074	1	Platform Basket Door Latch	
	4360331	1	Switch, Toggle	
	4360387	1	Switch, Push Button	
	7003982	1	Switch, Controller Steer	
	2400065	1	Fuse 30Amp	
	3990010	2	Diode	



## SECTION 9 - RECOMMENDED SERVICE PARTS STOCK

FIGURE 9-2. MODEL 601S VARIABLE PARTS

ITEM	PART NUMBER	QTY	DESCRIPTION	REV
	Note	Ref	<b>Note: The following list will service one machine (built to current production per date on the front cover) with emergency repair parts which can be installed in the field. Parts from the list should be replaced when inventory is depleted to keep service parts stock supplied. For further information, contact your JLG dealer or the JLG Industries Parts Department.</b>	
		Ref	<b>VARIABLE PARTS</b>	
	7016331	1 Dozen	Filter, Oil (Deutz Engine Machines)	
	7020023	1 Dozen	Filter, Fuel (Deutz 3Cyl Engine Machines)	
	8320270	1 Dozen	Filter, Fuel (Deutz 4Cyl Engine Machines)	
	1660234	1	Coupling, Pump (Deutz Engine Machines)	
	3740080	1	Relay (Deutz Engine 110 Volt Generator)	
	4360336	1	Switch, Toggle (Deutz Engine 110 Volt Generator)	
	3740080	1	Relay (Ford Engine Machines)	
	7021869	1 Dozen	Filter, Oil (Ford Engine Machines)	
	91083218	1 Dozen	Filter, Fuel (Ford Engine Machines)	
	1660250	1	Coupling, Pump (Ford Engine Machines)	
	1600411	1	Module, Ground Control	
	4360578	1	Switch, Limit	
	4360336	1	Switch, Toggle (Dual Fuel)	
	4360336	1	Switch, Toggle (Head and Tail Lights)	
	1600375	1	Module, Platform Controller	



**SECTION 10 - SPECIAL OPTIONS**

# SECTION 10 - SPECIAL OPTIONS

## FIGURE 10-1. SPECIAL OPTIONS LIST

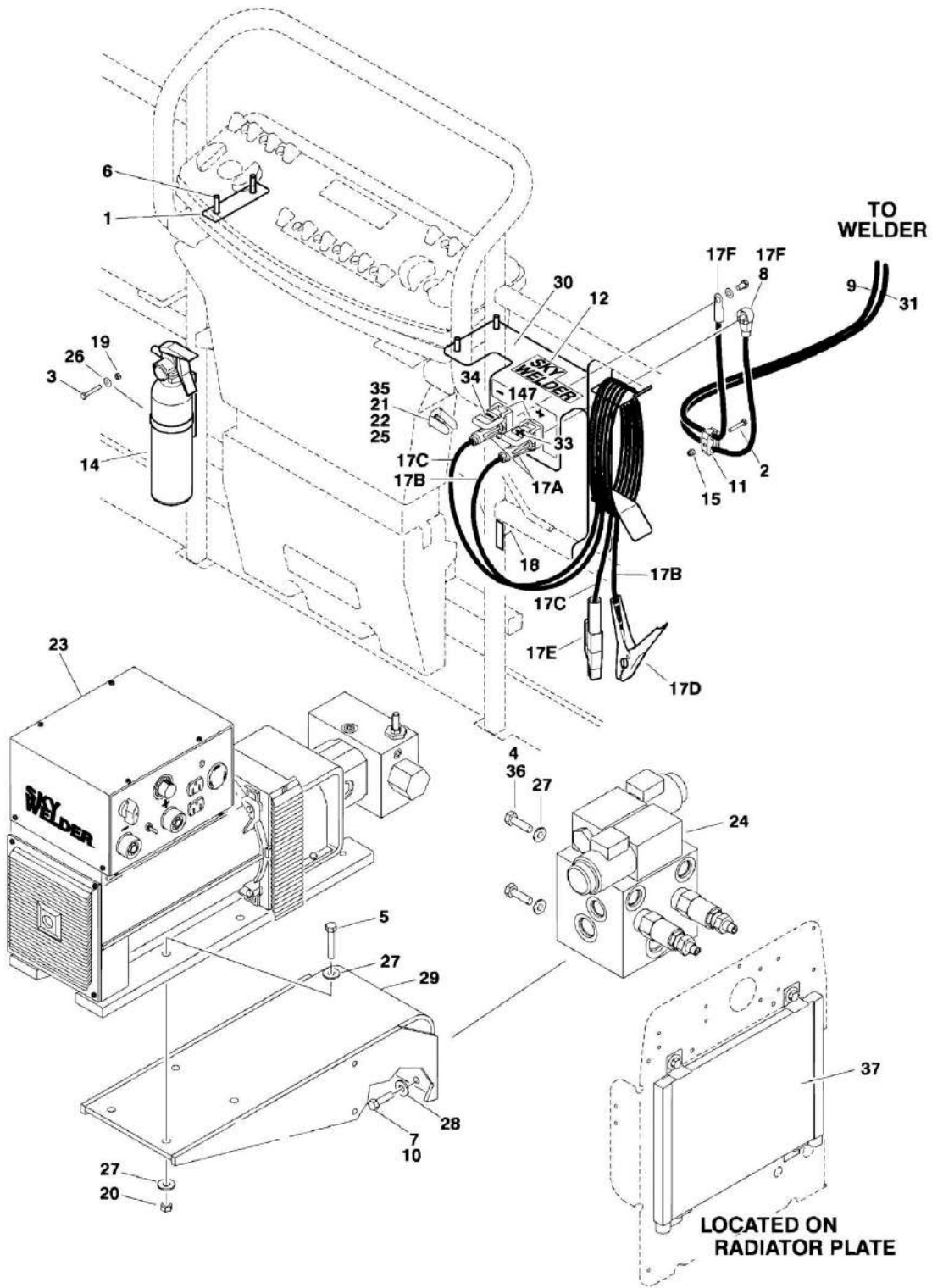
ITEM	PART NUMBER	QTY	DESCRIPTION	REV
		Ref	<b>MISCELLANEOUS SPECIAL OPTIONS</b>	
	0255388	Ref	<b>Airline to Platform Installation Model - 601 With A "Enhanced Hostile Environment Package"</b>	
	0270723	Ref	<b>Beacon Light Installation on Platform</b>	
	0256789	Ref	<b>Camera Mount Assembly</b>	
	0256060	Ref	<b>Cold Weather Package (Ether Start)</b>	
	0271912	Ref	<b>Cold Weather Package Installation W/Glow Plug (Deutz Engine)</b>	
	0273254	Ref	<b>Decal - Hertz Rentals</b>	
	0271107	Ref	<b>Decal - Sunbelt Rentals</b>	
		Ref	<b>Decal - United Rentals Options:</b>	
	0270960	Ref	<b>Decal - United Rentals (Prior to SN 68642)</b>	
	0271893	Ref	<b>Decal - United Rentals (SN 68642 to Present)</b>	
	0259428	Ref	<b>Decal - Warning Stripes</b>	
		Ref	<b>Electrical Connector Kits</b>	
	1001148902	Ref	<b>Amp Connector Kit</b>	
	1001148903	Ref	<b>Deutsch DT Connector Kit</b>	
	1001148904	Ref	<b>Deutsch HD Connector Kit</b>	
	1001148905	Ref	<b>Packard Connector Kit</b>	
	1001148906	Ref	<b>Various Connector Kit</b>	
		Ref	<b>Filter Kits (Deutz Engine Only):</b>	
		Ref	Combined Filter Kit (Hydraulic/Air and Fuel/Engine Oil)	
	1001110995	1	Combined Filter Kit (Hydraulic/Air and Fuel/Engine Oil) <b>(Prior to SN 0300085132)</b>	
	1001110992	1	Combined Filter Kit (Hydraulic/Air and Fuel/Engine Oil) <b>(SN 0300085132 to Present)</b>	
		Ref	Hydraulic/Air Filter	
	1001109692	1	Hydraulic/Air Filter <b>(Prior to SN 0300085132)</b>	
	1001109684	1	Hydraulic/Air Filter <b>(SN 0300085132 to Present)</b>	
	1001110138	1	Fuel/Engine Oil Filter	
	0271548	Ref	<b>Glow Plug Installation</b>	
	0271576	Ref	<b>Hydraulic Oil Cooler</b>	
	0273738		<b>Loop Flushing Installation</b>	
		Ref	<b>Platform Mesh Installations</b>	
	0273145	Ref	<b>36in X 8ft (91.5cm x 2.44m)</b>	
	0273148	Ref	<b>30in X 6ft (76cm x 1.83m)</b>	
	0273149	Ref	<b>36in X 6ft (91.5cm x 1.83m)</b>	
	0273146	Ref	<b>30in X 5ft (76cm x 1.52m)</b>	
	0273147	Ref	<b>30in X 4ft (76cm x 1.22m)</b>	
	1702868	Ref	<b>Decal - No Hands (Platform With Mesh to Top Rail)</b>	
	1704000	Ref	<b>Decal - No Hands - CSA (Platform With Mesh to Top Rail)</b>	
	0271603	Ref	<b>Platform Top Rail Ext</b>	
		Ref	<b>Tool For Service:</b>	
	7002840	1	Antirotation Pin Removal Tool	
	8896941	1	Wire Stripper	
	7002821	1	Wire Crimper (To install wire ends to wires)	
	7002823	1	Pin/Socket Extractor - Universal (To Remove Pins/Sockets from Connectors)	
	4460467	1	Extractor - 16-18 Gauge (For Removal of Pins/Sockets for Deutsch Connectors)	

## SECTION 10 - SPECIAL OPTIONS

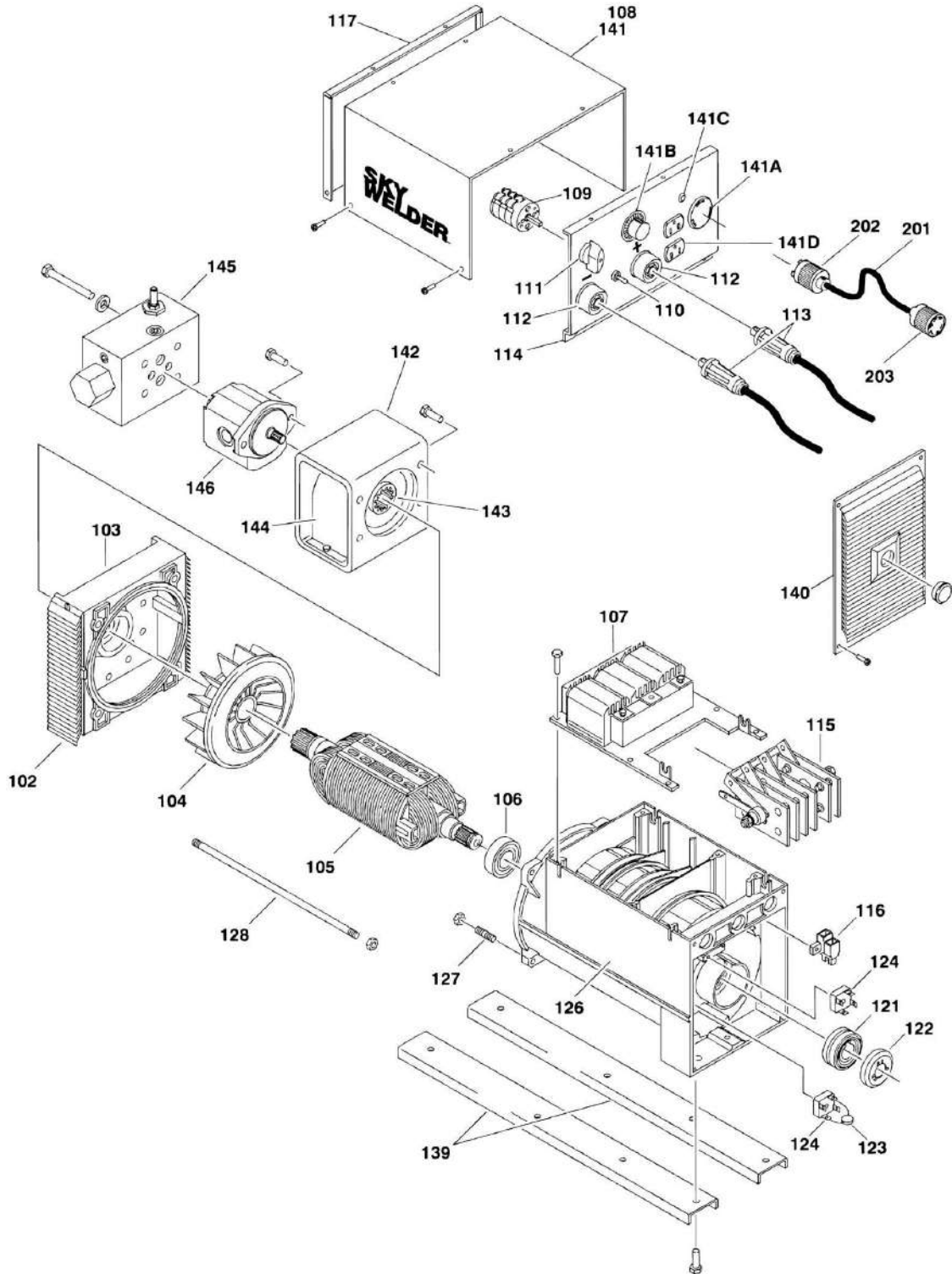
ITEM	PART NUMBER	QTY	DESCRIPTION	REV
	4460510	1	Extractor - 12-14 Gauge (For Removal of Pins/Sockets for Deutsch Connectors)	
	7002822	1	Screwdriver, Potentiometer (To Adjust Drive Controller)	
	7016654	1	Screwdriver, Magnetic	
	7004275	1	Seal Installation Tool - 1in	
	7004276	1	Seal Installation Tool - 1 1/2in	
	7002826	1	Seal Installation Tool - 2in	
	7016655	1	Wire Rope Sheave Gauge	
	4921850	1	Throttle Service Harness	
	4922012	1	Horsepower Card Service Harness	
	4922314	Ref	Service Harness	
	4933108	Ref	Service Harness	
	1001137005	1	Software Cable Kit	
	0257728	Ref	<b>Tubing Rack Installation</b>	
	0258918	Ref	<b>Utility Rack Installation</b>	
	0255399	Ref	<b>Weld Leads Installation</b>	

# SECTION 10 - SPECIAL OPTIONS

## FIGURE 10-2. SKY WELDER INSTALLATION



# SECTION 10 - SPECIAL OPTIONS



# SECTION 10 - SPECIAL OPTIONS

## FIGURE 10-2. SKY WELDER INSTALLATION

ITEM	PART NUMBER	QTY	DESCRIPTION	REV
	0271549	Ref	<b>SKY WELDER INSTALLATION</b>	3
1	0362949	1	Bar, Space	
2	0641412	1	Bolt 1/4in-20NC x 1 1/2in	
3	0641414	2	Bolt 1/4in-20NC x 1 3/4in	
4	0641507	4	Bolt 5/16in-18NC x 7/8in	
5	0641514	4	Bolt 5/16in-18NC x 1 3/4in	
6	0641613	4	Bolt 3/8in-16NC x 1 5/8in	
7	0641810	4	Bolt 1/2in-13NC x 1 1/4in	
8	0840041	1	Boot, Cable	
9	1060921	82 ft/25m	Cable, Weld	
10	0100019	AR	Loctite #271	
11	1320146	1	Clamp, Hose	
12	1704895	2	Decal - Sky Welder	
13	1704896	1	Decal - Sky Welder (Not Shown - Located on Hood)	
14	2030010	1	Extinguisher, Fire	
15	2080044	1	Rivnut, Fastener	
17	2901971	1	Platform Weld Leads Kit	B
17A	7023413	2	Connector, Cable	
17B	7023414	1	Cable, #1 Weld - Black (12ft Length)	
17C	7023418	1	Cable, #1 Weld - Red (12ft Length)	
17D	7023415	1	Clamp, Ground	
17E	7023416	1	Holder, Electrode	
17F	7023417	2	Lugs, Cable	
18	3251963	1	Nameplate - Welding Leads	
19	3311405	2	Locknut 1/4in-20NC	
20	3311505	4	Locknut 5/16in-18NC	
21	4060802	1	Guard, Switch	
22	4360336	1	Switch, Toggle	
23	4530019	1	Hydraulic Welder Assembly (See 101 to 147 for Breakdown)	
24	4641164	1	Diverter Valve Assembly	
25	4740397	1	Spacer, Washer	
26	4751400	2	Flatwasher 1/4in	
27	4751500	8	Flatwasher 5/16in	
28	4751800	4	Flatwasher 1/2in	
29	4846469	1	Support, Welder	
30	4846231	1	Support, Weld Lead	
31	1060928	82 ft/25m	Cable, Weld (Red)	
33	1704919	1	Decal - Positive	
34	1704920	1	Decal - Negative	
35	3252764	1	Nameplate - AC and Weld	
36	0100011	AR	Loctite #242	
37	3620034	1	Oil Cooler Assembly	
	4530019	Ref	<b>HYDRAULIC WELDER ASSEMBLY - 225A</b>	B
102	7023444	2	Grid - Front	
103	7023445	1	Shield Front	
104	7023446	1	Fan	
105	7023251	1	Rotor	
106	7023252	1	Bearing	
107	7023253	1	Impedance, Weld	
108	7024308	1	Cover	

## SECTION 10 - SPECIAL OPTIONS

ITEM	PART NUMBER	QTY	DESCRIPTION	REV
109	7023254	1	Switch, Step	
110	7023255	1	Selector, Range	
111	7023256	1	Knob, Switch	
112	7023257	2	Terminal, Female Weld Cable Attached	
113	7023258	2	Terminal, Male Weld Cable Attached	
114	Not Serviced	1	Panel, Front	
115	7023259	1	Bridge, Rectifier	
116	7023260	1	Brushes and Holder	
117	7024310	1	Panel, Receptacle (Panel Only)	
121	7023261	1	Ring, Slip	
122	7023262	1	Cover, Slip Ring	
123	7023263	1	Varistor	
124	7023264	2	Bridge, Single Phase Rectifier	
126	7023265	1	Housing and Stator	
127	7023266	4	Bolt, Stay M8 x 30mm	
128	7023267	4	Bolt, Stay	
139	7023448	1	Rail Set	
140	7024311	1	Cover, Louvered End	
141	7023420	1	Panel Assembly (Complete)	
141A	7023421	1	Receptacle, Twistlock	
141B	7023422	1	Control, Fine	
141B	7024436	1	Knob	
141C	7023423	1	Light - AC	
141D	7023424	1	Receptacle	
141E	7023425	1	Harness (Not Shown)	
142	Not Serviced	1	Mount, Motor	
143	7023426	1	Coupling	
144	Not Serviced	1	Guard, Coupling	
145	7023427	1	Valve Assembly	
146	7024312	1	Motor Assembly	
147	Not Serviced	2	Cover, Weld Receptacle	
	4921829	Ref	<b>POWERMITE HARNESS</b>	2
201	1060494	6 ft/1.8m	Cable, ELECTRICAL 12/3	
202	4460205	1	Plug, Male	
203	4460134	1	Plug, Female	





**PART NUMBER INDEX**

# PART NUMBER INDEX

0060034.....169, 171, 179	0255514.....17	0259303.....193	0272908.....110, 119
0060067.....169, 172, 181	0255605.....17	0259309.....156, 201	0272909.....110, 119
0080091.....104	0255606.....17	0259312.....99	0272915.....109
0080124.....117	0255698.....155	0259414.....9	0272916.....110
0080163.....74, 82, 88, 95	0255929.....247	0259428.....350	0273048.....19, 39
0080201.....104, 111	0256060.....350	0259429.....247	0273067.....39
0080214.....104, 110	0256273.....187	0259437.....171	0273080.....13
0080241.....156	0256375.....155	0259473.....333	0273081.....13
0100009.....148, 205	0256487.....326, 330	0259489.....171	0273145.....350
0100010.....72, 80, 87, 94, 112, 191, 192, 326, 336	0256488.....326	0259491.....333	0273146.....350
0100011.....9, 10, 13, 17, 19, 37, 39, 43, 47, 59, 60, 71, 78, 79, 80, 86, 93, 100, 103, 104, 109, 111, 137, 141, 143, 148, 151, 156, 159, 163, 164, 170, 171, 172, 176, 183, 185, 187, 192, 195, 196, 200, 201, 207, 229, 233, 235, 237, 243, 245, 262, 266, 270, 326, 329, 336, 342, 354	0256631.....201, 207	0259502.....333	0273147.....350
0100019.....59, 160, 164, 170, 354	0256632.....207	0259503.....333	0273148.....350
0100020.....71, 79, 80, 86, 93, 103, 104, 109, 111, 117, 138, 205, 269	0256685.....106, 114	0259760.....109	0273149.....350
0100035.....155, 200, 205	0256789.....350	0259768.....110, 119, 201	0273226.....13
0100038.....13, 229, 233, 235, 237, 243, 245, 262, 266, 270	0256847.....74, 82, 88, 95	0270017.....337, 343	0273254.....350
0100040.....195	0257728.....351	0270073.....110, 119, 201	0273738.....350
0100048.....112, 152, 156, 205, 318, 319	0257885.....156	0270126.....10, 17	0273909.....329
0100063.....10, 229, 235	0257886.....155	0270330.....59	0273910.....329
0100074.....191	0257887.....155, 305, 313, 321	0270723.....350	0273957.....78
0100079.....137	0257895.....9	0270765.....109	0273958.....78
0100081.....207	0257896.....9	0270797.....69	0273991.....339
0140001.....44, 47	0257901.....10	0270798.....69	0273992.....339
0140011.....205	0257902.....10	0270799.....110, 119	0273993.....339
0140026.....199, 205	0257907.....10, 17	0270800.....110, 119	0273994.....339
0140032.....155, 305, 313, 321	0257909.....37	0270801.....99, 207	0273995.....339
0181727.....69, 78, 85, 92, 103, 110	0257915.....59	0270802.....156, 207	0273996.....339
0181946.....159	0257920.....43	0270803.....185	0273997.....339
0181949.....138	0257921.....137	0270804.....183	0273998.....339
0181979.....70, 79, 85, 92, 112	0257925.....69	0270807.....310, 318	0274001.....339
0181986.....163	0257988.....183	0270814.....193, 195, 207	0274002.....339
0200530.....99	0257992.....103	0270852.....156	0274003.....339
0200741.....99	0258002.....169	0270960.....350	0274004.....339
0239585.....59	0258004.....169	0271031.....325, 333	0274080.....99, 207
0253550.....326	0258042.....159	0271044.....156, 207	0274093.....329, 339
0254798.....59	0258057.....325	0271049.....99, 207	0274187.....47
0255262.....141	0258074.....302	0271107.....350	0274190.....78
0255316.....59	0258075.....305, 313, 322	0271370.....156	0274191.....78
0255335.....155	0258275.....302	0271415.....207	0274211.....143
0255354.....247	0258336.....160, 164, 330, 343	0271500.....155	0274523.....78
0255388.....350	0258339.....138	0271534.....69	0274524.....78
0255399.....351	0258392.....103, 117	0271535.....109	0340041.....69, 80, 85, 92, 104, 111
0255420.....17	0258432.....201	0271536.....110	0340046.....107, 114
0255421.....17	0258542.....155	0271537.....137	0362519.....138
0255513.....17	0258703.....192, 196	0271548.....350	0362759.....159
	0258790.....247	0271549.....354	0362760.....159, 163
	0258918.....351	0271571.....159	0362836.....171
	0258952.....59	0271576.....350	0362949.....354
	0258957.....59	0271598.....137	0363012.....39
	0258976.....69	0271599.....163	0370026.....231
	0258981.....192	0271603.....350	0400075.....69, 78, 85, 92, 103, 110
	0258994.....9	0271608.....17	0440161.....10
	0258998.....60	0271609.....17	0460075.....247
	0259050.....185	0271610.....17	0460150.....247
	0259065.....163	0271611.....17	0460152.....247
	0259066.....164	0271612.....17	0460153.....247
	0259067.....169	0271613.....17	0460159.....247
	0259068.....326, 330, 337	0271675.....192, 195	0460150.....99
	0259203.....325	0271684.....10, 17	0480111.....99
	0259261.....333	0271893.....350	0480119.....99
	0259262.....333	0271912.....350	0540083.....187
	0259263.....333	0272052.....192, 195	0540102.....187
	0259275.....333	0272070.....171	0540103.....187
	0259276.....333	0272140.....169	0540105.....187
	0259279.....333	0272143.....169	0540112.....187
		0272507.....156, 321	
		0272896.....109	

# PART NUMBER INDEX

0561076 ..... 176	185, 191, 192, 195,	0741006.....164	0902751 ..... 205
0561183 ..... 176	200, 205	0741606.....156	0903056 ..... 143
0561184 ..... 176	0641611 ..... 141, 187	0741607.....170, 171, 172	0920111 ..... 59, 65
0561185 ..... 176	0641612 ..... 143, 235	0741612.....176	0920112 ..... 17, 29
0630407 ..... 159	0641613 43, 47, 176, 354	0751006.....193, 196	0920117 ..... 17, 29
0630458 .... 170, 183, 185	0641614 .... 137, 159, 177	0771414.....86, 93	0920119 ..... 59, 65
0630464 ..... 200, 205	0641616 ..... 176	0801009.....169, 175	0940070... 70, 80, 85, 92,
0630491 ..... 156	0641618 ..... 39, 163, 176	0801011.....175	104, 111
0630493 ..... 185	0641620 ..... 159	0801012.....175	0940071 ..... 159, 163
0630498... 69, 78, 85, 92,	0641634 ..... 176	0801065.....175	0940086 ..... 160
103, 110	0641638 ..... 177	0801166.....169, 175	0940088 ..... 160, 164
0630507 ..... 159, 163	0641640 ..... 177	0801167.....175	0961845 ..... 191
0630518 ..... 147, 151	0641644 ..... 183, 185	0801183.....169, 175	0961893 ..... 233, 237
0630534 ..... 233, 237	0641676 ..... 185	0801184.....175	0961897 ..... 245
0630535 ..... 245	0641680 ..... 185	0801372.....175	0961898 ..... 235
0630536 ..... 235	0641772 ..... 100	0801382.....169, 175	0961947 ..... 233, 237
0630548 ..... 151	0641807 ..... 183, 185	0801396.....175	0961948 ..... 10
0630568 ..... 207	0641808 ... 72, 78, 87, 94,	0801468.....175	0961950... 9, 10, 13, 170,
0641403 .... 155, 171, 177	111	0801476.....169, 175	175, 235
0641404 ... 163, 183, 192,	0641810 ... 164, 170, 171,	0801477.....169, 175	0961951 ... 170, 171, 172,
196, 201, 205	354	0801498.....175	175
0641406... 104, 111, 156,	0641811 ..... 17, 143	0801524.....175	0961956 ..... 175
159, 163, 192, 195,	0641812 ... 71, 79, 86, 93,	0801525.....175	0961977 ..... 13, 239, 241
196, 200, 205, 326,	103, 109, 172	0840041.....354	0961986... 71, 81, 86, 93,
336, 343	0641814 ..... 9, 13	0860038.....305, 313, 322	105, 112
0641407 ... 70, 79, 80, 86,	0641818 .... 70, 80, 86, 93	0860520....325, 329, 334,	0962005 ..... 10
93, 170	0641820 ... 141, 143, 170,	342	0962006 ..... 170
0641408 ... 103, 104, 111,	171	0860984.....201	0962057 ..... 170
112, 117, 159, 163,	0641824 ..... 176	0861132.....147	0962131 ..... 13
192, 195, 200, 325,	0641826 9, 72, 80, 87, 94	0861178.....199	0962272 ..... 10
329, 334, 342	0641828 ..... 104, 111	0861179.....147	0962356 ..... 243
0641409 ..... 171	0642010 ... 72, 78, 87, 94,	0861211.....147	0962474 ..... 229
0641410 ..... 79, 94	105, 112	0861264.....199	10001100378..... 85
0641412 ... 155, 192, 196,	0642012 ..... 9, 13, 170	0861269.....147	1001091179 ..... 81
354	0642018 ..... 59	0861303.....147	1001091303 ..... 47, 55
06414149, 112, 193, 195,	0642612 ..... 156, 183	0861335.....147	1001091442 ..... 342
205, 326, 354	0642684 ..... 172	0861389.....151	1001091443 ..... 342
064141644, 47, 117, 192,	0651406 ..... 44, 47	0861392.....205	1001092723 ..... 80, 82
205	0681608 ..... 172, 177	0861393.....205	1001093382 ..... 78
0641418 ..... 191, 205	0681610 ... 170, 171, 176,	0861402.....151	1001094043 ..... 169
0641424 ..... 112	229	0861404.....151	1001097242 ..... 13, 243
0641504 ..... 164	0681612 ..... 100, 176	0861405.....151	1001099391 ..... 47
0641506 43, 47, 148, 151,	0681810 ..... 19	0861414.....205, 207	1001099832 ..... 183
164	0681832 ..... 59	0861424.....205	1001100616 ..... 85
0641507 ... 107, 114, 159,	0681836 ..... 59	0861484.....151	1001100680 ..... 87, 94
163, 354	0682014 ..... 160, 164	0861485.....151	1001100719 ..... 92
0641508 ..... 44, 100, 160,	0682016 ..... 17, 19, 59	0861487.....151	1001100720 ..... 92
164	0682032 ..... 59	0861488.....205	1001100721 ..... 92
0641510 .... 71, 80, 86, 93	0700808 .... 71, 80, 86, 93	0861489.....205	1001106479 ..... 155
0641514 ..... 354	0700810 ... 74, 82, 88, 95,	0861526....192, 195, 205	1001109183 ..... 201
0641520 ..... 10	103, 109	0861535.....199, 201	1001109684 ..... 350
0641522 ..... 10, 183, 185	0700819 .... 100, 105, 112	0861537.....205, 207	1001109692 ..... 350
0641552 ..... 39	0701004 ..... 112	0861685.....151	1001110138 ..... 350
0641604 .... 170, 171, 172	0701012 ... 72, 80, 87, 94,	0902088.....103	1001110992 ..... 350
0641605 .... 171, 176, 185	104, 111	0902109.....141	1001110995 ..... 350
0641606 ... 71, 81, 86, 94,	0701014 ..... 80, 103, 109	0902132.....117	1001116240 ... 71, 78, 93,
105, 110, 138, 163,	0701015 .... 72, 80, 87, 94	0902206.....156	320
176, 185, 187, 200,	0701022 ..... 103, 109	0902219.....159, 163	1001116241 ..... 78, 320
326, 329, 336, 342	0701414 ..... 70, 80, 99	0902243.....70	1001118416 ..... 225
0641607 ..... 39, 163, 176	0721003 ..... 200, 207	0902309.....107, 114	1001129555 ..... 215
0641608 9, 10, 13, 37, 60,	0721004 ... 105, 148, 163,	0902434.....159, 163	1001137005 ..... 322, 351
70, 80, 104, 111, 159,	200	0902435.....159, 163	1001148902 ..... 350
163, 170, 171, 172,	0721005 70, 86, 148, 159,	0902480.....159, 163	1001148903 ..... 350
176, 183, 185, 187, 200	163	0902511.....70, 86	1001148904 ..... 350
0641610 ... 10, 78, 80, 86,	0721006 .... 100, 104, 109	0902520.....141	1001148905 ..... 350
93, 100, 104, 111, 176,	0721010 ..... 200	0902539.....109	1001148906 ..... 350
	0721014 ..... 109	0902572.....112	1060016 ..... 302

# PART NUMBER INDEX

1060279....325, 329, 334, 342	1600317 ..... 205, 215	1684465 ..... 13, 231	1703765....325, 329, 333, 340
1060330.....205, 310	1600318 ..... 205, 225	1700037 ..... 326, 330	1703776.....199
1060341.....306, 313, 321	1600363 ..... 114	1700584 ... 325, 330, 334, 342	1703797.....325, 329
1060494....302, 305, 306, 310, 313, 322, 355	1600364 ..... 151	1700816 ..... 335	1703798.....325
1060515.....200, 302	1600375 ..... 205, 348	1700818 ..... 117, 326	1703804.....325, 329
1060516.....302	1600411 ..... 151, 348	1701499 ... 325, 329, 334, 339	1703805.....325, 329
1060602.....302	1641808 ..... 105	1701500 ... 160, 164, 325, 330, 334, 343	1703808....326, 330, 336, 343
1060633.....322	1660157 ..... 103	1701502 ... 325, 329, 333, 339	1703811.....329, 339
1060637....72, 78, 87, 94, 105, 112	1660219 ..... 141	1701503 ... 325, 329, 333, 339	1703814.....329, 339
1060680.....310	1660219RR.....141	1701504 ..... 325, 333	1703923.....340
1060896.....310, 318	1660234 ... 74, 82, 88, 95, 348	1701504 ..... 325, 333	1703924.....340
1060904.....81, 94, 321	1660250 ... 106, 113, 348	1701504 ..... 325, 333	1703925.....335, 340
1060918.....205, 318	1660257 ..... 143	1701505 ... 72, 78, 87, 94, 326, 329, 335, 342	1703926.....335, 340
1060921.....354	1660303 ..... 143	1701509 ... 325, 329, 333, 339	1703927.....335, 340
1060928.....354	1670749 ..... 185	1701515 ..... 336, 342	1703928.....334
1061026.....311, 318	1670752 ..... 10	1701529 ... 325, 329, 334, 339	1703930.....333
1061027.....318	1670818 ..... 155	1701542 .... 105, 326, 335	1703931.....333
1100086.....9	1670824 ..... 155	1701543 .... 117, 326, 335	1703932.....333
1100111.....9	1670829 ... 147, 151, 200, 205	1701789 ..... 336, 342	1703933.....333
1180340.....185	1670836 ..... 80, 112, 177	1701920 ..... 336, 342	1703934.....333
1220042.....175	1670843 ..... 159	1702153 ..... 325, 329	1703935.....340
1220078.....175	1670851 ..... 159, 163	1702282 ..... 325	1703936.....333, 340
1260017.....59	1670853 ..... 159, 163	1702284 ..... 325	1703937.....333, 340
1282844.....272	1670861 ..... 159	1702292 ..... 325	1703938.....333, 340
1282937.....274	1670862 ..... 159, 163	1702300 ..... 325, 334	1703939.....333, 340
1283431.....272	1670863 ..... 159, 163	1702387 ..... 201, 207	1703940.....333
1320012.....104, 111	1670866 ..... 159, 163	1702564 ..... 199, 205	1703941.....339
1320016....70, 80, 85, 93, 105, 111	1670870 ..... 192, 196	1702565 ..... 199, 205	1703942.....339
1320017.....117	1670888 ..... 171	1702566 ..... 199, 206	1703943.....339
1320019.....109	1670889 ..... 171	1702573 ..... 342	1703944.....339
1320022....71, 78, 80, 86, 93, 103, 104, 109, 111	1670894 ..... 192, 196	1702610 ..... 148, 151	1703945.....339
1320032.....112	1670895 ..... 163	1702612 ..... 325	1703947.....340
1320058.....247	1670896 ..... 163	1702676 ..... 206	1703948.....333, 340
1320060....104, 111, 200	1671029 ..... 163	1702740 ..... 17, 19	1703949.....333, 340
1320127 ..... 138	1671037 ..... 207	1702773 ... 325, 329, 334, 342	1703950.....333, 340
1320146.....354	1683053 ..... 233, 237	1702774 ... 325, 329, 334, 342	1703951.....333, 340
1320176.....73, 81, 94	1683057 ..... 229, 245	1702784 ... 325, 330, 334, 342	1703952.....333
1320218.....138	1683067 ..... 235	1702785 ..... 325	1703953.....329
1320220.....138	1683208 ..... 13, 241	1702861 ... 325, 329, 333, 342	1703980.....335, 340
1320222...71, 81, 86, 103	1683250 ..... 245	1702862 ..... 325, 334	1703981.....335, 340
1320223....71, 81, 86, 94, 103, 105, 112, 137	1683266 ..... 169, 237	1702868 ... 325, 329, 350	1703982.....335, 340
1320235.....170	1683267 ..... 237	1702961 ..... 326	1703983.....340
1320247 ..... 183, 185	1683269 ..... 237	1702962 ..... 326, 330	1703984.....335, 340
1340060....69, 80, 85, 92, 104, 111	1683274 ..... 233	1702966 ..... 326	1703985.....335
1340061....72, 81, 88, 93, 112	1683276 ..... 235	1703084 ..... 207	1703996....335, 340, 341
1580011.....104, 110	1683278 ..... 235	1703090 ..... 200	1704000....334, 339, 350
1580012.....192, 195	1683280 ..... 9, 229	1703091 ..... 200	1704001.....340
1580013.....192, 195	1683281 ..... 229	1703093 ..... 200	1704002.....334
1600211.....104	1683283 ..... 229	1703162 ... 70, 80, 85, 93, 104, 110	1704003.....334
1600218.....199	1683415 .... 169, 171, 233	1703181 ..... 326	1704006.....334, 339
1600239.....199	1683416 ..... 233	1703465 ..... 147, 151	1704007.....339
1600242.....199	1683616 ..... 10, 239	1703533 .... 262, 266, 270	1704008.....334
1600244.....322	1683618 ..... 175, 245	1703622 ..... 147	1704096.....326, 329
1600283....199, 219, 223	1683619 ..... 245	1703680 ..... 199, 206	1704099....334, 340, 341
1600284....199, 211, 213	1683666 ..... 169, 235		1704100.....335, 341
1600298.....110	1683954 ..... 235		1704101.....335, 340
1600312.....151	1683955 ..... 235		1704104.....326, 329
1600313.....205	1683972 ..... 237		1704107.....336, 341
1600314.....110	1683973 ..... 237		1704108.....336, 341
	1683976 ..... 233		1704198.....341
	1683977 ..... 233		1704233.....335, 341
	1684280 ..... 13, 231		1704234.....326, 329
	1684289 ..... 231		1704235....326, 336, 342
	1684290 ..... 231		1704237.....326, 342
	1684414 ..... 169, 237		1704238.....326, 329

## PART NUMBER INDEX

1704243 ... 326, 329, 336, 340	1707154 ..... 341	2200204 ..... 117	2220504 .... 251, 255, 259
1704260 ..... 201, 206	1707155 ..... 342	2200221 ..... 80, 105	2220550 ..... 251
1704277 ... 325, 329, 334, 339	1780301 ..... 159	2200222 ... 63, 69, 80, 85, 92, 137	2220574 ..... 269
1704381 ..... 336, 342	1780324 ..... 160	2200223 ..... 105	2220578 ... 122, 127, 261, 265, 269
1704382 ..... 336, 342	1810069 ..... 151	2220005 ..... 117, 119	2220582 ... 123, 251, 255, 257, 261, 265, 269
1704383 ..... 336	1870074 ..... 275	2220063 ..... 60	2220594 ..... 261
1704408 ..... 336, 342	1870077 ..... 275	2220064 ..... 117, 119	2220596 ... 251, 255, 262, 269
1704409 ..... 336, 341	1870127 ..... 275	2220235 ... 235, 251, 261, 265	2220603 ... 257, 262, 266, 270
1704412 ..... 329, 339	1870132 ..... 275	2220237 ..... 251, 255	2220605 ..... 261, 265
1704885 ... 326, 329, 336, 342	1870134 ..... 275	2220239 ..... 235	2220606 ..... 255
1704895 ..... 354	1870191 ..... 275	2220250 .. 71, 86, 93, 103, 105, 111	2220618 ..... 261, 265
1704896 ..... 354	1870215 ..... 275	2220251 ..... 117	2220619 ..... 257
1704919 ..... 354	2000146 ..... 85, 88	2220261 ..... 138	2220621 ..... 262
1704920 ..... 354	2000154 ..... 69, 73	2220270 ..... 105	2220622 ..... 251, 262
1704972 ..... 79, 95	2000156 ..... 103, 105	2220273 .. 71, 86, 93, 103, 105	2220628 ... 261, 265, 269
1704997 ..... 205	2000160 ..... 103, 106	2220313 .... 71, 78, 86, 93	2220646 ... 123, 127, 251, 261, 265
1705132 ..... 152	2000162 ..... 69, 73	2220315 ..... 105	2220651 ... 262, 266, 270
1705336 ..... 329	2000166 ... 109, 112, 119	2220317 ..... 105	2220671 ..... 251
1705344 ..... 340	2000174 ... 109, 113, 119	2220348 ..... 111	2220675 ..... 117
1705345 ..... 340	2000175 ..... 69, 73	2220362 ..... 251, 255	2220700 ..... 262
1705347 ..... 340	2000190 ..... 69, 73	2220365 ..... 257	2220711 ..... 257
1705348 ..... 340	2000193 ... 109, 113, 119	2220371 ... 251, 255, 257, 259, 261, 265, 269	2220720 ..... 104
1705514 ..... 339	2000217 ..... 80, 82	2220372 ... 261, 265, 269	2220738 ..... 251, 269
1705753 ..... 151	2000248 ..... 79	2220373 ... 255, 261, 265, 269	2220794 ..... 72, 87, 94
1705895 ..... 340	2000249 ..... 79	2220374 ... 262, 266, 270	2220800 ..... 251
1705896 ..... 340	2000250 ..... 80	2220375 ... 122, 251, 255, 261, 265, 269	2220805 ..... 111
1705897 ..... 340	2000252 ..... 80	2220376 ..... 133, 265	2220810 ... 133, 261, 265
1705898 ..... 340	2000269 ..... 79	2220377 ... 127, 251, 255, 261, 265, 269	2220833 ..... 251
1705901 ..... 339	2000270 ..... 79	2220380 ... 261, 265, 269	2220861 ..... 255
1705902 ..... 340	2000273 ..... 80, 82	2220385 ... 257, 261, 265	2220873 ... 261, 265, 269
1705903 ..... 339	2000301 ..... 79	2220386 ... 251, 262, 266	2220883 ..... 35, 233, 235
1705917 ..... 340	2000302 ..... 80	2220407 ..... 269	2220885 ..... 56, 229, 233, 245
1705967 ..... 339	2000303 ..... 79	2220408 ... 261, 265, 269	2220886 ..... 35
1705968 ..... 339	2000304 ..... 80	2220409 ... 261, 265, 269	2220889 ..... 137
1705969 ..... 340	2000338 ..... 80, 82	2220415 ... 255, 257, 259, 261, 265, 269	2220890 ..... 231
1706059 ..... 79	2000339 ..... 92, 95	2220428 ... 261, 265, 269	2220893 ..... 44, 47
1706060 ..... 79	2000346 ..... 80	2220429 ... 261, 265, 269	2220895 ..... 262
1706061 ..... 79	2000348 ..... 80	2220430 ..... 110	2220906 ... 261, 265, 269
1706062 ..... 79	2030010 ..... 354	2220435 ..... 251	2220909 ..... 262, 266
1706063 ..... 79	2060025 ... 69, 80, 85, 92, 104, 110	2220437 ..... 103	2220921 ... 261, 265, 269
1706064 ..... 79	2080040 ..... 191, 195	2220451 ... 70, 80, 86, 93, 262	2220947 ... 123, 127, 261, 265
1706098 ..... 79	2080043 ... 170, 192, 196	2220459 ..... 71, 86, 93	2220948 ... 262, 266, 270
1706380 ..... 340, 341	2080044 ..... 354	2220465 ..... 251	2220949 ..... 262, 266
1706381 ..... 341	2080050 ..... 192, 196	2220466 ... 251, 261, 265, 269	2220950 ... 262, 266, 270
1706382 ..... 341	2120077 ..... 117	2220468 ..... 259	2220974 ... 262, 266, 270
1706712 ..... 151	2120149 ..... 43, 47, 346	2220472 ... 261, 265, 269	2220994 ..... 103
1706914 ..... 151	2120150 ..... 43, 47	2220473 ... 251, 255, 262, 266, 270	2221018 ..... 138
1706931 ..... 342	2120164 ..... 43, 47	2220474 ..... 269	2221019 ..... 138
1706941 ..... 343	2120169 ..... 105	2220479 ... 122, 127, 262, 266	2221024 ..... 138
1707042 ..... 341	2120170 ..... 163	2220490 ..... 257, 259	2221042 ..... 270
1707044 ..... 341	2120209 ..... 43, 47, 346	2220497 ... 262, 266, 270	2221176 ..... 79
1707046 ..... 341	2160003 ..... 60	2220498 ... 262, 265, 269	2360462 ..... 9
1707048 ..... 341	2180104 ..... 117	2220500 ..... 251	2360504 ..... 9
1707051 ..... 341	2180125 ..... 138	2220501 ..... 251	2360699 ..... 13
1707052 ..... 342	2180344 ..... 60		2360706 ..... 13
1707054 ..... 341, 342	2180348 ..... 78		2400060 ..... 304, 312
1707057 ..... 341	2180360 ..... 117		2400061 ..... 304, 312
1707058 ..... 341	2180387 ..... 138		2400065 ... 304, 311, 319, 346
1707059 ..... 341	2180388 ..... 138		2400066 ..... 311, 319
1707060 ..... 341	2180389 ..... 138		
1707150 ..... 341	2180418 ... 117, 119, 138		
1707151 ..... 341	2180467 ..... 104, 111		
1707152 ..... 341	2180536 .. 71, 86, 93, 103		
1707153 ..... 342	2180798 ... 70, 80, 85, 92, 105, 112		

# PART NUMBER INDEX

2420172.....	148, 151	2752502.....	269	2792360.....	257, 272	2940088.....	159, 163
2420187.....	103, 113	2752504.....	265, 269	2792388.....	251, 272	3020016.....	79, 81
2420203.....	99	2752513.....	262	2792389.....	257, 272	3020021.....	74, 82, 88, 95
2460011.....	99	2752514.....	261, 265	2792537.....	261	3160204.....	17, 31
2460032.....	99	2752515.....	261, 265, 269	2792612.....	259, 272	3160223.....	59, 67
2460055.....	99	2752517.....	262, 266, 270	2792694.....	269	3160279.....	59, 67
2500005.....	103	2752573.....	261, 265	2792695.....	255, 272	3160300.....	33
2560126.....	159, 163	2752574.....	255	2792696.....	255, 272	3160350.....	19, 35
2600211.....	201, 207	2752580.....	262, 266	2792698.....	272	3200362.....	72, 81, 87, 94, 104, 110
2600216.....	191	2752584.....	251	2792728.....	269	3200378.....	69, 85
2600238.....	159, 163	2752591.....	261, 265, 269	2820031.....	100	3200382.....	187
2600243.....	160	2752592.....	251, 255	2820035.....	155, 193, 195, 305, 306, 313, 321	3200383.....	187
2600281.....	195	2752594.....	261, 265	2820104.....	171, 172	3200384.....	187
2660082.....	187	2752598.....	262, 266, 270	2860012.....	100	3200385.....	187
2660106.....	187	2752599.....	262, 266, 270	2860030.....	147, 151, 346	3200389.....	187
2660107.....	187	2752611.....	255	2900752.....	122, 130	3200390.....	187
2660108.....	187	2752627.....	262	2900770.....	179, 229	3200391.....	187
2700094.....	164	2752631.....	261, 265, 269	2900788.....	31	3200392.....	187
2720015.....	105	2752632.....	255, 261, 265, 269	2900792.....	233, 235	3200406.....	81, 92
2720042.....	117	2752633.....	261, 265, 269	2900826.....	122	3200426.....	187
2720058.....	72, 79, 87, 94, 105, 111	2752643.....	261, 265, 269	2900827.....	122	3200427.....	187
2720112.....	117	2752653.....	261, 265, 269	2901284.....	245	3220105.....	107, 114
2720144.....	117, 138	2752654.....	261, 265, 269	2901285.....	235	3220110.....	73, 81
2720271.....	71, 86, 93, 104	2752752.....	261, 265, 269	2901303.....	233, 237	3251102.....	100, 207
2720341.....	113	2752753.....	262, 266, 270	2901321.....	229	3251243.....	325, 329, 333, 339
2720351.....	71	2752762.....	261, 265, 269	2901392.....	70, 85	3251813.....	325, 329, 333, 340
2720392.....	119	2752763.....	261, 265, 269	2901443.....	314, 322	3251963.....	354
2720398.....	70, 81, 85, 93	2752783.....	261, 265, 269	2901568.....	71, 86	3252221.....	326
2720434.....	71, 81, 86, 93	2752807.....	251	2901583.....	105, 111	3252507.....	339
2720435.....	104, 110	2752810.....	251	2901584.....	105, 110	3252621.....	326, 330, 337
2720436.....	105, 111	2752812.....	251	2901608.....	105	3252671.....	337, 343
2720447.....	72, 81	2752822.....	257	2901763.....	56	3252764.....	354
2720449.....	71, 81, 86, 93	2752823.....	257	2901971.....	354	3271805.....	143
2720472.....	111	2752823.....	257	2902085.....	100	3272605.....	172, 179
2750532.....	71, 78, 81, 86, 93, 103, 104, 109, 111	2752888.....	251	2902266.....	231	3300106.....	17, 19
2750909.....	251	2752889.....	251	2902296.....	71, 78, 93, 320	3300151.....	160, 191
2751013.....	251	2752893.....	251	2902297.....	111	3300205.....	148, 151
2751016.....	251	2752901.....	251	2902303.....	330, 343	3300241.....	176
2751020.....	257	2752909.....	255	2902307.....	330	3300353.....	206
2751021.....	251	2752910.....	255	2902308.....	343	3300390.....	148
2751032.....	60	2752918.....	251	2902309.....	343	3300408.....	147, 151, 206
2751095.....	60	2752920.....	257	2902310.....	343	3300454.....	79
2751114.....	251	2752928.....	255	2902311.....	343	3310601.....	148
2751324.....	262	2752929.....	255	2902312.....	343	3310805.....	138, 155
2751353.....	262	2752977.....	255	2902322.....	343	3311001.....	148, 160, 191, 192, 195, 200, 208
2751396.....	262, 266, 269	2752981.....	261, 265	2902352.....	329, 340	3311005.....	86, 100, 104, 109, 155, 156, 163, 200, 206
2751397.....	257	2753325.....	269	2902443.....	319	3311055.....	159
2751410.....	259	2753397.....	255	2910000.....	71, 86, 304	3311401.....	151, 159, 200
2751427.....	261, 265	2753924.....	255	2910001.....	305	3311402.....	170
2751434.....	259	2753925.....	255	2910034.....	326	3311405.....	44, 47, 70, 79, 81, 86, 93, 103, 105, 111, 117, 155, 159, 163, 170, 183, 185, 192, 193, 195, 196, 200, 206, 325, 329, 334, 342, 354
2751467.....	262	2753926.....	255	2910870.....	207	3311505.....	10, 39, 71, 81, 107, 114, 159, 164, 183, 185, 192, 196, 354
2752249.....	251	2753928.....	255	2915014.....	151	3311601.....	137, 159, 163, 201, 207
2752256.....	251	2753929.....	255	2915090.....	59		
2752322.....	251	2753930.....	255	2915196.....	110		
2752331.....	255	2753931.....	255	2920110.....	156		
2752340.....	261, 265, 269	2753933.....	259	2920113.....	156		
2752389.....	251	2753957.....	269	2920129.....	199, 201, 206, 302, 303, 310, 311, 318, 319		
2752398.....	251	2753968.....	269	2920140.....	193, 195, 306, 313, 322		
2752444.....	262, 266, 270	2760105.....	147, 151, 199, 206	2920162.....	99		
2752462.....	259	2780205.....	59, 63	2920215.....	156		
2752463.....	262, 266, 270	2780213.....	17, 21	2940042.....	159		
2752474.....	257	2780252.....	17, 23	2940074.....	191, 195, 346		
2752475.....	255	2780269.....	19, 25	2940080.....	163		
2752478.....	255, 261, 265, 269	2792335.....	265				
		2792336.....	251, 272				
		2792338.....	272				

## PART NUMBER INDEX

3311602 .....	185	3422903 .....	13	3539563.....	170	3740058 .....	200
3311605 ... 10, 70, 78, 81,		3423184 .....	169	3539622.....	177	3740063 .....	200
86, 93, 100, 104, 111,		3450304 .....	207	3539685.....	191	3740066 .....	148
159, 163, 170, 171,		3450806 .....	183	3539872....69, 81, 85, 92,		3740067 ... 69, 81, 85, 92,	
176, 183, 185, 191,		3470003 .....	201, 207	103, 110		104, 110, 346	
192, 195, 201, 206,		3480205 .....	245	3539877.....	9, 13	3740080 ... 100, 104, 110,	
326, 329, 336, 342		3480206 .....	235	3539878.....	13	348	
3311705 .....	100	3480210 .....	233, 237	3539971....69, 81, 85, 92		3740112 .....	147
3311801 ... 17, 72, 78, 87,		3480288 .....	231	3539972.....	103, 109	3740113 .....	148, 200
94, 105, 111, 160		3510622 .....	191	3570103.....	104, 110	3740115 .....	200
3311805 ... 70, 81, 86, 93,		3510641 .....	191	3570104.....	104	3760170 .....	59
104, 111, 141, 164,		3510654 .....	191	3570133.....	105, 112	3760368 .....	233, 237
170, 171, 172		3510655 .....	191	3570864.....	69, 81	3760369 .....	229, 245
3312201 .....	176	3510674 .....	191	3570920.....	160, 164	3760372 .....	235
3312602 .....	185	3510675 .....	191	3571222.....	200, 206	3760417 .....	59
3321005 .....	70	3510705 .....	192	3571259.....	60	3790012 ... 112, 199, 201,	
3321401 .....	103	3510706 .....	191	3571287.....	170	206, 207	
3321501 .....	160	3510743 .....	191	3571300.....	163	3790045 .....	19
3322201 .....	143	3510744 .....	191	3571333.....	185	3790110 .....	179
3340705 .....	176	3510746 .....	191	3571334.....	164	3790152 ... 71, 79, 87, 94,	
3340755 .....	176	3510747 .....	191	3571407 .....	164	103, 109	
3340756 .....	176	3510822 .....	195	3571408.....	164	3800205 .....	195
3340757 .....	176	3510830 .....	195	3571409.....	164	3820001 ... 187, 325, 326,	
3340758 .....	176	3510831 .....	195	3571410.....	164	329, 330, 334, 337,	
3340759 .....	175	3510832 .....	195	3571411.....	192, 196	342, 343	
3340763 .....	185	3510833 .....	195	3571497.....	100	3820019 .....	164
3340764 .....	183	3520026 .....	148	3571498.....	109	3820020 .....	195
3340800 .....	170	3520027 .....	201, 206	3571593.....	10	3841013 .....	183
3340844 .....	176	3520028 .... 99, 100, 199,		3571741.....	164	38411439, 10, 13, 70, 78,	
3340851 .....	171	206		3573275.....	160	85, 92, 104, 111, 170,	
3340855 .....	185	3520029 .....	201	3574122.....	110	171, 172, 176	
3340871 .....	176	3520032 .....	80	3574162.....	112	3841255 .....	103
3340881 .....	176	3520033 ... 72, 79, 87, 94,		3574978.....	92	3841258 .....	9, 13, 170
3340900 .....	177	112		3580134.....	99	3841264 .....	185
3340911 .....	39	3520034 ... 72, 79, 87, 94,		3580158.....	99	3841285 .....	10
3380434 ... 192, 195, 325,		112, 201		3580241.....	175	3841340 .... 170, 171, 172	
334		3520035 ... 72, 79, 87, 94,		3580243.....	175	3841510 .....	13
3420156 .....	207	112, 152		3580244.....	175	3850020 .....	237
3421565 .....	59	3520054 ... 72, 80, 87, 94,		3580248.....	175	3860050 .....	183
3421627 .....	59	112		3580249.....	175	3890005 .....	175
3422326 .....	13	3520060 ... 72, 80, 87, 94,		3600242..69, 85, 92, 103,		3890006 .....	175
3422417 .....	176	112		109, 133		3900224 .....	201, 207
3422424 .....	176	3520072 .....	191, 195	3600243.....	43	3900268 .....	152
3422426 .....	9, 10	3520082 .....	185	3600260..69, 85, 92, 103,		3910608 .....	147
3422429 .....	10	3520085 ... 72, 80, 87, 93,		109, 121, 123		3910610 .....	199
3422430 .....	10	112		3600297.....69, 109, 135		3910804 .....	148, 151
3422446 . 70, 85, 92, 104,		3520168 .....	200	3600333.69, 92, 109, 129		3910808 .....	138
111		3520172 ... 191, 192, 326,		3600365.....	43, 47	3911008 .... 160, 191, 195	
3422448 .....	78	336		3600368.....	69, 92, 109	3911024 .....	148
3422532 ... 71, 79, 87, 94,		3520173 .....	201, 206	3600377 .....	113	3911028 .....	193
105, 112		3520174 .... 148, 206, 207		3600381.....	126, 127	3911040 .....	156
3422557 .....	169	3520198 .....	195	3600395.....	79, 133	3911080 .....	155
3422562 .... 170, 171, 172		3536089 .....	193, 195	3600396.....	79, 127	3930816 .....	155
3422563 .....	169	3537318 .....	59	3600418.....	79, 122	3930828 .....	155
3422564 .....	169	3537416 .... 69, 81, 85, 92		3620033....69, 81, 85, 92		3931028 .....	155
3422565 .....	170	3537417 .....	69, 85	3620034.....	354	3931408 .....	155
3422566 .....	169	3537420 .....	85	3620040.....	104, 110	3931412 .....	200
3422567 .....	169	3538047 .....	9, 10	3620040.....	104, 110	3931448 .....	245
3422568 .....	169	3538749 .....	185	3640970.....	147	3931508 .....	245
3422569 .... 170, 171, 172		3538758 .....	183, 185	3641182.....	201	3931516 .....	233, 237
3422580 .... 170, 171, 172		3538819 .....	199	3730023.....	303	3931620 ... 70, 79, 86, 93,	
3422590 .....	10	3538873 .....	104	3730099.....	303	103, 109, 245	
3422592 .....	9, 13	3539219 .....	148, 151	3730115.....	303	3931672 .....	201, 207
3422769 .....	59	3539275 .....	200	3730120.....	312	3931840 .....	13
3422802 .....	10	3539281 .....	156	3730121.....	312	3932032 .....	235
3422900 .....	13	3539475 .....	170	3740049.... 148, 152, 200,		3932224 .....	59
3422902 .....	13	3539476 .....	170	274, 306, 313, 321, 346		3941406 .....	164
				3740057.....	148	3951608 .....	176

# PART NUMBER INDEX

3960389.....70, 79, 85, 92, 112, 159, 163	4100025 ..... 105	4400411 ..... 137	4460460.....304, 312, 320
3960407.....71, 81, 87, 94	4100026... 72, 78, 87, 94, 251, 255, 257, 302, 311, 319	4400420 ..... 138	4460464....206, 302, 310, 311, 318, 320
3960417.....160	4120012 ..... 148	4400429 ..... 137	4460465.....302, 310, 318
3960422.....305, 313, 322	4120013 ..... 202	4400441 ..... 137	4460466.....302, 310, 318
3960461 .....156	4120035 ... 201, 302, 303, 310, 311, 318, 319	4400442 ..... 137	4460467....200, 306, 313, 322, 350
3960469.....112	4130033 ..... 170	4400449 ..... 137, 138	4460470....152, 200, 206, 302, 310, 318, 319
3960499.....164	4130362 ..... 10	4420038 ..... 137, 148	4460471....152, 200, 206, 302, 310, 318, 319
3960500.....171	4130365 ..... 10	4420051 ..... 335	4460473.....302, 310, 318
3960502.....164	4130394 ..... 13	4420054 ..... 155	4460488.....152, 207
3960503.....164	4130395 ..... 14	4420055 ..... 191, 192	4460499 52, 56, 303, 304, 312
3960504.....164	4160169 ..... 159, 163	4460023 ..... 100	4460502.....302
3960505.....164	4160171 ..... 160, 164	4460027 ... 305, 313, 322	4460503.....202, 302
3960506.....164	4220162 ..... 156	4460042 ..... 193, 306	4460508....302, 303, 310, 311, 318, 320
3960507.....164	4220165 ..... 191	4460071 ... 200, 206, 302, 305, 310, 313, 318, 322	4460509.....302, 310, 318
3960508.....164	4240018 ... 252, 255, 257, 262, 266, 270	4460134 ... 306, 310, 313, 322, 355	4460510....200, 306, 314, 322, 351
3960509.....164	4240032 ..... 156	4460190 ..... 306, 313	4460526....148, 152, 319
3960510.....164	4240033 ... 72, 79, 87, 94, 104, 170, 171, 172, 251	4460205 ... 305, 306, 310, 313, 322, 355	4460536.....319
3960511 ... 72, 80, 88, 93, 112	4240099 ... 104, 193, 195	4460224 .... 304, 312, 321	4460539.....320
3960526.....19	4240112 ..... 137	4460225 ... 303, 310, 312, 318	4460579.....304, 312
3990001.....274, 303	4240135 ..... 137	4460226 ... 206, 311, 312, 318, 319, 320, 321, 322	4460580.....304, 312
3990010....302, 303, 305, 311, 313, 319, 346	4280295 ..... 137	4460227 ... 310, 311, 312, 318, 319, 320	4460582.....304, 312
4060700....305, 313, 322	4280308 ... 326, 330, 336, 342	4460234 .... 147, 152, 156	4460587.....304
4060802....100, 207, 354	4300056 ..... 103	4460259 ..... 321	4460588.....304
4060803....160, 164, 183, 185, 191	4300092 ..... 17	4460260 ..... 321	4460589.....304
4060804..72, 87, 94, 105, 112	4300097 ..... 17	4460265 ... 211, 213, 220, 302, 303, 304	4460590.....304
4060805....72, 81, 87, 94, 112, 177	4300137 ... 164, 192, 196	4460266 ... 211, 213, 220, 303, 304, 305	4460591.....304, 305
4060806.....105, 112	4340678 ..... 201, 206	4460267 ... 211, 213, 220, 302, 303, 304, 305, 312, 313, 320, 321	4460598....193, 195, 208, 306
4060807.....11	4340684 ..... 201, 206	4460297 ..... 321	4460600.....147, 202
4060808.....11, 39	4360031 ..... 200, 206	4460268 ... 156, 211, 213, 220, 303, 304, 305, 311, 312, 313, 320, 321	4460601.....147, 202
4060906.....148, 151	4360037 ..... 103	4460297 ..... 321	4460602.....147, 202
4060907.....156	4360065 ..... 103	4460320 ... 304, 305, 312, 313, 320, 321	4460603.....147, 202
4060908.....44, 47	4360157 ..... 103	4460321 ..... 321, 322	4460607.....147, 202
4060948.....37	4360188 ..... 117, 119	4460326 ..... 320	4460608.....304, 305
4061058.....39	4360232 ..... 200, 207	4460343 ..... 303	4460613.....202, 302
4070585.....100	4360282 ..... 147, 199	4460346 .... 305, 313, 322	4460614.....302
4070863.....176	4360289 ..... 147, 199	4460367 ..... 303	4460628.....147
4070864.....176	4360294 71, 86, 100, 105, 112	4460374 ..... 304	4460630.....148
4070878.....9, 10	4360314 .... 147, 148, 199	4460375 ..... 304	4460631.....147, 202
4070879.....9, 10	4360315 ..... 147	4460418 ... 302, 303, 310, 311, 318, 319	4460632.....202
4070895.....176	4360322 ..... 155	4460419 ... 302, 303, 310, 311, 318, 319	4460634.....303, 319
4070896.....176	4360328 ... 151, 206, 346	4460420 ..... 311	4460635.....303, 319
4070897.....176	4360331 ... 199, 206, 346	4460424 ... 155, 304, 305, 311, 312, 313, 320, 321	4460693.....305
4070898.....176	4360336 ... 100, 112, 201, 207, 348, 354	4460426 ... 148, 152, 319, 322	4460705.....322
4070909.....176	4360387 ... 199, 206, 346	4460428 ... 148, 152, 155, 200, 206, 302, 310, 318	4460708....206, 310, 311, 318, 319
4070910.....177	4360392 ... 70, 81, 85, 92, 104, 112, 346	4460434 ... 310, 311, 318, 319	4460711.....147
4070911.....177	4360405 ..... 103	4460445 .... 303, 304, 320	4460713.....304, 312
4070912.....177	4360417 ..... 155	4460449 ..... 304	4460720.....302
4070929.....177	4360455 ..... 103	4460457 .... 304, 312, 320	4460721.....302
4070939.....177	4360469 .... 147, 151, 346	4460458 .... 304, 312, 320	4460725.....304, 312
4070940.....177	4360475 ... 147, 151, 199, 206, 346		4460726.....304, 312
4070944.....9, 13	4360476 ... 147, 152, 199, 206, 346		4460728.....304, 312
4070945.....9, 13	4360542 ..... 99		4460741.....311
4070975.....176	4360549 ..... 155		4460742.....312
4070976.....177	4360578 ..... 155, 348		4460761.....318, 320
4070977.....177	4400275 ..... 138		4460777.....304
4070987.....148, 151	4400375 ..... 137		4460799.....304, 312
4070991.....148			4460800.....304, 312
4070994.....183			
4070995.....183			
4071004.....177			
4071005.....177			
4071007.....177			



## PART NUMBER INDEX

4460865 .....	310, 318	4567879 .....	111	4740411 .....	191, 192	4845957 .....	164
4460866 ...	310, 311, 318, 320	4568158 .....	112	4740444 .....	148, 152	4845958 .....	165
4460871 ...	215, 216, 225, 310, 311, 312, 318, 319, 320, 321	4568357 .....	192	4740483 .....	160, 164	4845988 .....	164
4460873 ...	310, 311, 318, 319	4620116 .....	59	4750600 .....	147	4845989 .....	164
4460874 ...	152, 310, 318, 319	4620121 .....	59	4750800 .....	138	4846046 .....	110
4460875 ...	152, 310, 318, 319	4640113 .....	17, 19	475100071, 86, 100, 103, 104, 109, 148, 156, 160, 164, 191, 193, 195, 196, 200, 206	475100071, 86, 100, 103, 104, 109, 148, 156, 160, 164, 191, 193, 195, 196, 200, 206	4846231 .....	354
4460876 .....	311, 319	4640476 .....	231	4751400 .....	70, 81, 86, 93, 105, 111, 117, 152, 155, 159, 163, 192, 195, 196, 200, 206, 325, 329, 334, 342, 354	4846319 .....	175
4460878 .....	311, 320	4640509 .....	233, 235	475150010, 79, 100, 109, 160, 164, 192, 196, 354	475150010, 79, 100, 109, 160, 164, 192, 196, 354	4846452 .....	195
4460879 .....	310, 318	4640525 .....	229	4751600 .....	39, 70, 78, 81, 86, 93, 100, 104, 111, 137, 138, 141, 143, 159, 163, 177, 185, 187, 192, 195, 200, 206, 326, 329, 336, 342	4846469 .....	354
4460880 .....	312, 320	4640744 ...	133, 261, 265	47518009, 72, 78, 87, 94, 104, 111, 141, 143, 170, 171, 354	47518009, 72, 78, 87, 94, 104, 111, 141, 143, 170, 171, 354	4846473 .....	159
4460887 ...	310, 311, 318, 320	4640751 ...	69, 81, 85, 92	4751900 .....	100	4846479 .....	69, 81
4460889 .....	312	4640757 ...	262, 266, 270	4752000 .....	72, 78, 87, 94, 105, 112	4846506 .....	192, 196
4460890 .....	312	4640774 .....	262	4760600 .....	148	4846566 .....	92, 99
4460892 .....	319	4640858 .....	229	4761000 .....	148, 191, 193, 195, 200, 207	4846573 .....	171
4460894 .....	319	4640871 .....	9	4761400 .....	152, 201	4846806 .....	109
4460905 ...	152, 206, 318, 319	4640906 .....	43	4761500 .....	109	4846814 .....	13
4460906 .....	321	4640907 .....	43	4791400 .....	71, 87, 94, 104	4860158 .....	17
4460943 .....	319	4640932 .....	233	4791600 .....	44, 48, 105	4860287 .....	19
4460944 .....	320	4640939 .....	257	4812200 .....	81, 94	4891400 .....	44
4460961 .....	322	4640989 .....	103, 109	4831900 .....	71, 74, 82, 86, 88, 95, 105, 112	4891500 .....	44
4460968 .....	155	4641028 .....	245	4832000 .....	72, 74, 82, 104, 111	4891600 ...	70, 79, 86, 93, 103, 109, 172, 177
4460978 .....	312	4641031 .....	43, 51	4844963 .....	185	4891800 ...	13, 17, 19, 59, 160, 164, 172, 177
4460979 .....	312	4641051 .....	11	4844966 .....	185	4892000 .....	59, 160, 164
4461005 .....	320, 321	4641052 .....	10	4844967 .....	185	4892600 .....	172
4461006 .....	320, 321	4641092 .....	43, 51	4844968 .....	185	4921827 ...	306, 313, 322
4461008 .....	321	4641096 .....	47, 55	4845035 .....	104	4921829 .....	322, 355
4461052 .....	320, 321	4641098 .....	43, 51	4845105 .....	175	4921850 .....	351
4461053 .....	320, 321	4641162 .....	229	4845288 .....	191, 192	4921938 .....	305
4461054 .....	320, 321	4641164 .....	354	4845327 .....	191	4922012 .....	351
4461060 .....	320, 321	4641215 .....	262	4845395 .....	71, 81, 86, 93	4922075 .....	201, 302
4461070 .....	320	4641280 .....	39	4845404 .....	69, 81, 85, 92, 104, 110	4922079 .....	303
4461071 .....	319	4641284 .....	255	4845531 .....	99	4922080 .....	303
4461072 .....	319	4641319 .....	231	4845651 .....	9	4922081 .....	303
4461073 .....	319	4641390 .....	231	4845670 .....	183	4922087 .....	303
4461074 .....	319	4641390 .....	231	4845671 .....	183	4922101 .....	303
4461095 .....	320	4641410 .....	39	4845677 .....	183	4922123 .....	305, 313
4520171 .....	17	4641451 .....	55	4845683 .....	169, 171	4922124 .....	305, 313
4520259 .....	17	4700005 .....	117	4845692 .....	159, 163	4922135 .....	303, 304
4520288 .....	19	4711000 .....	200	4845698 .....	159, 163	4922139 .....	303
4520289 .....	19	47114009, 44, 47, 72, 79, 82, 87, 94, 105, 112, 156, 160, 164, 183, 185, 193, 195	47114009, 44, 47, 72, 79, 82, 87, 94, 105, 112, 156, 160, 164, 183, 185, 193, 195	4845800 .....	160, 164	4922241 .....	303, 304
4520289 .....	19	4711500 ...	39, 43, 47, 81, 107, 114, 159, 163, 183, 185, 201, 207	4845819 .....	183	4922243 .....	303
4520290 .....	19	47116009, 10, 37, 43, 47, 60, 72, 81, 87, 94, 159, 163, 170, 171, 176, 183, 185, 192	47116009, 10, 37, 43, 47, 60, 72, 81, 87, 94, 159, 163, 170, 171, 176, 183, 185, 192	4845824 .....	191	4922284 .....	274
4520328 .....	19	4711800 ...	164, 183, 185	4845824 .....	191	4922314 .....	351
4520344 .....	19	4711900 .....	72, 81	4845947 .....	69, 81, 85, 92, 110	4922337 .....	303, 304
4520345 .....	19	4712000 .....	17	4845950 .....	192	4922341 .....	303
4520346 .....	19	4712600 .....	183, 185	4845954 .....	185	4922342 .....	303
4530019 .....	354	4740076 .....	185			4922385 .....	112, 274
4564281 .....	103, 113	4740111 .....	14			4922468 .....	310, 318
4566468 .....	233, 237	4740158 ...	9, 10, 13, 170			4922482 .....	313
4566501 .....	235	4740171 .....	59			4922483 .....	313
4566605 .....	103, 109	4740256 .....	14			4922484 .....	274
4566644 .....	245	4740263 .....	14			4922485 .....	152, 206
4567071 .....	104	4740274 ...	72, 81, 87, 94, 105, 111			4922486 .....	152, 311
4567073 .....	107, 114	4740314 .....	170			4922487 .....	152, 311
4567169 .....	105	4740362 ...	156, 160, 164, 192, 195, 196, 200, 206			4922488 .....	152, 311
4567495 ...	69, 81, 85, 92	4740371 .....	164			4922489 .....	152, 311
4567519 .....	159, 164	4740393 .....	19			4922490 .....	152, 312
4567540 .....	9	4740397 ...	100, 207, 354			4922506 .....	274
4567730 .....	105					4922519 .....	152, 311
4567850 .....	192, 196					4922520 .....	206, 310

# PART NUMBER INDEX

4922643.....	321	70001847.....	95	70003001.....	96	7003460.....	29, 65
4922649.....	152, 311	70001871.....	74, 82, 95	70003002.....	96	7003461.....	29, 65
4922650.....	206, 310	70001872.....	83, 96	70003003.....	96	7003462.....	29, 65
4922666.....	152, 206, 318	70001941.....	156	70003039.....	73	7003463.....	29, 65
4922889.....	310, 318	70001976.....	51, 52, 55	70003040.....	73	7003657.....	99
4922970.....	321	70002005.....	183, 346	70003041.....	73	7003886.....	220
4922978.....	78	70002006.....	183	70003475.....	83, 95	7003928.....	213, 215
4923206.....	152, 319, 320	70002063.....	39	70003479.....	83	7003933.....	225
4923212.....	152, 319, 320	70002064.....	39	70003480.....	83	7003935.....	223, 225
4923213.....	152, 319	7000209.....	63	70003481.....	83	7003941.....	223, 225
4923379.....	95	7000213.....	23	7000625.....	200	7003946.....	219, 223, 225
4923451.....	81, 321	7000214.....	63	7000646.....	106	7003951.....	211
4923577.....	152, 319	7000216.....	23, 25	7000663.....	74, 82, 88, 95	7003952.....	213
4933008.....	274, 302	7000217.....	63	7000699.....	88	7003953.....	213, 215
4933025.....	274	70002200.....	82, 96	7000722.....	29, 65	7003956.....	211, 213
4933026.....	274	70002234.....	74, 88, 96	7000723.....	29, 65	7003957.....	211, 219
4933027.....	274	7000228.....	63	7000724.....	29, 65	7003958.....	211
4933030.....	274, 303	7000229.....	63	7000725.....	29, 65	7003959.....	211
4933081.....	274, 303	7000230.....	63	7000728.....	29, 65	7003960.....	211
4933091.....	274	70002307.....	106, 114	7000731.....	29, 65	7003961.....	211
4933092.....	274, 305	7000236.....	23	7000782.....	29, 65	7003963.....	219
4933108.....	351	7000239.....	23	7000796.....	29, 65	7003966.....	219
4933119.....	274, 303	7000240.....	23	7000798.....	29, 65	7003967.....	219
4933157.....	274	70002411.....	88	7000884.....	106	7003968.....	219
4933158.....	274, 313	7000246.....	63	7000897.....	106, 113	7003969.....	223, 225
4933159.....	274, 311	7000253.....	63	7001433.....	127	7003972.....	219, 223, 225
4933160.....	274, 311	70002530.....	88	7001438.....	121	7003973.....	219, 223, 225
4933161.....	275, 311	7000255.....	63	7001498.....	122, 127, 130	7003974.....	211, 213, 219
4933165.....	274	7000256.....	63	7001625.....	241	7003976.....	211, 213, 215
4933196.....	274	70002567.....	114	7001626.....	241	7003977.....	211, 213, 215
4933215.....	274, 313	70002568.....	114	7001627.....	241	7003978.....	219
4933223.....	274, 311	7000257.....	63	7001629.....	241	7003980.....	223, 226
4933224.....	275, 311	7000258.....	63	7001630.....	241	7003981.....	219
4933225.....	274, 311	7000263.....	63	7001633.....	241	7003982.....	219, 226, 346
4933300.....	274, 321	7000269.....	63	7001711.....	21	7003983.....	223, 226
4933318.....	274, 275, 319	7000270.....	63	7001906.....	23	7003984.....	219
4933366.....	274, 275, 319	7000272.....	23	7001909.....	63	7003985.....	220
70000045.....	95	70002724.....	225	7001911.....	63	7003986.....	225
70000099.....	119	70002725.....	225	7001913.....	25	7003989.....	223, 226
70000163.....	106	70002726.....	225	7001928.....	63	7003992.....	213, 215, 223, 225
70000264.....	74, 95	70002727.....	225	7001931.....	63	7003993.....	213, 215, 223, 225
70000342.....	181	70002728.....	225	7001985.....	63	7003994.....	225
70000345.....	83, 95	70002729.....	226	7001987.....	63	7004248.....	43, 47
70000579.....	51, 55	7000273.....	23	7001988.....	63	7004275.....	351
70000580.....	52, 55	70002730.....	215	7002111.....	67	7004276.....	351
70000582.....	51, 55, 346	70002731.....	215	7002117.....	67	7004290.....	43, 47
70000583.....	51, 55	70002732.....	215	7002123.....	67	7006138.....	183, 346
70000782.....	25	70002733.....	215	7002821.....	306, 313, 322, 350	7006143.....	183
70000787.....	73	70002734.....	215	7002822.....	351	7006158.....	183
70000794.....	35	70002735.....	215	7002823.....	306, 313, 322, 350	7006165.....	183
70000795.....	35	7000274.....	23	7002826.....	351	7007207.....	126
70000851.....	73	70002745.....	243	7002828.....	306, 314, 322	7007208.....	121, 126, 129
70000916.....	82, 95	7000275.....	23	7002840.....	350	7007412.....	122, 127, 130
70000919.....	95	70002752.....	243	7003049.....	29, 65	7007413.....	121, 126, 129
70000934.....	43, 47	70002753.....	243	7003050.....	29, 65	7007414.....	121, 126, 129
70001002.....	73, 82, 88, 95	70002754.....	243	7003094.....	29, 65	7007416.....	121
70001017.....	107, 114	70002755.....	243	7003451.....	29, 65	7007417.....	121, 126, 129
70001119.....	25	70002756.....	243	7003452.....	29, 65	7007418.....	126
70001126.....	96	70002757.....	243	7003453.....	29, 65	7007419.....	121, 126, 129
70001181.....	83	7000281.....	26	7003454.....	29, 65	7007420.....	121
70001248.....	144	70002813.....	88	7003455.....	29, 65	7007421.....	121
70001423.....	82, 95	7000282.....	23	7003456.....	29, 65	7007423.....	126, 129
70001435.....	82	7000283.....	23	7003457.....	29, 65	7007424.....	121
70001498.....	95	7000284.....	23	7003458.....	65	7007425.....	121, 126, 129
70001681.....	88	7000285.....	23	7003459.....	29, 65		
70001697.....	179, 181	7000290.....	23				
70001800.....	29	70002906.....	215				

## PART NUMBER INDEX

7007435 ..... 33, 121, 126, 129	7010122 ..... 122, 130	7012987 ..... 133	7016640 ..... 88
7007437 33, 35, 121, 126, 129	7010474 ..... 63	7012988 ..... 133	7016641 ..... 74
7007438 33, 35, 121, 126, 129	7010488 ..... 63	7012989 ..... 52, 55	7016649 ..... 137
7007439 33, 35, 121, 126, 129	7010492 ..... 63	7012995 ..... 47	7016654 ..... 351
7007440 ..... 121	7010494 ..... 63	7012998 ..... 51, 55, 56	7016655 ..... 351
7007441 .... 121, 126, 129	7010542 ..... 51, 56	7013187 ..... 141	7016680 ..... 137
7007442 .... 121, 126, 129	7010543 ..... 47, 51, 56	7013711 ..... 43	7016700 ..... 43
7007444 .... 121, 126, 129	7011043 ..... 43, 47	7013755 ..... 43	7016701 ..... 43
7007445 ..... 121	7011044 ..... 43, 47	7013796 ..... 43	7016702 ..... 43
7007446 33, 35, 126, 129	7011048 ..... 43, 47	7013799 ..... 43	7016803 ..... 71, 86
7007449 ..... 121	7011062 ..... 43, 47	7014700 ..... 21	7016808 ..... 105, 111
7007452 ..... 126, 129	7011063 ..... 43, 47	7014701 ..... 21	7016813 ..... 71, 86
7007453 .... 121, 126, 130	7011064 ..... 43, 47	7014702 ..... 21	7016814 ..... 71, 86
7007454 .... 121, 126, 129	7011065 ..... 43, 47	7014703 ..... 21	7016816 71, 86, 105, 111
7007456 ..... 121	7011066 ..... 43, 47	7014704 ..... 21	7016821 ..... 105, 111
7007457 ..... 126, 129	7011112 ..... 233	7014705 ..... 21	7016822 ..... 105, 111
7007458 ..... 121	7011331 ..... 179	7014706 ..... 21	7017022 ..... 26
7007463 ..... 127, 129	7011332 ..... 179	7014707 ..... 21	7017027 ..... 25
7007464 ..... 127, 129	7011346 ..... 179	7014708 ..... 21	7017029 ..... 23
7007465 ..... 127, 129	7012513 ..... 99	7014709 ..... 21	7017047 ..... 23
7007466 .... 122, 127, 130	7012514 ..... 99	7014710 ..... 21	7017070 ..... 63
7007468 ..... 122	7012518 ..... 47, 51, 55	7014711 ..... 21	7017072 ..... 25
7007469 ..... 122	7012558 ..... 99	7014712 ..... 21	7017089 ..... 63
7007470 ... 122, 126, 129, 130	7012560 ..... 147	7014713 ..... 21	7017093 ..... 23, 25
7007471 ..... 122	7012599 ..... 88	7014714 ..... 21	7017094 ..... 23
7007472 .... 122, 127, 130	7012611 ..... 147, 199	7014715 ..... 21	7017095 ..... 25
7007474 .... 122, 127, 130	7012612 ..... 147, 199	7014716 ..... 21	7017102 ..... 179
7007475 .... 122, 127, 130	7012664 ... 69, 80, 85, 92, 104, 111, 346	7014717 ..... 21	7017115 ..... 179
7007476 .... 122, 127, 130	7012679 ..... 106	7014718 ..... 21	7017119 ..... 179
7007477 .... 122, 127, 130	7012682 ..... 305	7014719 ..... 21	7017142 ..... 179
7007478 .... 122, 127, 130	7012693 ..... 9	7014720 ..... 21	7017156 ..... 179
7007482 ..... 122	7012700 ..... 31	7014721 ..... 21	7017157 ..... 179
7007483 ..... 122	7012701 ..... 31	7014722 ..... 21	7017158 ..... 181
7007484 .... 122, 127, 130	7012702 ..... 31	7014723 ..... 21	7017159 ..... 181
7007485 .... 122, 127, 130	7012703 ..... 31	7014724 ..... 21	7017162 ..... 181
7007486 ..... 122	7012704 ..... 31	7014725 ..... 21	7017163 ..... 181
7007487 .... 122, 127, 130	7012705 ..... 31	7014726 ..... 21	7017164 ..... 181
7007488 .... 122, 127, 130	7012706 ..... 31	7014727 ..... 21	7017174 ..... 179
7007489 ..... 133	7012707 ..... 31	7014728 ..... 21	7017177 ..... 179
7007490 ..... 122	7012708 ..... 31	7014729 ..... 21	7017183 ..... 179, 181
7007491 ..... 122	7012709 ..... 31	7014730 ..... 21	7017193 ..... 179, 181
7007492 ..... 122	7012710 ..... 31	7014800 ..... 137	7017195 ..... 181
7007494 .... 122, 127, 129	7012711 ..... 31	7014801 ..... 137	7017210 ..... 239
7007496 .... 122, 127, 130	7012712 ..... 31	7014802 ..... 137	7017211 ..... 239
7007497 ... 122, 127, 130, 305, 312, 321	7012713 ..... 31	7014803 ..... 137	7017213 ..... 239
7007498 ... 122, 127, 130, 305, 312, 321	7012714 ..... 31	7014810 ..... 137	7017214 ..... 239
7007499 ..... 122	7012715 ..... 31	7014811 ..... 137	7017215 ..... 239
7007633 ..... 63	7012716 ..... 31	7014813 ..... 137	7017228 ..... 239
7007640 ..... 23	7012717 ..... 51, 55	7014816 ..... 137	7017229 ..... 239
7008833 ..... 70, 85, 305	7012772 ... 51, 52, 55, 56, 346	7016180 ..... 110	7017410 ..... 51, 55
7008835 ..... 70, 86	7012773 .... 51, 52, 55, 56	7016314 ..... 137	7017411 ..... 51
7008836 ..... 70, 86, 305	7012774 ..... 52, 56	7016330 ..... 73, 88	7017418 ..... 51
7009996 ..... 67	7012775 ..... 51, 55, 56	7016331 .... 73, 74, 82, 88, 95, 348	7017420 ..... 51
7009998 ..... 67	7012905 ..... 43	7016332 ..... 73, 88	7017423 ..... 51
7010103 ..... 133	7012907 ..... 43	7016336 ..... 305	7017427 ..... 51
7010104 ..... 133	7012912 ..... 55, 56	7016346 ..... 199	7017428 ..... 51
7010105 ..... 133	7012914 ..... 51, 55	7016359 ..... 73	7017464 ..... 55
7010116 ..... 127, 130	7012918 ..... 51, 55	7016380 ..... 156	7017481 ..... 43
7010120 ..... 122	7012941 ..... 43, 47	7016399 ..... 193, 195	7017496 ..... 231
7010121 ..... 122, 127	7012943 ..... 47, 346	7016527 ..... 183	7017515 ..... 117
	7012944 .. 43, 51, 55, 346	7016530 ..... 183, 346	7018612 ..... 65
	7012953 ..... 52, 55	7016531 ..... 183	7018912 .... 51, 52, 55, 56
	7012967 ..... 51, 55	7016532 ..... 183	7018941 ..... 51, 56
	7012972 ..... 43	7016600 ..... 106	7018942 ..... 52
	7012974 ..... 47	7016601 ..... 106	7018951 ..... 52
		7016605 ..... 106	7018985 ..... 51
			7018986 ..... 52

## PART NUMBER INDEX

7018991.....	55, 346	7019996.....	113	7020471.....	74, 82, 95	7022311.....	33, 35
7019103.....	223, 225	7019997.....	106	7020477.....	73, 88	7022313.....	35
7019104.....	211	7020020.....	43, 47	7020479....	73, 74, 82, 95	7022314.....	33, 35
7019110.....	223, 225	7020021.....	44, 47	7020480.....	73, 74	7022318.....	33
7019111....	211, 213, 215, 223, 225	7020022.....	73, 88	7020482.....	74	7022320.....	33
7019112.....	223, 225	7020023...73, 74, 82, 348		7020487.....	95	7022321.....	33
7019114.....	225	7020024.....	73	7020488.....	74	7022326.....	33, 35
7019115.....	223, 225	7020025.....	73, 88	7020495.....	82	7022328.....	33, 35
7019117.....	223	7020026.....	73, 74, 82	7021200.....	126, 129	7022368.....	33, 35
7019122.....	211, 215	7020027.....	73, 88	7021201.....	127, 130	7022370.....	33
7019123.....	211, 215	7020043.....	137	7021202....	121, 126, 129	7022371.....	33, 35
7019141.....	213, 215	7020047.....	11	7021203.....	126, 129	7022372.....	33, 35
7019142.....	213, 215	7020048.....	11	7021206.....	127, 130	7022397.....	39
7019143.....	213, 215	7020049.....	10	7021207.....	126, 129	7022399.....	39
7019144.....	213, 215	7020050.....	10	7021212.....	127, 129	7022808.....	213, 215
7019145.....	213, 215	7020051.....	10, 11	7021214.....	127, 129	7022810.....	223
7019147.....	213, 215	7020107.....	99	7021217.....	127	7022811.....	213
7019149.....	213, 215	7020108.....	99	7021218.....	127, 130	7022812.....	225
7019150.....	213, 215	7020109.....	99	7021219.....	127, 130	7022813.....	211, 213
7019151.....	223, 225	7020110.....	99	7021220.....	127, 130	7022814.....	215
7019153.....	223	7020111.....	99	7021221.....	127, 130	7022815.....	215
7019154.....	223, 225	7020120.....	114	7021222.....	127, 130	7022816.....	215
7019155.....	223, 225	7020168.....	73, 74	7021223.....	126, 130	7022817.....	215
7019156.....	223	7020175....	147, 199, 206	7021229.....	130	7022818.....	215
7019157.....	223	7020176....	147, 199, 206	7021232.....	127	7022819....	215, 312, 321
7019158.....	223	7020190.....	99	7021249.....	33, 35	7022822.....	225
7019159.....	223	7020191.....	99	7021256.....	126	7022823.....	225
7019160.....	223, 225	7020193.....	322	7021264.....	129	7022824.....	225
7019161.....	223, 225	7020246.....	147, 151	7021275.....	33, 35	7022825....	225, 312, 321
7019162.....	223, 225	7020256.....	137	7021298.....	130	7023251.....	354
7019163.....	223	7020335.....	67	7021310.....	56	7023252.....	354
7019164.....	223, 226	7020336.....	67	7021375.....	55	7023253.....	354
7019165.....	223, 226	7020338.....	67	7021625.....	39	7023254.....	355
7019166.....	223, 226	7020339.....	67	7021868.....	113	7023255.....	355
7019167.....	223, 226	7020340.....	67	7021869.....	106, 348	7023256.....	355
7019168.....	223, 225	7020341.....	67	7022134.....	113	7023257.....	355
7019171.....	215	7020343.....	67	7022136.....	113	7023258.....	355
7019174.....	213, 215	7020346.....	67	7022137.....	113	7023259.....	355
7019177.....	215	7020353.....	67	7022139.....	113	7023260.....	355
7019192.....	211	7020357.....	67	7022142.....	113	7023261.....	355
7019193.....	211	7020358.....	67	7022143.....	106, 114	7023262.....	355
7019194.....	223, 226	7020359.....	67	7022144.....	114	7023263.....	355
7019196.....	226	7020360.....	67	7022145.....	114	7023264.....	355
7019197.....	213, 215	7020362.....	67	7022149.....	114	7023265.....	355
7019300.....	185	7020363.....	67	7022150.....	106, 114	7023266.....	355
7019301.....	185	7020403.....	82	7022151.....	106, 114	7023267.....	355
7019303.....	185	7020404.....	88	7022153.....	114	7023340.....	70, 86
7019607.....	88	7020408....	73, 74, 82, 95	7022154.....	114	7023413.....	354
7019656.....	110	7020410.....	73	7022155.....	114	7023414.....	354
7019924.....	106	7020411....	74, 82, 88, 95	7022156.....	106, 114	7023415.....	354
7019925.....	114	7020414.....	88	7022157.....	106, 114	7023416.....	354
7019930.....	106, 114	7020419.....	88	7022158.....	113	7023417.....	354
7019931.....	106	7020425.....	88	7022159.....	113	7023418.....	354
7019932.....	106, 114	7020427.....	88	7022160.....	113	7023420.....	355
7019933.....	106	7020431.....	88	7022161.....	113	7023421.....	355
7019976.....	106, 113	7020432.....	88	7022162.....	113	7023422.....	355
7019977.....	106, 113	7020446.....	73	7022164.....	114	7023423.....	355
7019978.....	106	7020447.....	82, 95	7022165.....	119	7023424.....	355
7019980.....	106	7020458.....	73, 74, 83	7022166.....	119	7023425.....	355
7019982.....	106	7020460.....	83, 95	7022167.....	119	7023426.....	355
7019983.....	106	7020461.....	73, 74, 82	7022168.....	119	7023427.....	355
7019985.....	106	7020463.....	73, 74, 88	7022170.....	119	7023444.....	354
7019986.....	106, 113	7020464....	73, 74, 82, 95	7022171.....	119	7023445.....	354
7019988.....	106	7020465...73, 74, 82, 88, 95		7022178.....	106, 113	7023446.....	354
7019993.....	113	7020467.....	73, 74	7022179.....	113	7023448.....	355
7019994.....	113	7020468....	73, 74, 82, 95	7022180.....	106, 113	7023603.....	119
				7022302.....	33, 35	7023613.....	113

## PART NUMBER INDEX

7023637 .....	106, 113	7024160 .....	23	7024728.....	25	7026508 .....	143
7023644 .....	113	7024161 .....	23	7024729.....	25	7026509 .....	143
7023645 .....	119	7024162 .....	23	7024730.....	25	7026510 .....	143
7023652 .....	113	7024163 .....	23	7024731.....	25	7026522 .....	88
7023653 .....	113	7024164 .....	23	7024732.....	25	7026608 .....	82, 95
7023654 .....	113	7024165 .....	23	7024733.....	25	7026631 .....	88, 95
7023655 .....	113	7024166 .....	23	7024734.....	25	7027000 .....	320
7023656 .....	113	7024167 .....	23	7024735.....	25	7027001 ...71, 78, 93, 320	
7023657 .....	114	7024168 .....	23	7024736.....	25	7027002 . 71, 78, 93, 111, 320	
7023658 .....	113	7024169 .....	23	7024737.....	26	7027003 . 71, 78, 93, 111, 320	
7023659 .....	119	7024170 .....	23	7024738.....	25	7027004 ...71, 78, 93, 320	
7023660 .....	119	7024171 .....	23	7024739.....	25	7027005 .....	111
7023662 .....	113	7024172 .....	23	7024740.....	25	7027006 .....	111
7023663 .....	113	7024173 .....	23	7024741.....	25	7027007 .....	111
7023665 .....	119	7024174 .....	23	7024742.....	25	7027236 .....	83, 95
7023679 .....	312	7024175 .....	23	7024743.....	25	7027239 .....	83, 95
7023680 .....	119	7024176 .....	23	7024744.....	26	7027241 .....	82
7023681 .....	113	7024177 .....	23	7024745.....	23	7027245 .....	83
7023682 .....	113	7024178 .....	23	7024764.....	26	7027246 .....	82, 95
7023683 .....	113	7024179 .....	23	7024765.....	26	7027250 .....	73, 86, 88
7023687 .....	106	7024180 .....	23	7024766.....	26	7027276 .... 73, 74, 83, 95	
7023695 .....	113	7024181 .....	23	7024800.....	127	7027292 .....	106
7023802 .....	135	7024308 .....	354	7024851.....	127	7027402 .....	106, 114
7023811 .....	135	7024310 .....	355	7024861.....	33	7027419 .....	33, 35
7023812 .....	135	7024311 .....	355	7024862.....	33, 35	7027608 .....	82, 95
7023813 .....	135	7024312 .....	355	7024863.....	33	7027609 .....	82, 95
7023814 .....	135	7024318 .....	73, 74	7024864.....	33	7027610 .....	82, 95
7023815 .....	135	7024321 .....	106	7024865.....	33, 35	7027740 .....	35
7023820 .....	135	7024398 .....	87, 94	7024866.....	33	7027769 .....	83
7023910 .....	33, 35	7024404 .....	143	7024867.....	33, 35	7027790 .....	82, 95
7023917 .....	39	7024436 .....	355	7024868.....	33	7027791 .....	82, 95
7023933 .....	39	7024439 .....	138	7024869.....	33	7027792 .....	83, 95
7023935 .....	39	7024440 .....	138	7024871.....	33, 35	7027793 .....	83, 96, 321
7023936 .....	39	7024441 .....	138	7024879.....	231	7027794 .....	321
7023977 .....	126	7024442 .....	138	7024892.....	39	7027795 .....	83, 95, 96
7023978 .....	129	7024443 .....	138	7025122.....	106	7027796 .....	83, 96, 321
7023979 .....	127, 130	7024444 .....	138, 346	7025124.....	114	7027887 .....	99
7023981 .....	43	7024445 .....	138	7025125.....	106	7040050 .....	114
7024014 .....	56	7024446 .....	138	7025126.....	106	80934561 .....	143
7024015 .....	55, 56	7024560 .....	87, 94	7025134.....	106, 114	8320270 .....	88, 95, 348
7024100 .....	63	7024565 .... 73, 74, 83, 95		7026189.....	143	88521205 .....	79
7024124 .....	25	7024579 .....	74, 83, 95	7026197.....	143	8896941 .....	350
7024125 .....	25	7024721 .....	26	7026199.....	99	91083218 .....	113, 348
7024127 .....	25	7024722 .....	25	7026503.....	143	91401281 .....	78
7024129 .....	25	7024723 .....	26	7026504.....	143		
7024134 .....	26	7024724 .....	25	7026505.....	143		
7024157 .....	23	7024725 .....	25	7026506.....	143		
7024158 .....	23	7024726 .....	25	7026507.....	143		
7024159 .....	23	7024727 .....	25				