



Illustrated Parts Manual

Models

1532E3

1932E3

2033E3

2046E3

2646E3

2658E3

P/N - 3120763

January 11, 2016

ANSI



An Oshkosh Corporation Company

REVISION LOG

February 26, 1999 - Issue Of Manual (Manual edited to 0010552 Revision 7)
August 15, 1999 - Revised
Manual (Manual edited to 0010552 Revision 18)
August 17, 2000 - Revised Manual (Manual edited to 0010552 Revision 30)
February 1, 2001 - Revised Manual (Manual edited to 0010552 Revision 36)
October 26, 2001 - Revised Manual (Manual edited to 0010552 Revision 43)
July 9, 2002 - Revised Manual (Manual edited to 0010552 Revision 52)
January 6, 2003 - Revised Manual (Manual edited to 0010552 Revision 58)
April 29, 2003 - Revised Manual (Manual edited to 0010552 Revision 60)
October 12, 2004 - Revised Manual (Manual edited to 0010552 Revision 62)
August 25, 2008 - Revised Manual
November 8, 2011 - Revised Manual
September 26, 2013 - Revised Manual
January 11, 2016 - Revised Manual

TABLE OF CONTENTS

SECTION 1 - FRAME.....	7
FIGURE 1-1. DRIVE AND STEERING INSTALLATION.....	8
FIGURE 1-2. AXLE/BRAKE INSTALLATIONS.....	14
FIGURE 1-3. DRIVE MOTOR ASSEMBLY - 1532E3/1932E3.....	16
FIGURE 1-4. DRIVE MOTOR ASSEMBLY - 2033E3/2046E3/2646E3/2658E3.....	18
FIGURE 1-5. JLG POTHOLE PROTECTION SYSTEM INSTALLATION - 1532E3/1932E3.....	20
FIGURE 1-6. JLG POTHOLE PROTECTION SYSTEM INSTALLATION - 2033E3/2046E3/2646E3/2658E3.....	24
FIGURE 1-7. FRAME MOUNTED COMPONENTS INSTALLATIONS.....	28
FIGURE 1-8. BATTERY CHARGER ASSEMBLY.....	34
SECTION 2 - GROUND COMPONENTS.....	37
FIGURE 2-1. HYDRAULIC COMPONENTS AND COVER INSTALLATION -1532E3/1932E3.....	38
FIGURE 2-2. HYDRAULIC COMPONENTS AND COVERS INSTALLATION - 2033E3/2046E3/2646E3/2658E3.....	42
FIGURE 2-3. VALVE ASSEMBLY.....	46
FIGURE 2-4. ELECTRICAL COMPONENTS INSTALLATIONS (AT GROUND CONTROLS).....	50
FIGURE 2-5. BATTERY INSTALLATIONS.....	54
SECTION 3 - SCISSOR ARMS.....	59
FIGURE 3-1. SCISSOR ARMS INSTALLATION - 1532E3.....	60
FIGURE 3-2. SCISSOR ARMS INSTALLATION - 1932E3.....	64
FIGURE 3-3. SCISSOR ARMS INSTALLATION - 2033E3.....	68
FIGURE 3-4. SCISSOR ARMS INSTALLATION - 2046E3.....	72
FIGURE 3-5. SCISSOR ARMS INSTALLATION - 2646E3/2658E3.....	76
SECTION 4 - PLATFORM.....	79
FIGURE 4-1. PLATFORM INSTALLATION - MANUALLY OPERATED EXTENSION.....	80
FIGURE 4-2. HANDRAILS AND EXTENSION INSTALLATION - STANDARD HANDRAILS (MANUALLY OPERATED EXTENSION) (1532E3/1932E3).....	88
FIGURE 4-3. HANDRAILS AND EXTENSION INSTALLATION - STANDARD HANDRAILS (MANUALLY OPERATED EXTENSION) (2033E3/2046E3).....	92
FIGURE 4-4. PLATFORM ACCESS INSTALLATION - STANDARD HANDRAILS (MANUALLY OPERATED EXTENSION) (1532E3/1932E3/2033E3/2046E3).....	96
FIGURE 4-5. HANDRAILS AND EXTENSION INSTALLATION - FOLDDOWN HANDRAILS (MANUALLY OPERATED EXTENSION) (1532E3/1932E3).....	100
FIGURE 4-6. HANDRAILS AND EXTENSION INSTALLATION - FOLDDOWN HANDRAILS (MANUALLY OPERATED EXTENSION) (2033E3/2046E3/2646E3/2658E3).....	104
FIGURE 4-7. PLATFORM ACCESS INSTALLATION - FOLDDOWN HANDRAILS (MANUALLY OPERATED EXTENSION).....	110
FIGURE 4-8. PLATFORM AND EXTENSION INSTALLATION - POWER OPERATED (2033E3/2046E3/2646E3/2658E3).....	118
FIGURE 4-9. HANDRAILS INSTALLATION - STANDARD HANDRAILS (POWER OPERATED EXTENSION) (2033E3/2046E3/2646E3/2658E3).....	122
FIGURE 4-10. HANDRAILS INSTALLATION - FOLDDOWN HANDRAILS (POWER OPERATED EXTENSION) (2046E3/2646E3).....	126
FIGURE 4-11. PLATFORM CONSOLE BOX ASSEMBLY.....	130
FIGURE 4-12. CONTROLLER ASSEMBLY - PQ.....	134
SECTION 5 - CYLINDER.....	137
FIGURE 5-1. BRAKE CYLINDER ASSEMBLY.....	138
FIGURE 5-2. LIFT CYLINDER COMPONENTS ASSEMBLY 1532E3/1932E3.....	140
FIGURE 5-3. LIFT CYLINDER COMPONENTS ASSEMBLY 2033E3/2046E3.....	142
FIGURE 5-4. LIFT CYLINDER COMPONENTS ASSEMBLY 2646E3/2658E3.....	144
FIGURE 5-5. PLATFORM EXTENSION CYLINDER ASSEMBLY 2033E3/2046E3/2646E3/2658E3.....	146
FIGURE 5-6. STEER CYLINDER ASSEMBLY (Prior to SN 0200070496).....	148
FIGURE 5-7. STEER CYLINDER ASSEMBLY (SN 0200070496 through 0200078795).....	150
FIGURE 5-8. STEER CYLINDER ASSEMBLY (SN 0200078796 through 0200105070).....	152
FIGURE 5-9. STEER CYLINDER ASSEMBLY (SN 0200105071 to Present).....	154
SECTION 6 - HYDRAULIC.....	157
FIGURE 6-1. HYDRAULIC DIAGRAM.....	158
FIGURE 6-2. POWER DECK HYDRAULIC DIAGRAM.....	162

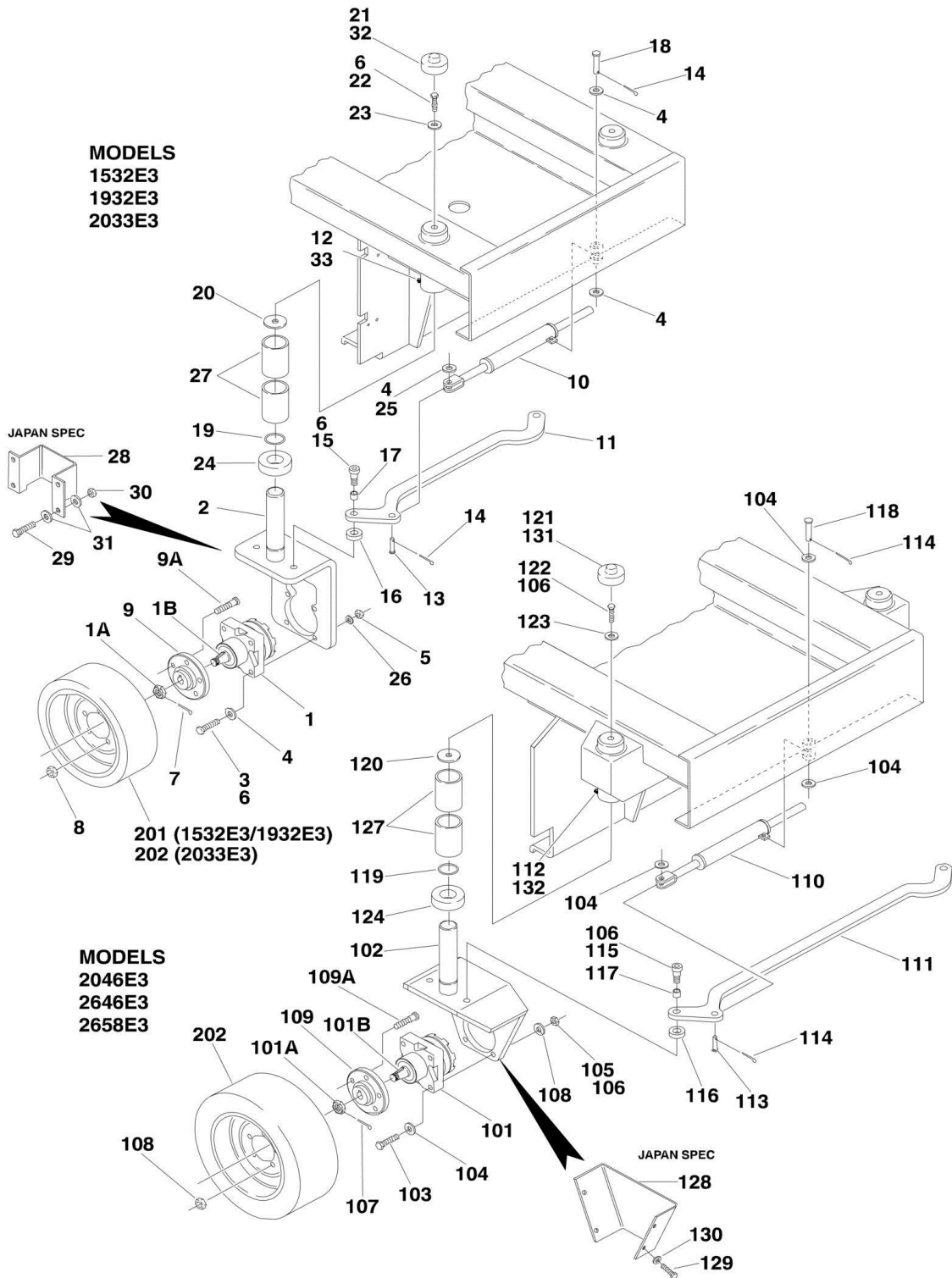
TABLE OF CONTENTS

SECTION 7 - ELECTRICAL.....	165
FIGURE 7-1. ELECTRICAL DIAGRAM LIST	166
FIGURE 7-2. ELECTRICAL SCHEMATIC - STANDARD.....	168
FIGURE 7-3. HARNESS AND CABLE ASSEMBLIES	170
SECTION 8 - DECALS	177
FIGURE 8-1. DECALS INSTALLATION - 1532E3/1932E3	178
FIGURE 8-2. DECALS INSTALLATION - 2033E3/2046E3/2646E3/2658E3	184
SECTION 9 - RECOMMENDED SERVICE PARTS STOCK	191
FIGURE 9-1. MODELS 1532E3/1932E3/2033E3/2046E3/2646E3/2658E3 STANDARD PARTS	192
FIGURE 9-2. MODELS 1532E3/1932E3/2033E3/2046E3/2646E3/2658E3 VARIABLE PARTS	194
SECTION 10 - SPECIAL OPTIONS	195
FIGURE 10-1. SPECIAL OPTIONS	196
PART NUMBER INDEX.....	199

SECTION 1 - FRAME

SECTION 1 - FRAME

FIGURE 1-1. DRIVE AND STEERING INSTALLATION



SECTION 1 - FRAME

FIGURE 1-1. DRIVE AND STEERING INSTALLATION

ITEM	PART NUMBER	QTY	DESCRIPTION	REV
	0258147	Ref	DRIVE AND STEERING INSTALLATION - 1532E3/1932E3	9
	0258148	Ref	DRIVE AND STEERING INSTALLATION - 2033E3	8
	0258152	Ref	DRIVE AND STEERING INSTALLATION - 2033E3 (JAPANESE SPEC)	9
1		Ref	Drive Motor Assembly Options:	
1		Ref	Drive Motor Assembly 1532E3/1932E3 Motor Options:	
1	3160270	2	Drive Motor Assembly (See DRIVE MOTOR ASSEMBLY for Breakdown) (SN 0200098156 to Present)	
1	3160228	2	Drive Motor Assembly (Items 1A-1D are the only Replacement Parts) (Prior to SN 0200098156)	
1		Ref	Drive Motor Assembly 2033E3 Motor Options:	
1	3160263	2	Drive Motor Assembly (See DRIVE MOTOR ASSEMBLY for Breakdown) (SN 0200098156 to Present)	
1	3160230	2	Drive Motor Assembly (Items 1A-1E are the only Replacement Parts) (Prior to SN 0200088491)	
		Ref	3160228 & 3160230 Replacement Components:	
1A	7018997	2	Nut (1 Per Motor P/N 3160228/3160230)	
1B	7018996	2	Key (1 Per Motor P/N 3160228/3160230)	
1C	7021312	2	Seal, Shaft (Inner) (Not Shown) (1 Per Motor p/n 3160228/3160230)	
1D	7021317	2	Seal, Dust (Outer) (Not Shown) (1 Per Motor p/n 3160228/3160230)	
1E	7016436	2	Repair Kit for 3160230 Motor (Includes Items 1C, 1D and Qty 1 O-Ring) (Not Shown) (1 Per Motor)	
2		Ref	Spindle Options:	
2	4130336	2	Spindle 1532E3/1932E3	
2	4130329	2	Spindle 2033E3	
2	4130348	2	Spindle 2033E3 (Japanese Spec)	
3	0641826	8	Bolt 1/2in-13NC x 3 1/4in	
4	4740453	10	Flatwasher 1/2in	
5	3300450	8	Nut 1/2in-13NC (was P/N 3311801) (Prior to SN 0200086330)	
6	0100019	AR	Loctite (was P/N 0100011) (Prior to SN 0200103431)	
7	3450406	2	Cotter Pin 1/8in x 1 1/2in	
8	3300255	10	Nut, Wheel	
9	2780216	2	Hub	
9A	7012613	10	Bolt, Wheel (5 Per Hub)	
10		Ref	Steer Cylinder Options:	
10	1684226	1	Steer Cylinder (was p/n 1683428) (Prior to SN 0200070496)	
10	1684226	1	Steer Cylinder (was p/n 1683841) (SN 0200070496 through 0200078795)	
10	1684226	1	Steer Cylinder (was p/n 1683936) (SN 0200078796 through 0200105070)	
10	1684226	1	Steer Cylinder (SN 0200105071 to Present)	
11		Ref	Tie Rod Options:	
11	3841387	1	Tie Rod 1532E3/1932E3	
11	3841379	1	Tie Rod 2033E3	
12	2160008	2	Grease Fitting Only (Prior to SN 84439)	
13		Ref	Clevis Pin Options:	
13	3430812	1	Clevis Pin 1/2in x 1 3/8 (Was P/N 3430811) (Prior to SN 0200114444)	
13	3430812	1	Clevis Pin 1/2in x 1 1/2in	
14	3450403	2	Cotter Pin 1/8in x 3/4in	

SECTION 1 - FRAME

ITEM	PART NUMBER	QTY	DESCRIPTION	REV
15		Ref	Bolt, Shoulder Options:	
15	0630516	2	Bolt, Shoulder 3/4in x 1 1/8in - 1532E3/1932E3	
15	0630495	2	Bolt, Shoulder 3/4in x 1in - 2033E3	
16		Ref	Bushing Options:	
16	0962085	2	Bushing 1532E3/1932E3	
16	0962014	2	Bushing 2033E3	
17	0962013	2	Bushing, Fiberglide	
18	3430824	1	Clevis Pin 1/2in x 3in	
19	3780166	2	O-Ring	
20	4740419	2	Washer, Thrust	
21	1120417	2	Cap	
22		Ref	Bolt Options:	
22	0641611	2	3/8in-16NC x 1 3/8in (1532E3/1932E3 Only)	
22	0641612	2	3/8in-16NC x 1 1/2in (2033E3 Only)	
23	4711600	2	Flatwasher 3/8in	
24	4566833	2	Spacer (2033E3 Only)	
25	4711800	1	Flatwasher 1/2in (1532E3/1932E3 Only) (Prior to SN 0200111444)	
26	4761800	8	Lockwasher 1/2 Only (Prior to SN 0200088491)	
27	0962017	4	Bushing, Excelite	
28		Ref	Cover, Motor Options: (2033E3 Japanese Spec Only)	
28	1670908	2	Cover, Motor (was p/n 1670838) (Prior to SN 0200066042)	
28	1670908	2	Cover, Motor (SN 0200066042 to Present)	
29	0641412	8	Bolt 1/4in-20NC x 1 1/2in (2033E3 Japanese Spec Only)	
30	3311405	8	Nut 1/4in-20NC (2033E3 Japanese Spec Only)	
31	4711400	16	Washer 1/4in (2033E3 Japanese Spec Only)	
32	0100081	AR	Adhesive	
33	4891800	2	Cap, Grease Fitting Only (Prior to SN 88491)	
	0258149	Ref	DRIVE AND STEERING INSTALLATION - 2046E3/2646E3	10
	0258150	Ref	DRIVE AND STEERING INSTALLATION - 2658E3	8
	0258153	Ref	DRIVE AND STEERING INSTALLATION - 2646E3 (JAPANESE SPEC)	9
101		Ref	Drive Motor Assembly Options:	
101	3160226	2	Drive Motor Assembly (Prior to SN 0200088491)	
101	7021312	2	Seal, Shaft (Inner) (1 Per Motor P/N 3160226)	
101	7021317	2	Seal, Dust (Outer) (1 Per Motor P/N 3160226)	
101A	7018997	2	Nut (1 Per Motor P/N 3160226)	
101B	7018996	2	Key (1 Per Motor P/N 3160226)	
101B	3160264	2	Drive Motor Assembly (See DRIVE MOTOR ASSEMBLY for Breakdown) (SN 0200088491 to Present)	
102		Ref	Spindle Options:	
102	4130332	2	Standard	
102	4130349	2	Japanese Spec	
103	0641826	8	Bolt 1/2in-13NC x 3 1/4in	
104	4740453	10	Flatwasher 1/2in	
105	3311801	8	Nut 1/2in-13NC	
106	0100019	AR	Loctite (was P/N 0100011) (Prior to SN 0200103431)	
107	3450406	2	Cotter Pin 1/8in x 1 1/2in	
108	3300255	10	Nut, Wheel	
109	2780216	2	Hub	
109A	7012613	10	Bolt, Wheel (5 Per Hub)	
110		Ref	Steer Cylinder Options:	

SECTION 1 - FRAME

ITEM	PART NUMBER	QTY	DESCRIPTION	REV
110	1684227	1	Steer Cylinder (was p/n 1683429) (Prior to SN 0200070496)	
110	1684227	1	Steer Cylinder (was p/n 1683840) (SN 0200070496 through 0200078795)	
110	1684227	1	Steer Cylinder (was p/n 1683937) (SN 0200078796 through 0200105070)	
110	1684227	1	Steer Cylinder (SN 0200105071 to Present)	
111		Ref	Tie Rod Options:	
111	3841320	1	Tie Rod 2046E3/2646E3	
111	3841324	1	Tie Rod 2658E3	
112	2160008	2	Grease Fitting Only (Prior to SN 0200088491)	
113	3430812	1	Clevis Pin 1/2in x 1 1/2in	
114	3450403	2	Cotter Pin 1/8in x 3/4in	
115	0630495	2	Bolt, Shoulder 3/4in x 1in	
116	0962014	2	Bushing	
117	0962013	2	Bushing, Fiberglide	
118	3430824	1	Clevis Pin 1/2in x 3in	
119	3780166	2	O-Ring	
120	4740419	2	Washer, Thrust	
121	1120417	2	Cap	
122		Ref	Bolt Options:	
122	0641611	2	3/8in-16NC x 1 3/8in (1532E3/1932E3 Only)	
122	0641612	2	3/8in-16NC x 1 1/2in (2033E3 Only)	
123	4711600	2	Flatwasher 3/8in	
124	4566833	2	Spacer	
125	Not Required	0	Not Required	
126	4761800		Lockwasher 1/2in Only (Prior to SN 0200088491)	
127	0962017	4	Bushing, Excelite	
128		Ref	Cover, Motor (2646E3 Japanese Spec Only)	
128	1670910		Cover, Motor (Was p/n 1670839) (Prior to SN 66042)	
129	0641412	8	Bolt 1/4in-20NC x 1 1/2in (2646E3 Japanese Spec Only)	
130	4711400	16	Washer 1/4in (2646E3 Japanese Spec Only)	
131	0100081	AR	Loctite #454	
132	1120064	2	Cap, Grease Fitting Only (Prior to SN 0200088491)	
201		Ref	TIRE AND WHEEL INSTALLATIONS - 1532E3/1932E3	
201	0255680	Ref	Standard Tire and Wheel Installation (Optional)	-
201	0255683	Ref	Non-Marking Tire and Wheel Installation	-
201		Ref	Tire and Wheel Options:	
201	4520175	AR	Standard	
201	4520177	AR	Non-Marking	
202		Ref	TIRE AND WHEEL INSTALLATIONS - 2033E3/2046E3/2646E3/2658E3	
202	0255679	Ref	Standard Tire and Wheel Installation (See Note)	-
202	0255682	Ref	Non-Marking Tire and Wheel Installation (See Note)	-
202	0259475	Ref	Non-Marking Flotation Tire and Wheel Installation	1
202	0257156	Ref	Flotation Tire and Wheel Installation (Optional)	-
202		Ref	Tire and Wheel Options:	
202	4520174	AR	Standard	
202	4520176	AR	Non-Marking	
202	4520221	AR	Non-Marking Flotation (Note: Not Available on 2033E3)	
202	4520191	AR	Flotation (Note: Not Available on 2033E3)	
301		Ref	FRAME WELDMENT OPTIONS	
301	2360500	1	Frame Weldment - 1532E3/1932E3	

SECTION 1 - FRAME

ITEM	PART NUMBER	QTY	DESCRIPTION	REV
301	2360501	1	Frame Weldment - 1532E3 (CSA)	
301	2360499	1	Frame Weldment - 1932E3 (CSA)	
301	2360472	1	Frame Weldment - 2033E3	
301	2360473	1	Frame Weldment 1000# Capacity - 2033E3	
301	2360474	1	Frame Weldment - 2046E3/2646E3 Manually Operated Platform Extension	
301	2360515	1	Frame Weldment - 2046E3/2646E3 Hydraulically Operated Platform Extension	
301	2360476	1	Frame Weldment 1000# Capacity - 2646E3	
301	2360478	1	Frame Weldment - 2658E3 Manually Operated Platform Extension	
301	2360516	1	Frame Weldment - 2658E3 Hydraulically Operated Platform Extension	

SECTION 1 - FRAME

FIGURE 1-2. AXLE/BRAKE INSTALLATIONS

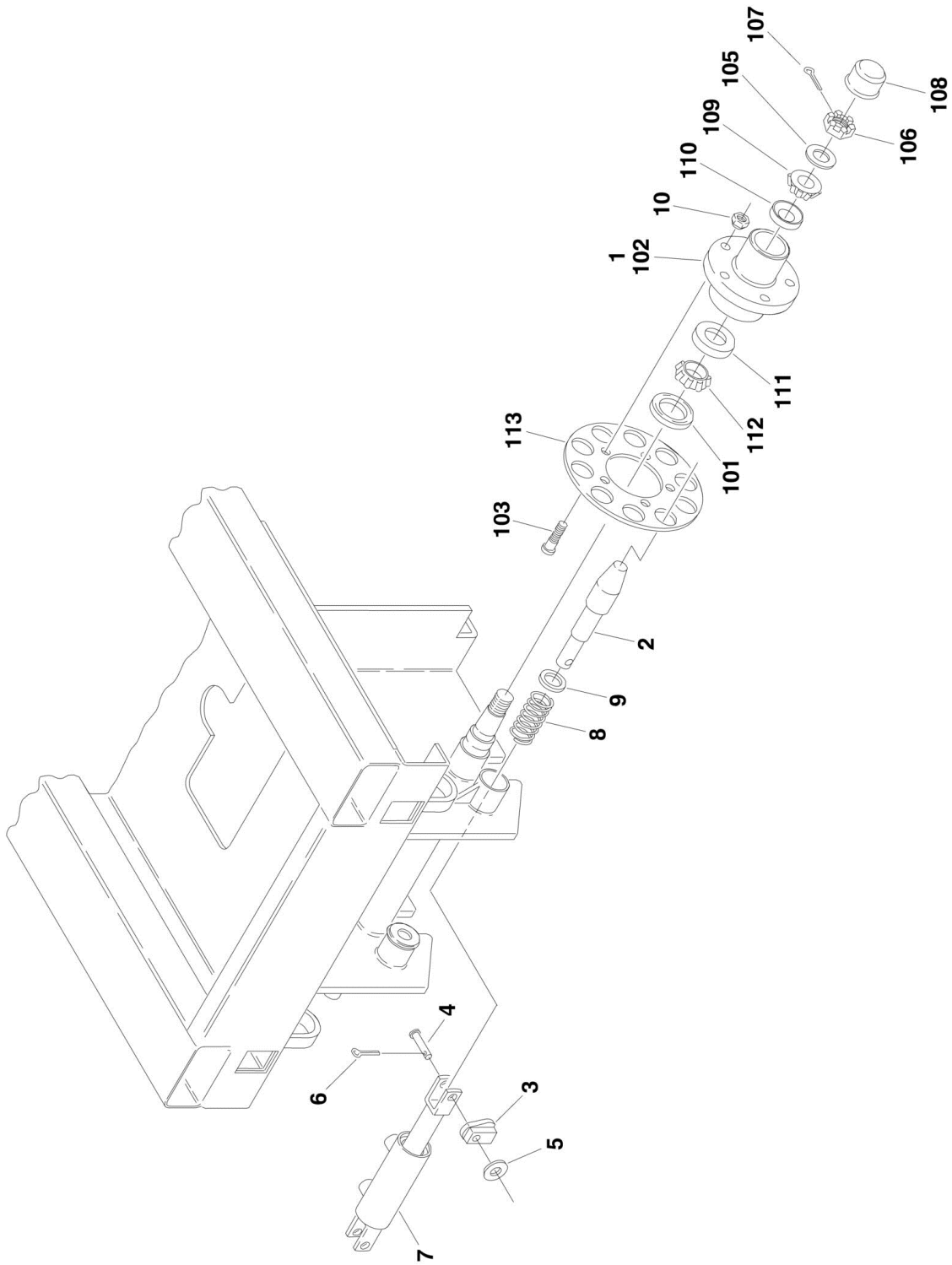
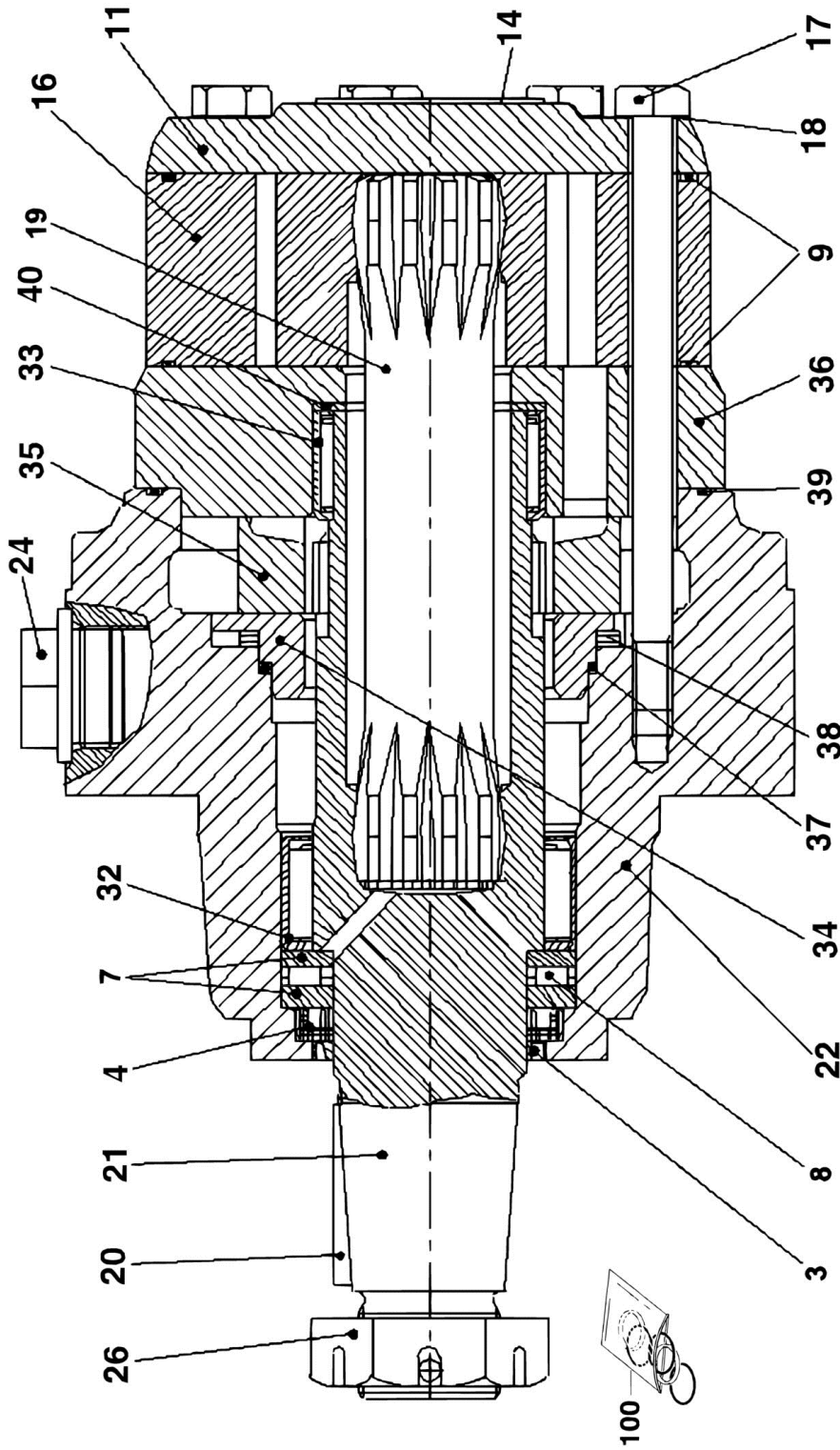


FIGURE 1-2. AXLE/BRAKE INSTALLATIONS

ITEM	PART NUMBER	QTY	DESCRIPTION	REV
		Ref	BRAKE INSTALLATIONS	
	0257183	Ref	Brake Installations 1532E3/1932E3	6
	0257184	Ref	Brake Installations 2033E3	6
	0257185	Ref	Brake Installations 2046E3/2646E3	3
	0257186	Ref	Brake Installations 2658E3	3
1	2780215	2	Hub Assembly (See Items 101-113 for Breakdown)	
2		Ref	Rod, Brake Options:	
2	3841332	2	Rod, Brake 1532E3/1932E3/2033E3	
2	3841333	2	Rod, Brake 2046E3/2646E3	
2	3841334	2	Rod, Brake 2658E3	
3		Ref	Cam, Brake Options:	
3	4845037	2	Cam, Brake (Prior to SN 0200098156)	
3	1100116	2	Cam, Brake (SN 0200098156 to Present)	
4	3430620	2	Pin, Clevis	
5	4711500	2	Flatwasher 5/16in Narrow	
6	3450403	2	Pin, Cotter	
7		Ref	Brake, Cylinder Assembly Options (See CYLINDER SECTION for Breakdown):	
7	1683833	1	Brake, Cylinder Assembly (was p/n 31683557) (Prior to SN 66023)	
7	1683833	1	Brake, Cylinder Assembly 2046E3/2646E3	
8	4160137	2	Spring	
9		Ref	Spacer Options:	
9	Not Required	0	Spacer 1532E3/1932E3/2033E3	
9	4567265	2	Spacer 2046E3/2646E3/2658E3	
10	3300255	10	Lugnut	
	2780215	Ref	HUB ASSEMBLY	
101	7010649	1	Seal	
102	Not Serviced	1	Housing	
103	7019696	5	Stud, Wheel (was p/n 7012613)	
105	7019697	1	Washer	
106	7010641	1	Nut, Slotted	
107	7010642	1	Pin, Cotter	
108	7010648	1	Cap, Dust (was p/n 7003902)	
109	7010646	1	Cone, Outer	
110	7010650	1	Cup, Outer (was p/n 7003903)	
111	7010651	1	Cup, Inner	
112	7010647	1	Cone, Inner	
113	1760165	1	Disc, Brake	

SECTION 1 - FRAME

FIGURE 1-3. DRIVE MOTOR ASSEMBLY - 1532E3/1932E3



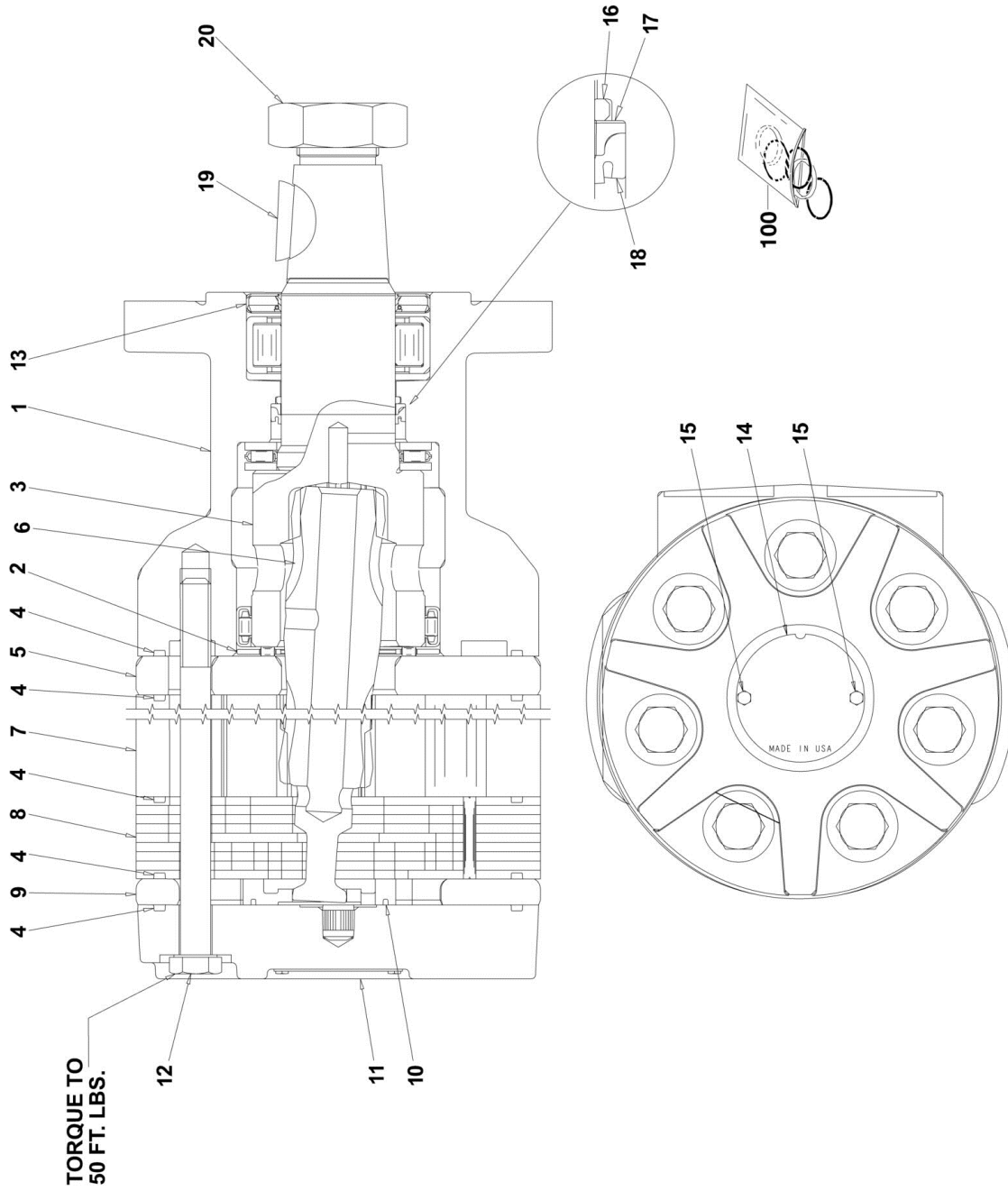
SECTION 1 - FRAME

FIGURE 1-3. DRIVE MOTOR ASSEMBLY - 1532E3/1932E3

ITEM	PART NUMBER	QTY	DESCRIPTION	REV
	3160270	Ref	DRIVE MOTOR ASSEMBLY (SN 0200098156 to Present)	B
		Ref	Note: See DRIVE AND STEERING INSTALLATION for replacement parts for Machines Prior to S/N 0200098156..	
		Ref	Note: Verify Drive Motor machine is equipped with before ordering service parts.	
3	Item 100	1	Seal, Dust	
4	Item 100	1	Seal, Shaft	
7	7023452	2	Bearing, Race	
8	7023453	1	Bearing, Needle	
9	Item 100	2	O-Ring	
11	7023465	1	Cover, End	
14	Not Serviceable	1	Identification Tag	
16	7023468	1	Wheel, Gear Set	
17	7023469	7	Screw m8x95mm	
18	Item 100	7	Washer 82mm	
19	7023467	1	Shaft, Cardan	
20	7023455	1	Key	
21	7023456	1	Shaft, Output	
22	Not Serviceable	1	Housing	
24	Not Serviceable	2	Plug	
26	7023451	1	Nut, Castle	
32	7023454	1	Bearing, Needle	
33	7023460	1	Bearing, Needle	
34	7023458	1	Plate, Pressure	
35	7023459	1	Disk, Valve	
36	7023462	1	Plate	
37	Item 100	1	O-Ring	
38	7023457	1	Washer, Spring	
39	Item 100	1	O-Ring	
40	7023461	1	Washer, Glacier	
		Ref	KIT OPTIONS:	
100	7023450	1	Kit, Seal (Includes Items 3, 4, 9, 18, 37 & 39)	

SECTION 1 - FRAME

FIGURE 1-4. DRIVE MOTOR ASSEMBLY - 2033E3/2046E3/2646E3/2658E3



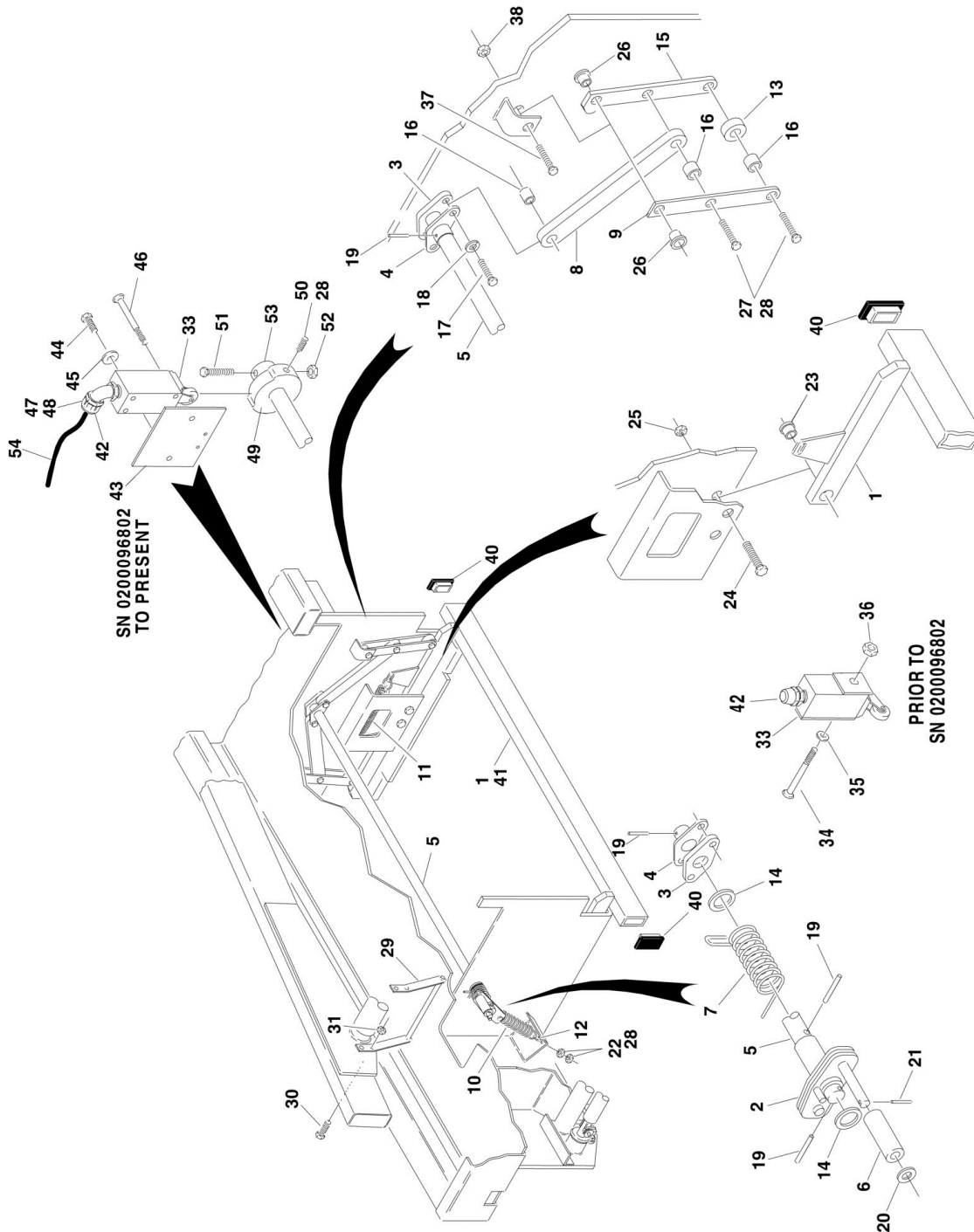
SECTION 1 - FRAME

FIGURE 1-4. DRIVE MOTOR ASSEMBLY - 2033E3/2046E3/2646E3/2658E3

ITEM	PART NUMBER	QTY	DESCRIPTION	REV
		Ref	DRIVE MOTOR ASSEMBLIES	
	3160263	Ref	DRIVE MOTOR - 2033E3 (SN 0200088491 to Present)	B
		Ref	Note: See DRIVE AND STEERING INSTALLATION for replacement parts for 2033E3 Prior to SN 0200088491.	
	3160264	Ref	DRIVE MOTOR - 2046E3/2646E3/2658E3	B
		Ref	Note: Verify Drive Motor machine is equipped with before ordering service parts.	
1	7023307	1	Housing	
2	7023308	1	Bearing, Thrust	
3	7023309	1	Shaft	
4	7023310	5	Ring, Seal	
5	7023311	5	Plate, Wear	
6		Ref	Drive Link Options:	
6	7023312	1	Drive Link - Motor P/N 3160263	
6	7023326	1	Drive Link - Motor P/N 3160264	
7		Ref	Assembly, Rotor Options:	
7	7023313	1	Drive Link - Motor P/N 3160263	
7	7023327	1	Drive Link - Motor P/N 3160264	
8	7023314	1	Manifold	
9	7023315	1	Assembly, Commutator	
10	7023318	1	Seal, Commutator	
11		Ref	Cover, End Options:	
11	7023316	1	Drive Link - Motor P/N 3160263	
11	7023328	1	Drive Link - Motor P/N 3160264	
12		Ref	Bolt Options:	
12	7023317	7	Drive Link - Motor P/N 3160263	
12	7023329	7	Drive Link - Motor P/N 3160264	
13	7023319	1	Seal	
14	Not Available	N/A	Identification Tag	
15	7023320	2	Screw	
16	7023321	1	Ring Back-Up	
17	7023322	1	Washer, Back-Up	
18	7023323	1	Seal, Shaft	
19	7023324	1	Key	
20	7023325	1	Nut, Castle	
		Ref	KIT OPTIONS:	
100	7023412	1	Seal Kit (Includes Items 4, 10, 13, 16, 17 & 18)	

SECTION 1 - FRAME

FIGURE 1-5. JLG POTHOLE PROTECTION SYSTEM INSTALLATION - 1532E3/1932E3



SECTION 1 - FRAME

FIGURE 1-5. JLG POTHOLE PROTECTION SYSTEM INSTALLATION - 1532E3/1932E3

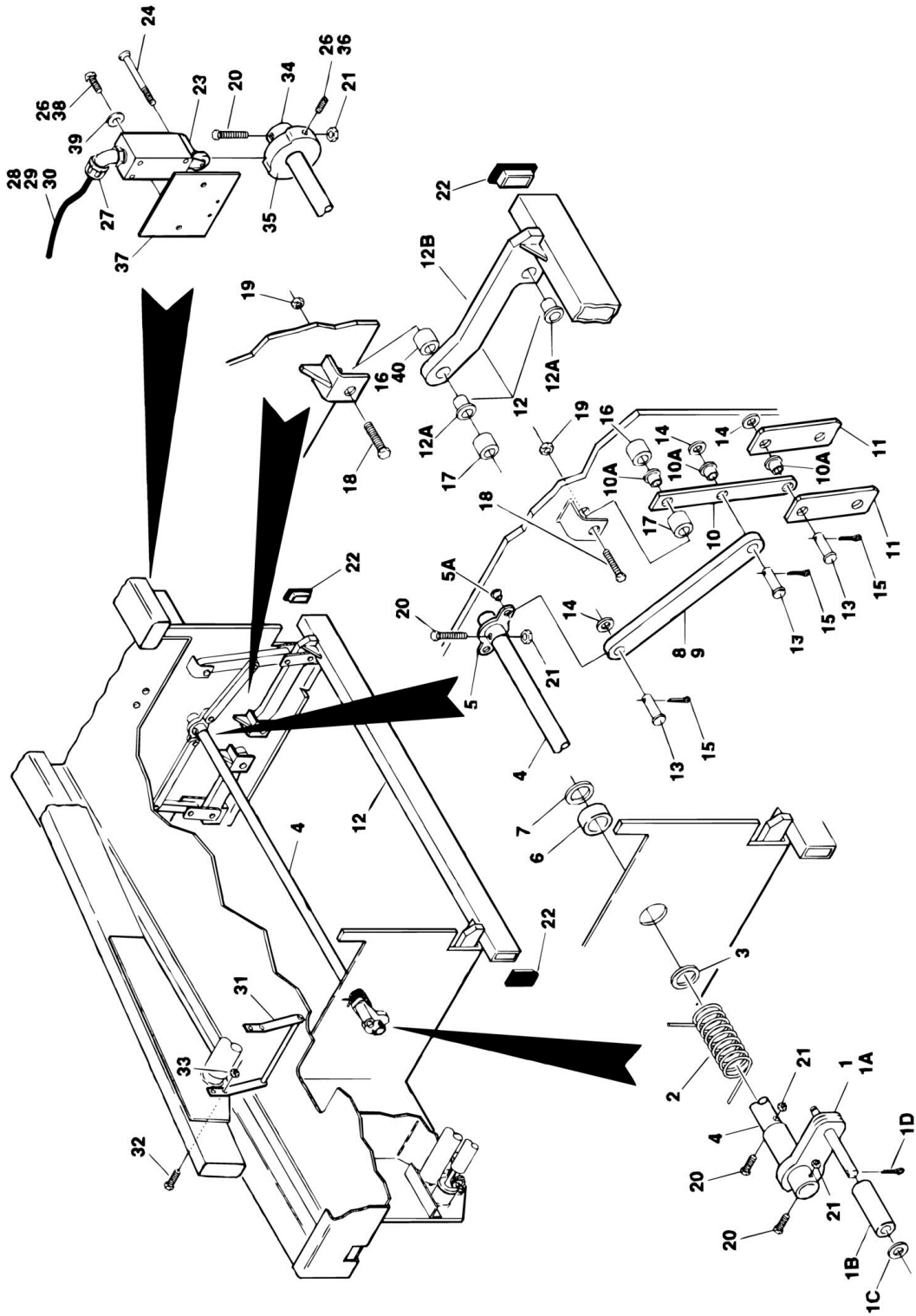
ITEM	PART NUMBER	QTY	DESCRIPTION	REV
	0258283	Ref	JLG POTHOLE PROTECTION SYSTEM INSTALLATION	10
1	4845360	1	Bar, Support - Right Side	
2	4845529	1	Pivot Weldment	
3	3570198	2	Plate, Cam	
4	4845385	2	Bushing Weldment	
5	3841337	1	Rod, Pivot	
6	3860079	1	Roller	
7	4160133	1	Spring, Torsion	
8	0362484	4	Bar, Link	
9	0362485	4	Bar, Actuator	
10	4160141	1	Spring, Extension	
11	4160134	2	Spring, Extension	
12	0630543	1	Eye Bolt	
13	0362483	4	Bar, Roller	
14	0961997	4	Bearing, Flange	
15	0362654	4	Bar, Actuator	
16	0961994	12	Bearing, Spacer	
17	0641612	4	Bolt 3/8in-16NC x 1 1/2in	
18	4761600	4	Lockwasher 3/8in	
19	3440828	5	Roll Pin 1/4in x 1 3/4in	
20	4711800	1	Flatwasher 1/2in	
21	3440418	1	Roll Pin 1/8in x 1 1/8in	
22	3311501	2	Nut 5/16in-18NC	
23	0961995	4	Bearing, Flange	
24	0642224	4	Bolt 3/4in-10NC x 3in	
25	3312205	4	Locknut 3/4in-10NC	
26	0961996	8	Bearing, Flange	
27	0641611	8	Bolt 3/8in-16NC x 1 3/8in	
28	0100011	AR	Loctite #242	
29	4845319	1	Weldment, Actuator	
30	0641506	4	Bolt 5/16in-18NC x 1in	
31	3311505	4	Locknut 5/16in-18NC	
32	Not Required	0	Not Required	
33		Ref	Switch, Limit Options:	
33	4360401	2	Switch, Limit (Prior to SN 0200097741)	
33	4360548	2	Switch, Limit (was p/n 4360321) (SN 0200097741 to Present)	
33	4360548	2	Post Production	
34	3911024	4	Screw Machine #10-24NC x 1 1/2 (Prior to SN 0200097741)	
35	4751000	4	Flatwasher #10 (Prior to SN 0200097741)	
36	3311005	4	Locknut #10-24NC (Prior to SN 0200097741)	
37	0681622	4	Bolt 3/8in-16NC x 2 3/4in	
38	3311605	4	Locknut 3/8in-16NC	
39	Not Required	0	Not Required	
40	1120481	4	Cap, End	
41	4845383	1	Bar, Support - Left Side	
42		Ref	Connector, Strain Relief Options:	
42	4460662	2	Production	
42	4460968	2	Post Production	
43	0902536	1	Bracket, Limit Switch (SN 0200096802 to Present)	
44	0641408	2	Bolt 1/4in-20NC x 1 (SN 0200096802 to Present)	

SECTION 1 - FRAME

ITEM	PART NUMBER	QTY	DESCRIPTION	REV
45	4751400	2	Flatwasher 1/4 (SN 0200096802 to Present)	
46	3900271	2	Screw #10-32NC x 1 (SN 0200096802 to Present)	
47	4460268	2	Socket, Terminal (SN 0200096802 to Present)	
48	4460320	1	Plug - 2 Position (SN 0200096802 to Present)	
49	1100110	1	Cam (SN 0200096802 to Present)	
50	3951603	2	Screw 3/8in-16NC x 3/8 (SN 0200096802 to Present)	
51	0681414	1	Bolt 1/4in-20NC x 1 3/4in (Grade 8) (SN 0200096802 to Present)	
52	3311405	1	Locknut 1/4in-20NC (SN 0200096802 to Present)	
53	0962262	1	Bushing (SN 0200096802 to Present)	
54	1060680	7 ft	Cable, 18/2	

SECTION 1 - FRAME

FIGURE 1-6. JLG POTHOLE PROTECTION SYSTEM INSTALLATION - 2033E3/2046E3/2646E3/2658E3



SECTION 1 - FRAME

FIGURE 1-6. JLG POTHOLE PROTECTION SYSTEM INSTALLATION - 2033E3/2046E3/2646E3/2658E3

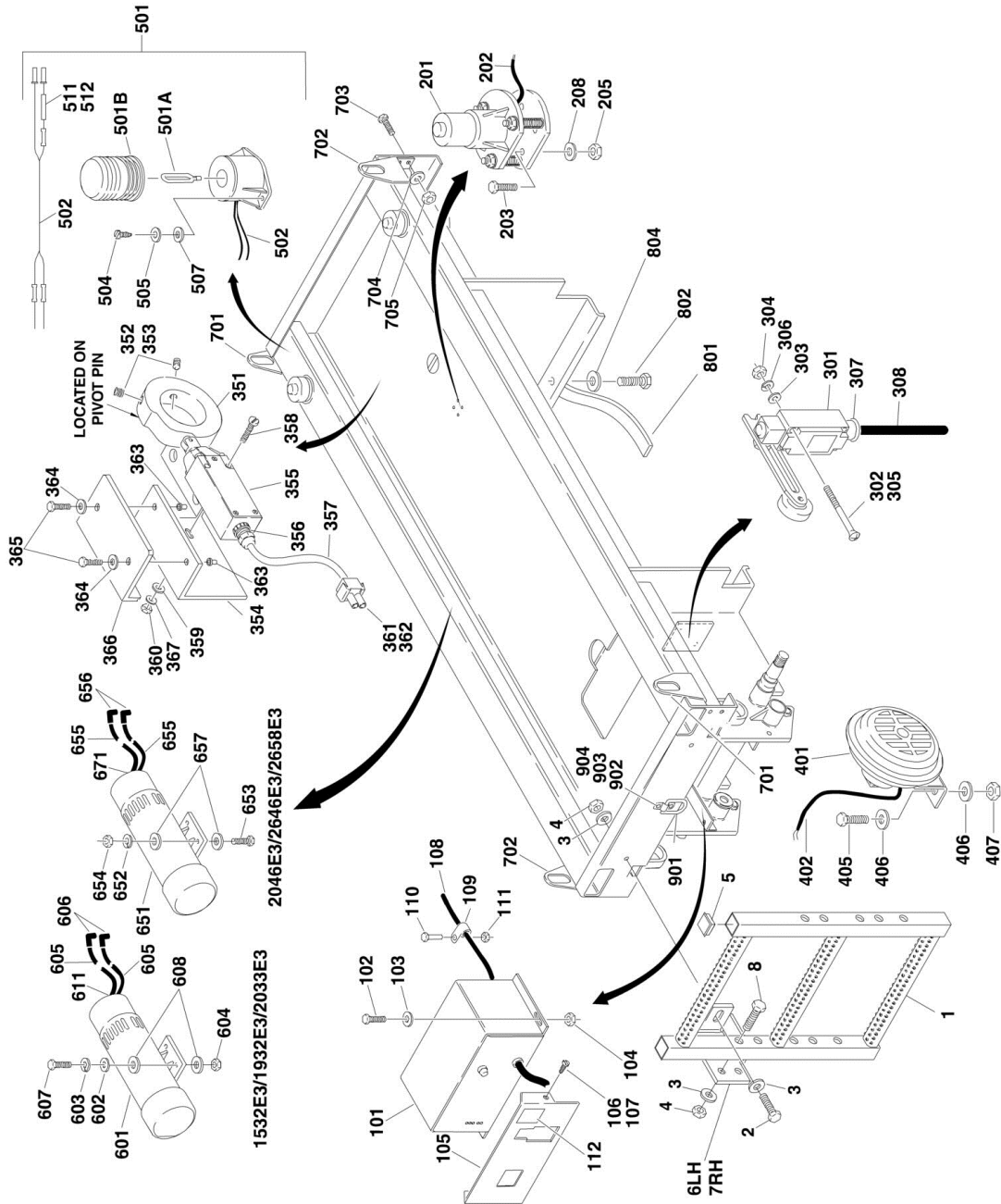
ITEM	PART NUMBER	QTY	DESCRIPTION	REV
		Ref	JLG POTHOLE PROTECTION SYSTEM INSTALLATIONS:	
	0258850	Ref	JLG Pothole Protection System Installations 2033E3	7
	0258851	Ref	JLG Pothole Protection System Installations 2046E3/2646E3	9
	0258852	Ref	JLG Pothole Protection System Installations 2658E3	8
1	0257725	1	Actuator One Assembly	
1A	4846014	1	Actuator Weldment	
1B	3860079	1	Roller	
1C	4711800	1	Washer 1/2in (Narrow)	
1D	3450404	1	Pin, Cotter	
2		Ref	Spring, Torsion Options:	
2	4160201	1	Spring, Torsion (was p/n 4160180) (Prior to SN 0200111485)	
2	4160201	1	Spring, Torsion (SN 0200111485 to Present)	
3	4740481	1	Washer, Special Spacer	
4	3841428	1	Bar, Activation	
5	0257724	2	PHP Actuator Assembly	
5A	0962123	4	Bearing (2 Per Assembly)	
6	0961997	2	Bearing, Flange	
7	4740482	1	Washer	
8		Ref	Arm, Long Connection Options:	
8	3570440	2	Arm, Long Connection 2033E3	
8	3570482	2	Arm, Long Connection 2046E3/2646E3	
8	3570747	2	Arm, Long Connection 2658E3	
9		Ref	Arm, Short Connection Options:	
9	3570439	2	Arm, Short Connection 2033E3	
9	3570483	2	Arm, Short Connection 2046E3/2646E3	
9	3570746	2	Arm, Short Connection 2658E3	
10	0257726	4	Support Arm Assembly	
10A	0962123	12	Bearing (3 Per Assembly)	
11	3570422	8	Link, Support	
12	0257766	2	Bar Assembly	
12A	0962123	8	Bearing (4 Per Assembly)	
12B	4845699	1	Weldment, PHP Bar	
13	3430811	16	Pin, Clevis	
14	4751800	AR	Flatwasher 1/2in	
15	3450403	16	Pin, Cotter	
16	4567306	AR	Spacer 1/2in	
17	4567307	8	Spacer 3/4in	
18	0681822	8	Bolt 1/2in-13NC x 2 3/4in	
19	3311805	8	Locknut 1/2in-13NC	
20	0681414	4	Bolt 1/4in-20NC x 1 3/4in	
21	3311405	4	Locknut 1/4in-20NC	
22	1120481	4	Cap, End	
23	4360548	1	Switch, Limit (was p/n 4360321)	
24	3900271	2	Screw Machine #10-24NC x 1in	
26	0100011	AR	Loctite #242	
27		Ref	Connector, Strain Relief Options:	
27	4460428	1	Connector, Strain Relief (Prior to SN 0200068552)	
27	4460662	1	Connector, Strain Relief (SN 0200068552 to Present)	
27	4460968	1	Post Production	
28	1060680	7 ft/2.1m	Cable, Electrical 18/2	

SECTION 1 - FRAME

ITEM	PART NUMBER	QTY	DESCRIPTION	REV
29	4460320	1	Terminal, Plug 2 Position	
30	4460268	2	Socket, Terminal	
31		Ref	Actuator Arm Weldment Options:	
31	4845886	1	Actuator Arm Weldment 2033E3	
31	4845581	1	Actuator Arm Weldment 2046E3/2646E3/2658E3	
32	0641508	4	Bolt 5/16in-18NC x 1in	
33	3311505	4	Locknut 5/16in-18NC	
34	0962262	1	Bushing	
35	1100110	1	Cam	
36	3951603	2	Setscrew 3/8in-16NC x 3/8in	
37	0902536	1	Bracket	
38	0641408	2	Bolt 1/4in-20NC x 1in	
39	4751400	2	Flatwasher 1/4in	
40	4740504	4	Washer (2033 Only) (SN 0200096802 to Present)	

SECTION 1 - FRAME

FIGURE 1-7. FRAME MOUNTED COMPONENTS INSTALLATIONS



SECTION 1 - FRAME

FIGURE 1-7. FRAME MOUNTED COMPONENTS INSTALLATIONS

ITEM	PART NUMBER	QTY	DESCRIPTION	REV
		Ref	LADDER INSTALLATIONS	
	0258895	Ref	Ladder Installations 1532E3	5-C
	0258880	Ref	Ladder Installations 1932E3/2033E3/2046E3/2646E3/2658E3	4-C
1		Ref	Ladder Weldment Options:	
1	4845887	1	Ladder Weldment 1532E3	
1	4845884	1	Ladder Weldment 1932E3/ 2033E3/ 2046E3/ 2646E3/ 2658E3	
2	0641810	2	Bolt 1/2in-13NC x 1 1/4in	
3	4751800	6	Flatwasher 1/2in	
4	3311805	6	Locknut 1/2in-13NC	
5	3520071	2	Cap	
6	0902507	1	Bracket, Ladder (Left Side)	
7	0902508	1	Bracket, Ladder (Right Side)	
8	0641824	4	Bolt 1/2in-13NC x 3in	
		Ref	BATTERY CHARGER INSTALLATION OPTIONS:	
	0258183	Ref	Battery Charger Installation 1532E3/1932E3	8
	0258184	Ref	Battery Charger Installation 1532E3/1932E3 (Japanese Spec)	7
	0258185	Ref	Battery Charger Installation 2033E3/2046E3/2646E3/2658E3	5
	0258186	Ref	Battery Charger Installation 2033E3/2046E3/2646E3/2658E3 (Japanese Spec)	5
101		Ref	Battery Charger Assembly Options: (See BATTERY CHARGER ASSEMBLY for Breakdown):	
101	0400178	1	120V/240V-50/60HZ (All except Japanese Spec)	
101	0400179	1	100V/200V-50/60HZ (Japanese Spec)	
102	0641506	2	Bolt 5/16in-18NC x 3/4in	
103	4711500	4	Flatwasher 5/16in	
104	3311505	2	Locknut 5/16in-18NC	
105	4060975	1	Shield (1532E3/1932E3 Only)	
106	3941406	2	Screw Self-Tapping 1/4in-20NC x 3/4in (1532E3/1932E3 Only)	
107	0100011	AR	Loctite #242 (1532E3/1932E3 Only) (Prior to SN 0200111444)	
108		Ref	Harness, Charger Options:	
108	4922233	1	Harness, Charger 1532E3/1932E3 (was p/n 4922234) (Prior to SN 0200081384)	
108	4922233	1	Harness, Charger 1532E3/1932E3 (SN 0200081384 to Present)	
108	4922233	1	Harness, Charger 2033E3/2046E3/2646E3/2658E3	
109	1320061	1	Clamp (Prior to SN 0200111444)	
110	0641406	1	Bolt 1/4in-20NC x 3/4 (Prior to SN 0200111444)	
111	3311405	1	Locknut 1/4in-20NC (Prior to SN 0200111444)	
112	1701644	1	Decal - Battery Charger (SN 0200081163 to Present)	
		Ref	TILT INDICATOR INSTALLATIONS (OPTIONAL)	
	0258844	Ref	1 1/2, Tilt - 1532E3/1932E3	3
	0258845	Ref	1 1/2, Tilt (UL) - 1532E3/1932E3	4
	0258841	Ref	2, Tilt (CSA) - (1532E3/1932E3) (Prior to SN 0200106703)	3
	0258251	Ref	2, Tilt (UL) - (1532E3/1932E3) (Prior to SN 0200106703)	4
	0259486	Ref	5, Tilt - (1532E3/1932E3) (Prior to SN 0200071692)	1
	0259487	Ref	5, Tilt (UL) - (1532E3/1932E3) (Prior to SN 0200071692)	1
	0258977	Ref	2, Tilt - (2033E3)	3
	0258251	Ref	2, Tilt (UL) - (2033E3)	4
	0259485	Ref	5, Tilt - (2033E3) (Prior to SN 0200071692)	1
	0259487	Ref	5, Tilt (UL) - (2033E3) (Prior to SN 0200071692)	1

SECTION 1 - FRAME

ITEM	PART NUMBER	QTY	DESCRIPTION	REV
	0258841	Ref	2, Tilt - (2046E3/2646E3/2658E3)	3
	0258251	Ref	2, Tilt (UL) - (2046E3/2646E3/2658E3)	4
	0259486	Ref	5, Tilt - (2046E3/2646E3/2658E3) (Prior to SN 0200071692)	1
	0259487	Ref	5, Tilt (UL) - (2046E3/2646E3/2658E3) (Prior to SN 0200071692)	1
	0271639	Ref	5, Tilt (Japanese Spec) - (1532E3/ 1932E3/ 2033E3/ 2046E3/ 2646E3/2658E3) (SN 0200097273 to Present)	1
201		Ref	Switch, Level Indicator Options:	
201	4360465	1	1 1/2, Tilt Indicator	
201	4360435	1	2, Tilt Indicator	
201	4360434	1	5 Tilt Indicator	
202		Ref	Harness Options (See ELECTRICAL SECTION for Breakdown):	
202	4922285	1	Harness (Was P/N 4921819) (Prior to SN 0200060218)	
202	4922285	1	Harness (SN 0200060218 to Present)	
203	0641406	2	Bolt 1/4in-20NC x 3/4in	
205	3311405	AR	Locknut 1/4in-20NC	
206		Ref	Cover Options (Not Shown - UL Machines Only):	
206	4845953	1	Cover 1532E3/1932E3	
206	4845948	1	Cover 2033E3	
206	4845853	1	Cover 2046E3/2646E3/2658E3	
207	3941406	2	Self Tapping Screw (Not Shown - UL Machines Only)	
208	4751400	AR	Flatwasher 1/4in	
	0255784	Ref	HI-DRIVE LIMIT SWITCH INSTALLATION - 1532E3/1932E3	5
301	4360397	1	Switch, Limit	
302	3911024	2	Screw Machine #10-24NC x 1 1/2in	
303	4751000	2	Flatwasher #10	
304	3311001	2	Nut #10-24NC	
305	0100011	AR	Loctite #242	
306	4761000	2	Lockwasher #10	
307	4460662	1	Connector, Strain Relief	
308	1060680	6.5 ft/2m	16/2 Cable	
	0258201	Ref	HI-DRIVE LIMIT SWITCH INSTALLATION - 2033E3/2046E3/2646E3/2658E3	9
351	1100110	1	Cam	
352	3951603	2	Setscrew 3/8in-16NC x.38in	
353	0100011	AR	Loctite #242	
354	3571116	1	Plate, Limit Switch	
355	4360548	1	Switch, Limit (was p/n 4360321)	
356		Ref	Connector, Strain Relief Options:	
356	4460662	1	Production	
356	4460968	1	Post Production	
357	1060680	9 ft/2.74m	18/2 Cable	
358		Ref	Screw #8-32NC x 1 1/2in Options:	
358	3930824	2	Screw #8-32NC x 1 1/2in (Was P/N 3930820) (Prior to SN 0200103324)	
358	3930824	2	Screw #8-32NC x 1 1/2in (SN 0200103324 to Present)	
359	4750800	2	Flatwasher #8	
360	3310801	2	Nut #8-32NC	
361	4460320	1	Housing, Terminal	
362	4460268	2	Socket, Terminal	
363	2080044	2	Fastener, Rivnut 1/4in-20NC (Prior to SN 0200100141)	
364	4751400	2	Flatwasher 1/4 (Prior to SN 0200100141)	
365	3931412	2	Bolt 1/4in-20NC x 3/4 (Prior to SN 0200100141)	

SECTION 1 - FRAME

ITEM	PART NUMBER	QTY	DESCRIPTION	REV
366	3571278	1	Plate	
367	4760800	2	Lockwasher #8	
	0259217	Ref	HORN INSTALLATION (OPTIONAL)	2
401	0140022	1	Horn	
402	4922258	1	Harness (See ELECTRICAL SECTION for Breakdown)	
403	4360387	1	Switch, Push Button (Not Shown - Located on Platform Console)	
405	0641408	1	Bolt 1/4in-20NC x 1in	
406	4751400	2	Flatwasher 1/4in	
407	3311405	1	Locknut 1/4in-20NC	
408	1320061	1	Clamp, Hose (Not Shown) (SN 0200111444 to Present)	
		Ref	BEACON LIGHT INSTALLATIONS (OPTIONAL)	
	0258800	Ref	Non-UL Machines	1
	0258801	Ref	UL Machines	1
501	2920146	1	Beacon Light Assembly Options:	
501A	7016319	1	Bulb, Light	
501B		Ref	Alarm Lens Options:	
501B	7016320	1	Lens - 3 1/8in Height	
501B	7016372	1	Lens - 4 1/8in Height	
502	1060680	10 ft/3m	18/2 Cable	
503	4060865	1	Cage (Not Shown - UL Machines Only)	
504	0721006	2	Screw, Machine #10-24NC x 3/4in	
505	4761000	2	Lockwasher #10	
507	4751000	2	Flatwasher #10	
511	4460044	1	Holder, Fuse	
512	2400056	1	Fuse, AGC-1/2 0.5A, 250V	
	0258954	Ref	GENERATOR INSTALLATION (110V/800W) - 1532E3/1932E3	3
601	2460022	1	Generator	
601	7023336	1	Kit, Retrofit (Potted Circuit Card)	
602	4751500	4	Flatwasher 5/16in	
603	4761500	4	Lockwasher 5/16in	
604		Ref	Rivnut 5/16in-18NC x 7/8in Options:	
604	2080053	4	Rivnut 5/16in-18NC x 7/8in (was p/n 2080048) (Prior to SN 0200106890)	
604	2080053	4	Rivnut 5/16in-18NC x 7/8in (SN 0200106890 to Present)	
605	1060627	2	Cable	
606	0840027	2	Boot, Cable	
607	0641512	4	Bolt 5/16in-18NC x 1 1/2in	
608	4740455	8	Washer, Nylon	
609	0840025	2	Boot, Cable (Not Shown)	
610	1320095	1	Clamp (Not Shown)	
611	4751400	2	Flatwasher 1/4in	
	0258956	Ref	GENERATOR INSTALLATION (110V/800W) - 2033E3/2046E3/2646E3/2658E3	2
651	2460022	1	Generator	
651	7023336	1	Kit, Retrofit (Potted Circuit Card)	
652	4751500	8	Flatwasher 5/16in	
653	0641510	4	Bolt 5/16in-18NC x 1 1/4in	
654	3311505	4	Locknut 5/16in-18NC	
655	1060627	2	Cable	
656	0840027	2	Boot, Cable	
657	4740455	8	Washer, Nylon	
658	0840025	2	Boot, Cable (Not Shown)	

SECTION 1 - FRAME

ITEM	PART NUMBER	QTY	DESCRIPTION	REV
659 to 670	Not Required	0	Not Required	
671	4751400	2	Flatwasher 1/4in	
		Ref	LIFT LUG INSTALLATIONS (OPTIONAL)	
	0258194	Ref	Lift Lug Installations 1532E3/1932E3	3
	0258195	Ref	Lift Lug Installations 2033E3/2046E3/2646E3/2658E3	3
701		Ref	Lug, Lift Options:	
701	3539735	2	Right Side (1532E3/1932E3)	
701	4845314	2	Right Side (2033E3/2046E3/2646E3/2658E3)	
702		Ref	Lug, Lift Options:	
702	3539736	2	Left Side (1532E3/1932E3)	
702	4845315	2	Left Side (2033E3/2046E3/2646E3/2658E3)	
703	0641610	8	Bolt 3/8in-16NC x 1 1/4in	
704	3311605	8	Locknut 3/8in-16NC	
705	4711600	8	Flatwasher 3/8in	
	0257372	Ref	STATIC STRAP INSTALLATION (OPTIONAL)	4
801		Ref	Strap, Static Options:	
801	4240147	1	Strap, Static (was p/n 4240084) (Prior to SN 0200103629)	
801	4240147	1	Strap, Static (SN 0200103629 to Present)	
802	3941406	1	Self Tapping	
804	4751400	1	Flatwasher 1/4in	
	0257266	Ref	TIE-DOWN INSTALLATION	3
901	3760365	2	D-Ring	
902	0630485	4	Bolt, Carriage 3/8in-16NC x 1in	
903	4751600	4	Flatwasher 3/8 (Prior to SN 0200065687)	
904	3311605	4	Locknut 3/8in-16NC	

SECTION 1 - FRAME

FIGURE 1-8. BATTERY CHARGER ASSEMBLY

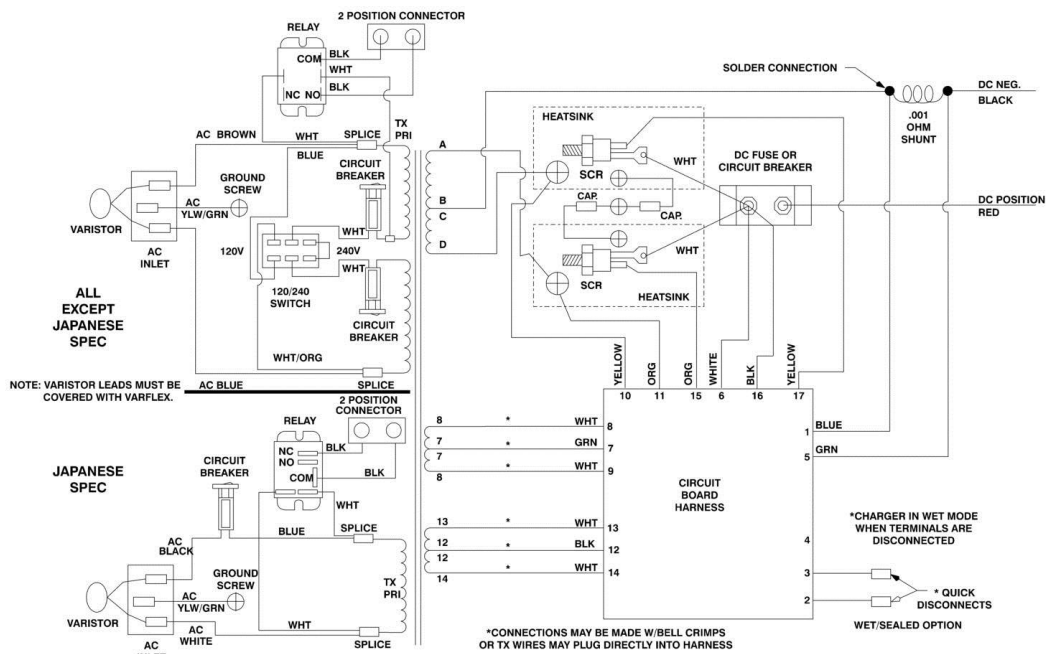
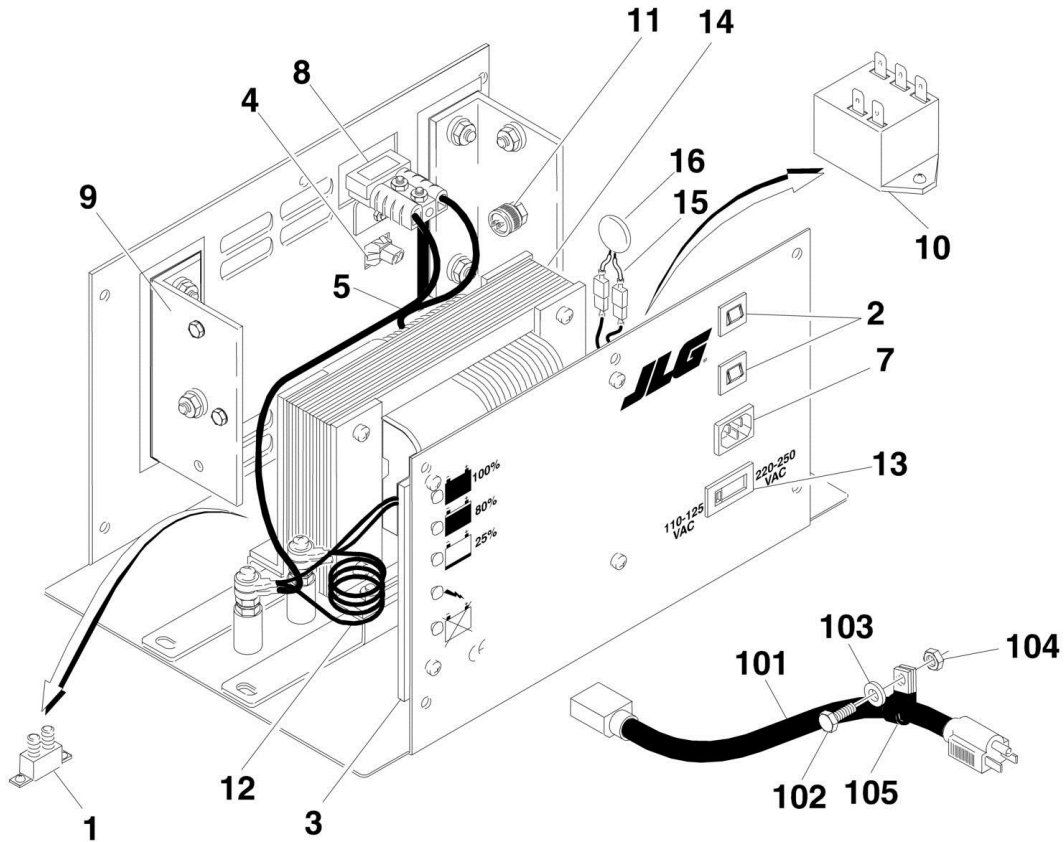


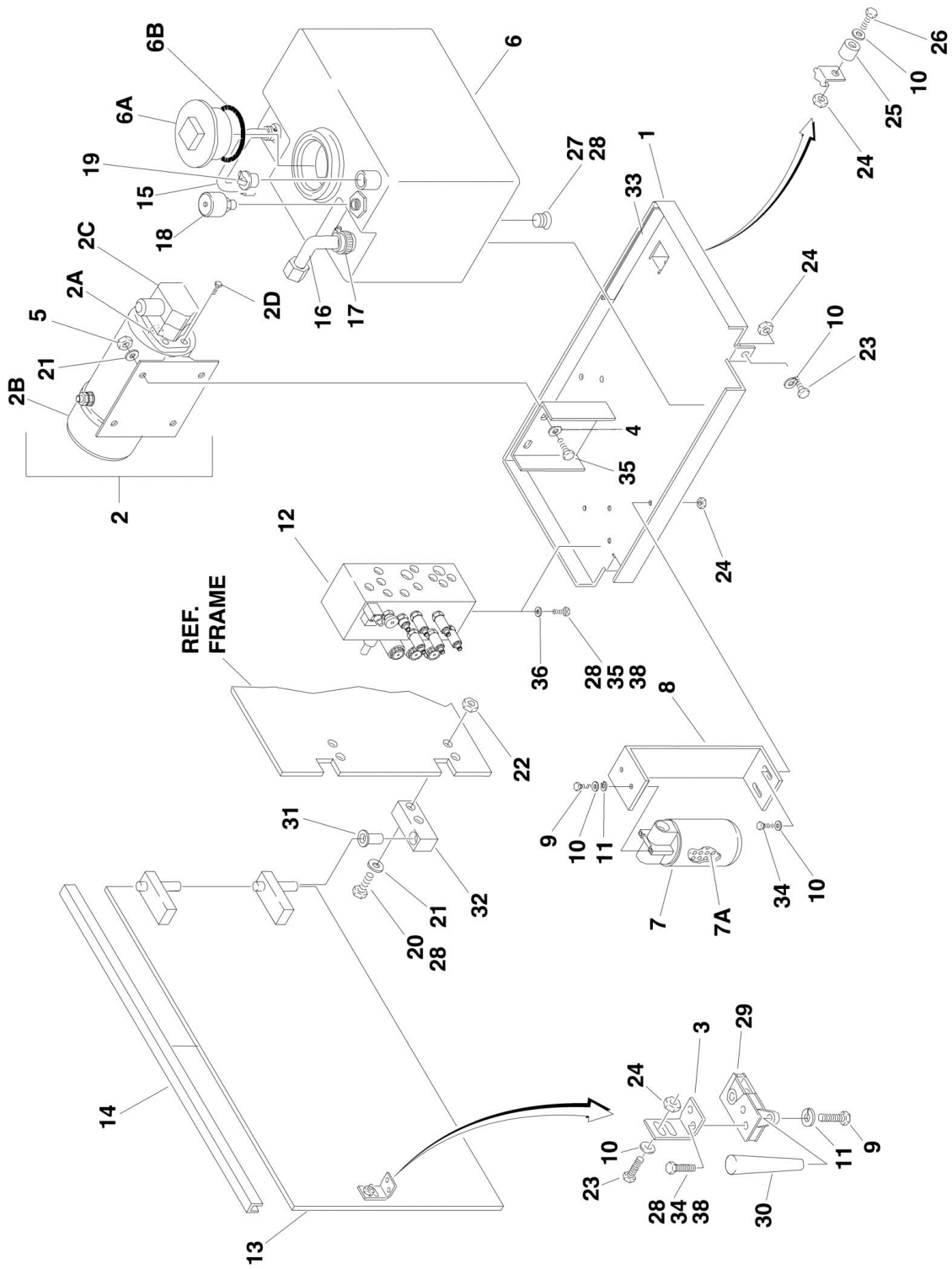
FIGURE 1-8. BATTERY CHARGER ASSEMBLY

ITEM	PART NUMBER	QTY	DESCRIPTION	REV
		Ref	BATTERY CHARGER ASSEMBLIES	
	0400178	Ref	All except Japanese Spec	B
	0400179	Ref	Japanese Spec	B
1	7011509	1	Breaker, Circuit - DC	
2		Ref	Breaker, Circuit - AC	
2	7018514	2	All except Japanese Spec	
2	7018525	1	Japanese Spec	
3		Ref	Board, Circuit	
3	7018578	1	All except Japanese Spec	
3	7018598	1	Japanese Spec	
4	7011621	1	Connector	
5	7020638	1	Cord - DC	
6		Ref	Harness (Not Shown)	
6	7018582	1	All except Japanese Spec	
6	7020671	1	Japanese Spec	
7	7018583	1	Plug, AC Inlet	
8	7011590	1	Plug, DC	
9		Ref	Rectifier Assembly	
9	7018585	2	All except Japanese Spec	
9	7020672	2	Japanese Spec	
10		Ref	Relay	
10	7018564	1	All except Japanese Spec	
10	7018506	1	Japanese Spec	
11		Ref	SCR	
11	7018555	1	All except Japanese Spec	
11	7020673	1	Japanese Spec	
12		Ref	Shunt Assembly	
12	7020605	1	All except Japanese Spec	
12	7020674	1	Japanese Spec	
13		Ref	Switch	
13	7018586	1	All except Japanese Spec	
13	Not Required	0	Japanese Spec	
14		Ref	Transformer	
14	7020639	1	All except Japanese Spec	
14	7020675	1	Japanese Spec	
15		Ref	Varistor Assembly	
15	7018589	1	All except Japanese Spec	
15	7020603	1	Japanese Spec	
16	7018537	1	Varistor	
	0259214	Ref	AC CHARGER CORD INSTALLATION	1
101	1060688	1	Cable, AC Cord	
102	0641406	1	Bolt 1/4in-20NC x 3/4in	
103	4751400	1	Flatwasher 1/4in	
104	3311405	1	Locknut 1/4in-20NC	
105	1320040	1	Clamp	

SECTION 2 - GROUND COMPONENTS

SECTION 2 - GROUND COMPONENTS

FIGURE 2-1. HYDRAULIC COMPONENTS AND COVER INSTALLATION -1532E3/1932E3



SECTION 2 - GROUND COMPONENTS

FIGURE 2-1. HYDRAULIC COMPONENTS AND COVER INSTALLATION -1532E3/1932E3

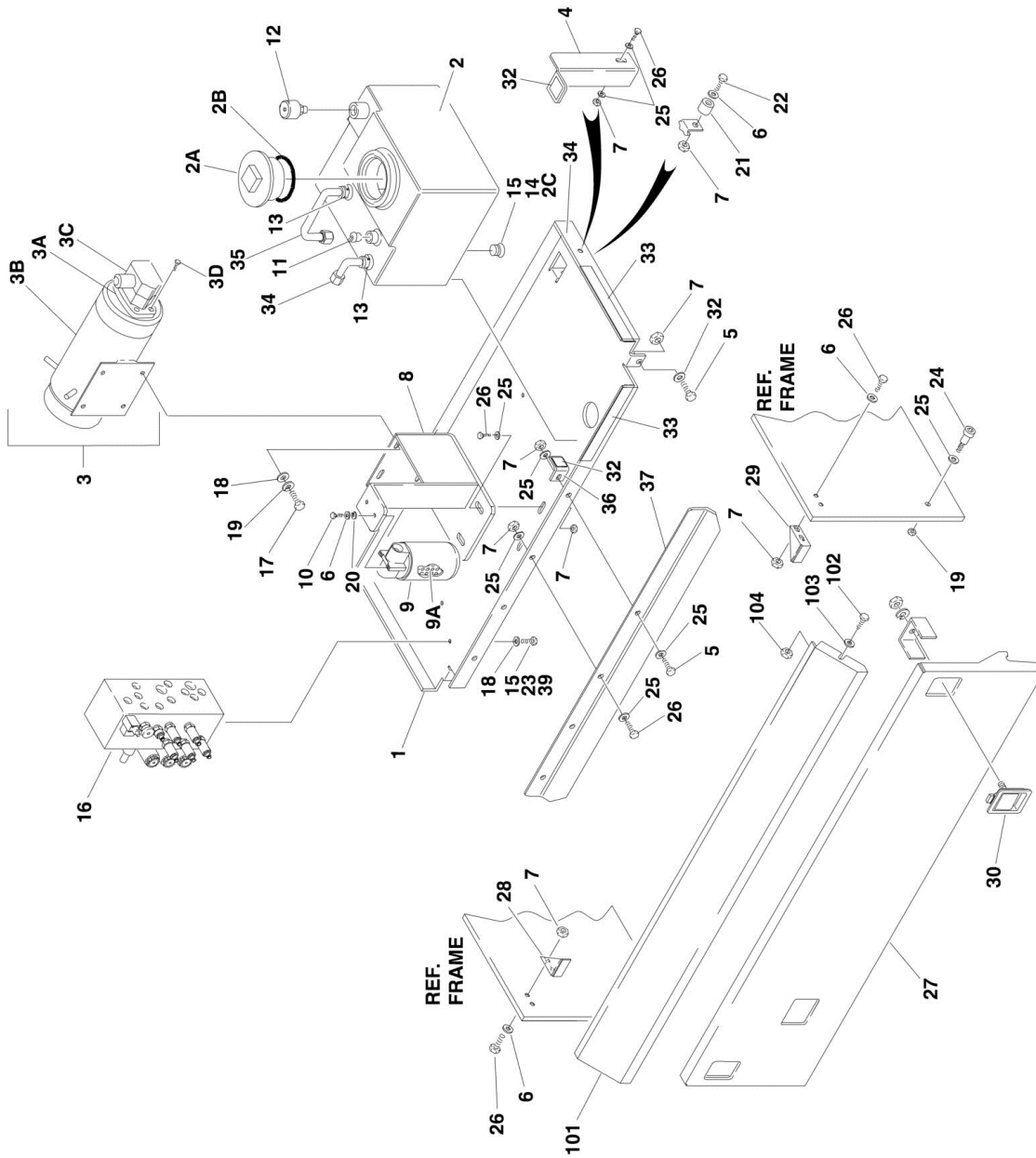
ITEM	PART NUMBER	QTY	DESCRIPTION	REV
	0258124	Ref	HYDRAULIC COMPONENTS INSTALLATION (STANDARD)	5
	0258125	Ref	HYDRAULIC COMPONENTS INSTALLATION (UL)	4
1	4845818	1	Tray Weldment	
2	3600270	1	Pump/Motor Assembly	
2A	7010944	1	Coupling	
2B	7011041	1	Motor	
2B	7010639	2	Brush, Replacement	
2B	7010640	8	Brush Spring	
2C	7011042	1	Pump	
2C	7010903	2	Seal, Shaft	
2C	7011042	1	Pump	
2C	7011044	1	Gasket, Mounting	
2C	7011045	1	Kit, Pump Gasket	
2D	7011043	4	Screw, Pump Mounting	
3	0902365	1	Latch Mounting Bracket	
4	4751500	4	Flatwasher 5/16in	
5	4761500	4	Lockwasher 5/16in	
6	4400414	1	Tank, Hydraulic	
6A	7020063	1	Cap	
6B	Not Available	1	Gasket, Neoprene	
7	2120105	1	Filter Assembly	
7A	2120072	1	Element, Filter	
8	0902221	1	Bracket	
9	0641404	4	Bolt 1/4in-20NC x 5/8in	
10	4711400	16	Flatwasher 1/4in	
11	4761400	3	Lockwasher 1/4in	
12	4641036	1	Valve Assembly (See VALVE ASSEMBLY for Breakdown)	
13	1780291	1	Door Weldment	
14	3960389	34	Seal	
		in/86cm		
15	4567649	1	Tube, Suction - 3/4in	
16	4566969	1	Tube, Return - 3/4in	
17	1320030	2	Clamp, Hose (Was 1320033) (Prior to SN 0200088491)	
18	1340052	1	Breather	
19	3520077	1	Plug, Quick Snap	
20	0641816	4	Bolt 1/2in-13NC x 2in	
21	4751800	12	Flatwasher 1/2in	
22	3311805	4	Locknut 1/2in-13NC	
23	0641408	4	Bolt 1/4in-20NC x 1in	
24	3311405	8	Locknut 1/4in-20NC	
25	4566849	2	Spacer	
26	0641412	2	Bolt 1/4in-20NC x 1 1/2in	
27	2200233	1	Plug, Drain Only (Prior to SN 0200071386)	
28	0100020	AR	Loctite Only (Prior to SN 0200071386)	
29	2940098	1	Latch	
30	2560137	1	Knob	
31	0962004	2	Bushing, Flanged Bronze	
32	0362566	2	Bar, Hinge	
33	4420037	2 ft/61cm	Tape, Rubatex (Was P/N 4420001) (Prior to SN 0200088491)	
34	0641406	4	Bolt 1/4in-20NC x 3/4in	

SECTION 2 - GROUND COMPONENTS

ITEM	PART NUMBER	QTY	DESCRIPTION	REV
35	0641508	4	Bolt 5/16in-18NC x 1in	
36	4711500	3	Flatwasher 5/16in	
37	0641505	3	Bolt 5/16in-18NC x 5/8in	
38	0100011	AR	Loctite	
39	2901207	1	Motor Band Kit (Not Shown - UL Machines Only)	

SECTION 2 - GROUND COMPONENTS

FIGURE 2-2. HYDRAULIC COMPONENTS AND COVERS INSTALLATION - 2033E3/2046E3/2646E3/2658E3



SECTION 2 - GROUND COMPONENTS

**FIGURE 2-2. HYDRAULIC COMPONENTS AND COVERS INSTALLATION -
2033E3/2046E3/2646E3/2658E3**

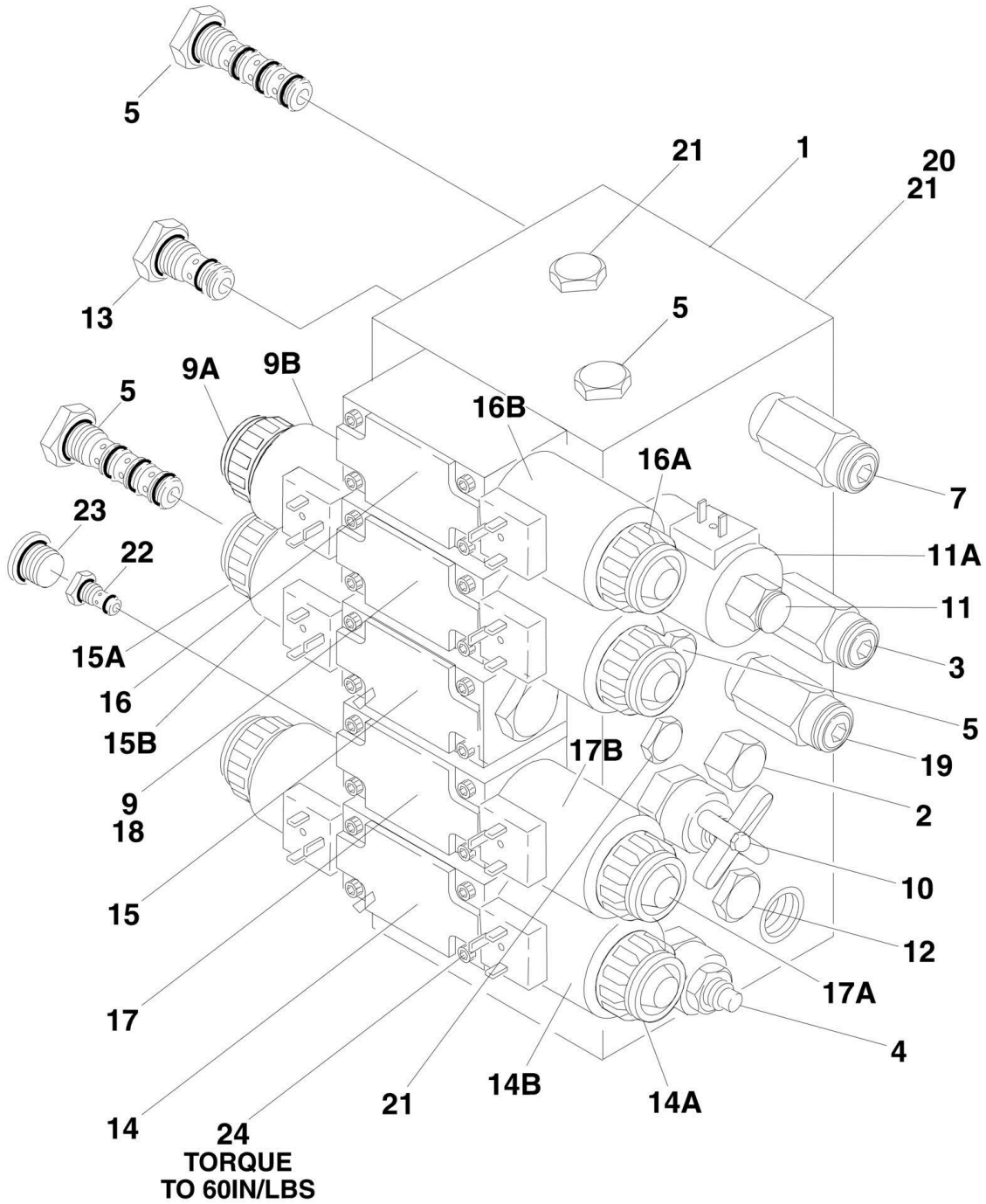
ITEM	PART NUMBER	QTY	DESCRIPTION	REV
		Ref	HYDRAULIC COMPONENTS INSTALLATIONS	
	0258126	Ref	Hydraulic Components Installations 2033E3 (Standard)	8
	0258127	Ref	Hydraulic Components Installations 2033E3 (UL)	8
	0258128	Ref	Hydraulic Components Installations 2046E3/2646E3/2658E3 (Standard)	8
	0258129	Ref	Hydraulic Components Installations 2046E3/2646E3/2658E3 (UL)	8
		Ref	Note: For Power Deck Valve Option See HYDRAULIC SECTION.	
1		Ref	Weldment Hydraulic Tray Options:	
1	4845803	1	Weldment Hydraulic Tray 2033E3	
1	3570998	1	Weldment Hydraulic Tray 2046E3/2646E3/2658E3	
2		Ref	Hydraulic Tank Options:	
2	4400422	1	Hydraulic Tank (was p/n 4400406) (Prior to SN 0200070927)	
2	4400422	1	Hydraulic Tank (SN 0200070927 to Present)	
2A	1120491	1	Lid	
2B	3780199	1	O-Ring	
2C	2200233	1	Plug, Drain	
3	3600270	1	Pump/Motor Assembly	
3A	7010944	1	Coupling	
3B	7011041	1	Motor	
3B	7010639	2	Brush, Replacement	
3B	7010640	8	Brush Spring	
3C	7011042	1	Pump	
3C	7010903	2	Seal, Shaft	
3C	7011042	1	Pump	
3C	7011044	1	Gasket, Mounting	
3C	7011045	1	Kit, Pump Gasket	
3D	7011043	4	Screw, Pump Mounting	
4	0902477	1	Bracket, Hydraulic Tank	
5	0641408	2	Bolt 1/4in-20NC x 1in	
6	4711400	14	Flatwasher 1/4in	
7	3311405	16	Locknut 1/4in-20NC	
8	4845801	1	Bracket, Hydraulic Pump and Filter	
9	2120105	1	Filter Assembly	
9A	2120072	1	Element, Filter	
10	0641405	2	Bolt 1/4in-20NC x 5/8 (Prior to SN 0200099124)	
11	3520077	1	Plug, Quick Snap	
12	1340052	1	Breather	
13	1320030	2	Clamp, Hose (was p/n 1320033) (Prior to SN 0200088491)	
14	2200233	1	Plug, Drain Only (Prior to SN 0200071386)	
15	0100020	AR	Loctite Only (Prior to SN 0200071386)	
16	4641036	1	Valve Assembly (See VALVE ASSEMBLY for Breakdown)	
17	0641508	4	Bolt 5/16in-18NC x 1in	
18	4711500	11	Flatwasher 5/16in	
19	4761500	4	Lockwasher 5/16in	
20	4761400	2	Lockwasher 1/4in	
21	4566849	2	Spacer	
22	0641412	2	Bolt 1/4in-20NC x 1 1/2in	

SECTION 2 - GROUND COMPONENTS

ITEM	PART NUMBER	QTY	DESCRIPTION	REV
23	0641505	3	Bolt 5/16in-18NC x 3/4in	
24	2940099	2	Latch	
25	4751400	16	Flatwasher 1/4in	
26	0641406	13	Bolt 1/4in-20NC x 3/4in	
27	3570996	1	Plate, Valve Cover	
28	0181874	1	Angle, Latch Stop (Left Hand)	
29	0181875	1	Angle, Latch Stop (Right Hand)	
30	2940045	2	Latch, Pad	
31	3311505	2	Locknut 5/16in-18NC	
32	4420038	10	Weatherstrip Only (Prior to SN 0200088491)	
		in/25.4cm		
33	4420037	38	Weatherstrip	
		in/96.4cm		
34	4567271	1	Tube, Return	
35	4567272	1	Tube, Feed	
36	0902476	1	Bracket, Hydraulic Tank	
37	3571007	1	Plate	
38	2901207	1	Motor Band Kit (Not Shown - UL Machines Only)	
39	0100011	AR	Loctite #242	
		Ref	SIDE COVER INSTALLATIONS	
	0258791	Ref	Side Cover Installations 2033E3/2046E3/2646E3	1
	0258792	Ref	Side Cover Installations 2658E3	2
101		Ref	Plate, Side Cover Options:	
101	4060937	2	Plate, Side Cover 2033E3/2046E3/2646E3	
101	3570829	2	Plate, Side Cover 2658E3	
102		Ref	Bolt Options:	
102	3941406	4	Bolt 2033E3/2046E3/2646E3	
102	0641406	4	Bolt 2658E3	
103	4751400	4	Flatwasher 1/4in (2658E3 Only)	
104	3311405	4	Locknut 1/4in-20NC (2658E3 Only)	

SECTION 2 - GROUND COMPONENTS

FIGURE 2-3. VALVE ASSEMBLY



SECTION 2 - GROUND COMPONENTS

FIGURE 2-3. VALVE ASSEMBLY

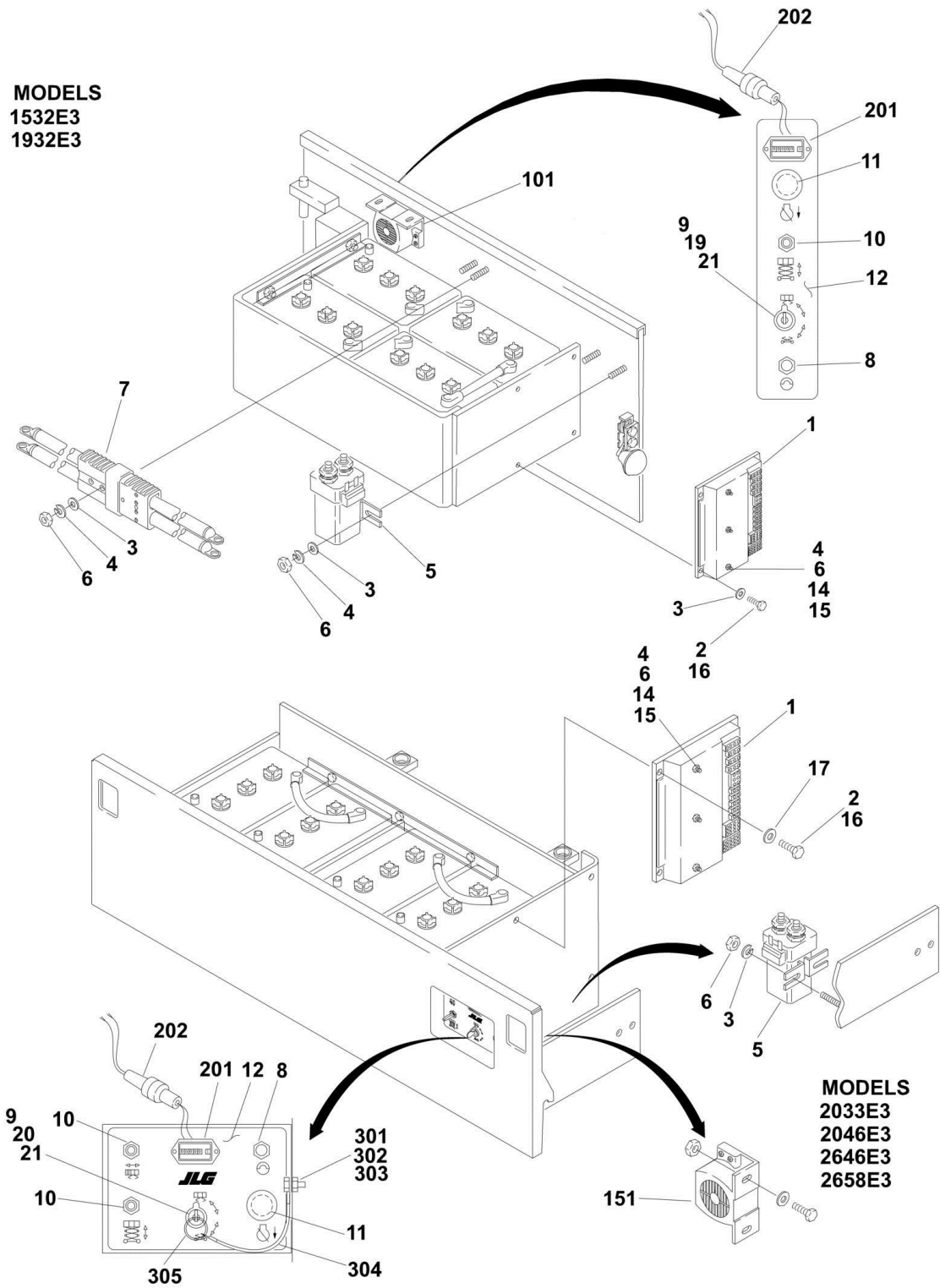
ITEM	PART NUMBER	QTY	DESCRIPTION	REV
	4641036	Ref	VALVE ASSEMBLY	G
1	Not Serviced	1	Block, Valve	
2	7021300	1	Cartridge, Valve (Load Sense)	
2	7021313	1	Seal Kit - 7021300 Cartridge	
3	7018302	1	Cartridge, Valve (Main Relief)	
3	7016351	1	Seal Kit - 7018302 Cartridge	
4	7022525	1	Cartridge, Valve (Counterbalance) (was p/n 7021301)	
4	7016337	1	Seal Kit - 7021301 Cartridge	
4	7016337	1	Seal Kit - 7022525 Cartridge	
5	7021302	4	Cartridge, Valve (Shuttle)	
5	7021315	1	Seal Kit - 7021302 Cartridge	
7	7018302	1	Cartridge, Valve (Lift Relief)	
7	7016351	1	Seal Kit - 7018302 Cartridge	
9	7018981	1	Rexroth Valve Section (Steer) (Was p/n 7021303)	
9	7012773	2	Seal Kit - 7021303 & 7018981 Cartridge	
9A	7018912	2	Nut	
9A	7018943	2	O-Ring	
9B	7018917	2	Coil (Was p/n 7012785)	
10	7018312	1	Cartridge, Valve (Tow)	
10	7018313	1	Seal Kit - 7018312 Cartridge	
11	7018967	1	Cartridge Without Coil (Brake)	
11	7016349	1	Seal Kit - 7018967 Cartridge	
11A	7016352	1	Coil	
12	7021304	1	Cartridge, Valve (Flow Divider)	
12	7018315	1	Seal Kit - 7021304 Cartridge	
13	7018304	1	Cartridge, Valve (Check)	
13	7016315	1	Seal Kit - 7018304 Cartridge	
14	7018981	1	Rexroth Valve Section (Drive)	
14	7012773	1	Seal Kit - 7018981 Cartridge	
14A	7018912	2	Nut	
14A	7018943	1	O-Ring	
14B	7018917	2	Coil (Was p/n 7012785)	
15	7021305	1	Rexroth Valve Section (Hi-Drive)	
15	7012773	1	Seal Kit - 7021305 Cartridge	
15	7018993	1	Plug	
15A	7018912	1	Nut	
15A	7018943	1	O-Ring	
15B	7018917	1	Coil (Was p/n 7012785)	
16	7021306	1	Rexroth Valve Section (Lift)	
16	7012773	1	Seal Kit - 7021306 Cartridge	
16	7018993	1	Plug	
16A	7018912	1	Nut	
16A	7018943	1	O-Ring	
16B	7018917	1	Coil (Was p/n 7012785)	
17	7021307	1	Rexroth Valve Section (Posi-Trac)	
17	7012773	1	Seal Kit - 7021307 Cartridge	
17	7018993	1	Plug	
17A	7018912	1	Nut	
17A	7018943	1	O-Ring	
17B	7018917	1	Coil (Was p/n 7012785)	

SECTION 2 - GROUND COMPONENTS

ITEM	PART NUMBER	QTY	DESCRIPTION	REV
18	7018941	2	Orifice 1.2mm	
19	7018919	1	Cartridge, Valve (Steer Relief)	
19	7016351	1	Seal Kit - 7018919 Cartridge	
20	7018916	1	Orifice 2.0mm	
21	7018905	1	Plug	
22	7022520	1	Cartridge, Check Valve	
22	7023876	1	Seal Kit -7022520 Cartridge	
23	7018985		Plug	
24	7018942	20	Capscrew, Socket Head #10-24NC x 2in	

SECTION 2 - GROUND COMPONENTS

FIGURE 2-4. ELECTRICAL COMPONENTS INSTALLATIONS (AT GROUND CONTROLS)



SECTION 2 - GROUND COMPONENTS

FIGURE 2-4. ELECTRICAL COMPONENTS INSTALLATIONS (AT GROUND CONTROLS)

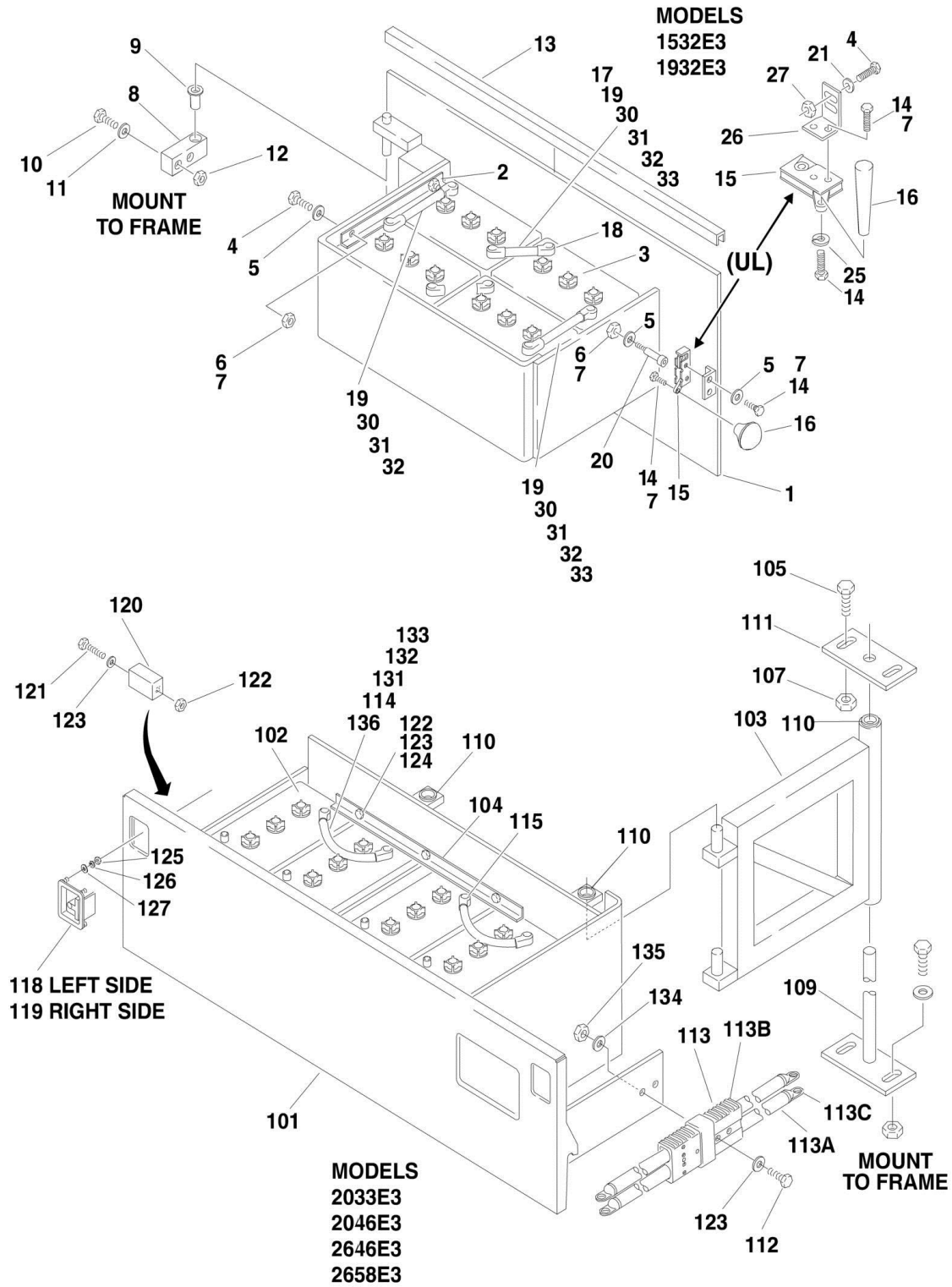
ITEM	PART NUMBER	QTY	DESCRIPTION	REV
		Ref	GROUND CONTROLS INSTALLATION OPTIONS:	
	0258155	Ref	Ground Controls Installation 1532E3/1932E3 - Standard	7
	0258157	Ref	Ground Controls Installation 1532E3/1932E3 - UL	7
	0258158	Ref	Ground Controls Installation 2033E3/2046E3/2646E3/2658E3 - Standard	7
	0258160	Ref	Ground Controls Installation 2033E3/2046E3/2646E3/2658E3 - UL	7
	0258161	Ref	Ground Controls Installation 2033E3/2046E3/2646E3/2658E3 - With Power Deck Extension	7
	0258162	Ref	Ground Controls Installation 2033E3/2046E3/2646E3/2658E3 - With Power Deck Extension - UL	7
1	1600289	1	Controller, SMART System	
2	3941406	4	Self Tapping 1/4in-20NC x 3/4in	
3	4751400	AR	Flatwasher 1/4in	
4	4761400	AR	Lockwasher 1/4in	
5		Ref	Relay Options:	
5	3740131	1	Relay (Standard Machines)	
5	3740121	1	Relay (UL Machines)	
6	3311401	AR	Nut 1/4in-20NC	
7	1060712	1	Cable Assembly (1532E3/1932E3 Machines Only)	
7	4460618	2	Connector, Anderson	
8	4360112	1	Breaker, Circuit	
9	4360432	1	Switch, Keyed Select (Prior to SN 0200069979)	
9	7019604	1	Switch Kit (Includes o-rings, boot and locking ring)	
9	7016339	1	Key, Replacement	
9	4360471	1	Switch, Keyed Select (SN 0200069979 to Present)	
9	2860030	1	Key, Replacement	
10	4360328	1	Switch, Toggle	
11	4360289	1	Switch, Emergency Stop (Prior to SN 0200069828)	
11	7012612	1	Boot	
11	4360475	1	Switch, Emergency Stop (SN 0200069828 to Present)	
11	7020175	1	Cap	
11	7020176	1	Block, Contact	
12		Ref	Decal - Ground Controls Options:	
12	1704141	1	Decal - Ground Controls 1532E3/1932E3 (Prior to SN 0200069979)	
12	1704513	1	Decal - Ground Controls 1532E3/1932E3 (SN 0200069979 to Present)	
12	1704140	1	Decal - Ground Controls 2033E3/2046E3/2646E3/2658E3 (Prior to SN 0200069979)	
12	1704512	1	Decal - Ground Controls 2033E3/2046E3/2646E3/2658E3 (SN 0200069979 to Present)	
13	0100076	AR	Silicone (Not Shown)	
14	4740479	6	Washer, Brass 1/4in	
15	4300133	3	Stud, Brass 1/4in-20NC x 1 1/2in	
16	0100020	AR	Loctite	
17	4711400	4	Flatwasher 1/4in (Narrow) (Prior to SN 0200093627)	
18	Not Required	0	Not Required	
19	4070987	1	Shim,.015 (1532E3/1932E3 Only) (SN 0200069979 to Present)	
20	4070991	1	Shim,.125 (2033E3/2046E3/2646E3/2658E3 Only) (SN 0200069979 to Present)	
21	3910804	6	Screw #8-32NC x 1/4 (SN 0200069979 to Present)	

SECTION 2 - GROUND COMPONENTS

ITEM	PART NUMBER	QTY	DESCRIPTION	REV
		Ref	ALARM INSTALLATIONS	
	0256959	Ref	DESCENT ALARM - 1532E3/1932E3	3
	0256960	Ref	MOTION ALARM - 1532E3/1932E3	3
	0256964	Ref	TRAVEL ALARM - 1532E3/1932E3 (Prior to SN 0200071692)	2
101	0140033	1	Alarm (Remove Ground Strap Before Installation)	
101	4761400	2	Flatwasher 1/4in	
101	3311401	2	Nut 1/4in-20NC	
101		Ref	Harness, Alarm Options:	
101	4922656	1	Harness, Alarm (was p/n 4460042) (Prior to SN 0200103404)	
101	4922656	1	Harness, Alarm (SN 0200103404 to Present)	
	0256961	Ref	DESCENT ALARM - 2033E3/2046E3/2646E3/2658E3	2
	0256962	Ref	MOTION ALARM - 2033E3/2046E3/2646E3/2658E3	2
	0256965	Ref	TRAVEL ALARM - 2033E3/2046E3/2646E3/2658E3 (Prior to SN 0200071692)	-
151	0140033	1	Alarm (Remove Ground Strap Before Installation)	
151	0641406	2	Bolt 1/4in-20NC x 1in (2033E3/2046E3/2646E3/2658E3 Only)	
151	4711400	4	Flatwasher 1/4in	
151	3311405	2	Locknut 1/4in-20NC	
151		Ref	Harness, Alarm Options:	
151	4922656	1	Harness, Alarm (was p/n 4460042) (Prior to SN 0200103404)	
151	4922656	1	Harness, Alarm (SN 0200103404 to Present)	
	0256056	Ref	HOURLY GAUGE INSTALLATION - 1532E3/1932E3 (OPTIONAL)	4
	0256058	Ref	HOURLY GAUGE INSTALLATION - 2033E3/2046E3/2646E3/2658E3 (OPTIONAL)	5
201	2420165	1	Gauge, Hourmeter	
202	2420179	1	Filter, Hourmeter	
	0256423	Ref	KEY ATTACH INSTALLATION (OPTIONAL)	A
301	0641406	1	Bolt 1/4in-20NC x 3/4in	
302	4751400	2	Flatwasher 1/4in	
303	3311405	1	Locknut 1/4in-20NC	
304	1060379	1	Cable, Lanyard	
305	3760170	1	Ring	

SECTION 2 - GROUND COMPONENTS

FIGURE 2-5. BATTERY INSTALLATIONS



SECTION 2 - GROUND COMPONENTS

FIGURE 2-5. BATTERY INSTALLATIONS

ITEM	PART NUMBER	QTY	DESCRIPTION	REV
		Ref	BATTERY INSTALLATIONS - 1532E3/1932E3	
	0258960	Ref	Standard Machines	4
	0258961	Ref	UL Machines	5
1	1780290	1	Battery Door Weldment	
2	0181880	2	Angle, Mounting	
3		Ref	Battery Options:	
3	0400215	4	Battery (was p/n 0400169) (Prior to SN 0200112192)	
3	0400215	4	Battery (SN 0200112192 to Present)	
4	0641408	2	Bolt 1/4in-20NC x 1in	
5	4751400	11	Flatwasher 1/4 (Prior to SN 0200111444)	
6	3311401	4	Nut 1/4in-20NC (Prior to SN 0200111444)	
7	0100011	AR	Loctite #242	
8	0362566	2	Bar, Hinge	
9	0962004	2	Bushing, Flanged Bronze	
10	0641816	4	Bolt 1/2in-13NC x 2in	
11	4751800	8	Flatwasher 1/2in	
12	3311801	4	Nut 1/2in-13NC	
13	3960389	34	Seal	
		in/86.4cm		
14	0641406	7	1/4in-20NC x 3/4in	
15	2940098	1	Latch	
16	2560137	1	Knob	
17	1060711	1	Cable - 12in/30.5cm (Prior to SN 0200081384)	
18	0840031	8	Boot (Right Hand)	
19		Ref	Cable - 9in/23cm Options:	
19	1061017	3	Cable - 9in/23cm (Was P/N 1060665) (Prior to SN 0200112192)	
19	1061017	3	Cable - 9in/23cm (SN 0200112192 to Present)	
21	4711400	12	Flatwasher 1/4in - Narrow	
22	2820088	4	Phenolic 10 x 20 x 1/16 (Not Shown - UL Machines Only)	
23	2820084	2	Phenolic 10 x 8 x 1/16 (Not Shown - UL Machines Only)	
24	4240084	1	Static Strap (Not Shown - UL Machines Only)	
25	4761400	1	Lockwasher 1/4in	
26	0902365	1	Bracket, Latch Mounting	
27	3311405	6	Locknut 1/4in-20NC	
28		Ref	Hardware Options (Not Shown - UL Machines Only):	
28	3941404	4	Self-Tapping 1/4in x 1/2 (Prior to SN 0200097289)	
28	3820020	4	Pop Rivet (SN 0200097289 to Present)	
29		Ref	Flatwasher Options (Not Shown - UL Machines Only):	
29	4751400	4	Flatwasher 1/4in (Prior to SN 0200097289)	
29	4751000	4	Flatwasher #10 (SN 0200097289 to Present)	
30	3300429	8	Nut 5/16in-18NC Stainless (Prior to SN 0200112192)	
31	4740474	8	Lockwasher 5/16in Stainless (Prior to SN 0200112192)	
32	0630526	8	Bolt 5/16in-18NC x 1 1/4in Stainless (Prior to SN 0200112192)	
33	0100051	AR	Grease, Battery	
		Ref	BATTERY INSTALLATIONS - 2033E3/2046E3/2646E3/2658E3	
	0258611	Ref	Standard Machines	7
	0258619	Ref	Hi Output Machines	8
	0258106	Ref	UL Machines - 2033E3/2046E3/2646E3	8
	0258107	Ref	UL Machines - 2658E3	8

SECTION 2 - GROUND COMPONENTS

ITEM	PART NUMBER	QTY	DESCRIPTION	REV
	0258625	Ref	UL Hi Output - 2033E3/2046E3/2646E3	8
	0258624	Ref	UL Hi Output - 2658E3	8
101	4845802	1	Battery Door Weldment	
102		Ref	Battery Options:	
102	0400169	4	Battery - Standard	
102		Ref	Battery - UL Options:	
102	0400215	4	Battery - UL (was p/n 0400169) (Prior to SN 0200112192)	
102	0400215	4	Battery - UL (SN 0200112192 to Present)	
102		Ref	Battery - Hi Output Options:	
102	0400216	4	Battery - Hi Output (was p/n 0400151) (Prior to SN 0200112192)	
102	0400216	4	Battery - Hi Output (SN 0200112192 to Present)	
103	4845873	2	Hinge	
104	0181622	1	Angle, Battery Hold-down	
105	0791608	8	Bolt 3/8in-16NC x 1in	
107	3311608	8	Locknut, Flanged 3/8in-16NC	
109	4845130	2	Hinge	
110	0962004	8	Bushing, Flanged Bronze	
111	3538844	2	Plate	
112	0641412	2	Bolt 1/4in-20 x 1 1/2in	
113	1060710	1	Cable, Battery	
113A	1060243	9 ft/2.74m	Cable	
113B	4460778	2	Connector, Anderson	
113C	4460443	4	Terminal Eyelet	
114		Ref	Cable, Battery Options:	
114	1061017	3	Cable, Battery (was p/n 1060665) (Prior to SN 0200112192)	
114	1061017	3	Cable, Battery (SN 0200112192 to Present)	
115	0840031	8	Boot, Terminal	
116	2820084	10	Phenolic 10 x 10 x 1/16 (Not Shown - UL Machines Only)	
117	2820098	1	Phenolic 6 x 30 x 1/16 (Not Shown - UL Machines Only) (2658E3)	
117	2820087	1	Phenolic 10 x 30 x 1/16 (Not Shown - UL Machines Only) (2033E3/2046E3/2646E3)	
118	2940100	1	Latch, Folding T-Handle (Left Side)	
119	2940101	1	Latch, Folding T-Handle (Right Side)	
120	4220166	1	Stop, Door	
121	0641424	1	Bolt 1/4in-20NC x 1in	
122	3311405	4	Locknut 1/4in-20NC	
123	4711400	14	Flatwasher 1/4in Narrow	
124	0641408	3	Bolt 1/4in-20NC x 1in	
125	3311001	8	Nut #10-24NC (Standard Machines Only)	
125	3311005	8	Locknut #10-24NC (UL Machines Only)	
126	4751000	8	Flatwasher #10	
127	4761000	8	Lockwasher #10 (Standard Machines Only)	
128	3820020	AR	Pop Rivet (Not Shown UL Machines Only)	
129	4751000	AR	Flatwasher #10 (Not Shown UL Machines Only)	
130	2820094	1	Phenolic 3 1/2 x 30 x 1/16 (Not Shown - UL Machines Only) (2658E3)	
131	3300429	8	Nut 5/16in-18NC (Prior to SN 0200112192)	
132	4740474	8	Lockwasher 5/16in (Prior to SN 0200112192)	
133	0630526	8	Bolt 5/16in-18NC x 1 1/4 (Prior to SN 0200112192)	
134	4761400	2	Lockwasher 1/4in	

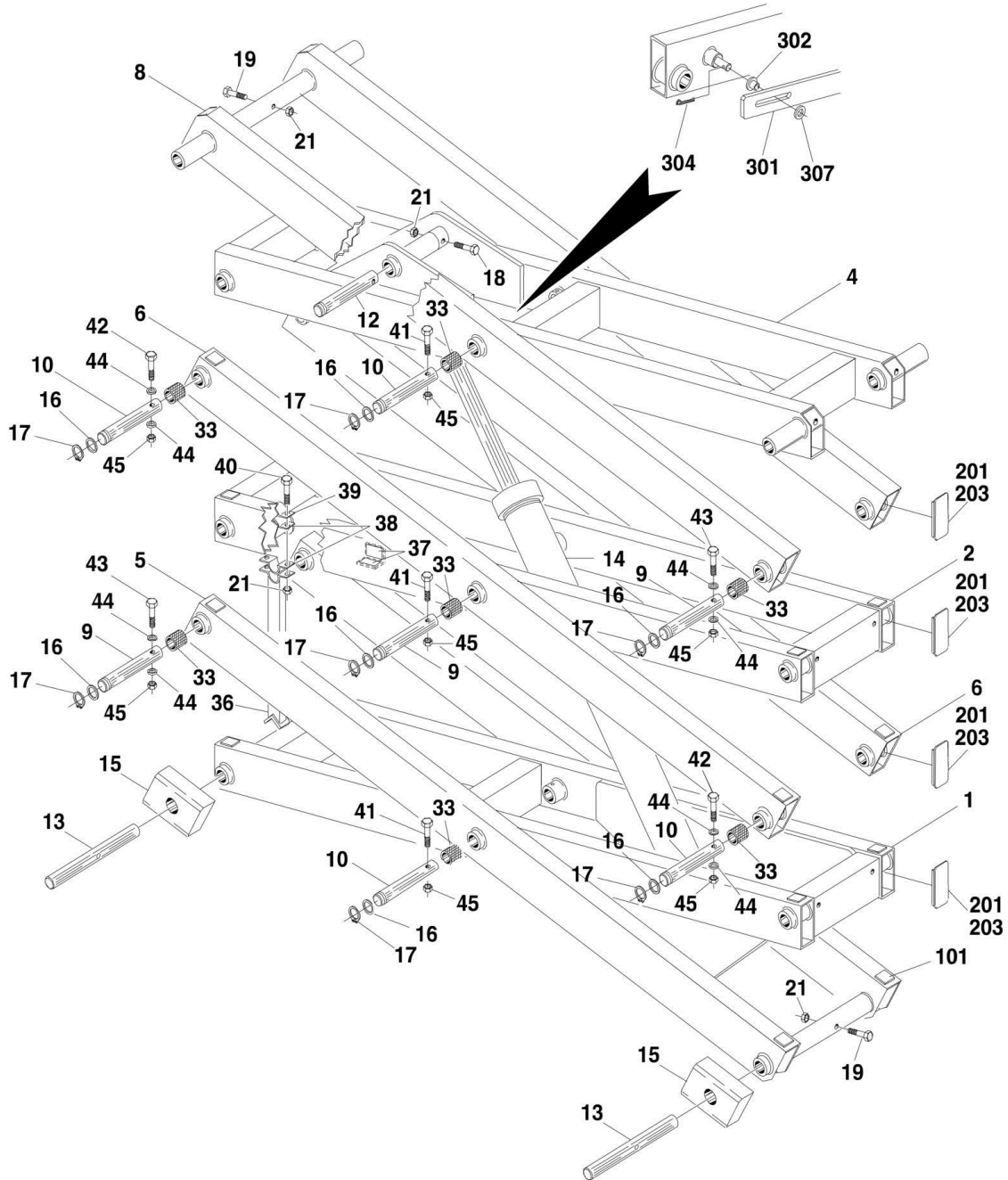
SECTION 2 - GROUND COMPONENTS

ITEM	PART NUMBER	QTY	DESCRIPTION	REV
135	3311401	2	Nut 1/4in-20NC	
136	0100051	AR	Grease, Battery	

SECTION 3 - SCISSOR ARMS

SECTION 3 - SCISSOR ARMS

FIGURE 3-1. SCISSOR ARMS INSTALLATION - 1532E3



SECTION 3 - SCISSOR ARMS

FIGURE 3-1. SCISSOR ARMS INSTALLATION - 1532E3

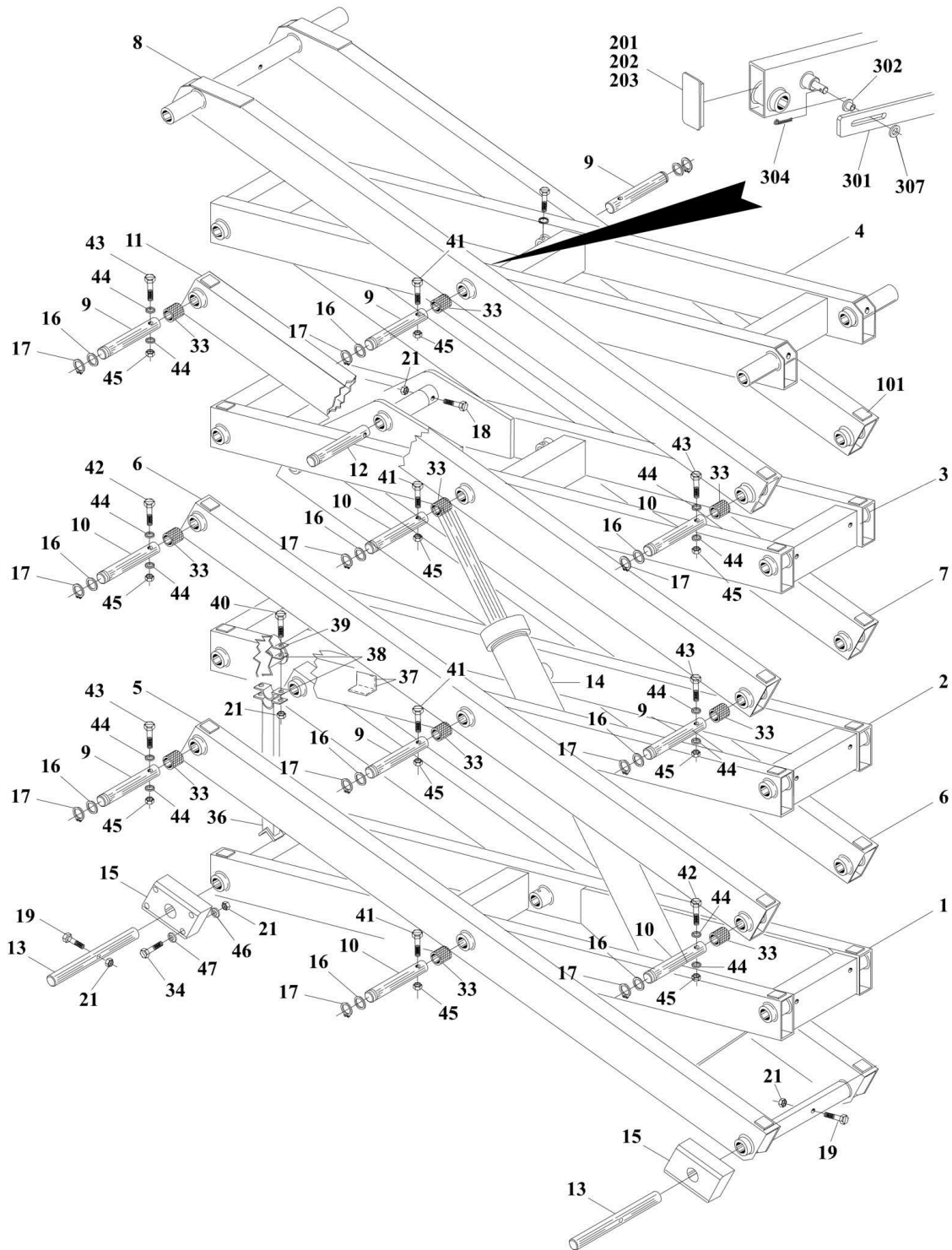
ITEM	PART NUMBER	QTY	DESCRIPTION	REV
	0258173	Ref	SCISSOR ARMS INSTALLATION - 1532E3	7-G
1	0200598	1	Arm Weldment (Bottom Inboard)	
2	0200599	1	Arm Weldment (Lower Mid Inboard)	
4	0200618	1	Arm Weldment (Top Inboard)	
5	0200602	1	Arm Weldment (Bottom Outboard)	
6	0200603	2	Arm Weldment (Mid Outboard)	
8	0200619	1	Arm Weldment (Top Outboard)	
9		Ref	Pin Options:	
9	3422951	6	Pin (p/n was 3422697) (Prior to SN 0200101173)	
9	3422951	6	Pin (SN 0200101173 to Present)	
10	3422698	8	Pin	
12	3422496	2	Pin	
13	3422495	2	Pin	
14	1683500	1	Lift Cylinder Assembly (See CYLINDER SECTION for Breakdown)	
15	3340629	4	Pad, Slide Block	
16	4740438	14	Washer, Special	
17	3760387	14	Ring, Retaining	
18	0641522	2	Bolt 5/16in-18NC x 2 3/4in	
19	0641520	2	Bolt 5/16in-18NC x 2 1/2in	
21	3311505	5	Locknut 5/16in-18NC	
33	0962010	14	Bushing	
36	4846024	1	Weldment, Safety Prop	
37	3340841	3	Pad	
38	4240125	2	Strap	
39	4240128	1	Strap	
40	0641508	2	Bolt 5/16in-18NC x 1in	
41	0641620	6	Bolt 3/8in-16NC x 2 1/2in	
42	0641624	4	Bolt 3/8in-16NC x 3in	
43	0641628	4	Bolt 3/8in-16NC x 3 1/2in	
44	4711600	16	Washer 3/8in	
45	3311605	14	Locknut 3/8in-16NC	
	2902103	1	Kit, Arm (Includes Items 1, 2, 4, 5, 6 & 8)	
	0252586	Ref	ARM PADS INSTALLATION	3
101	3340841	16	Pad	
	0258907	Ref	ARM CAPS INSTALLATION	2-B
201	1120503	16	Cap	
203	0100081		Loctite #454	
	0258114	Ref	CABLE/HOSE CLAMPS INSTALLATION	5-D
301	3571108	1	Cable Tie, Bent	
302	4740480	2	Plastic Insert	
303	4460071	1	Strain Relief (Not Shown - Located on Platform Only) (Prior to SN 0200071187)	
304	3450304	2	Pin, Cotter	
305	4240033	10	Tie Strap 7.5in (Not Shown)	
306	4240018	9	Tie Strap 15in (Not Shown)	
307	4751600	2	Washer 3/8in Wide	
308	2820025	AR	Plastic, Spring Guard Only (Prior to SN 0200061642)	
309	2540002	6	Loom (Not Shown) (SN 0200082955 to Present)	
		in/15.2cm		
310	1320061	2	Clamp (Not Shown) (SN 0200082955 to Present)	

SECTION 3 - SCISSOR ARMS

ITEM	PART NUMBER	QTY	DESCRIPTION	REV
311	4240127	4	Tie Strap 21in (Not Shown)	
312	4060807	1.3 ft/.4m	Shield, Flexible Trim (Not Shown)	

SECTION 3 - SCISSOR ARMS

FIGURE 3-2. SCISSOR ARMS INSTALLATION - 1932E3



SECTION 3 - SCISSOR ARMS

FIGURE 3-2. SCISSOR ARMS INSTALLATION - 1932E3

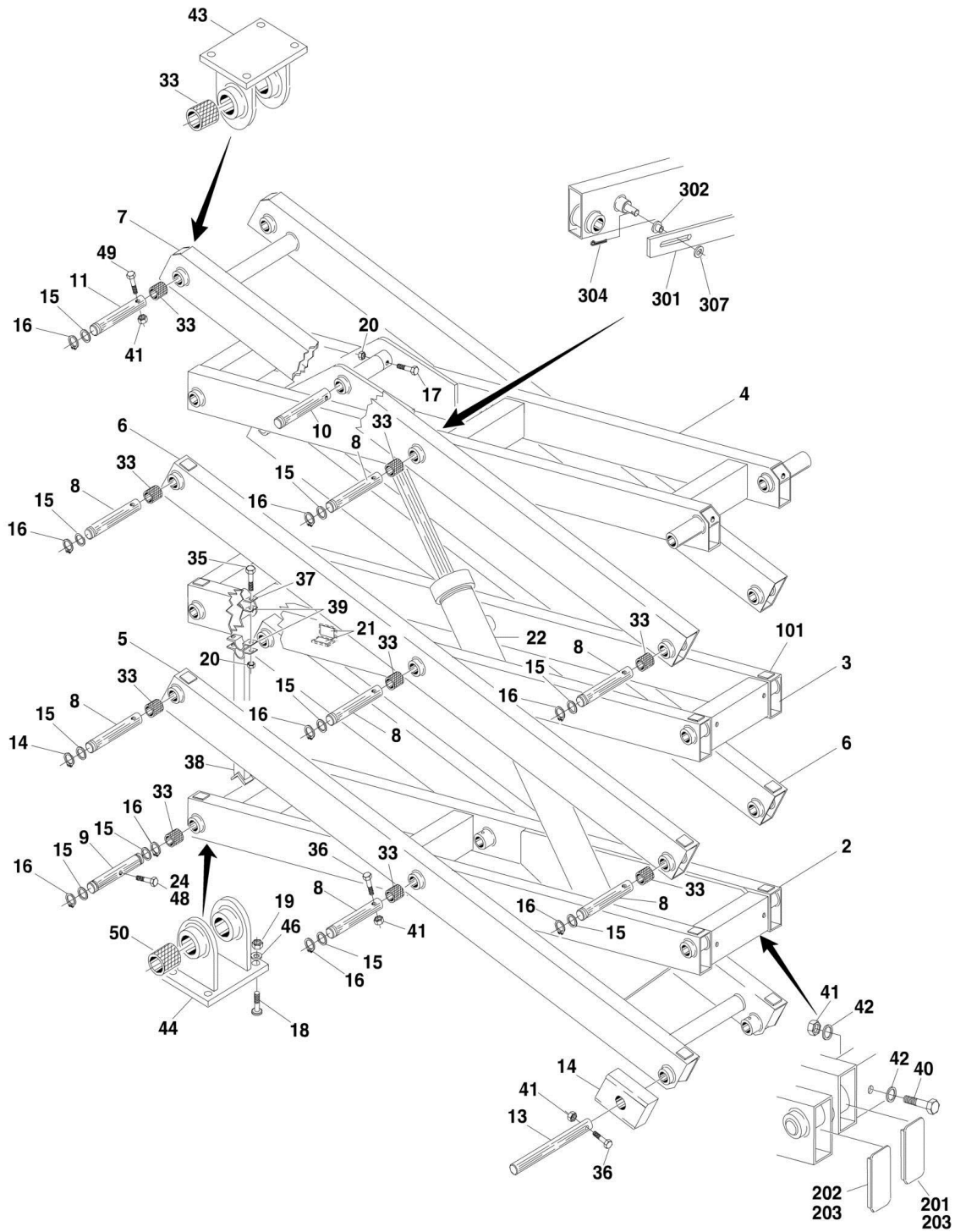
ITEM	PART NUMBER	QTY	DESCRIPTION	REV
	0258174	Ref	SCISSOR ARMS INSTALLATION - 1932E3	6-G
1	0200643	1	Arm Weldment (Bottom Inboard)	
2	0200599	1	Arm Weldment (Lower Mid Inboard)	
3	0200600	1	Arm Weldment (Upper Mid Inboard)	
4	0200601	1	Arm Weldment (Top Inboard)	
5	0200602	1	Arm Weldment (Bottom Outboard)	
6	0200644	2	Arm Weldment (Mid Outboard)	
7	0200641	1	Arm Weldment (Mid Outboard)	
8	0200604	1	Arm Weldment (Top Outboard)	
9		Ref	Pin Options:	
9	3422951	10	Pin (p/n was 3422697) (Prior to SN 0200101173)	
9	3422951	10	Pin (SN 0200101173 to Present)	
10	3422698	10	Pin	
11	0200642	1	Arm Weldment (Mid Outboard)	
12	3422496	2	Pin	
13	3422495	2	Pin	
14	1683500	1	Lift Cylinder Assembly (See CYLINDER SECTION for Breakdown)	
15	3340629	4	Pad, Slide Block	
16	4740438	20	Washer, Special	
17	3760387	20	Ring, Retaining	
18	0641522	2	Bolt 5/16in-18NC x 2 3/4in	
19	0641520	2	Bolt 5/16in-18NC x 2 1/2in	
21	3311505	14	Locknut 5/16in-18NC	
33	0962010	20	Bushing, Excelite	
34	0641524	8	Bolt 5/16in-18NC x 3in	
36	4846024	1	Weldment, Safety Prop	
37	3340841	3	Pad	
38	4240125	2	Strap	
39	4240128	1	Strap	
40	0641508	2	Bolt 5/16in-18NC x 1in	
41	0641620	8	Bolt 3/8in-16NC x 2 1/2in	
42	0641624	4	Bolt 3/8in-16NC x 3in	
43	0641628	8	Bolt 3/8in-16NC x 3 1/2in	
44	4711600	24	Flatwasher 3/8in	
45	3311605	20	Locknut 3/8in-16NC	
46	4751500	8	Flatwasher 5/16in	
47	4711500	8	Flatwasher 5/16in Narrow	
	2902104	1	Kit, Arm (Includes Items 1 - 8)	
	0252587	Ref	ARM PADS INSTALLATION	3
101	3340841	24	Pad	
	0258908	Ref	ARM CAPS INSTALLATION	3-B
201	1120503	10	1/8in Wall Thickness Arm Tube - Cap	
202	1120518	14	3/16in Wall Thickness Arm Tube - Cap	
203	0100084	AR	Adhesive, HV2200 Rubber	
	0258115	Ref	CABLE/HOSE CLAMPS INSTALLATION	5-D
301	3571108	2	Cable Tie, Bent	
302	4740480	4	Plastic Insert	
303	4460071	1	Strain Relief (Not Shown - Located on Platform Only) (Prior to SN 0200071187)	
304	3450304	4	Pin, Cotter	

SECTION 3 - SCISSOR ARMS

ITEM	PART NUMBER	QTY	DESCRIPTION	REV
305	4240033	19	Tie Strap 7.5in (Not Shown)	
306	4240018	6	Tie Strap 15in (Not Shown)	
307	4751600	4	Washer 3/8in Wide	
308	2820025	AR	Plastic, Spring Guard Only (Prior to SN 0200061642)	
309	2540002	6 in/15.2cm	Loom (Not Shown) (SN 0200082955 to Present)	
310	1320061	2	Clamp (Not Shown) (SN 0200082955 to Present)	
311	4240127	4	Tie Strap 21in (Not Shown)	
312	4060807	1.3 ft/.4m	Shield, Flexible Trim (Not Shown)	

SECTION 3 - SCISSOR ARMS

FIGURE 3-3. SCISSOR ARMS INSTALLATION - 2033E3



SECTION 3 - SCISSOR ARMS

FIGURE 3-3. SCISSOR ARMS INSTALLATION - 2033E3

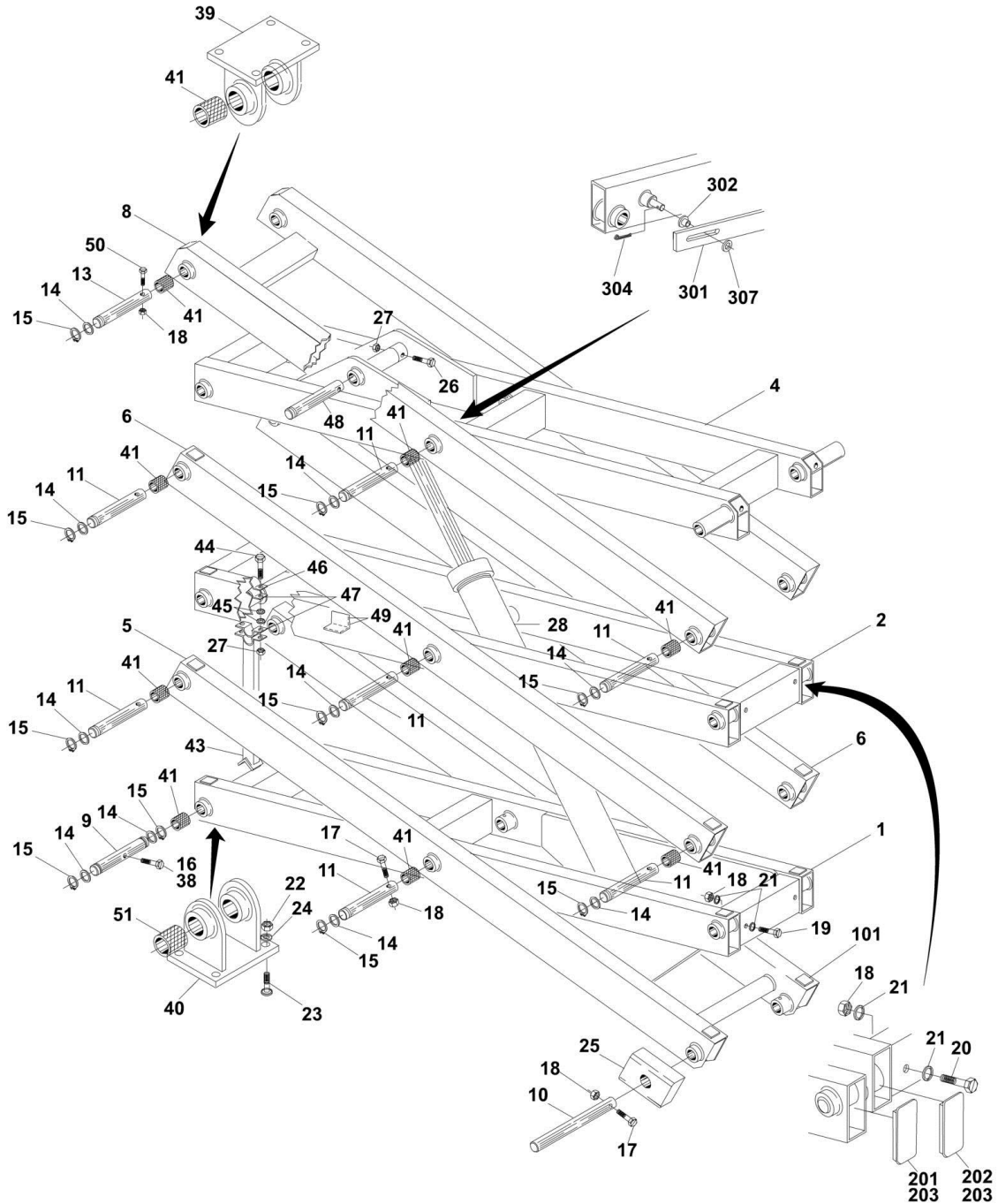
ITEM	PART NUMBER	QTY	DESCRIPTION	REV
		Ref	SCISSOR ARMS INSTALLATION - 2033E3	
	0258083	Ref	Standard Machines without Power Deck	8
	0259369	Ref	Standard Machines with Power Deck	5
	0258778	Ref	1000# Capacity Machines	8
2		Ref	Arm Weldment (Lower Inboard) Options:	
2	0200565	1	Standard Machines	
2	0200624	1	1000# Capacity Machines	
3	0200566	1	Arm Weldment (Mid Inboard)	
4		Ref	Arm Weldment (Upper Inboard) Options:	
4	0200567	1	Machines without Power Deck	
4	0200670	1	Machines with Power Deck	
5		Ref	Arm Weldment (Bottom Outboard) Options:	
5	0200568	1	Standard Machines	
5	0200623	1	1000# Capacity Machines	
6	0200569	2	Arm Weldment (Mid Outboard)	
7	0200570	1	Arm Weldment (Top Outboard)	
8	3422711	14	Pin	
9	3422712	2	Pin	
10	3422714	2	Pin	
11	3422713	2	Pin	
13	3422709	2	Pin	
14	3340629	2	Pad, Slide Block	
15	4740438	18	Washer, Special	
16	3760387	18	Ring, Retaining	
17	0641522	2	Bolt 5/16in-18NC x 2 3/4in	
18	0630523	8	Bolt	
19	3321801	8	Nut	
20	3311505	4	Locknut 5/16in-18NC	
21	3340841	3	Pad,	
22	1683627	1	Lift Cylinder Assembly (See CYLINDER SECTION for Breakdown)	
33	0962220	32	Bushing, Garmax	
35	0641508	2	Bolt 5/16in-18NC x 1in	
36	0641620	8	Bolt 3/8in-16NC x 2 1/2in	
37	4240128	1	Strap	
38	4846024	1	Weldment, Safety Prop	
39	4240125	2	Strap	
40	0641638	8	Bolt 3/8in-16NC x 4 3/4in	
41	3311605	16	Locknut 3/8in-16NC	
42	4711600	18	Flatwasher 3/8in Narrow	
43	4845560	2	Weldment, Stationary Pivot (Top)	
44	4845559	2	Weldment, Stationary Pivot (Bottom)	
46	4711800	8	Flatwasher	
47	4240033	3	Tie Strap (Not Shown)	
48	0681610	2	Bolt 3/8in-16NC x 1 1/4in	
49	0641618	2	Bolt 3/8in-16NC x 2 1/4in	
50	0962234	4	Bushing, Garmax	
		Ref	Kit, Arm Options (Includes Items 2 - 7):	
	2902105	1	Standard Machines without Power Deck	
	2902109	1	Standard Machines with Power Deck	

SECTION 3 - SCISSOR ARMS

ITEM	PART NUMBER	QTY	DESCRIPTION	REV
	2902106	1	1000# Capacity Machines	
	0252586	Ref	ARM PADS INSTALLATION	3
101	3340841	16	Pad	
	0258120	Ref	ARM CAPS INSTALLATION	3
201	1120500	14	3/16in Wall Thickness Arm Tube - Cap	
202	1120501	2	1/4in Wall Thickness Arm Tube - Cap	
203	0100084	AR	Adhesive, HV2200 Rubber	
		Ref	CABLE/HOSE CLAMPS INSTALLATIONS	
	0258116	Ref	Cable/Hose Clamps Installations (Prior to SN 0200056690)	4-D
	0259313	Ref	Cable/Hose Clamps Installations (SN 0200056690 to Present)	4-C
301	0362801	2	Bar, Cable Rod	
302	4740480	4	Plastic Insert	
303	4460071	1	Strain Relief (Not Shown - Located on Platform) (Prior to SN 0200082955)	
304	3450404	4	Pin, Cotter	
305	4240033	16	Tie Strap 7.5in (Not Shown)	
306	4240018	8	Tie Strap 15in (Not Shown)	
307	4751500	4	Washer 5/16in Wide	
308	1320061	2	Clamp (Not Shown - Located on Platform)	
309	2540002	6	Loom (Not Shown) (SN 0200082955 to Present)	
		in/15.2cm		
310	4240127	3	Tie Strap 21in (Not Shown)	
311	4060807	1.3 ft/.4m	Shield, Flexible Trim (Not Shown)	
312	0641406	2	Bolt, 1/4-20NC x 3/4in (Not Shown)	
313	3311405	2	Lock Nut (Not Shown)	

SECTION 3 - SCISSOR ARMS

FIGURE 3-4. SCISSOR ARMS INSTALLATION - 2046E3



SECTION 3 - SCISSOR ARMS

FIGURE 3-4. SCISSOR ARMS INSTALLATION - 2046E3

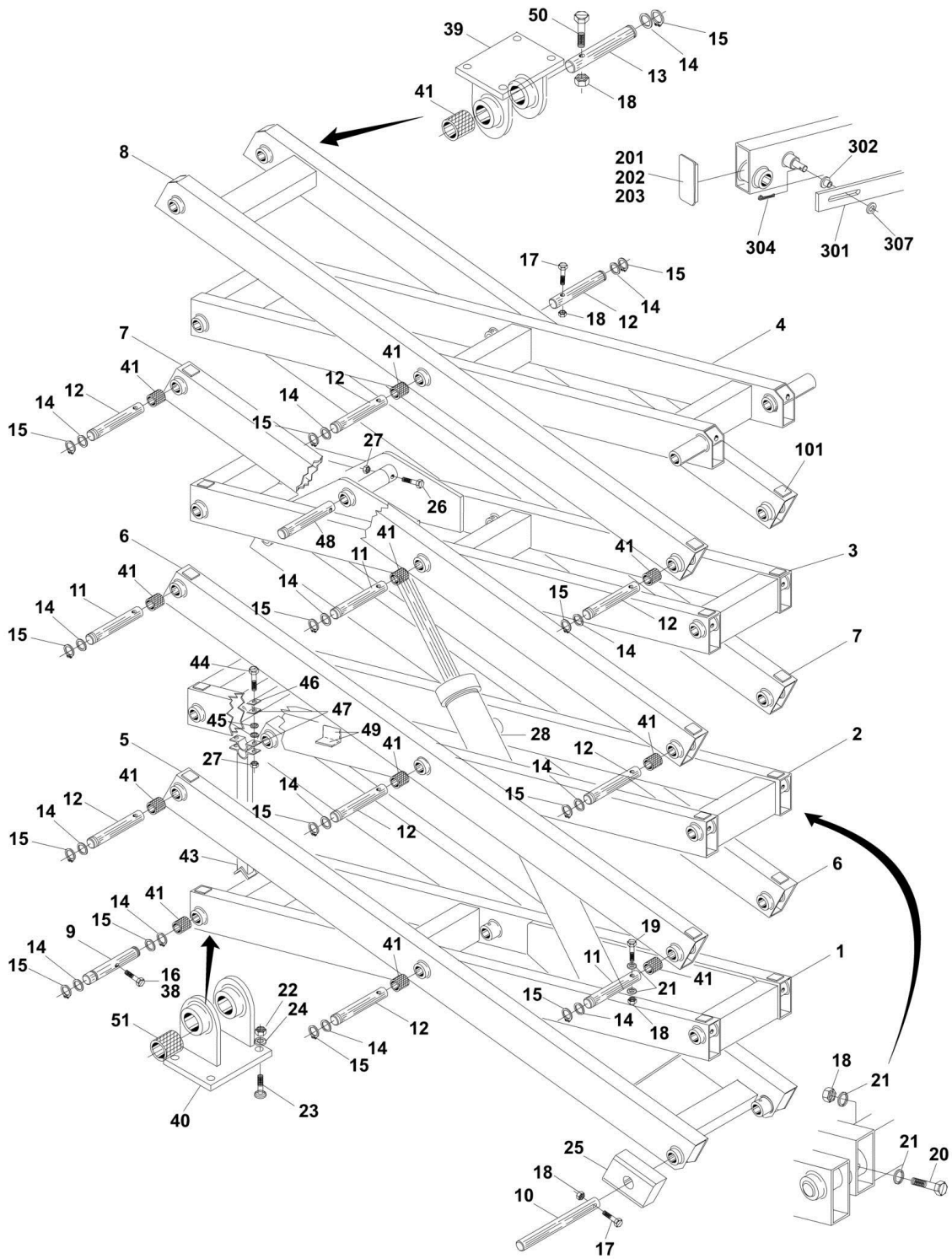
ITEM	PART NUMBER	QTY	DESCRIPTION	REV
		Ref	SCISSOR ARMS INSTALLATION - 2046E3	
	0258084	Ref	Standard Machines without Power Deck	9
	0259370	Ref	Standard Machines with Power Deck	5
1	0200626	1	Arm Weldment (Lower Inboard)	
2	0200588	1	Arm Weldment (Mid Inboard)	
4		Ref	Arm Weldment (Upper Inboard) Options:	
4	0200625	1	Machines without Power Deck	
4	0200671	1	Machines with Power Deck	
5	0200589	1	Arm Weldment (Bottom Outboard)	
6	0200569	2	Arm Weldment (Mid Outboard)	
8	0200590	1	Arm Weldment (Top Outboard)	
9	3422712	2	Pin	
10	3422709	2	Pin	
11	3422711	14	Pin	
13	3422713	2	Pin	
14	4740438	18	Washer, Special	
15	3760387	18	Ring, Retaining	
16	0681610	2	Bolt 3/8in-16NC x 1 1/4in	
17	0641620	8	Bolt 3/8in-16NC x 2 1/2in	
18	3311605	18	Locknut 3/8in-16NC	
19	0641630	2	Bolt 3/8in-16NC x 3 3/4in	
20	0641638	6	Bolt 3/8in-16NC x 4 3/4in	
21	4711600	16	Flatwasher	
22	3321801	8	Nut	
23	0630523	8	Bolt	
24	4711800	8	Flatwasher 1/2in	
25	3340629	2	Pad, Slide Block	
26	0641522	2	Bolt 5/16in-18NC x 2 3/4in	
27	3311505	6	Locknut 5/16in-18NC	
28	1683627	1	Lift Cylinder Assembly (See CYLINDER SECTION for Breakdown)	
38	0100011	AR	Loctite #242	
39	4845560	2	Weldment, Stationary Pivot (Top)	
40	4845559	2	Weldment, Stationary Pivot (Bottom)	
41	0962220	32	Bushing, Garmax	
43	4845849	1	Weldment, Safety Prop	
44	0641508	4	Bolt 5/16in-18NC x 1in	
45	4711500	4	Flatwasher 5/16in Narrow	
46	4240128	2	Strap	
47	4240125	4	Strap	
48	3422485	2	Pin	
49	3340841	3	Pad, PVC	
50	0641618	2	Bolt 3/8in-16NC x 2 1/4in	
51	0962234	4	Bushing, Garmax	
		Ref	Kit, Arm Options (Includes Items 1, 2, 4, 5, 6 & 8):	
	2902107	1	Standard Machines without Power Deck	
	2902110	1	Standard Machines with Power Deck	
	0252586	Ref	ARM PADS INSTALLATION	3
101	3340841	16	Pad	
	0258120	Ref	ARM CAPS INSTALLATION	3

SECTION 3 - SCISSOR ARMS

ITEM	PART NUMBER	QTY	DESCRIPTION	REV
201	1120500	14	3/16in Wall Thickness Arm Tube - Cap	4-D
202	1120501	2	1/4in Wall Thickness Arm Tube - Cap	
203	0100084	AR	Adhesive, HV2200 Rubber	
	0258116	Ref	CABLE/HOSE CLAMPS INSTALLATION	
301	0362801	1	Bar, Cable Rod	
302	4740480	2	Plastic Insert	
303	4460071	1	Strain Relief (Not Shown - Located on Platform Only) (Prior to SN 0200082955)	
304	3450304	2	Pin, Cotter	
305	4240033	14	Tie Strap 7.5in (Not Shown)	
306	4240018	8	Tie Strap 15in (Not Shown)	
307	4751500	2	Washer 5/16in Wide	
308	1320061	AR	Clamp (Not Shown - Located on Platform)	
309	2540002	6 in/15.2cm	Loom (Not Shown) (SN 0200082955 to Present)	
310	4240127	3	Tie Strap 21in (Not Shown)	
311	4060807	1.3 ft/.4m	Shield, Flexible Trim (Not Shown)	
312	0641406	2	Bolt, 1/4-20NC x 3/4in (Not Shown)	
313	3311405	2	Lock Nut (Not Shown)	

SECTION 3 - SCISSOR ARMS

FIGURE 3-5. SCISSOR ARMS INSTALLATION - 2646E3/2658E3



SECTION 3 - SCISSOR ARMS

FIGURE 3-5. SCISSOR ARMS INSTALLATION - 2646E3/2658E3

ITEM	PART NUMBER	QTY	DESCRIPTION	REV
		Ref	SCISSOR ARMS INSTALLATION - 2646E3/2658E3	
	0258085	Ref	Machines without Power Deck	10
	0259371	Ref	Machines with Power Deck	6
1	0200593	1	Arm Weldment (Lower Inboard)	
2	0200588	1	Arm Weldment (Mid Inboard)	
3	0200597	1	Arm Weldment (Mid Upper Inboard)	
4		Ref	Arm Weldment (Upper Inboard) Options:	
4	0200592	1	Machines without Power Deck	
4	0200672	1	Machines with Power Deck	
5	0200589	1	Arm Weldment (Bottom Outboard)	
6	0200569	2	Arm Weldment (Mid Outboard)	
7	0200596	2	Arm Weldment (Mid Outboard)	
8	0200590	1	Arm Weldment (Top Outboard)	
9	3422712	2	Pin	
10	3422709	2	Pin	
11	3422751	6	Pin	
12	3422711	14	Pin	
13		Ref	Pin Options:	
13	3422713	2	Machines without Power Deck	
13	Not Required	0	Machines with Power Deck	
14	4740438	24	Washer, Special	
15	3760387	24	Ring, Retaining	
16	0681610	2	Bolt 3/8in-16NC x 1 1/4in	
17	0641620	10	Bolt 3/8in-16NC x 2 1/2in	
18	3311605	24	Locknut 3/8in-16NC	
19	0641630	2	Bolt 3/8in-16NC x 3 3/4in	
20	0641638	10	Bolt 3/8in-16NC x 4 3/4in	
21	4711600	24	Flatwasher 3/8in Narrow	
22	3321801	8	Nut	
23	0630523	8	Bolt	
24	4711800	8	Flatwasher 1/2in	
25	3340629	2	Pad, Slide Block	
26	0641522	2	Bolt 5/16in-18NC x 2 3/4in	
27	3311505	6	Locknut 5/16in-18NC	
28	1683628	1	Lift Cylinder Assembly (See CYLINDER SECTION for Breakdown)	
38	0100011	AR	Loctite #242	
39		Ref	Weldment, Stationary Pivot (Top) Options:	
39	4845560	2	Machines without Power Deck	
39	Not Required	0	Machines with Power Deck	
40	4845559	2	Weldment, Stationary Pivot (Bottom)	
41	0962220	44	Bushing, Garmax	
43	4845849	1	Weldment, Safety Prop	
44	0641508	4	Bolt 5/16in-18NC x 1in	
45	4711500	4	Flatwasher 5/16in Narrow	
46	4240128	2	Strap	
47	4240125	4	Strap	
48	3422485	2	Pin	
49	3340841	3	Pad, PVC	
50	0641618	2	Bolt 3/8in-16NC x 2 1/4in	

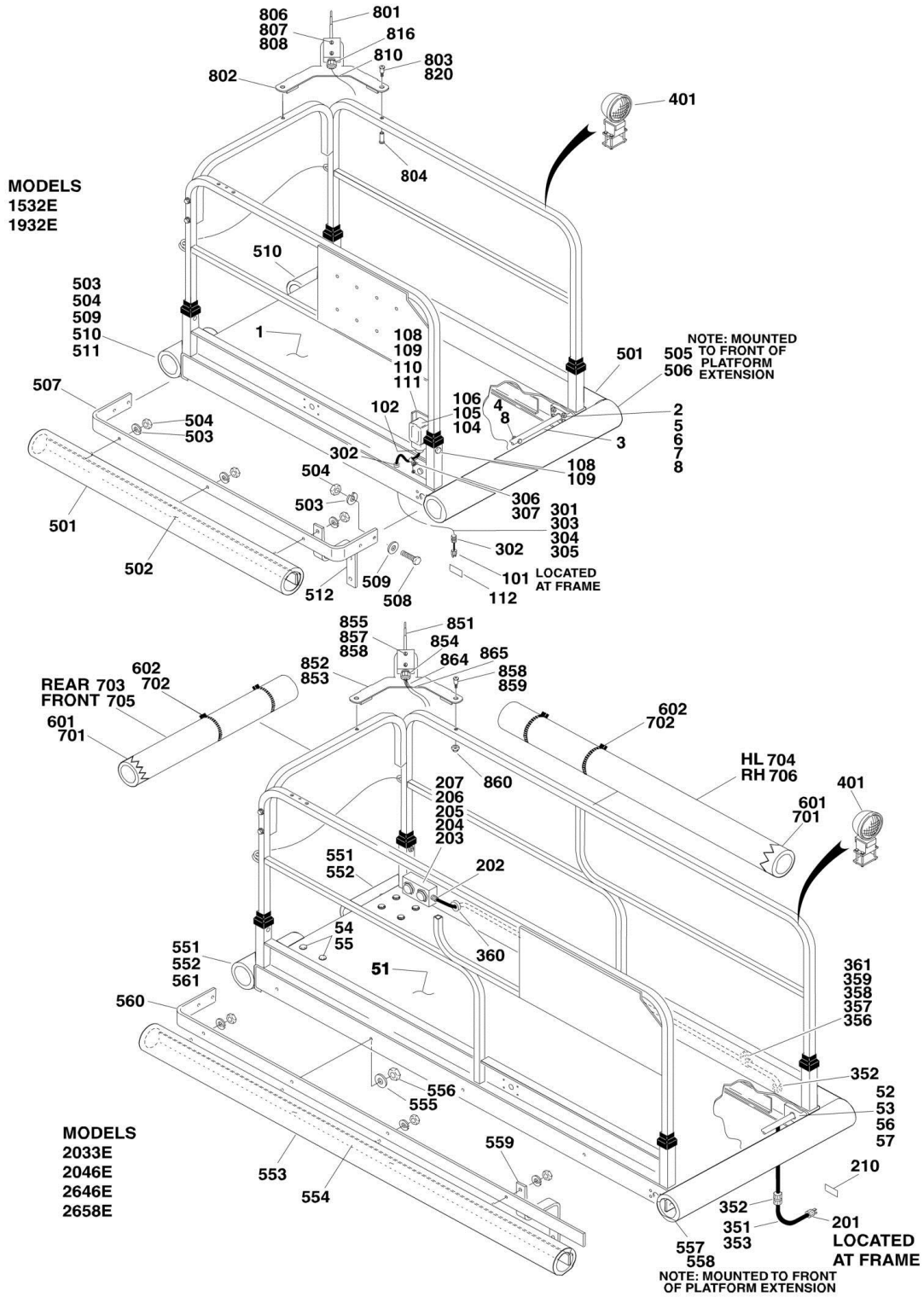
SECTION 3 - SCISSOR ARMS

ITEM	PART NUMBER	QTY	DESCRIPTION	REV
51	0962234	4	Bushing, Garmax	
		Ref	Kit, Arm Options (Includes Items 1 - 8):	
	2902108	1	Machines without Power Deck	
	2902111	1	Machines with Power Deck	
	0252587	Ref	ARM PADS INSTALLATION	3
101	3340841	24	Pad	
	0258121	Ref	ARM CAPS INSTALLATION	3
201	1120500	14	3/16in Wall Thickness Arm Tube - Cap	
202	1120501	10	1/4in Wall Thickness Arm Tube - Cap	
203	0100084	AR	Adhesive, HV2200 Rubber	
	0258117	Ref	CABLE/HOSE CLAMPS INSTALLATION (2646E3)	7
	0259218	Ref	CABLE/HOSE CLAMPS INSTALLATION (2658E3)	6
301	0362801	2	Bar, Cable Rod	
302	4740480	4	Plastic Insert	
303		Ref	Strain Relief Options (Not Shown - Located on Platform):	
303	4460071	1	Strain Relief (Was p/n 4460049) (Prior to SN 0200063629)	
303	4460071	1	Strain Relief (SN 0200063629 through 0200082955)	
304	3450304	4	Pin, Cotter	
305	4240033	24	Tie Strap 7.5in (Not Shown)	
306	4240018	3	Tie Strap 15in (Not Shown)	
307	4711500	4	Flatwasher 5/16in Narrow	
308	1320061	1	Clamp (Not Shown - Located on Platform)	
309	2540002	1 ft/0.30m	Loom (Not Shown) (SN 0200082955 to Present)	
310	4060807	0.4 ft/1.0cm	Shield, Flex Trim (Not Shown) (2658E3 Only) (Prior to SN 0200082955)	
311	0641406	2	Bolt 1/4in-20NC x 3/4 (Not Shown - Located on Frame) (SN 0200099108 to Present)	
312	3311405	2	Locknut 1/4in-20NC (Not Shown - Located on Frame) (SN 0200099108 to Present)	
313	4240127	3	Tie Strap 21in (Not Shown)	
314	4060807	1.3 ft/.4m	Shield, Flexible Trim (Not Shown)	

SECTION 4 - PLATFORM

SECTION 4 - PLATFORM

FIGURE 4-1. PLATFORM INSTALLATION - MANUALLY OPERATED EXTENSION



SECTION 4 - PLATFORM

FIGURE 4-1. PLATFORM INSTALLATION - MANUALLY OPERATED EXTENSION

ITEM	PART NUMBER	QTY	DESCRIPTION	REV
		Ref	PLATFORM INSTALLATIONS - 1532E3/1932E3	
		Ref	Note: Replacement decals must be ordered separately - See DECALS SECTION.	
	0258178	Ref	Platform Installations 1532E3/1932E3 (Standard)	3
	0258176	Ref	Platform Installations 1532E3 (With Anchor Rings)	2
	0258179	Ref	Platform Installations 1932E3 (With Anchor Rings)	2
1		Ref	Platform Assembly W/Extension Options:	
1	3510688	1	Platform Assembly W/Extension 1532E3/1932E3 (Standard)	
1	3510659	1	Platform Assembly W/Extension 1532E3 (With Anchor Rings)	
1	3510659	1	Platform Assembly W/Extension 1932E3 (With Anchor Rings)	
2	3340629	4	Block, Slide Pad	
3	3422733	2	Pin, Attach	
4	0681520	2	Bolt 5/16in-18NC x 2 1/2in	
5	0641522	8	Bolt 5/16in-18NC x 2 3/4in	
6	4751500	8	Flatwasher 5/16in	
7	4711500	8	Flatwasher 5/16in Narrow	
8	3311505	10	Locknut 5/16in-18NC	
		Ref	PLATFORM INSTALLATIONS - 2033E3/2046E3/2646E3/2658E3	
		Ref	Note: Replacement decals must be ordered separately - See DECALS SECTION.	
	0258091	Ref	Platform Installations 2033E3 (Standard)	2
	0258092	Ref	Platform Installations 2033E3 (With Anchor Rings)	2
	0258093	Ref	Platform Installations 2046E3/2646E3 (Standard)	2
	0258094	Ref	Platform Installations 2046E3/2646E3 (With Anchor Rings)	2
	0258095	Ref	Platform Installations 2658E3 (Standard)	2
	0258096	Ref	Platform Installations 2658E3 (With Anchor Rings)	2
51		Ref	Platform Assembly W/Extension Options:	
51	3510697	1	Platform Assembly W/Extension 2033E3 (Standard)	
51	3510663	1	Platform Assembly W/Extension 2033E3 (With Anchor Rings)	
51	3510698	1	Platform Assembly W/Extension 2046E3/2646E3 (Standard)	
51	3510665	1	Platform Assembly W/Extension 2046E3/2646E3 (With Anchor Rings)	
51	3510699	1	Platform Assembly W/Extension 2658E3 (Standard)	
51	3510667	1	Platform Assembly W/Extension 2658E3 (With Anchor Rings)	
52	0561332	2	Block, Slide Pad	
53	3422655	2	Pin, Attach	
54	0630485	AR	Bolt 3/8in-16NC x 1in	
55	3311605	AR	Locknut 3/8in-16NC	
56	0681610	2	Bolt 3/8in-16NC x 1 1/4in	
57	0100011	AR	Loctite #242	
		Ref	110 VOLT RECEPTACLE INSTALLATIONS - 1532E3/1932E3 (OPTIONAL)	
	0258267	Ref	110 Volt Receptacle Installations 1532E3/1932E3 (Standard Option)	3
	0258269	Ref	110 Volt Receptacle Installations 1532E3/1932E3 (G.F.I. Receptacle)	3
	0258268	Ref	110 Volt Receptacle Installations 1532E3/1932E3 (UL Machines)	3
	0258270	Ref	110 Volt Receptacle Installations 1532E3/1932E3 (Export)	4
101		Ref	Connector, Plug Options:	
101	4460138	1	Connector, Plug (Standard/G.F.I./UL)	

SECTION 4 - PLATFORM

ITEM	PART NUMBER	QTY	DESCRIPTION	REV
101	Not Available		Connector, Plug (Export)	
102	4460051	1	Connector	
104	0860038	1	Box, Receptacle	
105		Ref	Terminal, Receptacle Options:	
105	4460190	1	Terminal, Receptacle (Standard)	
105	4460347	1	Terminal, Receptacle (UL Isolated Ground)	
105	4460346	1	Terminal, Receptacle (G.F.I.)	
105	Not Available		Terminal, Receptacle (Export)	
106		Ref	Shield, Weatherproof Cover Options:	
106	4060092	1	Shield, Weatherproof Cover (Standard/UL)	
106	4060700	1	Shield, Weatherproof Cover (G.F.I.)	
106	Not Available		Shield, Weatherproof Cover (Export)	
108	4751400	2	Flatwasher 1/4in	
109	3311405	2	Locknut 1/4in-20NC	
110	0641405	2	Bolt 1/4in-20NC x 5/8in	
111	3571479	1	Plate, Mounting - Receptacle Box	
112	1703464	1	Decal, AC Power	
		Ref	110 VOLT RECEPTACLE INSTALLATIONS - 2033E3/2046E3/2646E3/2658E3 (OPTIONAL)	
	0258271	Ref	110 Volt Receptacle Installations 2033E3/2046E3/2646E3/2658E3 (Standard Option)	3
	0258272	Ref	110 Volt Receptacle Installations 2033E3/2046E3/2646E3/2658E3 (UL Machines)	3
	0258273	Ref	110 Volt Receptacle Installations 2033E3/2046E3/2646E3/2658E3 (G.F.I. Receptacle)	3
	0258274	Ref	110 Volt Receptacle Installations 2033E3/2046E3/2646E3/2658E3 (Export)	3
201		Ref	Connector, Plug Options:	
201	4460138	1	Connector, Plug (Standard/G.F.I./UL)	
201	Not Available		Connector, Plug (Export)	
202		Ref	Connector Options:	
202	4460051	1	Connector (Standard/G.F.I./UL)	
202	Not Available		Connector (Export)	
204	0860038	1	Box, Receptacle	
205		Ref	Terminal, Receptacle Options:	
205	4460190	1	Terminal, Receptacle (Standard)	
205	4460347	1	Terminal, Receptacle (UL)	
205	4460346	1	Terminal, Receptacle (G.F.I.)	
205	Not Available		Terminal, Receptacle (Export)	
206		Ref	Shield, Weatherproof Cover Options:	
206	4060092	1	Shield, Weatherproof Cover (Standard/UL)	
206	4060700	1	Shield, Weatherproof Cover (G.F.I.)	
206	Not Available		Shield, Weatherproof Cover (Export)	
207	3900294	4	Self Drilling Screw #10-16 x 1in	
210		Ref	Decal, AC Power Options:	
210	1703464	1	Decal, AC Power (Standard/G.F.I./UL)	
210	Not Available		Decal, AC Power (Export)	
		Ref	RECEPTACLE CABLE INSTALLATIONS (OPTIONAL)	
	0258254	Ref	Receptacle Cable Installations (Optional) 1532E3	3
	0258256	Ref	Receptacle Cable Installations (Optional) 1932E3	3
301	1060308		Cable Options:	
301	1060308	35 ft/10.67m	Cable 1532E3	

SECTION 4 - PLATFORM

ITEM	PART NUMBER	QTY	DESCRIPTION	REV
301	1060308	44 ft/13.39m	Cable 1932E3	
302	4460051	1	Connector	
303	2820025	1.5 ft/.46m	Plastic Spring Guard Only (Prior to SN 0200061642)	
304	4240033	AR	Tie Strap	
305	4240018	AR	Tie Strap	
306	1320061	1	Clamp	
307	0641512	1	Bolt 5/16in-18NC x 1 1/2in	
	Ref		RECEPTACLE CABLE INSTALLATIONS (OPTIONAL)	
	0258258	Ref	Receptacle Cable Installations (Optional) 2033E3/2046E3 (Manually Operated Extension)	3
	0258262	Ref	Receptacle Cable Installations (Optional) 2033E3/2046E3 (Power Deck Extension)	2
	0258260	Ref	Receptacle Cable Installations (Optional) 2646E3/2658E3 (Manually Operated Extension)	3
	0258263	Ref	Receptacle Cable Installations (Optional) 2646E3/2658E3 (Power Deck Extension)	2
351	1060308		Cable 12/3 Options:	
351	1060308	48 ft/14.63m	Cable 2033E3/2046E3	
351	1060308	51/15.54 m	Cable 2646E3/2658E3	
351	1060308	51/15.54 m	Cable 2033E3/2046E3/2646E3/2658E3 (With Power Deck Extension)	
352	4460051	1	Connector	
353	2820025	1.5 ft/.46m	Plastic Spring Guard Only (Prior to SN 0200061642)	
354	4240033	AR	Tie Strap (Not Shown)	
355	4240018	AR	Tie Strap (Not Shown)	
356	1320061	5	Clamp	
357	0641505	2	Bolt 5/16in-18NC x 5/8in	
358	4751500	2	Flatwasher 5/16in	
359	3311505	2	Locknut 5/16in-18NC	
360	2540002	AR	Grommet	
361	0641512	1	Bolt 5/16in-18NC x 1 1/2in	
	Ref		WORKLIGHTS INSTALLATIONS (optional)	
	0255963	Ref	Worklights Installations (Optional) 1532E3 (Prior to SN 0200063475)	5
	0259463	Ref	Worklights Installations (Optional) 1532E3 (SN 0200063475 to Present)	2
	0258213	Ref	Worklights Installations (Optional) 1532E3 With Folddown Rails (Prior to SN 0200063475)	1
	0259466	Ref	Worklights Installations (Optional) 1532E3 With Folddown Rails (SN 0200063475 to Present)	2
	0256200	Ref	Worklights Installations (Optional) 1932E3 (Prior to SN 0200063475)	4
	0259464	Ref	Worklights Installations (Optional) 1932E3 (SN 0200063475 to Present)	2
	0258214	Ref	Worklights Installations (Optional) 1932E3 With Folddown Rails (Prior to SN 0200063475)	1
	0259467	Ref	Worklights Installations (Optional) 1932E3 With Folddown Rails (SN 0200063475 to Present)	2
	0256198	Ref	Worklights Installations (Optional) 2033E3/2046E3 (Prior to SN 0200063475)	C

SECTION 4 - PLATFORM

ITEM	PART NUMBER	QTY	DESCRIPTION	REV
	0259465	Ref	Worklights Installations (Optional) 2033E3/2046E3 (SN 0200063475 to Present)	2
	0258215	Ref	Worklights Installations (Optional) 2033E3/2046E3 With Falddown Rails (Prior to SN 0200063475)	1
	0259468	Ref	Worklights Installations (Optional) 2033E3/2046E3 With Falddown Rails (SN 0200063475 to Present)	2
	0270049	Ref	Worklights Installations (Optional) 2033E3 With Power Deck Option (SN 0200071692 to Present)	2
	0258216	Ref	Worklights Installations (Optional) 2646E3/2658E3 With Falddown Rails (Prior to SN 0200063475)	1
	0259469	Ref	Worklights Installations (Optional) 2646E3/2658E3 With Falddown Rails (SN 0200063475 to Present)	2
401	2920093	2	Worklight Assembly	
401	7016630	2	Bulb (1 Per Assembly)	
401		Ref	Cable Options: (Not Shown)	
401	1060341	40 ft/12.2m	Cable 1532E3 (Prior to SN 0200063475)	
401	1060680	32 ft/9.8m	Cable 1532E3 (SN 0200063475 to Present)	
401	1060341	48 ft/14.6m	Cable 1932E3 (Prior to SN 0200063475)	
401	1060680	38 ft/11.6m	Cable 1932E3 (SN 0200063475 to Present)	
401	1060341	54 ft/16.5m	Cable 2033E3/2046E3 (Prior to SN 0200063475)	
401	1060680	51 ft/15.6m	Cable 2033E3/2046E3 (SN 0200063475 to Present)	
401	1060341	61 ft/18.6m	Cable 2646E3/2658E3 (Prior to SN 0200063475)	
401	1060680	61 ft/18.6m	Cable 2646E3/2658E3 (SN 0200063475 to Present)	
401	4360164	1	Breaker, Circuit - 5 Amp (Not Shown)	
401		Ref	Plate, Mounting Options:	
401	3536089	2	Plate, Mounting (Prior to SN 0200063475)	
401	0901930	2	Plate, Mounting (SN 0200063475 to Present)	
401		Ref	Connector, Strain Relief (Not Shown) Options:	
401	4460049	1	Connector, Strain Relief (Not Shown) (Prior to SN 0200089301)	
401	4460071	1	Connector, Strain Relief (Not Shown) (SN 0200089301 to Present)	
401	3300048	1	Locknut, Conduit (Not Shown)	
401	0840025	1	Boot, Cable	
	0254171	Ref	BUMPER PADS INSTALLATION - 1532E3/1932E3	A
	0257398	Ref	BUMPER PADS INSTALLATION - 2033E3	1
	0259061	Ref	BUMPER PADS POWER DECK EXTENSION INSTALLATION - 2033E3	2
501		Ref	Pad, Bumper Options: (Side)	
501	0940060	2	Pad, Bumper 1532E3/1932E3	
501	0940057	2	Pad, Bumper 2033E3	
502		Ref	Bar, Bumper Options: (Side Outer)	
502	4844586	2	Bar, Bumper 1532E3/1932E3	
502	4844414	2	Bar, Bumper 2033E3	
503	4761400	16	Lockwasher 1/4in (1532E3/1932E3)	
504		Ref	Hardware Options:	
504	3311401	AR	Nut 1/4in-20NC 1532E3/1932E3	
504	3311405	AR	Locknut 1/4in-20NC 2033E3	

SECTION 4 - PLATFORM

ITEM	PART NUMBER	QTY	DESCRIPTION	REV
505	0940061	1	Pad, Bumper (Front)	
506	4844585	1	Rail, Bumper (Front Outer)	
507		Ref	Rail, Bumper (Inner) Options:	
507	0362273	2	Rail, Bumper (Inner) 1532E3/1932E3	
507	0362666	2	Rail, Bumper (Inner) 2033E3	
507	0362831	2	Rail, Bumper (Inner) 2033E3 With Power Deck Extension	
508		Ref	Bolt Options:	
508	0641407	4	Bolt 1/4in-20NC x 7/8in (1532E3/1932E3)	
508	0641412	4	Bolt 1/4in-20NC x 1 1/2in (2033E3)	
509	4751400	20	Flatwasher 1/4in	
510	0940065	2	Pad, Bumper (Rear)	
511		Ref	Bolt Options:	
511	0641416	4	Bolt 1/4in-20NC x 2in	
511	0641412	4	Bolt 1/4in-20NC x 1 1/2in (2033E3 With Power Deck Extension)	
512	0902519	2	Bracket (2033E3 With Power Deck Extension)	
	0257367	Ref	BUMPER PADS INSTALLATION - 2046E3/2646E3	2
	0259062	Ref	BUMPER PADS POWER DECK EXTENSION INSTALLATION - 2046E3/2646E3	2
	0257397	Ref	BUMPER PADS INSTALLATION - 2658E3	2
	0259063	Ref	BUMPER PADS POWER DECK EXTENSION INSTALLATION - 2658E3	2
551		Ref	Pad, Bumper Options: (Rear)	
551	0940080	2	Pad, Bumper 2046E3/2646E3	
551	0940081	2	Pad, Bumper 2658E3	
552		Ref	Bar, Bumper Options: (Rear Outer)	
552	4845496	2	Bar, Bumper 2046E3/2646E3	
552	4845497	2	Bar, Bumper (2658E3)	
552	Not Required	0	With Power Deck Extension	
553	0940057	2	Pad, Bumper (Side)	
554	4844414	2	Rail, Bumper (Side)	
555	4751400	AR	Flatwasher 1/4in	
556	3311405	AR	Locknut 1/4in-20NC	
557		Ref	Pad, Bumper Options: (Front)	
557	0940079	1	Pad, Bumper 2046E3/2646E3	
557	0940082	1	Pad, Bumper (2658E3)	
558		Ref	Rail, Bumper (Front)	
558	4845495	1	Rail, Bumper (Front) 2046E3/2646E3	
558	4845498	1	Rail, Bumper (Front) (2658E3)	
559	0902519	2	Bracket (With Power Deck Extension)	
560	0362831	2	Rail Bumper (Inner) (With Power Deck Extension)	
561	0641412	6	Bolt 1/4in-20NC x 1 1/2in (With Power Deck Extension)	
	0257664	Ref	TOP RAIL PADDING INSTALLATION - 2033E3/2046E3/2646E3/2658E3 (Prior to SN 0200070220)	2
601	3340612	24 ft/7.3m	Pad	
602	4240018	AR	Tie Straps	
		Ref	TOP RAIL PADDING INSTALLATIONS (SN 0200085647 to Present)	
	0259681	Ref	Top Rail Padding Installations 2046E3	1
	0259945	Ref	Top Rail Padding Installations 2646E3	1
	0259682	Ref	Top Rail Padding Installations 2658E3	1
	0270836	Ref	Top Rail Padding Installations 2033E3	1
701	3340612	AR	Pad Options:	

SECTION 4 - PLATFORM

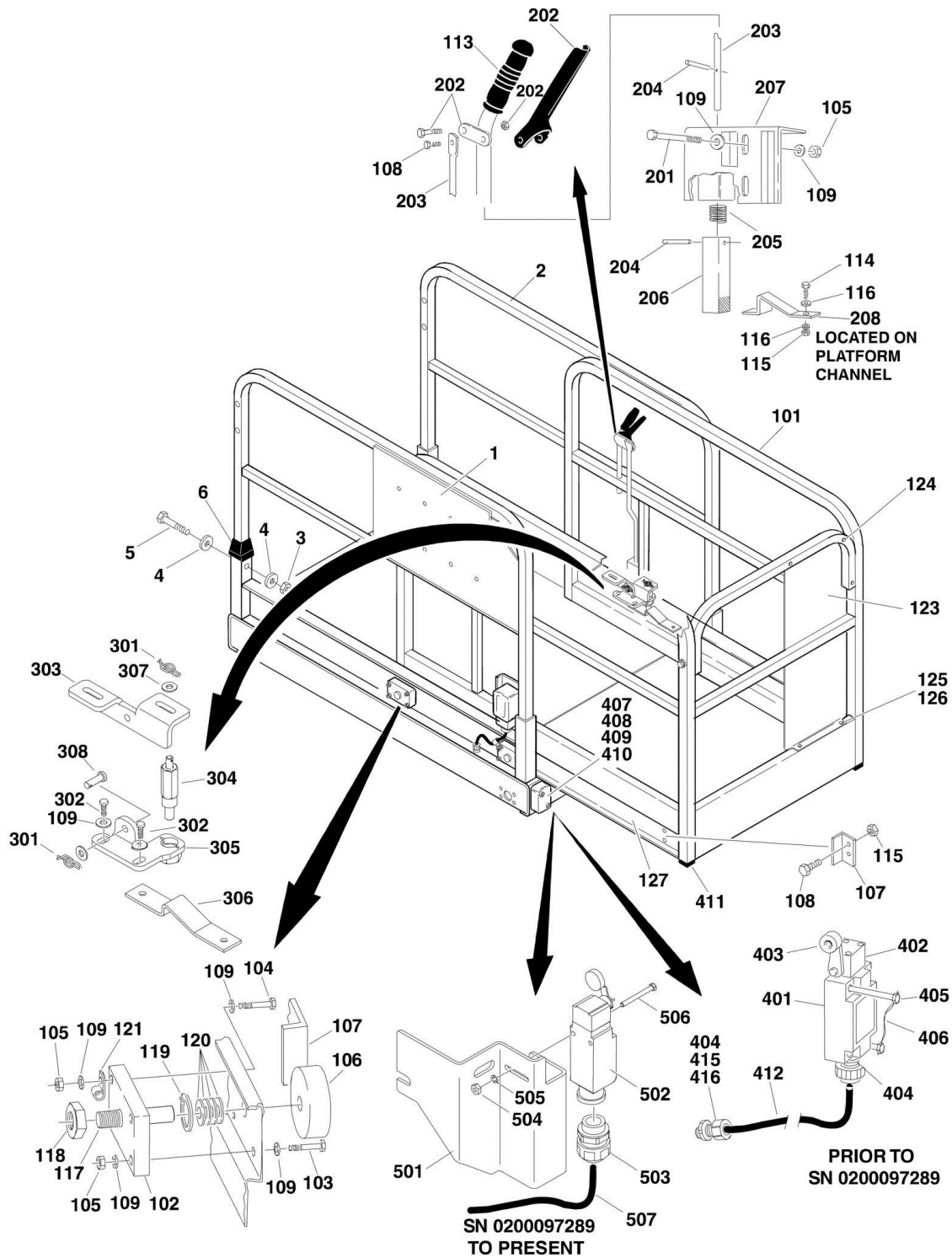
ITEM	PART NUMBER	QTY	DESCRIPTION	REV
701	3340612	22 ft/6.7m	Pad 2046E3/2646E3/2033E3	
701	3340612	24 ft/7.3m	Pad 2658E3	
702	4240018	AR	Tie Straps	
703		Ref	Cover, Rear Platform Rail Options:	
703	1670918	1	Cover, Rear Platform Rail 2046E3/2646E3	
703	1670922	1	Cover, Rear Platform Rail 2658E3	
703	1670857	1	Cover, Rear Platform Rail 2033E3	
704		Ref	Cover, Left Side Platform Rail Options:	
704	1670919	1	Cover, Left Side Platform Rail 2046E3/2033E3	
704	1670923	1	Cover, Left Side Platform Rail 2646E3/2658E3	
705		Ref	Cover, Front Platform Rail Options:	
705	1670920	1	Cover, Front Platform Rail 2046E3/2646E3	
705	1670924	1	Cover, Front Platform Rail 2658E3	
705	1670856	1	Cover, Front Platform Rail 2033E3	
706		Ref	Cover, Right Side Platform Rail Options:	
706	1670921	1	Cover, Right Side Platform Rail 2046E3/2033E3	
706	1670925	1	Cover, Right Side Platform Rail 2646E3/2658E3	
	0257665	Ref	PERIMETER SWITCHES INSTALLATION (Prior to SN 0200070220)	2
801	4360215	4	Switch	
802	0902392	4	Bracket	
803	3900184	8	Screw, Button Head #10-24NC x 5/8in	
804	3300373	8	Nut, Joint Connector 1 1/4in	
806	0721004	8	Screw #10-24NC x 1/2in	
807	4751000	8	Flatwasher #10	
808	3311005	8	Locknut #10	
810	1060341	30 ft/9.1m	Cable 16/2	
816	4460428	4	Strain Relief	
820	0100011	AR	Loctite #242	
		Ref	PERIMETER SWITCHES INSTALLATIONS (SN 0200070220 to Present)	
	0272788	Ref	Perimeter Switches Installations 1532E3/1932E3	1
	0259684	Ref	Perimeter Switches Installations 2033E3/2046E3	3
	0259685	Ref	Perimeter Switches Installations 2646E3/2658E3	4
851	4360477	AR	Switch	
851	70003780	AR	Lever, Antenna (1 Per)	
852	0902578	2	Bracket, Right Side	
853	0902579	2	Bracket, Left Side	
854	4460662	7	Strain Relief	
855	0641404	10	Bolt 1/4in-20NC x 1/2in	
856	0641413	2	Bolt 1/4in-20NC x 1 5/8in (Not Shown) (Located on Platform Extension)	
857	4751400	20	Flatwasher 1/4in	
858	0100011	AR	Loctite #242	
859		Ref	Screw Options:	
859	3911428	8	Screw 1/4in-20NC x 1 3/4 (Prior to SN 0200098334)	
859	3911432	8	Screw 1/4in-20NC x 2 (SN 0200098334 to Present)	
860		Ref	Nut Options:	
860	3300151	8	Nut, Acorn 1/4in-20NC (Prior to SN 0200098334)	
860	2080063	8	Fastener 1/4in-20NC (SN 0200098334 to Present)	
862	4240033	40	Strap, Tie (Not Shown)	
863	2540017	2	Grommet (Not Shown)	

SECTION 4 - PLATFORM

ITEM	PART NUMBER	QTY	DESCRIPTION	REV
864	2820030	20 in/50.8cm	Shrink	
865	1060680		Cable 16/2 Options:	
865		Ref	Cable 16/2 2046E3	
865		Ref	Cable 16/2 2646E3/2658E3	

SECTION 4 - PLATFORM

FIGURE 4-2. HANDRAILS AND EXTENSION INSTALLATION - STANDARD HANDRAILS (MANUALLY OPERATED EXTENSION) (1532E3/1932E3)



SECTION 4 - PLATFORM

FIGURE 4-2. HANDRAILS AND EXTENSION INSTALLATION - STANDARD HANDRAILS (MANUALLY OPERATED EXTENSION) (1532E3/1932E3)

ITEM	PART NUMBER	QTY	DESCRIPTION	REV
	0258134	Ref	HANDRAILS INSTALLATION	3
1	3641263	1	Handrail - Right Side	
2	3641265	1	Handrail - Left Side	
3	3311405	4	Locknut 1/4in-20NC	
4	4751400	8	Flatwasher 1/4in	
5	0641420	4	Bolt 1/4in-20NC x 2 1/2in	
6	0840035	4	Boot, Rail Pocket	
	2901987	1	Kit, Rails (Includes Items 1 & 2)	
	0258969	Ref	PLATFORM EXTENSION INSTALLATION	6
101		Ref	Extension Weldment Options:	
101	3510727	1	Extension Weldment (was p/n 3510707) (Prior to SN 0200069200)	
101	3510727	1	Extension Weldment (SN 0200069200 to Present)	
102	3537619	4	Roller Mounting - Extension	
103	0641510	15	Bolt 5/16in-18NC x 1 1/4in	
104	0641512	1	Bolt 5/16in-18NC x 1 1/2in	
105	3311505	18	Locknut 5/16in-18NC	
106		Ref	Roller Options:	
106	3860059	4	Roller (Prior to SN 0200098156)	
106	3860091	4	Roller (SN 0200098156 through 0200098497)	
106	3860059	4	Roller (SN 0200098498 to Present)	
107	0181684	4	Angle, Stop	
108	0641406	1	Bolt 1/4in-20NC x 3/4in	
109	4751500	20	Flatwasher 5/16in	
113	2560088	1	Grip Handle	
114	0641405	12	Bolt 1/4in-20NC x 5/8in	
115	3311405	13	Locknut 1/4in-20NC	
116	4711400	4	Flatwasher 1/4in Narrow	
117	3841233	4	Roller Support Rod	
118	3322202	4	Jam Nut 3/4in-10NF	
119	3760348	4	Snap Ring	
120	4752200	4	Flatwasher 3/4in	
121	1320224	1	Clamp 5/8in	
123	3571035	1	Plate, Placard	
124	3820019	2	Pop Rivet 3/16in	
125	4750800	8	Flatwasher #10 Only (Prior to SN 0200069200)	
126	3820020	4	Pop Rivet 3/16in	
127	3020022	AR	Lube, Lithium Grease	
		Ref	PLATFORM EXTENSION LOCK INSTALLATION OPTIONS:	
	0258969	Ref	Platform Extension Lock Installation (Prior to SN 0200104330)	
	See Note	Ref	Platform Extension Lock Installation (Note: No exact SN break exists for Lock Mechanism. SN 0200104330 to SN 0200108196 installations could be built with either configuration (See items 301-308)) (SN 0200104330 through 0200108195)	
201	0641516	2	Bolt 5/16in-18NC x 2in	
202	2980113	1	Release Lever Assembly	
	2901573	Ref	Extension Latch Kit	1
203	3841074	1	Rod, Release	
204	3422723	2	Rollpin 1/8in x 7/8in	
205	4160078	1	Spring	

SECTION 4 - PLATFORM

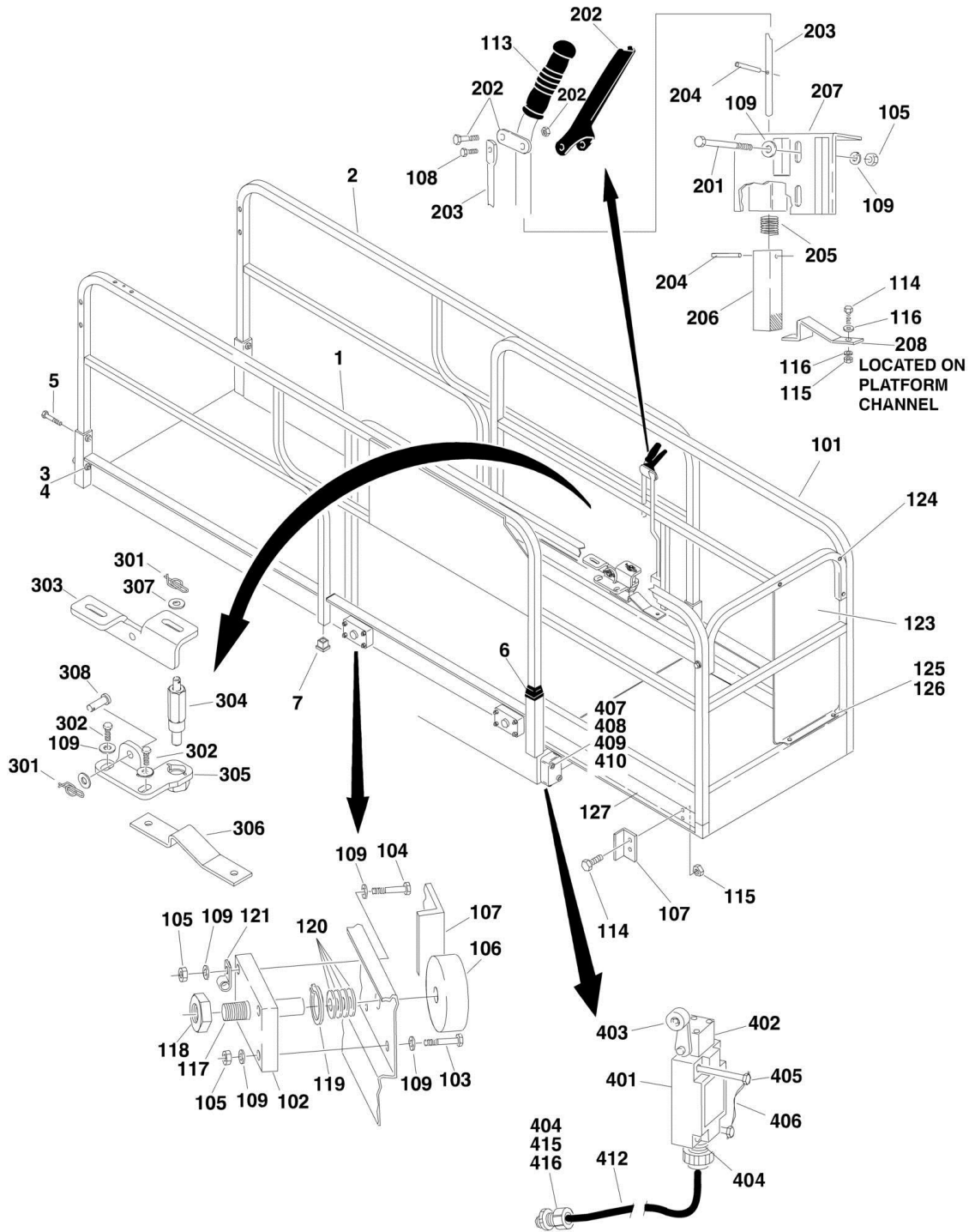
ITEM	PART NUMBER	QTY	DESCRIPTION	REV
206	0361912	1	Bar, Latch	
207	2940061	1	Latch Weldment	
208	0901830	2	Bracket, Latch	
		Ref	PLATFORM EXTENSION LOCK INSTALLATION OPTIONS:	
	See Note	Ref	Platform Extension Lock Installation (Note: No exact SN break exists for Lock Mechanism. SN 0200104330 to SN 0200108196 installations could be built with either configuration (See items 301-308)) (SN 0200104330 through 0200108195)	
	0258969	Ref	Platform Extension Lock Installation (SN 0200108196 to Present)	
301	3422950	2	Pin, 5/16in Rue Ring Stainless	
302	0641507	2	Bolt 5/16in-18NC x 7/8in	
303	3573073	1	Plate, Foot Latch Rollout	
304	3422949	1	Pin, Step Plunger Assembly	
305	0902750	1	Bracket, Latch Weldment	
306	0901830	2	Bracket, Extension Latch	
307	4740513	1	Washer-spec, 1/4-20NC Stainless	
308	3430406	1	Pin, 1/4in x 3/4in	
		Ref	OPTIONAL PLATFORM EXTENSION LIMIT SWITCHES INSTALLATIONS (Prior to SN 0200097289)	
	0256667	Ref	Optional Platform Extension Limit Switches Installations 1532E3	-
	0256664	Ref	Optional Platform Extension Limit Switches Installations 1932E3	-
401	4360277	1	Switch, Limit	
402	4360236	1	Actuator, Switch	
403	4360278	1	Roller and Arm	
404	4460052	2	Connector, Strain Relief	
405	3900168	2	Screw, Special	
406	4920140	2	Lockwire	
407	3534995	1	Plate, Mounting	
408	3931416	2	Bolt, Socket Head 1/4in-20NC x 1in	
409	3311401	2	Nut 1/4in-20NC	
410	4761400	2	Lockwasher 1/4in	
411	3520052	1	Plug, Cap	
412	1060341		Cable Options:	
412	1060341	40 ft/12.02m	Cable 1532E3	
412	1060341	46 ft/14.02m	Cable 1932E3	
413	4460320	1	Plug (Not Shown)	
415	0960239	1	Bushing	
416	3300047	1	Locknut	
		Ref	OPTIONAL PLATFORM EXTENSION LIMIT SWITCHES INSTALLATIONS (SN 0200097289 to Present)	
	0270714	Ref	Optional Platform Extension Limit Switches Installations 1532E3/1932E3	B
501	0902689	1	Bracket, Switch Mounting	
502	4360437	1	Switch, Limit	
503	4460662	1	Connector, Strain Relief	
504	3310801	2	Nut #8-32NC	
505	4760800	2	Lockwasher #8	
506	3900329	2	Screw	
507	4922464	1	Harness, Wire	

SECTION 4 - PLATFORM

ITEM	PART NUMBER	QTY	DESCRIPTION	REV
	0256784	Ref	RAIL HEIGHT EXTENSIONS INSTALLATION (CALIFORNIA SPEC) (NOT SHOWN)	A
	3641145	2	Extender Weldment (Side)	
	3641146	1	Extender Weldment (End)	
	0630511	6	Screw, Self Tapping	
	3520072	6	Plug, Tube	

SECTION 4 - PLATFORM

FIGURE 4-3. HANDRAILS AND EXTENSION INSTALLATION - STANDARD HANDRAILS (MANUALLY OPERATED EXTENSION) (2033E3/2046E3)



SECTION 4 - PLATFORM

FIGURE 4-3. HANDRAILS AND EXTENSION INSTALLATION - STANDARD HANDRAILS (MANUALLY OPERATED EXTENSION) (2033E3/2046E3)

ITEM	PART NUMBER	QTY	DESCRIPTION	REV
	0258136	Ref	HANDRAILS INSTALLATION	3
1	3641264	1	Handrail - Right Side	
2	3641266	1	Handrail - Left Side	
3	3311405	4	Locknut 1/4in-20NC	
4	4751400	8	Flatwasher 1/4in	
5	0641420	4	Bolt 1/4in-20NC x 2 1/2in	
6	0840035	4	Boot, Rail Pocket	
7	3520072	2	Plug	
	2901988	1	Kit, Rails (Includes Items 1 & 2)	
		Ref	PLATFORM EXTENSION INSTALLATION OPTIONS:	
	0258970	Ref	Platform Extension Installation 2033E3	5
	0258971	Ref	Platform Extension Installation 2046E3	5
101		Ref	Extension Weldment Options:	
101	3510708	1	Extension Weldment 2033E3	
101	3510709	1	Extension Weldment 2046E3	
102	3537619	4	Roller Mounting - Extension	
103	0641510	15	Bolt 5/16in-18NC x 1 1/4in	
104	0641512	1	Bolt 5/16in-18NC x 1 1/2in	
105	3311505	18	Locknut 5/16in-18NC	
106		Ref	Roller Options:	
106	3860059	4	Roller (Prior to SN 0200098156)	
106	3860091	4	Roller (SN 0200098156 to Present)	
107	0181684	4	Angle, Stop	
108	0641406	1	Bolt 1/4in-20NC x 3/4in	
109	4751500	AR	Flatwasher 5/16in	
113	2560088	1	Grip Handle	
114	0641405	12	Bolt 1/4in-20NC x 5/8in	
115	3311405	AR	Locknut 1/4in-20NC	
116	4711400	4	Flatwasher 1/4in	
117	3841233	4	Roller Support Rod	
118	3322202	4	Jam Nut 3/4in-10NF	
119	3760348	4	Snap Ring	
120	4752200	4	Flatwasher 3/4in	
121	1320224	1	Clamp	
123	3571035	1	Plate, Placard	
124	3820019	2	Pop Rivet 3/16in	
125	4750800	8	Flatwasher #10 Only (Prior to SN 0200069200)	
126	3820020	4	Pop Rivet 3/16in	
127	3020022	AR	Lube, Lithium Grease	
		Ref	PLATFORM EXTENSION LOCK INSTALLATION OPTIONS:	
	0258970	Ref	Platform Extension Lock Installation 2033E3 (Prior to SN 0200104330)	
	See Note	Ref	Platform Extension Lock Installation 2033E3 (Note: No exact SN break exists for Lock Mechanism installations could be built with either configuration (See items 301-308)) (SN 0200104330 through 0200108195)	
	0258971	Ref	Platform Extension Lock Installation 2046E3 (Prior to SN 0200104330)	
	See Note	Ref	Platform Extension Lock Installation 2046E3 (Note: No exact SN break exists for Lock Mechanism installations could be	

SECTION 4 - PLATFORM

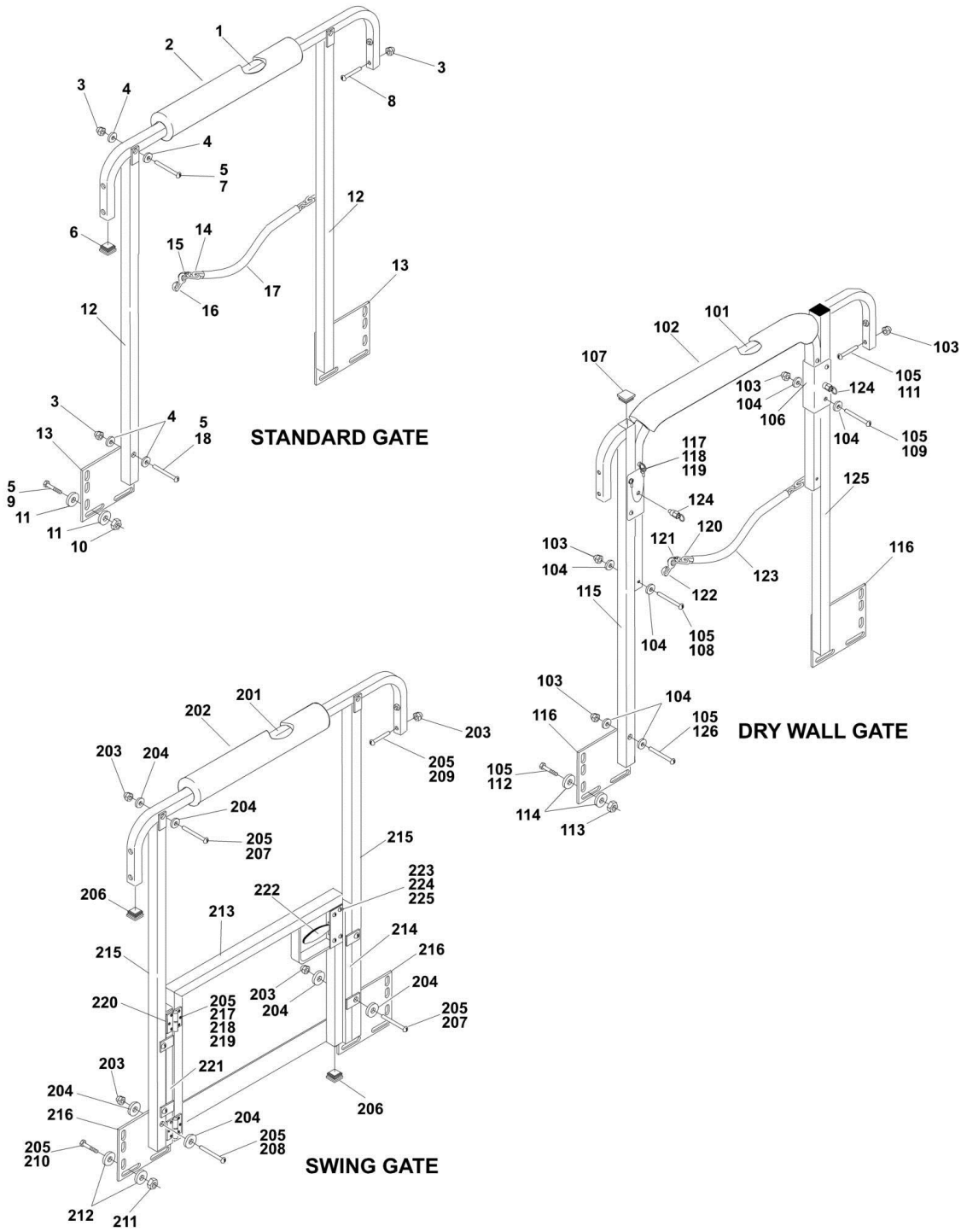
ITEM	PART NUMBER	QTY	DESCRIPTION	REV
			built with either configuration (See items 301-308)) (SN 0200104330 through 0200108196)	
201	0641516	2	Bolt 5/16in-18NC x 2in	
202	2980113	1	Release Lever Assembly	
	2901573	1	Extension Latch Kit	
203	3841074	1	Rod, Release	
204	3422723	2	Rollpin 1/8in x 7/8in	
205	4160078	1	Spring	
206	0361912	1	Bar, Latch	
207	2940061	1	Latch Weldment	
208	0901830	2	Bracket, Latch	
		Ref	PLATFORM EXTENSION LOCK INSTALLATION OPTIONS:	
	See Note	Ref	Platform Extension Lock Installation 2046E3 (Note: No exact SN break exists for Lock Mechanism installations could be built with either configuration (See items 301-308)) (SN 0200104330 through 0200108195)	
	0258970	Ref	Platform Extension Lock Installation 2033E3 (SN 0200108196 to Present)	
	See Note	Ref	Platform Extension Lock Installation 2046E3 (Note: No exact SN break exists for Lock Mechanism installations could be built with either configuration (See items 301-308)) (SN 0200104330 through 0200108195)	
	0258971	Ref	Platform Extension Lock Installation 2046E3 (SN 0200108196 to Present)	
301	3422950	2	Pin, 5/16in Rue Ring Stainless	
302	0641507	2	Bolt 5/16in-18NC x 7/8in	
303	3573073	1	Plate, Foot Latch Rollout	
304	3422949	1	Pin, Step Plunger Assembly	
305	0902750	1	Bracket, Latch Weldment	
306	0901830	2	Bracket, Extension Latch	
307	4740513	1	Washer-spec, 1/4-20NC Stainless	
308	3430406	1	Pin, 1/4in x 3/4in	
	0256664	Ref	OPTIONAL PLATFORM EXTENSION LIMIT SWITCHES INSTALLATION	-
401	4360277	1	Switch, Limit	
402	4360236	1	Actuator, Switch	
403	4360278	1	Roller and Arm	
404	4460052	2	Connector, Strain Relief	
405	3900168	2	Screw, Special	
406	4920140	2	Lockwire	
407	3534995	1	Plate, Mounting	
408	3931416	2	Bolt, Socket Head 1/4in-20NC x 1in	
409	3311401	2	Nut 1/4in-20NC	
410	4761400	2	Lockwasher 1/4in	
411	3520052	1	Plug, Cap (Not Shown)	
412	1060341	46	Cable	
		ft/14.02m		
413	4460320	1	Plug (Not Shown)	
415	0960239	1	Bushing	
416	3300047	1	Locknut	
	0256784	Ref	RAIL HEIGHT EXTENSIONS INSTALLATION - 2033E3 (CALIFORNIA SPEC) (NOT SHOWN)	A
	3641145	2	Extender Weldment (Side)	
	3641146	1	Extender Weldment (End)	

SECTION 4 - PLATFORM

ITEM	PART NUMBER	QTY	DESCRIPTION	REV
	0630511	6	Screw, Self Tapping	A
	3520072	6	Plug, Tube	
	0256786	Ref	RAIL HEIGHT EXTENSIONS INSTALLATION - 2046E3 (CALIFORNIA SPEC) (NOT SHOWN)	
	3641145	2	Extender Weldment (Side)	
	3641147	1	Extender Weldment (End)	
	0630511	6	Screw, Self Tapping	
	3520072	6	Plug, Tube	

SECTION 4 - PLATFORM

FIGURE 4-4. PLATFORM ACCESS INSTALLATION - STANDARD HANDRAILS (MANUALLY OPERATED EXTENSION) (1532E3/1932E3/2033E3/2046E3)



SECTION 4 - PLATFORM

FIGURE 4-4. PLATFORM ACCESS INSTALLATION - STANDARD HANDRAILS (MANUALLY OPERATED EXTENSION) (1532E3/1932E3/2033E3/2046E3)

ITEM	PART NUMBER	QTY	DESCRIPTION	REV
		Ref	PLATFORM ACCESS (STANDARD GATE) INSTALLATIONS	
	0259385	Ref	Standard Gate - 1532E3/1932E3	2
	0258229	Ref	Standard Gate - 2033E3	4
	0258234	Ref	Standard Gate - 2046E3	5
1		Ref	Tube, Rail Options:	
1	4565201	1	Tube, Rail 1532E3/1932E3/2033E3	
1	4565202	1	Tube, Rail 2046E3	
2	3340612	1.5 ft/.5m	Pad	
3		Ref	Nut Options:	
3	3300151	AR	Nut, Acorn 1/4in-20NC (Prior to SN 0200098334)	
3	2080063	AR	Fastener, Nut 1/4in-20NC (SN 0200098334 to Present)	
4	4751400	12	Flatwasher 1/4in Wide	
5	0100011	AR	Loctite #242 (Prior to SN 0200098334)	
6	3520072	2	Plug, Cap	
7	3911428	AR	Screw 1/4in-20NC x 1 3/4in	
8		Ref	Screw Options:	
8	3911444	4	Screw 1/4in-20NC x 2 3/4 (Prior to SN 0200098334)	
8	2080065	4	Fastener, Screw 1/4in-20NC x 2 3/4 (SN 0200098334 to Present)	
9	0641608	AR	Bolt 3/8in-16NC x 1in	
10	3311605	AR	Locknut 3/8in-16NC	
11	4751600	AR	Flatwasher 3/8in	
12		Ref	Weldment, End Rail	
12	Not Required	0	Weldment, End Rail 1532E3/1932E3/2033E3	
12	4845760	1	Weldment, End Rail 2046E3	
13		Ref	Kick Plate - Rear	
13	Not Required	0	Kick Plate - Rear 1532E3/1932E3/2033E3	
13	3534742	1	Kick Plate - Rear 2046E3	
14	1260136	2 ft/.6m	Chain	
15	3010088	2	Link	
16	1001101076	1	Hook, Snap (Includes Item 15) (was p/n 2940064)	
17	2820097	2 ft/.6m	Mesh Tubing	
18	0641418	AR	Bolt 1/4in-20NC x 2 1/4in	
	2902000	1	Kit, Platform Access - 2046E3 (Includes Items 12 & 13)	
		Ref	PLATFORM ACCESS (DRY WALL GATE) INSTALLATIONS	
	0258230	Ref	Dry Wall Gate - 1532E3/1932E3/2033E3	3
	0258235	Ref	Dry Wall Gate - 2046E3	5
101		Ref	Tube, Dry Wall Gate Options:	
101	4567550	1	Tube, Dry Wall Gate 1532E3/1932E3/2033E3	
101	4567550	1	Tube, Dry Wall Gate 2046E3 (Prior to SN 57691)	
101	4567884	1	Tube, Dry Wall Gate 2046E3 (SN 57691 to Present)	
102	3340612	1.5 ft/.5m	Pad	
103		Ref	Nut Options:	
103	3300151	AR	Nut, Acorn 1/4in-20NC (Prior to SN 0200098334)	
103	2080063	AR	Fastener, Nut 1/4in-20NC (SN 0200098334 to Present)	
104	4751400	AR	Flatwasher 1/4in Wide	
105	0100011	AR	Loctite #242 (Prior to SN 0200098334)	
106		Ref	Channel, Dry Wall	
106	1271410	2	Channel, Dry Wall 1532E3/1932E3/2033E3	

SECTION 4 - PLATFORM

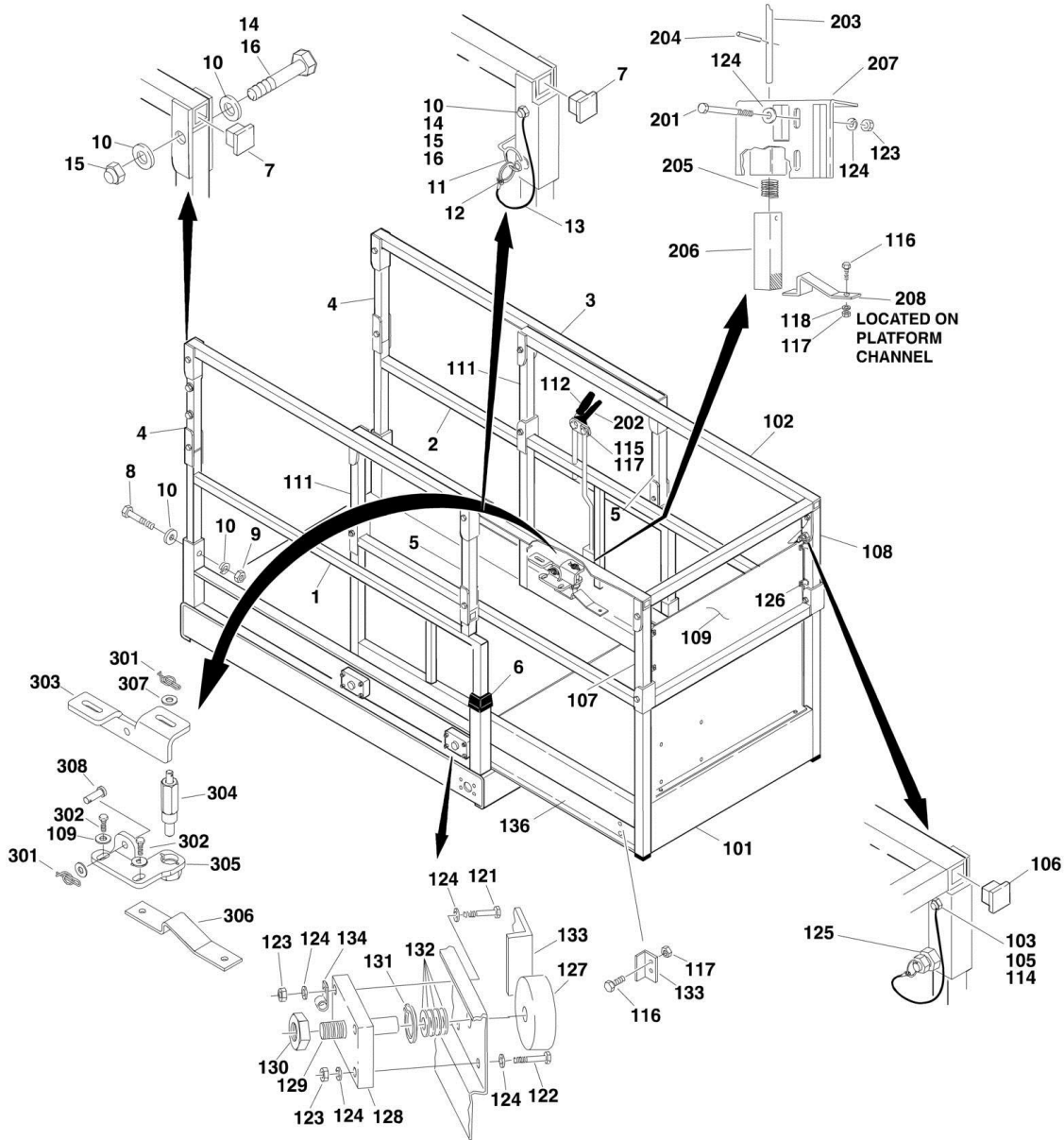
ITEM	PART NUMBER	QTY	DESCRIPTION	REV
106	1271410	2	Channel, Dry Wall 2046E3 (Prior to SN 0200057691)	
106	4845829	2	Channel, Dry Wall 2046E3 (SN 0200057691 to Present)	
107	3520072	AR	Plug, Cap	
108	3911424	3	Bolt 1/4in-20NC x 1 1/2in	
109	3911432	AR	Screw 1/4in-20NC x 2in	
111	3911444	AR	Screw 1/4in-20NC x 2 3/4in	
112	0641608	AR	Bolt 3/8in-16NC x 1in	
113	3311605	AR	Locknut 3/8in-16NC	
114	4751600	AR	Flatwasher 3/8in	
115		Ref	Weldment, End Rail (Left Side) Options:	
115	Not Required	0	Weldment, End Rail (Left Side) 1532E3/1932E3/2033E3	
115	4845970	1	Weldment, End Rail (Left Side) 2046E3	
116		Ref	Kick Plate - Rear	
116	Not Required	0	Kick Plate - Rear 1532E3/1932E3/2033E3	
116	3534742	2	Kick Plate - Rear 2046E3	
117	3421453	1	Snapper Pin	
118	1060379	1	Cable-Lanyard	
119	3760170	1	Ring	
120	1260136	2 ft/.6m	Chain	
121	3010088	2	Link	
122	1001101076	1	Hook, Snap (Includes Item 121) (was p/n 2940064)	
123	2820097	2 ft/.6m	Mesh Tubing	
124	3422369	2	Pin, Plunger	
125		Ref	Weldment, End Rail (Left Side) Options:	
125	Not Required	0	Weldment, End Rail (Left Side) 1532E3/1932E3/2033E3	
125	4845745	1	Weldment, End Rail (Left Side) 2046E3	
126	0641418	4	Bolt 1/4in-20NC x 2 1/4in	
	2902001	1	Kit, Platform Access - 2046E3 (Includes Items 15, 16 & 25)	
		Ref	PLATFORM ACCESS (SWING GATE) INSTALLATIONS	
	0259387	Ref	Swing Gate - 1532E3/1932E3	6
	0258231	Ref	Swing Gate - 2033E3	8
	0258236	Ref	Swing Gate - 2046E3	9
201		Ref	Tube, Rail Options:	
201	4565201	1	Tube, Rail 1532E3/1932E3/2033E3	
201	4565202	1	Tube, Rail 2046E3	
202	3340612	1.5 ft/.5m	Pad	
203		Ref	Nut Options:	
203	3300151	AR	Nut, Acorn 1/4in-20NC (Prior to SN 0200098334)	
203	2080063	AR	Fastener, Nut 1/4in-20NC (SN 0200098334 to Present)	
204	4751400	AR	Flatwasher 1/4in Wide	
205	0100011	AR	Loctite #242	
206	3520072	AR	Plug, Cap	
207	3911428	AR	Screw 1/4in-20NC x 1 3/4in	
208		Ref	Bolt Options:	
208	3911428	AR	Screw 1/4in-20NC x 1 3/4in	
208	0641418	AR	Bolt 1/4in-20NC x 2 1/4in	
209		Ref	Screw Options:	
209	3911444	AR	Screw 1/4in-20NC x 2 3/4 (Prior to SN 0200098334)	
209	2080065	AR	Fastener, Screw 1/4in-20NC x 2 3/4 (SN 0200098334 to Present)	
210	0641608	AR	Bolt 3/8in-16NC x 1in	
211	3311605	AR	Locknut 3/8in-16NC	

SECTION 4 - PLATFORM

ITEM	PART NUMBER	QTY	DESCRIPTION	REV
212	4751600	AR	Flatwasher 3/8in	
213	4845709	1	Weldment, Platform Access Door	
214	4845708	1	Weldment, Platform Access Rail	
215		Ref	Weldment, End Rail Options:	
215	Not Required	0	Weldment, End Rail 1532E3/1932E3/2033E3	
215	4845760	2	Weldment, End Rail 2046E3	
216		Ref	Kick Plate - Rear Options:	
216	Not Required	0	Kick Plate - Rear 1532E3/1932E3/2033E3	
216	3534742	2	Kick Plate - Rear 2046E3	
217		Ref	Fastener, Rivnut #10-32 Options:	
217	2080069	12	Fastener, Rivnut #10-32 (Was P/N 2080047) (Prior to SN 0200103629)	
217	2080069	12	Fastener, Rivnut #10-32 (SN 0200103629 to Present)	
218	3900267	12	Screw #10-32	
219	4711000	12	Flatwasher #10	
220	2600253	2	Hinge	
221	4845710	1	Weldment, Platform Access Rail	
222	2940074	1	Latch	
223	3911016	4	Bolt #10-24NC x 1in	
224	3311005	4	Locknut #10-24NC	
225	4751000	4	Flatwasher #10	
	2901993	1	Kit, Platform Access - 1532E3/1932E3/ 2033E3 & 2046E3 (Includes Items 13, 14 & 21)	
	2902002	1	Kit, Platform Access - 2046E3 (Includes Items 15 & 16)	

SECTION 4 - PLATFORM

FIGURE 4-5. HANDRAILS AND EXTENSION INSTALLATION - FOLDDOWN HANDRAILS (MANUALLY OPERATED EXTENSION) (1532E3/1932E3)



SECTION 4 - PLATFORM

FIGURE 4-5. HANDRAILS AND EXTENSION INSTALLATION - FOLDDOWN HANDRAILS (MANUALLY OPERATED EXTENSION) (1532E3/1932E3)

ITEM	PART NUMBER	QTY	DESCRIPTION	REV
	0258135	Ref	HANDRAILS INSTALLATION	8
1		Ref	Rail Weldment - Mid Right Side Options:	
1	4846001	1	Rail Weldment - Mid Right Side (Prior to SN 0200068540)	
1	4846058	1	Rail Weldment - Mid Right Side (SN 0200068540 to Present)	
2		Ref	Rail Weldment - Mid Left Side Options:	
2	4846002	1	Rail Weldment - Mid Left Side (Prior to SN 0200068540)	
2	4846059	1	Rail Weldment - Mid Left Side (SN 0200068540 to Present)	
3	4845777	2	Rail Weldment - Top	
4	4567864	2	Tube, Rail - Rear Vertical	
5	4567863	2	Tube, Rail - Upper Vertical	
6	0840035	4	Boot, Rail Pocket	
7	3520072	4	Plug, Cap	
8	0641420	4	Bolt 1/4in-20NC x 2 1/2in	
9	3311405	4	Locknut 1/4in-20NC	
10	4751400	8	Flatwasher 1/4in Wide	
11	3421453	2	Pin, Snapper	
12	3760170	2	Ring	
13	1060379	2	Cable-Lanyard	
14	0100011	AR	Loctite #242 (Prior to SN 0200098334)	
15		Ref	Nut Options:	
15	3300151	8	Nut, Acorn 1/4in-20NC (Prior to SN 0200098334)	
15	2080063	8	Fastener, Nut 1/4in-20NC (SN 0200098334 to Present)	
16	3911432	8	Screw 1/4in-20NC x 2in	
	2901989	1	Kit, Rails (Includes Items 1 - 5)	
		Ref	PLATFORM EXTENSION INSTALLATION OPTIONS:	
	0258101	Ref	Standard	11
	0258102	Ref	CSA	11
101		Ref	Extension Weldment Options:	
101	3510713	1	Standard	
101	3510712	1	CSA	
102	4845779	1	Weldment, Extension - Top Rail	
103		Ref	Nut Options:	
103	3300151	8	Nut, Acorn 1/4in-20NC (Prior to SN 0200098334)	
103	2080063	8	Fastener, Nut 1/4in-20NC (SN 0200098334 to Present)	
105	0100011	AR	Loctite #242	
106	3520072	2	Plug, Cap	
107	4567867	1	Weldment, Extension - Vertical Right Side	
108	4567868	1	Weldment, Extension - Vertical Left Side	
109	3571454	1	Plate, Placard	
111	4567875	2	Tube, Upper Vertical Rail	
112	2560088	1	Grip Handle	
114	3911432	8	Screw 1/4in-20NC x 2in	
115	0641406	1	Bolt 1/4in-20NC x 3/4in	
116	0641405	AR	Bolt 1/4in-20NC x 5/8in	
117	3311405	12	Locknut 1/4in-20NC	
118	4711400	4	Flatwasher	
121	0641512	1	Bolt 5/16in-18NC x 1 1/2in	
122	0641510	15	Bolt 5/16in-18NC x 1 1/4in	
123	3311505	18	Locknut 5/16in-18NC	

SECTION 4 - PLATFORM

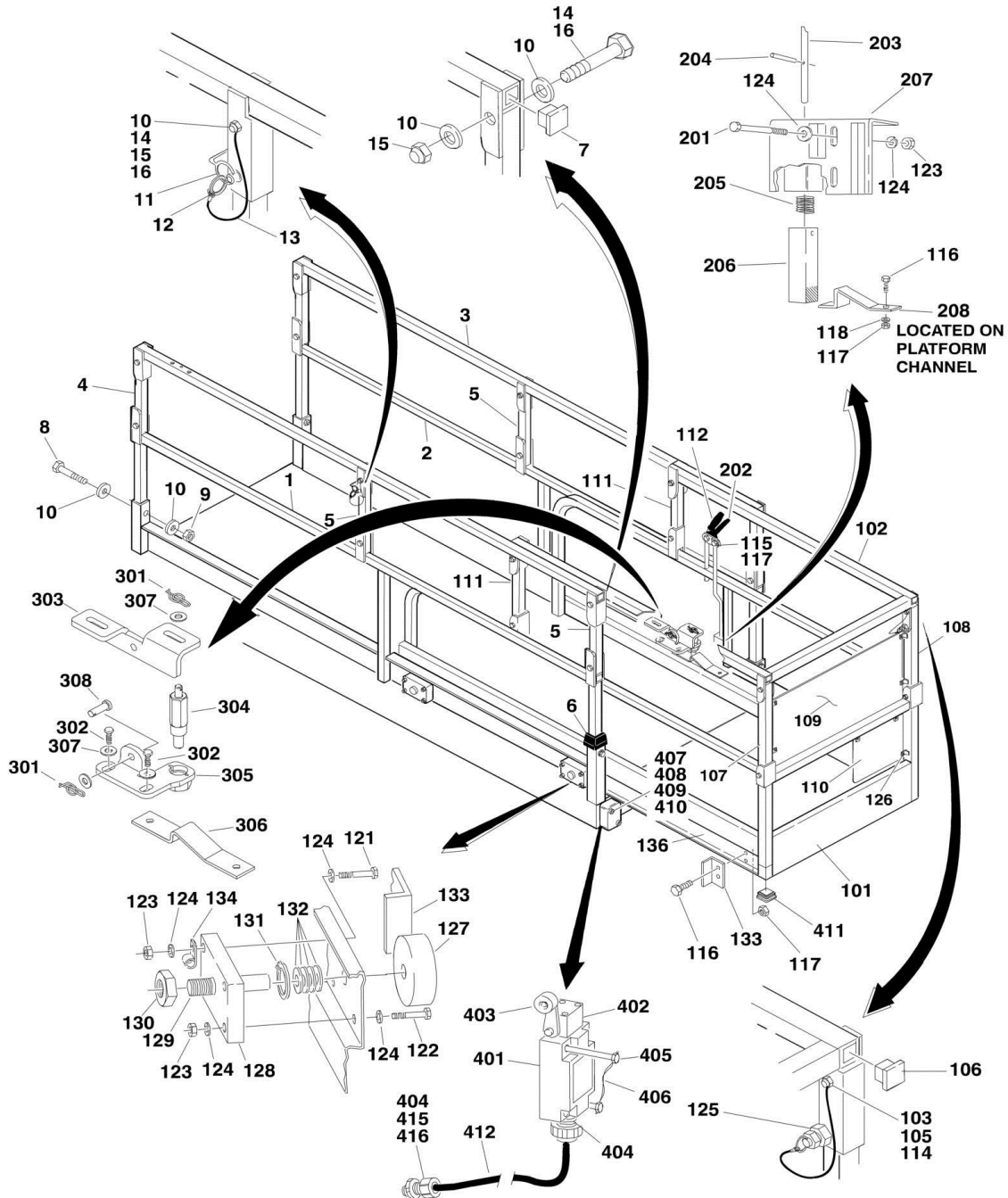
ITEM	PART NUMBER	QTY	DESCRIPTION	REV
124	4751500	AR	Flatwasher 5/16in	
125		Ref	Pin-Plunger Assembly Options:	
125	3422369	2	Pin-Plunger Assembly (Prior to SN 0200069200)	
125	3422744	2	Pin-Plunger Assembly (SN 0200069200 to Present)	
126	3820019	7	Pop Rivets	
127		Ref	Roller Options:	
127	3860059	4	Roller (Prior to SN 0200098156)	
127	3860091	4	Roller (SN 0200098156 through 0200098497)	
127	3860059	4	Roller (SN 0200098498 to Present)	
128	3537619	4	Extension Roller Mounting	
129	3841233	4	Roller Support Rod	
130	3322202	4	Jam Nut 3/4in-10NF	
131	3760348	4	Snap Ring	
132	4752200	4	Flatwasher 3/4in	
133	0181684	4	Angle	
134	1320061	1	Clamp, Cable	
136	3020022	AR	Lube, Lithium Grease	
		Ref	PLATFORM EXTENSION LOCK INSTALLATION OPTIONS:	
	0258101	Ref	Platform Extension Lock Installation Standard (Prior to SN 0200104330)	
	See Note	Ref	Platform Extension Lock Installation Standard (Note: No exact SN break exists for Lock Mechanism. SN 0200104330 to SN 0200108196 installations could be built with either configuration (See items 301-308)) (SN 0200104330 through 0200108195)	
	0258102	Ref	Platform Extension Lock Installation CSA (Prior to SN 0200104330)	
	See Note	Ref	Platform Extension Lock Installation CSA (Note: No exact SN break exists for Lock Mechanism. SN 0200104330 to SN 0200108196 installations could be built with either configuration (See items 301-308)) (SN 0200104330 through 0200108196)	
201	0641516	2	Bolt 5/16in-18NC x 2in	
202	2980113	1	Release Lever Assembly	
	2901649	1	Extension Latch Kit	
203	3841394	1	Rod, Release	
204	3422723	2	Rollpin 1/8in x 7/8in	
205	4160078	1	Spring	
206	0361912	1	Bar, Latch	
207	2940061	1	Latch Weldment	
208	0901830	2	Bracket, Latch	
		Ref	PLATFORM EXTENSION LOCK INSTALLATION OPTIONS:	
	See Note	Ref	Platform Extension Lock Installation Standard (Note: No exact SN break exists for Lock Mechanism. SN 0200104330 to SN 0200108196 installations could be built with either configuration (See items 301-308)) (SN 0200104330 through 0200108195)	
	0258101	Ref	Platform Extension Lock Installation Standard (SN 0200108196 to Present)	
	See Note	Ref	Platform Extension Lock Installation CSA (Note: No exact SN break exists for Lock Mechanism. SN 0200104330 to SN 0200108196 installations could be built with either configuration (See items 301-308)) (SN 0200104330 through 0200108195)	
	0258102	Ref	Platform Extension Lock Installation CSA (SN 0200108196 to Present)	

SECTION 4 - PLATFORM

ITEM	PART NUMBER	QTY	DESCRIPTION	REV
301	3422950	2	Pin, 5/16in Rue Ring Stainless	
302	0641507	2	Bolt 5/16in-18NC x 7/8in	
303	3573073	1	Plate, Foot Latch Rollout	
304	3422949	1	Pin, Step Plunger Assembly	
305	0902750	1	Bracket, Latch Weldment	
306	0901830	2	Bracket, Extension Latch	
307	4740513	1	Washer-spec, 1/4-20NC Stainless	
308	3430406	1	Pin, 1/4in x 3/4in	

SECTION 4 - PLATFORM

FIGURE 4-6. HANDRAILS AND EXTENSION INSTALLATION - FOLDDOWN HANDRAILS (MANUALLY OPERATED EXTENSION) (2033E3/2046E3/2646E3/2658E3)



SECTION 4 - PLATFORM

FIGURE 4-6. HANDRAILS AND EXTENSION INSTALLATION - FOLDDOWN HANDRAILS (MANUALLY OPERATED EXTENSION) (2033E3/2046E3/2646E3/2658E3)

ITEM	PART NUMBER	QTY	DESCRIPTION	REV
	0258137	Ref	HANDRAILS INSTALLATION	9
1		Ref	Rail Weldment - Mid Right Side Options:	
1	4845775	1	Rail Weldment - Mid Right Side (Prior to SN 0200068540)	
1	4846056	1	Rail Weldment - Mid Right Side (SN 0200068540 to Present)	
2		Ref	Rail Weldment - Mid Left Side Options:	
2	4845776	1	Rail Weldment - Mid Left Side (Prior to SN 0200068540)	
2	4846057	1	Rail Weldment - Mid Left Side (SN 0200068540 to Present)	
3	4845778	2	Rail Weldment - Top	
4		Ref	Tube, Rail - Rear Vertical Options:	
4	4567523	2	Tube, Rail - Rear Vertical (Prior to SN 0200062591)	
4	4846039	2	Tube, Rail - Rear Vertical (SN 0200062591 to Present)	
5	4567338	4	Tube, Rail - Upper Vertical	
6	0840035	4	Boot, Rail Pocket	
7	3520072	4	Plug, Cap	
8	0641420	4	Bolt 1/4in-20NC x 2 1/2in	
9	3311405	4	Locknut 1/4in-20NC	
10	4751400	8	Flatwasher 1/4in Wide	
11	3421453	2	Pin, Snapper	
12	3760170	2	Ring	
13	1060379	2	Cable-Lanyard	
14	0100011	AR	Loctite #242 (Prior to SN 0200098334)	
15		Ref	Nut Options:	
15	3300151	12	Nut, Acorn 1/4in-20NC (Prior to SN 0200098334)	
15	2080063	12	Fastener, Nut 1/4in-20NC (SN 0200098334 to Present)	
16	3911430	12	Screw 1/4in-20NC x 1 7/8in	
	2901990	1	Kit, Rails (Includes Items 1 - 5)	
		Ref	PLATFORM EXTENSION INSTALLATIONS	
	0258103	Ref	Platform Extension Installation 2033E3	9
	0258104	Ref	Platform Extension Installation 2046E3/2646E3	9
	0258105	Ref	Platform Extension Installation 2658E3	10
101		Ref	Extension Weldment Options:	
101	3510615	1	Extension Weldment 2033E3	
101	3510616	1	Extension Weldment 2046E3/2646E3	
101	3510617	1	Extension Weldment 2658E3	
102		Ref	Weldment, Extension - Top Rail Options:	
102	4845721	1	Weldment, Extension - Top Rail 2033E3	
102	4845720	1	Weldment, Extension - Top Rail 2046E3/2646E3	
102	4845719	1	Weldment, Extension - Top Rail 2658E3	
103		Ref	Nut Options:	
103	3300151	8	Nut, Acorn 1/4in-20NC (Prior to SN 0200098334)	
103	2080063	8	Fastener, Nut 1/4in-20NC (SN 0200098334 to Present)	
105	0100011	AR	Loctite #242 (Prior to SN 0200098334)	
106	3520072	2	Plug, Cap	
107	4845724	1	Weldment, Extension - Vertical Right Side	
108	4845725	1	Weldment, Extension - Vertical Left Side	
109		Ref	Plate, Placard Options:	
109	3571600	1	Plate, Placard 2033E3 (Was P/N 3570870) (Prior to SN 0200061759)	
109	3571600	1	Plate, Placard 2033E3 (SN 0200061759 to Present)	

SECTION 4 - PLATFORM

ITEM	PART NUMBER	QTY	DESCRIPTION	REV
109	3570871	1	Plate, Placard 2046E3/2646E3	
109	3570872	1	Plate, Placard 2658E3	
110	3571011	1	Plate, Bottom Placard	
111	4567338	2	Tube, Upper Vertical Rail	
112	2560088	1	Grip Handle	
114	3911432	8	Screw 1/4in-20NC x 2in	
115	0641406	1	Bolt 1/4in-20NC x 3/4in	
116	0641405	12	Bolt 1/4in-20NC x 5/8in	
117	3311405	12	Locknut 1/4in-20NC	
118	4711400	4	Flatwasher (Narrow)	
121	0641512	1	Bolt 5/16in-18NC x 1 1/2in	
122	0641510	15	Bolt 5/16in-18NC x 1 1/4in	
123	3311505	18	Locknut 5/16in-18NC	
124	4751500	20	Flatwasher 5/16in	
125		Ref	Pin-Plunger Assembly Options:	
125	3422369	2	Pin-Plunger Assembly 2033E3 (Prior to SN 0200061759)	
125	3422744	2	Pin-Plunger Assembly 2033E3 (SN 0200061759 to Present)	
125	3422369	2	Pin-Plunger Assembly 2046E3/2646E3/2658E3	
126	3820019	7	Pop Rivets	
127		Ref	Roller Options:	
127	3860059	4	Roller (Prior to SN 0200098156)	
127	3860091	4	Roller (SN 0200098156 to Present)	
128	3537619	4	Extension Roller Mounting	
129	3841233	4	Roller Support Rod	
130	3322202	4	Jam Nut 3/4in-10NF	
131	3760348	4	Snap Ring	
132	4752200	4	Flatwasher 3/4in	
133	0181684	4	Angle	
134	1320224	1	Clamp, Cable (Prior to SN 0200099828)	
136	3020022	AR	Grease, Lithium	
		Ref	PLATFORM EXTENSION LOCK INSTALLATION OPTIONS:	
	0258103	Ref	Platform Extension Lock Installation 2033E3 (Prior to SN 0200104330)	
	See Note	Ref	Platform Extension Lock Installation 2033E3 (Note: No exact SN break exists for Lock Mechanism. SN 0200104330 to SN 0200108196 installations could be built with either configuration (See items 301-308)) (SN 0200104330 through 0200108195)	
	0258104	Ref	Platform Extension Lock Installation 2046E3/2646E3 (Prior to SN 0200104330)	
	See Note	Ref	Platform Extension Lock Installation 2046E3/2646E3 (Note: No exact SN break exists for Lock Mechanism. SN 0200104330 to SN 0200108196 installations could be built with either configuration (See items 301-308)) (SN 0200104330 through 0200108195)	
	0258105	Ref	Platform Extension Lock Installation 2658E3 (Prior to SN 0200104330)	
	See Note	Ref	Platform Extension Lock Installation 2658E3 (Note: No exact SN break exists for Lock Mechanism. SN 0200104330 to SN 0200108196 installations could be built with either configuration (See items 301-308)) (SN 0200104330 through 0200108195)	
201	0641516	2	Bolt 5/16in-18NC x 2in	
202	2980113	1	Release Lever Assembly	
	2901649	Ref	Extension Latch Kit	

2

SECTION 4 - PLATFORM

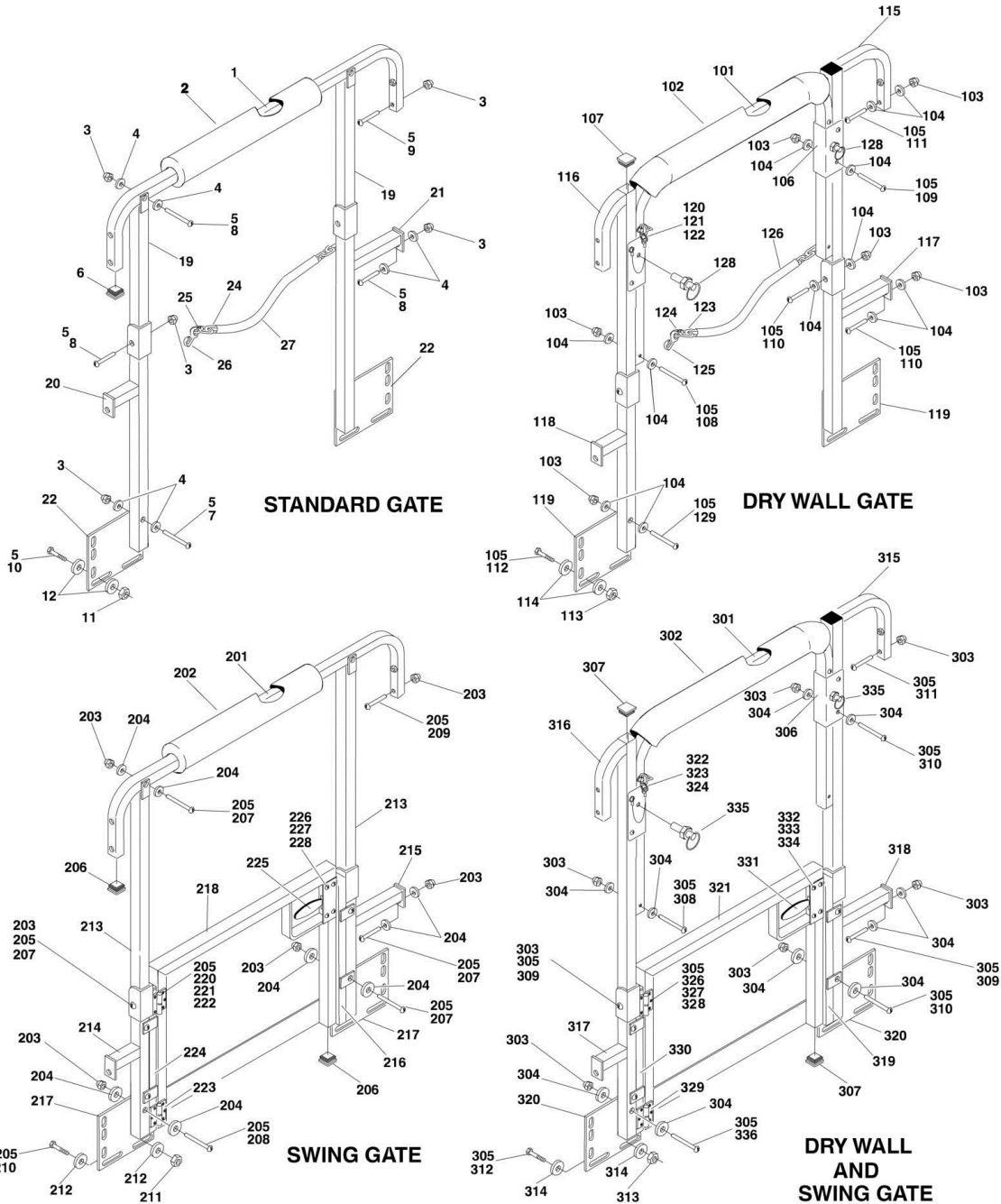
ITEM	PART NUMBER	QTY	DESCRIPTION	REV
203	3841394	1	Rod, Release	
204	3422723	2	Rollpin 1/8in x 7/8in	
205	4160078	1	Spring	
206	0361912	1	Bar, Latch	
207	2940061	1	Latch Weldment	
208	0901830	2	Bracket, Latch	
		Ref	PLATFORM EXTENSION LOCK INSTALLATION OPTIONS:	
	See Note	Ref	Platform Extension Lock Installation 2033E3 (Note: No exact SN break exists for Lock Mechanism. SN 0200104330 to SN 0200108196 installations could be built with either configuration (See items 301-308)) (SN 0200104330 through 0200108195)	
	0258103	Ref	Platform Extension Lock Installation 2033E3 (SN 0200108196 to Present)	
	See Note	Ref	Platform Extension Lock Installation 2046E3/2646E3 (Note: No exact SN break exists for Lock Mechanism. SN 0200104330 to SN 0200108196 installations could be built with either configuration (See items 301-308)) (SN 0200104330 through 0200108195)	
	0258104	Ref	Platform Extension Lock Installation 2046E3/2646E3 (SN 0200108196 to Present)	
	See Note	Ref	Platform Extension Lock Installation 2658E3 (Note: No exact SN break exists for Lock Mechanism. SN 0200104330 to SN 0200108196 installations could be built with either configuration (See items 301-308)) (SN 0200104330 through 0200108195)	
	0258105	Ref	Platform Extension Lock Installation 2658E3 (SN 0200108196 to Present)	
301	3422950	2	Pin, 5/16in Rue Ring Stainless	
302	0641507	2	Bolt 5/16in-18NC x 7/8in	
303	3573073	1	Plate, Foot Latch Rollout	
304	3422949	1	Pin, Step Plunger Assembly	
305	0902750	1	Bracket, Latch Weldment	
306	0901830	2	Bracket, Extension Latch	
307	4740513	1	Washer-spec, 1/4-20NC Stainless	
308	3430406	1	Pin, 1/4in x 3/4in	
		Ref	OPTIONAL PLATFORM EXTENSION LIMIT SWITCHES INSTALLATIONS	
	0256664	Ref	Optional Platform Extension Limit Switches Installations 2033E3/2046E3	-
	0256668	Ref	Optional Platform Extension Limit Switches Installations 2646E3/2658E3	2
401	4360277	1	Switch, Limit	
402	4360236	1	Actuator, Switch	
403	4360278	1	Roller and Arm	
404	4460052	2	Connector, Strain Relief	
405	3900168	2	Screw, Special	
406	4920140	2	Lockwire	
407	3534995	1	Plate, Mounting	
408	3931416	2	Bolt, Socket Head 1/4in-20NC x 1in	
409	3311401	2	Nut 1/4in-20NC	
410	4761400	2	Lockwasher 1/4in	
411	3520052	1	Plug, Cap	
412	1060341		Cable Options:	
412	1060341	46/14.02	Cable 2033E3/2046E3	

SECTION 4 - PLATFORM

ITEM	PART NUMBER	QTY	DESCRIPTION	REV
412	1060341	m 54/16.46 m	Cable 2646E3/2658E3	
413	4460320	1	Plug (Not Shown)	
415	0960239	1	Bushing	
416	3300047	1	Locknut	

SECTION 4 - PLATFORM

FIGURE 4-7. PLATFORM ACCESS INSTALLATION - FOLDDOWN HANDRAILS (MANUALLY OPERATED EXTENSION)



SECTION 4 - PLATFORM

FIGURE 4-7. PLATFORM ACCESS INSTALLATION - FOLDDOWN HANDRAILS (MANUALLY OPERATED EXTENSION)

ITEM	PART NUMBER	QTY	DESCRIPTION	REV
		Ref	PLATFORM ACCESS (STANDARD GATE) INSTALLATIONS	
	0259386	Ref	Standard Gate with Chain Gate - 1532E3/1932E3	2
	0258229	Ref	Standard Gate with Chain Gate - 2033E3	4
	0258238	Ref	Standard Gate with Chain Gate- 2046E3/2646E3	6
	0258243	Ref	Standard Gate with Chain Gate - 2658E3	6
1		Ref	Tube, Rail Options:	
1	4565285	1	Tube, Rail 1532E3/1932E3	
1	4565201	1	Tube, Rail 2033E3	
1	4565202	1	Tube, Rail 2046E3/2646E3	
1	4565203	1	Tube, Rail 2658E3	
2	3340612	1.5 ft/.5m	Pad	
3		Ref	Nut Options:	
3	3300151	AR	Nut, Acorn 1/4in-20NC (Prior to SN 0200098334)	
3	2080063	AR	Fastener, Nut 1/4in-20NC (SN 0200098334 to Present)	
4	4751400	AR	Flatwasher 1/4in Wide	
5	0100011	AR	Loctite #242 (Prior to SN 0200098334)	
6	3520072	AR	Plug, Cap	
7	0641418	AR	Screw 1/4in-20NC x 2 1/4in	
8	3911428	AR	Bolt 1/4in-20NC x 1 3/4in	
9		Ref	Screw Options:	
9	3911444	AR	Screw 1/4in-20NC x 2 3/4 (Prior to SN 0200098334)	
9	2080065	AR	Fastener, Screw 1/4in-20NC x 2 3/4 (SN 0200098334 to Present)	
10	0641608	AR	Bolt 3/8in-16NC x 1in	
11	3311605	AR	Locknut 3/8in-16NC	
12	4751600	AR	Flatwasher 3/8in	
19		Ref	Weldment, Rear Vertical Options:	
19	Not Required	0	Weldment, Rear Vertical 1532E3/1932E3/2033E3	
19	4845741	1	Weldment, Rear Vertical 2046E3/2646E3/2658E3	
20		Ref	Weldment, Bottom Right Side Options:	
20	Not Required	0	Weldment, Bottom Right Side 1532E3/1932E3/2033E3	
20	4845843	1	Weldment, Bottom Right Side 2046E3/2646E3	
20	4845734	1	Weldment, Bottom Right Side 2658E3	
21		Ref	Weldment, Bottom Left Side Options:	
21	Not Required	0	Weldment, Bottom Left Side 1532E3/1932E3/2033E3	
21	4845845	1	Weldment, Bottom Left Side 2046E3/2646E3	
21	4845736	1	Weldment, Bottom Left Side 2658E3	
22		Ref	Kick Plate - Rear Options:	
22	Not Required	0	Kick Plate - Rear 1532E3/1932E3/2033E3	
22	3534742	2	Kick Plate - Rear 2046E3/2646E3	
22	3534743	2	Kick Plate - Rear 2658E3	
24	1260136	2 ft/.6m	Chain	
25	3010088	2	Link	
26	1001101076	1	Hook, Snap (Includes Item 25) (was p/n 2940064)	
27	2820097	2 ft/.6m	Mesh Tubing	
	2902003	1	Kit, Platform Access Rails - 2046E3/2646E3 (Includes Items 19 - 23)	
	2902005	1	Kit, Platform Access Rails - 2046E3/2646E3 (Includes Items 19 - 23)	

SECTION 4 - PLATFORM

ITEM	PART NUMBER	QTY	DESCRIPTION	REV
		Ref	PLATFORM ACCESS (DRY WALL GATE) INSTALLATIONS	
	0258230	Ref	Dry Wall Gate - 1532E3/1932E3/2033E3 (Prior to SN 0200057691)	3
	0259259	Ref	Dry Wall Gate - 1532E3/1932E3 (SN 0200057691 to Present)	2
	0259304	Ref	Dry Wall Gate -2033E3 (SN 0200057691 to Present)	2
	0258240	Ref	Dry Wall Gate - 2046E3/2646E3	6
	0258245	Ref	Dry Wall Gate - 2658E3	6
101		Ref	Tube, Dry Wall Gate Options:	
101	4567550	1	Tube, Dry Wall Gate 1532E3/1932E3/2033E3 (Prior to SN 0200057691)	
101	4567896	1	Tube, Dry Wall Gate 1532E3/1932E3 (SN 0200057691 to Present)	
101	4567894	1	Tube, Dry Wall Gate 2033E3 (SN 0200057691 to Present)	
101	4567550	1	Tube, Dry Wall Gate 2046E3/2646E3/2658E3 (Prior to SN 0200057459)	
101	4567883	1	Tube, Dry Wall Gate 2046E3/2646E3/2658E3 (SN 0200057459 to Present)	
102	3340612	1.5 ft/.5m	Pad	
103		Ref	Nut Options:	
103	3300151	AR	Nut, Acorn 1/4in-20NC (Prior to SN 0200098334)	
103	2080063	AR	Fastener, Nut 1/4in-20NC (SN 0200098334 to Present)	
104	4751400	AR	Flatwasher 1/4in Wide	
105	0100011	AR	Loctite #242 (Prior to SN 0200098334)	
106		Ref	Channel, Dry Wall Options:	
106	1271410	2	Channel, Dry Wall (1532E3 Prior to SN 0200057691; 1932E3 Prior to SN 0200057691; 2033E3 Prior to SN 0200057691; 2046E3 Prior to SN 0200057459; 2646E3 Prior to SN 0200057459; 2658E3 Prior to SN 0200057459)	
106	4846013	2	Channel, Dry Wall 1532E3/1932E3 (SN 0200057691 to Present)	
106	4846012	2	Channel, Dry Wall 2033E3 (SN 0200057691 to Present)	
106	4845829	2	Channel, Dry Wall 2046E3/2646E3/2658E3 (SN 0200057459 to Present)	
107	3520072	AR	Plug, Cap	
108	0641413	AR	Bolt 1/4in-20NC x 1 5/8in	
108	3911424	AR	Screw 1/4in-20NC x 1 1/2in	
109	3911432	AR	Bolt 1/4in-20NC x 2in	
110	3911428	AR	Bolt 1/4in-20NC x 1 3/4in	
111		Ref	Screw Options:	
111	3911444	AR	Screw 1/4in-20NC x 2 3/4 (Prior to SN 0200098334)	
111	2080065	AR	Fastener, Screw 1/4in-20NC x 2 3/4 (SN 0200098334 to Present)	
112	0641608	AR	Bolt 3/8in-16NC x 1in	
113	3311605	AR	Locknut 3/8in-16NC	
114	4751600	AR	Flatwasher 3/8in	
115		Ref	Weldment, Top Rear Rail Left Side Options:	
115	Not Required	0	Weldment, Top Rear Rail Left Side 1532E3/1932E3/2033E3	
115	4845735	1	Weldment, Top Rear Rail Left Side 2046E3/2646E3	
115	4845793	1	Weldment, Top Rear Rail Left Side 2658E3	
116		Ref	Weldment, Top Rear Rail Right Side Options:	
116	Not Required	0	Weldment, Top Rear Rail Right Side 1532E3/1932E3/2033E3	
116	4845792	1	Weldment, Top Rear Rail Right Side 2046E3/2646E3	
116	4845733	1	Weldment, Top Rear Rail Right Side 2658E3	
117		Ref	Weldment, Bottom Rear Rail Right Side Options:	

SECTION 4 - PLATFORM

ITEM	PART NUMBER	QTY	DESCRIPTION	REV
117	Not Required	0	Weldment, Bottom Rear Rail Right Side 1532E3/1932E3/2033E3	
117	4845843	1	Weldment, Bottom Rear Rail Right Side 2046E3/2646E3	
117	4845734	1	Weldment, Bottom Rear Rail Right Side 2658E3	
118		Ref	Weldment, Bottom Rear Rail Left Side Options:	
118	Not Required	0	Weldment, Bottom Rear Rail Left Side 1532E3/1932E3/2033E3	
118	4845845	1	Weldment, Bottom Rear Rail Left Side 2046E3/2646E3	
118	4845736	1	Weldment, Bottom Rear Rail Left Side 2658E3	
119		Ref	Kick Plate - Rear Options:	
119	Not Required	0	Kick Plate - Rear 1532E3/1932E3/2033E3	
119	3534742	2	Kick Plate - Rear 2046E3/2646E3	
119	3534743	2	Kick Plate - Rear 2658E3 Prior to SN C#105412 (Was P/N 3535492)	
119	3534743	2	Kick Plate - Rear 2658E3 Prior to SN C#105412 (Was P/N 3535492)	
120	3421453	1	Snapper Pin (2033E3 Prior to SN 57691; 2046E3 Prior to SN 57459; 2646E3 Prior to SN 57459; 2658E3 Prior to SN 57459)	
121	1060379	1	Cable, Lanyard (2033E3 Prior to SN 57691; 2658E3 Prior to SN 57459; 2046E3 Prior to SN 57459; 2646E3 Prior to SN 57459)	
122	3760170	1	Ring (2033E3 Prior to SN 57691; 2658E3 Prior to SN 57459; 2046E3 Prior to SN 57459; 2646E3 Prior to SN 57459)	
123	1260136	2 ft/.6m	Chain	
124	3010088	2	Link	
125	1001101076	1	Hook, Snap (Includes Item 124) (was p/n 2940064)	
126	2820097	2 ft/.6m	Mesh Tubing	
128	3422369	2	Pin, Plunger (2033E3 SN 57691 to Present; 2658E3 SN 57459 to Present; 2046E3 SN 57459 to Present; 2646E3 SN 57459 to Present)	
129	0641418	4	Bolt 1/4in-20NC x 2 1/4in	
	2902007	1	Kit, Platform Access Rails - 2046E3/2646E3 (Includes Items 115 - 119)	
	2902008	1	Kit, Platform Access Rails - 2658E3 (Includes Items 115 - 119)	
		Ref	PLATFORM ACCESS (SWING GATE) INSTALLATIONS	
	0258231	Ref	Swing Gate - 1532E3/1932E3 (Prior to SN 58563)	8
	0259388	Ref	Swing Gate - 1532E3/1932E3 (SN 58563 to Present)	6
	0258231	Ref	Swing Gate - 2033E3	8
	0258241	Ref	Swing Gate - 2046E3/2646E3	9
	0258246	Ref	Swing Gate - 2658E3	8
201		Ref	Tube, Rail Options:	
201	4565201	1	Tube, Rail 1532E3/1932E3 (Prior to SN 58563)	
201	4565285	1	Tube, Rail 1532E3/1932E3 (SN 58563 to Present)	
201	4565201	1	Tube, Rail 2033E3	
201	4565202	1	Tube, Rail 2046E3	
201	4565203	1	Tube, Rail 2658E3	
202	3340612	1.5 ft/.5m	Pad	
203		Ref	Nut Options:	
203	3300151	AR	Nut, Acorn 1/4in-20NC (Prior to SN 0200098334)	
203	2080063	AR	Fastener, Nut 1/4in-20NC (SN 0200098334 to Present)	
204	4751400	AR	Flatwasher 1/4in Wide	
205	0100011	AR	Loctite #242	
206	3520072	2	Plug, Cap	
207	3911428	AR	Screw 1/4in-20NC x 1 3/4in	
208	0641418	AR	Screw 1/4in-20NC x 2 1/4in	

SECTION 4 - PLATFORM

ITEM	PART NUMBER	QTY	DESCRIPTION	REV
209		Ref	Screw Options:	
209	3911444	AR	Screw 1/4in-20NC x 2 3/4 (Prior to SN 0200098334)	
209	2080065	AR	Fastener, Screw 1/4in-20NC x 2 3/4 (SN 0200098334 to Present)	
210	0641608	AR	Bolt 3/8in-16NC x 1in	
211	3311605	AR	Locknut 3/8in-16NC	
212	4751600	AR	Flatwasher 3/8in	
213	4845741	AR	Weldment. Rear Vertical	
214		Ref	Weldment, Bottom Right Side Options:	
214	Not Required	0	Weldment, Bottom Right Side 1532E3/1932E3/2033E3	
214	4845843	1	Weldment, Bottom Right Side 2046E3/2646E3	
214	4845734	1	Weldment, Bottom Right Side 2658E3	
215		Ref	Weldment, Bottom Left Side Options:	
215	Not Required	0	Weldment, Bottom Left Side 1532E3/1932E3/2033E3	
215	4845845	1	Weldment, Bottom Left Side 2046E3/2646E3	
215	4845736	1	Weldment, Bottom Left Side 2658E3	
216	4845708	1	Weldment, Platform Access Rail	
217		Ref	Kick Plate - Rear	
217	Not Required	0	Kick Plate - Rear 1532E3/1932E3/2033E3	
217	3534742	2	Kick Plate - Rear 2046E3/2646E3/2658E3 (Was P/N 3535492) (Prior to SN 0200065312)	
217	3534742	2	Kick Plate - Rear 2046E3/2646E3 (SN 0200065312 to Present)	
217	3534743	2	Kick Plate - Rear 2658E3 (SN 0200065312 to Present)	
218	4845709	1	Weldment, Platform Access Door	
220		Ref	Fastener, Rivnut #10-32 Options:	
220	2080069	12	Fastener, Rivnut #10-32 (Was P/N 2080047) (Prior to SN 0200103629)	
220	2080069	12	Fastener, Rivnut #10-32 (SN 0200103629 to Present)	
221	3900267	12	Screw #10-32	
222	4711000	12	Flatwasher #10	
223	2600253	2	Hinge	
224	4845710	1	Weldment, Platform Access Rail	
225	2940074	1	Latch	
226	3911016	4	Bolt #10-24NC x 1in	
227		Ref	Nut Options:	
227	3311005	4	Locknut #10-24NC (Prior to SN 0200099828)	
227	3311001	4	Nut #10-24NC (SN 0200099828 to Present)	
228	4751000	4	Flatwasher #10	
	2901993	1	Kit, Platform Access Rails - 1532E3/ 1932E3/ 2033E3/ 2046E3/ 2646E3/ 2658E3 (Includes Items 216, 218 & 224)	
	2902009	1	Kit, Platform Access Rails - 2046E3/2646E3 (Includes Items 213, 214, 215 & 217)	
	2902010	1	Kit, Platform Access Rails - 2658E3 (Includes Items 213, 214, 215 & 217)	
		Ref	PLATFORM ACCESS (DRY WALL AND SWING GATE) INSTALLATIONS	
	0258232	Ref	Dry Wall and Swing Gate - 1532E3/1932E3 (Prior to SN 0200057691)	8
	0259260	Ref	Dry Wall and Swing Gate - 1532E3/1932E3 (SN 0200057691 to Present)	6
	0258232	Ref	Dry Wall and Swing Gate - 1532E3/1932E3/2033E3	8
	0258242	Ref	Dry Wall and Swing Gate - 2046E3/2646E3	8
	0258247	Ref	Dry Wall and Swing Gate - 2658E3	9

SECTION 4 - PLATFORM

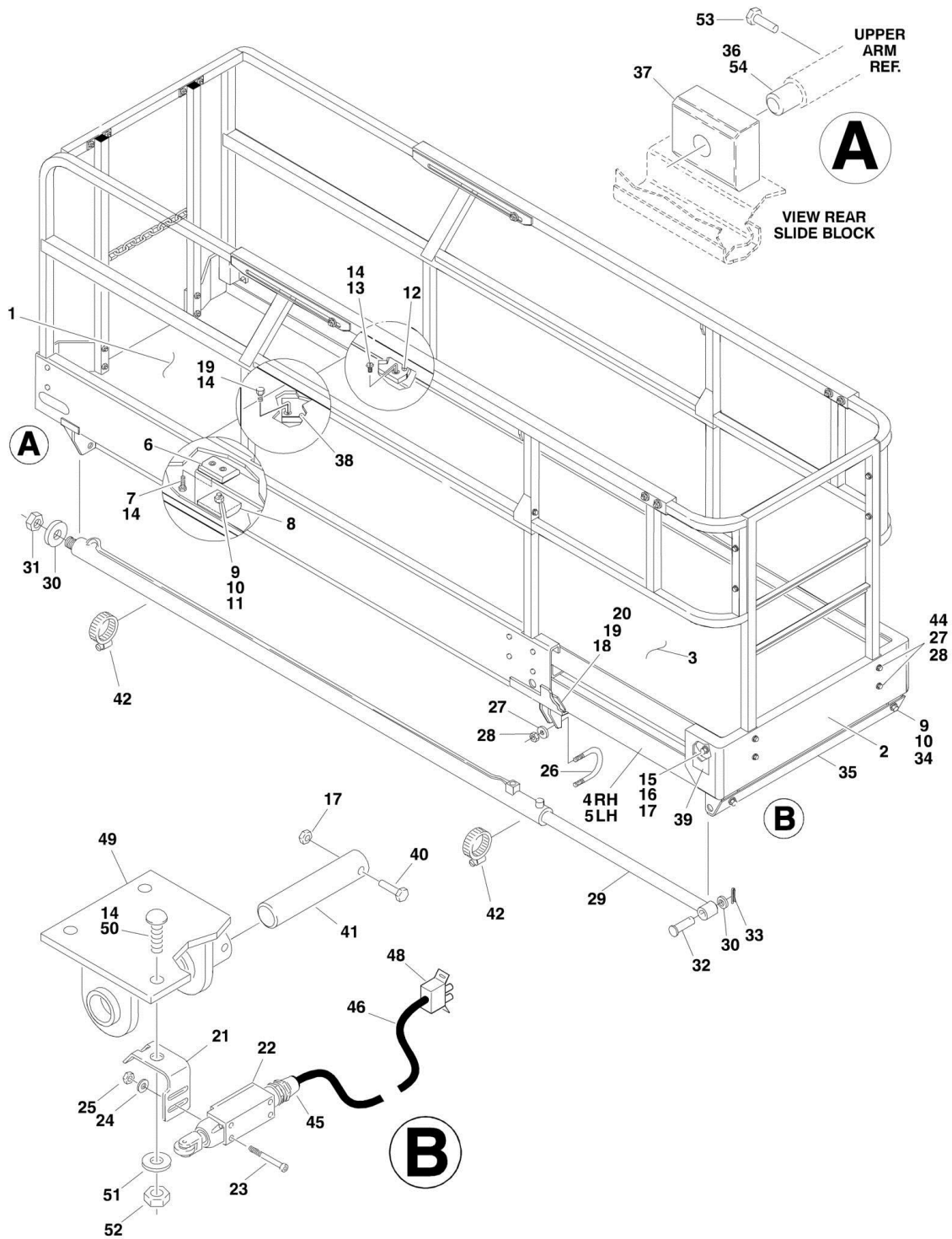
ITEM	PART NUMBER	QTY	DESCRIPTION	REV
301		Ref	Tube, Dry Wall Gate Options:	
301	4567896	1	Tube, Dry Wall Gate 1532E3/1932E3	
301	4567894	1	Tube, Dry Wall Gate 2033E3	
301	4567883	1	Tube, Dry Wall Gate 2046E3/2646E3/2658E3	
302	3340612	1.5 ft/.5m	Pad	
303		Ref	Nut Options:	
303	3300151	AR	Nut, Acorn 1/4in-20NC (Prior to SN 0200098334)	
303	2080063	AR	Fastener, Nut 1/4in-20NC (SN 0200098334 to Present)	
304	4751400	AR	Flatwasher 1/4in Wide	
305	0100011	AR	Loctite #242	
306		Ref	Channel, Dry Wall Gate Options:	
306	1271410	2	Channel, Dry Wall Gate (Prior to SN 0200057691)	
306	4846013	2	Channel, Dry Wall Gate 1532E3/1932E3 (SN 0200057691 to Present)	
306	4846012	2	Channel, Dry Wall Gate 2033E3 (SN 0200057691 to Present)	
306	4845829	2	Channel, Dry Wall Gate 2046E3/2646E3/2658E3 (SN 0200057691 to Present)	
307	3520072	AR	Plug, Cap	
308	3911424	3	Bolt 1/4in-20NC x 1 1/2in	
309	3911428	AR	Screw 1/4in-20NC x 1 3/4in	
310	3911432	AR	Screw 1/4in-20NC x 2in	
311	3911444	AR	Screw 1/4in-20NC x 2 3/4in	
312	0641608	AR	Bolt 3/8in-16NC x 1in	
313	3311605	AR	Locknut 3/8in-16NC	
314	4751600	AR	Flatwasher 3/8in	
315		Ref	Weldment, Top Rear Left Side Options:	
315	Not Required	0	Weldment, Top Rear Left Side 1532E3/1932E3/2033E3	
315	4845735	1	Weldment, Top Rear Left Side 2046E3/2646E3	
315	4845793	1	Weldment, Top Rear Left Side 2658E3	
316		Ref	Weldment, Top Rear Right Side Options:	
316	Not Required	0	Weldment, Top Rear Right Side 1532E3/1932E3/2033E3	
316	4845792	1	Weldment, Top Rear Right Side 2046E3/2646E3	
316	4845733	1	Weldment, Top Rear Right Side 2658E3	
317		Ref	Weldment, Bottom Right Side Options:	
317	Not Required	0	Weldment, Bottom Right Side 1532E3/1932E3/2033E3	
317	4845843	1	Weldment, Bottom Right Side 2046E3/2646E3	
317	4845734	1	Weldment, Bottom Right Side 2658E3	
318		Ref	Weldment, Bottom Left Side Options:	
318	Not Required	0	Weldment, Bottom Left Side 1532E3/1932E3/2033E3	
318	4845845	1	Weldment, Bottom Left Side 2046E3/2646E3	
318	4845736	1	Weldment, Bottom Left Side 2658E3	
319	4845708	1	Weldment, Platform Access Rail	
320		Ref	Kick Plate - Rear	
320	Not Required	0	Kick Plate - Rear 1532E3/1932E3/2033E3	
320	3534742	1	Kick Plate - Rear 2046E3/2646E3	
321	4845709	1	Weldment, Platform Access Door	
322		Ref	Snapper Pin Options Only: (Prior to SN 0200057691)	
322	3421453	1	Snapper Pin Options 1532E3/1932E3/2033E3	
322	3421452	1	Snapper Pin Options 2046E3/2646E3/2658E3	
323	1060379	1	Cable - Lanyard Only (Prior to SN 0200057691)	
324	3760170	1	Ring Only (Prior to SN 0200057691)	
326		Ref	Fastener, Rivnut #10-32 Options:	

SECTION 4 - PLATFORM

ITEM	PART NUMBER	QTY	DESCRIPTION	REV
326	2080069	12	Fastener, Rivnut #10-32 (Was P/N 2080047) (Prior to SN 0200103629)	
326	2080069	12	Fastener, Rivnut #10-32 (SN 0200103629 to Present)	
327	3900267	12	Screw #10-32	
328	4711000	12	Flatwasher #10	
329	2600253	2	Hinge	
330	4845710	1	Weldment, Platform Access Rail	
331	2940074	1	Latch	
332	3911016	4	Bolt #10-24NC x 1in	
333		Ref	Nut Options:	
333	3311005	4	Locknut #10-24NC (Prior to SN 0200099828)	
333	3311001	4	Nut #10-24NC (SN 0200099828 to Present)	
334	4751000	4	Flatwasher #10	
335	3422369	2	Pin, Plunger (SN 0200057691 to Present)	
336	0641418	AR	Bolt 1/4in-20NC x 2 1/4in	
	2901993	1	Kit, Platform Access Rails - 1532E3/ 1932E3/ 2033E3/ 2046E3/ 2646E3/ 2658E3 (Includes Items 319, 321 & 330)	
	2902011	1	Kit, Platform Access Rails - 2046E3/2646E3 (Includes Items 315, 316, 317, 318 & 320)	
	2902012	1	Kit, Platform Access Rails - 2658E3 (Includes Items 315, 316, 317, 318 & 320)	

SECTION 4 - PLATFORM

FIGURE 4-8. PLATFORM AND EXTENSION INSTALLATION - POWER OPERATED (2033E3/2046E3/2646E3/2658E3)



SECTION 4 - PLATFORM

**FIGURE 4-8. PLATFORM AND EXTENSION INSTALLATION - POWER OPERATED
(2033E3/2046E3/2646E3/2658E3)**

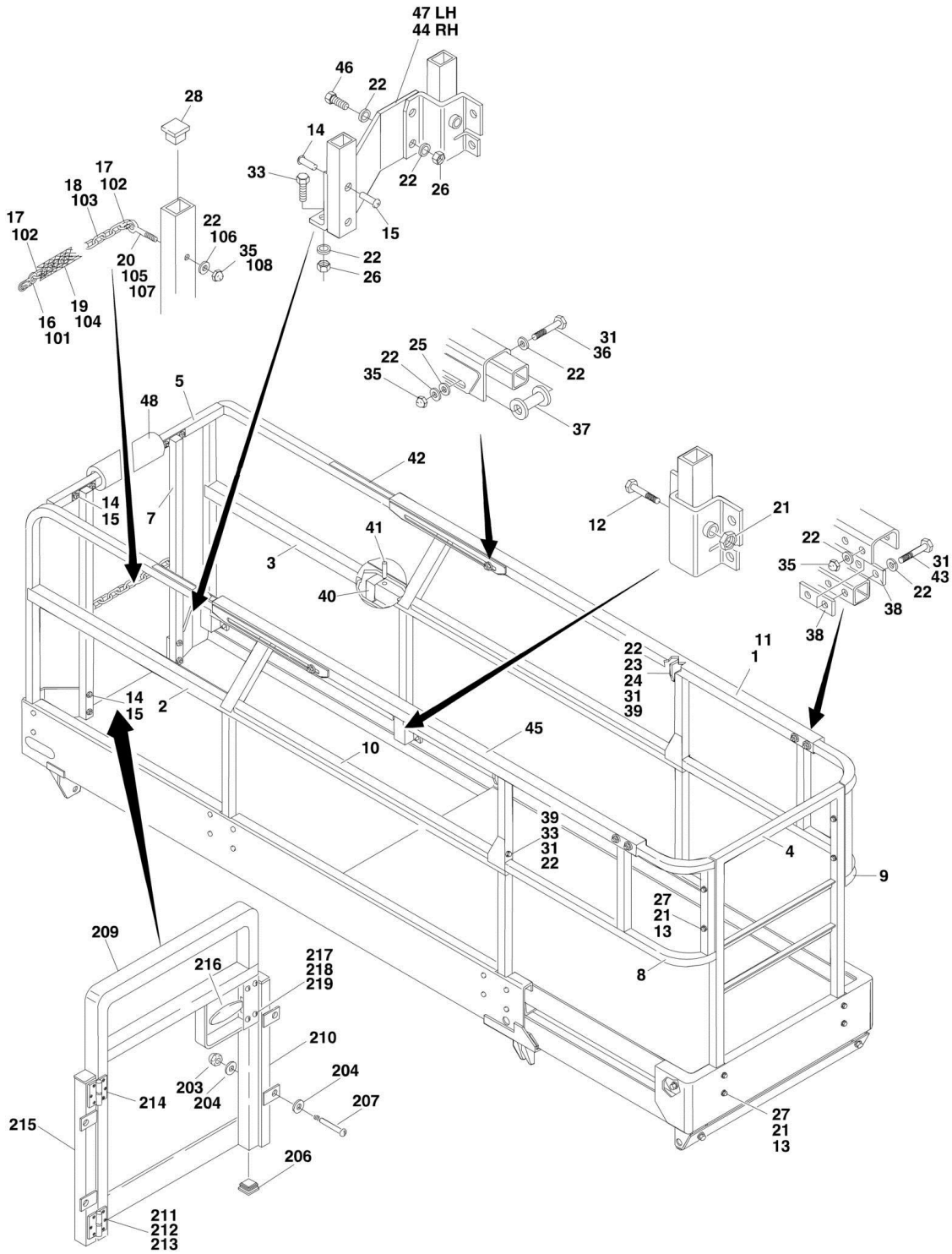
ITEM	PART NUMBER	QTY	DESCRIPTION	REV
		Ref	POWER DECK EXTENSION ASSEMBLIES	
	3510643	Ref	Power Deck Extension Assemblies 2033E3 (WITH 4ft Power Deck Extension)	5
	3510642	Ref	Power Deck Extension Assemblies 2033E3 (WITH 6ft Power Deck Extension)	6
	3510645	Ref	Power Deck Extension Assemblies 2046E3/2646E3 (WITH 4ft Power Deck Extension)	6
	3510644	Ref	Power Deck Extension Assemblies 2046E3/2646E3 (WITH 6ft Power Deck Extension)	6
	3510647	Ref	Power Deck Extension Assemblies 2658E3 (WITH 4ft Power Deck Extension)	7
	3510646	Ref	Power Deck Extension Assemblies 2658E3 (WITH 6ft Power Deck Extension)	6
1		Ref	Power Deck Extension Weldment Options:	
1	3510702	1	Power Deck Extension Weldment 2033E3	
1	3510703	1	Power Deck Extension Weldment 2046E3/2646E3	
1	3510704	1	Power Deck Extension Weldment 2658E3	
2		Ref	Shield, Front Options:	
2	4060929	1	Shield, Front 2033E3	
2	4060930	1	Shield, Front 2046E3/2646E3	
2	4060931	1	Shield, Front 2658E3	
3		Ref	Plate, Power Extension Deck Options:	
3	3570003	1	Plate, Power Extension Deck 2033E3	
3	3570004	1	Plate, Power Extension Deck 2046E3/2646E3	
3	3570005	1	Plate, Power Extension Deck 2658E3	
4	4845416	1	Weldment, Extension Tube (Right Side)	
5	4845415	1	Weldment, Extension Tube (Left Side)	
6	3340812	2	Pad (Rear Top)	
7	0641404	4	Bolt 1/4in-20NC x 1/2in	
8	3340813	2	Pad (Rear Bottom)	
9	3311405	4	Locknut 1/4in-20NC	
10	4751400	6	Flatwasher 1/4in	
11	0741407	2	Screw, Flathead 1/4in-20NC x 7/8in	
12	3340850	2	Pad	
13	3911408	4	Screw, Round Head 1/4in-20NC x 1/2in	
14	0100011	AR	Loctite #242	
15	0641608	8	Bolt 3/8in-16NC x 1in	
16	4751600	16	Flatwasher 3/8in	
17	3311605	12	Locknut 3/8in	
18	3340825	2	Pad (Front)	
19	0641604	4	Bolt 3/8in-16NC x 1/2in	
20	4761600	2	Lockwasher 3/8in	
21		Ref	Bracket, Switch Mount Options:	
21	0902512	1	Bracket, Switch Mount 2033E3/2046E3/2646E3	
21	0902512	1	Bracket, Switch Mount 2658E3 (Prior to SN 0200073911)	
21	0902665	1	Bracket, Switch Mount 2658E3 (SN 0200073911 to Present)	
22	4360401	1	Switch, Extension Limit	
23	3931024	2	Bolt #10-24NC x 1 1/2in	
24	4751000	2	Flatwasher #10	
25	3311005	2	Locknut #10-24NC	

SECTION 4 - PLATFORM

ITEM	PART NUMBER	QTY	DESCRIPTION	REV
26	1320026	2	Clamp 1 3/4in	
27	4751500	12	Flatwasher 5/16in	
28	3311505	12	Locknut 5/16in-18NC	
29		Ref	Platform Extension Cylinder Assembly Options (See CYLINDER SECTION for Breakdown):	
29	1683376	2	4ft Extension	
29	1683375	2	6ft Extension	
30	4712200	4	Flatwasher 3/4in	
31	3322201	2	Nut 3/4in-16NC	
32	3431220	2	Pin, Clevis	
33	3450303	2	Pin, Cotter	
34	0641407	2	Bolt 1/4in-20NC x 7/8in	
35		Ref	Weldment Front Plate Options:	
35	3539118	1	Weldment Front Plate 2033E3	
35	3539119	1	Weldment Front Plate 2046E3/2646E3	
35	3539120	1	Weldment Front Plate 2658E3	
36		Ref	Pin, (Top) Options:	
36	3422805	2	Pin, (Top) 2033E3/2046E3/2646E3	
36	3422805	2	Pin, (Top) 2658E3 (Prior to SN 0200073911)	
36	3422883	2	Pin, (Top) 2658E3 (SN 0200073911 to Present)	
37	3340783	2	Pad, Slide Block (Top)	
38	3340815	1	Pad, Center (Rear)	
39	1703491	2	Decal, Pinching Hazard (Prior to SN 0200071313)	
40	0681618	2	Bolt 3/8in-16NC x 2 1/4in (Grade 8)	
41	3422713	2	Pin, Pivot	
42	1320012	4	Clamp	
43	0641406	2	Bolt 1/4in-20NC x 3/4in (Not Shown) (Prior to SN 0200067805)	
44	0641506	4	Bolt 5/16in-18NC x 3/4in	
45		Ref	Connector, Strain Relief Options:	
45	4460052	1	Connector, Strain Relief (Prior to SN 0200089301)	
45	4460049	1	Connector, Strain Relief (SN 0200089301 to Present)	
46	1060680	AR	Cable, Electrical 18/2	
46		Ref	Cable, Electrical 18/2 2033E3	
46		Ref	Cable, Electrical 18/2 2046E3/2646E3/2658E3	
47	4460320	1	Plug, 2 Position	
48	4460268	2	Socket, Female	
49	4845560	2	Pivot, Stationary (Top)	
50	0630485	7	Bolt, Carriage	
51	4711600	11	Flatwasher 3/8in	
52	3311605	7	Locknut 3/8in-16NC	
53	0681610	2	Bolt 3/8in-16NC x 1 1/4in (Grade 8)	
54	0962340	2	Bushing, Spacer	

SECTION 4 - PLATFORM

FIGURE 4-9. HANDRAILS INSTALLATION - STANDARD HANDRAILS (POWER OPERATED EXTENSION) (2033E3/2046E3/2646E3/2658E3)



SECTION 4 - PLATFORM

FIGURE 4-9. HANDRAILS INSTALLATION - STANDARD HANDRAILS (POWER OPERATED EXTENSION) (2033E3/2046E3/2646E3/2658E3)

ITEM	PART NUMBER	QTY	DESCRIPTION	REV
		Ref	HANDRAILS INSTALLATION OPTIONS:	
	0256103	Ref	HANDRAILS INSTALLATION STANDARD - 2033E3 MACHINES	8
	0257653	Ref	HANDRAILS INSTALLATION CSA - 2033E3 MACHINES	7
	0256104	Ref	HANDRAILS INSTALLATION STANDARD - 2046E3/2646E3 MACHINES	8
	0257654	Ref	HANDRAILS INSTALLATION CSA - 2046E3/2646E3 MACHINES	7
	0256105	Ref	HANDRAILS INSTALLATION STANDARD - 2658E3 MACHINES	8
	0257655	Ref	HANDRAILS INSTALLATION CSA - 2658E3 MACHINES	7
1		Ref	Handrail Kit Options:	
1	2901403	1	Handrail Kit Standard - 2033E3 Machines (Includes Items 2 thru 5, 8 thru 11 & 45)	
1	2901527	1	Handrail Kit CSA - 2033E3 Machines (Includes Items 2 thru 5, 8 thru 11 & 45)	
1	2901404	1	Handrail Kit Standard - 2046E3/2646E3 Machines (Includes items 2 thru 5, 7 thru 11 & 45)	
1	2901528	1	Handrail Kit CSA - 2046E3/2646E3 Machines (Includes Items 2 thru 5, 7 thru 11 & 45)	
1	2901405	1	Handrail Kit Standard - 2658E3 Machines (Includes Items 2 thru 5, 7 thru 11 & 45)	
1	2901529	1	Handrail Kit CSA - 2658E3 Machines (Includes Items 2 thru 5, 7 thru 11 & 45)	
2		Ref	Rail Weldment - Right Side Options:	
2	3641082	1	Standard - Rail Weldment	
2	3641203	1	CSA - Rail Weldment	
3		Ref	Rail Weldment - Left Side Options:	
3	3641083	1	Standard - Rail Weldment	
3	3641204	1	CSA - Rail Weldment	
4		Ref	Rail Weldment - Extension - Front Options:	
4	3641149	1	Standard - Rail Weldment	
4	3641207	1	CSA - Rail Weldment	
5		Ref	Tube, Crossbar Options:	
5	4567135	1	Tube, Crossbar 2033E3 Machines	
5	4567136	1	Tube, Crossbar 2046E3/2646E3 Machines	
5	4567137	1	Tube, Crossbar 2658E3 Machines	
7		Ref	Rail Weldment - End Options:	
7	Not Required	0	Rail Weldment - End 2033E3 Machines	
7	3641152	2	Rail Weldment - End Standard - 2046E3/2646E3/2658E3 Machines	
7	3641208	2	Rail Weldment - End CSA - 2046E3/2646E3/2658E3 Machines	
8		Ref	Rail Weldment - Extension Right Side Options:	
8	3641084	1	Rail Weldment - Extension Right Side 2033E3 Machines	
8	3641088	1	Rail Weldment - Extension Right Side 2046E3/2646E3 Machines	
8	3641090	1	Rail Weldment - Extension Right Side 2658E3 Machines	
9		Ref	Rail Weldment - Extension Left Side Options:	
9	3641085	1	Rail Weldment - Extension Left Side 2033E3 Machines	
9	3641089	1	Rail Weldment - Extension Left Side 2046E3/2646E3 Machines	
9	3641091	1	Rail Weldment - Extension Left Side 2658E3 Machines	
10	4060915	1	Shield, Midrail Cover	
11	1271305	1	Channel, Top Rail	
12	0630501	6	Bolt 5/16in-18NC x 2 1/4in	

SECTION 4 - PLATFORM

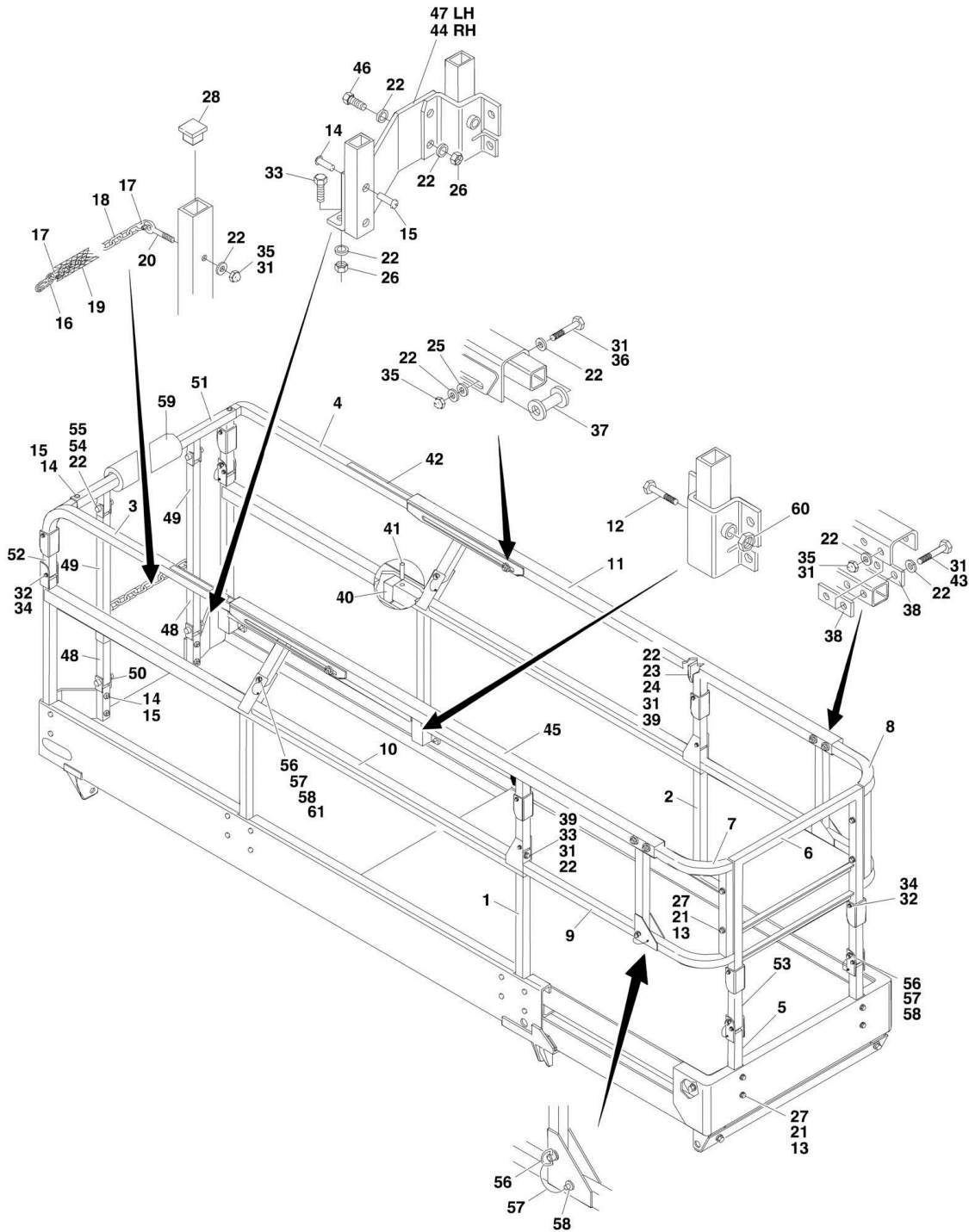
ITEM	PART NUMBER	QTY	DESCRIPTION	REV
13	4711500	AR	Flatwasher 5/16in Narrow	
14	3300373	AR	Nut, Binding Post	
15	3900184	AR	Screw #10-24	
16	1001101076	1	Latch, Snap (Includes Item 17) (was p/n 2940064) (Prior to SN 0200071692)	
17	3010088	2	Link (Prior to SN 0200071692)	
18	1260136	24 in/61cm	Chain (Prior to SN 0200071692)	
19		Ref	Tubing Options:	
19	2820097	24 in/61cm	Tubing, Mesh (Prior to SN 0200071692)	
19	2820024	24 in/61cm	Tubing, Vinyl (CSA 2033E3 Only)	
20	0630494	2	Bolt, Eye (Prior to SN 0200071692)	
21	3311505	6	Locknut 5/16in-18NC	
22	4751400	AR	Flatwasher 1/4in Wide	
23	0641410	4	Bolt 1/4in-20NC x 1 1/4in	
24	0561262	2	Block, Slide	
25	4740411	4	Washer, Nylon	
26		Ref	Locknut 1/4in-20NC Options:	
26	Not Required	0	Locknut 1/4in-20NC 2033E3 Machines	
26	3311405	6	Locknut 1/4in-20NC 2046E3/2646E3/2658E3 Machines	
27	0641516	8	Bolt 5/16in-18NC x 2in	
28	3520072	AR	Plug, Cap	
29		Ref	Bolt #10-24 x 1/2in Options:	
29	Not Required	0	Bolt #10-24 x 1/2in 2033E3 Machines	
29	3921008	2	Bolt #10-24 x 1/2in 2046E3/2646E3/2658E3 Machines	
30		Ref	Flatwasher #10 Wide Options:	
30	Not Required	0	Flatwasher #10 Wide 2033E3 Machines	
30	4751000	2	Flatwasher #10 Wide 2046E3/2646E3/2658E3 Machines	
31	0100011	AR	Loctite #242	
33	0641408	4	Bolt 1/4in-20NC x 1in	
35		Ref	Nut Options:	
35	3300151	6	Nut, Acorn 1/4in-20NC (Prior to SN 0200098334)	
35	2080063	6	Fastener, Nut 1/4in-20NC (SN 0200098334 to Present)	
36	0641424	2	Bolt 1/4in-20NC x 3in	
37	3860075	2	Roller	
38	0561234	4	Block, Spacer	
39	2080043	AR	Rivnut 1/4in-20NC	
40	3340801	2	Pad, Midrail	
41	3440420	2	Pin, Roll 1/8in x 1 1/4in	
42	4420055	13 ft/4m	Tape, UHWM	
43	0641420	4	Bolt 1/4in-20NC x 2 1/2in	
44		Ref	End Kick Panel Right Side Options:	
44	Not Required	0	End Kick Panel Right Side 2033E3 Machines	
44	3380437	1	End Kick Panel Right Side 2046E3/2646E3 Machines	
44	3380438	1	End Kick Panel Right Side 2658E3 Machines	
45	1271337	1	Channel Weldment	
46		Ref	Bolt 1/4in-20NC x 3/4in Options:	
46	Not Required	0	Bolt 1/4in-20NC x 3/4in 2033E3 Machines	
46	0641406	4	Bolt 1/4in-20NC x 3/4in 2046E3/2646E3/2658E3 Machines	
47		Ref	End Kick Panel Left Side Options:	

SECTION 4 - PLATFORM

ITEM	PART NUMBER	QTY	DESCRIPTION	REV
47	Not Required	0	End Kick Panel Left Side 2033E3 Machines	
47	3380439	1	End Kick Panel Left Side 2046E3/2646E3 Machines	
47	3380440	1	End Kick Panel Left Side 2658E3 Machines	
48	3340612	17 in/43cm	Pad	
	0270067	Ref	PLATFORM ACCESS INSTALLATION	2
101	1001101076	1	Hook, Snap (Includes Item 102) (was p/n 2940064)	
102	3010088	2	Link	
103	1260136	24 in/61cm	Chain	
104	2820097	24 in/61cm	Tubing, Mesh	
105	0630494	2	Bolt, Eye	
106	4751400	2	Flatwasher 1/4in Wide	
107	0100011	AR	Loctite #242 (Not Shown) (Prior to SN 0200097341)	
108		Ref	Nut Options:	
108	3300151	2	Nut, Acorn 1/4in-20NC (Prior to SN 0200097341)	
108	2080063	2	Fastener, Nut 1/4in-20NC (SN 0200097341 to Present)	
	0259213	Ref	GATE, HALF SWING INSTALLATION - 2033E3	5
203		Ref	Nut Options:	
203	3300151	8	Nut, Acorn 1/4in-20NC (Prior to SN 0200097341)	
203	2080063	8	Fastener, Nut 1/4in-20NC (SN 0200097341 to Present)	
204	4751400	8	Flatwasher 1/4in Wide	
206	3520072	5	Plug, Cap	
207	3911432	4	Screw 1/4in-20NC x 2in	
209	4845982	1	Weldment, Platform Access Door	
210	4845983	1	Weldment, Door Support - Latch Side	
211	3300432	12	Nut, Acorn #10-24NC	
212	3911028	12	Screw #10-24NC x 1 3/4in	
213	4711000	12	Flatwasher #10	
214	2600253	2	Hinge	
215	4845984	1	Weldment, Door Support - Hinge Side	
216	2940074	1	Latch	
217	3911014	4	Screw #10-24NC x 7/8in	
218	3311005	4	Locknut #10-24NC	
219	4751000	4	Flatwasher #10	
	2902013	1	Kit, 1/2 Swing Gate - 2033E3 (Includes Items 209, 210 & 215)	

SECTION 4 - PLATFORM

FIGURE 4-10. HANDRAILS INSTALLATION - FOLDDOWN HANDRAILS (POWER OPERATED EXTENSION) (2046E3/2646E3)



SECTION 4 - PLATFORM

FIGURE 4-10. HANDRAILS INSTALLATION - FOLDDOWN HANDRAILS (POWER OPERATED EXTENSION) (2046E3/2646E3)

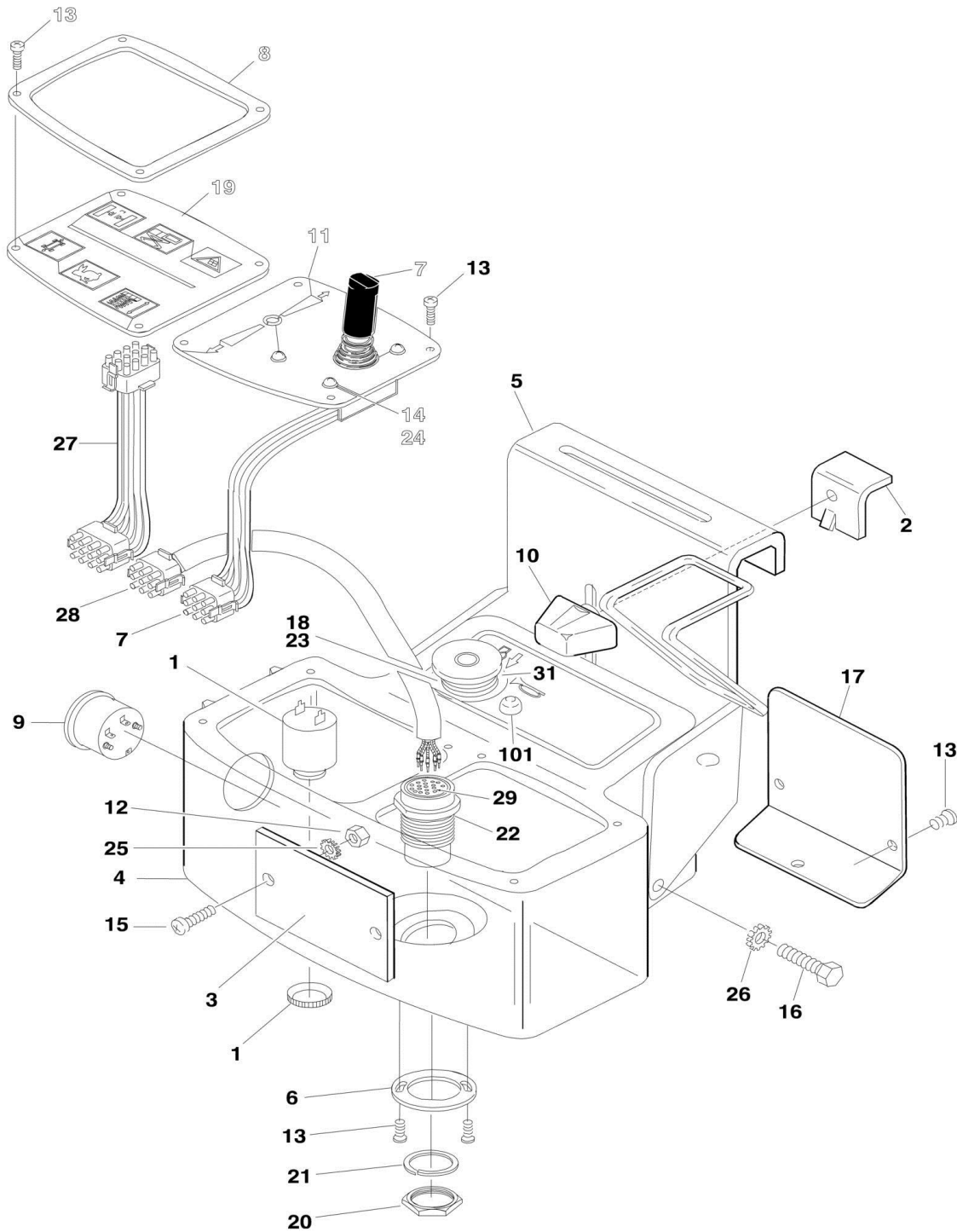
ITEM	PART NUMBER	QTY	DESCRIPTION	REV
	0258005	Ref	HANDRAILS INSTALLATION	5
1	3641239	1	Rail Weldment - Right Side	
2	3641240	1	Rail Weldment - Left Side	
3	3641241	1	Rail Weldment - Extension - Right Side Upper	
4	3641242	1	Rail Weldment - Extension - Left Side Upper	
5	3641243	2	Rail Weldment - Extension - Front Lower	
6	3641244	1	Rail Weldment - Extension - Front	
7	3641245	1	Rail Weldment - Extension Right Side	
8	3641246	1	Rail Weldment - Extension Left Side	
9	4567453	2	Tube, Extension	
10	4060915	2	Shield, Midrail Cover	
11	1271305	1	Channel, Top Rail	
12	0630501	6	Bolt 5/16in-18NC x 2 1/4in	
13	4711500	16	Flatwasher 5/16in Narrow	
14	3300373	6	Nut, Binding Post	
15	3900184	6	Screw #10-24	
16	1001101076	1	Hook, Snap (Includes Item 17) (was p/n 2940064)	
17	3010088	2	Link	
18	1260136	24	Chain	
		in/61cm		
19	2820097	24	Tubing, Mesh	
		in/61cm		
20	0630494	2	Bolt, Eye	
21	3311505	8	Locknut 5/16in-18NC	
22	4751400	40	Flatwasher 1/4in Wide	
23	0641410	4	Bolt 1/4in-20NC x 1 1/4in	
24	0561262	2	Block, Slide	
25	4740411	4	Washer, Nylon	
26	3311405	6	Locknut 1/4in-20NC	
27	0641516	8	Bolt 5/16in-18NC x 2in	
28	3520072	20	Plug, Cap	
29	3921008	2	Bolt #10-24 x 1/2in	
30	4751000	2	Flatwasher #10 Wide	
31	0100011	AR	Loctite #242	
32	3911432	12	Screw, 1/4in-20NC x 2in	
33	0641408	2	Bolt 1/4in-20NC x 1in	
35		Ref	Nut Options:	
35	3300151	18	Nut, Acorn 1/4in-20NC (Prior to SN 0200097333)	
35	2080063	18	Fastener, Nut 1/4in-20NC (SN 0200097333 to Present)	
36	0641424	2	Bolt 1/4in-20NC x 3in	
37	3860075	2	Roller	
38	0561234	4	Block, Spacer	
39	2080043	8	Rivnut 1/4in-20NC	
40	3340801	2	Pad, Midrail	
41	3440420	2	Pin, Roll 1/8in x 1 1/4in	
42	4420055	13 ft/4m	Tape, UHWM	
43	0641420	4	Bolt 1/4in-20NC x 2 1/2in	
44	3380437	1	End Kick Panel Right Side	
45	1271337	1	Channel Weldment	

SECTION 4 - PLATFORM

ITEM	PART NUMBER	QTY	DESCRIPTION	REV
46	0641406	4	Bolt 1/4in-20NC x 3/4in	
47	3380439	1	End Kick Panel Left Side	
48	4565261	2	Tube	
49	3640743	2	Rail, Weldment	
50	3641248	2	Rail, Weldment	
51	3641249	1	Crossbar, Weldment	
52	4567451	4	Tube, Link	
53	4567512	2	Tube, Front Link	
54	3430416	4	Pin, Clevis	
55	3450203	4	Pin, Cotter	
56	3422219	6	Pin, Snapper	
57	1060379	6	Cable, Lanyard	
58	3941004	6	Screw, Self Tapping	
59		Ref	Pad Options:	
59	3340612	24 in/61cm	Pad (Prior to SN 0200071313)	
59	3340564	1	Pad (SN 0200071313 to Present)	
60	3311501	6	Nut 5/16in-18NC	
61	3760170	6	Key Ring	
	2901991	1	Kit, Rails - 2046E3/2646E3 (Includes Items 1 - 11, 44, 45, 47, 48, 49, 50, 52 & 53)	

SECTION 4 - PLATFORM

FIGURE 4-11. PLATFORM CONSOLE BOX ASSEMBLY



SECTION 4 - PLATFORM

FIGURE 4-11. PLATFORM CONSOLE BOX ASSEMBLY

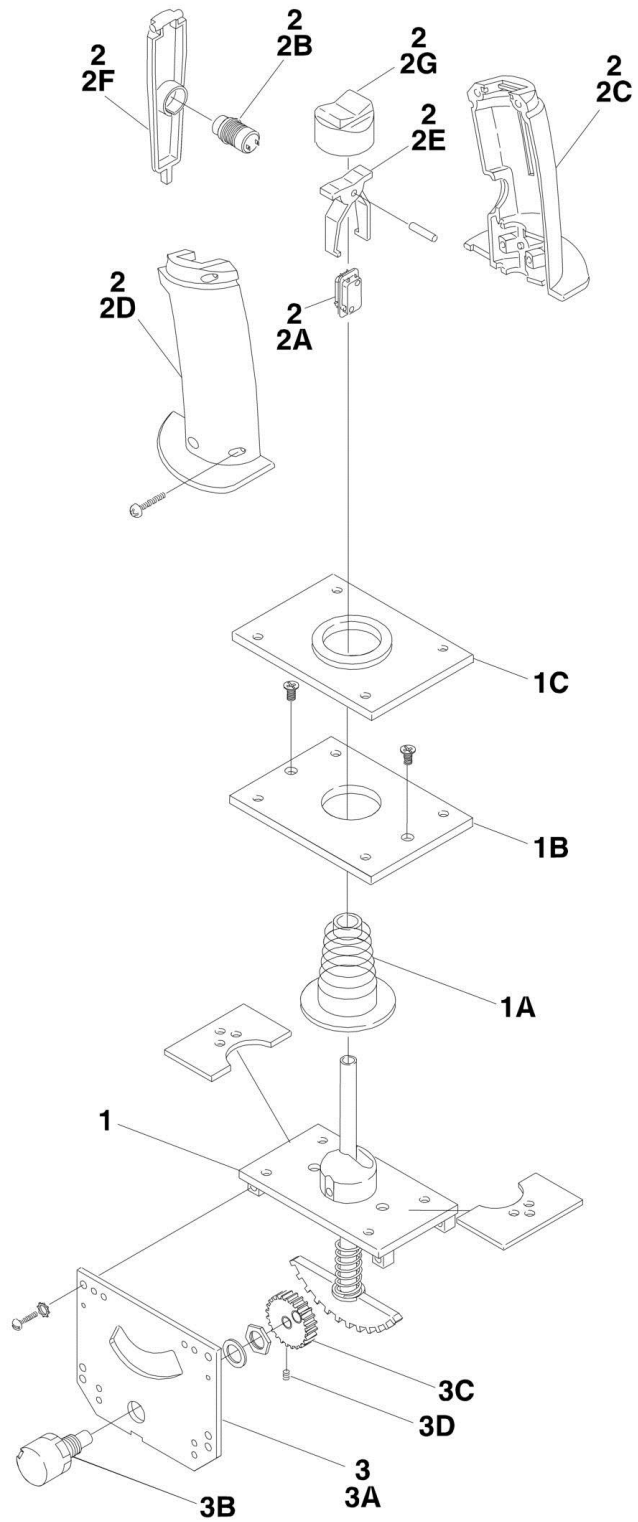
ITEM	PART NUMBER	QTY	DESCRIPTION	REV
		Ref	CONSOLE BOX ASSEMBLY OPTIONS:	
	0258108	Ref	Console Box W/Tilt Light	I
	0258109	Ref	Console Box W/O Tilt Light (Prior to SN 0200071692)	E
	0258111	Ref	Console Box With Battery Indicator and W/Tilt	I
	0258112	Ref	Console Box With Battery Indicator (Prior to SN 0200071692)	E
1	0140011	1	Alarm (W/Tilt Light Only)	
2	0181847	1	Angle, Latch	
3	0610123	1	Card, Circuit	
4		Ref	Box, Platform Options:	
4	0861256	1	With Battery Indication and Tilt Light	
4	0861235	1	Without Tilt Light	
4	0861235	1	With Tilt Light (was p/n 0861255)	
4	0861254	1	With Battery Indicator	
5	0902485	1	Hanger, Bracket	
6	0902499	1	Bracket	
7	1600282	1	Controller Assembly (See CONTROLLER ASSEMBLY - PQ for Breakdown)	
8	1670869	1	Cover, Bezel	
9		Ref	Gauge, Battery Indicator (W/Battery Indicator Only) Options:	
9	2420201	1	Gauge, Battery Indicator (Was P/N 2420176) (Prior to SN 0200111400)	
9	2420201	1	Gauge, Battery Indicator (SN 0200111400 to Present)	
10	2560141	1	Thumbscrew	
11	3252610	1	Lid, Nameplate	
12	3310601	2	Nut #6-32	
13	3900265	AR	Self Tapping #8-18 x 3/4in	
14	3900178	4	Screw, Plastite #10-32 x 1/2in	
15	3900226	2	Screw, Plastite #8 x 1/2in	
16		Ref	Screw, Plastite 1/4in-20NC x 1/2in Options:	
16	3900227	4	Screw, Plastite 1/4in-20NC x 1/2in (Prior to SN 0200085393)	
16	0641404	4	Screw, Plastite 1/4in-20NC x 1/2in (SN 0200085393 to Present)	
17		Ref	Shield, Back Cover Options:	
17	4060914	1	Shield, Back Cover (Prior to SN 0200061362)	
17	4060976	1	Shield, Back Cover (SN 0200061362 to Present)	
18	4360289	1	Switch, Push-Pull (Emergency Stop) (Prior to SN 0200069828)	
18	7012611	1	Mushroom, Top	
18	7012612	1	Boot	
18	4360475	1	Switch, Push-Pull (Emergency Stop) (SN 0200069828 to Present)	
18	7020175	1	Cap	
18	7020176	1	Block, Contact	
19		Ref	Switch, Keypad Options:	
19	4360453	1	With Tilt Light	
19	4360454	1	Without Tilt Light	
20	4460470	1	Nut, Terminal	
21	4460471	1	Lockwasher, Terminal	
22	4460613	1	Connector	
23	4740066	1	Washer, Thrust (Bronze) (Prior to SN 0200069828)	
24	4740120	4	Washer, Nylon	

SECTION 4 - PLATFORM

ITEM	PART NUMBER	QTY	DESCRIPTION	REV
25	4760600	2	Lockwasher #6	
26	4761400	4	Lockwasher 1/4in	
27	4922183	1	Harness - Membrane Pad (See ELECTRICAL SECTION for Breakdown)	
28	4922184	1	Harness - Platform Control Box (See ELECTRICAL SECTION for Breakdown)	
29	4460466	7	Seal, Terminal (Prior to SN 0200069828)	
31	1704260	1	Decal - EMS (SN 0200098202 to Present)	
	0259217	Ref	HORN COMPONENTS INSTALLATION	2
101	4360387	1	Switch, Push Button	
	0257665	Ref	PERIMETER SWITCH INSTALLATION OPTIONAL (NOT SHOWN) (Prior to SN 0200070220)	2
	4360387	1	Switch, Push Button	
	4460049	1	Connector, Strain Relief	
	3820014	2	Pop Rivet 1/8	
	3251596	1	Decal - Proximity	
		Ref	PERIMETER SWITCH INSTALLATIONS OPTIONAL (NOT SHOWN) (SN 0200070220 to Present)	
	0272788	Ref	Perimeter Switch Installations Optional 1532E3/1932E3	1
	0259684	Ref	Perimeter Switch Installations Optional 2033E3/2046E3	3
	0259685	Ref	Perimeter Switch Installations Optional 2646E3/2658E3	4
	4360387	1	Switch, Push Button	
	4460662	1	Connector, Strain Relief	
	3820014	2	Pop Rivet 1/8	
	3251596	1	Decal - Proximity	
	4460424	1	Connector - 2 Position	
	4460320	1	Connector - 2 Pin	
	4460267	2	Pin	
	4460268	2	Socket, Female	

SECTION 4 - PLATFORM

FIGURE 4-12. CONTROLLER ASSEMBLY - PQ



SECTION 4 - PLATFORM

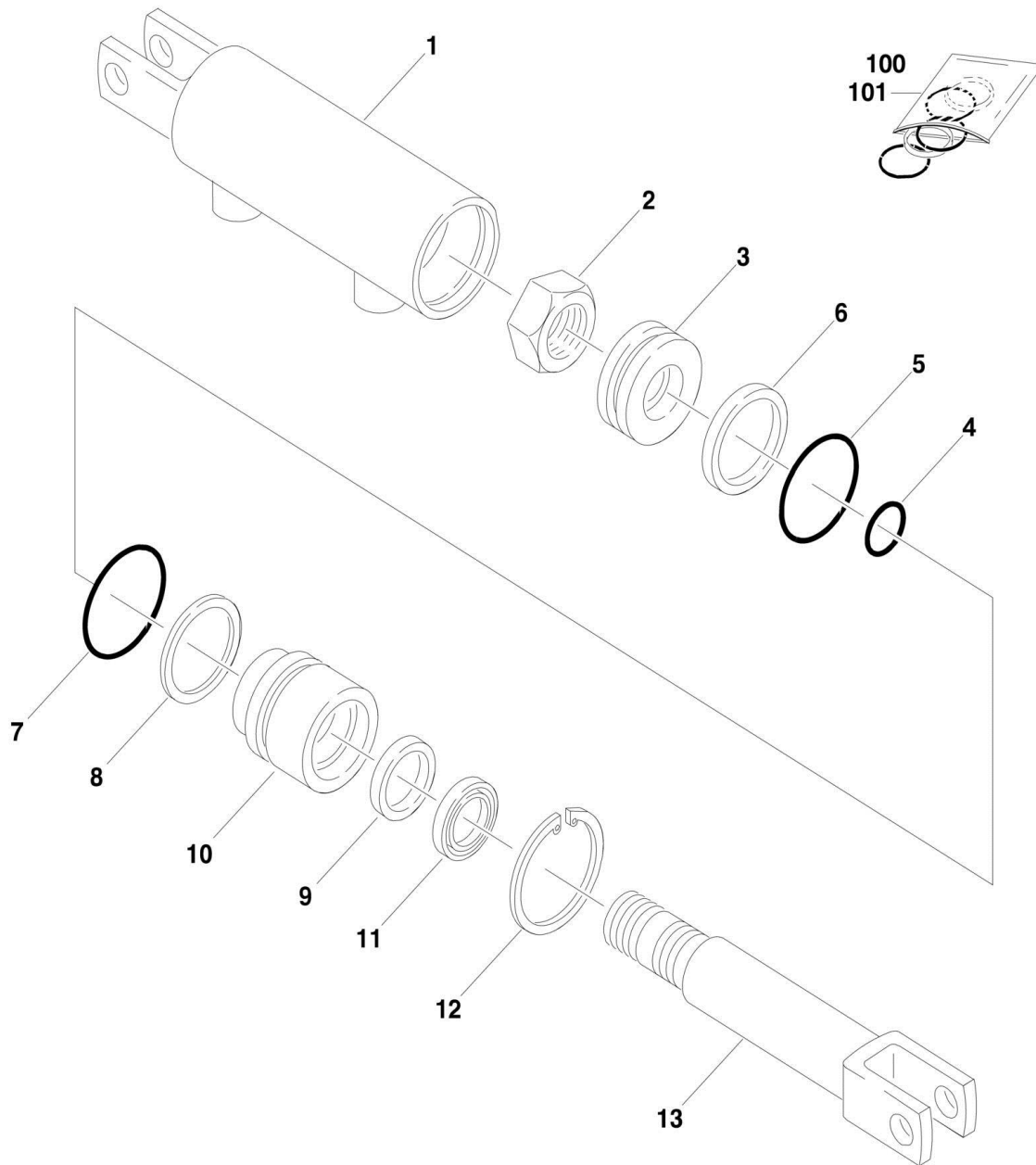
FIGURE 4-12. CONTROLLER ASSEMBLY - PQ

ITEM	PART NUMBER	QTY	DESCRIPTION	REV
	1600282	Ref	CONTROLLER ASSEMBLY	B
1	7020503	1	Handle/Housing Assembly	
1A	7020520	1	Boot (was p/n 7003778)	
1B	7020504	1	Plate, Mounting	
1C	7020502	1	Gasket	
2	7011991	1	Grip Assembly	
2A	7011992	1	Switch Assembly	
2B	7020501	1	Switch, Push Button - Red	
2C	7020541	1	Grip - Right Half (was p/n 7011993 & p/n 7020531)	
2D	7020541	1	Grip - Left Half (was p/n 7011994 & p/n 7020532)	
		Ref	Note: p/n 7020541 Includes Items 2C & 2D With a JLG Logo.	
2E	7003791	1	Actuator, Switch	
2F	7011997	1	Trigger	
2G	7003790	1	Cap, Rubber	
3	7020508	1	Electrical Assembly	
3	4460265	1	Connector - 9 Pin (Not Shown)	
3	4460268	8	Socket (Not Shown)	
3	4460424	1	Connector - 2 Position (Not Shown)	
3A	7020509	1	Plate, Mounting - Potentiometer	
3B	7020510	1	Potentiometer	
3C	7011940	1	Gear, Pinion	
3D	7020511	1	Setscrew #6-32 x 1/8in	
4	7020540	2	Resistor, 510 ohm (Not Shown)	

SECTION 5 - CYLINDER

SECTION 5 - CYLINDER

FIGURE 5-1. BRAKE CYLINDER ASSEMBLY



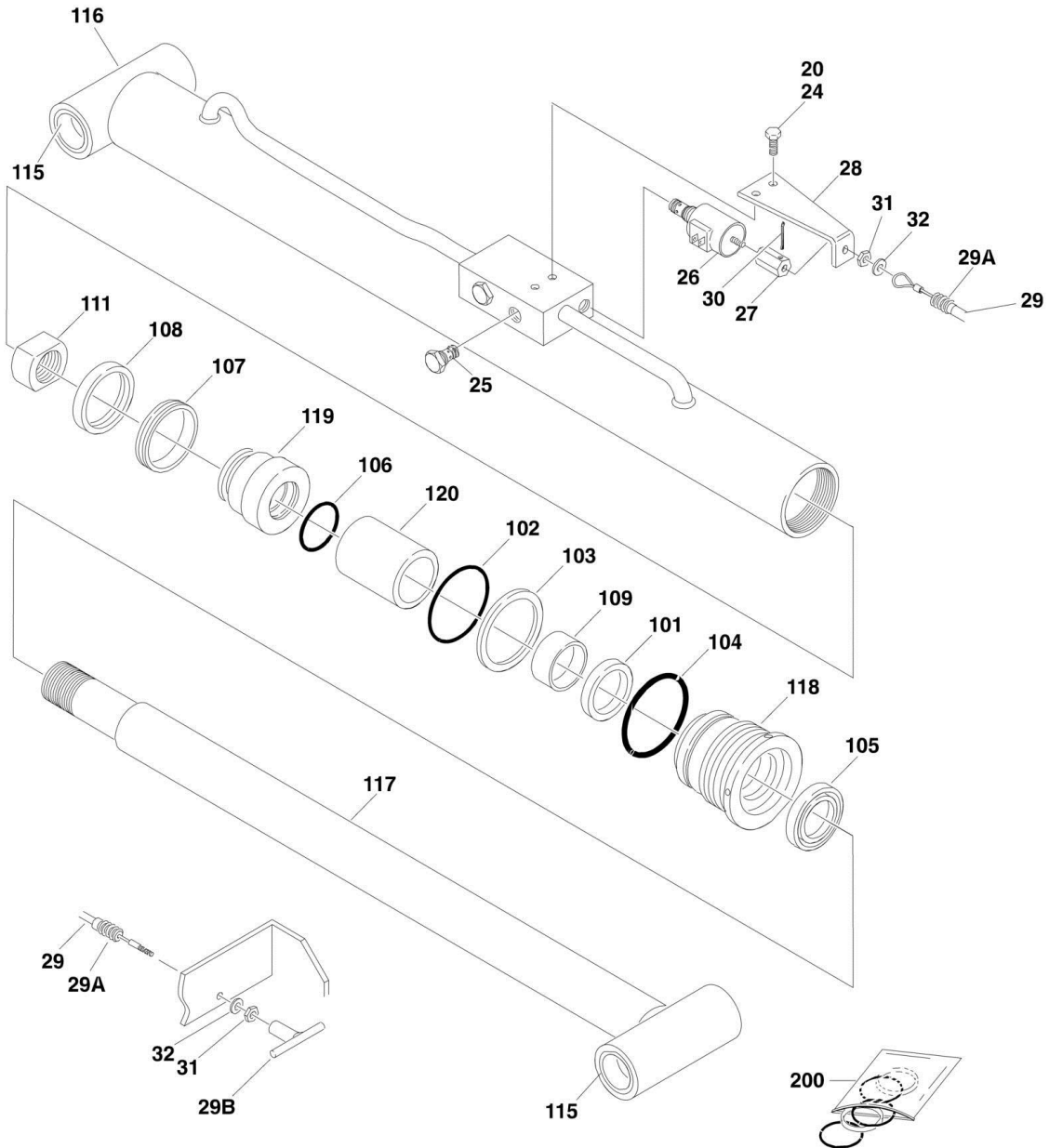
SECTION 5 - CYLINDER

FIGURE 5-1. BRAKE CYLINDER ASSEMBLY

ITEM	PART NUMBER	QTY	DESCRIPTION	REV
		Ref	BRAKE CYLINDER ASSEMBLIES	
	1683557	Ref	Brake Cylinder Assemblies (Prior to SN 0200066023)	A
	1683833	Ref	Brake Cylinder Assemblies (SN 0200066023 to Present)	B
		Ref	Note: Original Equipment Cylinder may have been replaced with Service Replacement Cylinder. Identify the p/n stamp on the cylinder before ordering parts.	
		Ref	Note: When replacing complete cylinder use p/n 1683833 as replacement.	
1	Not Serviced	1	Barrel	
2	7001609	1	Locknut	
3	7017220	1	Piston	
4	See Note	1	O-Ring (Note: See Items 100 & 101)	
5	See Note	1	O-Ring (Note: See Items 100 & 101)	
6	See Note	1	Ring, Piston (Note: See Items 100 & 101)	
7	See Note	1	O-Ring (Note: See Items 100 & 101)	
8	See Note	1	Ring, Back-up (Note: See Items 100 & 101)	
9	See Note	1	Seal (Note: See Items 100 & 101)	
10	7017221	1	Guide	
11	See Note	1	Ring, Wiper (Note: See Items 100 & 101)	
12		Ref	Ring, Retainer Options:	
12	Item 100	1	1683557 Cylinder	
12	7017264	1	1683833 Cylinder	
13	7017222	1	Rod	
		Ref	KIT OPTIONS:	
		Ref	Seal Kit Options:	
100	7017223	1	1683557 Cylinder (Includes Items 4-9, 11 & 12)	
101	7017262	1	1683833 Cylinder (Includes Items 4-9 & 11)	

SECTION 5 - CYLINDER

FIGURE 5-2. LIFT CYLINDER COMPONENTS ASSEMBLY 1532E3/1932E3



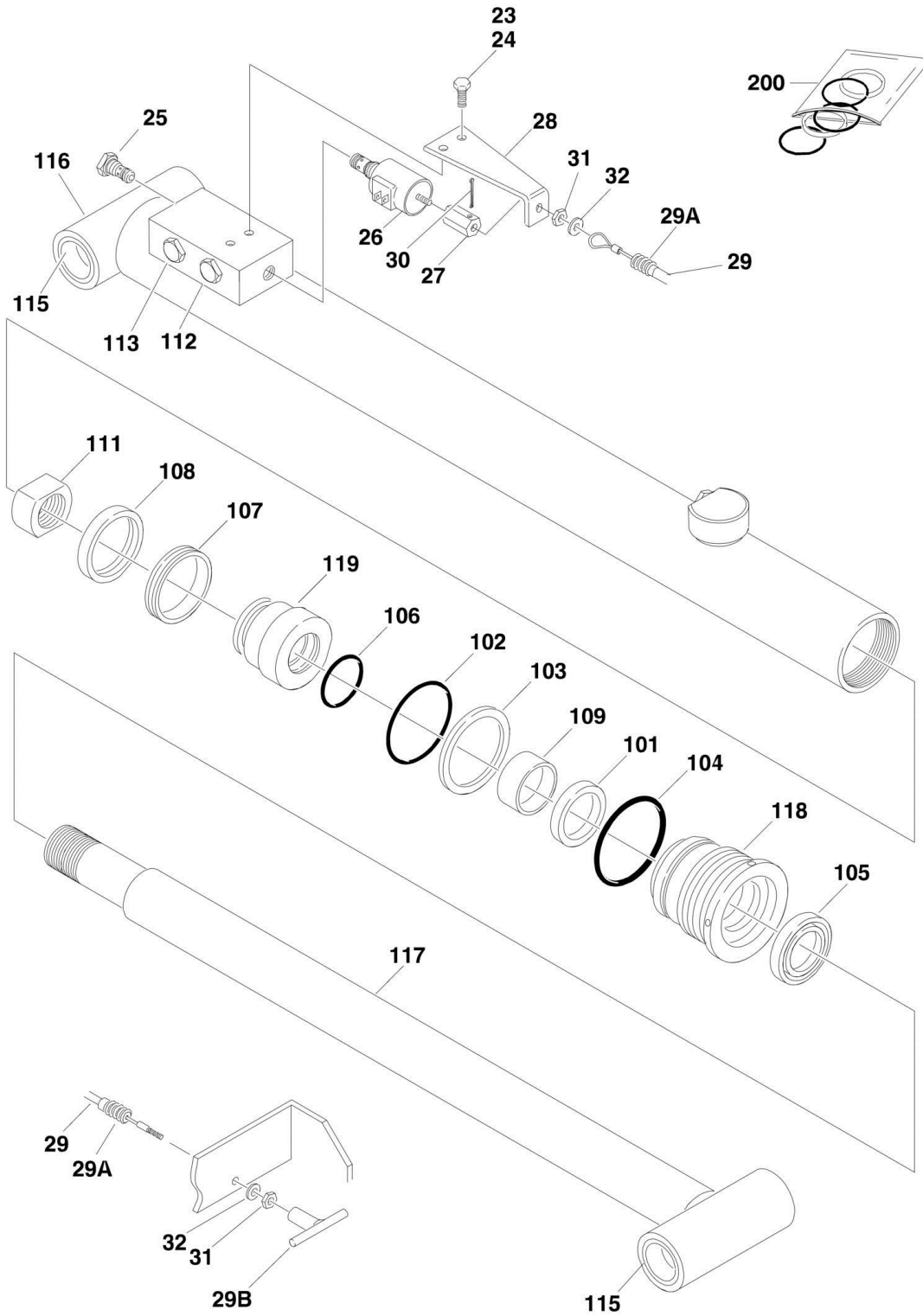
SECTION 5 - CYLINDER

FIGURE 5-2. LIFT CYLINDER COMPONENTS ASSEMBLY 1532E3/1932E3

ITEM	PART NUMBER	QTY	DESCRIPTION	REV
		Ref	LIFT CYLINDER SUB-ASSEMBLIES	
	0258173	Ref	Lift Cylinder Sub-Assemblies 1532E3	7-G
	0258174	Ref	Lift Cylinder Sub-Assemblies 1932E3	6-G
20	0641506	2	Bolt 5/16in-18NC x 3/4in	
24	0100011	AR	Loctite #242	
25	4641012	1	Cartridge, Valve (Restrictor/Check)	
25	7012953	1	Seal Kit	
26	4641001	1	Cartridge, Valve (with Manual Descent)	
26	7017445	1	Cartridge	
26	7017444	1	Coil	
26	7012967	1	Seal Kit	
27	0080228	1	Adapter	
28	0902421	1	Bracket	
29	1060700	1	Cable Assembly	
29A	7019602	1	Bellows Kit	
29B	7020218	1	T-Handle	
30	3450405	1	Cotter Pin	
31	3321402	2	Jam Nut 1/4in-28NF	
32	4711400	2	Flatwasher 1/4in	
	1683500	Ref	LIFT CYLINDER ASSEMBLY	D
101	Item 200	1	Seal	
102	Item 200	1	O-Ring	
103	Item 200	1	Ring, Back-up	
104	Item 200	1	O-Ring	
105	Item 200	1	Wiper	
106	Item 200	1	O-Ring	
107	Item 200	1	Seal	
108	Item 200	1	Ring, Lock	
109	Item 200	1	Ring, Wear	
111	7017367	1	Locknut	
115	0962012	4	Bushing	
116	7019801	1	Tube Assembly	
117	7019800	1	Rod Assembly	
118	7017382	1	Head	
119	7017399	1	Piston (Note: Prior to SN 0200065872 piston is ductile iron. After SN 0200065873 piston is aluminum.aluminum piston is directly interchangeable with iron piston.Replacement piston will be aluminum.)	
120	7017398	1	Spacer	
		Ref	KIT OPTIONS:	
200	7017389	1	Seal Kit (Includes Items 101 - 109)	

SECTION 5 - CYLINDER

FIGURE 5-3. LIFT CYLINDER COMPONENTS ASSEMBLY 2033E3/2046E3



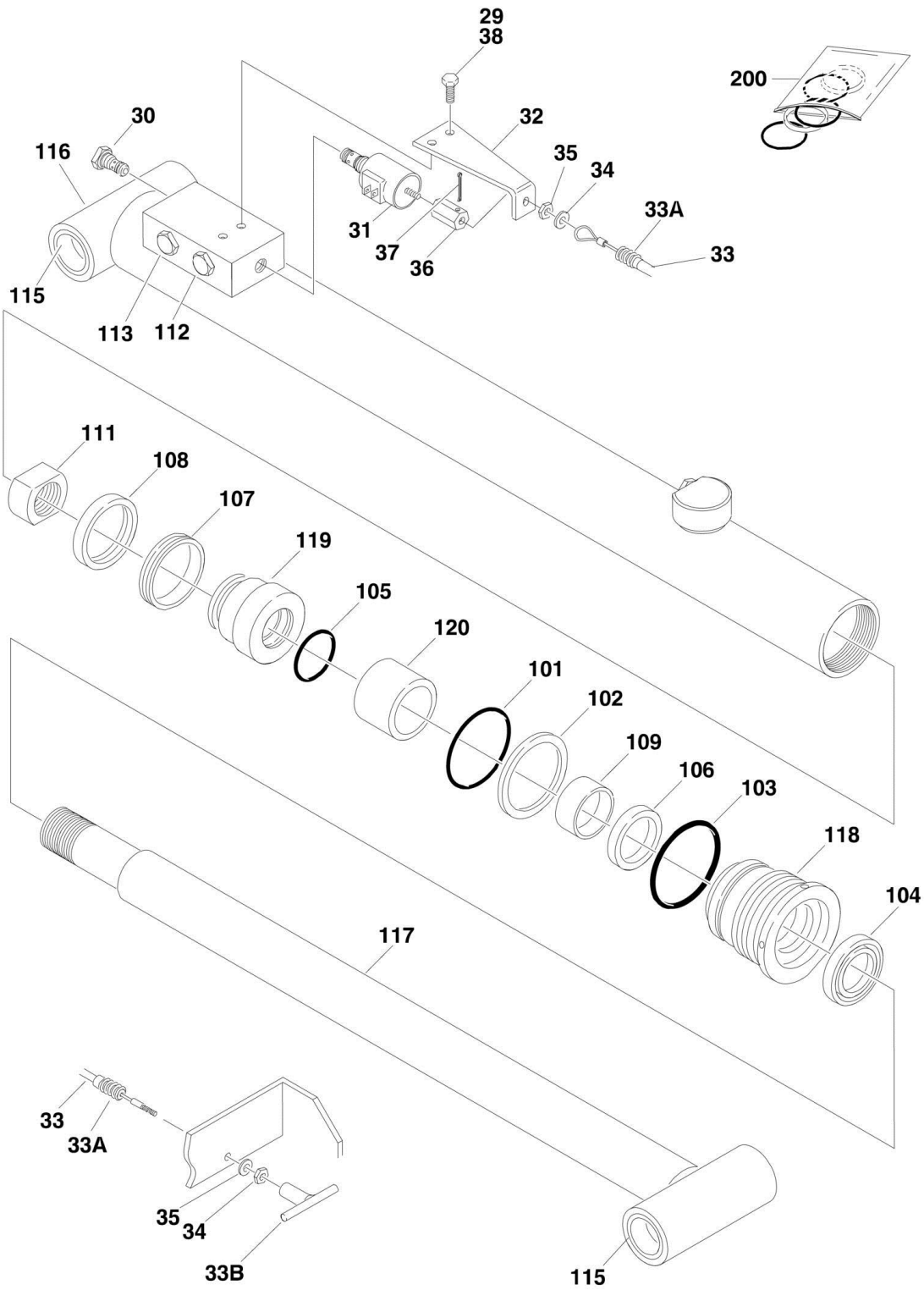
SECTION 5 - CYLINDER

FIGURE 5-3. LIFT CYLINDER COMPONENTS ASSEMBLY 2033E3/2046E3

ITEM	PART NUMBER	QTY	DESCRIPTION	REV
		Ref	LIFT CYLINDER SUB-ASSEMBLIES	
	0258083	Ref	Lift Cylinder Sub-Assemblies 2033E3 without Power Deck	8
	0259369	Ref	Lift Cylinder Sub-Assemblies 2033E3 with Power Deck	5
	0258778	Ref	Lift Cylinder Sub-Assemblies 2033E3 with 1000# Capacity	8
	0258084	Ref	Lift Cylinder Sub-Assemblies 2046E3 without Power Deck	9
	0259370	Ref	Lift Cylinder Sub-Assemblies 2046E3 with Power Deck	5
23	0641506	2	Bolt 5/16in-18NC x 3/4in	
24	0100011	AR	Loctite #242	
25	4641104	1	Cartridge, Valve (Restrictor/Check)	
25	7012967	1	Seal Kit	
26	4641001	1	Cartridge, Valve (with Manual Descent)	
26	7017445	1	Cartridge	
26	7017444	1	Coil	
26	7012967	1	Seal Kit	
27	0080228	1	Adapter	
28	0902421	1	Bracket	
29	1060699	1	Cable Assembly	
29A	7019602	1	Bellows Kit	
29B	7019600	1	T-Handle	
30	3450405	1	Cotter Pin	
31	3321402	2	Jam Nut 1/4in-28NF	
32	4711400	2	Flatwasher 1/4in	
	1683627	Ref	LIFT CYLINDER ASSEMBLY	D
101	Item 200	1	Seal	
102	Item 200	1	O-Ring	
103	Item 200	1	Ring, Back-up	
104	Item 200	1	O-Ring	
105	Item 200	1	Wiper	
106	Item 200	1	O-Ring	
107	Item 200	1	Seal	
108	Item 200	1	Ring, Lock	
109	Item 200	1	Ring, Wear	
111	7003212	1	Locknut	
112 AND 113	Not Available		Not Available	
115	0962012	4	Bushing	
116	7019848	1	Tube Assembly	
117	7019847	1	Rod Assembly	
118	7017376	1	Head	
119	7019810	1	Piston (Note: Prior to SN 0200065872 piston is ductile iron. After SN 0200065873 piston is aluminum.aluminum piston is directly interchangeable with iron piston.Replacement piston will be aluminum.)	
		Ref	KIT OPTIONS:	
200	7019808	1	Seal Kit (Includes Items 101 - 109)	

SECTION 5 - CYLINDER

FIGURE 5-4. LIFT CYLINDER COMPONENTS ASSEMBLY 2646E3/2658E3



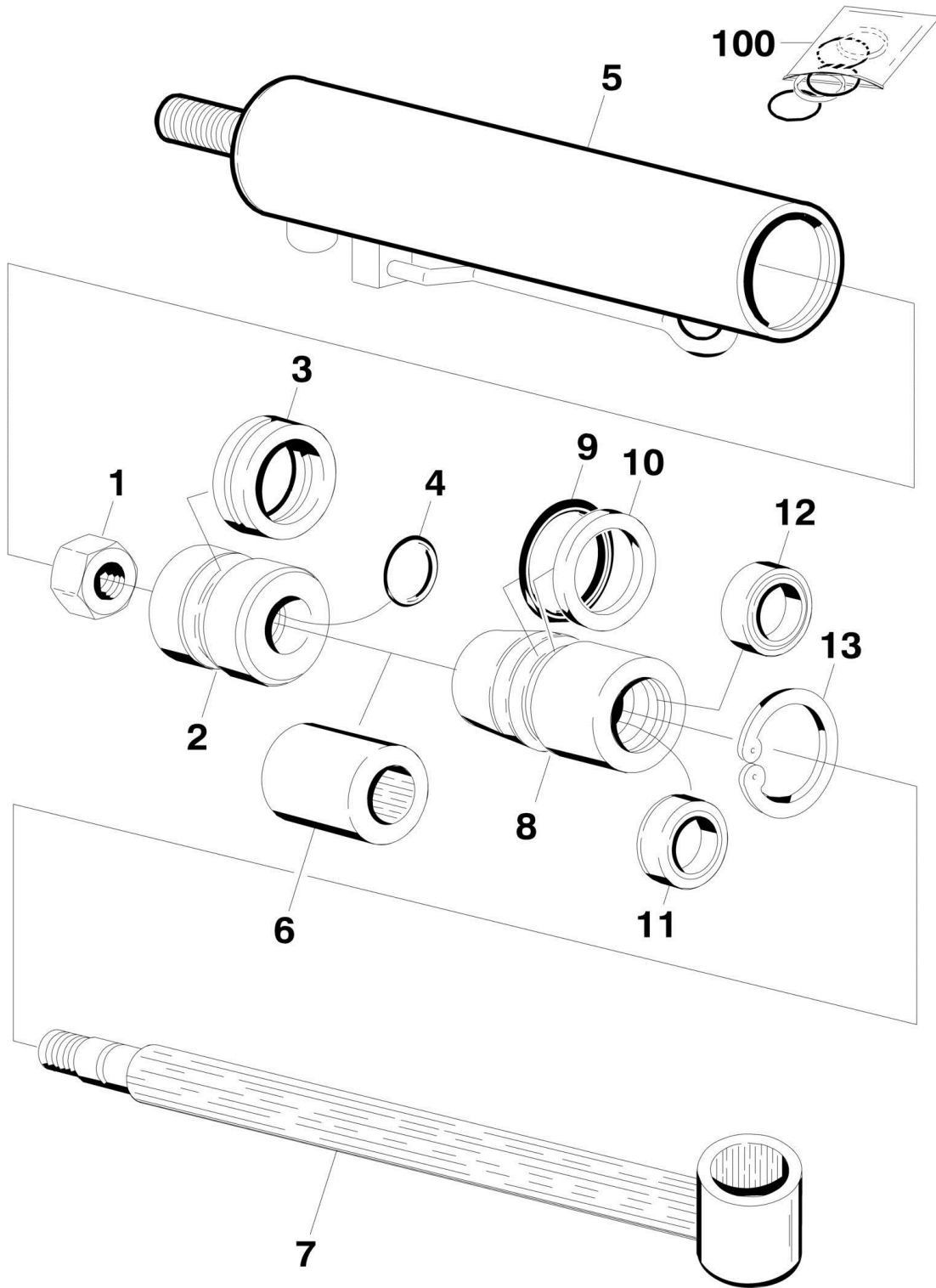
SECTION 5 - CYLINDER

FIGURE 5-4. LIFT CYLINDER COMPONENTS ASSEMBLY 2646E3/2658E3

ITEM	PART NUMBER	QTY	DESCRIPTION	REV
		Ref	LIFT CYLINDER SUB-ASSEMBLY	
	0258085	Ref	Machines without Power Deck	10
	0259371	Ref	Machines with Power Deck	6
29	0641506	2	Bolt 5/16in-18NC x 3/4in	
30	4641104	1	Cartridge, Valve (Restrictor/Check)	
30	7012967	1	Seal Kit	
31	4641001	1	Cartridge, Valve (with Manual Descent)	
31	7017445	1	Cartridge	
31	7017444	1	Coil	
31	7012967	1	Seal Kit	
32	0902421	1	Bracket	
33	1060699	1	Cable Assembly	
33A	7019602	1	Bellows Kit	
33B	7020218	1	T-Handle	
34	3321402	2	Jam Nut 1/4in-28NF	
35	4711400	2	Flatwasher 1/4in	
36	0080228	1	Adapter	
37	3450405	1	Cotter Pin	
38	0100011	AR	Loctite #242	
	1683628	Ref	LIFT CYLINDER ASSEMBLY	D
101	Item 200	1	O-Ring	
102	Item 200	1	Ring, Back-up	
103	Item 200	1	O-Ring	
104	Item 200	1	Wiper	
105	Item 200	1	O-Ring	
106	Item 200	1	Seal	
107	Item 200	1	Seal	
108	Item 200	1	Ring, Lock	
109	Item 200	1	Ring, Wear	
111	7003226	1	Locknut	
112 AND 113	Not Available		Not Available	
115	0962012	4	Bushing	
116	7019825	1	Tube Assembly	
117	7019824	1	Rod Assembly	
118	7017387	1	Head	
119	7019806	1	Piston (Note: Prior to SN 0200065872 piston is ductile iron. After SN 0200065873 piston is aluminum.aluminum piston is directly interchangeable with iron piston.Replacement piston will be aluminum.)	
120	7019873	1	Spacer	
		Ref	KIT OPTIONS:	
200	7019804	1	Seal Kit (Includes Items 101 - 109)	

SECTION 5 - CYLINDER

FIGURE 5-5. PLATFORM EXTENSION CYLINDER ASSEMBLY 2033E3/2046E3/2646E3/2658E3



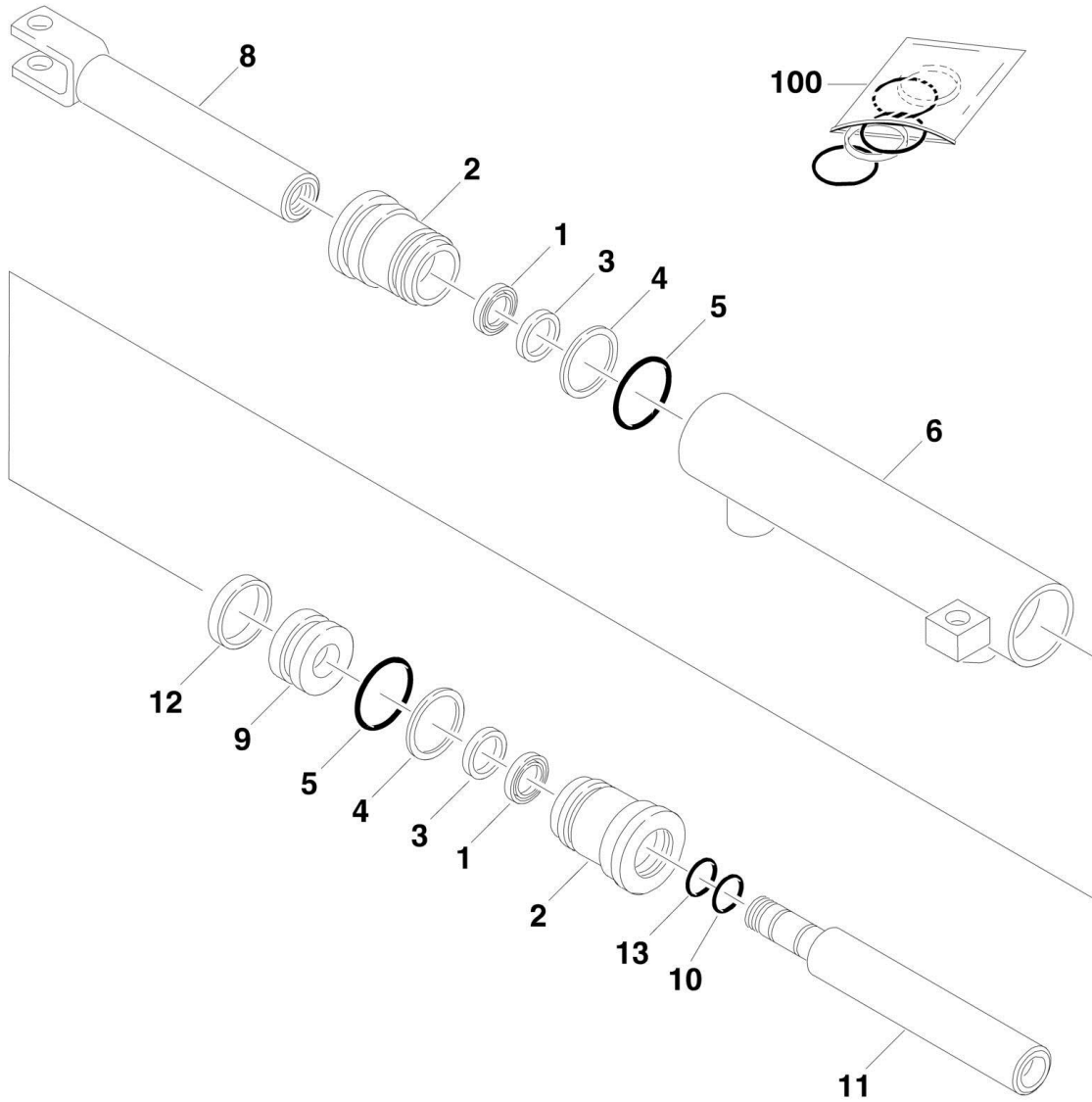
SECTION 5 - CYLINDER

FIGURE 5-5. PLATFORM EXTENSION CYLINDER ASSEMBLY 2033E3/2046E3/2646E3/2658E3

ITEM	PART NUMBER	QTY	DESCRIPTION	REV
		Ref	PLATFORM EXTENSION CYLINDER ASSEMBLIES	
	1683376	Ref	CYLINDER ASSEMBLY 4FT	B
	1683375	Ref	CYLINDER ASSEMBLY 6FT	B
1	7001609	1	Nut	
2	7001610	1	Piston	
3	Item 100	1	Seal, Piston	
4	Item 100	1	O-Ring	
5	Not Serviced	1	Barrel	
6		Ref	Tube Spacer Options:	
6	7017205	1	4ft Cylinder Assembly	
6	7017203	1	6ft Cylinder Assembly	
7	7017204	1	Rod	
8	7001613	1	Guide	
9	Item 100	1	O-Ring	
10	Item 100	1	Ring, Back-up	
11	Item 100	1	Seal	
12	Item 100	1	Seal, Wiper	
13	Item 100	1	Ring, Retainer	
		Ref	KIT OPTIONS:	
100	7001608		Seal Kit - 1683376 & 1683375 Cylinders (Includes items 3, 4 & 9 - 13)	

SECTION 5 - CYLINDER

FIGURE 5-6. STEER CYLINDER ASSEMBLY (Prior to SN 0200070496)



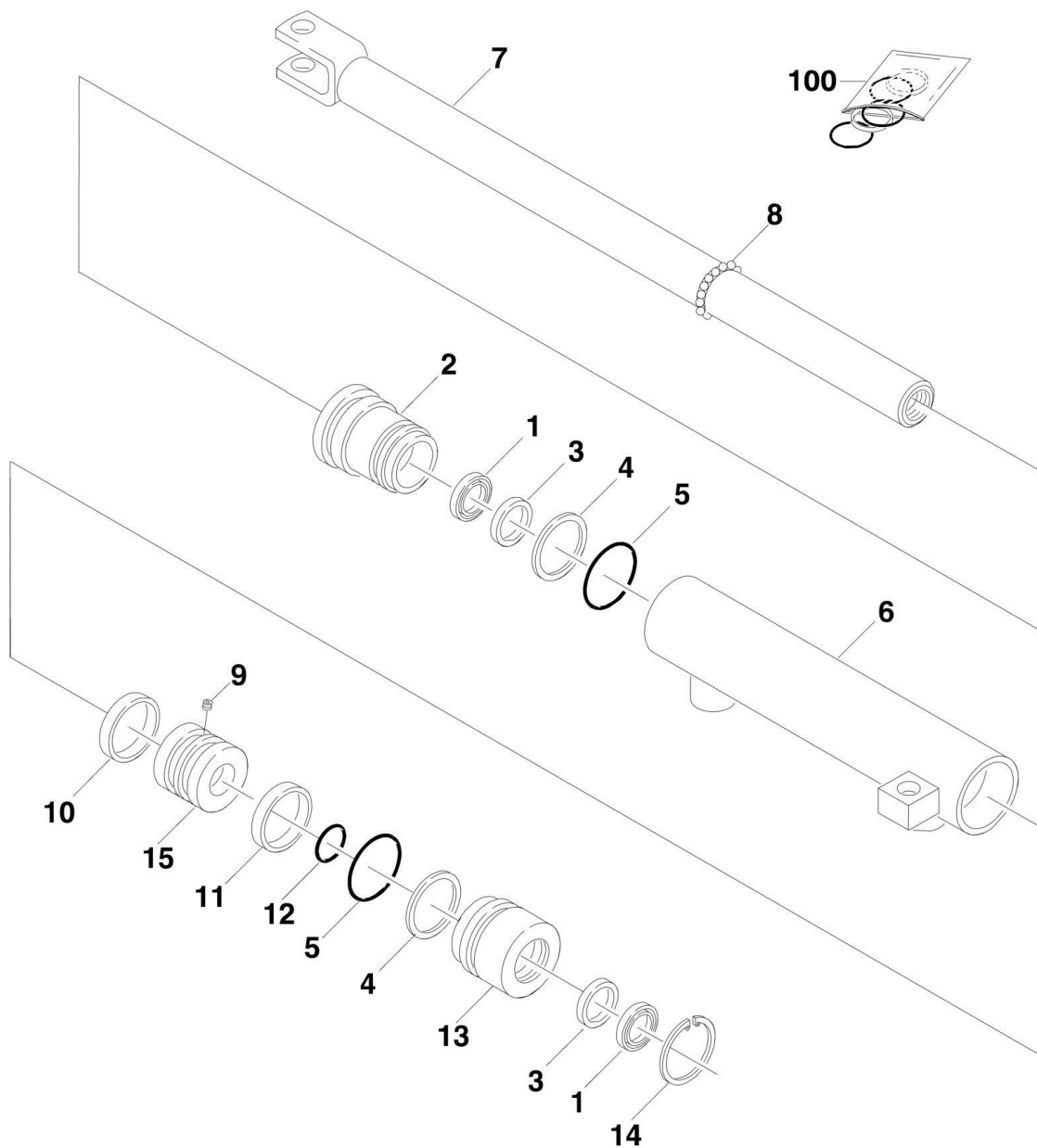
SECTION 5 - CYLINDER

FIGURE 5-6. STEER CYLINDER ASSEMBLY (Prior to SN 0200070496)

ITEM	PART NUMBER	QTY	DESCRIPTION	REV
		Ref	STEER CYLINDER ASSEMBLIES	
	1683428	Ref	Steer Cylinder Assemblies 1532E3/1932E3/2033E3	C
	1683429	Ref	Steer Cylinder Assemblies 2046E3/2646E3/2658E3	C
		Ref	Note: Original Equipment Cylinder may have been replaced with Service Replacement Cylinder. Identify the p/n stamp on the cylinder before ordering parts.	
1	Item 100	2	Wiper	
2	7017207	2	Guide	
3	Item 100	2	U-Cup	
4	Item 100	2	Ring, Back-up	
5	Item 100	2	O-Ring	
6	Not Serviced		Not Serviced	
8	7017208	1	Rod With Clevis	
9	7016708	1	Piston	
10	Item 100	1	O-Ring	
11	7017209	1	Rod	
12	Item 100	1	Seal, Piston	
13	Item 100	1	O-Ring	
		Ref	KIT OPTIONS:	
100	7016707	1	Seal Kit - Cylinder (Includes Items 1, 3-5, 10, 12 & 13)	

SECTION 5 - CYLINDER

FIGURE 5-7. STEER CYLINDER ASSEMBLY (SN 0200070496 through 0200078795)



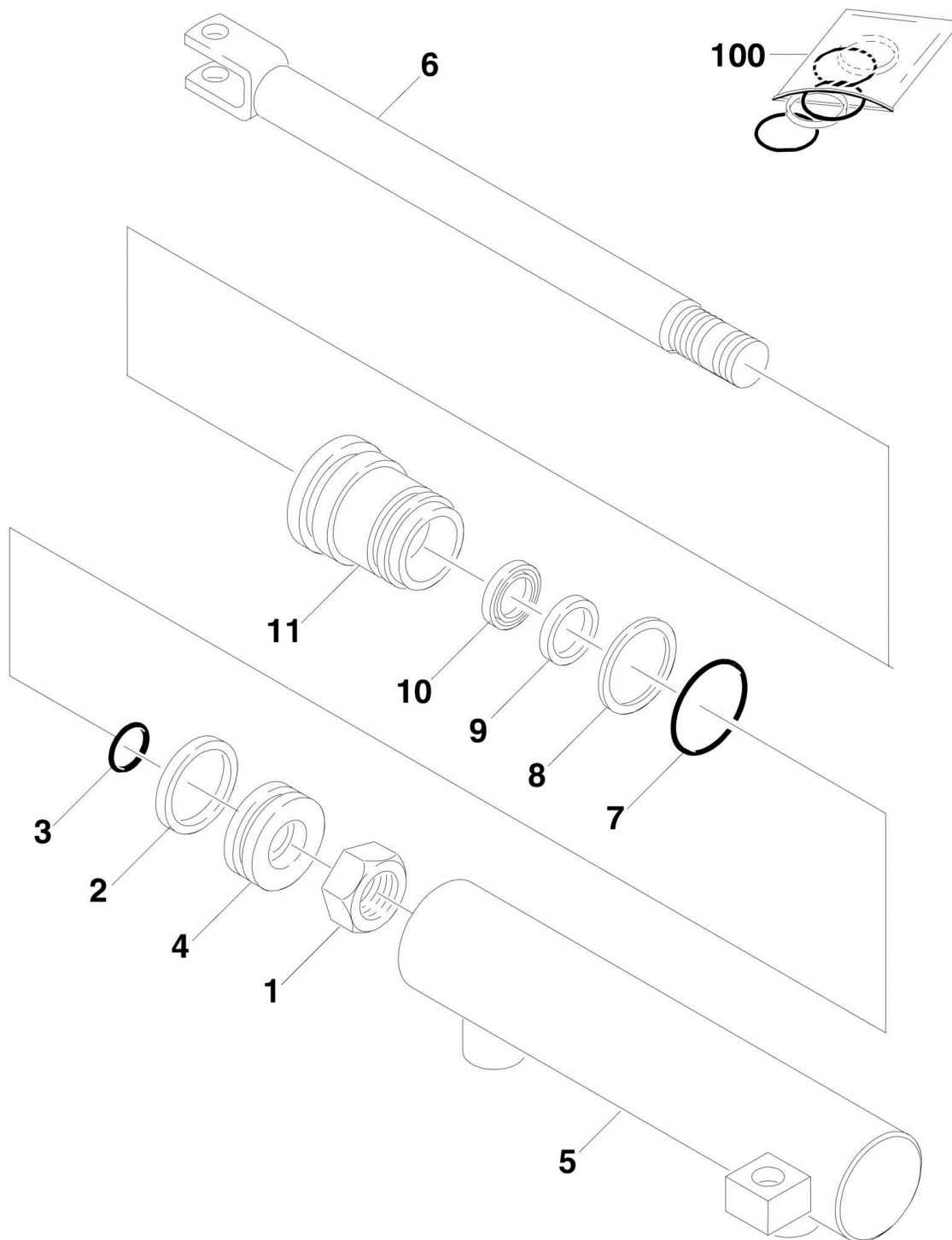
SECTION 5 - CYLINDER

FIGURE 5-7. STEER CYLINDER ASSEMBLY (SN 0200070496 through 0200078795)

ITEM	PART NUMBER	QTY	DESCRIPTION	REV
		Ref	STEER CYLINDER ASSEMBLIES	
	1683841	Ref	Steer Cylinder Assemblies 1532E3/1932E3/2033E3	A
	1683840	Ref	Steer Cylinder Assemblies 2046E3/2646E3/2658E3	A
		Ref	Note: Original Equipment Cylinder may have been replaced with Service Replacement Cylinder. Identify the p/n stamp on the cylinder before ordering parts.	
1	Item 100	2	Wiper	
2	7017207	1	Guide	
3	Item 100	2	U-Cup	
4	Item 100	2	Ring, Back-up	
5	Item 100	2	O-Ring	
6	Not Serviced	1	Barrel	
7	7017272	1	Rod	
8	7017273	25	Bearing, Ball	
9	7017274	1	Setscrew #8-32NC x 1/4in	
10	Item 100	1	Ring, Wear	
11	Item 100	1	Seal, Piston	
12	Item 100	1	O-Ring	
13	7017268	1	Guide	
14	Item 100	1	Ring, Retainer	
15	7017275	1	Piston	
		Ref	KIT OPTIONS:	
100	7017270	1	Seal Kit - Cylinder (Includes Items 1, 3-5, 10-12 & 14)	

SECTION 5 - CYLINDER

FIGURE 5-8. STEER CYLINDER ASSEMBLY (SN 0200078796 through 0200105070)



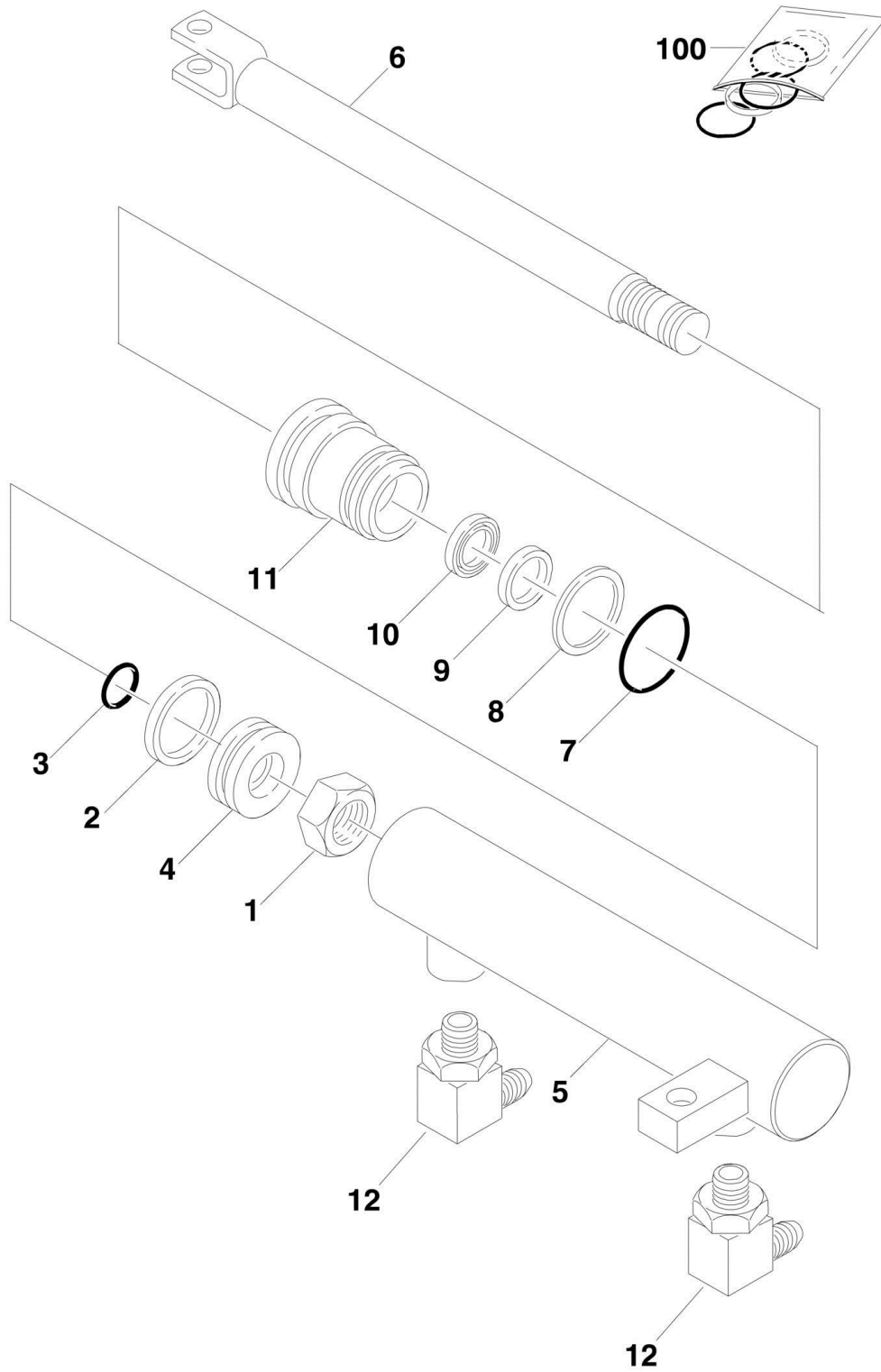
SECTION 5 - CYLINDER

FIGURE 5-8. STEER CYLINDER ASSEMBLY (SN 0200078796 through 0200105070)

ITEM	PART NUMBER	QTY	DESCRIPTION	REV
		Ref	STEER CYLINDER ASSEMBLIES	
	1683936	Ref	Steer Cylinder Assemblies 1532E3/1932E3/2033E3	A
	1683937	Ref	Steer Cylinder Assemblies 2046E3/2646E3/2658E3	A
		Ref	Note: Original Equipment Cylinder may have been replaced with Service Replacement Cylinder. Identify the p/n stamp on the cylinder before ordering parts.	
1	7017226	1	Locknut 1/2in-20	
2	Item 100	1	Seal, Piston	
3	Item 100	1	O-Ring	
4	7016708	1	Piston	
5	Not Serviced	1	Barrel	
6	7023019	1	Rod	
7	Item 100	1	O-Ring	
8	Item 100	1	Ring, Back-up	
9	Item 100	1	U-Cup	
10	Item 100	1	Wiper	
11	7017207	1	Guide	
		Ref	KIT OPTIONS:	
100	7017227	1	Seal Kit - Cylinder (Includes Items 2, 3, 7, 8, 9 & 10)	

SECTION 5 - CYLINDER

FIGURE 5-9. STEER CYLINDER ASSEMBLY (SN 0200105071 to Present)



SECTION 5 - CYLINDER

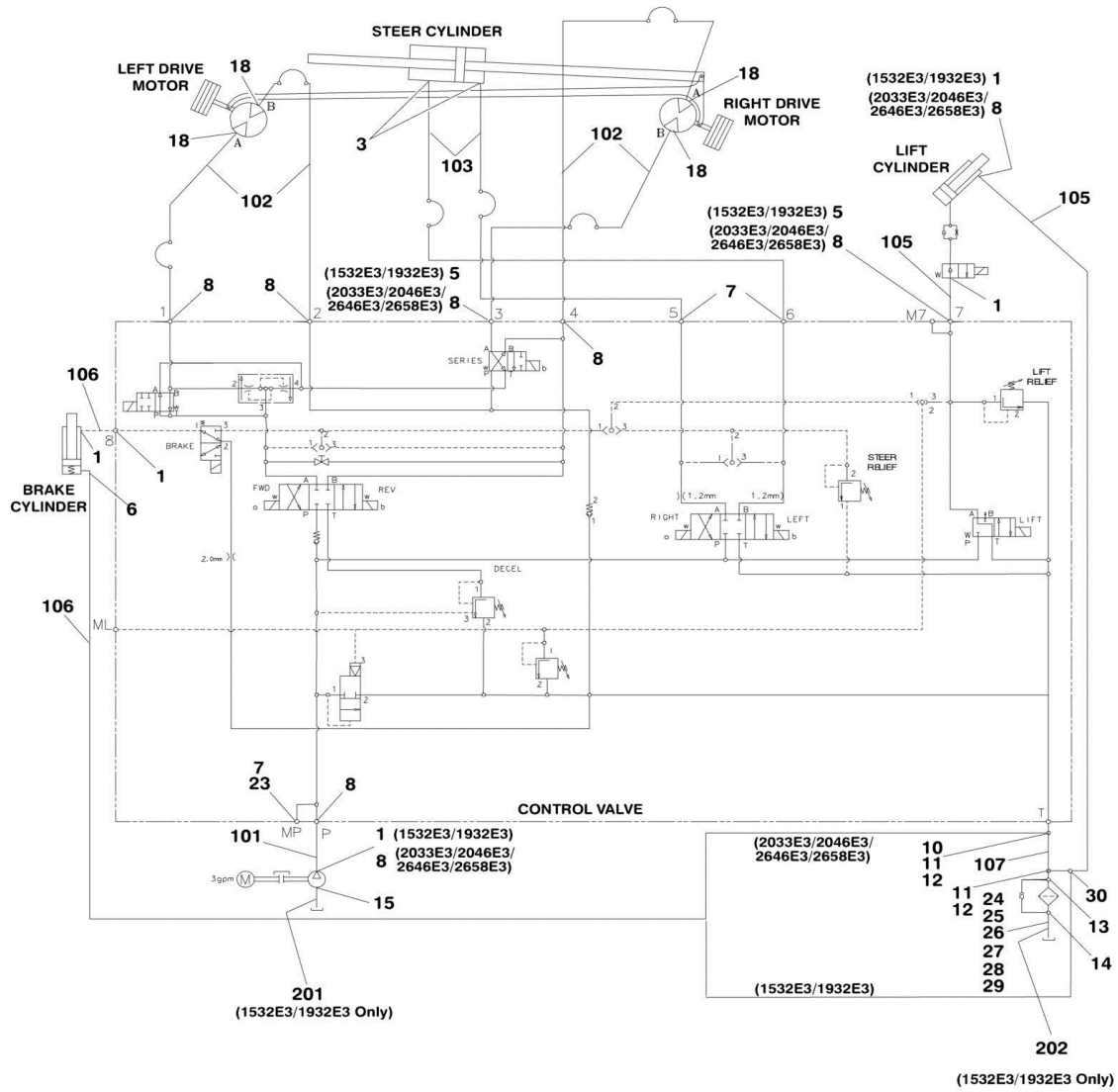
FIGURE 5-9. STEER CYLINDER ASSEMBLY (SN 0200105071 to Present)

ITEM	PART NUMBER	QTY	DESCRIPTION	REV
		Ref	STEER CYLINDER ASSEMBLIES	
	1684226	Ref	Steer Cylinder Assemblies 1532E3/1932E3/2033E3	B
	1684227	Ref	Steer Cylinder Assemblies 2046E3/2646E3/2658E3	B
		Ref	Note: Original Equipment Cylinder may have been replaced with Service Replacement Cylinder. Identify the p/n stamp on the cylinder before ordering parts.	
1	7017226	1	Locknut 1/2in-20	
2	Item 100	1	Seal, Piston	
3	Item 100	1	O-Ring	
4	7016708	1	Piston	
5	Not Serviced	1	Barrel	
6	7023019	1	Rod	
7	Item 100	1	O-Ring	
8	Item 100	1	Ring, Back-up	
9	Item 100	1	U-Cup	
10	Item 100	1	Wiper	
11	7017207	1	Guide	
12	7023025	AR	Fitting, Straight	
12	2220472	AR	Fitting, 90	
		Ref	KIT OPTIONS:	
100	7017227	1	Seal Kit - Cylinder (Includes Items 2, 3, 7, 8, 9 & 10)	

SECTION 6 - HYDRAULIC

SECTION 6 - HYDRAULIC

FIGURE 6-1. HYDRAULIC DIAGRAM



SECTION 6 - HYDRAULIC

FIGURE 6-1. HYDRAULIC DIAGRAM

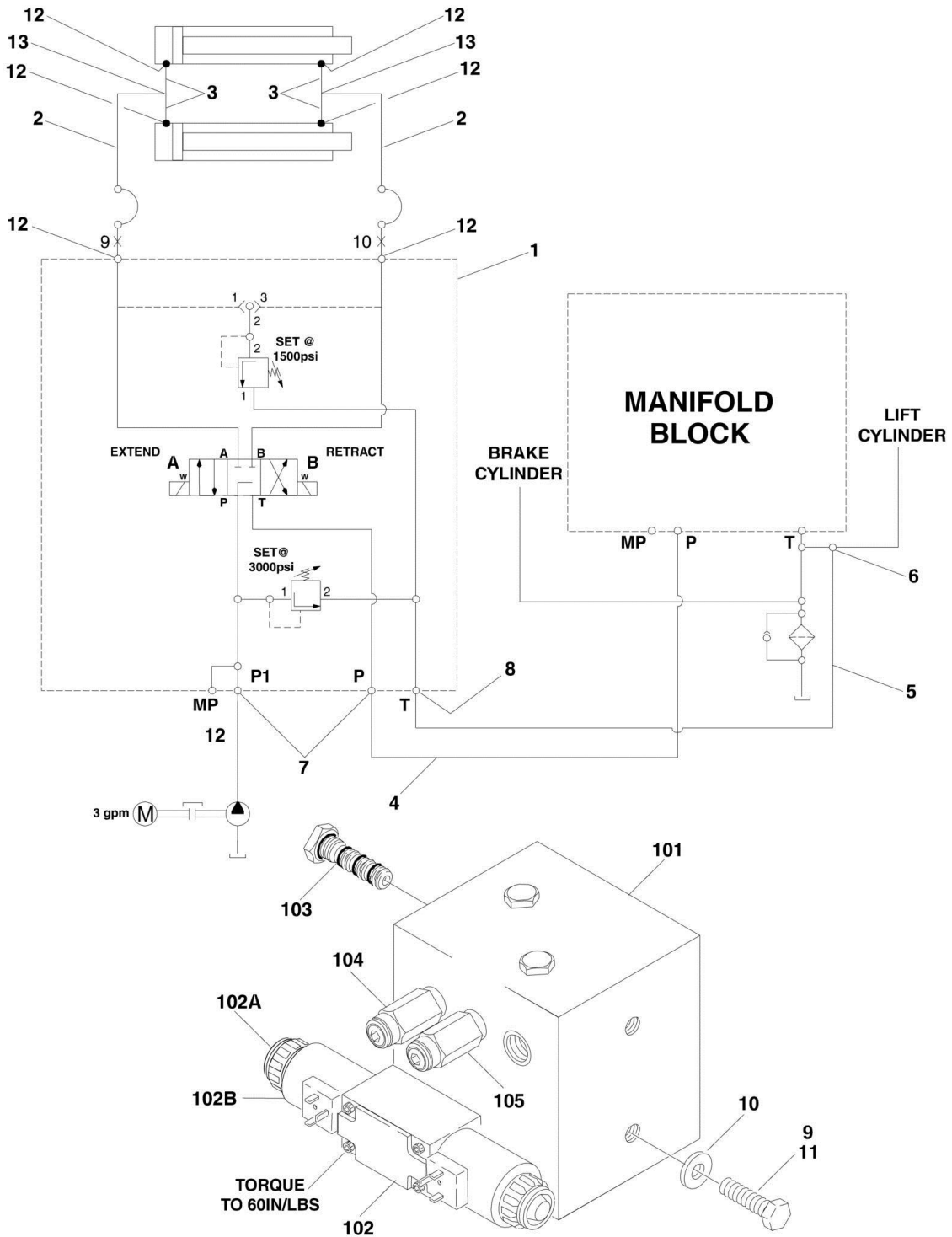
ITEM	PART NUMBER	QTY	DESCRIPTION	REV
		Ref	HYDRAULIC DIAGRAMS	
	2792339	Ref	Hydraulic Diagrams 1532E3/1932E3	9
	2792340	Ref	Hydraulic Diagrams 2033E3	5
	2792341	Ref	Hydraulic Diagrams 2046E3/2646E3	6
	2792342	Ref	Hydraulic Diagrams 2658E3	5
1	2220473	AR	Fitting, 90	
3	2220585	2	Fitting, 90 (Prior to SN 0200105071)	
5	2220501	2	Fitting (1532E3/1932E3 Only)	
6	2220775	1	Fitting	
7	2220415	AR	Fitting, Straight	
8	2220371	AR	Fitting, Straight	
10	2220373	1	Fitting, Straight	
11	2220619	AR	Fitting, Reducer	
12	2220385	AR	Fitting, Tee	
13		Ref	Fitting Options:	
13	2220470	1	Fitting, 90 (1532E3/1932E3)	
13	2220346	1	Fitting, Straight (2033E3/2046E3/2646E3/2658E3)	
14	2220347	1	Fitting, Straight	
15	2220593	1	Fitting, Straight	
18	2221000	4	Fitting, 90	
19	0100020	AR	Sealant (Not Shown)	
21	1320225	1	Hose Clamp Only (Prior to SN 0200092586)	
23	2220515	AR	Fitting, Cap	
24	1320242	AR	Clamp	
25	4360461	1	Switch, Temperature	
26	3310601	1	Nut #6-32	
27	0100011	AR	Loctite #242	
28	4460320	1	Plug, Terminal	
29	4460267	2	Pins	
30	2220635	1	Fitting (1532E3/1932E3 Only)	
		Ref	HYDRAULIC HOSE KITS	
	2901652	Ref	Hydraulic Hose Kits 1532E3/1932E3	3
	2901653	Ref	Hydraulic Hose Kits 2033E3	2
	2901654	Ref	Hydraulic Hose Kits 2046E3/2646E3	2
	2901655	Ref	Hydraulic Hose Kits 2658E3	3
101		Ref	Hose Options:	
101	2750920	1	Hose 1532E3/1932E3	
101	2752463	1	Hose 2033E3/2046E3/2646E3/2658E3	
102		Ref	Hose Options:	
102	2752968	4	Hose 1532E3/1932E3	
102	2752957	4	Hose 2033E3	
102	2752959	4	Hose 2046E3/2646E3	
102	2752961	4	Hose 2658E3	
103		Ref	Hose Options:	
103	2752593	2	Hose 1532E3/1932E3	
103	2752609	2	Hose 2033E3/2046E3/2646E3	
103	2752603	2	Hose 2658E3	
105		Ref	Hose Options:	
105	2752192	2	Hose 1532E3/1932E3	
105	2752194	2	Hose 2033E3	

SECTION 6 - HYDRAULIC

ITEM	PART NUMBER	QTY	DESCRIPTION	REV
105	2752193	2	Hose 2046E3/2646E3/2658E3	
106		Ref	Hose Options:	
106	2752478	2	Hose 1532E3/1932E3	
106	2750999	2	Hose 2033E3/2046E3/2646E3/2658E3	
107		Ref	Hose Options:	
107	2750982	1	Hose 1532E3/1932E3	
107	2752931	1	Hose 2033E3/2046E3/2646E3/2658E3	
	2901650	Ref	HYDRAULIC TUBE KIT (1532E3/1932E3 ONLY)	1
201	4567649	1	Tube, Suction	
202	4566969	1	Tube, Return	

SECTION 6 - HYDRAULIC

FIGURE 6-2. POWER DECK HYDRAULIC DIAGRAM



SECTION 6 - HYDRAULIC

FIGURE 6-2. POWER DECK HYDRAULIC DIAGRAM

ITEM	PART NUMBER	QTY	DESCRIPTION	REV
		Ref	HYDRAULIC DIAGRAMS	
	2792347	Ref	Hydraulic Diagrams 2033E3	5
	2792348	Ref	Hydraulic Diagrams 2046E3	5
	2792349	Ref	Hydraulic Diagrams 2646E3	5
	2792350	Ref	Hydraulic Diagrams 2658E3	5
1	4641106	1	Valve, Power Deck Manifold	
2		Ref	Hose Options:	
2	2753313	2	Hose 2033E3 (Prior to SN 0200100187)	
2	2751166	2	Hose 2033E3 (SN 0200100187 to Present)	
2	2750996	2	Hose 2046E3 (Prior to SN 0200100187)	
2	2753073	2	Hose 2046E3 (SN 0200100187 to Present)	
2	2753312	2	Hose 2646E3/2658E3	
3		Ref	Hose Options:	
3	2752648	2	Hose 2033E3	
3	2753314	4	Hose 2046E3/2646E3	
3	2753315	4	Hose 2658E3	
4	2753118	1	Hose	
5	2752467	2	Hose	
6	2220635	1	Fitting, Tee	
7	2220371	2	Fitting, Straight	
8	2220603	1	Fitting, Straight	
9	0641605	2	Bolt 5/16in-18NC x 5/8in	
10	4711600	2	Flatwasher 5/16in	
11	0100020	AR	Loctite #567	
12	2220473	6	Fitting, 90	
13	2220490	2	Fitting, Tee	
	4641106	Ref	HYDRAULIC VALVE - POWER DECK	A
101	Not Serviced	1	Block, Manifold	
102	7012793	1	Rexroth Valve Section (Control)	
102	7012773	2	Seal Kit - 7012793 Cartridge	
102A	7018912	2	Nut	
102A	7018943	2	O-Ring	
102B	7018917	2	Coil	
103	7018300	1	Cartridge, Valve (Shuttle)	
103	7018301	1	Seal Kit - 7018300 Cartridge	
104	7018919	1	Cartridge, Valve (Relief)	
104	7016351	1	Seal Kit - 7018919 Cartridge	
105	7018302	1	Cartridge, Valve (Relief)	
105	7016351	1	Seal Kit - 7018302 Cartridge	

SECTION 7 - ELECTRICAL

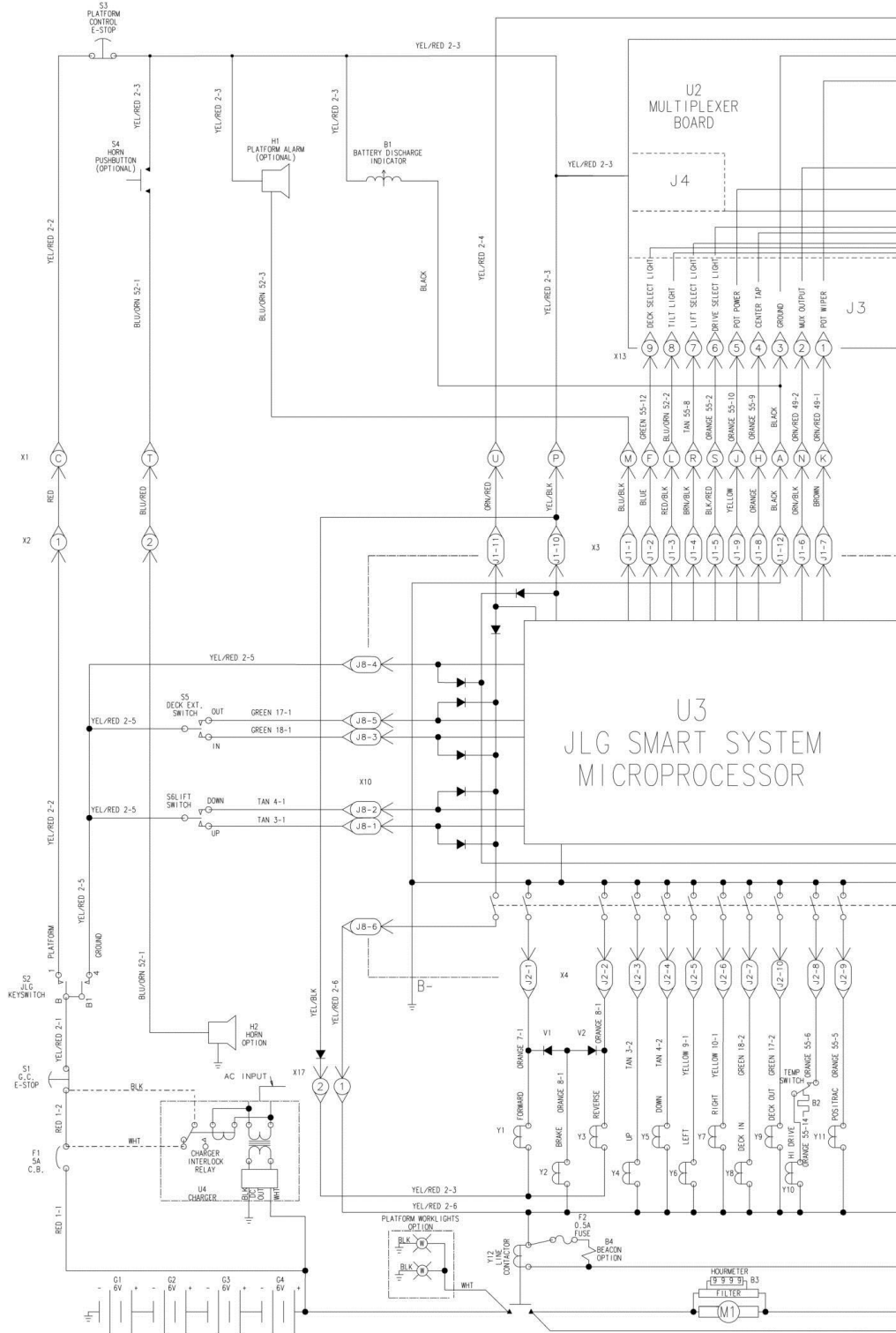
SECTION 7 - ELECTRICAL

FIGURE 7-1. ELECTRICAL DIAGRAM LIST

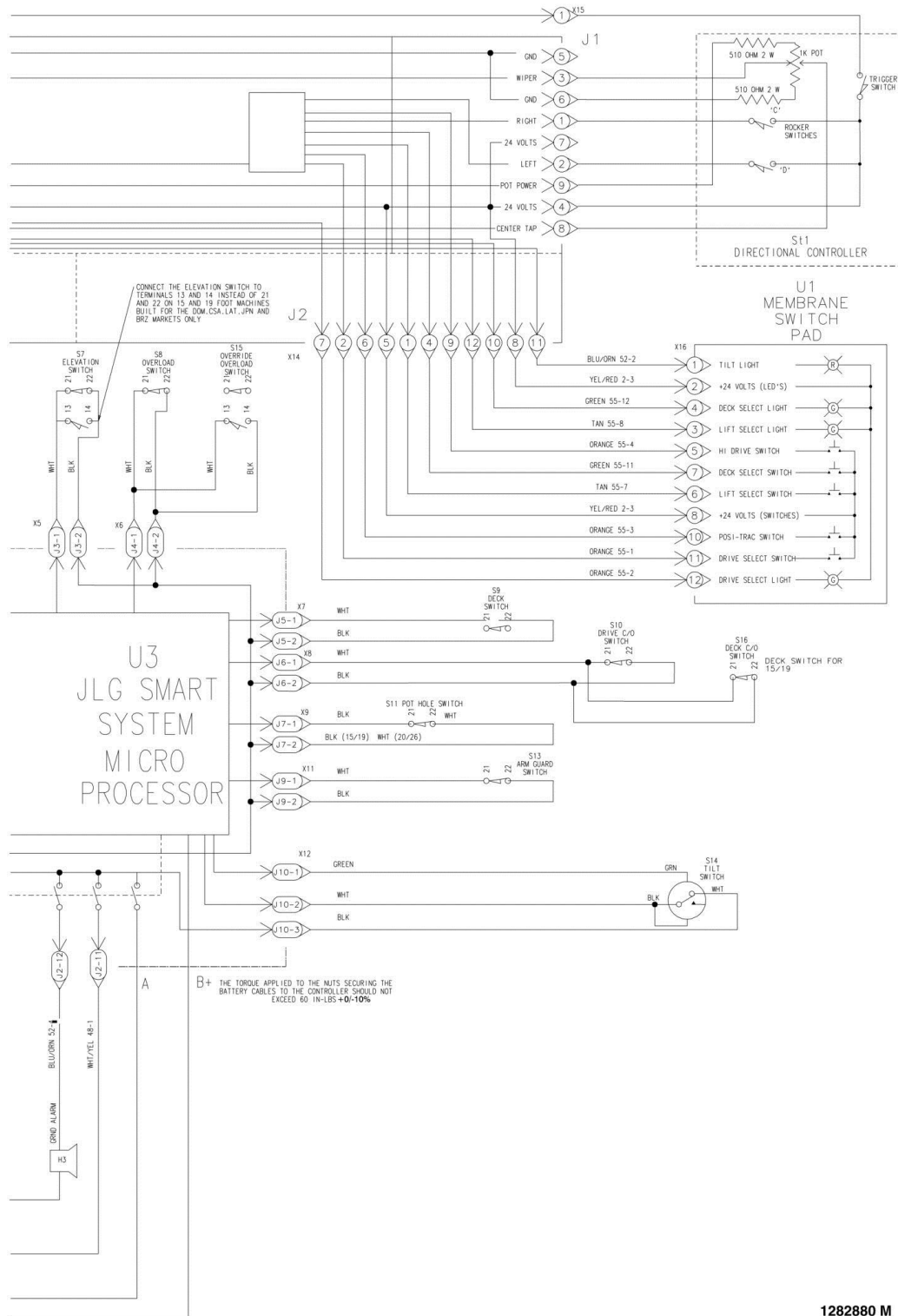
ITEM	PART NUMBER	QTY	DESCRIPTION	REV
		Ref	Note: Diagrams not shown are available from the JLG Service Department.	
		Ref	ALARM ELECTRICAL DIAGRAMS	
	1282507	Ref	Descent Alarm	G
	1282706	Ref	Descent Alarm	B
	1282507	Ref	Motion Alarm	G
	1282706	Ref	Motion Alarm	B
	1282507	Ref	Travel Alarm	G
	1282706	Ref	Travel Alarm	B
	0258800	Ref	BEACON LIGHT ELECTRICAL DIAGRAM	B
	0258801	Ref	BEACON LIGHT ELECTRICAL DIAGRAM (UL)	B
	1283009	Ref	GENERATOR ELECTRICAL DIAGRAMS	C
		Ref	LIGHTS ELECTRICAL DIAGRAMS	
	1282531	Ref	Work Lights (Prior to SN 0200063475)	E
	1283081	Ref	Work Lights (SN 0200063475 to Present)	B
	1282902	Ref	Work Lights W/Folddown Rails (Prior to SN 0200063475)	A
	1283082	Ref	Work Lights W/Folddown Rails (SN 0200063475 to Present)	B
	0257665	Ref	PERIMETER SWITCH ELECTRICAL DIAGRAM (Prior to SN 0200070220)	B
	1283094	Ref	PERIMETER SWITCH ELECTRICAL DIAGRAM (SN 0200070220 to Present)	E
	1282896	Ref	GROUND TO PLATFORM ELECTRICAL DIAGRAM	G
	4922082	Ref	Cable Assembly - 1532E3	4
	4922083	Ref	Cable Assembly - 1932E3	3
	4922084	Ref	Cable Assembly - 2033E3	6
	4922296	Ref	Cable Assembly - 2046E3	3
	4922085	Ref	Cable Assembly - 2646E3/2658E3	5
	1282880	Ref	ELECTRICAL SCHEMATIC	M
	4933016	Ref	Electrical Schematic 1532E3/1932E3	3
	4933017	Ref	Electrical Schematic 2033E3/2046E3/2646E3/2658E3 with Manually Operated Platform Extension	3
	4933106	Ref	Electrical Schematic 2033E3/2046E3/2646E3/2658E3 with Hydraulically Operated Platform Extension	1

SECTION 7 - ELECTRICAL

FIGURE 7-2. ELECTRICAL SCHEMATIC - STANDARD

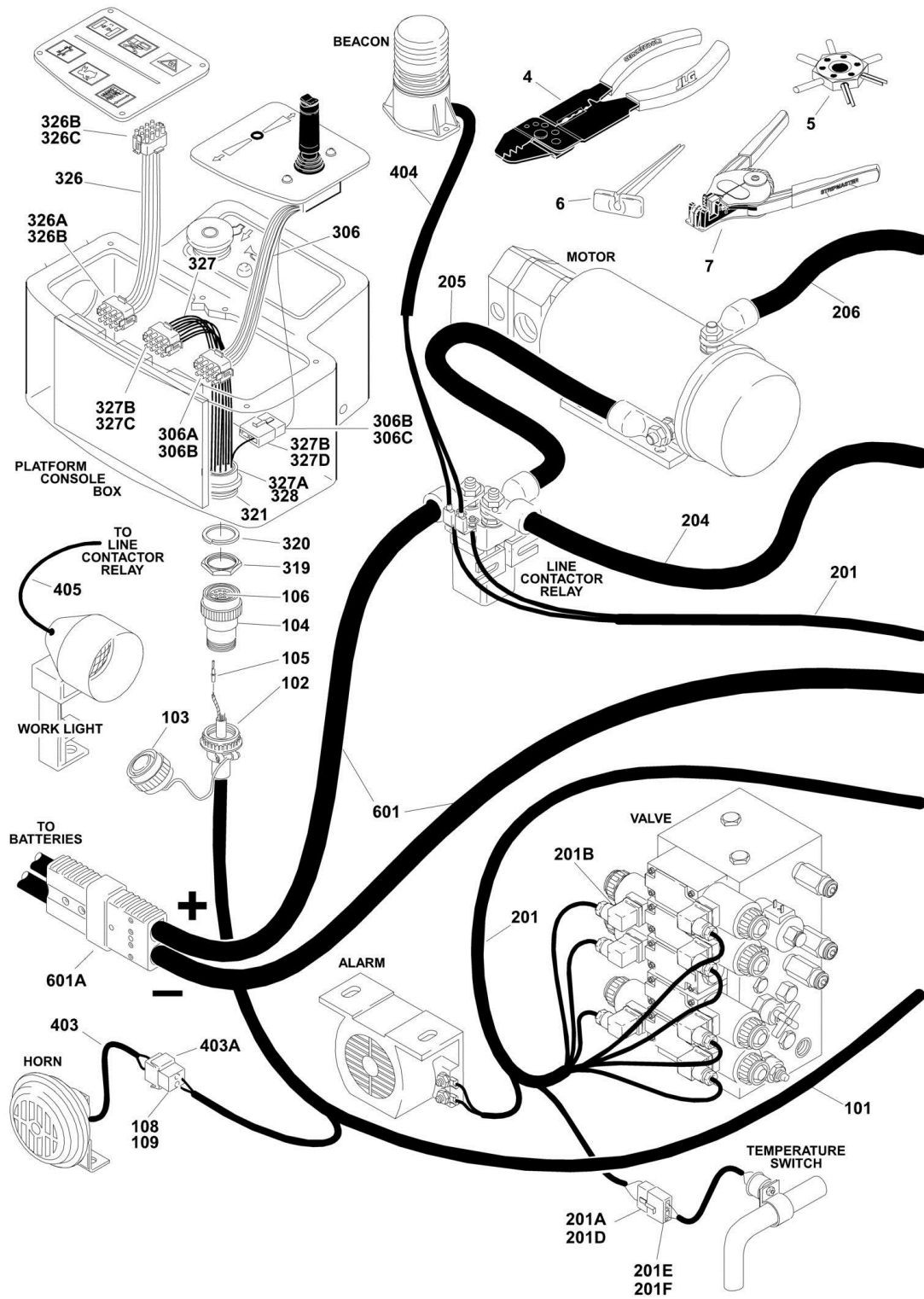


SECTION 7 - ELECTRICAL

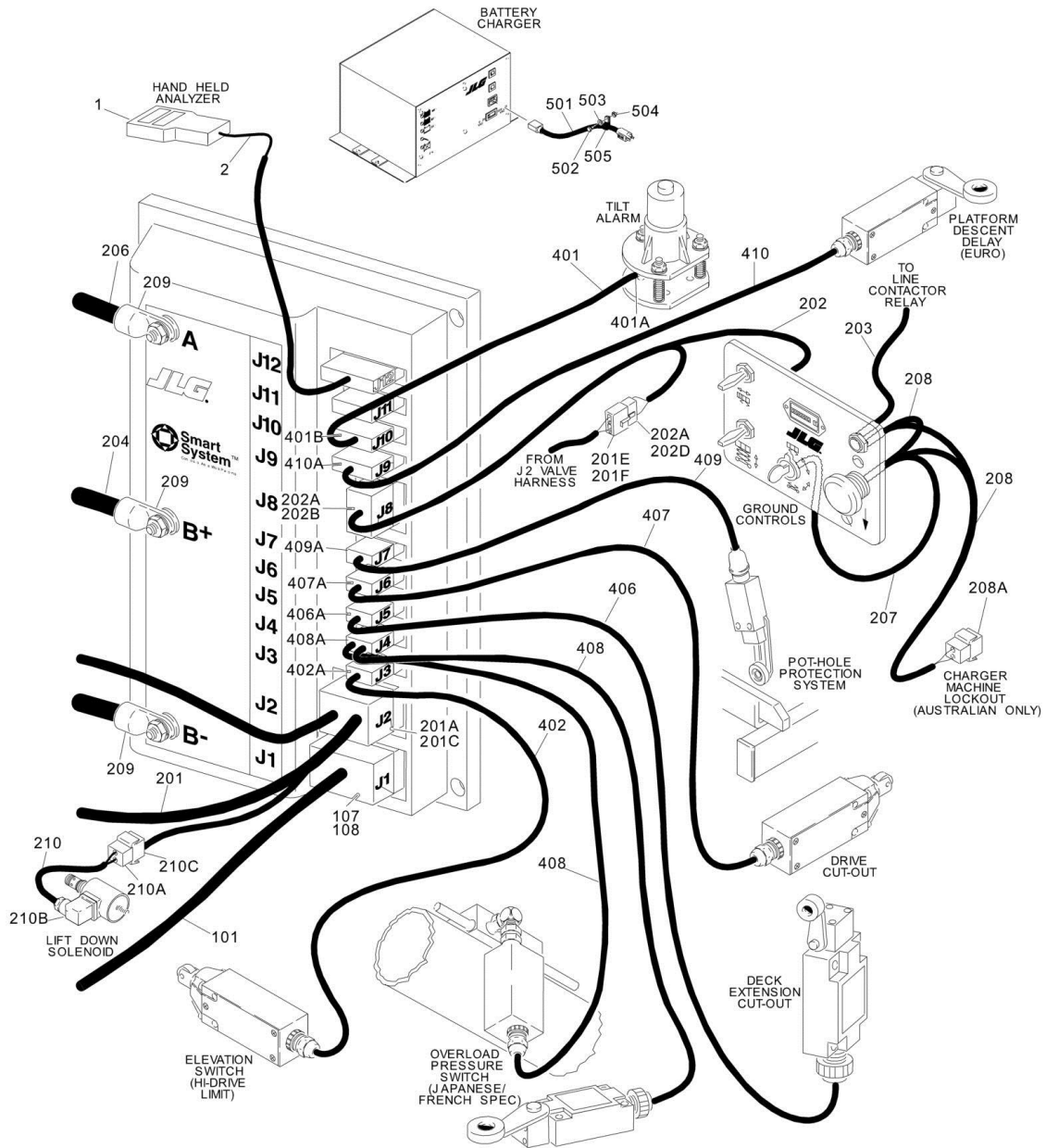


SECTION 7 - ELECTRICAL

FIGURE 7-3. HARNESS AND CABLE ASSEMBLIES



SECTION 7 - ELECTRICAL



SECTION 7 - ELECTRICAL

FIGURE 7-3. HARNESS AND CABLE ASSEMBLIES

ITEM	PART NUMBER	QTY	DESCRIPTION	REV
		Ref	TOOLS	
	2900874	1	Configurator Kit (Computer Software Kit)	
	2901443	1	Analyzer and Cable Kit (Includes 1600244 & 1060633)	
1	1600244	1	Analyzer, SMART System Controller	
2	1060633	1	Cable, Communication (Analzer to Controller)	
4	7002821	1	Crimper (For Wire to Pin/Socket Connections)	
5	7002823	1	Extractor (For Removal of Pins/Sockets form Connectors)	
6	4460467	1	Extractor - 16-18 Gauge (For Removal of Pins/Sockets form Deutsch Connectors)	
6	4460510	1	Extractor - 12-14 Gauge (For Removal of Pins/Sockets form Deutsch Connectors)	
7	8896941	1	Stripper, Wire	
8	0100048	AR	Compound, Silicone (Use on Connectors/Receptacles) (Not Shown)	
	1282896	Ref	CABLE ASSEMBLIES - GROUND TO PLATFORM	G
	4922082	Ref	Cable Assembly - 1532E3	4
	4922083	Ref	Cable Assembly - 1932E3	3
	4922084	Ref	Cable Assembly - 2033E3	6
	4922296	Ref	Cable Assembly - 2046E3	3
	4922085	Ref	Cable Assembly - 2646E3/2658E3	5
101	1060608		Cable, Electrical - 18/14 Options:	
101	1060608	37 ft/11.2m	Cable, Electrical 1532E3	
101	1060608	42 ft/12.8m	Cable, Electrical 1932E3	
101	1060608	40 ft/12.2m	Cable, Electrical 2033E3	
101	1060608	43/13.1m	Cable, Electrical 2046E3	
101	1060608	53 ft/16.2m	Cable, Electrical 2646E3/2658E3	
102	4460473	1	Clamp, Cable	
103	4460468	1	Cap, Dust	
104	4460614	1	Connector, Deutsch - 21 Pin	
105	4460465	14	Socket, Female	
106	4460466	7	Plug, Sealing	
107	4460343	1	Connector - 12 Pin	
108	4460267	15	Pin, Male	
109	4460320	1	Connector - 2 Pin	
111	3990010		Diode, 6A 600Volt (Not Shown)	
		Ref	WIRING DIAGRAM OPTIONS:	
	4933016	Ref	Wiring Diagram 1532E3/1932E3	3
	4933017	Ref	Wiring Diagram 2033E3/2046E3/2646E3/2658E3 with Manually Operated Platform Extension	3
	4933106	Ref	Wiring Diagram 2033E3/2046E3/2646E3/2658E3 with Hydraulically Operated Platform Extension	1
201		Ref	Harness - Valve Options:	
201		Ref	Manually Operated Platform Extension	3
201	4922678	1	Harness - Valve (was p/n 4922209) (Prior to SN 0200103404)	
201	4922678	1	Harness - Valve (SN 0200103404 to Present)	
201	4922208	1	Hydraulically Operated Platform Extension	1-B
201A	4460268	AR	Socket, Female	

SECTION 7 - ELECTRICAL

ITEM	PART NUMBER	QTY	DESCRIPTION	REV
201B	4460449	AR	Connector, DIN	
201C	4460343	1	Connector - 12 Pin	
201D	4460424	2	Connector, Female - 2 Position	
201E	4460320	1	Connector - 2 Pin	
201F	4460267	2	Pin, Male	
201G	3990010	2	Diode 6 Amp (Not Shown)	
202		Ref	Harness - Ground Control Options:	
202	4922211		Harness - Ground Control 1532E3/1932E3	2
202	4922208		Harness - Ground Control 2033E3/2046E3/2646E3/2658E3	2
202A	4460268	AR	Socket, Female	
202B	4460225	1	Connector - 6 Pin	
202C	4460424	2	Connector, Female - 2 Position	
202D	4460267	1	Pin, Male	
203		Ref	Harness - Ground Power Options:	
203	4922014		Harness - Ground Power 1532E3/1932E3	1
203	4921891		Harness - Ground Power 2033E3/2046E3/2646E3/2658E3	2
204		Ref	Cable, Battery Options:	
204	1060703	1	Cable, Battery 1532E3/1932E3	
204	1060665	1	Cable, Battery 2033E3/2046E3/2646E3/2658E3	
205	1060704	1	Cable, Battery	
206	1060705	1	Cable, Battery	
207	4922210	1	Harness - Keyswitch	
208	4921893	1	Harness - Emergency Stop	
208	Not Available	1	Harness - Charger Machine Lockout (Australian Spec Only)	
208	1060341	10 ft/3.0m	Cable, Electrical - 16/2 (Australian Spec Only)	
208A	4460320	1	Connector (Australian Spec Only)	
208A	4460268	2	Socket, Female (Australian Spec Only)	
209	0840025	8	Boot, Terminal	
210	4922011	1	Harness - Lift Down	
210A	4460320	1	Connector, Female - 2 Pin	
210A	4460267	2	Pin, Male	
210B	4460449	1	Terminal, Connector	
210C	4460424	1	Connector, Female - 2 Position	
210C	4460268	2	Socket, Female	
211	0100048	AR	Grease, Dielectric	
		Ref	PLATFORM CONSOLE BOX ASSEMBLIES	
306	Not Available	1	Harness, Controller	
306A	4460265	1	Connector, Female	
306B	4460268	8	Socket, Female	
306C	4460424	1	Connector, Female - 2 Position	
319	4460470	1	Nut, Receptacle	
320	4460471	1	Lockwasher, Receptacle	
321	4460613	1	Connector, Deutsch	
326	4922183	1	Harness - Membrane Switch	
326A	4460268	AR	Socket, Female	
326B	4460343	2	Plug, Male	
326C	4460267	AR	Pin, Male	
327	4922184		Harness - Platform Console Box	
327A	4460265	1	Plug, Male	
327B	4460267	AR	Pin, Male	
327C	4460343	1	Plug, Male	

SECTION 7 - ELECTRICAL

ITEM	PART NUMBER	QTY	DESCRIPTION	REV
327D	4460320	1	Connector, Female	
328	4460466	7	Plug, Sealing	
		Ref	ACCESSORIES HARNESS ASSEMBLIES	
401		Ref	Harness - Tilt Alarm Options:	
401	4921819	1	Harness - Tilt Alarm (Prior to SN 0200060218)	A
401	4922285	1	Harness - Tilt Alarm (SN 0200060218 to Present)	1-B
401	1060330	8 ft/2.4m	Cable, Electrical - 16/3	
401A	4460445	1	Connector, Female - 3 Pin	
401A	4460227	3	Pin, Male	
401B	4460326	1	Plug, Male	
401B	4460268	3	Socket, Female	
402	Not Available	1	Harness - Hi-Drive Limit Switch	
402	1060680	9 ft/2.74m	Cable, Electrical - 18/2	
402A	4460320	2	Plug, Male	
402A	4460268	2	Socket, Female	
403	4922258	1	Harness - Horn	1
403A	4460424	1	Connector, Female - 2 Position	
403A	4460268	2	Socket, Female	
404	Not Available	1	Harness Beacon	
404	1060680	10 ft/3.0m	Cable, Electrical - 18/2	
405	Not Available	1	Harness - Worklight	
405	1060341	40 ft/12.2m	Harness - Worklight 1532E3 (Prior to SN 0200063475)	
405	1060680	32 ft/9.8m	Harness - Worklight 1532E3 (SN 0200063475 to Present)	
405	1060341	48 ft/14.6m	Harness - Worklight 1932E3 (Prior to SN 0200063475)	
405	1060680	38 ft/11.6m	Harness - Worklight 1932E3 (SN 0200063475 to Present)	
405	1060341	54 ft/16.5m	Harness - Worklight 2033E3/2046E3 (Prior to SN 0200063475)	
405	1060680	51 ft/15.6m	Harness - Worklight 2033E3/2046E3 (SN 0200063475 to Present)	
405	1060341	61 ft/18.6m	Harness - Worklight 2646E3/2658E3 (Prior to SN 0200063475)	
405	1060680	61 ft/18.6m	Harness - Worklight 2646E3/2658E3 (SN 0200063475 to Present)	
406	Not Available	1	Harness - Deck Extend Cutout	
406	1060341	AR	Cable, Electrical - 16/2	
406	1060341	40 ft/12.2m	Cable, Electrical 1532E3	
406	1060341	46 ft/14m	Cable, Electrical 1932E3/2033E3/2046E3	
406	1060341	54/16.5m	Cable, Electrical 2646E3/2658E3	
406A	4460320	1	Plug, Male	
406A	4460268	2	Socket, Female	
407	Not Available	1	Harness - Drive Cutout	
407	1060680	AR	Cable, Electrical - 18/2	
407A	4460320	1	Plug, Male	
407A	4460268	2	Socket, Female	
408	Not Available	1	Harness - Overload (Japanese/French Spec)	
408	1060680	AR	Cable, Electrical - 18/2	
408	1060680	30 ft/9.1m	Cable, Electrical 1532E3/1932E3	
408	1060680	35 ft/11m	Cable, Electrical 2033E3/2046E3/2646E3/2658E3	
408A	4460320	1	Plug, Male	

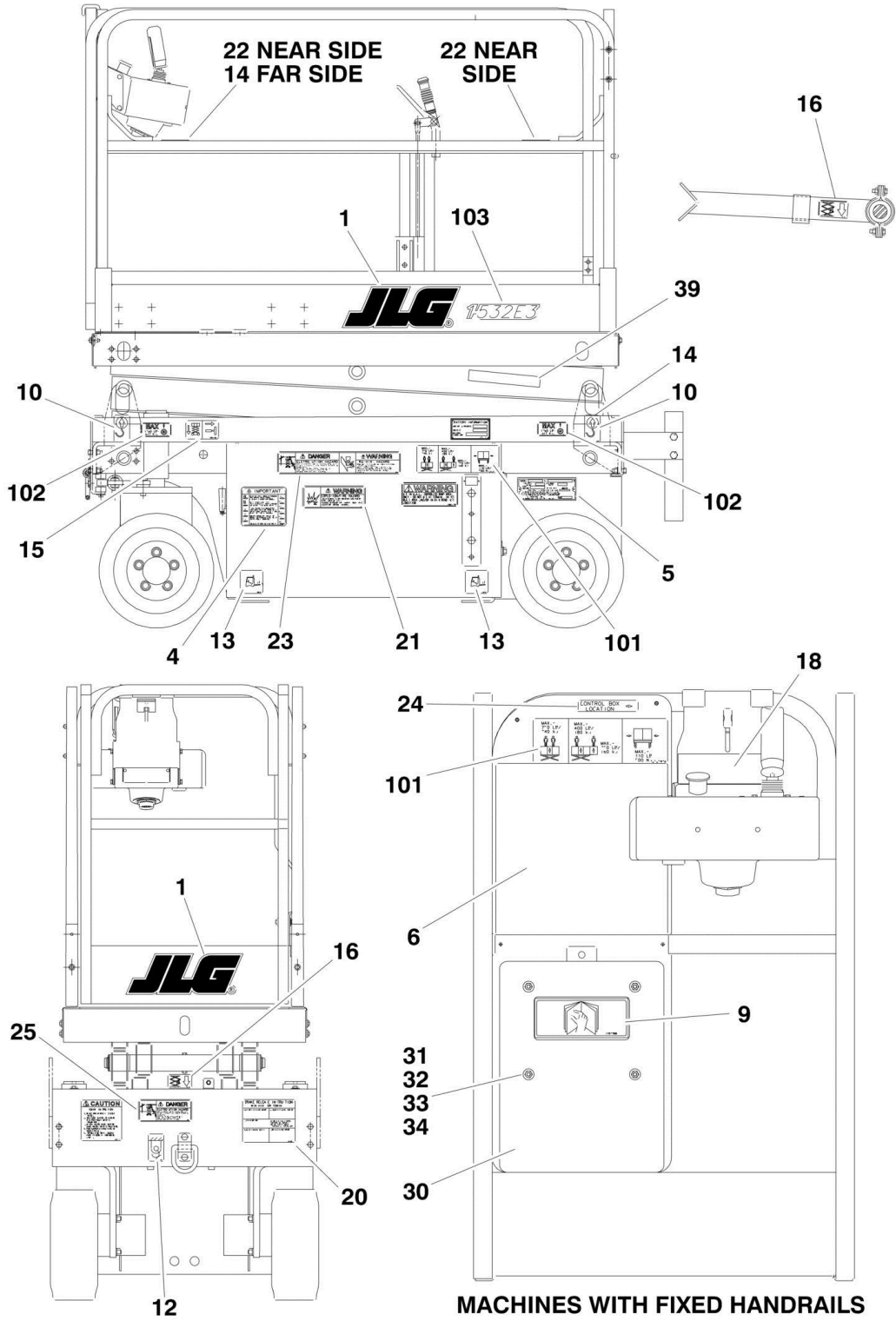
SECTION 7 - ELECTRICAL

ITEM	PART NUMBER	QTY	DESCRIPTION	REV
408A	4460268	2	Socket, Female	
409	Not Available	1	Harness - Pothole Protection System	
409	1060680	AR	Cable, Electrical - 18/2	
409	1060680	AR	Cable, Electrical 1532E3/1932E3	
409	1060680	6 ft/1.83m	Cable, Electrical 2033E3/2046E3/2646E3/2658E3	
409A	4460320	1	Plug, Male	
409A	4460268	2	Socket, Female	
410	Not Available	1	Harness - Platform Descent Delay (Euro Spec)	
410		Ref	Cable, Electrical Options:	
410	1060341	8 ft/2.4m	16/2 Cable (Prior to SN 0200066023)	
410	1060680	8 ft/2.4m	18/2 Cable (SN 0200066023 to Present)	
410A	4460326	1	Plug, Male	
410A	4460226	2	Socket, Female	
	0259214	Ref	AC CHARGER CORD INSTALLATION	1
501	1060688	1	Cable, AC Cord	
502	0641406	1	Bolt 1/4in-20NC x 3/4in	
503	4751400	1	Flatwasher 1/4in	
504	3311405	1	Locknut 1/4in-20NC	
505	1320040	1	Clamp	
		Ref	BATTERY CABLE ASSEMBLIES	
601		Ref	Battery Cable Assembly Options:	
601	1060606	1	Battery Cable Assembly 1532E3/1932E3	3
601	1060605	1	Battery Cable Assembly 2033E3/2046E3/2646E3/2658E3	2
601A	4460618	1	Connector, Anderson (Includes Both Halves)	

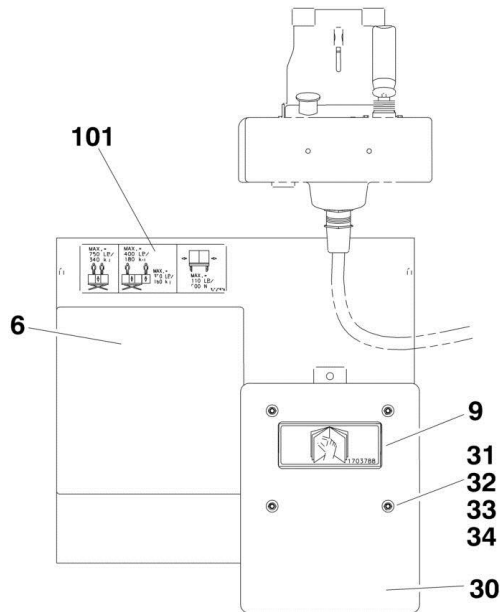
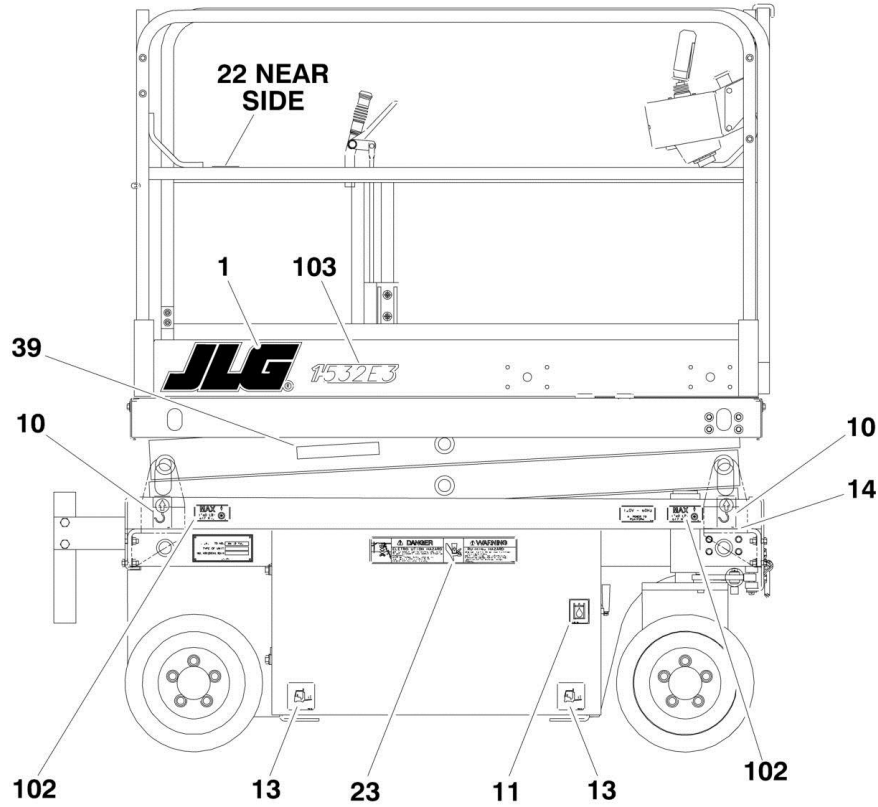
SECTION 8 - DECALS

SECTION 8 - DECALS

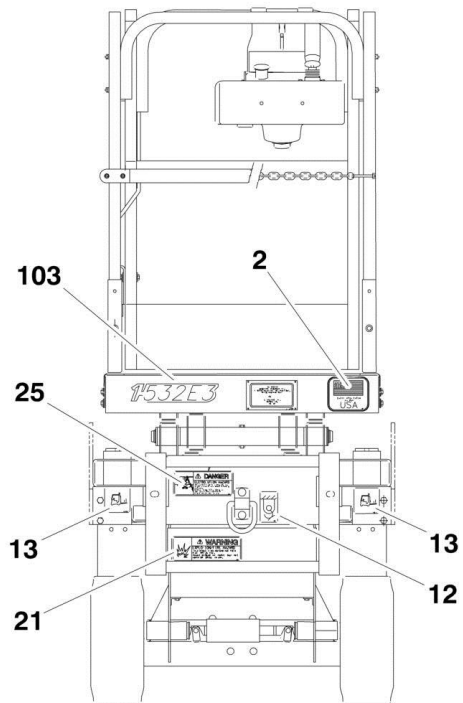
FIGURE 8-1. DECALS INSTALLATION - 1532E3/1932E3



SECTION 8 - DECALS



MACHINES WITH FOLDDOWN HANDRAILS



SECTION 8 - DECALS

FIGURE 8-1. DECALS INSTALLATION - 1532E3/1932E3

ITEM	PART NUMBER	QTY	DESCRIPTION	REV
		Ref	DECAL INSTALLATIONS	
	0258862	Ref	ANSI Spec	9
	0258860	Ref	Brazilian Spec	9
	0258865	Ref	Canadian French Spec	9
	0270346	Ref	China Spec	6
	0258864	Ref	Japanese Spec	10
	0270212	Ref	Korean Spec	6
	0258863	Ref	Latin American Spec	9
1	1702773	2	Decal - JLG	
2	Not Required	0	Decal - USA	
3	Not Required	0	Decal - Bar Code	
4		Ref	Decal - Inspection Options:	
4	1702153	1	ANSI Spec	
4	1703961	1	Brazilian Spec	
4	Not Required	0	Canadian French Spec	
4	1704607	1	China Spec	
4	1701621	1	Japanese Spec	
4	1703962	1	Korean Spec	
4	1702552	1	Latin American Spec	
5	Not Required	0	Decal - Serial Number	
6		Ref	Decal - Danger/Warning Options:	
6	1703816	1	ANSI Spec	
6	1703835	1	Brazilian Spec	
6	1703867	1	Canadian French Spec	
6	1704616	1	China Spec	
6	1704278	1	Japanese Spec (Prior to SN 0200097273)	
6	1704807	1	Japanese Spec (SN 0200097273 to Present)	
6	1703859	1	Korean Spec	
6	1703843	1	Latin American Spec	
9		Ref	Decal - Manual Reference Options:	
9	1703788	1	Decal - Manual Reference (Prior to SN 0200103389)	
9	1701509	1	Decal - Manual Reference (SN 0200103389 to Present)	
10	1703811	4	Decal - Lifting Lug	
11	1703812	1	Decal - Hyd Oil	
12	1703814	4	Decal - Tie Down	
13	1703817	6	Decal - Fork Lift	
14	1703819	3	Decal - Direction Arrow	
15	1703822	1	Decal - Manual Descent Cable	
16	1704138	2	Decal - Safety Prop	
18		Ref	Decal - Legend Options:	
18	1703695	1	ANSI Spec	
18	1703830	1	Brazilian Spec	
18	1703862	1	Canadian French Spec	
18	1704615	1	China Spec	
18	1704280	1	Japanese Spec	
18	1703854	1	Korean Spec	
18	1703838	1	Latin American Spec	
20		Ref	Decal - Towing/Winching/Tow Speed Options:	
20	1703698	1	ANSI Spec	
20	1703831	1	Brazilian Spec	

SECTION 8 - DECALS

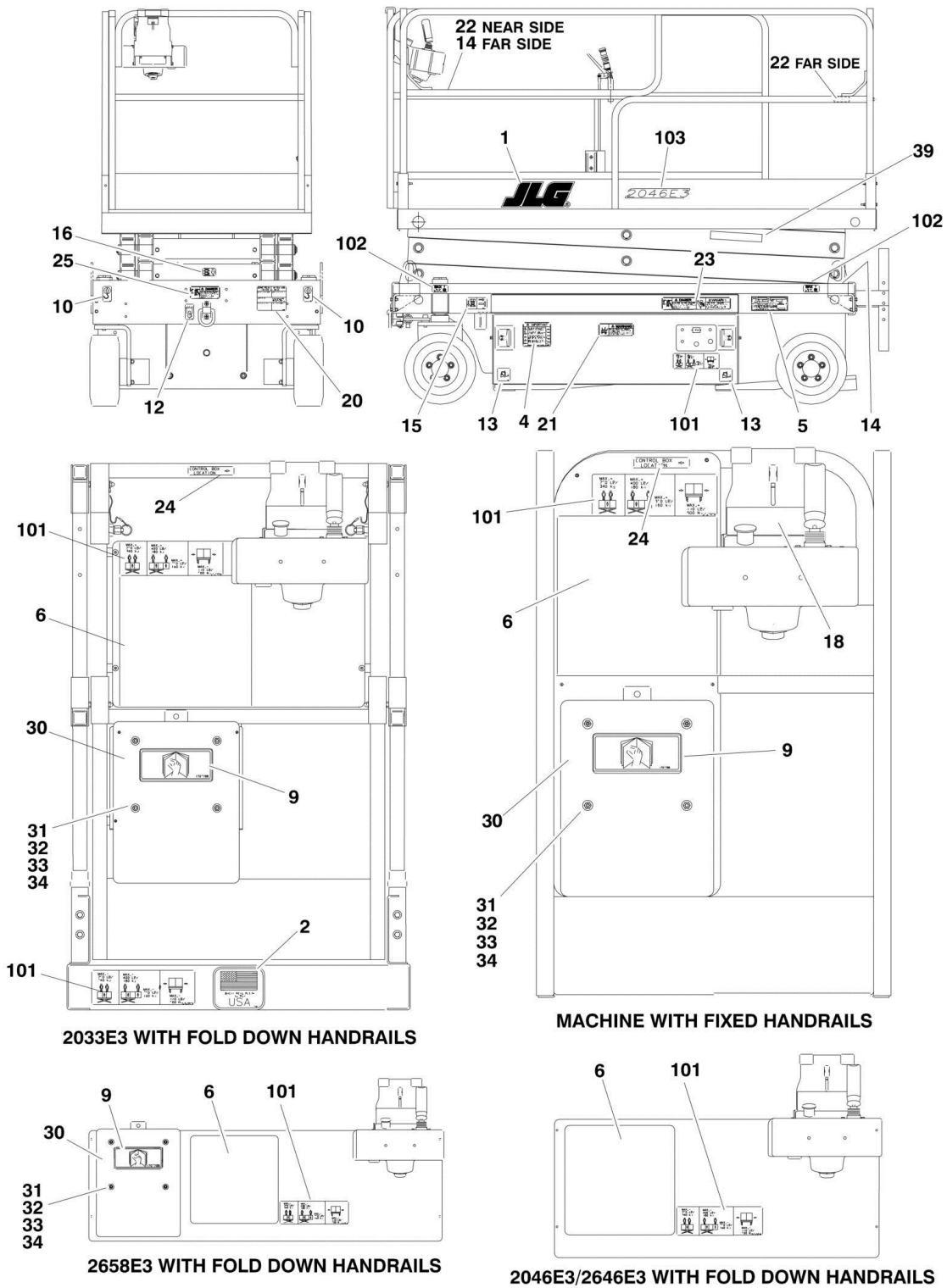
ITEM	PART NUMBER	QTY	DESCRIPTION	REV
20	1703863	1	Canadian French Spec	
20	1704614	1	China Spec	
20	1704281	1	Japanese Spec	
20	1703855	1	Korean Spec	
20	1703839	1	Latin American Spec	
21		Ref	Decal - Warning Battery Ventilation Options:	
21	1703813	2	ANSI Spec	
21	1703832	2	Brazilian Spec	
21	1703864	2	Canadian French Spec	
21	1704613	2	China Spec	
21	1703848	2	Japanese Spec	
21	1703856	1	Korean Spec	
21	1703840	2	Latin American Spec	
22		Ref	Decal - Attach Lanyard Here Options:	
22	1704277	4	ANSI/Brazilian/Canadian/Japanese and Latin American Spec	
22	1703852	4	Korean Spec	
23		Ref	Decal - Warn Crushing Hazard/Danger Electrocution Options:	
23	1703818	2	ANSI Spec	
23	1703833	2	Brazilian Spec	
23	1703865	2	Canadian French Spec	
23	1704611	2	China Spec	
23	1704282	2	Japanese Spec	
23	1703857	1	Korean Spec	
23	1703841	2	Latin American Spec	
24		Ref	Decal - Control Box Location Options:	
24	1703821	1	ANSI Spec	
24	1703829	1	Brazilian Spec	
24	1703861	1	Canadian French Spec	
24	1704610	1	China Spec	
24	1703845	1	Japanese Spec	
24	1703853	1	Korean Spec	
24	1703837	1	Latin American Spec	
25		Ref	Decal - Danger Electrocution Hazard Options:	
25	1703823	2	ANSI Spec	
25	1703834	2	Brazilian Spec	
25	1703866	2	Canadian French Spec	
25	1704609	2	China Spec	
25	1703850	2	Japanese Spec	
25	1703858	1	Korean Spec	
25	1703842	2	Latin American Spec	
30	0860520	1	Box, Manual Storage	
31	1060279	1	Cable Lanyard	
32	0641405	4	Bolt 1/4in-20NC x 5/8in	
33	4751400	4	Flatwasher 1/4in	
34	3311405	4	Locknut 1/4in-20NC	
39	1704885	1	Decal - Website	
	2901692	1	Kit - Decal Master (Includes Items 9-16, 22, 39)	7
		Ref	Kit - Decal Multi-Color Options (Includes Items 18-21, 23-25):	
	2901722	1	ANSI Spec	5
	2901720	1	Brazilian Spec	4
	2901725	1	Canadian French Spec	4

SECTION 8 - DECALS

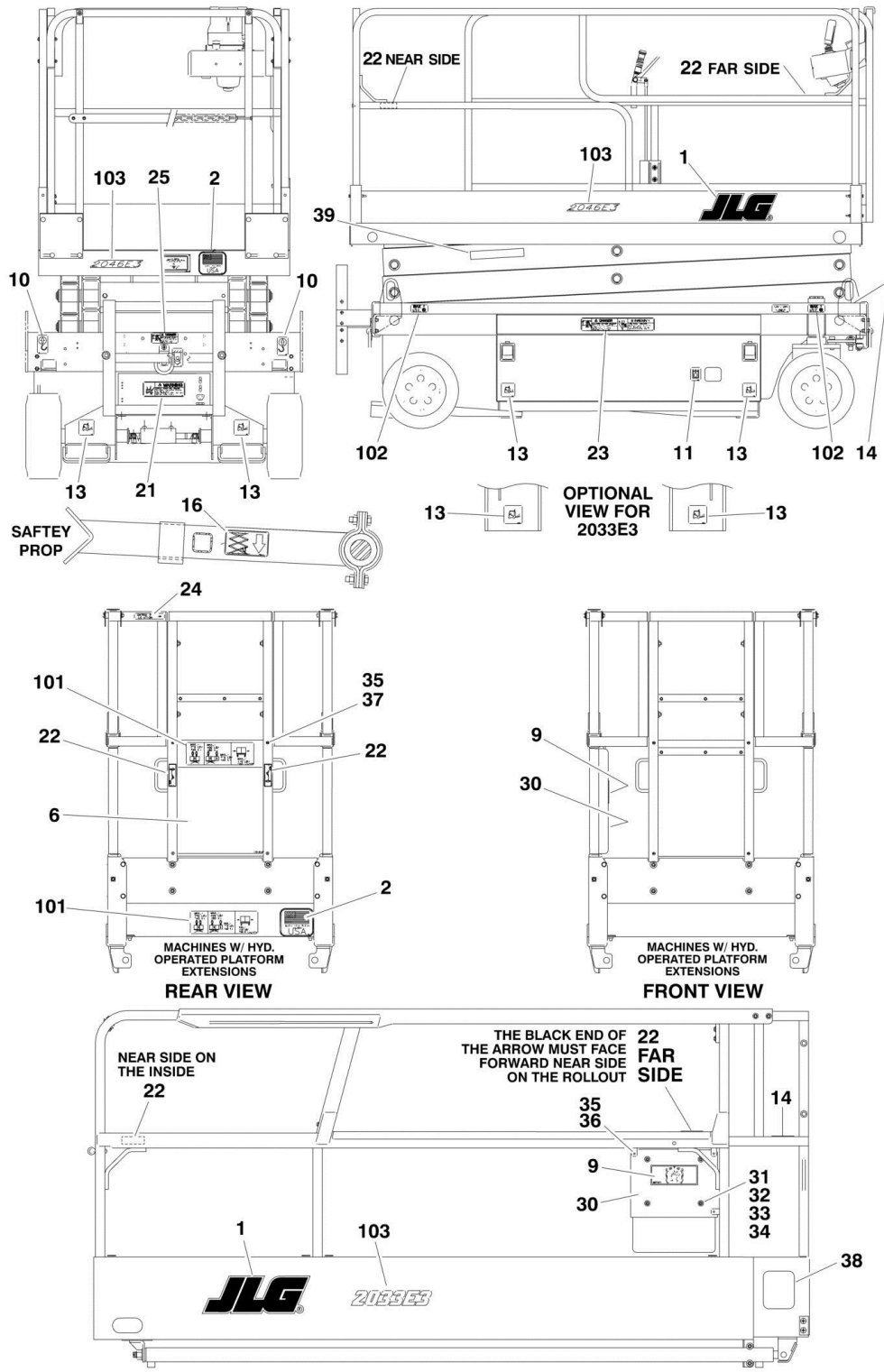
ITEM	PART NUMBER	QTY	DESCRIPTION	REV
	2901932	1	China Spec	1
	2901724	1	Japanese Spec	5
	2901915	1	Korean Spec	1
	2901723	1	Latin American Spec	4
		Ref	OPTIONAL DECALS	
101		Ref	Capacity Nameplate Kit Options:	
101	2901706	1	Capacity Nameplate Kit 1532E3 (Includes qty 3 of p/n 3252588)	2
101	2901707	1	Capacity Nameplate Kit 1932E3 (Includes qty 3 of p/n 1703868)	1
102		Ref	Decal - Maximum Tire Load Kit Options:	
102	2901699	1	Decal - Maximum Tire Load Kit 1532E3 (Includes qty 4 of p/n 1704131)	2
102	2901700	1	Decal - Maximum Tire Load Kit 1932E3 (Includes qty 4 of p/n 1704132)	2
103		Ref	Decal - Model Designation Kit Options:	
103	2901693	1	Decal - Model Designation Kit 1532E3 (Includes qty 2 of p/n 3252582)	2
103	2901694	1	Decal - Model Designation Kit 1932E3 (Includes qty 2 of p/n 3252583)	2

SECTION 8 - DECALS

FIGURE 8-2. DECALS INSTALLATION - 2033E3/2046E3/2646E3/2658E3



SECTION 8 - DECALS



SECTION 8 - DECALS

FIGURE 8-2. DECALS INSTALLATION - 2033E3/2046E3/2646E3/2658E3

ITEM	PART NUMBER	QTY	DESCRIPTION	REV
		Ref	DECAL INSTALLATIONS	
	0258862	Ref	ANSI Spec with Manually Operated Platform Extension	9
	0258875	Ref	ANSI Spec with Hydraulically Operated Platform Extension	10
	0258874	Ref	Brazilian Spec	10
	0258865	Ref	Canadian French Spec	9
	0270346	Ref	China Spec	6
	0258864	Ref	Japanese Spec with Manually Operated Platform Extension	9
	0258876	Ref	Japanese Spec with Hydraulically Operated Platform Extension	10
	0270212	Ref	Korean Spec	6
	0258863	Ref	Latin American Spec	9
	0259876	Ref	Latin American Spec with Hydraulically Operated Platform Extension	6
1	1702773	2	Decal - JLG	
3	Not Required	0	Decal - Bar Code	
4		Ref	Decal - Inspection Options:	
4	1702153	1	ANSI Spec	
4	1703961	1	Brazilian Spec	
4	Not Required	0	Canadian French Spec	
4	1704607	1	China Spec	
4	1701621	1	Japanese Spec	
4	1703962	1	Korean Spec	
4	1702552	1	Latin American Spec	
4	1702153	1	Latin American Spec With Hydraulically Operated Platform Extension	
5	Not Required	0	Decal - Serial Number	
6		Ref	Decal - Danger/Warning Options:	
6	1703816	1	ANSI Spec	
6	1703835	1	Brazilian Spec	
6	1703867	1	Canadian French Spec	
6	1704616	1	China Spec	
6	1704278	1	Japanese Spec (Prior to SN 0200097273)	
6	1704807	1	Japanese Spec (SN 0200097273 to Present)	
6	1703859	1	Korean Spec	
6	1703843	1	Latin American Spec	
6	1703816	1	Latin American Spec With Hydraulically Operated Platform Extension	
9		Ref	Decal - Manual Reference Options:	
9	1703788	1	Decal - Manual Reference (Prior to SN 0200103252)	
9	1701509	1	Decal - Manual Reference (SN 0200103252 to Present)	
10	1703811	4	Decal - Lifting Lug	
11	1703812	1	Decal - Hyd Oil	
12	1703814	4	Decal - Tie Down	
13	1703817	6	Decal - Fork Lift	
14	1703819	3	Decal - Direction Arrow	
15	1703822	1	Decal - Manual Descent Cable	
16		Ref	Decal - Safety Prop Options:	
16	1704138	2	Decal - Safety Prop 2033E3/2046E3	
16	1704211	2	Decal - Safety Prop 2646E3/2658E3	
18		Ref	Decal- Legend Options:	

SECTION 8 - DECALS

ITEM	PART NUMBER	QTY	DESCRIPTION	REV
18	1703695		ANSI Spec	
18	1703830		Brazilian Spec	
18	1703862		Canadian French Spec	
18	1704615		China Spec	
18	1704280		Japanese Spec	
18	1703854		Korean Spec	
18	1703838		Latin American Spec	
20		Ref	Decal - Towing/Winching/Tow Speed Options:	
20	1703698	1	ANSI Spec	
20	1703831	1	Brazilian Spec	
20	1703863	1	Canadian French Spec	
20	1704614	1	China Spec	
20	1704281	1	Japanese Spec	
20	1703855	1	Korean Spec	
20	1703839	1	Latin American Spec	
21		Ref	Decal - Warning Battery Ventilation Options:	
21	1703813	2	ANSI Spec	
21	1703832	2	Brazilian Spec	
21	1703864	2	Canadian French Spec	
21	1704613	2	China Spec	
21	1703848	2	Japanese Spec	
21	1703856	2	Korean Spec	
21	1703840	2	Latin American Spec	
22		Ref	Decal - Attach Lanyard Here Options:	
22	1704277	4	ANSI/Brazilian/Canadian/Japanese and Latin American Spec	
22	1703852	4	Korean Spec	
23		Ref	Decal - Warn Crushing Hazard/Danger Electrocution Options:	
23	1703818	2	ANSI Spec	
23	1703833	2	Brazilian Spec	
23	1703865	2	Canadian French Spec	
23	1704611	2	China Spec	
23	1704282	2	Japanese Spec	
23	1703857	2	Korean Spec	
23	1703841	2	Latin American Spec	
24		Ref	Decal - Control Box Location Options:	
24	1703821	1	ANSI Spec	
24	1703829	1	Brazilian Spec	
24	1703861	1	Canadian French Spec	
24	1704610	1	China Spec	
24	1703845	1	Japanese Spec	
24	1703853	1	Korean Spec	
24	1703837	1	Latin American Spec	
25		Ref	Decal - Danger Electrocution Hazard Options:	
25	1703823	2	ANSI Spec	
25	1703834	2	Brazilian Spec	
25	1703866	2	Canadian French Spec	
25	1704609	2	China Spec	
25	1703850	2	Japanese Spec	
25	1703858	2	Korean Spec	
25	1703842	2	Latin American Spec	
30	0860520	1	Box, Manual Storage	

SECTION 8 - DECALS

ITEM	PART NUMBER	QTY	DESCRIPTION	REV
31	1060279	1	Cable Lanyard	
32	0641405	4	Bolt 1/4in-20NC x 5/8in	
33	4751400	4	Flatwasher 1/4in	
34	3311405	4	Locknut 1/4in-20NC	
35		Ref	Rivet Options:	
35	Not Required	0	With Manually Operated Platform Extension	
35	3820020	7	With Hydraulically Operated Platform Extension	
36		Ref	Plate, Bottom Placard Options:	
36	Not Required	0	With Manually Operated Platform Extension	
36	3571011	1	With Hydraulically Operated Platform Extension	
37		Ref	Plate, Power Extension Billboard Options:	
37	Not Required	0	With Manually Operated Platform Extension	
37	3571703	1	With Hydraulically Operated Platform Extension	
38		Ref	Decal - Pinching Hazard Options (SN 0200071692 to Present)	
38	Not Required	0	With Manually Operated Platform Extension	
38	1703491	2	With Hydraulically Operated Platform Extension	
39	1704885	2	Decal - Website	
	2901692	1	Kit - Decal Master (Includes Items 9-16, 22, 39)	7
		Ref	Kit - Decal Multi-Color Options (Includes Items 18-21, 23-25):	
	2901722	1	ANSI Spec	4
	2901720	1	Brazilian Spec	3
	2901725	1	Canadian French Spec	4
	2901932	1	China Spec	1
	2901724	1	Japanese Spec	5
	2901915	1	Korean Spec	1
	2901723	1	Latin American Spec	4
		Ref	OPTIONAL DECALS	
101		Ref	Capacity Nameplate Kit Options:	
101	2901708	1	Capacity Nameplate Kit 2033E3/2646E3 with Manually Operated Platform Extension (Includes qty 3 of p/n 1703694)	1
101	2901709	1	Capacity Nameplate Kit 2033E3/2646E3 with 1000 Lbs Capacity and Manually Operated Platform Extension (Includes qty 3 of p/n 3252591)	2
101	2901709	1	Capacity Nameplate Kit 2046E3/2658E3 with Manually Operated Platform Extension (Includes qty 3 of p/n 3252591)	2
101	2901710	1	Capacity Nameplate Kit 2033E3/2046E3/2646E3/2658E3 with 4ft Hydraulically Operated Platform Extension (Includes qty 3 of p/n 3252592)	1
101	2901711	1	Capacity Nameplate Kit 2033E3/2046E3/2646E3/2658E3 with 6ft Hydraulically Operated Platform Extension (Includes qty 3 of p/n 3252593)	1
102		Ref	Decal - Maximum Tire Load Kit Options:	
102	2901701	1	Decal - Maximum Tire Load Kit 2033E3 (Includes qty 4 of P/N 1704134)	2
102	2901703	1	Decal - Maximum Tire Load Kit 2046E3 (Includes qty 4 of P/N 1704135)	2
102	2901704	1	Decal - Maximum Tire Load Kit 2646E3 (Includes qty 4 of P/N 1704136)	2
102	2901705	1	Decal - Maximum Tire Load Kit 2658E3 (Includes qty 4 of P/N 1704137)	2
103		Ref	Decal - Model Designation Kit Options:	
103	2901695	1	Decal - Model Designation Kit 2033E3 (Includes qty 3 of P/N 3252584)	1
103	2901696	1	Decal - Model Designation Kit 2046E3 (Includes qty 3 of P/N	1

SECTION 8 - DECALS

ITEM	PART NUMBER	QTY	DESCRIPTION	REV
103	2901697	1	3252585) Decal - Model Designation Kit 2646E3 (Includes qty 3 of P/N 3252586)	1
103	2901698	1	Decal - Model Designation Kit 2658E3 (Includes qty 3 of P/N 3252587)	1

SECTION 9 - RECOMMENDED SERVICE PARTS STOCK

SECTION 9 - RECOMMENDED SERVICE PARTS STOCK

SECTION 9 - RECOMMENDED SERVICE PARTS STOCK

FIGURE 9-1. MODELS 1532E3/1932E3/2033E3/2046E3/2646E3/2658E3 STANDARD PARTS

ITEM	PART NUMBER	QTY	DESCRIPTION	REV
	Note	Ref	Note: The following list will service fleets of machines (built to current production per date on the front cover) with emergency repair parts which can be installed in the field. Parts from the list should be replaced when inventory is depleted to keep service parts stock supplied. For further information, contact your JLG dealer or the JLG Industries Parts Department.	
		Ref	STANDARD PARTS	
	7011509	1	Breaker, Circuit - DC, (for fleets of 1 to 10)	
	7011509	1	Breaker, Circuit - DC, (for fleets of 10 to 20)	
	7011509	1	Breaker, Circuit - DC, (for fleets of 20 or more)	
	7018514	1	Breaker, Circuit - AC, (for fleets of 1 to 10)	
	7018514	1	Breaker, Circuit - AC, (for fleets of 10 to 20)	
	7018514	1	Breaker, Circuit - AC, (for fleets of 20 or more)	
	7010944	1	Coupling, (for fleets of 1 to 10)	
	7010944	1	Coupling, (for fleets of 10 to 20)	
	7010944	1	Coupling, (for fleets of 20 or more)	
	2120072	4	Element, Filter, (for fleets of 1 to 10)	
	2120072	8	Element, Filter, (for fleets of 10 to 20)	
	2120072	12	Element, Filter, (for fleets of 20 or more)	
	1340052	1	Breather, (for fleets of 1 to 10)	
	1340052	2	Breather, (for fleets of 10 to 20)	
	1340052	3	Breather, (for fleets of 20 or more)	
	1600289	1	Controller, JLG SMART System, (for fleets of 1 to 10)	
	1600289	1	Controller, JLG SMART System, (for fleets of 10 to 20)	
	1600289	1	Controller, JLG SMART System, (for fleets of 20 or more)	
	4360112	1	Breaker, Circuit, (for fleets of 1 to 10)	
	4360112	1	Breaker, Circuit, (for fleets of 10 to 20)	
	4360112	1	Breaker, Circuit, (for fleets of 20 or more)	
	4360432	1	Switch, Key, (for fleets of 1 to 10)	
	4360432	1	Switch, Key, (for fleets of 10 to 20)	
	4360432	1	Switch, Key, (for fleets of 20 or more)	
	7016339	1	Key, Replacement, (for fleets of 1 to 10)	
	7016339	1	Key, Replacement, (for fleets of 10 to 20)	
	7016339	1	Key, Replacement, (for fleets of 20 or more)	
	4360328	1	Switch, Toggle (for fleets of 1 to 10)	
	4360328	1	Switch, Toggle (for fleets of 10 to 20)	
	4360328	1	Switch, Toggle (for fleets of 20 or more)	
	4360475	1	Switch, Emergency Stop, (for fleets of 1 to 10)	
	4360475	1	Switch, Emergency Stop, (for fleets of 10 to 20)	
	4360475	1	Switch, Emergency Stop, (for fleets of 20 or more)	
	1600282	1	Controller, Directional, (for fleets of 1 to 10)	
	1600282	1	Controller, Directional, (for fleets of 10 to 20)	
	1600282	1	Controller, Directional, (for fleets of 20 or more)	
	0610123	1	Card, Circuit, (for fleets of 1 to 10)	
	0610123	1	Card, Circuit, (for fleets of 10 to 20)	
	0610123	1	Card, Circuit, (for fleets of 20 or more)	

SECTION 9 - RECOMMENDED SERVICE PARTS STOCK

FIGURE 9-2. MODELS 1532E3/1932E3/2033E3/2046E3/2646E3/2658E3 VARIABLE PARTS

ITEM	PART NUMBER	QTY	DESCRIPTION	REV
	Note	Ref	Note: The following list will service fleets of machines (built to current production per date on the front cover) with emergency repair parts which can be installed in the field. Parts from the list should be replaced when inventory is depleted to keep service parts stock supplied. For further information, contact your JLG dealer or the JLG Industries Parts Department.	
		Ref	VARIABLE PARTS	
	4360548	1	Limit Switch, (for fleets of 1 to 10)	
	4360548	1	Limit Switch, (for fleets of 10 to 20)	
	4360548	1	Limit Switch, (for fleets of 20 or more)	
	4360397	1	Limit Switch, (for fleets of 1 to 10)	
	4360397	1	Limit Switch, (for fleets of 10 to 20)	
	4360397	1	Limit Switch, (for fleets of 20 or more)	
	4360465	1	Switch, Tilt Indicator 1 1/2, (Optional), (for fleets of 1 to 10)	
	4360465	1	Switch, Tilt Indicator 1 1/2, (Optional), (for fleets of 10 to 20)	
	4360465	1	Switch, Tilt Indicator 1 1/2, (Optional), (for fleets of 20 or more)	
	4360435	1	Switch, Tilt Indicator 2, (Optional), (for fleets of 1 to 10)	
	4360435	1	Switch, Tilt Indicator 2, (Optional), (for fleets of 10 to 20)	
	4360435	1	Switch, Tilt Indicator 2, (Optional), (for fleets of 20 or more)	
	3740131	1	Relay (Standard), (for fleets of 1 to 10)	
	3740131	1	Relay (Standard), (for fleets of 10 to 20)	
	3740131	1	Relay (Standard), (for fleets of 20 or more)	
	3740121	1	Relay (UL Listed), (for fleets of 1 to 10)	
	3740121	1	Relay (UL Listed), (for fleets of 10 to 20)	
	3740121	1	Relay (UL Listed), (for fleets of 20 or more)	
	4360215	1	Switch, Perimeter (Optional), (for fleets of 1 to 10)	
	4360215	1	Switch, Perimeter (Optional), (for fleets of 10 to 20)	
	4360215	1	Switch, Perimeter (Optional), (for fleets of 20 or more)	
	4360277	1	Switch, Limit (Optional), (for fleets of 1 to 10)	
	4360277	1	Switch, Limit (Optional), (for fleets of 10 to 20)	
	4360277	1	Switch, Limit (Optional), (for fleets of 20 or more)	
	4360437	1	Limit Switch (Optional), (for fleets of 1 to 10)	
	4360437	1	Limit Switch (Optional), (for fleets of 10 to 20)	
	4360437	1	Limit Switch (Optional), (for fleets of 20 or more)	
	4360453	1	Switch Membrane With Tilt Light, (for fleets of 1 to 10)	
	4360453	1	Switch Membrane With Tilt Light, (for fleets of 10 to 20)	
	4360453	1	Switch Membrane With Tilt Light, (for fleets of 20 or more)	
	4360454	1	Switch Membrane Without Tilt Light, (for fleets of 1 to 10)	
	4360454	1	Switch Membrane Without Tilt Light, (for fleets of 10 to 20)	
	4360454	1	Switch Membrane Without Tilt Light, (for fleets of 20 or more)	
	4360387	1	Switch (Optional With Perimeter), (for fleets of 1 to 10)	
	4360387	1	Switch (Optional With Perimeter), (for fleets of 10 to 20)	
	4360387	1	Switch (Optional With Perimeter), (for fleets of 20 or more)	

SECTION 10 - SPECIAL OPTIONS

SECTION 10 - SPECIAL OPTIONS

FIGURE 10-1. SPECIAL OPTIONS

ITEM	PART NUMBER	QTY	DESCRIPTION	REV
		Ref	Note: This list is to accommodate machines ordered with special equipment. Options may not be applicable to all models. For more specific parts information contact JLG Parts Department.	
		Ref	MISCELLANEOUS SPECIAL OPTIONS	
	0259841	Ref	1/2IN AIR LINE INSTALLATION - 1532E3	
	0259842	Ref	1/2IN AIR LINE INSTALLATION - 1932E3	
	0270816	Ref	1/2IN AIR LINE INSTALLATION - 2646E3 & 2658E3	
	0270832	Ref	1/2IN AIR LINE INSTALLATION - 2046E3 & 2033E3	
	0258172	Ref	ARMS ASSEMBLY/INSTALLATION - 11FT (UNITED AIRLINE SPEC)	
	0256789	Ref	CAMERA MOUNT ASSEMBLY	
		Ref	COVER INSTALLATIONS (JAPANESE SPEC)	
	0258913	Ref	Arm Cover Plates (2033E3)	
	0258914	Ref	Arm Cover Plates (2046E3/2646E3/2658E3)	
		Ref	Plate, Arm Cover Options:	
	3571159	1	Plate, Arm Cover 2033E3	
	3571158	1	Plate, Arm Cover 2046E3/2646E3/2658E3	
	4420055	3.3 ft	Tape, UHMW	
	0257646	Ref	Platform Console Cover Installation	
	4060941	1	Cover, Platform Control Box	
	4060943	1	Window, Polycarbonate	
		Ref	DECAL COMPONENTS AND INSTALLATION	
	1702788	Ref	Decal - Biodegradable	
		Ref	Decal CSA Installation	
	0252972	Ref	Decal Components and Installation (Prior to SN 0200060942)	
	0259446	Ref	Decal Components and Installation (SN 0200060942 to Present)	
	3252191	1	Decal - CSA	
	1282897	Ref	Decal Lanyard Attach Installation	
	1702612	2	Decal - Common	
	1703175	2	Decal - Hertz and GM Units	
	0273255	Ref	Decal Hertz Rentals Installation	
	0271115	Ref	Decal Sunbelt Rentals Installation	
	0271904	Ref	Decal United Rentals Installation	
	0253760	Ref	Decal U/L Installation	
	3251503	1	Decal - U/L Battery Information	
	3251899	1	Decal - EE	
	3252474	1	Decal - U/L	
	0258853	Ref	Decal Installation - United	
		Ref	ELECTRICAL CONNECTOR KITS	
	1001148902	Ref	Amp Connector Kit	
	1001148903	Ref	Deutsch DT Connector Kit	
	1001148904	Ref	Deutsch HD Connector Kit	
	1001148905	Ref	Packard Connector Kit	
	1001148906	Ref	Various Connector Kit	
		Ref	FILTER KITS	
	2910468	1	Hydraulic/Air	
		Ref	HYDRAULIC FLUIDS	

SECTION 10 - SPECIAL OPTIONS

ITEM	PART NUMBER	QTY	DESCRIPTION	REV
	2300014	Ref	Mobil 424	
	2300027	Ref	Mobil 224H Bio	
	2300016	Ref	Mobil DTE 13M	
	2300021	Ref	Union Carbide Ucon HP5046 Fire Resistant	
	0272572	Ref	LANYARD ATTACH INSTALLATION (GM K-1)	
		Ref	OVERLOAD PROTECTIONS INSTALLATION (JAPANESE SPEC)	
	0257264	Ref	Overload Protections Installation (Japanese Spec) 1532E3/1932E3	
	0259232	Ref	Overload Protections Installation (Japanese Spec) 2033E3/2046E3	
	0272479	Ref	Overload Protections Installation (Japanese Spec) 2646E3/2658E3	
	0257049	Ref	PIPE RACK INSTALLATION (Prior to SN 0200095513)	
	0258113	Ref	PLATFORM CONSOLE BOX WITH FOOTSWITCH INSTALLATION (JAPANESE SPEC)	
	0258175	Ref	PLATFORM INSTALLATION (DRINGS, TREAD GRIP) (UNITED AIRLINE SPEC)	
	0272267	Ref	PLATFORM INSTALLATION (NO EXTENSION / FIXED RAILS)	
	0272266	Ref	PLATFORM INSTALLATION (SIDE OPENING)	
	0258992	Ref	PLATFORM EXTENSION INSTALLATION (TREAD GRIP) (UNITED AIRLINE SPEC)	
	0258154	Ref	PRESSURE CHECK INSTALLATION	
	0100040	Ref	SEALANT	
		Ref	TOOLS FOR SERVICE	
	2901443	1	Analyzer and Cable Kit (Includes 1600244 & 1060633)	
	1600244	1	Analyzer, SMART System Controller	
	1060633	1	Cable, Communication (Analyzer to Controller)	
	7002820	1	Arbor Set (Set of 2 for Installation of Garmax and Excelite Bushings)	
	8896941	1	Wire Stripper	
	7002821	1	Wire Crimper (To install wire ends to wires)	
	7002823	1	Pin/Socket Extractor - Universal (To Remove Pins/Sockets from Connectors)	
	4460467	1	Extractor - 16-18 Gauge (For Removal of Pins/Sockets from Deutsch Connectors)	
	4460510	1	Extractor - 12-14 Gauge (For Removal of Pins/Sockets from Deutsch Connectors)	
	7002822	1	Screwdriver, Potentiometer (To Adjust Drive Controller)	
	7016654	1	Screwdriver, Magnetic	
	7004275	1	Seal Installation Tool - 1in	
	7004276	1	Seal Installation Tool - 1 1/2in	
	7002826	1	Seal Installation Tool - 2in	
	0270517	Ref	TOP RAIL AND BUMBER PADDING INSTALLATION (U.S. AIRWAYS SPEC)	

PART NUMBER INDEX

PART NUMBER INDEX

0080228.....141, 143, 145	0255683.....11	0258113.....197	0258258.....83
0100011....21, 25, 29, 30, 40, 44, 55, 73, 77, 81, 86, 97, 98, 101, 105, 111, 112, 113, 115, 119, 124, 125, 127, 141, 143, 145, 159	0255784.....30	0258114.....61	0258260.....83
0100019.....9, 10	0255963.....83	0258115.....65	0258262.....83
0100020...39, 43, 51, 159, 163	0256056.....52	0258116.....70, 74	0258263.....83
0100040.....197	0256058.....52	0258117.....78	0258267.....81
0100048.....172, 173	0256103.....123	0258120.....70, 73	0258268.....81
0100051.....55, 57	0256104.....123	0258121.....78	0258269.....81
0100076.....51	0256105.....123	0258124.....39	0258270.....81
0100081.....10, 11, 61	0256198.....83	0258125.....39	0258271.....82
0100084.....65, 70, 74, 78	0256200.....83	0258126.....43	0258272.....82
0140011.....131	0256423.....52	0258127.....43	0258273.....82
0140022.....31	0256664.....90, 94, 107	0258128.....43	0258274.....82
0140033.....52	0256667.....90	0258129.....43	0258283.....21
0181622.....56	0256668.....107	0258134.....89	0258611.....55
0181684.89, 93, 102, 106	0256784.....91, 94	0258135.....101	0258619.....55
0181847.....131	0256786.....95	0258136.....93	0258624.....56
0181874.....44	0256789.....196	0258137.....105	0258625.....56
0181875.....44	0256959.....52	0258147.....9	0258778.....69, 143
0181880.....55	0256960.....52	0258148.....9	0258791.....44
0200565.....69	0256961.....52	0258149.....10	0258792.....44
0200566.....69	0256962.....52	0258150.....10	0258800.....31, 166
0200567.....69	0256964.....52	0258152.....9	0258801.....31, 166
0200568.....69	0256965.....52	0258153.....10	0258841.....29, 30
0200569.....69, 73, 77	0257049.....197	0258154.....197	0258844.....29
0200570.....69	0257156.....11	0258155.....51	0258845.....29
0200588.....73, 77	0257183.....15	0258157.....51	0258850.....25
0200589.....73, 77	0257184.....15	0258158.....51	0258851.....25
0200590.....73, 77	0257185.....15	0258160.....51	0258852.....25
0200592.....77	0257186.....15	0258161.....51	0258853.....196
0200593.....77	0257264.....197	0258162.....51	0258860.....180
0200596.....77	0257266.....32	0258172.....196	0258862.....180, 186
0200597.....77	0257367.....85	0258173.....61, 141	0258863.....180, 186
0200598.....61	0257372.....32	0258174.....65, 141	0258864.....180, 186
0200599.....61, 65	0257397.....85	0258175.....197	0258865.....180, 186
0200600.....65	0257398.....84	0258176.....81	0258874.....186
0200601.....65	0257646.....196	0258178.....81	0258875.....186
0200602.....61, 65	0257653.....123	0258179.....81	0258876.....186
0200603.....61	0257654.....123	0258183.....29	0258880.....29
0200604.....65	0257655.....123	0258184.....29	0258895.....29
0200618.....61	0257664.....85	0258185.....29	0258907.....61
0200619.....61	0257665.....86, 132, 166	0258186.....29	0258908.....65
0200623.....69	0257724.....25	0258194.....32	0258913.....196
0200624.....69	0257725.....25	0258195.....32	0258914.....196
0200625.....73	0257726.....25	0258201.....30	0258954.....31
0200626.....73	0257766.....25	0258213.....83	0258956.....31
0200641.....65	0258005.....127	0258214.....83	0258960.....55
0200642.....65	0258083.....69, 143	0258215.....84	0258961.....55
0200643.....65	0258084.....73, 143	0258216.....84	0258969.....89, 90
0200644.....65	0258085.....77, 145	0258229.....97, 111	0258970.....93, 94
0200670.....69	0258091.....81	0258230.....97, 112	0258971.....93, 94
0200671.....73	0258092.....81	0258231.....98, 113	0258977.....29
0200672.....77	0258093.....81	0258232.....114	0258992.....197
0252586.....61, 70, 73	0258094.....81	0258234.....97	0259061.....84
0252587.....65, 78	0258095.....81	0258235.....97	0259062.....85
0252972.....196	0258096.....81	0258236.....98	0259063.....85
0253760.....196	0258101.....101, 102	0258238.....111	0259213.....125
0254171.....84	0258102.....101, 102	0258240.....112	0259214.....35, 175
0255679.....11	0258103....105, 106, 107	0258241.....113	0259217.....31, 132
0255680.....11	0258104....105, 106, 107	0258242.....114	0259218.....78
0255682.....11	0258105....105, 106, 107	0258243.....111	0259232.....197
	0258106.....55	0258245.....112	0259259.....112
	0258107.....55	0258246.....113	0259260.....114
	0258108.....131	0258247.....114	0259304.....112
	0258109.....131	0258251.....29, 30	0259313.....70
	0258111.....131	0258254.....82	0259369.....69, 143
	0258112.....131	0258256.....82	0259370.....73, 143

PART NUMBER INDEX

0259371 77, 145	0630516 10	0721006.....31	1060308 82, 83
0259385 97	0630523 69, 73, 77	0741407.....119	1060330 174
0259386 111	0630526 55, 56	0791608.....56	1060341 ... 84, 86, 90, 94, 107, 108, 173, 174, 175
0259387 98	0630543 21	0840025.....31, 84, 173	106037952, 98, 101, 105, 113, 115, 128
0259388 113	0641404 39, 86, 119, 131	0840027.....31	1060605 175
0259446 196	0641405 ... 43, 82, 89, 93, 101, 106, 181, 188	0840031.....55, 56	1060606 175
0259463 83	0641406 ... 29, 30, 35, 39, 44, 52, 55, 70, 74, 78, 89, 93, 101, 106, 120, 124, 128, 175	0840035.89, 93, 101, 105	1060608 172
0259464 83	0641407 85, 120	0860038.....82	1060627 31
0259465 84	0641408 ... 21, 26, 31, 39, 43, 55, 56, 124, 127	0860520..... 181, 187	1060633 172, 197
0259466 83	0641410 124, 127	0861235.....131	1060665 173
0259467 83	0641412 ... 10, 11, 39, 43, 56, 85	0861254.....131	1060680 ... 22, 25, 30, 31, 84, 87, 120, 174, 175
0259468 84	0641413 86, 112	0861256.....131	1060688 35, 175
0259469 84	0641416 85	090183090, 94, 102, 103, 107	1060699 143, 145
0259475 11	064141897, 98, 111, 113, 116	0901930.....84	1060700 141
0259485 29	064142089, 93, 101, 105, 124, 127	0902221.....39	1060703 173
0259486 29, 30	0641424 56, 124, 127	0902365.....39, 55	1060704 173
0259487 29, 30	0641505 40, 44, 83	0902392.....86	1060705 173
0259681 85	064150621, 29, 120, 141, 143, 145	0902421.... 141, 143, 145	1060710 56
0259682 85	0641507 90, 94, 103, 107	0902476.....44	1060711 55
0259684 86, 132	0641508 ... 26, 40, 43, 61, 65, 69, 73, 77	090247743	1060712 51
0259685 86, 132	0641510 .31, 89, 93, 101, 106	0902485.....131	1061017 55, 56
0259841 196	0641512 ... 31, 83, 89, 93, 101, 106	0902499131	1100110 22, 26, 30
0259842 196	064151689, 94, 102, 106, 124, 127	0902507.....29	1100116 15
0259876 186	0641520 61, 65	0902508.....29	1120064 11
0259945 85	0641522 ... 61, 65, 69, 73, 77, 81	0902512.....119	1120417 10, 11
0270049 84	0641524 65	0902519.....85	1120481 21, 25
0270067 125	0641604 119	0902536.....21, 26	1120491 43
0270212 180, 186	0641605 163	0902578.....86	1120500 70, 74, 78
0270346 180, 186	064160897, 98, 111, 112, 114, 115, 119	0902579.....86	1120501 70, 74, 78
0270517 197	0641610 32	0902665.....119	1120503 61, 65
0270714 90	0641611 10, 11, 21	0902689.....90	1120518 65
0270816 196	0641612 10, 11, 21	0902750.90, 94, 103, 107	126013697, 98, 111, 113, 124, 125, 127
0270832 196	0641618 69, 73, 77	0940057.....84, 85	1271305 123, 127
0270836 85	0641620 ... 61, 65, 69, 73, 77	0940060.....84	1271337 124, 127
0271115 196	0641624 61, 65	094006185	1271410 .97, 98, 112, 115
0271639 30	0641628 61, 65	0940065.....85	1282507 166
0271904 196	0641630 73, 77	094007985	1282531 166
0272266 197	0641638 69, 73, 77	0940080.....85	1282706 166
0272267 197	0641810 29	094008185	1282880 166
0272479 197	0641816 39, 55	094008285	1282896 166, 172
0272572 197	0641824 29	0960239.....90, 94, 108	1282897 196
0272788 86, 132	0641826 9, 10	096199421	1282902 166
0273255 196	0641828 21	096199521	1283009 166
0361912 90, 94, 102, 107	0642224 25	096199621	1283081 166
0362273 85	0681414 22, 25	096199721, 25	1283082 166
0362483 21	0681520 81	0962004.....39, 55, 56	1283094 166
0362484 21	0681610 ... 69, 73, 77, 81, 120	0962010.....61, 65	1320012 120
0362485 21	0681618 120	0962012.... 141, 143, 145	1320026 120
0362566 39, 55	0681622 21	0962013.....10, 11	1320030 39, 43
0362654 21	0681822 25	0962014.....10, 11	1320040 35, 175
0362666 85	0681828 25	096201710, 11	1320061 ... 29, 31, 61, 66, 70, 74, 78, 83, 102
0362801 70, 74, 78	0721004 86	096208510	1320095 31
0362831 85		0962123.....25	1320224 89, 93, 106
0400169 56		0962220.....69, 73, 77	1320225 159
0400178 29, 35		0962220.....69, 73, 77	1320242 159
0400179 29, 35		0962234.....69, 73, 78	1340052 39, 43, 192
0400215 55, 56		0962262.....22, 26	1600244 172, 197
0400216 56		0962340120	1600282 131, 135, 192
0561234 124, 127		1001101076..97, 98, 111, 113, 124, 125, 127	1600289 51, 192
0561262 124, 127		1001148902.....196	1670856 86
0561332 81		1001148903.....196	1670857 86
0610123 131, 192		1001148904.....196	1670869 131
0630485 32, 81, 120		1001148905.....196	
0630494 124, 125, 127		1001148906.....196	
0630495 10, 11		1060243.....56	
0630501 123, 127		1060279.....181, 188	
0630511 91, 95			

PART NUMBER INDEX

1670908.....	10	1703852.....	181, 187	2220585.....	159	2792348.....	163
1670910.....	11	1703853.....	181, 187	2220593.....	159	2792349.....	163
1670918.....	86	1703854.....	180, 187	2220603.....	163	2792350.....	163
1670919.....	86	1703855.....	181, 187	2220619.....	159	2820024.....	124
1670920.....	86	1703856.....	181, 187	2220635.....	159, 163	2820025.....	61, 66, 83
1670921.....	86	1703857.....	181, 187	2220775.....	159	2820030.....	87
1670922.....	86	1703858.....	181, 187	2221000.....	159	2820084.....	55, 56
1670923.....	86	1703859.....	180, 186	2300014.....	197	2820087.....	56
1670924.....	86	1703861.....	181, 187	2300016.....	197	2820088.....	55
1670925.....	86	1703862.....	180, 187	2300021.....	197	2820094.....	56
1683375.....	120, 147	1703863.....	181, 187	2300027.....	197	2820097 97, 98, 111, 113,	124, 125, 127
1683376.....	120, 147	1703864.....	181, 187	2360472.....	12	2820098.....	56
1683428.....	149	1703865.....	181, 187	2360473.....	12	2860030.....	51
1683429.....	149	1703866.....	181, 187	2360474.....	12	2900874.....	172
1683500.....	61, 65, 141	1703867.....	180, 186	2360476.....	12	2901207.....	40, 44
1683557.....	139	1703961.....	180, 186	2360478.....	12	2901403.....	123
1683627.....	69, 73, 143	1703962.....	180, 186	2360499.....	12	2901404.....	123
1683628.....	77, 145	1704138.....	180, 186	2360500.....	11	2901405.....	123
1683833.....	15, 139	1704140.....	51	2360501.....	12	2901443.....	172, 197
1683840.....	151	1704141.....	51	2360515.....	12	2901527.....	123
1683841.....	151	1704211.....	186	2360516.....	12	2901528.....	123
1683936.....	153	1704260.....	132	2400056.....	31	2901529.....	123
1683937.....	153	1704277.....	181, 187	2420165.....	52	2901573.....	89, 94
1684226.....	9, 155	1704278.....	180, 186	2420179.....	52	2901649.....	102, 106
1684227.....	11, 155	1704280.....	180, 187	2420201.....	131	2901650.....	160
1701509.....	180, 186	1704281.....	181, 187	2460022.....	31	2901652.....	159
1701621.....	180, 186	1704282.....	181, 187	2540002 ...	61, 66, 70, 74,	2901653.....	159
1701644.....	29	1704512.....	51	78, 83		2901654.....	159
1702153.....	180, 186	1704513.....	51	2540017.....	86	2901655.....	159
1702552.....	180, 186	1704607.....	180, 186	2560088.....	89, 93, 101, 106	2901692.....	181, 188
1702612.....	196	1704609.....	181, 187	2560137.....	39, 55	2901693.....	182
1702773.....	180, 186	1704610.....	181, 187	2560141.....	131	2901694.....	182
1702788.....	196	1704611.....	181, 187	2600253.....	99, 114, 116,	2901695.....	188
1703175.....	196	1704613.....	181, 187	125		2901696.....	188
1703464.....	82	1704614.....	181, 187	2750920.....	159	2901697.....	189
1703491.....	120, 188	1704615.....	180, 187	2750982.....	160	2901698.....	189
1703695.....	180, 187	1704616.....	180, 186	2750996.....	163	2901699.....	182
1703698.....	180, 187	1704807.....	180, 186	2750999.....	160	2901700.....	182
1703788.....	180, 186	1704885.....	181, 188	2751166.....	163	2901701.....	188
1703811.....	180, 186	1760165.....	15	2752192.....	159	2901703.....	188
1703812.....	180, 186	1780290.....	55	2752193.....	160	2901704.....	188
1703813.....	181, 187	1780291.....	39	2752194.....	159	2901705.....	188
1703814.....	180, 186	2080043.....	124, 127	2752463.....	159	2901706.....	182
1703816.....	180, 186	2080044.....	30	2752467.....	163	2901707.....	182
1703817.....	180, 186	2080053.....	31	2752478.....	160	2901708.....	188
1703818.....	181, 187	2080063.....	86, 97, 98, 101,	2752593.....	159	2901709.....	188
1703819.....	180, 186	105, 111, 112, 113,		2752603.....	159	2901710.....	188
1703821.....	181, 187	115, 124, 125, 127		2752609.....	159	2901711.....	188
1703822.....	180, 186	2080065 97, 98, 111, 112,		2752648.....	163	2901720.....	181, 188
1703823.....	181, 187	114		2752931.....	160	2901722.....	181, 188
1703829.....	181, 187	2080069.....	99, 114, 116	2752957.....	159	2901723.....	182, 188
1703830.....	180, 187	2120072.....	39, 43, 192	2752959.....	159	2901724.....	182, 188
1703831.....	180, 187	2120105.....	39, 43	2752961.....	159	2901725.....	181, 188
1703832.....	181, 187	2160008.....	9, 11	2752968.....	159	2901915.....	182, 188
1703833.....	181, 187	2200233.....	39, 43	2753073.....	163	2901932.....	182, 188
1703834.....	181, 187	2220346.....	159	2753118.....	163	2901987.....	89
1703835.....	180, 186	2220347.....	159	2753312.....	163	2901988.....	93
1703837.....	181, 187	2220371.....	159, 163	2753313.....	163	2901989.....	101
1703838.....	180, 187	2220373.....	159	2753314.....	163	2901990.....	105
1703839.....	181, 187	2220385.....	159	2753315.....	163	2901991.....	128
1703840.....	181, 187	2220415.....	159	2780215.....	15	2901993.....	99, 114, 116
1703841.....	181, 187	2220470.....	159	2780216.....	9, 10	2902000.....	97
1703842.....	181, 187	2220472.....	155	2792339.....	159	2902001.....	98
1703843.....	180, 186	2220473.....	159, 163	2792340.....	159	2902002.....	99
1703845.....	181, 187	2220490.....	163	2792341.....	159	2902003.....	111
1703848.....	181, 187	2220501.....	159	2792342.....	159	2902005.....	111
1703850.....	181, 187	2220515.....	159	2792347.....	163		

PART NUMBER INDEX

2902007 113	3311505 ... 21, 26, 29, 31,	3440418.....21	3570996 44
2902008 113	44, 61, 65, 69, 73, 77,	3440420..... 124, 127	3570998 43
2902009 114	81, 83, 89, 93, 101,	3440828.....21	3571007 44
2902010 114	106, 120, 124, 127	3450203.....128	3571011 106, 188
2902011 116	3311605 ... 21, 32, 61, 65,	3450303.....120	3571035 89, 93
2902012 116	69, 73, 77, 81, 97, 98,	3450304..... 61, 65, 74, 78	3571108 61, 65
2902013 125	111, 112, 114, 115,	3450403..... 9, 11, 15, 25	3571116 30
2902103 61	119, 120	3450404.....25, 70	3571158 196
2902104 65	3311608 56	3450405..... 141, 143, 145	3571159 196
2902105 69	3311801 10, 55	3450406..... 9, 10	3571278 31
2902106 70	3311805 25, 29, 39	3510615.....105	3571454 101
2902107 73	3312205 21	3510616.....105	3571479 82
2902108 78	3321402 ... 141, 143, 145	3510617105	3571600 105
2902109 69	3321801 69, 73, 77	3510642.....119	3571703 188
2902110 73	3322201 120	3510643.....119	3573073 .90, 94, 103, 107
2902111 78	3322202 89, 93, 102, 106	3510644.....119	3600270 39, 43
2910468 196	3340564 128	3510645.....119	3640743 128
2920093 84	3340612 ... 85, 86, 97, 98,	3510646.....119	3641082 123
2920146 31	111, 112, 113, 115,	3510647.....119	3641083 123
2940045 44	125, 128	3510659.....81	3641084 123
2940061 90, 94, 102, 107	3340629 ... 61, 65, 69, 73,	3510663.....81	3641085 123
2940074 99, 114, 116,	77, 81	3510665.....81	3641088 123
125	3340783 120	3510667.....81	3641089 123
2940098 39, 55	3340801 124, 127	3510688.....81	3641090 123
2940099 44	3340812 119	3510697.....81	3641091 123
2940100 56	3340813 119	3510698.....81	3641145 91, 94, 95
2940101 56	3340815 120	3510699.....81	3641146 91, 94
2980113 89, 94, 102, 106	3340825 119	3510702.....119	3641147 95
3010088 97, 98, 111, 113,	3340841 ... 61, 65, 69, 70,	3510703.....119	3641149 123
124, 125, 127	73, 77, 78	3510704.....119	3641152 123
3020022 89, 93, 102, 106	3340850 119	3510708.....93	3641203 123
3160226 10	3380437 124, 127	3510709.....93	3641204 123
3160228 9	3380438 124	3510712.....101	3641207 123
3160230 9	3380439 125, 128	3510713.....101	3641208 123
3160263 9, 19	3380440 125	3510727.....89	3641239 127
3160264 10, 19	3421452 115	3520052..... 90, 94, 107	3641240 127
3160270 9, 17	3421453 98, 101, 105,	352007129	3641241 127
3251503 196	113, 115	3520072....91, 93, 95, 97,	3641242 127
3251596 132	3422219 128	98, 101, 105, 111, 112,	3641243 127
3251899 196	3422369 98, 102, 106,	113, 115, 124, 125, 127	3641244 127
3252191 196	113, 116	3520077.....39, 43	3641245 127
3252474 196	3422485 73, 77	3534742..97, 98, 99, 111,	3641246 127
3252610 131	3422495 61, 65	113, 114, 115	3641248 128
3300047 90, 94, 108	3422496 61, 65	3534743.... 111, 113, 114	3641249 128
3300048 84	3422655 81	3534995..... 90, 94, 107	3641263 89
3300151 . 86, 97, 98, 101,	3422698 61, 65	3536089.....84	3641264 93
105, 111, 112, 113,	3422709 69, 73, 77	3537619 .89, 93, 102, 106	3641265 89
115, 124, 125, 127	3422711 69, 73, 77	3538844.....56	3641266 93
3300255 9, 10, 15	3422712 69, 73, 77	3539118.....120	3740121 51, 194
3300373 86, 124, 127	3422713 .. 69, 73, 77, 120	3539119.....120	3740131 51, 194
3300429 55, 56	3422714 69	3539120.....120	3760170 52, 98, 101, 105,
3300432 125	3422723 89, 94, 102, 107	3539735.....32	113, 115, 128
3300450 9	3422733 81	3539736.....32	3760348 .89, 93, 102, 106
3310601 131, 159	3422744 102, 106	3570003.....119	3760365 32
3310801 30, 90	3422751 77	3570004.....119	3760387 ... 61, 65, 69, 73,
3311001 30, 56, 114, 116	3422805 120	3570005.....119	77
3311005 ... 21, 56, 86, 99,	3422883 120	3570198.....21	3780166 10, 11
114, 116, 119, 125	3422949 90, 94, 103, 107	3570422.....25	3780199 43
3311401 ... 51, 52, 55, 57,	3422950 90, 94, 103, 107	3570439.....25	3820014 132
84, 90, 94, 107	3422951 61, 65	3570440.....25	3820019 .89, 93, 102, 106
3311405 ... 10, 22, 25, 29,	3430406 90, 94, 103, 107	3570482.....25	3820020 ... 55, 56, 89, 93,
30, 31, 35, 39, 43, 44,	3430416 128	3570483.....25	188
52, 55, 56, 70, 74, 78,	3430620 15	3570746.....25	3841074 89, 94
82, 84, 85, 89, 93, 101,	3430811 25	3570747.....25	3841233 .89, 93, 102, 106
105, 106, 119, 124,	3430812 9, 11	3570829.....44	3841320 11
127, 175, 181, 188	3430824 10, 11	3570871.....106	3841324 11
3311501 21, 128	3431220 120	3570872.....106	3841332 15

PART NUMBER INDEX

3841333.....15	4130348.....9	4460320 ... 22, 26, 30, 90,	4641012.....141
3841334.....15	4130349.....10	94, 108, 120, 132, 159,	4641036.....39, 43, 47
3841337.....21	4160078.89, 94, 102, 107	172, 173, 174, 175	4641104.....143, 145
3841379.....9	4160133.....21	4460326.....174, 175	4641106.....163
3841387.....9	4160134.....21	4460343.....172, 173	4711000.....99, 114, 116,
3841394.....102, 107	4160137.....15	4460346.....82	125
3841428.....25	4160141.....21	4460347.....82	4711400....10, 11, 39, 43,
3860059.89, 93, 102, 106	4160201.....25	4460424 ... 132, 135, 173,	51, 52, 55, 56, 89, 93,
3860075.....124, 127	4220166.....56	174	101, 106, 141, 143, 145
3860079.....21, 25	4240018 ... 61, 66, 70, 74,	4460428.....25, 86	4711500....15, 29, 40, 43,
3860091.89, 93, 102, 106	78, 83, 85, 86	4460443.....56	65, 73, 77, 78, 81, 124,
3900168.....90, 94, 107	4240033 ... 61, 66, 69, 70,	4460445.....174	127
3900178.....131	74, 78, 83, 86	4460449.....173	4711600....10, 11, 32, 61,
3900184.....86, 124, 127	4240084.....55	4460465.....172	65, 69, 73, 77, 120, 163
3900226.....131	4240125 ... 61, 65, 69, 73,	4460466 132, 172, 174	4711800....10, 21, 25, 69,
3900227.....131	77	4460467 172, 197	73, 77
3900265.....131	4240127 ... 62, 66, 70, 74,	4460468 172	4712200.....120
3900267.....99, 114, 116	78	4460470 131, 173	4740066.....131
3900271.....22, 25	4240128 ... 61, 65, 69, 73,	4460471 131, 173	4740120.....131
3900294.....82	77	4460473 172	4740411.....124, 127
3900329.....90	4240147 32	4460510 172, 197	4740419.....10, 11
3910804.....51	4300133 51	4460613 131, 173	4740438....61, 65, 69, 73,
3911014.....125	4360112 51, 192	4460614 172	77
3911016.....99, 114, 116	4360164 84	4460618 51, 175	4740453.....9, 10
3911024.....21, 30	4360215 86, 194	4460662 ... 21, 25, 30, 86,	4740455.....31
3911028.....125	4360236 90, 94, 107	90, 132	4740474.....55, 56
3911408.....119	4360277.90, 94, 107, 194	4460778 56	4740479.....51
3911424.....98, 112, 115	4360278 90, 94, 107	4460968 21, 25, 30	4740480....61, 65, 70, 74,
3911428..86, 97, 98, 111,	4360289 51, 131	4520174 11	78
112, 113, 115	4360328 51, 192	4520175 11	4740481.....25
3911430.....105	4360387 31, 132, 194	4520176 11	4740482.....25
3911432.86, 98, 101, 106,	4360397 30, 194	4520177 11	4740504.....26
112, 115, 125, 127	4360401 21, 119	4520191 11	4740513.90, 94, 103, 107
3911444.97, 98, 111, 112,	4360432 51, 192	4520221 11	4750800.....30, 89, 93
114, 115	4360434 30	4565201 97, 98, 111, 113	4751000....21, 30, 31, 55,
3921008.....124, 127	4360435 30, 194	4565202 97, 98, 111, 113	56, 86, 99, 114, 116,
3930824.....30	4360437 90, 194	4565203 111, 113	119, 124, 125, 127
3931024.....119	4360453 131, 194	4565261 128	4751400....22, 26, 30, 31,
3931412.....30	4360454 131, 194	4565285 111, 113	32, 35, 44, 51, 52, 55,
3931416.....90, 94, 107	4360461 159	4566833 10, 11	82, 85, 86, 89, 93, 97,
3941004.....128	4360465 30, 194	4566849 39, 43	98, 101, 105, 111, 112,
3941404.....55	4360471 51	4566969 39, 160	113, 115, 119, 124,
3941406....29, 30, 32, 44,	4360475 51, 131, 192	4567135 123	125, 127, 175, 181, 188
51	4360477 86	4567136 123	4751500....31, 39, 65, 70,
3951603.....22, 26, 30	4360548 ...21, 25, 30, 194	4567137 123	74, 81, 83, 89, 93, 102,
3960389.....39, 55	4400414 39	4567265 15	106, 120
3990010.....172, 173	4400422 43	4567271 44	4751600....32, 61, 66, 97,
4060092.....82	4420037 39, 44	4567272 44	98, 99, 111, 112, 114,
4060700.....82	4420038 44	4567306 25	115, 119
4060807....62, 66, 70, 74,	4420055 124, 127, 196	4567307 25	4751800....25, 29, 39, 55
78	4460044 31	4567338 105, 106	4752200.89, 93, 102, 106
4060865.....31	4460049 84, 120, 132	4567451 128	4760600.....132
4060914.....131	4460051 82, 83	4567453 127	4760800.....31, 90
4060915.....123, 127	4460052.90, 94, 107, 120	4567512 128	4761000.....30, 31, 56
4060929.....119	4460071 ... 61, 65, 70, 74,	4567523 105	4761400....39, 43, 51, 52,
4060930.....119	78, 84	4567550 97, 112	55, 56, 84, 90, 94, 107,
4060931.....119	4460138 81, 82	4567649 39, 160	132
4060937.....44	4460190 82	4567863 101	4761500.....31, 39, 43
4060941.....196	4460225 173	4567864 101	4761600.....21, 119
4060943.....196	4460226 175	4567867 101	4761800.....10, 11
4060975.....29	4460227 174	4567868 101	4844414.....84, 85
4060976.....131	4460265 135, 173	4567875 101	4844585.....85
4070987.....51	4460267 ... 132, 159, 172,	4567883 112, 115	4844586.....84
4070991.....51	173	4567884 97	4845037.....15
4130329.....9	4460268. 22, 26, 30, 120,	4567894 112, 115	4845130.....56
4130332.....10	132, 135, 172, 173,	4567896 112, 115	4845314.....32
4130336.....9	174, 175	4641001 141, 143, 145	4845315.....32

PART NUMBER INDEX

4845319.....	21	4846056.....	105	7011991.....	135	7018578.....	35
4845360.....	21	4846057.....	105	7011992.....	135	7018582.....	35
4845383.....	21	4846058.....	101	7011997.....	135	7018583.....	35
4845385.....	21	4846059.....	101	7012611.....	131	7018585.....	35
4845415.....	119	4891800.....	10	7012612.....	51, 131	7018586.....	35
4845416.....	119	4920140.....	90, 94, 107	7012613.....	9, 10	7018589.....	35
4845495.....	85	4921819.....	174	7012773.....	47, 163	7018598.....	35
4845496.....	85	4921891.....	173	7012793.....	163	7018905.....	48
4845497.....	85	4921893.....	173	7012953.....	141	7018912.....	47, 163
4845498.....	85	4922011.....	173	7012967.....	141, 143, 145	7018916.....	48
4845529.....	21	4922014.....	173	7016315.....	47	7018917.....	47, 163
4845559.....	69, 73, 77	4922082.....	166, 172	7016319.....	31	7018919.....	48, 163
4845560.....	69, 73, 77, 120	4922083.....	166, 172	7016320.....	31	7018941.....	48
4845581.....	26	4922084.....	166, 172	7016337.....	47	7018942.....	48
4845699.....	25	4922085.....	166, 172	7016339.....	51, 192	7018943.....	47, 163
4845708.....	99, 114, 115	4922183.....	132, 173	7016349.....	47	7018967.....	47
4845709.....	99, 114, 115	4922184.....	132, 173	7016351.....	47, 48, 163	7018981.....	47
4845710.....	99, 114, 116	4922208.....	172, 173	7016352.....	47	7018985.....	48
4845719.....	105	4922210.....	173	7016372.....	31	7018993.....	47
4845720.....	105	4922211.....	173	7016436.....	9	7018996.....	9, 10
4845721.....	105	4922233.....	29	7016630.....	84	7018997.....	9, 10
4845724.....	105	4922258.....	31, 174	7016654.....	197	7019600.....	143
4845725.....	105	4922285.....	30, 174	7016707.....	149	7019602.....	141, 143, 145
4845733.....	112, 115	4922296.....	166, 172	7016708.....	149, 153, 155	7019604.....	51
4845734.....	111, 113, 114, 115	4922464.....	90	7017203.....	147	7019696.....	15
4845735.....	112, 115	4922656.....	52	7017204.....	147	7019697.....	15
4845736.....	111, 113, 114, 115	4922678.....	172	7017205.....	147	7019800.....	141
4845741.....	111, 114	4933016.....	166, 172	7017207.....	149, 151, 153, 155	7019801.....	141
4845745.....	98	4933017.....	166, 172	7017208.....	149	7019804.....	145
4845760.....	97, 99	4933106.....	166, 172	7017209.....	149	7019806.....	145
4845775.....	105	70003780.....	86	7017220.....	139	7019808.....	143
4845776.....	105	7001608.....	147	7017221.....	139	7019810.....	143
4845777.....	101	7001609.....	139, 147	7017222.....	139	7019824.....	145
4845778.....	105	7001610.....	147	7017223.....	139	7019825.....	145
4845779.....	101	7001613.....	147	7017226.....	153, 155	7019847.....	143
4845792.....	112, 115	7002820.....	197	7017227.....	153, 155	7019848.....	143
4845793.....	112, 115	7002821.....	172, 197	7017228.....	153, 155	7019873.....	145
4845801.....	43	7002822.....	197	7017262.....	139	7020063.....	39
4845802.....	56	7002823.....	172, 197	7017264.....	139	7020175.....	51, 131
4845803.....	43	7002826.....	197	7017268.....	151	7020176.....	51, 131
4845818.....	39	7003212.....	143	7017270.....	151	7020218.....	141, 145
4845829.....	98, 112, 115	7003226.....	145	7017272.....	151	7020501.....	135
4845843.....	111, 113, 114, 115	7003790.....	135	7017273.....	151	7020502.....	135
4845845.....	111, 113, 114, 115	7003791.....	135	7017274.....	151	7020503.....	135
4845849.....	73, 77	7004275.....	197	7017275.....	151	7020504.....	135
4845853.....	30	7004276.....	197	7017367.....	141	7020508.....	135
4845873.....	56	7010639.....	39, 43	7017376.....	143	7020509.....	135
4845884.....	29	7010640.....	39, 43	7017382.....	141	7020510.....	135
4845886.....	26	7010641.....	15	7017387.....	145	7020511.....	135
4845887.....	29	7010642.....	15	7017389.....	141	7020520.....	135
4845948.....	30	7010646.....	15	7017398.....	141	7020540.....	135
4845953.....	30	7010647.....	15	7017399.....	141	7020541.....	135
4845970.....	98	7010648.....	15	7017444.....	141, 143, 145	7020603.....	35
4845982.....	125	7010649.....	15	7017445.....	141, 143, 145	7020605.....	35
4845983.....	125	7010650.....	15	7018300.....	163	7020638.....	35
4845984.....	125	7010651.....	15	7018301.....	163	7020639.....	35
4846001.....	101	7010903.....	39, 43	7018302.....	47, 163	7020671.....	35
4846002.....	101	7010944.....	39, 43, 192	7018304.....	47	7020672.....	35
4846012.....	112, 115	7011041.....	39, 43	7018312.....	47	7020673.....	35
4846013.....	112, 115	7011042.....	39, 43	7018313.....	47	7020674.....	35
4846014.....	25	7011043.....	39, 43	7018315.....	47	7020675.....	35
4846024.....	61, 65, 69	7011044.....	39, 43	7018506.....	35	7021300.....	47
4846039.....	105	7011045.....	39, 43	7018514.....	35, 192	7021302.....	47
		7011509.....	35, 192	7018525.....	35	7021304.....	47
		7011590.....	35	7018537.....	35	7021305.....	47
		7011621.....	35	7018555.....	35	7021306.....	47
		7011940.....	135	7018564.....	35	7021307.....	47

PART NUMBER INDEX

7021312.....	9, 10	7023312.....	19	7023325.....	19	7023456.....	17
7021313.....	47	7023313.....	19	7023326.....	19	7023457.....	17
7021315.....	47	7023314.....	19	7023327.....	19	7023458.....	17
7021317.....	9, 10	7023315.....	19	7023328.....	19	7023459.....	17
7022520.....	48	7023316.....	19	7023329.....	19	7023460.....	17
7022525.....	47	7023317.....	19	7023336.....	31	7023461.....	17
7023019.....	153, 155	7023318.....	19	7023412.....	19	7023462.....	17
7023025.....	155	7023319.....	19	7023450.....	17	7023465.....	17
7023307.....	19	7023320.....	19	7023451.....	17	7023467.....	17
7023308.....	19	7023321.....	19	7023452.....	17	7023468.....	17
7023309.....	19	7023322.....	19	7023453.....	17	7023469.....	17
7023310.....	19	7023323.....	19	7023454.....	17	7023876.....	48
7023311.....	19	7023324.....	19	7023455.....	17	8896941.....	172, 197