



---

# Illustrated Parts Manual

## *Model 15ELI*

3120780

May 23, 2006

**ANSI**





# REVISION LOG

February 26, 1999 - Original Issue Of Manual

November 1, 1999 - Revised (Manual edited to 0010560 Revision 3)

June 15, 2000 - Revised

March 1, 2001 - Revised (Manual edited to 0010560 Revision 9)

August 1, 2002 - Revised (Manual edited to 0010560 Revision 15)

February 27, 2003 - Revised (Manual edited to 0010560 Revision 17)

July 31, 2003 - Revised (Manual edited to 0010560 Revision 21)

September 2, 2004 - Revised (Manual edited to 0010560 Revision 25)

March 30, 2005 - Revised (Manual edited to 0010560 Revision 29)

May 23, 2006 - Revised (Manual edited to 0010560 Revision 31)

# REVISION LOG

# TABLE OF CONTENTS

FIGURE NO.	TITLE	PAGE NO.
<b>SECTION 1 - BASE</b> .....		<b>1-1</b>
1-1	BASE MOUNTED COMPONENTS INSTALLATION .....	1-2
<b>SECTION 2 - CONTROLS</b> .....		<b>2-1</b>
2-1	AC POWER COMPONENTS INSTALLATION .....	2-2
2-2	AC JUNCTION BOX ASSEMBLY .....	2-6
2-3	AC MOTOR/PUMP ASSEMBLY .....	2-8
2-4	DC POWER COMPONENTS INSTALLATION .....	2-12
2-5	DC POWER PACK INSTALLATION .....	2-16
2-6	BATTERY CHARGER ASSEMBLY .....	2-18
2-7	DC MOTOR/PUMP ASSEMBLY .....	2-20
2-8	CABLES AND CONTROLS INSTALLATION .....	2-24
<b>SECTION 3 - MAST</b> .....		<b>3-1</b>
3-1	MAST ASSEMBLY (CHAIN & CABLE) .....	3-2
3-2	MAST MOUNTED COMPONENTS INSTALLATIONS .....	3-6
<b>SECTION 4 - PLATFORM</b> .....		<b>4-1</b>
4-1	PLATFORM INSTALLATION (GULLWING) .....	4-2
<b>SECTION 5 - CYLINDER</b> .....		<b>5-1</b>
5-1	LIFT CYLINDER ASSEMBLY .....	5-2
<b>SECTION 6 - HYDRAULIC</b> .....		<b>6-1</b>
6-1	HYDRAULIC DIAGRAM .....	6-2
<b>SECTION 7 - ELECTRICAL</b> .....		<b>7-1</b>
7-1	ELECTRICAL DIAGRAM LIST .....	7-2
7-2	ELECTRICAL DIAGRAM - 12VDC .....	7-4
7-3	ELECTRICAL DIAGRAM - 115VAC .....	7-6
7-4	ELECTRICAL DIAGRAM - AC BOX .....	7-8
<b>SECTION 8 - DECALS</b> .....		<b>8-1</b>
8-1	DECAL INSTALLATION .....	8-2
<b>SECTION 9 - RECOMMENDED SERVICE PARTS STOCK</b> .....		<b>9-1</b>
<b>SECTION 10 - SPECIAL OPTIONS</b> .....		<b>10-1</b>
<b>SECTION 11 - PART NUMBER INDEX</b> .....		<b>11-1</b>

# TABLE OF CONTENTS

FIGURE NO.

TITLE

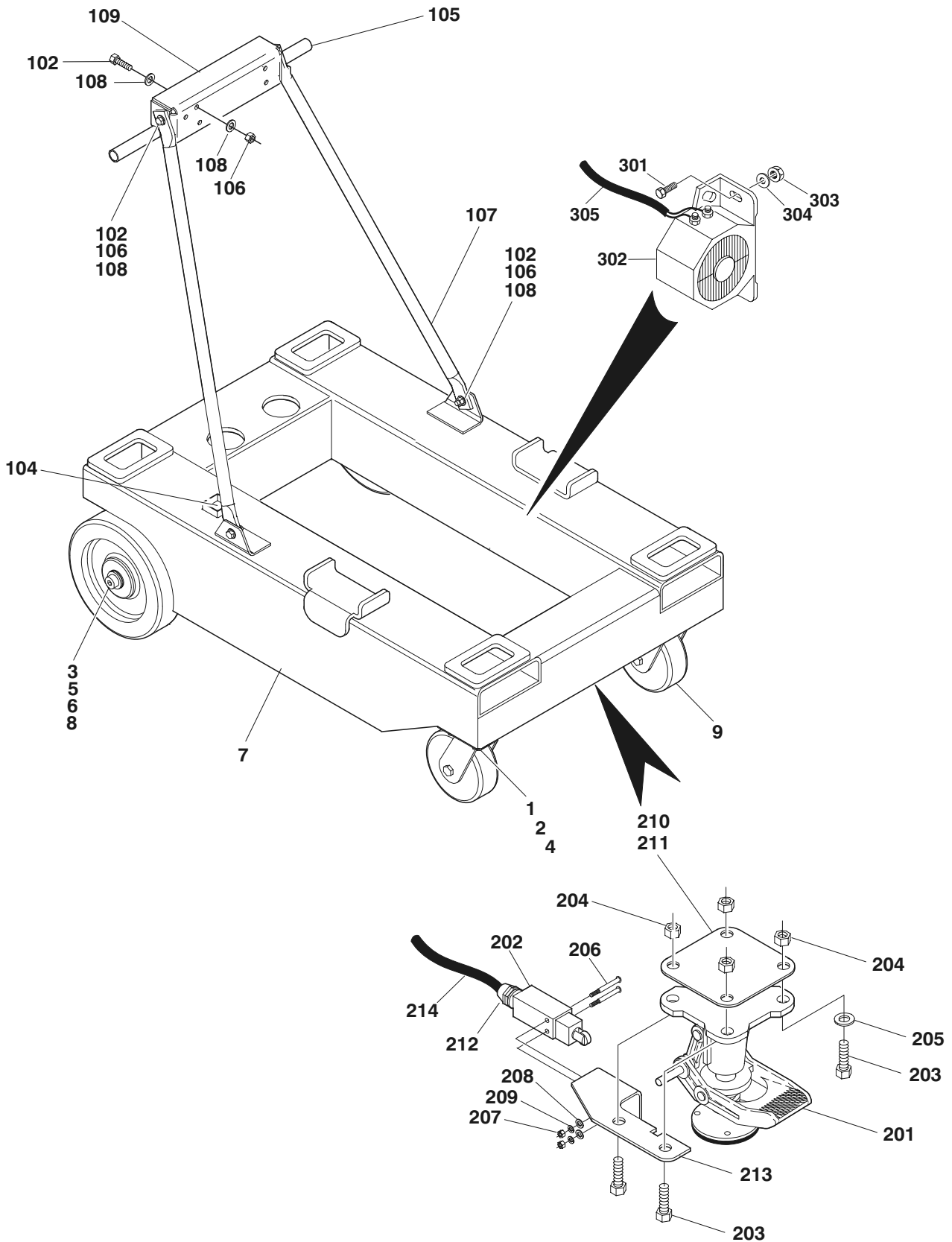
PAGE NO.

# **SECTION 1**

## **BASE**

# SECTION 1 BASE

## FIGURE 1-1. BASE MOUNTED COMPONENTS INSTALLATION





## SECTION 1 BASE

**FIGURE 1-1. BASE MOUNTED COMPONENTS INSTALLATION**

ITEM #	PART NUMBER	QTY.	DESCRIPTION	REV.
		Ref.	<b>BASE ASSEMBLY OPTIONS:</b>	
	0259070	Ref.	<b>Prior to S/N 19526</b>	B
	0272230	Ref.	<b>S/N 19526 to Present</b>	C
1	0641607	8	Bolt 3/8"-16NC x 7/8"	
2	3311605	8	Locknut 3/8"-16NC	
3	3760348	2	Ring, Retainer	
4	4711600	16	Flatwasher 3/8"	
5		2	Washer Options:	
	4712200		Prior to S/N 19526	
	4740415		S/N 19526 to Present	
6	4740456	4	Washer, Shim	
7		1	Base Weldment Options:	
	4845885		Prior to S/N 19526	
	4846613		S/N 19526 to Present	
8		2	Wheel Assembly Options: (Stationary)	
	4860183		Wheel Assembly (Prior to S/N 13429)	A
	7020083	2	Wheel, Replacement	
	7020084	4	Bearing (2 Per Wheel)	
	4860202		Wheel Assembly (S/N 13429 to S/N 20796)	B
		2	Bearing Options: (1 Per Wheel)	
	7020209		S/N 13429 to S/N 13607	
	7024561		S/N 13607 to Present	
	7020074	4	Retainer (2 Per Wheel)	
	7012631	2	Spanner (1 Per Wheel)	
	4860246		Wheel Assembly (S/N 20796 to Present) (No Service Parts Available)	B
9			Wheel Assembly Options:	
		2	Wheel Assembly - (Non-Locking) Options:	
	4860184		Wheel Assembly (Prior to S/N 20877) (Non-Locking Gray Tire & Wheel)	
	4860245		Wheel Assembly (S/N 20877 to Present) (Non-Locking Charcoal Gray Tire & Gray Wheel)	
	7020017	2	Swivel Rig for 4860184 (1 Per Assembly)	
	Not Available	2	Swivel Rig for 4860245 (1 Per Assembly)	
	7020086	2	Wheel, Replacement for 4860184 (1 Per Assembly)	
	Not Available	2	Wheel, Replacement for 4860245 (1 Per Assembly)	
	7020084	4	Bearing for 4860184 (2 Per Wheel)	
	Not Available	4	Bearing for 4860245 (2 Per Wheel)	
	7012631	2	Bushing, Axle Spanner for 4860184 (1 Per Assembly)	
	Not Available	2	Bushing, Axle Spanner for 4860245 (1 Per Assembly)	
	7012630	2	Axle Kit for 4860184 (1 Per Assembly)	
	Not Available	2	Axle Kit for 4860245 (1 Per Assembly)	
10	3020017	A/R	Lubricant (Not Shown) (Used Prior to S/N 20796)	
11	4240032	A/R	Tie, Wire (Not Shown - 4in Long)	
12	4460234	A/R	Mount, Wire Tie (Not Shown)	

# SECTION 1 BASE

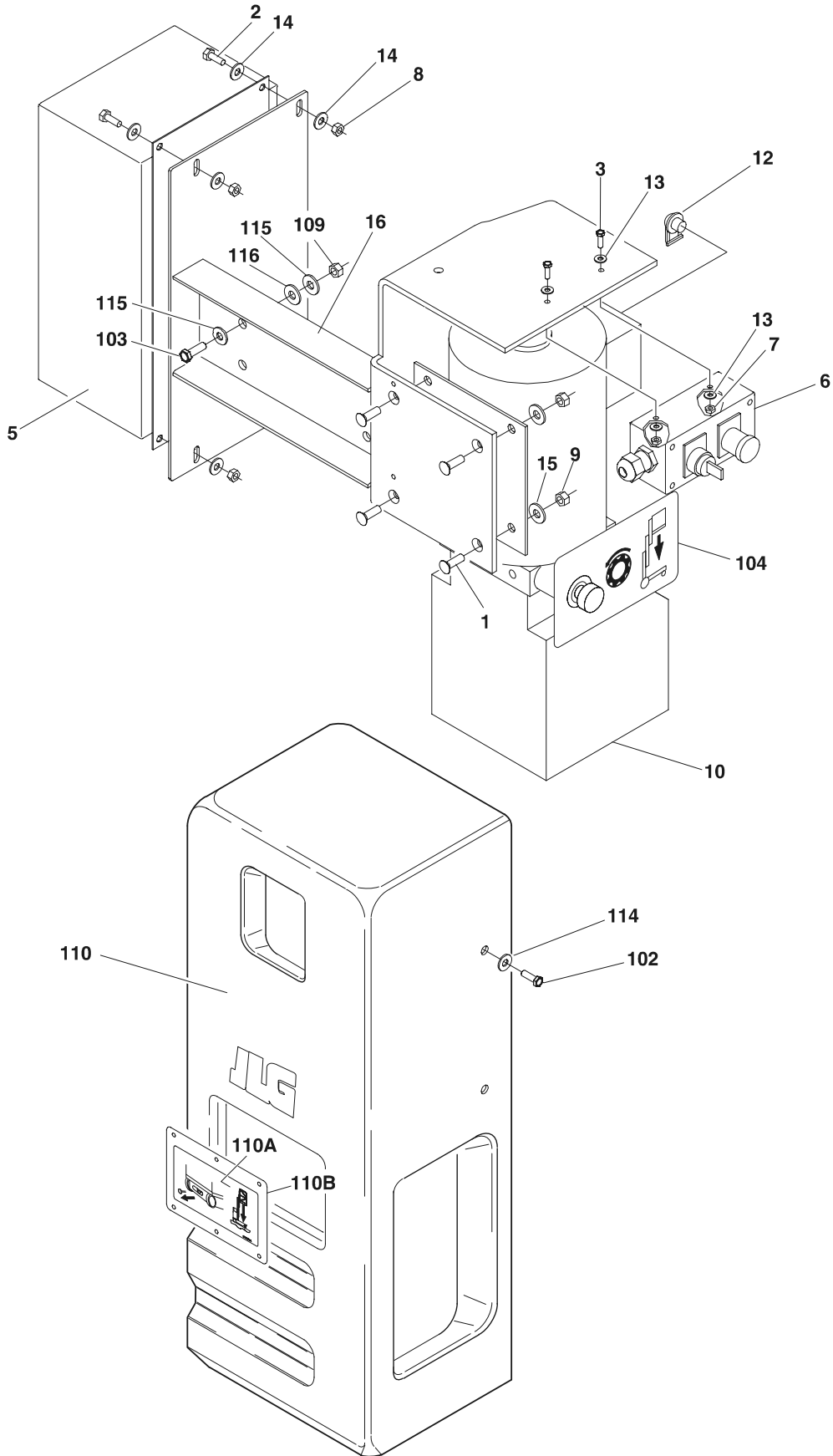
**FIGURE 1-1. BASE MOUNTED COMPONENTS INSTALLATION (CONTINUED)**

ITEM #	PART NUMBER	QTY.	DESCRIPTION	REV.
		Ref.	<b>MAST SUPPORT INSTALLATION OPTIONS:</b>	
	0259071	Ref.	<b>Prior to S/N 19526</b>	A
	0272232	Ref.	<b>S/N 19526 to Present</b>	A
101	0100001	A/R	Adhesive (Not Shown)	
102	0641609	12	Bolt 3/8"-16NC x 1 1/8"	
103	Not Used			
104	2420140	1	Gauge, Circular Level	
105	2560088	2	Handle	
106	3311605	12	Locknut 3/8"-16NC	
107	4567824	2	Tube, Mast Brace	
108	4711600	24	Flatwasher 3/8"	
109	4845715	1	Support Weldment	
110	1704582	1	Decal - Manual Descent (Not Shown - Located at bottom of Mast) (S/N 19526 to Present Only)	
	0259104	Ref.	<b>FLOOR STOP INSTALLATION</b>	4/C
201	0920114	1	Stop, Floor	
202		1	Limit Switch Options:	
	Use 4360456		Prior to S/N 13474 (Was p/n 4360397)	
	4360456		S/N 13474 to Present	
203	0641808	4	Bolt 1/2"-13NC x 1"	
204	3311805	4	Locknut 1/2"-13NC	
205	4711800	2	Flatwasher 1/2"	
206	3911020	2	Screw #10-24NC x 1 1/4"	
207	3311001	2	Nut #10-24NC	
208	4751000	2	Flatwasher #10	
209	4761000	2	Lockwasher #10	
210	3539920	A/R	Spacer - 11ga.	
211	3539921	A/R	Spacer - 14ga.	
212	4460662	1	Strain Relief	
213	0902523	1	Bracket, Limit Switch	
214	4922561	1	Harness, Brake	
215	4460234	A/R	Mount, Wire Tie (Not Shown)	
216	4240033	A/R	Tie, Wire (Not Shown)	
	0256808	Ref.	<b>DESCENT ALARM INSTALLATION (OPTIONAL)</b>	C
301	0140033	1	Alarm	
302	0641406	2	Bolt 1/4"-20NC x 3/4"	
303	4751400	4	Flatwasher 1/4"	
304	3311405	4	Nut 1/4"-20NC	
305	4922805	1	Harness, Alarm (S/N 23815 to Present)	

# **SECTION 2 CONTROLS**

# SECTION 2 CONTROLS

## FIGURE 2-1. AC POWER COMPONENTS INSTALLATION



## SECTION 2 CONTROLS

**FIGURE 2-1. AC POWER COMPONENTS INSTALLATION**

ITEM #	PART NUMBER	QTY.	DESCRIPTION	REV.
		Ref.	<b>POWER PACK ASSEMBLY</b>	
	0259206	Ref.	<b>110 VOLT (Prior to S/N 19526)</b>	A
	0272238	Ref.	<b>110 VOLT (S/N 19526 to Present)</b>	B
1	0630486	4	Screw, Counter Sunk	
2	0641406	4	Bolt 1/4"-20NC x 3/4"	
3	0721006	2	Screw	
4	Not Used			
5	0860933	1	Junction Box Assembly (See Figure 2-2 for Breakdown)	
6		1	Ground Control Box Assembly Options:	
	0861212		Prior to S/N 20166	
	0861305		S/N 20166 to Present	
	7020095	1	Switch, Push-Pull (Stop)	
	7020096	1	Legend Plate, "Stop"	
	7020097	1	Legend Plate, "Power/Off/On"	
	7020098	1	Switch, Key	
	7016339	1	Key, Replacement	
		1	Connector, Strain Relief Options:	
	7020090	1	Prior to S/N 20166	
	4460633	1	S/N 20166 to S/N 23612	
	7027787	1	S/N 23612 to Present	
	7020093	4	Screw 3m x 25	
	7020094	1	Lid	
7	3311005	A/R	Locknut #10-24NC	
8	3311405	4	Locknut 1/4"-20NC	
9	3311505	4	Locknut 5/16"-18NC	
10		1	Pump/Motor Assembly Options: (See Figure 2-3 for Breakdown)	
	3600264		Prior to S/N 19526	
	3600353		S/N 19526 to Present	
11	Not Used			
12	4460566	1	Terminal, 90 Degrees	
13	4751000	A/R	Flatwasher #10	
14	4751400	8	Flatwasher 1/4"	
15	4751500	4	Flatwasher 5/16"	
16	4845712	1	Plate, Mounting	
		Ref.	<b>POWER PACK INSTALLATION</b>	
	0259294	Ref.	<b>Prior to S/N 19526</b>	A
	0272235	Ref.	<b>S/N 19526 to Present</b>	A
101	Not Used			
102	0641404	4	Bolt 1/4"-20NC x 1/2"	
103	0641614	4	Bolt 3/8"-16NC x 1 3/4"	
104	1702353	1	Decal - Manual Descent (Prior to S/N 19526 Only)	
105 to 108	Not Used			
109	3311605	4	Locknut 3/8"-16NC	

## SECTION 2 CONTROLS

**FIGURE 2-1. AC POWER COMPONENTS INSTALLATION (CONTINUED)**

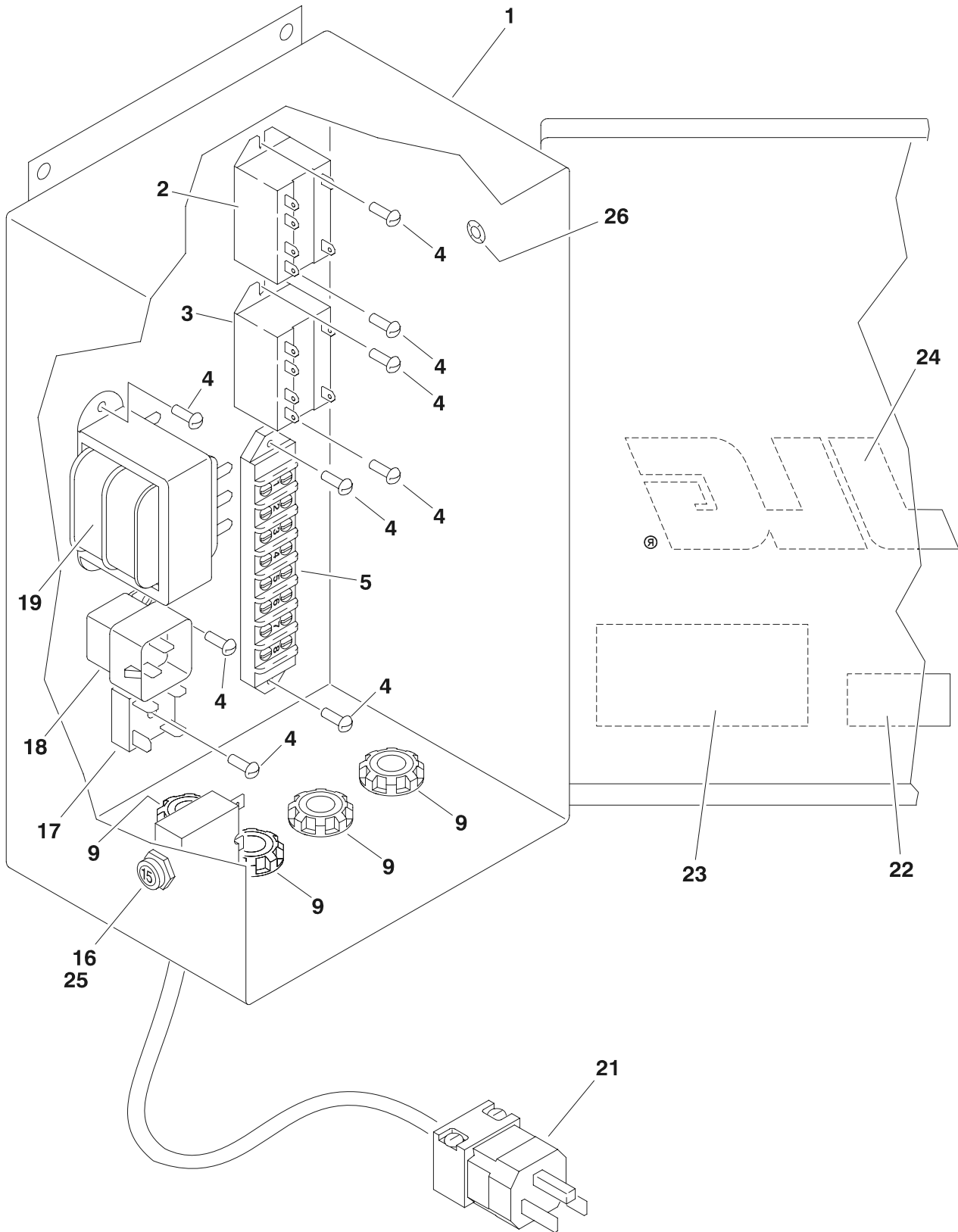
ITEM #	PART NUMBER	QTY.	DESCRIPTION	REV.
110	4060875	1	Shield, Pump Cover Options:	
	4061024		Prior to S/N 19526	
			S/N 19526 to Present	
110A	1704582		Decal (S/N 19688 to Present Only)	
110B	9984088		Cover (S/N 19688 to Present Only)	
111 to 113	Not Used			
114	4711400	4	Flatwasher 1/4" Narrow	
115	4711600	8	Flatwasher 3/8" Narrow	
116	4070984	2	Shim, Pump Spacer	

**FIGURE 2-1. AC POWER COMPONENTS INSTALLATION (CONTINUED)**

ITEM #	PART NUMBER	QTY.	DESCRIPTION	REV.

# SECTION 2 CONTROLS

## FIGURE 2-2. AC JUNCTION BOX ASSEMBLY





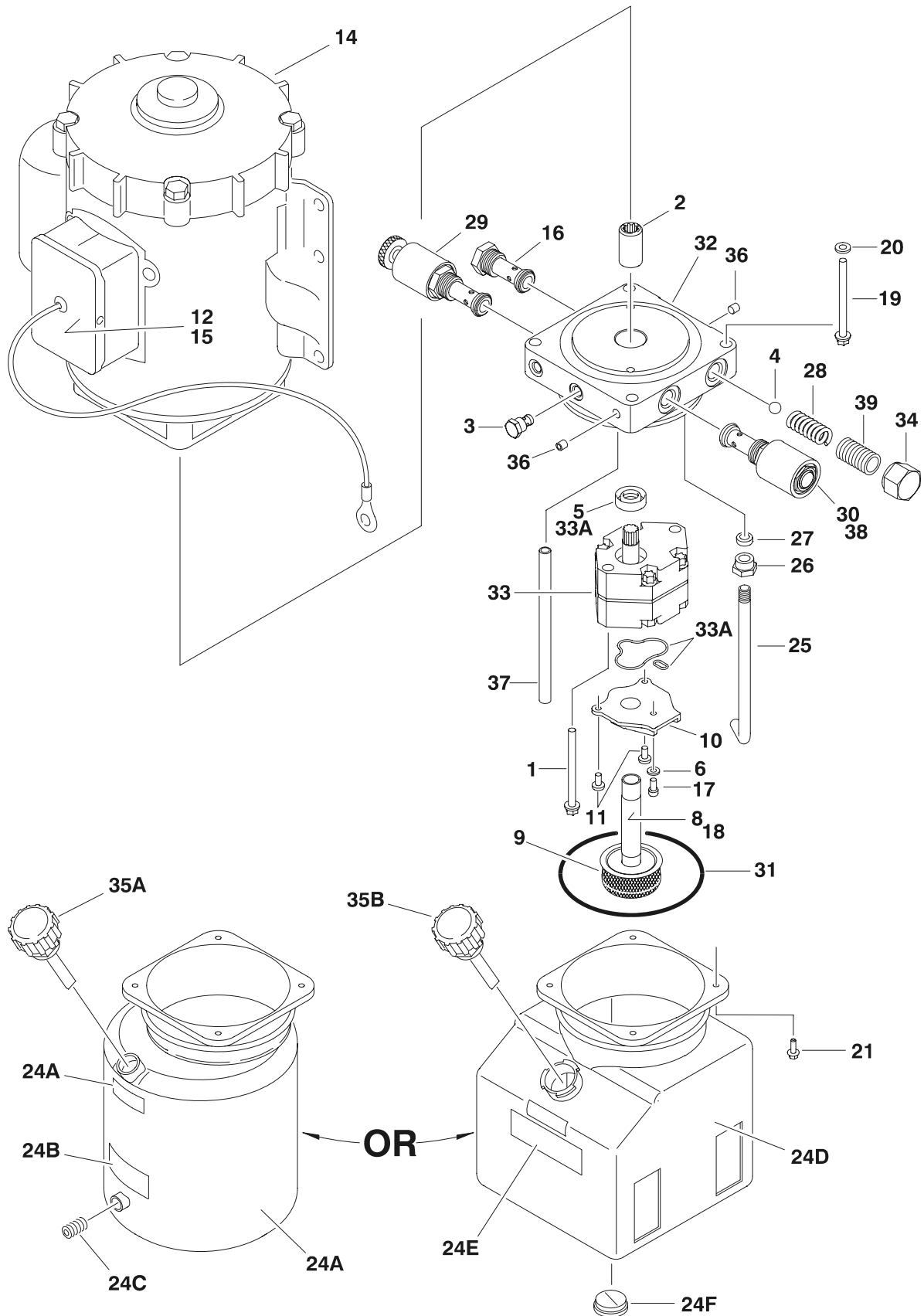
## SECTION 2 CONTROLS

**FIGURE 2-2. AC JUNCTION BOX ASSEMBLY**

ITEM #	PART NUMBER	QTY.	DESCRIPTION	REV.
			<b>JUNCTION BOX ASSEMBLY</b>	
	0860933	Ref.	<b>110 VOLT</b>	10/1
1	0860911	1	Box with Lid Options:	
	0860943		Prior to S/N 13477	
			S/N 13477 to Present	
2	7017440	2	Relay, Starter 12 VDC	
3	3740093	1	Relay, Starter	
4	3910808	12	Screw #8-32NF x 1/2"	
5	4460565	1	Strip, Terminal	
6 to 8	Not Used			
9	4460633	A/R	Connector, Strain Relief	
10 to 15	Not Used			
16	4360161	1	Circuit Breaker - 20 Amp	
17	4360376	1	Rectifier	
18	3740049	1	Relay	
19		1	Transformer Options:	
	Use 4530013		Prior to S/N 14643 (Was p/n 4530010)	
	4530013		S/N 14643 to Present	
20	Not Used			
21		1	Harness Options:	
	4921663		Prior to S/N 23728	
	4923034		S/N 23728 to Present	
22	1702569	1	Decal - 110 Volts (Not Shown)	
23	1702120	1	Decal - Wire Size (Not Shown - Located on Front Cover)	
24	1702365	1	Decal - JLG (Not Shown - Located on Front Cover)	
25	3520028	1	Plug (S/N 13477 to Present Only)	
26	3520034	4	Plug (S/N 19636 to Present Only)	
27	4923131	1	Harness, AC Box (Not Shown) (S/N 20166 to Present)	
28	4933305	1	Wiring Diagram, AC Box (Not Shown - See Section 7) (S/N 20166 to Present)	

# SECTION 2 CONTROLS

FIGURE 2-3. AC MOTOR/PUMP ASSEMBLY



## SECTION 2 CONTROLS

**FIGURE 2-3. AC MOTOR/PUMP ASSEMBLY**

ITEM #	PART NUMBER	QTY.	DESCRIPTION	REV.
		Ref.	<b>MOTOR/PUMP ASSEMBLY</b>	
	3600264	Ref.	<b>110 Volt (Prior to S/N 19526)</b>	A
	3600353	Ref.	<b>110 Volt (S/N 19526 to Present)</b>	C
1	7013713	2	Bolt 5/16"-24NF x 2 3/4"	
2	7016735	1	Coupling	
3	7013714	1	Plug	
4	Kit	1	Ball (Was p/n 7013715)	
5	7013716	1	Seal (Part of Pump Seal Kit p/n 7013701)	
6	7013717	1	Washer	
7	Not Used			
8	7013722	1	Magnet	
9	7013723	1	Filter	
10	7013727	1	Cover	
11	7013728	2	Screw	
12		1	Gasket Options:	
	7016764		Prior to S/N 19526	
	7022225		S/N 19526 to Present	
13	Not Used			
14	7016765	1	Motor	
15		1	Cover, Switch Box Options:	
	7013787		Prior to S/N 19526	
	7022226		S/N 19526 to Present	
16	7013708	1	Cartridge, Valve - Check	
17	3931516	1	Bolt 5/16"-18NC x 1"	
18	7016756	1	Pipe, Plumbing	
19	7016757	4	Bolt M6-1.0 35MM	
20	7016758	4	Lockwasher 1/4"	
21	7016721	4	Bolt #12-24NC x 1/2"	
22	7016722	1	Pipe Nut (Not Shown)	
23	Not Used			
24		A/R	Tank Options:	
24A	7016760	1	Tank Used Prior to S/N 19526	
24B	7013748	1	Decal - Caution (Prior to S/N 19526)	
24C	7016759	1	Plug (Prior to S/N 19526)	
24D	7022219	1	Tank Used S/N 19526 to Present	
24E	7013748	1	Decal - Caution (S/N 19526 to Present)	
24F	7013722	1	Plug, Magnetic (S/N 19526 to Present)	
25	7016761	1	Tube, Return	
26	7013792	1	Nut, Tube Compression	
27	7013793	1	Sleeve, Tube Compression	
28	Kit	1	Spring, Green (Was p/n 7016762)	
29		1	Cartridge, Valve - Manual Descent Options:	
	7013764		Prior to S/N 19526	
	Not Required		S/N 19526 to Present (Moved to Lift Cylinder)	
30	7016751	1	Coil, Solenoid	
31	7013743	1	O-Ring	

## SECTION 2 CONTROLS

**FIGURE 2-3. AC MOTOR/PUMP ASSEMBLY (CONTINUED)**

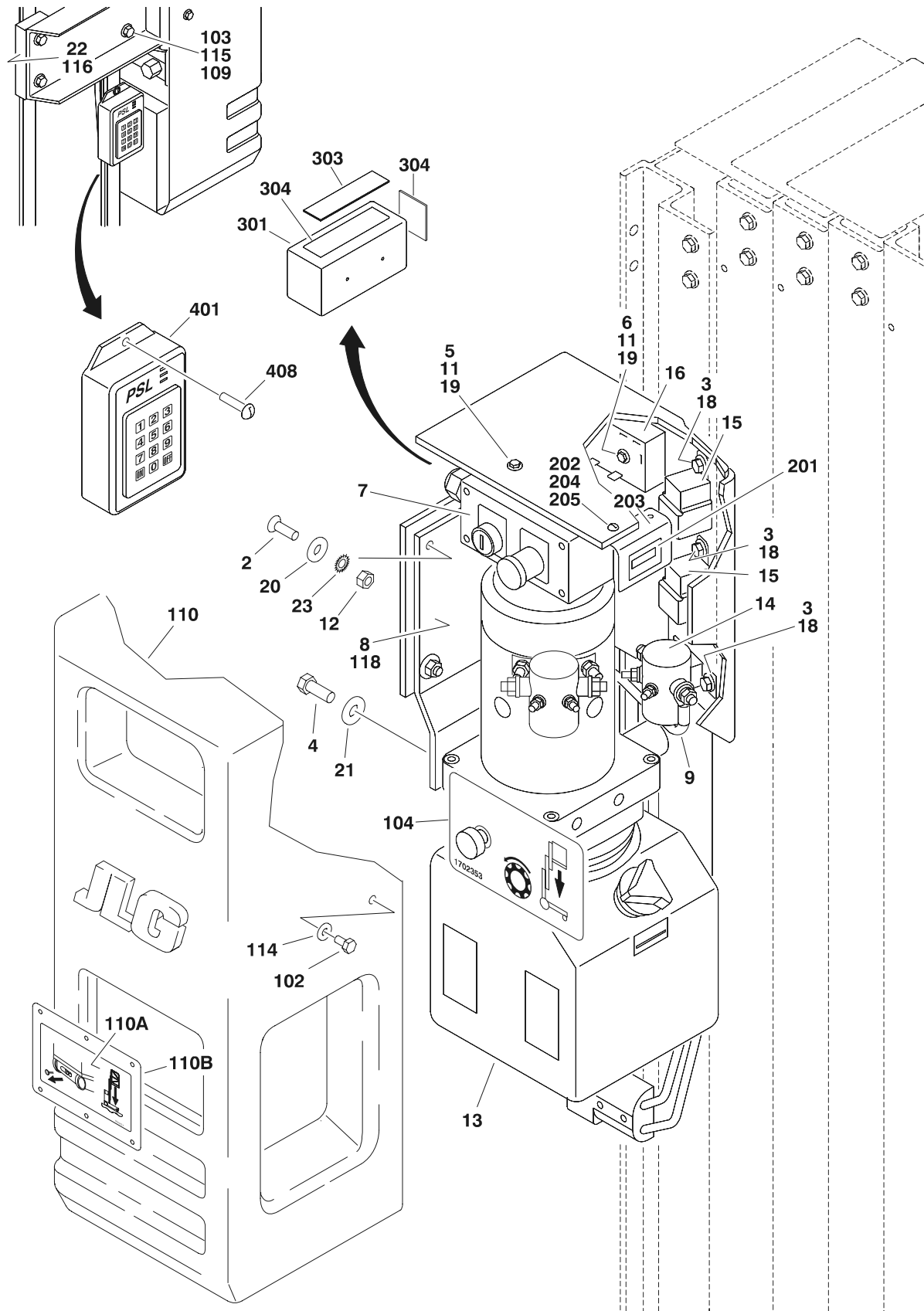
ITEM #	PART NUMBER	QTY.	DESCRIPTION	REV.
32	7016753 7022220	1	End Head Options: Prior to S/N 19526 S/N 19526 to Present	
33	7016717	1	Pump Assembly	
33A	7013701		Seal Kit - Pump (Includes Gasket for Item #10 Cover, O-Ring & #5 Seal)	
34	Kit	1	Cap, Relief (Was p/n 7013750)	
35		1	Breather Options:	
35A	7013794		Prior to S/N 19526	
35B	7016714		S/N 19526 to Present	
35C	7013748	1	Decal - Caution	
36	7013720 Not Required	2	Plug Options: Prior to S/N 19526 S/N 19526 to Present	
37	7013763 7022224	1	Tube, Return Options: Prior to S/N 19526 S/N 19526 to Present	
38	7016755	1	Valve	
39	Kit	1	Screw, Adjustment (Was p/n 7013770)	
40	7013745	1	Decal, Motor 50/60 Hertz (Not Shown)	
	7013779	1	----- Relief Valve Kit (Includes Items 4, 28, 34 & 39)	

**FIGURE 2-3. AC MOTOR/PUMP ASSEMBLY (CONTINUED)**

ITEM #	PART NUMBER	QTY.	DESCRIPTION	REV.

# SECTION 2 CONTROLS

## FIGURE 2-4. DC POWER COMPONENTS INSTALLATION



## SECTION 2 CONTROLS

**FIGURE 2-4. DC POWER COMPONENTS INSTALLATION**

ITEM #	PART NUMBER	QTY.	DESCRIPTION	REV.
		Ref.	<b>POWER PACK ASSEMBLY</b>	
	0259205	Ref.	<b>12 VOLT (Prior to S/N 19526)</b>	A
	0272237	Ref.	<b>12 VOLT (S/N 19526 to Present)</b>	D
1	0100011	A/R	Loctite, #242 (Not Shown)	
2	0630486	4	Screw, Countersunk	
3	0641403	3	Bolt 1/4"-20NC x 3/8"	
4			Hardware Options:	
	0641608	2	Prior to S/N 19526 (Bolt 3/8"-16NC x 1")	
	0641606		S/N 19526 to S/N 20835 (Bolt 3/8"-16NC x 3/4")	
	0791605		S/N 20835 to Present (Screw 3/8"-16NC x 5/8")	
5	0721006	2	Screw	
6	0721014	1	Screw (Prior to S/N 19526 Only)	
7		1	Ground Control Box Assembly Options:	
	0861212		Prior to S/N 20166	
	0861305		S/N 20166 to Present	
	7020078	1	Switch, Push-Pull (Stop)	
	7020096	1	Legend Plate, "Stop"	
	7020097	1	Legend Plate, "Power/Off/On"	
		1	Switch, Key Options:	
	7020098		Prior to S/N 20166	
	4360467		S/N 20166 to Present	
		1	Key, Replacement Options:	
	7016339		Prior to S/N 20166	
	2860030		S/N 20166 to Present	
	7020090	1	Connector, Strain Relief	
	7020093	4	Screw M3 x 25	
	7020094	1	Lid	
8	0902054	1	Plate, Mounting	
9	1060518	1	Cable, Solenoid (Prior to S/N 19526 Only)	
10	1060571	1	Cable Assembly - Battery	
11	3311005	3	Locknut #10-24NC	
12	3311505	4	Locknut 5/16"-18NC	
13		1	DC Motor/Pump Assembly (See Figure 2-7 for Breakdown)	
	3600291		Prior to S/N 19526	
	3600355		S/N 19526 to Present	
14	3740013	1	Solenoid (Prior to S/N 19526 Only)	
15		1	Relay Options:	
	3740080		Prior to S/N 19526	
	3740049		S/N 19526 to Present	
16	3740113	1	Relay, Timer (Prior to S/N 19526 Only)	
17	4567605	2	Tube, Butyrate (Not Shown)	
18	4711400	3	Flatwasher 1/4"	
19	4751000	6	Flatwasher #10	
20	4751500	4	Flatwasher 5/16"	
21	4751600	2	Flatwasher 3/8" (Prior to S/N 20835 Only)	
22	4845714	1	Bracket, Pump Mounting	
23	0641404	1	Bolt 1/4"-20NC x 1/2" (Not Shown) (S/N 19526 to Present Only)	
24	4751400	1	Flatwasher 1/4" (Not Shown) (S/N 19526 to Present Only)	

## SECTION 2 CONTROLS

**FIGURE 2-4. DC POWER COMPONENTS INSTALLATION (CONTINUED)**

ITEM #	PART NUMBER	QTY.	DESCRIPTION	REV.	
25	1320224	1	Clamp (Not Shown) (S/N 19526 to Present Only)		
26	4922740	1	Harness (Not Shown) (S/N 19526 to Present Only)		
27	4761500	1	Starwasher 5/16" (S/N 20835 to Present Only)		
		Ref.	<b>POWER PACK INSTALLATION OPTIONS:</b>		
	0259294	Ref.		<b>Prior to S/N 19526</b>	A
	0272235	Ref.		<b>S/N 19526 to Present</b>	A
101	Not Used				
102	0641404	4	Bolt 1/4"-20NC x 1/2"		
103	0641614	4	Bolt 3/8"-16NC x 1 3/4"		
104	1702353	1	Decal - Manual Descent (Prior to S/N 19526 Only)		
105 to 108	Not Used				
109	3311605	4	Locknut 3/8"-16NC		
110		1	Shield, Pump Cover Options:		
	4060875		Prior to S/N 19526		
	4061024		S/N 19526 to Present		
111 to 113	Not Used				
114	4711400	4	Flatwasher 1/4" Narrow		
115	4711600	8	Flatwasher 3/8" Narrow		
116	4070984	2	Shim, Pump Spacer		

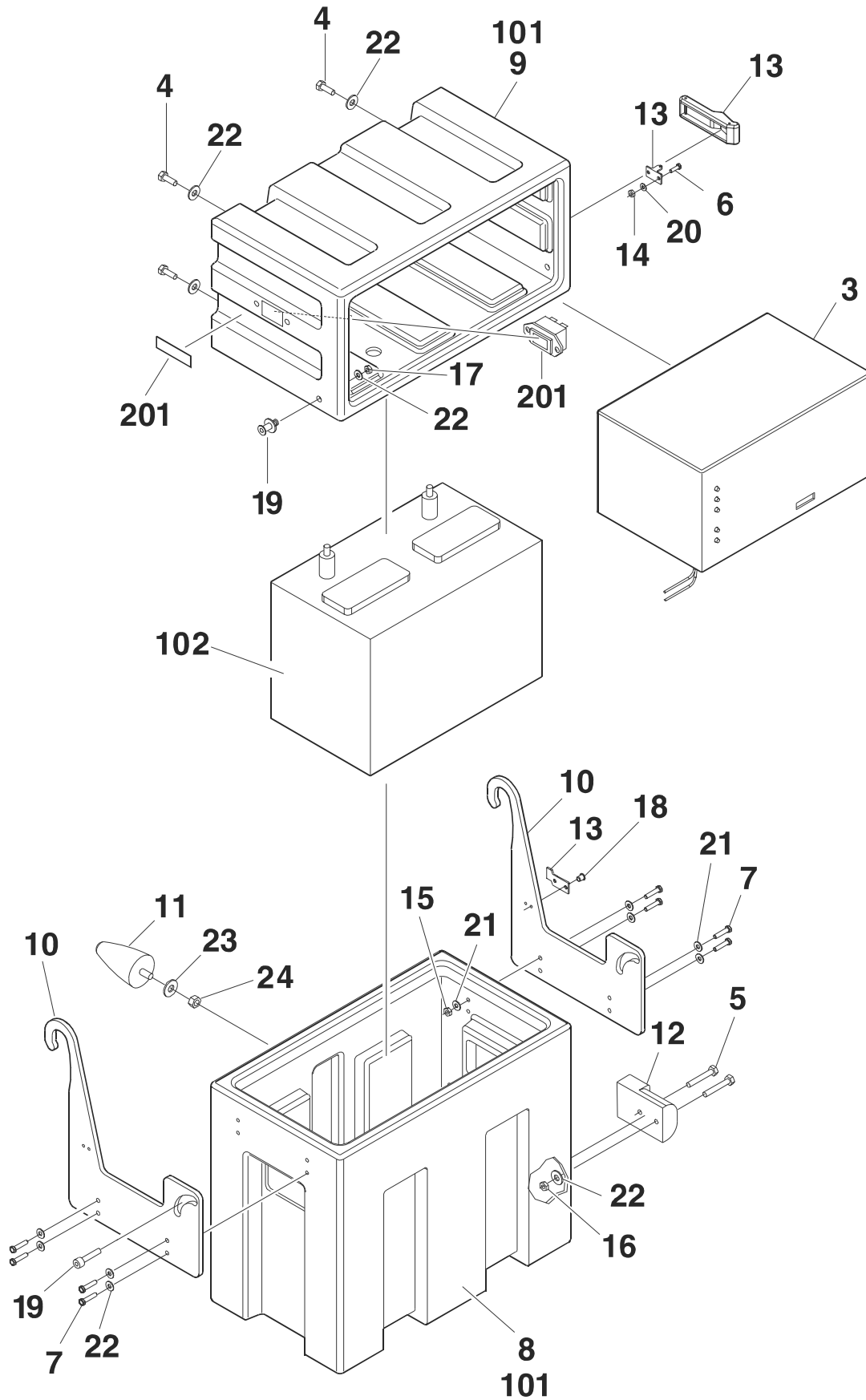


**FIGURE 2-4. DC POWER COMPONENTS INSTALLATION (CONTINUED)**

ITEM #	PART NUMBER	QTY.	DESCRIPTION	REV.

## SECTION 2 CONTROLS

FIGURE 2-5. DC POWER PACK INSTALLATION



## SECTION 2 CONTROLS

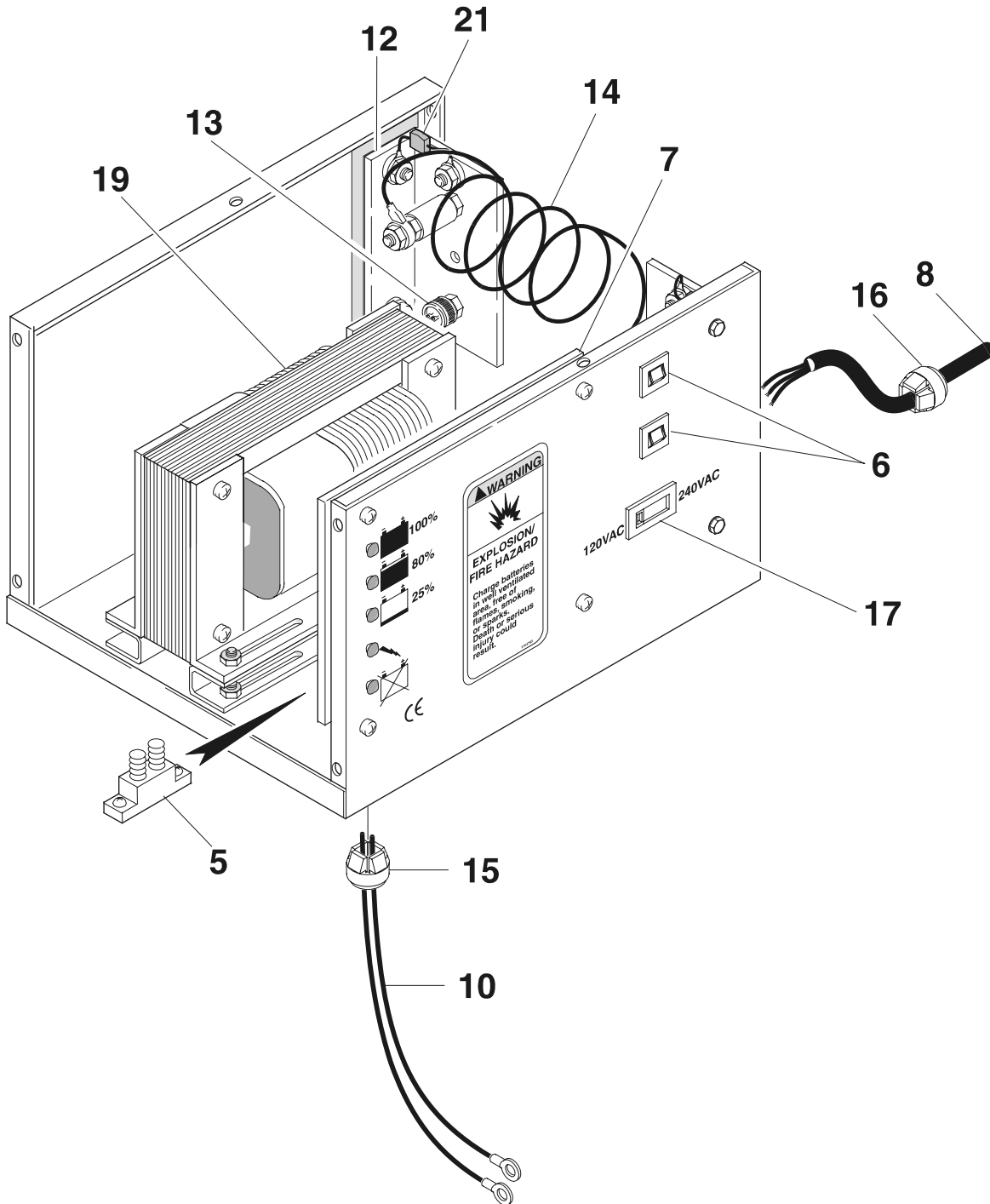
**FIGURE 2-5. DC POWER PACK INSTALLATION**

ITEM #	PART NUMBER	QTY.	DESCRIPTION	REV.
	0400223	Ref.	<b>BATTERY BOX AND CHARGER ASSEMBLY</b>	D
1	0100011	A/R	Loctite, #242 (Not Shown)	
2	Not Used			
3	0400176	1	Charger Assembly (See Figure 2-6 for Breakdown)	
4	0641406	4	Bolt, 1/4"-20NC x 3/4"	
5	0641412	2	Bolt, 1/4"-20NC x 1 1/2"	
6	0720805	2	Screw, #8-24NC x 5/8"	
7	0721008	8	Screw, #10-24NC	
8	0861192	1	Box, Molded Battery	
9	0861193	1	Box, Molded Battery Charger	
10	0902442	2	Bracket, Hanger	
11	0940085	1	Bumper, Stop	
12	1060570	1	Cable Assembly - Battery	
13	2940111	1	Latch, Soft Draw	
14	3310805	2	Locknut #8-32NC	
15	3311005	8	Locknut #10-24NC	
16		2	Nut Options: Prior to S/N 23037 S/N 23037 to S/N 24848 S/N 24848 to Present	
17	3311401	3	Nut 5/16"-18NC (Prior to S/N 23037)	
	3311405	2	Nut 5/16"-18NC (S/N 23037 to Present)	
	3311401	2	Nut 5/16"-18NC (S/N 23037 to Present)	
18	3820001	2	Rivet, .125 x.25	
19	3900190	2	Screw, Shoulder	
20	4750800	2	Washer, #8 Flat	
21	4751000	16	Washer, #10 Flat	
22	4751400	8	Washer, 1/4 Flat	
23	4751500	1	Washer, 5/16 Flat	
24	3311501	1	Nut 5/16-18NC (S/N 24073 to Present)	
		Ref.	<b>BATTERY BOX AND CHARGER INSTALLATIONS</b>	
	0258203	Ref.	<b>Battery Box (Wet)</b>	E
	0258498	Ref.	<b>Battery Box (Dry)</b>	E
101	0400223	1	Battery Box and Charger Assy (Includes Items 1-23):	
102		1	Battery Options: Standard Wet Battery Standard Dry Battery	
	0400122		Standard Wet Battery	
	0400144		Standard Dry Battery	
	0270163	1	<b>BDI INSTALLATION</b>	C
201	2420195	1	Gauge, BDI	

## SECTION 2 CONTROLS

FIGURE 2-6. BATTERY CHARGER ASSEMBLY

NOTE: COVER NOT SHOWN  
FOR CLARITY



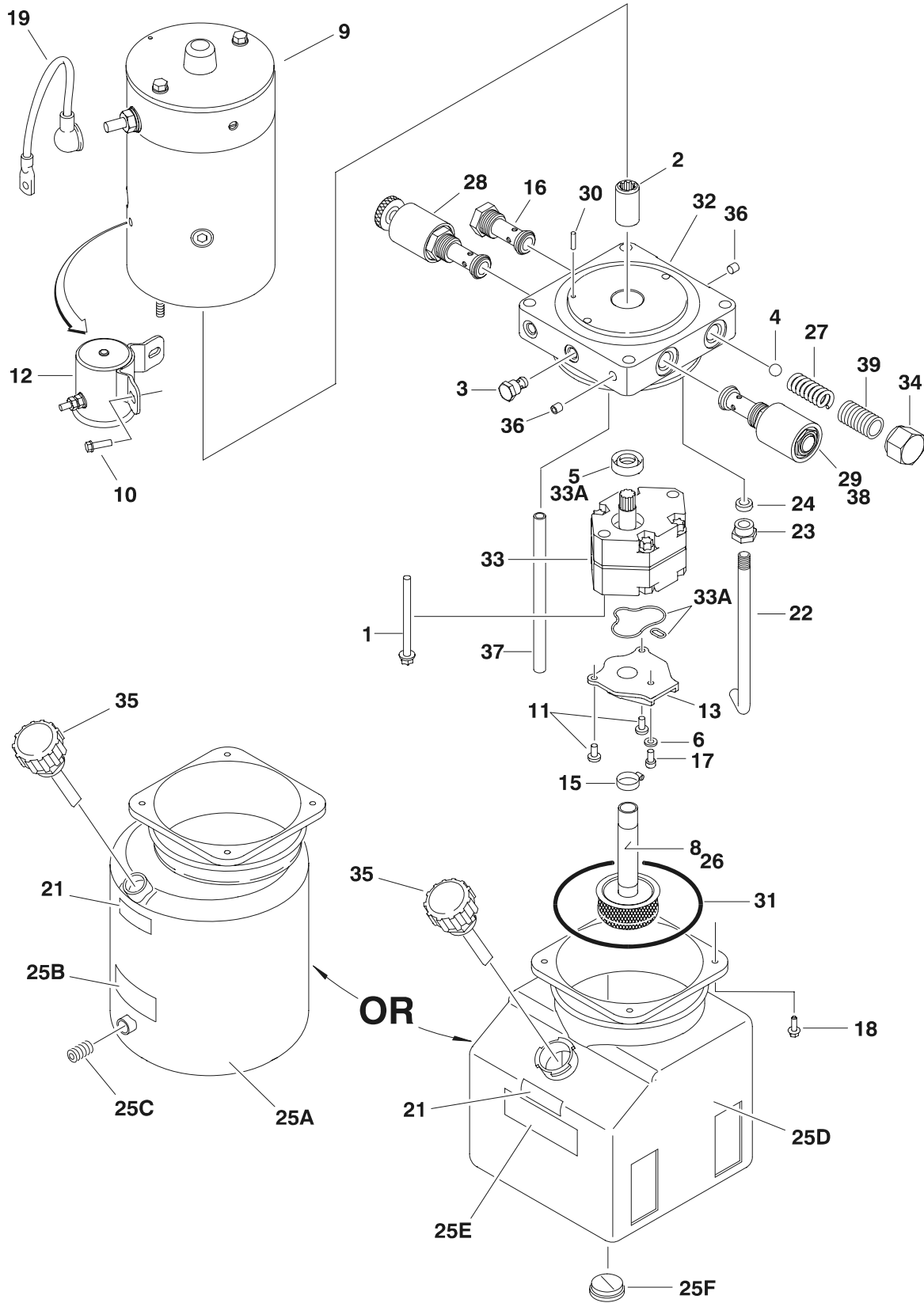
## SECTION 2 CONTROLS

**FIGURE 2-6. BATTERY CHARGER ASSEMBLY**

ITEM #	PART NUMBER	QTY.	DESCRIPTION	REV.
	0400176	Ref.	<b>BATTERY CHARGER ASSEMBLY</b>	F
1 to 4	Not Used			
5	7011509	1	Breaker, Circuit - DC 50Amp	
6	7018536	2	Breaker, Circuit 3 Amp	
7	7020626	1	Card, Circuit	
8	7020627	1	AC Cord Assembly	
9	Not Used			
10	7020629	1	DC Harness	
11	Not Used			
12	7020631	2	Rectifier Assembly	
13	7018555	1	SCR Rectifier	
14	7020605	1	Shunt Assembly	
15	7018556	1	Connector, Strain Relief - DC	
16	7011528	1	Connector, Strain Relief - AC	
17	7018586	1	Switch, Slide	
18	Not Used			
19	7020032	1	Transformer	
20	Not Used			
21	7020633	1	Varistor	

# SECTION 2 CONTROLS

## FIGURE 2-7. DC MOTOR/PUMP ASSEMBLY



## SECTION 2 CONTROLS

**FIGURE 2-7. DC MOTOR/PUMP ASSEMBLY**

ITEM #	PART NUMBER	QTY.	DESCRIPTION	REV.
		Ref.	<b>DC MOTOR/PUMP ASSEMBLY</b>	
	3600291	Ref.	<b>12V DC (Prior to S/N 19526)</b>	A
	3600355	Ref.	<b>12V DC (S/N 19526 to Present)</b>	C
1	7013713	2	Bolt 5/16"-24NF x 2 3/4"	
2	7016735	1	Coupling	
3	7013714	1	Plug	
4	Kit	1	Ball (Was p/n 7013715)	
5	7013716	1	Seal (Part of Pump Seal Kit p/n 7013701)	
6	7013717	1	Washer	
7	Not Used			
8	7013722	1	Magnet	
9	7013710	1	Motor	
	7013757	1	Brush Kit	
10	7013758	2	Screw 1/4"-20NC x 1/4"	
11	7013728	2	Screw M6 x 1.0 - 12mm	
12	7013760	1	Solenoid	
13	7016770	1	Cover	
14	Not Used			
15	7016771	1	Clamp	
16	7013708	1	Cartridge, Valve - Check	
17	7016720	1	Bolt 5/16"-18NC x 1"	
18	7016721	4	Bolt #12-24NC x 1/2"	
19	7016772	1	Cable	
20	Not Used			
21		1	Decal - Fill Line Options:	
	7016713		Prior to S/N 19526	
	7022223		S/N 19526 to Present	
22	7013795	1	Tube, Return	
23	7013792	1	Nut, Tube Compression	
24	7013793	1	Sleeve, Tube Compression	
25	7016775	A/R	Tank Options:	
25A	7016775	1	Tank Used Prior to S/N 19526	
25B	7016776	1	Decal - Caution (Prior to S/N 19526)	
25C	7016759	1	Plug (Prior to S/N 19526)	
25D	7022219	1	Tank Used S/N 19526 to Present	
25E	7013748	1	Decal - Caution (S/N 19526 to Present)	
25F	7013722	1	Plug, Magnetic (S/N 19526 to Present)	
26	7016773	1	Plumbing Assembly - Inlet	
27	Kit	1	Spring, Green (Was p/n 7016762)	
28		1	Cartridge, Valve - Manual Descent Options:	
	7013764		Prior to S/N 19526	
	Not Required		S/N 19526 to Present (Moved to Lift Cylinder)	
29		1	Coil, Solenoid Options:	
	7016786		Prior to S/N 19526	
	7016751		S/N 19526 to Present	
30	7013766	1	Pin	
31	7013743	1	O-Ring	

## SECTION 2 CONTROLS

**FIGURE 2-7. DC MOTOR/PUMP ASSEMBLY (CONTINUED)**

ITEM #	PART NUMBER	QTY.	DESCRIPTION	REV.
32	7016753 7022220	1	End Head Prior to S/N 19526 S/N 19526 to Present	
33	7016717	1	Pump Assembly	
33A	7013701	1	Seal Kit - Pump (Includes Gasket for #13 Cover, O-Ring and #5 Seal)	
34	Kit	1	Cap, Relief (Was p/n 7013750)	
35	7016714	1	Breather	
36	7013720	2	Plug	
37	7013726 7022224	1	Tube, Return Options: Prior to S/N 19526 S/N 19526 to Present	
38	7016755	1	Valve	
39	Kit	1	Screw, Adjustment (Was p/n 7013770)	
	7013779	1	Relief Valve Kit (Includes Items 4, 27, 34 & 39)	



**SECTION 2 CONTROLS**

**FIGURE 2-7. DC MOTOR/PUMP ASSEMBLY (CONTINUED)**

ITEM #	PART NUMBER	QTY.	DESCRIPTION	REV.



## SECTION 2 CONTROLS

**FIGURE 2-8. CABLES AND CONTROLS INSTALLATION**

ITEM #	PART NUMBER	QTY.	DESCRIPTION	REV.
		Ref.	<b>CABLES AND CONTROLS INSTALLATION OPTIONS:</b>	
	0259079	Ref.	<b>Prior to S/N 16858 (AC/DC Models)</b>	B
	0270489	Ref.	<b>S/N 16858 to Present (AC Models Only)</b>	E
	0270490	Ref.	<b>S/N 16858 to Present (DC Models Only)</b>	E
1	0100011	A/R	Loctite #242 (Not Shown)	
2	0641410	1	Bolt 1/4"-20NC x 1 1/4"	
3	0641612	1	Bolt 3/8"-16NC x 1 1/2"	
4	Not Used			
5	0860945	1	Box, Junction	
6	Not Used			
7	0861207	1	Control Box Assembly	
	7020078	1	Switch, Push-Pull (Red)	
	7020088	2	Switch, Push Button (White)	
	7020089	1	Switch, Push Button (Green)	
	7020091	1	Plug	
	Use 7027299	1	Connector, Strain Relief (was p/n 7020092)	
	7020093	4	Screw m3 x 25 Freedrive	
8 to 9	Not Used			
10		1	Cable, Electrical Options: - 16/5	
	1060687		120V AC (Prior to S/N 22974)	
	4923163		120V AC (S/N 22974 to Present) (Includes Items 36 & 37)	
	1060687		120V DC (Prior to S/N 16858)	
	1060922		120V DC (S/N 16858 to Present)	
11		1	Cable, Retractable Options: - 16/5	
	1060694		120V AC	
	1060694		120V DC (Prior to S/N 16858)	
	4922652		120V DC (S/N 16858 to Present)	
12	1320149	1	Clamp	
13	1670603	1	Cover, Junction Box	
14	Not Used			
15	3311405	1	Locknut 1/4"-20NC	
16	3311605	2	Locknut 3/8"-16NC	
17	3570923	1	Plate, Decal Mounting	
18		1	Sheave, Control Cable Options:	
	3580231		Prior to S/N 24352	
	3580344		S/N 24352 to Present	
19	3820032	4	Rivet	
20	3900191	2	Screw	
21		1	Screw, Shoulder Options:	
	3900200		Prior to S/N 24352	
	3900373		S/N 24352 to Present	
22	Not Used			
23	4160130	1	Spring, Extension	
24	4460023	4	Connector, Strain Relief	
25	4460190	1	Receptacle, Electrical	
26	4460566	2	Connector, Strain Relief - 90°	
27	4711400	2	Flatwasher 1/4" Narrow	
28	4711600	2	Flatwasher 3/8" Narrow	

## SECTION 2 CONTROLS

**FIGURE 2-8. CABLES AND CONTROLS INSTALLATION (CONTINUED)**

ITEM #	PART NUMBER	QTY.	DESCRIPTION	REV.
29	Not Used			
30	4751000	4	Flatwasher #10 Wide	
31	4751500	1	Lockwasher 5/16"	
32	4761000	4	Flatwasher #10	
33	4460115	4	Terminal, Fork (16 Gauge)	
34	4922420	1	Harness, Jumper (Control Box)	
35	3520034	2	Plug, 5/16" Hole	
36	4460035	5	Terminal, Butt Splice (120V AC Only)	
37	4460145	4	Terminal, Fork (120V AC Only)	
	0258482	Ref.	<b>AUXILIARY LOWERING INSTALLATION</b>	A
101	Not Used			
102	4360274	1	Switch, Push Button	
103	Not Used			
104	Not Used			
105	1704236	1	Decal - Auxiliary Lowering	
		Ref.	<b>OUTLET INSTALLATION OPTION:</b>	
	0270746	Ref.	<b>120V (DC)</b>	B
	0270972	Ref.	<b>120V (AC)</b>	B
201	0100011	A/R	Loctite #242 (Not Shown)	
202	0721006	2	Screw	
203	0860946	1	Box, Receptacle	
204		1	Cable Options: - 12/3	
	1060564		120V AC (Prior to S/N 22974)	
	1060564		120V DC (Prior to S/N 16858)	
	1060923		120V DC (S/N 16858 to Present)	
205		1	Cable Options: - 16/4	
	1060565		120V AC	
	1060565		120V DC (Prior to S/N 16858)	
	4922653		120V DC (S/N 16858 to Present)	
206	3252761	1	Decal - 120V	
207	3311001	2	Nut, #10-24NC	
208	4060092	1	Shield, Waterproof	
209	4460023	3	Terminal, Connector	
210	4460145	A/R	Terminal, Fork	
211	4460190	1	Terminal, Receptacle	
212	4460549	1	Plug, Terminal (120V DC Only)	
213	4761000	2	Lockwasher #10	
214	4460035	3	Terminal, Butt Splice (120V AC Only) (Prior to S/N 22974)	
215	4240033	A/R	Strap, Tie (Not Shown)	

# **SECTION 3**

## **MAST**

# SECTION 3 MAST

## FIGURE 3-1. MAST ASSEMBLY (CHAIN & CABLE)

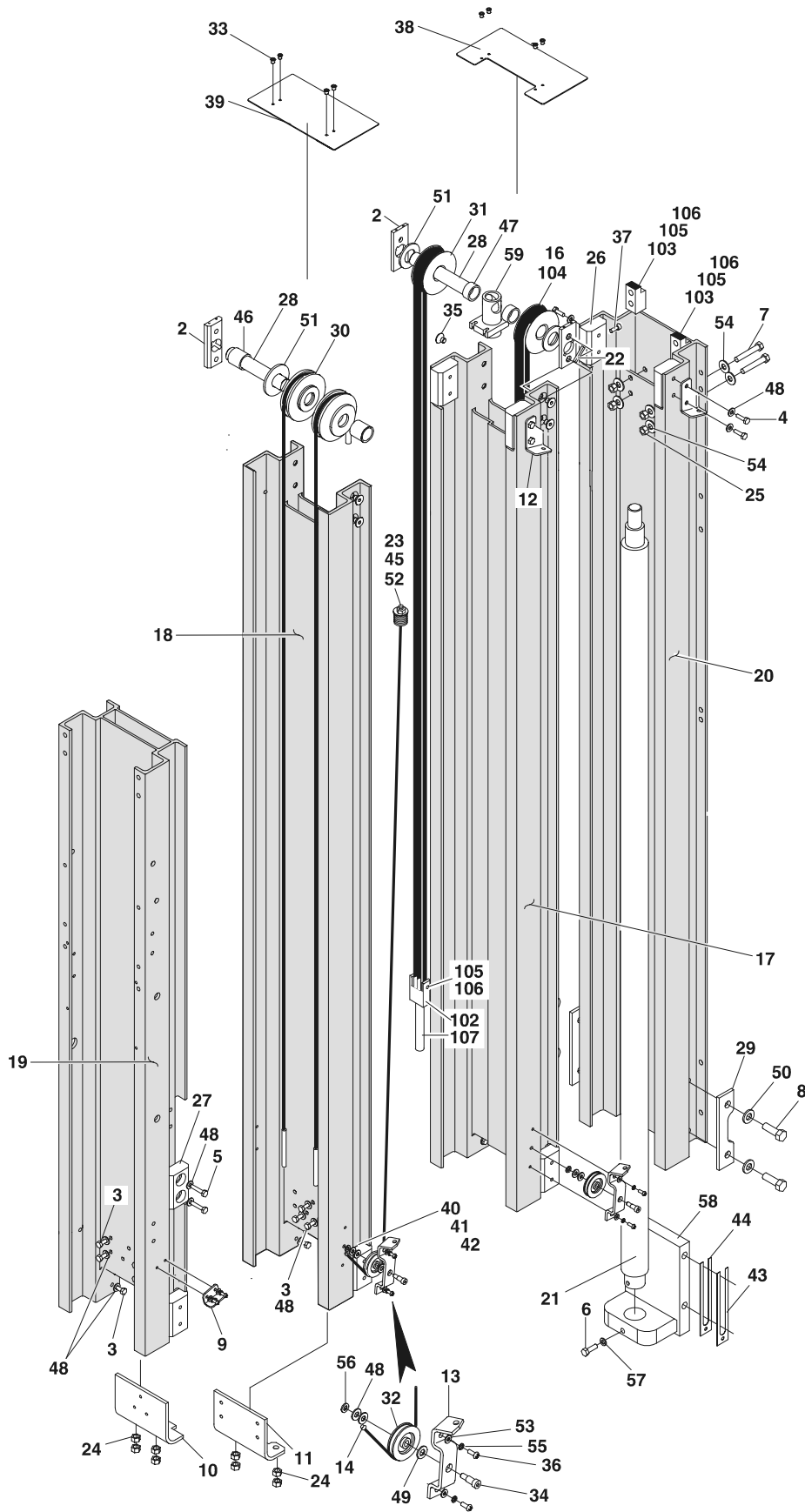


FIGURE 3-1. MAST ASSEMBLY (CHAIN &amp; CABLE)

ITEM #	PART NUMBER	QTY.	DESCRIPTION	REV.
		Ref.	<b>MAST ASSEMBLY</b>	
	0801150	Ref.	<b>Prior to S/N 19526</b>	D
	0801333	Ref.	<b>S/N 19526 to Present</b>	C
1	0100011	A/R	Loctite #242 (Not Shown)	
2	0362735	4	Bar, Sheave Pin Support	
3	0641406	23	Bolt 1/4"-20NC x 3/4"	
4	0641407	4	Bolt 1/4"-20NC x 7/8"	
5	0641410	8	Bolt 1/4"-20NC x 1 1/4"	
6	0641508	1	Bolt 5/16"-18NC x 1"	
7	0641618	4	Bolt 3/8"-16NC x 2 1/4"	
8	0641812	4	Bolt 1/2"-13NC x 1 1/2"	
9	0902047	1	Bracket, Sequence Cable	
10	0902423	1	Bracket, Bottom Chain Attach	
11	0902424	1	Bracket, Bottom Chain Attach	
12	0902431	2	Bracket, Sequence Cable	
13	0902445	2	Bracket, Sequence Cable	
14	1060683	2	Cable, Sequence	
15	1060696	2	Cable, Extension	
16	1260329	2	Chain Assembly - #466 (See Items 101-107 for Breakdown)	
17	1271390	1	Channel, Mast #2	
18	1271392	1	Channel, Mast #6	
19	1271393	1	Channel, Mast Header	
20		1	Channel, Mast #1 Options:	
	1271411		Prior to S/N 14643	
	1271389		S/N 14643 to Present	
21		1	Lift Cylinder Assembly (See Section 5 for Breakdown)	
	1683699		Prior to S/N 19526	
	1684088		S/N 19526 to S/N 19590	
	1684271		S/N 19590 to Present	
22	2880310	2	Key	
23	3311405	2	Locknut 1/4"-20NC	
24	3311601	8	Nut 3/8"-16 NC	
25	3311605	4	Locknut 3/8"-16NC	
26	3340845	10	Pad, Slide Guide	
27		A/R	Pad, Slide Guide Options:	
	3340846	2	Prior to S/N 13017	
	3340858	2	S/N 13017 to Present	
28	3422717	2	Pin, Sheave	
29	3570893	2	Plate, Cylinder Mount	
30	3580217	2	Sheave, Cable	
31	3580286	2	Sheave Assembly	
32	3580269	2	Sheave, Sequence Cable	
33	3820034	8	Rivet	
34	3900187	2	Screw, Shoulder	
35	3900192	8	Screw, Countersunk 3/8"-16NC x 1/2"	
36	3900205	6	Screw, #10-24NC x 1/2"	
37	3900206	1	Bolt 1/4"-28NF x 3/8"	
38	4060960	1	Shield, Mast Cover	

# SECTION 3 MAST

**FIGURE 3-1. MAST ASSEMBLY (CHAIN & CABLE) (CONTINUED)**

ITEM #	PART NUMBER	QTY.	DESCRIPTION	REV.
39	4060961	1	Shield, Mast Cover	
40	4070860	16	Shim, Slide Pad (.075)	
41	4070861	16	Shim, Slide Pad (.036)	
42	4070862	12	Shim, Slide Pad (.015)	
43	4070970	2	Shim, Cylinder Mount	
44	4070971	4	Shim, Cylinder Mount	
45	4160124	2	Spring	
46	4567491	2	Tube, Spacer	
47	4567635	2	Tube, Spacer	
48	4711400	39	Flatwasher 1/4" Narrow	
49	4711500	2	Flatwasher 5/16" Narrow	
50	4711800	4	Flatwasher 1/2" Narrow	
51		5	Washer Options: Prior to S/N 19526 S/N 19526 to Present	
	4712600			
	4740007			
52	4740414	4	Cupwasher	
53	4750800	6	Flatwasher #8 Wide	
54	4751600	8	Flatwasher 3/8" Wide	
55	4761000	6	Lockwasher #10	
56	4761400	2	Lockwasher 1/4"	
57	4761500	1	Lockwasher 5/16"	
58		1	Weld, Cylinder Mount Prior to S/N 19526 S/N 19526 to Present	
	4845731			
	4846514			
59	4845795	1	Weld, Cylinder Cable Mount	
	2901602	1	Mast Kit (Includes Items 17 - 20)	
	1260329	Rev.	<b>CHAIN ASSEMBLY - #466 CHAIN</b>	D
101	0100062	A/R	Loctite #RC/640 (Not Shown)	
102		1	Block Options: Prior to S/N 15022 S/N 15022 to Present	
	0561150			
	0561409			
103	0561306	1	Block	
104	1260299	71in/1.8m	Chain	
105	3422265	2	Pin	
106	3450201	4	Pin, Cotter	
107	4300111	1	Stud	

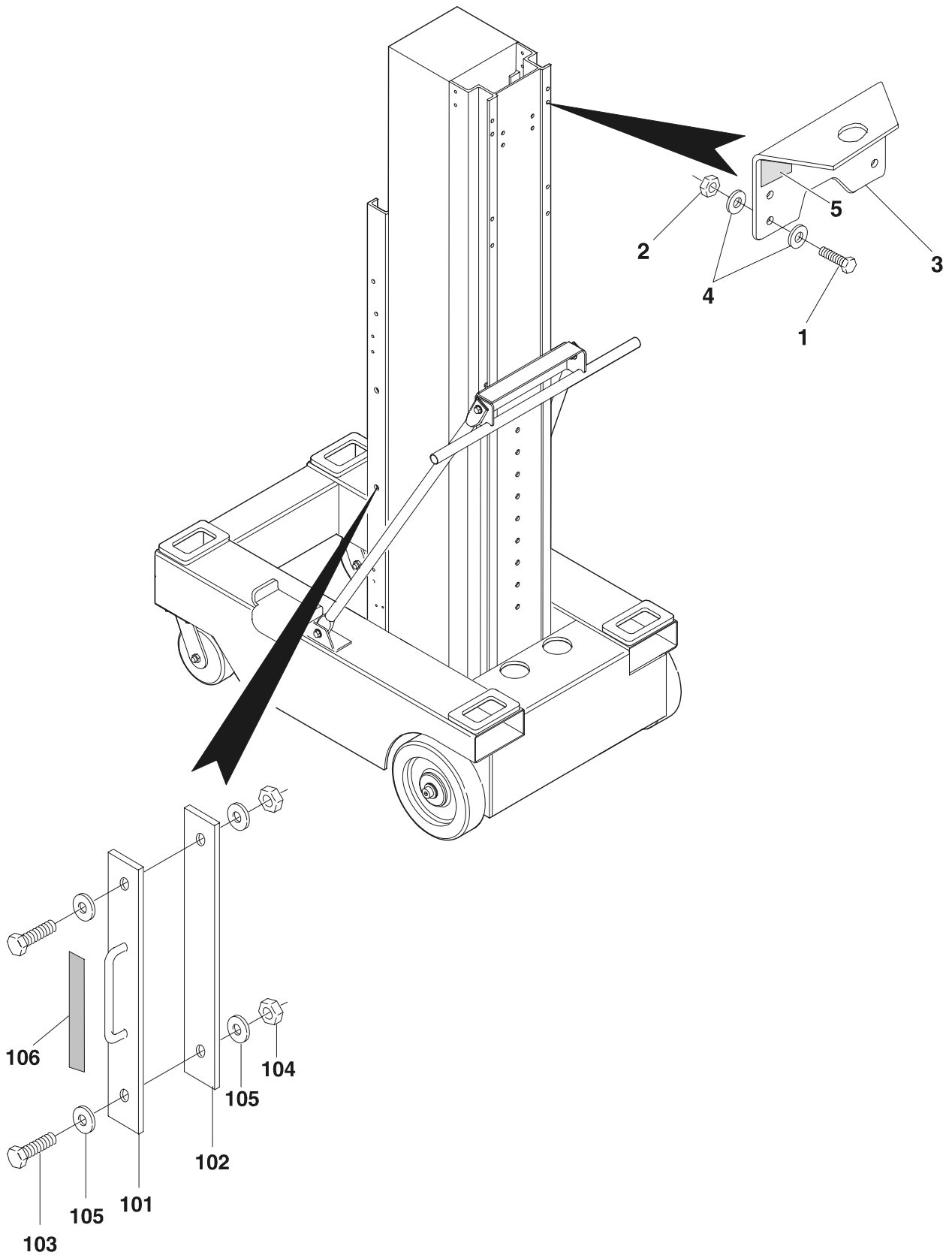


**FIGURE 3-1. MAST ASSEMBLY (CHAIN & CABLE) (CONTINUED)**

ITEM #	PART NUMBER	QTY.	DESCRIPTION	REV.

# SECTION 3 MAST

## FIGURE 3-2. MAST MOUNTED COMPONENTS INSTALLATIONS



**FIGURE 3-2. MAST MOUNTED COMPONENTS INSTALLATIONS**

ITEM #	PART NUMBER	QTY.	DESCRIPTION	REV.
	0258448	Ref.	<b>OPTIONAL CRANE HOOK INSTALLATION</b>	C
1	0641612	4	Bolt 3/8"-16NC x 1 1/2"	
2	3311605	4	Locknut 3/8"-16NC	
3	3570976	1	Plate, Crane Hook	
4	4711600	8	Flatwasher 3/8"	
5	1703455	1	Decal - Crane Hook	
	0256559	Ref.	<b>SAFETY ATTACH INSTALLATION</b>	3/B
101	4845345	1	Weldment, Safety Attach	
102	3539814	1	Plate	
103	0681812	2	Bolt 1/2"-13NC x 1 1/2"	
104	3271805	2	Locknut 1/2"-13NC	
105	4751800	4	Flatwasher 1/2"	
106	1704277	1	Decal - Lanyard Attach	

# SECTION 3 MAST

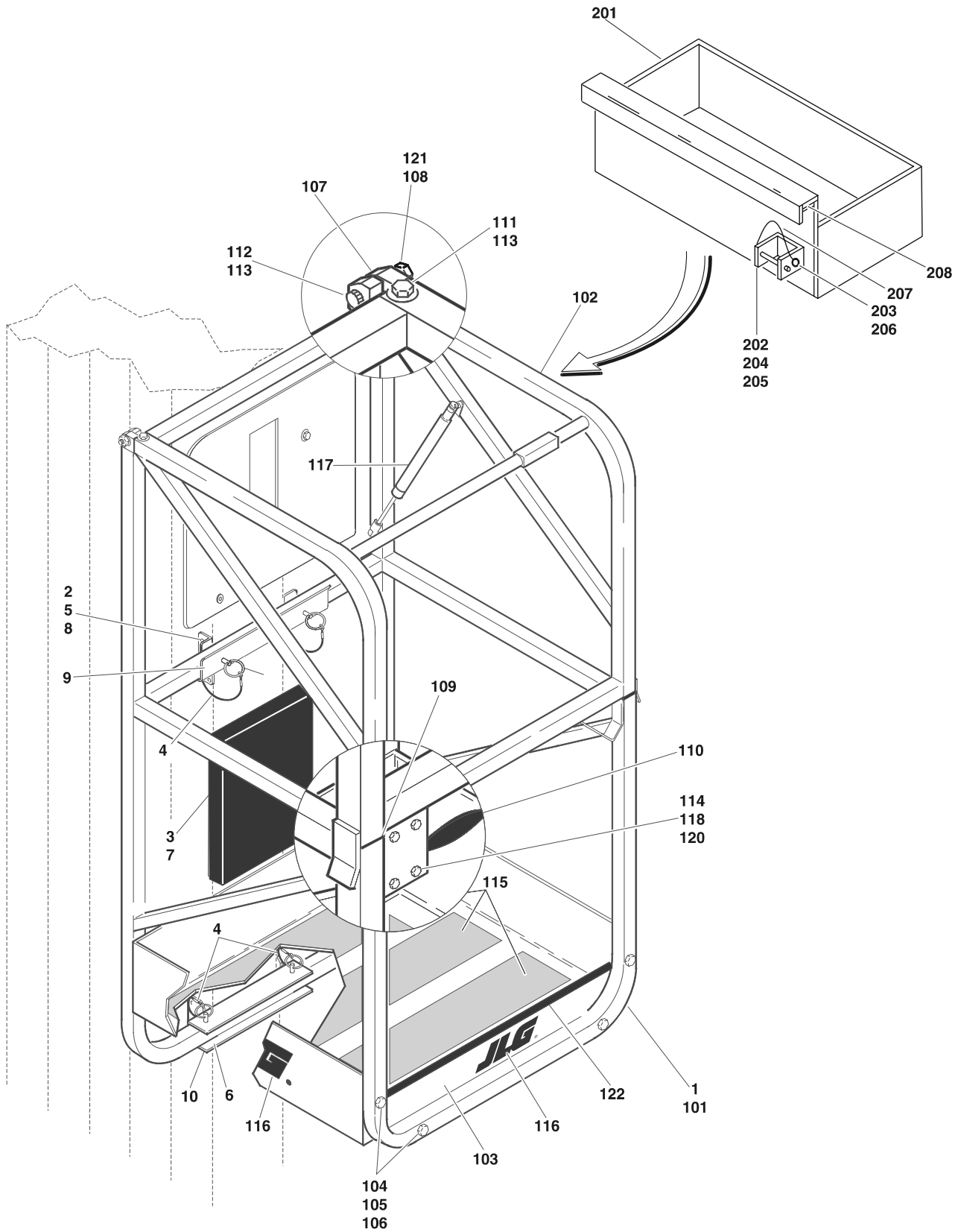
**FIGURE 3-2. MAST MOUNTED COMPONENTS INSTALLATIONS (CONTINUED)**

ITEM #	PART NUMBER	QTY.	DESCRIPTION	REV.

# **SECTION 4 PLATFORM**

# SECTION 4 PLATFORM

## FIGURE 4-1. PLATFORM INSTALLATION (GULLWING)



## SECTION 4 PLATFORM

**FIGURE 4-1. PLATFORM INSTALLATION (GULLWING)**

ITEM #	PART NUMBER	QTY.	DESCRIPTION	REV.
		Ref.	<b>PLATFORM INSTALLATION</b>	
	0259074	Ref.	<b>28" x 26" (71cm x 66cm) (Cable &amp; Chain)</b>	B
1	0258588	1	Assembly, Platform (See Item 101 - 122 for Breakdown)	
2	0641408	8	Bolt, 1/4"-20NC x 1"	
3	0860520	1	Box, Manual Storage	
4	1060380	4	Cable, Lanyard	
5	3311405	8	Locknut, 1/4"-20NC	
6	3422657	4	Pin, Quick Release	
7	3820024	4	Rivet	
8	4711400	16	Flatwasher 1/4" Narrow	
9	4845821	1	Platform Mount Weldment	
10		1	Platform Mount Weldment Options:	
	Use 4846021		Machines with Chain & Cable Mast Built Prior to S/N 13017 (Was p/n 4845821)	
	4846021		Machines with Chain & Cable Mast Built S/N 13017 to Present	
	4845821		Machines with All Cable Mast	
		Ref.	<b>PLATFORM ASSEMBLIES</b>	
	0258588	Ref.	<b>28" x 26" (71cm x 66cm)</b>	5/D
101	4845808	1	Platform Rail Weldment	
102	4845813	1	Gullwing Gate Weldment	
103	3570462	1	Plate, Platform Pan	
104	0641414	8	Bolt 1/4"-20NC x 1 3/4"	
105	4711400	16	Flatwasher 1/4"	
106	3311405	8	Locknut 1/4"-20NC	
107	2600225	4	Hinge, Gate	
108	3311505	2	Locknut 5/16"-18NC	
109	3520072	4	Cap, Plug	
110	2940074	1	Latch	
111	3900258	8	Screw, Button Head 1/4"-20NC x 3/4"	
112	3900032	2	Bolt, Shoulder	
113	4711600	A/R	Flatwasher 3/8"	
114	0721006	4	Bolt #10-24NC x 3/4"	
115	4420039	6ft/1.8m	Tape, Non-Skid	
116	1701612	3	Decal - JLG	
117	4160165	1	Spring, Gas Shock	
118	4751000	8	Flatwasher #10	
119	Not Used			
120	3311005	4	Locknut #10-24NC	
121	3300356	2	Nut-Acorn 5/16"-18NC	
122	4060803	A/R	Shield, Flex Trim	

## SECTION 4 PLATFORM

**FIGURE 4-1. PLATFORM INSTALLATION (GULLWING) (CONTINUED)**

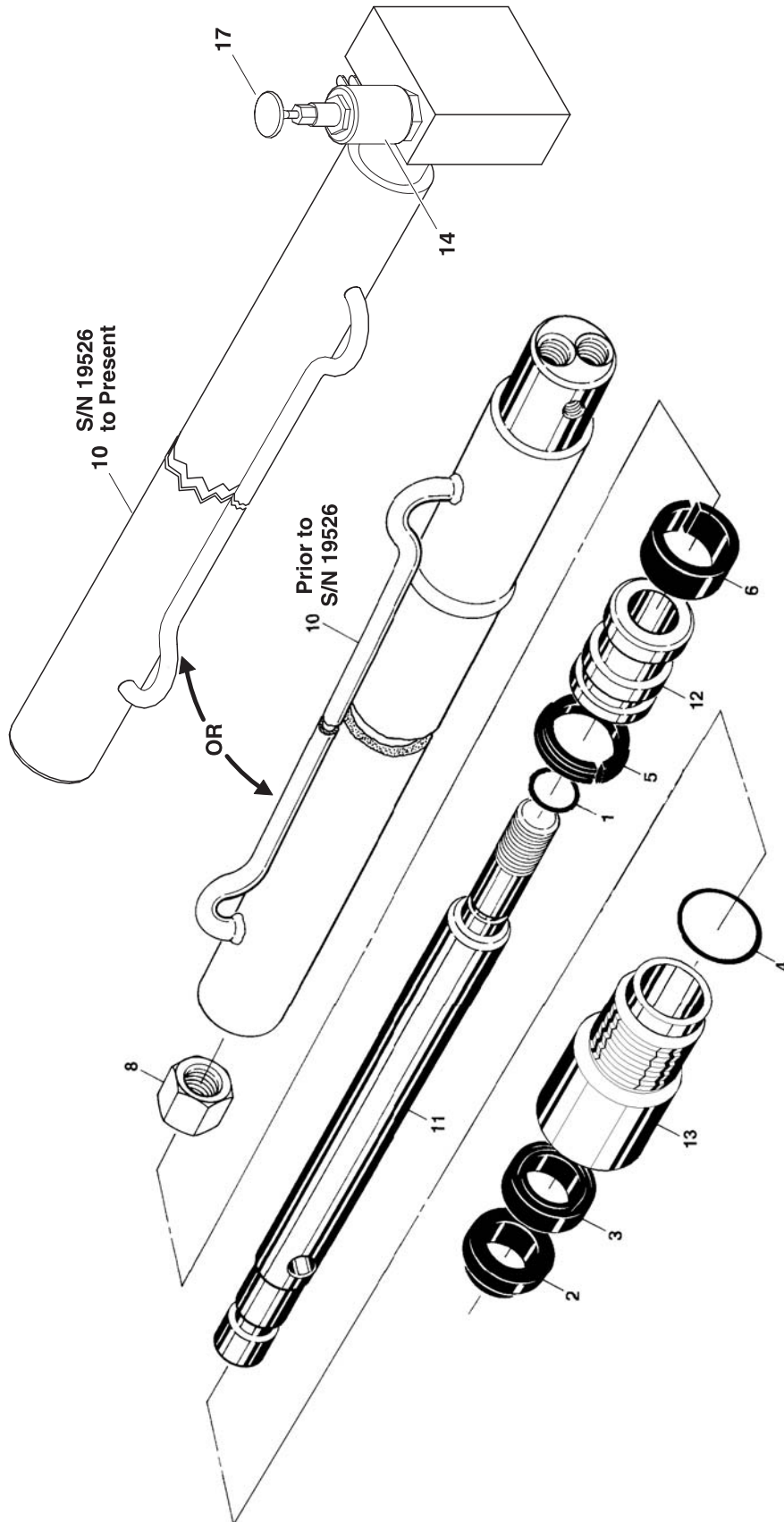
ITEM #	PART NUMBER	QTY.	DESCRIPTION	REV.
	0255036	Ref.	<b>Tool Tray Assembly (Optional)</b>	2
201	0860947	1	Tool Box	
202	0902079	1	Bracket, Mounting	
203	3421453	1	Pin, Snap	
204	3900204	2	Bolt, Carriage # 10-24NC x 1/2"	
205	3300391	2	Wingnut # 10-24NC	
206	3760170	1	Snap - Pin	
207	1060380	1	Cable, Lanyard	
208	4280296	4ft/1.2m	Strip, Wear	
209	1702365	1	Decal - JLG (Not Shown)	



# **SECTION 5 CYLINDER**

# SECTION 5 CYLINDER

## FIGURE 5-1. LIFT CYLINDER ASSEMBLY



## SECTION 5 CYLINDER

**FIGURE 5-1. LIFT CYLINDER ASSEMBLY**

ITEM #	PART NUMBER	QTY.	DESCRIPTION	REV.
		Ref.	<b>LIFT CYLINDER ASSEMBLIES OPTIONS:</b>	
	1683699	Ref.	<b>Prior to S/N 19526</b>	C
	1684088	Ref.	<b>S/N 19526 to S/N 19590</b>	H
	1684271	Ref.	<b>S/N 19590 to Present</b>	C
1	Kit	1	O-Ring	
2	Kit	1	Wiper	
3	Kit	1	Seal	
4	Kit	1	O-Ring	
5	Kit	1	Seal	
6	Kit	1	Ring, Wear	
7	Not Used			
8		1	Locknut Options:	
	7003246		Prior to S/N 19526	
	7023391		S/N 19526 to Present	
9	Not Used			
10		1	Barrel Options:	
	7019839		Prior to S/N 19526	
	Not Available		S/N 19526 to Present	
11		1	Rod Options:	
	7019838		Prior to S/N 19526	
	7023393		S/N 19526 to Present	
12		1	Piston Options:	
	7019835		Prior to S/N 19526	
	7023392		S/N 19526 to Present	
13		1	Head Options:	
	7019834		Prior to S/N 19526	
	7023394		S/N 19526 to Present	
14	7023396	1	Poppet, Solenoid Valve (S/N 19526 to Present Only)	
15	7023397	1	Spring (Not Shown - S/N 19526 to Present Only)	
16		1	Control Valve Options: (Not Shown)	
	7023398		Prior to S/N 19590	
	7024407		S/N 19590 to Present	
17	7023399	1	Knob-Red	
			-----	
	7019833	1	Seal Kit - 1683699 Cylinder (Includes Items 1-6)	
	7023395		Seal Kit - 1684088 & 1684271 Cylinders (Includes Items 1-6)	

# SECTION 5 CYLINDER

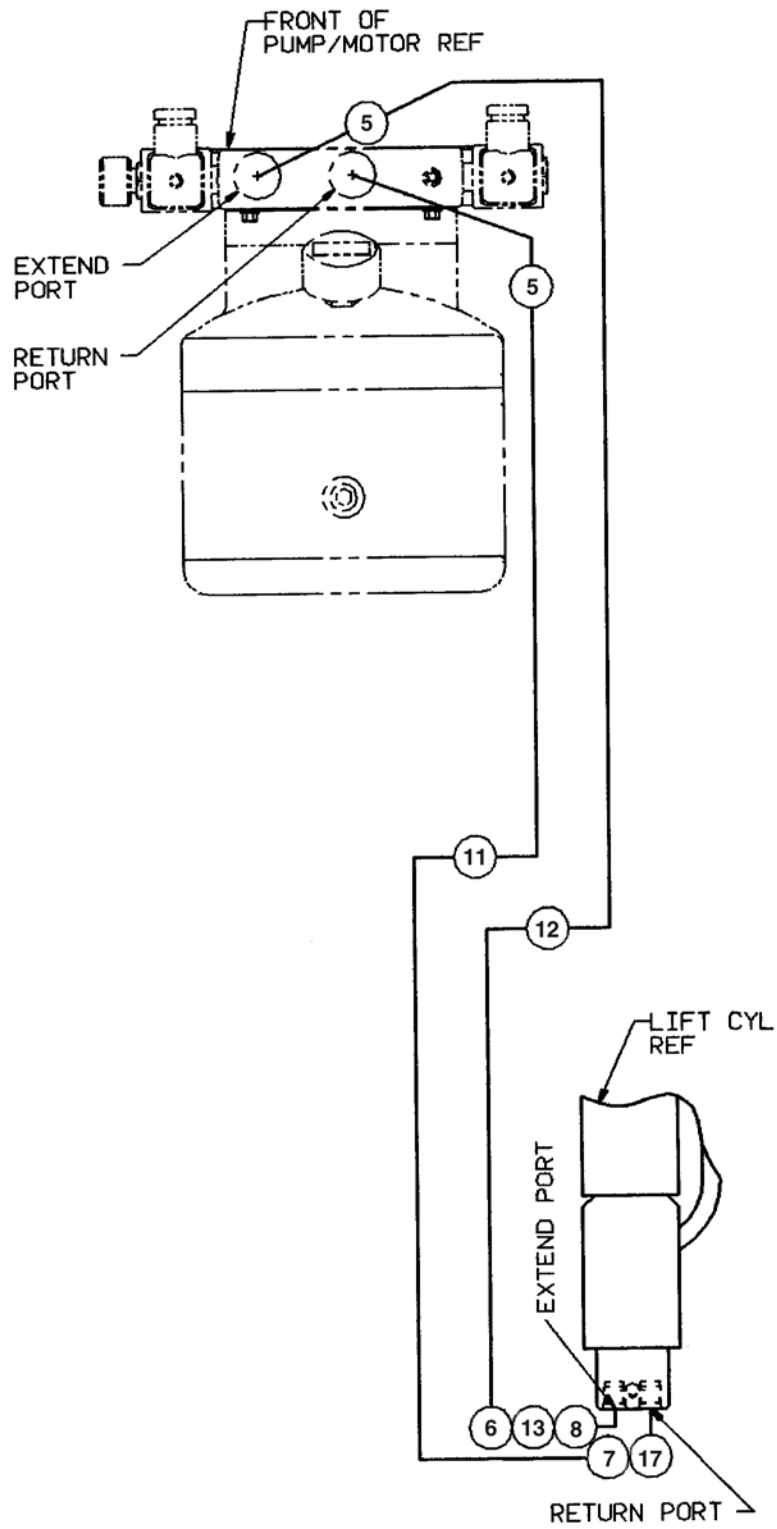
## FIGURE 5-1. LIFT CYLINDER ASSEMBLY (CONTINUED)

ITEM #	PART NUMBER	QTY.	DESCRIPTION	REV.

# **SECTION 6 HYDRAULIC**

# SECTION 6 HYDRAULIC

## FIGURE 6-1. HYDRAULIC DIAGRAM



## SECTION 6 HYDRAULIC

**FIGURE 6-1. HYDRAULIC DIAGRAM**

ITEM #	PART NUMBER	QTY.	DESCRIPTION	REV.
		Ref.	<b>HYDRAULIC DIAGRAM OPTIONS:</b>	
	0259294	Ref.	<b>Prior to S/N 19526</b>	A
	0272235/ 2792491	Ref.	<b>S/N 19526 to Present</b>	A
1	0100020	A/R	Loctite #567 (Not Shown)	
2 to 4	Not Used			
5	2220473	A/R	Fitting	
6	2220773	1	Fitting, 90° (Prior to S/N 19526 Only)	
7	2220507	1	Fitting, 90° (Prior to S/N 19526 Only)	
8	2220875	1	Fitting (Prior to S/N 19526 Only)	
9 to 10	Not Used			
11		1	Tube, Return Options:	
	4567669		Prior to S/N 19526	
	4568227		S/N 19526 to Present	
12		1	Tube, Extension Options:	
	4567670		Prior to S/N 19526	
	4568228		S/N 19526 to Present	
13	4640956	1	Valve, Flow (Prior to S/N 19526 Only)	
14 to 16	Not Used			
17	2220603	A/R	Fitting	

# SECTION 6 HYDRAULIC

FIGURE 6-1. HYDRAULIC DIAGRAM (CONTINUED)

ITEM #	PART NUMBER	QTY.	DESCRIPTION	REV.



# **SECTION 7 ELECTRICAL**

# SECTION 7 ELECTRICAL

**FIGURE 7-1. ELECTRICAL DIAGRAM LIST**

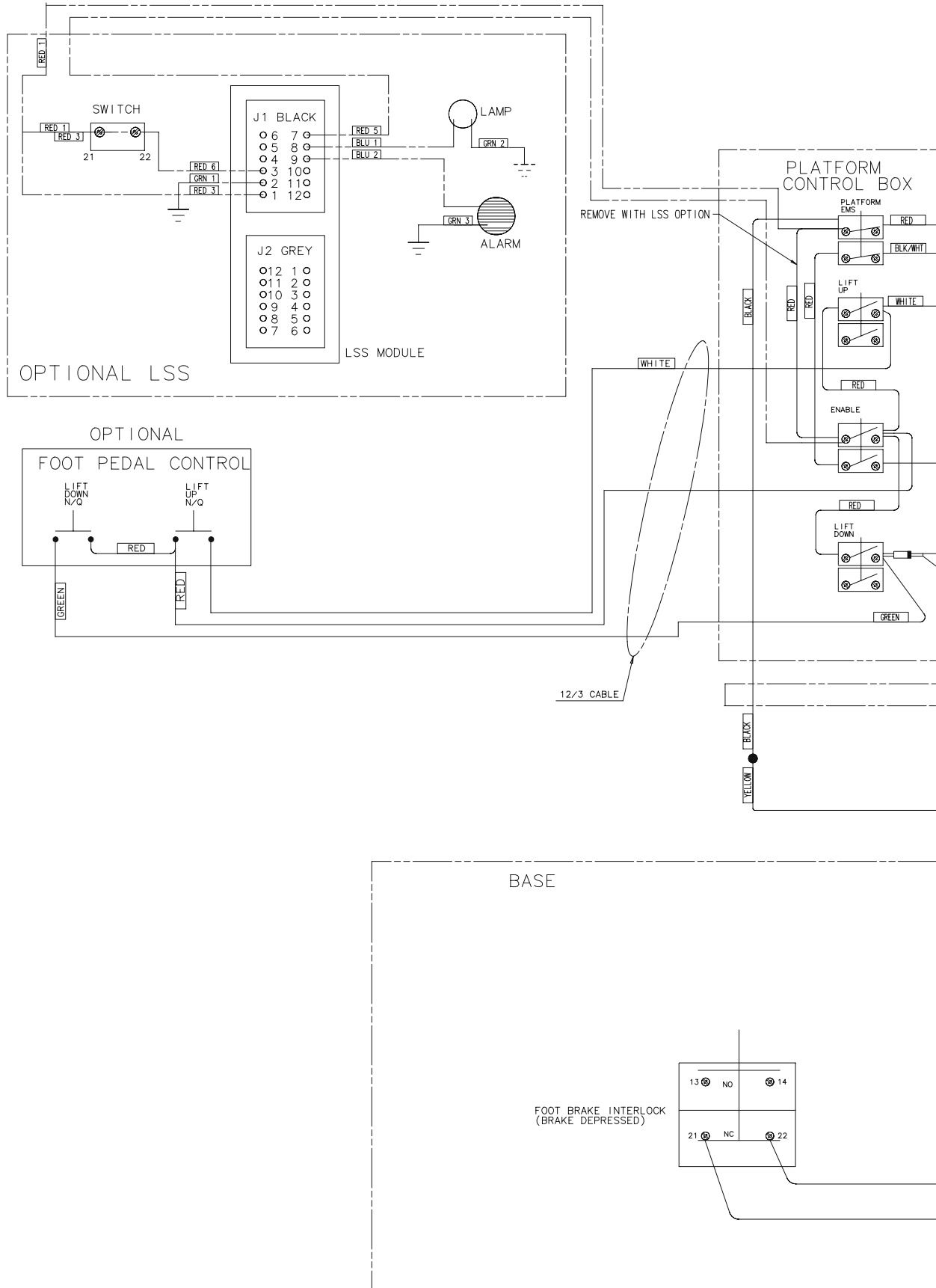
ITEM #	PART NUMBER	QTY.	DESCRIPTION	REV.
		Ref.	<b>ELECTRICAL DIAGRAMS AND COMPONENTS LIST</b> Note: Diagrams with asterisks (*) are shown in the following pages. Diagrams not shown are available from the JLG Service Department.	
	4933076	Ref.	<b>ELECTRICAL DIAGRAM - 12VDC (PRIOR TO S/N 19526)</b>	3/C
	4460044	1	Fuseholder	
	2400006	1	Fuse - 5 Amp	
	3990010	2	Diode - 6 Amp	
	4460424	1	Receptacle	
	4460268	2	Socket, Female	
	4922420	1	Harness, Potted Relay	
	4922412	1	Harness, Pump Harness	
	4933258*	Ref.	<b>ELECTRICAL DIAGRAM - 12VDC (S/N 19526 TO PRESENT)</b>	B
	4933077	Ref.	<b>ELECTRICAL DIAGRAM - 115VAC/60HZ (PRIOR TO S/N 19526)</b>	3/E
	4921661	1	Harness, Ground Control	
	4460044	1	Fuseholder	
	2400006	1	Fuse - 5 Amp	
	3990010	3	Diode - 6 Amp	
	4460424	1	Receptacle	
	4460268	2	Socket, Female	
	4933259*	Ref.	<b>ELECTRICAL DIAGRAM - 115VAC/60HZ (S/N 19526 TO PRESENT)</b>	4/F
	4922546	1	Harness, Ground Control	
	4922830	1	Harness, Power Distribution (Prior to S/N 23728)	
	4460424	2	Receptacle (Prior to S/N 20701 Only)	
	4460268	1	Socket, Female (Prior to S/N 20701 Only)	
	4933305*	Ref.	<b>ELECTRICAL DIAGRAM - AC BOX (S/N 23728 TO PRESENT)</b>	A

**SECTION 7 ELECTRICAL**

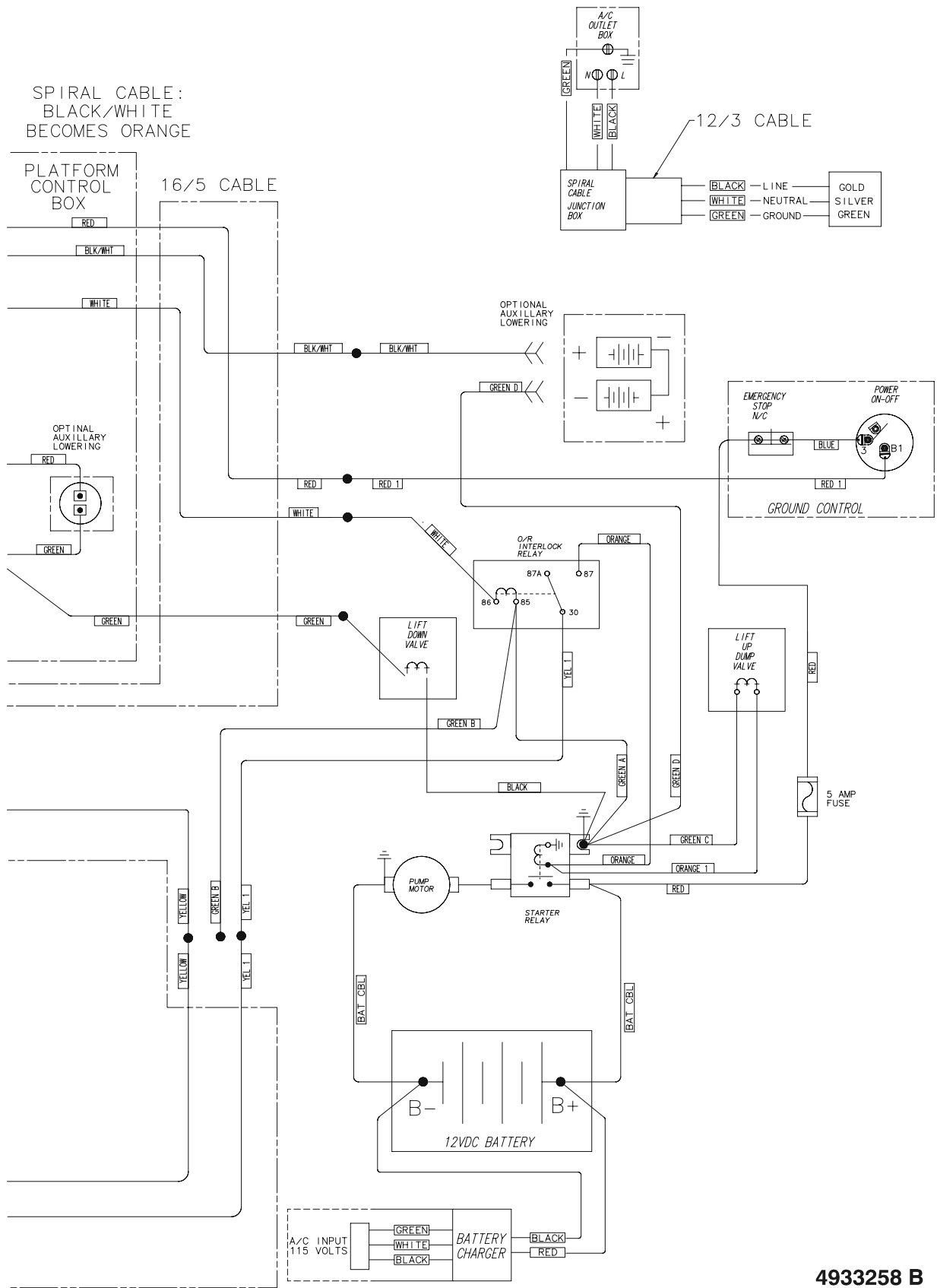
ITEM #	PART NUMBER	QTY.	DESCRIPTION	REV.

# SECTION 7 ELECTRICAL

FIGURE 7-2. ELECTRICAL DIAGRAM - 12VDC



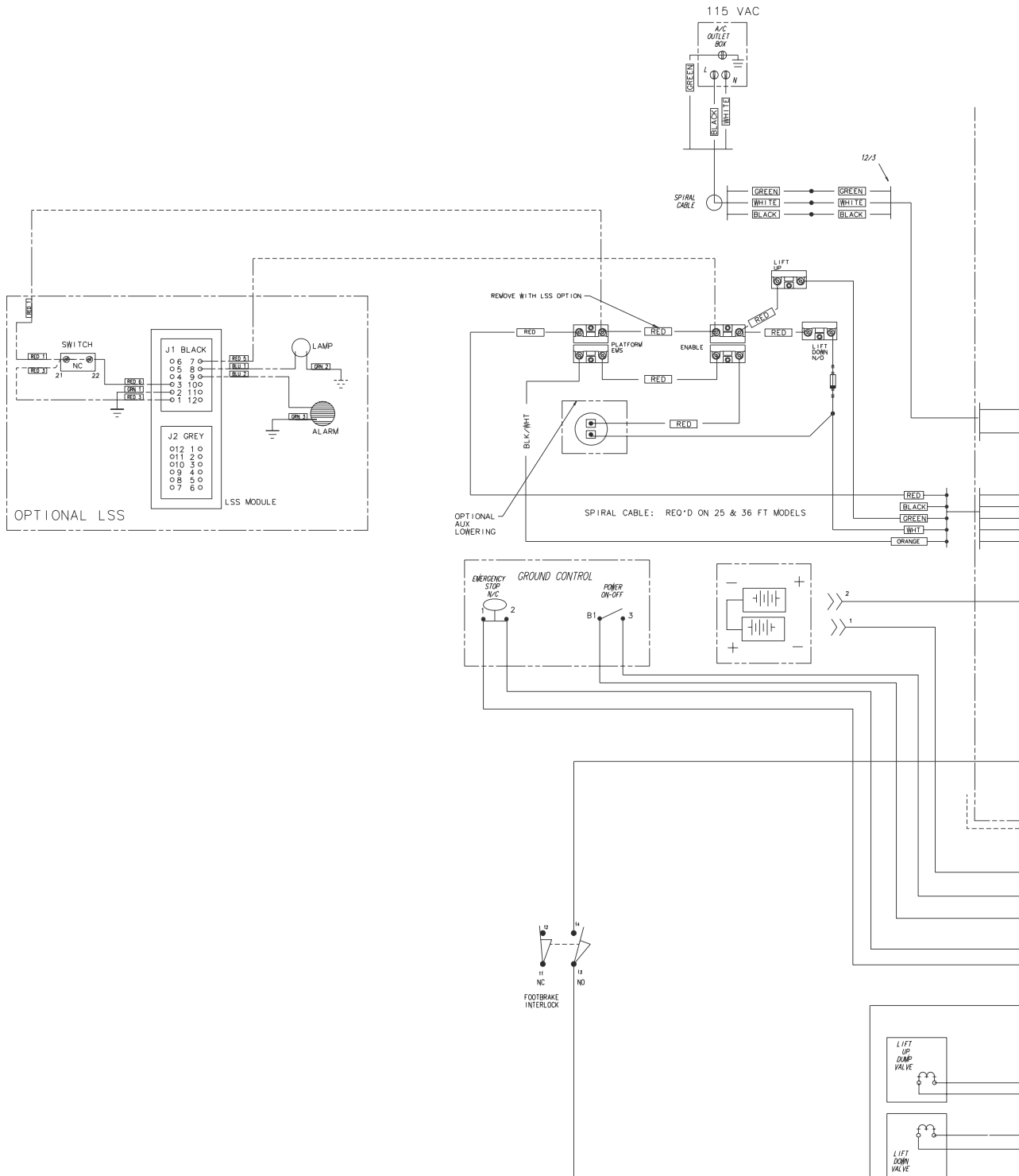
# SECTION 7 ELECTRICAL



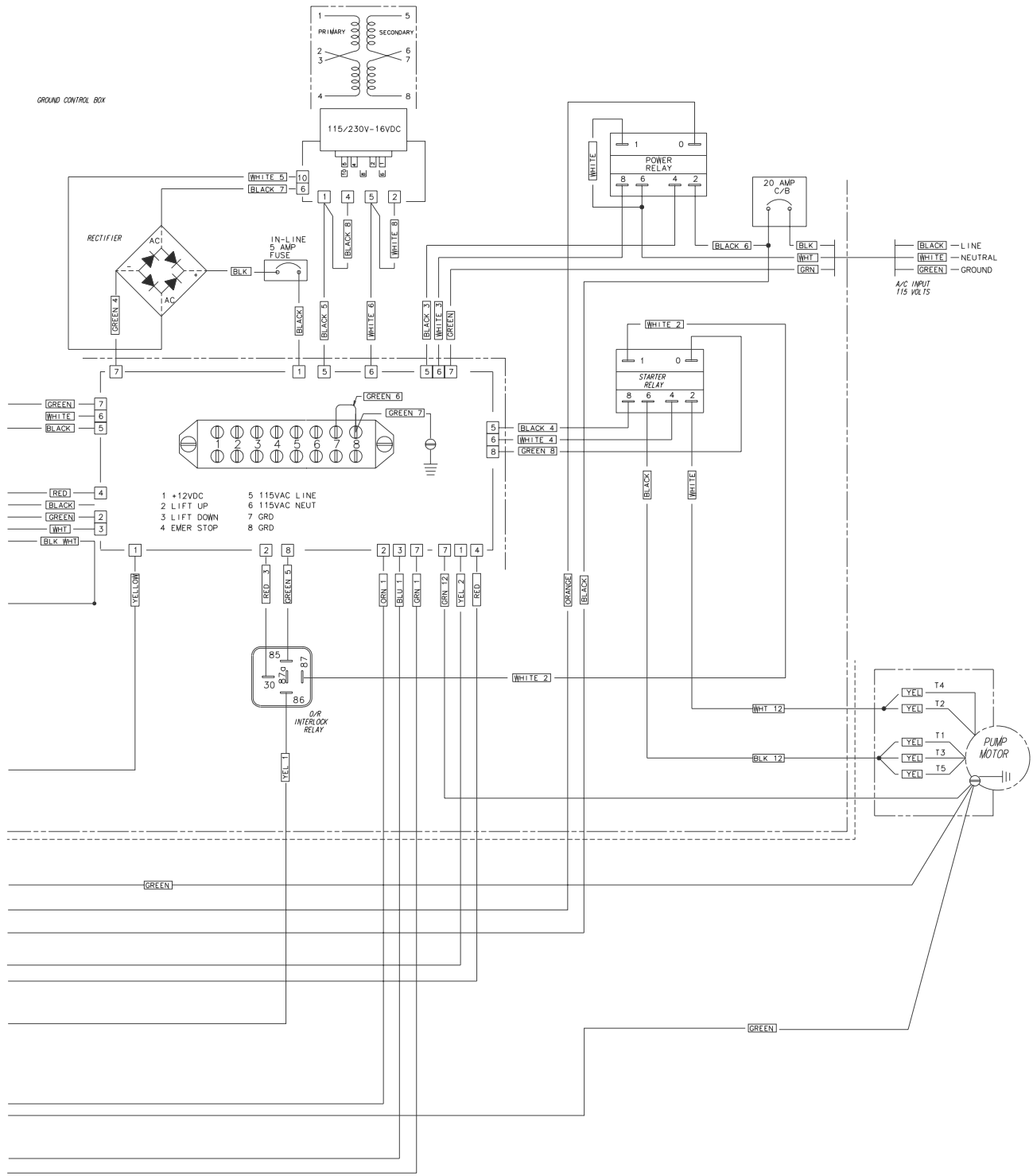
4933258 B

# SECTION 7 ELECTRICAL

FIGURE 7-3. ELECTRICAL DIAGRAM - 115VAC



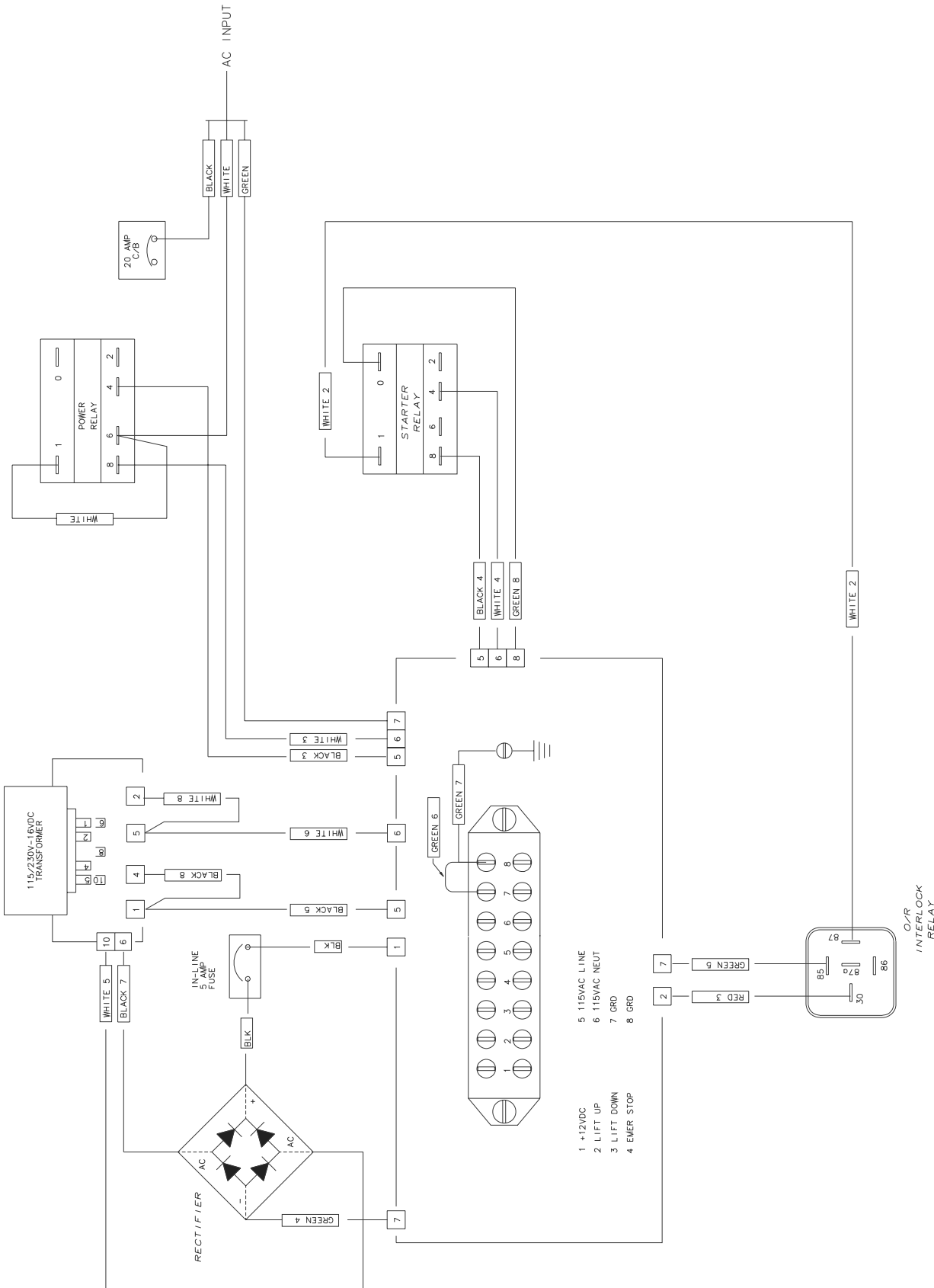
# SECTION 7 ELECTRICAL



4933259 - F

# SECTION 7 ELECTRICAL

FIGURE 7-4. ELECTRICAL DIAGRAM - AC BOX



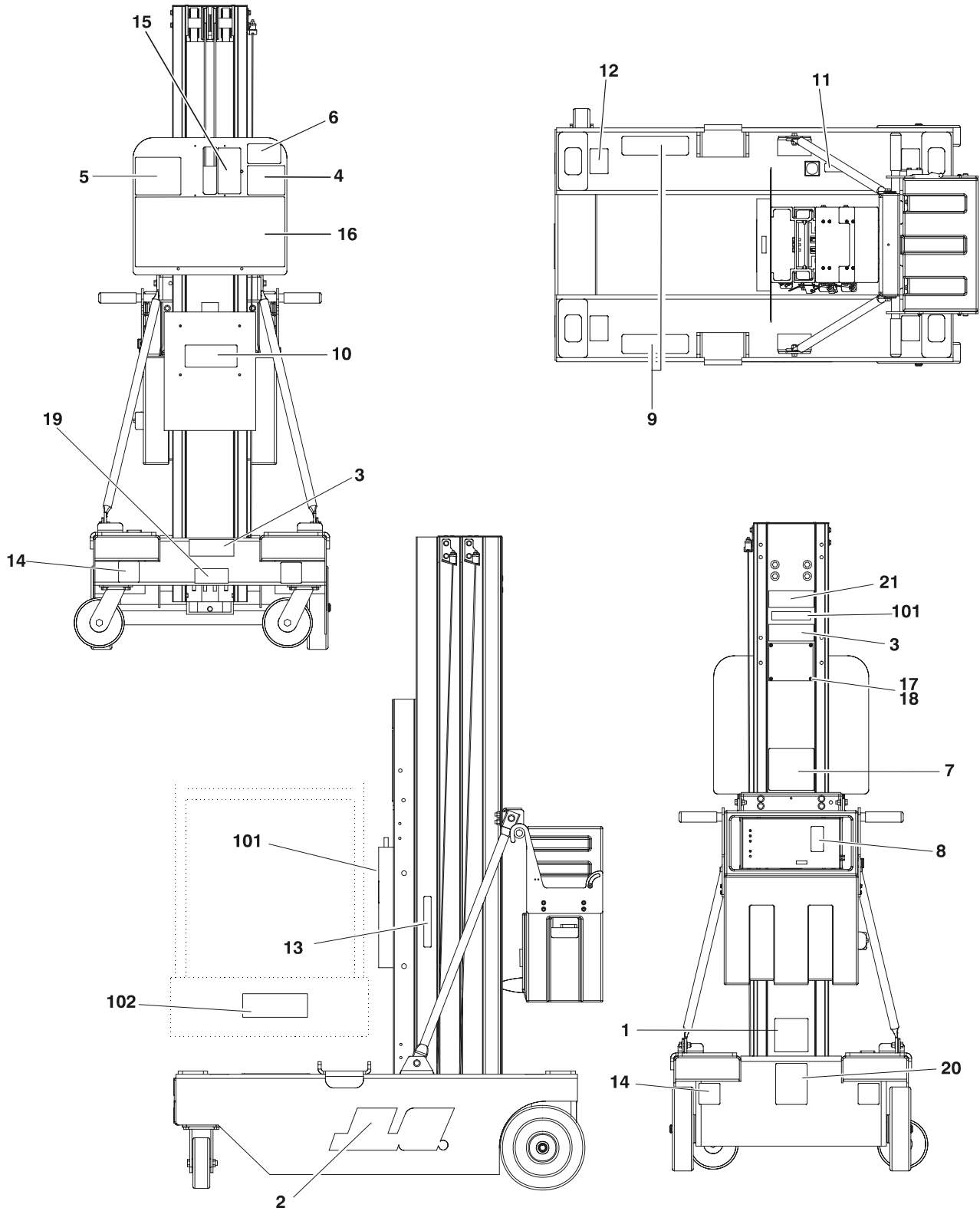
4933305 - A



# **SECTION 8 DECALS**

# SECTION 8 DECALS

## FIGURE 8-1. DECAL INSTALLATION



## SECTION 8 DECALS

**FIGURE 8-1. DECAL INSTALLATION**

ITEM #	PART NUMBER	QTY.	DESCRIPTION	REV.
		Ref.	<b>DECAL INSTALLATIONS</b>	
	0259082	Ref.	<b>Standard ANSI</b>	F
	0271153	Ref.	<b>JLG Logos</b>	A
1	Not Available	1	Decal - Barcode	
2	1703625	2	Decal - JLG	
3	1703681	2	Decal - JLG	
4	1703779	1	Decal - USA	
5	1703781	1	Decal - Electrical Hazard	
6	1704259	1	Decal - Capacity	
7	1703784	1	Decal - Crushing/Tipping Hazard	
8	1703785	1	Decal - Warning/ Fire Hazard	
9	1703786	2	Decal - Crushing Hazard	
10		1	Decal - Manual Options:	
	1703788		Prior to S/N 17864	
	1701509		S/N 17864 to Present	
11	1703789	1	Decal - Level Indicator	
12	1703814	4	Decal - Tie Down	
13	1703815	1	Decal - Lanyard Attach	
14	1703817	4	Decal - Forklift	
15	1704212	1	Decal - Function Controls	
16	1704221	1	Decal - Warning	
17	Not Available	1	Nameplate - Serial Number	
18	3820006	4	Rivet, Pop	
19	1704244	1	Decal - Foot Stop	
20	1700584	1	Decal - Patent (S/N 15058 to Present Only)	
21	1704386	1	Decal - ELI Model Designation	
	0259457	Ref.	<b>ELECTRIC LADDER DECAL INSTALLATION</b>	A
101	1704393	2	Decal - JLG Service Support	
102	1704394	2	Decal - Electric Ladder Logo	

# SECTION 8 DECALS

FIGURE 8-1. DECAL INSTALLATION (CONTINUED)

ITEM #	PART NUMBER	QTY.	DESCRIPTION	REV.

## SECTION 9 RECOMMENDED SERVICE PARTS STOCK

### 15ELI

The following list will service one machine (built to current production per date on the front cover) with emergency repair parts which can be installed in the field. Parts from the list should be replaced when inventory is depleted to keep service parts stock supplied. For further information, contact your JLG dealer or the JLG Industries Parts Department.

Part Number	Description	Qty./Machine
<b>STANDARD PARTS</b>		Ref.
3740049	Relay (Figures 2-2 & 2-4)	1
7016714	Filler/Breather Assembly (Figures 2-3 & 2-7)	1
7016751	Solenoid (Figures 2-3 & 2-7)	1
7020078	Switch, Push/Pull Stop (Figures 2-4 & 2-8)	1
4360467	Switch, Key (Figure 2-4)	1
2860030	Key Replacement (Figure 2-4)	1
7020088	Switch, Push Button (White) (Figure 2-8)	1
7020089	Switch, Push Button (Green) (Figure 2-8)	1
7020090	Switch, Push Button (White) (Figure 2-8)	1
2400006	Fuse 5-Amp (Figure 7-1)	2
<b>VARIABLE PARTS</b>		Ref.
7017440	Relay, Starter (AC Machines) (Figure 2-2)	1
3740093	Relay, Starter (115V AC Machines) (Figure 2-2)	1
4360161	Breaker, Circuit - 20 Amp (115V AC Machines) (Figure 2-2)	1
4360376	Rectifier (AC Machines) (Figure 2-2)	1
4530013	Transformer (115V AC Machines) (Figure 2-2)	1
7011509	Breaker, Circuit - 50 Amp (DC Machines) (Figure 2-6)	1
7018536	Breaker, Circuit - 3 Amp (DC Machines) (Figure 2-6)	1

# SECTION 9 RECOMMENDED SERVICE PARTS STOCK

## 15ELI

The following list will service one machine (built to current production per date on the front cover) with emergency repair parts which can be installed in the field. Parts from the list should be replaced when inventory is depleted to keep service parts stock supplied. For further information, contact your JLG dealer or the JLG Industries Parts Department.

Part Number	Description	Qty./Machine

## SECTION 10 SPECIAL OPTIONS

**Note:** This list is to accommodate machines ordered with special equipment. Options may not be applicable to all models. For more specific parts information contact JLG Parts Department.

FIG&ITEM#	PART NUMBER	QTY.	DESCRIPTION	REV.
		Ref.	<b>MISCELLANEOUS SPECIAL OPTIONS</b>	
	0255036	Ref.	Tool Tray Assembly (See Figure 4-1)	
		Ref.	<b>Special Tools:</b>	
	7002821	1	Crimper (For Wire to Pin/Socket Connections)	
	1283078	1	Decal, Chart - Sunbelt	
	7002823	1	Extractor (For Removal of Pin/Socket Connectors)	
	4460467	1	Extractor 16-18 Gauge (For Wire to Pin/Socket from Deutsch Connectors)	
	4460510	1	Extractor 12-14 Gauge (For Wire to Pin/Socket from Deutsch Connectors)	
	7016654	1	Screwdriver, Magnetic	
	7004275	1	Seal Tool - 1"	
	7004276	1	Seal Tool - 1 1/2"	
	7002826	1	Seal Tool 2"	
	8896941	1	Stripper, Wire	

## SECTION 10 SPECIAL OPTIONS

**Note:** This list is to accommodate machines ordered with special equipment. Options may not be applicable to all models. For more specific parts information contact JLG Parts Department.

FIG&ITEM#	PART NUMBER	QTY.	DESCRIPTION	REV.



## SECTION 11 PART NUMBER INDEX

Part Number	Page	Part Number	Page	Part Number	Page	Part Number	Page
0100001	1-4	0641618	3-3	1684271	3-3, 5-3	3311505	2-3, 2-13, 2-17, 4-3
0100011	2-13, 2-17, 2-25, 2-26, 3-3	0641808	1-4	1700584	8-3	3311601	3-3
0100020	6-3	0641812	3-3	1701509	8-3	3311605	1-3, 1-4, 2-3, 2-14, 2-25, 3-3, 3-7
0100062	3-4	0681812	3-7	1701612	4-3	3311805	1-4
0140033	1-4	0720805	2-17	1702120	2-7	3340845	3-3
0255036	4-4, 10-1	0721006	2-3, 2-13, 2-26, 4-3	1702353	2-3, 2-14	3340846	3-3
0256559	3-7	0721008	2-17	1702365	2-7, 4-4	3340858	3-3
0256808	1-4	0721014	2-13	1702569	2-7	3421453	4-4
0258203	2-17	0791605	2-13	1703455	3-7	3422265	3-4
0258448	3-7	0801150	3-3	1703625	8-3	3422657	4-3
0258482	2-26	0801333	3-3	1703681	8-3	3422717	3-3
0258498	2-17	0860520	4-3	1703779	8-3	3450201	3-4
0258588	4-3	0860911	2-7	1703781	8-3	3520028	2-7
0259070	1-3	0860933	2-3, 2-7	1703784	8-3	3520034	2-7, 2-26
0259071	1-4	0860943	2-7	1703785	8-3	3520072	4-3
0259074	4-3	0860945	2-25	1703786	8-3	3539814	3-7
0259079	2-25	0860946	2-26	1703788	8-3	3539920	1-4
0259082	8-3	0860947	4-4	1703789	8-3	3539921	1-4
0259104	1-4	0861192	2-17	1703814	8-3	3570462	4-3
0259205	2-13	0861193	2-17	1703815	8-3	3570893	3-3
0259206	2-3	0861207	2-25	1703817	8-3	3570923	2-25
0259294	2-3, 2-14, 6-3	0861212	2-3, 2-13	1704212	8-3	3570976	3-7
0259457	8-3	0861305	2-3, 2-13	1704221	8-3	3580217	3-3
0270163	2-17	0902047	3-3	1704236	2-26	3580231	2-25
0270489	2-25	0902054	2-13	1704244	8-3	3580269	3-3
0270490	2-25	0902079	4-4	1704259	8-3	3580286	3-3
0270746	2-26	0902423	3-3	1704277	3-7	3580344	2-25
0270972	2-26	0902424	3-3	1704386	8-3	3600264	2-3, 2-9
0271153	8-3	0902431	3-3	1704393	8-3	3600291	2-13, 2-21
0272230	1-3	0902442	2-17	1704394	8-3	3600353	2-3, 2-9
0272232	1-4	0902445	3-3	1704582	1-4, 2-4	3600355	2-13, 2-21
0272235	2-3, 2-14, 6-3	0902523	1-4	2220473	6-3	3740013	2-13
0272237	2-13	0920114	1-4	2220507	6-3	3740049	2-7, 2-13, 9-1
0272238	2-3	0940085	2-17	2220603	6-3	3740080	2-13
0362735	3-3	1060380	4-3, 4-4	2220773	6-3	3740093	2-7, 9-1
0400122	2-17	1060518	2-13	2220875	6-3	3740113	2-13
0400144	2-17	1060564	2-26	2400006	7-2, 9-1	3760170	4-4
0400176	2-17, 2-19	1060565	2-26	2420140	1-4	3760348	1-3
0400223	2-17	1060570	2-17	2420195	2-17	3820001	2-17
0561150	3-4	1060571	2-13	2560088	1-4	3820006	8-3
0561306	3-4	1060683	3-3	2600225	4-3	3820024	4-3
0561409	3-4	1060687	2-25	2792491	6-3	3820032	2-25
0630486	2-3, 2-13	1060694	2-25	2860030	2-13, 9-1	3820034	3-3
0641403	2-13	1060696	3-3	2880310	3-3	3900032	4-3
0641404	2-3, 2-13, 2-14	1060922	2-25	2901602	3-4	3900187	3-3
0641406	1-4, 2-3, 2-17, 3-3	1060923	2-26	2940074	4-3	3900190	2-17
0641407	3-3	1260299	3-4	2940111	2-17	3900191	2-25
0641408	4-3	1260329	3-3, 3-4	3020017	1-3	3900192	3-3
0641410	2-25, 3-3	1271389	3-3	3252761	2-26	3900200	2-25
0641412	2-17	1271390	3-3	3271805	3-7	3900204	4-4
0641414	4-3	1271392	3-3	3300356	4-3	3900205	3-3
0641508	3-3	1271393	3-3	3300391	4-4	3900206	3-3
0641606	2-13	1271411	3-3	3310805	2-17	3900258	4-3
0641607	1-3	1283078	10-1	3311001	1-4, 2-26	3900373	2-25
0641608	2-13	1320149	2-25	3311005	2-3, 2-13, 2-17, 4-3	3910808	2-7
0641609	1-4	1320224	2-14	3311401	2-17	3911020	1-4
0641612	2-25, 3-7	1670603	2-25	3311405	1-4, 2-3, 2-17, 2-25, 3-3, 4-3	3931516	2-9
0641614	2-3, 2-14	1683699	3-3, 5-3	3311501	2-17	3990010	7-2
		1684088	3-3, 5-3				

# SECTION 11 PART NUMBER INDEX

Part Number	Page	Part Number	Page	Part Number	Page	Part Number	Page
4060092	2-26	4740007	3-4	7012630	1-3	7018555	2-19
4060803	4-3	4740414	3-4	7012631	1-3	7018556	2-19
4060875	2-4, 2-14	4740415	1-3	7013701	2-10, 2-22	7018586	2-19
4060960	3-3	4740456	1-3	7013708	2-9, 2-21	7019833	5-3
4060961	3-4	4750800	2-17, 3-4	7013710	2-21	7019834	5-3
4061024	2-4, 2-14	4751000	1-4, 2-3, 2-13, 2-17, 2-26, 4-3	7013713	2-9, 2-21	7019835	5-3
4070860	3-4	4751400	1-4, 2-3, 2-13, 2-17	7013714	2-9, 2-21	7019838	5-3
4070861	3-4	4751500	2-3, 2-13, 2-17, 2-26	7013716	2-9, 2-21	7019839	5-3
4070862	3-4	4751600	2-13, 3-4	7013717	2-9, 2-21	7020017	1-3
4070970	3-4	4751800	3-7	7013720	2-10, 2-22	7020032	2-19
4070971	3-4	4761000	1-4, 2-26, 3-4	7013722	2-9, 2-21	7020074	1-3
4070984	2-4, 2-14	4761400	3-4	7013723	2-9	7020078	2-13, 2-25, 9-1
4160124	3-4	4761500	2-14, 3-4	7013726	2-22	7020083	1-3
4160130	2-25	4845345	3-7	7013727	2-9	7020084	1-3
4160165	4-3	4845712	2-3	7013728	2-9, 2-21	7020086	1-3
4240032	1-3	4845714	2-13	7013743	2-9, 2-21	7020088	2-25, 9-1
4240033	1-4, 2-26	4845715	1-4	7013745	2-10	7020089	2-25, 9-1
4280296	4-4	4845715	1-4	7013748	2-9, 2-10, 2-21	7020090	2-3, 2-13, 9-1
4300111	3-4	4845731	3-4	7013757	2-21	7020091	2-25
4360161	2-7, 9-1	4845795	3-4	7013758	2-21	7020093	2-3, 2-13, 2-25
4360274	2-26	4845808	4-3	7013760	2-21	7020094	2-3, 2-13
4360376	2-7, 9-1	4845813	4-3	7013763	2-10	7020095	2-3
4360456	1-4	4845821	4-3	7013764	2-9, 2-21	7020096	2-3, 2-13
4360467	2-13, 9-1	4845885	1-3	7013766	2-21	7020097	2-3, 2-13
4420039	4-3	4846021	4-3	7013779	2-10, 2-22	7020098	2-3, 2-13
4460023	2-25, 2-26	4846514	3-4	7013787	2-9	7020209	1-3
4460035	2-26	4846613	1-3	7013792	2-9, 2-21	7020605	2-19
4460044	7-2	4860183	1-3	7013793	2-9, 2-21	7020626	2-19
4460115	2-26	4860184	1-3	7013794	2-10	7020627	2-19
4460145	2-26	4860202	1-3	7013795	2-21	7020629	2-19
4460190	2-25, 2-26	4860245	1-3	7016339	2-3, 2-13	7020631	2-19
4460234	1-3, 1-4	4860246	1-3	7016654	10-1	7020633	2-19
4460268	7-2	4921661	7-2	7016713	2-21	7022219	2-9, 2-21
4460424	7-2	4921663	2-7	7016714	2-10, 2-22, 9-1	7022220	2-10, 2-22
4460467	10-1	4922412	7-2	7016717	2-10, 2-22	7022223	2-21
4460510	10-1	4922420	2-26, 7-2	7016720	2-21	7022224	2-10, 2-22
4460549	2-26	4922546	7-2	7016721	2-9, 2-21	7022225	2-9
4460565	2-7	4922561	1-4	7016722	2-9	7022226	2-9
4460566	2-3, 2-25	4922652	2-25	7016735	2-9, 2-21	7023391	5-3
4460633	2-3, 2-7	4922653	2-26	7016751	2-9, 2-21, 9-1	7023392	5-3
4460662	1-4	4922740	2-14	7016753	2-10, 2-22	7023393	5-3
4530013	2-7, 9-1	4922805	1-4	7016755	2-10, 2-22	7023394	5-3
4567491	3-4	4922830	7-2	7016756	2-9	7023395	5-3
4567605	2-13	4923034	2-7	7016757	2-9	7023396	5-3
4567635	3-4	4923131	2-7	7016758	2-9	7023397	5-3
4567669	6-3	4923163	2-25	7016759	2-9, 2-21	7023398	5-3
4567670	6-3	4933076	7-2	7016760	2-9	7023399	5-3
4567824	1-4	4933077	7-2	7016761	2-9	7024407	5-3
4568227	6-3	4933258	7-2	7016764	2-9	7024561	1-3
4568228	6-3	4933259	7-2	7016765	2-9	7027299	2-25
4640956	6-3	4933305	2-7, 7-2	7016770	2-21	7027787	2-3
4711400	2-4, 2-13, 2-14, 2-25, 3-4, 4-3	7002821	10-1	7016771	2-21	8896941	10-1
4711500	3-4	7002823	10-1	7016772	2-21	9984088	2-4
4711600	1-3, 1-4, 2-4, 2-14, 2-25, 3-7, 4-3	7002826	10-1	7016773	2-21		
4711800	1-4, 3-4	7003246	5-3	7016775	2-21		
4712200	1-3	7004275	10-1	7016776	2-21		
4712600	3-4	7004276	10-1	7016786	2-21		
		7011509	2-19, 9-1	7017440	2-7, 9-1		
		7011528	2-19	7018536	2-19, 9-1		





Corporate Office  
JLG Industries, Inc.  
1 JLG Drive  
McConnellsburg PA. 17233-9533  
USA  
Phone: (717) 485-5161  
Fax: (717) 485-6417

## JLG Worldwide Locations

---

JLG Industries (Australia)  
P.O. Box 5119  
11 Bolwarra Road  
Port Macquarie  
N.S.W. 2444  
Australia  
Phone: (61) 2 65 811111  
Fax: (61) 2 65 810122

JLG Industries (UK)  
Unit 12, Southside  
Bredbury Park Industrial Estate  
Bredbury  
Stockport  
SK6 2sP  
England  
Phone: (44) 870 200 7700  
Fax: (44) 870 200 7711

JLG Deutschland GmbH  
Max Planck Strasse 21  
D-27721 Ritterhude/Ihlpohl  
Bei Bremen  
Germany  
Phone: (49) 421 693 500  
Fax: (49) 421 693 5035

JLG Industries (Italia)  
Via Po. 22  
20010 Pregnana Milanese - MI  
Italy  
Phone: (39) 02 9359 5210  
Fax: (39) 02 9359 5845

JLG Latino Americana Ltda.  
Rua Eng. Carlos Stevenson,  
80-Suite 71  
13092-310 Campinas-SP  
Brazil  
Phone: (55) 19 3295 0407  
Fax: (55) 19 3295 1025

JLG Europe B.V.  
Jupiterstraat 234  
2132 HJ Foofddorp  
The Netherlands  
Phone: (31) 23 565 5665  
Fax: (31) 23 557 2493

JLG Industries (Norge AS)  
Sofeimyrveien 12  
N-1412 Sofienyr  
Norway  
Phone: (47) 6682 2000  
Fax: (47) 6682 2001

JLG Polska  
Ul. Krolewska  
00-060 Warszawa  
Poland  
Phone: (48) 91 4320 245  
Fax: (48) 91 4358 200

JLG Industries (Europe)  
Kilmartin Place,  
Tannochside Park  
Uddingston G71 5PH  
Scotland  
Phone: (44) 1 698 811005  
Fax: (44) 1 698 811055

JLG Industries (Pty) Ltd.  
Unit 1, 24 Industrial Complex  
Herman Street  
Meadowdale  
Germiston  
South Africa  
Phone: (27) 11 453 1334  
Fax: (27) 11 453 1342

Plataformas Elevadoras  
JLG Iberica, S.L.  
Trapadella, 2  
P.I. Castellbisbal Sur  
08755Castellbisbal  
Spain  
Phone: (34) 93 77 24700  
Fax: (34) 93 77 11762

JLG Industries (Sweden)  
Enkopingsvagen 150  
Box 704  
SE - 175 27 Jarfalla  
Sweden  
Phone: (46) 8 506 59500  
Fax: (46) 8 506 59534

---