



Illustrated Parts Manual

Models
400S
460SJ
Prior to
SN 0300096000

P/N
3120789

July 17, 2018 - Rev AM

ANSI



An Oshkosh Corporation Company

REVISION LOG

Notes:

Most 400S and 460SJ machines from SN 0300064404 to Present incorporate the ADE System, but no exact SN break exists. A machine that incorporates the ADE System can be outwardly identified by the analyzer connection at the base of the platform console box.

ADE SYSTEM IDENTIFICATION



Revision Log:

March 15, 2000 - A - Original Issue Of Manual (Edited to B/M 0010561 Revision 1)

July 1, 2000 - B - Revised Manual (Revised to B/M 0010561 Revision 2)

January 31, 2001 - C - Revised Manual (Revised to B/M 0010561 Revision 11)

October 16, 2001 - D - Revised (Manual Edited to B/M 0010561 Revision 23)

(Manual Revised to B/M 0010579 Revision 7 With ADE System)

September 30, 2002 - E - Revised (Manual Edited to B/M 0010579 Revision 23 With ADE System)

June 30, 2003 - F - Revised (Manual Edited to B/M 0010579 Revision 33 With ADE System)

September 15, 2003 - G - Revised (Manual Edited to B/M 0010579 Revision 43 With ADE System)

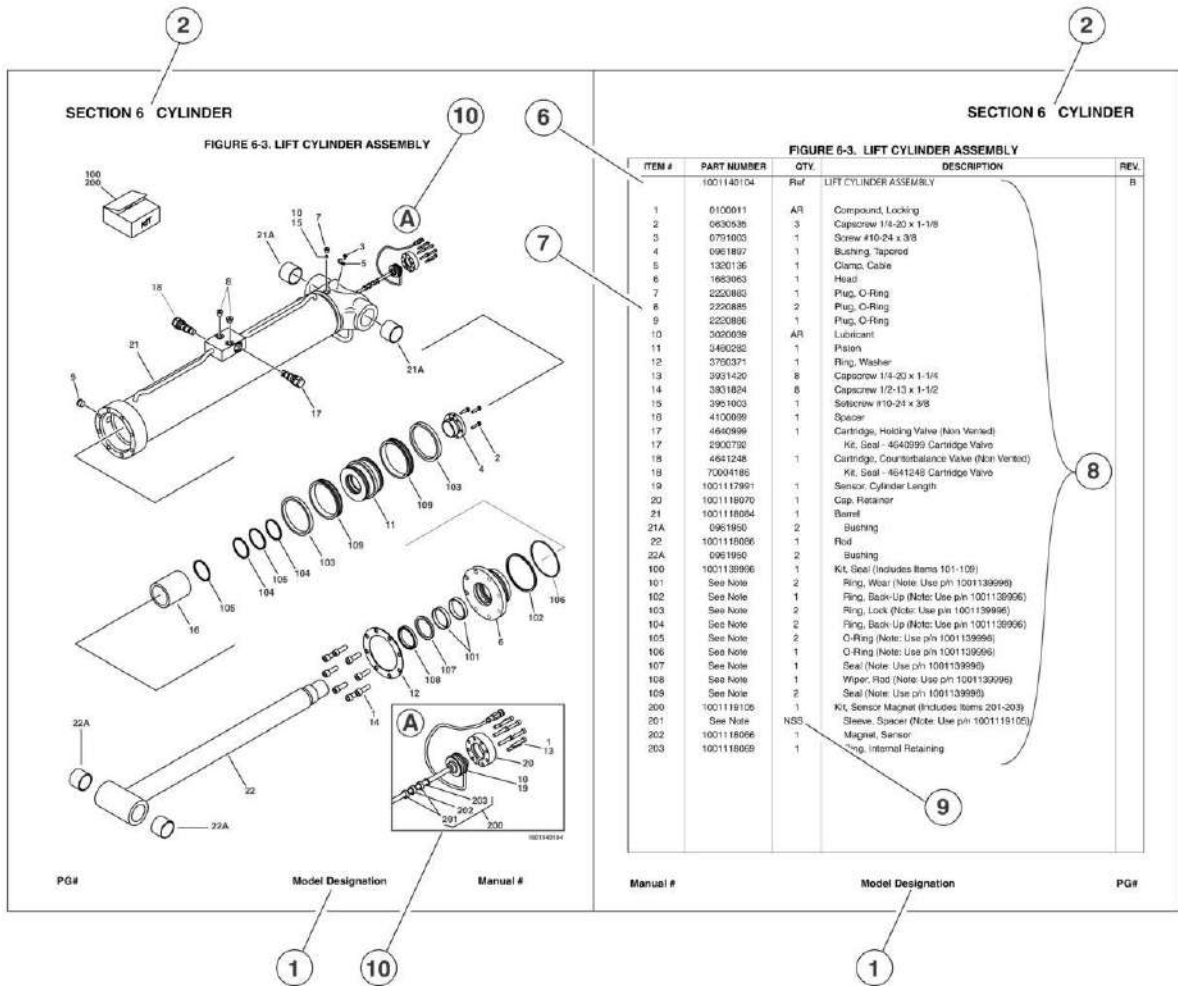
February 6, 2004 - H - Revised (Manual Edited to B/M 0010579 Revision 43 With ADE System)

REVISION LOG

Revision Log (Continued):

August 1, 2004 - I - Revised (Manual edited to B/M 0010579 Revision 51 With ADE system)
December 15, 2004 - J - Revised (Manual edited to B/M 0010579 Revision 52 With ADE syst
April 30, 2005 - K - Revised (Manual edited to B/M 0010579 Revision 58 With ADE system)
October 13, 2005 - L - Revised (Manual edited to B/M 0010579 Revision 64 With ADE syste
April 30, 2006 - M - Revised (Manual edited to B/M 0010579 Revision 67 With ADE system)
September 12, 2006 - N - Revised
January 3, 2007 - O - Revised
April 2, 2007 - P - Revised
August 31, 2007 - Q - Revised
January 11, 2008 - R - Revised
July 15, 2008 - S - Revised
March 1, 2009 - T - Revised
October 2, 2009 - U - Revised
July 21, 2010 - V - Revised
January 27, 2011 - W - Revised
May 16, 2011 - X - Revised
August 12, 2011 - Y - Revised
December 8, 2011 - Z - Revised
March 30, 2012 - AA - Revised
July 19, 2012 - AB - Revised
October 19, 2012- AC - Revised
February 28, 2013 - AD - Revised
May 13, 2013 - AE - Revised
August 21, 2013 - AF - Revised
November 27, 2013 - AG - Revised
June 1, 2015 - AH - Revised
November 20, 2015 - AI - Revised
July 15, 2016 - AJ - Revised
June 30, 2017 - AK - Revised
June 20, 2018 - AL - Revised
July 17, 2018 - AM - Revised

GENERAL INFORMATION



1) MACHINE IDENTIFICATION

Machines are identified by model and in some cases a combination of models, serial number (SN) or regional standard (i.e ANS, CE, CSA). Components may also be identified by SN or manufacturer. common components that may be identified by these characteristics are engines and hydraulic components.

2) PARTS MANUAL ORGANIZATION

Product information in this manual is organized under section titles. Frame, Cylinder, Hydraulic and Electrical are a few examples. Each section is organized by figure and page number. The information within the Figure is then organized by item number, part number, description and corresponding illustration (s).

3) TABLE OF CONTENTS

A table of contents is found toward the beginning of the manual. Figure number, description and page number are provided for quick reference to the page containing the related information.

4) RECOMMENDED SPARE PARTS

The Recommended Spare Parts, located near the end of the manual, reference most frequently used maintenance parts.

5) PART NUMBER INDEX

A numerical index listing all part numbers and the corresponding page number(s) appears at the back of the manual.

GENERAL INFORMATION

6) NON-SERVICED PARTS

In some instances, it is necessary to display non-serviced parts, assemblies or installations. In the case of assemblies and installations there will be a Ref in the Qty column. In case of parts that are not available for service within assemblies or components, there will be a NSS (Not Sold Separately) or NLA (No Longer Available) listed in the Qty. column of the manual.

7) PARTS LIST ITEM NUMBERS

Numbers shown in the item# column correspond to numbers used in the associated illustration (s). Item numbers which are missing from the sequence in the parts list are not used on that page

8) INDENTED PARTS DESCRIPTION

An indented part description is included in the item under which it is indented.

9) ABB REVIATION AND SYMBOLS

AC.....	.. Alternating Current	LCD	Liquid Crystal Display
ADE.....	..Advanced Design Electronics	LED	Light Emitting Diodes
ANSIAmerican National Standards Institute	LH.....	.. Left Hand
AR.....	..As Required	LSSLoad Sensing System
ASSY Assembly	M(m).....	..Metric/Meter
AUX.....	..A uxiliary	MM (mm)Milimeter
AWG.....	..American WireGauge	mA.....	.. Miliamps
B/M.....	.. Bill of Material	NLA.....No Longer A vailable
CE.....	..European Conformity	NPT National Pipe Threads
CCWCounter Clockwise	NSSNot Sold Separately
cm.....	..Centimeter	OD.....	..Outside Diameter
CW.....	..Clockwise	ORB.....	.. O-Ring Bos s
CSA.....	..Canadian Standards Association	ORFS.....	.. O-Ring Face Seal
CYL.....	..Cylinder	OZ (oz)Ounces
DIA.....	..Diameter	PGPage
DC.....	..Direct Current	P/N.....	..Part Num ber
EMS Emergency Stop	qt.....	..Quarts
ENGEngine	QTY.....	..Quantity
FT(ft).....	.. Feet	REFReference
GA(Ga).....	.. Gauge	REVRevision Level
HYDHydraulic	RH.....	.. Right Hand
Hz.....	..Her tz	SAE.....	.. Society of Automotive E ngineers
ID.....	..Inside Diameter	SN.....	..Serial Number
in.....	..inches	SPEC(S).....Specifications
ISO.....	..I nternational Organ ization for Stand ards	T/T.....	..T urntable
JIC.....	..Joint Industry Council	UGMUniv ersal G round Module
KGKilogram	V.....	.. Volts
L.....	..Liter	W.....	.. Watts
LB.....	..P ounds	#.....	.. Number

10) ILLUSTRATION REFERENCE LETTERS

When necessary, illustrations may contain reference letters that are intended to track information (i. e. hoses, harnesses) from one point to another or to track visual enlargement of components to show details that may be located in another area on the illustration.

Note: Due to continuous product improvements, JLG Industries, Inc. reserves the right to make specification changes without prior notification. Contact JLG Industries, Inc. for updated information.

TABLE OF CONTENTS

SECTION 1 - FRAME.....	9
FIGURE 1-1. AXLE AND STEERING INSTALLATION - 2WD WITHOUT TOW PACKAGE	10
FIGURE 1-2. AXLE AND STEERING INSTALLATION - 2WD WITH TOW PACKAGE	14
FIGURE 1-3. AXLE AND STEERING INSTALLATION - 4WD	18
FIGURE 1-4. TIRE AND WHEEL DRIVE INSTALLATIONS.....	24
FIGURE 1-5. DRIVE HUB ASSEMBLY (4WD FRONT) (Prior to SN 0300076633).....	28
FIGURE 1-6. DRIVE HUB/BRAKE ASSEMBLY (REAR) (Prior to SN 0300076633).....	30
FIGURE 1-7. DRIVE HUB AND HUB WITH BRAKE ASSEMBLIES (SN 0300076633 through 0300096000)	34
FIGURE 1-8. DRIVE MOTOR ASSEMBLY (ORIGINAL EQUIPMENT - 4 BOLT ASSEMBLY)	38
FIGURE 1-9. DRIVE MOTOR ASSEMBLY (FIELD SERVICE REPLACEMENT - 5 BOLT ASSEMBLY).....	42
FIGURE 1-10. FRAME VALVES AND SHIELDS INSTALLATION	46
FIGURE 1-11. SEMI-TRACK INSTALLATION	50
FIGURE 1-12. TOW PACKAGE INSTALLATION	54
SECTION 2 - TURNTABLE	57
FIGURE 2-1. VALVES AND TILT INDICATOR INSTALLATIONS.....	58
FIGURE 2-2. MAIN CONTROL VALVE ASSEMBLY.....	62
FIGURE 2-3. ARTICULATING JIB VALVE ASSEMBLY.....	66
FIGURE 2-4. TURNTABLE AND SWING DRIVE INSTALLATIONS	68
FIGURE 2-5. SWING BRAKE ASSEMBLY	72
FIGURE 2-6. SWING HUB ASSEMBLY	74
FIGURE 2-7. SWING MOTOR ASSEMBLY	76
FIGURE 2-8. CATERPILLAR ENGINE INSTALLATION	78
FIGURE 2-9. DEUTZ ENGINE INSTALLATION (Prior to SN 0300077682)	86
FIGURE 2-10. DEUTZ ENGINE INSTALLATION (SN 0300077682 through 0300096000).....	92
FIGURE 2-11. FORD ENGINE INSTALLATION (Prior to SN 0300078473).....	100
FIGURE 2-12. FORD ENGINE INSTALLATION (SN 0300078473 through 0300096000).....	108
FIGURE 2-13. DUAL FUEL INSTALLATIONS (GAS MACHINES ONLY)	116
FIGURE 2-14. GM ENGINE INSTALLATION	120
FIGURE 2-15. ISUZU ENGINE INSTALLATION - 4LE1.....	126
FIGURE 2-16. PISTON PUMP ASSEMBLY	130
FIGURE 2-17. GEAR PUMP ASSEMBLY	134
FIGURE 2-18. AUXILIARY PUMP ASSEMBLY.....	136
FIGURE 2-19. TANK INSTALLATIONS.....	140
FIGURE 2-20. GROUND CONTROL BOX ASSEMBLY WITHOUT ADE SYSTEM	144
FIGURE 2-21. GROUND CONTROL BOX ASSEMBLY WITH ADE SYSTEM.....	148
FIGURE 2-22. ELECTRICAL OPTIONS INSTALLATION (TURNTABLE MOUNTED).....	154
FIGURE 2-23. HOODS INSTALLATION	158
FIGURE 2-24. 2500W GENERATOR INSTALLATION - CATERPILLAR MACHINES (OPTIONAL).....	162
FIGURE 2-25. 2500W GENERATOR INSTALLATION - DEUTZ MACHINES (OPTIONAL)	166
FIGURE 2-26. 2500W GENERATOR INSTALLATION - FORD MACHINES (OPTIONAL) (Prior to SN 0300078473)	170
FIGURE 2-27. 2500W GENERATOR INSTALLATION - FORD MACHINES (OPTIONAL) (SN 0300078473 through 0300096000)	174
FIGURE 2-28. 2500W GENERATOR INSTALLATION - GM MACHINES (OPTIONAL)	178
FIGURE 2-29. 2500W GENERATOR INSTALLATION - ISUZU MACHINES (OPTIONAL)	182
FIGURE 2-30. 7500W SKYPOWER GENERATOR INSTALLATION - CATERPILLAR AND DEUTZ ENGINES	186
FIGURE 2-31. 7500W SKYPOWER GENERATOR INSTALLATION - FORD ENGINES.....	192
FIGURE 2-32. 7500W SKYPOWER GENERATOR INSTALLATION - GM ENGINES	196
FIGURE 2-33. SKYAIR COMPRESSOR INSTALLATION.....	202
FIGURE 2-34. SKYAIR COMPRESSOR PARTS	204
SECTION 3 - BOOM	207
FIGURE 3-1. BOOM INSTALLATIONS	208
FIGURE 3-2. BOOM ASSEMBLY - 400S	212
FIGURE 3-3. BOOM ASSEMBLY - 460SJ	216
FIGURE 3-4. ROTATOR ASSEMBLIES.....	220
FIGURE 3-5. PLATFORM SUPPORT INSTALLATION - WITH LSS & WITHOUT SKYGLAZIER	224
SECTION 4 - PLATFORM.....	227
FIGURE 4-1. PLATFORM INSTALLATION (FRONT ENTRY PLATFORM).....	228
FIGURE 4-2. PLATFORM INSTALLATION (SIDE ENTRY PLATFORM).....	232
FIGURE 4-3. SOFT TOUCH INSTALLATION (FRONT ENTRY PLATFORM) (OPTIONAL).....	236

TABLE OF CONTENTS

FIGURE 4-4. SOFT TOUCH INSTALLATION (SIDE ENTRY PLATFORM) (OPTIONAL)	238
FIGURE 4-5. PLATFORM CONSOLE ASSEMBLY WITHOUT ADE SYSTEM.....	240
FIGURE 4-6. PLATFORM CONSOLE ASSEMBLY WITH ADE SYSTEM	244
FIGURE 4-7. CONTROLLER ASSEMBLY (SWING AND LIFT) (WITHOUT ADE SYSTEM)	248
FIGURE 4-8. CONTROLLER ASSEMBLY (LIFT AND SWING) (WITH ADE SYSTEM)	250
FIGURE 4-9. CONTROLLER ASSEMBLY (LIFT AND SWING) (WITH ADE SYSTEM)	252
FIGURE 4-10. CONTROLLER ASSEMBLY (LIFT AND SWING) (WITH ADE SYSTEM)	254
FIGURE 4-11. CONTROLLER ASSEMBLY (DRIVE AND STEER) (WITHOUT ADE SYSTEM)	258
FIGURE 4-12. CONTROLLER ASSEMBLY (DRIVE AND STEER) (WITH ADE SYSTEM).....	260
FIGURE 4-13. CONTROLLER ASSEMBLY (DRIVE AND STEER) (WITH ADE SYSTEM).....	262
FIGURE 4-14. CONTROLLER ASSEMBLY (DRIVE AND STEER) (WITH ADE SYSTEM).....	264
FIGURE 4-15. SKYGLAZIER INSTALLATION.....	266
FIGURE 4-16. SKYCUTTER INSTALLATION	268
FIGURE 4-17. PLASMA CUTTER ASSEMBLY	270
FIGURE 4-18. SKYWELDER/SKYCUTTER COMBO INSTALLATION (60HZ)	272
FIGURE 4-19. SKYWELDER INSTALLATION (Prior to SN 0300068333).....	276
FIGURE 4-20. SKYWELDER INSTALLATION (50HZ) (SN 0300068333 through 0300096000)	282
FIGURE 4-21. SKYWELDER INSTALLATION (60HZ) (SN 0300068333 through 0300096000)	284
FIGURE 4-22. WELDER ASSEMBLY	286
FIGURE 4-23. PIPE RACKS INSTALLATION.....	288
SECTION 5 - CYLINDER.....	291
FIGURE 5-1. AXLE LOCKOUT CYLINDER ASSEMBLY.....	292
FIGURE 5-2. LEVEL (PLATFORM SLAVE) CYLINDER ASSEMBLY.....	294
FIGURE 5-3. LEVEL (PLATFORM SLAVE) CYLINDER ASSEMBLY (400S - SERVICE REPLACEMENT CYLINDER)	296
FIGURE 5-4. LIFT CYLINDER ASSEMBLY - JIB (460SJ) (ORIGINAL EQUIPMENT)	298
FIGURE 5-5. LIFT CYLINDER ASSEMBLY - JIB (460SJ) (USAGE MAY VARY) (SERVICE REPLACEMENT)	300
FIGURE 5-6. LIFT CYLINDER ASSEMBLY - JIB (460SJ) (USAGE MAY VARY) (SERVICE REPLACEMENT)	302
FIGURE 5-7. LIFT CYLINDER ASSEMBLY - MAIN.....	304
FIGURE 5-8. MASTER CYLINDER ASSEMBLY (ORIGINAL EQUIPMENT).....	306
FIGURE 5-9. MASTER CYLINDER ASSEMBLY (SERVICE REPLACEMENT)	308
FIGURE 5-10. STEER CYLINDER ASSEMBLY (ORIGINAL EQUIPMENT) (Prior to SN 0300087392).....	310
FIGURE 5-11. STEER CYLINDER ASSEMBLY (SERVICE REPLACEMENT AND ORIGINAL EQUIPMENT) (Prior to SN 0300087392, SN 0300087392 through 0300096000)	312
FIGURE 5-12. TELESCOPE CYLINDER ASSEMBLY	314
SECTION 6 - HYDRAULIC	317
FIGURE 6-1. AXLE LOCKOUT HYDRAULIC DIAGRAM.....	318
FIGURE 6-2. DRIVE HYDRAULIC DIAGRAM - 2WD	320
FIGURE 6-3. DRIVE HYDRAULIC DIAGRAM - 4WD	322
FIGURE 6-4. STANDARD HYDRAULIC DIAGRAM.....	326
FIGURE 6-5. HYDRAULIC DIAGRAM LIST.....	330
SECTION 7 - ELECTRICAL.....	331
FIGURE 7-1. ELECTRICAL DIAGRAM LIST	332
FIGURE 7-2. HARNESS COMPONENTS INSTALLATION (WITHOUT ADE SYSTEM)	334
FIGURE 7-3. HARNESS COMPONENTS INSTALLATION (WITH ADE SYSTEM).....	342
SECTION 8 - DECALS	353
FIGURE 8-1. DECAL INSTALLATION (ANSI SPEC).....	354
FIGURE 8-2. DECAL INSTALLATION (COUNTRY SPEC)	358
SECTION 9 - RECOMMENDED SERVICE PARTS STOCK.....	365
FIGURE 9-1. MODEL 400S/460SJ STANDARD PARTS.....	366
FIGURE 9-2. MODEL 400S/460SJ VARIABLE PARTS	368
SECTION 10 - SPECIAL OPTIONS	369
FIGURE 10-1. SPECIAL OPTIONS LIST	370
PART NUMBER INDEX.....	375

SECTION 1 - FRAME

SECTION 1 - FRAME

FIGURE 1-1. AXLE AND STEERING INSTALLATION - 2WD WITHOUT TOW PACKAGE

ITEM	PART NUMBER	QTY	DESCRIPTION	REV
		Ref	FIXED AXLE INSTALLATION OPTIONS:	
	0259152	Ref	Fixed Axle Installation All Machines (Prior to SN 0300067471)	C
	0272274	Ref	Fixed Axle Installation (SN 0300067471 through 0300072505)	A
	0272902	Ref	Fixed Axle Installation (SN 0300072506 through 0300096000)	A
1	0100011	AR	Compound, Locking	
2	0362932	2	Bar, Stop	
3	0641607	4	Bolt 3/8in-16NC x 7/8in	
4	0641626	2	Bolt 3/8in-16NC x 3-1/4in	
5	0642012	1	Bolt 5/8in-11NC x 1-1/2in	
6	0961950	2	Bushing	
7	3422592	1	Pin, Axle Pivot	
8	0362954	2	Plate, Stop	
9	3841258	1	Keeper, Pin	
10		Ref	Shield, Frame Options:	
10	4060978	1	Shield, Frame (Prior to SN 0300072506)	
10	3574254	1	Shield, Frame (SN 0300072506 through 0300096000)	
11	4071002	AR	Shim, 20-Gauge	
12	4070973	AR	Shim 1/8in	
14	4740158	1	Thrustwasher	
15	4751600	6	Flatwasher 3/8in Regular	
16	4761600	4	Lockwasher 3/8in	
17		Ref	Axle Weldment Options:	
17	4846072	1	Axle Weldment (Prior to SN 0300067471)	
17	4846551	1	Axle Weldment (SN 0300067471 through 0300096000)	
17A	0561300	2	Steer Cylinder Mounting Block Assembly	
		Ref	OSCILLATING AXLE INSTALLATION Options:	
	0259150	Ref	Oscillating Axle Installation (Prior to SN 0300065402)	E
	0271977	Ref	Oscillating Axle Installation (SN 0300065402 through 0300072505)	A
	0272900	Ref	Oscillating Axle Installation (SN 0300072506 through 0300096000)	A
101	0100011	AR	Compound, Locking	
102	0641414	4	Bolt 1/4in-20NC x 1-3/4in	
103	0641607	4	Bolt 3/8in-16NC x 7/8in	
104	0642010	2	Bolt 5/8in-11NC x 1-1/4in	
105	0642012	1	Bolt 5/8in-11NC x 1-1/2in	
106	0682248	2	Bolt 3/4in-10NC x 6in (Grade 8)	
107	0961950	2	Bushing	
108	1100118	1	Cam, Lockout	
109		Ref	Lockout Cylinder Assembly Options (See CYLINDER SECTION for Breakdown):	
109	1683575	NLA	Lockout Cylinder Assembly (Use p/n 1684139) (Prior to SN 0300065402)	
109	1684139	2	Lockout Cylinder Assembly (SN 0300065402 through 0300096000)	
110	3272201	2	Nut 3/4in-10NC	
111	3322201	2	Nut 3/4in-16NF (Prior to SN 0300065402)	
112	3422592	1	Pin, Axle Pivot	
113	3841258	1	Keeper, Pin	
114	3841367	2	Rod-End with Grease Fitting (Prior to SN 0300065402)	
114	7020180	1	Grease Fitting	

SECTION 1 - FRAME

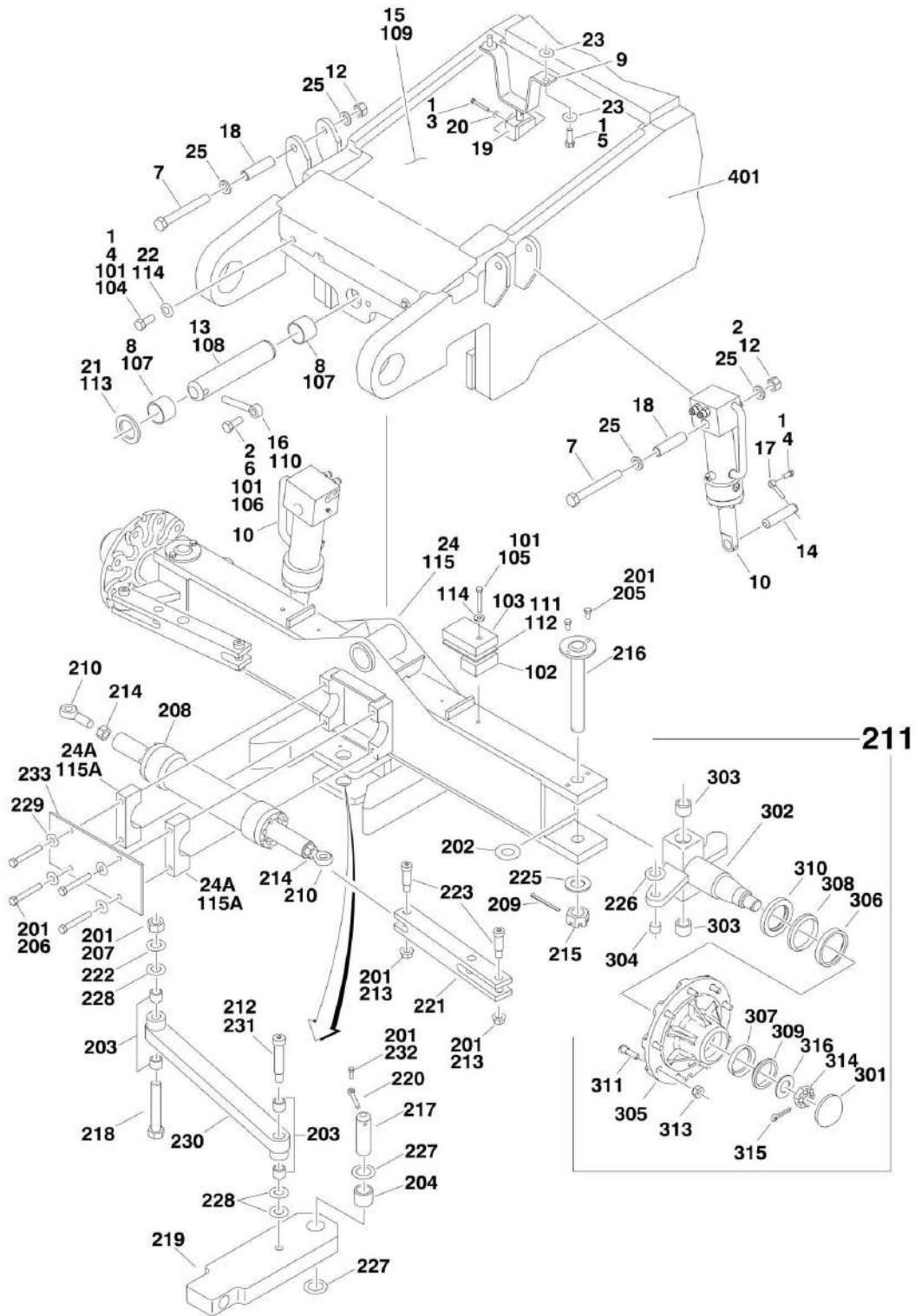
ITEM	PART NUMBER	QTY	DESCRIPTION	REV
115		Ref	Hardware Options:	
115	3900109	2	Screw, Shoulder (Prior to SN 0300065402)	
115	3422936	2	Pin (SN 0300065402 through 0300096000)	
116		Ref	Shield, Frame Options:	
116	4060978	1	Shield, Frame (Prior to SN 0300072506)	
116	3574254	1	Shield, Frame (SN 0300072506 through 0300096000)	
117	4567462	2	Tube, Mounting	
118	4640871	1	Lockout Valve Assembly	
118	7012693	1	Seal Kit - 4640871 Valve	
118	7002840	1	Anti-Rotation Pin Removal Tool	
119	4711400	4	Flatwasher 1/4in Thin	
120	4740158	1	Thrustwasher	
121	4751600	4	Flatwasher 3/8in Regular	
122	4752000	4	Flatwasher 5/8in Regular	
123	4761600	2	Lockwasher 3/8in	
124		Ref	Axle Weldment Options:	
124	4846072	1	Axle Weldment (Prior to SN 0300065402)	
124	4846551	1	Axle Weldment (SN 0300065402 through 0300096000)	
124A	0561300	2	Steer Cylinder Mounting Block Assembly	
125	4892200	4	Flatwasher 3/4in Hardened	
126	0100019	AR	Compound, Locking	
128	0641607	2	Bolt 3/8in-16NC x 7/8in (SN 0300065402 through 0300096000)	
129	3841520	2	Keeper, Pin (SN 0300065402 through 0300096000)	
	0259148	Ref	STEERING INSTALLATION	H
201	0100011	AR	Compound, Locking	
202	0440162	2	Thrustwasher	
203	0641606	4	Bolt 3/8in-16NC x 3/4in	
204	0681828	4	Bolt 1/2in-13NC x 3-1/2in	
205		Ref	Steer Cylinder Assembly Options (See CYLINDER SECTION for Breakdown):	
205	1683614	NLA	Steer Cylinder Assembly (Use p/n 1684412) (Prior to SN 0300087392)	
205	1001140283	NLA	Steer Cylinder Assembly (Use p/n 1684412) (SN 0300087392 through 0300096000)	
206	2780230	2	Hub/Spindle Assembly (See Items 301-316 for Breakdown)	
207	3312008	4	Nut 5/8in-11NC	
208	3322201	2	Nut 3/4in-16NF	
209	3323003	2	Nut 1-1/4in-12NF	
210	3422692	2	Kingpin	
211	3450808	2	Pin, Cotter 1/4in x 2in	
212	3841367	NLA	Rod-End (Use p/n 3841517 Rod-End with p/n 7020180 Grease Fitting)	
		Ref	Note: Qty (1) p/n 4740086 Thrustwasher required between bottom of p/n 3841517 Rod-End and Tie Rod.	
213	3841442	2	Tie-Rod	
214	3900109	4	Screw, Shoulder	
215		Ref	Shield, Frame Options:	
215	4060950	1	Shield, Frame (Prior to SN 0300072506)	
215	Not Required	0	Shield, Frame (SN 0300072506 through 0300096000)	
216	4713000	2	Flatwasher 1-1/4in Thin	
217	4751800	4	Flatwasher 1/2in Regular	
218	4740086	2	Thrustwasher	

SECTION 1 - FRAME

ITEM	PART NUMBER	QTY	DESCRIPTION	REV
	2780230	Ref	HUB ASSEMBLY	A
301	7020033	2	Cap, Dust (1 per Assembly)	
302	7020034	2	Spindle Assembly (1 per Assembly)	
303	0961951	4	Bushing (2 Per Assembly)	
304	0962140	2	Bearing (1 per Assembly)	
305	7020035	2	Hub (1 per Assembly) (Includes 306 & 307)	
306	7020036	2	Cup, Bearing - Inner(1 per Assembly)	
307	7020038	2	Cup, Bearing - Outer (1 per Assembly)	
308	7020037	2	Cone, Bearing - Inner (1 per Assembly)	
309	7020039	2	Cone, Bearing - Outer (1 per Assembly)	
310	7020040	2	Seal (1 Per Assembly)	
311	7020041	18	Stud, Wheel (9 Per Assembly)	
313	7020042	18	Lugnut (9 per Assembly)	
314	7020054	2	Nut, Castle (1 per Assembly)	
315	3450608	2	Pin, Cotter (1 Per Assembly)	
316	7020055	2	Washer, Spindle (1 Per Assembly)	
401		Ref	FRAME WELDMENTS	
401	2360539	Ref	Frame Weldments 400S with 500Lbs Capacity (Prior to SN 0300072506)	
401	2360625	Ref	Frame Weldments 400S with 500Lbs Capacity (SN 0300072506 through 0300076632)	
401	2360650	Ref	Frame Weldments 400S with 500Lbs Capacity (SN 0300076633 through 0300096000)	
401	2360540	Ref	Frame Weldments 400S with 750Lbs Capacity (Prior to SN 0300072506)	
401	2360626	Ref	Frame Weldments 400S with 750Lbs Capacity (SN 0300072506 through 0300076632)	
401	2360651	Ref	Frame Weldments 400S with 750Lbs Capacity (SN 0300076633 through 0300096000)	
401	2360541	Ref	Frame Weldments 460SJ (Prior to SN 0300072506)	
401	2360627	Ref	Frame Weldments 460SJ (SN 0300072506 through 0300076632)	
401	2360652	Ref	Frame Weldments 460SJ (SN 0300076633 through 0300096000)	

SECTION 1 - FRAME

FIGURE 1-2. AXLE AND STEERING INSTALLATION - 2WD WITH TOW PACKAGE



SECTION 1 - FRAME

FIGURE 1-2. AXLE AND STEERING INSTALLATION - 2WD WITH TOW PACKAGE

ITEM	PART NUMBER	QTY	DESCRIPTION	REV
	0273473	Ref	OSCILLATING AXLE INSTALLATION	A
1	0100011	AR	Compound, Locking	
2	0100019	AR	Compound, Locking	
3	0641424	4	Bolt 1/4in-20NC x 3in	
4	0641607	2	Bolt 3/8in-16NC x 7/8in	
5	0642010	2	Bolt 5/8in-11NC x 1-1/4in	
6	0642012	1	Bolt 5/8in-11NC x 1-1/2in	
7	0682248	2	Bolt 3/4in-10NC x 6in	
8	0961950	2	Bushing	
9	1100123	1	Cam, Lockout	
10	1684139	2	Lockout Cylinder Assembly (See CYLINDER SECTION for Breakdown)	
12	3272201	2	Nut 3/4in-10NC	
13	3422592	1	Pin, Axle Pivot	
14	3422936	2	Pin	
15	3574254	1	Shield, Frame	
16	3841258	1	Keeper, Pin	
17	3841520	2	Keeper, Pin	
18	4567462	2	Tube, Mounting	
19	4640871	1	Lockout Valve Assembly	
19	7012693	1	Seal Kit - 4640871 Valve	
19	7002840	1	Anit-Rotation Pin Removal Tool	
20	4711400	4	Flatwasher 1/4in Thin	
21	4740158	1	Thrustwasher	
22	4751600	2	Flatwasher 3/8in Regular	
23	4752000	4	Flatwasher 5/8in Regular	
24	4846801	1	Axle Weldment	
24A	0561300	2	Steer Cylinder Mounting Block Assembly	
25	4892200	4	Flatwasher 3/4in Hardened	
		Ref	FIXED AXLE INSTALLATION	
	0272803	Ref	Fixed Axle Installation (Prior to SN 0300072506)	A
	0272906	Ref	Fixed Axle Installation (SN 0300072506 through 0300096000)	A
101	0100011	AR	Compound, Locking	
102	0362932	2	Bar, Stop	
103	0362954	2	Bar, Stop	
104	0641607	2	Bolt 3/8in-16NC x 7/8in	
105	0641626	2	Bolt 3/8in-16NC x 3-1/4in	
106	0642012	1	Bolt 5/8in-11NC x 1-1/2in	
107	0961950	2	Bushing	
108	3422592	1	Pin, Axle Pivot	
109		Ref	Shield, Frame Options:	
109	4060978	1	Shield, Frame (Prior to SN 0300072506)	
109	3574254	1	Shield, Frame (SN 0300072506 through 0300096000)	
110	3841258	1	Keeper, Pin	
111	4070973	2	Shim 11Ga	
112	4071002	4	Shim 20Ga	
113	4740158	1	Thrustwasher	
114	4751600	2	Flatwasher 3/8in Regular	
115	4846426	1	Axle Weldment	
115A	0561300	2	Steer Cylinder Mounting Block Assembly	

SECTION 1 - FRAME

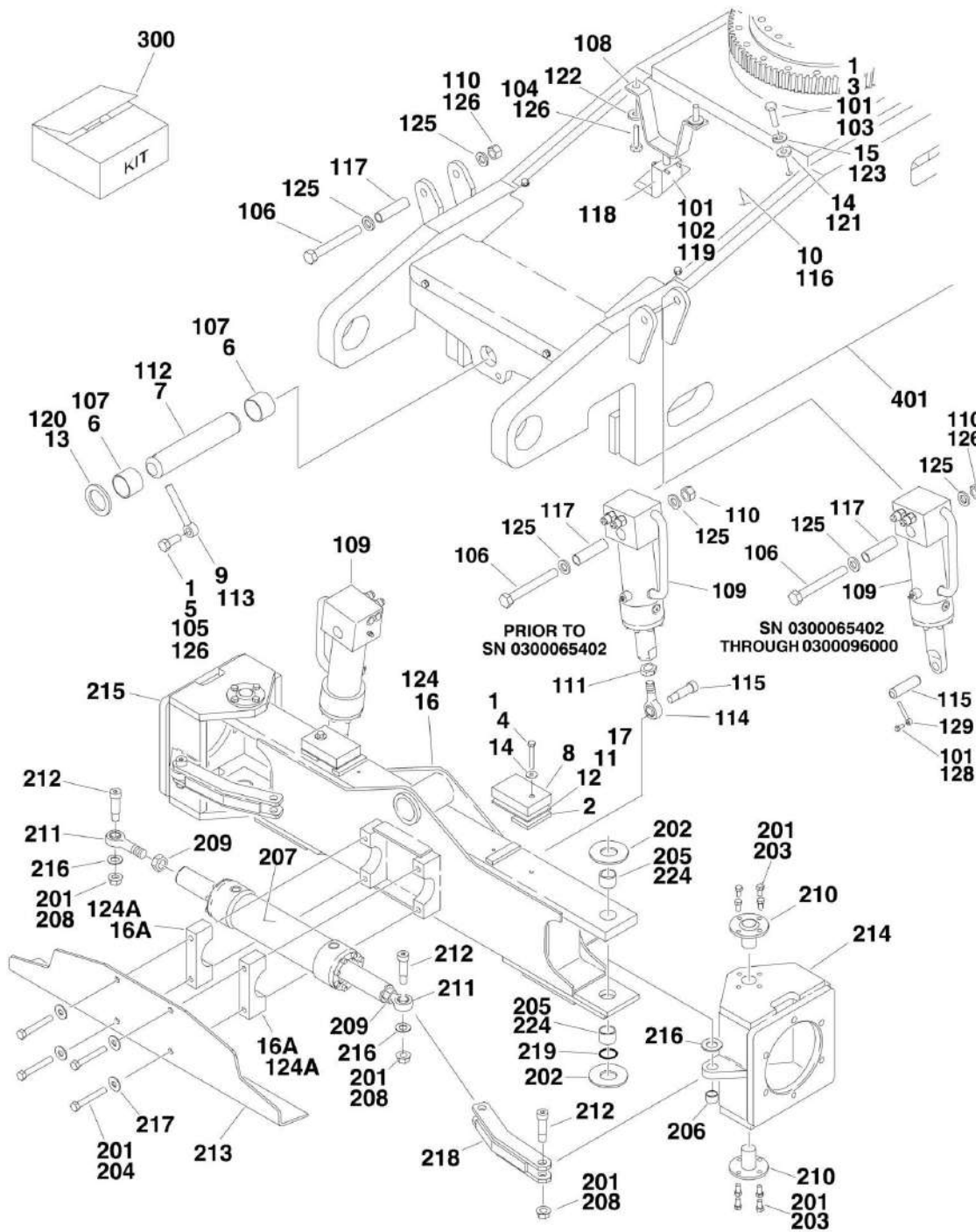
ITEM	PART NUMBER	QTY	DESCRIPTION	REV
	0272804	Ref	STEERING INSTALLATION	G
201	0100011	AR	Compound, Locking	
202	0440162	2	Thrustwasher	
203	0962292	4	Bushing	
204	0962348	1	Bushing	
205	0641606	4	Bolt 3/8in-16NC x 3/4in	
206		Ref	Bolt Options:	
206	0681828	4	Bolt 1/2in-13NC x 3-1/2in (With Cylinder Shield)	
206	0681824	4	Bolt 1/2in-13NC x 3in (Without Cylinder Shield)	
207	3272205	2	Locknut 3/4in-16NF	
208		Ref	Steer Cylinder Assembly Options (See CYLINDER SECTION for Breakdown):	
208	1683614	NLA	Steer Cylinder Assembly (Use p/n 1684412) (Prior to SN 0300087392)	
208	1001140283	NLA	Steer Cylinder Assembly (Use p/n 1684412) (SN 0300087392 through 0300096000)	
209	3450808	2	Pin, Cotter 1/4in x 2in	
210	3841367	NLA	Rod-End (Use p/n 3841517 Rod-End with p/n 7020180 Grease Fitting)	
		Ref	Note: Qty (1) p/n 4740086 Thrustwasher required between bottom of p/n 3841517 Rod-End and Tie Rod.	
211	2780230	2	Hub/Spindle Assembly (See Items 201-213 for Breakdown)	
212	3900295	1	Bolt, Shoulder 1in x 3in	
213	3312008	4	Nut 5/8in-11NC	
214	3322201	2	Nut 3/4in-16NF	
215	3323003	2	Nut 1-1/4in-12NF	
216	3422692	2	Kingpin	
217	3422848	1	Pin, Hitch	
218	3900296	1	Bolt, Shoulder 1in x 4-1/2in	
219	3574235	1	Plate, Tow Bar Pivot	
220	3841143	1	Keeper	
221	3841619	2	Tie-Rod	
222	4712400	1	Flatwasher 7/8in Thin	
223	3900109	4	Screw, Shoulder	
225	4713000	2	Flatwasher 1-1/4in Thin	
226	4740086	2	Thrustwasher	
227	4740155	2	Thrustwasher	
228	4740491	3	Thrustwasher	
229	4751800	4	Flatwasher 1/2in Regular	
230	4846802	1	Weldment, Link	
231	0100019	AR	Compound, Locking	
232	0641508	1	Bolt 5/16in-18NC x 1in	
233	4061048	1	Shield, Cylinder Only (Prior to SN 0300073804)	
	2780230	Ref	HUB ASSEMBLY	A
301	7020033	2	Cap, Dust (1 per Assembly)	
302	7020034	2	Spindle Assembly (1 per Assembly)	
303	0961951	4	Bushing (2 Per Assembly)	
304	0962140	2	Bearing (1 per Assembly)	
305	7020035	2	Hub (1 per Assembly) (Includes 306 & 307)	
306	7020036	2	Cup, Bearing - Inner(1 per Assembly)	
307	7020038	2	Cup, Bearing - Outer (1 per Assembly)	
308	7020037	2	Cone, Bearing - Inner (1 per Assembly)	

SECTION 1 - FRAME

ITEM	PART NUMBER	QTY	DESCRIPTION	REV
309	7020039	2	Cone, Bearing - Outer (1 per Assembly)	
310	7020040	2	Seal (1 Per Assembly)	
311	7020041	18	Stud, Wheel (9 Per Assembly)	
313	7020042	18	Lugnut (9 per Assembly)	
314	7020054	2	Nut, Castle (1 per Assembly)	
315	3450608	2	Pin, Cotter (1 Per Assembly)	
316	7020055	2	Washer, Spindle (1 Per Assembly)	
401		Ref	FRAME WELDMENT OPTIONS:	
401	2360539	Ref	Frame Weldments 400S with 500Lbs Capacity (Prior to SN 0300072506)	
401	2360625	Ref	Frame Weldments 400S with 500Lbs Capacity (SN 0300072506 through 0300076632)	
401	2360650	Ref	Frame Weldments 400S with 500Lbs Capacity (SN 0300076633 through 0300096000)	
401	2360540	Ref	Frame Weldments 400S with 750Lbs Capacity (Prior to SN 0300072506)	
401	2360626	Ref	Frame Weldments 400S with 750Lbs Capacity (SN 0300072506 through 0300076632)	
401	2360651	Ref	Frame Weldments 400S with 750Lbs Capacity (SN 0300076633 through 0300096000)	
401	2360541	Ref	Frame Weldments 460SJ (Prior to SN 0300072506)	
401	2360627	Ref	Frame Weldments 460SJ (SN 0300072506 through 0300076632)	
401	2360652	Ref	Frame Weldments 460SJ (SN 0300076633 through 0300096000)	

SECTION 1 - FRAME

FIGURE 1-3. AXLE AND STEERING INSTALLATION - 4WD



SECTION 1 - FRAME

FIGURE 1-3. AXLE AND STEERING INSTALLATION - 4WD

ITEM	PART NUMBER	QTY	DESCRIPTION	REV
		Ref	FIXED AXLE INSTALLATION OPTIONS:	
	0259153	Ref	Fixed Axle Installation (Prior to SN 0300067471)	C
	0272275	Ref	Fixed Axle Installation (SN 0300067471 through 0300072505)	A
	0272903	Ref	Fixed Axle Installation (SN 0300072506 through 0300096000)	A
1	0100011	AR	Compound, Locking	
2	0362965	2	Bar, Stop	
3	0641606	4	Bolt 3/8in-16NC x 3/4in	
4	0641620	2	Bolt 3/8in-16NC x 2-1/2in	
5	0642012	1	Bolt 5/8in-11NC x 1-1/2in	
6	0961950	2	Bushing	
7	3422592	1	Pin, Axle Pivot	
8	0362954	2	Plate, Stop	
9	3841258	1	Keeper, Pin	
10		Ref	Shield, Frame Options:	
10	4060978	1	Shield, Frame (Prior to SN 0300072506)	
10	3574254	1	Shield, Frame (SN 0300072506 through 0300096000)	
11	4070973	AR	Shim 1/8in	
12	4070972	AR	Shim 3/16in	
13	4740158	1	Thrustwasher	
14	4751600	6	Flatwasher 3/8in Regular	
15	4761600	4	Lockwasher 3/8in	
16		Ref	Axle Weldment Options:	
16	4846069	1	Axle Weldment (Prior to SN 0300067471)	
16	4846550	1	Axle Weldment (SN 0300067471 through 0300096000)	
		Ref	Note: If kingpin holes in axle measure 1.503in diameter or larger in any direction, axle weldment must be replaced. See Field Service Bulletin AWP-04-11.	
17	4071002	AR	Shim 20-Gauge	
		Ref	OSCILLATING AXLE INSTALLATION Options:	
	0259151	Ref	Oscillating Axle Installation (Prior to SN 0300065402)	E
	0271978	Ref	Oscillating Axle Installation (SN 0300065402 through 0300072505)	A
	0272901	Ref	Oscillating Axle Installation (SN 0300072506 through 0300096000)	A
101	0100011	AR	Compound, Locking	
102	0641414	4	Bolt 1/4in-20NC x 1-3/4in	
103	0641606	4	Bolt 3/8in-16NC x 3/4in	
104	0642010	2	Bolt 5/8in-11NC x 1-1/4in	
105	0642012	1	Bolt 5/8in-11NC x 1-1/2in	
106	0682248	2	Bolt 3/4in-10NC x 6in (Grade 8)	
107	0961950	2	Bushing	
108	1100118	1	Cam, Lockout	
109		Ref	Lockout Cylinder Assembly Options (See CYLINDER SECTION for Breakdown):	
109	1683575	NLA	Lockout Cylinder Assembly (Use p/n 1684139) (Prior to SN 0300065402)	
109	1684139	2	Lockout Cylinder Assembly (SN 0300065402 through 0300096000)	
110	3272201	2	Nut 3/4in-10NC	
111	3322201	2	Nut 3/4in-16NF (Prior to SN 0300065402)	
112	3422592	1	Pin, Axle Pivot	

SECTION 1 - FRAME

ITEM	PART NUMBER	QTY	DESCRIPTION	REV
113	3841258	1	Keeper, Pin	
114	3841367	2	Rod-End with Grease Fitting (Prior to SN 0300065402)	
114	7020180	1	Grease Fitting	
115		Ref	Hardware Options:	
115	3900109	2	Screw, Shoulder (Prior to SN 0300065402)	
115	3422936	2	Pin (SN 0300065402 through 0300096000)	
116		Ref	Shield, Frame Options:	
116	4060978	1	Shield, Frame (Prior to SN 0300072506)	
116	3574254	1	Shield, Frame (SN 0300072506 through 0300096000)	
117	4567462	2	Tube, Mounting	
118	4640871	1	Lockout Valve Assembly	
118	7012693	1	Seal Kit - 4640871 Valve	
118	7002840	1	Anti-Rotation Pin Removal Tool	
119	4711400	4	Flatwasher 1/4in Thin	
120	4740158	1	Thrustwasher	
121	4751600	4	Flatwasher 3/8in Regular	
122	4752000	4	Flatwasher 5/8in Regular	
123	4761600	4	Lockwasher 3/8in	
124		Ref	Axle Weldment Options:	
124	4846069	1	Axle Weldment (Prior to SN 0300067471)	
124	4846550	1	Axle Weldment (SN 0300067471 through 0300096000)	
		Ref	Note: If kingpin holes in axle measure 1.503in diameter or larger in any direction, axle weldment must be replaced. See Field Service Bulletin AWP-04-11.	
125	4892200	4	Flatwasher 3/4in Hardened	
126	0100019	AR	Compound, Locking	
128	0641607	2	Bolt 3/8in-16NC x 7/8in (SN 0300065402 through 0300096000)	
129	3841520	2	Keeper, Pin (SN 0300065402 through 0300096000)	
		Ref	STEERING INSTALLATION	
	0259149	Ref	Steering Installation (Prior to SN 0300076633)	D
	0272927	Ref	Steering Installation (SN 0300076633 through 0300096000)	G
201	0100011	AR	Compound, Locking	
202		Ref	Thrustwasher Options:	
202	0440161	4	Thrustwasher (Top and Bottom Kingpin Location) (Note: See Kit) (Prior to SN 79125)	
202	4740537	AR	Thrustwasher (.0625) (Top Kingpin Location) (SN 0300079125 through 0300096000)	
202	4740538	AR	Thrustwasher (.125) (Top Kingpin Location) (SN 0300079125 through 0300096000)	
202	4740539	AR	Thrustwasher (.188) (Top Kingpin Location) (SN 0300079125 through 0300096000)	
202	4740540	AR	Thrustwasher (.250) (Top Kingpin Location) (SN 0300079125 through 0300096000)	
202	0440271	2	Thrustwasher (Bottom Kingpin Location) (SN 0300079125 through 0300096000)	
203	0641606	Ref	Bolt 3/8in-16NC x 3/4in	
203	0641606	8	Bolt 3/8in-16NC x 3/4in, (Prior to SN 0300079125)	
203	0641606	16	Bolt 3/8in-16NC x 3/4in, (SN 0300079125 through 0300096000)	
204	0681828	4	Bolt 1/2in-13NC x 3-1/2in	
205		Ref	Bushing Options:	
205	0961951	4	Bushing (Top and Bottom Kingpin Locations) (Note: See Kit) (Prior to SN 0300079125)	
205	0440291	2	Bushing (Top Kingpin Location) (SN 0300079125 through	

SECTION 1 - FRAME

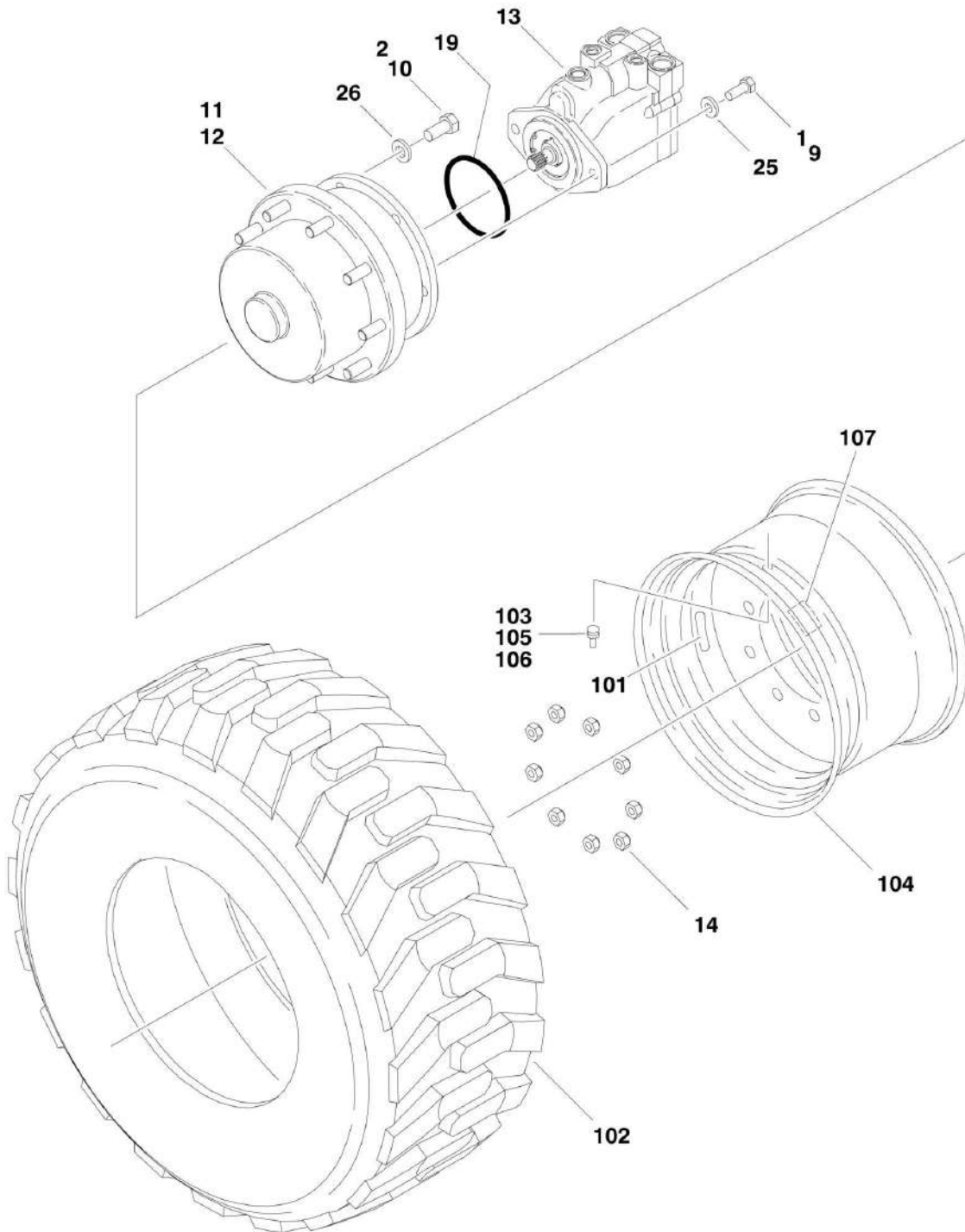
ITEM	PART NUMBER	QTY	DESCRIPTION	REV
205	0440274	2	0300096000 Bushing (Bottom Kingpin Location) (SN 0300079125 through 0300096000)	
206	0962140	2	Bearing	
207		Ref	Steer Cylinder Assembly Options (See CYLINDER SECTION for Breakdown):	
207	1683614	NLA	Steer Cylinder Assembly (Use p/n 1684412) (Prior to SN 0300087392)	
207	1001140283	NLA	Steer Cylinder Assembly (Use p/n 1684412) (SN 0300087392 through 0300096000)	
208	3312008	4	Nut 5/8in-11NC	
209	3322201	2	Nut 3/4in-16NF	
210		Ref	Kingpin Options:	
210	3422716	4	Kingpin (2 Bolt Mounting) (Note: See Kit) (Prior to SN 0300079125)	
210	3423081	4	Kingpin (4 Bolt Mounting) (SN 0300079125 through 0300096000)	
211	3841367	NLA	Rod-End (Use p/n 3841517 Rod-End with p/n 7020180 Grease Fitting)	
		Ref	Note: Qty (1) p/n 4740086 Thrustwasher required between bottom of p/n 3841517 Rod-End and Tie Rod.	
212	3900109	4	Screw, Shoulder	
213	4060950	1	Shield, Frame Only (Prior to SN 0300072506)	
214		Ref	Spindle (Left Side) Options:	
214	4130368	NLA	Spindle (Left Side) (Use p/n 4130403) (Prior to SN 0300079125)	
214	4130405	1	Spindle (Left Side) (SN 0300079125 through 0300096000)	
215		Ref	Spindle (Right Side) Options:	
215	4130369	NLA	Spindle (Right Side) (Use p/n 4130404) (Prior to SN 0300079125)	
215	4130406	1	Spindle (Right Side) (SN 0300079125 through 0300096000)	
216	4740086	4	Thrustwasher	
217	4751800	4	Flatwasher 1/2in Regular	
218	4846070	2	Tie-Rod	
219	3780182	2	O-Ring Only (Bottom Kingpin Location Only) (SN 0300079125 through 0300096000)	
224	3020029	AR	Grease, Bearing	
300	2902400		Kingpin and Bushings Update Kit for Machines Built (Includes Newer Design Items 202, 203, 205, 210 & 219). See Field Service Bulletin AWP-04-11. (Prior to SN 0300079125, SN 0300079125 through 0300096000)	
		Ref	Note: Newer bushings will fit in "Prior to SN 0300079125" axles however if kingpin holes measure 1.503in diameter or larger in any direction, axle weldment must be replaced before installation of kit. Note: Spindles require drilling and tapping for 8 additional kingpin mtg bolts. Newer design kingpins require 4 mtg bolts each.	
401		Ref	FRAME WELDMENT OPTIONS	
401	2360539	Ref	Frame Weldments 400S with 500Lbs Capacity (Prior to SN 0300072506)	
401	2360625	Ref	Frame Weldments 400S with 500Lbs Capacity (SN 0300072506 through 0300076632)	
401	2360650	Ref	Frame Weldments 400S with 500Lbs Capacity (SN 0300076633 through 0300096000)	
401	2360540	Ref	Frame Weldments 400S with 750Lbs Capacity (Prior to SN 0300072506)	

SECTION 1 - FRAME

ITEM	PART NUMBER	QTY	DESCRIPTION	REV
401	2360626	Ref	Frame Weldments 400S with 750Lbs Capacity (SN 0300072506 through 0300076632)	
401	2360651	Ref	Frame Weldments 400S with 750Lbs Capacity (SN 0300076633 through 0300096000)	
401	2360541	Ref	Frame Weldments 460SJ (Prior to SN 0300072506)	
401	2360627	Ref	Frame Weldments 460SJ (SN 0300072506 through 0300076632)	
401	2360652	Ref	Frame Weldments 460SJ (SN 0300076633 through 0300096000)	

SECTION 1 - FRAME

FIGURE 1-4. TIRE AND WHEEL DRIVE INSTALLATIONS



SECTION 1 - FRAME

FIGURE 1-4. TIRE AND WHEEL DRIVE INSTALLATIONS

ITEM	PART NUMBER	QTY	DESCRIPTION	REV
		Ref	WHEEL DRIVE INSTALLATIONS	
	0259145	Ref	2WD (Prior to SN 0300072506)	H
	0272784	Ref	2WD (SN 0300072506 through 0300076632)	A
	0272926	Ref	2WD (SN 0300076633 through 0300096000)	A
	0259146	Ref	4WD (Prior to SN 0300072506)	J
	0272783	Ref	4WD (SN 0300072506 through 0300076632)	A
	0272925	Ref	4WD (SN 0300076633 through 0300096000)	C
1	0100011	AR	Compound, Locking	
2	0100019	AR	Compound, Locking	
9		Ref	Hardware Options:	
9	0681810	AR	Bolt 1/2in-13NC x 1-1/4in (Grade 8)	
9	3311801	AR	Nut 1/2in-13NC (2WD Only) (Not Shown) (SN 0300076633 through 0300096000)	
10		Ref	Bolt 5/8in-11NC x 1-1/2in (Grade 8)	
10	0682012	AR	Bolt 5/8in-11NC x 1-1/2in (Grade 8) (Prior to SN 0300076633)	
10	0682014	AR	Bolt 5/8in-11NC x 1-3/4in (Grade 8) (SN 0300076633 through 0300096000)	
11		Ref	Drive Hub Assembly Options:	
11	Not Required	0	2WD Front	
11		Ref	4WD Rear	
11	2780246	2	Drive Hub Assembly (See DRIVE HUB ASSEMBLY for Breakdown) (Prior to SN 0300076633)	
11	2780268	2	Drive Hub Assembly (See DRIVE HUB AND HUB WITH BRAKE ASSEMBLIES for Breakdown) (SN 0300076633 through 0300096000)	
12		Ref	Drive Hub/Brake Assembly Options:	
12		Ref	2WD Rear	
12	2780243	2	Drive Hub/Brake Assembly (See DRIVE HUB/BRAKE ASSEMBLY for Breakdown) (Prior to SN 0300064140)	
12	2780253	2	Drive Hub/Brake Assembly (See DRIVE HUB/BRAKE ASSEMBLY for Breakdown) (SN 0300064140 through 0300076632)	
12	2780267	2	Drive Hub/Brake Assembly (See DRIVE HUB AND HUB WITH BRAKE ASSEMBLIES for Breakdown) (SN 0300076633 through 0300096000)	
12		Ref	4WD Rear	
12	2780244	2	Drive Hub/Brake Assembly (See DRIVE HUB/BRAKE ASSEMBLY for Breakdown) (Prior to SN 0300057477)	
12	2780254	2	Drive Hub/Brake Assembly (See DRIVE HUB/BRAKE ASSEMBLY for Breakdown) (SN 0300057477 through 0300076632)	
12	2780267	2	Drive Hub/Brake Assembly (See DRIVE HUB AND HUB WITH BRAKE ASSEMBLIES for Breakdown) (SN 0300076633 through 0300096000)	
13		Ref	DRIVE MOTOR ASSEMBLY OPTIONS:	
13		Ref	2WD Rear	
13	3160242	NLA	Drive Motor Assembly (Use p/n 3160353 - See DRIVE MOTOR ASSEMBLY (4 BOLT) for Breakdown) (For 3160353 - See DRIVE MOTOR ASSEMBLY (5 BOLT) for Breakdown) (Prior to SN 0300076633)	
13	3160298	NLA	Drive Motor Assembly (Use p/n 3160351 - See DRIVE MOTOR ASSEMBLY (4 BOLT) for Breakdown) (For 3160351 - See DRIVE MOTOR ASSEMBLY (5 BOLT) for Breakdown) (SN 0300076633 through 0300096000)	

SECTION 1 - FRAME

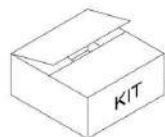
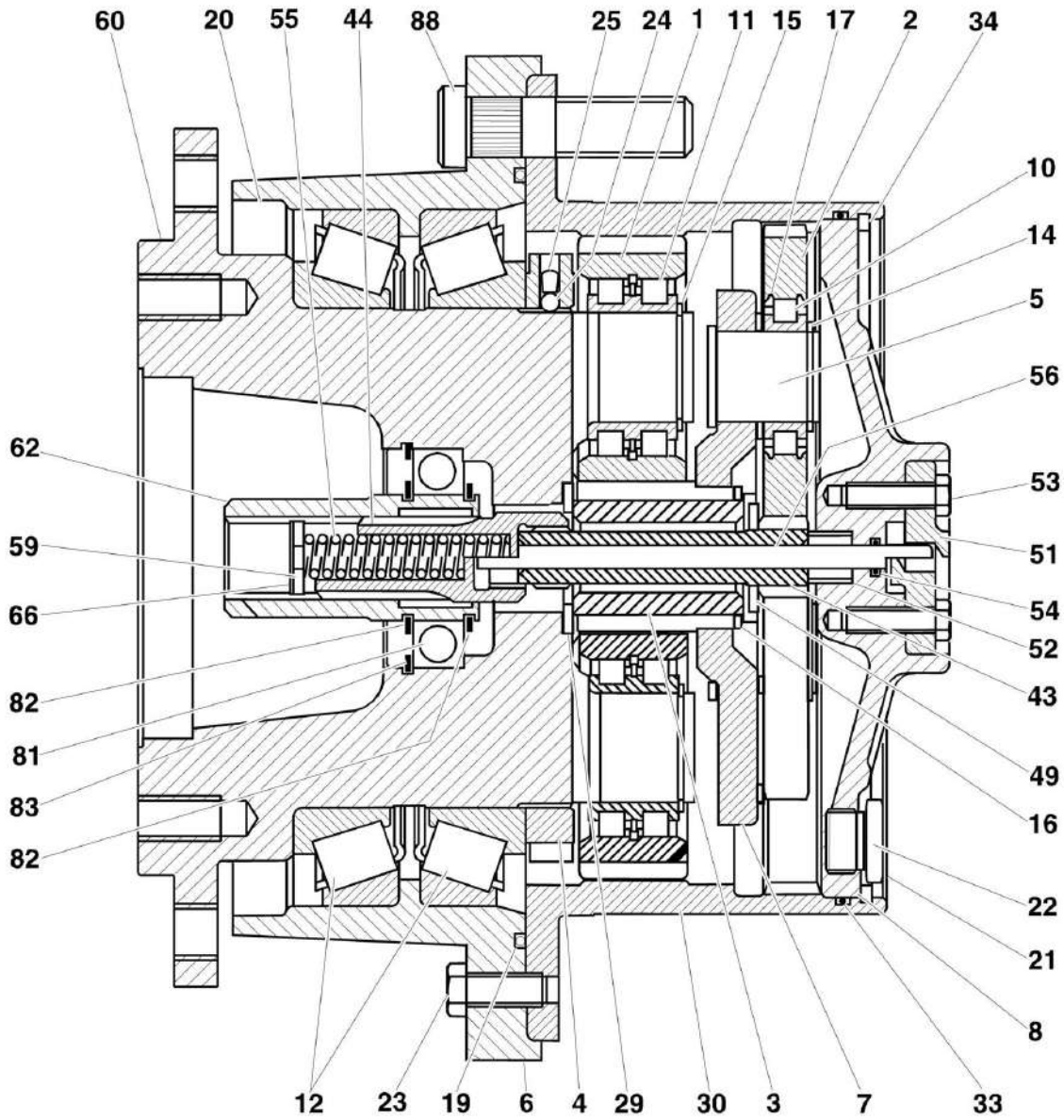
ITEM	PART NUMBER	QTY	DESCRIPTION	REV
13		Ref	4WD Front and Rear	
13	3160243	NLA	Drive Motor Assembly (Use p/n 3160354 - See DRIVE MOTOR ASSEMBLY (4 BOLT) for Breakdown) (For 3160354 - See DRIVE MOTOR ASSEMBLY (5 BOLT) for Breakdown) (Prior to SN 0300076633)	
13	3160266	NLA	Drive Motor Assembly (Use p/n 3160348 - See DRIVE MOTOR ASSEMBLY (4 BOLT) for Breakdown) (For 3160348 - See DRIVE MOTOR ASSEMBLY (5 BOLT) for Breakdown) (SN 0300076633 through 0300096000)	
14	3300106	AR	Lugnut (9 Per Hub)	
19	3790045	AR	O-Ring (1 Per Motor)	
25	4891800	AR	Flatwasher 1/2in Hardened	
26	4892000	AR	Flatwasher 5/8in Hardened	
27	2300016	AR	Fluid, Hydraulic (Not Shown - Use with Brake)	
		Ref	TIRE AND WHEEL INSTALLATIONS	
	0270091	Ref	12 x 16.5 Pneumatic	A
	0270650	Ref	12 x 16.5 Pneumatic (Non-Marking)	A
	0272924	Ref	12 x 16.5 Pneumatic LT	A
	0272310	Ref	12 x 16.5 Pneumatic TS	1
	0270092	Ref	12 x 16.5 Foam-Filled	A
	0270653	Ref	12 x 16.5 Foam-Filled (Non-Marking)	A
	0259351	Ref	14 x 17.5 Pneumatic (Prior to SN 0300064803)	A
	0271995	Ref	14 x 17.5 Pneumatic (SN 0300064803 through 0300096000)	A
	0272311	Ref	14 x 17.5 Pneumatic TS	1
	0259354	Ref	14 x 17.5 Foam-Filled (Prior to SN 0300064803)	A
	0271998	Ref	14 x 17.5 Foam-Filled (SN 0300064803 through 0300096000)	A
	0270093	Ref	33/16LL x 16.1 Pneumatic	A
	0270094	Ref	33/16LL x 16.1 Foam-Filled	A
	0270074	2	12 x 16.5 Pneumatic Right Side	A
	0270075	2	12 x 16.5 Pneumatic Left Side	A
	0272923	4	12 x 16.5 Pneumatic (LT)	A
	0272336	2	12 x 16.5 Pneumatic Right Side (TS)	A
	0272337	2	12 x 16.5 Pneumatic Left Side (TS)	A
	0270651	2	12 x 16.5 Pneumatic Right Side (Non-Marking)	A
	0270652	2	12 x 16.5 Pneumatic Left Side (Non-Marking)	A
	0270076	2	12 x 16.5 Foam-Filled Right Side (See Note)	A
	0270077	2	12 x 16.5 Foam-Filled Left Side (See Note)	A
	0270654	2	12 x 16.5 Foam-Filled Right Side (Non-Marking) (See Note)	A
	0270655	2	12 x 16.5 Foam-Filled Left Side (Non-Marking) (See Note)	A
	0259352	2	14 x 17.5 Pneumatic Right Side (Prior to SN 0300064803)	B
	0271993	2	14 x 17.5 Pneumatic Right Side (SN 0300064803 through 0300096000)	A
	0259353	2	14 x 17.5 Pneumatic Left Side (Prior to SN 0300064803)	B
	0271994	2	14 x 17.5 Pneumatic Left Side (SN 0300064803 through 0300096000)	A
	0272352	2	14 x 17.5 Pneumatic Right Side (TS)	A
	0272353	2	14 x 17.5 Pneumatic Left Side (TS)	A
	0259355	2	14 x 17.5 Foam-Filled Right Side (See Note) (Prior to SN 0300064803)	B
	0271997	2	14 x 17.5 Foam-Filled Right Side (See Note) (SN 0300064803 through 0300096000)	A
	0259356	2	14 x 17.5 Foam-Filled Left Side (See Note) (Prior to SN 0300064803)	B
	0271996	2	14 x 17.5 Foam-Filled Left Side (See Note) (SN 0300064803)	A

SECTION 1 - FRAME

ITEM	PART NUMBER	QTY	DESCRIPTION	REV
			through 0300096000)	
	0270078	4	33/16LL x 16.1 Pneumatic	A
	0270079	4	33/16LL x 16.1 Foam-Filled (See Note)	A
		Ref	Note: Assemblies may require ballast/foam filling to manufacturer's specifications prior to installing on a machine. Refer to Operation and Safety or Service and Maintenance Manuals. Purchase individual tire and/or rim only if able to foam fill tire and wheel assembly, otherwise, purchase complete assembly.	
101		Ref	Decal Options (Pneumatic Only):	
101	1702740	1	Decal - 90PSI	
101	1702738	1	Decal - 45PSI	
101	1703067	1	Decal - 40PSI	
102		Ref	Tire Options:	
102	4520216	1	12 x 16.5 NHS	
102	4520240	1	12 x 16.5 NHS (Non-Marking)	
102	4520266	1	12 x 16.5 LT	
102	4520212	1	14 x 16.1	
102	4520259	1	14 x 17.5 NHS (p/n was 4520171) (Prior to SN 0300064803)	
102	4520259	1	14 x 17.5 NHS (SN 0300064803 through 0300096000)	
102	4520212	1	33/16LL x 16.1	
103	4640113	1	Valve, Air (Pneumatic Only)	
104		Ref	Rim, Wheel	
104	4860214	1	16.1 x 14 (Use with 33/16LL x 16.1 & 14 x 16.1 Tires)	
104	4860213	1	16.5 x 9.75 (Use with 12 x 16.5 Tires)	
104	4860198	1	17.5 x 10.50 (Use with 14 x 17.5 Tires)	
105	1120552	1	Cap, Valve Stem (Green) (Pneumatic TS Tires Only)	
106	1300019	AR	Chemical, Tire Sealant (Pneumatic TS Tires Only)	
107	1705364	1	Decal - Tire Sealant (Pneumatic TS Tires Only)	

SECTION 1 - FRAME

FIGURE 1-5. DRIVE HUB ASSEMBLY (4WD FRONT) (Prior to SN 0300076633)



- 100A
- 100B
- 100C
- 100D
- 100E

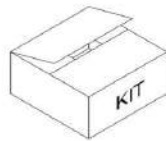
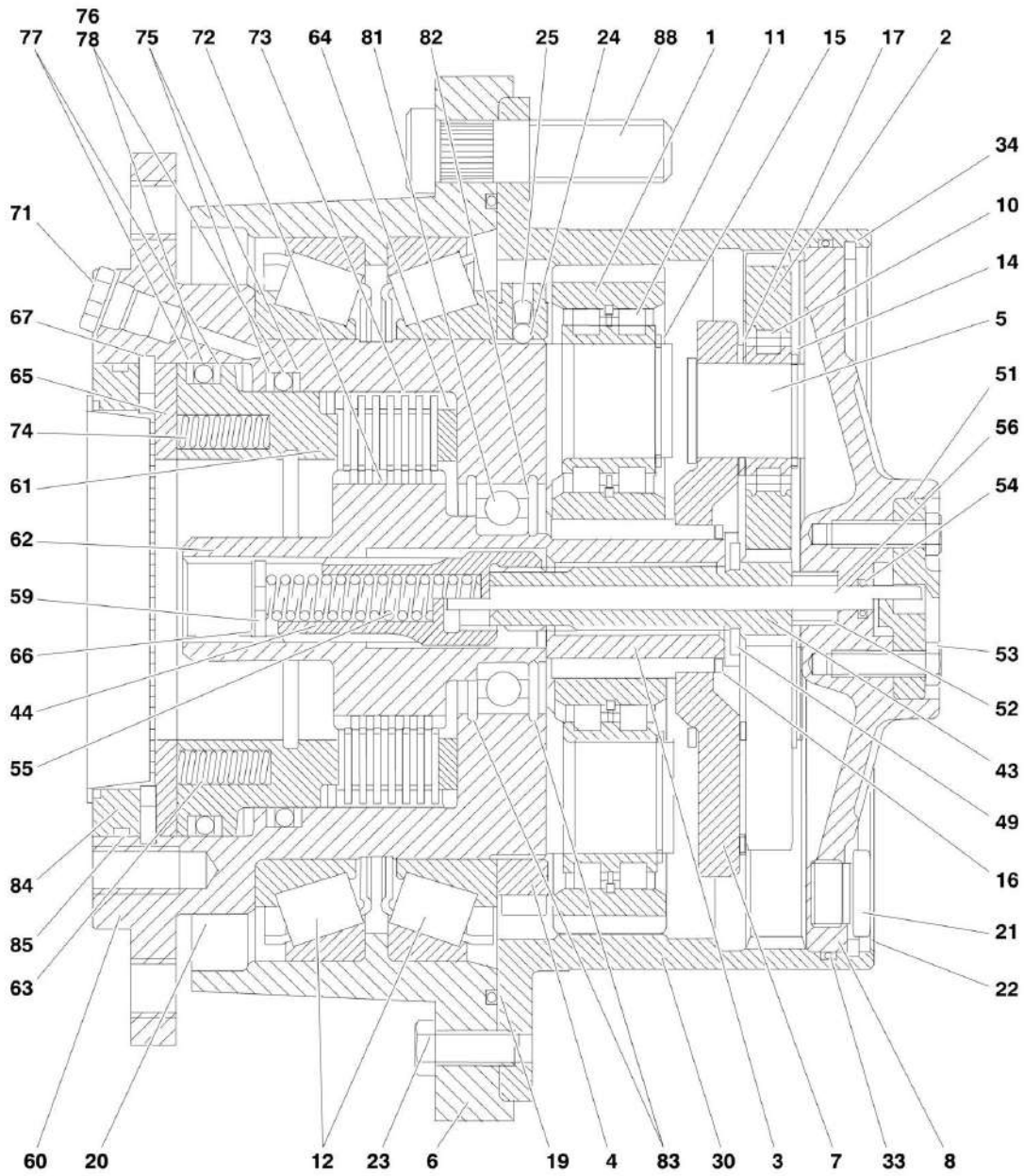
SECTION 1 - FRAME

FIGURE 1-5. DRIVE HUB ASSEMBLY (4WD FRONT) (Prior to SN 0300076633)

ITEM	PART NUMBER	QTY	DESCRIPTION	REV
	2780246	Ref	DRIVE HUB ASSEMBLY (4WD FRONT)	A
1	See Note	NSS	Gear, Planet (Note: Use Item 100A)	
2	See Note	NSS	Gear, Planet (Note: Use Item 100B)	
3	7021325	1	Gear, Sun	
4	See Note	NSS	Nut, Shaft (Note: Use Item 100D)	
		Ref	Note: Unless there is capability to torque shaft nut (Item 4) to 626 ft/lbs. (850Nm) Repair beyond this level is not advised.	
5	7021326	3	Bolt, Planet	
6	7021327	1	Ring, Support	
7	7021328	1	Carrier, Planet	
8	See Note	NSS	Cover (Note: Use Item 100C)	
10	See Note	NSS	Bearing, Roller (Note: Use Item 100B)	
11	See Note	NSS	Bearing, Roller (Note: Use Item 100A)	
12	See Note	NSS	Bearing, Roller (Note: Use Item 100D)	
14	See Note	NSS	Ring, Retaining (Note: Use Item 100B)	
15	See Note	NSS	Ring, Retaining (Note: Use Item 100A)	
17	See Note	NSS	Disk, Support (Note: Use Item 100B)	
20	See Note	NSS	Seal, Ring (Note: Use Item 100D)	
21	See Note	NSS	Plug (Note: Use Item 100C)	
22	See Note	NSS	Seal, Ring (Note: Use Item 100C)	
23	7021342	3	Bolt	
24	See Note	NSS	Ball (Note: Use Item 100D)	
25	See Note	NSS	Expander (Note: Use Item 100D)	
30	7021346	1	Gear, Ring	
33	See Note	NSS	O-Ring (Note: Use Item 100C)	
34	See Note	NSS	Ring, Retaining (Note: Use Item 100C)	
43	7021347	1	Shaft, Sun Gear	
44	7021337	1	Shaft, Input	
51	See Note	NSS	Cover (Note: Use Item 100C)	
52	See Note	NSS	Disk (Note: Use Item 100C)	
53	See Note	NSS	Bolt (Note: Use Item 100C)	
54	See Note	NSS	O-Ring (Note: Use Item 100C or 100E)	
55	See Note	NSS	Spring, Pressure (Note: Use Item 100E)	
56	See Note	NSS	Rod, Shaft (Note: Use Item 100E)	
59	See Note	NSS	Disk, Rotor (Note: Use Item 100E)	
60	7021339	1	Spindle	
62	7021340	1	Coupler	
66	See Note	NSS	Ring, Retaining (Note: Use Item 100E)	
81	See Note	NSS	Bearing, Ball (Note: Use Item 100D)	
88	7021344	9	Stud, Wheel	
100		Ref	Repair Kit Options:	
100A	7022544	1	Planet Gear (Includes Qty 4 of Items 1, 11 & 15)	
100B	7022545	1	Planet Gear (Includes Qty 3 of Items 2, 10, 14 & 17)	
100C	7021329	1	Cover Kit (Includes Items 8, 21, 22, 33, 34, 51, 52, 53 & 54)	
100D	7021330	1	Bearing Kit (Includes Items 4, 12, 20, 24, 25 & 81)	
		Ref	Note: Unless there is capability to torque shaft nut (Item 4) to 626 ft/lbs. (850Nm) Repair beyond this level is not advised.	
100E	7021338	1	Mechanical Disconnect Kit (Includes Items 54-56, 59 & 66)	

SECTION 1 - FRAME

FIGURE 1-6. DRIVE HUB/BRAKE ASSEMBLY (REAR) (Prior to SN 0300076633)



- 100A
- 100B
- 101A
- 101B
- 101C
- 101D
- 101E
- 101F

SECTION 1 - FRAME

FIGURE 1-6. DRIVE HUB/BRAKE ASSEMBLY (REAR) (Prior to SN 0300076633)

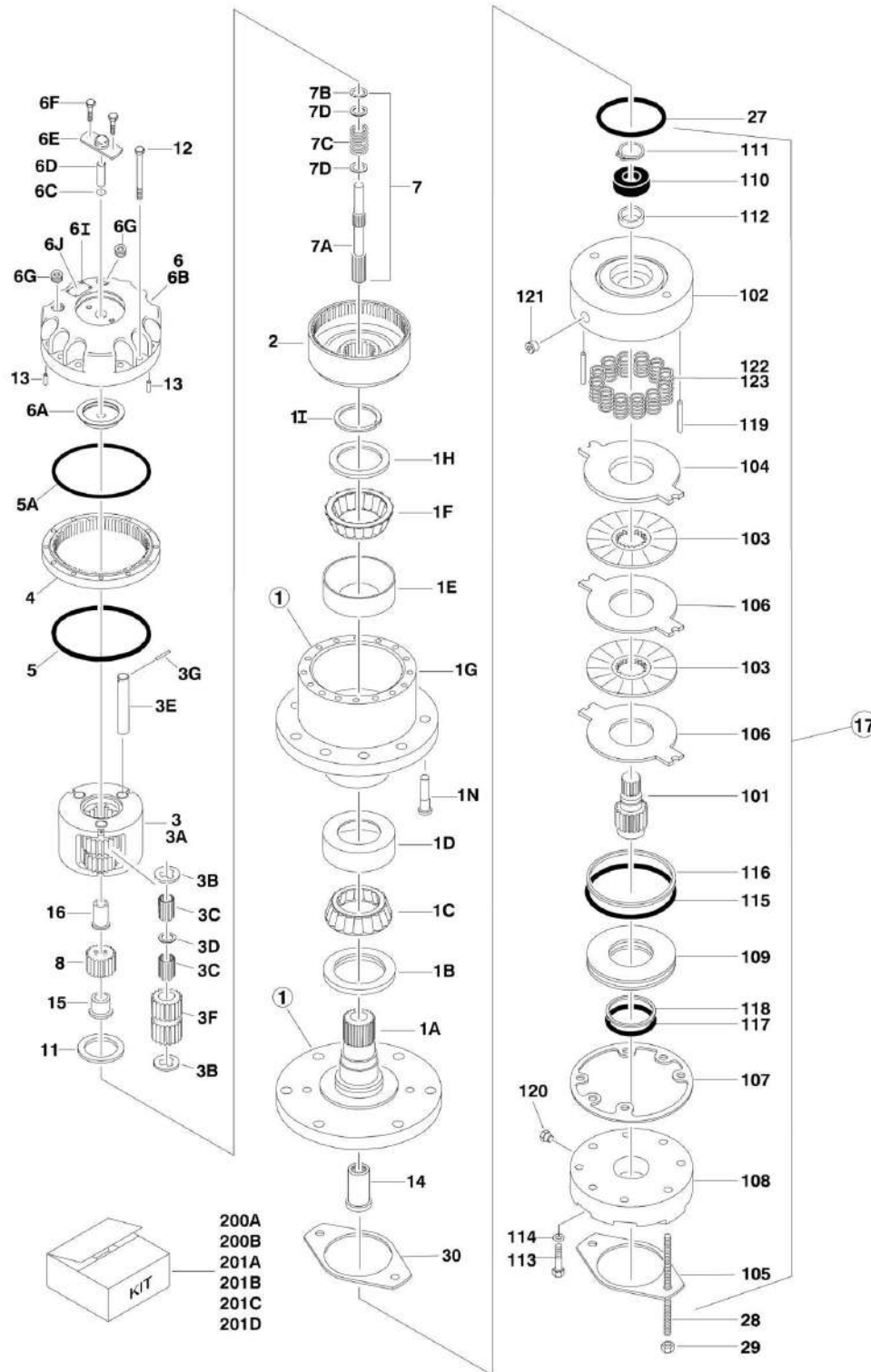
ITEM	PART NUMBER	QTY	DESCRIPTION	REV
		Ref	DRIVE HUB/BRAKE ASSEMBLIES	
	2780243	Ref	2WD Rear (Prior to SN 0300064140)	A
	2780253	Ref	2WD Rear (SN 0300064140 through 0300096000)	A
	2780244	Ref	4WD Rear (Prior to SN 0300057477)	A
	2780254	Ref	4WD Rear (SN 0300057477 through 0300096000)	A
1	See Note	NSS	Gear, Planet (Note: Use Item 101A)	
2	See Note	NSS	Gear, Planet (Note: Use Item 101B)	
3	7021325	1	Gear, Sun	
4	See Note	NSS	Nut, Shaft (Note: Use Item 101D)	
		Ref	Note: Unless there is capability to torque shaft nut (Item 4) to 626 ft/lbs. (850Nm) Repair beyond this level is not advised.	
5	7021326	3	Pin, Planet	
6	7021327	1	Ring, Support	
7		Ref	Carrier, Planet Options:	
7	7021349	1	2780243 & 2780253 Hub (2WD Rear)	
7	7021328	1	2780244 & Hub 2780254 (4WD Rear)	
8	See Note	NSS	Cover (Note: Use Item 101C)	
10	See Note	NSS	Bearing, Roller (Note: Use Item 101B)	
11	See Note	NSS	Bearing, Roller (Note: Use Item 101A)	
12	See Note	NSS	Bearing, Roller (Note: Use Item 101D)	
14	See Note	NSS	Ring, Retaining (Note: Use Item 101B)	
15	See Note	NSS	Ring, Retaining (Note: Use Item 101A)	
16	7021341	1	Ring, Retaining	
17	See Note	NSS	Disk, Support (Note: Use Item 101B)	
19	See Note	NSS	O-Ring (Note: Use Item 101D)	
20	See Note	NSS	Seal, Ring (Note: Use Item 101D)	
21	See Note	NSS	Plug (Note: Use Item 101C)	
22	See Note	NSS	Seal, Ring (Note: Use Item 101C)	
23	7021342	3	Bolt	
24	See Note	NSS	Ball (Note: Use Item 101D)	
25	See Note	NSS	Expander (Note: Use Item 101D)	
30		Ref	Gear, Ring Options:	
30	7021335	1	2780243 & 2780253 Hub (2WD Rear)	
30	7021346	1	2780244 & Hub 2780254 (4WD Rear)	
33	See Note	NSS	O-Ring (Note: Use Item 101C)	
34	See Note	NSS	Ring, Retaining (Note: Use Item 101C)	
43		Ref	Shaft, Sun Gear Options:	
43	7021351	1	2780243 & 2780253 Hub (2WD Rear)	
43	7021347	1	2780244 & Hub 2780254 (4WD Rear)	
44	7021337	1	Shaft, Input	
51	See Note	NSS	Cover (Note: Use Item 101C)	
52	See Note	NSS	Disk (Note: Use Item 101C)	
53	See Note	NSS	Bolt (Note: Use Item 101C or 101E)	
54	See Note	NSS	O-Ring (Note: Use Item 101C or 101E)	
55	See Note	NSS	Spring, Pressure (Note: Use Item 101E)	
56	See Note	NSS	Rod, Shaft (Note: Use Item 101E)	
59	See Note	NSS	Disk, Rotor (Note: Use Item 101E)	
60		Ref	Spindle Options:	
60	7021352	1	2780243/2780253 Hub (2WD Rear)/2780244 Hub (4WD Rear)	

SECTION 1 - FRAME

ITEM	PART NUMBER	QTY	DESCRIPTION	REV
60	2780254	0	2780254 Hub (4WD Rear) (Note: Not Available - Purchase Complete Drive Hub/Brake Assembly)	
61	See Note	1	Housing, Brake (Note: Not Available for Purchase)	
62		Ref	Coupler Options:	
62	7021340	1	2780243 & 2780253 Hub (2WD Rear)	
62	7021359	1	2780244 & Hub 2780254 (4WD Rear)	
63		Ref	Ring, Spacer Options:	
63	Not Required	0	2780243 Hub (2WD Rear)/2780244 Hub (4WD Rear)	
63	7022549	1	2780253 Hub (2WD Rear)/2780254 Hub (4WD Rear)	
64		Ref	Plate, Back-up Options:	
64	7021354	1	2780243 Hub (2WD Rear)/2780244 Hub (4WD Rear)	
64	Not Required	0	2780253 Hub (2WD Rear)/2780254 Hub (4WD Rear)	
65	7021355	1	Plate, Back-up	
66	7021338	1	Ring, Retaining	
67	7021356	1	Ring, Retaining	
71		Ref	Plug Options:	
71	7021357	1	2780243 Hub (2WD Rear)/2780244 Hub (4WD Rear)	
71	7022551	1	2780253 Hub (2WD Rear)/2780254 Hub (4WD Rear)	
72	See Note	6	Disc, Brake Disc, Brake (Note: Use Item 101F)	
73	See Note	7	Disc, Brake (Note: Use Item 101F)	
74	See Note	8	Spring (Note: Use Item 101F)	
75	See Note	NSS	Ring, Back-up (Note: Use Item 100B)	
76	See Note	NSS	O-Ring (Note: Use Item 100B)	
77	See Note	NSS	Ring, Back-up (Note: Use Item 100B)	
78	See Note	NSS	O-Ring (Note: Use Item 100B)	
81	See Note	NSS	Bearing, Ball (Note: Use Item 101D)	
84	7021358	1	Ring, Seal	
85	7024980	1	Seal	
88	7021344	9	Stud, Wheel	
100		Ref	Seal Kit Options:	
100A	See Note	1	Hub Seal Kit (Note: Purchase Repair Kit that includes Seals Needed)	
100B	7022547	1	Brake Seal Kit (Includes Items 75, 76, 77 & 78)	
101		Ref	Repair Kit Options:	
101A	7022544	1	Planet Gear (Includes Qty 4 of Items 1, 11 & 15)	
101B		Ref	Planet Gear (Includes Qty 3 of Items 2, 10, 14 & 17) Options:	
101B	7024017	1	2780243/2780253 Hub (2WD Rear)	
101B	7022545	1	2780244/2780254 Hub (4WD Rear)	
101C	7021329	1	Cover Kit (Includes Items 8, 21, 22, 33, 34, 51, 52, 53 & 54)	
101D	7021330	1	Bearing Kit (Includes Items 4, 12, 19, 20, 24, 25 & 81)	
		Ref	Note: Unless there is capability to torque shaft nut (Item 4) to 626 ft/lbs. (850Nm) Repair beyond this level is not advised.	
101E	7021338	1	Mechanical Disconnect Kit (Includes Items 53, 54, 55, 56, 59 & 66)	
101F		Ref	Brake Kit (Includes Items 72, 73 & 74)	
101F	7024026	1	2780243 (2WD Rear)/2780244 Hub (4WD Rear)	
101F	7022548	1	2780253 Hub (2WD Rear)/2780254 Hub (4WD Rear)	

SECTION 1 - FRAME

FIGURE 1-7. DRIVE HUB AND HUB WITH BRAKE ASSEMBLIES (SN 0300076633 through 0300096000)



SECTION 1 - FRAME

FIGURE 1-7. DRIVE HUB AND HUB WITH BRAKE ASSEMBLIES (SN 0300076633 through 0300096000)

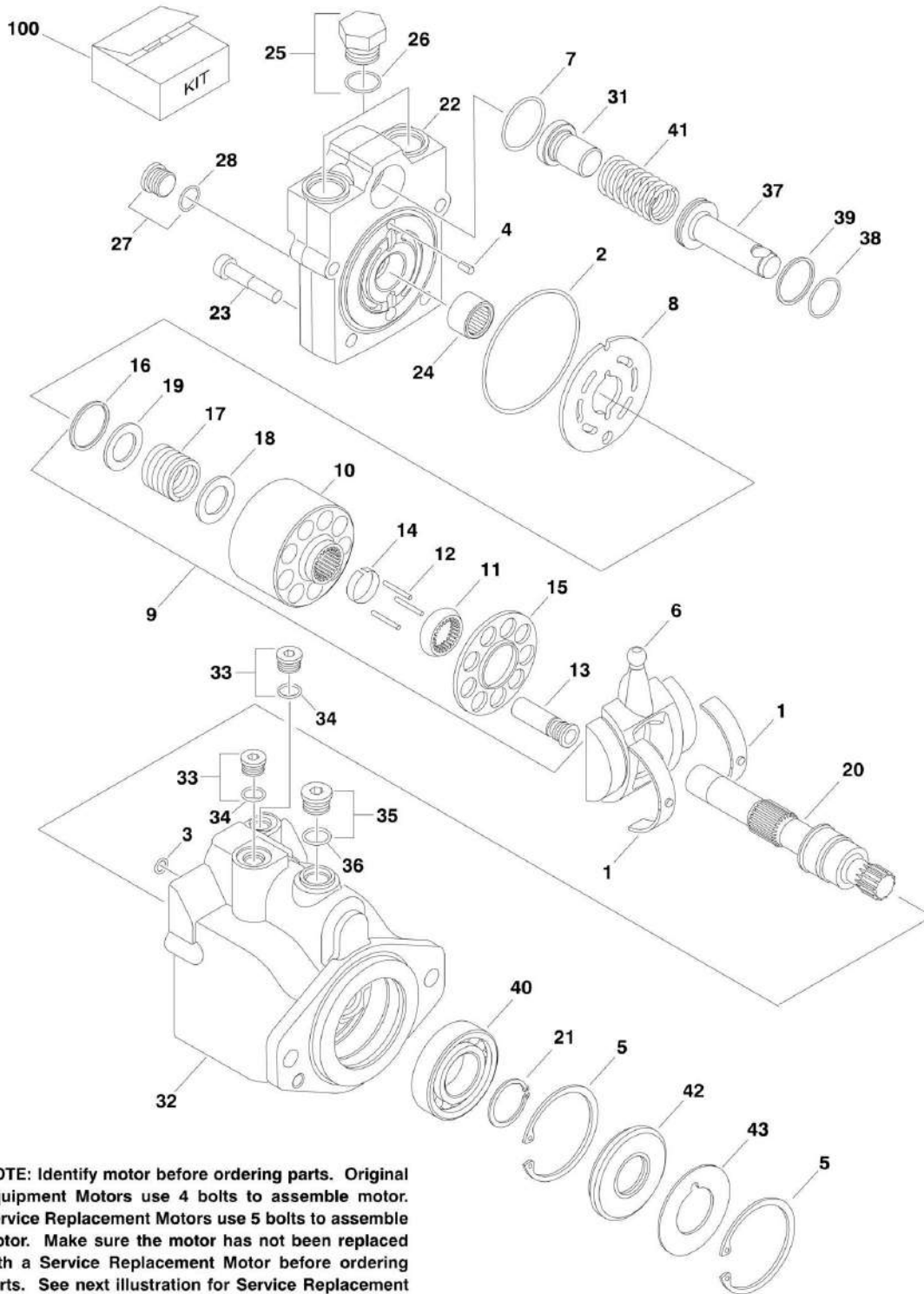
ITEM	PART NUMBER	QTY	DESCRIPTION	REV
		Ref	DRIVE HUB ASSEMBLIES	
	2780268	Ref	Drive Hub without Brake Assembly (4WD Front) (Includes Items 1-16)	D
	2780267	Ref	Drive Hub with Brake Assembly (2WD & 4WD Rear) (Includes Items 1-123)	F
1	See Note	1	Spindle/Housing Assembly (Note: Not Available - Purchase Complete Drive Hub Assembly)	
1A	7017059	1	Spindle	
1B	7001998	1	Seal	
1C	7010429	1	Cone, Bearing (Includes Item 1D)	
1D	7010429	1	Cup, Bearing (Includes Item 1C)	
1E	7000257	1	Cup, Bearing	
1F	7000258	1	Cone, Bearing	
1G	7007601	1	Housing/Ring Gear	
1H	7000232	1	Thrustwasher	
1I	7000229	1	Ring, Retaining	
1N	7007640	9	Stud, Wheel	
2	7000246	1	Gear, Internal	
3	7024712	1	Carrier Assembly (Purchase p/n 7024712 for items 3A-3G)	
3A	See Note	NSS	Carrier (Note: Use Item 3)	
3B	See Note	NSS	Ring, Retaining (Note: Use Item 3)	
3C	See Note	NSS	Bearing, Needle (Note: Use Item 3)	
3D	See Note	NSS	Thrustwasher (Note: Use Item 3)	
3E	See Note	NSS	Shaft, Planet (Note: Use Item 3)	
3F	See Note	NSS	Gear, Planet (Note: Use Item 3)	
3G	See Note	NSS	Roll Pin (Note: Use Item 3)	
4	7000248	1	Ring Gear	
5	7000230	1	O-Ring	
5A	7017070	1	O-Ring	
6	7017090	NLA	Cover Assembly (Use p/n 70001349 Kit - Includes Items 6A-6J)	
6A	7017097	NLA	Spacer, Thrust	
6B	7017091	NLA	Plate, Cover	
6C	7017095	NLA	O-Ring	
6D	7017092	NLA	Rod, Disconnect	
6E	7017093	NLA	Cap, Disengage	
6F	0641404	2	Bolt 1/2in-20NC x 1/2in	
6G	7017094	NLA	Plug, Pipe	
6I	See Note	NSS	Rivet (Note: Not Available for Purchase)	
6J	See Note	NSS	Plate, ID (Note: Not Available for Purchase)	
7		Ref	Input Shaft Assembly	
7A	7024714	1	Shaft	
7B	7000261	1	Ring, Retaining	
7C	7000262	1	Spring	
7D	7000263	2	Spacer, Thrust	
8	7024713	1	Gear, Sun	
11	7000253	1	Thrustwasher	
12	7017067	12	Bolt	
13	7017080	4	Pin, Dowell	
14	7000206	1	Coupling	

SECTION 1 - FRAME

ITEM	PART NUMBER	QTY	DESCRIPTION	REV
15	7024715	1	Spacer, Input	
16	7024716	1	Spacer, Input	
17	7024182	1	Brake Assembly (See Items 101-123 for Breakdown)	
27	7024705	1	O-Ring	
28	7024717	2	Rod, Threaded	
29	7024718	2	Nut 1/2in-13NC	
30	70005483	1	Gasket	
	7024182	Ref	BRAKE ASSEMBLY	
101	7024189	1	Shaft	
102	7024182	1	Housing (Note: Not Available - Purchase Complete Brake Assembly)	
103	See Note	NSS	Plate, Friction (Note: Use Item 201C)	
104	See Note	NSS	Plate, Pressure (Note: Use Item 201C)	
105	7000731	1	Gasket	
106	See Note	NSS	Plate, Outer (Note: Use Item 201C)	
107	See Note	NSS	Gasket (Note: Use Item 200B, 201C or 201D)	
108	7024191	1	Cylinder	
109	7024192	1	Piston	
110	See Note	NSS	Bearing, Ball (Note: Use Item 201D)	
111	See Note	NSS	Ring, Retaining (Note: Use Item 201D)	
112	See Note	NSS	Seal, Shaft (Note: Use Item 201D)	
113	See Note	6	Capscrew (Note: Not Available - Purchase Locally)	
114	See Note	6	Lockwasher (Note: Not Available - Purchase Locally)	
115	See Note	NSS	O-Ring (Note: Use Item 200B)	
116	See Note	NSS	Ring, Back-up (Note: Use Item 200B)	
117	See Note	NSS	O-Ring (Note: Use Item 200B)	
118	See Note	NSS	Ring, Back-up (Note: Use Item 200B)	
119	7024190	2	Pin, Dowel	
120	See Note	1	Plug (Note: Not Available - Purchase Locally)	
121	See Note	2	Plug (Note: Not Available - Purchase Locally)	
122	See Note	NSS	Spring Kit (Natural) (Note: Use Item 201B)	
123	See Note	NSS	Spring Kit (Blue) (Note: Use Item 201B)	
200		Ref	Seal Kit Options:	
200A	See Note	1	Hub Seal Kit (Note: Not Available - Purchase Individual Components)	
200B	7024194	1	Brake Seal Kit (Includes Items 105, 107 & 115-118)	
201		Ref	Repair Kit Options:	
201A	7024195	NLA	Spring Kit - 7024182 Brake (Includes 12 Natural Colored Springs) (Use p/n 7024196)	
201B	7024196	1	Brake Spring Kit (Includes 12 Natural & 2 Blue Colored Springs)	
201C	7024193	1	Brake Friction Disc Kit (Includes Items 103, 104, 106 & 107)	
201D	7024197	1	Brake Bearing Kit (Includes Items 107 & 110-112)	

SECTION 1 - FRAME

FIGURE 1-8. DRIVE MOTOR ASSEMBLY (ORIGINAL EQUIPMENT - 4 BOLT ASSEMBLY)



NOTE: Identify motor before ordering parts. Original Equipment Motors use 4 bolts to assemble motor. Service Replacement Motors use 5 bolts to assemble motor. Make sure the motor has not been replaced with a Service Replacement Motor before ordering parts. See next illustration for Service Replacement Motor components.

SECTION 1 - FRAME

FIGURE 1-8. DRIVE MOTOR ASSEMBLY (ORIGINAL EQUIPMENT - 4 BOLT ASSEMBLY)

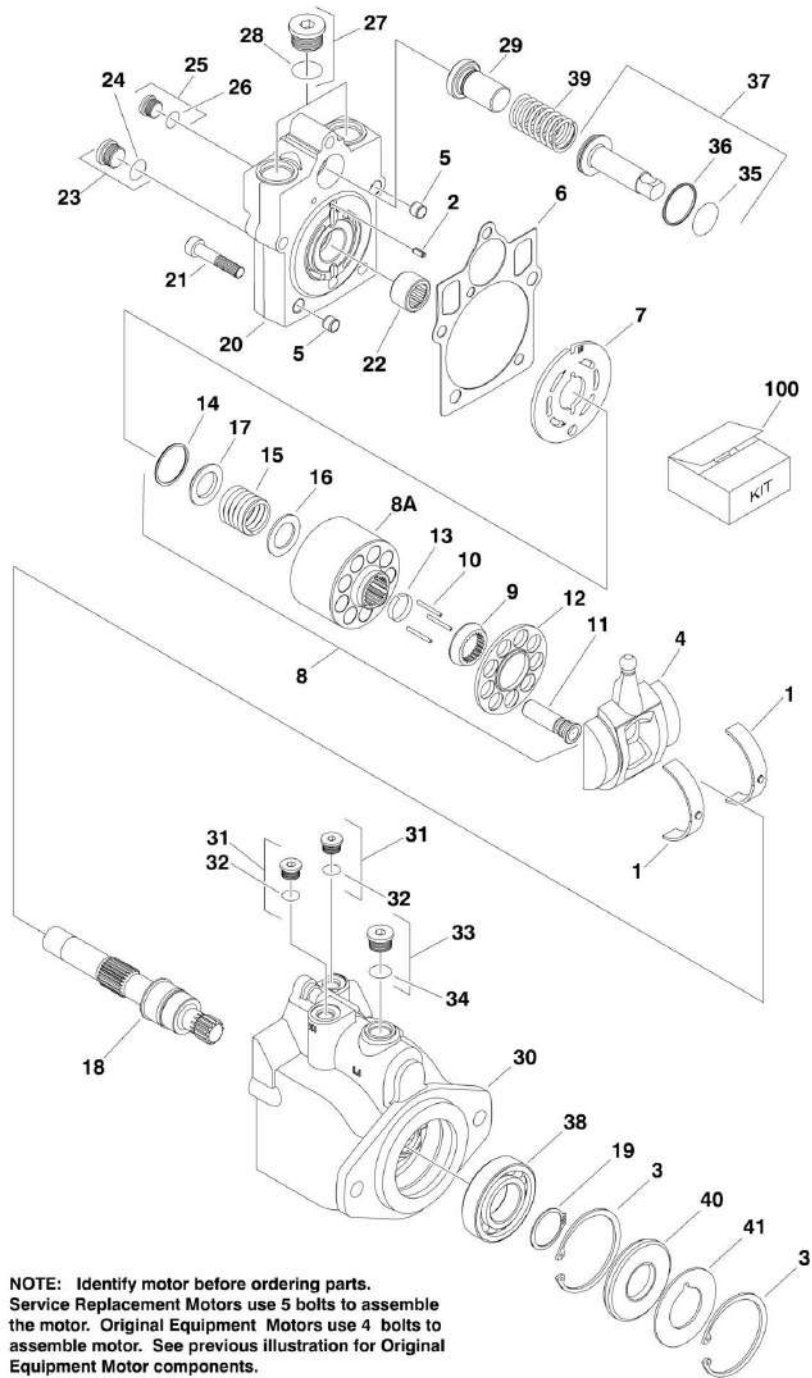
ITEM	PART NUMBER	QTY	DESCRIPTION	REV
		Ref	DRIVE MOTOR ASSEMBLY	
	3160242	Ref	2WD Rear (Prior to SN 0300076633)	F
	3160298	Ref	2WD Rear (SN 0300076633 through 0300096000)	C
	3160243	Ref	4WD Front and Rear (Prior to SN 0300076633)	D
	3160266	Ref	4WD Front and Rear (SN 0300076633 through 0300096000)	D
		Ref	NOTE: Identify motor before ordering parts. Original Equipment Motors use 4 bolts to assemble motor. Service Replacement Motors use 5 bolts to assemble motor. Make sure the motor has not been replaced with a Service Replacement Motor before ordering parts. See DRIVE MOTOR ASSEMBLY (FIELD SERVICE REPLACEMENT - 5 BOLT ASSEMBLY) for Service Replacement Motor components.	
1	7022302	2	Bearing, Journal	
2	See Note	NSS	O-Ring (Note: Use Item 100)	
3	See Note	NSS	O-Ring (Note: Use Item 100)	
4	7007446	1	Pin	
5	7007438	2	Ring, Retaining	
6	7022305	1	Swash Plate	
7	See Note	NSS	O-Ring (Note: Use Item 100)	
8		Ref	Plate, Valve Options:	
8	7022307	1	3160242 & 3160243 Motors	
8	7023908	1	3160266 & 3160298 Motors	
9		Ref	Cylinder Block Assembly Options (Includes Items 10-19) :	
9	7022306	1	3160242 & 3160243 Motors	
9	7023907	1	3160266 & 3160298 Motors	
10		Ref	Block, Cylinder Options:	
10	7022306	1	3160242 & 3160243 Motors (was p/n 7022308)	
10	7023907	1	3160266 & 3160298 Motors (Note: Not Available for Purchase)	
11	7021277	1	Guide, Slipper Retainer (Prior to Motor SN S-09-50-XXXXX)	
11	70000856	1	Guide, Slipper Retainer (Motor SN S-09-50-XXXXX to Present)	
		Ref	Note: If motor 3160242 or 3160243 has been updated to use p/n 7022306 assy, use p/n 70000856 as replacement.	
12	7021275	3	Pin, Slipper Hold Down	
13		Ref	Piston Assembly	
13	7022309	9	3160242 & 3160243 Motors	
13	7023907	9	3160266 & 3160298 Motors (Note: Not Available for Purchase)	
14	7021276	1	Retainer, Hold Down Pin	
15	7022310	1	Retainer, Slipper	
16	7022311	1	Ring, Retaining	
17	7022312	1	Spring	
18		Ref	Washer Options:	
18	7022313	1	3160242 & 3160243 Motors	
18	7024868	1	3160266 & 3160298 Motors	
19	7022314	1	Retainer, Spring	
20		Ref	Shaft Options:	
20	7022366	1	3160242 & 3160243 Motors	
20	7023910	1	3160266 & 3160298 Motor	
21	7007439	1	Ring, Retaining	
22		Ref	Cap, End - Axial Options:	

SECTION 1 - FRAME

ITEM	PART NUMBER	QTY	DESCRIPTION	REV
22	7022367	1	3160242 & 3160243 & 3160266 Motors	
22	7024852	1	3160298 Motor	
23	7022368	4	Screw	
24	7021249	1	Bearing, Needle	
25	7022321	2	Plug (Includes Item 26)	
26	See Note	NSS	O-Ring (Note: Use Item 25 or 100)	
27	7022318	1	Plug (Includes Item 28)	
28	See Note	NSS	O-Ring (Note: Use Item 27 or 100)	
29		Ref	Plug Options (Includes Item 30) (Not Shown):	
29	7022318	1	3160242 & 3160243 Motors	
29	7027419	1	3160266 & 3160298 Motor	
30	See Note	NSS	O-Ring (Not Shown) (Note: Use Item 29 or 100)	
31		Ref	Seat, Spring Options:	
31	7022369	1	3160242 Motor	
31	7022372	1	3160243 & 3160266 Motors	
31	7024853	1	3160298 Motor	
32	7022370	1	Housing	
33	7022318	2	Plug (Includes Items 34)	
34	See Note	NSS	O-Ring (Note: Use Item 33 or 100)	
35	7022321	1	Plug (Includes Items 36)	
36	See Note	NSS	O-Ring (Note: Use Item 35 or 100)	
37		Ref	Piston, Servo Options:	
37	7022326	1	3160242, 3160243 & 3160266 Motors	
37	7024854	1	3160298 Motor	
38	See Note	NSS	O-Ring (Note: Use Item 100)	
39	See Note	NSS	Ring, Seal (Note: Use Item 100)	
40	7007437	1	Bearing	
41	7022326	1	Spring	
42	See Note	NSS	Seal, Lip (Note: Use Item 100)	
43	7022371	1	Washer, Support	
100	7022328	1	Seal Kit (Includes Items 2, 3, 7, 26, 28, 30, 34, 36, 38, 39 & 42)	

SECTION 1 - FRAME

FIGURE 1-9. DRIVE MOTOR ASSEMBLY (FIELD SERVICE REPLACEMENT - 5 BOLT ASSEMBLY)



SECTION 1 - FRAME

FIGURE 1-9. DRIVE MOTOR ASSEMBLY (FIELD SERVICE REPLACEMENT - 5 BOLT ASSEMBLY)

ITEM	PART NUMBER	QTY	DESCRIPTION	REV
		Ref	DRIVE MOTOR ASSEMBLIES:	
	3160351	Ref	2WD (Service Replacement Motor) (Prior to SN 0300076633)	B
	3160353	Ref	2WD (Service Replacement Motor) (SN 0300076633 through 0300096000)	A
	3160348	Ref	4WD (Service Replacement Motor) (Prior to SN 0300076633)	B
	3160354	Ref	4WD (Service Replacement Motor) (SN 0300076633 through 0300096000)	A
		Ref	NOTE: Identify motor before ordering parts. Service Replacement Motors use 5 bolts to assemble the motor. Original Equipment Motors use 4 bolts to assemble motor. See previous illustration for Original Equipment Motor components.	
1	7022302	2	Bearing, Journal	
2	7007446	1	Pin	
3	7007438	2	Ring, Retaining	
4	7022305	1	Swashplate	
5	See Note	2	Pin (Note: Not Available for Purchase)	
6	See Note	NSS	Gasket (Note: Use Item 100)	
7		Ref	Plate, Valve Options:	
7	7023908	1	Drive Motor p/n 3160351 & 3160348	
7	7022307	1	Drive Motor p/n 3160353 & 3160354	
8		Ref	Cylinder Block Assembly Options (Includes Items 8A & 9-17):	
8	7023907	1	Drive Motor p/n 3160351 & 3160348	
8	7022306	1	Drive Motor p/n 3160353 & 3160354	
8A	See Note	1	Block, Cylinder (Note: Not Available - Purchase Complete Cylinder Block Assembly)	
9	7021277	1	Guide, Slipper Retainer	
10	7021275	3	Pin, Slipper Hold Down	
11		Ref	Piston Assembly	
11	See Note	9	Drive Motor p/n 3160351 & 3160348 (Note: Not Available - Purchase Complete Cylinder Block Assembly)	
11	7022309	9	Drive Motor p/n 3160353 & 3160354	
12	7021276	1	Retainer, Hold Down Pin	
13	7022310	1	Retainer, Slipper	
14	7022311	1	Ring, Retaining	
15	7022312	1	Spring	
16	7024868	1	Washer	
17	7022314	1	Retainer, Spring	
18	7023910	1	Shaft	
19	7007439	1	Ring, Retaining	
20	70000797	1	Cap, End - Axial	
21	7022368	5	Screw	
22	7021249	1	Bearing, Needle	
23	2220886	1	Plug (Includes Item 24)	
24	See Note	NSS	O-Ring (Note: Use Item 23 or 100)	
25	2220883	1	Plug (Includes Item 26)	
26	See Note	NSS	O-Ring (Note: Use Item 25 or 100)	
27		Ref	Plug (Includes Item 28) Options:	
27	7027419	2	2WD	
27	2220888	2	4WD	
28	See Note	NSS	O-Ring (Note: Use Item 27 or 100)	

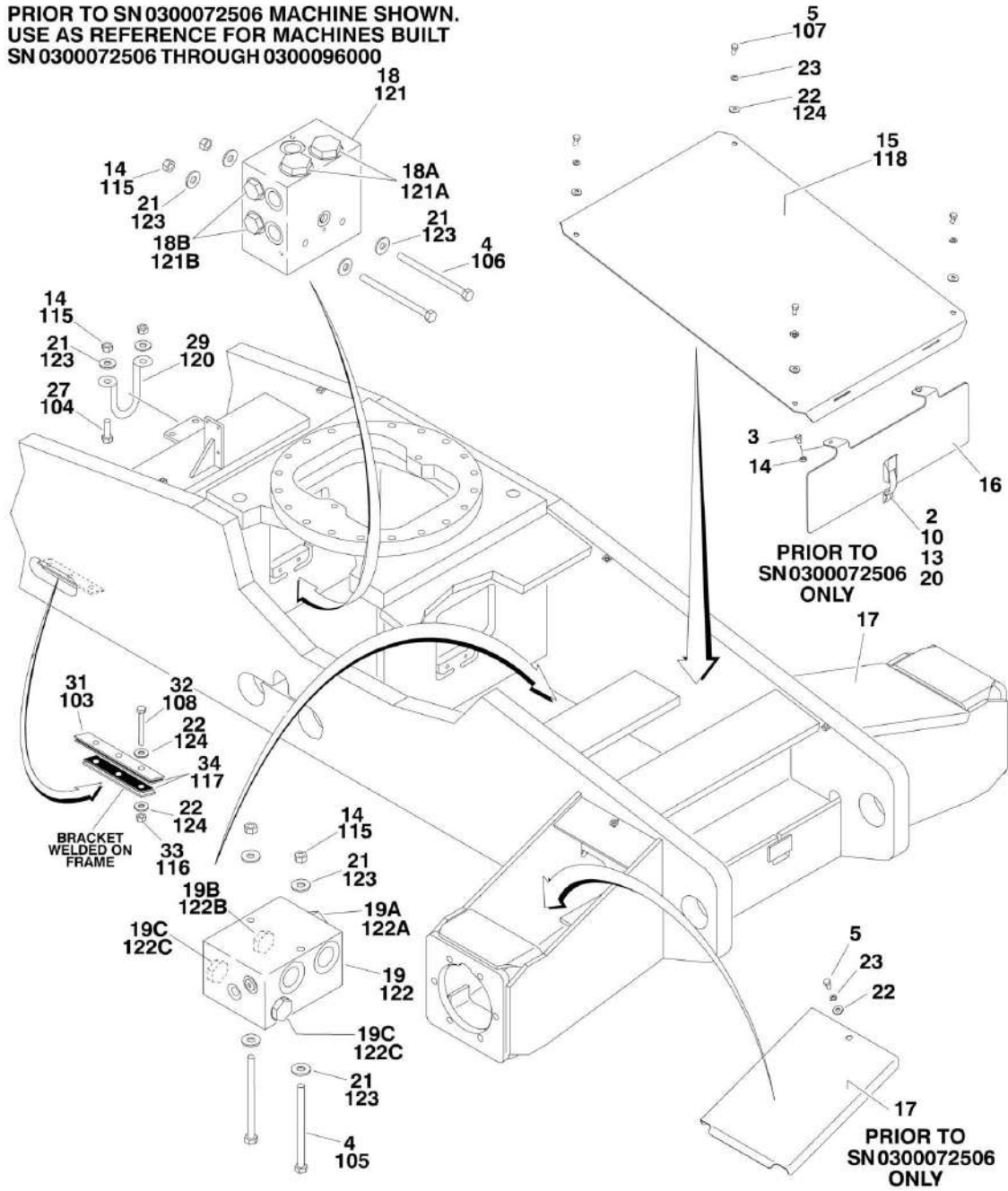
SECTION 1 - FRAME

ITEM	PART NUMBER	QTY	DESCRIPTION	REV
29		Ref	Seat, Spring Options:	
29		Ref	2WD Options:	
29	7024853	1	Drive Motor p/n 3160351	
29	7022369	1	Drive Motor p/n 3160353	
29	7022372	1	4WD	
30	See Note	1	Housing (Note: Not Available - Purchase Complete Drive Motor Assembly)	
31	2220883	2	Plug (Includes Items 32)	
32	See Note	NSS	O-Ring (Note: Use Item 31 or 100)	
33	2220886	1	Plug (Includes Items 34)	
34	See Note	NSS	O-Ring (Note: Use Item 33 or 100)	
35	See Note	NSS	O-Ring (Note: Use Item 100)	
36	See Note	NSS	Ring, Seal (Note: Use Item 100)	
37	7024854	1	Piston, Servo (Includes Items 35 & 36)	
38	7007437	1	Bearing	
39	7022326	1	Spring	
40	See Note	NSS	Seal, Lip (Note: Use Item 100)	
41	7022371	1	Washer, Support	
100	7022328	1	Seal Kit (Includes Items 6, 24, 26, 28, 32, 34, 35, 36 & 40)	

SECTION 1 - FRAME

FIGURE 1-10. FRAME VALVES AND SHIELDS INSTALLATION

PRIOR TO SN 0300072506 MACHINE SHOWN.
USE AS REFERENCE FOR MACHINES BUILT
SN 0300072506 THROUGH 0300096000



SECTION 1 - FRAME

FIGURE 1-10. FRAME VALVES AND SHIELDS INSTALLATION

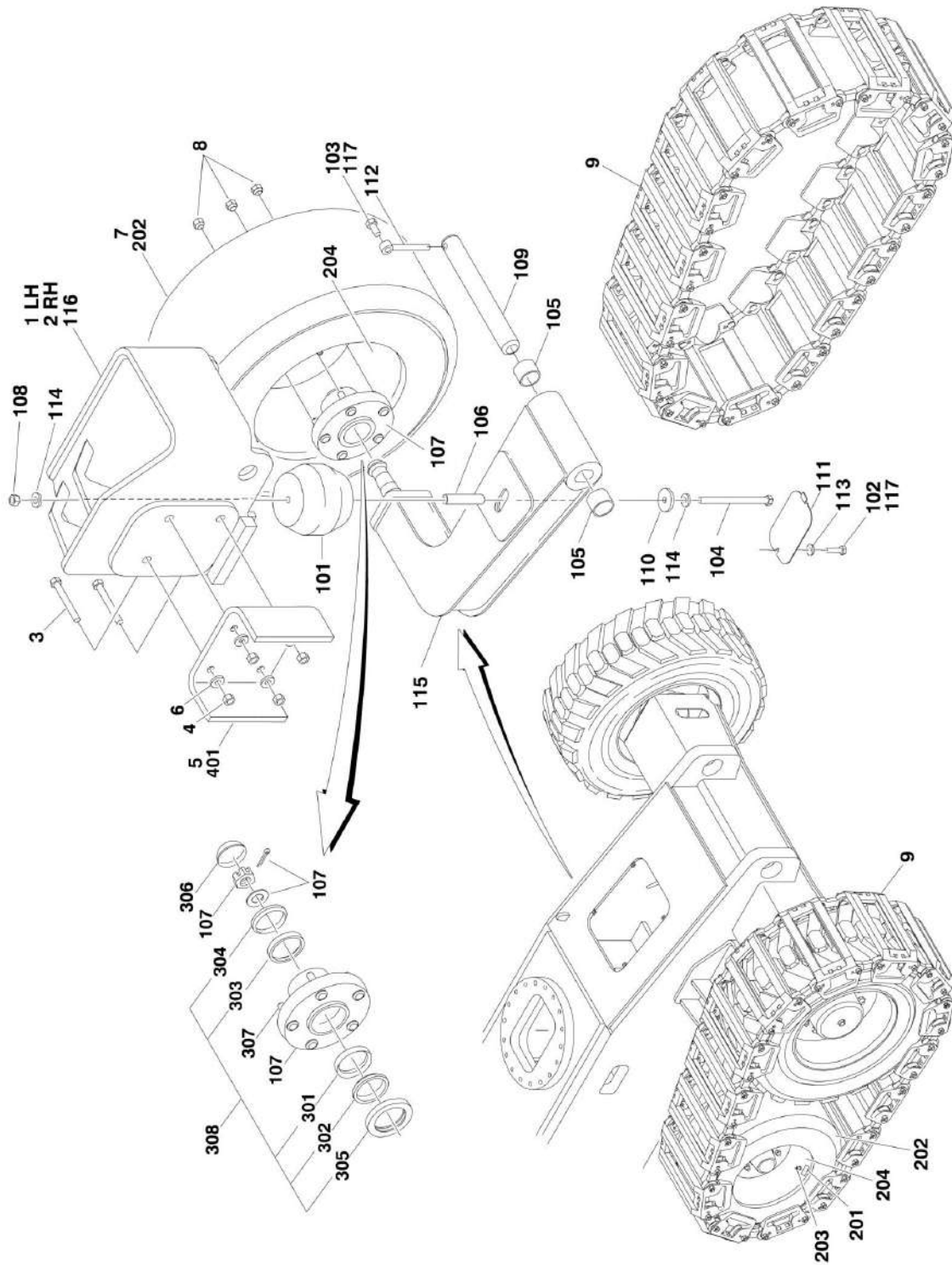
ITEM	PART NUMBER	QTY	DESCRIPTION	REV
		Ref	VALVES AND SHIELDS INSTALLATIONS (Prior to SN 0300072506)	
	0259145	Ref	2WD (Prior to SN 0300072506)	H
	0259146	Ref	4WD (Prior to SN 0300072506)	J
		Ref	Note: See AXLE AND STEERING INSTALLATIONS for Oscillating Axle Lockout Valve.	
2	0630464	2	Screw, Button	
3	0641504	2	Bolt 5/16in-18NC x 1/2in	
4	0641530	2	Bolt 5/16in-18NC x 3-3/4in	
5	0641606	6	Bolt 3/8in-16NC x 3/4in	
10	2940118	1	Latch	
13	3311005	2	Locknut #10-24NC	
14	3311505	AR	Locknut 5/16in-18NC	
15	4060979	1	Shield, Frame - Rear Top	
16	4060980	1	Shield, Frame - Rear Side	
17	4060981	2	Shield, Frame - Axle Top	
18		Ref	Flow Divider Valve Assembly Options:	
18	Not Required	0	2WD Machines	
18	4641107	1	4WD Machines	C
18A	7021654	2	Valve, Cartridge (Flow Divider)	
18A	7021655	2	Seal Kit - Flow Divider Cartridge	
18B	7017412	4	Valve, Cartridge (Check)	
18B	7012967	4	Seal Kit - Check Cartridge	
19	4641115	1	Flow Divider Valve Assembly	C
19A	7021656	1	Valve, Cartridge (Flow Divider)	
19A	7021625	1	Seal Kit - 7021656 Cartridge	
19B	7012930	1	Valve, Cartridge (Check)	
19B	2900708	1	Seal Kit - 7012930 Cartridge	
19C	7010542	2	Valve, Cartridge (Load Shuttle)	
19C	7010543	2	Seal Kit - 7010542 Cartridge	
20	4751000	2	Flatwasher #10 Regular	
21	4751500	AR	Flatwasher 5/16in Regular	
22	4751600	AR	Flatwasher 3/8in Regular	
23	4761600	6	Lockwasher 3/8in	
27	0641508	2	Bolt 5/16in-18NC x 1/2in (4WD Only)	
28	0641538	2	Bolt 5/16in-18NC x 4-3/4in	
29	3841340	1	Loop, Hose (4WD Only)	
31	0362936	2	Bar, Hose Clamp (4WD Only)	
32	0641618	6	Bolt 3/8in-16NC x 2-1/4in (4WD Only)	
33	3311605	6	Nut 3/8in-16NC (4WD Only)	
34	3340898	4	Pad, Rubber (4WD Only)	
		Ref	VALVES AND SHIELDS INSTALLATIONS (SN 0300072506 through 0300096000)	
	0272784	Ref	2WD (SN 0300072506 through 0300076632)	A
	0272926	Ref	2WD (SN 0300076633 through 0300096000)	A
	0272783	Ref	4WD (SN 0300072506 through 0300076632)	A
	0272925	Ref	4WD (SN 0300076633 through 0300096000)	A
		Ref	Note: See AXLE AND STEERING INSTALLATIONS for Oscillating Axle Lockout Valve.	
103	0362936	2	Bar, Hose Clamp (4WD Only)	

SECTION 1 - FRAME

ITEM	PART NUMBER	QTY	DESCRIPTION	REV
104	0641508	2	Bolt 5/16in-18NC x 1/2in (4WD Only)	
105	0641530	2	Bolt 5/16in-18NC x 3-3/4in	
106	0641538	2	Bolt 5/16in-18NC x 4-3/4in (4WD Only)	
107	0641607	6	Bolt 3/8in-16NC x 7/8in	
108	0641618	8	Bolt 3/8in-16NC x 2-1/4in (4WD Only)	
115	3311505	AR	Locknut 5/16in-18NC	
116	3311605	6	Nut 3/8in-16NC (4WD Only)	
117	3340898	4	Pad, Rubber (4WD Only)	
118	3574210	1	Shield, Frame - Rear Top	
120	3841340	1	Loop, Hose (4WD Only)	
121		Ref	Flow Divider Valve Assembly Options:	
121	Not Required	0	2WD Machines	
121	4641107	1	4WD Machines (SN 0300072506 through 0300076632)	C
121	4641208	1	4WD Machines (SN 0300076633 through 0300096000)	A
121A		Ref	Valve, Cartridge (Flow Divider) Options:	
121A	7021654	2	Cartridge for (SN 0300072506 through 0300076632)	
121A	7023934	2	Cartridge For (SN 0300076633 through 0300096000)	
121A	7021655	2	Seal Kit - 7021654 & 7023934 Cartridge	
121B		Ref	Valve, Cartridge (Check) Options:	
121B	7017412	4	Cartridge for (SN 0300072506 through 0300076632)	
121B	7012967	4	Seal Kit - 7017412 Check Cartridge	
121B	7023935	4	Cartridge For (SN 0300076633 through 0300096000)	
121B	7023936	4	Seal Kit - 7023935 Check Cartridge	
122		Ref	Flow Divider Valve Assembly Options:	
122	4641115	1	Flow Divider Valve Assembly (SN 0300072506 through 0300076632)	C
122	4641207	1	Flow Divider Valve Assembly (SN 0300076633 through 0300096000)	A
122A		Ref	Valve, Cartridge (Flow Divider) Options:	
122A	7021656	1	Cartridge for (SN 0300072506 through 0300076632)	
122A	7023917	1	Cartridge for (SN 0300076633 through 0300096000)	
122A	7021625	1	Seal Kit - 7021656 & 7023917 Cartridges	
122B		Ref	Valve, Cartridge (Check) Options:	
122B	7012930	1	Cartridge for (SN 0300072506 through 0300076632)	
122B	2900708	1	Seal Kit - 7012930 Cartridge	
122B	7022397	1	Cartridge for (SN 0300076633 through 0300096000)	
122B	7022399	1	Seal Kit - 7022397 Cartridges	
122C	7010542	2	Valve, Cartridge (Load Shuttle)	
122C	7010543	2	Seal Kit - 7010542 Cartridge	
123	4751500	AR	Flatwasher 5/16in Regular	
124	4751600	AR	Flatwasher 3/8in Regular	

SECTION 1 - FRAME

FIGURE 1-11. SEMI-TRACK INSTALLATION



SECTION 1 - FRAME

FIGURE 1-11. SEMI-TRACK INSTALLATION

ITEM	PART NUMBER	QTY	DESCRIPTION	REV
		Ref	SEMI-TRACK INSTALLATIONS	
	0270193	Ref	IDLER INSTALLATION	3
1		Ref	Mount, Idler (Left) (See Items 101-116 for Breakdown)	
1	0259665	1	Mount, Idler (Left) (Prior to SN 0300062886)	
1	0271212	1	Mount, Idler (Left) (SN 0300062886 through 0300096000)	
2		Ref	Mount, Idler (Right) (See Items 101-116 for Breakdown)	
2	0259674	1	Mount, Idler (Right) (Prior to SN 0300062886)	
2	0271211	1	Mount, Idler (Right) (SN 0300062886 through 0300096000)	
3	0681822	8	Bolt 1/2in-13NC x 2-3/4in (Grade 8)	
4	3271805	8	Locknut 1/2in-13NC (Grade 8)	
5	3572032	2	Plate, Spacer	
6	4891800	8	Flatwasher 1/2in Hardened	
		Ref	TRACK INSTALLATIONS	
		Ref	12in Steel Track Options:	
	0270184	Ref	Track Installations (Prior to SN 0300062886)	2
	0271218	Ref	Track Installations (SN 0300062886 through 0300096000)	1
	0270192	Ref	14in Steel Track	3
7		Ref	Wheel Assembly Options (See Items 201-204 for Breakdown):	
7	0270029	2	12in Track	
7	0270030	2	14in Track	
8	3300255	10	Nut	
9		Ref	Track Options:	
9		Ref	12in Steel Track Options:	
9	0270086	1	Track (Prior to SN 0300062886)	
9	0271213	1	Track (SN 0300062886 through 0300096000)	
9		Ref	14in Steel Track Options:	
9	0270259	1	Track (Prior to SN 0300062886)	
9	0271215	1	Track (SN 0300062886 through 0300096000)	
		Ref	IDLER MOUNT ASSEMBLIES	
		Ref	Left Side Options:	
	0259665	Ref	Idler Mount Assemblies (Prior to SN 0300062886)	C
	0271212	Ref	Idler Mount Assemblies (SN 0300062886 through 0300096000)	A
		Ref	Right Side Options:	
	0259674	Ref	Idler Mount Assemblies (Prior to SN 0300062886)	C
	0271211	Ref	Idler Mount Assemblies (SN 0300062886 through 0300096000)	A
		Ref	Note: Qty shown is for one side.	
101		Ref	Absorber, Rubber Spring Options:	
101	0020005	1	Absorber, Rubber Spring (Prior to SN 0300062886)	
101	0020006	1	Absorber, Rubber Spring (SN 0300062886 through 0300096000)	
102	0641408	1	Bolt 1/4in-20NC x 1in	
103	0641808	1	Bolt 1/2in-13NC x 1in	
104		Ref	Bolt Options:	
104	0681856	1	Bolt 1/2in-13NC x 7in (Grade 8)	
104	0681872	1	Bolt 1/2in-13NC x 9in (Grade 8)	
105	0961948	2	Bearing	
106	0962293	1	Bushing, Track Spring	
107	2780221	1	Hub Assembly (See Items 301-307 for Breakdown)	

SECTION 1 - FRAME

ITEM	PART NUMBER	QTY	DESCRIPTION	REV
108	3271805	1	Locknut 1/2in-13NC (Grade 8)	
109	3422786	1	Pin	
110	3571818	1	Plate	
111	3571833	1	Cover, Bottom	
112	3841203	1	Keeper, Pin	
113	4711400	1	Flatwasher 1/4in Thin	
114	4891800	2	Flatwasher 1/2in Hardened	
115		Ref	Arm Weldment Options:	
115	4846113	1	Left Side	
115	4846112	1	Right Side	
116		Ref	Bracket Weldment Options:	
116		Ref	Left Side Options:	
116	4846114	1	Bracket Weldment (Prior to SN 0300062886)	
116	4846394	1	Bracket Weldment (SN 0300062886 through 0300096000)	
116		Ref	Right Side Options:	
116	4846126	1	Bracket Weldment (Prior to SN 0300062886)	
116	4846393	1	Bracket Weldment (SN 0300062886 through 0300096000)	
117	0100011	AR	Compound, Locking	
		Ref	WHEEL ASSEMBLIES	
	0270029	Ref	12in Track	B
	0270030	Ref	14in Track	A
		Ref	Note: Qty shown is for one side.	
201	1704586	1	Decal, Tire Pressure	
202		Ref	Tire Options:	
202	4520224	1	12in Track	
202	4520234	1	14in Track	
203	4640113	1	Valve, Air	
204		Ref	Rim, Wheel Options:	
204	4860218	1	12in Track	
204	4860215	1	14in Track	
	2780221	Ref	HUB ASSEMBLY	-
		Ref	Note: Qty shown is for one side.	
301	7012519	1	Cup, Inner Bearing	
302	7012520	1	Cone, Inner Bearing	
303	7012521	1	Cup, Outer Bearing	
304	7012522	1	Cone, Outer Bearing	
305	7012523	1	Seal	
306	1001102354	1	Cap, Dust (was p/n 7012524)	
307	7016360	5	Stud, Wheel 1/2in-20NF	
308	2900804		Bearing Kit (Includes Qty 1 of Items 301-305)	
	0270193	Ref	SEMI-TRACK installations	A
401	3572032	2	Plate, Spacer (Welded to Frame)	
		Ref	TREAD ACCESSORIES (NOT SHOWN)	
	0270180	Ref	Soft Puck	B
	0240049	64	Puck, Soft	
	0270186	Ref	Flotation Plate	A
	0240050	64	Plate, Flotation	
	0270187	Ref	Ice Pick	A
	0240047	32	Plate, Flotation	

SECTION 1 - FRAME

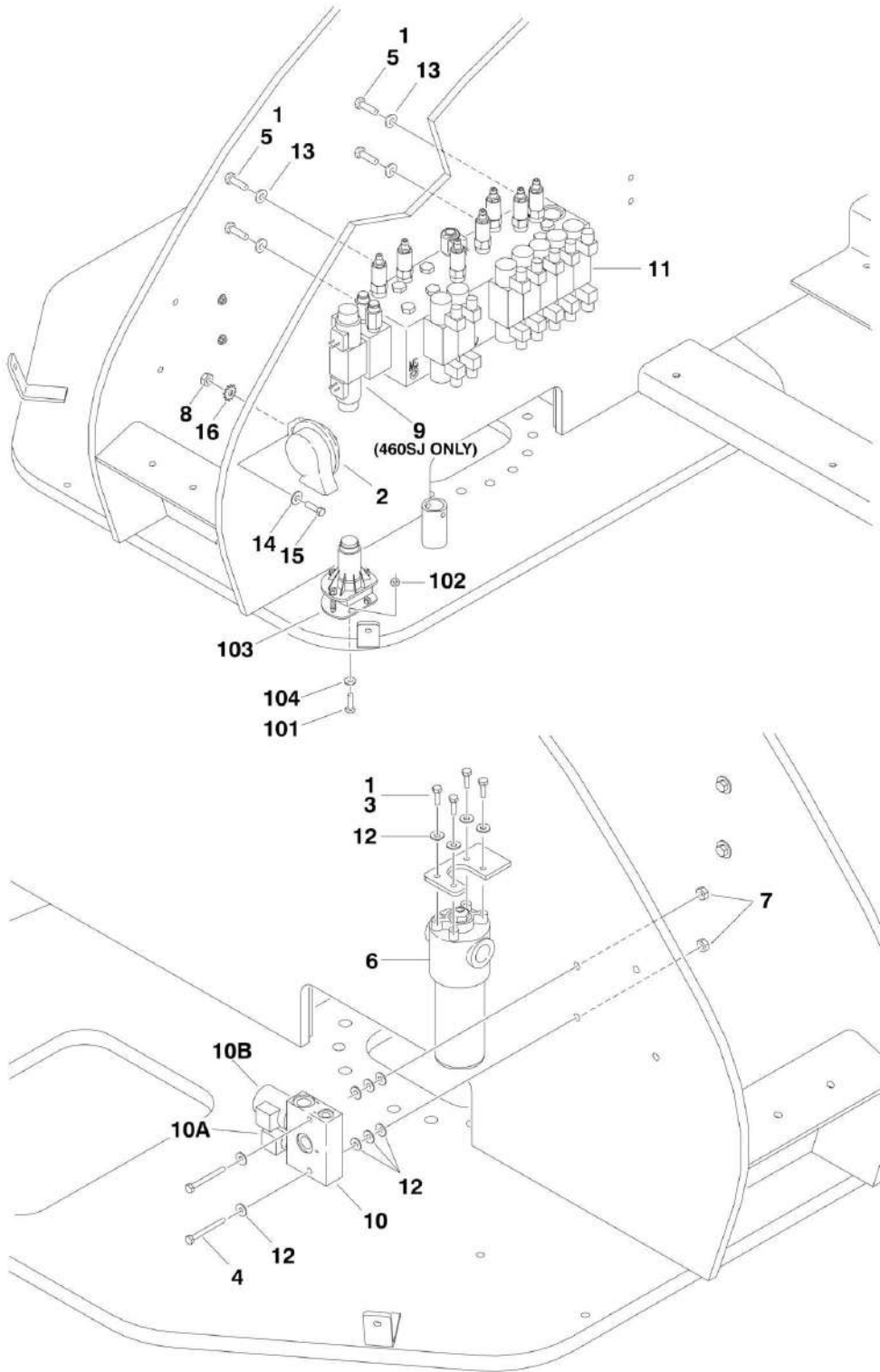
FIGURE 1-12. TOW PACKAGE INSTALLATION

ITEM	PART NUMBER	QTY	DESCRIPTION	REV
	0272805	Ref	TOW BAR INSTALLATION - 2WD	B
1	0100011	AR	Compound, Locking (Not Shown)	
2	0363019	1	Tow Bar Assembly	
3	0641504	2	Bolt 5/16in-18NC x 1/2in	
4	0902733	1	Bracket, Storage (Front)	
5	0902734	1	Bracket, Storage (Rear)	
6	3311801	4	Nut 1/2in-13NC	
7	3572506	1	Plate, Valve Mounting (Welded on Plate)	
8	4300048	4	Stud (Welded on Plate)	
9	4640261	1	Steer/Tow Select Valve	
10	4711500	2	Flatwasher 5/16in Thin	
11	4751800	4	Flatwasher 1/2in Regular	
	0363019	Ref	TOW BAR ASSEMBLY	B
101	0360406	1	Pintle, Draw Eye	
102	0682040	5	Bolt 5/8in-11NC x 5in	
103	3312005	5	Locknut 5/8in-11NC	
104	3420352	1	Pin, Towing	
105	3420372	1	Hairpin	
106	3760170	1	Ring, Split	
107	4070450	2	Shim (.07)	
108	4070560	2	Shim (.88)	
109	4070561	2	Shim (.12)	
110	4752000	10	Flatwasher 5/8in Regular	
111	0363019	1	Tow Bar Weldment	
	0272828	Ref	TOW BAR DECAL INSTALLATION	B
201	1703450	1	Decal - Warning	
202	1702968	1	Decal - Tow Instructions	
203	1704578	2	Decal - Crushing	
204	3250872	1	Nameplate - Steer/Tow Select Valve	
205	3820001	4	Rivet	
206	4420051	56 in/1.4m	Tape	

SECTION 2 - TURNTABLE

SECTION 2 - TURNTABLE

FIGURE 2-1. VALVES AND TILT INDICATOR INSTALLATIONS



SECTION 2 - TURNTABLE

FIGURE 2-1. VALVES AND TILT INDICATOR INSTALLATIONS

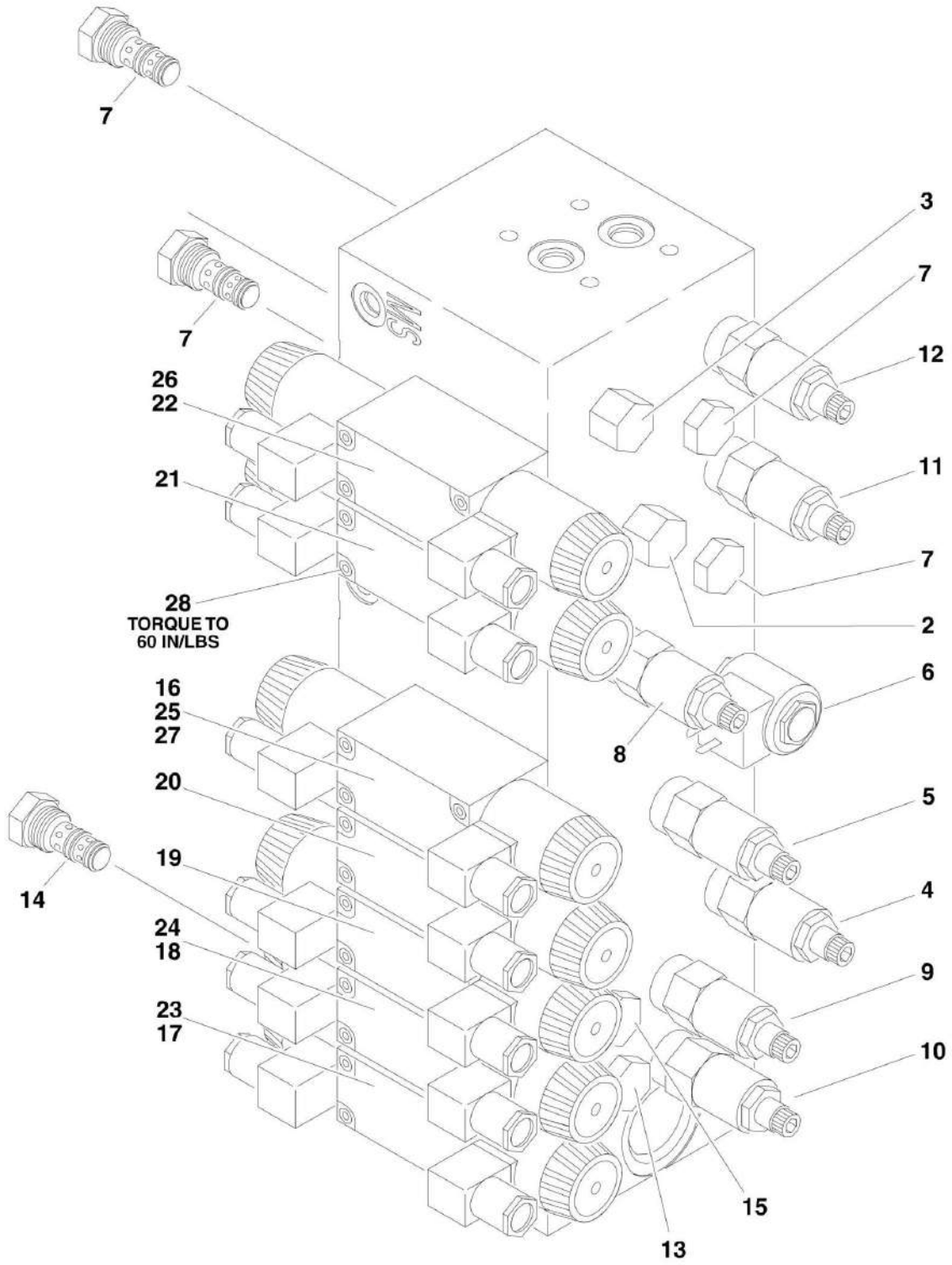
ITEM	PART NUMBER	QTY	DESCRIPTION	REV
		Ref	VALVES INSTALLATIONS	
	0259640	Ref	Valves Installations 400S (Prior to SN 0300087630)	F
	0274600	Ref	Valves Installations 400S (SN 0300087630 through 0300096000)	B
	0259641	Ref	Valves Installations 460SJ (Prior to SN 0300087630)	F
	0274601	Ref	Valves Installations 460SJ (SN 0300087630 through 0300096000)	B
1	0100011	AR	Compound, Locking	
2	0140001	1	Horn	
3	0651406	AR	Bolt 1/4in-28NF x 3/4in	
4	0641420	2	Bolt 1/4in-20NC x 2-1/2in	
5	0641610	4	Bolt 3/8in-16NC x 1-1/4in	
6	2120163	1	Pressure Filter Assembly (Prior to SN 0300087630)	
6	2120150	1	Element, Filter	
6	7020020	1	Indicator	
6	7023206	1	O-Ring	
6	7023207	1	Ring, Back-up	
6	2120209	1	Pressure Filter Assembly (SN 0300087630 through 0300096000)	
6	2120210	1	Element, Filter - p/n 2120209	
6	7020020	1	Manual Indicator - p/n 2120209	
7	3311405	2	Locknut 1/4in-20NC	
8	3311505	1	Locknut 5/16in-18NC	
9		Ref	Valve Assembly - Jib	
9	Not Required	0	Valve Assembly 400S	
9	4640921	1	Valve Assembly 460SJ (See ACCESSORY VALVE ASSEMBLY for Breakdown)	
10	4641108	NLA	Dual Select Valve Assembly (Use p/n 1001099391)	
10A	7012944	1	Coil	
10A	7012941	1	Cartridge without Coil (was p/n 7012974)	
10A	7010543	1	Seal Kit - 7012974 & 701941 Cartridges	
10B	7012943	1	Coil	
10B	7012995	1	Cartridge without Coil	
10B	7012518	1	Seal Kit - 7012995 Cartridge	
11		Ref	Main Control Valve Assembly Options (See MAIN CONTROL VALVE ASSEMBLY for Breakdown):	
11	4641117	NLA	Main Control Valve Assembly (Use p/n 4641499) (Prior to SN 0300095896)	
11	4641499	1	Main Control Valve Assembly (SN 0300095896 through 0300096000)	
12	4751400	14	Flatwasher 1/4in Regular	
13	4751600	AR	Flatwasher 3/8in Regular	
14	4751500	2	Flatwasher 5/16in Regular	
15	0641510	1	Bolt 5/16in-18NC x 1-1/4in	
16	4791500	1	Starwasher 5/16in	
17	4921927	1	Harness, Sub (See ELECTRICAL SECTION for Breakdown) (Not Shown) (460SJ Only)	
	0259188	Ref	TILT INDICATOR INSTALLATION (Prior to SN 0300064404)	A
101	0641412	2	Bolt 1/4in-20NC x 1-1/2in	
102	3311405	2	Locknut 1/4in-20NC	
103	4360417	1	Sensor, Level	

SECTION 2 - TURNTABLE

ITEM	PART NUMBER	QTY	DESCRIPTION	REV
104	4751400	2	Flatwasher 1/4in Regular	

SECTION 2 - TURNTABLE

FIGURE 2-2. MAIN CONTROL VALVE ASSEMBLY



SECTION 2 - TURNTABLE

FIGURE 2-2. MAIN CONTROL VALVE ASSEMBLY

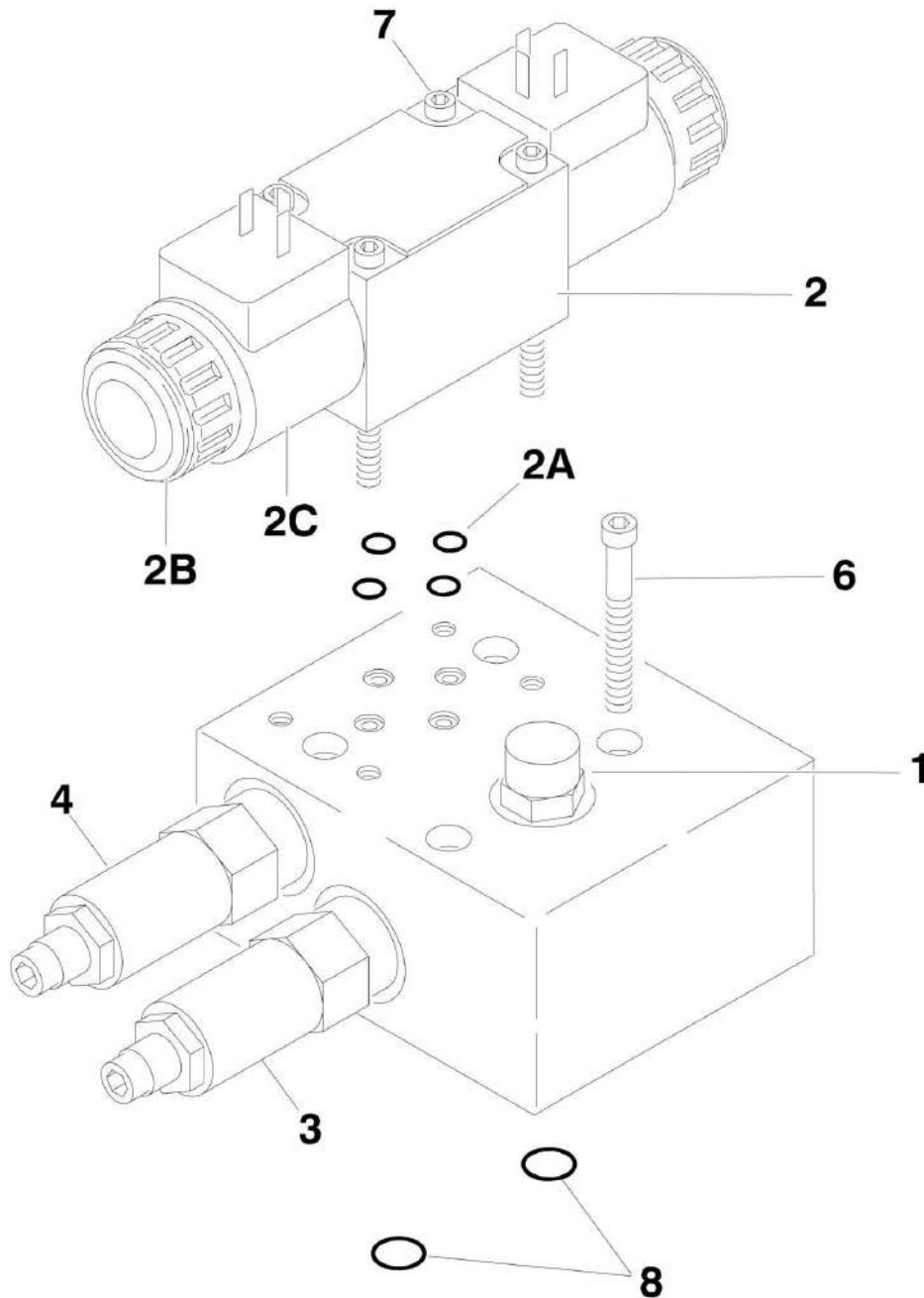
ITEM	PART NUMBER	QTY	DESCRIPTION	REV
		Ref	MAIN CONTROL VALVE ASSEMBLY	
	4641117	Ref	Main Control Valve Assembly (Prior to SN 0300095896)	C
	4641499	Ref	Main Control Valve Assembly (SN 0300095896 through 0300096000)	A
2	7017411	1	Cartridge, Pilot Valve (Bang-Bang Controls)	
2	7012518	1	Seal Kit - 7017411 Cartridge	
3	7017411	1	Cartridge, Pilot Valve (Proportional Controls)	
3	7012518	1	Seal Kit - 7017411 Cartridge	
4	7021647	1	Cartridge, Relief Valve (Bang-Bang Main)	
4	7012998	1	Seal Kit - 7021647 Cartridge	
5	7017422	1	Cartridge, Relief Valve (Proportional Main)	
5	7012998	1	Seal Kit - 7017422 Cartridge	
6	7017410	1	Cartridge without Coil (Proportional Dump)	
6	7012967	1	Seal Kit - 7017410 Cartridge	
6	7012944	1	Coil	
7	7010542	5	Cartridge, Load Shuttle Valve	
7	7010543	5	Seal Kit - 7010542 Cartridge	
8	7017422	1	Cartridge, Relief Valve (Steer)	
8	7012998	1	Seal Kit - 7017422 Cartridge	
9	7017427	1	Cartridge, Relief Valve (Platform)	
9	7012998	1	Seal Kit - 7017427 Cartridge	
10	7017428	1	Cartridge, Relief Valve (Platform Level)	
10	7012998	1	Seal Kit - 7017428 Cartridge	
11	7021648	1	Cartridge, Relief Valve (Lift Down)	
11	7012998	1	Seal Kit - 7021648 Cartridge	
12	7017428	1	Cartridge, Relief Valve (Swing)	
12	7012998	1	Seal Kit - 7017428 Cartridge	
13	7012914	1	Cartridge, Pilot Check Valve (Platform Level)	
13	7012918	1	Seal Kit - 7012914 Cartridge	
14	7012914	1	Cartridge, Pilot Check Valve (Platform Level)	
14	7012918	1	Seal Kit - 7012914 Cartridge	
15	7012975	1	Cartridge, Check Valve (Platform Rotate)	
15	7012967	1	Seal Kit - 7012975 Cartridge	
16		Ref	Control Valve Assembly (Steer) Options:	
16	7021365	1	Valve Assembly (Prior to SN 0300095896)	
16		Ref	Repair Components:	
16	7012773	1	Seal Kit - 7021365 Valve	
16	7021375	2	Nut	
16	7021376	2	Coil	
16	70001256	1	Valve Assembly (SN 0300095896 through 0300096000)	
16		Ref	Repair Components:	
16	70001256	1	Seal Kit (Note: Not Available for Purchase)	
16	70001256	2	Nut (Note: Not Available for Purchase)	
16	70001256	2	Coil (Note: Not Available for Purchase)	
17		Ref	Control Valve Assembly (Platform Level) Options:	
17	7021373	1	Valve Assembly (Prior to SN 0300095896)	
17		Ref	Repair Components:	
17	7012773	1	Seal Kit - 7021373 Valve	
17	7021375	2	Nut	
17	7021376	2	Coil	

SECTION 2 - TURNTABLE

ITEM	PART NUMBER	QTY	DESCRIPTION	REV
17	7012799	1	Lanyard Assembly	
17	70001976	1	Valve Assembly (was p/n 7012770) (SN 0300095896 through 0300096000)	
17		Ref	Repair Components:	
17	7012773	1	Seal Kit	
17	7021375	2	Nut	
17	7018991	2	Coil	
18	7021373	1	Control Valve Assembly (Platform Rotate) Options:	
18	7021373	1	Valve Assembly (Prior to SN 0300095896)	
18		Ref	Repair Components:	
18	7012773	1	Seal Kit - 7021373 Valve	
18	7021375	2	Nut	
18	7021376	2	Coil	
18	7012799	1	Lanyard Assembly	
18	70001976	1	Valve Assembly (was p/n 7012770) (SN 0300095896 through 0300096000)	
18		Ref	Repair Components:	
18	7012773	1	Seal Kit	
18	7021375	2	Nut	
18	7018991	2	Coil	
19		Ref	Control Valve Assembly (Telescope) Options:	
19	7021373	1	Valve Assembly (Prior to SN 0300095896)	
19		Ref	Repair Components:	
19	7012773	1	Seal Kit - 7021373 Valve	
19	7021375	2	Nut	
19	7021376	2	Coil	
19	7012799	1	Lanyard Assembly	
19	70001976	1	Valve Assembly (was p/n 7012770) (SN 0300095896 through 0300096000)	
19		Ref	Repair Components:	
19	7012773	1	Seal Kit	
19	7021375	2	Nut	
19	7018991	2	Coil	
20	7021374	1	Control Valve Assembly (Flow Control)	
20	7012773	1	Seal Kit - 7021374 Valve	
20	7021375	1	Nut	
20	7018991	1	Coil	
21	7012775	1	Control Valve Assembly (Upper Lift)	
21	7012773	1	Seal Kit - 7012775 Valve	
21	7018912	2	Nut	
21	7012772	2	Coil	
22	7012775	1	Control Valve Assembly (Swing)	
22	7012773	1	Seal Kit - 7012775 Valve	
22	7018912	2	Nut	
22	7018991	2	Coil	
23	7018900	2	Orifice (Platform Level)	
24	7023821	1	Orifice (Platform Rotate)	
25	7023822	1	Orifice (Steer)	
26	7023823	1	Orifice (Swing)	
27	7023824	2	Orifice (Steer)	
28	7018942	28	Capscrew, Socket #10-24NC x 2in	

SECTION 2 - TURNTABLE

FIGURE 2-3. ARTICULATING JIB VALVE ASSEMBLY



**NOTE: TORQUE ITEMS 6 & 7
TO 60 IN/LBS.**

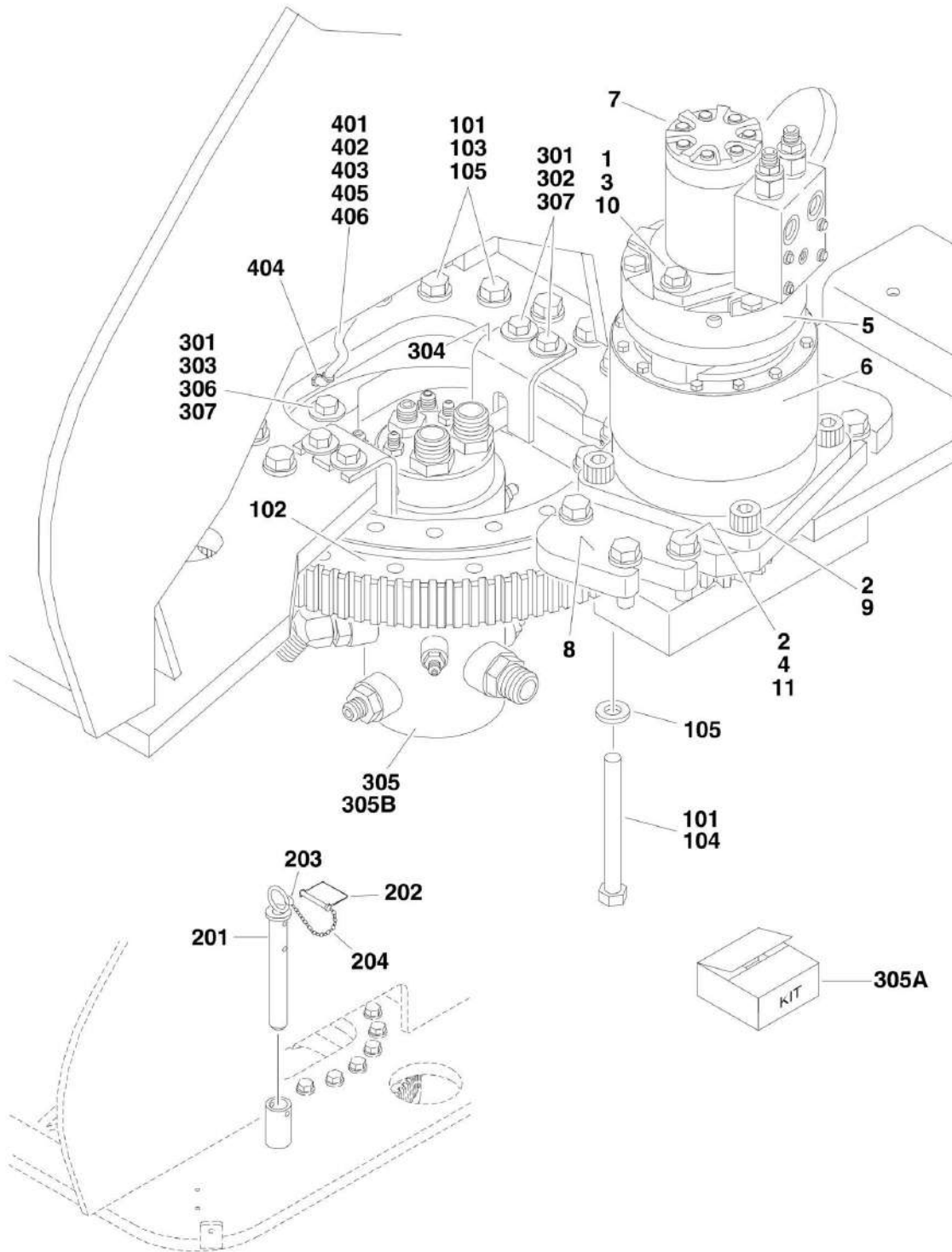
SECTION 2 - TURNTABLE

FIGURE 2-3. ARTICULATING JIB VALVE ASSEMBLY

ITEM	PART NUMBER	QTY	DESCRIPTION	REV
	4640921	Ref	ARTICULATING JIB VALVE ASSEMBLY	D
1	7012965	1	Cartridge, Flow Control	
1	7012953	1	Seal Kit - 7012965 Cartridge	
2	7012770	1	Directional Control Valve Assembly	
2	7012773	1	Seal Kit	
2A	7018945	4	O-Ring	
2B	7018912	2	Nut	
2C	7012772	2	Coil	
3	7017421	1	Cartridge, Relief	
3	7012998	1	Seal Kit - 7017421 Cartridge	
4	7017422	1	Cartridge, Relief	
4	7012998	1	Seal Kit - 7017422 Cartridge	
5	4460499	2	Connector, DIN with Diode (Not Shown - Part of Valve Harness)	
6	7012777	4	Capscrew, Socket Head 5/16in-18NC x 2-1/4in (Used to Mount Valve Assembly)	
7	7018942	4	Capscrew, Socket Head #10-24NC x 2in	
8	7012776	2	O-Ring (Used to Mount Main Valve)	

SECTION 2 - TURNTABLE

FIGURE 2-4. TURNTABLE AND SWING DRIVE INSTALLATIONS



SECTION 2 - TURNTABLE

FIGURE 2-4. TURNTABLE AND SWING DRIVE INSTALLATIONS

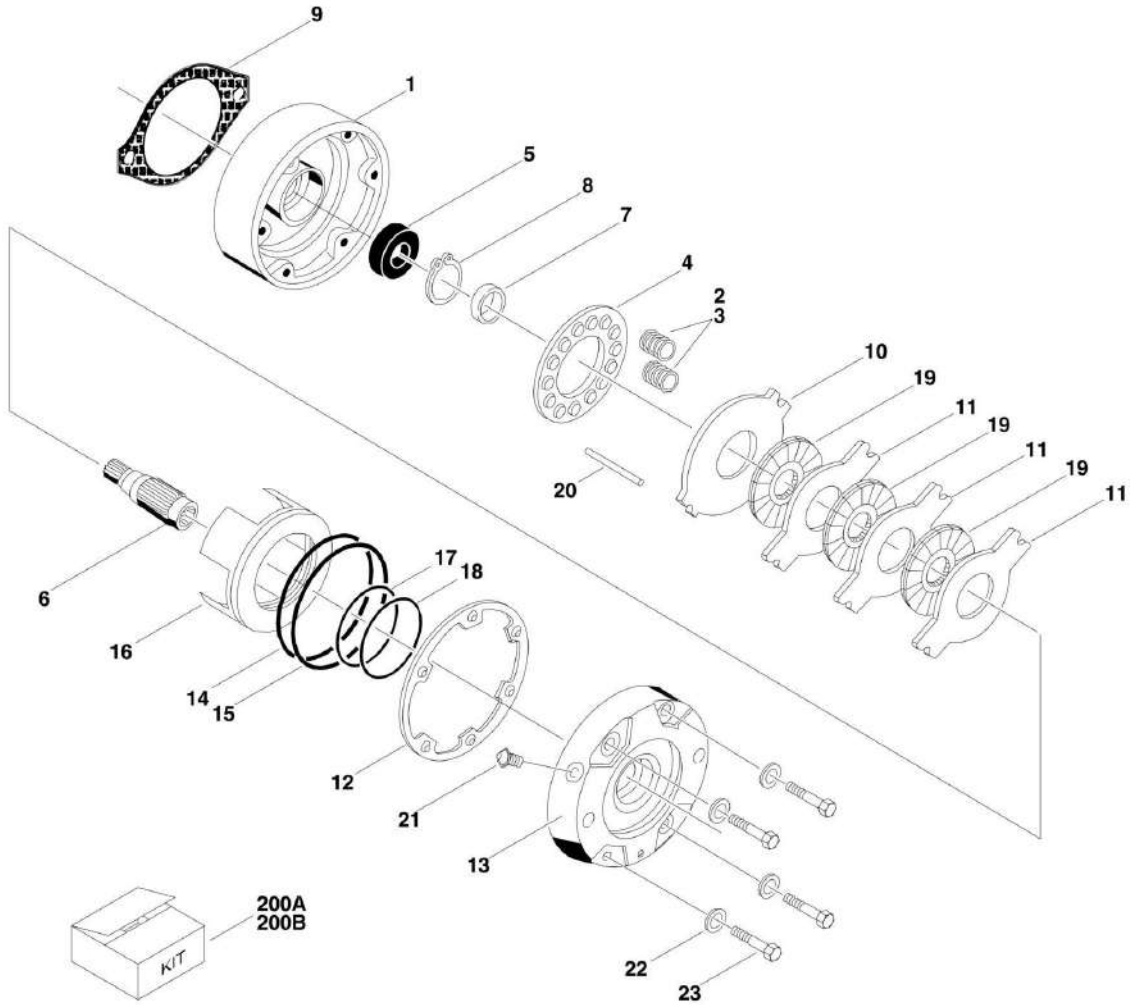
ITEM	PART NUMBER	QTY	DESCRIPTION	REV
		Ref	TURNTABLE WELDMENT	
	4620128	Ref	Turntable Weldment (Prior to SN 0300074573)	
	4620141	Ref	Turntable Weldment (SN 0300074573 through 0300096000)	
		Ref	SWING DRIVE INSTALLATION OPTIONS:	
	0259875	Ref	Swing Drive Installation (Prior to SN 0300063791)	B
	0270326	Ref	Swing Drive Installation (SN 0300063791 through 0300096000)	B
1	0100011	AR	Compound, Locking	
2	0100019	AR	Compound, Locking	
3	0681832	2	Bolt 1/2in-13NC x 4in (Grade 8)	
4	0682018	8	Bolt 5/8in-11NC x 2-1/4in (Grade 8)	
5		Ref	Swing Brake Assembly Options (See SWING BRAKE ASSEMBLY for Breakdown):	
5	0920116	1	Swing Brake Assembly (Prior to SN 0300063791)	
5	0920119	1	Swing Brake Assembly (SN 0300063791 through 0300096000)	
6	2780247	1	Swing Hub Assembly (See SWING HUB ASSEMBLY for Breakdown)	
7		Ref	Swing Motor Assembly Options (See SWING MOTOR ASSEMBLY for Breakdown):	
7	3160249	1	Swing Motor Assembly (Prior to SN 0300064259)	
7	3160280	1	Swing Motor Assembly (SN 0300064259 through 0300096000)	
8	3572041	1	Plate, Mount	
9	3932224	4	Capscrew, Socket Head 3/4in-1NC x 1-1/2in	
10	4891800	2	Flatwasher 1/2in Hardened	
11	4892000	6	Flatwasher 5/8in Hardened	
	0259156	Ref	SWING BEARING AND ROTATION BOX ASSEMBLY	D
101	0100019	AR	Compound, Locking	
102	0440240	NLA	Bearing, Turntable (Use p/n 2915078)	
103	0682026	20	Bolt 5/8in-11NC x 3-1/4in (Grade 8)	
104	0682048	20	Bolt 5/8in-11NC x 6in (Grade 8)	
105	4892000	40	Flatwasher 5/8in Hardened	
	0259147	Ref	TURNTABLE LOCK INSTALLATION	A
201	4844958	1	Pin Weldment	
202	3421565	1	Pin, Snap	
203	3760170	2	Ring, Quick Release	
204	1260017	9 in/23cm	Chain	
	0259155	Ref	ROTARY COUPLING INSTALLATION	C
301	0100011	AR	Compound, Locking	
302	0641810	4	Bolt 1/2in-13NC x 1-1/4in	
303	0641826	2	Bolt 1/2in-13NC x 3-1/4in	
304	0902556	2	Bracket	
305	1660219	1	Coupling, Rotary	
305A	7013187	1	Seal Kit	
305B	1660219RR	1	Rebuilt Coupling	
306	3311801	2	Nut 1/2in-13NC	
307	4751800	8	Flatwasher 1/2in Regular	
	0259158	Ref	REMOTE BEARING LUBE INSTALLATION	B
401	2160002	1	Fitting, Grease	
402	2180344	1	Fitting, Bulkhead	
403	2220001	1	Fitting, Straight	
404	2220124	1	Fitting, Elbow	

SECTION 2 - TURNTABLE

ITEM	PART NUMBER	QTY	DESCRIPTION	REV
405	2751095	1	Hose	
406	2220273	1	Fitting, Reducer	

SECTION 2 - TURNTABLE

FIGURE 2-5. SWING BRAKE ASSEMBLY



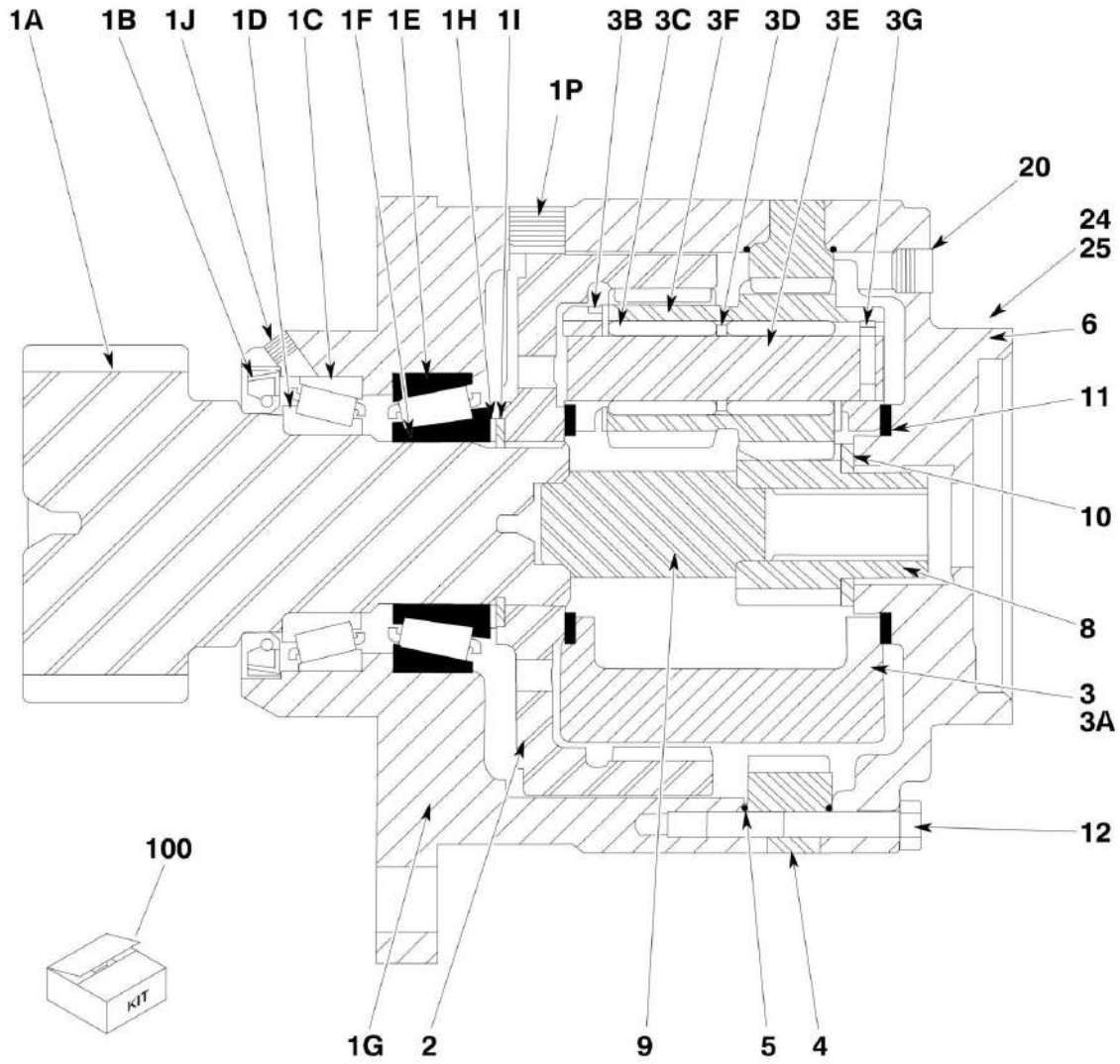
SECTION 2 - TURNTABLE

FIGURE 2-5. SWING BRAKE ASSEMBLY

ITEM	PART NUMBER	QTY	DESCRIPTION	REV
		Ref	SWING BRAKE ASSEMBLIES	
	0920116	Ref	Swing Brake Assembly (Prior to SN 0300063791)	B
1	See Note	NSS	Housing (Note: Use p/n 0920116)	
2	7000782	7	Spring, Compression	
3	7000798	7	Spring, Compression	
4	7003454	1	Retainer, Spring	
5	7003049	1	Bearing	
6	0920116	1	Shaft (Note: Not Available for Purchase)	
7	7003050	1	Seal, Lip	
8	7003453	1	Ring, Snap	
9	7000731	1	Gasket	
10	0920116	1	Disc, Primary (Note: Not Available for Purchase)	
11	7003459	3	Disc, Stationary	
12	7003452	1	Gasket	
13	0920116	1	Plate, Power (Note: Not Available for Purchase)	
14	7000724	1	Ring, Back Up	
15	7000725	1	O-Ring	
16	0920116	1	Piston (Note: Not Available for Purchase)	
17	7000722	1	Ring, Back Up	
18	7000723	1	O-Ring	
19	7003457	3	Disc, Rotating	
20	7003094	2	Pin, Torque	
21	7003078	1	Plug	
22	7003462	4	Flatwasher (Hardened)	
23	See Note	4	Bolt 1/2in-13NC (Note: Not Available - Purchase Locally)	
24	See Note	1	Plug, Protective (Not Shown) (Note: Not Available - Purchase Locally)	
100	0920119	Ref	Swing Brake Assembly (Not Shown) (SN 0300063791 through 0300096000)	B
100	7007933	1	Gasket, Mounting Face	
100	7007990	1	O-Ring, Mounting Face	
		Ref	Note: Other than Gasket and O-Ring, Item 200B Repair Kit is only part available.	
200		Ref	REPAIR KIT OPTIONS	
200A	See Note	1	Repair Kit for 0920116 Brake (Note: Purchase Individual Parts) (Prior to SN 0300063791)	
200B	7018612	1	Repair Kit for 0920119 Brake (SN 0300063791 through 0300096000)	

SECTION 2 - TURNTABLE

FIGURE 2-6. SWING HUB ASSEMBLY



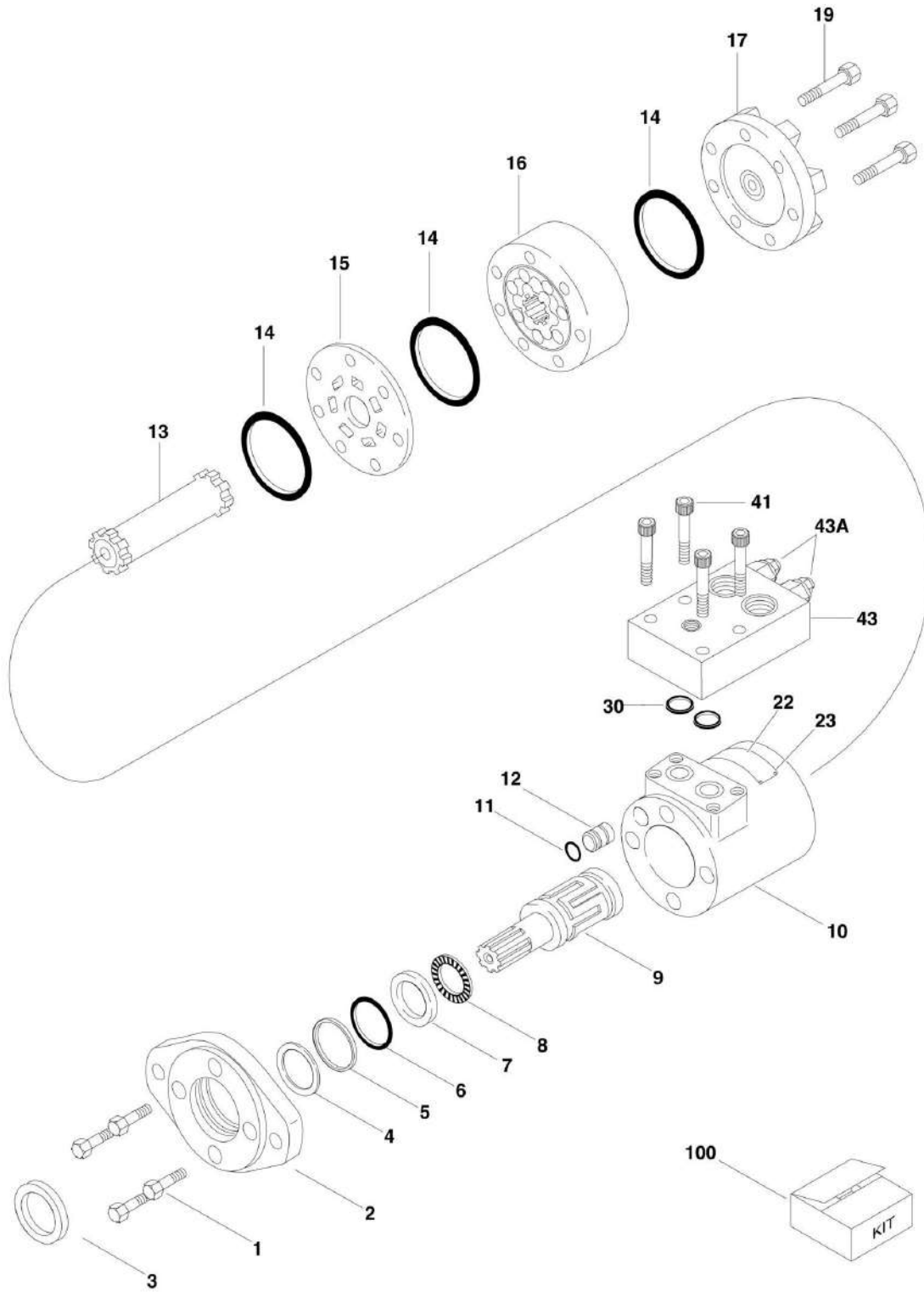
SECTION 2 - TURNTABLE

FIGURE 2-6. SWING HUB ASSEMBLY

ITEM	PART NUMBER	QTY	DESCRIPTION	REV
	2780247	Ref	SWING HUB ASSEMBLY	A
1	See Note	NSS	Housing and Shaft Assembly (Note: Use p/n 2780247)	
1A	7017064	1	Shaft, Output	
1B	7000228	1	Seal, Lip	
1C	7000255	1	Cup, Bearing	
1D	7000256	1	Cone, Bearing	
1E	7000257	1	Cup, Bearing	
1F	7000258	1	Cone, Bearing	
1G	7017065	1	Housing	
1H	7007633	1	Thrustwasher	
1I	7000229	1	Ring, Retaining	
1J	7010494	1	Plug, Pipe	
1P	See Note	2	Plug, Pipe (Note: Not Available - Purchase Locally)	
2	7000246	1	Gear, Internal	
3	7017066	1	Carrier Assembly (Includes Items 3A-3G)	
3A	See Note	NSS	Housing, Carrier (Note: Use Item 3)	
3B	See Note	NSS	Washer, Special (Note: Use Item 3)	
3C	See Note	NSS	Bearing, Needle (Note: Use Item 3)	
3D	See Note	NSS	Thrustwasher (Note: Use Item 3)	
3E	See Note	NSS	Pin (Note: Use Item 3)	
3F	See Note	NSS	Gear (Note: Use Item 3)	
3G	See Note	NSS	Pin, Retaining (Note: Use Item 3)	
4	7001988	1	Gear, Ring	
5	7000230	2	O-Ring	
6	7000209	1	Cover, Input	
8	7010488	1	Gear, Sun	
9	7000269	1	Spacer, Input	
10	7000270	1	Thrustwasher	
11	7000253	2	Thrustwasher	
12	7000217	8	Bolt	
20	2200222	1	Plug, Pipe	
24	See Note	1	Plate, ID (Note: Not Available for Purchase)	
25	7000281	2	Screw, Drive	
100	7024100	1	Seal Kit	

SECTION 2 - TURNTABLE

FIGURE 2-7. SWING MOTOR ASSEMBLY



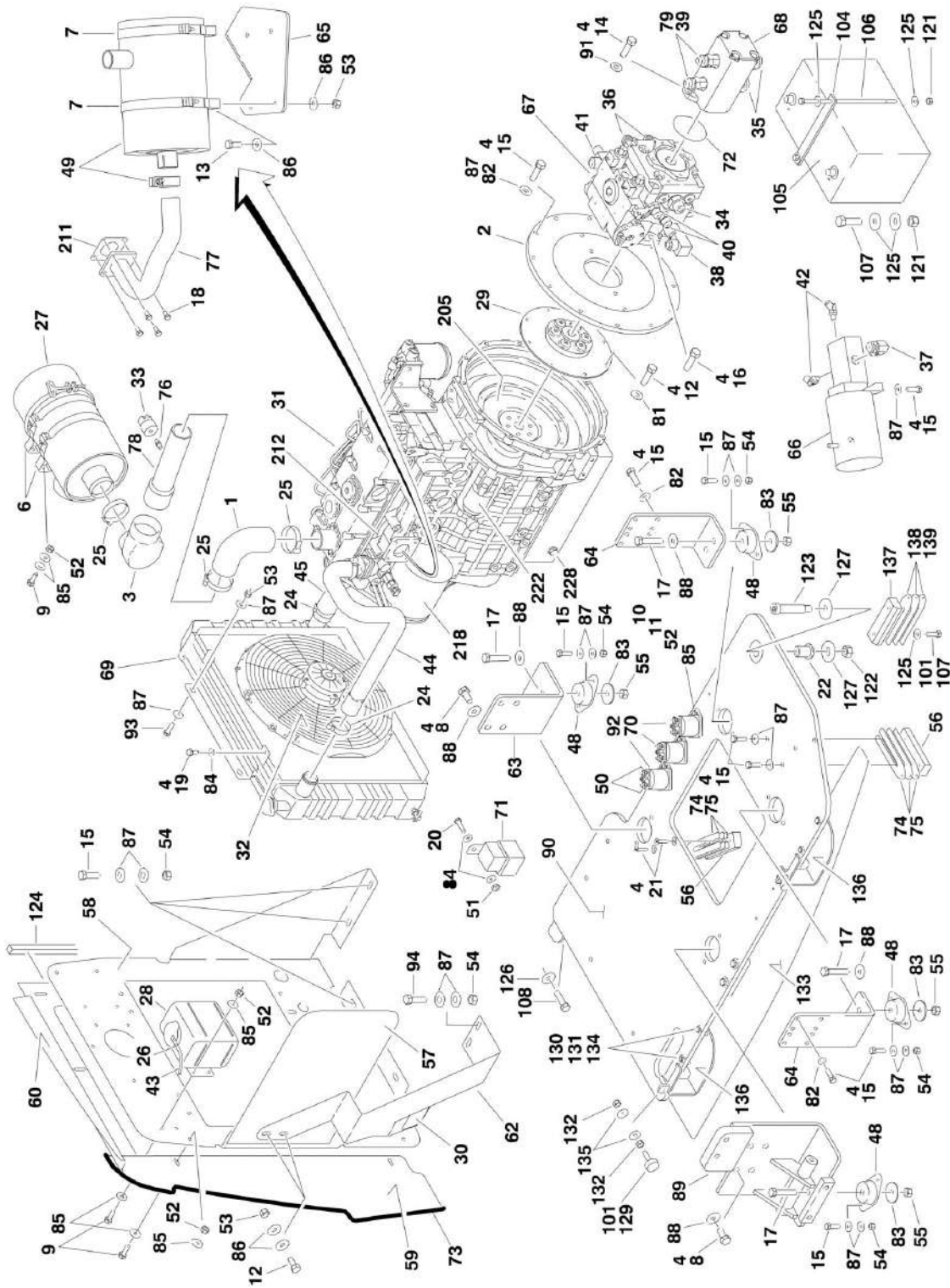
SECTION 2 - TURNTABLE

FIGURE 2-7. SWING MOTOR ASSEMBLY

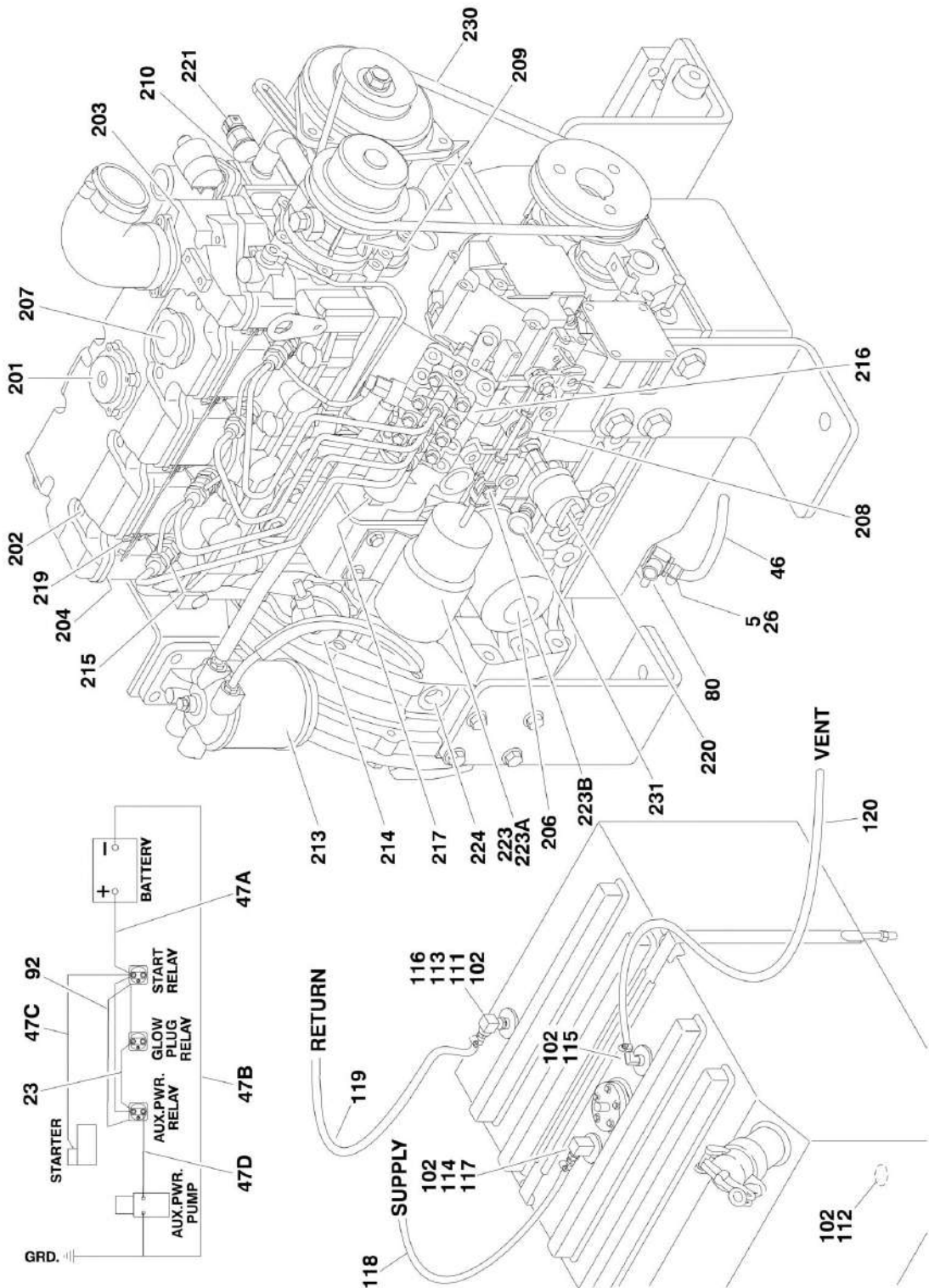
ITEM	PART NUMBER	QTY	DESCRIPTION	REV
		Ref	SWING MOTOR ASSEMBLY OPTIONS:	
	3160249	Ref	Swing Motor Assembly (Prior to SN 0300064259)	B
	3160280	Ref	Swing Motor Assembly (SN 0300064259 through 0300096000)	B
1		Ref	Capscrew Options:	
1	7009995	4	3160249 Motor (Prior to SN 0300064259)	
1	7020357	4	3160280 Motor (SN 0300064259 through 0300096000)	
2	7009996	1	Flange, Mounting	
3	See Note	NSS	Seal, Exclusion (Note: Use Item 100)	
4	See Note	NSS	Washer, Back-up (Note: Use Item 100)	
5	See Note	NSS	Seal, Pressure (Note: Use Item 100)	
6	See Note	NSS	Seal (Note: Use Item 100)	
7	7002117	1	Race, Bearing	
8	7002111	1	Bearing, Thrust Needle	
9	7009998	1	Shaft, Output	
10	7020352	1	Housing	
11	See Note	NSS	O-Ring (Note: Use Item 100)	
12	7009992	1	Plug, Housing	
13	7002112	1	Drive	
14	See Note	NSS	Seal (Note: Use Item 100)	
15	7002110	1	Plate, Spacer	
16	7002125	1	Gerotor Sub-Assembly	
17	7002107	1	Cap, End	
19	7014900	7	Capscrew	
22	See Note	1	Nameplate (Note: Not Available for Purchase)	
23	See Note	2	Rivet (Note: Not Available for Purchase)	
30	See Note	NSS	O-Ring (Note: Use Item 100)	
41	7020353	4	Capscrew	
43		Ref	Cartridge, Counterbalance Valve Options:	
43	7020343	1	Cartridge, Counterbalance Valve (Prior to SN 0300064259)	
43	7020359	1	Cartridge, Counterbalance Valve (SN 0300064259 through 0300096000)	
43A	7020356	2	Cartridge (Use on p/n 7020343)	
43A	7020362	2	Cartridge (Use on p/n 7020359)	
100	2900733	1	Seal Kit - Includes Items 3-6, 11, 14 & 30	

SECTION 2 - TURNTABLE

FIGURE 2-8. CATERPILLAR ENGINE INSTALLATION



SECTION 2 - TURNTABLE



SECTION 2 - TURNTABLE

FIGURE 2-8. CATERPILLAR ENGINE INSTALLATION

ITEM	PART NUMBER	QTY	DESCRIPTION	REV
		Ref	CATERPILLAR ENGINE ASSEMBLY	
	0272989	Ref	Caterpillar Engine Assembly (Prior to SN 0300086916)	G
	2000313	Ref	Caterpillar Engine Assembly (SN 0300086916 through 0300096000)	A
1	2180482	1	Elbow, Rubber	
2	0080181	1	Adaptor, Pump Mounting Plate	
3	0080201	1	Elbow, Rubber	
4	0100011	AR	Compound, Locking	
5	0100020	AR	Sealant	
6	0340041	2	Band, Air Cleaner Mounting	
7	0340046	2	Band, Muffler Mounting	
8	0630569	8	Bolt M14 x 30mm	
9	0641406	13	Bolt 1/4in-20NC x 3/4in	
10	0641408	5	Bolt 1/4in-20NC x 1in	
11	0641410	1	Bolt 1/4in-20NC x 1-1/4in	
12	0641506	10	Bolt 5/16in-18NC x 3/4in	
13	0641507	4	Bolt 5/16in-18NC x 7/8in	
14	0641608	2	Bolt 3/8in-16NC x 1in	
15	0641610	36	Bolt 3/8in-16NC x 1-1/4in	
16	0641812	2	Bolt 1/2in13NC x 1-1/2in	
17	0641820	4	Bolt 1/2in-13NC x 2-1/2in	
18	0700808	4	Bolt M8 x 16mm	
19	0721004	4	Screw #10-24NC x 1/2in	
20	0721006	1	Screw #10-24NC x 3/4in	
21	0741610	2	Screw, Countersunk 3/8in-16NC x 1-1/4in	
22	0962172	1	Bushing, Flanged	
23	1060904	1	Cable, Jumper	
24	1320012	4	Clamp	
25	1320016	4	Clamp	
26	1320022	3	Clamp	
27	1340060	1	Air Cleaner Assembly	
27	7012664	1	Element, Air Cleaner	
28	1580011	1	Container, Overflow	
29	1660255	1	Pump, Coupling	
30	1703162	2	Decal - Fan Blade	
31	2000195	1	Caterpillar Engine Assembly	
32	2060032	1	Fan, Electric	
33	2180798	1	Fitting, Indicator Restriction (Prior to SN 0300086916)	
34	2220376	1	Fitting, Straight (Prior to SN 0300086916)	
35	2220479	2	Fitting, Straight (Prior to SN 0300086916)	
36	2220498	2	Fitting, Elbow (Prior to SN 0300086916)	
37	2220567	1	Fitting, Elbow	
38	2220578	1	Fitting (Prior to SN 0300086916)	
39	2220810	2	Fitting, Reducer (Prior to SN 0300086916)	
40	2220947	2	Fitting, Straight (Prior to SN 0300086916)	
41	2221041	1	Fitting, Tee (Prior to SN 0300086916)	
42	2221045	2	Fitting	
43	2720058	4 in/10cm	Hose	
44	2720507	NLA	Hose, Radiator (Top) (Note: Use 1001102308 Kit - Includes Items Indented Below.)	

SECTION 2 - TURNTABLE

ITEM	PART NUMBER	QTY	DESCRIPTION	REV
44	1001101232	1	Hose (Block to Adapter)	
44	1001101233	1	Hose (Adapter to Radiator)	
44	1001101228	1	Adapter	
44	1320012	2	Clamp	
45	2720508	1	Hose, Radiator (Bottom)	
46	2750532	6 in/25cm	Hose	
47	2901880	1	Battery Cable Kit	D
47A	7016843	1	Cable - Battery to Starter Relay	
47B	7016835	1	Cable - Battery and Auxiliary Pump to Ground	
47C	7016834	1	Cable - Starter Relay to Starter	
47D	7016820	1	Cable - Auxiliary Relay to Auxiliary Pump	
48	3200378	4	Mount, Motor	
49	3220113	1	Muffler	
49	70001017	1	Clamp, Muffler	
50	3300220	6	Nut, Washer	
51	3311005	1	Locknut #10-24NC	
52	3311405	19	Locknut 1/4in-20NC	
53	3311505	6	Locknut 5/16in-18NC	
54	3311605	18	Locknut 3/8in-16NC	
55	3311805	4	Locknut 1/2in-13NC	
56	3340399	2	Pad, Wear	
57	3571019	1	Plate, Air Panel	
58	3571692	1	Plate, Radiator Mounting	
59	3572502	1	Plate, Air Flow (Side)	
60	3572503	1	Plate, Air Flow (Top)	
62	3573667	1	Plate, Radiator Support	
63	3574253	1	Plate, Engine Mounting (Front)	
64	3574259	2	Plate, Engine Mounting (Rear)	
65	3574264	1	Plate, Muffler Support	
66	3600279	NLA	Auxiliary Pump Assembly (Use p/n 3600423) (See AUXILIARY PUMP ASSEMBLY for Breakdown)	
67		Ref	Piston Pump Assembly Options (See PISTON PUMP ASSEMBLY for Breakdown):	
67	3600296	1	Piston Pump Assembly (Prior to SN 0300073424)	
67	3600385	1	Piston Pump Assembly (SN 0300073424 through 0300078266)	
67	3600404	1	Piston Pump Assembly (SN 0300078267 through 0300096000)	
68		Ref	Gear Pump Assembly	
68	3600368	1	Gear Pump Assembly (No Serviceable Parts Available) (Prior to SN 0300078267)	
68	3600405	1	Gear Pump Assembly (See GEAR PUMP ASSEMBLY for Breakdown): (SN 0300078267 through 0300096000)	
69	3620046	1	Radiator	
69	8180311	1	Cap, Radiator (was p/n 7019656)	
70	3740067	3	Relay	
71	3740080	1	Relay	
72	3790152	1	O-Ring	
73	3960389	10 ft/3m	Seal	
74	4070497	4	Shim	
75	4070498	2	Shim	
76	4360392	1	Switch, Restrictor Indicator (Prior to SN 0300086916)	
77	4568743	1	Pipe, Exhaust	

SECTION 2 - TURNTABLE

ITEM	PART NUMBER	QTY	DESCRIPTION	REV
78		Ref	Tube, Air Intake Options:	
78	4558765	1	Tube, Air Intake (Prior to SN 0300086916)	
78	4569176	1	Tube, Air Intake (SN 0300086916 through 0300096000)	
79	4640744	1	Valve, Check (Prior to SN 0300086916)	
80	4641272	1	Valve, Oil Drain	
81	4711500	8	Flatwasher 5/16in Thin	
82	4711600	18	Flatwasher 3/8in Thin	
83	4740274	4	Washer, Snubbing	
84	4751000	6	Flatwasher #10 Regular	
85	4751400	38	Flatwasher 1/4in Regular	
86	4751500	12	Flatwasher 5/16in Regular	
87	4751600	42	Flatwasher 3/8in Regular	
88	4751800	11	Flatwasher 1/2in Regular	
89	4846821	1	Mount, Motor/Generator	
90	4846852	1	Tray	
91	4891600	2	Flatwasher 3/8in Hardened	
92	4922737	1	Harness, Engine Grounding	
93	0641609	4	Bolt 3/8in-16NC x 1-1/8in	
94	0941611	2	Bolt 3/8in-16NC x 1-3/8in	
		Ref	CATERPILLAR ENGINE INSTALLATION	
	0272994	Ref	Caterpillar Engine Installation (Prior to SN 0300086916)	D
	0274605	Ref	Caterpillar Engine Installation (SN 0300086916 through 0300096000)	A
101	0100011	AR	Compound, Locking	
102	0100020	AR	Sealant	
104	0361810	1	Bar, Battery Hold-Down	
105	0400075	1	Battery	
106	0630541	2	Bolt, Battery	
107	0641616	3	Bolt 3/8in-16NC x 2in	
108	0642010	1	Bolt 5/8in-11NC x 1-1/4in	
109	1320022	1	Clamp	
110	1320223	1	J-Clip	
111	2180536	1	Fitting, Straight Barbed	
112	2200222	1	Plug	
113	2220250	1	Fitting, Reducer	
114	2220273	1	Fitting, Reducer	
115	2220313	1	Fitting, Elbow Barbed	
116	2220459	1	Fitting, Elbow	
117	2220794	1	Fitting, Straight Barbed	
118	2720058	12 ft/3.7m	Hose	
119	2720271	12 ft/3.7m	Hose	
120	2750532	5 ft/1.5m	Hose	
121	3311605	3	Locknut 3/8in-16NC	
122	3312005	1	Locknut 5/8in-11NC	
123	3900255	1	Screw, Shoulder	
124	3960469	1	Seal, Foam Gasket	
125	4751600	8	Flatwasher 3/8in Regular	
126	4752000	1	Flatwasher 5/8in-11NC	
127	4752200	2	Flatwasher 3/4in Regular	
128	1701505	1	Decal - Diesel Fuel (Not Shown - See DECAL SECTION)	
129	0940049	2	Bumper, Hood	
130	0641410	4	Bolt 1/4in-20NC x 1-1/4in	

SECTION 2 - TURNTABLE

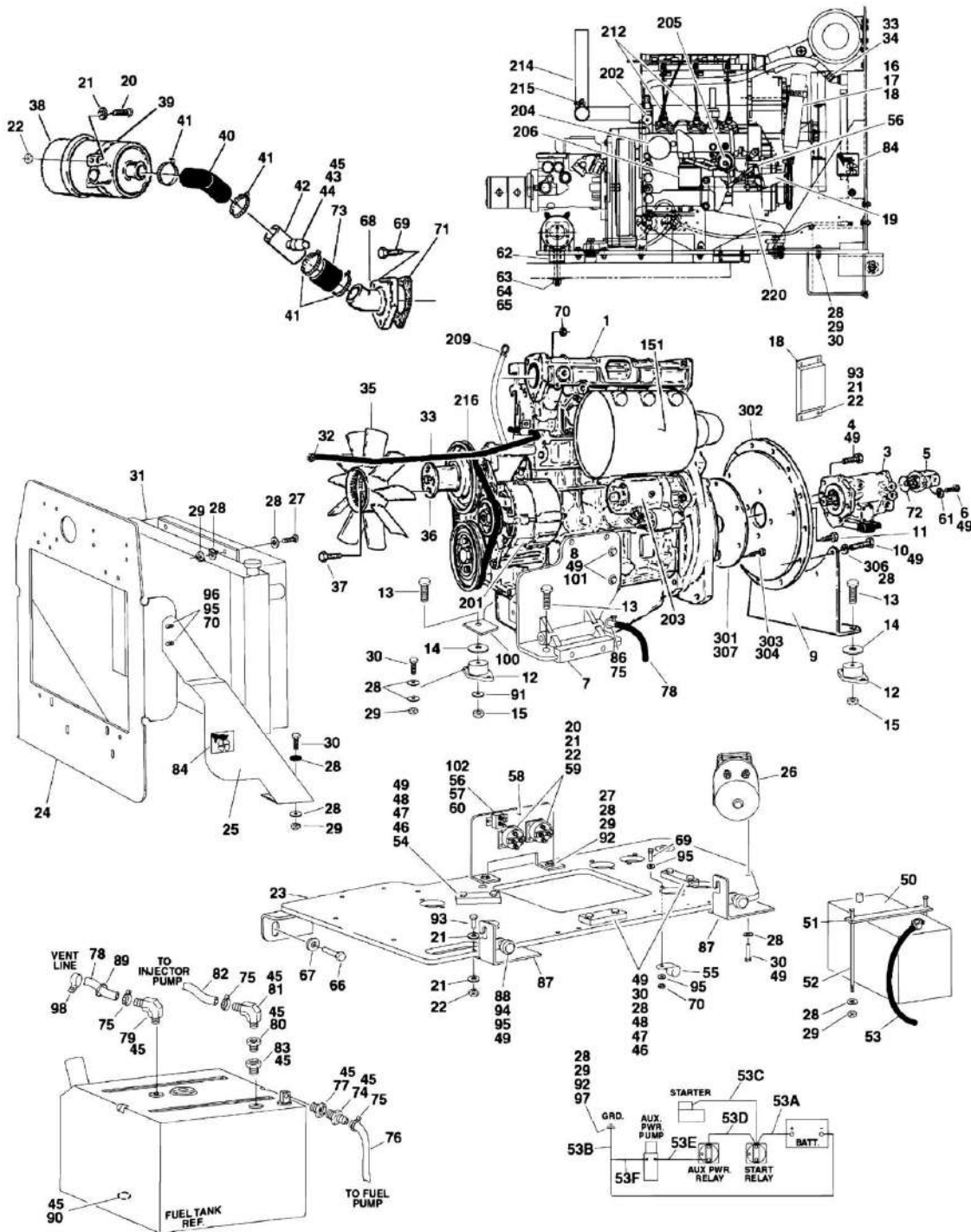
ITEM	PART NUMBER	QTY	DESCRIPTION	REV
131	3311405	4	Locknut 1/4in-20NC	
132	3311501	4	Nut 5/16in-18NC	
133	3572504	1	Plate	
134	4751400	8	Flatwasher 1/4in Regular	
135	4751500	4	Flatwasher 5/16in Regular	
136	4846096	2	Latch, Hood	
137	3340399	1	Pad, Wear	
138	4070498	1	Shim (16 Ga.)	
139	4070497	2	Shim (11 Ga.)	
	2000195	Ref	CATERPILLAR ENGINE COMPONENTS	C
201	7026848	1	Breather, Valve	
201	7026846	1	Gauze, Breather Valve	
202	7026847	4	Seal, Valve Cover Nut	
203	7026849	1	Gasket, Air Intake	
204	7026850	1	Seal, Valve Cover	
205	7026852	1	Flywheel with Starter Gear Set	
205	7026853	1	Gear, Flywheel	
206	70001403	1	Filter, Oil (was p/n 7026855)	
207	7026860	1	Cap, Oil Fill	
207	7026856	1	Seal, Oil Fill Cap	
208	7026858	1	Valve, Relief	
208	7026857	1	Seal	
209	7026864	1	Pump, Water	
209	7026863	1	Gasket, Water Pump (Fits Between Pump and Pump Rear Plate)	
209	7026865	1	Gasket, Water Pump (Fits Between Pump Rear Plate and Engine Block)	
210	7026867	1	Thermostat	
210	See Note	1	Regulator, Water (Note: Not Available for Purchase)	
210	7026866	1	Gasket (Fits Between Regulator and Engine Block)	
210	7026868	1	Gasket, Thermostat (Fits Between Regulator and Hose Adapter)	
211	7026869	1	Gasket, Exhaust	
212	7026870	1	Gasket, Exhaust Manifold	
213	70001695	1	Filter Assembly	
213	7026871	1	Element, Fuel Filter	
213	7026872	2	Gasket, Fuel Filter Element	
214	7026873	1	Pump, Fuel Transfer	
214	7026874	1	Seal,	
215	7026875	4	Injector, Fuel	
216	See Note	1	Pump, Fuel Injection (Note: Not Available for Purchase)	
217	70001990	1	Solenoid, Fuel Shut-Off (was p/n 7026876) (Note: P/N 70001990 includes adapter harness if required.)	
218		Ref	Alternator Options:	
218	70000544	1	Alternator (was p/n 7026877) (Prior to SN 0300091230)	
218	70000544	1	Alternator (SN 0300091230 through 0300096000)	
218	70000544	1	Alternator Conversion Kit (Includes Alternator, Adapter Harness, Alternator Bracket, Lever and Mounting Hardware)	
218	70001180	1	Bolt, Lower Pivot	
218	70001257	1	Bracket, Adjustment	
219	7026878	4	Glowplug	
220	1001097554	1	Switch, Oil Pressure (was p/n 7026844)	
221	7026840	1	Switch, Water Temperature	
221	7026882	1	Seal, Sensor	

SECTION 2 - TURNTABLE

ITEM	PART NUMBER	QTY	DESCRIPTION	REV
222	7026879	1	Starter	
223	See Note	1	Actuator/Linkage Assembly - Throttle (was p/n 1600351 which is not available as a service part. (Note: Use service replacement parts below.)	
223A	7026884		Actuator and Electrical Connector Kit	
223A	7026835	1	Connector, Actuator	
223B	7026843		Linkage Kit	
224	7026883	1	Speed Sensor Kit	
224	7026836	1	Connector, Speed Sensor	
225	7026851	1	Seal, Rear Main (Not Shown - Located on Rear of Engine Block)	
226	7026854	1	Seal, Front Main (Not Shown - Located on Front of Engine Block)	
227	7026859	1	Gasket, Oil Pan (Not Shown)	
228	7026861	1	Plug, Drain	
229	7026862	1	Gasket, Valve Bracket (Not Shown - Located on Between Valve Bracket and Head)	
230	7026880	1	Belt	
231	7026885	1	Dipstick Oil Level	
231	7026886	1	Tube, Dipstick	
231	7026881	1	O-Ring, Dipstick Tube	

SECTION 2 - TURNTABLE

FIGURE 2-9. DEUTZ ENGINE INSTALLATION (Prior to SN 0300077682)



SECTION 2 - TURNTABLE

FIGURE 2-9. DEUTZ ENGINE INSTALLATION (Prior to SN 0300077682)

ITEM	PART NUMBER	QTY	DESCRIPTION	REV
		Ref	DEUTZ ENGINE INSTALLATIONS	
	0259138	Ref	Standard Machines (Prior to SN 0300064404)	11-H
	0271245	Ref	ADE System Machines (SN 0300064404 through 0300077682)	13-I
1		Ref	Engine Assembly Options:	
1	2000162	1	Engine Assembly (Prior to SN 0300064404)	
1	2000175	1	Engine Assembly (SN 0300064404 through 0300065459)	
1	2000190	1	Engine Assembly (SN 0300065460 through 0300077682)	
3		Ref	Piston Pump Assembly Options (See PISTON PUMP ASSEMBLY for Breakdown):	
3	3600296	1	Piston Pump Assembly (Prior to SN 0300073424)	
3	3600385	1	Piston Pump Assembly (SN 0300073424 through 0300077682)	
4	0641812	2	Bolt 1/2in-13NC x 1-1/2in	
5		Ref	Gear Pump Assembly Options:	
5	3600297	1	Gear Pump Assembly (See GEAR PUMP ASSEMBLY for Breakdown) (Prior to SN 0300070763)	
5	3600368	1	Gear Pump Assembly (No Service Parts Available) (SN 0300070763 through 0300096000)	
6	0641608	2	Capscrew, Socket Head 3/8in-16NC x 1in	
7		Ref	Plate, Front Mounting Options:	
7	3570800	1	Plate, Front Mounting (Prior to SN 0300064404)	
7	4846478	1	Plate, Front Mounting (SN 0300064404 through 0300068835)	
7	4846567	1	Plate, Front Mounting (SN 0300068836 through 0300077682)	
8	0701414	4	Bolt, Metric 14mm x 30mm	
9	3570801	1	Plate, Rear Mounting	
10	0701015	4	Bolt, Metric 10mm x 35mm	
11	0701012	4	Bolt, Metric 10mm x 25mm	
12	3200378	4	Mount, Rubber Motor	
13	0641820	4	Bolt 1/2in-13NC x 2-1/2in	
14	4740274	4	Washer, Snubbing	
15	3311805	4	Locknut 1/2in-13NC	
16	0902461	1	Bracket, Throttle Mount (Part of Item 17) (Prior to SN 0300064404)	
17	2901637	1	Throttle Mounting Kit (Prior to SN 0300064404)	
18	0060033	NLA	Actuator Assembly (Use p/n 2910000) (See ELECTRICAL SECTION for Breakdown) (Prior to SN 0300064404)	
19	0902464	1	Bracket, Throttle Mounting (Part of Item 17) (Prior to SN 0300064404)	
20	0641406	8	Bolt 1/4in-20NC x 3/4in	
21	4751400	24	Flatwasher 1/4in Regular	
22	3311405	14	Locknut 1/4in-20NC	
23		Ref	Tray, Engine Options:	
23	4846080	1	Tray, Engine (Prior to SN 0300075078)	
23	4846809	1	Tray, Engine (SN 0300075078 through 0300077682)	
24	3571692	1	Plate, Radiator Mount	
25		Ref	Plate, Radiator Support Options:	
25	3570607	1	Plate, Radiator Support (Prior to SN 0300069030)	
25	3573667	1	Plate, Radiator Support (SN 0300069030 through 0300077682)	
26	3600279	NLA	Auxiliary Pump Assembly (Use p/n 3600423) (See AUXILIARY PUMP ASSEMBLY for Breakdown)	
27	0641610	6	Bolt 3/8in-16NC x 1-1/4in	

SECTION 2 - TURNTABLE

ITEM	PART NUMBER	QTY	DESCRIPTION	REV
28	4751600	50	Flatwasher 3/8in Regular	
29	3311605	23	Locknut 3/8in-16NC	
30	0641611	18	Bolt 3/8in-16NC x 1-3/8in	
31	3620033	1	Cooler, Oil	
32	2220451	2	Fitting, Straight	
33	2720398	60 in/1.5m	Hose (Qty 2 of 30in length)	
34	2220409	1	Fitting, Elbow (Prior to SN 0300075502)	
35	2060025	1	Fan	
36	0080231	1	Spacer, Fan	
37	0700816	4	Bolt, Metric 8mm x 40mm	
38	1340060	1	Air Cleaner Assembly	
38	7012664	1	Element, Air Cleaner	
39	0340041	2	Band, Mounting	
40	2720434	1	Elbow	
41	1320016	4	Clamp, Hose	
42	4567495	1	Tube, Air Intake	
43	4360392	1	Switch, Restrictor Indicator	
44	2180798	1	Fitting	
45	0100020	AR	Sealant, Pipe	
46	3340399	3	Pad, Wear	
47	4070497	4	Shim 1/8in	
48	4070498	2	Shim 1/16in	
49	0100011	AR	Compound, Locking	
50		Ref	Battery Options:	
50	0400075	1	Battery (Wet)	
50	7016180	1	Battery (Dry)	
51		Ref	Battery Tie-Down Options:	
51	0360541	1	Battery Tie-Down (Prior to SN 0300054188)	
51	0361810	1	Battery Tie-Down (SN 0300054188 through 0300077682)	
52		Ref	Bolt, Tie-Down Options:	
52	0630498	2	Battery Tie-Down (Prior to SN 0300064404)	
52	0630541	2	Battery Tie-Down (SN 0300064404 through 0300077682)	
53	2901880	1	Cable Kit - Battery	D
53A	7016817	1	Cable - Battery to Starter Relay (Prior to SN 0300063791)	
53A	7016843	1	Cable - Battery to Starter Relay (SN 0300063791 through 0300077682)	
53B	7016833	1	Cable - Battery and Auxiliary Pump to Ground (Prior to SN 0300063791)	
53B	7016835	1	Cable - Battery and Auxiliary Pump to Ground (SN 0300063791 through 0300077682)	
53C	7016834	1	Cable - Starter Relay to Starter	
53D	7016803	1	Cable - Starter Relay to Auxiliary Relay (Prior to SN 0300063791)	
53E	7016820	1	Cable - Auxiliary Relay to Auxiliary Pump	
54	0741610	2	Screw, Flathead 3/8in-16NC x 2in	
55	1320222	1	J-Clamp	
56	4751000	3	Flatwasher #10 Regular	
57	3311005	2	Locknut #10-24NC (Prior to SN 0300064404)	
58	3570808	1	Plate, Relay Mounting	
59	3740067	2	Relay	
60	4360294	1	Breaker, Circuit (Prior to SN 0300064404)	
61	4891600	2	Flatwasher, Hardened 3/8in	

SECTION 2 - TURNTABLE

ITEM	PART NUMBER	QTY	DESCRIPTION	REV
62	0962172	1	Bushing, Flanged	
63	3900255	1	Bolt Shoulder 3/4in x 3in	
64	4752200	2	Flatwasher 3/4in Regular	
65	3312005	1	Locknut 5/8in-11NC	
66	0642010	1	Bolt 5/8in-11NC x 1-1/4in	
67	4752000	1	Flatwasher 5/8in Regular	
68	4845395	1	Air Intake Adapter Weldment	
69	0641510	4	Bolt 5/16in-18NC x 1-1/4in	
70	3311505	6	Locknut 5/16in-18NC	
71	3960407	1	Gasket	
72	3790152	1	O-Ring	
73		Ref	Coupling, Rubber Options:	
73	2720351	4 in/10cm	Coupling, Rubber (Prior to SN 0300068062)	
73	2720449	1	Coupling, Rubber (SN 0300068062 through 0300077682)	
74	2220794	1	Fitting, Barb	
75	1320022	6	Clamp, Hose	
76	2720058	12 ft/3.7m	Hose	
77	2220273	1	Fitting, Reducer	
78	2750532	7 ft/2.1m	Hose	
79	2220313	1	Fitting, Elbow	
80	2220250	1	Fitting, Reducer	
81	2220459	1	Fitting, Elbow	
82	2720271	12 ft/3.7m	Hose	
83	2180536	1	Fitting, Straight	
84	1703162	2	Decal - Fan	
85	1701505	1	Decal - Diesel Fuel (Not Shown - Located on Hood Near Tank)	
86	4640751	1	Valve, Oil Drain	
87	4846096	2	Bracket, Hood Latch	
88	0940049	2	Bumper, Hood	
89	4240099	1	Tie-Strap	
90	2200222	1	Plug, Pipe	
91	4751800	4	Flatwasher 1/2in Regular	
92	4791600	3	Starwasher 3/8in	
93	0641410	6	Bolt 1/4in-20NC x 1-1/4in	
94	3311501	4	Nut 5/16in-18NC	
95	4751500	9	Flatwasher 5/16in Regular	
96	0641506	2	Bolt 5/16in-18NC x 3/4in	
97	0641616	1	Bolt 3/8in-16NC x 2in	
98	1320223	1	Camp, Hose	
99	2820128	1	Insulation, Heat Shield (Not Shown)	
100	0902740	1	Bracket, Engine Mount (Right Side) (SN 0300064404 through 0300077682)	
101	4711900	6	Flatwasher 9/16in Thin (SN 0300064404 through 0300077682)	
		Ref	MUFFLER INSTALLATION OPTIONS	
151		Ref	Muffler Options:	
151	3220110	1	Standard Spark Arrestor	
151	3220112	1	Catalytic	
151	1320176	1	Clamp	
		Ref	ENGINE COMPONENTS:	
	2000162	Ref	Engine Components (Prior to SN 0300064404)	
	2000175	Ref	Engine Components (SN 0300064404 through 0300065459)	
	2000190	Ref	Engine Components (SN 0300065460 through 0300077682)	

SECTION 2 - TURNTABLE

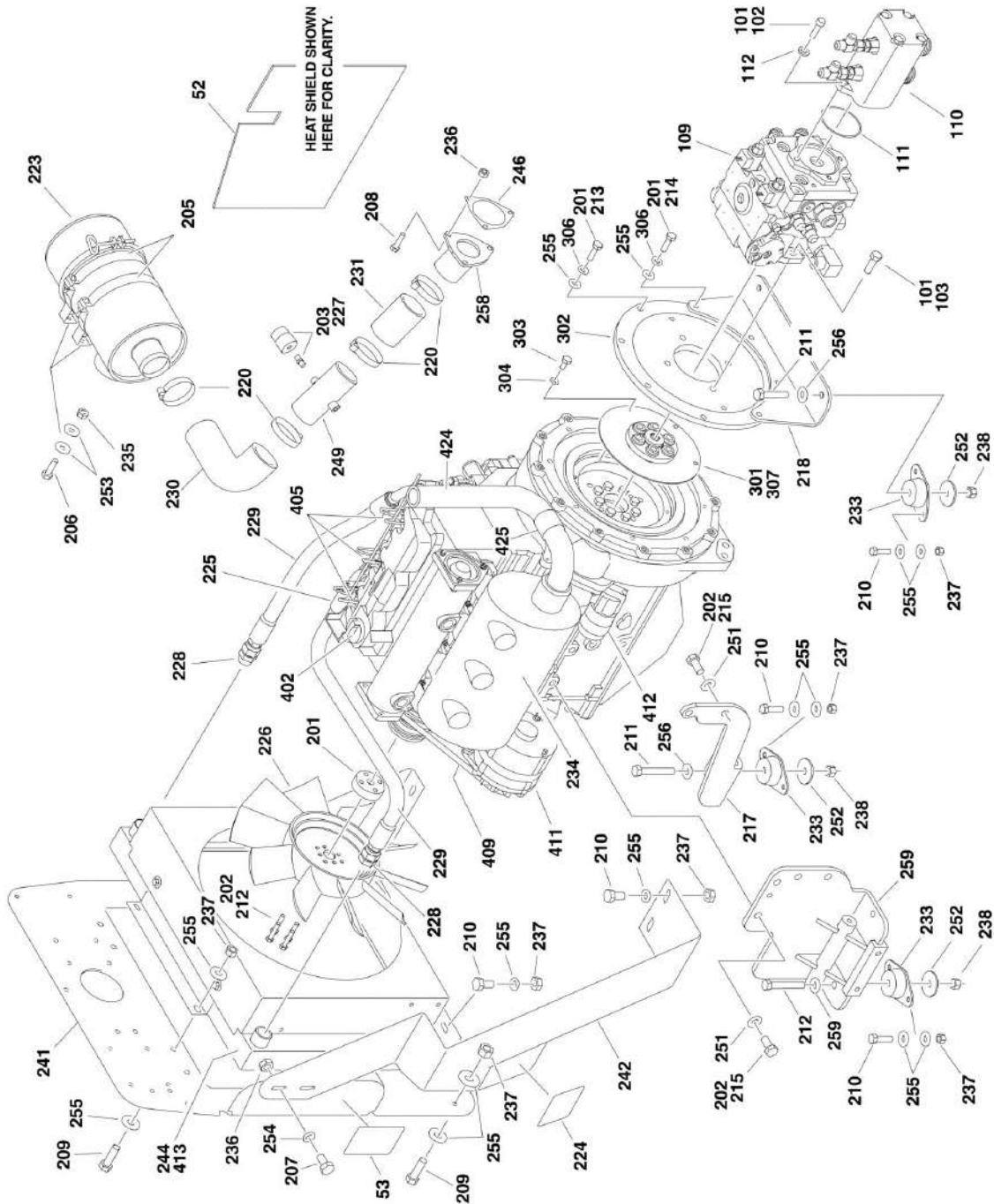
ITEM	PART NUMBER	QTY	DESCRIPTION	REV
201		Ref	Alternator Options:	
201	7000663	1	2000162 Engine (was p/n 7016329 & 7020410)	
201	7000663	1	2000175/2000190 Engines (was p/n 7020410)	
201	70002234	1	Bracket, Adjusting	
201	70000851	1	Bracket, Alternator Mounting	
201	7020464	1	Regulator, Voltage (Not Shown)	
202		Ref	Switch, Oil Pressure Options:	
202	7016330	1	2000162 Engine	
202	7020461	1	2000175/2000190 Engines	
203		Ref	Starter Options:	
203	7016332	1	2000162 Engine	
203	7020479	1	2000175/2000190 Engines	
204	7016331	1	Filter, Oil (was p/n 7016641)	
205		Ref	Pump, Fuel Supply Options:	
205	7020463	1	2000162 Engine	
205	7020463	1	2000175/2000190 Engine (was p/n 7024413)	
205	7020411	1	2000175/2000190 Engine - O-Seal Between Fuel Pump and Engine Block (Not Shown)	
206	7020023	1	Filter, Fuel	
207	7020024	1	Breather, Crankcase (Not Shown) (2000162 Engine Only)	
208		Ref	Actuator, Throttle Options (Not Shown):	
208	7016359	1	2000162 Engine	
208	7020458	1	2000175/2000190 Engines	
208	7027250	1	Spring for 7016359 Actuator	
208	7027276	2	Spring for 7020458 Actuator	
209	7020026	1	Dipstick	
209	70001002	1	Tube (2000162 Engine Only)	
210	7020027	1	Flywheel (Not Shown) (2000162/2000175 Engine Only)	
210	70000264	1	Flywheel (Not Shown) (2000190 Engine Only)	
210	7020477	1	Ring, Gear (Not Shown) (2000162/2000175 Engine Only)	
210	7024579	1	Ring, Gear (Not Shown) (2000190 Engine Only)	
211		Ref	Switch, Oil Temperature (Not Shown) Options:	
211	7020025	1	2000162 Engine	
211	7020168	1	2000175/2000190 Engines	
211	7020480	1	2000175/2000190 Engines - Seal, Temperature Switch	
212		Ref	Pump, Fuel Injection Options:	
212	7024318	3	2000162 Engine	
212	7024318	3	2000175 Engine (was p/n 7020462)	
212	7024318	3	2000190 Engine	
213		Ref	Sensor, Tach/Speed Options (Not Shown):	
213	See Note	1	2000162 Engine (Note: Not Available for Purchase)	
213	7024565	1	2000175/2000190 Engines (Was p/n 7020481)	
213	70003932	1	Spacer, Sleeve -2000175/2000190 Engines	
214	7020169	1	Pipe, Exhaust Pipe	
215	1320176	1	Clamp, Exhaust	
216	7020408	1	V-Belt	
217	7020446	1	Timing Kit, Belt and Idler (Not Shown)	
218	7020465	1	Cap, Filler (Not Shown)	
219	7020471	3	Gasket, Exhaust Manifold (Not Shown)	
219	7020449	3	Gasket, Intake Manifold (Not Shown)	
220		Ref	Pump, Oil Options:	
220	See Note	3	2000162 Engine (Note: Not Available for Purchase)	

SECTION 2 - TURNTABLE

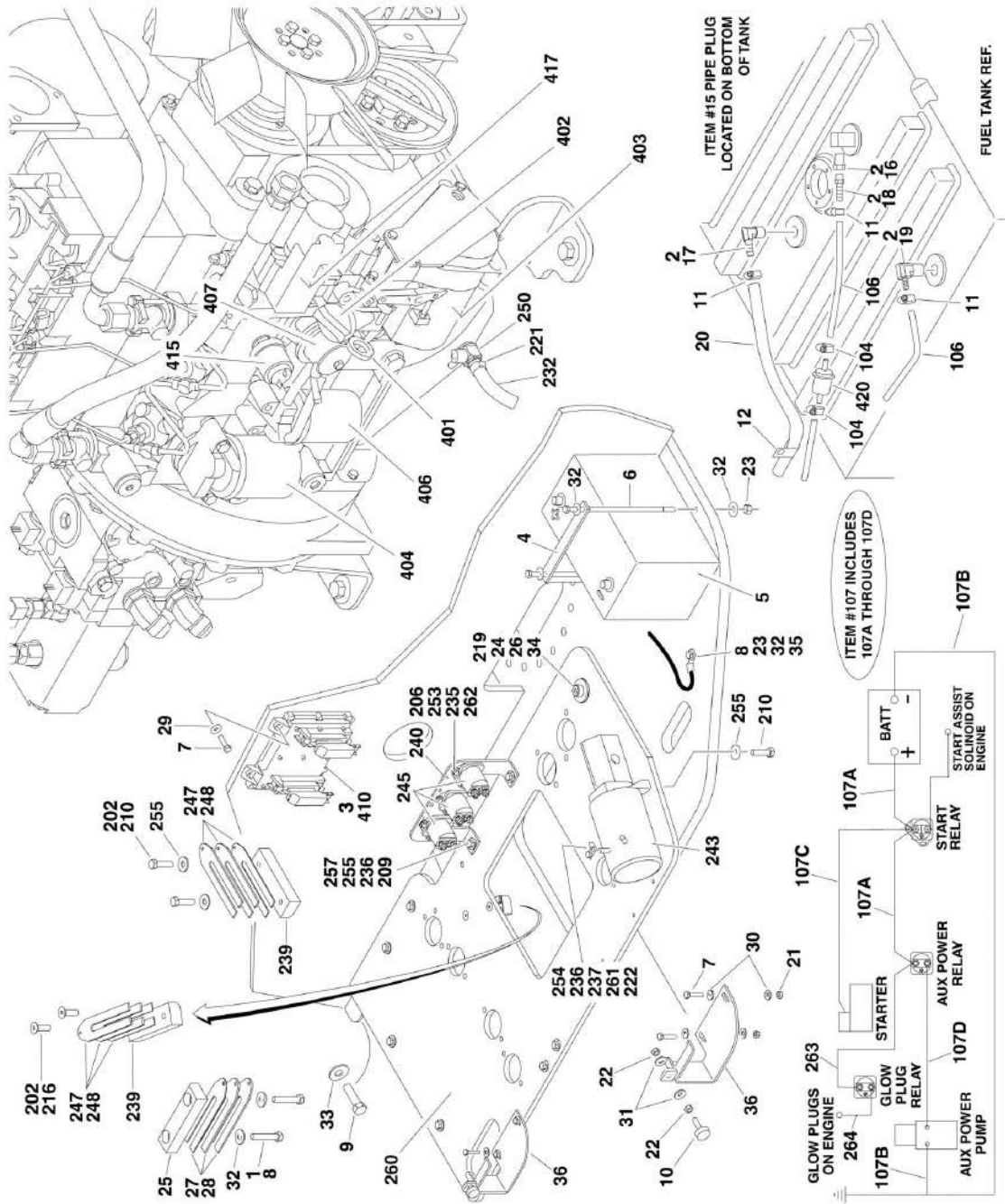
ITEM	PART NUMBER	QTY	DESCRIPTION	REV
220	7020467	3	2000175/2000190 Engine	
220	7020468	1	2000175/2000190 Engine - Seal Between Oil Pump and Engine Block (Not Shown)	
221	7020482	1	Gasket, Kit (Not Shown) (2000190 Engine Only)	
222	7020488	1	Connector Plug-In (Not Shown) (2000190 Engine Only)	
223	70000787	1	Support, Fan (Not Shown) (2000162 Engine Only)	
224		Ref	Gasket, Head Options (Not Shown) (2000162 Engine Only):	
224	70003039	1	Gasket - 1 Notch	
224	70003040	1	Gasket - 2 Notch	
224	70003041	1	Gasket - 3 Notch	
	0256847	Ref	PUMP COUPLING INSTALLATION	-
301	1660234	1	Coupling, Hayes	
302	0080163	1	Plate, Pump Adapter	
303	0700810	6	Bolt Metric 8mm x 20mm	
304	4831900	6	Lockwasher 8mm	
306	4832000	8	Lockwasher 10mm	
307	3020021	AR	Grease, Coupling	

SECTION 2 - TURNTABLE

FIGURE 2-10. DEUTZ ENGINE INSTALLATION (SN 0300077682 through 0300096000)



SECTION 2 - TURNTABLE



SECTION 2 - TURNTABLE

FIGURE 2-10. DEUTZ ENGINE INSTALLATION (SN 0300077682 through 0300096000)

ITEM	PART NUMBER	QTY	DESCRIPTION	REV
		Ref	DEUTZ ENGINE INSTALLATIONS	
	0273944	Ref	Deutz Engine Installations (SN 0300077682 through 0300085616)	D
	0274334	Ref	Deutz Engine Installations (SN 0300085617 through 0300096000)	C
1	0100011	AR	Compound, Locking	
2	0100020	AR	Sealant, Pipe	
3	0100048	AR	Grease, Dielectric (SN 0300077682 through 0300085617)	
4	0361810	1	Bar, Battery Hold-Down	
5	0400075	1	Battery	
6	0630541	2	Bolt, Battery	
7	0641410	4	Bolt 1/4in-20NC x 1-1/4in	
8	0641616	3	Bolt 3/8in-16NC x 2in	
9	0642010	1	Bolt 5/8in-11NC x 1-1/4in	
10	0940049	2	Bumper, Hood	
11	1320022	3	Clamp	
12	1320223	1	J-Clip (Not Shown - Located on Fuel Vent Line)	
13	1701515	1	Decal - Diesel Fuel (Not Shown - See DECAL SECTION for Location)	
15	2200222	1	Plug, Pipe (Not Shown - Located on Bottom of Fuel Tank)	
16	2220273	1	Fitting, Reducer	
17	2220313	1	Fitting, Elbow Barbed	
18	2220794	1	Fitting, Straight Barbed	
19	2221176	1	Fitting, Elbow	
20	2750532		Hose Options:	
20	2750532	7 ft/2.1m	Hose (SN 0300077682 through 0300085616)	
20	2750532	5 ft/1.5m	Hose (SN 0300085617 through 0300096000)	
21	3311405	4	Locknut 1/4in-20NC	
22	3311501	4	Nut 5/16in-18NC	
23	3311605	3	Locknut 3/8in-16NC	
24	3312005	1	Locknut 5/8in-11NC	
25	3340399	1	Pad, Wear	
26	3900255	1	Bolt, Shoulder	
27	4070498	1	Shim (16 Ga.)	
28	4070497	2	Shim (11 Ga.)	
29	4711400	4	Flatwasher 1/4in Thin	
30	4751400	8	Flatwasher 1/4in Regular	
31	4751500	4	Flatwasher 5/16in Regular	
32	4751600	8	Flatwasher 3/8in Regular	
33	4752000	1	Flatwasher 5/8in Regular	
34	4752200	2	Flatwasher 3/4in Regular	
35	4791600	1	Starwasher 3/8in	
36	4846096	2	Latch, Hood	
51	4922978	1	Harness, Start Assist (Not Shown - See ELECTRICAL SECTION for Breakdown)	
52	2820128	1	Insulation, Heat Shield	
53		Ref	Decal - Warning Explosion/Fire Options:	
53	1704972	1	ANSI English	
53	1706064	1	CSA	
53	1706060	1	English/Chinese	

SECTION 2 - TURNTABLE

ITEM	PART NUMBER	QTY	DESCRIPTION	REV
53	1706061	1	English/Korean	
53	1706062	1	English/Japanese	
53	1706059	1	English/Portuguese	
53	1706063	1	English/Spanish	
		Ref	ENGINE AND PUMPS SUB-ASSEMBLY	
	2000245	Ref	Engine and Pumps Sub-Assembly (SN 0300077682 through 0300085616)	B
	2000286	Ref	Engine and Pumps Sub-Assembly (SN 0300085617 through 0300096000)	B
101	0100011	AR	Compound, Locking	
102	0641608	2	Bolt 3/8in-16NC x 1in	
103	0641812	2	Bolt 1/2in-13NC x 1-1/2in	
104	1320022	2	Clamp	
106	2720058	12 ft/3.7m	Hose	
107	2901880	1	Battery Cable Kit	D
107A	7016843	1	Cable - Battery to Starter and Auxiliary Relays (Includes Red Boot at Battery Terminal)	
107B	7016835	1	Cable - Battery and Auxiliary Pump to Ground (Includes Red Boot at Battery Terminal)	
107C	7016834	1	Cable - Starter Relay to Starter	
107D	7016820	1	Cable - Auxiliary Relay to Auxiliary Pump	
109	3600404	1	Piston Pump Assembly with Fittings (See PISTON PUMP ASSEMBLY for Breakdown):	
110	3600405	1	Gear Pump Assembly with Fittings (See GEAR PUMP ASSEMBLY for Breakdown)	
111	3790152	1	O-Ring	
112	4891600	2	Flatwasher 3/8in Hardened	
		Ref	ENGINE ASSEMBLY	
	2000247	Ref	Engine Assembly (SN 0300077682 through 0300085616)	F
	2000287	Ref	Engine Assembly (SN 0300085617 through 0300092801)	B
	2000347	Ref	Engine Assembly (SN 0300092802 through 0300096000)	B
201	0080231	1	Adapter, Fan Spacer	
202	0100011	AR	Compound, Locking	
203	0100020	AR	Sealant, Pipe	
205	0340041	2	Band, Air Cleaner	
206	0641406	8	Bolt 1/4in-20NC x 3/4in	
207	0641507	2	Bolt 5/16in-18NC x 7/8in	
208	0641510	AR	Bolt 5/16in-18NC x 1-1/4in	
208	0641512	AR	Bolt 5/16in-18NC x 1-1/2in	
209	0641609	6	Bolt 3/8in-16NC x 1-1/8in	
210	0641611	18	Bolt 3/8in-16NC x 1-3/8in	
211	0641820	4	Bolt 1/2in-13NC x 2-1/2in	
212	0700816	4	Bolt 8mm x 40mm	
213	0771012	4	Bolt 10mm x 25mm	
214		Ref	Bolt 10mm Options:	
214	0701015	4	Bolt 10mm (35 mm Length) (SN 0300077682 through 0300085616)	
214	0701014	4	Bolt 10mm (30 mm Length) (SN 0300085617 through 0300096000)	
215	0701414	6	Bolt 14mm x 30mm	
216	0741610	2	Screw, Countersunk 3/8in-16NC x 1-1/4in	
217	0902740	1	Bracket, Engine Mounting (Right Side)	
218	0903063	1	Plate, Engine, Mounting	

SECTION 2 - TURNTABLE

ITEM	PART NUMBER	QTY	DESCRIPTION	REV
219	0962172	1	Bushing, Flanged	
220	1320016	4	Clamp, Hose	
221	1320022	1	Clamp, Hose	
222		Ref	J-Clip	
222	1320223	1	J-Clip (SN 0300077682 through 0300085616)	
222	1320222	1	J-Clip (SN 0300085617 through 0300092801)	
222	1320223	1	J-Clip (SN 0300092802 through 0300096000)	
223	1340060	1	Air Cleaner Assembly Filter Element	
223	7012664	1	Element, Filter (Not Shown)	
224	1703162	2	Decal - Caution Fan Blade	
225		Ref	Engine, Deutz - F3M2011 Options:	
225	2000217	1	Engine, Deutz - F3M2011 (SN 0300077682 through 0300085616)	
225	2000273	1	Engine, Deutz - F3M2011 (SN 0300085617 through 0300092801)	
225	2000338	1	Engine, Deutz - F3M2011 (SN 0300092802 through 0300096000)	
226	2060025	1	Fan	
227		Ref	Fitting Options:	
227	2180798	1	Fitting (SN 0300077682 through 0300085616)	
227	4360392	1	Indicator, Restriction (SN 0300077682 through 0300085616)	
227	2200221	1	Plug (SN 0300085617 through 0300096000)	
228	2220451	2	Fitting, Straight	
229	2720398	2	Hose, Oil Cooler	
230	2720434	1	Elbow, Rubber	
231	2720449	1	Hose, Air Cleaner	
232	2750532	1 ft/30cm	Hose, Oil Drain	
233	3200406	4	Mount, Motor	
234		Ref	Muffler Options:	
234	3220110	1	Standard	
234	3220112	1	Catalytic	
234	1320176	1	Clamp	
235	3311405	8	Locknut 1/4in-20NC	
236	3311505	6	Locknut 5/16in-18NC	
237	3311605	20	Locknut 3/8in-16NC	
238	3311805	4	Locknut 1/2in-13NC	
239	3340399	2	Pad, Wear	
240	3570808	1	Plate, Relay Mounting	
241	3571692	1	Plate, Radiator Mounting	
242	3573667	1	Support, Radiator	
243	3600279	NLA	Auxiliary Pump Assembly (Use p/n 3600423) (See AUXILIARY PUMP ASSEMBLY for Breakdown)	
244	3620033	1	Radiator	
245	3740067	Ref	Relay Options:	
245	3740067	2	Relay (SN 0300077682 through 0300092801)	
245	3740067	3	Relay (SN 0300092802 through 0300096000)	
246	3960407	1	Gasket, Air Intake	
247	4070497	4	Shim (11 Ga.)	
248	4070498	2	Shim (16 Ga.)	
249	4567495	1	Tube, Tee	
250	4640751	1	Valve, Oil Drain	
251	4812200	6	Flatwasher 14mm	

SECTION 2 - TURNTABLE

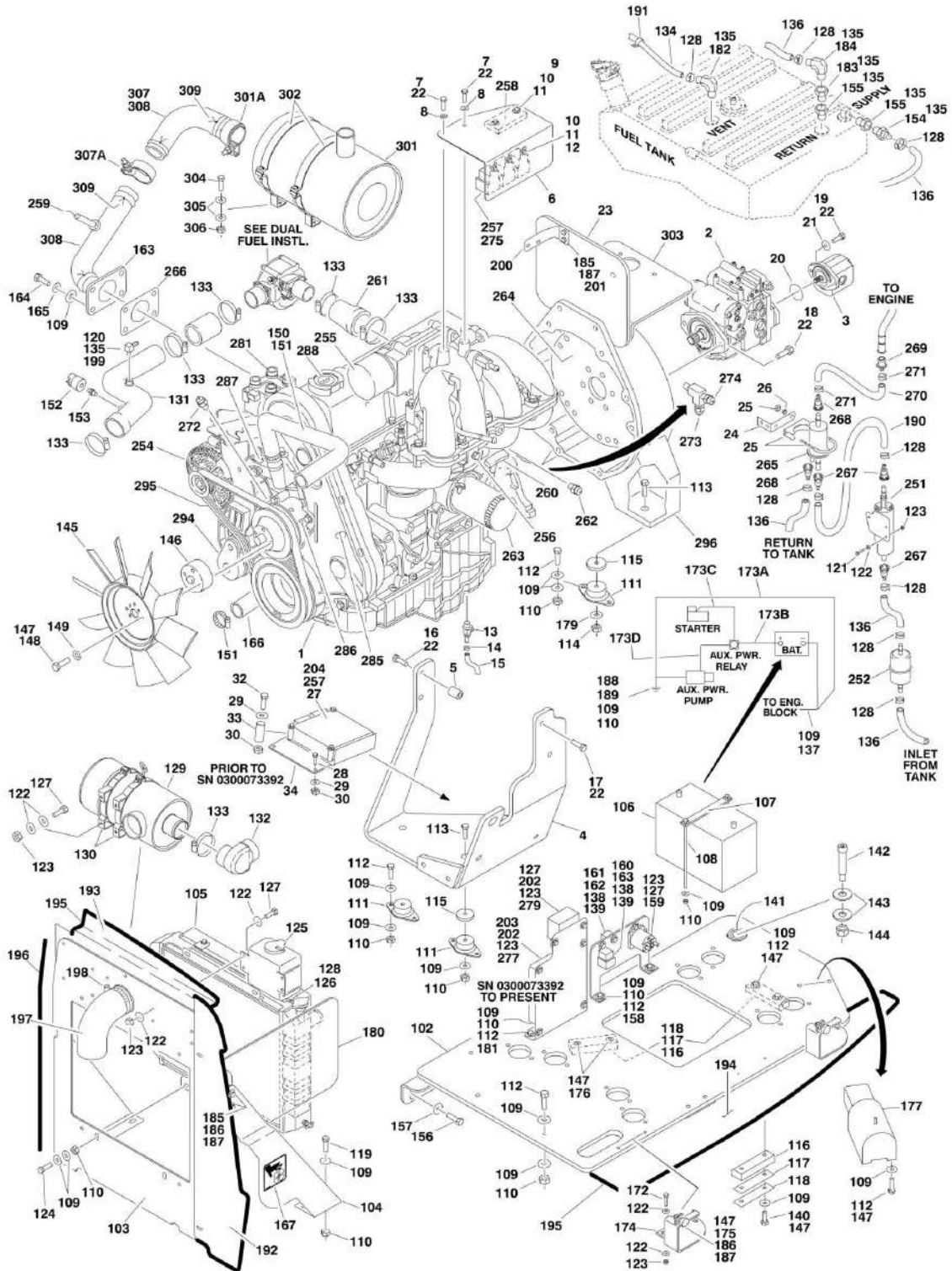
ITEM	PART NUMBER	QTY	DESCRIPTION	REV
252	4740274	4	Washer, Snubbing	
253	4751400	12	Flatwasher 1/4in Regular	
254	4751500	5	Flatwasher 5/16in Regular	
255	4751600	44	Flatwasher 3/8in Regular	
256	4751800	4	Flatwasher 1/2in Regular	
257	4791600	2	Starwasher 3/8in	
258	4845395	1	Plate, Adapter	
259	4846567	1	Bracket, Engine Mounting (Left Side)	
260		Ref	Tray Options:	
260	4846080	1	Tray (SN 0300077682 through 0300082439)	
260	4846809	1	Tray (SN 0300082440 through 0300096000)	
261	0641510	AR	Bolt 5/16in-18NC x 1-1/4in	
261	0641608	AR	Bolt 3/8in-16NC x 1in	
262	4791400	6	Starwasher 1/4in	
263	1060904	1	Cable, Jumper Only (SN 0300092802 through 0300096000)	
264	4923451	1	Harness, Glow Plug Only (SN 0300092802 through 0300096000)	
	0256847	Ref	PUMP COUPLING INSTALLATION	2
301	1660234	1	Coupling, Hayes	
302	0080163	1	Plate, Pump Adapter	
303	0700810	63	Bolt Metric 8mm x 20mm	
304	4831900	6	Lockwasher 8mm	
306	4832000	8	Lockwasher 10mm Only (SN 0300077682 through 0300085025)	
307	3020021	AR	Grease, Coupling	
		Ref	ENGINE COMPONENTS	
	2000217	Ref	Engine Components (SN 0300077682 through 0300085616)	
	2000273	Ref	Engine Components (SN 0300085617 through 0300092801)	B
	2000338	Ref	Engine Components (SN 0300092802 through 0300096000)	B
401	7020026	1	Dipstick	
401	70001002	1	Housing, Dipstick	
402	7020465	2	Cap, Filler	
403	7020495	1	Pump, Oil Lube	
403	7020468	1	Seal Between Oil Pump and Engine Block (Not Shown)	
404	7016331	1	Filter, Oil	
404	7027236	1	Sensor, Oil Temperature (Not Shown - Located in Rear Of Filter Mount)	
405		Ref	Pump, Injector Options:	
405	7027246	3	Series A Pump	
405	7027608	3	Series B Pump	
405	7027609	3	Series C Pump	
405	7027610	3	Series D Pump	
405	7020447	3	Gasket, Injector Pump	
406	7020023	1	Filter, Fuel	
406	70001423	1	Bracket, Fuel Filter	
407	70000916	1	Pump Fuel Supply (was p/n 7027238)	
407	7020411	1	O-Seal Between Fuel Pump and Engine Block (Not Shown)	
408	7020449	3	Gasket, Intake Manifold (Not Shown)	
408	7020471	3	Gasket, Exhaust Manifold (Not Shown)	
409	7020408	1	V-Belt	
410	7027795	1	Control, EMR2 (2000273/2000338 Engine Only)	
410	7027793	1	Connector, EMR2 Control (2000273/2000338 Engine Only)	
410	7027796	1	Harness, EMR2 Control (2000273/2000338 Engine Only)	

SECTION 2 - TURNTABLE

ITEM	PART NUMBER	QTY	DESCRIPTION	REV
411	7000663	1	Alternator (was p/n 7020410)	
411	7020464		Regulator, Voltage (Not Shown)	
412	7020479	1	Starter	
412	7026608	1	Relay, Starter	
413	7027769	1	Radiator Connector Kit	
414		Ref	Sender, Oil Temperature Options (Not Shown):	
414	7027241	1	2000217 Engine Only	
414	7027791	1	2000273/2000338 Engine Only	
415		Ref	Sensor, Oil Pressure Options:	
415	7020461	1	2000217 Engine Only	
415	7027790	1	2000273/2000338 Engine Only	
416	7024565	1	Sensor, Speed (Not Shown)	
416	70003932	1	Spacer, Sleeve (Not Shown)	
417		Ref	Actuator, Throttle Options:	
417	7020458	1	2000217 Engine Only	
417	7027792	1	2000273/2000338 Engine Only	
417	7027276	2	Spring for Actuators	
418	7020459	1	Thermostat	
418	7020460	1	Spring, Compression	
419	See Note	1	Flywheel (Not Shown) (Note: Not Available for Purchase)	
419	7024579	1	Rim, Gear (Not Shown)	
420	7027245	1	Filter, Fuel	
421	7027239	1	Solenoid, Start (Not Shown - Located near Throttle Actuator)	
422		Ref	Engine Harness Options:	
422	See Note	1	2000217 Engine Only (Note: Not Available for Purchase)	
422	7027794	1	2000273/2000338 Engine Only	
423	70000345	3	Plug, Glow (Deutz Factory Installed - Not Shown) (2000338 Engine Only)	
424	7020169	1	Pipe, Exhaust Pipe	
425	1320176	1	Clamp, Exhaust	
426		Ref	Gasket, Head Options (Not Shown):	
426	70003479	1	Gasket - 1 Notch	
426	70003480	1	Gasket - 2 Notch	
426	70003481	1	Gasket - 3 Notch	
427	70001181	1	Valve, Oil Pressure Relief (Not Shown)	

SECTION 2 - TURNTABLE

FIGURE 2-11. FORD ENGINE INSTALLATION (Prior to SN 0300078473)



SECTION 2 - TURNTABLE

FIGURE 2-11. FORD ENGINE INSTALLATION (Prior to SN 0300078473)

ITEM	PART NUMBER	QTY	DESCRIPTION	REV
		Ref	ENGINE ASSEMBLIES	
	0259751	Ref	Standard Gas Machines without ADE System	10-D
	0271248	Ref	Standard Gas Machines with ADE System	4-C
	0259750	Ref	Dual Fuel Machines without ADE System	10-D
	0271247	Ref	Dual Fuel Machines with ADE System (Prior to SN 0300073403)	4-C
	0272885	Ref	Dual Fuel Machines with ADE System (SN 0300073403 through 0300078473)	3-B
1		Ref	Engine - Ford LRG-425 Options:	
1	2000164	1	Standard Gas Machines without ADE System	
1	2000172	1	Standard Gas Machines with ADE System	
1	2000166	1	Dual Fuel Machines without ADE System	
1	2000174	1	Dual Fuel Machines with ADE System (Prior to SN 0300073403)	
1	2000193	1	Dual Fuel Machines with ADE System (SN 0300073403 through 0300078473)	
2		Ref	Piston Pump Assembly Options (See PISTON PUMP ASSEMBLY for Breakdown):	
2	3600296	1	Piston Pump Assembly (Prior to SN 0300073424)	
2	3600385	1	Piston Pump Assembly (SN 0300073424 through 0300078473)	
3		Ref	Gear Pump Assembly Options:	
3	3600297	1	Gear Pump Assembly (See GEAR PUMP ASSEMBLY for Breakdown) (Prior to SN 0300070763)	
3	3600368	1	Gear Pump Assembly (No Service Parts Available) (SN 0300070763 through 0300078473)	
4		Ref	Plate, Engine Mounting - Front Options:	
4	3539972	1	Plate, Engine Mounting - Front (Not Shown) (Prior to SN 0300073403)	
4	4846806	1	Plate, Engine Mounting - Front (SN 0300073403 through 0300078473)	
5	4566605	1	Tube, Spacer	
6	3571498	1	Plate, Module Mounting	
7	0700810	2	Bolt, Metric 8mm -1.25 x 20mm	
8	4751500	2	Flatwasher 5/16in Regular	
9	0721010	2	Bolt #10-24NC x 1-1/4in	
10	3311005	5	Locknut #10-24NC	
11	4751000	8	Flatwasher #10 Regular	
12	0721006	3	Bolt #10-24NC x 3/4in	
13	4640989	1	Valve, Oil Drain	
14	2750532	1	Hose	
		ft/30.5cm		
15	1320022	AR	Clamp	
16	0701022	2	Bolt, Metric 10mm-1.5 x 70mm	
17	0701014	2	Bolt, Metric 10mm-1.5 x 30mm	
18	0641812	2	Bolt 1/2in-13NC x 1-1/2in	
19	0641608	2	Bolt 3/8in-16NC x 1in	
20	3790152	1	O-Ring	
21	4891600	2	Flatwasher 3/8in Hardened	
22	0100011	AR	Compound, Locking	
23	3571502	1	Plate, Heat Shield	
24	0902539	1	Bracket, Fuel Filter/Pressure Regulator	

SECTION 2 - TURNTABLE

ITEM	PART NUMBER	QTY	DESCRIPTION	REV
25	1320019	AR	Clamp, Exhaust	
26	4761500	2	Lockwasher 5/16in	
27		Ref	ECM/EPM Controller Options:	
27	1600298	1	ECM/EPM Controller (Prior to SN 0300064122)	
27	1600328	1	ECM/EPM Controller (SN 0300064122 through 0300064487)	
27	1600314	1	ECM/EPM Controller (SN 0300064488 through 0300073402)	
27	See Note	1	ECM/EPM Controller (Note: Now Supplied with Engine - See Item 277) (SN 0300073403 through 0300078473)	
28	0641408	2	Bolt 1/4in-20NC x 1in	
29	4751400	6	Flatwasher 1/4in Regular	
30	3311405	6	Locknut 1/4in-20NC	
31	1320060	1	Clamp, Hose (Not Shown)	
32	0641422	4	Bolt 1/4in-20NC x 2-3/4in	
33	4568158	4	Standoff, ECM Only (Prior to SN 0300073403)	
34	3572600	1	Plate, ECM Mounting Only (Prior to SN 0300073403)	
		Ref	ENGINE INSTALLATIONS	
	0259140	Ref	Standard Gas Machines without ADE System	7-F
	0271244	Ref	Standard Gas Machines with ADE System	3-C
	0259137	Ref	Dual Fuel Machines without ADE System	7-F
	0271246	Ref	Dual Fuel Machines with ADE System (Prior to SN 0300073403)	3-C
	0272886	Ref	Dual Fuel Machines with ADE System (SN 0300073403 through 0300078473)	5-D
102		Ref	Tray Weldment Options:	
102	4846080	1	Tray Weldment (Prior to SN 0300073403)	
102	4846809	1	Tray Weldment (SN 0300073403 through 0300078473)	
103	3571692	1	Mount, Radiator	
104		Ref	Support, Radiator - Left Side Options:	
104	3570607	1	Support, Radiator - Left Side (Prior to SN 0300078439)	
104	3570667	1	Support, Radiator - Left Side (SN 0300078439 through 0300078473)	
105	3620040	1	Radiator	
105	8180311	1	Cap, Radiator (was p/n 7019656)	
106		Ref	Battery Options:	
106	0400075	1	Battery (Wet)	
106	7016180	1	Battery (Dry)	
107		Ref	Battery Tie-Down Options:	
107	0362870	1	Battery Tie-Down (Prior to SN 0300054188)	
107	0361810	1	Battery Tie-Down (SN 0300054188 through 0300078473)	
108	0630541	2	Bolt, Tie-Down	
109	4751600	53	Flatwasher 3/8in Regular	
110	3311605	25	Locknut 3/8in-16NC	
111	3200378	4	Mount, Rubber	
112	0641610	20	Bolt 3/8in-16NC x 1-1/4in	
113	0641820	4	Bolt 1/2in-13NC x 2-1/2in	
114	3311805	4	Locknut 1/2in-13NC	
115	4740274	4	Washer, Snubbing	
116	3340399	3	Pad, Wear	
117	4070497	6	Shim 1/8in	
118	4070498	3	Shim 1/16in	
119	0641612	2	Bolt 3/8in-16NC x 1-1/2in	
120	2180467	1	Fitting, Barbed Elbow	

SECTION 2 - TURNTABLE

ITEM	PART NUMBER	QTY	DESCRIPTION	REV
121	0641412	3	Bolt 1/4in-20NC x 1-3/4in	
122	4751400	AR	Flatwasher 1/4in Regular	
123	3311405	29	Locknut 1/4in-20NC	
124	0641609	AR	Bolt 3/8in-16NC x 1-1/8in	
125	1580011	1	Tank, Coolant Recovery	
126	2720058	2 ft/51cm	Hose, Coolant Recovery	
127	0641406	AR	Bolt 1/4in-20NC x 3/4in	
128	1320022	9	Clamp	
129	1340060	1	Air Cleaner Assembly	
129	7012664	1	Element, Air Cleaner	
130	0340041	2	Band, Air Cleaner	
131		Ref	Tube, Air Intake Options:	
131	4846011	1	Standard Gas Machines	
131	4846046	1	Dual Fuel Machines	
132	0080201	1	Elbow, Rubber	
133	1320016	2	Clamp	
134	2750532	6 ft/1.8m	Hose	
135	0100020	AR	Sealant, Pipe	
136	2720058	9.5 ft/2.9m	Hose, Fuel Line	
137	0701010	1	Bolt, Metric 10mm x 20mm	
138	4751000	4	Flatwasher #10 Regular	
139	3311005	3	Locknut #10-24NC	
140	0641614	2	Bolt 3/8in-16NC x 1-3/4in	
141	0962172	1	Bushing, Flanged	
142	3900255	1	Screw, Shoulder 3/4in x 3in	
143	4752200	2	Flatwasher 3/4in Regular	
144	3312005	1	Locknut 5/8in-11NC	
145	2060025	1	Fan	
146	0080214	1	Spacer, Fan	
147	0100011	AR	Compound, Locking	
148	0700819	4	Bolt, Metric 8mm x 55mm	
149	4831900	4	Lockwasher, Metric 8mm	
150	2720436	1	Hose, Radiator - Top	
151	1320012	4	Clamp, Hose	
152	4360392	1	Indicator, Clogged Filter	
153	2180798	1	Fitting, Restrictor Indicator	
154	2220794	1	Fitting, Barbed	
155	2220273	1	Fitting, Reducer	
156	0642010	1	Bolt 5/8in-11NC x 1-1/4in	
157	4752000	1	Flatwasher 5/8in Regular	
158	3570808	1	Plate, Relay Mounting	
159	3740067	1	Relay (Auxiliary Power)	
160	3740080	1	Relay, Bosch	
161	4360294	1	Breaker, Circuit (Prior to SN 0300073403)	
162	0721004	2	Bolt #10-24NC x 1/2in	
163	4567878	1	Tube, Exhaust	
164	0701012	4	Bolt, Metric 10mm-1.5 x 25mm	
165	4832000	4	Lockwasher, Metric 10mm	
166	2720435	1	Hose, Radiator - Bottom	
167	1703162	2	Decal - Fan Blade	
170	1701542	1	Decal - Gas (Not Shown - Located on Hood)	

SECTION 2 - TURNTABLE

ITEM	PART NUMBER	QTY	DESCRIPTION	REV
172	0641410	4	Bolt 1/4in-20NC x 1-1/4in	C
173	2901879	1	Battery Cable Kit	
173A	7016833	1	Cable (Battery - to Ground)	
173B	7016817	1	Cable (Battery + to Auxiliary Relay)	
173C	7016820	1	Cable (Auxiliary Relay to Starter)	
173D	7016808	1	Cable (Auxiliary Relay to Auxiliary Pump)	
174	4846096	2	Bracket, Hood Latch	
175	0940049	2	Bumper, Hood	
176	0741610	2	Screw, Socket Head Countersunk 3/8in-16NC x 1-1/4in	
177	3600279	NLA	Auxiliary Pump Assembly (Use p/n 3600423) (See AUXILIARY PUMP ASSEMBLY for Breakdown)	
178	2200222	1	Plug, Pipe (Not Shown - Located at Bottom of Fuel Tank)	
179	4751800	4	Flatwasher 1/2in Regular	
180	3571019	1	Plate, Air Panel	
181	3574496	1	Plate, EPM/Relay Mounting Only (SN 0300073403 through 0300078473)	
182	2220313	1	Fitting, Barbed	
183	2220250	1	Fitting, Reducer	
184	2220805	1	Fitting, Elbow Barbed	
185	0641506	2	Bolt 5/16in-18NC x 3/4in	
186	4751500	8	Flatwasher 5/16in Regular	
187	3311505	8	Locknut 5/16in-18NC	
188	0641616	1	Bolt 3/8in-16NC x 2in	
189	4791600	1	Starwasher 3/8in	
190	2720474	1	Hose, High Pressure Fuel Line	
191	1320223	1	Clamp, Hose	
192	3572502	1	Plate, Air Flow Side	
193	3572503	1	Plate, Air Flow Top	
194	3572504	1	Plate, Air Flow Bottom	
195	3960389	9.8 ft/3m	Seal	
196	3960469	1	Seal	
197	0080234	1	Adaptor, Rubber Elbow (Prior to SN 0300074819)	
198	1320058	1	Clamp, Hose (Prior to SN 0300074819)	
199	1320032	1	Clamp, Hose	
200	0902724	1	Bracket, LP Mounting	
201	4711500	4	Flatwasher 5/16in Thin	
202	4711400	8	Flatwasher 1/4in Thin	
203	0641414	4	Bolt 1/4in-20NC x 1-3/4in	
204	0100048	AR	Grease, Dielectric	
		Ref	ENGINE COMPONENTS	
	2000164	Ref	Machines without ADE System	
	2000172	Ref	Machines with ADE System (Prior to SN 0300073403)	
	2000193	Ref	Machines with ADE System (SN 0300073403 through 0300078473)	
251	3600377	1	Fuel Pump and Isolator Assembly (was p/n 7022133)	
251	7022134	1	Harness, Fuel Pump Wiring	
252	91083218	1	Filter, Fuel (was p/n 7022135)	
253	7019986	1	Starter (Not Shown)	
254	7019977	1	Alternator with Pulley and Regulator	
254	7000897	1	Alternator without Pulley and Regulator	
255	7022136	1	Actuator, Throttle (2000164/2000166 Engines)	
255	7023655	1	Actuator, Throttle (2000172/2000174 Engines)	

SECTION 2 - TURNTABLE

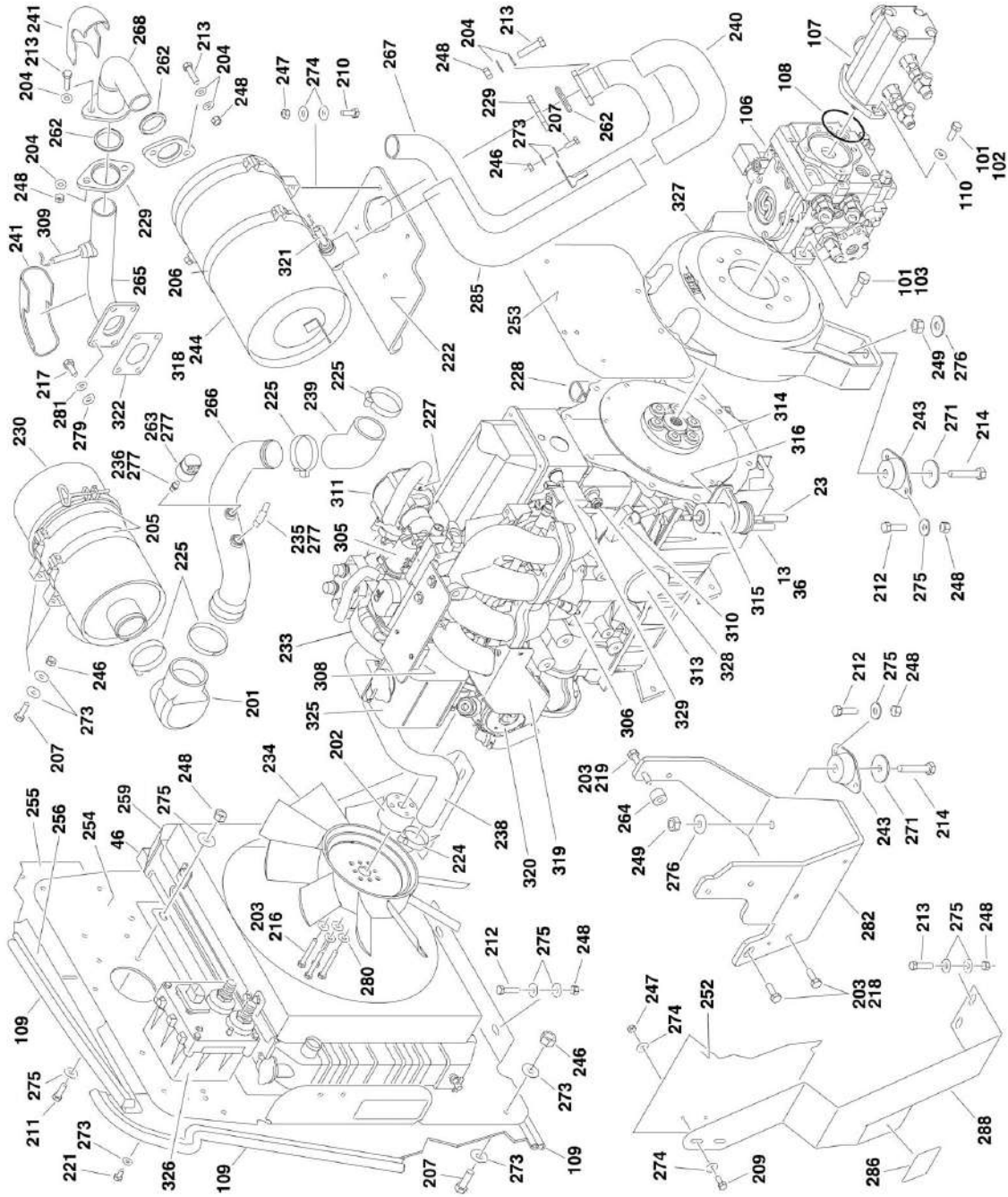
ITEM	PART NUMBER	QTY	DESCRIPTION	REV
255	7023683	1	Actuator, Throttle (2000193 Engines)	
255	7023652	1	Plate, Actuator Adapter (2000172/2000174 Engines)	
255	7023654	1	Gasket, Actuator to Adapter Plate (2000172/2000174 Engines)	
255	7023653	2	Bolt (Adapter Plate to Intake Manifold)(2000172/2000174 Engines)	
255	7023656	4	Bolt (Actuator to Adapter Plate) (2000172/2000174 Engines)	
256	7019996	1	Sensor, Air Temperature	
257	7023663	1	Harness, ECM (2000164/2000166 Engines) (was p/n 7022137)	
257	7023663	1	Harness, ECM (2000172/2000174 Engines)	
257	7023681	1	Harness, EPM (2000193 Engines)	
258	7022139	1	Sensor, MAP	
259	7019994	1	Sensor, EGR	
260	2420187	1	Dipstick (was p/n 7022140)	
260	4564281	1	Tube, Dipstick	
261		Ref	Horn, Rubber Air Options:	
261	2720341	1	2000164/2000166/2000193 Engines	
261	7023658	1	2000172/2000174 Engines	
262	7023637	1	Switch, Oil Pressure	
263	7021868	1	Filter, Oil (was p/n 7022147, 7022173 & 7014501)	
264	1660250	1	Coupling, Pump (was p/n 7016662)	
265	7019993	1	Pressure Regulator and Filter Assembly	
266	7022143	1	Gasket, Exhaust Manifold to Head (Not Shown)	
266	70002307	1	Gasket, Exhaust Manifold to Pipe (4 Bolt) (Not Shown)	
267	7022158	3	Connector	
268	7022159	2	Connector	
269	7022160	1	Connector	
270	7022161	2	Tube, Supply	
271	7022162	2	Clamp	
272	7022178	1	Sensor, Crank	
272	7022179	1	Sensor, Camshaft (Not Shown)	
273	7022142	1	Switch, Pressure (Black) (2000164/2000166 Engines Only)	
274	7023637	1	Switch, Shutdown (White) (2000164/2000166 Engines Only)	
275		Ref	Relay Options:	
275	7023613	3	2000164/2000166/2000174 Engines	
275	7023695	3	2000193 Engines	
276	7023644	1	Hose, Water Pump (By-Pass) (Not Shown)	
277	1600363	1	ECM Module (2000193 Engines Only)	
278	7023682	1	Oxygen Sensor (2000193 Engines Only) (Not Shown)	
279	See Note	1	Power Distribution Box (2000193 Engines Only) (Note: Not Available for Purchase)	
280	7019925	1	PCV Valve (Not Shown)	
281	7022157	1	Wire Set - Spark Plug	
281	7019932	4	Spark Plug (Not Shown)	
282	7019976	1	Flywheel (Not Shown)	
282	7022180	1	Gear, Ring (Not Shown)	
283	7025124	1	Gasket Kit - Upper (Not Shown) (was p/n 7022148)	
284	7022149	1	Gasket Kit - Lower (Not Shown)	
285	7022150	1	Belt, Timing	
286	7022153	1	Pump, Water	
286	7022154	1	Gasket, Water Pump	
287	7022155	1	Sensor, Water Temperature	
287	7022156	1	Thermostat, Water Temperature (Not Shown)	

SECTION 2 - TURNTABLE

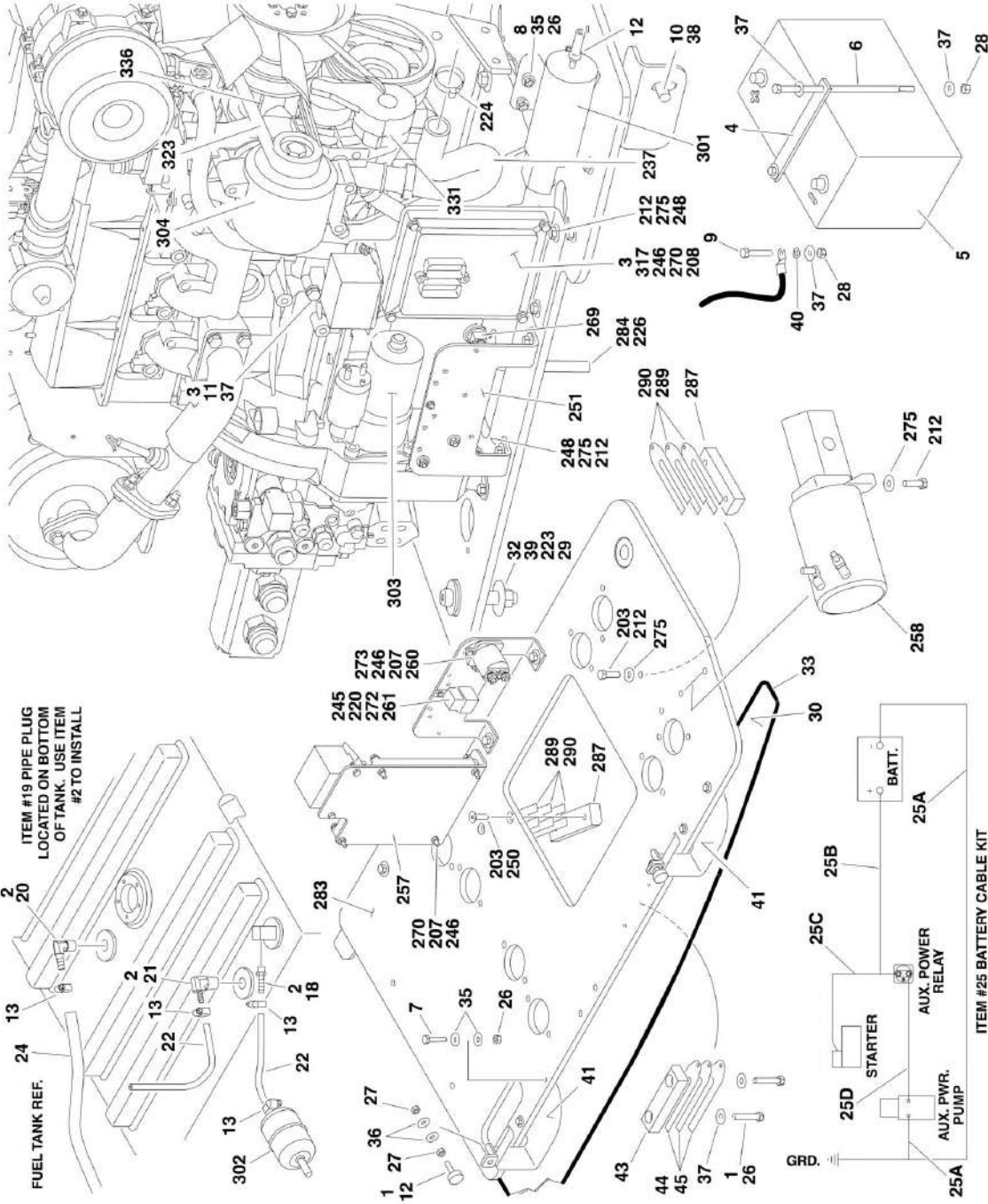
ITEM	PART NUMBER	QTY	DESCRIPTION	REV
288	7022151	1	Cap, Oil Filler	
289	7019930	1	Coil, Ignition (Not Shown) (2000164/2000166 Engines)	
290	7022144	1	Gasket, Upper Manifold Throttle (Not Shown)	
291	7022164	1	Switch, High Coolant Temperature (Not Shown) (2000164/2000166 Engines)	
292	7025134	1	Gasket, Water Outlet (Not Shown)	
293	7023657	1	Harness, TPS Harness (Not Shown)	
294	70002567	1	Tensioner, Timing Belt	
295	7027402	1	Belt, Drive (was p/n 7019979)	
296	7020120	1	Housing, Bell (2000166 Engine Only)	
297	7022153	4	Injector, Fuel (2000193 Engine Only) (Not Shown)	
	3124114	1	Service Manual, Ford EFI System Diagnostic	
		Ref	MUFFLER INSTALLATIONS	
	0258252	Ref	Standard Spark Arresting	2
	0258253	Ref	Optional Catalytic	3
301		Ref	Muffler Options:	
301	3220113	1	Standard Spark Arresting	
301	3220114	1	Optional Catalytic	
301A	70001017	1	Clamp	
302	0340046	2	Band	
303	0902457	1	Bracket, Muffler	
304	0641507	4	Bolt 5/16in-18NC x 7/8in	
305	4711500	8	Flatwasher 5/16in Thin	
306	3311505	4	Locknut 5/16in-18NC	
307	4567073	1	Tube, Exhaust	
307A	70001017	1	Clamp	
308	4100025	21 in/53cm	Sleeve, Fiberglass	
309	4920385	16 in/41cm	Wire, Mechanics	

SECTION 2 - TURNTABLE

FIGURE 2-12. FORD ENGINE INSTALLATION (SN 0300078473 through 0300096000)



SECTION 2 - TURNTABLE



SECTION 2 - TURNTABLE

FIGURE 2-12. FORD ENGINE INSTALLATION (SN 0300078473 through 0300096000)

ITEM	PART NUMBER	QTY	DESCRIPTION	REV
		Ref	FORD ENGINE INSTALLATIONS:	
	0274015	Ref	Ford Engine Installations (SN 0300078473 through 0300086915)	D
	0274603	Ref	Ford Engine Installations (SN 0300086916 through 0300096000)	C
1	0100011	AR	Compound, Locking	
2	0100020	AR	Sealant, Pipe	
3	0100048	AR	Grease, Dielectric	
4	0361810	1	Bar, Battery Hold Down	
5		Ref	Battery Options:	
5	0400075	1	Battery (Wet)	
5	7016180	1	Battery (Dry)	
6	0630541	2	Bolt, Tie-Down	
7	0641410	4	Bolt 1/4in-20NC x 1-1/4in	
8	0641412	AR	Bolt 1/4in-20NC x 1-1/2in	
9	0641616	3	Bolt 3/8in-16NC x 2in	
10	0642010	1	Bolt 5/8in-11NC x 1-1/4in	
11	0701010	1	Bolt, Metric 10mm x 20mm	
12	0940049	2	Bumper, Hood	
13	1320022	7	Clamp	
14	1320023	1	J-Clip (Not Shown)	
15	1701542	1	Decal - Gas (Not Shown - Located on Hood)	
16	1701543	1	Decal - LPG (Not Shown - Located on Hood)	
18	2180348	1	Fitting, Barbed	
19	2200222	1	Plug, Pipe	
20	2220313	1	Fitting, Barbed	
21	2221176	1	Fitting, Elbow Barbed	
22	2720058	14 ft/4m	Hose	
23	2720474	1	Hose	
24	2750532	6 ft/1.8m	Hose	
25	2901879	1	Battery Cable Kit	C
25A	7016833	1	Cable (Battery - to Ground)	
25B	7016817	1	Cable (Battery + to Auxiliary Relay)	
25C	7016820	1	Cable (Auxiliary Relay to Starter)	
25D	7016808	1	Cable (Auxiliary Relay to Auxiliary Pump)	
26	3311405	AR	Locknut 1/4in-20NC	
27	3311501	4	Nut 5/16in-18NC	
28	3311605	3	Locknut 3/8in-16NC	
29	3312005	1	Locknut 5/8in-11NC	
30	3572504	1	Plate	
31	3790012	1	O-Ring (Not Shown - Located on Platform Console)	
32	3900255	1	Screw, Shoulder	
33	3960389	55 in/1.4m	Seal	
34	4360336	1	Switch, Toggle (Not Shown - Located on Platform Console)	
35	4751400	AR	Flatwasher 1/4in Regular	
36	4751500	4	Flatwasher 5/16in Regular	
37	4751600	8	Flatwasher 3/8in Regular	
38	4752000	1	Flatwasher 5/8in Regular	
39	4752200	2	Flatwasher 3/4in Regular	
40	4791600	1	Starwasher 3/8in	

SECTION 2 - TURNTABLE

ITEM	PART NUMBER	QTY	DESCRIPTION	REV
41	4846096	2	Bracket, Hood Latch	
43	3340399	1	Pad, Wear	
44	4070497	2	Shim	
45	4070498	1	Shim	
46	3960469	1	Seal	
		Ref	ENGINE AND PUMPS SUB-ASSEMBLIES:	
	2000236	Ref	Engine and Pumps Sub-Assemblies (SN 0300078473 through 0300086915)	B
	2000312	Ref	Engine and Pumps Sub-Assemblies (SN 0300086916 through 0300096000)	B
101	0100011	AR	Compound, Locking	
102	0641608	2	Bolt 3/8in-16NC x 1in	
103	0641812	2	Bolt 1/2in-13NC x 1-1/2in	
105	2030004	2.63 gal/9.9L	Antifreeze (Not Shown)	
106	3600404	1	Piston Pump Assembly with Fittings Options (See PISTON PUMP ASSEMBLY for Breakdown)	
107	3600405	1	Gear Pump Assembly with Fittings (See GEAR PUMP ASSEMBLY for Breakdown)	
108	3790152	1	O-Ring	
109	3960389	10 ft/3m	Seal	
110	4891600	2	Flatwasher 3/8in Hardened	
		Ref	ENGINE ASSEMBLIES:	
	2000210	Ref	Engine Assemblies (SN 0300078473 through 0300086915)	D
	2000311	Ref	Engine Assemblies (SN 0300086916 through 0300096000)	C
201	0080201	1	Adapter, Elbow	
202	0080214	1	Adapter, Fan	
203	0100011	AR	Compound, Locking	
204	4711600	12	Flatwasher 3/8in Thin	
205	0340041	2	Band, Air Cleaner	
206	0340046	2	Band, Muffler	
207	0641406	14	Bolt 1/4in-20NC x 3/4in	
208	0641414	4	Bolt 1/4in-20NC x 1-3/4in	
209	0641506	2	Bolt 5/16in-18NC x 3/4in	
210	0641507	4	Bolt 5/16in-18NC x 7/8in	
211	0641609	4	Bolt 3/8in-16NC x 1-1/8in	
212	0641610	18	Bolt 3/8in-16NC x 1-1/4in	
213	0641612	8	Bolt 3/8in-16NC x 1-1/2in	
214	0641820	4	Bolt 1/2in-13NC x 2-1/2in	
216	0700819	4	Bolt, Metric 8mm x 55mm	
217	0701012	4	Bolt, Metric 10mm x 25mm	
218	0701014	2	Bolt, Metric 10mm x 30mm	
219	0701022	2	Bolt, Metric 10mm x 70mm	
220	0721004	1	Bolt #10-24NC x 1/2in	
221	0760606	4	Bolt 6mm x 12mm	
222	0902457	1	Bracket, Muffler	
223	0962172	1	Bushing, Flanged	
224	1320012	4	Clamp, Hose	
225	1320016	4	Clamp	
226	1320022	1	Clamp, Hose	
227	1320033	8	Clamp, Hose	
228	1320060	1	Clamp, Hose	

SECTION 2 - TURNTABLE

ITEM	PART NUMBER	QTY	DESCRIPTION	REV
229	1321138	3	Flange, Exhaust	
230	1340060	1	Air Cleaner Assembly	
230	7012664	1	Element, Air Cleaner	
233	2000207	1	Engine, Ford LRG-425 Tier II	
234	2060025	1	Fan	
235	2180467	1	Fitting, Barbed Elbow	
236	2180798	1	Fitting, Restrictor Indicator (SN 0300078473 through 0300086915)	
237	2720435	1	Hose, Radiator - Bottom	
238	2720436	1	Hose, Radiator - Top	
239	2720514	1	Hose, High Pressure Fuel Line	
240	2820172	1	Shield, Insulated Exhaust	
241	2820173	2	Shield, Insulated Exhaust	
243	3200406	4	Mount, Rubber	
244	3220134	1	Muffler	
245	3311005	1	Locknut #10-24NC	
246	3311405	18	Locknut 1/4in-20NC	
247	3311505	6	Locknut 5/16in-18NC	
248	3311605	26	Locknut 3/8in-16NC	
249	3311805	4	Locknut 1/2in-13NC	
250	0741610	2	Screw, Countersunk 3/8in-16NC x 1-1/4in	
251	3570808	1	Plate, Relay Mounting	
252	3571019	1	Plate, Air Panel	
253	3571502	1	Shield, Heat	
254	3571692	1	Plate, Radiator Mounting	
255	3572502	1	Plate, Air Flow Side	
256	3572503	1	Plate, Air Flow Top	
257	3574496	1	Plate, EPM/Relay Mounting	
258	3600279	NLA	Auxiliary Pump Assembly (Use p/n 3600423) (See AUXILIARY PUMP ASSEMBLY for Breakdown)	
259	3620040	1	Radiator	
259	8180311	1	Cap, Radiator (was p/n 7019656)	
260	3740067	1	Relay (Auxiliary Power)	
261	3740080	1	Relay, Bosch	
262	3960591	3	Gasket, Exhaust	
263	4360392	1	Indicator, Clogged Filter (SN 0300078473 through 0300086915)	
264	456605	1	Spacer	
265	4567878	1	Pipe, Exhaust (Engine to Flange)	
266		Ref	Tube, Air Intake Options:	
266	4568951	1	Tube, Air Intake (SN 0300078473 through 0300086915)	
266	4569173	1	Tube, Air Intake (SN 0300086916 through 0300096000)	
267	4568955	1	Tailpipe	
268	4569083	1	Pipe, Exhaust (Flange to Muffler)	
269	4640989	1	Valve, Oil Drain	
270	4711400	8	Flatwasher 1/4in Thin	
271	4740274	4	Washer, Snubbing	
272	4751000	2	Flatwasher #10 Regular	
273	4751400	28	Flatwasher 1/4in Regular	
274	4751500	12	Flatwasher 5/16in Regular	
275	4751600	36	Flatwasher 3/8in Regular	
276	4751800	4	Flatwasher 1/2in Regular	
277	0100020	AR	Sealant, Pipe	

SECTION 2 - TURNTABLE

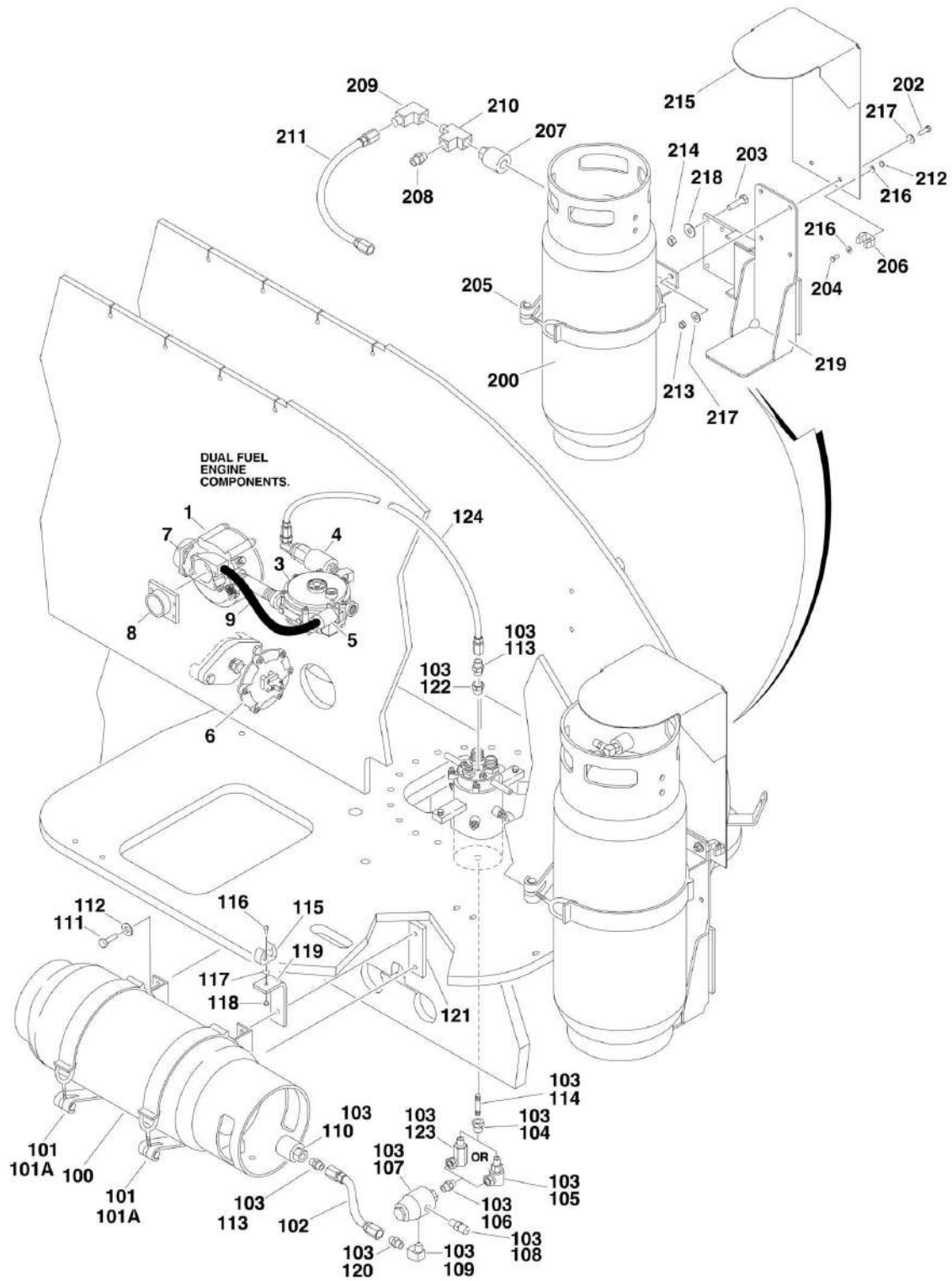
ITEM	PART NUMBER	QTY	DESCRIPTION	REV
279	4812000	4	Flatwasher 10mm	
280	4831900	4	Lockwasher, Metric 8mm	
281	4832000	4	Lockwasher, Metric 10mm	
282	4846806	1	Bracket, Engine Mounting (Front)	
283	4846809	1	Tray	
284	2750532	8 in/20cm	Hose	
285	2820174	1	Shield, Insulated Exhaust	
286	1703162	2	Decal - Fan Blade	
287	3340399	2	Pad, Wear	
288	3573667	1	Support, Radiator	
289	4070497	4	Shim	
290	4070498	2	Shim	
	2000207	Ref	ENGINE COMPONENTS	B
301	7022133	1	Fuel Pump and Isolator Assembly (was p/n 7027407)	
302	7022135	1	Filter, Fuel	
303	7022679	1	Starter (was p/n 7027408)	
304	7019977	1	Alternator with Regulator and Pulley	
305	70000007	1	Actuator, Throttle (was p/n 7023683)	
305	7027404	1	Gasket, Actuator (Not Shown)	
306	7019996	1	Sensor, Air Temperature (was p/n 7023661)	
306	7023662	1	Bracket, Air Temperature Sensor	
307	7023681	1	Harness, Engine Control (Not Shown) (was p/n 7027403)	
308	7022139	1	Sensor, MAP	
309	7023682	1	Sensor, HEGO	
310	2420187	1	Dipstick	
311	7027400	1	Mixer Assembly	
313	7021868	1	Filter, Oil (Was p/n 7022147, 7022173 & 7014501)	
314	1660250	1	Coupling, Pump	
314	7019976	1	Flywheel (Not Shown)	
314	7022180	1	Gear Only	
315	7019993	1	Pressure Regulator and Filter Assembly	
315	7022134	1	Harness, Fuel Pump Wiring	
316	0902539	1	Bracket	
317	1600374	1	Module, EPM	
318	3220134	1	Muffler	
319	0903010	1	Bracket, LP Regulator	
320	7023698	1	Regulator, LP	
320	7023680	1	Filter/Shut-Off, LP	
321	7019994	1	Oxygen Sensor (was p/n 7027406)	
322	70002307	1	Gasket, Exhaust Manifold to Pipe	
322	7022143	1	Gasket, Exhaust Manifold to Head (Not Shown) (was p/n 7027401)	
323	7027402	1	Belt (was p/n 7019979)	
324	7027405	4	Spark Plug (Not Shown)	
325	1580011	1	Tank, Coolant Overflow	
326	7023699	1	Megajector	
326	7027410	1	Harness, Megajector	
326	70001690	1	Hose Kit - Megajector	
327	2760112	1	Housing, Coupling	
328	7022142	1	Switch, Oil Pressure	
329	7023637	1	Switch, Oil Sender	
330	7019925	1	PCV Valve (Not Shown)	

SECTION 2 - TURNTABLE

ITEM	PART NUMBER	QTY	DESCRIPTION	REV
331	7019978	1	Tensioner, Belt	
332	7022155	1	Sensor, Water Temperature (Not Shown)	
332	7022156	1	Thermostat, Water Temperature (Not Shown)	
333	7022178	1	Sensor, Crank (Not Shown)	
334	7025134	1	Gasket, Water Outlet (Not Shown)	
335	7027411	1	Unit, Water Sender (Not Shown)	
336	7022153	1	Pump, Water (Includes Gasket)	
336	See Note	1	Pulley, Water Pump (Note: Not Available for Purchase)	
337	7027413	1	Harness, Ford EPM Jumper (Not Shown)	

SECTION 2 - TURNTABLE

FIGURE 2-13. DUAL FUEL INSTALLATIONS (GAS MACHINES ONLY)



SECTION 2 - TURNTABLE

FIGURE 2-13. DUAL FUEL INSTALLATIONS (GAS MACHINES ONLY)

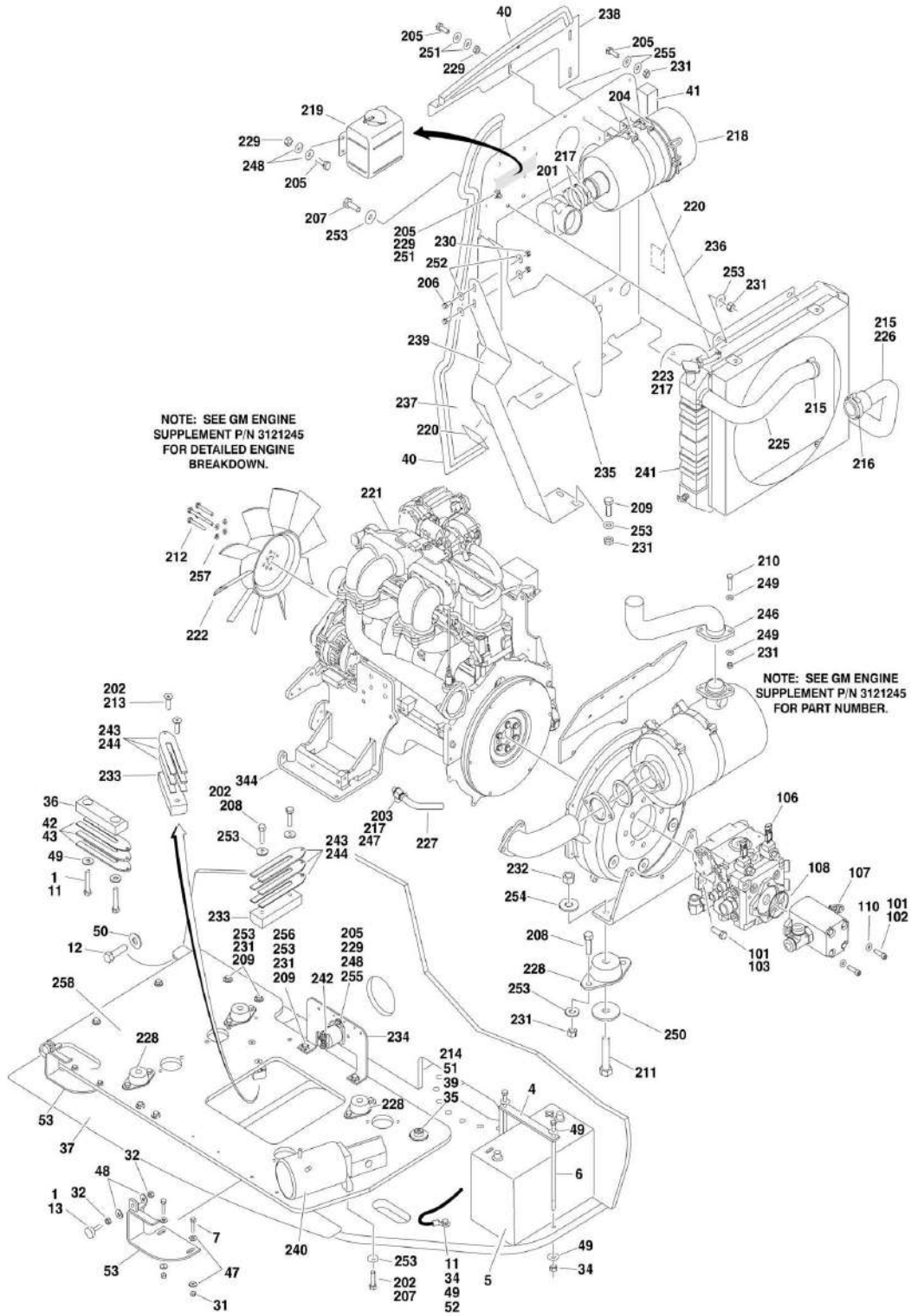
ITEM	PART NUMBER	QTY	DESCRIPTION	REV
		Ref	DUAL FUEL ENGINE COMPONENTS ONLY (Prior to SN 0300078473)	
		Ref	Note: For Machines built SN 0300078473 to SN 0300096000 refer to Engine Installation.	
	7023665	1	Dual Fuel Conversion Kit (Note: Includes hose, fittings, clamps and items indented below. For replacement hose, fittings and clamps supply locally.)	
1	7022165	1	Mixer	
1	7022171	1	Repair Kit - 7022165 Mixer	
1	7023645	1	Gasket, Mixer	
3	7022167	1	Convertor	
3	7022170	1	Repair Kit - 7022167 Convertor	
4	7023680	1	Filter, LP Shut-Off (Was p/n 7022169)	
4	7023680	1	Electrical Connector Kit (Includes (1) 2 Position Connector, 2 Pins & 2 Seals) (was p/n 7023679)	
5	7022168	1	Valve, Solenoid	
6	4360188	1	Switch, Vacuum	
7	7023603	1	Adaptor	
7	7023659	1	Gasket	
7	7023660	4	Screw M6 x 14mm	
8	7022166	1	Adaptor	
9	70000099	1	Hose, Mixer to Convertor	
	0259144	Ref	LP TANK AND BRACKETS INSTALLATION - FRAME MOUNTED	4-D
100		Ref	Tank, LP Options:	
100	4400275	1	Aluminum	
100	4400420	1	Steel	
101	1320220	1	Clamp Kit	
101A	1320127	1	Toggle	
102	2720144	1	Hose	
103	0100020	AR	Sealant, Thread	
104	2221019	1	Fitting, Reducer	
105	2180125	1	Fitting, Elbow	
106	2220261	1	Fitting, Nipple	
107	2180388	1	Filter, Bulkhead	
108	2180389	1	Valve, Relief	
109	2220648	1	Fitting, Elbow	
110	2180387	1	Fitting, LP	
111	0641606	4	Bolt 3/8in-16NC x 3/4in	
112	4751600	4	Flatwasher 3/8in Regular	
113	2180418	2	Fitting, Straight	
114	2221018	1	Fitting, Nipple	
115	1320218	1	Clamp, Spring	
116	3910808	1	Screw #8-32NC x 1in	
117	4750800	2	Flatwasher #8 Regular	
118	3310805	1	Locknut #8-32NC	
119	0181949	1	Angle, Support	
120	2221024	1	Fitting, Union	
121	0362519	2	Bar, Mounting (Prior to SN 0300069278)	
122	2220005	1	Fitting, Reducer	
123	2220082	1	Fitting	
124	2720392	1	Hose	

SECTION 2 - TURNTABLE

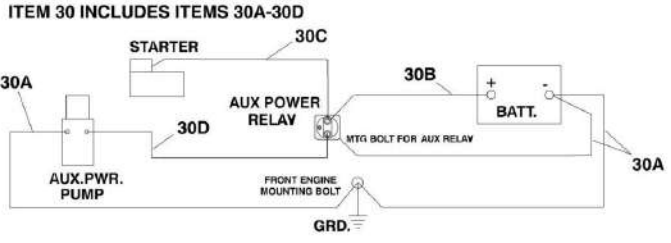
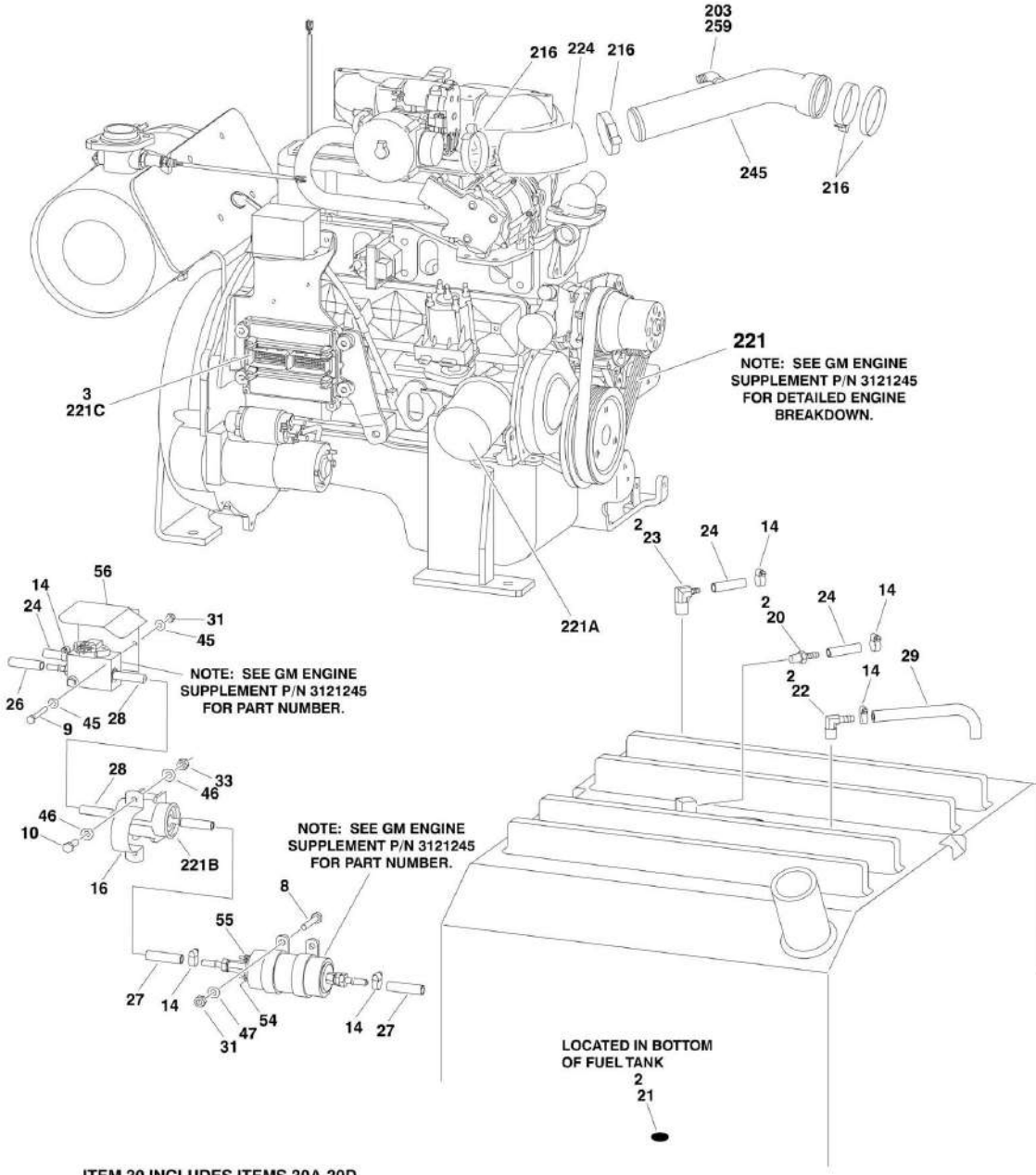
ITEM	PART NUMBER	QTY	DESCRIPTION	REV
	0270659	Ref	LP TANK AND BRACKETS INSTALLATION - TURNTABLE MOUNTED	A
200		Ref	Tank, LP Options:	
200	4400275	1	Aluminum	
200	4400420	1	Steel	
201	0100020	AR	Sealant, Pipe (Not Shown)	
202	0641610	2	Bolt 3/8in-16NC x 1-1/4in	
203	0641814	3	Bolt 1/2in-13NC x 1-3/4in	
204	0721005	1	Screw	
205	1320126	1	Clamp, Tank	
206	1320218	1	Clamp, Spring	
207	2180387	1	Fitting	
208	2180389	1	Fitting, Relief Valve	
209	2180504	1	Fitting, Elbow	
210	2220290	1	Fitting, Tee	
211	2720149	1	Hose	
212	3311005	1	Locknut #10-24NC	
213	3311605	2	Locknut 3/8in-16NC	
214	3311805	3	Locknut 1/2in-13NC	
215	4061012	1	Shield, LP Tank	
216	4751000	2	Flatwasher #10 Regular	
217	4751600	4	Flatwasher 3/8in Regular	
218	4751800	3	Flatwasher 1/2in Regular	
219	4846310	1	Mount, Tank	

SECTION 2 - TURNTABLE

FIGURE 2-14. GM ENGINE INSTALLATION



SECTION 2 - TURNTABLE



SECTION 2 - TURNTABLE

FIGURE 2-14. GM ENGINE INSTALLATION

ITEM	PART NUMBER	QTY	DESCRIPTION	REV
	0275032	Ref	GM ENGINE INSTALLATION	D
1	0100011	AR	Compound, Locking	
2	0100020	AR	Sealant, Pipe	
3	0100048	AR	Grease, Dielectric	
4	0361810	1	Bar, Battery Hold Down	
5	0400075	1	Battery (Wet)	
6	0630541	2	Bolt, Battery Hold Down	
7	0641410	4	Bolt 1/4in-20NC x 1-1/4in	
8	0641412	2	Bolt 1/4in-20NC x 1-1/2in (Not Shown)	
9	0641422	2	Bolt 1/4in-20NC x 2-3/4in	
10	0641511	2	Bolt 5/16in-18NC x 1-3/8in	
11	0641616	3	Bolt 3/8in-16NC x 2in	
12	0642010	1	Bolt 5/8in-11NC x 1-1/4in	
13	0940049	2	Stopper, Hood	
14	1320022	5	Clamp, Fuel Line	
15	1320223	1	Clamp (Not Shown - Located on Fuel Line Vent Hose)	
16	1320323	1	Clamp	
17	1701542	1	Decal, Gas (Not Shown)	
18	1701543	1	Decal, LPG (Not Shown)	
20	2180348	1	Fitting, Barbed	
21	2200222	1	Plug, Pipe	
22	2220313	1	Fitting, Elbow Barbed	
23	2221176	1	Fitting, Elbow	
24	2720058	11 ft/3.4m	Hose	
25	2720474	1	Hose	
26	2720565	1	Hose (78in/2m Length)	
27	2720566	1	Hose (6in/15cm Length)	
28	2720567	1	Hose (48in/122cm Length)	
29	2750532	6 ft/1.8m	Hose	
30	2902511	1	Battery Cable Kit	C
30A	7027013	1	Cable (Battery - to Ground)	
30B	7027012	1	Cable (Battery + to Auxilliary Relay)	
30C	7016808	1	Cable (Auxilliary Relay to Starter)	
30D	7016820	1	Cable (Auxilliary Relay to Auxilliary Pump)	
31	3311405	8	Locknut 1/4in-20NC	
32	3311501	4	Nut 5/16in-18NC	
33	3311505	2	Locknut 5/16in-18NC	
34	3311605	2	Locknut 3/8in-16NC	
35	3312005	1	Locknut 5/8in-11NC	
36	3340399	1	Pad, Wear	
37	3572504	1	Plate	
38	3790012	1	O-Ring (Not Shown - Located in Console Box)	
39	3900255	1	Screw, Shoulder	
40	3960389	4.6 ft/1.40m	Seal, Self Gripping	
41	3960469	1	Seal, Foam Gasket	
42	4070497	2	Shim	
43	4070498	1	Shim	
44	4360336	1	Switch, Toggle (Not Shown - Located in Console Box)	
45	4711400	4	Flatwasher 1/4in Thin	

SECTION 2 - TURNTABLE

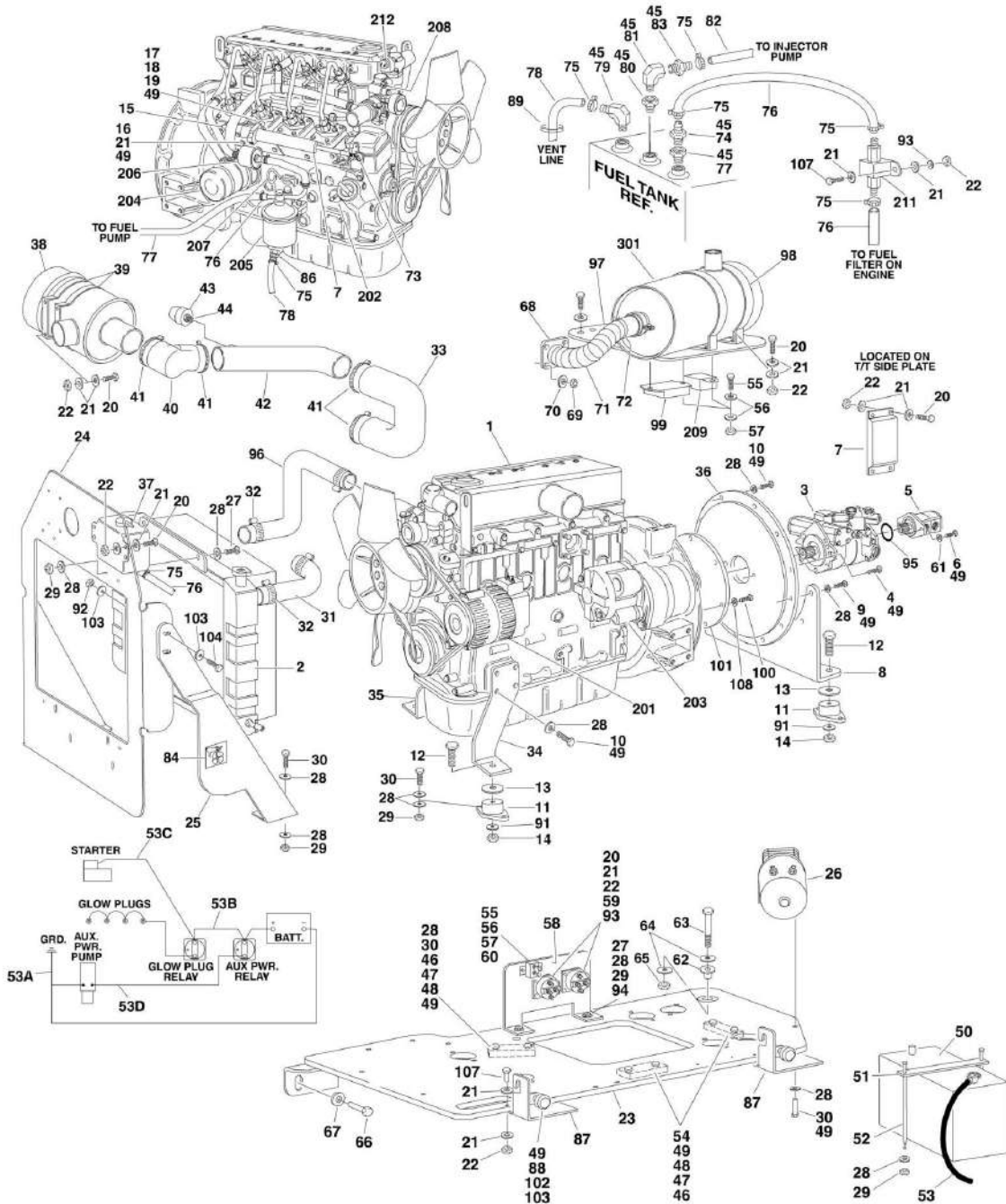
ITEM	PART NUMBER	QTY	DESCRIPTION	REV
46	4711500	4	Flatwasher 5/16in Thin	
47	4751400	10	Flatwasher 1/4in Regular	
48	4751500	4	Flatwasher 5/16in Regular	
49	4751600	7	Flatwasher 3/8in Regular	
50	4752000	1	Flatwasher 5/8in Regular	
51	4752200	2	Flatwasher 3/4in Regular	
52	4791600	1	Starwasher 3/8in	
53	4846096	2	Weldment, Hood Latch	
54	3290505	1	Locknut M5	
55	3290405	1	Locknut M4	
56	3380741	1	Shield, Cover	
	2000359	Ref	GM ENGINE AND PUMP SUB-ASSEMBLY	A
101	0100011	AR	Compound, Locking	
102	0641608	2	Bolt 3/8in-16NC x 1in	
103	0641812	2	Bolt 1/2in-13NC x 1-1/2in	
105	2300004	AR	Coolant (Not Shown)	
106	3600404	1	Piston Pump Assembly (See PISTON PUMP ASSEMBLY for Breakdown)	
107	3600405	1	Gear Pump Assembly (See GEAR PUMP ASSEMBLY for Breakdown)	
108	3790152	1	O-Ring	
109	3960389	10 ft/3m	Seal	
110	4891600	2	Flatwasher 3/8in Hardened	
	2000358	Ref	GM ENGINE ASSEMBLY	C
201	0080201	1	Fitting, Elbow	
202	0100011	AR	Compound, Locking	
203	0100020	AR	Sealant	
204	0340041	2	Band, Mounting	
205	0641406	15	Bolt 1/4in-20NC x 3/4in	
206	0641507	2	Bolt 5/16in-18NC x 7/8in	
207	0641609	6	Bolt 3/8in-16NC x 1-1/8in	
208	0641610	10	Bolt 3/8in-16NC x 1-1/4in	
209	0641611	6	Bolt 3/8in-16NC x 1-3/8in	
210	0641612	2	Bolt 3/8in-16NC x 1-1/2in	
211	0641820	4	Bolt 1/2in-13NC x 2-1/2in	
212	0700810	4	Bolt M8 x 20mm	
213	0741610	2	Screw, Flat Head 3/8in-16NC x 1-1/4in	
214	0962172	1	Bushing, Flanged	
215	1320012	3	Clamp	
216	1320016	5	Clamp	
217	1320022	3	Clamp	
218	1340060	1	Air Cleaner Assembly	
218	7012664	1	Element, Air Cleaner	
219	1580011	1	Container, Coolant Overflow	
220	1703162	2	Decal - Caution Fan	
221	2000354	1	Engine, GM 3.0L (See GM Engine Supplement P/N 3121245 for Breakdown of Additional Components)	
221	7027996	4	Plug, Spark (Not Shown)	
221A	7027965	1	Filter, Oil	
221B	7027972	1	Filter, Fuel	
221C	7027994	1	Module, Control (ECU)	
222	2060025	1	Fan	

SECTION 2 - TURNTABLE

ITEM	PART NUMBER	QTY	DESCRIPTION	REV
223	2720058	4 in/10cm	Hose	
224	2720514	1	Hose	
225	2720563	1	Hose, Radiator (Top)	
226	2720564	1	Hose, Radiator (Bottom)	
227	2750532	8 in/20cm	Hose	
228	3200406	4	Mount, Motor	
229	3311405	15	Locknut 1/4in-20NC	
230	3311505	2	Locknut 5/16in-18NC	
231	3311605	20	Locknut 3/8in-16NC	
232	3311805	4	Locknut 1/2in-13NC	
233	3340399	2	Pad, Wear	
234	3570808	1	Plate, Relay Mount	
235	3571019	1	Plate, Air	
236	3571692	1	Plate, Radiator Mounting	
237	3572502	1	Plate, Air Flow Control (Side)	
238	3572503	1	Plate, Air Flow Control (Top)	
239	3573667	1	Plate, Radiator Support	
240	3600279	NLA	Auxiliary Pump Assembly (Use p/n 3600423) (See AUXILIARY PUMP ASSEMBLY for Breakdown)	
241	3620040	1	Radiator	
241	8180311	1	Cap, Radiator (was p/n 7019656)	
242	3740067	1	Relay	
243	4070497	4	Shim (11 Gauge)	
244	4070498	2	Shim (16 Gauge)	
245	4569342	1	Tube, Air Intake	
246	4569345	1	Pipe, Exhaust	
247	4640952	1	Valve, Oil Drain	
248	4711400	12	Flatwasher 1/4in Thin	
249	4711600	4	Flatwasher 3/8in Thin	
250	4740274	4	Flatwasher, Snubbing	
251	4751400	18	Flatwasher 1/4in Regular	
252	4751500	4	Flatwasher 5/16in Regular	
253	4751600	32	Flatwasher 3/8in Regular	
254	4751800	4	Flatwasher 1/2in Regular	
255	4791400	2	Starwasher 1/4in	
256	4791600	2	Starwasher 3/8in	
257	4831900	4	Lockwasher 8mm	
258	4846809	1	Tray, Engine	
259	2180877	1	Fitting, Elbow	

SECTION 2 - TURNTABLE

FIGURE 2-15. ISUZU ENGINE INSTALLATION - 4LE1



SECTION 2 - TURNTABLE

FIGURE 2-15. ISUZU ENGINE INSTALLATION - 4LE1

ITEM	PART NUMBER	QTY	DESCRIPTION	REV
	0271441	Ref	ENGINE ASSEMBLY	3-B
1	2000163	1	Engine - ISUZU 4LE1	
2	3620040	1	Radiator	
3	3600296	1	Piston Pump Assembly (See PISTON PUMP ASSEMBLY for Breakdown)	
4	0641812	2	Bolt 1/2in-13NC x 1-1/2in	
5		Ref	Gear Pump Assembly Options:	
5	3600297	1	Gear Pump Assembly (See GEAR PUMP ASSEMBLY for Breakdown) (Prior to SN 0300070763)	
5	3600368	1	Gear Pump Assembly (No Service Parts Available) (SN 0300070763 through 0300096000)	
6	0641608	2	Bolt 3/8in-16NC x 1in	
7	0060033	1	Kit - Throttle Actuator	
8	3571201	1	Plate, Engine Mounting - Rear	
9	0701015	6	Bolt, Metric 10mm x 35mm	
10	0701012	15	Bolt, Metric 10mm-1.5 x 25mm	
11	3200378	4	Mount, Rubber	
12	0641820	4	Bolt 1/2in-13NC x 2-1/2in	
13	4740274	4	Washer, Snubbing	
14	3311805	4	Locknut 1/2in-13NC	
15	3571266	1	Bracket, Throttle Mount	
16	0700610	4	Bolt, Metric 6mm x 20mm	
17	3900217	1	Screw, Shoulder	
18	0962031	1	Bushing, Flange	
19	4740442	1	Washer, Belleville	
20	0641508	18	Bolt 5/16in-18NC x 1in	
21	4751400	48	Flatwasher 1/4in Regular	
22	3311405	24	Locknut 1/4in-20NC	
23	4846080	1	Tray Weldment	
24	3571692	1	Plate, Radiator Mount	
25	3570607	1	Plate, Radiator Support - Left	
26	3600279	NLA	Auxiliary Pump Assembly (Use p/n 3600423) (See AUXILIARY PUMP ASSEMBLY for Breakdown)	
27	0641610	6	Bolt 3/8in-16NC x 1-1/4in	
28	4751600	57	Flatwasher 3/8in Regular	
29	3311605	26	Locknut 3/8in-16NC	
30	0641611	20	Bolt 3/8in-16NC x 1-3/8in	
31	2720441	1	Hose, Radiator - Top	
32	1320012	4	Clamp	
33	0080232	1	Adapter, Air Intake	
34	3571192	1	Plate, Engine Mounting - Left Front	
35	3571265	1	Plate, Engine Mounting - Right Front	
36	0080181	1	Plate, Pump Adapter	
37	1580011	1	Tank, Coolant Recovery	
38	1340060	1	Air Cleaner Assembly	
38	7012664	1	Element, Air Cleaner	
39	0340041	2	Band, Air Cleaner	
40	0080201	1	Elbow, Rubber	
41	1320016	4	Clamp	
42	4567817	1	Tube, Air Intake	

SECTION 2 - TURNTABLE

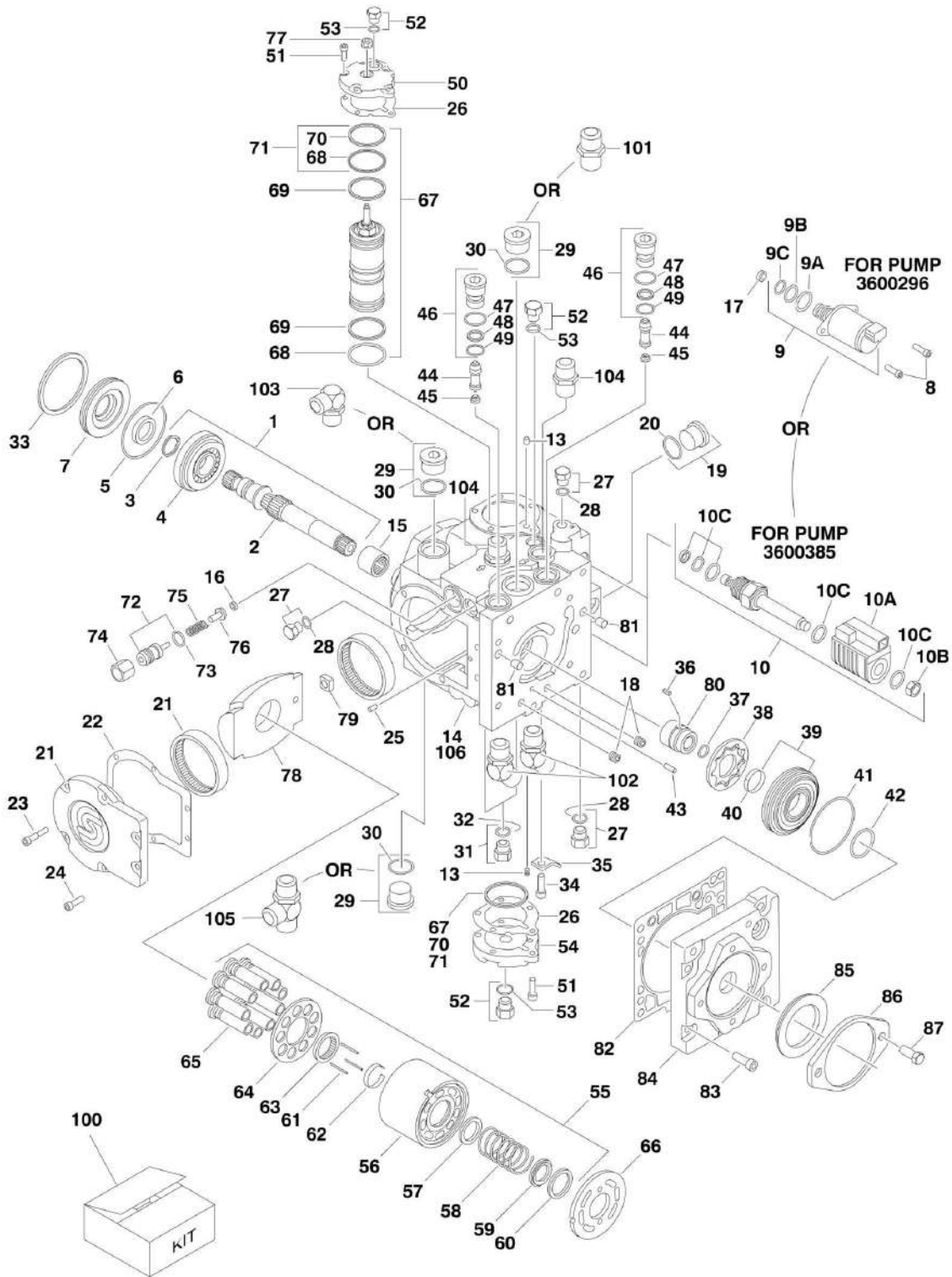
ITEM	PART NUMBER	QTY	DESCRIPTION	REV
43	4360392	1	Indicator, Clogged Filter	
44	2180798	1	Fitting, Restrictor Indicator	
45	0100020	AR	Sealant, Thread	
46	3340399	3	Pad, Wear	
47	4070497	4	Shim 1/8in	
48	4070498	2	Shim 1/16in	
49	0100011	AR	Compound, Locking	
50		Ref	Battery Options:	
50	0400075	1	Battery (Wet)	
50	7016180	1	Battery (Dry)	
51	0361810	1	Battery Tie-Down	
52	0630541	2	Bolt, Tie-Down	
53	2901880	1	Cable Kit - Battery	C
53A	7016835	1	Cable -Battery and Auxiliary Pump to Ground	
53B	7016843	1	Cable - Battery to Auxiliary Relay and Glow Plug Relay	
53C	7016834	1	Cable - Glow Plug Relay to Starter	
53D	7016820	1	Cable -Auxiliary Pump to Auxiliary Relay	
54	0741610	2	Screw, Flathead 3/8in-16NC x 2in	
55	0721006	5	Bolt #10-24NC x 3/4in	
56	4751000	6	Flatwasher #10 Regular	
57	3311005	5	Locknut #10-24NC	
58	3572728	1	Plate, Relay Mounting	
59	3740067	1	Relay (Auxiliary Power)	
60	4360501	1	Breaker, Circuit	
61	4891600	2	Flatwasher 3/8in Hardened	
62	0962172	1	Bushing, Flanged	
63	3900255	1	Bolt Shoulder 3/4in x 3in	
64	4752200	2	Flatwasher 3/4in Regular	
65	3312005	1	Locknut 5/8in-11NC	
66	0642010	1	Bolt 5/8in-11NC x 1-1/4in	
67	4752000	1	Flatwasher 5/8in Regular	
68	4567821	1	Tube, Exhaust	
69	3290801	4	Nut, Metric 8mm	
70	4831900	6	Lockwasher 8mm	
71	4100025	12	Sleeve, Fiberglass	
		in/30cm		
72	4920385	12	Wire, Mechanics	
		in/30cm		
73	2901775	1	Kit, Addco Mount	
74	2220794	1	Fitting, Barb	
75	1320022	6	Clamp, Hose	
76	2720058	10.5	Hose	
		ft/3.2m		
77	2220273	1	Fitting, Reducer	
78	2750532	7 ft/2.1m	Hose	
79	2220313	1	Fitting, Elbow	
80	2220250	1	Fitting, Reducer	
81	2220459	1	Fitting, Elbow	
82	2720271	12 ft/3.7m	Hose	
83	2180536	1	Fitting, Straight	
84	1703162	2	Decal - Fan	
85	1701505	1	Decal - Diesel Fuel (Not Shown - Located on Hood Near Tank)	

SECTION 2 - TURNTABLE

ITEM	PART NUMBER	QTY	DESCRIPTION	REV
86	4641019	1	Valve, Oil Drain	
87	4846096	2	Bracket, Hood Latch	
88	0940049	2	Bumper, Hood	
89	4240099	1	Tie-Strap	
90	2200222	1	Plug, Pipe (Not Shown - Located at Bottom of Fuel Tank)	
91	4751800	4	Flatwasher 1/2in Regular	
92	3311505	2	Locknut 5/16in-18NC	
93	4791400	6	Starwasher 1/4in	
94	4791600	2	Starwasher 3/8in	
95	3790152	1	O-Ring	
96	2720448	1	Hose, Radiator - Bottom	
97	3571279	1	Plate, Muffler Mount	
98	0340046	2	Band, Muffler Mount	
99	0259198	1	Timer, Fuel-On Coil (See ELECTRICAL SECTION for Breakdown)	
100	0701010	8	Bolt, Metric 10mm-1.5 x 20mm	
101	1660239	1	Coupling	
102	3311501	4	Nut 5/16in-18NC	
103	4751500	8	Flatwasher 5/16in Regular	
104	0641506	2	Bolt 5/16in-18NC x 3/4in	
105	2820128	1	Insulation, Heat Shield (Not Shown)	
106	1320223	1	Clamp, Hose	
107	0641410	6	Bolt 1/4in-20NC x 1-1/4in	
108	4832000	8	Lockwasher 10mm	
109	2820140	1	Insulation, Heat Shield (Not Shown)	
		Ref	ENGINE COMPONENTS	
201	7022123	1	Alternator	
202	7022127	1	Switch, Oil Pressure	
203	7022122	1	Starter	
204	7022111	1	Filter, Oil	
205	7022120	1	Pump, Fuel Injection	
206	7022113	1	Filter, Fuel	
207	7022107	1	Dipstick	
208	7022128	1	Sensor, Water Temperature	
209	7022130	1	Control, Glow Plug	
210	7022125	1	Relay, Safety Start	
211	7022129	1	Pump, Fuel	
212	7022126	1	Switch, Water Temperature	
213	7022114	1	Pump, Water	
214	7022118	1	Cooler, Oil (Not Shown)	
215	7022124	4	Plug, Glow	
216	7022131	1	Manual, Owner's (Not Shown)	
		Ref	MUFFLER INSTALLATION	
301		Ref	Muffler Options:	
301	3220113	1	Standard	
301	3220114	1	Catalytic	

SECTION 2 - TURNTABLE

FIGURE 2-16. PISTON PUMP ASSEMBLY



SECTION 2 - TURNTABLE

FIGURE 2-16. PISTON PUMP ASSEMBLY

ITEM	PART NUMBER	QTY	DESCRIPTION	REV
		Ref	PISTON PUMP ASSEMBLY	
	3600296	Ref	Piston Pump Assembly (Prior to SN 0300073424)	D
	3600385	Ref	Piston Pump Assembly (SN 0300073424 through 0300096000)	B
1	7021240	1	Shaft Assembly (Includes Items 2-4)	
2	7021237	1	Shaft	
3	7021238	1	Ring, Retaining	
4	7021239	1	Bearing, Roller	
5	See Note	NSS	O-Ring (Note: Use Item 100)	
6	7021242	1	Seal, Lip	
7	7021243	1	Carrier, Seal Shaft	
8	See Note	4	Screw (Note: Not Available for Purchase)	
9	7022373	2	Solenoid Assembly (Includes Items 9A-9C) (3600296 Pump)	
9A	7022374	2	O-Ring (3600296 Pump Only)	
9B	7022375	2	O-Ring (3600296 Pump Only)	
9C	7022376	2	O-Ring (3600296 Pump Only)	
10	7024855	1	Solenoid Assembly (Includes Items 10A-10C) (3600385 Pump)	
10A	7024856	2	Coil (3600385 Pump Only)	
10B	7024857	2	Nut (3600385 Pump Only)	
10C	7024858	2	Seal Kit - 7024855 Cartridge (3600385 Pump Only)	
13	7022377	2	Orifice	
14	7022378	1	Housing Assembly (Includes Items 15-20)	
15	7021249	1	Bearing, Needle	
16	7021254	1	Screen, Filter (3600296 Pump Only)	
17	7022379	2	Screen, Filter (3600296 Pump Only)	
18	7001485	2	Plug	
19	7022380	1	Plug (Includes Item 20)	
20	7022381	1	O-Ring	
21	7021248	1	Side Cover Assembly (Includes Item 22)	
22	See Note	NSS	Gasket (Note: Use Item 100)	
23	7021255	4	Screw	
24	7021251	2	Screw	
25	7021250	1	Pin	
26	See Note	NSS	Gasket (Note: Use Item 100)	
27	7021283	2	Plug Assembly (3600296 Pump Only)	
28	7021284	2	O-Ring (3600296 Pump Only)	
29	7007419	2	Plug Assembly	
30	See Note	NSS	O-Ring (Note: Use Item 29 or 100)	
31	7007470	2	Plug Assembly	
32	See Note	NSS	O-Ring (Note: Use Item 31 or 100)	
33	7021257	1	Ring, Retaining	
34	7021251	1	Screw	
35	7022340	1	Bracket, Lifting	
36	7022342	1	Key	
37	7022341	1	Ring, Retaining	
38	7021258	1	Gerotor	
39	7021260	1	Gerotor Cover Assembly	
40	7021259	1	Bearing, Journal	
41	See Note	NLA	O-Ring (3600296 Pump Only) (Note: No longer available for purchase)	
42	See Note	NSS	O-Ring (Note: Use Item 100)	

SECTION 2 - TURNTABLE

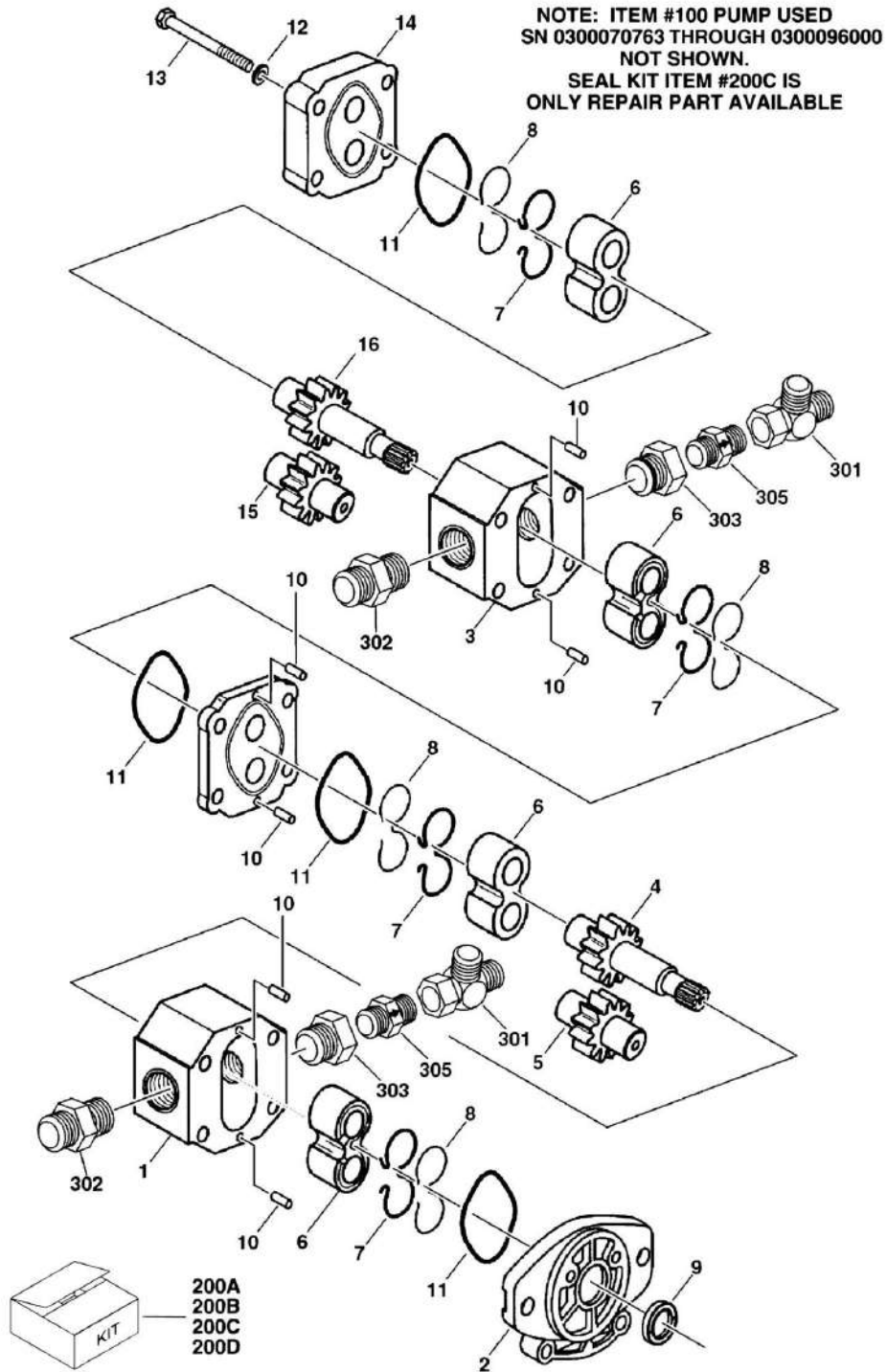
ITEM	PART NUMBER	QTY	DESCRIPTION	REV
43	See Note	1	Pin (Note: Not Available for Purchase)	
44	7021263	2	SCR Valve	
45		Ref	Spring Options:	
45	7021264	2	3600296 Pump Only	
45	7024800	2	3600385 Pump Only	
46	7021265	2	Bypass Valve Assembly (Includes Items 47-49)	
47	See Note	NSS	O-Ring (Note: Use Item 46 or 100)	
48	See Note	NSS	Ring, Back-up (Note: Use Item 46 or 100)	
49	See Note	NSS	O-Ring (Note: Use Item 46 or 100)	
50	7022382	1	Cover, Servo	
51	7021255	10	Screw	
52	7007470	1	Plug Assembly	
53	See Note	NSS	O-Ring (Note: Use Item 52 or 100)	
54	7021268	1	Cover, Servo	
55		Ref	Cylinder Block Assembly Options (Includes Items 56-65):	
55	7022383	1	3600385 Pump Only	
55	7021269	1	3600296 Pump Only	
56		Ref	Cylinder Block Options:	
56	7022384	1	3600385 Pump Only	
56	7021270	1	3600296 Pump Only	
57	7021271	1	Washer	
58	7021272	1	Spring	
59	7021273	1	Washer	
60	7021274	1	Ring, Retaining	
61	7021275	3	Pin, Slipper Hold Down	
62	7021276	1	Retainer, Hold Down Pin	
63	7021277	1	Guide, Slipper Retainer	
64	7021278	1	Retainer, Slipper	
65	7021279	9	Piston Assembly	
66	7021281	1	Plate, Valve	
67	7022385	1	Servo Piston Assembly (Includes Items 68-70)	
68	See Note	NSS	O-Ring (Note: Use Item 67, 71 or 100)	
69	See Note	NSS	Ring, Bearing (Note: Use Item 67 or 100)	
70	See Note	NSS	Ring, Piston (Note: Use Item 67, 71 or 100)	
71	7007412	1	Servo Piston Ring Kit (Includes Items 68 & 70 Only)	
72		Ref	Plug Assembly Options:	
72	7022346	1	3600385 Pump Only	
72	7021288	1	3600296 Pump Only	
73	See Note	NSS	O-Ring (Note: Use Item 72 or 100)	
74	7021290	1	Nut	
75		Ref	Spring Options:	
75	7022347	1	3600385 Pump Only	
75	7021291	1	3600296 Pump Only	
76		Ref	Poppet Options:	
76	7024804	1	3600385 Pump Only	
76	7021292	1	3600296 Pump Only	
77	See Note	NSS	Nut, Seal (Note: Use Item 100)	
78	7022386	1	Swashplate	
79	7022387	1	Slider, Block	
80	7021294	1	Coupling	
81	7001481	2	Pin	

SECTION 2 - TURNTABLE

ITEM	PART NUMBER	QTY	DESCRIPTION	REV
82	70002257	1	Gasket	
83	7021296	7	Screw	
84	7021297	1	Cover, Charge Pump	
85	7021298	1	Seal	
86	7021299	1	Plate, Cover	
87	7007289	2	Screw	
100	7021280	1	Seal Kit (Includes Items 5-6, 22, 26, 30, 32, 42, 47-49, 53, 68-70, 73, 77 & 82)	
	3600404	Ref	PISTON PUMP SUB-ASSEMBLY	A
		Ref	Usage:	
		Ref	Caterpillar Engine Machines (SN 0300078267 through 0300096000)	
		Ref	Deutz Engine Machines (SN 0300077683 through 0300096000)	
		Ref	Ford Engine Machines (SN 0300078473 through 0300096000)	
		Ref	GM Engine Machines All SNs	
101	2220376	1	Fitting, Straight	
102	2220498	2	Fitting, Elbow	
103	2220578	1	Fitting, Elbow	
104	2220947	2	Fitting, Straight	
105	2221041	1	Fitting, Tee	
106	3600385	1	Pump Assembly (Includes Items 1-87)	

SECTION 2 - TURNTABLE

FIGURE 2-17. GEAR PUMP ASSEMBLY



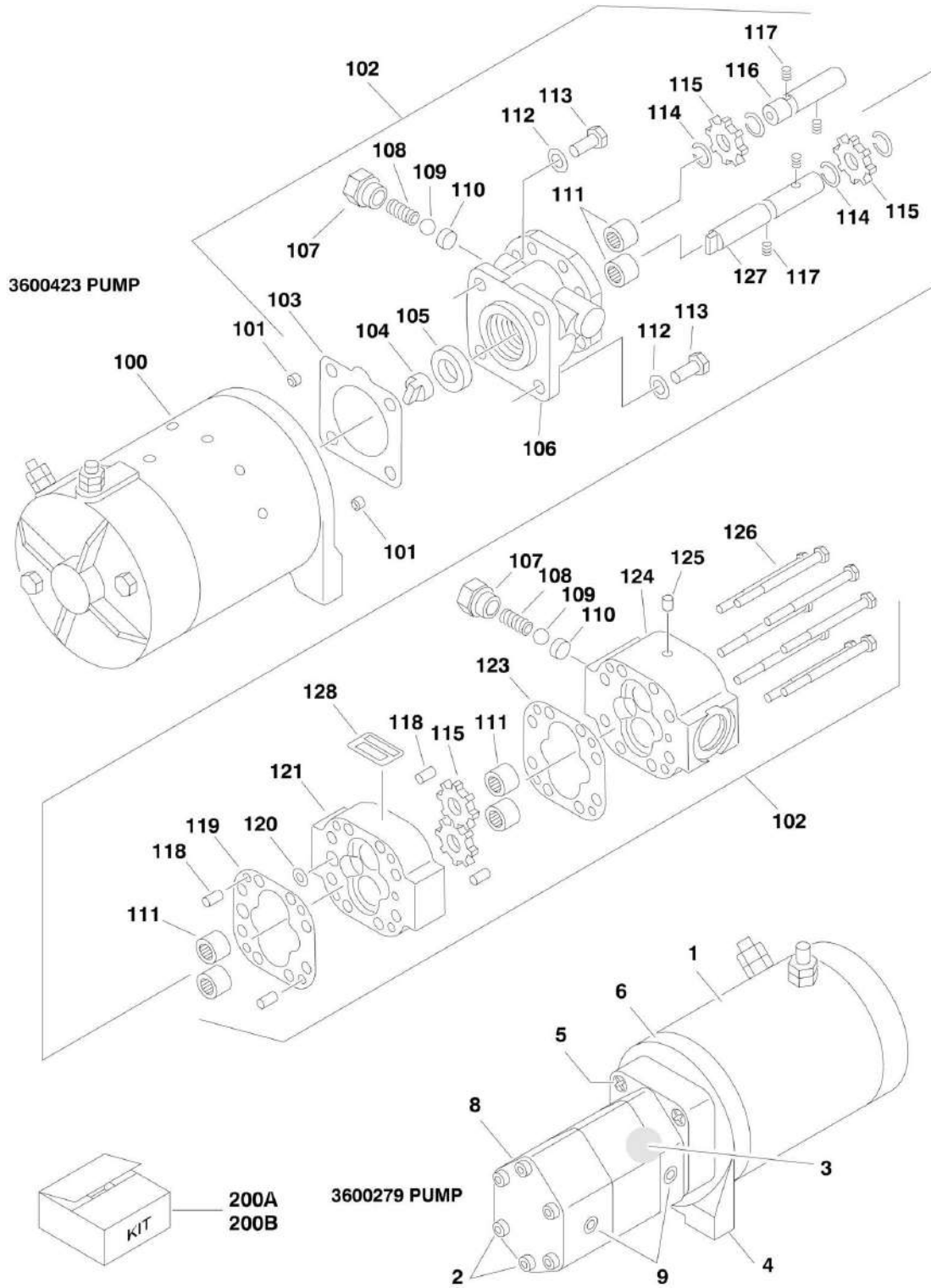
SECTION 2 - TURNTABLE

FIGURE 2-17. GEAR PUMP ASSEMBLY

ITEM	PART NUMBER	QTY	DESCRIPTION	REV
		Ref	GEAR PUMP ASSEMBLY	
	3600297	Ref	Pump (Prior to SN 0300070763)	C
1	See Note	NSS	Body, Front (Note: Use p/n 3600297)	
2	See Note	NSS	Cover (Note: Use p/n 3600297)	
3	See Note	NSS	Body, Rear (Note: Use p/n 3600297)	
4	7023811	1	Gear, Drive	
5	7023812	1	Gear, Idler	
6	See Note	NSS	Block, Bearing (Note: Use Item 200B)	
7	See Note	NSS	Seal, Load (Note: Use Item 200A or 200B)	
8	See Note	NSS	Seal, Anti/Extrusion (Note: Use Item 200A or 200B)	
9	See Note	NSS	Seal, Shaft (Note: Use Item 200A or 200B)	
10	See Note	NSS	Pin, Dowel (Note: Not Available for Purchase)	
11	See Note	NSS	Seal, Static (Note: Use Item 200A or 200B)	
12	7023813	4	Washer	
13	7023814	4	Capscrew	
14	3600297	1	Cover, Rear (Note: Not Available - Purchase Complete Pump)	
15	7023812	1	Gear, Idler	
16	7023815	1	Gear, Drive	
100	3600368	Ref	Pump (Not Shown) (SN 0300070763 through 0300096000)	A
		Ref	Note: Seal Kit Item 200C is only service part available for this pump.	
200		Ref	SEAL KIT OPTIONS:	
200A	7023820	1	3600297 Minor Seal Kit - (Includes Items - 7, 8, 9 & 11)	
200B	7023802	1	3600297 Major Seal Kit - (Includes Items - 6, 7, 8, 9 & 11)	
200C	7024962	1	3600368 Minor Seal Kit - (Includes Items - 7, 8, 9, 11 & O-Ring Between Intermediate Cover Plates)	
200D	See Note	NLA	3600368 Major Seal Kit (Note: Use p/n 3600368)	
	3600405	Ref	GEAR PUMP SUB-ASSEMBLY	A
		Ref	Usage:	
		Ref	Caterpillar Engine Machines (SN 0300078267 through 0300096000)	
		Ref	Deutz Engine Machines (SN 0300077683 through 0300096000)	
		Ref	Ford Engine Machines (SN 0300078473 through 0300096000)	
		Ref	GM Engine Machines All SNs	
301	2220385	2	Fitting, Tee	
302	2220479	2	Fitting, Straight	
303	2220810	2	Fitting, Reducer	
304	3600368	1	Gear Pump Assembly (Not Shown)	
305	4640744	2	Valve, Check	

SECTION 2 - TURNTABLE

FIGURE 2-18. AUXILIARY PUMP ASSEMBLY



SECTION 2 - TURNTABLE

FIGURE 2-18. AUXILIARY PUMP ASSEMBLY

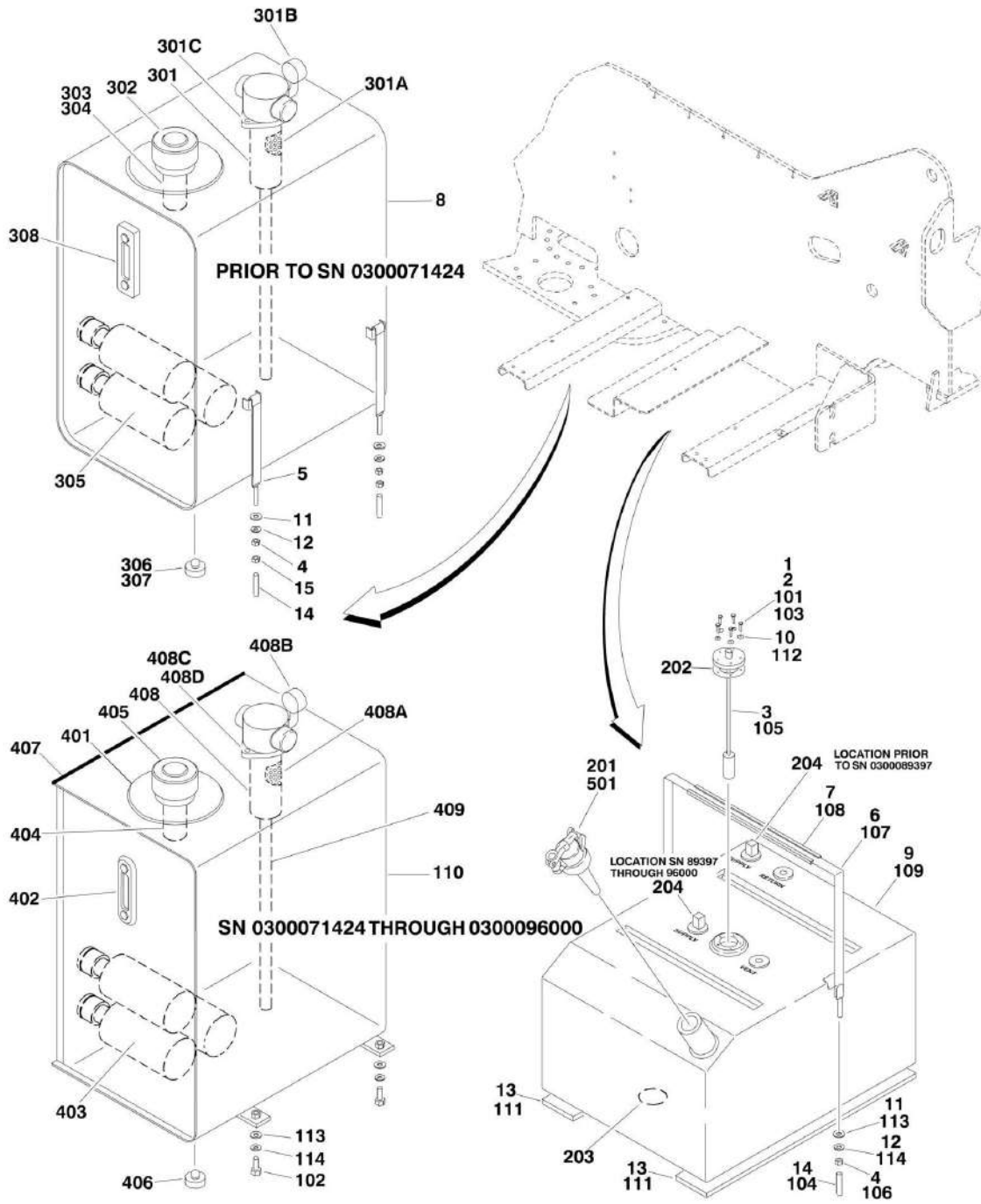
ITEM	PART NUMBER	QTY	DESCRIPTION	REV
		Ref	AUXILIARY PUMP ASSEMBLIES	
		Ref	Usage:	
	3600279	Ref	Original Equipment	
	3600423	Ref	Service Replacement	
		Ref	Note: Original Equipment pump may have been replaced with Service Replacement pump. Identify Pump by p/n before ordering replacement parts.	
	3600279	Ref	AUXILIARY PUMP ASSEMBLY (ORIGINAL EQUIPMENT)	B
1	7016768	1	Motor, Replacement	
1	7013757	1	Brush Kit	
2	7016745	4	Capscrew, Socket Head 5/16in-24NF x 4-3/4in	
3	7013711	1	Coupling, Drive	
4	7016769	1	Bracket, Mounting	
5	7016744	2	Screw 5/16in-18NC x 1in	
6	7016746	1	Adapter, Mounting	
7	7013766	2	Pin (Not Shown)	
8	7013771	1	Pump, Replacement	
8	7013701	1	Seal Kit - 7013701 Pump	
9	See Note	2	Valve, Check (Note: Not Available for Purchase)	
	3600423	Ref	AUXILIARY PUMP ASSEMBLY (SERVICE REPLACEMENT)	A
100	7011067	1	Motor and Adapter	
101	See Note	2	Setscrew (Note: Not Available - Purchase Locally)	
102	70000978	1	Pump Assembly (Includes Items 103-127)	
103	7011044	1	Gasket, Mounting	
104	7011016	1	Coupling	
105	70000969	1	Seal, Shaft	
106	See Note	NSS	Stator (Note: Use Item 200B)	
107	See Note	NSS	Cap Assembly (Note: Use Item 200B)	
108	See Note	NSS	Spring (Note: Use Item 200B)	
109	See Note	NSS	Ball (Note: Use Item 200B)	
110	See Note	NSS	Seal (Note: Use Item 200B)	
111	70000976	6	Bearing, Needle	
112	See Note	NSS	Washer (Note: Use Item 200B)	
113	See Note	NSS	Screw (Note: Use Item 200B)	
114	70000970	4	Ring, Retaining	
115	70000971	4	Gear	
116	70000972	1	Shaft, Idler	
117	See Note	NSS	Pin, Drive (Note: Use Item 200B)	
118	See Note	NSS	Pin, Dowel (Note: Use Item 200B)	
119	70000973	1	Gasket	
120	See Note	NSS	O-Ring (Note: Use Item 200A or 200B)	
121	See Note	NSS	Housing, Gear (Note: Use Item 200B)	
122	See Note	1	Label (Note: Not Available for Purchase)	
123	7000974	1	Gasket	
124	See Note	NSS	Housing, Gear (Note: Use Item 200B)	
125	See Note	NSS	Plug (Note: Use Item 200B)	
126	See Note	NSS	Screw (Note: Use Item 200B)	
127	70000975	1	Shaft, Drive	
128	See Note	1	Label (Note: Not Available for Purchase)	
200		Ref	SEAL KIT OPTIONS	

SECTION 2 - TURNTABLE

ITEM	PART NUMBER	QTY	DESCRIPTION	REV
200A	70000977	1	Seal Kit - 3600423 Assembly (Includes Items 103, 105, 120 & Qty 2 O-Rings for Item 107)	
200B	70000978	1	Replacement Pump Kit (Includes Items 103-121 & 123-127)	

SECTION 2 - TURNTABLE

FIGURE 2-19. TANK INSTALLATIONS



SECTION 2 - TURNTABLE

FIGURE 2-19. TANK INSTALLATIONS

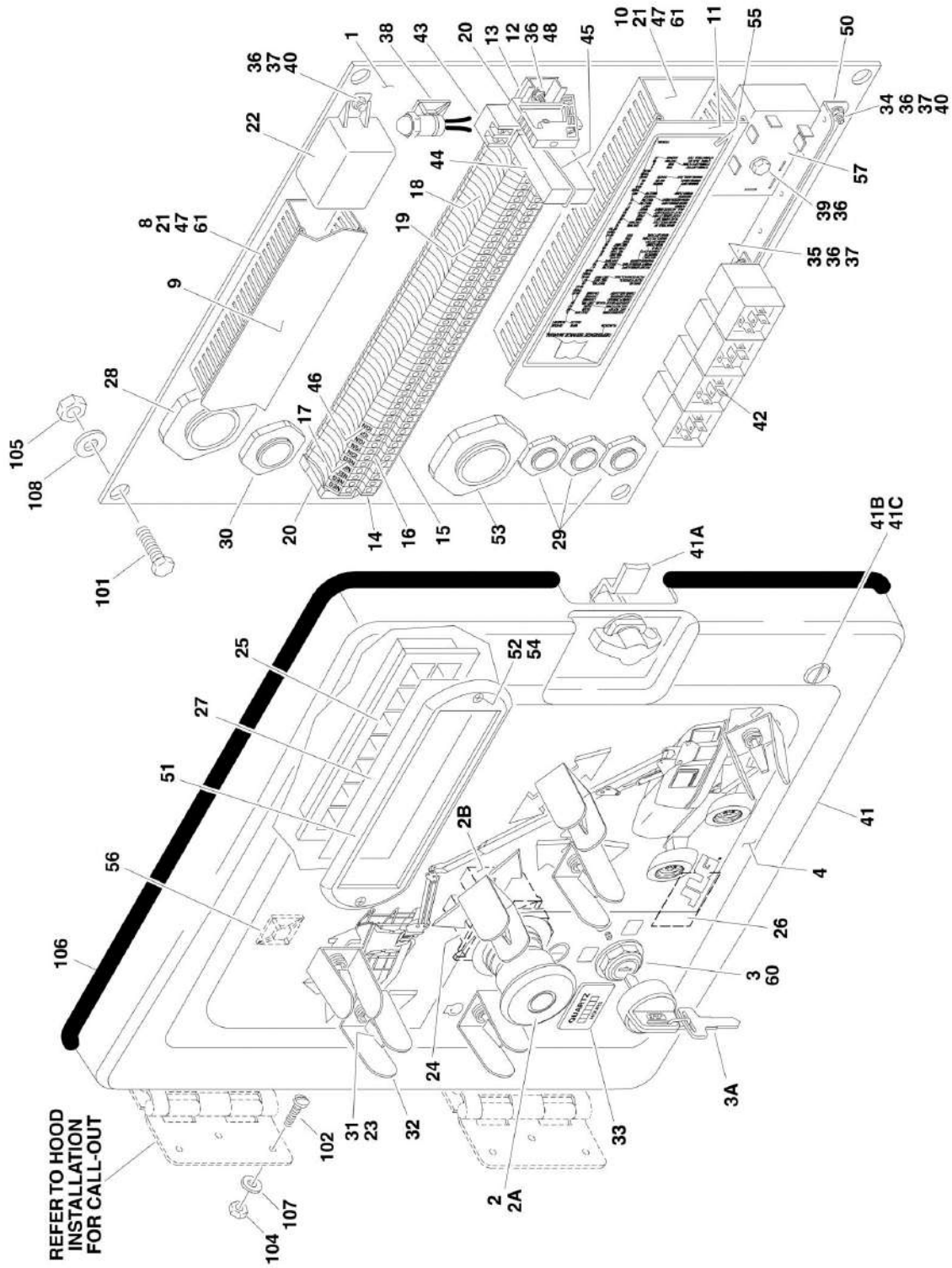
ITEM	PART NUMBER	QTY	DESCRIPTION	REV
		Ref	TANKS INSTALLATION OPTIONS	
	0259143	Ref	Tanks Installation (Prior to SN 0300071424)	E
1	0100011	AR	Compound, Locking	
2	0731007	5	Screw, Indented #10-24NC	
3	2420191	1	Gauge, Fuel Level	
3	3960525	1	Gasket	
4	3311601	6	Nut 3/8in-16NC	
5	4240112	4	Strap, Tank Mount	
6	4240135	1	Strap, Tank Mount	
7	4280295	24 in/61cm	Strip, Bumper	
8	4400423	1	Hydraulic Tank Assembly (See Items 301-308 for Breakdown)	
9	4400429	1	Tank, Fuel (See Items 201-204 for Breakdown)	
10	4751000	5	Flatwasher #10 Regular	
11	4751600	6	Flatwasher 3/8in Regular	
12	4761600	6	Lockwasher 3/8in	
13	4420038	4 ft/1.3m	Tape, Rubber	
14	1120532	5	Cap, Protector	
15	3311602	4	Nut Jam 3/8in-16NC	
	0272731	Ref	Tank Installation (SN 0300071424 through 0300096000)	B
101	0100011	AR	Compound, Locking	
102	0641608	4	Bolt 3/8in-16NC x 1in	
103	0731007	5	Screw, Indented #10-24NC	
104	1120532	2	Cap, Protector	
105	2420191	1	Gauge, Fuel Level	
105	3960525	1	Gasket	
106	3311601	2	Nut 3/8in-16NC	
107	4240135	1	Strap, Tank Mount	
108	4280295	2.2 ft/0.7m	Strip, Bumper	
109	4400429	1	Tank, Fuel (See Items 201-204 for Breakdown)	
110	4400450	1	Hydraulic Tank Assembly (See Items 401-409 for Breakdown)	
111	4420038	6 ft/1.8m	Tape, Rubber	
112	4751000	5	Flatwasher #10 Regular	
113	4751600	6	Flatwasher 3/8in Regular	
114	4761600	6	Lockwasher 3/8in Regular	
	4400429	Ref	FUEL TANK ASSEMBLY	D
201	See Note	1	Cap, Fill (Note: Tank Includes Non-Locking Cap) Cap, Fill (Note: Tank Includes Non-Locking Cap) (Note: See Item 501)	
202	7016680	1	Gasket, Cover Plate	
203	See Note	1	Plug (Note: Not Available - Purchase Locally)	
204	7020043	1	Tube	
	4400423	Ref	HYDRAULIC TANK ASSEMBLY OPTIONS	
	4400423	Ref	Hydraulic Tank Assembly (Prior to SN 0300071424)	D
301	7020226	1	Filter	
301A	7023205	1	Element	
301B	See Note	1	Gauge, Pressure (Note: Not Available for Purchase)	
301C	7023306	1	Seal	
302	7020252	1	Cap, Fill	
303	7014810	1	Filler Neck Assembly	

SECTION 2 - TURNTABLE

ITEM	PART NUMBER	QTY	DESCRIPTION	REV
304	7014816	1	Screen	
305	7014801	3	Strainer	
306	7014813	1	Plug, Magnetic	
307	7014812	1	Magnet	
308	7014802	1	Gauge, Sight	
	4400450	Ref	Hydraulic Tank Assembly (SN 0300071424 through 0300096000)	C
401	7024439	1	Cover	
401	7024440		Gasket	
402	7024441	1	Gauge, Sight	
403	7024442	3	Strainer	
404	7024443	1	Filler Neck Assembly	
404	7024445	1	Strainer	
405	7024444	1	Cap, Fill	
406	7024446	1	Plug, Magnetic	
407	4060803	22 in/56cm	Flex-Trim	
408	7020226	1	Filter	
408A	7023205	1	Element	
408B	See Note	1	Gauge, Pressure (Note: Not Available for Purchase)	
408C	7023306	1	Seal	
408D	70002768	1	Spring	
409	70001863	1	Pipe	
501		Ref	FUEL CAP OPTIONS:	
501	1120484	Ref	Locking Cap (Red)	
501	1120487	Ref	Locking Cap (Blue)	
501	7016314	Ref	Standard Non-Locking Cap	

SECTION 2 - TURNTABLE

FIGURE 2-20. GROUND CONTROL BOX ASSEMBLY WITHOUT ADE SYSTEM



SECTION 2 - TURNTABLE

FIGURE 2-20. GROUND CONTROL BOX ASSEMBLY WITHOUT ADE SYSTEM

ITEM	PART NUMBER	QTY	DESCRIPTION	REV
		Ref	GROUND CONTROL BOX ASSEMBLIES	
	0861340	Ref	Ground Control Box Assemblies 400S with Deutz Engine	5-C
	0861337	Ref	Ground Control Box Assemblies 400S with Ford Engine	7-D
	0861462	Ref	Ground Control Box Assemblies 400S with Isuzu Engine	1-A
	0861341	Ref	Ground Control Box Assemblies 460SJ with Deutz Engine	5-C
	0861339	Ref	Ground Control Box Assemblies 460SJ with Ford Engine	5-D
	0861463	Ref	Ground Control Box Assemblies 460SJ with Isuzu Engine	1-A
1	3572003	1	Plate	
2	4360475	1	Switch, Emergency Stop	
2A	7020175	1	Cap, Mushroom Head	
2B	7020176	1	Block, Contact	
3	4360469	1	Switch, Key	
3A	2860030	1	Key	
4		Ref	Decal - Faceplate Options:	
4	1704465	1	Decal - Faceplate 400S	
4	1704466	1	Decal - Faceplate 460SJ	
5		Ref	Engine Harness Assembly (Not Shown - See ELECTRICAL SECTION for Breakdown)	
5	4922347	1	Deutz Engine Machines	
5	4922344	1	Ford Engine Machines	
5	4922601	1	Isuzu Engine Machines	
6	4922346	1	Valve Harness Assembly (Not Shown - See ELECTRICAL SECTION for Breakdown)	
7		Ref	Ground Control Box Harness Assembly (Not Shown - See ELECTRICAL SECTION for Breakdown)	
7	4922349	1	Deutz/Isuzu Engine Machines	
7	4922348	1	Ford Engine Machines	
8	1840020	1	Duct, Wiring - 2in/5cm	
9	1840013	1	Duct, Cover - 2in/5cm	
10	1840014	1	Duct, Wiring - 3in/7.6cm	
11	1840015	1	Duct, Cover - 3in/7.6cm	
12	0731004	2	Screw #10-32NF x 1/2in	
13	3641182	1	Rail	
14	4460602	1	Barrier, Terminal	
15	4460601	10	Block, Terminal	
16	4460603	1	Bussbar - 10 Position (Requires being cut into (2) 5 position bussbars)	
17	4460631	1	Marker, Terminal (Negative)	
18	4460600	46	Block, Terminal	
19	4460628	2	Marker, Terminal (1-50)	
20	4460607	2	Stop, Terminal	
21	4750600	4	Flatwasher #6 Regular	
22	3740112	1	Relay, Bosch	
23	4360314	AR	Switch, Toggle	
24	4360476	1	Switch, Contact Block	
25	2760105	1	Housing, Display Light	
26	4420038	1 ft/.3m	Insulation, Adhesive Foam	
27	1702610	1	Decal - Ground Control Display	
28	4460526	1	Connector, Strain Relief	
29	4460428	3	Connector, Strain Relief	

SECTION 2 - TURNTABLE

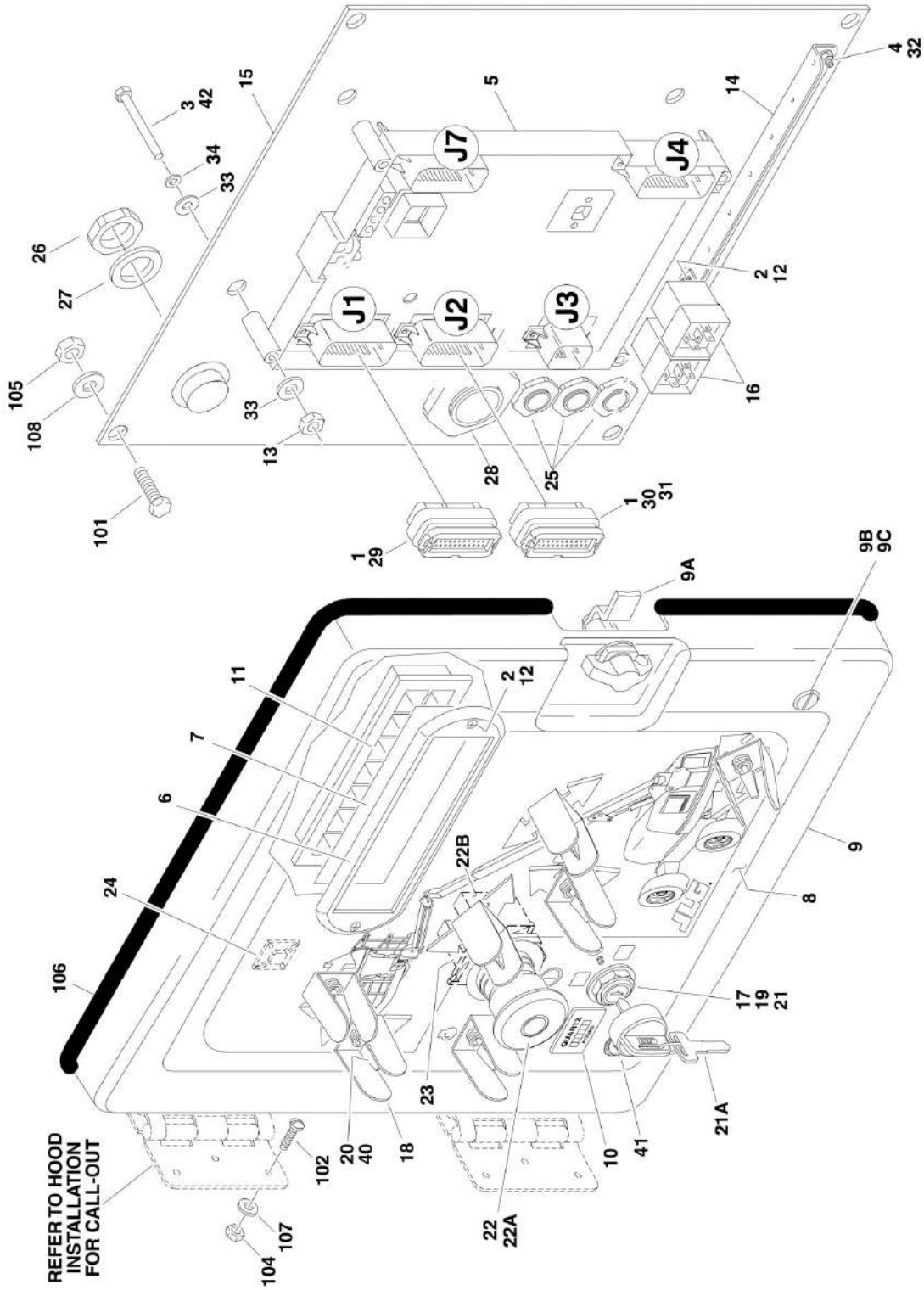
ITEM	PART NUMBER	QTY	DESCRIPTION	REV
30	4460426	1	Connector, Strain Relief	
31	4740444	AR	Washer, Special	
32	4060906	AR	Shield, Toggle Switch	
33	2420172	1	Gauge, Hourmeter	
34	0721005	AR	Screw #10-24NC x 5/8in	
35	3311001	AR	Nut #10-24NC	
36	4751000	AR	Flatwasher #10 Regular	
37	0721004	AR	Screw #10-24NC x 1/2in	
38		Ref	Switch, Sealed Push Button	
38	Not Required	0	Deutz Engine Machines	
38	4360387	1	Ford Engine Machines	
39	0721010	AR	Screw #10-24NC x 1-1/4in	
40	0100011	AR	Compound, Locking	
41	1780307	1	Lid Assembly	
41A	2940073	1	Latch	
41B	7024319	2	Screw	
41C	7024320	2	Retainer	
42	3740049	AR	Relay	
43		Ref	Socket, Relay	
43	Not Required	0	Deutz/Isuzu Engine Machines	
43	4120012	1	Ford Engine Machines	
44		Ref	Relay Options:	
44	Not Required	0	Deutz/Isuzu Engine Machines	
44	3740057	1	Ford Engine Machines	
45		Ref	Spring, Relay	
45	Not Required	0	Deutz/Isuzu Engine Machines	
45	3740066	2	Ford Engine Machines	
46	4460630	1	Marker, Terminal (Ignition)	
47	4760600	4	Lockwasher #6	
48	4761000	2	Lockwasher #10	
50	3539275	1	Bracket, Relay Mounting	
51	1670829	1	Bezel	
52	0630518	2	Capscrew, Button Head	
53	4460711	1	Connector, Strain Relief	
54	3300408	AR	Locknut, Plastic Insert	
55	1703622	1	Decal - Service Manual Reference	
56	4460234	AR	Base, Tie-Strap	
57		Ref	Relay, Timer Options:	
57	Not Required	0	Deutz/Isuzu Engine Machines	
57	3740113	1	Ford Engine Machines	
60	3910804	6	Screw #8-32NC x 1/4in	
61	3910608	4	#6-32NC x 1/2in	
		Ref	GROUND CONTROL BOX INSTALLATIONS	
	0861280	Ref	Ground Control Box Installations 400S with Deutz Engine	1
	0861278	Ref	Ground Control Box Installations 400S with Ford Engine	2
	0861281	Ref	Ground Control Box Installations 460SJ with Deutz Engine	1
	0861279	Ref	Ground Control Box Installations 460SJ with Ford Engine	1
101	0641406	4	Bolt 1/4in-20NC x 3/4in	
102	0720805	6	Screw, Machine #8-32NC	
104	3310805	6	Locknut #8-32NC	
105	3311405	4	Locknut 1/4in-20NC	

SECTION 2 - TURNTABLE

ITEM	PART NUMBER	QTY	DESCRIPTION	REV
106	3960438	AR	Seal	
107	4750800	6	Flatwasher #8 Regular	
108	4751400	8	Flatwasher 1/4in Regular	

SECTION 2 - TURNTABLE

FIGURE 2-21. GROUND CONTROL BOX ASSEMBLY WITH ADE SYSTEM



SECTION 2 - TURNTABLE

FIGURE 2-21. GROUND CONTROL BOX ASSEMBLY WITH ADE SYSTEM

ITEM	PART NUMBER	QTY	DESCRIPTION	REV
		Ref	GROUND CONTROL BOX ASSEMBLIES	
	0861591	Ref	Ground Control Box Assemblies 400S with Caterpillar Engine (Prior to SN 0300087630)	C
	0861706	Ref	Ground Control Box Assemblies 400S with Caterpillar Engine (SN 0300087630 through 0300096000)	D
	0861434	Ref	Ground Control Box Assemblies 400S with Deutz Engine (Prior to SN 0300064404)	D
	0861496	Ref	Ground Control Box Assemblies 400S with Deutz Engine (SN 0300064404 through 0300085616)	F
	0861736	Ref	Ground Control Box Assemblies 400S with Deutz Engine (SN 0300085617 through 0300096000)	B
	0861432	Ref	Ground Control Box Assemblies 400S with Ford Engine (Prior to SN 0300064404)	D
	0861494	Ref	Ground Control Box Assemblies 400S with Ford Engine (SN 0300064404 through 0300087629)	G
	0861710	Ref	Ground Control Box Assemblies 400S with Ford Engine (SN 0300087630 through 0300096000)	D
	0861774	Ref	Ground Control Box Assemblies 400S with GM Engine	B
	0861592	Ref	Ground Control Box Assemblies 460SJ with Caterpillar Engine (Prior to SN 0300087630)	C
	0861707	Ref	Ground Control Box Assemblies 460SJ with Caterpillar Engine (SN 0300087630 through 0300096000)	D
	0861435	Ref	Ground Control Box Assemblies 460SJ with Deutz Engine (Prior to SN 0300064404)	D
	0861499	Ref	Ground Control Box Assemblies 460SJ with Deutz Engine (SN 0300064404 through 0300085616)	G
	0861739	Ref	Ground Control Box Assemblies 460SJ with Deutz Engine (SN 0300085617 through 0300096000)	C
	0861433	Ref	Ground Control Box Assemblies 460SJ with Ford Engine (Prior to SN 0300064404)	D
	0861495	Ref	Ground Control Box Assemblies 460SJ with Ford Engine (SN 0300064404 through 0300087629)	G
	0861711	Ref	Ground Control Box Assemblies 460SJ with Ford Engine (SN 0300087630 through 0300096000)	D
	0861773	Ref	Ground Control Box Assemblies 460SJ with GM Engine	B
1	0100048	AR	Grease, Dielectric	
2	0630518	5	Capscrew, Button Head	
3	0630548	5	Tap Bolt, 2-1/2in	
4	0721004	2	Screw #10-24NC x 1/2in	
5		Ref	Module, Ground Control Options (Re-calibration Required when Replaced):	
5	1600312	NLA	Module, Ground Control (Caterpillar/Deutz/Ford Engine) (Use p/n 2910752) (Prior to SN 0300064404)	
5	1600327	NLA	Module, Ground Control (Caterpillar/Deutz/Ford Engine) (Use p/n 2915014) (SN 0300064404 through 0300077553)	
5	1600364	1	Module, Ground Control (SN 0300077554 through 0300096000)	
5	1600364	1	Module, Ground Control (Deutz Engine) (SN 0300077554 through 0300085616)	
5	1600411	1	Module, Ground Control (Deutz and GM Engine) (SN 0300085617 through 0300096000)	
6	1670829	1	Bezel	
7		Ref	Decal - Ground Control Display Options:	
7	1702610	1	Caterpillar and Ford Engine Machines (Prior to SN 0300085617)	

SECTION 2 - TURNTABLE

ITEM	PART NUMBER	QTY	DESCRIPTION	REV
7	1705753	1	Caterpillar and Ford Engine Machines (SN 0300085617 through 0300093232)	
7	1706712	1	Caterpillar and Ford Engine Machines (SN 0300093233 through 0300096000)	
7	1702610	1	Deutz Engine Machines (Prior to SN 0300085617)	
7	1705753	1	Deutz and GM Engine Machines (SN 0300085617 through 0300093232)	
7	1706712	1	Deutz and GM Engine Machines (SN 0300093233 through 0300096000)	
8		Ref	Decal - Faceplate Options:	
8	1704465	1	Decal - Faceplate 400S	
8	1704466	1	Decal - Faceplate 460SJ	
9	1780307	1	Lid Assembly	
9A	2940073	1	Latch	
9B	7024319	2	Screw	
9C	7024320	2	Retainer	
10	2420172	1	Gauge, Hourmeter	
11	2760105	1	Housing, Display Light	
12	3300408	5	Locknut, Plastic Insert	
13	3311401	10	Nut 1/4in-20NC	
14	3539275	1	Bracket, Relay Mounting	
15	3572827	1	Plate	
16	3740049	AR	Relay	
17	3910804	6	Screw #8-32NC x 1/4in	
18	4060906	AR	Shield, Toggle Switch	
19	4070987	1	Shim.015	
20	4360328	AR	Switch, Toggle	
21	4360469	1	Switch, Key	
21A	2860030	1	Key	
22	4360475	1	Switch, Emergency Stop	
22A	7020175	1	Cap, Mushroom Head	
22B	7020176	1	Block, Contact	
23	4360476	1	Switch, Contact Block	
24	4460234	AR	Base, Tie-Strap	
25	4460428	3	Connector, Strain Relief	
26	4460470	1	Nut, Terminal	
27	4460471	1	Washer, Terminal	
28	4460526	1	Connector, Strain Relief	
29	4460874	1	Connector, Natural	
30	4460875	1	Connector, Gray	
31	4460905	4	Connector, Amp Seal Plug	
32	4751000	2	Flatwasher #10 Regular	
33	4751400	20	Flatwasher 1/4in Regular	
34	4761400	15	Lockwasher 1/4in	
35		Ref	Engine Harness Assembly (Not Shown - See ELECTRICAL SECTION for Breakdown)	
35	4922880	1	Caterpillar Engine Machines (Prior to SN 0300087630)	
35	4923234	1	Caterpillar Engine Machines (SN 0300087630 through 0300091229)	
35	4923356	1	Caterpillar Engine Machines (SN 0300091230 through 0300096000)	
35	4922537	1	Deutz Engine Machines (Prior to SN 0300085617)	
35	4923260	1	Deutz Engine Machines (SN 0300085617 through	

SECTION 2 - TURNTABLE

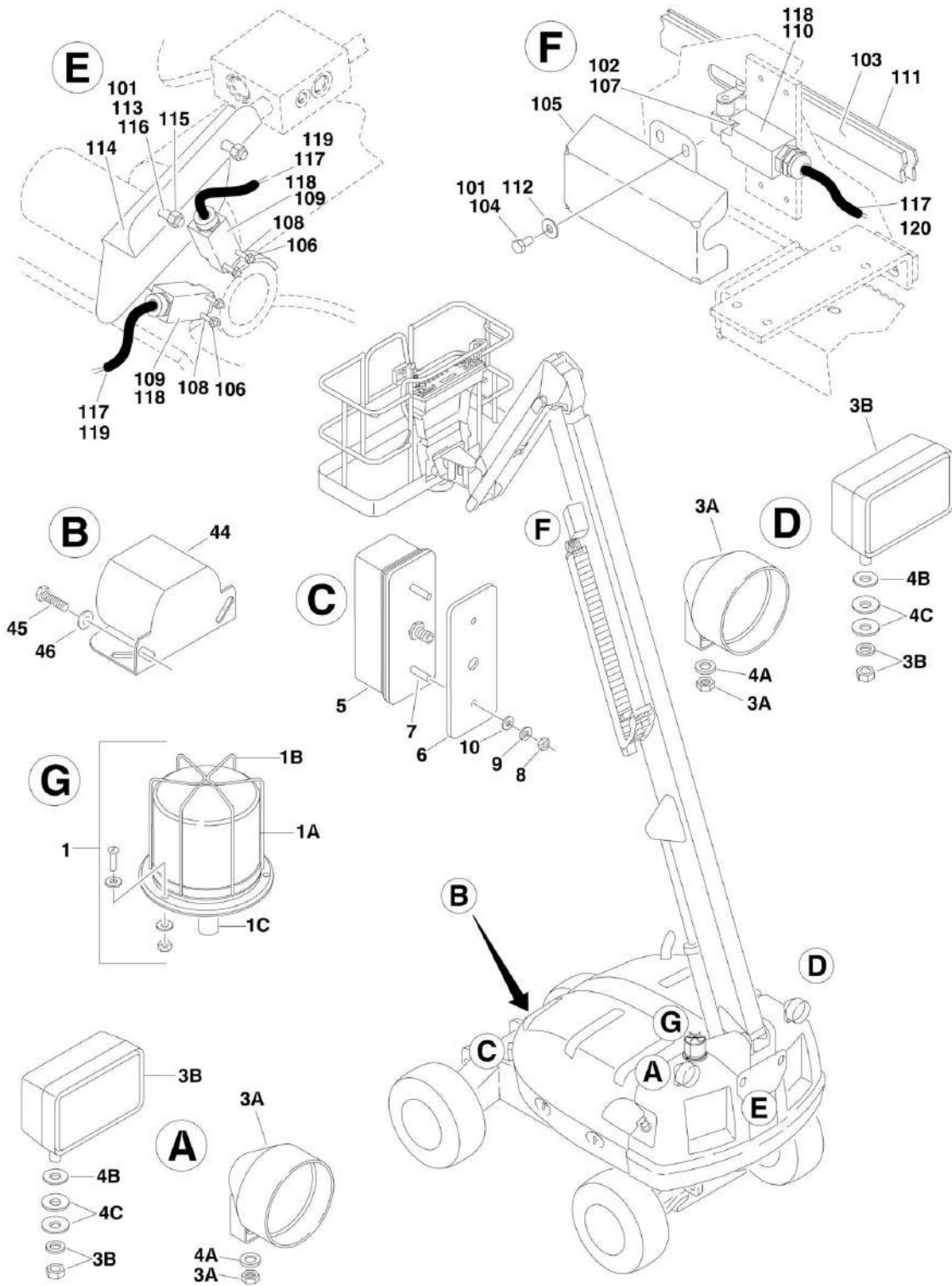
ITEM	PART NUMBER	QTY	DESCRIPTION	REV
			0300096000)	
35	4922536	1	Ford Engine Machines (Prior to SN 0300087630)	
35	4923235	1	Ford Engine Machines (SN 0300087630 through 0300096000)	
35	4923419	1	GM Engine Machines	
36	4922538	1	Valve Harness Assembly (Not Shown - See ELECTRICAL SECTION for Breakdown)	
37		Ref	Ground Control Box Harness Assembly (Not Shown - See ELECTRICAL SECTION for Breakdown)	
37	4922664	1	Caterpillar Engine Machines (Prior to SN 0300087630)	
37	4923236	1	Caterpillar Engine Machines (SN 0300087630 through 0300091229)	
37	4923456	1	Caterpillar Engine Machines (SN 0300091230 through 0300096000)	
37	4922540	1	Deutz Engine Machines (Prior to SN 0300064404)	
37	4922664	1	Deutz Engine Machines (SN 0300064404 through 0300085616)	
37	4923261	1	Deutz Engine Machines (SN 0300085617 through 0300096000)	
37	4922539	1	Ford Engine Machines (Prior to SN 0300064404)	
37	4922663	1	Ford Engine Machines (SN 0300064404 through 0300067470)	
37	4922664	1	Ford Engine Machines (SN 0300067471 through 0300087629)	
37	4923236	1	Ford Engine Machines (SN 0300087630 through 0300096000)	
37	4923261	1	GM Engine Machines	
38		Ref	Harness, Analyzer Cable Options (Not Shown - See ELECTRICAL SECTION for Breakdown):	
38	4922485	1	All Machines (Prior to SN 0300064404)	
38	4922666	1	All Machines (SN 0300064404 through 0300085616)	
38	4922666	1	Caterpillar and Ford Engine Machines (SN 0300085617 through 0300096000)	
38	Not Required	0	Deutz and GM Engine Machines (SN 0300085617 through 0300096000)	
40	3790012	7	O-Ring	
41	1705132	1	Decal - ADE Control (SN 0300067471 through 0300096000)	
42	0100011	AR	Compound, Locking	
		Ref	GROUND CONTROL BOX INSTALLATIONS	
	0272938	Ref	Ground Control Box Installations 400S with Caterpillar Engine (Prior to SN 0300087630)	2
	0274415	Ref	Ground Control Box Installations 400S with Caterpillar Engine (SN 0300087630 through 0300096000)	1
	0271078	Ref	Ground Control Box Installations 400S with Deutz Engine (Prior to SN 0300064404)	4
	0271657	Ref	Ground Control Box Installations 400S with Deutz Engine (SN 0300064404 through 0300096000)	4
	0271076	Ref	Ground Control Box Installations 400S with Ford Engine (Prior to SN 0300064404)	3
	0271662	Ref	Ground Control Box Installations 400S with Ford Engine (SN 0300064404 through 0300087629)	4
	0274419	Ref	Ground Control Box Installations 400S with Ford Engine (SN 0300087630 through 0300096000)	2
	0275059	Ref	Ground Control Box Installations 400S with GM Engine	1
	0272939	Ref	Ground Control Box Installations 460SJ with Caterpillar Engine (Prior to SN 0300087630)	2
	0274416	Ref	Ground Control Box Installations 460SJ with Caterpillar Engine (SN 0300087630 through 0300096000)	1
	0271079	Ref	Ground Control Box Installations 460SJ with Deutz Engine	3

SECTION 2 - TURNTABLE

ITEM	PART NUMBER	QTY	DESCRIPTION	REV
	0271661	Ref	(Prior to SN 0300064404) Ground Control Box Installations 460SJ with Deutz Engine (SN 0300064404 through 0300096000)	4
	0271077	Ref	Ground Control Box Installations 460SJ with Ford Engine (Prior to SN 0300064404)	3
	0271659	Ref	Ground Control Box Installations 460SJ with Ford Engine (SN 0300064404 through 0300087629)	4
	0274420	Ref	Ground Control Box Installations 460SJ with Ford Engine (SN 0300087630 through 0300096000)	2
	0275060	Ref	Ground Control Box Installations 460SJ with GM Engine	1
101	0641406	4	Bolt 1/4in-20NC x 3/4in	
102	0720805	6	Screw, Machine #8-32NC	
104	3310805	6	Locknut #8-32NC	
105	3311405	4	Locknut 1/4in-20NC	
106	3960438	AR	Seal	
107	4750800	6	Flatwasher #8 Regular	
108	4751400	8	Flatwasher 1/4in Regular	

SECTION 2 - TURNTABLE

FIGURE 2-22. ELECTRICAL OPTIONS INSTALLATION (TURNTABLE MOUNTED)



SECTION 2 - TURNTABLE

FIGURE 2-22. ELECTRICAL OPTIONS INSTALLATION (TURNTABLE MOUNTED)

ITEM	PART NUMBER	QTY	DESCRIPTION	REV
		Ref	STROBE LIGHT INSTALLATIONS (AMBER) (OPTIONAL)	
	0270160	Ref	Without ADE System	1
	0271342	Ref	With ADE System	2
		Ref	Note: If machine is equipped with BLUE Strobe Light, See SPECIAL OPTIONS SECTION for SkyGuard Kit.	
1	0255917	1	Strobe Light/Guard/Harness Assembly	2-B
1A	2920130	NLA	Strobe Light - ECCO Model 6640 (Use p/n 0255917)	
1A	2920214	NLA	Strobe Light - ECCO Model 6650 (Use p/n 0255917)	
1A		Ref	Bulb, Replacement Options:	
1A	7016380	1	Bulb for ECCO Model 6640	
1A	70001941	1	Bulb for ECCO Model 6650	
1B		Ref	Guard Options:	
1B	4060907	1	Used with ECCO Model 6640	
1B	2920215	1	Used with ECCO Model 6650	
1C		Ref	Adapter Options:	
1C	0630491	1	Used with ECCO Model 6640	
1C	0080241	1	Used with ECCO Model 6650	
2	0100048	AR	Sealant, Silicone (Not Shown)	
		Ref	LIGHTS INSTALLATIONS (OPTIONAL)	
	0270159	Ref	Headlights and Taillights Without ADE System	2
	0271343	Ref	Headlights and Taillights With ADE System (Prior to SN 0300064509)	2
	0272018	Ref	Headlights and Taillights With ADE System (SN 0300064509 through 0300096000)	1
	0274574	Ref	Chassis Illumination Lights	1-A
3		Ref	Light Options:	
3A	2920110	2	Headlight Assembly (Round) (Includes Mounting Hardware)	
3A	7016628	2	Bulb, Replacement (1 Per Assembly)	
3B	2920157	2	Chassis Illumination Light Assembly (Rectangular) (Includes Mounting Hardware)	
3B	7024452	2	Bulb, Replacement (1 Per Assembly)	
4		Ref	Washer Options:	
4A	4740076	2	Washer, Fender (Use with Headlights and Taillights)	
4B	4740274	2	Washer, Snubbing (Use with Illumination Lights)	
4C	4740546	4	Washer, Rubber Cushioning (Use with Illumination Lights)	
5	2920113	2	Taillight Assembly	
6	3960461	2	Gasket	
7	3911040	4	Screw, Machine #10-24NC x 2-1/2in	
8	3311005	4	Nut #10-24NC	
9	4751000	4	Flatwasher #10 Regular	
10	4740362	4	Washer, Fender	
11	4460234	14	Mount, Tie-Strap (Not Shown)	
12	4240032	14	Tie-Strap (Not Shown)	
14	4360336	1	Switch, Toggle - SPST (Not Shown - Located on Console)	
15	3790012	1	O-Ring (Not Shown - Located on Console)	
	0258308	Ref	ALARMS INSTALLATIONS	2
44	See Note	1	Alarm/Harness Assembly (was p/n 0257887) (Note: Not Available - Purchase individual parts)	
44	0140032	1	Alarm	
44	2820035	6 in/15cm	Loom	
44	4460424	1	Plug, Male - 2 Position	

SECTION 2 - TURNTABLE

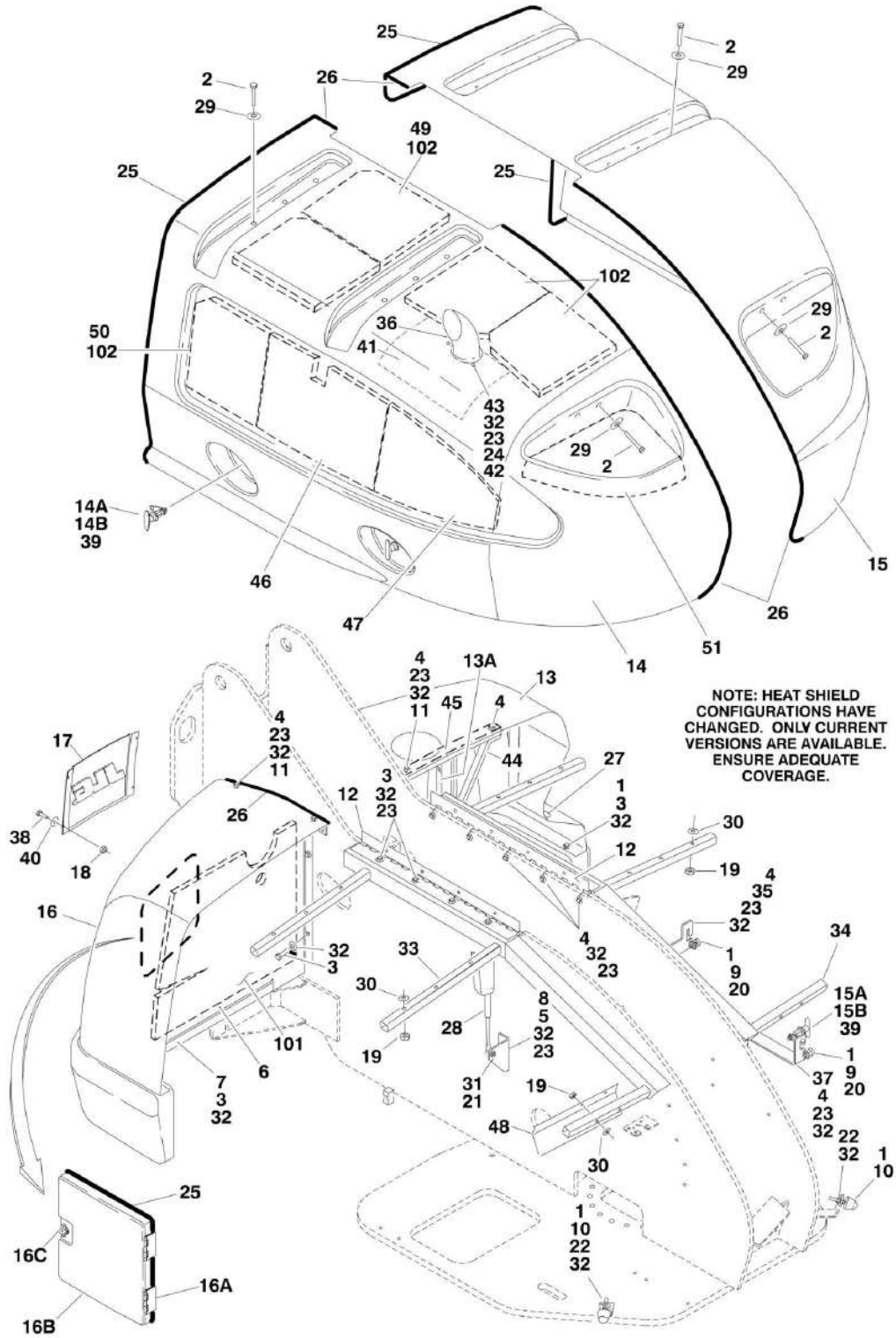
ITEM	PART NUMBER	QTY	DESCRIPTION	REV
44	4460268	2	Socket, Female	
45	0641406	2	Bolt 1/4in-20NC x 3/4in	
46	4711400	2	Flatwasher 1/4in Thin	
47	0100048	AR	Sealant, Silicone (Not Shown)	
		Ref	LIMIT SWITCHES INSTALLATIONS - 400S	
	0259157	Ref	Limit Switches Installations 400S with 500/1000LB. Capacity (Without ADE System)	I
	0271164	Ref	Limit Switches Installations 400S with 500/1000LB. Capacity (With ADE System)	E
	0259852	Ref	Limit Switches Installations 400S with 750/1000LB. Capacity (Without ADE System)	I
	0271165	Ref	Limit Switches Installations 400S with 750/1000LB. Capacity (With ADE System)	E
	0259857	Ref	Limit Switches Installations 460SJ (Without ADE System)	E
	0271166	Ref	Limit Switches Installations 460SJ (With ADE System)	D
101	0100011	AR	Compound, Locking	
102	0100035	AR	Compound, Locking	
103		Ref	Bar, Fiberglass Options:	
103	0362528	1	Bar, Fiberglass 400S with 500/1000LB. Capacity	
103	0362909	1	Bar, Fiberglass 400S with 750/1000LB. Capacity	
103	Not Required	0	Bar, Fiberglass 460SJ	
104	0641404	4	Bolt #8-32NC x 1/2in (400S Only)	
105		Ref	Cover, Limit Switch Options:	
105	1670824	1	Cover, Limit Switch 400S	
105	Not Required	0	Cover, Limit Switch 460SJ	
106	3311005	4	Locknut #10-24NC	
107	3930816	2	Capscrew, Socket Head #8-32NC x 1in (400S Only)	
108	3931028	4	Capscrew, Socket Head #10-24NC x 1-3/4in	
109		Ref	Switch, Limit Options:	
109	4360321	NLA	Switch, Limit (Use p/n 4360548) (Prior to SN 0300074316)	
109	4360548	2	Switch, Limit (SN 0300074316 through 0300096000)	
110		Ref	Switch, Limit Options:	
110	4360322	NLA	Switch, Limit (Use p/n 4360549) (400S Prior to SN 0300074316)	
110	4360549	1	Switch, Limit (400S SN 0300074316 through 0300096000)	
	Not Required	0	Switch, Limit 460SJ	
111	4420060	9 ft/2.7m	Tape, Double Sided (400S Only)	
112	4751400	4	Flatwasher 1/4in Regular (400S Only)	
113	0641610	2	Bolt 3/8in-16NC x 1-1/4in	
114	1670956	1	Cover, Limit Switch	
115	3311601	2	Nut 3/8in-16NC	
116	4711600	4	Flatwasher 3/8in Thin	
117		Ref	Cable, Electrical Options:	
117	1060341	37 ft/11.3m	Cable, Electrical 400S Without ADE System (Cable, Electrical - 16/2)	
117	1060680	42.5 ft/13m	Cable, Electrical 400S With ADE System (Cable, Electrical - 18/2) (Prior to SN 0300068739)	
117	See Note	AR	Cable, Electrical 400S With ADE System (Note: Refer to Items 119 & 120) (SN 0300068739 through 0300096000)	
117	1060341	6 ft/1.8m	Cable, Electrical 460SJ Without ADE System (Cable, Electrical - 16/2)	
117	1060680	8.5 ft/2.6m	Cable, Electrical 460SJ With ADE System (Cable, Electrical - 18/2) (Prior to SN 0300068739)	
117	See Note	AR	Cable, Electrical 460SJ With ADE System (Note: Refer to Item	

SECTION 2 - TURNTABLE

ITEM	PART NUMBER	QTY	DESCRIPTION	REV
118		Ref	119) (SN 0300068739 through 0300096000)	
118	4460428	AR	Connector, Strain Relief Options:	
118	4460968	AR	Connector, Strain Relief (Use with p/n 4360322 & 4360321) (Prior to SN 0300074316)	
118	4460968	AR	Connector, Strain Relief (Use with p/n 4360549 & 4360548) (SN 0300074316 through 0300096000)	
119	4922714	2	Cable, Electrical - 18/2 (Includes Items 109 & 118) (SN 0300068739 through 0300096000)	B
119	1060609	8.5 ft/2.6m	Cable, Electrical - 18/2	
120	4922769	1	Cable, Electrical - 18/2 (400S SN 0300068739 through 0300096000)	
120	1060680	26.5 ft/8.1m	Cable, Electrical - 18/2	

SECTION 2 - TURNTABLE

FIGURE 2-23. HOODS INSTALLATION



SECTION 2 - TURNTABLE

FIGURE 2-23. HOODS INSTALLATION

ITEM	PART NUMBER	QTY	DESCRIPTION	REV
		Ref	HOODS INSTALLATIONS	
	0259141	Ref	Caterpillar and Deutz Machines	J
	0259141	Ref	Ford Machines w/Tier I Engines	J
	0274016	Ref	Ford Machines w/Tier II Engines	B
	0274016	Ref	GM Machines	B
1	0100011	AR	Compound, Locking (Not Shown)	
2	0641416	16	Bolt 1/4in-20NC x 2in	
3	0641608	13	Bolt 3/8in-16NC x 1in	
4	0641610	18	Bolt 3/8in-16NC x 1-1/4in	
5	0641612	5	Bolt 3/8in-16NC x 1-3/4in	
6	0861320	1	Plate, Storage (Prior to SN 0300072073)	
7	0861327	1	Plate, Storage (Prior to SN 0300072073)	
8	0902669	2	Angle, Mounting	
9	0940049	2	Stopper, Hood	
10	0940071	2	Bumper	
11	2540035	5	Grommet	
12	2600209	2	Hinge, Hood	
13	2680463	1	Cover, Hood (Front Right Side)	G
13A	2600258	2	Hinge, Ground Control Lid	
14		Ref	Hood (Engine Side) Options:	
		Ref	Note: Replacement Decals Must be Ordered Separately - See DECAL SECTION.	
14	2680464	NLA	Hood For Caterpillar and Deutz Engines (Use Kit p/n 1001146956 - Kit Includes Non-Lockable Hood, Current Heat Shields and Item 36 Installed)	H
14	2680464	NLA	Hood For Caterpillar and Deutz Engines (Use Kit p/n 1001097963 - Kit Includes Non-Lockable Hood and Current Heat Shields. Purchase Item 36 Separately)	H
14	2680464	NLA	Hood For Ford Tier I Engines (Use Kit p/n 1001097963 - Kit Includes Non-Lockable Hood and Current Heat Shields. Purchase Item 36 Separately)	H
14	1671170	NLA	Hood For Ford Tier II and GM Engines (Use Kit p/n 1001117041 - Kit Includes Non-Lockable Hood and Current Heat Shields and Item 36 Installed)	B
14	1671170	NLA	Hood For Ford Tier II and GM Engines (Use Kit p/n 1001097962 - Kit Includes Non-Lockable Hood and Current Heat Shields. Purchase Item 36 Separately)	B
14A		Ref	Latch Options:	
14A	2940117	2	Non-Lockable	
14A	7027858	2	Lockable	
14B	0902668	2	Catch, Hood Latch (SN 0300067320 through 0300096000)	
15	2680465	1	Hood (Tank Side)	G
		Ref	Note: Replacement Decals Must be Ordered Separately - See DECAL SECTION.	
15A		Ref	Latch Options:	
15A	2940117	2	Non-Lockable	
15A	7027858	2	Lockable	
15B	0902668	2	Catch, Hood Latch (SN 0300067320 through 0300096000)	
16		Ref	Cover, Hood (Front Left Side) Options:	
16	2680516	1	Cover without Storage Compartment (SN 0300072073 through 0300096000)	A
16	2680466	1	Cover with Storage Compartment (Includes Items 16A, 16B & 16C) (Prior to SN 0300072073)	G

SECTION 2 - TURNTABLE

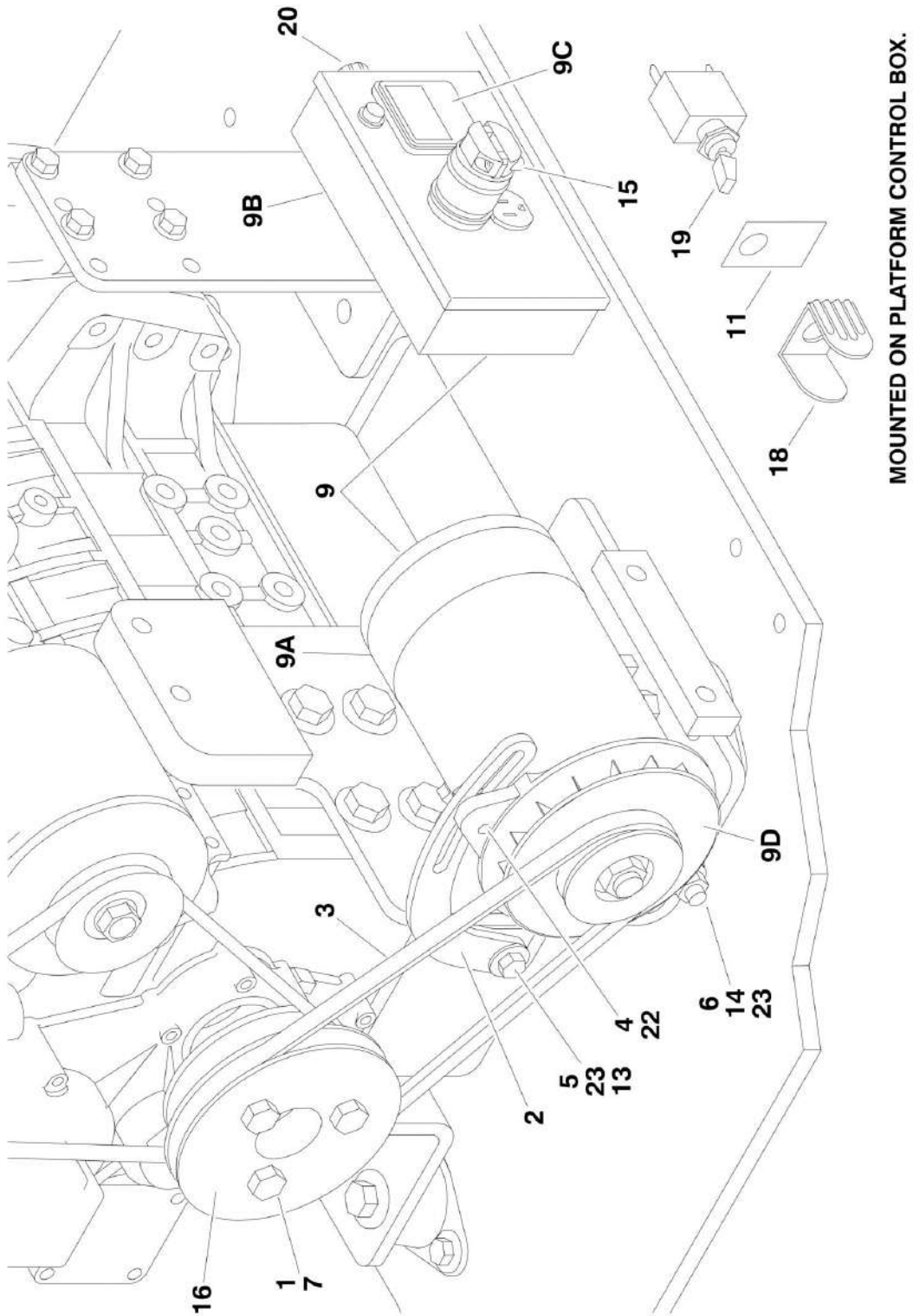
ITEM	PART NUMBER	QTY	DESCRIPTION	REV
16A	2600258	2	Hinge, Door	
16B	1780305	1	Door	
16C	2940073	1	Latch	
17	2680471	1	Cover, Hood (Front Center)	D
18	3300441	4	Nut, Tinnerman	
19	3311405	16	Locknut 1/4in-20NC	
20	3311501	4	Nut 5/16in-18NC	
21	3311505	4	Locknut 5/16in-18NC	
22	3311601	4	Nut 3/8in-16NC	
23	3311605	34	Locknut 3/8in-16NC	
24	3900232	3	Capscrew, Button Head 3/8in-16NC 1-1/4in	
25	3960438	10 ft/3m	Seal, Hood (Prior to SN 0300072073)	
26	3960389	27 ft/8.2m	Seal, Hood	
27	4060805	1 ft/30cm	Flex-Trim	
28	4160182	2	Spring, Gas	
29	4740362	16	Washer, Fender	
30	4751400	16	Flatwasher 1/4in Regular	
31	4751500	4	Flatwasher 5/16in Regular	
32	4751600	74	Flatwasher 3/8in Regular	
33	4846092	1	Hood Mounting Weldment (Engine Side)	
34	4846095	1	Hood Mounting Weldment (Tank Side)	
35	4846100	1	Latch, Hood	
36		Ref	Exhaust Tube Weldment Options:	
36	4846110	1	All Machines (Prior to SN 0300078473)	F
36	4846110	1	Caterpillar and Deutz Machines (SN 0300078473 through 0300096000)	F
36	3460375	1	Ford and GM Machines (SN 0300078473 through 0300096000)	A
37	4846111	1	Latch, Hood	
38	0750808	4	Screw	
39	0902668	4	Catch, Hood Latch (Prior to SN 0300067320)	
40	4740120	4	Washer, Nylon	
41		Ref	Insulation, Heat Shield (Silver) Options:	
41	2820129	NLA	Caterpillar/Deutz/Isuzu Engines (Use p/n 1001152836)	
41	2820129	NLA	Ford and GM Engines (Use p/n 1001117139) (Prior to SN 0300078473)	
		Ref	Note: Customer required to cut hole for exhaust stack on replacement head shield p/n 2820181.	
42	4061010	1	Shield, Heat Gasket	
43	4740500	3	Shoulder Washer, Nylon	
44	0902673	1	Bracket, Front Cover Support	
45	0902674	1	Bracket, Front Cover Support	
46	2820128	NLA	Insulation, Heat Shield (Silver) (Use p/n 1001152837)	
47	2820128	NLA	Insulation, Heat Shield (Silver) (Use p/n 1001152837) (SN 0300078473 through 0300096000)	
48	3380569	1	Shield, Heat (Ford and GM Engine Only) (SN 0300078473 through 0300096000)	
49	1001109402	NLA	Insulation, Heat Shield (Silver) (Use p/n 1001117139) (Ford and GM Engines)	
50	1001109403	NLA	Insulation, Heat Shield (Silver) (Use p/n 1001117139) (Ford and GM Engines)	
51	1001101836	NLA	Insulation, Heat Shield (Silver) (Use p/n 1001152838)	
	0270354	Ref	NOISE REDUCTION INSTALLATION (DEUTZ MACHINES)	B

SECTION 2 - TURNTABLE

ITEM	PART NUMBER	QTY	DESCRIPTION	REV
101	2820080	1	Insulation, Foam (Black Only) (Prior to SN 0300072073)	
102	2820099	9	Insulation, Foam (Black)	

SECTION 2 - TURNTABLE

FIGURE 2-24. 2500W GENERATOR INSTALLATION - CATERPILLAR MACHINES (OPTIONAL)



SECTION 2 - TURNTABLE

FIGURE 2-24. 2500W GENERATOR INSTALLATION - CATERPILLAR MACHINES (OPTIONAL)

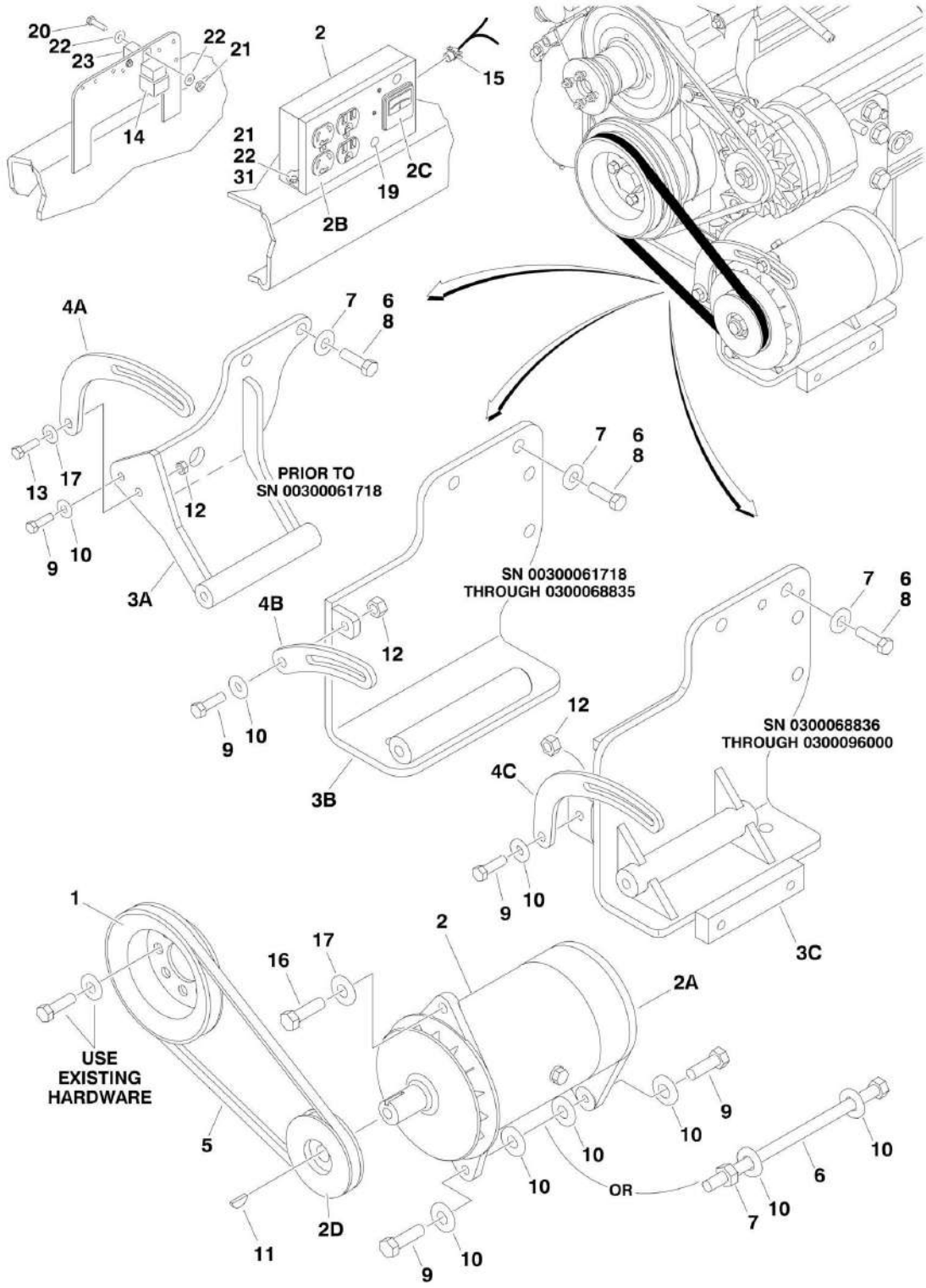
ITEM	PART NUMBER	QTY	DESCRIPTION	REV
		Ref	2500W GENERATOR INSTALLATION	
	0273050	Ref	110V/60Hz Generator (Prior to SN 0300082708)	B
	0274084	Ref	110V/60Hz Generator (SN 0300082708 through 0300096000)	A
	0273051	Ref	220V/50HZ Generator (ANSI Export Only)	B
		Ref	Note: Aftermarket installation kit not available. Use items (2 thru 9 & 11 thru 23) for 110V Generator or (2 thru 9 & 11 thru 23) for 220V Generator.	
1	0100011	AR	Compound, Locking	
2	0200742	1	Arm, Adjusting	
3		Ref	V-Belt Options:	
3	0480122	1	110V	
3	0480120	1	220V	
4	0641508	1	Bolt 5/16in-18NC x 1in	
5	0641610	1	Bolt 3/8in-16NC x 1-1/4in	
6	0641772	1	Bolt 7/16in-14NC x 9in	
7	0701217	3	Bolt, Metric 12mm x 45mm	
8	0721008	2	Bolt #10-24NC x 1in	
9		Ref	Generator and Control Box Assembly Options:	
9	2460032	1	110V/60Hz Assembly (Prior to SN 0300082708)	
9	2460055	1	110V/60Hz Assembly (SN 0300082708 through 0300096000)	
9	2460013	1	220V/50Hz Assembly	
9A	7012558	1	Generator Only - 110V/60Hz	
9A	1001100321	1	Generator Only - 220V/50Hz	
		Ref	Note: Replacement Generators come standard with p/n 3580134 pulley. This pulley may not be correct for all applications. Refer to pulley options below.	
9A		Ref	Armature with Slip Rings Options:	
9A	7026199	1	Armature with Slip Rings - 110V/60Hz	
9A	70000123	1	Armature with Slip Rings - 220V/50Hz	
9A	7012513	4	Cap, Brush Holder	
9A	7020108	4	Brush	
9A	7020109	4	Holder, Brush	
9A	7012514	1	Fan	
9A	7020110	1	Bell, Front	
9A	7020111	1	Bell, Rear	
9A	7020190	2	Bearing	
9A	7020193	1	Cord, Power	
9B	7003657	1	Box, Control - 110V/60Hz (Prior to SN 0300082708)	
9B	7019680	1	Box, Control - 110V/60Hz (SN 0300082708 through 0300096000)	
9B	70002235	1	Box, Control - 220V/50Hz	
9B		Ref	Receptacle Options:	
9B	4460190	1	Receptacle, Standard (110V Only)	
9B	4460027	1	Receptacle, Twistlock (110V Only)	
9B	70000124	1	Receptacle, Double (220V/50Hz Only)	
9B	70000125	1	Receptacle, Single (220V/50Hz Only)	
9B		Ref	Breaker, Circuit Options:	
9B	4360542	1	Breaker 110V/60Hz	
9B	70000126	1	Breaker 220V/50Hz	
9B	3520028	1	Plug, Hole	
9B	2920162	1	Lamp Assembly (Not Required on 2460055 Generator)	

SECTION 2 - TURNTABLE

ITEM	PART NUMBER	QTY	DESCRIPTION	REV
9B	7020191	1	Assembly) Switch, Toggle (Not Required on 2460055 Generator Assembly)	
9C		Ref	Voltmeter Options:	
9C	2420203	1	Voltmeter - 110V	
9C	7020192	1	Voltmeter - 220V	
9D		Ref	Pulley Options:	
9D	3580276	1	Pulley - 60Hz	
9D	3580134	1	Pulley - 50Hz	
9D	7027887	1	Key, Woodruff	
10	2820031	1	Heat Shrink (Not Shown - Located at Platform)	
11	3251102	1	Decal (Located at Platform)	
12	3311005	2	Locknut #10-24NC	
13	3311605	1	Locknut 3/8in-16NC	
14	3311705	1	Locknut 7/16in-14NC	
15	3520028	1	Plug, Hole	
16	3580315	1	Pulley	
17	3740080	1	Relay (Not Shown - Located Back Side of Engine Tray with Existing Relays)	
18	4060802	1	Guard, Switch (Located at Platform)	
19	4360336	1	Switch, Toggle - SPST (Located at Platform)	
20	4460023	1	Connector, Strain Relief	
21	4751000	8	Flatwasher #10 Regular	
22	4751500	1	Flatwasher 5/16in Regular	
23	4751600	6	Flatwasher 3/8in Regular	

SECTION 2 - TURNTABLE

FIGURE 2-25. 2500W GENERATOR INSTALLATION - DEUTZ MACHINES (OPTIONAL)



SECTION 2 - TURNTABLE

FIGURE 2-25. 2500W GENERATOR INSTALLATION - DEUTZ MACHINES (OPTIONAL)

ITEM	PART NUMBER	QTY	DESCRIPTION	REV
		Ref	2500W GENERATOR INSTALLATION OPTIONS:	
	0270498	Ref	110V Generator (Prior to SN 0300064404)	3-A
	0271346	Ref	110V Generator (SN 0300064404 through 0300064508)	3-C
	0272009	Ref	110V Generator (SN 0300064509 through 0300068835)	3-B
	0272614	Ref	110V Generator (SN 0300068836 through 0300082707)	4-C
	0274079	Ref	110V Generator (SN 0300082708 through 0300096000)	1-A
	0270499	Ref	220V Generator (Prior to SN 0300064404)	3-A
	0271347	Ref	220V Generator (SN 0300064404 through 0300064508)	3-C
	0272010	Ref	220V Generator (SN 0300064509 through 0300068835)	4-B
	0272615	Ref	220V Generator (SN 0300068836 through 0300082707)	2-B
	0274085	Ref	220V Generator (SN 0300082708 through 0300096000)	1-A
		Ref	Note: No Aftermarket Installation Kit Available. Use Items with (1, 2, 3C, 4C, 5 thru 7 & 9 thru 17, 19 thru 27, 30 & 31) for 110V Generator (1, 2, 3C, 4C, 5 thru 7 & 9 thru 17, 19 thru 27, 30 & 31) for 220V Generator.	
1	3580158	1	Pulley	
2		Ref	Generator and Control Box Assembly Options:	
2	2460011	1	110Volt Assembly (Prior to SN 0300064509)	
2	2460032	1	110Volt Assembly (SN 0300064509 through 0300082707)	
2	2460055	1	110Volt Assembly (SN 0300082708 through 0300096000)	
2	2460013	1	220Volt Assembly (Prior to SN 0300066060)	
2	2460034	1	220Volt Assembly (SN 0300066060 through 0300066685)	
2	2460013	1	220Volt Assembly (SN 0300066686 through 0300096000)	
2A	7012558	1	Generator Only - 110V	
2A	1001100321	1	Generator Only - 220V	
		Ref	Note: Replacement Generators come standard with p/n 3580134 pulley. This pulley may not be correct for all applications. Refer to pulley options below.	
2A		Ref	Armature with Slip Rings Options:	
2A	7026199	1	Armature with Slip Rings - 110V	
2A	70000123	1	Armature with Slip Rings - 220V	
2A	7012513	4	Cap, Brush Holder	
2A	7020108	4	Brush	
2A	7020109	4	Holder, Brush	
2A	7012514	1	Fan	
2A	7020110	1	Bell, Front	
2A	7020111	1	Bell, Rear	
2A	7020190	2	Bearing	
2A	7020193	1	Cord, Power	
2B	7003657	1	Box, Control - 110V (Prior to SN 0300082708)	
2B	7019680	1	Box, Control - 110V (SN 0300082708 through 0300096000)	
2B	70002235	1	Box, Control - 220V	
2B		Ref	Receptacle Options:	
2B	4460190	1	Receptacle, Standard (110V Only)	
2B	4460027	1	Receptacle, Twistlock (110V Only)	
2B	70000124	1	Receptacle, Double (220V/50Hz Only)	
2B	70000125	1	Receptacle, Single (220V/50Hz Only)	
2B		Ref	Breaker, Circuit Options:	
2B	4360542	1	Breaker 110V	
2B	70000126	1	Breaker 220V/50Hz	
2B	3520028	1	Plug, Hole	

SECTION 2 - TURNTABLE

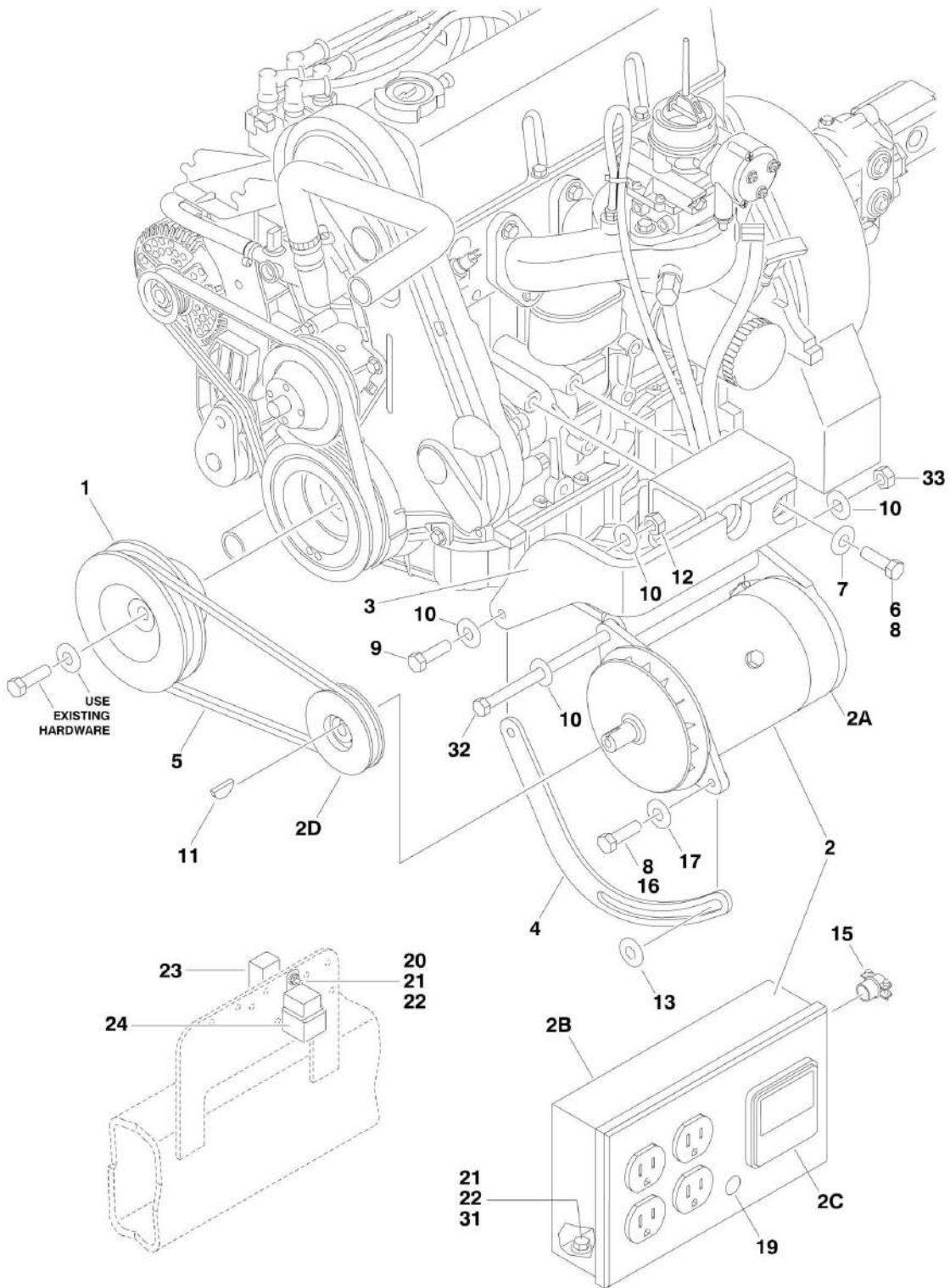
ITEM	PART NUMBER	QTY	DESCRIPTION	REV
2B	2920162	1	Lamp Assembly (Not Required on 2460055 Generator Assembly)	
2B	7020191	1	Switch, Toggle (Not Required on 2460055 Generator Assembly)	
2C		Ref	Voltmeter Options:	
2C	2420203	1	Voltmeter - 110V	
2C	7020192	1	Voltmeter - 220V	
2D		Ref	Pulley Options:	
2D	3580134	1	Pulley 110V (Prior to SN 0300064509)	
2D	3580276	1	Pulley 110V (SN 0300064509 through 0300096000)	
2D	3580134	1	Pulley 220V (Prior to SN 0300066060)	
2D	3580276	1	Pulley 220V (SN 0300066060 through 0300066885)	
2D	3580134	1	Pulley 220V (SN 0300066886 through 0300096000)	
2D	7027887	1	Key, Woodruff	
3		Ref	Bracket, Generator Mounting Options:	
3A	4845531	1	Bracket, Generator Mounting (Prior to SN 0300064404)	
3B	4846478	1	Bracket, Generator Mounting (Part of Engine Assembly) (SN 0300064404 through 0300068835)	
3C	4846567	1	Bracket, Generator Mounting (Part of Engine Assembly) (SN 0300068836 through 0300096000)	
4		Ref	Arm, Adjusting Options:	
4A	0200530	1	Arm, Adjusting (Prior to SN 0300064404)	
4B	0200741	1	Arm, Adjusting (SN 0300064404 through 0300068835)	
4C	0200742	1	Arm, Adjusting (SN 0300068836 through 0300096000)	
5		Ref	V-Belt Options:	
5	0480118	1	V-Belt (Prior to SN 0300064509)	
5	0480120	1	V-Belt (SN 0300064509 through 0300096000)	
6		Ref	Bolt Options:	
6	0701414	2	Bolt, Metric 14mm x 30mm (Prior to SN 0300064509)	
6	0641772	1	Bolt 7/16in-14NC x 9in (SN 0300064509 through 0300096000)	
7		Ref	Hardware Options:	
7	4751900	2	Flatwasher 9/16in Regular (Prior to SN 0300064509)	
7	3311705	1	Locknut 7/16in-14NC (SN 0300064509 through 0300096000)	
8	0100011	AR	Compound, Locking	
9		Ref	Bolt Options:	
9	0681612	3	Bolt 3/8in-16NC x 1-1/2in (Grade 8) (Prior to SN 0300064509)	
9	0641610	1	Bolt 3/8in-16NC x 1-1/4in (SN 0300064509 through 0300096000)	
10	4751600	6	Flatwasher 3/8in Regular	
11	2860012	1	Key, Woodruff	
12	3311605	1	Locknut 3/8in-16NC	
13	0700819	1	Bolt, Metric 8mm x 55mm (Prior to SN 0300064509)	
14	3740080	1	Relay	
15	4460023	1	Connector, Strain Relief	
16	0641508	1	Bolt 5/16in-18NC x 1in	
17	4751500	2	Flatwasher 5/16in Regular	
19	3520028	1	Plug, Hole	
20	0721006	AR	Bolt #10-24NC x 3/4in	
21	3311005	AR	Locknut #10-24NC	
22	4751000	AR	Flatwasher #10 Regular	
23	4360294	1	Breaker, Circuit - 30 Amp	
25	4360336	1	Switch, Toggle - SPST (Not Shown - Located at Platform)	

SECTION 2 - TURNTABLE

ITEM	PART NUMBER	QTY	DESCRIPTION	REV
26	4740397	1	Washer (Not Shown - Located at Platform)	
27	4060802	1	Guard, Switch (Not Shown - Located at Platform)	
29	2820031	1	Heat Shrink (Not Shown - Located at Platform)	
30	3251102	1	Decal (Not Shown - Located at Platform)	
31	0721008	2	Bolt #10-24NC x 1in	

SECTION 2 - TURNTABLE

FIGURE 2-26. 2500W GENERATOR INSTALLATION - FORD MACHINES (OPTIONAL) (Prior to SN 0300078473)



SECTION 2 - TURNTABLE

FIGURE 2-26. 2500W GENERATOR INSTALLATION - FORD MACHINES (OPTIONAL) (Prior to SN 0300078473)

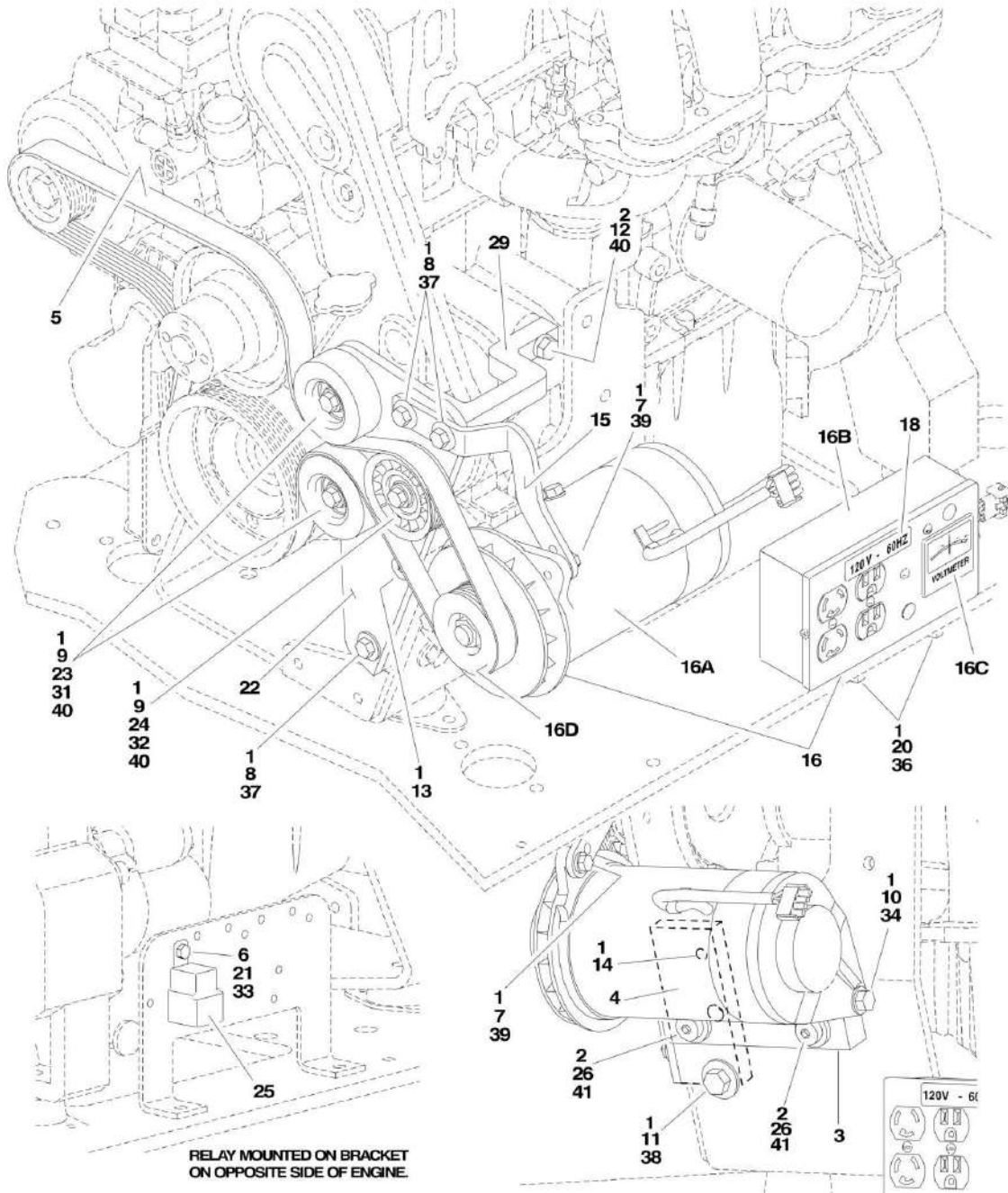
ITEM	PART NUMBER	QTY	DESCRIPTION	REV
		Ref	2500W GENERATOR INSTALLATION OPTIONS:	
	0270496	Ref	110V Generator without ADE System	3-A
	0271345	Ref	110V Generator with ADE System (Prior to SN 0300064509)	3-C
	0272008	Ref	110V Generator with ADE System (SN 0300064509 through 0300078473)	5-C
	0270497	Ref	220V Generator without ADE System	3-A
	0271348	Ref	220V Generator with ADE System (Prior to SN 0300064509)	3-C
	0272011	Ref	220V Generator with ADE System (SN 0300064509 through 0300078473)	4-B
1	3580250	1	Pulley	
2		Ref	Generator and Control Box Assembly Options:	
2	2460011	1	110Volt Assembly (Prior to SN 0300066060)	
2	2460032	1	110Volt Assembly (SN 0300066060 through 0300066477)	
2	2460044	1	110Volt Assembly (SN 0300066478 through 0300078473)	
2	2460013	1	220Volt Assembly (Prior to SN 0300066060)	
2	2460034	1	220Volt Assembly (SN 0300066060 through 0300066477)	
2	2460013	1	220Volt Assembly (SN 0300066478 through 0300078473)	
2A	7012558	1	Generator Only - 110V	
2A	1001100321	1	Generator Only - 220V	
		Ref	Note: Replacement Generators come standard with p/n 3580134 pulley. This pulley may not be correct for all applications. Refer to pulley options below.	
2A		Ref	Armature with Slip Rings Options:	
2A	7026199	1	Armature with Slip Rings - 110V	
2A	70000123	1	Armature with Slip Rings - 220V	
2A	7012513	4	Cap, Brush Holder	
2A	7020108	4	Brush	
2A	7020109	4	Holder, Brush	
2A	7012514	1	Fan	
2A	7020110	1	Bell, Front	
2A	7020111	1	Bell, Rear	
2A	7020190	2	Bearing	
2A	7020193	1	Cord, Power	
2B	7003657	1	Box, Control - 110V	
2B	70002235	1	Box, Control - 220V	
2B		Ref	Receptacle Options:	
2B	4460190	1	Receptacle, Standard (110V Only)	
2B	4460027	1	Receptacle, Twistlock (110V Only)	
2B	70000124	1	Receptacle, Double (220V Only)	
2B	70000125	1	Receptacle, Single (220V Only)	
2B		Ref	Breaker, Circuit Options:	
2B	4360542	1	Breaker 110V	
2B	70000126	1	Breaker 220V	
2B	3520028	1	Plug, Hole	
2B	2920162	1	Lamp Assembly	
2B	7020191	1	Switch, Toggle	
2C		Ref	Voltmeter Options:	
2C	2420203	1	Voltmeter - 110V	
2C	7020192	1	Voltmeter - 220V	
2D		Ref	Pulley Options:	

SECTION 2 - TURNTABLE

ITEM	PART NUMBER	QTY	DESCRIPTION	REV
2D	3580134	1	Pulley 110V (Prior to SN 0300066060)	
2D	3580276	1	Pulley 110V (SN 0300066060 through 0300066477)	
2D	3580307	1	Pulley 110V (SN 0300066478 through 0300078473)	
2D	3580134	1	Pulley 220V (Prior to SN 0300066060)	
2D	3580276	1	Pulley 220V (SN 0300066060 through 0300066477)	
2D	3580134	1	Pulley 220V (SN 0300066478 through 0300078473)	
2D	7027887	1	Key, Woodruff	
3		Ref	Bracket, Generator Mounting Options:	
3	0902210	1	Bracket, Generator Mounting (Prior to SN 0300064508)	
3	0902756	1	Bracket, Generator Mounting (SN 0300064508 through 0300078473)	
4	0200632	1	Arm, Adjusting	
5		Ref	V-Belt Options:	
5	0480118	1	Generator - 110V (Prior to SN 0300066060)	
5	0480111	NLA	Generator - 110V (Use p/n 0480134) (SN 0300066060 through 0300073859)	
5	0480134	1	Generator - 110V (SN 0300073860 through 0300078473)	
5	0480118	1	Generator - 220V	
6	0701015	2	Bolt, Metric 10mm-1.5 x 35mm	
7	4812000	2	Flatwasher 10mm	
8	0100011	AR	Compound, Locking	
9	0681612	AR	Bolt 3/8in-16NC x 1-1/2in (Grade 8)	
10	4751600	6	Flatwasher 3/8in Regular	
11	2860012	1	Key, Woodruff	
12	3311605	1	Locknut 3/8in-16NC	
13	4564417	1	Spacer, Tube	
15	4460023	1	Connector, Strain Relief	
16	0641508	1	Bolt 5/16in-18NC x 1in	
17	4751500	2	Flatwasher 5/16in Regular	
19	3520028	1	Plug, Hole	
20	0721006	AR	Bolt #10-24NC x 3/4in	
21	3311005	AR	Locknut #10-24NC	
22	4751000	AR	Flatwasher #10 Regular	
23	4360294	1	Breaker, Circuit - 30 Amp (Prior to SN 0300069330)	
24	3740080	1	Relay, Bosch	
25	4360336	1	Switch, Toggle - SPST (Not Shown - Located at Platform)	
26	4740397	1	Washer (Not Shown - Located at Platform)	
27	4060802	1	Guard, Switch (Not Shown - Located at Platform)	
29	2820031	1	Heat Shrink (Not Shown - Located at Platform)	
30	3251102	1	Decal (Not Shown - Located at Platform)	
31	0721008	2	Bolt #10-24NC x 1in	
32	0641772	1	Bolt 7/16in-14NC x 9in (SN 0300064509 through 0300078473)	
33	3311705	1	Locknut 7/16in-14NC (SN 0300064509 through 0300078473)	

SECTION 2 - TURNTABLE

FIGURE 2-27. 2500W GENERATOR INSTALLATION - FORD MACHINES (OPTIONAL) (SN 0300078473 through 0300096000)



SECTION 2 - TURNTABLE

FIGURE 2-27. 2500W GENERATOR INSTALLATION - FORD MACHINES (OPTIONAL) (SN 0300078473 through 0300096000)

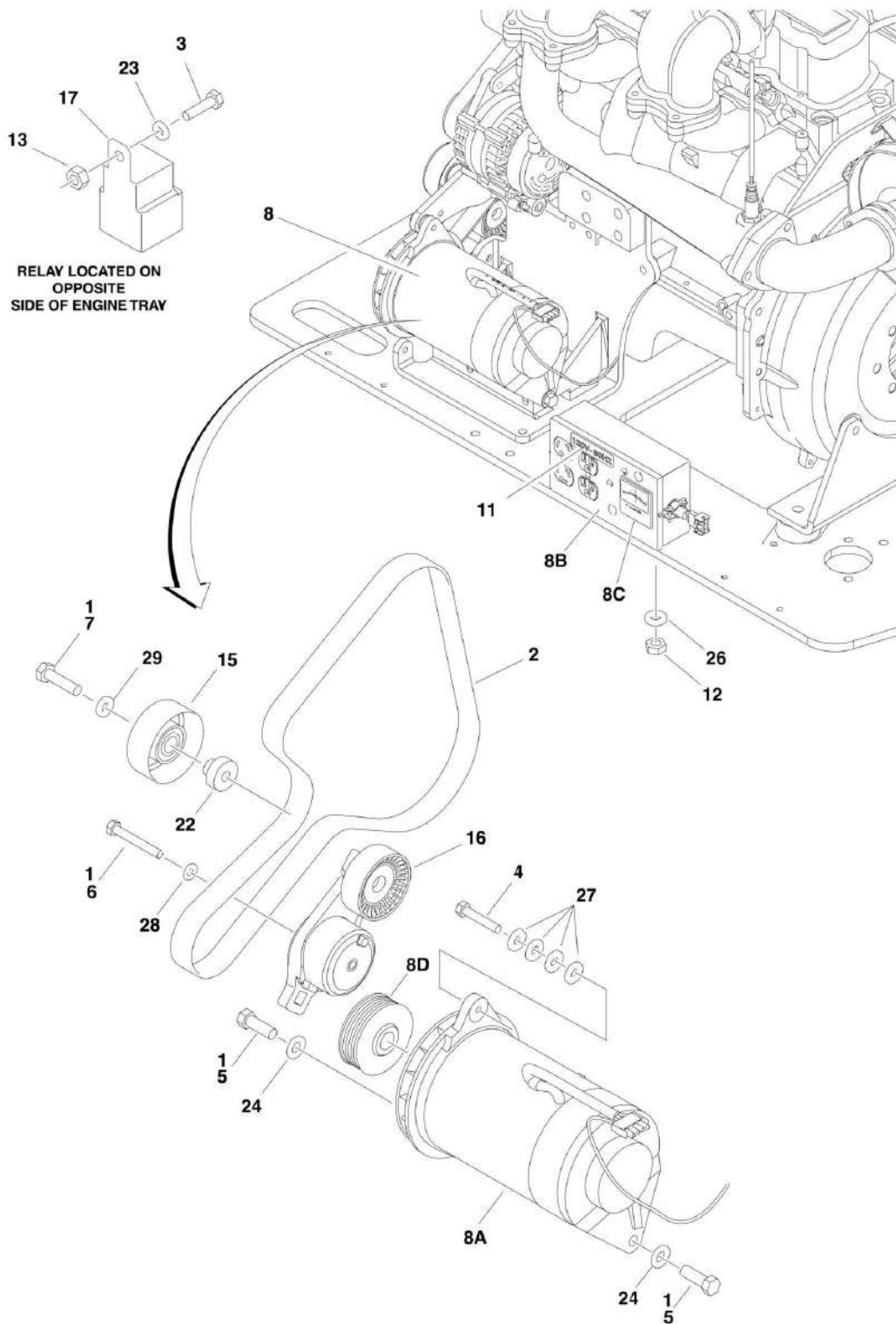
ITEM	PART NUMBER	QTY	DESCRIPTION	REV
		Ref	2500W ENERATOR INSTALLATION OPTIONS:	
	0273507	Ref	110V Generator with ADE System (SN 0300078473 through 0300096000)	B
	0273511	Ref	220V Generator with ADE System (SN 0300078473 through 0300096000)	A
1	0100011	AR	Compound, Locking	
2	0100019	AR	Compound, Locking	
3	0363082	1	Bar, Generator Adjuster	
4	0363097	1	Bar, Pulley Mounting	
5	0480135	1	V-Belt	
6	0641405	1	Bolt 1/4in-20NC x 5/8in	
7	0641508	1	Bolt 5/16in-18NC x 1in	
8	0641611	3	Bolt 3/8in-16NC x 1-3/8in	
9	0641612	3	Bolt 3/8in-16NC x 1-1/2in	
10	0641718	2	Bolt 7/16in-14NC x 2-1/4in	
11	0641810	1	Bolt 1/2in-13NC x 1-1/4in	
12	0701015	1	Bolt 10mm x 35mm	
13	0741606	1	Screw, Countersunk 3/8in-16NC x 3/4in	
14	0741808	1	Screw, Countersunk 1/2in-13NC x 1in	
15	0902952	1	Bracket, Generator Mounting	
16		Ref	Generator and Control Box Assembly Options:	
16	2460051	1	110Volt Assembly	
16	2460052	1	220Volt Assembly	
16A	7012558	1	Generator Only - 110V	
16A	1001100321	1	Generator Only - 220V	
		Ref	Note: Replacement Generators come standard with p/n 3580134 pulley. This pulley may not be correct for all applications. Refer to pulley options below.	
16A		Ref	Armature with Slip Rings Options:	
16A	7026199	1	Armature with Slip Rings - 110V	
16A	70000123	1	Armature with Slip Rings - 220V	
16A	7012513	4	Cap, Brush Holder	
16A	7020108	4	Brush	
16A	7020109	4	Holder, Brush	
16A	7012514	1	Fan	
16A	7020110	1	Bell, Front	
16A	7020111	1	Bell, Rear	
16A	7020190	2	Bearing	
16A	7020193	1	Cord, Power	
16B	7019680	1	Box, Control - 110V	
16B	70000127	1	Box, Control - 220V	
16B		Ref	Receptacle Options:	
16B	4460190	1	Receptacle, Standard (110V Only)	
16B	4460027	1	Receptacle, Twistlock (110V Only)	
16B	70000124	1	Receptacle, Double (220V Only)	
16B	70000125	1	Receptacle, Single (220V Only)	
16B		Ref	Breaker, Circuit Options:	
16B	4360542	1	Breaker 110V	
16B	70000126	1	Breaker 220V	
16B	3520028	1	Plug, Hole	

SECTION 2 - TURNTABLE

ITEM	PART NUMBER	QTY	DESCRIPTION	REV
16C		Ref	Voltmeter Options:	
16C	2420203	1	Voltmeter - 110V	
16C	7020192	1	Voltmeter - 220V	
16D		Ref	Pulley Options:	
16D	3580324	1	Pulley 110V	
16D	3580325	1	Pulley 220V	
16D	7027887	1	Key, Woodruff	
17	2820031	AR	Heat Shrink (Not Shown - Located at Platform)	
18		Ref	Decal	
18	1702590	1	110V Generator	
18	3251243	1	220V Generator	
19	3252764	1	Nameplate (Not Shown - Located at Platform)	
20	3311005	2	Locknut #10-24NC	
21	3311405	1	Locknut 1/4in-20NC	
22	3574225	1	Plate, Pulley Mounting	
23	3580312	2	Pulley, Idler	
24	3580313	1	Pulley, Grooved Idler	
25	3740080	1	Relay, Bosch	
26	3900322	2	Screw, Shoulder	
27	4060802	1	Guard, Switch (Not Shown - Located at Platform)	
28	4240018	AR	Tie-Strap (Not Shown)	
29	4340738	1	Support, Idler Pulley	
30	4360336	1	Switch, Toggle - SPST (Not Shown - Located at Platform)	
31	4568734	2	Spacer, Tube (Idler Pulley Non-Grooved)	
32	4568735	1	Spacer, Tube (Idler Pulley Grooved)	
33	4711400	1	Flatwasher 1/4in Thin	
34	4711700	2	Flatwasher 7/16in Thin	
35	4740397	1	Spacer (Not Shown - Located at Platform)	
36	4751000	2	Flatwasher #10 Regular	
37	4751600	3	Flatwasher 3/8in Regular	
38	4751800	1	Flatwasher 1/2in Regular	
39	4891500	1	Flatwasher 5/16in Hardened	
40	4891600	4	Flatwasher 3/8in Hardened	
41	4892000	2	Flatwasher 5/8in Hardened	

SECTION 2 - TURNTABLE

FIGURE 2-28. 2500W GENERATOR INSTALLATION - GM MACHINES (OPTIONAL)



SECTION 2 - TURNTABLE

FIGURE 2-28. 2500W GENERATOR INSTALLATION - GM MACHINES (OPTIONAL)

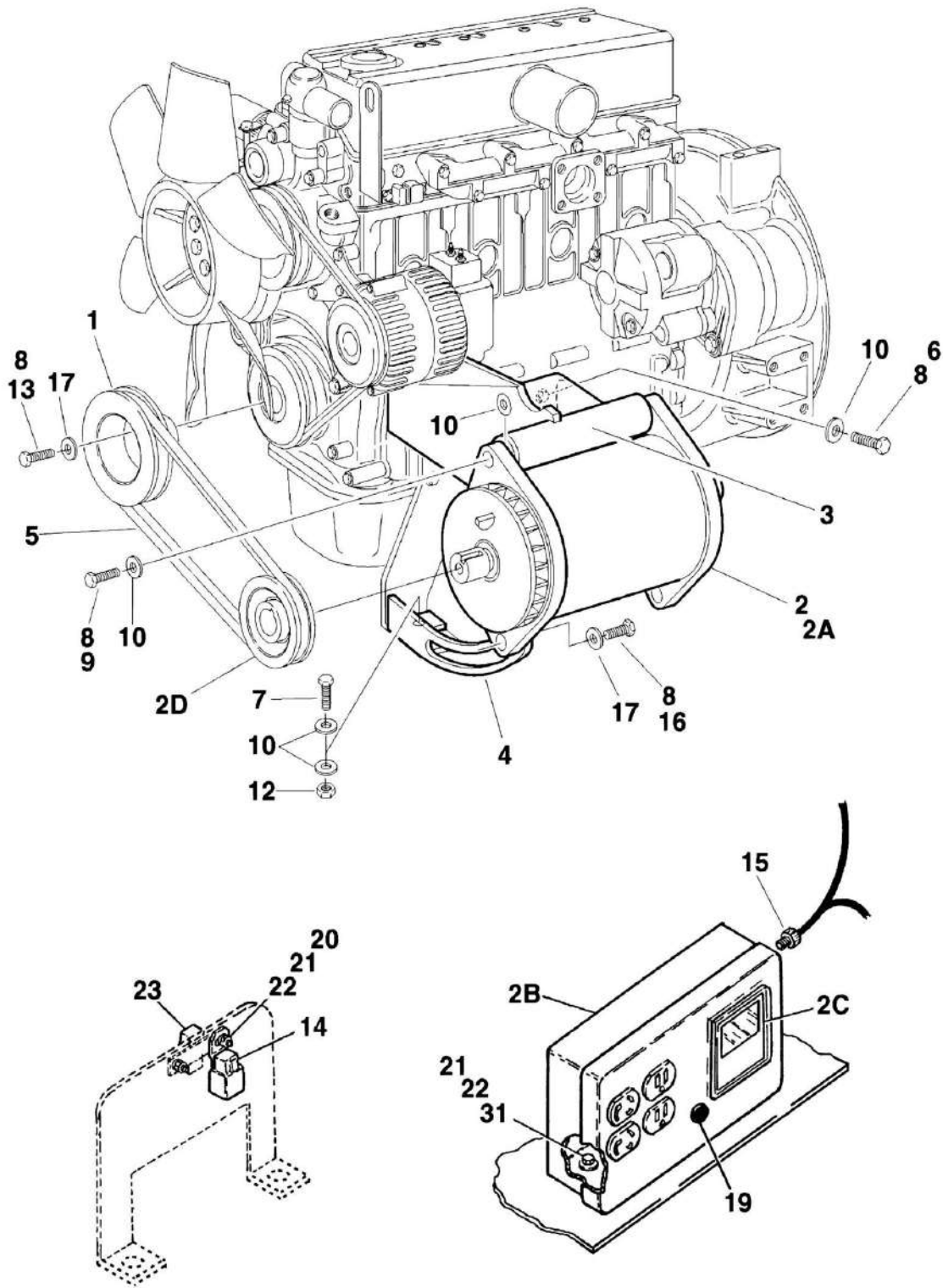
ITEM	PART NUMBER	QTY	DESCRIPTION	REV
		Ref	2500W ENERATOR INSTALLATION OPTIONS:	
	0275039	Ref	110V Generator	D
	See Note	Ref	220V Generator (Note: Not Available for Purchase)	
1	0100011	AR	Compound, Locking	
2	0480142	1	V-Belt	
3	0641405	1	Bolt 1/4in-20NC x 5/8in	
4	0641510	1	Bolt 5/16in-18NC x 1-1/4in	
5	0641710	2	Bolt 7/16in-14NC x 1-1/4in	
6	0700820	1	Bolt 8mm x 60mm	
7	0701016	1	Bolt 10mm x 340mm	
8		Ref	Generator and Control Box Assembly Options:	
8	2460051	1	110 Volt Assembly	
8	2460052	1	220 Volt Assembly	
8A	7012558	1	Generator Only - 110V	
8A	1001100321	1	Generator Only - 220V	
		Ref	Note: Replacement Generators come standard with p/n 3580134 pulley. This pulley may not be correct for all applications. Refer to pulley options below.	
8A		Ref	Armature with Slip Rings Options:	
8A	7026199	1	Armature with Slip Rings - 110V	
8A	70000123	1	Armature with Slip Rings - 220V	
8A	7012513	4	Cap, Brush Holder	
8A	7020108	4	Brush	
8A	7020109	4	Holder, Brush	
8A	7012514	1	Fan	
8A	7020110	1	Bell, Front	
8A	7020111	1	Bell, Rear	
8A	7020190	2	Bearing	
8A	7020193	1	Cord, Power	
8B	7019680	1	Box, Control - 110V	
8B	70000127	1	Box, Control - 220V	
8B		Ref	Receptacle Options:	
8B	4460190	1	Receptacle, Standard (110V Only)	
8B	4460027	1	Receptacle, Twistlock (110V Only)	
8B	70000124	1	Receptacle, Double (220V Only)	
8B	70000125	1	Receptacle, Single (220V Only)	
8B		Ref	Breaker, Circuit Options:	
8B	4360542	1	Breaker 110V	
8B	70000126	1	Breaker 220V	
8B	3520028	1	Plug, Hole	
8C		Ref	Voltmeter Options:	
8C	2420203	1	Voltmeter - 110V	
8C	7020192	1	Voltmeter - 220V	
8D		Ref	Pulley Options:	
8D	3580324	1	Pulley 110V	
8D	3580325	1	Pulley 220V	
8D	7027887	1	Key, Woodruff	
9	2820031	AR	Heat Shrink (Not Shown - Located at Platform)	
10	3251102	1	Nameplate - Generator (Not Shown - Located at Platform)	
11		Ref	Decal	

SECTION 2 - TURNTABLE

ITEM	PART NUMBER	QTY	DESCRIPTION	REV
11	3251243	1	110 Volt Generator	
11	1702590	1	220 Volt Generator	
12	3311005	2	Locknut # 10-24NC	
13	3311405	1	Locknut 1/4in-20NC	
15	3580312	1	Pulley, Idler	
16	3580348	1	Tensioner, Belt	
17	3740080	1	Relay, Bosch	
18	4060802	1	Guard, Switch (Not Shown - Located at Platform)	
19	4240018	AR	Tie-Strap (Not Shown)	
20	4360336	1	Switch, Toggle (Not Shown - Located at Platform)	
21	4460906	3	Terminal (Not Shown)	
22	4568735	1	Spacer, Tube (Idler Pulley Grooved)	
23	4711400	1	Flatwasher 1/4in Thin	
24	4711700	2	Flatwasher 7/16in Thin	
25	4740397	1	Spacer (Not Shown - Located at Platform)	
26	4751000	2	Flatwasher #10 Regular	
27	4751500	4	Flatwasher 5/16in Regular	
28	4811900	1	Flatwasher 8mm	
29	4891600	1	Flatwasher 3/8in Hardened	

SECTION 2 - TURNTABLE

FIGURE 2-29. 2500W GENERATOR INSTALLATION - ISUZU MACHINES (OPTIONAL)



SECTION 2 - TURNTABLE

FIGURE 2-29. 2500W GENERATOR INSTALLATION - ISUZU MACHINES (OPTIONAL)

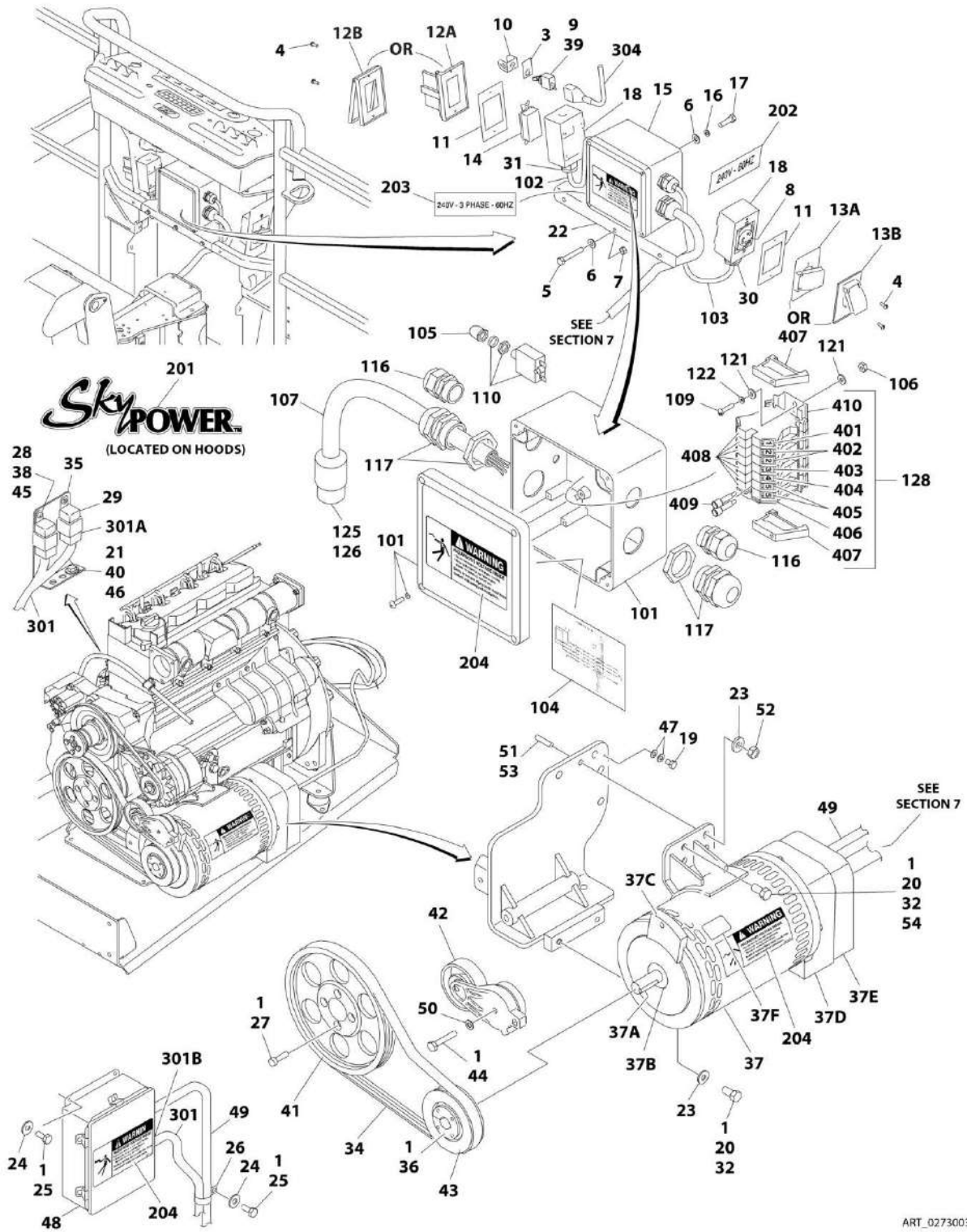
ITEM	PART NUMBER	QTY	DESCRIPTION	REV
		Ref	2500W GENERATOR INSTALLATION OPTIONS:	
	0259000	Ref	110V Generator	3-B
	0259001	Ref	220V Generator	4-B
1	3580280	1	Pulley	
2		Ref	Generator and Control Box Assembly Options:	
2	2460032	1	110Volt Assembly	
2	2460013	1	220Volt Assembly (Prior to SN 0300066060)	
2	2460034	1	220Volt Assembly (SN 0300066060 through 0300066477)	
2	2460013	1	220Volt Assembly (SN 0300066478 through 0300096000)	
2A	7012558	1	Generator Only - 110V	
2A	1001100321	1	Generator Only - 220V	
		Ref	Note: Replacement Generators come standard with p/n 3580134 pulley. This pulley may not be correct for all applications. Refer to pulley options below.	
2A		Ref	Armature with Slip Rings Options:	
2A	7026199	1	Armature with Slip Rings - 110V	
2A	70000123	1	Armature with Slip Rings - 220V	
2A	7012513	4	Cap, Brush Holder	
2A	7020108	4	Brush	
2A	7020109	4	Holder, Brush	
2A	7012514	1	Fan	
2A	7020110	1	Bell, Front	
2A	7020111	1	Bell, Rear	
2A	7020190	2	Bearing	
2A	7020193	1	Cord, Power	
2B	7003657	1	Box, Control - 110V	
2B	70002235	1	Box, Control - 220V	
2B		Ref	Receptacle Options:	
2B	4460190	1	Receptacle, Standard (110V Only)	
2B	4460027	1	Receptacle, Twistlock (110V Only)	
2B	70000124	1	Receptacle, Double (220V Only)	
2B	70000125	1	Receptacle, Single (220V Only)	
2B		Ref	Breaker, Circuit Options:	
2B	4360542	1	Breaker 110V	
2B	70000126	1	Breaker 220V	
2B	3520028	1	Plug, Hole	
2B	2920162	1	Lamp Assembly	
2B	7020191	1	Switch, Toggle	
2C		Ref	Voltmeter Options:	
2C	2420203	1	Voltmeter - 110V	
2C	7020192	1	Voltmeter - 220V	
2D		Ref	Pulley Options:	
2D	3580276	1	Pulley 110V	
2D	3580134	1	Pulley 220V (Prior to SN 0300066060)	
2D	3580276	1	Pulley 220V (SN 0300066060 through 0300066477)	
2D	3580134	1	Pulley 220V (SN 0300066478 through 0300078473)	
2D	7027887	1	Key, Woodruff	
3	4845969	1	Bracket, Generator Mounting	
4	0200664	1	Arm, Adjusting	
5	0480056	1	V-Belt	

SECTION 2 - TURNTABLE

ITEM	PART NUMBER	QTY	DESCRIPTION	REV
6	0701012	2	Bolt, Metric 10mm x 25mm	
7	0641610	1	Bolt 3/8in-16NC x 1-1/4in	
8	0100011	AR	Compound, Locking (Not Shown)	
9	0681612	2	Bolt 3/8in-16NC x 1-1/2in (Grade 8)	
10	4751600	8	Flatwasher 3/8in Regular	
12	3311605	1	Locknut 3/8in-16NC	
13	0700814	4	Bolt, Metric 8mm x 30MM	
14	3740080	1	Relay	
15	4460023	1	Connector, Strain Relief	
16	0641508	1	Bolt 5/16in-18NC x 1in	
17	4751500	5	Flatwasher 5/16in Regular	
19	3520028	1	Plug, Hole	
20	0721006	3	Bolt #10-24NC x 3/4in	
21	3311005	5	Locknut #10-24NC	
22	4751000	11	Flatwasher #10 Regular	
23	4360501	1	Breaker, Circuit - 30 Amp	
25	4360336	1	Switch, Toggle - SPST (Not Shown - Located at Platform)	
26	4740397	1	Washer (Not Shown - Located at Platform)	
27	4060802	1	Guard, Switch (Not Shown - Located at Platform)	
29	2820031	1	Heat Shrink (Not Shown - Located at Platform)	
30	3251102	1	Decal (Not Shown - Located at Platform)	
31	0721008	2	Bolt #10-24NC x 1in	

SECTION 2 - TURNTABLE

FIGURE 2-30. 7500W SKYPOWER GENERATOR INSTALLATION - CATERPILLAR AND DEUTZ ENGINES



ART_0273003

SECTION 2 - TURNTABLE

FIGURE 2-30. 7500W SKYPOWER GENERATOR INSTALLATION - CATERPILLAR AND DEUTZ ENGINES

ITEM	PART NUMBER	QTY	DESCRIPTION	REV
		Ref	7500W SKYPOWER GENERATOR INSTALLATION	
	0273003	Ref	60Hz and Caterpillar Engine (ANSI, ANSI Export, CSA and Japanese Specs)	K
	0273004	Ref	50Hz and Caterpillar Engine (ANSI Export, Australian and Japanese Specs)	G
	0272597	Ref	60Hz and Deutz Engine (ANSI, ANSI Export, CSA and Japanese Specs)	L
	0272596	Ref	50Hz and Deutz Engine (ANSI Export, Australian and Japanese Specs)	J
1	0100011	AR	Compound, Locking	
2	4933264	1	Electrical Diagram (Not Shown) (See Items 301-304 For Breakdown)	
3	3252764	1	Nameplate	
4	3910606	8	Screw #6 x 3/8	
5	0641516	3	Bolt 5/16 x 2	
6	4711500	10	Washer 5/16	
7	3311505	3	Locknut 5/16	
8		Ref	Receptacle, Female Twist-Lock Options:	
8	4460958	1	60Hz	
8	See Note	NSS	50Hz (Note: Not Available - Purchase Locally)	
9	4360336	1	Switch, Toggle	
10	4060802	1	Guard, Switch	
11		Ref	Gasket Options:	
11	3960422	AR	60Hz	
11	See Note	NSS	50Hz (Note: Not Available - Purchase Locally)	
12		Ref	Cover, Receptacle Options:	
12	See Note	NSS	Cover for 50Hz (Note: Not Available - Purchase Locally)	
12A	4060700	1	Cover - Side Hinged for 60Hz	
12B	1001110873	1	Cover - Top Hinged for 60Hz	
13		Ref	Cover, Receptacle Options:	
13	See Note	NSS	Cover for 50Hz (Note: Not Available - Purchase Locally)	
13A	4061043	1	Cover - Side Hinged for 60Hz	
13B	1001110872	1	Cover - Top Hinged for 60Hz	
14		Ref	Receptacle Options:	
14	4460346	1	60Hz	
14	See Note	NSS	50Hz (Note: Not Available - Purchase Locally)	
15		Ref	Junction Box Assembly Options:	
15	0861542	1	60Hz (See Items 101-128 for Breakdown)	
15	0861567	1	50Hz (See Items 101-128 for Breakdown)	
16	4751500	4	Washer 5/16	
17	0641505	4	Bolt 5/16 x 5/8	
18		Ref	Box, Switch Options:	
18	0860038	AR	60Hz	
18	See Note	NSS	50Hz (Note: Not Available - Purchase Locally)	
19	0641403	1	Bolt 1/4 x 3/8	
20	0641808	4	Bolt 1/2 x 1	
21	0641408	1	Bolt 1/4 x 1	
22	0902888	1	Bracket, Box Mounting	
23	4711800	4	Washer 1/2	
24	4711400	5	Washer 1/4	

SECTION 2 - TURNTABLE

ITEM	PART NUMBER	QTY	DESCRIPTION	REV
25	0641404	5	Bolt 1/4 x 1/2	
26	1320318	1	Clamp	
27		Ref	Bolt Options:	
27	0701217	3	Bolt M12 x 45 (Caterpillar Engine)	
27	4032015	4	Bolt M10 x 55 (Deutz Engine)	
28	0721004	2	Screw #10 x 1/2	
29	3740080	2	Relay	
30	4460051	1	Connector, Strain Relief	
31	4460071	1	Connector, Strain Relief	
32	0100019	AR	Compound, Locking	
33	4240018	1	Tie-Strap (Not Shown)	
34		Ref	Belt Options:	
34		Ref	60Hz Generator Belt Options:	
34	0480129	1	Caterpillar Engine	
34	0480128	1	Deutz Engine	
34		Ref	50Hz Generator Belt Options:	
34	0480126	1	Caterpillar Engine	
34	0480128	1	Deutz Engine	
35		Ref	Bracket (Caterpillar Engine)	
35	3574163	1	Caterpillar Engine	
35	See Note	NSS	Deutz Engine	
36	0962520	1	Bushing, Split Taper	
37		Ref	Generator Assembly Options:	
37	2460048	1	Generator Assembly (Caterpillar Engine)	D
37	2460048	1	Generator Assembly (Deutz Engine)	
37	70001100	1	Rotor (Includes p/ns 70001384 & 70000863) (Not Shown)	
37	70001384	1	Bearing, Ball Radial (Not Shown)	
37	70000863	1	Fan (Not Shown)	
37	70002088	1	Stator (Not Shown)	
37	70002297	1	Stud	
37	7024484	NLA	Brushholder Assembly (Not Shown) (Use p/n 70003631)	
37A	7024561	NLA	Key (was p/n 70004171)	
37B	70001966	1	Bearing, Ball Radial (Located in Belt Tensioner Endbell)	
37B	70003708	1	Ring, Internal Retaining (Located in Belt Tensioner Endbell)	
37B	70003709	1	Ring, External Retaining (Located in Belt Tensioner Endbell)	
37C	70001953	1	Endbell, Belt Tensioner	
37D		Ref	Endbell, Brush Block Options	
37D	70001385	NLA	Caterpillar Engine Machines (Use p/n 70004170)	
37D	70001385	NLA	Deutz Engine Machines (Use p/n 70004169)	
37E		Ref	Shroud Options:	
37E	70004170	1	Caterpillar Engine	
37E	70002290	NLA	Deutz Engine (Use p/n 70004169)	
37E	7027799	1	Block, Connector 6 Position (Not Shown)	
37E	7026626	1	Connector - 6 Position with Seal (Not Shown)	
37E	70002460	1	Nut, Brass (Attaches p/n 7027799 to Cover) (Not Shown)	
37E	7024485	1	Breaker, Circuit 30Amp (Not Shown)	
37E	7024486	NLA	Boot, Breaker (Use p/n 70001696 - Not Shown)	
37E	7026597	1	Connector, with Leads (Not Shown)	
37E	7026188	1	Clamp, Cable (Not Shown)	
37E		Ref	Plate, End Panel Options:	
37E	70001972	NLA	Caterpillar Engine (Use p/n 70004170)	

SECTION 2 - TURNTABLE

ITEM	PART NUMBER	QTY	DESCRIPTION	REV
37E	70002255	NLA	Deutz Engine (Use p/n 70004169)	
37E	70001974	1	Decal - Terminal Connections	
37F	70001973	1	Decal - Warning Moving Parts	
38	3311005	2	Nut #10	
39	2820031	1	Insulator	
40	3311405	1	Nut 1/4	
41		Ref	Pulley Options:	
41	3580316	1	Pulley (Caterpillar Engine)	
41	3580320	1	Pulley (Deutz Engine)	
42	3580317	1	Tensioner, Belt	
43	3580318	1	Pulley	
44	0641618	1	Bolt 3/8 x 2-1/4	
45	4751000	4	Washer #10	
46	4751400	2	Washer 1/4	
47	4791400	2	Washer 1/4	
48		Ref	Control Box Assembly Options:	
48	0861538	1	60Hz Control Box Assembly (ANSI and ANSI Export Specs)	
48	0861572	1	50Hz Control Box Assembly (ANSI Export, Australian and CE Specs)	
48	7024488	1	Card, Circuit - Generator Power	
48	See Note	1	Fuse (Note: Not Available - Purchase Locally)	
48	7024489	1	Card, Circuit - Control	
		Ref	Note: Same Circuit Card (P/N 7024489) is used for both 60Hz & 50Hz. When replacing card, rocker switch on card must be set for required application.	
48	70000619	1	Harness, Circuit Card	
49	4922925	1	Harness, Generator	
50	4711600	1	Washer 3/8	
51	4300157	1	Stud (Deutz Engine)	
52	3311801	1	Nut 1/2	
53	0100062	1	Loctite, #RC680	
54	0771415	1	Bolt M14 x 35 Grade 10.9 (Deutz Engine)	
		Ref	JUNCTION BOX ASSEMBLY	
	0861542	Ref	60Hz Specs	D
	0861567	Ref	50Hz Specs	B
101	0861541	1	Box, Junction	
102		Ref	Cable, Electrical 12/3 Options:	
102	1060494	2 ft/.6m	60Hz Specs	
102	See Note	NSS	50Hz Specs (Note: Not Available - Purchase Locally)	
103		Ref	Cable, Electrical 10/3 Options:	
103	1060708	2.5 ft/.76m	60Hz Specs	
103	See Note	NSS	50Hz Specs (Note: Not Available - Purchase Locally)	
104	1705376	1	Decal - Wiring Schematic	
105	3300396	1	Cover, Fuse	
106	3310601	2	Nut 6-32NC	
107	1060343	1.5 ft/.46m	Cable, Electrical 10/4 (60Hz Spec Only)	
107	3520189	1	Plug (50Hz Spec Only)	
109	3910610	2	Bolt 6-32NC x 5/8	
110	4360070	1	Circuit Breaker - 15Amp	
116	4460425	2	Strain Relief, Terminal	

SECTION 2 - TURNTABLE

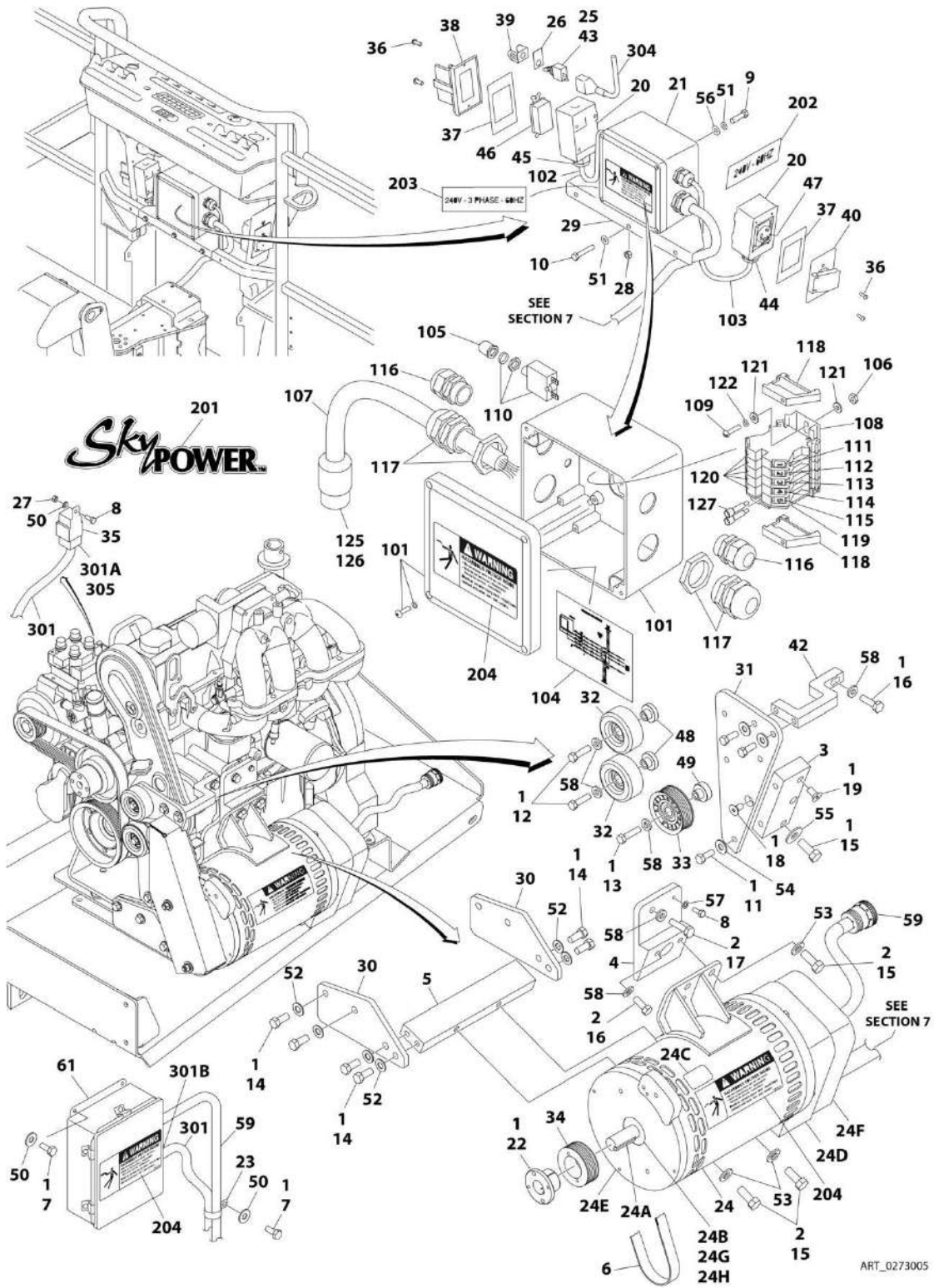
ITEM	PART NUMBER	QTY	DESCRIPTION	REV
117	4460426	4	Connector, Strain Relief	
121	4750600	4	Flatwasher #6 Regular	
122	4760600	2	Lockwasher #6	
125	1671092	1	Cover (60Hz Spec Only)	
126	4460963	1	Connector (60Hz Spec Only)	
128		Ref	Terminal Block Assembly Options (See Items 401-410 for Breakdown):	
128	NPN	1	Gray Terminal Block Assembly	
128	1001121340	1	Tan Terminal Block Assembly	
		Ref	DECAL INSTALLATION	
	0272435	Ref	60Hz Specs	B
	0272589	Ref	50Hz Specs	A
201	1705460	2	Decal - SkyPower	
202	1705374	1	Decal - 240V - 60Hz (60Hz Spec Only)	
203		Ref	Decal - 240V - 3 Phase Options:	
203	1705375	1	60Hz Specs	
203	1705461	1	50Hz Specs	
204		Ref	Decal, Hazardous Voltage Options:	
204	1705387	3	60Hz Specs	
204	1705489	3	50Hz Specs	
	4933264	Ref	ELECTRICAL DIAGRAM COMPONENTS	C
301	4922757	1	Generator Harnes (See ELECTRICAL SECTION for Breakdown)	3-C
301A	4460374	2	Plug, Sealed Relay	
301A	4460375	7	Terminal	
301B	4460967	1	Plug, Male - 3 Position	
301B	4460465	3	Socket, Female	
301C	2400060	1	Fuseholder (Not Shown)	
301C	2400064	1	Fuse - 5Amp (Not Shown)	
304	4922641	1	Switch Harness	
		Ref	TERMINAL BLOCK ASSEMBLY	
	NPN	Ref	Gray Terminal Block Assembly (Complete Assembly Not Available - Purchase Individual Components)	
	1001121340	Ref	Tan Terminal Block Assembly	A
401		Ref	Marker Strip #1 Options:	
401	4460411	2	Gray Terminal Block Assembly	
401	70002818	2	Tan Terminal Block Assembly	
402		Ref	Marker Strip #2 Options:	
402	4460412	4	Gray Terminal Block Assembly	
402	70002819	4	Tan Terminal Block Assembly	
403		Ref	Marker Strip #3 Options:	
403	4460413	2	Gray Terminal Block Assembly	
403	70002820	2	Tan Terminal Block Assembly	
404		Ref	Marker Strip #4 Options:	
404	4460414	2	Gray Terminal Block Assembly	
404	70002821	2	Tan Terminal Block Assembly	
405		Ref	Marker Strip #5 Options:	
405	4460415	AR	Gray Terminal Block Assembly	
405	70002822	4	Tan Terminal Block Assembly	
406		Ref	Terminal, End Barrier Options:	
406	4460956	1	Gray Terminal Block Assembly	
406	70002823	1	Tan Terminal Block Assembly	
407		Ref	Terminal, End Block Options:	

SECTION 2 - TURNTABLE

ITEM	PART NUMBER	QTY	DESCRIPTION	REV
407	4460607	2	Gray Terminal Block Assembly	
407	70002824	2	Tan Terminal Block Assembly	
408		Ref	Terminal, Block Options:	
408	4460957	AR	Gray Terminal Block Assembly	
408	70002825	7	Tan Terminal Block Assembly	
409		Ref	Terminal, Cross Connector Jumper Options:	
409	4461001	2	Gray Terminal Block Assembly	
409	70002826	2	Tan Terminal Block Assembly	
410	3641533	1	Rail, Relay	

SECTION 2 - TURNTABLE

FIGURE 2-31. 7500W SKYPOWER GENERATOR INSTALLATION - FORD ENGINES



SECTION 2 - TURNTABLE

FIGURE 2-31. 7500W SKYPOWER GENERATOR INSTALLATION - FORD ENGINES

ITEM	PART NUMBER	QTY	DESCRIPTION	REV
	0273005	Ref	7500W SKYPOWER GENERATOR INSTALLATION - FORD ENGINES	F
1	0100011	AR	Compound, Locking	
2	0100019	AR	Compound, Locking	
3	0363097	1	Bar, Pulley Mount	
4	0363201	1	Bar, Generator Mount (Top)	
5	0363202	1	Bar, Generator Mount (Bottom)	
6	0480131	1	Belt, Generator	
7	0641404	5	Bolt 1/4 x 1/2	
8	0641405	3	Bolt 1/4 x 5/8	
9	0641505	4	Bolt 5/16 x 5/8	
10	0641516	3	Bolt 5/16 x 2	
11	0641608	3	Bolt 3/8 x 1	
12	0641611	2	Bolt 3/8 x 1-3/8	
13	0641612	1	Bolt 3/8 x 1-1/2	
14	0641708	8	Bolt 7/16 x 1	
15	0641810	5	Bolt 1/2 x 1-1/4	
16	0701015	2	Bolt M10 x 35	
17	0701016	1	Bolt M10 x 40	
18	0741606	1	Screw, Flathead Countersunk 3/8 x 3/4	
19	0741808	1	Screw, Flathead Countersunk 1/2 x 1	
20	0860038	2	Box, Switch	
21	0861542	1	Junction Box Assembly (See Items 101-127 for Breakdown)	
22	0962520	1	Bushing, Split Taper	
23	1320224	1	Clamp	
24	2460048	1	Generator Assembly	
24	70244847	NLA	Brushholder Assembly (Not Shown) (Use p/n 0003631)	
24	7024485	1	Breaker, Circuit 30Amp (Not Shown)	
24	70001696	1	Boot, Breaker (was p/n 7024486 - Not Shown)	
24	70001966	1	Bearing, Ball Radial (Located In Belt Tensioner Endbell - Not Shown)	
24	7027799	1	Block, Connector - 6 Position (Not Shown)	
24	70002460	6	Nut, Brass (Attaches p/n 7027799 to Cover) (Not Shown)	
24	7026188	1	Clamp, Cable (Not Shown)	
24	7026597	1	Connector, with Leads (Not Shown)	
24	7026626	1	Connector - 6 Position with Seal (Not Shown)	
24	70002088	1	Stator (Not Shown)	
24	70002255	NLA	Panel, End (Not Shown) (Use p/n 70004169)	
24	70001974	1	Decal - Terminal Connections (Not Shown)	
24	70000863	1	Fan (Not Shown)	
24	70002297	4	Stud (Not Shown)	
24A	7024561	NLA	Key (Use p/n 70004171)	
24A	70001100	1	Armature, Generator (Includes Radial Ball Bearing on End with Brushes and Fan)	
24A	70001384	1	Bearing, Ball Radial	
24B	70001966	1	Bearing, Radial Ball (Located in Belt Tensioner Endbell)	
24B	70003708	1	Ring, Internal Retaining (Located in Belt Tensioner Endbell)	
24B	70003709	1	Ring, External Retaining (Located in Belt Tensioner Endbell)	
24C	70001973	1	Decal - Warning Moving Parts	
24D	70001385	NLA	Endbell, Brush Block (Use p/n 70004169)	

SECTION 2 - TURNTABLE

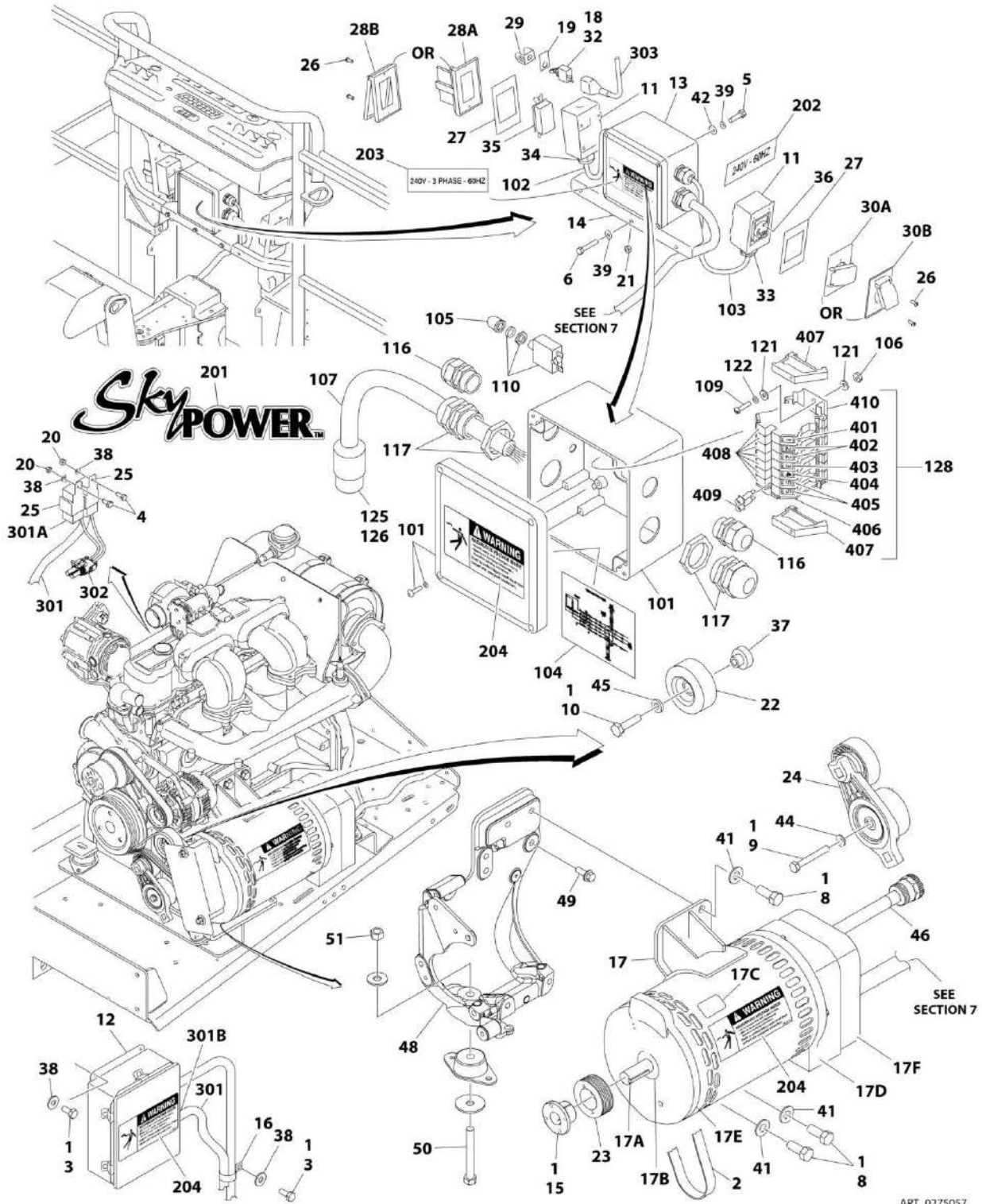
ITEM	PART NUMBER	QTY	DESCRIPTION	REV
24E	70001953	1	Endbell, Belt Tensioner	
24F	70002290	NLA	Endbell, Shroud Assembly (Use p/n 70004169)	
24G	70003708	1	Ring, Retaining (Internal)	
24H	70003709	1	Ring, Retaining (External)	
25	2820031	1	Insulator	
26	3252764	1	Nameplate	
27	3311405	2	Nut 1/4	
28	3311505	3	Nut 5/16	
29	0902888	1	Bracket, Box Mounting	
30	3574224	2	Plate, Gusset Generator Mounting	
31	3574225	1	Plate, Pulley Mounting	
32	3580312	2	Pulley, Idler	
33	3580313	1	Pulley, Idler Grooved	
34	3580314	1	Pulley, Drive Grooved	
35	3740080	2	Relay	
36	3910606	8	Screw #6 x 3/8	
37	3960422	2	Gasket	
38	4060700	1	Cover, Receptacle	
39	4060802	1	Guard, Switch	
40	4061043	1	Cover, Receptacle	
41	4240018	AR	Tie-Strap (Not Shown)	
42	4340738	1	Support, Idler Pulley Mount	
43	4360336	1	Switch, Toggle	
44	4460051	1	Connector, Strain Relief	
45	4460071	1	Connector, Strain Relief	
46	4460346	1	Receptacle	
47	4460958	1	Receptacle, Female Twist-Lock	
48	4568734	2	Tube, Spacer Pulley	
49	4568735	1	Tube, Spacer Pulley Grooved	
50	4711400	7	Washer 1/4	
51	4711500	10	Washer 5/16	
52	4711700	8	Washer 7/16	
53	4711800	4	Washer 1/2	
54	4751600	3	Washer 3/8	
55	4751800	1	Washer 1/2	
56	4751500	4	Washer 5/16	
57	4791400	1	Washer 1/4	
58	4891600	6	Washer 3/8	
59	4922905	1	Harness, Generator	
60	4933283	1	Electrical Diagram (Not Shown) (See Items 301-305 For Breakdown)	
61	7024487	NLA	Control Box Assembly (Use p/n 0861538)	
61	7024488	1	Card, Circuit - Generator Power	
61	See Note	1	Fuse (Note: Not Available - Purchase Locally)	
61	7024489	1	Card, Circuit - Control	
61	70000619	1	Harness, Circuit Card	
	0861542	Ref	JUNCTION BOX ASSEMBLY	C
101	0861541	1	Box, Junction	
102	1060494	2 ft/.6m	Cable, Electrical 12/3	
103	1060708	2.5 ft/.76m	Cable, Electrical 10/3	
104	1705376	1	Decal - Wiring Schematic	

SECTION 2 - TURNTABLE

ITEM	PART NUMBER	QTY	DESCRIPTION	REV
105	3300396	1	Cover, Fuse	
106	3310601	2	Nut 6-32NC	
107	1060343	1.5 ft/ .46m	Cable, Electrical 10/4	
108	3640986	1	Rail, Relay (Prior to SN 0300072911)	
108	3641533	1	Rail, Relay (SN 0300072911 through 0300096000)	
109	3910610	2	Bolt 6-32NC x 5/8	
110	4360070	1	Circuit Breaker - 15Amp	
111	4460411	2	Marker Strip #1	
112	4460412	AR	Marker Strip #2	
113	4460413	2	Marker Strip #3	
114	4460414	2	Marker Strip #4	
115	4460415	4	Marker Strip #5	
116	4460425	2	Strain Relief, Terminal	
117	4460426	2	Connector, Strain Relief	
118	4460607	2	Terminal, End Stop	
119	4460956	1	Terminal, Block End	
120	4460957	AR	Terminal, Block	
121	4750600	4	Flatwasher, #6 Regular	
122	4760600	2	Lockwasher #6	
125	1671092	1	Cover	
126	4460963	1	Connector	
127	4461001	2	Terminal, Cross Connector	
	0272435	Ref	DECAL INSTALLATION	B
201	1705460	2	Decal - SkyPower	
202	1705374	1	Decal - 240V - 60Hz	
203	1705375	1	Decal - 240V - 3 Phase	
204	1705387	3	Decal, Hazardous Voltage	
	4933283	Ref	ELECTRICAL DIAGRAM COMPONENTS	2-B
301	4922905	1	Generator Harness	2-B
301A	4460374	2	Plug, Sealed Relay	
301A	4460375	7	Terminal	
301B	4460967	1	Plug, Male - 3 Position	
301B	4460465	3	Socket, Female	
301C	2400060	2	Fuseholder (Not Shown)	
301C	2400064	2	Fuse - 5Amp (Not Shown)	
304	4922641	1	Switch Harness	
305	4460375	1	Terminal	

SECTION 2 - TURNTABLE

FIGURE 2-32. 7500W SKYPOWER GENERATOR INSTALLATION - GM ENGINES



SECTION 2 - TURNTABLE

FIGURE 2-32. 7500W SKYPOWER GENERATOR INSTALLATION - GM ENGINES

ITEM	PART NUMBER	QTY	DESCRIPTION	REV
	0275057	Ref	7500W SKYPOWER GENERATOR INSTALLATION	G
1	0100011	AR	Compound, Locking	
2	0480142	1	Belt, Generator	
3	0641404	5	Bolt 1/4 x 1/2	
4	0641405	2	Bolt 1/4 x 5/8	
5	0641505	4	Bolt 5/16 x 5/8	
6	0641516	3	Bolt 5/16 x 2	
8	0641808	4	Bolt 1/2 x 1	
9	0700820	1	Bolt, Metric M8 x 60	
10	0701016	1	Bolt, Metric M10 x 40	
11	0860038	2	Box, Switch	
12	0861538	1	Control Box Assembly	
12	7024488	1	Card, Circuit - Generator Power	
12	See Note	1	Fuse (Note: Not Available - Purchase Locally)	
12	7024489	1	Card, Circuit - Control	
12	70000619	1	Harness, Circuit Card	
13	0861542	1	Junction Box Assembly (See Items 101-128 for Breakdown)	
14	0902888	1	Bracket, Box Mounting	
15	0962520	1	Bushing, Split Taper	
16	1320318	1	Clamp	
17	2460048	1	Generator Assembly	
17	70003631	1	Brushholder Assembly (Not Shown)	
17	7024485	1	Breaker, Circuit 30Amp (Not Shown)	
17	70001696	1	Boot, Breaker (Not Shown)	
17	70001966	1	Bearing, Ball Radial (Located In Belt Tensioner Endbell - Not Shown)	
17	7027799	1	Block, Connector 6 Position (Not Shown)	
17	7026626	1	Connector - 6 Position with Seal (Not Shown)	
17	70002460	6	Nut, Brass (Attaches p/n 7027799 to Cover) (Not Shown)	
17	7026188	1	Clamp, Cable (Not Shown)	
17	7026597	1	Connector, with Leads (Not Shown)	
17	70002088	1	Stator (Not Shown)	
17	70002255	1	Panel, End (Not Shown)	
17	70001974	1	Decal - Terminal Connections (Not Shown)	
17	70000863	1	Fan (Not Shown)	
17	70002297	4	Stud (Not Shown)	
17A	70004171	1	Key	
17A	70001100	1	Armature, Generator (Includes Radial Ball Bearing on End with Brushes and Fan)	
17A	70001384	1	Bearing, Ball Radial	
17B	70001966	1	Bearing, Radial Ball	
17B	70003708	1	Ring, Internal Retaining (Located in Belt Tensioner Endbell)	
17B	70003709	1	Ring, External Retaining (Located in Belt Tensioner Endbell)	
17C	70001973	1	Decal - Warning Moving Parts	
17D	70004169	1	Endbell, Brush Block	
17E	70001953	1	Endbell, Belt Tensioner	
17F	70004169	1	Endbell, Shroud Assembly	
18	2820031	1	Insulator	
19	3252764	1	Nameplate	
20	3311405	2	Nut 1/4	

SECTION 2 - TURNTABLE

ITEM	PART NUMBER	QTY	DESCRIPTION	REV
21	3311505	3	Nut 5/16	
22	3580312	1	Pulley, Idler	
23	3580314	1	Pulley, Drive Grooved	
24	3580348	1	Tensioner, Belt with Pulley	
25	3740080	2	Relay	
26	3910606	8	Screw #6 x 3/8	
27	3960422	2	Gasket	
28		Ref	Cover, Receptacle Options:	
28A	4060700	1	Cover - Side Hinged	
28B	1001114873	1	Cover - Top Hinged	
29	4060802	1	Guard, Switch	
30		Ref	Cover, Receptacle Options:	
30A	4061043	1	Cover - Side Hinged	
30B	1001114872	1	Cover - Top Hinged	
31	4240018	AR	Tie-Strap (Not Shown)	
32	4360336	1	Switch, Toggle	
33	4460051	1	Connector, Strain Relief	
34	4460071	1	Connector, Strain Relief	
35	4460346	1	Receptacle	
36	4460958	1	Receptacle, Female Twist-Lock	
37	4568735	1	Tube, Spacer Pulley Grooved	
38	4711400	7	Washer 1/4	
39	4711500	10	Washer 5/16	
41	4711800	4	Washer 1/2	
42	4761500	4	Washer 5/16	
44	4811900	1	Washer M8	
45	4891600	1	Washer 3/8 Hardened	
46	4922925	1	Harness, Generator	
47	4933349	1	Electrical Diagram (Not Shown) (See Items 301-304 For Breakdown)	
48	1001141181	1	Support, Generator Mount	
49	0811608	4	Screw 3/6 x 1	
50	0641832	1	Bolt 1/2 x 4	
51	3311805	1	Nut 1/2	
	0861542	Ref	JUNCTION BOX ASSEMBLY	E
101	0861541	1	Box, Junction	
102	1060494	2 ft/.6m	Cable, Electrical 12/3	
103	1060708	2.5 ft/.76m	Cable, Electrical 10/3	
104	1705376	1	Decal - Wiring Schematic	
105	3300396	1	Cover, Fuse	
106	3310601	2	Nut 6-32NC	
107	1060343	1.5 ft/.46m	Cable, Electrical 10/4	
109	3910610	2	Bolt #6 x 5/8	
110	4360070	1	Circuit Breaker - 15Amp	
116	4460425	2	Strain Relief, Terminal	
117	4460426	2	Connector, Strain Relief	
121	4750600	4	Washer #6 Regular	
122	4760600	2	Washer #6	
125	1671092	1	Cover	
126	4460963	1	Connector	

SECTION 2 - TURNTABLE

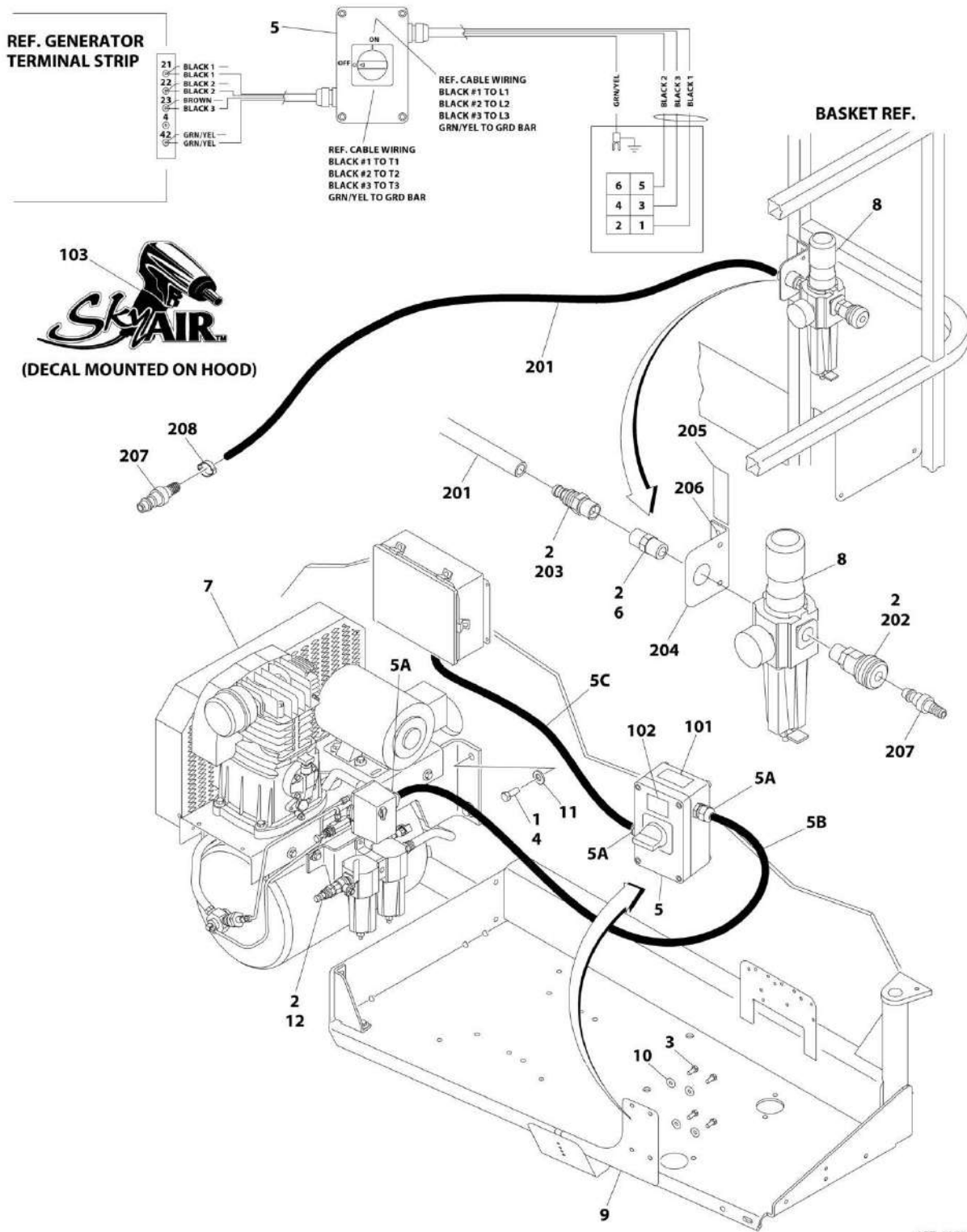
ITEM	PART NUMBER	QTY	DESCRIPTION	REV
128		Ref	Terminal Block Assembly Options (See Items 401-410 for Breakdown):	
128	NPN	1	Gray Terminal Block Assembly	
128	1001121340	1	Tan Terminal Block Assembly	
	0272435	Ref	DECAL INSTALLATION	B
201	1705460	2	Decal - SkyPower	
202	1705374	1	Decal - 240V - 60Hz	
203	1705375	1	Decal - 240V - 3 Phase	
204	1705387	3	Decal, Hazardous Voltage	
	4933349	Ref	ELECTRICAL DIAGRAM COMPONENTS	A
301	4923420	1	Generator Harness	A
301A	4460374	2	Plug, Sealed Relay	
301A	4460375	8	Terminal	
301B	4460967	1	Plug, Male - 3 Position	
301B	4460465	3	Socket, Female	
301C	2400060	2	Fuseholder (Not Shown)	
301C	2400064	2	Fuse - 5Amp (Not Shown)	
302	4460742	1	Connector - 2 Position	
302	4460743	2	Socket, Female	
302	4460458	2	Seal	
303	4922641	1	Switch Harness	
		Ref	TERMINAL BLOCK ASSEMBLY	
	NPN	Ref	Gray Terminal Block Assembly (Complete Assembly Not Available - Purchase Individual Components)	
	1001121340	Ref	Tan Terminal Block Assembly	A
401		Ref	Marker Strip #1 Options	
401	4460411	2	Gray Terminal Block Assembly	
401	70002818	2	Tan Terminal Block Assembly	
402		Ref	Marker Strip #2 Options:	
402	4460412	4	Gray Terminal Block Assembly	
402	70002819	4	Tan Terminal Block Assembly	
403		Ref	Marker Strip #3 Options:	
403	4460413	2	Gray Terminal Block Assembly	
403	70002820	2	Tan Terminal Block Assembly	
404		Ref	Marker Strip #4 Options:	
404	4460414	2	Gray Terminal Block Assembly	
404	70002821	2	Tan Terminal Block Assembly	
405		Ref	Marker Strip #5 Options:	
405	4460415	4	Gray Terminal Block Assembly	
405	70002822	4	Tan Terminal Block Assembly	
406		Ref	Terminal, End Barrier Options:	
406	4460956	1	Gray Terminal Block Assembly	
406	70002823	1	Tan Terminal Block Assembly	
407		Ref	Terminal, End Block Options:	
407	4460607	2	Gray Terminal Block Assembly	
407	70002824	2	Tan Terminal Block Assembly	
408		Ref	Terminal, Block Options:	
408	4460957	7	Gray Terminal Block Assembly	
408	70002825	7	Tan Terminal Block Assembly	
409		Ref	Terminal, Cross Connector Jumper Options:	
409	4461001	2	Gray Terminal Block Assembly	
409	70002826	2	Tan Terminal Block Assembly	

SECTION 2 - TURNTABLE

ITEM	PART NUMBER	QTY	DESCRIPTION	REV
410	3641533	1	Rail, Relay	

SECTION 2 - TURNTABLE

FIGURE 2-33. SKYAIR COMPRESSOR INSTALLATION



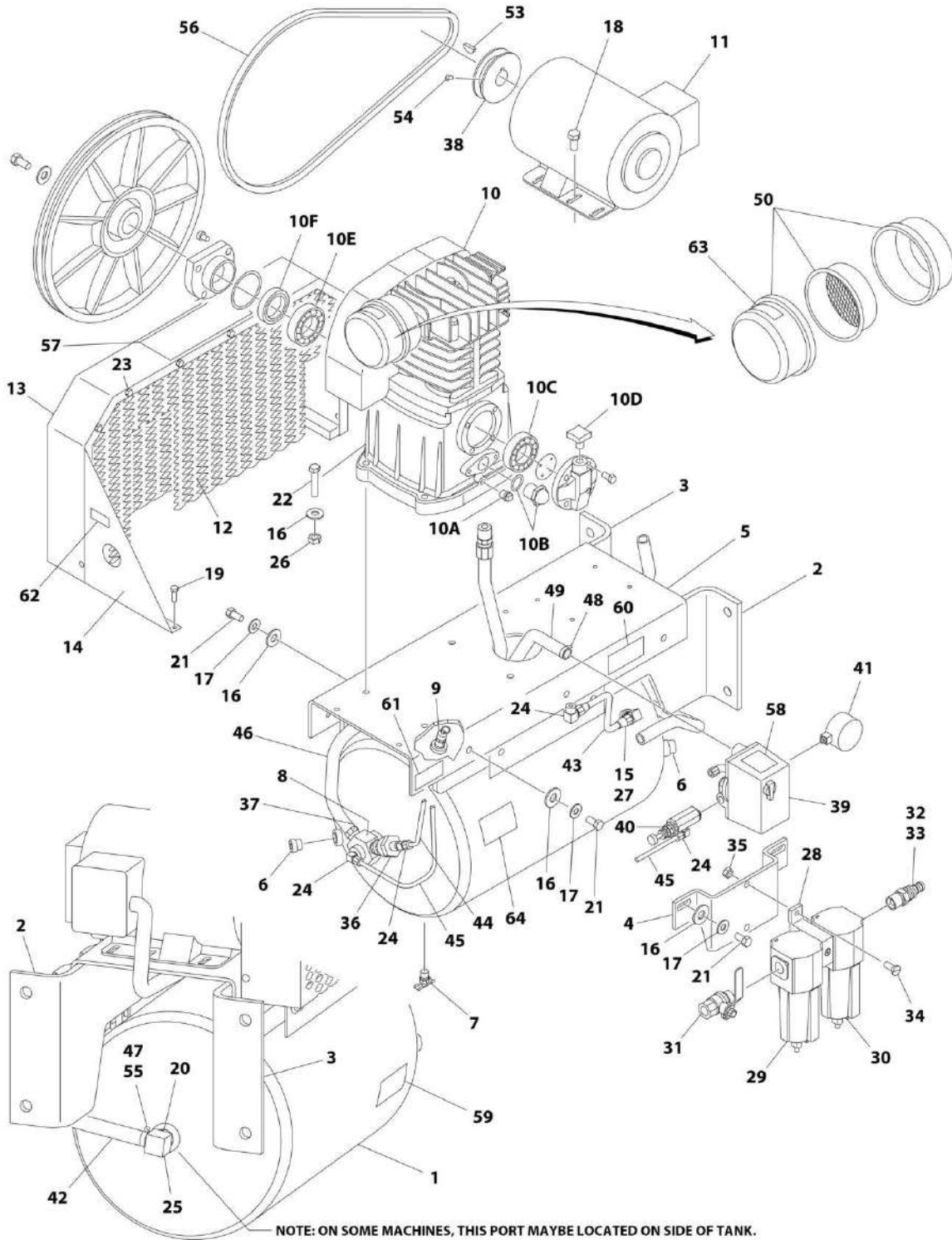
SECTION 2 - TURNTABLE

FIGURE 2-33. SKYAIR COMPRESSOR INSTALLATION

ITEM	PART NUMBER	QTY	DESCRIPTION	REV
	0273512	Ref	SKYAIR COMPRESSOR INSTALLATION	A
1	0100011	AR	Compound, Locking	
2	0100020	AR	Sealant #567	
3	0641506	4	Bolt 5/16 x 3/4	
4	0641810	4	Bolt 1/2 x 1-1/4	
5	0861642	1	Control Box Assembly	
5A	4460633	3	Connector, Strain Relief	
5B	70002948	AR	Cable, Electrical - 12/4	
5C	70002948	AR	Cable, Electrical - 12/4	
6	2220252	1	Fitting, Adapter	
7	3600399	1	Compressor, Assembly (See COMPRESSOR ASSEMBLY for Breakdown)	
8	3720021	1	Filter/Regulator Assembly	
8	7027781	1	Service Kit (Includes Gaskets and Seals)	
8	7027782	1	Filter	
8	7027784	1	Gauge	
8	7027783	1	Valve, Drain	
9	4340749	1	Bracket, Control Box	
10	4751500	4	Washer 5/16	
11	4751800	4	Washer 1/2	
12	2220750	1	Fitting	
	0273710	Ref	DECAL INSTALLATION	A
101	1705836	1	Decal - Hazard Voltage	
102	1705837	1	Decal - Air Compressor	
103	1705886	2	Decal - SkyAir	
	0271239	Ref	AIRLINE INSTALLATION	A
201		Ref	Hose, Main Boom Options:	
201	2720160	55 ft/ 16.8m	Hose (Prior to SN 0300091218)	
201	2720476	1	Hose (SN 0300091218 through 0300096000)	
202	2220747	1	Fitting	
203	2220750	1	Fitting	
204	0902317	1	Bracket	
205	3251158	2	Decal - Airline	
206	2080040	2	Fastener	
207	2220829	1	Plug	
208	1320177	1	Clamp	
209	1320223	4	Clamp (Not Shown - Located on Boom)	

SECTION 2 - TURNTABLE

FIGURE 2-34. SKYAIR COMPRESSOR PARTS



ART_3600399

SECTION 2 - TURNTABLE

FIGURE 2-34. SKYAIR COMPRESSOR PARTS

ITEM	PART NUMBER	QTY	DESCRIPTION	REV
	3600399	Ref	SKYAIR COMPRESSOR PARTS	A
1	7026632	1	Tank	
2	See Note	1	Bracket, Mounting (Note: Not Available for Purchase)	
3	See Note	1	Bracket, Mounting (Note: Not Available for Purchase)	
4	See Note	1	Bracket, Regulator Mounting (Note: Not Available for Purchase)	
5	See Note	1	Deck (Note: Not Available for Purchase)	
6	See Note	2	Plug (Note: Not Available for Purchase)	
7	7026633	1	Valve, Drain	
8	7026634	1	Valve, Check	
9	7026635	1	Valve, Safety	
10	7026636	1	Pump, Assembly	
10	7026659	1	Gasket and Seal Kit	
10A	7026651	1	Plug, Oil Drain	
10B	7026652	1	Gauge, Oil Sight	
10C	7026653	1	Bearing	
10D	7026654	1	Cap, Oil Fill	
10E	7026655	1	Bearing	
10F	7026656	1	Seal	
11	7026637	1	Motor Assembly	
11	See Note	1	Brush Kit (Note: Not Available for Purchase)	
12	See Note	1	Screen, Inner (Note: Not Available for Purchase)	
13	See Note	1	Guard, Belt (Note: Not Available for Purchase)	
14	See Note	2	Support (Note: Not Available for Purchase)	
15	See Note	1	Bushing (Note: Not Available for Purchase)	
16	4751600	18	Washer 3/8	
17	4761600	10	Washer 3/8	
18	0641506	4	Bolt 5/16 x 3/4	
19	0641406	8	Bolt 1/4 x 3/4	
20	See Note	1	Bushing (Note: Not Available for Purchase)	
21	0641610	10	Bolt 3/8 x 1-1/4	
22	0641616	4	Bolt 3/8 x 2	
23	See Note	10	Bolt 1/4 x 1/2 (Note: Not Available for Purchase)	
24	See Note	4	Fitting (Note: Not Available for Purchase)	
25	See Note	1	Fitting, Barbed (Note: Not Available for Purchase)	
26	3311605	4	Nut 3/8	
27	See Note	1	Fitting, Compression (Note: Not Available for Purchase)	
28	See Note	1	Bracket, Mounting (Note: Not Available for Purchase)	
29	7026660	1	Filter, Oil Removal	
30	7026661	1	Filter, Water Removal	
31	70001663	1	Valve, Ball Shut-Off	
32	See Note	1	Bushing (Note: Not Available for Purchase)	
33	See Note	1	Fitting, Barbed (Note: Not Available for Purchase)	
34	See Note	2	Screw 1/4 x 1 (Note: Not Available for Purchase)	
35	3311405	2	Nut 1/4	
36	See Note	1	Unloader (Note: Not Available for Purchase)	
37	See Note	1	Fitting (Note: Not Available for Purchase)	
38	See Note	1	Pulley (Note: Not Available for Purchase)	
39	7026638	1	Switch, Pressure	
40	7026639	1	Valve, Pilot	
41	7026640	1	Gauge	

SECTION 2 - TURNTABLE

ITEM	PART NUMBER	QTY	DESCRIPTION	REV
42	See Note	1	Hose (Note: Not Available for Purchase)	
43	See Note	1	Tube, Feed (Note: Not Available for Purchase)	
44	See Note	1	Tube (Note: Not Available for Purchase)	
45	See Note	1	Tube (Note: Not Available for Purchase)	
46	See Note	1	Aftercooler (Note: Not Available for Purchase)	
47	See Note	2	Clamp (Note: Not Available for Purchase)	
48	See Note	2	Clamp (Note: Not Available for Purchase)	
49	See Note	1	Harness, Wiring (Note: Not Available for Purchase)	
50	7026658	1	Filter Assembly	
50	7026641	1	Element, Filter	
51	See Note	23 oz	Oil, Compressor (Note: Not Available for Purchase)	
52	0100020	AR	Sealant	
53	See Note	1	Key (Note: Not Available for Purchase)	
54	See Note	2	Setscrew (Note: Not Available for Purchase)	
55	See Note	2	Cover, Clamp End (Note: Not Available for Purchase)	
56	7026642	1	Belt	
57	7026643	1	Decal - Unit Warning	
58	7026644	1	Decal - Pressure Switch Warning	
59	7026645	1	Decal - Drain Tank Warning	
60	7026646	1	Decal - Compressor Maintenance	
61	7026647	1	Decal - Initial Oil Fill	
62	7026648	1	Decal - Hot Surfaces Warning	
63	7026649	1	Decal - Paper Element Cleaning	
64	7026650	1	Decal - Dual Control	

SECTION 3 - BOOM

SECTION 3 - BOOM

FIGURE 3-1. BOOM INSTALLATIONS

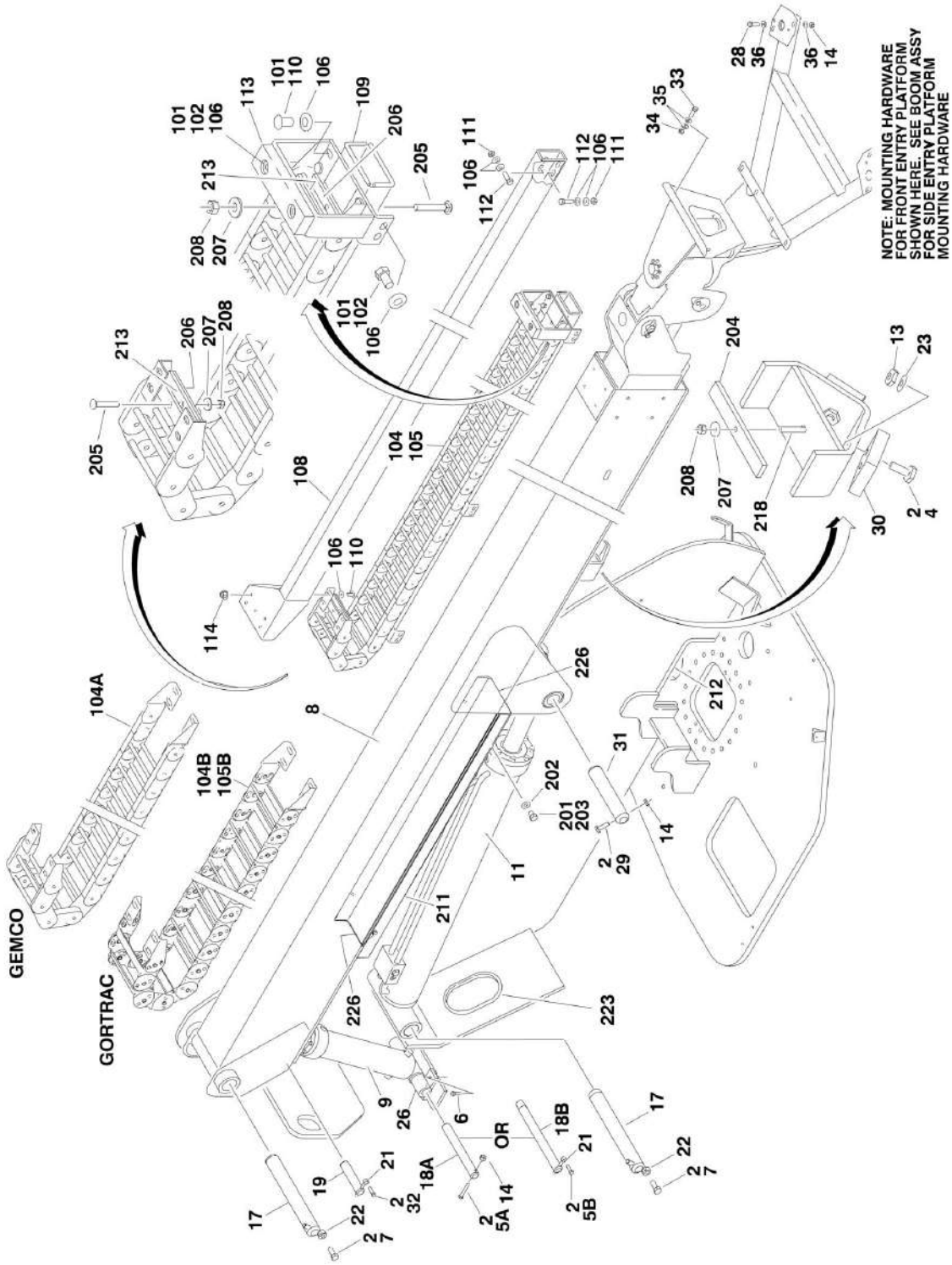


FIGURE 3-1. BOOM INSTALLATIONS

ITEM	PART NUMBER	QTY	DESCRIPTION	REV
		Ref	BOOM AND CYLINDERS INSTALLATION	
	0259135	Ref	Boom and Cylinders Installation 400S (Front Entry Platform)	H
	0272591	Ref	Boom and Cylinders Installation 400S (Side Entry Platform) (Prior to SN 0300074573)	A
	0273065	Ref	Boom and Cylinders Installation 400S (Side Entry Platform) (SN 0300074573 through 0300096000)	A
	0259136	Ref	Boom and Cylinders Installation 460SJ (Front Entry Platform)	F
	0272592	Ref	Boom and Cylinders Installation 460SJ (Side Entry Platform) (Prior to SN 0300074573)	A
	0272999	Ref	Boom and Cylinders Installation 460SJ (Side Entry Platform) (SN 0300074573 through 0300096000)	A
2	0100011	AR	Compound, Locking	
4	0641610	4	Bolt 3/8in-16NC x 1-1/4in	
5		Ref	Bolt Options:	
5A	0641620	1	Bolt 3/8in-16NC x 2-1/2in (Prior to SN 0300074573)	
5B	0641608	1	Bolt 3/8in-16NC x 1in (SN 0300074573 through 0300096000)	
6	0641814	4	Bolt 1/2in-13NC x 1-3/4in Only (Prior to SN 0300074573)	
7	0642012	2	Bolt 5/8in-11NC x 1-1/2in	
8		Ref	Boom Assembly Options:	
8		Ref	Boom Assembly 400S (See BOOM ASSEMBLY - 400S for Breakdown)	
8	0801223	1	Front Entry Platform	
8	0801359	1	Side Entry Platform	
8		Ref	Boom Assembly 460SJ (See BOOM ASSEMBLY - 460SJ for Breakdown)	
8	0801186	1	Front Entry Platform	
8	0801360	1	Side Entry Platform	
9		Ref	Master Cylinder Assembly Options (See CYLINDER SECTION for Breakdown):	
9	1683951	1	Master Cylinder Assembly (Prior to SN 0300074573)	
9	1684284	NLA	Master Cylinder Assembly (Use p/n 1001140587) (SN 0300074573 through 0300096000)	
11	1683776	1	Lift Cylinder Assembly (See CYLINDER SECTION for Breakdown)	
13	3311601	4	Nut 3/8in-16NC	
14	3311605	AR	Locknut 3/8in-16NC	
17	3422564	2	Pin, Pivot	
18		Ref	Pin, Pivot Options:	
18A	3422690	1	Pin, Pivot (Prior to SN 0300074573)	
18B	3422566	1	Pin, Pivot (SN 0300074573 through 0300096000)	
19	3422561	1	Pin, Pivot	
21	3841143	AR	Keeper, Pin - 3/8in	
22	3841258	2	Keeper, Pin - 5/8in	
23	4711600	8	Flatwasher 3/8in Thin	
26	4846128	2	Cylinder Mount Weldment Only (Prior to SN 0300074573)	
28	0681610	6	Bolt 3/8in-16NC x 1-1/4in (Grade 8) (Front Entry Platform)	
29	0681632	1	Bolt 3/8in-16NC x 4in (Grade 8)	
30	3340853	2	Pad, Boom Rest	
31	3422851	1	Pin, Boom Lift	
32	0641605	1	Bolt 3/8in-16NC x 5/8in	
33	0641820	2	Bolt 1/2in-13NC x 2-1/2in (Front Entry Platform)	
34	3311805	2	Locknut 1/2in-13NC (Front Entry Platform)	

SECTION 3 - BOOM

ITEM	PART NUMBER	QTY	DESCRIPTION	REV
35	4751800	4	Flatwasher 1/2in Regular (Front Entry Platform)	
36	4751600	12	Flatwasher 3/8in Regular (Front Entry Platform)	
		Ref	POWERTRACK INSTALLATION	
	0270213	Ref	Standard Powertrack	C
	0272897	Ref	Inverted Powertrack	B
101	0100011	AR	Compound, Locking	
102	0641605	10	Bolt 3/8in-16NC x 5/8in	
104		Ref	Power Track Assembly Options:	
		Ref	Note: Original Power Track may have been replaced with a Service Replacement. Visually identify the power track before ordering parts.	
104	1180336	NLA	Standard Power Track Assembly (Original Equipment) (Use p/n 1001099830)	
104	1001099830	NLA	Standard Power Track Assembly (Service Replacement (Use p/n 1001225901)	
104	1001225901	1	Standard Power Track Assembly	
104A		Ref	Gemco Brand Replacement Parts:	
104A	7006140	AR	Repair Section for p/n 1180336 Power Track (Includes 10 Link Pins, 4 Radius Links, 8 Carrier Links, 4 Rod Carrier, 8 Screws, 10 Slugs and 20 Bearing Plates)	
104A	7006151	2 pr	Feet, Mounting for p/n 1180336 Power Track (Includes 2 Round Spacers, Left and Right Mounting Feet)	
104A	7006152	AR	Pin Kit for p/n 1180336 Power Track (Includes 1 Pin, 1 Retaining Ring and Set of 4 Washers (Different Sizes)	
104B		Ref	Gortrac Brand Replacement Parts:	
104B	70001994	AR	Repair Section - 1001099830 Power Track	
104B	70001995	1	Mounting Bracket Kit for 1001099830 Power Track	
104B	70006268	AR	Repair Section - 1001225901 Power Track	
104B	70006277	1	Mounting Bracket Kit for 1001225901 Power Track	
105	1180379	1	Inverted Power Track Assembly	
105B	7016505	AR	Repair Section for 1180379 Power Track (Includes extra pin assemblies for each end but no mounting feet)	
105B	7016524	2 pr	Feet, Mounting for 1180379 Power Track (Includes 1 each of Left and Right Mounting Feet)	
105B	7006137	AR	Pin Kit for 1180379 Power Track (Includes 1 Pin, 1 Retaining Ring and Set of 4 Washers (Different Sizes)	
106	4711600	26	Flatwasher 3/8in Thin	
108	4846216	1	Tube, Push	
109	4846186	1	Tube, Carrier	
110	3900283	8	Screw, Button Head 3/8in-16NC x 3/4in	
111	3311601	4	Nut 3/8in-16NC	
112	0641609	4	Bolt 3/8in-16NC x 1-1/8in	
113	3340453	1	Pad, Wear	
114	3311608	4	Nut, Flanged 3/8in-16NC	
		Ref	BOOM CABLES INSTALLATION	
	0259189	Ref	Boom Cables Installation 400S (Prior to SN 0300064404)	9
	0271160	Ref	Boom Cables Installation 400S (SN 0300064404 through 0300096000)	8
	0272612	Ref	Boom Cables Installation 400S (7500w 60Hz Generator - SKYPOWER)	4
	0259190	Ref	Boom Cables Installation 460SJ (Prior to SN 0300064404)	9
	0271159	Ref	Boom Cables Installation 460SJ (SN 0300064404 through 0300096000)	8
	0272613	Ref	Boom Cables Installation 460SJ (7500w 60Hz Generator - SKYPOWER)	4

SECTION 3 - BOOM

ITEM	PART NUMBER	QTY	DESCRIPTION	REV
201	0100011	AR	Compound, Locking	
202	4711600	4	Flatwasher 3/8in Thin	
203	0641604	4	Bolt 3/8in-16NC x 1/2in	
204	3572200	1	Clamp, Block	
205	0630566	2	Bolt, Carriage 5/16in-18NC x 2-1/4in	
206	3572345	4	Clamp, Block	
207	4751500	3	Flatwasher 5/16in Regular	
208	3311505	3	Locknut 5/16in-18NC	
211	3572165		Cover	
212	4060919	6 ft/1.8m	Trim, Protection	
213	3340897	2	Pad	
218	0641516	1	Bolt 5/16in-18NC x 2in	
223	4060808	5 ft/1.5m	Trim, Protection	
226	4060805	1.5 ft/ 0.5m	Trim, Protection	

SECTION 3 - BOOM

FIGURE 3-2. BOOM ASSEMBLY - 400S

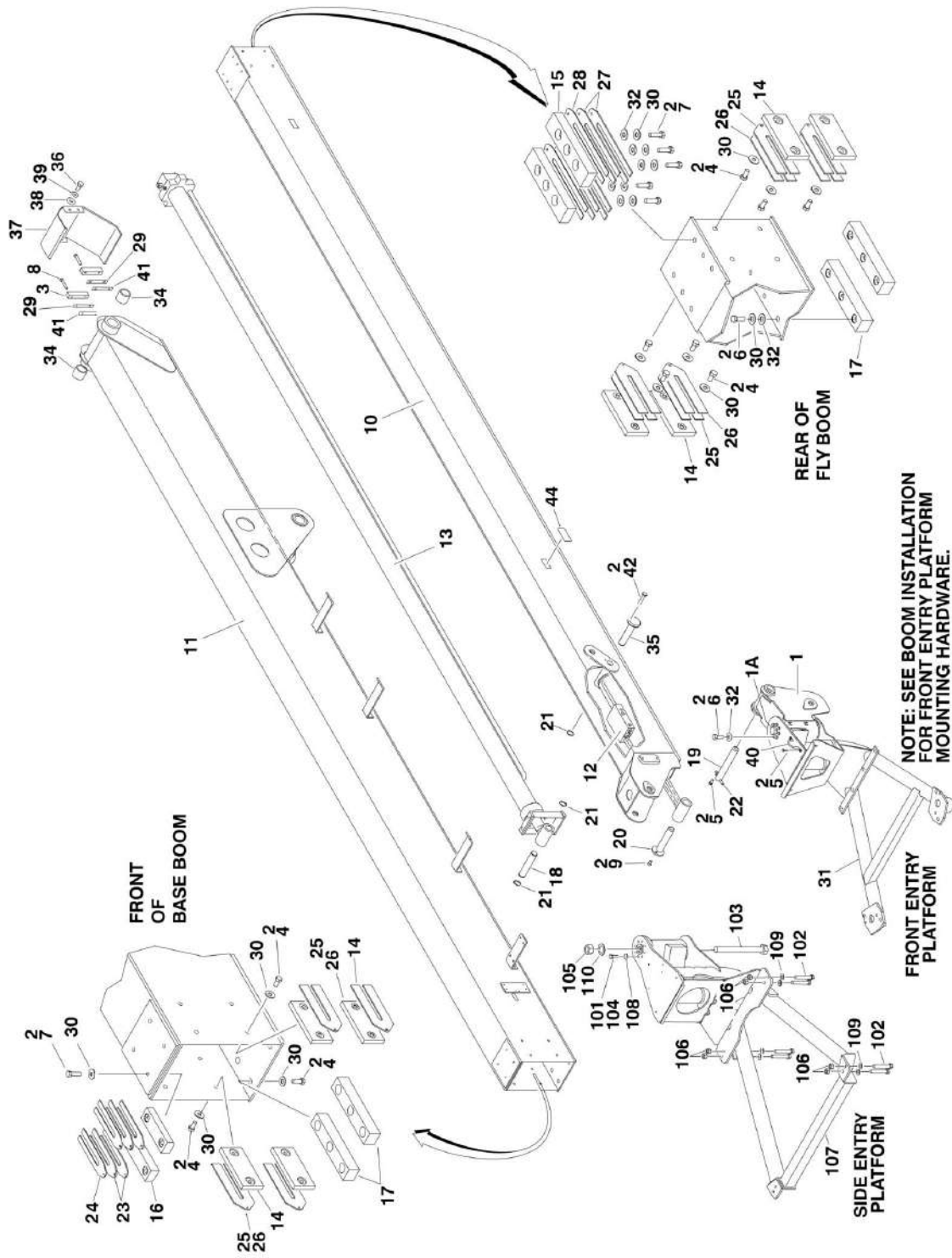


FIGURE 3-2. BOOM ASSEMBLY - 400S

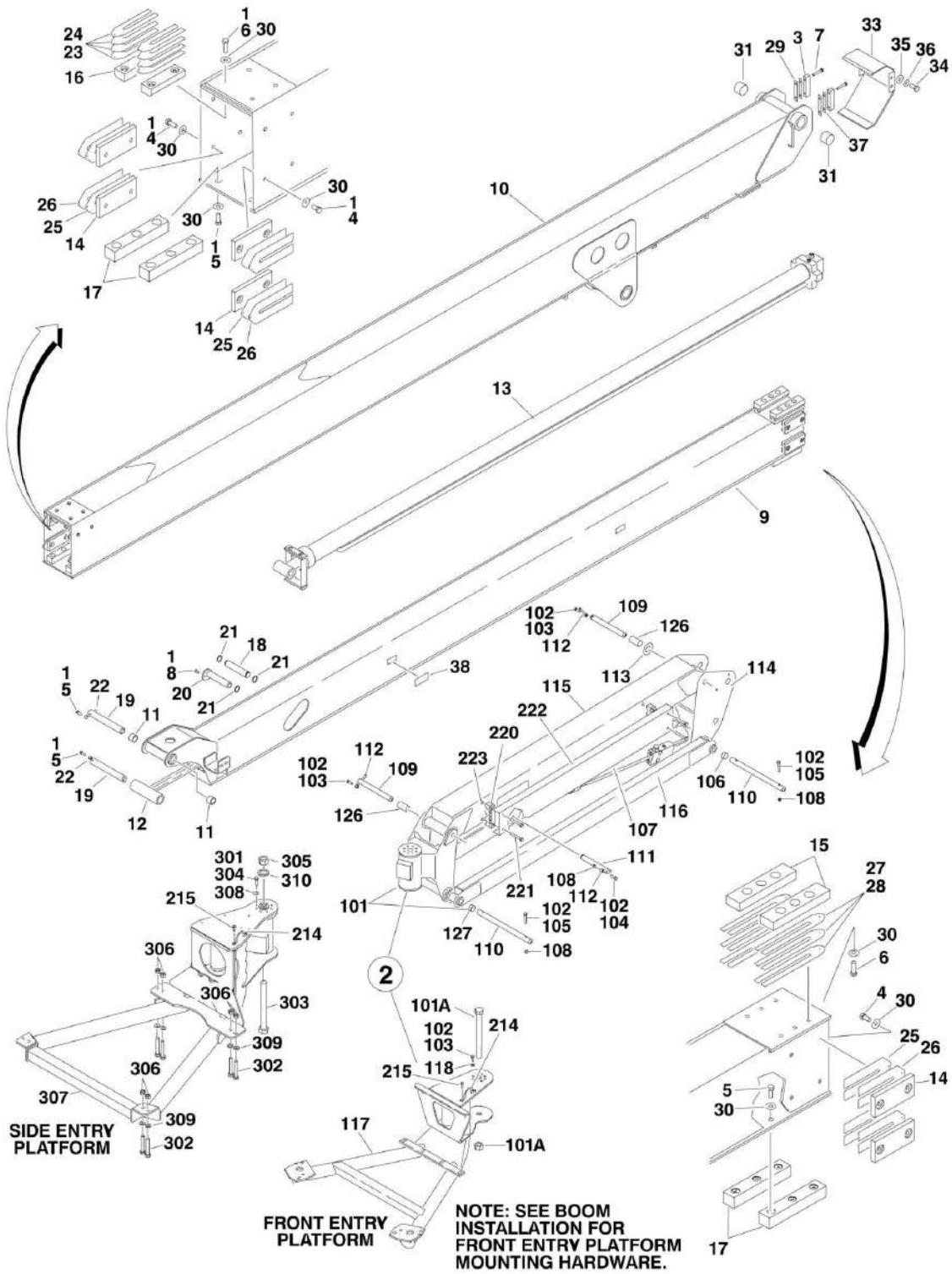
ITEM	PART NUMBER	QTY	DESCRIPTION	REV
		Ref	BOOM ASSEMBLIES - 400S	
	0801223	Ref	Front Entry Platform	N
	0801359	Ref	Side Entry Platform	A
1		Ref	Rotator Assembly Options (See ROTATOR ASSEMBLIES for Breakdown):	
1	0060047	NLA	Rotator Assembly (Use p/n 0060059) (Prior to SN 0300052800)	
1	0060059	1	Rotator Assembly (SN 0300052800 through 0300096000)	
1A	See Note	AR	Hardware Kit (Note: Use items 103, 105 & 110 as Service Replacement)	
2	0100011	AR	Compound, Locking	
3	0561185	2	Block, Telescope Cylinder Attach	
4	0641606	16	Bolt 3/8in-16NC x 3/4in	
5	0641605	1	Bolt 3/8in-16NC x 5/8in	
6	0641608	20	Bolt 3/8in-16NC x 1in	
7	0641610	10	Bolt 3/8in-16NC x 1-1/4in	
8	0641616	2	Bolt 3/8in-16NC x 2in	
9	0741607	1	Screw, Flathead Socket 3/8in-16NC x 7/8in (Prior to SN 0300066372)	
10	0801213	1	Boom, Fly	
11	0801215	1	Boom, Base	
12	1683778	NLA	Level (Platform Slave) Cylinder Assembly (Use p/n 1001140586) (See CYLINDER SECTION for Breakdown)	
13		Ref	Telescope Cylinder Assembly Options (See CYLINDER SECTION for Breakdown):	
13	1683897	NLA	Telescope Cylinder Assembly (Use p/n 1684194) (Prior to SN 0300066372)	
13	1684194	1	Telescope Cylinder Assembly (SN 0300066372 through 0300096000)	
14	3340867	8	Pad, Wear (Fly Rear Sides and Base Front Sides)	
15	3340868	2	Pad, Wear (Fly Rear Top)	
16	3340869	2	Pad, Wear (Base Front Top)	
17	3340870	4	Pad, Wear (Fly Rear Bottom and Base Front Bottom)	
18	3422457	1	Pin, Telescope Cylinder	
19	3422582	1	Pin, Pivot	
20	3422865	1	Pin, Pivot	
21	3760133	3	Ring, Retaining	
22	3841143	1	Keeper, Pin	
23	4070497	4	Shim 1/8in	
24	4070498	2	Shim 1/16in	
25	4070501	8	Shim 1/8in	
26	4070502	2	Shim 1/16in	
27	4070503	4	Shim 1/8in	
28	4070504	2	Shim 1/16in	
29	4070929	2	Shim 1/8in	
30	4751600	26	Flatwasher 3/8in Regular	
31		Ref	Support Weldment Options:	
31	4846137	1	Front Entry Platform	
31	See Note	1	Side Entry Platform (Note: See Items 101-110 for Breakdown)	
32	4711600	20	Flatwasher 3/8in Thin	
33	0961951	2	Bushing	

SECTION 3 - BOOM

ITEM	PART NUMBER	QTY	DESCRIPTION	REV
34	0961950	2	Bushing	
35	3422859	1	Pin	
36	0641406	4	Bolt 1/4in-20NC x 3/4in	
37	4060995	1	Shield, Rear	
38	4751400	4	Flatwasher 1/4in Regular	
39	4761400	4	Lockwasher 1/4in	
40	3841340	1	Rod, Hose Loop (Front Entry Platform)	
41	4071007	2	Shim, 20 Gauge	
42	0741605	AR	Screw, Flathead Socket 3/8in-16NC x 5/8in	
44	1670836	6	Cover (SN 0300066372 through 0300096000)	
	0272070	Ref	PLATFORM SUPPORT INSTALLATIONS (SIDE ENTRY PLATFORM)	B
		Ref	Machines with SkyGlazier (Note: For Replacement Parts, Contact JLG Customer Service and Request Manual p/n 3124242)	
101	0100011	AR	Compound, Locking	
102	0641812	8	Bolt 1/2in-13NC x 1-1/2in	
103	0642682	1	Bolt 1in-8NC x 10-1/4in	
104	0681608	8	Bolt 3/8in-16NC x 1in	
105	3272605	1	Locknut 1in-8NC	
106	3311805	8	Locknut 1/2in-13NC	
107	4846573	1	Support Weldment	
108	4891600	8	Flatwasher 3/8in Hardened	
109	4891800	8	Flatwasher 1/2in Hardened	
110	4892600	1	Flatwasher 1in Hardened	

SECTION 3 - BOOM

FIGURE 3-3. BOOM ASSEMBLY - 460SJ



SECTION 3 - BOOM

FIGURE 3-3. BOOM ASSEMBLY - 460SJ

ITEM	PART NUMBER	QTY	DESCRIPTION	REV
		Ref	BOOM ASSEMBLIES - 460SJ	
	0801186	Ref	Front Entry Platform	K
	0801360	Ref	Side Entry Platform	A
1	0100011	AR	Compound, Locking	
2		Ref	Jib Assembly Options (See Items 101-127 for Breakdown):	
2	0259856	1	Front Entry Platform	
2	0272593	1	Side Entry Platform	
3	0561185	2	Block, Telescope Cylinder Attach	
4	0641606	16	Bolt 3/8in-16NC x 3/4in	
5	0641608	14	Bolt 3/8in-16NC x 1in	
6	0641610	10	Bolt 3/8in-16NC x 1-1/4in	
7	0641616	2	Bolt 3/8in-16NC x 2in	
8	0741605	1	Screw, Flathead Socket 3/8in-16NC x 5/8in	
9	0801214	1	Boom, Fly	
10	0801216	1	Boom, Base	
11	0961951	2	Bushing	
12	1684013	1	Platform Level Cylinder Assembly (See CYLINDER SECTION for Breakdown)	
13		Ref	Telescope Cylinder Assembly Options (See CYLINDER SECTION for Breakdown):	
13	1683897	NLA	Front Entry Platform (Use p/n 1684194)	
13	1684194	1	Side Entry Platform	
14	3340867	8	Pad, Wear (Fly Rear Sides and Base Front Sides)	
15	3340868	2	Pad, Wear (Fly Rear Top)	
16	3340869	2	Pad, Wear (Base Front Top)	
17	3340870	4	Pad, Wear (Fly Rear Bottom and Base Front Bottom)	
18	3422457	1	Pin, Telescope Cylinder	
19	3422561	2	Pin, Pivot	
20	3422859	1	Pin, Pivot	
21	3760133	3	Ring, Retaining	
22	3841143	2	Keeper, Pin	
23	4070497	4	Shim 1/8in	
24	4070498	4	Shim 1/16in	
25	4070501	8	Shim 1/8in	
26	4070502	8	Shim 1/16in	
27	4070503	2	Shim 1/8in	
28	4070504	4	Shim 1/16in	
29	4070929	2	Shim 1/8in	
30	4751600	26	Flatwasher 3/8in Regular	
31	0961950	2	Bearing	
33	4060995	1	Cover, Rear	
34	0641406	4	Bolt 1/4in-20NC x 3/4in	
35	4751400	4	Flatwasher 1/4in Regular	
36	4761400	4	Lockwasher 1/4in	
37	4071007	2	Shim, 20 Gauge	
38	1670836	6	Cover (SN 0300066372 through 0300096000)	
		Ref	JIB ASSEMBLIES	
	0259856	Ref	Front Entry Platform	G
	0272593	Ref	Side Entry Platform	A
101	0060048	1	Rotator Assembly (See ROTATOR ASSEMBLIES for	

SECTION 3 - BOOM

ITEM	PART NUMBER	QTY	DESCRIPTION	REV
101A	See Note	AR	Breakdown) Hardware Kit (Note: Use items 303, 305 & 310 as Service Replacement)	
102	0100011	AR	Compound, Locking	
103	0641608	AR	Bolt 3/8in-16NC x 1in	
104	0641610	1	Bolt 3/8in-16NC x 1-1/4in	
105	0641618	4	Bolt 3/8in-16NC x 2-1/4in	
106	0961947	AR	Bushing	
		Ref	Note: When replacing 106, recommend using qty 4. Original Equipment qty was 2.	
107	1683609	NLA	Jib Lift Cylinder Assembly (Use p/n 1001248012) (Original Equipment) (See CYLINDER SECTION for Breakdown)	
107	1001228012	NLA	Jib Lift Cylinder Assembly (Use p/n 1001248012) (Service Replacement) (See CYLINDER SECTION for Breakdown)	
107	1001248012	1	Jib Lift Cylinder Assembly (Service Replacement) (See CYLINDER SECTION for Breakdown)	
108	3311605	5	Locknut 3/8in-16NC	
109	3422860	2	Pin, Pivot	
110	3422861	2	Pin, Pivot	
111	3422867	1	Pin, Pivot	
112	3841143	3	Keeper, Pin - 3/8in	
113	4740439	2	Thrustwasher	
114	4844815	1	Pivot Weldment	
115	4844816	1	Tube (Top) (Includes Item 126 p/n 0962335)	
116	4844817	2	Tube (Bottom)	
117		Ref	Support Weldment Options:	
117	4846137	1	Front Entry Platform	
117	See Note	1	Side Entry Platform (Note: See Items 301-310)	
118	4711600	8	Flatwasher 3/8in Thin (Front Entry Platform)	
126	0961947	NLA	Bushing (Part of Item 115) (Use p/n 0962335)	
127	0961947	2	Bushing (Part of Item 101)	
		Ref	BOOM CABLES INSTALLATION	
	0259190	Ref	Boom Cables Installation 460SJ (Prior to SN 0300064404)	9
	0271159	Ref	Boom Cables Installation 460SJ (SN 0300064404 through 0300096000)	8
	0272613	Ref	Boom Cables Installation 460SJ (7500w 60Hz Generator - SKYPOWER)	4
214	3841340	1	Rod, Hose Loop	
215	0641605	2	Bolt 3/8in-16NC x 5/8in	
220	0561237	2	Clamp, Block	
221	0641416	4	Bolt 1/4in-20NC x 2in	
222	1670769	1	Cover	
223	2080044	4	Fastener, Rivnut	
	0272070	Ref	PLATFORM SUPPORT INSTALLATIONS (SIDE ENTRY PLATFORM)	B
301	0100011	AR	Compound, Locking	
302	0641812	8	Bolt 1/2in-13NC x 1-1/2in	
303	0642682	1	Bolt 1in-8NC x 10-1/4in	
304	0681608	8	Bolt 3/8in-16NC x 1in	
305	3272605	1	Locknut 1in-8NC	
306	3311805	8	Locknut 1/2in-13NC	
307	4846573	1	Support Weldment	
308	4891600	8	Flatwasher 3/8in Hardened	

SECTION 3 - BOOM

ITEM	PART NUMBER	QTY	DESCRIPTION	REV
309	4891800	8	Flatwasher 1/2in Hardened	
310	4892600	1	Flatwasher 1in Hardened	

SECTION 3 - BOOM

FIGURE 3-4. ROTATOR ASSEMBLIES

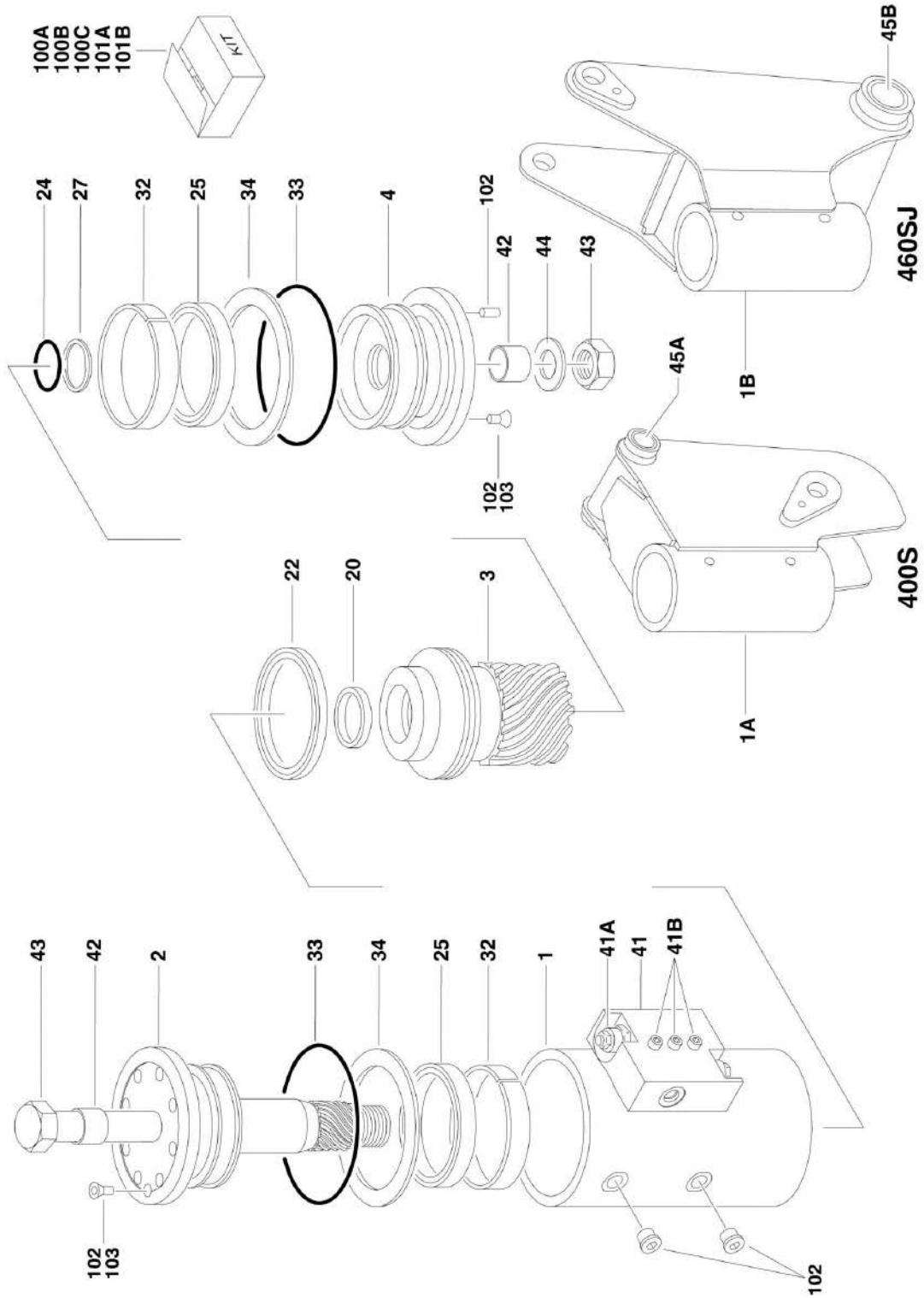


FIGURE 3-4. ROTATOR ASSEMBLIES

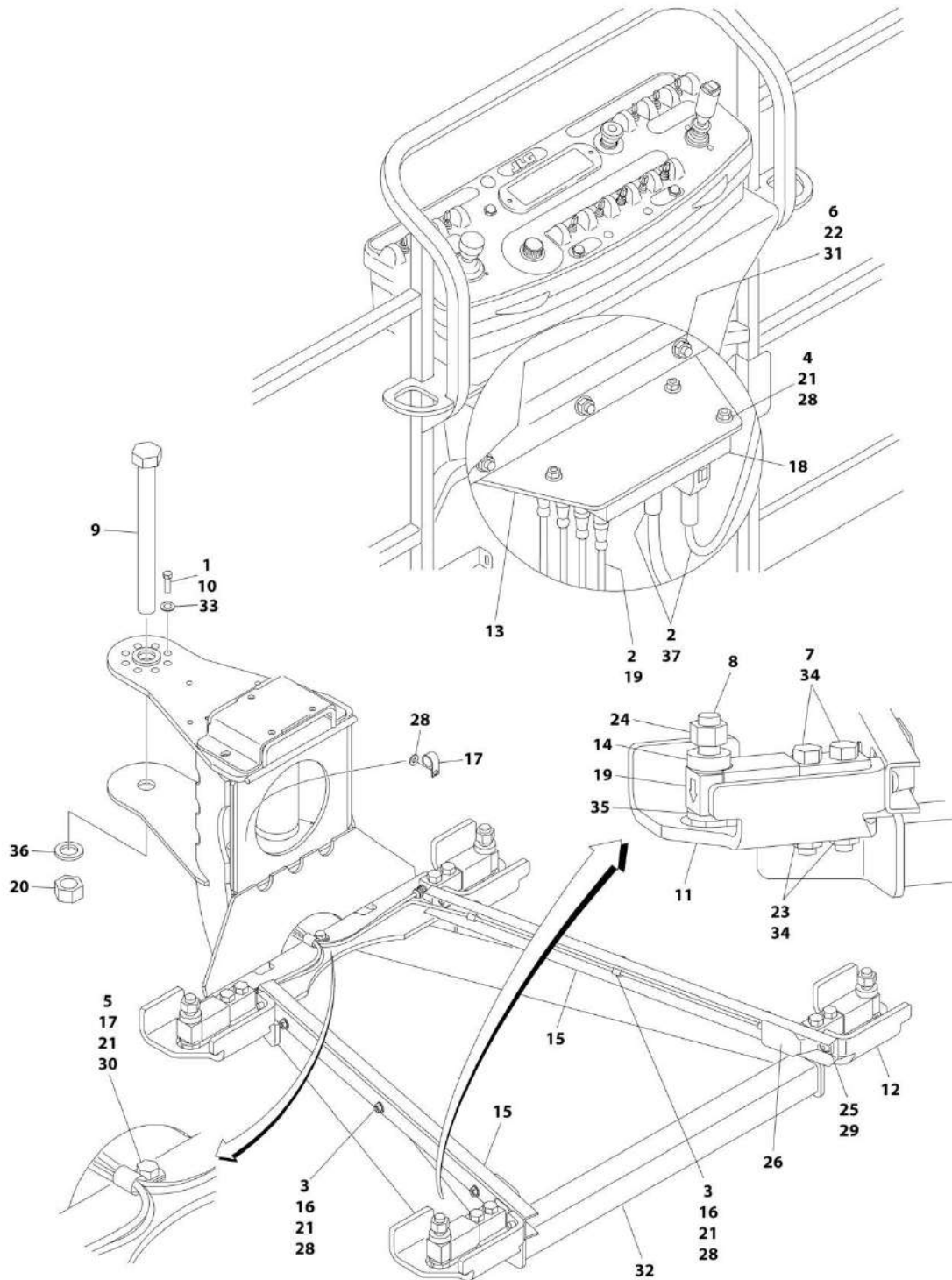
ITEM	PART NUMBER	QTY	DESCRIPTION	REV
		Ref	ROTATOR ASSEMBLIES	
	See Note	Ref	Rotator Assemblies (Note: Was p/n 0060047 - use p/n 0060059 as Service Replacement) (400S Prior to SN 0300054365)	E
	0060059	Ref	Rotator Assemblies (400S SN 0300054365 through 0300096000)	E
	0060048	Ref	Rotator Assemblies 460SJ	G
1	See Note	1	Housing/Ring Gear Assembly (Note: Not Available - Purchase Complete Rotator Assembly)	
2		Ref	Shaft Weldment Options:	
2	7017140	1	Shaft Weldment (Prior to SN 0300052800)	
2	7017162	1	Shaft Weldment (SN 0300052800 through 0300096000)	
3		Ref	Piston/Sleeve Assembly Options:	
3	7017139	1	Piston/Sleeve Assembly (Prior to SN 0300052800)	
3	7017163	1	Piston/Sleeve Assembly (SN 0300052800 through 0300096000)	
4		Ref	Cap, End Options:	
4	7017148	1	Cap, End (Prior to SN 0300052800)	
4	7017164	1	Cap, End (SN 0300052800 through 0300096000)	
20	See Note	1	T-Seal (Note: Use Item 100A, 100B or 100C)	
22	See Note	1	T-Seal (Note: Use Item 100A, 100B or 100C)	
24	See Note	1	O-Ring (Note: Use Item 100A, 100B or 100C)	
25	See Note	2	Seal (Note: Use Item 100A, 100B or 100C)	
27	See Note	1	Ring, Back-up (Note: Use Item 100A, 100B or 100C)	
32	See Note	2	Ring, Wear (Note: Use Item 101A or 101B)	
33	See Note	2	Ring, Wiper (Note: Use Item 100A, 100B or 100C)	
34	See Note	2	Thrustwasher (Note: Use Item 101A or 101B)	
41		Ref	Valve Assembly Options:	
41	7017125	NLA	Valve (Use p/n 7017172) (Prior to SN 0300052800)	
41	7017172	1	Valve (SN 0300052800 through 0300096000)	
41A		Ref	Cartridge, Valve Options:	
41A	7011323	2	Cartridge (Prior to SN 0300052800)	
41A	2900770	2	Seal Kit - 7011323 Valve	
41A	7017192	2	Cartridge (SN 0300052800 through 0300096000)	
41A	See Note	1	Seal Kit - 7017192 Valve (Note: Not Available for Purchase)	
41B	See Note	3	Bolt 1/4 x 1-1/2 (Grade 8) (Note: Not Available for Purchase)	
42		Ref	Bushing Options:	
42	7017136	2	Bushing (Prior to SN 0300052800)	
42	7017195	2	Bushing (SN 0300052800 through 0300096000)	
43	See Note	1	Bolt and Nut (Note: Was p/n 7017143 for Machines Built Prior to SN 0300068836. P/N 7017143 is no longer available. Use hardware called out on Boom Assembly for Service Replacement)	
44	4892600	1	Flatwasher, Hardened (See BOOM ASSEMBLY for Breakdown) (Prior to SN 0300068836, SN 0300068836 through 0300096000)	
45		Ref	Bushing Options:	
45A	0961951	2	Bushing 400S	
45B	0961947	2	Bushing 460SJ	
100		Ref	Seal Kit Options (Includes Items 20, 22, 24, 25, 27 & 33):	
100A	7017137	1	Standard (Prior to SN 0300052800)	
100B	7017158	1	Standard (SN 0300052800 through 0300096000)	

SECTION 3 - BOOM

ITEM	PART NUMBER	QTY	DESCRIPTION	REV
100C	70000342	1	Low Temperature (SN 0300052800 through 0300096000)	
101		Ref	Bearing Kit Options (Includes Items 32 & 34):	
101A	7017138	1	Bearing Kit (Prior to SN 0300052800)	
101B	7017159	1	Bearing Kit (SN 0300052800 through 0300096000)	
102		Ref	Hardware Kit	
102	7017142	1	Platform Rotate Actuator	
103	70001697	4	Screw, Countersunk 1/4in-20NC x 3/8in (Grade 8)	

SECTION 3 - BOOM

FIGURE 3-5. PLATFORM SUPPORT INSTALLATION - WITH LSS & WITHOUT SKYGLAZIER



ART_0272703

SECTION 3 - BOOM

FIGURE 3-5. PLATFORM SUPPORT INSTALLATION - WITH LSS & WITHOUT SKYGLAZIER

ITEM	PART NUMBER	QTY	DESCRIPTION	REV
	0272703	Ref	PLATFORM SUPPORT INSTALLATION - WITH LSS & WITHOUT SKYGLAZIER	K
1	0100011	AR	Compound, Locking	
2	0100048	AR	Grease, Dielectric	
3	0641405	6	Bolt 1/4 x 5/8	
4	0641416	3	Bolt 1/4 x 2	
5	0641407	1	Bolt 1/4 x 7/8	
6	0641516	3	Bolt 5/16 x 2	
7	0641822	8	Bolt 1/2 x 2-3/4	
8	0642024	8	Bolt 5/8 x 3	
9	0642684	1	Bolt 1 x 10-1/2	
10	0681608	8	Bolt 3/8 x 1 Grade 8	
11	0902919	2	Bracket, Cell Guard	
12	0902920	2	Bracket, Cell Guard	
13	0902894	1	Bracket, Module Mount	
14	0962450	4	Bushing, Spacer	
15	1271538	2	Channel	
16	1320136	6	Clamp	
17	1320224	2	Clamp	
18	1600387	1	Module, Control - LSS (Note: Re-calibration Required when Replaced)	
19	2420202	4	Cell, Load (Includes Cable)	
20	3272605	1	Nut 1 Grade 8	
21	3311405	10	Nut 1/4	
22	3311508	3	Nut 5/16	
23	3311805	8	Nut 1/2	
24	3312005	4	Nut 5/8	
25	3900283	4	Screw 3/8 x 3/4	
26	4061054	2	Shield	
27	4240033	AR	Tie-Strap (Not Shown)	
28	4711400	10	Washer 1/4	
29	4711600	4	Washer 3/8	
30	4751400	1	Washer 1/4	
31	4751500	3	Washer 5/16	
32	4846573	1	Support, Platform	
33	4891600	8	Washer 3/8	
34	4891800	8	Washer 1/2	
35	4892000	4	Washer 5/8	
36	4892600	1	Washer 1	
37	4922869	1	LSS Harness	
37	4922705	1	Analyzer Harness (Not Shown)	
37	4460761	1	Receptacle, Female - 4 Position (Not Shown)	
37	4460226	2	Socket, Female	
37	4460836	1	Connector - 12 Position (Black) (J2)	
37	4460465	2	Socket, Female	
37	4460466	10	Plug, Terminal	
37	0840055	1	Boot	
37	4460933	1	Connector - 12 Position (Grey) (J1)	
37	4460465	3	Socket, Female	
37	4460466	9	Plug, Terminal	

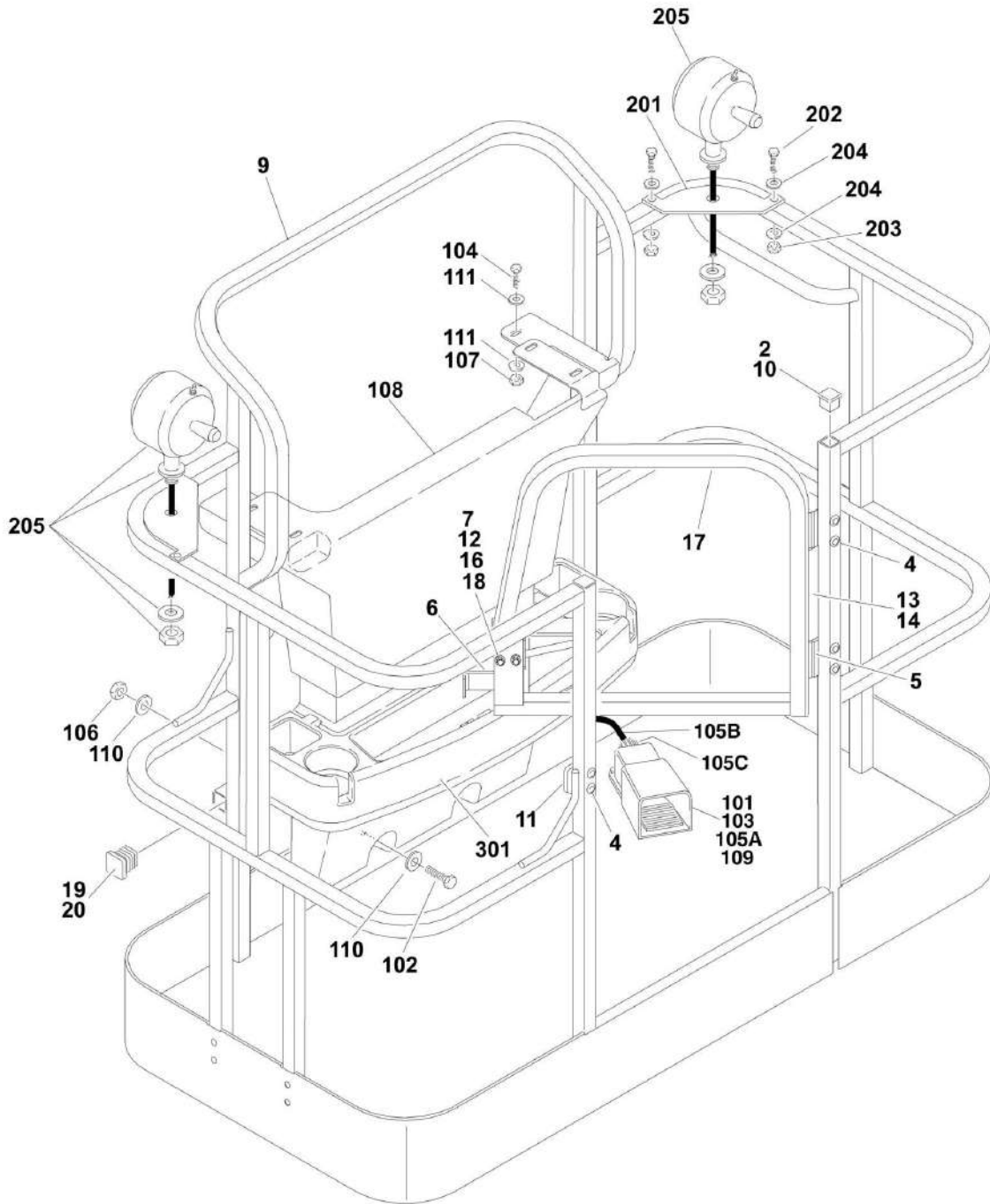
SECTION 3 - BOOM

ITEM	PART NUMBER	QTY	DESCRIPTION	REV
37	0840055	1	Boot	

SECTION 4 - PLATFORM

SECTION 4 - PLATFORM

FIGURE 4-1. PLATFORM INSTALLATION (FRONT ENTRY PLATFORM)



SECTION 4 - PLATFORM

FIGURE 4-1. PLATFORM INSTALLATION (FRONT ENTRY PLATFORM)

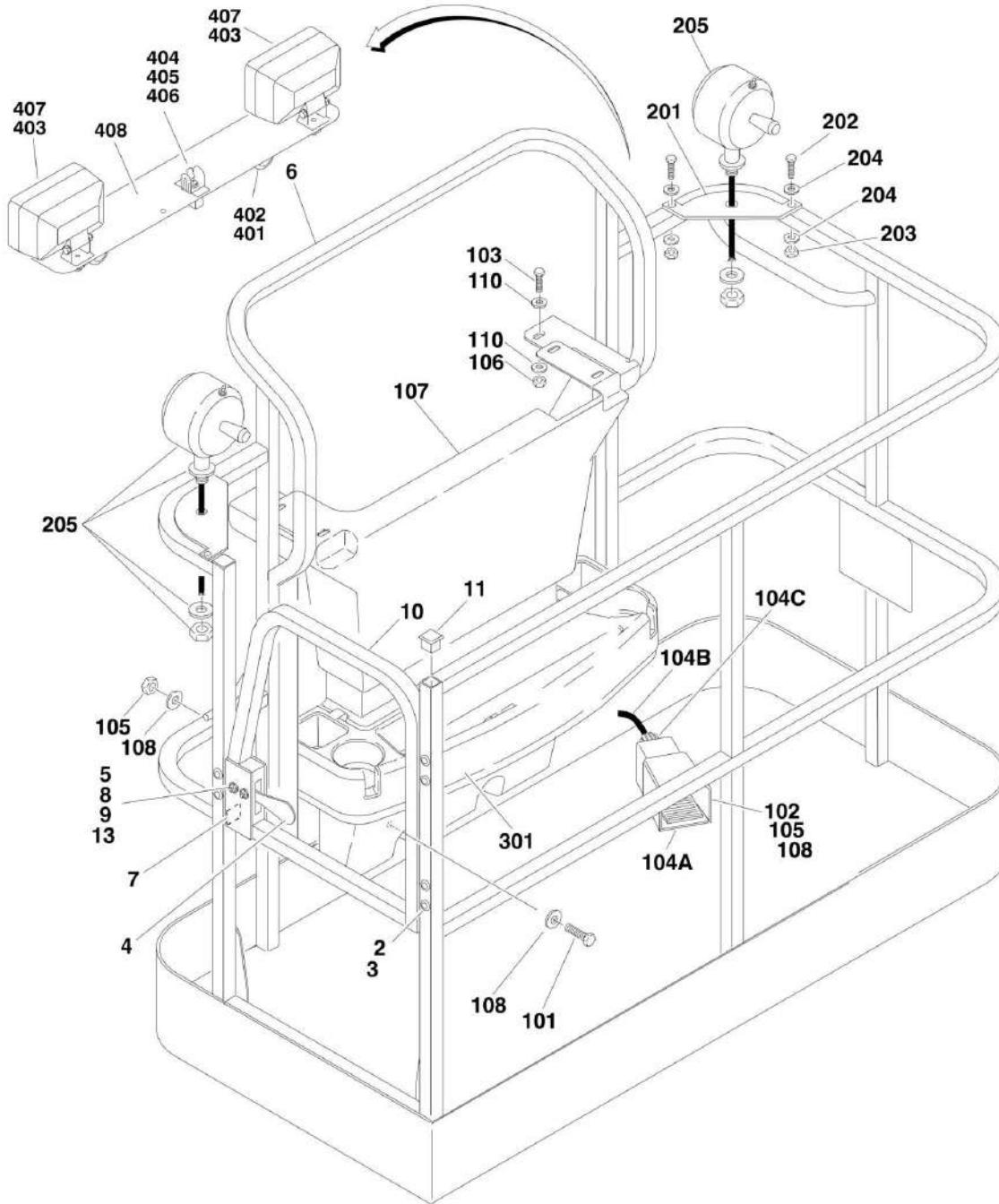
ITEM	PART NUMBER	QTY	DESCRIPTION	REV
		Ref	PLATFORM ASSEMBLIES:	
	3510694	Ref	4ft (1.22m) with Standard Gate/No Mesh	D
	3510711	Ref	4ft (1.22m) with Standard Gate/Mesh to Top Rail	B
	3510714	Ref	4ft (1.22m) with Self-Closing Gate/No Mesh	C
	3510725	Ref	4ft (1.22m) with Self-Closing Gate/Mesh to Top Rail	C
	3510788	Ref	4ft (1.22m) with Swing Gate/No Mesh	A
	3510738	Ref	6ft (1.83m) with Standard Gate/No Mesh	C
	3510744	Ref	6ft (1.83m) with Standard Gate/Mesh to Top Rail	D
	3510742	Ref	6ft (1.83m) with Self-Closing Gate/No Mesh	E
	3510754	Ref	6ft (1.83m) with Self-Closing Gate/Mesh to Top Rail	F
	3510675	Ref	8ft (2.44m) with Standard Gate/No Mesh	C
	3510747	Ref	8ft (2.44m) with Standard Gate/Mesh to Top Rail	D
	3510749	Ref	8ft (2.44m) with Self-Closing Gate/No Mesh	E
	3510753	Ref	8ft (2.44m) with Self-Closing Gate/Mesh to Top Rail	F
	3510772	Ref	8ft (2.44m) with Swing Gate/No Mesh	A
		Ref	Note: Replacement Decals Must be purchased separately - See DECAL SECTION.	
2	0100040	AR	Sealant, RTV Silicone	
4	2080040	13	Fastener, Huck	
5		Ref	Hinge Options:	
5	2600216	2	Standard Gate	
5	2600219	2	Self-Closing Gate (Prior to SN 0300068521)	
5	2600287	2	Self-Closing Gate (SN 0300068521 through 0300096000)	
6	2940074	1	Latch	
7	3311005	4	Locknut #10-24NC	
9	See Note	1	Platform Weldment (Note: Not Available - Purchase Platform Assembly)	
10	3520072	3	Cap-Plug	
11	3539685	1	Plate, Latch	
12	3911008	4	Screw #10-24NC x 1in	
13	4060803	6 in/15cm	Trim	
14	4220165	1	Stop, Gate	
16	4751000	AR	Flatwasher #10 Regular	
17		Ref	Gate Weldment Options:	
17	4845327	1	No Mesh/Standard Gate	
17	4845824	1	Mesh to Top Rail/Standard Gate	
17	4845426	1	No Mesh/Self-Closing Gate	
17	4845951	1	Mesh to Top Rail/Self-Closing Gate	
18	4761000	4	Lockwasher #10	
19	0100010	AR	Adhesive	
20	3520172	2	Plug	
		Ref	FOOTSWITCH AND COVERS INSTALLATIONS	
	0272035	Ref	Cast Box Installation	A
	0272036	Ref	Plastic Box Installation	A
101	0100020	AR	Sealant, Pipe	
102	0641406	4	Bolt 1/4in-20NC x 3/4in	
103	0641408	3	Bolt 1/4in-20NC x 1in	
104	0641610	4	Bolt 3/8in-16NC x 1-1/4in	
105		Ref	Console Box Assembly (Not Shown - See PLATFORM CONSOLE ASSEMBLY WITHOUT ADE SYSTEM AND	

SECTION 4 - PLATFORM

ITEM	PART NUMBER	QTY	DESCRIPTION	REV
			PLATFORM CONSOLE ASSEMBLY WITH ADE SYSTEM For Breakdown)	
105A	4360031	1	Footswitch Options:	
105A	7000625	2	Block, Contact for 4360031 Footswitch	
105B	1060918	8 ft/2.4m	Cable, Electrical - 18/3	
105C	4460071	1	Connector, Strain Relief	
106	3311405	4	Locknut 1/4in-20NC	
107	3311605	4	Locknut 3/8in-16NC	
108	3380434	1	Panel, Poly	
109	4740362	7	Washer, Fender	
110	4751400	5	Flatwasher 1/4in Regular	
111	4751600	8	Flatwasher 3/8in Regular	
		Ref	WORKLIGHTS INSTALLATION (optional)	
	0258309	Ref	Standard (Prior to SN 0300064404)	1-A
	0270814	Ref	ADE System (SN 0300064404 through 0300096000)	3-E
201	3536089	2	Plate, Mounting	
202	0641414	4	Bolt 1/4in-20NC x 1-3/4in	
203	3311405	4	Locknut 1/4in-20NC	
204	4711400	8	Flatwasher 1/4in Thin	
205	2920140	2	Worklight	
206	4240099	10	Tie-Strap (Not Shown)	
207	2820035	9	Loom, Vinyl (Not Shown)	
209	4460598	1	Connector, Strain Relief (Not Shown - Located at Console Box)	
210	4920018	18	Wire, Black (Not Shown)	
		in/46cm		
		Ref	TRAY INSTALLATIONS (OPTIONAL)	
301	1580012	1	Tray, Storage (Center)	
302	1580013	1	Tray, Storage (Rail Mounted - Not Shown)	

SECTION 4 - PLATFORM

FIGURE 4-2. PLATFORM INSTALLATION (SIDE ENTRY PLATFORM)



SECTION 4 - PLATFORM

FIGURE 4-2. PLATFORM INSTALLATION (SIDE ENTRY PLATFORM)

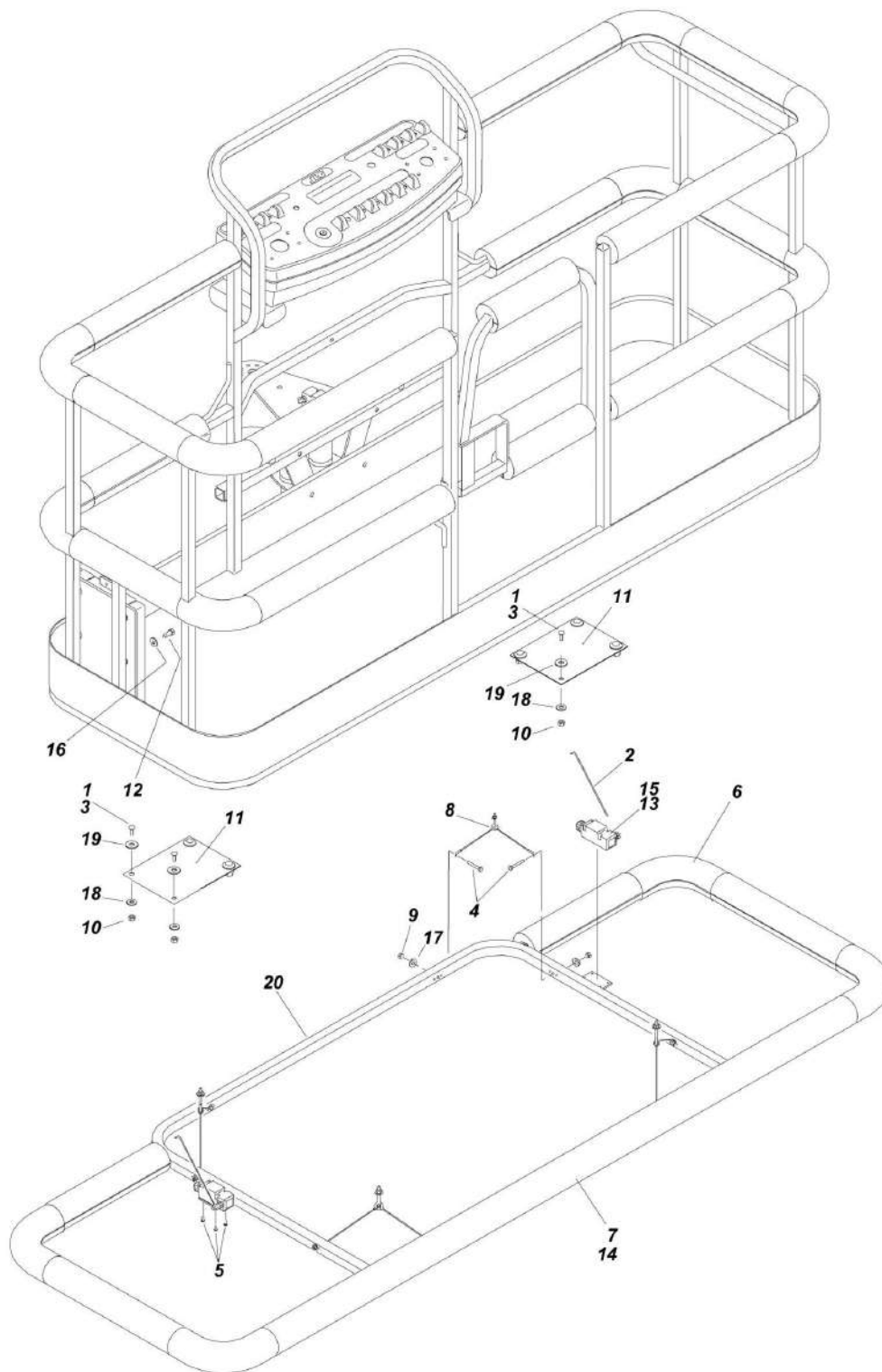
ITEM	PART NUMBER	QTY	DESCRIPTION	REV
		Ref	PLATFORM ASSEMBLIES:	
	3510822	Ref	36in X 8ft (91.5cm x 2.44m) with No Mesh	B-J
	3510832	Ref	30in X 6ft (76cm x 1.83m) with No Mesh	B-L
	3510833	Ref	36in X 6ft (91.5cm x 1.83m) with No Mesh	B-I
	3510831	Ref	30in X 5ft (76cm x 1.52m) with No Mesh	B-L
	3510830	Ref	30in x 4ft (76cm x 1.22m)	B-M
		Ref	Note: Original Equipment platform may have been replaced with Service Replacement platform. Identify platform before ordering parts.	
		Ref	Note: Platform and Mesh must be ordered separately for Platforms with Mesh. See SPECIAL OPTION SECTION for Mesh Installations.	
		Ref	Note: Replacement Decals Must be purchased separately - See DECAL SECTION.	
2	2080040	16	Fastener, Huck	
3	2600281	2	Hinge, Self-Closing	
4	2940074	1	Latch	
5	3311001	4	Nut #10-24NC Only (Prior to SN 0300077394)	
6	See Note	1	Platform Weldment (Note: Not Available - Purchase Platform Assembly)	
7	3520072	1	Cap-Plug	
8		Ref	Fastener Options:	
8	3911008	4	Screw #10-24NC x 1in (Prior to SN 0300076465)	
8	3900205	4	Screw #10-24NC x 5/8in (SN 0300076465 through 0300077393)	
8	3820020	4	Rivet (SN 0300077394 through 0300096000)	
9	4751000	8	Flatwasher #10 Regular (Prior to SN 0300077394)	
10		Ref	Gate Weldment Options:	
10	4846452	1	Gate for Original Equipment Platform p/n 3510822, 3510830, 3510831, 3510832, 3510833	
10	1001144629	1	Gate for Service Replacement Platform p/ns 1001144023, 1001144024, 1001144025, 1001144026, 1001144027	
11	3520198	2	Cap-Plug	
13	4761000	4	Lockwasher #10 Only (Prior to SN 0300077394)	
	0272609	Ref	CONSOLE BOX INSTALLATIONS	A
101	0641406	4	Bolt 1/4in-20NC x 3/4in	
102	0641408	3	Bolt 1/4in-20NC x 1in	
103	0641610	4	Bolt 3/8in-16NC x 1-1/4in	
104		Ref	Platform Console Box Assembly (Not Shown) (See PLATFORM CONSOLE ASSEMBLY WITHOUT ADE SYSTEM AND PLATFORM CONSOLE ASSEMBLY WITH ADE SYSTEM for Breakdown)	
104A	0272970	1	Footswitch Assembly (Includes Footswitch and Items 104B & 104C)	B
		Ref	Note: Assembly p/n 0272970 may use either p/n 4360031 or p/n 1001117320. If Original Equipment was replaced as an "assembly," p/n 1001117320 may have been used as part of the Service Replacement. Identify component before ordering parts.	
104A		Ref	Footswitch Less Cable Options:	
104A	4360031	1	Original Equipment	
104A	1001117320	1	Service Replacement	
104A		Ref	Block, Contact Options (see Note Above):	

SECTION 4 - PLATFORM

ITEM	PART NUMBER	QTY	DESCRIPTION	REV
104A	7000625	2	Contact Block for 4360031 Footswitch	
104A	70003483	1	Contact Block for 1001117320 Footswitch	
104A	3252347	1	Nameplate (Note: See DECAL SECTION for Other Languages)	
104B	1060918	7 ft/2.14m	Cable, Electrical - 18/3	
104C	4460071	1	Connector, Strain Relief	
105	3311405	7	Locknut 1/4in-20NC	
106	3311605	4	Locknut 3/8in-16NC	
107	3380434	1	Panel, Decal Mount	
108	4740362	7	Washer, Fender 1/4in	
109	4751400	4	Flatwasher 1/4in Regular	
110	4751600	8	Flatwasher 3/8in Regular	
		Ref	WORKLIGHTS INSTALLATIONS (optional)	
	0270814	Ref	Worklights Installations (Prior to SN 0300074316)	3-E
	0273493	Ref	Worklights Installations 400S (SN 0300074316 through 0300096000)	B
	0273494	Ref	Worklights Installations 460SJ (SN 0300074316 through 0300096000)	B
201	3536089	2	Plate, Mounting	
202		Ref	Fastener Options:	
202	0641414	4	Bolt 1/4in-20NC x 1-3/4in	
202	2080040	4	Rivet 1/4in	
203	3311405	AR	Locknut 1/4in-20NC	
204	4711400	AR	Flatwasher 1/4in Thin	
205	2920140	2	Worklight	
205	7016399	2	Bulb, Replacement (1 Per Worklight)	
206	4240099	10	Tie-Strap (Not Shown)	
207	2820035	9	Loom, Vinyl (Not Shown)	
209	4460598	1	Connector, Strain Relief (Not Shown - Located at Console Box)	
		Ref	TRAY INSTALLATIONS (OPTIONAL)	
301	1580012	1	Tray, Storage (Center)	
302	1580013	1	Tray, Storage (Rail Mounted - Not Shown)	
		Ref	FLOODLIGHT INSTALLATION	
	0274570	Ref	Floodlight Installation 400S	A
	0274584	Ref	Floodlight Installation 460SJ	A
401	0641518	2	Bolt 5/16in-18NC x 2-1/4in	
402	2560173	2	Handle	
403	2920157	2	Lamp, Work Light	
404	3250585	1	Nameplate - Light On	
405	4060802	1	Guard, Switch	
406	4360336	1	Switch, Toggle	
407	4751800	2	Flatwasher 1/2in Regular	
408	4846561	1	Mount, Light	
409		Ref	Harness 12/3 (Not Shown)	
409	1060983	63	Harness 400S	
		ft/19.2m		
409	4922965	1	Harness 460SJ	
411	4420037	1	Tape, Insulation (Not Shown)	

SECTION 4 - PLATFORM

FIGURE 4-3. SOFT TOUCH INSTALLATION (FRONT ENTRY PLATFORM) (OPTIONAL)



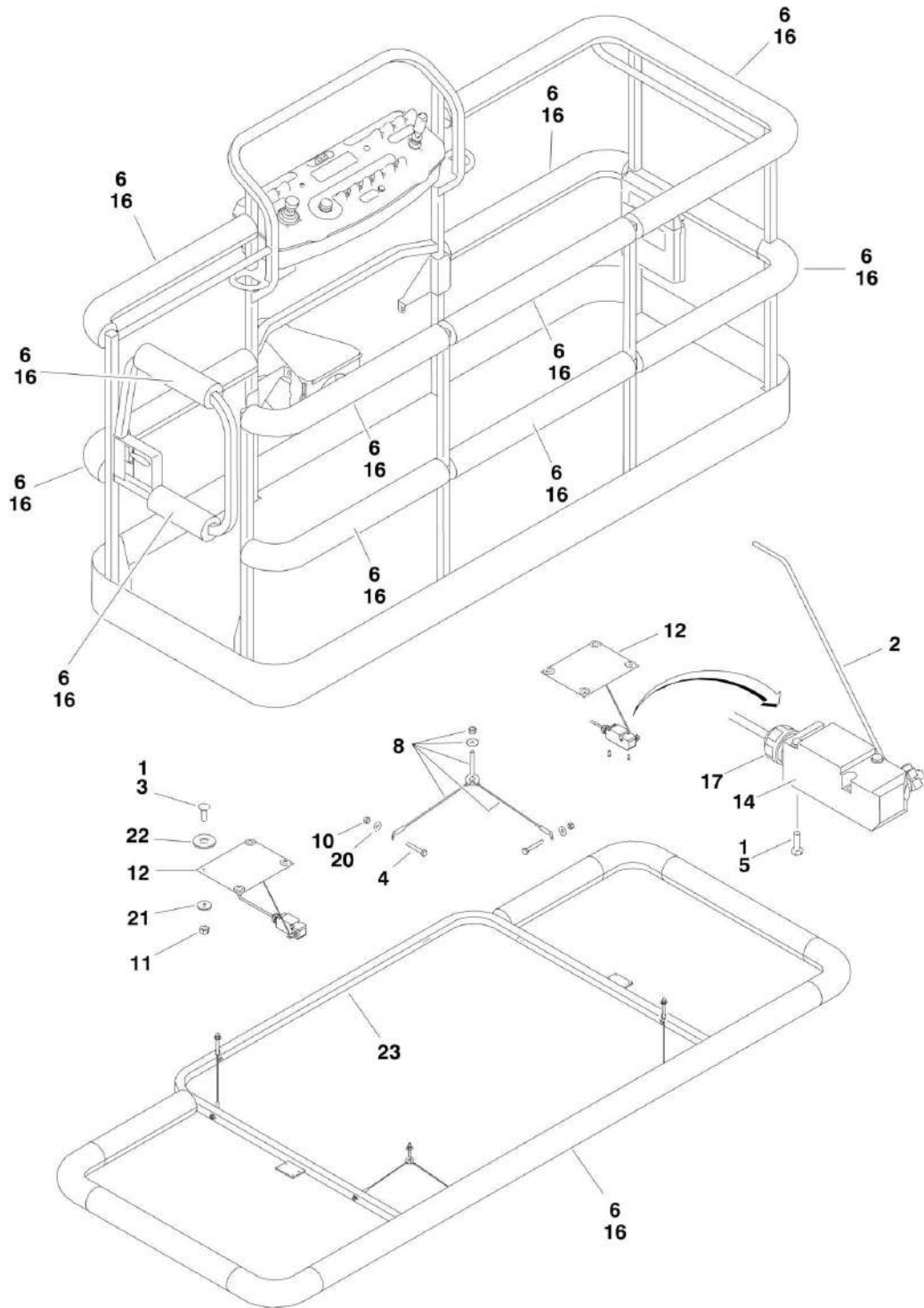
SECTION 4 - PLATFORM

FIGURE 4-3. SOFT TOUCH INSTALLATION (FRONT ENTRY PLATFORM) (OPTIONAL)

ITEM	PART NUMBER	QTY	DESCRIPTION	REV
		Ref	SOFT TOUCH INSTALLATION	
	0271040	Ref	30in x 96in Without Mesh With Swing Gate (Prior to SN 0300064404)	B
	0271355	Ref	30in x 96in Without Mesh With Swing Gate (SN 0300064404 through 0300064508)	B
	0272007	Ref	30in x 96in Without Mesh With Swing Gate (SN 0300064509 through 0300096000)	C
1	0100011	AR	Compound, Locking	
2	0200048	2	Arm, Switch Activator	
3	0630462	8	Bolt, Carriage	
4	0641414	8	Bolt 1/4in-20NC x 1-3/4in	
5	0731005	4	Screw #10-32NF x 5/8in	
6	0940092	12	Bumper (Corner) (Prior to SN 0300066686)	
7		Ref	Bumper Options:	
7	0940094	3	Bumper (Center) (Prior to SN 0300066686)	
7	0940101	1	Bumper (Precut Kit) (SN 0300066686 through 0300096000)	
8	1060903	4	Wire Rope and Eyebolt Assembly	
9	3311401	8	Nut 1/4in-20NC	
10	3311501	8	Nut 5/16in-18NC	
11	3539719	2	Plate, Switch Strike	
12	3941405	2	Screw, Self-Tapping 1/4in-20NC x 5/8in	
13	4360057	2	Switch, Limit	
14	4420068	AR	Tape, Yellow Adhesive	
15	4460049	2	Connector, Strain Relief	
16	4711400	2	Flatwasher 1/4in Thin	
17	4751400	8	Flatwasher 1/4in Regular	
18	4751500	12	Flatwasher 5/16in Regular	
19	4751800	8	Flatwasher 1/2in Regular	
20	4846390	1	Weldment, Soft Touch Rail	

SECTION 4 - PLATFORM

FIGURE 4-4. SOFT TOUCH INSTALLATION (SIDE ENTRY PLATFORM) (OPTIONAL)



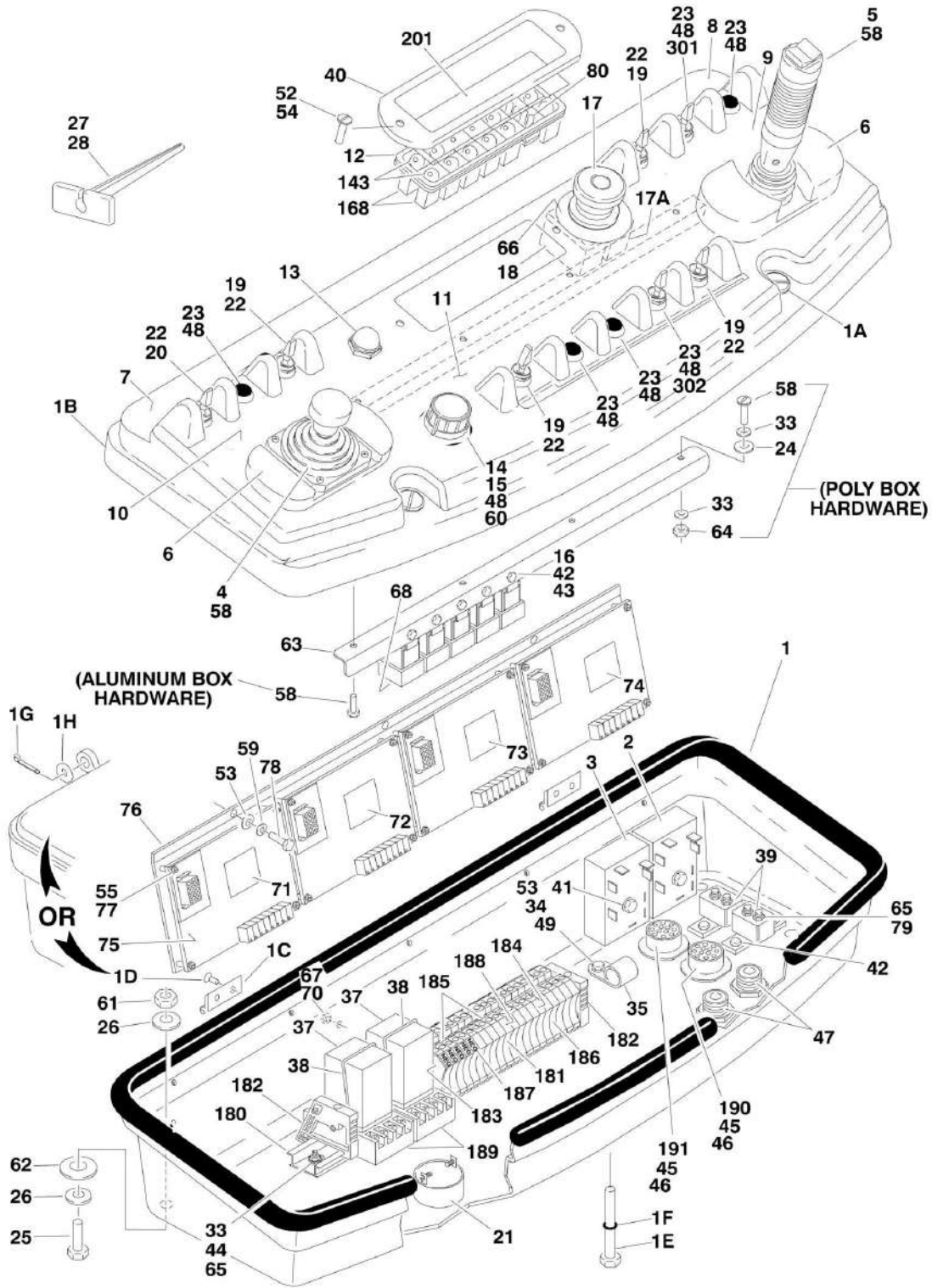
SECTION 4 - PLATFORM

FIGURE 4-4. SOFT TOUCH INSTALLATION (SIDE ENTRY PLATFORM) (OPTIONAL)

ITEM	PART NUMBER	QTY	DESCRIPTION	REV
		Ref	SOFT TOUCH SYSTEM INSTALLATIONS OPTIONS:	
	See Note	Ref	6Ft/1.8m Platforms (Note: Not Available for Purchase)	
	0272427	Ref	8Ft/2.4m Platforms	C
1	0100011	AR	Compound, Locking	
2	0200048	2	Arm, Switch Activator	
3	0630462	8	Bolt, Carriage	
4	0641414	8	Bolt 1/4in-20NC x 1-3/4in	
5	0731005	NLA	Screw, Machine #10-32 x 5/8in (Use p/n 0721005)	
6	0940103	1	Bumper Kit	
8	1060903	4	Wire Rope and Eyebolt Assembly	
10	3311401	8	Nut 1/4in-20NC	
11	3311501	8	Nut 5/16in-18NC	
12	3574091	2	Plate, Striker	
13	4240099	7	Tie-Strap (Not Shown)	
14	4360057	2	Switch, Limit	
16	4420068	1	Tape, Yellow Adhesive	
17	4460049	2	Connector, Strain Relief	
18	4460234	7	Base, Tie-Strap Mounting (Not Shown)	
20	4751400	8	Flatwasher 1/4in Regular	
21	4751500	12	Flatwasher 5/16in Regular	
22	4751800	8	Flatwasher 1/2in Regular	
23	4846673	1	Rail, Soft-Touch	
	0272444	Ref	SOFT TOUCH COUNTERWEIGHT INSTALLATION (NOT SHOWN)	C
	4821397	1	Counterweight (Located in Frame)	

SECTION 4 - PLATFORM

FIGURE 4-5. PLATFORM CONSOLE ASSEMBLY WITHOUT ADE SYSTEM



SECTION 4 - PLATFORM

FIGURE 4-5. PLATFORM CONSOLE ASSEMBLY WITHOUT ADE SYSTEM

ITEM	PART NUMBER	QTY	DESCRIPTION	REV
		Ref	CONSOLE BOX ASSEMBLY OPTIONS:	
	0861270	Ref	Poly Box	7-E
	0861271	Ref	Aluminum Box	6-D
1		Ref	Box, Console Options:	
1	0861195	1	Poly Box (Prior to SN 0300066471)	
1	0860984	1	Alum Box (Prior to SN 0300066471)	
1	0861535	1	Die Cast Box (SN 0300066471 through 0300096000)	
1		Ref	Box Components:	
1A	7020099	2	Screw (Poly Box Only)	
1A	3760308	2	Retainer (Poly Box Only)	
1A	7020100	2	Clip with Bracket (Poly Box Only)	
1B	See Note	1	Lid (Note: Not Available for Purchase)	
1C		Ref	Hinge Options:	
1C	See Note	1	Poly Box (Note: Not Available for Purchase)	
1C	2600211	2	Alum Box	
1C	Not Required	0	Die Cast Box	
1D	3900224	8	Screw, Countersunk 6mm x 16m (Alum Box Only)	
1E	3931664	1	Capscrew 3/8in-16NC x 4in (Alum Box Only)	
1E	3931672	1	Capscrew 3/8in-16NC x 4-1/2in (Die Cast Box Only)	
1F	3790109	1	O-Ring (Alum Box Only)	
1F	3311601	1	Nut 3/8in x 16NC (Die Cast Box Only)	
1G	3450304	2	Pin, Cotter (Die Cast Box Only)	
1H	4711500	2	Flatwasher 5/16in Thin (Die Cast Box Only)	
2	3740113	1	Relay, Time Delay (5 Pin)	
3	3740115	1	Relay, Time Delay (3 Pin)	
4	1600284	1	Controller Assembly (Lift and Swing) (See CONTROLLER ASSEMBLY (LIFT AND SWING) (WITHOUT ADE SYSTEM) for Breakdown)	
5	1600283	1	Controller Assembly (Drive and Steer) (See CONTROLLER ASSEMBLY (DRIVE AND STEER) (WITHOUT ADE SYSTEM) for Breakdown)	
6		Ref	Pad, Hand Options:	
6	Not Required	0	Poly Box	
6	4340678	1	Alum Box (Left Side)	
6	4340684	1	Alum Box (Right Side)	
7	1703776	1	Decal (Horn)	
8	1702564	1	Decal (Stop)	
9	1702565	1	Decal (Drive and Steer)	
10	1702566	1	Decal (Lift and Swing)	
11	1702567	1	Decal (Lower Lift/Tele/Rotate/Jib)	
12	2760109	1	Housing, Display Light	
13	4360387	1	Switch, Pushbutton	
14	2560136	1	Knob, Speed Control	
15	4360407	1	Speed Controller Assembly	
15	See Note	1	Gasket, "Top Hat" (Included with Switch) (Note: Not Available - Purchase Complete Controller)	
15	70003784		Seal	
16	3311005		Locknut #10-24NC	
17	4360475	1	Switch, Emergency Stop	
17	7020175	1	Cap, Mushroom	
17A	7020176	1	Block, Contact	

SECTION 4 - PLATFORM

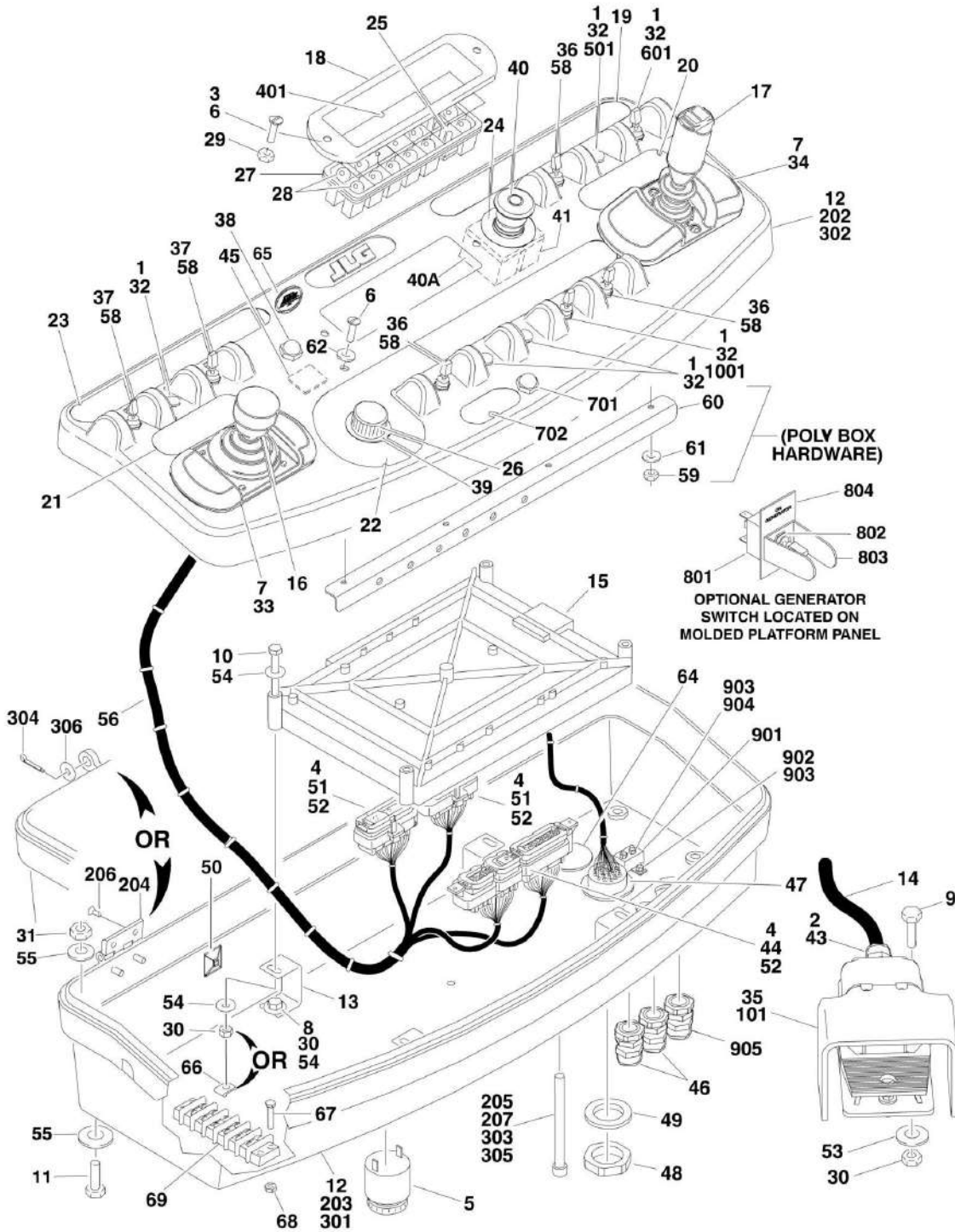
ITEM	PART NUMBER	QTY	DESCRIPTION	REV
18	4360476	1	Block, Contact	
19	4360314	4	Switch, Toggle	
20	4360331	1	Switch, Toggle	
21	0140026	1	Alarm	
22	3790012	5	O-Ring	
23	3520028	6	Plug, Hole (For switch call-outs at these locations, refer to option installation)	
24	4740120	4	Washer, Nylon #10 (Poly Box Only)	
25	0641611	4	Bolt 3/8in-16NC x 1-3/8in	
26	4751600	8	Flatwasher 3/8in Regular	
27	4460467	1	Tool, Pin Extraction (Blue 16-18 Gauge) (Not Shown)	
28	4460510	1	Tool, Pin Extraction (Yellow 12-14 Gauge) (Not Shown)	
33	4711000	6	Flatwasher #10 Thin	
34	3311401	1	Nut 1/4in-20NC	
35	1320060	1	Clamp	
36		Ref	Mount, Tie-Strap Options (Not Shown):	
36	4460234	6	Poly Box	
36	4460488	10	Alum Box	
37	3740058	2	Relay	
38	3740063	2	Spring, Relay	
39	4360232	2	Breaker, Circuit - 15 Amp	
40	1670829	1	Bezel, Light Panel	
41	0721010	2	Screw, Machine #10-24NC x 1-1/4in	
42	0721003	AR	Screw, Machine #10-24NC x 3/8in	
43	4751000	AR	Flatwasher #10 Regular	
44	0731004	2	Screw, Machine #10-32NC x 1/2in	
45	4460470	2	Nut, Terminal	
46	4460471	2	Washer, Terminal	
47	4460428	2	Connector, Strain Relief	
48	0100009	AR	Silicone	
49	0641406	1	Bolt 1/4in-20NC x 3/4in	
50	4420038	6 in/15cm	Foam (Not Shown - Located on top of item 180) (Poly Box Only)	
52	0630464	2	Screw, Button Head #10-24NC x 1/2in	
53	4751400	AR	Flatwasher 1/4in Regular	
54	0100011	AR	Compound, Locking	
55	0100035	AR	Compound, Locking	
58		Ref	Hardware Options:	
58	0630518	4	Screw, Button Head #10-24NC x 3/4in (Poly Box)	
58	0641404	4	Bolt 1/4in-20NC x 1/2in (Alum Box)	
59	4761400	3	Lockwasher 1/4in (Poly Box Only)	
60	7019181	1	Gasket (Poly Box Only)	
61	3311605	4	Locknut 3/8in-16NC	
62	4751800	4	Flatwasher 1/2in Regular (Poly Box Only)	
63	3571222	1	Plate, Relay Mounting	
64	3300408	4	Locknut #10-24NC (Poly Box Only)	
65	4761000	6	Lockwasher #10	
66	1704260	1	Decal - EMS	
67	3520173	4	Plug, Hole (Poly Box Only)	
68	3740049	5	Relay, Bosch	
70	0100020	AR	Sealant	
71	1703090	1	Decal - Control Card (Lift)	
72	1703091	1	Decal - Control Card (Swing)	

SECTION 4 - PLATFORM

ITEM	PART NUMBER	QTY	DESCRIPTION	REV
73	1703092	1	Decal - Control Card (Flow Control)	
74	1703093	1	Decal - Control Card (Drive)	
75	1600218	4	Card, Control	
76	3538819	1	Plate, Mounting	
77	3910610	16	Screw, Machine #6-32NC x 5/8in	
78	0641406	3	Capscrew, Socket Head 1/4in-20NC x 3/4in	
79	3311001	4	Nut #10-32NC	
80	2420194	1	Gauge, Fuel	
	4922340	Ref	ELECTRICAL COMPONENTS INSTALLATIONS	7
142	4460234	10	Base, Tie-Strap (Not Shown)	
143	2920129	10	Bulb, Light	
168	4120035	10	Socket, Light	
180	3641182	1	Track	
181	4460601	10	Block, Terminal	
182	4460607	2	Stop, End	
183	4460602	1	Barrier, Terminal	
184	4460629	2	Marker, Terminal (6-15)	
185	4460603	1	Bar, Buss - 10 Position (Cut into [2] 5 Position Bars)	
186	4460600	10	Block, Terminal	
187	4460631	1	Marker, Terminal (Negative)	
188	4460632	4	Marker, Terminal (1-5)	
189	4120013	2	Socket, Relay	
190	4460613	1	Connector - 21 Position	
191	4460503	1	Connector - 31 Position	
		Ref	LIGHT PANEL DECAL INSTALLATIONS	
	0259962	Ref	Light Panel Decal Installations 400S with 500LB Capacity	1
	0259963	Ref	Light Panel Decal Installations 460SJ (No Dual Capacity)	1
	0259964	Ref	Light Panel Decal Installations 400S with 230KG Capacity	1
	0259965	Ref	Light Panel Decal Installations 400S with 750LB Capacity	1
	0259968	Ref	Light Panel Decal Installations 400S with 340KG Capacity	1
201		Ref	Decal Options:	
201	1704484	1	Decal 400S with 500LB Capacity	
201	1704485	1	Decal 460SJ (No Dual Capacity)	
201	1704486	1	Decal 400S with 230KG Capacity	
201	1704487	1	Decal 400S with 750LB Capacity	
201	1704514	1	Decal 400S with 340KG Capacity	
		Ref	OPTIONAL SWITCH INSTALLATIONS	
301	0259137	Ref	Dual Fuel Switch Installation	6
301	4360336	1	Switch, Toggle	
301	3790012	1	O-Ring	
302	0258608	Ref	Jib Switch Installation	A
302	4360314	1	Switch, Toggle	
302	3790012	1	O-Ring	
	4932980	Ref	SOFT TOUCH PLATFORM COMPONENTS (OPTIONAL) (NOT SHOWN)	2-C
	3740057	1	Relay	
	4120012	1	Relay, Socket	
	3740066	1	Spring, Relay Hold-Down	
	3740049	1	Relay	

SECTION 4 - PLATFORM

FIGURE 4-6. PLATFORM CONSOLE ASSEMBLY WITH ADE SYSTEM



SECTION 4 - PLATFORM

FIGURE 4-6. PLATFORM CONSOLE ASSEMBLY WITH ADE SYSTEM

ITEM	PART NUMBER	QTY	DESCRIPTION	REV
		Ref	PLATFORM CONSOLE ASSEMBLIES	
	0861510	Ref	Poly Box (Prior to SN 0300068222)	D
	0861509	Ref	Aluminum Box (Prior to SN 0300068222)	D
	0861571	Ref	Die Cast Box (SN 0300068222 through 0300096000)	E
1	0100009	AR	Sealant	
2	0100020	AR	Sealant	
3	0100035	AR	Compound, Locking	
4	0100048	AR	Grease, Dielectric	
5	0140011	1	Alarm	
6	0630464	2	Screw, Button Head #10-24NC x 1/2in	
7	0641404	AR	Bolt 1/4in-20NC x 1/2in	
8	0641406	4	Bolt 1/4in-20NC x 3/4in	
9	0641408	3	Bolt 1/4in-20NC x 1in (Prior to SN 0300065174)	
10	0641414	4	Bolt 1/4in-20NC x 1-3/4in	
11	0641610	4	Bolt 3/8in-16NC x 1-1/4in (Prior to SN 0300065174)	
12		Ref	Box, Console Options:	
12	0861414	1	Box, Console - Aluminum (See Items 201-208 for Breakdown) (Prior to SN 0300068222)	
12	0861392	1	Box, Console - Poly (Prior to SN 0300068222)	
12	0861537	1	Box, Console - Aluminum (See Items 301-306 for Breakdown) (SN 0300068222 through 0300096000)	
13	0902751	4	Bracket, Support	
14	1060918	8 ft /2.4mm	Cable, Electrical - 18/3	
15		Ref	Controller, Module Options:	
15	1600313	1	Controller, Module (Prior to SN 0300077683)	
15	1600375	1	Controller, Module (SN 0300077683 through 0300096000)	
16	1600317	NLA	Controller Assembly (Lift and Swing) (See CONTROLLER ASSEMBLY (LIFT AND SWING) (WITH ADE SYSTEM) for Breakdown) (Use p/n 1001129555)	
17	1600318	NLA	Controller Assembly (Drive and Steer) (See CONTROLLER ASSEMBLY (DRIVE AND STEER) (WITH ADE SYSTEM) for Breakdown) (Use p/n 1001166538)	
18	1670829	1	Bezel	
19		Ref	Decal (Stop) Options:	
19	1702564	1	Decal (Prior to SN 0300073084)	
19	1704997	1	Decal (SN 0300073084 through 0300096000)	
20	1702565	1	Decal (Drive and Steer)	
21	1702566	1	Decal (Lift and Swing)	
22	1702567	1	Decal (Function Speed)	
23	1702676	1	Decal (Horn)	
24	1704260	1	Decal - EMS	
25	2420197	1	Gauge, Fuel	
26	2560136	1	Handle, Knob	
27	2760109	1	Housing, Display Light	
28	2920129	11	Bulb, Light	
29	3300408	2	Insert, Nylon	
30	3311405	8	Locknut 1/4in-20NC	
31	3311605	4	Locknut 3/8in-16NC (Prior to SN 0300065174)	
32		Ref	Plug, Hole Options:	
32	3520028	6	Plug, Hole (1/2in) (Prior to SN 0300077683)	

SECTION 4 - PLATFORM

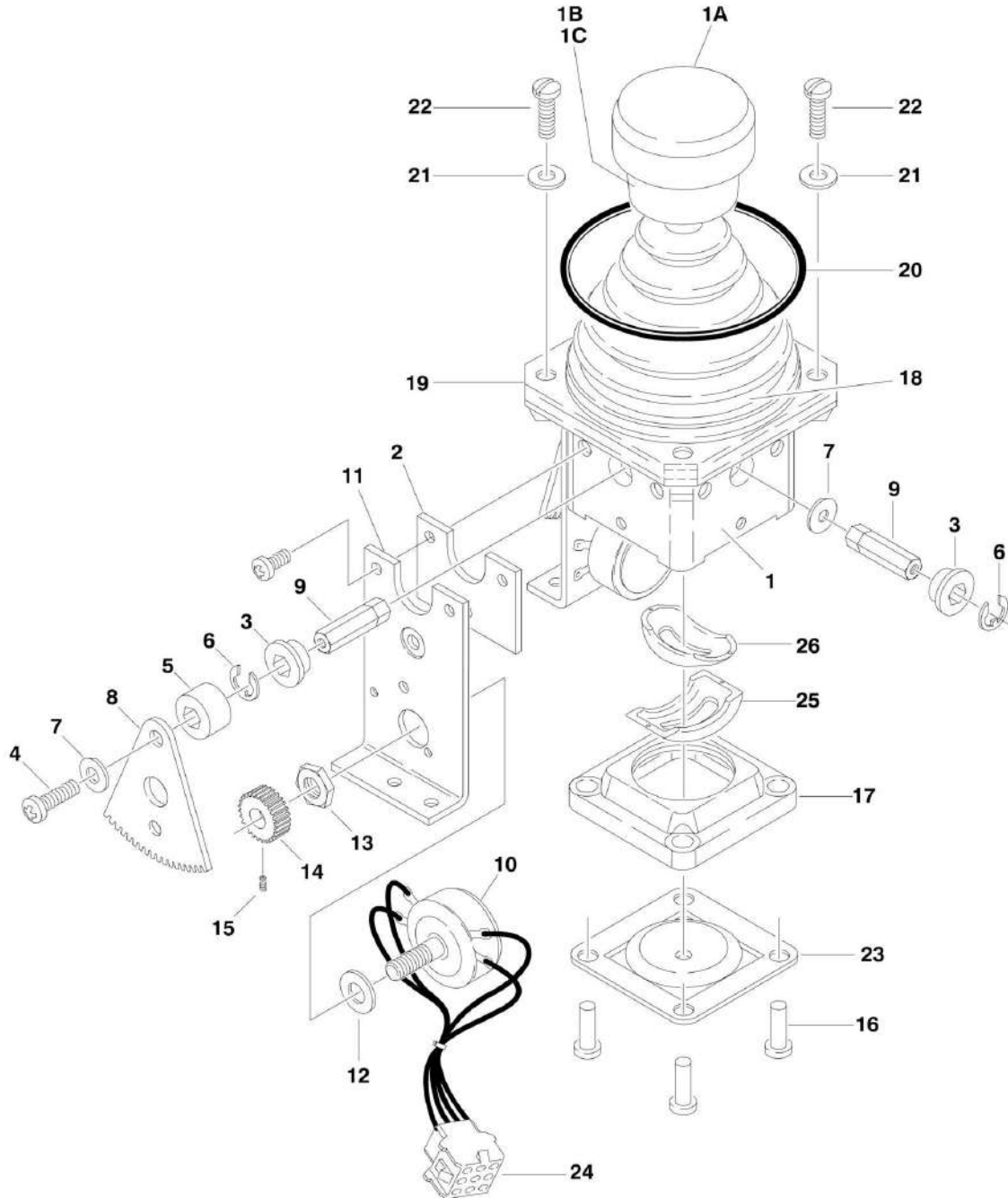
ITEM	PART NUMBER	QTY	DESCRIPTION	REV
32	3520054	6	Plug, Hole (7/16in) (SN 0300077683 through 0300096000)	
33	4340678	1	Support, Hand (Aluminum Box) (Left Side) (Prior to SN 0300068222)	
34	4340684	1	Support, Hand (Aluminum Box) (Right Side) (Prior to SN 0300068222)	
35	4360031	1	Footswitch	
36	4360328	4	Switch, Toggle	
37	4360331	1	Switch, Toggle	
38	4360387	1	Switch, Pushbutton	
39	4360407	1	Controller, Speed	
40	4360475	1	Switch, Emergency Stop	
40	7020175	1	Cap, Red	
40A	7020176	1	Contact Block	
41	4360476	1	Block, Contact	
43	4460071	1	Connector, Strain Relief	
44	4460226	2	Socket, Contact	
45	4460234	3	Mount, Tie-Strap	
46	4460428	2	Connector, Strain Relief	
47	4460464	1	Terminal, Deutsch	
48	4460470	1	Nut, Terminal	
49	4460471	1	Lockwasher, Terminal	
50	4460488	1	Base, Mounting	
51	4460708	2	Connector - 15 Position	
52	4460905	5	Seal, Plug	
53	4740362	3	Washer, Fender (Prior to SN 0300065174)	
54	4751400	AR	Flatwasher 1/4in Regular	
55	4751600	9	Flatwasher 3/8in Regular (Prior to SN 0300065174)	
56	4922665	1	Harness, Platform Box (See ELECTRICAL SECTION for Breakdown)	
57	4922666	1	Harness, Analyzer Cable (Not Shown - See ELECTRICAL SECTION for Breakdown)	
58	3790012	5	O-Ring	
59	3311005	4	Locknut #10-24NC	
60	3571222	1	Plate, Relay Mounting	
61	4751000	4	Flatwasher #10 Regular	
62	4740120	4	Washer Nylon (SN 0300066372 through 0300096000)	
63	0100081	AR	Loctite #454 (Not Shown) (SN 0300068222 through 0300096000)	
64	1671037	1	Cover (SN 0300068222 through 0300096000)	
65	1705132	1	Decal - ADE (SN 0300068222 through 0300096000)	
66	3300353	4	Nut, Tinnerman (SN 0300068222 through 0300096000)	
67	0721008	1	Screw #10-24NC x 1in (SN 0300073084 through 0300096000)	
68	3311001	1	Nut #10-24NC (SN 0300073084 through 0300096000)	
69	4460007	1	Strip, Terminal (SN 0300073084 through 0300096000)	
101	0272970	1	Footswitch Kit - Preassembled (Includes Items 2, 14, 35 & 43)	A
	0861414	Ref	CONSOLE BOX ASSEMBLY (Prior to SN 0300068222)	C
201	0100011	AR	Compound, Locking (Not Shown)	
202	0861414	1	Console Top (Note: Not Available for Purchase)	
203	0861414	1	Console Bottom (Note: Not Available for Purchase)	
204	2600211	2	Hinge	
205	3311601	1	Nut 3/8in-16NC	
206	3900224	8	Screw Countersunk	

SECTION 4 - PLATFORM

ITEM	PART NUMBER	QTY	DESCRIPTION	REV
207	3931672	1	Screw 3/8in-16NC x 4-1/2in	
208	3520174	3	Plug, Hole (Not Shown - Located in Back of Lid)	
	0861537	Ref	CONSOLE BOX ASSEMBLY (SN 0300068222 through 0300096000)	C
301	0861537	1	Console Bottom (Note: Not Available for Purchase)	
302	0861537	1	Console Top (Note: Not Available for Purchase)	
303	3311601	1	Nut 3/8in-16NC	
304		Ref	Pin Options:	
304	3450304	2	Pin, Cotter	
304	3420156	2	Hairpin	
305	0630568	1	Screw 3/8in-16NC x 4-1/2in	
306	4711500	2	Flatwasher 5/16in Thin	
		Ref	LIGHT PANEL DECAL INSTALLATIONS	
	0259962	Ref	Light Panel Decal Installations 400S with 500LB Capacity	1
	0259963	Ref	Light Panel Decal Installations 460SJ (No Dual Capacity)	1
	0259964	Ref	Light Panel Decal Installations 400S with 230KG Capacity	1
	0259965	Ref	Light Panel Decal Installations 400S with 750LB Capacity	1
	0259968	Ref	Light Panel Decal Installations 400S with 340KG Capacity	1
401		Ref	Decal Options:	
401	1704484	1	Decal 400S with 500LB Capacity	
401	1704485	1	Decal 460SJ (No Dual Capacity)	
401	1704486	1	Decal 400S with 230KG Capacity	
401	1704487	1	Decal 400S with 750LB Capacity	
401	1704514	1	Decal 400S with 340KG Capacity	
	0271246	Ref	DUAL FUEL SWITCH INSTALLATION	3-C
501	4360336	1	Switch, Toggle	
501	3790012	1	O-Ring	
		Ref	LIGHTS INSTALLATION (OPTIONAL)	
	0271343	Ref	Headlights and Taillights (Prior to SN 0300064509)	2
	0272018	Ref	Headlights and Taillights (SN 0300064509 through 0300096000)	1
	0274574	Ref	Chassis Illumination Lights (SN 0300064509 through 0300096000)	1
601	4360336	1	Switch, Toggle	
601	3790012	1	O-Ring	
	0271355	Ref	SOFT TOUCH SYSTEM INSTALLATION (OPTIONAL)	B
701	4360387	1	Switch, Pushbutton	
702	1702938	1	Decal - Soft Touch Override	
		Ref	GENERATOR INSTALLATION (OPTIONAL)	
801	4360336	1	Switch, Toggle	
802	4740397	1	Bushing	
803	4060802	1	Guard, Switch	
804	3251102	1	Decal - Generator ON/OFF	
	0270814	Ref	PLATFORM WORKLIGHT INSTALLATION (OPTIONAL)	3
901	4360232	1	Breaker, Circuit - 15Amp	
902	0721003	2	Bolt #10-24NC x 3/8in	
903	4761000	4	Lockwasher #10	
904	3311001	2	Nut #10-24NC	
905	4460598	1	Connector, Strain Relief	
	0271340	Ref	JIB SWITCH INSTALLATION (460SJ ONLY)	1-A
1001	4360328	1	Switch, Toggle	
1001	3790012	1	O-Ring	

SECTION 4 - PLATFORM

FIGURE 4-7. CONTROLLER ASSEMBLY (SWING AND LIFT) (WITHOUT ADE SYSTEM)



SECTION 4 - PLATFORM

FIGURE 4-7. CONTROLLER ASSEMBLY (SWING AND LIFT) (WITHOUT ADE SYSTEM)

ITEM	PART NUMBER	QTY	DESCRIPTION	REV
	1600284	Ref	CONTROLLER ASSEMBLY	A
1	7019141	1	Mechanical Assembly (Includes Base, Handle Stem and Items 1A, 1B, 1C & 18)	
1A	7019197	1	Cap and Rod	
1B	7003928	1	Spring	
1C	7022808	1	Cap, Lift	
2	7019171	2	Plate	
3	7019111	4	Bearing, Gear	
4	7019143	2	Screw	
5	7019144	2	Spacer, Cam	
6	7019145	4	E-Clip	
7	7019174	2	Spacer	
8	7003977	2	Gear, Drive	
9	7019147	4	Shaft	
10	7003974	2	Potentiometer	
11	7019142	2	Plate	
12	7003992	2	Washer	
13	7003993	2	Nut	
14	7003976	2	Gear, Slave	
15	7019149	2	Setscrew	
16	7003952	4	Screw	
17	7019150	1	Gate	
18	7022813	1	Boot (was p/n 7003955)	
19	7022813	1	Plate, Plastic (was p/n 7003954)	
20	7003956	1	O-Ring	
21	7003953	4	Washer	
22	7019137	4	Screw	
23	See Note	1	Center, Detent (Note: Not Available for Purchase)	
24	4460266	1	Connector - 9 Pin	
24	4460268	8	Socket, Female	
24	4460265	1	Plug - 9 Pin (Part of Platform Wiring) (Not Shown)	
24	4460267	8	Pin, Male (Part of Platform Wiring) (Not Shown)	
25	7019122	1	Gimble, Outer	
26	7019123	1	Gimble, Inner	

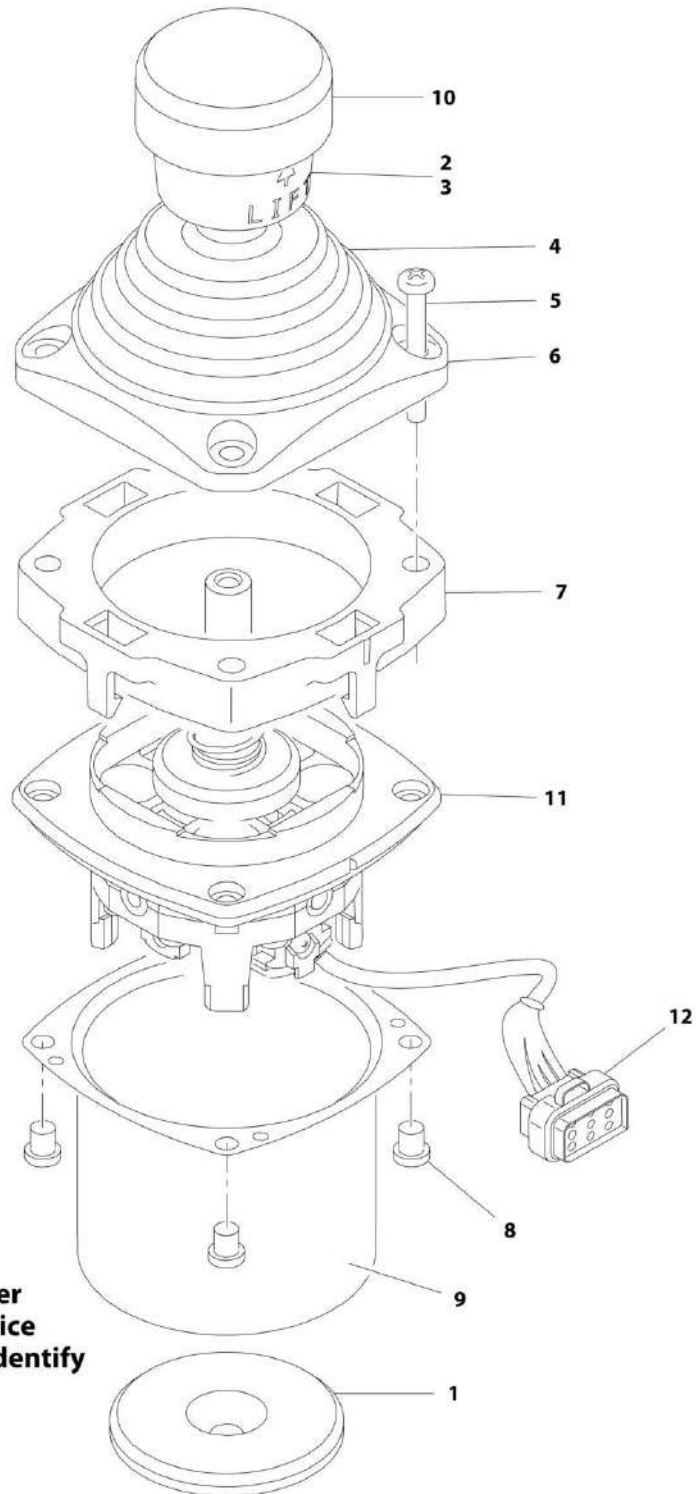
SECTION 4 - PLATFORM

FIGURE 4-8. CONTROLLER ASSEMBLY (LIFT AND SWING) (WITH ADE SYSTEM)

ITEM	PART NUMBER	QTY	DESCRIPTION	REV
		Ref	Note: Original Equipment controller may have been replaced with Service Replacement controller. Visually identify controller before ordering parts.	
	1600317	Ref	CONTROLLER ASSEMBLY	C
		Ref	Note: Use p/n 1001129555 Kit as Replacement.	
1	7019141	1	Mechanical Assembly (Includes Base, Handle Stem and Items 1A, 1B, 1C & 18)	
1A	7019197	1	Handle Cap and Rod	
1B	7003928	1	Spring	
1C	7022808	1	Cap, Lift	
2	7019171	2	Plate	
3	7019111	4	Bearing, Gear	
4	7019143	2	Screw	
5	7019144	2	Spacer, Cam	
6	7019145	4	E-Clip	
7	7019174	2	Spacer	
8	7003977	2	Gear, Drive	
9		Ref	Shaft Options:	
9	7019147	2	Shaft, Short	
9	7019177	2	Shaft, Long	
10	7022818	2	Potentiometer	
11	7019142	2	Plate	
12	7003992	2	Washer	
13	7003993	2	Nut	
14	7003976	2	Gear, Slave	
15	7019149	2	Setscrew	
16	7022816	4	Screw	
17	7019150	1	Gate	
18	7022814	1	Boot	
19	7022815	1	Bezel	
20	See Note	NSS	Center, Detent (Note: Not Available for Purchase)	
21	7003953	4	Washer	
22	7022817	4	Screw	
23	7022819	1	Plug, Male 8 Position (Natural)	
23	4460871	8	Socket, Female	
24	7019122	1	Gimble, Outer	
25	7019123	1	Gimble, Inner	

SECTION 4 - PLATFORM

FIGURE 4-9. CONTROLLER ASSEMBLY (LIFT AND SWING) (WITH ADE SYSTEM)



Note: Original Equipment controller may have been replaced with Service Replacement controller. Visually identify controller before ordering parts.

ART_100118417

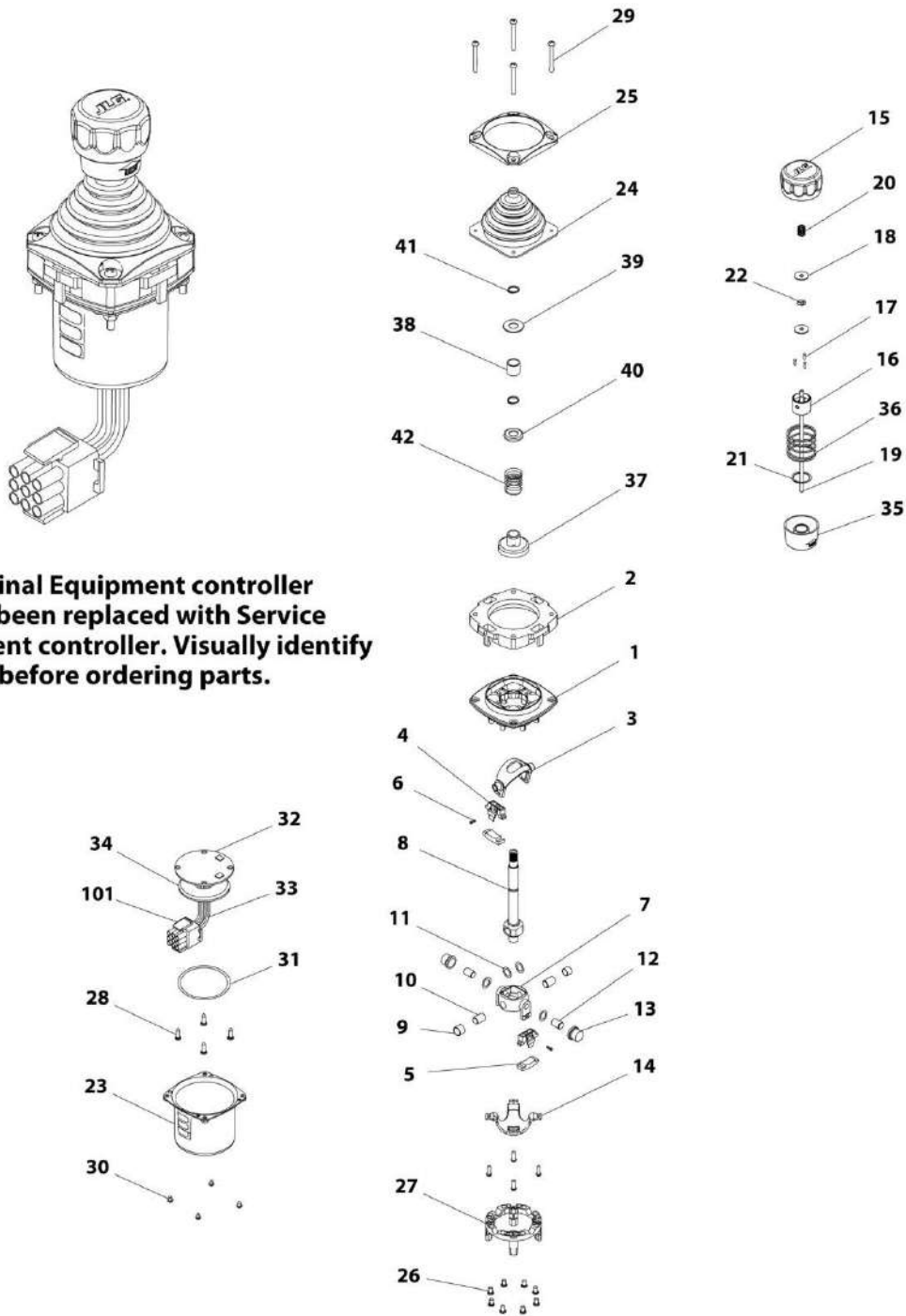
SECTION 4 - PLATFORM

FIGURE 4-9. CONTROLLER ASSEMBLY (LIFT AND SWING) (WITH ADE SYSTEM)

ITEM	PART NUMBER	QTY	DESCRIPTION	REV
		Ref	Note: Original Equipment controller may have been replaced with Service Replacement controller. Visually identify controller before ordering parts.	
	1001118417	Ref	CONTROLLER ASSEMBLY (LIFT AND SWING)	E
		Ref	Note: Use p/n 1001129555 as Replacement.	
1	70002730	1	Gasket	
2	7003928	1	Spring	
3	7022808	1	Cap, Lift	
4	70002731	1	Boot	
5	70002732	4	Screw	
6	7022815	1	Bezel	
7	70002733	1	Adapter	
8	70002734	4	Screw	
9	70002735	1	Can, Enclosure	
10	70002906	1	Cap	
11	See Note	NSS	Mechanical Assembly (Note: Use p/n 1001129555)	
12	7022819	1	Connector - 8 Position	
12	4460871	6	Socket, Female	

SECTION 4 - PLATFORM

FIGURE 4-10. CONTROLLER ASSEMBLY (LIFT AND SWING) (WITH ADE SYSTEM)



ART_1001166539

SECTION 4 - PLATFORM

FIGURE 4-10. CONTROLLER ASSEMBLY (LIFT AND SWING) (WITH ADE SYSTEM)

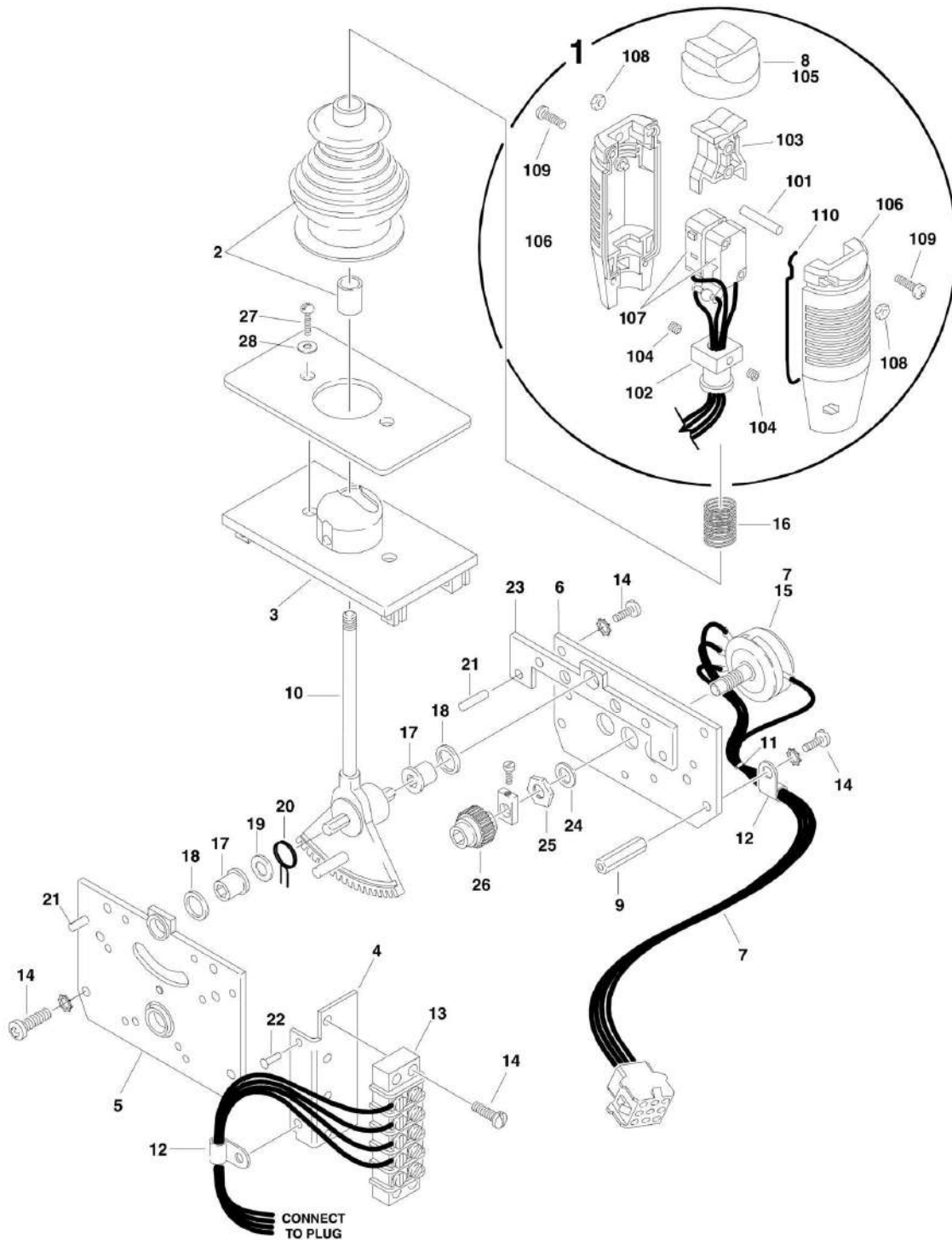
ITEM	PART NUMBER	QTY	DESCRIPTION	REV
		Ref	Note: Original Equipment controller may have been replaced with Service Replacement controller. Visually identify controller before ordering parts.	
	1001166539	Ref	CONTROLLER ASSEMBLY (LIFT AND SWING)	A
		Ref	Note: Use p/n 1001129555 as Replacement.	
1	See Note	NSS	Main Cast Body (Note: Not Available - Purchase Complete Assembly)	
2	70004752	1	Adapter	
3	See Note	NSS	Pivot Arm, Plastic (Note: Not Available - Purchase Complete Assembly)	
4	See Note	NSS	Holder, Magnet (Note: Not Available - Purchase Complete Assembly)	
5	See Note	NSS	Arc, Magnet (Note: Not Available - Purchase Complete Assembly)	
6	See Note	NSS	Screw (Note: Not Available for Purchase)	
7	See Note	NSS	Pivot Arm, Cast (Note: Not Available - Purchase Complete Assembly)	
8	See Note	NSS	Shaft, Main (Note: Not Available - Purchase Complete Assembly)	
9	See Note	NSS	Bearing (Note: Not Available - Purchase Complete Assembly)	
10	See Note	NSS	Pin (Note: Not Available - Purchase Complete Assembly)	
11	See Note	NSS	Shim (Note: Not Available - Purchase Complete Assembly)	
12	See Note	NSS	Pin (Note: Not Available - Purchase Complete Assembly)	
13	See Note	NSS	Bearing (Note: Not Available - Purchase Complete Assembly)	
14	See Note	NSS	Dome, Centering (Note: Not Available - Purchase Complete Assembly)	
15	70004753	1	Cap	
16	70004754	1	Insert, Cap	
17	70004755	3	Pin	
18	70004756	2	Washer	
19	70004757	1	Pin, Centering	
20	70004758	1	Spring	
21	70004759	1	Ring, Retaining	
22	70004760	1	E-Ring	
23	70004761	1	Can, Enclosure	
24	70004762	1	Boot	
25	70004763	1	Bezel	
26	See Note	NSS	Screw (Note: Not Available for Purchase)	
27	See Note	NSS	Base Mounting (Note: Not Available - Purchase Complete Assembly)	
28	See Note	NSS	Screw (Note: Not Available for Purchase)	
29	70004764	4	Screw	
30	70004765	4	Screw	
31	70004766	1	O-Ring	
32	See Note	NSS	Plate (Note: Not Available - Purchase Complete Assembly)	
33	See Note	NSS	Harness (Note: Not Available - Purchase Complete Assembly)	
34	70004767	1	Grommet, Rubber	
35	70004768	1	Housing	
36	70004769	1	Spring	
37	70004770	1	Stopper	
38	70004771	1	Spacer	
39	70004772	1	Washer	
40	70004773	1	Disc	

SECTION 4 - PLATFORM

ITEM	PART NUMBER	QTY	DESCRIPTION	REV
41	70004774	2	Ring, Retaining	
42	70004775	1	Spring	
101	4460265	1	Connector - 9 Position	
101	4460226	6	Socket, Female	

SECTION 4 - PLATFORM

FIGURE 4-11. CONTROLLER ASSEMBLY (DRIVE AND STEER) (WITHOUT ADE SYSTEM)



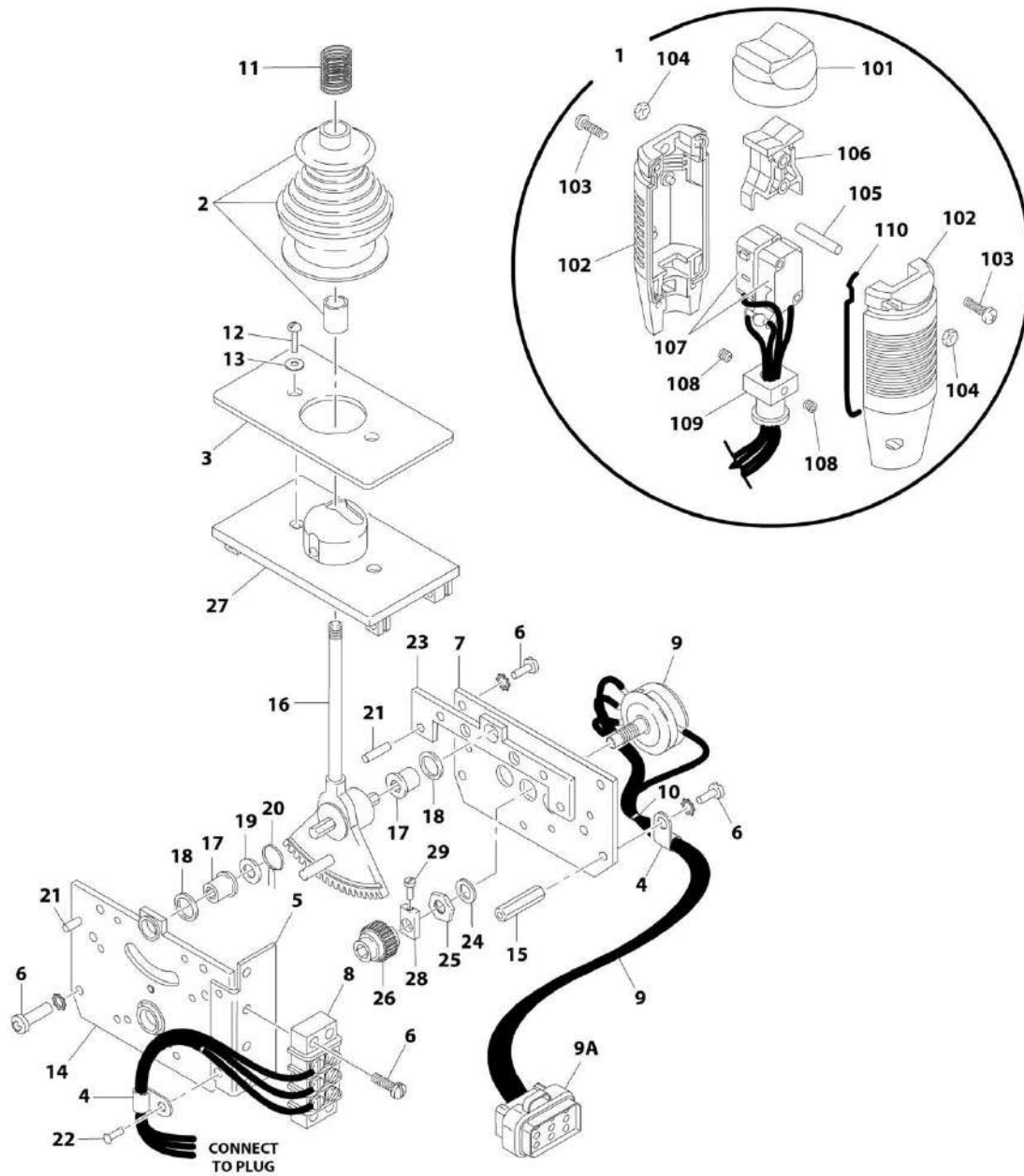
SECTION 4 - PLATFORM

FIGURE 4-11. CONTROLLER ASSEMBLY (DRIVE AND STEER) (WITHOUT ADE SYSTEM)

ITEM	PART NUMBER	QTY	DESCRIPTION	REV
	1600283	Ref	CONTROLLER ASSEMBLY	A
1		Ref	Handle Assembly (See Items 101-110 for Breakdown)	
2	7019161	1	Boot and Sleeve	
3	7019160	1	Cast Housing Assembly	
4	7019159	1	Bracket, Mounting	
5	7019158	1	Plate, Mounting (Left Side)	
6	7019157	1	Plate, Pot Mounting	
7	7019156	1	Electric Assembly	
8	7003972	1	Boot, Rocker	
9	7019115	2	Stand-Off	
10	7019155	1	Shaft 8mm	
11	7019151	AR	Tie-Strap	
12	7019154	2	Clamp, Wire	
13	7019153	1	Strip, Terminal - 5 Position	
14	7019117	8	Screw	
15	7019163	1	Potentiometer Coupling Assembly	
16	7019162	1	Spring	
17	7019111	2	Bearing	
18	7019110	2	Spacer, Head Gear	
19	7019112	1	Washer	
20	7003946	1	Spring, Return	
21	7019103	4	Pin	
22	See Note	1	Rivet (Note: Not Available for Purchase)	
23	7019168	1	Plate, Mounting (Right Side)	
24	7003992	1	Washer	
25	7003993	1	Nut	
26	7003935	1	Gear, Slave	
27	7003969	2	Screw	
28	7003941	2	Washer	
		Ref	HANDLE ASSEMBLY	
101	7019164	1	Axle	
102	7019194	1	Coupling	
103	7019165	1	Rocker	
104	7003983	2	Setscrew	
105	7003972	1	Boot, Switch	
106	7003973	2	Half, Handle	
107	7019166	2	Switch, Micro	
108	7019167	4	Nut	
109	7003980	4	Screw	
110	7003989	2	Gasket	

SECTION 4 - PLATFORM

FIGURE 4-12. CONTROLLER ASSEMBLY (DRIVE AND STEER) (WITH ADE SYSTEM)



Note: Original Equipment controller may have been replaced with Service Replacement controller. Visually identify controller before ordering parts.

ART_1600318

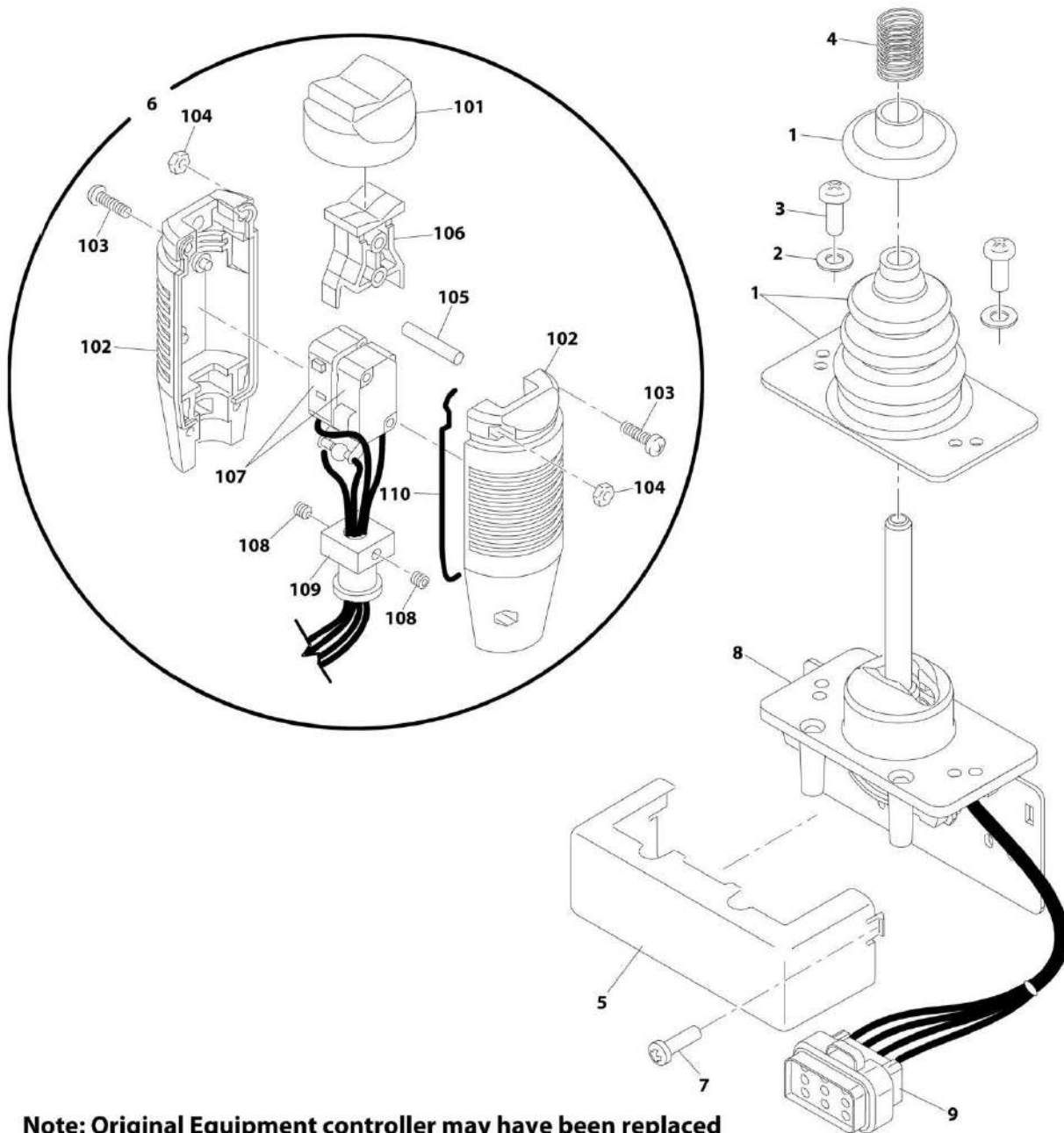
SECTION 4 - PLATFORM

FIGURE 4-12. CONTROLLER ASSEMBLY (DRIVE AND STEER) (WITH ADE SYSTEM)

ITEM	PART NUMBER	QTY	DESCRIPTION	REV
		Ref	Note: Original Equipment controller may have been replaced with Service Replacement controller. Visually identify controller before ordering parts.	
	1600318	Ref	CONTROLLER ASSEMBLY	C
		Ref	Note: Use p/n 1001166538 as Replacement.	
1	7022812	1	Handle Assembly (See Items 101-110 for Breakdown)	
2	7019161	1	Boot and Sleeve	
3	7003933	1	Gasket	
4	7019154	2	Clamp, Wire	
5	7022823	1	Bracket, Mounting	
6	7003994	1	Screw	
7	7022822	1	Plate, Pot Mounting	
8	7003986	1	Strip, Terminal - 3 Position	
9	7022824	1	Electric Assembly	
9A	1001113961	1	Plug, Male - 8 Position (Black) (was p/n 7022825)	
9A	4460871	7	Socket, Female	
10	7019151	AR	Tie-Strap	
11	7019162	1	Spring	
12	7003969	2	Screw	
13	7003941	2	Washer	
14	See Note	NSS	Plate, Mounting (Left Side) (Note: Not Available for Purchase)	
15	7019115	2	Stand-Off	
16	7019155	1	Shaft 8mm	
17	7019111	2	Bearing	
18	7019110	2	Spacer, Head Gear	
19	7019112	1	Washer	
20	7003946	1	Spring, Return	
21	7019103	4	Pin	
22	See Note	NSS	Rivet (Note: Not Available - Purchase Locally)	
23	7019168	1	Plate, Mounting (Right Side)	
24	7003992	1	Washer	
25	7003993	1	Nut	
26	7003935	1	Gear, Slave	
27	7019160	1	Plate, Base	
28	7019114	1	Coupling, Potentiometer	
29	See Note	NSS	Cup Point Screw (Note: Not Available for Purchase)	
	7022812	Ref	HANDLE ASSEMBLY	
101	7003972	1	Boot, Switch	
102	7003973	2	Half, Handle	
103	7003980	4	Screw	
104	7019167	4	Nut	
105	7019164	1	Axle	
106	7019165	1	Rocker	
107	See Note	NSS	Wiring for Controller Assembly p/n 1600318 (Note: Use p/n 1001166538)	
107	7019166	2	Switch, Micro	
108	7003983	2	Setscrew	
109	7019194	1	Coupling	
110	7003989	2	Gasket	

SECTION 4 - PLATFORM

FIGURE 4-13. CONTROLLER ASSEMBLY (DRIVE AND STEER) (WITH ADE SYSTEM)



Note: Original Equipment controller may have been replaced with Service Replacement controller. Visually identify controller before ordering parts.

ART_1001118416

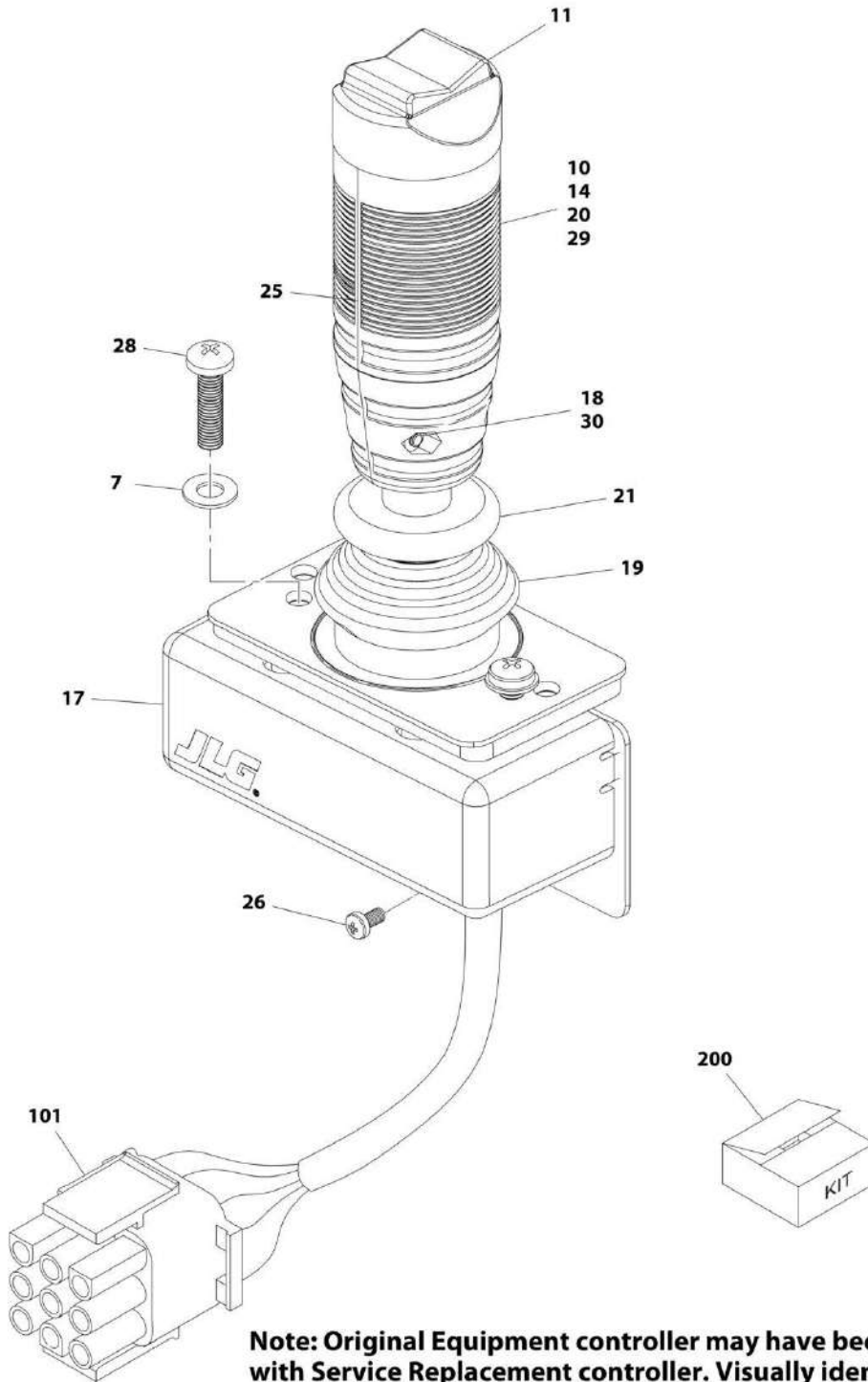
SECTION 4 - PLATFORM

FIGURE 4-13. CONTROLLER ASSEMBLY (DRIVE AND STEER) (WITH ADE SYSTEM)

ITEM	PART NUMBER	QTY	DESCRIPTION	REV
		Ref	Note: Original Equipment controller may have been replaced with Service Replacement controller. Visually identify controller before ordering parts.	
	1001118416	Ref	CONTROLLER ASSEMBLY (DRIVE AND STEER)	D
		Ref	Note: Use p/n 1001166538 as Replacement.	
1	70002724	1	Boot and Control Lock Assembly	
2	7003941	2	Washer	
3	70002725	2	Screw	
4	7019162	1	Spring	
5	70002726	1	Enclosure	
6	70002727	1	Handle Assembly (See Items 101-110 for Breakdown)	
7	70002728	1	Screw	
8	See Note	NSS	Mechanical Assembly (Note: Use p/n 1001166538)	
9	1001113961	1	Plug, Male - 8 Position (Black) (was p/n 7022825)	
9	4460871	7	Socket, Female	
	70002727	Ref	HANDLE ASSEMBLY	
101	7003972	1	Boot, Switch	
102	7003973	2	Half, Handle	
103	7003980	4	Screw	
104	7019167	4	Nut	
105	7019164	1	Axle	
106	7019165	1	Rocker	
107	70002729	1	Wiring Assembly	
107	7003982	2	Switch, Micro	
108	7003983	2	Set Screw	
109	7019194	1	Coupling	
110	7003989	2	Gasket	

SECTION 4 - PLATFORM

FIGURE 4-14. CONTROLLER ASSEMBLY (DRIVE AND STEER) (WITH ADE SYSTEM)



Note: Original Equipment controller may have been replaced with Service Replacement controller. Visually identify controller before ordering parts.

ART_1001166538

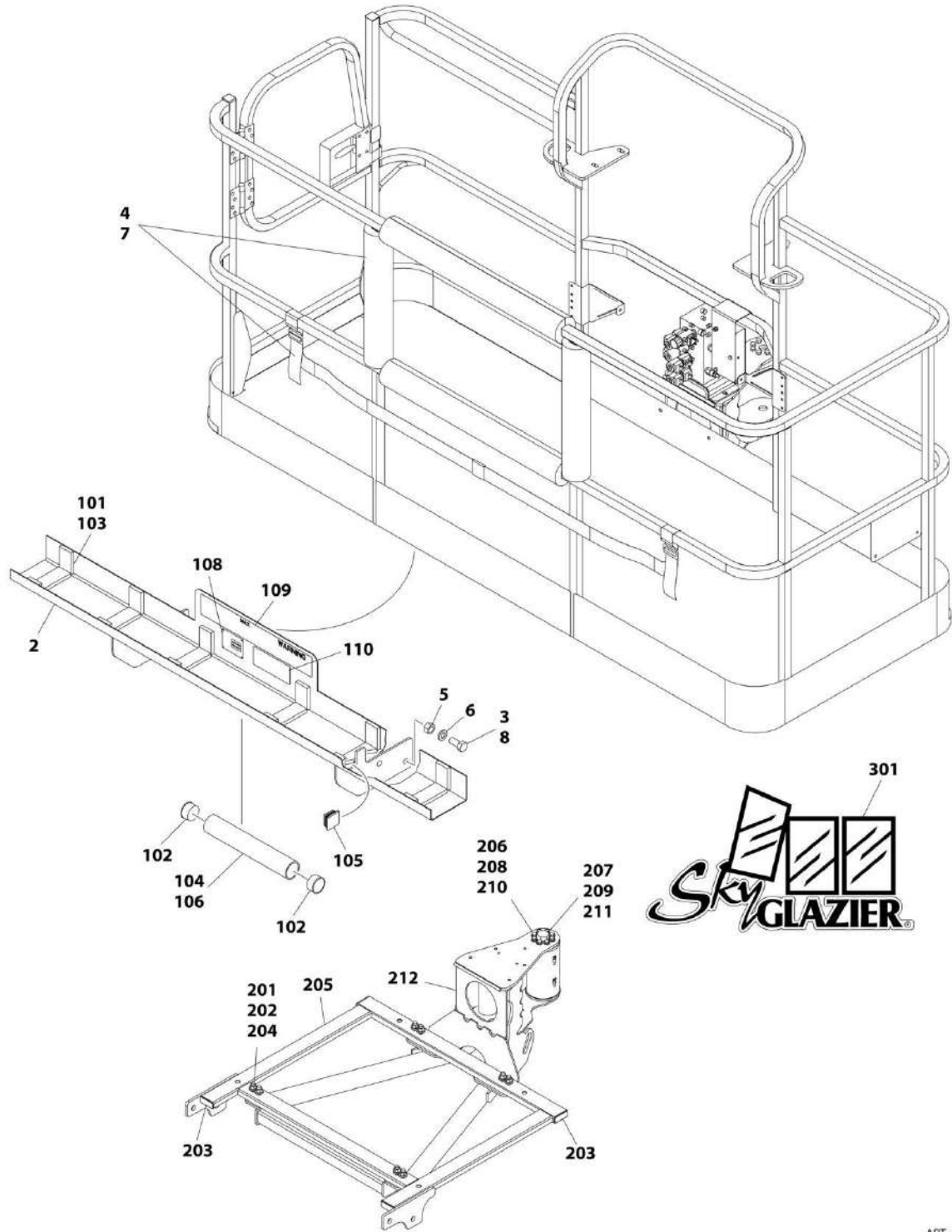
SECTION 4 - PLATFORM

FIGURE 4-14. CONTROLLER ASSEMBLY (DRIVE AND STEER) (WITH ADE SYSTEM)

ITEM	PART NUMBER	QTY	DESCRIPTION	REV
		Ref	Note: Original Equipment controller may have been replaced with Service Replacement controller. Visually identify controller before ordering parts.	
	1001166538	Ref	CONTROLLER ASSEMBLY (DRIVE AND STEER)	E
7	70004738	2	Washer	
10	70004739	1	Roller	
11	70004740	1	Boot, Switch	
14	70004741	2	Half, Handle	
17	70004742	1	Enclosure	
18	70004743	4	Nut	
19	70004744	NLA	Boot, Controller (Note: Use Item 200)	
20	70004745	NLA	Tube, Locking (Note: Use Item 200)	
21	70004746	NLA	Disc, Locking (Note: Use Item 200)	
25	70004747	2	Seal, Rope	
26	70004748	1	Screw, M3 x 6	
28	70004749	2	Screw, M5 x 20	
29	70004750	1	Pin, Dowel	
30	70004751	4	Screw, M3 x 16	
101	4460265	1	Connector - 9 Position	
101	4460226	7	Socket, Female	
200	70005230	1	Boot Kit (Includes Items 19-21)	

SECTION 4 - PLATFORM

FIGURE 4-15. SKYGLAZIER INSTALLATION



ART_0272395

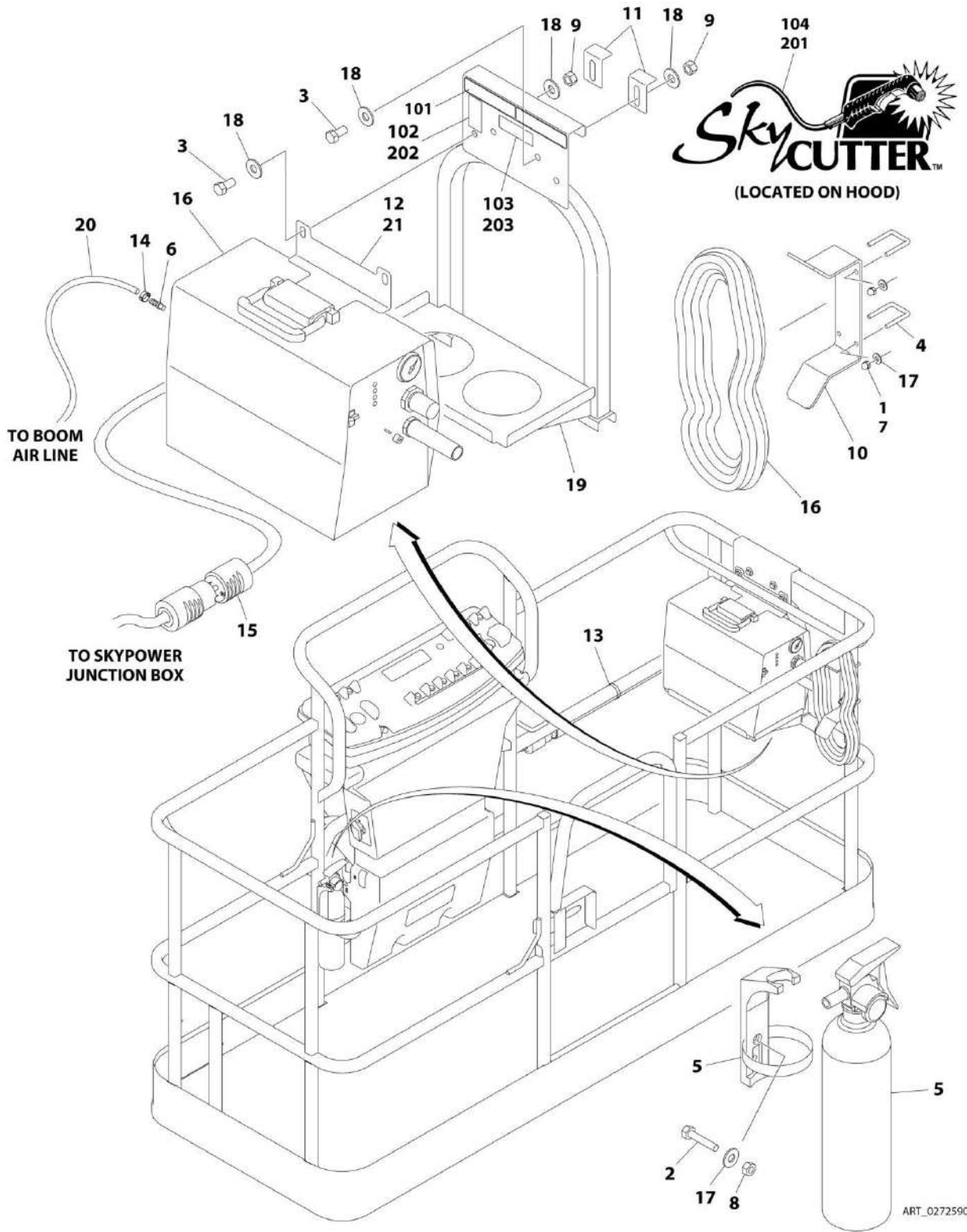
SECTION 4 - PLATFORM

FIGURE 4-15. SKYGLAZIER INSTALLATION

ITEM	PART NUMBER	QTY	DESCRIPTION	REV
	0272395	Ref	SKYGLAZIER INSTALLATION (ANSI SPECS)	3/H
	0272387	Ref	SKYGLAZIER INSTALLATION (LATIN AMERICAN SPECS)	3/D
	0272955	Ref	SKYGLAZIER INSTALLATION (BRAZILIAN SPECS)	3/D
		Ref	Note: Only Available on 400S for ANSI, Latin American and Brazilian Specs.	
2	0272391	1	Tray Assembly (ANSI Specs) (See Items 101-110 for Breakdown)	
2	0272948	1	Tray Assembly (Latin American Specs) (See Items 101-110 for Breakdown)	
2	0272951	1	Tray Assembly (Brazilian Specs) (See Items 101-110 for Breakdown)	
3	0642214	4	Bolt 3/4 x 1-3/4	
4	2902212	1	Bumpers and Strap Kit	
4	0940102	1	Bumper Only	
4	4240149	1	Strap Only	
5	3312201	4	Nut 3/4	
6	4892200	4	Washer 3/4	
7	4420014	AR	Tape	
8	0100011	AR	Compound, Locking	
		Ref	TRAY ASSEMBLIES	
	0272391	Ref	Tray Assembly (ANSI Specs)	3/H
	0272948	Ref	Tray Assembly (Latin American Specs)	4/J
	0272951	Ref	Tray Assembly (Latin American Specs)	E
101	0100081	AR	Adhesive	
102	1120555	2	Cap, Tube	
103	3340956	1	Pad Kit	
104	3460334	1	Tube	
105	3520071	2	Plug	
106	4420066	AR	Tape, Double Sided	
108	See Note	NSS	Nameplate - Serial Number (Note: Not Available for Purchase)	
109	1705312	2	Decal - Glazier Capacity (ANSI Specs)	
109	1001126747	2	Decal - Glazier Capacity (Latin American Specs)	
109	1001163297	2	Decal - Glazier Capacity (Brazilian Specs)	
110	1701509	1	Decal - Manual	
	0272390	Ref	PLATFORM AND GLAZIER SUPPORT INSTALLATION	G
201	0641822	8	Bolt 1/2 x 2-3/4	
202	3311805	8	Nut 1/2	
203	3520190	4	Plug	
204	4891800	16	Washer 1/2	
205	4846651	1	Base, Glazier	
206	0100011	AR	Compound, Locking	
207	0642684	1	Bolt 1 x 10-1/2	
208	0681610	8	Bolt 3/8 x 1-1/4 Grade 8	
209	3272605	1	Nut 1	
210	4891600	8	Washer 3/8	
211	4892600	1	Washer 1	
212	4846573	1	Support, Platform	
	0272418	Ref	SKYGLAZIER DECAL INSTALLATION	4
301	1705358	2	Decal - SkyGlazier	

SECTION 4 - PLATFORM

FIGURE 4-16. SKYCUTTER INSTALLATION



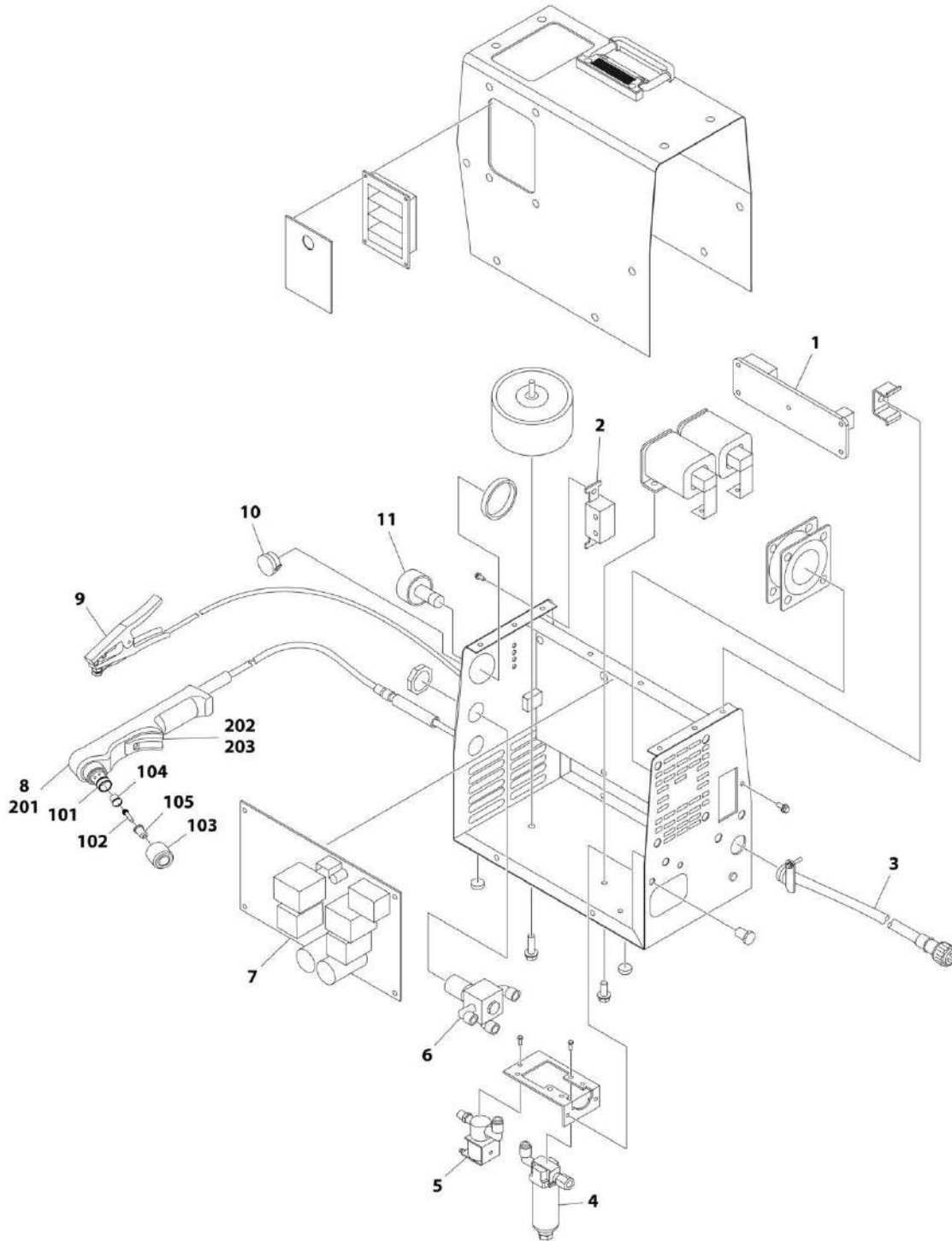
SECTION 4 - PLATFORM

FIGURE 4-16. SKYCUTTER INSTALLATION

ITEM	PART NUMBER	QTY	DESCRIPTION	REV
		Ref	SKYCUTTER INSTALLATION	
	0272590	Ref	SkyCutter Installation - 60Hz Power Supply	D
	0272606	Ref	SkyCutter Installation - 50Hz Power Supply	D
		Ref	Note: When replacing platform on machines with SkyCutter option, new bracket p/n 1001145405 must be purchased to accommodate SkyCutter components.	
1	0100011	AR	Compound, Locking	
2	0641406	2	Bolt 1/4 x 3/4	
3	0641606	4	Bolt 3/8 x 3/4	
4	1320302	2	Clamp	
5	2030010	1	Extinguisher, Fire	
6	2180832	1	Fitting, NPT/Barbed	
7	3300151	4	Nut 1/4	
8	3311405	2	Nut 1/4	
9	3311605	4	Nut 3/8	
10	3573400	1	Bracket, Cable	
11	3573641	2	Plate, Clamp (Use p/n 3577121)	
12	3573643	1	Plate, Top Support	
13	4240099	AR	Tie, Wire	
14	1320177	2	Clamp, Hose	
15	4460971	1	Plug, Twistlock	
16	4530024	1	Plasma Cutter Assembly - 60Hz Power Supply (See PLASMA CUTTER ASSEMBLY for Breakdown)	
16	4530025	1	Plasma Cutter Assembly - 50Hz Power Supply (See PLASMA CUTTER ASSEMBLY for Breakdown)	
17	4751400	6	Washer 1/4	
18	4751600	8	Washer 3/8	
19	4846571	1	Support	
20	2720160	4 ft/1.2m	Hose	
21	4420037	AR	Tape, Insulation	
	0272599	Ref	SKYCUTTER DECAL INSTALLATION (ANSI, ANSI Export and CSA Specs)	A
101	1702868	1	Decal - No Hands (60Hz Power Supply Only)	
102	1705305	1	Decal - Weld Lead	
103	1705466	1	Decal - Weight	
104	1705490	2	Decal - SkyCutter	
	0272607	Ref	SKYCUTTER DECAL INSTALLATION (JAPANESE SPECS)	A
201	1705490	2	Decal - SkyCutter	
202	1705305	1	Decal - Weld Lead	
203	1705466	1	Decal - Weight	

SECTION 4 - PLATFORM

FIGURE 4-17. PLASMA CUTTER ASSEMBLY



ART_4530024

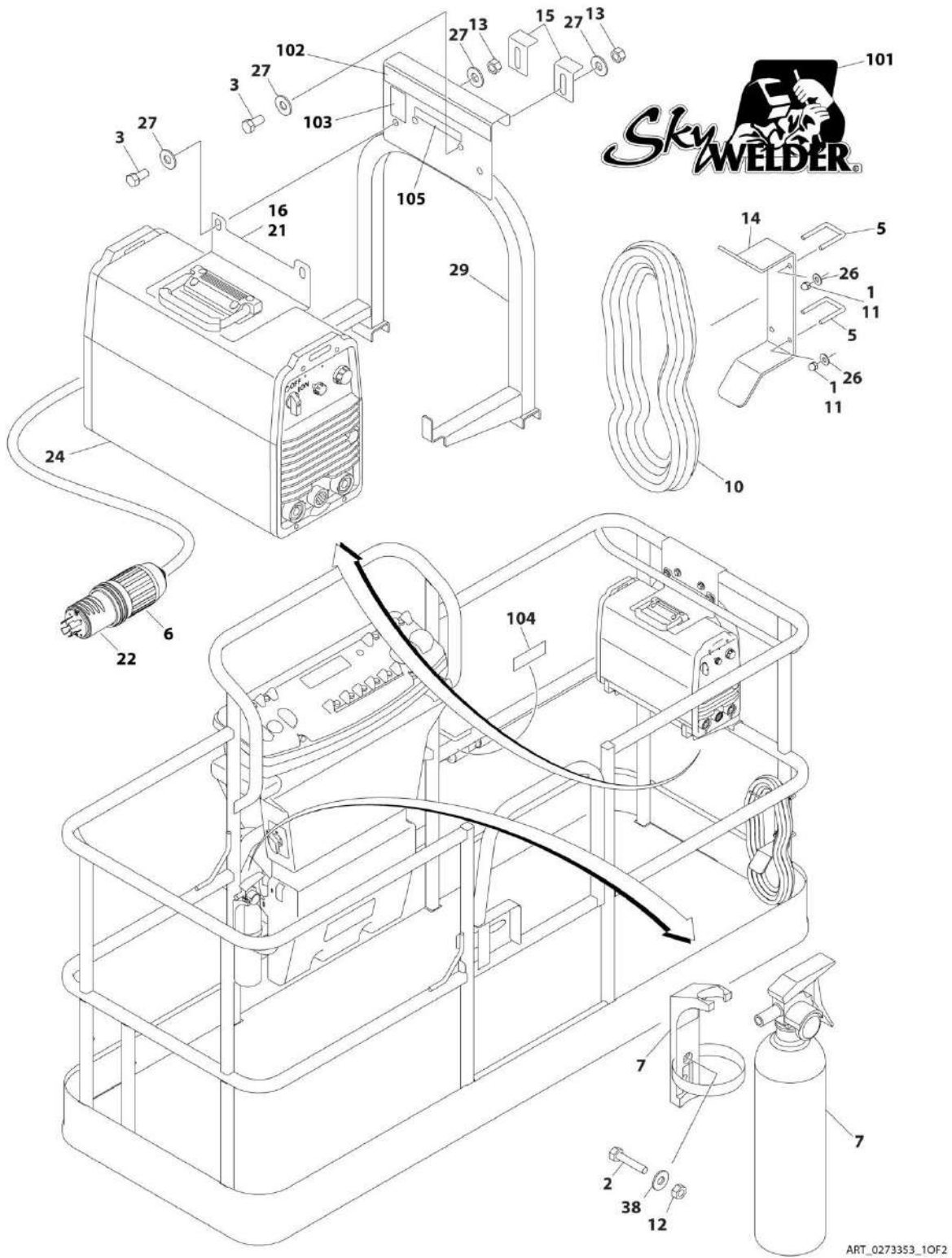
SECTION 4 - PLATFORM

FIGURE 4-17. PLASMA CUTTER ASSEMBLY

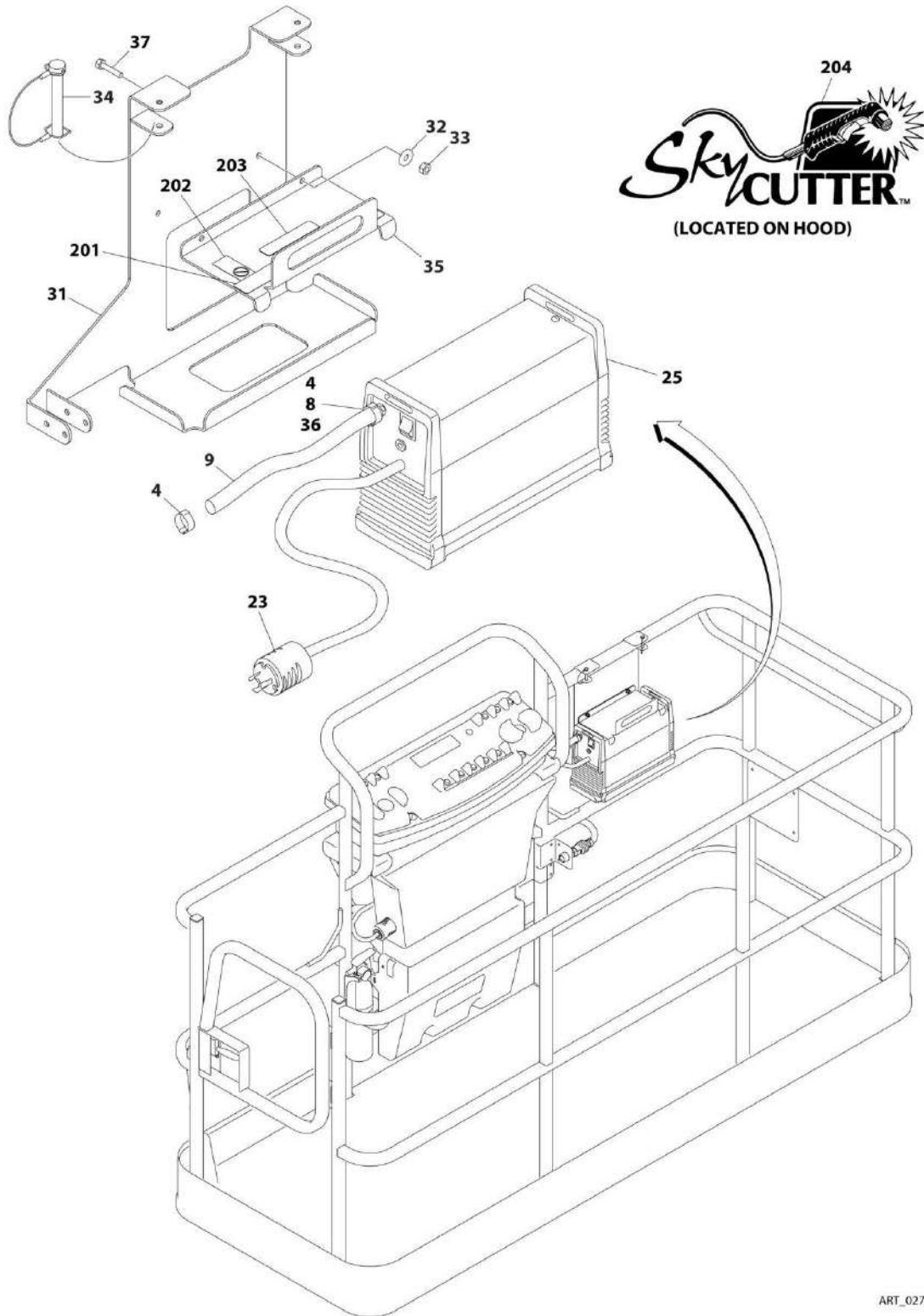
ITEM	PART NUMBER	QTY	DESCRIPTION	REV
		Ref	PLASMA CUTTER ASSEMBLY	
	4530024	Ref	Plasma Cutter Assembly - 60Hz Power Supply	D
	4530025	Ref	Plasma Cutter Assembly - 50Hz Power Supply	D
		Ref	Note: For other components see your Miller Dealer.	
1	7024519	1	Circuit Card - 60Hz Power Supply	
1	7024538	1	Circuit Card - 50Hz Power Supply	
2	7024520	1	Switch	
3	7024521	10 ft/3m	Cable, Power - 60Hz Power Supply	
3	7024539	10 ft/3m	Cable, Power - 50Hz Power Supply	
4	7024522	1	Filter, Air	
5	7024523	1	Valve, Air - 60Hz Power Supply	
5	7024540	1	Valve, Air - 50Hz Power Supply	
6	7024524	1	Regulator, Air	
7	7024525	1	Circuit Card - 60Hz Power Supply	
7	7024541	1	Circuit Card - 50Hz Power Supply	
8	7024526	1	Torch Assembly (See Items 101-203 for Breakdown)	
9	7024527	1	Clamp	
10	7024528	1	Knob	
11	7024529	1	Gauge, Air	
	7024526	Ref	TORCH ASSEMBLY	
101	7024530	1	O-Ring	
102	7024531	1	Electrode	
103	7024532	1	Cup, Retaining	
104	7024533	1	Swirl Ring	
105	7024534	1	Tip	
201	7024535	1	Handle, Torch	
202	7024536	1	Switch	
203	7024537	1	Trigger	

SECTION 4 - PLATFORM

FIGURE 4-18. SKYWELDER/SKYCUTTER COMBO INSTALLATION (60HZ)



SECTION 4 - PLATFORM



ART_0273353_20F2

SECTION 4 - PLATFORM

FIGURE 4-18. SKYWELDER/SKYCUTTER COMBO INSTALLATION (60HZ)

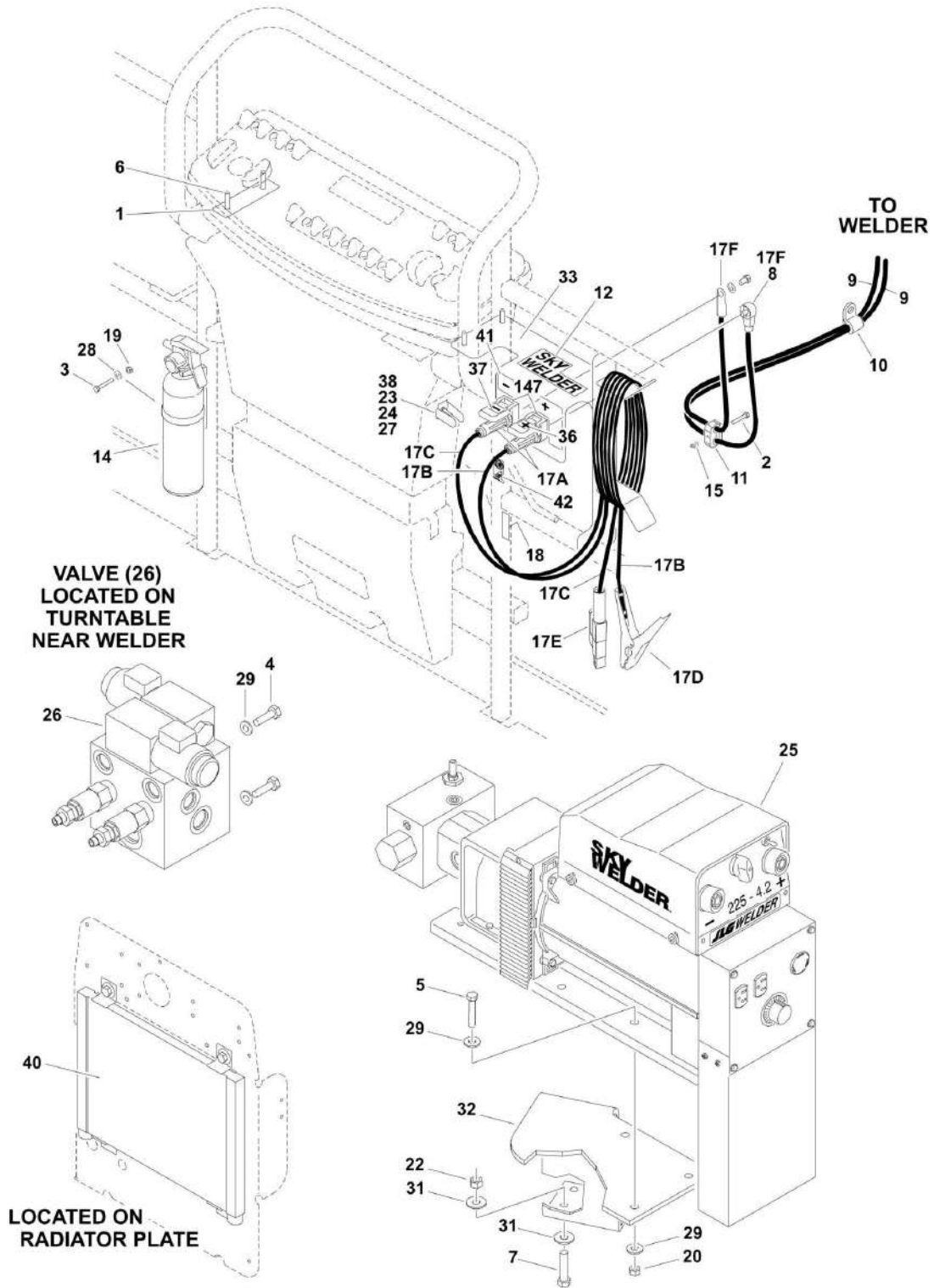
ITEM	PART NUMBER	QTY	DESCRIPTION	REV
	0273353	Ref	SKYWELDER/SKYCUTTER COMBO INSTALLATION (60HZ)	G
		Ref	Note: When replacing platform on machines with SkyCutter option, new bracket p/n 1001145405 must be purchased to accommodate SkyCutter components.	
1	0100011	AR	Compound, Locking	
2	0630518	2	Screw #10 x 3/4	
3	0641606	4	Bolt 3/8 x 3/4	
4	1320177	2	Clamp	
5	1320302	2	Clamp	
6	1671093	1	Cover, Plug	
7	2030010	1	Extinguisher, Fire	
8	2180832	1	Fitting, Barbed/NPT	
9	2720160	4.5 ft/ 1.4m	Hose	
10	2902217	1	Weld Leads Kit	
11	3300151	4	Nut 1/4	
12	3311005	2	Nut #10	
13	3311605	4	Nut 3/8	
14	3573400	1	Bracket	
15	3577121	2	Angle	
16	3573642	1	Plate	
20	4240099	AR	Tie-Strap (Not Shown)	
21	4420037	2.4 ft/ 0.7m	Tape	
22	4460962	1	Plug, Twist Lock	
23	4460971	1	Plug, Twist Lock	
24		Ref	Welder Assembly Options (See WELDER ASSEMBLY for Breakdown):	
24	4530022	1	Miller Model CST250 (Prior to SN 0300083533)	
24	4530028	1	Miller Model CST280 (SN 0300083533 through 0300096000)	
25	1001098012	1	Plasma Cutter Assembly (See PLASMA CUTTER ASSEMBLY for Breakdown)	
26	4751400	4	Washer 1/4	
27	4751600	8	Washer 3/8	
29	4846627	1	Support	
31	1001145405	1	Bracket	
32	4811700	2	Washer M6	
33	3290605	2	Nut M6	
34	3421453	3	Pin	
35	3576799	1	Plate, Hold-Down	
36	0100020	AR	Sealant	
37	4010608	2	Screw M6 x 16	
38	4751000	2	Washer #10	
	0272448	Ref	SKYWELDER DECAL INSTALLATION	A
101	1705355	2	Decal - SkyWelder	
102	1702868	1	Decal - No Hands	
103	1705305	1	Decal - Weld Leads	
104	1705375	1	Decal - 240V - 3 Phase - 60Hz	
105	1705466	1	Decal - Weight	
	0272599	Ref	SKYCUTTER DECAL INSTALLATION	A
201	1702868	1	Decal - No Hands	

SECTION 4 - PLATFORM

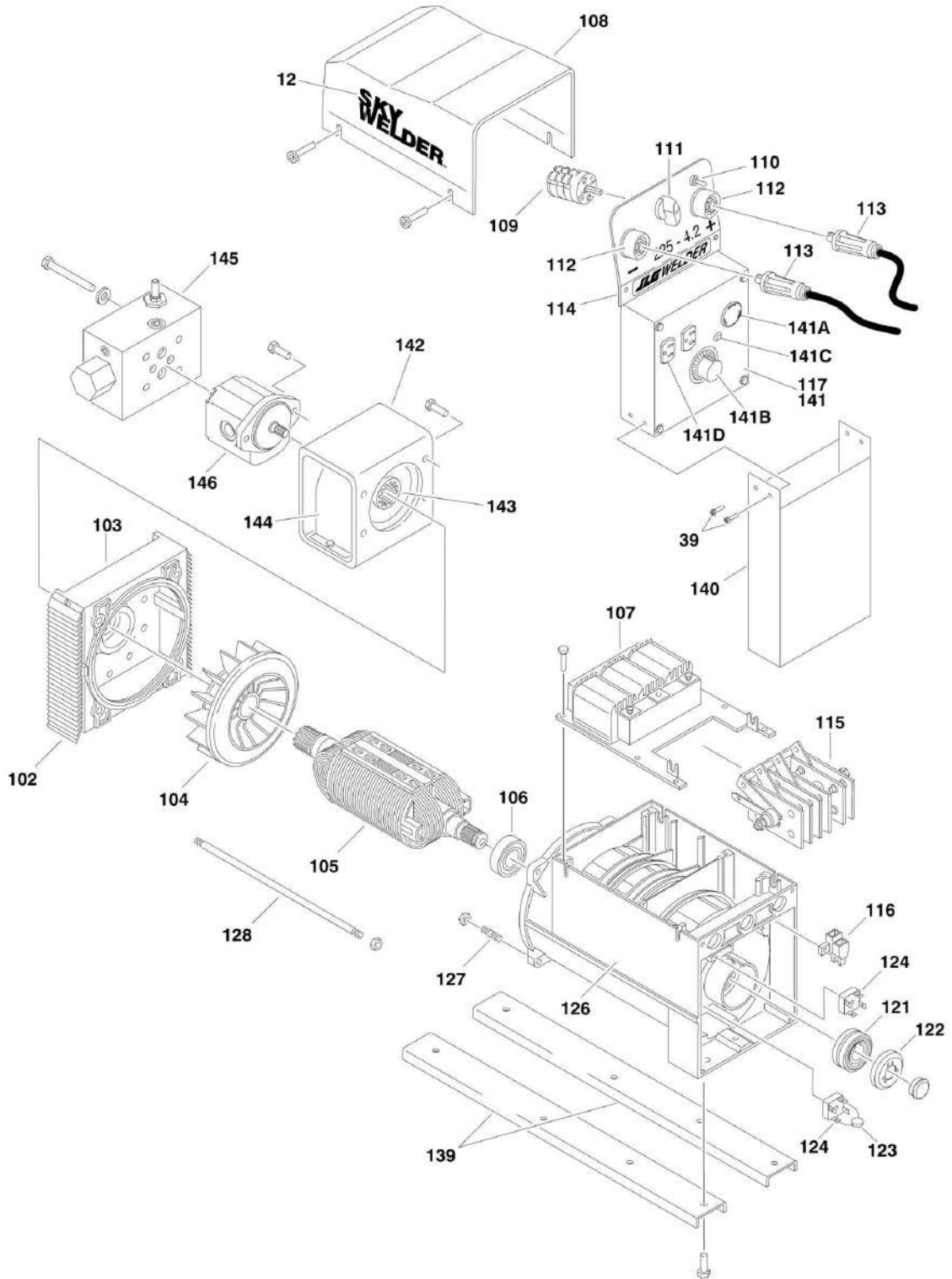
ITEM	PART NUMBER	QTY	DESCRIPTION	REV
202	1705305	1	Decal - Weld Leads	
203	1705466	1	Decal - Weight	
204	1705490	2	Decal - SkyCutter	

SECTION 4 - PLATFORM

FIGURE 4-19. SKYWELDER INSTALLATION (Prior to SN 0300068333)



SECTION 4 - PLATFORM



SECTION 4 - PLATFORM

FIGURE 4-19. SKYWELDER INSTALLATION (Prior to SN 0300068333)

ITEM	PART NUMBER	QTY	DESCRIPTION	REV
		Ref	SKYWELDER INSTALLATIONS	
	0270044	Ref	225A - 400S (Prior to SN 0300064404)	E
	0271579	Ref	200A - 400S (400S Prior to SN 0300064404)	A
	0271358	Ref	225A - 400S - ADE System (SN 0300064404 through 0300064509)	D
	0272025	Ref	225A - 400S - ADE System (SN 0300064509 through 0300068333)	B
	0270361	Ref	225A - 400SJ (Prior to SN 0300064404)	E
	0271580	Ref	200A - 400SJ (Prior to SN 0300064404)	A
	0271359	Ref	225A - 460SJ - ADE System (SN 0300064404 through 0300064509)	D
	0272024	Ref	225A - 460SJ - ADE System (SN 0300064509 through 0300068333)	B
1	0362949	2	Bar, Space	
2	0641412	1	Bolt 1/4in-20NC x 1-1/2in	
3	0641414	2	Bolt 1/4in-20NC x 1-3/4in	
4	0641510	2	Bolt 5/16in-18NC x 1-1/4in	
5	0641514	4	Bolt 5/16in-18NC x 1-3/4in	
6	0641613	4	Bolt 3/8in-16NC x 1-5/8in	
7	0641810	4	Bolt 1/2in-13NC x 1-1/4in	
8	0840041	1	Boot, Cable	
9	1060883	AR	Cable, Weld	
9		Ref	Cable, Weld 400S	
9		Ref	Cable, Weld 460SJ	
10		Ref	Clamp, Hose	
10	Not Required	0	Clamp, Hose 400S	
10	1320130	4	Clamp, Hose 460SJ	
11		Ref	Clamp, Hose Options:	
11	1320146	1	Clamp, Hose (Prior to SN 0300064404)	
11	1320291	1	Clamp, Hose (SN 0300064404 through 0300068333)	
12	1704895	2	Decal - SkyWelder	
13	1704896	1	Decal - SkyWelder (Not Shown - Located on Hood)	
14	2030010	1	Extinguisher, Fire	
15	2080044	1	Rivnut, Fastener	
17	2901971	1	Platform Weld Leads Kit	B
17A	7023413	2	Connector, Cable	
17B	7023414	1	Cable, #1 Weld - Black (12ft Length)	
17C	7023418	1	Cable, #1 Weld - Red (12ft Length)	
17D	7023415	1	Clamp, Ground	
17E	7023416	1	Holder, Electrode	
17F	7023417	2	Lugs, Cable	
18	3251963	1	Nameplate - Welding Leads	
19	3311405	2	Locknut 1/4in-20NC	
20	3311505	4	Locknut 5/16in-18NC	
22	3311805	4	Locknut 1/2in-13NC	
23	4060802	1	Guard, Switch	
24	4360336	1	Switch, Toggle	
25		Ref	Hydraulic Welder Assembly Options (See Items 101-147 for Breakdown):	
25	4530016	1	225A	
25	4530020	1	200A	

SECTION 4 - PLATFORM

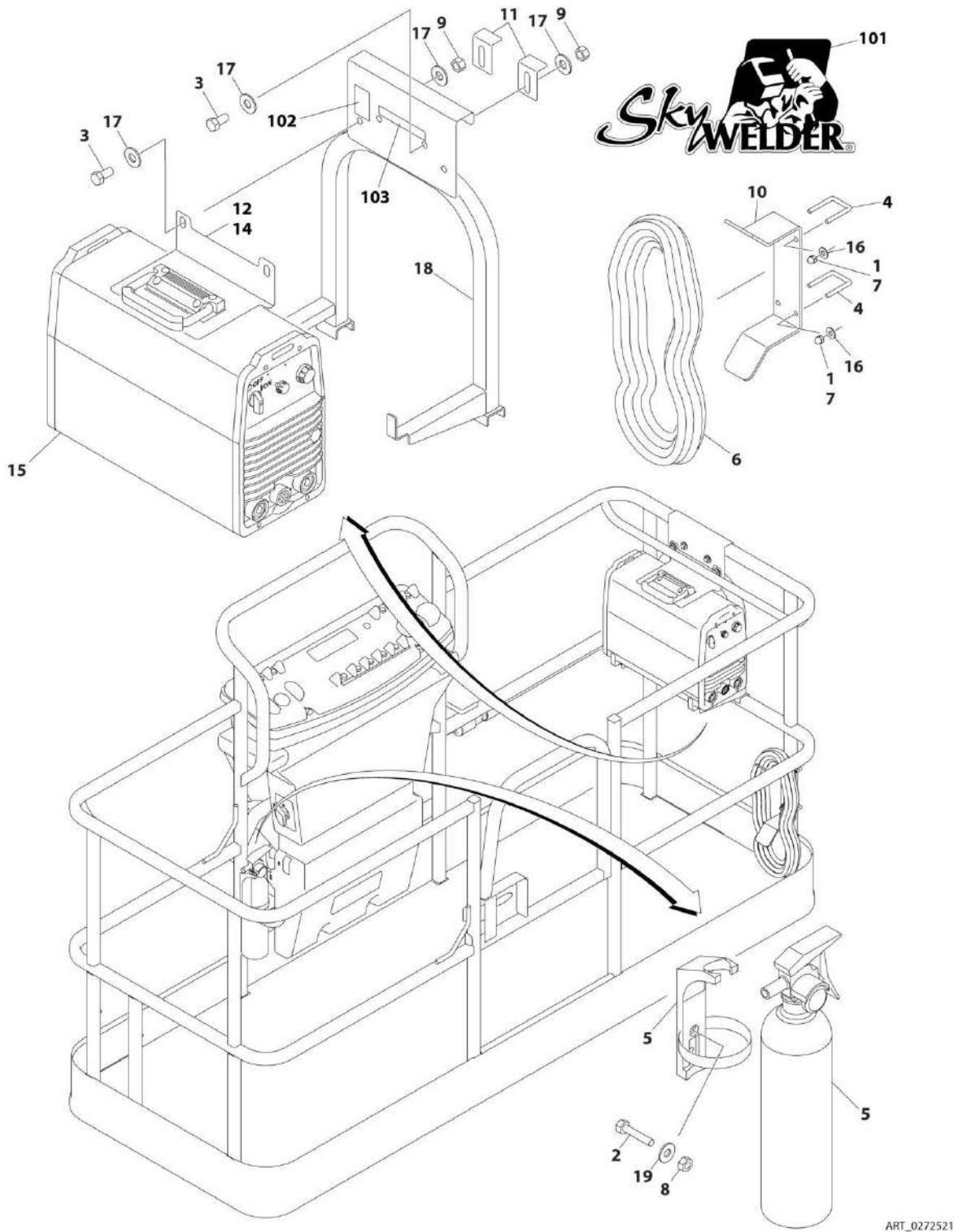
ITEM	PART NUMBER	QTY	DESCRIPTION	REV
26	4641164	1	Diverter Valve Assembly	
27	4740397	1	Spacer, Washer	
28	4751400	2	Flatwasher 1/4in	
29	4751500	12	Flatwasher 5/16in	
31	4751800	4	Flatwasher 1/2in	
32	4846213	1	Support, Welder	
33	4846231	1	Support, Weld Lead	
34	4922442	1	Harness, Electrical (Not Shown) (Prior to SN 0300064404)	1/A
34	3990001	1	Diode 3Amp	
34	4460741	1	Connector, Relay	
36	1704919	1	Decal - Positive	
37	1704920	1	Decal - Negative	
38	3252764	1	Nameplate - AC and Weld	
39	0750605	4	Screw	
40	3620034	1	Oil Cooler Assembly	
41	1705000	1	Decal - SkyWelder (Platform)	
42	1705305	1	Decal - Weld Lead (SN 0300066961 through 0300068333)	
		Ref	HYDRAULIC WELDER ASSEMBLIES	
	4530016	Ref	225A	C
	4530020	Ref	200A	B
102	7023444	2	Grid - Front	
103	7023445	1	Shield Front	
104	7023446	1	Fan	
105	7023251	1	Rotor	
106	7023252	1	Bearing	
107		Ref	Impedance, Weld Options:	
107	7023253	1	225A	
107	7024313	1	200A	
108	7023447	1	Cover	
109	7023254	1	Switch, Step	
110	7023255	1	Selector, Range	
111	7023256	1	Knob, Switch	
112	7023257	2	Terminal, Female Weld Cable Attached	
113	7023258	2	Terminal, Male Weld Cable Attached	
114	See Note	1	Panel, Front (Note: Not Available - Purchase Complete Welder Assembly)	
115	7023259	1	Bridge, Rectifier	
116	7023260	1	Brushes and Holder	
117		Ref	Panel, Receptacle Options (Panel Only):	
117	7023419	1	225A	
117	7024315	1	200A	
121	7023261	1	Ring, Slip	
122	7023262	1	Cover, Slip Ring	
123	7022363	1	Varistor	
124	7023264	2	Bridge, Single Phase Rectifier	
126		Ref	Housing and Stator Options:	
126	7023265	1	225A	
126	7024316	1	200A	
127	7023266	4	Bolt, Stay M8 x 30mm	
128	7023267	4	Bolt, Stay	
139	7023448	1	Rail Set	
140	7023449	1	Duct	

SECTION 4 - PLATFORM

ITEM	PART NUMBER	QTY	DESCRIPTION	REV
141		Ref	Panel Assembly (Complete) Options:	
141	7023420	1	225A	
141	See Note	1	200A (Note: Not Available for Purchase)	
141A		Ref	Receptacle, Twistlock Options:	
141A	7023421	1	225A	
141A	See Note	1	200A (Note: Not Available for Purchase)	
141B	7023422	1	Control, Fine	
141B	7024436	1	Knob	
141C	7023423	1	Light - AC	
141D		Ref	Receptacle Options:	
141D	7023424	1	225A	
141D	See Note	1	200A (Note: Not Available for Purchase)	
141E	7023425	1	Harness (Not Shown)	
142	See Note	1	Mount, Motor (Note: Not Available for Purchase)	
143	7023426	1	Coupling	
144	See Note	1	Guard, Coupling (Note: Not Available for Purchase)	
145	7023427	1	Valve Assembly	
146		Ref	Motor Assembly Options:	
146	7023428	1	225A	
146	7024317	1	200A	
147	7024559	2	Cover, Weld Receptacle W/Cover	

SECTION 4 - PLATFORM

FIGURE 4-20. SKYWELDER INSTALLATION (50HZ) (SN 0300068333 through 0300096000)



ART_0272521

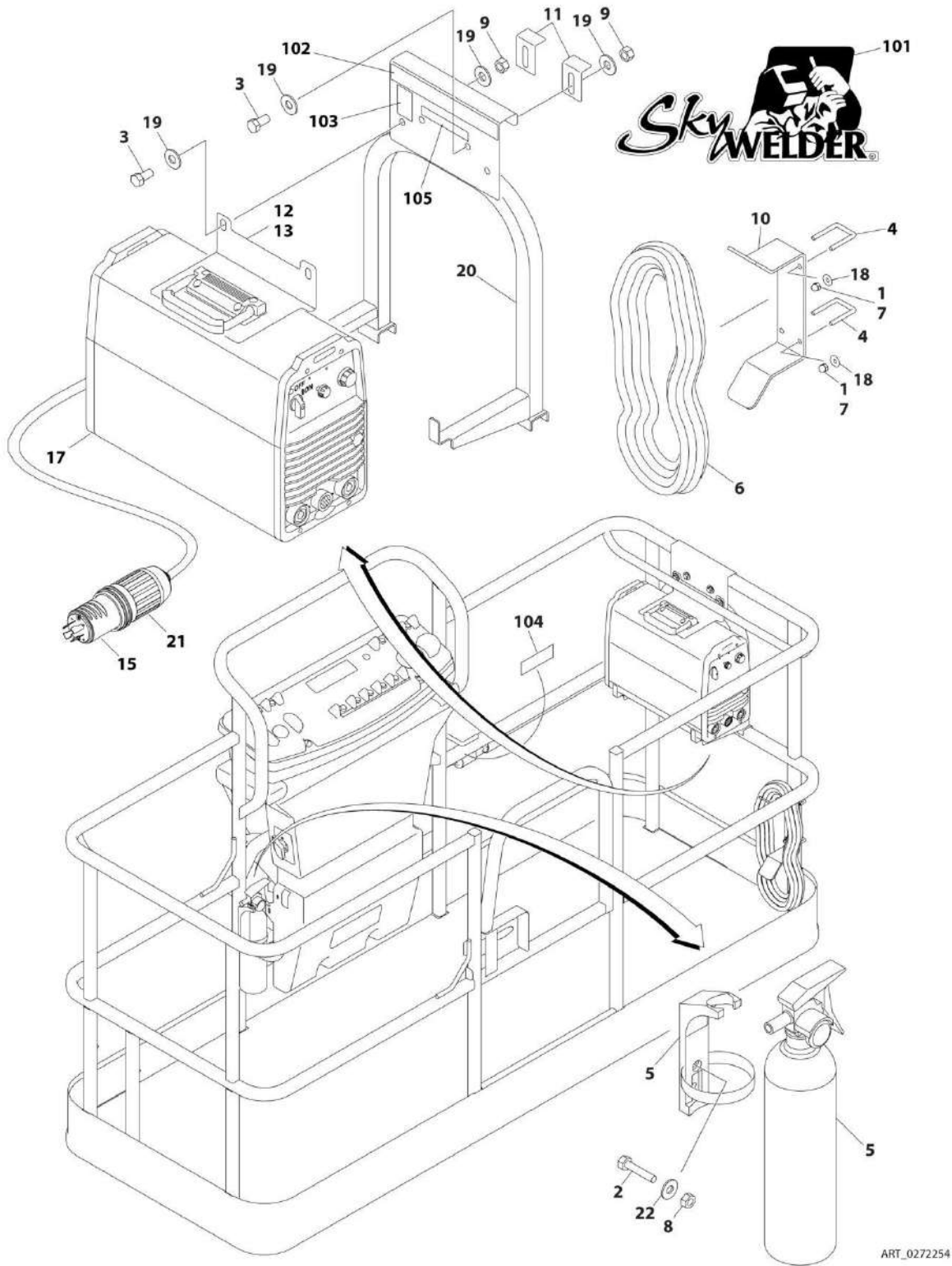
SECTION 4 - PLATFORM

FIGURE 4-20. SKYWELDER INSTALLATION (50HZ) (SN 0300068333 through 0300096000)

ITEM	PART NUMBER	QTY	DESCRIPTION	REV
	0272521	Ref	SKYWELDER INSTALLATION (50HZ) (SN 0300068333 through 0300096000)	F
1	0100011	AR	Compound, Locking	
2	0630518	2	Screw #10 x 3/4	
3	0641606	4	Bolt 3/8 x 3/4	
4	1320302	2	U-Clamp	
5	2030010	1	Extinguisher, Fire	
6	2902217	1	Weld Leads Kit	
7	3300151	4	Nut 1/4	
8	3311005	2	Nut #10	
9	3311605	4	Nut 3/8	
10	3573400	1	Bracket	
11	3577121	2	Angle	
12	3573642	1	Plate	
13	4240099	AR	Tie-Strap (Not Shown)	
14	4420037	AR	Tape	
15		Ref	Welder Assembly Options (See WELDER ASSEMBLY for Breakdown):	
15	4530022	1	Miller Model CST250 (Prior to SN 0300083533)	
15	4530028	1	Miller Model CST280 (SN 0300083533 through 0300096000)	
16	4751400	4	Washer 1/4	
17	4751600	8	Washer 3/8	
18	4846627	1	Support	
19	4751000	2	Washer #10	
	0272588	Ref	SKYWELDER DECAL INSTALLATION	A
101	1705355	2	Decal - SkyWelder	
102	1705305	1	Decal - Weld Lead	
103	1705466	1	Decal - Weight	

SECTION 4 - PLATFORM

FIGURE 4-21. SKYWELDER INSTALLATION (60HZ) (SN 0300068333 through 0300096000)



ART_0272254

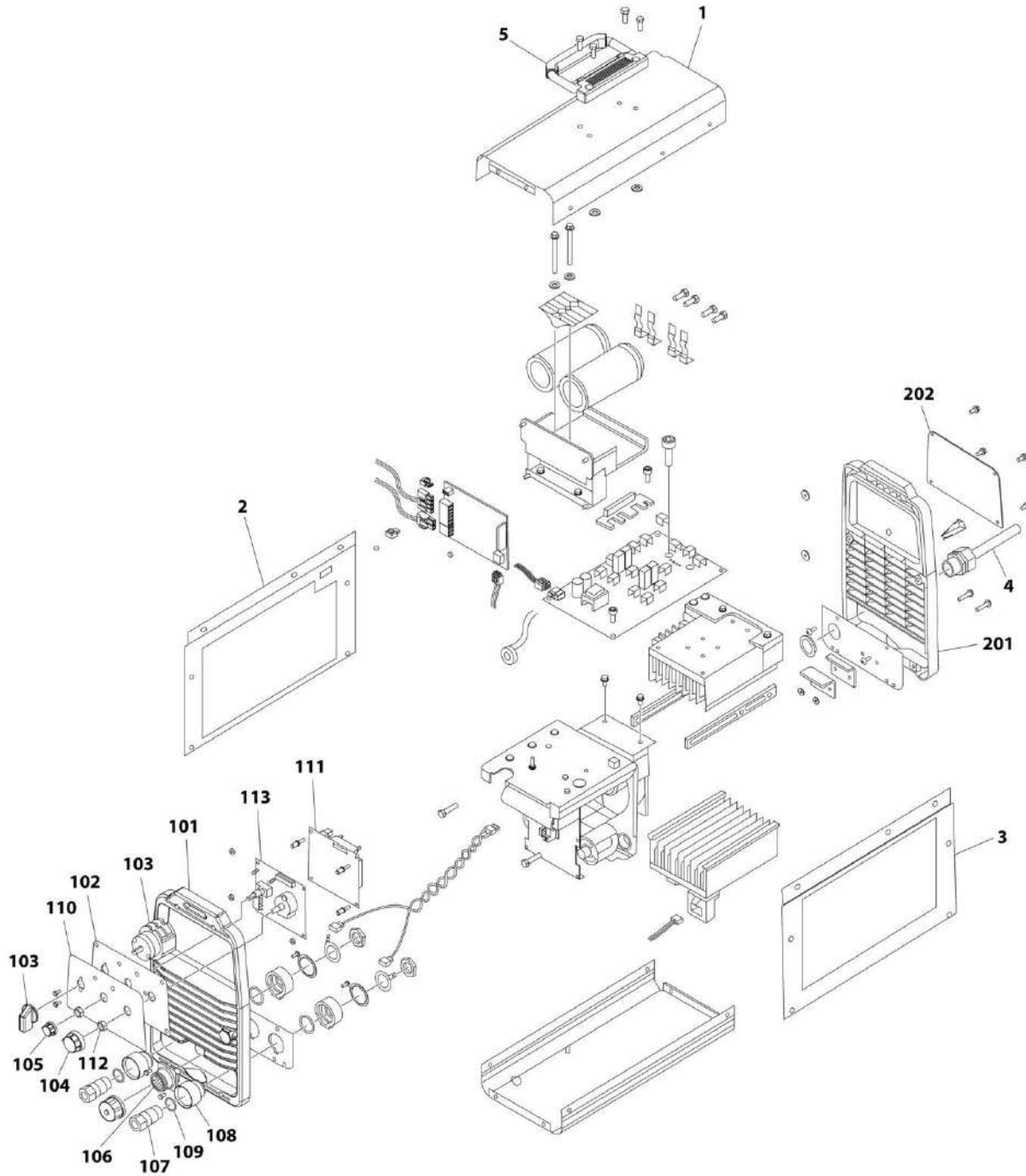
SECTION 4 - PLATFORM

FIGURE 4-21. SKYWELDER INSTALLATION (60HZ) (SN 0300068333 through 0300096000)

ITEM	PART NUMBER	QTY	DESCRIPTION	REV
	0272254	Ref	SKYWELDER INSTALLATION (60HZ) (SN 0300068333 through 0300096000)	I
		Ref	Note: ANSI Export Specs Only.	
1	0100011	AR	Compound, Locking	
2	0630518	2	Screw #10 x 3/4	
3	0641606	4	Bolt 3/8 x 3/4	
4	1320302	2	U-Clamp	
5	2030010	1	Extinguisher, Fire	
6	2902217	1	Weld Leads Kit	
7	3300151	4	Nut 1/4	
8	3311005	2	Nut #10	
9	3311605	4	Nut 3/8	
10	3573400	1	Bracket	
11	3577121	2	Angle	
12	3573642	1	Plate	
13	4420037	AR	Tape	
14	4240099	AR	Tie-Strap (Not Shown)	
15	4460962	1	Plug, Male Twistlock	
17		Ref	Welder Assembly Options (See WELDER ASSEMBLY for Breakdown):	
17	4530022	1	Miller Model CST250 (Prior to SN 0300083533)	
17	4530028	1	Miller Model CST280 (SN 0300083533 through 0300096000)	
18	4751400	4	Washer 1/4	
19	4751600	8	Washer 3/8	
20	4846627	1	Support	
21	1671093	1	Cover, Plug	
22	4751000	2	Washer #10	
	0272448	Ref	SKYWELDER DECAL INSTALLATION	A
101	1705355	2	Decal - SkyWelder	
102	1702868	1	Decal - No Hands	
103	1705305	1	Decal - Weld Lead	
104	1705375	1	Decal - 240V - 3 Phase - 60Hz	
105	1705466	1	Decal - Weight	

SECTION 4 - PLATFORM

FIGURE 4-22. WELDER ASSEMBLY



ART_4530028

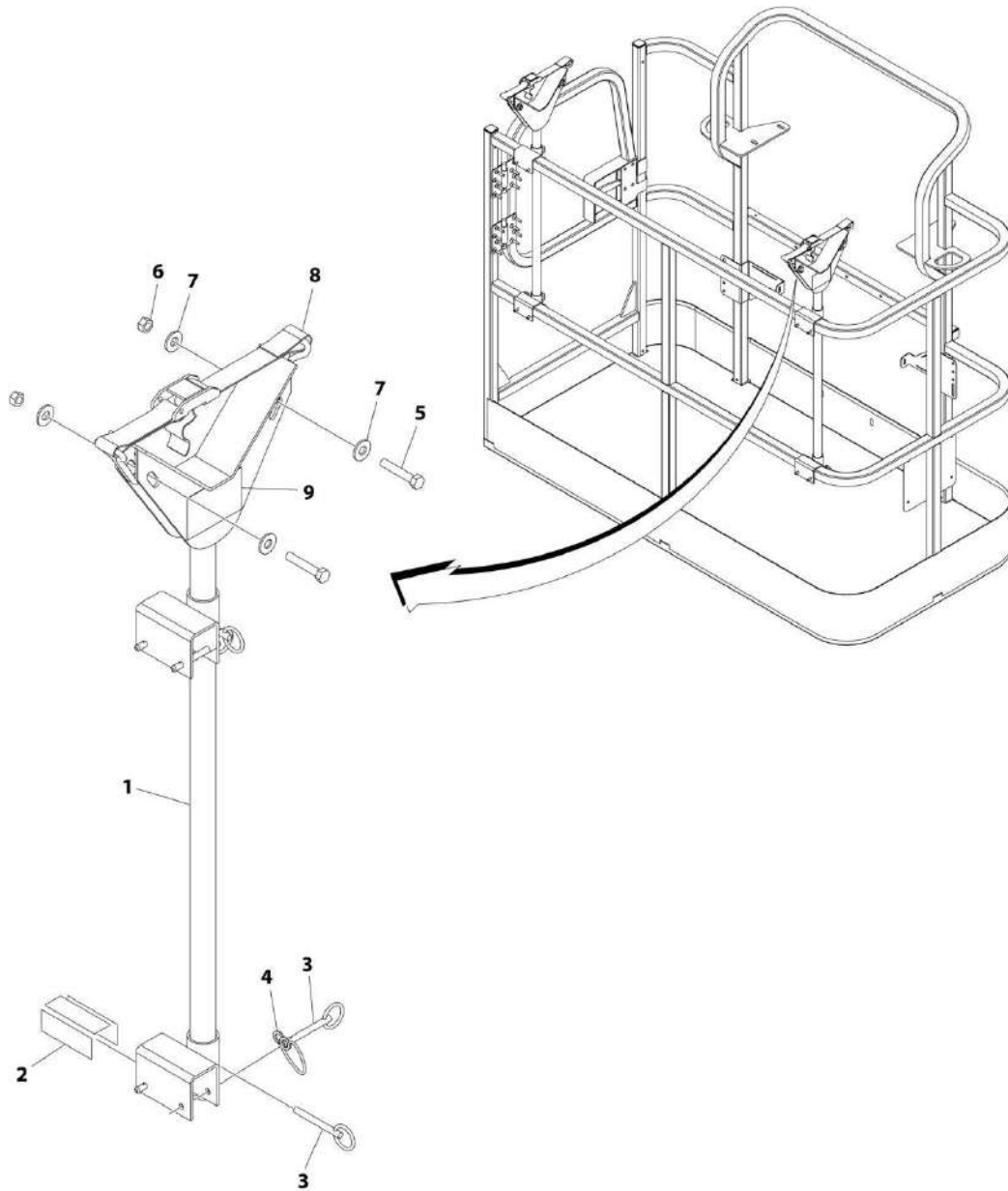
SECTION 4 - PLATFORM

FIGURE 4-22. WELDER ASSEMBLY

ITEM	PART NUMBER	QTY	DESCRIPTION	REV
		Ref	WELDER ASSEMBLY	
	4530022	Ref	Miller Model CST250 (Prior to SN 0300083533)	C
	4530028	Ref	Miller Model CST280 (SN 0300083533 through 0300096000)	B
		Ref	Note: For Other Components, contact your Miller Welder Dealer.	
1		Ref	Cover, Top Options:	
1	7024464	1	Miller Model CST250 (Prior to SN 0300083533)	
1	7027773	1	Miller Model CST280 (SN 0300083533 through 0300096000)	
1	7027774	1	Decal - Static Precautionary Warning (SN 0300083533 through 0300096000)	
2		Ref	Panel, LH Side Options:	
2	7024465	1	Miller Model CST250 (Prior to SN 0300083533)	
2	See Note	NSS	Miller Model CST280 (Note: Part of Item 1. Purchase Item 1) (SN 0300083533 through 0300096000)	
3		Ref	Panel, RH Side Options:	
3	7024466	1	Miller Model CST250 (Prior to SN 0300083533)	
3	See Note	NSS	Miller Model CST280 (Note: Part of Item 1. Purchase Item 1) (SN 0300083533 through 0300096000)	
4	7024467	1	Cable, Power	
4	7027775	1	Decal - Electrical Shock Warning (Not Shown) (SN 0300083533 through 0300096000)	
5		Ref	Handle, Carrying Options:	
5	7024468	1	Miller Model CST250 (Prior to SN 0300083533)	
5	7027776	1	Miller Model CST280 (SN 0300083533 through 0300096000)	
101	7024462	1	Panel, Front	
102	7024463	1	Panel, Console	
103	7024469	1	Switch with Lead	
104	7024470	1	Knob	
105	7024471	1	Knob	
106	7024472	1	Receptacle with Leads and Plugs	
107	7024473	2	Receptacle, Twistlock Female	
108	7024474	2	Insulator	
109	7024475	2	O-Ring	
110		Ref	Nameplate Options:	
110	7024476	1	Miller Model CST250 (Note: Not Available for Purchase) (Prior to SN 0300083533)	
110	7027777	1	Miller Model CST280 (SN 0300083533 through 0300096000)	
111		Ref	Circuit Card Assembly (Process Control) Options:	
111	7024477	1	Miller Model CST250 (Note: Not Available for Purchase) (Prior to SN 0300083533)	
111	7027779	1	Miller Model CST280 (SN 0300083533 through 0300096000)	
112	7024478	2	Nut	
113		Ref	Circuit Card Assembly (Operator Interface) Options:	
113	See Note	1	Miller Model CST250 (Note: Not Available for Purchase) (Prior to SN 0300083533)	
113	7027778	1	Miller Model CST280 (SN 0300083533 through 0300096000)	
201	7024462	1	Panel, Rear	
202		Ref	Panel, Cover Options:	
202	7024479	1	Miller Model CST250 (Prior to SN 0300083533)	
202	7027780	1	Miller Model CST280 (SN 0300083533 through 0300096000)	

SECTION 4 - PLATFORM

FIGURE 4-23. PIPE RACKS INSTALLATION



ART_0257728

SECTION 4 - PLATFORM

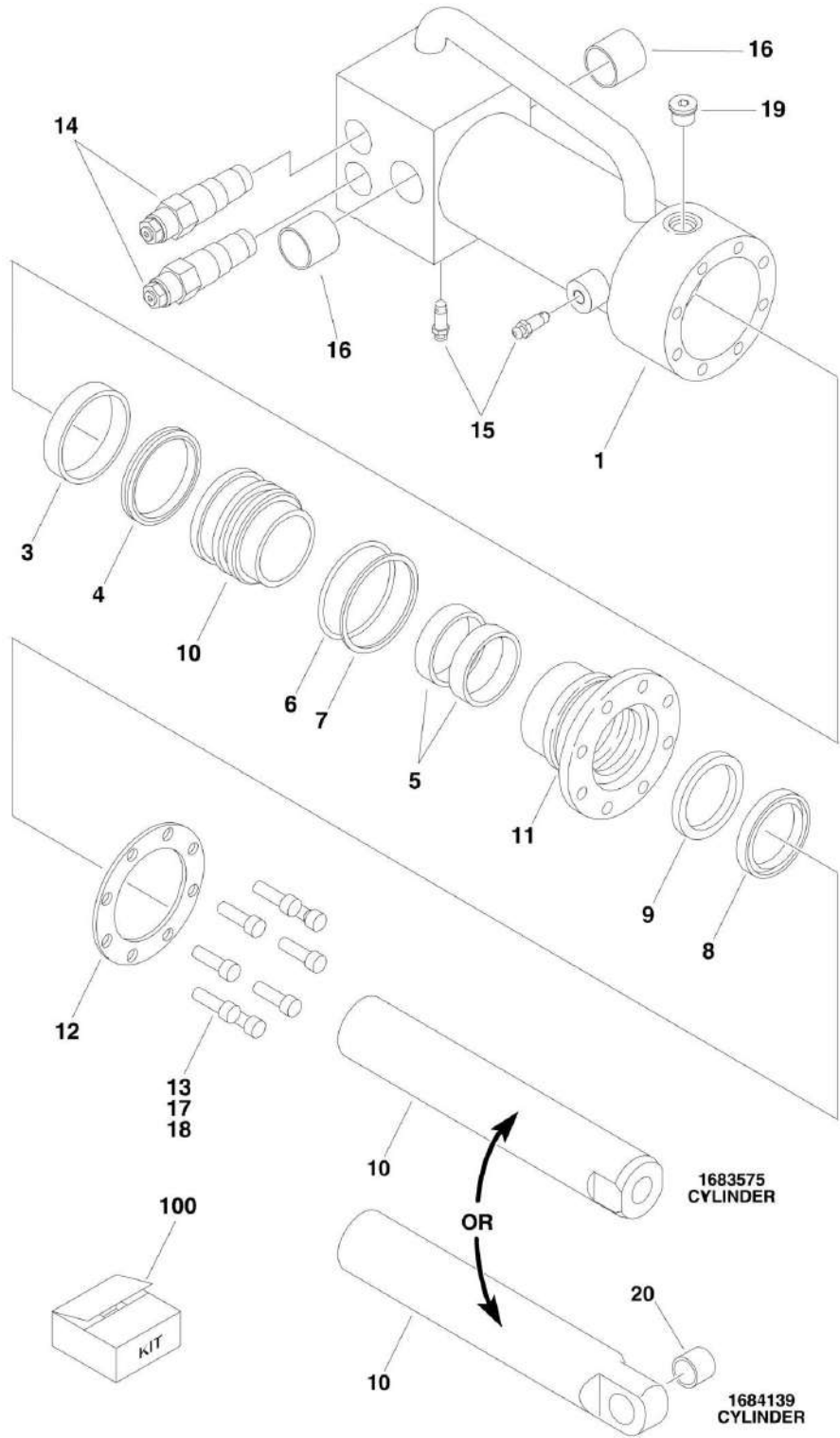
FIGURE 4-23. PIPE RACKS INSTALLATION

ITEM	PART NUMBER	QTY	DESCRIPTION	REV
	0257728	Ref	PIPE RACKS INSTALLATION	2/C
1	4845582	2	Rack, Pipe	
2	4420062	AR	Tape	
3	3422661	10	Pin	
4	1060379	4	Lanyard	
5	0641514	4	Bolt 5/16 x 1-3/4	
6	3311505	4	Nut 5/16	
7	4751500	8	Washer 5/16	
8	0480100	2	Tie-Down	
9	1703683	2	Decal - Capacity	

SECTION 5 - CYLINDER

SECTION 5 - CYLINDER

FIGURE 5-1. AXLE LOCKOUT CYLINDER ASSEMBLY



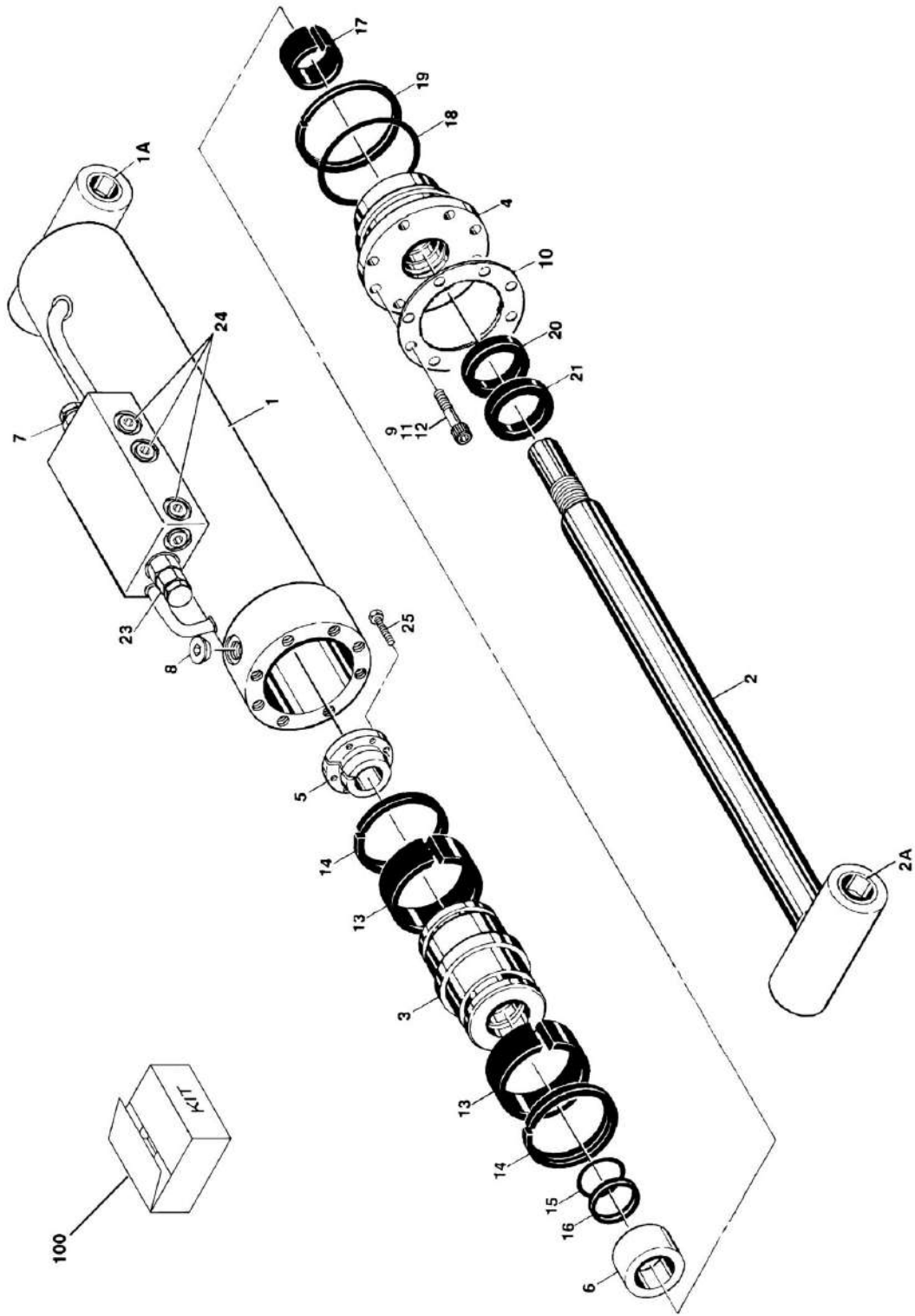
SECTION 5 - CYLINDER

FIGURE 5-1. AXLE LOCKOUT CYLINDER ASSEMBLY

ITEM	PART NUMBER	QTY	DESCRIPTION	REV
		Ref	Note: Original Equipment Cylinder may have been replaced with Service Replacement Cylinder. Identify p/n stamped on cylinder before ordering parts.	
		Ref	AXLE LOCKOUT CYLINDER ASSEMBLIES	
	1683575	Ref	Axle Lockout Cylinder Assemblies (Original Equipment) (Prior to SN 0300065402)	E
	1684139	Ref	Axle Lockout Cylinder Assemblies (Service Replacement) (Prior to SN 0300065402)	D
	1684139	Ref	Axle Lockout Cylinder Assemblies (SN 0300065402 through 0300096000)	D
1	1683572	1	Barrel Weldment	
3	See Note	NSS	Ring, Wear (Note: Use Item 100)	
4	See Note	NSS	T-Seal (Note: Use Item 100)	
5	See Note	NSS	Ring, Wear (Note: Use Item 100)	
6	See Note	NSS	O-Ring (Note: Use Item 100)	
7	See Note	NSS	Ring, Back-up (Note: Use Item 100)	
8	See Note	NSS	Wiper (Note: Use Item 100)	
9	See Note	NSS	Seal (Note: Use Item 100)	
10		Ref	Rod Weldment Options:	
10	1683574	1	1683575 Cylinder	
10	1684138	1	1684139 Cylinder	
11	1683076	1	Cap	
12	3760367	1	Ring, Washer	
13	3931516	8	Bolt, Socket Head 5/16in-18NC x 2in	
14	4641162	2	Cartridge, Valve (Counterbalance)	
14	2900770	2	Seal Kit - 4641162 Valve (1 Per Assembly)	
15	4640858	2	Valve, Bleeder	
16		Ref	Bushing Options:	
16	0961890	NLA	1683575 Cylinder (Use p/n 0962474)	
16	0962474	2	1684139 Cylinder	
17	0100011	AR	Compound, Locking	
18	0100038	AR	Primer, Locking	
19	2220885	1	Plug, O-Ring	
20	0962140	1	Bushing (1684139 Cylinder Only)	
100	2901548	1	Seal Kit (Includes Items 3-9)	

SECTION 5 - CYLINDER

FIGURE 5-2. LEVEL (PLATFORM SLAVE) CYLINDER ASSEMBLY



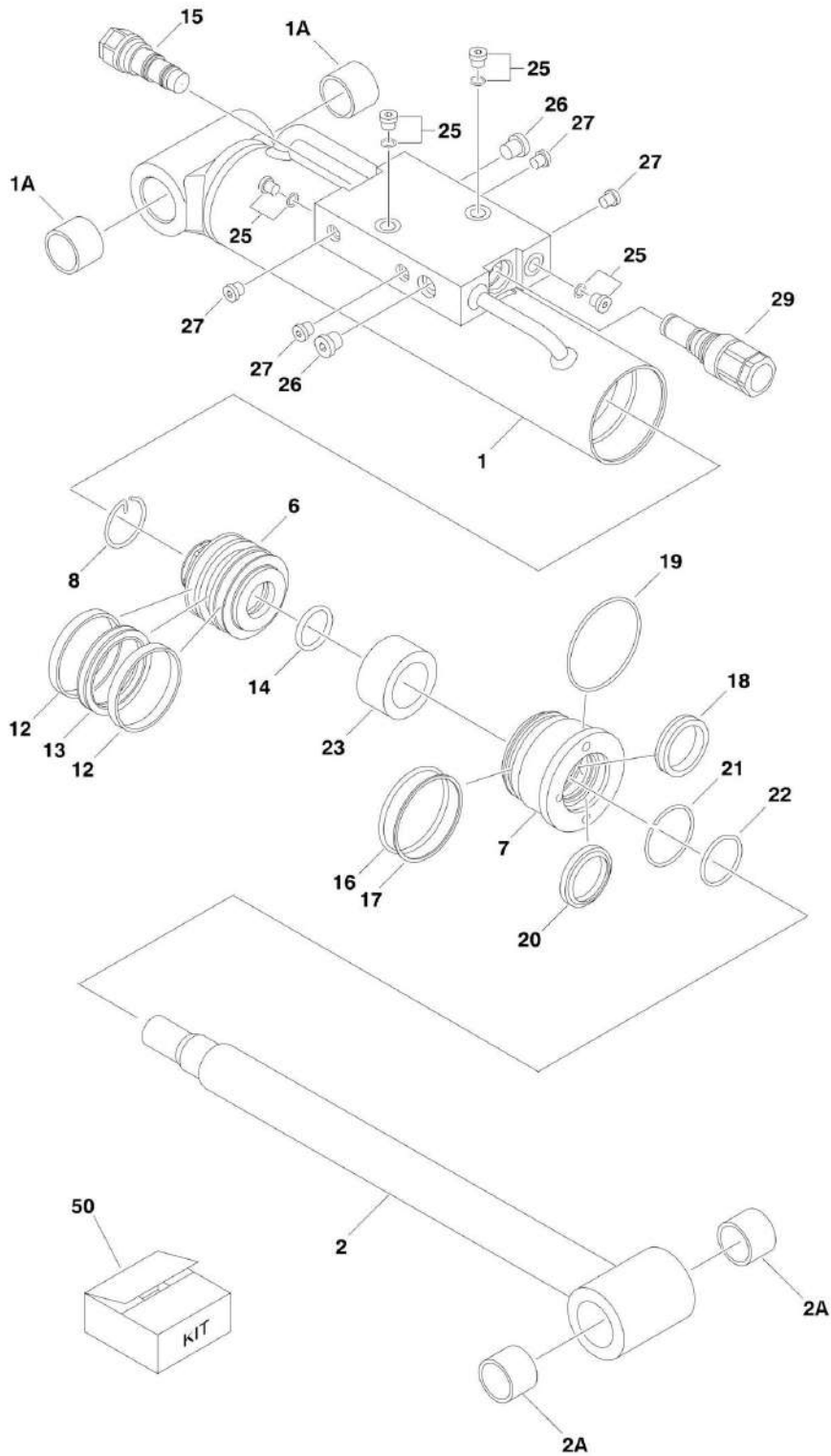
SECTION 5 - CYLINDER

FIGURE 5-2. LEVEL (PLATFORM SLAVE) CYLINDER ASSEMBLY

ITEM	PART NUMBER	QTY	DESCRIPTION	REV
		Ref	Note: Original Equipment Cylinder may have been replaced with Service Replacement Cylinder. Identify p/n stamped on cylinder before ordering parts.	
	See Note	Ref	PLATFORM LEVEL CYLINDER ASSEMBLIES	
		Ref	Platform Level Cylinder Assemblies 400S (Original Equipment was p/n 1683778) (Note: See LEVEL (PLATFORM SLAVE) CYLINDER ASSEMBLY (400S - SERVICE REPLACEMENT CYLINDER) for Service Replacement)	E
	1684013	Ref	Platform Level Cylinder Assemblies 460SJ	A
1	1683952	1	Barrel Weldment (Note: Does not Include Item 1A - Purchase Separately)	
1A	0961951	2	Bushing	
2		Ref	Rod Weldment Options (Note: Does not Include Item 2A - Purchase Separately):	
2	1683861	1	Rod Weldment 400S	
2	1684012	1	Rod Weldment 460SJ	
2A	0961951	2	Bushing	
3	3480188	1	Piston	
4	1683055	1	Head	
5	0961894	1	Bushing, Tapered	
6	4566468	1	Spacer	
7	4640509	1	Cartridge, Valve	
7	2900792	1	Seal Kit - 4640509 Valve	
8	2220885	1	Plug, O-Ring	
9	3931620	8	Capscrew, Socket Head 3/8in-16NC x 1-1/4in	
10	3760369	1	Ring, Washer	
11	0100011	AR	Compound, Locking	
12	0100038	AR	Primer, Locking	
13	See Note	NSS	Seal (Note: Use Item 100)	
14	See Note	NSS	Ring, Lock (Note: Use Item 100)	
15	See Note	NSS	O-Ring (Note: Use Item 100)	
16	See Note	NSS	Ring, Back-up (Note: Use Item 100)	
17	See Note	NSS	Ring, Wear (Note: Use Item 100)	
18	See Note	NSS	O-Ring (Note: Use Item 100)	
19	See Note	NSS	Ring, Back-up (Note: Use Item 100)	
20	See Note	NSS	Seal, Rod (Note: Use Item 100)	
21	See Note	NSS	Wiper (Note: Use Item 100)	
23	4640932	1	Cartridge, Valve	
23	7011112	1	Seal Kit	
24	2220883	8	Plug, O-Ring	
25	0630535	3	Screw, Socket Head 1/4in-20NC x 1-1/8in	
100	2901301	1	Seal Kit (Includes Items 13-21)	

SECTION 5 - CYLINDER

FIGURE 5-3. LEVEL (PLATFORM SLAVE) CYLINDER ASSEMBLY (400S - SERVICE REPLACEMENT CYLINDER)



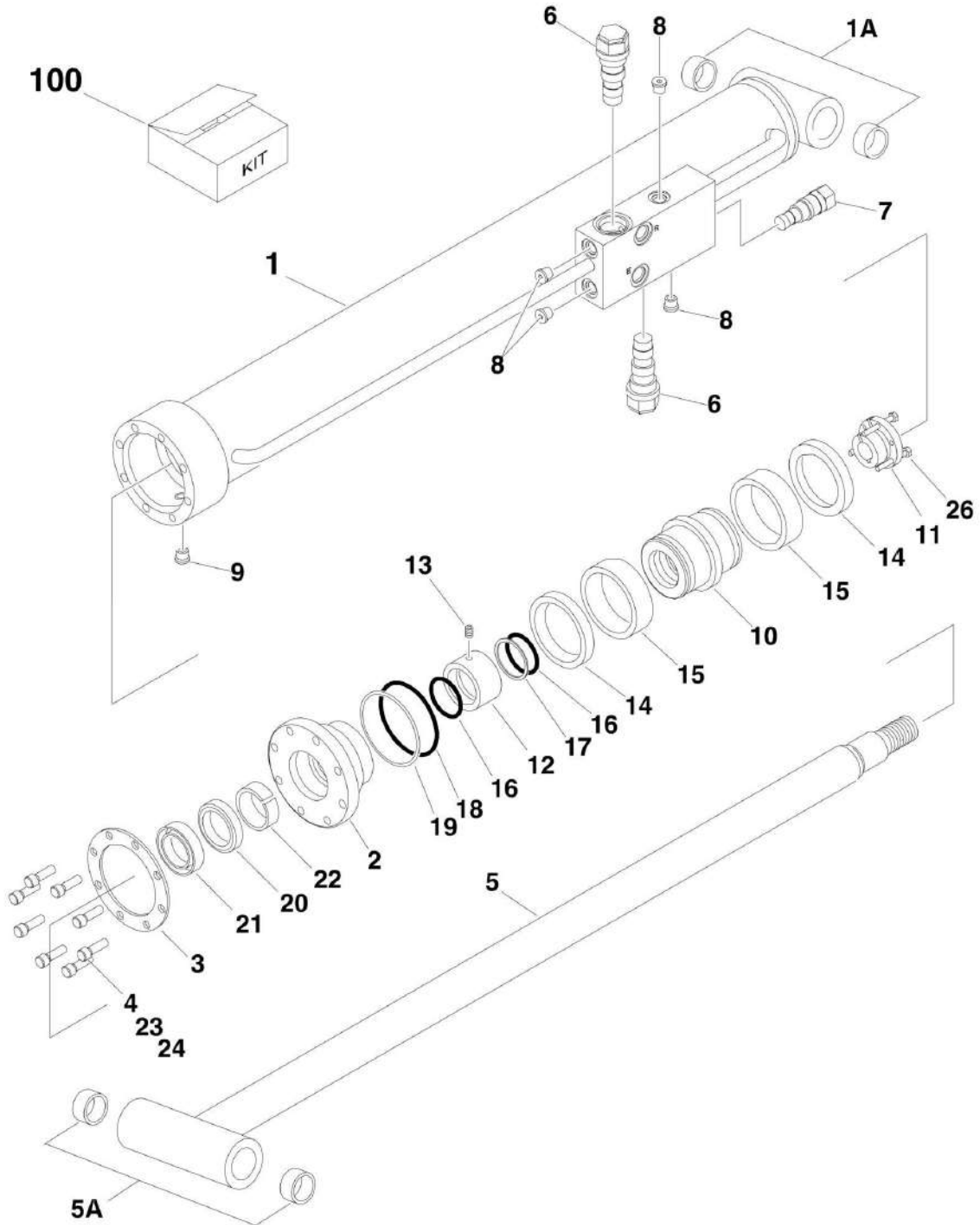
SECTION 5 - CYLINDER

FIGURE 5-3. LEVEL (PLATFORM SLAVE) CYLINDER ASSEMBLY (400S - SERVICE REPLACEMENT CYLINDER)

ITEM	PART NUMBER	QTY	DESCRIPTION	REV
		Ref	Note: Original Equipment Cylinder may have been replaced with Service Replacement Cylinder. Identify p/n stamped on cylinder before ordering parts.	
	1001140586	Ref	PLATFORM LEVEL CYLINDER ASSEMBLY	
		Ref	Platform Level Cylinder Assembly 400S (Service Replacement for p/n 1683778)	B
1	70004137	1	Barrel	
1A	0961951	2	Bushing	
2	70004138	1	Rod	
2A	0961951	2	Bushing	
6	70003848	1	Head	
7	70004136	1	Piston	
8	70002224	1	Retainer	
12	See Note	NSS	Ring, Wear (Note: Use Item 50)	
13	See Note	NSS	Seal (Note: Use Item 50)	
14	See Note	NSS	O-Ring (Note: Use Item 50)	
15	4640509	1	Cartridge, Counterbalance Valve	
15	2900792	1	Seal Kit - 4640509 Valve	
16	See Note	NSS	O-Ring (Note: Use Item 50)	
17	See Note	NSS	Ring, Back-up (Note: Use Item 50)	
18	See Note	NSS	Seal (Note: Use Item 50)	
19	See Note	NSS	O-Ring (Note: Use Item 50)	
20	See Note	NSS	Wiper (Note: Use Item 50)	
21	70003838	1	Ring, Retaining	
22	70003856	1	O-Ring	
23	70003839	1	Spacer	
25	See Note	2	Plug (Note: Not Available for Purchase)	
26	See Note	2	Plug (Note: Not Available for Purchase)	
27	See Note	4	Plug (Note: Not Available for Purchase)	
29	4640932	1	Cartridge, Counterbalance Valve	
29	7011112	1	Seal Kit - 4640932 Valve	
50	70004128	1	Seal Kit - 1001140596 Cylinder (Includes Items 12-14 & 16-20)	

SECTION 5 - CYLINDER

FIGURE 5-4. LIFT CYLINDER ASSEMBLY - JIB (460SJ) (ORIGINAL EQUIPMENT)



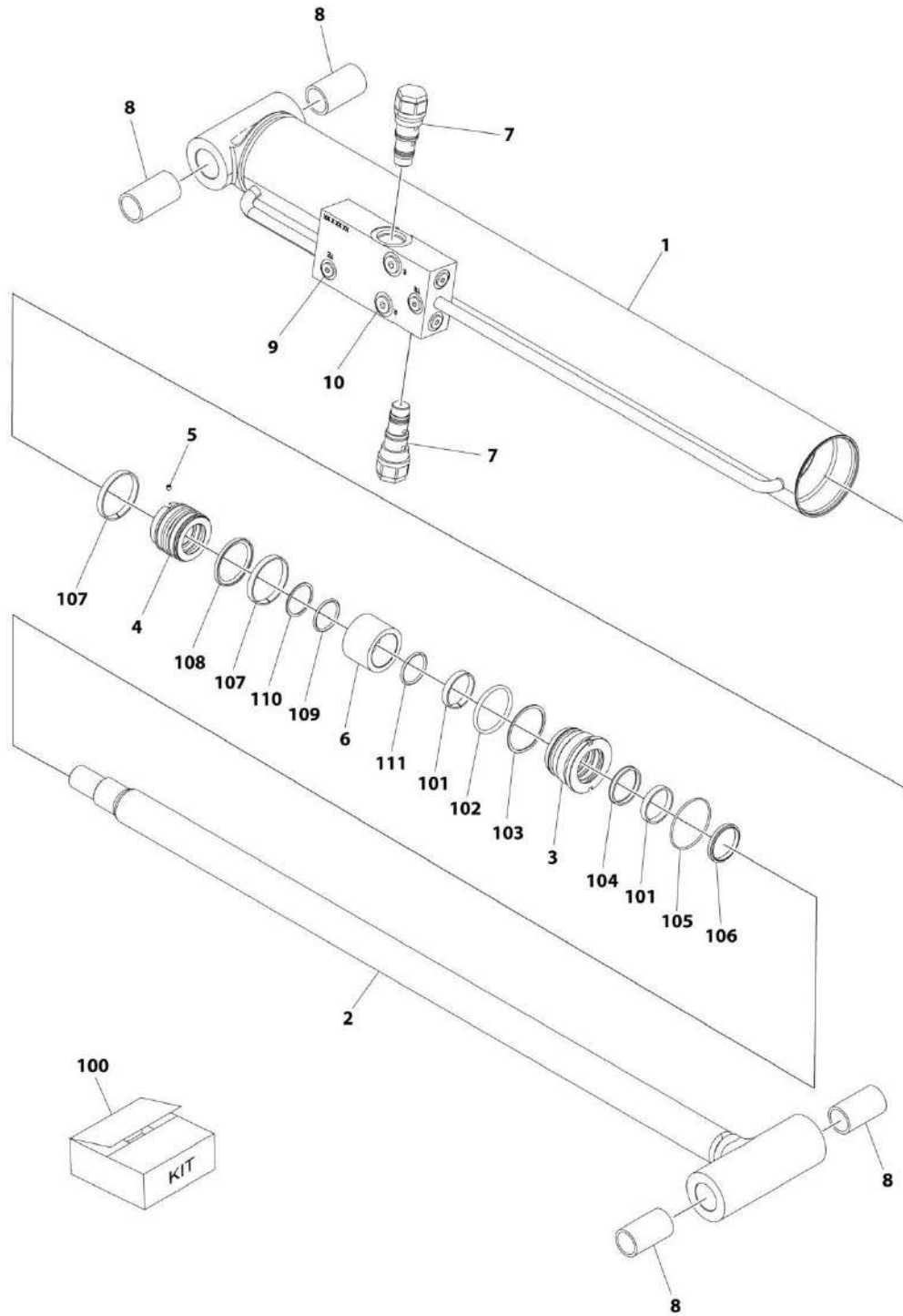
SECTION 5 - CYLINDER

FIGURE 5-4. LIFT CYLINDER ASSEMBLY - JIB (460SJ) (ORIGINAL EQUIPMENT)

ITEM	PART NUMBER	QTY	DESCRIPTION	REV
	1683609	Ref	JIB LIFT CYLINDER ASSEMBLY (460SJ)	G
		Ref	Note: Original Cylinder may have been replaced with Service Replacement. Identify PN Stamped on Cylinder Before Ordering Parts.	
1	1683687	1	Barrel Weldment	
1A	0962336	2	Bushing	
2	1683053	1	Head	
3	3760368	1	Washer, Ring	
4	3931516	8	Bolt, Socket Head 5/16in-18NC x 2in	
5	1683261	1	Rod Weldment	
5A	0962336	2	Bushing	
6	4640509	2	Cartridge, Valve (Counterbalance Non-Vented)	
6	2900792	2	Seal Kit - 4640509 Valve	
7	4641062	1	Plug (Prior to SN 0300069330)	
8	2220883	4	Plug, O-Ring	
9	2220885	1	Plug, O-Ring	
10	3480210	1	Piston	
11	0961893	1	Bushing, Tapered	
12		Ref	Spacer, Tube Options:	
12	4566471	1	Spacer, Tube (Uses Setscrew) (Prior to SN 0300079702)	
12	4100100	1	Spacer, Tube (Uses O-Ring) (SN 0300079702 through 0300096000)	
13	3900141	1	Setscrew 1/4in-20NC x 1/4in Only (Prior to SN 0300079702)	
14	See Note	NSS	Ring, Lock (Note: Use Item 100)	
15	See Note	NSS	Seal, Piston (Note: Use Item 100)	
16	See Note	NSS	O-Ring (Note: Use Item 100)	
17	See Note	NSS	Ring, Back-up (Note: Use Item 100)	
18	See Note	NSS	O-Ring (Note: Use Item 100)	
19	See Note	NSS	Ring, Back-up (Note: Use Item 100)	
20	See Note	NSS	Seal (Note: Use Item 100)	
21	See Note	NSS	Wiper (Note: Use Item 100)	
22	See Note	NSS	Ring, Wear (Note: Use Item 100)	
23	0100011	AR	Compound, Locking	
24	0100038	AR	Primer, Locking	
26	0630534	3	Capscrew, Socket Head #10-24NC x 1in	
100	2901303	1	Seal Kit (Includes Items 14-22)	

SECTION 5 - CYLINDER

FIGURE 5-5. LIFT CYLINDER ASSEMBLY - JIB (460SJ) (USAGE MAY VARY) (SERVICE REPLACEMENT)



ART_1001228012

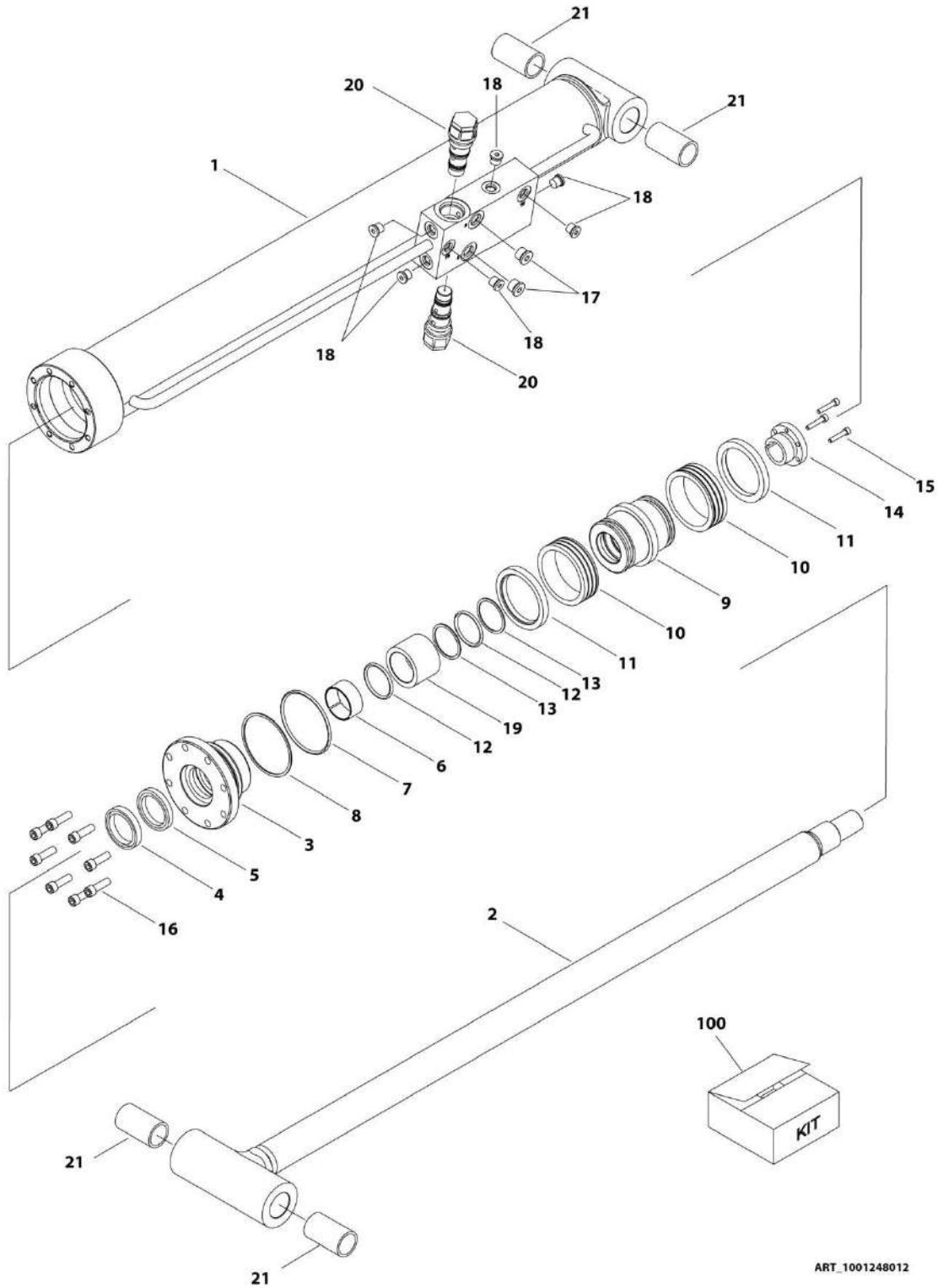
SECTION 5 - CYLINDER

FIGURE 5-5. LIFT CYLINDER ASSEMBLY - JIB (460SJ) (USAGE MAY VARY) (SERVICE REPLACEMENT)

ITEM	PART NUMBER	QTY	DESCRIPTION	REV
	1001228012	Ref	LIFT CYLINDER ASSEMBLY - JIB	C
		Ref	Note: Original Cylinder May Have Been Replaced with Service Replacement. Identify PN Stamped on Cylinder Before Ordering Parts.	
1	See Note	NSS	Barrel (Note: Not Available for Purchase)	
2	70006572	1	Rod	
3	70006571	1	Head	
4	70006570	1	Piston	
5	70023915	1	Screw	
6	70006569	1	Spacer	
7	4640509	2	Cartridge, Valve	
7	2900792	2	Seal Kit - 4640509 Valve	
8	0962336	4	Bushing	
9	2220883	6	Plug, O-Ring	
10	2220885	2	Plug, O-Ring	
100	70006568	1	Seal Kit (Includes Items 101-111)	
101	See Note	NSS	Ring, Wear (Note: Use Item 100)	
102	See Note	NSS	O-Ring (Note: Use Item 100)	
103	See Note	NSS	Ring, Back-up (Note: Use Item 100)	
104	See Note	NSS	Seal, Rod (Note: Use Item 100)	
105	See Note	NSS	O-Ring (Note: Use Item 100)	
106	See Note	NSS	Wiper (Note: Use Item 100)	
107	See Note	NSS	Ring, Wear (Note: Use Item 100)	
108	See Note	NSS	Seal (Note: Use Item 100)	
109	See Note	NSS	O-Ring (Note: Use Item 100)	
110	See Note	NSS	Ring, Back-up (Note: Use Item 100)	
111	See Note	NSS	O-Ring (Note: Use Item 100)	

SECTION 5 - CYLINDER

FIGURE 5-6. LIFT CYLINDER ASSEMBLY - JIB (460SJ) (USAGE MAY VARY) (SERVICE REPLACEMENT)



ART_1001248012

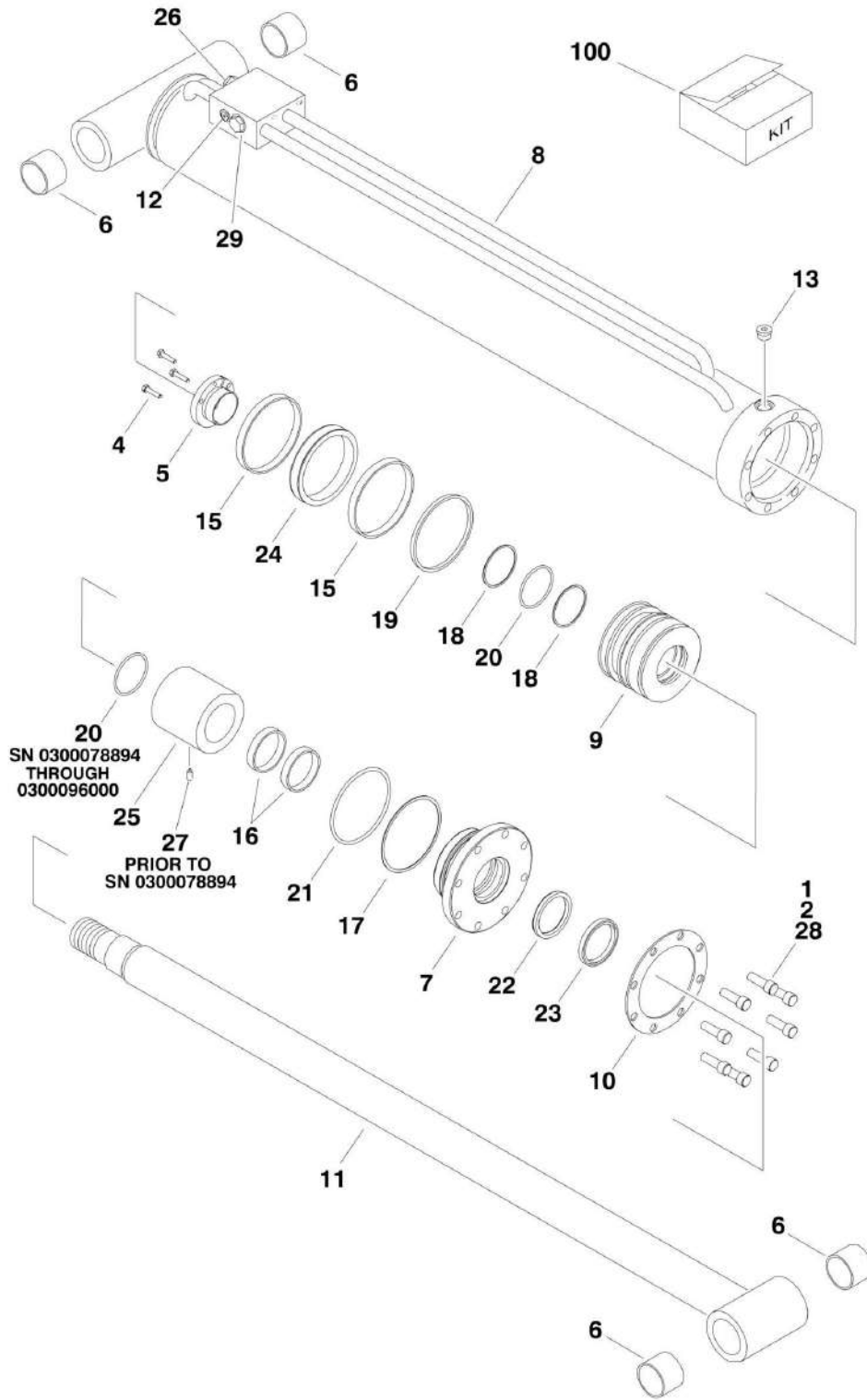
SECTION 5 - CYLINDER

FIGURE 5-6. LIFT CYLINDER ASSEMBLY - JIB (460SJ) (USAGE MAY VARY) (SERVICE REPLACEMENT)

ITEM	PART NUMBER	QTY	DESCRIPTION	REV
	1001248012	Ref	LIFT CYLINDER ASSEMBLY - JIB	A
		Ref	Note: Original Cylinder May Have Been Replaced with Service Replacement. Identify PN Stamped on Cylinder Before Ordering Parts.	
1	See Note	NSS	Barrel (Note: Not Available for Purchase)	
2	70006734	1	Rod	
3	70006649	1	Head	
4	See Note	NSS	Wiper (Note: Use Item 100)	
5	See Note	NSS	Seal, Rod (Note: Use Item 100)	
6	See Note	NSS	Ring, Wear (Note: Use Item 100)	
7	See Note	NSS	O-Ring (Note: Use Item 100)	
8	See Note	NSS	Ring, Back-up (Note: Use Item 100)	
9	70006650	1	Piston	
10	See Note	NSS	Seal (Note: Use Item 100)	
11	See Note	NSS	Ring, Lock (Note: Use Item 100)	
12	See Note	NSS	O-Ring (Note: Use Item 100)	
13	See Note	NSS	Ring, Back-up (Note: Use Item 100)	
14	0961893	1	Bushing, Tapered	
15	0630534	3	Capscrew, Socket Head #10 x 1	
16	70006735	8	Capscrew 5/16	
17	2220885	2	Plug, O-Ring	
18	2220883	6	Plug, O-Ring	
19	70006736	1	Spacer	
20	4640509	2	Cartridge, Valve	
20	2900792	2	Seal Kit - 4640509 Valve	
21	0962336	4	Bushing	
100	1001138795	1	Seal Kit (Includes Items 4-8 & 10-13)	

SECTION 5 - CYLINDER

FIGURE 5-7. LIFT CYLINDER ASSEMBLY - MAIN



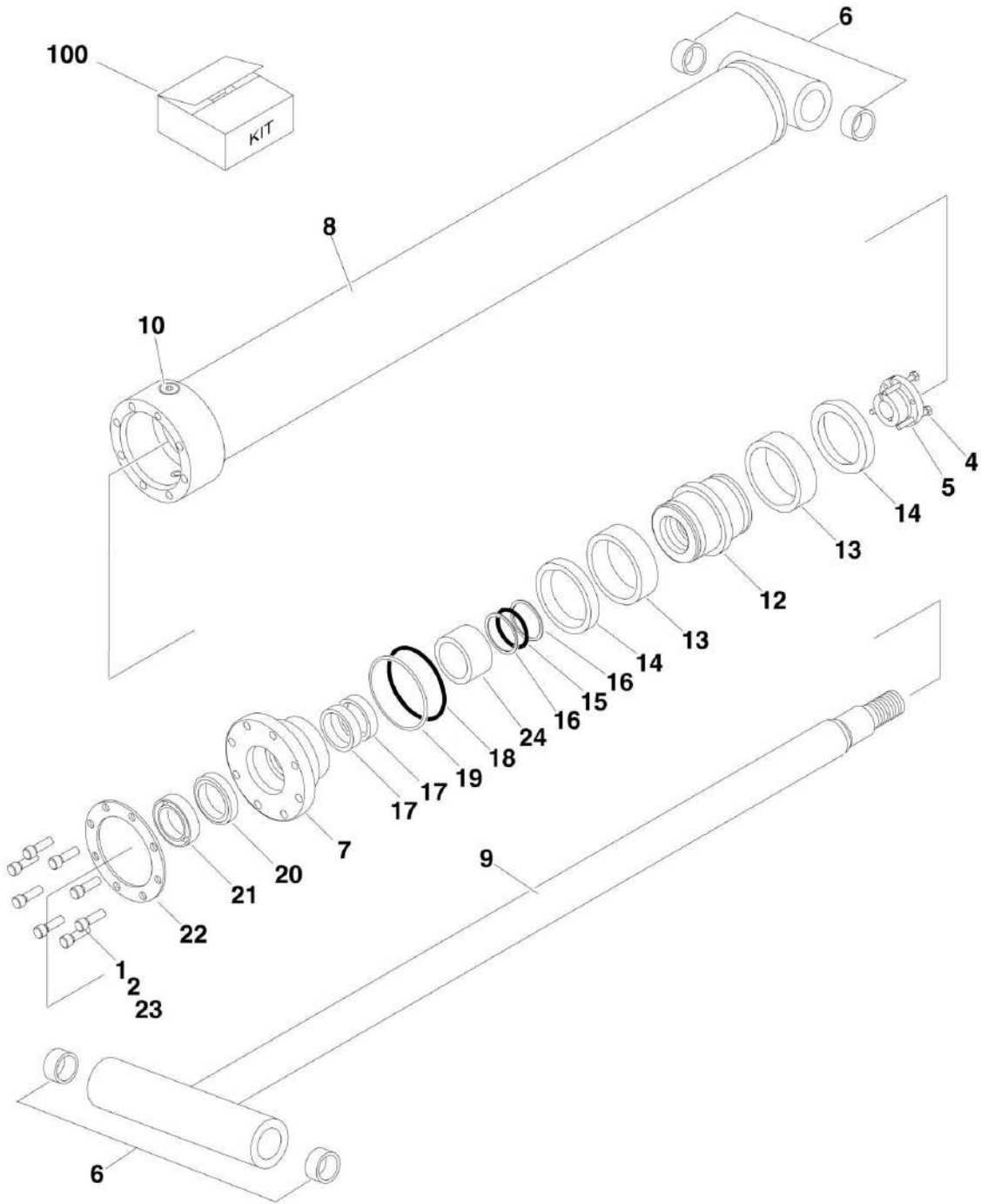
SECTION 5 - CYLINDER

FIGURE 5-7. LIFT CYLINDER ASSEMBLY - MAIN

ITEM	PART NUMBER	QTY	DESCRIPTION	REV
	1683776	Ref	LIFT CYLINDER ASSEMBLY	D
1	0100011	AR	Compound, Locking	
2	0100038	AR	Primer, Locking	
4	0630535	3	Bolt, Socket Head #10-24NC x 1-1/8in	
5	0961897	1	Bushing, Tapered	
6	0961950	4	Bushing	
7	1683063	1	Head	
8	1683844	1	Barrel Weldment	
9	3480253	1	Piston	
10	3760371	1	Ring, Wear	
11	1683846	1	Rod Weldment	
12	2220883	1	Plug, O-Ring #4	
13	2220886	1	Plug, O-Ring #8	
15	See Note	NSS	Ring, Wear (Note: Use Item 100)	
16	See Note	NSS	Ring, Wear (Note: Use Item 100)	
17	See Note	NSS	Ring, Back-up (Note: Use Item 100)	
18	See Note	NSS	Ring, Back-up (Note: Use Item 100)	
19	See Note	NSS	Seal (Note: Use Item 100)	
20	See Note	NSS	O-Ring (Note: Use Item 100)	
21	See Note	NSS	O-Ring (Note: Use Item 100)	
22	See Note	NSS	Seal, Poly (Note: Use Item 100)	
23	See Note	NSS	Wiper (Note: Use Item 100)	
24	See Note	NSS	T-Seal (Note: Use Item 100)	
25		Ref	Spacer, Tube Options:	
25	See Note	1	Spacer, Tube (was p/n 4567949) (Note: Use p/ns 4100099 Sleeve & 3790230 O-Ring as a Replacement) (Prior to SN 0300078894)	
25	4100099	1	Spacer, Tube (SN 0300078894 through 0300096000)	
26	4640509	1	Valve, Counterbalance	
26	2900792	1	Seal Kit - 4640509	
27	3900139	1	Setscrew 1/4in-20NC x 1/2in (Prior to SN 03000078894)	
28	3931824	8	Capscrew 1/2in-18NC x 1-1/2in	
29	4641144	1	Cartridge, Valve	
29	7012967	1	Seal Kit - 4641144 Valve	
100	2901841	1	Seal Kit (Includes Items 15-24)	

SECTION 5 - CYLINDER

FIGURE 5-8. MASTER CYLINDER ASSEMBLY (ORIGINAL EQUIPMENT)



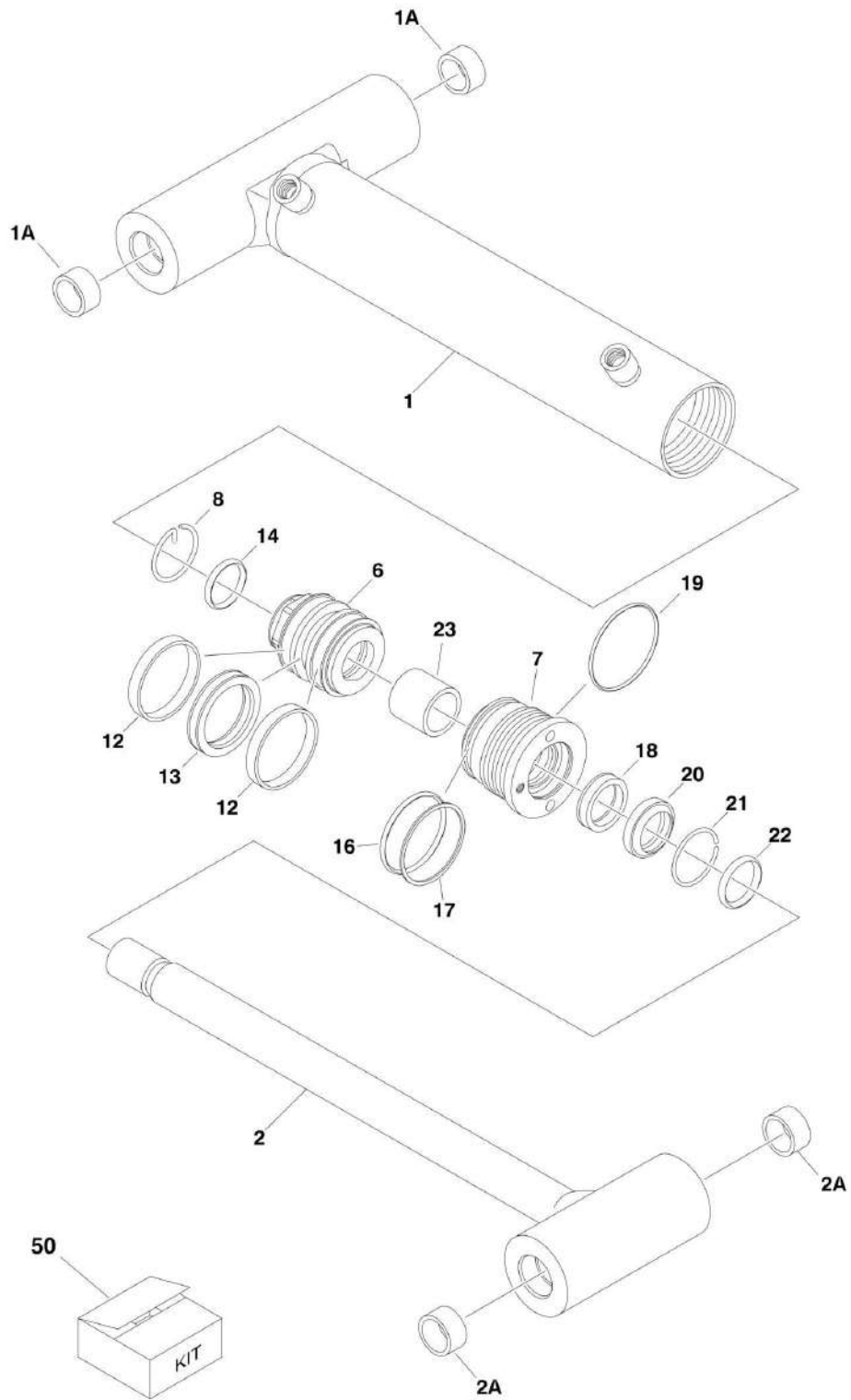
SECTION 5 - CYLINDER

FIGURE 5-8. MASTER CYLINDER ASSEMBLY (ORIGINAL EQUIPMENT)

ITEM	PART NUMBER	QTY	DESCRIPTION	REV
		Ref	Note: Original Equipment Cylinder may have been replaced with Service Replacement Cylinder. Identify p/n stamped on cylinder before ordering parts.	
		Ref	MASTER CYLINDER ASSEMBLY	
	1683951	Ref	Master Cylinder Assembly (Prior to SN 0300074573)	A
	1684284	Ref	Master Cylinder Assembly (SN 0300074573 through 0300096000)	B
1	0100011	AR	Compound, Locking	
2	0100038	AR	Primer, Locking	
4	0630535	3	Bolt, Socket Head #10-24NC x 1-1/8in	
5	0961894	1	Bushing, Tapered	
6	0961951	4	Bushing	
7	1683055	1	Head	
8		Ref	Barrel Weldment	
8	1683949	1	Barrel Weldment (Prior to SN 0300074573)	
8	1684283	1	Barrel Weldment (SN 0300074573 through 0300096000)	
9	1683950	1	Rod Weldment	
10	2220885	1	Plug, O-Ring #6	
12	3480188	1	Piston	
13	See Note	NSS	Ring, Hydrolock (Note: Use Item 100)	
14	See Note	NSS	Ring, Guidelock (Note: Use Item 100)	
15	See Note	NSS	O-Ring (Note: Use Item 100)	
16	See Note	NSS	Ring, Back-up (Note: Use Item 100)	
17	See Note	NSS	Ring, Wear (Note: Use Item 100)	
18	See Note	NSS	O-Ring (Note: Use Item 100)	
19	See Note	NSS	Ring, Back-up (Note: Use Item 100)	
20	See Note	NSS	Seal, Poly (Note: Use Item 100)	
21	See Note	NSS	Wiper (Note: Use Item 100)	
22	3760369	1	Ring, Washer	
23	3931620	8	Capscrew 3/8in-16NC x 1-1/4in	
24	4566468	1	Spacer, Tube	
100	2901301	1	Seal Kit (Includes Items 13-21)	

SECTION 5 - CYLINDER

FIGURE 5-9. MASTER CYLINDER ASSEMBLY (SERVICE REPLACEMENT)



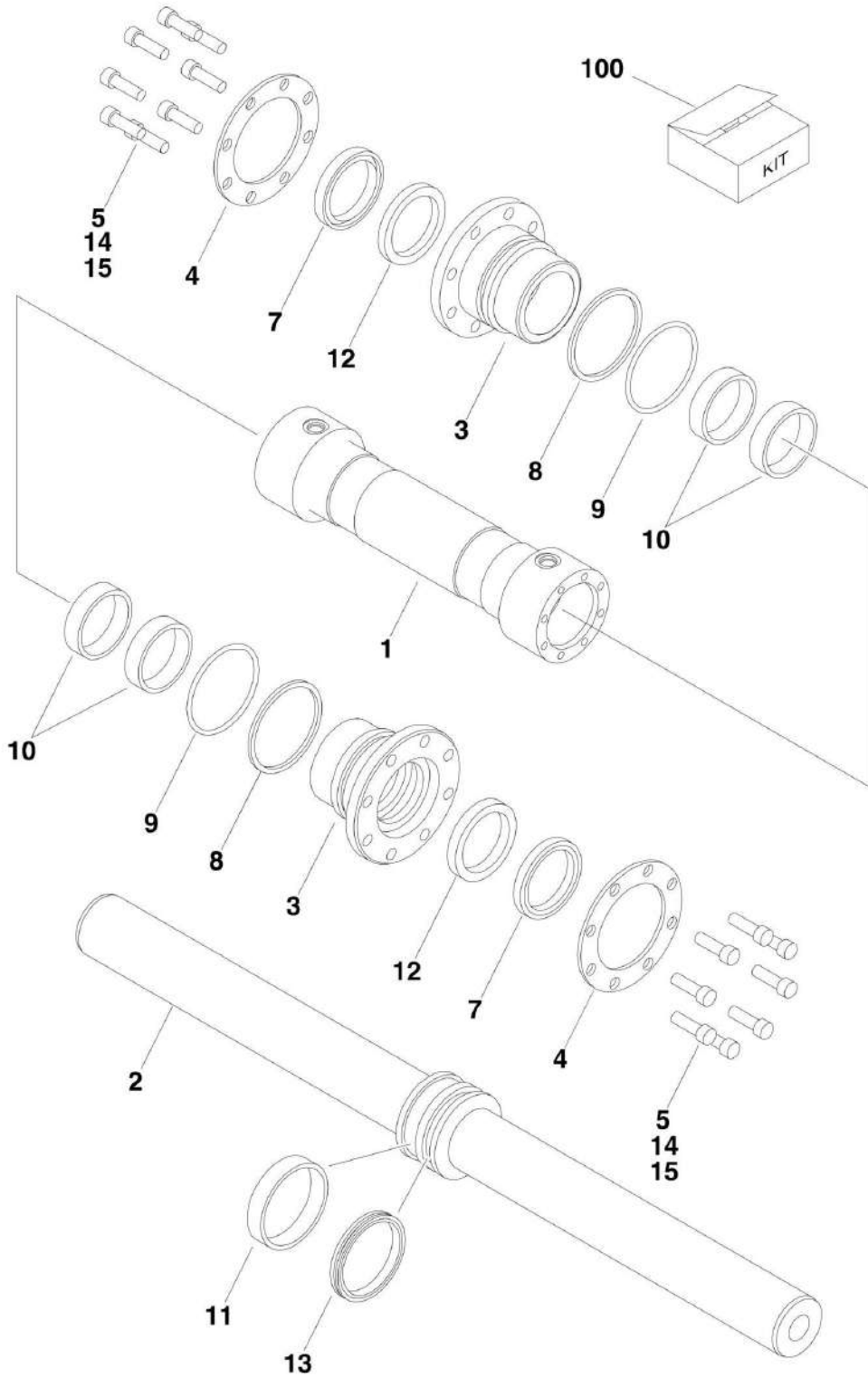
SECTION 5 - CYLINDER

FIGURE 5-9. MASTER CYLINDER ASSEMBLY (SERVICE REPLACEMENT)

ITEM	PART NUMBER	QTY	DESCRIPTION	REV
		Ref	Note: Original Equipment Cylinder may have been replaced with Service Replacement Cylinder. Identify p/n stamped on cylinder before ordering parts.	
	1001140587	Ref	MASTER CYLINDER ASSEMBLY	A
1	70004139	1	Barrel	
1A	0961951	2	Bushing	
2	70004140	1	Rod	
2A	0961951	2	Bushing	
6	70003848	1	Piston	
7	70004136	1	Head	
8	70002224	1	Retainer	
12	See Note	NSS	Ring, Wear (Note: Use Item 50)	
13	See Note	NSS	Seal (Note: Use Item 50)	
14	7026113	1	O-Ring	
16	See Note	NSS	O-Ring (Note: Use Item 50)	
17	See Note	NSS	Ring, Back-up (Note: Use Item 50)	
18	See Note	NSS	Seal (Note: Use Item 50)	
19	See Note	NSS	O-Ring (Note: Use Item 50)	
20	See Note	NSS	Wiper (Note: Use Item 50)	
21	70003838	1	Ring, Retaining	
22	70003856	1	O-Ring	
23	70003839	1	Spacer	
50	70004129	1	Seal Kit (Includes Items 12, 13 & 16-20)	

SECTION 5 - CYLINDER

FIGURE 5-10. STEER CYLINDER ASSEMBLY (ORIGINAL EQUIPMENT) (Prior to SN 0300087392)



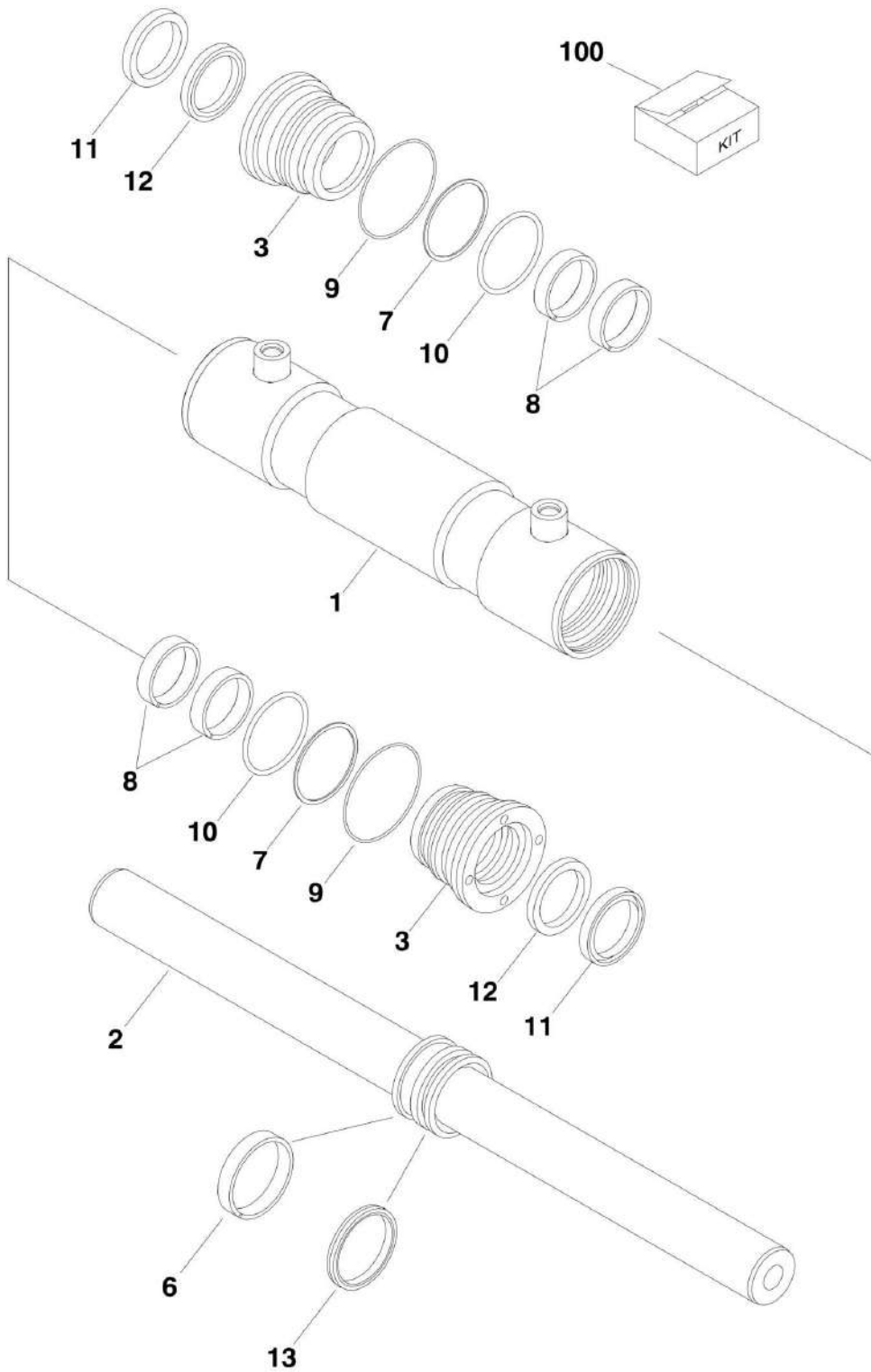
SECTION 5 - CYLINDER

FIGURE 5-10. STEER CYLINDER ASSEMBLY (ORIGINAL EQUIPMENT) (Prior to SN 0300087392)

ITEM	PART NUMBER	QTY	DESCRIPTION	REV
		Ref	Note: Original Equipment Cylinder may have been replaced with Service Replacement Cylinder. Identify p/n stamped on cylinder before ordering parts.	
	1683614	Ref	STEER CYLINDER ASSEMBLY	C
1	1683615	1	Barrel Weldment	
2	1683658	1	Rod Weldment	
3	1683076	2	Cap	
4	3760367	2	Washer, Ring	
5	3931516	16	Bolt, Socket Head 5/16in-18NC x 2in	
7	See Note	NSS	Wiper (Note: Use Item 100)	
8	See Note	NSS	Ring, Back-up (Note: Use Item 100)	
9	See Note	NSS	O-Ring (Note: Use Item 100)	
10	See Note	NSS	Ring, Wear (Note: Use Item 100)	
11	See Note	NSS	Ring, Wear (Note: Use Item 100)	
12	See Note	NSS	Seal (Note: Use Item 100)	
13	See Note	NSS	T-Seal (Note: Use Item 100)	
14	0100011	AR	Compound, Locking	
15	0100038	AR	Primer, Locking	
100	2901547	1	Seal Kit (Includes Items 7-13)	

SECTION 5 - CYLINDER

FIGURE 5-11. STEER CYLINDER ASSEMBLY (SERVICE REPLACEMENT AND ORIGINAL EQUIPMENT) (Prior to SN 0300087392, SN 0300087392 through 0300096000)



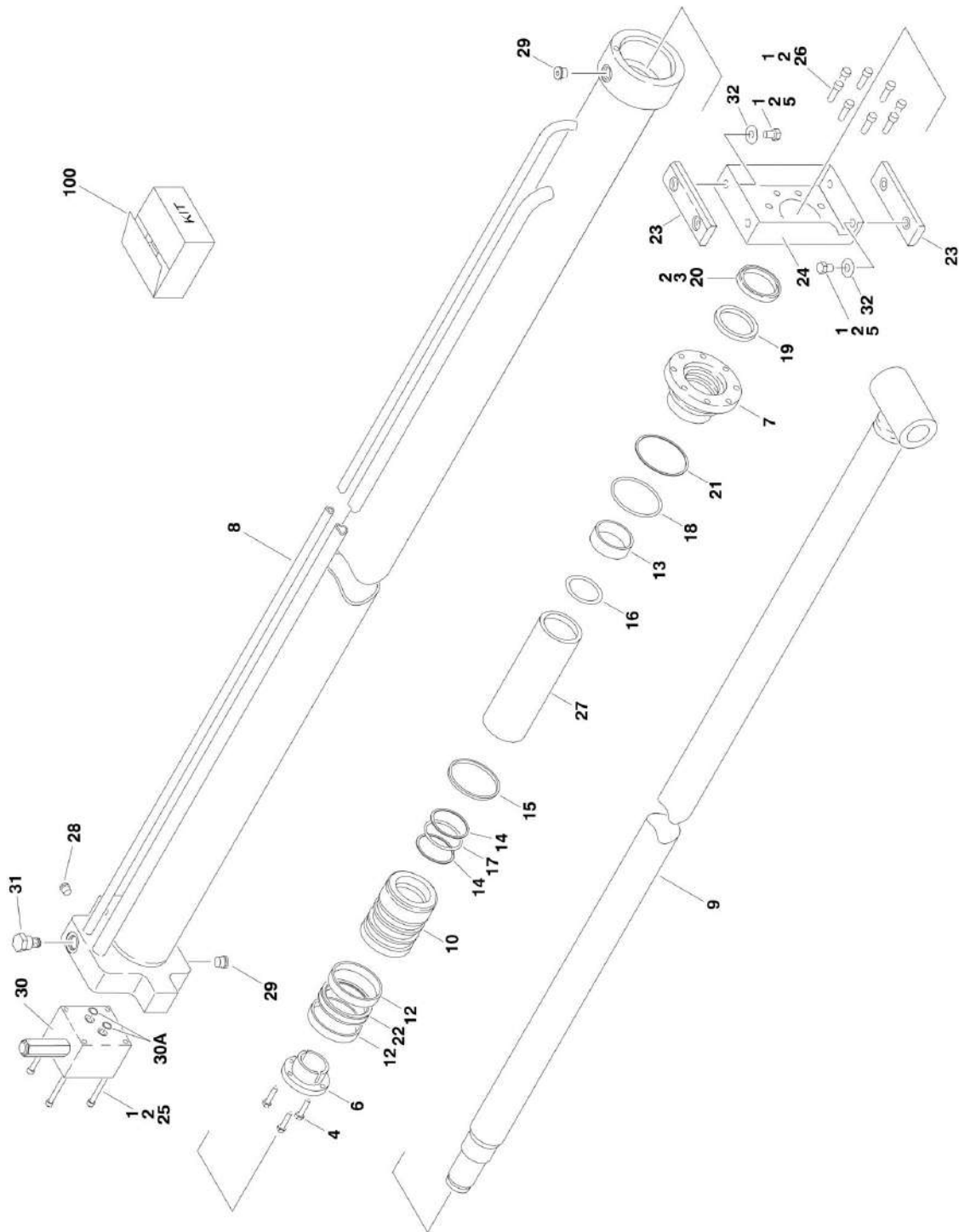
SECTION 5 - CYLINDER

FIGURE 5-11. STEER CYLINDER ASSEMBLY (SERVICE REPLACEMENT AND ORIGINAL EQUIPMENT) (Prior to SN 0300087392, SN 0300087392 through 0300096000)

ITEM	PART NUMBER	QTY	DESCRIPTION	REV
		Ref	Note: Original Equipment Cylinder may have been replaced with Service Replacement Cylinder. Identify p/n stamped on cylinder before ordering parts.	
	1684412	Ref	STEER CYLINDER ASSEMBLY	A
1	0370024	1	Barrel Weldment	
2	1683658	1	Rod Weldment	
3	2570008	2	Head, Cylinder	
4	3020043	1	Lube, Anti-Seize (Not Shown - Apply Only to Threads on Item 3)	
6	See Note	NSS	Ring, Wear (Note: Use Item 100)	
7	See Note	NSS	Ring, Back-up (Note: Use Item 100)	
8	See Note	NSS	Ring, Wear (Note: Use Item 100)	
9	See Note	NSS	O-Ring (Note: Use Item 100)	
10	See Note	NSS	O-Ring (Note: Use Item 100)	
11	See Note	NSS	Wiper (Note: Use Item 100)	
12	See Note	NSS	Seal (Note: Use Item 100)	
13	See Note	NSS	T-Seal (Note: Use Item 100)	
100	2902409	1	Seal Kit (Includes Items 6-13)	

SECTION 5 - CYLINDER

FIGURE 5-12. TELESCOPE CYLINDER ASSEMBLY



SECTION 5 - CYLINDER

FIGURE 5-12. TELESCOPE CYLINDER ASSEMBLY

ITEM	PART NUMBER	QTY	DESCRIPTION	REV
		Ref	Note: Original Equipment Cylinder may have been replaced with Service Replacement Cylinder. Identify p/n stamped on cylinder before ordering parts.	
		Ref	TELESCOPE CYLINDER ASSEMBLIES	
	1683897	Ref	Telescope Cylinder Assemblies (Original Equipment) (Prior to SN 0300066372)	B
	1684194	Ref	Telescope Cylinder Assemblies (Service Replacement) (Prior to SN 0300066372)	C
	1684194	Ref	Telescope Cylinder Assemblies (SN 0300066372 through 0300096000)	C
1	0100011	AR	Compound, Locking	
2	0100038	AR	Primer, Locking	
3	0100063	AR	Adhesive	
4	0630535	3	Bolt, Socket Head 1/4in-20NC x 1-1/8in	
5	0641604	4	Bolt 3/8in-16NC x 1/2in	
6	0961896	1	Bushing, Tapered	
7	1683054	1	Head	
8		Ref	Barrel Weldment Options:	
8	1683893	1	Cylinder p/n 1683897	
8	1684193	1	Cylinder p/n 1684194	
9		Ref	Rod Weldment Options:	
9	1683895	1	Cylinder p/n 1683897	
9	1684312	1	Cylinder p/n 1684194	
10		Ref	Piston Options:	
10	3480255	1	Cylinder p/n 1683897	
10	3480274	1	Cylinder p/n 1684194	
12	See Note	NSS	Ring, Wear (Note: Use Item 100)	
13	See Note	NSS	Ring, Wear (Note: Use Item 100)	
14	See Note	NSS	Ring, Back-up (Note: Use Item 100)	
15	3760436	1	Seal (Cylinder p/n 1683897 Only)	
16	See Note	NSS	O-Ring (Note: Use Item 100)	
17	See Note	NSS	O-Ring (Note: Use Item 100)	
18	See Note	NSS	O-Ring (Note: Use Item 100)	
19	See Note	NSS	Seal, Rod (Note: Use Item 100)	
20	See Note	NSS	Wiper (Note: Use Item 100)	
21	See Note	NSS	Ring, Back-up (Note: Use Item 100)	
22	See Note	NSS	Seal (Note: Use Item 100)	
23	3340608	2	Pad, Wear	
24	3571795	1	Plate, Wear Pad Mounting	
25	3931448	4	Capscrew 1/4in-20NC x 3in	
26	3931516	8	Capscrew 5/16in-18NC x 1in	
27	4566425	1	Spacer, Tube	
28	2220883	1	Plug, O-Ring #4 (Cylinder p/n 1683897 Only)	
29	2220885	2	Plug, O-Ring #6	
30	4641033	1	Valve, Counterbalance	
30A	7024508	2	O-Ring	
31		Ref	Options:	
31	4641114	1	Cartridge, Valve - Restrictor/Check (Cylinder p/n 1683897 Only)	
31	7012967	1	Seal Kit - 4641114 Valve	
31	2220886	1	Plug, O-Ring #8 (Cylinder p/n 1683897 Only)	
32	4751600	4	Flatwasher 3/8in Regular	

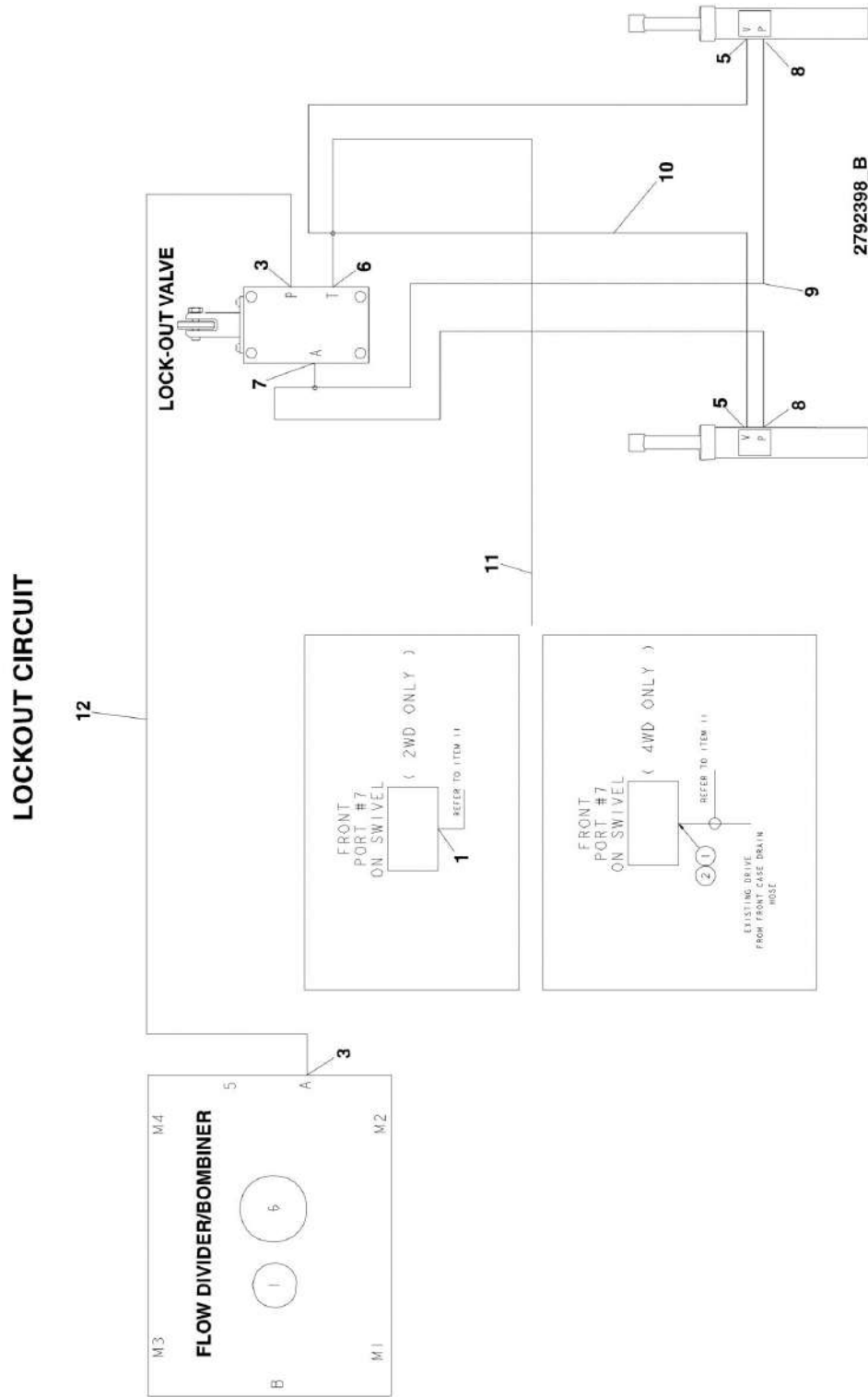
SECTION 5 - CYLINDER

ITEM	PART NUMBER	QTY	DESCRIPTION	REV
100	2901861	1	Seal Kit (Includes Items 12-14 & 16-22)	

SECTION 6 - HYDRAULIC

SECTION 6 - HYDRAULIC

FIGURE 6-1. AXLE LOCKOUT HYDRAULIC DIAGRAM



SECTION 6 - HYDRAULIC

FIGURE 6-1. AXLE LOCKOUT HYDRAULIC DIAGRAM

ITEM	PART NUMBER	QTY	DESCRIPTION	REV
	2792398	Ref	AXLE LOCKOUT HYDRAULIC DIAGRAM	2-B
1	2220375	1	Fitting, Straight	
2	2220385	1	Fitting, Tee	
3	2220415	2	Fitting, Straight	
5	2220501	2	Fitting, Elbow	
6	2221043	1	Fitting, Tee	
7	2220711	1	Fitting, Tee	
8	2221040	2	Fitting, Elbow	
9	2753035	2	Hose	
10	2752632	2	Hose	
11	2753342	1	Hose	
12	2753339	1	Hose	

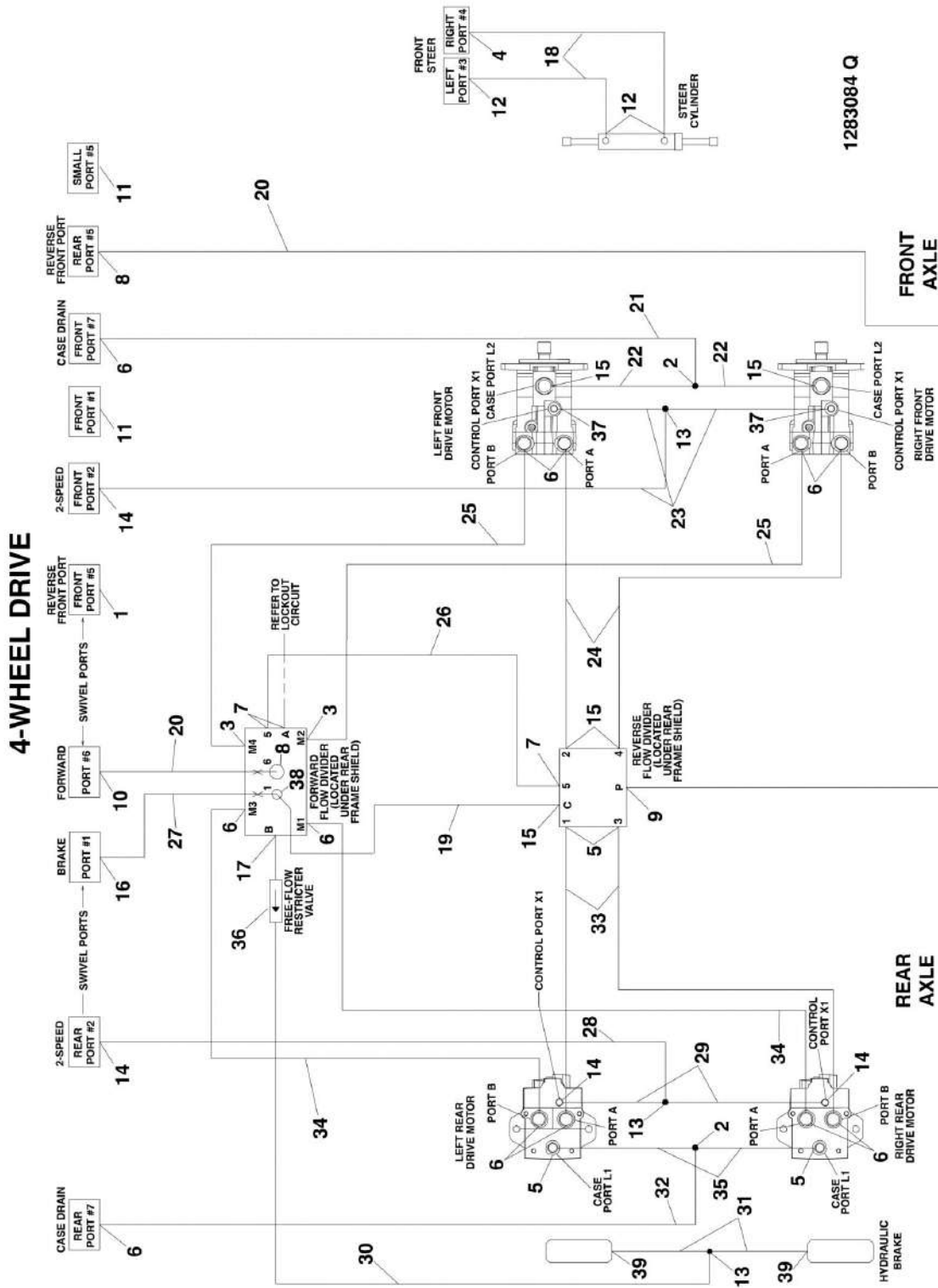
SECTION 6 - HYDRAULIC

FIGURE 6-2. DRIVE HYDRAULIC DIAGRAM - 2WD

ITEM	PART NUMBER	QTY	DESCRIPTION	REV
	2792385	Ref	DRIVE HYDRAULIC DIAGRAM - 2WD	9-Q
1	2220237	2	Fitting, Plug	
2	2220240	3	Fitting, Plug	
3	2220242	1	Fitting, Plug	
4	2220362	1	Fitting, Tee	
5	2220371	1	Fitting, Straight	
6	2220373	2	Fitting, Straight (Fittings moved to Pump Assembly)	
7	2220375	Ref	Fitting, Straight	
7	2220375	7	Pump Assy without Fittings	
7	2220375	3	Pump Assy with Fittings	
8	2220415	2	Fitting, Straight	
9	2220435	1	Fitting, Straight	
10	2220596	2	Fitting, Elbow	
11	2220465	1	Fitting, Elbow	
13	2220481	1	Fitting, Tee	
14	2220501	3	Fitting, Elbow	
15	2220504	2	Fitting, Tee	
16	2220568	1	Fitting, Elbow	
17	2220582	Ref	Fitting, Straight	
17	2220582	4	Pump Assy without Fittings	
17	2220582	2	Pump Assy with Fittings	
18	2220600	1	Fitting, Straight	
19	2221030	1	Fitting, Straight (Prior to SN 0300074316)	
20	2752466	2	Hose	
22	2753346	1	Hose	
23	2752495	1	Hose	
24	2752442	1	Hose	
25	2753347	1	Hose	
26	2753343	2	Hose	
27	2752977	1	Hose	
28	2753344	2	Hose	
29		Ref	Hose Options:	
29	2753341	2	Hose (Prior to SN 0300088029)	
29	2752908	2	Hose (SN 0300088029 through 0300096000)	
30		Ref	Hose Options:	
30	2752492	2	Hose (Prior to SN 0300088029)	
30	2752496	2	Hose (SN 0300088029 through 0300096000)	
31	2752506	1	Hose	
32		Ref	Hose Options:	
32	2753340	2	Hose (Prior to SN 0300088029)	
32	2754229	2	Hose (SN 0300088029 through 0300096000)	
34		Ref	Valve, Restrictor Options:	
34	4641076	1	Valve, Restrictor (.021) (Prior to SN 0300074316)	
34	4641282	1	Valve, Restrictor (.020) (SN 0300074316 through 0300096000)	
35	2220466	2	Fitting, Elbow	

SECTION 6 - HYDRAULIC

FIGURE 6-3. DRIVE HYDRAULIC DIAGRAM - 4WD



SECTION 6 - HYDRAULIC

FIGURE 6-3. DRIVE HYDRAULIC DIAGRAM - 4WD

ITEM	PART NUMBER	QTY	DESCRIPTION	REV
	2792386	Ref	DRIVE HYDRAULIC DIAGRAM - 4WD	7-Q
1	2220242	1	Fitting, Plug	
2	2220362	2	Fitting, Tee	
3	2220366	2	Fitting, Elbow	
4	2220371	1	Fitting, Straight	
5	2220373	Ref	Fitting, Straight Options:	
5	2220373	4	Pump Assy without Fittings	
5	2220373	2	Pump Assy with Fittings	
6	2220375	AR	Fitting, Straight Options:	
6	2220375	12	Pump Assy without Fittings	
6	2220375	4	Pump Assy with Fittings	
7	2220415	3	Fitting, Straight	
8	2220435	2	Fitting, Straight	
9	2220578	1	Fitting, Elbow	
10	2220465	1	Fitting, Elbow	
11	2220237	2	Plug	
12	2220501	3	Fitting, Elbow	
13	2220504	3	Fitting, Tee	
14	2220582	Ref	Fitting, Straight Options:	
14	2220582	4	Pump Assy without Fittings	
14	2220582	2	Pump Assy with Fittings	
15	2220596	Ref	Fitting, Elbow Options:	
15	2220596	5	Pump Assy without Fittings	
15	2220596	3	Pump Assy with Fittings	
16	2220600	1	Fitting, Straight	
17	2221030	1	Fitting, Straight Only (Prior to SN 0300074316)	
18	2752466	2	Hose	
19	2752502	2	Hose	
20	2753346	2	Hose	
21	2752944	1	Hose	
22	2753416	2	Hose	
23	2752594	3	Hose	
24	2753417	2	Hose	
25	2753345	2	Hose	
26	2753035	1	Hose	
27	2752495	1	Hose	
28	2752977	1	Hose	
29		Ref	Hose Options:	
29	2753341	2	Hose (Prior to SN 0300088029)	
29	2752908	2	Hose (SN 0300088029 through 0300096000)	
30	2752443	1	Hose	
31		Ref	Hose Options:	
31	2753340	2	Hose (Prior to SN 0300088029)	
31	2754229	2	Hose (SN 0300088029 through 0300096000)	
32	2752506	1	Hose	
33	2753162	2	Hose	
34	2753343	2	Hose	
35		Ref	Hose Options:	
35	2752492	2	Hose (Prior to SN 0300088029)	
35	2752496	2	Hose (SN 0300088029 through 0300096000)	

SECTION 6 - HYDRAULIC

ITEM	PART NUMBER	QTY	DESCRIPTION	REV
36		Ref	Valve, Restrictor Options:	
36	4641076	1	Valve, Restrictor (.021) (Prior to SN 0300074316)	
36	4641282	1	Valve, Restrictor (.020) (SN 0300074316 through 0300096000)	
37	2220472	2	Fitting, Elbow (Fitting moved to Pump Assembly)	
38	2220602	1	Fitting, Tee	
39	2220466	2	Fitting, Elbow	

SECTION 6 - HYDRAULIC

FIGURE 6-4. STANDARD HYDRAULIC DIAGRAM

ITEM	PART NUMBER	QTY	DESCRIPTION	REV
		Ref	Standard Hydraulic Diagram	
	2792383	Ref	Standard Hydraulic Diagram 400S (Prior to SN 0300087630)	12-Q
	2792704	Ref	Standard Hydraulic Diagram 400S (SN 0300087630 through 0300096000)	1-Q
	2792384	Ref	Standard Hydraulic Diagram 460SJ (Prior to SN 0300087630)	12-Q
	2792705	Ref	Standard Hydraulic Diagram 460SJ (SN 0300087630 through 0300096000)	1-Q
1	2220237	1	Fitting, Plug	
2		Ref	Fitting, Elbow Options:	
2	2220906	1	Fitting, Elbow (Prior to SN 0300086916)	
2	2221042	1	Fitting, Elbow (SN 0300086916 through 0300096000)	
3	2220371	4	Fitting, Straight	
4	2220372	1	Fitting, Straight (460SJ Only)	
5	2220373	7	Fitting, Straight	
6	2220947	2	Fitting, Straight (Fitting moved to Pump Assembly)	
7	2220375	1	Fitting, Straight	
8	2220376	1	Fitting, Straight (Fitting moved to Pump Assembly)	
9	2220377	2	Fitting, Straight	
10	2220379	1	Fitting, Straight	
11	2220380	2	Fitting, Straight	
12	2220385	2	Fitting, Tee (Fitting moved to Pump Assembly)	
13	2220415	AR	Fitting, Straight	
14	2220428	1	Fitting, Quick Disconnect (Prior to SN 0300074935)	
15	2220429	1	Fitting, Dust Cap (Prior to SN 0300074935)	
16	2220435	2	Fitting, Straight	
17	2220451	1	Fitting, Straight	
18	2220466	4	Fitting, Elbow	
19	2220468	1	Fitting, Straight (460SJ Only)	
20	2220472	1	Fitting, Elbow (460SJ Only)	
21	2220473	3	Fitting, Elbow	
22	2220479	2	Fitting, Straight (Fitting moved to Pump Assembly)	
23	2220497	2	Fitting, Straight	
24	2220498	Ref	Fitting, Elbow	
24	2220498	3	Pump Assy without Fittings	
24	2220498	1	Pump Assy with Fittings	
25	2220500	1	Fitting, Elbow	
26	2221030	2	Fitting, Straight (Prior to SN 0300074935)	
27	2220502	AR	Fitting, Elbow	
28	2220567	1	Fitting, Elbow	
29	2220582	1	Fitting, Straight	
30	2220596	2	Fitting, Elbow	
31	2220600	1	Fitting, Straight	
32	4567139	1	Tube	
33	2221045	2	Fitting, Elbow	
34	2220775	1	Fitting, Elbow	
35	2220810	2	Fitting, Reducer (Fitting moved to Pump Assembly)	
36	4640744	2	Fitting, Check Valve (Fitting moved to Pump Assembly)	
37	2221086	6	Fitting, Pressure Check	
38	2220899	2	Fitting, Tee	
39	2221041	1	Fitting, Tee (Fitting moved to Pump Assembly)	

SECTION 6 - HYDRAULIC

ITEM	PART NUMBER	QTY	DESCRIPTION	REV
40	2221044	1	Fitting, Elbow	
41	2753352	1	Hose	
42	2753353	1	Hose	
43	2753354	1	Hose	
44	2753357	1	Hose	
45	2753351	2	Hose	
46	2752942	1	Hose	
47	2752763	1	Hose	
48	2753350	1	Hose	
49	2752430	1	Hose	
50	2753358	2	Hose	
51	2753355	1	Hose	
52	2753349	2	Hose	
53	2753356	1	Hose	
54	2752519	2	Hose	
55	2753360	1	Hose	
56	2753359	1	Hose	
57	2753514	2	Hose	
59		Ref	Hose Options:	
59	2753517	1	Hose 400S	
59	2753512	1	Hose 460SJ	
61		Ref	Hose Options:	
61	2753516	1	Hose 400S	
61	2753513	1	Hose 460SJ	
62	2753368	1	Hose	
63	2753372	1	Hose	
64	2753348	2	Hose	
65	2753369	1	Hose	
66	2753373	1	Hose	
67	2752471	2	Hose	
68	2752443	1	Hose	
69		Ref	Valve, Restrictor Options:	
69	4641076	2	Valve, Restrictor (.021) (Prior to SN 0300074935)	
69	4641282	2	Valve, Restrictor (.020) (SN 0300074935 through 0300096000)	
70	2753511	1	Hose (460SJ Only)	
73	2753515	1	Hose (460SJ Only)	
74	2220603	4	Fitting, Straight	
75	2752573	1	Hose (Prior to SN 0300074935)	
76	2220414	1	Fitting, Straight (Prior to SN 0300074935)	
77	2221063	1	Fitting, Tee	
78	2220578	1	Fitting, Straight (Fitting moved to Pump Assembly)	
79	2753502	1	Hose	
80	2180724	1	Fitting, Modified Elbow (460SJ Only)	
81	2180422	1	Fitting, Plug (460SJ Only)	
82	2221216	1	Fitting, Straight (SN 0300087630 through 0300096000)	

SECTION 6 - HYDRAULIC

FIGURE 6-5. HYDRAULIC DIAGRAM LIST

ITEM	PART NUMBER	QTY	DESCRIPTION	REV
		Ref	Note: Diagrams not shown is available from JLG Service/Parts Departments.	
	2792398	Ref	Axle Lockout Hydraulic Diagram	
		Ref	Drive Hydraulic Diagrams:	
	2792385	Ref	2WD Machines	
	1283084	Ref	2WD Machines	
	2792386	Ref	4WD Machines	
	1283084	Ref	4WD Machines	
		Ref	Standard Hydraulic Diagrams:	
	2792383	Ref	Standard Hydraulic Diagrams 400S (Prior to SN 0300087630)	
	1283084	Ref	Standard Hydraulic Diagrams 400S (Prior to SN 0300087630)	
	2792704	Ref	Standard Hydraulic Diagrams 400S (SN 0300087630 through 0300096000)	
	1283084	Ref	Standard Hydraulic Diagrams 400S (SN 0300087630 through 0300096000)	
	2792384	Ref	Standard Hydraulic Diagrams 460SJ (Prior to SN 0300087630)	
	1283084	Ref	Standard Hydraulic Diagrams 460SJ (Prior to SN 0300087630)	
	2792705	Ref	Standard Hydraulic Diagrams 460SJ (SN 0300087630 through 0300096000)	
	1283084	Ref	Standard Hydraulic Diagrams 460SJ (SN 0300087630 through 0300096000)	
	2792387	Ref	Standard Hydraulic Schematic	
	2792432	Ref	Sky Welder Hydraulic Diagram (Optional)	
	2792598	Ref	Tow Hydraulic Diagram	
	1283084	Ref	Tow Hydraulic Diagram	

SECTION 7 - ELECTRICAL

SECTION 7 - ELECTRICAL

FIGURE 7-1. ELECTRICAL DIAGRAM LIST

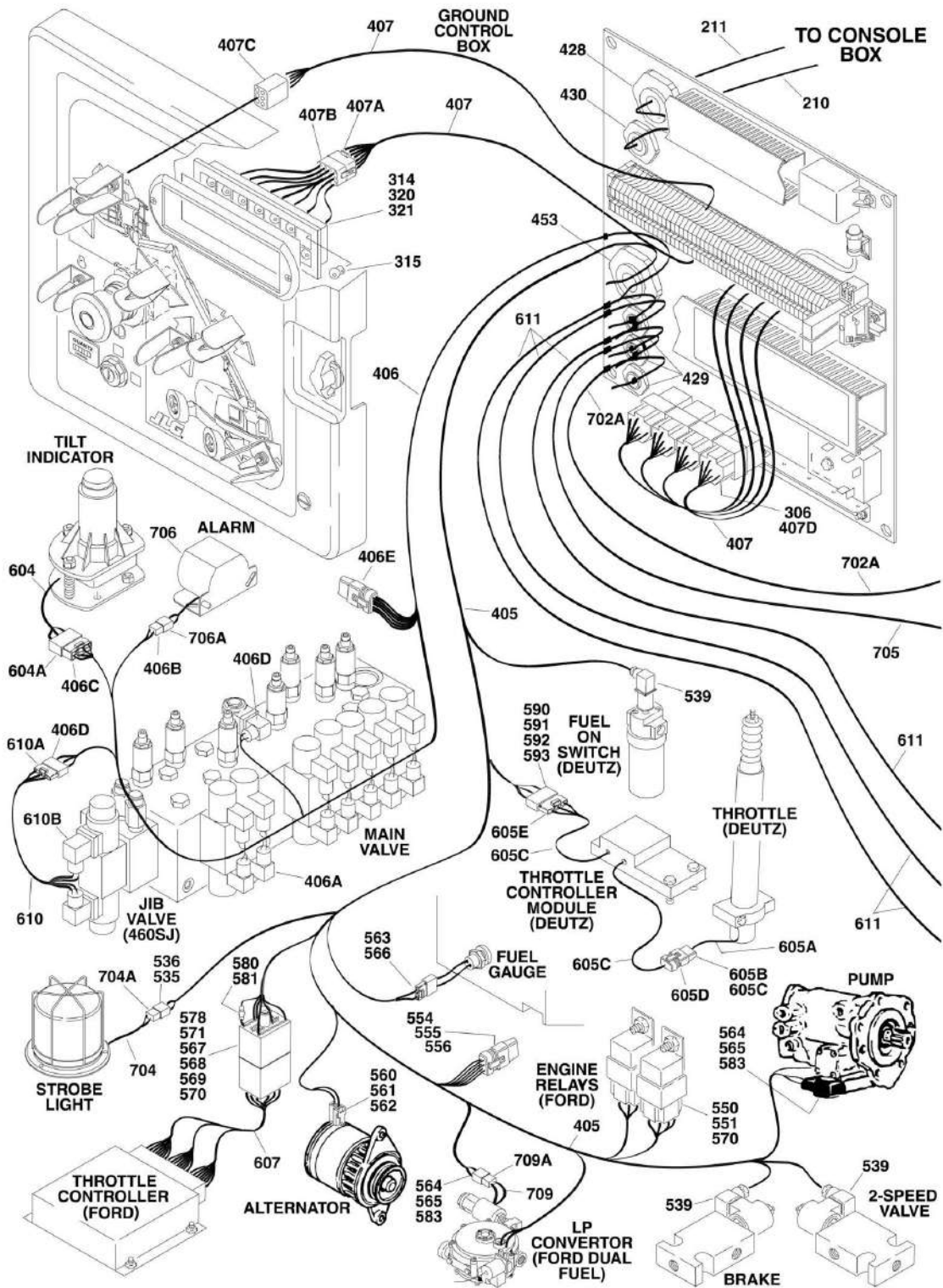
ITEM	PART NUMBER	QTY	DESCRIPTION	REV
		Ref	ALARM ELECTRICAL DIAGRAMS	
	4933025	Ref	Motion Alarm	
	1282937	Ref	Motion Alarm	
	4933026	Ref	Travel Alarm	
	1282937	Ref	Travel Alarm	
		Ref	COLD WEATHER KITS WIRING DIAGRAM	
	0270646	Ref	Deutz Engine Machines (Ether)	
		Ref	Deutz Engine Machines (Glow Plugs) Options:	
	0270647	Ref	Without ADE System	
	0271333	Ref	With ADE System (Prior to SN 0300064571)	
	0271912	Ref	With ADE System (SN 0300064571 through 0300096000)	
	0270670	Ref	Ford Engine Machines	
	0258999	Ref	Isuzu Engine Machines	
	2902393	Ref	DRIVE/STEER CUTOUT WIRING DIAGRAM	
	4933307	Ref	DRIVE/STEER CUTOUT WIRING DIAGRAM	
	0258922	Ref	ENGINE BLOCK HEATER WIRING DIAGRAM (FORD ENGINES)	
	0270649	Ref	ETHER START WIRING DIAGRAM (DEUTZ ENGINE MACHINES)	
		Ref	GENERATOR ELECTRICAL DIAGRAMS:	
		Ref	(Note: See JLG Supplement p/n 3124242 for SkyPower Miller 7500W Generator)	
	4933153	Ref	110Volt (Without ADE System)	
	4933190	Ref	110Volt (Without ADE System) (Prior to SN 0300069030)	
	4933238	Ref	110Volt (With ADE System) (SN 0300069030 through 0300096000)	
	4933300	Ref	110 Volt (With ADE System for Deutz and Caterpillar for Ford) (SN 0300077682 through 0300096000, SN 0300078473 through 0300096000)	
	4933350	Ref	110 Volt (With ADE System GM Engines)	
	4933154	Ref	220 Volt (Without ADE System)	
	4933191	Ref	220 Volt (With ADE System) (Prior to SN 0300069030)	
	4933239	Ref	220 Volt (With ADE System for Deutz and Caterpillar for Ford) (SN 0300069030 through 0300077682, SN 0300069030 through 0300078473)	
	4933300	Ref	220 Volt (With ADE System for Deutz and Caterpillar for Ford) (SN 0300077682 through 0300096000, SN 0300078473 through 0300096000)	
		Ref	GLOW PLUG WIRING DIAGRAM (DEUTZ ENGINE MACHINES) OPTIONS:	
	4933175	Ref	Without ADE System	
	4933189	Ref	With ADE System (Prior to SN 0300064571)	
	4933217	Ref	With ADE System (SN 0300064571 through 0300096000)	
		Ref	LIGHTS ELECTRICAL DIAGRAM OPTIONS:	
	4932917	Ref	Without ADE System	
	4933157	Ref	With ADE System (Prior to SN 0300064509)	
	4933219	Ref	With ADE System (SN 0300064509 through 0300096000)	
	3740049	1	Relay	
		Ref	PLATFORM ELECTRICAL DIAGRAM OPTIONS:	
	4922340	Ref	Without ADE System	
	4922665	Ref	With ADE System	

SECTION 7 - ELECTRICAL

ITEM	PART NUMBER	QTY	DESCRIPTION	REV
	4933313	Ref	PLATFORM FLOODLIGHTS ELECTRICAL DIAGRAM	
		Ref	PLATFORM WORKLIGHTS ELECTRICAL DIAGRAM OPTIONS:	
	0258309	Ref	Without ADE System	
	0270814	Ref	With ADE System	
		Ref	STANDARD ELECTRICAL DIAGRAMS	
	4933279	Ref	Caterpillar Engine Machines (Prior to SN 0300087630)	
	4933335	Ref	Caterpillar Engine Machines (SN 0300087630 through 0300091229)	
	4933353	Ref	Caterpillar Engine Machines (SN 0300091230 through 0300096000)	
	4933127	Ref	Deutz Without ADE System	
	4933177	Ref	Deutz With ADE System (Prior to SN 0300064404)	
	4933230	Ref	Deutz With ADE System (SN 0300064404 through 0300085616)	
	4933325	Ref	Deutz With ADE System (SN 0300085617 through 0300096000)	
	4933126	Ref	Ford Without ADE System	
	4933176	Ref	Ford With ADE System (Prior to SN 0300064404)	
	4933229	Ref	Ford With ADE System (SN 0300064404 through 0300087629)	
	4933334	Ref	Ford With ADE System (SN 0300087630 through 0300096000)	
	4933348	Ref	GM Engine Machines	
	4933202	Ref	Isuzu Engine	
		Ref	STANDARD ELECTRICAL SCHEMATICS	
	1870097	Ref	Deutz Without ADE System	
	1870096	Ref	Ford Without ADE System	
	1870142	Ref	Isuzu	
	1870132	Ref	Caterpillar/Deutz /Ford With ADE System	
	1870191	Ref	Deutz EMR2/GM (SN 0300085617 through 0300096000)	
		Ref	SOFT TOUCH ELECTRICAL DIAGRAM	
	4932980	Ref	Without ADE System	
	4933192	Ref	With ADE System (Prior to SN 0300064509)	
	4933237	Ref	With ADE System (SN 0300064509 through 0300096000)	
	4933027	Ref	STROBE LIGHT ELECTRICAL DIAGRAM (WITHOUT ADE SYSTEM)	
		Ref	SKY WELDER ELECTRICAL DIAGRAM (OPTIONAL)	
	4933151	Ref	Without ADE System	
	4933193	Ref	With ADE System (Prior to SN 0300064509)	
	4933240	Ref	With ADE System (SN 0300064509 through 0300096000)	

SECTION 7 - ELECTRICAL

FIGURE 7-2. HARNESS COMPONENTS INSTALLATION (WITHOUT ADE SYSTEM)



SECTION 7 - ELECTRICAL

FIGURE 7-2. HARNESS COMPONENTS INSTALLATION (WITHOUT ADE SYSTEM)

ITEM	PART NUMBER	QTY	DESCRIPTION	REV
		Ref	HARNESS COMPONENTS INSTALLATION	
	4922340	Ref	PLATFORM BOX HARNESS ASSEMBLY	7-F
1	See Note	AR	Switch Harness (Made up of Individual Wires) (Note: Not Available for Purchase)	
2	See Note	AR	Light Display Harness (Made up of Individual Wires) (Note: Not Available for Purchase)	
3	See Note	AR	Fuel Gauge Harness (Made up of Individual Wires) (Note: Not Available for Purchase)	
39		Ref	Cable, Electrical - 12/4 Options:	
39	1060012	7 ft/2.13m	Cable, Electrical (Prior to SN 0300060655)	
39	1060515	7 ft/2.13m	Cable, Electrical (SN 0300060655 through 0300096000)	
44	2920129	10	Bulb, Light	
48	4460265	2	Connector - 9 Position	
49	4460418	5	Connector - 6 Position	
50	4460419	26	Terminal, Female	
55	4460720	4	Connector - 15 Position	
56	4460721	44	Socket, Female	
60	4460464	31	Pin, Male (16 Gauge)	
61	4460508	4	Pin, Male (12 Gauge)	
62	3990001	23	Diode - 3 Amp (Not Shown)	
64	4460225	1	Connector - 6 Position	
65	4460267	36	Pin, Male	
66	3990010	10	Diode - 6 Amp (Not Shown)	
68	4120035	10	Socket, Light	
69	4460326	1	Plug - 3 Position	
70	4460634	10	Insert, Terminal (Single Wire)	
71	4460635	8	Insert, Terminal (Double Wire)	
90	4460613	1	Connector - 21 Position	
91	4460503	1	Connector - 31 Position	
92	4460741	5	Plug - 5 Position	
93	4460420	22	Terminal	
		Ref	PLATFORM BOX ASSEMBLY COMPONENTS	
101	4460470	2	Nut, Conduit	
102	4460471	2	Washer, Conduit	
103	4460428	2	Connector, Strain Relief	
		Ref	BOOM CABLES INSTALLATION	
	0259189	Ref	Boom Cables Installation 400S	9
	0259190	Ref	Boom Cables Installation 460SJ	9
209	1060494	Ref	Cable, Electrical - 12/3	
209	1060494	60	Cable, Electrical, 400S	
		ft/16.5m		
209	1060494	63	Cable, Electrical, 460SJ	
		ft/18.3m		
210		Ref	Cable, Electrical - 16/30 Options:	
210	4922387	1	Cable, Electrical 400S	1
210	4922375	1	Cable, Electrical 460SJ	1
210	1060516	Ref	Cable, Electrical - 16/30	
210	1060516	54	Cable, Electrical, 400S	
		ft/16.5m		
210	1060516	60	Cable, Electrical, 460SJ	
		ft/18.3m		

SECTION 7 - ELECTRICAL

ITEM	PART NUMBER	QTY	DESCRIPTION	REV
210A	4460473	1	Clamp, Cable	
210B	4460465	30	Socket, Female	
210C	4460502	1	Connector - 31 Position	
210D	4460466	1	Plug, Seal	
211		Ref	Cable, Electrical - 16/4 & 12/4	
211	4922388	AR	Cable, Electrical 400S	3-C
211	4922376	AR	Cable, Electrical 460SJ	4-C
211	1060602	Ref	Cable, Electrical - 16/10 & 12/4 Options: (Does not Include Terminals)	
211	1060602	54 ft/16.5m	Cable, Electrical, 400S	
211	1060602	60 ft/18.3m	Cable, Electrical, 460SJ	
211A	4460473	1	Clamp, Cable	
211B	4460465	4	Socket, Female	
211C	4460614	1	Connector - 21 Position	
211D	4460466	13	Plug, Seal	
211E	4460509	4	Socket, Female	
		Ref	GROUND CONTROL BOX DIAGRAMS	
	4933127	Ref	Deutz Engine	4-D
	4933126	Ref	Ford Engine	5-G
	4933202	Ref	Isuzu Engine	2-B
306	4460420	AR	Connector, Relay	
312	3990010	AR	Diode 6 Amp (Not Shown)	
314	4120035	AR	Base, Light	
315	2920129	AR	Bulb, Light	
319	3730023	1	Resistor 500 Ohm (Not Shown - Located at Alternator Light)	
320	4460634	3	Insert, Terminal (Single Wire)	
321	4460635	AR	Insert, Terminal (Double Wire)	
		Ref	GROUND CONTROL BOX ASSY COMPONENTS	
405		Ref	Engine Harness Assembly Options: (See Items 501-593 for Breakdown)	
405	4922347	1	Deutz Engine	
405	4922344	1	Ford Engine	
405	4922601	1	Isuzu Engine	
406	4922346	1	Valve Harness Assembly	3-C
406A	4460499	14	DIN Connector with Diode	
406B	4460320	1	Connector - 2 Position	
406B	4460267	2	Pin, Male	
406C	4460225	1	Housing, Terminal - 6 Position	
406C	4460267	4	Pin, Male	
406D	4460445	1	Connector - 3 Position	
406D	4460268	3	Socket, Female	
406E	4460836	2	Connector, Deutsch - 12 Position	
406E	4460837	2	Housing, Terminal Connector	
406E	4460465	20	Socket, Female	
407		Ref	Ground Control Box Harness Assembly Options:	
407	4922349	1	Deutz/Isuzu Engine	5
407	4922348	1	Ford Engine	5
407	3990010	13	Diode 6 Amp (Not Shown)	
407A	4460224	1	Connector - 6 Position	

SECTION 7 - ELECTRICAL

ITEM	PART NUMBER	QTY	DESCRIPTION	REV
407A	4460268	6	Socket, Female	
407B	4460225	1	Connector - 6 Position	
407B	4460267	6	Pin, Male	
407C	4460418	9	Connector - 6 Position	
407C	4460419	46	Terminal, Female	
407D	4460268	AR	Socket, Female	
407E	3730099	1	Resistor (Not Shown)	
407F	4460420	6	Plug, Relay	
407F	4460741	13	Terminal, Relay Plug	
428	4460526	1	Connector, Strain Relief	
429	4460428	3	Connector, Strain Relief	
430	4460426	1	Connector, Strain Relief	
453	4460711	1	Connector, Strain Relief	
		Ref	ENGINE HARNESS ASSEMBLY	
	4922347	Ref	Deutz Engine	6-G
	4922344	Ref	Ford Engine	5-E
	4922601	Ref	Isuzu Engine	2-B
535	4460424	1	Connector - 2 Position	
536	4460268	2	Socket, Female	
539	4460499	AR	DIN Connector with Diode	
550	4460374	1	Plug, Sealed (Ford Engine Only)	
551	4460375	4	Terminal (Ford Engine Only)	
554	4460837	1	Housing, Deutsch	
555	4460836	1	Connector, Deutsch	
556	4460465	12	Terminal	
560	4460582	3	Terminal (Ford Engine Only)	
560	4460797	3	Terminal (Isuzu Engine Only)	
561	4460580	1	Lock, Terminal (Ford Engine Only)	
561	4460794	1	Seal, Terminal (Isuzu Engine Only)	
562	4460579	1	Housing - 3 Position (Ford Engine Only)	
562	4460793	1	Housing - 3 Position (Isuzu Engine Only)	
562	4460795	1	Plug, Alternator (Isuzu Engine Only)	
563	4460834	1	Connector - 2 Position	
564	4460457	4	Terminal, Female	
565	4460458	4	Seal, Terminal	
566	4460842	2	Terminal, Female	
567	4460713	1	Housing, Connector - 42 Position (Ford Engine Only)	
568	4460725	1	Lock, Wedge - Center (Ford Engine Only)	
569	4460726	2	Lock, Wedge - Side (Ford Engine Only)	
570	4460800	30	Plug, Hole (Ford Engine Only)	
571	4460799	9	Pin, Male (Ford Engine Only)	
572	4460784	1	Housing - 6 Position (Isuzu Engine Only)	
573	4460783	5	Terminal, Spade (Isuzu Engine Only)	
574	4460458	1	Seal, Terminal (Isuzu Engine Only)	
575	4460459	1	Connector - 3 Position (Isuzu Engine Only)	
576	4460457	1	Terminal, Female (Isuzu Engine Only)	
577	4460790	2	Socket, Female (Isuzu Engine Only)	
578	4460728	4	Pin, Male (Ford Engine Only)	
579	4460789	2	Seal, Terminal (Isuzu Engine Only)	
580	2400061	2	Fuse (Ford Engine Only)	
581	2400060	2	Fuseholder/Cover (Ford Engine Only)	

SECTION 7 - ELECTRICAL

ITEM	PART NUMBER	QTY	DESCRIPTION	REV
583	4460742	2	Connector - 2 Position	
584	4460780	1	Housing - 2 Position (Isuzu Engine Only)	
585	4460781	2	Socket, Female (Isuzu Engine Only)	
590	4460591	1	Terminal, Lock (Deutz/Isuzu Engine Only)	
591	4460589	3	Socket (Deutz/Isuzu Engine Only)	
592	4460608	3	Seal, Cable (Deutz/Isuzu Engine Only)	
593	4460777	1	Housing - 4 Position (Deutz/Isuzu Engine Only)	
		Ref	STANDARD HARNESS COMPONENTS	
601	See Note	1	Controller Harness Assembly (Lift and Swing) (Note: Not Available for Purchase)	
601A	4460266	1	Connector - 9 Position	
601A	4460268	7	Socket, Female	
602	See Note	1	Controller Harness/Circuit Board Assembly (Drive and Steer) (Note: Not Available for Purchase)	
602A	4460266	1	Connector - 9 Position	
602A	4460268	7	Socket, Female	
603	See Note	1	Controller Harness - Speed (Note: Not Available for Purchase)	
603A	4460224	1	Connector - 6 Position	
603A	4460268	6	Socket, Female	
604	See Note	1	Tilt Indicator Harness (Note: Not Available for Purchase)	
604A	4460224	1	Connector - 6 Position	
604A	4460268	6	Socket, Female	
605	See Note	1	Throttle Actuator/Controller Harness (Deutz/Isuzu) (Note: Not Available for Purchase)	
605	0060033	NLA	Throttle Actuator and Controller Assembly (Use p/n 2910000)	
605	7008833	1	Mounting Clamp Kit (Not Shown)	
605	7020234	1	Spring, Retract (Not Shown)	
605A	2910000	1	Throttle Actuator and Harness (Note: Not Available for Purchase)	
605A	7016336	1	Boot Kit	
605B	2910000	9	Pin, Male (Note: Not Available for Purchase)	
605B	2910000	1	Connector, Male (Note: Not Available for Purchase)	
605C	2910000	1	Controller and Harness	
605D	2910000	9	Socket, Female (Note: Not Available for Purchase)	
605D	2910000	1	Connector (Note: Not Available for Purchase)	
605E	2910000	1	Connector - 4 Position (Note: Not Available for Purchase)	
605E	4460693	4	Pin, Male	
605E	4460591	1	Clip	
605E	4460608	4	Seal, Terminal	
606	7022134	1	Fuel Pump Harness (Ford) (Not Shown - Consult Local Ford Dealer for Connectors)	
607	7022137	1	Engine Control Processor Harness (Ford) (Consult Local Ford Dealer for Connectors)	
610	4921927	1	Jib Valve Harness (460SJ Only)	
610A	4460326	1	Connector - 3 Position	
610A	4460267	3	Pin, Male	
610B	4460499	2	Connector, DIN with Diode	
611	See Note	AR	Limit Switch Harness (Note: Not Available for Purchase)	
611	1060341	37 ft/11.3m	Cable, Electrical - 16/2	
612	0259198	1	Fuel-On Timer Module and Harness Assembly (Isuzu Engine Machines Only)	
612A	4460476	1	Connector - 3 Position	

SECTION 7 - ELECTRICAL

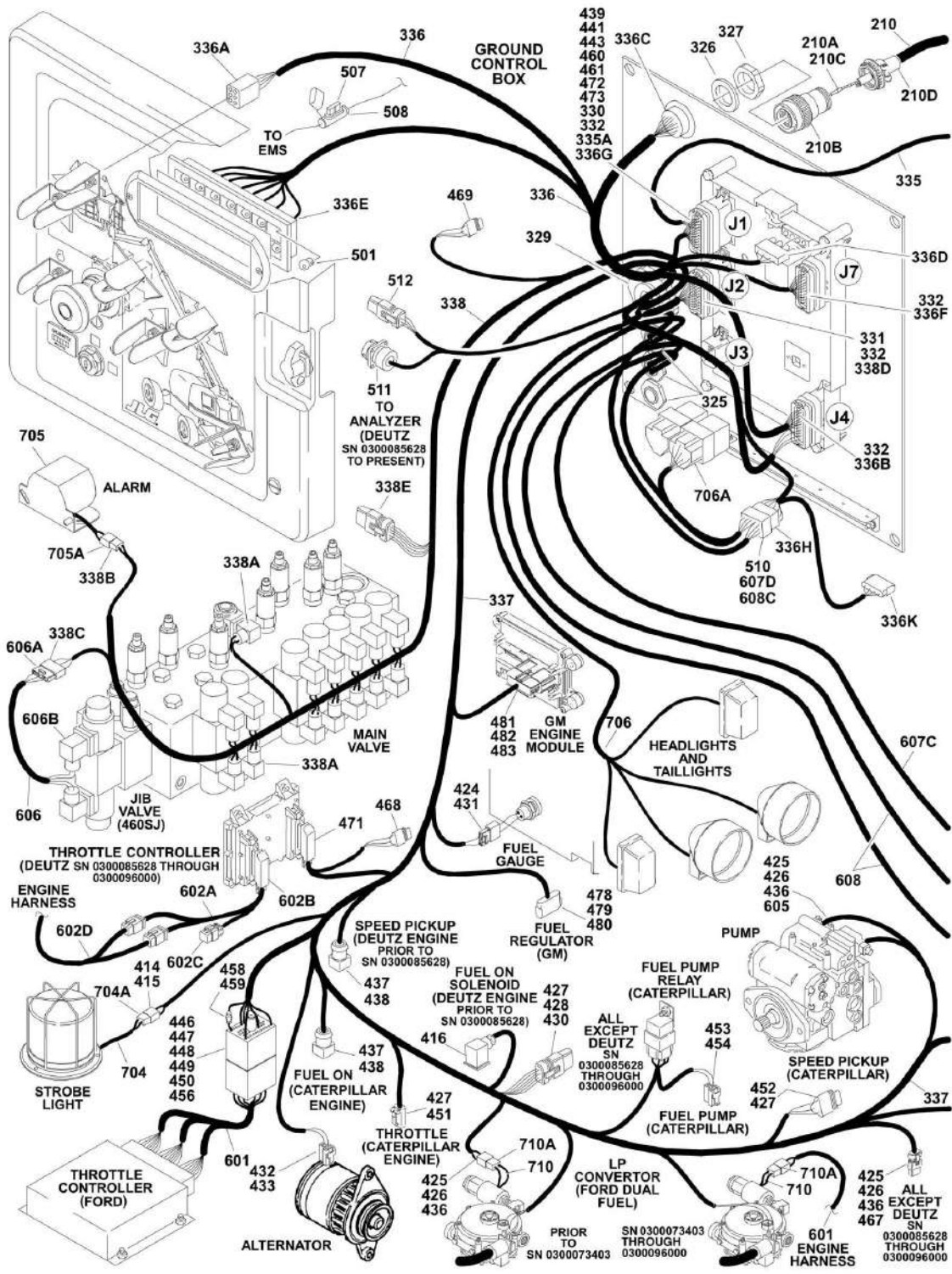
ITEM	PART NUMBER	QTY	DESCRIPTION	REV
612B	4460475	3	Pin, Male	
612C	4460459	1	Connector - 3 Position	
612D	4460457	3	Socket, Female	
612E	4460458	6	Seal, Terminal	
613	See Note	1	Relay Harness (Isuzu Engine Machines) (Note: Not Available for Purchase)	
613A	4460476	1	Connector - 3 Position	
613B	4460475	3	Pin, Male	
		Ref	OPTIONAL HARNESS COMPONENTS	
702		Ref	Generator Electrical Components	
702	4933153	Ref	110V	1-A
702	4933154	Ref	220V	1-A
702	3990010	1	Diode - 6 Amp (Not Shown)	
702A	4921938	1	Harness - On/Off Switch (Powermite Control Box to Ground Control Box)	
703		Ref	AC to Platform Receptacle Components Options:	
703	0270022	Ref	110V GFI Receptacle	1
703	0270024	Ref	220V GFI Receptacle	1
703A	0860038	1	Box, Switch	
703B		Ref	Receptacle Options:	
703B	4460346	1	110V GFI	
703B	4460125	1	220V GFI	
703C		Ref	Shield, Cover Options:	
703C	4060700	1	110V GFI	
703C	4060092	1	220V GFI	
703D	4460071	1	Connector, Strain Relief	
703E		Ref	Connector Options:	
703E	4460205	2	110V GFI	
703E	4460233	2	220V GFI	
703F	3960422	1	Gasket	
704	See Note	1	Strobe Light Harness (Note: Not Available for Purchase)	-
704A	4460320	1	Connector, Female - 2 Position	
704A	4460267	2	Pin, Male	
705	See Note	1	Lights Harness (Note: Not Available for Purchase)	
705	3740049	1	Relay (Not Shown)	
705	1060341	37	Cable, Electrical - 16/2	
		ft/11.3m		
706	See Note	1	Alarm Harness (Includes Alarm) (Note: Not Available for Purchase)	
706A	4460424	1	Connector - 2 Position	
706A	4460268	2	Socket, Female	
706A	1060341	37	Cable, Electrical - 16/2	
		ft/11.3m		
707	See Note	2	Platform Worklights Harness (Note: Not Available for Purchase)	
707	2820035	9 ft/2.8m	Loom, Vinyl	
707A	4460598	1	Connector, Strain Relief	
707A	4460442	2	Terminal (Not Shown-Located in Platform Console)	
709	See Note	1	Dual Fuel Shut-Off Filter Harness (Note: Not Available for Purchase)	
709A	7023679	1	Electrical Connector Kit (Includes [1] 2 Position Connector, 2 Pins and 2 Seals)	
710 to 711	Not Required	0	Not Required	
712	See Note	1	Soft Touch System Harness (Note: Not Available for Purchase)	

SECTION 7 - ELECTRICAL

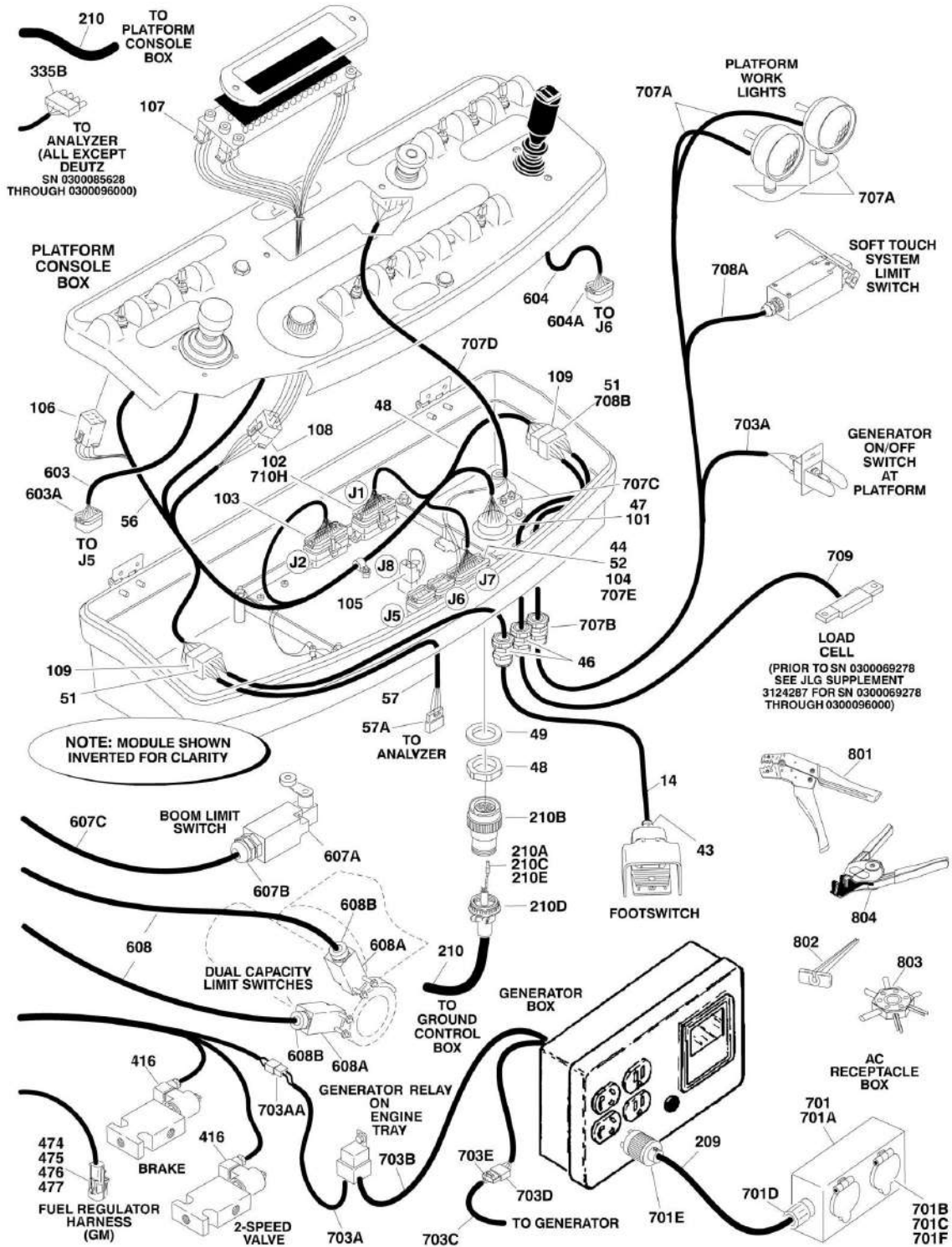
ITEM	PART NUMBER	QTY	DESCRIPTION	REV
		Ref	TOOLS	
	4922021	1	Service Harness (For Setting Circuit Cards)	
801	7002821	1	Crimper (For Wire to Pin/Socket Connections)	
802	7002823	1	Extractor (For Removal of Pin/Socket from Connectors)	
803	4460467	1	Extractor, Pin (Blue 16-18 Gauge) (For Removal of Pin/Socket from Connectors)	
803	4460510	1	Extractor, Pin (Yellow 12-14 Gauge) (For Removal of Pin/Socket from Connectors)	
804	7002828	1	Stripper, Wire	

SECTION 7 - ELECTRICAL

FIGURE 7-3. HARNESS COMPONENTS INSTALLATION (WITH ADE SYSTEM)



SECTION 7 - ELECTRICAL



SECTION 7 - ELECTRICAL

FIGURE 7-3. HARNESS COMPONENTS INSTALLATION (WITH ADE SYSTEM)

ITEM	PART NUMBER	QTY	DESCRIPTION	REV
		Ref	PLATFORM CONSOLE BOX COMPONENTS	
4	0100048	AR	Grease, Dielectric (Not Shown)	
14	1060918	7 ft/2.14m	Cable, Electrical - 18/3	
43	4460071	1	Connector, Strain Relief	
44	4460226	2	Socket, Female	
46	4460428	2	Connector, Strain Relief	
47	4460464	1	Pin, Male Deutsch	
48	4460470	1	Nut, Terminal	
49	4460471	1	Lockwasher, Terminal	
51	4460708	2	Connector - 15 Position	
52	4460905	5	Seal, Plug	
56	4922665	1	Harness, Platform Box (See Items 101-109 for Breakdown)	
57	4922666	1	Harness, Analyzer Cable	2-B
57	4460226	4	Socket, Female (Not Shown - Located at J2)	
57A	4460761	1	Connector - 4 Position	
57A	4460227	4	Pin, Male	
	4922665	Ref	PLATFORM BOX HARNESS ASSEMBLY	3-C
101	4460866	1	Connector - 19 Position	
101	4460464	7	Pin, Male Deutsch 16 Ga	
101	4460508	3	Pin, Male Deutsch 12 Ga	
102	4460874	1	Connector - 35 Position (Natural)	
102	4460871	23	Socket, Female	
103	4460875	1	Connector - 35 Position (Gray)	
103	4460871	18	Socket, Female	
104	4460873	1	Connector - 35 Position (Black)	
104	4460871	8	Socket, Female	
105	4460879	1	Connector - 2 Position	
105	4460887	2	Terminal (12 Gauge)	
106	4460418	6	Connector - 6 Position	
106	4460419	18	Socket, Female	
107	4460225	2	Connector - 6 Position	
107	4460226	18	Terminal (16 Gauge)	
108	4460225	1	Connector - 6 Position	
108	4460227	16	Pin	
109	4460434	2	Connector - 15 Position	
109	4460227	16	Pin	
		Ref	BOOM CABLES INSTALLATION	
	0271160	Ref	Boom Cables Installation 400S	8
	0271159	Ref	Boom Cables Installation 460SJ	8
	0272612	Ref	Boom Cables Installation 400S (7500w 60Hz Generator - SKYPOWER) (SN 0300068836 through 0300096000)	4
	0272613	Ref	Boom Cables Installation 460SJ (7500w 60Hz Generator - SKYPOWER) (SN 0300068836 through 0300096000)	4
209		Ref	Cable, Electrical Options:	
209	1060494	63 ft/19.2m	Cable, Electrical - 12/3 (Prior to SN 0300068444)	
209	1060985	1	Cable, Electrical - 12/3 (400S) (57ft/17.4m) (SN 0300068444 through 0300096000)	
209	1060983	1	Cable, Electrical - 12/3 (460SJ) (63ft/19.2m) (SN 0300068444 through 0300096000)	
209	4922802	1	Harness, Electrical - 8/5 (400S) (With 7500w 60Hz Generator)	

SECTION 7 - ELECTRICAL

ITEM	PART NUMBER	QTY	DESCRIPTION	REV
209	4922803	1	Harness, Electrical - 8/5 (460SJ) (With 7500w 60Hz Generator)	
210		Ref	Harness Assembly (12/4 - 18/8)	
210	4922548	1	Harness Assembly 400S	3-C
210	4922547	1	Harness Assembly 460SJ	3-C
210	1060896	Ref	Cable, Electrical - 12/4 & 18/8 Options:	
210	1060896	54 ft/16.5m	Cable, Electrical	
210	1060896	60 ft/18.3m	Cable, Electrical, 460SJ	
210A	4460465	22	Socket, Female 18 Gauge	
210B	4460865	1	Connector Deutsch - 19 Position	
210C	4460509	8	Socket, Female 12 Gauge	
210D	4460473	1	Clamp, Cable	
210E	4460466	4	Seal, Plug	
224	4460865	1	Connector Deutsch - 19 Position	
225	4460473	1	Clamp, Cable	
		Ref	GROUND CONTROL BOX COMPONENTS	
325	4460428	3	Connector, Strain Relief	
326	4460470	1	Nut, Terminal	
327	4460471	1	Locknut, Terminal	
329	4460526	1	Connector, Strain Relief	
330	4460874	1	Connector (Natural)	
331	4460875	1	Connector (Gray)	
332	4460905	4	Seal, Plug	
335		Ref	Cable, Analyzer Options:	
335	4922485	1	Cable, Analyzer (Prior to SN 0300064404)	3
335	4922666	1	Cable, Analyzer (SN 0300064404 through 0300085616)	1
335	Not Required	0	Cable, Analyzer (SN 0300085617 through 0300096000)	
335A		Ref	Socket, Female (Not Shown - Located at J1)	
335A	4460871	4	Socket, Female (Prior to SN 0300064404)	
335A	4460226	4	Socket, Female (SN 0300064404 through 0300085616)	
335A	Not Required	0	Socket, Female (SN 0300085617 through 0300096000)	
335B	4460761	1	Connector - 4 Position	
335B	4460227	4	Pin, Male	
336		Ref	Ground Control Box Harness Assembly	
336	4922664	1	Caterpillar Engine Machines (Prior to SN 0300087630)	6-G
336	4923236	1	Caterpillar Engine Machines (SN 0300087630 through 0300091229)	1-B
336	4923456	1	Caterpillar Engine Machines (SN 0300091230 through 0300096000)	B
336	4922540	1	Deutz Engine Machines (Prior to SN 0300064404)	5-E
336	4922664	1	Deutz Engine Machines (SN 0300064404 through 0300085616)	5-F
336	4923261	1	Deutz Engine Machines (SN 0300085617 through 0300096000)	C
336	4922539	1	Ford Engine Machines (Prior to SN 0300064404)	5-E
336	4922663	1	Ford Engine Machines (SN 0300064404 through 0300067470)	3-C
336	4922664	1	Ford Engine Machines (SN 0300067471 through 0300087629)	6-G
336	4923236	1	Ford Engine Machines (SN 0300087630 through 0300091229)	1-B
336	4923456	1	Ford Engine Machines (SN 0300091230 through 0300096000)	B
336	4923236	NLA	GM Engine Machines (Use p/n 4923261)	C
336	3990010	2	Diode 6 Amp	
336A	4460418	7	Connector - 6 Position	

SECTION 7 - ELECTRICAL

ITEM	PART NUMBER	QTY	DESCRIPTION	REV
336A	4460419	21	Socket, Female	
336B	4460876	1	Connector - 35 Position (Blue)	
336B	4460871	24	Socket, Female	
336B	4460905	28	Seal, Plug	
336C	4460866	1	Connector - 19 Pin	
336C	4460464	7	Pin, Male Deutsch 16 Ga	
336C	4460508	3	Pin, Male (12 Gauge)	
336D	4460878	1	Housing, Terminal - 4 Position	
336D	4460887	3	Terminal (12 Gauge)	
336E	4120035	6	Base, Light	
336E	4460634	7	Terminal (16 Gauge)	
336F	4460873	1	Connector - 35 Position (Black)	
336F	4460871	20	Socket, Female	
336F	4460905	1	Seal, Plug	
336G	4460871	3	Socket, Female	
336H	4460434	1	Connector - 15 Position	
336H	4460227	14	Pin	
336J	4460536	1	Connector - 3 Position (Deutz Engines and All GM Engines) (SN 0300085617 through 0300096000)	
336J	4460943	3	Socket, Female (Deutz and GM Engines and All GM Engines) (SN 0300085617 through 0300096000)	
336K	4460761	1	Connector - 4 Position (Deutz/ Caterpillar Engines and All GM Engines) (SN 0300085617 through 96000, SN 0300087630 through 0300096000)	
336K	4460227	4	Pin, Male (Deutz Engines / Caterpillar Engines/All GM Engines) (SN 0300085617 through 0300096000, SN 0300087630 through 0300096000)	
337		Ref	Engine Harness Assembly (See Items 401-460 for Breakdown)	
337	4922880	1	Caterpillar Engine Machines (Prior to SN 0300087630)	
337	4923234	1	Caterpillar Engine Machines (SN 0300087630 through 0300091229)	
337	4923356	1	Caterpillar Engine Machines (SN 0300091230 through 0300096000)	
337	4922537	1	Deutz Engine Machines (Prior to SN 0300085617)	
337	4923260	1	Deutz Engine Machines (SN 0300085617 through 0300096000)	
337	4922536	1	Ford Engine Machines (Prior to SN 0300087630)	
337	4923235	1	Ford Engine Machines (SN 0300087630 through 0300096000)	
337	4923419	1	GM Engine Machines	
338	4922538	1	Valve Harness Assembly	4-D
338A	4460880	14	DIN Connector	
338B	4460320	2	Connector - 2 Position	
338B	4460267	4	Pin, Male	
338C	4460445	1	Connector - 3 Position	
338C	4460268	3	Pin, Female	
338D	4460871	20	Socket, Female	
338E	4460836	2	Connector, Deutsch - 12 Position	
338E	4460837	2	Housing, Terminal Connector	
338E	4460465	22	Socket, Female	
339		Ref	Ground Control Box Wiring Diagram (Not Shown - See Items 501-512 for Breakdown)	
339	4933279	Ref	Caterpillar Engine Machines (Prior to SN 0300087630)	
339	4933335	Ref	Caterpillar Engine Machines (SN 0300087630 through 0300091229)	

SECTION 7 - ELECTRICAL

ITEM	PART NUMBER	QTY	DESCRIPTION	REV
339	4933353	Ref	Caterpillar Engine Machines (SN 0300091230 through 0300096000)	
339	4933177	Ref	Deutz Engine Machines (Prior to SN 0300064404)	
339	4933230	Ref	Deutz Engine Machines (SN 0300064404 through 0300085616)	
339	4933325	Ref	Deutz Engine Machines (SN 0300085617 through 0300096000)	
339	4933176	Ref	Ford Engine Machines (Prior to SN 0300064404)	
339	4933229	Ref	Ford Engine Machines (SN 0300064404 through 0300087629)	
339	4933334	Ref	Ford Engine Machines (SN 0300087630 through 0300096000)	
339	4933348	Ref	GM Engine Machines	
		Ref	ENGINE HARNESS ASSEMBLY	
	4922880	Ref	Caterpillar Engine (Prior to SN 0300087630)	5-D
	4923234	Ref	Caterpillar Engine (SN 0300087630 through 0300091229)	3-C
	4923356	Ref	Caterpillar Engine (SN 0300091230 through 0300096000)	1-A
	4922537	Ref	Deutz Engine (Prior to SN 0300085617)	7-F
	4923260	Ref	Deutz Engine (SN 0300085617 through 0300096000)	D
	4922536	Ref	Ford Engine (Prior to SN 0300087630)	6-F
	4923235	Ref	Ford Engine (SN 0300087630 through 0300096000)	2-B
	4923419	Ref	GM Engine	B
414	4460424	1	Connector - 2 Position	
415	4460268	2	Socket, Female	
416	4460880	AR	DIN Connector without Diode	
424	4460834	1	Connector - 2 Position	
425	4460457	AR	Terminal, Female	
426	4460458	AR	Seal, Terminal	
427	4460465	AR	Socket, Female	
428	4460836	1	Connector, Deutsch - 12 Position (Deutz and All Ford Engines Only) (Prior to SN 0300085617)	
430	4460837	1	Housing, Terminal Connector (Deutz and All Ford Engines Only) (Prior to SN 0300085617)	
431	4460842	2	Terminal, Female	
432	4460579	1	Housing - 3 Position (Ford Engine Only)	
432	4460582	3	Terminal (Ford Engine Only)	
432	4460580	1	Lock, Terminal (Ford Engine Only)	
433	4461157	1	Housing - 2 Position (GM Engine Only)	
433	4460458	2	Seal, Terminal (GM Engine Only)	
433	4460979	2	Terminal (GM Engine Only)	
436	4460742	AR	Connector, Male - 2 Position	
437	4460890	1	Housing - 2 Position (Deutz and All Caterpillar Engines Only) (Prior to SN 0300085617)	
438	4460889	2	Terminal (Deutz and All Caterpillar Engines Only) (Prior to SN 0300085617)	
439	4460887	2	Terminal (12 Gauge)	
441	4460464	1	Pin, Male	
443	4460871	AR	Socket, Female	
446	4460713	1	Connector, Housing 42 Position (Ford Engine Only)	
447	4460725	1	Connector Wedge Lock, Center (Ford Engine Only)	
448	4460726	2	Connector Wedge Lock, Side (Ford Engine Only)	
449	4460800	32	Connector, Plug (Ford Engine Only)	
450	4460799	6	Pin, Male (Ford Engine Only)	
451	4460891	1	Connector - 2 Position (Caterpillar Engine Only)	
452	4460539	1	Connector 3 Position (Caterpillar Engine Only)	

SECTION 7 - ELECTRICAL

ITEM	PART NUMBER	QTY	DESCRIPTION	REV
453	4460993	2	Terminal, Spade (Caterpillar Engine Only)	
454	4460994	1	Connector 2 Position (Caterpillar Engine Only)	
456	4460728	3	Pin, Male (Ford Engine Only)	
458	2400061	2	Fuse (Ford Engine Only)	
459	2400060	2	Holder, Fuse (Ford Engine Only)	
460		Ref	Socket, Female Options:	
460	Not Required	0	All Machines (Prior to SN 0300066372)	
460	4460226	1	Caterpillar and Ford Engines (SN 0300066372 through 0300096000)	
460	4460226	1	Deutz Engines (SN 0300066372 through 0300085616)	
460	4460465	1	Deutz Engines (SN 0300085617 through 0300096000)	
461	3990001	1	Diode (Caterpillar Engine Only) (SN 0300087630 through 0300096000)	
467	3730120	1	Resistor Assembly (Ford Engine Only) (SN 0300073403 through 0300096000)	
468	4461070	1	Connector - 3 Position with Resistor (Deutz Only) (SN 0300085617 through 0300096000)	
468	4460944	3	Socket, Female (Deutz Only) (SN 0300085617 through 0300096000)	
468	4461095	1	Connector - 3 Position (Deutz Only) (SN 0300085617 through 0300096000)	
469	4460539	1	Connector - 3 Position (Deutz Only) (SN 0300085617 through 0300096000)	
469	4460944	3	Socket, Female (Deutz Only) (SN 0300085617 through 0300096000)	
470	4922099	AR	Can Buss Cable (Deutz Only) (SN 0300085617 through 0300096000)	
471	4461052	1	Connector - 25 Position (Deutz Only) (SN 0300085617 through 0300096000)	
471	4461053	1	Cover, Receptacle (Deutz Only) (SN 0300085617 through 0300096000)	
471	4461005	5	Terminal (Deutz Only) (SN 0300085617 through 0300096000)	
471	4461006	5	Seal (Used with p/n 4461005) (Deutz Only) (SN 0300085617 through 0300096000)	
471	4461060	2	Terminal (Deutz Only) (SN 0300085617 through 0300096000)	
471	4461054	2	Seal (Used with p/n 4461060) (Deutz Only) (SN 0300085617 through 0300096000)	
471	4461008	18	Plug, Hole (Deutz Only) (SN 0300085617 through 0300096000)	
472	4460465	1	Socket, Female (GM Engine Only)	
473	4460226	1	Socket, Female (GM Engine Only)	
474	4461124	1	Connector - 4 Position (GM Engine Only)	
475	4460693	4	Terminal, Male (GM Engine Only)	
476	4460608	4	Seal (GM Engine Only)	
477	4461161	1	Lock, Terminal (GM Engine Only)	
478	4461121	1	Connector - 4 Position (GM Engine Only)	
479	4461122	4	Terminal, Female (GM Engine Only)	
480	4461123	4	Seal (GM Engine Only)	
481	4461109	1	Connector - 16 Position (GM Engine Only)	
482	4461111	7	Pin, Male (GM Engine Only)	
483	4461113	7	Seal (GM Engine Only)	
483	4461222	9	Plug (GM Engine Only)	
		Ref	GROUND CONTROL BOX WIRING DIAGRAM	
	4933279	Ref	Caterpillar Engine Machines (Prior to SN 0300087630)	3-D

SECTION 7 - ELECTRICAL

ITEM	PART NUMBER	QTY	DESCRIPTION	REV
	4933335	Ref	Caterpillar Engine Machines (SN 0300087630 through 0300091229)	3-C
	4933353	Ref	Caterpillar Engine Machines (SN 0300091230 through 0300096000)	1-A
	4933177	Ref	Deutz Engine Machines (Prior to SN 0300064404)	2-C
	4933230	Ref	Deutz Engine Machines (SN 0300064404 through 0300085616)	4-F
	4933325	Ref	Deutz Engine Machines (SN 0300085617 through 0300096000)	D
	4933176	Ref	Ford Engine Machines (Prior to SN 0300064404)	2-C
	4933229	Ref	Ford Engine Machines (SN 0300064404 through 0300087629)	4-E
	4933334	Ref	Ford Engine Machines (SN 0300087630 through 0300096000)	2-B
	4933348	Ref	GM Engine Machines	B
501	2920129	AR	Bulb, Light	
507	2400065	1	Fuse, 30Amp	
508	2400066	1	Fuse, Holder	
510	4460708	AR	Connector - 15 Position (SN 0300064404 through 0300096000)	
510	4460226	AR	Socket, Female	
510	4922637	1	Harness, Jumper (Not Shown)	
510	4922636	1	Harness, Jumper (Not Shown) (Caterpillar Machines Only)	
511	2902443	1	Receptacle Kit (Deutz Only) (SN 0300085617 through 0300096000)	
511	4461072		Connector - 12 Position (Deutz Only) (SN 0300085617 through 0300096000)	
511	4461074	1	Shell, Receptacle (Deutz Only) (SN 0300085617 through 0300096000)	
511	4461071	4	Socket, Female (Gold) (Deutz Only) (SN 0300085617 through 0300096000)	
511	4461073	1	Cap, Dust(Deutz Only) (SN 0300085617 through 0300096000)	
512	4460894	1	Connector - 6 Position (Deutz and GM Only) (SN 0300085617 through 0300096000)	
512	4460892	1	Connector, Terminal (Deutz and GM Only) (SN 0300085617 through 0300096000)	
		Ref	STANDARD HARNESS COMPONENTS	
601		Ref	Ford Engine Harness Options (For replacement parts refer to Ford engine dealer) (Ford Engine Machines):	
601	7023663	1	2000172 & 2000174 Ford Engines	
601	7023681	1	2000193 Ford Engines	
601	7027403	1	2000207 Ford Engines	
602		Ref	Deutz Engine Harness Components (For replacement parts refer to Deutz engine dealer) (SN 0300085617 through 0300096000)	
602A	7027796	1	Deutz Engine Harness (For replacement parts refer to Deutz engine dealer) (SN 0300085617 through 0300096000)	
602B	See Note	1	Connector - 25 Position (Deutz Only) (Note: Not Available for Purchase) (SN 0300085617 through 0300096000)	
602C	7027793	1	Plug-In, Connector (SN 0300085617 through 0300096000)	
602D	7027794	1	Deutz Engine Harness (SN 0300085617 through 0300096000)	
603	See Note	1	Controller Harness Assembly (Lift and Swing) (Note: Not Available for Purchase)	
603A	7022819	1	Connector - 8 Position (Natural)	
603A	4460871	8	Socket, Female	
604	7022824	1	Controller Harness/Circuit Board Assembly (Drive and Steer)	
604A	7022825	1	Connector - 8 Position Black	

SECTION 7 - ELECTRICAL

ITEM	PART NUMBER	QTY	DESCRIPTION	REV
604A	7022820	7	Socket, Female	
605	See Note	1	Pump Harness (Note: Not Available for Purchase)	
605	7007497	1	Plug (Pump)	
605	7007498	1	Plug (Valve Harness)	
606	4921927	1	Jib Valve Harness (460SJ Only)	
606A	4460326	1	Connector - 3 Position	
606A	4460267	3	Pin, Male	
606B	4460499	2	Connector, DIN with Diode	
607	See Note	AR	Limit Switch Harness Components (400S Only) (Note: Not Available for Purchase)	
607A		Ref	Switch, Limit Options:	
607A	4360322	NLA	Switch, Limit (Use p/n 4360549) (Prior to SN 0300074316)	
607A	4360549	1	Switch, Limit (SN 0300074316 through 0300096000)	
607B		Ref	Connector, Strain Relief Options:	
607B	4460428	1	Connector, Strain Relief (Use with p/n 4360322) (Prior to SN 0300074316)	
607B	4460968	1	Connector, Strain Relief (Use with p/n 4360549) (SN 0300074316 through 0300096000)	
607C	4922769	1	Cable, Electrical - 18/2	
607D	4460226	2	Socket, Female	
608	4922714	2	Capacity/Elevation Cut-out Switch Harnesses	
608	1060902	8.5 ft/2.6m	Cable, Electrical - 18/2	
608A		Ref	Switch, Limit Options:	
608A	4360321	NLA	Switch, Limit (Use p/n 4360548) (Prior to SN 0300074316)	
608A	4360548	1	Switch, Limit (SN 0300074316 through 0300096000)	
608B		Ref	Connector, Strain Relief Options:	
608B	4460428	1	Connector, Strain Relief (Use with p/n 4360321) (Prior to SN 0300074316)	
608B	4460968	1	Connector, Strain Relief (Use with p/n 4360548) (SN 0300074316 through 0300096000)	
608C	4460226	2	Socket, Female	
609	4922978	1	Start Assist Solenoid Harness (Deutz Engine Machines Only) (Located between Start Relay and Start Assist Solenoid on Engine) (SN 0300077682 through 0300085617)	2-B
610	4923451	1	Glow Plugs Harness (Deutz Engine Machines Only) (Not Shown - Located between Glow Plug Relay and Glow Plugs on Engine) (SN 0300092802 through 0300096000)	A
		Ref	OPTIONAL HARNESS COMPONENTS	
701		Ref	AC to Platform Receptacle Components Options:	
701	0270022	Ref	110V GFI Receptacle	1
701	0270024	Ref	220V GFI Receptacle	1
701A	0860038	1	Box, Switch	
701B		Ref	Receptacle Options:	
701B	4460346	1	110V GFI	
701B	4460125	1	220V GFI	
701C		Ref	Shield, Cover Options:	
701C	4060700	1	110V GFI	
701C	4060092	1	220V GFI	
701D	4460071	1	Connector, Strain Relief	
701E		Ref	Plug, Male Options:	
701E	4460205	2	110V GFI	
701E	4460233	2	220V GFI	
701F	3960422	1	Gasket	

SECTION 7 - ELECTRICAL

ITEM	PART NUMBER	QTY	DESCRIPTION	REV
703		Ref	Generator Electrical Components	
703	4933190	AR	110V (Caterpillar/Deutz/Ford Engines) (Prior to SN 0300064509)	2-B
703	4933238	AR	110V (Caterpillar/Deutz/Ford Engines) (SN 0300064509 through 0300077681)	1-A
703	4933300	AR	110V (Caterpillar/Deutz/Ford Engines) (SN 0300077682 through 0300096000)	2-A
703	4933350	AR	110V (GM Engines)	A
703	4933191	AR	220V (Prior to SN 0300064509)	2-B
703	4933239	AR	220V (SN 0300064509 through 0300077681)	1-A
703	4933300	AR	220V (SN 0300077682 through 0300096000)	1-A
703	3990010	1	Diode - 6 Amp (Not Shown)	
703A		Ref	Harness - On/Off Switch Options:	
703A	4922483	1	Prior to SN 0300064509 (Caterpillar/Deutz/Ford Engines)	
703A	4922641	1	SN 0300064509 through 0300096000 (Caterpillar/Deutz/Ford Engines)	
703A	4923445	1	All (GM Engines)	
703AA	4460742	1	Connector - 2 Position (GM Engines)	
703AA	4460743	2	Socket, Female (GM Engines)	
703AA	4460458	2	Seal, Wire (GM Engines)	
703B		Ref	Powermite Control Box to Relay Options:	
703B	4922482	1	Powermite Control Box to Relay (Prior to SN 0300077682)	
703B	4922940	1	Powermite Control Box to Relay (SN 0300077682 through 0300096000)	
703C		Ref	Generator to Control Box Harness Options:	
703C	See Note	1	Hardwired (Note: Not Available for Purchase) (Prior to SN 0300077682)	
703C	See Note	1	Harness (Note: Not Available for Purchase) (SN 0300077682 through 0300096000)	
703D	4460961	1	Connector - 4 Position	
703D	4460705	4	Pin, Male	
703E	4460321	1	Connector - 4 Position	
703E	4460906	4	Socket, Female	
704	0255917	1	Strobe Light Harness (Includes Strobe Light)	
704A	4460320	1	Connector - 2 Position	
704A	4460267	2	Pin, Male	
705	0257887	1	Alarm Harness (Includes Alarm)	
705A	4460424	1	Connector - 2 Position	
705A	4460268	2	Socket, Female	
706	See Note	1	Lights Harness (Note: Not Available for Purchase)	
706	1060341	37 ft/11.3m	Cable, Electrical - 16/2	
706A	3740049	1	Relay	
706A		Ref	Harness, Bag (Located at Ground Control Box) (Not Shown) Options:	
706A	4922484	1	Harness, Bag (Located at Ground Control Box) (Not Shown) (Prior to SN 0300064509)	
706A	4922643	1	Harness, Bag (Located at Ground Control Box) (Not Shown) (SN 0300064509 through 0300096000)	
707		Ref	Platform Worklights/Floodlights Components	
707A		Ref	Platform Worklights/Floodlights and Harness Components:	
707A	2920140	2	Platform Worklights External Harness (Includes Light and Wire Only)	
707A	2920157	2	Platform Floodlights External Harness (Includes Lights and	

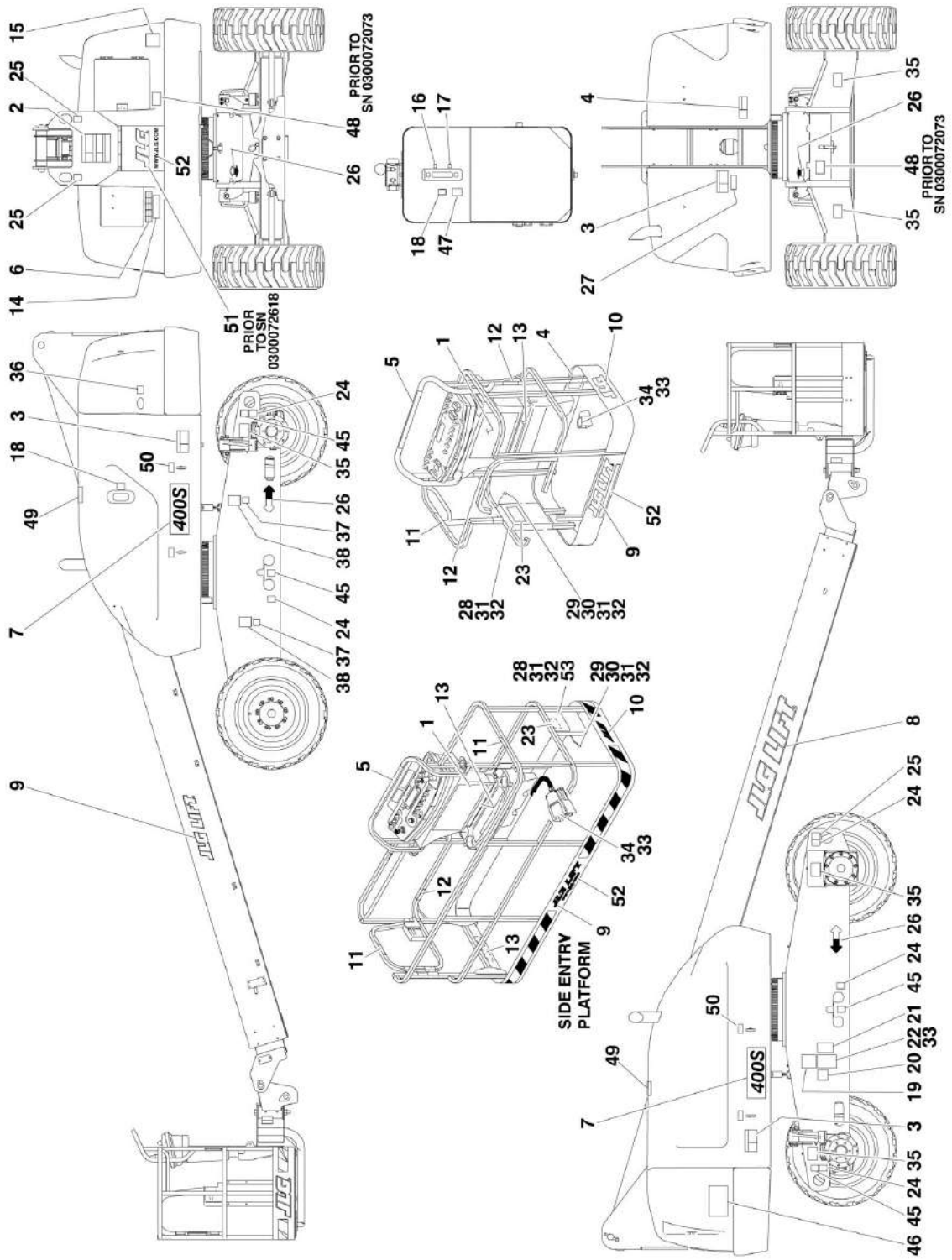
SECTION 7 - ELECTRICAL

ITEM	PART NUMBER	QTY	DESCRIPTION	REV
			Wire Only) (Not Shown)	
707A	4460320	2	Connector - 2 Position	
707A	4460227	4	Pin, Male	
707A	4922764	2	Platform Floodlights Harness (Lights to Switch) (Not Shown)	1-A
707A	4460424	2	Connector - 2 Position	
707A	4460226	4	Socket, Female	
707B		Ref	Connector, Strain Relief Options:	
707B	4460598	1	Platform Worklights (Prior to SN 0300074316)	
707B	4460426	1	Platform Worklights (SN 0300074316 through 0300096000)	
707B	4460425	1	Platform Floodlights	
707C		Ref	Circuit Breaker, 15Amp Options:	
707C	4360232	1	Platform Worklights (Prior to SN 0300074316)	
707C	Not Required	0	Platform Worklights (SN 0300074316 through 0300096000)	
707C	4360232	1	Platform Floodlights	
707D		Ref	Platform Worklights/Floodlights Console Box to Ground Harness	
707D	4922498	1	All Internal Console Box Harness (Prior to SN 0300074316)	
707D	1060983	1	Console Box to Aux Relay 400S (400S SN 0300074316 through 0300096000)	
707D	4922965	1	Console Box to Aux Relay 460SJ (460SJ SN 0300074316 through 0300096000)	
707D	2400070	1	Fuse 20 AMP (Not Shown - Located Aux Relay Only) (SN 0300074316 through 0300096000)	
707D	2400066	1	Fuseholder (Not Shown - Located Aux Relay Only) (SN 0300074316 through 0300096000)	
707E	4460871	3	Socket, Female Only (Prior to SN 0300074316)	
708	See Note	1	Soft-Touch System Harness (Note: Not Available for Purchase)	
708A	1060902	16 ft/4.9m	Cable, Electrical - 18/2	
708B	4460871	2	Socket, Female	
709	Not Required	0	Not Required	
710	See Note	1	Dual Fuel Shut-Off Filter Harness (Note: Not Available for Purchase)	
710A	7023679	1	Electrical Connector Kit (Includes [1] 2 Position Connector, 2 Pins and 2 Seals)	
		Ref	TOOLS	
801	7002821	1	Crimper (For Wire to Pin/Socket Connections)	
802	7002823	1	Extractor (For Removal of Pin/Socket from Connectors)	
803	4460467	1	Extractor, Pin (Blue 16-18 Gauge) (For Removal of Pin/Socket from Connectors)	
803	4460510	1	Extractor, Pin (Yellow 12-14 Gauge) (For Removal of Pin/Socket from Connectors)	
804	7002828	1	Stripper, Wire	
805	2901443	1	Analyzer Kit (Not Shown)	

SECTION 8 - DECALS

SECTION 8 - DECALS

FIGURE 8-1. DECAL INSTALLATION (ANSI SPEC)



SECTION 8 - DECALS

FIGURE 8-1. DECAL INSTALLATION (ANSI SPEC)

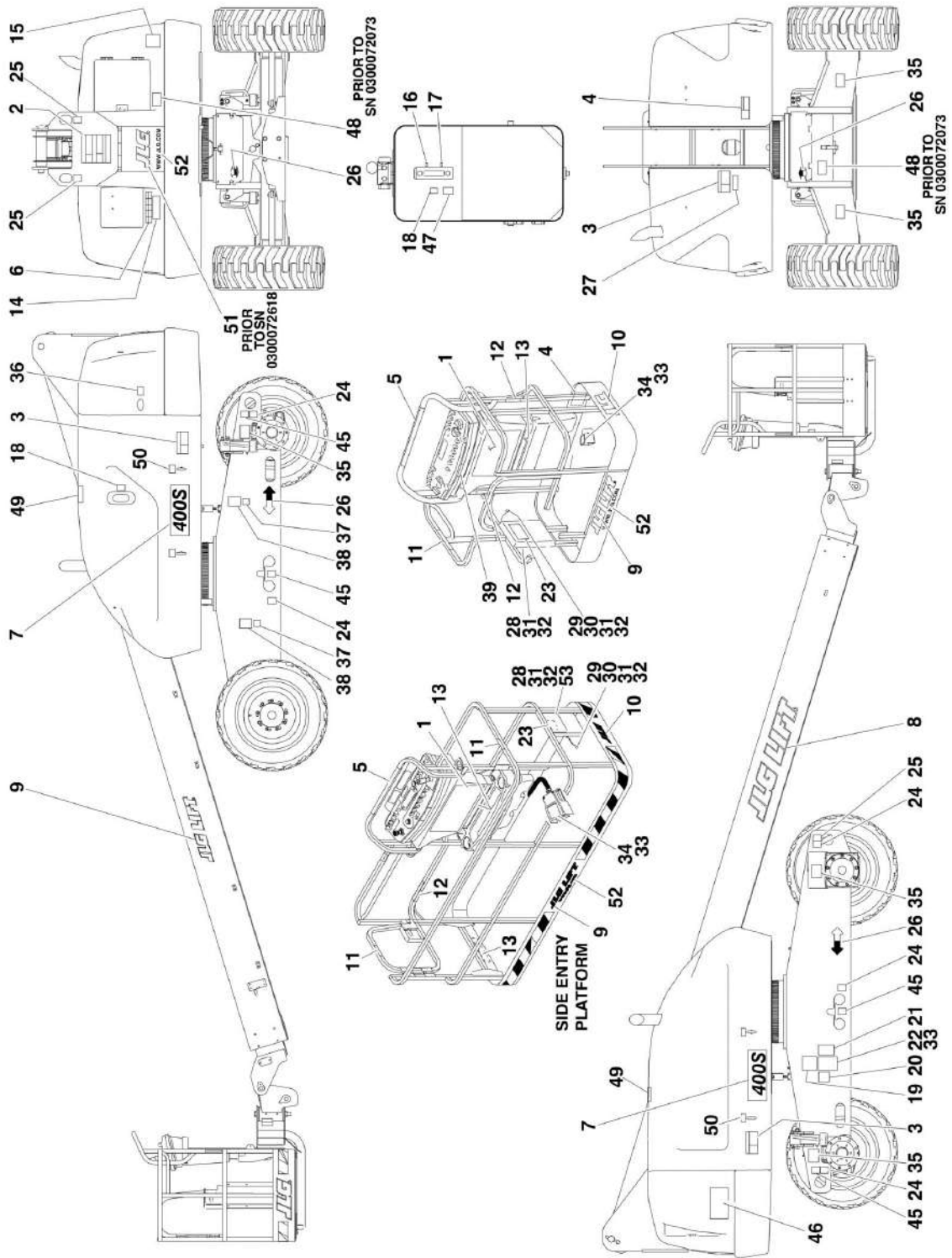
ITEM	PART NUMBER	QTY	DESCRIPTION	REV
		Ref	STANDARD DECAL INSTALLATIONS	
	0270398	Ref	Decals JLG	4
	0259159	Ref	Decals JLG Model 400S with 500LB Capacity	13
	0259981	Ref	Decals JLG Model 400S with 750LB Capacity	11
	0259160	Ref	Decals JLG Model 460SJ	12
1	1703797	1	Decal - Danger/Warning (Platform)	
2	1703798	1	Decal - Danger/Warning (Ground Control)	
3	1703805	2	Decal - Danger/Electrocution	
4	1703804	3	Decal - Warning Crushing	
5		Ref	Decal - Legend (Platform) Options:	
5	1702784	1	Decal - Legend (Platform) (Prior to SN 0300093233)	
5	1706708	1	Decal - Legend (Platform) (SN 0300093233 through 0300096000)	
6		Ref	Decal - Legend (Ground Control) Options:	
6	1703808	1	Decal - Legend (Ground Control) (Prior to SN 0300093233)	
6	1706709	1	Decal - Legend (Ground Control) (SN 0300093233 through 0300096000)	
7		Ref	Decal - Model Designation Options:	
7	1704472	2	Decal - Model Designation 400S	
7	1704473	2	Decal - Model Designation 460SJ	
8	1702861	Ref	Decal - JLG Lift (8in)	
8	1702861	1	Decal - JLG Lift (Prior to SN 0300069278)	
8	1702861	2	Decal - JLG Lift (SN 0300069278 through 0300096000)	
9	1702774	Ref	Decal - JLG Lift (3.5in)	
9	1702774	2	Decal - JLG Lift (Prior to SN 0300069278)	
9	1702774	1	Decal - JLG Lift (SN 0300069278 through 0300096000)	
10	1702773	Ref	Decal - JLG (5in)	
10	1702773	2	Front Entry Platform	
10	1702773	1	Side Entry Platform	
11	1702868	2	Decal - No Hands	
12	1704277	3	Decal - Attach Lanyard Here	
13		Ref	Decal - Capacity (Platform) Options:	
13	1704096	2	Decal - Capacity (Platform) 400S with 500Lbs. Maximum Capacity	
13	1704488	2	Decal - Capacity (Platform) 400S with 750Lbs. Maximum Capacity	
13	1701645	2	Decal - Capacity (Platform) 460SJ	
14		Ref	Decal - Capacity (Ground Control) Options:	
14	1704104	1	Decal - Capacity (Ground Control) 400S with 500Lbs. Maximum Capacity	
14	1704489	1	Decal - Capacity (Ground Control) 400S with 750Lbs. Maximum Capacity	
14	1702688	1	Decal - Capacity (Ground Control) 460SJ	
15	3251813	1	Decal - USA	
16	1701502	1	Decal - High Oil Level	
17	1701503	1	Decal - Low Oil Level	
18	1701504	2	Decal - Hydraulic Oil	
19	1702153	1	Decal - Inspection	
20	See Note	1	Decal - Bar Code (Note: Not Available for Purchase)	
21	1700584	1	Decal - Patent	
22	See Note	1	Nameplate - Serial Number (Note: Not Available for Purchase)	

SECTION 8 - DECALS

ITEM	PART NUMBER	QTY	DESCRIPTION	REV
23	1701509	1	Decal - Manual	
24	1702300	6	Decal - Tie Down	
25	1701500	4	Decal - Lift	
26	1701529	4	Decal - Arrow	
27	3251243	1	Nameplate - 120V-60Hz	
28	0860520	1	Box, Manual Storage	
29	1060279	1	Cable, Lanyard	
30	0641408	1	Bolt 1/4in-20NC x 1in	
31	4751400	6	Flatwasher 1/4in	
32	3311405	1	Locknut 1/4in-20NC	
33	3820001	AR	Rivet	
34	3252347	1	Decal - Footswitch (Part of 4360031 Footswitch)	
35		Ref	Decal - Maximum Tire Load Options:	
35	1706126	4	Decal - Maximum Tire Load Model 400S with 500LB Capacity (was p/n 1704827) (Prior to SN 0300077958)	
35	1704827	NLA	Decal - Maximum Tire Load Model 400S with 500LB Capacity (Use p/n 1706126)	
35	1704828	4	Decal - Maximum Tire Load Model 400S with 750LB Capacity	
35	1704829	4	Decal - Maximum Tire Load Model 460SJ	
36		Ref	Decal - Fuel	
36	1701542	1	GM Engine Machines	
36	1701505	1	Caterpillar and Deutz Engine Machines	
37		Ref	Decal - LPG Gas	
37	Not Required	0	Non-Dual Fuel Machines	
37	1701543	1	Dual Fuel Machines	
38		Ref	Decal - LP Gas Liquid Withdrawal System	
38	Not Required	0	Non-Dual Fuel Machines	
38	1700818	1	Dual Fuel Machines	
45	1701499	4	Decal - No Lift	
46	3252672	1	Decal - Lift Diagram	
47	1704412	1	Decal - Hydraulic Oil Chart	
48	1704540	AR	Decal - Storage Capacity (Prior to SN 0300072073)	
49	1701691	4	Decal - No Step	
50	1704726	4	Decal - Lock Latch	
51	1704825	1	Decal - JLG (Prior to SN 0300072618)	
52	1704885	2	Decal - WWW.JLG.COM	
53	0641406	4	Bolt 1/4in-20NC x 3/4in	

SECTION 8 - DECALS

FIGURE 8-2. DECAL INSTALLATION (COUNTRY SPEC)



SECTION 8 - DECALS

FIGURE 8-2. DECAL INSTALLATION (COUNTRY SPEC)

ITEM	PART NUMBER	QTY	DESCRIPTION	REV
		Ref	DECAL INSTALLATIONS	
	0270398	Ref	Decals JLG	4
		Ref	Decal Installations Model 400S with 500LB Capacity	
	0259185	Ref	Brazilian Spec (Dual Language - Portuguese/Spanish)	13
	0259183	Ref	Chinese Spec (Dual Language - Chinese/English)	16
	0259181	Ref	CSA Spec (Dual Language - English/French)	15
	0259175	Ref	Japanese Spec	16
	0259177	Ref	Korean Spec	16
	0259179	Ref	Latin American Spec (Dual Language - English/Spanish)	13
		Ref	Decal Installations Model 400S with 750LB Capacity	
	0259994	Ref	Brazilian Spec (Dual Language - Portuguese/Spanish)	11
	0259993	Ref	Chinese Spec (Dual Language - Chinese/ English)	13
	0259992	Ref	CSA Spec (Dual Language - English/French)	13
	0259989	Ref	Japanese Spec	13
	0259990	Ref	Korean Spec	13
	0259991	Ref	Latin American Spec (Dual Language - English/Spanish)	11
		Ref	Decal Installations Model 460SJ	
	0259186	Ref	Brazilian Spec (Dual Language - Portuguese/Spanish)	13
	0259184	Ref	Chinese Spec (Dual Language - Chinese/ English)	14
	0259182	Ref	CSA Spec (Dual Language - English/French)	14
	0259176	Ref	Japanese Spec	13
	0259178	Ref	Korean Spec	13
	0259180	Ref	Latin American Spec (Dual Language - English/Spanish)	12
1		Ref	Decal - Danger/Warning (Platform) Options:	
1	1703928	1	Brazilian Spec	
1	1703925	1	Chinese Spec	
1	1703924	1	CSA Spec	
1	1703926	1	Japanese Spec	
1	1703927	1	Korean Spec	
1	1703923	1	Latin American Spec	
2		Ref	Decal - Danger/Warning (Ground Control) Options	
2	1703934	1	Brazilian Spec	
2	1703931	1	Chinese Spec	
2	1703930	1	CSA Spec	
2	1703932	1	Japanese Spec	
2	1703933	1	Korean Spec	
2	1703929	1	Latin American Spec	
3		Ref	Decal - Danger/Electrocution Options:	
3	1703940	2	Brazilian Spec	
3	1703937	2	Chinese Spec	
3	1703936	2	CSA Spec	
3	1703938	2	Japanese Spec	
3	1703939	2	Korean Spec	
3	1703935	2	Latin American Spec	
4		Ref	Decal - Warning Crushing Options:	
4	1703952	3	Brazilian Spec	
4	1703949	3	Chinese Spec	
4	1703948	3	CSA Spec	
4	1703950	3	Japanese Spec	
4	1703951	3	Korean Spec	

SECTION 8 - DECALS

ITEM	PART NUMBER	QTY	DESCRIPTION	REV
4	1703947	3	Latin American Spec	
5		Ref	Decal - Legend (Platform) Options:	
5	Not Required	0	Brazilian/ Chinese/ Japanese/ Korean Spec (Prior to SN 0300093233)	
5	1702784	NLA	CSA/Latin American Spec (Use p/n 1706708) (Prior to SN 0300093233)	
5	1706708	1	All Specs (SN 0300093233 through 0300096000)	
6		Ref	Decal - Legend (Ground Control) Options:	
6	Not Required	0	Brazilian/ Chinese/ Japanese/ Korean Spec (Prior to SN 0300093233)	
6	1703808	NLA	CSA/Latin American Spec (Use p/n 1706709) (Prior to SN 0300093233)	
6	1706709	1	All Specs (SN 0300093233 through 0300096000)	
7		Ref	Decal - Model Designation Options:	
7	1704472	2	Decal - Model Designation 400S	
7	1704473	2	Decal - Model Designation 460SJ	
8	1702861	Ref	Decal - JLG Lift (8in)	
8	1702861	1	Decal - JLG Lift (Prior to SN 0300069278)	
8	1702861	2	Decal - JLG Lift (SN 0300069278 through 0300096000)	
9	1702774	Ref	Decal - JLG Lift (3.5in)	
9	1702774	2	Decal - JLG Lift (Prior to SN 0300069278)	
9	1702774	1	Decal - JLG Lift (SN 0300069278 through 0300096000)	
10	1702773	Ref	Decal - JLG (5in)	
10	1702773	2	Front Entry Platform	
10	1702773	1	Side Entry Platform	
11		Ref	Decal - No Hands Options:	
11	1704002	2	Brazilian Spec	
11	Not Required	0	Chinese/Japanese/Korean Specs	
11	1704000	2	CSA Spec	
11	1704001	2	Latin American Spec	
12		Ref	Decal - Attach Lanyard Here Options:	
12	1704005	3	Brazilian Spec	
12	1704003	3	CSA Spec	
12	1704277	3	Chinese/Japanese/Korean Spec	
12	1704004	3	Latin American Spec	
13		Ref	Decal - Capacity (Platform) Options:	
13		Ref	230kg/500lb Maximum Capacity Options:	
13	1703996	1	Brazilian Spec - 400S (Prior to SN 0300064771)	
13	1704100	2	Brazilian Spec - 400S (SN 0300064771 through 0300096000)	
13	1703996	2	Brazilian Spec - 460SJ	
13	1703996	1	Chinese Spec - 400S (Prior to SN 0300064771)	
13	1704101	2	Chinese Spec - 400S (SN 0300064771 through 0300096000)	
13	1703996	2	Chinese Spec - 460SJ	
13	1703996	1	CSA Spec - 400S (Prior to SN 0300063268)	
13	1704099	2	CSA Spec - 400S (SN 0300063268 through 0300096000)	
13	1703996	2	CSA Spec - 460SJ	
13	1703996	1	Japanese Spec - 400S (Prior to SN 0300064771)	
13	1704102	2	Japanese Spec - 400S (SN 0300064771 through 0300096000)	
13	1703996	1	Japanese Spec - 460SJ	
13	1703996	1	Korean Spec - 400S (Prior to SN 0300064771)	

SECTION 8 - DECALS

ITEM	PART NUMBER	QTY	DESCRIPTION	REV
13	1704103	2	Korean Spec - 400S (SN 0300064771 through 0300096000)	
13	1703996	1	Korean Spec - 460SJ	
13	1702688	1	Latin American Spec - 400S (Prior to SN 0300064771)	
13	1704098	2	Latin American Spec - 400S (SN 0300064771 through 0300096000)	
13	1701645	2	Latin American Spec - 460SJ	
13		Ref	340kg/750lb Maximum Capacity Options:	
13	1704233	1	Brazilian Spec - 400S (Prior to SN 0300064771)	
13	1705070	2	Brazilian Spec - 400S (SN 0300064771 through 0300096000)	
13	1704233	1	Chinese Spec - 400S (Prior to SN 0300064771)	
13	1705069	2	Chinese Spec - 400S (SN 0300064771 through 0300096000)	
13	1704233	1	CSA Spec - 400S (Prior to SN 0300063268)	
13	1705068	2	CSA Spec - 400S (SN 0300063268 through 0300096000)	
13	1704233	1	Japanese Spec - 400S (Prior to SN 0300064771)	
13	1705065	2	Japanese Spec - 400S (SN 0300064771 through 0300096000)	
13	1704233	1	Korean Spec - 400S (Prior to SN 0300064771)	
13	1705066	2	Korean Spec - 400S (SN 0300064771 through 0300096000)	
13	1704233	1	Latin American Spec - 400S (Prior to SN 0300064771)	
13	1705067	2	Latin American Spec - 400S (SN 0300064771 through 0300096000)	
14		Ref	Decal - Capacity (Ground Control) Options:	
14		Ref	230kg/500lb Maximum Capacity Options:	
14	1702688	1	Brazilian Spec - 400S (Prior to SN 0300064771)	
14	1704108	1	Brazilian Spec - 400S (SN 0300064771 through 0300096000)	
14	1702688	1	Brazilian Spec - 400SJ (Prior to SN 0300064771)	
14	1704112	1	Brazilian Spec - 400SJ (SN 0300064771 through 0300096000)	
14	1704109	1	Chinese Spec - 400S (SN 0300064771 through 0300096000)	
14	Not Required	0	Chinese Spec - 460SJ	
14	1704112	1	CSA Spec - 400S (Prior to SN 0300063268)	
14	1704107	1	CSA Spec - 400S (SN 0300063268 through 0300096000)	
14	1704112	1	CSA Spec - 460SJ	
14	1704110	1	Japanese Spec - 400S	
14	Not Required	0	Japanese Spec - 460SJ	
14	1704111	1	Korean Spec - 400S (SN 0300064771 through 0300096000)	
14	Not Required	0	Korean Spec - 460SJ	
14	1702688	1	Latin American Spec - 400S (Prior to SN 0300064771)	
14	1704106	1	Latin American Spec - 400S (SN 0300064771 through 0300096000)	
14	1702688	1	Latin American Spec - 460SJ	
14		Ref	340kg/750lb Maximum Capacity Options:	
14	1704510	1	Brazilian Spec - 400S (Prior to SN 0300064771)	
14	1705076	1	Brazilian Spec - 400S (SN 0300064771 through 0300096000)	
14	1705075	1	Chinese Spec - 400S (SN 0300064771 through 0300096000)	

SECTION 8 - DECALS

ITEM	PART NUMBER	QTY	DESCRIPTION	REV
14	1704510	1	CSA Spec - 400S (Prior to SN 0300063268)	
14	1705074	1	CSA Spec - 400S (SN 0300063268 through 0300096000)	
14	1705071	1	Japanese Spec - 400S (SN 0300064771 through 0300096000)	
14	1705072	1	Korean Spec - 400S (SN 0300064771 through 0300096000)	
14	1704510	1	Latin American Spec - 400S (Prior to SN 0300064771)	
14	1705073	1	Latin American Spec - 400S (SN 0300064771 through 0300096000)	
15		Ref	Decal - USA Options:	
15	3251813	1	Brazilian/CSA/Latin American Specs	
15	Not Required	0	Chinese/Japanese/Korean Specs	
16	1701502	1	Decal - High Oil Level	
17	1701503	1	Decal - Low Oil Level	
18	1701504	2	Decal - Hydraulic Oil	
19		Ref	Decal - Inspection Options:	
19	1704008	1	Brazilian Spec	
19	Not Required	0	Chinese Spec	
19	1704006	1	CSA Spec	
19	Not Required	0	Japanese Spec	
19	Not Required	0	Korean Spec	
19	1704007	1	Latin American Spec	
20	See Note	1	Decal - Bar Code (Note: Not Available for Purchase)	
21	1700584	1	Decal - Patent	
22	See Note	1	Nameplate - Serial Number (Note: Not Available for Purchase)	
23	1701509	1	Decal - Manual	
24	1702300	6	Decal - Tie Down	
25	1701500	4	Decal - Lift	
26	1701529	4	Decal - Arrow	
27		Ref	Nameplate - 120V-60Hz Options:	
27	3251243	1	Brazilian/CSA/Latin American Specs	
27	Not Required	0	Chinese/Japanese/Korean Specs	
28	0860520	1	Box, Manual Storage	
29	1060279	1	Cable, Lanyard	
30	0641408	1	Bolt 1/4in-20NC x 1in	
31	4751400	6	Flatwasher 1/4in Regular	
32	3311405	1	Locknut 1/4in-20NC	
33	3820001	AR	Rivet	
34		Ref	Decal - Footswitch Options:	
34	1703985	1	Brazilian Spec	
34	1703982	1	Chinese Spec	
34	1703984	1	CSA Spec	
34	1703980	1	Japanese Spec	
34	1703981	1	Korean Spec	
34	1703983	1	Latin American Spec	
35		Ref	Decal - Maximum Tire Load Options:	
35	Not Required	0	Brazilian/Latin American Specs	
35		Ref	Chinese/CSA/Japanese/Korean Spec Options:	
35	1704827	NLA	Decal - Maximum Tire Load 400S Models with 500LB Capacity (Use p/n 1706126)	
35	1704829	4	Decal - Maximum Tire Load 400S Models with 750LB Capacity	

SECTION 8 - DECALS

ITEM	PART NUMBER	QTY	DESCRIPTION	REV
35	1704828	4	Decal - Maximum Tire Load 460SJ Models	
36		Ref	Decal - Fuel	
36	1701542	1	GM Engine Machines	
36	1701505	1	Caterpillar and Deutz Engine Machines	
37		Ref	Decal - LPG Gas	
37	Not Required	0	Non-Dual Fuel Machines	
37	1701543	1	Dual Fuel Machines	
38		Ref	Decal - LP Gas Liquid Withdrawal System	
38	Not Required	0	Non-Dual Fuel Machines	
38	1700818	1	Dual Fuel Machines (English Language)	
38	1704271	1	Dual Fuel Machines (CSA Spec)	
38	1702720	1	Dual Fuel Machines (Spanish Language)	
39		Ref	Decal - CSA Options:	
39	3252221	1	CSA Specs	
39	Not Required	0	Brazilian/ Chinese/ Japanese/ Korean/ Latin American Specs	
45	1701499	4	Decal - No Lift	
46		Ref	Decal - Lift Diagram	
46	3252685	1	Brazilian Spec	
46	3252684	1	Chinese Spec	
46	3252683	1	CSA Spec	
46	3252680	1	Japanese Spec	
46	3252681	1	Korean Spec	
46	3252682	1	Latin American Spec	
47	1704412	1	Decal - Hydraulic Oil Chart	
48	1704540	AR	Decal - Storage Capacity Only (Prior to SN 0300072073)	
49	1701691	4	Decal - No Step	
50	1704726	4	Decal - Lock Latch	
51	1704825	1	Decal - JLG (CTW Only) (Prior to SN 0300072618)	
52	1704885	2	Decal - WWW.JLG.COM	
53	0641406	4	Bolt 1/4in-20NC x 3/4in (SN 0300072618 through 0300096000)	

SECTION 9 - RECOMMENDED SERVICE PARTS STOCK

SECTION 9 - RECOMMENDED SERVICE PARTS STOCK

SECTION 9 - RECOMMENDED SERVICE PARTS STOCK

FIGURE 9-1. MODEL 400S/460SJ STANDARD PARTS

ITEM	PART NUMBER	QTY	DESCRIPTION	REV
	Note	Ref	Note: The following list will service one machine (built to current production per date on the front cover) with emergency repair parts which can be installed in the field. Parts from the list should be replaced when inventory is depleted to keep service parts stock supplied. For further information, contact your JLG dealer or the JLG Industries Parts Department.	
		Ref	STANDARD PARTS	
	2120210	4	Element, Filter	
	7012944	1	Coil	
	7012943	1	Coil	
	7021376	1	Coil	
	7018991	1	Coil	
	7012772	1	Coil	
	7012664	4	Element, Air Cleaner	
	3740067	1	Relay	
	7023205	4	Filter	
	4360475	1	Switch, Mushroom	
	4360469	1	Switch, Key	
	2860030	1	Key, Replacement	
	4360328	1	Switch, Toggle	
	4360476	1	Contact, Switch Block	
	2940074	1	Latch	
	1001129555	1	Controller	
	1001118416	1	Controller	
	4360387	1	Switch, Push Button	
	4360407	1	Controller, Speed	
	4360331	1	Switch, Toggle	
	4360232	1	Breaker, Circuit	
	7022818	1	Potentiometer	
	7022824	1	PC Board Assembly	
	7019166	1	Microswitch	
	3990010	2	Diode	

SECTION 9 - RECOMMENDED SERVICE PARTS STOCK

FIGURE 9-2. MODEL 400S/460SJ VARIABLE PARTS

ITEM	PART NUMBER	QTY	DESCRIPTION	REV
	Note	Ref	Note: The following list will service one machine (built to current production per date on the front cover) with emergency repair parts which can be installed in the field. Parts from the list should be replaced when inventory is depleted to keep service parts stock supplied. For further information, contact your JLG dealer or the JLG Industries Parts Department.	
		Ref	VARIABLE PARTS	
	70001403	1 Dozen	Filter, Oil (Caterpillar Engine Machines)	
	7026871	4	Filter, Fuel (Caterpillar Engine Machines)	
	70001990	1	Solenoid, Shutdown (Caterpillar Engine Machines)	
	7016331	1 Dozen	Filter, Oil (Deutz Engine Machines)	
	7020023	4	Filter, Fuel (Deutz Engine Machines)	
	7027245	4	Filter, Fuel (Deutz Engine Machines)	
	7027239	1	Solenoid, Shutdown (Deutz Engine Machines)	
	7027795	1	Module, Deutz EMR2 (Deutz Engine Machines)	
	3740080	1	Relay (Caterpillar and Ford Machines)	
	7014501	1 Dozen	Filter, Oil (Ford Engine Machines)	
	7022135	4	Filter, Fuel (Ford Engine Machines)	
	7027965	1 Dozen	Filter, Oil (GM Engine Machines)	
	7027972	4	Filter, Fuel (GM Engine Machines)	
	7022111	1 Dozen	Filter, Oil (Isuzu Engine Machines)	
	7022113	4	Filter, Fuel (Isuzu Engine Machines)	
	4360501	1	Breaker, Circuit (Isuzu Engine Machines)	
	3740080	1	Relay (Machines with Generator Option)	
	4360336	1	Switch, Toggle (Machines with Generator Option)	
	1600364	1	Module, Controller (Ground Control) (Caterpillar and Ford Engines)	
	1600411	1	Module, Controller (Ground Control) (Deutz and GM)	
	4360548	1	Switch, Limit	
	4360549	1	Switch, Limit	
	1600375	1	Module, Controller (Platform Control)	
	4360336	1	Switch, Toggle (Ford Dual Fuel Machines)	
	2400061	2	Fuse (Ford Engine Machines)	

SECTION 10 - SPECIAL OPTIONS

SECTION 10 - SPECIAL OPTIONS

FIGURE 10-1. SPECIAL OPTIONS LIST

ITEM	PART NUMBER	QTY	DESCRIPTION	REV
		Ref	Note: This list is to accommodate machines ordered with special equipment. Options may not be applicable to all models. For more specific parts information contact JLG Parts Department.	
		Ref	MISCELLANEOUS SPECIAL OPTIONS	
	1340061	Ref	Air Cleaner with Dust Evacuator Valve	
	0271239	Ref	Air Line at Platform Installation - 400S	
	0271445	Ref	Air Line at Platform Installation - 460SJ	
	1001204996	Ref	Arctic Package with SkyPower Installation Kit (400S Only)	
	1001204997	Ref	Arctic Package without SkyPower Installation Kit (400S Only)	
	1001205008	Ref	Arctic Package with SkyPower Installation Kit (460SJ Only)	
	1001205009	Ref	Arctic Package without SkyPower Installation Kit (460SJ Only)	
		Ref	Bellows Installations	
	0259194	Ref	Bellows Installations 400S with Oscillating Axle	
	0259193	Ref	Bellows Installations 400S with Fixed Axle	
	0259196	Ref	Bellows Installations 460SJ with Oscillating Axle	
	0259195	Ref	Bellows Installations 460SJ with Fixed Axle	
	1001106689	Ref	Boom Wear Pad Kit	
	0259197	Ref	Boom Wiper Installation	
		Ref	Cold Weather Start Kits	
	0273064	Ref	Caterpillar Engine Machines	
	0270646	Ref	Deutz Engine Machines (Ether Only) (Prior to SN 0300085617)	
	0270647	Ref	Deutz Engine Machines (Glow Plugs) (Prior to SN 0300064404)	
	0271912	Ref	Deutz Engine Machines - ADE System (SN 0300064404 through 0300085617)	
	0270670	Ref	Ford Engine Machines	
	0275056	Ref	GM Engine Machines	
	0258999	Ref	Isuzu Engine Machines	
		Ref	Decal Installations	
	1702788	1	Decal - Biodegradable Hydraulic Fluid (All except German Spec)	
	1704174	1	Decal - Biodegradable Synthetic Hydraulic Fluid (All except German Spec)	
	1703479	1	Decal - Biodegradable Hydraulic Fluid (German Spec Only)	
	1704175	1	Decal - Biodegradable Synthetic Hydraulic Fluid (German Spec Only)	
	0257195	Ref	Decal - Government Warranty Installation	
	1704150	1	Decal - Glow Plug Warning	
	0273250	Ref	Decal - Hertz	
	0274529	Ref	Decal - Head and Engquist Equipment L.L.C (H and E)	
	1703175	1	Decal - Lanyard Attach (GM K-1 Spec)	
	0273370	Ref	Decal - Nations Rent	
	0274247	Ref	Decal - National Equipment Services (NES)	
	1702868	2	Decal - No Hands (English Language) (Used with Mesh to Top Rail Platform)	
	1704000	2	Decal - No Hands (English and French Dual Language) (Used with Mesh to Top Rail Platform)	
	1702962	1	Decal - Prop 65 Warning (Diesel Machines) (California Spec)	
	1702961	1	Decal - Prop 65 Warning (Gasoline Machines) (California Spec)	
	0270575	Ref	Decal - Sunbelt	

SECTION 10 - SPECIAL OPTIONS

ITEM	PART NUMBER	QTY	DESCRIPTION	REV
	0270574	Ref	Decal - United Rentals (Prior to SN 0300069278)	
	0271892	Ref	Decal - United Rentals (SN 0300069278 through 0300096000)	
	0257733	Ref	Decal - Warning Stripes	
		Ref	Decal Kits	
	2910478	Ref	Decal Kit - Machine	
	1001108717	Ref	Decal Kit - Platform	
	1001109194	Ref	Decal Kit - Platform Console Box (Without ADE)	
	2910865	Ref	Decal Kit - Platform Console Box (With ADE)	
	2902393	Ref	Drive/Steer Cutout Kit	
		Ref	Electrical Connector Kits	
	1001148902	Ref	Amp/Tyco Electrical Connector Kit	
	1001148903	Ref	Deutsch DT Electrical Connector Kit	
	1001148904	Ref	Deutsch HD Electrical Connector Kit	
	1001148905	Ref	Packard Electrical Connector Kit	
	1001148906	Ref	Various Electrical Connectors Kit	
		Ref	Engine Block Heater Installation	
	0258922	Ref	Ford Engines	
	0275055	Ref	GM Engines	
	0270649	Ref	Ether Start Installation (Deutz Engine Machines Only) (Prior to SN 0300085617)	
		Ref	Filter Kits:	
		Ref	Combined Filter Kit (Hydraulic/Air and Fuel/Engine Oil)	
		Ref	Combined Filter Kit (Hydraulic/Air and Fuel/Engine Oil) (Prior to SN 0300087630)	
	1001110998	1	Caterpillar Engine	
	1001110997	1	Deutz Engine	
	1001114131	1	GM Engine	
	2910949	1	Ford Engine	
		Ref	Combined Filter Kit (Hydraulic/Air and Fuel/Engine Oil) (SN 0300087630 through 0300096000)	
	1001111000	1	Caterpillar Engine	
	1001110999	1	Deutz Engine	
	1001114131	1	GM Engine	
		Ref	Hydraulic/Air Filter	
		Ref	Hydraulic/Air Filter (Prior to SN 0300087630)	
	1001109694	1	Caterpillar/Deutz Engines	
	1001109694	1	Ford Engine	
		Ref	Ford Engine (SN 0300087630 through 0300096000)	
	1001109698	1	Caterpillar/Deutz Engines	
	1001114125	1	Ford Engine	
		Ref	Engine - Fuel/Engine Oil Filter	
	1001110139	1	Caterpillar Engine	
	1001110138	1	Deutz Engine	
		Ref	Footswitch Shield Installation	
	4060959	1	Shield, Footswitch (Prior to SN 0300091439)	
	3380652	1	Shield, Footswitch (SN 0300091439 through 0300096000)	
	1001175930	Ref	Generator (4000W) Kit	
		Ref	Glow Plug Installations (Deutz Engine Machines)	
	0270648	Ref	Glow Plug Installation (Prior to SN 0300064404)	
	0271548	Ref	Glow Plug Installation - ADE System (SN 0300064404 through 0300085617)	
		Ref	Hose Kits	

SECTION 10 - SPECIAL OPTIONS

ITEM	PART NUMBER	QTY	DESCRIPTION	REV
	1001187481	Ref	Hose Kit - Boom (400S)	
	1001187482	Ref	Hose Kit - Boom (460SJ)	
	1001204921	Ref	Hostile Environment Kit, 400S	
	1001204922	Ref	Hostile Environment Kit, 460SJ	
		Ref	Hydraulic Fluids Options:	
	2300014	Ref	Mobil 424	
	2300027	Ref	Mobil 224H Bio	
	2300029	Ref	Mobil EAL ISO 46 Bio	
	2300016	Ref	Mobil DTE 13M	
	2300019	Ref	Quaker State Quintolubric 888-46 Fire Res.	
		Ref	Hydraulic Welder Assemblies	
	0270044	1	225A - 400S (Prior to SN 0300064404)	
	0271579	1	200A - 400S (Prior to SN 0300064404)	
	0271358	1	225A - 400S - ADE System (SN 0300064404 through 0300064509)	
	0272025	1	225A - 400S - ADE System (SN 0300064509 through 0300096000)	
	0270361	1	225A - 460SJ (Prior to SN 0300064404)	
	0271580	1	200A - 460SJ (Prior to SN 0300064404)	
	0271359	1	225A - 460SJ - ADE System (SN 0300064404 through 0300064509)	
	0272024	1	225A - 460SJ - ADE System (SN 0300064509 through 0300096000)	
		Ref	Hydraulic Oil Cooler Installations	
	0256765	1	Deutz (Prior to SN 0300063791)	
	0256778	1	Ford (Prior to SN 0300063791)	
	0271607	1	Ford/Deutz (SN 0300063791 through 0300096000)	
	1001148971	Ref	Lanyard (Bolt-On) Kit Installation	
		Ref	Lift Companion Components	
		Ref	Data Recorder Installations:	
	0258584	Ref	Lift Companion 5	
	0258585	Ref	Lift Companion 6	
	2901662	Ref	Start up Kit	
		Ref	Collection Box Kits:	
	2901659	Ref	All Specs except Latin American	
	2901663	Ref	Latin American Spec	
	1001183407	Ref	Low Temperature Cutout Installation	
		Ref	Platform Cover Installations	
	0258703	Ref	Clear Plastic Construction	
	1670870	1	Cover	
		Ref	Steel Construction Options:	
	0258981	Ref	Steel Construction (Prior to SN 0300065099)	
	0271675	Ref	Steel Construction (SN 0300065099 through 0300096000)	
		Ref	Cover Weldment Options:	
	4845950	1	Cover Weldment (Prior to SN 0300065099)	
	4846506	1	Cover Weldment (SN 0300065099 through 0300096000)	
	1670894	1	Cover, Rubber	
	2915227	Ref	Platform Conversion Kit - Rear Entry to Side Entry	
		Ref	Platform Entry Kit	
	1001142504	Ref	Kit, Replace Swing Gate with Drop Bar	
	1001142505	Ref	Kit, Replace Drop Bar with Swing Gate	
		Ref	Platform Mesh to Top Rail Add-on Kits (Side Entry Platform):	

SECTION 10 - SPECIAL OPTIONS

ITEM	PART NUMBER	QTY	DESCRIPTION	REV
	1001214552	Ref	30in x 4ft (76cm x 1.22m) with Gate	
	1001214559	Ref	30in x 5ft (76cm x 1.52m) with Gate	
	1001214561	Ref	36in x 6ft (91.5cm x 1.83m) with Gate	
	1001214562	Ref	36in x 8ft (91.5cm x 2.44m) with Gate	
		Ref	Platform Mesh to Top Rail Installations (Side Entry Platform):	
	0273147	Ref	30in x 4ft (76cm x 1.22m)	
	0273146	Ref	30in x 5ft (76cm x 1.52m)	
	0273149	Ref	36in x 6ft (91.5cm x 1.83m)	
	0273145	Ref	36in x 8ft (91.5cm x 2.44m)	
		Ref	Platform Mesh to Mid Rail Add-on Kits (Side Entry Platform):	
	1001214478	Ref	30in x 4ft (76cm x 1.22m) with Gate	
	1001214515	Ref	30in x 5ft (76cm x 1.52m) with Gate	
	1001214540	Ref	36in x 6ft (91.5cm x 1.83m) with Gate	
	1001214548	Ref	36in x 8ft (91.5cm x 2.44m) with Gate	
		Ref	Platform Mesh to Mid Rail Installation (Side Entry Platform):	
	1001140318	Ref	30in x 4ft (76cm x 1.22m)	
	1001140315	Ref	30in x 5ft (76cm x 1.52m)	
	1001138772	Ref	36in x 6ft (91.5cm x 1.83m)	
	1001138773	Ref	36in x 8ft (91.5cm x 2.44m)	
	1001149730	Ref	Platform Mid Rail Repair Kit	
		Ref	Platform Rail Extension Installations	
	0271603	Ref	30in x 6ft Platforms (Front Entry Platform)	
	0272733	Ref	36in x 6ft Platforms (Side Entry Platform)	
	0272725	Ref	36in x 8ft Platforms (Side Entry Platform)	
	0257728	Ref	Platform Tubing Rack Installations	
	0258918	Ref	Platform Utility Rack Assembly (Michigan OSHA Spec)	
	0861575	Ref	Proportional Valve Drive Installation (SN 0300069278 through 0300096000)	
	1600344	2	Controller	
	4922829	1	Harness, Feed Back	
		Ref	SkyGuard Component Options:	
	1001149560	Ref	SkyGuard Complete Add-On Kit (Non-UGM Machines)	
	1001137672	Ref	SkyGuard Platform Sensor Kit	
	1001143256	Ref	SkyGuard Blue Beacon Kit	
	1001228357	1 Ref	Telematics Retrofit Harness Kit (Machines with UGM)	
		Ref	Tire Sealant Installations	
	0272307	Ref	12 x 16.5	
	0272301	Ref	14 x 17.5	
		Ref	Tools for Service	
	2901443	1	Analyzer Kit (SN 0300064404 through 0300096000)	
	8896941	1	Wire Stripper	
	7002821	1	Wire Crimper (To install wire ends to wires)	
	7002823	1	Pin/Socket Extractor - Universal (To Remove Pins/Sockets from Connectors)	
	4460467	1	Extractor - 16-18 Gauge (For Removal of Pin/Sockets from Deutsch Connectors)	
	4460510	1	Extractor - 12-14 Gauge (For Removal of Pin/Sockets from Deutsch Connectors)	
	7002822	1	Screwdriver, Potentiometer (To Adjust Drive Controllers)	
	7016654	1	Screwdriver, Magnetic	
	7004275	1	Seal Installation Tool - 1in	
	7004276	1	Seal Installation Tool - 1-1/2in	

SECTION 10 - SPECIAL OPTIONS

ITEM	PART NUMBER	QTY	DESCRIPTION	REV
	7002826	1	Seal Installation Tool - 2in	
	7016655	1	Wire Rope Sheave Gauge	
	4922012	1	Horsepower Card Service Harness	
		Ref	Weld Leads at Platform Installations	
	0271240	Ref	Weld Leads at Platform Installations 400S	
	0271446	Ref	Weld Leads at Platform Installations 460SJ	

PART NUMBER INDEX

PART NUMBER INDEX

0020005.....51	0256847 91, 97	0259354 26	0270651.....26
0020006.....51	0257195 370	0259355 26	0270652.....26
0060033..... 87, 127, 339	0257728 289, 373	0259356 26	0270653.....26
0060047 213	0257733 371	0259640 59	0270654.....26
0060048 217, 221	0257887 351	0259641 59	0270655.....26
0060059 213, 221	0258252 106	0259665 51	0270659..... 118
0080163.....91, 97	0258253 106	0259674 51	0270670..... 332, 370
0080181.....80, 127	0258308 155	0259750 101	0270814.... 230, 234, 247, 333
0080201.....80, 103, 111, 123, 127	0258309 230, 333	0259751 101	0271040.....237
0080214..... 103, 111	0258584 372	0259852 156	0271076.....151
0080231 88, 95	0258585 372	0259856 217	0271077.....152
0080232..... 127	0258608 243	0259857 156	0271078.....151
0080234..... 104	0258703 372	0259875 69	0271079.....151
0080241..... 155	0258918 373	0259962 243, 247	0271159.... 210, 218, 344
0100009..... 242, 245	0258922 332, 371	0259963 243, 247	0271160..... 210, 344
0100010.....229	0258981 372	0259964 243, 247	0271164.....156
0100011.... 11, 12, 15, 16, 19, 20, 25, 52, 55, 59, 69, 80, 82, 88, 94, 95, 101, 103, 110, 111, 122, 123, 128, 141, 146, 151, 156, 159, 163, 168, 172, 175, 179, 184, 187, 193, 197, 203, 209, 210, 211, 213, 214, 217, 218, 225, 237, 239, 242, 246, 267, 269, 274, 283, 285, 293, 295, 299, 305, 307, 311, 315	0258999 332, 370	0259965 243, 247	0271165.....156
0100019.... 12, 15, 16, 20, 25, 69, 175, 188, 193	0259000 183	0259968 243, 247	0271166.....156
0100020.... 80, 82, 88, 94, 95, 103, 110, 112, 117, 118, 122, 123, 128, 203, 206, 229, 242, 245, 274	0259001 183	0259981 355	0271211..... 51
0100035..... 156, 242, 245	0259135 209	0259989 359	0271212..... 51
0100038.... 293, 295, 299, 305, 307, 311, 315	0259136 209	0259990 359	0271213..... 51
0100040.....229	0259137 102, 243	0259991 359	0271215..... 51
0100048.....94, 104, 110, 122, 149, 155, 156, 225, 245, 344	0259138 87	0259992 359	0271218..... 51
0100062..... 189	0259140 102	0259993 359	0271239..... 203, 370
0100063..... 315	0259141 159	0259994 359	0271240..... 374
0100081 246, 267	0259143 141	0270022 340, 350	0271244..... 102
0140001 59	0259144 117	0270024 340, 350	0271245..... 87
0140011 245	0259145 25, 47	0270029 51, 52	0271246..... 102, 247
0140026 242	0259146 25, 47	0270030 51, 52	0271247..... 101
0140032 155	0259147 69	0270044 278, 372	0271248..... 101
0181949..... 117	0259148 12	0270074 26	0271333..... 332
0200048 237, 239	0259149 20	0270075 26	0271340..... 247
0200530 168	0259150 11	0270076 26	0271342..... 155
0200632 172	0259151 19	0270077 26	0271343..... 155, 247
0200664 183	0259152 11	0270078 27	0271345..... 171
0200741 168	0259153 19	0270079 27	0271346..... 167
0200742 163, 168	0259155 69	0270086 51	0271347..... 167
0240047 52	0259156 69	0270091 26	0271348..... 171
0240049 52	0259157 156	0270092 26	0271355..... 237, 247
0240050 52	0259158 69	0270093 26	0271358..... 278, 372
0255917 155, 351	0259159 355	0270094 26	0271359..... 278, 372
0256765 372	0259160 355	0270159 155	0271441..... 127
0256778 372	0259175 359	0270160 155	0271445..... 370
	0259176 359	0270180 52	0271446..... 374
	0259177 359	0270184 51	0271548..... 371
	0259178 359	0270186 52	0271579..... 278, 372
	0259179 359	0270187 52	0271580..... 278, 372
	0259180 359	0270192 51	0271603..... 373
	0259181 359	0270193 51, 52	0271607..... 372
	0259182 359	0270213 210	0271657..... 151
	0259183 359	0270259 51	0271659..... 152
	0259184 359	0270326 69	0271661..... 152
	0259185 359	0270354 160	0271662..... 151
	0259186 359	0270361 278, 372	0271675..... 372
	0259188 59	0270398 355, 359	0271892..... 371
	0259189 210, 336	0270496 171	0271912..... 332, 370
	0259190 210, 218, 336	0270497 171	0271977..... 11
	0259193 370	0270498 167	0271978..... 19
	0259194 370	0270499 167	0271993..... 26
	0259195 370	0270574 371	0271994..... 26
	0259196 370	0270575 370	0271995..... 26
	0259197 370	0270646 332, 370	0271996..... 26
	0259198 129, 339	0270647 332, 370	0271997..... 26
	0259351 26	0270648 371	0271998..... 26
	0259352 26	0270649 332, 371	0272007..... 237
	0259353 26	0270650 26	

PART NUMBER INDEX

0272008 171	0272925 25, 47	0361810..82, 88, 94, 102, 110, 122, 128	064140851, 80, 102, 187, 229, 233, 245, 356, 362
0272009 167	0272926 25, 47	0362519.....117	0641410... 80, 82, 89, 94, 104, 110, 122, 129
0272010 167	0272927 20	0362528.....156	0641412..... 59, 103, 110, 122, 278
0272011 171	0272938 151	0362870.....102	064141411, 19, 104, 111, 230, 234, 237, 239, 245, 278
0272018 155, 247	0272939 151	0362909.....156	0641416 159, 218, 225
0272024 278, 372	0272948 267	0362932.....11, 15	0641420 59
0272025 278, 372	0272951 267	0362936.....47	0641422 102, 122
0272035 229	0272955 267	0362949.....278	0641424 15
0272036 229	0272970 233, 246	0362954.....11, 15, 19	0641504 47, 55
0272070 214, 218	0272989 80	0362965.....19	0641505 187, 193, 197
0272254 285	0272994 82	0363019.....55	064150680, 89, 104, 111, 129, 203, 205
0272274 11	0272999 209	0363082.....175	064150780, 95, 106, 111, 123
0272275 19	0273003 187	0363097.....175, 193	0641508 . 16, 47, 48, 127, 163, 168, 172, 175, 184
0272301 373	0273004 187	0363201.....193	0641510... 59, 89, 95, 97, 179, 278
0272307 373	0273005 193	0363202.....193	0641511 122
0272310 26	0273050 163	0370024.....313	0641512 95
0272311 26	0273051 163	0400075..82, 88, 94, 102, 110, 122, 128	0641514 278, 289
0272336 26	0273064 370	0440161.....20	0641516... 187, 193, 197, 211, 225
0272337 26	0273065 209	0440162.....12, 16	0641518 234
0272352 26	0273145 373	0440240.....69	0641530 47, 48
0272353 26	0273146 373	0440271.....20	0641538 47, 48
0272387 267	0273147 373	0440274.....21	0641604 211, 315
0272390 267	0273149 373	0440291.....20	0641605... 209, 210, 213, 218
0272391 267	0273250 370	0480056.....183	0641606... 12, 16, 19, 20, 47, 117, 213, 217, 269, 274, 283, 285
0272395 267	0273353 274	0480100.....289	0641607... 11, 12, 15, 20, 48
0272418 267	0273370 370	0480111.....172	0641608... 80, 87, 95, 97, 101, 111, 123, 127, 141, 159, 193, 209, 213, 217, 218
0272427 239	0273473 15	0480118.....168, 172	064160982, 95, 103, 111, 123, 210
0272435 190, 195, 199	0273493 234	0480120.....163, 168	0641610 . 59, 80, 87, 102, 111, 118, 123, 127, 156, 159, 163, 168, 184, 205, 209, 213, 217, 218, 229, 233, 245
0272444 239	0273494 234	0480122.....163	064161188, 95, 123, 127, 175, 193, 242
0272448 274, 285	0273507 175	0480126.....188	0641612... 102, 111, 123, 159, 175, 193
0272521 283	0273511 175	0480128.....188	0641613 278
0272588 283	0273512 203	0480129.....188	0641614 103
0272589 190	0273710 203	0480131.....193	0641616 . 82, 89, 94, 104, 110, 122, 205, 213, 217
0272590 269	0273944 94	0480134.....172	0641618.47, 48, 189, 218
0272591 209	0274015 110	0480135.....175	0641620 19, 209
0272592 209	0274016 159	0480142.....179, 197	0641626 11, 15
0272593 217	0274079 167	0480142.....179, 197	0641708 193
0272596 187	0274084 163	0561185.....213, 217	0641710 179
0272597 187	0274085 167	0561237.....218	0641718 175
0272599 269, 274	0274247 370	0561300.....11, 12, 15	0641772 163, 168, 172
0272606 269	0274334 94	0630462.....237, 239	0641808 51, 187, 197
0272607 269	0274415 151	0630464.....47, 242, 245	
0272609 233	0274416 151	0630491.....155	
0272612 210, 344	0274419 151	0630498.....88	
0272613 210, 218, 344	0274420 152	0630518....146, 149, 242, 274, 283, 285	
0272614 167	0274529 370	0630534.....299, 303	
0272615 167	0274570 234	0630535....295, 305, 307, 315	
0272703 225	0274574 155, 247	0630541..82, 88, 94, 102, 110, 122, 128	
0272725 373	0274584 234	0630548 149	
0272731 141	0274600 59	0630566.....211	
0272733 373	0274601 59	0630568.....247	
0272783 25, 47	0274603 110	0630569.....80	
0272784 25, 47	0274605 82	0641403.....187	
0272803 15	0275032 122	0641404.....35, 156, 188, 193, 197, 242, 245	
0272804 16	0275039 179	0641405....175, 179, 193, 197, 225	
0272805 55	0275055 371	0641406..80, 87, 95, 103, 111, 123, 146, 152, 156, 205, 214, 217, 229, 233, 242, 243, 245, 269, 356, 363	
0272828 55	0275056 370	0641407.....225	
0272885 101	0275057 197		
0272886 102	0275059 151		
0272897 210	0275060 152		
0272900 11	0340041 . 80, 88, 95, 103, 111, 123, 127		
0272901 19	0340046 80, 106, 111, 129		
0272902 11	0360406 55		
0272903 19	0360541 88		
0272906 15			
0272923 26			
0272924 26			

PART NUMBER INDEX

0641810.....69, 175, 193, 203, 278	0741605 214, 217	0861707 149	1001099830.....210
0641812..80, 87, 95, 101, 111, 123, 127, 214, 218	0741606 175, 193	0861710 149	1001100321.....163, 167, 171, 175, 179, 183
0641814.....118, 209	0741607 213	0861711 149	1001101228.....81
0641820..80, 87, 95, 102, 111, 123, 127, 209	0741610 .80, 88, 95, 104, 112, 123, 128	0861736 149	1001101232.....81
0641822.....225, 267	0741808 175, 193	0861739 149	1001101233.....81
0641826.....69	0750605 279	0861773 149	1001101836.....160
0641832.....198	0750808 160	0861774 149	1001102354.....52
0642010....11, 15, 19, 82, 89, 94, 103, 110, 122, 128	0760606 111	0902210 172	1001106689.....370
0642012...11, 15, 19, 209	0771012 95	0902317 203	1001108717.....371
0642024.....225	0771415 189	0902457 106, 111	1001109194.....371
0642214.....267	0801186 209, 217	0902461 87	1001109402.....160
0642682.....214, 218	0801213 213	0902464 87	1001109403.....160
0642684.....225, 267	0801214 217	0902539 101, 113	1001109694.....371
0651406.....59	0801215 213	0902556 69	1001109698.....371
0681608.....214, 218, 225	0801216 217	0902668 159, 160	1001110138.....371
0681610.....209, 267	0801223 209, 213	0902669 159	1001110139.....371
0681612.....168, 172, 184	0801359 209, 213	0902673 160	1001110872.....187
0681632.....209	0801360 209, 217	0902674 160	1001110873.....187
0681810.....25	0811608 198	0902724 104	1001110997.....371
0681822.....51	0840041 278	0902733 55	1001110998.....371
0681824.....16	0840055 225, 226	0902734 55	1001110999.....371
0681828.....12, 16, 20	0860038 ... 187, 193, 197, 340, 350	0902740 89, 95	1001111000.....371
0681832.....69	0860520 356, 362	0902751 245	10011113961.....261, 263
0681856.....51	0860984 241	0902756 172	1001114125.....371
0681872.....51	0861195 241	0902888 ... 187, 194, 197	1001114131.....371
0682012.....25	0861270 241	0902894 225	1001114872.....198
0682014.....25	0861271 241	0902919 225	1001114873.....198
0682018.....69	0861278 146	0902920 225	1001117320.....233
0682026.....69	0861279 146	0902952 175	1001118416.....263, 366
0682040.....55	0861280 146	0903010 113	1001118417.....253
0682048.....69	0861281 146	0903063 95	1001121340.....190, 199
0682248.....11, 15, 19	0861320 159	0920116 69, 73	1001126747.....267
0700610.....127	0861327 159	0920119 69, 73	1001129555.....366
0700808.....80	0861337 145	0940049 .82, 89, 94, 104, 110, 122, 129, 159	1001137672.....373
0700810.91, 97, 101, 123	0861339 145	0940071 159	1001138772.....373
0700814.....184	0861340 145	0940092 237	1001138773.....373
0700816.....88, 95	0861341 145	0940094 237	1001138795.....303
0700819.....103, 111, 168	0861392 245	0940101 237	1001140283.....12, 16, 21
0700820.....179, 197	0861392 245	0940102 267	1001140315.....373
0701010.....103, 110, 129	0861414 245, 246	0940103 239	1001140318.....373
0701012.....87, 103, 111, 127, 184	0861432 149	0941611 82	1001140586.....297
0701014.....95, 101, 111	0861433 149	0961890 293	1001140587.....309
0701015.87, 95, 127, 172, 175, 193	0861434 149	0961893 299, 303	1001141181.....198
0701016.....179, 193, 197	0861435 149	0961894 295, 307	1001142504.....372
0701022.....101, 111	0861462 145	0961896 315	1001142505.....372
0701217.....163, 188	0861463 145	0961897 305	1001143256.....373
0701414.....87, 95, 168	0861494 149	0961947 218, 221	1001144629.....233
0720805.....146, 152	0861495 149	0961948 51	1001145405.....274
0721003.....242, 247	0861496 149	0961950 .11, 15, 19, 214, 217, 305	1001148902.....371
0721004.....80, 103, 111, 146, 149, 188	0861499 149	0961951 .13, 16, 20, 213, 217, 221, 295, 297, 307, 309	1001148903.....371
0721005.....118, 146	0861509 245	0962031 127	1001148904.....371
0721006.....80, 101, 128, 168, 172, 184	0861510 245	0962140 ..13, 16, 21, 293	1001148905.....371
0721008....163, 169, 172, 184, 246	0861535 241	0962172 .80, 89, 96, 103, 111, 123, 128	1001148906.....371
0721010.....101, 146, 242	0861537 245, 247	0962292 16	1001148971.....372
0731004.....145, 242	0861538 189, 197	0962293 51	1001149560.....373
0731005.....237, 239	0861541 189, 194, 198	0962336 299, 301, 303	1001149730.....373
0731007.....141	0861542 ... 187, 189, 193, 194, 197, 198	0962348 16	1001163297.....267
	0861567 187, 189	0962450 225	1001166538.....265
	0861571 245	0962474 293	1001166539.....255
	0861572 189	0962520 188, 193, 197	1001175930.....371
	0861575 373	1001097554 83	1001183407.....372
	0861591 149	1001098012 274	1001187481.....372
	0861592 149		1001187482.....372
	0861642 203		1001204921.....372
	0861706 149		1001204922.....372
			1001204996.....370

PART NUMBER INDEX

1001204997	370	1320130	278	1683574	293	1702938	247
1001205008	370	1320136	225	1683575	11, 19, 293	1702961	370
1001205009	370	1320146	278	1683609	218, 299	1702962	370
1001214478	373	1320176 ...	89, 90, 96, 98	1683614 ...	12, 16, 21, 311	1702968	55
1001214515	373	1320177 ...	203, 269, 274	1683615	311	1703067	27
1001214540	373	1320218	117, 118	1683658	311, 313	1703090	242
1001214548	373	1320220	117	1683687	299	1703091	242
1001214552	373	1320222	88, 96	1683776	209, 305	1703092	243
1001214559	373	1320223 ...	82, 89, 94, 96, 104, 122, 129, 203	1683778	213	1703093	243
1001214561	373	1320224	193, 225	1683844	305	1703162 .	80, 89, 96, 103, 113, 123, 128
1001214562	373	1320291	278	1683846	305	1703175	370
1001225901	210	1320302 ...	269, 274, 283, 285	1683861	295	1703450	55
1001228012	218, 301	1320318	188, 197	1683893	315	1703479	370
1001228357	373	1320323	122	1683895	315	1703622	146
1001248012	218, 303	1321138	112	1683897	213, 217, 315	1703683	289
1060012	336	1340060 .	80, 88, 96, 103, 112, 123, 127	1683949	307	1703776	241
1060279	356, 362	1340061	370	1683950	307	1703797	355
1060341 ...	156, 339, 340, 351	1580011	80, 103, 113, 123, 127	1683951	209, 307	1703798	355
1060343 ...	189, 195, 198	1580012	230, 234	1683952	295	1703804	355
1060379	289	1580013	230, 234	1684012	295	1703805	355
1060494 ...	189, 194, 198, 336, 344	1600218	243	1684013	217, 295	1703808	355, 360
1060515	336	1600283	241, 259	1684138	293	1703923	359
1060516	336	1600284	241, 249	1684139 ...	11, 15, 19, 293	1703924	359
1060602	337	1600298	102	1684194	213, 217, 315	1703925	359
1060609	157	1600312	149	1684283	307	1703926	359
1060680	156, 157	1600313	245	1684284	209, 307	1703927	359
1060708 ...	189, 194, 198	1600314	102	1684312	315	1703928	359
1060883	278	1600317	245, 251	1684412	313	1703929	359
1060896	345	1600318	245, 261	1700584	355, 362	1703930	359
1060902	350, 352	1600327	149	1700818	356, 363	1703931	359
1060903	237, 239	1600328	102	1701499	356, 363	1703932	359
1060904	80, 97	1600344	373	1701500	356, 362	1703933	359
1060918 ...	230, 234, 245, 344	1600363	105	1701502	355, 362	1703934	359
1060983 ...	234, 344, 352	1600364	149, 368	1701503	355, 362	1703935	359
1060985	344	1600374	113	1701504	355, 362	1703936	359
1100118	11, 19	1600375	245, 368	1701505 82, 89, 128, 356, 363		1703937	359
1100123	15	1600387	225	1701509	267, 356, 362	1703938	359
1120484	142	1600411	149, 368	1701515	94	1703939	359
1120487	142	1660219	69	1701529	356, 362	1703940	359
1120532	141	1660219RR	69	1701542 ...	103, 110, 122, 356, 363	1703947	360
1120552	27	1660234	91, 97	1701543 ...	110, 122, 356, 363	1703948	359
1120555	267	1660239	129	1701645	355, 361	1703949	359
1180336	210	1660250	105, 113	1701691	356, 363	1703950	359
1180379	210	1660255	80	1702153	355	1703951	359
1260017	69	1670769	218	1702300	356, 362	1703952	359
1271538	225	1670824	156	1702564	241, 245	1703980	362
1282937	332	1670829 ...	146, 149, 242, 245	1702565	241, 245	1703981	362
1283084	330	1670836	214, 217	1702566	241, 245	1703982	362
1300019	27	1670870	372	1702567	241, 245	1703983	362
1320012 80, 81, 103, 111, 123, 127		1670894	372	1702590	176, 180	1703984	362
1320016 .	80, 88, 96, 103, 111, 123, 127	1670956	156	1702610	145, 149, 150	1703985	362
1320019	102	1671037	246	1702676	245	1703996	360, 361
1320022 ...	80, 82, 89, 94, 95, 96, 101, 103, 110, 111, 122, 123, 128	1671092 ...	190, 195, 198	1702688	355, 361	1704000	360, 370
1320023	110	1671093	274, 285	1702720	363	1704001	360
1320032	104	1671170	159	1702738	27	1704002	360
1320033	111	1683053	299	1702740	27	1704003	360
1320058	104	1683054	315	1702773	355, 360	1704004	360
1320060 ...	102, 111, 242	1683055	295, 307	1702774	355, 360	1704005	360
1320126	118	1683056	293, 311	1702784	355, 360	1704006	362
1320127	117	1683063	305	1702788	370	1704007	362
		1683076	293, 311	1702861	355, 360	1704008	362
		1683261	299	1702868 ...	269, 274, 285, 355, 370	1704096	355
		1683572	293			1704098	361
						1704099	360
						1704100	360
						1704101	360

PART NUMBER INDEX

1704102.....	360	1705375 ...	190, 195, 199, 274, 285	2060032	80	2220468.....	327
1704103.....	361	1705376	189, 194, 198	2080040 ...	203, 229, 233, 234	2220472.....	324, 327
1704104.....	355	1705387	190, 195, 199	2080044	218, 278	2220473.....	327
1704106.....	361	1705460	190, 195, 199	2120150	59	2220479.....	80, 135, 327
1704107.....	361	1705461	190	2120163	59	2220481.....	321
1704108.....	361	1705466 ...	269, 274, 275, 283, 285	2120209	59	2220497.....	327
1704109.....	361	1705489	190	2120210	59, 366	2220498.....	80, 133, 327
1704110.....	361	1705490	269, 275	2160002	69	2220500.....	327
1704111.....	361	1705753	150	2180125	117	2220501.....	319, 321, 323
1704112.....	361	1705836	203	2180344	69	2220502.....	327
1704150.....	370	1705837	203	2180348	110, 122	2220504.....	321, 323
1704174.....	370	1705886	203	2180387	117, 118	2220567.....	80, 327
1704175.....	370	1706059	95	2180388	117	2220568.....	321
1704233.....	361	1706060	94	2180389	117, 118	2220578.....	80, 133, 323, 328
1704260.....	242, 245	1706061	95	2180418	117	2220582.....	321, 323, 327
1704271.....	363	1706062	95	2180422	328	2220596.....	321, 323, 327
1704277.....	355, 360	1706063	95	2180467	102, 112	2220600.....	321, 323, 327
1704412.....	356, 363	1706064	94	2180482	80	2220602.....	324
1704465.....	145, 150	1706126	356	2180504	118	2220603.....	328
1704466.....	145, 150	1706708	355, 360	2180536	82, 89, 128	2220648.....	117
1704472.....	355, 360	1706709	355, 360	2180724	328	2220648.....	117
1704473.....	355, 360	1706712	150	2180798	80, 88, 96, 103, 112, 128	2220711.....	319
1704484.....	243, 247	1780305	160	2180832	269, 274	2220747.....	203
1704485.....	243, 247	1780307	146, 150	2180877	124	2220750.....	203
1704486.....	243, 247	1840013	145	2200221	96	2220775.....	327
1704487.....	243, 247	1840014	145	2200222 ...	75, 82, 89, 94, 104, 110, 122, 129	2220794..	82, 89, 94, 103, 128
1704488.....	355	1840015	145	2220001	69	2220805.....	104
1704489.....	355	1840020	145	2220005	117	2220810.....	80, 135, 327
1704510.....	361, 362	1870096	333	2220082	117	2220829.....	203
1704514.....	243, 247	1870097	333	2220124	69	2220883	43, 44, 295, 299, 301, 303, 305, 315
1704540.....	356, 363	1870132	333	2220237 ...	321, 323, 327	2220885....	293, 295, 299, 301, 303, 307, 315
1704578.....	55	1870142	333	2220240	321	2220886.	43, 44, 305, 315
1704586.....	52	1870191	333	2220242	321, 323	2220888.....	43
1704726.....	356, 363	2000162	87, 89	2220250	82, 89, 104, 128	2220899.....	327
1704825.....	356, 363	2000163	127	2220252	203	2220906.....	327
1704827.....	356, 362	2000164	101, 104	2220261	117	2220947.....	80, 133, 327
1704828.....	356, 363	2000166	101	2220273 ...	70, 82, 89, 94, 103, 128	2221018.....	117
1704829.....	356, 362	2000172	101, 104	2220290	118	2221019.....	117
1704885.....	356, 363	2000174	101	2220313 .	82, 89, 94, 104, 110, 122, 128	2221024.....	117
1704895.....	278	2000175	87, 89	2220362	321, 323	2221030.....	321, 323, 327
1704896.....	278	2000190	87, 89	2220366	323	2221040.....	319
1704919.....	279	2000193	101, 104	2220371 ...	321, 323, 327	2221041.....	80, 133, 327
1704920.....	279	2000195	80, 83	2220372	327	2221042.....	327
1704972.....	94	2000207	112, 113	2220373 ...	321, 323, 327	2221043.....	319
1704997.....	245	2000210	111	2220375 ...	319, 321, 323, 327	2221044.....	328
1705000.....	279	2000217	96, 97	2220376	80, 133, 327	2221045.....	80, 327
1705065.....	361	2000236	111	2220377	327	2221063.....	328
1705066.....	361	2000245	95	2220379	327	2221086.....	327
1705067.....	361	2000247	95	2220380	327	2221176.....	94, 110, 122
1705068.....	361	2000273	96, 97	2220385 ...	135, 319, 327	2221216.....	328
1705069.....	361	2000286	95	2220379	327	2300004.....	123
1705070.....	361	2000287	95	2220380	327	2300014.....	372
1705071.....	362	2000311	111	2220385 ...	135, 319, 327	2300016.....	26, 372
1705072.....	362	2000312	111	2220409	88	2300019.....	372
1705073.....	362	2000313	80	2220414	328	2300027.....	372
1705074.....	362	2000338	96, 97	2220415 ...	319, 321, 323, 327	2300029.....	372
1705075.....	361	2000347	95	2220428	327	2360539.....	13, 17, 21
1705076.....	361	2000354	123	2220429	327	2360540.....	13, 17, 21
1705132.....	151, 246	2000358	123	2220435 ...	321, 323, 327	2360541.....	13, 17, 22
1705305....	269, 274, 275, 279, 283, 285	2000359	123	2220435 ...	321, 323, 327	2360625.....	13, 17, 21
1705312.....	267	2030004	111	2220451	88, 96, 327	2360626.....	13, 17, 22
1705355....	274, 283, 285	2030010 ...	269, 274, 278, 283, 285	2220459	82, 89, 128	2360627.....	13, 17, 22
1705358.....	267	2060025	88, 96, 103, 112, 123	2220465	321, 323	2360650.....	13, 17, 21
1705364.....	27	2060032	80	2220466 ...	321, 324, 327	2360651.....	13, 17, 22
1705374....	190, 195, 199	2080040 ...	203, 229, 233, 234				

PART NUMBER INDEX

2360652 13, 17, 22	2720565 122	2760112..... 113	2910949 371
2400060 ... 190, 195, 199, 338, 348	2720566 122	2780221..... 51, 52	2915227 372
2400061 ... 338, 348, 368	2720567 122	2780230..... 12, 13, 16	2920110 155
2400064 ... 190, 195, 199	2750532 ... 81, 82, 89, 94, 96, 101, 103, 110, 113, 122, 124, 128	2780243..... 25, 31	2920113 155
2400065 349	2751095 70	2780244..... 25, 31	2920129... 243, 245, 336, 337, 349
2400066 349, 352	2752430 328	2780246..... 25, 29	2920130 155
2400070 352	2752442 321	2780247 69, 75	2920140 230, 234, 351
2420172 146, 150	2752443 323, 328	2780253..... 25, 31, 32	2920157 155, 234, 351
2420187 105, 113	2752466 321, 323	2780267 25, 35	2920162 ... 163, 168, 171, 183
2420191 141	2752471 328	2780268..... 25, 35	2920214 155
2420194 243	2752492 321, 323	2792383..... 327, 330	2920215 155
2420197 245	2752495 321, 323	2792384..... 327, 330	2940073 146, 150, 160
2420202 225	2752496 321, 323	2792385..... 321, 330	2940074 229, 233, 366
2420203 ... 164, 168, 171, 176, 179, 183	2752502 323	2792386..... 323, 330	2940117 159
2460011 167, 171	2752506 321, 323	2792387 330	2940118 47
2460013 ... 163, 167, 171, 183	2752519 328	2792398..... 319, 330	3020021 91, 97
2460032 ... 163, 167, 171, 183	2752573 328	2792432..... 330	3020029 21
2460034 167, 171, 183	2752594 323	2792598..... 330	3020043 313
2460044 171	2752632 319	2792704..... 327, 330	3124114 106
2460048 ... 188, 193, 197	2752763 328	2792705..... 327, 330	3160242 25, 39
2460051 175, 179	2752908 321, 323	2820031 164, 169, 172, 176, 179, 184, 189, 194, 197	3160243 26, 39
2460052 175, 179	2752942 328	2820035 155, 230, 234, 340	3160249 69, 77
2460055 163, 167	2752944 323	2820080 161	3160266 26, 39
2540035 159	2752977 321, 323	2820099 161	3160280 69, 77
2560136 241, 245	2753035 319, 323	2820128. 89, 94, 129, 160	3160298 25, 39
2560173 234	2753162 323	2820129 160	3160348 43
2570008 313	2753339 319	2820140 129	3160351 43
2600209 159	2753340 321, 323	2820172 112	3160353 43
2600211 241, 246	2753341 321, 323	2820173 112	3200378. 81, 87, 102, 127
2600216 229	2753342 319	2820174 113	3200406 96, 112, 124
2600219 229	2753343 321, 323	2860012 168, 172	3220110 89, 96
2600258 159, 160	2753344 321	2860030 145, 150, 366	3220112 89, 96
2600281 233	2753345 323	2900708 47, 48	3220113 81, 106, 129
2600287 229	2753346 321, 323	2900733 77	3220114 106, 129
2680463 159	2753347 321	2900770 221, 293	3220134 112, 113
2680464 159	2753348 328	2900792 ... 295, 297, 299, 301, 303, 305	3250585 234
2680465 159	2753349 328	2900804 52	3250872 55
2680466 159	2753350 328	2901301 295, 307	3251102 ... 164, 169, 172, 179, 184, 247
2680471 160	2753351 328	2901303 299	3251158 203
2680516 159	2753352 328	2901443 352, 373	3251243 ... 176, 180, 356, 362
2720058 ... 80, 82, 89, 95, 103, 110, 122, 124, 128	2753353 328	2901547 311	3251813 355, 362
2720144 117	2753354 328	2901548 293	3251963 278
2720149 118	2753355 328	2901637 87	3252221 363
2720160 ... 203, 269, 274	2753356 328	2901659 372	3252347 234, 356
2720271 82, 89, 128	2753357 328	2901662 372	3252672 356
2720341 105	2753358 328	2901663 372	3252680 363
2720351 89	2753359 328	2901775 128	3252681 363
2720392 117	2753360 328	2901841 305	3252682 363
2720398 88, 96	2753368 328	2901861 316	3252683 363
2720434 88, 96	2753369 328	2901879 104, 110	3252684 363
2720435 103, 112	2753372 328	2901880 ... 81, 88, 95, 128	3252685 363
2720436 103, 112	2753373 328	2901971 278	3252764 ... 176, 187, 194, 197, 279
2720441 127	2753416 323	2902212 267	3271805 51, 52
2720448 129	2753417 323	2902217 274, 283, 285	3272201 11, 15, 19
2720449 89, 96	2753471 323	2902393 332, 371	3272205 16
2720474 ... 104, 110, 122	2753502 328	2902400 21	3272605 ... 214, 218, 225, 267
2720476 203	2753511 328	2902409 313	3290405 123
2720507 80	2753512 328	2902443 349	3290505 123
2720508 81	2753513 328	2902511 122	3290605 274
2720514 112, 124	2753514 328	2910000 339	3290801 128
2720563 124	2753515 328	2910047 371	
2720564 124	2753516 328	2910865 371	
	2753517 328		
	2754229 321, 323		
	2760105 145, 150		
	2760109 241, 245		

PART NUMBER INDEX

3300106.....26	3340867 213, 217	3520028 ... 163, 164, 167, 168, 171, 172, 175, 179, 183, 184, 242, 245	3574235..... 16
3300151....269, 274, 283, 285	3340868 213, 217	3520054 246	3574253..... 81
3300220.....81	3340869 213, 217	3520071 267	3574254.... 11, 12, 15, 19, 20
3300255.....51	3340870 213, 217	3520072 229, 233	3574259..... 81
3300353.....246	3340897 211	3520172 229	3574264..... 81
3300396.... 189, 195, 198	3340898 47, 48	3520173 242	3574496..... 104, 112
3300408.... 146, 150, 242, 245	3340956 267	3520174 247	3576799..... 274
3300441..... 160	3380434 230, 234	3520189 189	3577121.... 274, 283, 285
3310601.... 189, 195, 198	3380569 160	3520190 267	3580134.... 164, 168, 172, 183
3310805.... 117, 146, 152	3380652 371	3520198 233	3580158..... 167
3311001.... 146, 233, 243, 246, 247	3380741 123	3536089 230, 234	3580250..... 171
3311005.. 47, 81, 88, 101, 103, 112, 118, 128, 155, 156, 164, 168, 172, 176, 180, 184, 189, 229, 241, 246, 274, 283, 285	3420156 247	3538819 243	3580276.... 164, 168, 172, 183
3311401.... 150, 237, 239, 242	3420352 55	3539275 146, 150	3580280..... 183
3311405.... 59, 81, 83, 87, 94, 96, 102, 103, 110, 112, 122, 124, 127, 146, 152, 160, 176, 180, 189, 194, 197, 205, 225, 230, 234, 245, 269, 278, 356, 362	3420372 55	3539685 229	3580307..... 172
3311501... 83, 89, 94, 110, 122, 129, 160, 237, 239	3421453 274	3539719 237	3580312.... 176, 180, 194, 198
3311505.... 47, 48, 59, 81, 89, 96, 104, 106, 112, 122, 124, 129, 160, 187, 194, 198, 211, 278, 289	3421565 69	3570607 87, 102, 127	3580313..... 176, 194
3311508..... 225	3422457 213, 217	3570667 102	3580314..... 194, 198
3311601.... 141, 156, 160, 209, 210, 241, 246, 247	3422561 209, 217	3570800 87	3580315..... 164
3311602..... 141	3422564 209	3570801 87	3580316..... 189
3311605.... 47, 48, 81, 82, 88, 94, 96, 102, 110, 112, 118, 122, 124, 127, 160, 164, 168, 172, 184, 205, 209, 218, 230, 234, 242, 245, 269, 274, 283, 285	3422582 213	3570808 88, 96, 103, 112, 124	3580317..... 189
3311608..... 210	3422592 11, 15, 19	3571019 81, 104, 112, 124	3580318..... 189
3311705.... 164, 168, 172	3422661 289	3571192 127	3580320..... 189
3311801... 25, 55, 69, 189	3422690 209	3571201 127	3580324..... 176, 179
3311805.. 81, 87, 96, 102, 112, 118, 124, 127, 198, 209, 214, 218, 225, 267, 278	3422692 12, 16	3571222 242, 246	3580325..... 176, 179
3312005.... 55, 82, 89, 94, 103, 110, 122, 128, 225	3422716 21	3571265 127	3580348..... 180, 198
3312008..... 12, 16, 21	3422786 52	3571266 127	3600279.. 81, 87, 96, 104, 112, 124, 127, 137
3312201 267	3422848 16	3571279 129	3600296 81, 87, 101, 127, 131
3322201.... 11, 12, 16, 19, 21	3422851 209	3571498 101	3600297..... 87, 101, 127, 135
3323003..... 12, 16	3422859 214, 217	3571502 101, 112	3600368 81, 87, 101, 127, 135
3340399.... 81, 83, 88, 94, 96, 102, 111, 113, 122, 124, 128	3422860 218	3571692 . 81, 87, 96, 102, 112, 124, 127	3600377..... 104
3340453..... 210	3422861 218	3571795 315	3600385 81, 87, 101, 131, 133
3340608..... 315	3422865 213	3571818 52	3600399..... 203, 205
3340853..... 209	3422867 218	3571833 52	3600404 81, 95, 111, 123, 133
	3422936 12, 15, 20	3572003 145	3600405 81, 95, 111, 123, 135
	3423081 21	3572032 51, 52	3600423..... 137
	3450304 241, 247	3572041 69	3620033..... 88, 96
	3450608 13, 17	3572165 211	3620034..... 279
	3450808 12, 16	3572200 211	3620040.... 102, 112, 124, 127
	3460334 267	3572345 211	3620046..... 81
	3460375 160	3572502 81, 104, 112, 124	3640986..... 195
	3480188 295, 307	3572503 81, 104, 112, 124	3641182..... 145, 243
	3480210 299	3572504 83, 104, 110, 122	3641533.... 191, 195, 200
	3480253 305	3572506 55	3720021..... 203
	3480255 315	3572600 102	3730023..... 337
	3480274 315	3572728 128	3730099..... 338
	3510675 229	3572827 150	3730120..... 348
	3510694 229	3573400 ... 269, 274, 283, 285	3740049.... 146, 150, 242, 243, 332, 340, 351
	3510711 229	3573641 269	3740057..... 146, 243
	3510714 229	3573642 274, 283, 285	3740058..... 242
	3510725 229	3573643 269	3740063..... 242
	3510738 229	3573667 . 81, 87, 96, 113, 124	3740066..... 146, 243
	3510742 229	3574091 239	3740067.. 81, 88, 96, 103, 112, 124, 128, 366
	3510744 229	3574163 188	
	3510747 229	3574210 48	
	3510749 229	3574224 194	
	3510753 229	3574225 176, 194	
	3510754 229		
	3510772 229		
	3510788 229		
	3510822 233		
	3510830 233		
	3510831 233		
	3510832 233		
	3510833 233		

PART NUMBER INDEX

3740080 81, 103, 112, 164, 168, 172, 176, 180, 184, 188, 194, 198, 368	3960389 81, 104, 110, 111, 122, 123, 160	4130368.....21	4420051 55
3740112 145	3960407 89, 96	4130369.....21	4420060 156
3740113 146, 241	3960422 ... 187, 194, 198, 340, 350	4130405.....21	4420062 289
3740115 241	3960438 147, 152, 160	4130406.....21	4420066 267
3760133 213, 217	3960461 155	4160182.....160	4420068 237, 239
3760170 55, 69	3960469 82, 104, 111, 122	4220165.....229	4460007 246
3760308 241	3960525 141	4240018.... 176, 180, 188, 194, 198	4460023... 164, 168, 172, 184
3760367 293, 311	3960591 112	4240032.....155	4460027... 163, 167, 171, 175, 179, 183
3760368 299	3990001 279, 336, 348	4240033.....225	4460049 237, 239
3760369 295, 307	3990010 ... 336, 337, 340, 345, 351, 366	4240099.....89, 129, 230, 234, 239, 269, 274, 283, 285	4460051 188, 194, 198
3760371 305	4010608 274	4240112.....141	4460071 ... 188, 194, 198, 230, 234, 246, 340, 344, 350
3760436 315	4032015 188	4240135.....141	4460125 340, 350
3780182 21	4060092 340, 350	4240149.....267	4460190... 163, 167, 171, 175, 179, 183
3790012 ... 110, 122, 151, 155, 242, 243, 246, 247	4060700 ... 187, 194, 198, 340, 350	4240295.....141	4460205 340, 350
3790045 26	4060802 ... 164, 169, 172, 176, 180, 184, 187, 194, 198, 234, 247, 278	4300048.....55	4460224 337, 339
3790109 241	4060803 142, 229	4300157.....189	4460225 ... 336, 337, 338, 344
3790152 . 81, 89, 95, 101, 111, 123, 129	4060805 160, 211	4340678.....241, 246	4460226 ... 225, 246, 256, 265, 344, 345, 348, 349, 350, 352
3820001 55, 356, 362	4060808 211	4340684.....241, 246	4460233 340, 350
3820020 233	4060906 146, 150	4340738.....176, 194	4460234... 146, 150, 155, 239, 242, 243, 246
3841143 16, 209, 213, 217, 218	4060907 155	4340749.....203	4460265 ... 249, 256, 265, 336
3841203 52	4060919 211	4360031....230, 233, 246	4460266 249, 339
3841258 ... 11, 15, 19, 20, 209	4060950 12, 21	4360057.....237, 239	4460267 ... 249, 336, 337, 338, 339, 340, 346, 350, 351
3841340 47, 48, 214, 218	4060959 371	4360070.....189, 195, 198	4460268 ... 156, 249, 337, 338, 339, 340, 346, 347, 351
3841367 ... 11, 12, 16, 20, 21	4060978 ... 11, 12, 15, 19, 20	4360188.....117	4460320 ... 337, 340, 346, 351, 352
3841442 12	4060979 47	4360232....242, 247, 352, 366	4460321 351
3841520 12, 15, 20	4060980 47	4360294.....88, 103, 168, 172	4460326 336, 339, 350
3841619 16	4060981 47	4360314.... 145, 242, 243	4460346... 187, 194, 198, 340, 350
3900109 12, 16, 20, 21	4060995 214, 217	4360321..... 156, 350	4460374 ... 190, 195, 199, 338
3900139 305	4061010 160	4360322..... 156, 350	4460375 ... 190, 195, 199, 338
3900141 299	4061012 118	4360328.... 150, 246, 247, 366	4460411 190, 195, 199
3900205 233	4061043 187, 194, 198	4360331....242, 246, 366	4460412 190, 195, 199
3900217 127	4061048 16	4360336.... 110, 122, 155, 164, 168, 172, 176, 180, 184, 187, 194, 198, 234, 243, 247, 278, 368	4460413 190, 195, 199
3900224 241, 246	4061054 225	4360387.... 146, 241, 246, 247, 366	4460414 190, 195, 199
3900232 160	4070450 55	4360392..81, 88, 96, 103, 112, 128	4460415 190, 195, 199
3900255 . 82, 89, 94, 103, 110, 122, 128	4070497 ... 81, 83, 88, 94, 96, 102, 111, 113, 122, 124, 128, 213, 217	4360407....241, 246, 366	4460418 ... 336, 338, 344, 345
3900283 210, 225	4070498 ... 81, 83, 88, 94, 96, 102, 111, 113, 122, 124, 128, 213, 217	4360417.....59	4460419... 336, 338, 344, 346
3900295 16	4070501 213, 217	4360469.... 145, 150, 366	4460420 336, 337, 338
3900296 16	4070502 213, 217	4360475.... 145, 150, 241, 246, 366	4460424... 155, 338, 340, 347, 351, 352
3900322 176	4070503 213, 217	4360476.... 145, 150, 242, 246, 366	4460425 ... 189, 195, 198, 352
3910606 187, 194, 198	4070504 213, 217	4360501.... 128, 184, 368	4460426 ... 146, 190, 195, 198, 338, 352
3910608 146	4070560 55	4360502.... 163, 167, 171, 175, 179, 183	
3910610... 189, 195, 198, 243	4070561 55	4360542.... 156, 350, 368	
3910804 146, 150	4070929 213, 217	4360549.... 156, 350, 368	
3910808 117	4070972 19	4400275.....117, 118	
3911008 229, 233	4070973 11, 15, 19	4400420.....117, 118	
3911040 155	4070987 150	4400423.....141	
3930816 156	4071002 11, 15, 19	4400429.....141	
3931028 156	4071007 214, 217	4400450..... 141, 142	
3931448 315	4100025 106, 128	4420014.....267	
3931516 ... 293, 299, 311, 315	4100099 305	4420037....234, 269, 274, 283, 285	
3931620 295, 307	4100100 299	4420038.... 141, 145, 242	
3931664 241	4120012 146, 243		
3931672 241, 247	4120013 243		
3931824 305	4120035 ... 243, 336, 337, 346		
3932224 69			
3941405 237			

PART NUMBER INDEX

4460428.... 145, 150, 157, 242, 246, 336, 338, 344, 345, 350	4460720 336	4461005 348	4640113..... 27, 52
4460434..... 344, 346	4460721 336	4461006 348	4640261..... 55
4460442..... 340	4460725 338, 347	4461008 348	4640509.... 295, 297, 299, 301, 303, 305
4460445..... 337, 346	4460726 338, 347	4461052 348	4640744..... 82, 135, 327
4460457..... 338, 340, 347	4460728 338, 348	4461053 348	4640751..... 89, 96
4460458.... 199, 338, 340, 347, 351	4460741 279, 336, 338	4461054 348	4640858..... 293
4460459..... 338, 340	4460742 ... 199, 339, 347, 351	4461060 348	4640871..... 12, 15, 20
4460464.... 246, 336, 344, 346, 347	4460743 199, 351	4461071 349	4640921..... 59, 67
4460465.... 190, 195, 199, 225, 337, 338, 345, 346, 347, 348	4460761 ... 225, 344, 345, 346	4461072 349	4640932..... 295, 297
4460466..... 225, 337, 345	4460777 339	4461073 349	4640952..... 124
4460467.... 242, 341, 352, 373	4460780 339	4461074 349	4640989..... 101, 112
4460470.... 150, 242, 246, 336, 344, 345	4460781 339	4461095 348	4641019..... 129
4460471 150, 242, 246, 336, 344, 345	4460783 338	4461109 348	4641033..... 315
4460473..... 337, 345	4460784 338	4461111 348	4641062..... 299
4460475..... 340	4460789 338	4461113 348	4641076.... 321, 324, 328
4460476..... 339, 340	4460790 338	4461121 348	4641107..... 47, 48
4460488..... 242, 246	4460793 338	4461122 348	4641108..... 59
4460499..... 67, 337, 338, 339, 350	4460799 338	4461123 348	4641114..... 315
4460502..... 337	4460794 338	4461124 348	4641115..... 47, 48
4460503..... 243, 336	4460795 338	4461157 347	4641117..... 59, 63
4460508..... 336, 344, 346	4460797 338	4461161 348	4641144..... 305
4460509..... 337, 345	4460799 338, 347	4461222 348	4641162..... 293
4460510.... 242, 341, 352, 373	4460800 338, 347	4520212 27	4641164..... 279
4460526.... 145, 150, 338, 345	4460834 338, 347	4520216 27	4641207..... 48
4460536..... 346	4460836 ... 225, 337, 338, 346, 347	4520224 52	4641208..... 48
4460539..... 347, 348	4460837 ... 337, 338, 346, 347	4520234 52	4641272..... 82
4460579..... 338, 347	4460842 338, 347	4520240 27	4641282.... 321, 324, 328
4460580..... 338, 347	4460865 345	4520259 27	4641499..... 59, 63
4460582..... 338, 347	4460866 344, 346	4520266 27	4711000..... 242
4460589..... 339	4460871 ... 251, 253, 261, 263, 344, 345, 346, 347, 349, 352	4530016 278, 279	4711400.... 12, 15, 20, 52, 94, 104, 112, 122, 124, 156, 176, 180, 187, 194, 198, 225, 230, 234, 237
4460591..... 339	4460873 344, 346	4530020 278, 279	4711500 55, 82, 104, 106, 123, 187, 194, 198, 241, 247
4460598.... 230, 234, 247, 340, 352	4460874 150, 344, 345	4530022 ... 274, 283, 285, 287	4711600..... 82, 111, 124, 156, 189, 209, 210, 211, 213, 218, 225
4460600..... 145, 243	4460875 150, 344, 345	4530024 269, 271	4711700.... 176, 180, 194
4460601..... 145, 243	4460876 346	4530025 269, 271	4711800.... 187, 194, 198
4460602..... 145, 243	4460877 346	4530028 ... 274, 283, 285, 287	4711900..... 89
4460603..... 145, 243	4460878 346	4558765 82	4712400..... 16
4460607.... 145, 191, 195, 199, 243	4460879 344	4564281 105	4713000..... 12, 16
4460608..... 339, 348	4460880 346, 347	4564417 172	4740076..... 155
4460613..... 243, 336	4460887 ... 344, 346, 347	456605 112	4740086..... 12, 16, 21
4460614..... 337	4460889 347	4566425 315	4740120.... 160, 242, 246
4460628..... 145	4460890 347	4566468 295, 307	4740155..... 16
4460629..... 243	4460891 347	4566471 299	4740158.... 11, 12, 15, 19, 20
4460630..... 146	4460892 349	4566605 101	4740274. 82, 87, 97, 102, 112, 124, 127, 155
4460631..... 145, 243	4460894 349	4567073 106	4740362.... 155, 160, 230, 234, 246
4460632..... 243	4460905 ... 150, 246, 344, 345, 346	4567139 327	4740397.... 169, 172, 176, 180, 184, 247, 279
4460633..... 203	4460906 180, 351	4567462 12, 15, 20	4740439..... 218
4460634.... 336, 337, 346	4460933 225	4567495 88, 96	4740442..... 127
4460635..... 336, 337	4460943 346	4567817 127	4740444..... 146
4460693..... 339, 348	4460944 348	4567821 128	4740491..... 16
4460705..... 351	4460956 ... 190, 195, 199	4567878 103, 112	4740500..... 160
4460708.... 246, 344, 349	4460957 ... 191, 195, 199	4568158 102	4740537..... 20
4460711..... 146, 338	4460958 187, 194, 198	4568734 176, 194	4740538..... 20
4460713..... 338, 347	4460961 351	4568735 ... 176, 180, 194, 198	4740539..... 20
	4460962 274, 285	4568743 81	4740540..... 20
	4460963 ... 190, 195, 198	4568951 112	
	4460967 ... 190, 195, 199	4568955 112	
	4460968 157, 350	4569083 112	
	4460971 269, 274	4569173 112	
	4460979 347	4569176 82	
	4460993 348	4569342 124	
	4460994 348	4569345 124	
	4461001 191, 195, 199	4620128 69	
		4620141 69	

PART NUMBER INDEX

4740546 155	483190091, 97, 103, 113, 124, 128	4860214 27	4922925 189, 198
4750600 ... 145, 190, 195, 198	483200091, 97, 103, 113, 129	4860215 52	4922940 351
4750800 117, 147, 152	4844815 218	4860218 52	4922965 234, 352
4751000 . 47, 82, 88, 101, 103, 112, 118, 128, 141, 146, 150, 155, 164, 168, 172, 176, 180, 184, 189, 229, 233, 242, 246, 274, 283, 285	4844816 218	4891500 176	4922978 94, 350
4751400 ... 59, 60, 82, 83, 87, 94, 97, 102, 103, 110, 112, 123, 124, 127, 147, 150, 152, 156, 160, 189, 214, 217, 225, 230, 234, 237, 239, 242, 246, 269, 274, 279, 283, 285, 356, 362	4844958 69	4891600 . 82, 88, 95, 101, 111, 123, 128, 176, 180, 194, 198, 214, 218, 225, 267	4923234 150, 346, 347
4751500 ... 47, 48, 59, 82, 83, 89, 94, 97, 101, 104, 110, 112, 123, 124, 129, 160, 164, 168, 172, 180, 184, 187, 194, 203, 211, 225, 237, 239, 279, 289	4845327 229	4891800 26, 51, 52, 69, 214, 219, 225, 267	4923235 151, 346, 347
4751600 ... 11, 12, 15, 19, 20, 47, 48, 59, 82, 88, 94, 97, 102, 110, 112, 117, 118, 123, 124, 127, 141, 160, 164, 168, 172, 176, 184, 194, 205, 210, 213, 217, 230, 234, 242, 246, 269, 274, 283, 285, 315	4845395 89, 97	4892000 . 26, 69, 176, 225	4923236 151, 345
4751800 ... 12, 16, 21, 55, 69, 82, 89, 97, 104, 112, 118, 124, 129, 176, 194, 203, 210, 234, 237, 239, 242, 279	4845426 229	4892200 ... 12, 15, 20, 267	4923260 150, 346, 347
4751900 168	4845531 168	4892600 214, 219, 221, 225, 267	4923419 151, 346, 347
4752000 ... 12, 15, 20, 55, 82, 89, 94, 103, 110, 123, 128	4845582 289	4920018 230	4923420 199
4752200 . 82, 89, 94, 103, 110, 123, 128	4845824 229	4920385 106, 128	4923445 351
4760600 ... 146, 190, 195, 198	4845950 372	4921927 59, 339, 350	4923451 97, 350
4761000 ... 146, 229, 233, 242, 247	4845951 229	4921938 340	4923456 151, 345
4761400 ... 150, 214, 217, 242	4845969 183	4922012 374	4923356 150, 346, 347
4761500 102, 198	4846011 103	4922021 341	4923419 151, 346, 347
4761600 ... 11, 12, 19, 20, 47, 141, 205	4846046 103	4922099 348	4923420 199
4791400 97, 124, 129, 189, 194	4846069 19, 20	4922340 243, 332, 336	4923445 351
4791500 59	4846070 21	4922344 145, 337, 338	4923451 97, 350
4791600 . 89, 94, 97, 104, 110, 123, 124, 129	4846072 11, 12	4922346 145, 337	4923456 151, 345
4811700 274	4846080 87, 97, 102, 127	4922347 145, 337, 338	49233980 243, 333
4811900 180, 198	4846092 160	4922348 145, 337	4933025 332
4812000 113, 172	4846095 160	4922349 145, 337	4933026 332
4812200 96	4846096 . 83, 89, 94, 104, 111, 123, 129	4922375 336	4933027 333
4821397 239	4846100 160	4922376 337	4933126 333, 337
	4846110 160	4922387 336	4933127 333, 337
	4846111 160	4922388 337	4933151 333
	4846112 52	4922442 279	4933153 332, 340
	4846113 52	4922482 351	4933154 332, 340
	4846114 52	4922483 351	4933157 332
	4846126 52	4922484 351	4933175 332
	4846128 209	4922485 151, 345	4933176 333, 347, 349
	4846137 213, 218	4922498 352	4933177 333, 347, 349
	4846186 210	4922536 151, 346, 347	4933189 332
	4846213 279	4922537 150, 346, 347	4933190 332, 351
	4846216 210	4922538 151, 346	4933191 332, 351
	4846231 279	4922539 151, 345	4933192 333
	4846310 118	4922540 151, 345	4933193 333
	4846390 237	4922547 345	4933202 333, 337
	4846393 52	4922548 345	4933217 332
	4846394 52	4922601 145, 337, 338	4933219 332
	4846426 15	4922636 349	4933229 ... 333, 347, 349
	4846452 233	4922637 349	4933230 ... 333, 347, 349
	4846478 87, 168	4922641 190, 195, 199, 351	4933237 333
	4846506 372	4922643 351	4933238 332, 351
	4846550 19, 20	4922663 151, 345	4933239 332, 351
	4846551 11, 12	4922664 151, 345	4933240 333
	4846561 234	4922665 246, 332, 344	4933264 187, 190
	4846567 87, 97, 168	4922666 151, 246, 344, 345	4933279 ... 333, 346, 348
	4846571 269	4922705 225	4933283 194, 195
	4846573 ... 214, 218, 225, 267	4922714 157, 350	4933300 332, 351
	4846627 ... 274, 283, 285	4922737 82	4933307 332
	4846651 267	4922757 190	4933313 333
	4846673 239	4922764 352	4933325 333, 347, 349
	4846801 15	4922769 157, 350	4933334 333, 347, 349
	4846802 16	4922802 344	4933335 333, 346, 349
	4846806 101, 113	4922803 345	4933348 ... 333, 347, 349
	4846809 87, 97, 102, 113, 124	4922829 373	4933349 198, 199
	4846821 82	4922869 225	4933350 332, 351
	4846852 82	4922880 150, 346, 347	4933353 333, 347, 349
	4860198 27	4922905 194, 195	70000007 113
	4860213 27		70000099 117
			70000123 . 163, 167, 171, 175, 179, 183
			70000124 . 163, 167, 171, 175, 179, 183
			70000125 . 163, 167, 171, 175, 179, 183
			70000126 . 163, 167, 171, 175, 179, 183
			70000127 175, 179

PART NUMBER INDEX

70000264.....90	7000253 35, 75	70004741 265	7002112.....77
70000342.....222	7000255 75	70004742 265	7002117.....77
70000345.....98	7000256 75	70004743 265	7002125.....77
70000544.....83	70002567 106	70004744 265	70023915.....301
70000619...189, 194, 197	7000257 35, 75	70004745 265	7002821.... 341, 352, 373
70000787.....91	7000258 35, 75	70004746 265	7002822.....373
70000797.....43	7000261 35	70004747 265	7002823.... 341, 352, 373
70000851.....90	7000262 35	70004748 265	7002826.....374
70000856.....39	7000263 35	70004749 265	7002828.....341, 352
70000863...188, 193, 197	7000269 75	70004750 265	7002840..... 12, 15, 20
70000916.....97	7000270 75	70004751 265	7003049.....73
70000969.....137	70002724 263	70004752 255	7003050.....73
70000970.....137	70002725 263	70004753 255	7003078.....73
70000971.....137	70002726 263	70004754 255	7003094.....73
70000972.....137	70002727 263	70004755 255	7003452.....73
70000973.....137	70002728 263	70004756 255	7003453.....73
70000975.....137	70002729 263	70004757 255	7003454.....73
70000976.....137	70002730 253	70004758 255	7003457.....73
70000977.....138	70002731 253	70004759 255	7003459.....73
70000978..... 137, 138	70002732 253	70004760 255	7003462.....73
70001002.....90, 97	70002733 253	70004761 255	7003657.... 163, 167, 171, 183
70001017.....81, 106	70002734 253	70004762 255	7003928.... 249, 251, 253
70001100...188, 193, 197	70002735 253	70004763 255	7003933.....261
70001180.....83	70002768 142	70004764 255	7003935.....259, 261
70001181.....98	7000281 75	70004765 255	7003941.... 259, 261, 263
70001256.....63	70002818 190, 199	70004766 255	7003946.....259, 261
70001257.....83	70002819 190, 199	70004767 255	7003952.....249
70001384...188, 193, 197	70002820 190, 199	70004768 255	7003953.....249, 251
70001385..... 188, 193	70002821 190, 199	70004769 255	7003956.....249
70001403.....83, 368	70002822 190, 199	70004770 255	7003969.....259, 261
70001423.....97	70002823 190, 199	70004771 255	7003972.... 259, 261, 263
70001663.....205	70002824 191, 199	70004772 255	7003973.... 259, 261, 263
70001690.....113	70002825 191, 199	70004773 255	7003974.....249
70001695.....83	70002826 191, 199	70004774 256	7003976.....249, 251
70001696..... 193, 197	70002906 253	70004775 256	7003977.....249, 251
70001697.....222	70002948 203	70005230 265	7003980.... 259, 261, 263
70001863.....142	70003039 91	70005483 36	7003982.....263
70001941.....155	70003040 91	7000625 230, 234	7003983.... 259, 261, 263
70001953...188, 194, 197	70003041 91	70006268 210	7003986.....261
70001966...188, 193, 197	70003479 98	70006277 210	7003989.... 259, 261, 263
70001972.....188	70003480 98	70006568 301	7003992.... 249, 251, 259, 261
70001973...189, 193, 197	70003481 98	70006569 301	7003993.... 249, 251, 259, 261
70001974...189, 193, 197	70003483 234	70006570 301	7003994.....261
70001976.....64	70003631 197	70006571 301	7004275.....373
70001990..... 83, 368	70003708. 188, 193, 194, 197	70006572 301	7004276.....373
70001994.....210	70003709. 188, 193, 194, 197	7000663 90, 98	7006137.....210
70001995.....210	70003784 241	70006649 303	7006140.....210
7000206.....35	70003838 297, 309	70006650 303	7006151.....210
70002088...188, 193, 197	70003839 297, 309	70006734 303	7006152.....210
7000209.....75	70003848 297, 309	70006735 303	7007289.....133
7000217.....75	70003856 297, 309	70006736 303	7007412.....132
70002224.....297, 309	70003932 90, 98	7000722 73	7007419.....131
70002234.....90	70004128 297	7000723 73	7007437.....40, 44
70002235..163, 167, 171, 183	70004129 309	7000724 73	7007438.....39, 43
70002255...189, 193, 197	70004136 297, 309	7000725 73	7007439.....39, 43
70002257.....133	70004137 297	7000731 36, 73	7007446.....39, 43
7000228.....75	70004138 297	7000782 73	7007470..... 131, 132
7000229.....35, 75	70004139 309	7000798 73	7007497.....350
70002290..... 188, 194	70004140 309	7000897 104	7007498.....350
70002297...188, 193, 197	70004141 309	7000974 137	7007601.....35
7000230.....35, 75	70004149 197	7001481 132	7007633.....75
70002307..... 105, 113	70004169 197	7001485 131	7007640.....35
7000232.....35	70004170 188	7001988 75	7007933.....73
7000246.....35, 75	70004171 197	7001998 35	7007990.....73
70002460...188, 193, 197	70004738 265	7002107 77	
7000248.....35	70004739 265	7002110 77	
	70004740 265	7002111 77	

PART NUMBER INDEX

7008833	339	7016330	90	7018912.....	64, 67	7020036.....	13, 16
7009992	77	7016331	90, 97, 368	7018942.....	64, 67	7020037.....	13, 16
7009995	77	7016332	90	7018945.....	67	7020038.....	13, 16
7009996	77	7016336	339	7018991.....	64, 366	7020039.....	13, 17
7009998	77	7016359	90	7019103.....	259, 261	7020040.....	13, 17
7010429	35	7016360	52	7019110.....	259, 261	7020041.....	13, 17
7010488	75	7016380	155	7019111.....	249, 251, 259,	7020042.....	13, 17
7010494	75	7016399	234		261	7020043.....	141
7010542	47, 48, 63	7016505	210	7019112.....	259, 261	7020054.....	13, 17
7010543	47, 48, 59, 63	7016524	210	7019114.....	261	7020055.....	13, 17
7011016	137	7016628	155	7019115.....	259, 261	7020099.....	241
7011044	137	7016654	373	7019117.....	259	7020100.....	241
7011067	137	7016655	374	7019122.....	249, 251	7020108... ..	163, 167, 171,
7011112	295, 297	7016680	141	7019123.....	249, 251		175, 179, 183
7011323	221	7016744	137	7019137.....	249	7020109... ..	163, 167, 171,
7012513	163, 167, 171,	7016745	137	7019141.....	249, 251		175, 179, 183
	175, 179, 183	7016746	137	7019142.....	249, 251	7020110... ..	163, 167, 171,
7012514	163, 167, 171,	7016768	137	7019143.....	249, 251		175, 179, 183
	175, 179, 183	7016769	137	7019144.....	249, 251	7020111... ..	163, 167, 171,
7012518	59, 63	7016803	88	7019145.....	249, 251		175, 179, 183
7012519	52	7016808	104, 110, 122	7019147.....	249, 251	7020120.....	106
7012520	52	7016817	88, 104, 110	7019149.....	249, 251	7020168.....	90
7012521	52	7016820	81, 88, 95, 104,	7019150.....	249, 251	7020169.....	90, 98
7012522	52		110, 122, 128	7019151.....	259, 261	7020175... ..	145, 150, 241,
7012523	52	7016833	88, 104, 110	7019153.....	259		246
7012558	163, 167, 171,	7016834	81, 88, 95, 128	7019154.....	259, 261	7020176... ..	145, 150, 241,
	175, 179, 183	7016835	81, 88, 95, 128	7019155.....	259, 261		246
7012664	80, 88, 96, 103,	7016843	81, 88, 95, 128	7019156.....	259	7020180.....	11, 20
	112, 123, 127, 366	7017059	35	7019157.....	259	7020190... ..	163, 167, 171,
7012693	12, 15, 20	7017064	75	7019158.....	259		175, 179, 183
7012770	67	7017065	75	7019159.....	259	7020191... ..	164, 168, 171,
7012772	64, 67, 366	7017066	75	7019160.....	259, 261		183
7012773	63, 64, 67	7017067	35	7019161.....	259, 261	7020192... ..	164, 168, 171,
7012775	64	7017070	35	7019162.....	259, 261, 263		176, 179, 183
7012776	67	7017080	35	7019163.....	259	7020193... ..	163, 167, 171,
7012777	67	7017090	35	7019164.....	259, 261, 263		175, 179, 183
7012799	64	7017091	35	7019165.....	259, 261, 263	7020226.....	141, 142
7012914	63	7017092	35	7019166.....	259, 261, 366	7020234.....	339
7012918	63	7017093	35	7019167.....	259, 261, 263	7020252.....	141
7012930	47, 48	7017094	35	7019168.....	259, 261	7020343.....	77
7012941	59	7017095	35	7019171.....	249, 251	7020352.....	77
7012943	59, 366	7017097	35	7019174.....	249, 251	7020353.....	77
7012944	59, 63, 366	7017125	221	7019177.....	251	7020356.....	77
7012953	67	7017136	221	7019181.....	242	7020357.....	77
7012965	67	7017137	221	7019194.....	259, 261, 263	7020359.....	77
7012967	47, 48, 63, 305,	7017138	222	7019197.....	249, 251	7020362.....	77
	315	7017139	221	7019680.....	163, 167, 175,	7020408.....	90, 97
7012975	63	7017140	221		179	7020411.....	90, 97
7012995	59	7017142	222	7019925.....	105, 113	7020446.....	90
7012998	63, 67	7017148	221	7019930.....	106	7020447.....	97
7013187	69	7017158	221	7019932.....	105	7020449.....	90, 97
7013701	137	7017159	222	7019976.....	105, 113	7020458.....	90, 98
7013711	137	7017162	221	7019977.....	104, 113	7020459.....	98
7013757	137	7017163	221	7019978.....	114	7020460.....	98
7013766	137	7017164	221	7019986.....	104	7020461.....	90, 98
7013771	137	7017172	221	7019993.....	105, 113	7020463.....	90
7014501	368	7017192	221	7019994.....	105, 113	7020464.....	90, 98
7014801	142	7017195	221	7019996.....	105, 113	7020465.....	90, 97
7014802	142	7017410	63	7020020.....	59	7020467.....	91
7014810	141	7017411	63	7020023.....	90, 97, 368	7020468.....	91, 97
7014812	142	7017412	47, 48	7020024.....	90	7020471.....	90, 97
7014813	142	7017421	67	7020025.....	90	7020477.....	90
7014816	142	7017422	63, 67	7020026.....	90, 97	7020479.....	90, 98
7014900	77	7017427	63	7020027.....	90	7020480.....	90
7016180	88, 102, 110,	7017428	63	7020033.....	13, 16	7020482.....	91
	128	7018612	73	7020034.....	13, 16	7020488.....	91
7016314	142	7018900	64	7020035.....	13, 16	7020495.....	97

PART NUMBER INDEX

7021237.....	131	7021358.....	32	7022310.....	39, 43	7023255.....	279
7021238.....	131	7021359.....	32	7022311.....	39, 43	7023256.....	279
7021239.....	131	7021365.....	63	7022312.....	39, 43	7023257.....	279
7021240.....	131	7021373.....	63, 64	7022313.....	39	7023258.....	279
7021242.....	131	7021374.....	64	7022314.....	39, 43	7023259.....	279
7021243.....	131	7021375.....	63, 64	7022318.....	40	7023260.....	279
7021248.....	131	7021376.....	63, 64, 366	7022321.....	40	7023261.....	279
7021249.....	40, 43, 131	7021625.....	47, 48	7022326.....	40, 44	7023262.....	279
7021250.....	131	7021647.....	63	7022328.....	40, 44	7023264.....	279
7021251.....	131	7021648.....	63	7022340.....	131	7023265.....	279
7021254.....	131	7021654.....	47, 48	7022341.....	131	7023266.....	279
7021255.....	131, 132	7021655.....	47, 48	7022342.....	131	7023267.....	279
7021257.....	131	7021656.....	47, 48	7022346.....	132	7023306.....	141, 142
7021258.....	131	7021868.....	105, 113	7022347.....	132	7023413.....	278
7021259.....	131	7022107.....	129	7022363.....	279	7023414.....	278
7021260.....	131	7022111.....	129, 368	7022366.....	39	7023415.....	278
7021263.....	132	7022113.....	129, 368	7022367.....	40	7023416.....	278
7021264.....	132	7022114.....	129	7022368.....	40, 43	7023417.....	278
7021265.....	132	7022118.....	129	7022369.....	40, 44	7023418.....	278
7021268.....	132	7022120.....	129	7022370.....	40	7023419.....	279
7021269.....	132	7022122.....	129	7022371.....	40, 44	7023420.....	280
7021270.....	132	7022123.....	129	7022372.....	40, 44	7023421.....	280
7021271.....	132	7022124.....	129	7022373.....	131	7023422.....	280
7021272.....	132	7022125.....	129	7022374.....	131	7023423.....	280
7021273.....	132	7022126.....	129	7022375.....	131	7023424.....	280
7021274.....	132	7022127.....	129	7022376.....	131	7023425.....	280
7021275.....	39, 43, 132	7022128.....	129	7022377.....	131	7023426.....	280
7021276.....	39, 43, 132	7022129.....	129	7022378.....	131	7023427.....	280
7021277.....	39, 43, 132	7022130.....	129	7022379.....	131	7023428.....	280
7021278.....	132	7022131.....	129	7022380.....	131	7023444.....	279
7021279.....	132	7022133.....	113	7022381.....	131	7023445.....	279
7021280.....	133	7022134.....	104, 113, 339	7022382.....	132	7023446.....	279
7021281.....	132	7022135.....	113, 368	7022383.....	132	7023447.....	279
7021283.....	131	7022136.....	104	7022384.....	132	7023448.....	279
7021284.....	131	7022137.....	339	7022385.....	132	7023449.....	279
7021288.....	132	7022139.....	105, 113	7022386.....	132	7023603.....	117
7021290.....	132	7022142.....	105, 113	7022387.....	132	7023613.....	105
7021291.....	132	7022143.....	105, 113	7022397.....	48	7023637.....	105, 113
7021292.....	132	7022144.....	106	7022399.....	48	7023644.....	105
7021294.....	132	7022149.....	105	7022544.....	29, 32	7023645.....	117
7021296.....	133	7022150.....	105	7022545.....	29, 32	7023652.....	105
7021297.....	133	7022151.....	106	7022547.....	32	7023653.....	105
7021298.....	133	7022153.....	105, 106, 114	7022548.....	32	7023654.....	105
7021299.....	133	7022154.....	105	7022549.....	32	7023655.....	104
7021325.....	29, 31	7022155.....	105, 114	7022551.....	32	7023656.....	105
7021326.....	29, 31	7022156.....	105, 114	7022679.....	113	7023657.....	106
7021327.....	29, 31	7022157.....	105	7022808.....	249, 251, 253	7023658.....	105
7021328.....	29, 31	7022158.....	105	7022812.....	261	7023659.....	117
7021329.....	29, 32	7022159.....	105	7022813.....	249	7023660.....	117
7021330.....	29, 32	7022160.....	105	7022814.....	251	7023662.....	113
7021335.....	31	7022161.....	105	7022815.....	251, 253	7023663.....	105, 349
7021337.....	29, 31	7022162.....	105	7022816.....	251	7023665.....	117
7021338.....	29, 32	7022164.....	106	7022817.....	251	7023679.....	340, 352
7021339.....	29	7022165.....	117	7022818.....	251, 366	7023680.....	113, 117
7021340.....	29, 32	7022166.....	117	7022819.....	251, 253, 349	7023681.....	105, 113, 349
7021341.....	31	7022167.....	117	7022820.....	350	7023682.....	105, 113
7021342.....	29, 31	7022168.....	117	7022822.....	261	7023683.....	105
7021344.....	29, 32	7022170.....	117	7022823.....	261	7023695.....	105
7021346.....	29, 31	7022171.....	117	7022824.....	261, 349, 366	7023698.....	113
7021347.....	29, 31	7022178.....	105, 114	7022825.....	349	7023699.....	113
7021349.....	31	7022179.....	105	7023205.....	141, 142, 366	7023802.....	135
7021351.....	31	7022180.....	105, 113	7023206.....	59	7023811.....	135
7021352.....	31	7022302.....	39, 43	7023207.....	59	7023812.....	135
7021354.....	32	7022305.....	39, 43	7023251.....	279	7023813.....	135
7021355.....	32	7022306.....	39, 43	7023252.....	279	7023814.....	135
7021356.....	32	7022307.....	39, 43	7023253.....	279	7023815.....	135
7021357.....	32	7022309.....	39, 43	7023254.....	279	7023820.....	135

PART NUMBER INDEX

7023821	64	7024486	188	7026633.....	205	7026879.....	84
7023822	64	7024487	194	7026634.....	205	7026880.....	84
7023823	64	7024488	189, 194, 197	7026635.....	205	7026881.....	84
7023824	64	7024489	189, 194, 197	7026636.....	205	7026882.....	83
7023907	39, 43	7024508	315	7026637.....	205	7026883.....	84
7023908	39, 43	7024519	271	7026638.....	205	7026884.....	84
7023910	39, 43	7024520	271	7026639.....	205	7026885.....	84
7023917	48	7024521	271	7026640.....	205	7026886.....	84
7023934	48	7024522	271	7026641.....	206	7027012.....	122
7023935	48	7024523	271	7026642.....	206	7027013.....	122
7023936	48	7024524	271	7026643.....	206	7027236.....	97
7024017	32	7024525	271	7026644.....	206	7027239.....	98, 368
7024026	32	7024526	271	7026645.....	206	7027241.....	98
7024100	75	7024527	271	7026646.....	206	7027245.....	98, 368
7024182	36	7024528	271	7026647.....	206	7027246.....	97
7024189	36	7024529	271	7026648.....	206	7027250.....	90
7024190	36	7024530	271	7026649.....	206	7027276.....	90, 98
7024191	36	7024531	271	7026650.....	206	7027400.....	113
7024192	36	7024532	271	7026651.....	205	7027402.....	106, 113
7024193	36	7024533	271	7026652.....	205	7027403.....	349
7024194	36	7024534	271	7026653.....	205	7027404.....	113
7024195	36	7024535	271	7026654.....	205	7027405.....	113
7024196	36	7024536	271	7026655.....	205	7027410.....	113
7024197	36	7024537	271	7026656.....	205	7027411.....	114
7024313	279	7024538	271	7026658.....	206	7027413.....	114
7024315	279	7024539	271	7026659.....	205	7027419.....	40, 43
7024316	279	7024540	271	7026660.....	205	7027608.....	97
7024317	280	7024541	271	7026661.....	205	7027609.....	97
7024318	90	7024559	280	7026835.....	84	7027610.....	97
7024319	146, 150	7024561	188, 193	7026836.....	84	7027769.....	98
7024320	146, 150	7024565	90, 98	7026840.....	83	7027773.....	287
7024436	280	7024579	90, 98	7026843.....	84	7027774.....	287
7024439	142	7024705	36	7026846.....	83	7027775.....	287
7024440	142	7024712	35	7026847.....	83	7027776.....	287
7024441	142	7024713	35	7026848.....	83	7027777.....	287
7024442	142	7024714	35	7026849.....	83	7027778.....	287
7024443	142	7024715	36	7026850.....	83	7027779.....	287
7024444	142	7024716	36	7026851.....	84	7027780.....	287
7024445	142	7024717	36	7026852.....	83	7027781.....	203
7024446	142	7024718	36	7026853.....	83	7027782.....	203
7024452	155	7024800	132	7026854.....	84	7027783.....	203
7024462	287	7024804	132	7026856.....	83	7027784.....	203
7024463	287	7024852	40	7026857.....	83	7027790.....	98
7024464	287	7024853	40, 44	7026858.....	83	7027791.....	98
7024465	287	7024854	40, 44	7026859.....	84	7027792.....	98
7024466	287	7024855	131	7026860.....	83	7027793.....	97, 349
7024467	287	7024856	131	7026861.....	84	7027794.....	98, 349
7024468	287	7024857	131	7026862.....	84	7027795.....	97, 368
7024469	287	7024858	131	7026863.....	83	7027796.....	97, 349
7024470	287	7024868	39, 43	7026864.....	83	7027799....	188, 193, 197
7024471	287	7024962	135	7026865.....	83	7027858.....	159
7024472	287	7024980	32	7026866.....	83	7027887... 164, 168, 172,	
7024473	287	7025124	105	7026867.....	83	176, 179, 183	
7024474	287	7025134	106, 114	7026868.....	83	7027965.....	123, 368
7024475	287	7026113	309	7026869.....	83	7027972.....	123, 368
7024476	287	7026188	188, 193, 197	7026870.....	83	7027994.....	123
7024477	287	7026199 ...	163, 167, 171,	7026871.....	83, 368	7027996.....	123
7024478	287	175, 179, 183		7026872.....	83	8180311....	81, 102, 112,
7024479	287	7026597	188, 193, 197	7026873.....	83	124	
7024484	188	7026608.....	98	7026874.....	83	8896941.....	373
70244847	193	7026626	188, 193, 197	7026875.....	83	91083218.....	104
7024485	188, 193, 197	7026632	205	7026878.....	83		



3120789



An Oshkosh Corporation Company

Corporate Office
JLG Industries, Inc.
1 JLG Drive
McConnellsburg, PA 17233-9533 USA
☎ (717) 485-5161 (Corporate)
☎ (877) 554-5438 (Customer Support)
☎ (717) 485-6417

Visit our website for JLG Worldwide Locations.
www.jlg.com