



Illustrated Parts Manual

Model
34HA

P/N
3120804

June 27, 2011



An Oshkosh Corporation Company

REVISION LOG

November 1, 1990 - Original Issue Of Manual

May 31, 1999 - Revised (Manual edited to 0010401 Revision 30)

October 9, 2000 - Revised (Manual edited to 0010401 Revision 32)

February 2, 2004 - Revised (Manual edited to 0010401 Revision 33)

December 12, 2007 - Revised

June 27, 2011 - Revised (Revision 1)

TABLE OF CONTENTS

SECTION 1 - FRAME.....	7
FIGURE 1-1. FRAME, STEERING AND DRIVE COMPONENTS, ASSEMBLIES AND INSTALLATIONS - FIXED AND OSCILLATING AXLES (STANDARD 2WD - DOUBLE ACTING STEER CYLINDER)	8
FIGURE 1-2. FRAME, STEERING AND DRIVE COMPONENTS, ASSEMBLIES AND INSTALLATIONS - FIXED AND OSCILLATING AXLES (OPTIONAL 2WD - SINGLE ACTING STEER CYLINDER)	12
FIGURE 1-3. FRAME, STEERING AND DRIVE COMPONENTS, ASSEMBLIES AND INSTALLATIONS - FIXED AND OSCILLATING AXLES (4WD).....	18
FIGURE 1-4. DRIVE HUB ASSEMBLY	22
FIGURE 1-5. DRIVE HUB/BRAKE ASSEMBLY (4WD FRONT) (PRIOR TO DECEMBER 1991).....	26
FIGURE 1-6. DRIVE HUB/BRAKE ASSEMBLY (4WD FRONT) (DECEMBER 1991 TO PRESENT)	28
FIGURE 1-7. DRIVE BRAKE ASSEMBLY (PRIOR TO DECEMBER 1991).....	32
FIGURE 1-8. DRIVE BRAKE ASSEMBLY (DECEMBER 1991 TO SN 33475)	34
FIGURE 1-9. DRIVE BRAKE ASSEMBLY (SN 33476 through 56992)	36
FIGURE 1-10. DRIVE MOTOR ASSEMBLY (GAS AND DIESEL)	38
FIGURE 1-11. DRIVE MOTOR ASSEMBLY (ELECTRIC)	40
FIGURE 1-12. VALVE INSTALLATION (FRAME MOUNTED)	44
FIGURE 1-13. TOW PACKAGE INSTALLATION	46
SECTION 2 - TURNTABLE	49
FIGURE 2-1. CONTROL VALVES INSTALLATIONS	50
FIGURE 2-2. CONTROL VALVE ASSEMBLY - 3 & 4 SECTION RACINE BANG - BANG	54
FIGURE 2-3. CONTROL VALVE ASSEMBLY - 3 SECTION RACINE BANG - BANG	58
FIGURE 2-4. VALVE ASSEMBLY - SINGLE STACK RACINE	60
FIGURE 2-5. MODULAR CONTROL VALVE ASSEMBLY	62
FIGURE 2-6. SWING DRIVE AND BEARING INSTALLATION	64
FIGURE 2-7. SWING BRAKE ASSEMBLY (MACHINES BUILT THROUGH 1992)	68
FIGURE 2-8. SWING MOTOR ASSEMBLY (MACHINES BUILT PRIOR TO 1993).....	70
FIGURE 2-9. SWING MOTOR ASSEMBLY (MACHINES BUILT 1993 TO PRESENT)	72
FIGURE 2-10. ROTARY OIL COUPLING INSTALLATION	74
FIGURE 2-11. FORD VSG-411 GAS ENGINE INSTALLATION (PRIOR TO JUNE 1995).....	76
FIGURE 2-12. FORD VSG-413 GAS ENGINE INSTALLATION (JUNE 1995 TO PRESENT)	82
FIGURE 2-13. DUAL FUEL INSTALLATION - FORD.....	88
FIGURE 2-14. GENERATOR INSTALLATION - 110V (FORD).....	90
FIGURE 2-15. DEUTZ F2L-1011 DIESEL ENGINE INSTALLATION	92
FIGURE 2-16. GENERATOR INSTALLATION - 110V (DEUTZ)	98
FIGURE 2-17. ELECTRIC MOTOR, BATTERIES AND CHARGER INSTALLATIONS	102
FIGURE 2-18. BATTERY CHARGER ASSEMBLY	106
FIGURE 2-19. CONTACTOR BOX ASSEMBLY	108
FIGURE 2-20. PUMP ASSEMBLY - SUNSTRAND (GAS AND DIESEL MACHINES)	110
FIGURE 2-21. PUMP ASSEMBLY - SINGLE SECTION (GAS AND DIESEL MACHINES) (PRIOR TO AUGUST 1992).....	114
FIGURE 2-22. PUMP ASSEMBLY - SINGLE SECTION (GAS AND DIESEL MACHINES) (AUGUST 1992 TO PRESENT)	116
FIGURE 2-23. PUMP ASSEMBLY - 3 SECTION (ELECTRIC MACHINES)	118
FIGURE 2-24. TANK INSTALLATION	120
FIGURE 2-25. GROUND CONTROL BOX ASSEMBLY	124
FIGURE 2-26. HOODS, LIGHTS AND ALARMS INSTALLATION	128
SECTION 3 - BOOM	131
FIGURE 3-1. TURNTABLE, BOOM AND HORIZONTAL LIMIT SWITCH INSTALLATIONS	132
FIGURE 3-2. BOOM ASSEMBLIES	134
SECTION 4 - PLATFORM.....	137
FIGURE 4-1. STANDARD PLATFORM, CONTROLS AND SUPPORT INSTALLATIONS	138
FIGURE 4-2. LOW MOUNT PLATFORM, CONTROLS AND SUPPORT INSTALLATIONS	142
FIGURE 4-3. ROTATOR MOTOR ASSEMBLY (WORM GEAR DRIVE).....	146
FIGURE 4-4. ROTATOR MOTOR ASSEMBLY (HYDRAULIC PISTON).....	148
FIGURE 4-5. PLATFORM CONSOLE BOX ASSEMBLY	150
FIGURE 4-6. PLATFORM CONSOLE BOX ASSEMBLY (PROPORTIONAL CONTROLS).....	154
FIGURE 4-7. OPTIONAL COMMON PLATFORM MOUNTED COMPONENTS	158
SECTION 5 - CYLINDER	161
FIGURE 5-1. AXLE LOCKOUT CYLINDER ASSEMBLY	162

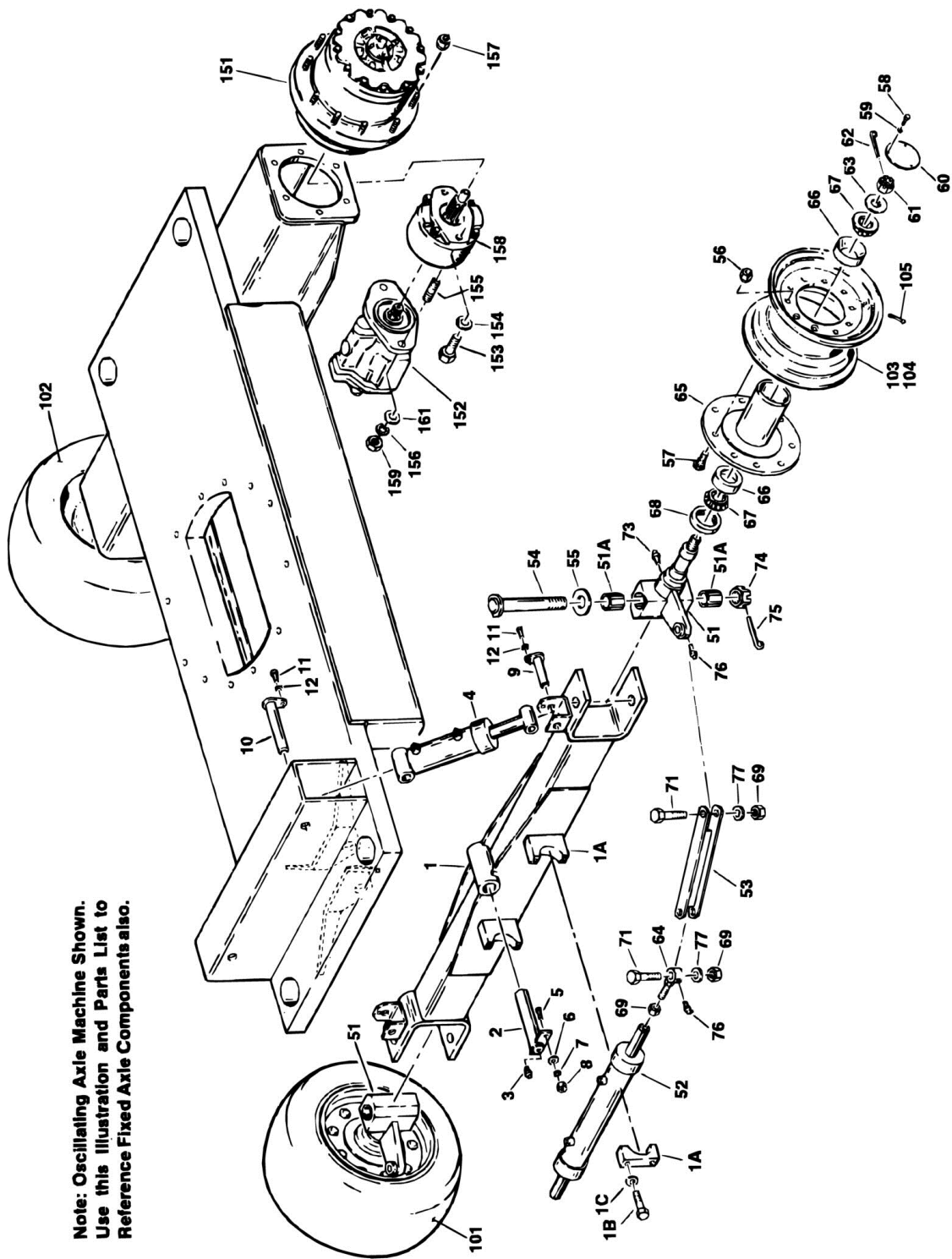
TABLE OF CONTENTS

FIGURE 5-2. PLATFORM LEVEL CYLINDER ASSEMBLY.....	164
FIGURE 5-3. LIFT (BOOM) CYLINDER ASSEMBLY.....	166
FIGURE 5-4. ARTICULATE CYLINDER ASSEMBLY.....	168
FIGURE 5-5. STEER CYLINDER ASSEMBLY - 2WD - DOUBLE ROD.....	170
FIGURE 5-6. STEER CYLINDER ASSEMBLY - 2WD - SINGLE ROD.....	172
FIGURE 5-7. STEER CYLINDER ASSEMBLY - 4WD.....	174
FIGURE 5-8. TELESCOPE CYLINDER ASSEMBLY.....	176
FIGURE 5-9. CYLINDER BELLOWS INSTALLATIONS.....	178
SECTION 6 - HYDRAULIC.....	181
FIGURE 6-1. HYDRAULIC DIAGRAM - AXLE LOCKOUT.....	182
FIGURE 6-2. HYDRAULIC DIAGRAM - DRIVE (2WD).....	186
FIGURE 6-3. HYDRAULIC DIAGRAM - DRIVE (4WD).....	190
FIGURE 6-4. HYDRAULIC DIAGRAM - DRIVE (ELECTRIC).....	194
FIGURE 6-5. HYDRAULIC DIAGRAM - ROTATOR (HYDRAULIC PISTON).....	196
FIGURE 6-6. HYDRAULIC DIAGRAM - ROTATOR (WORM GEAR).....	198
FIGURE 6-7. HYDRAULIC DIAGRAM - STANDARD (FORD - DEUTZ).....	200
FIGURE 6-8. HYDRAULIC DIAGRAM - STANDARD (ELECTRIC).....	204
FIGURE 6-9. HYDRAULIC DIAGRAM - STEER.....	208
FIGURE 6-10. HYDRAULIC DIAGRAM - TOW.....	210
FIGURE 6-11. HYDRAULIC DIAGRAM - LIFT UP RELIEF (FORD AND DEUTZ).....	212
FIGURE 6-12. HYDRAULIC DIAGRAM LIST.....	214
SECTION 7 - ELECTRICAL.....	217
FIGURE 7-1. ELECTRICAL DIAGRAM LIST.....	218
FIGURE 7-2. ELECTRICAL DIAGRAM - PLATFORM (FORD AND DEUTZ).....	222
FIGURE 7-3. ELECTRICAL DIAGRAM - PLATFORM (DEUTZ - PROPORTIONAL CONTROLS).....	224
FIGURE 7-4. ELECTRICAL DIAGRAM - PLATFORM (ELECTRIC).....	226
FIGURE 7-5. ELECTRICAL DIAGRAM - GROUND CONTROL (DEUTZ).....	228
FIGURE 7-6. ELECTRICAL DIAGRAM - GROUND CONTROL (DEUTZ - PROPORTIONAL CONTROLS).....	230
FIGURE 7-7. ELECTRICAL DIAGRAM - GROUND CONTROL (FORD).....	232
FIGURE 7-8. ELECTRICAL DIAGRAM - GROUND CONTROL (ELECTRIC).....	234
SECTION 8 - DECALS.....	237
FIGURE 8-1. DECALS INSTALLATION - STANDARD (PRIOR TO JULY 1991).....	238
FIGURE 8-2. DECALS INSTALLATION - STANDARD (JULY 1991 TO PRESENT).....	242
SECTION 9 - RECOMMENDED SERVICE PARTS STOCK.....	247
FIGURE 9-1. MODEL 34HA STANDARD PARTS.....	248
FIGURE 9-2. MODEL 34HA VARIABLE PARTS.....	252
SECTION 10 - SPECIAL OPTIONS.....	255
FIGURE 10-1. SPECIAL OPTIONS.....	256
PART NUMBER INDEX.....	257

SECTION 1 - FRAME

SECTION 1 - FRAME

FIGURE 1-1. FRAME, STEERING AND DRIVE COMPONENTS, ASSEMBLIES AND INSTALLATIONS - FIXED AND OSCILLATING AXLES (STANDARD 2WD - DOUBLE ACTING STEER CYLINDER)



Note: Oscillating Axle Machine Shown. Use this illustration and Parts List to Reference Fixed Axle Components also.

SECTION 1 - FRAME

FIGURE 1-1. FRAME, STEERING AND DRIVE COMPONENTS, ASSEMBLIES AND INSTALLATIONS - FIXED AND OSCILLATING AXLES (STANDARD 2WD - DOUBLE ACTING STEER CYLINDER)

ITEM	PART NUMBER	QTY	DESCRIPTION	REV
		Ref	FRAME WELDMENT OPTIONS:	
	2360274	1	Frame Weldment (Oscillating)	
	2360262	1	Frame Weldment (Fixed)	
	0251327	Ref	OSCILLATING AXLE INSTALLATION (WITH EQUIPPED)	A
1	4842982	1	Axle Weldment	
1A	0238390	2	Mount, Steer Cylinder Assembly (Welded on part)	
1B	0641822	4	Bolt 1/2in-13NC x 2 3/4in	
1C	4761800	4	Flatwasher 1/2in	
2	4842621	1	Pin, Weldment	
3	2160002	1	Fitting, Grease	
4	1682406	2	Lockout Cylinder Assembly (See CYLINDER SECTION for Breakdown)	
5	4300034	1	Stud (Weld on Part)	
6	4751600	1	Flatwasher 3/8in	
7	4761600	1	Lockwasher 3/8in	
8	3311601	1	Nut 3/8in-16NC	
9	4842794	2	Pin (Bottom)	
10	4842622	2	Pin (Top)	
11	0641406	4	Bolt 1/4in-20NC x 3/4in	
12	4761400	4	Lockwasher 1/4in	
	0238395	Ref	STEER AND SPINDLE INSTALLATION (STANDARD)	7
51	4130197	2	Spindle	
51A	0960839	4	Bushing, Bronze	
52		Ref	Steer Cylinder Assembly Options: (See CYLINDER SECTION for Breakdown)	
52	1681814	1	Steer Cylinder Assembly (Prior to SN 31941)	
52	1683511	1	Steer Cylinder Assembly (SN 31941 to Present)	
53	4842860	2	Rod, Tie	
54	3421340	2	Pin, King	
55	0440162	2	Washer, Thrust	
56	3300012	18	Lugnut 1/2in-20NF	
57	0630137	18	Bolt, Wheel 1/2in-20NF x 1 7/8in (Prior to July 1991)	
58	0721004	6	Screw #10-24NC x 1/2in	
59	4761000	6	Lockwasher #10	
60	1120019	2	Cap, Hub	
61	3322603	2	Nut, Slotted 1in-12NF	
62	3450608	2	Pin, Cotter 3/16in x 2in	
63	4740001	2	Washer, Hardened	
64	4842624	2	End, Tie Rod	
65	2780153	2	Hub	
66	0440112	4	Cup, Bearing	
67	0440113	4	Cone, Bearing	
68	3960373	2	Seal, Oil	
69	3312205	6	Nut 3/4in-10NC	
71	0642224	4	Bolt 3/4in-10NC x 3in	
73	2160002	2	Fitting, Grease	
74	3323003	2	Nut, Slotted 1 1/4in-12NF	
75	3450609	2	Pin, Cotter 3/16in x 2 1/4in	
76	2160001	4	Fitting, Grease	

SECTION 1 - FRAME

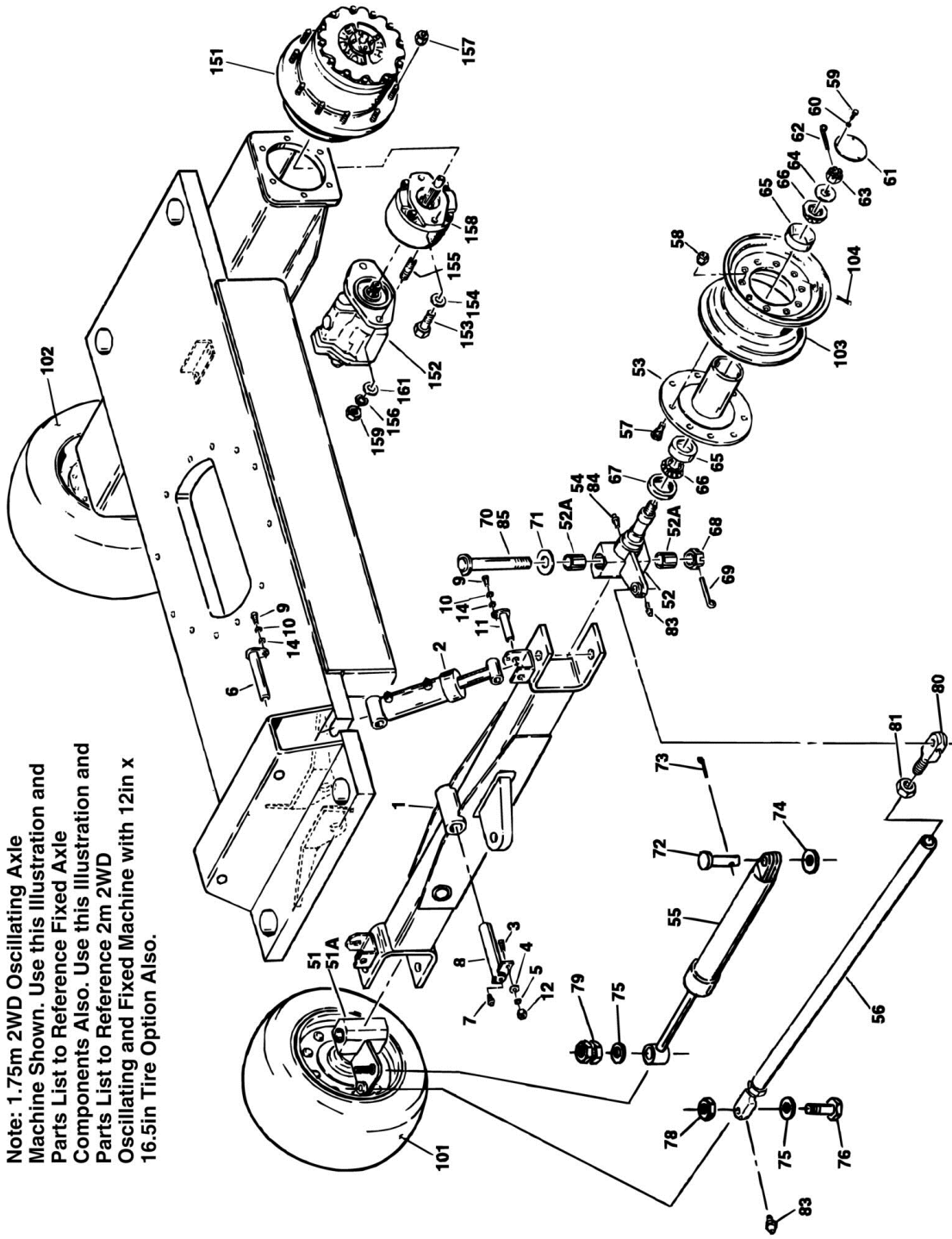
ITEM	PART NUMBER	QTY	DESCRIPTION	REV
77	4740156	2	Washer, Thrust	
		Ref	TIRE AND WHEEL INSTALLATIONS	
	0253133	Ref	8.75in x 16.5in Foam-Filled	-
	0252941	Ref	9.50in x 16.5in Foam-Filled	-
101	0253131	2	Tire and Wheel Assembly - Foam-Filled - 8.75in-16.5in (Front)	
101	4520199	2	Tire - 8.75in-16.5in (Galaxy)	
101	0239806	2	Tire and Wheel Assembly - Foam-Filled - 9.5in-16.5in (Front)	
101	4520111	2	Tire - 9.5in-16.5in (General GLT Traction II)	
102	0253131	2	Tire and Wheel Assembly - Foam-Filled - 8.75in-16.5in (Rear)	
102	4520199	2	Tire - 8.75in-16.5in (Galaxy)	
102	0239805	2	Tire and Wheel Assembly - Foam-Filled - 9.5in-16.5in (Rear)	
102	4520110	2	Tire - 9.5in-16.5in (General Jumbo GLT)	
		Ref	Note: Assemblies may require ballast/foam filling to manufacturer's specifications prior to installing on a machine. Refer to Operation and Safety or Service and Maintenance Manuals. Purchase individual tire and/or rim only if able to foam fill tire and wheel assembly, otherwise, purchase complete assembly.	
103	4842994	4	Rim (9.5in-16.5in)	
104	4842561	4	Rim (8.75in-16.5in)	
105	4640392	4	Valve	
		Ref	WHEEL DRIVE INSTALLATIONS	
		Ref	Gas and Diesel Options:	
	0250148	Ref	Gas and Diesel (Prior to SN 56992)	6
	0270215	Ref	Gas and Diesel (SN 56992 to Present)	1
	0251139	Ref	Electric	5
151		Ref	Torque Hub Assembly Options: (See DRIVE HUB ASSEMBLY for Breakdown)	
151	2780169	2	Gas and Diesel	
151	2780168	2	Electric	
152		Ref	DRIVE MOTOR ASSEMBLY OPTIONS:	
152	3160158	2	Gas and Diesel (See DRIVE MOTOR ASSEMBLY (GAS AND DIESEL) for Breakdown)	
152	1001096415	2	Electric (See DRIVE MOTOR ASSEMBLY (ELECTRIC) for Breakdown) (was p/n 3160118)	
153		Ref	Hardware Options:	
153	0642014	12	Hardware Bolt 5/8in-11NC x 1 3/4in (Prior to March 1993)	
153	0642016	12	Hardware Bolt 5/8in-11NC x 2in (March 1993 to Present)	
154	4762000	12	Flatwasher 5/8in	
155		Ref	Hardware Options:	
155	4320008	4	Hardware Stud 1/2in-13NC x 6 1/2in (Prior to December 1991)	
155	4300092	4	Hardware Stud 1/2in-13NC x 5 1/2in (December 1991 to SN 56991)	
155	4300097	4	Hardware Stud 1/2in-13NC x 5 1/2 (SN 56992 to Present)	
156	4761800	4	Lockwasher 1/2in	
157	3300012	18	Nut, Lug 1/2in-20NC	
158		Ref	Drive Brake Assembly Options:	
158	0920072	2	Drive Brake Assembly (Prior to December 1991) (See DRIVE BRAKE ASSEMBLY for Breakdown)	
158	0920084	2	Drive Brake Assembly (December 1991 to SN 33475) (See DRIVE BRAKE ASSEMBLY for Breakdown)	
158	0920110	2	Drive Brake Assembly (See DRIVE BRAKE ASSEMBLY for Breakdown) (SN 33476 through 56991)	
158	0920119	2	Drive Brake Assembly (was p/n 0920117) (SN 56992 to	

SECTION 1 - FRAME

ITEM	PART NUMBER	QTY	DESCRIPTION	REV
158	7018612	AR	Present) Repair Kit - 0920117 & 0920119 Brakes (Includes Case Seal, Piston Inner and Outer O-Rings and Back-up Rings, Stator Disc, Rotor Disc, Return Plate, Springs, Oil Seal, Bearing, 2 Retaining Rings and 2 Mounting Face Gaskets) (1 Per Assembly)	
158	7000731	AR	Gasket, Mounting Face (Note: No Other Parts Available)	
159	3311801	4	Nut 1/2in-13NC	
160	0100011	AR	Loctite #242 (Not Shown)	
161	4751800	4	Flatwasher 1/2in	
162	0100019	AR	Loctite #271 (Not Shown)	

SECTION 1 - FRAME

FIGURE 1-2. FRAME, STEERING AND DRIVE COMPONENTS, ASSEMBLIES AND INSTALLATIONS - FIXED AND OSCILLATING AXLES (OPTIONAL 2WD - SINGLE ACTING STEER CYLINDER)



Note: 1.75m 2WD Oscillating Axle Machine Shown. Use this Illustration and Parts List to Reference Fixed Axle Components Also. Use this Illustration and Parts List to Reference 2m 2WD Oscillating and Fixed Machine with 12in x 16.5in Tire Option Also.

SECTION 1 - FRAME

FIGURE 1-2. FRAME, STEERING AND DRIVE COMPONENTS, ASSEMBLIES AND INSTALLATIONS - FIXED AND OSCILLATING AXLES (OPTIONAL 2WD - SINGLE ACTING STEER CYLINDER)

ITEM	PART NUMBER	QTY	DESCRIPTION	REV
		Ref	FRAME WELDMENT OPTIONS:	
	2360283	1	Frame Weldment (1.75m With Oscillating Axle and Standard Platform)	
	2360288	1	Frame Weldment (1.75m With Fixed Axle and Standard Platform)	
	2360321	1	Frame Weldment (1.75m With Oscillating Axle and Low Mount Platform)	
	2360322	1	Frame Weldment (1.75m With Fixed Axle and Low Mount Platform)	
	2360330	1	Frame Weldment (2m With 12 x 16.5 Tire Option and Oscillating Axle)	
	0251475	1	Frame Weldment (2m With 12 x 16.5 Tire Option and Fixed Axle)	
		Ref	AXLE INSTALLATION OPTIONS:	
	0251326	Ref	Oscillating Axle - 1.75m MACHINES (Optional - When Equipped)	-
	0251486	Ref	Oscillating Axle - 2m MACHINES (Optional - When Equipped)	B
	0251487	Ref	Fixed Axle - 2m MACHINES (12in x 16.5in Tires)	A
1		Ref	Axle Options:	
1	4843094	1	1.75m Machines	
1	4843728	1	2m Machines	
2	1682406	2	Lockout Cylinder Assembly - Oscillating Axle Only (See CYLINDER SECTION for Breakdown)	
3		Ref	Hardware Options:	
3	4300034	1	Stud (Welded on Part) (1.75m Machines Only)	
3	0641610	1	Bolt 3/8in-16NC x 1 1/4in (2m Machines Only)	
4		Ref	Hardware Options:	
4	4751600	1	Flatwasher 3/8in (1.75m Machines Only)	
4	4740185	1	Flatwasher 3/8in (Hardened) (2m Machines Only)	
5	4761600	1	Lockwasher 3/8in	
6		Ref	Top Weldment, Pin Options:	
6	4842622	2	1.75m Machines	
6	4842794	2	2m Machines	
7	2160002	1	Fitting, Grease	
8	4842621	1	Weldment, Pin	
9	0641406	4	Bolt 1/4in-20NC x 3/4in (Oscillating Axle Only)	
10	4761400	4	Lockwasher 1/4in (Oscillating Axle Only)	
11		Ref	Bottom Weldment, Pin Options: (Oscillating Axle Only)	
11	4842794	2	1.75m Machines	
11	4843286	2	2m Machines	
12	3311601	1	Nut 3/8in-16NC (1.75m Machines Only)	
14	4751400	4	Flatwasher 1/4in (Oscillating Axle Only)	
		Ref	STEERING AND SPINDLE INSTALLATION OPTIONS:	
	0239197	Ref	1.75m MACHINES	E
	0251248	Ref	2m MACHINES	E
51		Ref	Spindle (Right Side) Options:	
51	4130207	1	1.75m Machines	
51	4130160	1	2m Machines	
51A		Ref	Bushing, Bronze (2 Per Spindle) Options:	
51A	0960839	4	1.75m Machines	
51A	0960523	4	2m Machines	
52		Ref	Spindle (Left Side) Options:	

SECTION 1 - FRAME

ITEM	PART NUMBER	QTY	DESCRIPTION	REV
52	4130210	1	1.75m Machines	
52	4130161	1	2m Machines	
52A		Ref	Bushing, Bronze (2 Per Spindle) Options:	
52A	0960839	4	1.75m Machines	
52A	0960523	4	2m Machines	
53		Ref	Hub, Front Wheel Options:	
53	2780153	2	1.75m Machines	
53	2780091	2	2m Machines	
54	2160002	AR	Fitting, Grease	
55	1682020	1	Steer Cylinder Assembly (See CYLINDER SECTION for Breakdown)	
56		Ref	Tie-Rod Options:	
56	3840962	1	1.75m Machines	
56	3841086	1	2m Machines	
57	0630137	18	Tie-Rod Bolt, Wheel 1/2in-20NF x 1 7/8in (Prior to August 1991)	
58	3300012	18	Nut, Lug 1/2in-20NF	
59		Ref	Screw Options:	
59	0721004	6	Screw #10-24NC x 1/2in (Prior to November 1991)	
59	0721003	6	Screw #10-24NC x 3/8in (November 1991 to Present)	
60	4761000	6	Lockwasher #10	
61		Ref	Cap, Hub Options:	
61	1120019	2	1.75m Machines	
61	1120032	2	2m Machines	
62		Ref	Pin, Cotter Options:	
62	3450608	2	Pin, Cotter 3/16in-2in - 5ft-9in Machines	
62	3450810	2	Pin, Cotter 1/4in-2 1/2in - 2m Machines	
63		Ref	Nut, Slotted Options:	
63	3322603	2	Nut, Slotted 1in-12NF (5ft-9in Machines)	
63	3300208	2	Nut, Slotted 1 1/2in-12NF (2m Machines)	
64		Ref	Washer, Hardened Options:	
64	4740001	2	1.75m Machines	
64	4740016	2	2m Machines	
65		Ref	Cup, Bearing Options:	
65	0440112	4	1.75m Machines	
65	0440018	4	2m Machines	
66		Ref	Cone, Bearing Options:	
66	0440113	4	1.75m Machines	
66	0440019	4	2m Machines	
67		Ref	Seal, Hub Options:	
67	3960373	2	1.75m Machines	
67	3960098	2	2m Machines	
68		Ref	Nut, Slotted Options:	
68	3323003	2	Nut, Slotted 1 1/4in-12NF (1.75m Machines)	
68	3313403	2	Nut, Slotted 1 1/2in-6NF (2m Machines)	
69		Ref	Pin, Cotter Options:	
69	3450609	2	Pin, Cotter 3/16in-2 1/4in (5ft-9in Machines)	
69	3451012	2	Pin, Cotter 5/16in-3in (2m Machines) (Prior to June 1994)	
69	3451010	2	Pin, Cotter 5/16in-2 1/2in (2m Machines) (June 1994 to Present)	
70		Ref	Pin, King Options:	
70	3421340	2	1.75m Machines	
70	3421243	2	Pin, King 2m Machines (Prior to SN 27273)	

SECTION 1 - FRAME

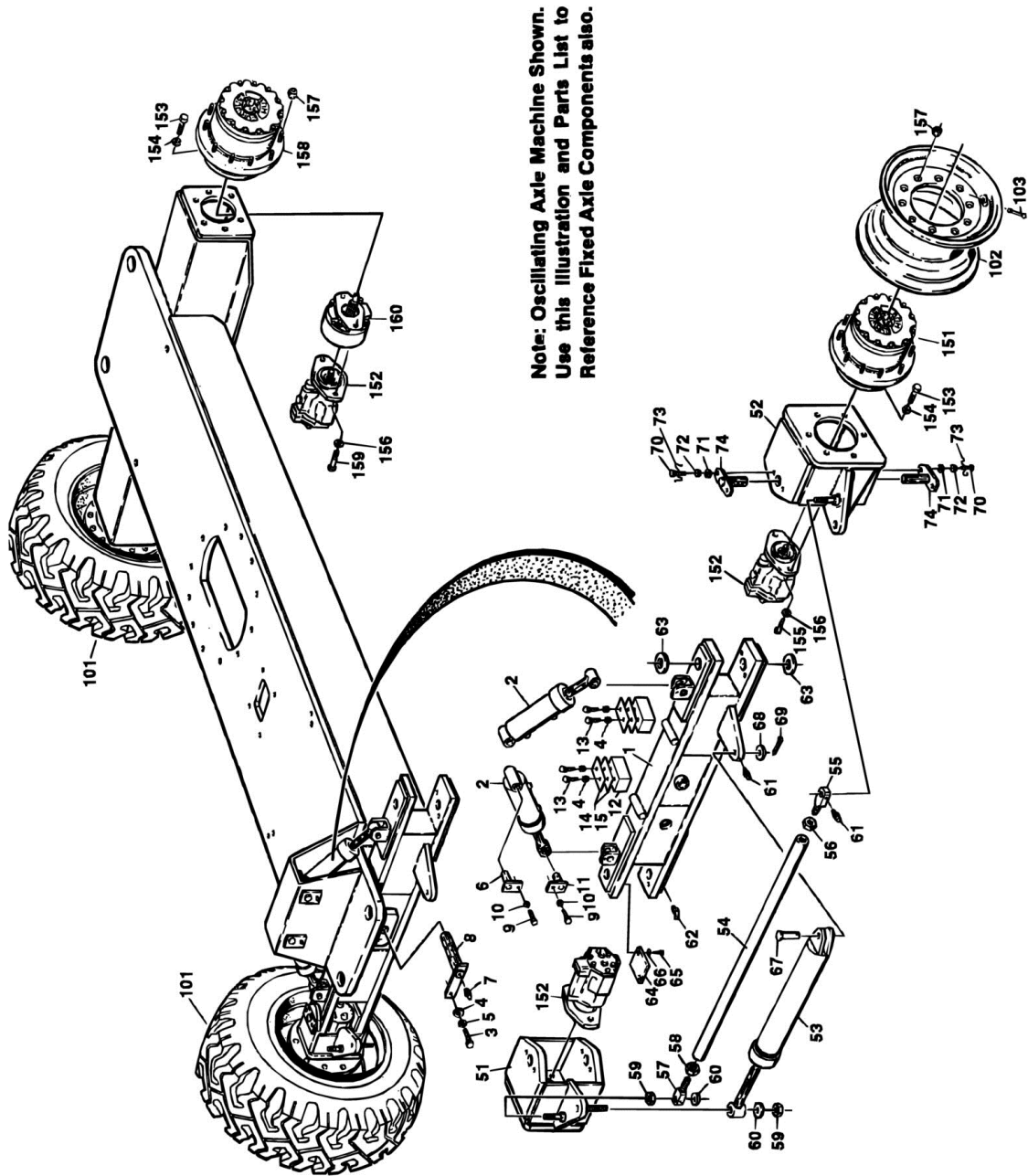
ITEM	PART NUMBER	QTY	DESCRIPTION	REV
70	3422261	2	Pin, King 2m Machines (SN 27273 to Present)	
71		Ref	Washer, Thrust Options:	
71	0440162	2	1.75m Machines	
71	0440183	2	2m Machines	
72	3431622	1	Pin, Clevis	
73		Ref	Pin, Cotter	
73	3450606	1	Pin, Cotter (Prior to September 1991)	
73	3450608	1	Pin, Cotter (September 1991 to Present)	
74	4712600	1	Flatwasher 1in (Narrow)	
75	0440091	3	Washer, Thrust	
76		Ref	Bolt Options:	
76	0642628	2	Bolt 1in-8NC x 3 1/2in (5ft-9in Machines)	
76	0630425	2	Bolt 1in-8NC x 3 3/4in (2m Machines)	
77		Ref	End, Tie-Rod (Right Side) Options:	
77	0560805	1	1.75m Machines	
77	0560605	1	2m Machines	
78	3312602	2	Nut, Jam 1in-8NC	
79	3300175	1	Locknut 1in-14NC	
80		Ref	End, Tie-Rod (Left Side) Options:	
80	0560804	1	1.75m Machines	
80	0560714	1	2m Machines	
81	3300229	1	Nut, Jam 1 1/4in-12NF (Left Hand Threads)	
82	3323002	1	Nut, Jam 1 1/4in-12NF (Right Hand Threads)	
83	2160003	3	Fitting, Grease 45	
84	4640812	2	Valve, Relief (2m Machines Only)	
85	3780183	4	O-Ring (2m Machines Only)	
		Ref	TIRE AND WHEEL INSTALLATIONS	
	0251370	Ref	6.5in x 16in Solid Tires	-
	0253133	Ref	8.75in x 16.5 Foam-Filled Tires	-
	0252941	Ref	9.5in x 16.5 Foam-Filled Tires	-
101	0253131	2	Tire and Wheel Assembly - Foam-Filled - 8.75in-16.75in (Front) (1.75m Machines)	
101	4520199	2	Tire - 8.75in-16.5in (Galaxy)	
101	4520131	2	Tire and Wheel Assembly - Solid - 6.5in-16in (Front) (5ft-9in Machines)	
101	0239806	2	Tire and Wheel Assembly - Foam-Filled - 9.5in-16.5in (Front)	
101	4520111	2	Tire - 9.5in-16.5in (General GLT Traction II)	
		Ref	Note: Foam-filled tire and wheel assemblies are serviced as assemblies only.	
102	0253131	2	Tire and Wheel Assembly - Foam-Filled - 8.75in-16.75in (Rear) (1.75m Machines)	
102	4520199	2	Tire - 8.75in-16.5in (Galaxy)	
102	4520131	2	Tire and Wheel Assembly - Solid - 6.5in-16in (Rear) (1.75m Machines)	
102	0239805	2	Tire and Wheel Assembly - Foam-Filled - 9.5in-16.5in (Rear)	
102	4520110	2	Tire - 9.5in-16.5in (General Jumbo GLT)	
		Ref	Note: Foam-filled tire and wheel assemblies are serviced as assemblies only.	
103		Ref	Rim Options:	
103	4842561	4	8.75in-16.5in	
103	4842994	4	9.5in-16.5in	
104		Ref	Valve Options:	
104	4640392	4	8.75in-16.5in	

SECTION 1 - FRAME

ITEM	PART NUMBER	QTY	DESCRIPTION	REV
104	4640504	4	9.5in-16.5in	
		Ref	WHEEL DRIVE INSTALLATIONS	
		Ref	Gas and Diesel Options:	
	0250148	Ref	Gas and Diesel (Prior to SN 56992)	6
	0270215	Ref	Gas and Diesel (SN 56992 to Present)	1
	0251139	Ref	Electric	5
151		Ref	Torque Hub Assembly Options: (See DRIVE HUB ASSEMBLY for Breakdown)	
151	2780169	2	Gas and Diesel	
151	2780168	2	Electric	
152		Ref	DRIVE MOTOR ASSEMBLY OPTIONS:	
152	3160158	2	Gas and Diesel (See DRIVE MOTOR ASSEMBLY (GAS AND DIESEL) for Breakdown)	
152	1001096415	2	Electric (See DRIVE MOTOR ASSEMBLY (ELECTRIC) for Breakdown) (was p/n 3160118)	
153		Ref	Hardware Options:	
153	0642014	12	Bolt 5/8in-11NC x 1 3/4in (Prior to March 1993)	
153	0642016	12	Bolt 5/8in-11NC x 2in (March 1993 to Present)	
154	4762000	12	Flatwasher 5/8in	
155		Ref	Hardware Options:	
155	4320008	4	Hardware Stud 1/2in-13NC x 6 1/2in (Prior to December 1991)	
155	4300092	4	Hardware Stud 1/2in-13NC x 5 1/2in (December 1991 to SN 56991)	
155	4300097	4	Hardware Stud 1/2in-13NC x 5 1/2 (SN 56992 to Present)	
156	4761800	4	Lockwasher 1/2in	
157	3300012	18	Nut, Lug 1/2in-20NC	
158		Ref	DRIVE BRAKE ASSEMBLY OPTIONS:	
158	0920072	2	Drive Brake Assembly (Prior to December 1991) (See DRIVE BRAKE ASSEMBLY for Breakdown)	
158	0920084	2	Drive Brake Assembly (December 1991 to SN 33475) (See DRIVE BRAKE ASSEMBLY for Breakdown)	
158	0920110	2	Drive Brake Assembly (See DRIVE BRAKE ASSEMBLY for Breakdown) (SN 33476 through 56991)	
158	0920119	2	Drive Brake Assembly (was p/n 0920117) (SN 56992 to Present)	
158	7018612	AR	Repair Kit - 0920117 & 0920119 Brakes (Includes Case Seal, Piston Inner and Outer O-Rings and Back-up Rings, Stator Disc, Rotor Disc, Return Plate, Springs, Oil Seal, Bearing, 2 Retaining Rings and 2 Mounting Face Gaskets) (1 Per Assembly)	
158	7000731	AR	Gasket, Mounting Face	
		Ref	Note: No Other Parts Available.	
159	3311801	4	Nut 1/2in-13NC	
160	0100011	AR	Loctite #242 (Not Shown)	
161	4751800	4	Flatwasher 1/2in	
162	0100019	AR	Loctite #271 (Not Shown)	

SECTION 1 - FRAME

FIGURE 1-3. FRAME, STEERING AND DRIVE COMPONENTS, ASSEMBLIES AND INSTALLATIONS - FIXED AND OSCILLATING AXLES (4WD)



SECTION 1 - FRAME

**FIGURE 1-3. FRAME, STEERING AND DRIVE COMPONENTS, ASSEMBLIES AND INSTALLATIONS -
FIXED AND OSCILLATING AXLES (4WD)**

ITEM	PART NUMBER	QTY	DESCRIPTION	REV
		Ref	FRAME WELDMENT OPTIONS:	
	0251273	1	Frame Weldment (4WD Fixed Axle)	
	2360330	1	Frame Weldment (4WD Oscillating Axle)	
	0254832	Ref	FIXED AXLE INSTALLATION	-
	0251328	Ref	OSCILLATING AXLE INSTALLATION (OPTIONAL)	A
1	4843732	1	Weldment, Axle	
2	1682406	2	Lockout Cylinder Assembly (Oscillating Axle Only) (See CYLINDER SECTION for Breakdown)	
3	0641610	1	Bolt 3/8in-16NC x 1 1/4in	
4	4751600	AR	Flatwasher 3/8in	
5	4761600	1	Lockwasher 3/8in	
6	3422794	1	Pin (Bottom) (Oscillating Axle Only)	
7	2160002	1	Fitting, Grease	
8	4842621	1	Pin	
9	0641406	1	Bolt 1/4in-20NC x 3/4in (Oscillating Axle Only)	
10	4761400	1	Lockwasher 1/4in (Oscillating Axle Only)	
11	4843286	1	Pin (Top) (Oscillating Axle Only)	
12	0560913	2	Block (Fixed Axle Only)	
13	0641618	4	Bolt 3/8in-16NC x 2 1/4in (Fixed Axle Only)	
14	4070224	AR	Shim (Fixed Axle Only)	
15	4070225	AR	Shim (Fixed Axle Only)	
16	0100019	AR	Loctite #271 (Fixed Axle) (Not Shown)	
	0251271	Ref	STEERING AND SPINDLE INSTALLATION	D
51	4130221	1	Spindle (Right Side)	
52	4130222	1	Spindle (Left Side)	
53	1681555	1	Steer Cylinder Assembly (See CYLINDER SECTION for Breakdown)	
54	3841087	1	Tie-Rod	
55	0560714	1	Block, Tie-Rod (Left Side)	
56	3300229	1	Nut, Jam 1 1/4in-12NF (Left Hand Threads)	
57	0560605	1	Block, Tie-Rod (Right Side)	
58	3323002	1	Nut, Jam 1 1/4in-12NF (Right Hand Threads)	
59	3300175	3	Nut, Special	
60	0440091	3	Washer, Thrust	
61	2160002	3	Fitting, Grease	
62	2160003	4	Fitting, Grease - 45	
63	0440161	4	Bearing, Thrust	
64		Ref	Plate, Cover Options:	
64	3530244	4	Plate, Cover (Prior to July 1992)	
64	3536411	4	Plate, Cover (July 1992 to Present)	
65		Ref	Hardware Options:	
65	0641404	AR	Bolt 1/4in-20NC x 1/2in (Prior to July 1992)	
65	2080024	AR	Fastener (July 1992 to April 1994)	
65	4300106	16	Grooved Stud (April 1994 to Present)	
66	4761400	2	Lockwasher 1/4in (Prior to July 1992)	
67	3431622	1	Pin, Clevis	
68		Ref	Flatwasher 1in Options:	
68	4740230	1	Flatwasher 1in (Prior to August 1994)	
68	4713000	1	Flatwasher 1in (August 1994 to Present)	

SECTION 1 - FRAME

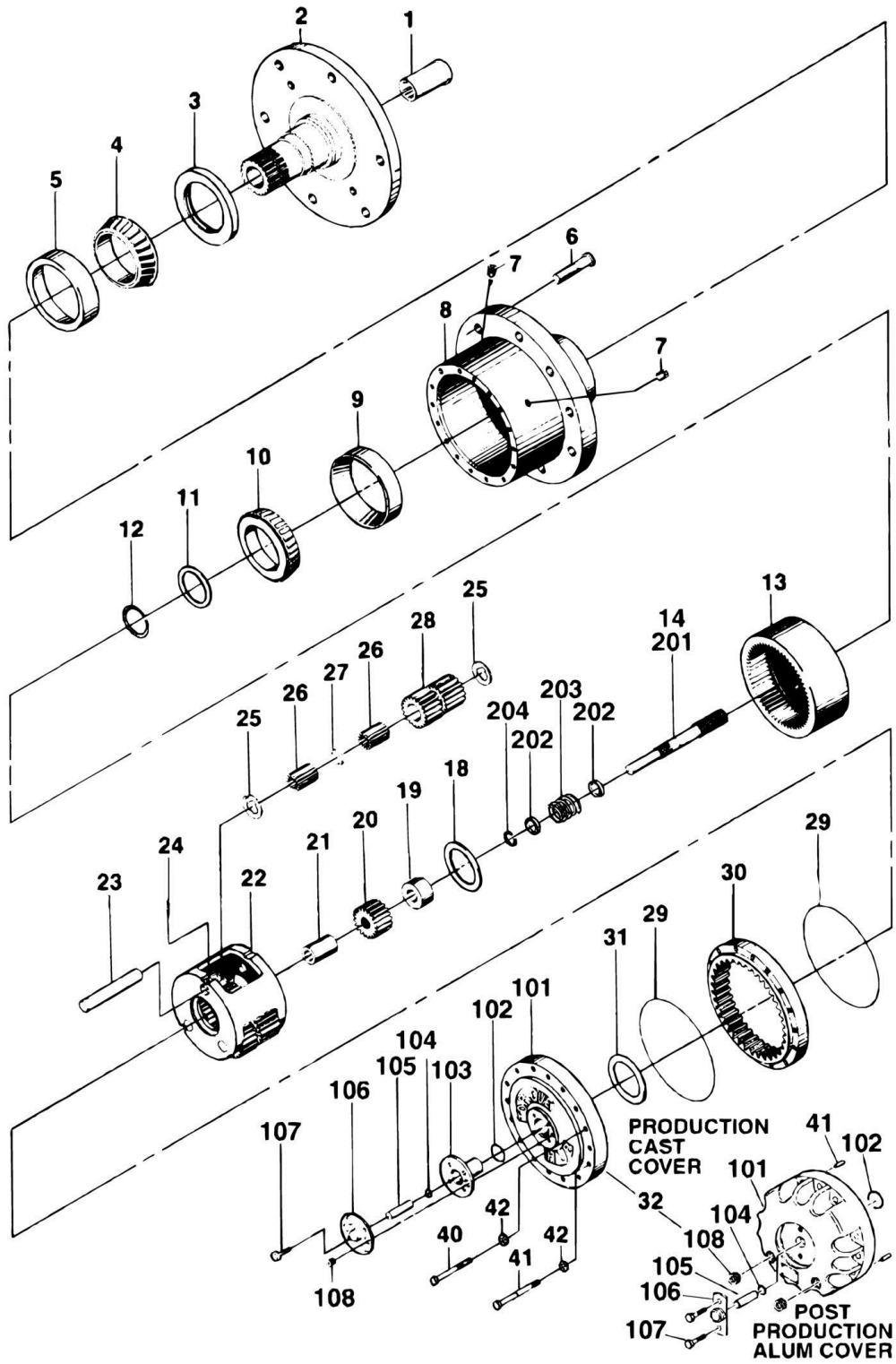
ITEM	PART NUMBER	QTY	DESCRIPTION	REV
69	3450606	1	Pin, Cotter	
70	0641608	8	Bolt 3/8in-16NC x 1in	
71	4761600	8	Lockwasher 3/8in	
72	1380124	8	Clip, Retainer (Not Shown)	
73	4920096	AR	Wire, Safety	
74	3421190	4	Pin, King	
		Ref	TIRE AND WHEEL INSTALLATIONS	
	0251261	Ref	12in x 16.5in NHX Pneumatic Tires	-
	0253132	Ref	8.75in x 16.5in Pneumatic Tires	-
	0254451	Ref	12in x 16.2in NHS Lug Foam-Filled Tires	-
101		Ref	Tire and Wheel Assembly Options:	
101	0251260	2	12in x 16.5in NHS Pneumatic (Left Side)	
101	4520129	1	Tire 12in x 16.5in NHS	
101	0251259	2	12in x 16.5in NHS Pneumatic (Right Side)	
101	4520129	1	Tire 12in x 16.5in NHS	
101	0253130	4	8.75in x 16.5in Pneumatic	
101	4520199	1	Tire 8.75in x 16.5in	
101	0254449	2	12in x 16.5in NHS Lug Foam-Filled (Right Side)	
101	0254450	2	12in x 16.5in NHS Lug Foam-Filled (Left Side)	
		Ref	Note: Foam-filled tire and wheel assemblies are serviced as assemblies only.	
102		Ref	Rim Options:	
102	4860126	1	12in x 16.5in	
102	4842561	1	8.75in x 16.5in	
103		Ref	Valve, Air Options:	
103	4640113	1	12in x 16.5in	
103	4640392	1	8.75in x 16.5in	
		Ref	WHEEL DRIVE INSTALLATIONS	
	0250093	Ref	Wheel Drive Installations (Prior to SN 56992)	9
	0270122	Ref	Wheel Drive Installations (SN 56992 to Present)	1
151		Ref	Drive Hub/Brake Assembly - Front Options:	
151	2780172	2	Drive Hub/Brake Assembly - Front (Prior to December 1991) (See DRIVE HUB/BRAKE ASSEMBLY (4WD FRONT) for Breakdown)	
151	2780191	2	Drive Hub/Brake Assembly - Front (December 1991 to Present) (See DRIVE HUB/BRAKE ASSEMBLY (4WD FRONT) for Breakdown)	
152	3160158	4	Drive Motor Assembly - Front (See DRIVE MOTOR ASSEMBLY (GAS AND DIESEL) for Breakdown)	
153		Ref	Bolt Options:	
153	0642014	24	Bolt 5/8in-11NC x 1 3/4in (Prior to September 1991)	
153	0642016	24	Bolt 5/8in-11NC x 2in (September 1991 to Present)	
154	4762000	24	Flatwasher 5/8in	
155	0641810	4	Bolt 1/2in-13NC x 1 1/4in	
156	4761800	8	Lockwasher 1/2in	
157	3300012	36	Nut, Wheel	
158	2780167	2	Drive Hub Assembly - Rear (See DRIVE HUB ASSEMBLY for Breakdown)	
159		Ref	Bolt Options:	
159	0641848	4	Bolt 1/2in-13NC x 6in (Prior to December 1991)	
159	0641844	4	Bolt 1/2in-13NC x 5 1/2in (December 1991 to SN 56991)	
159	0641840	4	Bolt 1/2in-13NC x 5 (SN 56992 to Present)	
160		Ref	DRIVE BRAKE ASSEMBLY OPTIONS:	

SECTION 1 - FRAME

ITEM	PART NUMBER	QTY	DESCRIPTION	REV
160	0920072	2	Drive Brake Assembly (Prior to December 1991) (See DRIVE BRAKE ASSEMBLY for Breakdown)	
160	0920084	2	Drive Brake Assembly (December 1991 to SN 33475) (See DRIVE BRAKE ASSEMBLY for Breakdown)	
160	0920110	2	Drive Brake Assembly (See DRIVE BRAKE ASSEMBLY for Breakdown) (SN 33476 through 56991)	
160	0920119	2	Drive Brake Assembly (was p/n 0920117) (SN 56992 to Present)	
160	7018612	AR	Repair Kit - 0920117 & 0920119 Brakes (Includes Case Seal, Piston Inner and Outer O-Rings and Back-up Rings, Stator Disc, Rotor Disc, Return Plate, Springs, Oil Seal, Bearing, 2 Retaining Rings and 2 Mounting Face Gaskets) (1 Per Assembly)	
160	7000731	AR	Gasket, Mounting Face (Note: No Other Parts Available)	

SECTION 1 - FRAME

FIGURE 1-4. DRIVE HUB ASSEMBLY



SECTION 1 - FRAME

FIGURE 1-4. DRIVE HUB ASSEMBLY

ITEM	PART NUMBER	QTY	DESCRIPTION	REV
		Ref	DRIVE HUB ASSEMBLIES	
	2780169	Ref	2WD Gas and Diesel	-
	2780168	Ref	2WD Electric	-
	2780167	Ref	4WD (Rear)	-
1	7000206	1	Coupling	
1		Ref	HUB - SPINDLE SUB-ASSEMBLY	
2	7001997	1	Spindle	
3	7001998	1	Seal	
4	Kit	1	Cone, Bearing	
5	Kit	1	Cup, Bearing	
6	7007697	9	Bolt, Wheel	
7	7000242	2	Plug, Pipe	
8	7007601	1	Hub	
9	7000257	1	Cup, Bearing	
10	7000258	1	Cone, Bearing	
11	7000232	1	Spacer	
12	7000229	1	Ring, Retaining	
13	7000246	1	Gear, Internal	
14		Ref	Input Shaft Assembly Options: (See Items 201-204 for Breakdown)	
18	7000253	1	Washer, Thrust	
19		Ref	Spacer Options:	
19	7000252	1	Drive Hub Assemblies - 2780169 & 2780168	
19	7007653	1	Drive Hub Assembly - 2780167	
20		Ref	Gear, Input Options:	
20	7000251	1	Drive Hub Assembly - 2780169	
20	7000201	1	Drive Hub Assembly - 2780168	
20	7007652	1	Drive Hub Assembly - 2780167	
21	7007654	1	Spacer (Drive Hub Assembly - 2780167 Only)	
21		Ref	Carrier Assembly Options:	
21	7000247	1	Drive Hub Assemblies - 2780169 & 2780167	
21	7000202	1	Drive Hub Assembly - 2780168	
22	7001931	1	Carrier	
23	7001911	3	Shaft	
24	7001913	3	Pin, Roll	
25	7001985	6	Washer, Thrust	
26	7001909	96	Roller, Needle	
27	7000263	3	Spacer	
28		Ref	Gear, Cluster Options:	
28	7001912	3	Drive Hub Assemblies - 2780169 & 2780167	
28	7007643	3	Drive Hub Assembly - 2780168	
29	7000230	2	O-Ring	
30		Ref	Gear, Ring Options:	
30	7000248	1	Drive Hub Assemblies - 2780169 & 2780167	
30	7000203	1	Drive Hub Assembly - 2780168	
31	7000253	1	Washer, Thrust	
32		Ref	Cover Assembly (Includes Items 101-108)	
40		Ref	Bolt Options:	
40	7000217	12	Production Cast Cover	
40	7017067	12	Post Production Aluminum Cover	

SECTION 1 - FRAME

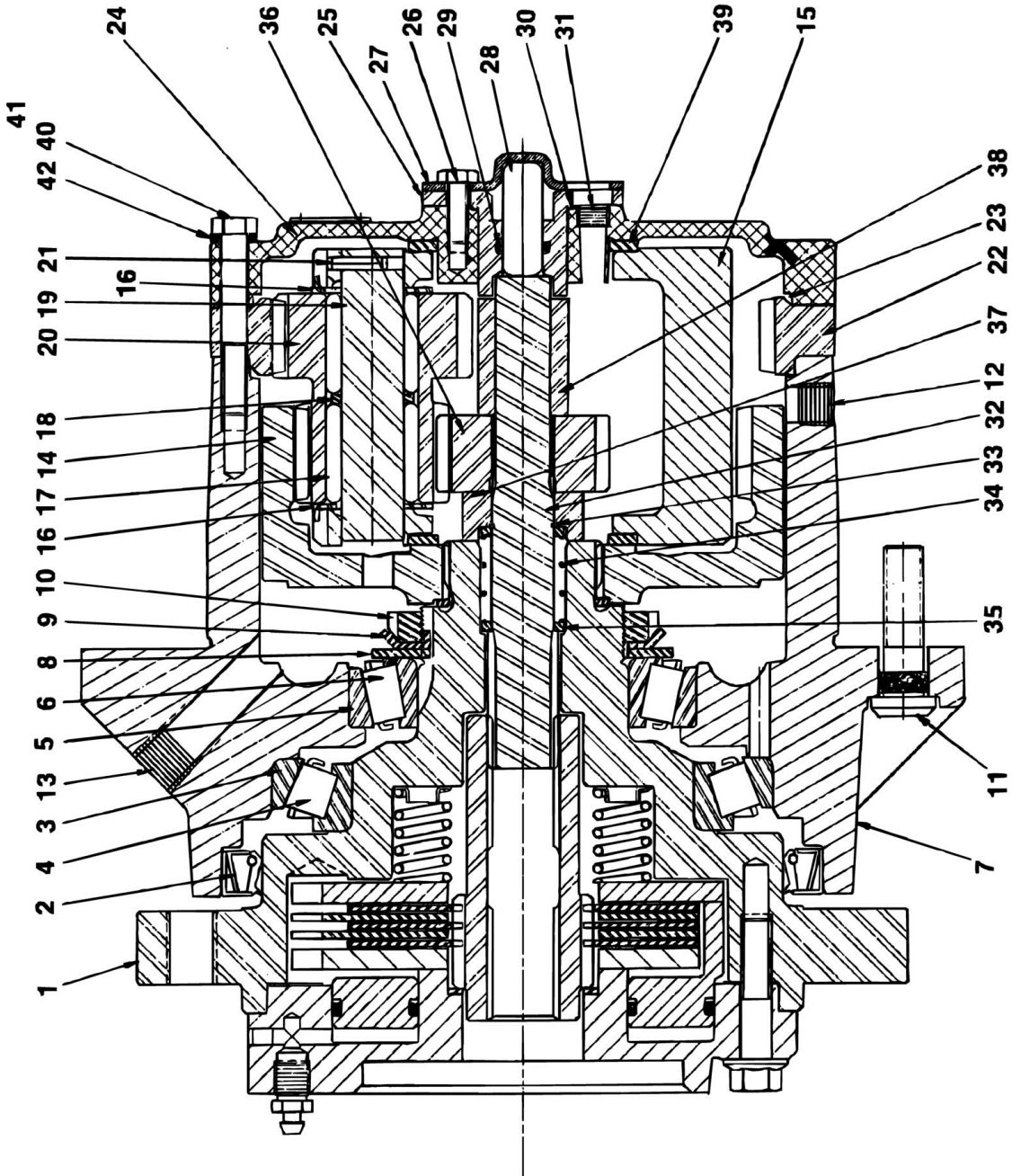
ITEM	PART NUMBER	QTY	DESCRIPTION	REV
41		Ref	Hardware Options:	
41	7000214	4	Bolt, Shoulder (Production Cast Cover)	
41	7017080	4	Dowel Pin (Post Production Aluminum Cover)	
42	7007603	16	Flatwasher	
	7010429	1	Bearing Kit (Includes Items 4 & 5)	
		Ref	COVER ASSEMBLY	
	See Kit Options	Ref	Production Cast Cover	
	See Kit Options	Ref	Post Production Aluminum Cover	
101		Ref	Cover Options:	
101	See Kit Options	1	Production Cast Cover (Was p/n 7000226)	
101	7017091	1	Post Production Aluminum Cover	
102		Ref	O-Ring Options:	
102	Kit	1	Production Cast Cover	
102	7017070	1	Post Production Aluminum Cover	
103		Ref	Cap, Cover	
103	Kit	1	Production Cast Cover	
103	Not Required	0	Post Production Aluminum Cover	
104		Ref	O-Ring Options:	
104	Kit	1	Production Cast Cover	
104	7017095	1	Post Production Aluminum Cover	
105		Ref	Rod, Disconnect Options:	
105	Kit	1	Production Cast Cover	
105	7017092	1	Post Production Aluminum Cover	
106		Ref	Cap, Disconnect	
106	Kit	1	Production Cast Cover	
106	7017093	1	Post Production Aluminum Cover	
107		Ref	Bolt Options:	
107	7000216	4	Production Cast Cover	
107	7000216	2	Post Production Aluminum Cover	
108		Ref	Plug, Pipe Options:	
108	7000243	1	Production Cast Cover	
108	7017094	2	Post Production Aluminum Cover	
		Ref	INPUT SHAFT ASSEMBLY	
	7000250	Ref	2WD	
	7007650	Ref	4WD	
201		Ref	Shaft Options:	
201	7000260	1	2WD	
201	7007651	1	4WD	
202	7000263	2	Spacer	
203	7000262	1	Spring	
204	7000261	1	Ring, Retaining	
		Ref	Kit Options:	
	7010429	1	Bearing Kit (Includes Items 4 & 5)	
	2900034	1	Seal Kit (Includes Items 3, 11, 12 & 29)	
		Ref	Cover Kit Options:	
	No Longer Available	NLA	Production Cast Cover (Was p/n 7001989)	
	7017099	NLA	Aluminum Replacement for Production Cast Cover (Includes 29, 31 (Spacer), 40, 41 (Dowel Pins), 101, 102 & 104-108) (Use p/n 70001111)	
	7017090	NLA	Post Production Aluminum Cover (Includes 29, 101 & 104-107) (Use p/n 70001111)	

SECTION 1 - FRAME

ITEM	PART NUMBER	QTY	DESCRIPTION	REV
	70001111	1	Replacement Cover Kit	

SECTION 1 - FRAME

FIGURE 1-5. DRIVE HUB/BRAKE ASSEMBLY (4WD FRONT) (PRIOR TO DECEMBER 1991)



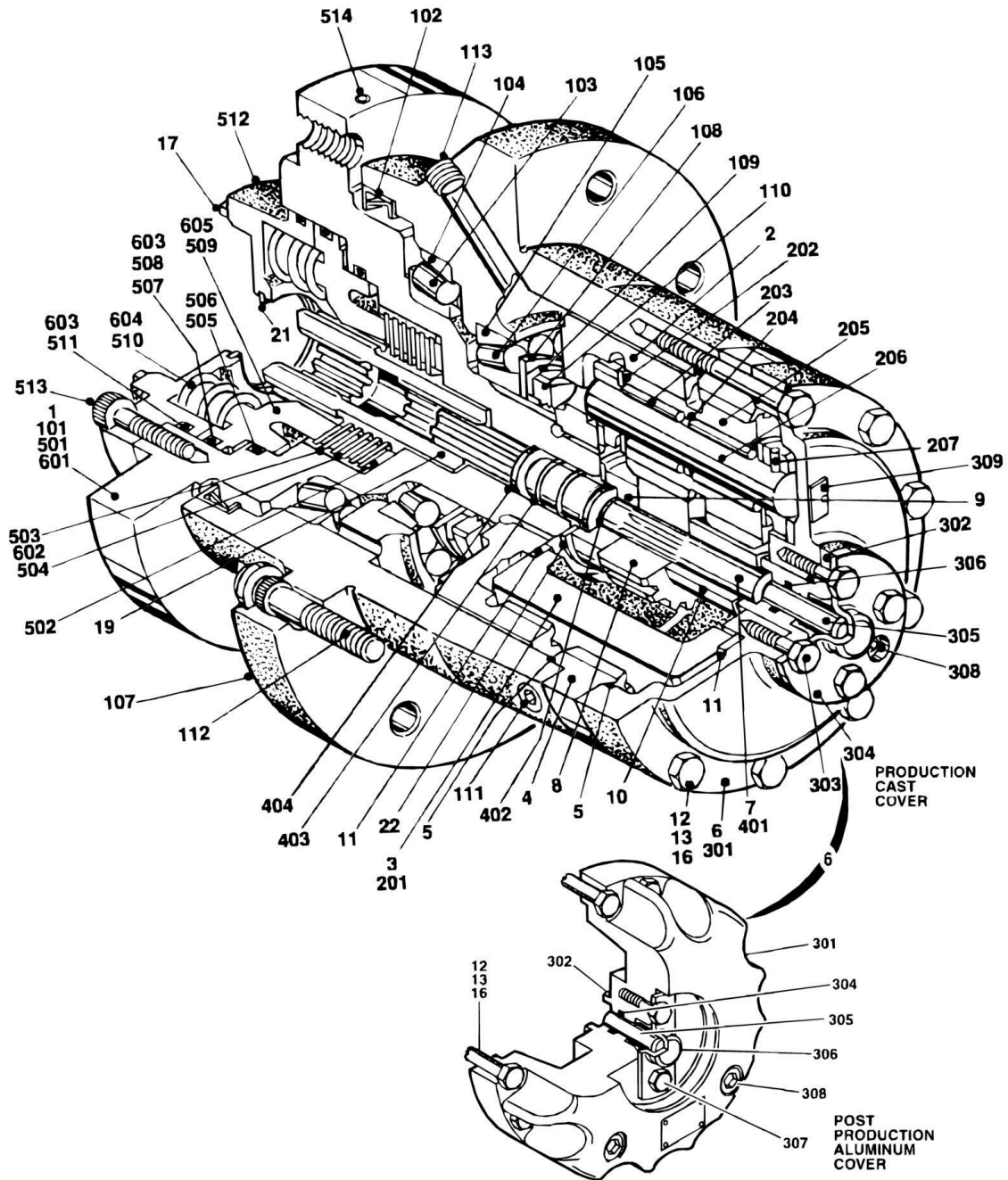
SECTION 1 - FRAME

FIGURE 1-5. DRIVE HUB/BRAKE ASSEMBLY (4WD FRONT) (PRIOR TO DECEMBER 1991)

ITEM	PART NUMBER	QTY	DESCRIPTION	REV
	2780172	Ref	DRIVE HUB/BRAKE ASSEMBLY (4WD FRONT)	-
		Ref	Hub - Spindle Sub-Assembly	
1	7010400	1	Spindle and Brake Assembly	
2	Kit	1	Seal	
3	7007683	1	Cup, Bearing	
4	7007684	1	Cone, Bearing	
5	7007685	1	Cup, Bearing	
6	7007686	1	Cone, Bearing	
7	7007687	1	Hub	
8	7007688	1	Washer, Tongued	
9	7007689	1	Lockwasher	
10	7007690	1	Locknut	
11	7000241	9	Stud	
12	7000242	2	Plug, Pipe	
13	7007617	2	Plug, Magnetic	
14	7007691	1	Gear, Internal	
14		Ref	Carrier Assembly	
15	7001931	1	Carrier	
16	7001985	6	Washer, Thrust	
17	7001909	96	Roller, Needle	
18	7000263	3	Spacer	
19	7001911	3	Shaft, Planet	
20	7001912	3	Gear, Cluster	
21	7001913	3	Pin, Roll	
22	7000248	1	Gear, Ring	
23	Kit	2	O-Ring	
23	7001989	1	Cover Assembly	
24	7000226	1	Cover	
25	7000227	1	Cap, Cover	
26	7000220	4	Bolt	
27	7000211	1	Cap, Disconnect	
28	7000212	1	Rod, Disconnect	
29	Kit	1	O-Ring	
30	Kit	1	O-Ring	
31	7000243	1	Plug, Pipe	
32	7007650	1	Input Shaft Assembly Options:	
32	7007651	1	Shaft, Input	
33	7000261	1	Ring, Retaining	
34	7000262	1	Spring	
35	7000263	2	Spacer	
36	7007652	1	Gear, Input	
37	7007653	1	Spacer, Thrust	
38	7007654	1	Spacer, Thrust	
39	7000253	2	Washer, Thrust	
40	7000217	12	Bolt	
41	7000214	4	Bolt, Shoulder	
42	7007603	16	Flatwasher	
	Kit	1	Gasket (Not Shown)	
	2900754	1	Seal Kit (Includes Items 2, 23, 29, 30 and Gasket)	

SECTION 1 - FRAME

FIGURE 1-6. DRIVE HUB/BRAKE ASSEMBLY (4WD FRONT) (DECEMBER 1991 TO PRESENT)



SECTION 1 - FRAME

FIGURE 1-6. DRIVE HUB/BRAKE ASSEMBLY (4WD FRONT) (DECEMBER 1991 TO PRESENT)

ITEM	PART NUMBER	QTY	DESCRIPTION	REV
	2780191	Ref	DRIVE HUB/BRAKE ASSEMBLY (4WD FRONT)	-
1		Ref	Hub/spindle/Brake Assembly (See Items 101-113 for Breakdown)	
2	7007691	1	Gear, Internal	
3	7000247	1	Carrier Assembly (See Items 201-207 for Breakdown)	
4	7000248	1	Gear, Internal	
5	Kit	2	O-Ring	
6	7001989	1	Cover Assembly (See Items 301-309 for Breakdown)	
7	7007650	1	Input Shaft Assembly (See Items 401-404 for Breakdown)	
8	7007652	1	Gear, Input	
9	7007653	1	Spacer, Input	
10	7007654	1	Spacer, Input	
11	7000253	2	Washer, Thrust	
11	7017096	1	Spacer (Post Production Aluminum Cover Only)	
12		Ref	Bolt Options:	
12	7000217	12	Production Cast Cover	
12	7017067	12	Post Production Aluminum Cover	
13		Ref	Hardware Options:	
13	7000214	4	Bolt Used on Production Cast Cover	
13	7017067	4	Dowel Pin Used on Post Production Aluminum Cover	
16	7007603	16	Flatwasher	
17	7007692	1	Gasket	
19	7010470	1	Coupling	
21	7010459	1	Ring, Retaining	
22	7001922	1	Washer, Thrust	
		Ref	HUB/SPINDLE/BRAKE SUB-ASSEMBLY	
101	7010469	1	Brake Assembly - 4WD Machines with I.D. Plate (Item 309) Stamped June 1992 or Earlier (See Items 501-514 for Breakdown)	
102	Kit	1	Seal, Lip	
103	7007683	1	Cup, Bearing	
104	7007684	1	Cone, Bearing	
105	7007685	1	Cup, Bearing	
106	7007686	1	Cone, Bearing	
107	7007687	1	Housing	
108	7007688	1	Washer, Tongued	
109	7007689	1	Lockwasher	
110	7007690	1	Locknut	
111	7000242	2	Plug, Pipe	
112	7000241	9	Stud	
113	7007617	2	Plug, Magnetic	
	7000247	Ref	CARRIER ASSEMBLY	
201	7001931	1	Carrier	
202	7001985	6	Washer, Thrust	
203	7001909	96	Roller, Needle	
204	7000263	3	Spacer	
205	7001911	3	Shaft, Planet	
206	7001912	3	Gear, Cluster	
207	7001913	3	Pin, Roll	
		Ref	COVER ASSEMBLY	
	See Kit Options	Ref	Production Cast Cover	

SECTION 1 - FRAME

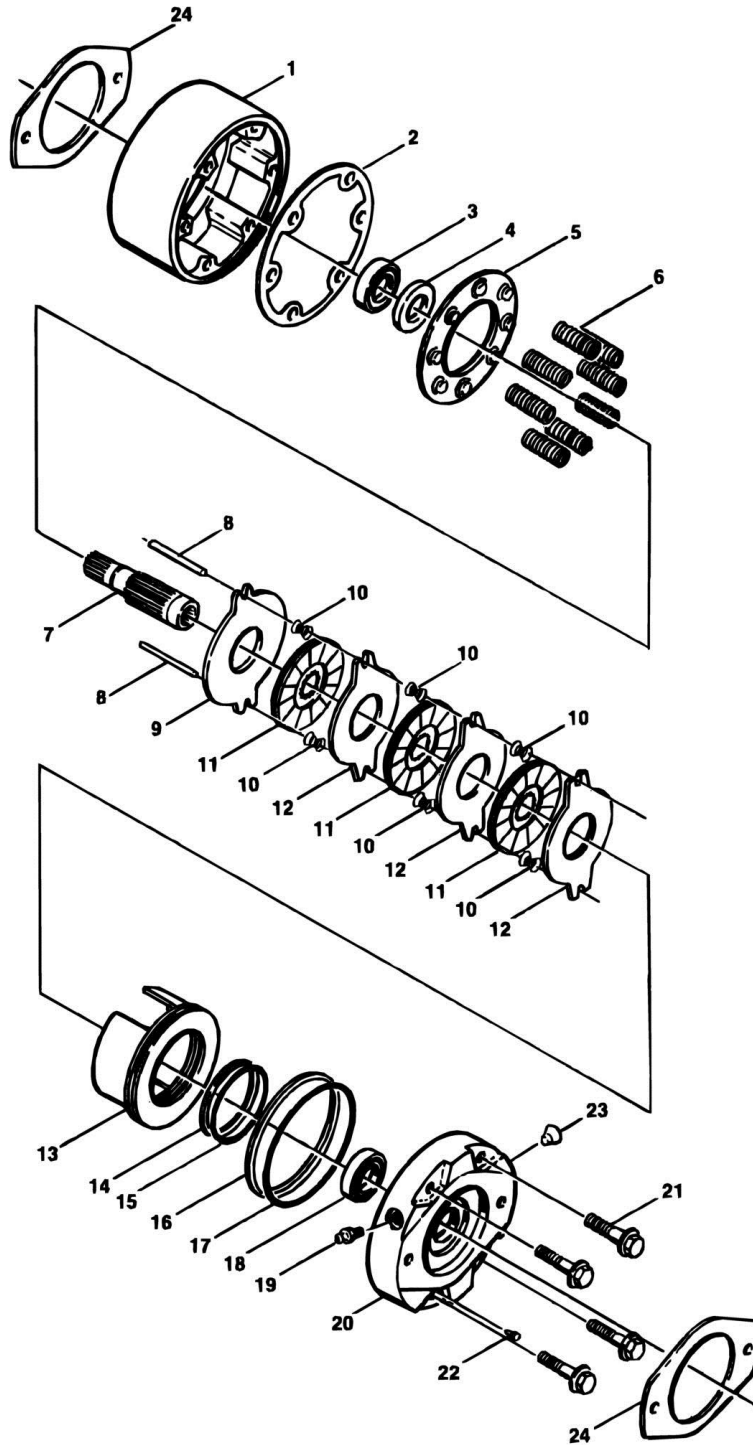
ITEM	PART NUMBER	QTY	DESCRIPTION	REV
	See Kit Options	Ref	Post Production Aluminum Cover	
301		Ref	Cover Options:	
301	See Kit Options	1	Production Cast Cover (Was p/n 7000226)	
301	7017091	1	Post Production Aluminum Cover	
302		Ref	O-Ring Options:	
302	Kit	1	Production Cast Cover	
302	7017070	1	Post Production Aluminum Cover	
303		Ref	Cap, Cover	
303	Kit	1	Production Cast Cover	
303	Not Required	0	Post Production Aluminum Cover	
304		Ref	O-Ring Options:	
304	Kit	1	Production Cast Cover	
304	7017095	1	Post Production Aluminum Cover	
305		Ref	Rod, Disconnect Options:	
305	7000212	1	Production Cast Cover	
305	7017092	1	Post Production Aluminum Cover	
306		Ref	Cap, Disconnect Options:	
306	7000211	1	Production Cast Cover	
306	7017093	1	Post Production Aluminum Cover	
307		Ref	Bolt Options:	
307	7000220	4	Production Cast Cover	
307	7000216	2	Post Production Aluminum Cover	
308		Ref	Plug, Pipe Options:	
308	7000243	1	Production Cast Cover	
308	7017094	2	Post Production Aluminum Cover	
		Ref	Cover Kit Options:	
	No Longer Available	NLA	Production Cast Cover (Was p/n 7001989)	
	7017099	1	Aluminum Replacement for Production Cast Cover (Includes 5, 11 (Spacer), 12, 13 (Dowel Pins), 301, 302 & 304-308)	
	7017090	1	Post Production Aluminum Cover (Includes 5, 301 & 304-307)	
	7007650	Ref	INPUT SHAFT ASSEMBLY	
401	7007651	1	Shaft, Input	
402	7000261	1	Ring, Retaining	
403	7000262	1	Spring	
404	7000263	2	Spacer	
	7010469	Ref	BRAKE ASSEMBLY - 4WD MACHINES WITH I.D. PLATE (ITEM 309) STAMPED JUNE 1992 OR EARLIER	
501	7014100	1	Spindle	
502	7014101	1	Spacer	
503	7014102	7	Disc, Stationary	
504	7014103	6	Disc, Rotating	
505	Kit	1	Ring, Back-up	
506	Kit	1	O-Ring	
507	Kit	1	Ring, Back-up	
508	Kit	1	O-Ring	
509	7014108	1	Piston	
510	7014109	6	Spring	
510	7014110	2	Spring	
511	Kit	1	O-Ring	
512	7014112	1	Cover	
513	Not Available	8	Bolt, Socket Head 3/8in-16NC x 1 1/4in	

SECTION 1 - FRAME

ITEM	PART NUMBER	QTY	DESCRIPTION	REV
514	7014113	1	Expander	
	2900816	1	Brake O-Ring Kit (Includes Items 505-508 & 511)	
	7010473	Ref	BRAKE ASSEMBLY - 4WD MACHINES WITH I.D. PLATE (ITEM 309) STAMPED JULY 1992 OR LATER	
601	7014126	1	Spindle	
602	7010475	1	Brake Lining Kit	
603	7010476	1	Brake O-Ring Kit	
604	7010477	1	Brake Spring Repair Kit	
605	7010478	1	Brake Piston Repair Kit	
	2900754	1	Seal Kit (Includes Items 5,17,102,306 & 307)	

SECTION 1 - FRAME

FIGURE 1-7. DRIVE BRAKE ASSEMBLY (PRIOR TO DECEMBER 1991)



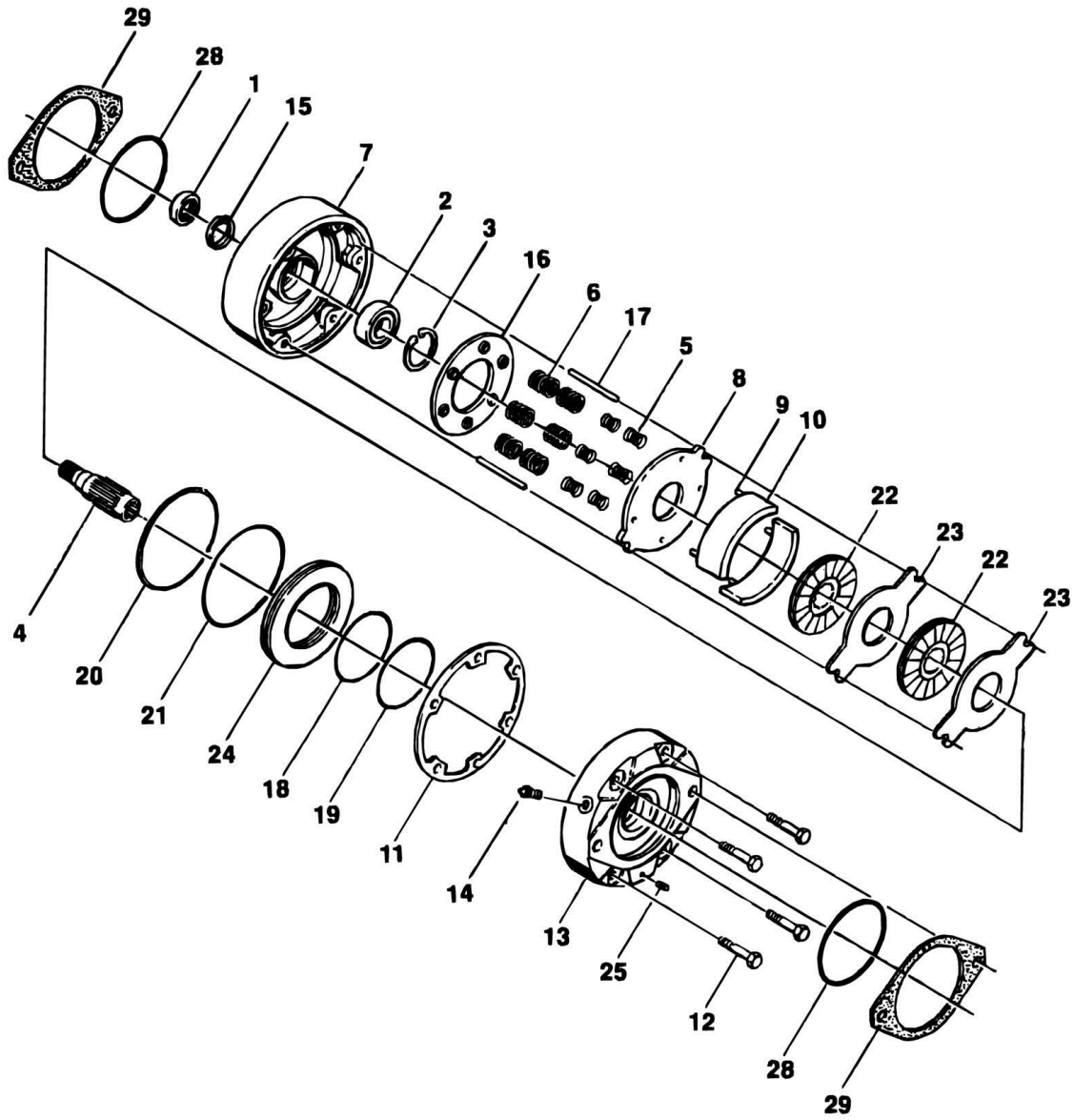
SECTION 1 - FRAME

FIGURE 1-7. DRIVE BRAKE ASSEMBLY (PRIOR TO DECEMBER 1991)

ITEM	PART NUMBER	QTY	DESCRIPTION	REV
	0920072	Ref	DRIVE BRAKE ASSEMBLY	D
1	7003047	1	Housing	
2	Kit	1	Gasket	
3	7003049	1	Bearing, Ball	
4	Kit	1	Seal	
5	7003051	1	Retainer, Spring	
6	7003052	12	Spring, Compression	
7	7003070	1	Shaft, Splined	
8	7000717	2	Pin, Torque	
9	7003454	1	Disc, Primary	
10	7003006	6	Spring, Separator	
11	7003055	3	Disc, Rotating	
12	7003056	3	Disc, Stationary	
13	7003057	1	Piston	
14	Kit	1	Ring, Back-up	
15	Kit	1	O-Ring	
16	Kit	1	Ring, Back-up	
17	Kit	1	O-Ring	
18	7000760	1	Bearing	
19	7000796	1	Screw, Bleeder	
20	7003071	1	Plate, Power	
21	7003007	4	Screw	
22	7003059	1	Valve, Pressure	
23	7000728	1	Plug, Protective	
24	Kit	2	Gasket	
	2900662	1	Kit, Seal (Includes Items 2, 4, 14, 15, 16, 17 & 24)	

SECTION 1 - FRAME

FIGURE 1-8. DRIVE BRAKE ASSEMBLY (DECEMBER 1991 TO SN 33475)



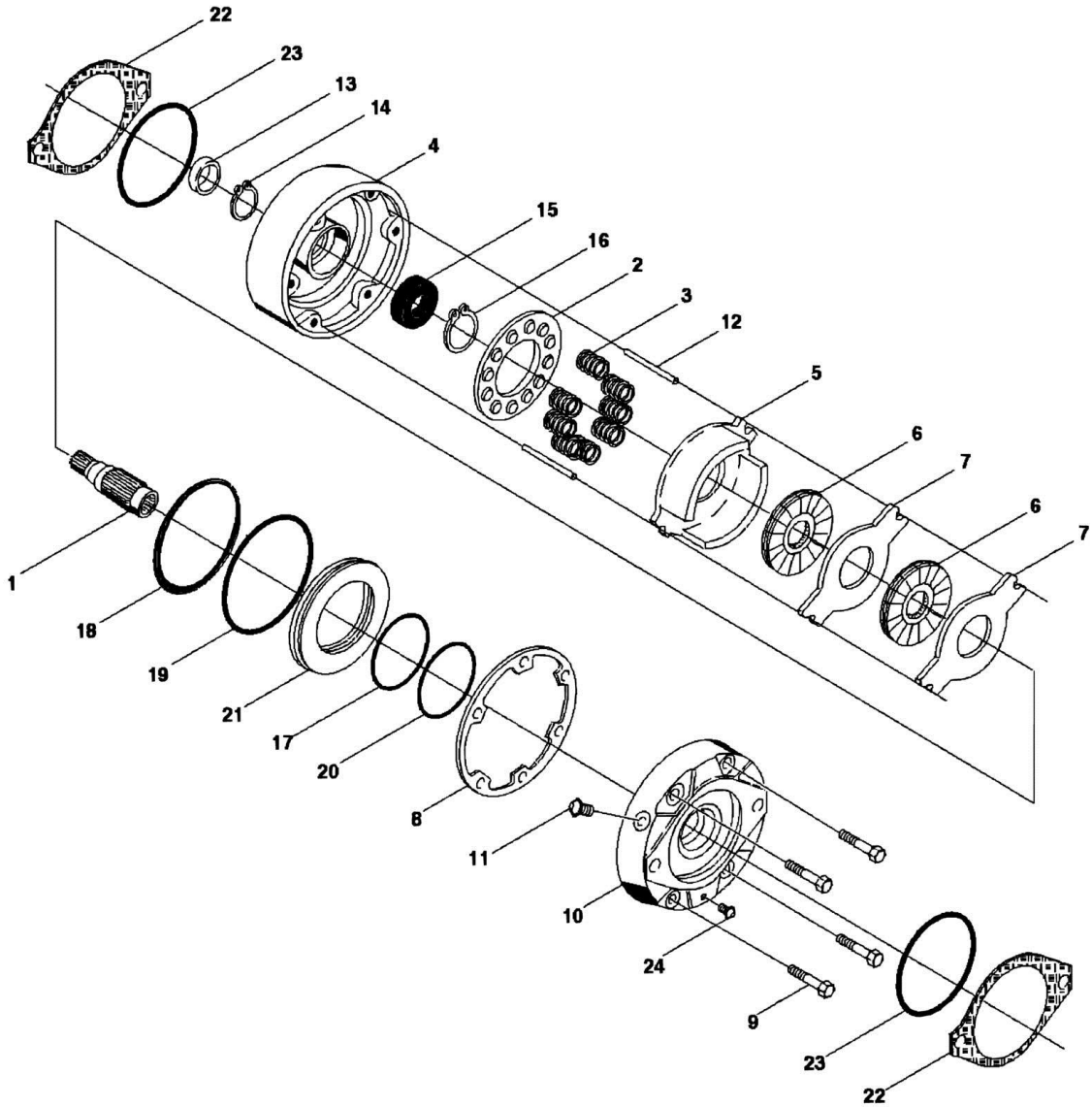
SECTION 1 - FRAME

FIGURE 1-8. DRIVE BRAKE ASSEMBLY (DECEMBER 1991 TO SN 33475)

ITEM	PART NUMBER	QTY	DESCRIPTION	REV
	0920084	Ref	DRIVE BRAKE ASSEMBLY OPTIONS:	A
1	Kit	1	Seal, Oil	
2	Kit	1	Bearing	
3	7007977	1	Ring, Retaining	
4	7011712	1	Shaft	
5	7007979	6	Spring (Inner)	
6	7007980	6	Spring (Inner)	
7	7011713	1	Housing	
8	Kit	1	Plate, Return	
8	7011715	2	Separator Assembly	
9	7011714	4	Pin	
10	7007983	2	Separator	
11	Kit	1	Seal, Case	
12	7007985	4	Bolt, Washer Head	
13	7007986	1	Cover	
14	7007914	1	Screw, Bleeder	
15	7011716	1	Ring, Retainer	
16	7011717	1	Guide, Spring	
17	7007987	2	Pin, Dowel	
18	Kit	1	Ring, Back-up	
19	Kit	1	O-Ring	
20	Kit	1	Ring, Back-up	
21	Kit	1	O-Ring	
22	Kit	2	Rotor	
23	Kit	2	Stator	
24	7007923	1	Piston	
25	7007924	1	Plug, Pipe	
28	Kit	2	O-Ring	
29	7007933	2	Gasket	
	2900766	1	Kit, Seal (Includes Items 1, 11, 18, 19, 20, 21, 28 & 29)	
	2900767	1	Kit, Lining (Includes Items 8, 11, 22, 23, 28 & 29)	
	2900768	1	Kit, Bearing (Includes Items 1, 2, 11, 28 & 29)	

SECTION 1 - FRAME

FIGURE 1-9. DRIVE BRAKE ASSEMBLY (SN 33476 through 56992)



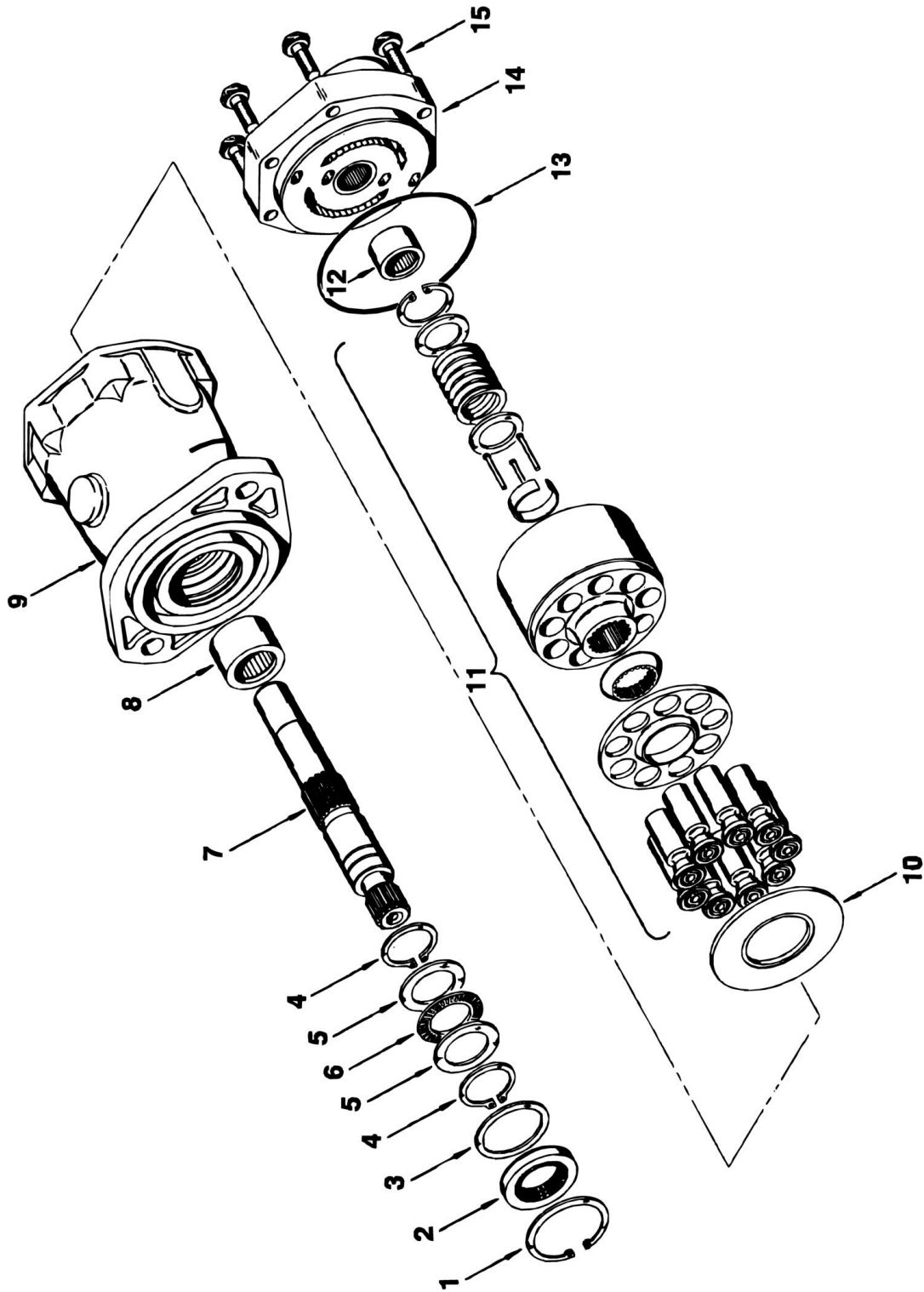
SECTION 1 - FRAME

FIGURE 1-9. DRIVE BRAKE ASSEMBLY (SN 33476 through 56992)

ITEM	PART NUMBER	QTY	DESCRIPTION	REV
	0920110	Ref	DRIVE BRAKE ASSEMBLY	-
1	7011720	1	Shaft	
2	7018606	1	Guide, Spring	
3	7007970	6	Spring (Red)	
3	7018602	3	Spring (Blue)	
4	7018605	1	Housing	
5	Kit	1	Plate, Return	
6	Kit	2	Rotor	
7	Kit	2	Stator	
8	Kit	1	Seal, Case	
9	7018607	4	Bolt, Washer Head	
10	7007986	1	Cover	
11	7018609	1	Plug, Pipe	
12	7007987	2	Pin, Dowel	
13	Kit	1	Seal, Oil	
14	7011716	1	Ring, Retaining	
15	Kit	1	Bearing	
16	7007977	1	Ring, Retaining	
17	Kit	1	Ring, Back-up	
18	Kit	1	Ring, Back-up	
19	Kit	1	O-Ring	
20	Kit	1	O-Ring	
21	7018603	1	Piston	
22	7007933	2	Gasket	
23	Kit	2	O-Ring	
24	7007924	1	Plug, Pipe	
	2900766	1	Kit, Seal (Includes Items 8, 13, 17, 18, 19, 20 & 22)	
	7018608	1	Kit, Lining (Includes Items 5, 6, 7, 8 & 22)	
	2900768	1	Kit, Bearing (Includes Items 8, 13, 14, 15, 16 & 22)	

SECTION 1 - FRAME

FIGURE 1-10. DRIVE MOTOR ASSEMBLY (GAS AND DIESEL)



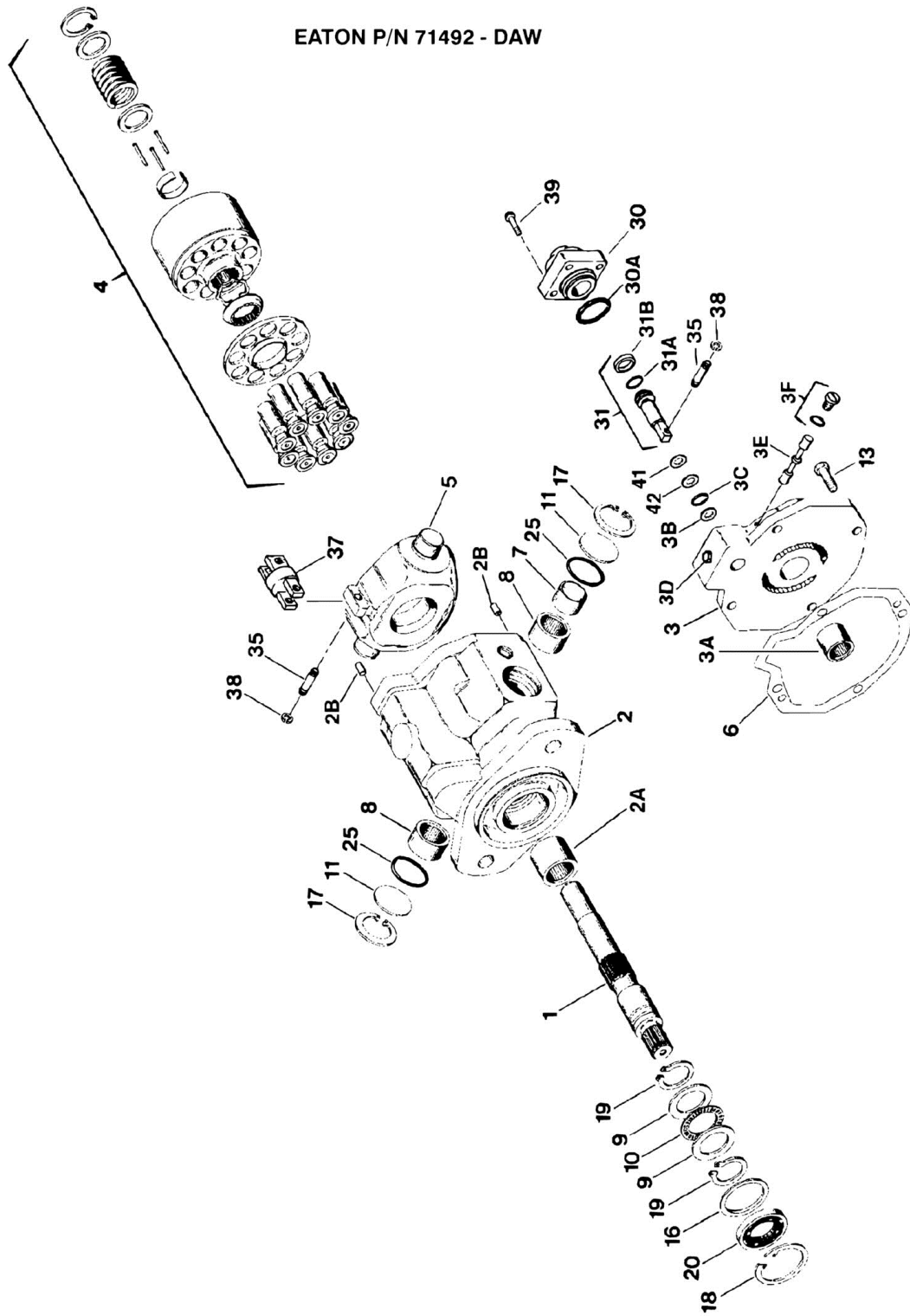
SECTION 1 - FRAME

FIGURE 1-10. DRIVE MOTOR ASSEMBLY (GAS AND DIESEL)

ITEM	PART NUMBER	QTY	DESCRIPTION	REV
	3160158	Ref	DRIVE MOTOR ASSEMBLY	-
1	Kit	1	Ring, Retaining	
2	Kit	1	Seal, Shaft	
3	7004906	1	Washer	
4	Kit	2	Ring, Retaining	
5	7004907	2	Race, Thrust	
6	7004908	1	Bearing	
7	7004874	1	Shaft, Drive	
8	7004910	1	Bearing	
9	7007875	1	Housing Assembly (Includes Item 8)	
10	7007876	1	Camplate	
11	7007880	1	Rotating Kit Assembly	
12	7004917	1	Bearing	
13	Kit	1	O-Ring	
14	7007878	1	Backplate Assembly (Includes Item 12)	
15	7007879	6	Bolt	
	2900714	1	Repair Kit (Includes Items 1, 2, 4 & 13)	

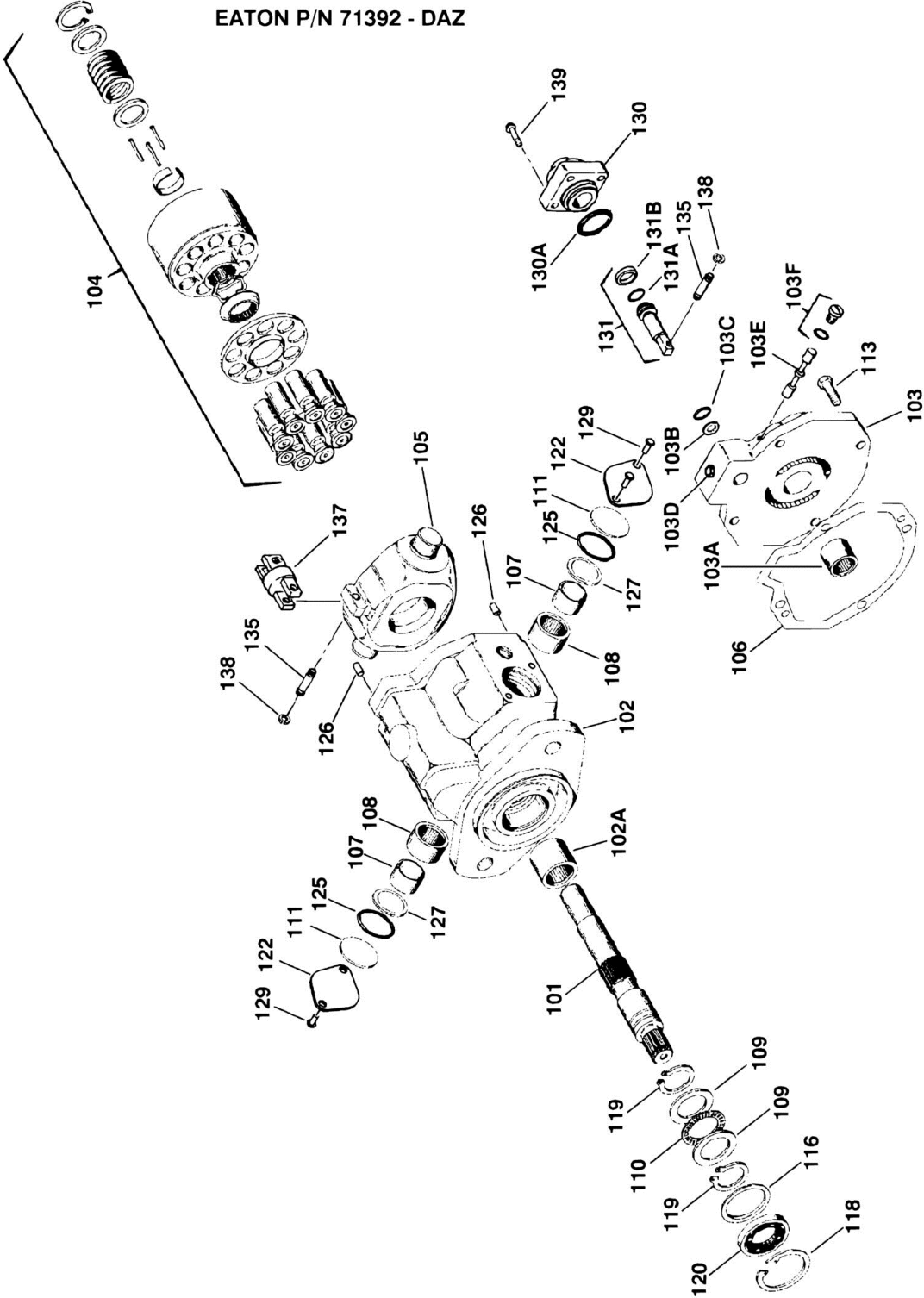
SECTION 1 - FRAME

FIGURE 1-11. DRIVE MOTOR ASSEMBLY (ELECTRIC)



SECTION 1 - FRAME

EATON P/N 71392 - DAZ



SECTION 1 - FRAME

FIGURE 1-11. DRIVE MOTOR ASSEMBLY (ELECTRIC)

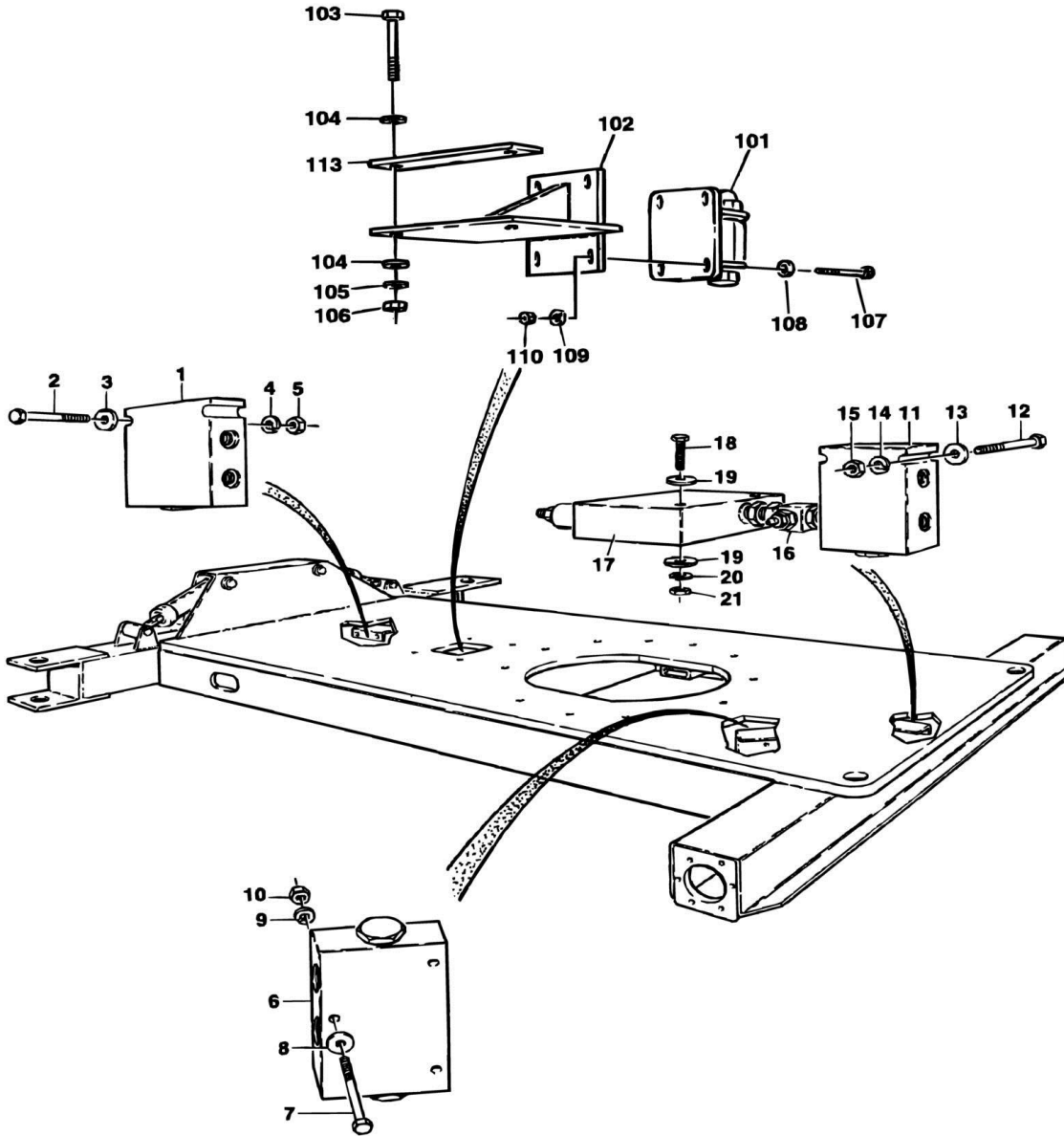
ITEM	PART NUMBER	QTY	DESCRIPTION	REV
		Ref	Note: Drive Motor p/n 3160118 is no longer available. Replace complete drive motor with Service Replacement Drive Motor p/n 1001096415	
		Ref	Note: Visually identify the drive motor by Eaton part number before ordering replacement parts.	
	3160118	Ref	DRIVE MOTOR ASSEMBLY (EATON P/N 71492 - DAW)	A
1	7004912	1	Shaft, Drive	
2	7004959	1	Housing, Assembly	
2A	7004960	2	Pin, Roll	
2B	7004910	1	Bearing	
3	7004941	1	Back-Plate Assembly	
3A	7004917	1	Bearing, Needle	
3B	Kit	1	Washer	
3C	Kit	1	O-Ring	
3D	7004942	1	Plug	
3E	7004946	1	Spool, Shuttle	
3F	7004944	2	Plug, Assembly	
3F	Kit	2	O-Ring	
4	7004916	1	Rotating Kit Assembly (Sold as an Assembly Only)	
5	7007517	1	Camplate	
6	Kit	1	Gasket, Housing	
7	7004911	1	Race, Inner	
8	7004914	2	Bearing	
9	7004907	2	Race, Thrust	
10	7004908	1	Bearing, Thrust	
11	7004913	2	Cover, Trunnion	
13	7004933	4	Bolt	
16	7004906	1	Washer	
17	7004935	2	Ring, Retaining - 1 5/8in	
18	7004904	1	Ring, Retaining - 2in	
19	7004909	2	Ring, Retaining - 1 1/8in	
20	Kit	1	Seal, Shaft	
25	Kit	2	O-Ring	
30	7004939	1	Control Piston Housing Assembly	
30A	Kit	1	O-Ring	
31	7004948	1	Control Piston Assembly	
31A	Kit	1	O-Ring	
31B	Kit	1	Ring, Slippery	
35	7004929	2	Pin, Connector	
37	7004928	1	Connector, Camplate	
38	7004937	4	Ring, Retaining - 5/16in	
39	7004938	4	Bolt, Socket 1/4in-28NF x 7/8in	
41	4100028	1	Spacer, Piston (.105in)	
42	4100029	1	Spacer, Piston (.110in)	
	2900449	1	Seal Kit - Complete (Includes Items Indicated by "Kit" in P/N column)	
	1001096415	Ref	DRIVE MOTOR ASSEMBLY (EATON P/N 71392 - DAZ)	A
101	7004912	1	Shaft, Splined	
102	Not Available	1	Housing	
102A	Not Available	1	Bearing	

SECTION 1 - FRAME

ITEM	PART NUMBER	QTY	DESCRIPTION	REV
103	70002533	1	Back Plate Assembly	
103A	Not Available	1	Bearing	
103B	4100027	1	Spacer, Piston	
103C	4100028	1	Spacer, Piston	
103D	Not Available	1	Plug	
103E	Not Available	1	Spool, Shuttle	
103F	Not Available	2	Plug	
104	7004916	1	Rotating Kit Assembly (Sold as an Assembly Only)	
105	70002534	1	Camplate	
106	Kit	1	Gasket	
107	7004911	2	Race, Inner	
108	7004914	2	Bearing, Needle	
109	7004907	2	Race, Thrust	
110	7004908	1	Bearing, Thrust	
111	70002535	2	Cover, Trunnion	
113	7020323	4	Bolt	
116	7004906	1	Washer	
118	Kit	1	Ring, Retaining	
119	Kit	2	Ring, Retaining	
120	Kit	1	Seal, Shaft	
122	70002536	2	Cover	
124	70002537	1	Plate, Valve (Not Shown - Located Between Items 102 & 103)	
125	Kit	2	O-Ring	
126	70002538	2	Rollpin	
127	70002539	2	Washer	
129	70002540	4	Screw, Pan Head	
130	7004939	1	Housing, Control Piston	
130A	Kit	1	O-Ring	
131	70002541	1	Piston Control	
131A	Kit	1	O-Ring	
131B	Kit	1	Ring, Slipper	
135	7004929	2	Pin, Connector	
137	7004928	2	Plate, Connector	
138	Kit	2	Ring, Retaining	
139	7004938	4	Bolt	
140	7020347	1	Seal Kit - Complete (Includes items 103B, 103C, 106, 118, 119, 120, 125, 130A, 131A, 131B & 138)	

SECTION 1 - FRAME

FIGURE 1-12. VALVE INSTALLATION (FRAME MOUNTED)



SECTION 1 - FRAME

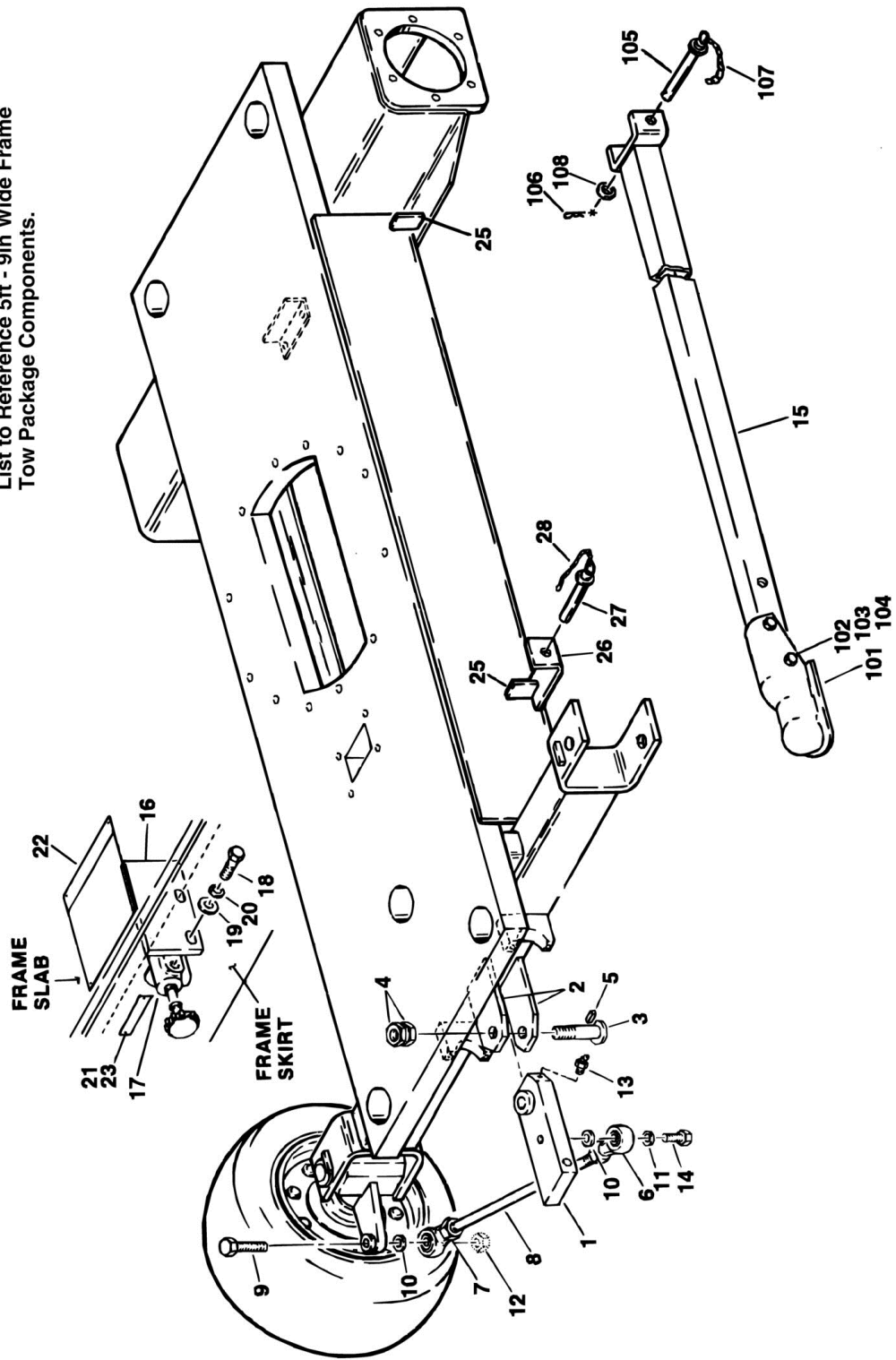
FIGURE 1-12. VALVE INSTALLATION (FRAME MOUNTED)

ITEM	PART NUMBER	QTY	DESCRIPTION	REV
		Ref	WHEEL DRIVE VALVE INSTALLATIONS	
	0250144	Ref	2WD Gas and Diesel	B
	0251141	Ref	2WD Electric	
	0250109	Ref	4WD	C
1		Ref	Valve Options:	
1	4640629	1	Valve, Positive Traction (2WD Gas and Diesel)	
1	4640260	1	Valve, Flow Divider (4WD)	
2		Ref	Bolt Options:	
2	0641528	2	Bolt 5/16in-18NC x 3 1/2in (2WD)	
2	0641522	2	Bolt 5/16in-18NC x 2 3/4in (4WD)	
3	4751500	4	Flatwasher 5/16in Narrow	
4	4761500	2	Lockwasher 5/16in	
5	3311501	2	Nut 5/16in-18NC	
6	4640443	1	Valve, Flow Divider (4WD Only)	
7	0641528	2	Bolt 5/16in-18NC x 3 1/2in	
8	4751500	4	Flatwasher 5/16in	
9	4761500	4	Lockwasher 5/16in	
10	3311501	2	Nut 5/16in-18NC	
11	4640260	1	Valve, Flow Divider (2WD Electric and 4WD)	
12	0641522	2	Bolt 5/16in-18NC x 2 3/4in (4WD Only)	
13	4751500	4	Flatwasher 5/16in (4WD Only)	
14	4761500	2	Lockwasher 5/16in (4WD Only)	
15	3311501	2	Nut 5/16in-18NC (4WD Only)	
16	2220435	1	Fitting (2WD Electric Only)	
16	2220594	1	Fitting (2WD Electric Only)	
17	4640529	1	Valve, Counterbalance (2WD Electric Only)	
18	0641620	2	Bolt 3/8in-16NC x 2 1/2in (2WD Electric Only)	
19	4751600	4	Flatwasher 3/8in (2WD Electric Only)	
20	4761600	2	Lockwasher 3/8in (2WD Electric Only)	
21	3311601	2	Nut 3/8in-16NC (2WD Electric Only)	
	0251310	Ref	OSCILLATING LOCKOUT VALVE INSTALLATION (MACHINES WITH OSCILLATING AXLE OPTION)	D
101	4640668	1	Lockout Valve Assembly	
102	4843742	1	Weldment, Valve Mounting	
103	0641620	2	Bolt 3/8in-16NC x 2 1/2in	
104	4751600	4	Flatwasher 3/8in	
105	4761600	2	Lockwasher 3/8in	
106	3311601	2	Nut 3/8in-16NC	
107	3931016	4	Screw Round Head #10-24NC x 1in	
108	4751000	8	Flatwasher #10	
109	4761000	4	Lockwasher #10	
110	3311001	4	Nut #10-24NC	
111	1100041	1	Cam (Weld to Turntable) (Prior to January 1991)	
112	4220139	1	Stop (Prior to January 1991)	
113	3534778	1	Spacer	

SECTION 1 - FRAME

FIGURE 1-13. TOW PACKAGE INSTALLATION

Note: Standard Frame Tow Package Shown. Use this Illustration and Parts List to Reference 5ft - 9in Wide Frame Tow Package Components.



SECTION 1 - FRAME

FIGURE 1-13. TOW PACKAGE INSTALLATION

ITEM	PART NUMBER	QTY	DESCRIPTION	REV
		Ref	TOW PACKAGE INSTALLATIONS	
	0238882	Ref	Tow Package (Standard) With Double Acting Steer Cylinder	E
	0239948	Ref	Tow Package (5ft-9in Frame) With Single Acting Steer Cylinder	C
	0253908	Ref	Tow Package (2WD With 12x16.5 Tires)	A
	0254094	Ref	Tow Package (4WD Machines)	A
1	2620029	1	Hitch, Tow	
1	2620038	1	Hitch, Tow (4WD Machines)	
2	3040379	2	Lug, Tow Hitch (Welded on Part) (Standard Only)	
3		Ref	Pin, Threaded Options:	
3	3421246	1	Standard	
3	3421151	1	5ft-9in Frame/2WD With 12x16.5 Tires	
4	3323002	AR	Nut, Jam 1 1/4in-12NF	
5	2880410	1	Key (Welded on Part)	
6	1360122	2	Clevis, Ball Joint	
6	1660144	2	Coupling, Tie Rod (4WD Machines)	
7	3322202	2	Nut, Jam 3/4in-16NF	
8		Ref	Rod, Tie Options:	
8	3840914	1	Standard	
8	3841005	1	5ft-9in Frame/2WD With 12x16.5 Tires	
8	3841223	1	4WD Machines	
9		Ref	Bolt Options:	
9	0642234	1	Bolt 3/4in-10NC - Standard	
9	0630424	1	Bolt, Special - 5ft-9in Frame	
9	0630466	1	Bolt, Special - 2WD With 12x16.5 Tires	
9	0642636	1	Bolt 1in-8NC x 4 1/2in - 4WD Machines	
10	4740032	2	Flatwasher, Special	
10	4562346	3	Spacer, Tube (4WD Machines)	
11	4762200	1	Lockwasher 3/4in	
12	3312202	1	Nut, Jam 3/4in-10NF (5ft-9in Frame/2WD With 12x16.5 Tires)	
12	3312605	1	Locknut 1in-8NC (4WD Machines)	
13	2160003	1	Fitting, Grease	
13	2160001	1	Fitting, Grease (4WD Machines)	
14	0642216	1	Bolt 3/4in-10NC x 2in (5ft-9in Frame/2WD With 12x16.5 Tires)	
15	0360016	1	Bar, Tow	
16	0900479	1	Bracket (Welded on Part)	
17	4640261	1	Valve, Select	
18	0641507	2	Bolt 5/16in-18NC x 7/8in	
19	4751500	2	Flatwasher 5/16in	
20	4761500	2	Lockwasher 5/16in	
21	3250872	1	Nameplate - Tow Select	
22		Ref	Nameplate - Tow Instructions Options:	
22	3250840	1	Nameplate - Tow Instructions (Prior to March 1994)	
22	1702305	1	Nameplate - Tow Instructions (March 1994 to Present)	
23	3820001	4	Rivet	
25	0361651	2	Bar	
26	3532649	1	Plate	
27	3430292	1	Pin, Quick Release	
28	1260017	1	Chain	
		Ref	TOW BAR ASSEMBLY	I

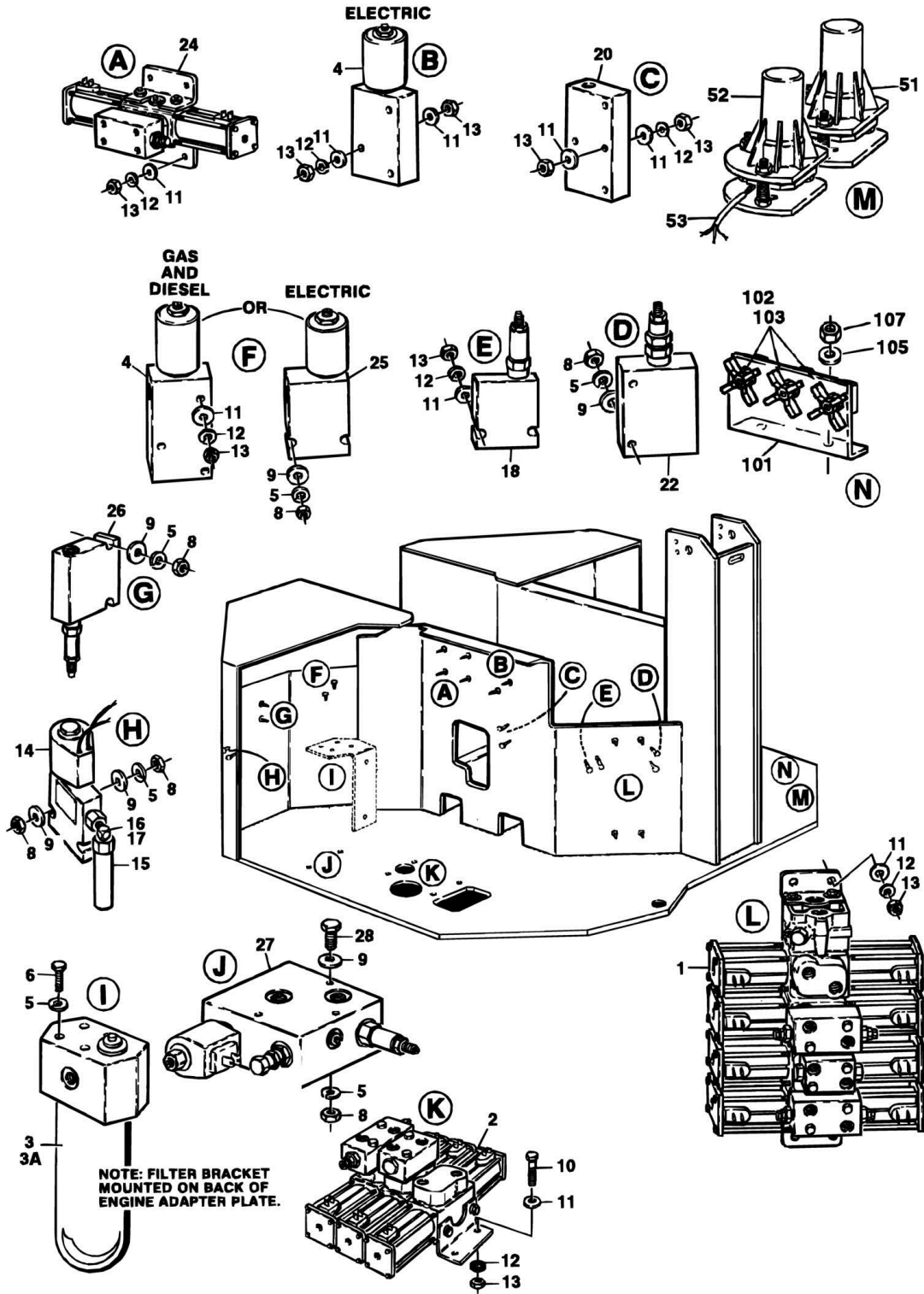
SECTION 1 - FRAME

ITEM	PART NUMBER	QTY	DESCRIPTION	REV
101	1660009	1	Coupling, Hitch	
102	0642036	2	Bolt 5/8in-11NC x 4 1/2in	
103	3312001	2	Nut 5/8in-11NC	
104	4762000	2	Lockwasher 5/8in	
105	3420352	1	Pin, Towing	
106	3420158	1	Pin, Hair	
107	1260135	1	Chain	
108	4752600	1	Flatwasher 1in	

SECTION 2 - TURNTABLE

SECTION 2 - TURNTABLE

FIGURE 2-1. CONTROL VALVES INSTALLATIONS



SECTION 2 - TURNTABLE

FIGURE 2-1. CONTROL VALVES INSTALLATIONS

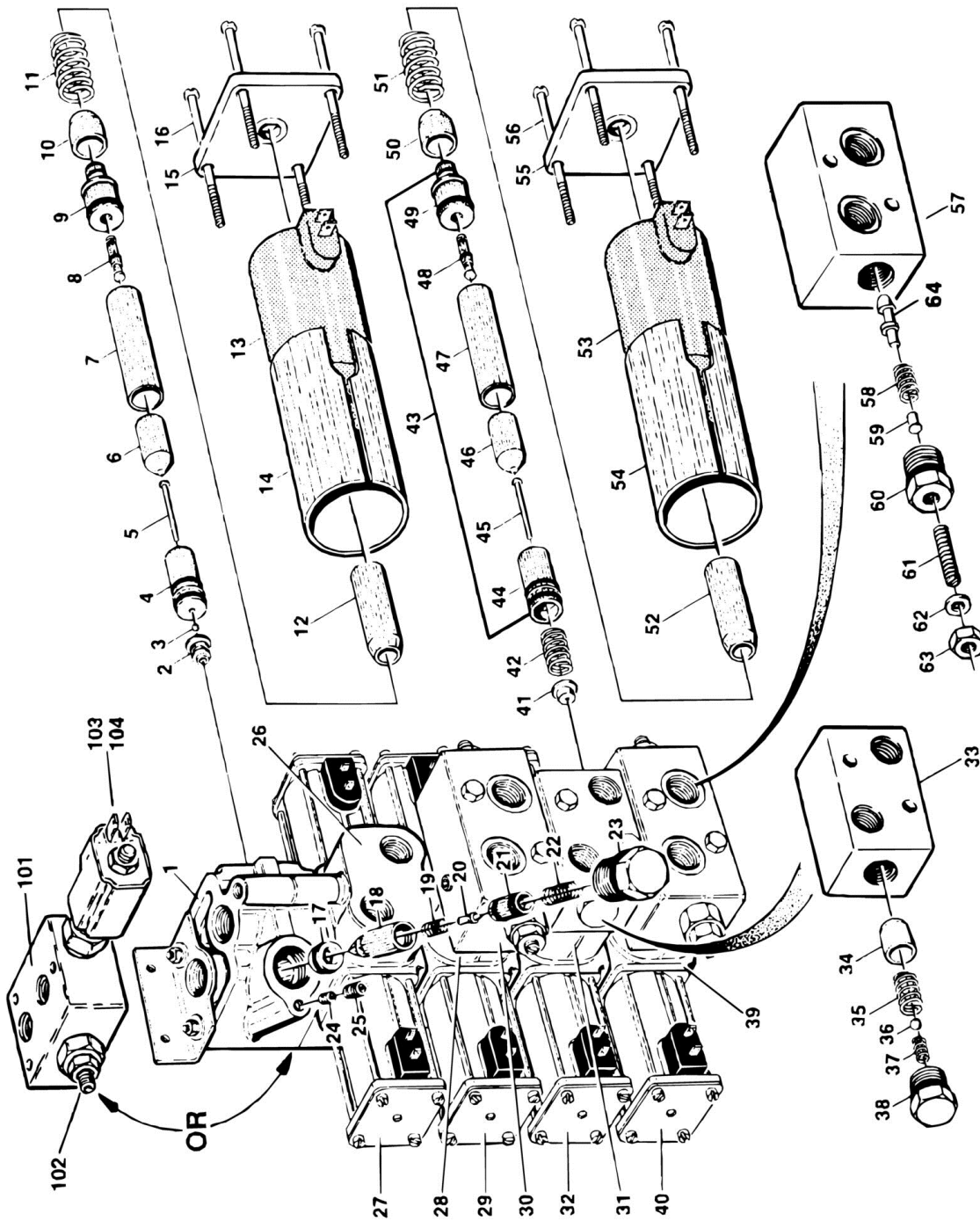
ITEM	PART NUMBER	QTY	DESCRIPTION	REV
		Ref	CONTROL VALVES INSTALLATIONS	
	0250459	Ref	Ford With Rotator (Prior to May 1992)	E
	0253178	Ref	Ford With Rotator (May 1992 to Present)	A
	0250460	Ref	Ford Without Rotator (Prior to May 1992)	C
	0253179	Ref	Ford Without Rotator (May 1992 to Present)	-
	0250615	Ref	Deutz With Rotator (Prior to May 1992)	D
	0253180	Ref	Deutz With Rotator (May 1992 to Present)	A
	0250616	Ref	Deutz Without Rotator (Prior to May 1992)	B
	0253181	Ref	Deutz Without Rotator (May 1992 to Present)	-
	0251016	Ref	Electric With Rotator (Prior to May 1992)	D
	0253182	Ref	Electric With Rotator (May 1992 to Present)	A
	0251017	Ref	Electric Without Rotator (Prior to May 1992)	A
	0253183	Ref	Electric Without Rotator (May 1992 to Present)	-
1		Ref	Control Valve Assembly Options: (See CONTROL VALVE ASSEMBLY - 3 & 4 SECTION RACINE BANGBANG for Breakdown)	
1	4640645	1	4 Section Racine Bang-Bang (With Rotator) (Prior to October 1994)	
1	4640909	1	4 Section Racine Bang-Bang (With Rotator) (October 1994 to Present)	
1	4640646	1	3 Section Racine Bang-Bang (Without Rotator)	
2	4640601	1	Control Valve Assembly - 3 Section Racine Bang-Bang (See CONTROL VALVE ASSEMBLY - 3 SECTION RACINE BANGBANG for Breakdown)	
3	2120122	1	Filter, Pressure (Ford and Deutz Only)	
3A	2120125	1	Element	
4	4640123	1	Valve, Solenoid (Prior to May 1992)	
4	7000558	1	Coil - 12VDC (FPS Version)	
4	7004368	1	Coil - 12VDC (Hydroforce Version)	
4	4640758	1	Valve, Solenoid (May 1992 to Present)	
4	7012906	1	Coil - 12VDC (Hydroforce Version)	
4	7012907	1	Seal Kit	
5	4761400	8	Lockwasher 1/4in	
6	0641406	2	Bolt 1/4in-20NC x 3/4in	
7	4300042	6	Stud (Welded on Part) (Not Shown)	
8	3311405	10	Locknut 1/4in-20NC	
9	4751400	10	Flatwasher 1/4in	
10	0641514	4	Bolt 5/16in-18NC x 1 3/4in	
11	4751500	20	Flatwasher 5/16in	
12	4761500	12	Lockwasher 5/16in	
13	3311501	16	Nut 5/16in-18NC	
14	4640543	1	Valve, Dump	
14	7004368	1	Coil - 12VDC (Hydroforce Version)	
14	7009745	1	Coil - 12VDC (Modular Controls Version)	
15		Ref	Valve, Flow Control Options:	
15	4640627	1	Valve, Flow Control (Prior to May 1992)	
15	4640623	1	Valve, Flow Control (May 1992 to Present)	
16		Ref	Fitting Options:	
16	2220444	1	With Rotator	
16	2220444	1	Without Rotator	
16	2180029	1	With and Without Rotator (Prior to April 1992)	

SECTION 2 - TURNTABLE

ITEM	PART NUMBER	QTY	DESCRIPTION	REV
16	2220446	1	With and Without Rotator (April 1992 to May 1992)	
16	2220651	1	With and Without Rotator (May 1992 to Present)	
17		Ref	Fitting Options:	
17	2220820	1	With and Without Rotator (Prior to April 1992)	
17	2220673	1	With and Without Rotator (April 1992 to May 1992)	
17	2220373	1	With and Without Rotator (May 1992 to Present)	
18	4640522	1	Valve, Pressure Reducing (Prior to May 1992)	
18	4640523	1	Cartridge	
19	4300038	4	Stud (Welded on Part) (Not Shown)	
20	4640150	1	Valve, Pilot Check	
21	4300033	4	Stud (Welded on Part) (Not Shown)	
22	4640521	1	Valve, Control	
22	7004281	1	Cartridge	
22	7004282	1	Seal Kit	
24	4640570	1	Valve Assembly - Racine Single Stack (Electric Only) (See VALVE ASSEMBLY - SINGLE STACK RACINE for Breakdown)	
25	4640513	1	Valve, Dump Solenoid (Electric Only)	
25	7003640	1	Coil - 12VDC (Modular Controls Version)	
25	7000645	1	Coil - 12VDC (Hydroforce Version)	
25	2900503	1	Seal, Kit (Modular Controls Version)	
25	2900756	1	Seal, Kit (Hydroforce Version)	
26	4640533	1	Valve, Sequence (Electric Only)	
27	4640598	1	Valve, Modular Control (Electric Only) (See MODULAR CONTROL VALVE ASSEMBLY for Breakdown)	
28	0641428	2	Bolt 1/4in-20NC x 3 1/2in (Electric Only)	
		Ref	TILT INDICATOR INSTALLATIONS	
	0251332	Ref	Gas and Diesel	C
	0251565	Ref	Electric	A
51	4360280	1	Sensor, Level - 3, (All Machines)	
52	4360171	1	Sensor, Level - 5, (Electric Machines Only)	
53	2820022	AR	Tubing, Vinyl	
		Ref	MANUAL DESCENT INSTALLATIONS	
	0251369	Ref	Gas and Diesel	B
	0252278	Ref	Electric	-
101	0901790	1	Bracket (Gas and Diesel Only)	
102	4640005	3	Valve	
103	2900062	3	Kit, Mounting	
104	4300034	2	Stud (Welded on part) (Not Shown) (Gas and Diesel Only)	
105	4750016	2	Flatwasher 3/8in (Gas and Diesel Only)	
107	3311605	2	Locknut 3/8in-16NC (Gas and Diesel Only)	
110	4752200	6	Flatwasher (Not Shown) (Electric Only)	

SECTION 2 - TURNTABLE

FIGURE 2-2. CONTROL VALVE ASSEMBLY - 3 & 4 SECTION RACINE BANG - BANG



SECTION 2 - TURNTABLE

FIGURE 2-2. CONTROL VALVE ASSEMBLY - 3 & 4 SECTION RACINE BANG - BANG

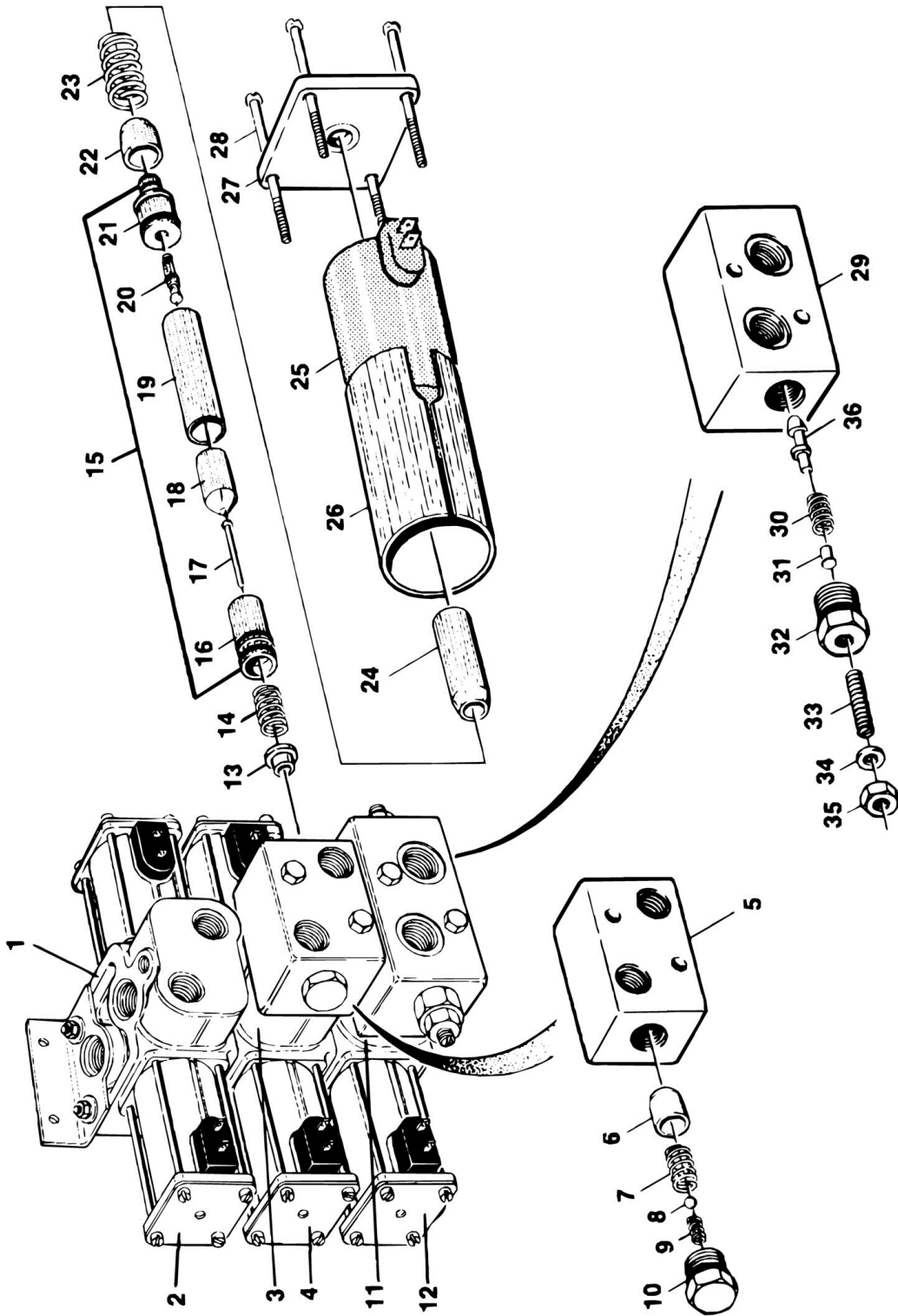
ITEM	PART NUMBER	QTY	DESCRIPTION	REV
		Ref	CONTROL VALVE ASSEMBLIES	
	4640645	Ref	4 Section (Prior to October 1994)	-
	4640909	Ref	4 Section (October 1994 to Present)	-
	4640646	Ref	3 Section	-
1	7002304	1	Dump Section - Complete (All Except 4640909)	
1		Ref	Solenoid Assembly	
2	7004823	1	Seat	
2	Kit	1	O-Ring	
3	7002229	1	Ball	
3		Ref	Guide Tube Assembly	
4	7004822	1	Cone, Female	
4	Kit	1	O-Ring	
5	7002346	1	Pin, Push	
6	7004839	1	Plunger	
7	7004838	1	Tube, Guide	
8	7004841	1	Pin, Push	
8	Kit	1	O-Ring	
9	7002340	1	Guide, External Push Pln	
9	Kit	1	O-Ring	
10	7004834	1	Sleeve, Inner Flux	
11	7002334	1	Spring	
12	7004835	1	Sleeve, Outer Flux	
13	7000417	1	Coil	
14	7004836	1	Case, Solenoid	
15	7002338	1	Plate, End	
15A	7002327	1	Nameplate	
16	7004837	4	Screw	
17	7002322	1	Seat	
17	Kit	1	O-Ring	
17		Ref	Main Relief (Poppet) Valve	
18	7002321	1	Case, Poppet	
19	7002338	1	Spring	
20	7002294	1	Poppet	
21	7002320	1	Seat, Adjustable	
21	Kit	1	O-Ring	
22	7002329	1	Spring	
23	7002323	1	Plug	
23	Kit	1	O-Ring	
24	7002326	1	Orifice	
25	7002324	1	Plug	
26	7002317	1	Rotator Section - Complete (4 Section Only)	
27	7004859	2	Solenoid Assembly (Refer To Items 41-56 For Serviced Parts)	
28	7002315	1	Steer Section - Complete	
29	7004859	2	Solenoid Assembly (Refer To Items 41-56 For Serviced Parts)	
30	7000468	1	Crossover Relief Valve Assembly (Due to various suppliers, internal components are no longer field serviceable)	
31	7002316	1	Level Section - Complete	
32	7004859	2	Solenoid Assembly (Refer To Items 41-56 For Serviced Parts)	
33	7002262	1	Dual Pilot Check Valve Assembly (Due to various suppliers, internal components are no longer field serviceable)	

SECTION 2 - TURNTABLE

ITEM	PART NUMBER	QTY	DESCRIPTION	REV
34	7002359	2	Poppet	
35	7002356	2	Spring	
36	7002225	2	Ball	
37	7002358	2	Spring	
38	7002357	2	Plug	
38	Kit	1	O-Ring	
39	7003855	1	Telescope Section - Complete	
40	7004859	2	Solenoid Assembly	
41	7003825	1	Washer	
42	7002348	1	Spring	
43	7002305	1	Guide Tube Assembly	
44	7002345	1	Cone, Female	
44	Kit	1	O-Ring	
44	Kit	1	O-Ring	
45	7002346	1	Pin, Push	
46	7002344	1	Plunger	
47	7000470	1	Tube, Guide	
48	7002341	1	Pin, Actuator	
48	Kit	1	Ring, Quad	
49	7002340	1	Guide, External Push Pln	
49	Kit	1	O-Ring	
50	7002333	1	Sleeve, Inner Flux	
51	7002334	1	Spring	
52	7002336	1	Sleeve, Outer Flux	
53	7000418	1	Coil	
54	7002335	1	Case, Solenoid	
55	7002338	1	Plate, End	
55A	7002327	1	Nameplate	
56	7002339	4	Screw	
57	7000468	1	Crossover Relief Valve Assembly (Due to various suppliers, internal components are no longer field serviceable)	
58	7002355	2	Spring	
59	7000116	2	Rivet	
60	7002350	2	Plug	
60	Kit	1	O-Ring	
61	7000113	2	Screw, Adjusting	
62	Kit	2	Seal, Thread	
63	7000114	2	Nut	
64	7002353	2	Piston	
101	7002447	Ref	DUMP SECTION - COMPLETE (4640909)	
102	7002448	1	Cartridge	
102	7002449	1	Seal Kit - 7002448 Cartridge	
103	7002450	1	Coil	
104	7002451	1	Cartridge without Coil	
104	7011118	1	Seal Kit 7002451	
	7000414	4	Seal Kit - Working Section	
	7000413	1	Seal Kit - Dump Section	
	7000439	2	Seal Kit - Relief Valve Block (Telescope and Steer)	
	7000440	1	Seal Kit - Relief Valve Block (Level)	

SECTION 2 - TURNTABLE

FIGURE 2-3. CONTROL VALVE ASSEMBLY - 3 SECTION RACINE BANG - BANG



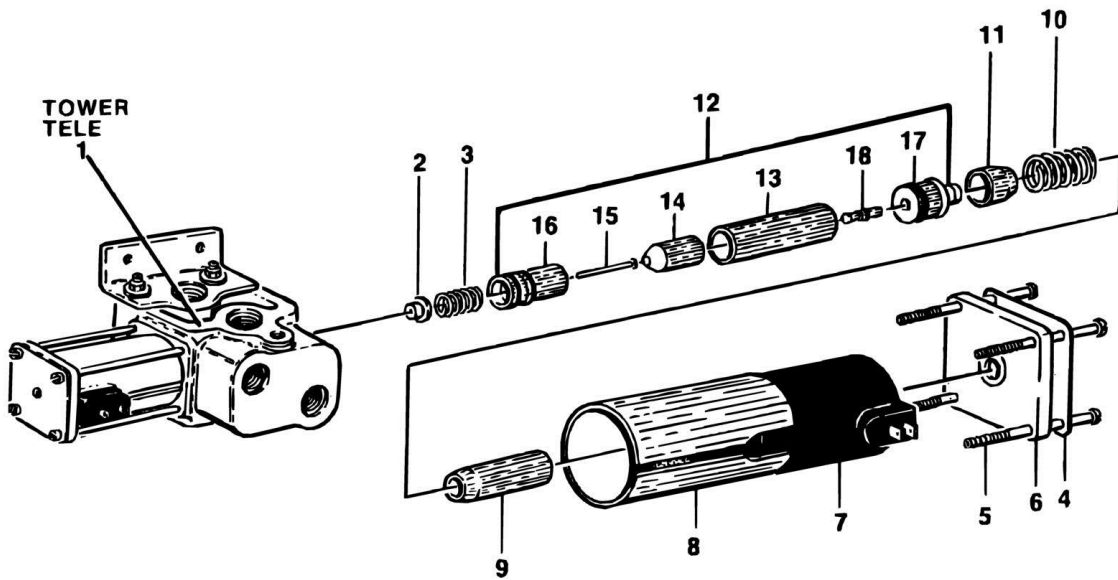
SECTION 2 - TURNTABLE

FIGURE 2-3. CONTROL VALVE ASSEMBLY - 3 SECTION RACINE BANG - BANG

ITEM	PART NUMBER	QTY	DESCRIPTION	REV
	4640601	Ref	CONTROL VALVE ASSEMBLY	
1	7002317	1	Working Section - Complete	
2	7004859	2	Solenoid Assembly (Refer to Items 13-28 for Serviced Parts)	
3	7003841	1	Working Section - Complete	
4	7004859	2	Solenoid Assembly (Refer to Items 13-28 for Serviced Parts)	
5	7002262	NLA	Dual Pilot Check Valve Assembly (Due to various suppliers, internal components are no longer field serviceable)	
6	7002359	2	Poppet	
7	7002356	2	Spring	
8	7002225	2	Ball	
9	7002358	2	Spring	
10	7002357	2	Plug	
10	Kit	2	O-Ring	
11	7003855	1	Working Section - Complete	
12	7004859	2	Solenoid Assembly (Refer to Items 13-28 for Serviced Parts)	
13	7003825	1	Washer	
14	7002348	1	Spring	
15	7002305	1	Guide Tube Assembly	
16	7002345	1	Cone, Female	
16	Kit	1	O-Ring	
16	Kit	1	O-Ring	
17	7002346	1	Pin, Push	
18	7002344	1	Plunger	
19	7000470	1	Tube, Guide	
20	7002341	1	Pin, Actuator	
20	Kit	1	Ring, Quad	
21	7002340	1	Guide, External Push Pln	
21	Kit	1	O-Ring	
22	7002333	1	Sleeve, Inner Flux	
23	7002334	1	Spring	
24	7002336	1	Sleeve, Outer Flux	
25	7000418	1	Coil	
26	7002335	1	Case, Solenoid	
27	7002338	1	Plate, End	
28	7002339	4	Screw	
29	7000468	NLA	Crossover Relief Valve Assembly (Due to various suppliers, internal components are no longer field serviceable)	
30	7002355	2	Spring	
31	7000116	2	Rivet	
32	7002350	2	Plug	
32	Kit	2	O-Ring	
33	7000113	2	Screw, Adjusting	
34	Kit	2	Seal, Thread	
35	7000114	2	Nut	
36	7002353	4	Piston	
	7000414	3	Seal, Kit - Working Sections	
	7000439	1	Seal, Kit - Relief Valve Block (7002262 Relief Valve)	
	7000440	1	Seal, Kit - Relief Valve Block (7000468 Relief Valve)	

SECTION 2 - TURNTABLE

FIGURE 2-4. VALVE ASSEMBLY - SINGLE STACK RACINE



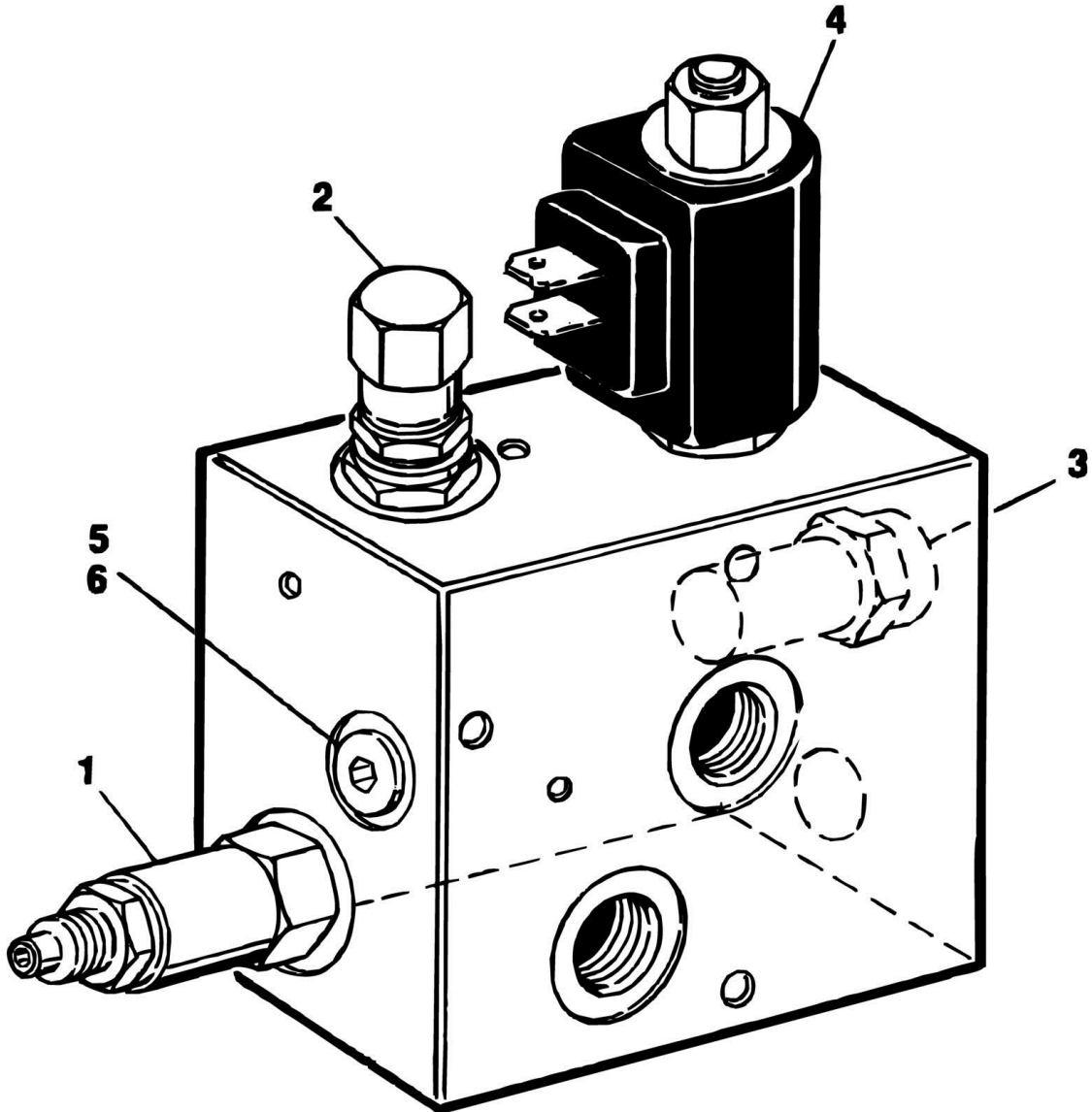
SECTION 2 - TURNTABLE

FIGURE 2-4. VALVE ASSEMBLY - SINGLE STACK RACINE

ITEM	PART NUMBER	QTY	DESCRIPTION	REV
	4640570	Ref	VALVE ASSEMBLY	
1	7004894	1	Drive Section - Complete	
2	7003825	2	Seat, Washer	
3	7002348	2	Spring	
4	7003828	2	Nameplate	
4	7004896	2	Solenoid Assembly	
5	7002339	4	Screw	
6	7002338	1	Plate, End	
7	7000418	1	Coil	
8	7002335	1	Case, Solenoid	
9	7002336	1	Sleeve, Outer Flux	
10	7002334	1	Spring	
11	7002333	1	Sleeve, Inner Flux	
12	7004821	1	Guide Tube Assembly	
13	7000470	1	Tube, Guide	
14	7002344	1	Plunger	
15	7002346	1	Pin, Push	
16	7003830	1	Cone Assembly	
16	7002345	1	Cone	
16	Kit	1	O-Ring 1 1/16in O.D.	
16	Kit	1	O-Ring 3/4in O.D.	
17	7003831	1	Pin and Guide Assembly	
17	7002340	1	Guide	
17	Kit	1	O-Ring 11/16in O.D.	
18	7003829	1	Pin Assembly	
18	Kit	1	Seal, Pin	
	7002347	1	O-Ring 3/4in O.D. (Use Between Sections - Not Shown)	
	7000448	1	O-Ring 1 1/16in O.D. (Use Between Sections - Not Shown)	
	7000437	4	Seal Kit - Valve Section	

SECTION 2 - TURNTABLE

FIGURE 2-5. MODULAR CONTROL VALVE ASSEMBLY



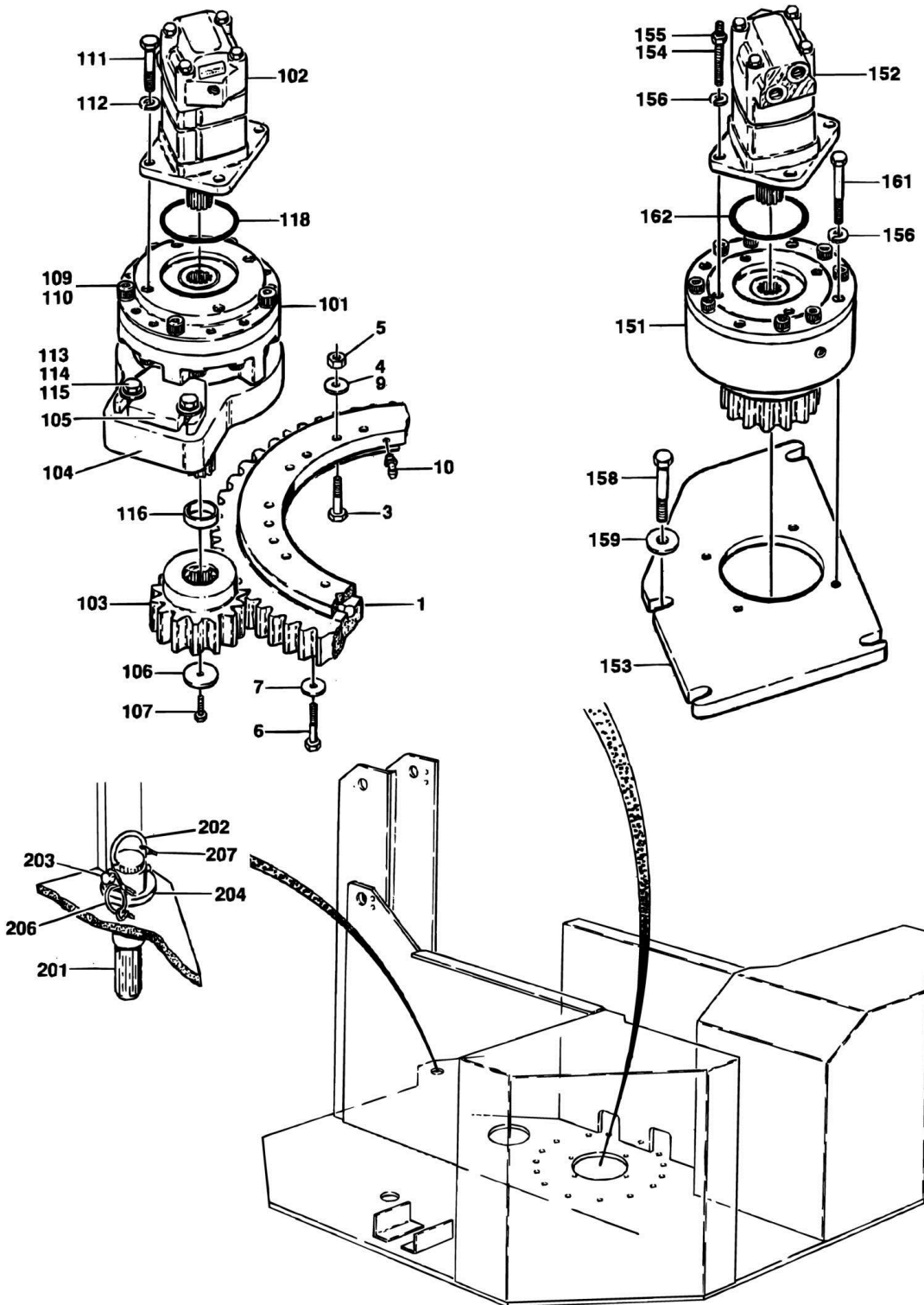
SECTION 2 - TURNTABLE

FIGURE 2-5. MODULAR CONTROL VALVE ASSEMBLY

ITEM	PART NUMBER	QTY	DESCRIPTION	REV
	4640598	Ref	VALVE ASSEMBLY	A
1	7010511	1	Cartridge, Differ Pressure Sensing	
2	7010512	1	Cartridge, Relief	
3	7010513	1	Cartridge, Modulating Orifice Spool	
4	7010514	1	Cartridge, Electric/Hydraulic Relief	
4	7009742	1	Coil - 12VDC	
4	7010516	1	Nut	
5	7010515	1	Orifice	
6	7004232	1	Plug	
	2900735	1	Seal Kit (Item 1)	
	2900503	2	Seal Kit (Items 2 & 4)	
	2900696	1	Seal Kit (Item 3)	

SECTION 2 - TURNTABLE

FIGURE 2-6. SWING DRIVE AND BEARING INSTALLATION



SECTION 2 - TURNTABLE

FIGURE 2-6. SWING DRIVE AND BEARING INSTALLATION

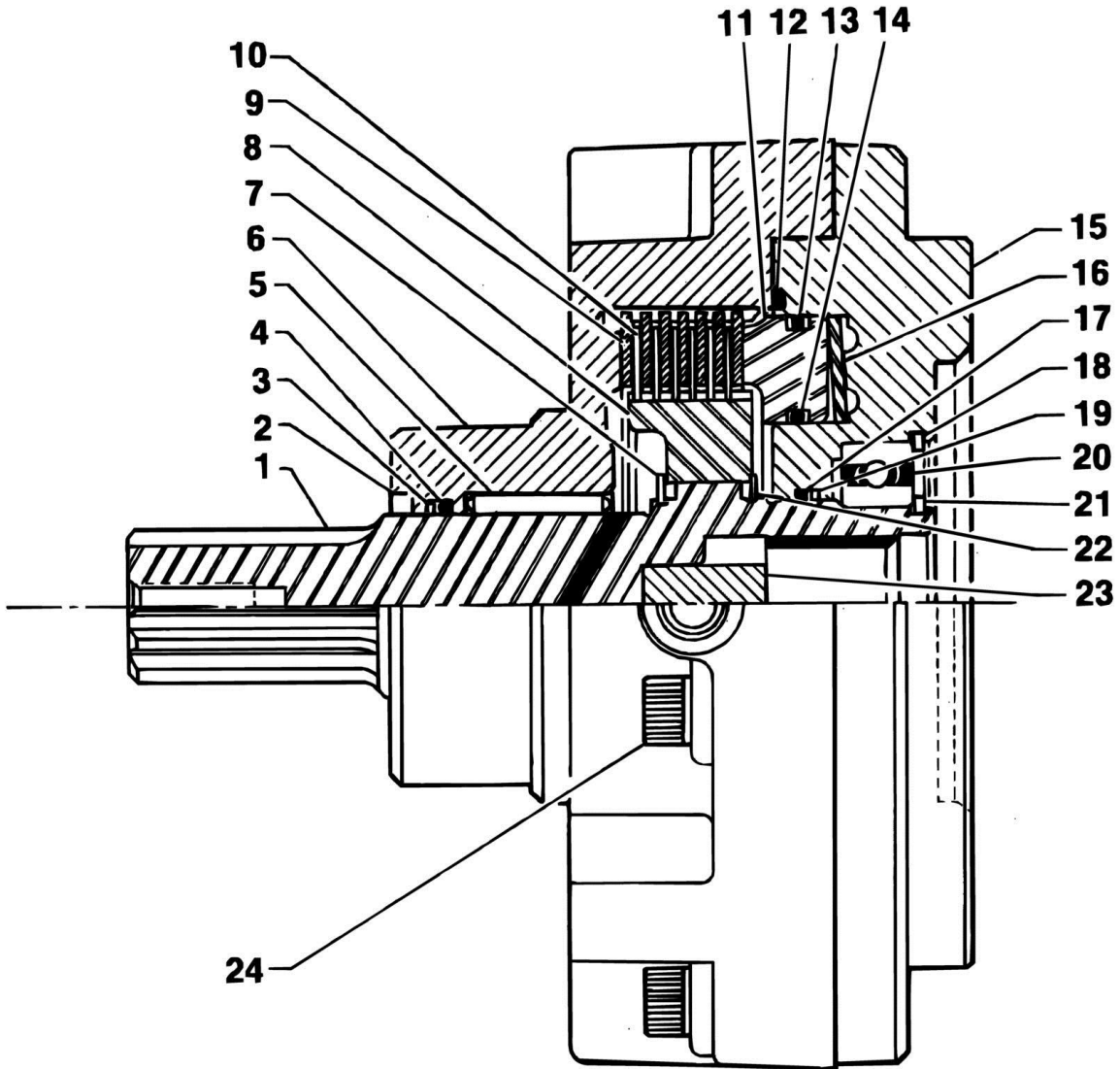
ITEM	PART NUMBER	QTY	DESCRIPTION	REV
	0238511	Ref	TURNTABLE BEARING INSTALLATION	
1	0440067	1	Bearing, Turntable	
3	0682020	15	Bolt 5/8in-11NC x 2 1/2in (Grade 8)	
4	4740004	12	Washer, Hardened	
5	3300183	15	Nut 5/8in-11NC (Grade 8)	
6	0681820	12	Bolt 1/2in-13NC x 2 1/2in (Grade 8)	
7	4740003	12	Washer, Hardened	
9	4740048	3	Washer, Special	
10	2160001	1	Fitting, Grease (Prior to March 1993)	
	0100019	AR	Loctite #271 (Not Shown)	
	0100004	AR	Devcon (Not Required on Machines with Milled Frame and Turntable)	
	0238523	Ref	SWING DRIVE INSTALLATION - MACHINES BUILT THROUGH 1992	E
101	0920074	1	Swing Brake Assembly (See SWING BRAKE ASSEMBLY for Breakdown)	
102	3160147	1	Swing Motor Assembly (See SWING MOTOR ASSEMBLY for Breakdown)	
103	2440056	1	Pinion	
104	0080148	1	Adapter	
105	0560793	1	Block, Clamp	
106	4740018	1	Washer	
107	0641608	1	Bolt 3/8in-16NC x 1in	
109	3931856	4	Bolt 1/2in-13NC x 3 1/2in	
110	4740189	4	Lockwasher 1/2in	
111	0641810	4	Bolt 1/2in-13NC x 1 1/4in	
112	4761800	4	Lockwasher 1/2in	
113	0641610	2	Bolt 3/8in-16NC x 1 1/4in	
114	4761600	2	Lockwasher 3/8in	
115	4751600	2	Flatwasher 3/8in	
116	4563923	1	Spacer	
118	3790045	1	O-Ring	
	0100011	AR	Loctite #242 (Not Shown)	
	0100020	AR	Sealant, Pipe (Not Shown)	
	0252578	Ref	SWING DRIVE INSTALLATION - MACHINES BUILT 1993 TO MAY 1994	D
151	0920089	1	Swing Brake Assembly	
151	7012570	1	Seal Kit - 0920089 Brake (Includes Seals, O-Rings, Back-up Rings and Retaining Ring)	
151	7012571	1	Rebuilt Kit - 0920089 Brake (Includes 7012570 Seal Kit, Inner and Outer Discs and Pressure Plate)	
152	3160183	1	Swing Motor Assembly (See SWING MOTOR ASSEMBLY for Breakdown)	
153	3535607	1	Plate, Mounting	
154	4300107	4	Stud 1/2in-13NC x 2in	
155	3311801	4	Nut 1/2in-13NC x 2in	
156	4761800	8	Lockwasher 1/2in	
158	0642014	4	Bolt 5/8in-11NC x 1 3/4in	
159	4740004	4	Washer, Hardened	
161	0641830	4	Bolt 1/2in-13NC x 3 3/4in	
162	3790155	1	O-Ring	

SECTION 2 - TURNTABLE

ITEM	PART NUMBER	QTY	DESCRIPTION	REV
	0100019	AR	Loctite #271 (Not Shown)	
	0100021	AR	Primer (Not Shown)	
	0255010	Ref	SWING DRIVE INSTALLATION - MACHINES BUILT MAY 1994 TO PRESENT	-
151	0920095	1	Swing Brake Assembly	
151	7012651	1	Seal Kit - 0920095 Brake (Includes Seals, O-Rings, Back-up Rings and Retaining Ring)	
151	7012650	1	Rebuilt Kit - 0920095 Brake (Includes 7012651 Seal Kit, Inner and Outer Discs and Pressure Plate)	
152	3160183	1	Swing Motor Assembly (See SWING MOTOR ASSEMBLY for Breakdown)	
153	3535607	1	Plate, Mounting	
154	3311801	4	Nut 1/2in-13NC x 2in	
156	4740252	8	Washer, Hardened	
158	0642014	4	Bolt 5/8in-11NC x 1 3/4in	
159	4740004	4	Washer, Hardened	
161	0641834	4	Bolt 1/2in-13NC x 4 1/4in	
162	3790155	1	O-Ring	
	0100019	AR	Loctite #271 (Not Shown)	
	0238164	Ref	TURNTABLE LOCK INSTALLATION	B
201	3421452	1	Pin, Lock	
202	3760215	1	D-Ring	
203	3421453	1	Snap-Pin	
204	4842998	1	Bushing (Welded on Part)	
206	3760170	1	Ring, Quick Release	
207	1260017	1	Chain	

SECTION 2 - TURNTABLE

FIGURE 2-7. SWING BRAKE ASSEMBLY (MACHINES BUILT THROUGH 1992)



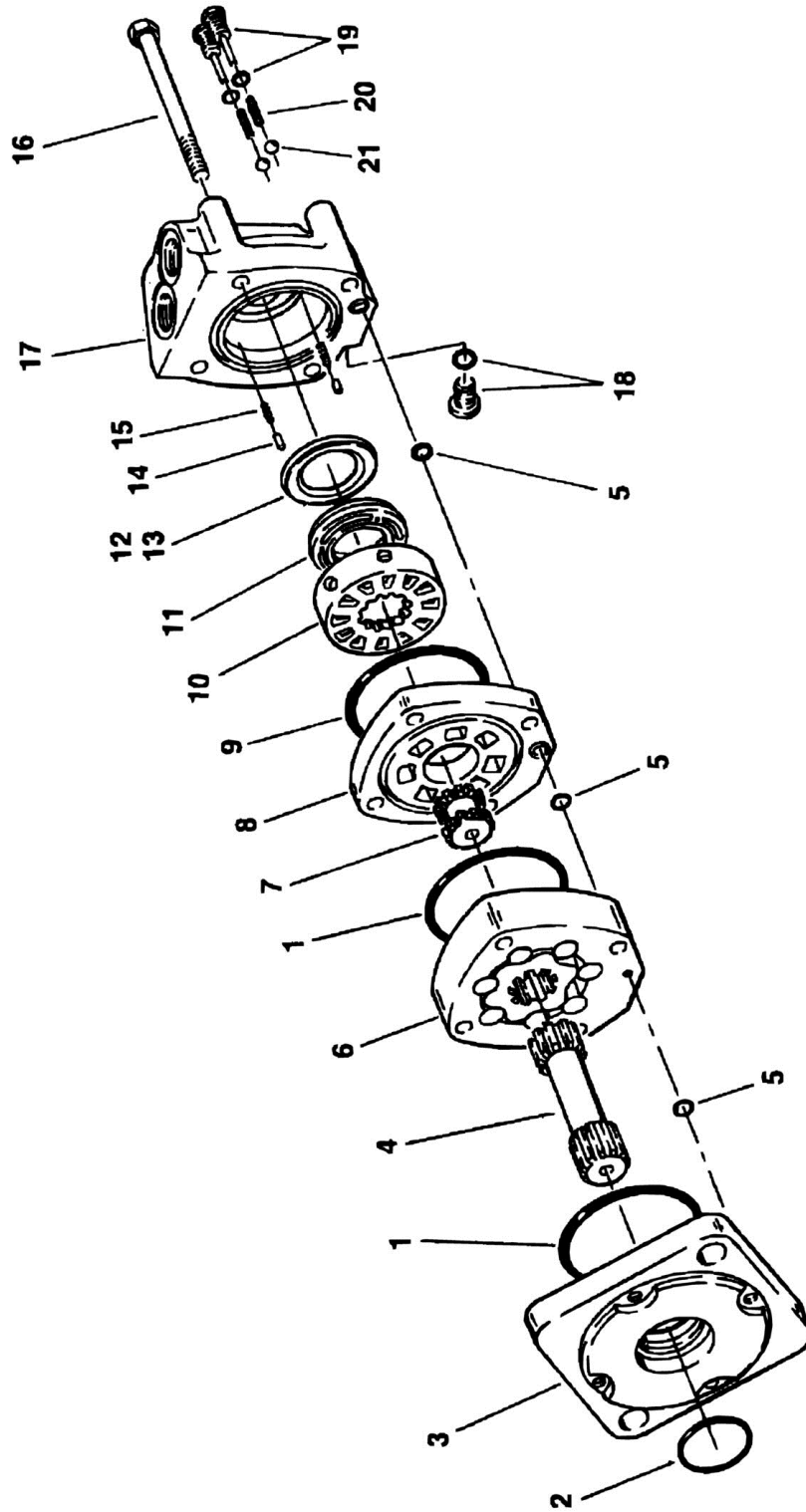
SECTION 2 - TURNTABLE

FIGURE 2-7. SWING BRAKE ASSEMBLY (MACHINES BUILT THROUGH 1992)

ITEM	PART NUMBER	QTY	DESCRIPTION	REV
	0920074	Ref	SWING BRAKE ASSEMBLY	B
1	7007960	1	Shaft	
2	Kit	1	Seal, Oil	
3	Kit	1	Ring, Back-up	
4	Kit	1	Ring, Quad	
5	7007956	1	Bearing, Needle	
6	7007955	1	Plate, Cover	
7	7007954	1	Ring, Retaining	
8	7007953	1	Spline, Outer	
9	7007952	7	Stator	
10	7007951	6	Rotor	
11	7007950	1	Piston	
12	Kit	1	O-Ring	
13	Kit	1	O-Ring	
14	Kit	1	O-Ring	
15	7007946	1	Plate, Pressure	
16	7007945	1	Spring, Belleville	
17	Kit	1	Ring, Quad	
18	7007943	1	Ring, Retaining	
19	Kit	1	Ring, Back-up	
20	7007941	1	Bearing	
21	7007940	1	Ring, Retaining	
22	7007939	1	Ring, Retaining	
23	7007938	1	Pin, Dowel	
24	7007937	8	Bolt	
	2900724	1	Seal Kit (Includes Items 2, 3, 4, 12, 13, 14, 17 & 19)	

SECTION 2 - TURNTABLE

FIGURE 2-8. SWING MOTOR ASSEMBLY (MACHINES BUILT PRIOR TO 1993)



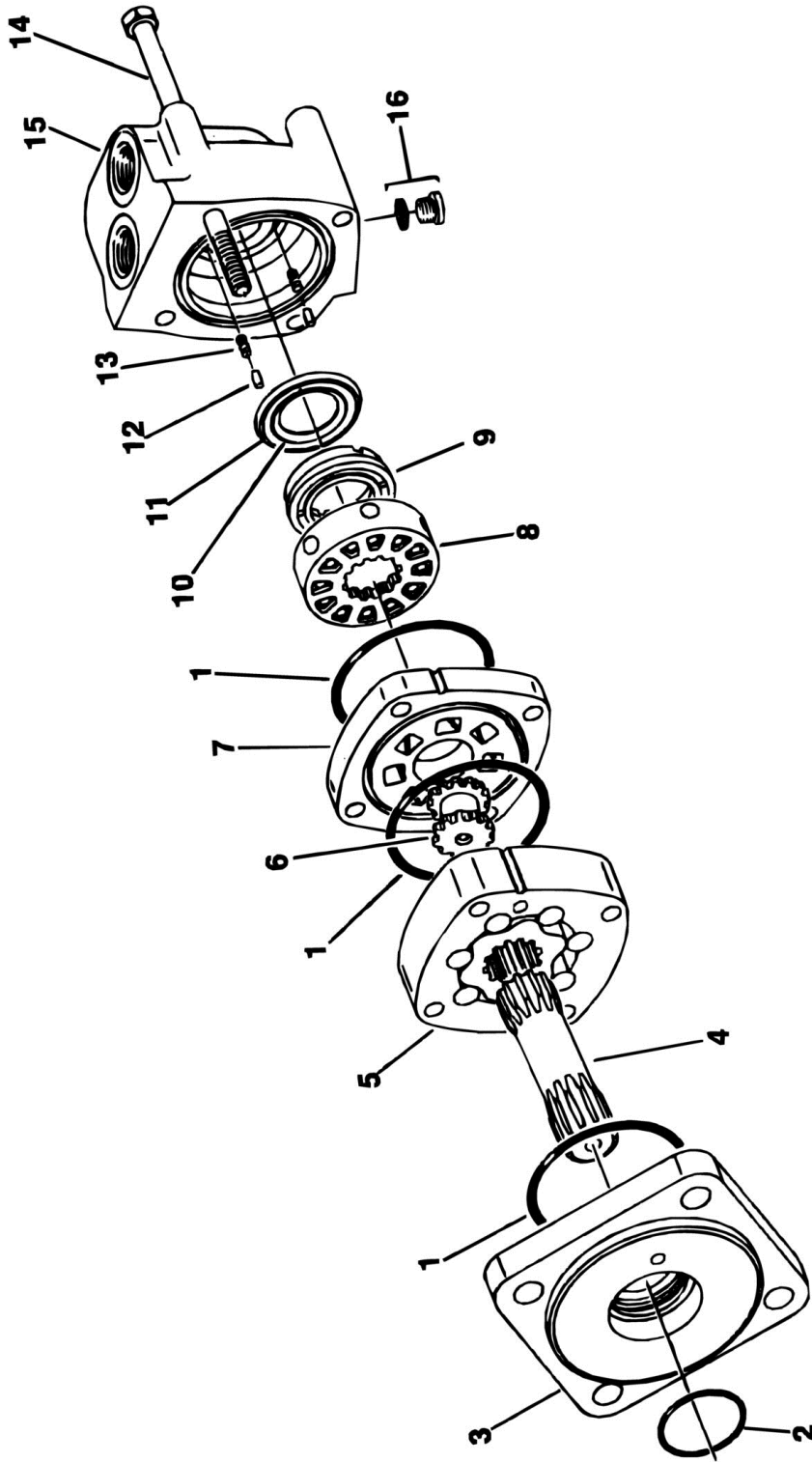
SECTION 2 - TURNTABLE

FIGURE 2-8. SWING MOTOR ASSEMBLY (MACHINES BUILT PRIOR TO 1993)

ITEM	PART NUMBER	QTY	DESCRIPTION	REV
	3160147	Ref	SWING MOTOR ASSEMBLY	
1	Kit	2	Seal	
2	7009901	1	Seal	
3	7009902	1	Flange, Mounting	
4	7009903	1	Drive	
5	Kit	3	O-Ring	
6	7009904	1	Geroler	
7	7009905	1	Drive, Valve	
8	7009906	1	Plate, Valve	
9	Kit	1	Seal	
10	7009908	1	Valve	
11	7009909	1	Ring, Balance	
12	Kit	1	Seal, Face-Inner	
13	Kit	1	Seal, Face-Outer	
14	7009912	2	Pin	
15	7009913	2	Spring	
16	7009914	4	Bolt	
17	7009915	1	Housing	
18	7002157	1	Plug Assembly	
18	Kit	1	O-Ring	
19	7002159	2	Check Plug Assembly	
19	Kit	2	O-Ring	
20	7000192	2	Spring	
21	7000191	2	Ball, Steel	
	2900686	1	Seal Kit (Includes all seals except Item 2)	

SECTION 2 - TURNTABLE

FIGURE 2-9. SWING MOTOR ASSEMBLY (MACHINES BUILT 1993 TO PRESENT)



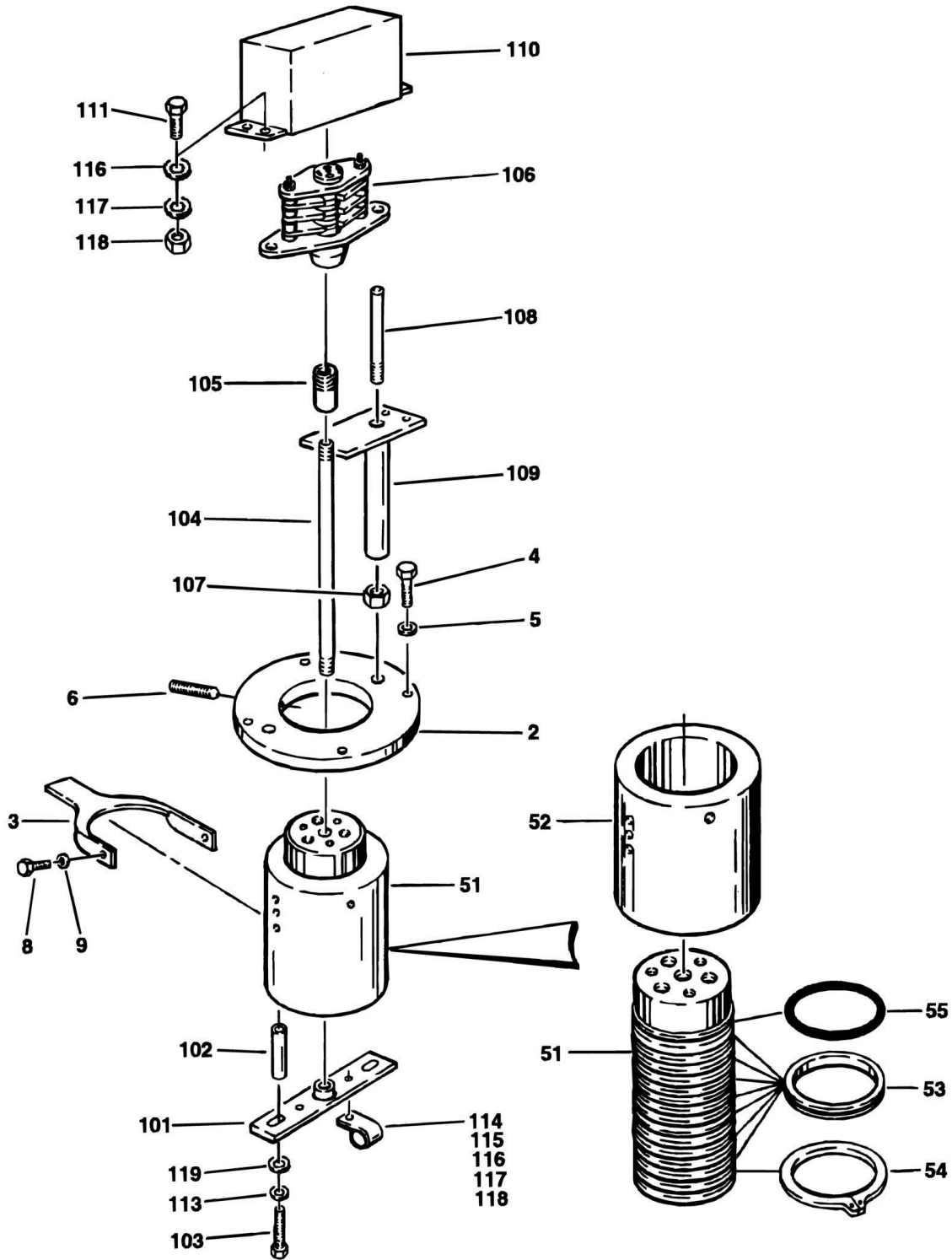
SECTION 2 - TURNTABLE

FIGURE 2-9. SWING MOTOR ASSEMBLY (MACHINES BUILT 1993 TO PRESENT)

ITEM	PART NUMBER	QTY	DESCRIPTION	REV
	3160183	Ref	SWING MOTOR ASSEMBLY	
1	Kit	3	Seal	
2	Kit	1	O-Ring	
3	7009984	1	Flange, Mounting	
4	7009988	1	Drive	
5	7009989	1	Geroler	
6	7009905	1	Drive, Valve	
7	7009983	1	Plate, Valve	
8	7009927	1	Valve	
9	7009909	1	Ring, Balance	
10	Kit	1	Seal, Face-Inner	
11	Kit	1	Seal, Face-Outer	
12	7009912	2	Pin	
13	7009913	2	Spring	
14	7009990	4	Bolt	
15	7009930	1	Housing, Valve	
16	7002157	1	Plug Assembly	
16	Kit	1	O-Ring	
	7009987	1	Seal Kit (Includes Items 1,2,10,11 & 19 O-Ring)	

SECTION 2 - TURNTABLE

FIGURE 2-10. ROTARY OIL COUPLING INSTALLATION



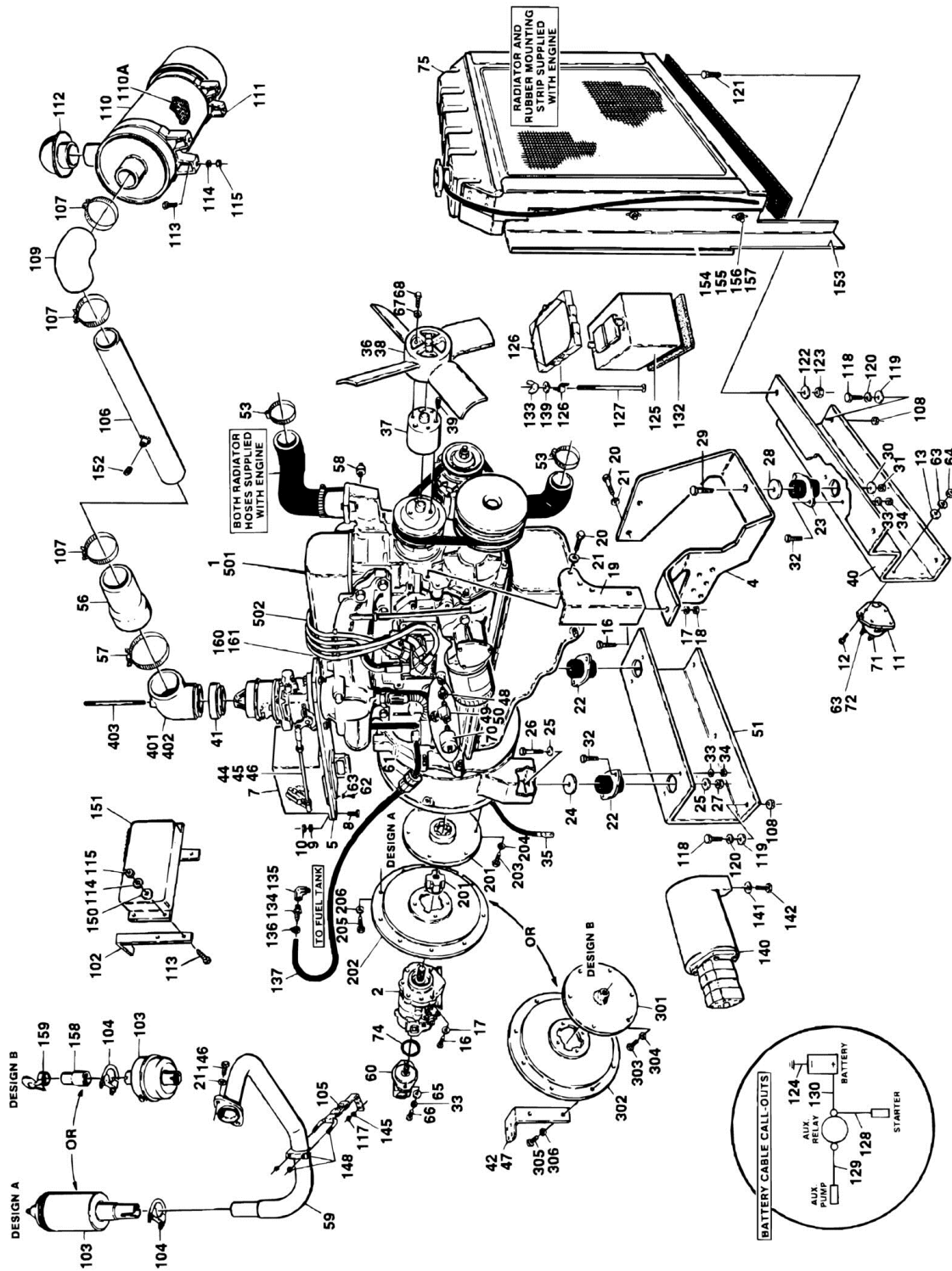
SECTION 2 - TURNTABLE

FIGURE 2-10. ROTARY OIL COUPLING INSTALLATION

ITEM	PART NUMBER	QTY	DESCRIPTION	REV
	0238615	Ref	ROTARY OIL COUPLING ASSEMBLY	A
2	1440154	1	Collar	
3	3530403	1	Plate, Retaining	
4	0641512	4	Bolt 5/16in-18NC x 1 1/2in	
5	4761500	4	Lockwasher 5/16in	
6	3951820	2	Setscrew 1/2in-13NC x 7/8in	
7	0100011	AR	Loctite #242 (Not Shown)	
8	0641807	2	Bolt 1/2in-13NC x 7/8in	
9	4761800	2	Lockwasher 1/2in	
10	0100003	AR	Loctite (Not Shown)	
	1660160	Ref	COUPLING ASSEMBLY	A
51	0620058	1	Body, Swivel	
52	2760091	1	Housing, Swivel	
53	Kit	7	T-Seal	
54	3760004	1	Ring, Retaining	
55	Kit	1	O-Ring	
	2901146	1	Seal Kit (Includes Items 53 & 55)	
	0251561	Ref	COLLECTOR RING ASSEMBLY	B
101	4843822	1	Bracket Weldment	
102	0960224	2	Bushing	
103	0641418	2	Bolt 1/4in-20NC x 2 1/4in	
104	2180763	1	Fitting, Pipe Nipple	
105	0961531	1	Bushing, Collector Ring	
106	3760053	1	Collector Ring Assembly	
107	3311801	2	Nut 1/2in-13NC	
108	3420290	2	Pin, Drive	
109	0231047	2	Guide, Drive	
110	1670594	1	Cover	
111	0721004	4	Screw, Round Head #10-24NC x 1/2in	
113	4761400	2	Lockwasher 1/4in	
114	1320040	1	Clamp	
115	3911012	1	Screw, Round Head #10-24NC x 3/4in	
116	4751000	6	Flatwasher #10	
117	4761000	5	Lockwasher #10	
118	3311001	5	Nut #10-24NC	
119	4751400	2	Flatwasher 1/4in	

SECTION 2 - TURNTABLE

FIGURE 2-11. FORD VSG-411 GAS ENGINE INSTALLATION (PRIOR TO JUNE 1995)



SECTION 2 - TURNTABLE

FIGURE 2-11. FORD VSG-411 GAS ENGINE INSTALLATION (PRIOR TO JUNE 1995)

ITEM	PART NUMBER	QTY	DESCRIPTION	REV
		Ref	FORD VSG-411 GAS ENGINE ASSEMBLIES	
	0250503	Ref	Standard	L
	0250626	Ref	Dual Fuel	G
1		Ref	Engine - Ford VSG-411 Options:	
1	2000109	1	Engine - Ford VSG-411 (Prior to January 1992)	
1	2000117	1	Engine - Ford VSG-411 (January 1992 to August 1994)	
1	2000129	1	Engine - Ford VSG-411 (August 1994 to Present)	
2	3600164	1	Pump Assembly - Sunstrand (See PUMP ASSEMBLY - SUNSTRAND (GAS AND DIESEL MACHINES) for Breakdown)	
4		Ref	Bracket, Engine Front (Top)	
4	0901715	1	Bracket, Engine Front (Top) (Prior to June 1991)	
4	4843497	1	Bracket, Engine Front (Top) (June 1991 to Present)	
5	3533445	1	Plate, Mounting - Actuator	
7	2500005	1	Governor, Precision	
8	0641410	4	Bolt 1/4in-20NC x 1 1/4in	
9	4761400	4	Lockwasher 1/4in	
10	3311401	4	Nut 1/4in-20NC	
11	3740067	1	Relay	
12	3911012	2	Screw, Machine #10-24NC x 3/4in	
13	4751000	2	Flatwasher #10	
15	3281505	2	Nut 5/16in-24NF	
16	0641812	3	Bolt 1/2in-13NC x 1 1/2in	
17	4761800	3	Lockwasher 1/2in	
18	3311801	1	Nut 1/2in-13NC	
19		Ref	Bracket, Engine Front (Left Side) Options:	
19	0901717	1	Bracket, Engine Front (Left Side) (Prior to March 1991)	
19	3533291	1	Bracket, Engine Front (Left Side) (March 1991 to Present)	
20	0701014	5	Bolt, Metric 10mm x 30mm	
21	4832000	7	Lockwasher 10mm	
22	3200202	2	Mount, Engine (Rear)	
23	3200201	1	Mount, Engine (Front)	
24	4740273	2	Flatwasher, Snubbing	
25	4751700	4	Flatwasher 7/16in	
26	0641728	2	Bolt 7/16in-14NC x 3 1/2in	
27	3311705	2	Locknut 7/16in-14NC	
28	4740274	1	Flatwasher	
29	0641826	1	Bolt 1/2in-13NC x 3 1/4in	
30	4751800	1	Flatwasher 1/2in	
31	3311805	1	Locknut 1/2in-13NC	
32	0641608	6	Bolt 3/8in-16NC x 1in	
33	4761600	10	Lockwasher 3/8in	
34	3311601	6	Nut 3/8in-16NC	
35	1060221	1	Cable, Battery (Engine to Ground)	
36	2060016	1	Fan	
37	0080168	1	Adapter, Fan (Prior to September 1991)	
38	4240096	1	Strap, Fan	
39	4031713	3	Bolt, Metric 6mm x 45mm	
40	0901635	1	Bracket, Engine Front (Bottom)	
41	0080182	1	Adapter, Carburetor (Standard)	
41	0080092	1	Adapter, Carburetor (Dual Fuel)	

SECTION 2 - TURNTABLE

ITEM	PART NUMBER	QTY	DESCRIPTION	REV
41	2900397	1	Carburetor (Without Built-in Choke)	
41	7000892	1	Carburetor (With Built-in Choke)	
41	7019933	1	Rebuild Kit - Carburetor (was p/n 7000878)	
42	0901714	1	Bracket, Mounting - Valve (Prior to May 1991)	
44	3841049	1	Rod, Throttle	
45	3321402	2	Nut, Jam 1/4in-28NF	
46	1660157	2	Ball Joint	
47	0901664	1	Bracket, Filter Mounting	
48	2220273	1	Fitting, Reduce	
49	2180360	1	Fitting, Tee	
50	2420131	1	Sender, Pressure (Oil)	
51	0901634	1	Bracket, Engine Rear (Bottom)	
53	1320014	4	Clamp	
56	2720341	1	Hose, Air	
57	1320058	1	Clamp	
58	2420130	1	Sender, Temperature (Water)	
59	4564623	1	Tube, Exhaust	
60	3600172	1	Pump Assembly - John Barnes (See PUMP ASSEMBLY - SINGLE SECTION (GAS AND DIESEL MACHINES) (PRIOR TO AUGUST 1992) for Breakdown) (Prior to August 1992)	
60	3600199	1	Pump Assembly - John Barnes (See PUMP ASSEMBLY - SINGLE SECTION (GAS AND DIESEL MACHINES) (AUGUST 1992 TO PRESENT) for Breakdown) (August 1992 to Present)	
61	2120112	1	Filter, Fuel	
62	3911014	2	Screw, Machine #10-24NC x 7/8in	
63	4761000	5	Lockwasher #10	
64	3311001	2	Nut #10-24NC	
65	4740185	2	Flatwasher, Hardened	
66	0641610	2	Bolt 3/8in-16NC x 1 1/4in	
67	4831900	3	Lockwasher, Metric 8mm	
68	0700814	3	Bolt, Metric 8mm x 30MM	
69	0100011	AR	Loctite #242 (Not Shown)	
70	4360037	1	Switch, Pressure (Oil)	
71	3300220	2	Nut, Special	
72	3321001	1	Nut #10-32NF	
74	3790152	1	O-Ring	
75	3620027	1	Radiator (January 1992 to Present)	
		Ref	FORD VSG-411 GAS ENGINE INSTALLATIONS	
	0250504	Ref	Standard	E
	0250627	Ref	Dual Fuel	D
102	0901419	2	Bracket, Mounting	
103	3220076	1	Muffler (Standard) (Design B)	
103	3220067	1	Muffler (Dual Fuel) (Design A)	
104	1320020	2	Clamp	
105	0901387	1	Hanger, Exhaust	
106	4563558	1	Tube, Intake	
107	1320031	3	Clamp	
108	3311801	5	Nut 1/2in-13NC	
109	0080039	1	Elbow	
110	1340020	1	Air Cleaner Assembly	
110A	7004214	1	Element	
111	0340002	2	Band, Mounting	

SECTION 2 - TURNTABLE

ITEM	PART NUMBER	QTY	DESCRIPTION	REV
112	1120161	1	Cap, Air Cleaner	
113	0641406	12	Bolt 1/4in-20NC x 3/4in	
114	4761400	12	Lockwasher 1/4in	
115	3311401	12	Nut 1/4in-20NC	
116	4761500	2	Lockwasher 5/16in	
117	3311501	2	Nut 5/16in-18NC	
118	0641812	5	Bolt 1/2in-13NC x 1 1/2in	
119	4761800	5	Lockwasher 1/2in	
120	4761600	5	Lockwasher 3/8in	
121	0630403	2	Bolt, Carriage 7/16in-14NC x 1 1/2in	
122	4751700	2	Flatwasher 7/16in	
123	3311705	2	Locknut 7/16in-14NC	
124	1060046	1	Cable, Battery (Negative Terminal to Ground)	
125		Ref	Battery Options:	
125	0400003	1	Wet - Battery	
125	7016175	1	Dry - Battery	
126	0400002	1	Hold-Down, Battery	
127	0236768	2	Rod, Hold-down	
128	1060129	1	Cable, Battery (Aux Relay to Starter)	
129	1060133	1	Cable, Battery (Aux Relay to Aux Pump)	
130	1060031	1	Cable, Battery (Positive Terminal to Aux Relay)	
132	3980003	1	Masonite	
133	3300029	2	Wing-Nut 3/8in-16NC	
134		Ref	Fitting Options:	
134	2180348	1	Fitting, Straight Barded (Standard) (Prior to May 1991)	
134	2220273	1	Fitting, Reduce (Standard) (May 1991 to Present)	
134	2180348	1	Fitting, Straight Barded (Dual Fuel)	
135		Ref	Fitting Options:	
135	2200462	1	Fitting, 90, (Standard) (Prior to May 1991)	
135	2220805	1	Fitting, 90, (Standard) (May 1991 to Present)	
135	2200462	1	Fitting, 90, (Dual Fuel) (Prior to March 1991)	
136	1320022	2	Clamp	
137	2720058	AR	Hose (Fuel Supply)	
138	4300038	2	Stud (Welded on Part)	
139	4751600	2	Flatwasher 3/8in	
140		Ref	Auxiliary Pump Assembly Options:	
140	3600050	1	Standard (Prior to September 1992)	
140	3600208	1	Standard (September 1992 to Present)	
140	3600050	1	Dual Fuel	
141	4761600	2	Lockwasher 3/8in	
142	0641612	2	Bolt 3/8in-16NC x 1 1/2in	
145	4761500	2	Lockwasher 5/16in	
148	1320026	1	Clamp	
149	4300032	4	Stud (Welded on Part)	
150	4751400	8	Flatwasher 1/4in	
151	1600117	1	Box, Control - Precision Governor	
152	2200053	1	Plug, Pipe	
153	4060733	1	Shield	
154	3911008	3	Screw, Machine #10-24NC x 1/2in	
155	4761000	3	Lockwasher #10	
156	3311001	3	Nut #10-24NC	

SECTION 2 - TURNTABLE

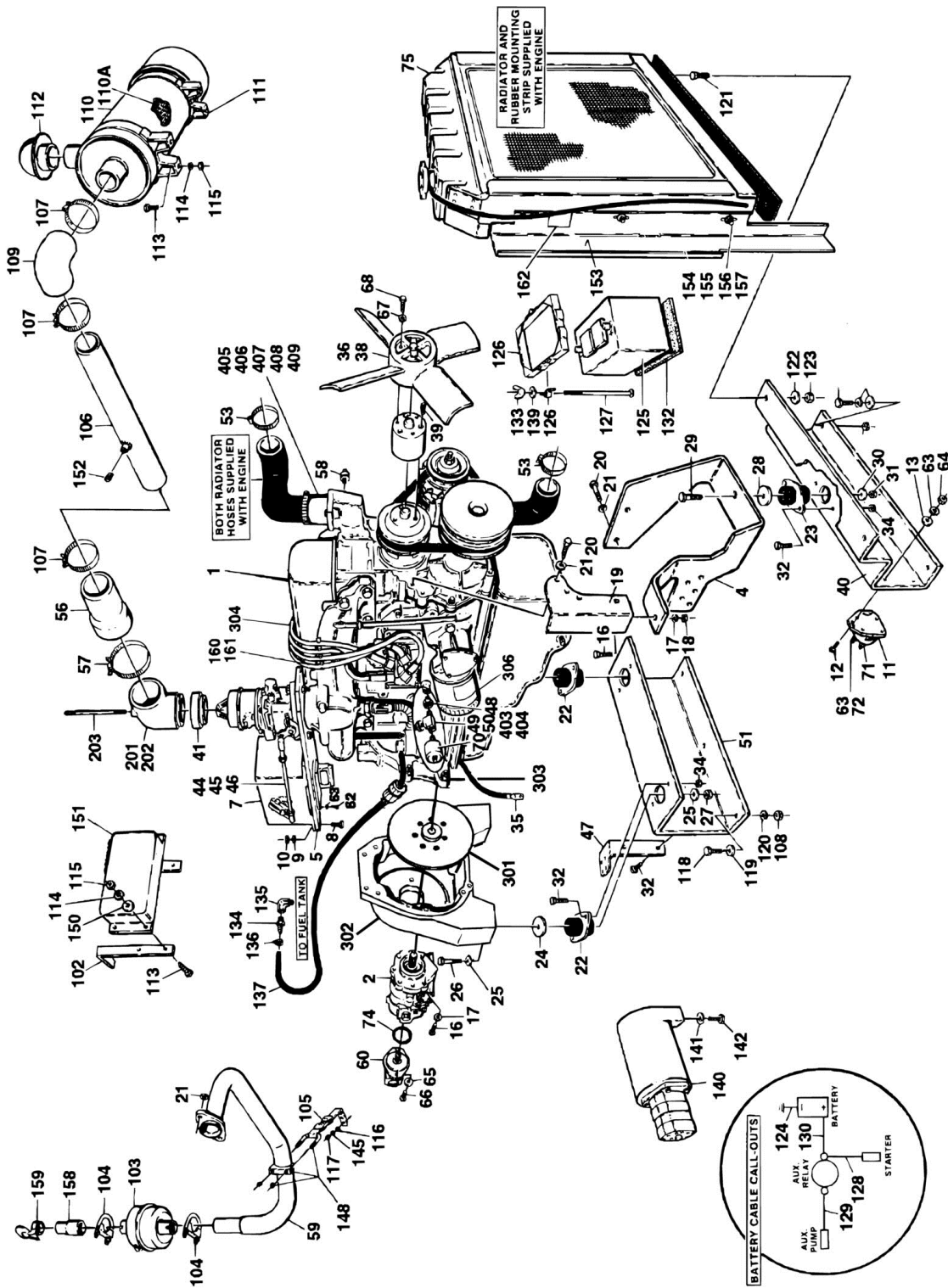
ITEM	PART NUMBER	QTY	DESCRIPTION	REV
157	4751000	3	Flatwasher #10	
158	4564711	1	Tube, Adapter (Standard) (Design B)	
159	1120218	1	Cap, Rain (Standard) (Design B)	
160	2720042	0.6 m	Hose, Heater (December 1991 to Present)	
161	1320032	2	Clamp (December 1991 to Present)	
	0250324	Ref	PUMP COUPLING INSTALLATION (PRIOR TO JANUARY 1992)	
201	1660169	1	Coupling (Love Joy) (Design A)	
201	1660172	1	Hub, Coupling (Love Joy) (Design A)	
201	1660173	1	Disc, Coupling (Love Joy) (Design A)	
202	0080163	1	Adapter, Pump	
203	0641510	6	Bolt 5/16in-18NC x 1 1/4in	
204	4761500	6	Lockwasher 5/16in	
205	0641610	8	Bolt 3/8in-16NC x 1 1/4in	
206	4761600	8	Lockwasher 3/8in	
		Ref	PUMP COUPLING INSTALLATION OPTIONS:	
	0250598	Ref	Pump Coupling Installation (Prior to January 1992)	
	0252808	Ref	Pump Coupling Installation (January 1992 to Present)	
301		Ref	Coupling (Hayes) (Design B) Options:	
301	1660184	1	Coupling (Hayes) (Design B) (Prior to January 1992)	
301	1660207	1	Coupling (Hayes) (Design B) (January 1992 to Present)	
302	0080163	1	Adapter, Pump	
303		Ref	Bolt Options:	
303	0641507	6	Bolt 5/16in-18NC x 7/8in Prior to January 1992	
303	0700808	6	Bolt 16mm January 1992 to Present	
304		Ref	Lockwasher Options:	
304	4761500	6	Lockwasher (Prior to January 1992)	
304	4831900	6	Lockwasher (January 1992 to Present)	
305	0641610	8	Bolt 3/8in-16NC x 1 1/4in	
306	4761600	8	Lockwasher 3/8in	
307	3020021	AR	Grease (Not Shown)	
	0250806	Ref	AIR HORN INSTALLATION	B
401	0080175	1	Adapter, Air Horn	
402	3960388	1	Gasket	
403	4300056	1	Stud, Carburetor	
		Ref	ENGINE COMPONENTS	
501	7012653	1	Alternator (Prestolite)	
501	7012564	1	Harness, Engine (With Prestolite Alternator) (was p/n 7016385)	
501	7023670	1	Module, Ignition (was p/n 7019665)	
501	7019666	1	Pump, Fuel	
501	7019668	1	Starter	
501	7019933	1	Carburetor Repair Kit	
501	7019939	1	Filter, Fuel	
501	7019941	1	Hose, Radiator (Upper)	
501	7019943	1	Hose, Radiator (Lower)	
501	7019949	1	Filter, Oil	
501	7019951	1	Pump, Water	
501	3960423	1	Gasket, Thermostat	
502	7019989	AR	Spark Plug Wire Set	
502	7019955	1	Wire - Spark Plug #1	
502	7019956	1	Wire - Spark Plug #2	
502	7019957	1	Wire - Spark Plug #3	

SECTION 2 - TURNTABLE

ITEM	PART NUMBER	QTY	DESCRIPTION	REV
502	7019958	1	Wire - Spark Plug #4	
	0255476	Ref	COLD WEATHER INSTALLATION (OPTIONAL)	
601	2580026	1	Heater - Not Shown (Located in Engine Block)	
603	2580001	1	Pad, Heater - Not Shown (Located on Battery)	

SECTION 2 - TURNTABLE

FIGURE 2-12. FORD VSG-413 GAS ENGINE INSTALLATION (JUNE 1995 TO PRESENT)



SECTION 2 - TURNTABLE

FIGURE 2-12. FORD VSG-413 GAS ENGINE INSTALLATION (JUNE 1995 TO PRESENT)

ITEM	PART NUMBER	QTY	DESCRIPTION	REV
	0257657	Ref	FORD VSG-413 GAS ENGINE ASSEMBLY	2
1	2000152	1	Engine - Ford VSG-413	
2	3600260	1	Pump Assembly (See PUMP ASSEMBLY - SUNSTRAND (GAS AND DIESEL MACHINES) for Breakdown)	
4	4843497	1	Bracket, Engine Front	
5	3533445	1	Plate, Mounting - Actuator	
7	2500005	1	Governor, Precision	
8	0641410	4	Bolt 1/4in-20NC x 1 1/4in	
9	4761400	4	Lockwasher 1/4in	
10	3311401	4	Nut 1/4in-20NC	
11	3740067	1	Relay	
12	3911012	2	Screw, Machine #10-24NC x 3/4in	
13	4751000	2	Flatwasher #10	
15	3281505	2	Locknut 5/16in-24NF	
16	0641812	3	Bolt 1/2in-13NC x 1 1/2in	
17	4761800	3	Lockwasher 1/2in	
18	3311801	1	Nut 1/2in-13NC	
19	3533291	1	Bracket, Engine Front (Top)	
20	0701014	5	Bolt 10mm x 30mm	
21	4832000	7	Lockwasher 10mm	
22	3200202	2	Mount, Engine (Rear)	
23	3200201	1	Mount, Engine (Front)	
24	4740273	2	Flatwasher, Special	
25	4751700	4	Flatwasher 7/16in	
26	0641728	2	Bolt 7/16in-14NC x 3 1/2in	
27	3311705	2	Locknut 7/16in-14NC	
28	4740274	1	Flatwasher, Special	
29	0641826	1	Bolt 1/2in-13NC x 3 1/4in	
30	4751800	1	Flatwasher 1/2in	
31	3311805	1	Locknut 1/2in-13NC	
32	0641608	8	Bolt 3/8in-16NC x 1in	
34	3311605	8	Locknut 3/8in-16NC	
35	1060221	1	Cable, Battery (Engine to Ground)	
36	2060030	1	Fan (Was PN 2060016)	
38	4240096	1	Strap, Fan Only (Prior to SN 55435)	
39	4031713	3	Bolt 6mm x 45mm Only (Prior to SN 55435)	
40	0901635	1	Bracket, Engine Front (Bottom)	
41	0080182	1	Adapter, Carburetor	
44	3841049	1	Rod, Throttle	
45	3321402	2	Nut, Jam 1/4in-28NF	
46	1660157	2	Ball Joint	
47	0902184	1	Bracket, Filter Mount	
48	2220273	1	Fitting, Reduce	
49	2180360	1	Fitting, Tee	
50	2420131	1	Sender, Pressure (Oil)	
51	0901634	1	Bracket, Engine Rear (Bottom)	
53	1320014	4	Clamp	
56	2720341	1	Hose, Air	
57	1320058	1	Clamp	
58	2420130	1	Sender, Temperature (Water)	

SECTION 2 - TURNTABLE

ITEM	PART NUMBER	QTY	DESCRIPTION	REV
59	4564623	1	Tube, Intake	
60	3600199	1	Pump Assembly - John Barnes (See PUMP ASSEMBLY - SINGLE SECTION (GAS AND DIESEL MACHINES) for Breakdown)	
62	3911014	2	Screw, Machine #10-24NC x 7/8in	
63	4761000	5	Lockwasher #10	
64	3311001	2	Nut #10-24NC	
65	4740185	2	Washer, Special	
66	0641610	2	Bolt 3/8in-16NC x 1 1/4in	
67	4831900	3	Lockwasher, Metric 8mm Only (Prior to SN 55435)	
68	0700814	3	Bolt, Metric 8mm x 30mm Only (Prior to SN 55435)	
69	0100011	AR	Loctite #242 (Not Shown)	
70	4360037	1	Switch, Pressure (Oil)	
71	3300220	2	Nut, Special	
72	3321001	1	Nut #10-32NF	
74	3790152	1	O-Ring	
75	3620027	1	Radiator	
76	4460663	1	Housing, Terminal	
77	4460660	1	Housing, Terminal	
	0257658	Ref	FORD VSG-413 GAS ENGINE INSTALLATION	2
102	0901419	2	Bracket, Mounting	
103	3220076	1	Muffler	
104	1320020	2	Clamp	
105	0901387	1	Bracket, Exhaust Hanger	
106	4843558	1	Weldment, Air Intake	
107	1320031	3	Clamp	
108	3311801	5	Nut 1/2in-13NC	
109	0080039	1	Elbow	
110	1340020	1	Air Cleaner Assembly	
110A	7004214	1	Element	
111	0340002	2	Band, Mounting	
112	1120161	1	Cap, Air Cleaner	
113	0641406	8	Bolt 1/4in-20NC x 3/4in	
114	4761400	12	Lockwasher 1/4in	
115	3311401	12	Nut 1/4in-20NC	
116	4751500	2	Flatwasher 5/16in	
117	3311501	2	Nut 5/16in-18NC	
118	0641812	5	Bolt 1/2in-13NC x 1 1/2in	
119	4751800	5	Flatwasher 1/2in	
120	4761800	5	Lockwasher 1/2in	
121	0630403	2	Bolt, Carriage 7/16in-14NC x 1 1/2in	
122	4751700	2	Flatwasher 7/16in	
123	3311705	2	Locknut 7/16in-14NC	
124	1060046	1	Cable, Battery (Negative Terminal to Ground)	
125		Ref	Battery Options:	
125	0400075	1	Wet - Battery	
125	7016180	1	Dry - Battery	
126	0361810	1	Hold-Down, Battery	
127	0236768	2	Rod, Hold-down	
128	1060129	1	Cable, Battery (Aux Relay to Starter)	
129	1060133	1	Cable, Battery (Aux Relay to Aux Pump)	
130	1060031	1	Cable, Battery (Positive Terminal to Aux Relay)	
132	3980007	1	Masonite	

SECTION 2 - TURNTABLE

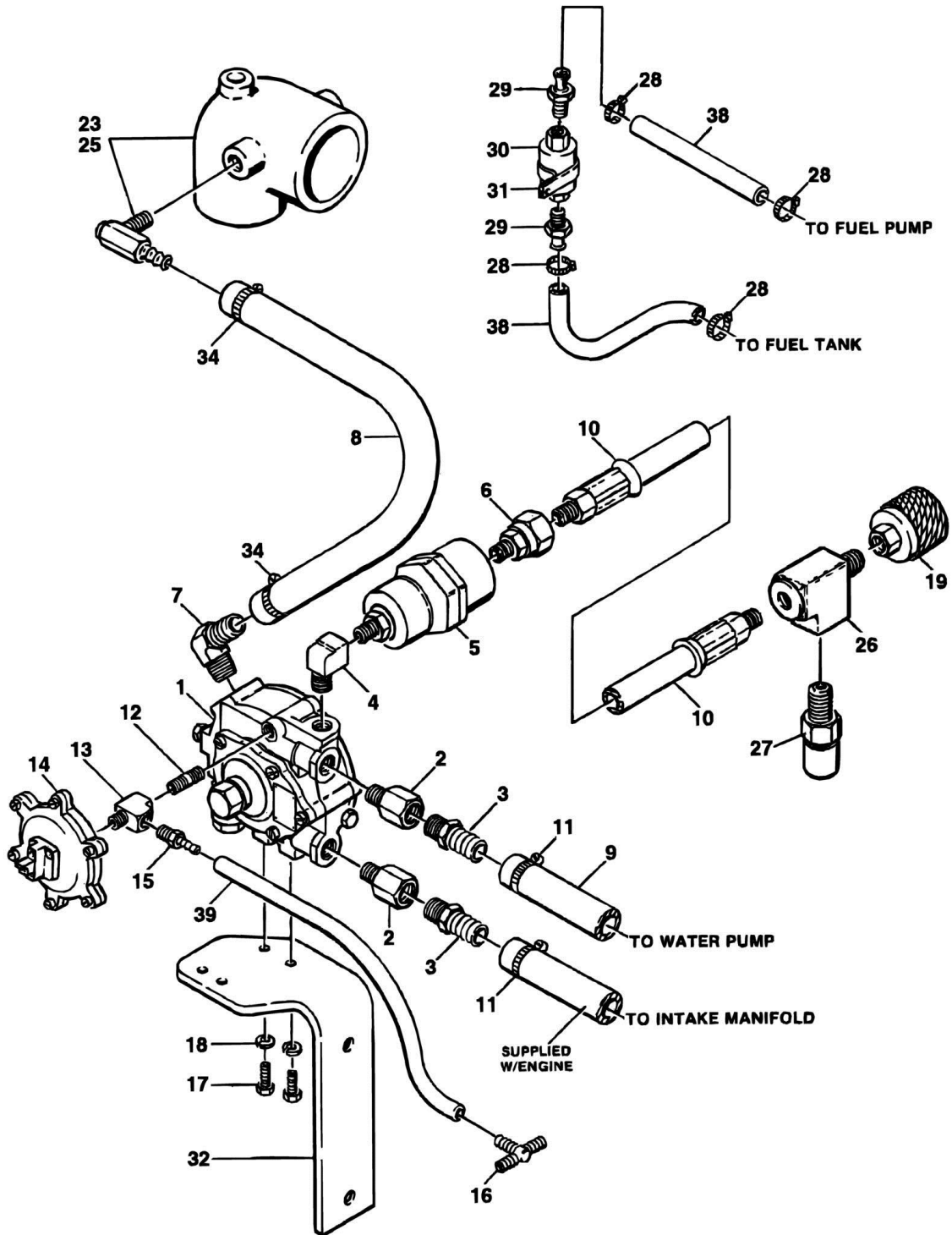
ITEM	PART NUMBER	QTY	DESCRIPTION	REV
133	3300029	2	Wing-Nut 3/8in-16NC	
134	2220273	1	Bushing, Reducer	
135	2220805	1	Fitting	
136	1320022	2	Clamp	
137	2720058	2.7 m	Hose (Fuel Supply)	
138	4300038	2	Stud (Welded on Part)	
139	4751600	2	Flatwasher 3/8in	
140	3600208	1	Auxiliary Pump Assembly	
141	4761600	2	Lockwasher 3/8in	
142	0641612	2	Bolt 3/8in-16NC x 1 1/2in	
145	4761500	2	Lockwasher 5/16in	
148	1320026	1	Clamp	
149	4300032	4	Stud (Welded on Part)	
150	4751400	8	Flatwasher 1/4in	
151	1600117	1	Box, Control - Precision Governor	
152	2200233	1	Plug, Pipe	
153	4060733	1	Shield	
154	3911008	3	Screw, Machine #10-24NC x 1 1/2in	
155	4761000	3	Lockwasher #10	
156	3321001	3	Nut #10-32NF	
157	4751000	3	Lockwasher #10	
158	4564711	1	Tube, Adapter	
159	1120218	1	Cap, Rain	
160	2720042	1	Hose, Heater	
161	1320032	2	Clamp	
162	1703162	1	Decal - Fan Blade	
	0250806	Ref	AIR HORN INSTALLATION	B
201	0080175	1	Adapter, Air Horn	
202	3960388	1	Gasket	
203	4300056	1	Stud, Carburetor	
		Ref	FORD ENGINE COMPONENTS	-
301	7020117	1	Coupling	
302	7010118	1	Housing	
303	7020121	1	Starter Plate	
304	7019989	AR	Spark Plug Wire Set Options:	
304	7019955	AR	Wire - Spark Plug # 1 (Wire set prior to December 1998)	
304	7019956	AR	Wire - Spark Plug # 2	
304	7019957	AR	Wire - Spark Plug # 3	
304	7019958	AR	Wire - Spark Plug # 4	
304	7022176	AR	Spark Plug Wire Set Options:	
304	7022101	AR	Wire - Spark Plug # 2 (Wire set December 1998 to Present)	
304	7022102	AR	Wire - Spark Plug # 3	
304	7022103	AR	Wire - Spark Plug # 1	
304	7022104	AR	Wire - Spark Plug # 4	
305	7019998	1	Coil Assembly (Not Shown) (December 1998 to Present)	
306	7022173	1	Oil Filter	
307	7022174	1	Fuel Filter (Not Shown)	
308	7022175	4	Spark Plugs (Not Shown)	
	0252625	Ref	ENGINE DISTRESS INSTALLATION (OPTIONAL)	5
403	2180360	1	Fitting, Tee	
404	4360182	1	Switch, Oil Pressure	

SECTION 2 - TURNTABLE

ITEM	PART NUMBER	QTY	DESCRIPTION	REV
405	0080200	1	Adapter	
406	3960423	1	Gasket	
407	0700819	2	Screw	
408	4831900	2	Lockwasher	
409	4360157	1	Switch, Water Temperature	
	0255476	Ref	COLD WEATHER INSTALLATION (OPTIONAL)	-
501	2580026	1	Heater - Not Shown (Located in Engine Block)	
503	2580001	1	Pad, Heater - Not Shown (Located on Battery)	
	0250815	Ref	ENGINE HEATER INSTALLATION (OPTIONAL)	A
601	2580026	1	Heater, Engine Coolant - Not Shown (Located in Engine Head)	
602	0701020	2	Bolt 10mm x 60mm (Not Shown)	
603	4564328	2	Spacer, Tube (Not Shown)	

SECTION 2 - TURNTABLE

FIGURE 2-13. DUAL FUEL INSTALLATION - FORD



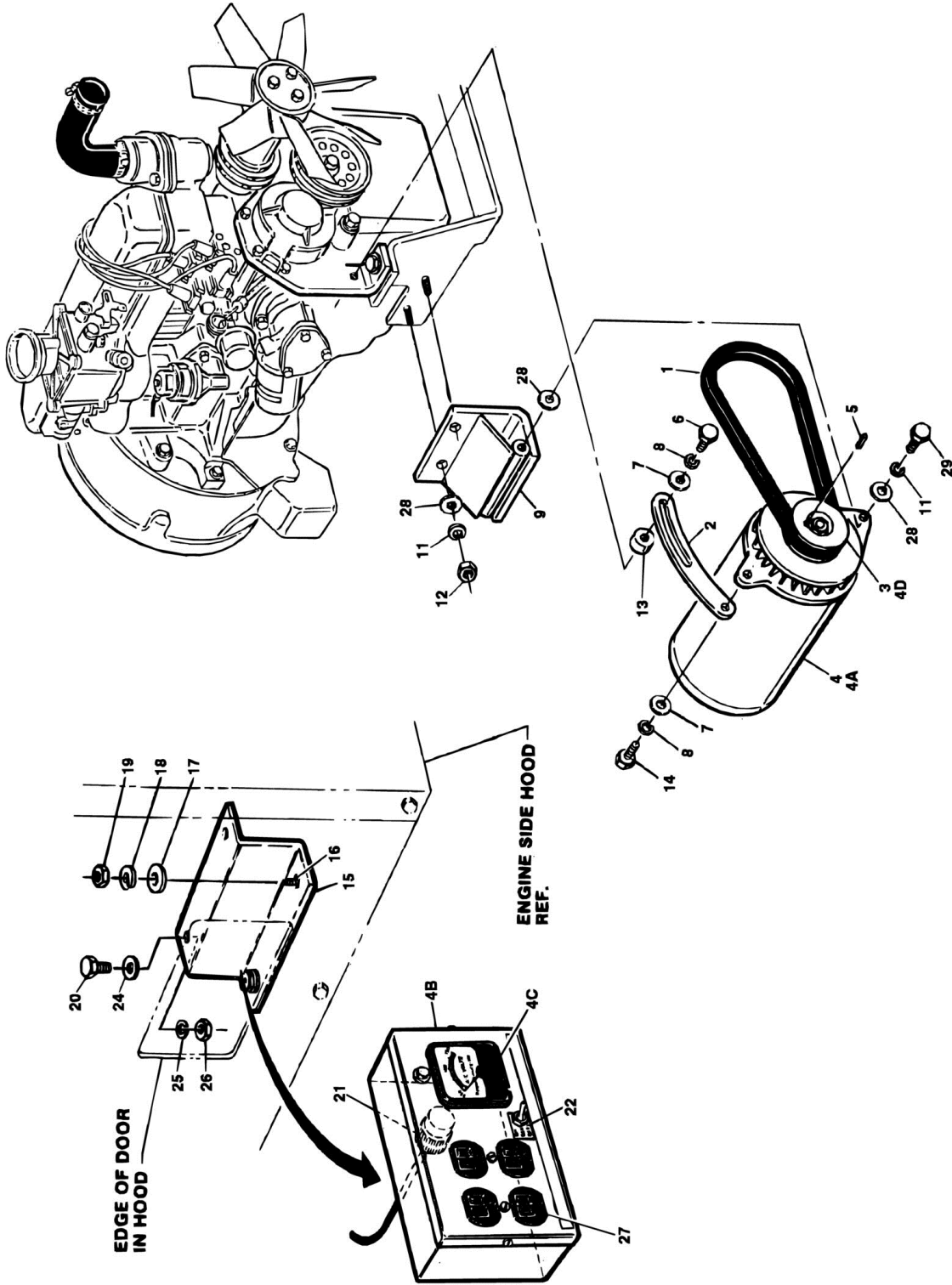
SECTION 2 - TURNTABLE

FIGURE 2-13. DUAL FUEL INSTALLATION - FORD

ITEM	PART NUMBER	QTY	DESCRIPTION	REV
	0250772	Ref	DUAL FUEL INSTALLATION	H
	0251417	Ref	LP GAS ONLY INSTALLATION	C
1	3720011	1	Regulator	
2	2220364	2	Fitting, Adapter	
3	2180535	2	Fitting, Barbed	
4	2220648	1	Fitting, 90	
5	2120077	1	Filterlock	
6	2220003	1	Fitting, Swivel	
7	2220675	1	Fitting, 90, Barbed	
8	2720112	0.6 m	Hose	
9	2720042	0.8 m	Hose	
10	2720170	1	Hose	
11	1320032	4	Clamp	
12	2180104	1	Fitting, Nipple	
13	2180360	1	Fitting, Tee	
14	4360188	1	Switch, Vacuum	
15	2180536	1	Fitting, Barbed	
16	2180623	1	Fitting, Tee	
17	0641405	2	Bolt 1/4in-20NC x 5/8in	
18	4761400	2	Lockwasher 1/4in	
19	2180387	1	Fitting, Tank	
20	0100020	AR	Loctite (Not Shown)	
23	3840979	1	Rod, Adapter	
24	3960388	1	Gasket (Prior to March 1992)	
25	0080167	1	Adapter	
26	2220290	1	Fitting, Tee	
27	2180389	1	Fitting, Pressure Relief	
28	1320022	4	Clamp	
29		Ref	Fitting, Barbed Options:	
29	2180348	2	Fitting, Barbed (Prior to January 1991)	
29	2180249	2	Fitting, Barbed (January 1991 to March 1994)	
29	2220315	2	Fitting, Barbed (March 1994 to Present)	
30	4640391	1	Valve, Gas Lock	
31		Ref	Clamp, Mounting Options:	
31	1320060	1	Clamp, Mounting (Prior to March 1994)	
31	1320095	1	Clamp, Mounting (March 1994 to Present)	
33	2901184	1	Cover, Blanking Kit (LP Gas Only) (Not Shown)	
34	1320017	2	Clamp (September 1991 to Present)	
38	2720058	1.83 m	Hose	
39		Ref	Hose (Supplied With Engine)	

SECTION 2 - TURNTABLE

FIGURE 2-14. GENERATOR INSTALLATION - 110V (FORD)



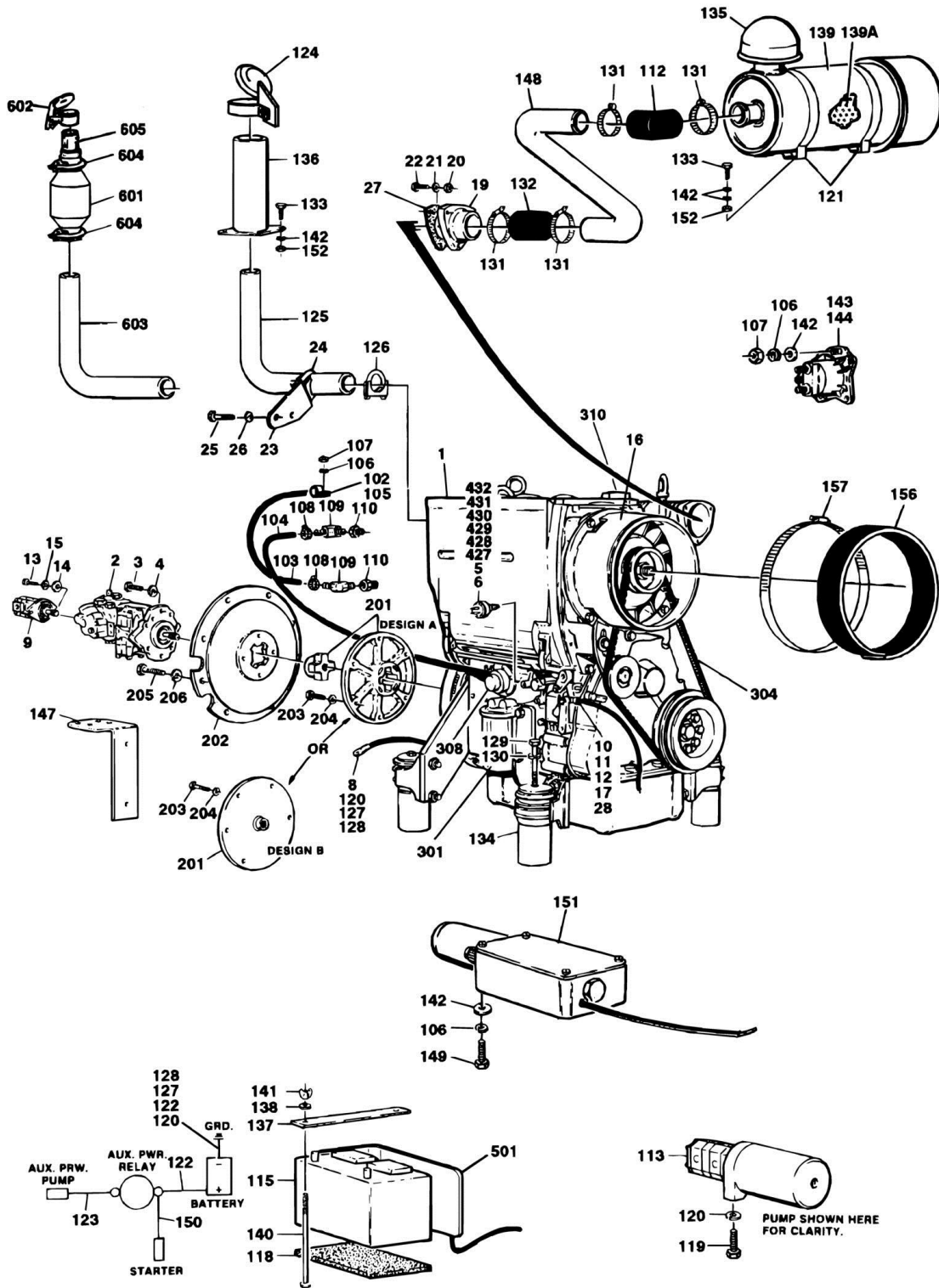
SECTION 2 - TURNTABLE

FIGURE 2-14. GENERATOR INSTALLATION - 110V (FORD)

ITEM	PART NUMBER	QTY	DESCRIPTION	REV
	0250668	Ref	GENERATOR INSTALLATION	G
1	0480057	1	V-Belt	
2	4340569	1	Support	
3	3580134	1	Pulley (Attaching Hardware Supplied with Generator) (Prior to June 1995)	
4	2460011	1	Generator and Control Box Assembly	
4A	7012558	1	Generator	
4A	7026199	1	Armature with Slip Rings	
4A	7012513	4	Cap, Brush Holder	
4A	7020108	4	Brush	
4A	7020109	4	Holder, Brush	
4A	7012514	1	Fan	
4A	7020110	1	Bell, Front	
4A	7020111	1	Bell Rear	
4A	7020190	2	Bearing	
4B	7003657	1	Box, Control	
		Ref	Note: Replacement 110V Control Box comes with 2 std Receptacles p/n 4460190. Optional Industrial Twist Lock Receptacles p/n 4460027 must be ordered separately.	
4B	4360542	1	Breaker, Circuit (was p/n 7020194)	
4B	2920162	1	Lamp	
4B	7020191	1	Switch, Toggle	
4B	3520028	1	Plug, Hole	
4C	2420203	1	Voltmeter (was p/n 7010699)	
4D	3580134	1	Pulley	
5	7027887	1	Key, Woodruff	
6	0641511	1	Bolt 5/16in-18NC x 1 3/8in	
7	4751500	2	Flatwasher 5/16in	
8	4761500	2	Lockwasher 5/16in	
9		Ref	Bracket, Mounting Options:	
9	0901774	1	Bracket, Mounting (Prior to May 1991)	
9	0901650	1	Bracket, Mounting (May 1991 to Present)	
11	4761600	4	Lockwasher 3/8in	
12	3311601	2	Nut 3/8in-16NC	
13	0961247	1	Bushing	
14	0641507	1	Bolt 5/16in-18NC x 7/8in	
15	0901633	1	Bracket, Mounting - Box	
16	4300068	2	Stud (Welded on Part)	
17	4751400	4	Flatwasher 1/4in	
18	4761400	4	Lockwasher 1/4in	
19	3311401	4	Nut 1/4in-20NC	
20	0721006	2	Screw, Machine #10-24NC x 3/4in	
21	4460023	1	Connector	
22	3251476	1	Decal - Generator	
24	4751000	2	Flatwasher #10	
25	4761000	2	Lockwasher #10	
26	3311001	2	Nut #10-24NC	
27	4460027	1	Connector	
28	4751600	3	Flatwasher 3/8in (July 1991 to Present)	
29	0681610	2	Bolt 3/8in-16NC x 1 1/4in (Grade 8) (June 1992 to Present)	

SECTION 2 - TURNTABLE

FIGURE 2-15. DEUTZ F2L-1011 DIESEL ENGINE INSTALLATION



SECTION 2 - TURNTABLE

FIGURE 2-15. DEUTZ F2L-1011 DIESEL ENGINE INSTALLATION

ITEM	PART NUMBER	QTY	DESCRIPTION	REV
	0250574	Ref	DEUTZ F2L-1011 DIESEL ENGINE ASSEMBLY	11
1		Ref	Engine, Deutz F2L-1011 Options:	
1	2000106	1	Engine, Deutz F2L-1011 (Prior to August 1995)	
1	2000137	1	Engine, Deutz F2L-1011 (August 1995 to Present)	
2		Ref	Pump Assembly Options: (See PUMP ASSEMBLY - SUNSTRAND (GAS AND DIESEL MACHINES) for Breakdown)	
2	3600164	1	Pump Assembly (Prior to SN 27991)	
2	3600260	1	Pump Assembly (SN 27991 to Present)	
3	0641812	2	Bolt 1/2in =13NC x 1 1/2in	
4	4761800	2	Lockwasher 1/2in	
5	2180730	1	Fitting	
6	2420110	1	Sender, Oil Pressure	
8	1060045	1	Cable, Battery	
9		Ref	Pump Assembly - John Barnes Options:	
9	3600172	1	Prior to August 1992 (See PUMP ASSEMBLY - SINGLE SECTION (GAS AND DIESEL MACHINES) for Breakdown)	
9	3600199	1	August 1992 to Present (See PUMP ASSEMBLY - SINGLE SECTION (GAS AND DIESEL MACHINES) for Breakdown)	
10		Ref	Adapter, Throttle Options:	
10	0080172	1	Adapter, Throttle (Prior to August 1995)	
10	4460302	1	Adapter, Throttle (August 1995 to Present)	
11		Ref	Pin, Cotter Options:	
11	3450202	1	Pin, Cotter (Prior to January 1993)	
11	3450203	1	Pin, Cotter (January 1993 to Present)	
12		Ref	Bracket, Throttle Options:	
12	3951003	1	Bracket, Throttle (Prior to August 1995)	
12	0902244	1	Bracket, Throttle (August 1995 to Present)	
13	0641610	2	Bolt 3/8in-16NC x 1 1/4in	
14	4740185	2	Washer, Hardened	
15	4761600	2	Lockwasher 3/8in	
16	4843549	1	Weldment, Air Intake Adapter	
17	0700605	2	Bolt, Metric 6mm x 10mm (August 1995 to Present)	
19	0080177	1	Weldment, Adapter	
20	3311501	3	Nut 5/16in-18NC	
21	4761500	3	Lockwasher 5/16in	
22	0641512	3	Bolt 5/16in-18NC x 1 1/2in	
23	0901705	1	Bracket, Muffler	
24	1320176	1	Clamp	
25	0701010	2	Bolt, Metric 10mm x 20mm	
26	4832000	2	Lockwasher, Metric 10mm	
27	3960407	1	Gasket	
28	4711400	1	Washer (January 1993 to Present)	
29	3790152	1	O-Ring (January 1993 to Present)	
	0250575	Ref	DEUTZ F2L-1011 DIESEL ENGINE INSTALLATION	10
102	1320041	2	Clamp	
103	2720271	10 ft	Hose, Fuel 3/16in	
104		Ref	Hose, Fuel Options:	
104	2720075	3.5 m	Hose, Fuel 1/4in (Prior to January 1993)	
104	2720058	3.7 m	Hose, Fuel 1/4in (January 1993 to Present)	
105	4300032	1	Stud	

SECTION 2 - TURNTABLE

ITEM	PART NUMBER	QTY	DESCRIPTION	REV
106	4761400	11	Lockwasher 1/4in	
107	3311401	9	Nut 1/4in-20NC	
108	1320022	3	Clamp	
109	2220805	1	Fitting, 90	
110	2220273	1	Bushing, Reducer	
111	4420001	AR	Dope, Ribbon (Not Shown)	
112	0080039	1	Adapter, Elbow	
113		Ref	Pump, Auxiliary Options:	
113	3600050	1	Pump, Auxiliary (Prior to September 1992)	
113	3600208	1	Pump, Auxiliary (September 1992 to Present)	
115		Ref	Battery Options:	
115	0400075	2	Wet - Battery	
115	7016180	2	Dry - Battery	
117	3960389	79 cm	Seal, Rubber Grip (Not Shown)	
118	3980007	1	Seat, Battery	
119		Ref	Bolt Options:	
119	0641613	2	Bolt 3/8in-16NC x 1 5/8in (Prior to January 1993)	
119	0641612	2	Bolt 3/8in-16NC x 1 1/2in (January 1993 to Present)	
120	4761600	8	Lockwasher 3/8in	
121	0340002	2	Band, Air Cleaner	
122	1060172	2	Cable, Battery	
123	1060030	1	Cable, Battery	
124	1120405	1	Cap, Rain (May 1993 to Present)	
125	4564557	1	Tube, Exhaust	
126	1320019	1	Clamp	
127	4300034	2	Stud	
128	3311601	4	Nut 3/8in-16NC	
129	0641856	4	Bolt 1/2in-13NC x 7in	
130	4761800	4	Lockwasher 1/2in	
131	1320016	4	Clamp	
132	2720351	3 in	Hose	
133	0641406	12	Bolt 1/4in-20NC x 3/4in	
134	0080178	4	Adapter, Engine Mount	
135	1120161	1	Cap, Air Intake	
136	4843372	1	Weldment, Extension	
137	0361810	1	Battery Hold-Down	
138	4751600	6	Flatwasher 3/8in	
139	1340020	1	Air Cleaner	
139A	7004214	1	Element	
140	0236768	2	Rod, Tie Down	
141	3300029	2	Wingnut 3/8in	
142	4751400	20	Flatwasher 1/4in	
143	4300031	2	Stud	
144	3740067	2	Relay	
145	1320059	2	Clamp	
147	0901664	1	Bracket, Hydraulic Filter	
148	4564575	1	Tube, Air Intake	
149	0641412	2	Bolt 1/4in-20NC x 1 1/4in	
150	1060093	1	Cable, Battery	
151	0060023	1	Actuator, Throttle	
152	3311405	8	Locknut 1/4in-20NC (January 1993 to Present)	

SECTION 2 - TURNTABLE

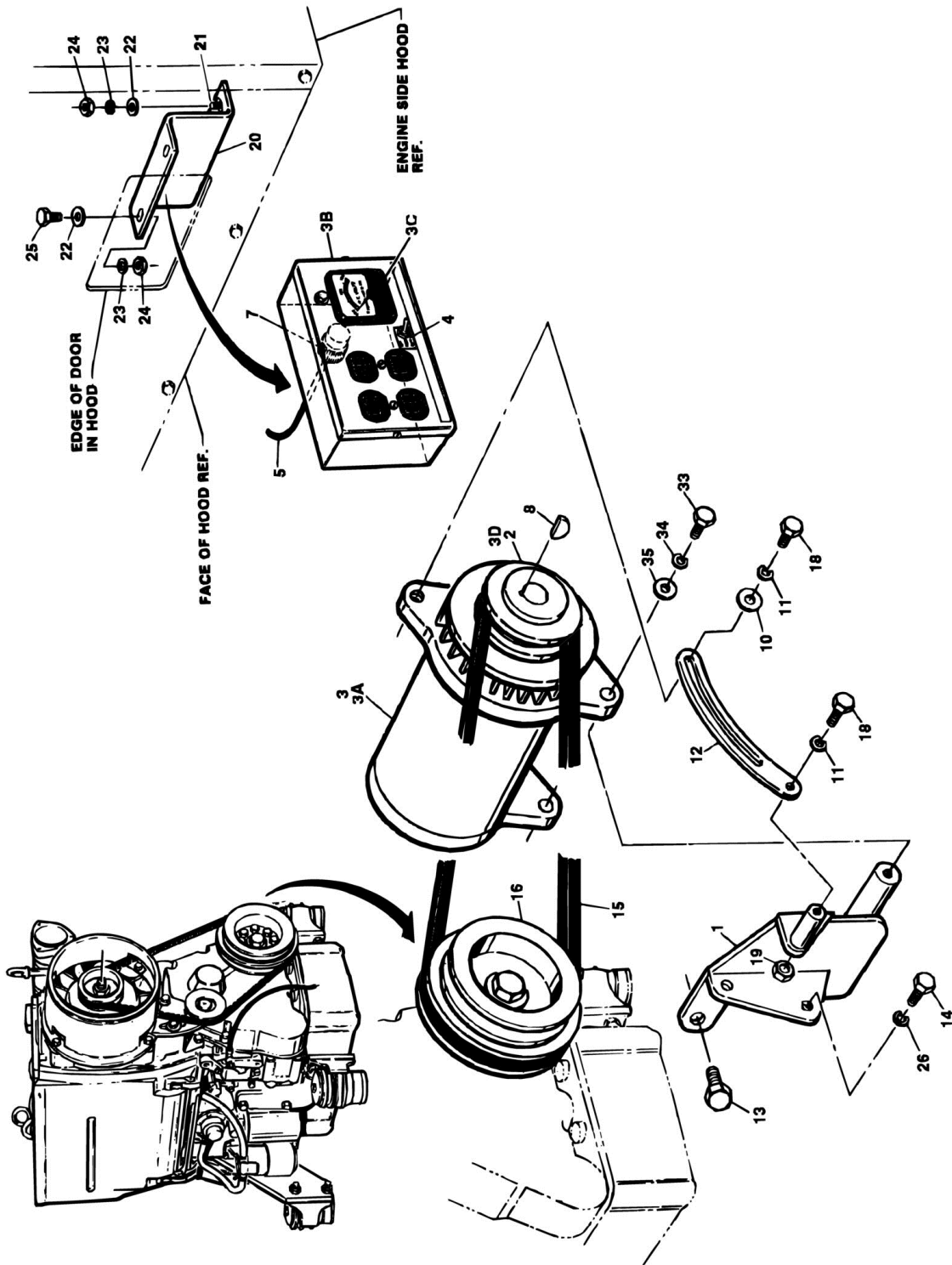
ITEM	PART NUMBER	QTY	DESCRIPTION	REV
153	4300038	2	Stud (Not Shown)	
154	3311505	2	Nut 5/16in-18NC	
155	4751500	2	Flatwasher 5/16in	
156	4280002	0.9 m	Strip, Rubber	
157	1320059	1	Clamp	
		Ref	COUPLING INSTALLATIONS	
157	0250125	Ref	Lovejoy (Design A) (Prior to SN 27991)	-
157	0250597	Ref	Hayes (Design B) (Prior to SN 27991)	-
157	0256848	Ref	Hayes (Design B) (SN 27991 to Present)	-
201		Ref	Coupling Options:	
201	1660176	1	Lovejoy (Design A) (Prior to SN 27991)	
201	1660184	1	Hayes (Design B) (Prior to SN 27991)	
201	1660234	1	Hayes (Design B) (SN 27991 to Present)	
202	0080163	1	Plate, Adapter	
203		Ref	Bolt Options:	
203	0700814	6	Bolt, Metric 8mm x 30mm (Design A) (Prior to SN 27991)	
203	0700810	6	Bolt, Metric 8mm x 20mm (Design B)	
204	4761900	6	Lockwasher, Metric 8mm	
205	0701013	8	Bolt, Metric 10mm x 28mm	
206	4832000	8	Lockwasher, Metric 10mm	
207	3020021	AR	Grease, Coupling (Hayes Only) (Not Shown)	
		Ref	ENGINE COMPONENTS	
301	7016331	1	Filter, Oil - Spin-on	
302	7016328	1	Filter, Fuel	
303	7012598	1	Filter, Fuel - Spin-On	
304	7020414	1	V-Belt	
305	7020416	1	Starter (Not Shown)	
306	7020417	1	Alternator (Not Shown)	
307	7000699	1	Seal, Exhaust (Not Shown)	
308	7012599	1	Pump, Fuel	
309	7020434	1	Dipstick (Not Shown)	
310	7020465	1	Oil Filler Cap	
311		Ref	Gasket, Cylinder Head Options: (Engine p/n 2000137 Only) (Not Shown)	
311	70003160	1	1 Notch	
311	70003161	1	2 Notches	
311	70003162	1	3 Notches	
	0250229	Ref	GENERATOR INSTALLATION (OPTIONAL)	L
427	2180730	1	Fitting, Adapter (Prior to September 1993)	
428	2180749	1	Fitting, 45	
429		Ref	Fitting Options:	
429	2180537	1	Fitting (Prior to November 1995)	
429	2180730	1	Fitting (November 1995 to Present)	
430	2180360	1	Fitting, Tee (Prior to November 1995)	
431	2200261	1	Fitting (Prior to November 1995)	
432	4360037	1	Switch, Pressure	
		Ref	COLD WEATHER INSTALLATIONS (OPTIONAL)	
	0250659	Ref	Cold Weather Installations (Optional) (Prior to November 1994)	B
	0255477	Ref	Cold Weather Installations (Optional) (November 1994 to Present)	-
501	2580001	1	Heater, Battery	

SECTION 2 - TURNTABLE

ITEM	PART NUMBER	QTY	DESCRIPTION	REV
	2901111	1	Start Kit - Cold Weather	
	0253777	Ref	EXHAUST PURIFIER INSTALLATION (OPTIONAL)	A
601	3220086	1	Muffler, Purifier	
602	1120169	1	Cap, Rain	
603	4566054	1	Tube, Exhaust	
604	1320019	2	Clamp	
605	0960960	1	Tube	

SECTION 2 - TURNTABLE

FIGURE 2-16. GENERATOR INSTALLATION - 110V (DEUTZ)



SECTION 2 - TURNTABLE

FIGURE 2-16. GENERATOR INSTALLATION - 110V (DEUTZ)

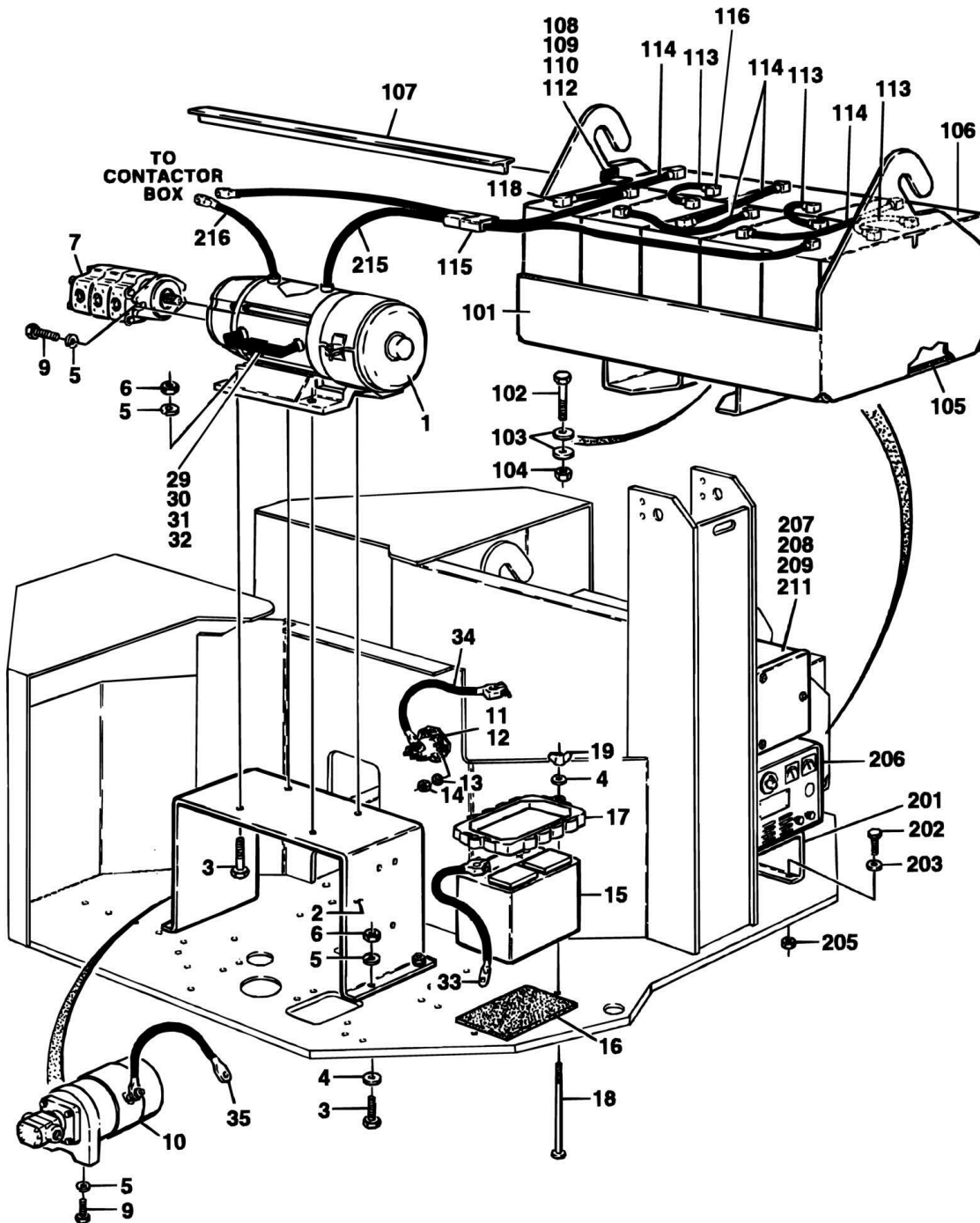
ITEM	PART NUMBER	QTY	DESCRIPTION	REV
	0250229	Ref	GENERATOR	L
1	4843410	1	Weldment, Generator Mount	
2		Ref	Pulley Options:	
2	3580111	1	Pulley (Prior to August 1991)	
2	3580134	1	Pulley (August 1991 to June 1995)	
3	2460011	1	Generator and Control Box Assembly	
3A	7012558	1	Generator	
3A	7026199	1	Armature with Slip Rings	
3A	7012513	4	Cap, Brush Holder	
3A	7020108	4	Brush	
3A	7020109	4	Holder, Brush	
3A	7012514	1	Fan	
3A	7020110	1	Bell, Front	
3A	7020111	1	Bell Rear	
3A	7020190	2	Bearing	
3B	7003657	1	Box, Control	
		Ref	Note: Replacement 110V Control Box comes with 2 std Receptacles p/n 4460190. Optional Industrial Twist Lock Receptacles p/n 4460027 must be ordered separately.	
3B	4360542	1	Breaker, Circuit (was p/n 7020194)	
3B	2920162	1	Lamp	
3B	7020191	1	Switch, Toggle	
3B	3520028	1	Plug, Hole	
3C	2420203	1	Voltmeter (was p/n 7010699)	
3D	3580134	1	Pulley	
4	3251476	1	Decal - Generator	
5	1060012	AR	Cable 12/4 (Prior to August 1994)	
6	4460134	1	Connector (Prior to February 1991)	
7	4460023	1	Connector Terminal	
8	7027887	1	Key, Woodruff	
9	0100011	AR	Loctite #242 (Not Shown)	
10	4751500	1	Flatwasher 5/16in	
11	4761500	2	Lockwasher 5/16in	
12	0361815	1	Arm, Adjustable	
13	0701414	1	Bolt, Metric 14mm x 30mm	
14	0701012	2	Bolt, Metric 10mm x 25mm	
15	0480059	1	Belt	
16	3580158	1	Pulley	
18		Ref	Bolt Options:	
18	0641508	3	Bolt 5/16in-18NC x 1in (Prior to May 1991)	
18	0681510	2	Bolt 5/16in-18NC x 1 1/4in (Grade 8) (May 1991 to Present)	
19	3311501	1	Nut 5/16in-18NC	
20	0901633	1	Bracket, Box Mount	
21	4300068	2	Stud (Welded on Part)	
22	4751400	4	Flatwasher 1/4in	
23	4761400	4	Lockwasher 1/4in	
24	3311401	4	Nut 1/4in	
25	0641406	2	Bolt 1/4in-20NC x 3/4in	
26	4812000	2	Flatwasher, Metric 10mm	
33	0681610	2	Bolt 3/8in-16NC x 1 1/4in (Grade 8) (June 1992 to Present)	

SECTION 2 - TURNTABLE

ITEM	PART NUMBER	QTY	DESCRIPTION	REV
34	4761600	2	Lockwasher 3/8in (June 1992 to Present)	
35	4751600	2	Flatwasher 3/8in (June 1992 to Present)	

SECTION 2 - TURNTABLE

FIGURE 2-17. ELECTRIC MOTOR, BATTERIES AND CHARGER INSTALLATIONS



SECTION 2 - TURNTABLE

FIGURE 2-17. ELECTRIC MOTOR, BATTERIES AND CHARGER INSTALLATIONS

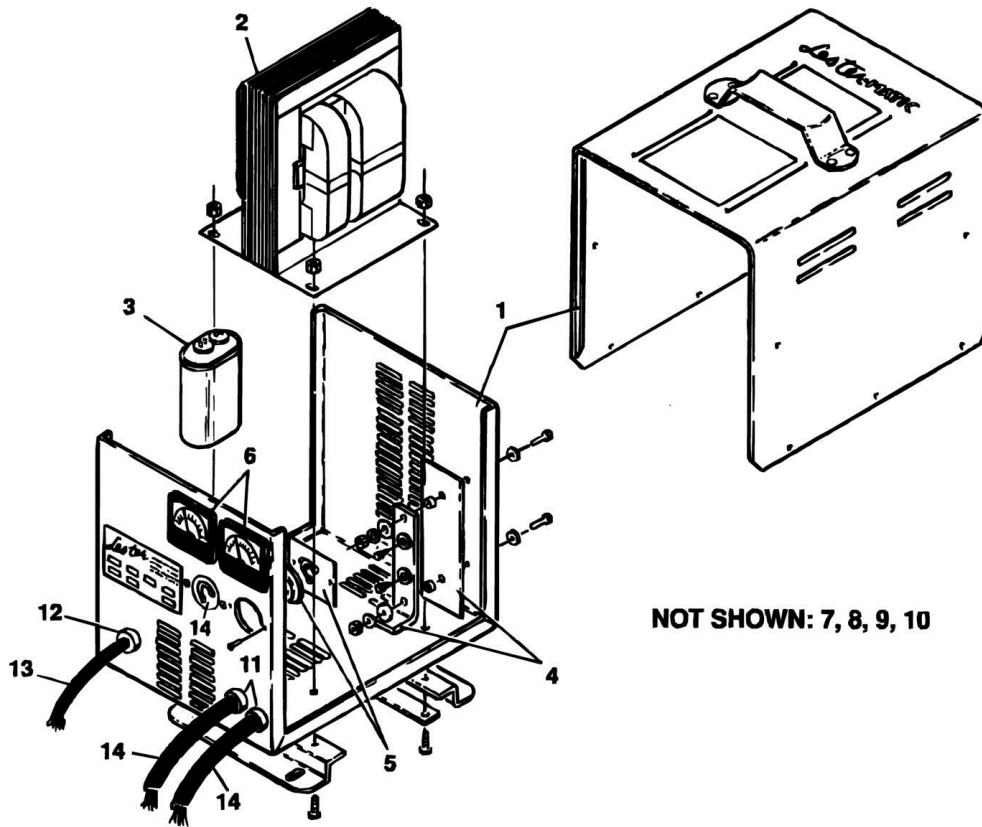
ITEM	PART NUMBER	QTY	DESCRIPTION	REV
	0251014	Ref	ELECTRIC MOTOR INSTALLATION	C
1	3160153	1	Motor, Electric	
2	4843667	1	Weldment, Bracket	
3	0641614	11	Bolt 3/8in-16NC x 1 3/4in	
4	4751600	9	Flatwasher 3/8in	
5	4761600	15	Lockwasher 3/8in	
6	3311601	11	Nut 3/8in-16NC	
7	3600177	1	Pump Assembly - 3 Section (See PUMP ASSEMBLY - 3 SECTION (ELECTRIC MACHINES) for Breakdown)	
9	0641610	4	Bolt 3/8in-16NC x 1 1/4in	
10		Ref	Auxiliary Pump Assembly Options:	
10	3600050	1	Auxiliary Pump Assembly (Prior to September 1992)	
10	3600208	1	Auxiliary Pump Assembly (September 1992 to Present)	
11	3740067	1	Relay	
12	4300032	2	Stud	
13	4761400	2	Lockwasher 1/4in	
14	3311401	2	Nut 1/4in-20NC	
15		Ref	Battery Options:	
15	0400003	1	Wet - Battery	
15	7016175	1	Dry - Battery	
16	3980003	1	Seat, Battery	
17	0400002	1	Battery, Hold-Down	
17	2910479	1	Hold-Down Repair Kit	
18	0236768	2	Rod, Hold-down	
19	3300029	2	Wingnut 3/8in-16NC	
20	0100009	AR	Silicone (Not Shown)	
29	0641504	1	Bolt 5/16in-18NC x 1/2in	
30	4761500	1	Lockwasher 5/16in	
31	3311501	1	Nut 5/16in-18NC	
32	2820030	AR	Tube, Heat Shrink	
33	1060046	1	Cable, Battery (Negative Terminal to Ground)	
34	1060154	1	Cable, Battery (Positive Terminal to Relay)	
35	1060149	1	Cable, Battery (Relay to Aux Power)	
	0250989	Ref	BATTERIES INSTALLATION	C
101	4843574	1	Weldment, Tray	
102	0641613	2	Bolt 3/8in-16NC x 1 5/8in	
103	4751600	4	Flatwasher 3/8in	
104	3311605	2	Locknut 3/8in-16NC	
105	3980017	1	Seat, Battery	
106		Ref	Battery Options:	
106	0400055	8	Wet - Battery	
106	7016177	8	Dry - Battery	
107	0361879	1	Bar	
108	0181554	2	Angle, Retaining	
109	4300068	4	Stud (Welded on Part)	
110	4751400	4	Flatwasher 1/4in	
112	3311405	4	Locknut 1/4in-20NC	
113	1060338	3	Cable, Battery	
114	1060352	4	Cable, Battery	
115	1060355	1	Cable, Battery	

SECTION 2 - TURNTABLE

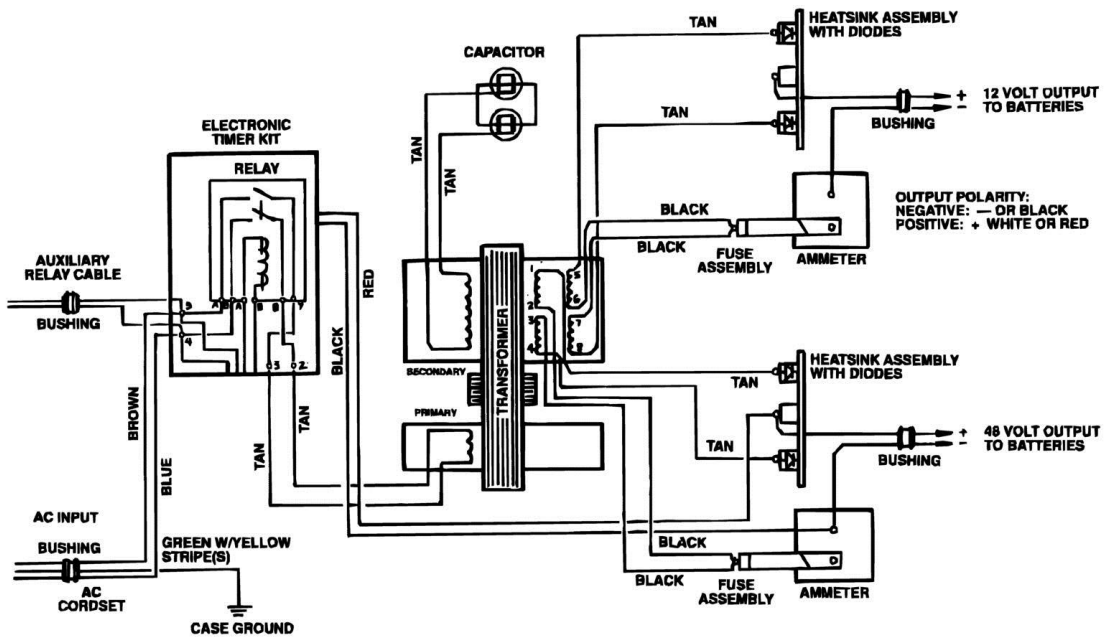
ITEM	PART NUMBER	QTY	DESCRIPTION	REV
116	0840031	8	Boot, Terminal (Negative Posts)	
117	4843575	1	Bar, Hoisting (Not Shown)	
118	0840032	8	Boot, Terminal (Positive Posts)	
		Ref	CONTACTOR BOX AND CHARGER INSTALLATIONS	
	0251476	Ref	Contactactor Box Without Charger	A
	0252429	Ref	Contactactor Box With Charger/240V AC 50HZ	A
201	0901677	1	Bracket, Mounting - Charger (With Charger Only)	
202	0641613	4	Bolt 3/8in-16NC x 1 5/8in (With Charger Only)	
203	4751600	8	Flatwasher 3/8in (With Charger Only)	
205	3311605	4	Locknut 3/8in-16NC (With Charger Only)	
206	0400096	1	Battery Charger Assembly (See BATTERY CHARGER ASSEMBLY for Breakdown) (With Charger Only)	
207		Ref	Contactactor Box Assembly (See CONTACTOR BOX ASSEMBLY for Breakdown)	
207	0860701	1	Contactactor Box Without Charger	
207	0860771	1	Contactactor Box With Charger/240V AC 50HZ	
208	4300068	5	Stud (Welded on Part)	
209	4751400	5	Flatwasher 1/4in	
211	3311405	5	Locknut 1/4in-20NC	
215	1060356	1	Cable, Battery (Contactactor Box to Plug)	
216	1060345	1	Cable, Battery (Motor to Contactactor Box)	
217		Ref	Harness, Battery Charger Options: (Not Shown)	
217	4921298	1	Contactactor Box Without Charger	
217	4921292	1	Contactactor Box With Charger/240V AC 50HZ	

SECTION 2 - TURNTABLE

FIGURE 2-18. BATTERY CHARGER ASSEMBLY



NOT SHOWN: 7, 8, 9, 10



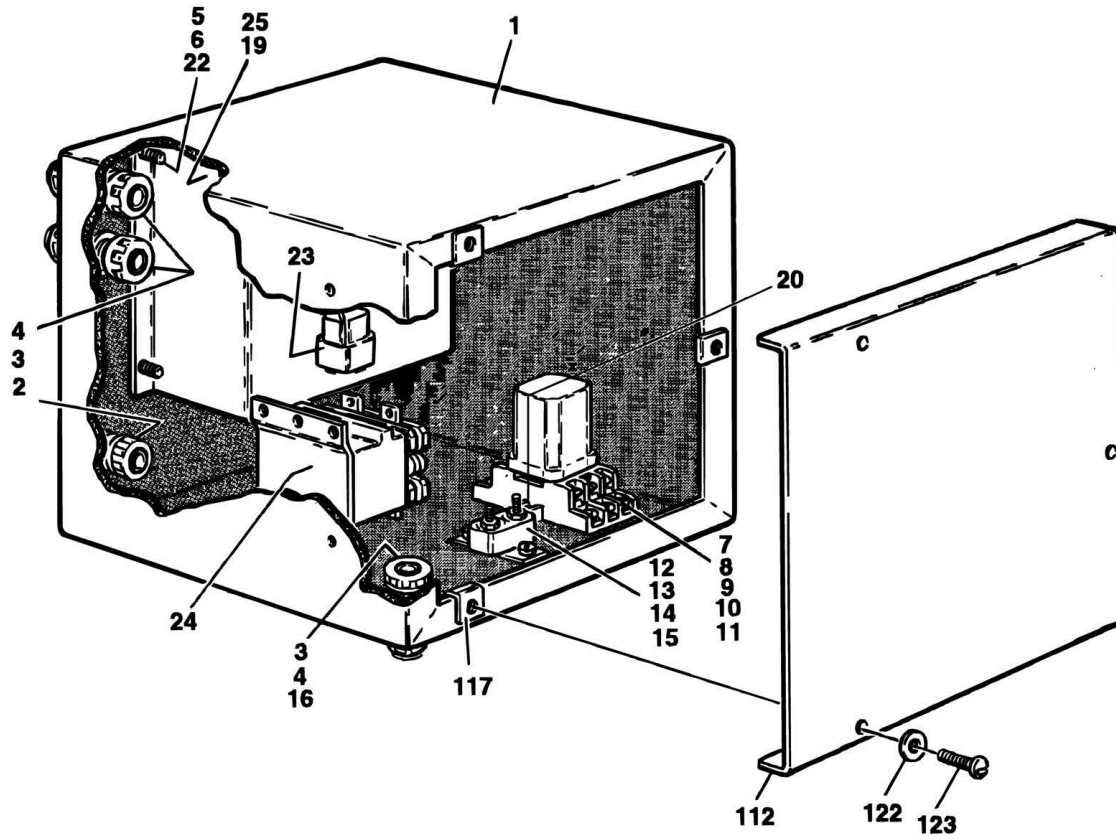
SECTION 2 - TURNTABLE

FIGURE 2-18. BATTERY CHARGER ASSEMBLY

ITEM	PART NUMBER	QTY	DESCRIPTION	REV
	0400096	Ref	BATTERY CHARGER ASSEMBLY	
1	Not Serviced	1	Case, Assembly	
2	Not Available	1	Transformer Assembly	
3	7005902	1	Capacitor - 6MFD/660 VAC	
4	7005971	2	Heatsink Assembly	
5	7005963	2	Fuse Assembly	
6	Not Available	2	Ammeter	
7	Not Available	1	Timer, Electronic	
8	Not Available	1	Relay	
9	7005962	1	Auxiliary Relay Cable Assembly 48VDC	
10	7005960	1	Bushing (Auxiliary Relay)	
11	7005935	2	Bushing (DC Cord)	
12	Not Available	1	Bushing (AC Cord)	
13	Not Available	1	Cord Set (AC)	
14	Not Available	1	Cord Set, (DC)	

SECTION 2 - TURNTABLE

FIGURE 2-19. CONTACTOR BOX ASSEMBLY



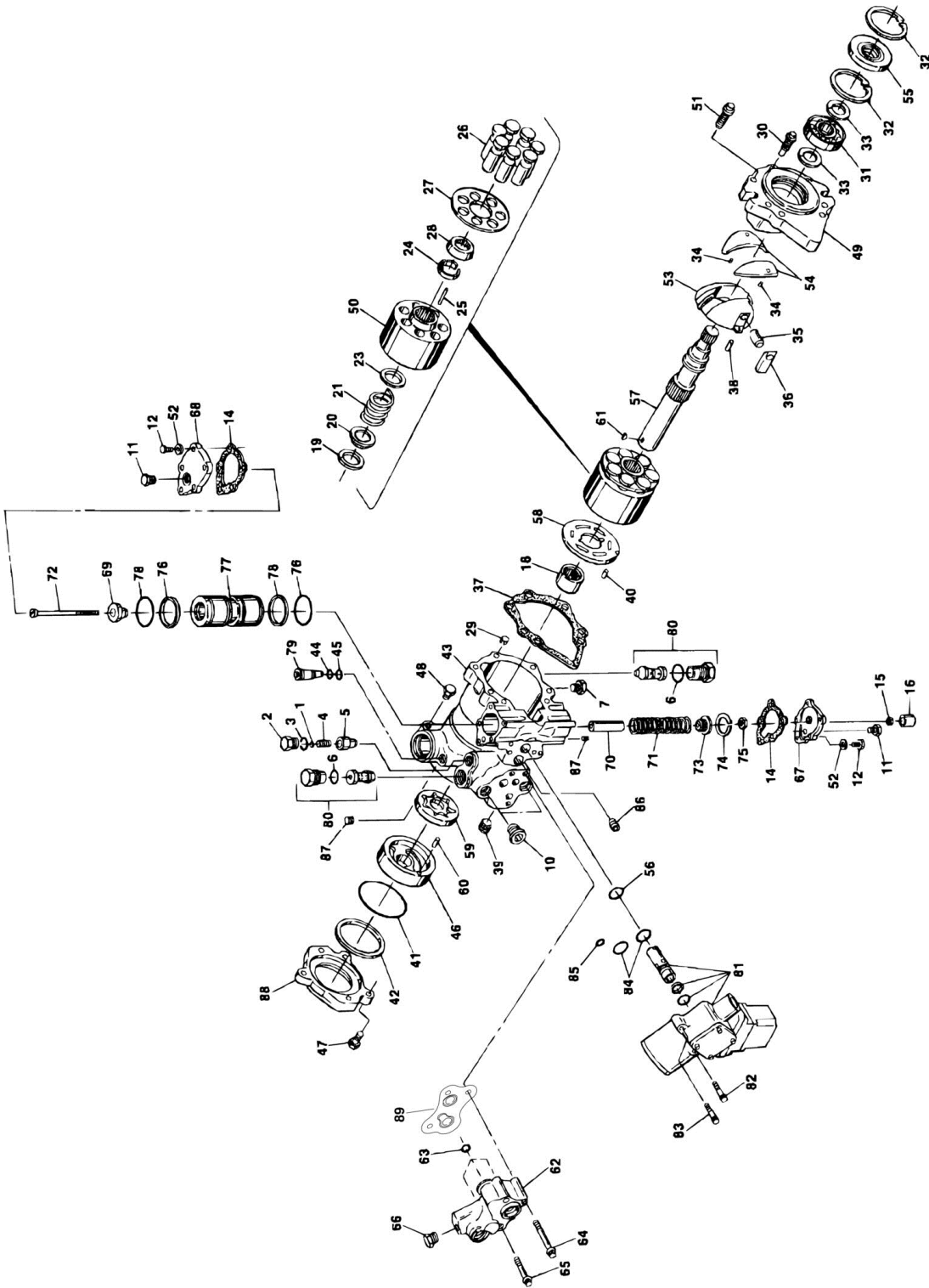
SECTION 2 - TURNTABLE

FIGURE 2-19. CONTACTOR BOX ASSEMBLY

ITEM	PART NUMBER	QTY	DESCRIPTION	REV
		Ref	CONTACTOR BOX ASSEMBLIES	
	0860701	Ref	Contactator Box Assembly	B
	0860771	Ref	Contactator Box Assembly 240VAC 50Hz	A
1	4843668	1	Box	
2	4460051	3	Connector	
3	3300048	4	Locknut, Conduit	
4	0960238	4	Bushing	
5		Ref	Bolt Options:	
5	0641506	7	Bolt 5/16in-18NC x 3/4in (Prior to January 1991)	
5	0641406	7	Bolt 1/4in-20NC x 3/4in (January 1991 to November 1991)	
5	0641408	7	Bolt 1/4in-20NC x 1in (November 1991 to Present)	
6		Ref	Lockwasher Options:	
6	4761500	7	Lockwasher 5/16in (Prior to January 1991)	
6	4761400	7	Lockwasher 1/4in (January 1991 to Present)	
7	4120002	1	Socket, Relay	
8		Ref	Relay Options:	
8	3740035	1	Relay	
8	3740046	1	Relay 240VAC 50Hz	
9	3910610	2	Screw, Machine #6-32NC x 5/8in	
10	4760600	2	Lockwasher #6	
11	3310601	2	Nut #6-32NC	
12	4360232	1	Breaker, Circuit 15Amp	
13	0721004	2	Screw, Machine #10-24NC x 1/2in	
14	4761000	2	Lockwasher #10	
15	3311001	2	Nut #10-24NC	
16		Ref	Connector Options:	
16	4460049	1	Connector (Prior to March 1991)	
16	4460071	1	Connector (March 1991 to Present)	
17	3300047	2	Locknut, Conduit (Prior to March 1991)	
18	0960239	2	Bushing (Prior to March 1991)	
19		Ref	Converter Options:	
19	1600122	1	Converter (Prior to November 1991)	
19	1600119	1	Converter (November 1991 to Present)	
20	4160025	1	Spring, Relay	
22	3311401	7	Nut 1/4in-20NC	
23	3740049	1	Relay	
24	3740064	1	Contactator, Relay	
25	3535808	1	Plate	
		Ref	CONTACTOR BOX AND CHARGER INSTALLATIONS	
	0251476	Ref	Contactator Box Without Charger	A
	0252429	Ref	Contactator Box With Charger/240V AC 50HZ	A
112	1670578	1	Cover, Front	
117	3300177	3	Nut, Tinnerman	
122	4750800	3	Flatwasher #8	
123	0750806	3	Screw, Pan Head #8	

SECTION 2 - TURNTABLE

FIGURE 2-20. PUMP ASSEMBLY - SUNSTRAND (GAS AND DIESEL MACHINES)



SECTION 2 - TURNTABLE

FIGURE 2-20. PUMP ASSEMBLY - SUNSTRAND (GAS AND DIESEL MACHINES)

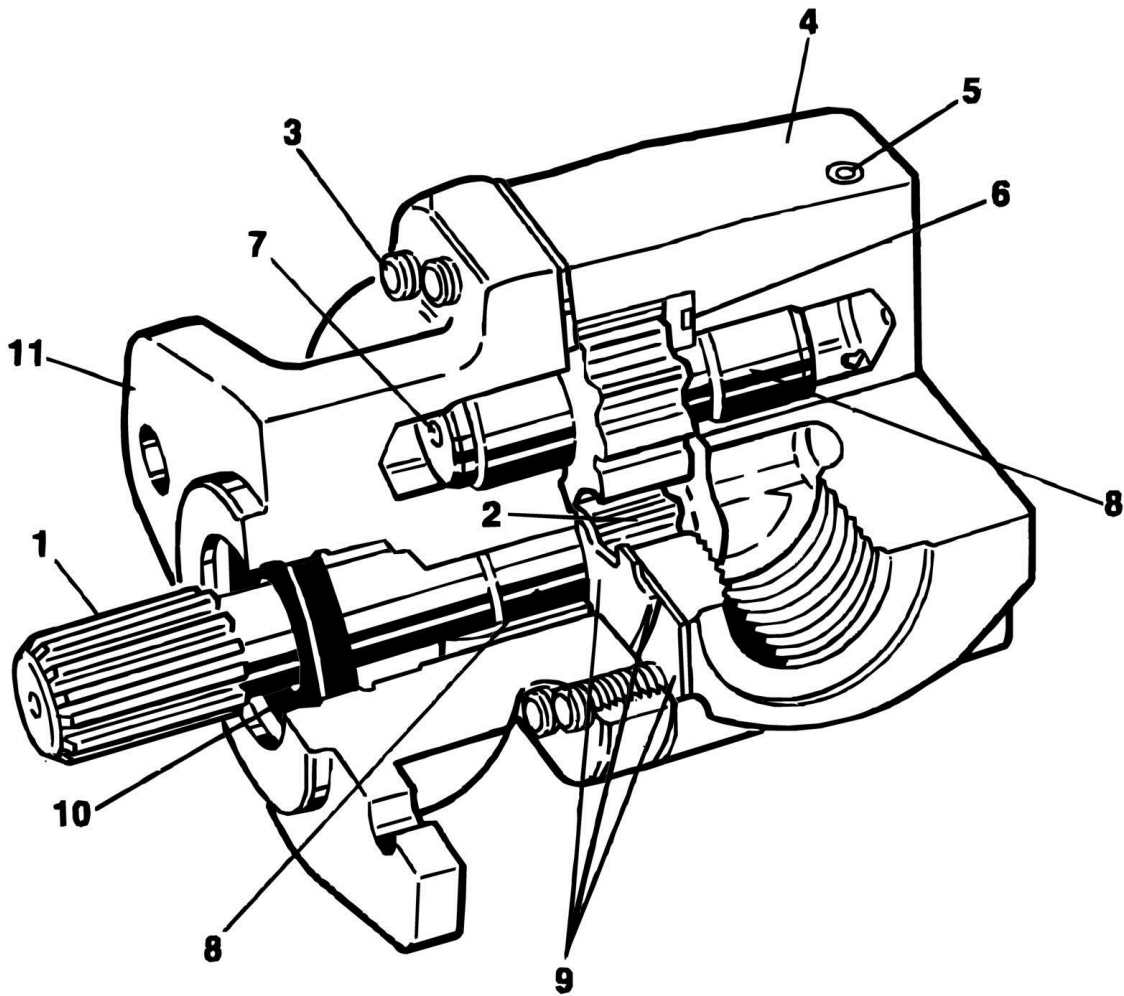
ITEM	PART NUMBER	QTY	DESCRIPTION	REV
		Ref	PISTON PUMP ASSEMBLY	
	3600164	Ref	13 Tooth Pump Spline (Prior to SN 27991)	A
	3600260	Ref	15 Tooth Pump Spline (SN 27991 to Present)	-
1	7007413	1	Shim Kit - Relief Valve	
2	7007414	1	Plug	
3	Kit	1	O-Ring	
4	7007416	1	Spring, Relief Valve	
5	7007417	1	Valve, Relief	
6	Kit	2	O-Ring	
7	7007419	2	Plug	
10	7007420	2	Plug	
11	7007208	2	Plug	
12	7007421	10	Screw	
14	Kit	2	Gasket, Servo Cover	
15	7007423	1	Nut, Special	
16	7007424	1	Cover, Adjustment	
18	7007425	1	Bearing, Needle	
19	Kit	1	Ring, Retaining	
20	Kit	1	Washer	
21	Kit	1	Spring	
23	Kit	1	Washer	
24	Kit	1	Retainer	
25	Kit	3	Pin, Slipper Hold-Down	
26	Kit	7	Piston Assembly	
27	Kit	1	Guide, Slipper	
28	Kit	1	Guide, Retainer	
29	7007435	1	Pin, Spring	
30	7007436	1	Screw - 12 Point Head	
31	7007437	1	Bearing, Ball	
32	7007438	2	Ring	
33	7007439	2	Ring	
34	7007440	2	Pin, Spring	
35	7007441	1	Handle, Pin	
36	7007442	1	Sleeve, Bearing	
37	Kit	1	Gasket, Front Cover	
38	7007444	1	Pin	
39	7007445	1	Plug, Expansion	
40	Kit	1	Pin	
41	Kit	1	O-Ring	
42	Kit	1	Ring, Load Temper	
43	7007449	1	Housing, Pump	
44	Kit	1	Ring, Back-up	
45	Kit	1	O-Ring	
46	Kit	1	Cover, Gerotor	
47	7007453	3	Bolt	
48	7007208	1	Plug	
49	7007454	1	Cover, Front	
50	Kit	1	Block, Cylinder	
51	7007456	6	Screw - 12 Point Head	
52	7001438	10	Washer	

SECTION 2 - TURNTABLE

ITEM	PART NUMBER	QTY	DESCRIPTION	REV
53	Kit	1	Swashplate	
54	7007458	1	Journal, Bearing	
55	Kit	1	Seal, Lip	
56	Kit	1	O-Ring	
57		Ref	Shaft, Main Pump Options:	
57	7007461	1	13 Tooth Spline (Prior to SN 27991)	
57	7010121	1	15 Tooth Spline (SN 27991 to Present)	
58	Kit	1	Plate, Valve	
59	Kit	1	Gerotor Assembly	
60	Kit	1	Pin	
61	Kit	1	Key, Woodruff	
62	7007466	1	Adaptor, Remote Filtration (Without By-Pass)	
63	Kit	3	O-Ring	
64	7007468	2	Screw	
65	7007469	2	Screw	
66	7007470	1	Plug	
67	7007471	1	Cover, Servo (With Adjuster)	
67	7007490	2	Stop, Servo (Not Shown)	
67	7007491	2	Nut, Special (Not Shown)	
67	7007492	2	Ring, External (Not Shown)	
68	7007482	1	Cover, Servo (Without Adjuster)	
69	7007483	1	Guide, Spring	
70	7007484	1	Stop, Servo	
71	7007485	1	Spring	
72	7007486	1	Screw	
73	7007487	1	Guide, Spring	
74	7007488	1	Ring, Retaining	
75	7007499	1	Locknut	
76	Kit	2	Ring, Piston	
77	7007494	1	Piston, Servo	
78	Kit	2	O-Ring	
79	7007472	1	Valve, By-Pass	
80	7010122	2	Valve, Pressure Release (Includes Item 6) (was p/n 7007473)	
81	7007474	1	Control, Dual Oil-Filled	
81	7007496	1	Coil Assembly (Pilot)	
81	7007497	1	Plug (Pump)	
81	7007498	1	Plug (Valve Harness)	
82	7007478	2	Screw	
83	7001498	2	Screw	
84	Kit	2	O-Ring	
85	Kit	1	O-Ring	
86	7007475	1	Plug, Orifice/Screen - .156	
87	7007477	2	Plug, Orifice/Screen - .37	
88	7007476	1	Adapter, Auxiliary Pump	
89	7010120	1	Spacer/Gasket	
	2900752	1	Seal Kit - Complete (Includes Items 3,6,14,37,41,42,44,45,55,56,63,76,78,84 & 85)	
	7007412	1	Seal Kit - Servo Piston (Includes Items 76 & 78)	
	2900826	1	Charge Pump Kit (Includes Items 41,42,46,59,60 & 61)	
	2900827	1	Cylinder Block Kit (Includes Items 19-28,40-50,53,55 & 58)	

SECTION 2 - TURNTABLE

FIGURE 2-21. PUMP ASSEMBLY - SINGLE SECTION (GAS AND DIESEL MACHINES) (PRIOR TO AUGUST 1992)



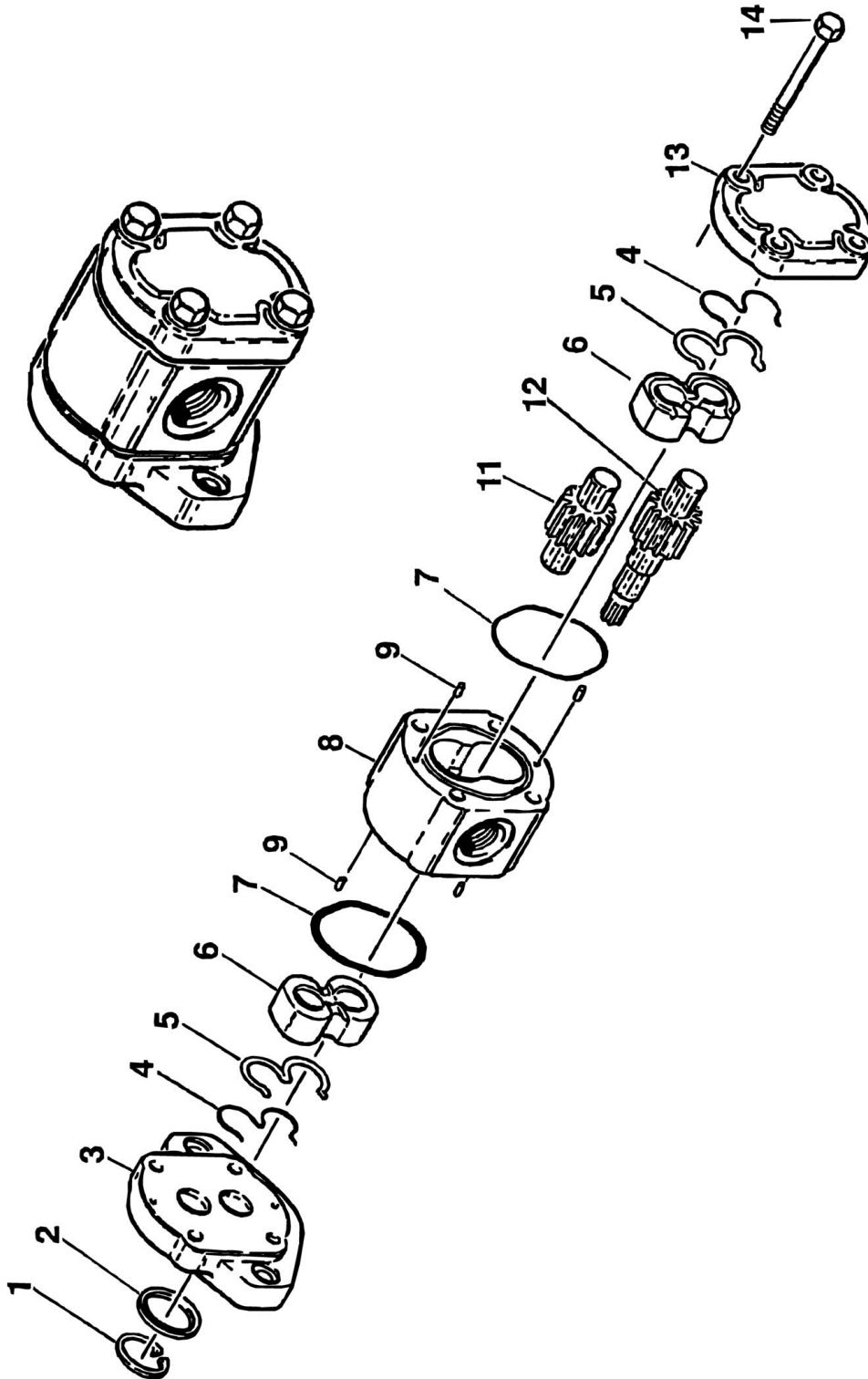
SECTION 2 - TURNTABLE

FIGURE 2-21. PUMP ASSEMBLY - SINGLE SECTION (GAS AND DIESEL MACHINES) (PRIOR TO AUGUST 1992)

ITEM	PART NUMBER	QTY	DESCRIPTION	REV
	3600172	Ref	HYDRAULIC PUMP ASSEMBLY	-
1	7010925	1	Shaft, Drive	
2	7010926	1	Gear (.750)	
2	7010927	1	Pin, Shear.093 x.750 Lg	
3	7010928	8	Screw	
4	7010929	1	Housing, Gear	
5	7010905	1	Plug	
6	7010914	1	Plate, Pressure	
6	Kit	1	Seal	
6	Kit	1	Back-Up	
7	7010930	1	Idler Shaft	
7	7010926	1	Gear (.750)	
7	7010918	1	Ball, Steel (.094)	
8	7010907	4	Bearing	
9	7010919	1	Plate, Wear	
9	Kit	1	Plate, Seal	
9	7010902	4	Ring, Crescent	
9	Kit	1	Seal	
10	Kit	1	Seal, Shaft	
11	7010909	1	Stator	
11	7010911	2	Pin, Shear .219 x .50 Lg	
	2900740	1	Seal, Kit	

SECTION 2 - TURNTABLE

FIGURE 2-22. PUMP ASSEMBLY - SINGLE SECTION (GAS AND DIESEL MACHINES) (AUGUST 1992 TO PRESENT)



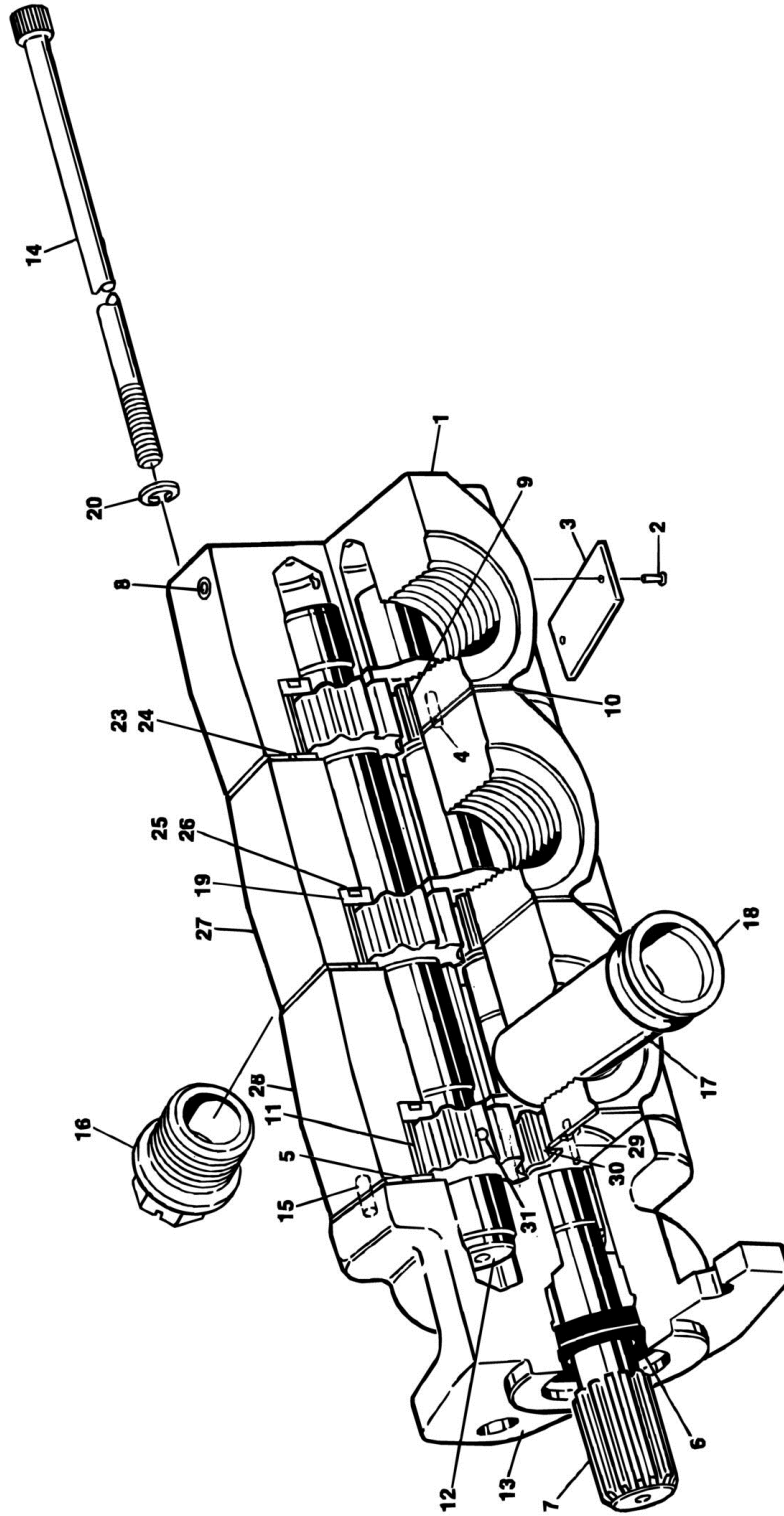
SECTION 2 - TURNTABLE

FIGURE 2-22. PUMP ASSEMBLY - SINGLE SECTION (GAS AND DIESEL MACHINES) (AUGUST 1992 TO PRESENT)

ITEM	PART NUMBER	QTY	DESCRIPTION	REV
	3600199	Ref	HYDRAULIC PUMP ASSEMBLY	-
1	7010955	1	Ring, Retaining	
2	Kit	1	Seal, Shaft	
3	7010956	1	Flange, Mounting	
4	Kit	2	Ring, Back-up	
5	Kit	2	E-Seal	
6	7010957	2	Bearing	
7	Kit	2	O-Ring	
8	7010958	1	Housing	
9	7010959	4	Pin, Dowel	
11	7010954	1	Gear, Idler	
12	7010978	1	Gear, Drive	
13	7010960	1	Cover, End	
14	7010961	4	Bolt	
	7010953	1	Seal, Kit (Includes Items 2,4,5 & 7)	

SECTION 2 - TURNTABLE

FIGURE 2-23. PUMP ASSEMBLY - 3 SECTION (ELECTRIC MACHINES)



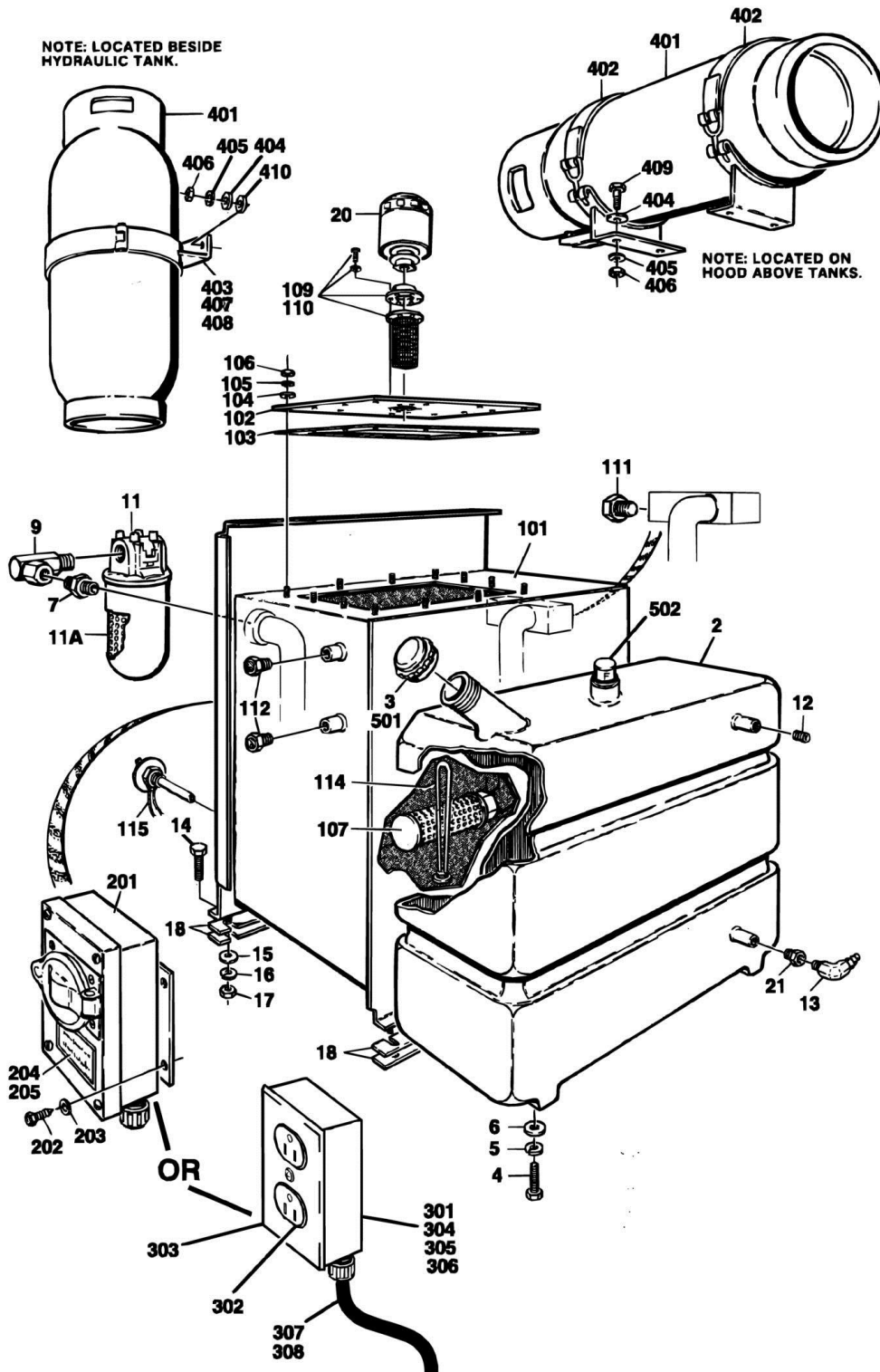
SECTION 2 - TURNTABLE

FIGURE 2-23. PUMP ASSEMBLY - 3 SECTION (ELECTRIC MACHINES)

ITEM	PART NUMBER	QTY	DESCRIPTION	REV
	3600177	Ref	HYDRAULIC PUMP ASSEMBLY	-
1	Not Serviced	1	Housing, Gear - End	
2	Not Serviced	2	Rivet, Tag	
3	Not Serviced	1	Nameplate	
4	7010935	1	Pin, Shear	
5	7010902	4	Ring, Crescent	
6	Kit	1	Seal, Oil	
7	7010939	1	Shaft, Drive	
8	7010905	1	Plug, Lee	
9	7010934	2	Gear	
10	Kit	3	Seal, Plate	
11	7010907	8	Bearing	
12	Not Serviced	1	Shaft, Idler	
13	Not Serviced	1	Stator	
14	7010922	8	Bolt, Socket Head	
15	7010911	6	Pin, Shear	
16	Not Serviced	3	Plug, Shipping	
17	7010902	2	Tube	
18	Not Serviced	2	Plug, Shipping	
19	7010938	3	Plate, Pressure	
20	7010933	8	Lockwasher 1/4in	
23	7010937	3	Plate, Wear	
24	Kit	3	Seal, Wear Plate	
25	Kit	3	Ring, Pressure Plate Back-Up Seal	
26	Kit	3	Seal, Pressure Plate	
27	Not Serviced	1	Housing, Gear - Center	
28	Not Serviced	1	Housing, Gear - Center	
29	7010936	2	Rollpin	
30	7010926	4	Gear	
31	7010918	1	Ball	
	2900740		Seal Kit (Includes Items 6,10,24,25 & 26)	

SECTION 2 - TURNTABLE

FIGURE 2-24. TANK INSTALLATION



SECTION 2 - TURNTABLE

FIGURE 2-24. TANK INSTALLATION

ITEM	PART NUMBER	QTY	DESCRIPTION	REV
		Ref	TANK INSTALLATIONS	
	0250327	Ref	Fuel and Hydraulic Tanks Installation (Standard/Gas and Diesel Machines) (Prior to SN 30537)	E
	0257432	Ref	Fuel and Hydraulic Tanks Installation (Standard/Gas and Diesel Machines) (SN 30537 to Present)	1
	0250660	Ref	Fuel and Hydraulic Tanks Installation (With Heaters/Gas and Diesel Machines)	C
	0251014	Ref	Hydraulic Tanks Installation (Electric Machines - Not Shown)	C
	0251420	Ref	Hydraulic Tanks Installation (LP Only Machines - Not Shown)	A
2		Ref	Tank, Fuel Options:	
2	4400273	1	Tank, Fuel (Prior to SN 30537)	
2	4400402	1	Tank, Fuel (SN 30537 to Present)	
3	1120362	1	Cap, Fuel	
4	0641611	4	Bolt 3/8in-16NC x 1 3/8in	
5	4761600	4	Lockwasher 3/8in	
6	4751600	4	Flatwasher 3/8in	
7		Ref	Fitting, Nipple Options:	
7	2220341	1	Fitting, Nipple (Gas, Diesel and LP Only)	
7	2180644	1	Fitting, Nipple (Electric - Not Shown)	
8	0100020	AR	Sealant	
9		Ref	Fitting	
9	2220077	1	Fitting (Gas, Diesel and LP Only)	
9	2200447	1	Fitting (Electric - Not Shown)	
10	0100027	AR	Sealant	
11	2120109	1	Filter	
11A	2120110	1	Element	
12		Ref	Plug Options:	
12	2220202	3	Plug, Pipe (Prior to June 1991)	
12	2200202	3	Plug, Pipe (June 1991 to Present)	
13	2220805	1	Fitting 90 Barbed (Prior to June 1991)	
14		Ref	Hardware Options:	
14	4300078	4	Stud (Welded on Part) (Prior to June 1992)	
14	0641514	4	Bolt 5/16in-18NC x 1 3/4in (June 1992 to Present)	
15	4751500	4	Flatwasher 5/16in	
16	4761500	4	Lockwasher 5/16in	
17	3311501	4	Nut 5/16in-18NC	
18	4070679	4	Shim	
20	1340046	1	Breather	
21	2220273	1	Fitting, Reducer (Prior to June 1991)	
		Ref	TANK HYDRAULIC ASSEMBLIES	
	4400279	Ref	Standard/Gas/Diesel and LP Only	-
	4400307	Ref	With Heaters/Gas and Diesel	-
	4400241	Ref	Electric - Not Shown	D
101		Ref	Tank Weldment Options:	
101	4400296	1	Standard/Gas/Diesel and LP Only	
101	4400306	1	With Heaters/Gas and Diesel	
101	4400242	1	Electric - Not Shown	
102		Ref	Cover Options:	
102	1670446	1	Gas and Diesel	
102	3532064	1	Electric - Not Shown	

SECTION 2 - TURNTABLE

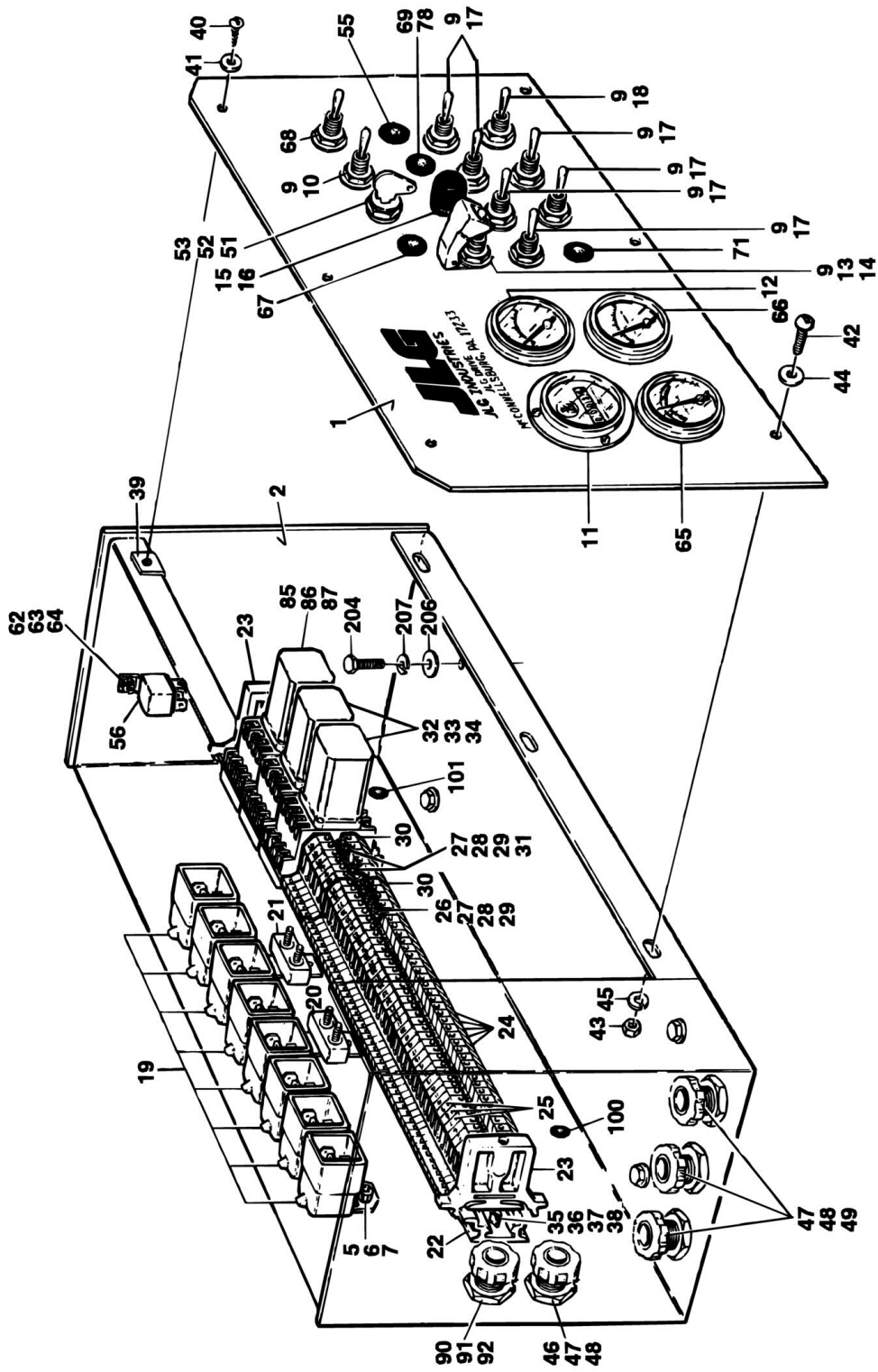
ITEM	PART NUMBER	QTY	DESCRIPTION	REV
103		Ref	Gasket Options:	
103	3960369	1	Gas and Diesel	
103	3960372	1	Electric - Not Shown	
104	4751400	12	Flatwasher 1/4in	
105	4761400	12	Lockwasher 1/4in	
106	3311401	12	Nut 1/4in-20NC	
107		Ref	Filter, Suction Options:	
107	2120106	1	Gas and Diesel	
107	2120120	1	Electric - Not Shown	
108	0100020	AR	Sealant (Not Shown)	
109		Ref	Filler/Strainer Options: (Includes Mounting Hardware)	
109	1340045	1	Gas and Diesel	
109	1340047	1	Electric - Not Shown	
110	4740338	6	Washer, Sealing	
111	2220242	1	Fitting	
112		Ref	Gauge, Sight Options:	
112	2420115	2	Gauge, Sight (Gas and Diesel)	
112	4562516	8 in	Tube, Sight (Electric - Not Shown)	
112	2180467	2	Fitting (Electric - Not Shown)	
112	1320022	2	Clamp (Electric - Not Shown)	
113	3520022	1	Plug, Magnetic (Tanks Without Heaters Only)	
114	2580018	1	Heater, Immersion (Tanks With Heaters Only)	
115	16600043	1	Thermoswitch, Heat Controller (Tanks With Heaters Only)	
		Ref	JUNCTION BOX INSTALLATIONS (OPTIONAL) (PRIOR TO NOVEMBER 1994)	
	0250659	Ref	Deutz With Heater	B
	0250658	Ref	Ford With Heater	A
201	0231756	1	Junction Box Assembly	
201	4460049	3	Connector, Strain Relief	
201	4460007	1	Strip, Terminal	
201	1670199	1	Cover	
201	4460082	1	Plug, 3 Wire	
202	3941406	4	Screw, Self-Tapping 1/4in x 3/4in	
203	4761400	4	Lockwasher 1/4in	
204		Ref	Nameplate - Heaters Options:	
204	3251837	1	Nameplate - Heaters (Deutz)	
204	3251228	1	Nameplate - Heaters (Ford)	
205	3251243	1	Nameplate - 120V-60Hz	
		Ref	JUNCTION BOX INSTALLATIONS (OPTIONAL) (NOVEMBER 1994 TO PRESENT)	
	0255477	Ref	Deutz With Heater	-
	0255476	Ref	Ford With Heater	-
301		Ref	Box Receptacle Options:	
301	0860785	1	Deutz	
301	0860901	1	Ford	
302	4460190	AR	Terminal, Receptacle	
303		Ref	Cover Options:	
303	1670646	1	Deutz	
303	1670645	1	Ford	
304	0641406	AR	Bolt 1/4in-20NC x 3/4in	
305	3311401	AR	Nut 1/4in-20NC	
306	4761400	AR	Lockwasher 1/4in	

SECTION 2 - TURNTABLE

ITEM	PART NUMBER	QTY	DESCRIPTION	REV
307	1060494	3 m	Cable 12/3	
308	4460138	1	Plug, Terminal	
309	1702089	1	Decal - Heater Cord (Not Shown)	
310	3251272	1	Nameplate - Tank Heater (Not Shown)	
311	3251836	1	Nameplate - Engine and Battery Heaters (Not Shown)	
312	2580046	1	Heater, Pad (Not Shown - Located Under Oil Tank)	
	0250649	Ref	LP TANK BRACKETS INSTALLATION (OPTIONAL)	E
401		Ref	Tanks Options:	
401	4400281	2	Tank Aluminum 33.5Lbs	
401	4400421	2	Tank Steel 33.5Lbs	
401	4400275	2	Tank Aluminum 43.5Lbs	
401	4400420	2	Tank Steel 43.5Lbs	
402	1320023	2	Clamp, Bracket	
403	4300034	2	Stud (Welded on Part)	
404	4751600	10	Flatwasher 3/8in	
405	4761600	6	Lockwasher 3/8in	
406	3311601	6	Nut 3/8in-16NC	
407	1320126	1	Clamp, Bracket	
408	1320127	1	Clamp	
409	0641608	4	Bolt 3/8in-16NC x 1in	
410	4751800	2	Flatwasher 1/2in	
	0257412	Ref	FUEL CAP INSTALLATION (STANDARD)	2
501	1120486	1	Cap, Fuel Vented	
502	2200108	1	Plug	
505	0100020	AR	Sealer, Pipe (Not Shown)	
	0257413	Ref	FUEL CAP INSTALLATION (PROTECTOSEAL)	1
501	1120485	1	Cap, Fuel Vented	
502	2420183	1	Gauge, Fuel	
504	0100019	AR	Loctite #272 (Not Shown)	
505	0100020	AR	Sealer, Pipe (Not Shown)	

SECTION 2 - TURNTABLE

FIGURE 2-25. GROUND CONTROL BOX ASSEMBLY



SECTION 2 - TURNTABLE

FIGURE 2-25. GROUND CONTROL BOX ASSEMBLY

ITEM	PART NUMBER	QTY	DESCRIPTION	REV
		Ref	GROUND CONTROL BOX ASSEMBLIES	
	0860717	Ref	Ford LSG-411 (Prior to August 1994)	C
	0860960	Ref	Ford LSG-411 (With Prestolite Alternator) (August 1994 to Present)	2
	0860694	Ref	Deutz F2L1011	7
	0860841	Ref	Deutz F2L1011 (With Proportional Controls)	6
	0860692	Ref	Electric	D
1		Ref	Box Options:	
1	0860645	1	Gas and Diesel (With Prestolite Alternator)	
1	0860576	1	Gas and Diesel (With Proportional Controls)	
1	0860637	1	Electric	
2	3252383	1	Lid	
5	4751000	11	Flatwasher #10 (Prior to June 1994)	
6	4761000	AR	Lockwasher #10	
7	3311001	AR	Nut #10-24NC	
9	3790012	9	O-Ring	
11	2420009	1	Hourmeter	
12		Ref	Gauge Options:	
12	2420129	1	Voltmeter (Ford and Deutz)	
12	3520070	1	Plug (Electric)	
13	4360199	1	Switch, Toggle (Ignition)	
14	4360141	1	Switch, Guard	
15	3790015	1	O-Ring	
16		Ref	Switch Options:	
16	4360274	1	Switch, Push Button (Ford and Deutz)	
16	3520026	1	Plug (Electric)	
17	4360202	5	Switch, Toggle	
18	4360200	1	Switch, Toggle	
19	3740049	AR	Relay	
20	4360216	1	Breaker, Circuit 30 Amp	
21	4360232	1	Breaker, Circuit 15 Amp	
22	3640711	1	Track	
23	4460299	2	Stop, Terminal	
24	4460298	45	Block, Terminal	
25	4460301	1	Marker, Terminal	
26	4460311	1	Bar, Buss - 5 Position	
27	4460305	AR	Screw, Terminal	
28	4460306	AR	Washer, Terminal	
29	4460307	AR	Sleeve, Terminal	
30	4460300	2	Barrier, Terminal	
31	4460308	AR	Bar, Buss - 2 Position	
32	4120013	AR	Base, Relay	
33	3740058	AR	Relay	
34	3740063	AR	Spring, Relay	
35	4750600	2	Flatwasher #6	
36	4760600	2	Lockwasher #6	
37	3310601	2	Nut #6-32NC	
38	3910606	2	Screw #6-32NC x 3/8in (Electric Machines Only)	
39	3300177	2	Nut, Tinnerman	
40	0750806	2	Screw, Self-Tapping #8 x 3/4in	

SECTION 2 - TURNTABLE

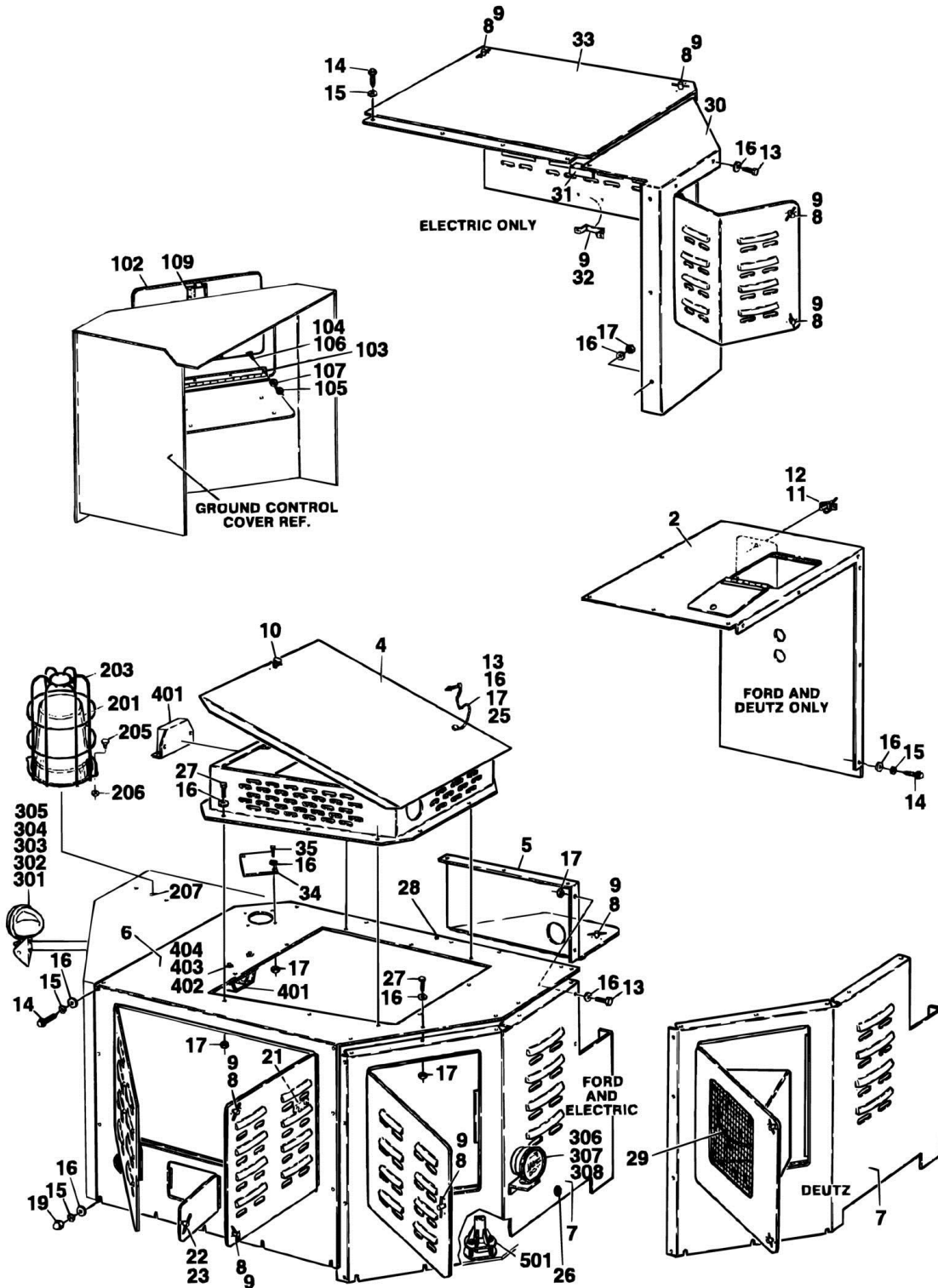
ITEM	PART NUMBER	QTY	DESCRIPTION	REV
41	4740120	2	Washer, Fiber	
42	3911412	3	Screw, Round Head 1/4in-20NC x 3/4in	
43	3311401	3	Nut 1/4in-20NC	
44	4751400	3	Flatwasher 1/4in	
45	4761400	3	Lockwasher 1/4in	
46	4460071	1	Relief, Strain (Ford and Deutz Machines Only)	
47	3300048	4	Nut, Conduit	
48	0960238	4	Bushing	
49	4460051	AR	Relief, Strain	
50	4420037	1 m	Strip, Rubber (Not Shown)	
51	4360284	1	Switch Keyed - 3 Position	
52	4360267	1	Block, Contact SPST N.O.	
53	4360281	3	Block, Contact N.O.	
55	3520028	1	Plug, Hole 1/2in	
56		Ref	Relay, Bosch Options:	
56	3740049	1	Ford - 12V	
56	3740077	1	Deutz - 6V	
62	4751000	1	Flatwasher #10	
63	4761000	1	Lockwasher #10	
64	3311001	1	Nut #10-24NC	
65		Ref	Gauge Options:	
65	2420128	1	Gauge, Oil Pressure (Ford)	
65	2420111	1	Gauge, Oil Pressure (Deutz)	
65	3520070	1	Plug, Hole 2 1/8in (Electric)	
66		Ref	Gauge Options:	
66	2420127	1	Gauge, Water Temperature (Ford)	
66	2420125	1	Gauge, Water Temperature (Deutz)	
66	3520070	1	Plug (Electric)	
67		Ref	Plug Options:	
67	3520026	1	Plug, Hole 5/8in (Ford and Electric)	
67	4360212	1	Breaker, Circuit (Deutz)	
68	3520028	1	Plug, Hole 1/2in	
69	3520028	1	Plug, Hole 1/2in	
70	3520026	1	Plug, Hole 5/8in (Not Shown)	
71	3520028	1	Plug, Hole 1/2in	
85	4120013	1	Socket, Relay (Ford)	
86	3740058	1	Relay (Ford)	
87	3740063	1	Spring, Relay (Ford)	
90	4460244	1	Relief, Strain (Ford and Deutz)	
91	3300048	1	Nut, Conduit (Ford and Deutz)	
92	0960238	AR	Bushing (Ford and Deutz)	
98	3911008	1	Screw #10-24NC x 1/2in (Ford and Deutz)	
99	3520034	2	Plug, Hole 5/16in (Ford and Deutz) (Not Shown)	
100	3520054	4	Plug, Hole 7/16in (Ford and Deutz)	
101	3520028	1	Plug, Hole 1/2in (Ford and Deutz)	
102	3520168	3	Plug, Hole 3/16in (Ford and Deutz) (Not Shown)	
		Ref	GROUND CONTROL BOX INSTALLATIONS	
	0251755	Ref	Ground Control Box (Ford) (Prior to March 1995)	A
	0255151	Ref	Ground Control Box (Ford) (March 1995 to Present)	2
	0251372	Ref	Ground Control Box (Deutz)	3
	0253742	Ref	Ground Control Box (Deutz - With Proportional Controls)	A

SECTION 2 - TURNTABLE

ITEM	PART NUMBER	QTY	DESCRIPTION	REV
	0251364	Ref	Ground Control Box (Electric)	2
204	0641406	4	Bolt 1/4in-20NC x 3/4in	
206	4751400	4	Flatwasher 1/4in	
207	4761400	4	Lockwasher 1/4in	

SECTION 2 - TURNTABLE

FIGURE 2-26. HOODS, LIGHTS AND ALARMS INSTALLATION



SECTION 2 - TURNTABLE

FIGURE 2-26. HOODS, LIGHTS AND ALARMS INSTALLATION

ITEM	PART NUMBER	QTY	DESCRIPTION	REV
		Ref	HOODS INSTALLATIONS	
	0250355	Ref	Hood Installation (Ford)	E
	0250585	Ref	Hood Installation (Deutz)	G
	0250751	Ref	Hood Installation (Electric)	F
		Ref	Note: Replacement Decals must be Purchased Separately - See DECALS SECTION.	
2	4843452	1	Weldment, Tank Cover (Ford and Deutz)	
4		Ref	Weldment, Ventilator Options:	
4	4843564	1	Ford	
4	4843458	1	Deutz and Electric	
5	4843478	1	Weldment, Hood Door	
6		Ref	Hood - Left Side Options:	
6	4843565	1	Ford	
6	4843476	1	Deutz and Electric	
7		Ref	Cover - Left Side Rear Options:	
7	4843479	1	Ford and Electric	
7	4843665	1	Deutz	
8	2940048	AR	Latch	
9	3820019	AR	Rivet	
10	2940051	1	Latch	
11	2940050	1	Latch	
12	3820011	2	Rivet	
13	0641408	AR	Bolt 1/4in-20NC x 1in	
14	3941406	AR	Screw, Self-Tapping 1/4in-20NC x 3/4in	
15	4761400	AR	Lockwasher 1/4in	
16	4751400	AR	Flatwasher 1/4in	
17	3311405	AR	Locknut 1/4in-20NC	
18	4300031	AR	Stud (Welded on Part)	
19	3300151	AR	Nut, Acorn 1/4in-20NC	
20	0100011	AR	Loctite #242 (Not Shown)	
21	0361840	1	Bar, Hood Support	
22	2940050	1	Latch	
23	3820012	2	Rivet	
25	1260017	9 in	Chain	
26	3520031	1	Plug	
27	0641406	24	Bolt 1/4in-20NC x 3/4in	
28	3520034	1	Plug (Deutz)	
29	3960389	3 ft	Seal (June 1995 to Present)	
30	4843580	1	Hood, Right Side Rear - Fuse Box Cover (Electric Only)	
31	0181339	1	Angle (Prior to January 1992)	
32	2560003	1	Handle (Electric Only)	
33	4843579	1	Hood, Right Side - Battery Cover (Electric Only)	
34	1670582	1	Cover (Electric Only)	
35	0641404	2	Bolt 1/4in-20NC x 1/2in (Electric Only)	
		Ref	GROUND CONTROL DOOR INSTALLATIONS	
	0251755	Ref	Ground Control Box (Ford) (Prior to March 1995)	A
	0255151	Ref	Ground Control Box (Ford) (March 1995 to Present)	2
	0251372	Ref	Ground Control Box (Deutz)	3
	0251364	Ref	Ground Control Box (Electric)	2
102	1780245	1	Door	

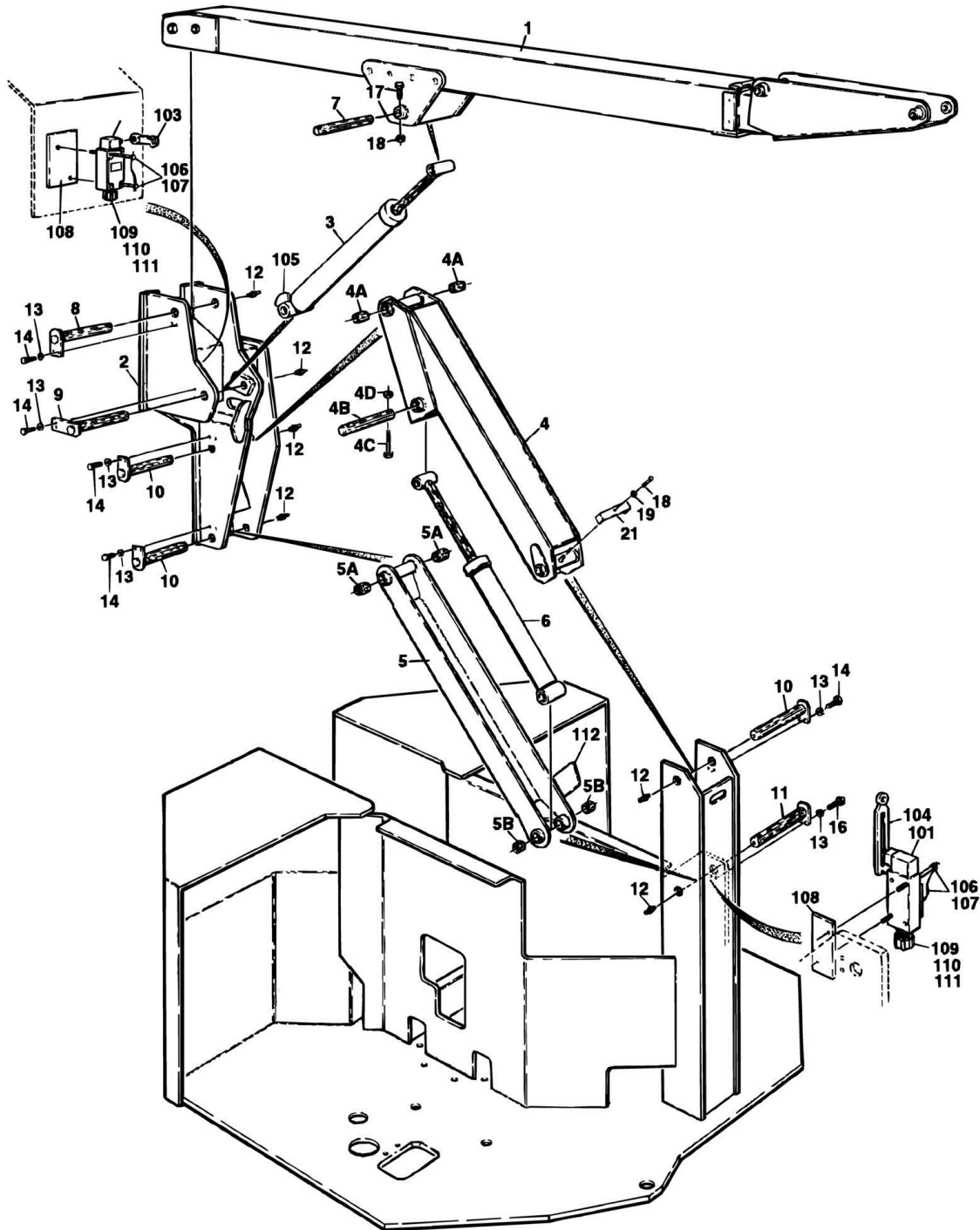
SECTION 2 - TURNTABLE

ITEM	PART NUMBER	QTY	DESCRIPTION	REV
103	2600157	1	Hinge	
104	0641406	AR	Bolt 1/4in-20NC x 3/4in	
105	3311401	4	Nut 1/4in-20NC	
106	4751400	AR	Flatwasher 1/4in	
107	4761400	8	Lockwasher 1/4in	
109	2940057	1	Latch (Includes Mounting Hardware and Trim Plate)	
110	0940083	2	Bumper (Not Shown)	
		Ref	BEACON LIGHT INSTALLATIONS	
	0251174	Ref	Amber	4
	0251173	Ref	Red	4
201		Ref	Light, Beacon Options:	
201	2920018	1	Amber (Prior to November 1992)	
201	2920105	1	Amber (November 1992 to Present)	
201	2920009	1	Red (Prior to November 1992)	
201	2920109	1	Amber (November 1992 to Present)	
203	4060829	1	Shield, Guard (November 1992 to Present)	
204	3941404	2	Screw, Self-Tapping (Not Shown) (November 1992 to Present)	
205		Ref	Bolt Options: (November 1992 to Present)	
205	0641405	2	Bolt 1/4in-20NC x 5/8in (Prior to June 1993)	
205	0641406	2	Bolt 1/4in-20NC x 3/4in (June 1993 to Present)	
206	3311405	2	Locknut 1/4in-20NC (November 1992 to Present)	
207	2540016	1	Grommet (November 1992 to Present)	
	0253352	Ref	HEAD AND TAIL LIGHTS INSTALLATION	2
301		Ref	Headlight Options:	
301	2920001	2	Headlight (Prior to SN 40422)	
301	2920152	2	Headlight (SN 40422 to Present)	
302	0641510	4	Bolt 5/16in-18NC x 1 1/4in	
303	4711500	4	Flatwasher 5/16in	
304	4761500	4	Lockwasher 5/16in	
305	3311501	4	Nut 5/16in-18NC	
306	2920019	2	Tail Light	
307	0901883	4	Tack	
310	2540016	3	Grommet (Not Shown)	
		Ref	ALARM INSTALLATIONS	
	0251172	Ref	Travel	5
	0239401	Ref	Motion	A
	0251443	Ref	Motion	A
401		Ref	Alarm Options:	
401	0140024	1	Alarm (Prior to December 1992)	
401	0140032	1	Alarm (December 1992 to Present)	
402	0641406	2	Bolt 1/4in-20NC x 3/4in (March 1991 to Present)	
403	4751400	4	Flatwasher 1/4in	
404	3311405	2	Locknut 1/4in-20NC	
	0250650	Ref	TILT INDICATOR INSTALLATION	C
501	4360171	1	Sensor, Level	

SECTION 3 - BOOM

SECTION 3 - BOOM

FIGURE 3-1. TURNTABLE, BOOM AND HORIZONTAL LIMIT SWITCH INSTALLATIONS



SECTION 3 - BOOM

FIGURE 3-1. TURNTABLE, BOOM AND HORIZONTAL LIMIT SWITCH INSTALLATIONS

ITEM	PART NUMBER	QTY	DESCRIPTION	REV
		Ref	TURNTABLE OPTIONS:	
	4620048	1	Turntable - 2m (Gas and Diesel)	
	4620061	1	Turntable - 1.75m (Gas and Diesel)	
	4620066	1	Turntable - 2m (Electric)	
	4620067	1	Turntable - 1.75m (Electric)	
	4620068	1	Turntable - 1.75m (Electric)	
	0250456	Ref	BOOM INSTALLATION	6
1	0800630	1	Boom Assembly (See BOOM ASSEMBLIES for Breakdown)	
2	4843502	1	Upright, Weldment	
3	1681840	1	Lift Cylinder Assembly (See CYLINDER SECTION for Breakdown)	
4	4842603	1	Arm Weldment - Upper	
4A	0961024	2	Bushing, Oilite	
4B	3421419	1	Pin	
4C	0641420	1	Bolt 1/4in-20NC x 2 1/2in	
4D	3311405	1	Locknut 1/4in-20NC	
5	4842485	1	Arm Weldment - Lower	
5A	0961024	2	Bushing, Oilite	
5B	0961198	2	Bushing, Oilite	
6	1681780	1	Articulate Cylinder Assembly (See CYLINDER SECTION for Breakdown)	
7		Ref	Pin (Boom Attach) Options:	
7	3421752	1	Domestic (Prior to SN 30067)	
7	3422637	1	Domestic (SN 30067 to Present)	
8	3421751	1	Pin	
9	3421749	1	Pin (Upright Attach)	
10	3422011	3	Pin	
11	3421725	1	Pin (Lower Arm/Turntable Attach)	
12	2160002	4	Fitting, Grease	
13	4751600	12	Flatwasher 3/8in	
14	0641607	10	Bolt 3/8in-16NC x 7/8in	
15	0100019	AR	Loctite #271 (Not Shown)	
16	0641609	2	Bolt 3/8in-16NC x 1 1/4in	
17	0641524	1	Bolt 5/16in-18NC x 3in	
18	3311505	2	Nut 5/16in-18NC	
19	4751500	1	Flatwasher 5/16in	
20	4300070	1	Stud (Welded on Part)	
21	1320168	1	Clamp	
	0251337	Ref	HORIZONTAL LIMIT SWITCH INSTALLATION	3
101	4360277	2	Limit, Switch	
102	4360236	2	Head, Actuator	
103	4360278	1	Arm and Roller (Top Switch)	
104	4360237	1	Arm and Roller (Bottom Switch)	
105	1100057	1	Cam, Actuator (Top Switch)	
106	3900168	4	Bolt, Special #10-24NC	
107	4920140	AR	Wire, Mechanics	
108	3534395	1	Plate, Mounting (Weld on Part) (Prior to August 1995)	
109	4460049	2	Connector, Strain Relief	
110	3300047	2	Nut, Conduit	
111	0960239	2	Bushing, Reducer	
112	3534705	1	Plate, Actuator (Bottom Switch)	

SECTION 3 - BOOM

FIGURE 3-2. BOOM ASSEMBLIES

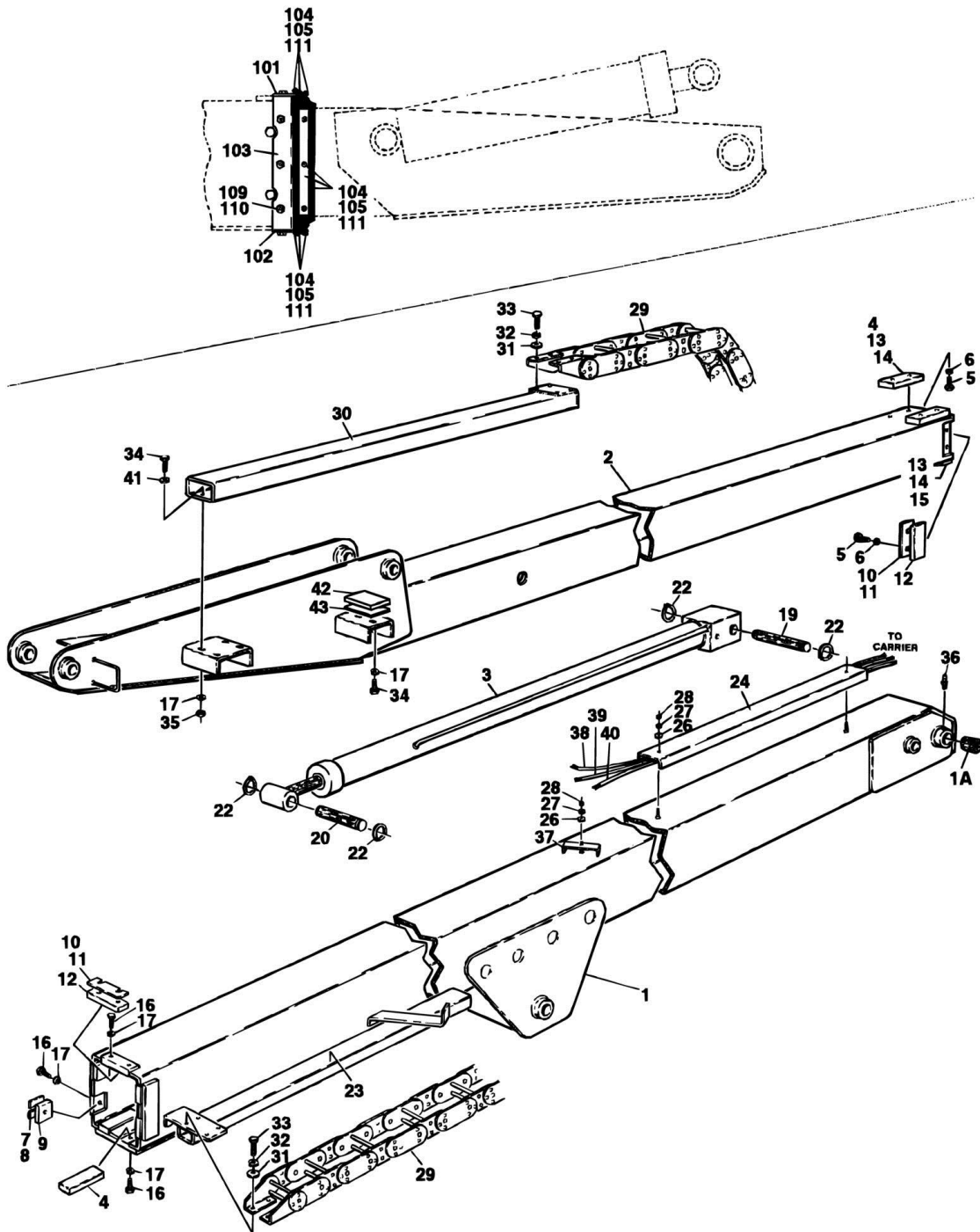


FIGURE 3-2. BOOM ASSEMBLIES

ITEM	PART NUMBER	QTY	DESCRIPTION	REV
	0800630	Ref	BOOM ASSEMBLY AND WIPERS INSTALLATION	10
1	0800627	1	Weldment, Base	
1A	0961595	2	Bushing	
2	0800716	1	Weldment, Fly	
3	1682179	1	Telescope Cylinder Assembly (See CYLINDER SECTION for Breakdown)	
4	3340263	4	Pad, Wear	
5	0641604	4	Bolt 3/8in-16NC x 1/2in	
6	4761600	4	Lockwasher 3/8in	
7	4070664	AR	Shim 1/16in	
8	4070665	AR	Shim 1/32in	
9	3340545	4	Pad, Wear	
10	4070666	AR	Shim 1/16in	
11	4070667	AR	Shim 1/32in	
12	3340547	3	Pad, Wear	
13		Ref	Shim 1/16in Options:	
13	4070649	AR	Shim 1/16in (Prior to August 1995)	
13	4070498	AR	Shim 1/16in (August 1995 to Present)	
14		Ref	Shim Options:	
14	4070646	AR	Shim 9/64in (Prior to August 1995)	
14	4070499	AR	Shim 1/32in (August 1995 to Present)	
15	4070645	AR	Shim 11/64in (Prior to August 1995)	
16	0641606	14	Bolt 3/8in-16NC x 3/4in	
17	4761600	20	Lockwasher 3/8in	
18	0100019	AR	Loctite #271 (Not Shown)	
19	3421719	1	Pin	
20	3421413	1	Pin	
21	3020028	AR	Lubricant (Not Shown)	
22	3760133	4	Ring, Retaining	
23	4843442	1	Cover, Hose (Side Bottom) (Welded on Part)	
24	4842891	1	Cover, Hose (Top)	
25	4300070	3	Stud (Welded on Part)	
26	4751500	3	Flatwasher 5/16in	
27	4761500	3	Lockwasher 5/16in	
28	3311505	3	Nut 5/16in-18NC	
29	1180227	1	Carrier	
29	7006152	1	Kit, Pin (1 pin, 4 Different Size Washers and 1 Retaining Ring)	
29	7006151	1	Feet Mounting	
29	7006139	1	1ft Section	
29	7006156	1	Rod, Carrier	
30	4843443	1	Cover, Hose (Side Top)	
31	4751400	12	Flatwasher 1/4in	
32	4761400	8	Lockwasher 1/4in	
33	0641406	8	Bolt 1/4in-20NC x 3/4in	
34	0641608	6	Bolt 3/8in-16NC x 1in	
35	3311605	4	Nut 3/8in-16NC	
36	2160002	1	Fitting, Grease	
37	1320168	1	Clamp, Hose	
38	1060516	17 m	Cable, Electrical - 16/30 (was p/n 1060229)	
39	4920618	1	Harness, 110 volt	

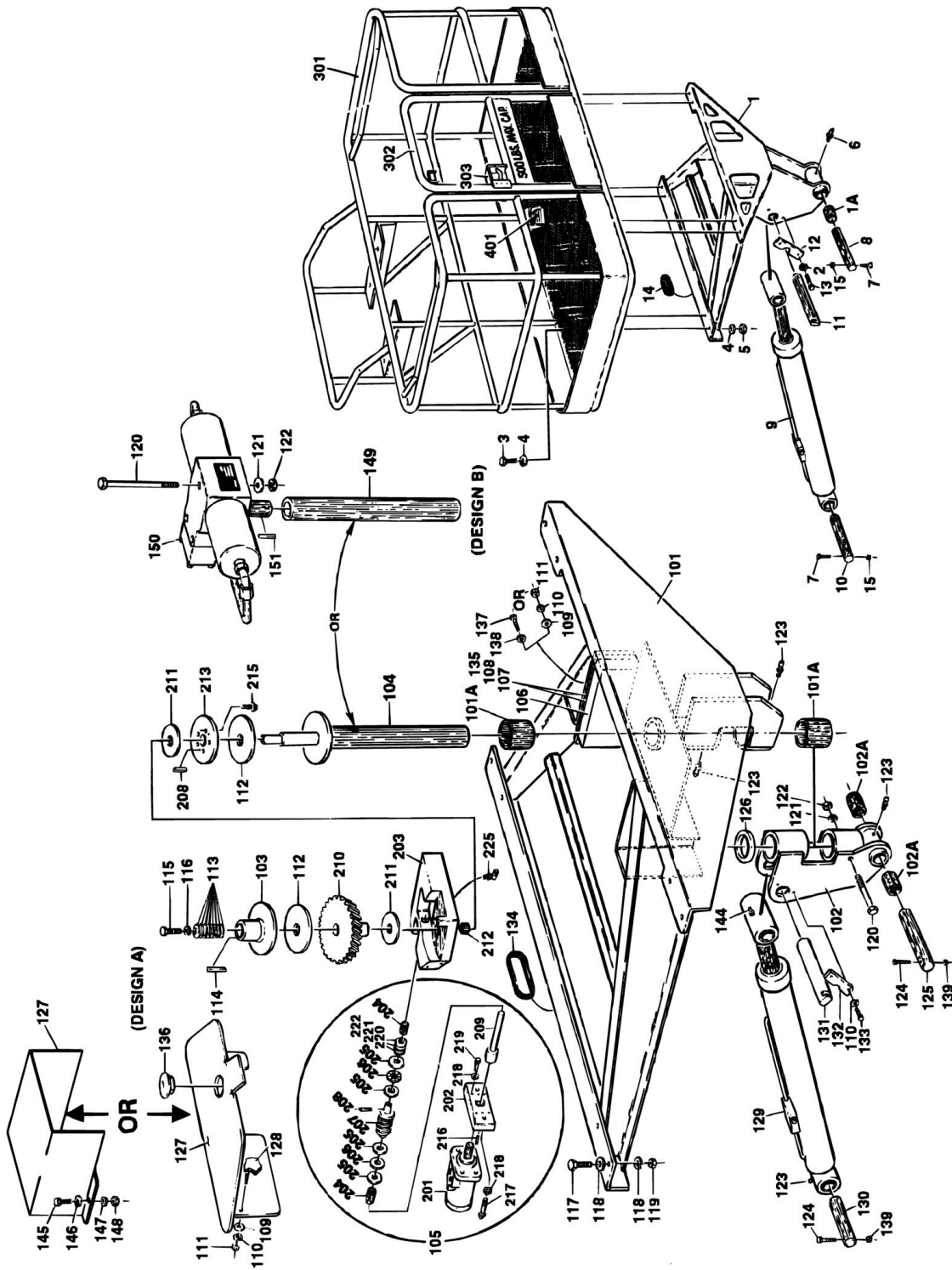
SECTION 3 - BOOM

ITEM	PART NUMBER	QTY	DESCRIPTION	REV
40	1060515	17 m	Cable, Electrical - 12/4 (was p/n 1060012)	
41	4751600	8	Flatwasher 3/8in	
42	0560923	1	Block	
43	4070559	4	Shim 1/16in	
	0251388	Ref	BOOM WIPERS INSTALLATION	-
101	2660057	1	Holder, Wiper (Top)	
102	2660058	1	Holder, Wiper (Bottom)	
103	2660059	2	Holder, Wiper (Side)	
104	0540070	4	Blade, Wiper	
105	4280188	4	Retainer, Strip	
107	4300031	10	Stud (Welded on Part) (5/8in Length)	
108	4300032	2	Stud (Welded on Part) (7/8in Length)	
109	3311401	26	Nut 1/4in-20NC	
110	4761400	24	Lockwasher 1/4in	
111	0641407	12	Bolt 1/4in-20NC x 7/8in	

SECTION 4 - PLATFORM

SECTION 4 - PLATFORM

FIGURE 4-1. STANDARD PLATFORM, CONTROLS AND SUPPORT INSTALLATIONS



SECTION 4 - PLATFORM

FIGURE 4-1. STANDARD PLATFORM, CONTROLS AND SUPPORT INSTALLATIONS

ITEM	PART NUMBER	QTY	DESCRIPTION	REV
	0250495	Ref	FIXED SUPPORT INSTALLATION	B
1	4843515	1	Support Weldment	
1A	0961257	2	Bushing, Bronze	
2	4761500	2	Lockwasher 5/16in	
3	0681610	8	Bolt 3/8in-16NC x 1 1/4in (Grade 8)	
4	4751600	16	Flatwasher 3/8in	
5	3300143	8	Locknut 3/8in-16NC	
6	2160002	1	Fitting, Grease	
7	0641522	2	Bolt 5/16in-18NC x 2 3/4in	
8	3421756	1	Pin	
9	1682178	1	Cylinder, Platform Level	
10	3421491	1	Pin (Boom End)	
11	3421494	1	Pin (Support End)	
12	3532054	1	Plate, Retainer	
13	0641506	2	Bolt 5/16in-18NC x 3/4in	
14	4060804	10 in	Shield, Flexguard	
15	3311505	2	Locknut 5/16in-18NC	
		Ref	ROTATING SUPPORT INSTALLATION OPTIONS:	
	0250493	Ref	Standard Platform W/Worm Gear Drive (Design A)	D
	0252448	Ref	Standard Platform W/Worm Gear Drive (Design A)	A
	0251204	Ref	Standard Platform With Hydraulic Piston (Design B)	-
101		Ref	Support Weldment Options:	
101	4843556	1	Used With 0251204	
101	4844052	1	Used With 0252448	
101A	0961259	2	Bushing, Bronze	
102	0250253	1	Pivot Attach Weldment	
102A	0961257	2	Bushing, Bronze	
103	1120299	1	Cap	
104	4842915	1	Shaft (Platform W/Worm Gear Drive) (Design A)	
105	0235238	1	Rotator Assembly (See Items 201-226 for Breakdown)	
107	4070705	AR	Shim 1/8in	
108	4070706	AR	Shim 1/16in	
109	4751500	2	Flatwasher 5/16in	
110	4761500	4	Lockwasher 5/16in	
111	3311501	2	Nut 5/16in-18NC	
112	3340454	2	Pad, Brake	
113	4160026	8	Washer, Bellville	
114	2880404	1	Key, Square	
115		Ref	Hardware Options:	
115	0652014	1	Bolt 5/8in-18NF x 1 3/4in (Used With 0250493)	
115	0630451	1	Screw 5/8in-18NF x 2in (Used With 0252448)	
116		Ref	Washer Options:	
116	4752000	1	Flatwasher 5/8in (Used With 0250493)	
116	4740398	1	Washer 5/8in (Used With 0252448)	
117	0681610	8	Bolt 3/8in-16NC x 1 1/4in (Grade 8)	
118	4751600	16	Flatwasher 3/8in	
119	3300143	8	Locknut 3/8in-16NC	
120	0641836	AR	Bolt 1/2in-13NC x 4 1/2in	
121	4751800	AR	Flatwasher 1/2in	
122	3311805	AR	Locknut 1/2in-13NC	

SECTION 4 - PLATFORM

ITEM	PART NUMBER	QTY	DESCRIPTION	REV
123	2160002	4	Fitting, Grease	
124	0641522	2	Bolt 5/16in-18NC x 2 3/4in	
125	3421756	1	Pin Attach	
126	4740158	1	Washer, Thrust	
127		Ref	Cover, Rotator Options:	
127	1670451	1	Used With 0250493	
127	1670620	1	Used With 0252448	
128	4300038	2	Stud (Welded on Part)	
129	1682178	1	Platform Level Cylinder Assembly (See CYLINDER SECTION for Breakdown)	
130	3421491	1	Pin, Attach (Lower)	
131	3421494	1	Pin, Attach (Upper)	
132	3532054	1	Plate, Retaining	
133	0641506	2	Bolt 5/16in-18NC x 3/4in	
134	4060804	10 in	Shield, Flexguard	
135	4070707	AR	Shim 1/32in	
136	3520035	1	Plug (Used With 0250493)	
137		Ref	Bolt Options:	
137	0641816	2	Bolt 1/2in-13NC x 2in (Used With 0250493)	
137	0641810	2	Bolt 1/2in-13NC x 1 1/4in (Used With 0252448)	
138	4761800	2	Lockwasher 1/2in	
139	3311505	2	Locknut 5/16in-18NC	
144	2160001	1	Fitting, Grease	
145	0641406	2	Bolt 1/4in-20NC x 3/4in (Used With 0252448)	
146	4751400	2	Flatwasher 1/4in (Used With 0252448)	
147	4761400	2	Lockwasher 1/4in (Used With 0252448)	
148	3311401	2	Nut 1/4in-20NC (Used With 0252448)	
149	4040216	1	Shaft (Standard Platform With Hydraulic Piston)	
150	0060026	1	Rotator Assembly (Standard Platform With Hydraulic Piston) (See ROTATOR MOTOR ASSEMBLY (HYDRAULIC PISTON) for Breakdown)	
151	2880512	1	Key stock (Standard Platform With Hydraulic Piston)	
	0235238	Ref	ROTATOR ASSEMBLY	E
201	3160083	1	Rotator Motor Assembly (See ROTATOR MOTOR ASSEMBLY (WORM GEAR DRIVE) for Breakdown)	
202	0080099	1	Adapter, Motor	
203	2760064	1	Housing, Gear	
204	0440134	2	Bearing, Sleeve	
205	4740199	4	Washer, Thrust	
206	0440120	2	Bearing, Thrust	
207	2440043	1	Gear, Worm	
208	3440816	4	Rollpin 1/4in x 1 in	
209	0080098	1	Adapter, Motor to Worm Gear	
210	2440044	1	Gear, Worm	
211	4740256	2	Washer, Thrust	
212	0440135	1	Bearing, Sleeve	
213	1760068	1	Disc, Brake	
215	3931010	5	Bolt, Socket Head #10-24NC x 5/8in	
216	3441228	2	Rollpin 3/8in x 1 3/4in	
217	3931620	2	Bolt, Socket Head 3/8in-16NC x 1 1/4in	
218	4761600	6	Lockwasher 3/8in	
219	3931612	4	Bolt, Socket Head 3/8in-16NC x 3/4in	

SECTION 4 - PLATFORM

ITEM	PART NUMBER	QTY	DESCRIPTION	REV
220	4070585	AR	Shim.010	
221	4070585	AR	Shim.005	
222	4070587	AR	Shim.002	
223	0100019	AR	Loctite #271 (Not Shown)	
224	0100021	AR	Primer (Not Shown)	
225	2160001	1	Fitting, Grease	
226	3020025	AR	Grease (Not Shown)	
		Ref	PLATFORM ASSEMBLIES	
		Ref	Note: Replacement Decals must be Purchased - See DECALS SECTION.	
301		Ref	Platform Options:	
301	3510308	1	Standard - 91.4cm X 121.9cm	A
301	3510309	1	Standard - 91.4cm X 152.4cm	A
301	3510310	1	Standard - 91.4cm X 182.9cm	A
302	1780254	1	Door	
302	2600143	2	Hinge	
302	3311805	2	Locknut 1/2in-13NC	
302	2160006	2	Fitting, Grease	
303	2940006	1	Latch	
303	3911016	4	Screw, Round Head #10-24NC x 1in	
303	4751000	4	Flatwasher #10	
303	4761000	4	Lockwasher #10	
303	3311001	4	Nut #10-24NC	
303	2560010	1	Handle, Latch	
	0237963	Ref	FOOTSWITCH INSTALLATION	7
401	0641408	3	Bolt 1/4in-20NC x 1in	
401	3311405	3	Locknut 1/4in-20NC	
401	4740362	3	Flatwasher 1/4in	
401	4360031	1	Footswitch	
401	7000625	2	Block, Contact	
401	4460071	1	Contactora	

SECTION 4 - PLATFORM

FIGURE 4-2. LOW MOUNT PLATFORM, CONTROLS AND SUPPORT INSTALLATIONS

ITEM	PART NUMBER	QTY	DESCRIPTION	REV
	0251267	Ref	FIXED SUPPORT INSTALLATION	D
1	0250253	1	Pivot Attach Weldment	
1A	0961257	2	Bushing, Bronze	
2	4564579	1	Shaft	
3 to 9	Not Required	0	Not Required	
10	0641836	1	Bolt 1/2in-13NC x 4 1/2in	
11	4751800	1	Flatwasher 1/2in	
12	3311805	1	Locknut 1/2in	
13 to 21	Not Required	0	Not Required	
22		Ref	Pin Options:	
22	3421490	1	Standard (Prior to November 1991)	
22	3421756	1	Standard (November 1991 to Present)	
23	0641522	2	Bolt 5/16in-18NC x 2 3/4in	
24	3311505	2	Locknut 5/16in-18NC	
25		Ref	Pin (Boom End) Options:	
25	3421600	1	Standard (Prior to February 1991)	
25	3421491	1	Standard (February 1991 to Present)	
26		Ref	Pin (Support End) Options:	
26	3421612	1	Standard (Prior to February 1991)	
26	3421494	1	Standard (February 1991 to Present)	
27	1682178	1	Cylinder, Platform Level	
28	3532054	1	Plate, Retainer	
29	0641506	2	Bolt 5/16in-18NC x 3/4in	
30	4761500	2	Lockwasher 5/16in-18NC	
31	2160002	3	Fitting, Grease	
32	4740158	1	Washer, Thrust	
33	4220137	2	Bar, Stop (Welded on Part) (Not Shown)	
34	1320160	1	Clamp (Not Shown)	
35	3520035	1	Plug (Not Shown)	
36 to 37	Not Required	0	Not Required	
	0251268	Ref	ROTATING SUPPORT INSTALLATION	F
1	0250253	1	Pivot Attach Weldment	
1A	0961257	2	Bushing, Bronze	
2	4040215	1	Shaft	
3	1120299	1	Cap	
4	0235238	1	Rotator Assembly (See Items 101-126 for Breakdown)	
5	3340454	2	Pad, Brake	
6	2880404	1	Key, Square	
7	4160026	8	Washer, Bellville	
8	4752000	1	Flatwasher 5/8in	
9	0652014	1	Bolt 5/8in-18NF x 1 3/4in	
10	0641836	AR	Bolt 1/2in-13NC x 4 1/2in	
11	4751800	AR	Flatwasher 1/2in	
12	3311805	AR	Locknut 1/2in-13NC	
13	0901756	1	Bracket	
14	0641811	2	Bolt 1/2in-13NC x 1 3/8in	
15	4761800	2	Lockwasher 1/2in	
16	0641404	1	Bolt 1/4in-20NC x 1/2in	
17	4761400	2	Lockwasher 1/4in	
18	4751400	2	Flatwasher 1/4in	

SECTION 4 - PLATFORM

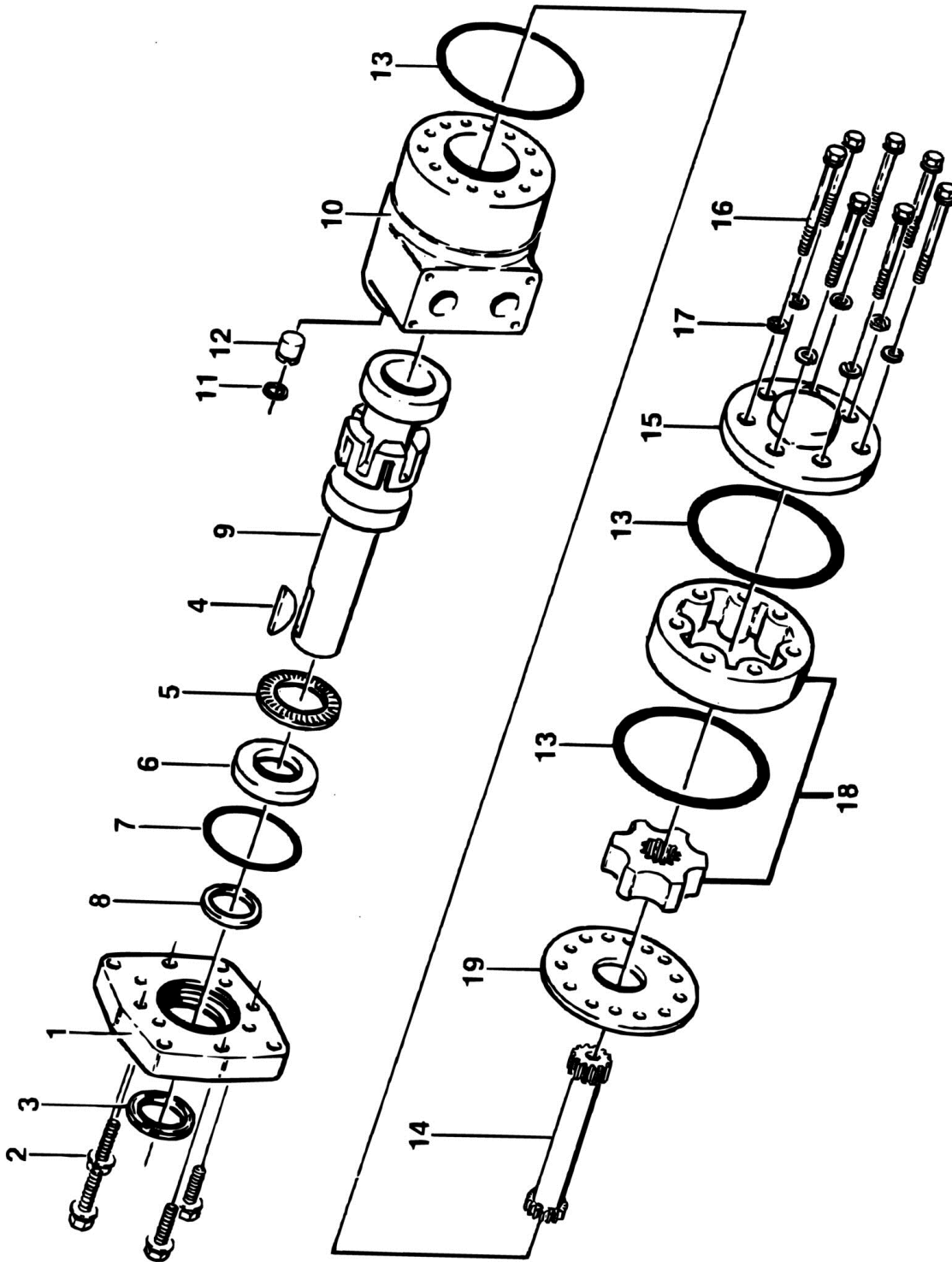
ITEM	PART NUMBER	QTY	DESCRIPTION	REV
19	0641408	1	Bolt 1/4in-20NC x 1in	
20	4562083	1	Spacer, Tube	
21		Ref	Cover Weldment Options:	
21	1670519	1	Cover Weldment (Prior to November 1991)	
21	1670630	1	Cover Weldment (November 1991 to Present)	
22		Ref	Pin Attach Options:	
22	3421490	1	Domestic (Prior to November 1991)	
22	3421756	1	Domestic (November 1991 to Present)	
23	0641522	2	Bolt 5/16in-18NC x 2 3/4in	
24	3311505	2	Locknut 5/16in-18NC	
25	3421491	1	Pin, Attach (Lower)	
26	3421494	1	Pin, Attach (Upper)	
27		Ref	Platform Level Cylinder Assembly Options: (See CYLINDER SECTION for Breakdown)	
27	1682057	1	Platform Level Cylinder Assembly (Prior to January 1991)	
27	1682178	1	Platform Level Cylinder Assembly (January 1991 to Present)	
28	3532054	1	Plate, Retaining	
29	0641506	2	Bolt 5/16in-18NC x 3/4in	
30	4761500	2	Lockwasher 5/16in	
31	2160002	3	Fitting, Grease	
32	4740158	1	Washer, Thrust	
33	Not Required	0	Not Required	
34	1320146		Clamp (Not Shown) (Prior to November 1991)	
35	Not Required	0	Not Required	
36	1380137	2	Clip, Retainer (March 1992 to Present)	
37	4920986	1 ft	Wire, Machanics (March 1992 to Present)	
	0235238	Ref	ROTATOR ASSEMBLY	E
101	3160083	1	Rotator Motor Assembly (See ROTATOR MOTOR ASSEMBLY (WORM GEAR DRIVE) for Breakdown)	
102	0080099	1	Adapter, Motor	
103	2760064	1	Housing, Gear	
104	0440134	2	Bearing, Sleeve	
105	4740199	4	Washer, Thrust	
106	0440120	2	Bearing, Thrust	
107	2440043	1	Gear, Worm	
108	3440816	4	Rollpin 1/4in x 1in	
109	0080098	1	Adapter, Motor to Worm Gear	
110	2440044	1	Gear, Worm	
111	4740256	2	Washer, Thrust	
112	0440135	1	Bearing, Sleeve	
113	1760068	1	Disc, Brake	
115	3931010	5	Bolt, Socket Head #10-24NC x 5/8in	
116	3441228	2	Rollpin 3/8in x 1 3/4in	
117	3931620	2	Bolt, Socket Head 3/8in-16NC x 1 1/4in	
118	4761600	6	Lockwasher 3/8in	
119	3931612	4	Bolt, Socket Head 3/8in-16NC x 3/4in	
120	4070585	AR	Shim.010	
121	4070585	AR	Shim.005	
122	4070587	AR	Shim.002	
123	0100019	AR	Loctite #271 (Not Shown)	
124	0100021	AR	Primer (Not Shown)	
125	2160001	1	Fitting, Grease	

SECTION 4 - PLATFORM

ITEM	PART NUMBER	QTY	DESCRIPTION	REV
126	3020025	AR	Grease	
		Ref	PLATFORM ASSEMBLIES	
		Ref	Note: Replacement Decals must be Purchased - See DECALS SECTION.	
201		Ref	Platform Options:	
201	3510376	1	Low Mount - 91.4cm X 121.9cm	A
201	3510377	1	Low Mount - 91.4cm X 152.4cm	B
201	3510378	1	Low Mount - 91.4cm X 182,9cm	A
202	1780254	1	Door	
202	2600143	2	Hinge	
202	3311805	2	Locknut 1/2in-13NC	
202	2160006	2	Fitting, Grease	
203	2940006	1	Latch	
203	3911016	4	Screw, Round Head #10-24NC x 1in	
203	4751000	4	Flatwasher #10	
203	4761000	4	Lockwasher #10	
203	3311001	4	Nut #10-24NC	
203	2560010	1	Handle, Latch	
204	0961450	1	Bushing, Bronze (Top)	
205	0961259	1	Bushing, Bronze (Bottom)	
	0237963	Ref	FOOTSWITCH INSTALLATION	7
301	0641408	3	Bolt 1/4in-20NC x 1in	
301	3311405	3	Locknut 1/4in-20NC	
301	4740362	3	Flatwasher 1/4in	
301	4360031	1	Footswitch	
301	7000625	2	Block, Contact	
301	4460071	1	Contactor	

SECTION 4 - PLATFORM

FIGURE 4-3. ROTATOR MOTOR ASSEMBLY (WORM GEAR DRIVE)



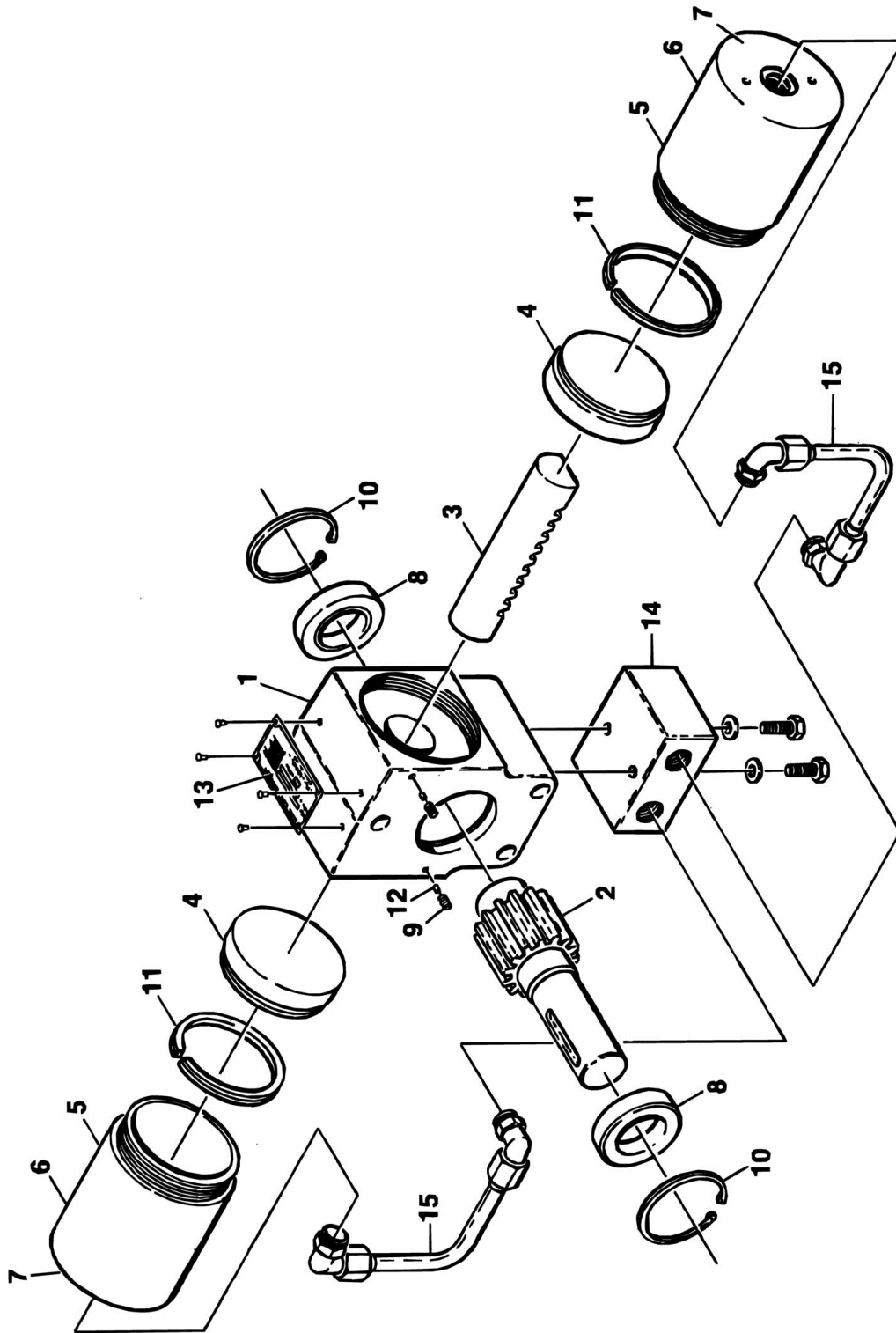
SECTION 4 - PLATFORM

FIGURE 4-3. ROTATOR MOTOR ASSEMBLY (WORM GEAR DRIVE)

ITEM	PART NUMBER	QTY	DESCRIPTION	REV
	3160083	Ref	ROTATOR MOTOR ASSEMBLY	A
1	7002105	1	Flange, Mounting	
2	7002123	4	Screw, Cap	
3	Kit	1	Seal, Dust	
4	7002104	1	Key, Woodruff	
5	7002111	1	Bearing, Thrust Needle	
6	7002117	1	Thrust, Bearing Race	
7	Kit	1	Seal, O-Ring	
8	Kit	1	Seal, Pressure	
9	7002116	1	Shaft, Output	
10	7002103	1	Housing	
11	Kit	1	Seal	
12	7009992	1	Plug, Housing	
13	Kit	3	Seal, O-Ring	
14	7002112	1	Drive	
15	7002107	1	Cap, End	
16	7002100	7	Screw, Cap	
17	7000166	7	Lockwasher	
18	7002125	1	Gerotor Sub-Assembly	
19	7002110	1	Plate, Spacer	
	2900455	1	Seal Kit (Includes Items 3, 7, 8, 11 & 12)	

SECTION 4 - PLATFORM

FIGURE 4-4. ROTATOR MOTOR ASSEMBLY (HYDRAULIC PISTON)



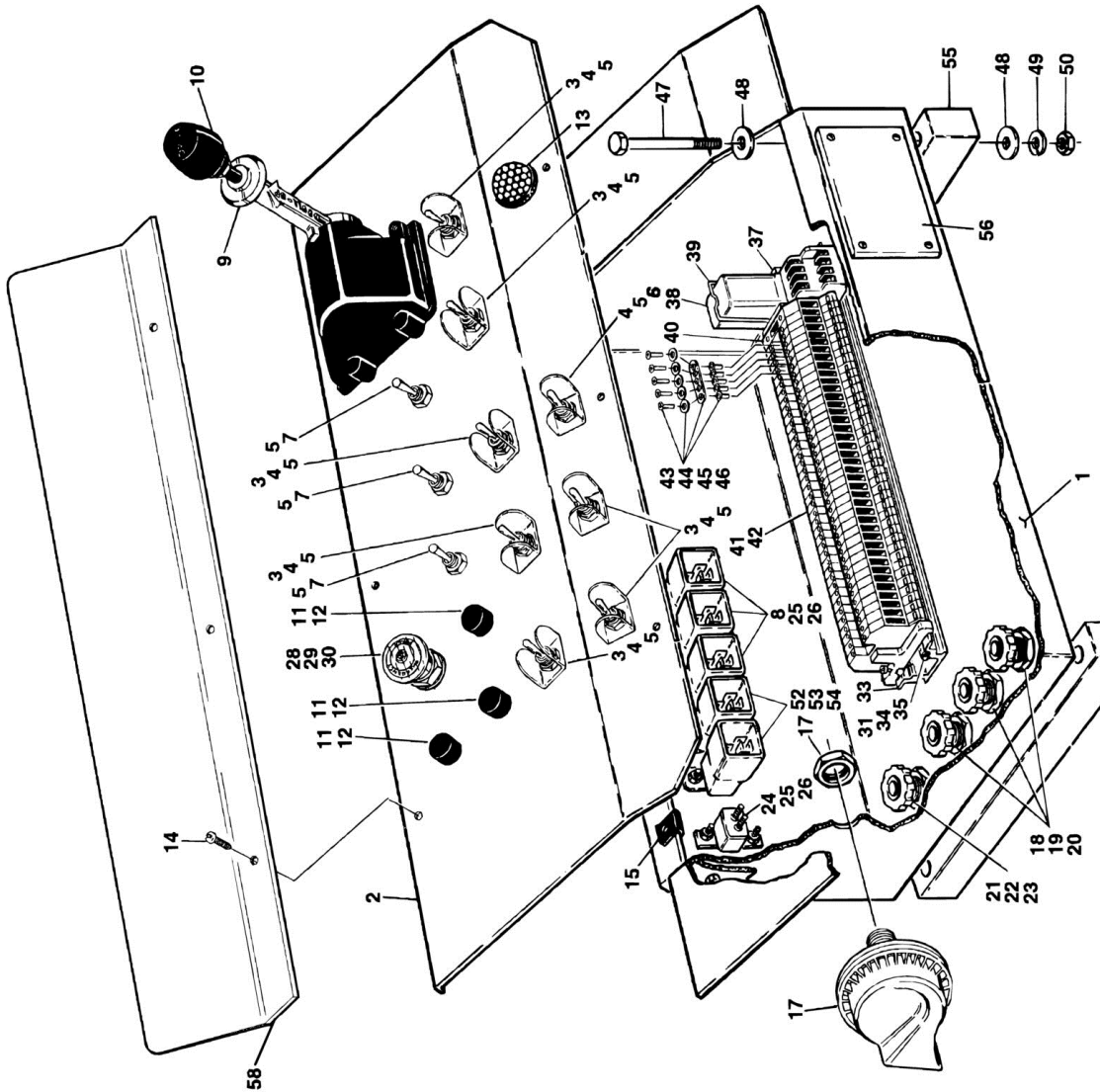
SECTION 4 - PLATFORM

FIGURE 4-4. ROTATOR MOTOR ASSEMBLY (HYDRAULIC PISTON)

ITEM	PART NUMBER	QTY	DESCRIPTION	REV
	0060026	Ref	ROTATOR MOTOR ASSEMBLY	-
1	Not Serviced	1	Housing	
2	7011300	1	Pinion	
3	7011301	1	Rack	
4	7011302	2	Piston	
5	7011303	2	Cylinder Assembly	
6		Ref	Tube, Cylinder (Not Sold Separately)	
7		Ref	Cap, End (Not Sold Separately)	
8	7011304	2	Bushing	
9	7011305	2	Setscrew	
10	7011306	2	Ring, Retaining	
11	Kit	2	Seal, Piston	
12	Kit	2	Pellet, Nylon	
13	Not Serviced	1	Nameplate	
14	7011309	1	Valve Block Assembly	
14	7011310	1	Cartridge	
14	7011311	1	Seal Kit - Cartridge	
15	7011312	1	Tube	
	2900771		Seal Kit - Rotator (Includes Items 11 & 12)	

SECTION 4 - PLATFORM

FIGURE 4-5. PLATFORM CONSOLE BOX ASSEMBLY



SECTION 4 - PLATFORM

FIGURE 4-5. PLATFORM CONSOLE BOX ASSEMBLY

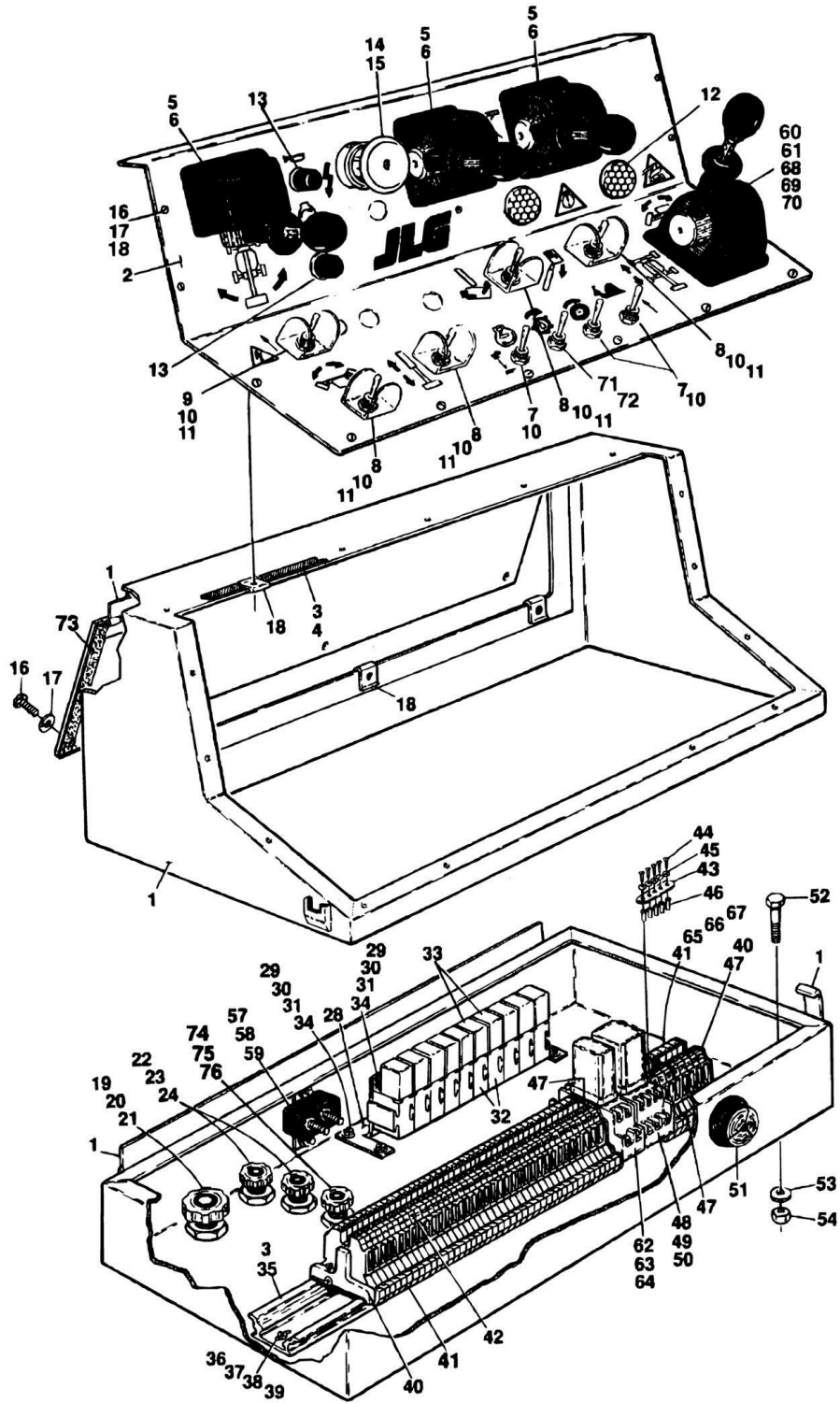
ITEM	PART NUMBER	QTY	DESCRIPTION	REV
		Ref	PLATFORM CONSOLE BOX ASSEMBLY OPTIONS:	
	0860689	Ref	Gas and Diesel	H
	0860693	Ref	Electric	F
1	4842892	1	Box, Console	
2		Ref	Lid, Box Options:	
2	3252053	1	Lid, Box (Prior to March 1994)	
2	3252379	1	Lid, Box (March 1994 to Present)	
3	4360202	7	Switch, Toggle	
4	4060229	8	Guard, Switch	
5	3790012	11	O-Ring	
6	4360200	1	Switch, Toggle (Auxiliary Power)	
7	4360199	3	Switch, Toggle	
8	3740049	3	Relay	
9		Ref	Controller - PQ Options:	
9	1600116	1	Gas and Diesel	
9	7003702	1	Housing Assembly	
9	7003700	1	Handle Assembly	
9	7003783	1	Electrical Assembly	
9	1600127	1	Electric	
9	7003702	1	Housing Assembly	
9	7003700	1	Handle Assembly	
9	7003798	1	Electrical Assembly	
10	2560041	1	Knob	
11	4360274	AR	Switch, Push Button	
12	3790015	AR	O-Ring	
13	2920015	1	Lamp	
14	0751006	6	Screw Pan Head #10-24NC x 3/4in	
15	3300177	6	Nut, Tinnerman	
16	4420008	1.3 m	Tape, Insulation (Not Shown)	
17	0140001	1	Horn	
18	4460052	3	Connector	
19	3300047	3	Nut, Conduit	
20	0960239	3	Bushing	
21	4460051	1	Connector	
22	3300048	1	Nut, Conduit	
23	0960238	1	Bushing	
24	4360209	1	Breaker, Circuit 20Amp	
25	4761000	1	Lockwasher #10	
26	3311001	1	Nut #10-24NC	
28	4360132	1	Switch, Push-Pull (Emergency Stop)	
29	4360108	1	Block, Contact	
30	4360131	1	Lens, Red	
31	4760600	6	Lockwasher #6	
32	3910608	4	Screw Pan Head #6-32NC x 1/2in	
33	3640500	1	Rail	
34	3910606	2	Screw Pan Head #6-32NC x 3/8in	
35	3310601	6	Nut #6-32NC	
36	4460299	2	Stop, Terminal	
37	4120013	1	Socket, Relay	
38	3740058	1	Relay	

SECTION 4 - PLATFORM

ITEM	PART NUMBER	QTY	DESCRIPTION	REV
39	3740063	1	Spring, Relay	
40	4460300	1	Barrier, Terminal	
41	4460298	41	Block, Terminal	
42	4460301	1	Strip, Marking	
43	4460311	1	Bar, Buss	
44	4460307	5	Sleeve	
45	4460306	5	Washer	
46	4460305	5	Screw	
47	0641416	4	Bolt 1/4in-20NC x 2in	
48	4751400	8	Flatwasher 1/4in	
49	4761400	4	Lockwasher 1/4in	
50	3311401	4	Nut 1/4in-20NC	
52	3740049	1	Relay (Electric Machines Only)	
53	4761000	2	Lockwasher #10 (Electric Machines Only)	
54	3311001	2	Nut #10-24NC (Electric Machines Only)	
55	0361966	2	Bar	
56	1670591	1	Cover	
58	3200363	1	Mount, Decal	
	0254411	Ref	AC POWER CORD AND RECEPTACLE INSTALLATION	A
101	Supply Locally	1	Shield, Cover	
102	Supply Locally	1	Receptacle	
103	1060461	17.7 m	Electric Cable - 12/3 (Not Shown)	
104	1700598	1	Decal - Ground (Not Shown)	
105	1700599	1	Decal - Neutral (Not Shown)	
106	Supply Locally	1	Plug	
107	Supply Locally	1	Clamp (Not Shown)	

SECTION 4 - PLATFORM

FIGURE 4-6. PLATFORM CONSOLE BOX ASSEMBLY (PROPORTIONAL CONTROLS)



SECTION 4 - PLATFORM

FIGURE 4-6. PLATFORM CONSOLE BOX ASSEMBLY (PROPORTIONAL CONTROLS)

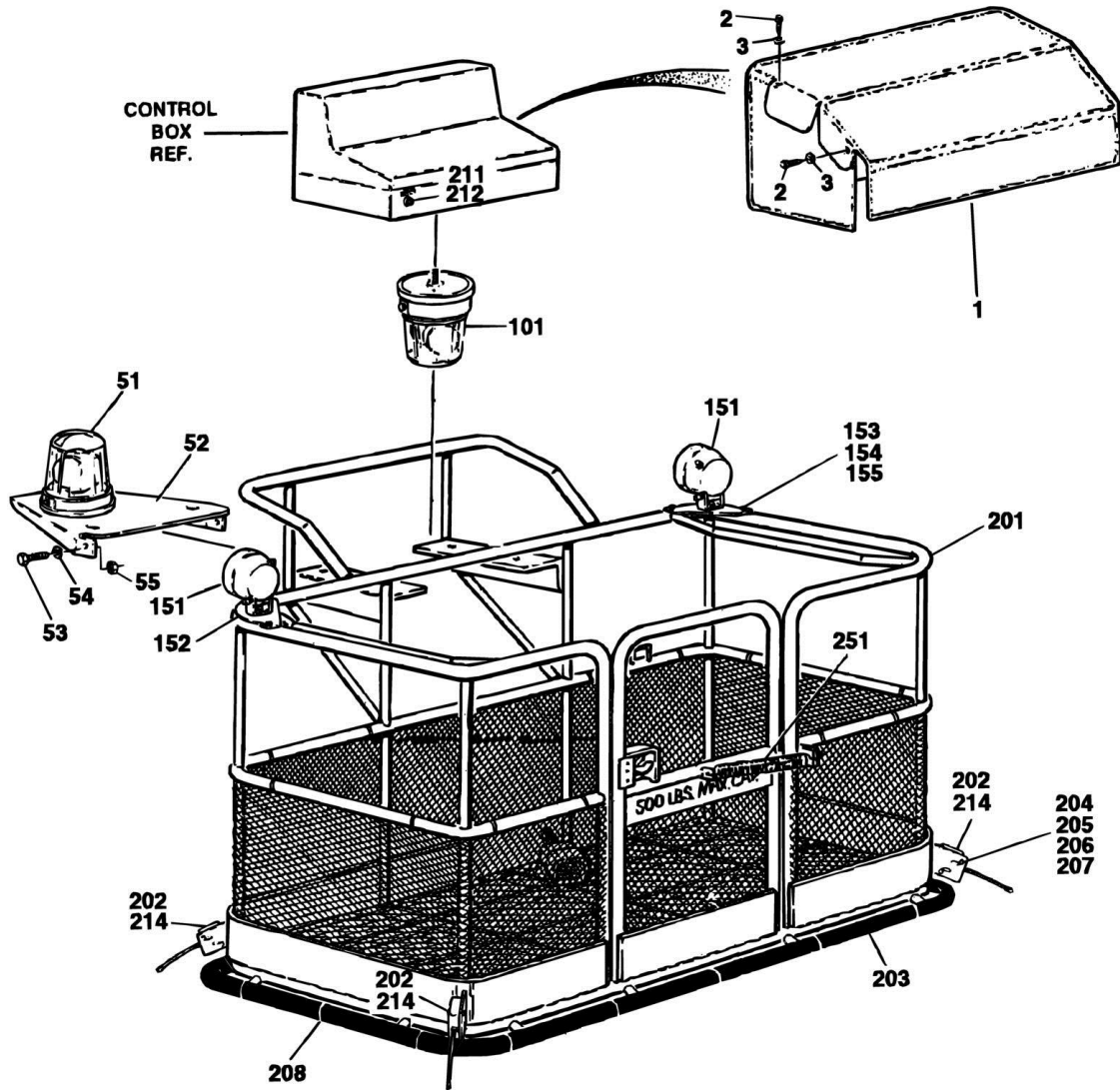
ITEM	PART NUMBER	QTY	DESCRIPTION	REV
		Ref	PLATFORM CONSOLE BOX ASSEMBLY OPTIONS:	
	0860827	Ref	2WS With Creep	C
1	0860739	1	Box, Console	
1A	2940052	2	Latch	
1B	2600132	1	Hinge (Top and Bottom)	
1C	2600105	1	Hinge (Access Door)	
2		Ref	Lid, Box Options:	
2	3252224	1	Lid, Box (Prior to March 1994)	
2	3252382	1	Lid, Box (March 1994 to November 1994)	
2	3538392	1	Lid, Box (November 1994 to Present)	
3	4420008	5.75 ft/1.75m	Tape, Insulation	
4	0100001	AR	Adhesive (Not Shown)	
5	1600126	3	Controller - PQ	
5	7003702	1	Housing Assembly	
5	7003700	1	Handle Assembly	
5	7003782	1	Electrical Assembly	
6	2560112	3	Knob	
7	4360199	3	Switch, Toggle	
8	4360202	4	Switch, Toggle	
9	4360200	1	Switch, Toggle	
10	3790012	8	O-Ring	
11	4060229	5	Guard, Switch	
12	2920015	1	Lamp	
13	4360274	2	Switch, Push Button	
14	4360289	1	Switch, Push/Pull (Emergency Stop)	
14	7012611	1	Mushroom Head	
14	7012612	1	Boot	
15	4360282	1	Block, Contact	
16	0751006	21	Screw Pan Head #10-24NC x 3/4in	
17	4740120	21	Washer, Nylon	
18	3300177	21	Nut, Tinnerman	
19	4460386	1	Strain, Relief	
20	3300147	1	Nut, Conduit	
21	0960905	1	Bushing	
22	4460052	2	Strain, Relief	
23	3300047	2	Nut, Conduit	
24	0960239	2	Bushing	
25 to 27	Not Required	0	Not Required	
28	0901796	1	Bracket	
29	4751000	8	Flatwasher #10	
30	4761000	8	Lockwasher #10	
31	3311001	8	Nut #10-24NC	
32	3740085	6	Socket, Relay	
33	3740086	6	Relay	
34	3911012	8	Screw #10-24NC x 3/4in	
35	3640752	1	Track	
36	3910608	2	Screw Pan Head #6-32NC x 1/2in	
37	4750600	2	Flatwasher #6	
38	4760600	2	Lockwasher #6	

SECTION 4 - PLATFORM

ITEM	PART NUMBER	QTY	DESCRIPTION	REV
39	3310601	2	Nut #6-32NC	
40	4460299	2	Stop, Terminal	
41	4460298	54	Block, Terminal	
42	4460301	1	Strip, Marking	
43	4460311	2	Bar, Buss	
44	4460305	10	Screw	
45	4460306	10	Washer	
46	4460307	10	Sleeve	
47	4460300	3	Barrier, Terminal	
48	4120013	1	Socket, Relay	
49	3740058	1	Relay	
50	3740063	1	Spring, Relay	
51	0140019	1	Alarm	
52	0641508	4	Bolt 5/16in-18NC x 1in	
53	4751500	8	Flatwasher 5/16in	
54	3311505	4	Locknut 5/16in-18NC	
56	3520034	8	Plug, Hole (Not Shown)	
57	4761000	1	Lockwasher #10	
58	3311001	1	Nut #10-24NC	
59	4360232	1	Breaker, Circuit 15Amp	
60	1600116	1	Controller - PQ	
60	7003702	1	Housing Assembly	
60	7003700	1	Handle Assembly	
60	7003783	1	Electrical Assembly	
61	2560112	1	Knob	
62	4120012	1	Socket, Relay	
63	3740057	1	Relay	
64	3740066	1	Spring, Relay	
65	4460404	10	Strip, Marking	
66	4460405	32	Strip, Marking	
67	4460423	2	Strip, Marking	
68	0720803	16	Screw Machine #8-32NC x 3/8in	
69	4750800	16	Flatwasher #8	
70	4760800	16	Lockwasher #8	
71 to 72	Not Required	0	Not Required	
73	4420037	13.75 ft/4.1m	Tape, Insulation	
74	4460071	1	Connector	
75	3300048	1	Nut, Conduit	
76	0960238	1	Bushing	
77	1702402	1	Decal, Console Box	

SECTION 4 - PLATFORM

FIGURE 4-7. OPTIONAL COMMON PLATFORM MOUNTED COMPONENTS



SECTION 4 - PLATFORM

FIGURE 4-7. OPTIONAL COMMON PLATFORM MOUNTED COMPONENTS

ITEM	PART NUMBER	QTY	DESCRIPTION	REV
	0252054	Ref	CONSOLE BOX COVER INSTALLATION (BLACK)	2
	0251203	Ref	CONSOLE BOX COVER INSTALLATION (YELLOW)	2
1		Ref	Cover Options:	
1	1670607	1	Black	
1	1670526	1	Yellow	
2	3941406	4	Self-Tapping Screw 1/4in-20NC	
3	4751400	4	Flatwasher 1/4in	
	0238942	Ref	CONSOLE BOX COVER INSTALLATION (NOT SHOWN)	-
	1670474	1	Cover	
	3380364	1	Panel, Rear	
	3941003	2	Self-Tapping Screw #10 x 3/4in	
	4761000	2	Lockwasher #10	
	4280265	1	Strip, Retainer	
		Ref	BEACON LIGHT INSTALLATION OPTIONS: (PRIOR TO SEPTEMBER 1991)	
	0238866	Ref	AMBER	-
	0238867	Ref	RED	-
51		Ref	Beacon Options:	
51	2920018	1	Amber	
51	2920009	1	Red	
52	0901449	1	Bracket, Mounting	
53	0641406	2	Bolt 1/4in-20NC x 3/4in	
54	4761400	2	Lockwasher 1/4in	
55	3311401	2	Nut 1/4in-20NC	
		Ref	BEACON LIGHT INSTALLATION OPTIONS: (SEPTEMBER 1991 TO PRESENT)	
	0252210	Ref	AMBER	3
	0252211	Ref	RED	3
101		Ref	Beacon Options:	
101	2920018	1	Amber	
101	2920009	1	Red	
102	3520034	1	Plug, Hole 5/16in (Not Shown)	
105	2540016	1	Grommet (Not Shown)	
	0238966	Ref	FLOODLIGHT (PRIOR TO NOVEMBER 1992)	A
151	2920013	2	Floodlight	
	0253987	Ref	PLATFORM WORKLIGHT (NOVEMBER 1992 TO PRESENT)	4
151	2920111	2	Halogen Light	
152	3536089	2	Bracket, Mounting	
153	0641414	4	Bolt 1/4in-20NC x 1 3/4in	
154	3311405	4	Locknut 1/4in-20NC	
155	4711400	4	Flatwasher 1/4in	
	0251024	Ref	PLATFORM BUMPERS INSTALLATION	C
201	3510261	1	Weldment, Platform	
202	4360215	4	Switch, Proximity	
203	0940038	AR	Padding, Bumper	
204	3911012	8	Screw, Round Head #10-24NC x 3/4in	
205	4751000	8	Flatwasher #10	
206	4761000	8	Lockwasher #10	
207	3311001	8	Nut #10-24	
208	4260018	12	Strip, Tie	

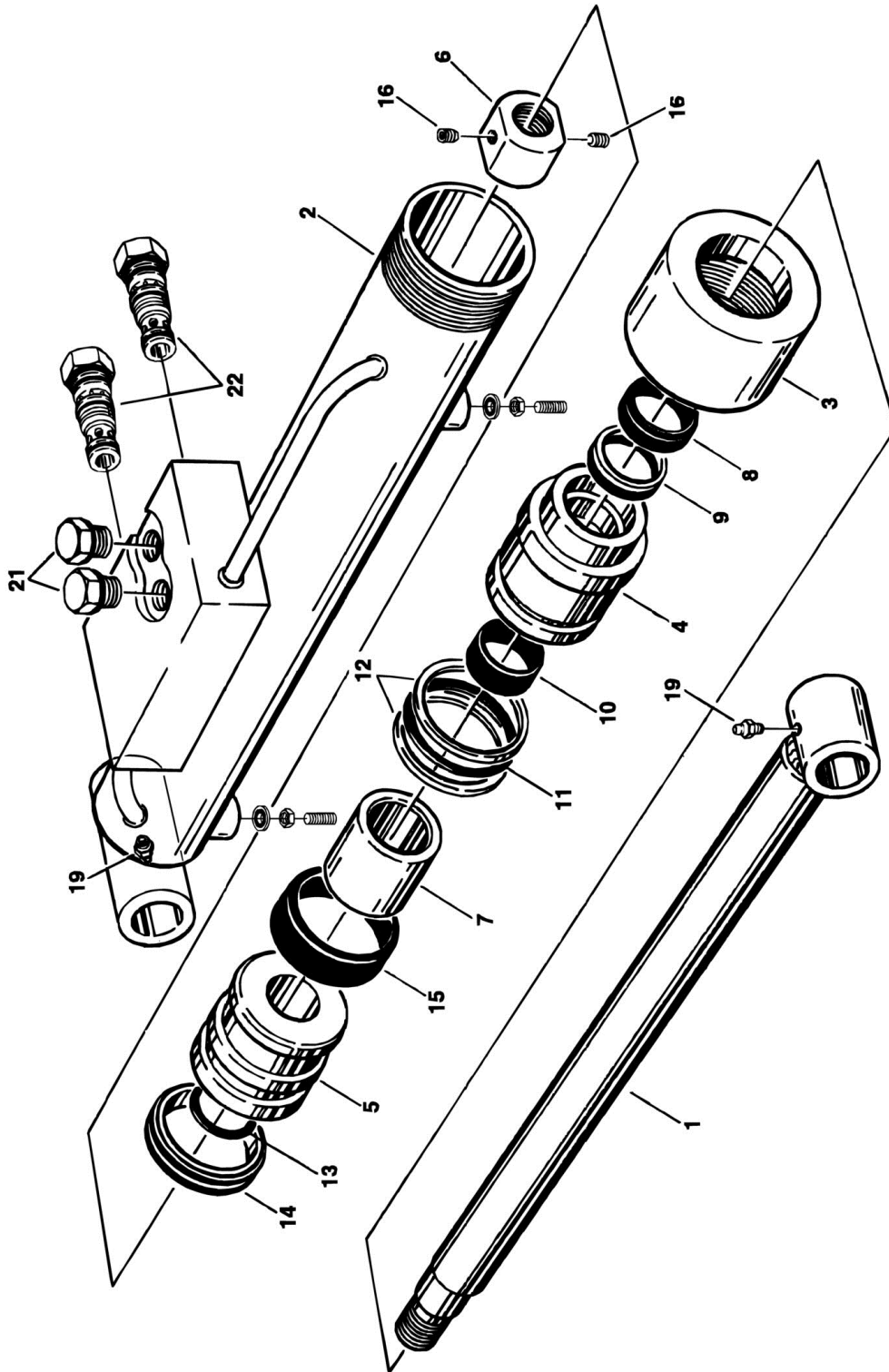
SECTION 4 - PLATFORM

ITEM	PART NUMBER	QTY	DESCRIPTION	REV
210	2540016	9	Grommet (Not Shown)	A
211	3251516	1	Tag - Override	
212	4360274	1	Switch, Push Button (Override)	
213	3740049	1	Relay (Not Shown)	
214	4460521	4	Strain Relief	
	0250143	Ref	SELF-CLOSING GATE INSTALLATION (OPTIONAL)	
251	0900232	1	Bracket (Door Attach)	
251	4160028	1	Spring	
251	0901056	1	Bracket (Platform Attach)	
251	4220007	1	Stop, Door	

SECTION 5 - CYLINDER

SECTION 5 - CYLINDER

FIGURE 5-1. AXLE LOCKOUT CYLINDER ASSEMBLY



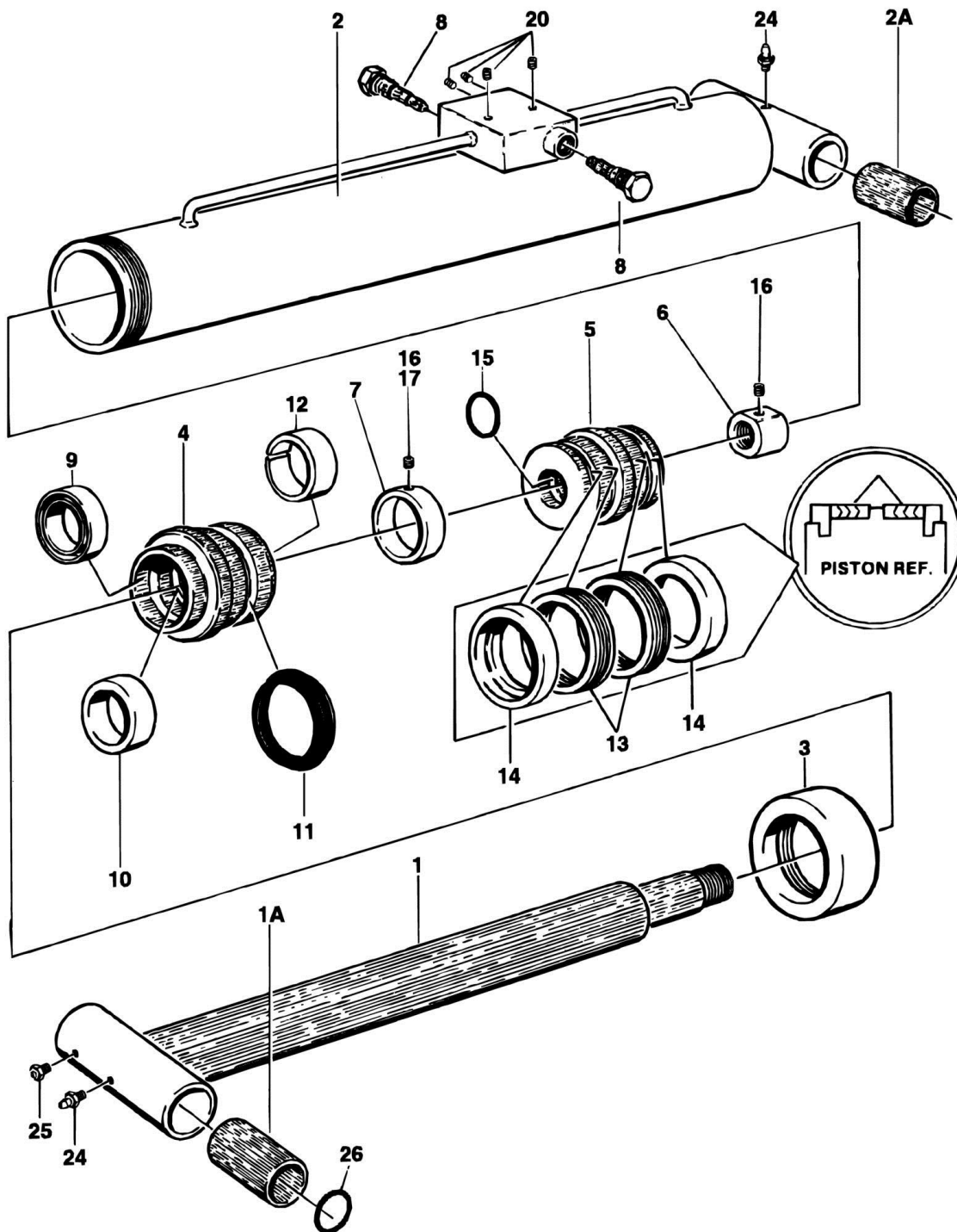
SECTION 5 - CYLINDER

FIGURE 5-1. AXLE LOCKOUT CYLINDER ASSEMBLY

ITEM	PART NUMBER	QTY	DESCRIPTION	REV
	1682406	Ref	AXLE LOCKOUT CYLINDER ASSEMBLY	C
1	1681787	1	Rod Weldment	
2	1682407	1	Barrel Weldment	
3	1120179	1	Retainer	
4	1680892	1	Head	
5	3480120	1	Piston	
6	3300273	1	Nut 3/4in-16NC	
7	4563647	1	Tube, Spacer	
8	Kit	1	Seal, Wiper	
9	Kit	1	Seal, Rod	
10	Kit	1	Ring, Wear	
11	Kit	1	O-Ring	
12	Kit	1	Ring, Back-up	
13	Kit	1	O-Ring	
14	Kit	1	Seal, Piston	
15	Kit	1	Ring, Wear	
16	3900170	1	Set Screw 3/8in-16NC x 3/8in	
17	0100011	AR	Loctite (Not Shown)	
18	3900175	2	Set Screw 1/4in-28NF x 3/4in	
19	2160002	2	Fitting, Grease	
21		Ref	Plug Options:	
21	2220237	2	Plug (Prior to January 1992)	
21	2220885	2	Plug (January 1992 to Present)	
22	4640438	2	Cartridge, Check Valve	
23	3960416	2	Thread Seal	
24	3321401	2	Nut 1/4in-28NF	
25	0100035	AR	Thread Locking Compound (Not Shown)	
26	0100038	AR	Thread Locking Primer (Not Shown)	
	2900381	1	Seal Kit (Includes Items 8-15)	

SECTION 5 - CYLINDER

FIGURE 5-2. PLATFORM LEVEL CYLINDER ASSEMBLY



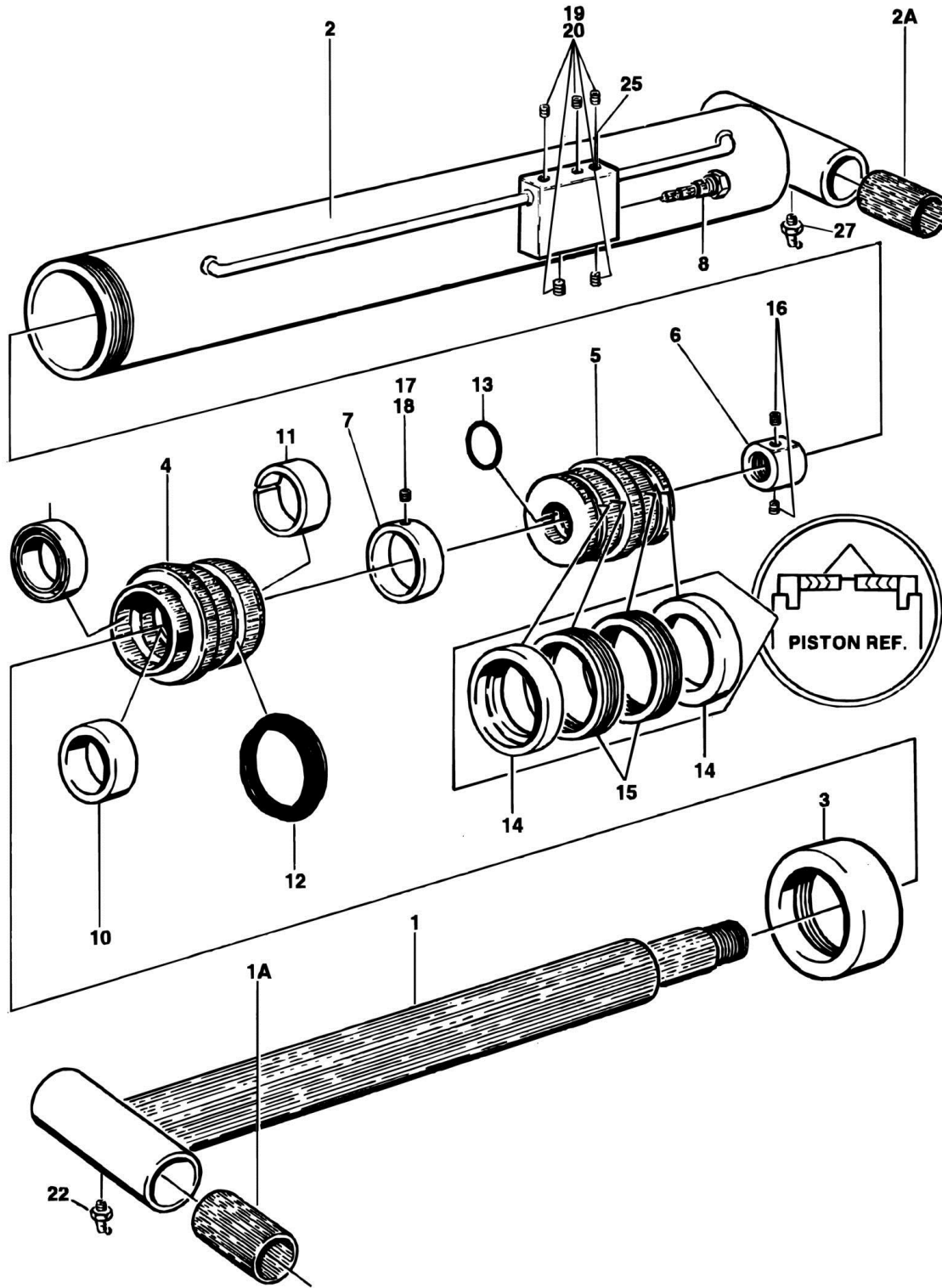
SECTION 5 - CYLINDER

FIGURE 5-2. PLATFORM LEVEL CYLINDER ASSEMBLY

ITEM	PART NUMBER	QTY	DESCRIPTION	REV
	1682178	Ref	PLATFORM LEVEL CYLINDER ASSEMBLY (STANDARD PLATFORM)	C
	1682057	Ref	PLATFORM LEVEL CYLINDER ASSEMBLY (LOW MOUNT PLATFORM) (PRIOR TO JANUARY 1991)	RLC
	1682178	Ref	PLATFORM LEVEL CYLINDER ASSEMBLY (LOW MOUNT PLATFORM) (JANUARY 1991 TO PRESENT)	C
1		Ref	Rod Weldment Options:	
1	1682177	1	1682178 Cylinder	
1	1682060	1	1682057 Cylinder	
1A	0961254	2	Bushing, Garmax	
2		Ref	Barrel Weldment	
2	1681869	1	1682178 Cylinder	
2	1682058	1	1682057 Cylinder	
2A	0960613	2	Bushing, Garmax	
3	1120336	1	Cap	
4	1681847	1	Head	
5		Ref	Piston Options:	
5	3480141	1	1682178 Cylinder	
5	3480130	1	1682057 Cylinder	
6		Ref	Nut Options:	
6	3300284	1	1682178 Cylinder	
6	3300271	1	1682057 Cylinder	
7	4563771	1	Spacer	
8	4640509	1	Cartridge, Valve	
8	2900792	1	Seal Kit - 4640509 Valve	
9	Kit	1	Wiper	
10	Kit	1	Seal, Rod	
11	Kit	1	Seal	
12	Kit	1	Ring, Wear	
13	Kit	2	Seal	
14	Kit	2	Ring, Lock	
15	Kit	1	O-Ring	
16	3900173	1	Set Screw 3/8in-16NC x 3/8in	
17	3900141	1	Set Screw 1/4in-20NC x 3/8in	
18	0100011	AR	Loctite #242 (Not Shown)	
19	2200202	2	Plug	
20	2200201	4	Plug	
21	0100020	AR	Loctite (Not Shown)	
22	0100038	AR	Primer, Locking (Not Shown)	
23	0100035	AR	Thread Locking Compound (Not Shown)	
24	2160002	2	Fitting, Grease	
25	4640812	1	Valve, Relief (Low Mount Platform Only)	
26	3780183	2	O-Ring	
	2901103	1	Seal Kit (Includes Items 9-15)	

SECTION 5 - CYLINDER

FIGURE 5-3. LIFT (BOOM) CYLINDER ASSEMBLY



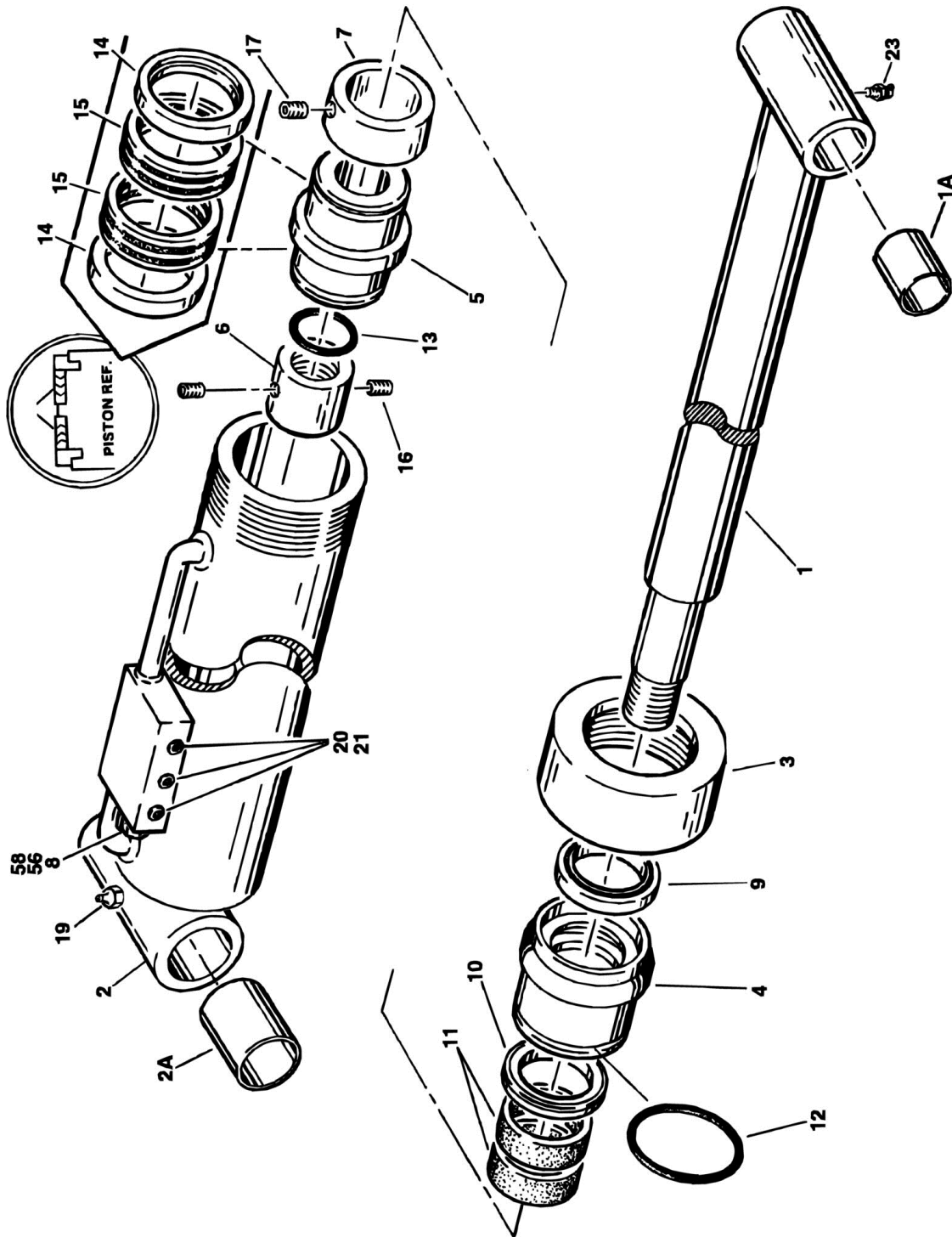
SECTION 5 - CYLINDER

FIGURE 5-3. LIFT (BOOM) CYLINDER ASSEMBLY

ITEM	PART NUMBER	QTY	DESCRIPTION	REV
	1681840	Ref	LIFT CYLINDER ASSEMBLY	10
1	1681841	1	Rod Weldment	
1A	0960946	2	Bushing, Garmax	
2	1681844	1	Barrel Weldment	
2A	0960946	2	Bushing, Garmax	
3	1120340	1	Cap	
4	1681843	1	Head	
5	3480102	1	Piston	
6	3300281	1	Nut	
7	4563769	1	Spacer	
8	4640634	1	Valve, Holding	
9	Kit	1	Wiper	
10	Kit	1	Seal, Rod	
11	Kit	1	Seal	
12	Kit	1	Ring, Wear	
13	Kit	1	O-Ring	
14	Kit	2	Ring, Guidelock	
15	Kit	2	Seal	
16	3900170	1	Set Screw 3/8in-16NC x 3/8in	
17	3900141	1	Set Screw 1/4in-20NC x 3/8in	
18	0100011	AR	Loctite #242 (Not Shown)	
19	2200222	1	Plug	
20	2200233	4	Plug	
21	0100020	AR	Loctite (Not Shown)	
22	2160001	1	Fitting, Grease	
23	0100035	AR	Thread Locking Compound (Not Shown)	
24	0100038	AR	Primer, Locking (Not Shown)	
25	2180380	1	Plug, Orifice Fitting	
26	0900019	AR	Loctite (Not Shown)	
27	2160003	1	Fitting, Grease	
	2901102	1	Seal Kit (Includes Items 9-15)	

SECTION 5 - CYLINDER

FIGURE 5-4. ARTICULATE CYLINDER ASSEMBLY



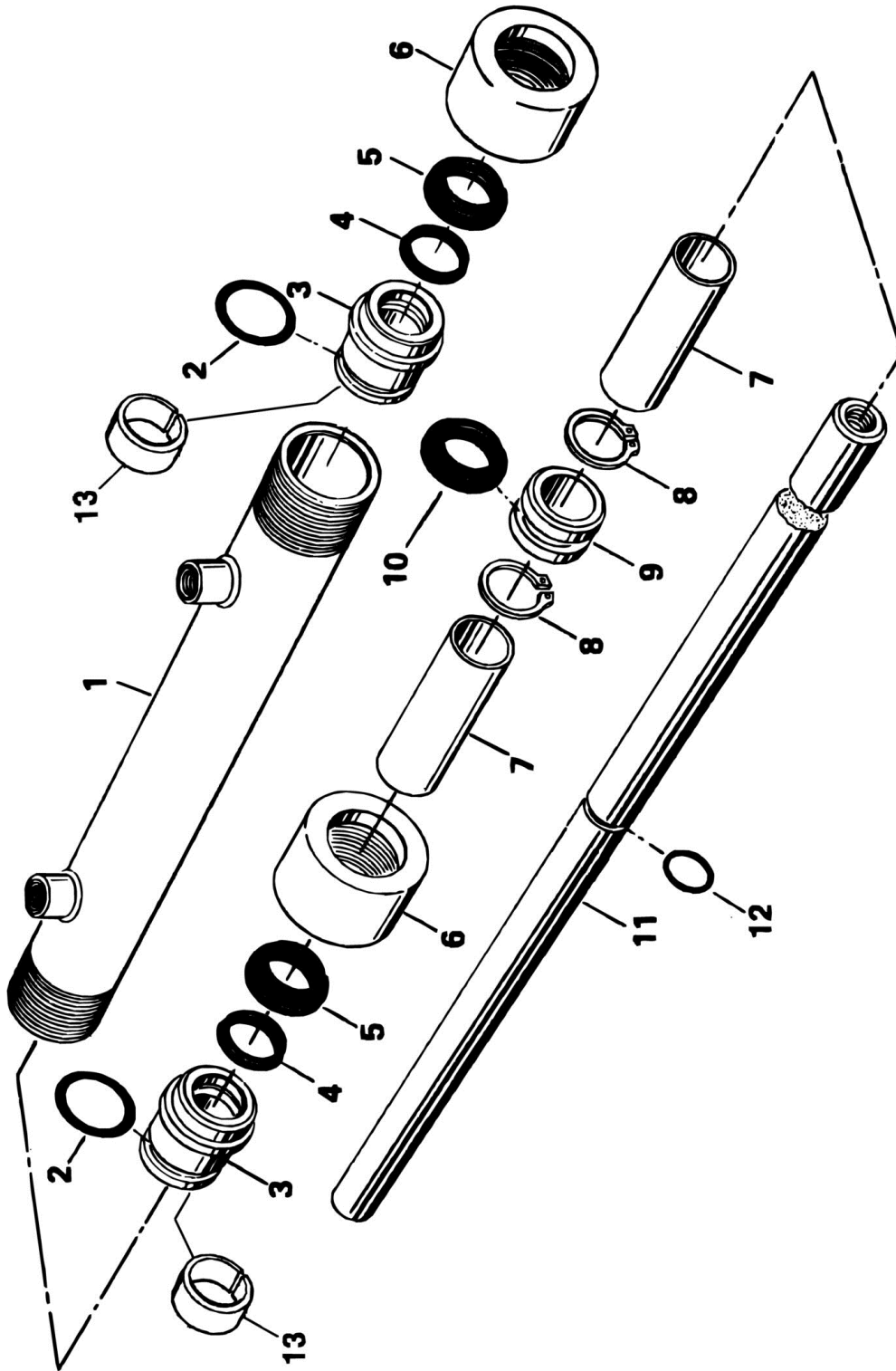
SECTION 5 - CYLINDER

FIGURE 5-4. ARTICULATE CYLINDER ASSEMBLY

ITEM	PART NUMBER	QTY	DESCRIPTION	REV
	1681780	Ref	ARTICULATE CYLINDER ASSEMBLY	6
1	1681781	1	Barrel Weldment	
1A	0960613	2	Bushing, Bronze	
2	1681783	1	Rod Weldment	
2A	0960613	2	Bushing, Bronze	
3	1120286	1	Cap	
4	1681294	1	Head	
5	3480102	1	Piston	
6	3300281	1	Nut	
7	4563644	1	Spacer	
8		Ref	Valve, Holding Options:	
8	4640452	1	Valve, Holding (Prior to September 1994)	
8	4640746	1	Valve, Holding (September 1994 to SN 28849)	
8	4640634	1	Valve, Holding (SN 28850 to Present)	
9	Kit	1	Wiper	
10	Kit	1	Seal, Rod	
11	Kit	1	Ring, Wear	
12	Kit	1	O-Ring	
13	Kit	1	O-Ring	
14	Kit	2	Ring, Guide Lock	
15	Kit	2	Seal	
16	3900170	1	Set Screw 3/8in-16NC x 3/8in	
17	3900141	1	Set Screw 1/4in-20NC x 3/8in	
18	0100011	AR	Loctite #242 (Not Shown)	
19	2160003	1	Fitting, Grease	
20	2200202	3	Plug	
21	2180380	1	Plug, Orifice Fitting	
22	0100020	AR	Loctite (Not Shown)	
23	2160001	1	Fitting, Grease	
25	0100038	AR	Primer, Locking (Not Shown)	
26	0100035	AR	Thread Locking Compound (Not Shown)	
	2900240	1	Seal Kit (Includes Items 9-15) (Prior to SN 43528)	
	2900340	1	Seal Kit (Includes Items 9-15) (SN 43528 to Present)	
		Ref	MANUAL DESCENT INSTALLATIONS	
	0251369	Ref	Gas and Diesel	B
	0252278	Ref	Electric	-
56	4640709	1	Valve, Counter Balance	
56	2900770	1	Seal Kit	
58	1692958	1	Knob	

SECTION 5 - CYLINDER

FIGURE 5-5. STEER CYLINDER ASSEMBLY - 2WD - DOUBLE ROD



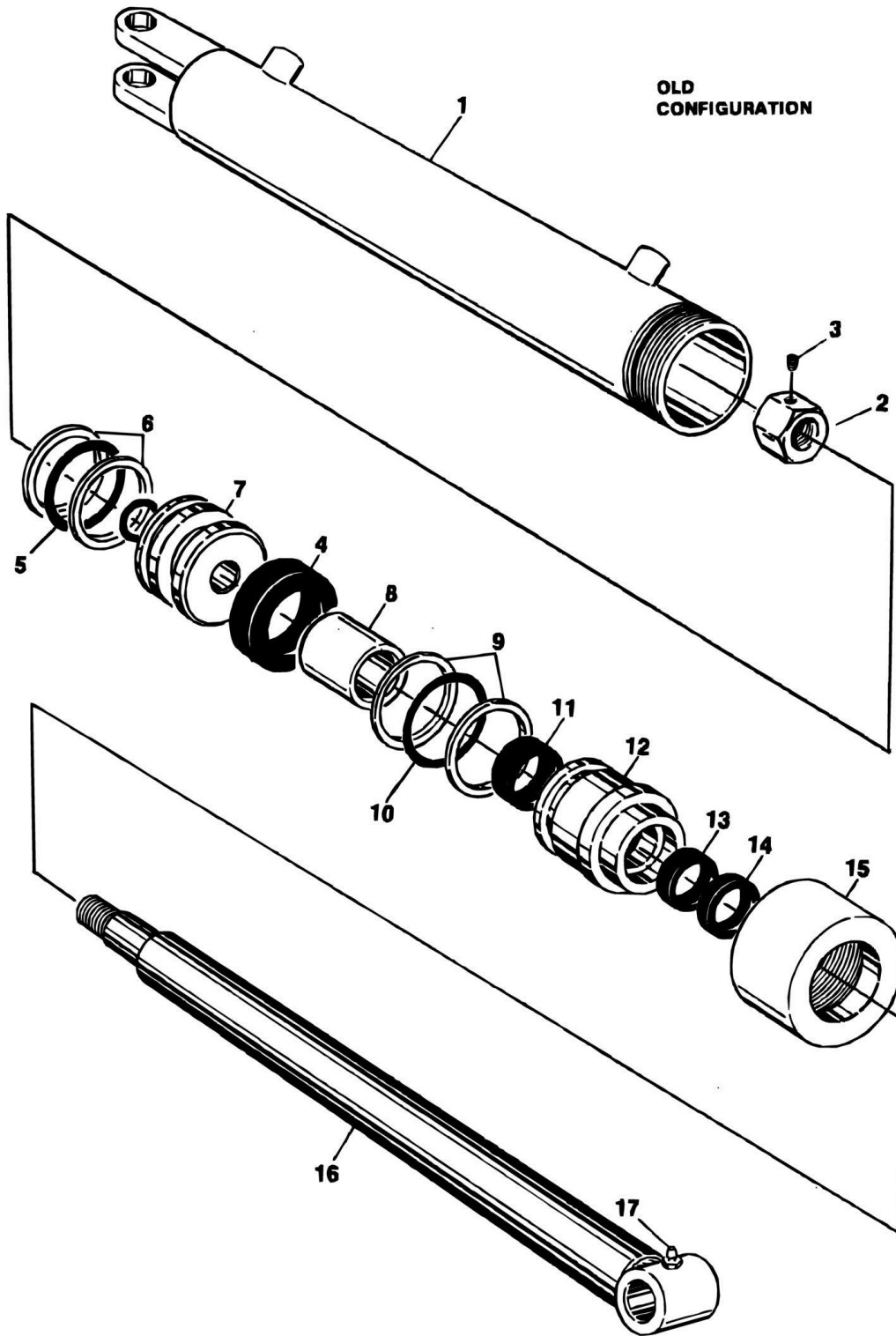
SECTION 5 - CYLINDER

FIGURE 5-5. STEER CYLINDER ASSEMBLY - 2WD - DOUBLE ROD

ITEM	PART NUMBER	QTY	DESCRIPTION	REV
	1681814	Ref	STEER CYLINDER ASSEMBLY (Prior to SN 31941)	A
1	1680654	1	Barrel Weldment	
2	Kit	2	O-Ring	
3	1120229	2	Head	
4	Kit	2	Seal	
5	Kit	2	Seal, Wiper	
6	1120228	2	Head, Retainer	
7	4563681	2	Spacer, Tube	
8	3760141	2	Ring, Retaining	
9	3480098	1	Piston	
10	Kit	1	T-Seal	
11	3840561	1	Rod	
12	Kit	1	O-Ring	
13	Not Required	0	Not Required	
14	0100011	AR	Loctite (Not Shown)	
	2900099	1	Seal Kit (Includes Items 2, 4, 5, 10 & 12)	
	1683511	Ref	STEER CYLINDER ASSEMBLY (SN 31941 to Present)	2
1	1680654	1	Barrel Weldment	
2	Kit	2	O-Ring	
3	1682364	2	Head	
4	Kit	2	Seal	
5	Kit	2	Seal, Wiper	
6	1120387	2	Head, Retainer	
7	4563681	2	Spacer, Tube	
8	3760141	2	Ring, Retaining	
9	3480098	1	Piston	
10	Kit	1	T-Seal	
11	3840561	1	Rod	
12	Kit	1	O-Ring	
13	Kit	2	Ring, Wear	
14	0100011	AR	Loctite (Not Shown)	
	2901178	1	Seal Kit (Includes Items 2, 4, 5, 10, 12 & 13)	

SECTION 5 - CYLINDER

FIGURE 5-6. STEER CYLINDER ASSEMBLY - 2WD - SINGLE ROD



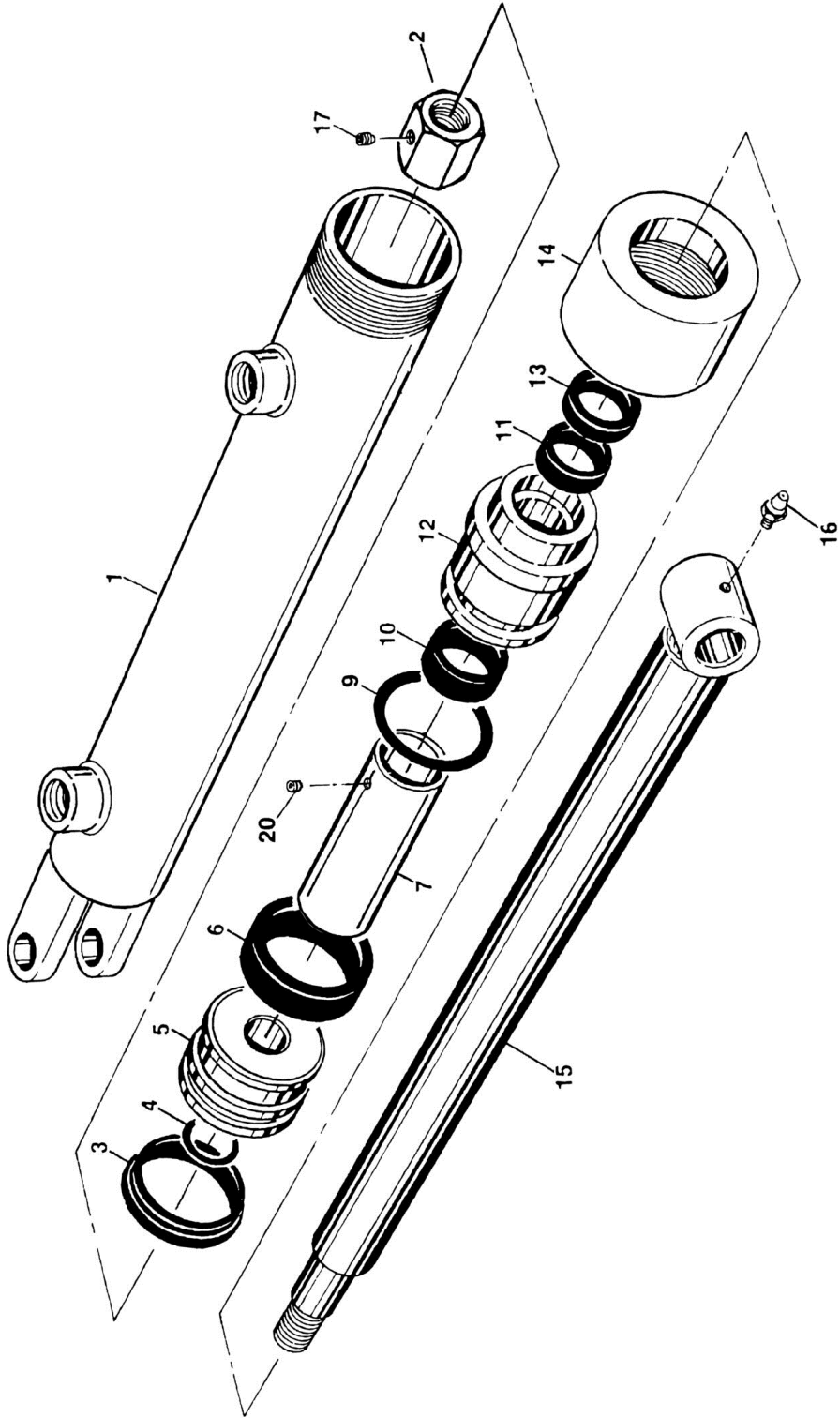
SECTION 5 - CYLINDER

FIGURE 5-6. STEER CYLINDER ASSEMBLY - 2WD - SINGLE ROD

ITEM	PART NUMBER	QTY	DESCRIPTION	REV
	1682020	Ref	STEER CYLINDER ASSEMBLY	C
1	1682084	1	Barrel Weldment	
2	3300273	1	Nut, Hex	
3	3900170	2	Set Screw 3/8in-16NC x 3/8in	
4	Kit	2	Ring, Wear	
5	Kit	1	T-Seal	
6	Kit	1	O-Ring	
7	3480120	1	Piston	
8	4564134	2	Spacer, Tube	
9	3760176	1	Ring	
10	Kit	1	O-Ring	
11	Kit	1	Ring, Wear	
12	1680892	1	Head	
13	Kit	1	Seal, Rod	
14	Kit	1	Wiper, Rod	
15	1120179	1	Head, Retainer	
16	1680739	1	Rod	
17	2160002	1	Fitting, Grease	
18	0100011	AR	Loctite #242 (Not Shown)	
19	0100038	AR	Loctite #222 (Not Shown)	
	2901119	1	Seal Kit (Includes Items 4, 5, 6, 9, 10, 11, 13 & 14)	

SECTION 5 - CYLINDER

FIGURE 5-7. STEER CYLINDER ASSEMBLY - 4WD



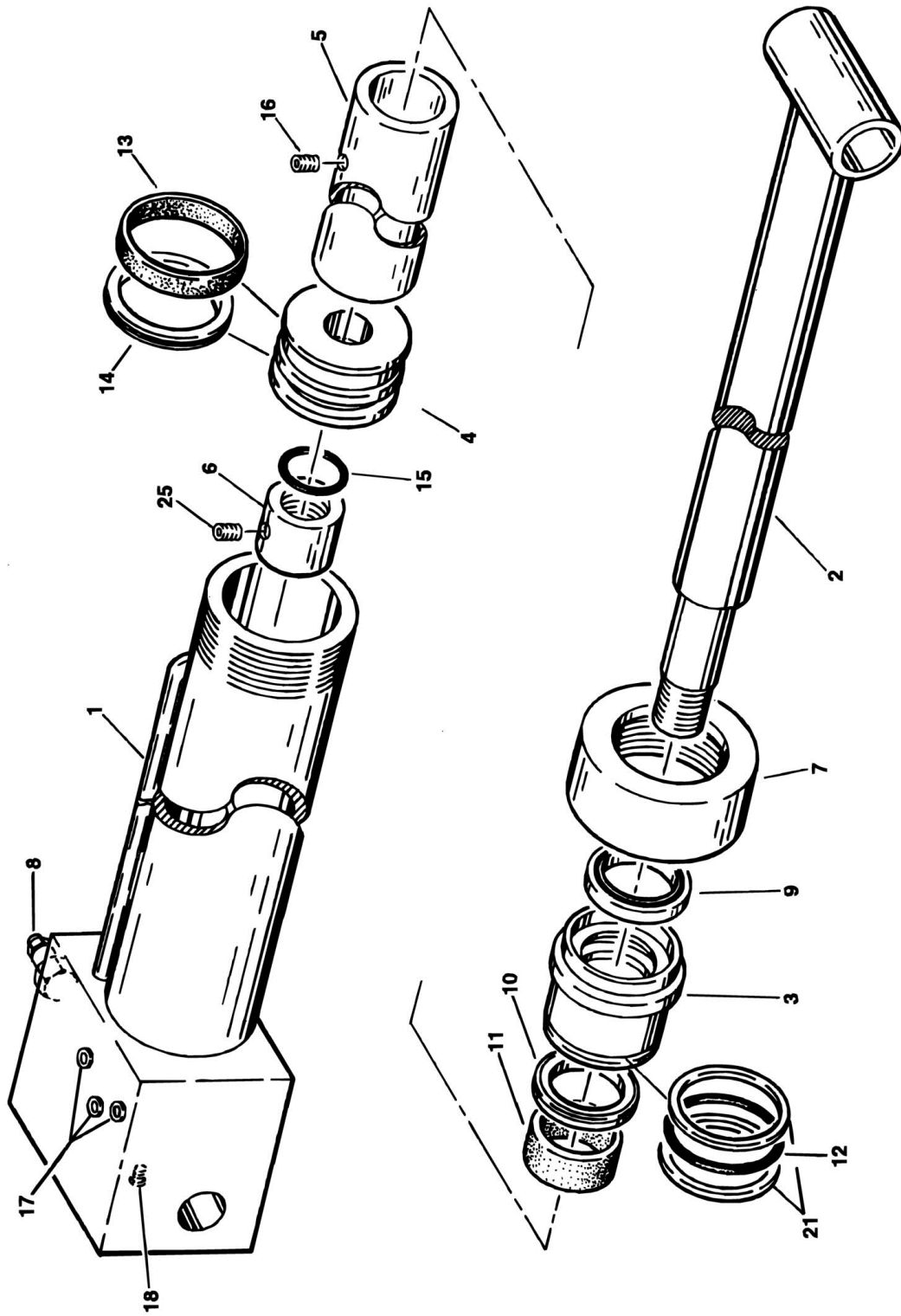
SECTION 5 - CYLINDER

FIGURE 5-7. STEER CYLINDER ASSEMBLY - 4WD

ITEM	PART NUMBER	QTY	DESCRIPTION	REV
	1681555	Ref	STEER CYLINDER ASSEMBLY	
1	1681413	1	Barrel Weldment	
2	3300273	1	Nut, Hex	
3	Kit	1	Seal	
4	Kit	1	O-Ring	
5	3480134	1	Piston	
6	Kit	1	Ring, Wear	
7	4562851	1	Spacer, Tube	
9	Kit	1	O-Ring	
10	Kit	1	Ring, Wear	
11	Kit	1	Seal, Rod	
12	1681344	1	Head	
13	Kit	1	Wiper, Rod	
14	1120108	1	Cap	
15	1681411	1	Rod	
16	2160002	1	Fitting, Grease	
17	3900141	1	Set Screw 1/4in-20NC x 3/8in	
18	0100011	AR	Loctite #242 (Not Shown)	
19	0100038	AR	Loctite #222 (Not Shown)	
20	3900170	1	Set Screw 3/8in-16NC x 3/8in	
	2901123	1	Seal Kit (Includes Items 3, 4, 6, 9, 10, 11 & 13)	

SECTION 5 - CYLINDER

FIGURE 5-8. TELESCOPE CYLINDER ASSEMBLY



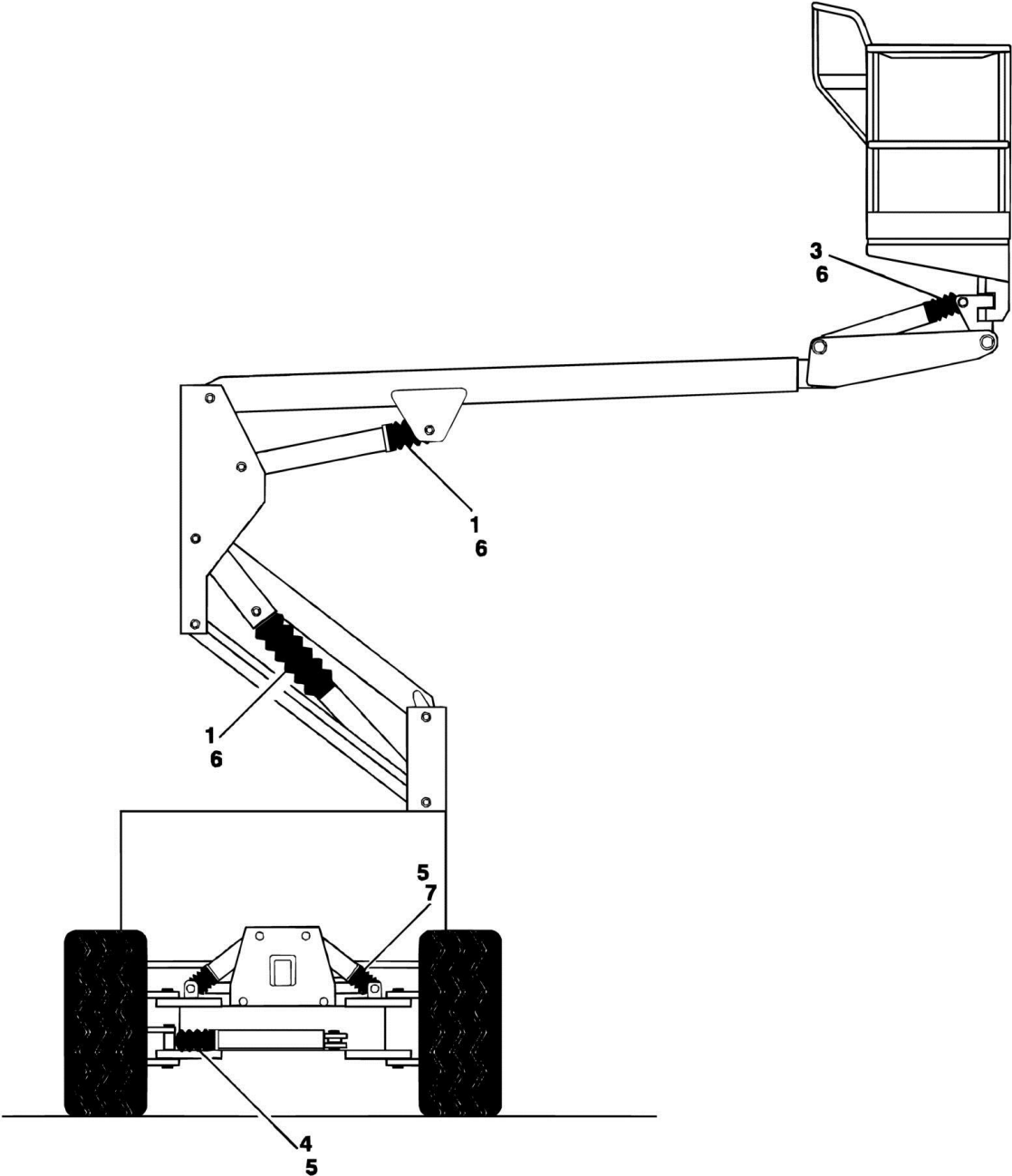
SECTION 5 - CYLINDER

FIGURE 5-8. TELESCOPE CYLINDER ASSEMBLY

ITEM	PART NUMBER	QTY	DESCRIPTION	REV
	1682179	Ref	TELESCOPE CYLINDER ASSEMBLY	B
1	1681793	1	Barrel	
2	1681712	1	Rod	
3	1681635	1	Head	
4	3480120	1	Piston	
5	4564587	1	Spacer, Tube	
6		Ref	Nut Options:	
6	3300101	1	Nut, Rod (Prior to January 1992)	
6	3300272	1	Nut, Hex (January 1992 to Present)	
7	1120179	1	Cap	
8	4640634	1	Valve, Holding	
9	Kit	1	Wiper, Rod	
10	Kit	1	Seal, Rod	
11	Kit	1	Ring, Wear	
12	Kit	1	O-Ring	
13	Kit	1	Ring, Wear	
14	Kit	1	Seal, Piston	
15	Kit	1	O-Ring	
16	3951402	1	Set Screw 1/4in-20NC x 1/4in	
17	2200202	4	Plug, Fitting	
18	2200201	1	Plug, Fitting	
19	0100020	AR	Sealant (Not Shown)	
20	0100011	AR	Loctite #242 (Not Shown)	
21	Kit	2	Ring, Back-up	
23	0100035	AR	Loctite #222 (Not Shown)	
24	0100038	AR	Primer, Locking (Not Shown)	
25	3900170	1	Set Screw 3/8in-16NC x 3/8in	
	2900381	1	Seal Kit (Includes Items 9-15 & 21)	

SECTION 5 - CYLINDER

FIGURE 5-9. CYLINDER BELLOWS INSTALLATIONS



SECTION 5 - CYLINDER

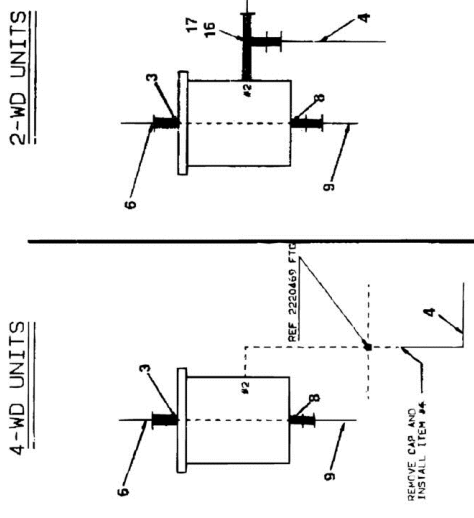
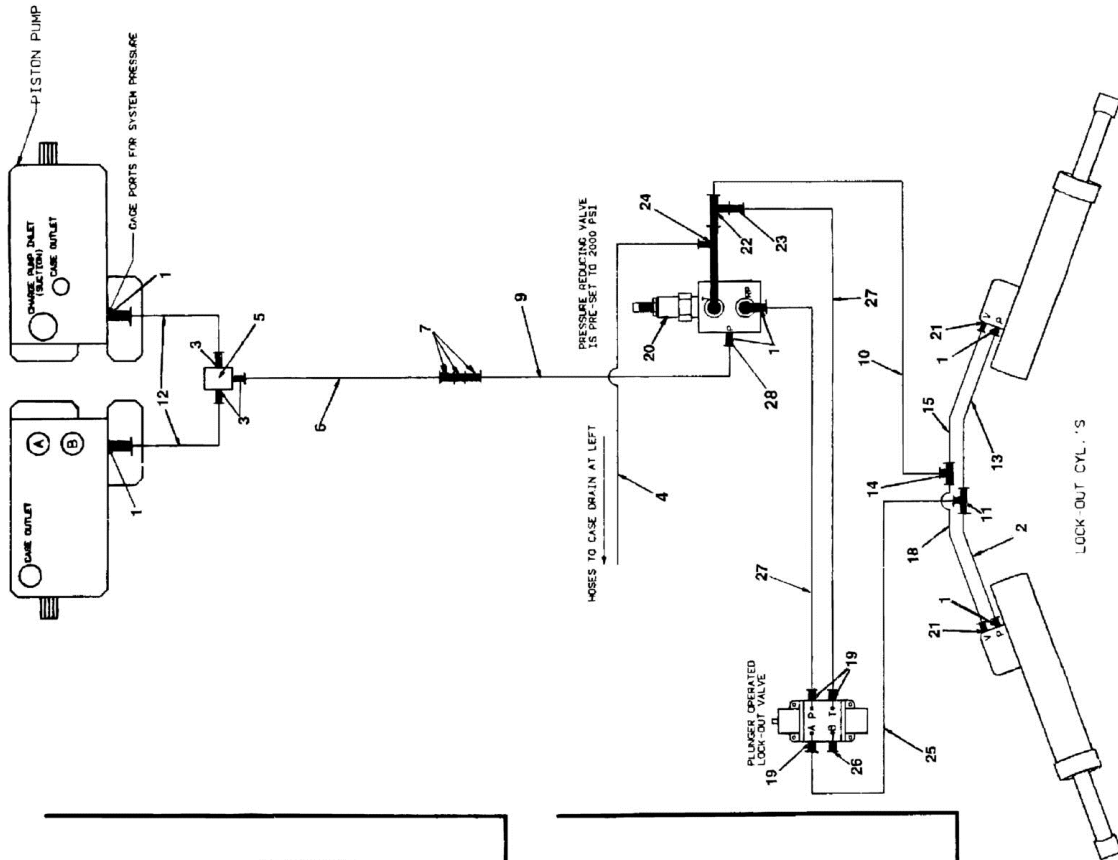
FIGURE 5-9. CYLINDER BELLOWS INSTALLATIONS

ITEM	PART NUMBER	QTY	DESCRIPTION	REV
	0250635	Ref	BELLOWS INSTALLATION - 2WD MACHINES WITH FIXED AXLE AND 2M FRAME	D
1	0460093	2	Bellows, Cylinder (Upper and Lower Lift Cylinder)	
3	0460084	1	Bellows, Cylinder (Upper Slave)	
4	0460082	2	Bellows, Cylinder (Steer)	
5	1320037	2	Clamp	
6	1320122	3	Clamp	
7	Not Required	0	Not Required	
	0250636	Ref	BELLOWS INSTALLATION - 2WD MACHINES WITH OSCILLATING AXLE AND 2M FRAME	D
1	0460093	2	Bellows, Cylinder (Upper and Lower Lift Cylinder)	
3	0460084	1	Bellows, Cylinder (Upper Slave)	
4	0460082	2	Bellows, Cylinder (Steer)	
5	1320037	4	Clamp	
6	1320122	3	Clamp	
7	0460083	2	Bellows, Cylinder (Lockout)	
	0254098	Ref	BELLOWS INSTALLATION - 2WD MACHINES WITH OSCILLATING AXLE AND 1.75M FRAME	C
1	0460093	2	Bellows, Cylinder (Upper and Lower Lift Cylinder)	
3	0460084	1	Bellows, Cylinder (Upper Slave)	
4	0460073	1	Bellows, Cylinder (Steer)	
5	1320037	2	Clamp	
6	1320122	4	Clamp	
7	0460083	2	Bellows, Cylinder (Lockout)	
	0254099	Ref	BELLOWS INSTALLATION - 2WD MACHINES WITH Fixed AXLE AND 1.75M FRAME	B
1	0460093	2	Bellows, Cylinder (Upper and Lower Lift Cylinder)	
3	0460084	1	Bellows, Cylinder (Upper Slave)	
4	0460075	1	Bellows, Cylinder (Steer)	
5	Not Required	0	Not Required	
6	1320122	4	Clamp	
7	Not Required	0	Not Required	
	0256335	Ref	BELLOWS INSTALLATION - 2WD MACHINES WITH OSCILLATING AXLE AND 1.75M FRAME	
1	0460093	2	Bellows, Cylinder (Upper and Lower Lift Cylinder)	
3	0460084	1	Bellows, Cylinder (Upper Slave)	
4	0460075	1	Bellows, Cylinder (Steer)	
5	1320037	2	Clamp	
6	1320122	4	Clamp	
7	0460083	2	Bellows, Cylinder (Lockout)	

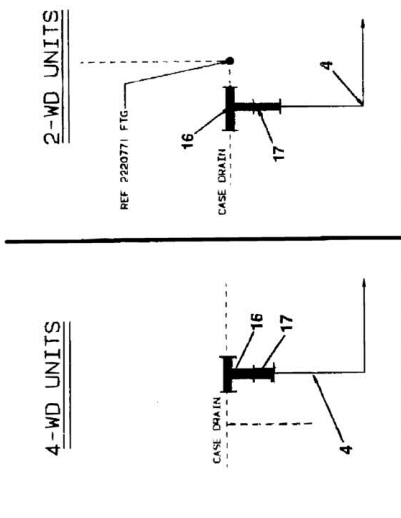
SECTION 6 - HYDRAULIC

SECTION 6 - HYDRAULIC

FIGURE 6-1. HYDRAULIC DIAGRAM - AXLE LOCKOUT



SWIVEL AREA



SECTION 6 - HYDRAULIC

FIGURE 6-1. HYDRAULIC DIAGRAM - AXLE LOCKOUT

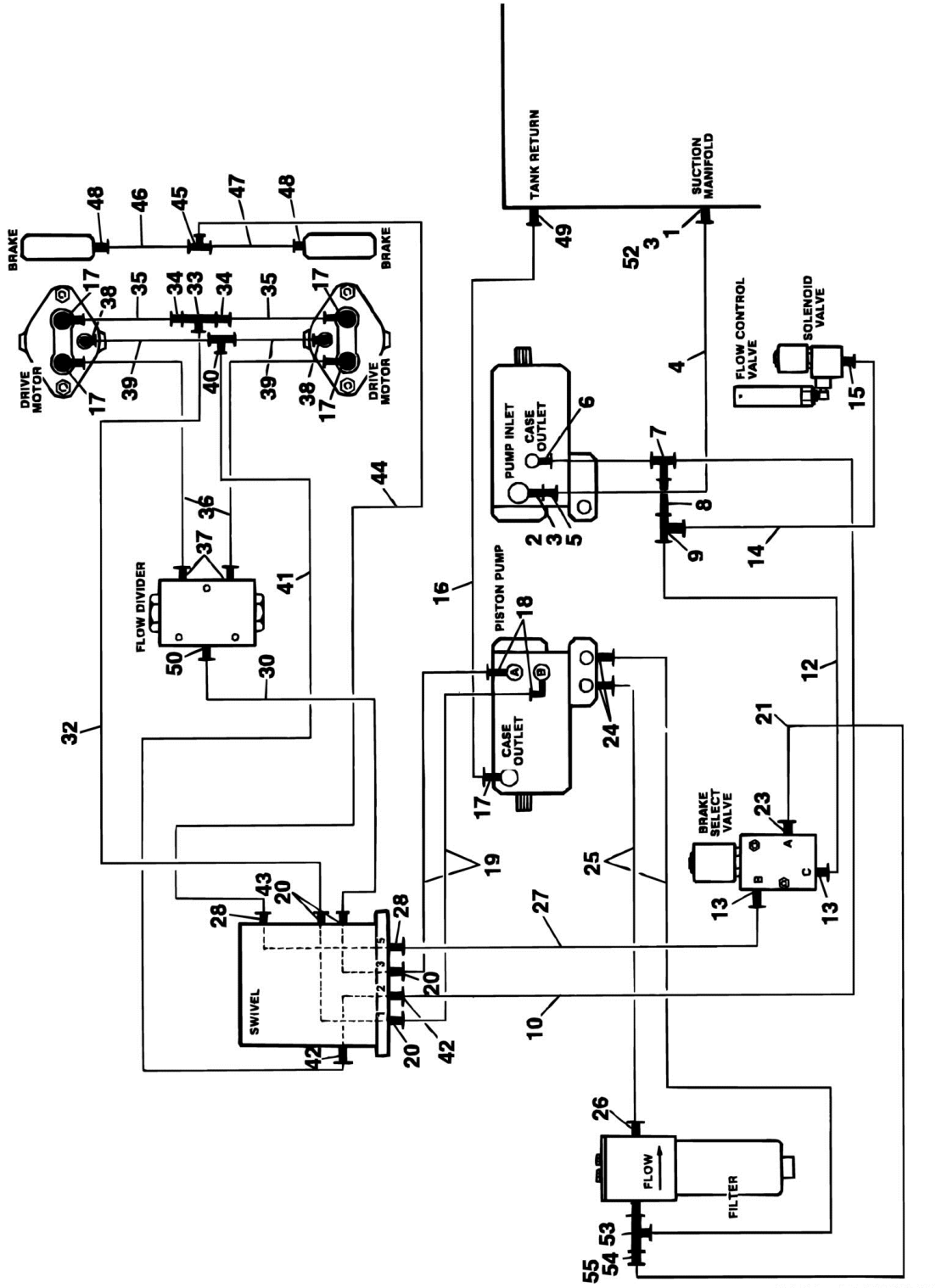
ITEM	PART NUMBER	QTY	DESCRIPTION	REV
		Ref	HYDRAULIC DIAGRAMS - AXLE LOCKOUT	
	2791818	Ref	Without Swivel	-
	2791819	Ref	With Swivel	A
1	2220582	AR	Fitting, Straight	
2		Ref	Hose Options:	
2	2751397	1	Without Swivel	
2	2751397	2	With Swivel (Prior to March 1993)	
2	2751017	2	With Swivel (March 1993 to Present)	
3	2220414	AR	Fitting, Straight	
4		Ref	Hose Options:	
4	2750779	1	Without Swivel	
4	2750779	1	With Swivel (Prior to March 1993)	
4	2750910	1	With Swivel (March 1993 to Present)	
5	4640013	1	Valve, Shuttle	
6		Ref	Hose Options:	
6	2750899	1	Without Swivel	
6	2751010	1	With Swivel	
7	2220771	1	Fitting, Swivel (Without Swivel Only)	
7	2220618	2	Fitting, Reducer (Without Swivel Only)	
8	2180125	1	Fitting, Swivel (With Swivel Only)	
8	2180651	1	Fitting, Modified (With Swivel Only)	
9	2751412	1	Hose	
10		Ref	Hose Options:	
10	2750785	1	Without Swivel	
10	2750785	1	With Swivel (Prior to March 1993)	
10	2750998	1	With Swivel (March 1993 to Present)	
11	2220504	1	Fitting, Tee	
12	2751018	2	Hose	
13		Ref	Hose Options:	
13	2750900	1	Without Swivel	
13	2751397	1	With Swivel	
14	2220490	1	Fitting, Tee	
15		Ref	Hose Options:	
15	2750917	1	Without Swivel	
15	2750910	1	With Swivel	
16		Ref	Fitting, Tee Options:	
16	2220385	1	Without Swivel	
16	2220679	1	With Swivel	
17	2220619	1	Fitting, Reducer	
18		Ref	Hose Options:	
18	2750920	AR	Without Swivel	
18	2750920	AR	With Swivel (Prior to March 1993)	
18	2750910	AR	With Swivel (March 1993 to Present)	
19	2220466	3	Fitting, 90	
21	2220371	2	Fitting, Straight	
22	2220635	1	Fitting, Tee	
23	2220609	1	Fitting, Reducer	
24	2220606	1	Fitting, Tee	
25		Ref	Hose Options:	
25	2751014	1	Without Swivel	

SECTION 6 - HYDRAULIC

ITEM	PART NUMBER	QTY	DESCRIPTION	REV
25	2751014	1	With Swivel (Prior to March 1993)	
25	2751015	1	With Swivel (March 1993 to Present)	
26	2220235	1	Plug	
27		Ref	Hose Options:	
27	2751020	2	Without Swivel	
27	2750900	2	With Swivel	
28	2220472	1	Fitting, 90 (With Swivel Only)	

SECTION 6 - HYDRAULIC

FIGURE 6-2. HYDRAULIC DIAGRAM - DRIVE (2WD)



1281306 REV. F

SECTION 6 - HYDRAULIC

FIGURE 6-2. HYDRAULIC DIAGRAM - DRIVE (2WD)

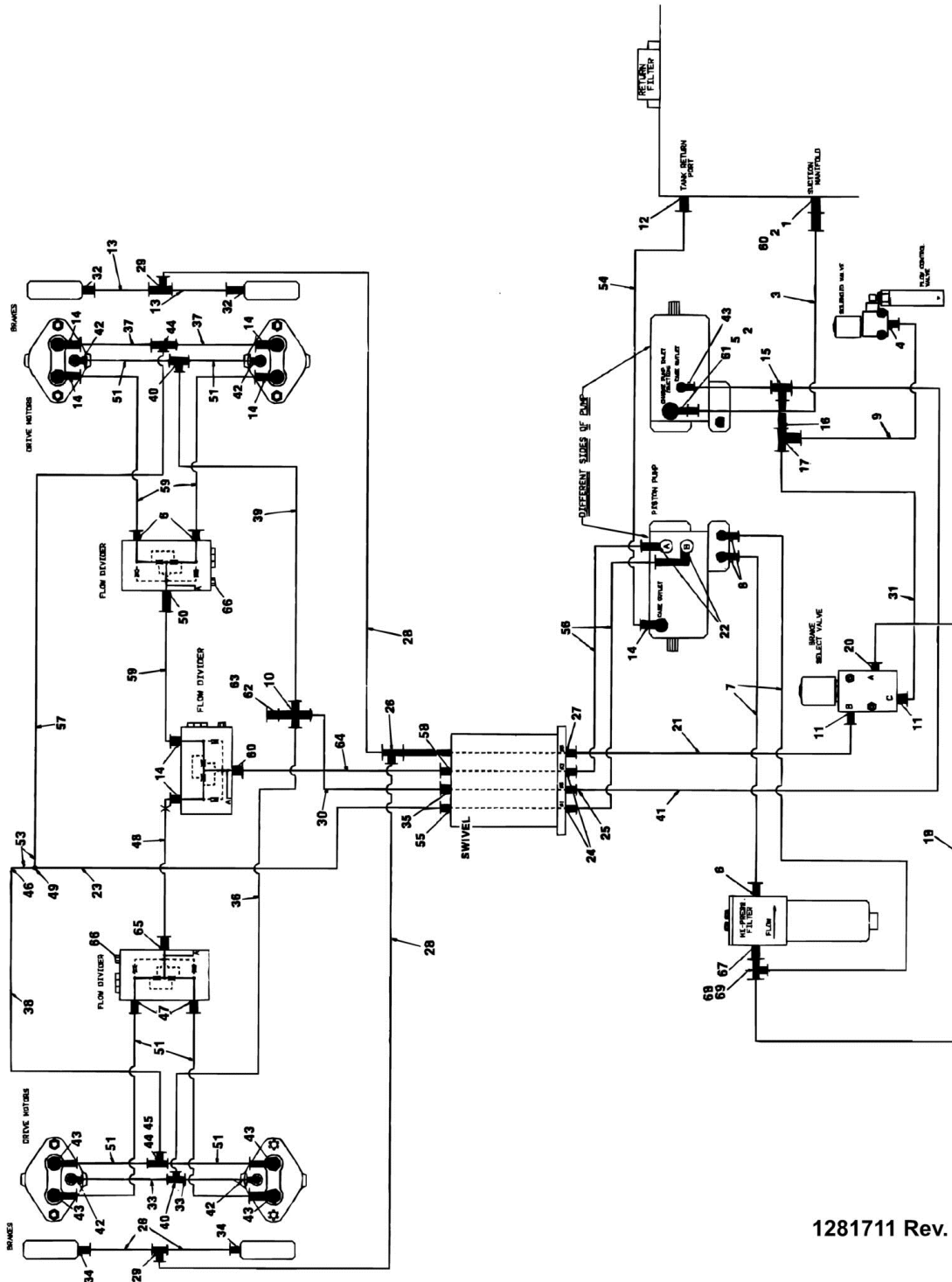
ITEM	PART NUMBER	QTY	DESCRIPTION	REV
		Ref	HYDRAULIC DIAGRAMS - DRIVE (2WD)	
	2791647	Ref	2m Frame 2WD - Deutz (With Swivel)	E
	2791689	Ref	1.75m Frame 2WD - Deutz (With Swivel)	E
	2792061	Ref	2m Frame - With 12in x 16.5in Tires (With Swivel)	-
1	2210003	1	Fitting, Barbed	
2	2220646	1	Fitting, 90	
3	1320023	4	Clamp	
4	2720353	1	Hose, Suction (Prior to March 1993)	
4	2720357	1	Hose, Suction (March 1993 to Present)	
5	2210014	1	Fitting, 90 Barbed	
6	2220375	1	Fitting, Straight	
7	2220385	1	Fitting, Tee	
8	2220618	1	Fitting, Reducer	
9	2220605	1	Fitting, Tee	
10	2750979	1	Hose	
12	2751014	1	Hose	
13	2220417	2	Fitting, Straight (Prior to March 1993)	
13	2220582	2	Fitting, Straight (March 1993 to Present)	
14	2751427	1	Hose	
15	2220468	1	Fitting, Straight	
16	2751631	1	Hose	
17	2220457	5	Fitting, Straight	
18	2220365	2	Fitting, 45	
19	2752319	2	Hose	
20	2220348	4	Fitting, Straight	
21	2751010	1	Hose	
22	2220582	1	Fitting, Straight (Prior to April 1992)	
23	2220585	1	Fitting, 90 (Prior to March 1993)	
23	2220472	1	Fitting, 90 (March 1993 to Present)	
24	2220408	2	Fitting, Straight	
25	2751614	2	Hose	
26	2220578	1	Fitting, 90	
27	2750760	1	Hose	
28	2220414	2	Fitting, Straight	
30		Ref	Hose Options:	
30	2752317	1	2m Frame 2WD	
30	2752323	1	1.75m Frame 2WD	
30	2752324	1	With 12in x 16.5 Tires	
32		Ref	Hose Options:	
32	2752320	1	2m & 1.75m Frame 2WD	
32	2752329	1	With 12in x 16.5 Tires	
33	2220363	1	Fitting, Tee	
34	2220710	2	Fitting, Reducer	
35	2752240	2	Hose	
36		Ref	Hose Options:	
36	2752241	2	2m Frame 2WD	
36	2752238	2	1.75m Frame 2WD	
37		Ref	Fitting Options:	
37	2220465	2	2m Frame 2WD - Fitting, 90 (Prior to March 1993)	
37	2220578	2	2m Frame 2WD - Fitting, 90 (March 1993 to Present)	

SECTION 6 - HYDRAULIC

ITEM	PART NUMBER	QTY	DESCRIPTION	REV
37	2220465	2	1.75m Frame 2WD - Fitting, 90 (Prior to March 1993)	
37	2220451	2	1.75m Frame 2WD - Fitting, Straight (March 1993 to Present)	
38	2220600	2	Fitting, Straight	
39		Ref	Hose Options:	
39	2750757	2	2m Frame 2WD	
39	2751490	2	1.75m Frame 2WD	
40	2220362	1	Fitting, Tee	
41	2750777	1	Hose	
42	2220345	2	Fitting, Straight	
43	2220404	2	Fitting, 90	
44	2751021	1	Hose (Prior to March 1993)	
44	2751398	1	Hose (March 1993 to Present)	
45	2220504	1	Fitting, Tee	
46		Ref	Hose Options:	
46	2751013	1	2m Frame 2WD	
46	2751427	1	1.75m Frame 2WD	
47		Ref	Hose Options:	
47	2751015	1	2m Frame 2WD	
47	2751427	1	1.75m Frame 2WD	
48	2220466	2	Fitting, 90	
49	2220493	1	Fitting, 90	
50	2220377	1	Fitting, Straight	
52	2220377	1	Fitting, Straight	
53	2220738	1	Fitting, Tee	
54	2220621	1	Fitting, Reducer	
55	2220609	1	Fitting, Reducer	

SECTION 6 - HYDRAULIC

FIGURE 6-3. HYDRAULIC DIAGRAM - DRIVE (4WD)



1281711 Rev. - B

SECTION 6 - HYDRAULIC

FIGURE 6-3. HYDRAULIC DIAGRAM - DRIVE (4WD)

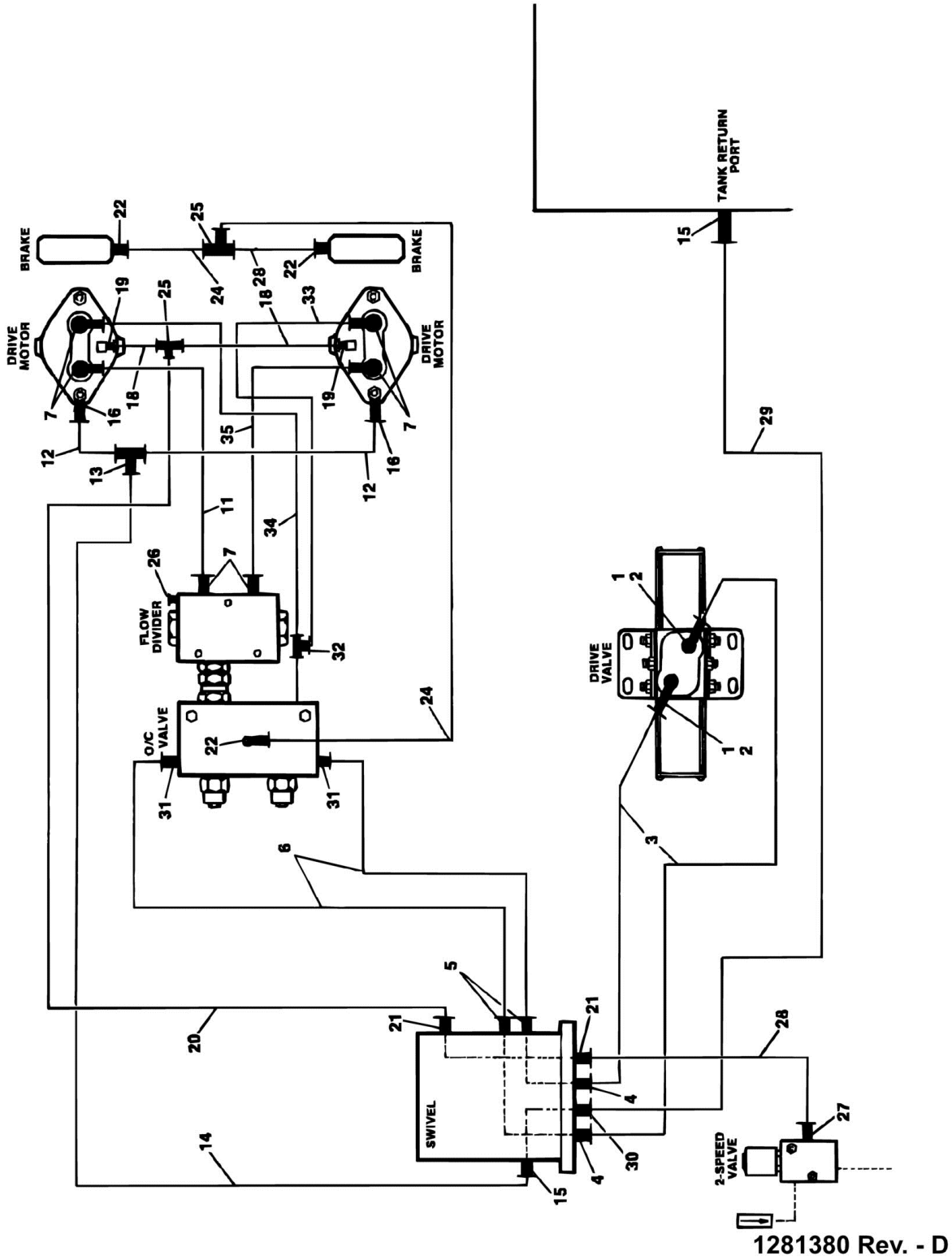
ITEM	PART NUMBER	QTY	DESCRIPTION	REV
		Ref	HYDRAULIC DIAGRAMS - DRIVE (4WD)	
	2791885	Ref	4WD - Ford and Deutz (With Swivel)	B
1	2210003	1	Fitting, Barbed	
2	1320033	4	Clamp	
3	2720357	1	Hose, Suction	
4	2220468	1	Fitting, Straight	
5	2210014	1	Fitting, 90 Barbed	
6	2220578	3	Fitting, Straight	
7	2751614	2	Hose	
8	2220408	2	Fitting, Straight	
9	2751427	1	Hose	
10	2220469	1	Fitting,	
11	2220582	2	Fitting, Straight	
12	2220493	1	Fitting, 90	
13	2751409	2	Hose	
14	2220451	7	Fitting, Straight	
15	2220385	1	Fitting, Tee	
16	2220618	1	Fitting, Reducer	
17	2220605	1	Fitting, Tee	
18	2751010	1	Hose	
20	2220472	1	Fitting, 90	
21	2750760	1	Hose	
22	2220365	2	Fitting, 45	
23	2752322	1	Hose	
24	2220348	2	Fitting, Straight	
25	2220355	1	Fitting, 45	
26	2220684	1	Fitting, Tee	
27	2220414	1	Fitting, Straight	
28	2751021	4	Hose	
29	2220504	2	Fitting, Tee	
30	2751484	1	Hose	
31	2751014	1	Hose	
32	2220466	2	Fitting, 90	
33	2750777	2	Hose	
34	2220415	2	Fitting, Straight	
35	2220345	1	Fitting, Straight	
36	2751490	1	Hose	
37	2752240	2	Hose	
38	2752249	1	Hose	
39	2750976	1	Hose	
40	2220362	2	Fitting, Tee	
41	2750979	1	Hose	
42	2220600	4	Fitting, Straight	
43	2220375	5	Fitting, Straight	
44	2220481	2	Fitting, Tee	
45	2220622	2	Fitting, Reducer	
46	2220407	1	Fitting, 90	
47	2220366	2	Fitting	
48	2752236	1	Hose	
49	2220363	1	Fitting, Tee	

SECTION 6 - HYDRAULIC

ITEM	PART NUMBER	QTY	DESCRIPTION	REV
50	2220435	1	Fitting, Straight	
51	2750757	6	Hose	
52	0100020	AR	Sealant (Not Shown)	
53	2220710	2	Fitting, Reducer	
54	2751631	1	Hose	
55	2220627	1	Fitting, Straight	
56	2752319	2	Hose	
57	2752238	1	Hose	
58	2220627	1	Fitting, 45	
59	2752239	3	Hose	
60	2220377	2	Fitting, Straight	
61	2220646	1	Fitting, 90	
62	2220619	1	Fitting, Reducer	
63	2220516	1	Cap	
64	2752323	1	Hose	
65	2220568	1	Fitting, 45	
66	2220235	2	Fitting, Plug	
67	2220738	1	Fitting, Tee	
68	2220621	1	Fitting, Reducer	
69	222-608	1	Fitting, Reducer	

SECTION 6 - HYDRAULIC

FIGURE 6-4. HYDRAULIC DIAGRAM - DRIVE (ELECTRIC)



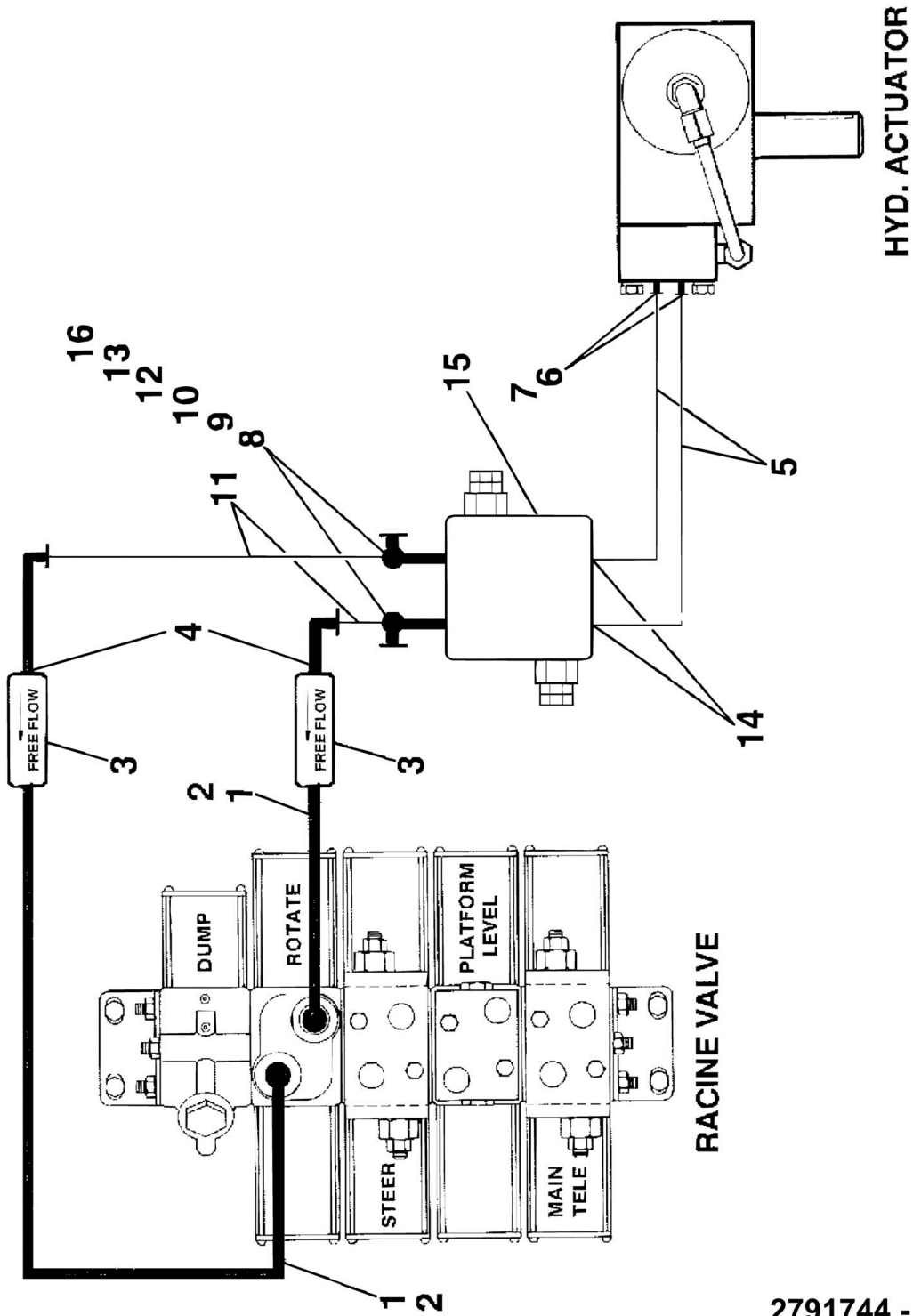
SECTION 6 - HYDRAULIC

FIGURE 6-4. HYDRAULIC DIAGRAM - DRIVE (ELECTRIC)

ITEM	PART NUMBER	QTY	DESCRIPTION	REV
		Ref	HYDRAULIC DIAGRAMS - DRIVE (ELECTRIC)	
	2791710	Ref	2m Frame (With Swivel)	F
	2791711	Ref	1.75m Frame (With Swivel)	E
1	2220593	2	Fitting, Straight	
2	2220655	2	Fitting, 90	
3	2751325	2	Hose	
4	2220347	2	Fitting, Straight	
5	2220356	2	Fitting, 45	
6	2751359	2	Hose	
7	2220451	6	Fitting, Straight	
11		Ref	Hose Options:	
11	2751359	1	2m Frame	
11	2751327	1	1.75m Frame	
12		Ref	Hose Options:	
12	2750976	2	2m Frame	
12	2751502	2	1.75m Frame	
13	2220362	1	Fitting, Tee	
14		Ref	Hose Options:	
14	2750777	1	2m Frame	
14	2750771	1	1.75m Frame	
15	2220345	2	Fitting, Straight	
16	2220596	2	Fitting	
18		Ref	Hose Options:	
18	2750882	2	2m Frame	
18	2751018	2	1.75m Frame	
19	2220415	2	Fitting, Straight	
20	2751021	1	Hose	
21	2750414	2	Fitting, Straight	
22	2220466	3	Fitting, 90	
24		Ref	Hose Options:	
24	2751013	2	2m Frame	
24	2751015	2	1.75m Frame	
25	2220504	2	Fitting, Tee	
26	2220235	1	Fitting, Plug	
27	2220585	1	Fitting, 90	
28	2750760	2	Hose	
29	2750972	1	Hose	
30	2220355	1	Fitting, 45	
31	2220578	2	Fitting, 90	
32	2220738	1	Fitting, Tee	
33		Ref	Hose Options:	
33	2750685	1	2m Frame	
33	2751353	1	1.75m Frame	
34		Ref	Hose Options:	
34	2751331	1	2m Frame	
34	2751345	1	1.75m Frame	
35		Ref	Hose Options:	
35	2751345	1	2m Frame	
35	2751359	1	1.75m Frame	

SECTION 6 - HYDRAULIC

FIGURE 6-5. HYDRAULIC DIAGRAM - ROTATOR (HYDRAULIC PISTON)



2791744 - Rev. A

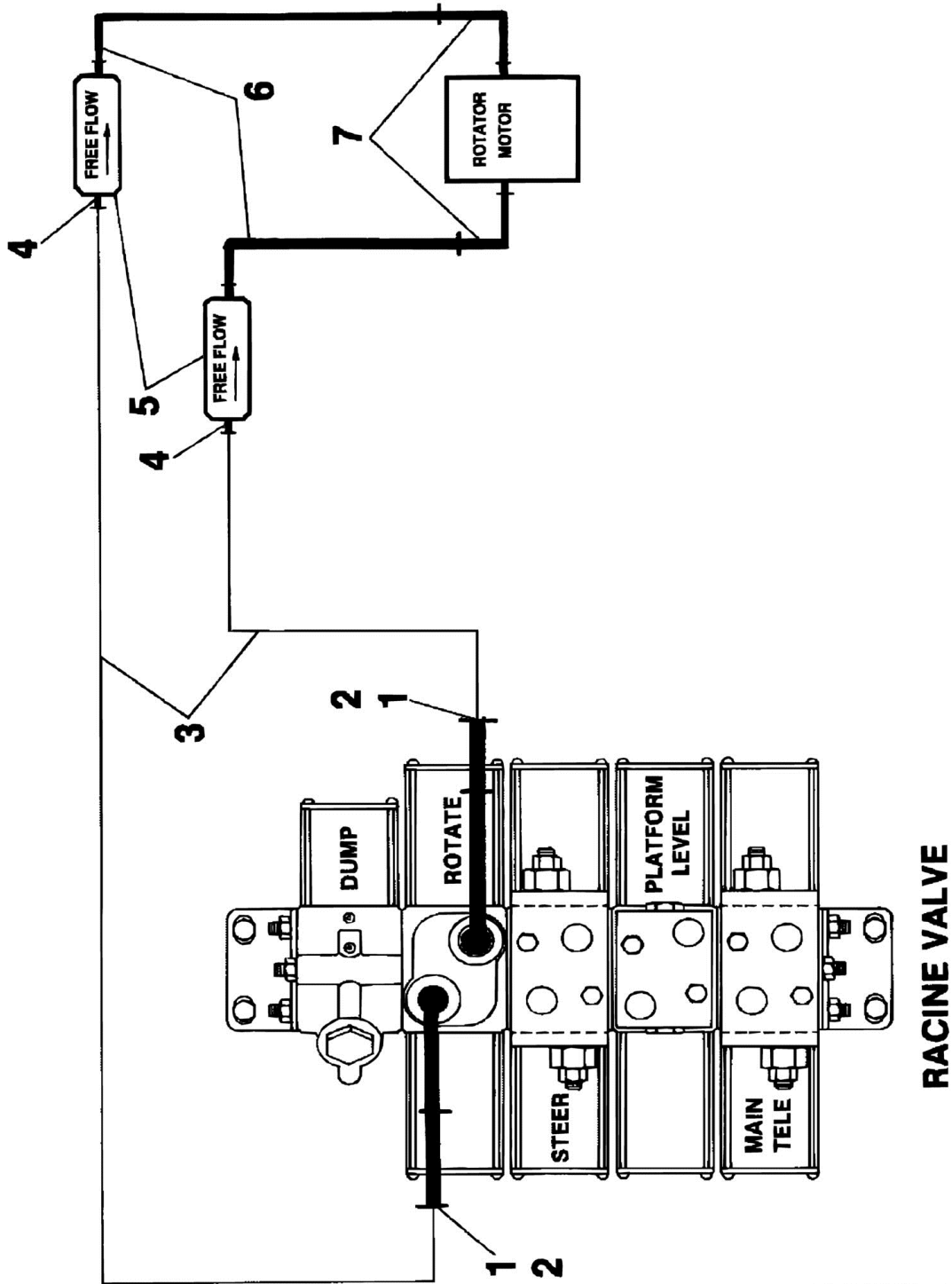
SECTION 6 - HYDRAULIC

FIGURE 6-5. HYDRAULIC DIAGRAM - ROTATOR (HYDRAULIC PISTON)

ITEM	PART NUMBER	QTY	DESCRIPTION	REV
	2791744	Ref	HYDRAULIC DIAGRAMS - ROTATOR (HYDRAULIC PISTON)	A
1	2220446	2	Fitting, Reducer	
2	2220438	2	Fitting, Nipple	
3	4640213	2	Valve, Fixed Restrictor	
4	2220416	2	Fitting, 90	
5	2751451	2	Hose	
6	2220472	2	Fitting, 90	
7	2220654	2	Fitting, 90 (Prior to September 1991)	
8	2220250	2	Fitting, Reducer	
9	2220290	2	Fitting, Tee	
10	2220414	2	Fitting, Straight	
11	2750900	2	Hose	
12	2220428	2	Fitting, Coupling	
13	2220429	2	Cap	
14	2220585	2	Fitting, 90	
15	4640035	1	Valve	
16	2220261	2	Fitting, Nipple	

SECTION 6 - HYDRAULIC

FIGURE 6-6. HYDRAULIC DIAGRAM - ROTATOR (WORM GEAR)



2791620 - Rev. C

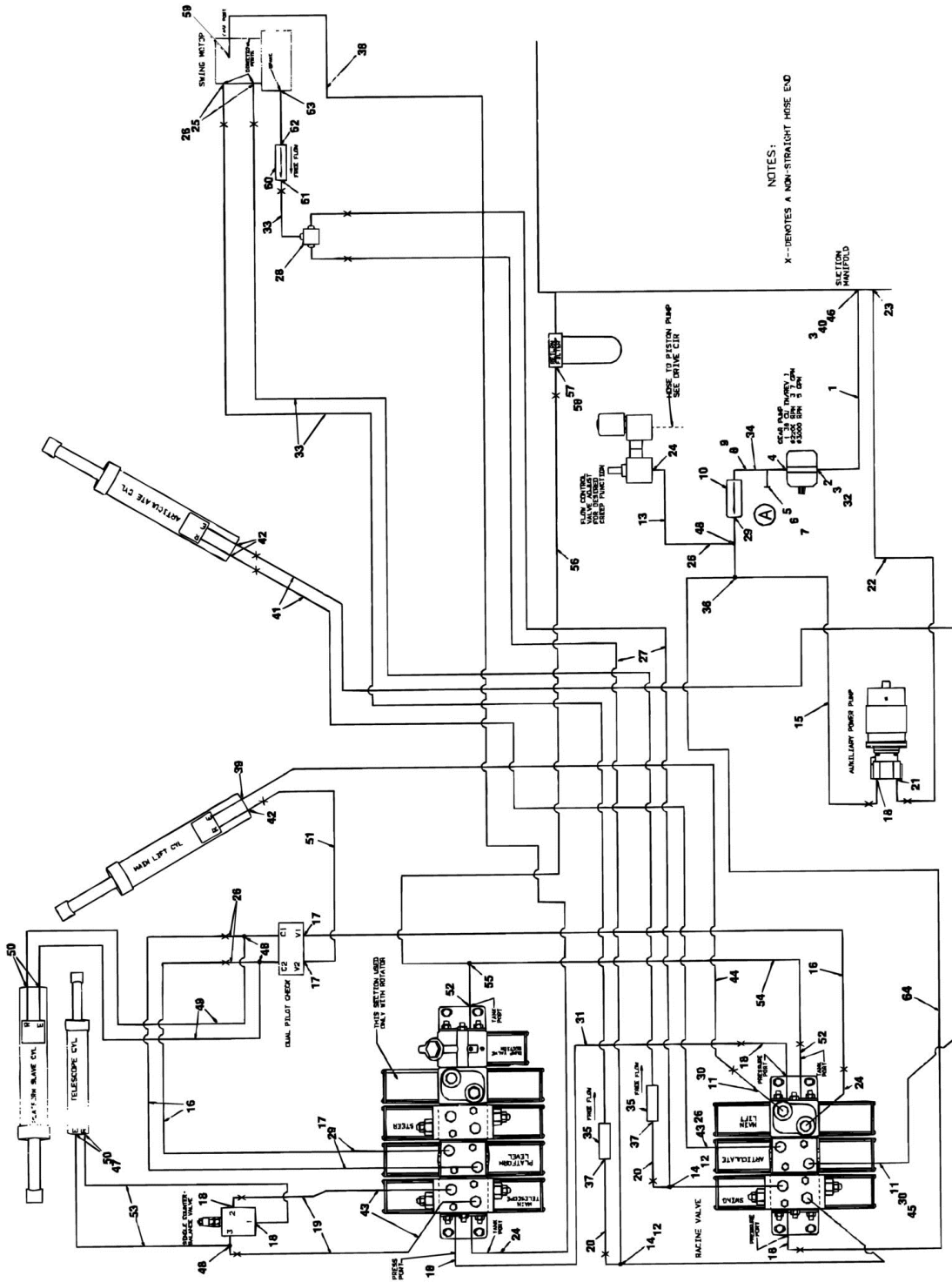
SECTION 6 - HYDRAULIC

FIGURE 6-6. HYDRAULIC DIAGRAM - ROTATOR (WORM GEAR)

ITEM	PART NUMBER	QTY	DESCRIPTION	REV
	2791620	Ref	HYDRAULIC DIAGRAMS - ROTATOR (WORM GEAR)	C
1	2220468	2	Fitting	
2		Ref	Fitting, 90 Options:	
2	2220508	2	Fitting, 90 (Prior to March 1992)	
2	2220654	2	Fitting, 90 (March 1992 to Present)	
3	2751451	2	Hose	
4		Ref	Fitting, 90 Options:	
4	2220416	2	Fitting, 90 (Prior to June 1993)	
4	2220466	2	Fitting, 90 (June 1993 to Present)	
5		Ref	Valve Options:	
5	4640383	2	Valve (Prior to June 1993)	
5	4640778	2	Valve (June 1993 to Present)	
6		Ref	Fitting, Nipple Options:	
6	2220438	2	Fitting, Nipple (Prior to March 1993)	
6	2220261	2	Fitting, Nipple (March 1993 to June 1993)	
6	2220895	2	Fitting, Nipple (June 1993 to Present)	
7		Ref	Fitting, Swivel Options:	
7	2220056	2	Fitting, Swivel (Prior to March 1993)	
7	2220816	2	Fitting, Swivel (March 1993 to June 1993)	
7	2220218	2	Fitting, Swivel (June 1993 to Present)	

SECTION 6 - HYDRAULIC

FIGURE 6-7. HYDRAULIC DIAGRAM - STANDARD (FORD - DEUTZ)



SECTION 6 - HYDRAULIC

FIGURE 6-7. HYDRAULIC DIAGRAM - STANDARD (FORD - DEUTZ)

ITEM	PART NUMBER	QTY	DESCRIPTION	REV
	2791963	Ref	HYDRAULIC DIAGRAMS - FORD	C
	2791961	Ref	HYDRAULIC DIAGRAMS - DEUTZ	C
1	2720356	1	Hose, Suction - 3/4in x 67in (Deutz)	
2	2220408	1	Fitting, Straight	
3	1320030	4	Clamp	
4	2180491	1	Fitting, Modified	
5	2220820	1	Fitting, 90	
6	2220429	1	Cap, Dust	
7	2220428	1	Fitting, Quick Disconnect	
8		Ref	Ford and Deutz Options:	
8	2220651	1	Fitting, Straight (Ford)	
8	2752469	1	Hose (Deutz)	
9		Ref	Fitting Options:	
9	Not Required	0	Ford	
9	2220372	1	Deutz	
10	4640776	1	Valve, Check	
11	2180540	2	Fitting, Modified	
12	2220618	4	Fitting, Reducer	
13		Ref	Hose Options:	
13	2752444	1	Ford	
13	2752443	1	Deutz	
14	2220602	2	Fitting, Tee	
15		Ref	Hose Options:	
15	2752472	1	Ford	
15	2752470	1	Deutz	
16	2752434	3	Hose	
17	2220472	4	Fitting, 90	
18	2220371	6	Fitting	
19	2752461	2	Hose	
20	2752436	2	Hose	
21	2220726	1	Fitting, 90	
22	2750759	1	Hose	
23	2220659	1	Fitting, 90	
24	2220468	3	Fitting, Straight	
25	2220497	2	Fitting, Reducer	
26	2220609	6	Fitting, Reducer	
27	2752432	2	Hose	
28	4640574	1	Valve, Shuttle	
29	2220591	3	Fitting, Reducer	
30	2180380	2	Fitting, Orifice (.062)	
31		Ref	Hose Options:	
31	2752471	1	Ford	
31	2752474	1	Deutz	
32	2210008	1	Fitting, 90	
33	2752437	3	Hose	
34		Ref	Fitting Options:	
34	Not Required	0	Ford	
34	2220619	1	Deutz	
35	4640817	2	Valve, Restrictor (.40)	
36	2220579	1	Fitting, Tee	

SECTION 6 - HYDRAULIC

ITEM	PART NUMBER	QTY	DESCRIPTION	REV
37	2220415	4	Fitting, Straight	
38	2752438	1	Hose	
39	2220585	1	Fitting, 90	
40	2210005	1	Fitting, Straight	
41	2752438	2	Hose	
42	2220417	3	Fitting	
43	2220628	3	Fitting, 90	
44	2752440	1	Hose	
45	2220654	2	Fitting, 90	
46	2220435	1	Fitting, Straight	
47	2220509	2	Fitting, 90	
48	2220606	4	Fitting, Tee	
49	2752464	2	Hose	
50	2220399	4	Fitting	
51	2752441	1	Hose	
52	2220373	2	Fitting, Straight	
53	2752465	2	Hose	
54	2752502	1	Hose	
55	2220383	1	Fitting, Tee	
56	2752504	1	Hose	
57	2220696	1	Fitting, Reducer	
58	2220346	1	Fitting	
59	2220466	1	Fitting, 90	
60	4640213	1	Valve, Restrictor (.015)	
61	2220414	1	Fitting, Straight	
62	2220261	1	Fitting	
63	2220110	1	Fitting, 90	
64		Ref	Hose Options:	
64	2752473	1	Ford	
64	2752471	1	Deutz	

SECTION 6 - HYDRAULIC

FIGURE 6-8. HYDRAULIC DIAGRAM - STANDARD (ELECTRIC)

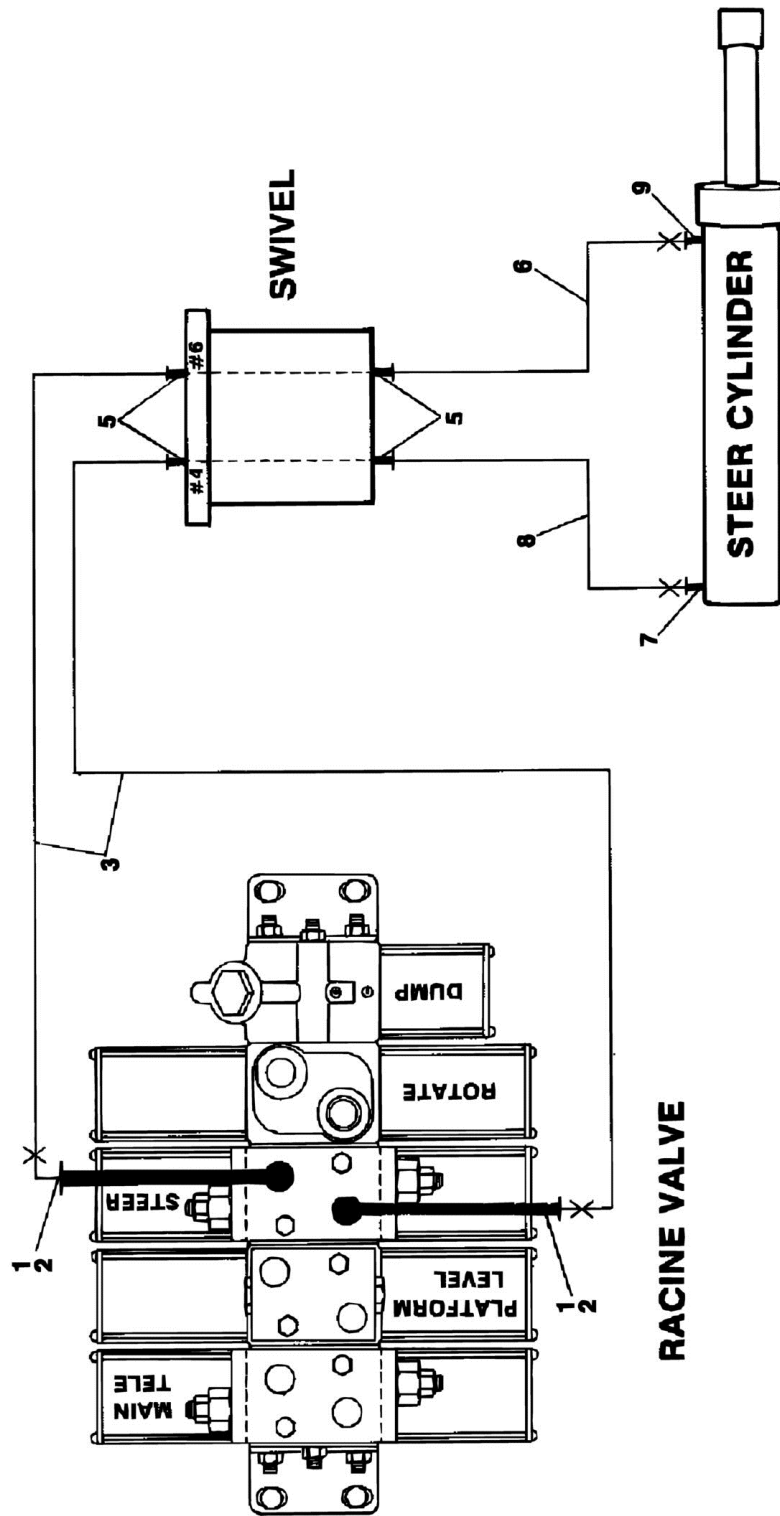
ITEM	PART NUMBER	QTY	DESCRIPTION	REV
	2791953	Ref	HYDRAULIC DIAGRAM	C
1	2720325	1	Hose, Suction - 1in x 19in	
2	2220593	2	Fitting	
3	1320033	8	Clamp	
4	2180491	3	Fitting, Modified	
5	2220820	1	Fitting, 90	
6	2220429	3	Cap, Dust	
7	2220428	3	Fitting, Quick Disconnect	
8	2220758	1	Fitting, Swivel	
9	2752467	1	Hose	
10	2752442	1	Hose	
11	2210014	2	Fitting, 90	
12	2752433	1	Hose	
13	2750834	1	Hose	
15	2220622	2	Fitting, Reducer	
16	2752434	6	Hose	
17	2220472	6	Fitting, 90	
18	2220904	1	Fitting, 90	
19	2220600	3	Fitting	
20	2752461	2	Hose	
21	2220371	5	Fitting, 90	
22	2220416	1	Fitting, 90	
23	2220659	1	Fitting, 90	
24	2220468	5	Fitting, Straight	
25	2220466	1	Fitting, 90	
26	2220609	3	Fitting, Reducer	
27	2752435	2	Hose	
28	4640574	1	Valve, Shuttle	
29	4640774	2	Valve, Check	
30	2220582	2	Fitting, Straight	
31	2220218	2	Fitting	
32	2220619	2	Fitting, Reducer	
33	2752436	2	Hose	
34	2752462	1	Hose	
35	4640817	2	Valve, Restrictor (.040)	
36	2752437	1	Hose	
37	2220415	4	Fitting	
38	2752438	3	Hose	
39	2220585	1	Fitting	
40	2220446	1	Fitting, Reducer	
41	2752439	2	Hose	
42	2220417	3	Fitting	
43	2220628	3	Fitting, 90	
44	2752440	1	Hose	
45	2220726	1	Fitting, 90	
46	2220385	4	Fitting, Tee	
47	2752463	1	Hose	
48	2220606	3	Fitting, Tee	
49	2752464	2	Hose	
50	2220399	3	Fitting	

SECTION 6 - HYDRAULIC

ITEM	PART NUMBER	QTY	DESCRIPTION	REV
51	2752441	1	Hose	
52	2220373	1	Fitting	
53	2752465	2	Hose	
54	2752492	1	Hose	
55	2220348	2	Fitting	
56	2220509	1	Fitting, 90	
57	2220696	1	Fitting, Reducer	
58	2720183	23 in	Hose	
59	2220596	1	Fitting	
60	2180540	3	Fitting, Modified	
61	2180380	2	Fitting, Orifice	
62	2752493	1	Hose	
63	2220682	1	Fitting, Tee	
64	2752494	2	Hose	
65	2220374	3	Fitting	
66	2752495	2	Hose	
67	2220602	3	Fitting, Tee	
68	2180621	1	Fitting	
69	2220419	1	Fitting	
70	2220700	1	Fitting, Tee	
71	2752496	1	Hose	
72	2751639	1	Hose	
73	2220681	1	Fitting, Tee	
74	2752497	1	Hose	
75	2220345	1	Fitting	
76	4640744	1	Valve, Check	
77	2220618	5	Fitting	
78	2220584	1	Fitting, Tee	
79	2220727	1	Fitting, Straight	
80	2752498	1	Hose	
81	2752466	1	Hose	
82	2220606	1	Fitting, Tee	
83	2220343	1	Fitting	
84	2220438	1	Fitting	
85	2220591	2	Fitting, Reducer	
86	2220909	1	Fitting, Orifice	
87	4640213	1	Valve, Restrictor (.015)	
88	2220414	1	Fitting, Straight	
89	2220261	2	Fitting, Straight	
90	2220110	1	Fitting, 90	

SECTION 6 - HYDRAULIC

FIGURE 6-9. HYDRAULIC DIAGRAM - STEER



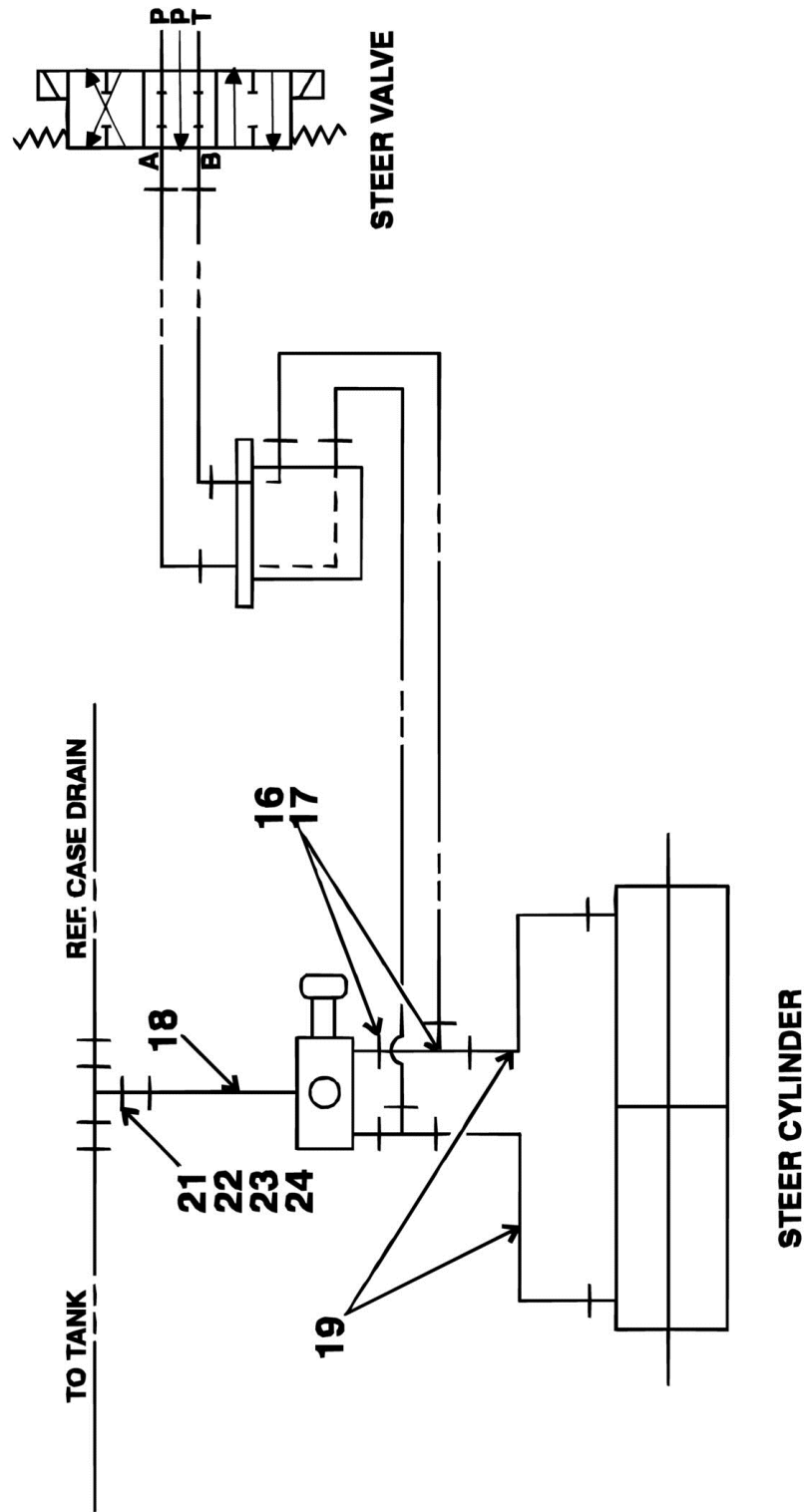
SECTION 6 - HYDRAULIC

FIGURE 6-9. HYDRAULIC DIAGRAM - STEER

ITEM	PART NUMBER	QTY	DESCRIPTION	REV
		Ref	HYDRAULIC DIAGRAMS - STEER:	
	2791653	Ref	Oscillating Axle - 2WD	F
	2791882	Ref	4WD	A
1		Ref	Fitting Options:	
1	2180540	2	Fitting, Modified (2WD)	
1	2220468	2	Fitting, Straight (4WD)	
2		Ref	Fitting, Orifice Options:	
2	2180448	2	2WD (Prior to April 1995)	
2	2180380	2	2WD (April 1995 to Present)	
2	Not Required	0	4WD	
3	2750760	2	Hose	
5	2220414	4	Fitting, Straight	
6		Ref	Hose Options:	
6	2751011	1	2WD (Prior to November 1992)	
6	2750756	1	2WD (November 1992 to March 1993)	
6	2750892	1	2WD (March 1993 to Present)	
6	2750756	1	4WD (Prior to March 1993)	
6	2750892	1	4WD (March 1993 to Present)	
7	2220416	1	Fitting, 90	
8		Ref	Hose Options:	
8	2751011	1	2WD (Prior to November 1992)	
8	2750756	1	2WD (November 1992 to March 1993)	
8	2750892	1	2WD (March 1993 to Present)	
8	2750756	1	4WD (Prior to March 1993)	
8	2750892	1	4WD (March 1993 to Present)	
9	2220416	1	Fitting, 90	

SECTION 6 - HYDRAULIC

FIGURE 6-10. HYDRAULIC DIAGRAM - TOW



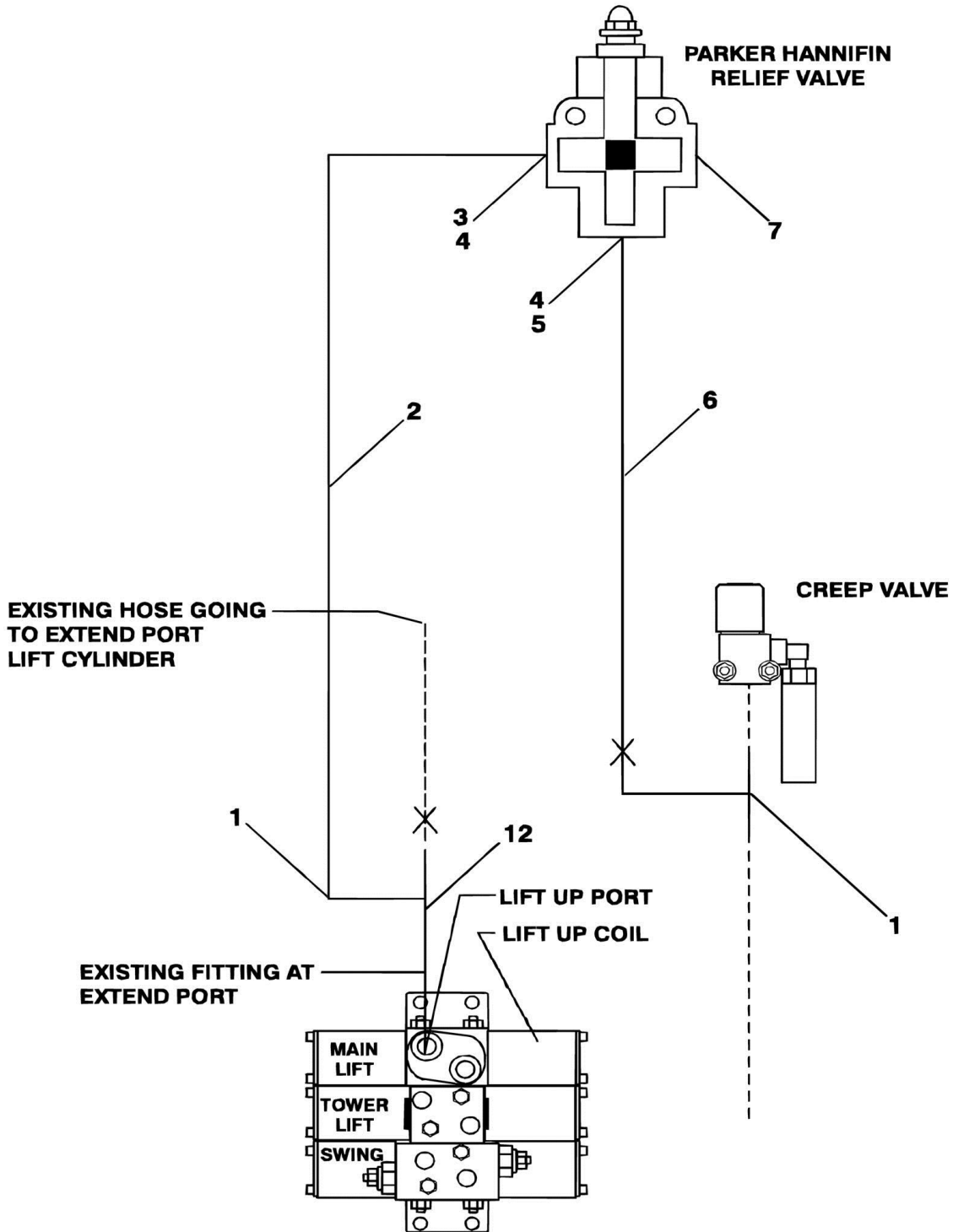
SECTION 6 - HYDRAULIC

FIGURE 6-10. HYDRAULIC DIAGRAM - TOW

ITEM	PART NUMBER	QTY	DESCRIPTION	REV
		Ref	HYDRAULIC DIAGRAMS	
	2791788	Ref	1.75m Frame	B
	2791789	Ref	2m Frame	B
16	2220605	2	Fitting, Tee	
17	2220468	3	Fitting, Straight	
18		Ref	Hose Options:	
18	2751391	1	1.75m Frame	
18	2751410	1	2m Frame	
19		Ref	Hose Options:	
19	2751428	2	1.75m Frame	
19	2751010	2	2m Frame	
21	2220385	1	Fitting, Tee	
22	2220619	1	Fitting, Reducer	
23	2220635	1	Fitting, Swivel	
24	2220609	1	Fitting, Reducer	

SECTION 6 - HYDRAULIC

FIGURE 6-11. HYDRAULIC DIAGRAM - LIFT UP RELIEF (FORD AND DEUTZ)



SECTION 6 - HYDRAULIC

FIGURE 6-11. HYDRAULIC DIAGRAM - LIFT UP RELIEF (FORD AND DEUTZ)

ITEM	PART NUMBER	QTY	DESCRIPTION	REV
		Ref	HYDRAULIC DIAGRAMS - STEER:	
	2791792	Ref	Ford	-
	2791793	Ref	Deutz	-
1	2220605	2	Fitting, Tee	
2		Ref	Hose Options:	
2	2751398	1	Ford	
2	2751011	1	Deutz	
3	2220828	1	Fitting, 90	
4	2220609	2	Fitting, Reducer	
5	2220577	1	Fitting	
6	2750889	1	Hose	
7	2220239	1	Fitting	
8	4640047	1	Valve, Relief	
12		Ref	Fitting, 90 Options:	
12	Not Required	0	Ford	
12	2220654	1	Deutz	

SECTION 6 - HYDRAULIC

FIGURE 6-12. HYDRAULIC DIAGRAM LIST

ITEM	PART NUMBER	QTY	DESCRIPTION	REV
	Note	Ref	Note: Information on Diagrams Not Shown is Available From JLG Service/Parts Departments.	
		Ref	AXLE LOCKOUT HYDRAULIC DIAGRAMS:	
	2791818	Ref	Without Swivel	-
	2791819	Ref	With Swivel	A
	2792063	Ref	Electric Machines - With Swivel	-
		Ref	DRIVE HYDRAULIC DIAGRAMS:	
	2791619	Ref	2m Frame 2WD - Ford (With Swivel) (Prior to April 1992)	E
	2791688	Ref	1.75m Frame 2WD - Ford (With Swivel) (Prior to March 1990)	D
	2791689	Ref	1.75m Frame 2WD - Deutz (With Swivel) (March 1990 to Present)	E
	2792061	Ref	2m Frame - With 12in x 16.5in Tires (With Swivel)	-
	2791710	Ref	2m Frame 2WD - Electric (With Swivel)	F
	2791711	Ref	1.75m Frame 2WD - Electric (With Swivel)	E
	2791712	Ref	2m Frame 2WD - Electric (Without Swivel)	C
	2791713	Ref	1.75m Frame 2WD - Electric (Without Swivel)	B
	2791647	Ref	2m Frame 2WD - Deutz (With Swivel)	E
	2791644	Ref	2m Frame 2WD - Ford (Without Swivel)	C
	2791686	Ref	1.75m Frame 2WD - Ford (Without Swivel)	A
	2791643	Ref	2m Frame 2WD - Deutz (Without Swivel)	B
	2791687	Ref	1.75 Frame 2WD - Deutz (Without Swivel)	A
	2791641	Ref	4WD - Ford (With Swivel) (Prior to September 1991)	A
	2791639	Ref	4WD - Deutz (With Swivel) (Prior to September 1991)	C
	2791885	Ref	4WD - Ford and Deutz (With Swivel) (September 1991 to Present)	B
	2791642	Ref	4WD - Ford (Without Swivel) (Prior to May 1991)	A
	2791854	Ref	4WD - Ford (Without Swivel) (May 1991 to Present)	-
	2791640	Ref	4WD - Deutz (Without Swivel) (Prior to May 1991)	A
	2791853	Ref	4WD - Deutz (Without Swivel) (May 1991 to Present)	-
		Ref	MANUAL DESCENT HYDRAULIC DIAGRAMS	
	2791821	Ref	Gas and Diesel	5
	2791876	Ref	Electric	3
		Ref	ROTATOR HYDRAULIC DIAGRAMS:	
	2791744	Ref	Hydraulic Piston	A
	2791620	Ref	Worm Gear	C
		Ref	STANDARD HYDRAULIC DIAGRAMS:	
	2791963	Ref	Ford	C
	2791961	Ref	Deutz	C
	2791953	Ref	Electric	C
		Ref	STEER HYDRAULIC DIAGRAMS:	
	2791651	Ref	Fixed Axle - 2WD (Without Swivel)	C
	2791650	Ref	Oscillating Axle - 2WD (Without Swivel)	A
	2791649	Ref	4WD (Without Swivel)	A
	2791652	Ref	Fixed Axle - 2WD (With Swivel)	B
	2791653	Ref	Oscillating Axle - 2WD (With Swivel)	B
	2791654	Ref	4WD (With Swivel) (Prior to September 1991)	B
	2791882	Ref	4WD (With Swivel) (September 1991 to Present)	A
		Ref	STEER HYDRAULIC DIAGRAMS:	
	2791295	Ref	5ft 9in Frame (Prior to December 1990)	B
	2791788	Ref	5ft 9in Frame (December 1990 to Present)	B
	2791789	Ref	6ft 6in Frame	B

SECTION 6 - HYDRAULIC

ITEM	PART NUMBER	QTY	DESCRIPTION	REV
	2791764	Ref	2WD/4WD Fixed/Oscillating Axle	A
		Ref	LIFT UP RELIEF HYDRAULIC DIAGRAMS:	
	2791792	Ref	Ford	-
	2791793	Ref	Deutz	-

SECTION 7 - ELECTRICAL

SECTION 7 - ELECTRICAL

FIGURE 7-1. ELECTRICAL DIAGRAM LIST

ITEM	PART NUMBER	QTY	DESCRIPTION	REV
		Ref	Note: Diagrams not shown are available from the JLG Service Department.	
		Ref	ALARM ELECTRICAL DIAGRAMS	
	4932396	Ref	Electrical Diagram - Alarm (Back-Up) (Electric)	-
	3990010	1	Diode - 6 Amp	
	4932403	Ref	Electrical Diagram - Alarm (Back-Up) (Dual Fuel and Diesel) (Prior to February 1993)	-
	0610091	1	Card, Circuit	
	4932638	Ref	Electrical Diagram - Alarm (Back-Up) (Dual Fuel and Diesel) (February 1993 to Present)	2
	3740049	1	Relay	
	3990010	1	Diode - 6 Amp	
	1060341	3.4 m	Cable, Electrical 16/2	
	4932400	Ref	Electrical Diagram - Alarm (Lift Down) (Prior to February 1993)	-
	3990010	3	Diode - 6 Amp	
	4932397	Ref	Electrical Diagram - Alarm (Motion) (Electric) (Prior to February 1993)	-
	3990010	3	Diode - 6 Amp	
	4932640	Ref	Electrical Diagram - Alarm (Motion) (Electric) (February 1993 to Present)	2
	3740049	1	Relay	
	3990010	3	Diode - 6 Amp	
	1060341	2.4 m	Cable, Electrical 16/2	
	4932402	Ref	Electrical Diagram - Alarm (Motion) (Dual Fuel and Diesel) (Prior to February 1993)	-
	3990010	3	Diode - 6 Amp	
	4932398	Ref	Electrical Diagram - Alarm (Swing) (Prior to February 1993)	-
	3990010	1	Diode - 6 Amp	
	4931954	Ref	Electrical Diagram - Alarm (Tilt)	B
	3740049	1	Relay	
	4360089	1	Flasher	
	4932395	Ref	Electrical Diagram - Alarm (Travel) (Electric)	-
	3990010	1	Diode - 6 Amp	
	4932401	Ref	Electrical Diagram - Alarm (Travel) (Dual Fuel and Diesel) (Prior to February 1993)	-
	3990010	1	Diode - 6 Amp	
	4932639	Ref	Travel, Descent and Motion Alarm (February 1993 to Present)	2
	0610091	1	Card, Circuit (Prior to February 1993)	
	3740049	1	Relay	
	3990010	2	Diode - 6 Amp (February 1993 to Present)	
	1060341	3.4 m	Cable, Electrical 16/2 (February 1993 to Present)	
	4931735	Ref	ELECTRICAL DIAGRAM - BATTERY CAPACITY INDICATOR GAUGE WITH LIFT INTERRUPT	A
	2420075	1	Gauge	
	4932412	Ref	ELECTRICAL DIAGRAM - BATTERY CAPACITY INDICATOR GAUGE WITH LIFT INTERRUPT	A
	2420049	1	Gauge	
	0800630	Ref	ELECTRICAL COMPONENTS - BOOM CABLES AND HARNESES	H
	1060229	17 m	Cable, Electrical - 16/30	
	4920618	1	Harness - 110 Volt	

SECTION 7 - ELECTRICAL

ITEM	PART NUMBER	QTY	DESCRIPTION	REV
	1060012	17 m	Cable, Electrical - 16/4	
		Ref	COLD WEATHER PACKAGE ELECTRICAL DIAGRAM	
	1281272	Ref	Cold Weather Package Electrical Diagram (Prior to November 1994)	C
	1282394	Ref	Cold Weather Package Electrical Diagram (November 1994 to Present)	-
	2580001	1	Heater, Battery	
	2901111	1	Start Kit	
	4932356	Ref	ELECTRICAL DIAGRAM - CONTACTOR BOX	A
	4932328	Ref	ELECTRICAL DIAGRAM - CONTACTOR BOX (240VAC)	C
	4932321	Ref	ELECTRICAL DIAGRAM - DRIVE CUT-OUT (8M - DUTCH SPEC) (DIESEL AND DUAL FUEL)	A
	4932330	Ref	ELECTRICAL DIAGRAM - DRIVE CUT-OUT (8M - DUTCH SPEC) (ELECTRIC)	A
	3740057	1	Relay	
	4120012	1	Socket, Relay	
	3740066	1	Spring, Relay	
	4932320	Ref	ELECTRICAL DIAGRAM - DRIVE CUT-OUT (HORIZONTAL - ITALIAN SPEC) (DIESEL AND DUAL FUEL)	A
	4932329	Ref	ELECTRICAL DIAGRAM - DRIVE CUT-OUT (HORIZONTAL - ITALIAN SPEC) (ELECTRIC)	-
	4932047	Ref	DUAL FUEL/LP GAS ELECTRICAL DIAGRAM	1
	4921305	1	Harness - LP Gas	
	4360201	1	Switch, Toggle	
	0252625	Ref	ENGINE DISTRESS ELECTRICAL DIAGRAM - FORD	5
	2920026	1	Light (At Platform Console)	
	4360182	1	Switch, Oil Pressure	
	4360157	1	Switch, Water Temperature	
	3740049	1	Relay	
	2920029	1	Bulb	
	4931945	Ref	GENERATOR ELECTRICAL DIAGRAM - DEUTZ	C
	4460027	1	Receptacle, Electrical - Female Twist-Lock	
	3990010	1	Diode - 6 Amp	
	3740049	2	Relay	
	4360294	1	Breaker, Circuit	
	4932046	Ref	GENERATOR ELECTRICAL DIAGRAM - FORD	5
	4460027	1	Receptacle, Electrical - Female Twist-Lock	
	3990010	4	Diode - 6 Amp	
	3740049	2	Relay	
	4921259	1	Harness - 1 Wire (Aux Power Relay to Generator Relay)	
	4921260	1	Harness - 3 Wire (Generator Relays to Platform)	
	4931998	Ref	Heaters Electrical Diagram	A
	1060016	6.1 m	Cable, Electrical - 16/3 (Junction Box to Heaters)	
	1060012	1 m	Cable, Electrical - 12/4 (Junction Box to Thermostat)	
		Ref	ROTATING BEACON ELECTRICAL DIAGRAMS	
	4931740	Ref	Rotating Beacon Electrical Diagrams (Prior to SN 32426)	A
	4931942	Ref	Rotating Beacon Electrical Diagrams (SN 32426 to Present)	5
	4931834	Ref	HEADLIGHTS AND TAILLIGHTS ELECTRICAL DIAGRAMS (PRIOR TO NOVEMBER 1992)	A
	4360232	1	Breaker, Circuit	
	4931941	Ref	HEADLIGHTS AND TAILLIGHTS ELECTRICAL DIAGRAMS (NOVEMBER 1992 TO PRESENT)	E
	3740049	1	Relay	

SECTION 7 - ELECTRICAL

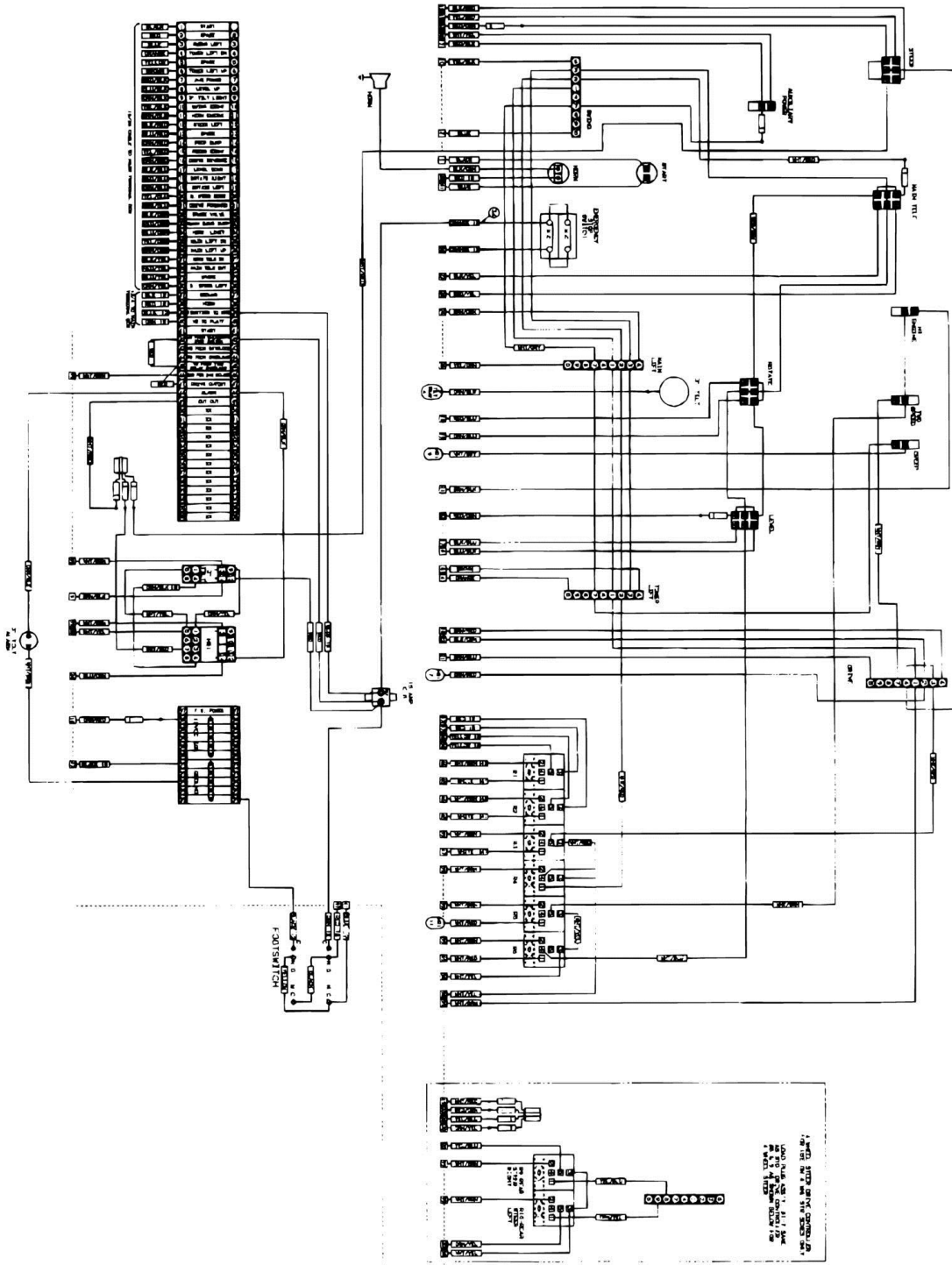
ITEM	PART NUMBER	QTY	DESCRIPTION	REV
	4360199	1	Switch, Toggle	
	4932318	Ref	PLATFORM ELECTRICAL DIAGRAM - DIESEL AND DUAL FUEL	B
		Ref	Cable Electrical - 12/4 Options: (To Footswitch)	
	1060309	2.44 m	Cable Electrical - 12/4 (Prior to May 1995)	
	1060515	2.44 m	Cable Electrical - 12/4 (May 1995 to Present)	
	1540002	1	Capacitor - 1000MF/25VDC	
	3990010	6	Diode - 6 Amp	
	4932586	Ref	PLATFORM ELECTRICAL DIAGRAM - DIESEL (WITH PROPORTIONAL CONTROLS)	1
		Ref	Cable Electrical - 12/4 Options: (To Footswitch)	
	1060309	2.44 m	Cable Electrical - 12/4 (Prior to May 1995)	
	1060515	2.44 m	Cable Electrical - 12/4 (May 1995 to Present)	
	3990010	8	Diode - 6 Amp	
	4932327	Ref	PLATFORM ELECTRICAL DIAGRAM - ELECTRIC	C
		Ref	Cable Electrical - 12/4 Options: (To Footswitch)	
	1060309	2.44 m	Cable Electrical - 12/4 (Prior to May 1995)	
	1060515	2.44 m	Cable Electrical - 12/4 (May 1995 to Present)	
	1540002	1	Capacitor - 1000MF/25VDC	
	3990010	8	Diode - 6 Amp	
	4932089	Ref	PLATFORM GATE LOCK - ELECTRICAL DIAGRAM (FRENCH SPEC)	G
	3740049	1	Relay, Bosch	
	4460049	2	Connector, Strain Relief	
	0960239	1	Bushing	
	3300047	2	Nut, Conduit	
	1060300	4.6 m	Cable - 16/3	
	4932340	Ref	PLATFORM SAFE LOAD SYSTEM - ELECTRICAL DIAGRAM (FRENCH SPEC)	C
	3740049	2	Relay, Bosch	
	3990010	1	Diode - 6 Amp	
	1693405	1	Relay, Timer	
	1692927	1	Socket, Relay	
	1693406	2	Clip, Relay	
	4932332	Ref	GROUND CONTROL ELECTRICAL DIAGRAM - DEUTZ	7-F
	1060016	10.36 m	Cable Electrical - 16/3 (To Horizontal Limit Switch) Options: (was p/n 1060300)	
	1060016	4.88 m	Cable Electrical - 16/3 (To Tower Boom Limit Switch) Options: (was p/n 1060300)	
	4921285	1	Harness - Valve	
		Ref	Harness - Engine Options:	
	4921289	1	Harness - Engine (Prior to July 1995)	
	4921792	1	Harness - Engine (July 1995 to Present)	
	3990010	7	Diode - 6 Amp	
	3730003	1	Resistor (December 1996 to Present)	
	4932611	Ref	GROUND CONTROL ELECTRICAL DIAGRAM - DEUTZ (WITH PROPORTIONAL CONTROLS)	5
	1060016	10.36 m	Cable Electrical - 16/3 (To Horizontal Limit Switch) Options: (was p/n 1060300)	
	1060016	4.88 m	Cable Electrical - 16/3 (To Tower Boom Limit Switch) Options: (was p/n 1060300)	
	4921565	1	Harness - Valve	
		Ref	Harness - Engine Options:	
	4921289	1	Harness - Engine (Prior to July 1995)	

SECTION 7 - ELECTRICAL

ITEM	PART NUMBER	QTY	DESCRIPTION	REV
	4921792	1	Harness - Engine (July 1995 to Present)	
	3990010	7	Diode - 6 Amp	
	3730003	1	Resistor (December 1996 to Present)	
	4932378	Ref	GROUND CONTROL ELECTRICAL DIAGRAM - FORD (PRIOR TO AUGUST 1994)	2
	1060300	10.36 m	Ground Control Electrical Diagram (Use p/n 1600016) Cable Electrical - 16/3 (To Horizontal Limit Switch)	
	1060300	4.88 m	Ground Control Electrical Diagram (Use p/n 1600016) Cable Electrical - 16/3 (To Tower Boom Limit Switch)	
	4921273	1	Harness - Engine and Valve	
	3990010	4	Diode - 6 Amp	
	4932756	Ref	GROUND CONTROL ELECTRICAL DIAGRAM - FORD (AUGUST 1994 TO PRESENT)	2
	1060016	10.36 m	Cable Electrical - 16/3 (To Horizontal Limit Switch) Options: (was p/n 1060300)	
	1060016	4.88 m	Cable Electrical - 16/3 (To Tower Boom Limit Switch) Options: (was p/n 1060300)	
	4921273	1	Harness - Engine and Valve	
	3990010	4	Diode - 6 Amp	
	4932326	Ref	GROUND CONTROL ELECTRICAL DIAGRAM - ELECTRIC	C
	1060016	9.14 m	Cable Electrical - 16/3 (To Horizontal Limit Switch)	
	1060300	4.88 m	Cable Electrical - 16/3 (To Tower Boom Limit Switch)	
	1060300	4.88 m	Cable Electrical - 16/3 (To Tilt Level Sensor)	
	4921343	1	Harness - Contactor Box	
	4921291	1	Harness - Valve	
	3990010	6	Diode - 6 Amp	

SECTION 7 - ELECTRICAL

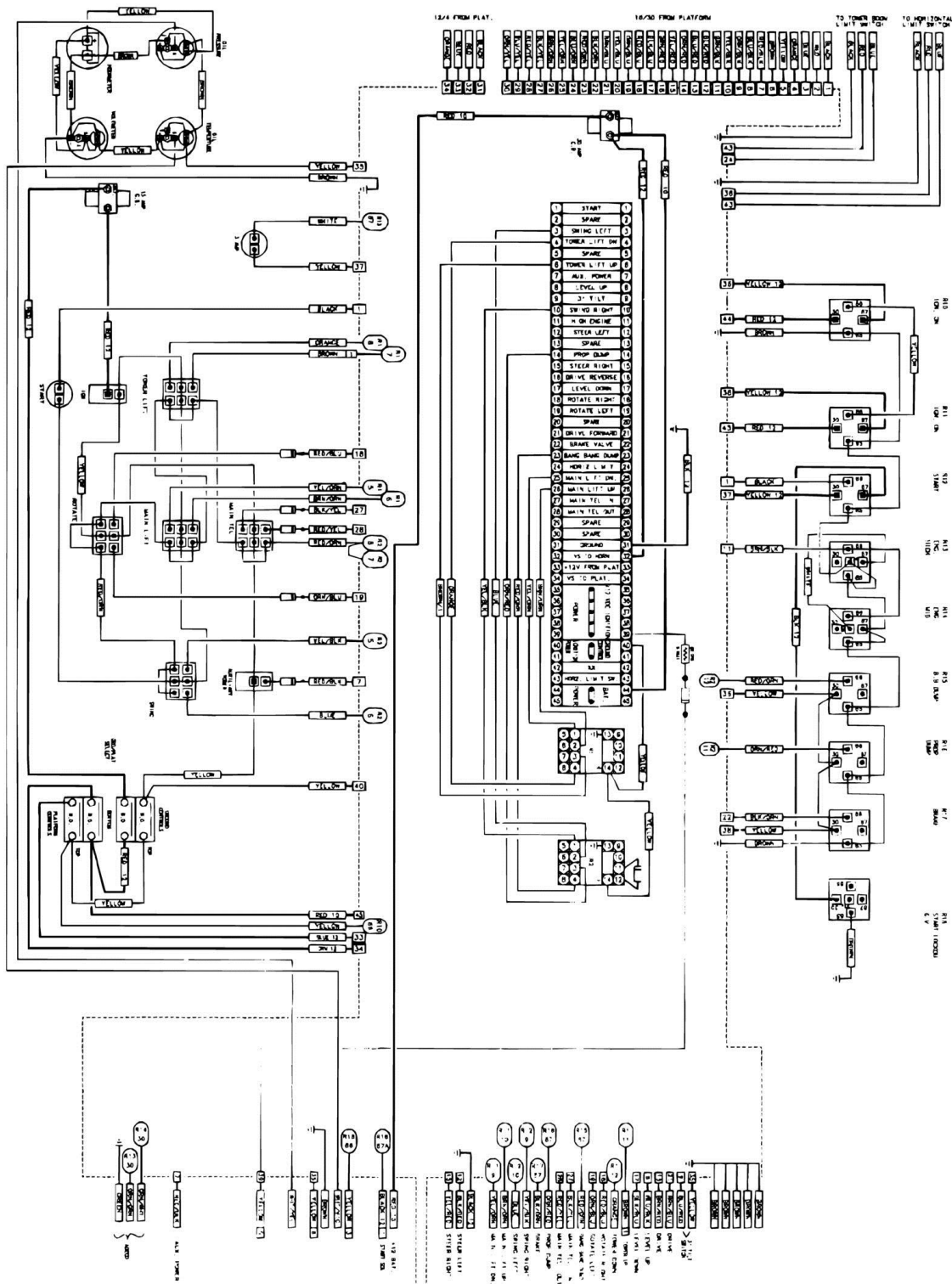
FIGURE 7-3. ELECTRICAL DIAGRAM - PLATFORM (DEUTZ - PROPORTIONAL CONTROLS)



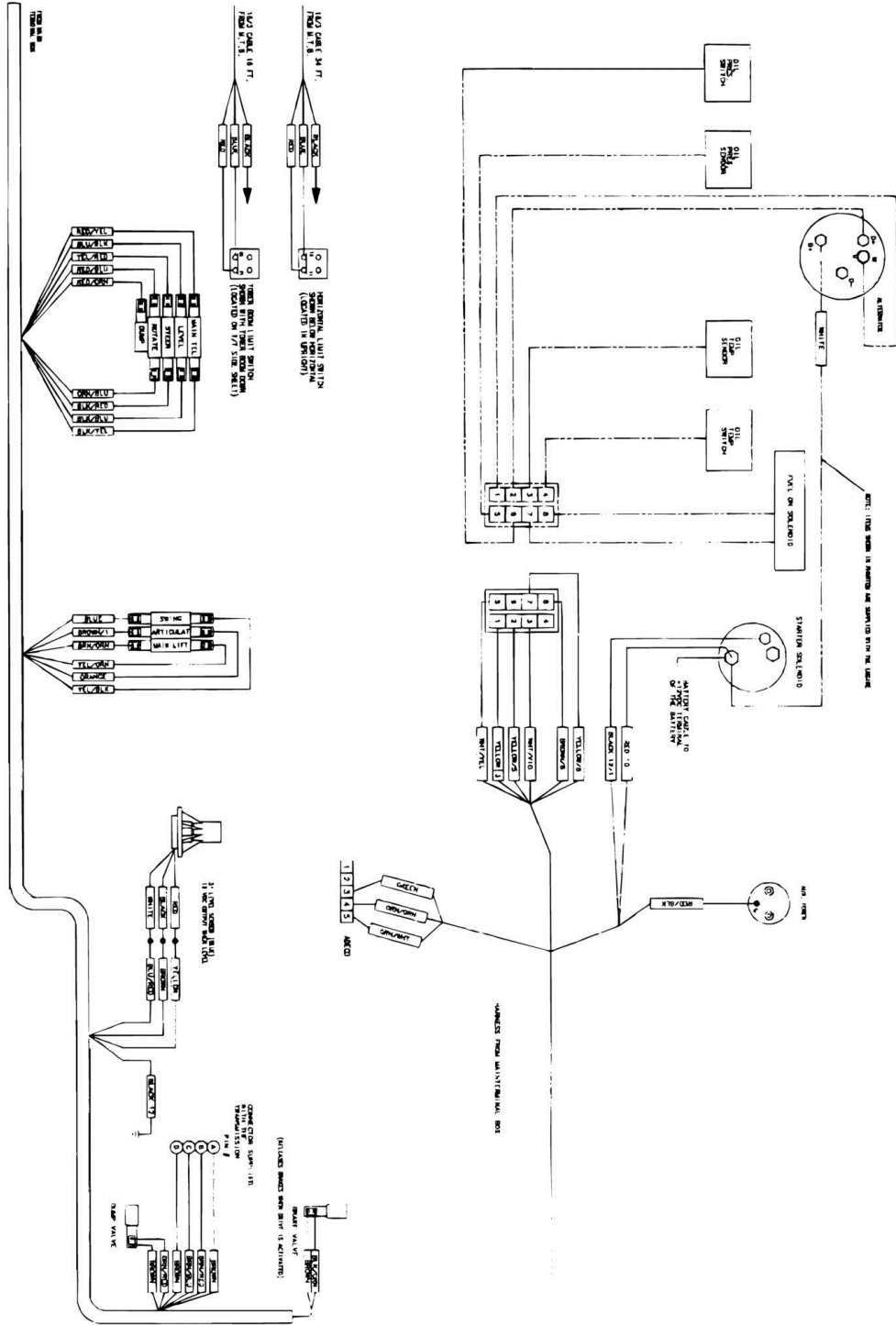
1281972 - Rev. 1

SECTION 7 - ELECTRICAL

FIGURE 7-6. ELECTRICAL DIAGRAM - GROUND CONTROL (DEUTZ - PROPORTIONAL CONTROLS)



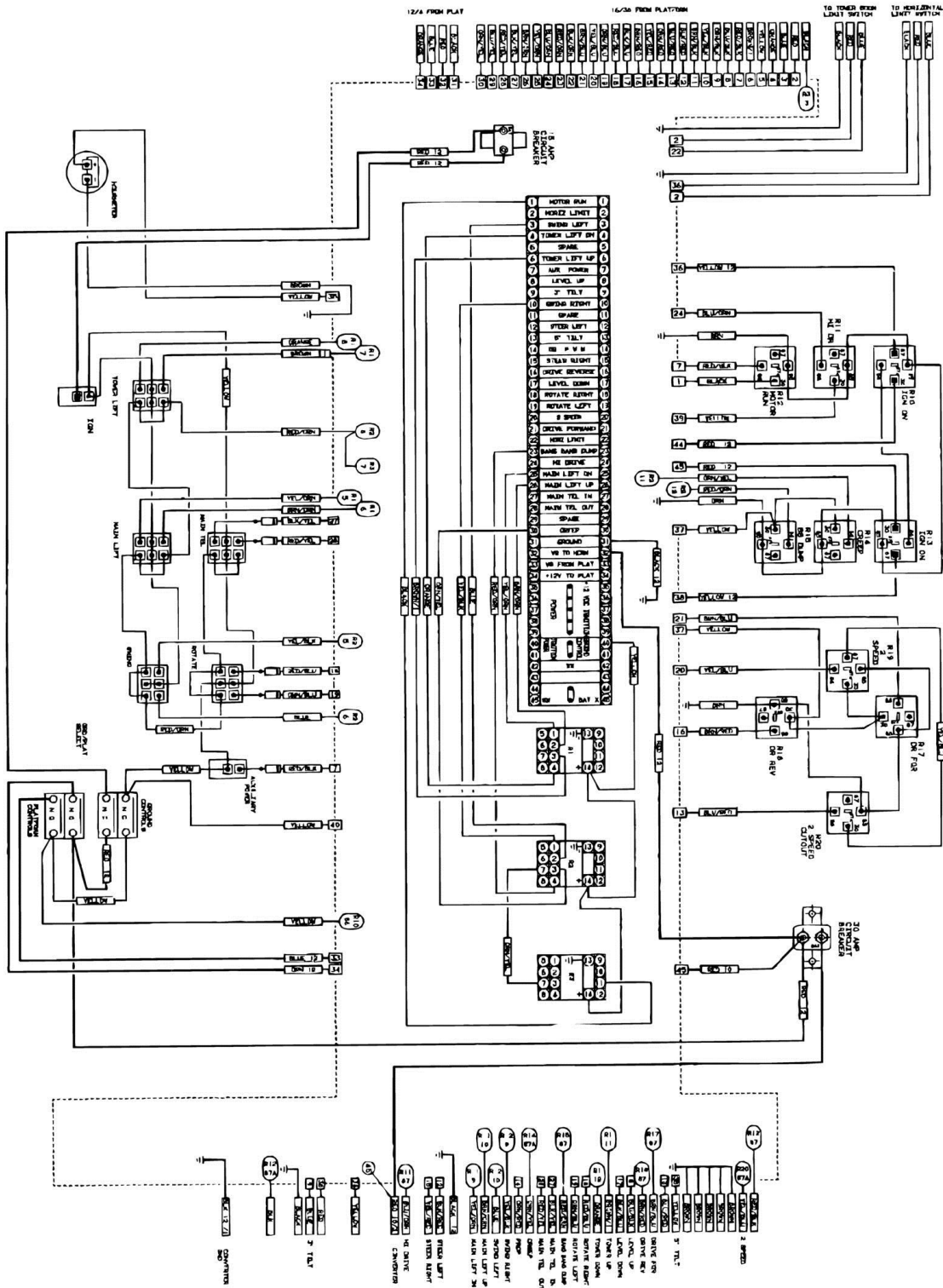
SECTION 7 - ELECTRICAL



4932611 - Rev. D

SECTION 7 - ELECTRICAL

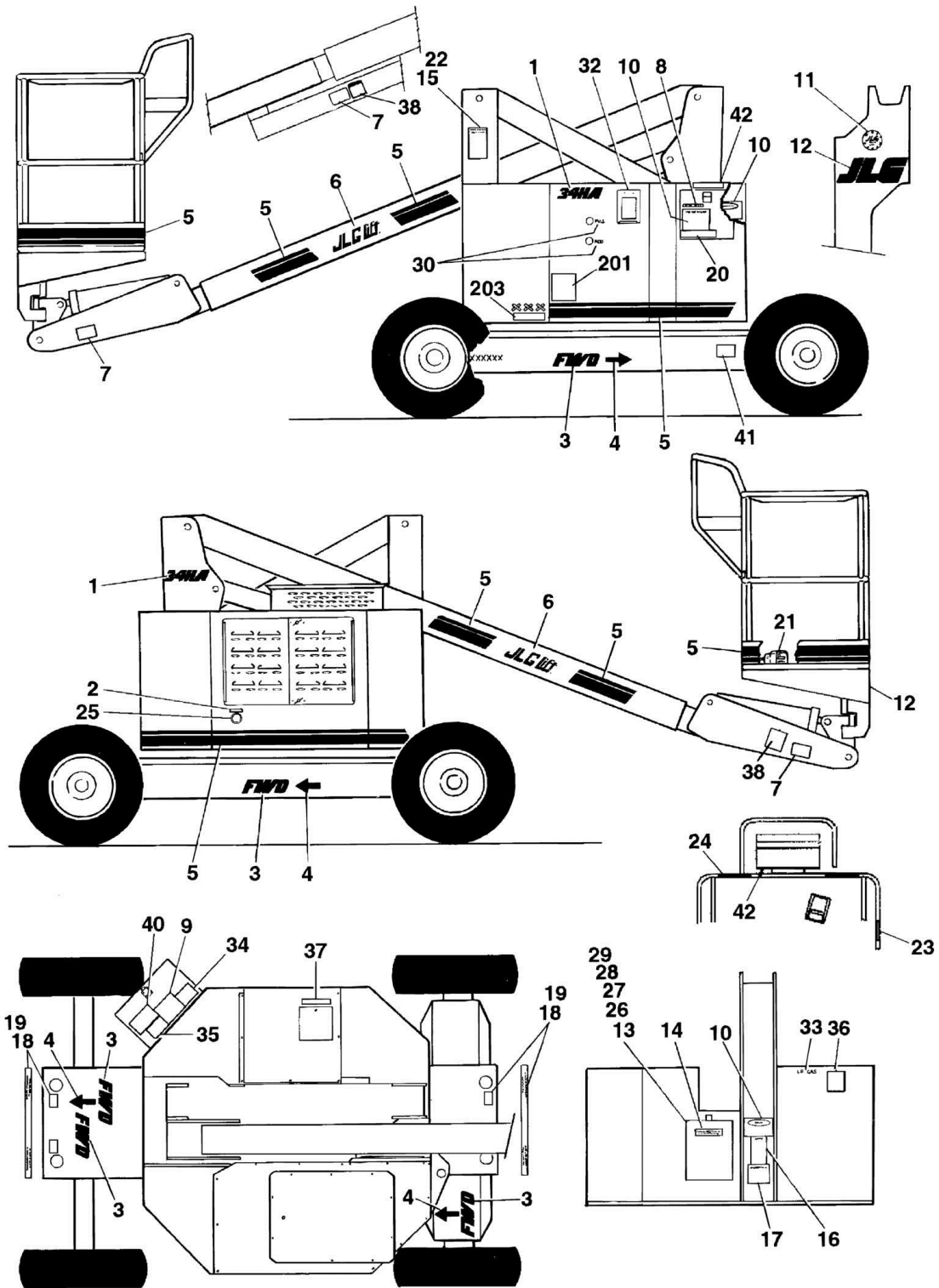
FIGURE 7-8. ELECTRICAL DIAGRAM - GROUND CONTROL (ELECTRIC)



SECTION 8 - DECALS

SECTION 8 - DECALS

FIGURE 8-1. DECALS INSTALLATION - STANDARD (PRIOR TO JULY 1991)



SECTION 8 - DECALS

FIGURE 8-1. DECALS INSTALLATION - STANDARD (PRIOR TO JULY 1991)

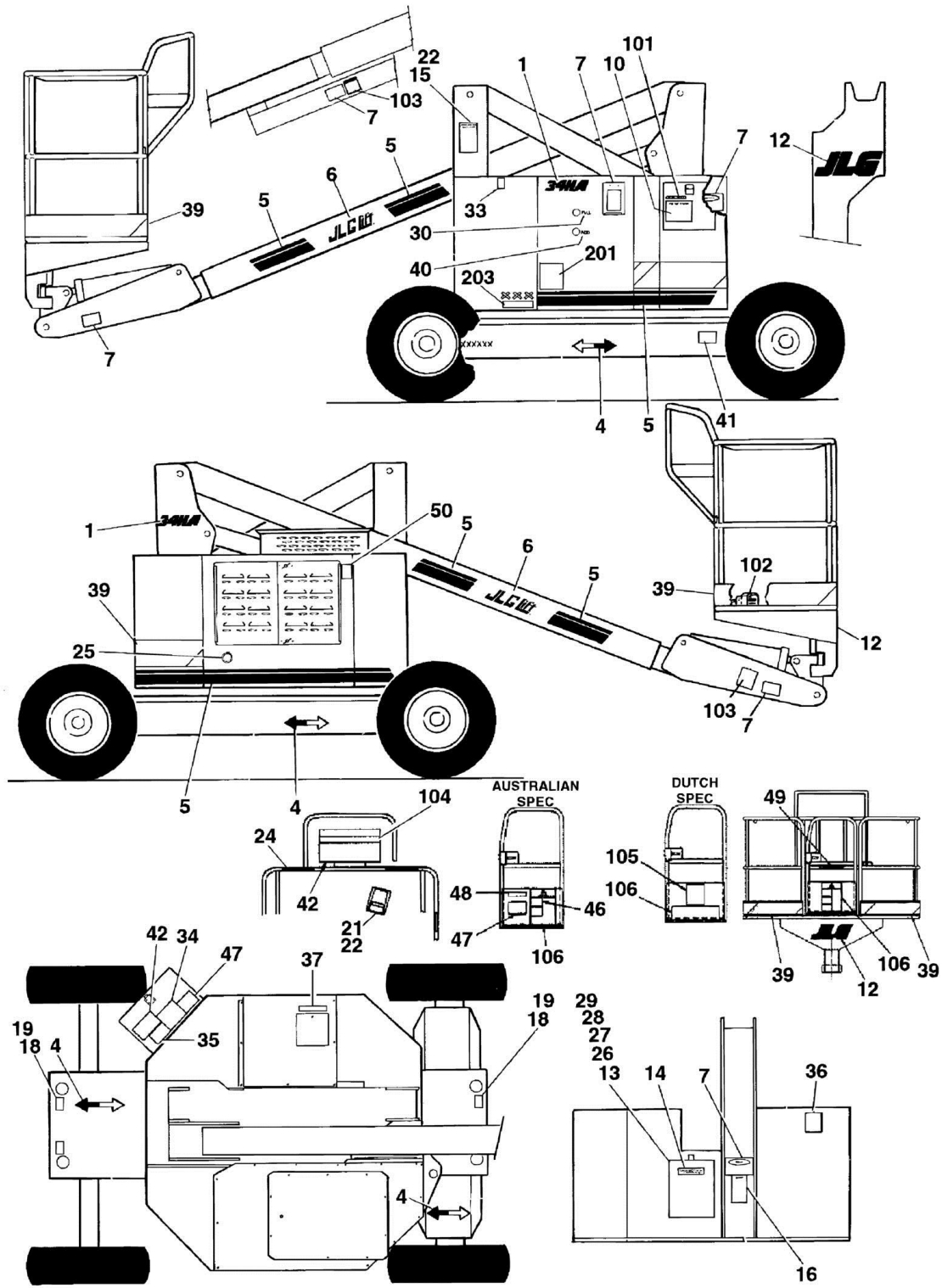
ITEM	PART NUMBER	QTY	DESCRIPTION	REV
		Ref	DECAL INSTALLATIONS	
	0250643	Ref	Brown and Cream	8
	0271036	Ref	JLG Logo (Brown)	1
1		Ref	Decal - 34HA Options:	
1	1701340	2	Decal - 34HA (Prior to June 1991)	
1	1701471	2	Decal - 34HA (June 1991 to Present)	
2	3251243	1	Nameplate - 120V 60HZ	
3	1700977	4	Decal - FWD (Prior to November 1992)	
4		Ref	Decal - Arrow Options:	
4	1700978	4	Decal - Arrow (Prior to November 1992)	
4	1701529	4	Decal - Arrow (November 1992 to Present)	
5		Ref	Decal - Stripping Options:	
5	1700431	7.9 m	Decal - Stripping (Prior to March 1994)	
5	1701703	10 m	Decal - Stripping (March 1994 to Present)	
6		Ref	Decal - JLG Lift Options:	
6	1700422	2	Decal - JLG Lift (Prior to June 1991)	
6	1701441	2	Decal - JLG Lift (June 1991 to Present)	
7		Ref	Decal - Crushing Options:	
7	1700640	3	Decal - Crushing (Prior to March 1994)	
7	1702284	3	Decal - Crushing (March 1994 to Present)	
8	1700037	1	Decal - Ground Control	
9		Ref	Decal - Caution Options:	
9	1700643	1	Decal - Caution (Prior to March 1994)	
9	1702299	1	Decal - Caution (March 1994 to Present)	
10		Ref	Decal - Caution Options:	
10	1700585	3	Decal - Caution (Prior to March 1994)	
10	1702277	3	Decal - Caution (March 1994 to Present)	
11	3251813	1	Decal - Made in USA	
12	1700981	2	Decal - JLG	
13	0860520	1	Box Manual Storage	
14		Ref	Decal - Operations, Safety and Maintenance Options:	
14	1700157	1	Decal - Operations, Safety and Maintenance (Prior to March 1994)	
14	1701509	1	Decal - Operations, Safety and Maintenance (March 1994 to Present)	
15	Not Available	1	Nameplate - Manufacturer	
16	1700584	1	Decal - Patent	
17		Ref	Decal - Inspection Options:	
17	1700593	1	Decal - Inspection (Prior to March 1994)	
17	1702153	1	Decal - Inspection (March 1994 to Present)	
18		Ref	Decal - Lift Here Options:	
18	1700975	4	Decal - Lift Here (Prior to SN 27273)	
18	1701500	4	Decal - Lift Here (SN 27273 to Present)	
19		Ref	Decal - Tie Down Options:	
19	1702300	4	Decal - Tie Down (Prior to SN 27273)	
19	1701500	4	Decal - Tie Down (SN 27273 to Present)	
20		Ref	Decal - Electrocution Hazard Options:	
20	1700580	1	Decal - Electrocution Hazard (Prior to March 1994)	
20	1702292	1	Decal - Electrocution Hazard (March 1994 to Present)	
21	3252347	1	Nameplate - Footswitch (Prior to June 1992) (Was p/n 3251766)	

SECTION 8 - DECALS

ITEM	PART NUMBER	QTY	DESCRIPTION	REV
22	3820001	4	Rivet	
23		Ref	Decal - No Hands Options:	
23	1700476	2	Decal - No Hands (Prior to March 1994)	
23	1702294	2	Decal - No Hands (March 1994 to Present)	
24		Ref	Decal - Attach Lanyard Options:	
24	1700477	2	Decal - Attach Lanyard (Prior to March 1994)	
24	1702512	2	Decal - Attach Lanyard (March 1994 to June 1995)	
24	1704277	2	Decal - Attach Lanyard (June 1995 to Present) (was p/n 1702612)	
25	0961127	1	Bushing, Snap	
26	4751400	6	Flatwasher 1/4in	
27	3311405	5	Nut 1/4in-20NC	
28	1060279	1	Cable, Lanyard	
29	0641408	1	Bolt 1/4in-20NC x 1in	
30	1700756	1	Decal - ADD/Full	
31	0100010	AR	Loctite #242 (Not Shown)	
32		Ref	Decal - Fuel Options:	
32	1700428	1	Brown - Diesel	
32	1700430	1	Brown - Gas	
32	1701542	1	Dual Fuel	
33		Ref	Decal - LP Options:	
33	1700429	1	Brown	
33	1701543	1	LP Gas Only	
34	3252356	1	Decal - Dual Fuel Only	
35		Ref	Decal - LP Options:	
35	1700582	1	Decal - LP (Prior to March 1994)	
35	1702293	1	Decal - LP (March 1994 to Present)	
36	1700818	1	Decal - LP Gas Liquid Withdraw System	
37		Ref	Decal - Hydraulic Oil Options:	
37	1700419	1	Decal - Hydraulic Oil (Prior to April 2000)	
37	1701504	1	Decal - Hydraulic Oil (April 2000 to Present)	
38		Ref	Decal - Caution Options:	
38	1700460	2	Decal - Caution (Prior to March 1994)	
38	1702280	2	Decal - Caution (March 1994 to Present)	
40	1702282	1	Decal - Warning (March 1994 to Present)	
41	1702631	1	Decal - Bar Code	
42	1702688	2	Decal - 500Lbs Max Capacity	
	0251241	Ref	CAPACITY DECAL PLATES INSTALLATION - 265KG (FRENCH SPEC) (NOT SHOWN)	B
101	9983243	1	Decal - 265kg (Located on Platform Console Box)	
102	3820001	4	Rivet	
	0251301	Ref	CORNER WARNING STRIPES INSTALLATION (NOT SHOWN)	A
151	4420051	AR	Tape, Safety (Black/Yellow)	
	0252104	Ref	DECAL INSTALLATION - MANUAL DESCENT	-
201	1701557	1	Decal - Instructions	
202	1701558	4	Decal - Manual Descent (Located on Lift Cylinders) (Not Shown)	
203	1701556	1	Decal - Manual Descent	

SECTION 8 - DECALS

FIGURE 8-2. DECALS INSTALLATION - STANDARD (JULY 1991 TO PRESENT)



SECTION 8 - DECALS

FIGURE 8-2. DECALS INSTALLATION - STANDARD (JULY 1991 TO PRESENT)

ITEM	PART NUMBER	QTY	DESCRIPTION	REV
		Ref	DECAL INSTALLATIONS	
	0252254	Ref	Brown	4
	0252255	Ref	Black	4
	0257854	Ref	Australian Spec - Brown	2
1		Ref	Decal - 34HA Options:	
1	1701471	2	Brown	
1	1701593	2	Black	
4	1701529	4	Decal - Arrow	
5		Ref	Decal - Stripping Options:	
5	1701703	6.49 m	Brown	
5	1701334	6.49 m	Black	
6		Ref	Decal - JLG Lift Options:	
6	1701441	2	Brown	
6	1701550	2	Black	
7	1701518	6	Decal - Crushing	
11	3251813	1	Decal - Made in USA (Prior to July 1995)	
12		Ref	Decal - JLG	
12	1700981	2	Brown	
12	1701321	2	Black	
13	0860520	1	Box Manual Storage	
14	1701509	1	Decal - Operations, Safety and Maintenance	
15	Not Available	1	Nameplate - Manufacturer	
16	1700584	1	Decal - Patent	
18	1701500	4	Decal - Lift Here	
19	1702300	4	Decal - Tie Down	
22	3820001	4	Rivet	
24	1702612	2	Decal - Lanyard Attach (Australian Spec Only)	
25	0961127	1	Bushing, Snap	
26	4751400	6	Flatwasher 1/4in	
27	3311405	5	Nut 1/4in-20NC	
28	1060279	1	Cable, Lanyard	
29	0641408	1	Bolt 1/4in-20NC x 1in	
30	1701502	1	Decal - Hydraulic Oil Level (High)	
31	0100010	AR	Loctite #242 (Not Shown)	
32		Ref	Decal - Fuel Options:	
32	1701542	1	Euro - Diesel	
32	1701505	1	Australian Spec - Diesel	
33	1701543	1	Decal - LP	
34	3252356	1	Decal - Dual Fuel Only	
36	1700818	1	Decal - LP Gas Liquid Withdraw System	
37	1701504	1	Decal - Hydraulic Oil	
39	4420052	6 m	Tape, Safety	
40		Ref	Decal - Warning Options:	
40	1702282	1	Brown	
40	1701503	1	Black	
44	1701555	4	Tire Pressure (Prior to July 1995)	
45	1702631	1	Decal - Bar Code	
46	1703677	1	Decal - Safe Working Load (Australian Spec Only)	
47	1703665	1	Decal - Danger (Electric Hazard) (Australian Spec Only)	
48	1703663	1	Decal - Maintenance (Australian Spec Only)	

SECTION 8 - DECALS

ITEM	PART NUMBER	QTY	DESCRIPTION	REV
49	1703664	1	Decal - Caution (Safety Harness) (Australian Spec Only)	
	0257854	Ref	DECAL INSTALLATION AUSTRALIAN SPEC	2
101	1700037	1	Decal - Ground Control	
102	Not Required	0	Not Required	
103	1702280	2	Decal - Caution	
104	1690696	1	Plate - Caution	
105	1691483	1	Decal - Caution	
106	1690697	1	Decal - Capacity	
	0252265	Ref	DECAL INSTALLATION DUTCH SPEC	A
101	1701574	1	Decal - Ground Control	
102	Not Required	0	Not Required	
103	1701574	2	Decal - Caution	
104	Not Required	0	Not Required	
105	1701596	2	Decal - Caution	
106	1701567	1	Decal - Capacity	
	0252256	Ref	DECAL INSTALLATION U.K. ENGLISH SPEC	B
101	1700037	1	Decal - Ground Control	
102	Not Required	0	Not Required	
103	1702280	2	Decal - Caution	
104	1690696	1	Plate - Caution	
105	1691483	1	Decal - Caution	
106	1690697	1	Decal - Capacity	
	0252257	Ref	DECAL INSTALLATION FRENCH SPEC	-
101	1701515	1	Decal - Ground Control	
102	1693292	1	Nameplate - Footswitch	
103	1701572	2	Decal - Caution	
104	1693286	1	Plate - Caution	
105	1693289	1	Decal - Caution	
106	1701577	1	Decal - Capacity	
	0252258	Ref	DECAL INSTALLATION GERMAN SPEC	-
101	1693285	1	Decal - Ground Control	
102	1693294	1	Nameplate - Footswitch	
103	1701573	2	Decal - Caution	
104	1693288	1	Plate - Caution	
105	1693291	1	Decal - Caution	
106	1690697	1	Decal - Capacity	
	0252264	Ref	DECAL INSTALLATION ITALIAN SPEC	-
101	1701599	1	Decal - Ground Control	
102	1701600	1	Nameplate - Footswitch	
103	1701571	2	Decal - Caution	
104	1701601	1	Plate - Caution	
105	1701602	1	Decal - Caution	
106	1690697	1	Decal - Capacity	
	0253270	Ref	DECAL INSTALLATION SPANISH SPEC	A
101	1701789	1	Decal - Ground Control	
102	1701791	1	Nameplate - Footswitch	
103	1701796	2	Decal - Caution	
104	1701794	1	Plate - Caution	
105	1701798	1	Decal - Caution	
106	1690697	1	Decal - Capacity	
	0252104	Ref	DECAL INSTALLATION - MANUAL DESCENT	-

SECTION 8 - DECALS

ITEM	PART NUMBER	QTY	DESCRIPTION	REV
201	1701557	1	Decal - Instructions	
202	1701558	4	Decal - Manual Descent (Located on Lift Cylinders) (Not Shown)	
203	1701556	1	Decal - Manual Descent	

SECTION 9 - RECOMMENDED SERVICE PARTS STOCK

SECTION 9 - RECOMMENDED SERVICE PARTS STOCK

SECTION 9 - RECOMMENDED SERVICE PARTS STOCK

FIGURE 9-1. MODEL 34HA STANDARD PARTS

ITEM	PART NUMBER	QTY	DESCRIPTION	REV
	Note	Ref	Note: The following list will service fleets of machines (built to current production per date on the front cover) with emergency repair parts which can be installed in the field. Parts from the list should be replaced when inventory is depleted to keep service parts stock supplied. For further information, contact your JLG dealer or the JLG Industries Parts Department.	
		Ref	STANDARD PARTS	
	2120125	4	Element, Filter, (for fleets of 1 to 10)	
	2120125	8	Element, Filter, (for fleets of 10 to 20)	
	2120125	12	Element, Filter, (for fleets of 20 or more)	
	7000417	1	Coil, (for fleets of 1 to 10)	
	7000417	1	Coil, (for fleets of 10 to 20)	
	7000417	1	Coil, (for fleets of 20 or more)	
	7000418	1	Coil, (for fleets of 1 to 10)	
	7000418	1	Coil, (for fleets of 10 to 20)	
	7000418	1	Coil, (for fleets of 20 or more)	
	7002450	1	Coil, (for fleets of 1 to 10)	
	7002450	1	Coil, (for fleets of 10 to 20)	
	7002450	1	Coil, (for fleets of 20 or more)	
	7010711	1	Coil, (for fleets of 1 to 10)	
	7010711	1	Coil, (for fleets of 10 to 20)	
	7010711	1	Coil, (for fleets of 20 or more)	
	7009742	1	Coil, (for fleets of 1 to 10)	
	7009742	1	Coil, (for fleets of 10 to 20)	
	7009742	1	Coil, (for fleets of 20 or more)	
	7004214	1 Dozen	Element, Air Cleaner, (for fleets of 1 to 10)	
	7004214	1 Dozen	Element, Air Cleaner, (for fleets of 10 to 20)	
	7004214	1 Dozen	Element, Air Cleaner, (for fleets of 20 or more)	
	3740067	1	Relay, (for fleets of 1 to 10)	
	3740067	1	Relay, (for fleets of 10 to 20)	
	3740067	1	Relay, (for fleets of 20 or more)	
	3740035	1	Relay, (for fleets of 1 to 10)	
	3740035	1	Relay, (for fleets of 10 to 20)	
	3740035	1	Relay, (for fleets of 20 or more)	
	4360232	1	Breaker, Circuit 15Amp, (for fleets of 1 to 10)	
	4360232	1	Breaker, Circuit 15Amp, (for fleets of 10 to 20)	
	4360232	1	Breaker, Circuit 15Amp, (for fleets of 20 or more)	
	2120110	4	Element, Hydraulic Filter, (for fleets of 1 to 10)	
	2120110	8	Element, Hydraulic Filter, (for fleets of 10 to 20)	
	2120110	12	Element, Hydraulic Filter, (for fleets of 20 or more)	
	1340046	1	Breather, Hydraulic Tank, (for fleets of 1 to 10)	
	1340046	2	Breather, Hydraulic Tank, (for fleets of 10 to 20)	
	1340046	3	Breather, Hydraulic Tank, (for fleets of 20 or more)	
	4360003	1	Switch, Key (Master Switch), (for fleets of 1 to 10)	
	4360003	1	Switch, Key (Master Switch), (for fleets of 10 to 20)	
	4360003	1	Switch, Key (Master Switch), (for fleets of 20 or more)	
	4360073	1	Switch, Toggle Center Off, (for fleets of 1 to 10)	
	4360073	1	Switch, Toggle Center Off, (for fleets of 10 to 20)	
	4360073	1	Switch, Toggle Center Off, (for fleets of 20 or more)	

SECTION 9 - RECOMMENDED SERVICE PARTS STOCK

ITEM	PART NUMBER	QTY	DESCRIPTION	REV
	4360199	1	Switch, Toggle, (for fleets of 1 to 10)	
	4360199	1	Switch, Toggle, (for fleets of 10 to 20)	
	4360199	1	Switch, Toggle, (for fleets of 20 or more)	
	4360274	1	Switch, Push Button, (for fleets of 1 to 10)	
	4360274	1	Switch, Push Button, (for fleets of 10 to 20)	
	4360274	1	Switch, Push Button, (for fleets of 20 or more)	
	4360202	1	Switch, Toggle, (for fleets of 1 to 10)	
	4360202	1	Switch, Toggle, (for fleets of 10 to 20)	
	4360202	1	Switch, Toggle, (for fleets of 20 or more)	
	4360200	1	Switch, Toggle, (for fleets of 1 to 10)	
	4360200	1	Switch, Toggle, (for fleets of 10 to 20)	
	4360200	1	Switch, Toggle, (for fleets of 20 or more)	
	3740049	1	Relay, (for fleets of 1 to 10)	
	3740049	1	Relay, (for fleets of 10 to 20)	
	3740049	1	Relay, (for fleets of 20 or more)	
	4360216	1	Breaker, Circuit 30Amp, (for fleets of 1 to 10)	
	4360216	1	Breaker, Circuit 30Amp, (for fleets of 10 to 20)	
	4360216	1	Breaker, Circuit 30Amp, (for fleets of 20 or more)	
	3740058	1	Relay, (for fleets of 1 to 10)	
	3740058	1	Relay, (for fleets of 10 to 20)	
	3740058	1	Relay, (for fleets of 20 or more)	
	3740077	1	Relay, (for fleets of 1 to 10)	
	3740077	1	Relay, (for fleets of 10 to 20)	
	3740077	1	Relay, (for fleets of 20 or more)	
	4360212	1	Breaker, Circuit, (for fleets of 1 to 10)	
	4360212	1	Breaker, Circuit, (for fleets of 10 to 20)	
	4360212	1	Breaker, Circuit, (for fleets of 20 or more)	
	3740048	1	Relay, (for fleets of 1 to 10)	
	3740048	1	Relay, (for fleets of 10 to 20)	
	3740048	1	Relay, (for fleets of 20 or more)	
	4360171	1	Switch, Tilt Indicator, (for fleets of 1 to 10)	
	4360171	1	Switch, Tilt Indicator, (for fleets of 10 to 20)	
	4360171	1	Switch, Tilt Indicator, (for fleets of 20 or more)	
	4360031	1	Footswitch, (for fleets of 1 to 10)	
	4360031	1	Footswitch, (for fleets of 10 to 20)	
	4360031	1	Footswitch, (for fleets of 20 or more)	
	4360209	1	Breaker, Circuit, (for fleets of 1 to 10)	
	4360209	1	Breaker, Circuit, (for fleets of 10 to 20)	
	4360209	1	Breaker, Circuit, (for fleets of 20 or more)	
	4360327	1	Switch, Potentiometer, (for fleets of 1 to 10)	
	4360327	1	Switch, Potentiometer, (for fleets of 10 to 20)	
	4360327	1	Switch, Potentiometer, (for fleets of 20 or more)	
	4360289	1	Switch, Push/Pull, (for fleets of 1 to 10)	
	4360289	1	Switch, Push/Pull, (for fleets of 10 to 20)	
	4360289	1	Switch, Push/Pull, (for fleets of 20 or more)	
	4360282	1	Block, Contact, (for fleets of 1 to 10)	
	4360282	1	Block, Contact, (for fleets of 10 to 20)	
	4360282	1	Block, Contact, (for fleets of 20 or more)	
	4360215	1	Switch, Proximity, (for fleets of 1 to 10)	
	4360215	1	Switch, Proximity, (for fleets of 10 to 20)	
	4360215	1	Switch, Proximity, (for fleets of 20 or more)	

SECTION 9 - RECOMMENDED SERVICE PARTS STOCK

ITEM	PART NUMBER	QTY	DESCRIPTION	REV
	3990010	2	Diode - 6 Amp, (for fleets of 1 to 10)	
	3990010	2	Diode - 6 Amp, (for fleets of 10 to 20)	
	3990010	2	Diode - 6 Amp, (for fleets of 20 or more)	
	3730003	1	Resistor, (for fleets of 1 to 10)	
	3730003	1	Resistor, (for fleets of 10 to 20)	
	3730003	1	Resistor, (for fleets of 20 or more)	

SECTION 9 - RECOMMENDED SERVICE PARTS STOCK

FIGURE 9-2. MODEL 34HA VARIABLE PARTS

ITEM	PART NUMBER	QTY	DESCRIPTION	REV
	Note	Ref	Note: The following list will service fleets of machines (built to current production per date on the front cover) with emergency repair parts which can be installed in the field. Parts from the list should be replaced when inventory is depleted to keep service parts stock supplied. For further information, contact your JLG dealer or the JLG Industries Parts Department.	
		Ref	VARIABLE PARTS	
	7019949	1 Dozen	Filter, Oil (Ford VSG411 Engine Machines), (for fleets of 1 to 10)	
	7019949	1 Dozen	Filter, Oil (Ford VSG411 Engine Machines), (for fleets of 10 to 20)	
	7019949	1 Dozen	Filter, Oil (Ford VSG411 Engine Machines), (for fleets of 20 or more)	
	7019939	1 Dozen	Filter, Fuel (Ford VSG411 Engine Machines), (for fleets of 1 to 10)	
	7019939	1 Dozen	Filter, Fuel (Ford VSG411 Engine Machines), (for fleets of 10 to 20)	
	7019939	1 Dozen	Filter, Fuel (Ford VSG411 Engine Machines), (for fleets of 20 or more)	
	1660184	1	Coupling, Pump (Ford VGS411 Engine Machines), (for fleets of 1 to 10) (Prior to January 1992)	
	1660184	1	Coupling, Pump (Ford VGS411 Engine Machines), (for fleets of 10 to 20) (Prior to January 1992)	
	1660184	1	Coupling, Pump (Ford VGS411 Engine Machines), (for fleets of 20 or more) (Prior to January 1992)	
	1660207	1	Coupling, Pump (Ford VGS411 Engine Machines), (for fleets of 1 to 10) (January 1992 to Present)	
	1660207	1	Coupling, Pump (Ford VGS411 Engine Machines), (for fleets of 10 to 20) (January 1992 to Present)	
	1660207	1	Coupling, Pump (Ford VGS411 Engine Machines), (for fleets of 20 or more) (January 1992 to Present)	
	7020117	1	Coupling, Pump (Ford VGS413 Engine Machines), (for fleets of 1 to 10)	
	7020117	1	Coupling, Pump (Ford VGS413 Engine Machines), (for fleets of 10 to 20)	
	7020117	1	Coupling, Pump (Ford VGS413 Engine Machines), (for fleets of 20 or more)	
	7016331	1 Dozen	Filter, Oil (Deutz Engine Machines), (for fleets of 1 to 10)	
	7016331	1 Dozen	Filter, Oil (Deutz Engine Machines), (for fleets of 10 to 20)	
	7016331	1 Dozen	Filter, Oil (Deutz Engine Machines), (for fleets of 20 or more)	
	7016328	1 Dozen	Filter, Fuel (Deutz Engine Machines), (for fleets of 1 to 10)	
	7016328	1 Dozen	Filter, Fuel (Deutz Engine Machines), (for fleets of 10 to 20)	
	7016328	1 Dozen	Filter, Fuel (Deutz Engine Machines), (for fleets of 20 or more)	
	1660234	1	Coupling, Pump (Deutz Engine Machines), (for fleets of 1 to 10)	
	1660234	1	Coupling, Pump (Deutz Engine Machines), (for fleets of 10 to 20)	
	1660234	1	Coupling, Pump (Deutz Engine Machines), (for fleets of 20 or more)	
	0060023	1	Actuator, Throttle (Deutz Engine Machines), (for fleets of 1 to 10)	
	0060023	1	Actuator, Throttle (Deutz Engine Machines), (for fleets of 10 to 20)	
	0060023	1	Actuator, Throttle (Deutz Engine Machines), (for fleets of 20 or more)	
	4360277	1	Switch, Limit, (for fleets of 1 to 10)	
	4360277	1	Switch, Limit, (for fleets of 10 to 20)	
	4360277	1	Switch, Limit, (for fleets of 20 or more)	
	1600116	1	Controller, (for fleets of 1 to 10)	
	1600116	1	Controller, (for fleets of 10 to 20)	
	1600116	1	Controller, (for fleets of 20 or more)	
	1600126	1	Controller, (for fleets of 1 to 10)	

SECTION 9 - RECOMMENDED SERVICE PARTS STOCK

ITEM	PART NUMBER	QTY	DESCRIPTION	REV
	1600126	1	Controller, (for fleets of 10 to 20)	
	1600126	1	Controller, (for fleets of 20 or more)	

SECTION 10 - SPECIAL OPTIONS

SECTION 10 - SPECIAL OPTIONS

FIGURE 10-1. SPECIAL OPTIONS

ITEM	PART NUMBER	QTY	DESCRIPTION	REV
	Note	Ref	Note: This list is to accomodate machines ordered with special equipment. Options may not be applicable to all models. For more specific parts information contact JLG Parts Department.	
		Ref	MISCELLANEOUS SPECIAL OPTIONS	
	0238682	Ref	Airline to Platform Installation	
	9983463	Ref	Airline Sketch at Platform	
		Ref	Axle Conversions	
	0251273	Ref	4WD Oscillating to Fixed	
	0251649	Ref	2WD With 6ft 6in Frame Oscillating to Fixed	
	0251475	Ref	2WD With 12 x 16.5 Tires Oscillating to Fixed	
	0253234	Ref	2WD With 5ft 9in Frame Oscillating to Fixed	
	0251975	Ref	Installation Battery Gauge - Electric Machines	
	2420075	1	Gauge	
	0251939	Ref	Installation Battery Meter Gauge - Electric Machines	
	2420049	1	Gauge	
		Ref	Country Spec Installations	
	0253802	Ref	Australian Spec	
	0252263	Ref	Dutch Spec	
	0252259	Ref	English Spec	
	0252260	Ref	French Spec	
	0252261	Ref	German Spec	
	0252262	Ref	Italian Spec	
	0253269	Ref	Spanish Spec	
	1001148902	Ref	Electrical Connector Kit - Amp/Tyco Electrical Connectors	
	1001148903	Ref	Electrical Connector Kit - Deutsch DT Electrical Connectors	
	1001148904	Ref	Electrical Connector Kit - Deutsch HD Electrical Connectors	
	1001148905	Ref	Electrical Connector Kit - Packard Electrical Connectors	
	1001148906	Ref	Electrical Connector Kit - Various Electrical Connectors	
		Ref	Filter Kits:	
		Ref	Combined Filter Kit (Hydraulic/Air and Fuel/Engine Oil) (Deutz Engine):	
	2910438	1	Prior to August 1995	
	1001110986	1	August 1995 to Present	
	1001109675	1	Hydraulic/Air Filter (Deutz Engine)	
	1001110133	1	Fuel/Engine Oil Filter (Deutz Engine)	
	0251692	Ref	Inverter 110Volt Generator (Electric Machines)	
	0251619	Ref	Panel Lights Installation - Standard With Creep	
	0253987	Ref	Platform Lights Installation - Ford and Deutz	1
	0270723	Ref	Beacon, Amber	
	0251180	Ref	Platform Interlock Installation (French Spec)	
	4360263	1	Limit Switch	
	0253558	Ref	Receptacle Plate Installation (Australian Spec)	
	0251921	Ref	Safe Load Indicator System Installation (French Spec)	
	0256829	Ref	Spring Loaded Platform Gate Installation	
	9900493	Ref	Tool Kit	
	0257728	Ref	Tube Rack (180Lbs Capacity) Installation	
	0256436	Ref	Tube Rack Installation	
	0258918	Ref	Utility Rack Assembly	

PART NUMBER INDEX

PART NUMBER INDEX

0060023.....94, 252	0250093..... 20	0251328..... 19	0253987..... 159, 256
0060026..... 140, 149	0250109..... 45	0251332..... 52	0254094..... 47
0080039..... 78, 84, 94	0250125..... 95	0251337..... 133	0254098..... 179
0080092..... 77	0250143..... 160	0251364..... 127, 129	0254099..... 179
0080098..... 140, 144	0250144..... 45	0251369..... 52, 169	0254411..... 152
0080099..... 140, 144	0250148..... 10, 16	0251370..... 15	0254449..... 20
0080148..... 65	0250229..... 95, 99	0251372..... 126, 129	0254450..... 20
0080163..... 80, 95	0250253..... 139, 143	0251388..... 136	0254451..... 20
0080167..... 89	0250324..... 80	0251417..... 89	0254832..... 19
0080168..... 77	0250327..... 121	0251420..... 121	0255010..... 66
0080172..... 93	0250355..... 129	0251443..... 130	0255151..... 126, 129
0080175..... 80, 85	0250456..... 133	0251475..... 13, 256	0255476..... 81, 86, 122
0080177..... 93	0250459..... 51	0251476..... 104, 109	0255477..... 95, 122
0080178..... 94	0250460..... 51	0251486..... 13	0256335..... 179
0080182..... 77, 83	0250493..... 139	0251487..... 13	0256436..... 256
0080200..... 86	0250495..... 139	0251561..... 75	0256829..... 256
0100001..... 155	0250503..... 77	0251565..... 52	0256848..... 95
0100003..... 75	0250504..... 78	0251619..... 256	0257412..... 123
0100004..... 65	0250574..... 93	0251649..... 256	0257413..... 123
0100009..... 103	0250575..... 93	0251692..... 256	0257432..... 121
0100010..... 240, 243	0250585..... 129	0251755..... 126, 129	0257657..... 83
0100011..... 11, 16, 65, 75, 78, 84, 99, 129, 163, 165, 167, 169, 171, 173, 175, 177	0250597..... 95	0251921..... 256	0257658..... 84
0100019..... 11, 16, 19, 65, 66, 123, 133, 135, 141, 144	0250598..... 80	0251939..... 256	0257728..... 256
0100020..... 65, 89, 121, 122, 123, 165, 167, 169, 177, 192	0250615..... 51	0251975..... 256	0257854..... 243, 244
0100021..... 66, 141, 144	0250616..... 51	0252054..... 159	0258918..... 256
0100027..... 121	0250626..... 77	0252104..... 240, 244	0270122..... 20
0100035..... 163, 165, 167, 169, 177	0250627..... 78	0252210..... 159	0270215..... 10, 16
0100038..... 163, 165, 167, 169, 173, 175, 177	0250635..... 179	0252211..... 159	0270723..... 256
0140001..... 151	0250636..... 179	0252254..... 243	0271036..... 239
0140019..... 156	0250643..... 239	0252255..... 243	0340002..... 78, 84, 94
0140024..... 130	0250649..... 123	0252256..... 244	0360016..... 47
0140032..... 130	0250650..... 130	0252257..... 244	0361651..... 47
0181339..... 129	0250658..... 122	0252258..... 244	0361810..... 84, 94
0181554..... 103	0250659..... 95, 122	0252259..... 256	0361815..... 99
0231047..... 75	0250660..... 121	0252260..... 256	0361840..... 129
0231756..... 122	0250668..... 91	0252261..... 256	0361879..... 103
0235238..... 139, 140, 143, 144	0250751..... 129	0252262..... 256	0361966..... 152
0236768..... 79, 84, 94, 103	0250772..... 89	0252263..... 256	0400002..... 79, 103
0237963..... 141, 145	0250806..... 80, 85	0252264..... 244	0400003..... 79, 103
0238164..... 66	0250815..... 86	0252265..... 244	0400055..... 103
0238390..... 9	0250989..... 103	0252278..... 52, 169	0400075..... 84, 94
0238395..... 9	0251014..... 103, 121	0252429..... 104, 109	0400096..... 104, 107
0238511..... 65	0251016..... 51	0252448..... 139	0440018..... 14
0238523..... 65	0251017..... 51	0252578..... 65	0440019..... 14
0238615..... 75	0251024..... 159	0252625..... 85, 219	0440067..... 65
0238682..... 256	0251139..... 10, 16	0252808..... 80	0440091..... 15, 19
0238866..... 159	0251141..... 45	0252941..... 10, 15	0440112..... 9, 14
0238867..... 159	0251172..... 130	0253130..... 20	0440113..... 9, 14
0238882..... 47	0251173..... 130	0253131..... 10, 15	0440120..... 140, 144
0238942..... 159	0251174..... 130	0253132..... 20	0440134..... 140, 144
0238966..... 159	0251180..... 256	0253133..... 10, 15	0440135..... 140, 144
0239197..... 13	0251203..... 159	0253178..... 51	0440161..... 19
0239401..... 130	0251204..... 139	0253179..... 51	0440162..... 9, 15
0239805..... 10, 15	0251241..... 240	0253180..... 51	0440183..... 15
0239806..... 10, 15	0251248..... 13	0253181..... 51	0460073..... 179
0239948..... 47	0251259..... 20	0253182..... 51	0460075..... 179
	0251260..... 20	0253183..... 51	0460082..... 179
	0251261..... 20	0253234..... 256	0460083..... 179
	0251267..... 143	0253269..... 256	0460084..... 179
	0251268..... 143	0253270..... 244	0460093..... 179
	0251271..... 19	0253352..... 130	0480057..... 91
	0251273..... 19, 256	0253558..... 256	0480059..... 99
	0251301..... 240	0253742..... 126	0540070..... 136
	0251310..... 45	0253777..... 96	0560605..... 15, 19
	0251326..... 13	0253802..... 256	0560714..... 15, 19
	0251327..... 9	0253908..... 47	0560793..... 65

PART NUMBER INDEX

0560804..... 15	0641840..... 20	0901650..... 91	1060279..... 240, 243
0560805..... 15	0641844..... 20	0901664..... 78, 94	1060300..... 220, 221
0560913..... 19	0641848..... 20	0901677..... 104	1060309..... 220
0560923..... 136	0641856..... 94	0901705..... 93	1060338..... 103
0610091..... 218	0642014 ... 10, 16, 20, 65, 66	0901714..... 78	1060341..... 218
0620058..... 75	0642016..... 10, 16, 20	0901715..... 77	1060345..... 104
0630137..... 9, 14	0642036..... 48	0901717..... 77	1060352..... 103
0630403..... 79, 84	0642216..... 47	0901756..... 143	1060355..... 103
0630424..... 47	0642224..... 9	0901774..... 91	1060356..... 104
0630425..... 15	0642234..... 47	0901790..... 52	1060461..... 152
0630451..... 139	0642628..... 15	0901796..... 155	1060494..... 123
0630466..... 47	0642636..... 47	0901883..... 130	1060515..... 136, 220
0641404..... 19, 129, 143	0652014..... 139, 143	0902184..... 83	1060516..... 135
0641405..... 89, 130	0681510..... 99	0902244..... 93	1100041..... 45
0641406, 9, 13, 19, 51, 79, 84, 94, 99, 109, 122, 127, 129, 130, 135, 140, 159	0681610..... 91, 99, 139	0920072..... 10, 16, 21, 33	1100057..... 133
0641407..... 136	0681820..... 65	0920074..... 65, 69	1120019..... 9, 14
0641408 ... 109, 129, 141, 144, 145, 240, 243	0682020..... 65	0920084..... 10, 16, 21, 35	1120032..... 14
0641410..... 77, 83	0700605..... 93	0920089..... 65	1120108..... 175
0641412..... 94	0700808..... 80	0920095..... 66	1120161..... 79, 84, 94
0641414..... 159	0700810..... 95	0920110..... 10, 16, 21, 37	1120169..... 96
0641416..... 152	0700814..... 78, 84, 95	0920119..... 10, 16, 21	1120179.... 163, 173, 177
0641418..... 75	0700819..... 86	0940038..... 159	1120218..... 80, 85
0641420..... 133	0701010..... 93	0940083..... 130	1120228..... 171
0641428..... 52	0701012..... 99	0960224..... 75	1120229..... 171
0641504..... 103	0701013..... 95	0960238.... 109, 126, 151, 156	1120286..... 169
0641506 ... 109, 139, 140, 143, 144	0701014..... 77, 83	0960239.... 109, 133, 151, 155, 220	1120299..... 139, 143
0641507..... 47, 80, 91	0701020..... 86	0960523..... 13, 14	1120336..... 165
0641508..... 99, 156	0701414..... 99	0960613..... 165, 169	1120340..... 167
0641510..... 80, 130	0720803..... 156	0960839..... 9, 13, 14	1120362..... 121
0641511..... 91	0721003..... 14	0960905..... 155	1120387..... 171
0641512..... 75, 93	0721004 ... 9, 14, 75, 109	0960946..... 167	1120405..... 94
0641514..... 51, 121	0721006..... 91	0960960..... 96	1120485..... 123
0641522.... 45, 139, 140, 143, 144	0750806..... 109, 125	0961024..... 133	1120486..... 123
0641524..... 133	0751006..... 151, 155	0961127..... 240, 243	1180227..... 135
0641528..... 45	0800627..... 135	0961128..... 133	1260017..... 47, 66, 129
0641604..... 135	0800630 ... 133, 135, 218	0961198..... 133	1260135..... 48
0641606..... 135	0800716..... 135	0961247..... 91	1281272..... 219
0641607..... 133	0840031..... 104	0961254..... 165	1282394..... 219
0641608 ... 20, 65, 77, 83, 123, 135	0840032..... 104	0961257..... 139, 143	1320014..... 78, 83
0641609..... 133	0860520..... 239, 243	0961259..... 139, 145	1320016..... 94
0641610 ... 13, 19, 65, 78, 80, 84, 93, 103	0860576..... 125	0961450..... 145	1320017..... 89
0641611..... 121	0860637..... 125	0961531..... 75	1320019..... 94, 96
0641612..... 79, 85, 94	0860645..... 125	0961595..... 135	1320020..... 78, 84
0641613..... 94, 103, 104	0860689..... 151	1001096415.... 10, 16, 42	1320022... 79, 85, 89, 94, 122
0641614..... 103	0860692..... 125	1001109675.... 256	1320023..... 123, 187
0641618..... 19	0860693..... 151	1001110133.... 256	1320026..... 79, 85
0641620..... 45	0860694..... 125	1001110986.... 256	1320030..... 201
0641728..... 77, 83	0860701..... 104, 109	1001148902.... 256	1320031..... 78, 84
0641807..... 75	0860717..... 125	1001148903.... 256	1320032..... 80, 85, 89
0641810..... 20, 65, 140	0860739..... 155	1001148904.... 256	1320033..... 191, 205
0641811..... 143	0860771..... 104, 109	1001148905.... 256	1320037..... 179
0641812 ... 77, 79, 83, 84, 93	0860785..... 122	1001148906.... 256	1320040..... 75
0641816..... 140	0860827..... 155	1060012..... 99, 219	1320041..... 93
0641822..... 9	0860841..... 125	1060016.... 219, 220, 221	1320058..... 78, 83
0641826..... 77, 83	0860901..... 122	1060030..... 94	1320059..... 94, 95
0641830..... 65	0860960..... 125	1060031..... 79, 84	1320060..... 89
0641834..... 66	0900019..... 167	1060045..... 93	1320095..... 89
0641836..... 139, 143	0900232..... 160	1060046..... 79, 84, 103	1320122..... 179
	0900479..... 47	1060093..... 94	1320126..... 123
	0901056..... 160	1060129..... 79, 84	1320127..... 123
	0901387..... 78, 84	1060133..... 79, 84	1320146..... 144
	0901419..... 78, 84	1060149..... 103	1320160..... 143
	0901449..... 159	1060154..... 103	1320168..... 133, 135
	0901633..... 91, 99	1060172..... 94	1320176..... 93
	0901634..... 78, 83	1060221..... 77, 83	1340020..... 78, 84, 94
	0901635..... 77, 83	1060229..... 218	1340045..... 122

PART NUMBER INDEX

1340046.....	121, 248	1682177.....	165	1701557.....	240, 245	143, 144, 163, 165,
1340047.....	122	1682178... 139, 140, 143,		1701558.....	240, 245	173, 175
1360122.....	47	144, 165		1701567.....	244	2160003.. 15, 19, 47, 167,
1380124.....	20	1682179.....	135, 177	1701571.....	244	169
1380137.....	144	1682364.....	171	1701572.....	244	2160006..... 141, 145
1440154.....	75	1682406... 9, 13, 19, 163		1701573.....	244	2180029..... 51
1540002.....	220	1682407.....	163	1701574.....	244	2180104..... 89
1600116..... 151, 156, 252		1683511.....	9, 171	1701577.....	244	2180125..... 183
1600117..... 79, 85		1690696.....	244	1701593.....	243	2180249..... 89
1600119.....	109	1690697.....	244	1701596.....	244	2180348..... 79, 89
1600122.....	109	1691483.....	244	1701599.....	244	2180360.... 78, 83, 85, 89,
1600126..... 155, 252, 253		1692927.....	220	1701600.....	244	95
1600127.....	151	1692958.....	169	1701601.....	244	2180380.... 167, 169, 201,
16600043.....	122	1693285.....	244	1701602.....	244	206, 209
1660009.....	48	1693286.....	244	1701703.....	239, 243	2180387..... 89
1660144.....	47	1693288.....	244	1701789.....	244	2180389..... 89
1660157.....	78, 83	1693289.....	244	1701791.....	244	2180448..... 209
1660160.....	75	1693291.....	244	1701794.....	244	2180467..... 122
1660169.....	80	1693292.....	244	1701796.....	244	2180491..... 201, 205
1660172.....	80	1693294.....	244	1701798.....	244	2180535..... 89
1660173.....	80	1693405.....	220	1702089.....	123	2180536..... 89
1660176.....	95	1693406.....	220	1702153.....	239	2180537..... 95
1660184..... 80, 95, 252		1700037.....	239, 244	1702277.....	239	2180540.... 201, 206, 209
1660207.....	80, 252	1700157.....	239	1702280.....	240, 244	2180621..... 206
1660234.....	95, 252	1700419.....	240	1702282.....	240, 243	2180623..... 89
1670199.....	122	1700422.....	239	1702284.....	239	2180644..... 121
1670446.....	121	1700428.....	240	1702292.....	239	2180651..... 183
1670451.....	140	1700429.....	240	1702293.....	240	2180730..... 93, 95
1670474.....	159	1700430.....	240	1702294.....	240	2180749..... 95
1670519.....	144	1700431.....	239	1702299.....	239	2180763..... 75
1670526.....	159	1700460.....	240	1702300.....	239, 243	2200053..... 79
1670578.....	109	1700476.....	240	1702305.....	47	2200108..... 123
1670582.....	129	1700477.....	240	1702402.....	156	2200201..... 165, 177
1670591.....	152	1700580.....	239	1702512.....	240	2200202.... 121, 165, 169,
1670594.....	75	1700582.....	240	1702612.....	243	177
1670607.....	159	1700584.....	239, 243	1702631.....	240, 243	2200222..... 167
1670620.....	140	1700585.....	239	1702688.....	240	2200233..... 85, 167
1670630.....	144	1700593.....	239	1703162.....	85	2200261..... 95
1670645.....	122	1700598.....	152	1703663.....	243	2200447..... 121
1670646.....	122	1700599.....	152	1703664.....	244	2200462..... 79
1680654.....	171	1700640.....	239	1703665.....	243	2210003..... 187, 191
1680739.....	173	1700643.....	239	1703677.....	243	2210005..... 202
1680892..... 163, 173		1700756.....	240	1704277.....	240	2210008..... 201
1681294.....	169	1700818.....	240, 243	1760068.....	140, 144	2210014.... 187, 191, 205
1681344.....	175	1700975.....	239	1780245.....	129	2220003..... 89
1681411.....	175	1700977.....	239	1780254.....	141, 145	2220056..... 199
1681413.....	175	1700978.....	239	2000106.....	93	2220077..... 121
1681555..... 19, 175		1700981.....	239, 243	2000109.....	77	2220110..... 202, 206
1681635.....	177	1701321.....	243	2000117.....	77	2220202..... 121
1681712.....	177	1701334.....	243	2000129.....	77	2220218..... 199, 205
1681780..... 133, 169		1701340.....	239	2000137.....	93	2220235.... 184, 192, 195
1681781.....	169	1701441.....	239, 243	2000152.....	83	2220237..... 163
1681783.....	169	1701471.....	239, 243	2060016.....	77	2220239..... 213
1681787.....	163	1701500.....	239, 243	2060030.....	83	2220242..... 122
1681793.....	177	1701502.....	243	2080024.....	19	2220250..... 197
1681814..... 9, 171		1701503.....	243	2120077.....	89	2220261.... 197, 199, 202,
1681840..... 133, 167		1701504.....	240, 243	2120106.....	122	206
1681841.....	167	1701505.....	243	2120109.....	121	2220273.... 78, 79, 83, 85,
1681843.....	167	1701509.....	239, 243	2120110.....	121, 248	94, 121
1681844.....	167	1701515.....	244	2120112.....	78	2220290..... 89, 197
1681847.....	165	1701518.....	243	2120120.....	122	2220315..... 89
1681869.....	165	1701529.....	239, 243	2120122.....	51	2220341..... 121
1682020..... 14, 173		1701542.....	240, 243	2120125.....	51, 248	2220343..... 206
1682057..... 144, 165		1701543.....	240, 243	2160001 ... 9, 47, 65, 140,		2220345.... 188, 191, 195,
1682058.....	165	1701550.....	243	141, 144, 167, 169		206
1682060.....	165	1701555.....	243	2160002 9, 13, 14, 19,		2220346..... 202
1682084.....	173	1701556.....	240, 245	133, 135, 139, 140,		2220347..... 195

PART NUMBER INDEX

2220348 187, 191, 206	2220600 188, 191, 205	2420203.....91, 99	2751015 184, 188, 195
2220355 191, 195	2220602 201, 206	2440043.....140, 144	2751017 183
2220356 195	2220605 ... 187, 191, 211, 213	2440044.....140, 144	2751018 183, 195
2220362 188, 191, 195	2220606 ... 183, 202, 205, 206	2440056.....65	2751020 184
2220363 187, 191	2220609 ... 183, 188, 201, 205, 211, 213	2460011.....91, 99	2751021 188, 191, 195
2220364 89	2220618 ... 183, 187, 191, 201, 206	2500005.....77, 83	2751325 195
2220365 187, 191	2220619 ... 183, 192, 201, 205, 211	2540016.....130, 159, 160	2751327 195
2220366 191	2220621 188, 192	2560003.....129	2751331 195
2220371 183, 201, 205	2220622 191, 205	2560010.....141, 145	2751345 195
2220372 201	2220627 192	2560041.....151	2751353 195
2220373 52, 202, 206	2220628 202, 205	2560112.....155, 156	2751359 195
2220374 206	2220635 183, 211	2580001...81, 86, 95, 219	2751391 211
2220375 187, 191	2220646 187, 192	2580018.....122	2751397 183
2220377 188, 192	2220648 89	2580026.....81, 86	2751398 188, 213
2220383 202	2220651 52, 201	2580046.....123	2751409 191
2220385 ... 183, 187, 191, 205, 211	2220654 ... 197, 199, 202, 213	2600105.....155	2751410 211
2220399 202, 205	2220655 195	2600132.....155	2751412 183
2220404 188	2220659 201, 205	2600143.....141, 145	2751427 ... 187, 188, 191
2220407 191	2220673 52	2600157.....130	2751428 211
2220408 187, 191, 201	2220675 89	2620029.....47	2751451 197, 199
2220414 ... 183, 187, 191, 197, 202, 206, 209	2220679 183	2620038.....47	2751484 191
2220415 ... 191, 195, 202, 205	2220681 206	2660057.....136	2751490 188, 191
2220416 ... 197, 199, 205, 209	2220682 206	2660058.....136	2751502 195
2220417 187, 202, 205	2220684 191	2660059.....136	2751614 187, 191
2220419 206	2220696 202, 206	2720042.....80, 85, 89	2751631 187, 192
2220428 197, 201, 205	2220700 206	2720058....79, 85, 89, 93	2751639 206
2220429 ... 197, 201, 205	2220710 187, 192	2720075.....93	2752236 191
2220435 45, 192, 202	2220726 201, 205	2720112.....89	2752238 187, 192
2220438 197, 199, 206	2220727 206	2720170.....89	2752239 192
2220444 51	2220738 188, 192, 195	2720183.....206	2752240 187, 191
2220446 52, 197, 205	2220758 205	272027193	2752241 187
2220451 188, 191, 195	2220771 183	2720325.....205	2752249 191
2220457 187	2220805 .. 79, 85, 94, 121	2720341.....78, 83	2752317 187
2220465 187, 188	2220816 199	2720351.....94	2752319 187, 192
2220466 ... 183, 188, 191, 195, 199, 202, 205	2220820 52, 201, 205	2720353.....187	2752320 187
2220468 ... 187, 191, 199, 201, 205, 209, 211	2220828 213	2720356.....201	2752322 191
2220469 191	2220885 163	2720357.....187, 191	2752323 187, 192
2220472 ... 184, 187, 191, 197, 201, 205	2220895 199	2750414 195	2752324 187
2220481 191	2220904 205	2750685.....195	2752329 187
2220490 183	2220909 206	2750756.....209	2752432 201
2220493 188, 191	222-608 192	2750757.....188, 192	2752433 205
2220497 201	2360262 9	2750759.....201	2752434 201, 205
2220504 ... 183, 188, 191, 195	2360274 9	2750760.... 187, 191, 195, 209	2752435 205
2220508 199	2360283 13	2750771 195	2752436 201, 205
2220509 202, 206	2360288 13	2750777 188, 191, 195	2752437 201, 205
2220516 192	2360321 13	2750779 183	2752438 202, 205
2220568 192	2360322 13	2750785.....183	2752439 205
2220577 213	2360330 13, 19	2750834.....205	2752440 202, 205
2220578 187, 191, 195	2420009 125	2750882.....195	2752441 202, 206
2220579 201	2420049 218, 256	2750889.....213	2752442 205
2220582 ... 183, 187, 191, 205	2420075 218, 256	2750892.....209	2752444 201
2220584 206	2420110 93	2750899 183	2752461 201, 205
2220585 ... 187, 195, 197, 202, 205	2420111 126	2750900.... 183, 184, 197	2752462 205
2220591 201, 206	2420115 122	2750910.....183	2752463 205
2220593 195, 205	2420125 126	2750917.....183	2752464 202, 205
2220594 45	2420127 126	2750920.....183	2752465 202, 206
2220596 195, 206	2420128 126	2750972.....195	2752466 206
	2420129 125	2750976.....191, 195	2752467 205
	2420130 78, 83	2750979.....187, 191	2752469 201
	2420131 78, 83	2750998.....183	2752470 201
	2420183 123	2751010.... 183, 187, 191, 211	2752471 201, 202
		2751011.....209, 213	2752472 201
		2751013.....188, 195	2752473 202
		2751014.... 183, 184, 187, 191	2752474 201
			2752492 206
			2752493 206

PART NUMBER INDEX

2752494.....	206	2900240.....	169	3200363.....	152	3311801....	11, 16, 65, 66,
2752495.....	206	2900340.....	169	3220067.....	78	75, 77, 78, 83, 84	
2752496.....	206	2900381.....	163, 177	3220076.....	78, 84	331180577, 83, 139, 141,	
2752497.....	206	2900397.....	78	3220086.....	96	143, 145	
2752498.....	206	2900449.....	42	3250840.....	47	3312001.....	48
2752502.....	202	2900455.....	147	3250872.....	47	3312202.....	47
2752504.....	202	2900503.....	52, 63	3251228.....	122	3312205.....	9
2760064.....	140, 144	2900662.....	33	3251243.....	122, 239	3312602.....	15
2760091.....	75	2900686.....	71	3251272.....	123	3312605.....	47
2780091.....	14	2900696.....	63	3251476.....	91, 99	3313403.....	14
2780153.....	9, 14	2900714.....	39	3251516.....	160	3321001.....	78, 84, 85
2780167.....	20, 23	2900724.....	69	3251813.....	239, 243	3321401.....	163
2780168.....	10, 16, 23	2900735.....	63	3251836.....	123	3321402.....	78, 83
2780169.....	10, 16, 23	2900740.....	115, 119	3251837.....	122	3322202.....	47
2780172.....	20, 27	2900752.....	112	3252053.....	151	3322603.....	9, 14
2780191.....	20, 29	2900754.....	27, 31	3252224.....	155	3323002.....	15, 19, 47
2791295.....	214	2900756.....	52	3252347.....	239	3323003.....	9, 14
2791619.....	214	2900766.....	35, 37	3252356.....	240, 243	3340263.....	135
2791620.....	199, 214	2900767.....	35	3252379.....	151	3340454.....	139, 143
2791639.....	214	2900768.....	35, 37	3252382.....	155	3340545.....	135
2791640.....	214	2900770.....	169	3252383.....	125	3340547.....	135
2791641.....	214	2900771.....	149	3281505.....	77, 83	3380364.....	159
2791642.....	214	2900792.....	165	3300012 9, 10, 14, 16, 20		3420158.....	48
2791643.....	214	2900816.....	31	3300029 .. 79, 85, 94, 103		3420290.....	75
2791644.....	214	2900826.....	112	3300047 ... 109, 133, 151,		3420352.....	48
2791647.....	187, 214	2900827.....	112	155, 220		3421151.....	47
2791649.....	214	2901102.....	167	3300048 ... 109, 126, 151,		3421190.....	20
2791650.....	214	2901103.....	165	156		3421243.....	14
2791651.....	214	2901111.....	96, 219	3300101.....	177	3421246.....	47
2791652.....	214	2901119.....	173	3300143.....	139	3421340.....	9, 14
2791653.....	209, 214	2901123.....	175	3300147.....	155	3421413.....	135
2791654.....	214	2901146.....	75	3300151.....	129	3421419.....	133
2791686.....	214	2901178.....	171	3300175.....	15, 19	3421452.....	66
2791687.....	214	2901184.....	89	3300177 ... 109, 125, 151,		3421453.....	66
2791688.....	214	2910438.....	256	155		3421490.....	143, 144
2791689.....	187, 214	2910479.....	103	3300183.....	65	3421491....	139, 140, 143,
2791710.....	195, 214	2920001.....	130	3300208.....	14	144	
2791711.....	195, 214	2920009.....	130, 159	3300220.....	78, 84	3421494....	139, 140, 143,
2791712.....	214	2920013.....	159	3300229.....	15, 19	144	
2791713.....	214	2920015.....	151, 155	3300271.....	165	3421600.....	143
2791744.....	197, 214	2920018.....	130, 159	3300272.....	177	3421612.....	143
2791764.....	215	2920019.....	130	3300273 ... 163, 173, 175		3421719.....	135
2791788.....	211, 214	2920026.....	219	3300281.....	167, 169	3421725.....	133
2791789.....	211, 214	2920029.....	219	3300284.....	165	3421749.....	133
2791792.....	213, 215	2920105.....	130	3310601 ... 109, 125, 151,		3421751.....	133
2791793.....	213, 215	2920109.....	130	156		3421752.....	133
2791818.....	183, 214	2920111.....	159	3311001 ... 45, 75, 78, 79,		3421756....	139, 140, 143,
2791819.....	183, 214	2920152.....	130	84, 91, 109, 125, 126,		144	
2791821.....	214	2920162.....	91, 99	141, 145, 151, 152,		3422011.....	133
2791853.....	214	2940006.....	141, 145	155, 156, 159		3422261.....	15
2791854.....	214	2940048.....	129	3311401 ... 77, 79, 83, 84,		3422637.....	133
2791876.....	214	2940050.....	129	91, 94, 99, 103, 109,		3422794.....	19
2791882.....	209, 214	2940051.....	129	122, 126, 130, 136,		3430292.....	47
2791885.....	191, 214	2940052.....	155	140, 152, 159		3431622.....	15, 19
2791953.....	205, 214	2940057.....	130	331140551, 94, 103, 104,		3440816.....	140, 144
2791961.....	201, 214	3020021.....	80, 95	129, 130, 133, 141,		3441228.....	140, 144
2791963.....	201, 214	3020025.....	141, 145	145, 159, 240, 243		3450202.....	93
2792061.....	187, 214	3020028.....	135	3311501 ... 45, 51, 79, 84,		3450203.....	93
2792063.....	214	3040379.....	47	93, 99, 103, 121, 130,		3450606.....	15, 20
2820022.....	52	3160083 ... 140, 144, 147		139		3450608.....	9, 14, 15
2820030.....	103	3160118.....	42	3311505 95, 133, 135,		3450609.....	9, 14
2880404.....	139, 143	3160147.....	65, 71	139, 140, 143, 144, 156		3450810.....	14
2880410.....	47	3160153.....	103	33116019, 13, 45, 77, 91,		3451010.....	14
2880512.....	140	3160158....	10, 16, 20, 39	94, 103, 123		3451012.....	14
2900034.....	24	3160183.....	65, 66, 73	331160552, 83, 103, 104,		3480098.....	171
2900062.....	52	3200201.....	77, 83	135		3480102.....	167, 169
2900099.....	171	3200202.....	77, 83	3311705 77, 79, 83, 84		3480120....	163, 173, 177

PART NUMBER INDEX

3480130	165	3740077	126, 249	3980017	103	4300097	10, 16
3480134	175	3740085	155	3990010	218, 219, 220, 221, 250	4300106	19
3480141	165	3740086	155	4031713	77, 83	4300107	65
3510261	159	3760004	75	4040215	143	4320008	10, 16
3510308	141	3760053	75	4040216	140	4340569	91
3510309	141	3760133	135	4060229	151, 155	4360003	248
3510310	141	3760141	171	4060733	79, 85	4360031	141, 145, 249
3510376	145	3760170	66	4060804	139, 140	4360037	78, 84, 95
3510377	145	3760176	173	4060829	130	4360073	248
3510378	145	3760215	66	4070224	19	4360089	218
3520022	122	3780183	15, 165	4070225	19	4360108	151
3520026	125, 126	3790012	125, 151, 155	4070298	135	4360131	151
3520028	91, 99, 126	3790015	125, 151	4070498	135	4360132	151
3520031	129	3790045	65	4070499	135	4360141	125
3520034	126, 129, 156, 159	3790152	78, 84, 93	4070559	136	4360157	86, 219
3520035	140, 143	3790155	65, 66	4070585	141, 144	4360171	52, 130, 249
3520054	126	3820001	47, 240, 243	4070587	141, 144	4360182	85, 219
3520070	125, 126	3820011	129	4070645	135	4360188	89
3520168	126	3820012	129	4070646	135	4360199	125, 151, 155, 220, 249
3530244	19	3820019	129	4070649	135	4360200	125, 151, 155, 249
3530403	75	3840561	171	4070664	135	4360201	219
3532054	139, 140, 143, 144	3840914	47	4070665	135	4360202	125, 151, 155, 249
3532064	121	3840962	14	4070667	135	4360209	151, 249
3532649	47	3840979	89	4070679	121	4360212	126, 249
3533291	77, 83	3841005	47	4070705	139	4360215	159, 249
3533445	77, 83	3841049	78, 83	4070706	139	4360216	125, 249
3534395	133	3841086	14	4070707	140	4360232	109, 125, 156, 219, 248
3534705	133	3841087	19	4100027	43	4360236	133
3534778	45	3841223	47	4100028	42, 43	4360237	133
3535607	65, 66	3900141	165, 167, 169, 175	4100029	42	4360263	256
3535808	109	3900168	133	4120002	109	4360267	126
3536089	159	3900170	163, 167, 169, 173, 175, 177	4120012	156, 219	4360274	125, 151, 155, 160, 249
3536411	19	3900173	165	4120013	125, 126, 151, 156	4360277	133, 252
3538392	155	3900175	163	4130160	13	4360278	133
3580111	99	3910606	125, 151	4130161	14	4360280	52
3580134	91, 99	3910608	151, 155	4130197	9	4360281	126
3580158	99	3910610	109	4130207	13	4360282	155, 249
3600050	79, 94, 103	3911008	79, 85, 126	4130210	14	4360284	126
3600164	77, 93, 111	3911008	79, 85, 126	4130221	19	4360289	155, 249
3600172	78, 93, 115	3911012	75, 77, 83, 155, 159	4130222	19	4360294	219
3600177	103, 119	3911014	78, 84	4160025	109	4360327	249
3600199	78, 84, 93, 117	3911016	141, 145	4160026	139, 143	4360542	91, 99
3600208	79, 85, 94, 103	3911412	126	4160028	160	4400241	121
3600260	83, 93, 111	3931010	140, 144	4220007	160	4400242	121
3620027	78, 84	3931016	45	4220137	143	4400273	121
3640500	151	3931612	140, 144	4220139	45	4400275	123
3640711	125	3931620	140, 144	4240096	77, 83	4400279	121
3640752	155	3931856	65	4260018	159	4400281	123
3720011	89	3941003	159	4280002	95	4400296	121
3730003	220, 221, 250	3941404	130	4280188	136	4400306	121
3740035	109, 248	3941406	122, 129, 159	4280265	159	4400307	121
3740046	109	3951003	93	4300031	94, 129, 136	4400402	121
3740048	249	3951402	177	4300032	79, 85, 93, 103, 136	4400420	123
3740049	109, 125, 126, 151, 152, 160, 218, 219, 220, 249	3951820	75	4300033	52	4400421	123
3740057	156, 219	3960098	14	4300034	9, 13, 52, 94, 123	4420001	94
3740058	125, 126, 151, 156, 249	3960372	122	4300038	52, 79, 85, 95, 140	4420008	151, 155
3740063	125, 126, 152, 156	3960373	9, 14	4300042	51	4420037	126, 156
3740064	109	3960388	80, 85, 89	4300056	80, 85	4420051	240
3740066	156, 219	3960389	94, 129	4300068	91, 99, 103, 104	4420052	243
3740067	77, 83, 94, 103, 248	3960407	93	4300070	133, 135	4460007	122
		3960416	163	4300078	121	4460023	91, 99
		3960423	80, 86	4300092	10, 16	4460027	91, 219
		3980003	79, 103				
		3980007	84, 94				

PART NUMBER INDEX

4460049..... 109, 122, 133, 220	4640261 47	4751000 ... 45, 75, 77, 80, 83, 85, 91, 125, 126, 141, 145, 155, 159	4843372..... 94
4460051..... 109, 126, 151	4640383 199	4751400 ... 13, 51, 75, 79, 85, 91, 94, 99, 103, 104, 122, 126, 127, 129, 130, 135, 140, 143, 152, 159, 240, 243	4843410..... 99
4460052..... 151, 155	4640391 89	4751500 ... 45, 47, 51, 84, 91, 95, 99, 121, 133, 135, 139, 156	4843442..... 135
4460071..... 109, 126, 141, 145, 156	4640392 10, 15, 20	4751600 9, 13, 19, 45, 65, 79, 85, 91, 94, 100, 103, 104, 121, 123, 133, 136, 139	4843443..... 135
4460082..... 122	4640438 163	4751700 ... 77, 79, 83, 84	4843452..... 129
4460134..... 99	4640443 45	4751800 ... 11, 16, 77, 83, 84, 123, 139, 143	4843458..... 129
4460138..... 123	4640452 169	4752000 139, 143	4843476..... 129
4460190..... 122	4640504 16	4752200 52	4843478..... 129
4460244..... 126	4640509 165	4752600 48	4843502..... 133
4460298..... 125, 152, 156	4640513 52	4760600 ... 109, 125, 151, 155	4843515..... 139
4460299..... 125, 151, 156	4640521 52	4760800 156	4843549..... 93
4460300..... 125, 152, 156	4640522 52	4761000 9, 14, 45, 75, 78, 79, 84, 85, 91, 109, 125, 126, 141, 145, 151, 152, 155, 156, 159	4843556..... 139
4460301..... 125, 152, 156	4640523 52	4761000 9, 13, 19, 20, 45, 65, 77, 79, 80, 85, 91, 93, 94, 100, 103, 121, 123, 135, 140, 144	4843558..... 84
4460302..... 93	4640529 45	4761500 ... 45, 47, 51, 75, 79, 80, 85, 91, 93, 99, 103, 109, 121, 130, 135, 139, 143, 144	4843564..... 129
4460305..... 125, 152, 156	4640533 52	4761600 9, 13, 19, 20, 45, 65, 77, 79, 80, 85, 91, 93, 94, 100, 103, 121, 123, 135, 140, 144	4843565..... 129
4460306..... 125, 152, 156	4640543 51	4761800 9, 10, 16, 20, 65, 75, 77, 79, 83, 84, 93, 94, 140, 143	4843574..... 103
4460307..... 125, 152, 156	4640570 52, 61	4761900 95	4843575..... 104
4460308..... 125	4640574 201, 205	4762000 10, 16, 20, 48	4843579..... 129
4460311..... 125, 152, 156	4640598 52, 63	4762200 47	4843580..... 129
4460386..... 155	4640601 51, 59	4812000 99	4843665..... 129
4460404..... 156	4640623 51	4831900 78, 80, 84, 86	4843667..... 103
4460405..... 156	4640627 51	4832000 77, 83, 93, 95	4843668..... 109
4460423..... 156	4640629 45	4842485 133	4843728..... 13
4460521..... 160	4640634 ... 167, 169, 177	4842561 10, 15, 20	4843732..... 19
4460660..... 84	4640645 51, 55	4842603 133	4843742..... 45
4460663..... 84	4640646 51, 55	4842621 9, 13, 19	4843822..... 75
4520110..... 10, 15	4640668 45	4842622 9, 13	4844052..... 139
4520111..... 10, 15	4640709 169	4842624 9	4860126..... 20
4520129..... 20	4640744 206	4842794 9, 13	4920096..... 20
4520131..... 15	4640746 169	4842860 9	4920140..... 133
4520199..... 10, 15, 20	4640758 51	4842861 135	4920618..... 135, 218
4562083..... 144	4640774 205	4842892 151	4920986..... 144
4562346..... 47	4640776 201	4842899 9	4921259..... 219
4562516..... 122	4640778 199	4842982 9	4921260..... 219
4562851..... 175	4640812 15, 165	4842994 10, 15	4921273..... 221
4563558..... 78	4640817 201, 205	4842998 66	4921285..... 220
4563644..... 169	4640909 51, 55	4843094 13	4921289..... 220
4563647..... 163	4711400 93, 159	4843286 13, 19	4921291..... 221
4563681..... 171	4711500 130		4921292..... 104
4563769..... 167	4712600 15		4921298..... 104
4563771..... 165	4713000 19		4921305..... 219
4563923..... 65	4740001 9, 14		4921343..... 221
4564134..... 173	4740003 65		4921565..... 220
4564328..... 86	4740004 65, 66		4921792..... 220, 221
4564557..... 94	4740016 14		4931735..... 218
4564575..... 94	4740018 65		4931740..... 219
4564579..... 143	4740032 47		4931834..... 219
4564587..... 177	4740048 65		4931941..... 219
4564623..... 78, 84	4740120 126, 155		4931942..... 219
4564711..... 80, 85	4740156 10		4931945..... 219
4566054..... 96	4740158 ... 140, 143, 144		4931954..... 218
4620048..... 133	4740185 ... 13, 78, 84, 93		4931998..... 219
4620061..... 133	4740189 65		4932046..... 219
4620066..... 133	4740199 140, 144		4932047..... 219
4620067..... 133	4740230 19		4932089..... 220
4620068..... 133	4740252 66		4932318..... 220
4640005..... 52	4740256 140, 144		4932320..... 219
4640013..... 183	4740273 77, 83		4932321..... 219
4640035..... 197	4740274 77, 83		4932326..... 221
4640047..... 213	4740338 122		4932327..... 220
4640113..... 20	4740362 141, 145		4932328..... 219
4640123..... 51	4740398 139		4932329..... 219
4640150..... 52	4750016 52		4932330..... 219
4640213..... 197, 202, 206	4750600 125, 155		4932332..... 220
4640260..... 45	4750800 109, 156		4932340..... 220

PART NUMBER INDEX

4932356 219	70003162 95	7002336 56, 59, 61	7004896 61
4932378 221	7000413 56	7002338 55, 56, 59, 61	7004904 42
4932395 218	7000414 56, 59	7002339 56, 59, 61	7004906 39, 42, 43
4932396 218	7000417 55, 248	7002340 55, 56, 59, 61	7004907 39, 42, 43
4932397 218	7000418 .. 56, 59, 61, 248	7002341 56, 59	7004908 39, 42, 43
4932398 218	7000437 61	7002344 56, 59, 61	7004909 42
4932400 218	7000439 56, 59	7002345 56, 59, 61	7004910 39, 42
4932401 218	7000440 56, 59	7002346 55, 56, 59, 61	7004911 42, 43
4932402 218	7000448 61	7002347 61	7004912 42
4932403 218	7000468 55, 56, 59	7002348 56, 59, 61	7004913 42
4932412 218	7000470 56, 59, 61	7002350 56, 59	7004914 42, 43
4932586 220	7000558 51	7002353 56, 59	7004916 42, 43
4932611 220	7000625 141, 145	7002355 56, 59	7004917 39, 42
4932638 218	7000645 52	7002356 56, 59	7004928 42, 43
4932639 218	7000699 95	7002357 56, 59	7004929 42, 43
4932640 218	7000717 33	7002358 56, 59	7004933 42
4932756 221	7000728 33	7002359 56, 59	7004935 42
70001111 25	7000731 11, 16, 21	7002447 56	7004937 42
7000113 56, 59	7000760 33	7002448 56	7004938 42, 43
7000114 56, 59	7000796 33	7002449 56	7004939 42, 43
7000116 56, 59	7000892 78	7002450 56, 248	7004941 42
7000166 147	7001438 111	7002451 56	7004942 42
7000191 71	7001498 112	7003006 33	7004944 42
7000192 71	7001909 23, 27, 29	7003007 33	7004946 42
7000201 23	7001911 23, 27, 29	7003047 33	7004948 42
7000202 23	7001912 23, 27, 29	7003049 33	7004959 42
7000203 23	7001913 23, 27, 29	7003051 33	7004960 42
7000206 23	7001922 29	7003052 33	7005902 107
7000211 27, 30	7001931 23, 27, 29	7003055 33	7005935 107
7000212 27, 30	7001985 23, 27, 29	7003056 33	7005960 107
7000214 24, 27, 29	7001989 27, 29	7003057 33	7005962 107
7000216 24, 30	7001997 23	7003059 33	7005963 107
7000217 23, 27, 29	7001998 23	7003070 33	7005971 107
7000220 27, 30	7002100 147	7003071 33	7006139 135
7000226 27	7002103 147	7003454 33	7006151 135
7000227 27	7002104 147	7003640 52	7006152 135
7000229 23	7002105 147	7003657 91, 99	7006156 135
7000230 23	7002107 147	7003700 151, 155, 156	7007208 111
7000232 23	7002110 147	7003702 151, 155, 156	7007412 112
7000241 27, 29	7002111 147	7003782 155	7007413 111
7000242 23, 27, 29	7002112 147	7003783 151, 156	7007414 111
7000243 24, 27, 30	7002116 147	7003798 151	7007416 111
7000246 23	7002117 147	7003825 56, 59, 61	7007417 111
7000247 23, 29	7002123 147	7003828 61	7007419 111
7000248 23, 27, 29	7002125 147	7003829 61	7007420 111
7000250 24	7002157 71, 73	7003830 61	7007421 111
7000251 23	7002159 71	7003831 61	7007423 111
7000252 23	7002225 56, 59	7003841 59	7007424 111
7000253 23, 27, 29	7002229 55	7003855 56, 59	7007425 111
70002533 43	7002262 55, 59	7004214 78, 84, 94, 248	7007435 111
70002534 43	7002294 55	7004232 63	7007436 111
70002535 43	7002304 55	7004281 52	7007437 111
70002536 43	7002305 56, 59	7004282 52	7007438 111
70002537 43	7002315 55	7004368 51	7007439 111
70002538 43	7002316 55	7004821 61	7007440 111
70002539 43	7002317 55, 59	7004822 55	7007441 111
70002540 43	7002320 55	7004823 55	7007442 111
70002541 43	7002321 55	7004834 55	7007444 111
7000257 23	7002322 55	7004835 55	7007445 111
7000258 23	7002323 55	7004836 55	7007449 111
7000260 24	7002324 55	7004837 55	7007453 111
7000261 24, 27, 30	7002326 55	7004838 55	7007454 111
7000262 24, 27, 30	7002327 55, 56	7004839 55	7007456 111
7000263 ... 23, 24, 27, 29, 30	7002329 55	7004841 55	7007458 112
70003160 95	7002333 56, 59, 61	7004859 55, 56, 59	7007461 112
70003161 95	7002334 55, 56, 59, 61	7004874 39	7007466 112
	7002335 56, 59, 61	7004894 61	7007468 112

PART NUMBER INDEX

7007469.....	112	7007955.....	69	7010928.....	115	7016328.....	95, 252
7007470.....	112	7007956.....	69	7010929.....	115	7016331.....	95, 252
7007471.....	112	7007960.....	69	7010930.....	115	7017067.....	23, 29
7007472.....	112	7007970.....	37	7010933.....	119	7017070.....	24, 30
7007474.....	112	7007977.....	35, 37	7010934.....	119	7017080.....	24
7007475.....	112	7007979.....	35	7010935.....	119	7017090.....	24, 30
7007476.....	112	7007980.....	35	7010936.....	119	7017091.....	24, 30
7007477.....	112	7007983.....	35	7010937.....	119	7017092.....	24, 30
7007478.....	112	7007985.....	35	7010938.....	119	7017093.....	24, 30
7007482.....	112	7007986.....	35, 37	7010939.....	119	7017094.....	24, 30
7007483.....	112	7007987.....	35, 37	7010953.....	117	7017095.....	24, 30
7007484.....	112	7009742.....	63, 248	7010954.....	117	7017096.....	29
7007485.....	112	7009745.....	51	7010955.....	117	7017099.....	24, 30
7007486.....	112	7009901.....	71	7010956.....	117	7018602.....	37
7007487.....	112	7009902.....	71	7010957.....	117	7018603.....	37
7007488.....	112	7009903.....	71	7010958.....	117	7018605.....	37
7007490.....	112	7009904.....	71	7010959.....	117	7018606.....	37
7007491.....	112	7009905.....	71, 73	7010960.....	117	7018607.....	37
7007492.....	112	7009906.....	71	7010961.....	117	7018608.....	37
7007494.....	112	7009908.....	71	7010978.....	117	7018609.....	37
7007496.....	112	7009909.....	71, 73	7011118.....	56	7018612.....	11, 16, 21
7007497.....	112	7009912.....	71, 73	7011300.....	149	7019666.....	80
7007498.....	112	7009913.....	71, 73	7011301.....	149	7019668.....	80
7007499.....	112	7009914.....	71	7011302.....	149	7019933.....	78, 80
7007517.....	42	7009915.....	71	7011303.....	149	7019939.....	80, 252
7007601.....	23	7009927.....	73	7011304.....	149	7019941.....	80
7007603.....	24, 27, 29	7009930.....	73	7011305.....	149	7019943.....	80
7007617.....	27, 29	7009983.....	73	7011306.....	149	7019949.....	80, 252
7007643.....	23	7009984.....	73	7011309.....	149	7019951.....	80
7007650.....	24, 27, 29, 30	7009987.....	73	7011310.....	149	7019955.....	80, 85
7007651.....	24, 27, 30	7009988.....	73	7011311.....	149	7019956.....	80, 85
7007652.....	23, 27, 29	7009989.....	73	7011312.....	149	7019957.....	80, 85
7007653.....	23, 27, 29	7009990.....	73	7011712.....	35	7019958.....	81, 85
7007654.....	23, 27, 29	7009992.....	147	7011713.....	35	7019989.....	80, 85
7007683.....	27, 29	7010118.....	85	7011714.....	35	7019998.....	85
7007684.....	27, 29	7010120.....	112	7011715.....	35	7020108.....	91, 99
7007685.....	27, 29	7010121.....	112	7011716.....	35, 37	7020109.....	91, 99
7007686.....	27, 29	7010122.....	112	7011717.....	35	7020110.....	91, 99
7007687.....	27, 29	7010400.....	27	7011720.....	37	7020111.....	91, 99
7007688.....	27, 29	7010429.....	24	7012513.....	91, 99	7020117.....	85, 252
7007689.....	27, 29	7010459.....	29	7012514.....	91, 99	7020121.....	85
7007690.....	27, 29	7010469.....	29, 30	7012558.....	91, 99	7020190.....	91, 99
7007691.....	27, 29	7010470.....	29	7012564.....	80	7020191.....	91, 99
7007692.....	29	7010473.....	31	7012570.....	65	7020323.....	43
7007697.....	23	7010475.....	31	7012571.....	65	7020347.....	43
7007875.....	39	7010476.....	31	7012598.....	95	7020414.....	95
7007876.....	39	7010477.....	31	7012599.....	95	7020416.....	95
7007878.....	39	7010478.....	31	7012611.....	155	7020417.....	95
7007879.....	39	7010511.....	63	7012612.....	155	7020434.....	95
7007880.....	39	7010512.....	63	7012650.....	66	7020465.....	95
7007914.....	35	7010513.....	63	7012651.....	66	7022101.....	85
7007923.....	35	7010514.....	63	7012653.....	80	7022102.....	85
7007924.....	35, 37	7010515.....	63	7012906.....	51	7022103.....	85
7007933.....	35, 37	7010516.....	63	7012907.....	51	7022104.....	85
7007937.....	69	7010711.....	248	7014100.....	30	7022173.....	85
7007938.....	69	7010902.....	115, 119	7014101.....	30	7022174.....	85
7007939.....	69	7010905.....	115, 119	7014102.....	30	7022175.....	85
7007940.....	69	7010907.....	115, 119	7014103.....	30	7022176.....	85
7007941.....	69	7010909.....	115	7014108.....	30	7023670.....	80
7007943.....	69	7010911.....	115, 119	7014109.....	30	7026199.....	91, 99
7007945.....	69	7010914.....	115	7014110.....	30	7027887.....	91, 99
7007946.....	69	7010918.....	115, 119	7014112.....	30	9900493.....	256
7007950.....	69	7010919.....	115	7014113.....	31	9983243.....	240
7007951.....	69	7010922.....	119	7014126.....	31	9983463.....	256
7007952.....	69	7010925.....	115	7016175.....	79, 103		
7007953.....	69	7010926.....	115, 119	7016177.....	103		
7007954.....	69	7010927.....	115	7016180.....	84, 94		

