



---

# Illustrated Parts Manual

***Models***  
***400RTS***  
***500RTS***

P/N  
3120830

*September 30, 2013*



---

An Oshkosh Corporation Company



# REVISION LOG

June 1, 1993 - Original Issue Of Manual

January 1996 - Revised

December 1997 - Revised

November 11, 1999 - Updated Page 7-3, 7-5, 7-14 & 7-15

July 18, 2000 - Revised

July 11, 2003 - Revised (Manual edited to 0010488 Revision 36 - 400RTS)

(Manual edited to 0010458 Revision 59 - 500RTS)

February 4, 2004 - Revised (Manual edited to 0010458 Revision 62 - 500RTS)

June 14, 2004 - Revised (Manual edited to 0010458 Revision 63 - 500RTS)

June 30, 2007 - Revised (Manual edited to 0010458 Revision 69 - 500RTS)

March 1, 2011 - Revised

September 30, 2013 - Revised

# REVISION LOG

# TABLE OF CONTENTS

FIGURE NO.	TITLE	PAGE NO.
<b>SECTION 1 - FRAME</b> .....		<b>1-1</b>
1-1	FRAME, STEERING, AND AXLE INSTALLATIONS .....	1-2
1-2	TIRE AND WHEEL DRIVE INSTALLATIONS .....	1-8
1-3	DRIVE MOTOR ASSEMBLY .....	1-12
1-4	DRIVE BRAKE ASSEMBLY .....	1-14
1-5	DRIVE HUB ASSEMBLIES .....	1-18
1-6	DRIVE HUB/BRAKE ASSEMBLIES .....	1-22
1-7	FRAME MOUNTED COMPONENTS INSTALLATION .....	1-28
1-8	FRAME MOUNTED OPTIONS INSTALLATION .....	1-34
1-9	TOW PACKAGE INSTALLATION - BALL (OPTIONAL) .....	1-38
1-10	TOW PACKAGE INSTALLATION - PINTLE HOOK (OPTIONAL) .....	1-40
<b>SECTION 2 - GROUND CONTROLS</b> .....		<b>2-1</b>
2-1	CONTROL VALVES AND TANKS INSTALLATION .....	2-2
2-2	CONTROL VALVE ASSEMBLY (PRIOR TO S/N 107516) .....	2-8
2-3	CONTROL VALVE ASSEMBLY (S/N 107516 TO PRESENT) .....	2-12
2-4	ENGINE INSTALLATION - FORD VSG-411 .....	2-14
2-5	DUAL FUEL COMPONENTS INSTALLATION - FORD VSG-411 ENGINE OPTION ...	2-20
2-6	110 VOLT GENERATOR INSTALLATION (FORD VSG-411) (OPTIONAL) .....	2-24
2-7	ENGINE INSTALLATION - FORD LSG-423 .....	2-26
2-8	ENGINE INSTALLATION - FORD LRG-423 DIS/LRG-425 .....	2-32
2-9	DUAL FUEL COMPONENTS INSTALLATION - FORD LSG-423/LRG-423 DIS/ LRG-425 .....	2-38
2-10	GENERATOR INSTALLATION - FORD LSG-423/LRG-423/LRG-425 .....	2-42
2-11	ENGINE INSTALLATION - DEUTZ F3L1011 .....	2-46
2-12	110 VOLT GENERATOR INSTALLATION - DEUTZ (OPTIONAL) .....	2-54
2-13	PUMP ASSEMBLY - SUNSTRAND .....	2-58
2-14	PUMP ASSEMBLY - BARNES .....	2-62
2-15	GROUND CONTROL BOX INSTALLATION .....	2-64
2-16	HOODS AND BEACON LIGHT INSTALLATION .....	2-70
<b>SECTION 3 - SCISSORS ARMS</b> .....		<b>3-1</b>
3-1	SIZZORS ARMS INSTALLATION - 400RTS (PRIOR TO S/N 41058) .....	3-2
3-2	SIZZORS ARMS INSTALLATION - 400RTS (S/N 41058 TO PRESENT) .....	3-6
3-3	SIZZORS ARMS INSTALLATION - 500RTS (PRIOR TO S/N 27997) .....	3-10
3-4	SIZZORS ARMS INSTALLATION - 500RTS (S/N 27997 TO PRESENT) .....	3-14
3-5	SIZZORS ARMS GUARD INSTALLATION - 500RTS .....	3-18
3-6	SIZZORS ARMS GUARD INSTALLATION - 400RTS .....	3-20
<b>SECTION 4 - PLATFORM</b> .....		<b>4-1</b>
4-1	FIXED PLATFORM (STANDARD), HANDRAILS AND OPTIONAL COMPONENTS INSTALLATION .....	4-2
4-2	PLATFORM EXTENSION INSTALLATION (OPTIONAL) .....	4-8
4-3	PLATFORM EXTENSION INSTALLATION - MEGADECK (OPTIONAL) .....	4-12
4-4	POWER DECK EXTENSION AND PLATFORM ASSEMBLY .....	4-16
4-5	PLATFORM CONSOLE BOX ASSEMBLY .....	4-20
4-6	DRIVE/LIFT CONTROLLER ASSEMBLY (PRIOR TO S/N 57701) .....	4-26
4-7	DRIVE/LIFT CONTROLLER ASSEMBLY (S/N 57701 TO PRESENT) .....	4-28

# TABLE OF CONTENTS

FIGURE NO.	TITLE	PAGE NO.
<b>SECTION 5 - CYLINDER</b>		<b>5-1</b>
5-1	AXLE LOCKOUT CYLINDER ASSEMBLY (OSCILLATING CYLINDER) (OPTIONAL)	5-2
5-2	LEVELING JACK CYLINDER ASSEMBLY (HYDRAULIC JACK OPTION) (PRIOR TO S/N 104832)	5-4
5-3	LEVELING JACK CYLINDER ASSEMBLY (HYDRAULIC JACK OPTION) (S/N 104832 TO PRESENT)	5-6
5-4	LIFT CYLINDER ASSEMBLIES	5-8
5-5	PLATFORM EXTENSION CYLINDER ASSEMBLY	5-12
5-6	STEER CYLINDER ASSEMBLY (MACHINES BUILT PRIOR TO JUNE 1993)	5-14
5-7	STEER CYLINDER ASSEMBLY (MACHINES BUILT JUNE 1993 TO PRESENT)	5-16
<b>SECTION 6 - HYDRAULIC</b>		<b>6-1</b>
6-1	HYDRAULIC DIAGRAM - AUXILIARY POWER	6-2
6-2	HYDRAULIC DIAGRAM - OSCILLATING AXLE (OPTIONAL)	6-4
6-3	HYDRAULIC DIAGRAM - PLATFORM EXTENSION	6-6
6-4	HYDRAULIC DIAGRAM - STANDARD 2WD/2WS	6-10
6-5	HYDRAULIC DIAGRAM - STANDARD 4WD/2WS	6-16
6-6	HYDRAULIC DIAGRAM - STANDARD 4WD/4WS	6-22
6-7	HYDRAULIC DIAGRAM - STANDARD 2WD/4WS	6-28
6-8	HYDRAULIC DIAGRAM - TOW PACKAGE (OPTIONAL)	6-34
6-9	HYDRAULIC DIAGRAM LIST	6-36
<b>SECTION 7 - ELECTRICAL</b>		<b>7-1</b>
7-1	ELECTRICAL DIAGRAM LIST	7-2
7-2	WIRING DIAGRAM - 0610114 CIRCUIT CARD	7-8
7-3	WIRING DIAGRAM - DUAL FUEL (FORD)	7-9
7-4	WIRING DIAGRAM - 110 VOLT GENERATOR (FORD)	7-10
7-5	WIRING DIAGRAM - 110 VOLT GENERATOR (DEUTZ)	7-11
7-6	WIRING DIAGRAM - STANDARD 500RTS (FORD LRG-425 GAS MACHINES)	7-12
7-7	WIRING DIAGRAM - STANDARD 500RTS (DEUTZ DIESEL MACHINES)	7-14
7-8	WIRING DIAGRAM - AUSTRALIAN SPEC 500RTS (DEUTZ DIESEL MACHINES)	7-16
<b>SECTION 8 - DECALS</b>		<b>8-1</b>
8-1	DECALS INSTALLATION - COMMON	8-2
<b>SECTION 9 - RECOMMENDED SERVICE PARTS STOCK</b>		<b>9-1</b>
<b>SECTION 10 - SPECIAL OPTIONS</b>		<b>10-1</b>
<b>SECTION 11 - PART NUMBER INDEX</b>		<b>11-1</b>

# **SECTION 1**

## **FRAME**





## SECTION 1 FRAME

**FIGURE 1-1. FRAME, STEERING, AND AXLE INSTALLATIONS**

ITEM #	PART NUMBER	QTY.	DESCRIPTION	REV.
		Ref.	<b>FRAME, STEERING AND AXLE INSTALLATIONS</b>	
		Ref.	<b>FRAME WELDMENT - 2WS OPTIONS:</b>	
	2360364	Ref.	<b>FRAME WELDMENT (PRIOR TO S/N 46528)</b>	8
	2360491	Ref.	<b>FRAME WELDMENT (S/N 46528 TO PRESENT)</b>	2
1	0961739	2	Bushing, Bronze (Sizzor Arm Pivot)	
		Ref.	<b>FRAME WELDMENT - 4WS OPTIONS:</b>	
	2360358	Ref.	<b>FRAME WELDMENT (PRIOR TO S/N 46528)</b>	9
	2360492	Ref.	<b>FRAME WELDMENT (S/N 46528 TO PRESENT)</b>	2
51	0961739	2	Bushing, Bronze (Sizzor Arm Pivot)	
52	0961029	4	Bushing, Bronze (Kingpin Pivot)	
	0252790	Ref.	<b>STEERING INSTALLATION - 2WD FRONT (STANDARD PARTS)</b>	3
101	4130287	1	Spindle Weldment (R.H.)	
	0960523	2	Bushing, Bronze (Kingpin)	
102	4130288	1	Spindle Weldment (L.H.)	
	0960523	2	Bushing, Bronze (Kingpin)	
103		1	Steer Cylinder Assembly (See Section 5 for Breakdown) Options:	
	Use 1682967		Standard (Prior to June 1993) (was p/n 1682681)	
	1682967		Standard (June 1993 to Present)	
104	1660204	1	Rod-End (Left Side)	
105	3322602	1	Nut, Jam 1" - 12NF Right Hand Threads (Left Side)	
106	1660205	1	Rod-End (Right Side)	
107	3300228	1	Nut, Jam 1"-12" NF Left Hand Threads (Right Side)	
108	2160002	2	Fitting, Grease	
109	0642622	2	Bolt 1" - 8NC x 2 3/4"	
110	4712600	2	Flatwasher 1" Narrow	
111	Not Used			
112	3421243	2	Kingpin	
113	0440183	2	Bearing, Thrust	
114	3323403	2	Nut, Slotted 1 1/2"-12NF	
115	3451012	2	Pin, Cotter 5/16" x 3"	
116	2780177	2	Hub, Wheel	
117	3960353	2	Seal, Oil	
118	0440174	4	Cup, Bearing	
119	0440175	4	Cone, Bearing	
120	3322603	2	Nut, Slotted 1" -12NF	
121	4740034	2	Washer, Hardened	
122	3450610	2	Pin, Cotter 3/16" x 2 1/2"	
123	1120311	2	Cap, Hub	
124	0721004	6	Screw, Machine #10-24NC x 1/2"	
125	4761000	6	Lockwasher #10	
126	3300012	18	Nut, Wheel	

# SECTION 1 FRAME

**FIGURE 1-1. FRAME, STEERING, AND AXLE INSTALLATIONS (CONTINUED)**

ITEM #	PART NUMBER	QTY.	DESCRIPTION	REV.
127	0630137	18	Stud, Wheel	
	0100019	A/R	----- Loctite #271	
	0100011	A/R	Loctite #242	
	0253078	Ref.	<b>STEERING INSTALLATION - 4WD FRONT (STANDARD PARTS WITH 2WS)</b>	6
	0253059	Ref.	<b>STEERING INSTALLATION - 2WD REAR (STANDARD PARTS WHEN EQUIPPED WITH OPTIONAL REAR STEER)</b>	9
201	4130279	1	Spindle Weldment (Right Side - Front/Left Side - Rear)	
202	4130280	1	Spindle Weldment (Left Side - Front/Right Side - Rear)	
203		1	Steer Cylinder Assembly (See Section 5 for Breakdown)	
			Options:	
	1682681		Standard (Prior to June 1993)	
	1682967		Standard (June 1993 to Present)	
204	1660204	1	Rod-End	
205	3322602	1	Nut, Jam 1"-12NF	
206	1660205	1	Rod-End	
207	3300228	1	Nut, Jam 1"-12NF Left Hand Thread	
208	2160003	4	Fitting, Grease - 45°	
209	0642622	2	Bolt 1"-8NC x 2 3/4"	
210	4712600	A/R	Flatwasher 1" Narrow	
211	Not Used			
212	3421190	4	Kingpin	
213	0440161	4	Bearing, Thrust	
214 to 216	Not Used			
217	0641608	8	Bolt 3/8"-16NC x 1"	
218	4751600	8	Flatwasher 3/8"	
219	1380124	8	Clip, Retainer (Prior to S/N 69836)	
220	4920096	4 ft./1.2m	Wire, Safety (4 Pieces 1 ft./30 cm Long) (Prior to S/N 69836)	
			-----	
	0100019	A/R	Loctite #271	
	0100011	A/R	Loctite #242	
	0252532	Ref.	<b>STEERING INSTALLATION - 4WD FRONT AND REAR (STANDARD PARTS WHEN EQUIPPED WITH OPTIONAL REAR STEER)</b>	8
301	4130279	1	Spindle Weldment (Right Side - Front/Left Side-Rear)	
302	4130280	2	Spindle Weldment (Left Side - Front/Right Side - Rear)	
303		2	Steer Cylinder Assembly (See Section 5 for Breakdown)	
			Options:	
	1682681		Prior to June 1993	
	1682967		June 1993 to Present	
304	1660204	2	Rod-End	
305	3322602	2	Nut, Jam 1"-12NF	
306	1660205	2	Rod-End	
307	3300228	2	Nut, Jam 1"-12NF Left Hand Thread	

## SECTION 1 FRAME

**FIGURE 1-1. FRAME, STEERING, AND AXLE INSTALLATIONS (CONTINUED)**

ITEM #	PART NUMBER	QTY.	DESCRIPTION	REV.
308	2160003	8	Fitting, Grease - 45°	
309	0642622	4	Bolt 1"-8NC x 2 3/4"	
310	4712600	A/R	Flatwasher 1" Narrow	
311	Not Used			
312	3421190	8	Kingpin	
313	0440161	8	Bearing, Thrust	
314 to 316	Not Used			
317	0641608	16	Bolt 3/8"-16NC x 1"	
318	4751600	16	Flatwasher 3/8"	
319	1380124	16	Clip, Retainer (Prior to S/N 69836)	
320	4920096	8 ft./2.4m	Wire, Safety (8 Pieces 1 ft./30cm long) (Prior to S/N 69836)	
	0100019	A/R	----- Loctite #271	
		Ref.	<b>FIXED AXLE INSTALLATIONS (STANDARD PARTS)</b>	
	0253171	Ref.	<b>FIXED AXLE INSTALLATION - 2WD</b>	4
	0253172	Ref.	<b>FIXED AXLE INSTALLATION - 4WD</b>	4
401		1	Axle Weldment - 2WD Options:	
	4844129		Prior to October 1994	
	4844868		October 1994 to Present	
	0961029	4	Bushing, Bronze (Kingpin Pivot)	
		1	Axle Weldment - 4WD Options:	
	4844059		Prior to October 1994	
	4844867		October 1994 to Present	
	0961029	4	Bushing, Bronze (Kingpin Pivot)	
402	0560901	2	Block, Stop	
403	0641610	1	Bolt 3/8"-16NC x 1 1/4"	
404	4740185	2	Flatwasher	
405	Not Used			
406		1	Pin Weldment Options:	
	4842621		Prior to October 1994	
	3422401		October 1994 to Present	
407	Not Used			
408	3780183	2	O-Ring (October 1994 to Present)	
409	4640812	1	Valve, Relief (October 1994 to Present - Not Shown)	
410	3820030	6	Rivet, Pop 3/16" (Prior to S/N 77909)	
411	3311605	8	Nut 3/8"-16NC (September 1995 to Present)	
412	0641612	4	Bolt 3/8" x 1 1/2"-16NC (September 1995 to Present)	
413	0641614	4	Bolt 3/8" x 1 3/4"-16NC (September 1995 to Present)	
414	4751600	16	Flatwasher (September 1995 to Present)	
415	0902214	1	Bracket, L.H. (September 1995 to Present)	
416	0902215	1	Bracket, R.H. (September 1995 to Present)	
417	3440616	4	Pin, Roll 3/16" x 1" (September 1995 to Present)	
418	4280298	2	Strip, Wear (Prior to S/N 77909)	

# SECTION 1 FRAME

**FIGURE 1-1. FRAME, STEERING, AND AXLE INSTALLATIONS (CONTINUED)**

ITEM #	PART NUMBER	QTY.	DESCRIPTION	REV.
		Ref.	<b>OSCILLATING AXLE INSTALLATION - OPTION (STANDARD PARTS WHEN EQUIPPED)</b>	
	0253381	Ref.	<b>OSCILLATING AXLE INSTALLATION - 2WD</b>	11
	0253380	Ref.	<b>OSCILLATING AXLE INSTALLATION - 4WD</b>	10
501		1	Axle Weldment - 2WD Options: Prior to October 1994 October 1994 to Present	
	4844129			
	4844868			
	0961029	4	Bushing, Bronze (Prior to October 1994)	
		1	Axle Weldment - 4WD Options: Prior to October 1994 October 1994 to Present	
	4844059			
	4844867			
	0961029	4	Bushing, Bronze (Prior to October 1994)	
502	1682427	2	Axle Lockout Cylinder Assembly (See Section 5 for Breakdown)	
503	0641608	2	Bolt 3/8"-16NC x 1"	
504	4751600	18	Flatwasher 3/8"	
505	4761600	4	Lockwasher 3/8"	
506		1	Pin, Axle Pivot Options: Prior to October 1994 October 1994 to Present	
	4842621			
	3422401			
507	2160002	3	Fitting, Grease	
508	3422137	2	Pin, Attach (Bottom)	
509	0641510	2	Bolt 5/16"-18NC x 1 1/4"	
510	3311505	2	Locknut 5/16"-18NC	
511	4751500	2	Flatwasher 5/16"	
512	3421335	2	Pin, Attach (Top)	
513	4740308	4	Flatwasher, Special	
514	0641608	4	Bolt 3/8-16NC x 1"	
515	4640668	1	Lockout Valve Assembly	
516	Not Used			
517	3311605	2	Nut 3/8"-16NC	
518	Not Used			
519	3841143	2	Pin, Keeper	
520	3534805	1	Plate, Mounting	
521	4640273	2	Bleeder (October 1994 to Present)	
522	4740185	2	Washer (October 1994 to Present)	
523	Not Used			
524	3780183	2	O-Ring (October 1994 to Present - Not Shown)	
525	4640812	1	Valve, Relief (October 1994 to Present)	
526	3820030	6	Rivet, Pop 3/16" (Prior to S/N 77909)	
527	3311605	8	Nut 3/8"-16NC (September 1995 to Present)	
528	0641612	4	Bolt 3/8" - 16NC x 1 1/2" (September 1995 to Present)	
529	0641614	4	Bolt 3/8" - 16NC x 1 3/4" (September 1995 to Present)	
530	4280298	2	Strip, Wear (Prior to S/N 77909)	
531	0902214	1	Bracket, L.H. (September 1995 to Present)	
532	0902215	1	Bracket, R.H. (September 1995 to Present)	
533	3440616	4	Pin, Roll (September 1995 to Present)	
534	0641406	2	Bolt 1/4"-20NC x 3/4"	

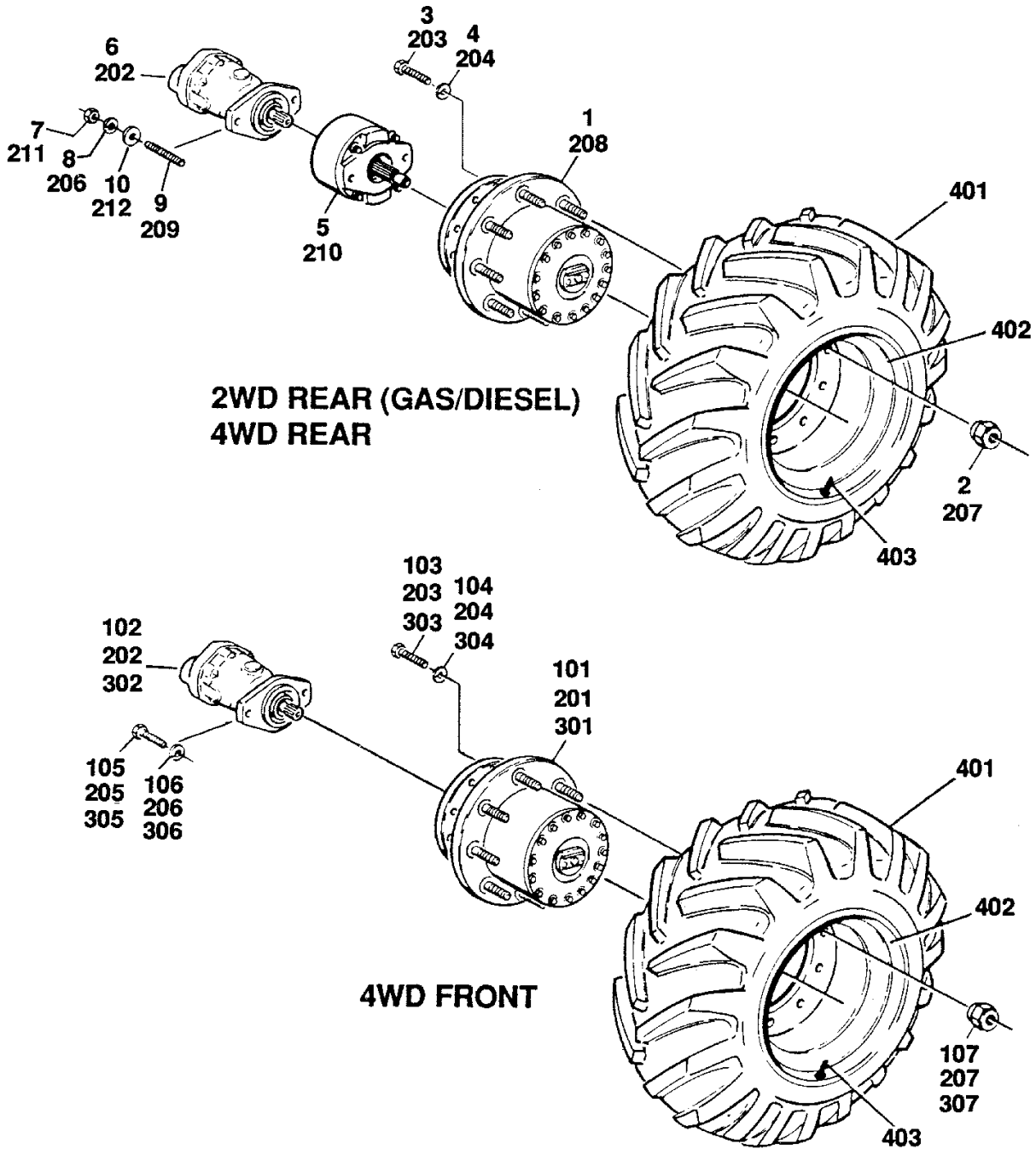
# SECTION 1 FRAME

**FIGURE 1-1. FRAME, STEERING, AND AXLE INSTALLATIONS (CONTINUED)**

ITEM #	PART NUMBER	QTY.	DESCRIPTION	REV.
535	4761400	2	Lockwasher 1/4"	
536	3911014	4	Screw #10-24NC x 5/8"	
537	4761000	4	Lockwasher #10	
538	3311001	4	Nut #10	
539	4751600	2	Flatwasher 3/8"	
540	4751000	4	Flatwasher #10	
541	0641610	4	Bolt 3/8"- 16NC x 1 1/4"	
	0100019	A/R	----- Loctite #271	

# SECTION 1 FRAME

## FIGURE 1-2. TIRE AND WHEEL DRIVE INSTALLATIONS



## SECTION 1 FRAME

**FIGURE 1-2. TIRE AND WHEEL DRIVE INSTALLATIONS**

ITEM #	PART NUMBER	QTY.	DESCRIPTION	REV.
		Ref.	<b>TIRE AND WHEEL DRIVE INSTALLATIONS</b>	
	0252484	Ref.	<b>WHEEL DRIVE INSTALLATION - 2WD/2WS</b>	3
1	2780169	2	Drive Hub Assembly (See Figure 1-6 for Breakdown)	
2	3300012	18	Nut, Wheel	
3	0642014	12	Bolt 5/8"-11NC x 1 3/4"	
4	4762000	12	Lockwasher 5/8"	
5	0920084	2	Drive Brake Assembly (See Figure 1-5 for Breakdown) (Prior to S/N 36645)	
	0920110	2	Drive Brake Assembly (See Figure 1-5 for Breakdown) (S/N 36645 to Present)	
6	3160158	2	Drive Motor Assembly (See Figure 1-4 for Breakdown)	
7	3311801	4	Nut 1/2"-13NC	
8	4761800	4	Lockwasher 1/2"	
9	4300092	4	Stud 1/2"-13NC x 5 1/2"	
10	4711800	4	Flatwasher 1/2" Narrow	
	0100011	A/R	Loctite #242	
	0251661	Ref.	<b>WHEEL DRIVE INSTALLATION - 2WD/4WS</b>	B
101	2780195	2	Drive Hub/Brake Assembly (See Figure 1-7 for Breakdown)	
102	3160158	2	Drive Motor Assembly (See Figure 1-4 for Breakdown)	
103	0642014	12	Bolt 5/8"-11NC x 1 3/4"	
104	4762000	12	Lockwasher 5/8"	
105	0641810	4	Bolt 1/2"-13NC x 1 1/4"	
106	4761800	4	Lockwasher 1/2"	
107	3300012	18	Nut, Wheel	
	0253545	Ref.	<b>WHEEL DRIVE INSTALLATION - 4WD/2WS FRONT AND REAR (2MPH)</b>	2
	0255103	Ref.	<b>WHEEL DRIVE INSTALLATION - 4WD/2WS FRONT AND REAR (4MPH)</b>	2
201		2	Drive Hub/Brake Assembly (See Figure 1-7 for Breakdown) Options:	
	2780191		2 MPH	
	2780193		4 MPH	
202	3160158	4	Drive Motor Assembly (See Figure 1-4 for Breakdown)	
203	0642014	24	Bolt 5/8"-11NC x 1 7/8"	
204	4762000	24	Lockwasher 5/8"	
205	0641810	4	Bolt 1/2"-13NC x 1 1/4"	
206	4761800	8	Lockwasher 1/2"	
207	3300012	36	Nut, Wheel	
208		2	Drive Hub Assembly (See Figure 1-6 for Breakdown) Options:	
	2780167		2 MPH	
	2780175		4 MPH	
209	4300092	4	Stud 1/2"-13NC x 5 1/2"	

# SECTION 1 FRAME

**FIGURE 1-2. TIRE AND WHEEL DRIVE INSTALLATIONS (CONTINUED)**

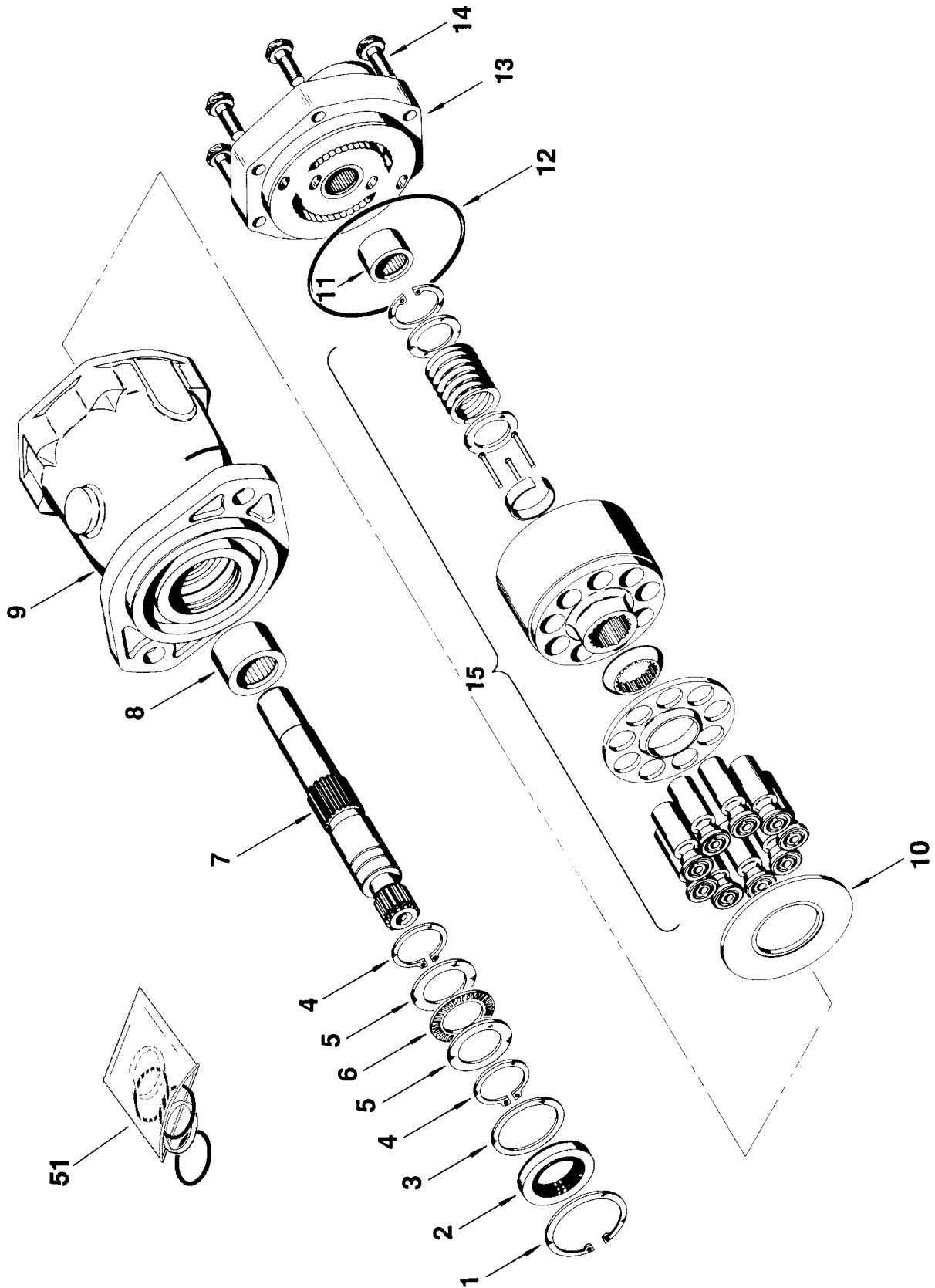
ITEM #	PART NUMBER	QTY.	DESCRIPTION	REV.
210	0920084	2	Drive Brake Assembly (See Figure 1-5 for Breakdown) (Prior to S/N 36645)	
	0920110	2	Drive Brake Assembly (See Figure 1-5 for Breakdown) (S/N 36645 to Present)	
211	3311801	4	Nut 1/2"-13NC	
212	4711800	4	Flatwasher 1/2"	
	0100011	A/R	Loctite #242	
	0251660	Ref.	<b>WHEEL DRIVE INSTALLATION - 4WD/4WS FRONT FRONT AND REAR (2MPH)</b>	B
301	2780191	4	Drive Hub/Brake Assembly (See Figure 1-7 for Breakdown)	
302	3160158	4	Drive Motor Assembly (See Figure 1-4 for Breakdown)	
303	0642014	24	Bolt 5/8" - 11NC x 1 3/4"	
304	4762000	24	Lockwasher 5/8"	
305	0641810	8	Bolt 1/2"-13NC x 1 1/4"	
306	4761800	8	Lockwasher 1/2"	
307	3300012	36	Nut, Wheel	
	0253089	Ref.	<b>TIRE AND WHEEL INSTALLATION - OPTIONAL FOAM FILLED 12 x 16.5</b>	—
		Ref.	<b>TIRE AND WHEEL INSTALLATION - OPTIONAL FOAM FILLED OPTIONS:</b>	—
	0255660	Ref.	<b>FOAM FILLED 31 x 15.50 x 15 - OTR TRITAN (Prior to S/N 115825)</b>	—
	0272826	Ref.	<b>FOAM FILLED 31 x 15.50 x 15 - OTR NHS (S/N 115825 to Present)</b>	A
		Ref.	<b>Note: Assemblies may require ballast/foam filling to manufacturer's specifications prior to installing on a machine. Refer to Operation &amp; Safety or Service &amp; Maintenance Manuals. Purchase individual tire and/or rim only if able to foam fill tire &amp; wheel assembly, otherwise, purchase complete assembly.</b>	
401	0253088 Use 0273414 0273414	2	Tire and Wheel Assembly - Left Side Options: 12 x 16.5 31 x 15.50 x 15 - OTR Tritan (was p/n 0255661) 31 x 15.50 x 15 - OTR NHS	—
	0253087 Use 0273415 0273415	2	Tire and Wheel Assembly - Right Side Options: 12 x 16.5 31 x 15.50 x 15 - OTR Tritan (was p/n 0255662) 31 x 15.50 x 15 - OTR NHS	—
402 to 404	Not Used			



**FIGURE 1-2. TIRE AND WHEEL DRIVE INSTALLATIONS (CONTINUED)**

ITEM #	PART NUMBER	QTY.	DESCRIPTION	REV.

FIGURE 1-3. DRIVE MOTOR ASSEMBLY

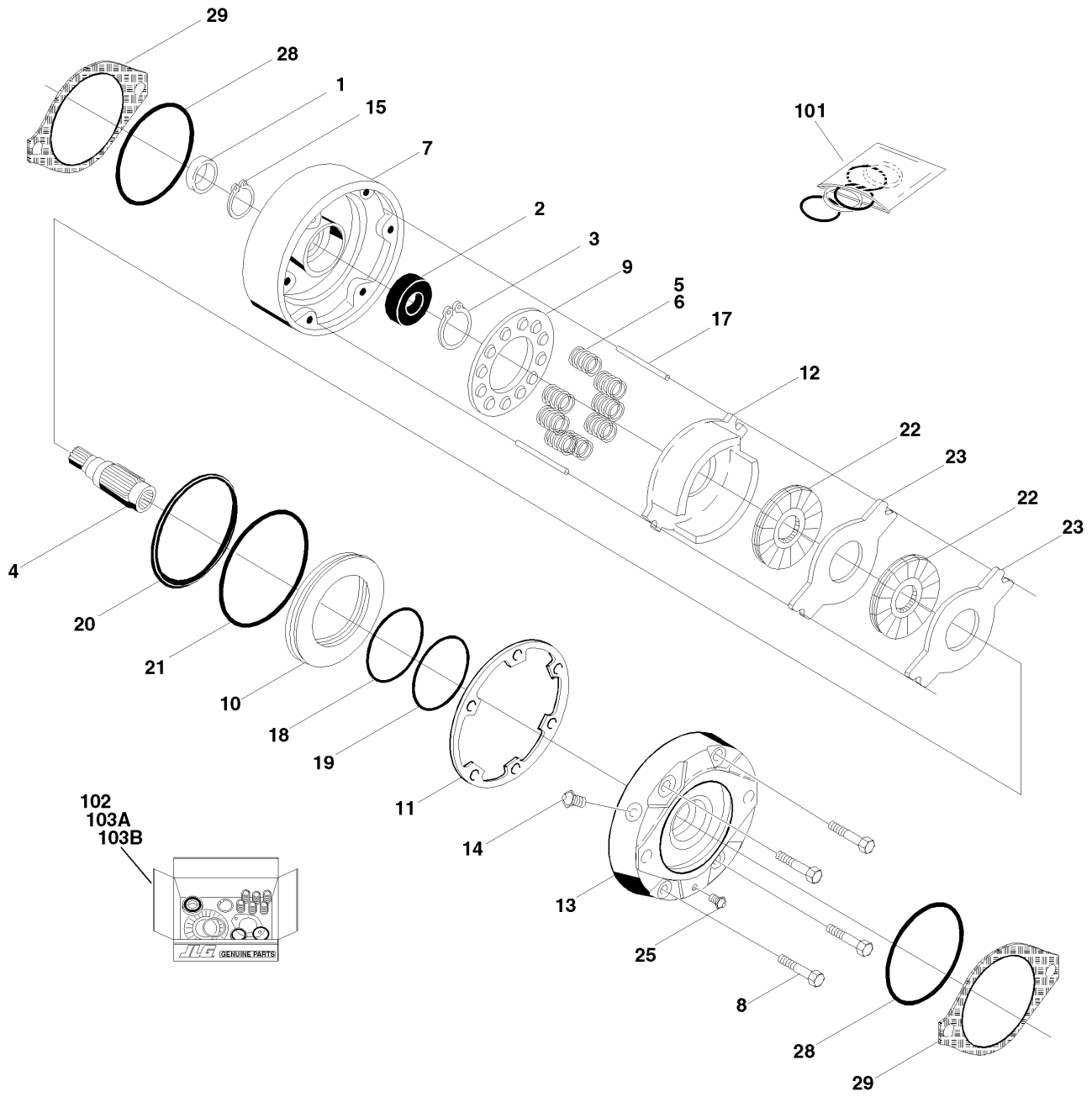


**FIGURE 1-3. DRIVE MOTOR ASSEMBLY**

ITEM #	PART NUMBER	QTY.	DESCRIPTION	REV.
		Ref.	<b>DRIVE MOTOR ASSEMBLY</b>	
	3160158	Ref.	<b>DRIVE MOTOR ASSEMBLY (STANDARD PARTS)</b>	
1	Use Item 51	1	Ring, Retaining	
2	Use Item 51	1	Seal, Shaft	
3	7004906	1	Washer	
4	Use Item 51	2	Ring, Retaining	
5	7004907	2	Race, Thrust	
6	7004908	1	Bearing, Thrust	
7	7007874	1	Shaft, Splined	
8	7004910	1	Bearing	
9	7007875	1	Housing Assembly (Includes Item 8)	
10	7007876	1	Insert, Camplate	
11	7004917	1	Bearing	
12	Use Item 51	1	O-Ring	
13	7007878	1	Back Plate Assembly (Includes Item 11)	
14	7007879	6	Bolt	
15	7007880	1	Rotating Kit Assembly (Sold As An Assembly Only)	
			-----	
51	2900714	1	Seal Kit (Includes Items 1,2,4 and 12)	

# SECTION 1 FRAME

## FIGURE 1-4. DRIVE BRAKE ASSEMBLY



## SECTION 1 FRAME

**FIGURE 1-4. DRIVE BRAKE ASSEMBLY**

ITEM #	PART NUMBER	QTY.	DESCRIPTION	REV.
		Ref.	<b>DRIVE BRAKE ASSEMBLIES</b>	
	0920084	Ref.	<b>MICO - (ORIGINAL EQUIPMENT) (MACHINES BUILT PRIOR TO S/N 36645)</b>	—
	0920110	Ref.	<b>MICO - (SERVICE REPLACEMENT) (MACHINES BUILT S/N 36645 TO PRESENT)</b>	2
		Ref.	<b>Note: Original Equipment Brake may have been replaced with Service Replacement Brake. Identify the brake by the serial number plate before ordering parts.</b>	
1	See Note	1	Seal, Oil ( <b>Note: Use Item 101 &amp; 102</b> )	
2	Use Item 102	1	Bearing	
3	7007977	1	Ring, Retaining	
4	7011712	1	Shaft	
5		6	Spring Options:	
	7007979		Spring (Inner) - Prior to S/N 36645 (Use with p/n 0920084)	
	7007970		Spring (Red) - S/N 36645 to Present (Use with p/n 0920110)	
6		A/R	Spring Options:	
	7007980	6	Spring (Outer) - Prior to S/N 36645 (Use with p/n 0920084)	
	7018602	3	Spring (Blue) - S/N 36645 to Present (Use with p/n 0920110)	
7		1	Housing Options:	
	7011713		Prior to S/N 36645 (Use with p/n 0920084)	
	7018605		S/N 36645 to Present (Use with p/n 0920110)	
8		4	Bolt, Washer Head Options:	
	7007985		Prior to S/N 36645 (Use with p/n 0920084)	
	7018607		S/N 36645 to Present (Use with p/n 0920110)	
9		1	Guide, Spring Options:	
	7011717		Prior to S/N 36645 (Use with p/n 0920084)	
	7018606		S/N 36645 to Present (Use with p/n 0920110)	
10		1	Piston Options:	
	7007923		Prior to S/N 36645 (Use with p/n 0920084)	
	7018603		S/N 36645 to Present (Use with p/n 0920110)	
11	See Note	1	Seal, Case ( <b>Note: Use Item 101,102, 103A &amp; 103B</b> )	
12	Use Item 103B	1	Plate, Return	
	7011715	2	Separator Assembly	
	7011714	4	Pin	
	7007983	2	Separator	
13	7007986	1	Cover	
14	7007914	1	Screw, Bleeder	
15	7011716	1	Ring, Retainer	
16	Not Used			
17	7007987	2	Pin, Dowel	
18	Use Item 101	1	Ring, Back-up	
19	Use Item 101	1	O-Ring	
20	Use Item 101	1	Ring, Back-up	
21	Use Item 101	1	O-Ring	
22	See Note	2	Rotor ( <b>Note: Use Item 103A &amp; 103B</b> )	
23	See Note	2	Stator ( <b>Note: Use Item 103A &amp; 103B</b> )	
24	Not Used			
25	7007924	1	Plug, Pipe	
26	Not Used			

# SECTION 1 FRAME

**FIGURE 1-4. DRIVE BRAKE ASSEMBLY (CONTINUED)**

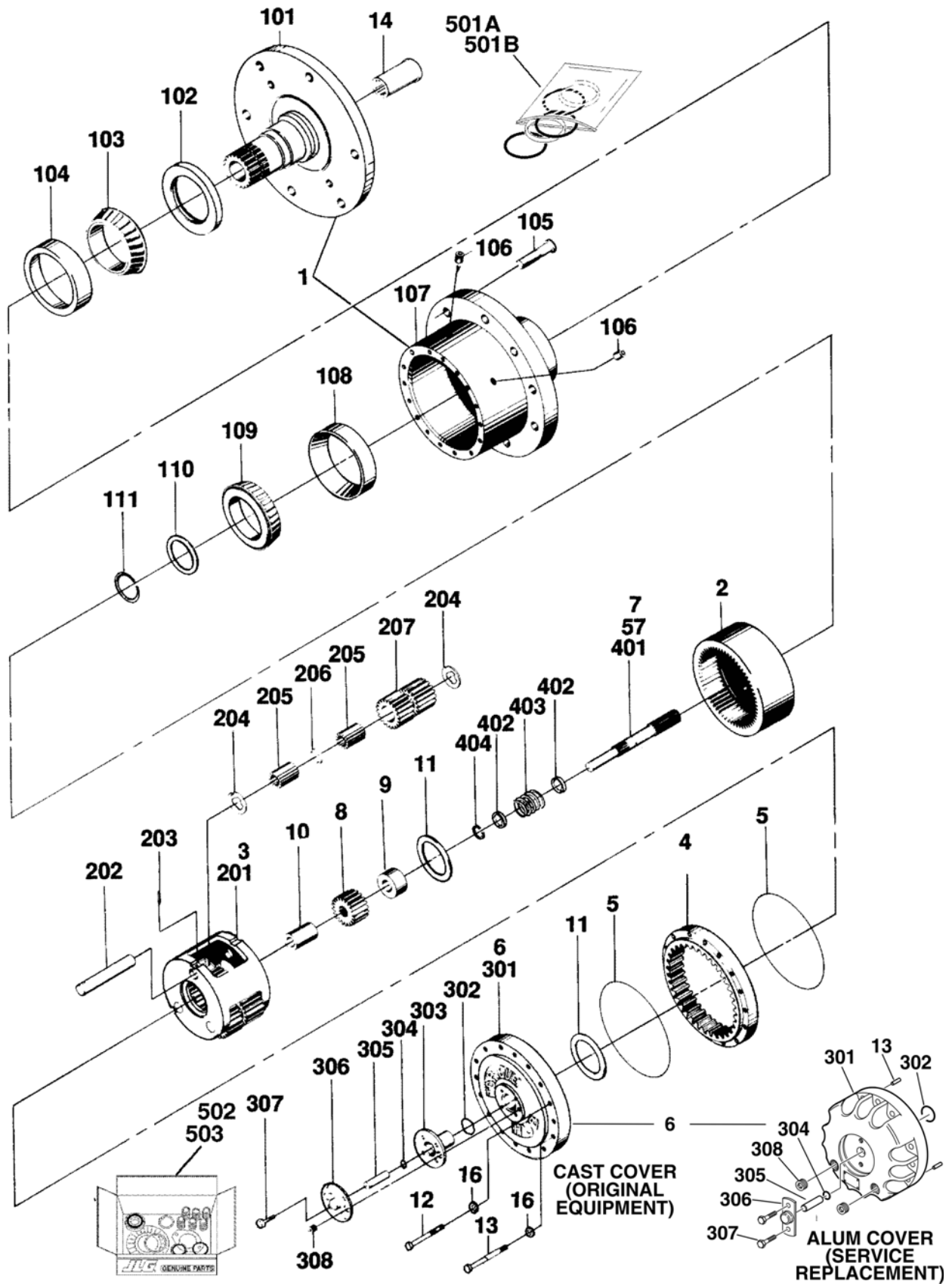
ITEM #	PART NUMBER	QTY.	DESCRIPTION	REV.
27	Not Used			
28	See Note	2	O-Ring ( <b>Note: Use Item 101,102, 103A &amp; 103B</b> )	
29	7007933	2	Gasket	
-----				
101	2900766	1	Seal Kit (Includes Items 1,11,18,19,20,21,28 and 29)	
102	2900768	1	Bearing Kit (Includes Items 1,2,11,28 and 29)	
103		1	Lining Kit Options:	
103A	2900767		Lining Kit (Includes Items 58, 11, 22,23, 28 and 29) (Prior to S/N 36645 (Use with p/n 0920084)	
103B	7018608		Lining Kit (Includes Items 58, 11, 12, 22,23, 28 and 29) (S/N 36645 to Present (Use with p/n 0920110)	

**FIGURE 1-4. DRIVE BRAKE ASSEMBLY (CONTINUED)**

ITEM #	PART NUMBER	QTY.	DESCRIPTION	REV.

# SECTION 1 FRAME

## FIGURE 1-5. DRIVE HUB ASSEMBLIES





**FIGURE 1-5. DRIVE HUB ASSEMBLIES**

ITEM #	PART NUMBER	QTY.	DESCRIPTION	REV.
		Ref.	<b>DRIVE HUB ASSEMBLIES</b>	
	2780169	Ref.	<b>DRIVE HUB ASSEMBLY -2WD/2WS GAS/DIESEL (2MPH)</b>	B
	2780167	Ref.	<b>DRIVE HUB ASSEMBLY - 4WD/2WS REAR DRIVE ONLY (2MPH)</b>	B
1		1	Hub-Spindle Sub Assembly (See Items 101-111 for Breakdown)	
2	7000246	1	Gear, Internal	
3	7000247	1	Carrier Assembly (See Items 201-207 for Breakdown)	
4	7000248	1	Gear, Ring	
5	7000230	2	O-Ring	
6	7001989	1	Cover Assembly (Includes Items 301-308)	
7		1	Input Shaft Assembly (See Items 401-404 for Breakdown) Options:	
	7000250		Input Shaft Assembly (2WD Machines)	
	7007650		Input Shaft Assembly (4WD Machines)	
8		1	Gear, Input Options:	
	7000251		Gear, Input (2WD)	
	7007652		Gear, Input (4WD)	
9		1	Spacer, Thrust Options:	
	7000252		Spacer, Thrust (2WD Machines)	
	7007653		Spacer, Thrust (4WD Machines)	
10		1	Spacer, Thrust Options:	
	Not Required		Spacer, Thrust (2WD Machines)	
	7007654		Spacer, Thrust (4WD Machines)	
11	7000253	2	Washer, Thrust	
12	7000217	12	Bolt	
13	7000214	4	Bolt, Shoulder	
14	7000206	1	Coupling	
15	Not Used			
16	7007603	16	Flatwasher	
		Ref.	<b>HUB - SPINDLE SUB-ASSEMBLY</b>	
101	7001997	1	Spindle	
102	7001998	1	Seal	
103	Use Item 502	1	Cone, Bearing	
104	Use Item 502	1	Cup, Bearing	
105	7007697	9	Bolt, Wheel	
106	7000242	2	Plug, Pipe	
107	7007601	1	Hub	
108	7000257	1	Cup, Bearing	
109	7000258	1	Cone, Bearing	
110	7000232	1	Spacer	
111	7000229	1	Ring, Retaining	

# SECTION 1 FRAME

**FIGURE 1-5. DRIVE HUB ASSEMBLIES (CONTINUED)**

ITEM #	PART NUMBER	QTY.	DESCRIPTION	REV.
	7000247	Ref.	<b>CARRIER ASSEMBLY</b>	
201	7001931	1	Carrier	
202	7001911	3	Shaft	
203	7001913	3	Pin, Roll	
204	7001985	6	Washer, Thrust	
205	7001909	96	Roller, Needle	
206	7000263	3	Spacer	
207	7001912	3	Gear, Cluster (2MPH)	
		Ref.	<b>COVER ASSEMBLY</b>	
	See Kit Options	Ref.	<b>Cast Cover (Original Equipment)</b>	
	See Kit Options	Ref.	<b>Aluminum Cover (Service Replacement)</b>	
301		1	Cover Options:	
	Use 70001111		Cast Cover (Original Equipment) (was p/n 7000226)	
	Use 70001349		Aluminum Cover (Service Replacement) (was p/n 7017091)	
302		1	O-Ring Options:	
	Use 70001111		Cast Cover (Original Equipment)	
	Use 70001349		Aluminum Cover (Service Replacement) (was p/n 7017070)	
303		1	Cap, Cover	
	Use 70001111		Cast Cover (Original Equipment)	
	Not Required		Aluminum Cover (Service Replacement)	
304		1	O-Ring Options:	
	Use 70001111		Cast Cover (Original Equipment)	
	Use 70001349		Aluminum Cover (Service Replacement) (was p/n 7017095)	
305		1	Rod, Disconnect Options:	
	Use 70001111		Cast Cover (Original Equipment)	
	Use 70001349		Aluminum Cover (Service Replacement) (was p/n 7017092)	
306		1	Cap, Disconnect	
	Use 70001111		Cast Cover (Original Equipment)	
	Use 70001349		Aluminum Cover (Service Replacement) (was p/n 7017093)	
307		A/R	Bolt Options:	
	Use 70001111	4	Cast Cover (Original Equipment) (was p/n 7000220)	
	Use 70001349	2	Aluminum Cover (Service Replacement) (was p/n 7000216)	
308		A/R	Plug, Pipe Options:	
	Use 70001111	1	Cast Cover (Original Equipment) (was p/n 7000243)	
	Use 70001349	2	Aluminum Cover (Service Replacement) (was p/n 7017094)	
			-----	

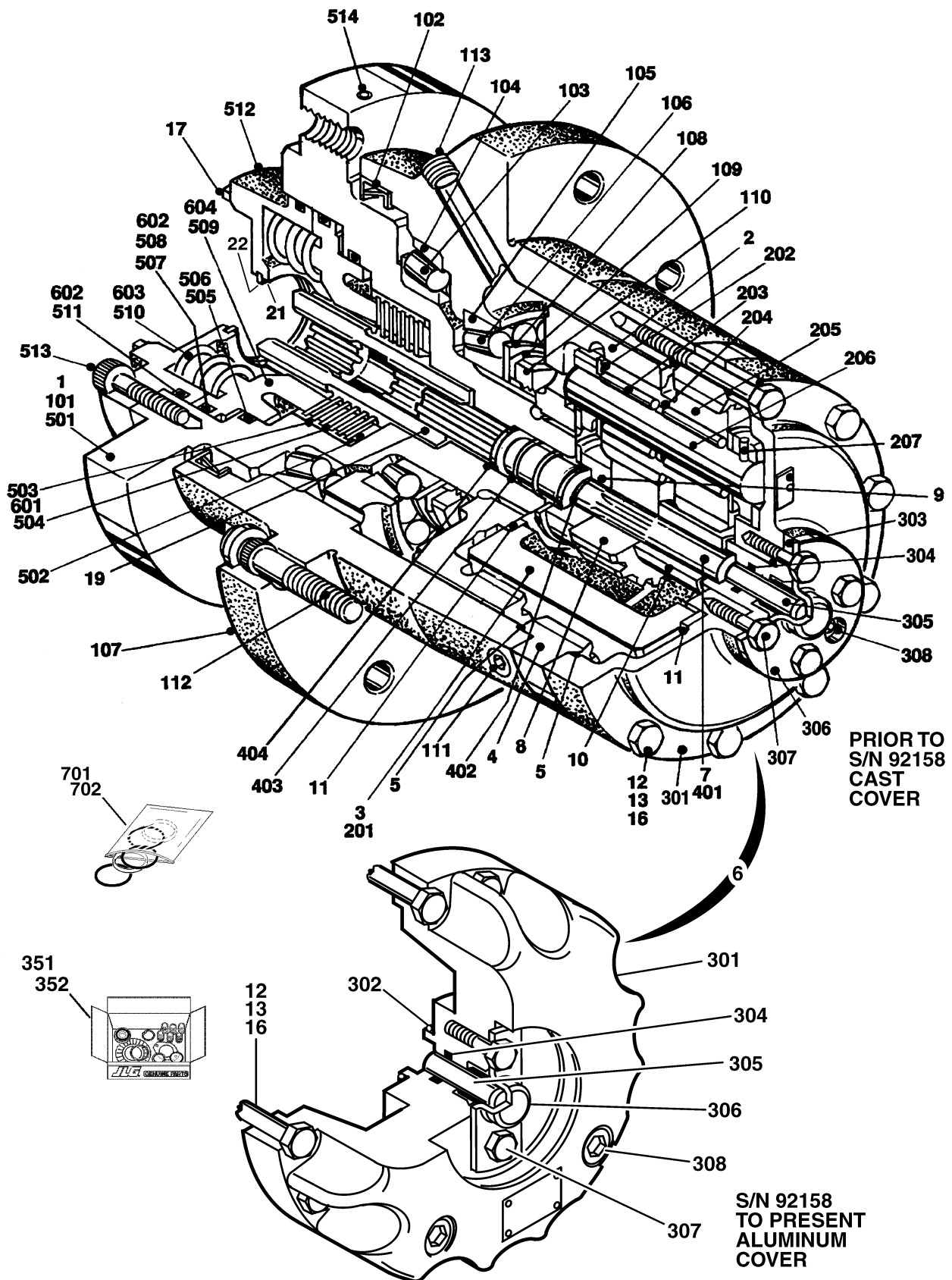
## SECTION 1 FRAME

**FIGURE 1-5. DRIVE HUB ASSEMBLIES (CONTINUED)**

ITEM #	PART NUMBER	QTY.	DESCRIPTION	REV.
		1	Cover Kit Options:	
		Ref.	<b>Note: Kit Replaces Items 5, 11 (Spacer), 12, 13 (Dowel Pins) &amp; 301-308.</b>	
	Use 70001111		Cast Cover (Original Equipment) (was p/n 7001989 & p/n 7017099)	
	Use 70001349		Aluminum Cover (Service Replacement) (was p/n 7017090)	
	7000250	Ref.	<b>INPUT SHAFT ASSEMBLY (2WD MACHINES)</b>	
	7007650	Ref.	<b>INPUT SHAFT ASSEMBLY (4WD MACHINES)</b>	
401	7000260	1	Shaft (2WD Machines)	
	7007651	1	Shaft (4WD Machines)	
402	7000263	2	Spacer	
403	7000262	1	Spring	
404	7000261	1	Ring, Retaining	
			-----	
501		1	Seal Kit Options:	
501A	7017063	1	Seal Kit (Includes Items 5, 11, 102, 111, 302 and 304)	
501B	2900034	1	Seal Kit (Includes Items 5, 102 110 and 111)	
502	7010429	1	Bearing Kit (Includes Items 103 and 104)	
503	2900137		Disconnect and Seal Kit (Includes Items 5, 102, 110, 110 and 302 - 307)	

# SECTION 1 FRAME

## FIGURE 1-6. DRIVE HUB/BRAKE ASSEMBLIES



**FIGURE 1-6. DRIVE HUB/BRAKE ASSEMBLIES**

ITEM #	PART NUMBER	QTY.	DESCRIPTION	REV.
		Ref.	<b>DRIVE HUB/BRAKE ASSEMBLY OPTIONS:</b>	
	2780195	Ref.	<b>2WD/4WS GAS/DIESEL MACHINES (2MPH)</b>	—
	2780191	Ref.	<b>4WD GAS/DIESEL MACHINES (2MPH)</b>	—
	2780193	Ref.	<b>4WD/2WS GAS/DIESEL MACHINES (4MPH)</b>	—
1	See Note	1	Hub/Spindle/Brake Assembly (Note: Not sold as a complete assembly) (See Items 101-113 for Breakdown)	
2	7007691	1	Gear, Internal	
3	Not Available	1	Carrier Assembly Options (See Items 201-207 for Breakdown):	
	7000247		2WD/4WS Machines	
	See Note		4WD with 2MPH Machines	
			4WD with 4MPH Machines (Note: Purchase 7000247 & install (3) 7007643 Cluster Gears to make this carrier assembly)	
4	7000248	1	Gear, Internal	
5	See Note	2	O-Ring ( <b>Note: Use Items 351 &amp; 352</b> )	
6		1	Cover Assembly (See Items 301-308 for Breakdown)	
7		1	Input Shaft Assembly Options (See Items 401-404 for Breakdown):	
	7007650		4WD Machines	
	7000250		2WD/4WS Machines	
8		1	Gear, Input Options:	
	7007652		4WD Machines	
	7000251		2WD/4WS Machines	
9		1	Spacer, Input Options:	
	7007653		4WD Machines	
	7000252		2WD/4WS Machines	
10		1	Spacer, Input Options:	
	7007654		4WD Machines	
	Not Required		2WD/4WS Machines	
11	7000253	2	Washer, Thrust	
	7017096	1	Spacer (S/N 92158 to Present Only)	
12		12	Bolt Options:	
	7000217		Prior to S/N 92158	
	7017067		S/N 92158 to Present	
13		4	Hardware Options:	
	7000214		Bolt Used Prior to S/N 92158	
	7017080		Dowel Pin Used S/N 92158 to Present	
14 to 15	Not Used			
16	7007603	16	Flatwasher	
17	7007692	1	Gasket	
18	Not Used			
19	7010470	1	Coupling	
20	Not Used			
21	7010459	1	Ring, Retainer	
22	7001922	1	Washer, Thrust	

# SECTION 1 FRAME

**FIGURE 1-6. DRIVE HUB/BRAKE ASSEMBLIES (CONTINUED)**

ITEM #	PART NUMBER	QTY.	DESCRIPTION	REV.
		Ref.	<b>HUB/SPINDLE/BRAKE SUB-ASSEMBLY</b>	
101	7010473	1	Brake Assembly Options: 2WD/4WS Machines and 4WD Machines with I.D. Plate (Stamped July 1992 or Later (See Items 601-604 for Breakdown)	
	7010469		4WD Machines with I.D. Plate Stamped Prior to July 1992 (See Items 501-514 for Breakdown)	
102	Use Item 701	1	Seal, Lip	
103	7007683	1	Cup, Bearing	
104	7007684	1	Cone, Bearing	
105	7007685	1	Cup, Bearing	
106	7007686	1	Cone, Bearing	
107	7007687	1	Housing	
108	7007688	1	Flatwasher, Tanged	
109	7007689	1	Flatwasher, Tanged	
110	7007690	1	Nut, Bearing	
111	7000242	2	Plug, Pipe 1/4" NPT	
112	7000241	9	Stud, Wheel	
113	7007617	2	Plug, Pipe 3/8" NPT (Magnetic)	
	7000247	Ref.	<b>CARRIER ASSEMBLY - 4WD(2MPH) MACHINES</b>	
	NPN	Ref.	<b>CARRIER ASSEMBLY - 4WD(4MPH) MACHINES</b>	
	NPN	Ref.	<b>CARRIER ASSEMBLY - 2WD/4WS MACHINES</b>	
201	7001931	1	Carrier	
202	7001985	6	Washer, Thrust - Tanged	
203	7001909	96	Bearing, Needle	
204	7000263	3	Spacer, Thrust	
205	7001911	3	Shaft, Planet	
206		3	Gear, Cluster Options: 4WD with 2MPH Hub and 2WD/4WS 4WD with 4MPH Hub	
207		3	Rollpin Options: 4WD Machines 2WD/4WS Machines	
		Ref.	<b>COVER ASSEMBLY</b>	
	See Kit Options	Ref.	<b>Cast Cover (Original Equipment)</b>	
	See Kit Options	Ref.	<b>Aluminum Cover (Service Replacement)</b>	
301		1	Cover Options: Cast Cover (Original Equipment) (was p/n 7000226)	
	Use 70001111		Aluminum Cover (Service Replacement) (was p/n 7017091)	
	Use 70001349			
302		1	O-Ring Options: Cast Cover (Original Equipment) Aluminum Cover (Service Replacement) (was p/n 7017070)	
	Use 70001111			
	Use 70001349			

## SECTION 1 FRAME

**FIGURE 1-6. DRIVE HUB/BRAKE ASSEMBLIES (CONTINUED)**

ITEM #	PART NUMBER	QTY.	DESCRIPTION	REV.
303	Use 70001111 Not Required	1	Cap, Cover Cast Cover (Original Equipment) Aluminum Cover (Service Replacement)	
304	Use 70001111 Use 70001349	1	O-Ring Options: Cast Cover (Original Equipment) Aluminum Cover (Service Replacement) (was p/n 7017095)	
305	Use 70001111 Use 70001349	1	Rod, Disconnect Options: Cast Cover (Original Equipment) Aluminum Cover (Service Replacement) (was p/n 7017092)	
306	Use 70001111 Use 70001349	1	Cap, Disconnect Cast Cover (Original Equipment) Aluminum Cover (Service Replacement) (was p/n 7017093)	
307	Use 70001111 Use 70001349	A/R 4 2	Bolt Options: Cast Cover (Original Equipment) (was p/n 7000220) Aluminum Cover (Service Replacement) (was p/n 7000216)	
308	Use 70001111 Use 70001349	A/R 1 2	Plug, Pipe Options: Cast Cover (Original Equipment) (was p/n 7000243) Aluminum Cover (Service Replacement) (was p/n 7017094)	
309 to 350	Not Used			
		1 Ref.	----- Cover Kit Options: <b>Note: Kit Replaces Items 5, 11 (Spacer), 12, 13 (Dowel Pins) &amp; 301-308.</b>	
351	Use 70001111		Cast Cover (Original Equipment) (was p/n 7001989 & p/n 7017099)	
352	Use 70001349		Aluminum Cover (Service Replacement) (was p/n 7017090)	
	7007650	Ref.	<b>INPUT SHAFT ASSEMBLY - 4WD MACHINES</b>	
	7000250	Ref.	<b>INPUT SHAFT ASSEMBLY - 2WD/4WS MACHINES</b>	
401	7007651 7000260	1	Shaft Options: 4WD Machines 2WD/4WS Machines	
402	7000261	1	Ring, Retaining	
403	7000262	1	Spring	
404	7000263	2	Spacer, Thrust	
	7010469	Ref.	<b>BRAKE ASSEMBLY - 4WD MACHINES WITH I.D. PLATE STAMPED JUNE 1992 OR EARLIER</b>	
501	7014100	1	Spindle	
502	7014101	1	Spacer	
503	7014102	7	Disc, Stationary	

# SECTION 1 FRAME

**FIGURE 1-6. DRIVE HUB/BRAKE ASSEMBLIES (CONTINUED)**

ITEM #	PART NUMBER	QTY.	DESCRIPTION	REV.
504	7014103	6	Disc, Rotating	
505	Use Item 702	1	Ring, Back-up	
506	Use Item 702	1	O-Ring	
507	Use Item 702	1	Ring, Back-up Ring	
508	Use Item 702	1	O-Ring	
509	7014108	1	Piston	
510	7014109	6	Spring	
	7014110	2	Spring	
511	Use Item 702	1	O-Ring	
512	7014112	1	Cover	
513	Not Available	8	Bolt, Socket Head 3/8"-16NC x 1 1/4"	
514	7014113	1	Expander	
	7010473	Ref.	<b>BRAKE ASSEMBLY - 2WD/4WS MACHINES AND 4WD MACHINES WITH I.D. PLATE STAMPED JULY 1992 OR LATER</b>	
601	7010475	1	Brake Lining Kit	
602	7010476	1	Brake O-Ring Kit	
603	7010477	1	Brake Spring Repair Kit	
604	7010478	1	Brake Piston Repair Kit	
		Ref.	----- Kit Options:	
701	Use 70001940	1	Seal Kit - Hub (Includes Items 5,17,102,306 and 307) (was p/n 2900754)	
702	2900816	1	Brake O-Ring Kit (Includes Items 505-508 and 511)	

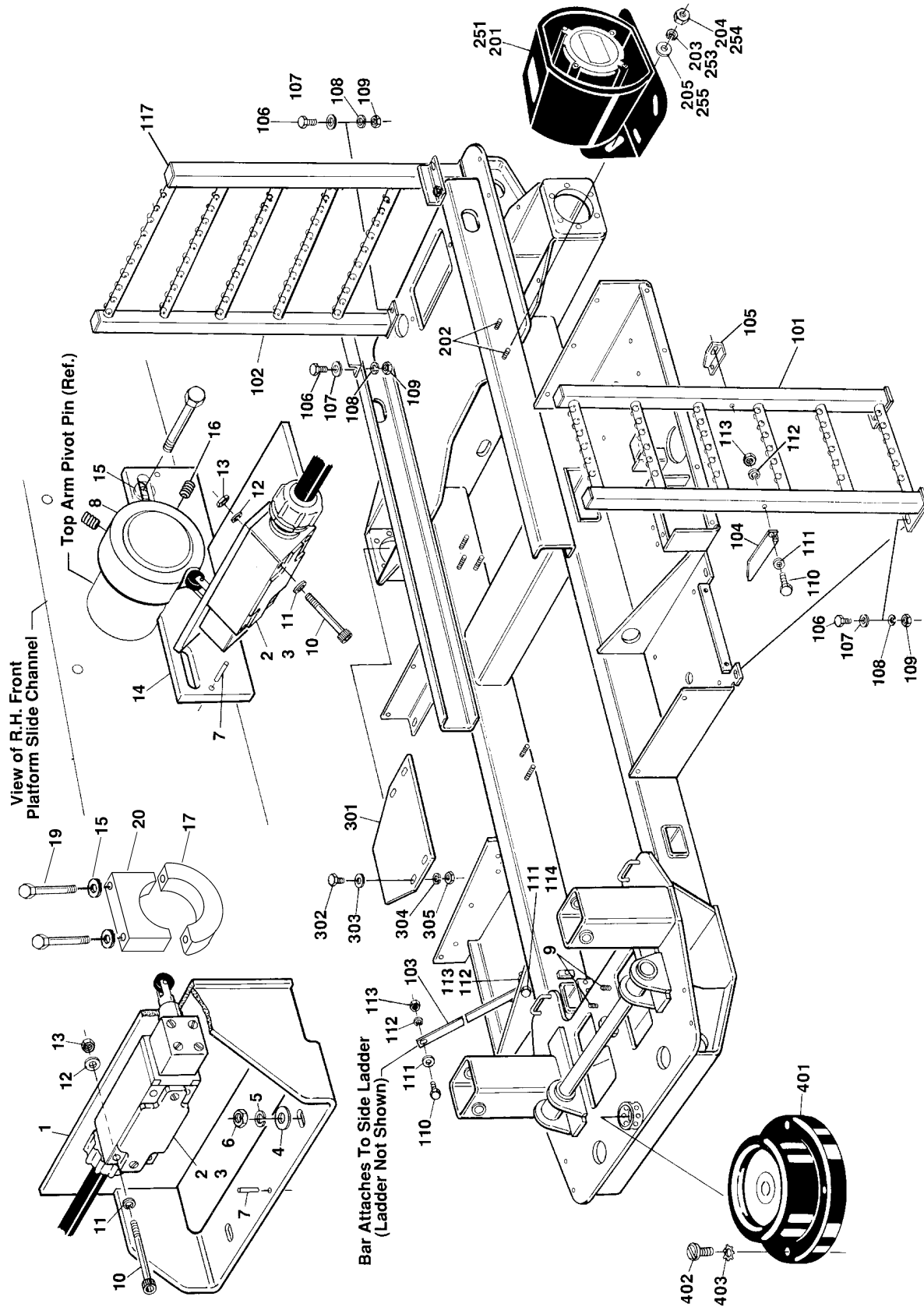


**FIGURE 1-6. DRIVE HUB/BRAKE ASSEMBLIES (CONTINUED)**

ITEM #	PART NUMBER	QTY.	DESCRIPTION	REV.

# SECTION 1 FRAME

## FIGURE 1-7. FRAME MOUNTED COMPONENTS INSTALLATION



## SECTION 1 FRAME

**FIGURE 1-7. FRAME MOUNTED COMPONENTS INSTALLATION**

ITEM #	PART NUMBER	QTY.	DESCRIPTION	REV.
		Ref.	<b>FRAME MOUNTED COMPONENTS INSTALLATION</b>	
	0253517	Ref.	<b>LIMIT SWITCH INSTALLATION - 500RTS (Prior to S/N 111178)</b>	5
	0272935	Ref.	<b>LIMIT SWITCH INSTALLATION - 500RTS (S/N 111178 to S/N 112737)</b>	1
	0272969	Ref.	<b>LIMIT SWITCH INSTALLATION - 500RTS (S/N 112737 to Present)</b>	1
	0254058	Ref.	<b>LIMIT SWITCH INSTALLATION - 400RTS WITH STANDARD TIRES (Prior to S/N 111178)</b>	B
	0254059	Ref.	<b>LIMIT SWITCH INSTALLATION - 400RTS WITH 31 x 15.5-15 (Prior to S/N 111178)</b>	A
	0272936	Ref.	<b>LIMIT SWITCH INSTALLATION - 400RTS WITH 31 x 15.5-15 (S/N 111178 to Present)</b>	1
1		1	Bracket, Mounting Options: 500RTS Options: Prior to S/N 111178 S/N 111178 to Present 400RTS With Standard Tires 400RTS With 31 x 15.5-15 Tires Options: Prior to S/N 111178 S/N 111178 to Present	
	0901902			
	4846822			
	Not Required			
	0901966			
	4846822			
2	4360300	A/R	Switch, Limit	
3	4460049	A/R	Connector, Strain Relief	
4		2	Washer Options: Flatwasher 5/16" (Prior to S/N 111178) Washer, Hardened 3/8" (S/N 111178 to Present)	
	4751500			
	4891600			
	Not Required		400RTS With Standard Tires	
5		2	Lockwasher Options: Lockwasher 5/16" (Prior to S/N 111178) 400RTS With Standard Tires	
	4761500			
	Not Required			
6		2	Nut Options: Nut 5/16"-18NC 400RTS With Standard Tires	
	3311501			
	Not Required			
7	3440413	A/R	Rollpin 1/8" x 13/16" (Prior to S/N 112737)	
8	1100083	1	Cam (Hi-Drive Cutout) (Prior to S/N 112737)	
9	4300038	2	Stud (Welded Part)	
10	3911032	A/R	Bolt, Socket Head #10-24NC x 2"	
11	4751000	A/R	Flatwasher #10	
12	4761000	A/R	Lockwasher #10 (Prior to S/N 111178)	
13	3311005	A/R	Locknut #10-24NC	
14	0901917	1	Bracket (Prior to S/N 112737)	
15	4751600	A/R	Flatwasher 3/8"	
16	3951503	2	Setscrew 5/16"-18NC x 3/4" (Prior to S/N 112737)	
17	1100137	1	Cam, Limit Switch (S/N 111178 to Present)	
18	0100011	A/R	Loctite #242 (Not Shown) (S/N 111178 to Present)	
19	0641626	2	Bolt 3/8 - 16NC x 3 1/4" (S/N 111178 to Present)	
20	3574274	1	Plate, Clamp (S/N 111178 to Present)	
21	1060965	1	Cable - 1/2 (92ft/28.1m) (Not Shown) (S/N 1075516 to Present)	

# SECTION 1 FRAME

**FIGURE 1-7. FRAME MOUNTED COMPONENTS INSTALLATION (CONTINUED)**

ITEM #	PART NUMBER	QTY.	DESCRIPTION	REV.
22	1060966	1	Cable - 16/2 (85ft/25.9m) (Not Shown) (S/N 1075516 to S/N 109670)	
	0253237	Ref.	<b>LADDER INSTALLATION - 500RTS WITHOUT DUAL EXTENDABLE PLATFORMS</b>	5
	0253238	Ref.	<b>LADDER INSTALLATION - 500RTS WITH DUAL EXTENDABLE PLATFORMS</b>	3
	0271332	Ref.	<b>LADDER INSTALLATION - 500RTS WITH MEGADECK PLATFORMS (S/N 95337 TO PRESENT)</b>	2
	0253933	Ref.	<b>LADDER INSTALLATION - 400RTS WITHOUT DUAL EXTENDABLE PLATFORMS (PRIOR TO S/N 70978)</b>	4
	0253934	Ref.	<b>LADDER INSTALLATION - 400RTS WITH DUAL EXTENDABLE PLATFORMS (PRIOR TO S/N 70978)</b>	2
	0254302	Ref.	<b>LADDER INSTALLATION - 400RTS WITHOUT DUAL EXTENDABLE PLATFORMS</b>	2
101		2	Ladder Weldment - Side Options:	
	4844249		500RTS	
	4846407		500RTS - With Megadeck Platform	
	4844490		400RTS	
102		1	Ladder Weldment - Rear	
	4844250		500RTS Without Dual Extendable Platform (Prior to S/N 65789)	
	4846051		500RTS Without Dual Extendable Platform (S/N 65789 to Present)	
	Not Required		500RTS With Dual Extendable Platform	
	Not Required		500RTS - With Megadeck Platform	
	4844491		400RTS Without Dual Extendable Platform (Prior to S/N 65789)	
	4846055		400RTS Without Dual Extendable Platform (S/N 65789 to Present)	
	Not Required		400RTS With Dual Extendable Platform	
103	0362171	1	Bar	
104	0181678	1	Angle, Mounting	
105	0181679	1	Angle, Mounting	
106	0641612	A/R	Bolt 3/8"-16NC x 1 1/2"	
107	4751600	A/R	Flatwasher 3/8"	
108	4761600	A/R	Lockwasher 3/8"	
	Not Required		500RTS - With Megadeck Platform	
109		A/R	Nut Options:	
	3311601		Nut 3/8"-16NC (With Dual Extendable Platform)	
	3311605		Locknut 3/8"-16NC (Without Dual Extendable Platform/Megadeck Platform)	
110	0641524	3	Bolt 5/16"-18NC x 3"	
111	4751500	8	Flatwasher 5/16"	
112	4761500	4	Lockwasher 5/16"	
	Not Required		500RTS - With Megadeck Platform	
113		4	Nut Options:	
	3311501		Nut 5/16"-18NC (With Dual Extendable Platform)	
	3311505		Locknut 5/16"-18NC (Without Dual Extendable Platform/Megadeck Platform)	

## SECTION 1 FRAME

**FIGURE 1-7. FRAME MOUNTED COMPONENTS INSTALLATION (CONTINUED)**

ITEM #	PART NUMBER	QTY.	DESCRIPTION	REV.
114	0641510	1	Bolt 5/16"-18NC x 1 1/4"	
115 to 116	Not Used			
117	3520071	A/R	Cap	
	0253446	Ref.	<b>OPTIONAL TRAVEL ALARM INSTALLATION (STANDARD PARTS WHEN EQUIPPED) (PRIOR TO S/N 71538)</b>	A
	0253727	Ref.	<b>OPTIONAL DESCENT ALARM INSTALLATION (STANDARD PARTS WHEN EQUIPPED) (PRIOR TO S/N 112737)</b>	B
	0273055	Ref.	<b>OPTIONAL DESCENT ALARM INSTALLATION (STANDARD PARTS WHEN EQUIPPED) (S/N 112737 TO PRESENT)</b>	1
	0253728	Ref.	<b>OPTIONAL MOTION ALARM INSTALLATION (STANDARD PARTS WHEN EQUIPPED) (PRIOR TO S/N 112737)</b>	A
	0273056	Ref.	<b>OPTIONAL MOTION ALARM INSTALLATION (STANDARD PARTS WHEN EQUIPPED) (S/N 112737 TO PRESENT)</b>	1
	See Note	Ref.	<b>CE Spec (Note: For CE Spec Machines with Overload Refer to JLG Supplement p/n 3124288 for Components.)</b>	
201	0140032	1	Alarm (Prior to S/N 112737)	
202	4300038	2	Stud (Welded on Part) (Prior to S/N 112737)	
203	4761500	2	Lockwasher 5/16" (Prior to S/N 112737)	
204	3311501	2	Nut 5/16"-18NC (Prior to S/N 112737)	
205	4751500	2	Flatwasher 5/16" (Prior to S/N 112737)	
	3990010	A/R	Diode - 6 Amp (Not Shown - Located at Ground Control)	
	3740049	1	Relay (Not Shown - Located at Ground Control)	
	1540002	1	Capacitor (Not Shown - Located at Ground Control) (S/N 112737 to Present)	
	0273057	Ref.	<b>OPTIONAL HORN INSTALLATION (STANDARD PARTS WHEN EQUIPPED)</b>	1
251	0140044	1	Alarm	
252	4300032	2	Stud (Welded on Part)	
253	4761400	2	Lockwasher 1/4"	
254	3311401	2	Nut 1/4"-20NC	
255	4751400	2	Flatwasher 1/4"	
	4460539	1	Terminal, Male - 3 Position	
	4460465	2	Socket, Female	
	4460466	1	Terminal, Sealing Plug	
	0253448/0253449	Ref.	<b>AXLE COVERS INSTALLATION (2WS) (STANDARD PARTS)</b>	—
301		2	Plate, Cover Options: Gas Machines Diesel Machines	
	4844186			
	3536092			
302	0641510	8	Bolt 5/16"-18NC x 1 1/4"	
303	4751500	16	Flatwasher 5/16"	
304	4761500	8	Lockwasher 5/16"	
305	3311501	8	Nut 5/16"-18NC	

# SECTION 1 FRAME

## FIGURE 1-7. FRAME MOUNTED COMPONENTS INSTALLATION (CONTINUED)

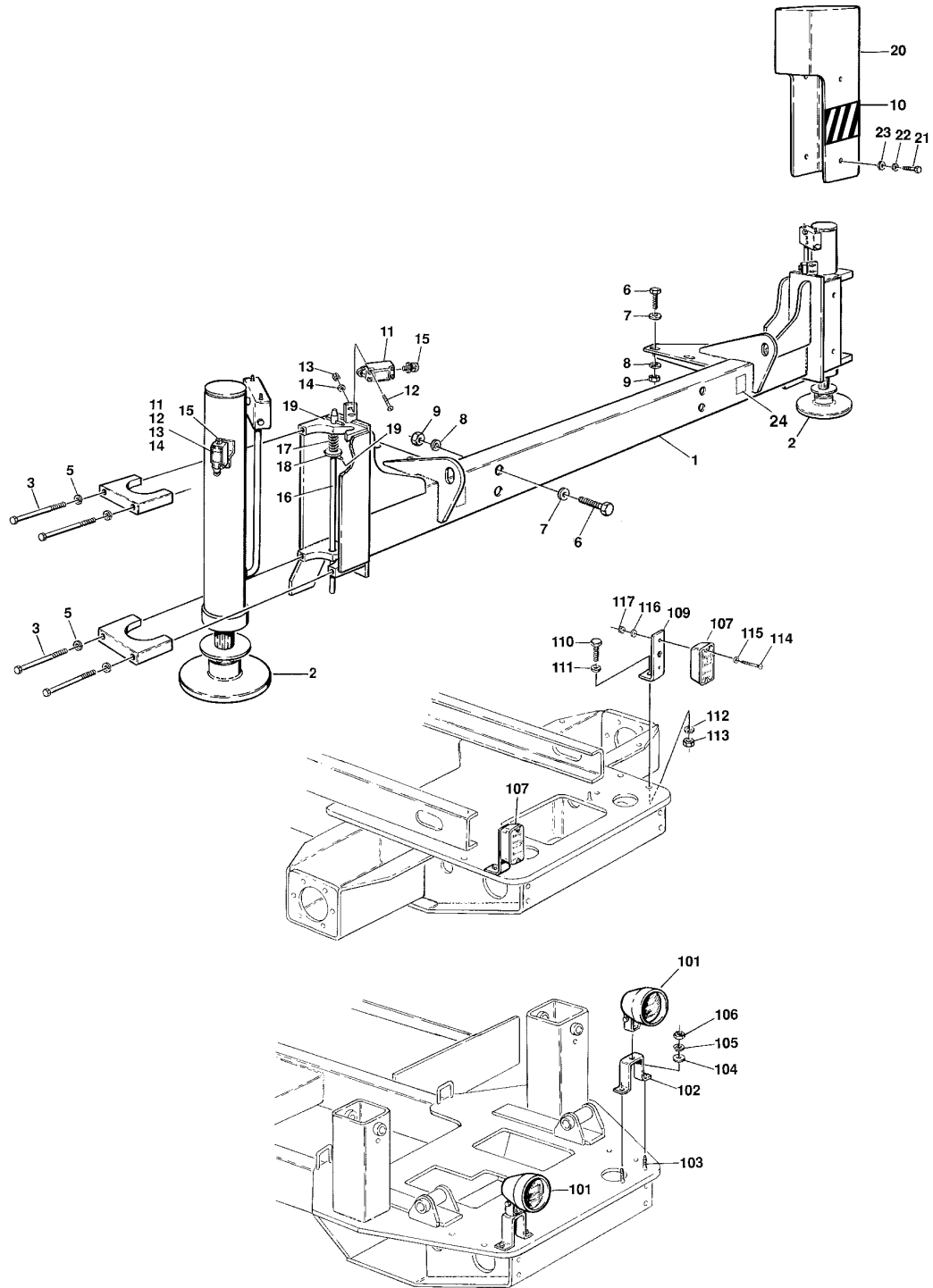
ITEM #	PART NUMBER	QTY.	DESCRIPTION	REV.
	0253453	Ref.	<b>CIRCULAR LEVEL INSTALLATION</b>	—
401	2420038	1	Level, Circular	
402	3910610	3	Screw #6-32NC x 5/8"	
403	4770600	3	Starwasher #6	

**FIGURE 1-7. FRAME MOUNTED COMPONENTS INSTALLATION (CONTINUED)**

ITEM #	PART NUMBER	QTY.	DESCRIPTION	REV.

# SECTION 1 FRAME

## FIGURE 1-8. FRAME MOUNTED OPTIONS INSTALLATION





## SECTION 1 FRAME

**FIGURE 1-8. FRAME MOUNTED OPTIONS INSTALLATION**

ITEM #	PART NUMBER	QTY.	DESCRIPTION	REV.
	0253678	Ref.	<b>LEVELING JACKS INSTALLATION (OPTIONAL ON 400RTS/STANDARD ON 500RTS) (PRIOR TO S/N 107516)</b>	15
	0271314	Ref.	<b>LEVELING JACKS INSTALLATION (500RTS) (S/N 107516 TO PRESENT)</b>	4
1	4844346	2	Jack Cylinder Weldment	
2		4	Jack Cylinder Assembly Options (See Section 5 for Breakdown):	
	Use 1684216		Prior to S/N 104832 (was p/n 1682720)	
	1684216		S/N 104832 to S/N 107516	
	Use 1684217		S/N 107516 to Present (was p/n 1683966)	
3		16	Bolt Options:	
	0641828		Bolt 1/2-13NC x 3 1/2 (Prior to S/N 103576)	
	0641830		Bolt 1/2-13NC x 3 3/4 (S/N 103576 to Present)	
4	Not Used			
5	4761800	16	Lockwasher 1/2"	
6	0642014	16	Bolt 5/8"-11NC x 1 3/4"	
7	4712000	32	Flatwasher 5/8" Narrow	
8	4762000	16	Lockwasher 5/8" (Prior to S/N 64796)	
9	3312005	16	Nut 5/8"-11NC	
10	4420052	8.5 ft.	Tape, Safety	
11		8	Switch, Limit Options:	
	Use 4360548		Prior to S/N 109670 (was p/n 4360321)	
	4360548		S/N 109670 to Present	
12	3911020	16	Screw, Machine #10-24NC x 1 1/4" (Prior to S/N 27385)	
	3930820	16	Screw #8-32 x 1 1/4" (S/N 27385 to Present)	
13	3311005	16	Lock Nut #10-24NC (Prior to S/N 27385)	
	3310805	16	Lock Nut #8-32 (S/N 27385 to Present)	
14	4751000	16	Flatwasher #10 (Prior to S/N 27385)	
	4750800	16	Flatwasher #8 (S/N 27385 to Present)	
15		8	Connector, Strain Relief Options:	
	4460428		Prior to S/N 109670	
	4460968		S/N 109670 to Present	
16	3841208	4	Rod (Prior to S/N 26251)	
	3841326	4	Rod (S/N 26251 to Present)	
17	4160116	4	Spring	
18	4740415	4	Washer, Special	
19	3440420	8	Rollpin	
20	4060848	4	Cover	
21	0641406	16	Bolt 1/4"-20NC x 3/4"	
22	4751400	16	Flatwasher 1/4"	
23	4761400	16	Lockwasher 1/4"	
24	1703814	4	Decal - Tie Down	
25	3520082	8	Plug, Cap (Not Shown)	
26	4460234	4	Pad, Adhesive (Not Shown)	
27	1060971	1	Cable, 16/2 (18ft/5.5m)(Not Shown) (S/N 79847 to Present)	
28	1060968	1	Cable, 16/2 (16ft/4.9m)(Not Shown) (S/N 79847 to Present)	
29	1060969	2	Cable, 16/2 (10ft/3.0m)(Not Shown) (S/N 79847 to Present)	
30	1060970	1	Cable, 16/2 (23ft/7.0m)(Not Shown) (S/N 79847 to Present)	

# SECTION 1 FRAME

**FIGURE 1-8. FRAME MOUNTED OPTIONS INSTALLATION (CONTINUED)**

ITEM #	PART NUMBER	QTY.	DESCRIPTION	REV.
	0253821	Ref.	<b>HEADLIGHTS AND TAILLIGHTS INSTALLATION (OPTIONAL)</b>	3
101	2920110	2	Headlight	
102	0901927	2	Bracket - Headlight	
103	4300032	4	Stud (Welded on Part)	
104	4761400	4	Lockwasher 1/4"	
105	4751400	4	Flatwasher 1/4"	
106	3311401	4	Nut 1/4"-20NC	
107	2920113	2	Taillight	
108	Not Used			
109	0901928	2	Bracket - Taillight	
110	0642012	2	Bolt 5/8"-11NC x 1 1/2"	
111	4752000	2	Flatwasher 5/8"	
112	4762000	2	Lockwasher 5/8"	
113	3312001	2	Nut 5/8"-20NC	
114	3911040	4	Screw, Machine #10-24NC x 2 1/2"	
115	4771000	4	Starwasher #10	
116	4751000	4	Flatwasher #10	
117	3311001	4	Nut #10-24NC	
118	4360329	1	Switch, Toggle (Not Shown - Located at Platform Console Box)	
119	3790012	1	O-Ring (Not Shown - Located at Platform Console Box)	
120 to 124	Not Used			
125	1060341	30 ft./9m	Cable, Electrical - 16/2	
126	Not Used			
127	3740049	1	Relay, Bosch (Not Shown - Located at Ground Control)	
128 to 133	Not Used			
134	4460051	1	Relief, Strain (Not Shown - Located at Ground Control) (S/N 106887 to Present)	
135	3300048	1	Locknut (Not Shown - Located at Ground Control) (S/N 106887 to Present)	
136	0960238	1	Bushing (Not Shown - Located at Ground Control) (S/N 106887 to Present)	

**FIGURE 1-8. FRAME MOUNTED OPTIONS INSTALLATION (CONTINUED)**

ITEM #	PART NUMBER	QTY.	DESCRIPTION	REV.

# SECTION 1 FRAME

FIGURE 1-9. TOW PACKAGE INSTALLATION - BALL (OPTIONAL)

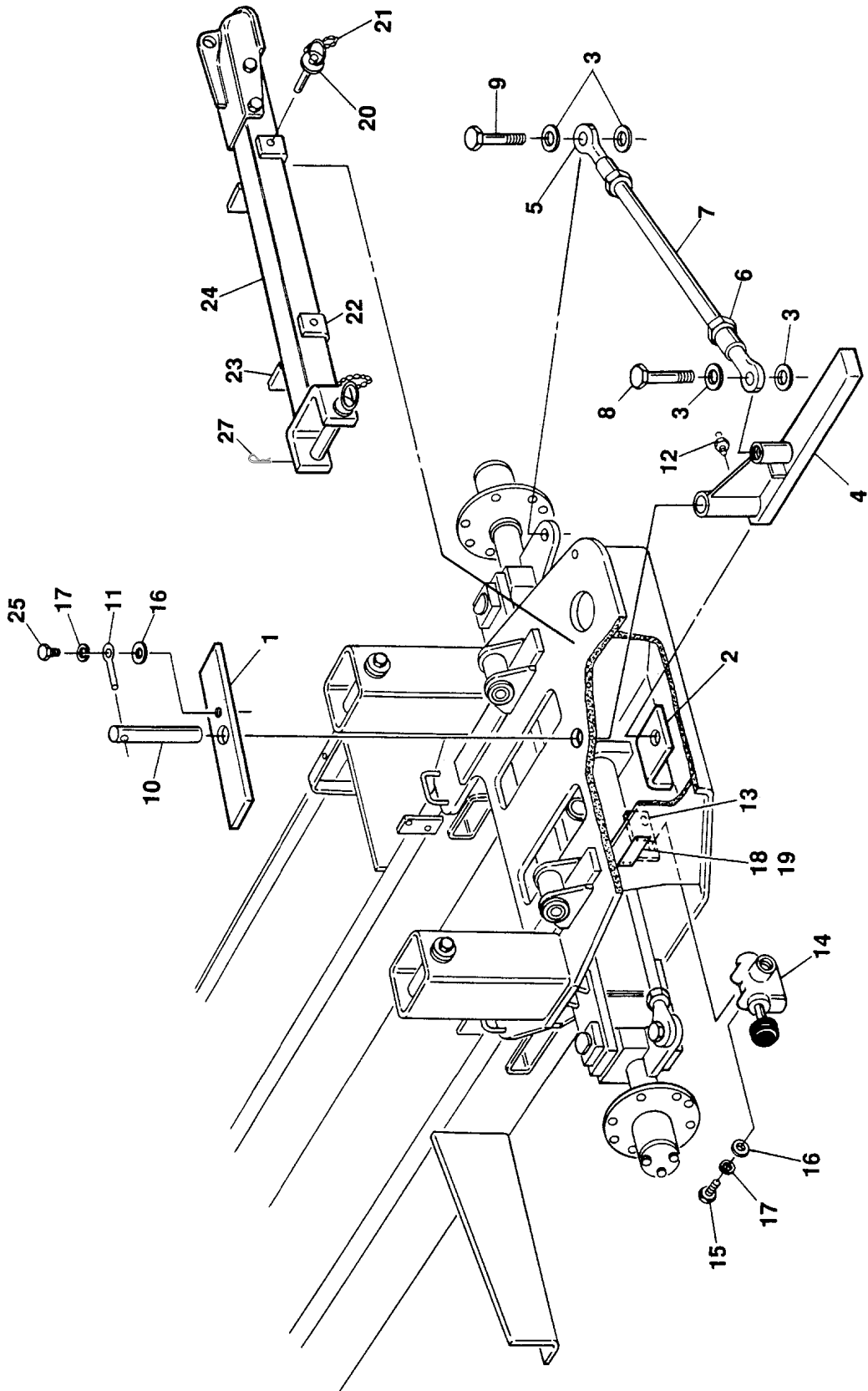
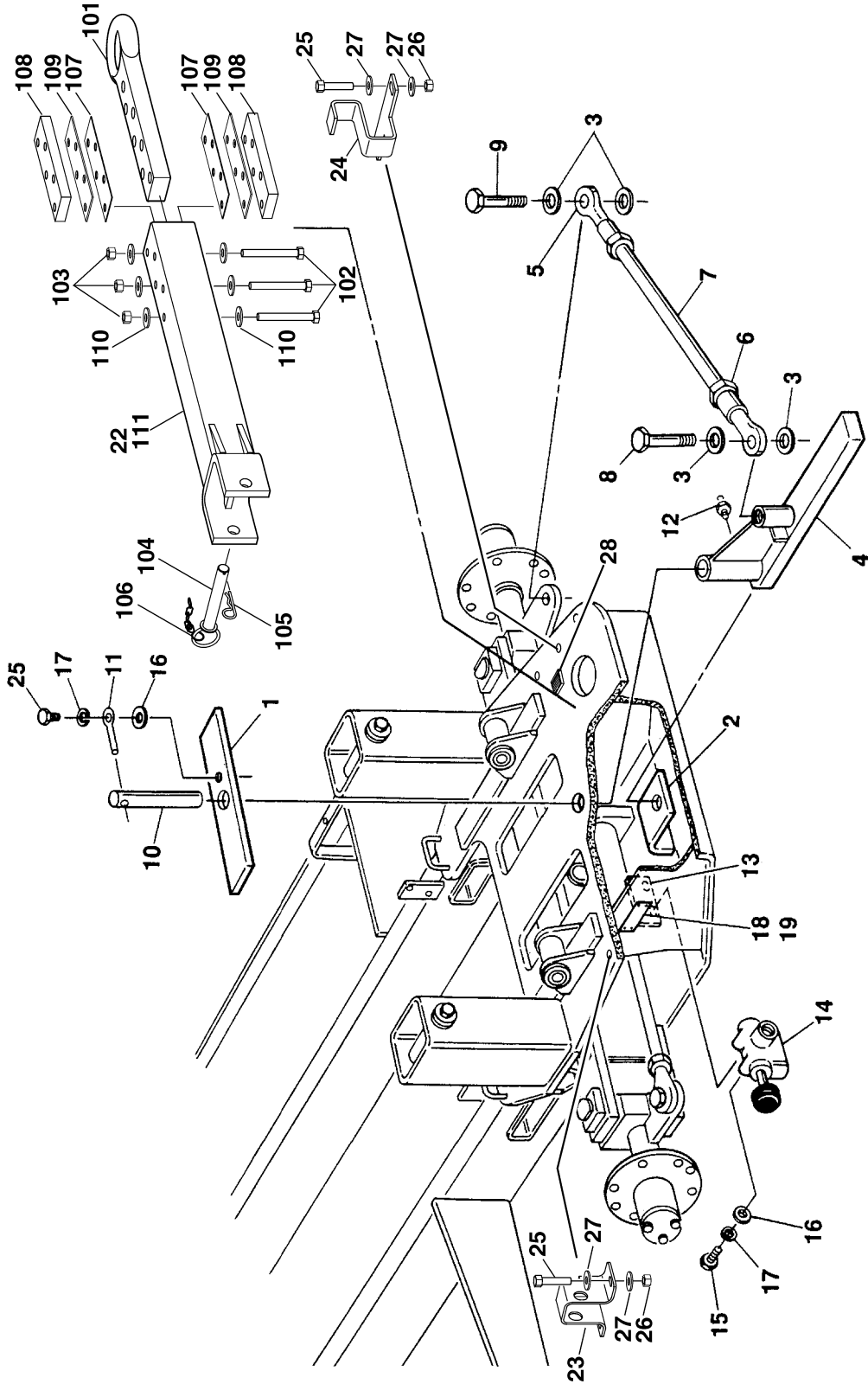


FIGURE 1-9. TOW PACKAGE INSTALLATION - BALL (OPTIONAL)

ITEM #	PART NUMBER	QTY.	DESCRIPTION	REV.
	0253079	Ref.	<b>TOW BAR INSTALLATION</b>	E
1	0362080	1	Bar	
2	3536156	1	Plate, Hitch Attach	
3	4712600	4	Flatwasher 1"	
4	2620037	1	Hitch, Tow	
5	1660114	2	Coupling, Tie-Rod	
6	3323002	2	Nut, Jam 1 1/4"-12NF	
7	3841184	1	Tie-Rod	
8	0642624	1	Bolt 1"-8NC x 3"	
9	0642636	1	Bolt 1"-8NC x 4 1/2"	
10	3422091	1	Pin	
11	3841143	1	Keeper, Pin	
12	2160002	1	Fitting, Grease	
13	0900479	1	Bracket, Valve Mounting	
14	4640261	1	Valve	
15	0641507	2	Bolt 5/16"-18NC x 7/8"	
16	4751500	3	Flatwasher 5/16"	
17	4761500	3	Lockwasher 5/16"	
18	3250872	1	Nameplate - Steer/Tow	
19	3820001	4	Rivet	
20	3420292	2	Pin, Quick Release	
21	1260017	2	Chain	
22	3536157	2	Plate	
23	3537973	2	Plate	
24	0362126	1	Tow Bar Assembly	
	3420352	1	Pin, Tow	
	3420158	1	Hairpin	
25	0641508	1	Bolt 5/16"-18NC x 1"	
26	Not Used			
27	3420372	1	Hairpin, Cotter	

# SECTION 1 FRAME

## FIGURE 1-10. TOW PACKAGE INSTALLATION - PINTLE HOOK (OPTIONAL)



# SECTION 1 FRAME

**FIGURE 1-10. TOW PACKAGE INSTALLATION - PINTLE HOOK (OPTIONAL)**

ITEM #	PART NUMBER	QTY.	DESCRIPTION	REV.
	0271499	Ref.	<b>TOW BAR INSTALLATION</b>	1
1	0362080	1	Bar	
2	3536156	1	Plate, Hitch Attach	
3	4712600	4	Flatwasher 1"	
4	2620037	1	Hitch, Tow	
5	1660114	2	Coupling, Tie-Rod	
6	3323002	2	Nut, Jam 1 1/4"-12NF	
7	3841184	1	Tie-Rod	
8	0642624	1	Bolt 1"-8NC x 3"	
9	0642636	1	Bolt 1"-8NC x 4 1/2"	
10	3422091	1	Pin	
11	3841143	1	Keeper, Pin	
12	2160002	1	Fitting, Grease	
13	0900479	1	Bracket, Valve Mounting	
14	4640261	1	Valve	
15	0641507	2	Bolt 5/16"-18NC x 7/8"	
16	4751500	3	Flatwasher 5/16"	
17	4761500	3	Lockwasher 5/16"	
18	3250872	1	Nameplate - Steer/Tow	
19	3820001	4	Rivet	
20	0641508	1	Bolt 5/16"-18NC x 1"	
21	Not Used			
22	0363019	1	Tow Bar Assembly (See Items 101-111 for breakdown)	
23	0902733	1	Bracket	
24	0902734	1	Bracket	
25	0642018	4	Bolt 5/8"-11NC x 2 1/4"	
26	3312005	4	Locknut 5/8"-11NC	
27	4752000	8	Flatwasher 5/8	
28	3340841	1	Pad	
	0363019	Ref.	<b>TOW BAR ASSEMBLY</b>	B
101	0360406	1	Bar, Draw	
102	0642040	5	Bolt 5/8"-11NC x 5"	
103	3312005	5	Locknut 5/8"-11NC	
104	3420352	1	Pin, Towing	
105	3420372	1	Pin, Cotter	
106	3760170	1	Ring, Split	
107	4070450	2	Shim	
108	4070560	2	Shim	
109	4070561	2	Shim	
110	4752000	10	Flatwasher 5/8	
111	4846439	1	Tow Bar Weldment	

# SECTION 1 FRAME

**FIGURE 1-10. TOW PACKAGE INSTALLATION - PINTLE HOOK (OPTIONAL) (CONTINUED)**

ITEM #	PART NUMBER	QTY.	DESCRIPTION	REV.

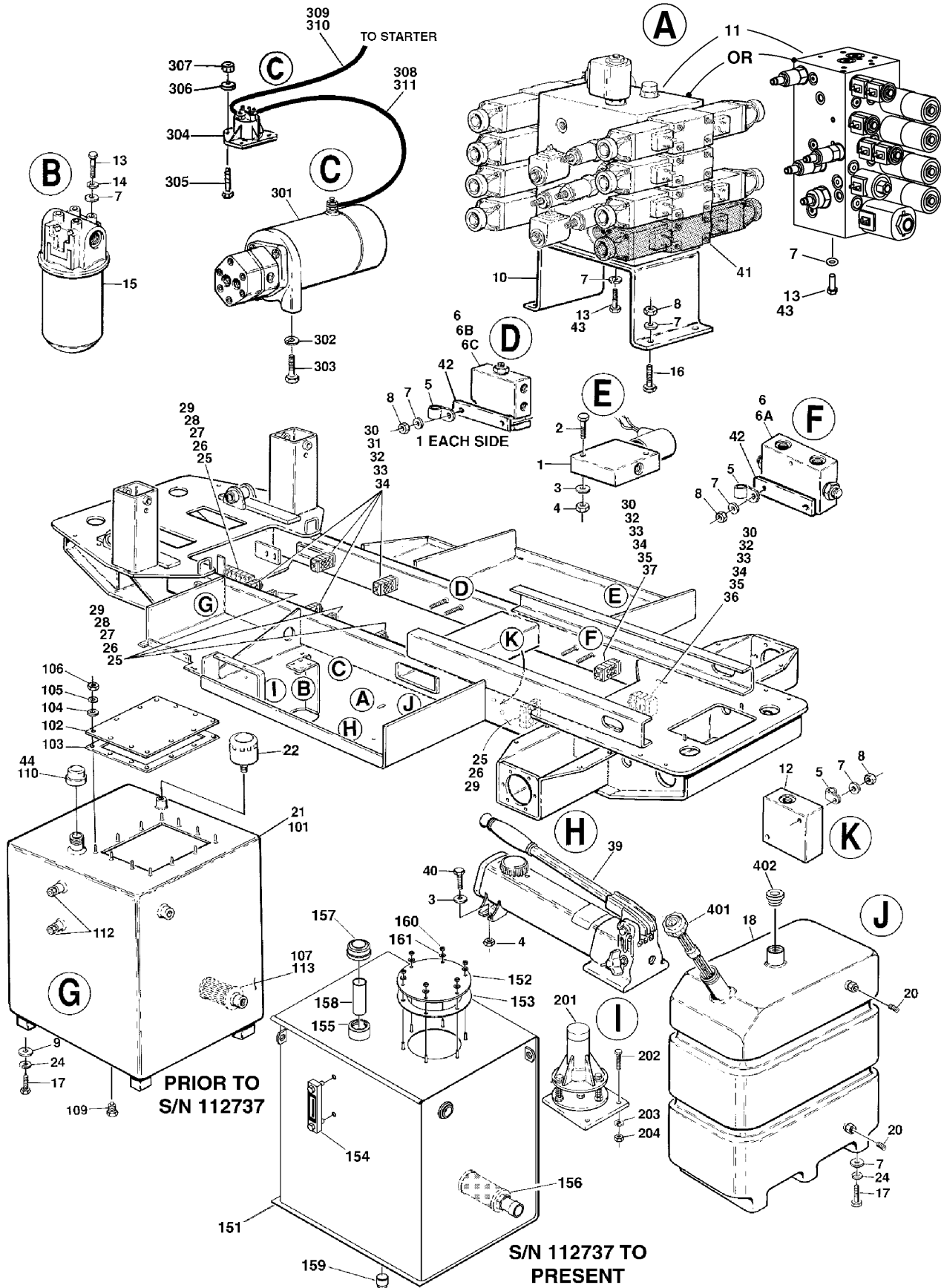


# **SECTION 2**

# **GROUND CONTROLS**

# SECTION 2 GROUND CONTROLS

## FIGURE 2-1. CONTROL VALVES AND TANKS INSTALLATION



## SECTION 2 GROUND CONTROLS

**FIGURE 2-1. CONTROL VALVES AND TANKS INSTALLATION**

ITEM #	PART NUMBER	QTY.	DESCRIPTION	REV.
		Ref.	<b>CONTROL VALVES AND TANKS INSTALLATION</b>	
	0253424	Ref.	<b>CONTROL VALVES AND TANKS INSTALLATION - 2WD/2WS WITH LEVELING JACKS (PRIOR TO S/N 107516)</b>	14
	0271668	Ref.	<b>CONTROL VALVES AND TANKS INSTALLATION - 2WD/2WS WITH LEVELING JACKS (S/N 107516 TO PRESENT)</b>	2
	0253423	Ref.	<b>CONTROL VALVES AND TANKS INSTALLATION - 2WD/ 4WS WITH LEVELING JACKS (PRIOR TO S/N 107516)</b>	14
	0271669	Ref.	<b>CONTROL VALVES AND TANKS INSTALLATION - 2WD/ 4WS WITH LEVELING JACKS (S/N 107516 TO PRESENT)</b>	3
	0253422	Ref.	<b>CONTROL VALVES AND TANKS INSTALLATION - 4WD/2WD WITH LEVELING JACKS (PRIOR TO S/N 107516)</b>	13
	0271670	Ref.	<b>CONTROL VALVES AND TANKS INSTALLATION - 4WD/2WD WITH LEVELING JACKS (S/N 107516 TO PRESENT)</b>	2
	0253421	Ref.	<b>CONTROL VALVES AND TANKS INSTALLATION - 4WD/4WS WITH LEVELING JACKS (PRIOR TO S/N 107516)</b>	14
	0271671	Ref.	<b>CONTROL VALVES AND TANKS INSTALLATION - 4WD/4WS WITH LEVELING JACKS (S/N 107516 TO PRESENT)</b>	3
1	4640123	1	Solenoid Valve Assembly (Prior to April 1993)	
	7004368	1	Coil (Hydraforce Version)	
	7000558	1	Coil (FPS Version)	
	7012518	1	Seal Kit (Hydraforce Version)	
	7006075	1	Seal Kit (FPS Version)	
		Ref.	<b>Note: Solenoid Valve 4640123 not required on 4WD/2WS Machines Built May 1993 to Present.</b>	
2	0641420	1	Bolt 1/4"-20NC x 2 1/2" (Prior to April 1993)	
3	4751400	2	Flatwasher 1/4"	
4	3311405	2	Locknut 1/4"-20NC	
5	1320202	A/R	Clamp, Hose (Prior to S/N 35422)	
6		A/R	Valve, Flow Divider Options: 2WD/2WS - 2WD/4WS:	
6A	4640629	1	Valve, Flow Divider (Machines built prior to July 1993)	
	2900745	1	Seal Kit	
	4640443	1	Valve, Flow Divider (Machines built July 1993 to Present)	
	2900745	1	Seal Kit - 4640443 Valve	
			4WD/4WS	
6B	4640260	2	Valve, Flow Divider	
	7009739	1	Seal Kit (Vickers/Modular Controls)	
	7007321	1	Cartridge (Fluid Controls)	
	Use 7007321	1	Seal Kit (Fluid Controls) (was p/n 7007323) <b>(Note: No Longer Available for Purchase)</b>	
			4WD/2WS:	
6C	4640260	2	Valve, Flow Divider (Machines built prior to May 1993)	
	7009739	1	Seal Kit (Vickers/Modular Controls)	
	7007321	1	Cartridge (Fluid Controls)	
	Use 7007321	1	Seal Kit (Fluid Controls) (was p/n 7007323) <b>(Note: No Longer Available for Purchase)</b>	
	4640841	1	Valve, Flow Divider (Machines built May 1993 to Present)	
	7007321	1	Cartridge - 4640841 Valve	
7	4751500	A/R	Flatwasher 5/16"	

## SECTION 2 GROUND CONTROLS

**FIGURE 2-1. CONTROL VALVES AND TANKS INSTALLATION (CONTINUED)**

ITEM #	PART NUMBER	QTY.	DESCRIPTION	REV.
8	3311505	A/R	Locknut 5/16"-18NC	
9	4751600	8	Flatwasher 3/8"	
10	0901971	1	Bracket, Valve Mounting (Prior to S/N 63888)	
11		1	Control Valve Assembly Options (See Figure 2-2 for Break-down): (Prior to S/N 107516)	
	4640840		400RTS	
	4640786		500RTS	
	4641190	1	Control Valve Assembly (See Figure 2-3 for Breakdown) (S/N 107516 to Present)	
12	3100071	1	Manifold	
13	0641506	6	Bolt 5/16"-18NC x 3/4"	
14	4761500	6	Lockwasher 5/16" (Prior to S/N 69708)	
15	2120109	1	Filter Assembly	
	2120110	1	Element	
16	0641508	4	Bolt 5/16"-18NC x 1" (Prior to S/N 63888)	
17	0641608	A/R	Bolt 3/8"-16NC x 1"	
18	4400273	1	Tank, Fuel (Prior to S/N 34451)	
	4400402	1	Tank, Fuel (S/N 34451 to S/N 79765)	
	4400430	1	Tank, Fuel (S/N 79765 to Present)	
	7020257	1	Cap, Vented Kelch	
19	1120362	1	Cap, Fuel Tank (Prior to S/N 34451)	
20	2200222	3	Plug, Pipe 1/4" NPT	
21		1	Hydraulic Tank Assembly Options:	
	4400347		Prior to S/N 112737 (See Items 101-113 for Breakdown)	
	4400461		S/N 112737 to Present (See Items 151-161 for Breakdown)	
22		1	Breather Options:	
	1340021		Prior to S/N 63179	
	1340062		S/N 63179 to Present	
23	Not Used			
24	4761600	8	Lockwasher 3/8"	
25	0641511	A/R	Bolt 5/16"-18NC x 1 3/8" Options:	
			2WS (Prior to S/N 74638)	
			4WS	
26	1320187	A/R	Clamp, 5/8" Twin Hole Options:	
			2WS	
			4WS	
27	1320188	6	Bolt, Stacking (Prior to S/N 74638)	
28	1320189	6	Lockwasher, Stacking (Prior to S/N 74638)	
29	1320190	A/R	Plate, Clamp Cover	
			2WS (Prior to S/N 74638)	
			4WS	
30	0641514	A/R	Bolt 5/16"-18NC x 1 3/4"	
31	1320192	A/R	Clamp, 7/8" Twin Hole	
		6	2WD	
		8	4WD	
32	1320193	A/R	Bolt, Stacking	
33	1320194	A/R	Lockwasher, Stacking	
34	1320195	A/R	Plate, Cover	
		4	2WS	
		5	4WS	

## SECTION 2 GROUND CONTROLS

**FIGURE 2-1. CONTROL VALVES AND TANKS INSTALLATION (CONTINUED)**

ITEM #	PART NUMBER	QTY.	DESCRIPTION	REV.
35	Not Required 1320198 1320197	A/R	Clamp Options: 2WD-2WS 2WD-4WS - Clamp 5/8" Twin Hole (Prior to S/N 74638) 4WD-2WS/4WD-4WS - Clamp 7/8" x 5/8" (Prior to S/N 103576)	
36	Not Required 1320200	A/R 0 1	Clamp Options: 2WD-2WS/4WD-2WS 2WD-4WS/4WD-4WS - Clamp 1 1/4" Twin Hole (Prior to S/N 74638)	
37	Not Required 1320199 0641530	A/R 0 1 1	Hardware Options: 2WD-2WS 4WD-2WS/4WD-4WS - Clamp 3/4" x 1/2"(Prior to S/N 74638) 2WD-4WS - Bolt 5/16"-18NC x 3 3/4" (Prior to S/N 74638)	
38	Not Used			
39	3600130 7012592	1 1	Hand Pump Assembly Seal Kit - 3600130 Pump	
40	0641406	2	Bolt 1/4"-20NC x 3/4"	
41		1	Control Valve Assembly Options (Machines with 4WS Only) (See Figure 2-2 for Breakdown): Prior to S/N 54922 (was p/n 4640788) S/N 54922 to S/N 107516	
42	Use 4641090 4641090 3010099	A/R	Link Options: 2WD-2WS/2WD-4WS (Prior to S/N 63888) 4WD-2WS/4WD-4WS	
43	0100010	A/R	Loctite #242	
44	2200009	1	Fitting, Cap (S/N 74638 to S/N 103576)	
45	4060807	6.75ft/2.1m	Shield, Flex Trim (Not Shown) (S/N 101987 to Present)	
	4400347	Ref.	<b>HYDRAULIC TANK ASSEMBLY (PRIOR TO S/N 112737)</b>	3
101	4400348	1	Tank	
102	3536523	1	Plate, Cover	
103	3960435	1	Gasket	
104	4751400	12	Flatwasher 1/4"	
105	4761400	12	Lockwasher 1/4"	
106	3311401	12	Nut 1/4"-20NC	
107	2120120	1	Filter, Suction	
108	Not Used			
109	3520022	1	Plug, Magnetic	
110	2200009	1	Cap, Pipe	
111	Not Used			
112	2420115	2	Gauge, Sight	
113	2220340	1	Fitting	
	0100020	A/R	----- Sealant, Pipe	

## SECTION 2 GROUND CONTROLS

**FIGURE 2-1. CONTROL VALVES AND TANKS INSTALLATION (CONTINUED)**

ITEM #	PART NUMBER	QTY.	DESCRIPTION	REV.
	4400461	Ref.	<b>HYDRAULIC TANK ASSEMBLY (S/N 112737 TO PRESENT)</b>	E
151	4400461	1	Tank	
152	7026122	1	Plate, Cover	
153	7024440	1	Gasket	
154	7024441	1	Gauge, Fluid Level	
155	7024443	1	Neck, Filler	
156	2120120	1	Strainer	
157	7024444	1	Fill Cap, Vented	
158	7024445	1	Strainer	
159	7024446	1	Plug, Magnetic	
160	3311401	6	Nut 1/4"-20NC	
161	4751400	6	Flatwasher 1/4"	
		Ref.	<b>TILT INDICATOR INSTALLATIONS (STANDARD PARTS)</b>	
	0254055	Ref.	<b>500RTS</b>	5
	0254063	Ref.	<b>400RTS</b>	—
201	Use 4360354	1	Sensor Options: Sensor, Tilt - 3° (500RTS - Prior to S/N 74959) (was 2° Sensor p/n 4360349) Sensor, Tilt -3° (500RTS) (S/N 74959 to Present) Sensor, Tilt - 5° (400RTS)	
	4360354			
	4360348			
202	0641406	2	Bolt 1/4"-20NC x 3/4"	
203	4751400	A/R	Flatwasher 1/4"	
204	3311405	A/R	Locknut 1/4"-20NC	
		Ref.	<b>OPTIONAL AUXILIARY PUMP INSTALLATIONS: (MACHINES WITH PLATFORM EXTENSIONS ONLY)</b>	
	0254196	Ref.	<b>MACHINES WITH PLATFORM EXTENSIONS (400RTS)</b>	10
	0254197	Ref.	<b>MACHINES WITH PLATFORM EXTENSIONS (DUAL EXT.) (400RTS)</b>	12
	0253614	Ref.	<b>MACHINES WITH PLATFORM EXTENSIONS (500RTS)</b>	14
	0253615	Ref.	<b>MACHINES WITH PLATFORM EXTENSIONS (DUAL EXT.) (500RTS)</b>	19
	0271196	Ref.	<b>MACHINES WITH PLATFORM EXTENSIONS (MEGADECK EXT.)</b>	B
	0273062	Ref.	<b>MACHINES WITH PLATFORM EXTENSIONS (POWER DECK EXT.)</b>	B
301	3600050	1	Auxiliary Pump Assembly (Machines Built Prior to July 1993)	
	7004249	1	Coupling	
	7004248	1	Motor	
	7010923	1	Pump	

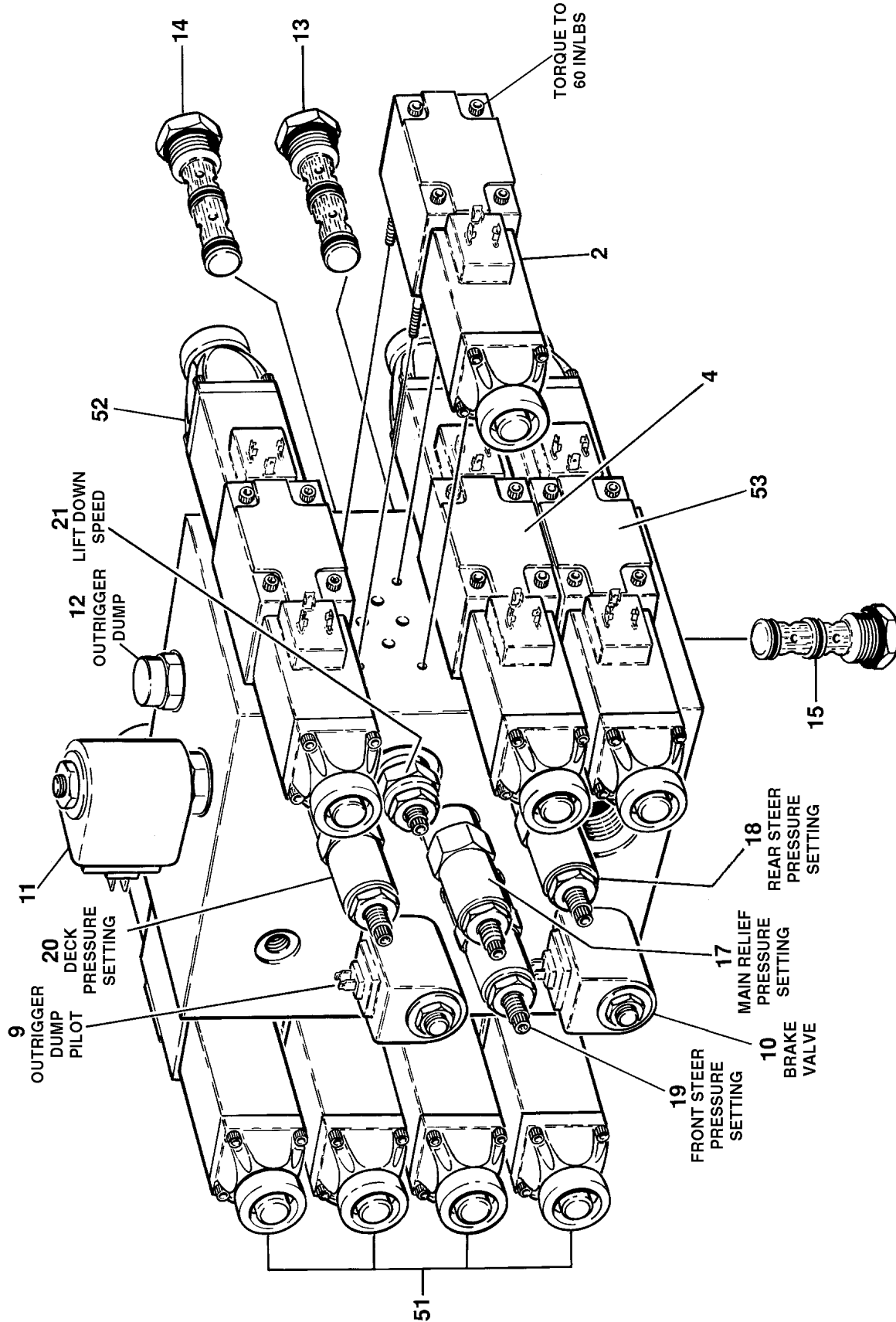
## SECTION 2 GROUND CONTROLS

**FIGURE 2-1. CONTROL VALVES AND TANKS INSTALLATION (CONTINUED)**

ITEM #	PART NUMBER	QTY.	DESCRIPTION	REV.
301 (cont'd)	3600208	1	Auxiliary Pump Assembly (Machines Built July 1993 to Present)	
	7013710	1	Motor	
	7013753		Brush Kit	
	7013711	1	Coupling	
	7016746	1	Adapter, Motor to Pump	
	7013712	1	Pump	
	3600468	1	Auxiliary Pump Assembly (Service Replacement)	
	7011003	1	Motor	
	7011016	1	Coupling	
	7012576	1	Adapter, Motor to Pump	
	70001108	1	Pump Kit (includes Coupling)	
		Ref.	<b>Note: Original Equipment pump may have been replaced with Service Replacement Valve. Identify the name plate on pump before ordering parts.</b>	
302	4761600	2	Lockwasher 3/8"	
303	0641608	2	Bolt 3/8"-16NC x 1"	
304	3740067	1	Relay	
305	0641406	2	Bolt 1/4"-20NC x 3/4"	
306	4751400	2	Flatwasher 1/4"	
307	3311405	2	Locknut 1/4"-20NC	
308	1060221	1	Cable, Battery	
	1061003	1	Cable, Battery (Power Deck Only)	
309	1060401	1	Cable, Battery	
	1061004	1	Cable, Battery (Power Deck Only)	
310	0840025	2	Boot, Cable	
	Not Required	0	Boot, Cable (Power Deck Only)	
311	0840026	2	Boot, Cable	
	Not Required	0	Boot, Cable (Power Deck Only)	
		Ref.	<b>FUEL CAP INSTALLATIONS</b>	
		Ref.	<b>Prior To S/N 34451 Installation:</b>	
401	1120362	1	Cap, Fuel	
402	Not Required			
		Ref.	<b>S/N 34451 To Present Installations:</b>	
		Ref.	<b>Standard Cap Installation</b>	2
401	1120486	1	Cap, Fuel	
402	2200108	1	Plug	
		Ref.	<b>Protectoseal Cap Installation (Prior to S/N 80990)</b>	1
401	1120485	1	Cap, Protectoseal (Not Shown)	
402	2420183	1	Gauge, Fuel (Not Shown)	
		Ref.	<b>Protectoseal Cap Installation (S/N 80990 to Present)</b>	1
401	1120485	1	Cap, Protectoseal (Not Shown)	
402	Not Used			

# SECTION 2 GROUND CONTROLS

FIGURE 2-2. CONTROL VALVE ASSEMBLY (PRIOR TO S/N 107516)





## SECTION 2 GROUND CONTROLS

**FIGURE 2-2. CONTROL VALVE ASSEMBLY (PRIOR TO S/N 107516)**

ITEM #	PART NUMBER	QTY.	DESCRIPTION	REV.
		Ref.	<b>CONTROL VALVE ASSEMBLIES</b>	
	4640786	Ref.	<b>CONTROL VALVE ASSEMBLY (WITH LEVELING JACKS OPTIONS) (STANDARD PARTS)</b>	C
1	Not Used			
2	4641094	1	Valve Assembly (Lift)	
	7021322	1	Solenoid	
	7012725	1	Seal Kit	
	7012754	1	Repair Kit, Push Button End Cap (Includes Rubber Boot, Metal End Cap, O-Ring, and Metal Retainer)	
3	Not Used			
4	4641090	1	Valve Assembly (Front Steer)	
	7012730	2	Solenoid	
	7012725	1	Seal Kit	
	7012754	2	Repair Kit, Push Button End Cap (Includes Rubber Boot, Metal End Cap, O-Ring, and Metal Retainer)	
5 to 8	Not Used			
9	7012941	1	Cartridge (Less Coil) (Outrigger Dump)	
	7012944	1	Coil	
	7010543	1	Seal Kit	
10	7012941	1	Cartridge (Less Coil) (Brake Valve)	
	7012944	1	Coil	
	7010543	1	Seal Kit	
11	7012910	1	Cartridge (Less Coil) (Main Dump)	
	7012943	1	Coil	
	2900756	1	Seal Kit	
12	7012940	1	Cartridge (Outrigger Dump)	
	7012942	1	Seal Kit	
13	7012935	1	Cartridge (Rear Steer Shuttle Valve)	
	7012518	1	Seal Kit	
14	7012935	1	Cartridge (Front Steer Shuttle Valve)	
	7012518	1	Seal Kit	
15	7012935	1	Cartridge (Brake Shuttle Valve) (Hydraforce LS10-30)	
	7012518	1	Seal Kit (LS10-30 Valve)	
	7010542	1	Cartridge (Brake Shuttle Valve) (Hydraforce LS08-30)	
	7010543	1	Seal Kit (L508-30 Valve)	
16	Not Used			
17	7012939	1	Cartridge (Main Relief Pressure Setting)	
	2900708	1	Seal Kit	
18	7012938	1	Cartridge (Rear Steer Pressure Setting)	
	2900708	1	Seal Kit	
19	7012938	1	Cartridge (Front Steer Pressure Setting)	
	2900708	1	Seal Kit	
20	7012937	1	Cartridge (Traversing Deck Pressure Setting)	
	2900708	1	Seal Kit	
21	7012936	1	Cartridge (Lift Down Speed)	
	7017477	1	Seal Kit	

## SECTION 2 GROUND CONTROLS

**FIGURE 2-2. CONTROL VALVE ASSEMBLY (PRIOR TO S/N 107516) (CONTINUED)**

ITEM #	PART NUMBER	QTY.	DESCRIPTION	REV.
		Ref.	<b>CONTROL VALVE OPTIONS</b>	—
51	7012591	4	Leveling Jack Valves Option: Cover Assembly (Includes Seals and Hardware) (Without Leveling Jacks)	
	4640789		Valve Assembly (With Leveling Jacks) (Prior to S/N 54922)	
	7012730	8	Solenoid (2 Per Assembly)	
	7012725	4	Seal Kit (1 Per Assembly)	
	7012736	4	Orifice - 1.2mm (P Port) (1 Per Assembly)	
	7012754	8	Repair Kit, Push Button End Cap (Includes: Rubber Boot, Metal End Cap, O-Ring and Metal Retainer)	
	4641091		Valve Assembly (With Leveling Jacks) (S/N 54922 to Present)	
	7018991	8	Solenoid (2 Per Assembly)	
	7012773	4	Seal Kit (1 Per Assembly)	
	52	7012591	1	Platform Extension Valves Option: Cover Assembly (Includes Seals and Hardware) (Without Platform Extensions)
4640788			Valve Assembly (With Platform Extension) (Prior to S/N 54922)	
7012730		2	Solenoid	
7012725		1	Seal Kit	
4641090			Valve Assembly (With Platform Extension) (S/N 54922 to Present)	
7018991		2	Solenoid	
7012773		1	Seal Kit	
3931032		4	Bolt, Socket Head #10-24NC x 2" (With Platform Extension)	
7012754		2	Repair Kit, Push Button End Cap (Includes: Rubber Boot, Metal End Cap, O-Ring and Metal Retainer)	
			Ref.	<b>Note: Original Equipment Valve may have been replaced with Service Replacement Valve. Identify the name plate on valve before ordering parts.</b>
53	7012591	1	Rear Steer Valve Option: Cover Assembly (Includes Seals and Hardware) (Without Rear Steer)	
	4640788		Valve Assembly (With Platform Extension) (Prior to S/N 54922)	
	7012730	2	Solenoid	
	7012725	1	Seal Kit	
	4641090		Valve Assembly (With Platform Extension) (S/N 54922 to Present)	
	7018991	2	Solenoid	
	7012773	1	Seal Kit	
	3931032	4	Bolt, Socket #10-24NC x 2" (With Rear Steer)	
	7012754	2	Repair Kit, Push Button End Cap (Includes: Rubber Boot, Metal End Cap, O-Ring and Metal Retainer)	
			Ref.	<b>Note: Original Equipment Valve may have been replaced with Service Replacement Valve. Identify the name plate on valve before ordering parts.</b>

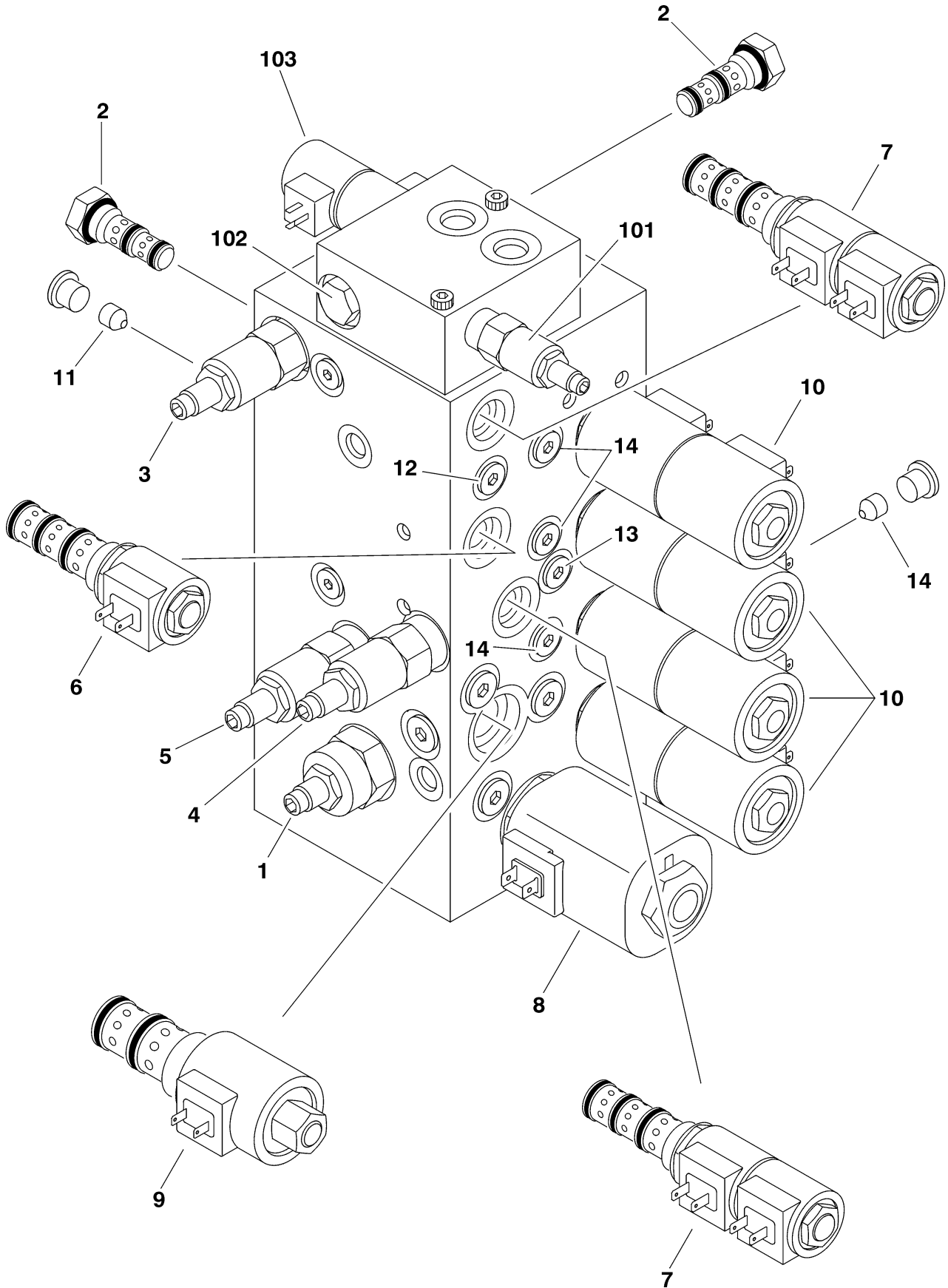
## SECTION 2 GROUND CONTROLS

**FIGURE 2-2. CONTROL VALVE ASSEMBLY (PRIOR TO S/N 107516) (CONTINUED)**

ITEM #	PART NUMBER	QTY.	DESCRIPTION	REV.

## SECTION 2 GROUND CONTROLS

FIGURE 2-3. CONTROL VALVE ASSEMBLY (S/N 107516 TO PRESENT)



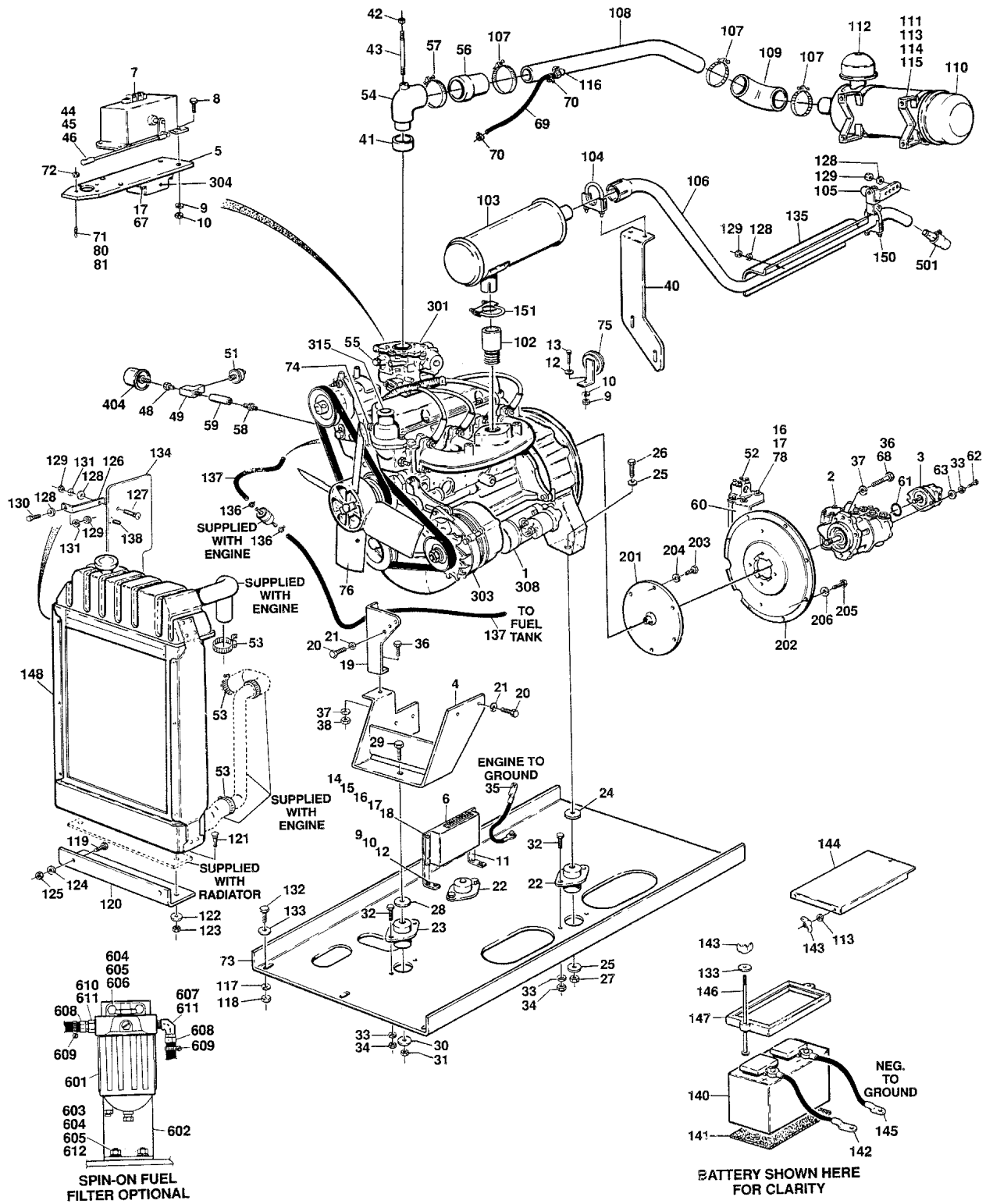
## SECTION 2 GROUND CONTROLS

**FIGURE 2-3. CONTROL VALVE ASSEMBLY (S/N 107516 TO PRESENT)**

ITEM #	PART NUMBER	QTY.	DESCRIPTION	REV.
	4641190	Ref.	<b>CONTROL VALVE ASSEMBLY</b>	B
1	7012936	1	Cartridge (Lift Down Speed)	
	7017477	1	Seal Kit	
2	7010542	2	Cartridge (Brake Shuttle Valve) (Hydraforce LS08-30)	
	7010543	2	Seal Kit (L508-30 Valve)	
3	7017420	1	Cartridge, Relief (Steer)	
	7012998	1	Seal Kit - 7017420 Cartridge	
4	7023988	1	Cartridge, Relief (Deck)	
	7012998	1	Seal Kit - 7023988 Cartridge	
5	7023989	1	Cartridge, Relief (Main)	
	7017496	1	Seal Kit - 7023989 Cartridge	
6	7012941	1	Cartridge (Less Coil) (Brake Valve)	
	7012944	1	Coil	
	7010543	1	Seal Kit	
7	7017433	2	Cartridge (Less Coil) (Steer Valve)	
	7012944	4	Coil	
	7017402	2	Seal Kit	
8	7023990	1	Cartridge (Less Coil) (Lift Valve)	
	7023994	1	Coil	
	7012925	1	Seal Kit	
9	7012910	1	Cartridge (Less Coil) (Main Dump)	
	7012943	1	Coil	
	2900708	1	Seal Kit	
10	7017454	4	Cartridge (Less Coil)	
	7012943	9	Coil	
	7012903	4	Seal Kit	
11	Not Serviced	1	Plug, Orifice	
12	7017492	1	Plug, Orifice	
13	Not Serviced	1	Plug, Orifice	
14	7017493	4	Plug, Orifice	
	4641197	Ref.	<b>CONTROL VALVE (STEER)</b>	B
101	7012981	1	Cartridge	
	7012998	1	Seal Kit	
102	7010542	1	Cartridge (Shuttle Valve) (Hydraforce LS08-30)	
	7010543	1	Seal Kit (L508-30 Valve)	
103	7017433	1	Cartridge (Less Coil) (Steer Valve)	
	7012539	2	Coil	
	7017402	1	Seal Kit	

# SECTION 2 GROUND CONTROLS

FIGURE 2-4. ENGINE INSTALLATION - FORD VSG-411



## SECTION 2 GROUND CONTROLS

**FIGURE 2-4. ENGINE INSTALLATION - FORD VSG-411**

ITEM #	PART NUMBER	QTY.	DESCRIPTION	REV.
		Ref.	<b>ENGINE ASSEMBLIES</b>	
	0253307	Ref.	<b>ENGINE ASSEMBLY - STANDARD GAS</b>	8
	0253309	Ref.	<b>ENGINE ASSEMBLY - DUAL FUEL</b>	8
1	2000118	1	Engine	
2	3600164	1	Pump Assembly - Sunstrand (See Figure 2-13 for Breakdown)	
3	3600205	1	Pump Assembly - Barnes (See Figure 2-14 for Breakdown)	
4	4843497	1	Bracket, Engine Mounting	
5	3533445	1	Plate, Governor and Carburetor Mounting	
6	Use 2902064	1	Controller, Governor (Was p/n 1600117)	
7	2500005	1	Governor, Precision	
8	0641410	4	Bolt 1/4"-20NC x 1 1/4"	
9	4761400	9	Lockwasher 1/4"	
10	3311401	9	Nut 1/4"-20NC	
11	0901419	2	Bracket, Controller	
12	4751400	5	Flatwasher 1/4"	
13	0641408	1	Bolt 1/4"-20NC x 1"	
14	3911012	4	Screw, Machine #10-24NC x 3/4"	
15	3311001	4	Nut #10-24NC	
16	4751000	6	Flatwasher #10	
17	4761000	8	Lockwasher #10	
18	0100009	A/R	Adhesive	
19	3533291	1	Plate, Engine	
20	0701014	5	Bolt, Metric M10 x 30MM	
21	4832000	5	Lockwasher, Metric M10	
22	3200202	2	Mount, Engine - Rear	
23	3200201	1	Mount, Engine - Front	
24	4740273	2	Washer, Snubbing	
25	4751700	4	Flatwasher 7/16"	
26	0641726	2	Bolt 7/16" - 14NC x 3 1/4"	
27	3311705	2	Locknut 7/16" - 14NC	
28	4740274	1	Washer, Snubbing	
29	0641826	1	Bolt 1/2"-13NC x 3 1/4"	
30	4751800	1	Flatwasher 1/2"	
31	3311805	2	Locknut 1/2"-13NC	
32	0641608	8	Bolt 3/8"-16NC x 1"	
33	4761600	8	Lockwasher 3/8"	
34	3311601	8	Nut 3/8"-16NC	
35	1060221	1	Cable, Battery (Engine to Ground)	
36	0641812	3	Bolt 1/2"-13NC x 1 1/2" (S/N 37789 to Present)	
37	4761800	2	Lockwasher 1/2"	
38 to 39	Not Used			
40	0901858	1	Bracket, Exhaust Support	
41		1	Adapter, Carburetor	
	0080092		Adapter, Carburetor (Standard Gas)	
			Adapter, Carburetor (Dual Fuel) (See Figure 2-5 for Call-out)	
42	3311405	1	Locknut 1/4"-20NC	

## SECTION 2 GROUND CONTROLS

**FIGURE 2-4. ENGINE INSTALLATION - FORD VSG-411 (CONTINUED)**

ITEM #	PART NUMBER	QTY.	DESCRIPTION	REV.
43	4300056	1	Stud Options: Stud (Standard Gas) Stud (Dual Fuel) (See Figure 2-5 for Call-out)	
44	3841049	1	Rod, Throttle	
45	3321402	2	Nut, Jam 1/4"-28NF	
46	1660157	2	Ball-joint	
47	Not Used			
48	2220273	1	Fitting, Reducer	
49	2180360	1	Fitting, Tee	
50	2420033	1	Sender, Oil Pressure	
51	4360357	1	Switch, Pressure	
52	2120135	1	Filter, Pressure	
	2120136	1	Element, Filter	
53	1320014	2	Clamp, Hose	
54	0080175	1	Adapter, Air Intake Options: Adapter, Air Intake (Standard Gas) Adapter, Air Intake (Dual Fuel) (See Figure 2-5 for Call-out)	
55	3520046	1	Plug Options: Plug (Standard Gas) Plug (Dual Fuel)	
	Not Required			
56	2720341	1	Hose - Air Cleaner Outlet	
57	1320058	1	Clamp, Hose	
58	2180537	1	Fitting, Nipple	
59	2200261	1	Fitting, Pipe Coupling	
60	0901778	1	Bracket Options: Bracket (Standard Gas) Bracket (Dual Fuel) (Figure 2-5 for Call-out)	
61	3790152	1	O-Ring	
62	0641610	2	Bolt 3/8"-16NC x 1 1/4"	
63	4740185	2	Washer, Hardened	
64 to 66	Not Used			
67	3911014	2	Screw, Machine #10-24NC x 7/8"	
68	0641810	2	Bolt 1/2"-13NC x 1 1/4" (Prior to S/N 37789)	
69	2720042	18 in/46cm	Hose	
70	1320032	2	Clamp	
71	4300090	2	Stud	
72	3321501	2	Nut 5/16"-24NF	
73	3536481	1	Plate, Engine Mounting	
74	2420118	1	Sender, Temperature	
75	0140001	1	Horn	
76	2060019	1	Fan and Spacer Kit	
77	Not Used			
78	0721008	2	Screw, Machine #10-24NC x 1"	
79	Not Used			
80	4031709	1	Screw m6-1.25 x 25mm (S/N 31574 to Present)	
81	3290607	1	Locknut m6-1.25 (S/N 31574 to Present)	
82	0100019	A/R	Loctite (Not Shown) (S/N 31574 to Present)	
83	0100020	A/R	Loctite (Not Shown) (S/N 31574 to Present)	



## SECTION 2 GROUND CONTROLS

**FIGURE 2-4. ENGINE INSTALLATION - FORD VSG-411 (CONTINUED)**

ITEM #	PART NUMBER	QTY.	DESCRIPTION	REV.
	0253308/0253310	Ref.	<b>ENGINE INSTALLATION (STANDARD PARTS)</b>	2/1
101	Not Used			
102	4565830	1	Tube, Manifold	
103	3220084	1	Muffler	
104	1320019	1	U-Clamp	
105		1	Bracket, Exhaust Hanger Options:	
	0901387	1	Prior to S/N 34962	
	0902382	1	S/N 34962 to Present	
106	4565956	1	Tailpipe	
107	1320058	3	Clamp, Hose	
108	4844298	1	Tube, Air Intake	
109	0080039	1	Elbow, Rubber	
110	1340020	1	Air Cleaner Assembly	
	7004214	1	Element	
111	0340002	2	Band, Air Cleaner Mounting	
112	1120161	1	Cap, Air Inlet	
113	0641406	4	Bolt 1/4"-20NC x 3/4"	
114	4761400	4	Lockwasher 1/4"	
115	3311401	4	Nut 1/4"-20NC	
116	2220675	1	Fitting, 90°	
117	4761600	9	Lockwasher 3/8"	
118	3311601	9	Nut 3/8"-16NC	
119	0641710	2	Bolt 7/16"-14NC x 1 1/4"	
120	3533663	1	Plate, Radiator Mounting	
121	0630403	2	Bolt, Carriage 7/16"-14NC x 1 1/2"	
122	4751700	2	Flatwasher 7/16"	
123	3311705	2	Locknut 7/16"-14NC	
124	4761700	2	Lockwasher 7/16"	
125	3311701	2	Nut 7/16"-14NC	
126	3533664	1	Plate, Radiator Support	
127	0630360	1	Bolt, Carriage 5/16"-18NC x 1 1/4"	
128	4751500	5	Flatwasher 5/16"	
129	3311501	5	Nut 5/16"-18NC	
130	0641508	1	Bolt 5/16"-18NC x 1"	
131	4761500	2	Lockwasher 5/16"	
132	0641610	6	Bolt 3/8"-16NC x 1 1/4"	
133	4751600	15	Flatwasher 3/8"	
134	4060713	1	Shield	
135	3536151	1	Guard, Exhaust	
136	1320022	2	Clamp	
137	2720058	6 ft./1.8m	Hose, Fuel Line	
138	0721004	3	Bolt #10-24NC x 1/2"	
139	Not Used			
140	0400003	1	Battery	
141	3980003	1	Masonite	
142	1060254	1	Cable, Battery (Battery + to Starter Solenoid)	
143	3300029	2	Wingnut 3/8"-16NC	
144	3536144	1	Cover, Battery	

## SECTION 2 GROUND CONTROLS

**FIGURE 2-4. ENGINE INSTALLATION - FORD VSG-411 (CONTINUED)**

ITEM #	PART NUMBER	QTY.	DESCRIPTION	REV.
145	1060360	1	Cable, Battery (Battery Neg to Ground)	
146	0630370	2	Rod, Tie-Down	
147	0400002	1	Tie-Down, Battery	
	2910479	2	Clips, Tie Down	
148	3620027	1	Radiator	
149	Not Used			
150	1320020	1	U-Clamp 1 1/2"	
151	1320026	1	U-Clamp 1 3/4"	
	0252808	Ref.	<b>PUMP COUPLING INSTALLATION (STANDARD PARTS)</b>	—
201	1660207	1	Coupling, Pump	
202	0080163	1	Adapter, Pump Mounting	
203	0700808	6	Bolt, Metric 8mm 1.25 x 16mm	
204	4831900	6	Lockwasher, Metric 8mm	
205	0641610	8	Bolt 3/8"-16NC x 1 1/4"	
206	4761600	8	Lockwasher 3/8"	
	3020021	A/R	Grease, Coupling <b>Note: Coupling Spine must be greased with lithium soap based grease prior to installation.</b>	
	0250815	Ref.	<b>ENGINE HEATER INSTALLATION (OPTIONAL - NOT SHOWN)</b>	A
	2580026	1	Heater, Engine Coolant (Located at Rear of Cylinder Head)	
	0701020	2	Bolt, Metric 10mm x 6mm	
	4564328	2	Spacer, Tube	
		Ref.	<b>SPARE COMPONENTS</b>	
301	7000892	1	Carburetor (Standard Gas)	
	1140009	1	Carburetor (LP Gas)	
	Use 7019933	1	Carburetor Rebuild Kit (p/n was 7000878)	
	7023471	1	Assembly, Float (Not Shown)	
	70000163	1	Needle-Spring Load Fuel Valve	
	7012577	1	Fitting, Vacuum Line	
	7012578	1	Vacuum Line Assembly	
	7000884	1	Fuel Shut-Off	
	7024321	1	Gasket, Carburetor (Top)	
	7027607	1	Gasket, Carburetor (Bottom)	
302	7012564	1	Wiring Harness	
	7014682	1	Tune-Up Kit (Includes Oil and Fuel Filters, Spark Plugs and Wire Set) ("Push On" Spark Plug Wires)	
	7019998	1	Coil Pack ("Push On" Spark Plug Wires)	
	7023669	1	Plug Wire Set ("Push On" Spark Plug Wires)	
	7023668	1	Tune-Up Kit (Includes Oil and Fuel Filters, Spark Plugs and Wire Set) ("Clip On" Spark Plug Wires)	
	7019939	1	Filter, Fuel (Not Shown)	
	7019949	1	Filter, Oil (Not Shown)	

## SECTION 2 GROUND CONTROLS

**FIGURE 2-4. ENGINE INSTALLATION - FORD VSG-411 (CONTINUED)**

ITEM #	PART NUMBER	QTY.	DESCRIPTION	REV.
302 (cont'd)	7019987	1	Coil Pack ("Clip On" Spark Plug Wires)	
	7019989	1	Plug Wire Set ("Clip On" Spark Plug Wires)	
	7014682	1	Tune-Up Kit (Includes Oil and Fuel Filters, Spark Plugs and Wire Set)	
	7014680	1	Spare Components Kit (Includes Carburetor, Fuel Pump, Water Pump, Bosch Alternator, Starter and Ignition Control)	
303		1	Alternator Options:	
	7000893		Bosch	
	7019670		Prestolite (was p/n 7012653)	
	7019934	1	Belt, Alternator	
	7019935	1	Pulley, Alternator	
304	Use 7023670	1	Control, Ignition (was p/n 7019665)	
305	3960423	1	Gasket, Thermostat (Not Shown)	
	7014687	1	Spare Components Kit (Includes Carburetor, Fuel Pump, Water Pump, Prestolite Alternator, Starter and Ignition Control)	
306	7019666	1	Pump, Fuel (Not Shown)	
	7019952	1	Separator, Fuel (Not Shown)	
	7025153	1	Gasket, Fuel Pump (Not Shown)	
307	7019667	1	Cap, Oil Filler (Not Shown)	
308	7019668	1	Starter	
309	7019936	1	Pulley, Crankshaft (Not Shown)	
310	7019937	1	Pulley, Water Pump (Not Shown)	
	7019938	1	Outlet, Water (Not Shown)	
	7019945	1	Hose, Bypass (Not Shown)	
	7019951	1	Pump, Water (Not Shown)	
311	7019941	1	Hose, Radiator (Upper)	
	7019943	1	Hose, Radiator (Lower)	
	7019942	1	Hose, Water Pump/Intake Inlet	
312	7019944	1	Block Assembly, 11-Stud Terminal (Not Shown)	
313	7019946	1	Flange, Exhaust Pipe (Not Shown)	
	7019947	1	Gasket, Exhaust Pipe Flange (Not Shown)	
314	7019948	1	Manifold, Exhaust Outlet (Not Shown)	
315	7019950	1	Thermostat	
316	7019987	1	Coil, Ignition (Not Shown)	
317	7019954	1	Harness, Ignition Module Patch (Not Shown)	
318	7019959	1	Dipstick (Not Shown)	
	0251945	Ref.	<b>ENGINE DISTRESS SWITCH INSTALLATION (OPTIONAL)</b>	B
401 to 403	Not Used			
404	2420131	1	Sender, Oil Pressure	
	0253875	Ref.	<b>SPARK ARRESTOR INSTALLATION (OPTIONAL)</b>	—
501	3220083	1	Arrestor, Spark (Includes Mounting Hardware)	
	0253902	Ref.	<b>SPIN-ON FUEL FILTER INSTALLATION (OPTIONAL)</b>	A
601	2120138	1	Filter, Fuel	
602	0901932	1	Bracket, Mounting	

## SECTION 2 GROUND CONTROLS

**FIGURE 2-4. ENGINE INSTALLATION - FORD VSG-411 (CONTINUED)**

ITEM #	PART NUMBER	QTY.	DESCRIPTION	REV.
603	4300068	2	Stud (Welded on Part)	
604	4751400	4	Flatwasher 1/4"	
605	4761400	4	Lockwasher 1/4"	
606	0641406	2	Bolt 1/4"-20NC x 3/4"	
607	2220459	1	Fitting, 90°	
608	2220315	2	Fitting	
609	1320022	2	Clamp	
610	2220273	1	Fitting, Reducer	
611	0100020	A/R	Sealant, Pipe	
612	3311401	2	Nut 1/4"-20NC	

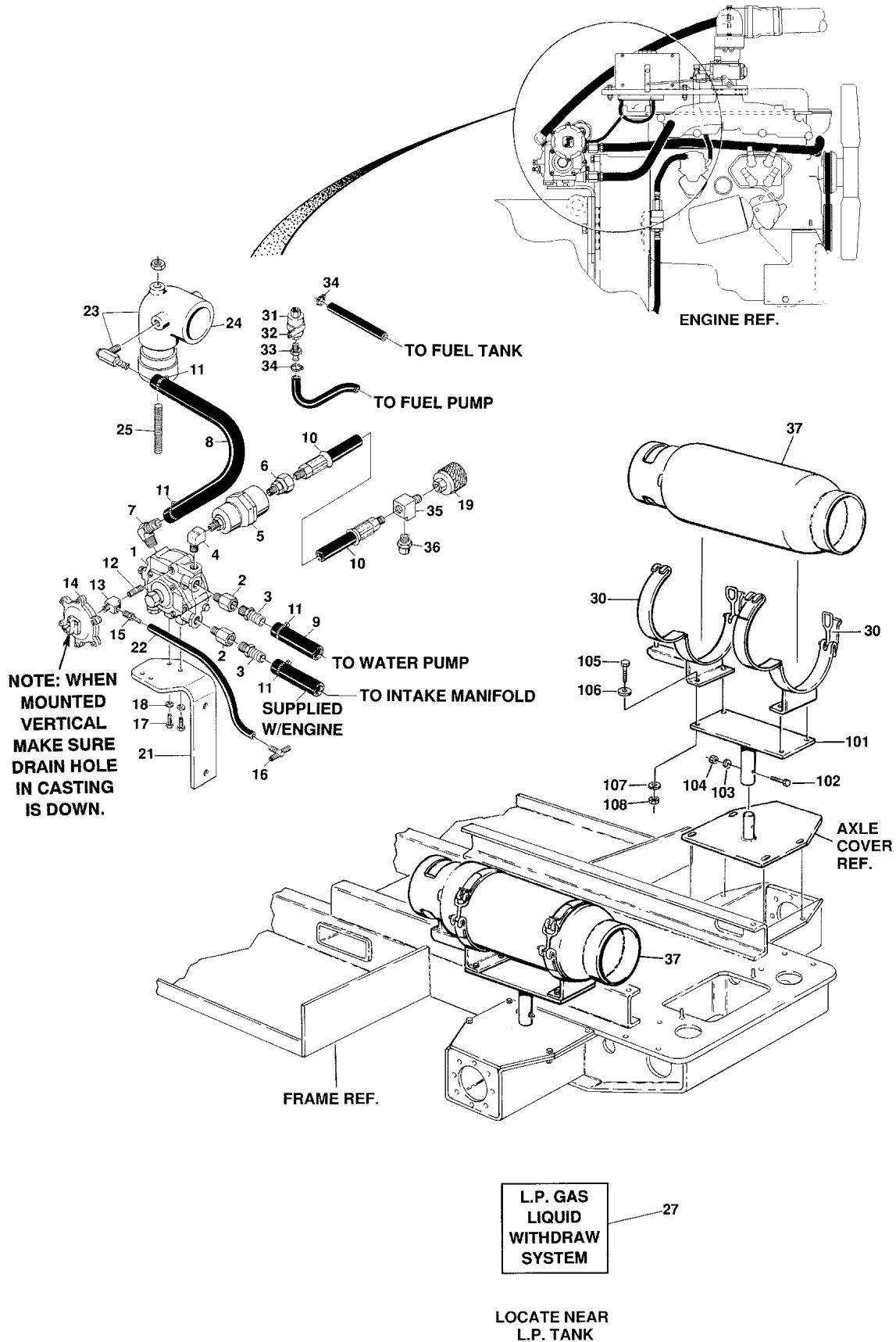
## SECTION 2 GROUND CONTROLS

**FIGURE 2-4. ENGINE INSTALLATION - FORD VSG-411 (CONTINUED)**

ITEM #	PART NUMBER	QTY.	DESCRIPTION	REV.

# SECTION 2 GROUND CONTROLS

FIGURE 2-5. DUAL FUEL COMPONENTS INSTALLATION - FORD VSG-411 ENGINE OPTION



## SECTION 2 GROUND CONTROLS

**FIGURE 2-5. DUAL FUEL COMPONENTS INSTALLATION - FORD VSG-411 ENGINE OPTION**

ITEM #	PART NUMBER	QTY.	DESCRIPTION	REV.
	0250790	Ref.	<b>DUAL FUEL INSTALLATION - VSG 411 FORD</b>	F
1	3720011	1	Regulator, LPG	
2	2220364	2	Fitting, Adapter	
3	2180535	2	Fitting, Barbed	
4	2220648	1	Fitting, 90°	
5	2120077	1	Filter-Lock	
6	2220003	1	Fitting, Swivel	
7	2220675	1	Fitting, 90°	
8	2720112	24 in./61m	Hose, LP	
9	2720042	28 in./71m	Hose, Heater	
10	2720118	1	Hose, LP (48 in./1.22m Length)	
11	1320032	A/R	Clamp	
12	2180104	1	Fitting	
13	2180360	1	Fitting, Tee	
14	4360188	1	Switch, Vacuum	
15	2180536	1	Fitting, Barbed	
16	2180623	1	Fitting, Tee	
17	0641405	2	Bolt 1/4"-20NC x 5/8"	
18	4761400	2	Lockwasher 1/4"	
19	2180387	1	Fitting, Tank Connector	
20	Not Used			
21	0901778	1	Bracket	
22	Not Used			
23	0080167	1	Adapter, Air Intake	
24	0080092	1	Adapter, Carburetor	
25	3840979	1	Rod	
26	Not Used			
27	1700818	1	Decal - Liquid LPG	
28	Not Used			
29	Not Used			
30	1320023	2	Clamp, LP Tank	
31	4640391	1	Valve, Gasoline	
32	1320095	1	Clamp, Support	
33	2220805	2	Fitting, Straight	
34	1320022	2	Clamp	
35	2220290	1	Fitting, Tee	
35	2220290	1	Fitting, Tee	
36	2180389	1	Fitting, Pressure Relief	
37	4400040	2	Tank, LP (33.5 Lbs.)	
	4400275	2	Tank, LP (43.5 Lbs.)	
	0253447	Ref.	<b>LP TANK BRACKETS INSTALLATION</b>	—
101	4844185	2	Support, Tank Bracket	
102	0641522	2	Bolt 5/16"-18NC x 2 3/4"	
103	4761500	2	Lockwasher 5/16"	
104	3311501	2	Nut 5/16"-18NC	
105	0641610	8	Bolt 3/8"-16NC x 1 1/4"	

## SECTION 2 GROUND CONTROLS

**FIGURE 2-5. DUAL FUEL COMPONENTS INSTALLATION - FORD VSG-411 ENGINE OPTION**

ITEM #	PART NUMBER	QTY.	DESCRIPTION	REV.
106	4751600	8	Flatwasher 3/8"	
107	4761600	8	Lockwasher 3/8"	
108	3311601		Nut 3/8"-16NC	



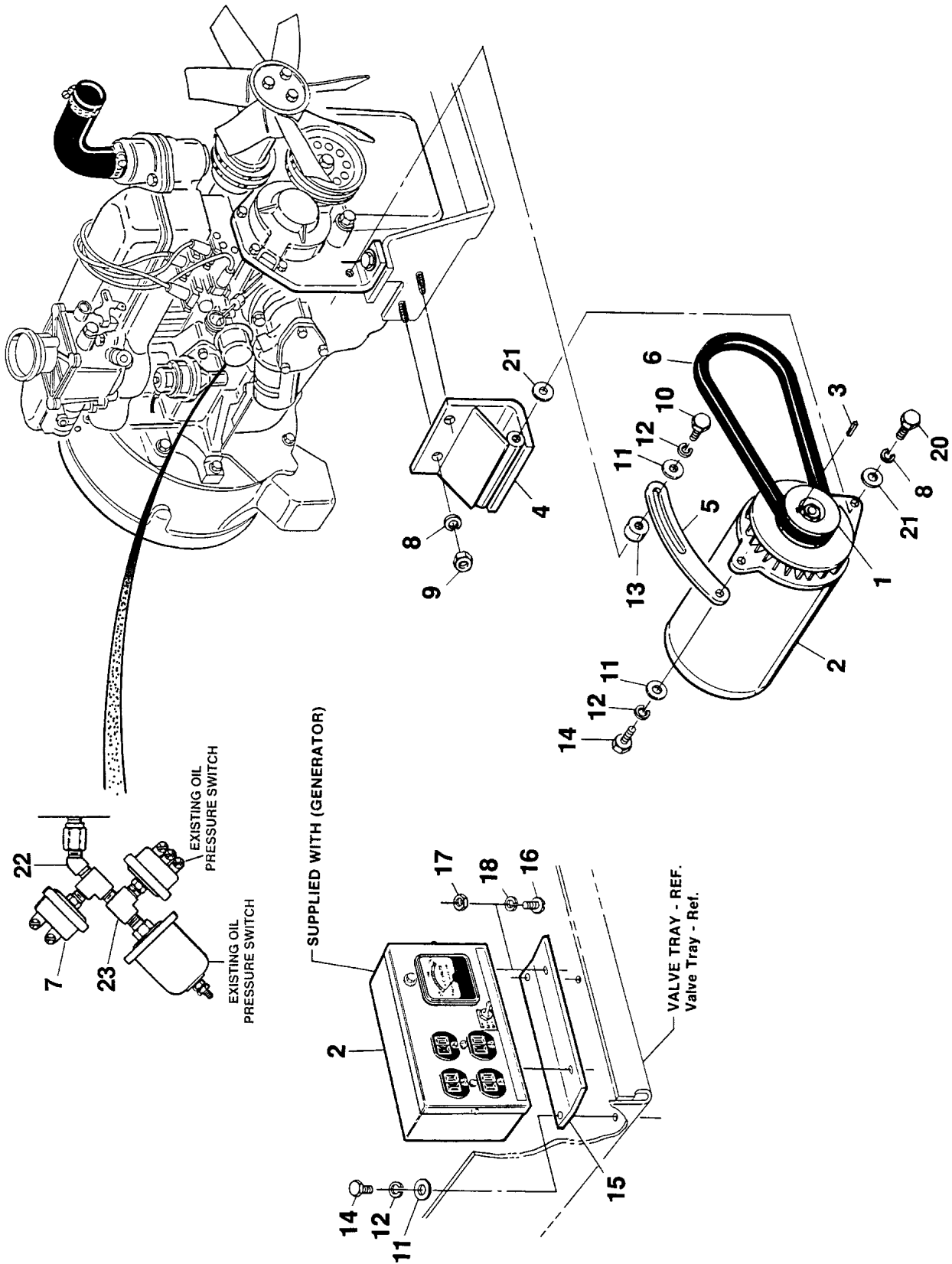
## SECTION 2 GROUND CONTROLS

**FIGURE 2-5. DUAL FUEL COMPONENTS INSTALLATION - FORD VSG-411 ENGINE OPTION**

ITEM #	PART NUMBER	QTY.	DESCRIPTION	REV.

# SECTION 2 GROUND CONTROLS

FIGURE 2-6. 110 VOLT GENERATOR INSTALLATION (FORD VSG-411) (OPTIONAL)



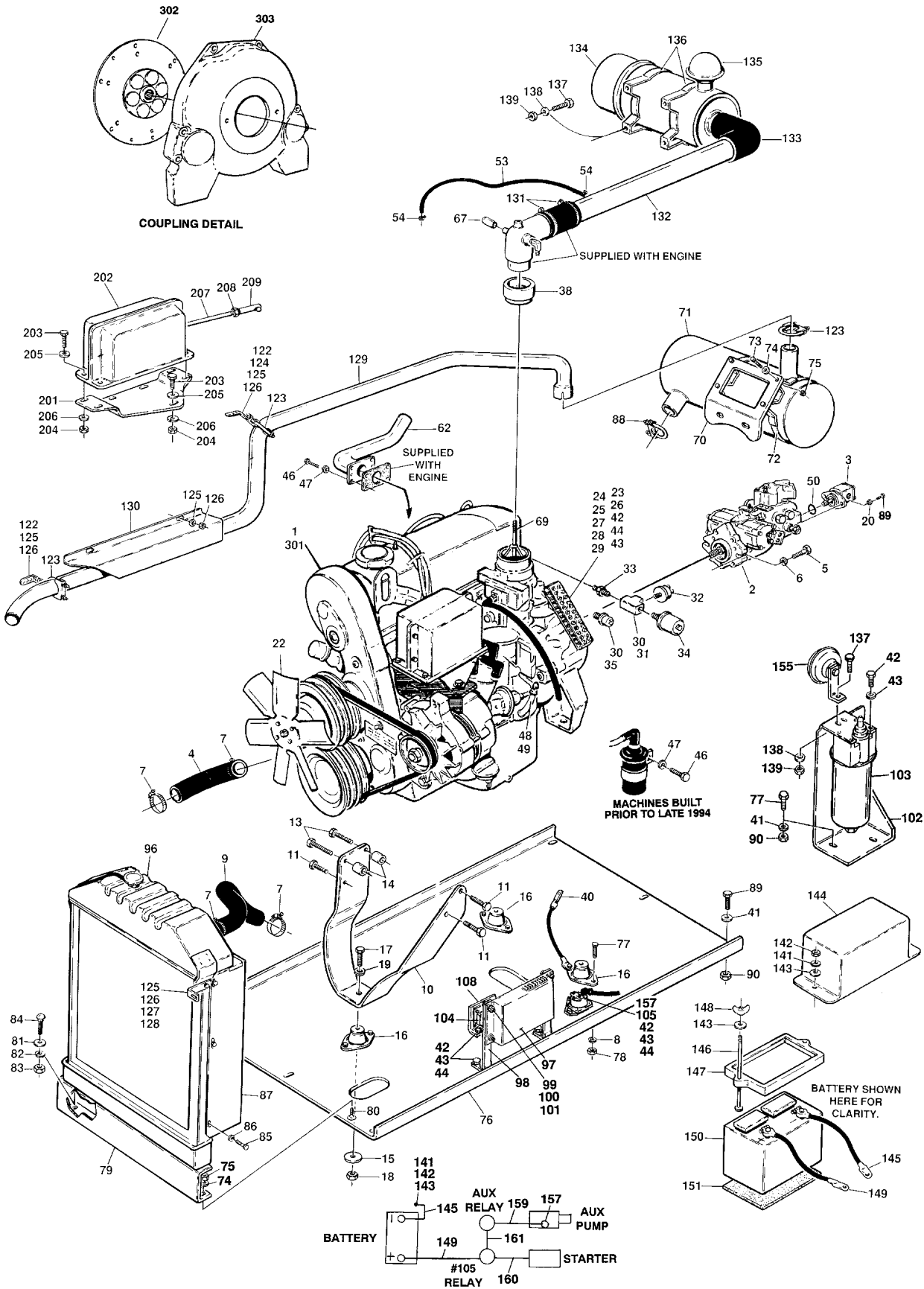
## SECTION 2 GROUND CONTROLS

**FIGURE 2-6. 110 VOLT GENERATOR INSTALLATION (FORD VSG-411) (OPTIONAL)**

ITEM #	PART NUMBER	QTY.	DESCRIPTION	REV.
	0250444	Ref.	<b>110 VOLT GENERATOR INSTALLATION (FORD VSG-411) (OPTIONAL) (PRIOR TO JULY 1994)</b>	D
	0255037	Ref.	<b>110 VOLT GENERATOR INSTALLATION (FORD VSG-411) (OPTIONAL) (JULY 1994 TO PRESENT)</b>	A
1	3580134	1	Pulley	
2	2460011	1	110 Volt Generator	
	7003657	1	Control Box Assembly	
		1	<b>Note: Replacement 110V Control Box comes with 2 standard Receptacles p/n 4460190. Optional Industrial Twist Lock Receptacles p/n 44600027 must be ordered separately.</b>	
	2420203	1	Voltmeter	
	4360542	1	Breaker, Circuit	
	2920162	1	Lamp	
	7020191	1	Switch, Toggle	
	3520028	1	Plug, Hole	
	7012558	1	Generator Assembly	
	7026199	1	Armature with Slip Rings	
	7020108	4	Brushes	
	7020109	4	Holdings, Brush	
	7012513	4	Cap, Brush Holder	
	3580134	1	Pulley	
	7012514	1	Fan	
	7020193	1	Cord, Power	
	7020110	1	Bell End, Front	
	7020111	1	Bell End, Rear	
	7020190	2	Bearing	
3	7027887	1	Keystock	
4	0901650	1	Bracket, Generator Mounting	
5	4340569	1	Support, Adjustable	
6	0480057	1	V-Belt	
7	1360037	1	Sender, Oil (July 1994 to Present)	
8	4761600	4	Lockwasher 3/8"	
9	3311601	2	Nut 3/8" - 16NC	
10	0641511	1	Bolt 5/16"-18NC x 1 3/8"	
11	4751500	2	Flatwasher 5/16"	
12	4761500	2	Lockwasher 5/16"	
13	0961247	1	Bushing	
14	0641507	1	Bolt 5/16"-18NC x 7/8"	
15	0901609	1	Bracket, Box Mounting	
16	3911004	2	Screw, Machine #10-24NC x 1/2"	
17	3311001	2	Nut #10-24NC	
18	4761000	2	Lockwasher #10	
19	Not Used			
20	0681610	2	Bolt 3/8"-16NC x 1 1/4" (Grade 8)	
21	4751600	2	Flatwasher 3/8"	
22	2180749	1	Fitting, 45° (July 1994 to Present)	
23	2180360	1	Fitting, Tee (July 1994 to Present)	

# SECTION 2 GROUND CONTROLS

## FIGURE 2-7. ENGINE INSTALLATION - FORD LSG-423



## SECTION 2 GROUND CONTROLS

**FIGURE 2-7. ENGINE INSTALLATION - FORD LSG-423**

ITEM #	PART NUMBER	QTY.	DESCRIPTION	REV.
	0254965/0254963	Ref.	<b>ENGINE ASSEMBLY (STANDARD PARTS)</b>	C/C
1	2000125	1	Engine (Includes 301 thru 303)	
2	3600164	1	Pump Assembly - Sunstrand (See Figure 2-13 for Breakdown)	
3	3600205	1	Pump Assembly - Barnes (See Figure 2-14 for Breakdown)	
4	2720232	1	Hose, Radiator (Bottom)	
5	0641810	2	Bolt, 1/2"-13NC x 1 1/4"	
6	4761800	2	Lockwasher 1/2"	
7	1320012	4	Clamp, Hose	
8	4761600	A/R	Lockwasher 3/8"	
9	2720254	1	Hose, Radiator (Top)	
10	3737289	1	Plate, Engine Mounting	
11	0711014	4	Bolt 10mm x 30mm	
12	Not Used			
13	0711020	2	Bolt 10mm x 60mm	
14	4562637	2	Spacer	
15	4740273	3	Washer, Snubbing	
16	3200362	3	Mount, Engine	
17	0641826	3	Bolt 1/2"-13NC x 3 1/4"	
18	3311805	3	Nut, Lock 1/2"	
19	4751800	3	Flatwasher 1/2"	
20	4740185	2	Washer, Hardened	
21	Not Used			
22	2060025	1	Fan	
23	0901401	1	Bracket, Terminal Strip	
24	1700901	1	Decal, Terminal Cable	
25	1670414	1	Cover, Terminal Strip	
26	1320070	2	Clamp, Wire	
27	3910812	2	Screw #8-32NC x 3/4"	
28	4770800	2	Starwasher #8	
29	3310801	2	Nut #8-32	
30	0100020	A/R	Loctite	
31	2180360	1	Fitting, Tee	
32	4360357	1	Switch, Oil Pressure	
33	2220273	1	Fitting, Reducer	
34	2420131	1	Sender, Oil Pressure	
35	2420149	1	Sender, Water Temperature	
36 to 37	Not Used			
38	0080092	1	Adapter, Choke	
39	Not Used			
40	1060045	1	Cable	
41	4751600	12	Flatwasher 3/8"	
42	0641406	20	Bolt 1/4"-20NC x 3/4"	
43	4751400	40	Flatwasher 1/4"	
44	3311405	3	Locknut 1/4"	
45	Not Used			
46	0701010	7	Bolt 10mm x 20mm	
47	4740116	7	Lockwasher 10mm	
48	4564281	1	Tube, Dipstick	

## SECTION 2 GROUND CONTROLS

**FIGURE 2-7. ENGINE INSTALLATION - FORD LSG-423 (CONTINUED)**

ITEM #	PART NUMBER	QTY.	DESCRIPTION	REV.
49	2420109	1	Gauge, Dipstick	
50	3790152	1	O-Ring, Pump	
51	4921714	1	Harness, Wiring (Not Shown)	
52	Not Used			
53	2720015	10 in.	Hose	
54	1320022	2	Clamp, Hose	
55 to 61	Not Used			
62	4844613	1	Exhaust Manifold	
63 to 66	Not Used			
67	1120432	1	Cap, Vacuum	
68	Not Used			
69	4360056	1	Stud, Carb	
70	0901978	1	Bracket, Muffler Mounting	
71	3220089	1	Muffler, Spark Arrestor	
72	0340041	2	Clamp, Muffler	
73	0641506	4	Bolt 5/6"-18NC x 3/4"	
74	4751500	A/R	Flatwasher 5/16"	
75	3311505	6	Locknut 5/16"	
76	3538178	1	Plate, Engine Tray	
77	0641608	8	Bolt, 3/8"-16NC x 1"	
78	3311601	6	Nut 3/8"	
79	4340660	1	Support, Radiator	
80	4300038	2	Stud	
81	4751700	2	Flatwasher 7/16"	
82	4761700	2	Lockwasher 7/16"	
83	3311701	2	Nut 7/16"	
84	0630375	2	Bolt, Carriage 7/6"-16NC x 1"	
85	3940804	6	Screw, Self Tapping #8-32 x 1"	
86	4750800	6	Flatwasher #8	
87	2680336	1	Fan Shroud	
88	1320019	1	Clamp, Muffler	
89	0641610	8	Bolt 3/8"-16NC x 1 1/4"	
90	3311605	8	Locknut 3/8"	
91 to 95	Not Used			
96	3620026	1	Radiator	
97	1600098	1	Controller, Engine	
98	0901419	1	Bracket	
99	0641006	4	Bolt #10-24NC x 3/4 Lg.	
100	4751000	4	Flatwasher #10	
101	3311005	4	Locknut #10-24	
102	0902092	1	Bracket	
103	2120135	1	Filter, Charge	
104	3740061	1	Relay, Start Lockout	
105	3740059	1	Relay	
106 to 107	Not Required			
108	0902093	1	Bracket, Relay Mounting	
109	0641510	2	Bolt	
110	4761500	2	Lockwasher	
111 to 112	Not Required			

## SECTION 2 GROUND CONTROLS

**FIGURE 2-7. ENGINE INSTALLATION - FORD LSG-423 (CONTINUED)**

ITEM #	PART NUMBER	QTY.	DESCRIPTION	REV.
	0254964/0254966	Ref.	<b>ENGINE INSTALLATION</b>	4/D
120 to 121	Not Used			
122		2	Bracket, Exhaust Hanger Options: Prior to S/N 34962 S/N 34962 to Present	
	0901387			
	0902382			
123	1320011	3	Clamp, Muffler	
124	0641508	2	Bolt 5/16"-18NC x 1"	
125	4751500	8	Flatwasher 5/16"	
126	3311505	6	Locknut 5/16"	
127	3533664	1	Plate, Radiator Support	
128	0630360	2	Bolt, Carriage 5/16"-18NC x 1 1/4"	
129	4566520	1	Tube, Exhaust	
130	3536151	1	Plate, Exhaust Guard	
131	1320058	4	Clamp, Hose	
132	4566541	1	Tube, Air Intake	
133	0080039	1	Adapter, Elbow	
134	1340020	1	Air Cleaner	
	7004214	1	Element	
135	1120161	1	Bonnet	
136	0340002	2	Band, Mounting	
137	0641408	4	Bolt 1/4"-20NC x 1"	
138	4751400	4	Flatwasher 1/4"	
139	3311405	4	Locknut 1/4"	
140	Not Used			
141	4761600	3	Lockwasher 3/8"	
142	3311601	3	Nut 3/8"	
143	4751600	3	Flatwasher 3/8"	
144	3536144	1	Cover, Battery	
145	1060360	1	Cable, Battery	
146	0630370	2	Tie Down	
147	0400002	1	Battery Tie Down	
	2910479	2	Clips, Tie Down	
148	3300029	2	Wingnut 3/8"	
149	1060254	1	Cable, Battery	
150	0400003	1	Battery	
151	3980003	1	Masonite	
152 to 154	Not Used			
155	0140001	1	Horn	
156	Not Required			
157	0840025	4	Boot, Cable (Red)	
158	Not Used			
159	1060221	1	Cable Assembly, 12"	
160	1060080	1	Cable Assembly, 30"	
161	1060401	1	Cable Assembly, 56"	
162 to 166	Not Required			

## SECTION 2 GROUND CONTROLS

**FIGURE 2-7. ENGINE INSTALLATION - FORD LSG-423 (CONTINUED)**

ITEM #	PART NUMBER	QTY.	DESCRIPTION	REV.
	0238044	Ref.	<b>PRECISION GOVERNOR INSTALLATION</b>	A
201	0901373	1	Bracket, Governor	
202	2500004	1	Governor	
203	0641408	7	Bolt 1/4"-20NC x 1"	
204	3311401	7	Nut 1/4"-20NC	
205	4751400	7	Flatwasher 1/4"	
206	4761400	7	Lockwasher 1/4"	
207	3840898	1	Rod	
208	3321401	2	Nut 1/4"-28NF	
209	1660157	2	Coupling, Ball Joint	
	2000125	Ref.	<b>ENGINE SUB-ASSEMBLY</b>	—
301	2000088	1	Engine, Ford 423	
302	1660212	1	Coupling, Hayes	
303	4860155	1	Fly Wheel, Ford	
		Ref.	<b>ENGINE COMPONENTS</b>	
	7000643	1	Carburetor (Standard Gas) with Built-In Choke	
	7000878	1	Rebuilt Kit	
	1140009	1	Carburetor - LP Gas	
	7000877	1	Fuel Shut-Off (With Wire)	
	7000884	1	Fuel Shut-Off (With Terminal Post)	
	7012577	1	Vacuum Line Fitting	
	7012578	1	Vacuum Line Tube Assembly	
	7000867	1	Engine Harness	
	7010633	1	Fuel Pump Assembly	
	7012595	4	Spark Plug	
	7014677	1	Major Components Kit (Includes 1 each of Standard Gas Carburetor, Water Pump, Fuel Pump, Starter and Standard Alternator)	
	7014678	1	Gasket, Electrical Kit (Includes Upper and Lower Gasket Kits, 1 each of Thermostat, ring Gear, Belt, Coil, Ignition Module, Voltage Regulator, Starter Solenoid and Hose)	
	7014679	1	Tune-up Kit (Includes 4 Spark Plugs and 1 each of Oil Filter, Fuel Filter, Cap, Rotator and Ignition Wire Set)	



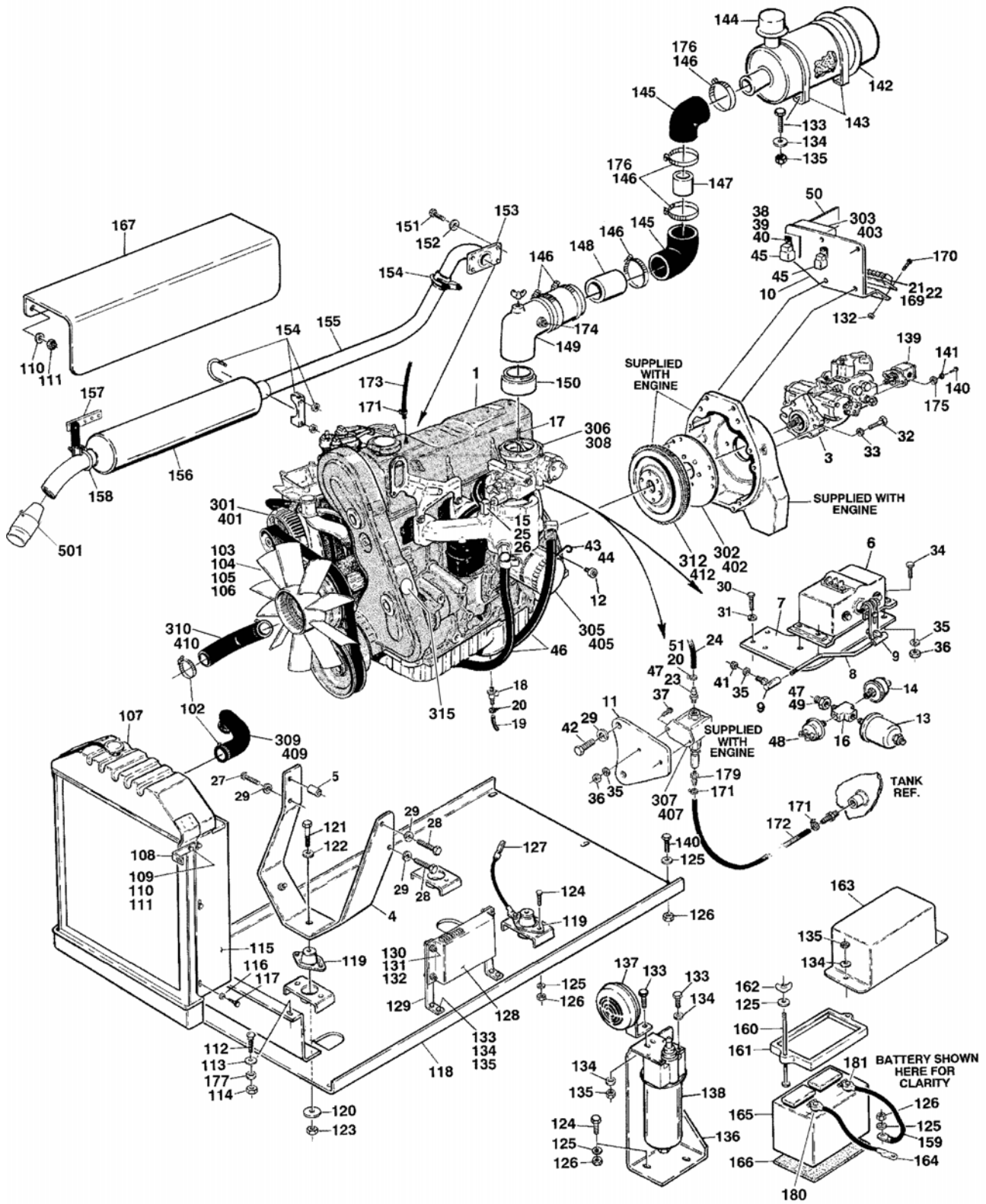
## SECTION 2 GROUND CONTROLS

**FIGURE 2-7. ENGINE INSTALLATION - FORD LSG-423 (CONTINUED)**

ITEM #	PART NUMBER	QTY.	DESCRIPTION	REV.

# SECTION 2 GROUND CONTROLS

FIGURE 2-8. ENGINE INSTALLATION - FORD LRG-423 DIS/LRG-425



## SECTION 2 GROUND CONTROLS

**FIGURE 2-8. ENGINE INSTALLATION - FORD LRG-423 DIS/LRG-425**

ITEM #	PART NUMBER	QTY.	DESCRIPTION	REV.
		Ref.	<b>ENGINE ASSEMBLY (STANDARD PARTS) OPTIONS:</b>	
	0255207/0255208	Ref.	<b>LRG 423 DIS (PRIOR TO S/N 46528)</b>	7/7
	0258320/0258321	Ref.	<b>LRG 425 (S/N 46528 TO PRESENT)</b>	6/6
1	2000126	1	Engine, Ford LRG 423 DIS (Prior to S/N 30660)	
	2000149	1	Engine, Ford LRG 423 DIS (S/N 30660 to S/N 46528)	
	2000156	1	Engine, Ford LRG 425 (S/N 46528 to S/N 60462)	
	2000165	1	Engine, Ford LRG 425 (S/N 60462 to Present)	
2	Not Used			
3	3600164	1	Pump Assembly - Sunstrand (See Figure 2-13 for Breakdown) (Prior to S/N 30660)	
	3600260	1	Pump Assembly - Sunstrand (See Figure 2-13 for Breakdown) (S/N 30660 to Present)	
4	3200377	1	Mount, Front Engine	
5	4566605	1	Tube, Spacer	
6	2500005	1	Governor, Precision	
7	0902088	1	Bracket, Governor Mounting	
8	3841255	1	Rod, Throttle	
9	1660157	2	Ball Joint Coupling	
10	0902089	1	Bracket, Terminal Mounting Strip	
11	0902087	1	Bracket, Fuel Pump Mounting	
12	2420149	1	Sender, Water Temperature	
13	2420131	1	Sender, Oil Pressure	
14	4360357	1	Switch, Oil Pressure	
15	2220273	1	Fitting, Reducer	
16	2220994	1	Fitting, 1/8" Pipe Cross	
17	4300056	1	Stud, Carburetor	
18		1	Oil Drain Valve Options:	
	4640750		Prior to S/N 23751	
	4640989		S/N 23751 to Present	
19	2750532	2.5 ft.	Hose, Low Pressure	
20	1320032	A/R	Clamp, Hose	
21	1700901	1	Decal, Terminal Strip	
22	1670414	1	Cover, Terminal Strip	
23	2220315	1	Fitting, Straight Pipe Barb	
24	2720058	1.5 ft.	Fuel Line - 5/16" I.D.	
25	2180536	1	Fitting, Straight Pipe Barb	
26	2720271	2.5 ft.	Vacuum Hose - 3/16" I.D.	
27	0701022	2	Screw, M10 x 1.5 x 70 Lg.	
28	0701014	2	Screw, M10 x 1.5 x 30 Lg.	
29	4832000	4	Lockwasher - M10	
30	0700810	3	Screw, M8 x 1.25 x 20 Lg.	
31	4831900	3	Lockwasher - M8	
32	0641812	2	Screw, 1/2"-13NC x 1 1/4" Lg.	
33	4761800	2	Lockwasher, 1/2"	
34	0641408	A/R	Bolt, 1/4"-20NC x 1" Lg.	
35	4761400	A/R	Lockwasher, 1/4"	
36	3311401	A/R	Nut, 1/4"-20NC	
37	0641406	2	Bolt, 1/4"-20NC x 3/4 Lg.	

## SECTION 2 GROUND CONTROLS

**FIGURE 2-8. ENGINE INSTALLATION - FORD LRG-423 DIS/LRG-425 (CONTINUED)**

ITEM #	PART NUMBER	QTY.	DESCRIPTION	REV.
38	3911024 3911026 3911014	2	Screw Options: Screw #10-24NC x 1 1/2" Lg. (Prior to S/N 32690) Screw #10-24NC x 1 5/8" Lg. (S/N 32690 to S/N 46528) Screw #10-24NC x 7/8" Lg. (S/N 46528 to Present)	
39	3311001 3311005	2	Nut Options: Nut #10-24NC (Prior to S/N 32690) Locknut #10-24NC (S/N 32690 to Present)	
40	4761000 4751000	2	Washer Options: Lockwasher, #10 (Prior to S/N 32690) Flatwasher, #10 (S/N 32690 to Present)	
41	3321401	1	Nut, 1/4"-28NF	
42	0701017	2	Screw, M10 x 1.5 x 45 Lg. (Prior to S/N 46528)	
43	4564281	1	Tube, Dipstick	
44	2420109 2420189 2420187	1	Gauge, Dipstick Options: Gauge, Dipstick (Prior to S/N 48837) Gauge, Dipstick (S/N 48837 to S/N 60462) Gauge, Dipstick (S/N 60462 to Present)	
45	3740080	3	Relay, Bosch	
46	4100025	2 ft.	Guard, Hose	
47	0100020	A/R	Loctite, #56747	
48	4360405 4360037	1	Switch, Oil Pressure Options: Prior to S/N 80259 S/N 80259 to Present	
49	2220437	1	Fitting, Male Pipe 1/4" x 1/8"	
50	0902361	1	Bracket, Terminal Strip	
51	1320022	2	Clamp, Worm Gear (S/N 99226 to Present)	
		Ref.	<b>ENGINE INSTALLATION OPTIONS:</b>	
	0255209/0255210	Ref.	<b>LRG 423 DIS (PRIOR TO S/N 46528)</b>	5/8
	0258319/0258322	Ref.	<b>LRG 425 (S/N 46528 TO PRESENT)</b>	7/8
101	Not Required			
102	1320012	4	Clamp, Hose Worm Gear	
103	2060014	1	Fan, 16" Pusher	
104	0080212	1	Adapter, Fan Spacer	
105	0700822	4	Screw, M8 x 1.25 x 70 Lg.	
106	4831900	4	Lockwasher - M8	
107	3620026	1	Radiator	
108	0181781	1	Bracket, Radiator Support	
109	0630360	1	Bolt, 5/16"-18NC x 1 1/4" Lg.	
110	4751500	4	Flatwasher, 5/16"	
111	3311505	4	Locknut, 5/16"-18NC	
112	0630375 0630403	2	Bolt Options: Bolt, 7/16"-14NC x 1" Lg. (Prior to S/N 46528) Bolt, 7/16"-14NC x 1 1/2" Lg. (S/N 46528 to Present)	
113	4751700	2	Flatwasher, 3/16"	
114	3311701	2	Nut, 7/16"-14NC	
115	2680386	1	Fan Shroud	

## SECTION 2 GROUND CONTROLS

**FIGURE 2-8. ENGINE INSTALLATION - FORD LRG-423 DIS/LRG-425 (CONTINUED)**

ITEM #	PART NUMBER	QTY.	DESCRIPTION	REV.
116	4750800 4751000	6	Flatwasher Options: Flatwasher, #8 (Prior to S/N 46528) Flatwasher, #10 (S/N 46528 to Present)	
117	3940804 3941004	6	Screw Options: Screw, #8-32NC x 1" Lg. Self-Tap (Prior to S/N 46528) Screw, #10-24NC x 1/2" Lg. Self-Tap (S/N 46528 to Present)	
118	4844942 4845757	1	Engine Tray Options: Engine Tray - LRG 423 DIS (Prior to S/N 46528) Engine Tray - LRG 425 (S/N 46528 to Present)	
119	3200362	3	Mount, Engine	
120	4740274	3	Washer, Snubbing	
121	0641826	3	Screw, 1/2"-13NC x 3 1/4" Lg.	
122	4751800	6	Flatwasher, 1/2"	
123	3311805	3	Locknut, 1/2"-13NC	
124	0641608	8	Screw, 3/8"-16NC x 1" Lg.	
125	4751600	28	Flatwasher, 3/8"	
126	3311605	14	Locknut, 3/8"-16NC	
127	1060045 1060221	1	Cable Options: Cable (Prior to S/N 64796) Cable (S/N 64796 to Present)	
128	1600211	1	Controller	
129	0901419	1	Bracket	
130	0721006	4	Screw #10-24NC x 3/4" Lg.	
131	4751000	4	Flatwasher, #10	
132	3311005	6	Locknut, #10-24	
133	0641407	A/R	Screw, 1/4"-20NC x 7/8" Lg.	
134	4751400	A/R	Flatwasher, 1/4"	
135	3311405	A/R	Locknut, 1/4"-20NC	
136	0902092	1	Bracket, Filter Mount	
137	0140001	1	Horn (Prior to S/N 112737)	
138	2120135 2120136	1 1	Filter, Charge Pressure Element, Charge Filter	
139	3600205	1	Pump, Gear (See Figure 2-14 for Breakdown)	
140	0641610	8	Screw, 3/8"-16NC x 1 1/4" Lg.	
141	4761600	2	Lockwasher, 3/8"	
142	1340020 7004214	1 1	Air Cleaner Element, Air Cleaner	
143	0340002	2	Mounting Band	
144	1120161	1	Bonnet, Air Inlet	
145	0080039	2	Adapter, Elbow	
146	1320058	6	Clamp, Hose - Worm Gear	
147	4561815 4567127	1 1	Tube, Air Inlet (Standard Gas) Tube, Air Inlet (Dual Fuel)	
148	4566673	1	Tube, Air Intake	
149	0080124	1	Adapter	
150	0080092	1	Adapter, Choke	
151	0701010	4	Screw M10 x 1.5 x 20	
152	4832000	4	Lockwasher, M10	
153	4844962	1	Exhaust Manifold	

## SECTION 2 GROUND CONTROLS

**FIGURE 2-8. ENGINE INSTALLATION - FORD LRG-423 DIS/LRG-425 (CONTINUED)**

ITEM #	PART NUMBER	QTY.	DESCRIPTION	REV.
154	0340041	2	Clamp, 2" Muffler (Prior to September 1995)	
	1320019	2	Clamp, 2" Muffler (September 1995 to Present)	
155	4566672	1	Tube, Exhaust	
156	3220095	1	Muffler, Spark Arrest	
157	0901387	1	Bracket (Prior to S/N 34962)	
	0902382	1	Bracket (S/N 34962 to Present)	
158	1320011	1	Clamp, 2 1/2" Muffler	
	1320011	1	Clamp, 2 1/2" Muffler (Dual Fuel) (Prior to S/N 83238)	
	1320021	1	Clamp, 2 1/4" Muffler (Dual Fuel) (S/N 83238 to Present)	
159	1060360	1	Cable	
160	0630370	2	Rod, Tie Down	
161		1	Tie Down, Battery Options:	
	0400002		Tie Down, Battery (Prior to S/N 46528)	
	2910479		Clips	
	0400174		Tie Down, Battery (S/N 46528 to Present)	
162	3300029	2	Wing Nut, 3/8"-16NC	
163		1	Plate, Battery Cover Options:	
	3536144		Ford LRG 423 DIS (Prior to S/N 46528)	
	1670841		Ford LRG 425 (S/N 46528 to Present)	
164	1060254	1	Cable	
165		1	Battery, 12 Volt Options:	
	0400003		Ford LRG 423 DIS (Prior to S/N 46528)	
	0400075		Ford LRG 425 (S/N 46528 to Present)	
166		1	Masonite Options:	
	3980003		Ford LRG 423 DIS (Prior to S/N 46528)	
	3980007		Ford LRG 425 (S/N 46528 to Present)	
167	3538735	1	Plate, Exhaust Cover	
168	Not Used			
169	4921746	1	Wiring Harness	
170	3911012	4	Screw #10-24NC x 3/4"	
171	1320022	6	Clamp, Worm Gear	
172	2720015	10 ft.	Hose 1/4"	
173	2720160	2 ft.	Hose, Low Pressure 1/2"	
174		2	Vacuum Cap Options:	
	1120342		Vacuum Cap (Prior to S/N 64796)	
	1120432		Vacuum Cap (S/N 64796 to Present)	
175	4740185	1	Flatwasher (S/N 46528 to Present)	
176	1320180	5	Clamp, Worm Gear (S/N 46528 to Present)	
177	4761700	2	Lockwasher 7/16" (S/N 46528 to Present)	
178	Not Used			
179	2220315	1	Fitting, Straight (S/N 46528 to Present)	
180	0840046	1	Boot, Battery Pos. (S/N 103576 to Present)	
181	0840047	1	Boot, Battery Neg. (S/N 103576 to Present)	
	0100020	A/R	----- Sealant, Pipe	

## SECTION 2 GROUND CONTROLS

**FIGURE 2-8. ENGINE INSTALLATION - FORD LRG-423 DIS/LRG-425 (CONTINUED)**

ITEM #	PART NUMBER	QTY.	DESCRIPTION	REV.
	2000126/2000149	Ref.	<b>ENGINE COMPONENTS</b>	
301	7012680	1	Alternator	
302	Use 1660249	1	Coupling (13 Teeth) (Prior to S/N 30660) (was p/n 7012656)	
	Use 1660250	1	Coupling (15 Teeth) (S/N 30660 to S/N 46528) (was p/n 7016662)	
303	7012681	1	Module, Ignition	
304	7012679	1	Starter (Not Shown)	
	7025145	1	Solenoid, Starter	
305	Use 7021869	1	Filter, Oil (was p/n 7014501)	
306	7012690	1	Carburetor	
	7019933	1	Carburetor Kit	
	7012683	1	Spring	
	7023471	1	Float Assy	
307	7016600	1	Pump, Fuel	
	7012678	1	Pump, Fuel (Electric)	
	7000884	1	Solenoid, Fuel	
	7016601	1	Filter, Fuel	
308	7016605	1	Choke, Automatic	
309	Use 7019926	1	Hose, Radiator (Top) (was p/n 7016375)	
310	Use 7019927	1	Hose, Radiator (Bottom) (was p/n 7016376)	
311	Use 7022153	1	Pump, Water (Not Shown) (was p/n 7016638)	
312	7019976	1	Flywheel	
	7022180	1	Ring Gear	
	7020120	1	Bell Housing	
313	7022143	1	Gasket, Exhaust Manifold (Not Shown)	
314	70002307	1	Gasket, Exhaust Pipe (Not Shown)	
	7025126	1	Gasket, Intake Manifold to Head (Not Shown)	
	7019924	1	Manifold, Exhaust (Not Shown)	
315	7022150	1	Belt, Timing (Engine 2000126)	
316	7019921	1	Belt, Alternator (Engine 2000126)	
317	4360157	1	Switch, Water Temperature (Not Shown)	
318	7012682	1	Harness, Engine (Not Shown)	
319	7019925	1	PCV Valve (Not Shown)	
320	7019929	1	Pulley, Idler (Not Shown)	
321	7019930	1	Coil Pack (Not Shown)	
	7019931	1	Spark Plug Wires (Set) (Not Shown)	
	7019932	4	Spark Plug Wires (Not Shown)	
322	7022178	1	Sensor, Crank Shaft (Not Shown)	
323	2420109	1	Gauge, Oil Dipstick (Not Shown) (Engine 2000149)	
	4564281	1	Tube, Dipstick (Not Shown) (Engine 2000149)	
	2000156/2000165	Ref.	<b>ENGINE COMPONENTS</b>	
401	7019977	1	Alternator	
	7019997	1	Regulator	
402	Use 1660250	1	Coupling (15 Teeth) (S/N 46528 to S/N 60462) (was p/n 7016662)	
	Use 1660249	1	Coupling (13 Teeth) (S/N 60462 to Present) (was p/n 7012656)	
403	Use 7023687	1	Module, Ignition (was p/n 7019961)	

## SECTION 2 GROUND CONTROLS

**FIGURE 2-8. ENGINE INSTALLATION - FORD LRG-423 DIS/LRG-425 (CONTINUED)**

ITEM #	PART NUMBER	QTY.	DESCRIPTION	REV.
404	7012679	1	Starter (Not Shown)	
405	7021869	1	Filter, Oil	
406	Use 7019988	1	Carburetor (Engine 2000156) (was p/n 7019974)	
	7019988	1	Carburetor (Engine 2000165)	
	7019933	1	Carburetor Kit	
	7027292	1	Float Assembly	
	7025122	1	Base, Carburetor	
	7024321	1	Gasket, Carburetor (Top)	
	7000646	1	Gasket, Carburetor (Bottom)	
	7000646	1	Gasket, Carburetor	
	7016605	1	Choke, Automatic	
407	7016600	1	Pump, Fuel (Facet Brand)	
	7019983	1	Pump, Fuel (Airtex Brand)	
	7000884	1	Solenoid, Fuel	
	7016601	1	Filter, Fuel	
408	Not Required			
409	Use 7019926	1	Hose, Radiator (Top) (was p/n 7016375)	
410	Use 7019927	1	Hose, Radiator (Bottom) (was p/n 7016376)	
411	7022153	1	Pump, Water (Not Shown)	
	7019982	1	Tube, Water Pump Inlet (Not Shown)	
	7019985	1	Pulley, Water Pump (Not Shown)	
	7022156	1	Thermostat (Not Shown)	
	7025134	1	Gasket, Water Outlet Connection (Not Shown)	
412	7019976	1	Flywheel	
	7022180	1	Ring Gear	
413	7022143	1	Gasket, Exhaust Manifold (Not Shown)	
414	70002307	1	Gasket, Exhaust Manifold to Pipe (Not Shown)	
	7019924	1	Manifold, Exhaust (Not Shown)	
	7025125	1	Gasket, Intake (Manifold to Cylinder Head) (Not Shown)	
415	7019978	1	Tensioner, Belt (Not Shown)	
416	7027402	1	Belt, Drive (was p/n 7019979)	
417	Not Used			
418	7019980	1	Harness, Engine Wiring (Not Shown)	
419 to 420	Not Used			
421	7019930	1	Coil Pack (Not Shown)	
	7022157	1	Spark Plug Wires (Set) (Not Shown) (Engine 2000156)	
	7019931	1	Spark Plug Wires (Set) (Not Shown) (Engine 2000165)	
	7019932	4	Spark Plug (Not Shown) (Engine 2000165)	
422	7022178	1	Sensor, Crank Shaft (Not Shown)	
423	7019981	1	Indicator, Oil Level (Not Shown)	
	0253875	Ref.	<b>SPARK ARRESTOR INSTALLATION (OPTIONAL)</b>	—
501	3220083	1	Spark Arrestor	
	0257154	Ref.	<b>ENGINE HEATER INSTALLATION (OPTIONAL NOT SHOWN)</b>	A/1
	2580048	1	Block Heater Kit (Located Left Side of Intake)	



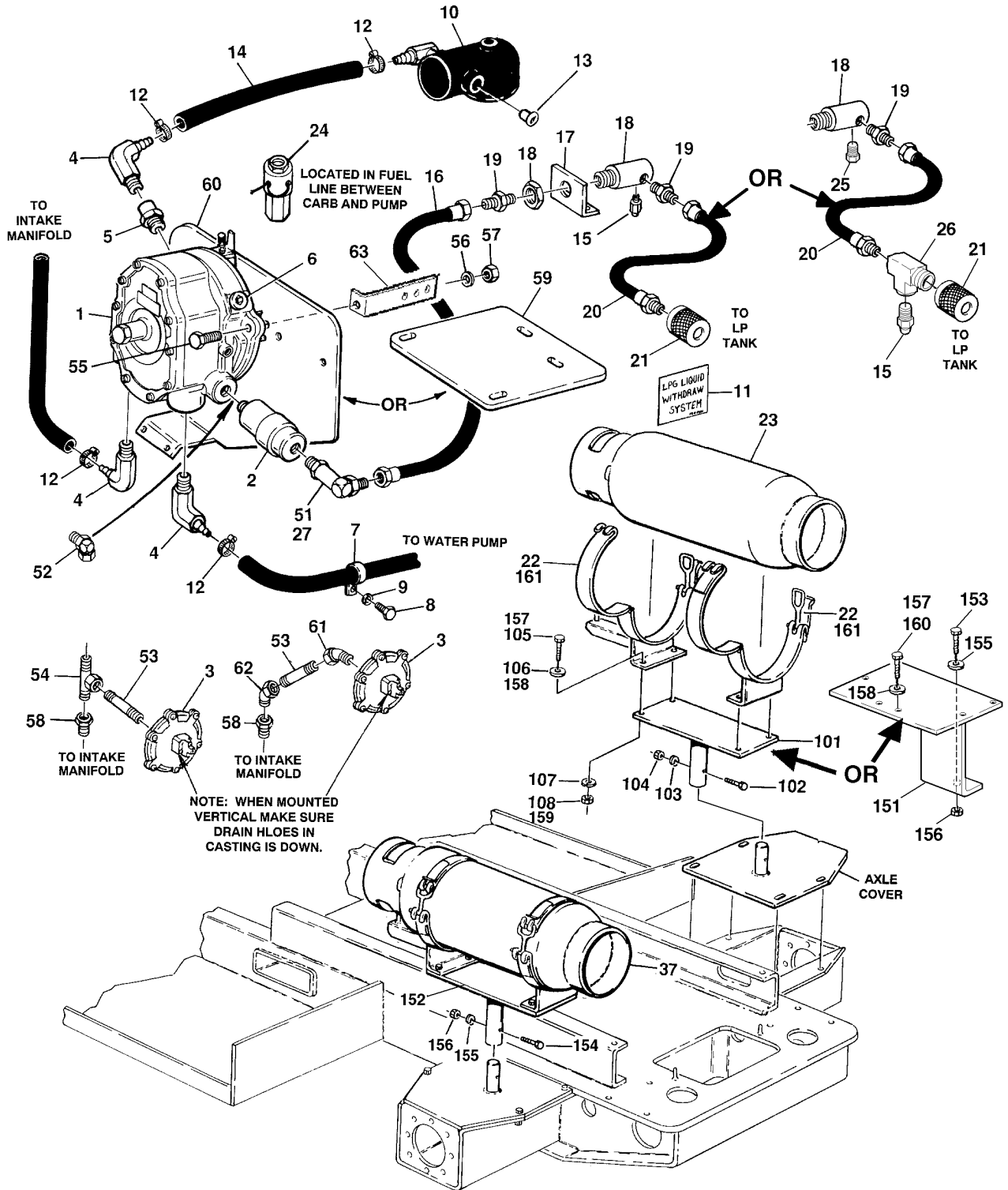
## SECTION 2 GROUND CONTROLS

**FIGURE 2-8. ENGINE INSTALLATION - FORD LRG-423 DIS/LRG-425 (CONTINUED)**

ITEM #	PART NUMBER	QTY.	DESCRIPTION	REV.

# SECTION 2 GROUND CONTROLS

**FIGURE 2-9. DUAL FUEL COMPONENTS INSTALLATION - FORD LSG-423/LRG-423 DIS/ LRG-425**



## SECTION 2 GROUND CONTROLS

**FIGURE 2-9. DUAL FUEL COMPONENTS INSTALLATION - FORD LSG-423/LRG-423 DIS/ LRG-425**

ITEM #	PART NUMBER	QTY.	DESCRIPTION	REV.
		Ref.	<b>DUAL FUEL COMPONENTS INSTALLATION (FORD LSG423, LRG423 AND LRG 425 ENGINES)</b>	
1	4700005	1	Vaporizer/Regulator	
	7017515	1	Kit, Rebuilding	
2	2120077	1	LPG Filter Lock	
3	4360188	1	Vacuum Switch	
4	2220675	3	Fitting, 90° Pipe Barb	
5	2220251	1	Reducer	
6	2200204	1	Pipe Plug 3/4" NPT	
7	1320130	2	Clamp, 1"	
8	0701010	1	Screw, M10 x 1.5 x 20	
	0700610	1	Screw, M6 x 1 x 20	
9	4832000	1	Lockwasher M10	
	4831700	1	Lockwasher M6	
10	0080124	1	Adaptor, Carburetor	
11	1700712	4	Decal, Caution	
12	1320022	6	Clamp	
13	1120432	1	Cap, Vacuum	
14	2720112	2 ft.	Hose, Vapor 5/8"	
15	2180389	1	Fitting, Relief	
16	2720249	1	Hose, L.P. 62" Lg.	
17	0902094	1	Bracket, L.P. Filter	
18	2180388	1	Filter, Bulkhead	
19	2180418	1	Fitting, 1/4" NPT to 3/8", 45° Flare	
20	2720144	1	Hose, L.P.	
21	2180387	1	Fitting, Tank Connector	
22	1320023	2	Clamp, LP Tank	
23	4400040	2	Tank, LP (33.5 Lbs.) (Prior to S/N 61097)	
	4400281	2	Tank, LP (33.5 Lbs.) (S/N 61097 to Present)	
	4400275	2	Tank, LP (43.5 Lbs.)	
24	4640391	1	Lock, Fuel (Prior to June 1995)	
25	2200222	1	Pipe Plug 1/4" NPT (S/N 36855 to Present)	
26	2220290	1	Fitting, Tee (S/N 36855 to Present)	
27	2220504	1	Fitting, 90° 1/4" NPT to 3/8", 45° Flare (S/N 26845 to Present)	
	0254963/0254964	Ref.	<b>DUAL FUEL COMPONENTS INSTALLATION - LSG-423</b>	D/4
	0255210/0255208	Ref.	<b>DUAL FUEL COMPONENTS INSTALLATION - LRG-423</b>	8/E
	0258322/0258321	Ref.	<b>DUAL FUEL COMPONENTS INSTALLATION - LRG-425</b>	8/6
51	2220003	1	Fitting, Straight (Not Shown) (LSG-423)	
	2220082	1	Fitting, 90° (LRG-423/LRG-425) (Prior to S/N 99226)	
	2220504	1	Fitting, 90° (LRG-423/LRG-425) (S/N 99226 to Present)	
52	2220082	1	Fitting, 90° (LSG-423)	
	Not Required	0	LRG-423/LRG-425	
53	2180537	1	Fitting, Nipple (LSG-423)	
	2180104	1	Fitting, Nipple (LRG-423/LRG-425)	

## SECTION 2 GROUND CONTROLS

**FIGURE 2-9. DUAL FUEL COMPONENTS INSTALLATION - FORD LSG-423/LRG-423 DIS/ LRG-425 (CONTINUED)**

ITEM #	PART NUMBER	QTY.	DESCRIPTION	REV.
54	Not Required	0	LSG-423	
	2180360	1	Fitting, Tee 1/8" NPT (LRG-423/LRG-425)	
55	0641510	2	Bolt 5/16"-18NC x 1 1/4" (LSG-423)	
	0641416	2	Screw 1/4"-20NC x 2" Lg. (LRG-423/LRG-425)	
56	4761500	2	Lockwasher 5/16" (LSG-423)	
	4761400	2	Lockwasher 1/4" (LRG-423/LRG-425)	
57	3311501	2	Nut 5/16"-18NC (LSG-423)	
	3311401	2	Nut 1/4"-20NC (LRG-423/LRG-425)	
58	2180250	1	Fitting, Adapter (LSG-423)	
	2220273	1	Fitting, Adapter (LRG-423/LRG-425)	
59	3538436	1	Plate, Mounting (LSG-423)	
	Not Required	0	LRG-423/LRG-425	
60	Not Required	0	LSG-423	
	0902089	1	Bracket, Mounting (LRG-423/LRG-425)	
61	2180749	1	Fitting, 45° (LSG-423)	
	Not Required	0	LRG-423/LRG-425	
62	2180504	1	Fitting, 45° (LSG-423)	
	Not Required	0	LRG-423/LRG-425	
63	Not Required	0	LSG-423	
	0902361	1	Bracket, Terminal (S/N 33309 to Present)	
	0253447	Ref.	<b>LP TANK BRACKETS INSTALLATION (PRIOR TO S/N 32690)</b>	—
101	4844185	2	Support, Tank Bracket	
102	0641522	2	Bolt 5/16"-18NC x 2 3/4"	
103	4761500	2	Lockwasher 5/16"	
104	3311501	2	Nut 5/16"-18NC	
105	0641610	8	Bolt 3/8"-16NC x 1 1/4"	
106	4751600	8	Flatwasher 3/8"	
107	4761600	8	Lockwasher 3/8"	
108	3311601		Nut 3/8"-16NC	
	0256909	Ref.	<b>LP TANK BRACKETS INSTALLATION (S/N 32690 TO PRESENT)</b>	2
151	0902360	1	Support, Tank Bracket (RH) (Prior to S/N 80673)	
152	4844185	1	Support, Tank Bracket (LH) (Prior to S/N 80673)	
	4844185	2	Support, Tank Bracket (S/N 80673 to Present)	
153	0641516	1	Bolt 5/16"-18NC x 2" (Prior to S/N 80673)	
154	0641522	2	Bolt 5/16"-18NC x 2 3/4"	
155	4751500	4	Flatwasher 5/16"	
156	3311505	2	Locknut 5/16"-18NC	
157	0641610	8	Bolt 3/8"-16NC x 1 1/4"	
158	4751600	16	Flatwasher 3/8"	
159	3311605	8	Locknut 3/8"-16NC	
160	0100011	A/R	Loctite	
161	1320023	2	Clamp, LP Gas	

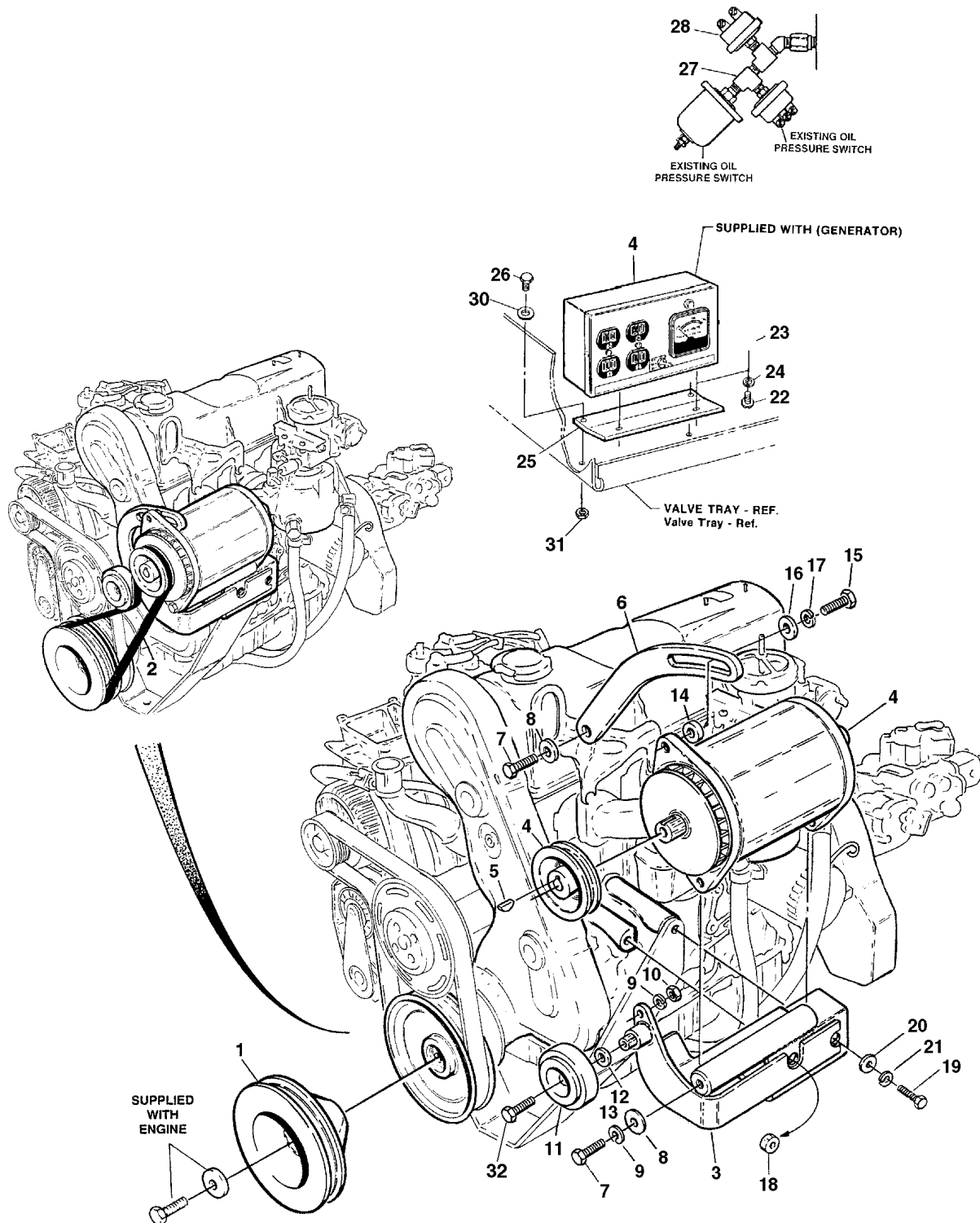
## SECTION 2 GROUND CONTROLS

**FIGURE 2-9. DUAL FUEL COMPONENTS INSTALLATION - FORD LSG-423/LRG-423 DIS/ LRG-425 (CONTINUED)**

ITEM #	PART NUMBER	QTY.	DESCRIPTION	REV.

## SECTION 2 GROUND CONTROLS

FIGURE 2-10. GENERATOR INSTALLATION - FORD LSG-423/LRG-423/LRG-425



## SECTION 2 GROUND CONTROLS

**FIGURE 2-10. GENERATOR INSTALLATION - FORD LSG-423/LRG-423/LRG-425**

ITEM #	PART NUMBER	QTY.	DESCRIPTION	REV.
	0257152	Ref.	<b>GENERATOR INSTALLATION</b>	3/B
1	3580250	1	Pulley, Crankshaft	
2		1	Belt, Generator Options:	
	0480090		Ford LSG 423/LRG 423 (Prior to S/N 46528)	
	0480110		Ford LRG 425 (S/N 46528 to Present)	
3	0902372	1	Bracket, Generator Mounting	
4	2460011	1	110 Volt Generator	
	7003657	1	Control Box Assembly	
		1	<b>Note: Replacement 110V Control Box comes with 2 standard Receptacles p/n 4460190. Optional Industrial Twist Lock Receptacles p/n 4460027 must be ordered separately.</b>	
	2420203	1	Voltmeter	
	4360542	1	Breaker, Circuit	
	2920162	1	Lamp	
	7020191	1	Switch, Toggle	
	3520028	1	Plug, Hole	
	7012558	1	Generator Assembly	
	7026199	1	Armature with Slip Rings	
	7020108	4	Brushes	
	7020109	4	Holdings, Brush	
	7012513	4	Cap, Brush Holder	
	3580134	1	Pulley	
	7012514	1	Fan	
	7020193	1	Cord, Power	
	7020110	1	Bell End, Front	
	7020111	1	Bell End, Rear	
	7020190	2	Bearing	
5	7027887	1	Key, Woodruff (Prior to S/N 46528)	
6	0200530	1	Arm, Adjusting	
7	0641612	3	Bolt 3/8"-16NC x 1 1/2"	
8	4751600	3	Flatwasher 3/8"	
9	4761600	3	Lockwasher 3/8"	
10	3311601	1	Nut 3/8"-16NC	
11	3580239	1	Pulley, Idler	
12	4740275	1	Washer	
13	0100011	A/R	Loctite	
14	4564417	1	Tube, Spacer	
15	0641512	1	Bolt 5/16"-18NC x 1 1/2"	
16	4751500	3	Flatwasher 5/16"	
17	4761500	3	Lockwasher 5/16"	
18	4566650	1	Tube, Spacer	
19	0701015	2	Bolt 10mm-1.5 x 35mm	
20	4812000	2	Flatwasher 10mm	
21	4832000	2	Lockwasher 10mm	
22	3911008	2	Screw, Machine #10-24 x 1/2"	
23	3311001	2	Nut #10-24	
24	4761000	2	Lockwasher #10	

## SECTION 2 GROUND CONTROLS

**FIGURE 2-10. GENERATOR INSTALLATION - FORD LSG-423/LRG-423/LRG-425**

ITEM #	PART NUMBER	QTY.	DESCRIPTION	REV.
25	0901609	1	Bracket, Box Mounting	
26		2	Bolt Options:	
	0641507	2	Bolt 5/16-18NC x 7/8"	
	0641407	2	Bolt 1/4"-24NC x 7/8"	
27	2180360	1	Fitting, Tee	
28	4360037	1	Switch, Oil Pressure	
29	4932735	1	Wiring, Diagram	
30	4711400	2	Flatwasher 1/4"	
31	3311405	2	Locknut 1/4"-20NC	
32	0641608	1	Bolt 3/8"-16NC x 1"	



## SECTION 2 GROUND CONTROLS

**FIGURE 2-10. GENERATOR INSTALLATION - FORD LSG-423/LRG-423/LRG-425**

ITEM #	PART NUMBER	QTY.	DESCRIPTION	REV.



## SECTION 2 GROUND CONTROLS

**FIGURE 2-11. ENGINE INSTALLATION - DEUTZ F3L1011**

ITEM #	PART NUMBER	QTY.	DESCRIPTION	REV.
		Ref.	<b>ENGINE INSTALLATIONS</b>	
	0253370	Ref.	<b>DEUTZ F3L1011 (AUSTRALIAN SPEC) (PRIOR TO S/N 121830)</b>	17
	0273976	Ref.	<b>DEUTZ F3L2011 (AUSTRALIAN SPEC) (S/N 121830 TO PRESENT)</b>	1
	0257247	Ref.	<b>DEUTZ F3L1011F (CE SPEC) (PRIOR TO S/N 121830)</b>	11
	0273977	Ref.	<b>DEUTZ F3L2011 (CE SPEC) (S/N 121830 TO PRESENT)</b>	1
1			Engine Options:	
	2000107	1	Deutz F3L1011 (includes Items 101-110) (Prior to July 1995)	
	2000138	1	Deutz F3L1011F (includes Items 201-211) (July 1995 to S/N 121830)	
	2000242	1	Deutz F3L2011 (includes Items 251-271) (S/N 121830 to Present)	
2		1	Tray, Engine Mounting Options:	
	4844275		Prior to S/N 121830	
	4844275		S/N 121830 to Present	
3	Not Used			
4		1	Pump Assembly - Sunstrand Options (See Figure 2-13 for Breakdown):	
	3600164	1	Prior to S/N 30660	
	3600260	1	S/N 30660 to Present	
5	0080174	4	Adapter, Engine Mounting	
6	0080177	1	Adapter, Air Intake	
7	0080172	1	Adapter, Throttle for F3L1011	
	4460302	1	Adapter, Throttle for F3L1011F/F3L2011	
8	3450202	1	Pin, Cotter 1/16" x 1/2"	
9	3951003	1	Setscrew #10-24NC x 3/8" for F3L1011	
	0902244	1	Bracket, Throttle for F3L1011F	
	0080249	1	Bracket, Throttle for F3L2011	
10		4	Bolt Options:	
			CE Spec	
	0641844		Bolt 1/2"-13NC x 5 1/2"	
			Australian Spec	
	0641844		Bolt 1/2"-13NC x 5 1/2" (Prior to S/N 33431)	
	0701230		Bolt m12-1.75 x 130mm (S/N 33431 to S/N 72218)	
	0641840		Bolt 1/2"-13NC x 5" (Prior to S/N 72218)	
11		4	Locknut Options:	
			CE Spec	
	3311805		Locknut 1/2"-13NC	
			Australian Spec	
	3311805		Locknut 1/2"-13NC (Prior to S/N 33431)	
	3311205		Locknut m12-1.75 (S/N 33431 to S/N 72218)	
	3311805		Locknut 1/2"-13NC (Prior to S/N 72218)	
12	4751800	4	Flatwasher 1/2"	
13	0641408	8	Bolt 1/4"-20NC x 1"	
14	4761400	10	Lockwasher 1/4"	
15	3311401	8	Nut 1/4"-20NC	
16	0641512	3	Bolt	
17	1060254	1	Cable, Battery	

## SECTION 2 GROUND CONTROLS

**FIGURE 2-11. ENGINE INSTALLATION - DEUTZ F3L1011 (CONTINUED)**

ITEM #	PART NUMBER	QTY.	DESCRIPTION	REV.
18	1060093	1	Cable, Battery	
19	0140001	1	Horn (Prior to S/N 112737)	
20	0641610	2	Bolt 3/8"-16NC x 1 1/4"	
21	4751600	11	Flatwasher 3/8"	
22	0060023	1	Actuator, Throttle	
	7008828	1	Cable, Throttle	
23	0901838	1	Bracket, Air Cleaner Mounting	
24	0701010	4	Bolt, Metric M10 x 20mm	
25	4832000	4	Lockwasher 10m	
26	4711600	1	Flatwasher 3/8"	
27	3311501	3	Nut 5/16"-18NC	
28	4761500	3	Lockwasher 5/16"	
29	4751600	9	Lockwasher 3/8"	
30		1	Battery Options:	
	0400003		Prior to S/N 48582	
	0400075		S/N 48582 to Present	
31		1	Tie-Down, Battery Options:	
	0400002		Prior to S/N 48582	
	0400147		S/N 48582 to S/N 50806	
	0400174		S/N 50806 to Present	
32		1	Seat, Battery Options:	
	3980003		Prior to S/N 48582	
	3980007		S/N 48582 to Present	
33	0630370	2	Rod, Tie-Down	
34	3300029	2	Wingnut 3/8"-16NC	
35		1	Cable, Battery Options:	
	1060360		Australian Spec	
	1060646		CE Spec	
36	4740185	2	Washer, Hardened	
37	3311601	9	Nut 3/8"-16NC	
38	0641612	6	Bolt 3/8"-16NC x 1 1/2"	
39	4843513	1	Air Intake Weldment	
40	2180730	1	Fitting, Adapter	
41	2420110	1	Sender, Oil Pressure	
42	3960407	1	Gasket	
43	1340020	1	Air Cleaner Assembly	
	7004214	1	Element, Air Cleaner	
44	0340002	2	Band, Mounting - Air Cleaner	
45	1320180	8	Clamp, Hose	
46	0080039	1	Elbow, Rubber 90°	
47	0721008	2	Screw, Machine #10-24NC x 1" (Prior to S/N 30660)	
	0701015	2	Screw, Machine 10mm x 35mm (S/N 30660 to Present)	
48	4761000	2	Lockwasher #10 (Prior to S/N 30660)	
	4761400	2	Lockwasher (S/N 30660 to Present)	
49	0080046	2	Elbow, Rubber 90°	
50	4751000	2	Flatwasher #10 (Prior to S/N 34060)	
	4751400	2	Flatwasher (S/N 34060 to Present)	
51	2720379	3 in./7.6cm	Hose	
52	2720342	4 in./10cm	Hose, Air Intake	

## SECTION 2 GROUND CONTROLS

**FIGURE 2-11. ENGINE INSTALLATION - DEUTZ F3L1011 (CONTINUED)**

ITEM #	PART NUMBER	QTY.	DESCRIPTION	REV.
53	1320059	3	Clamp, Hose	
54	3535551	1	Plate, Cover	
55	4565348	1	Tube, Exhaust	
56	1320019	1	U-Clamp	
57	0901705	1	Bracket, Muffler	
58	1320176	1	Clamp, Muffler	
59	Not Used			
60	0901778	1	Bracket, Charge Filter	
61	2120135	1	Filter, Charge Pressure	
	2120136	1	Element, Charge Filter	
62	2720271	8 ft./2.44m	Line, Fuel (Return) (Prior to S/N 26251)	
63	2720058	14 ft./4.27m	Line, Fuel (Supply)	
64	1320022	4	Clamp, Hose	
65	2200462	2	Fitting, 90° (Prior to S/N 26251)	
66	2180348	1	Fitting, Barbed (Prior to S/N 26251)	
	2220317	2	Fitting, Barbed (S/N 26251 to S/N 101987)	
	2220805	2	Fitting, Barbed (S/N 101987 to Present)	
67	Not Used			
68	2180666	1	Fitting, Barbed (Prior to S/N 26251)	
69	0641406	2	Bolt 1/4"-20NC x 3/4"	
70	4565932	1	Tube, Air Intake	
71	4280280	1	Strip, Air Intake	
72	3600205	1	Gear Pump Assembly (See Figure 2-14 for Breakdown)	
73	3790152	1	O-Ring	
74		2	Bolt Options: CE Spec	
	0641810		Bolt 1/2"-13NC x 1 1/4" Australian Spec	
	0641810		Bolt 1/2"-13NC x 1 1/4" (Prior to S/N 33431)	
	0641812		Bolt 1/2"-13NC x 1 1/2" (S/N 33431 to Present)	
75	4761800	2	Lockwasher 1/2"	
76		1	Cover, Battery Options: Cover, Battery (Prior to S/N 48582)	
	3536144		Cover, Battery (S/N 48582 to Present)	
	1670841			
77	4565933	1	Tube, Air Intake Adapter	
78	3740067	1	Relay	
79	4711400	1	Washer, Flat 1/4" for F3L1011F	
80	0700605	2	Screw, Hex Hd 6mm x 10mm for F3L1011F	
81	2400054	1	Fuse, 35 Amp (CE Spec Only)	
82	2400044	1	Fuse, Holder (CE Spec Only)	
83	0741008	2	Screw #10-24NC x 1" (CE Spec Only)	
84	4751000	2	Flatwasher #10 (CE Spec Only)	
85	3311005	2	Locknut #10 (CE Spec Only)	
86	0902376	2	Bracket, Mounting (CE Spec Only)	
87	4360155	1	Switch, Battery Disconnect (CE Spec Only)	
88	0902377		Bracket, Switch Mounting (Prior to S/N 71226) (CE Spec Only)	
89		1	Cable, Battery Options (CE Spec Only): Prior to S/N 95788	
	1060044		S/N 95788 to Present	
	1060221			

## SECTION 2 GROUND CONTROLS

**FIGURE 2-11. ENGINE INSTALLATION - DEUTZ F3L1011 (CONTINUED)**

ITEM #	PART NUMBER	QTY.	DESCRIPTION	REV.
90	1703476	1	Decal - Battery Connect and Disconnect (CE Spec Only)	
91	4740308	2	Washer, Thick (S/N 34060 to Present)	
92	4832000	2	Lockwasher (S/N 34060 to Present)	
93	0701016	2	Bolt 10mm x 40mm (S/N 34060 to Present)	
94	0840046	1	Boot, Battery Pos. (S/N 83238 to Present)	
95	0840047	1	Boot, Battery Neg. (S/N 83238 to Present)	
96	2220273	2	Fitting, Reducer (S/N 101987 to Present)	
97	1320095	1	Clamp, Support (Not Shown) (S/N 103576 to Present) (Australian Spec Only)	
98	4923062	1	Harness, Start Assist Solenoid (Not Shown) (S/N 121830 to Present)	
	0100043	A/R	Sealant, Pipe (Prior to S/N 103576)	
	2000107	Ref.	<b>ENGINE COMPONENTS - DEUTZ F3L1011 (Prior to July 1995)</b>	A
		Ref.	<b>Note: Parts Below Not Shown on Figure 2-11</b>	
101	7020455	1	Muffler (was p/n 7000694)	
102	7014684	1	Filter and Gasket Kit (Includes Fuel Line Washer, Oil Plug Washer, Oil Filter, Fuel Filter, Injector Tip Gasket and Valve Cover Gasket)	
103 to 105	Not Used			
106	7027210	1	Sender, Oil Temperature	
107 to 108	Not Used			
109	7012626	1	Starter	
110	7020457	1	Alternator	
111	Not Used			
112	70003622	3	Injector	
	7020424	3	Gasket, Injector Tip	
113	7012698	1	Pump, Fuel Supply	
	7016309	1	Washer, Copper	
114	7016308	1	Ring, Air Intake (Plastic)	
115	7019607	1	Shutdown, Throttle	
116	7020471	3	Gasket, Exhaust	
117	7020477	1	Ring Gear Only	
118	7027250	1	Spring, Tension	
	2000138	Ref.	<b>ENGINE COMPONENTS - DEUTZ F3L1011F (July 1995 to S/N 121830)</b>	A
		Ref.	<b>Note: Parts Below Not Shown on Figure 2-11</b>	
201	Use 7020455	1	Muffler (was p/n 7000694)	
202	Not Used			
203	7016328	1	Filter, Fuel	
204	7016331	1	Filter, Oil	
205	Use 7019607	1	Device, Shutdown (was p/n 7016359)	
206	7020168	1	Sender, Oil Temperature	
207	7020220	1	Harness	
208	7020414	1	V-Belt	

## SECTION 2 GROUND CONTROLS

**FIGURE 2-11. ENGINE INSTALLATION - DEUTZ F3L1011 (CONTINUED)**

ITEM #	PART NUMBER	QTY.	DESCRIPTION	REV.
209	Use 7016332	1	Starter Options: Start with 11 Tooth Pinion (July 1995 to Present with 133 Tooth Ring Gear) (was p/n 7020416)	
	7020479		Start with 9 Tooth Pinion (July 1995 to Present with 110 Tooth Ring Gear)	
210	7020417	1	Alternator	
	70000851	1	Bracket, Alternator Mounting	
211		1	Ring Gear Options:	
	7020477		133 Tooth Ring Gear	
	7024579		110 Tooth Ring Gear	
	7020208		129 Tooth Ring Gear	
212	7012599	1	Pump, Fuel Injection	
	7020426	3	Injector	
	7020424	3	Gasket, Injector Tip	
	7020425	3	Nozzle	
213	7012698	1	Pump, Fuel Supply	
	7020406	1	Ring, Sealing	
	7020411	1	O-Seal Between Fuel Pump & Engine Block	
	7020412	1	Fitting, Tee	
	7020419	1	Hose, Fuel Return	
214 to 215	Not Used			
216	7020471	3	Gasket, Exhaust Manifold to Exhaust Pipe	
217	Not Used			
218	7027250	1	Spring, Tension	
219	7000699	1	Seal (Doughnut)	
220	7020024	1	Breather Cap	
221	7020430	1	Gasket, Valve Cover	
222	7020435	1	Dipstick	
	2000242	Ref.	<b>ENGINE COMPONENTS - DEUTZ F3L2011F (S/N 121830 to Present)</b>	A
		Ref.	<b>Note: Parts Below Not Shown on Figure 2-11</b>	
251	7027248	1	Dipstick	
252	7024579	1	Gear, Ring	
253	7020465	1	Cap, Filler	
254	7020495	1	Pump, Oil	
	7020468	1	Seal Between Oil Pump & Engine Block	
255	7016331	1	Filter, Oil	
256	7027236	1	Sender, Oil Temperature	
257	Use 7027246	3	Pump, Injector (was p/n 7027242)	
	Use 7027608	3	Pump, Injector (was p/n 7027611)	
	Use 7027609	3	Pump, Injector (was p/n 7027612)	
	Use 7027610	3	Pump, Injector (was p/n 7027613)	
	7020447	1	Gasket, Compensation	
258	7020023	1	Filter, Fuel	
259	Use 70000916	1	Pump Fuel Supply (was p/n 7027238)	
	7020411	1	O-Seal Between Fuel Pump & Engine Block	
260	7027245	1	Filter, Fuel In Line	
261	Use 70001871	3	Gasket, Intake Manifold (was p/n 7020449)	

## SECTION 2 GROUND CONTROLS

**FIGURE 2-11. ENGINE INSTALLATION - DEUTZ F3L1011 (CONTINUED)**

ITEM #	PART NUMBER	QTY.	DESCRIPTION	REV.
262	7027239	1	Solenoid, Start Assist	
263	7020414	1	V-Belt	
264	7020471	3	Gasket, Exhaust Manifold to Exhaust Pipe	
265	7020479	1	Starter	
	7026608	1	Relay	
266	7020417	1	Alternator	
	7027252		Regulator, Voltage	
267	Use 7016330	1	Sensor, Oil Pressure (was p/n 7020443)	
268	7027241	1	Transmitter, Temperature	
269	7027251	1	Device, Shutdown	
	7027249	1	O-Ring	
	7027250	1	Spring, Tension	
270	7020449	3	Gasket, Intake	
271	7020471	3	Gasket, Exhaust	
272	Use 70003475	1	Thermostat (was p/n 7020459)	
	7020460	1	Spring, Compression	
		Ref.	<b>PUMP COUPLING INSTALLATIONS:</b>	
	0250597	Ref.	<b>PRIOR TO S/N 30660</b>	—
	0256848	Ref.	<b>S/N 30660 TO PRESENT</b>	2
301		1	Coupling (Hayes) Options:	
	1660184		Coupling (Hayes) (Prior to S/N 30660)	
	1660234		Coupling (Hayes) (S/N 30660 to Present)	
		Ref.	<b>Note: Coupling Spine must be greased with lithium soap based grease prior to installation.</b>	
302	0080163	1	Adapter, Pump Mounting	
303	0700810	6	Bolt, Metric 8mm x 20mm	
304	4831900	6	Lockwasher 8mm	
305	0701013	8	Bolt 10mm x 28mm	
306	4832000	8	Lockwasher 10mm	
			-----	
	3020021	A/R	Grease, Coupling (Prior to S/N 103576)	
	0275748	Ref.	<b>ENGINE DISTRESS SWITCH INSTALLATION (OPTIONAL)</b>	1
401	4360357	1	Switch, Pressure	
402	2180360	1	Fitting, Tee	
403	2180749	1	Fitting, 45°	
			-----	
	0100020	A/R	Sealant, Pipe	
	0253875	Ref.	<b>SPARK ARRESTOR INSTALLATION (OPTIONAL)</b>	—
501	3220083	1	Arrestor, Spark (Includes Mounting Hardware)	



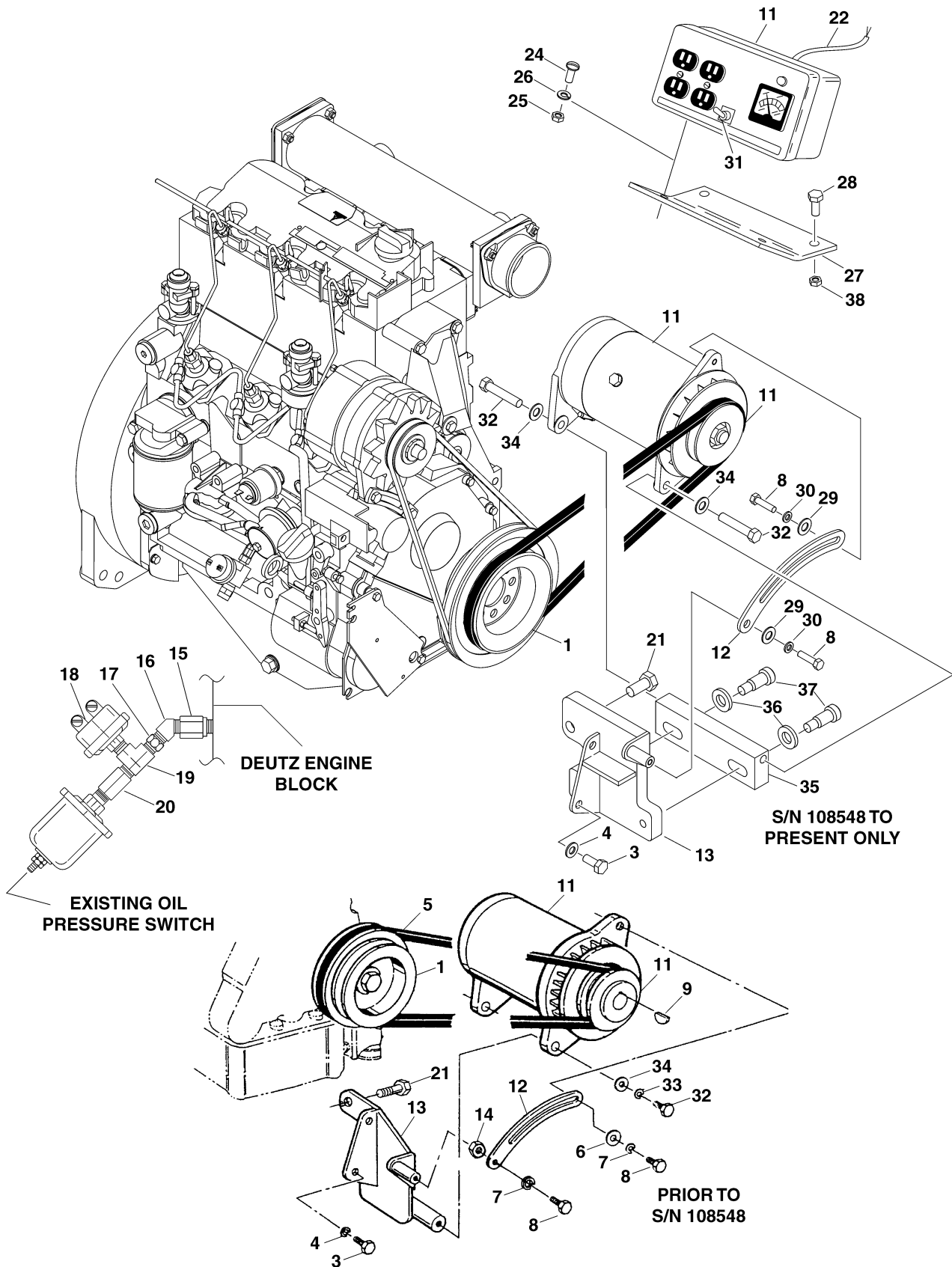
## SECTION 2 GROUND CONTROLS

**FIGURE 2-11. ENGINE INSTALLATION - DEUTZ F3L1011 (CONTINUED)**

ITEM #	PART NUMBER	QTY.	DESCRIPTION	REV.
	0256898	Ref.	<b>SPARK ARRESTOR INSTALLATION (OPTIONAL) (PRIOR TO S/N 65349)</b>	—
601	4567159	1	Tube, Exhaust	
602	1320021	1	Clamp, Muffler 2 1/8"	
603	3220036	1	Arrestor, Spark	
	0259488	Ref.	<b>SPARK ARRESTOR INSTALLATION (OPTIONAL) (S/N 65349 TO PRESENT)</b>	1
701	3220118	1	Arrestor, Spark	

# SECTION 2 GROUND CONTROLS

FIGURE 2-12. 110 VOLT GENERATOR INSTALLATION - DEUTZ (OPTIONAL)



## SECTION 2 GROUND CONTROLS

**FIGURE 2-12. 110 VOLT GENERATOR INSTALLATION - DEUTZ (OPTIONAL)**

ITEM #	PART NUMBER	QTY.	DESCRIPTION	REV.
	0251801	Ref.	110 VOLT GENERATOR INSTALLATION (DEUTZ) (OPTIONAL) (PRIOR TO JULY 1994)	G
	0255038	Ref.	110 VOLT GENERATOR INSTALLATION (DEUTZ) (OPTIONAL) (JULY 1994 TO S/N 108548)	2
	0272421	Ref.	110 VOLT GENERATOR INSTALLATION (DEUTZ) (OPTIONAL) (S/N 108548 TO PRESENT)	B
	0256152	Ref.	220 VOLT GENERATOR INSTALLATION (DEUTZ) (OPTIONAL) (PRIOR TO S/N 108548)	2
	0272420	Ref.	220 VOLT GENERATOR INSTALLATION (DEUTZ) (OPTIONAL) (S/N 108548 TO PRESENT)	A
1	3580158	1	Pulley	
2	Not Used			
3	0701012	2	Bolt, Metric 10MM x 25MM	
4	4812000	2	Flatwasher, Metric 10MM (Prior to S/N 117135)	
5		1	V-Belt Options: Prior to S/N 117135 S/N 117135 to Present	
	0480059			
	0480137			
6	4751500	1	Flatwasher 5/16"	
7	4761500	2	Lockwasher 5/16"	
8	0681510	2	Bolt 5/16"-18NC x 1 1/4" (Grade 8)	
9	2860012	1	Key, Woodruff	
10	3580134	1	Pulley	
11	2460011	1	110 Volt 60Hz Generator	
	2460039	1	110 Volt 50Hz Generator	
	7003657	1	Control Box Assembly - Used with p/n 2460011	
	70002239	1	Control Box Assembly - Used with p/n 2460039	
		1	<b>Note: Replacement 110V Control Box comes with 2 standard Receptacles p/n 4460190. Optional Industrial Twist Lock Receptacles p/n 44600027 must be ordered separately.</b>	
	2420203	1	Voltmeter	
		1	Breaker, Circuit Options: 110 Volt 60Hz Generator 110 Volt 50Hz Generator	
	4360542			
	70002240			
	2920162	1	Lamp	
	7020191	1	Switch, Toggle	
	3520028	1	Plug, Hole	
	7012558	1	Generator Assembly - Used with p/n 2460011	
	2460049	1	Generator Assembly - Used with p/n 2460039	
		1	Armature with Slip Rings Options: 110 Volt 60Hz Generator 110 Volt 50Hz Generator	
	7026199			
	70000122			
	7020108	4	Brushes	
	7020109	4	Holdings, Brush	
	7012513	4	Cap, Brush Holder	
	3580134	1	Pulley	
	7012514	1	Fan	
	7020193	1	Cord, Power - 12ft Length	
	7020110	1	Bell End, Front	

## SECTION 2 GROUND CONTROLS

**FIGURE 2-12. 110 VOLT GENERATOR INSTALLATION - DEUTZ (OPTIONAL) (CONTINUED)**

ITEM #	PART NUMBER	QTY.	DESCRIPTION	REV.
	7020111	1	Bell End, Rear	
	7020190	2	Bearing	
	2460013	1	220 Volt 50Hz Generator	
	1001100321	1	Generator and Control Box Assembly	
	3580134	1	Generator	
	7020193	1	Pulley	
	70000123	1	Cord, Power - 12ft Length	
	7020108	4	Armature with Slip Rings	
	7020109	4	Brushes	
	7012513	4	Holders, Brush	
	7012514	4	Cap, Brush Holder	
	7020110	1	Fan	
	7020111	1	Bell End, Front	
	7020190	2	Bell End, Rear	
	70002235	1	Bearing	
	7020192	1	Box, Control	
	70000124	1	Voltmeter	
	70000125	1	Receptacle, Double (220V Box)	
	2920162	1	Receptacle, Single Twist Lock (220V Box)	
	7020191	1	Lamp	
	3520028	1	Switch, Toggle	
12	0361815	1	Plug, Hole	
13	4843410	1	Arm, Adjustment	
14	3311501	1	Bracket, Generator Mounting	
15	2180730	1	Nut 5/16"-18NC	
16	2180749	1	Fitting, Adapter	
17	2180537	1	Fitting, 45°	
18	4360037	1	Fitting, Nipple	
19	2180360	1	Switch, Pressure	
20	2200261	1	Fitting, Tee	
21	0701414	1	Fitting, Coupling (Not Required after July 1994)	
22	1060012	4 ft./1.2m	Bolt, Metric 14MM x 30MM	
	1060515	4 ft./1.2m	Cable, Electrical - 12/4 (Prior to S/N 92438)	
23	Not Used		Cable, Electrical - 12/4 (S/N 92438 to Present)	
24	3911008	2		
25	3311001	2	Screw, Machine #10-24NC x 1/2"	
26	4761000	2	Nut #10-24NC	
27	0901609	1	Lockwasher #10	
28	0641507	2	Bracket, Control Box Mounting	
29	4751500	A/R	Bolt 5/16"-18NC x 7/8"	
30	4761500	2	Flatwasher 5/16"	
31	3251476	1	Lockwasher 5/16"	
32		2	Name tag - On/Off	
	0681610		Bolt Options:	
	0641718		Bolt 3/8"-16NC x 1 1/4" (Grade 8)	
33	4761600	2	Bolt 7/16"-14NC x 2 1/4" (S/N 108548 to Present Only)	
			Lockwasher 3/8"	

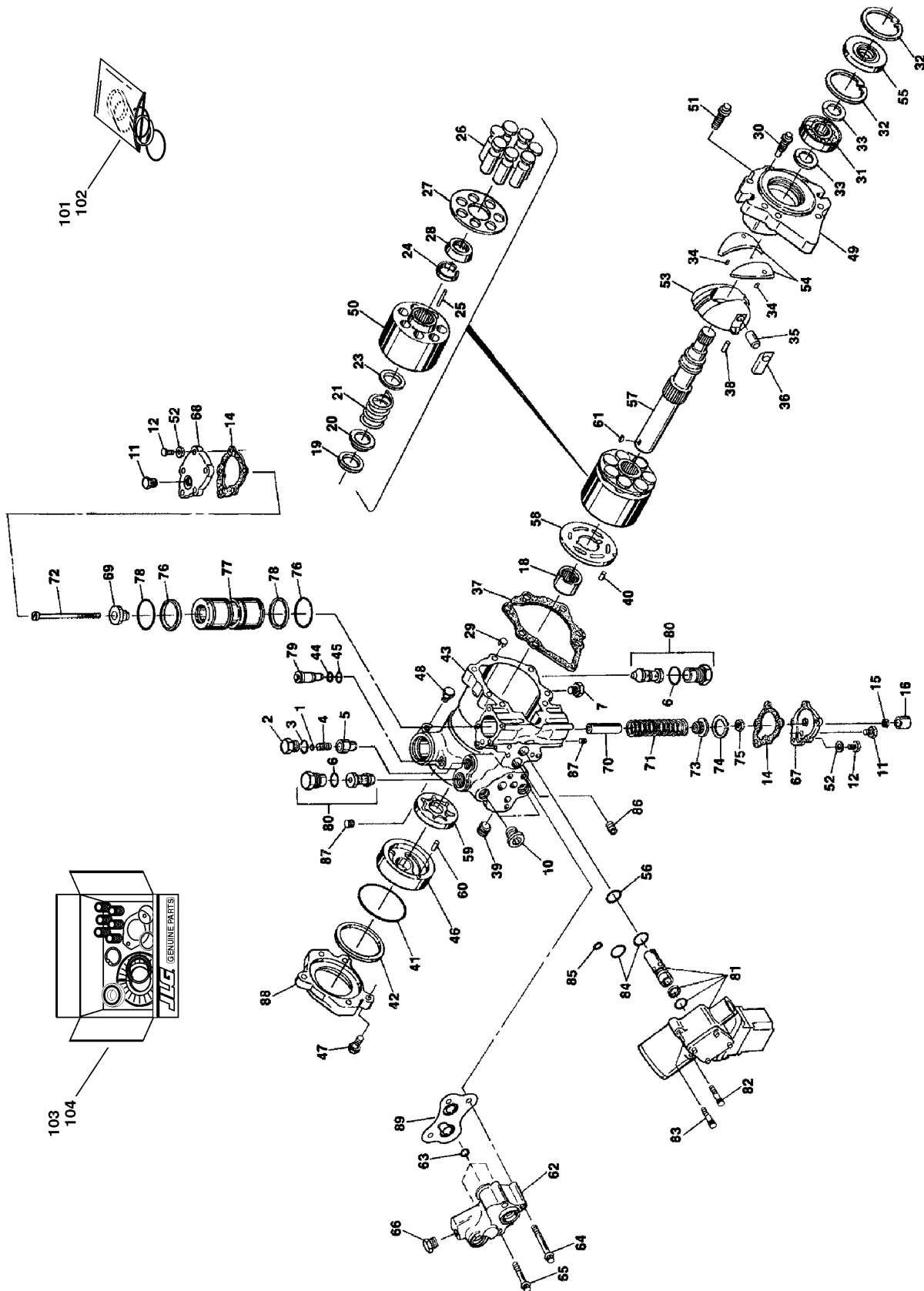
## SECTION 2 GROUND CONTROLS

**FIGURE 2-12. 110 VOLT GENERATOR INSTALLATION - DEUTZ (OPTIONAL) (CONTINUED)**

ITEM #	PART NUMBER	QTY.	DESCRIPTION	REV.
34	4751600	2	Flatwasher Options:	
	4711700		Flatwasher 3/8"	
			Flatwasher 7/16" (S/N 108548 to Present Only)	
35	0363082	1	Bar, Generator Adjustment (S/N 108548 to Present Only)	
36	4892000	2	Flatwasher 5/8" (S/N 108548 to Present Only)	
37	3900322	2	Screw, Shoulder (S/N 108548 to Present Only)	
38	3311505	2	Locknut 5/16"-18NC (S/N 108548 to Present Only)	
	0100011	A/R	Loctite #242	

# SECTION 2 GROUND CONTROLS

## FIGURE 2-13. PUMP ASSEMBLY - SUNSTRAND



## SECTION 2 GROUND CONTROLS

**FIGURE 2-13. PUMP ASSEMBLY - SUNSTRAND**

ITEM #	PART NUMBER	QTY.	DESCRIPTION	REV.
		Ref.	<b>PUMP ASSEMBLY - SUNSTRAND</b>	
	3600164	Ref.	<b>13 Tooth Pump Spline (Prior to S/N 30660)</b>	A
	3600260	Ref.	<b>15 Tooth Pump Spline (S/N 30660 to Present)</b>	B
1	7007413	1	Shim Kit - Relief Valve	
2	7007414	1	Plug	
3	Use Item 101	1	O-Ring	
4	7007416	1	Spring, Relief Valve	
5	7007417	1	Valve, Relief	
6	Use Item 101	2	O-Ring	
7	7007419	2	Plug	
8	Not Used			
9	Not Used			
10	7007420	2	Plug	
11	7007208	2	Plug	
12	7007421	10	Screw	
13	Not Used			
14	7007422	2	Gasket, Servo Cover	
15	Use Item 101	1	Nut, Special	
16	7007424	1	Cover, Adjustment	
17	Not Used			
18	7007425	1	Bearing, Needle	
19	Use Item 104	1	Ring, Retaining	
20	Use Item 104	1	Washer	
21	Use Item 104	1	Spring	
22	Not Used			
23	Use Item 104	1	Washer	
24	Use Item 104	1	Retainer	
25	Use Item 104	3	Pin, Slipper Holddown	
26	Use Item 104	7	Piston Assembly	
27	Use Item 104	1	Guide, Slipper	
28	Use Item 104	1	Guide, Retainer	
29	7007435	1	Pin, Spring	
30	7007436	1	Screw - 12 Point Head	
31	7007437	1	Bearing, Ball	
32	7007438	2	Ring	
33	7007439	2	Ring	
34	7007440	2	Pin, Spring	
35	7007441	1	Handle, Pin	
36	7007442	1	Sleeve, Bearing	
37	Use Item 101	1	Gasket, Front Cover	
38	7007444	1	Pin	
39	7007445	1	Plug, Expansion	
40	Use Item 104	1	Pin	
41	See Note	1	O-Ring ( <b>Note: Use Items 101 &amp; 103</b> )	
42	See Note	1	Ring, Load Temper ( <b>Note: Use Items 101 &amp; 103</b> )	
43	7007449	1	Housing, Pump	
44	Use Item 101	1	Ring, Back-Up	

## SECTION 2 GROUND CONTROLS

**FIGURE 2-13. PUMP ASSEMBLY - SUNSTRAND (CONTINUED)**

ITEM #	PART NUMBER	QTY.	DESCRIPTION	REV.
45	Use Item 101	1	O-Ring	
46	Use Item 103	1	Cover, Gerotor	
47	7007453	3	Bolt, Hex	
48	7007208	1	Plug	
49	7007454	1	Cover, Front	
50	Use Item 104	1	Block, Cylinder	
51	7007456	6	Screw - 12 Point Head	
52	7001438	10	Washer	
53	Use Item 104	1	Swash plate	
54	7007458	1	Journal, Bearing	
55	See Note	1	Seal, Lip ( <b>Note: Use Items 101 &amp; 104</b> )	
56	Use Item 101	1	O-Ring	
57			Shaft, Main Pump	
	7007461	1	13 Tooth Pump Spline (Prior to S/N 30660)	
	7010121	1	15 Tooth Pump Spline (S/N 30660 to Present)	
58	Use Item 104	1	Plate, Valve	
59	Use Item 103	1	Gerotor Assembly	
60	Use Item 103	1	Pin	
61	Use Item 103	1	Key, Woodruff	
62	7007466	1	Adaptor, Remote Filtration (Without Bypass)	
63	Use Item 101	3	O-Ring	
64	7007468	2	Screw	
65	7007469	2	Screw	
66	7007470	1	Plug	
67	7007471	1	Cover, Servo (With Adjuster)	
	7007490	2	Stop, Servo (Not Shown)	
	7007491	2	Nut, Special (Not Shown)	
	7007492	2	Ring, External (Not Shown)	
68	7007482	1	Cover, Servo (Without Adjuster)	
69	7007483	1	Guide, Spring	
70	7007484	1	Stop, Servo	
71	7007485	1	Spring	
72	7007486	1	Screw	
73	7007487	1	Guide, Spring	
74	7007488	1	Ring, Retaining	
75	7007499	1	Locknut	
76	See Note	2	Ring, Piston ( <b>Note: Use Items 101 &amp; 102</b> )	
77	7007494	1	Piston, Servo	
78	See Note	2	O-Ring ( <b>Note: Use Items 101 &amp; 102</b> )	
79	7007472	1	Valve, By-Pass	
80	Use 7010122	2	Valve, Pressure Release (Includes Item 6) (was p/n 7007473)	
81	7007474	1	Control, Dual Oil-Filled	
	7007496	1	Coil Assembly (Pilot)	
	7007497	1	Plug (Pump)	
	7007498	1	Plug (Valve Harness)	
82	7007478	2	Screw	
83	7001498	2	Screw	
84	Use Item 101	2	O-Ring	
85	Use Item 101	1	O-Ring	



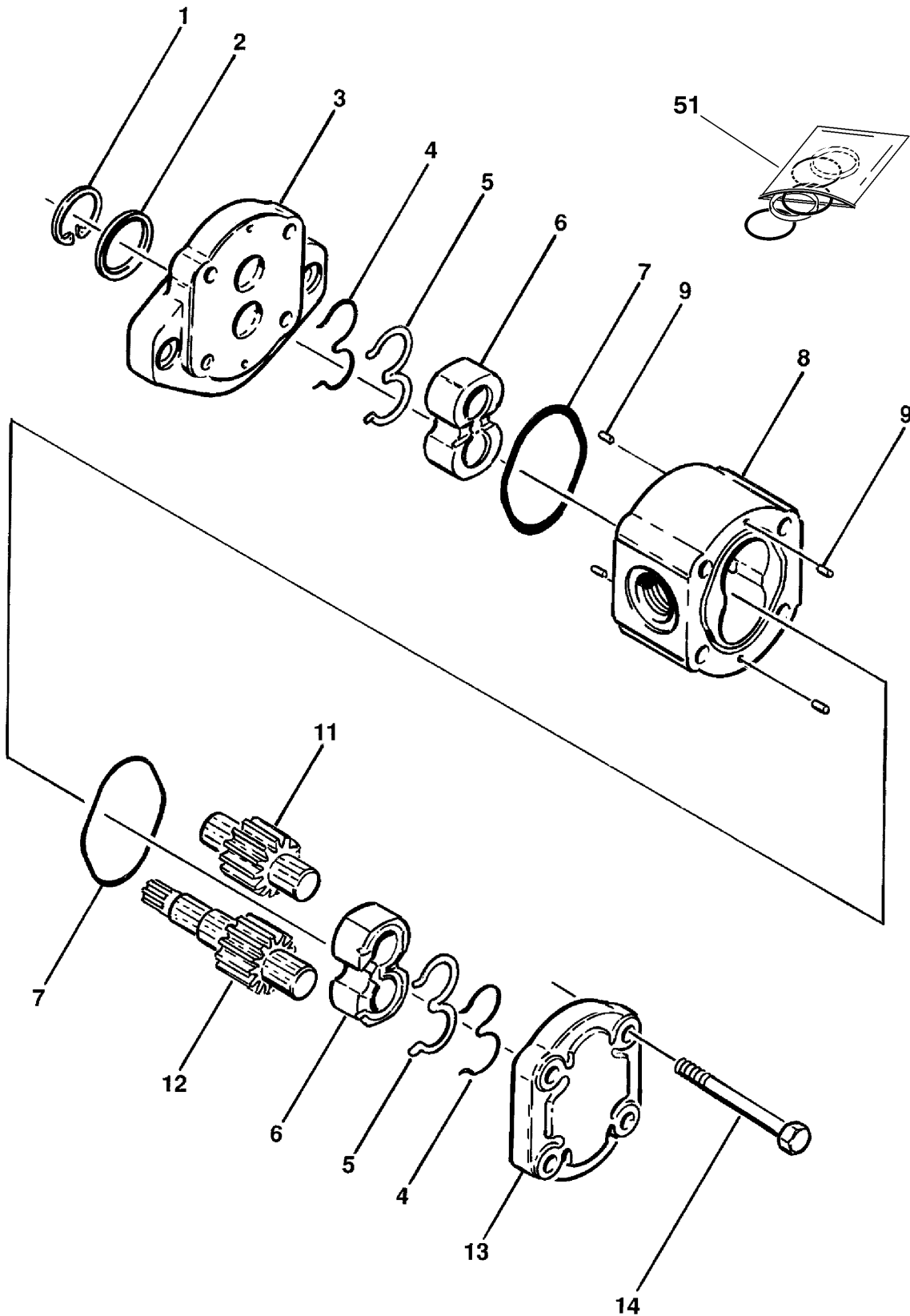
## SECTION 2 GROUND CONTROLS

**FIGURE 2-13. PUMP ASSEMBLY - SUNSTRAND (CONTINUED)**

ITEM #	PART NUMBER	QTY.	DESCRIPTION	REV.
86	7007475	1	Plug, Orifice/Screen -.156	
87	7007477	2	Plug, Orifice -.37	
88	7007476	1	Adapter, Auxiliary Pump	
89	7010120	1	Spacer/Gasket -----	
101	2900752	1	Seal Kit - Complete (Includes Items 3,6,14,15,37,41,42,44, 45,55,56,63,76,78,84 and 85)	
102	7007412	1	Seal Kit - Servo Piston (Includes Items 76 and 78)	
103	2900826	1	Charge Pump Kit (Includes Items 41,42,46,59,60,61)	
104	2900827	1	Cylinder Block Kit (Includes Items 19-28, 40,50,53,55,58)	

# SECTION 2 GROUND CONTROLS

## FIGURE 2-14. PUMP ASSEMBLY - BARNES



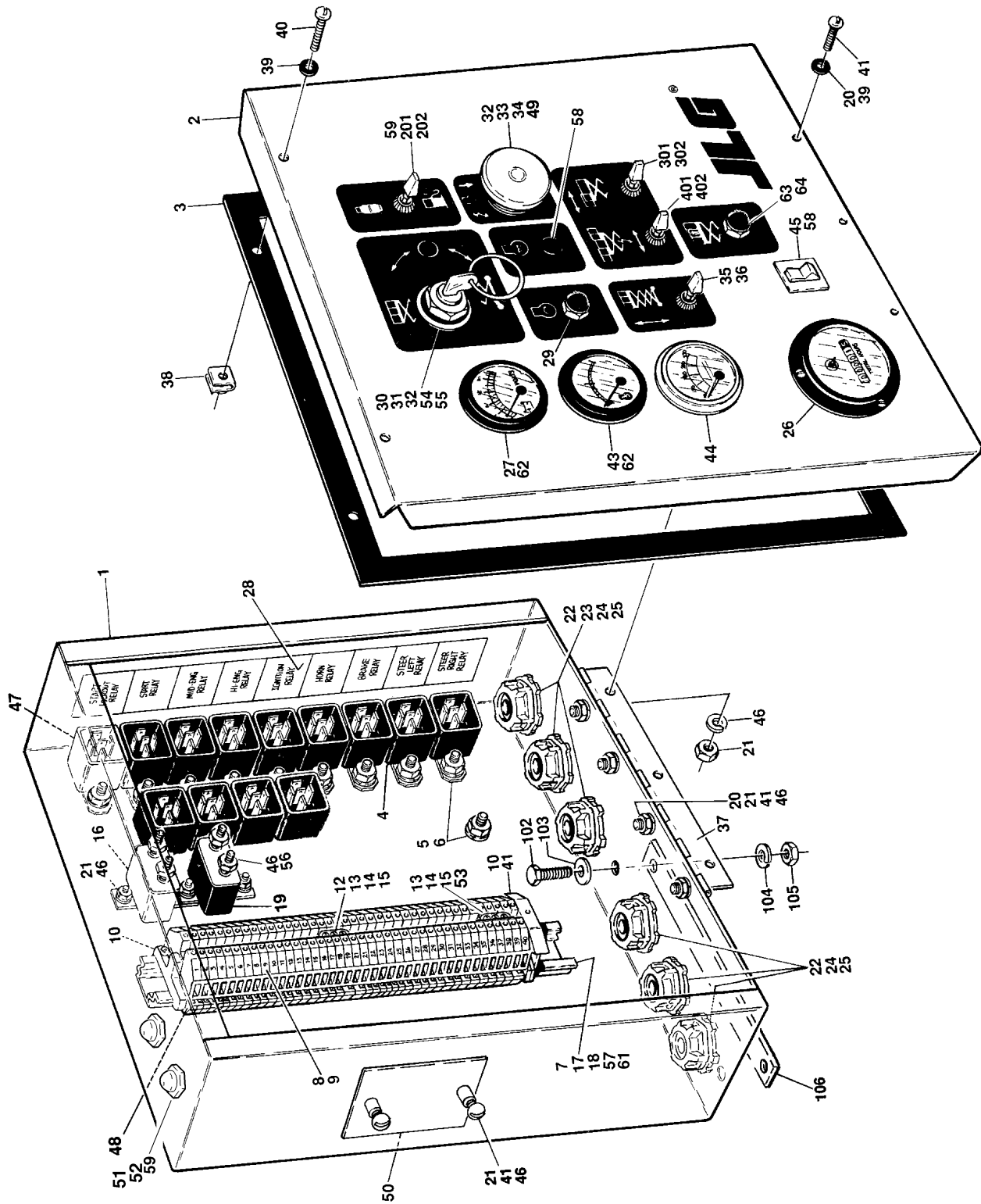
## SECTION 2 GROUND CONTROLS

**FIGURE 2-14. PUMP ASSEMBLY - BARNES**

ITEM #	PART NUMBER	QTY.	DESCRIPTION	REV.
	3600205	Ref.	<b>PUMP ASSEMBLY - BARNES</b>	—
1	7010955	1	Ring, Retaining	
2	Use Item 51	1	Seal Shaft	
3	7010956	1	Flange, Mounting	
4	Use Item 51	2	Ring, Back-up	
5	Use Item 51	2	E-Seal	
6	7010957	2	Bearing	
7	Use Item 51	2	O-Ring	
8	7010996	1	Housing, Gear	
9	7010959	4	Pin, Dowel	
10	Not Used			
11	7010997	1	Gear, Idler	
12	7010998	1	Gear, Drive	
13	7010960	1	Cover, End	
14	7010961	4	Bolt	
			-----	
51	7010953	1	Seal Kit (Includes Items 2,4,5 and 7)	

# SECTION 2 GROUND CONTROLS

FIGURE 2-15. GROUND CONTROL BOX INSTALLATION



## SECTION 2 GROUND CONTROLS

**FIGURE 2-15. GROUND CONTROL BOX INSTALLATION**

ITEM #	PART NUMBER	QTY.	DESCRIPTION	REV.
		Ref.	<b>GROUND CONTROL BOX INSTALLATIONS:</b>	
	0860810	Ref.	<b>FORD POWERED MACHINES</b>	8
	0861010	Ref.	<b>FORD DIS 423 POWERED MACHINES (400RTS)</b>	5
	0861011	Ref.	<b>FORD DIS 423/LRG-425 POWERED MACHINES (500RTS)</b>	6
	0860812	Ref.	<b>DEUTZ POWERED MACHINES (Australian Spec) (Prior to S/N 50052)</b>	9
	0861098	Ref.	<b>DEUTZ POWERED MACHINES (CE Spec) (Prior to S/N 112737)</b>	9
	0861605	Ref.	<b>DEUTZ POWERED MACHINES (CE Spec) (S/N 112737 to Present)</b>	1
	0861234	Ref.	<b>DEUTZ POWERED MACHINES (Australian Spec) (S/N 50052 to Present)</b>	6
1	Use 4845486	1	Box, Ground Control Options: Prior to S/N 78383 (was p/n 4844268)	
	4845486		S/N 78383 to Present	
2		1	Lid Options:	
	3252217		Lid (Prior to S/N 65040)	
	3252642		Lid (S/N 65040 to Present)	
	3252642		Lid (Prior to S/N 112737) (CE Spec)	
	3252809		Lid (S/N 112737 to Present) (CE Spec)	
3	4420037	4 ft./2m	Strip, Rubber	
4	3740049	A/R	Relay - 12V	
5	4761400	10	Lockwasher 1/4"	
6	3311401	10	Nut 1/4"-20NC	
7	3640500	1	Rail, Mounting	
8	4460298	A/R	Block, Terminal	
9	4460301	1	Marker, Terminal	
10	4460299	2	Stop, Terminal	
11	4460300	1	Barrier, Terminal	
12	4460309	1	Bar, Buss - 3 Position	
13	4460305	A/R	Screw	
14	4460306	A/R	Washer	
15	4460307	A/R	Sleeve	
16		A/R	Breaker, Circuit - 30 Amp Options:	
	Not Required	0	CE Spec	
	4360216	1	Australian Spec	
17	4760600	2	Lockwasher #6	
18	3310601	2	Nut #6-32NC	
19		A/R	Breaker, Circuit - 15 Amp Options:	
	Not Required	0	CE Spec	
	4360232	1	Australian Spec	
20	4761000	4	Flatwasher #10 (Prior to S/N 78383)	
21	3311001	A/R	Nut #10-24NC	
22	4460051	6	Connector, Strain Relief	
23	4460071	2	Connector, Strain Relief (Prior to S/N 30660)	
24	3300048	6	Locknut, Conduit	
25	0960238	6	Bushing (Prior to S/N 108336)	
26	2420009	1	Hourmeter	

## SECTION 2 GROUND CONTROLS

**FIGURE 2-15. GROUND CONTROL BOX INSTALLATION (CONTINUED)**

ITEM #	PART NUMBER	QTY.	DESCRIPTION	REV.
27	2420091	1	Voltmeter Options: Prior to S/N 78383	
	2420156		S/N 78383 to Present	
28	1701682	1	Decal - Relay Functions	
29	4360274	1	Switch, Push Button (Start)	
30		1	Switch, Key (Select) Options: Prior to S/N 65040	
	4360290		S/N 65040 to Present (Australian Spec)	
	4360469		S/N 65040 to Present (CE Spec)	
	4360468	1 set	Key, Replacement Options: Prior to S/N 65040	
	7010698		S/N 65040 to Present (Common Key Style)	
31	4360267	1	Block, Contact (Prior to S/N 66916)	
32		1	Block, Contact Options: Prior to S/N 66916	
	4360281		S/N 66916 to Present	
	4360478			
33		1	Switch, Push/Pull (Emergency Stop) Options: Prior to S/N 66916 (p/n was 4360289)	
	Use 4360475	1	S/N 66916 to Present	
	4360475	1		
34	0100035	A/R	Loctite #222 (Not Shown) (Prior to S/N 78383)	
35	4360314	1	Switch, Toggle (Lift)	
36	3790012	1	O-Ring	
37	2600093	1	Hinge	
38	3300177	2	Nut, Tinnerman	
39	4740120	5	Washer, Nylon	
40	0750806	2	Screw, Round Head #8-32NC x 3/4"	
41	3911008	A/R	Screw, Round Head #10-24NC x 1"	
42	Not Used			
43		1	Gauge, Oil Pressure Options: Ford	
	2420128		Deutz (Prior to S/N 78383)	
	2420111		Deutz (S/N 78383 to Present)	
	2420166			
44		1	Options: Ford - Gauge, Water Temperature	
	2420127		Deutz - Plug, Cap	
	3520070			
45		A/R	Options: Plug, Hole (Ford)	
	3520026	1	Breaker, Circuit - 3 Amp (Deutz)	
	4360212	1		
46	4761000	A/R	Lockwasher #10	
47	3740077	1	Relay - 6V	
48	4460303	1	Strip, Ground Relay	
49	4740066	1	Washer, Thrust (Prior to S/N 66916)	
50		1	Switch, Remote Speed Set (August 1995 to Present) Ford	
	4360228		Ford DIS 423/425	
	Not Required		Deutz	
	Not Required			
51		A/R	Circuit Breaker Options: CE Spec	
	4360069	2	Australian Spec	
	Not Required	0		

## SECTION 2 GROUND CONTROLS

**FIGURE 2-15. GROUND CONTROL BOX INSTALLATION (CONTINUED)**

ITEM #	PART NUMBER	QTY.	DESCRIPTION	REV.
52	3300396	A/R	Nut, Circuit Breaker Seal Options:	
		2	CE Spec	
	Not Required	0	Australian Spec	
53	4460308	A/R	Buss Bar, Terminal Options:	
		1	CE Spec	
	Not Required	0	Australian Spec	
54	4070987	5	Shim, .015 (S/N 65040 to Present)	
55	0720603	5	Screw #6-32NC x 3/8" (S/N 65040 to Present)	
56	3321001	8	Nut #10-32NC (S/N 78383 to Present)	
57	4750600	2	Flatwasher #6 (S/N 78383 to Present)	
58	3520026	1	Plug (S/N 78383 to Present)	
59	3520028	A/R	Plug (S/N 78383 to Present)	
60	3340841	4	Pad, PVC (Not Shown) (S/N 108336 to Present)	
61	3910606	2	Screw #6-32 x 3/4 (S/N 108336 to Present)	
62	2420084	2	Kit, Gauge Light (S/N 108336 to Present)	
63	2920026	1	Holder, Lamp (S/N 112737 to Present) (CE Spec with Load Sensing Only)	
64	2920029	1	Bulb (Red) (S/N 112737 to Present) (CE Spec with Load Sensing Only)	
		Ref.	<b>GROUND CONTROL BOX INSTALLATION</b>	
	0255557	Ref.	<b>FORD DIS 423 - 400RTS</b>	A
	0255558	Ref.	<b>FORD DIS 423/LRG-425 - 500RTS</b>	A
	0253348	Ref.	<b>FORD - 400RTS/500RTS</b>	A
	0253350	Ref.	<b>DEUTZ - 400RTS/500RTS</b>	A
	0258665	Ref.	<b>DEUTZ - 400RTS/500RTS (Australian Spec)</b>	1
	0257240	Ref.	<b>DEUTZ - 400RTS/500RTS (CE Spec) (Prior to S/N 112737)</b>	1
	0273054	Ref.	<b>DEUTZ - 500RTS (CE Spec) (S/N 112737 to Present)</b>	1
101	Not Used			
102	0641410	2	Bolt 1/4"-20NC x 1-1/4"	
103	4751400	4	Flatwasher 1/4"	
104	4761400	2	Lockwasher 1/4"	
105	3311401	2	Nut 1/4"-20NC	
106	0362591	1	Bar, Brace	
	0250790	Ref.	<b>OPTIONAL DUAL FUEL CONTROLS INSTALLATION</b>	12
201	4360331	1	Switch, Toggle (Select)	
202	3790012	1	O-Ring	
		Ref	<b>OPTIONAL PLATFORM EXTENSION CONTROLS INSTALLATION - SINGLE EXTENSION</b>	
301	4360330	1	Switch, Toggle (Extend)	
302	3790012	1	O-Ring	

## SECTION 2 GROUND CONTROLS

**FIGURE 2-15. GROUND CONTROL BOX INSTALLATION (CONTINUED)**

ITEM #	PART NUMBER	QTY.	DESCRIPTION	REV.
		Ref	<b>OPTIONAL PLATFORM EXTENSION CONTROLS INSTALLATION - DUAL EXTENSIONS</b>	
401	4360314	1	Switch, Toggle (Platform Select)	
402	3790012	1	O-Ring	



## SECTION 2 GROUND CONTROLS

**FIGURE 2-15. GROUND CONTROL BOX INSTALLATION (CONTINUED)**

ITEM #	PART NUMBER	QTY.	DESCRIPTION	REV.



## SECTION 2 GROUND CONTROLS

**FIGURE 2-16. HOODS AND BEACON LIGHT INSTALLATION**

ITEM #	PART NUMBER	QTY.	DESCRIPTION	REV.
	0253280	Ref.	<b>HOOD INSTALLATION - LEFT SIDE (STANDARD ON ALL MACHINES)</b>	4
1	2680407	1	Hood Weldment - Left Side	
2	3536371	1	Plate - Left Side Rear	
3	3536372	1	Plate - Left Side Front	
4	3536373	1	Plate - Left Side	
5	Not Used			
6	2940042	2	Latch	
7	0100011	A/R	Loctite #242 (Not Shown)	
8	Not Used			
9	Not Used			
10	0641406	32	Bolt 1/4"-20NC x 3/4"	
11	4751400	32	Flatwasher 1/4"	
12	4761400	32	Lockwasher 1/4"	
13	3300353	20	Nut, Tinnerman	
14	4060803	7.5ft./2.3m	Trim - Strip	
	2902129	1	Kit, Hood (Includes Items 1-4)	
		Ref.	<b>Note: Replacement decals must be ordered separately - See Section 8.</b>	
	0253382	Ref.	<b>HOOD INSTALLATION - RIGHT SIDE (DIESEL MACHINES)</b>	7
101	2680408	1	Hood Weldment - Right Side	
102	3536430	1	Plate - Air Exhaust	
103	4844024	1	Snorkel, Exhaust	
104	3536431	1	Plate - Right Side Rear	
105	3535352	1	Plate - Air Intake	
106	4844279	1	Plate - Right Side Front	
107	0641406	20	Bolt 1/4"-20NC x 3/4"	
108	4761400	20	Lockwasher 1/4"	
109	4751400	34	Flatwasher 1/4"	
110	3300364	16	Nut, Tinnerman	
111	3941406	6	Screw, Self-Tapping 1/4" x 3/4" (Prior to S/N 44721)	
112	2940042	2	Latch, Flush Mounting	
113	0641408	4	Bolt 1/4"-20NC x 1"	
114	0100011	A/R	Loctite #242 (Not Shown)	
115		1	Plate - Right Side Inside Options:	
	Use 3380515		Prior to S/N 117135 (was p/n 3536434)	
	3380515		S/N 117135 to Present	
116	3311405	10	Locknut 1/4"-20NC	
117	2820047	2	Foam, Acoustical	
118	3536622	1	Cover, Pump	
119	0641508	16	Bolt 5/16"-18NC x 1"	
120	4761500	16	Lockwasher 5/16"	
121	4751500	16	Flatwasher 5/16"	
122	3311401	6	Nut 1/4"-20NC (S/N 44721 to Present)	
123	3300353	8	Nut, Tinnerman 1/4"-20NC (S/N 44721 to Present)	

## SECTION 2 GROUND CONTROLS

**FIGURE 2-16. HOODS AND BEACON LIGHT INSTALLATION (CONTINUED)**

ITEM #	PART NUMBER	QTY.	DESCRIPTION	REV.
124	4711400	6	Flatwasher 1/4" (S/N 44721 to Present)	
125	4060969	1	Shield, Intake (S/N 48837 to Present)	
126	3820019	6	Rivet (S/N 48837 to Present)	
	2902130	1	Kit, Hood (Includes Items 101-106, 115, 118 & 125)	
		Ref.	<b>Note: Replacement decals must be ordered separately - See Section 8.</b>	
	0253299	Ref.	<b>HOOD INSTALLATION - RIGHT SIDE (FORDVSG 411 GAS MACHINES)</b>	2
201	2680406	1	Hood Weldment - Right Side	
202	3536349	1	Plate - Right Side Front	
203	3536350	1	Plate - Right Side Rear	
204	3536351	1	Plate - Inside Cover	
205	3536622	1	Cover, Pump	
206	3300353	9	Nut, Tinnerman	
207	0641406	9	Bolt 1/4"-20NC x 3/4"	
208	4751400	20	Flatwasher 1/4"	
209	4761400	10	Lockwasher 1/4"	
210	3311405	9	Locknut 1/4"-20NC	
211	0641408	10	Bolt 1/4"-20NC x 1"	
212	0641406	2	Bolt 1/4"-20NC x 3/4"	
213	2940042	2	Latch, Flush Mount	
214	0100011	A/R	Loctite #242	
215	0362100	1	Bar	
		Ref.	<b>HOOD INSTALLATION - RIGHT SIDE OPTIONS:</b>	
	0254949	Ref.	<b>FORD LSG 423 GAS MACHINES</b>	A
	0255269	Ref.	<b>FORD LRG-423 DIS/LRG 425 GAS MACHINES</b>	6
301		1	Hood Weldment - Right Side	
	2680415		Ford LSG-423	
	2680419		Ford LRG-423/LRG-425	
302		1	Plate - Right Side Front Options:	
	3538188		Ford LSG-423	
			Ford LRG-423/LRG-425 Options:	
	3538743		Prior to S/N 46528	
	3570984		S/N 46528 to Present	
303		1	Plate - Right Side Rear Options:	
	3538189		Ford LSG-423	
			Ford LRG-423/LRG-425 Options:	
	3538744		Prior to S/N 46528	
	3570983		S/N 46528 to Present	
304		1	Plate - Inside Cover Options:	
	3538450		Ford LSG-423	
			Ford LRG-423/LRG-425 Options:	
	3538745		Prior to S/N 37789	
	3536351		S/N 37789 to Present	

## SECTION 2 GROUND CONTROLS

**FIGURE 2-16. HOODS AND BEACON LIGHT INSTALLATION (CONTINUED)**

ITEM #	PART NUMBER	QTY.	DESCRIPTION	REV.
305	4060887	1	Shield, Pump Cover Options: Ford LSG-423	
	4060893		Ford LRG-423/LRG-425	
306	1670560	1	Cover Plate	
307	3300353	A/R	Nut, Tinnerman	
308	0641406	A/R	Bolt, 1/4"-20NC x 3/4"	
309	4751400	A/R	Flatwasher 1/4"	
310	4761400	A/R	Lockwasher 1/4"	
311	3311405	4	Locknut 1/4"-20NC	
312	0641408	A/R	Bolt, 1/4"-20NC x 1"	
313	0641412	1	Bolt 1/4"-20NC x 1 1/2" Lg. (Prior to S/N 46528)	
314	2940042	2	Latch, Flush Mount	
315	0100011	A/R	Loctite	
316	0362100	1	Bar	
317	0751006	2	Screw, Sheet Metal (Prior to S/N 46528)	
	2902131	1	Kit, Hood (Includes Items 301-306)	
		Ref.	<b>Note: Replacement decals must be ordered separately - See Section 8.</b>	
	0253445	Ref.	<b>BEACON LIGHT INSTALLATION (HOOD MOUNTED) (OPTION)</b>	2
401	2920105	1	Light, Strobe - Amber	
	7016603	1	Replacement Bulb	
	4060829	1	Guard, Wire	
	3041404	2	Screw, Self-Tap 1/4" x 1/2"	
	0641406	2	Bolt 1/4"-20NC x 3/4"	
	4751400	2	Flatwasher 1/4"	
	3311405	2	Locknut 1/4"-20NC	

## SECTION 2 GROUND CONTROLS

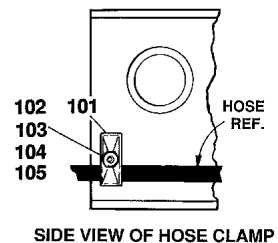
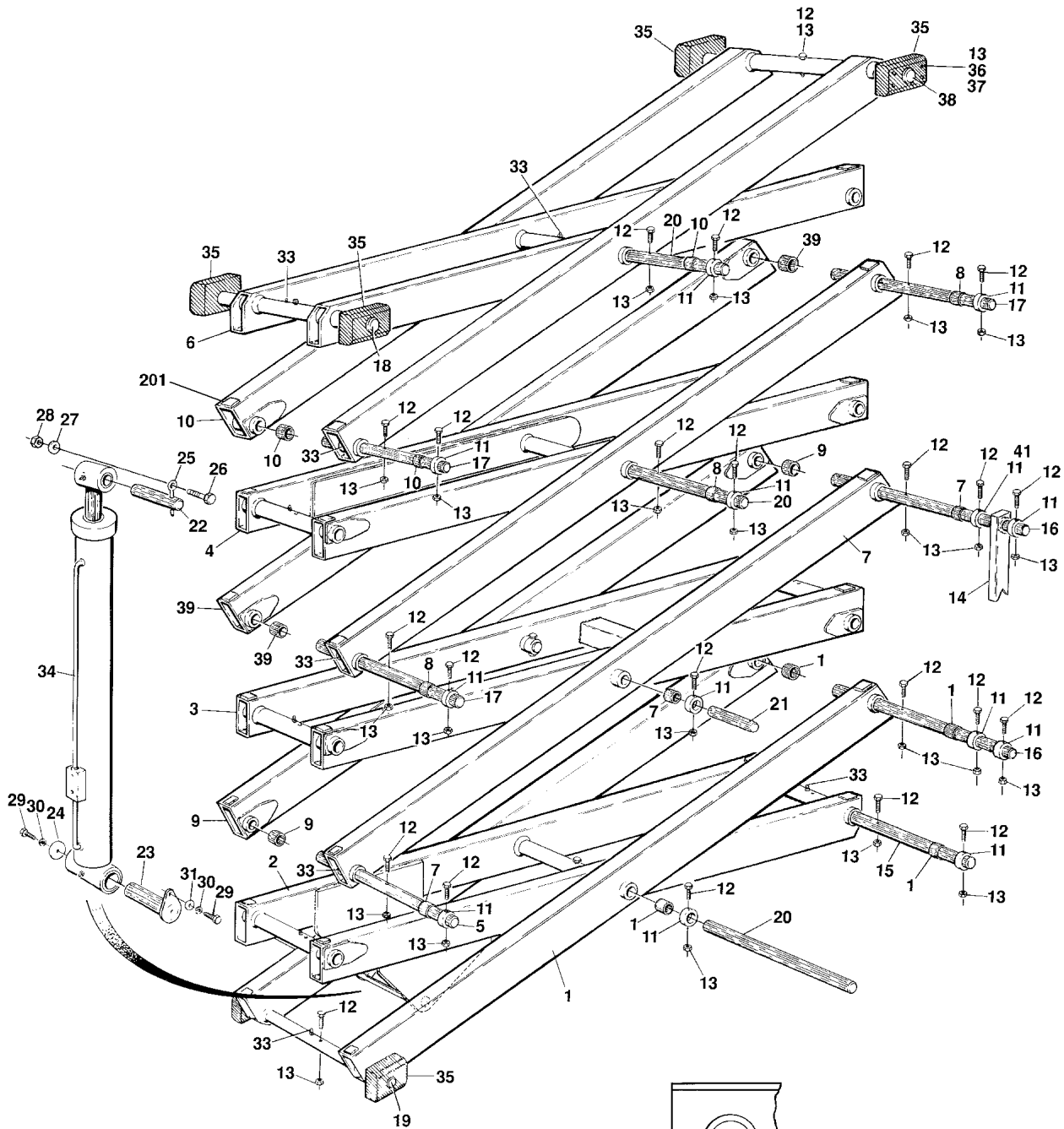
FIGURE 2-16. HOODS AND BEACON LIGHT INSTALLATION (CONTINUED)

ITEM #	PART NUMBER	QTY.	DESCRIPTION	REV.

# **SECTION 3 SCISSORS ARMS**

# SECTION 3 SCISSORS ARMS

## FIGURE 3-1. SIZZORS ARMS INSTALLATION - 400RTS (PRIOR TO S/N 41058)





## SECTION 3 SCISSORS ARMS

**FIGURE 3-1. SIZZORS ARMS INSTALLATION - 400RTS (PRIOR TO S/N 41058)**

ITEM #	PART NUMBER	QTY.	DESCRIPTION	REV.
	0253916	Ref.	<b>ARMS ASSEMBLY</b>	7
1	0200484	1	Arm Weldment (Bottom Outboard)	
	0961731	4	Bushing, Bronze	
2	0200485	1	Arm Weldment (Bottom Inboard)	
3	0200486	1	Arm Weldment (2nd Inboard)	
4	0200516	1	Arm Weldment (3rd Inboard)	
5	3422154	1	Pin, Pivot	
6	0200517	1	Arm Weldment (Top Inboard)	
7	0200490	1	Arm Weldment (2nd Outboard - Right Side)	
	0961731	3	Bushing, Bronze	
8	0200491	1	Arm Weldment (3rd Outboard - Right Side)	
	0961731	3	Bushing, Bronze	
9	0200494	1	Arm Weldment (2nd Outboard - Left Side)	
	0961731	3	Bushing, Bronze	
10	0200493	1	Arm Weldment (Top Outboard)	
	0961731	4	Bushing, Bronze	
11	1440237	28	Collar	
12	0681630	45	Bolt 3/8"-16NC x 3 3/4" (Grade 8)	
13	3311605	53	Locknut 3/8"-16NC	
14	3536607	2	Prop, Safety	
15	3422152	1	Pin, Pivot	
16	3422153	2	Pin, Pivot	
17	3422154	3	Pin, Pivot	
18	3422155	1	Pin, Pivot	
19	3422156	1	Pin, Pivot	
20	3422157	3	Pin, Pivot	
21	3422158	1	Pin, Pivot	
22	3422102	1	Pin, Pivot	
23	3422103	1	Pin, Pivot	
24	4740401	1	Washer, Special	
25	3841203	1	Shaft, Keeper	
26	0641714	1	Bolt 7/16"-14NC x 1 3/4"	
27	4761700	1	Lockwasher 7/16"	
28	3311701	1	Nut 7/16"-14NC	
29	0641612	1	Bolt 3/8"-16NC x 1 1/2"	
30	4761600	2	Lockwasher 3/8"	
31	3311601	1	Nut 3/8"-16NC	
32	0641608	1	Bolt 3/8"-16NC x 1"	
33	2160006	30	Fitting, Grease	
34		1	Lift Cylinder Assembly Options (See Section 5 for Breakdown):	
	Use 1683467		Prior to S/N 28615 (was p/n 1682969)	
	1683467		SN 28615 to Present	
35	3340664	6	Pad, Sliding	
36	0641626	8	Bolt 3/8"-16NC x 3 1/4"	
37	4751600	16	Flatwasher 3/8"	
38	3422169	1	Pin, Pivot	
39	0200518	1	Arm Weldment (Upper Mid - Outboard)	
	0961731	3	Bushing, Bronze	

## SECTION 3 SCISSORS ARMS

**FIGURE 3-1. SIZZORS ARMS INSTALLATION - 400RTS (PRIOR TO S/N 41058) (CONTINUED)**

ITEM #	PART NUMBER	QTY.	DESCRIPTION	REV.
40	1320095	1	Clamp, Hose (Not Shown)	
41	4740310	2	Washer, Thrust	
	0100011	A/R	Loctite #242	
	2901329	1	Arm Kit, Complete (Includes Items 1,2,3,4,6,7 8,9,10,14) (Not Shown)	
	0254272	Ref.	<b>HOSE CLAMP ASSEMBLY</b>	B
101	1320162	6	Clamp, Hose	
102	0641522	6	Bolt 5/16"-18 x 2 3/4"	
103	4751500	6	Flatwasher 5/16"	
104	4761500	6	Lockwasher 5/16"	
105	3311501	6	Nut 5/16"	
106	2820025	22 Ft.	Plastic, Spring Guard (Not Shown)	
	0252587	Ref.	<b>ARM PADS</b>	3
201	Use 3340841 3340841	24	Pad, Polyurethane Options: Prior to S/N 47175 (p/n was 3340645) S/N 47175 to Present	

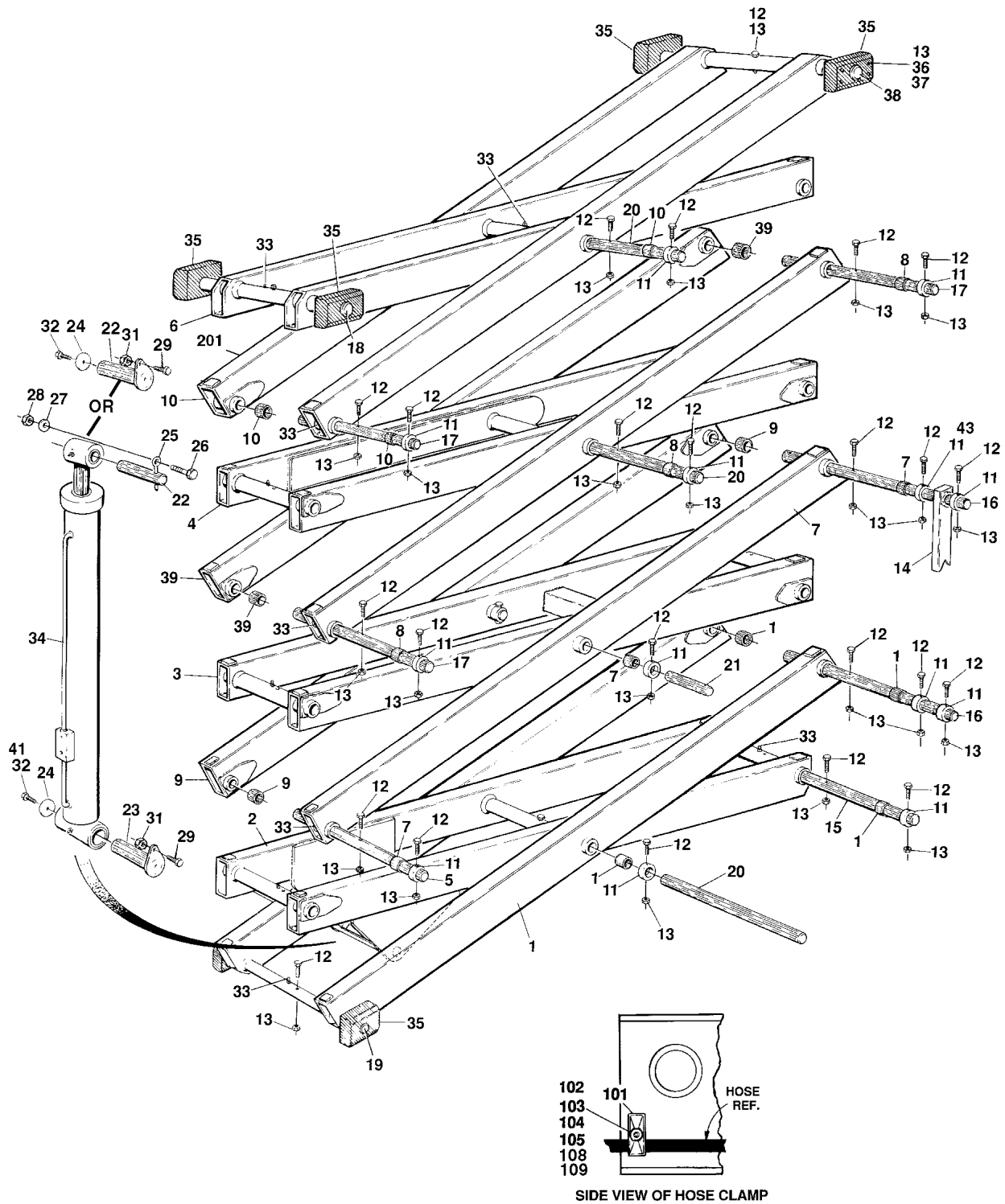
**SECTION 3 SCISSORS ARMS**

**FIGURE 3-1. SIZZORS ARMS INSTALLATION - 400RTS (PRIOR TO S/N 41058) (CONTINUED)**

ITEM #	PART NUMBER	QTY.	DESCRIPTION	REV.

# SECTION 3 SCISSORS ARMS

FIGURE 3-2. SIZZORS ARMS INSTALLATION - 400RTS (S/N 41058 TO PRESENT)



## SECTION 3 SCISSORS ARMS

**FIGURE 3-2. SIZZORS ARMS INSTALLATION - 400RTS (S/N 41058 TO PRESENT)**

ITEM #	PART NUMBER	QTY.	DESCRIPTION	REV.
	0257729	Ref.	<b>ARMS ASSEMBLY</b>	3
1	0200484	1	Arm Weldment (Bottom Outboard)	
	0961731	4	Bushing, Bronze	
2	0200551	1	Arm Weldment (Bottom Inboard)	
3	0200552	1	Arm Weldment (2nd Inboard)	
4	0200578	1	Arm Weldment (3rd Inboard)	
5	3422619	1	Pin, Pivot:	
6	0200579	1	Arm Weldment (Top Inboard)	
7	0200490	1	Arm Weldment (2nd Outboard - Right Side)	
	0961731	3	Bushing, Bronze	
8	0200491	1	Arm Weldment (3rd Outboard - Right Side)	
	0961731	3	Bushing, Bronze	
9	0200494	1	Arm Weldment (2nd Outboard - Left Side)	
	0961731	3	Bushing, Bronze	
10	0200493	1	Arm Weldment (Top Outboard)	
	0961731	4	Bushing, Bronze	
11	1440324	28	Collar	
12	0681830	45	Bolt 1/2"-13NC x 3 3/4" (Grade 8)	
13	3311805	53	Locknut 1/2"-13NC	
14		2	Prop, Safety Options:	
	3536607		Prior to S/N 42949	
	3570875		S/N 42949 to Present	
15	3422617	1	Pin, Pivot	
16	3422618	2	Pin, Pivot	
17	3422619	3	Pin, Pivot	
18	3422620	1	Pin, Pivot	
19	3422621	1	Pin, Pivot	
20	3422622	3	Pin, Pivot	
21	3422623	2	Pin, Pivot	
22		1	Pin, Pivot Options:	
	3422662		Prior to S/N 42215	
	3422624		S/N 42215 to Present	
23	3422631	1	Pin, Pivot	
24	4740401	2	Washer, Special	
25	3841203	1	Shaft, Keeper (Prior to S/N 42215)	
26	0641714	1	Bolt 7/16"-14NC x 1 3/4" (Prior to S/N 42215)	
27	4761700	1	Lockwasher 7/16" (Prior to S/N 42215)	
28	3311701	1	Nut 7/16"-14NC (Prior to S/N 42215)	
29	0630524	2	Carriage Bolt 7/16"-14NC x 1 1/2"	
30	Not Used			
31	3311705	2	Locknut 7/16"-14NC	
32	0641608	2	Bolt 3/8"-16NC x 1"	
33	2160006	30	Fitting, Grease	
34	1683467	1	Lift Cylinder Assembly (See Section 5 for Breakdown)	
35	3340664	6	Pad, Sliding	
36	0641626	8	Bolt 3/8"-16NC x 3 1/4"	
37	4751600	16	Flatwasher 3/8"	
38	3422626	1	Pin, Pivot	

## SECTION 3 SCISSORS ARMS

**FIGURE 3-2. SIZZORS ARMS INSTALLATION - 400RTS (S/N 41058 TO PRESENT)**

ITEM #	PART NUMBER	QTY.	DESCRIPTION	REV.
39	0200518	1	Arm Weldment (Upper Mid - Outboard)	
	0961731	3	Bushing, Bronze	
40	1320095	1	Clamp, Hose (Not Shown)	
41	0100011	A/R	Loctite #242	
42	Not Used			
43	4740310	2	Washer, Thrust	
44	Not Used			
45	2540002	4ft/1.2m	Grommet (Not Shown)	
	2901536	1	Arm Kit, Complete (Includes Items 1 thru 10,14 and 39) (Not Shown)	
	0254272	Ref.	<b>HOSE CLAMP ASSEMBLY</b>	4
101		A/R	Clamp, Hose Options:	
	1320162	7	Prior to S/N 70211	
	1320061	10	S/N 70211 to Present	
102		A/R	Bolt Options:	
	0641522	7	Bolt 5/16"-18 x 2 3/4" (Prior to S/N 70211)	
	0641510	6	Bolt 5/16"-18 x 1 1/4" (S/N 70211 to Present)	
103	4751500	10	Flatwasher 5/16"	
104	4761500	7	Lockwasher 5/16" (Prior to S/N 70211)	
105	3311505	10	Locknut 5/16"	
106	4060806	1 Ft.	Shield, Flex Trim (Not Shown) (Prior to S/N 101987)	
107	2820025	66 Ft.	Plastic, Spring Guard (Not Shown)	
108	1320270	13	Clamp (S/N 70211 to Present)	
109	0641512	4	Bolt 5/16"-18NC x 1 1/2" (S/N 70211 to Present)	
	0252587	Ref.	<b>ARM PADS</b>	3
201		24	Pad, Polyurethane Options:	
	Use 3340841		Prior to S/N 47175 (p/n was 3340645)	
	3340841		S/N 47175 to Present	

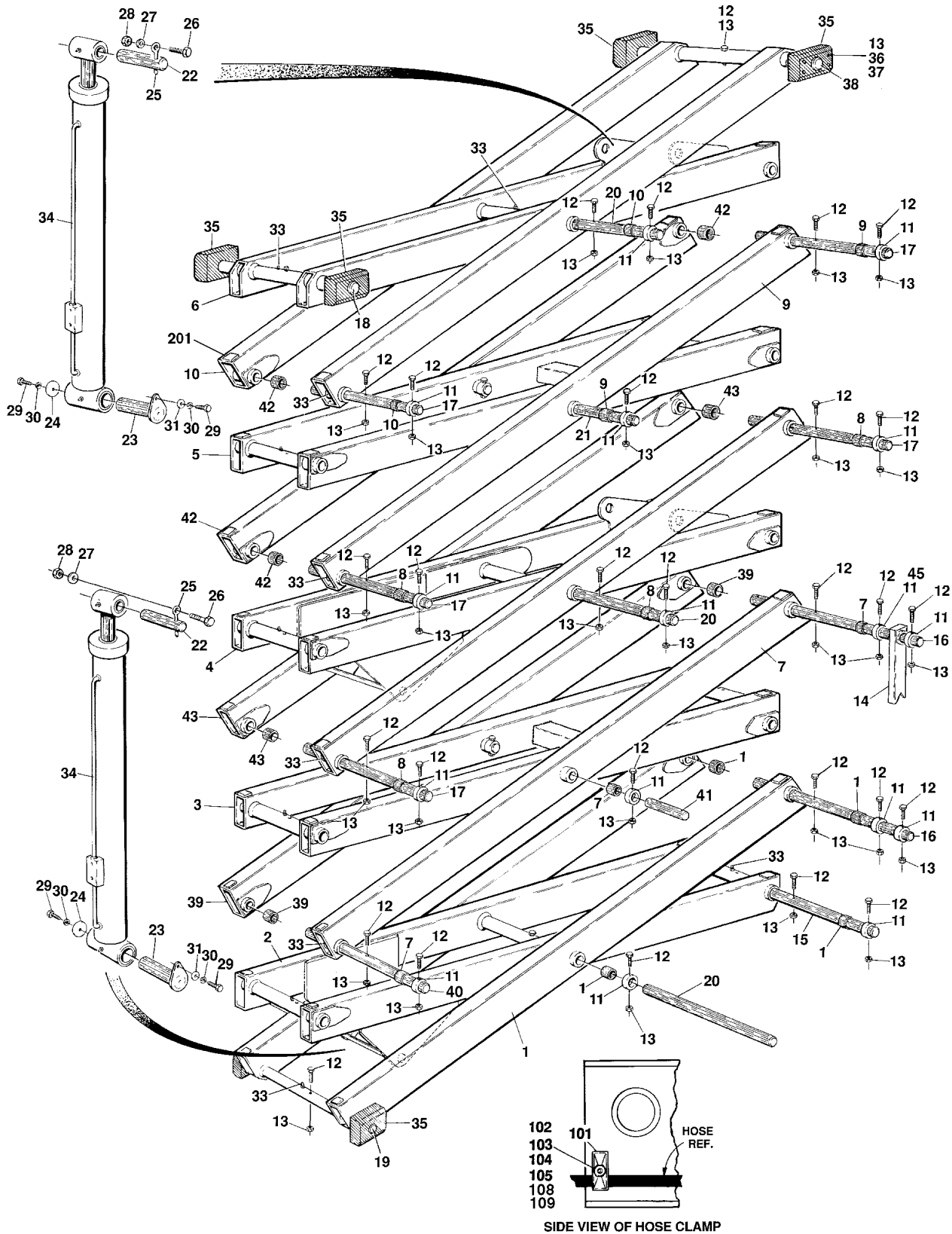
**SECTION 3 SCISSORS ARMS**

**FIGURE 3-2. SIZZORS ARMS INSTALLATION - 400RTS (S/N 41058 TO PRESENT)**

ITEM #	PART NUMBER	QTY.	DESCRIPTION	REV.

# SECTION 3 SCISSORS ARMS

FIGURE 3-3. SIZZORS ARMS INSTALLATION - 500RTS (PRIOR TO S/N 27997)





## SECTION 3 SCISSORS ARMS

**FIGURE 3-3. SIZZORS ARMS INSTALLATION - 500RTS (PRIOR TO S/N 27997)**

ITEM #	PART NUMBER	QTY.	DESCRIPTION	REV.
	0253611	Ref.	<b>ARMS ASSEMBLY</b>	9
1	0200484	1	Arm Weldment (Bottom Outboard)	
	0961731	4	Bushing, Bronze	
2	0200485	1	Arm Weldment (Bottom Inboard)	
3	0200486	1	Arm Weldment (2nd Inboard)	
4	0200487	1	Arm Weldment (3rd Inboard)	
5	0200488	1	Arm Weldment (4th Inboard)	
6	0200489	1	Arm Weldment (Top Inboard)	
7	0200490	1	Arm Weldment (2nd Outboard - Right Side)	
	0961731	3	Bushing, Bronze	
8	0200491	1	Arm Weldment (3rd Outboard - Right Side)	
	0961731	3	Bushing, Bronze	
9	0200492	1	Arm Weldment (4th Outboard - Right Side)	
	0961731	3	Bushing, Bronze	
10	0200493	1	Arm Weldment (Top Outboard)	
	0961731	4	Bushing, Bronze	
11	1440237	34	Collar	
12	0681630	51	Bolt 3/8"-16NC x 3 3/4" (Grade 8)	
13	3311605	59	Locknut 3/8"-16NC	
14	3536607	2	Prop, Safety	
15	3422152	1	Pin, Pivot	
16	3422153	2	Pin, Pivot	
17	3422154	5	Pin, Pivot	
18	3422155	1	Pin, Pivot	
19	3422156	1	Pin, Pivot	
20	3422157	3	Pin, Pivot	
21	3422158	2	Pin, Pivot	
22	3422102	2	Pin, Pivot	
23	3422103	2	Pin, Pivot	
24	4740401	2	Washer, Special	
25	3841203	2	Shaft, Keeper	
26	0641714	2	Bolt 7/16"-14NC x 1 3/4"	
27	4761700	2	Lockwasher 7/16"	
28	3311701	2	Nut 7/16"-14NC	
29	0641612	2	Bolt 3/8"-16NC x 1 1/2"	
30	4761600	3	Lockwasher 3/8"	
31	3311601	2	Nut 3/8"-16NC	
32	0641608	2	Bolt 3/8"-16NC x 1"	
33	2160006	38	Fitting, Grease	
34		2	Lift Cylinder Assembly Options (See Section 5 for Breakdown):	
	Use 1683468		Prior to S/N 28655 (was p/n 1682748)	
	1683468		S/N 28655 to Present	
35	3340664	6	Pad, Sliding	
36	0641626	8	Bolt 3/8"-16NC x 3 1/4"	
37	4751600	16	Flatwasher 3/8"	
38	3422169	1	Pin, Pivot	
39	0200494	1	Arm Weldment (2nd Outboard - Left Side)	
	0961731	3	Bushing, Bronze	

## SECTION 3 SCISSORS ARMS

**FIGURE 3-3. SIZZORS ARMS INSTALLATION - 500RTS (PRIOR TO S/N 27997) (CONTINUED)**

ITEM #	PART NUMBER	QTY.	DESCRIPTION	REV.
40	3422154	1	Pin, Pivot	
41	3422158	2	Pin, Pivot	
42	0200506	1	Arm Weldment (4th Outboard - Left Side)	
	0961731	3	Bushing, Bronze	
43	0200518	1	Arm Weldment (3rd Outboard - Left Side)	
	0961731	3	Bushing, Bronze	
44	1320095	1	Clamp, Hose (Not Shown)	
45	4740310	2	Washer, Thrust	
46	0100011	A/R	Loctite, #242 (Not Shown)	
	2901328	1	Arm Kit, Complete (Includes Items: 1,2,3,4,5, 6,7,8,9,10 and 14) Not Shown	
	0254272	Ref.	<b>HOSE CLAMP ASSEMBLY</b>	4
101		A/R	Clamp, Hose Options:	
	1320162	7	Prior to S/N 70211	
	1320061	10	S/N 70211 to Present	
102		A/R	Bolt Options:	
	0641522	7	Bolt 5/16"-18 x 2 3/4" (Prior to S/N 70211)	
	0641510	6	Bolt 5/16"-18 x 1 1/4" (S/N 70211 to Present)	
103	4751500	10	Flatwasher 5/16"	
104	4761500	7	Lockwasher 5/16" (Prior to S/N 70211)	
105	3311505	10	Locknut 5/16"	
106	4060806	1 Ft.	Shield, Flex Trim (Not Shown) (Prior to S/N 101987)	
107	2820025	66 Ft.	Plastic, Spring Guard (Not Shown)	
108	1320270	13	Clamp (S/N 70211 to Present)	
109	0641512	4	Bolt 5/16"-18NC x 1 1/2" (S/N 70211 to Present)	
	0252588	Ref.	<b>ARM PADS</b>	3
201		32	Pad, Polyurethane Options:	
	3340645		Prior to S/N 47175	
	3340841		S/N 47175 to S/N 50806	
	3340848		S/N 50806 to Present	

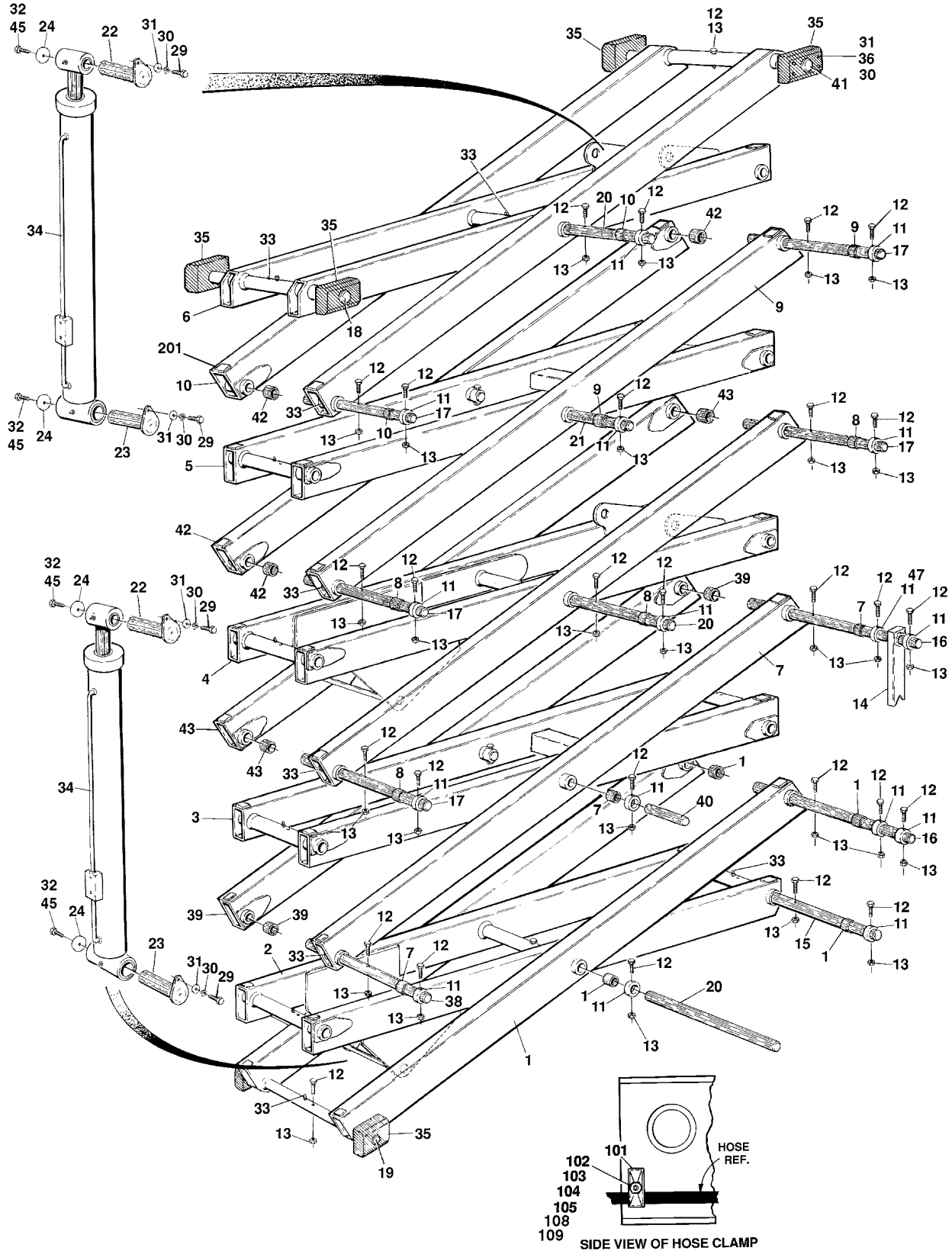
**SECTION 3 SCISSORS ARMS**

**FIGURE 3-3. SIZZORS ARMS INSTALLATION - 500RTS (PRIOR TO S/N 27997) (CONTINUED)**

ITEM #	PART NUMBER	QTY.	DESCRIPTION	REV.

# SECTION 3 SCISSORS ARMS

## FIGURE 3-4. SIZZORS ARMS INSTALLATION - 500RTS (S/N 27997 TO PRESENT)



## SECTION 3 SCISSORS ARMS

**FIGURE 3-6. SIZZORS ARMS GUARD INSTALLATION - 400RTS**

ITEM #	PART NUMBER	QTY.	DESCRIPTION	REV.
		Ref.	<b>ARMS ASSEMBLIES</b>	
	0256818	Ref.	<b>PRIOR TO S/N 112737</b>	12
	0272966	Ref.	<b>S/N 112737 TO PRESENT</b>	1
	See Note	Ref.	<b>CE Spec (Note: For CE Spec Machines Refer to JLG Supplement p/n 3124288 for Platform Pins.)</b>	
1	0200484	1	Arm Weldment (Bottom Outboard)	
	0961731	4	Bushing, Bronze	
2	0200551	1	Arm Weldment (Bottom Inboard)	
3	0200552	1	Arm Weldment (2nd Inboard)	
4	0200553	1	Arm Weldment (3rd Inboard)	
5	0200554	1	Arm Weldment (4th Inboard)	
6		1	Arm Weldment (Top Inboard) Options:	
	0200555		Prior to S/N 112737	
	0200740		S/N 112737 to Present	
7	0200490	1	Arm Weldment (2nd Outboard - Right Side)	
	0961731	3	Bushing, Bronze	
8	0200491	1	Arm Weldment (3rd Outboard - Right Side)	
	0961731	3	Bushing, Bronze	
9	0200492	1	Arm Weldment (4th Outboard - Right Side)	
	0961731	3	Bushing, Bronze	
10		1	Arm Weldment (Top Outboard) Options:	
	0200493		Prior to S/N 112737	
	0200739		S/N 112737 to Present	
	0961731	4	Bushing, Bronze	
11	1440324	34	Collar	
12	0681830	A/R	Bolt 1/2"-13NC x 3 3/4" (Grade 8)	
13	3311805	51	Locknut 1/2"-13NC	
14		2	Prop, Safety Options:	
	3536607		Prior to S/N 42949	
	3570875		S/N 42949 to Present	
15	3422617	1	Pin, Pivot	
16	3422618	2	Pin, Pivot	
17	3422619	5	Pin, Pivot	
18	3422620	1	Pin, Pivot	
19	3422621	1	Pin, Pivot	
20	3422622	3	Pin, Pivot	
21	3422623	2	Pin, Pivot	
22	3422624	2	Pin, Pivot	
23	3422631	2	Pin, Pivot	
24	4740401	4	Washer, Special	
25 to 27	Not Used			
28	3311705	4	Locknut 7/16"-14NC (S/N 41058 to Present)	
29		4	Bolt Options:	
	0641612		Bolt 3/8"-16NC x 1 1/2" (Prior to S/N 41058)	
	0630524		Bolt, Carriage 7/16"-14NC x 1 1/2" (S/N 41058 to Present)	
30	4761600	16	Lockwasher 3/8"	
31	3311605	8	Nut 3/8"-16NC	
32	0641608	4	Bolt 3/8"-16NC x 1"	

## SECTION 3 SCISSORS ARMS

**FIGURE 3-6. SIZZORS ARMS GUARD INSTALLATION - 400RTS (CONTINUED)**

ITEM #	PART NUMBER	QTY.	DESCRIPTION	REV.
33	2160006	A/R	Fitting, Grease	
34	1683468	2	Lift Cylinder Assembly (See Section 5 for Breakdown)	
35	3340664	A/R	Pad, Sliding	
36	0641626	8	Bolt 3/8"-16NC x 3 1/4"	
37	Not Used			
38		1	Pin, Pivot Options:	
	Use 3422626		Prior to S/N 44756 (p/n was 3422169)	
	3422626		S/N 44756 to Present	
39	0200494	1	Arm Weldment (2nd Outboard - Left Side)	
	0961731	3	Bushing, Bronze	
40	3422623	2	Pin, Pivot	
41		1	Pin, Pivot Options:	
	3422619		Prior to S/N 112737	
	Not Required		S/N 112737 to Present	
42	0200506	1	Arm Weldment (4th Outboard - Left Side)	
	0961731	3	Bushing, Bronze	
43	0200518	1	Arm Weldment (3rd Outboard - Left Side)	
	0961731	3	Bushing, Bronze	
44	1320095	1	Clamp, Hose (Not Shown)	
45	0100011	A/R	Loctite	
46	Not Used			
47	4740310	2	Washer, Thrust	
48	Not Used			
49	2540002	4ft	Grommet (Not Shown) (S/N 47537 to Present)	
50	0681832	2	Bolt 1/2"-13NC x 4" (Grade 8) (S/N 95788 to Present)	
51 to 53	Not Used			
54	1060964	1	Cable Electrical - 16/2 (40ft/12.2m) (Not Shown)	
55	1060967	1	Cable Electrical - 16/2 (35ft/10.7m) (Not Shown)	
			-----	
			<b>SCISSOR ARMS KIT OPTIONS:</b>	
	See Note		(Includes items 1 thru 10, 14, 39, 42 and 43)	
			Prior to S/N 32157 (Note: Recommend using 2901481 in place of original 2901460)	
	2901481	1	S/N 32157 to S/N 112737	
	2902256	1	S/N 112737 to Present	
	2902185	1	Kit, Arm Pin (Includes Items 18 & 38)	
	2902186	1	Kit, Arm Pin (Includes Items 15-17 & 19-23)	
	0254272	Ref.	<b>HOSE CLAMP ASSEMBLY</b>	4
101		A/R	Clamp, Hose Options:	
	1320162	7	Prior to S/N 70211	
	1320061	10	S/N 70211 to Present	
102		A/R	Bolt Options:	
	0641522	7	Bolt 5/16"-18 x 2 3/4" (Prior to S/N 70211)	
	0641510	6	Bolt 5/16"-18 x 1 1/4" (S/N 70211 to Present)	
103	4751500	10	Flatwasher 5/16"	
104	4761500	7	Lockwasher 5/16" (Prior to S/N 70211)	
105	3311505	10	Locknut 5/16"	
106	4060806	1 Ft.	Shield, Flex Trim (Not Shown) (Prior to S/N 101987)	

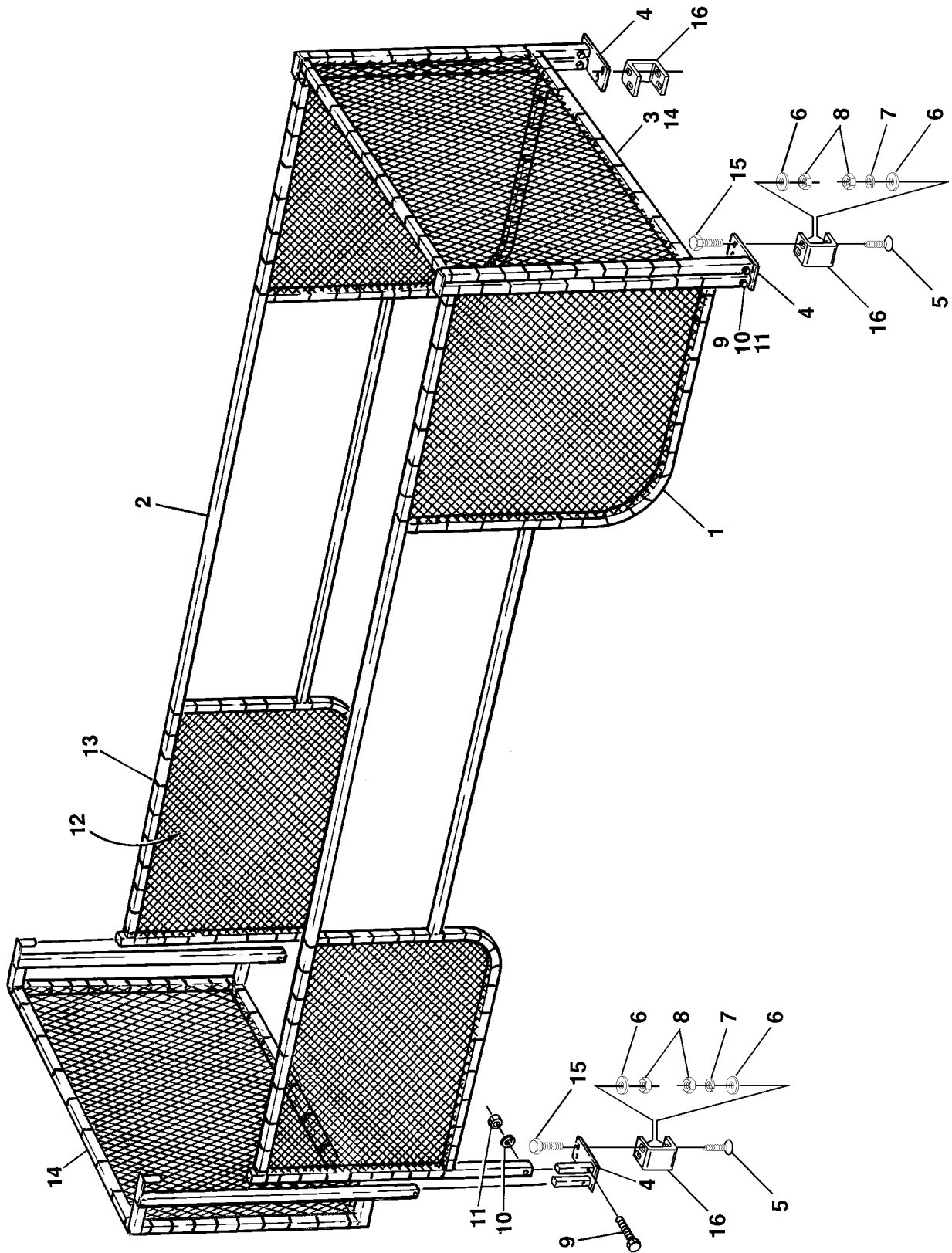
## SECTION 3 SCISSORS ARMS

**FIGURE 3-6. SIZZORS ARMS GUARD INSTALLATION - 400RTS (CONTINUED)**

ITEM #	PART NUMBER	QTY.	DESCRIPTION	REV.
107	2820025	66 Ft.	Plastic, Spring Guard (Not Shown)	
108	1320270	13	Clamp (S/N 70211 to Present)	
109	0641512	4	Bolt 5/16"-18NC x 1 1/2" (S/N 70211 to Present)	
	0252588	Ref.	<b>ARM PADS</b>	3
201		32	Pad Options:	
	3340645		Pad, Polyurethane (Prior to S/N 47175)	
	3340841		Pad, Pvc (S/N 47175 to S/N 50806)	
	3340848		Pad, Pvc (S/N 50806 to Present)	

# SECTION 3 SCISSORS ARMS

FIGURE 3-5. SIZZORS ARMS GUARD INSTALLATION - 500RTS





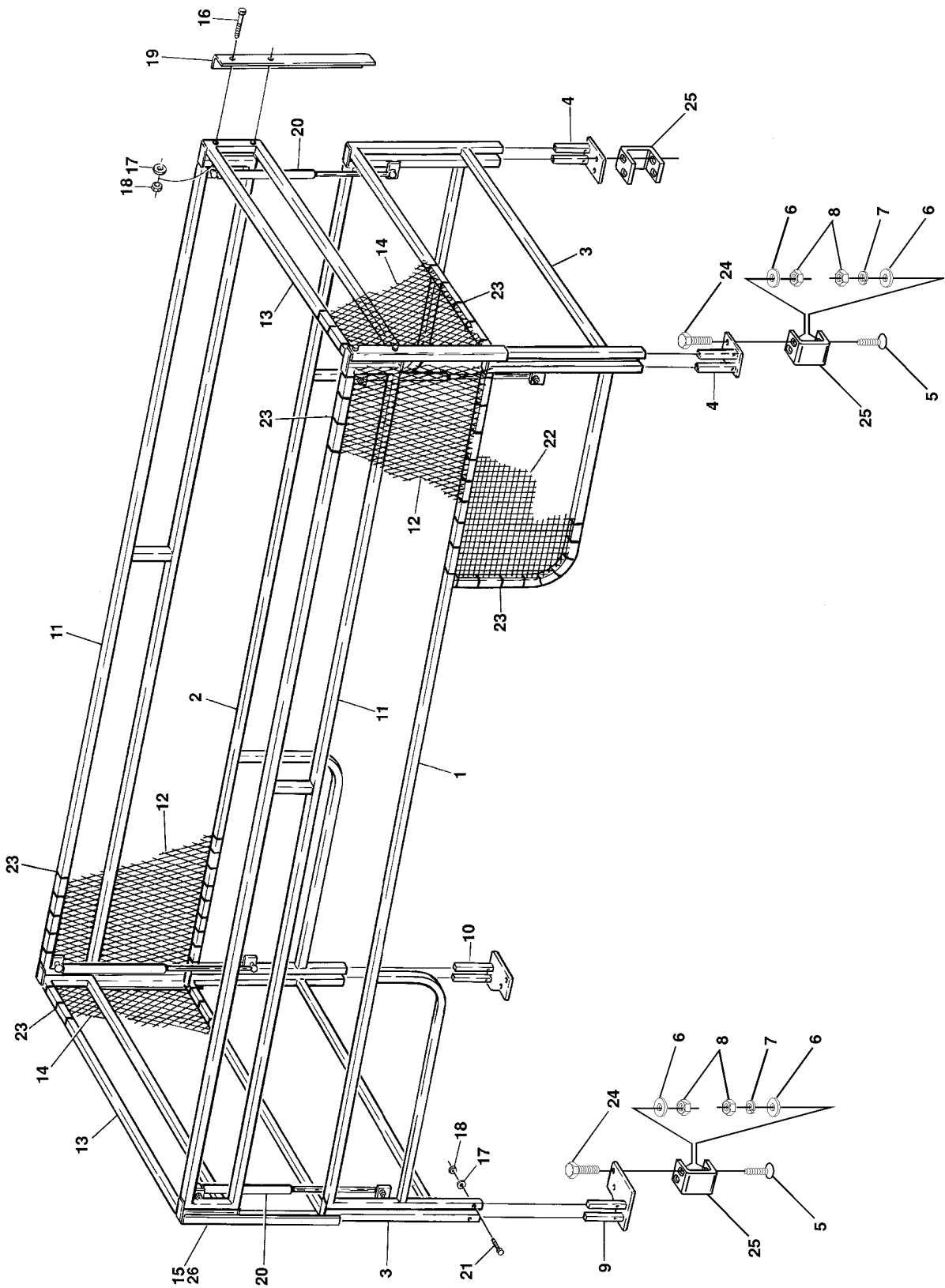
## SECTION 3 SCISSORS ARMS

**FIGURE 3-6. SIZZORS ARMS GUARD INSTALLATION - 400RTS**

ITEM #	PART NUMBER	QTY.	DESCRIPTION	REV.
		Ref.	<b>ARM GUARDS INSTALLATIONS - 500RTS</b>	
	0253466	Ref.	<b>DIESEL POWER MACHINES</b>	6
	0253467	Ref.	<b>GAS POWER MACHINES</b>	3
	0253468	Ref.	<b>DUAL FUEL POWER MACHINES</b>	3
1		1	Guard Weldment - Right Side Options: Diesel Power Machines Gas Power Machines Dual Fuel Power Machines	
	4844305			
	4844307			
	4844308			
2		1	Guard Weldment - Left Side Options: Diesel Power Machines Gas Power Machines Dual Fuel Power Machines	
	4844306			
	4844306			
	4844309			
3	4844310	1	Guard Weldment - End (Prior to S/N 57701)	
4	4844457	4	Support	
5	4300048	8	Stud (Welded on Part) (Prior to S/N 98560)	
6	4711800	A/R	Flatwasher 1/2" (Narrow)	
7	4761800	8	Lockwasher 1/2" (Prior to S/N 26779)	
8	3311801	16	Nut 1/2"-13NC	
9	0641514	4	Bolt 5/16"-18NC x 1 3/4"	
10	4761500	4	Lockwasher 5/16"	
11	3311501	4	Nut 5/16"-18NC	
12	4921380	34ft/10.4m	Mesh, Wire	
13	4240033	200	Tie-Strap	
14		2	Guard Weldment - End Options: Prior to October 1993 October 1993 to Present	
	4844310			
	4844686			
15	0641810	8	Bolt 1/2"-13NC x 1 1/4" (S/N 26779 to Present)	
16	0902294	4	Bracket (S/N 26779 to Present)	
	2902055	1	Kit, Arm Guard - Diesel Power Machines (Includes Items 1, 2 & 14) (S/N 98560 to Present)	

# SECTION 3 SCISSORS ARMS

## FIGURE 3-6. SIZZORS ARMS GUARD INSTALLATION - 400RTS



## SECTION 3 SCISSORS ARMS

**FIGURE 3-6. SIZZORS ARMS GUARD INSTALLATION - 400RTS**

ITEM #	PART NUMBER	QTY.	DESCRIPTION	REV.
		Ref.	<b>ARM GUARDS INSTALLATIONS - 400RTS</b>	
	0254282	Ref.	<b>DIESEL POWER MACHINES</b>	2
	0254283	Ref.	<b>GAS POWER MACHINES</b>	A
	0254284	Ref.	<b>DUAL FUEL POWER MACHINES</b>	A
1		1	Guard Weldment - Right Side Options: Diesel Power Machines Gas Power Machines Dual Fuel Power Machines	
	4844608			
	4844607			
	4844610			
2		1	Guard Weldment - Left Side Options: Diesel Power Machines Gas Power Machines Dual Fuel Power Machines	
	4844606			
	4844606			
	4844609			
3	4844605	2	Guard Weldment - End	
4	4844457	2	Support	
5	4300048	8	Stud (Welded on Part)	
6	4711800	24	Flatwasher 1/2" (Narrow)	
7	4761800	8	Lockwasher 1/2" (Prior to S/N 26779)	
8	3311805	16	Locknut 1/2"-13NC	
9	4844425	1	Guard Support Weldment - Right Side	
10	4844426	1	Guard Support Weldment - Left Side	
11	4844612	2	Guard Weldment - Side	
12	0480087	2	Belt, Wire Mesh	
13	4844611	2	Guard Weldment - End	
14	0480065	2	Belt, Wire Mesh	
15	0181728	2	Angle	
16	0641534	8	Bolt 5/16"-18NC x 4 1/4"	
17	4751500	32	Flatwasher 5/16" (Wide)	
18	3311505	20	Locknut 5/16"-18NC	
19	0181725	2	Angle	
20	4160106	4	Spring, Gas	
21	0641514	4	Bolt 5/16"-18NC x 1 1/4" (S/N 26779 to Present)	
22	4921380	A/R	Mesh, Wire	
23	4240033	200	Tie-Strap	
24	0641810	8	Bolt 1/2"-13NC x 1 1/4" (S/N 26779 to Present)	
25	0902294	4	Bracket (S/N 26779 to Present)	

# SECTION 3 SCISSORS ARMS

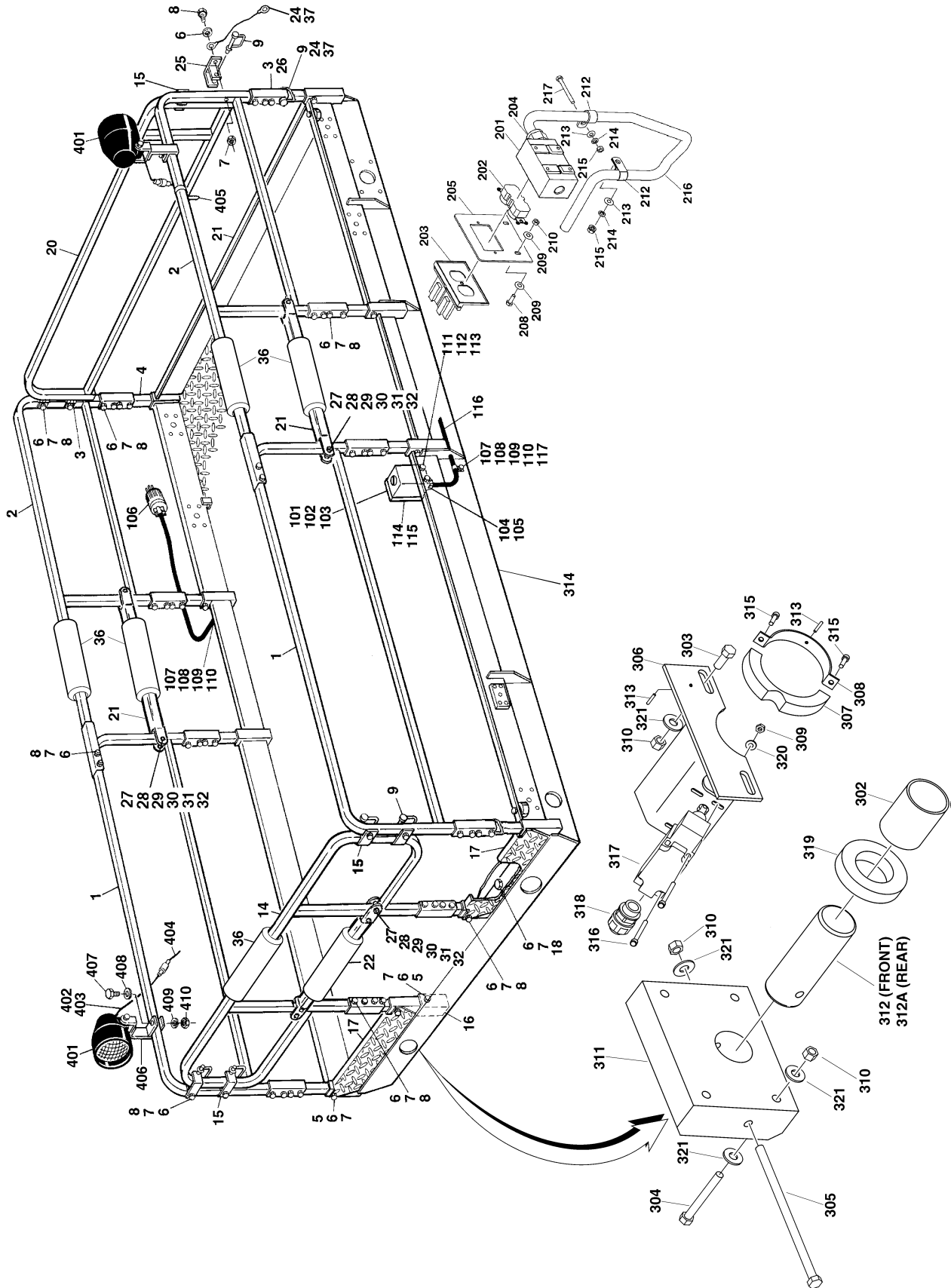
## FIGURE 3-6. SIZZORS ARMS GUARD INSTALLATION - 400RTS (CONTINUED)

ITEM #	PART NUMBER	QTY.	DESCRIPTION	REV.

# **SECTION 4 PLATFORM**

# SECTION 4 PLATFORM

**FIGURE 4-1. FIXED PLATFORM (STANDARD), HANDRAILS AND OPTIONAL COMPONENTS INSTALLATION**



## SECTION 4 PLATFORM

**FIGURE 4-1. FIXED PLATFORM (STANDARD), HANDRAILS AND OPTIONAL COMPONENTS INSTALLATION**

ITEM #	PART NUMBER	QTY.	DESCRIPTION	REV.
		Ref.	<b>HANDRAILS INSTALLATIONS</b>	
	0253203	Ref.	<b>WITHOUT EXTENSIONS</b>	8
	0253201	Ref.	<b>WITH FRONT EXTENSION</b>	8
	0253202	Ref.	<b>WITH DUAL EXTENSIONS</b>	8
	0270863	Ref.	<b>WITH MEGADECK EXTENSIONS</b>	A
1		2	Handrail Weldment - Side Rear Options: Without Extensions/With Front Extension/With Dual Extensions Megadeck	
	3640824			
	3641387			
2	3640830	2	Handrail Weldment - Side Front	
3		A/R	Hinge Options: Without Extensions/With Front Extension/With Dual Extensions With Megadeck Extensions	
	4200004			
	1271479			
4	4565891	8	Tube, Base (Side)	
5	0641420	A/R	Bolt 1/4"-20NC x 2 1/2"	
6	4711400	A/R	Flatwasher 1/4" Narrow	
7	3311405	A/R	Locknut 1/4"-20NC	
8	0641416	A/R	Bolt 1/4"-20NC x 2"	
9	3422219	A/R	Spring-Pin	
10 to 13	Not Used			
14		1	Handrail - Rear Options: Without Extensions/With Front Extension With Dual Extensions/With Megadeck Extensions	
	3640832			
	Not Required			
15		A/R	Bracket Weldment Options: Without Extensions/With Front Extension With Dual Extensions/With Megadeck Extensions	
	0901870			
	Not Required			
16		2	Tube, Base (Rear) Options: Without Extensions/With Front Extension With Dual Extensions/With Megadeck Extensions	
	4565892			
	Not Required			
17		2	Kickplate (Rear) Options: Without Extensions/With Front Extension With Dual Extensions/With Megadeck Extensions	
	3536302			
	Not Required			
18		A/R	Bolt 1/4"-20NC x 3/4" Without Extensions/With Front Extension With Dual Extensions/With Megadeck Extensions	
	0641406			
	Not Required			
19		1	Kickplate (Front) Options: Without Extensions With Front Extension/With Dual Extensions/With Megadeck Extensions	
	3536299			
	Not Required			
20		1	Handrail (Front) Options: Without Extensions With Front Extension/With Dual Extensions/With Megadeck Extensions	
	3640831			
	Not Required			
21	3640642	2	Gate Weldment - Side	
22		1	Gate Weldment - End Options: Without Extensions/With Front Extension With Dual Extensions/With Megadeck Extensions	
	3640833			
	Not Required			

## SECTION 4 PLATFORM

**FIGURE 4-1. FIXED PLATFORM (STANDARD), HANDRAILS AND OPTIONAL COMPONENTS INSTALLATION (CONTINUED)**

ITEM #	PART NUMBER	QTY.	DESCRIPTION	REV.
23	Not Used			
24	1060379	A/R	Cable, Lanyard	
25	0901916	1	Bracket Weldment Options:	
	Not Required		Without Extensions	
			With Front Extension/With Dual Extensions/With Megadeck Extensions	
26	Use 4420062	2 ft./ .6m	Strip Options:	
	4420062		Prior to S/N 28969 p/n was 4280284	
			S/N 28969 to Present	
27	0961833	A/R	Bushing, UHMW	
28	4420055	A/R	Tape, UHMW	
29	3911036	A/R	Screw Machine #10-24NC x 2 1/4"	
30	4751000	A/R	Flatwasher #10	
31	4761000	A/R	Lockwasher #10	
32	3311001	A/R	Nut #10-24NC	
33	0100019	A/R	Loctite #271 (Not Shown)	
34	3300151	A/R	Nut, Acorn 1/4"-20NC (S/N 50806 to Present)	
35	Not Used			
36	3340564	A/R	Pad, Nylon Cover (S/N 56277 to Present)	
37	3760170	A/R	Ring, Quick Release Pin (S/N 56277 to Present)	
38	Not Used			
39	1706493	2	Decal, Drop Bar Warning (S/N 134418 to Present - Not Shown)	
	2902033	1	Kit, Rails (Front Extension) (Includes Items 1, 2, 14, 21 & 22)	
	2902034	1	Kit, Rails (Dual Extension) (Includes Items 1, 2 & 21)	
	2902035	1	Kit, Rails (Fixed) (Includes Items 1, 2, 14, 20, 21 & 22)	
	2902053	1	Kit, Rails (Megadeck Extensions) (Includes Items 1, 2 & 21)	
		Ref.	<b>OPTIONAL RECEPTACLE INSTALLATIONS</b>	
	0253272	Ref.	<b>110V RECEPTACLE - WITHOUT MEGA DECK</b>	5
	0256526	Ref.	<b>220V RECEPTACLE - WITHOUT MEGA DECK</b>	4
101	0860038	1	Box, Electrical	
102	4460190	1	Receptacle, Electrical Options:	
	Not Available		110 Volt Receptacle	
			222 Volt Receptacle	
103	4060092	1	Shield, Cover	
104	4460049	1	Connector, Strain Relief Options:	
	4460051		Prior to S/N 56277	
			S/N 56277 to Present	
105	0960407	1	Bushing, Reducer (Prior to S/N 46528)	
106	4460138	1	Plug, Connector Options:	
	Not Available		110 Volt Receptacle	
			222 Volt Receptacle	
107	1320041	4	Clamp	
108	4300032	3	Hardware Options:	
	0641507		Stud (Prior to S/N 56277)	
			Bolt 5/16"-18NC x 7/8" (S/N 56277 to Present)	



## SECTION 4 PLATFORM

**FIGURE 4-1. FIXED PLATFORM (STANDARD), HANDRAILS AND OPTIONAL COMPONENTS  
INSTALLATION (CONTINUED)**

ITEM #	PART NUMBER	QTY.	DESCRIPTION	REV.
109	3311401 4711500	3	Hardware Options: Nut 1/4"-20NC (Prior to S/N 56277) Flatwasher 5/16" (S/N 56277 to Present)	
110	4761400 4761500	3	Lockwasher Options: Lockwasher 1/4" (Prior to S/N 56277) Lockwasher 5/16" (S/N 56277 to Present)	
111	0721004 3900294	A/R 2 4	Hardware Options: Screw, Machine #10-24NC x 1/2" (Prior to S/N 46528) Self Drilling Screw #10-16NC x 1" (S/N 46528 to Present)	
112	4751000	2	Flatwasher #10 (Prior to S/N 46528)	
113	4761000	4	Lockwasher #10	
114	1700598	2	Decal - Ground (Prior to S/N 56277)	
115	1700599	2	Decal - Neutral (Prior to S/N 56277)	
116	1060308	A/R	Cable, Electrical - 12/3	
117	3311501	3	Nut 5/16" (S/N 56277 to Present)	
		Ref.	<b>OPTIONAL RECEPTACLE INSTALLATIONS</b>	
	0271633	Ref.	<b>110V RECEPTACLE - WITH MEGA DECK</b>	2
	0271634	Ref.	<b>220V RECEPTACLE - WITH MEGA DECK</b>	2
201	0860038	1	Box, Electrical	
202	4460190 Not Available	1	Receptacle, Electrical Options: 110 Volt Receptacle 220 Volt Receptacle	
203	4060092	1	Shield, Cover	
204	4460051	1	Connector, Strain Relief	
205	3538051	1	Plate, Mounting	
206	4460138 Not Available	1	Plug, Connector Options: 110 Volt Receptacle 220 Volt Receptacle	
207	1320041	4	Clamp	
208	0641406	2	Bolt 1/4"-20NC x 3/4"	
209	4751400	4	Flatwasher 1/4" (Wide)	
210	3311405	2	Locknut 1/4"-20NC	
211	Not Used			
212	1320061	2	Clamp	
213	4711500	2	Flatwasher 5/16"	
214	4761500	2	Lockwasher 5/16"	
215	3311501	2	Nut 5/16"-18NC	
216	2820025	2ft	Plastic Spring Guard	
217	0641522	1	Bolt 5/16"-18NC x 2 3/4	

## SECTION 4 PLATFORM

**FIGURE 4-1. FIXED PLATFORM (STANDARD), HANDRAILS AND OPTIONAL COMPONENTS INSTALLATION (CONTINUED)**

ITEM #	PART NUMBER	QTY.	DESCRIPTION	REV.
		Ref.	<b>PLATFORM INSTALLATION</b>	
	3510387	Ref.	<b>Platform Weldment (Prior to S/N 112737)</b>	—
	0253611	Ref.	<b>Slide Pad Installation (Prior to S/N 27997)</b>	9
	0256818	Ref.	<b>Slide Pad Installation (S/N 27997 to S/N 112737)</b>	12
	0272973	Ref.	<b>Platform Installation (S/N 112737 to Present)</b>	D
	3510775	Ref.	<b>Platform Weldment - Megadeck (Prior to S/N 112737)</b>	—
	0272975	Ref.	<b>Platform Installation - Megadeck (S/N 112737 to Present)</b>	D
	See Note	Ref.	<b>CE Spec (Note: For CE Spec Machines Refer to JLG Supplement p/n 3124288 for Load Sensing System.)</b>	
301	0100011	A/R	Loctite #242 (Not Shown)	
302	0440252	4	Bearing, Load Management (S/N 112737 to Present)	
303	0641607	2	Bolt 3/8"-16NC x 7/8"	
304		8	Bolt Options:	
	0641626		Bolt 3/8"-16NC x 3 1/4" (Prior to S/N 112737)	
	0641623		Bolt 3/8"-16NC x 2 7/8" (S/N 112737 to Present)	
	0641624		Bolt 3/8"-16NC x 3" (S/N 112737 to S/N 120381)	
305	0641668	4	Bolt 3/8"-16NC x 8 1/2" (S/N 120381 to Present)	
306	0901917	1	Bracket	
307	1100130	1	Cam, Limit Switch (S/N 112737 to Present)	
308	1320293	1	Clamp, Limit Switch Cam (S/N 112737 to Present)	
309	3311005	4	Locknut #10-24NC	
310	3311605	A/R	Locknut 3/8-16NC	
311		4	Pad, Slide Options:	
	3340664		Prior to S/N 112737	
	3340924		S/N 112737 to Present	
312		A/R	Pin, Upper Slide (Front Slide) Options:	
	3422155	1	Prior to S/N 27997	
	3422620	1	S/N 27997 to S/N 112737	
	3422939	2	S/N 112737 to Present	
312A		A/R	Pin, Upper Slide (Rear Slide) Options:	
	3422169	1	Prior to S/N 27997	
	3422619	1	S/N 27997 to S/N 112737	
	3422939	2	S/N 112737 to Present	
313	3440410	3	Pin, Roll	
314		1	Platform, Weldment Options:	
	3510387		Standard (Prior to S/N 112737)	
	3510798		Standard (S/N 112737 to Present)	
	3510775		Megadeck (Prior to S/N 112737)	
	3510799		Megadeck (S/N 112737 to Present)	
315	3931010	2	Bolt #10-24NC x 5/8" (S/N 112737 to Present)	
316	3931028	4	Bolt #10-24NC x 1 3/4"	
317	4360300	1	Switch, Limit	
318	4460049	1	Connector, Strain Relief	
319	4568315	4	Spacer, Tube (S/N 112737 to Present)	
320	4751000	4	Flatwasher #10	
321	4751600	A/R	Flatwasher 3/8"	

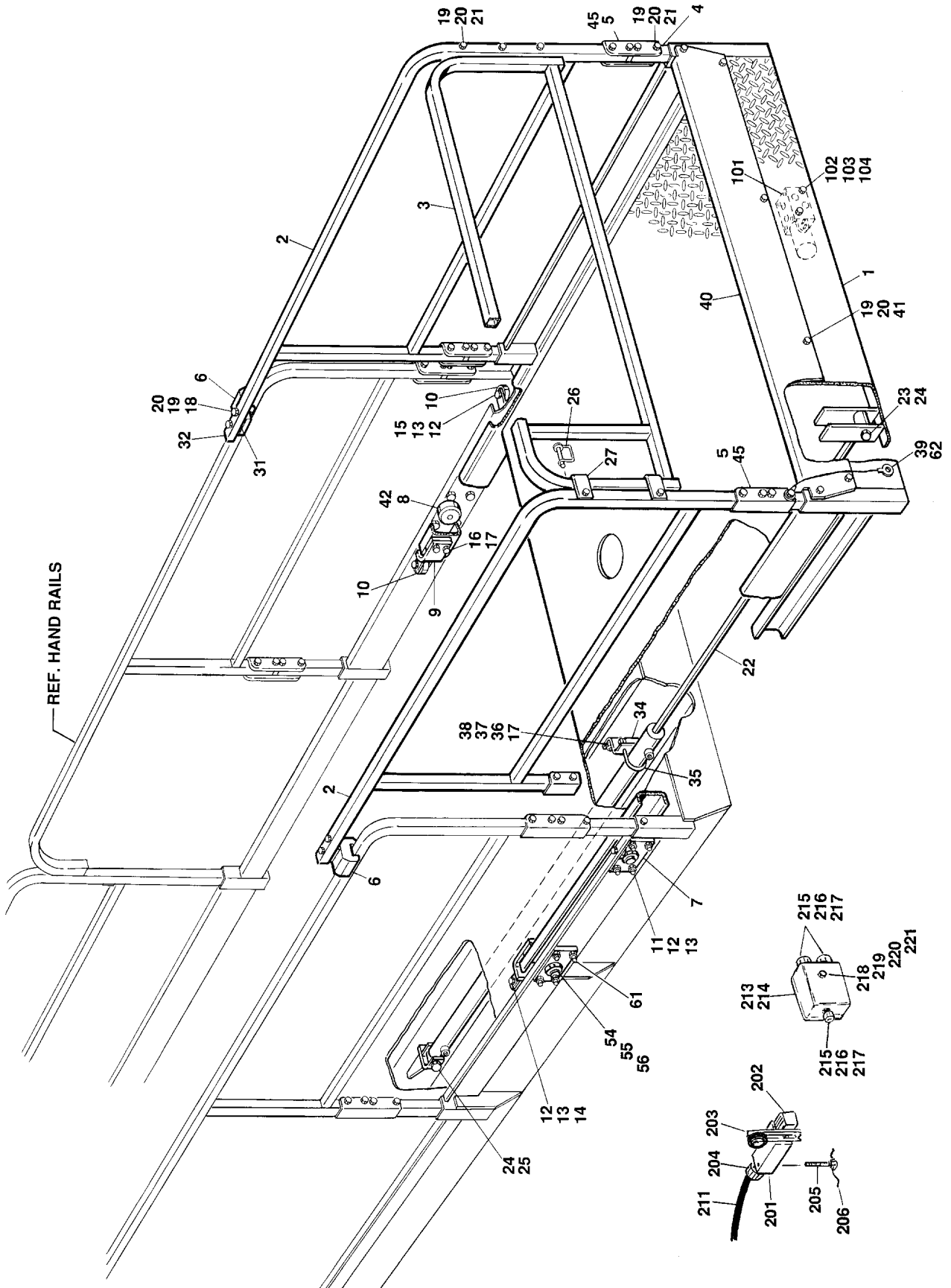
## SECTION 4 PLATFORM

**FIGURE 4-1. FIXED PLATFORM (STANDARD), HANDRAILS AND OPTIONAL COMPONENTS INSTALLATION (CONTINUED)**

ITEM #	PART NUMBER	QTY.	DESCRIPTION	REV.
	0253795	Ref.	<b>OPTIONAL PLATFORM WORKLIGHTS INSTALLATION</b>	A
401	2920111	2	Floodlight	
402	4460206	2	Terminal - Male	
403	4460185	2	Terminal - Female	
404	1060341	140 ft./43m	Cable, Electrical - 16/2	
405	4240033	10	Tie-Strap	
406	0901930	2	Bracket, Mounting	
407	0641416	2	Bolt 1/4"-20NC x 2"	
408	4751400	2	Flatwasher 1/4"	
409	4761400	2	Lockwasher 1/4"	
410	3311401	2	Nut 1/4"-20NC	

# SECTION 4 PLATFORM

FIGURE 4-2. PLATFORM EXTENSION INSTALLATION (OPTIONAL)



## SECTION 4 PLATFORM

**FIGURE 4-2. PLATFORM EXTENSION INSTALLATION (OPTIONAL)**

ITEM #	PART NUMBER	QTY.	DESCRIPTION	REV.
		Ref.	<b>OPTIONAL PLATFORM EXTENSION INSTALLATIONS</b>	
	0254196	Ref.	<b>SINGLE EXTENSION (400RTS)</b>	10
	0254197	Ref.	<b>DUAL EXTENSIONS (400RTS)</b>	12
	0253614	Ref.	<b>SINGLE EXTENSION (500RTS)</b>	14
	0253615	Ref.	<b>DUAL EXTENSIONS (500RTS)</b>	19
		Ref.	<b>Note: Quantities shown are for Single Extension. Double quantity for Dual Extensions.</b>	
1	3510397	1	Platform Extension Weldment	
2	3640822	2	Handrail - Side	
3	3640823	1	Handrail - End	
4	4565869	4	Tube, Base	
5	4200004	4	Hinge, Stamped	
6	3340653	2	Pad, Slide	
7		4	Bracket Options:	
	4843706		Bracket, Roller Mounting (Prior to Feb. 1994)	
	3537619		Bracket, Roller Mounting (Feb. 1994 to Present)	
8	3860059	4	Roller	
9	4844349	2	Bracket, Roller Mounting	
10	3860057	A/R	Roller	
11	0641511	A/R	Bolt 5/16"-18NC x 1 3/8"	
12	4711500	A/R	Flatwasher 5/16" Narrow	
13	3311505	A/R	Locknut 5/16"-18NC	
14	0641514	2	Bolt 5/16"-18NC x 1 3/4"	
15	0641516	2	Bolt 5/16"-18NC x 2" (Prior to S/N 44015)	
16	0641607	4	Bolt 3/8"-16NC x 7/8"	
17	4761600	6	Lockwasher 3/8"	
18	0641420	4	Bolt 1/4"-20NC x 2 1/2"	
19	4751400	56	Flatwasher 1/4"	
20	3311405	29	Locknut 1/4"-20NC	
21	0641416	15	Bolt 1/4"-20NC x 2"	
22	1682872	2	Extension Cylinder Assembly (See Section 5 for Breakdown)	
23	0642228	2	Bolt 3/4"-10NC x 3 1/2"	
24	3312205	4	Locknut 3/4"-10NC	
25	0642236	2	Bolt 3/4"-10NC x 4 1/2"	
26	3421453	6	Spring pin	
27	0901870	2	Bracket, Handrail Corner	
28 to 30	Not Used			
31	4070829	4	Shim	
32	3520072	2	Cap	
33	Not Used			
34	0901904	2	Bracket, Cylinder Support	
35	1320019	2	U-Clamp	
36	Not Used			
37	4711600	4	Flatwasher 3/8" Narrow	
38	3311601	4	Nut 3/8"-16NC	
39	1060379	6	Cable, Lanyard	
40	3536624	1	Kickplate	
41	0641406	4	Bolt 1/4"-20NC x 3/4"	

## SECTION 4 PLATFORM

**FIGURE 4-2. PLATFORM EXTENSION INSTALLATION (OPTIONAL) (CONTINUED)**

ITEM #	PART NUMBER	QTY.	DESCRIPTION	REV.
42	4752200	4	Flatwasher 3/4"	
43 to 44	Not Used			
45	4280284	1 ft./30.5cm	Tape (Prior to S/N 30060)	
	4420062	2 ft./0.6m	Tape (S/N 30060 to Present)	
46	1701907	1	Nameplate - Extension Capacity (Prior to S/N 44590)	
47	3820011	2	Rivet (Prior to S/N 44590)	
48 to 53	Not Used			
54	3841233	4	Rod, Roller Support	
55	3322202	4	Nut, Jam 3/4"	
56	3760348	4	Ring, Retainer	
57 to 60	Not Used			
61	0641512	1	Bolt 5/16"-18NC x 1 1/2" (S/N 44015 to Present)	
62	3760170	A/R	Ring, Quick Release Pin (S/N 54922 to Present)	
63	Not Used			
64	1060966	1	Cable 16/2 (85ft/25.9m) (Not Shown) (S/N 109670 to Present)	
	2902036	1	Kit, Extension Rail (Single Extension - 500RTS) (Includes Items 2 & 3)	
	2902037	1	Kit, Extension Rail (Dual Extension - 500RTS) (Includes Items 2 & 3)	
	0253410	Ref.	<b>OPTIONAL SELECTOR VALVE ASSEMBLY - DUAL PLATFORM UNITS ONLY</b>	—
101	4640787	1	Selector Valve Assembly	
	7011102	1	Coil	
102	0641426	2	Bolt 1/4"-20NC x 3 1/4"	
103	3311401	2	Nut 1/4"-20NC	
104	4761400	2	Lockwasher 1/4"	
		Ref.	<b>LIMIT SWITCH INSTALLATIONS</b>	
	0254279	Ref.	<b>SINGLE EXTENSION INSTALLATION - 400RTS</b>	—
	0254280	Ref.	<b>DUAL EXTENSION INSTALLATION - 400RTS</b>	—
	0254277	Ref.	<b>SINGLE EXTENSION INSTALLATION - 500RTS</b>	—
	0254278	Ref.	<b>DUAL EXTENSION INSTALLATION - 500RTS</b>	—
201	4360277	1	Limit Switch	
202	4360236	1	Switch, Actuator Head	
203	4360237	1	Actuator Arm	
204	4460052	1	Strain Relief	
205	3900168	2	Screw #10-24	
206	1060341	1	Lock Wire	
207	4920017	1 Ft.	Cable (Not Shown - Located in Ground Control Box)	
208	3740049	1	Relay (Not Shown - Located in Ground Control Box)	
209	4460259	4	Terminal (Not Shown - Located in Ground Control Box)	
210	4460260	4	Housing (Not Shown - Located in Ground Control Box)	
211	1060341	A/R	Cable, Electrical - 16/2	
		60 Ft.	400RTS	
		72 Ft.	500RTS	
212	4460035	3	Terminal, Splice (Not Shown - Located in Junction Box)	

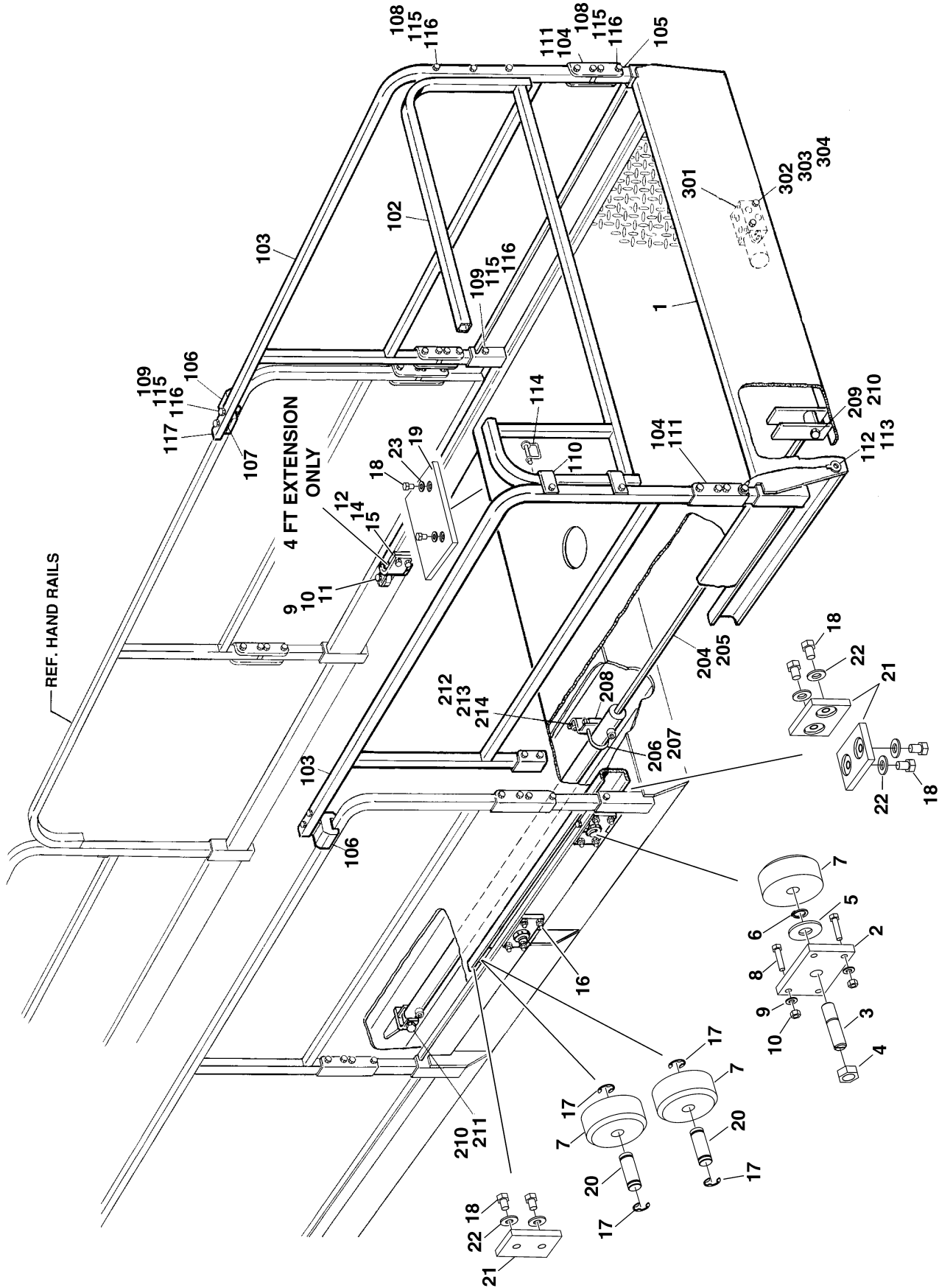
## SECTION 4 PLATFORM

**FIGURE 4-2. PLATFORM EXTENSION INSTALLATION (OPTIONAL) (CONTINUED)**

ITEM #	PART NUMBER	QTY.	DESCRIPTION	REV.
213	0860037	1	Box, Junction	
214	3500812	1	Plate, Cover	
215	4460049	3	Connector	
216	3300047	3	Lock Nut, Conduit	
217	0960239	3	Bushing	
218	0641406	2	Bolt 1/4"-20 x 3/4"	
219	4751400	2	Flatwasher 1/4"	
220	4761400	2	Lockwasher 1/4"	
221	3311401	2	Nut 1/4"	

# SECTION 4 PLATFORM

FIGURE 4-3. PLATFORM EXTENSION INSTALLATION - MEGADECK (OPTIONAL)





## SECTION 4 PLATFORM

**FIGURE 4-3. PLATFORM EXTENSION INSTALLATION - MEGADECK (OPTIONAL)**

ITEM #	PART NUMBER	QTY.	DESCRIPTION	REV.
		Ref.	<b>OPTIONAL PLATFORM EXTENSION INSTALLATIONS (PLATFORM LENGTH - 14.7ft/4.5m)</b>	
	0270858	Ref.	<b>4FT/1.2M EXTENSION</b>	B
	0270859	Ref.	<b>6FT/1.8M EXTENSION</b>	C
1		1	Platform Extension Weldment	
	4846348		4ft/1.2m Extension	
	4846349		6ft/1.8m Extension	
2	3537619	A/R	Bracket, Roller Mounting	
3	3841233	A/R	Rod, Roller Support	
4	3322202	A/R	Nut, Jam 3/4"	
5	4752200	A/R	Flatwasher 3/4"	
6	3760348	A/R	Ring, Retainer	
7		A/R	Roller	
	3860059	4	4ft/1.2m Extension	
	3860097	6	6ft/1.8m Extension	
8	0641511	A/R	Bolt 5/16"-18NC x 1 3/8"	
9	4711500	A/R	Flatwasher 5/16" Narrow	
10	3311505	A/R	Locknut 5/16"-18NC	
11	0641514	2	Bolt 5/16"-18NC x 1 3/4" (4ft/1.2m Extension Only)	
12	4844349	2	Bracket, Roller Mounting (4ft/1.2m Extension Only)	
13	3860057	2	Roller (4ft/1.2m Extension Only)	
14	4761600	4	Lockwasher 3/8" (4ft/1.2m Extension Only)	
15	0641607	4	Bolt 3/8"-16NC x 7/8" (4ft/1.2m Extension Only)	
16	0641512	1	Bolt 5/16"-18NC x 1 1/2" (4ft/1.2m Extension Only)	
17	1380151	8	Clip, E-Clip (6ft/1.8m Extension Only)	
18	0641604	16	Bolt 3/8"-16NC x 1/2" (6ft/1.8m Extension Only)	
19	3340913	2	Pad, Extension Support (6ft/1.8m Extension Only)	
20	3422728	4	Pin, Roller Extension (6ft/1.8m Extension Only)	
21	3340780	6	Pad, Wear (6ft/1.8m Extension Only)	
22	4751500	16	Flatwasher 5/16" Wide (6ft/1.8m Extension Only)	
		Ref.	<b>OPTIONAL RAIL EXTENSION INSTALLATIONS</b>	
	0270860	Ref.	<b>4FT/1.2M EXTENSION</b>	A
	0270861	Ref.	<b>6FT/1.8M EXTENSION</b>	B
101	Not Used			
102	3641386	1	Handrail - End	
103		2	Handrail - Side Options:	
	3640822		4ft/1.2m Extension	
	3641391		6ft/1.8m Extension	
104	1271479	4	Channel, Rail Hinge	
105	4565869	4	Tube, Base	
106	3340653	2	Pad, Slide	
107	4070829	4	Shim	
108	0641416	17	Bolt 1/4"-20NC x 2"	
109	0641420	8	Bolt 1/4"-20NC x 2 1/2"	
110	0901870	A/R	Bracket, Handrail Corner	
111	4420062	1 ft./30.5cm	Tape	

## SECTION 4 PLATFORM

**FIGURE 4-3. PLATFORM EXTENSION INSTALLATION - MEGADECK (OPTIONAL)**

ITEM #	PART NUMBER	QTY.	DESCRIPTION	REV.
112	1060379	6	Cable, Lanyard	
113	3760170	6	Ring, Quick Release Pin	
114	3422219	6	Pin, Snapper	
115	3311505	25	Locknut 5/16"-18NC	
116	4711400	50	Flatwasher 1/4" Narrow	
117	3520072	4	Plug	
118	0901916	1	Bracket (6ft/1.8m Extension Only)	
	0271196	Ref.	<b>OPTIONAL POWER EXTENSION INSTALLATION (PLATFORM LENGTH - 14.7ft/4.5m)</b>	B
201 to 203	Not Used			
204	1682872	2	Extension Cylinder Assembly - 4ft/1.2m (See Section 5 for Breakdown)	
205	1684107	2	Extension Cylinder Assembly - 6ft/1.8m (See Section 5 for Breakdown)	
206	1320019	4	U-Clamp	
207	4711500	8	Flatwasher 5/16" Narrow	
208	0901904	4	Bracket, Cylinder Support	
209	0642228	4	Bolt 3/4"-10NC x 3 1/2"	
210	3312205	8	Locknut 3/4"-10NC	
211	0642236	4	Bolt 3/4"-10NC x 4 1/2"	
212	4711600	8	Flatwasher 3/8" Narrow	
213	4761600	10	Lockwasher 3/8"	
214	3311601	8	Nut 3/8"-16NC	
215	0641608	2	Bolt 3/8"-16NC x 1"	
	0253410	Ref.	<b>OPTIONAL SELECTOR VALVE ASSEMBLY</b>	—
301	4640787	1	Selector Valve Assembly	
	7011102	0	Coil	
302	0641426	2	Bolt 1/4"-20NC x 3 1/4"	
303	3311401	2	Nut 1/4"-20NC	
304	4761400	2	Lockwasher 1/4"	

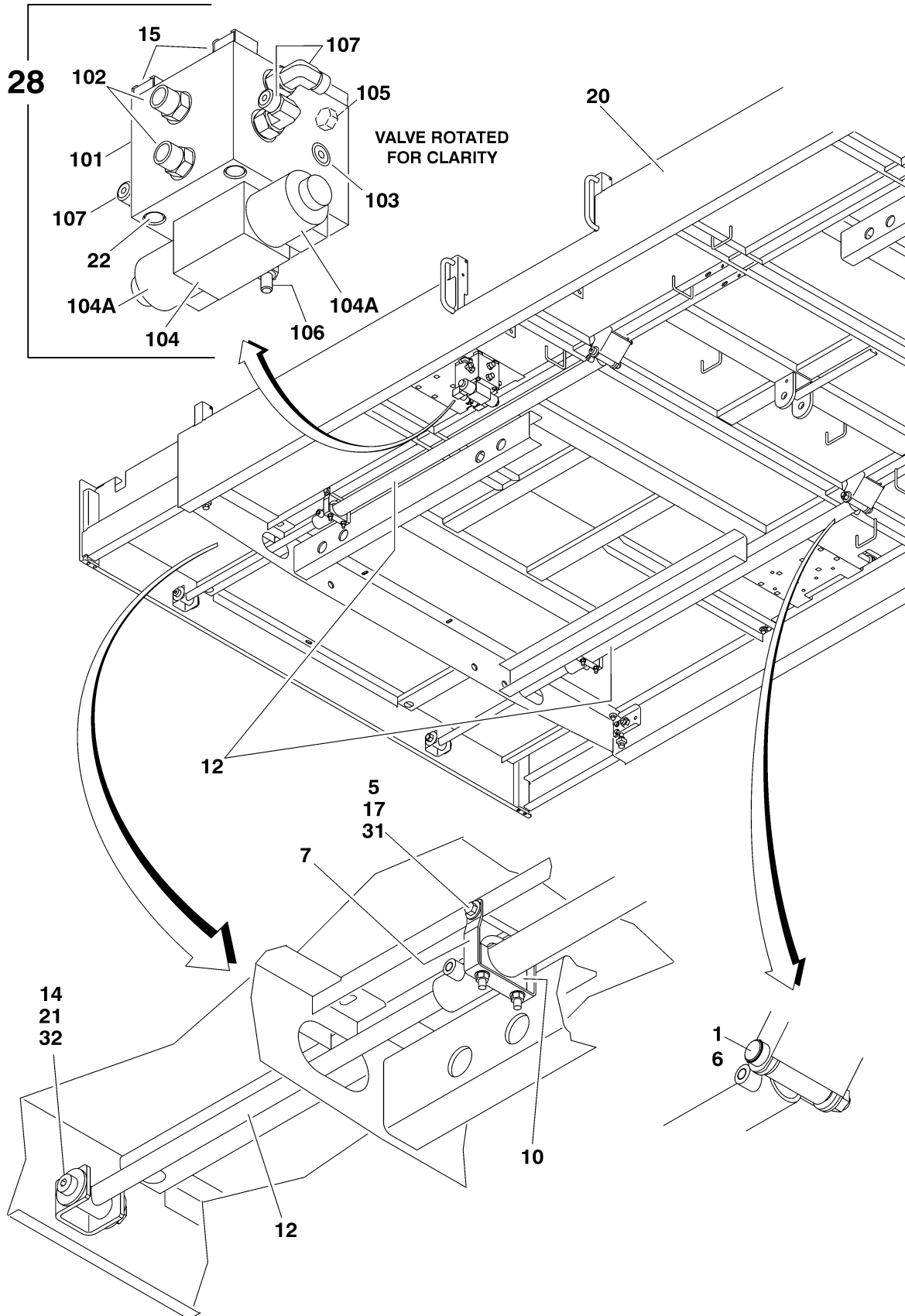
# SECTION 4 PLATFORM

## FIGURE 4-3. PLATFORM EXTENSION INSTALLATION - MEGADECK (OPTIONAL)

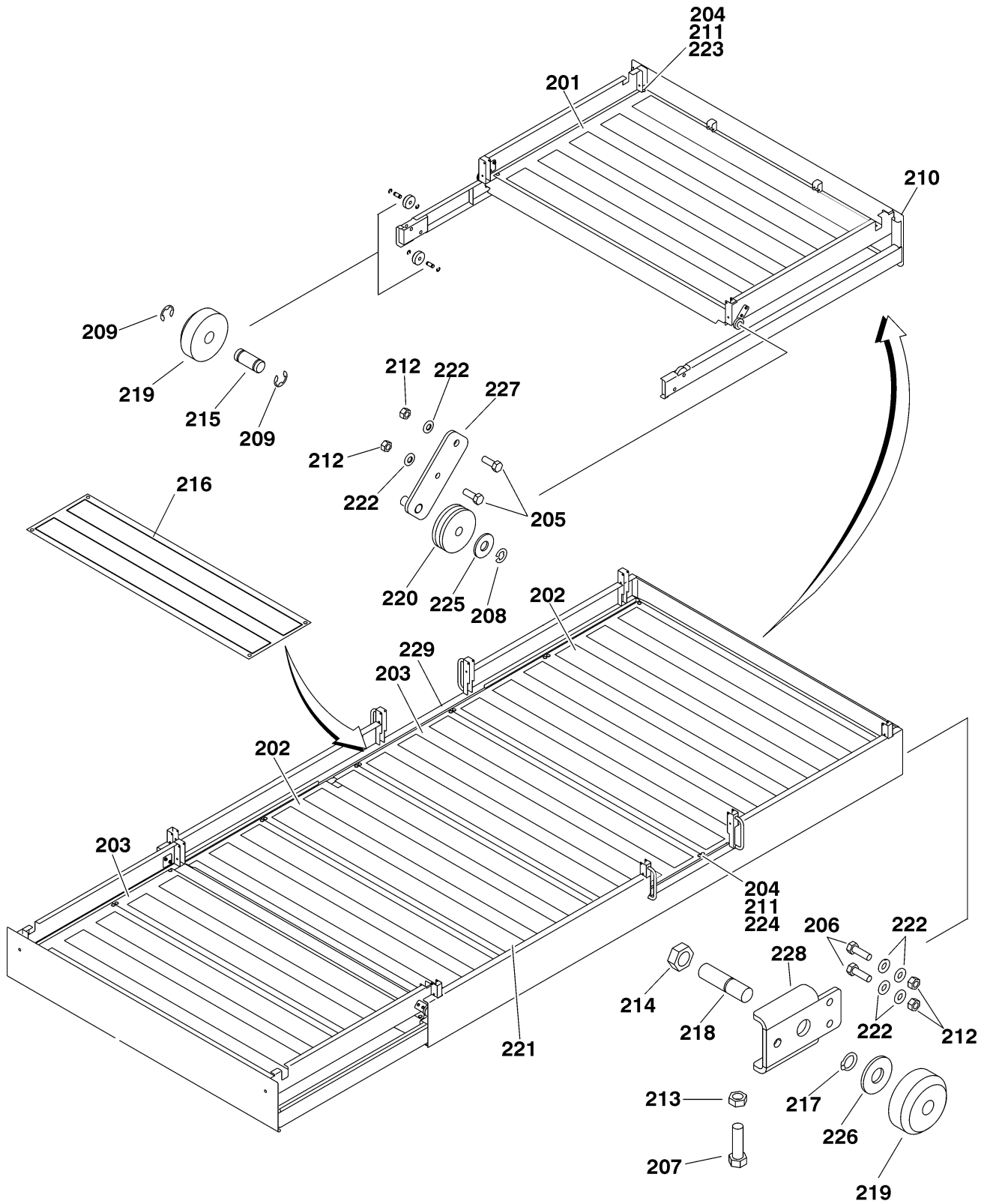
ITEM #	PART NUMBER	QTY.	DESCRIPTION	REV.

# SECTION 4 PLATFORM

## FIGURE 4-4. POWER DECK EXTENSION AND PLATFORM ASSEMBLY



# SECTION 4 PLATFORM



## SECTION 4 PLATFORM

**FIGURE 4-4. POWER DECK EXTENSION AND PLATFORM ASSEMBLY**

ITEM #	PART NUMBER	QTY.	DESCRIPTION	REV.
	0273062	Ref.	<b>DUAL DECK EXTENSION (PLATFORM LENGTH - 15.8ft/4.8m)</b>	B
1	3423052	4	Pin, Tele Barrel	
2	0100011	A/R	Loctite #242 (Not Shown)	
3 & 4	Not Used			
5	0641636	4	Bolt 3/8"-16NC x 4 1/2"	
6	3760351	8	Ring, Retaining	
7	0902839	4	Bracket, Hanger	
8 to 9	Not Used			
10	1320019	4	Clamp	
11	Not Used			
12	1684266	4	Extension Cylinder Assembly (See Section 5 for Breakdown)	
13	Not Used			
14	3272005	4	Locknut 5/8"-11NC	
15	3300471	8	Nut, Retainer 3/8"-16NC	
16	Not Used			
17	3311605	4	Locknut 3/8"-16NC	
18 to 19	Not Used			
20	0272990	1	Platform and Deck Extension Assembly (See Items 201 to 230 for Breakdown)	
21	3900330	4	Screw, Shoulder	
22	3931664	8	Capscrew 3/8"-16NC x 4"	
23 to 27	Not Used			
28	4641219	1	Valve Assembly (See Items 101-107 for Breakdown)	
29 to 30	Not Used			
31	4751600	8	Flatwasher 3/8" Wide	
32	4752200	8	Flatwasher 3/4" Wide	
	4641219	Ref.	<b>VALVE ASSEMBLY</b>	C
101	Not Available	1	Block, Manifold	
102	2110806	2	Fitting, Straight	
103	2220883	1	Plug	
	7024926	1	Orifice	
104	Use 70001342	1	<b>Control Valve Assembly (was p/n 7024019) (Note: No Longer Available for Purchase)</b>	
	7012773	1	Seal Kit - 7024019 & 70001342 Valve	
104A	7024013	2	Coil	
105	7026002	1	Cartridge	
	2900770	1	Seal Kit - 7026002 Cartridge	
106	7024572	1	Cartridge	
	7011346	1	Seal Kit - 7024572 Cartridge	
107	2130406	4	Fitting, 90°	

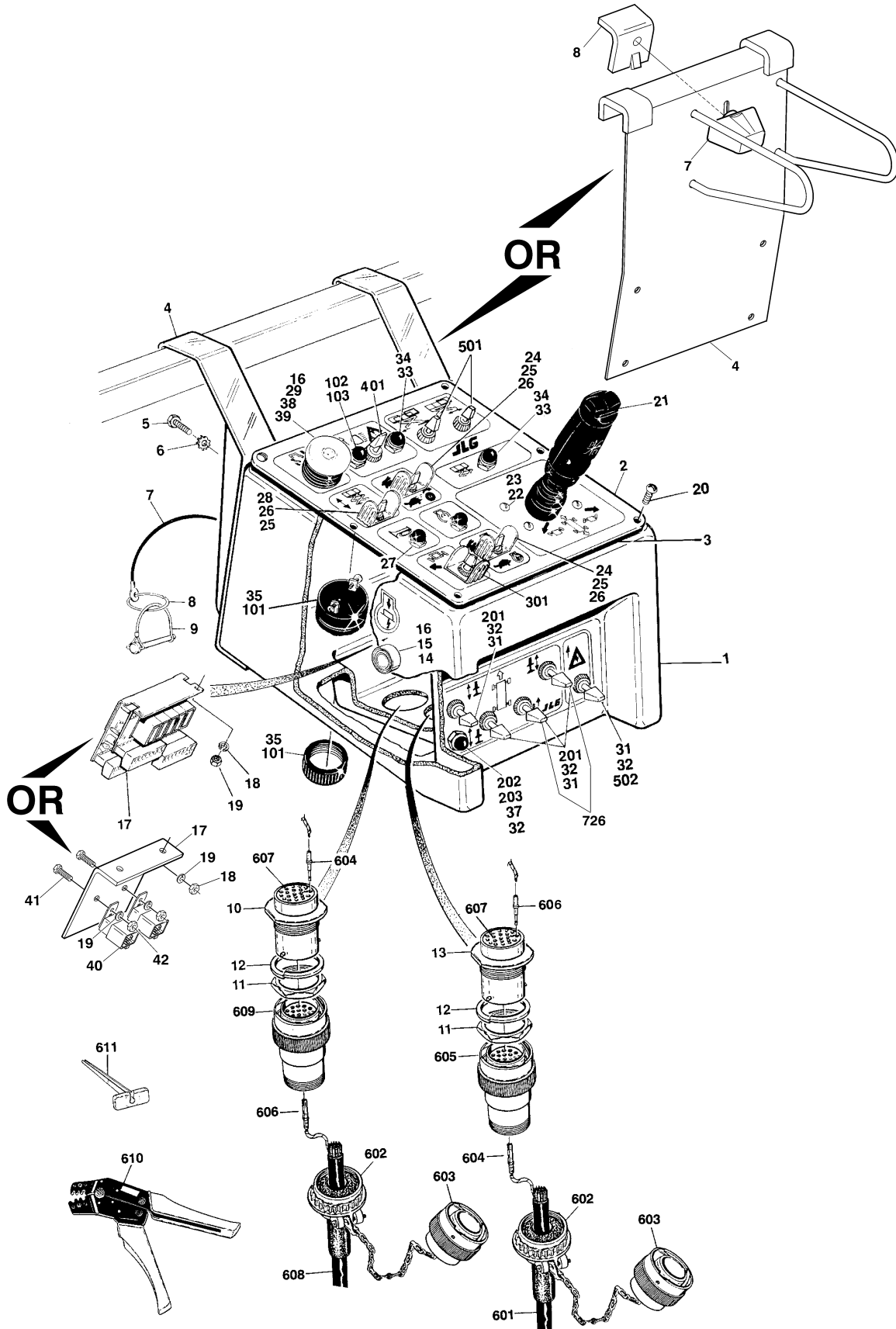
## SECTION 4 PLATFORM

**FIGURE 4-4. POWER DECK EXTENSION AND PLATFORM ASSEMBLY (CONTINUED)**

ITEM #	PART NUMBER	QTY.	DESCRIPTION	REV.
	0272990		<b>PLATFORM AND DECK EXTENSION ASSEMBLY</b>	E
201	0272101	2	Plate, Floor	
	4420069	30ft/9m	Tape, Safety Tread	
202	0272241	3	Plate, Floor	
	4420069	19.5ft/6m	Tape, Safety Tread	
203	0272242	2	Plate, Floor	
	4420069	19.5ft/6m	Tape, Safety Tread	
204	0630485	36	Bolt, Carriage	
205	0641507	8	Bolt 5/16"-18NC x 7/8"	
206	0641508	8	Bolt 5/16"-18NC x 1"	
207	0641814	4	Bolt 1/2"-13NC x 1 3/4"	
208	1380150	4	E-Clip 1/2"	
209	1380151	16	E-Clip 3/4"	
210	2020006	2	Deck, Extension	
211	3300472	36	Nut, Acorn 3/8"-16NC	
212	3311505	16	Locknut 5/16"-18NC	
213	3311802	4	Nut, Jam 1/2"-13NC	
214	3322202	4	Nut, Jam	
215	3422966	8	Pin	
216	0272998	2	Assembly, Deck Plate	
217	3760348	4	Ring, Retaining	
218	3841233	4	Rod, Roller	
219	3860059	12	Roller, Extension	
220	3860100	4	Roller, V-Groove	
221	4420066	113.5ft/ 34.6m	Tape, Double Sided	
222	4711500	24	Flatwasher 5/16" Narrow	
223	4711600	8	Flatwasher 3/8" Narrow	
224	4751600	28	Flatwasher 3/8" Wide	
225	4751800	4	Flatwasher 1/2" Wide	
226	4752200	4	Flatwasher 3/4" Wide	
227	4846517	4	Mount, Roller	
228	4846519	4	Support, Roller	
229	3510842	1	Platform Weldment	

# SECTION 4 PLATFORM

## FIGURE 4-5. PLATFORM CONSOLE BOX ASSEMBLY





## SECTION 4 PLATFORM

**FIGURE 4-5. PLATFORM CONSOLE BOX ASSEMBLY**

ITEM #	PART NUMBER	QTY.	DESCRIPTION	REV.
		Ref.	<b>PLATFORM CONSOLE BOX ASSEMBLIES:</b>	
	0253516	Ref.	<b>CE Spec (Prior to S/N 112737)</b>	13
	0273060	Ref.	<b>CE Spec (S/N 112737 to Present)</b>	1
	0258664	Ref.	<b>Australian Spec</b>	9
1		1	Box, Control Options: Prior to S/N 80656 S/N 80656 to Present	
	0860799			
	0861377			
2		1	Nameplate, Lid Options: Australian/CE Spec (Prior to S/N 57701) Australian Spec (S/N 57701 to Present) CE Spec (S/N 57701 to S/N 112737) CE Spec (S/N 112737 to Present)	
	3252310			
	3252620			
	3252620			
	3252810			
3	4420008	38in./96.5cm	Tape, Insulation	
4		A/R	Bracket, Hanger Options: Prior to S/N 46644 S/N 46644 to S/N 57701 S/N 57701 to Present	
	0901897	2		
	0902456	1		
	4845938	1		
5	0641404	4	Bolt 1/4"-20NC x 1/2"	
6	4791400	4	Starwasher 1/4"	
7		A/R	Options: Lanyard 10" (Prior to S/N 46644) Handle, Thumb Screw (S/N 46644 to Present)	
	1060380	1		
	2560141	1		
8		A/R	Options: Ring (Prior to S/N 46644) Angle, Box Clamp (S/N 46644 to Present)	
	3760170	1		
	0181847	1		
9	3421453	1	Pin, Snap (Prior to S/N 46644)	
10	4460463	1	Receptacle (23 Pin)	
11	4460470	2	Nut, Conduit	
12	4460471	2	Lockwasher, Conduit	
13	4460480	1	Receptacle (20 Pin)	
14	4360339	1	Switch, Push Button (Enable)	
	7012593	1	Cap, Rubber	
15	4360267	1	Block, Contact - N.O.	
16	0100035	A/R	Loctite #222	
17	0610103	1	Circuit Card Assembly, Time Delay (Prior to February 1995)	
	7012590	1	Bracket, Mounting	
	0610114	1	Circuit Card Assembly, Time Delay (February 1995 to S/N 57701)	
	0610110	1	Bracket: Mounting Kit	
	0902514	1	Bracket, Relay (S/N 57701 to Present)	
18		2	Nut Options: Nut #6-32NC (Prior to S/N 57701) Nut #10-24NC (S/N 57701 to Present)	
	3310601			
	3311001			
19		A/R	Lockwasher Options: Lockwasher #6 (Prior to S/N 57701) Lockwasher #10 (S/N 57701 to Present)	
	4770600	2		
	4761000	4		
20	3900177	8	Screw, Machine #8 x 1/2"	

## SECTION 4 PLATFORM

**FIGURE 4-5. PLATFORM CONSOLE BOX ASSEMBLY (CONTINUED)**

ITEM #	PART NUMBER	QTY.	DESCRIPTION	REV.
21	1600157 1600290	1	Controller, PQ (Drive/Steer) Options: Prior to S/N 57701 S/N 57701 to Present	
22	4740120	4	Washer, Nylon	
23	3900178	4	Screw, Machine #10-32NC x 3/4"	
24	4360345 4360336 4360336	2	Switch, Toggle SPDT Options: 400RTS (Prior to S/N 46198) 400RTS (S/N 46198 to Present) 500RTS	
25	4060802	3	Shield, Switch	
26	3790012	A/R	O-Ring	
27	4360274	2	Switch, Push Button (Horn)	
28	4360314	A/R	Switch, Toggle (Lift)	
29	4360289 7012611 7012612 4360475 7020175 7020176	1 1 1 1 1 1	Switch, Push-Pull (Emergency Stop) (Prior to S/N 65040) Mushroom, Top Boot Switch, Push-Pull (Emergency Stop) (S/N 65040 to Present) Cap Block, Contact	
30	Not Used			
31	3520079	A/R	Plug, Hole	
32	0100009	A/R	Sealant, Silicon	
33	2920029	A/R	Bulb, Light	
34	Not Required 2920026	A/R	Lamp, Indicator - Red Options: Australian Spec CE Spec	
35	Not Required 0140011	1	Alarm, Sonalert Options: Australian Spec CE Spec	
36	2920027 Not Required	1	Lamp, Indicator - Green Options: Australian Spec CE Spec	
37	3520081	1	Plug, Hole	
38	4360282 4360476	1	Switch, Contact Block Options: August 1993 to S/N 65040 S/N 65040 to Present	
39	Not Required 4360281 4360478	1	Switch, Contact Block Options: Australian Spec CE Spec (Prior to S/N 66916) CE Spec (S/N 66916 to Present)	
40	3740049	4	Relay (S/N 57701 to Present)	
41	3911008	2	Screw #10-24NC x 1/2" (S/N 57701 to Present)	
42	3321001	2	Nut #10-24NC (S/N 57701 to Present)	
43 to 44	Not Used			
45	4750600	2	Flatwasher #6 (S/N 108336 to Present)	

## SECTION 4 PLATFORM

**FIGURE 4-5. PLATFORM CONSOLE BOX ASSEMBLY (CONTINUED)**

ITEM #	PART NUMBER	QTY.	DESCRIPTION	REV.
	0254063	Ref.	<b>TILT ALARM INSTALLATION</b>	—
101	0140011	1	Alarm	
102	2920026	1	Lamp, Indicator - Red	
103	2920029	1	Bulb, Light	
		Ref.	<b>OPTIONAL LEVELING JACK CONTROLS INSTALLATION</b>	—
201	4360314	4	Switch, Toggle	
	3790012	4	O-Ring	
202	2920027	1	Lamp, Indicator - Green	
203	2920029	1	Bulb, Light	
		Ref.	<b>OPTIONAL 4WS CONTROLS INSTALLATION</b>	
301	4360314	1	Switch, Toggle (Rear Steer)	
	4060802	1	Guard, Switch	
	3790012	1	O-Ring	
	0253821	Ref.	<b>OPTIONAL LIGHTS INSTALLATION</b>	2
401	4360329	1	Switch, Toggle	
	3790012	1	O-Ring	
		Ref.	<b>OPTIONAL PLATFORM EXTENSION INSTALLATION</b>	
	0253614	Ref.	<b>SINGLE EXTENSION</b>	14
	0253615	Ref.	<b>DUAL EXTENSIONS</b>	19
	0271196	Ref.	<b>MEGADECK EXTENSIONS</b>	B
501	4360330	A/R	Switch, Toggle (Extend)	
	4360314	A/R	Switch, Toggle (Platform Select)	
	3790012	A/R	O-Ring	
502	4360330	1	Switch, Toggle (Auxiliary Power)	
	3790012	1	O-Ring	
		Ref.	<b>HARNESSES ASSEMBLIES:</b>	
	4921543	Ref.	<b>16/24 (500RTS) (PRIOR TO S/N 58035)</b>	2
	4922257	Ref.	<b>16/24 (500RTS) (S/N 58035 TO PRESENT)</b>	2
	4921598	Ref.	<b>16/24 (400RTS) (PRIOR TO S/N 58035)</b>	2
	4922256	Ref.	<b>16/24 (400RTS) (S/N 58035 TO PRESENT)</b>	2
	4921544	Ref.	<b>16/20 (500RTS) (PRIOR TO S/N 58035)</b>	3
	4922252	Ref.	<b>16/20 (500RTS) (S/N 58035 TO PRESENT)</b>	2
	4921599	Ref.	<b>16/20 (400RTS) (PRIOR TO S/N 58035)</b>	3
	4922251	Ref.	<b>16/20 (400RTS) (S/N 58035 TO PRESENT)</b>	2
601	1060459	A/R	Cable, Electrical 16/20 (Prior to S/N 58035)	
	1060825	A/R	Cable, Electrical 16/20 (S/N 58035 to Present)	
		100 ft.	400RTS	
		115 ft.	500RTS	

## SECTION 4 PLATFORM

**FIGURE 4-5. PLATFORM CONSOLE BOX ASSEMBLY (CONTINUED)**

ITEM #	PART NUMBER	QTY.	DESCRIPTION	REV.
602	4460473	1	Cable Clamp	
603	4460468	1	Dust Cap Plug	
604	4460464	20	Pin, Male	
605	4460481	1	Plug, Connector 20 Pin	
606	4460465	A/R	Socket, Female	
607	4460466	A/R	Seal, Red	
608	1060458	A/R	Cable, Electrical 16/24 (Prior to S/N 58035)	
	1060826	A/R	Cable, Electrical 16/24 (S/N 58035 to Present)	
		100 ft.	400RTS	
		115 ft.	500RTS	
609	4460462	1	Plug, Connector 23 Pin	
610	7002818	1	Crimper (For Wire to Pin/Socket Connections)	
611	4460467	1	Extractor (For Removal of Pin/Sockets from Connectors)	
	0273062	Ref.	<b>POWER DECK SWITCH INSTALLATIONS</b>	
701 to 725	Not Used			
726	4360387	2	Switch, Push Button	

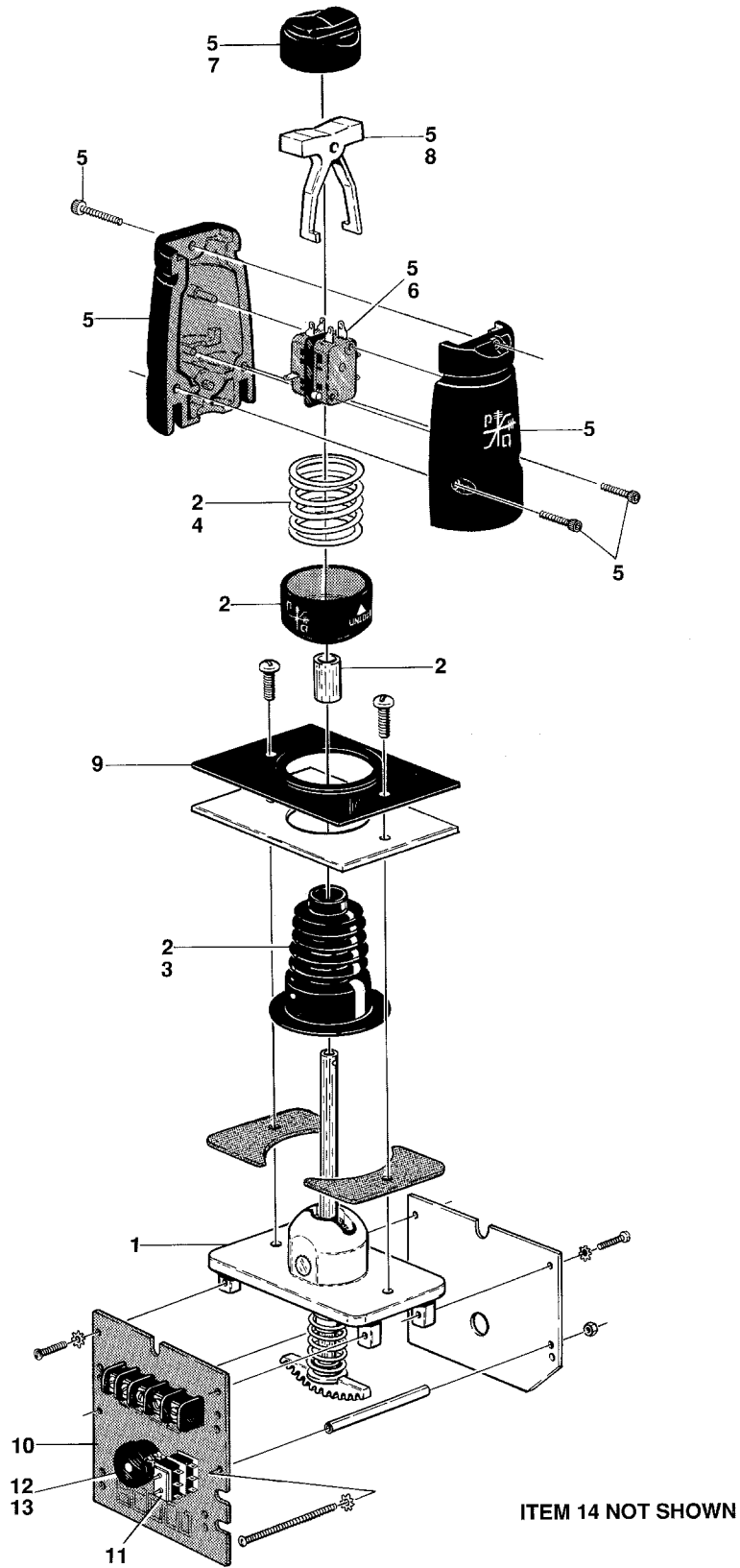
**SECTION 4 PLATFORM**

**FIGURE 4-5. PLATFORM CONSOLE BOX ASSEMBLY (CONTINUED)**

ITEM #	PART NUMBER	QTY.	DESCRIPTION	REV.

# SECTION 4 PLATFORM

FIGURE 4-6. DRIVE/LIFT CONTROLLER ASSEMBLY (PRIOR TO S/N 57701)



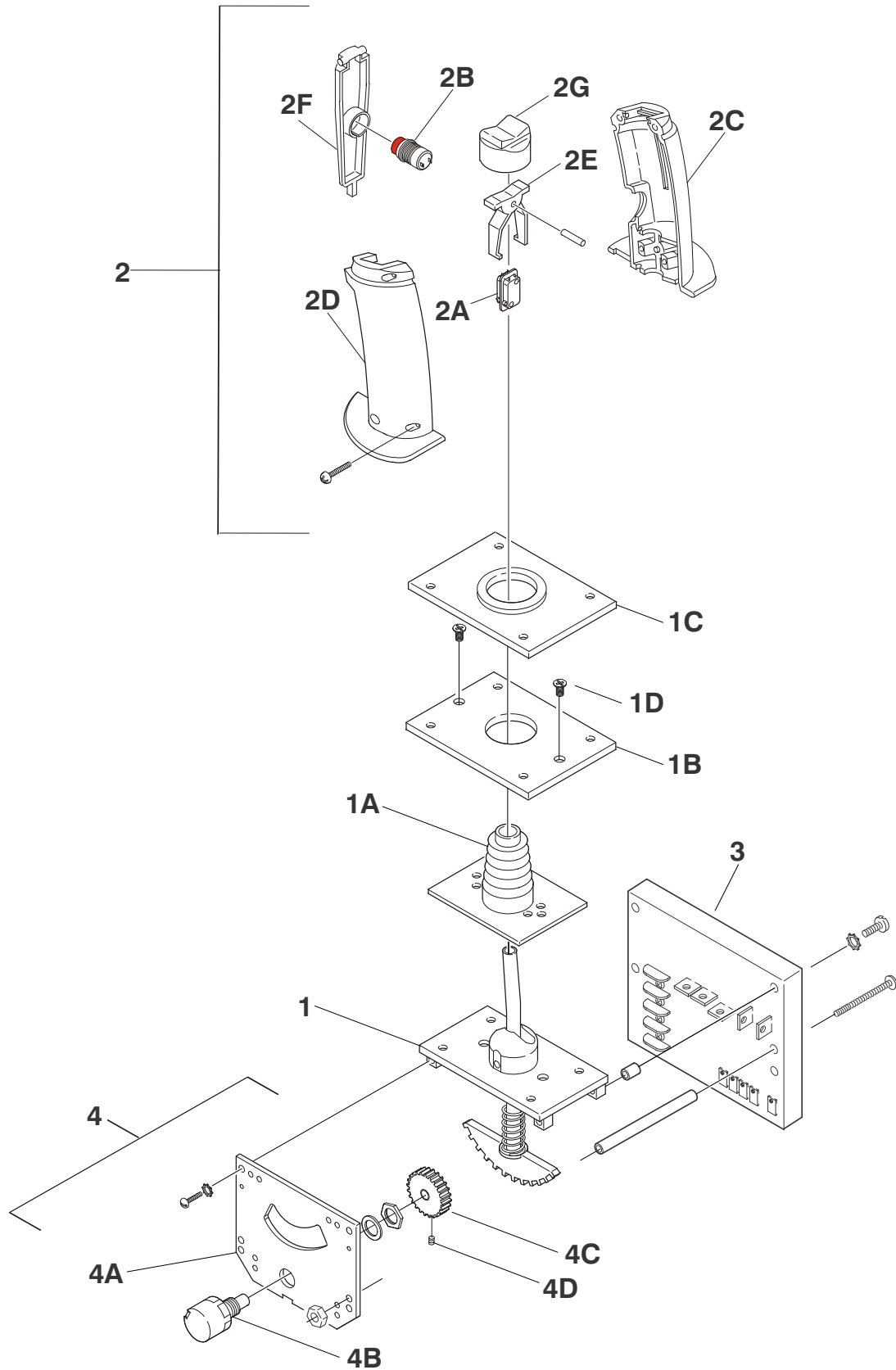
## SECTION 4 PLATFORM

**FIGURE 4-6. DRIVE/LIFT CONTROLLER ASSEMBLY (PRIOR TO S/N 57701)**

ITEM #	PART NUMBER	QTY.	DESCRIPTION	REV.
	1600157	Ref.	<b>SLIDE LOCK CONTROLLER ASSEMBLY - STRAIGHT</b>	A
	7011931	1	Slide Lock Controller Handle Assembly (Includes Items 1-9)	
1	7011932	1	Stem Assembly	
2	7011933	1	Slide Lock Assembly	
3	7003772	1	Boot	
4	7011934	1	Spring, Compression	
5	7011935	1	Handle Assembly	
6	7003789	1	Switch, Assembly	
7	7003790	1	Cap, Rubber	
8	7003791	1	Actuator, Switch	
9	7011936	1	Gasket	
10		A/R	Electrical Assembly Options: (Includes PC Board Potentiometer and Harness)	
	7011938	1	Electrical Assembly - With Trimpots	
	7011923	1	Electrical Assembly - With Potentiometer	
11	Not Used			
12	7011940	1	Gear, Pinion	
13	7003751	1	Potentiometer - 500 Ohms	
14		A/R	Harness End Options: (Not Shown)	
	4460343	1	Plug, Male 12 Position (Not Shown)	
	4460367	1	Receptacle, Female - 12 Pin (Not Shown)	
	4460226	12	Socket, Female (Not Shown)	
	4460227	12	Pin, Male (Not Shown)	

# SECTION 4 PLATFORM

FIGURE 4-7. DRIVE/LIFT CONTROLLER ASSEMBLY (S/N 57701 TO PRESENT)





## SECTION 4 PLATFORM

**FIGURE 4-7. DRIVE/LIFT CONTROLLER ASSEMBLY (S/N 57701 TO PRESENT)**

ITEM #	PART NUMBER	QTY.	DESCRIPTION	REV.
	1600290	Ref.	<b>CONTROLLER ASSEMBLY</b>	B
	7020503	1	Mechanical Assembly	
1	Not Serviced	1	Handle Assembly	
1A	7020520	1	Boot	
1B	7020504	1	Mounting Plate	
1C	7020502	1	Gasket	
1D	7020528	2	Screw #10-32NC x 3/8in	
2	7011991	1	Grip Assembly	
2A	7020500	2	Switch, Rocker	
2B	7020501	1	Switch, Push Button - Red	
2C	Use 7020541	1	Grip - Right Half (was p/n 7020531)	
2D	Use 7020541	1	Grip - Left Half (was p/n 7020532)	
		Ref.	<b>Note: Right Handle Half &amp; Left Handle Half Can No Longer Be Purchase Separately. Must Purchase p/n 7020541 You Will Receive Both Right &amp; Left Handle Half's.</b>	
2E	7003791	1	Actuator, Switch	
2F	7011997	1	Trigger	
2G	7003790	1	Cap, Rubber	
3	7011938	1	Electrical Assembly	
	4460367	1	Receptacle, Female - 12 Pin (Not Shown)	
	4460226	12	Socket, Female (Not Shown)	
	4460343	1	Plug, Male 12 Position (Not Shown)	
	4460227	12	Pin, Male (Not Shown)	
4	7011923	1	Electrical Assembly	
4A	7020509	1	Potentiometer, Mounting Plate	
4B	7003751	1	Potentiometer	
4C	7011940	1	Gear, Pinion	
4D	7020511	1	Setscrew #6-32NC x 1/8"	
4E	7011982	1	Board, Circuit (Not Shown)	

# SECTION 4 PLATFORM

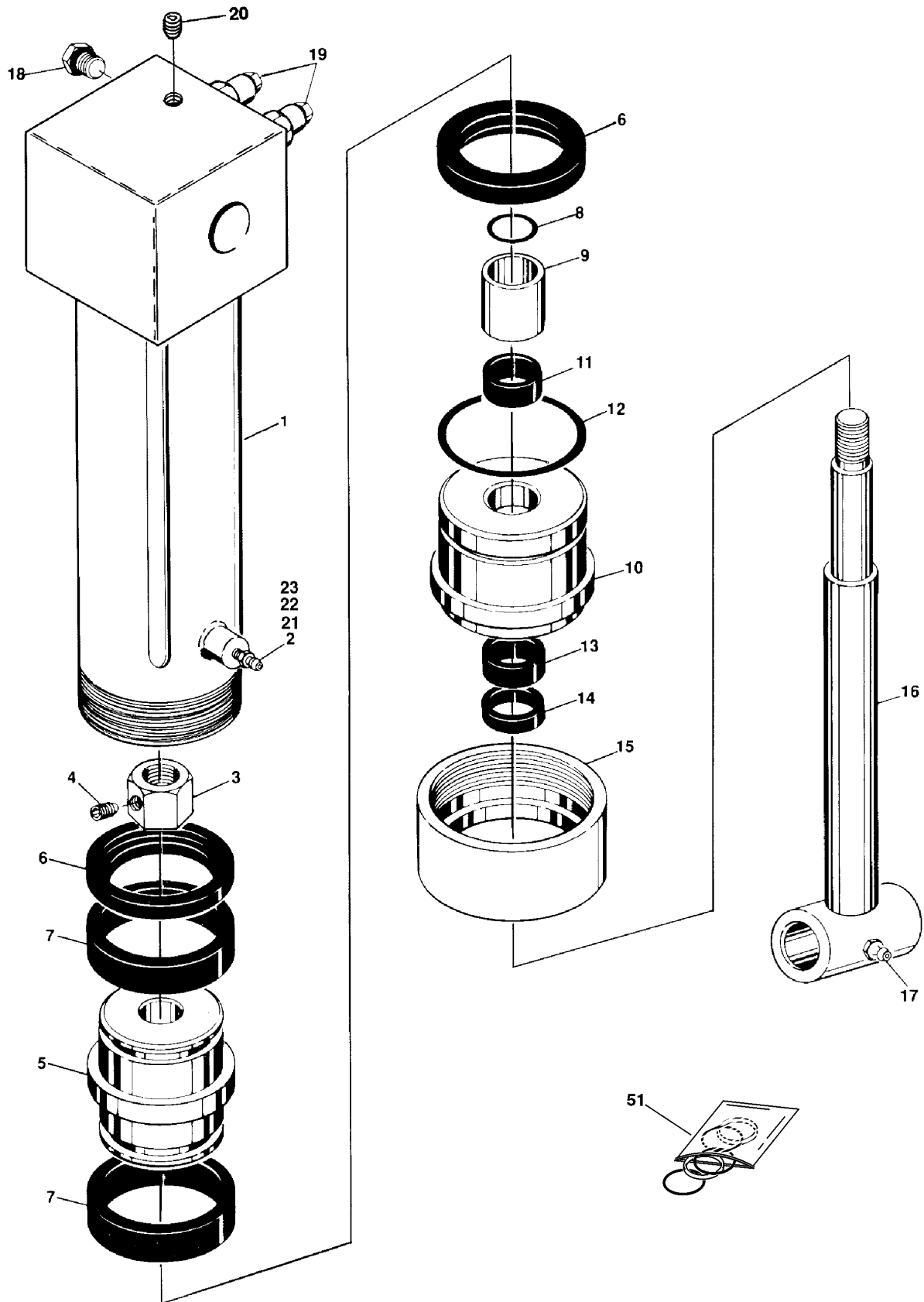
**FIGURE 4-7. DRIVE/LIFT CONTROLLER ASSEMBLY (S/N 57701 TO PRESENT) (CONTINUED)**

ITEM #	PART NUMBER	QTY.	DESCRIPTION	REV.

# **SECTION 5 CYLINDER**

# SECTION 5 CYLINDER

FIGURE 5-1. AXLE LOCKOUT CYLINDER ASSEMBLY (OSCILLATING CYLINDER) (OPTIONAL)



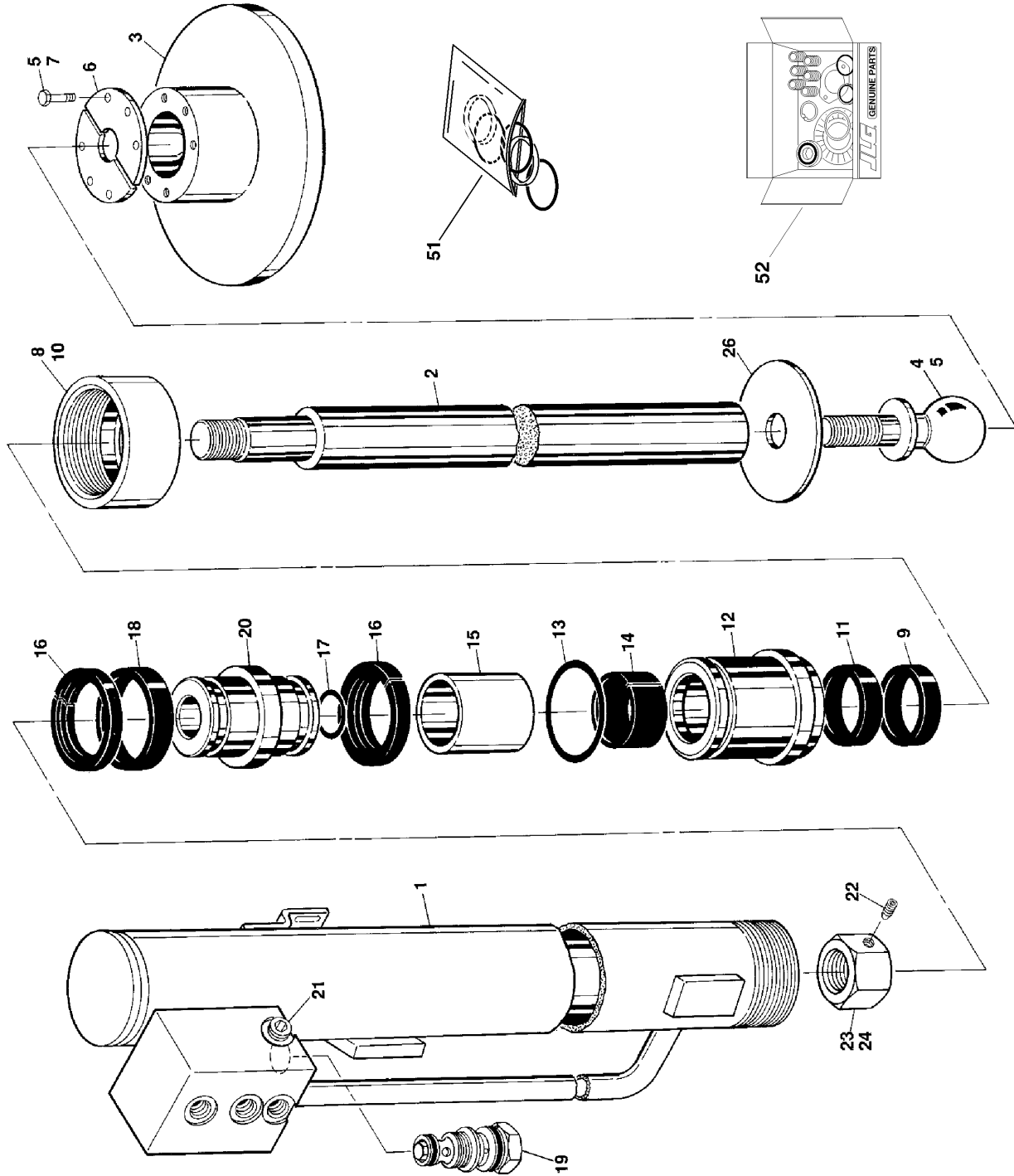
## SECTION 5 CYLINDER

**FIGURE 5-1. AXLE LOCKOUT CYLINDER ASSEMBLY (OSCILLATING CYLINDER)  
(OPTIONAL)**

ITEM #	PART NUMBER	QTY.	DESCRIPTION	REV.
	1682427	Ref.	<b>AXLE LOCKOUT CYLINDER ASSEMBLY</b>	8
1	1682428	1	Barrel Weldment	
2	4640273	3	Bleeder (Prior to June 1994)	
3	3300273	1	Nut	
4	3900170	1	Setscrew 3/8"-16NC	
5	3480116	1	Piston	
6	Use Item 51	2	Seal	
7	Use Item 51	2	Ring, Lock	
8	Use Item 51	1	O-Ring	
9		1	Spacer Options:	
	4564606		Prior to S/N 26766	
	4563647		S/N 26766 to Present	
10	1681322	1	Head	
11	Use Item 51	1	Ring, Wear	
12	Use Item 51	2	O-Ring	
13	Use Item 51	1	Seal, Rod	
14	Use Item 51	1	Seal, Wiper	
15	1120108	1	Retainer, Head	
16	1681609	1	Rod Weldment	
17	2160002	1	Fitting, Grease	
18	2220237	2	Fitting, Plug	
19		2	Valve, Check-Pilot-Operated Options:	
	4640525		Prior to S/N 85384	
	4641162		S/N 85384 to Present	
	2900770	2	Seal Kit - 4640525 & 4641162 Valve	
20	2200221	1	Plug, Bleeder	
21	3321401	1	Nut (June 1994 to Present)	
22	3900175	1	Plug (June 1994 to Present)	
23	3960416	1	Washer (June 1994 to Present)	
			-----	
	0100011	A/R	Loctite #242	
	0100035	A/R	Loctite #222	
			-----	
51	2900379	1	Seal Kit (Includes Items 6,7,8,11, 12, 13 & 14)	

# SECTION 5 CYLINDER

FIGURE 5-2. LEVELING JACK CYLINDER ASSEMBLY (HYDRAULIC JACK OPTION) (PRIOR TO S/N 104832)



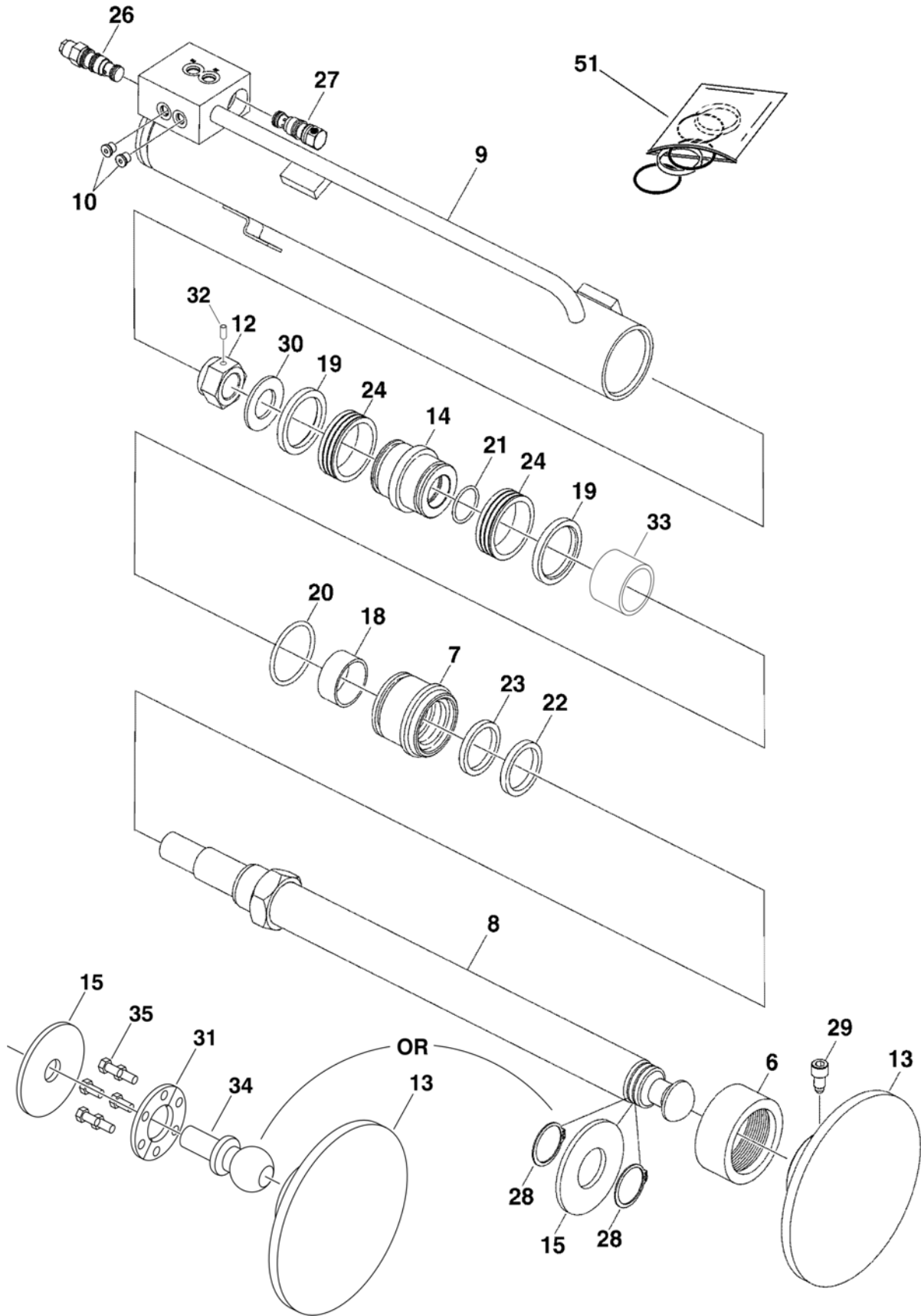
## SECTION 5 CYLINDER

**FIGURE 5-2. LEVELING JACK CYLINDER ASSEMBLY (HYDRAULIC JACK OPTION) (PRIOR TO S/N 104832)**

ITEM #	PART NUMBER	QTY.	DESCRIPTION	REV.
	1682720	Ref.	<b>LEVELING JACK CYLINDER ASSEMBLY (ORIGINAL EQUIPMENT)</b>	4
		Ref.	<b>Note: Original Cylinder may have been replaced with Service Replacement Cylinder. Identify p/n stamped on cylinder before ordering parts.</b>	
1	1682721	1	Barrel Weldment	
2	1682723	1	Rod, Cylinder	
3		1	Pad, Jack Options:	
	Use 2902023		Prior to S/N 91556 (p/n was 3340650)	
	2902023		S/N 91556 to Present (p/n was 3340904)	
4	0320015	1	Ball, Pivot	
5	0100011	A/R	Loctite #242	
6		1	Ring, Retainer Options:	
	3760261		Prior to S/N 91556	
	3760453		S/N 91556 to Present	
7		6	Bolt Options:	
	0681506		Bolt 15/16"-18NC x 3/4" Grade 8 (Prior to S/N 91556)	
	0681606		Bolt 3/6"-16NC x 3/4" Grade 8 (S/N 91556 to Present)	
8	0100035	A/R	Loctite #222	
9	Use Item 51	1	Wiper, Rod	
10	1120108	1	Retainer	
11	Use Item 51	1	Seal, Rod	
12	1681283	1	Head	
13	Use Item 51	1	O-Ring	
14	Use Item 51	1	Ring, Wear	
15	4565647	1	Spacer	
16	Use Item 51	2	Ring, Guidelock	
17	Use Item 51	1	O-Ring	
18	Use Item 51	2	Seal	
19	4640613	1	Cartridge, Pilot Operated Check Valve	
	2900770	1	Seal Kit	
20	3480092	1	Piston	
21	2220885	1	Plug	
22	3900170	1	Setscrew 3/8"-16NC x 3/8"	
23	3300281	1	Nut	
24	0100038	A/R	Primer, Loctite	
25	Not Used			
26	3536708	1	Plate, Actuator	
			-----	
51	2901941	1	Seal Kit (Includes Items 9, 11,13, 14 and 16-18)	
52	2902023	1	Jack Pad Kit (Includes Items 3,6 and 7)	

# SECTION 5 CYLINDER

FIGURE 5-3. LEVELING JACK CYLINDER ASSEMBLY (HYDRAULIC JACK OPTION) (S/N 104832 TO PRESENT)





## SECTION 5 CYLINDER

**FIGURE 5-3. LEVELING JACK CYLINDER ASSEMBLY (HYDRAULIC JACK OPTION) (S/N 104832 TO PRESENT)**

ITEM #	PART NUMBER	QTY.	DESCRIPTION	REV.
		Ref.	<b>LEVELING JACK CYLINDER ASSEMBLY</b>	
	1684216	Ref.	<b>Prior to S/N 107516 (Service Replacement for p/n 1682720)</b>	A
	1683966	Ref.	<b>S/N 107516 to Present (Original Equipment)</b>	G
	1684217	Ref.	<b>Service Replacement for p/n 1683966</b>	B
		Ref.	<b>Note: Original Cylinder may have been replaced with Service Replacement Cylinder. Identify p/n stamped on cylinder before ordering parts.</b>	
1	0100011	A/R	Loctite #242 (Not Shown)	
2	0100035	A/R	Loctite #222 (Not Shown)	
3 to 5	Not Used			
6	1120108	1	Retainer	
7	1681283	1	Head	
8	1684206	1	Rod, Cylinder	
9	1682721	1	Barrel Weldment (Cylinder p/n 1684216)	
	1683967	1	Barrel Weldment (Cylinders p/n 1683966 & p/n 1684217)	
10	2220885	1	Plug (Cylinder p/n 1684216)	
	2220883	2	Plug (Cylinders p/n 1683966 & p/n 1684217)	
11	Not Used			
12		1	Locknut Options:	
	3300465		Cylinder p/n 1684216 & p/n 1684217	
	3300281		Cylinder p/n 1683966	
13		1	Pad, Jack Options:	
	4846584		Cylinder p/n 1684216 & p/n 1684217	
	3340904		Cylinder p/n 1683966	
14	3480092	1	Piston	
15		1	Plate Options:	
	3573513		Cylinder p/n 1684216 & p/n 1684217	
	3536708		Cylinder p/n 1683966	
16 to 17	Not Used			
18	Use Item 51	1	Ring, Wear	
19	Use Item 51	2	Ring, Guidelock	
20	Use Item 51	1	O-Ring	
21	Use Item 51	1	O-Ring	
22	Use Item 51	1	Wiper, Rod	
23	Use Item 51	1	Seal, Rod	
24	Use Item 51	2	Seal	
25	Not Used			
26	Not Required	0	Valve, Counter Balance (Cylinder p/n 1684216)	
	4640495	1	Valve, Counter Balance (Cylinders p/n 1683966 & p/n 1684217)	
27	4640613	1	Valve, Check (Cylinder p/n 1684216)	
	4641156	1	Valve, Check (Cylinders p/n 1683966 & p/n 1684217)	
	7011345	1	Cartridge (Cylinders p/n 1683966 & p/n 1684217)	
	2900770	1	Kit, Seal (Cylinders p/n 1683966 & p/n 1684217)	
28	3760460	2	Ring, Retainer (Cylinder p/n 1684216 & p/n 1684217)	
29	3900321	3	Screw 1/2"-13NC x 1 1/4" (Cylinder p/n 1684216 & p/n 1684217)	
30	4713000	1	Washer 1 1/4" (Cylinder p/n 1684216 & p/n 1684217)	

## SECTION 5 CYLINDER

**FIGURE 5-3. LEVELING JACK CYLINDER ASSEMBLY (HYDRAULIC JACK OPTION) (S/N 104832 TO PRESENT) (CONTINUED)**

ITEM #	PART NUMBER	QTY.	DESCRIPTION	REV.
31	3760453	1	Ring, Retainer (Cylinder p/n 1683966)	
32	3900170	1	Screw, Self Locking (Cylinder p/n 1683966)	
33	4565647	1	Tube, Spacer (Cylinder p/n 1683966)	
34	0320015	1	Ball, Pivot (Cylinder p/n 1683966)	
35	0681606	6	Bolt 3/6"-16NC x 3/4" Grade 8 (Cylinder p/n 1683966)	
51	2901941	1	----- Seal Kit (Includes Items 18-24)	

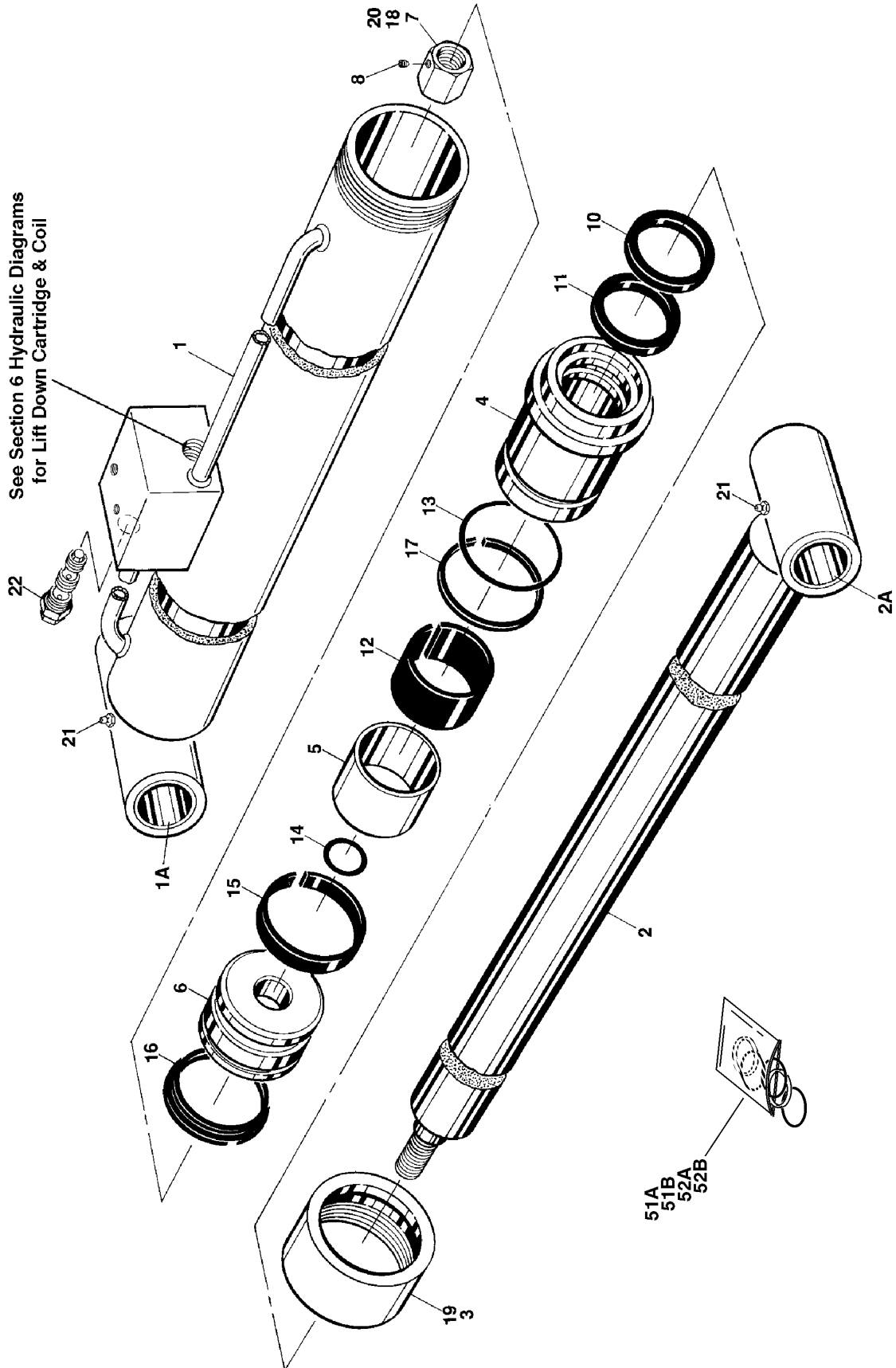
**SECTION 5 CYLINDER**

**FIGURE 5-3. LEVELING JACK CYLINDER ASSEMBLY (HYDRAULIC JACK OPTION) (S/N 104832 TO PRESENT) (CONTINUED)**

ITEM #	PART NUMBER	QTY.	DESCRIPTION	REV.

# SECTION 5 CYLINDER

FIGURE 5-4. LIFT CYLINDER ASSEMBLIES



## SECTION 5 CYLINDER

**FIGURE 5-4. LIFT CYLINDER ASSEMBLIES**

ITEM #	PART NUMBER	QTY.	DESCRIPTION	REV.
		Ref.	<b>LIFT CYLINDER ASSEMBLIES:</b>	
	1682748	Ref.	<b>500RTS (Original Equipment) (Prior to S/N 28655)</b>	F
	1683468	Ref.	<b>500RTS (Service Replacement) (S/N 28655 to Present)</b>	—
	1682969	Ref.	<b>400RTS (Original Equipment) (Prior to S/N 28655)</b>	B
	1683467	Ref.	<b>400RTS (Service Replacement) (S/N 28655 to Present)</b>	—
	1682931	Ref.	<b>400RTS (S/N 8770 Only)</b>	B
		Ref.	<b>Note: Original Cylinder may have been replaced with Service Replacement Cylinder. Identify p/n stamped on cylinder before ordering parts.</b>	
1		1	Barrel Weldment Options:	
	1682749		500RTS	
	1682970		All 400RTS except S/N 8770	
	1682932		400RTS S/N 8770 Only	
1A	0960911	2	Bushing, Bronze	
2	1682751	1	Rod Weldment	
2A	0960911	2	Bushing, Bronze	
3		1	Retainer Options:	
	1120358		500RTS	
	1120196		400RTS	
4		1	Head Options:	
	1681925		500RTS	
	1681680		400RTS	
5		1	Tube, Spacer Options:	
	4565842		500RTS	
	4566236		All 400RTS except S/N 8770	
	4566233		400RTS S/N 8770 Only	
6		1	Piston Options:	
	3480137		500RTS (Prior to S/N 28655)	
	3480214		500RTS (S/N 28655 to Present)	
	3480135		400RTS (Prior to S/N 28655) (S/N 8770 Only)	
	3480220		400RTS (S/N 28655 to Present)	
7	3300286	1	Nut, Piston	
8	3900170	1	Setscrew 3/8"-16NC x 3/8"	
9	Not Used			
10	See Note	1	Wiper, Rod ( <b>Note: Use Items 51A, 51B, 52A &amp; 52B</b> )	
11	See Note	1	Seal, Rod ( <b>Note: Use Items 51A, 51B, 52A &amp; 52B</b> )	
12	See Note	1	Ring, Wear ( <b>Note: Use Items 51A, 51B, 52A &amp; 52B</b> )	
13	See Note	1	O-Ring ( <b>Note: Use Items 51A, 51B, 52A &amp; 52B</b> )	
14	See Note	1	O-Ring ( <b>Note: Use Items 51A, 51B, 52A &amp; 52B</b> )	
15	See Note	1	Ring, Wear ( <b>Note: Use Items 51A, 51B, 52A &amp; 52B</b> )	
16	See Note	1	T-Seal ( <b>Note: Use Items 51A, 51B, 52A &amp; 52B</b> )	
17	See Note	1	Ring, Back-Up ( <b>Note: Use Items 51A, 51B, 52A &amp; 52B</b> )	
18	0100011	A/R	Loctite #242	
19	0100035	A/R	Loctite #222	
20	0100038	A/R	Primer, Loctite	
21	2160002	2	Fitting, Grease	

## SECTION 5 CYLINDER

**FIGURE 5-4. LIFT CYLINDER ASSEMBLIES (CONTINUED)**

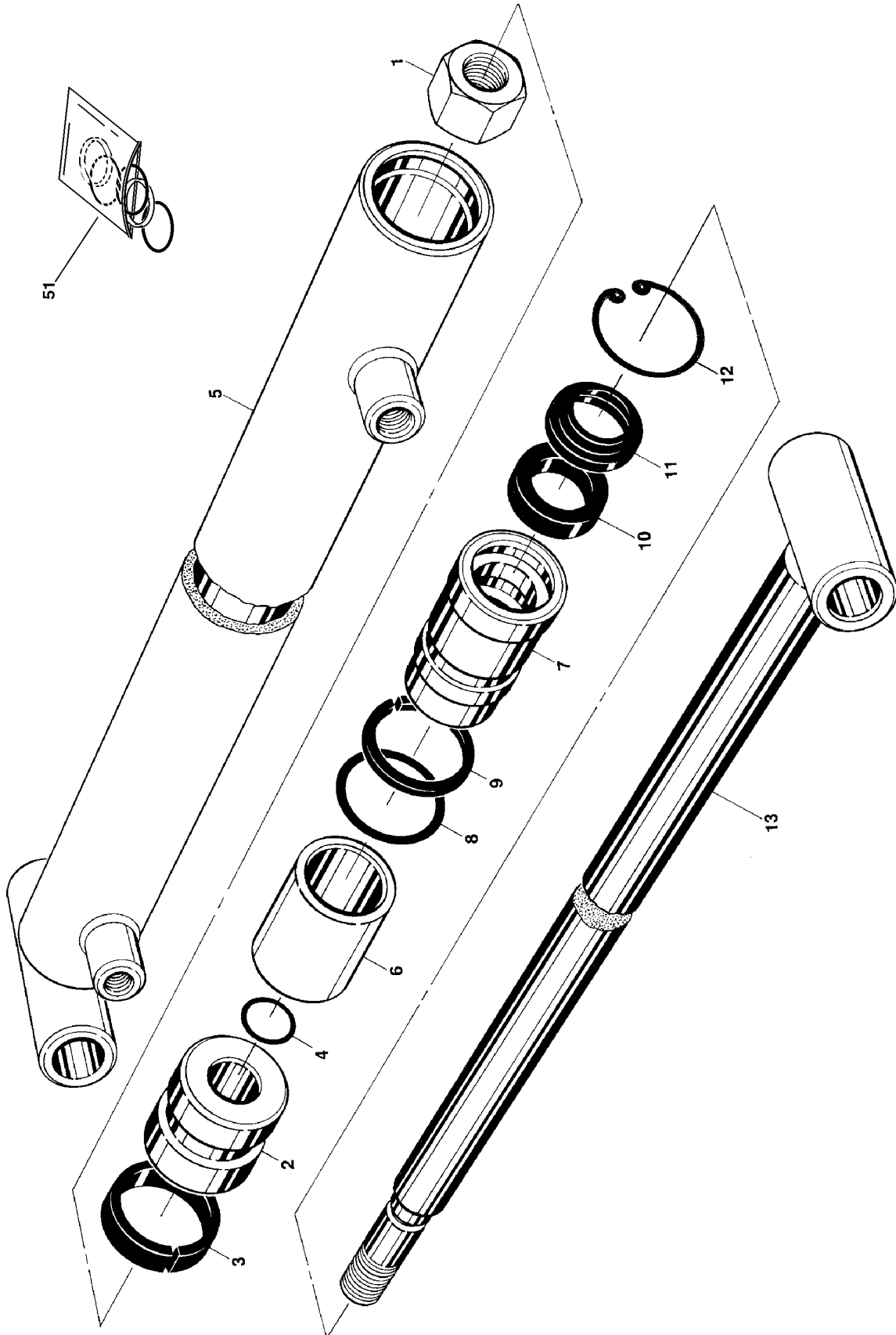
ITEM #	PART NUMBER	QTY.	DESCRIPTION	REV.
22		1	Cartridge, Thermal Relief Valve Options:	
	4640819	1	Cartridge - 500RTS	
	7011112	1	Seal Kit	
	4640509	1	Cartridge - 400RTS	
	2900792	1	Seal Kit	
			-----	
51		1	Seal Kit - 500RTS Lift Cylinder Options (Includes Items 10-17):	
51A	2901223		Prior to S/N 28655	
51B	2901441		S/N 28655 to Present	
52	2901252	1	Seal Kit - 400RTS Lift Cylinder Options (Includes Items 10-17):	
52A	2901252		Prior to S/N 28655	
52B	2901439		S/N 28655 to Present	
	0253786	Ref.	<b>OPTIONAL LIFT CYLINDER BELLOWS INSTALLATION - 500RTS (NOT SHOWN)</b>	B/2
	0460097	2	Bellows, Cylinder (1 Per Cylinder)	
	1320058	2	Clamp (1 Per Cylinder)	

**FIGURE 5-4. LIFT CYLINDER ASSEMBLIES (CONTINUED)**

ITEM #	PART NUMBER	QTY.	DESCRIPTION	REV.

# SECTION 5 CYLINDER

## FIGURE 5-5. PLATFORM EXTENSION CYLINDER ASSEMBLY





## SECTION 5 CYLINDER

**FIGURE 5-5. PLATFORM EXTENSION CYLINDER ASSEMBLY**

ITEM #	PART NUMBER	QTY.	DESCRIPTION	REV.
		Ref.	<b>PLATFORM LENGTH - 14.7ft/4.5m</b>	
	1682872	Ref.	<b>4ft EXTENSION CYLINDER ASSEMBLY</b>	
	1684107	Ref.	<b>6ft EXTENSION CYLINDER ASSEMBLY</b>	B
		Ref.	<b>PLATFORM LENGTH - 15.8ft/4.8m</b>	
	1684266	Ref.	<b>4ft EXTENSION CYLINDER ASSEMBLY</b>	A
1		1	Locknut	
	7001609		4ft/6ft. (Platform Length - 14.7ft/4.5m)	
	7001084		4ft. (Platform Length - 15.8ft/4.8m)	
2	7001610	1	Piston	
3	Use Item 51	1	Seal	
4	Use Item 51	1	O-Ring	
5	7001615	1	Barrel - 4ft. (Platform Length - 14.7ft/4.5m)	
	7023030	1	Barrel - 6ft. (Platform Length - 14.7ft/4.5m)	
	7023035	1	Barrel - 4ft. (Platform Length - 15.8ft/4.8m)	
6	7001616	1	Tube, Spacer - 4ft. (Platform Length - 14.7ft/4.5m)	
	7023029	1	Tube, Spacer - 6ft. (Platform Length - 14.7ft/4.5m)	
	7023036	1	Tube, Spacer - 4ft. (Platform Length - 15.8ft/4.8m)	
7	7001613	1	Head	
8	Use Item 51	1	O-Ring	
9	Use Item 51	1	Ring, Back-up	
10	Use Item 51	1	Seal	
11	Use Item 51	1	Ring, Wiper	
12	7001614	1	Ring, Retaining	
13	7001617	1	Rod - 4ft. (Platform Length - 14.7ft/4.5m)	
	7023031	1	Rod - 6ft. (Platform Length - 14.7ft/4.5m)	
	7001617	1	Rod - 4ft. (Platform Length - 15.8ft/4.8m)	
			-----	
51	7001608	1	Seal Kit (Includes Items 3,4, and 8-11)	
	0253788/0253791	Ref.	<b>OPTIONAL EXTENSION CYLINDER BELLOWS INSTALLATION (NOT SHOWN)</b>	—/ —
	0460098	A/R	Bellows, Cylinder (1 Per Cylinder)	
	1320031	A/R	Clamp (1 Per Cylinder)	



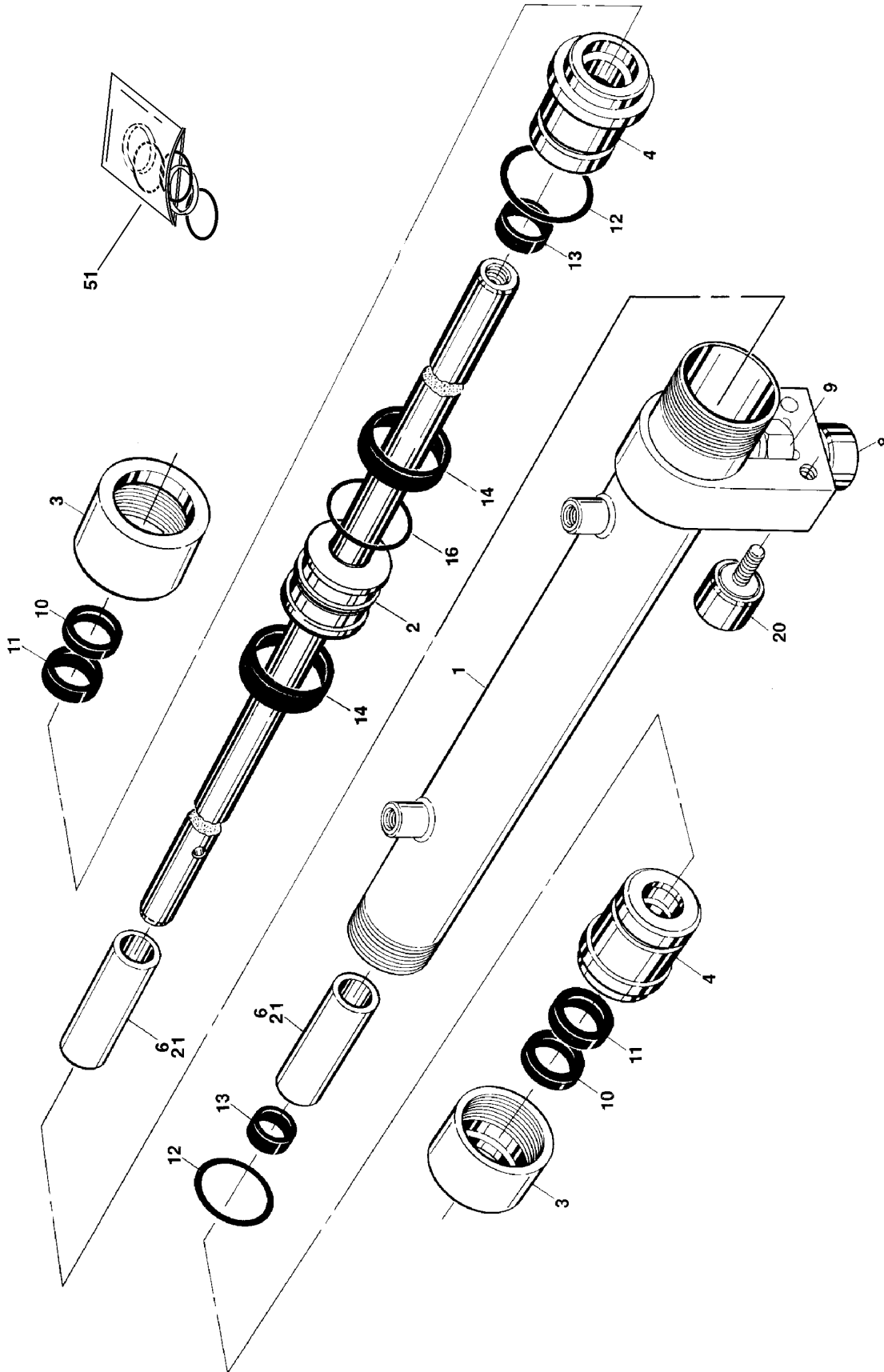
## SECTION 5 CYLINDER

**FIGURE 5-6. STEER CYLINDER ASSEMBLY (MACHINES BUILT PRIOR TO JUNE 1993)**

ITEM #	PART NUMBER	QTY.	DESCRIPTION	REV.
	1682681	Ref.	<b>STEER CYLINDER ASSEMBLY (ORIGINAL EQUIPMENT)</b>	—
		Ref.	<b>Note: Original Cylinder may have been replaced with Service Replacement Cylinder. Identify p/n stamped on cylinder before ordering parts.</b>	
1	1682682	1	Barrel Weldment	
2	1682684	1	Rod Weldment	
3	1120108	2	Retainer, Head	
4	1681344	2	Head	
5	3480164	1	Piston	
6	4565716	2	Spacer	
7	3760143	2	Ring, Retainer	
8	3860056	1	Follower, Cam	
9	3300357	1	Nut, Special	
10	Use Item 51	2	Wiper, Rod	
11	Use Item 51	2	Seal, Rod	
12	Use Item 51	2	O-Ring	
13	Use Item 51	2	Ring, Wear	
14	Use Item 51	1	Ring, Wear	
15	3960007	1	T-Seal	
16	Use Item 51	1	O-Ring	
17	0440085	2	Bearing	
51	2901261	1	----- Seal Kit (Includes Items 10-14 and 16) -----	
	0100011	A/R	Loctite #242	
	0100035	A/R	Loctite #222	
	0253787/0253790	Ref.	<b>OPTIONAL STEER CYLINDER BELLOWS INSTALLATION</b>	—/ —
	0460105	A/R	Bellows, Cylinder (2 Per Cylinder)	
	1320058	A/R	Clamp (Barrel End) (2 Per Cylinder)	
	1320015	A/R	Clamp (Rod End) (2 Per Cylinder)	

# SECTION 5 CYLINDER

FIGURE 5-7. STEER CYLINDER ASSEMBLY (MACHINES BUILT JUNE 1993 TO PRESENT)



## SECTION 5 CYLINDER

**FIGURE 5-7. STEER CYLINDER ASSEMBLY (MACHINES BUILT JUNE 1993 TO PRESENT)**

ITEM #	PART NUMBER	QTY.	DESCRIPTION	REV.
	1682967	Ref. Ref.	<b>STEER CYLINDER ASSEMBLY (SERVICE REPLACEMENT)</b> <b>Note: Original Cylinder may have been replaced with Service Replacement Cylinder. Identify p/n stamped on cylinder before ordering parts.</b>	5
1	1682682	1	Barrel Weldment	
2	1682968	1	Rod/Piston Weldment (Prior to May 1993)	
	1682987	1	Rod/Piston Weldment (May 1993 to Present)	
3	1120108	2	Retainer, Head	
4	1681344	2	Head	
5	Not Used			
6	4566234	2	Spacer (Prior to October 1995)	
	Not Used		(October 1995 to Present)	
7	Not Used			
8	3860056	1	Follower, Cam	
9	3300357	1	Nut, Special	
10	Use Item 51	2	Wiper, Rod	
11	Use Item 51	2	Seal, Rod	
12	Use Item 51	2	O-Ring	
13	Use Item 51	2	Ring, Wear	
14	Use Item 51	2	Ring, Wear	
15	Not Used			
16	Use Item 51	1	O-Ring (Prior to S/N 42117)	
	Use Item 51	1	"T" Seal (S/N 42117 to Present)	
17 to 19	Not Used			
20	0440085	2	Bearing	
21	4568055	2	Spacer (S/N 74951 to Present)	
			-----	
51	2901261	1	Seal Kit (Includes Items 10-14 and 16)	
			-----	
	0100011	A/R	Loctite #242	
	0100035	A/R	Loctite #222	
	0253787/0253790	Ref.	<b>OPTIONAL STEER CYLINDER BELLOWS INSTALLATION</b>	—/ —
	0460105	A/R	Bellows, Cylinder (2 Per Cylinder)	
	1320058	A/R	Clamp (Barrel End) (2 Per Cylinder)	
	1320015	A/R	Clamp (Rod End) (2 Per Cylinder)	

## SECTION 5 CYLINDER

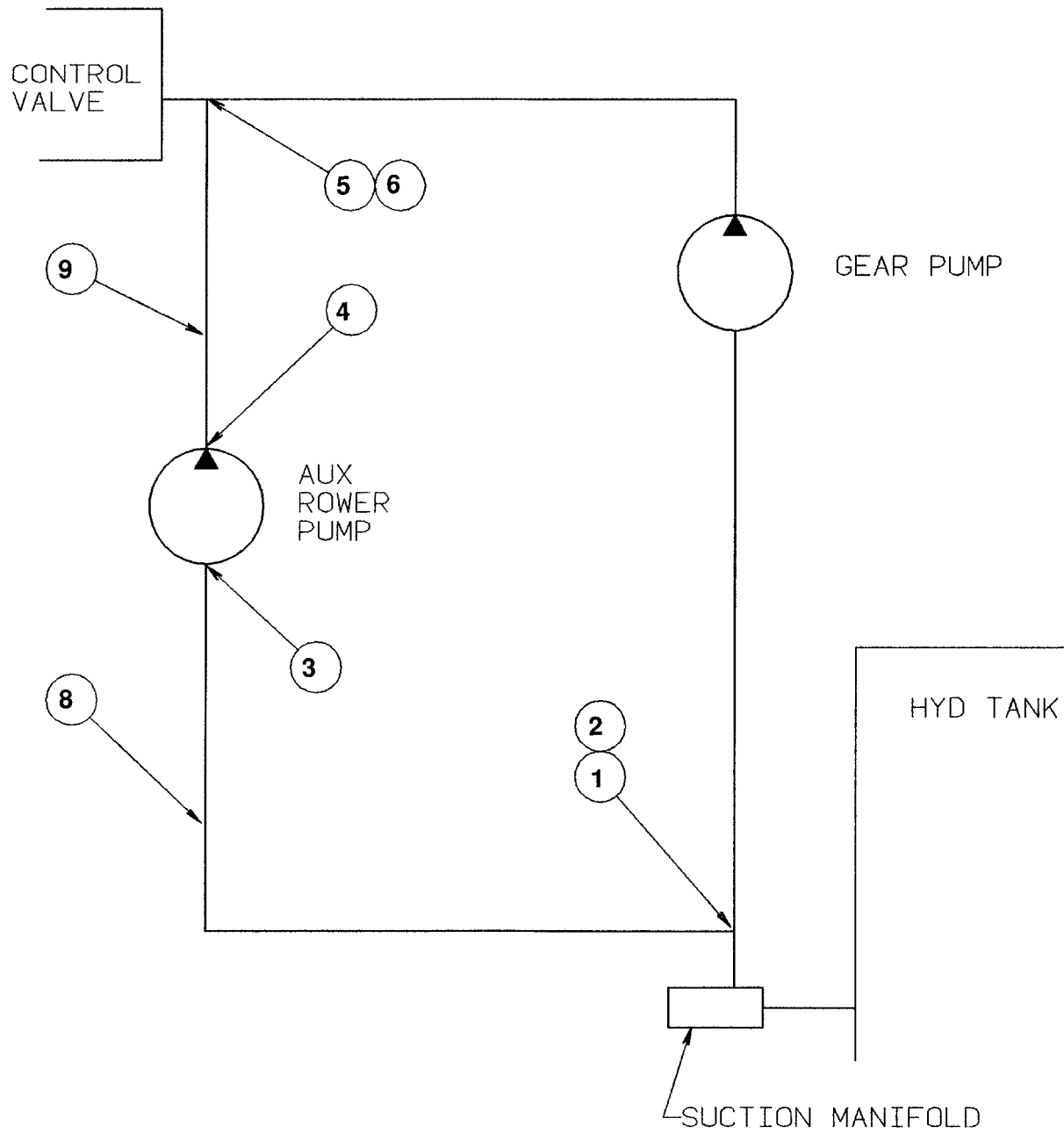
**FIGURE 5-7. STEER CYLINDER ASSEMBLY (MACHINES BUILT JUNE 1993 TO PRESENT)**

ITEM #	PART NUMBER	QTY.	DESCRIPTION	REV.

# **SECTION 6 HYDRAULIC**

# SECTION 6 HYDRAULIC

FIGURE 6-1. HYDRAULIC DIAGRAM - AUXILIARY POWER





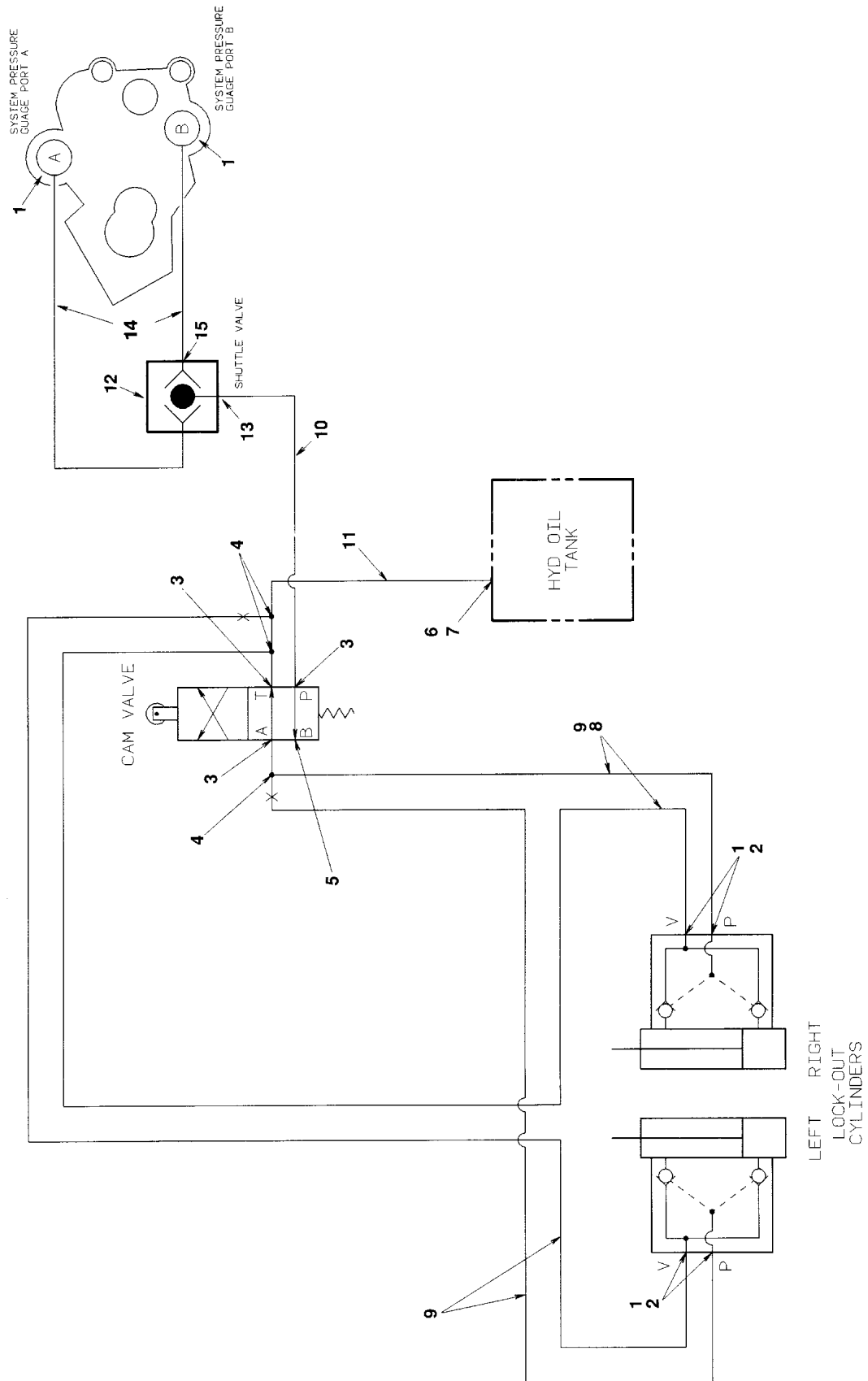
## SECTION 6 HYDRAULIC

**FIGURE 6-1. HYDRAULIC DIAGRAM - AUXILIARY POWER**

ITEM #	PART NUMBER	QTY.	DESCRIPTION	REV.
	2792020	Ref.	<b>HYDRAULIC DIAGRAM - AUXILIARY POWER</b>	2
1	2220622	1	Fitting, Reducer	
2	2220700	1	Fitting, Tee	
3	2220600	1	Fitting	
4	2220371	1	Fitting	
5	2220385	1	Fitting, Tee	
6	2220619	1	Fitting, Reducer	
7	Not Used			
8	2750968	1	Hose	
9	2750910	1	Hose	

# SECTION 6 HYDRAULIC

FIGURE 6-2. HYDRAULIC DIAGRAM - OSCILLATING AXLE (OPTIONAL)



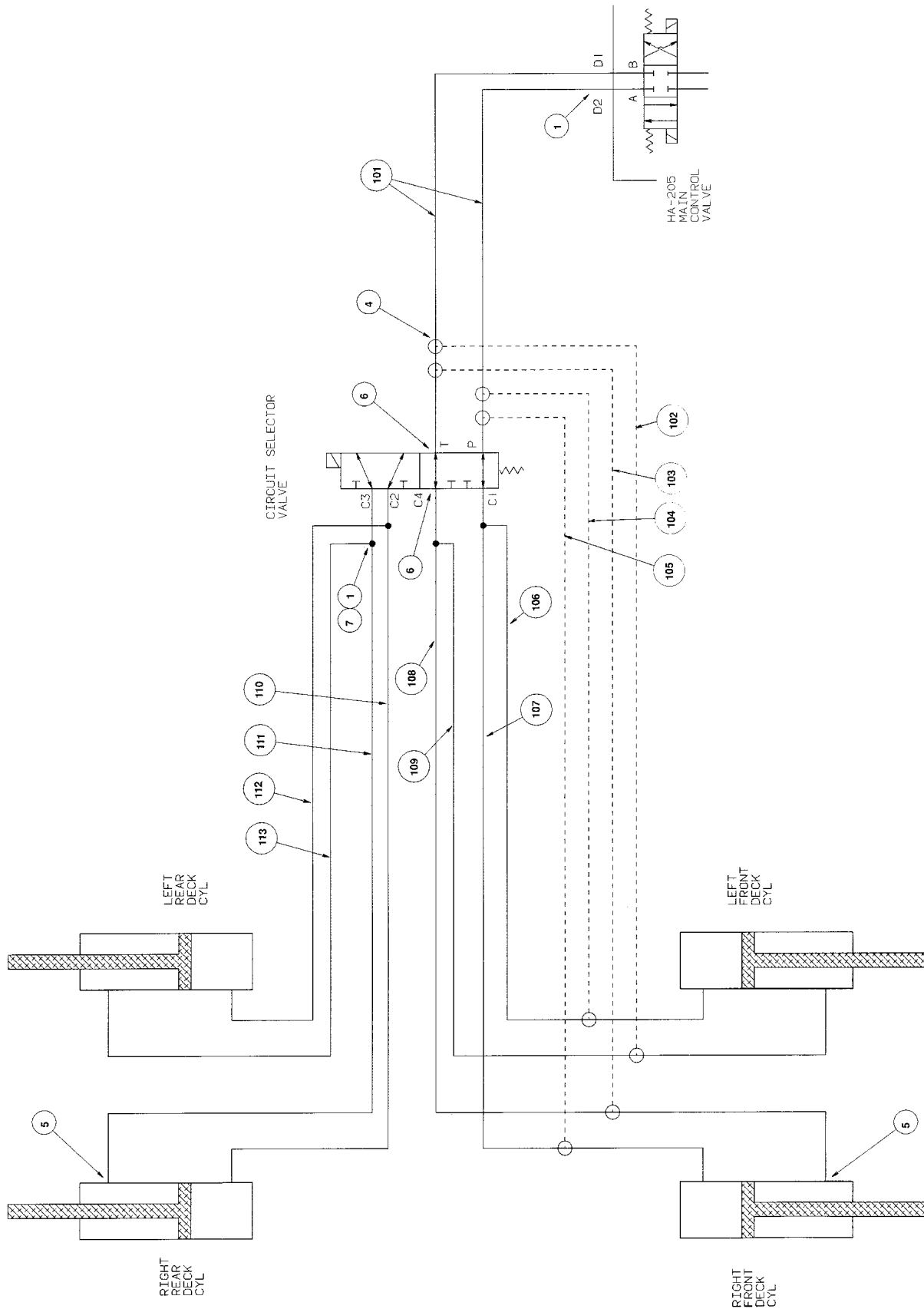
## SECTION 6 HYDRAULIC

**FIGURE 6-2. HYDRAULIC DIAGRAM - OSCILLATING AXLE (OPTIONAL)**

ITEM #	PART NUMBER	QTY.	DESCRIPTION	REV.
	2791903	Ref.	<b>HYDRAULIC DIAGRAM - AXLE (OSCILLATING)</b>	6
1	2220582	6	Fitting, Straight	
2	2220462	4	Fitting, 90°	
3	2220466	3	Fitting, 90°	
4	2220605	3	Fitting, Tee	
5	2220235	1	Fitting, Plug	
6		1	Fitting, Tee Options:	
	2220385		Prior to Mid 1995	
	2220635		Mid 1995 to Present	
7		1	Fitting, Reducer Options:	
	2220618		Prior to S/N 63888	
	2220609		S/N 63888 to Present	
8	2752011	2	Hose (Prior to November 1993)	
9	2751396	4	Hose	
10	2750897	1	Hose	
11		1	Hose Options:	
	2750895		Hose (Prior to S/N 85063)	
	2751027		Hose (S/N 85063 to S/N 105239)	
12	4640013	1	Valve, Shuttle	
13	2220414	1	Fitting, Straight	
14		2	Hose Options:	
	2751424		Hose (Prior to S/N 97721)	
	2750900		Hose (S/N 97721 to Present)	
15	2220416	2	Fitting, 90°	
	0100020	A/R	Loctite #567	

# SECTION 6 HYDRAULIC

FIGURE 6-3. HYDRAULIC DIAGRAM - PLATFORM EXTENSION



## SECTION 6 HYDRAULIC

**FIGURE 6-3. HYDRAULIC DIAGRAM - PLATFORM EXTENSION**

ITEM #	PART NUMBER	QTY.	DESCRIPTION	REV.
		Ref.	<b>HYDRAULIC DIAGRAM - PLATFORM EXTENSION</b>	
	2792013	Ref.	<b>HYDRAULIC DIAGRAM - PLATFORM EXTENSION - 500RTS (SINGLE)</b>	A
	2792064	Ref.	<b>HYDRAULIC DIAGRAM - PLATFORM EXTENSION - 400RTS (SINGLE)</b>	—
	2792014	Ref.	<b>HYDRAULIC DIAGRAM - PLATFORM EXTENSION - 500RTS (DUAL)</b>	A
	2792065	Ref.	<b>HYDRAULIC DIAGRAM - PLATFORM EXTENSION - 400RTS (DUAL)</b>	—
1	2220582	A/R	Fitting, Straight	
2	Not Used			
3	Not Used			
4		A/R	Fitting, Tee Options:	
	2220504	2	Platform Extension (Single)	
	Not Required	0	Platform Extension (Dual)	
5	2220414	A/R	Fitting, Straight	
6		A/R	Fitting, 90° Options:	
	Not Required	0	Platform Extension (Single)	
	2220472	4	Platform Extension (Dual)	
7		A/R	Fitting, Tee Options:	
	Not Required	0	Platform Extension (Single)	
	2220605	4	Platform Extension (Dual)	
	2901243	Ref.	<b>HOSE KIT - 500RTS WITH SINGLE PLATFORM EXTENSION</b>	B
	2901262	Ref.	<b>HOSE KIT - 400RTS WITH SINGLE PLATFORM EXTENSION</b>	—
	2901244	Ref.	<b>HOSE KIT - 500RTS WITH DUAL PLATFORM EXTENSION</b>	4
	2901263	Ref.	<b>HOSE KIT - 400RTS WITH DUAL PLATFORM EXTENSION</b>	—
101	2752577	A/R	Hose - 500RTS	
	2752578	A/R	Hose - 400RTS	
102		1	Hose Options:	
	2752433		Platform Extension (Single)	
	Not Required		Platform Extension (Dual)	
103		1	Hose Options:	
	2752445		Platform Extension (Single)	
	Not Required		Platform Extension (Dual)	
104		1	Hose Options:	
	2750894		Platform Extension (Single)	
	Not Required		Platform Extension (Dual)	
105		1	Hose Options:	
	2750897		Platform Extension (Single)	
	Not Required		Platform Extension (Dual)	
		Ref.	<b>Note: Items 106-113 for Platform Extension (Dual) Only.</b>	
106	2750894	1	Hose	
107	2750897	1	Hose	
108	2752445	1	Hose	
109	2752433	1	Hose	

## SECTION 6 HYDRAULIC

**FIGURE 6-3. HYDRAULIC DIAGRAM - PLATFORM EXTENSION (CONTINUED)**

ITEM #	PART NUMBER	QTY.	DESCRIPTION	REV.
110	2751902	1	Hose - 500RTS (Prior to S/N 32427)	
	2751432	1	Hose - 500RTS (S/N 32427 to Present)	
	2751902	1	Hose - 400RTS	
111	2752441	1	Hose	
112	2751893	1	Hose	
113	2751914	1	Hose - 500RTS (Prior to S/N 32427)	
	2750769	1	Hose - 500RTS (S/N 32427 to Present)	
	2751914	1	Hose - 400RTS	

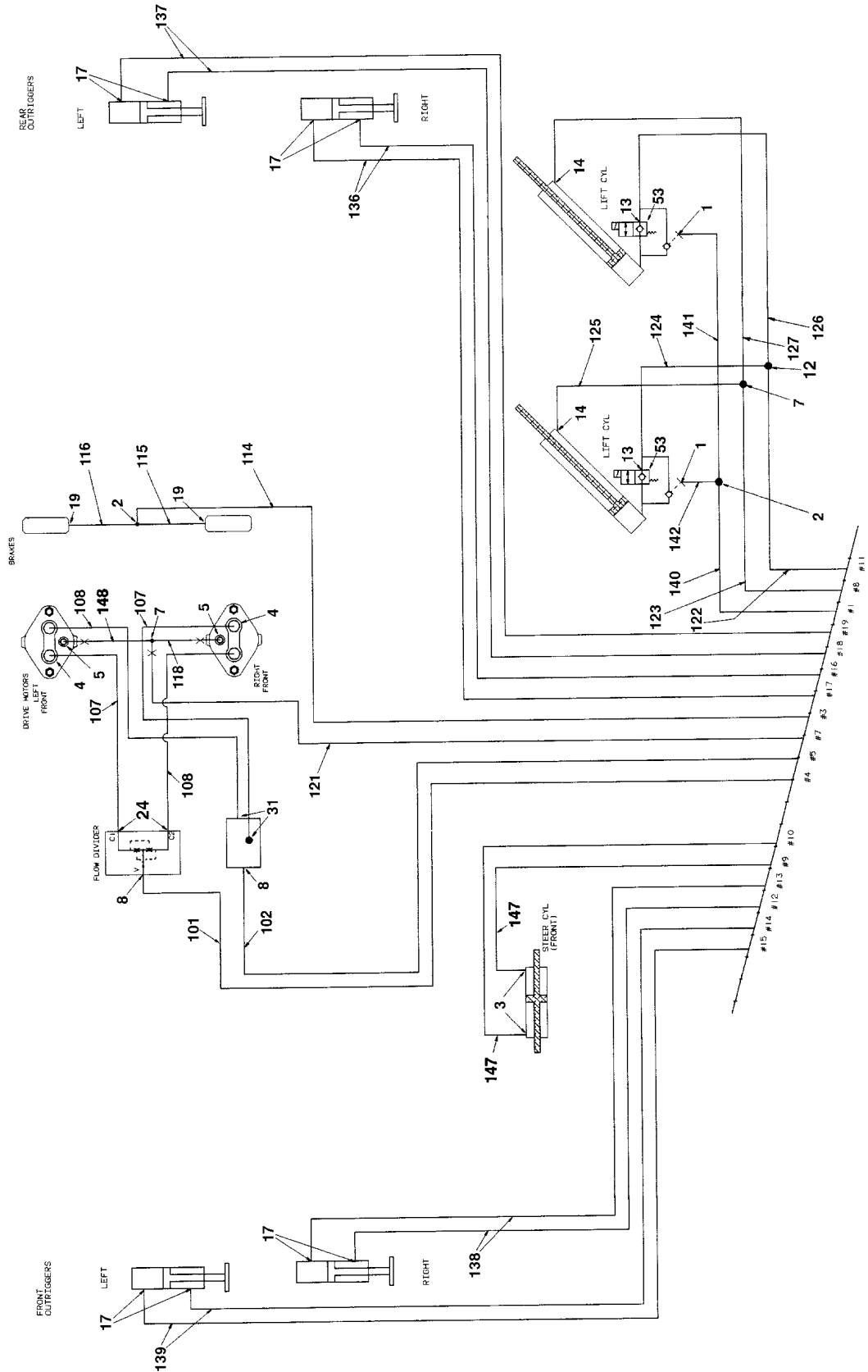
# SECTION 6 HYDRAULIC

## FIGURE 6-3. HYDRAULIC DIAGRAM - PLATFORM EXTENSION (CONTINUED)

ITEM #	PART NUMBER	QTY.	DESCRIPTION	REV.

# SECTION 6 HYDRAULIC

## FIGURE 6-4. HYDRAULIC DIAGRAM - STANDARD 2WD/2WS



SEE PAGE 2 OF 2





# SECTION 6 HYDRAULIC

**FIGURE 6-4. HYDRAULIC DIAGRAM - STANDARD 2WD/2WS**

ITEM #	PART NUMBER	QTY.	DESCRIPTION	REV.
		Ref.	<b>HYDRAULIC DIAGRAM - STANDARD 2WD/2WS</b>	
	2792514	Ref.	<b>500RTS - FORD ENGINE</b>	1
	2792508	Ref.	<b>500RTS - DEUTZ ENGINE</b>	1
1	2220415	A/R	Fitting, Straight	
2	2220504	2	Fitting, Tee	
3	2220472	2	Fitting, 90°	
4	2220498	4	Fitting, 45°	
5	2220371	2	Fitting, Straight	
6	2220375	3	Fitting, Straight	
7	2220490	2	Fitting, Tee	
8	2220377	3	Fitting, Straight	
9	2221035	1	Fitting, Tee	
10	2220470	1	Fitting, 90°	
11	2220646	1	Fitting, 90°	
12	2220362	1	Fitting, Tee	
13	2220374	2	Fitting, Straight	
14	2220372	2	Fitting, Straight	
15		1	Fitting Options: Fitting, 90° (Ford Engine) Fitting, 45° (Deutz Engine)	
16	2220635	1	Fitting, Tee	
17	2220582	A/R	Fitting, Straight	
18	Not Used			
19	2220466	2	Fitting, 90°	
20	Not Used			
21		1	Fitting, 90° Options: Ford Engine Deutz Engine	
	Not Required			
	2220462			
22	2220414	1	Fitting, Straight	
23	2220844	1	Fitting, Straight	
24		A/R	Fitting, Straight Options: Ford Engine Deutz Engine	
	2220578			
	2220451	2		
25	4640744	1	Valve, Check	
26	2220873	1	Fitting, Nipple	
27	2220428	1	Fitting, Disconnect	
28	2220429	1	Cap, Dust	
29	Not Used			
30		A/R	Fitting, Straight Options: Ford Engine Deutz Engine	
	2220451	4		
	2220435	5		
31	2220578	A/R	Fitting, 90°	
32	2220408	2	Fitting, Straight	
33	2220700	2	Fitting, Tee	
34	2220621	1	Fitting, Reducer	
35	Not Used			
36	2220609	1	Fitting, Reducer	
37	2220696	1	Fitting, Reducer	

## SECTION 6 HYDRAULIC

**FIGURE 6-4. HYDRAULIC DIAGRAM - STANDARD 2WD/2WS (CONTINUED)**

ITEM #	PART NUMBER	QTY.	DESCRIPTION	REV.
38 to 39	Not Used			
40	3100072	1	Manifold	
41 to 42	Not Used			
43		A/R	Fitting, 90° Options:	
	Not Required	0	Ford Engine	
	2220507	1	Deutz Engine	
44	Not Used			
45	2220871	1	Fitting	
46	2220642	1	Fitting, Tee	
47	2220710	1	Fitting, Adapter	
48	2220407	1	Fitting	
49	2220621	1	Fitting, Adapter	
50	2220349	1	Fitting, Adapter	
51 to 52	Not Used			
53	4640382	2	Cartridge, Solenoid Valve	
			Repair Part Options (See Number Stamped on Cartridge Hex Nut):	
	7009742	A/R	Coil (Modular Controls P/N SV1-10-C-0-0) (1 Per Cartridge)	
	7000645	A/R	Coil (Hydraforce P/N SV10-20-0-N-0) (1 Per Cartridge)	
	2900503	A/R	Seal Kit (Modular Control P/N SV1-10-C-0-0) (1 Per Cartridge)	
	2900800	A/R	Seal Kit (Hydraforce P/N SV10-20-0-N-0) (1 Per Cartridge)	
54	0100020	A/R	Sealant, Pipe (Not Shown)	
55	2220603	1	Fitting, Straight	
56	2220810	1	Fitting, Reducer	
		Ref.	<b>HYDRAULIC HOSE KIT OPTIONS:</b>	
	2902090	Ref.	<b>500RTS - FORD ENGINE</b>	1
	2902089	Ref.	<b>500RTS - DEUTZ ENGINE</b>	9
101		1	Hose Options:	
	2752353		Ford Engine	
	2752351		Deutz Engine	
102	2752352	1	Hose	
103 to 105	Not Used			
106		A/R	Hose Options:	
	2752649	1	Ford Engine	
	Not Required	0	Deutz Engine	
107		2	Hose Options:	
	2752250		Ford Engine	
	2752247		Deutz Engine	
108		2	Hose Options:	
	2752247		Ford Engine	
	2752250		Deutz Engine	
109	Not Used			
110	2750895	1	Hose	
111 to 113	Not Used			
114	2751026	1	Hose	

## SECTION 6 HYDRAULIC

**FIGURE 6-4. HYDRAULIC DIAGRAM - STANDARD 2WD/2WS (CONTINUED)**

ITEM #	PART NUMBER	QTY.	DESCRIPTION	REV.
115	2751391	1	Hose Options: Ford Engine	
	2751013		Deutz Engine	
116	2751013	1	Hose Options: Ford Engine	
	2751391		Deutz Engine	
117	Not Used			
118	2751006	1	Hose Options: Ford Engine	
	2750910		Deutz Engine	
119 to 120	Not Used			
121	2751111	1	Hose	
122	2752505	1	Hose	
123	2752481	1	Hose	
124	2752506	1	Hose	
125	2750786	1	Hose	
126	2752507	1	Hose	
127	2752482	1	Hose	
128	Not Used			
129	2752525	2	Hose	
130	2752526	1	Hose	
131		A/R	Hose Options:	
	2752513	1	Ford Engine	
	2752491	1	Deutz Engine	
132	Not Used			
133	2750775	1	Hose	
134	Not Used			
135	2752678	2	Hose	
136		A/R	Hose Options:	
	2751027	2	Ford Engine	
	2751893	2	Deutz Engine	
137		A/R	Hose Options:	
	2751893	2	Ford Engine	
	2751027	3	Deutz Engine	
138	2752980	2	Hose	
139	2751892	2	Hose	
140	2752450	1	Hose	
141	2752451	1	Hose	
142	2751021	1	Hose	
143	2750920	1	Hose	
144 to 145	Not Used			
146	2751683	1	Hose	
147	2751395	2	Hose	
148		1	Hose Options:	
	2751006		Ford Engine	
	2750910		Deutz Engine	

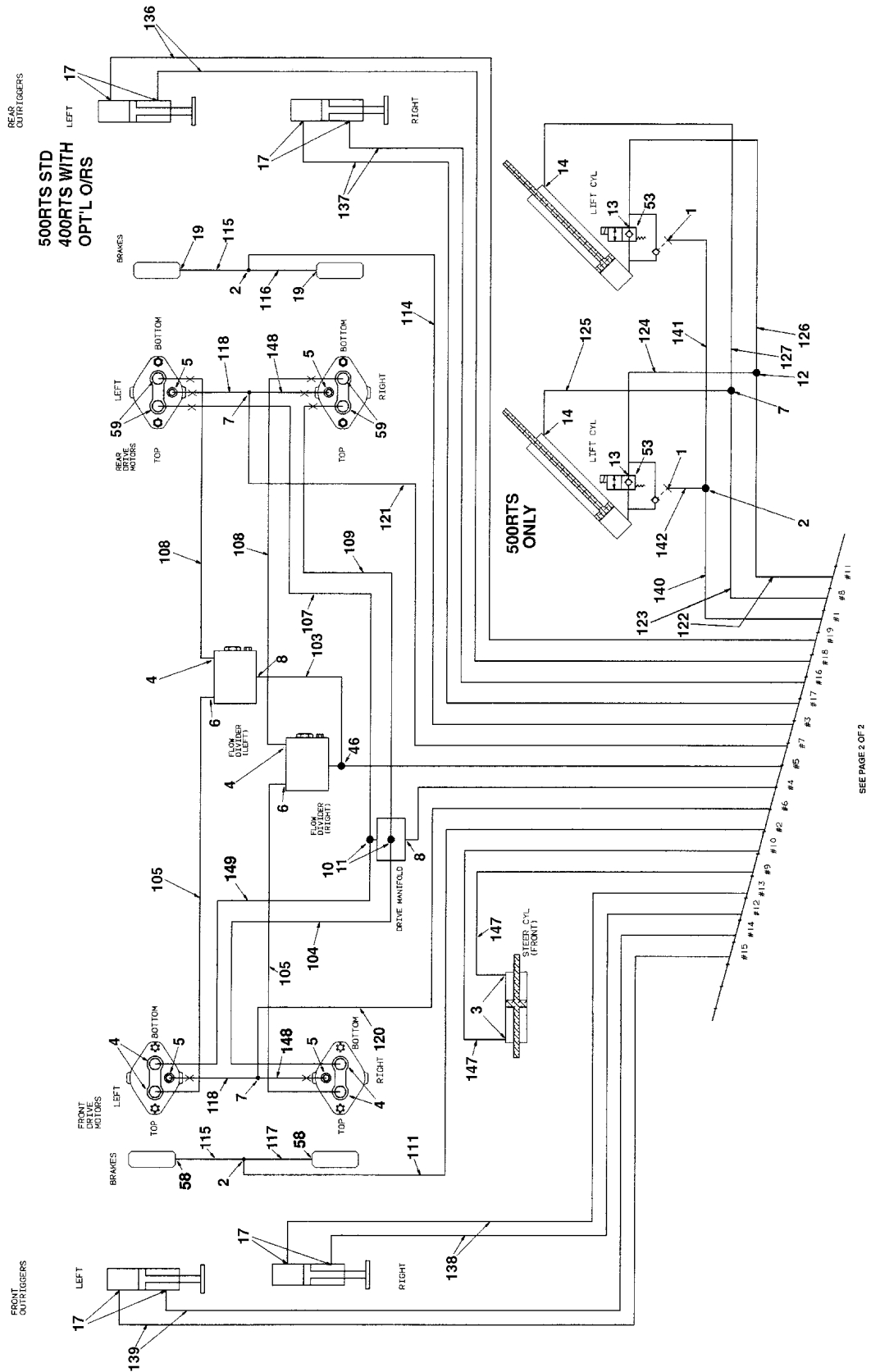
**SECTION 6 HYDRAULIC**

**FIGURE 6-4. HYDRAULIC DIAGRAM - STANDARD 2WD/2WS (CONTINUED)**

ITEM #	PART NUMBER	QTY.	DESCRIPTION	REV.

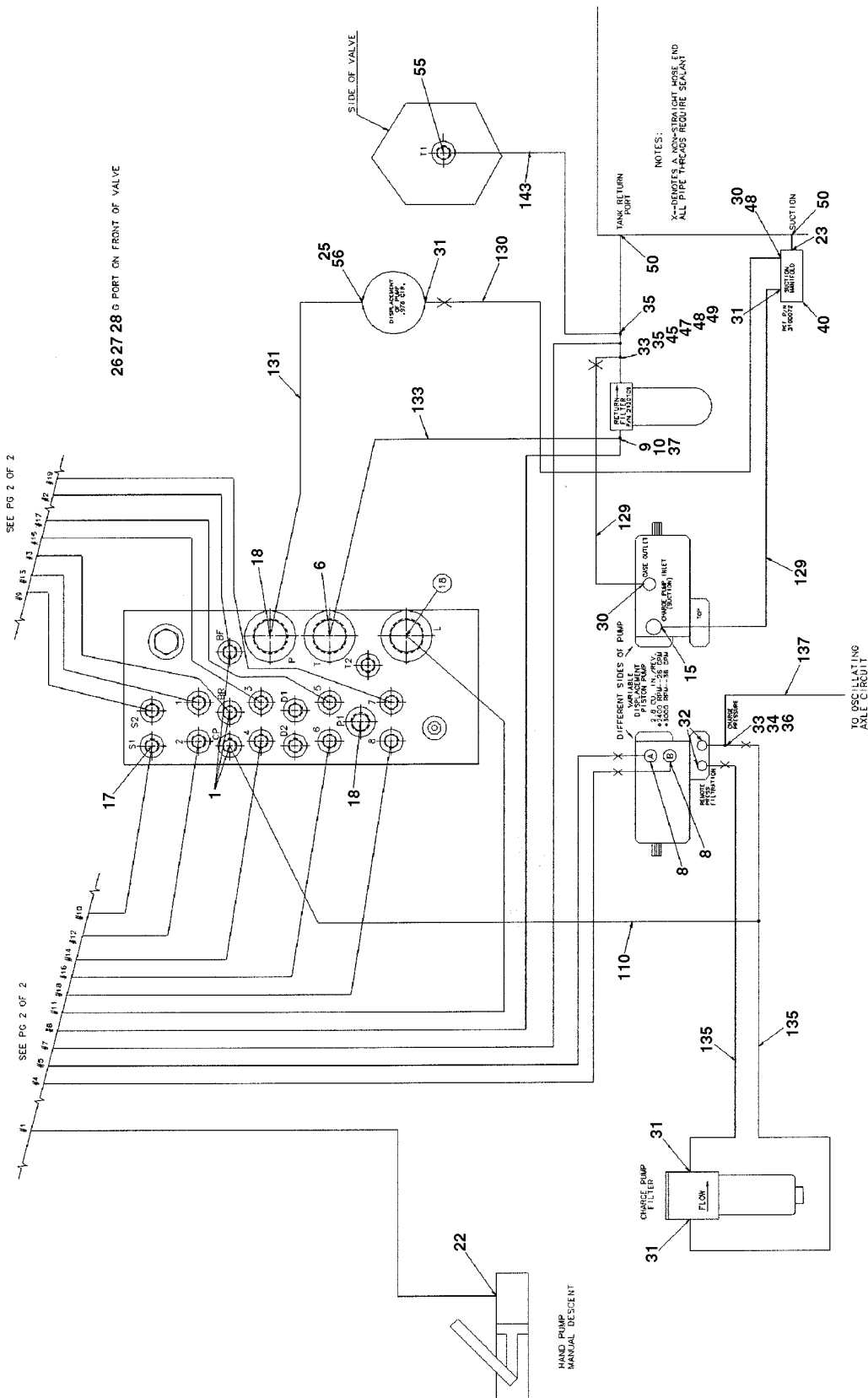
# SECTION 6 HYDRAULIC

## FIGURE 6-5. HYDRAULIC DIAGRAM - STANDARD 4WD/2WS



SEE PAGE 2 OF 2

# SECTION 6 HYDRAULIC



# SECTION 6 HYDRAULIC

**FIGURE 6-5. HYDRAULIC DIAGRAM - STANDARD 4WD/2WS**

ITEM #	PART NUMBER	QTY.	DESCRIPTION	REV.
		Ref.	<b>HYDRAULIC DIAGRAM - STANDARD 4WD/2WS</b>	
	2792515	Ref.	<b>500RTS - FORD ENGINE</b>	1
	2792513	Ref.	<b>500RTS - DEUTZ ENGINE</b>	2
1	2220415	5	Fitting, Straight	
2	2220504	3	Fitting, Tee	
3	2220472	2	Fitting, 90°	
4	2220366	6	Fitting, 90°	
5	2220371	4	Fitting, Straight	
6	2220375	A/R	Fitting, Straight	
7	2220490	3	Fitting, Tee	
8	2220377	A/R	Fitting, Straight	
9	2221035	1	Fitting, Tee	
10	2220470	1	Fitting, 90°	
11	2220622	A/R	Fitting, Reducer	
12	2220362	1	Fitting, Tee	
13	2220374	2	Fitting	
14	2220372	2	Fitting	
15		1	Fitting Options: Fitting, 90° (Ford Engine) Fitting, 45° (Deutz Engine)	
	2220465			
	2220568			
16	Not Used			
17	2220582	18	Fitting, Straight	
18	2220375	A/R	Fitting, Straight	
19	2220466	2	Fitting, 90°	
20	2220619	1	Fitting, Reducer	
21	2220596	1	Fitting, 90°	
22	2220414	1	Fitting, Straight	
23	2220844	1	Fitting, Straight	
24		1	Fitting Options: Fitting, 90° (Ford Engine) Fitting, Straight (Deutz Engine)	
	2220578			
	2220451			
25	4640744	1	Valve, Check	
26	2220873	A/R	Fitting, Nipple	
27	2220428	A/R	Fitting, Disconnect	
28	2220429	A/R	Cap, Dust	
29	2220695	A/R	Fitting, Tee	
30	2220451	A/R	Fitting, Straight	
31	2220578	A/R	Fitting, 90°	
32	2220408	2	Fitting, Straight	
33	2220700	A/R	Fitting, Tee	
34	2220621	A/R	Fitting, Reducer	
35	2220635	2	Fitting, Tee	
36	2220609	1	Fitting, Reducer	
37	2220696	1	Fitting, Reducer	
38	2220282	1	Fitting	
39	2220679	1	Fitting	
40	3100072	1	Manifold	
41	2220275	1	Fitting, Reducer	



## SECTION 6 HYDRAULIC

**FIGURE 6-5. HYDRAULIC DIAGRAM - STANDARD 4WD/2WS (CONTINUED)**

ITEM #	PART NUMBER	QTY.	DESCRIPTION	REV.
42	2220377	1	Fitting Options: Fitting, Straight (Ford Engine)	
	2220646		Fitting, 90° (Deutz Engine)	
43	2220385	1	Fitting, Tee	
44	2220618	1	Fitting	
45		1	Fitting Options:	
	2220618		Fitting, Straight (Ford Engine)	
	2220871		Fitting, 90° (Deutz Engine)	
46	2221026	1	Fitting, Tee	
47	2220710	1	Fitting, Adapter	
48	2220407	A/R	Fitting	
49	2220621	1	Fitting, Adapter	
50	2220349	A/R	Fitting, Adapter	
51	2220237	4	Fitting	
52	Not Used			
53	4640382	A/R	Cartridge, Solenoid Valve	
			Repair Part Options (See Number Stamped on Cartridge Hex Nut):	
	7009742	A/R	Coil (Modular Controls P/N SV1-10-C-0-0) (1 Per Cartridge)	
	7000645	A/R	Coil (Hydraforce P/N SV10-20-0-N-0) (1 Per Cartridge)	
	2900503	A/R	Seal Kit (Modular Control P/N SV1-10-C-0-0) (1 Per Cartridge)	
	2900800	A/R	Seal Kit (Hydraforce P/N SV10-20-0-N-0) (1 Per Cartridge)	
54	0100020	A/R	Sealant, Pipe (Not Shown)	
55	2220603	1	Fitting, Straight	
56	2220810	1	Fitting, Reducer	
57	2220642	1	Fitting, Tee (Deutz Engine Only)	
58	2220923	2	Fitting, Adapter	
59	2221077	4	Fitting, 45°	
		Ref.	<b>HYDRAULIC HOSE KIT OPTIONS:</b>	
	2902091	Ref.	<b>FORD ENGINE</b>	2
	2902088	Ref.	<b>DEUTZ ENGINE</b>	2
101	2752351	1	Hose	
102	2752352	1	Hose	
103	2752344	1	Hose	
104	2752391	1	Hose	
105	2752392	2	Hose	
106		A/R	Hose Options:	
	2752649	1	Ford Engine	
	Not Required	0	Deutz Engine	
107	2752381	1	Hose	
108	2752390	2	Hose	
109	2752397	1	Hose	
110	2750895	1	Hose	
111	2751906	1	Hose	
112 to 113	Not Used			
114	2751026	1	Hose	

## SECTION 6 HYDRAULIC

**FIGURE 6-5. HYDRAULIC DIAGRAM - STANDARD 4WD/2WS (CONTINUED)**

ITEM #	PART NUMBER	QTY.	DESCRIPTION	REV.
115	2751013	2	Hose	
116	2751391	1	Hose	
117	2751011	1	Hose	
118	2750910	2	Hose	
119	Not Used			
120	2752627	1	Hose	
121	2751111	1	Hose	
122	2752505	1	Hose	
123	2752481	1	Hose	
124	2752506	1	Hose	
125	2750786	1	Hose	
126	2752507	1	Hose	
127	2752482	1	Hose	
128		A/R	Hose Options:	
	2752652	3	Ford Engine	
	Not Required	0	Deutz Engine	
129		A/R	Hose Options:	
	Not Required	0	Ford Engine	
	2752525	1	Deutz Engine	
130		A/R	Hose Options:	
	Not Required	0	Ford Engine	
	2752526	1	Deutz Engine	
131		A/R	Hose Options:	
	2752513	1	Ford Engine	
	2752491	1	Deutz Engine	
132	Not Used			
133		A/R	Hose Options:	
	2750775	1	Ford Engine	
	2750968	1	Deutz Engine	
134		A/R	Hose Options:	
	2752953	2	Ford Engine	
	Not Required	0	Deutz Engine	
135		A/R	Hose Options:	
	Not Required	0	Ford Engine	
	2752678	2	Deutz Engine	
136	2751893	2	Hose	
137	2751027	2	Hose	
138	2752980	2	Hose	
139	2751892	2	Hose	
140	2752450	1	Hose	
141	2752451	1	Hose	
142	2751021	1	Hose	
143	2750920	1	Hose	
144 to 145	Not Used			
146	2751683	1	Hose	
147	2751395	2	Hose	
148	2751006	2	Hose	
149	2751507	1	Hose	

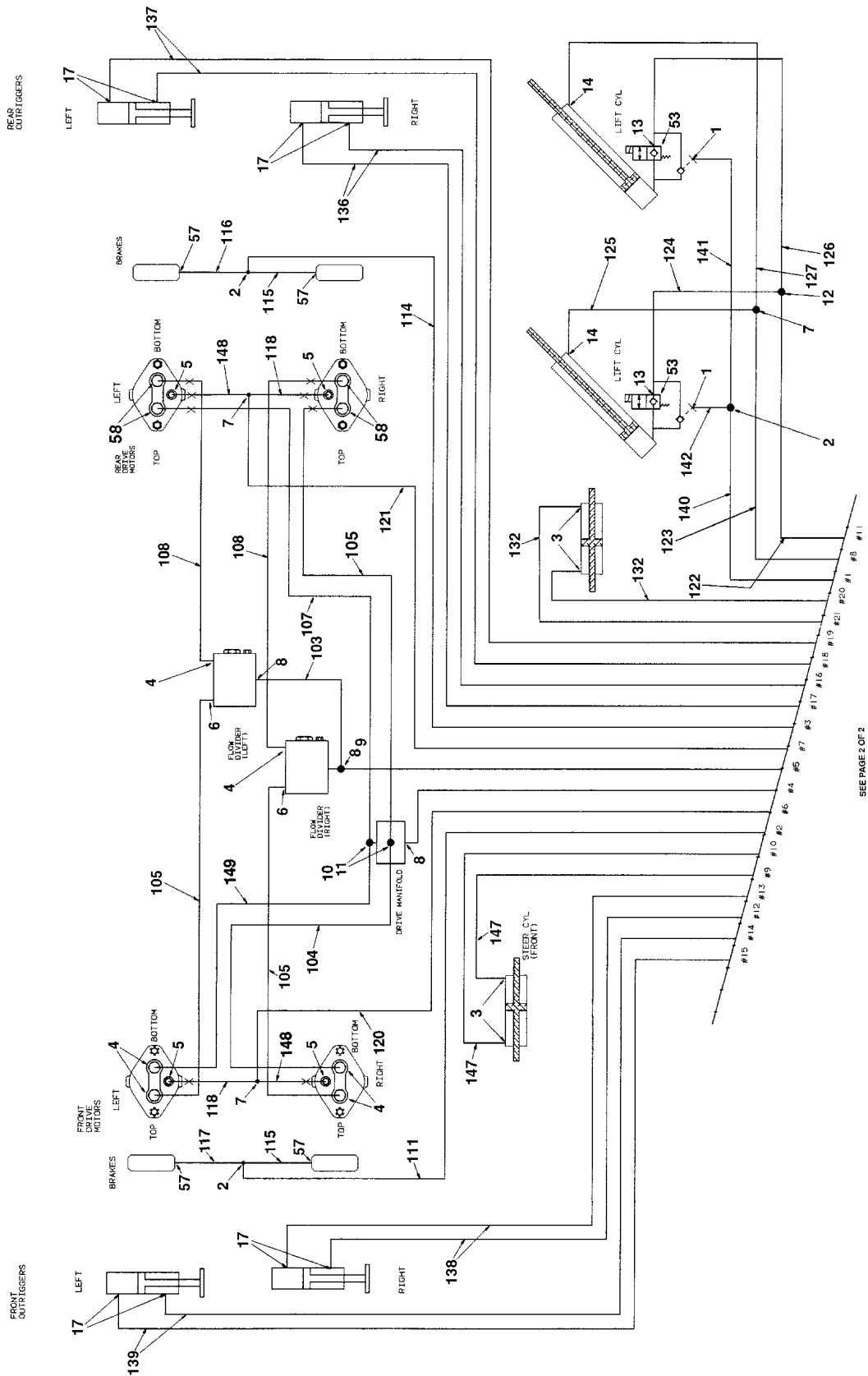
**SECTION 6 HYDRAULIC**

**FIGURE 6-5. HYDRAULIC DIAGRAM - STANDARD 4WD/2WS (CONTINUED)**

ITEM #	PART NUMBER	QTY.	DESCRIPTION	REV.

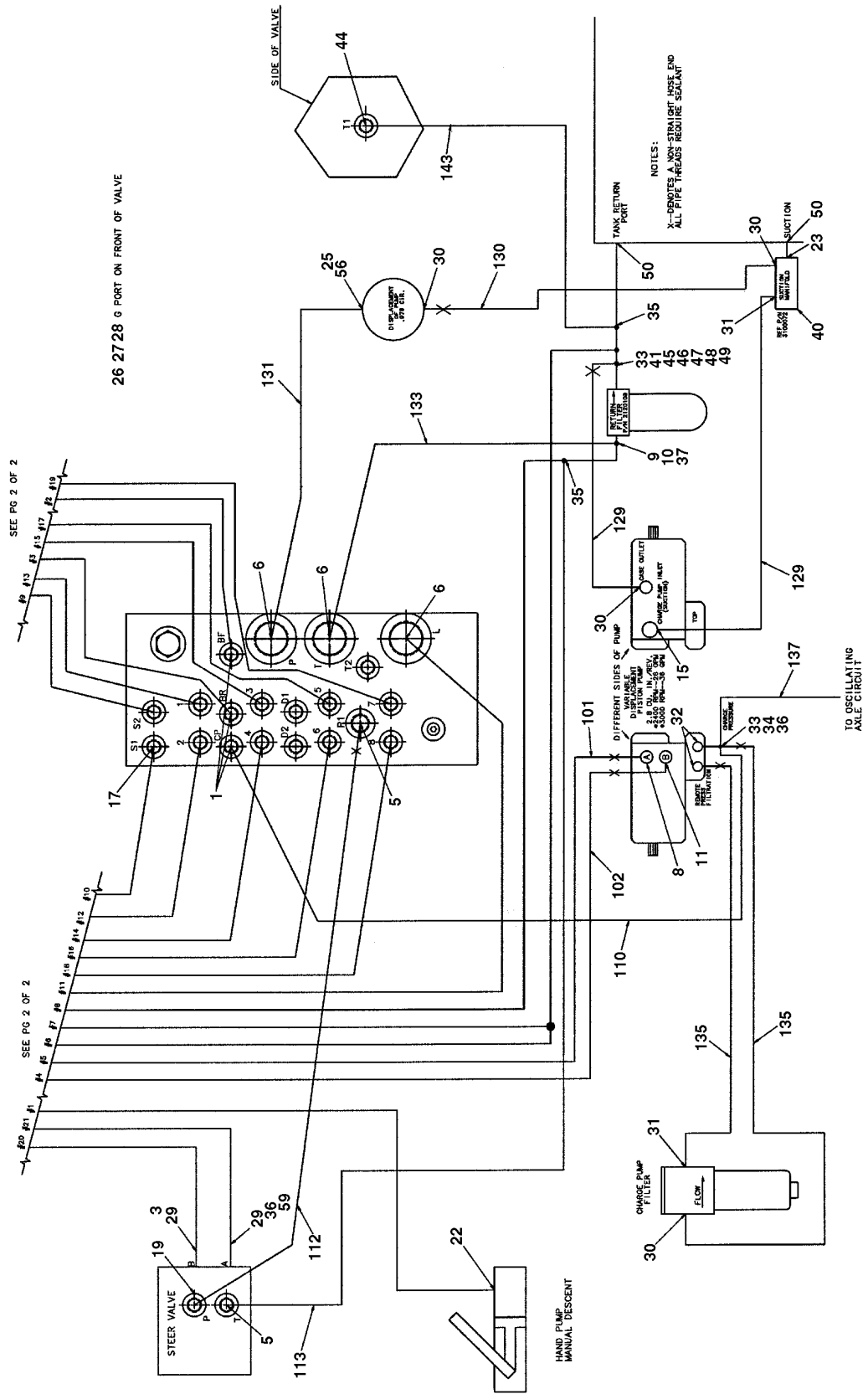
# SECTION 6 HYDRAULIC

## FIGURE 6-6. HYDRAULIC DIAGRAM - STANDARD 4WD/4WS



SEE PAGE 2 OF 2

# SECTION 6 HYDRAULIC



# SECTION 6 HYDRAULIC

**FIGURE 6-6. HYDRAULIC DIAGRAM - STANDARD 4WD/4WS**

ITEM #	PART NUMBER	QTY.	DESCRIPTION	REV.
		Ref.	<b>HYDRAULIC DIAGRAM - STANDARD 4WD/4WS</b>	
	2792517	Ref.	<b>500RTS - FORD ENGINE</b>	2
	2792512	Ref.	<b>500RTS - DEUTZ ENGINE</b>	2
1	2220415	A/R	Fitting, Straight	
2	2220504	3	Fitting, Tee	
3	2220472	5	Fitting, 90°	
4	2220366	6	Fitting, 90°	
5	2220371	5	Fitting, Straight	
6	2220375	5	Fitting, Straight	
7	2220490	3	Fitting, Tee	
8	2220377	5	Fitting, Straight	
9	2221035	1	Fitting, Tee	
10	2220470	1	Fitting, 90°	
11	2220646	1	Fitting, 90°	
12	2220362	1	Fitting, Tee	
13	2220374	2	Fitting	
14	2220372	2	Fitting	
15	2220465	1	Fitting, 90°	
16	Not Used			
17	2220582	A/R	Fitting, Straight	
18	Not Used			
19	2220473	1	Fitting, 90°	
20	2220619	1	Fitting, Reducer	
21	2220596	1	Fitting, 90°	
22	2220414	1	Fitting, Straight	
23	2220844	1	Fitting, Straight	
24		A/R	Fitting Options:	
	2220490	1	Fitting, Tee - Ford Engine	
	2220451	1	Fitting, Reducer - Deutz Engine	
25	4640744	1	Valve, Check	
26	2220873	1	Fitting, Nipple	
27	2220428	1	Fitting, Disconnect	
28	2220429	1	Cap, Dust	
29	2220914	1	Fitting	
30	2220451	4	Fitting, 90°	
31	2220578	A/R	Fitting, 90°	
32	2220408	2	Fitting, Straight	
33	2220700	A/R	Fitting, Tee	
34	2220621	A/R	Fitting, Reducer	
35	2220635	1	Fitting, Tee	
36	2220609	2	Fitting, Reducer	
37	2220696	1	Fitting, Reducer	
38	2220282	1	Fitting, Reducer	
39	2220679	1	Fitting, Tee	
40	3100072	1	Manifold	
41	2220275	1	Fitting, Reducer	
42	2220385	1	Fitting, Tee	
43	2220618	1	Fitting	

## SECTION 6 HYDRAULIC

**FIGURE 6-6. HYDRAULIC DIAGRAM - STANDARD 4WD/4WS (CONTINUED)**

ITEM #	PART NUMBER	QTY.	DESCRIPTION	REV.
44	Not Used			
45	Not Required	A/R	Fitting, 90° Options:	
	2220403	0	Ford Engine	
	2220403	1	Fitting, Straight - Deutz Engine	
46	2220642	1	Fitting, Tee	
47	2220710	1	Fitting, Adapter	
48	2220407	A/R	Fitting	
49	2220621	1	Fitting, Adapter	
50	2220349	1	Fitting, Adapter	
51	2220237	2	Fitting	
52	Not Used			
53	4640382	2	Cartridge, Solenoid Valve	
			Repair Part Options (See Number Stamped on Cartridge Hex Nut):	
	7009742	A/R	Coil (Modular Controls P/N SV1-10-C-0-0) (1 Per Cartridge)	
	7000645	A/R	Coil (Hydraforce P/N SV10-20-0-N-0) (1 Per Cartridge)	
	2900503	A/R	Seal Kit (Modular Control P/N SV1-10-C-0-0) (1 Per Cartridge)	
	2900800	A/R	Seal Kit (Hydraforce P/N SV10-20-0-N-0) (1 Per Cartridge)	
54	0100020	A/R	Sealant, Pipe	
55	2220349	1	Fitting, 90°	
56	2220810	1	Fitting, Reducer	
57	2220923	4	Fitting, Adapter	
58	2221077	4	Fitting, 45°	
59	2220819	1	Fitting, 90°	
		Ref.	<b>HYDRAULIC HOSE KIT OPTIONS:</b>	
	2902093	Ref.	<b>FORD</b>	2
	2902095	Ref.	<b>DEUTZ</b>	2
101	2752351	1	Hose	
102	2752352	1	Hose Options:	
103	2752344	1	Hose	
104	2752391	1	Hose	
105	2752392	3	Hose	
106		A/R	Hose Options:	
	2752649	1	Ford Engine	
	Not Required	0	Deutz Engine	
107	2752381	1	Hose	
108	2752390	2	Hose	
109	Not Used			
110	2750895	1	Hose	
111	2751906	1	Hose	
112 to 113	Not Used			
114	2751026	1	Hose	
115	2751013	2	Hose	
116	2751391	1	Hose	
117	2751011	2	Hose	
118	2750910	4	Hose	

## SECTION 6 HYDRAULIC

**FIGURE 6-6. HYDRAULIC DIAGRAM - STANDARD 4WD/4WS (CONTINUED)**

ITEM #	PART NUMBER	QTY.	DESCRIPTION	REV.
119	Not Used			
120	2752627	1	Hose	
121	2751111	1	Hose	
122	2752505	1	Hose	
123	2752481	1	Hose	
124	2752506	1	Hose	
125	2750786	1	Hose	
126	2752507	1	Hose	
127	2752482	1	Hose	
128		A/R	Hose Options:	
	2752652	3	Ford Engine	
	Not Required	0	Deutz Engine	
129		A/R	Hose Options:	
	Not Required	0	Ford Engine	
	2752525	2	Deutz Engine	
130		A/R	Hose Options:	
	Not Required	0	Ford Engine	
	2752526	1	Deutz Engine	
131		A/R	Hose Options:	
	2752513	1	Ford Engine	
	2752491	1	Deutz Engine	
132	2752591	2	Hose	
133	2750775	1	Hose	
134		A/R	Hose Options:	
	2752953	2	Ford Engine	
	Not Required	0	Deutz Engine	
135		A/R	Hose Options:	
	Not Required	0	Ford Engine	
	2752678	2	Deutz Engine	
136	2751893	2	Hose	
137	2751027	3	Hose	
138	2752980	2	Hose	
139	2751892	2	Hose	
140	2752450	1	Hose	
141	2752451	1	Hose	
142	2751021	1	Hose	
143	2750902	1	Hose	
144 to 145	Not Used			
146	2751683	1	Hose	
147	2751395	2	Hose	
148	2751006	2	Hose	
149	2751507	1	Hose	



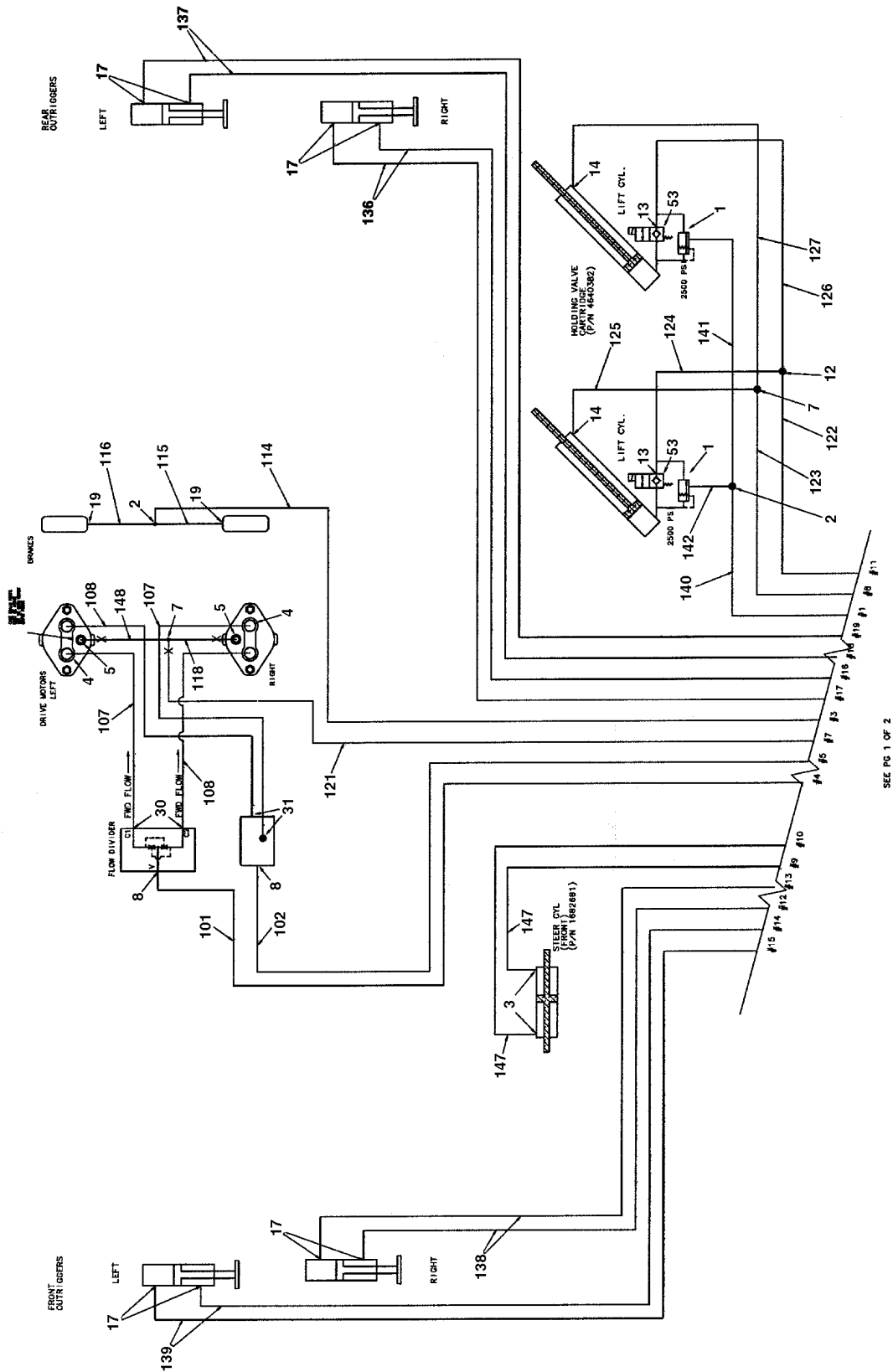
# SECTION 6 HYDRAULIC

## FIGURE 6-6. HYDRAULIC DIAGRAM - STANDARD 4WD/4WS (CONTINUED)

ITEM #	PART NUMBER	QTY.	DESCRIPTION	REV.

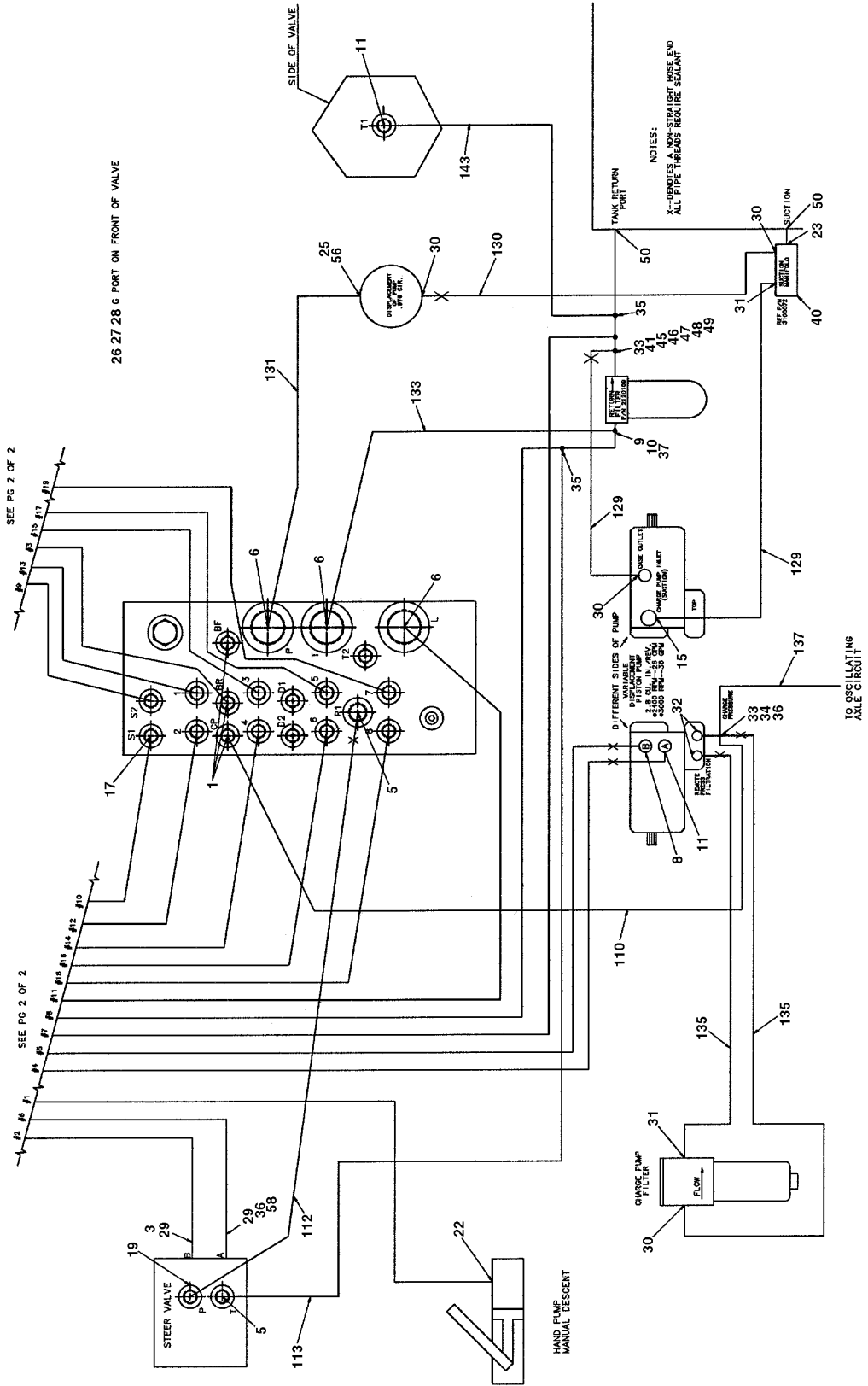
# SECTION 6 HYDRAULIC

## FIGURE 6-7. HYDRAULIC DIAGRAM - STANDARD 2WD/4WS



SEE PG 1 OF 2

# SECTION 6 HYDRAULIC



# SECTION 6 HYDRAULIC

**FIGURE 6-7. HYDRAULIC DIAGRAM - STANDARD 2WD/4WS**

ITEM #	PART NUMBER	QTY.	DESCRIPTION	REV.
		Ref.	<b>HYDRAULIC DIAGRAM - STANDARD 2WD/4WS</b>	
	2792516	Ref.	<b>500RTS - FORD ENGINE</b>	2
	2792511	Ref.	<b>500RTS - DEUTZ ENGINE</b>	2
1	2220415	A/R	Fitting, Straight	
2	2220504	2	Fitting, Tee	
3	2220472	5	Fitting, 90°	
4	2220366	4	Fitting, 90°	
5	2220371	3	Fitting, Straight	
6	2220375	3	Fitting, Straight	
7	2220490	2	Fitting, Tee	
8	2220377	4	Fitting, Straight	
9	2221035	1	Fitting, Tee	
10	2220470	1	Fitting, 90°	
11	2220603	1	Fitting, Straight	
12	2220362	1	Fitting, Tee	
13	2220374	2	Fitting	
14	2220372	2	Fitting	
15	2220465	1	Fitting, 90°	
16	Not Used			
17	2220582	A/R	Fitting, Straight	
18	Not Used			
19	2220473	3	Fitting, 90°	
20 to 21	Not Used			
22	2220414	1	Fitting, Straight	
23	2220844	1	Fitting, Straight	
24		A/R	Fitting Options:	
	Not Required	0	Ford Engine	
	2220451	1	Fitting, Straight - Deutz Engine	
25	4640744	1	Valve, Check	
26	2220873	1	Fitting, Nipple	
27	2220428	1	Fitting, Disconnect	
28	2220429	1	Cap, Dust	
29	2220914	1	Fitting	
30	2220451	A/R	Fitting, Straight	
31	2220578	A/R	Fitting, 90°	
32	2220408	2	Fitting, Straight	
33	2220700	2	Fitting, Tee	
34	2220621	1	Fitting, Reducer	
35	2220635	1	Fitting, Tee	
36	2220609	2	Fitting, Reducer	
37	2220696	1	Fitting, Reducer	
38 to 39	Not Used			
40	3100072	1	Manifold	
41	2220275	1	Fitting, Reducer	
42 to 44	Not Used			
45		A/R	Fitting, 90° Options:	
	Not Required	0	Ford Engine	
	2220403	1	Fitting, Straight - Deutz Engine	

## SECTION 6 HYDRAULIC

**FIGURE 6-7. HYDRAULIC DIAGRAM - STANDARD 2WD/4WS (CONTINUED)**

ITEM #	PART NUMBER	QTY.	DESCRIPTION	REV.
46	2220642	1	Fitting, Tee	
47	2220710	1	Fitting, Adapter	
48	2220407	A/R	Fitting	
49	2220621	1	Fitting, Adapter	
50	2220349	1	Fitting, Adapter	
51	2220237	3	Fitting	
52	Not Used			
53	4640382	2	Cartridge, Solenoid Valve	
			Repair Part Options (See Number Stamped on Cartridge Hex Nut):	
	7009742	A/R	Coil (Modular Controls P/N SV1-10-C-0-0) (1 Per Cartridge)	
	7000645	A/R	Coil (Hydraforce P/N SV10-20-0-N-0) (1 Per Cartridge)	
	2900503	A/R	Seal Kit (Modular Control P/N SV1-10-C-0-0) (1 Per Cartridge)	
	2900800	A/R	Seal Kit (Hydraforce P/N SV10-20-0-N-0) (1 Per Cartridge)	
54	0100020	A/R	Sealant, Pipe (Not Shown)	
55	2220349	1	Fitting, 90°	
56	2220810	1	Fitting, Reducer	
57	2220923	2	Fitting, Adapter	
58	2220819	1	Fitting, 90°	
		Ref.	<b>HYDRAULIC HOSE KIT OPTIONS:</b>	
	2902094	Ref.	<b>FORD ENGINE</b>	2
	2902096	Ref.	<b>DEUTZ ENGINE</b>	2
101	2752351	1	Hose	
102	2752352	1	Hose	
103	2752251	2	Hose	
104	2752252	2	Hose	
105	Not Used			
106	2752649	1	Hose Options:	
			Ford Engine	
	Not Required		Deutz Engine	
107 to 109	Not Used			
110	2750895	1	Hose	
111 to 113	Not Used			
114	2751026	1	Hose	
115	2751013	1	Hose	
116	2751391	1	Hose	
117	Not Used			
118	2750910	3	Hose	
119 to 120	Not Used			
121	2751111	1	Hose	
122	2752505	1	Hose	
123	2752481	1	Hose	
124	2752506	1	Hose	
125	2750786	1	Hose	
126	2752507	1	Hose	
127	2752482	1	Hose	

## SECTION 6 HYDRAULIC

**FIGURE 6-7. HYDRAULIC DIAGRAM - STANDARD 2WD/4WS (CONTINUED)**

ITEM #	PART NUMBER	QTY.	DESCRIPTION	REV.
128	Not Used			
129		A/R	Hose Options:	
	Not Required	0	Ford Engine	
	2752525	1	Deutz Engine	
130		A/R	Hose Options:	
	Not Required	0	Ford Engine	
	2752526	1	Deutz Engine	
131	2752513	1	Hose	
132	2752591	2	Hose	
133	2750775	1	Hose	
134		A/R	Hose Options:	
	2752953	0	Ford Engine	
	Not Required	1	Deutz Engine	
135		A/R	Hose Options:	
	Not Required	0	Ford Engine	
	2752678	2	Deutz Engine	
136	2751893	2	Hose	
137	2751027	3	Hose	
138	2752980	2	Hose	
139	2751892	2	Hose	
140	2752450	1	Hose	
141	2752451	1	Hose	
142	2751021	1	Hose	
143	2750902	1	Hose	
144 to 145	Not Used			
146	2751683	1	Hose	
147	2751395	2	Hose	
148	2751006	1	Hose	

**SECTION 6 HYDRAULIC**

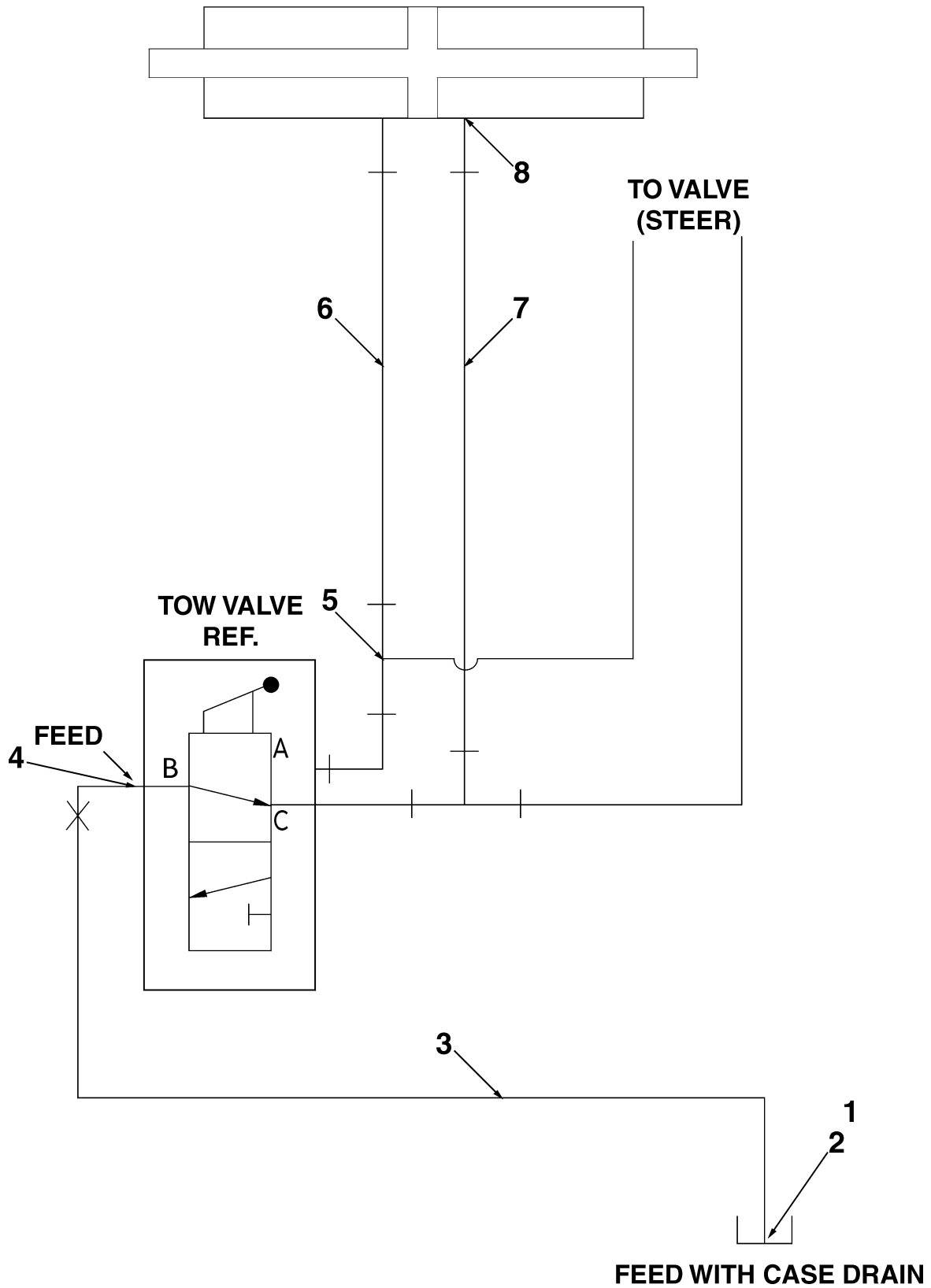
**FIGURE 6-7. HYDRAULIC DIAGRAM - STANDARD 2WD/4WS (CONTINUED)**

ITEM #	PART NUMBER	QTY.	DESCRIPTION	REV.

# SECTION 6 HYDRAULIC

FIGURE 6-8. HYDRAULIC DIAGRAM - TOW PACKAGE (OPTIONAL)

## STEER CYLINDER





## SECTION 6 HYDRAULIC

**FIGURE 6-8. HYDRAULIC DIAGRAM - TOW PACKAGE (OPTIONAL)**

ITEM #	PART NUMBER	QTY.	DESCRIPTION	REV.
	2791962	Ref.	<b>HYDRAULIC DIAGRAM - TOW PACKAGE</b>	—
1	2220385	1	Fitting, Adapter	
2	2220618	1	Fitting, Adapter	
3	2751893	1	Hose	
4	2220468	3	Fitting, Straight	
5	2220605	2	Fitting, Straight	
6	2751018	1	Hose	
7	2751412	1	Hose	
8	2220472	2	Fitting, 90°	

## SECTION 6 HYDRAULIC

**FIGURE 6-9. HYDRAULIC DIAGRAM LIST**

ITEM #	PART NUMBER	QTY.	DESCRIPTION	REV.
		Ref.	<b>Note: Diagrams with asterisk (*) are shown in the preceding pages. Information on diagrams not shown is available form JLG Service/Parts Departments.</b>	
	2792020*	Ref.	Hydraulic Diagram - Auxiliary Power	
	2791903*	Ref.	Hydraulic Diagram - Oscillating Axle	
	2792064*	Ref.	Hydraulic Diagram - Platform Extension (Single) - 400RTS	
	2792065*	Ref.	Hydraulic Diagram - Platform Extension (Dual) - 400RTS	
	2792013*	Ref.	Hydraulic Diagram - Platform Extension (Single) - 500RTS	
	2792014*	Ref.	Hydraulic Diagram - Platform Extension (Dual) - 500RTS	
	2792047	Ref.	Hydraulic Diagram - Standard 2WD/2WS - 400RTS (Deutz Engine)	
	2792611	Ref.	Hydraulic Diagram - Platform Extension (Dual) - 500RTS (Length - 15.8ft/4.8m)	
	2792048	Ref.	Hydraulic Diagram - Standard 2WD/4WS - 400RTS (Deutz Engine)	
	2792049	Ref.	Hydraulic Diagram - Standard 4WD/2WS - 400RTS (Deutz Engine)	
	2792050	Ref.	Hydraulic Diagram - Standard 4WD/4WS - 400RTS (Deutz Engine)	
	2792164	Ref.	Hydraulic Diagram - Standard 2WD/2WS - 400RTS (Ford Engine) (Prior to S/N 70978)	
	2792165	Ref.	Hydraulic Diagram - Standard 2WD/4WS - 400RTS (Ford Engine) (Prior to S/N 70978)	
	2792166	Ref.	Hydraulic Diagram - Standard 4WD/2WS - 400RTS (Ford Engine) (Prior to S/N 70978)	
	2792167	Ref.	Hydraulic Diagram - Standard 4WD/4WS - 400RTS (Ford Engine) (Prior to S/N 70978)	
	2791997	Ref.	Hydraulic Diagram - Standard 2WD/2WS - 500RTS (Deutz Engine) (Prior to S/N 107516)	
	2792508*	Ref.	Hydraulic Diagram - Standard 2WD/2WS - 500RTS (Deutz Engine) (S/N 107516 to Present)	
	2791995	Ref.	Hydraulic Diagram - Standard 2WD/4WS - 500RTS (Deutz Engine) (Prior to S/N 107516)	
	2792511*	Ref.	Hydraulic Diagram - Standard 2WD/4WS - 500RTS (Deutz Engine) (S/N 107516 to Present)	
	2791988	Ref.	Hydraulic Diagram - Standard 4WD/2WS - 500RTS (Deutz Engine) (Prior to S/N 107516)	
	2792513*	Ref.	Hydraulic Diagram - Standard 4WD/2WS - 500RTS (Deutz Engine) (S/N 107516 to Present)	
	2791996	Ref.	Hydraulic Diagram - Standard 4WD/4WS - 500RTS (Deutz Engine) (Prior to S/N 107516)	
	2792512*	Ref.	Hydraulic Diagram - Standard 4WD/4WS - 500RTS (Deutz Engine) (S/N 107516 to Present)	
	2792168	Ref.	Hydraulic Diagram - Standard 2WD/2WS - 500RTS (Ford Engine) (Prior to S/N 107516)	
	2792514*	Ref.	Hydraulic Diagram - Standard 2WD/2WS - 500RTS (Ford Engine) (S/N 107516 to Present)	
	2792170	Ref.	Hydraulic Diagram - Standard 2WD/4WS - 500RTS (Ford Engine) (Prior to S/N 107516)	
	2792516*	Ref.	Hydraulic Diagram - Standard 2WD/4WS - 500RTS (Ford Engine) (S/N 107516 to Present)	

## SECTION 6 HYDRAULIC

ITEM #	PART NUMBER	QTY.	DESCRIPTION	REV.
	2792169	Ref.	Hydraulic Diagram - Standard 4WD/2WS - 500RTS (Ford Engine) (Prior to S/N 107516)	
	2792515*	Ref.	Hydraulic Diagram - Standard 4WD/2WS - 500RTS (Ford Engine) (S/N 107516 to Present)	
	2792171	Ref.	Hydraulic Diagram - Standard 4WD/4WS - 500RTS (Ford Engine) (Prior to S/N 107516)	
	2792517*	Ref.	Hydraulic Diagram - Standard 4WD/4WS - 500RTS (Ford Engine) (S/N 107516 to Present)	
	2792027	Ref.	Hydraulic Diagram - Leveling Jacks - 400RTS	
	2791962*	Ref.	Hydraulic Diagram - Tow Bar (Optional)	
	2792369	Ref.	Hydraulic Schematic	

# SECTION 6 HYDRAULIC

ITEM #	PART NUMBER	QTY.	DESCRIPTION	REV.

# **SECTION 7 ELECTRICAL**

# SECTION 7 ELECTRICAL

**FIGURE 7-1.ELECTRICAL DIAGRAM LIST**

ITEM #	PART NUMBER	QTY.	DESCRIPTION	REV.
		Ref.	<b>Note: Diagrams with asterisks (*) are shown in the following pages. Diagrams not shown are available from the JLG Service Department.</b>	
	1282015	Ref.	<b>ELECTRICAL DIAGRAM - ALARMS (OPTIONAL) (DWG ONLY)</b>	—
	0253727	Ref.	<b>ELECTRICAL COMPONENTS - DESCENT ALARM (B/M ONLY) (PRIOR TO S/N 112737)</b>	B
	0273055	Ref.	<b>ELECTRICAL COMPONENTS - DESCENT ALARM (B/M ONLY) (S/N 112737 TO PRESENT)</b>	1
	0253728	Ref.	<b>ELECTRICAL COMPONENTS - MOTION ALARM (B/M ONLY) (PRIOR TO S/N 112737)</b>	A
	0273056	Ref.	<b>ELECTRICAL COMPONENTS - MOTION ALARM (B/M ONLY) (S/N 112737 TO PRESENT)</b>	1
	0253727	Ref.	<b>ELECTRICAL COMPONENTS - DESCENT ALARM (B/M ONLY)</b>	B
	0253728	Ref.	<b>ELECTRICAL COMPONENTS - MOTION ALARM (B/M ONLY)</b>	A
	0253446	Ref.	<b>ELECTRICAL COMPONENTS - TRAVEL ALARM (B/M ONLY)</b>	A
	0140032	1	Alarm, Horn	
	3990010	A/R	Diode - 6 Amp	
	3740049	1	Relay (Located in Ground Control Box)	
	1540002	1	Capacitor (Not Shown - Located at Ground Control) (S/N 112737 to Present)	
	1282141/1281992*	Ref.	<b>ELECTRICAL DIAGRAM - AUXILIARY POWER (OPTIONAL - USED WITH PLATFORM EXTENSION)</b>	O
	0271196	Ref.	<b>ELECTRICAL DIAGRAM - AUXILIARY POWER (OPTIONAL - USED WITH PLATFORM MEGADECK EXTENSIONS)</b>	B
	0273062	Ref.	<b>ELECTRICAL DIAGRAM - AUXILIARY POWER (OPTIONAL - USED WITH PLATFORM POWER DECK EXTENSIONS)</b>	B
	4922859	1	Harness, Auxiliary Power	
	4922848	1	Harness, Power Deck	
	0610103	Ref.	<b>ELECTRICAL DIAGRAM - 0610103 CIRCUIT CARD (SEE SECTION 4 FOR COMPONENTS) (PRIOR TO FEBRUARY 1995)</b>	B
	0610114*	Ref.	<b>ELECTRICAL DIAGRAM - 0610114 CIRCUIT CARD (SEE SECTION 4 FOR COMPONENTS) (FEBRUARY 1995 TO PRESENT)</b>	B
	1281738*	Ref.	<b>ELECTRICAL DIAGRAM - DUAL FUEL (OPTIONAL ON FORD ENGINES) (DWG ONLY)</b>	H
	4931444	Ref.	<b>ELECTRICAL COMPONENTS - DUAL FUEL (B/M ONLY) (SEE SECTION 2 FOR COMPONENTS) (PRIOR TO S/N 27785)</b>	E/F
	4932451/4932897	Ref.	<b>ELECTRICAL COMPONENTS - DUAL FUEL (B/M ONLY) (SEE SECTION 2 FOR COMPONENTS) (S/N 27785 TO PRESENT)</b>	—/2

## SECTION 7 ELECTRICAL

**FIGURE 7-1.ELECTRICAL DIAGRAM LIST (CONTINUED)**

ITEM #	PART NUMBER	QTY.	DESCRIPTION	REV.
	4932387	Ref.	<b>ELECTRICAL DIAGRAM - GENERATOR 110V (OPTIONAL ON DEUTZ ENGINES) (PRIOR TO JULY 1994)</b>	2
	4932734*	Ref.	<b>ELECTRICAL DIAGRAM - GENERATOR 110V (OPTIONAL ON DEUTZ ENGINES) (JULY 1994 TO PRESENT)</b>	3
	4932387	Ref.	<b>ELECTRICAL DIAGRAM - GENERATOR 220V (OPTIONAL ON DEUTZ ENGINES) (S/N 108548 TO PRESENT)</b>	3
	4932041	Ref.	<b>ELECTRICAL DIAGRAM - GENERATOR 110V (OPTIONAL ON FORD ENGINES) (PRIOR TO JULY 1994)</b>	B
	4932735*	Ref.	<b>ELECTRICAL DIAGRAM - GENERATOR 110V (OPTIONAL ON FORD ENGINES) (JULY 1994 TO PRESENT)</b>	5
	3990010	1	Diode 6 Amp	
	3740049	2	Relay (Located in Ground Control Box)	
	0254118	Ref.	<b>ELECTRICAL DIAGRAM - HOURMETER (QUARTZ)</b>	2
	1060016	A/R 75 ft./22.9m 30 ft./9.2m	<b>ELECTRICAL CABLE - LIFT CYLINDER (STANDARD 12/3)</b> 500RTS 400RTS	
	1282038	Ref.	<b>ELECTRICAL DIAGRAM - LIGHTS (OPTIONAL HEADLIGHTS/ TAILLIGHTS) (DWG ONLY)</b>	E
	0253821	Ref.	<b>ELECTRICAL COMPONENTS - HEADLIGHTS AND TAIL- LIGHTS (B/M ONLY)</b>	3
	2920110	4	Headlight	
	2920113	2	Taillight	
	4360239	1	Switch, Toggle (Located at Platform Control)	
	1060341	60 ft./18m	Cable, Electrical 16/2	
	3740049	3	Relay	
	4460051	1	Strain Relief	
	3300048	1	Locknut	
	0960238	1	Bushing	
	0253451	Ref.	<b>ELECTRICAL DIAGRAM - OIL COOLER (OPTIONAL - SEE SECTION 10 FOR COMPONENTS)</b>	4
	0254396	Ref.	<b>ELECTRICAL DIAGRAM - OVERLOAD/TILT INTERLOCK (FRENCH SPEC)</b>	B
	3740049	1	Relay	
	3990010	10	Diode	
	1060341	20 ft./6m	Cable, Electrical 16/2	
	1060042	35 ft./11m	Cable, Electrical 16/5	
	4360277	1	Switch, Limit	
	4360236	1	Actuator	
	4360237	1	Arm, Roller	
	1692617	1	Switch, Pressure	

# SECTION 7 ELECTRICAL

## FIGURE 7-1.ELECTRICAL DIAGRAM LIST (CONTINUED)

ITEM #	PART NUMBER	QTY.	DESCRIPTION	REV.
		Ref.	<b>ELECTRICAL CABLE - PLATFORM TO GROUND</b>	
			Standard 16/24 Cable	
	4921543	1	500RTS (Prior to S/N 58035)	
	4922257	1	500RTS (S/N 58035 to Present)	
	4921598	1	400RTS (Prior to S/N 58035)	
	4922256	1	400RTS (S/N 58035 to Present)	
			Optional 16/20 (Use with Leveling Jacks and Headlight/Taillight Options:	
	4921544	1	500RTS (Prior to S/N 58035)	
	4922252	1	500RTS (S/N 58035 to Present)	
	4921599	1	400RTS (Prior to S/N 58035)	
	4922251	1	400RTS (S/N 58035 to Present)	
	0253795	Ref.	<b>ELECTRICAL DIAGRAM- PLATFORM WORKLIGHTS (SEE SECTION 4 FOR COMPONENTS)</b>	A
		Ref.	<b>ELECTRICAL CABLE - RECEPTACLE 110V/220V AT PLAT- FORM (OPTIONAL)</b>	
	1060308	Ref.	<b>Prior to S/N 107516</b>	
	1060973	Ref.	<b>S/N 107516 to Present</b>	A
	1060308	80 FT/24.4M	500RTS (Prior to S/N 107516)	
	1060908	96 FT/29.3M	500RTS (S/N 107516 to Present)	
		67 FT/14.3M	400RTS	
		Ref.	<b>ELECTRICAL DIAGRAM - STANDARD (500RTS - DEUTZ DIE- SEL) OPTIONS:</b>	
	1281974	Ref.	<b>Australian Spec (Prior to S/N 50052) (with Enable Timer)</b>	J
	1282966	Ref.	<b>Australian Spec (S/N 50052 to S/N 61097) (with Enable Timer)</b>	B
	1283068*	Ref.	<b>Australian Spec (S/N 61097 to Present) (with Trigger Switch)</b>	E
	1281974	Ref.	<b>CE Spec (Prior To S/N 61097) (with Enable Timer)</b>	J
	1283064	Ref.	<b>CE Spec (S/N 61097 To S/N 112737) (with Trigger Switch)</b>	F
	1283361*	Ref.	<b>CE Spec (S/N 112737 To Present) (with Trigger Switch)</b>	A
		Ref.	<b>Ground Electrical Components Options (B/M Only):</b>	
	4932957	Ref.	<b>Australian Spec (Prior to S/N 50052)</b>	6
	4933057	Ref.	<b>Australian Spec (S/N 50052 to Present)</b>	6
	4932957	Ref.	<b>CE Spec (Prior to S/N 112737)</b>	6
	4933285	Ref.	<b>CE Spec (S/N 112737 to Present)</b>	1
		Ref.	<b>Platform Electrical Components Options (B/M Only):</b>	
	4932588	Ref.	<b>Australian Spec (Prior To S/N 50052)</b>	3
	4933056	Ref.	<b>Australian Spec (S/N 50052 To S/N 61097)</b>	2
	4933098	Ref.	<b>Australian Spec (S/N 61097 to Present)</b>	2
	4932588	Ref.	<b>CE Spec Prior to (S/N 61097)</b>	3
	4933096	Ref.	<b>CE Spec (S/N 61097 To S/N 112737)</b>	2
	4933286	Ref.	<b>CE Spec (S/N 112737 To Present)</b>	2
	3990010	A/R	Diode - 6 Amp (Platform)	
	3990010	A/R	Diode - 6 Amp (Ground)	
	4921540	1	Harness (Valves to Ground Control Box)	



## SECTION 7 ELECTRICAL

**FIGURE 7-1.ELECTRICAL DIAGRAM LIST (CONTINUED)**

ITEM #	PART NUMBER	QTY.	DESCRIPTION	REV.
		1	Harness (Engine to Ground Control Box) Options: Australian Spec	
	4921770		CE Spec (Prior to S/N 112737)	
	4922910		CE Spec (S/N 112737 to Present)	
	1060341	A/R	Cable, Electrical - 16/2 (To Limit Switches and Lift Down Coil) Options: Prior to S/N 103272	
		237 ft/72.3m	S/N 103272 to S/N 107516	
		340 ft/104m	S/N 107516 to Present	
		13 ft/4m		
	3730003	1	Resistor - 20 ohm	
		Ref.	<b>ELECTRICAL DIAGRAM - STANDARD (400RTS -DEUTZ DIESEL) OPTIONS:</b>	
	1282966	Ref.	<b>Australian Spec (Prior to S/N 61097) (with Enable Timer)</b>	B
	1283068*	Ref.	<b>Australian Spec (S/N 61097 to Present) (with Trigger Switch)</b>	E
	1282100	Ref.	<b>CE Spec (Prior to S/N 61097) (with Enable Timer)</b>	F
	1283066	Ref.	<b>CE Spec (S/N 61097 to Present) (with Trigger Switch)</b>	C
		Ref.	<b>Ground Electrical Components Options (B/M Only):</b>	
	4932957	Ref.	<b>Australian Spec (Prior to S/N 50052)</b>	6
	4933057	Ref.	<b>Australian Spec (S/N 50052 to Present)</b>	6
	4932650	Ref.	<b>CE Spec (Prior to S/N 61097)</b>	4
	4932850	Ref.	<b>CE Spec (S/N 61097 to Present)</b>	5
		Ref.	<b>Platform Electrical Components Options (B/M Only):</b>	
	4932588	Ref.	<b>Australian Spec (Prior To S/N 50052)</b>	3
	4933056	Ref.	<b>Australian Spec (S/N 50052 To S/N 61097)</b>	2
	4933098	Ref.	<b>Australian Spec (S/N 61097 to Present)</b>	2
	4932645	Ref.	<b>CE Spec (Prior to S/N 61097)</b>	4
	4933097	Ref.	<b>CE Spec (S/N 61097 to Present)</b>	2
	3990010	A/R	Diode - 6 Amp (Platform)	
	3990010	10	Diode - 6 Amp (Ground)	
	4921540	1	Harness (Valves to Ground Control Box)	
	4921545	1	Harness (Engine to Ground Control Box)	
	1060341	237 ft/72.3m	Cable, Electrical - 16/2 (To Limit Switches and Lift Down Coil)	
	3730003	1	Resistor - 20 ohm	
	1281973	Ref.	<b>ELECTRICAL DIAGRAM - STANDARD (500RTS - FORD VSG-411 GAS) (REF. DWG. ONLY)</b>	F
	4932589	Ref.	<b>Ground Electrical Components (B/M Only)</b>	C
	4932588	Ref.	<b>Platform Electrical Components (B/M Only)</b>	3
	3990010	9	Diode - 6 Amp (Platform)	
	3990010	10	Diode - 6 Amp (Ground)	
	4921540	1	Harness (Valves to Ground Control Box)	
	4921546	1	Harness (Engine to Ground Control Box)	
	1060341	237 ft/72.3m	Cable, Electrical - 16/2 (To Limit Switches and Lift Down Coil)	
	3730003	1	Resistor - 20 Ohm	

# SECTION 7 ELECTRICAL

**FIGURE 7-1.ELECTRICAL DIAGRAM LIST (CONTINUED)**

ITEM #	PART NUMBER	QTY.	DESCRIPTION	REV.
	1282099	Ref.	<b>ELECTRICAL DIAGRAM - STANDARD (400RTS - FORD VSG-411 GAS) (REF. DWG ONLY)</b>	D
	4932649	Ref.	<b>Ground Electrical Components (B/M Only)</b>	B
	4932648	Ref.	<b>Platform Electrical Components (B/M Only)</b>	A
	3990010	8	Diode - 6 Amp (Platform)	
	3990010	10	Diode - 6 Amp (Ground)	
	4921540	1	Harness (Valves to Ground Control Box)	
	4921546	1	Harness (Engine to Ground Control Box)	
	1060341	237 ft/72.3m	Cable, Electrical - 16/2 (To Limit Switches and Lift Down Coil) Options:	
	3730003	1	Resistor - 20 Ohm	
	1282341	Ref.	<b>ELECTRICAL DIAGRAM - STANDARD (500RTS FORD LSG-423 GAS) (REF. DWG ONLY)</b>	B
	4932744	Ref.	<b>Ground Electrical Components (B/M Only)</b>	2
	4932588	Ref.	<b>Platform Electrical Components (B/M Only)</b>	3
	3990010	8	Diode - 6 Amp (Platform)	
	3990010	10	Diode - 6 Amp (Ground)	
	4921540	1	Harness (Valves to Ground Control Box)	
	4921714	1	Harness (Engine to Ground Control Box)	
	1060341	237 ft/72.3m	Cable, Electrical - 16/2 (To Limit Switches and Lift Down Coil)	
	3730003	1	Resistor - 20 Ohm	
		Ref.	<b>ELECTRICAL DIAGRAM - STANDARD (500RTS FORD LRG-423/LRG-425 GAS) (REF. DWG ONLY) OPTIONS:</b>	
	1282366	Ref.	<b>Prior to S/N 61097 (with Enable Timer)</b>	E
	1283065*	Ref.	<b>S/N 61097 to Present (with Trigger Switch)</b>	F
	4932775	Ref.	<b>Ground Electrical Components (B/M Only)</b>	5
		Ref.	<b>Platform Electrical Components Options (B/M Only):</b>	
	4932588	Ref.	<b>Prior to S/N 61097</b>	3
	4933096	Ref.	<b>S/N 61097 to Present</b>	2
	3990010	A/R	Diode - 6 Amp (Platform)	
	3990010	10	Diode - 6 Amp (Ground)	
	4921540	1	Harness (Valves to Ground Control Box)	
	4921731	1	Harness (Engine to Ground Control Box)	
	1060341	A/R	Cable, Electrical - 16/2 (To Limit Switches and Lift Down Coil) Options:	
		237 ft/72.3m	Prior to S/N 103272	
		340 ft/104m	S/N 103272 to S/N 107516	
		13 ft/4m	S/N 107516 to Present	
		Ref.	<b>ELECTRICAL DIAGRAM - STANDARD (400RTS FORD LRG-423) (REF. DWG ONLY) OPTIONS:</b>	
	1282365	Ref.	<b>Prior to S/N 61097 (with Enable Timer)</b>	E
	1283067	Ref.	<b>S/N 61097 to Present (with Trigger Switch)</b>	D
	4932776	Ref.	<b>Ground Electrical Components (B/M Only)</b>	5
		Ref.	<b>Platform Electrical Components Options (B/M Only):</b>	
	4932588	Ref.	<b>Prior to S/N 61097</b>	3
	4933096	Ref.	<b>S/N 61097 to Present</b>	1
	3990010	8	Diode - 6 Amp (Platform)	

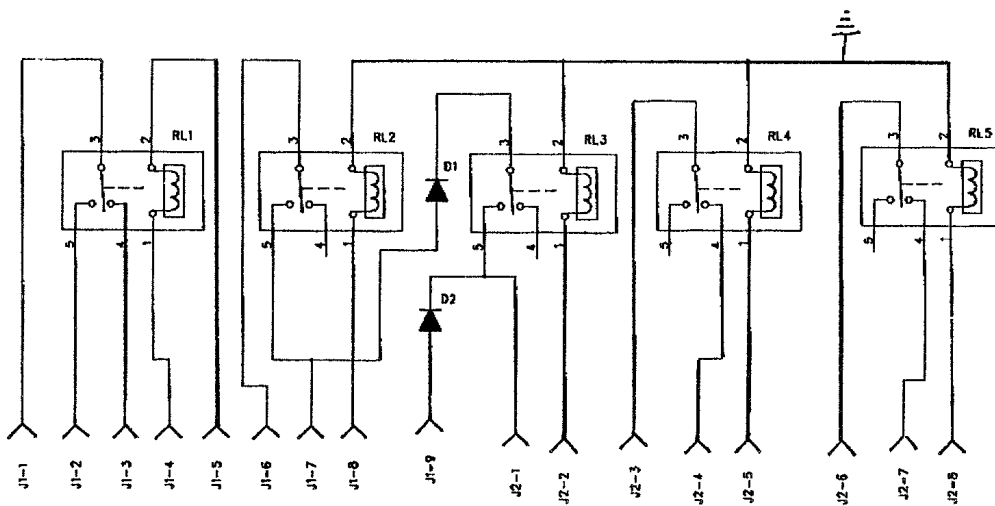
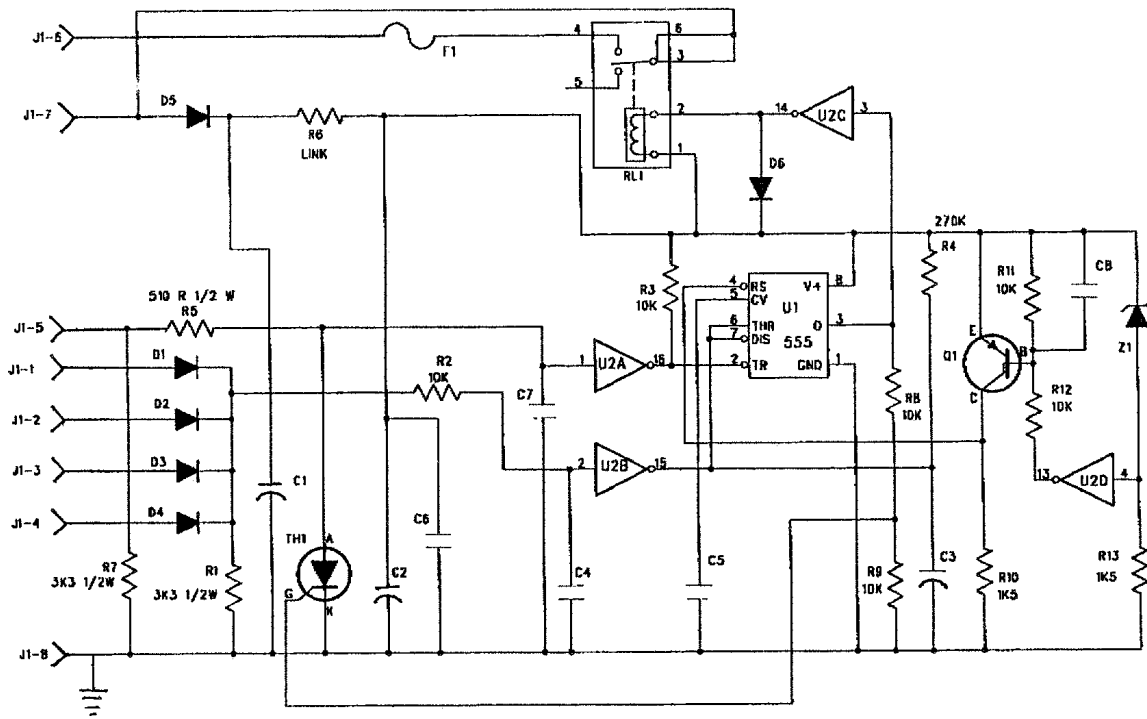
## SECTION 7 ELECTRICAL

**FIGURE 7-1.ELECTRICAL DIAGRAM LIST (CONTINUED)**

ITEM #	PART NUMBER	QTY.	DESCRIPTION	REV.
	3990010	8	Diode - 6 Amp (Ground)	
	4921731	1	Harness (Engine to Ground Control Box)	
	4921590	1	Harness (Valve to Ground Control Box)	
	1060341	1	Cable, Electric 16/2	
	0258916	Ref.	<b>ELECTRICAL DIAGRAM - COLD WEATHER</b>	A
	1282951	Ref.	<b>STATIC STEER</b>	A
	4933042	Ref.	<b>STATIC STEER (4WD/2WS)</b>	1
	4933043	Ref.	<b>STATIC STEER (4WD/4WS)</b>	2
	3990010	A/R	Diode - 6 Amp	

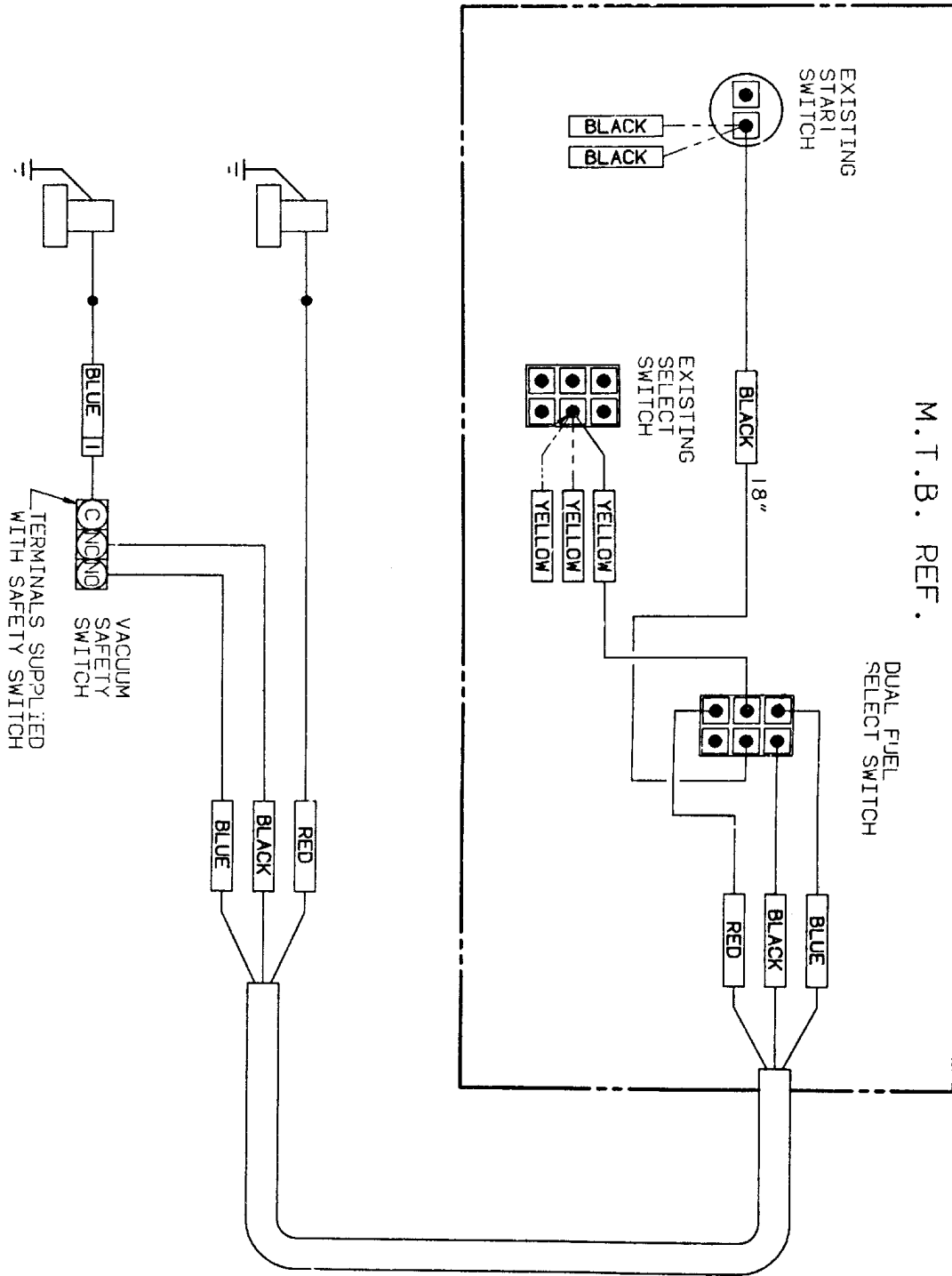
# SECTION 7 ELECTRICAL

FIGURE 7-2. WIRING DIAGRAM - 0610114 CIRCUIT CARD



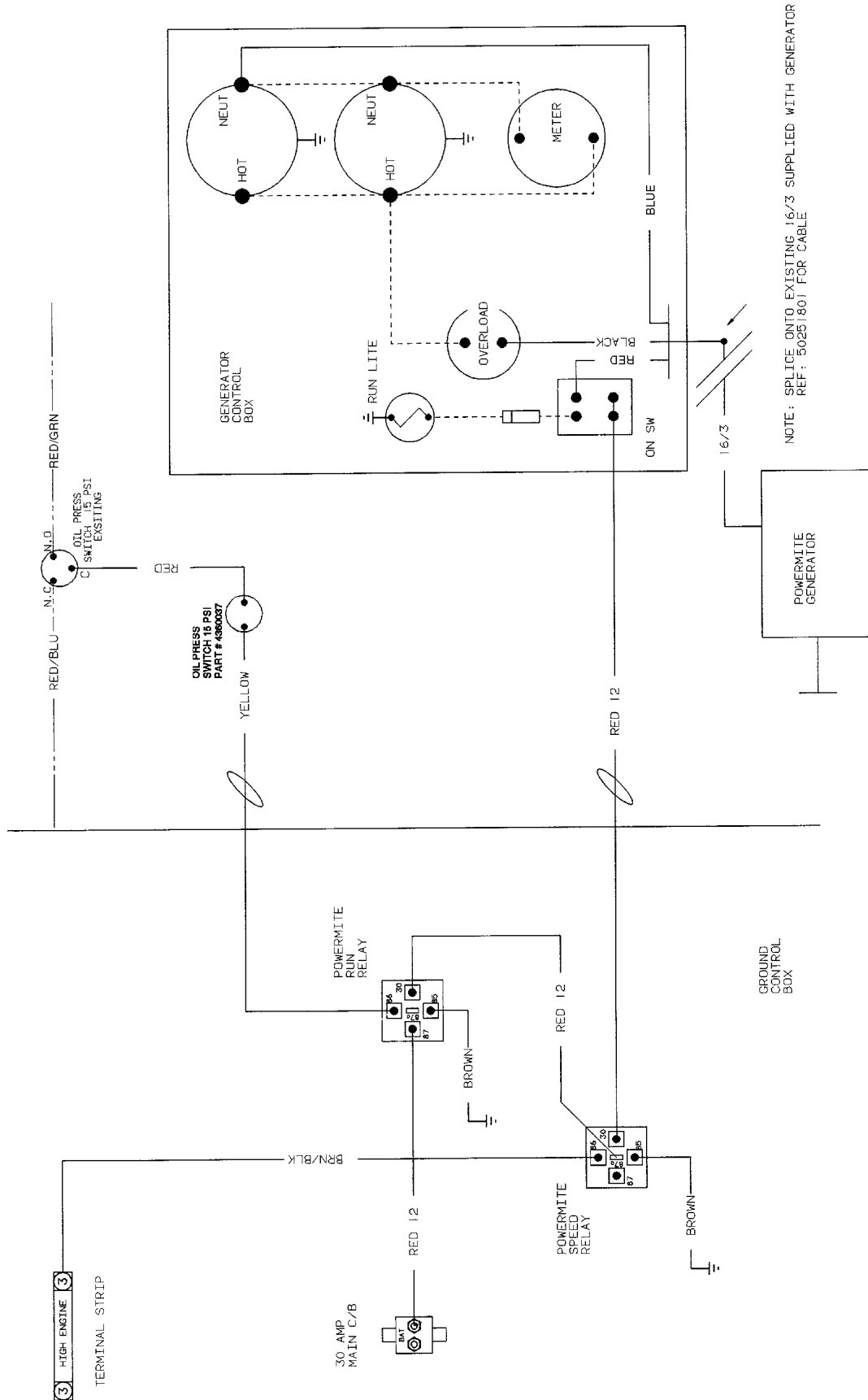
# SECTION 7 ELECTRICAL

FIGURE 7-3. WIRING DIAGRAM - DUAL FUEL (FORD)



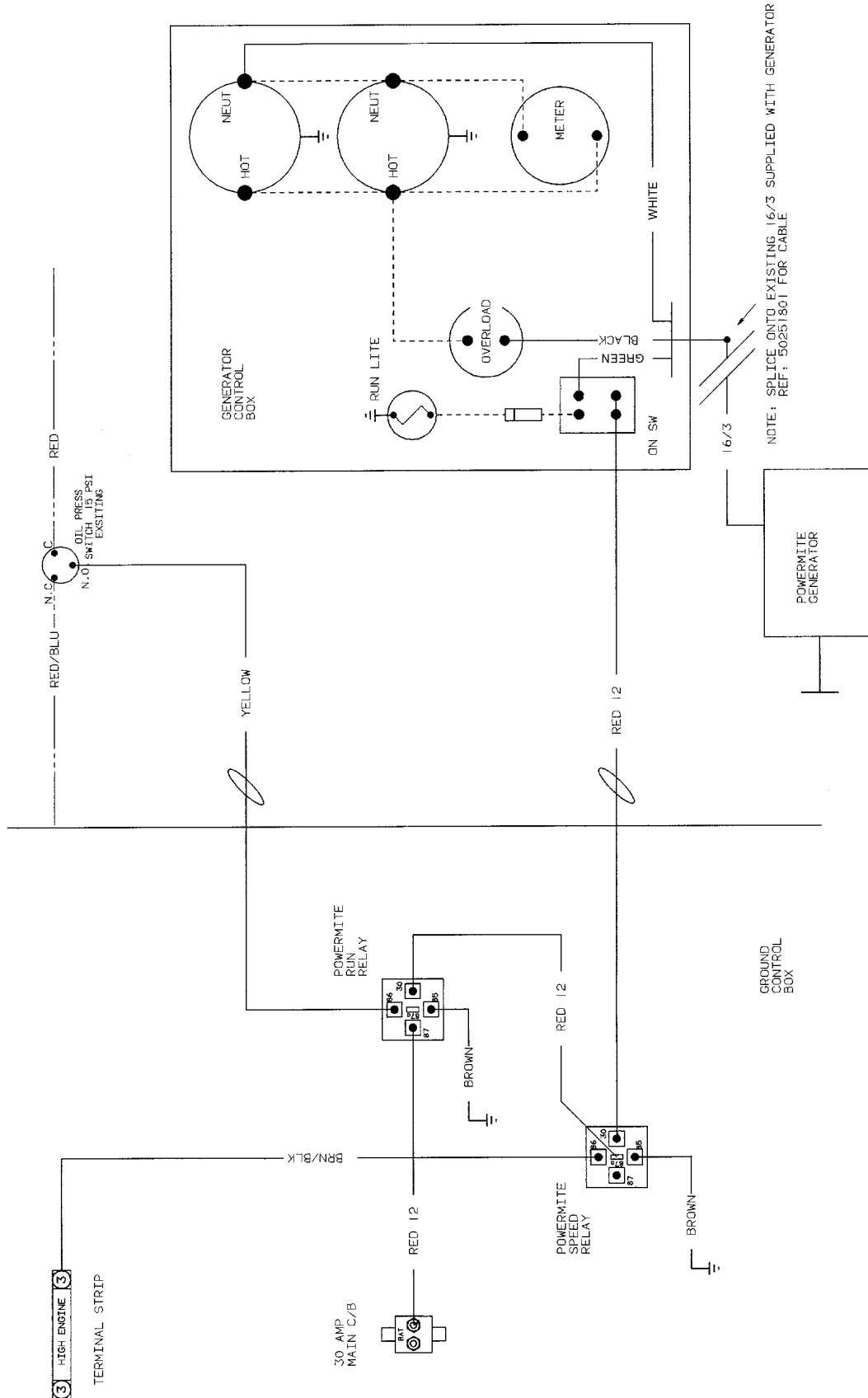
# SECTION 7 ELECTRICAL

FIGURE 7-4. WIRING DIAGRAM - 110 VOLT GENERATOR (FORD)



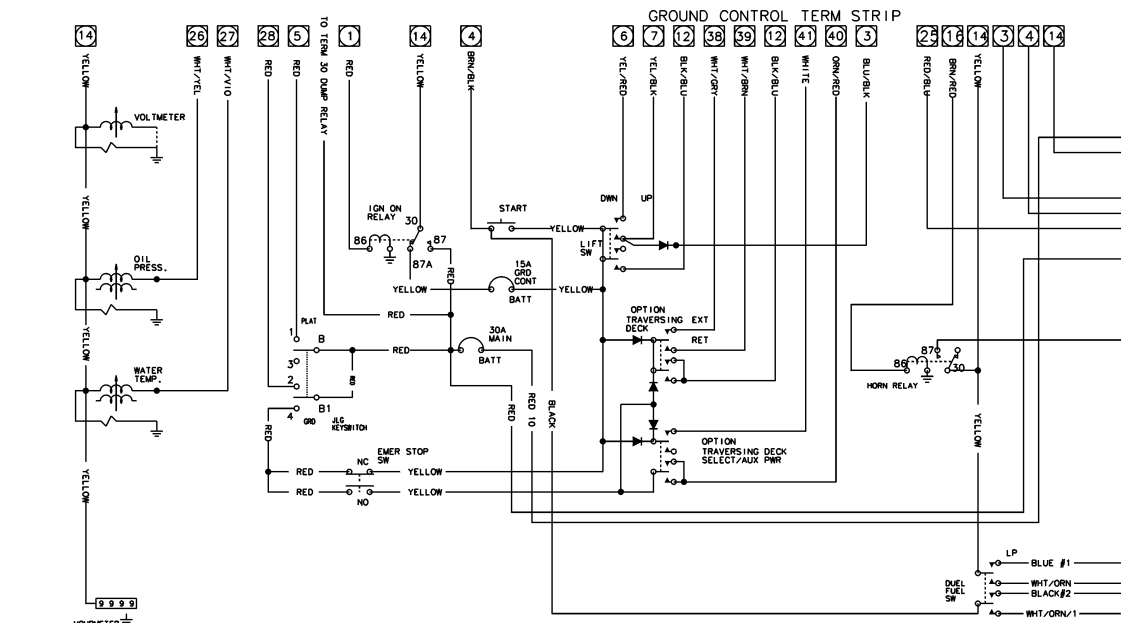
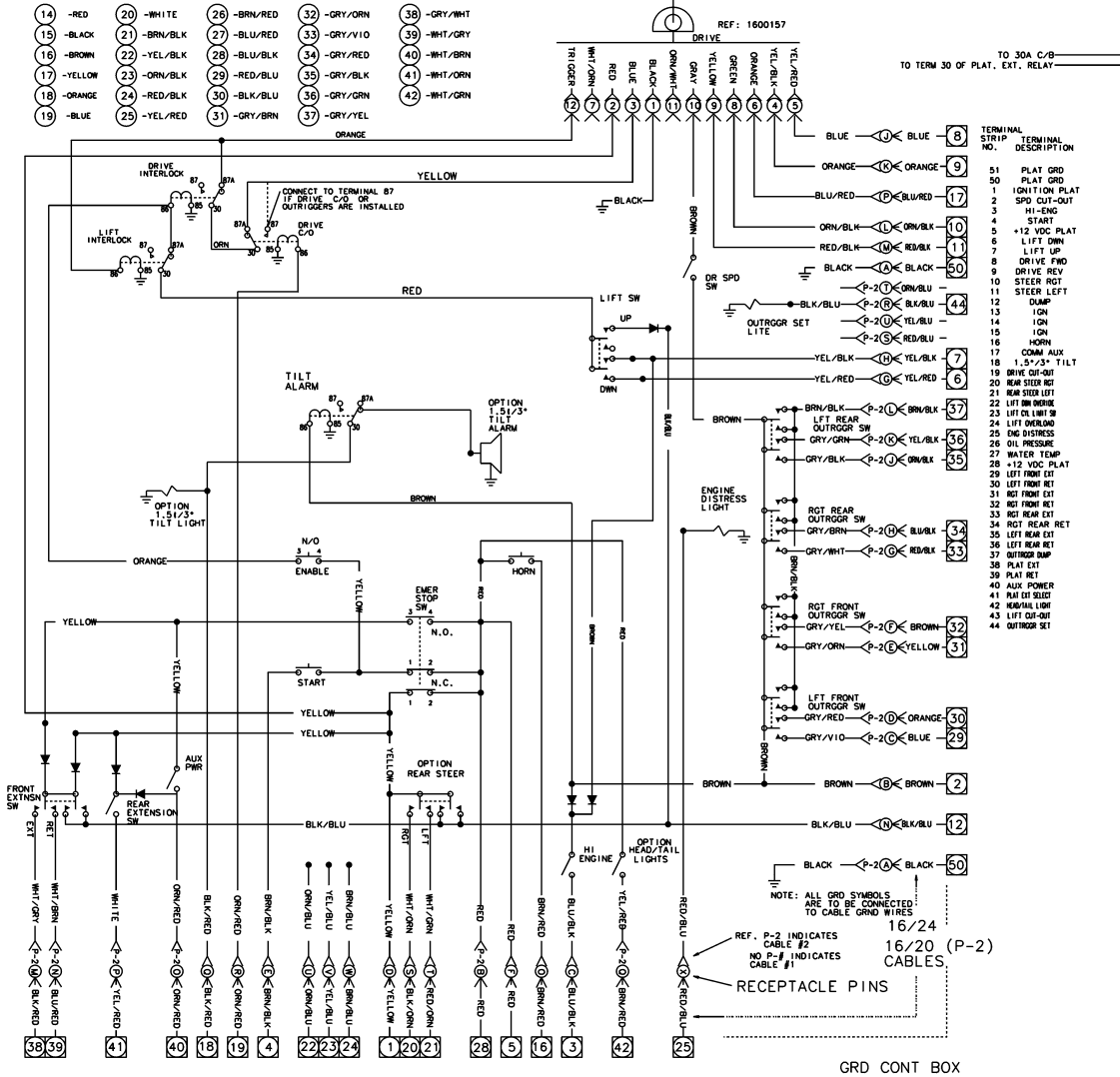
# SECTION 7 ELECTRICAL

FIGURE 7-5. WIRING DIAGRAM - 110 VOLT GENERATOR (DEUTZ)



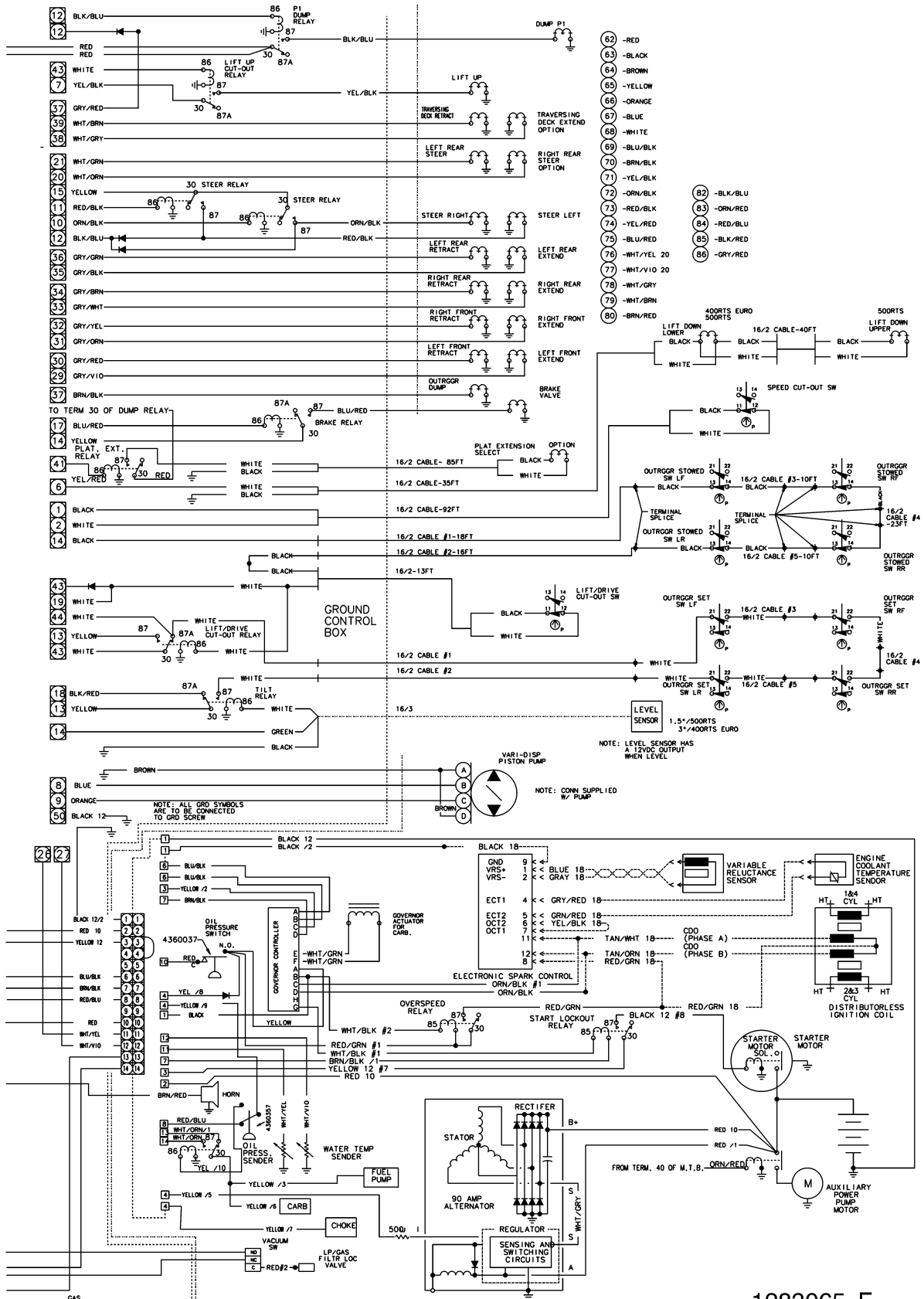
# SECTION 7 ELECTRICAL

## FIGURE 7-6. WIRING DIAGRAM - STANDARD 500RTS (FORD LRG-425 GAS MACHINES)





# SECTION 7 ELECTRICAL

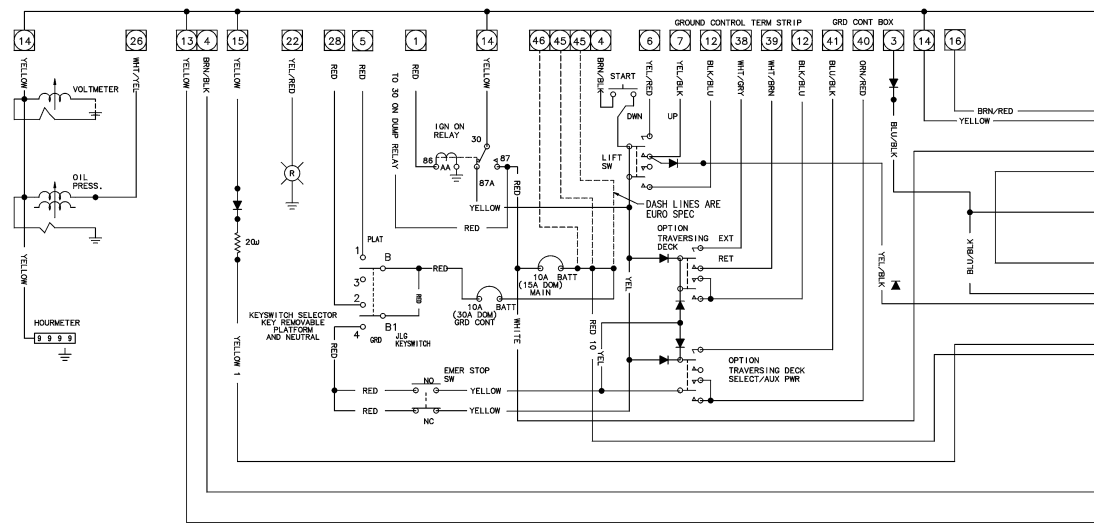
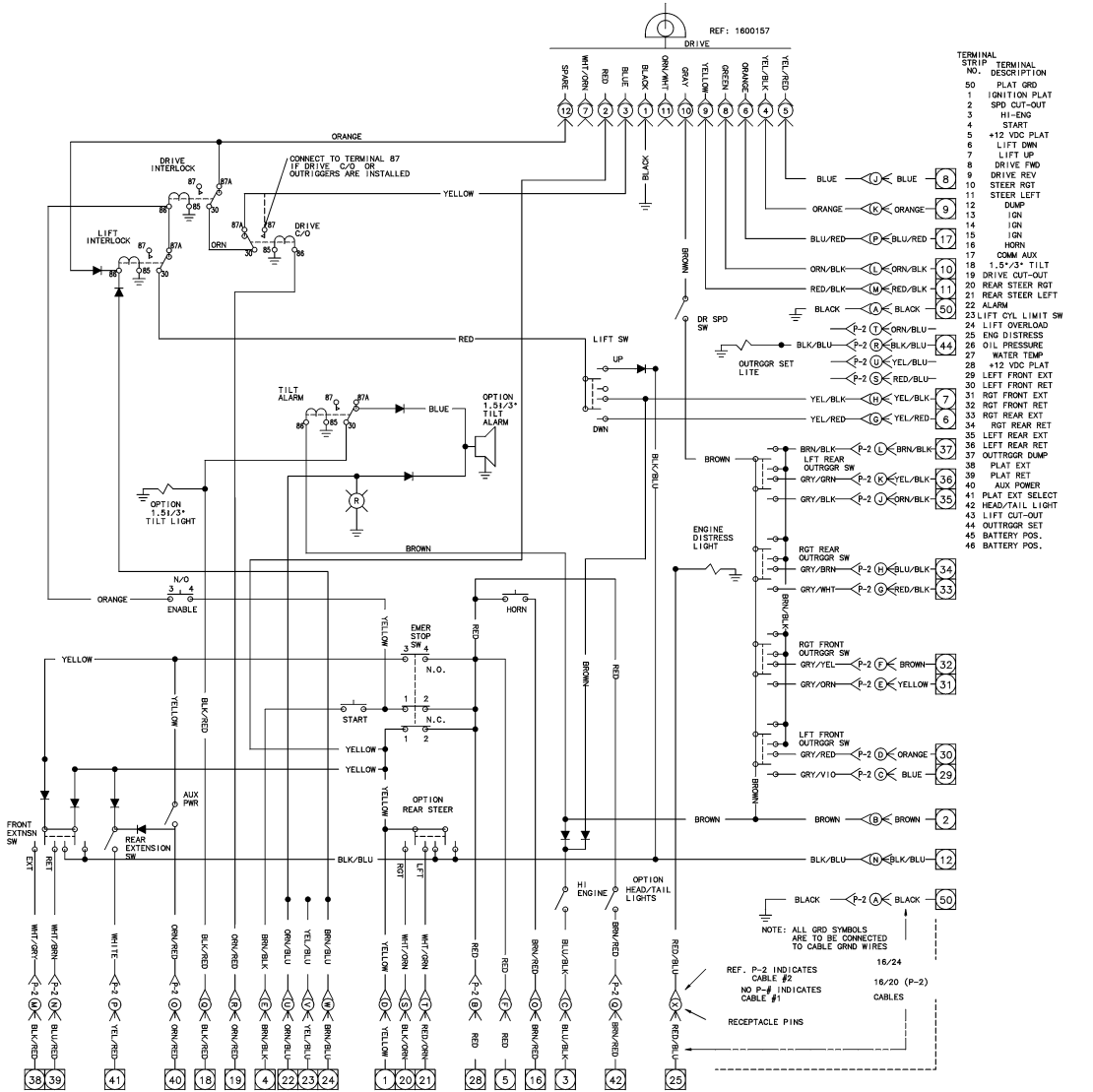


1283065\_F

# SECTION 7 ELECTRICAL

## FIGURE 7-7. WIRING DIAGRAM - STANDARD 500RTS (DEUTZ DIESEL MACHINES)

- 14 -RED
- 17 -YELLOW
- 20 -WHITE
- 23 -GRN/BLK
- 26 -BRN/RED
- 29 -RED/BLU
- 32 -GRY/ORN
- 35 -GRY/BLK
- 38 -GRY/WHI
- 41 -WHI/ORN
- 15 -BLACK
- 18 -ORANGE
- 21 -BRN/BLK
- 24 -RED/BLK
- 27 -BLU/RED
- 30 -BLK/BLU
- 33 -GRY/VIO
- 36 -GRY/ORN
- 39 -WHI/GRY
- 42 -WHI/GRN
- 16 -BROWN
- 19 -BLUE
- 22 -YEL/BLK
- 25 -YEL/RED
- 28 -BLU/BLK
- 31 -GRY/BRN
- 34 -GRY/RED
- 37 -GRY/YEL
- 40 -WHI/BRN

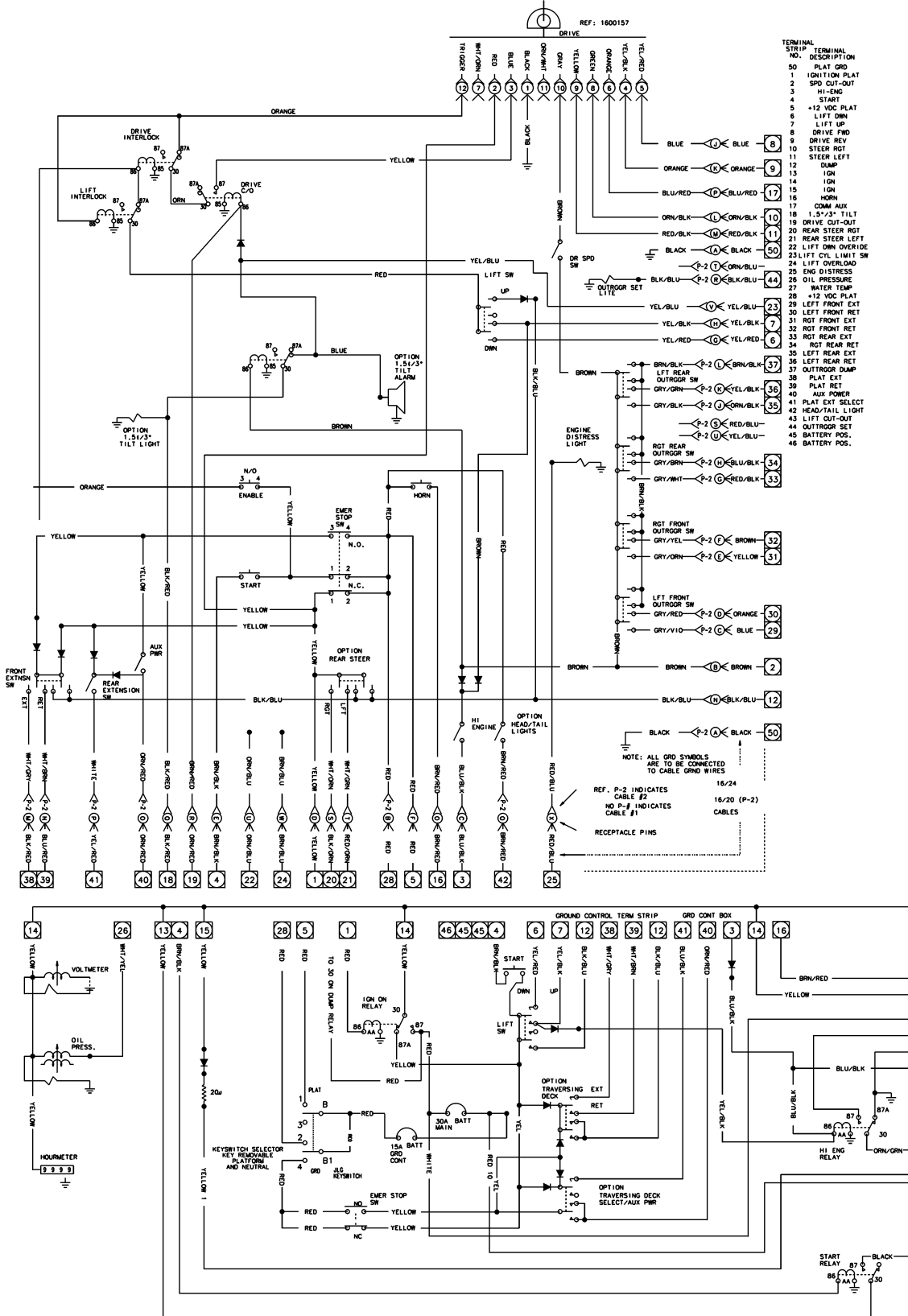




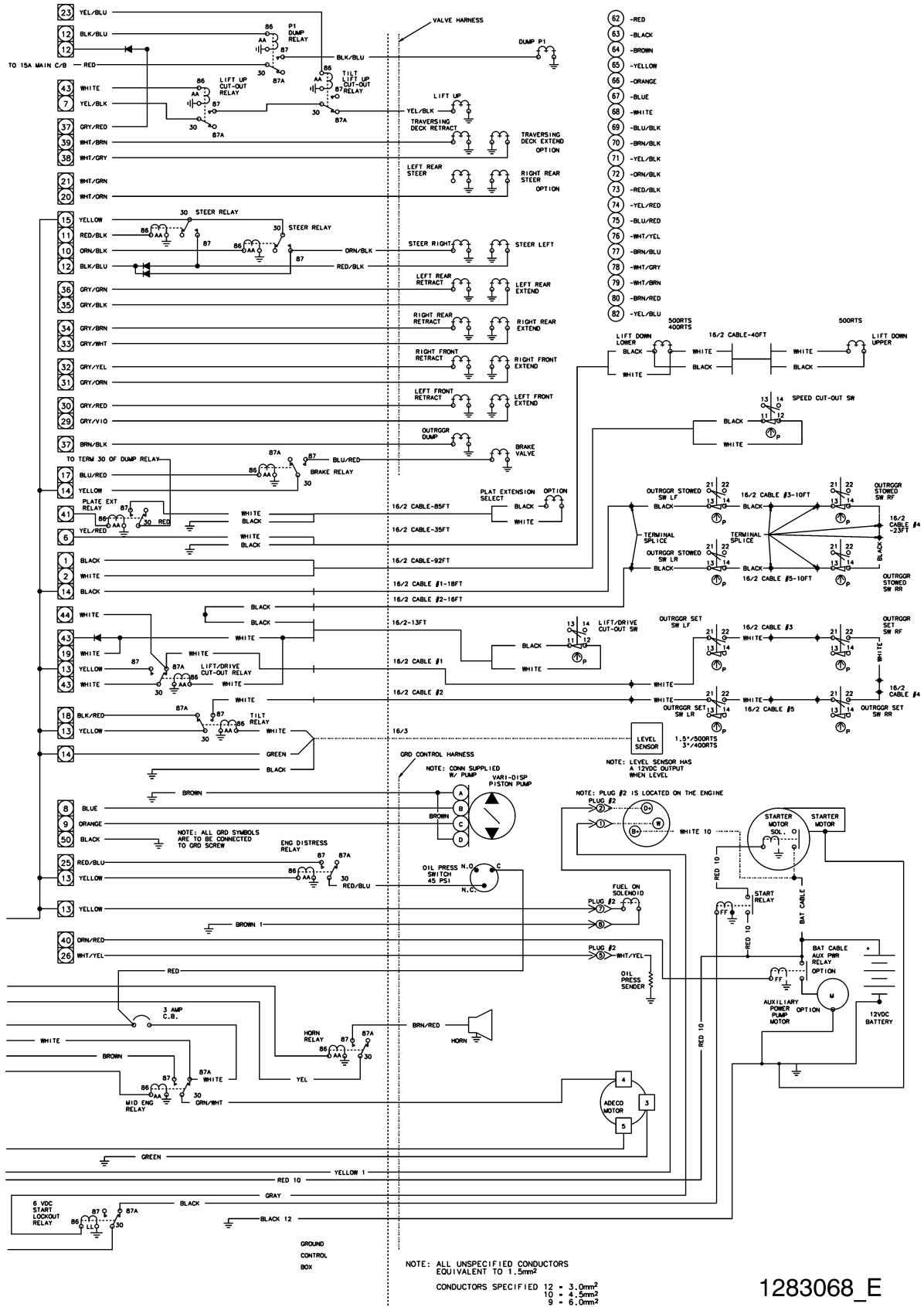
# SECTION 7 ELECTRICAL

## FIGURE 7-8. WIRING DIAGRAM - AUSTRALIAN SPEC 500RTS (DEUTZ DIESEL MACHINES)

- |           |            |             |             |             |             |             |             |             |             |
|-----------|------------|-------------|-------------|-------------|-------------|-------------|-------------|-------------|-------------|
| 14 -RED   | 17 -YELLOW | 20 -WHITE   | 23 -ORN/BLK | 26 -BRN/RED | 29 -RED/BLU | 32 -GRY/ORN | 35 -GRY/BLK | 38 -GRY/WHI | 41 -WHI/ORN |
| 15 -BLACK | 18 -ORANGE | 21 -BRN/BLK | 24 -RED/BLK | 27 -BLU/RED | 30 -BLK/BLU | 33 -GRY/Y10 | 36 -GRY/ORN | 39 -WHI/GRY | 42 -WHI/ORN |
| 16 -BROWN | 19 -BLUE   | 22 -YEL/BLK | 25 -YEL/RED | 28 -BLU/BLK | 31 -GRY/BRN | 34 -GRY/RED | 37 -GRY/YEL | 40 -WHI/BRN | 44 -YEL/BLU |



# SECTION 7 ELECTRICAL



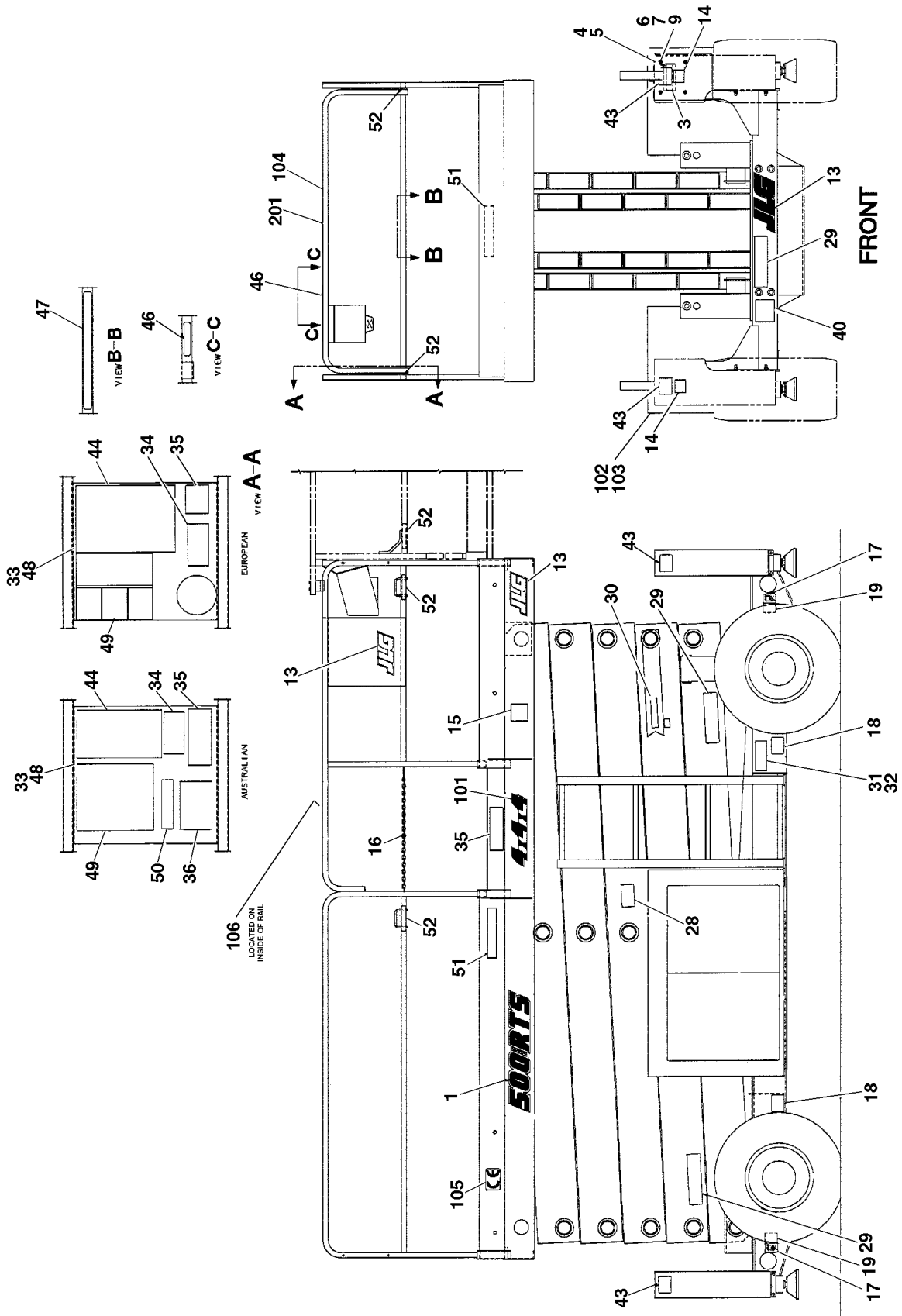
**SECTION 7 ELECTRICAL**

**THIS PAGE INTENTIONALLY BLANK.**

# **SECTION 8 DECALS**

# SECTION 8 DECALS

## FIGURE 8-1. DECALS INSTALLATION - COMMON





## SECTION 8 DECALS

**FIGURE 8-1. DECALS INSTALLATION - COMMON**

ITEM #	PART NUMBER	QTY.	DESCRIPTION	REV.
		Ref.	<b>DECALS INSTALLATION</b>	
	0254184/0253518	Ref.	<b>DECALS INSTALLATION - COMMON</b>	7/14
	0271147	Ref.	<b>DECALS INSTALLATION - JLG LOGO</b>	1
1	1701838+ 1702012+	2	Decal - Model Designation Options: 500RTS 400RTS	
2	1701504+*	1	Decal - Hydraulic Oil	
3	1701509+* 1703788+ 1701509+* 1701509*	1	Decal - Manual Options: 500RTS (Prior to S/N 71538) 500RTS (S/N 71538 to S/N 102556) 500RTS (S/N 102556 to Present) 400RTS	
4	0860520	1	Box, Manual Storage	
5	1060279+	1	Cable, Lanyard	
6	0641405	4	Bolt 1/4"-20NC x 5/8"	
7	4751400	4	Flatwasher 1/4"	
8	4761400	4	Lockwasher 1/4" (Prior to 71538)	
9	Use 3311405 3311405	4	Nut Options: Prior to S/N 71538 (p/n was 3311401) S/N 71538 to Present	
10	1701837*	20 ft./6m	Decal - Stripe (Prior to 68833)	
11	1701832+*	2	Decal - JLG (6"/15.3cm) (Prior to C# 132417)	
12	1701843+*	2	Decal - Sizzor (Prior to C# 132417)	
13	1701871+*	5	Decal - JLG (5"/12.7cm)	
14	1701857 1703795+	4	Decal - O/R Maximum Load Options: Prior to S/N 44590 S/N 44590 to Present	
15	1702631	1	Decal - Bar Code	
16	2820024	7.5ft/2.3m	Tubing	
17	1702300 1703814+	4	Decal - Tie Down Options: Prior to S/N 71538 S/N 71538 to Present	
18	1704525+	4	Decal - Maximum Tire Load (S/N 71538 to Present)	
19	1703811	4	Decal - Lifting Lugs (S/N 71538 to Present)	
	2910033+	1	Decal Kit - Common 500/400RTS (Includes Items with plus)	
	2902077	1	Decal Kit - Common 500RTS (Includes Items 2, 3, 14,17, 18 & 19) (S/N 101987 to Present)	

## SECTION 8 DECALS

**FIGURE 8-1. DECALS INSTALLATION - COMMON (CONTINUED)**

ITEM #	PART NUMBER	QTY.	DESCRIPTION	REV.
		Ref.	<b>DECALS INSTALLATION (STANDARD PARTS)</b>	
	0257581	Ref.	<b>AUSTRALIAN SPEC</b>	4
	0253525	Ref.	<b>CE DUTCH SPEC</b>	4
	0253521	Ref.	<b>CE ENGLISH SPEC</b>	5
	0253522	Ref.	<b>CE FRENCH SPEC</b>	4
	0253523	Ref.	<b>CE GERMAN SPEC</b>	4
	0253524	Ref.	<b>CE ITALIAN SPEC</b>	4
	0253526	Ref.	<b>CE SPANISH SPEC</b>	4
	0273217	Ref.	<b>NORWEGIAN SPEC</b>	1
	0274358	Ref.	<b>CE RUSSIAN SPEC</b>	1
26 to 27	Not Used			
28	1703158	2	Decal - Crushing Hazard Options: Australian Spec & CE Spec except Russian Norwegian Spec CE Russian Spec	
	Not Required			
	Not Required			
29	1706338	6	Decal - Electrocution/Crushing Options: Australian Spec, Norwegian Spec & CE Spec except Russian CE Russian Spec	
	Not Required			
30	1701839	2	Decal - Safety Prop Options: Decal - Safety Prop (Australian Spec & Norwegian Spec)	
	1701615		Decal - Veiligheidsbalk (CE Dutch Spec)	
	1701839		Decal - Safety Prop (CE English Spec)	
	1701512		Decal - Support De Sécurité (CE French Spec)	
	1701519		Decal - Sicherheitsstuetze (CE German Spec)	
	1701524		Decal - Appoggio Di Sicurezza (CE Italian Spec)	
	1701856		Decal - Puntal De Seguridad (CE Spanish Spec)	
	1704481		Decal - страховочная подпорка (CE Russian Spec)	
31	Not Available	1	Nameplate - Serial Number	
32	2080057	A/R	Amtak (S/N 101987 to Present)	
33	3252309	1	Nameplate - Billboard Options: Australian Spec (Prior to S/N 113302)	
	3572123		Australian Spec & Norwegian Spec (S/N 113302 to Present)	
	3252230		CE Spec (Prior to S/N 113302)	
	3572123		CE Spec (S/N 113302 to Present)	
34	3252263	A/R	Decal - Drive Height Options: Nameplate - Caution (Australian Spec)	
	3252267		Nameplate - Dagelykse (CE Dutch Spec)	
	3252263		Nameplate - Caution (CE English Spec)	
	3252264		Nameplate - Attention (CE French Spec)	
	3252265		Nameplate - Actung (CE German Spec)	
	3252266		Nameplate - Attenzione (CE Italian Spec)	
	3252268		Nameplate - Precaucion (CE Spanish Spec)	
	1705274		Nameplate - Forsiktig (Norwegian Spec)	
	Not Required		Nameplate - осторожно (CE Russian Spec)	

## SECTION 8 DECALS

**FIGURE 8-1. DECALS INSTALLATION - COMMON (CONTINUED)**

ITEM #	PART NUMBER	QTY.	DESCRIPTION	REV.
35		A/R	Decal - Capacity Options:	
	3252304	4	Fixed Platform - 500RTS (Prior to S/N 68612)	
	3252576	4	Fixed Platform - 500RTS (S/N 68612 to Present)	
	3252305	4	Single Extension - 500RTS (Prior to S/N 68612)	
	3252577	4	Single Extension - 500RTS (S/N 68612 to Present)	
	3252306	4	Dual Extension - 500RTS (Prior to S/N 68612)	
	3252578	3	Dual Extension - 500RTS (S/N 68612 to Present)	
	3252575	3	Megadeck Extensions - 500RTS (S/N 98957 to Present)	
	3252332	4	Fixed Platform - 400RTS (Prior to S/N 68612)	
	3252573	4	Fixed Platform - 400RTS (S/N 68612 to Present)	
	3252333	4	Single Extension - 400RTS (Prior to S/N 68612)	
	3252574	4	Single Extension - 400RTS (S/N 68612 to Present)	
	3252334	4	Dual Extension - 400RTS (Prior to S/N 68612)	
	3252575	4	Dual Extension - 400RTS (S/N 68612 to Present)	
36		3	Decal - Danger Electrical Hazard Options:	
	1703665		Australian Spec	
	Not Required		CE Spec & Norwegian Spec	
37		1	Decal - Ground/Emergency Controls Options:	
	1701840		Decal - Ground/Emergency Controls (Australian Spec & Norwegian Spec)	
	1701616		Decal - Grondbediening (CE Dutch Spec)	
	1701840		Decal - Ground/Emergency Controls (CE English Spec)	
	1701515		Decal - Commandes Sol (CE French Spec)	
	1701525		Decal - Boden/Notfall Kontrolle (CE German Spec)	
	1701535		Decal - Comando A Terra (CE Italian Spec)	
	1701858		Decal - Controles Terra/Emerg (CE Spanish Spec)	
	1706334		Decal - ПЛАТФОРМЕ/аварийной УПРАВЛЕНИЯ (CE Russian Spec)	
38		1	Decal - Manual Lowering Options:	
	1701831		Decal - Manual Lowering (Australian Spec & Norwegian Spec)	
	1701911		Decal - Inschuiven Platform (CE Dutch Spec)	
	1701831		Decal - Manual Lowering (CE English Spec)	
	1701908		Decal - Retraction De La Plat-Forme (CE French Spec)	
	1701909		Decal - Platform Verschiebung (CE German Spec)	
	1701910		Decal - Chiusura Estensione (CE Italian Spec)	
	1701912		Decal - Recogida De La Platform (CE Spanish Spec)	
	1703822		Decal - СИСТЕМА опускание (CE Russian Spec)	
39 to 42	Not Used			
43	1701785	4	Decal - Outrigger Danger	
44		1	Decal - Caution Options:	
	1701523		Decal - Caution (Australian Spec & Norwegian Spec)	
	1701617		Decal - Dagelykse Controle Lyst (CE Dutch Spec)	
	1701523		Decal - Caution (CE English Spec)	
	1701511		Decal - Attention (CE French Spec)	
	1701516		Decal - Actung (CE German Spec)	
	1701520		Decal - Attenzione (CE Italian Spec)	
	1701860		Decal - Precaucion (CE Spanish Spec)	
	1706333		Decal - осторожно (CE Russian Spec)	
45 to 47	Not Used			

# SECTION 8 DECALS

**FIGURE 8-1. DECALS INSTALLATION - COMMON (CONTINUED)**

ITEM #	PART NUMBER	QTY.	DESCRIPTION	REV.
48	3820019	4	Rivet	
49	1703921	1	Decal - Capacity Caution Options: Australian Spec & Norwegian Spec	
	1703921		CE Spec (S/N 113302 to Present)	
50	1703663	1	Decal - Maintenance Options: Australian Spec	
	Not Required		CE Spec & Norwegian Spec	
51	1703662	4	Decal - Caution Options: Australian Spec	
	Not Required		CE Spec & Norwegian Spec	
52	Not Used			
	2900850*	1	----- Decal Kit - Euro 500/400RTS (Includes Items with asterisk)	
		Ref.	<b>DECAL INSTALLATION - OPTIONAL</b>	
101	1701836	2	Decal - Drive Configuration Options: 4 x 4 x 4 (4WD/4WS)	
	1701835	2	4 x 4 x 2 (4WD/2WS)	
	1701834	2	4 x 2 x 4 (2WD/4WS)	
	1701833	2	4 x 2 x 2 (2WD/2WS)	
102	1701542*	1	Decal - Fuel Options: Fuel (Gas/Dual Fuel Machines)	
	1701505*	1	Fuel (Diesel Machines)	
103	1700712	1	Decal - Caution (LPG)	
104	1703794	1	Decal - Extension Capacity	
105	Not Required	1	Decal - CE Australian Spec	
	1702928		CE Spec (Prior to S/N 103476)	
	1705084		CE Spec (S/N 103476 to Present)	
106	1706493	2	Decal - Drop Bar Warning (S/N 134418 to Present - Part of Handrails Installation)	
	0251642	Ref.	<b>CORNER WARNING STRIPS INSTALLATION (NOT SHOWN) (SINGLE EXTENSION)</b>	—
	0253807	Ref.	<b>CORNER WARNING STRIPS INSTALLATION (NOT SHOWN) (DUAL EXTENSION)</b>	—
	4420052	4ft/1.2m	Tape, Safety - Black/Yellow	

## SECTION 9 RECOMMENDED SERVICE PARTS STOCK

### MODEL 400RTS/500RTS

The following list will service one machine (built to current production per date on the front cover) with emergency repair parts which can be installed in the field. Parts from the list should be replaced when inventory is depleted to keep service parts stock supplied. For further information, contact your JLG dealer or the JLG Industries Parts Department.

Part Number	Description	Qty./Machine
<b>STANDARD PARTS</b>		Ref.
2120110	Element, Hydraulic (Figure 2-1)	1 Dozen
1340062	Breather, Hydraulic Tank (Figure 2-1)	1
4360354	Switch, Tilt Indicator (3 Degree) (Figure 2-1)	1
7012944	Coil (Figure 2-3)	1
7023994	Coil (Figure 2-3)	1
7012943	Coil (Figure 2-3)	1
7012539	Coil (Figure 2-3)	1
2120136	Element, Filter (Figures 2-8 & 2-11)	1 Dozen
7004214	Element, Air Cleaner (Figures 2-8 & 2-11)	1 Dozen
3740049	Relay (Figure - 2-15)	1
4360216	Breaker, Circuit (Figure 2-15)	1
4360232	Breaker, Circuit (Figure 2-15)	1
4360212	Breaker, Circuit (Deutz) (Figure 2-15)	1
4360274	Switch, Push Button (Figures 2-15 & 4-4)	1
4360468	Switch, Key (CE Spec) (Figure 2-15)	1
4360469	Switch, Key (Figure 2-15)	1
2860030	Key, Replacement (Figure 2-15)	1
4360478	Switch, Push/Pull (Figures 2-15 & 4-4)	1
4360475	Switch, Push/Pull Button (Figures 2-15 and 4-4)	1
4360314	Switch, Toggle (Figures 2-15 & 4-4)	1
4360069	Breaker, Circuit (Figure 2-15)	1
3740077	Relay (Figure 2-15)	1
4360339	Switch, Push Button (Figure 4-4)	1
4360267	Block, Contact (Figure 4-4)	1
1600290	Controller, PQ (Figure 4-4)	1
4360336	Switch, Toggle (Figure 4-4)	1
<b>VARIABLE PARTS</b>		Ref.
4360300	Switch, Limit (Figure 1-7)	1
4360548	Switch, Limit (Figure 1-8)	1
2500005	Governor, Precision (Figure 2-8)	1
1600211	Controller, Governor (Figure 2-8)	1
7021869	Filter, Oil (Ford LRG-425) (Figure 2-8)	1 Dozen
3740080	Relay (Ford LRG-425) (Figure 2-8)	1
1660250	Coupling, Pump (Ford LRG-425) (Figure 2-8)	1
7020023	Filter, Fuel (Deutz F3L2011) (Figure 2-11)	1 Dozen
7016331	Filter, Oil (Deutz F3L2011) (Figure 2-11)	1 Dozen
1660234	Coupling, Pump (Deutz F3L2011) (Figure 2-11)	1
3740067	Relay (Deutz F3L2011) (Figure 2-11)	1
0060023	Actuator, Throttle (Deutz F3L2011) (Figure 2-11)	1
4360228	Switch, Remote Speed (Ford LRG-425) (Figure 2-15)	1
4360331	Switch, Dual Fuel (Ford LRG-425) (Figure 2-15)	1
4360236	Switch, Limit (Figure 4-2)	1

# SECTION 9 RECOMMENDED SERVICE PARTS STOCK

## MODEL 400RTS/500RTS

The following list will service one machine (built to current production per date on the front cover) with emergency repair parts which can be installed in the field. Parts from the list should be replaced when inventory is depleted to keep service parts stock supplied. For further information, contact your JLG dealer or the JLG Industries Parts Department.

Part Number	Description	Qty./Machine

## SECTION 10 SPECIAL OPTIONS

**Note:** This list is to accommodate machines ordered with special equipment. Options may not be applicable to all models. For more specific parts information contact JLG Parts Department.

FIG&ITEM#	PART NUMBER	QTY.	DESCRIPTION	REV.
		Ref.	<b>MISCELLANEOUS SPECIAL OPTIONS</b>	
	0253443	Ref.	<b>Airline to Platform Installation - 1/2"</b>	B
	1702788	Ref.	<b>Biodegradable Hydraulic Fluid Decal</b>	—
	0256789	Ref.	<b>Camera Mount Assembly</b>	
	0258916	Ref.	<b>Cold Start Kit (Deutz)</b>	
	2901111	1	Cold Weather Kit	
		Ref.	<b>ELECTRICAL CONNECTOR KITS</b>	
	1001148902	Ref.	Amp/Tyco Electrical Connector Kit	
	1001148903	Ref.	Deutsch DT Electrical Connector Kit	
	1001148904	Ref.	Deutsch HD Electrical Connector Kit	
	1001148905	Ref.	Packard Electrical Connector Kit	
	1001148906	Ref.	Various Electrical Connectors Kit	
		Ref.	<b>Filter Kits</b>	
		Ref.	<b>Deutz Engines</b>	
		1	<b>Combined Filter Kit (Hydraulic/Air &amp; Fuel/Engine Oil)</b>	
	1001111695		<b>Prior to S/N 121830</b>	
	1001111694		<b>S/N 121830 to Present (was p/n 2910475)</b>	
	1001111668	1	<b>Hydraulic/Air Filter</b>	
	1001111680	1	<b>Fuel/Engine Oil Filter (Prior to S/N 121830)</b>	
		Ref.	<b>Ford Engines</b>	
		1	<b>Combined Filter Kit (Hydraulic/Air &amp; Fuel/Engine Oil)</b>	
	2910943		<b>VSG-411 &amp; LSG/LRG-423 (Prior to S/N 46528)</b>	
			<b>(was p/n 2910472 &amp; 2910473)</b>	
	2910474		<b>LRG-425 (S/N 46528 to Present)</b>	
	0253818/1282038	Ref.	<b>Headlights/Taillights at Both Front and Rear of Machine</b>	3
	2920110	4	Headlight	
	2920113	4	Light - Stop, Tail and Turn Signal	
	4360318	1	Switch, Toggle (At Platform)	
	4360135	1	Switch, Turn Signal	
	4360089	1	Switch, Flasher	
	3740049	3	Relay	
	4460051	1	Strain Relief	
	3300048	1	Locknut	
	0960238	1	Bushing	
	0259219	Ref.	<b>Hose Shield Installation (4WD/2WS)</b>	2
	4100033	8.7ft/2.7m	Shield, Hose Protection	

## SECTION 10 SPECIAL OPTIONS

**Note:** This list is to accommodate machines ordered with special equipment. Options may not be applicable to all models. For more specific parts information contact JLG Parts Department.

FIG&ITEM#	PART NUMBER	QTY.	DESCRIPTION	REV.
	0259220	Ref.	<b>Hose Shield Installation (4WD/4WS)</b>	2
	4100033	17.3ft/5.3m	Shield, Hose Protection	
	0254118	Ref.	<b>Hourmeter (Quartz) Installation</b>	2
	2420151	1	Hourmeter	
	1060341	A/R	Cable, Electrical - 16/2	
	1682931	Ref.	Lift Cylinder Assembly (S/N 8770 Only)	B
	0254116	Ref.	<b>Manual Descent from Platform Installation</b>	A
	3600130	1	Hand Pump Assembly	
	3534173	1	Plate, Pump Mounting	
	2751021	1	Hose (42" Length)	
	2751454	1	Hose (620" Length)	
	4640013	1	Valve, Shuttle	
	3251984	1	Nameplate - Manual Lowering	
	3020022	Ref.	<b>Grease, Synthetic</b>	A/R
	2300014	Ref.	<b>Mobil 424</b>	A/R
	2300027	Ref.	<b>Mobil 224H Bio</b>	A/R
	2300016	Ref.	<b>Mobil DTE 13M</b>	A/R
	2300021	Ref.	<b>Union Carbide Ucon HP5046 Fire Resistant</b>	A/R
	0253451	Ref.	<b>Oil Cooler Installation</b>	4
	3620015	1	Oil Cooler Assembly (Prior to S/N 31001)	
	3620003	1	Oil Cooler Assembly (S/N 31001 to Present)	
	2060012	1	Fan	
	4844177	1	Bracket, Mounting - Oil Cooler	
	4060843	1	Shield	
	4360181	1	Switch, Temperature	
	4640760	1	Valve, Check	
	3740049	1	Relay	
	0259097	Ref.	<b>Oil Pressure Shut Down Installation (Ford Only)</b>	1
	3740118	1	Relay, Delay	
	3990010	2	Diode, 6 Amp	
	0257155	Ref.	<b>Oxy/Act Lines Installation (400RTS Only)</b>	1
	0256972	Ref.	<b>Pipe Rack Installation</b>	2
	0254751	Ref.	<b>Platform Access Gates Installation</b>	2
	4844788	1	Gate, End	
	4844787	1	Gate, Side	
		1	Latch	
	2940006		Prior to S/N 50148	
	2940006		S/N 50148 to Present	



## SECTION 10 SPECIAL OPTIONS

**Note:** This list is to accommodate machines ordered with special equipment. Options may not be applicable to all models. For more specific parts information contact JLG Parts Department.

FIG&ITEM#	PART NUMBER	QTY.	DESCRIPTION	REV.
		Ref.	<b>Sky Accessory:</b>	
	0272477	Ref.	Easi-Cladder Hydraulic (Dual Extension)	
	0272439	Ref.	Easi-Cladder Arms (Dual Extension)	
	0272531	Ref.	Easi-Cladder Cable (Dual Extension)	
	0273304	Ref.	Easi-Cladder Plus, Arm (Mega Deck/Dual Extension)	
	0273303	Ref.	Easi-Cladder Plus, Vacuum (Mega Deck/Dual Extension)	
	0273216	Ref.	Decals - Easi-Cladder Plus, Vacuum (Mega Deck/Dual Extension)	
	0273044	Ref.	Easi-Cladder Plus, Mechanical (Mega Deck/Dual Extension)	
	Continued	Ref.	<b>Sky Accessory:</b>	
	0273269	Ref.	Decals - Easi-Cladder Plus, Mechanical (Mega Deck/Dual Extension)	
	0272961	Ref.	Easi-Cladder Plus, Trolley (Mega Deck/Dual Extension)	
	2902279	Ref.	Easi-Cladder Plus, Under Deck Prep Kit (Mega Deck/Dual Extension)	
		Ref.	<b>Note: For Breakdown of Sky Accessories Refer to Accessory Manual p/n 3124242</b>	
	2901812	Ref.	<b>Tie Strap Kit</b>	
		Ref.	<b>Tool For Service:</b>	
	7002840	1	Antirotaion Pin Removal Tool	
	7002821	Ref	Crimper, Wire	
	7002823	Ref	Pin Extractor - Universal (For Electrical Connectors with Pins and Sockets)	
	7016654	Ref	Screwdriver, Magnetic	
	7002822	Ref	Screwdriver, Pontimeter	
	7004275	Ref	Seal Tool 1" (For Cylinders)	
	7004276	Ref	Seal Tool 1 1/2" (For Cylinders)	
	7002826	Ref	Seal Tool 2" (For Cylinders)	
	7002828	Ref	Stripper, Wire	
	0256152	Ref	<b>220V/2500W Generator</b>	
	0480059	1	Belt, Vee	
	2460013	1	Generator/Powermite	
	4360037	1	Switch, Pressure	
	4932387	Ref	Wiring Diagram	

## SECTION 10 SPECIAL OPTIONS

**Note:** This list is to accommodate machines ordered with special equipment. Options may not be applicable to all models. For more specific parts information contact JLG Parts Department.

FIG&ITEM#	PART NUMBER	QTY.	DESCRIPTION	REV.

# SECTION 11 PART NUMBER INDEX

Part Number	Page	Part Number	Page	Part Number	Page	Part Number	Page
0060023	2-48, 9-1	0200517	3-3	0253445	2-73	0254965	2-27
0080039	2-17, 2-29, 2-35, 2-48	0200518	3-3, 3-8, 3-12, 3-16	0253446	1-31, 7-2	0255037	2-25
0080046	2-48	0200530	2-43	0253447	2-21, 2-40	0255038	2-55
0080092	2-15, 2-21, 2-27, 2-35	0200551	3-7, 3-15	0253448	1-31	0255103	1-9
0080124	2-35, 2-39	0200552	3-7, 3-15	0253451	7-3, 10-2	0255207	2-33
0080163	2-18, 2-51	0200553	3-15	0253453	1-32	0255209	2-34
0080167	2-21	0200554	3-15	0253466	3-19	0255210	2-39
0080172	2-47	0200555	3-15	0253467	3-19	0255269	2-72
0080174	2-47	0200578	3-7	0253468	3-19	0255557	2-67
0080175	2-16	0200579	3-7	0253516	4-21	0255558	2-67
0080177	2-47	0200739	3-15	0253517	1-29	0255660	1-10
0080212	2-34	0200740	3-15	0253521	8-4	0255661	1-10
0080249	2-47	0238044	2-30	0253522	8-4	0255662	1-10
0100009	2-15, 4-22	0250444	2-25	0253523	8-4	0256152	2-55, 10-3
0100010	2-5	0250597	2-51	0253524	8-4	0256526	4-4
0100011	1-4, 1-9, 1-10, 1-29, 2-40, 2-43, 2-57, 2-71, 2-72, 2-73, 3-4, 3-8, 3-12, 3-16, 4-6, 4-18, 5-3, 5-5, 5-7, 5-9, 5-15, 5-17	0250790	2-21, 2-67	0253525	8-4	0256789	10-1
0100019	1-4, 1-5, 1-7, 2-16, 4-4	0250815	2-18	0253526	8-4	0256818	3-15, 4-6
0100020	2-5, 2-16, 2-19, 2-27, 2-34, 2-36, 2-52, 6-5, 6-13, 6-19, 6-25, 6-31	0251642	8-6	0253545	1-9	0256848	2-51
0100035	2-66, 4-21, 5-3, 5-5, 5-7, 5-9, 5-15, 5-17	0251660	1-10	0253611	3-11, 4-6	0256898	2-52
0100038	5-5, 5-9	0251661	1-9	0253614	2-6, 4-9, 4-23	0256909	2-40
0100043	2-50	0251801	2-55	0253615	2-6, 4-9, 4-23	0256972	10-2
0140001	2-16, 2-29, 2-35, 2-48	0251945	2-19	0253678	1-35	0257152	2-43
0140011	4-22, 4-23	0252484	1-9	0253727	1-31, 7-2	0257154	2-37
0140032	1-31, 7-2	0252532	1-4	0253728	1-31, 7-2	0257155	10-2
0140044	1-31	0252587	3-4, 3-8	0253786	5-10	0257240	2-67
0181678	1-30	0252588	3-12, 3-17	0253787	5-15, 5-17	0257247	2-47
0181679	1-30	0252790	1-3	0253788	5-13	0257412	2-7
0181725	3-21	0252808	2-18	0253795	4-7, 7-4	0257413	2-7
0181728	3-21	0253059	1-4	0253807	8-6	0257581	8-4
0181781	2-34	0253078	1-4	0253818	10-1	0257729	3-7
0181847	4-21	0253079	1-39	0253821	1-36, 4-23, 7-3	0258319	2-34
0200484	3-3, 3-7, 3-11, 3-15	0253087	1-10	0253875	2-19, 2-37, 2-52	0258320	2-33
0200485	3-3, 3-11	0253088	1-10	0253902	2-19	0258322	2-39
0200486	3-3, 3-11	0253089	1-10	0253916	3-3	0258664	4-21
0200487	3-11	0253171	1-5	0253933	1-30	0258665	2-67
0200488	3-11	0253172	1-5	0253934	1-30	0258916	7-7, 10-1
0200489	3-11	0253201	4-3	0254055	2-6	0259097	10-2
0200490	3-3, 3-7, 3-11, 3-15	0253202	4-3	0254058	1-29	0259219	10-1
0200491	3-3, 3-7, 3-11, 3-15	0253203	4-3	0254059	1-29	0259220	10-1
0200492	3-11, 3-15	0253237	1-30	0254063	2-6, 4-23	0259488	2-52
0200493	3-3, 3-7, 3-11, 3-15	0253238	1-30	0254116	10-1	0270492	2-7
0200494	3-3, 3-7, 3-11, 3-16	0253272	4-4	0254118	7-3, 10-1	0270858	4-13
0200506	3-12, 3-16	0253280	2-71	0254184	8-3	0270859	4-13
0200516	3-3	0253299	2-72	0254196	2-6, 4-9	0270860	4-13
		0253307	2-15	0254197	2-6, 4-9	0270861	4-13
		0253308	2-17	0254272	3-4, 3-8, 3-12, 3-16	0270863	4-3
		0253309	2-15	0254277	4-10	0271147	8-3
		0253348	2-67	0254278	4-10	0271196	2-6, 4-14, 4-23, 7-2
		0253350	2-67	0254279	4-10	0271314	1-35
		0253370	2-47	0254280	4-10	0271332	1-30
		0253380	1-6	0254282	3-21	0271499	1-41
		0253381	1-6	0254283	3-21	0271633	4-5
		0253382	2-71	0254284	3-21	0271634	4-5
		0253410	4-10, 4-14	0254302	1-30	0271668	2-3
		0253421	2-3	0254396	7-3	0271669	2-3
		0253422	2-3	0254751	10-2	0271670	2-3
		0253423	2-3	0254949	2-72	0271671	2-3
		0253424	2-3	0254963	2-39	0272101	4-18
		0253443	10-1	0254964	2-29	0272241	4-18

# SECTION 11 PART NUMBER INDEX

Part Number	Page	Part Number	Page	Part Number	Page	Part Number	Page
0272242	4-19	0440252	4-6	0641516	2-40, 4-9	0700810	2-33, 2-51
0272420	2-55	0460097	5-10	0641522	2-21, 2-40, 3-4, 3-8, 3-12, 3-16, 4-5	0700822	2-34
0272421	2-55	0460098	5-13	0641524	1-30	0701010	2-28, 2-35, 2-39, 2-48
0272439	10-2	0460105	5-15, 5-17	0641530	2-5	0701012	2-55
0272477	10-2	0460107	5-10	0641534	3-21	0701013	2-51
0272531	10-2	0480057	2-25	0641604	4-13	0701014	2-15, 2-33
0272826	1-10	0480059	2-55, 10-3	0641607	4-6, 4-9, 4-13	0701015	2-43, 2-48
0272935	1-29	0480065	3-21	0641608	1-4, 1-5, 1-6, 2-4, 2-7, 2-15, 2-28, 2-35, 2-44, 3-3, 3-7, 3-11, 3-15, 4-14	0701016	2-50
0272936	1-29	0480087	3-21	0641610	1-5, 1-7, 2-16, 2-17, 2-18, 2-21, 2-28, 2-35, 2-40, 2-48	0701017	2-34
0272961	10-2	0480090	2-43	0641612	1-5, 1-6, 1-30, 2-43, 2-48, 3-3, 3-11, 3-15	0701020	2-18
0272966	3-15	0480110	2-43	0641614	1-5, 1-6	0701022	2-33
0272969	1-29	0480137	2-55	0641623	4-6	0701230	2-47
0272973	4-6	0560901	1-5	0641624	4-6	0701414	2-56
0272975	4-6	0610103	4-21, 7-2	0641626	1-29, 3-3, 3-7, 3-11, 3-16, 4-6	0711014	2-27
0272990	4-18	0610110	4-21	0641636	4-18	0711020	2-27
0272998	4-19	0610114	4-21, 7-2	0641668	4-6	0720603	2-67
0273044	10-2	0630137	1-4	0641710	2-17	0721004	1-3, 2-17, 4-5
0273054	2-67	0630360	2-17, 2-29, 2-34	0641714	3-3, 3-7, 3-11	0721006	2-35
0273055	1-31, 7-2	0630370	2-18, 2-29, 2-36, 2-48	0641718	2-56	0721008	2-16, 2-48
0273056	1-31, 7-2	0630375	2-28, 2-34	0641726	2-15	0741008	2-49
0273057	1-31	0630403	2-17, 2-34	0641810	1-9, 1-10, 2-16, 2-27, 2-49, 3-19, 3-21	0750806	2-66
0273060	4-21	0630485	4-19	0641812	2-15, 2-33, 2-49	0751006	2-73
0273062	2-6, 4-18, 4-24, 7-2	0630524	3-7, 3-15	0641814	4-19	0840025	2-7, 2-29
0273216	10-2	0641006	2-28	0641826	2-15, 2-27, 2-35	0840026	2-7
0273217	8-4	0641404	4-21	0641828	1-35	0840046	2-36, 2-50
0273269	10-2	0641405	2-21, 8-3	0641830	1-35	0840047	2-36, 2-50
0273303	10-2	0641406	1-6, 1-35, 2-5, 2-6, 2-7, 2-17, 2-19, 2-27, 2-33, 2-49, 2-71, 2-72, 2-73, 4-3, 4-5, 4-9, 4-11	0641840	2-47	0860037	4-11
0273304	10-2	0641407	2-35, 2-44	0641844	2-47	0860038	4-4, 4-5
0273414	1-10	0641408	2-15, 2-29, 2-30, 2-33, 2-47, 2-71, 2-72, 2-73	0642012	1-36	0860520	8-3
0273415	1-10	0641410	2-15, 2-67	0642014	1-9, 1-10, 1-35	0860799	4-21
0273976	2-47	0641412	2-73	0642018	1-41	0860810	2-65
0273977	2-47	0641416	2-40, 4-3, 4-7, 4-9, 4-13	0642040	1-41	0860812	2-65
0274358	8-4	0641420	2-3, 4-3, 4-9, 4-13	0642228	4-9, 4-14	0861010	2-65
0275748	2-52	0641426	4-10, 4-14	0642236	4-9, 4-14	0861011	2-65
0320015	5-5	0641506	2-4, 2-28	0642622	1-3, 1-4, 1-5	0861098	2-65
0340002	2-17, 2-29, 2-35, 2-48	0641507	1-39, 1-41, 2-25, 2-44, 2-56, 4-4, 4-19	0642624	1-39, 1-41	0861234	2-65
0340041	2-28, 2-36	0641508	1-39, 1-41, 2-4, 2-17, 2-29, 2-71, 4-19	0642636	1-39, 1-41	0861377	4-21
0360406	1-41	0641510	1-6, 1-31, 2-29, 2-40, 3-8, 3-12, 3-16	0681506	5-5	0861605	2-65
0361815	2-56	0641511	2-4, 2-25, 4-9, 4-13	0681510	2-55	0900479	1-39, 1-41
0362080	1-39, 1-41	0641512	2-43, 2-47, 3-8, 3-12, 3-17, 4-10, 4-13	0681606	5-5	0901373	2-30
0362100	2-72, 2-73	0641514	2-4, 3-19, 3-21, 4-9, 4-13	0681610	2-25, 2-56	0901387	2-17, 2-29, 2-36
0362126	1-39			0681630	3-3, 3-11	0901401	2-27
0362171	1-30			0681830	3-7, 3-15	0901419	2-15, 2-28, 2-35
0362591	2-67			0681832	3-16	0901609	2-25, 2-44, 2-56
0363019	1-41			0700605	2-49	0901650	2-25
0363082	2-57			0700610	2-39	0901705	2-49
0400002	2-18, 2-29, 2-36, 2-48			0700808	2-18	0901778	2-16, 2-21, 2-49
0400003	2-17, 2-29, 2-36, 2-48					0901838	2-48
0400075	2-36, 2-48					0901858	2-15
0400147	2-48					0901870	4-3, 4-9, 4-13
0400174	2-36, 2-48					0901897	4-21
0440085	5-15, 5-17					0901902	1-29
0440161	1-4, 1-5					0901904	4-9, 4-14
0440174	1-3					0901916	4-4, 4-14
0440175	1-3					0901917	1-29, 4-6
0440183	1-3					0901927	1-36
						0901928	1-36
						0901930	4-7

# SECTION 11 PART NUMBER INDEX

Part Number	Page	Part Number	Page	Part Number	Page	Part Number	Page
0901932	2-19	1060401	2-7, 2-30	1320019	2-17, 2-28, 2-36, 2-49, 4-9, 4-14, 4-18	1660204	1-3, 1-4
0901966	1-29	1060458	4-24			1660205	1-3, 1-4
0901971	2-4	1060459	4-23	1320020	2-18	1660207	2-18
0901978	2-28	1060515	2-56			1660212	2-30
0902087	2-33	1060646	2-48	1320021	2-36, 2-52	1660234	2-51, 9-1
0902088	2-33	1060825	4-23	1320022	2-17, 2-19, 2-21, 2-28, 2-34, 2-36, 2-39, 2-49	1670414	2-27, 2-33
0902089	2-33, 2-40	1060826	4-24			1670560	2-73
0902092	2-28, 2-35	1060908	7-4	1320023	2-21, 2-39, 2-40	1670841	2-36, 2-49
0902093	2-29	1060964	3-16			1681283	5-5, 5-7
0902094	2-39	1060965	1-29	1320026	2-18	1681322	5-3
0902214	1-5, 1-6	1060966	1-30, 4-10	1320031	5-13	1681344	5-15, 5-17
0902215	1-5, 1-6	1060967	3-16	1320032	2-16, 2-21, 2-33	1681609	5-3
0902244	2-47	1060968	1-35	1320041	4-4, 4-5	1681680	5-9
0902294	3-19, 3-21	1060969	1-35	1320058	2-16, 2-17, 2-29, 2-35, 5-10, 5-15, 5-17	1681925	5-9
0902360	2-40	1060970	1-35			1682427	1-6, 5-3
0902361	2-34, 2-40	1060971	1-35	1320059	2-49	1682428	5-3
0902372	2-43	1060973	7-4			1682681	1-3, 1-4, 5-15
0902376	2-49	1061003	2-7	1320061	3-8, 3-12, 3-16, 4-5	1682682	5-15, 5-17
0902377	2-49	1061004	2-7	1320070	2-27	1682684	5-15
0902382	2-17, 2-29, 2-36	1100083	1-29	1320095	2-21, 2-50, 3-4, 3-8, 3-12, 3-16	1682720	1-35, 5-5
0902456	4-21	1100130	4-6			1682721	5-5, 5-7
0902514	4-21	1100137	1-29	1320130	2-39	1682723	5-5
0902733	1-41	1120108	5-3, 5-5, 5-7, 5-15, 5-17	1320162	3-4, 3-8, 3-12, 3-16	1682748	3-11, 5-9
0902734	1-41			1320176	2-49	1682749	5-9
0902839	4-18	1120161	2-17, 2-29, 2-35	1320180	2-36, 2-48	1682751	5-9
0920084	1-9, 1-10, 1-15	1120196	5-9	1320187	2-4	1682872	4-9, 4-14, 5-13
0920110	1-9, 1-10, 1-15	1120311	1-3	1320188	2-4	1682931	5-9, 10-1
0960238	1-36, 2-65, 7-3, 10-1	1120342	2-36	1320189	2-4	1682932	5-9
0960239	4-11	1120358	5-9	1320190	2-4	1682967	1-3, 1-4, 5-17
0960407	4-4	1120362	2-4, 2-7	1320192	2-4	1682968	5-17
0960523	1-3	1120432	2-28, 2-36, 2-39	1320193	2-4	1682969	3-3, 5-9
0960911	5-9	1120485	2-7	1320194	2-4	1682970	5-9
0961029	1-3, 1-5, 1-6	1120486	2-7	1320195	2-4	1682987	5-17
0961247	2-25	1140009	2-18, 2-30	1320197	2-5	1683467	3-3, 3-7, 5-9
0961731	3-3, 3-7, 3-8, 3-11, 3-12, 3-15, 3-16	1260017	1-39	1320198	2-5	1683468	3-11, 3-16, 5-9
		1271479	4-3, 4-13	1320199	2-5	1683967	5-7
0961739	1-3	1281738	7-2	1320200	2-5	1684107	4-14, 5-13
0961833	4-4	1281973	7-5	1320202	2-3	1684206	5-7
1001100321	2-56	1281974	7-4	1320270	3-8, 3-12, 3-17	1684216	1-35, 5-7
1060012	2-56	1282015	7-2	1320293	4-6	1684217	1-35, 5-7
1060016	7-3	1282038	7-3	1340020	2-17, 2-29, 2-35, 2-48	1684266	4-18, 5-13
1060042	7-3	1282099	7-6			1692617	7-3
1060044	2-49	1282100	7-5	1340021	2-4	1700598	4-5
1060045	2-27, 2-35	1282141	7-2	1340062	2-4, 9-1	1700599	4-5
1060080	2-29	1282341	7-6	1360037	2-25	1700712	2-39, 8-6
1060093	2-48	1282365	7-6	1380124	1-4, 1-5	1700818	2-21
1060221	2-7, 2-15, 2-29, 2-35, 2-49	1282366	7-6	1380150	4-19	1700901	2-27, 2-33
1060254	2-17, 2-29, 2-36, 2-47	1282951	7-7	1380151	4-13, 4-19	1701504	8-3
		1282966	7-4, 7-5	1440237	3-3, 3-11	1701505	8-6
1060279	8-3	1283064	7-4	1440324	3-7, 3-15	1701509	8-3
1060308	4-5, 7-4	1283065	7-6	1540002	1-31, 7-2	1701511	8-5
1060341	1-36, 4-7, 4-10, 7-3, 7-5, 7-6, 7-7, 10-1	1283066	7-5	1600098	2-28	1701512	8-4
		1283067	7-6	1600117	2-15	1701515	8-5
1060360	2-18, 2-29, 2-36, 2-48	1283068	7-4, 7-5	1600157	4-22, 4-27	1701516	8-5
		1283361	7-4	1600211	2-35, 9-1	1701519	8-4
1060379	4-4, 4-9, 4-14	1320011	2-29, 2-36	1600290	4-22, 4-29, 9-1	1701520	8-5
1060380	4-21	1320012	2-27, 2-34	1660114	1-39, 1-41	1701523	8-5
		1320014	2-16	1660157	2-16, 2-30, 2-33	1701524	8-4
		1320015	5-15, 5-17	1660184	2-51	1701525	8-5

# SECTION 11 PART NUMBER INDEX

Part Number	Page	Part Number	Page	Part Number	Page	Part Number	Page
1701535	8-5	2000138	2-47, 2-50	2220282	6-18, 6-24	2220578	6-12, 6-18, 6-24, 6-30
1701542	8-6	2000149	2-27, 2-30, 2-33	2220290	2-21, 2-39	2220582	6-5, 6-7, 6-12, 6-18, 6-24, 6-30
1701615	8-4	2000156	2-33, 2-37	2220315	2-19, 2-33, 2-36	2220596	6-18, 6-24
1701616	8-5	2000165	2-33	2220317	2-49	2220600	6-3
1701617	8-5	2000242	2-47, 2-51	2220340	2-5	2220603	6-13, 6-19, 6-30
1701682	2-66	2020006	4-19	2220349	6-13, 6-19, 6-25, 6-31	2220605	6-5, 6-7, 6-35
1701785	8-5	2060012	10-2	2220362	6-12, 6-18, 6-24, 6-30	2220609	6-5, 6-12, 6-18, 6-24, 6-30
1701831	8-5	2060014	2-34	2220364	2-21	2220618	6-5, 6-19, 6-24, 6-35
1701832	8-3	2060019	2-16	2220366	6-18, 6-24, 6-30	2220619	6-3, 6-18, 6-24
1701833	8-6	2060025	2-27	2220371	6-3, 6-12, 6-18, 6-24, 6-30	2220621	6-12, 6-13, 6-18, 6-19, 6-24, 6-25, 6-30, 6-31
1701834	8-6	2080057	8-4	2220372	6-12, 6-18, 6-24, 6-30	2220622	6-3, 6-18
1701835	8-6	2110806	4-18	2220374	6-12, 6-18, 6-24, 6-30	2220635	6-5, 6-12, 6-18, 6-24, 6-30
1701836	8-6	2120077	2-21, 2-39	2220375	6-12, 6-18, 6-24, 6-30	2220642	6-13, 6-19, 6-25, 6-31
1701837	8-3	2120109	2-4	2220377	6-12, 6-18, 6-19, 6-24, 6-30	2220646	6-12, 6-19, 6-24
1701838	8-3	2120110	2-4, 9-1	2220385	6-3, 6-5, 6-19, 6-24, 6-35	2220648	2-21
1701839	8-4	2120120	2-5, 2-6	2220403	6-25, 6-30	2220675	2-17, 2-21, 2-39
1701840	8-5	2120135	2-16, 2-28, 2-35, 2-49	2220407	6-13, 6-19, 6-25, 6-31	2220679	6-18, 6-24
1701843	8-3	2120136	2-16, 2-35, 2-49, 9-1	2220408	6-12, 6-18, 6-24, 6-30	2220695	6-18
1701856	8-4	2120138	2-19	2220414	6-5, 6-7, 6-12, 6-18, 6-24, 6-30	2220696	6-12, 6-18, 6-24, 6-30
1701857	8-3	2130406	4-18	2220415	6-12, 6-18, 6-24, 6-30	2220700	6-3, 6-12, 6-18, 6-24, 6-30
1701858	8-5	2160002	1-3, 1-6, 1-39, 1-41, 5-3, 5-9	2220416	6-5	2220710	6-13, 6-19, 6-25, 6-31
1701860	8-5	2160003	1-4, 1-5	2220428	6-12, 6-18, 6-24, 6-30	2220805	2-21, 2-49
1701871	8-3	2160006	3-3, 3-7, 3-11, 3-16	2220429	6-12, 6-18, 6-24, 6-30	2220810	6-13, 6-19, 6-25, 6-31
1701907	4-10	2180104	2-21, 2-39	2220435	6-12	2220819	6-25, 6-31
1701908	8-5	2180250	2-40	2220437	2-34	2220844	6-12, 6-18, 6-24, 6-30
1701909	8-5	2180348	2-49	2220451	6-12, 6-18, 6-24, 6-30	2220871	6-13, 6-19
1701910	8-5	2180360	2-16, 2-21, 2-25, 2-27, 2-40, 2-44, 2-52, 2-56	2220459	2-19	2220873	6-12, 6-18, 6-24, 6-30
1701911	8-5	2180387	2-21, 2-39	2220462	6-5, 6-12	2220883	4-18, 5-7
1701912	8-5	2180388	2-39	2220465	6-12, 6-18, 6-24, 6-30	2220885	5-5, 5-7
1702012	8-3	2180389	2-21, 2-39	2220466	6-5, 6-12, 6-18	2220914	6-24, 6-30
1702300	8-3	2180418	2-39	2220468	6-35	2220923	6-19, 6-25, 6-31
1702631	8-3	2180504	2-40	2220470	6-12, 6-18, 6-24, 6-30	2220994	2-33
1702788	10-1	2180535	2-21	2220472	6-7, 6-12, 6-18, 6-24, 6-30, 6-35	2221026	6-19
1702928	8-6	2180536	2-21, 2-33	2220473	6-24, 6-30	2221035	6-12, 6-18, 6-24, 6-30
1703158	8-4	2180537	2-16, 2-39, 2-56	2220490	6-12, 6-18, 6-24, 6-30	2221077	6-19, 6-25
1703476	2-50	2180623	2-21	2220498	6-12	2300014	10-1
1703662	8-6	2180666	2-49	2220504	2-39, 6-7, 6-12, 6-18, 6-24, 6-30	2300016	10-1
1703663	8-6	2180730	2-48, 2-56	2220507	6-13	2300021	10-1
1703665	8-5	2180749	2-25, 2-40, 2-52, 2-56	2220568	6-12, 6-18	2300027	10-1
1703665	8-5	2200009	2-5			2360358	1-3
1703788	8-3	2200108	2-7			2360364	1-3
1703794	8-6	2200204	2-39			2360491	1-3
1703795	8-3	2200221	5-3			2360492	1-3
1703811	8-3	2200222	2-4, 2-39			2400044	2-49
1703814	1-35, 8-3	2200261	2-16, 2-56			2400054	2-49
1703822	8-5	2200462	2-49				
1703921	8-6	2220003	2-21, 2-39				
1704481	8-4	2220082	2-39				
1704525	8-3	2220235	6-5				
1705084	8-6	2220237	5-3, 6-19, 6-25, 6-31				
1705274	8-4	2220251	2-39				
1706333	8-5	2220273	2-16, 2-19, 2-27, 2-33, 2-40, 2-50				
1706334	8-5	2220275	6-18, 6-24, 6-30				
1706338	8-4						
1706493	4-4, 8-6						
2000088	2-30						
2000107	2-47, 2-50						
2000118	2-15						
2000125	2-27, 2-30						
2000126	2-33, 2-37						

# SECTION 11 PART NUMBER INDEX

Part Number	Page	Part Number	Page	Part Number	Page	Part Number	Page
2420009	2-65		31	2752397	6-19	2792065	6-7, 6-36
2420033	2-16	2750894	6-7	2752433	6-7	2792164	6-36
2420038	1-32	2750895	6-5, 6-13, 6-19, 6-25, 6-31	2752441	6-8	2792165	6-36
2420084	2-67			2752445	6-7	2792166	6-36
2420091	2-66	2750897	6-5, 6-7	2752450	6-14, 6-20, 6-26, 6-32	2792167	6-36
2420109	2-28, 2-34	2750900	6-5	2752451	6-14, 6-20, 6-26, 6-32	2792168	6-36
2420110	2-48	2750902	6-26, 6-32			2792169	6-37
2420111	2-66	2750910	6-3, 6-14, 6-20, 6-25, 6-31	2752481	6-14, 6-20, 6-26, 6-31	2792170	6-36
2420115	2-5					2792171	6-37
2420118	2-16	2750920	6-14, 6-20	2752482	6-14, 6-20, 6-26, 6-31	2792369	6-37
2420127	2-66	2750968	6-3, 6-20			2792508	6-12, 6-36
2420128	2-66	2751006	6-14, 6-20, 6-26, 6-32	2752491	6-14, 6-20, 6-26	2792511	6-30, 6-36
2420131	2-19, 2-27, 2-33			2752505	6-14, 6-20, 6-26, 6-31	2792512	6-24, 6-36
2420149	2-27, 2-33	2751011	6-20, 6-25			2792513	6-18, 6-36
2420151	10-1	2751013	6-14, 6-20, 6-25, 6-31	2752506	6-14, 6-20, 6-26, 6-31	2792514	6-12, 6-36
2420156	2-66					2792515	6-18, 6-37
2420166	2-66	2751018	6-35	2752507	6-14, 6-20, 6-26, 6-31	2792516	6-30, 6-36
2420183	2-7	2751021	6-14, 6-20, 6-26, 6-32, 10-1			2792517	6-24, 6-37
2420187	2-34			2752513	6-14, 6-20, 6-26, 6-32	2792611	6-36
2420189	2-34	2751026	6-13, 6-19, 6-25, 6-31			2820024	8-3
2420203	2-25, 2-43, 2-55			2752525	6-14, 6-20, 6-26, 6-32	2820025	3-4, 3-8, 3-12, 3-17, 4-5
2460011	2-25, 2-43, 2-55	2751027	6-5, 6-14, 6-20, 6-26, 6-32			2820047	2-71
2460013	2-56, 10-3			2752526	6-14, 6-20, 6-26, 6-32	2860012	2-55
2460039	2-55	2751111	6-14, 6-20, 6-26, 6-31			2860030	2-66, 9-1
2460049	2-55			2752577	6-7	2900034	1-20
2500004	2-30	2751391	6-14, 6-20, 6-25, 6-31	2752578	6-7	2900137	1-20
2500005	2-15, 2-33, 9-1			2752591	6-26, 6-32	2900379	5-3
2540002	3-8, 3-16	2751395	6-14, 6-20, 6-26, 6-32	2752627	6-20, 6-26	2900503	6-13, 6-19, 6-25, 6-31
2560141	4-21			2752649	6-13, 6-19, 6-25, 6-31		
2580026	2-18	2751396	6-5			2900708	2-9, 2-13
2580048	2-37	2751412	6-35	2752652	6-20, 6-26	2900714	1-13
2600093	2-66	2751424	6-5	2752678	6-14, 6-20, 6-26, 6-32	2900745	2-3
2620037	1-39, 1-41	2751432	6-8			2900752	2-61
2680336	2-28	2751454	10-1	2752953	6-20, 6-26, 6-32	2900754	1-26
2680386	2-34	2751507	6-20, 6-26	2752980	6-14, 6-20, 6-26, 6-32	2900756	2-9
2680406	2-72	2751683	6-14, 6-20, 6-26, 6-32			2900766	1-16
2680407	2-71			2780167	1-9, 1-19	2900767	1-16
2680408	2-71	2751892	6-14, 6-20, 6-26, 6-32	2780169	1-9, 1-19	2900768	1-16
2680415	2-72			2780175	1-9	2900770	4-18, 5-3, 5-5, 5-7
2680419	2-72	2751893	6-8, 6-14, 6-20, 6-26, 6-32, 6-35	2780177	1-3	2900792	5-9
2720015	2-28, 2-36			2780191	1-9, 1-10, 1-23	2900800	6-13, 6-19, 6-25, 6-31
2720042	2-16, 2-21	2751902	6-8	2780193	1-9, 1-23		
2720058	2-17, 2-33, 2-49	2751906	6-19, 6-25	2780195	1-9, 1-23	2900816	1-26
2720112	2-21, 2-39	2751914	6-8	2791903	6-5, 6-36	2900826	2-61
2720118	2-21	2752011	6-5	2791962	6-35, 6-37	2900827	2-61
2720144	2-39	2752247	6-13	2791988	6-36	2900850	8-6
2720160	2-36	2752250	6-13	2791995	6-36	2901111	10-1
2720232	2-27	2752251	6-31	2791996	6-36	2901223	5-10
2720249	2-39	2752252	6-31	2791997	6-36	2901243	6-7
2720254	2-27	2752344	6-19, 6-25	2792013	6-7, 6-36	2901244	6-7
2720271	2-33, 2-49	2752351	6-13, 6-19, 6-25, 6-31	2792014	6-7, 6-36	2901252	5-10
2720341	2-16			2792020	6-3, 6-36	2901261	5-15, 5-17
2720342	2-48	2752352	6-13, 6-19, 6-25, 6-31	2792027	6-37	2901262	6-7
2720379	2-48			2792047	6-36	2901263	6-7
2750532	2-33	2752353	6-13	2792048	6-36	2901328	3-12
2750769	6-8	2752381	6-19, 6-25	2792049	6-36	2901329	3-4
2750775	6-14, 6-20, 6-26, 6-32	2752390	6-19, 6-25	2792050	6-36	2901439	5-10
		2752391	6-19, 6-25	2792064	6-7, 6-36	2901441	5-10
2750786	6-14, 6-20, 6-26, 6-32	2752392	6-19, 6-25				

# SECTION 11 PART NUMBER INDEX

Part Number	Page	Part Number	Page	Part Number	Page	Part Number	Page
2901481	3-16	3220118	2-52	3311205	2-47		3-12, 3-17
2901536	3-8	3250872	1-39, 1-41	3311401	1-31, 1-36, 2-5, 2-6, 2-15, 2-17, 2-19, 2-30, 2-33, 2-40, 2-47, 2-65, 2-67, 2-71, 4-5, 4-7, 4-10, 4-11, 4-14, 8-3	3340848	3-12, 3-17
2901812	10-2	3251476	2-56			3340904	5-5
2901941	5-5, 5-7	3251984	10-1			3340913	4-13
2902023	5-5	3252217	2-65			3340924	4-6
2902033	4-4	3252230	8-4			3380515	2-71
2902034	4-4	3252263	8-4			3420158	1-39
2902035	4-4	3252264	8-4			3420292	1-39
2902036	4-10	3252265	8-4	3311405	2-3, 2-6, 2-7, 2-15, 2-27, 2-29, 2-35, 2-44, 2-71, 2-72, 2-73, 4-3, 4-5, 4-9, 8-3	3420352	1-39, 1-41
2902037	4-10	3252266	8-4			3420372	1-39, 1-41
2902053	4-4	3252267	8-4			3421190	1-4, 1-5
2902055	3-19	3252268	8-4			3421243	1-3
2902064	2-15	3252304	8-5			3421335	1-6
2902077	8-3	3252305	8-5	3311501	1-29, 1-30, 1-31, 2-17, 2-21, 2-40, 2-48, 2-56, 3-4, 3-19, 4-5	3421453	4-9, 4-21
2902088	6-19	3252306	8-5			3422091	1-39, 1-41
2902089	6-13	3252309	8-4			3422102	3-3, 3-11
2902090	6-13	3252310	4-21			3422103	3-3, 3-11
2902091	6-19	3252332	8-5	3311505	1-6, 1-30, 2-3, 2-28, 2-29, 2-34, 2-40, 2-57, 3-8, 3-12, 3-16, 3-21, 4-9, 4-13, 4-14, 4-19	3422137	1-6
2902093	6-25	3252333	8-5			3422152	3-3, 3-11
2902094	6-31	3252334	8-5			3422153	3-3, 3-11
2902095	6-25	3252573	8-5			3422154	3-3, 3-11, 3-12
2902096	6-31	3252574	8-5			3422155	3-3, 3-11, 4-6
2902129	2-71	3252575	8-5	3311601	1-30, 2-15, 2-17, 2-22, 2-25, 2-28, 2-29, 2-40, 2-43, 2-48, 3-3, 3-11, 4-9, 4-14	3422156	3-3, 3-11
2902130	2-72	3252576	8-5			3422157	3-3, 3-11
2902131	2-73	3252577	8-5			3422158	3-3, 3-11, 3-12
2902185	3-16	3252578	8-5			3422169	3-3, 3-11, 3-16, 4-6
2902186	3-16	3252620	4-21			3422219	4-3, 4-14
2902256	3-16	3252642	2-65	3311605	1-5, 1-6, 1-30, 2-28, 2-35, 2-40, 3-3, 3-11, 3-15, 4-6, 4-18	3422401	1-5, 1-6
2902279	10-2	3252809	2-65			3422617	3-7, 3-15
2910033	8-3	3252810	4-21			3422618	3-7, 3-15
2910479	2-18, 2-29, 2-36	3272005	4-18			3422619	3-7, 3-15, 3-16, 4-6
2920026	2-67, 4-22, 4-23	3290607	2-16	3311701	2-17, 2-28, 2-34, 3-3, 3-7, 3-11	3422620	3-7, 3-15, 4-6
2920027	4-22, 4-23	3300012	1-3, 1-9, 1-10			3422621	3-7, 3-15
2920029	2-67, 4-22, 4-23	3300029	2-17, 2-29, 2-36, 2-48	3311705	2-15, 2-17, 3-7, 3-15	3422622	3-7, 3-15
2920105	2-73	3300047	4-11	3311801	1-9, 1-10, 3-19	3422623	3-7, 3-15, 3-16
2920110	1-36, 7-3, 10-1	3300048	1-36, 2-65, 7-3, 10-1	3311802	4-19	3422624	3-7, 3-15
2920111	4-7	3300151	4-4	3311805	2-15, 2-27, 2-35, 2-47, 3-7, 3-15, 3-21	3422626	3-7, 3-16
2920113	1-36, 7-3, 10-1	3300177	2-66			3422631	3-7, 3-15
2920162	2-25, 2-43, 2-55, 2-56	3300228	1-3, 1-4	3312001	1-36	3422662	3-7
2940006	10-2	3300273	5-3	3312005	1-35, 1-41	3422728	4-13
2940042	2-71, 2-72, 2-73	3300281	5-5	3312205	4-9, 4-14	3422939	4-6
3010099	2-5	3300286	5-9	3321001	2-67, 4-22	3422966	4-19
3020021	2-18, 2-51	3300353	2-71, 2-72, 2-73	3321401	2-30, 2-34, 5-3	3423052	4-18
3020022	10-1	3300357	5-15, 5-17	3321402	2-16	3440410	4-6
3041404	2-73	3300364	2-71	3321501	2-16	3440413	1-29
3100071	2-4	3300396	2-67	3322202	4-10, 4-13, 4-19	3440420	1-35
3100072	6-13, 6-18, 6-24, 6-30	3300465	5-7	3322602	1-3, 1-4	3440616	1-5, 1-6
3160158	1-9, 1-10, 1-13	3300471	4-18	3322603	1-3	3450202	2-47
3200201	2-15	3300472	4-19	3322603	1-3	3450610	1-3
3200202	2-15	3310601	2-65, 4-21	3323002	1-39, 1-41	3451012	1-3
3200362	2-27, 2-35	3310801	2-27	3323403	1-3	3480092	5-5, 5-7
3200377	2-33	3310805	1-35	3340564	4-4	3480116	5-3
3220036	2-52	3311001	1-7, 2-15, 2-25, 2-34, 2-43, 2-56, 2-65, 4-4, 4-21	3340645	3-4, 3-8, 3-12, 3-17	3480135	5-9
3220083	2-19, 2-37, 2-52			3340650	5-5	3480137	5-9
3220084	2-17	3311005	1-29, 1-35, 2-28, 2-34, 2-35, 2-49, 4-6	3340653	4-9, 4-13	3480164	5-15
3220089	2-28			3340664	3-3, 3-7, 3-11, 3-16, 4-6	3480214	5-9
3220095	2-36			3340780	4-13	3480220	5-9
				3340841	1-41, 2-67, 3-4, 3-8,	3500812	4-11
						3510387	4-6



# SECTION 11 PART NUMBER INDEX

Part Number	Page	Part Number	Page	Part Number	Page	Part Number	Page
3510397	4-9	3570875	3-7, 3-15	3790012	1-36, 2-66, 2-67, 2-68, 4-22, 4-23	3960423	2-19
3510775	4-6	3570983	2-72	3790152	2-16, 2-28, 2-49	3960435	2-5
3510798	4-6	3570984	2-72	3820001	1-39, 1-41	3980003	2-17, 2-29, 2-36, 2-48
3510799	4-6	3572123	8-4	3820011	4-10	3980007	2-36, 2-48
3510842	4-19	3573513	5-7	3820019	2-72, 8-6	3990010	1-31, 7-2, 7-3, 7-4, 7-5, 7-6, 7-7, 10-2
3520022	2-5	3574274	1-29	3820030	1-5, 1-6	4031709	2-16
3520026	2-66, 2-67	3580134	2-25, 2-43, 2-55, 2-56	3840898	2-30	4060092	4-4, 4-5
3520028	2-25, 2-43, 2-55, 2-56, 2-67	3580158	2-55	3840979	2-21	4060713	2-17
3520046	2-16	3580239	2-43	3841049	2-16	4060802	4-22, 4-23
3520070	2-66	3580250	2-43	3841143	1-6, 1-39, 1-41	4060803	2-71
3520071	1-31	3600050	2-6	3841184	1-39, 1-41	4060806	3-8, 3-12, 3-16
3520072	4-9, 4-14	3600130	2-5, 10-1	3841203	3-3, 3-7, 3-11	4060807	2-5
3520079	4-22	3600164	2-15, 2-27, 2-33, 2-47, 2-59	3841208	1-35	4060829	2-73
3520081	4-22	3600205	2-15, 2-27, 2-35, 2-49, 2-63	3841233	4-10, 4-13, 4-19	4060843	10-2
3520082	1-35	3600208	2-7	3841255	2-33	4060848	1-35
3533291	2-15	3600260	2-27, 2-33, 2-47, 2-59	3841326	1-35	4060887	2-73
3533445	2-15	3600468	2-7	3860056	5-15	4060893	2-73
3533663	2-17	3620003	10-2	3860057	4-9, 4-13	4060969	2-72
3533664	2-17, 2-29	3620015	10-2	3860059	4-9, 4-13, 4-19	4070450	1-41
3534173	10-1	3620026	2-28, 2-34	3860097	4-13	4070560	1-41
3534805	1-6	3620027	2-18	3860100	4-19	4070561	1-41
3535352	2-71	3640500	2-65	3900168	4-10	4070829	4-9, 4-13
3535551	2-49	3640642	4-3	3900170	5-3, 5-5, 5-9	4070987	2-67
3536092	1-31	3640822	4-9, 4-13	3900175	5-3	4100025	2-34
3536144	2-17, 2-29, 2-36, 2-49	3640823	4-9	3900177	4-21	4100033	10-1
3536151	2-17, 2-29	3640824	4-3	3900178	4-22	4130279	1-4
3536156	1-39, 1-41	3640830	4-3	3900294	4-5	4130280	1-4
3536157	1-39	3640831	4-3	3900321	5-7	4130287	1-3
3536299	4-3	3640832	4-3	3900322	2-57	4130288	1-3
3536302	4-3	3640833	4-3	3900330	4-18	4160106	3-21
3536349	2-72	3641386	4-13	3910606	2-67	4160116	1-35
3536350	2-72	3641387	4-3	3910610	1-32	4200004	4-3, 4-9
3536351	2-72	3641391	4-13	3910612	2-27	4240033	3-19, 3-21, 4-7
3536371	2-71	3720011	2-21	3910812	2-25	4280280	2-49
3536372	2-71	3730003	7-5, 7-6	3911004	2-43, 2-56, 2-66, 4-22	4280284	4-4, 4-10
3536373	2-71	3737289	2-27	3911012	2-15, 2-36	4280298	1-5, 1-6
3536430	2-71	3740049	1-31, 1-36, 2-65, 4-10, 4-22, 7-2, 7-3, 9-1, 10-1, 10-2	3911014	1-7, 2-16, 2-34	4300032	1-31, 1-36, 4-4
3536431	2-71	3740059	2-28	3911020	1-35	4300038	1-29, 1-31, 2-28
3536434	2-71	3740061	2-28	3911024	2-34	4300048	3-19, 3-21
3536481	2-16	3740067	2-7, 2-49, 9-1	3911026	2-34	4300056	2-16, 2-33
3536523	2-5	3740077	2-66, 9-1	3911032	1-29	4300068	2-19
3536607	3-3, 3-7, 3-11, 3-15	3740080	2-34, 9-1	3911036	4-4	4300090	2-16
3536622	2-71, 2-72	3740118	10-2	3911040	1-36	4300092	1-9
3536624	4-9	3760143	5-15	3930820	1-35	4340569	2-25
3536708	5-5	3760170	1-41, 4-4, 4-10, 4-14, 4-21	3931010	4-6	4340660	2-28
3537619	4-9, 4-13	3760261	5-5	3931028	4-6	4360037	2-34, 2-44, 2-56, 10-3
3537973	1-39	3760348	4-10, 4-13, 4-19	3931032	2-10	4360056	2-28
3538051	4-5	3760351	4-18	3931664	4-18	4360069	2-66, 9-1
3538178	2-28	3760453	5-5	3940804	2-28, 2-35	4360089	10-1
3538188	2-72	3760460	5-7	3941004	2-35	4360135	10-1
3538189	2-72	3780183	1-5, 1-6	3941406	2-71	4360155	2-49
3538436	2-40			3951003	2-47	4360181	10-2
3538450	2-72			3951503	1-29	4360188	2-21, 2-39
3538735	2-36			3960007	5-15	4360212	2-66, 9-1
3538743	2-72			3960353	1-3	4360216	2-65, 9-1
3538744	2-72			3960407	2-48		
3538745	2-72			3960416	5-3		

# SECTION 11 PART NUMBER INDEX

Part Number	Page	Part Number	Page	Part Number	Page	Part Number	Page
4360228	2-66, 9-1	4460138	4-4, 4-5	4566541	2-29	4740120	2-66, 4-22
4360232	2-65, 9-1	4460185	4-7	4566605	2-33	4740185	1-5, 1-6, 2-16, 2-27, 2-36, 2-48
4360236	4-10, 7-3, 9-1	4460190	4-4, 4-5	4566650	2-43	4740273	2-15, 2-27
4360237	4-10, 7-3	4460206	4-7	4566672	2-36	4740274	2-15, 2-35
4360239	7-3	4460226	4-27, 4-29	4566673	2-35	4740275	2-43
4360267	2-66, 4-21, 9-1	4460227	4-27, 4-29	4567127	2-35	4740308	1-6, 2-50
4360274	2-66, 4-22, 9-1	4460234	1-35	4567159	2-52	4740310	3-4, 3-8, 3-12, 3-16
4360277	4-10, 7-3	4460259	4-10	4568055	5-17	4740401	3-3, 3-7, 3-11, 3-15
4360281	2-66, 4-22	4460260	4-10	4568315	4-6	4740415	1-35
4360282	4-22	4460298	2-65	4640013	6-5, 10-1	4750600	2-67, 4-22
4360289	2-66, 4-22	4460299	2-65	4640123	2-3	4750800	1-35, 2-28, 2-35
4360290	2-66	4460300	2-65	4640260	2-3	4751000	1-7, 1-29, 1-35, 1-36, 2-15, 2-28, 2-34, 2-35, 2-48, 2-49, 4-4, 4-5, 4-6
4360300	1-29, 4-6, 9-1	4460301	2-65	4640261	1-39, 1-41	4751400	1-31, 1-35, 1-36, 2-3, 2-5, 2-6, 2-7, 2-15, 2-19, 2-27, 2-29, 2-30, 2-35, 2-48, 2-67, 2-71, 2-72, 2-73, 4-5, 4-7, 4-9, 4-11, 8-3
4360314	2-66, 2-68, 4-22, 4-23, 9-1	4460302	2-47	4640273	1-6, 5-3	4751500	1-6, 1-29, 1-30, 1-31, 1-39, 1-41, 2-3, 2-17, 2-25, 2-28, 2-29, 2-34, 2-40, 2-43, 2-55, 2-56, 2-71, 3-4, 3-8, 3-12, 3-16, 3-21, 4-13
4360318	10-1	4460303	2-66	4640382	6-13, 6-19, 6-25, 6-31	4751600	1-4, 1-5, 1-6, 1-7, 1-29, 1-30, 2-4, 2-17, 2-22, 2-25, 2-27, 2-29, 2-35, 2-40, 2-43, 2-48, 2-57, 3-3, 3-7, 3-11, 4-6, 4-18, 4-19
4360321	1-35	4460305	2-65	4640391	2-21, 2-39	4751700	2-15, 2-17, 2-28, 2-34
4360329	1-36, 4-23	4460306	2-65	4640443	2-3	4751800	2-15, 2-27, 2-35, 2-47, 4-19
4360330	2-67, 4-23	4460307	2-65	4640495	5-7	4752000	1-36, 1-41
4360331	2-67, 9-1	4460308	2-67	4640509	5-9	4752200	4-10, 4-13, 4-18, 4-19
4360336	4-22, 9-1	4460309	2-65	4640525	5-3	4760600	2-65
4360339	4-21, 9-1	4460343	4-27, 4-29	4640525	5-3	4761000	1-3, 1-7, 1-29, 2-15, 2-25, 2-34, 2-43, 2-48, 2-66, 4-4, 4-5, 4-21
4360345	4-22	4460367	4-27, 4-29	4640613	5-5, 5-7	4761400	1-7, 1-31, 1-35, 1-36, 2-5, 2-15, 2-17, 2-19, 2-21, 2-30, 2-33, 2-40, 2-47, 2-48, 2-65,
4360348	2-6	4460428	1-35	4640629	2-3		
4360349	2-6	4460462	4-24	4640668	1-6		
4360354	2-6, 9-1	4460463	4-21	4640744	6-12, 6-18, 6-24, 6-30		
4360357	2-16, 2-27, 2-33, 2-52	4460464	4-24	4640750	2-33		
4360387	4-24	4460465	1-31, 4-24	4640760	10-2		
4360405	2-34	4460466	1-31, 4-24	4640786	2-4, 2-9		
4360468	2-66, 9-1	4460467	4-24	4640787	4-10, 4-14		
4360469	2-66, 9-1	4460468	4-24	4640788	2-5, 2-10		
4360475	2-66, 4-22, 9-1	4460470	4-21	4640789	2-10		
4360476	4-22	4460471	4-21	4640812	1-5, 1-6		
4360478	2-66, 4-22, 9-1	4460473	4-24	4640819	5-9		
4360542	2-25, 2-43, 2-55	4460480	4-21	4640840	2-4		
4360548	1-35, 9-1	4460481	4-24	4640841	2-3		
4400040	2-21, 2-39	4460539	1-31	4640989	2-33		
4400273	2-4	4460968	1-35	4641090	2-5, 2-9, 2-10		
4400275	2-21, 2-39	4561815	2-35	4641091	2-10		
4400281	2-39	4562637	2-27	4641094	2-9		
4400347	2-4, 2-5	4563647	5-3	4641156	5-7		
4400348	2-5	4564281	2-28, 2-34	4641162	5-3		
4400402	2-4	4564328	2-18	4641190	2-4, 2-13		
4400430	2-4	4564417	2-43	4641197	2-13		
4400461	2-4, 2-6	4564606	5-3	4641219	4-18		
4420008	4-21	4565348	2-49	4700005	2-39		
4420037	2-65	4565647	5-5	4711400	2-44, 2-49, 2-72, 4-3, 4-14		
4420052	1-35, 8-6	4565716	5-15	4711500	4-5, 4-9, 4-13, 4-14, 4-19		
4420055	4-4	4565830	2-17	4711600	2-48, 4-9, 4-14, 4-19		
4420062	4-4, 4-10, 4-13	4565842	5-9	4711700	2-57		
4420066	4-19	4565869	4-9, 4-13	4711800	1-9, 1-10, 3-19, 3-21		
4420069	4-18, 4-19	4565891	4-3	4712000	1-35		
4460035	4-10	4565892	4-3	4712600	1-3, 1-4, 1-5, 1-39, 1-41		
4460049	1-29, 4-4, 4-6, 4-11	4565932	2-49	4740034	1-3		
4460051	1-36, 2-65, 4-4, 4-5, 7-3, 10-1	4565933	2-49	4740066	2-66		
4460052	4-10	4565956	2-17	4740116	2-28		
4460071	2-65	4566233	5-9				
		4566234	5-17				
		4566236	5-9				
		4566520	2-29				

# SECTION 11 PART NUMBER INDEX

Part Number	Page	Part Number	Page	Part Number	Page	Part Number	Page
	2-67, 2-71, 2-72,	4844346	1-35	4922859	7-2	7000248	1-19, 1-23
	2-73, 4-5, 4-7, 4-	4844349	4-9, 4-13	4922910	7-5	7000250	1-19, 1-20, 1-23, 1-25
	10, 4-11, 4-14,	4844425	3-21	4923062	2-50		
	8-3	4844426	3-21	4931444	7-2	7000251	1-19, 1-23
4761500	1-29, 1-30, 1-31, 1-39, 1-41, 2-4, 2-17, 2-21, 2-25, 2-29, 2-40, 2-43, 2-48, 2-55, 2-56, 2-71, 3-4, 3-8, 3-12, 3-16, 3-19, 4-5	4844457	3-19, 3-21	4932041	7-3	7000252	1-19, 1-23
		4844490	1-30	4932387	7-3, 10-3	7000253	1-19, 1-23
		4844491	1-30	4932451	7-2	7000257	1-19
		4844605	3-21	4932588	7-4, 7-5, 7-6	7000258	1-19
		4844606	3-21	4932589	7-5	7000260	1-20, 1-25
		4844607	3-21	4932645	7-5	7000261	1-20, 1-25
		4844608	3-21	4932648	7-6	7000262	1-20, 1-25
		4844609	3-21	4932649	7-6	7000263	1-20, 1-24, 1-25
4761600	1-6, 1-30, 2-4, 2-7, 2-15, 2-17, 2-18, 2-22, 2-25, 2-27, 2-29, 2-35, 2-40, 2-43, 2-56, 3-3, 3-11, 3-15, 4-9, 4-13, 4-14	4844610	3-21	4932650	7-5	7000558	2-3
		4844611	3-21	4932734	7-3	7000643	2-18, 2-30
		4844612	3-21	4932735	2-44, 7-3	7000645	6-13, 6-19, 6-25, 6-31
		4844613	2-28	4932744	7-6		
		4844686	3-19	4932775	7-6	7000694	2-50
		4844787	10-2	4932776	7-6	7000867	2-30
		4844788	10-2	4932850	7-5	7000877	2-30
4761700	2-17, 2-28, 2-36, 3-3, 3-7, 3-11	4844867	1-5, 1-6	4932957	7-4, 7-5	7000878	2-30
		4844868	1-5, 1-6	4933042	7-7	7000884	2-18, 2-30, 2-37
4761800	1-9, 1-10, 1-35, 2-15, 2-27, 2-33, 2-49, 3-19, 3-21	4844942	2-35	4933043	7-7	7000893	2-19
		4844962	2-35	4933056	7-4, 7-5	7001084	5-13
4762000	1-9, 1-10, 1-35, 1-36	4845486	2-65	4933057	7-4, 7-5	7001438	2-60
4770600	1-32, 4-21	4845757	2-35	4933096	7-4, 7-6	7001498	2-60
4770800	2-27	4845938	4-21	4933097	7-5	7001608	5-13
4771000	1-36	4846051	1-30	4933098	7-4, 7-5	7001609	5-13
4791400	4-21	4846055	1-30	4933285	7-4	7001610	5-13
4812000	2-43, 2-55	4846348	4-13	4933286	7-4	7001613	5-13
4831700	2-39	4846349	4-13	70000122	2-55	7001614	5-13
4831900	2-18, 2-33, 2-34, 2-51	4846407	1-30	70000123	2-56	7001615	5-13
		4846439	1-41	70000124	2-56	7001616	5-13
		4846517	4-19	70000125	2-56	7001617	5-13
4832000	2-15, 2-33, 2-35, 2-39, 2-43, 2-48, 2-50, 2-51	4846519	4-19	70001108	2-7	7001909	1-20, 1-24
		4846584	5-7	70001940	1-26	7001911	1-20, 1-24
4842621	1-5, 1-6	4846822	1-29	7000206	1-19	7001912	1-20, 1-24
4843410	2-56	4860155	2-30	7000211	1-20	7001913	1-20, 1-24
4843497	2-15	4891600	1-29	7000212	1-20	7001922	1-23
4843513	2-48	4892000	2-57	7000213	1-20	7001931	1-20, 1-24
4843706	4-9	4920017	4-10	7000214	1-19, 1-23	7001985	1-20, 1-24
4844024	2-71	4920096	1-4, 1-5	7000215	1-20	7001989	1-19, 1-20, 1-26
4844059	1-5, 1-6	4921380	3-19, 3-21	7000216	1-25	7001997	1-19
4844129	1-5, 1-6	4921540	7-4, 7-5, 7-6	7000217	1-19, 1-23	7001998	1-19
4844177	10-2	4921543	4-23, 7-4	7000220	1-20	7002818	4-24
4844185	2-21, 2-40	4921544	4-23, 7-4	70002235	2-56	7002821	10-3
4844186	1-31	4921545	7-5	70002239	2-55	7002822	10-3
4844249	1-30	4921546	7-5, 7-6	70002240	2-55	7002823	10-3
4844250	1-30	4921590	7-7	7000226	1-20	7002826	10-3
4844268	2-65	4921598	4-23, 7-4	7000227	1-20	7002828	10-3
4844275	2-47	4921599	4-23, 7-4	7000229	1-19	7002840	10-3
4844279	2-71	4921714	2-28, 7-6	7000230	1-19	7003657	2-25, 2-43, 2-55
4844298	2-17	4921731	7-6, 7-7	70002307	2-37	7003751	4-27, 4-29
4844305	3-19	4921746	2-36	7000232	1-19	7003772	4-27
4844306	3-19	4921770	7-5	7000241	1-24	7003789	4-27
4844307	3-19	4922251	4-23, 7-4	7000242	1-19, 1-24	7003790	4-27, 4-29
4844308	3-19	4922252	4-23, 7-4	7000243	1-20, 1-25	7003791	4-27, 4-29
4844309	3-19	4922256	4-23, 7-4	7000246	1-19	7004214	2-17, 2-29, 2-35, 2-48, 9-1
4844310	3-19	4922257	4-23, 7-4	7000247	1-19, 1-20, 1-23, 1-24		
		4922848	7-2			7004248	2-6

# SECTION 11 PART NUMBER INDEX

Part Number	Page	Part Number	Page	Part Number	Page	Part Number	Page
7004249	2-6	7007490	2-60	7010474	1-24	7012595	2-30
7004275	10-3	7007491	2-60	7010475	1-26	7012611	4-22
7004276	10-3	7007492	2-60	7010476	1-26	7012612	4-22
7004368	2-3	7007494	2-60	7010477	1-26	7012626	2-50
7004906	1-13	7007496	2-60	7010478	1-26	7012653	2-19
7004907	1-13	7007497	2-60	7010542	2-9, 2-13	7012656	2-37
7004908	1-13	7007498	2-60	7010543	2-9, 2-13	7012679	2-37
7004910	1-13	7007499	2-60	7010633	2-30	7012680	2-37
7004917	1-13	7007601	1-19	7010698	2-66	7012681	2-37
7006075	2-3	7007603	1-19, 1-23	7010923	2-6	7012690	2-37
7007208	2-59, 2-60	7007617	1-24	7010953	2-63	7012725	2-9, 2-10
7007321	2-3	7007643	1-24	7010955	2-63	7012730	2-9, 2-10
7007323	2-3	7007650	1-19, 1-20, 1-23, 1-25	7010956	2-63	7012736	2-10
7007412	2-61			7010957	2-63	7012754	2-9, 2-10
7007413	2-59	7007651	1-20, 1-25	7010959	2-63	7012773	2-10, 4-18
7007414	2-59	7007652	1-19, 1-23	7010960	2-63	7012903	2-13
7007416	2-59	7007653	1-19, 1-23	7010961	2-63	7012910	2-9, 2-13
7007417	2-59	7007654	1-19, 1-23	7010996	2-63	7012925	2-13
7007419	2-59	7007683	1-24	7010997	2-63	7012935	2-9
7007420	2-59	7007684	1-24	7010998	2-63	7012936	2-9, 2-13
7007421	2-59	7007685	1-24	7011003	2-7	7012937	2-9
7007422	2-59	7007686	1-24	7011016	2-7	7012938	2-9
7007424	2-59	7007687	1-24	7011102	4-10, 4-14	7012939	2-9
7007425	2-59	7007688	1-24	7011112	5-9	7012940	2-9
7007435	2-59	7007689	1-24	7011345	5-7	7012941	2-9, 2-13
7007436	2-59	7007690	1-24	7011346	4-18	7012942	2-9
7007437	2-59	7007691	1-23	7011712	1-15	7012943	2-9, 2-13, 9-1
7007438	2-59	7007692	1-23	7011713	1-15	7012944	2-9, 2-13, 9-1
7007439	2-59	7007697	1-19	7011714	1-15	7012981	2-13
7007440	2-59	7007874	1-13	7011715	1-15	7012998	2-13
7007441	2-59	7007875	1-13	7011716	1-15	7013710	2-7
7007442	2-59	7007876	1-13	7011717	1-15	7013711	2-7
7007444	2-59	7007878	1-13	7011923	4-27, 4-29	7013712	2-7
7007445	2-59	7007879	1-13	7011931	4-27	7013753	2-7
7007449	2-59	7007880	1-13	7011932	4-27	7014100	1-25
7007453	2-60	7007914	1-15	7011933	4-27	7014101	1-25
7007454	2-60	7007923	1-15	7011934	4-27	7014102	1-25
7007456	2-60	7007924	1-15	7011935	4-27	7014103	1-25
7007458	2-60	7007933	1-15	7011936	4-27	7014108	1-25
7007461	2-60	7007970	1-15	7011938	4-27, 4-29	7014109	1-25
7007466	2-60	7007977	1-15	7011940	4-27, 4-29	7014110	1-25
7007468	2-60	7007979	1-15	7011982	4-29	7014112	1-25
7007469	2-60	7007980	1-15	7011991	4-29	7014113	1-25
7007470	2-60	7007983	1-15	7011997	4-29	7014501	2-37, 9-1
7007471	2-60	7007985	1-15	7012513	2-25, 2-43, 2-55, 2-56	7014677	2-30
7007472	2-60	7007986	1-15			7014678	2-30
7007473	2-60	7007987	1-15	7012514	2-25, 2-43, 2-55, 2-56	7014679	2-30
7007474	2-60	7008828	2-48			7014680	2-18
7007475	2-61	7009739	2-3	7012518	2-3, 2-9	7014682	2-18
7007476	2-61	7009742	6-13, 6-19, 6-25, 6-31	7012539	2-13, 9-1	7014684	2-50
7007477	2-61			7012558	2-25, 2-43, 2-55	7014687	2-19
7007478	2-60	7010120	2-61	7012564	2-18	7016328	2-50
7007482	2-60	7010121	2-60	7012576	2-7	7016331	2-50, 2-51, 9-1
7007483	2-60	7010122	2-60	7012577	2-18, 2-30	7016359	2-50
7007484	2-60	7010429	1-20	7012578	2-18, 2-30	7016375	2-37
7007485	2-60	7010459	1-23	7012590	4-21	7016376	2-37
7007486	2-60	7010469	1-24, 1-25	7012591	2-10	7016603	2-73
7007487	2-60	7010470	1-23	7012592	2-5	7016605	2-37
7007488	2-60	7010473	1-24, 1-26	7012593	4-21	7016638	2-37

# SECTION 11 PART NUMBER INDEX

Part Number	Page	Part Number	Page	Part Number	Page	Part Number	Page
7016654	10-3	7020220	2-50	7027248	2-51		
7016662	2-30, 2-37, 9-1	7020257	2-4	7027249	2-51		
7016746	2-7	7020411	2-51	7027250	2-51		
7017063	1-20	7020414	2-50, 2-51	7027251	2-51		
7017067	1-23	7020416	2-50	7027252	2-51		
7017070	1-24	7020417	2-50, 2-51	7027887	2-25, 2-43		
7017080	1-23	7020443	2-51	7040050	2-37		
7017090	1-26	7020449	2-51				
7017091	1-24	7020465	2-51				
7017092	1-25	7020468	2-51				
7017093	1-25	7020471	2-51				
7017094	1-25	7020479	2-50, 2-51				
7017095	1-25	7020495	2-51				
7017096	1-23	7020500	4-29				
7017099	1-26	7020501	4-29				
7017402	2-13	7020502	4-29				
7017420	2-13	7020503	4-29				
7017433	2-13	7020504	4-29				
7017454	2-13	7020509	4-29				
7017477	2-9, 2-13	7020511	4-29				
7017492	2-13	7020520	4-29				
7017493	2-13	7020531	4-29				
7017496	2-13	7020532	4-29				
7017515	2-39	7021322	2-9				
7018602	1-15	7022143	2-37				
7018603	1-15	7022153	2-37				
7018605	1-15	7022157	2-37				
7018606	1-15	7022180	2-37				
7018607	1-15	7023029	5-13				
7018608	1-16	7023030	5-13				
7018991	2-10	7023031	5-13				
7019665	2-19	7023035	5-13				
7019930	2-37	7023036	5-13				
7019933	2-18	7023668	2-18				
7019961	2-37	7023669	2-18				
7019974	2-37	7023988	2-13				
7019977	2-37	7023989	2-13				
7019983	2-37	7023990	2-13				
7019987	2-18	7023994	2-13, 9-1				
7019988	2-37	7024013	4-18				
7019989	2-18	7024019	4-18				
7019998	2-18	7024321	2-37				
7020023	2-51, 9-1	7024440	2-6				
7020108	2-25, 2-43, 2-55, 2-56	7024441	2-6				
7020109	2-25, 2-43, 2-55, 2-56	7024443	2-6				
7020110	2-25, 2-43, 2-55, 2-56	7024444	2-6				
7020111	2-25, 2-43, 2-56	7024445	2-6				
7020168	2-50	7024446	2-6				
7020175	4-22	7024572	4-18				
7020176	4-22	7024579	2-50, 2-51				
7020190	2-25, 2-43, 2-56	7024926	4-18				
7020191	2-25, 2-43, 2-55, 2-56	7026002	4-18				
7020192	2-56	7026122	2-6				
7020193	2-25, 2-43, 2-55, 2-56	7026199	2-25, 2-43, 2-55				
		7027236	2-51				
		7027238	2-51				
		7027241	2-51				
		7027242	2-51				
		7027245	2-51				

# SECTION 11 PART NUMBER INDEX

Part Number	Page	Part Number	Page	Part Number	Page	Part Number	Page
-------------	------	-------------	------	-------------	------	-------------	------





3120830



An Oshkosh Corporation Company

Corporate Office  
JLG Industries, Inc.  
1 JLG Drive  
McConnellsburg PA. 17233-9533  
USA

☎ (717) 485-5161

📠 (717) 485-6417

## JLG Worldwide Locations

JLG Industries (Australia)  
P.O. Box 5119  
11 Bolwarra Road  
Port Macquarie  
N.S.W. 2444  
Australia

☎ +61 2 65 811111

📠 +61 2 65 813058

JLG Latino Americana Ltda.  
Rua Eng. Carlos Stevenson,  
80-Suite 71  
13092-310 Campinas-SP  
Brazil

☎ +55 19 3295 0407

📠 +55 19 3295 1025

JLG Industries (UK) Ltd  
Bentley House  
Bentley Avenue  
Middleton  
Greater Manchester  
M24 2GP - England

☎ +44 (0)161 654 1000

📠 +44 (0)161 654 1001

JLG France SAS  
Z.I. de Baulieu  
47400 Fauillet  
France

☎ +33 (0)5 53 88 31 70

📠 +33 (0)5 53 88 31 79

JLG Deutschland GmbH  
Max-Planck-Str. 21  
D - 27721 Ritterhude - Ihlpohl  
Germany

☎ +49 (0)421 69 350 20

📠 +49 (0)421 69 350 45

JLG Equipment Services Ltd.  
Rm 1107 Landmark North  
39 Lung Sum Avenue  
Sheung Shui N. T.  
Hong Kong

☎ (852) 2639 5783

📠 (852) 2639 5797

JLG Industries (Italia) s.r.l.  
Via Po. 22  
20010 Pregnana Milanese - MI  
Italy

☎ +39 029 359 5210

📠 +39 029 359 5845

Oshkosh-JLG Singapore  
Technology Equipment Pte  
Ltd  
29 Tuas Ave 4,  
Jurong Industrial Estate  
Singapore, 639379

☎ +65-6591 9030

📠 +65-6591 9031

Plataformas Elevadoras  
JLG Iberica, S.L.  
Trapadella, 2  
P.I. Castellbisbal Sur  
08755 Castellbisbal, Barcelona  
Spain

☎ +34 93 772 4700

📠 +34 93 771 1762

JLG Sverige AB  
Enkopingsvagen 150  
Box 704  
SE - 176 27 Jarfalla  
Sweden

☎ +46 (0)850 659 500

📠 +46 (0)850 659 534