



Illustrated Parts Manual

Models

600A

600AJ

Prior to
SN 0300069000

P/N
3120841

December 14, 2015



An Oshkosh Corporation Company

REVISION LOG

NOTES:

ADE SYSTEM IDENTIFICATION

Most 600A and 600AJ machines from S/N 64249 incorporate the ADE System, but no clean S/N break exist. The following machine serial numbers prior to S/N 64249 also utilize ADE System: 63908, 63912, 63932, 63936, 63938, 63954, 63959 and 63963. A machine that incorporates ADE System can be outwardly identified by the analyzer connection at the base of the platform control box.



MANUAL REVISION LOG:

February 1996 - Original Issue Of Manual

September 1997 - Revised (Manual edited to 0010519 Revision 31)

February, 1998 - Change 1 (Manual edited to 0010519 Revision 37)

Pages Affected:

Cover

Effectivity Page: a

Table of Contents Pages: i & ii

Section 1 Pages: 1-1 & 1-28 to 1-30

Section 2 Pages: 2-1, 2-2, 2-4 to 2-6, 2-10, 2-20, 2-22 to 2-24, 2-26, 2-27, 2-29, 2-31 to 2-36,
2-38, 2-39, 2-42, 2-45, 2-48, to 2-51, 2-58 to 2-59B, 2-62 to 2-65 & 2-67 to 2-69

Section 3 Pages: 3-1, 3-13, 3-21 to 3-24

Section 4 Pages: 4-1, 4-5 to 4-9, 4-17 & 4-18

Section 5 Pages: 5-1 & 5-28 to 5-30

Section 7 Pages: 7-1 to 7-28

Section 8 Pages: 8-4 & 8-5

REVISION LOG

Section 9 Pages: 9-1

Section 10 Pages: 10-2

February 12, 1999 - Revised (Manual edited to 0010519 Revision 50)

September 30, 1999 - Revised (Manual edited to 0010519 Revision 58)

March 1, 2000 - Revised (Manual edited to 0010519 Revision 63)

August 22, 2001 - Revised (Manual edited to 0010519 Revision 73)

(Manual edited to 0010577 Revision 6 With ADE System)

March 1, 2002 - Revised (Manual edited to 0010577 Revision 9)

July 31, 2002 - Revised (Manual edited to 0010577 Revision 18)

February 15, 2003 - Added "Prior to S/N 0300069000" to Front Cover. Refer to Parts Manual 3121855 for Machines Built S/N 0300069000 to 0300087000.

March 6, 2003 - Revised Manual

June 16, 2003 - Revised Manual

May 5, 2004 - Revised Manual

April 11, 2005 - Revised Manual

November 15, 2005 - Revised Manual

April 18, 2006 - Revised Manual

July 19, 2006 - Revised Manual

December 12, 2006 - Revised Manual

May 1, 2007 - Revised Manual

August 16, 2007 - Revised Manual

December 4, 2007 - Revised Manual

March 31, 2008 - Revised Manual

September 15, 2008 - Revised Manual

February 15, 2009 - Revised Manual

August 1, 2009 - Revised Manual

March 25, 2010 - Revised Manual

August 15, 2010 - Revised Manual

May 27, 2011 - Revised Manual

August 29, 2011 - Revised Manual

December 23, 2011 - Revised Manual

April 27, 2012 - Revised Manual

July 24, 2012 - Revised Manual

November 2, 2012 - Revised Manual

March 7, 2013 - Revised Manual

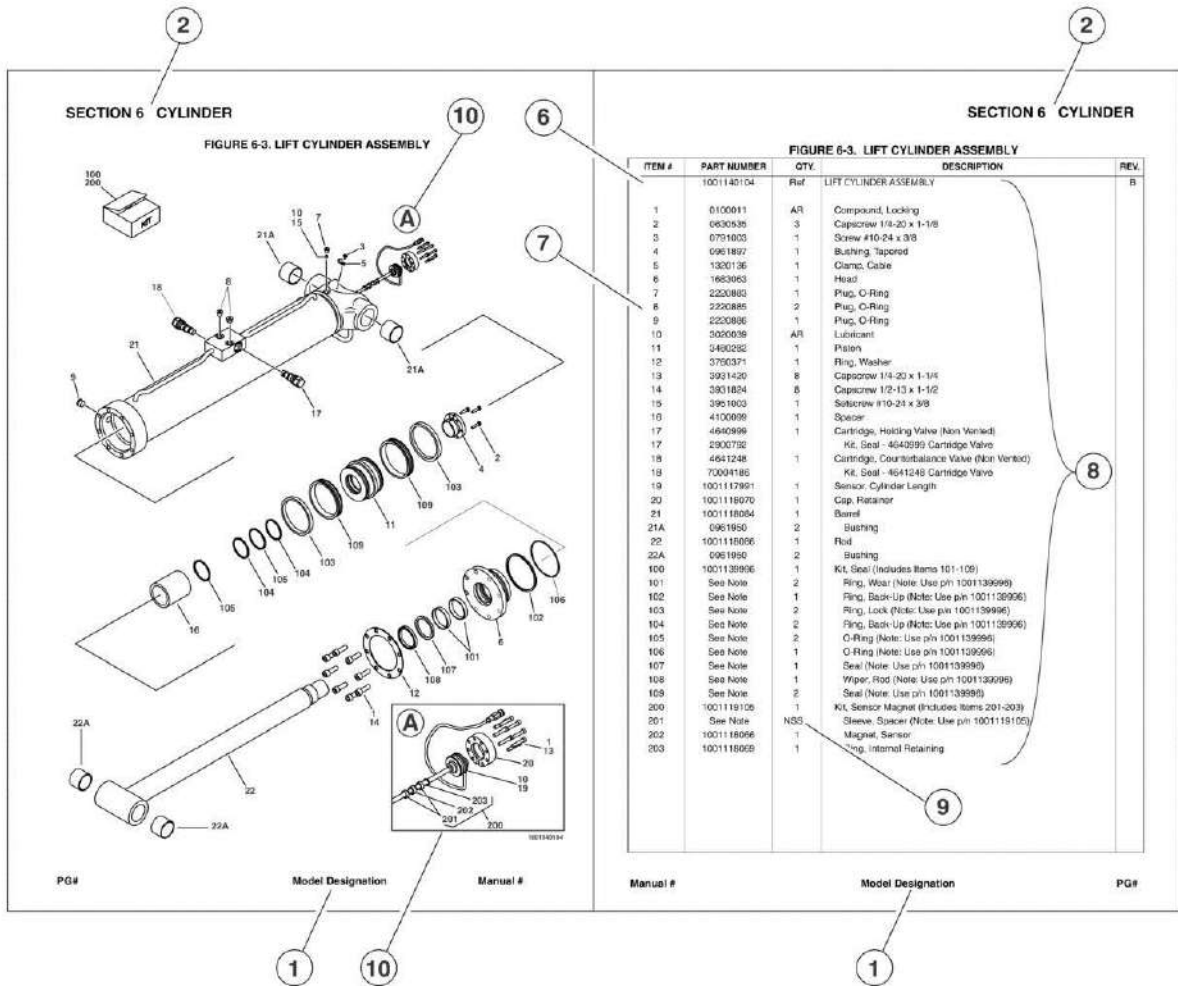
June 6, 2013 - Revised Manual

September 1, 2013 - Revised Manual

June 1, 2015 - Revised Manual

December 14, 2015 - Revised Manual (Revision 4)

GENERAL INFORMATION



1) MACHINE IDENTIFICATION

Machines are identified by model and in some cases a combination of models, serial number (SN) or regional standard (i.e ANS, CE, CSA). Components may also be identified by SN or manufacturer. Common components that may be identified by these characteristics are engines and hydraulic components.

2) PARTS MANUAL ORGANIZATION

Product information in this manual is organized under section titles. Frame, Cylinder, Hydraulic and Electrical are a few examples. Each section is organized by figure and page number. The information within the Figure is then organized by item number, part number, description and corresponding illustration (s).

3) TABLE OF CONTENTS

A table of contents is found toward the beginning of the manual. Figure number, description and page number are provided for quick reference to the page containing the related information.

4) RECOMMENDED SPARE PARTS

The Recommended Spare Parts, located near the end of the manual, reference most frequently used maintenance parts.

5) PART NUMBER INDEX

A numerical index listing all part numbers and the corresponding page number(s) appears at the back of the manual.

GENERAL INFORMATION

6) NON-SERVICED PARTS

In some instances, it is necessary to display non-serviced parts, assemblies or installations. In the case of assemblies and installations there will be a Ref in the Qty column. In case of parts that are not available for service within assemblies or components, there will be a NSS (Not Sold Separately) or NLA (No Longer Available) listed in the Qty. column of the manual.

7) PARTS LIST ITEM NUMBERS

Numbers shown in the item# column correspond to numbers used in the associated illustration (s). Item numbers which are missing from the sequence in the parts list are not used on that page

8) INDENTED PARTS DESCRIPTION

An indented part description is included in the item under which it is indented.

9) ABB REVIATION AND SYMBOLS

AC.....	.. Alternating Current	LCD	Liquid Crystal Display
ADE.....	..Advanced Design Electronics	LED	Light Emitting Diodes
ANSIAmerican National Standards Institute	LH.....	.. Left Hand
AR.....	..As Required	LSSLoad Sensing System
ASSY Assembly	M(m).....	..Metric/Meter
AUX.....	..A uxiliary	MM (mm)Milimeter
AWG.....	..American Wire Gauge	mA.....	.. Milliamps
B/M.....	.. Bill of Material	NLA.....	..No Longer Available
CE.....	..European Conformity	NPT National Pipe Threads
CCWCounter Clockwise	NSSNot Sold Separately
cm.....	..Centimeter	OD.....	..Outside Diameter
CW.....	..Clockwise	ORB.....	..O-Ring Bos s
CSA.....	..Canadian Standards Association	ORFS.....	..O-Ring Face Seal
CYL.....	..Cylinder	OZ (oz)Ounces
DIA.....	..Diameter	PGPage
DC.....	..Direct Current	P/N.....	..Part Number
EMSEmergency Stop	qt.....	..Quarts
ENGEngine	QTY.....	..Quantity
FT(ft).....	..Feet	REFReference
GA(Ga).....	..G auge	REVRevision Level
HYDHydraulic	RH.....	..Right Hand
Hz.....	..Hertz	SAE.....	..Society of Automotive E ngineers
ID.....	..Inside Diameter	SN.....	..Serial Number
in.....	..inches	SPEC(S).....	..Specifications
ISO.....	..I nternational Organization for Stand ards	T/T.....	..Turntable
JIC.....	..Joint Industry Council	UGMUniv ersal G round Module
KGKilogram	V.....	..Volts
L.....	..Liter	W.....	..Watts
LB.....	..P ounds	#.....	..Number

10) ILLUSTRATION REFERENCE LETTERS

When necessary, illustrations may contain reference letters that are intended to track information (i. e. hoses, harnesses) from one point to another or to track visual enlargement of components to show details that may be located in another area on the illustration.

Note: Due to continuous product improvements, JLG Industries, Inc. reserves the right to make specification changes without prior notification. Contact JLG Industries, Inc. for updated information.

TABLE OF CONTENTS

SECTION 1 - FRAME.....	9
FIGURE 1-1. 2WD FRONT AXLE AND STEERING INSTALLATIONS	10
FIGURE 1-2. 4WD FRONT AXLE AND STEERING INSTALLATIONS	14
FIGURE 1-3. 4WS REAR STEERING INSTALLATIONS	18
FIGURE 1-4. TIRE AND WHEEL DRIVE INSTALLATIONS	20
FIGURE 1-5. DRIVE HUB ASSEMBLY	24
FIGURE 1-6. DRIVE BRAKE ASSEMBLY.....	26
FIGURE 1-7. DRIVE MOTOR ASSEMBLY - SUNSTRAND (2WD).....	30
FIGURE 1-8. DRIVE MOTOR ASSEMBLY - REXROTH (4WD).....	32
FIGURE 1-9. TOW PACKAGE INSTALLATION (OPTIONAL)	34
SECTION 2 - TURNTABLE	37
FIGURE 2-1. CONTROL VALVES INSTALLATIONS	38
FIGURE 2-2. MAIN VALVE BLOCK ASSEMBLY	42
FIGURE 2-3. ACCESSORY VALVE ASSEMBLIES	46
FIGURE 2-4. SWING DRIVE, TURNTABLE BEARING AND LOCK INSTALLATIONS.....	48
FIGURE 2-5. SWING HUB ASSEMBLY	50
FIGURE 2-6. SWING BRAKE ASSEMBLY	52
FIGURE 2-7. SWING MOTOR ASSEMBLY	56
FIGURE 2-8. DEUTZ ENGINE INSTALLATION - WITHOUT NOISE REDUCTION (Prior to SN 0300029930)	58
FIGURE 2-9. DEUTZ ENGINE INSTALLATION - WITH NOISE REDUCTION (SN 0300028190 through 0300069000)	64
FIGURE 2-10. GENERATOR INSTALLATION (OPTIONAL - DEUTZ ENGINE MACHINES)	70
FIGURE 2-11. PISTON PUMP ASSEMBLY	74
FIGURE 2-12. GEAR PUMP ASSEMBLY	80
FIGURE 2-13. TANKS INSTALLATION.....	82
FIGURE 2-14. ROTARY COUPLING INSTALLATION	84
FIGURE 2-15. GROUND CONTROL BOX INSTALLATIONS (Prior to SN 0300064249).....	86
FIGURE 2-16. GROUND CONTROL BOX INSTALLATIONS (ADE SYSTEM) (SN 0300064249 through 0300069000).....	90
FIGURE 2-17. ELECTRICAL OPTIONS INSTALLATION (TURNTABLE MOUNTED).....	94
FIGURE 2-18. ENGINE TRAY JACK INSTALLATION (OPTIONAL).....	98
FIGURE 2-19. HOODS INSTALLATIONS - WITHOUT NOISE REDUCTION	100
FIGURE 2-20. HOODS INSTALLATIONS - WITH NOISE REDUCTION	104
SECTION 3 - BOOM	109
FIGURE 3-1. BOOMS AND CYLINDERS INSTALLATION - 600A.....	110
FIGURE 3-2. BOOMS AND CYLINDERS INSTALLATION - 600AJ.....	114
FIGURE 3-3. TOWER BOOM ASSEMBLIES	120
FIGURE 3-4. MAIN BOOM ASSEMBLIES	124
FIGURE 3-5. ROTATOR ASSEMBLIES (FRONT ENTRY PLATFORM).....	128
FIGURE 3-6. ROTATOR ASSEMBLIES (SIDE ENTRY PLATFORM).....	132
FIGURE 3-7. VALVES AND SWITCHES INSTALLATION (BOOM MOUNTED)	134
FIGURE 3-8. BOOM WIPERS INSTALLATIONS (OPTIONAL).....	138
SECTION 4 - PLATFORM.....	141
FIGURE 4-1. PLATFORM COMPONENTS INSTALLATION (FRONT ENTRY).....	142
FIGURE 4-2. PLATFORM COMPONENTS INSTALLATION (SIDE ENTRY).....	146
FIGURE 4-3. PLATFORM CONSOLE ASSEMBLY (Prior to SN 0300064249)	150
FIGURE 4-4. PLATFORM CONSOLE ASSEMBLY (WITH ADE SYSTEM) (SN 0300064249 through 0300069000)	156
FIGURE 4-5. CONTROLLER ASSEMBLY (SWING AND LIFT) (Prior to SN 0300039749)	160
FIGURE 4-6. CONTROLLER ASSEMBLY (SWING AND LIFT) (SN 0300039749 through 0300064248)	162
FIGURE 4-7. CONTROLLER ASSEMBLY (SWING AND LIFT) (WITH ADE SYSTEM) (ORIGINAL EQUIPMENT) (SN 0300064249 through 0300069000).....	164
FIGURE 4-8. CONTROLLER ASSEMBLY (SWING AND LIFT) (WITH ADE SYSTEM) (SERVICE REPLACEMENT) (SN 0300064249 through 0300069000).....	166
FIGURE 4-9. CONTROLLER ASSEMBLY (SWING AND LIFT) (WITH ADE SYSTEM) (SERVICE REPLACEMENT) (SN 0300064249 through 0300069000).....	168
FIGURE 4-10. CONTROLLER ASSEMBLY (DRIVE AND STEER) (Prior to SN 0300039749).....	172
FIGURE 4-11. CONTROLLER ASSEMBLY (DRIVE AND STEER) (SN 0300039749 through 0300064248)	176
FIGURE 4-12. CONTROLLER ASSEMBLY (DRIVE AND STEER) (WITH ADE SYSTEM) (ORIGINAL EQUIPMENT) (SN 0300064249 through 0300069000).....	178
FIGURE 4-13. CONTROLLER ASSEMBLY (DRIVE AND STEER) (WITH ADE SYSTEM) (SERVICE REPLACEMENT) (SN 0300064249 through 0300069000).....	180

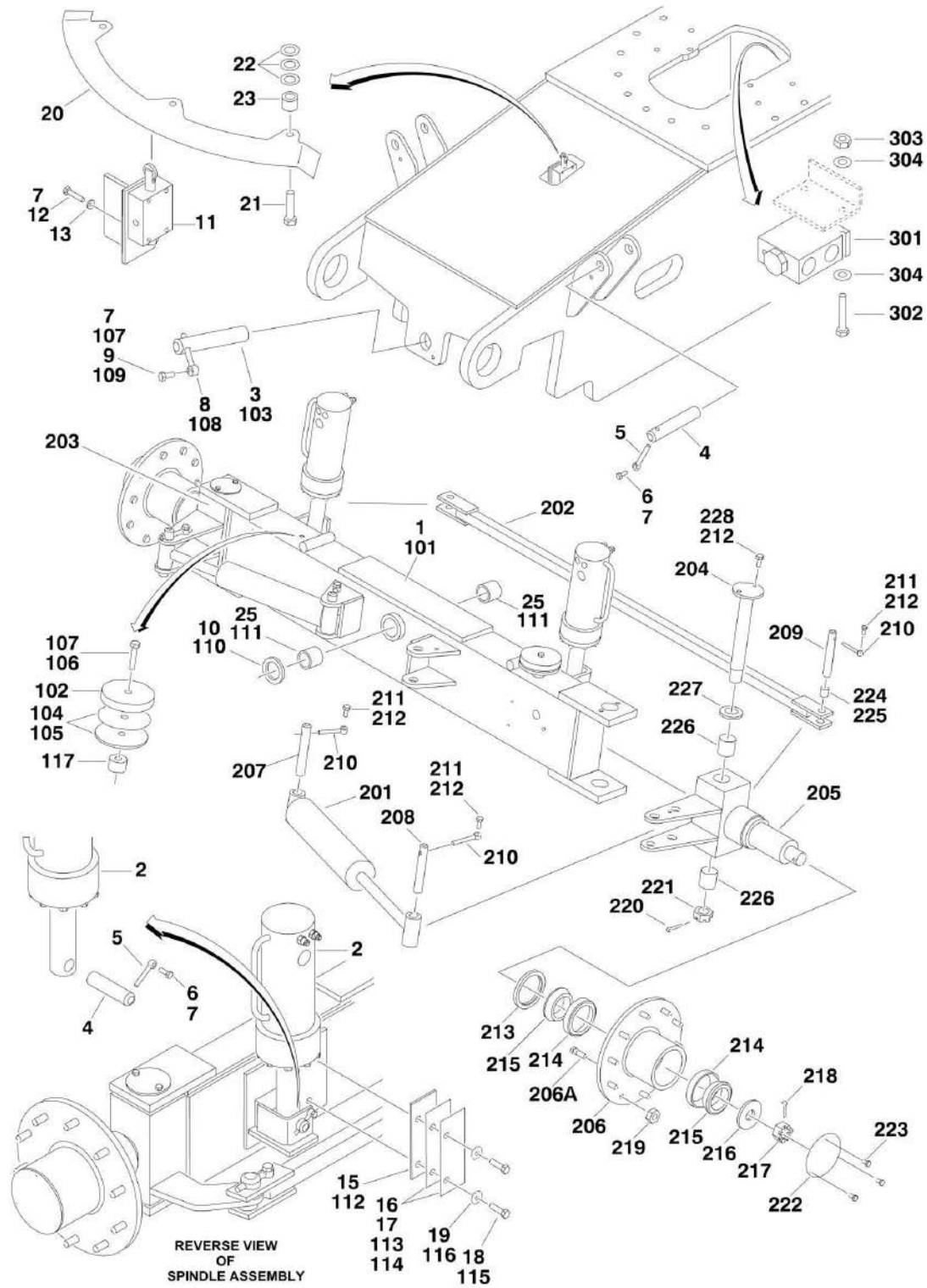
TABLE OF CONTENTS

FIGURE 4-14. CONTROLLER ASSEMBLY (DRIVE AND STEER) (WITH ADE SYSTEM) (SERVICE REPLACEMENT) (SN 0300064249 through 0300069000)	182
FIGURE 4-15. SOFT TOUCH SYSTEM INSTALLATION (OPTIONAL)	184
FIGURE 4-16. LOAD SENSING SYSTEM INSTALLATION (FRONT ENTRY PLATFORM)	188
SECTION 5 - CYLINDER.....	191
FIGURE 5-1. AXLE LOCKOUT CYLINDER ASSEMBLY	192
FIGURE 5-2. PLATFORM LEVEL CYLINDER ASSEMBLIES (Prior to SN 0300024714).....	194
FIGURE 5-3. PLATFORM LEVEL CYLINDER ASSEMBLIES (SN 0300024714 through 0300069000)	196
FIGURE 5-4. LEVEL (UPRIGHT) CYLINDER ASSEMBLY	200
FIGURE 5-5. LIFT (ARTICULATING JIB) CYLINDER ASSEMBLY - 600AJ	202
FIGURE 5-6. LIFT (MAIN BOOM) CYLINDER ASSEMBLY	204
FIGURE 5-7. LIFT (TOWER BOOM) CYLINDER ASSEMBLY	206
FIGURE 5-8. MASTER CYLINDER ASSEMBLIES	208
FIGURE 5-9. STEER CYLINDER ASSEMBLIES	212
FIGURE 5-10. TELESCOPE (MAIN BOOM) CYLINDER ASSEMBLIES	214
FIGURE 5-11. TELESCOPE (TOWER BOOM) CYLINDER ASSEMBLY	216
FIGURE 5-12. CYLINDER BELLOWS INSTALLATION (OPTIONAL)	218
SECTION 6 - HYDRAULIC	221
FIGURE 6-1. DRIVE HYDRAULIC DIAGRAM - 2WD/2WS	222
FIGURE 6-2. DRIVE HYDRAULIC DIAGRAM - 4WD/2WS	224
FIGURE 6-3. HYDRAULIC DIAGRAM - OSCILLATING AXLE	228
FIGURE 6-4. HYDRAULIC DIAGRAM - STANDARD	230
FIGURE 6-5. HYDRAULIC DIAGRAM LIST.....	234
SECTION 7 - ELECTRICAL.....	235
FIGURE 7-1. ELECTRICAL DIAGRAM LIST	236
FIGURE 7-2. ELECTRICAL SCHEMATIC - CE SPEC MACHINES WITH COLORED WIRING (Prior to SN 0300035129)	240
FIGURE 7-3. ELECTRICAL SCHEMATIC - CE SPEC MACHINES WITH NUMBERED COLORED WIRING (SN 0300035129 through 0300069000)	244
FIGURE 7-4. ELECTRICAL SCHEMATIC - AUSTRALIAN MACHINES WITH COLORED WIRING (Prior to SN 0300035129) ..	248
FIGURE 7-5. ELECTRICAL SCHEMATIC - AUSTRALIAN MACHINES WITH NUMBERED COLORED WIRING (SN 0300035129 through 0300069000)	252
FIGURE 7-6. ELECTRICAL SCHEMATIC - DIESEL/GAS MACHINES (WITH ADE SYSTEM) (SN 0300064249 through 0300069000)	256
FIGURE 7-7. HARNESS COMPONENTS INSTALLATION (Prior to SN 0300064249)	260
FIGURE 7-8. HARNESS COMPONENTS INSTALLATION (WITH ADE SYSTEM) (SN 0300064249 through 0300064269).....	268
FIGURE 7-9. HARNESS COMPONENTS INSTALLATION (WITH ADE SYSTEM) (SN 0300064270 through 0300069000).....	274
SECTION 8 - DECALS	281
FIGURE 8-1. DECALS INSTALLATION.....	282
SECTION 9 - RECOMMENDED SERVICE PARTS STOCK.....	287
FIGURE 9-1. MODELS 600A/600AJ/N600AJ STANDARD PARTS.....	288
SECTION 10 - SPECIAL OPTIONS	289
FIGURE 10-1. SPECIAL OPTIONS	290
PART NUMBER INDEX.....	293

SECTION 1 - FRAME

SECTION 1 - FRAME

FIGURE 1-1. 2WD FRONT AXLE AND STEERING INSTALLATIONS



SECTION 1 - FRAME

FIGURE 1-1. 2WD FRONT AXLE AND STEERING INSTALLATIONS

ITEM	PART NUMBER	QTY	DESCRIPTION	REV
		Ref	AXLE INSTALLATIONS - OSCILLATING	
	0255404	Ref	8ft/2.4m Wide Machines (Prior to SN 0300041868)	7
	0256398	Ref	8ft/2.4m Wide Machines (SN 0300041868 through 0300069000)	3
	0255418	Ref	7ft/2.1m Wide Machines (Prior to SN 0300041868)	6
	0256397	Ref	7ft/2.1m Wide Machines (SN 0300041868 through 0300069000)	4
1		Ref	Axle Weldment Options:	
1	4844929	1	8ft/2.4m Wide Machine	
1	4844960	1	7ft/2.1m Wide Machine	
2	1683280	2	Lockout Cylinder Assembly (See CYLINDER SECTION for Breakdown)	
3		Ref	Pin, Pivot Options:	
3	3422431	NLA	Pin, Pivot (Use p/n 3422592) (Prior to SN 0300041868)	
3	3422592	1	Pin, Pivot (SN 0300041868 through 0300069000)	
4	3422426	4	Pin, Cylinder	
5	3841143	4	Keeper, Pin	
6	0641608	4	Bolt 3/8in-16NC x 1in	
7	0100011	AR	Compound, Locking	
8	3841258	1	Keeper, Pin	
9	0642012	1	Bolt 5/8in-11NC x 1-1/2in	
10	4740158	1	Thrustwasher	
11	4640871	1	Valve, Cam	
11	7012693	1	Seal Kit - 4640871 Valve	
11	7002840	1	Tool, Pin Removal	
12	0641414	4	Bolt 1/4in-20NC x 1-7/8in	
13	4711400	8	Flatwasher 1/4in Thin	
15	3538047	2	Plate, Wear	
16	4070878	4	Shim, (.06)	
17	4070879	4	Shim, (.12)	
18	0641612	4	Bolt 3/8in-16NC x 1-1/2in	
19	4711600	4	Flatwasher 3/8in Thin	
20	1100098	1	Cam, Lockout	
21	0641820	3	Bolt 1/2in-13NC x 2in	
22	4751800	9	Flatwasher 1/2in Regular	
23	4566832	3	Tube, Spacer	
25	0961950	2	Bushing	
		Ref	AXLE INSTALLATIONS - FIXED	
	0255416	Ref	8ft/2.4m Wide Machines (Prior to SN 0300041868)	3
	0256623	Ref	8ft/2.4m Wide Machines (SN 0300041868 through 0300069000)	3
	0255419	Ref	7ft/2.1m Wide Machines (Prior to SN 0300041868)	3
	0256624	Ref	7ft/2.1m Wide Machines (SN 0300041868 through 0300069000)	2
101		Ref	Axle Weldment Options:	
101	4844929	1	8ft/2.4 Wide Machines	
101	4844960	1	7ft/2.1 Wide Machines	
102	3539877	2	Plate, Stop	
103		Ref	Pin, Pivot Options:	
103	3422325	NLA	Pin, Pivot (Use p/n 3422592) (Prior to SN 0300041868)	
103	3422592	1	Pin, Pivot (SN 0300041868 through 0300069000)	
104	4070944	AR	Shim (.06)	
105	4070945	AR	Shim (.25)	
106	0641826	4	Bolt 1/2in-13NC x 3-1/4in	

SECTION 1 - FRAME

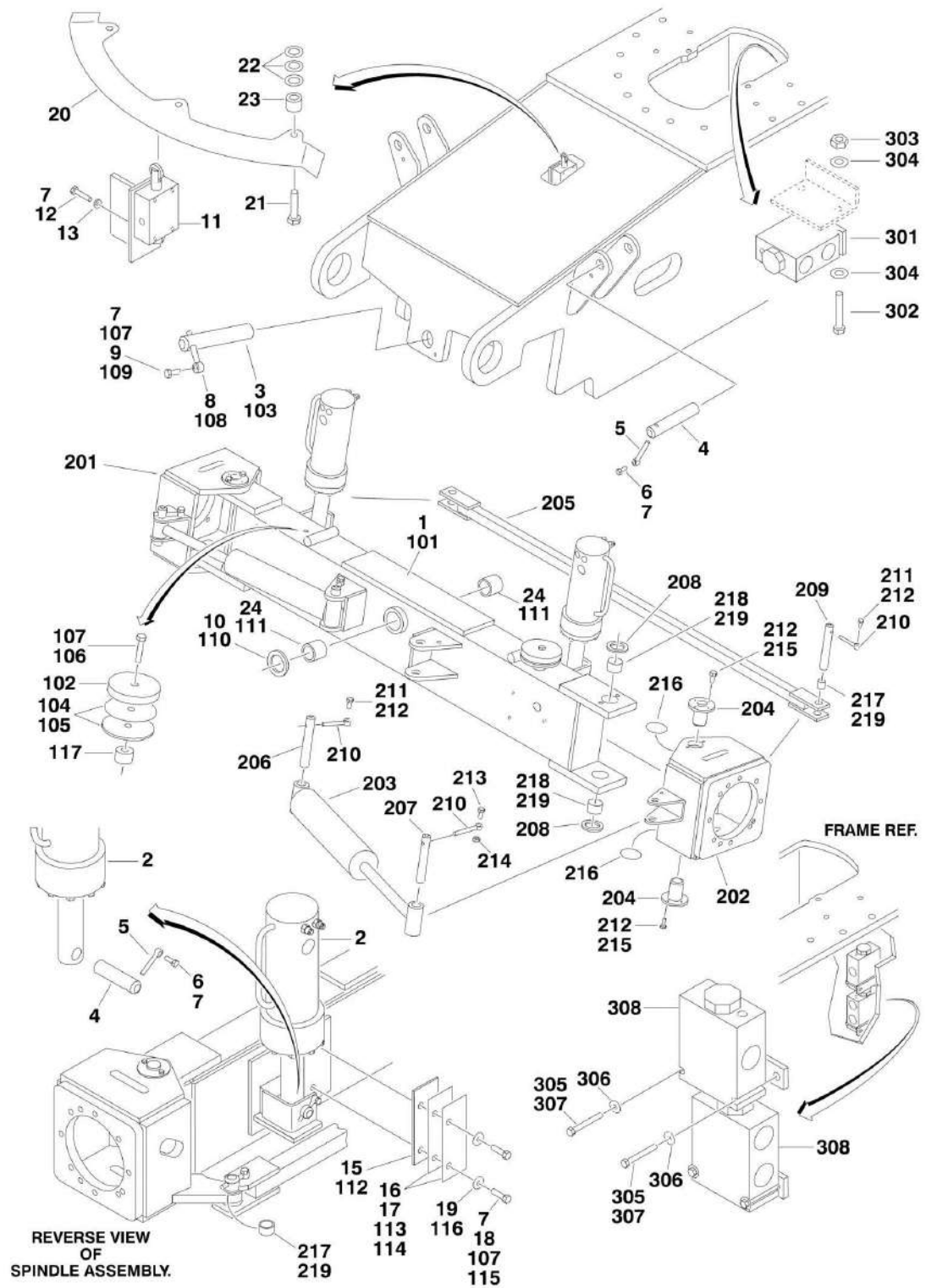
ITEM	PART NUMBER	QTY	DESCRIPTION	REV
107	0100019	AR	Compound, Locking	
108	3841258	1	Keeper, Pin	
109	0642012	1	Bolt 5/8in-11NC x 1-1/2in	
110	4740158	1	Thrustwasher	
111	0961950	2	Bushing	
112	3538047	2	Plate, Wear	
113	4070878	AR	Shim (.06)	
114	4070879	AR	Shim (.12)	
115	0641612	4	Bolt 3/8in-16NC x 1-1/2in	
116	4711600	4	Flatwasher 3/8in Thin	
117	3539879	2	Plate, Stop	
		Ref	STEERING INSTALLATIONS	
	0255405	Ref	8ft/2.4m Wide Machines (Prior to SN 0300041868)	4
	0256388	Ref	8ft/2.4m Wide Machines (SN 0300041868 through 0300069000)	4
	0255406	Ref	7ft/2.1m Wide Machines (Prior to SN 0300041868)	3
	0256391	Ref	7ft/2.1m Wide Machines (SN 0300041868 through 0300069000)	4
201		Ref	Steer Cylinder Assembly Options: (See CYLINDER SECTION for Breakdown)	
201	1683208	2	8ft/2.4 Wide Machines	
201	1683304	2	7ft/2.1 Wide Machines	
202		Ref	Tierod Options:	
202	3841262	1	8ft/2.4 Wide Machines	
202	3841263	1	7ft/2.1 Wide Machines	
203		Ref	Spindle Options: (Right Side)	
203	4130325	NLA	Spindle (Use p/n 4130341) (Prior to SN 0300041868)	
203	4130341	1	Spindle (SN 0300041868 through 0300069000)	
204	3422427	2	Kingpin	
205		Ref	Spindle Options: (Left Side)	
205	4130326	NLA	Spindle (Use p/n 4130340) (Prior to SN 0300041868)	
205	4130340	1	Spindle (SN 0300041868 through 0300069000)	
206	2780212	2	Hub	
206A	0630490	16	Stud, Wheel (8 Per Hub)	
207	3422426	2	Pin	
208	3422429	2	Pin	
209	3422430	2	Pin	
210	3841143	6	Keeper	
211	0641608	6	Bolt 3/8in-16NC x 1in	
212	0100011	AR	Compound, Locking	
213	3960098	2	Seal	
214	0440019	4	Cone, Bearing	
215	0440018	4	Cup, Bearing	
216	4740016	2	Washer, Hardened	
217	3323403	2	Nut, Slotted 1-1/2in-12NF	
218	3450810	2	Pin, Cotter 1/4in x 2 1/2in	
219	3300106	16	Lugnut 5/8in	
220	3451012	2	Pin, Cotter 1/4in x 3in	
221	3313403	2	Nut, Slotted 1-1/2in-6NC	
222	1120460	2	Cap, Hub	
223	0641404	6	Bolt 1/4in-20NC x 1/2in	
224	0962005	2	Bushing	
225	0100063	AR	Loctite #RC609	
226		Ref	Bushing Options:	

SECTION 1 - FRAME

ITEM	PART NUMBER	QTY	DESCRIPTION	REV
226	0961948	4	Bushing (Prior to SN 0300062140)	
226	0962272	4	Bushing (SN 0300062140 through 0300069000)	
227	0440161	2	Thrustwasher	
228	0681608	4	Bolt 3/8in-16NC x 1in (Grade 8)	
	2890245	1	Wheel Bearing Retention Washer Replacement Kit (Includes Items 216 & 218)	
		Ref	VALVE INSTALLATIONS	
	0255413	Ref	Valve (Prior to SN 0300056718)	5-C
	0270123	Ref	Valve (SN 0300056718 through 0300069000)	3-B
301	4640923	1	Valve, Flow Divider	
301	7012442	1	Cartridge	
301	7012980	1	Seal Kit - 7012442 Cartridge	
301	7012993	1	Orifice	
302	0641522	2	Bolt 5/16in-18NC x 2-3/4in	
303	3311505	2	Locknut 5/16in-18NC	
304	4751500	4	Flatwasher 5/16in Regular	
305	4060808	3.5 ft/1.1m	Shield, Flex Trim (Not Shown)	

SECTION 1 - FRAME

FIGURE 1-2. 4WD FRONT AXLE AND STEERING INSTALLATIONS



SECTION 1 - FRAME

FIGURE 1-2. 4WD FRONT AXLE AND STEERING INSTALLATIONS

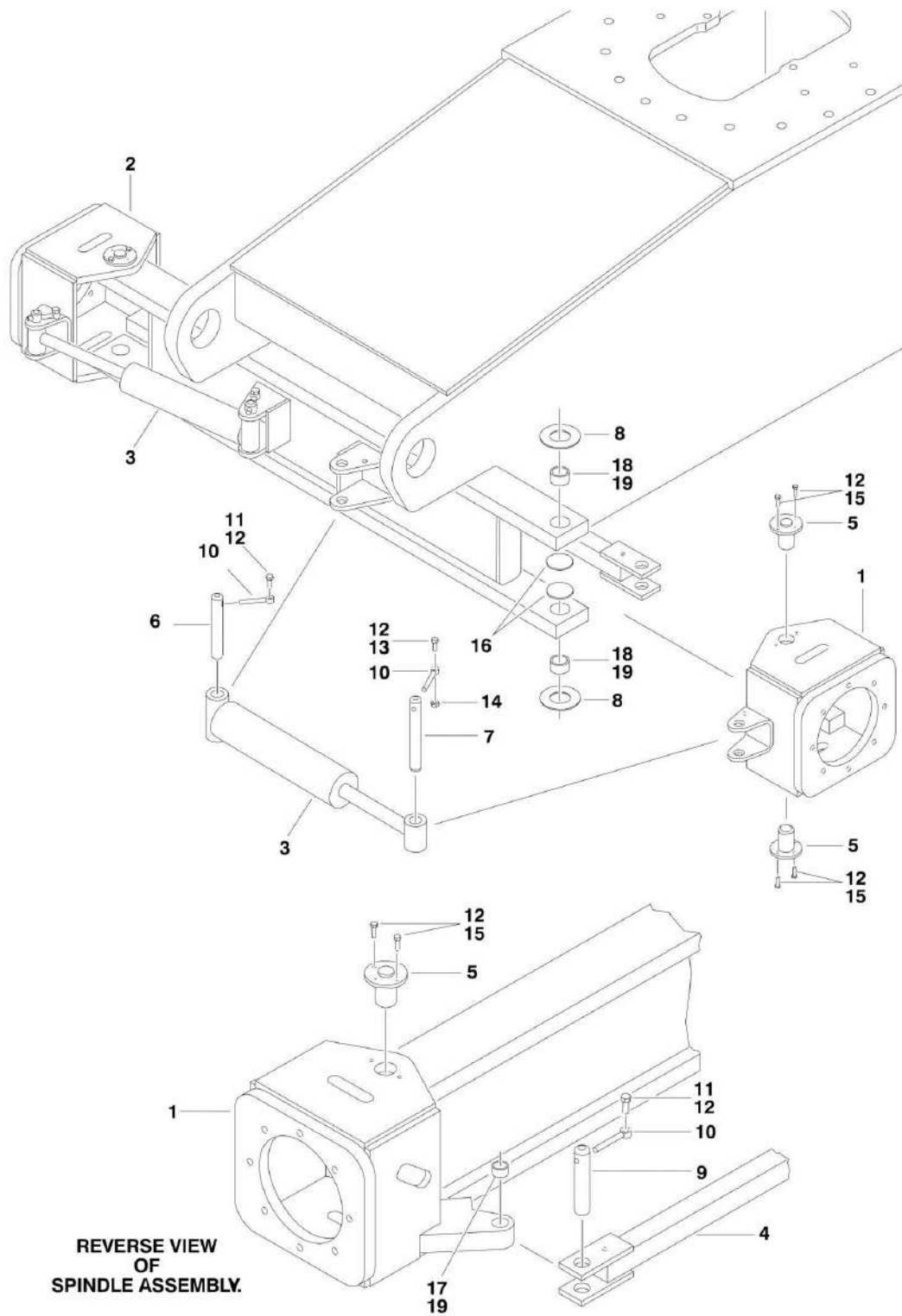
ITEM	PART NUMBER	QTY	DESCRIPTION	REV
		Ref	AXLE INSTALLATIONS - OSCILLATING	
	0255415	Ref	Axle (Prior to SN 0300041868)	4
	0256392	Ref	Axle (SN 0300041868 through 0300069000)	3
1	4845041	1	Axle Weldment	
2	1683280	2	Lockout Cylinder Assembly (See CYLINDER SECTION for Breakdown)	
3		Ref	Pin, Pivot Options:	
3	3422431	NLA	Pin, Pivot (Use p/n 3422592) (Prior to SN 0300041868)	
3	3422592	1	Pin, Pivot (SN 0300041868 through 0300069000)	
4	3422426	4	Pin, Cylinder	
5	3841143	4	Keeper, Pin	
6	0641608	4	Bolt 3/8in-16NC x 1in	
7	0100011	AR	Compound, Locking	
8	3841258	1	Keeper	
9	0642012	1	Bolt 5/8in-11NC x 1-1/2in	
10	4740158	1	Thrustwasher	
11	4640871	1	Valve, Cam	
11	7012693	1	Seal Kit - 4640871 Valve	
11	7002840	1	Tool, Pin Removal	
12	0641414	4	Bolt 1/4in-20NC x 1 3/4in	
13	4711400	4	Flatwasher 1/4in Thin	
15	3538047	2	Plate, Axle Wear	
16	4070878	AR	Shim (.06)	
17	4070879	AR	Shim (.12)	
18	0641608	4	Bolt 3/8in-16NC x 1in	
19	4711600	4	Flatwasher 3/8in Thin	
20	1100098	1	Cam, Lockout	
21	0641816	3	Bolt 1/2in-13NC x 2in	
22	4751800	AR	Flatwasher 1/2in Regular	
23	4566832	3	Spacer, Tube	
24	0961950	2	Bushing, Bronze	
		Ref	AXLE INSTALLATIONS - FIXED	
	0255417	Ref	Axle (Prior to SN 0300041868)	3
	0256625	Ref	Axle (SN 0300041868 through 0300069000)	3
101	4845041	1	Axle Weldment	
102	3539877	2	Plate, Stop	
103		Ref	Pin, Pivot Options:	
103	3422431	NLA	Pin, Pivot (Use p/n 3422592) (Prior to SN 0300041868)	
103	3422592	1	Pin, Pivot (SN 0300041868 through 0300069000)	
104	4070944	AR	Shim (.06)	
105	4070945	AR	Shim (.25)	
106	0641820	2	Bolt 1/2in-13NC x 2-1/2in	
107	0100019	AR	Compound, Locking	
108	3841258	1	Keeper, Pin	
109	0642012	1	Bolt 5/8in-11NC x 1-1/2in	
110	4740158	1	Thrustwasher	
111	0961950	2	Bushing	
112	3538047	2	Plate, Wear	
113	4070878	AR	Shim (.06)	
114	4070879	AR	Shim (.12)	

SECTION 1 - FRAME

ITEM	PART NUMBER	QTY	DESCRIPTION	REV
115	0641612	4	Bolt 3/8in-16NC x 1-1/2in	
116	4711600	4	Flatwasher 3/8in Thin	
117	3539879	2	Plate, Stop	
		Ref	STEERING INSTALLATIONS	
	0255411	Ref	Steering (Prior to SN 0300041868)	3
	0256399	Ref	Steering (SN 0300041868 through 0300069000)	4
201	4130330	1	Spindle - Right Side	
202	4130331	1	Spindle - Left Side	
203	1683208	2	Steer Cylinder Assembly (See CYLINDER SECTION for Breakdown)	
204		Ref	Pin, Pivot Options:	
204	3422492	NLA	Pin, Pivot (Use p/n 3422802) (Prior to SN 0300041868)	
204	3422590	NLA	Pin, Pivot (Use p/n 3422802) (SN 0300041868 through 0300043444)	
204	3422802	1	Pin, Pivot (SN 0300043445 through 0300069000)	
205	3841285	1	Tie-Rod	
206	3422426	2	Pin, Steer Cylinder	
207	3422429	2	Pin, Steer Cylinder	
208	0440161	4	Thrustwasher	
209	3422430	2	Pin, Tie-Rod	
210	3841143	6	Keeper, Pin	
211	0641608	4	Bolt 3/8in-16NC x 1in	
212	0100011	AR	Compound, Locking	
213	0641610	2	Bolt 3/8in-16NC x 1-1/4in	
214	3311605	2	Locknut 3/8in-16NC	
215	0681608	8	Bolt 3/8in-16NC x 1in (Grade 8)	
216	1670752	4	Cover, Kingpin Only (Prior to SN 0300043445)	
217	0962005	2	Bushing, Bronze	
218		Ref	Bushing Options:	
218	0961948	NLA	Bushing (Use p/n 0962272) (Prior to SN 0300044952)	
218	0962272	4	Bushing (SN 0300044952 through 0300069000)	
219	0100063	AR	Loctite #RC609	
		Ref	VALVE INSTALLATIONS	
	0255414	Ref	Valve Installation (Prior to SN 0300056718)	6-C
	0270124	Ref	Valve Installation (SN 0300056718 through 0300069000)	3-D
301	4640923	1	Valve, Flow Divider	
301	7012992	1	Cartridge	
301	7012980	1	Seal Kit- 7012992 Cartridge	
301	7012993	1	Orifice	
302	0641522	2	Bolt 5/16in-18NC x 2-3/4in	
303	3311505	2	Locknut 5/16in-18NC	
304	4751500	4	Flatwasher 5/16in Regular	
305	0641520	4	Bolt 5/16in-18NC x 2-1/2in	
306	4751500	4	Flatwasher 5/16in Regular	
307	0100011	AR	Compound, Locking (Prior to SN 68274)	
308	4640937	2	Valve, Flow Divider	
308	7012978	1	Cartridge	
308	7012980	1	Seal Kit- 7012978 Cartridge	
308	7012994	1	Orifice	
309	4060808	3/5ft/1.1m	Shield, Flex Trim	

SECTION 1 - FRAME

FIGURE 1-3. 4WS REAR STEERING INSTALLATIONS



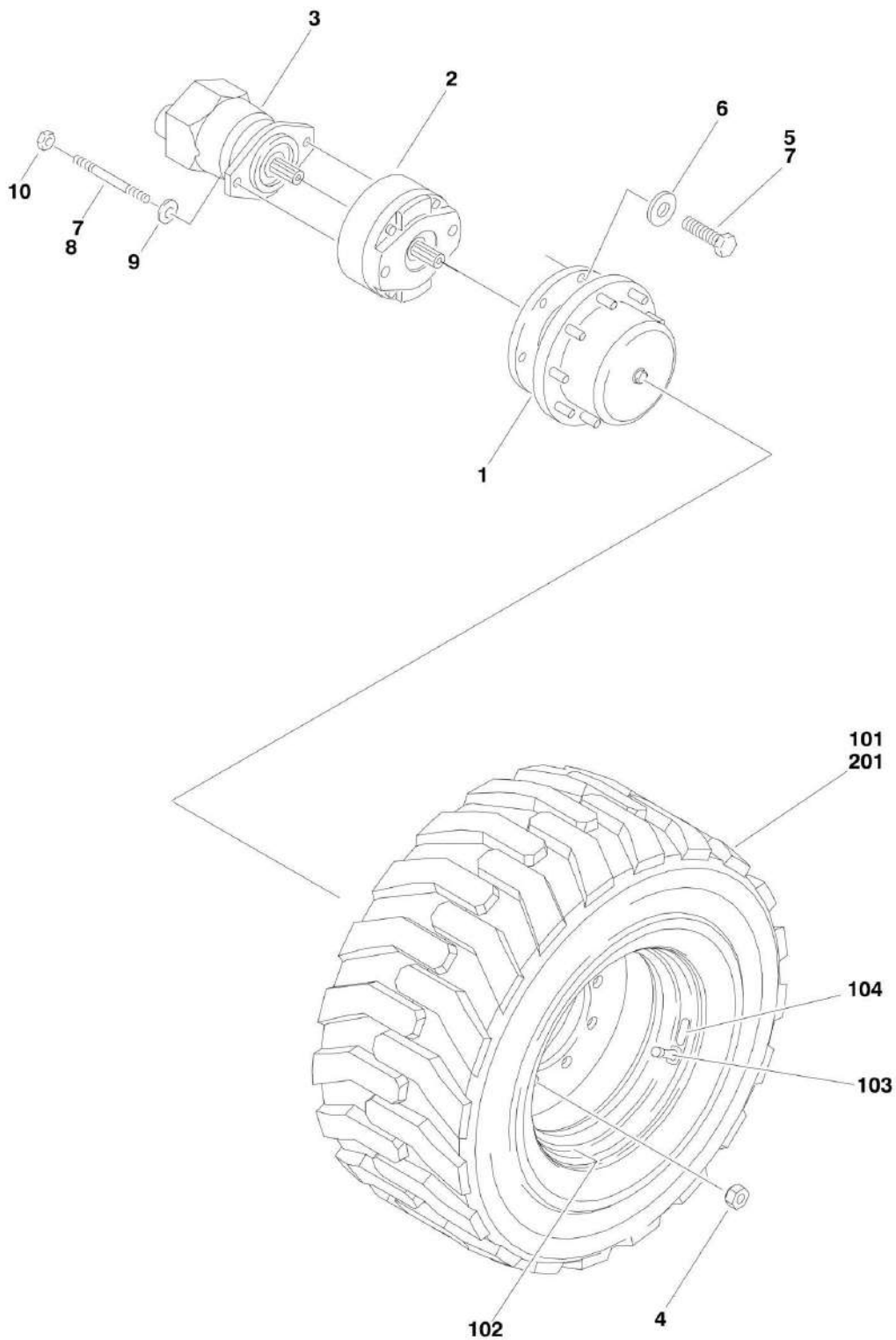
SECTION 1 - FRAME

FIGURE 1-3. 4WS REAR STEERING INSTALLATIONS

ITEM	PART NUMBER	QTY	DESCRIPTION	REV
		Ref	4WS REAR STEERING INSTALLATIONS OPTIONS:	
	0256716	Ref	2WD/4WS 8ft Wide/2.4m Machines (Prior to SN 0300041868)	2
	0256717	Ref	2WD/4WS 8ft Wide/2.4m Machines (SN 0300041868 through 0300069000)	2
	0255854	Ref	2WD/4WS 7ft Wide/2.1m Machines (Prior to SN 0300041868)	2
	0256523	Ref	2WD/4WS 7ft Wide/2.1m Machines (SN 0300041868 through 0300069000)	2
	0255412	Ref	4WD/4WS Machines (Prior to SN 0300041868)	2
	0256715	Ref	4WD/4WS Machines (SN 0300041868 through 0300069000)	2
		Ref	REAR STEERING INSTALLATION	
	0255411	Ref	8ft/2.4m Width Frame (Prior to SN 0300041868)	4
	0256399	Ref	8ft/2.4m Width Frame (SN 0300041868 through 0300069000)	4
	0255855	Ref	7ft/2.1m Width Frame (Prior to SN 0300041868)	3
	0256400	Ref	7ft/2.1m Width Frame (SN 0300041868 through 0300069000)	4
1	4130331	1	Spindle - Right Side	
2	4130330	1	Spindle - Left Side	
3		Ref	Steer Cylinder Assembly (See CYLINDER SECTION for Breakdown)	
3	1683208	2	8ft/2.4m Wide Machine	
3	1683304	2	7ft/2.1m Wide Machine	
4		Ref	Tie-Rod Options:	
4	3841285	1	8ft/2.4m Wide Machine	
4	3841291	1	7ft/2.1m Wide Machine	
5		Ref	Kingpin Options:	
5	3422492	NLA	Kingpin (Use p/n 3422802) (Prior to SN 0300041868)	
5	3422590	NLA	Kingpin (Use p/n 3422802) (SN 0300041868 through 0300043444)	
5	3422802	4	Kingpin (SN 0300043445 through 0300069000)	
6	3422426	2	Pin, Steer Cylinder	
7	3422429	2	Pin, Steer Cylinder	
8	0440161	4	Thrustwasher	
9	3422430	2	Pin, Tie-Rod	
10	3841143	6	Keeper, Pin	
11	0641608	4	Bolt 3/8in-16NC x 1in	
12	0100011	AR	Compound, Locking	
13	0641610	2	Bolt 3/8in-16NC x 1-1/4in	
14	3311605	2	Locknut 3/8in-16NC	
15	0681608	8	Bolt 3/8in-16NC x 1in (Grade 8)	
16	1670752	4	Cover, Kingpin Only (Prior to SN 0300043445)	
17	0962005	2	Bushing, Bronze	
18		Ref	Bushing Options:	
18	0961948	NLA	Bushing (Use p/n 0962272) (Prior to SN 0300044952)	
18	0962272	4	Bushing (SN 0300044952 through 0300069000)	
19	0100063	AR	Loctite #RC609	

SECTION 1 - FRAME

FIGURE 1-4. TIRE AND WHEEL DRIVE INSTALLATIONS



SECTION 1 - FRAME

FIGURE 1-4. TIRE AND WHEEL DRIVE INSTALLATIONS

ITEM	PART NUMBER	QTY	DESCRIPTION	REV
		Ref	WHEEL DRIVE INSTALLATIONS	
	0255413	Ref	Wheel Drive Installation 2WD (Prior to SN 0300056718)	5-C
	0270123	Ref	Wheel Drive Installation 2WD (SN 0300056718 through 0300069000)	1-A
	0255414	Ref	Wheel Drive Installation 4WD (Prior to SN 0300056718)	6-C
	0270124	Ref	Wheel Drive Installation 4WD (SN 0300056718 through 0300069000)	3-D
1	2780213	AR	Drive Hub Assembly (1 Per Drive Wheel) (See DRIVE HUB ASSEMBLY for Breakdown)	
2		Ref	Drive Brake Assembly (1 Per Drive Wheel) (See DRIVE BRAKE ASSEMBLY for Breakdown)	
2	0920084	AR	Drive Brake Assembly (Prior to SN 0300033476)	
2	0920110	AR	Drive Brake Assembly (SN 0300033476 through 0300056717)	
2	0920117	NLA	Drive Brake Assembly (Use p/n 0920119) (SN 0300056718 through 0300069000)	
3		Ref	Drive Motor Assembly (1 Per Wheel Drive) Options:	
3	3160205	2	2WD (See DRIVE MOTOR ASSEMBLY - SUNSTRAND (2WD) for Breakdown)	
3	3160204	4	4WD (See DRIVE MOTOR ASSEMBLY - REXROTH (4WD) for Breakdown)	
4	3300106	AR	Lugnut (8 Per Wheel)	
5	0682016	AR	Bolt 5/8in-11NC x 2in (8 Per Drive Wheel) (Grade 8)	
6	4892000	AR	Flatwasher 5/8in Hardened (8 Per Drive Wheel)	
7	0100011	AR	Compound, Locking (Prior to SN 0300068274)	
8		Ref	Stud (2 Per Drive Wheel) Options:	
8	4300120	AR	Stud 1/2in-13NC x 5-1/2in (Prior to SN 0300056718)	
8	4300097	AR	Stud 1/2in-13NC x 5-1/8in (SN 0300056718 through 0300069000)	
9	4891800	AR	Flatwasher 1/2in Hardened (2 Per Drive Wheel)	
10	3311801	AR	Nut 1/2in-13NC (2 Per Wheel Drive)	
		Ref	8 FT/2.4M WIDTH MACHINES TIRE AND WHEEL INSTALLATION OPTIONS:	
	0255420	Ref	Tire and Wheel Installation - Pneumatic	-
	0271612	Ref	Tire and Wheel Installation - Pneumatic	1
	0255421	Ref	Tire and Wheel Installation - Foam Filled	-
	0271613	Ref	Tire and Wheel Installation - Foam Filled	1
		Ref	Note: Assemblies may require ballast/foam filling to manufacturer's specifications prior to installing on a machine. Refer to Operation and Safety or Service and Maintenance Manuals.	
		Ref	Purchase individual tire and/or rim only if able to foam fill tire and wheel assembly, otherwise, purchase complete assembly.	
	0255513	2	Tire and Wheel Assembly - Galaxy Pneumatic (Right Side)	1-A
	0271609	2	Tire and Wheel Assembly - OTR Pneumatic (Right Side)	A
	0255605	2	Tire and Wheel Assembly - Galaxy Foam-Filled (Right Side)	-
	0271611	2	Tire and Wheel Assembly - OTR Foam-Filled (Right Side)	A
	0255514	2	Tire and Wheel Assembly - Galaxy Pneumatic (Left Side)	A
	0271608	2	Tire and Wheel Assembly - OTR Pneumatic (Left Side)	1-A
	0255606	2	Tire and Wheel Assembly - Galaxy Foam-Filled (Left Side)	-
	0271610	2	Tire and Wheel Assembly - OTR Foam-Filled (Left Side)	A
101		Ref	Tire 14 x 17.5 Options:	
101	4520171	AR	Galaxy (1 Per Assembly)	

SECTION 1 - FRAME

ITEM	PART NUMBER	QTY	DESCRIPTION	REV
101	4520259	AR	OTR (1 Per Assembly)	
102	4860158	AR	Rim, Wheel (1 Per Assembly)	
103	4640113	AR	Valve, Air	
104	1702740	AR	Decal - Tire Pressure	
		Ref	8FT/2.4M AND 7FT/2.1M WIDTH FRAME MACHINES TIRE AND WHEEL INSTALLATION OPTIONS:	
	0255422	Ref	Tire and Wheel Installation - Air-Boss	-
	0258764	Ref	Tire and Wheel Installation - Air-Boss (Non-Marking) (SN 0300039220 through 0300069000)	2
201		Ref	Tire and Wheel Assembly - Right Side Options:	
201	4520172	2	Air-Boss	
201	4520210	2	Air-Boss (Non-Marking)	
201		Ref	Tire and Wheel Assembly - Left Side Options:	
201	4520173	2	Air-Boss	
201	4520211	2	Air-Boss (Non-Marking)	
201		Ref	Tire Repair Section (20 Per Assembly) Options:	
201	7016206	80	Air-Boss	
201	7020135	80	Air-Boss (Non-Marking)	
	0255397	Ref	WHEEL COVER INSTALLATION (OPTIONAL) (NOT SHOWN)	2-A
301	1670777	4	Cover, Wheel	
302	0641542	16	Bolt 5/16in-18NC x 5-1/4in	
303	0100011	AR	Compound, Locking	

SECTION 1 - FRAME

FIGURE 1-5. DRIVE HUB ASSEMBLY

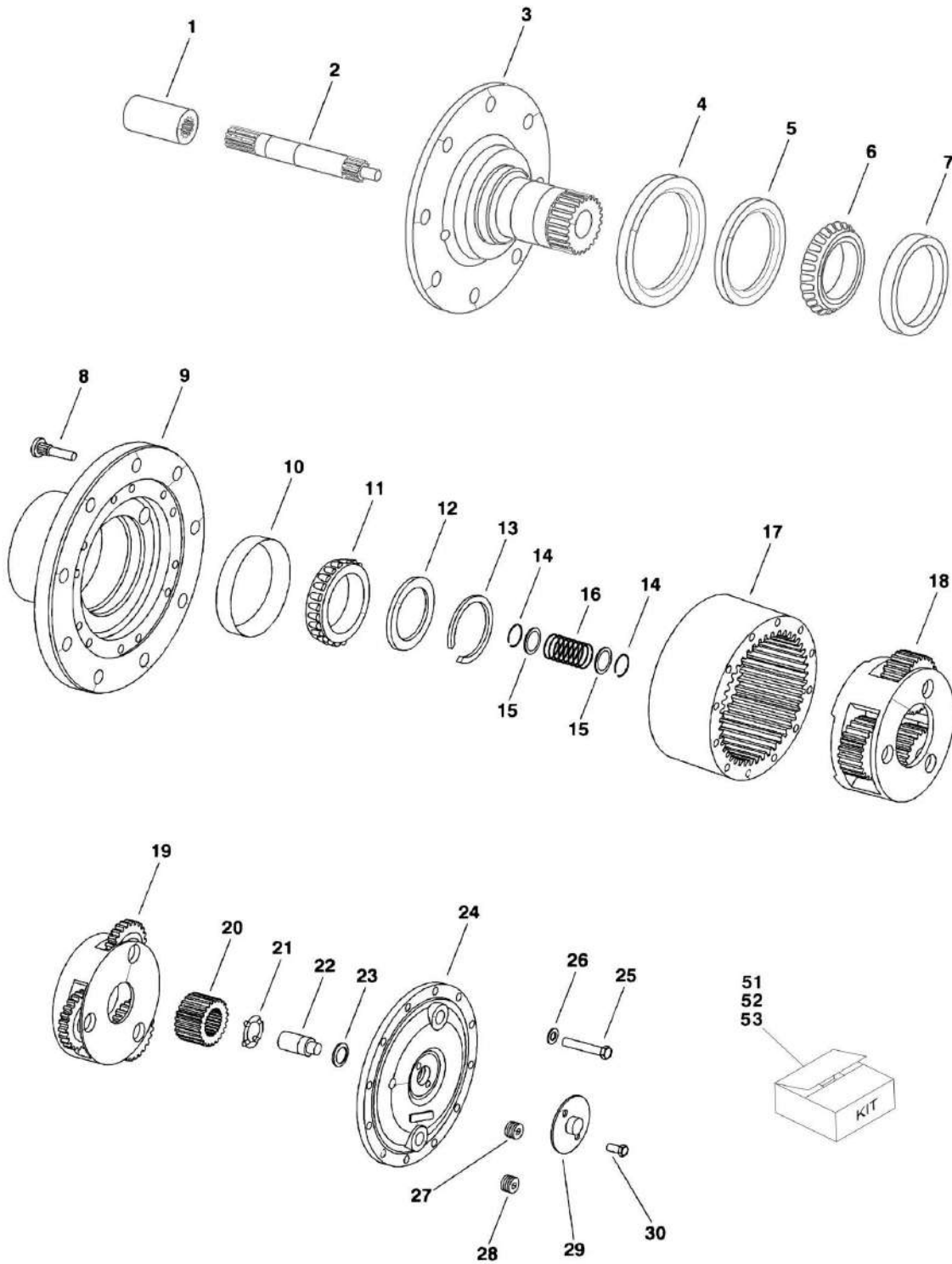
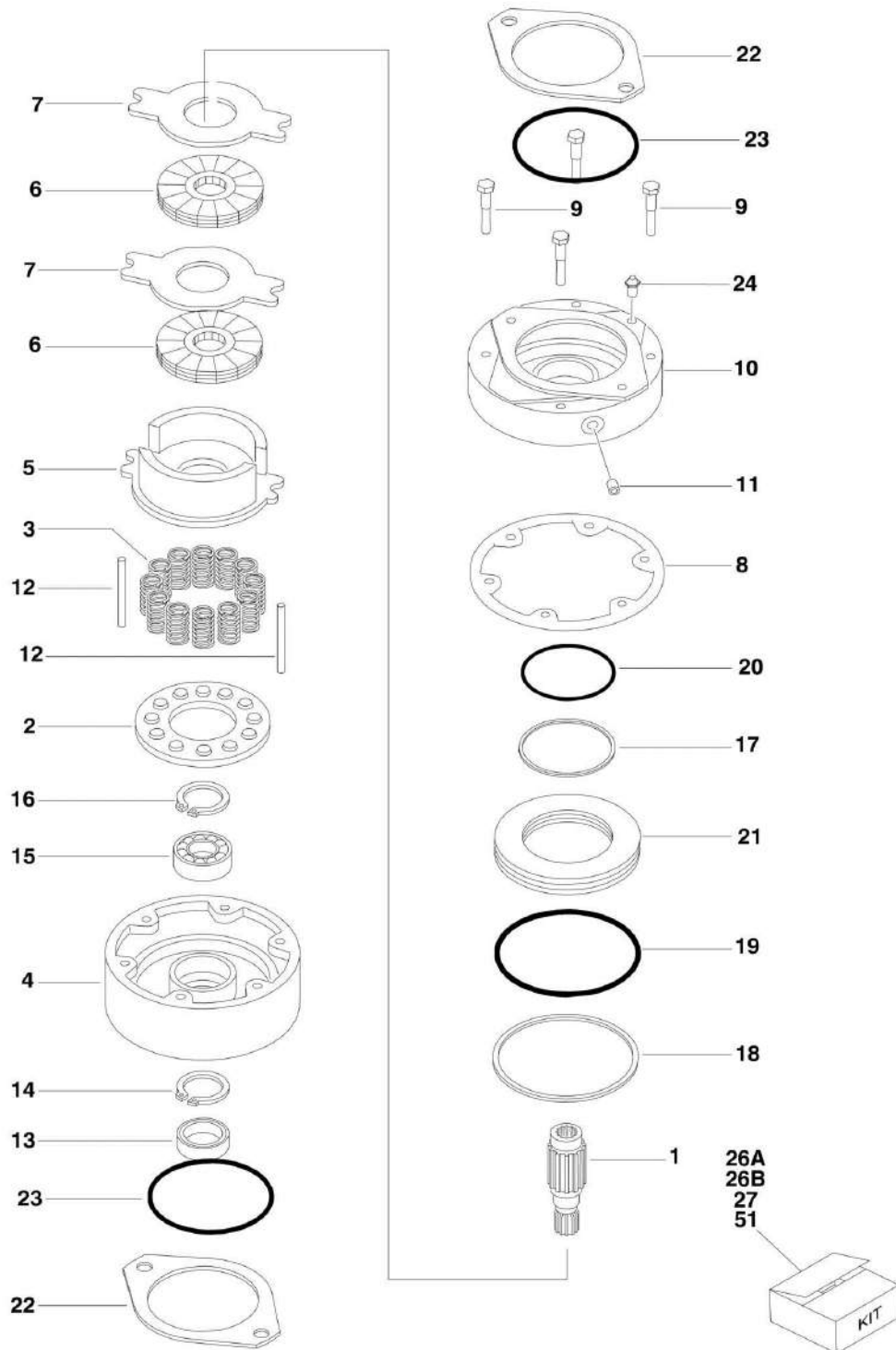


FIGURE 1-5. DRIVE HUB ASSEMBLY

ITEM	PART NUMBER	QTY	DESCRIPTION	REV
	2780213	Ref	DRIVE HUB ASSEMBLY	B
1	7014700	1	Coupling - 13 Teeth	
2	7014701	1	Shaft, Input - 13 Teeth	
3		Ref	Spindle Options:	
3	7014702	1	With Threaded Holes	
3	7014731	1	Without Threaded Holes	
4	7014728	1	Seal, Boot	
5	See Note	NSS	Seal, Oil (Note: Use Item 51 or 52)	
6	See Note	NSS	Cone, Bearing (Note: Use Item 52)	
7	See Note	NSS	Cup, Bearing (Note: Use Item 52)	
8	7014727	8	Bolt, Wheel 5/8in	
9	7014706	1	Hub	
10	See Note	NSS	Cup, Bearing (Note: Use Item 52)	
11	See Note	NSS	Cone, Bearing (Note: Use Item 52)	
12	7001711	1	Thrustwasher	
13	See Note	1	Retaining Ring Kit (Note: Use Item 51, 52 or 53)	
14	7014711	2	Ring, Retaining	
15	7014712	2	Thrustwasher	
16	7014710	1	Spring	
17	7014713	1	Gear, Ring	
18	7014714	1	Secondary Carrier Assembly	
19	7014715	1	Primary Carrier Assembly	
20	7014716	1	Gear, Sun - 15 Teeth	
21	7014722	1	Thrustwasher	
22	7014717	1	Plunger, Disengage	
23	7014718	1	O-Ring	
24	7014719	1	Cover, Hub	
25	7014721	12	Bolt	
26	7014720	12	Flatwasher	
27	7014725	1	Plug, Magnetic	
28	7014726	1	Plug, Pipe	
29	7014723	1	Cover, Disengage	
30	7014724	2	Bolt	
51	7014730	1	Seal Kit (Includes Items 5 & 13)	
52	7014729	1	Bearing and Seal Kit (Includes Items 5, 6, 7, 10, 11 & 13)	
53	7014709	1	Retaining Ring Kit (Includes Qty 6 Retaining Rings)	

SECTION 1 - FRAME

FIGURE 1-6. DRIVE BRAKE ASSEMBLY



SECTION 1 - FRAME

FIGURE 1-6. DRIVE BRAKE ASSEMBLY

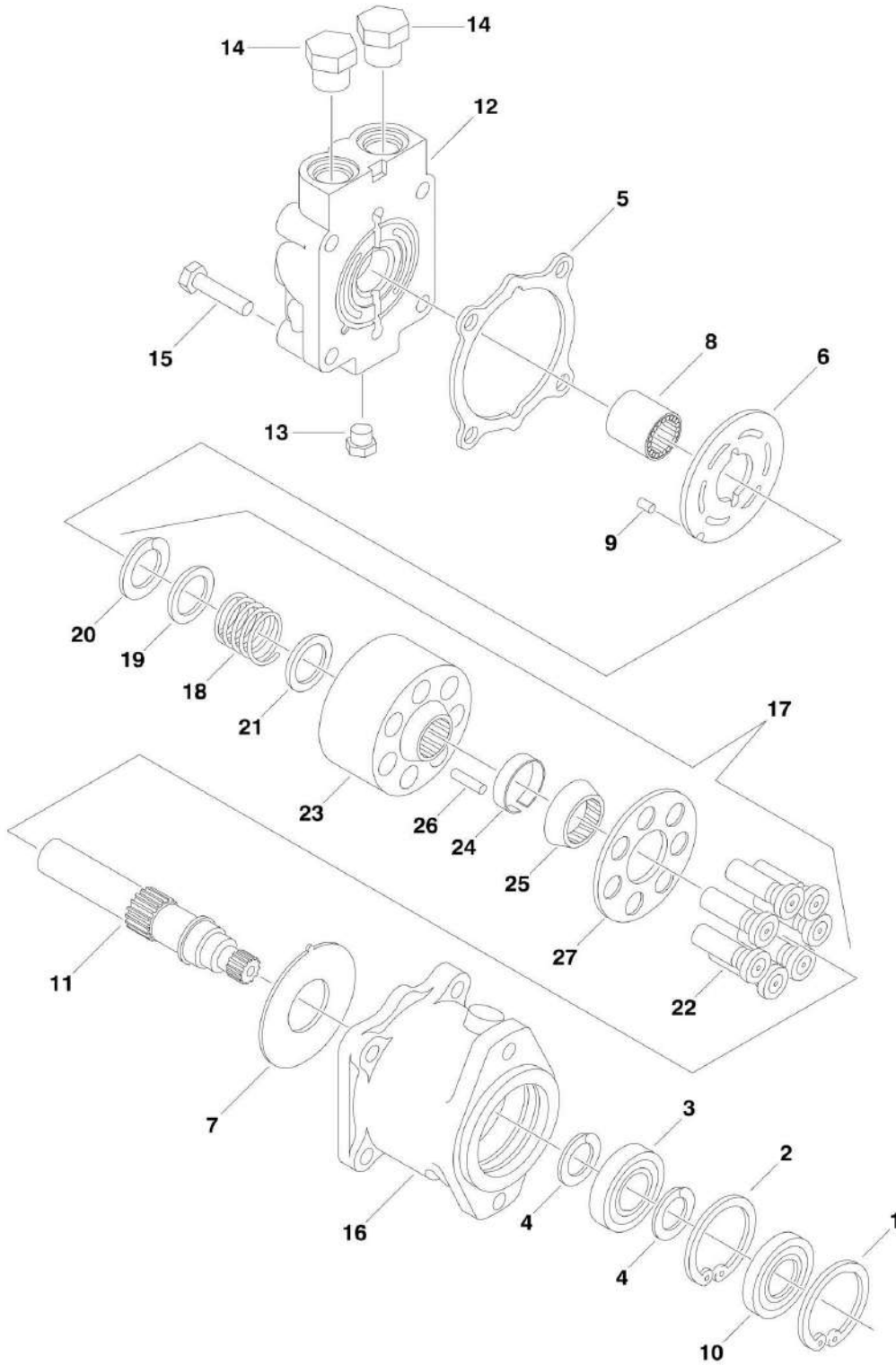
ITEM	PART NUMBER	QTY	DESCRIPTION	REV
		Ref	DRIVE BRAKE ASSEMBLY OPTIONS:	
	0920084	Ref	Drive Brake Assembly (Prior to SN 0300033476)	A
	0920110	Ref	Drive Brake Assembly (SN 0300033476 through 0300056536)	C
1	7011712	1	Shaft Options:	
2		Ref	Guide, Spring Options:	
2	7011717	1	0920084 Brake (Prior to SN 0300033476)	
2	7018606	1	0920110 Brake (SN 0300033476 through 0300056536)	
3		Ref	Spring Options:	
3	7007979	6	0920084 Brake (Inner) (Prior to SN 0300033476)	
3	7007980	6	0920084 Brake (Outer) (Prior to SN 0300033476)	
3	7007970	6	0920110 Brake (Red) (SN 0300033476 through 0300056536)	
3	7018602	3	0920110 Brake (Blue) (SN 0300033476 through 0300056536)	
4		Ref	Housing Options:	
4	7011713	1	0920084 Brake (Prior to SN 0300033476)	
4	7018605	1	0920110 Brake (SN 0300033476 through 0300056536)	
5		Ref	Return Plate and Separator Assembly Options:	
5	See Note	NSS	Return, Plate - 0920084 Brake (Note: Use Item 27) (Prior to SN 0300033476)	
5	7011715	2	Separator Assy - 0920084 Brake (Prior to SN 0300033476)	
5	7011714	4	Pin	
5	7007983	2	Separator	
5	See Note	1	Return Plate and Separator - 0920110 Brake (Note: Use Item 27) (SN 0300033476 through 0300056536)	
6	See Note	NSS	Rotor (Note: Use Item 27)	
7	See Note	NSS	Stator (Note: Use Item 27)	
8	See Note	NSS	Seal, Case (Note: Use Item 26A, 26B or 27)	
9		Ref	Bolt, Washer Head Options:	
9	7007985	4	0920084 Brake (Prior to SN 0300033476)	
9	7018607	4	0920110 Brake (SN 0300033476 through 0300056536)	
10	7007986	1	Cover	
11		Ref	Hardware Options:	
11	7000796	1	Screw, Bleeder (Prior to SN 0300033906)	
11	7018609	1	Plug, Pipe (SN 0300033906 through 0300056536)	
12	7007987	2	Pin, Dowel	
13	See Note	NSS	Seal, Oil (Note: Use Item 26A or 26B)	
14	7011716	1	Ring, Retaining	
15	See Note	NSS	Bearing (Note: Use Item 26B)	
16	7007977	1	Ring, Retaining	
17	See Note	NSS	Ring, Back-up (Note: Use Item 26A)	
18	See Note	NSS	Ring, Back-up (Note: Use Item 26A)	
19	See Note	NSS	O-Ring (Note: Use Item 26A)	
20	See Note	NSS	O-Ring (Note: Use Item 26A)	
21		Ref	Piston Options:	
21	7007923	1	0920084 Brake (Prior to SN 0300033476)	
21	7018603	1	0920110 Brake (SN 0300033476 through 0300056536)	
22	7007933	2	Gasket	
23	See Note	NSS	O-Ring (Note: Use Item 26A, 26B or 27)	
24	7007924	1	Plug, Pipe	
26		Ref	Seal Kit Options:	
26A	2900766	1	Seal Kit (Includes Items 8, 13, 17, 18, 19, 20, 22 & 23)	

SECTION 1 - FRAME

ITEM	PART NUMBER	QTY	DESCRIPTION	REV
26B	2900768	1	Seal Kit (Includes Items 8, 13, 15, 22 & 23)	
27		Ref	Lining Kit Options: (Includes Items 5, 6, 7, 8, 22 & 23)	
27	2900767	1	0920084 Brake (Prior to SN 0300033476)	
27	7018608	1	0920110 Brake (SN 0300033476 through 0300056535)	
		Ref	DRIVE BRAKE ASSEMBLY (NOT SHOWN) (SN 0300056536 through 0300069000)	B
		Ref	NOTE: WAS P/N 0920117 - USE P/N 0920119 AS REPLACEMENT.	
51	7018612	1	Kit, Repair - 0920117 & 0920119 Brakes	
51	7000731	1	Gasket, Mounting Face	
		Ref	Note: No Other Parts Available.	

SECTION 1 - FRAME

FIGURE 1-7. DRIVE MOTOR ASSEMBLY - SUNSTRAND (2WD)



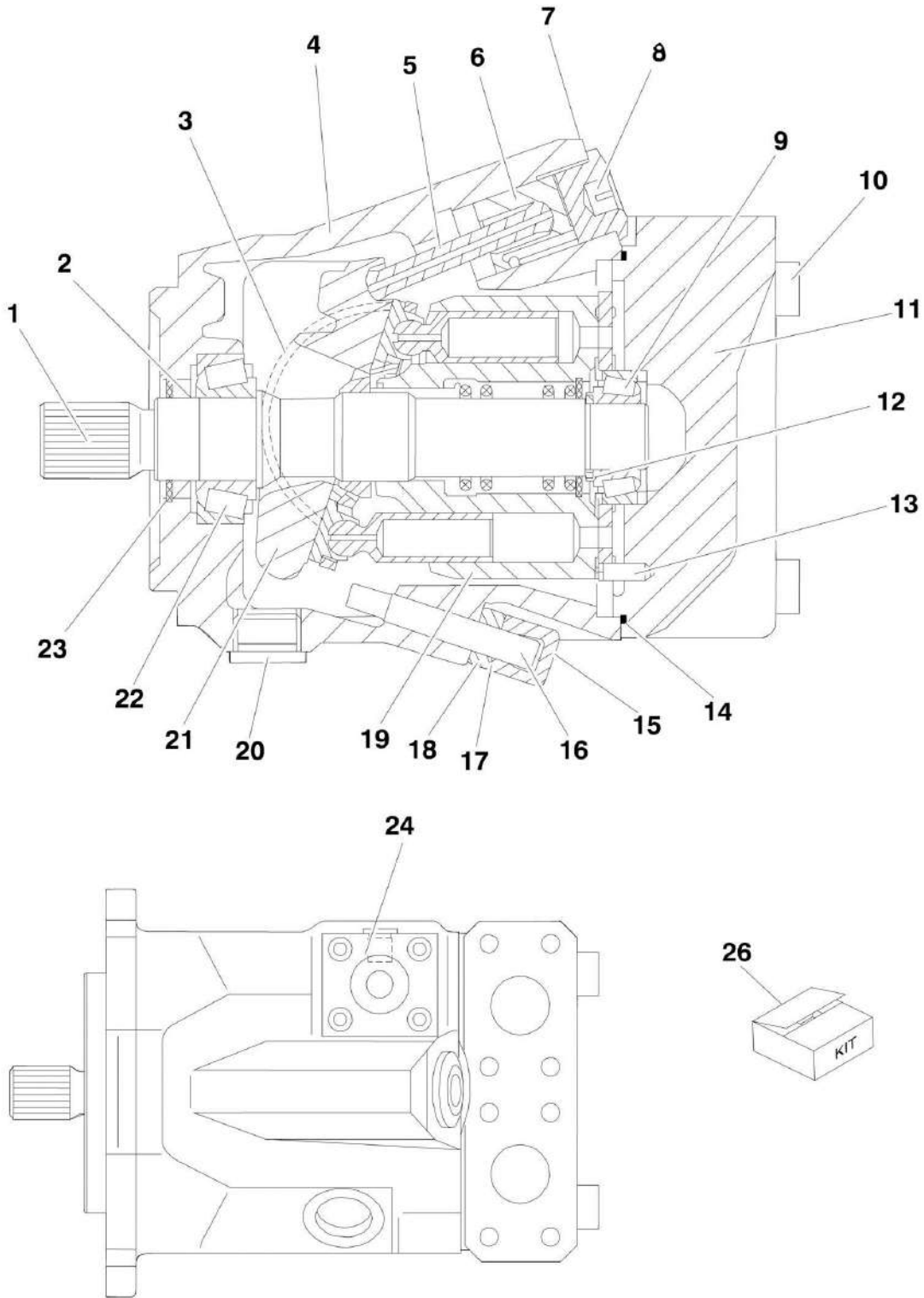
SECTION 1 - FRAME

FIGURE 1-7. DRIVE MOTOR ASSEMBLY - SUNSTRAND (2WD)

ITEM	PART NUMBER	QTY	DESCRIPTION	REV
	3160205	Ref	DRIVE MOTOR ASSEMBLY - SUNSTRAND (2WD)	B
1	7007438	1	Ring, Retaining	
2	7007438	1	Ring, Retaining	
3	7007437	1	Bearing, Ball	
4	7007439	2	Ring, Retaining	
5	7010108	1	Gasket, End Cap	
6	7010109	1	Plate, Motor Valve	
7	7010110	1	Plate, Thrust	
8	7007425	1	Bearing, Needle	
9	7007446	1	Pin	
10	7007459	1	Seal, Lip	
11	7010111	1	Shaft	
12	7010112	1	Cap, End	
13	7010113	1	Plug	
14	7010114	2	Plug	
15	7010115	4	Screw	
16	3160205	1	Housing (Note: Not Available for Purchase)	
17	7010116	1	Cylinder Block Assembly (Includes Items 18-27)	
18	7007428	1	Spring	
19	7007427	1	Washer	
20	7007426	1	Ring, Retaining	
21	7007429	1	Washer	
22	7010117	7	Piston Assembly	
23	7010118	1	Block, Cylinder	
24	7007430	1	Retainer, Pin	
25	7007434	1	Guide, Slip Retainer	
26	7007431	3	Pin, Slip Retainer	
27	7010119	1	Retainer, Slip	

SECTION 1 - FRAME

FIGURE 1-8. DRIVE MOTOR ASSEMBLY - REXROTH (4WD)



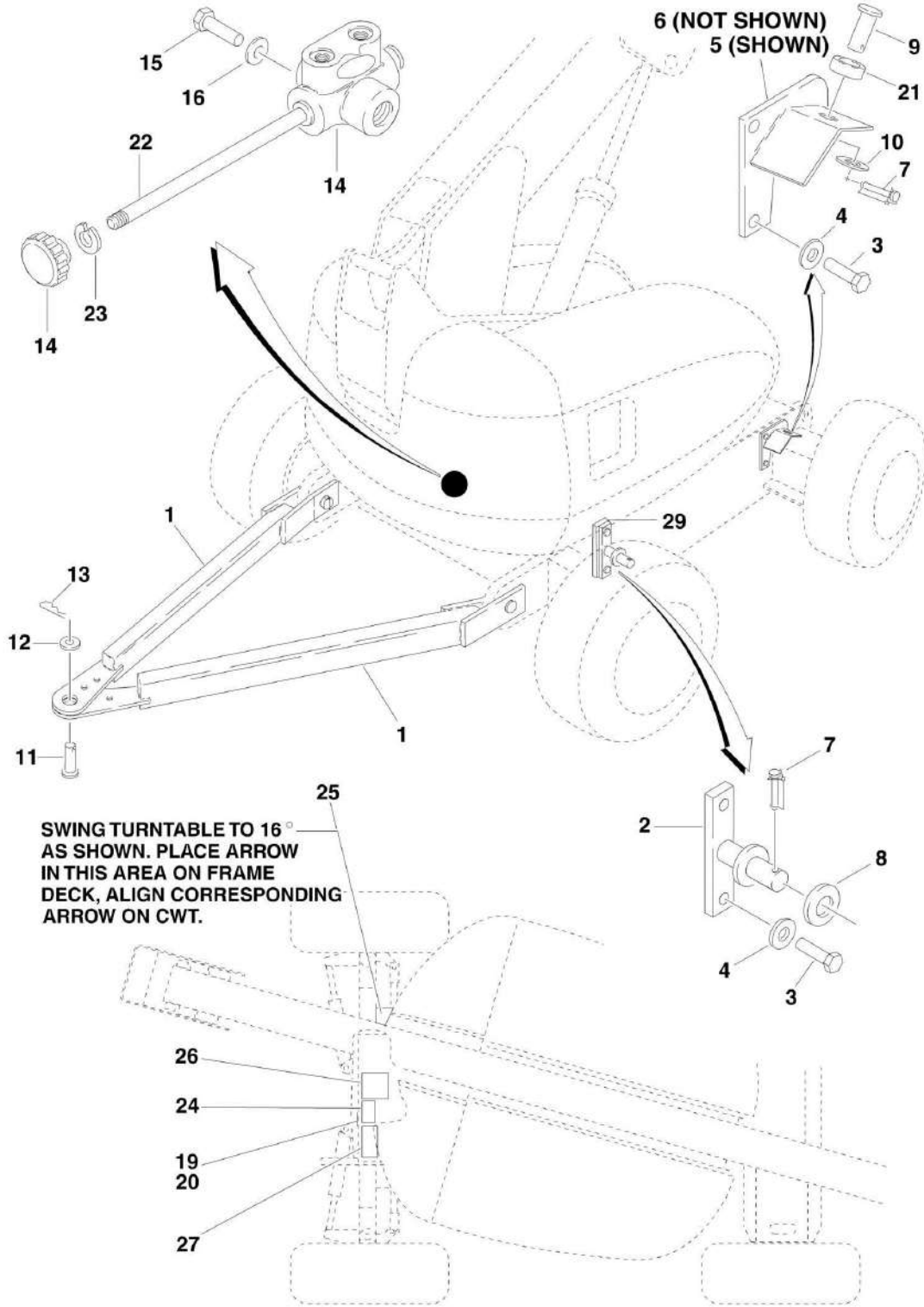
SECTION 1 - FRAME

FIGURE 1-8. DRIVE MOTOR ASSEMBLY - REXROTH (4WD)

ITEM	PART NUMBER	QTY	DESCRIPTION	REV
	3160204	Ref	DRIVE MOTOR ASSEMBLY - REXROTH (4WD)	
1	7012701	1	Shaft - 13 Teeth	
2	See Note	NSS	Seal, Shaft (Note: Use Item 26)	
3	7012702	2	Bearing, Cradle	
4	3160204	1	Housing (Note: Not Available for Purchase)	
5	7012703	1	Rod, Piston	
6	7012704	1	Piston, Stroking	
7	See Note	NSS	O-Ring (Note: Use Item 26)	
8	7012705	1	Nut, Adaptor	
9	7012706	1	Bearing, Roller	
10	7012707	4	Bolt, Socket Head M12 x 65	
11	7012708	1	Block, Port	
12	7012709	1	Shim	
13	7012710	1	Pin, Dowel M6 x 18	
14	See Note	NSS	O-Ring (Note: Use Item 26)	
15	7012711	1	Nut, Cap M10 x 1	
16	7012712	1	Screw, Adjusting	
17	See Note	NSS	O-Ring (Note: Use Item 26)	
18	7012713	1	Nut, Jam M10 x 1	
19	7012716	1	Rotary Group Assembly	
20	See Note	1	Plug (Note: Not Available for Purchase)	
21	7024036	1	Plate, Swash	
22	7012714	1	Bearing, Roller	
23	7012715	1	V-Ring	
24	7012700	1	Control Plate Assembly (Prior to SN 0300029852)	
26	2900788	1	Seal Kit (Includes Items 2, 7, 14, 17 and O-Rings under Item 24)	

SECTION 1 - FRAME

FIGURE 1-9. TOW PACKAGE INSTALLATION (OPTIONAL)



SECTION 1 - FRAME

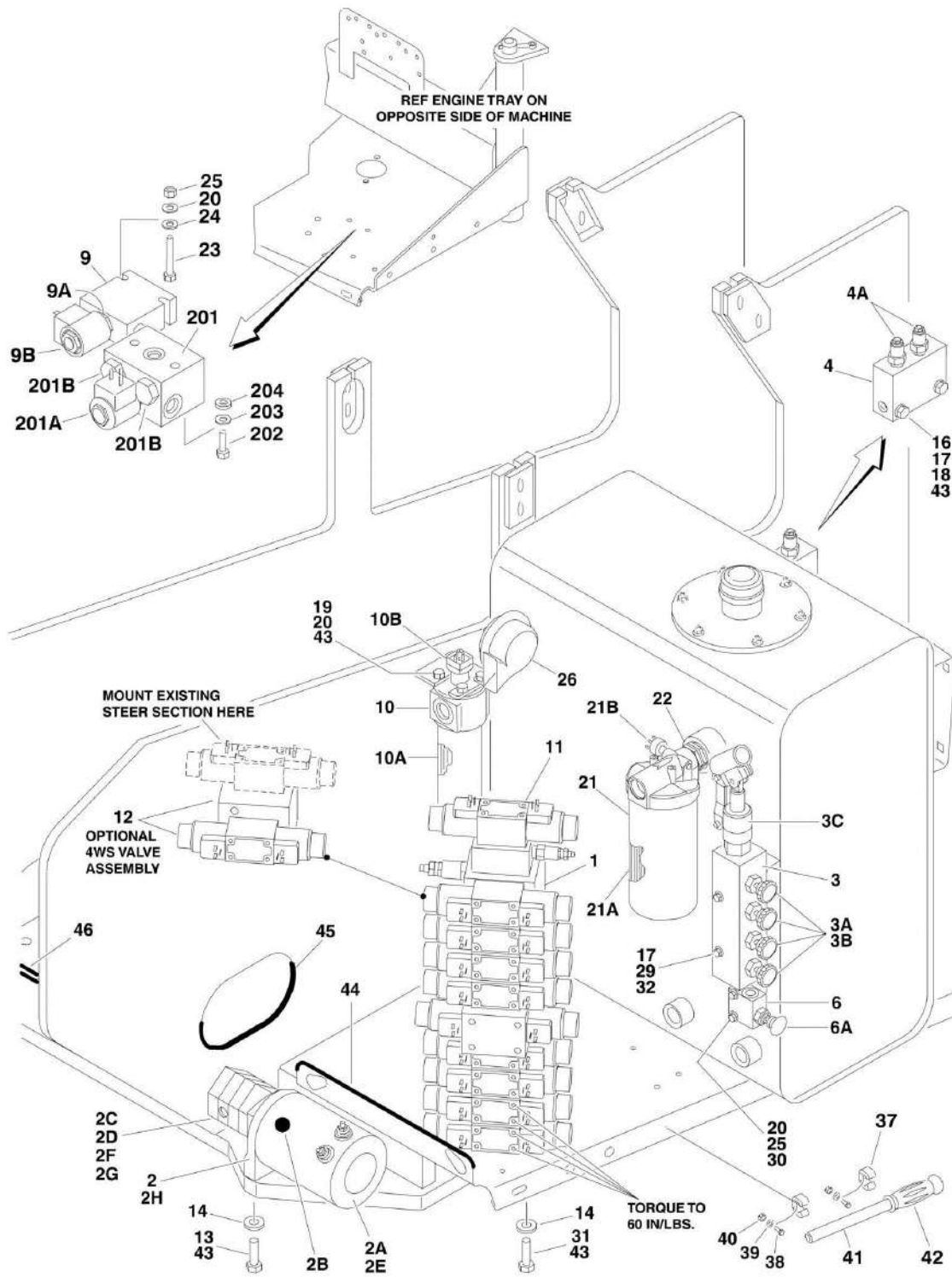
FIGURE 1-9. TOW PACKAGE INSTALLATION (OPTIONAL)

ITEM	PART NUMBER	QTY	DESCRIPTION	REV
		Ref	TOW INSTALLATION OPTIONS:	
	0257436	Ref	7ft/2.1m width machines	3
	0257101	Ref	8ft/2.4m width machines	2
1	4845281	1	Tow Bar Weldment	
2		Ref	Bracket, Tow Bar Options:	
2	Not Required	0	7ft/2.1m Width Machines	
2	4845283	2	8ft/2.4m width machines	
3		Ref	Bolt 3/8in-16NC x 1in Options:	
3	Not Required	0	7ft/2.1m Width Machines	
3	0641608	8	8ft/2.4m width machines	
4		Ref	Flatwasher 3/8in Options:	
4	Not Required	0	7ft/2.1m Width Machines	
4	4711600	8	8ft/2.4m width machines	
5		Ref	Bracket, Tow Bar Options:	
5	Not Required	0	7ft/2.1m Width Machines	
5	4845450	1	8ft/2.4m width machines	
6		Ref	Bracket, Tow Bar Options:	
6	Not Required	0	7ft/2.1m Width Machines	
6	4845451	1	8ft/2.4m width machines	
7	3421453	4	Pin, Snap	
8	4712600	AR	Flatwasher 1in	
9	3422553	2	Pin, Tow Bar	
10	4713400	2	Flatwasher 1 1/2in	
11	3422553	1	Pin, Tow Bar	
12	4713000	2	Flatwasher 1 1/4in	
13	3420592	1	Hairpin	
14	4640261	1	Diversion Valve Assembly	
15	0641505	2	Bolt 5/16in-18NC x 5/8in	
16	4711500	2	Flatwasher 5/16in	
19	3250872	1	Nameplate	
20	3820001	4	Rivet	
21	4567172	2	Tube, Spacer	
22	3841329	1	Rod Extension	
23	4761600	1	Lockwasher 3/8in	
24	1703403	1	Decal - Instruction	
25	1703404	2	Decal - Match Arrow	
26	1703444	1	Decal	
27	1703450	1	Decal	
28	3539662	1	Plate, Valve Mounting (Not Shown)	
29		Ref	Bar, Tow Clamp Options:	
29	Not Required	0	7ft/2.1m Width Machines	
29	0362519	4	8ft/2.4m width machines	

SECTION 2 - TURNTABLE

SECTION 2 - TURNTABLE

FIGURE 2-1. CONTROL VALVES INSTALLATIONS



SECTION 2 - TURNTABLE

FIGURE 2-1. CONTROL VALVES INSTALLATIONS

ITEM	PART NUMBER	QTY	DESCRIPTION	REV
		Ref	CONTROL VALVES INSTALLATIONS	
	0255440	Ref	Control Valves Installations 600A 2WS	9
	0255442	Ref	Control Valves Installations 600A 4WS	9
	0255441	Ref	Control Valves Installations 600AJ 2WS	11
	0255443	Ref	Control Valves Installations 600AJ 4WS	9
1		Ref	Main Valve Block Assembly (See MAIN VALVE BLOCK ASSEMBLY for Breakdown) Options:	
1	4640920	1	Main Valve Block Assembly (Prior to SN 0300041204)	
1	4641097	1	Main Valve Block Assembly (SN 0300041204 through 0300069000)	
2	3600243	1	Auxiliary Pump Assembly	A
2A	7013755	1	Replacement Motor	
2A	7013799	1	Brush Kit - 7013755 Motor	
2B	7013711	1	Coupling	
2C	7013796	1	Replacement Pump	
2C	See Note	1	Seal Kit (Note: Not Available - Purchase Individual Components)	
2C	7016700	1	Seal, Oil	
2C	7016701	1	O-Ring	
2C	7016702	1	O-Ring	
2D	7022203	4	Bolt (Pump to Bracket)	
2E	7016744	2	Bolt (Motor to Bracket)	
3	4640930	1	Manual Descent Valve Assembly	
3A	7012954	4	Cartridge, Needle	
3A	7012953	4	Seal, Kit - 7012954 Cartridge	
3B	7012961	4	Knob	
3C	7012694	1	Cartridge, Pump	
3C	7012699	1	Seal Kit - 7012694 Cartridge	
4	4640908	1	Counterbalance Valve Assembly	
4A	7011328	2	Cartridge, Counterbalance	
4A	2900770	2	Seal Kit - 7011328 Cartridge	
6	4640866	1	Manual Pull Valve Assembly	
6	2900708	1	Seal Kit - 4640866 Valve	
6A	7012959	1	Knob	
9	4640907	1	Brake Valve Assembly	
9A	7012941	1	Cartridge without Coil	
9A	7012907	1	Seal Kit - 7012941 Cartridge	
9B	7012944	1	Coil	
10	2120146	1	Hydraulic Pressure Filter Assembly	
10A	2120150	1	Element, Filter	
10B	7016312	1	Switch, Clog Indicator	
11		Ref	Articulating Jib Valve Kit (See ACCESSORY VALVE ASSEMBLIES for Breakdown) Options:	
11	Not Required	0	600A - 2WS/600A - 4WS	
11	4640921	1	600AJ - 2WS/600AJ - 4WS	
11		Ref	Harness, Articulating Jib Options (Not Shown - ELECTRICAL SECTION for Breakdown)	
11	4921771	1	Harness, Articulating Jib (Prior to SN 0300035129)	
11	4921927	1	Harness, Articulating Jib (SN 0300035129 through 0300069000)	
12		Ref	4WS Valve Assembly (See ACCESSORY VALVE ASSEMBLIES	

SECTION 2 - TURNTABLE

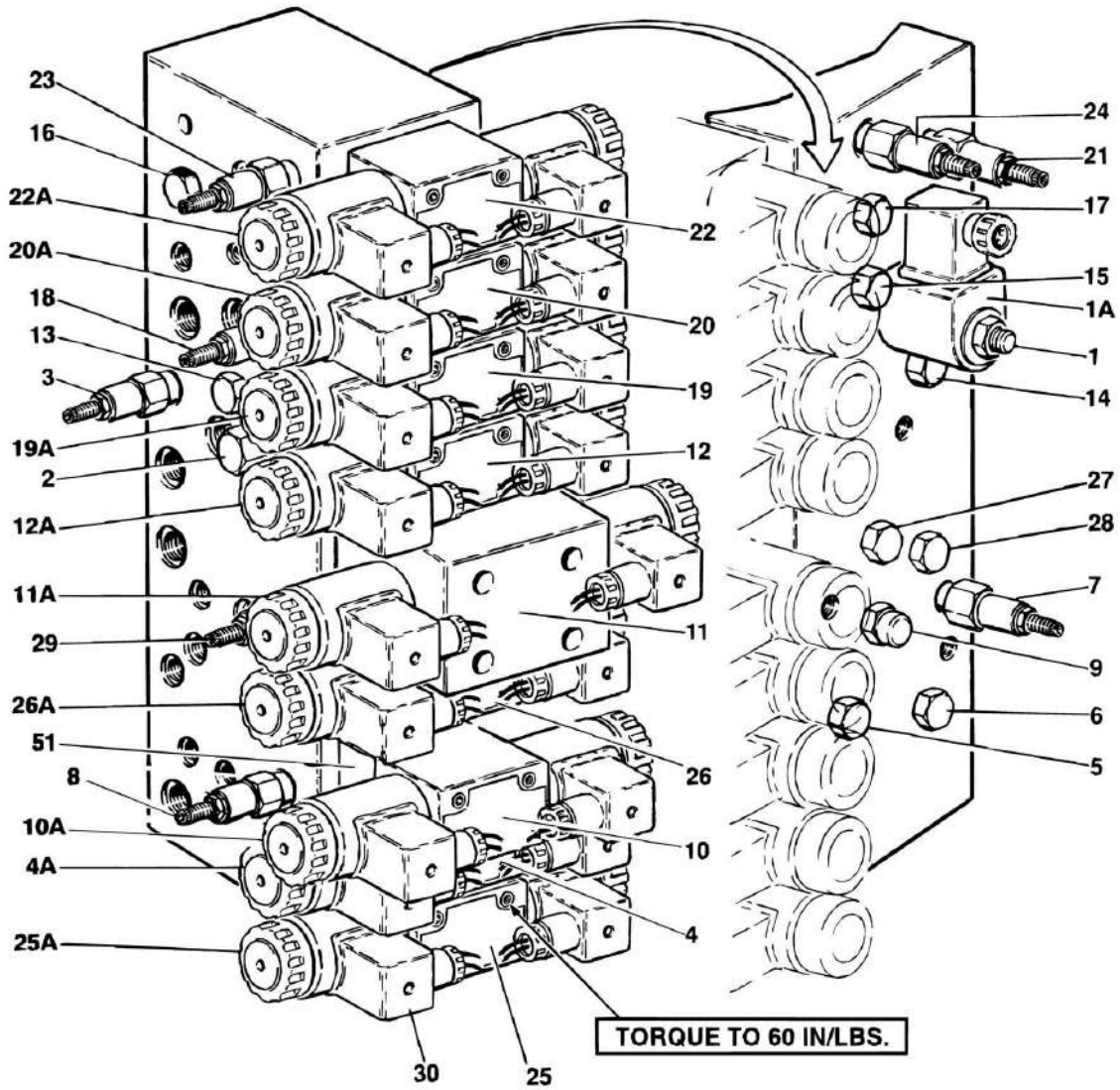
ITEM	PART NUMBER	QTY	DESCRIPTION	REV
			for Breakdown) Options:	
12	Not Required	0	600A - 2WS/600AJ - 2WS	
12	4640922	1	600A - 4WS/600AJ - 4WS	
12		Ref	Harness, 4WS Options (Not Shown - See ELECTRICAL SECTION for Breakdown):	
12	4921772	1	Harness, 4WS (Prior to SN 0300035129)	
12	4921928	1	Harness, 4WS (SN 0300035129 through 0300069000)	
13	0641613	2	Bolt 3/8in-16NC x 1-5/8in	
14	4711600	2	Flatwasher 3/8in Thin	
16	4891800	2	Flatwasher 1/2in Hardened	
17	4711500	8	Flatwasher 5/16in Thin	
18	3311501	2	Nut 5/16in-18NC	
19	0651406	4	Bolt 1/4in-28NF x 3/4in	
20	4711400	14	Flatwasher 1/4in Thin	
21	2120145	1	Return Filter Assembly	B
21A	2120149	1	Element, Filter	
21B	7016313	1	Switch, Clog Indicator	
22	2220893	1	Fitting, Adaptor	
23	0641416	2	Bolt 1/4in-20NC x 2in	
24	4891400	2	Flatwasher 1/4in Hardened	
25	3311405	6	Locknut 1/4in x 20NC	
26	0140001	1	Horn	
29	0641522	2	Bolt 5/16in-18NC x 2-3/4in	
30	0641414	2	Bolt 1/4in-20NC x 1-3/4in	
31	0641608	3	Bolt 3/8in-16NC x 1in	
32	3311505	2	Locknut 5/16in-18NC	
37	1380136	2	Clip, Gripper	
38	3910806	2	Screw #8 x 3/4in	
39	4750800	4	Flatwasher #8 Regular	
40	3310805	2	Locknut #8	
41	2560122	1	Handle	
42	2560123	1	Grip, Handle	
43	0100011	AR	Compound, Locking	
44	4060804	16	Trim-Loc 3/16in	
		in/40cm		
45	4060918	79 in/1.9m	Trim-Loc 5/8in	
46	4060807	18	Trim-Loc 3/8in	
		in/46cm		
	0255362	Ref	TILT INDICATOR INSTALLATION (Prior to SN 0300064249)	-
101	4360416	1	Sensor, Tilt Indicator	
102	0641406	2	Bolt 1/4in-20NC x 3/4in	
103	3311405	2	Locknut 1/4in-20NC	
	2792195	Ref	4WD DRIVE HYDRAULIC DIAGRAM	8
201	4640906	1	Valve, 2-Speed Motor Control	
201A	7012974	1	Cartridge without Coil	
201A	7012905	1	Seal Kit	
201A	7012944	1	Coil	
201B	See Note	2	Cartridge, Check Valve (Note: Not Available - Purchase Complete Valve Assembly)	
201B	7012972	2	Seal Kit	
202	0641508	2	Bolt 5/16in-18NC x 1in	
203	4891500	2	Flatwasher 5/16in Hardened	

SECTION 2 - TURNTABLE

ITEM	PART NUMBER	QTY	DESCRIPTION	REV
204	4711500	2	Flatwasher 5/16in Thin	

SECTION 2 - TURNTABLE

FIGURE 2-2. MAIN VALVE BLOCK ASSEMBLY



SECTION 2 - TURNTABLE

FIGURE 2-2. MAIN VALVE BLOCK ASSEMBLY

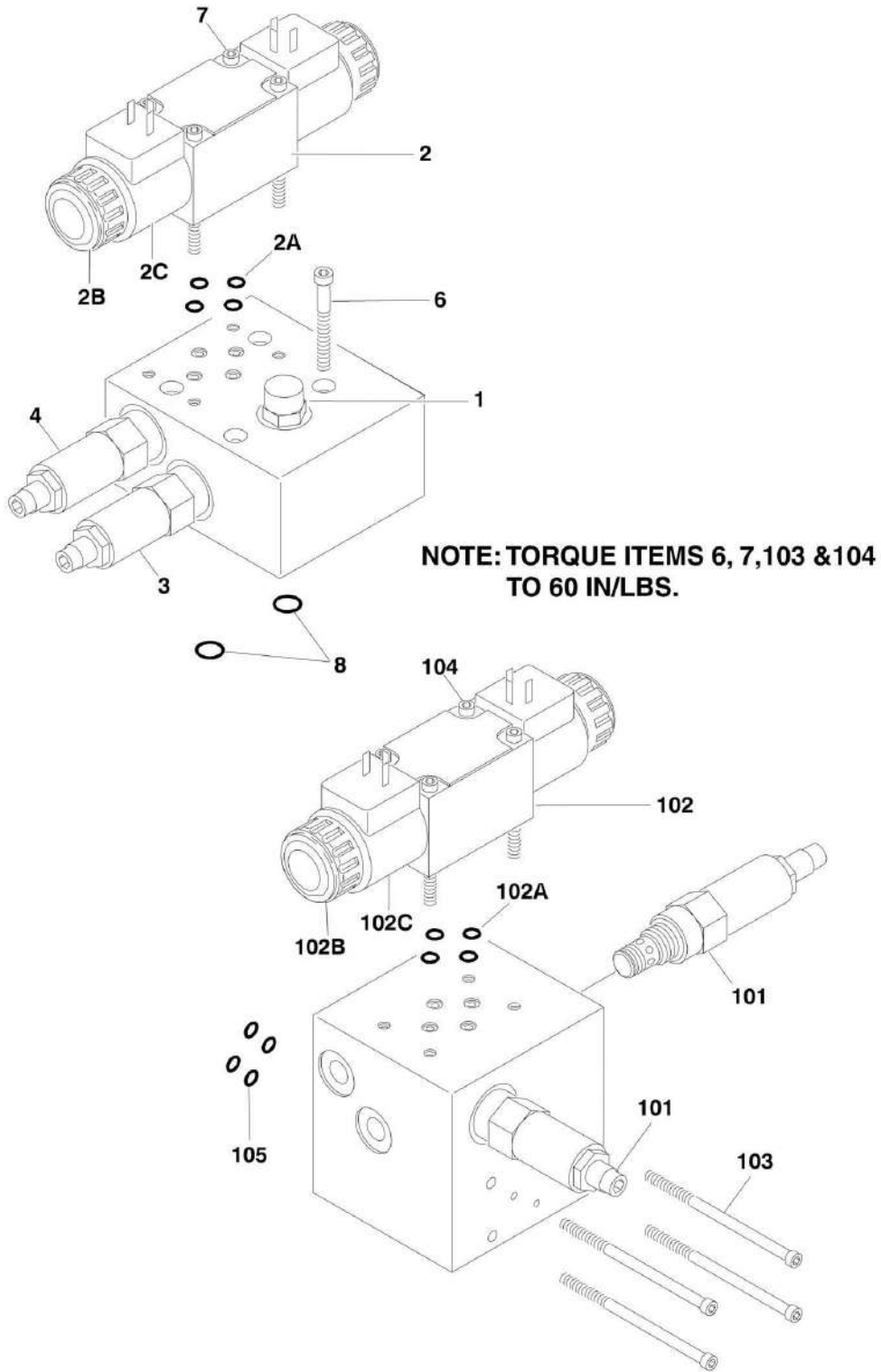
ITEM	PART NUMBER	QTY	DESCRIPTION	REV
		Ref	MAIN VALVE BLOCK ASSEMBLY	
	4640920	Ref	Main Valve Block Assembly (Prior to SN 0300041204)	D
	4641097	Ref	Main Valve Block Assembly (SN 0300041204 through 0300069000)	B
1	7017410	1	Cartridge, without Coil	
1	7012967	1	Seal Kit - 7017410 Cartridge	
1A	7012944	1	Coil	
2	7017411	1	Cartridge, Pressure Sensing	
2	7012518	1	Seal Kit	
3	7017418	1	Cartridge (Main Relief)	
3	7012998	1	Seal Kit	
4	70001976	1	Control Valve Assembly (Platform Level) (was p/n 7012770)	
4	7012773	1	Seal Kit	
4A	7012772	2	Coil	
4A	7018912	2	Nut	
5	7012914	1	Cartridge, Check Valve	
5	7012918	1	Seal Kit - 7012914 Cartridge	
6	7012914	1	Cartridge, Check Valve	
6	7012918	1	Seal Kit - 7012914 Cartridge	
7	7017428	1	Cartridge, Relief Valve (Platform Level Backward Relief)	
7	7012998	1	Seal Kit - 7017428 Cartridge	
8	7017427	1	Cartridge, Relief Valve (Platform Level Forward Relief)	
8	7012998	1	Seal Kit - 7012912 Cartridge	
9	7012989	1	Cartridge, Flow Control	
9	7012953	1	Seal Kit - 7012989 Cartridge	
10	70001976	1	Control Valve Assembly (Platform Rotate) (was p/n 7012770)	
10	7012773	1	Seal Kit	
10A	7012772	2	Coil	
10A	7018912	2	Nut	
11	70000579	1	Control Valve Assembly (Upper Tele) (was p/n 7012766)	
		Ref	Note: Refer to Vendor P/N on Valve Nameplate before ordering Parts. 7012766 is RR00567495 or R900567495. 70000579 is R900930080.	
11		Ref	Seal Kit Options:	
11	7012769	1	7012766 Valve	
11	70000583	1	70000579 Valve	
11A		Ref	Coil Options:	
11A	7012772	1	7012766 Valve (was p/n 7012768)	
11A	70000582	1	70000579 Valve	
11A		Ref	Nut, Coil Options:	
11A	7018912	1	7012766 Valve	
11A	70000580	1	70000579 Valve	
12	7012775	1	Control Valve Assembly (Flow Control)	
12	7012773	1	Seal Kit	
12A	7012772	2	Coil	
12A	7018912	2	Nut	
13	7010542	1	Cartridge, Shuttle	
13	7010543	1	Seal Kit - 7010542 Cartridge	
14	7010542	1	Cartridge, Shuttle	
14	7010543	1	Seal Kit - 7010542 Cartridge	

SECTION 2 - TURNTABLE

ITEM	PART NUMBER	QTY	DESCRIPTION	REV
15	7010542	1	Cartridge, Shuttle	
15	7010543	1	Seal Kit - 7010542 Cartridge	
16	7010542	1	Cartridge, Shuttle	
16	7010543	1	Seal Kit - 7010542 Cartridge	
17	7010542	1	Cartridge, Shuttle	
17	7010543	1	Seal Kit - 7010542 Cartridge	
18	7017420	1	Cartridge, Relief Valve	
18	7012998	1	Seal Kit - 7017420 Cartridge	
19	7012775	1	Control Valve Assembly (Upper Lift)	
19	7012773	1	Seal Kit	
19	7012799	1	Lanyard Assembly (Not Shown)	
19A	7012772	2	Coil	
19A	7018912	2	Nut	
20	7012775	1	Control Valve Assembly (Swing)	
20	7012773	1	Seal Kit	
20A	7012772	2	Coil	
20A	7018912	2	Nut	
21	7017423	1	Cartridge, Relief Valve (Swing Right/Left Relief)	
21	7012998	1	Seal Kit - 7017423 Cartridge	
22	7012774	1	Control Valve Assembly (Swing)	
22	7012773	1	Seal Kit	
22A	7012772	2	Coil	
22A	7018912	2	Nut	
23	7017428	1	Cartridge, Relief Valve (Steer Left Relief)	
23	7012998	1	Seal Kit - 7017428 Cartridge	
24	7017428	1	Cartridge, Relief Valve (Steer Right Relief)	
24	7012998	1	Seal Kit - 7017428 Cartridge	
25	70001976	1	Control Valve Assembly (Lower Tele) (was p/n 7012770)	
25	7012773	1	Seal Kit	
25A	7012772	2	Coil	
25A	7018912	2	Nut	
26	7018952	1	Control Valve Assembly (Lower Lift) Options:	
26	7012769	1	Seal Kit	
26A	7012772	2	Coil	
26A	7018912	2	Nut	
26A	7012799	1	Lanyard Cable Assembly	
27	7012969	1	Cartridge, Check	
27	7012967	1	Seal Kit - 7012969 Cartridge	
28	7012914	1	Cartridge, Check	
28	7012918	1	Seal Kit - 7012914 Cartridge	
30	4460499	19	Connector, Din with Diode (Part of Valve Harness)	
	2901763	1	ROTATE SANDWICH VALVE KIT	A
51	7021310	1	Block, Valve	

SECTION 2 - TURNTABLE

FIGURE 2-3. ACCESSORY VALVE ASSEMBLIES



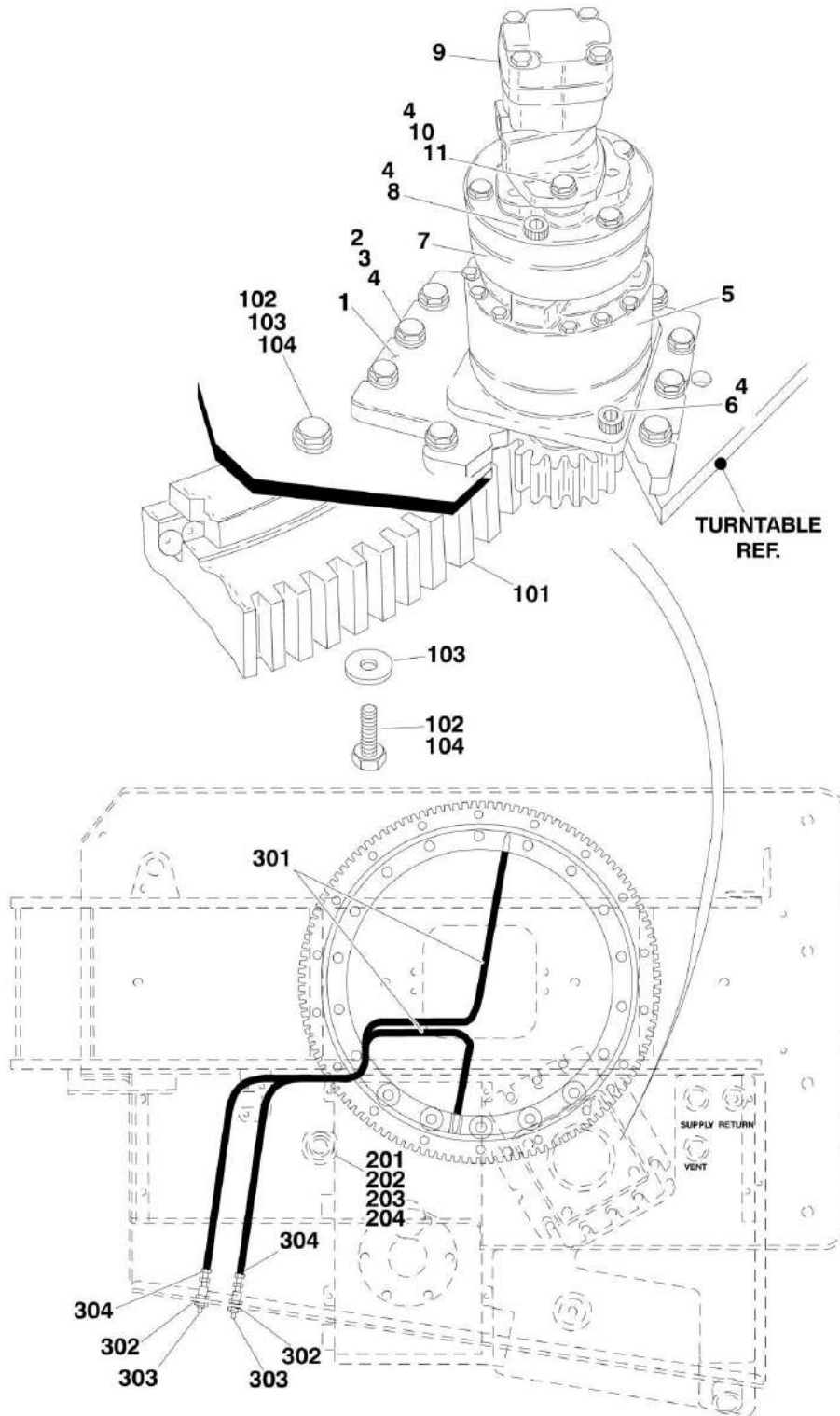
SECTION 2 - TURNTABLE

FIGURE 2-3. ACCESSORY VALVE ASSEMBLIES

ITEM	PART NUMBER	QTY	DESCRIPTION	REV
	4640921	Ref	ARTICULATING JIB VALVE ASSEMBLY	D
1	7012965	1	Cartridge, Flow Control	
1	7012953	1	Seal Kit - 7012965 Cartridge	
2	70001976	1	Directional Control Valve Assembly (was p/n 7012770)	
2	7012773	1	Seal Kit	
2A	7018945	4	O-Ring	
2B	7018912	2	Nut	
2C	7012772	2	Coil	
3	7017421	1	Cartridge, Relief	
3	7012998	1	Seal Kit - 7017421 Cartridge	
4	7017422	1	Cartridge, Relief	
4	7012998	1	Seal Kit - 7017422 Cartridge	
5	4460499	2	Connector, Din with Diode (Part of Valve Harness)	
6	7018946	4	Capscrew, Socket Head #10-24NC x 5in (Not Shown - Used to Mount Valve Assembly)	
7	7018942	4	Capscrew, Socket Head #10-24NC x 2in	
8	7012776	4	O-Ring (Not Shown - Used to Mount to Main Valve)	
	4640922	Ref	4WS VALVE ASSEMBLY	B
101	7017420	2	Cartridge, Flow Control	
101	7012998	2	Seal Kit - 7017420 Cartridge	
102	7012774	1	Directional Control Valve Assembly	
102	7012773	1	Seal Kit	
102A	7018945	4	O-Ring	
102B	7018912	2	Nut	
102C	7012772	2	Coil	
103	7018946	4	Capscrew, Socket Head #10-24NC x 5in (Used to Mount Valve Assembly)	
104	7018942	4	Capscrew, Socket Head #10-24NC x 2in	
105	7018948	4	O-Ring (Used to Mount to Main Valve)	

SECTION 2 - TURNTABLE

FIGURE 2-4. SWING DRIVE, TURNTABLE BEARING AND LOCK INSTALLATIONS



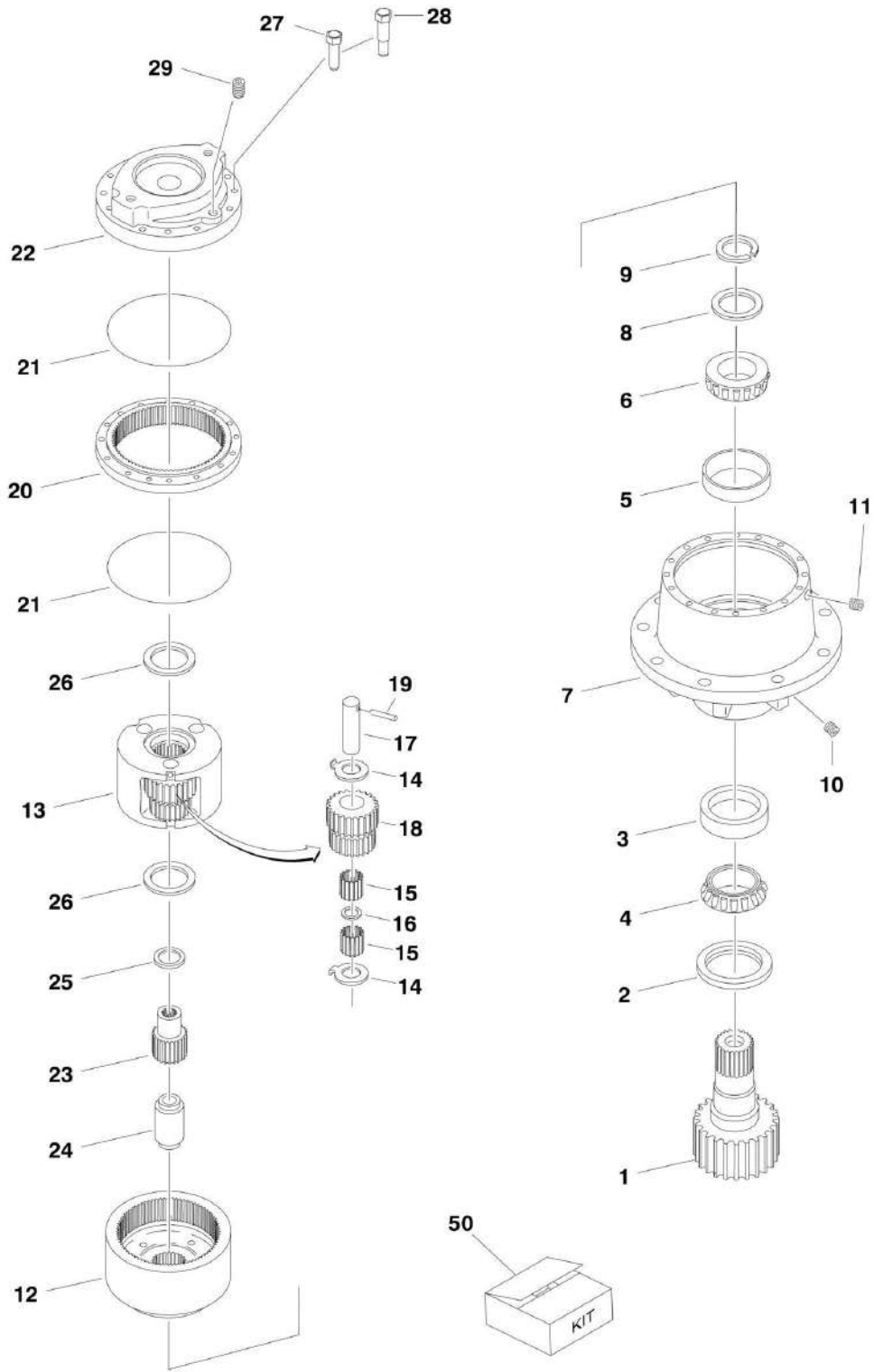
SECTION 2 - TURNTABLE

FIGURE 2-4. SWING DRIVE, TURNTABLE BEARING AND LOCK INSTALLATIONS

ITEM	PART NUMBER	QTY	DESCRIPTION	REV
		Ref	SWING DRIVE INSTALLATIONS	
	0255025	Ref	Swing Drive Installations (Prior to SN 0300064566)	4-B
	0270329	Ref	Swing Drive Installations (SN 0300064566 through 0300069000)	A
1	3537318	1	Plate, Swing Drive Mounting	
2	0642018	10	Bolt 5/8in - 11NC x 2-1/4in	
3	4892000	10	Flatwasher 5/8in Hardened	
4	0100011	AR	Compound, Locking	
5	2780205	1	Hub, Swing Assembly (See SWING HUB ASSEMBLY for Breakdown)	
6	3932224	4	Bolt 1/2in - 13NC x 1-1/2in	
7		Ref	Brake, Swing Assembly (See SWING BRAKE ASSEMBLY for Breakdown) (Note: Recommend using 0920109 in place of original 0920083)	
7	0920109	1	Brake, Swing Assembly (SN 0300033476 through 0300064565)	
7	0920119	1	Brake, Swing Assembly (SN 0300064566 through 0300069000)	
8	3931860	2	Bolt Socket Head 1/2in - 13NC x 3-3/4in (Prior to SN 0300064566)	
9		Ref	Motor, Swing Assembly (See SWING MOTOR ASSEMBLY for Breakdown)	
9	3160200	1	Motor, Swing Assembly (Prior to SN 0300064566)	
9	3160273	1	Motor, Swing Assembly (SN 0300064566 through 0300069000)	
10		Ref	Bolt Options:	
10	0641811	2	Bolt 1/2in - 13NC x 1-3/8in (Prior to SN 0300064566)	
10	0681836	2	Bolt 1/2in - 13NC x 4-1/2in (SN 0300064566 through 0300069000)	
11	4891800	2	Flatwasher 1/2in Hardened	
	0254798	Ref	TURNTABLE BEARING INSTALLATION	A-A
101	0440207	NLA	Bearing Kit (Use p/n 2915087) (Kit Includes Bearing and Mounting Hardware)	
102	0682016	36	Bolt 5/8in - 11NC X 2in (Grade 8)	
103	4892000	36	Flatwasher 5/8in Hardened	
104	0100019	AR	Compound, Locking	
	0255410	Ref	TURNTABLE LOCK INSTALLATION	-
201	4844958	1	Pin	
202	3421565	1	Pin, Snap	
203	3760170	2	Ring, Quick Release	
204	1260017	9 in/23cm	Chain	
	0255444	Ref	REMOTE BEARING LUBE INSTALLATION	1
	1282398	Ref	REMOTE BEARING LUBE INSTALLATION	C
301	2751032	2	Hose, Grease	
302	2180344	2	Fitting, Bulkhead	
303	2160002	2	Fitting, Grease	
304	2220001	2	Fitting, Straight	

SECTION 2 - TURNTABLE

FIGURE 2-5. SWING HUB ASSEMBLY



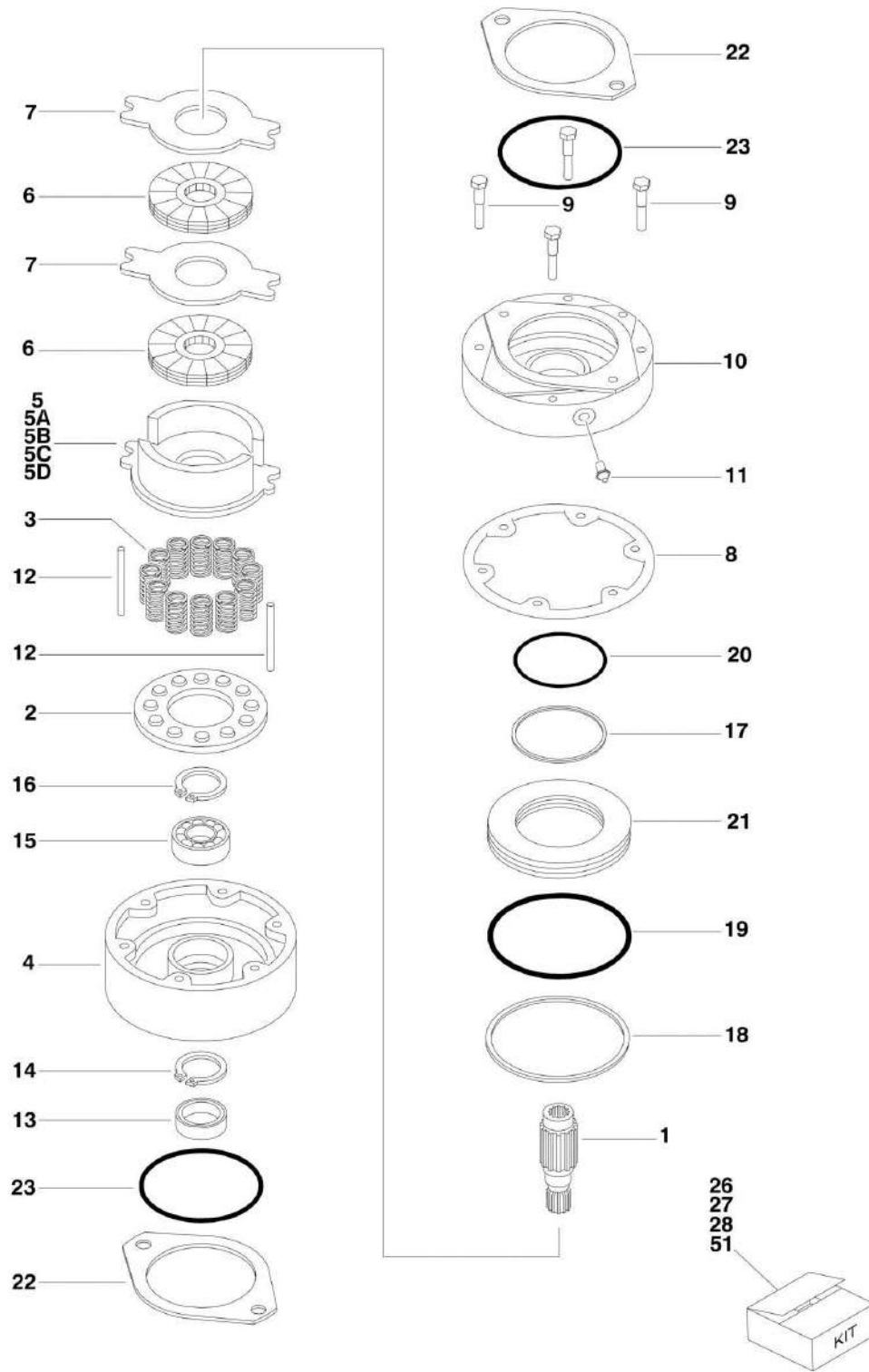
SECTION 2 - TURNTABLE

FIGURE 2-5. SWING HUB ASSEMBLY

ITEM	PART NUMBER	QTY	DESCRIPTION	REV
	2780205	Ref	SWING HUB ASSEMBLY	
		Ref	HOUSING ASSEMBLY	
1	7010492	1	Shaft, Output	
2	7000228	1	Seal, Lip	
3	7000255	1	Cup, Bearing	
4	7000256	1	Cone, Bearing	
5	7000257	1	Cup, Bearing	
6	7000258	1	Cone, Bearing	
7	7017089	1	Housing	
8	7007633	1	Thrustwasher	
9	7000229	1	Ring, Retaining	
10	7010494	2	Pipe, Plug	
11	7001928	2	Pipe, Plug	
12	7000246	2	Gear, Internal	
13		Ref	CARRIER ASSEMBLY	
13	7001931	1	Carrier	
14	7001985	6	Thrustwasher, Tanged	
15	7001909	96	Bearing, Needle	
16	7000263	3	Spacer, Thrust	
17	7001911	3	Shaft, Planet	
18	7001987	3	Gear, Cluster	
19	7010474	3	Roll Pin	
20	7001988	1	Ring Gear	
21	7000230	2	O-Ring	
22	7000209	1	Cover, Input	
23	7010488	1	Gear, Sun	
24	7000269	1	Spacer, Input	
25	7000270	1	Thrustwasher	
26	7000253	2	Thrustwasher	
27	7000217	8	Bolt	
28	7000214	4	Bolt, Shoulder	
29	7000242	1	Pipe, Plug	
50	7024100	1	Seal Kit (Includes Items 2, 9, 21 & 26)	

SECTION 2 - TURNTABLE

FIGURE 2-6. SWING BRAKE ASSEMBLY



SECTION 2 - TURNTABLE

FIGURE 2-6. SWING BRAKE ASSEMBLY

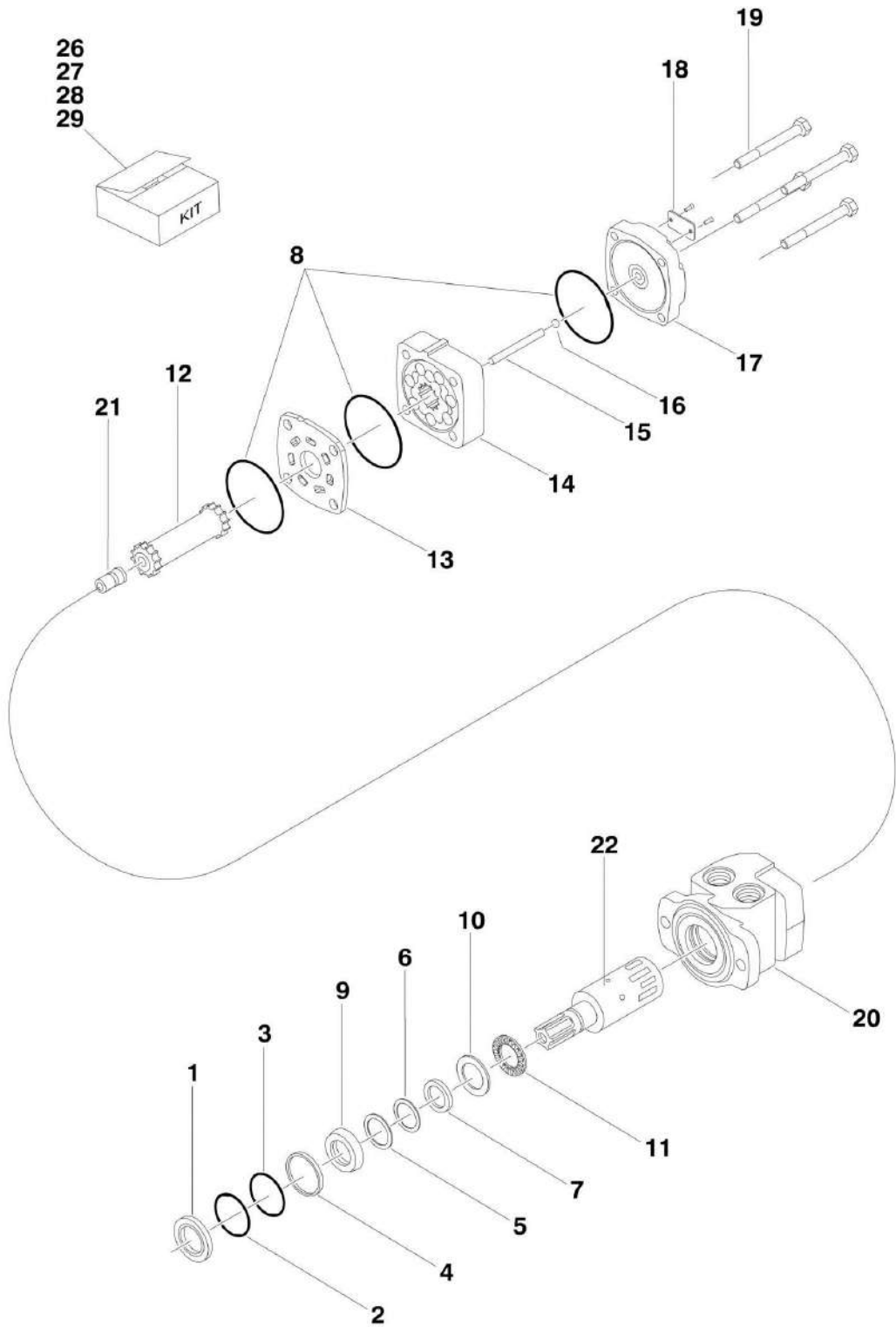
ITEM	PART NUMBER	QTY	DESCRIPTION	REV
		Ref	SWING BRAKE ASSEMBLY OPTIONS:	
	0920083	Ref	Swing Brake Assembly (Prior to SN 0300033476)	A
	0920109	Ref	Swing Brake Assembly (SN 0300033476 through 0300064566)	B
1	7011720	1	Shaft	
2		Ref	Guide, Spring Options:	
2	7011717	1	0920083 Brake (Prior to SN 0300033476)	
2	7018606	1	0920109 Brake (SN 0300033476 through 0300069000)	
3		Ref	Spring Options:	
3	7007979	6	0920083 Brake (Inner) (Prior to SN 0300033476)	
3	7007980	6	0920083 Brake (Outer) (Prior to SN 0300033476)	
3	7007970	6	0920109 Brake (Red) (SN 0300033476 through 0300064566)	
3	7018602	3	0920109 Brake (Blue) (SN 0300033476 through 0300064566)	
4		Ref	Housing Options:	
4	7011713	1	0920083 Brake (Prior to SN 0300033476)	
4	7018605	1	0920109 Brake (SN 0300033476 through 0300064566)	
5		Ref	Return Plate and Separator Assembly Options:	
5A		Ref	0920083 Brake (Prior to SN 0300033476)	
5B	See Note	NSS	Plate, Return - 0920083 Brake (Note: Use Item 28) (Prior to SN 0300033476)	
5C	7011715	2	Separator Assy - 0920083 Brake (Prior to SN 0300033476)	
5C	7011714	4	Pin	
5C	7007983	2	Separator	
5D	See Note	NSS	0920109 Brake (Note: Use Item 28) (SN 0300033476 through 0300064566)	
6	See Note	NSS	Rotor (Note: Use Item 28)	
7	See Note	NSS	Stator (Note: Use Item 28)	
8	See Note	NSS	Seal, Oil (Note: Use Item 26 or 27)	
9		Ref	Bolt, Washer Head Options:	
9	7007985	4	0920083 Brake (Prior to SN 0300033476)	
9	7018607	4	0920109 Brake (SN 0300033476 through 0300064566)	
10	7011719	1	Cover	
11		Ref	Hardware Options:	
11	7007914	1	Screw, Bleeder (Prior to SN 0300033906)	
11	7018609	1	Plug, Pipe (SN 0300033906 through 0300064566)	
12	7007987	2	Pin, Dowel	
13	See Note	NSS	Seal, Oil (Note: Use Item 26 or 27)	
14	7011716	1	Ring, Retaining	
15	See Note	NSS	Bearing (Note: Use Item 27)	
16	7007977	1	Ring, Retaining	
17	See Note	NSS	Ring, Back-up (Note: Use Item 26)	
18	See Note	NSS	Ring, Back-up (Note: Use Item 26)	
19	See Note	NSS	O-Ring (Note: Use Item 26)	
20	See Note	NSS	O-Ring (Note: Use Item 26)	
21		Ref	Piston Options:	
21	7007923	1	0920083 Brake (Prior to SN 0300033476)	
21	7018603	1	0920109 Brake (SN 0300033476 through 0300064566)	
22	7007934	2	Gasket	
23	See Note	NSS	O-Ring (Note: Use Item 26, 27 or 28)	
26	2900766	1	Seal Kit (Includes Items 8, 13, 17, 18, 19, 20, 22 & 23)	
27	2900768	1	Bearing Kit (Includes Items 8, 13, 14, 15, 16, 22 & 23)	

SECTION 2 - TURNTABLE

ITEM	PART NUMBER	QTY	DESCRIPTION	REV
28		Ref	Lining Kit Options:	
28	2900767		0920083 Brake (Includes Items 5B, 6, 7, 8, 22 & 23) (Prior to SN 0300033476)	
28	7018608		0920109 Brake (Includes Items 5D, 6, 7, 8, 22 & 23) (SN 0300033476 through 0300064565)	
	0920119	Ref	SWING BRAKE ASSEMBLY (NOT SHOWN) (SN 0300064566 through 0300069000)	B
51	7018612	1	Kit, Repair	
		Ref	Note: Repair Kit Only (No Other Service Parts Available)	

SECTION 2 - TURNTABLE

FIGURE 2-7. SWING MOTOR ASSEMBLY



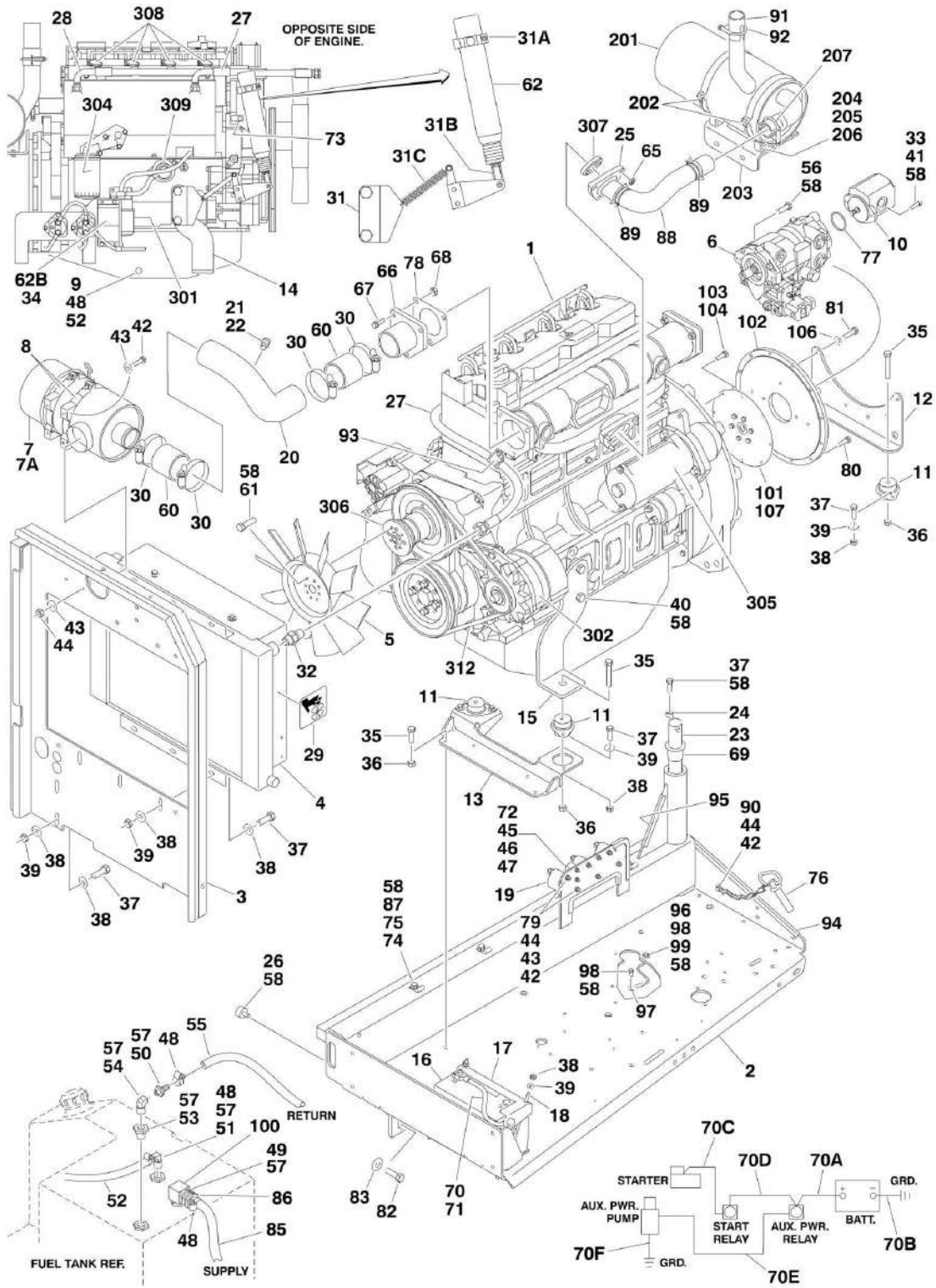
SECTION 2 - TURNTABLE

FIGURE 2-7. SWING MOTOR ASSEMBLY

ITEM	PART NUMBER	QTY	DESCRIPTION	REV
		Ref	SWING MOTOR ASSEMBLY OPTIONS:	
	3160200	Ref	Swing Motor Assembly (Prior to SN 0300064566)	C
	3160273	Ref	Swing Motor Assembly (SN 0300064566 through 0300069000)	B
1	See Note	NSS	Seal, Dust (Note: Use Item 26)	
2	See Note	NSS	Ring, Split Wire (Note: Use Item 26)	
3	See Note	NSS	Shim, Metal Back-up (Note: Use Item 26)	
4	See Note	NSS	Seal, High Pressure (Note: Use Item 26)	
5	See Note	NSS	Shim, Metal Back-up (Note: Use Item 26)	
6	See Note	NSS	Seal, Teflon Back-up (Note: Use Item 26)	
7	See Note	NSS	Seal, Shaft (Note: Use Item 26)	
8	See Note	NSS	Seal, Body (Note: Use Item 26)	
9	See Note	NSS	Carrier, Seal (Note: Use Item 27)	
10	See Note	NSS	Thrustwasher (Note: Use Item 27)	
11		Ref	Bearing, Thrust Options:	
11	7005842	1	Motor p/n 3160200	
11	7016422	1	Motor p/n 3160273	
12	7005889	1	Link, Drive	
13		Ref	Plate, Wear Options:	
13	7005845	1	Motor p/n 3160200	
13	7016423	1	Motor p/n 3160273	
14	7005890	1	Rotor Assembly	
15	7005891	1	Pin, Drive Link	
16	See Note	1	Ball (Note: Use Item 28)	
17	See Note	1	Cover, End (Note: Use Item 28)	
18	See Note	1	Tag, I.D. (Note: Not Available for Purchase)	
19	7005892	4	Bolt	
20		Ref	Housing Options:	
20	7005841	1	Motor p/n 3160200	
20	7016425	1	Motor p/n 3160273	
21	7005893	1	Plug, Cooling	
22		Ref	Shaft Options:	
22	7005894	1	Motor p/n 3160200	
22	7016426	1	Motor p/n 3160273	
26	7005881	1	Seal Kit (Includes Items 1-8)	
27	7005882	1	Seal Carrier Kit (Includes Items 9 & 10)	
28		Ref	End Cover Kit (Includes Items 16 & 17) Options:	
28	7005848	1	Motor p/n 3160200	
28	7016424	1	Motor p/n 3160273	
29		Ref	Housing/Shaft Kit (Includes Items 20-22) Options:	
29	7005895	1	Motor p/n 3160200	
29	7016427	1	Motor p/n 3160273	

SECTION 2 - TURNTABLE

FIGURE 2-8. DEUTZ ENGINE INSTALLATION - WITHOUT NOISE REDUCTION (Prior to SN 0300029930)



SECTION 2 - TURNTABLE

FIGURE 2-8. DEUTZ ENGINE INSTALLATION - WITHOUT NOISE REDUCTION (Prior to SN 0300029930)

ITEM	PART NUMBER	QTY	DESCRIPTION	REV
	0255425	Ref	ENGINE ASSEMBLY AND INSTALLATION	11-J
1	2000132	1	Engine - Deutz F4M1011F Diesel	
2	4844961	1	Tray Engine	
3	3538724	1	Plate, Radiator Mounting	
4	3620033	1	Cooler, Oil	
5	2060025	1	Fan	
6		Ref	Piston Pump Assembly Options: (See PISTON PUMP ASSEMBLY for Breakdown)	
6	3600164	1	13 Tooth Pump (Original Equipment)	
6	3600260	1	15 Tooth Pump (Option for Field Replacement Requires 15 Tooth Coupling P/N 1660234)	
7	1340056	1	Air Cleaner Assembly	
7A	7012664	1	Element, Air Cleaner	
8	0340041	2	Band, Mounting	
9	4640751	1	Valve, Oil Drain	
10	3600242	1	Gear Pump Assembly (See GEAR PUMP ASSEMBLY for Breakdown)	
11	3200378	4	Mount, Rubber Engine	
12	3537420	1	Bracket, Engine Mounting - Rear	
13	3537691	1	Bracket, Engine Mounting - Front	
14	3537416	1	Support, Engine - Right	
15	3537417	1	Support, Engine - Left	
16	0400075	1	Battery	
17	0181727	1	Hold-Down, Battery	
18	0630498	2	Rod, Hold-Down	
19	3740067	2	Relay	
20	4845080	1	Tube, Air Intake	
21	4360392	1	Switch, Restrictor Indicator	
22	2180798	1	Fitting	
23	3422448	1	Pin, Pivot	
24	3841143	1	Keeper, Pin	
25	4845162	1	Tube, Exhaust	
26	0940070	1	Bumper, Rubber	
27	2720397	1	Hose, Oil Cooler - Left (36in)	
28	2720398	1	Hose, Oil Cooler - Right (30in)	
29	1703162	2	Nameplate - Fan Caution Options:	
30	1320016	4	Clamp, Hose	
31	2901392	1	Throttle Mounting Kit	
31A	7008833	1	Bracket, Throttle	
31B	7008835	1	Coupling, Ball Joint	
31C	7008836	1	Spring	
31D	7023340	AR	Screw, Shoulder 3/8in x 3/8in (Not Shown)	
32	2220451	2	Fitting, Straight	
33	3931620	2	Bolt, Socket Head 3/8in-16NC x 1-1/4in	
34	0902243	1	Bracket, Control Module Mounting	
35	0641816	4	Bolt 1/2in-13NC x 2in	
36	3311805	4	Locknut 1/2in-13NC	
37	0641610	21	Bolt 3/8in-16NC x 1-1/4in	
38	3311605	22	Locknut 3/8in-16NC	

SECTION 2 - TURNTABLE

ITEM	PART NUMBER	QTY	DESCRIPTION	REV
39	4751600	44	Flatwasher 3/8in Regular	
40	0701414	4	Bolt M14 x 30mm	
41	4891600	2	Flatwasher 3/8in Hardened	
42	0641406	12	Bolt 1/4in-20NC x 3/4in	
43	4751400	20	Flatwasher 1/4in Regular	
44	3311405	13	Locknut 1/4in-20NC	
45	0721004	2	Bolt #10-24NC x 5/8in	
46	3311005	2	Locknut #10-24NC	
47	4751000	2	Flatwasher #10 Regular	
48	1320022	6	Clamp, Hose	
49	2220273	2	Fitting, Reducer	
50	2180536	1	Fitting, Straight	
51	2220313	1	Fitting, 90	
52	2750532	6 ft/1.83m	Hose 3/8in	
53	2220250	1	Fitting, Reducer	
54	2220459	1	Fitting, 90	
55	2720271	15 ft/4.6m	Hose 3/16in	
56	0641812	4	Bolt 1/2in-13NC x 1-1/2in	
57	0100020	AR	Sealant, Thread	
58	0100011	AR	Compound, Locking	
60	2720351	6 in/15cm	Coupling, Rubber Intake	
61	0700810	4	Bolt M8 x 20mm	
62	0060033	NLA	Actuator Assembly (Use p/n 2910000) (See ELECTRICAL SECTION for Breakdown)	
65	3290801	3	Nut M8	
66	0080177	1	Air Intake Adapter Weldment	
67	0641510	3	Bolt 5/16in-18NC x 1-1/4in	
68	3311505	3	Locknut 5/16in-18NC	
69	0961986	2	Bushing, Flanged	
70	2901358	1	Battery Cable Kit	
70A	7016800	1	Cable, Battery (Red)	
70B	7016812	1	Cable, Battery (Black)	
70C	7016802	1	Cable (Red)	
70D	7016803	1	Cable (Red)	
70E	7016804	1	Cable (Red)	
70F	7016805	1	Cable (Black) (Prior to SN 0300025556)	
71	4460611	1	Terminal, Battery Jumper Post	
72	4360294	1	Breaker, Circuit - 30 Amp	
73	1320222	1	J-Clip 3/8in	
74	1320223	3	J-Clip 1/2in	
75	0641606	3	Bolt 3/8in-16NC x 3/4in	
76	3422533	1	Pin, Hitch	
77	3790152	1	O-Ring	
78	3960407	1	Gasket	
79	4791400	4	Starwasher 1/4in	
80	0701012	4	Bolt M10 x 25mm	
81	0701015	4	Bolt M10 x 35mm	
82	0642010	1	Bolt 5/8in-11NC x 1-1/4in	
83	4752000	1	Flatwasher 5/8in Regular	
84	1701505	1	Decal - Diesel (Not Shown - Located on Hood)	
85	2720058	16 ft/4.9m	Hose	
86	2220794	1	Fitting, Barbed	

SECTION 2 - TURNTABLE

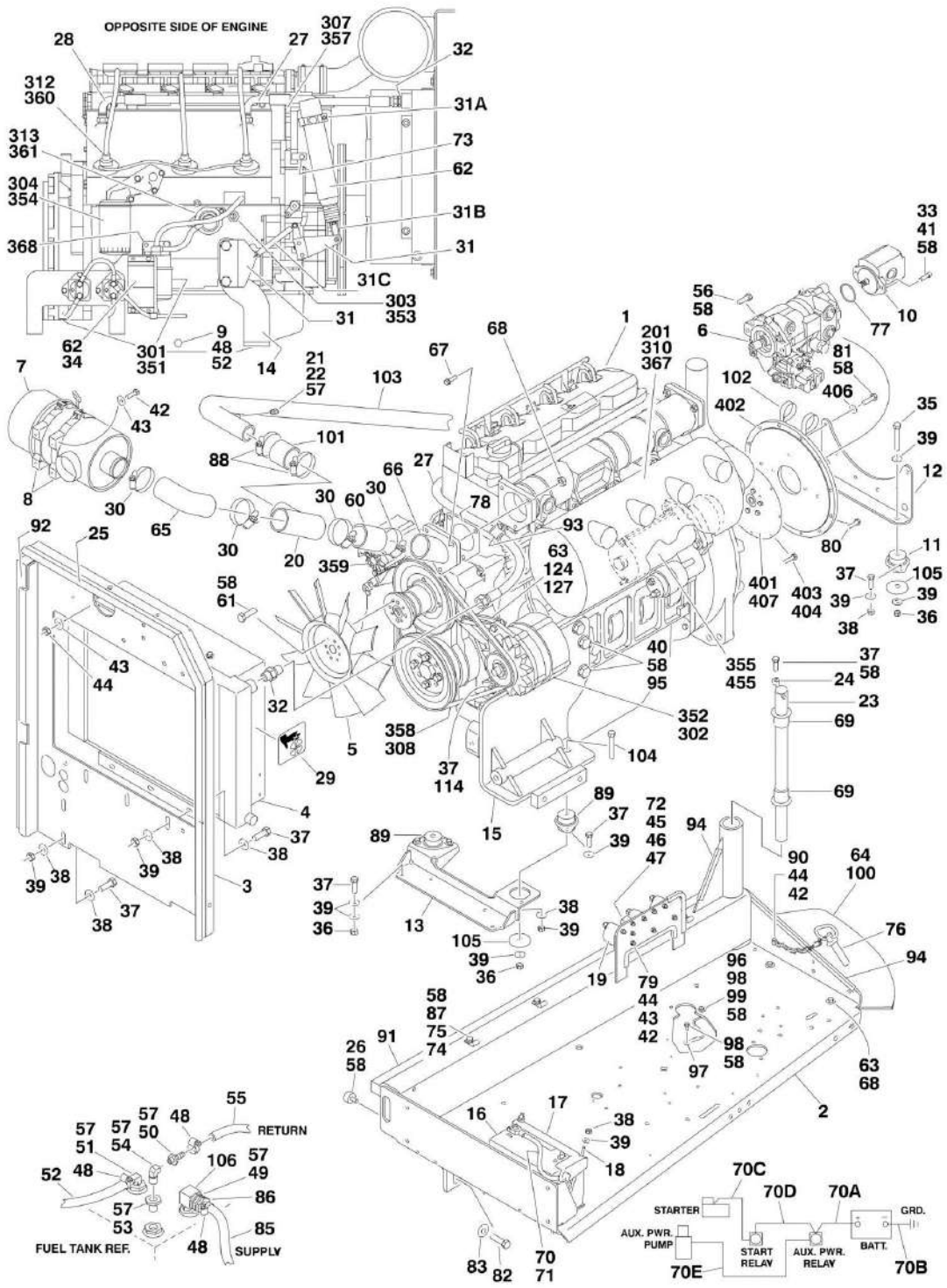
ITEM	PART NUMBER	QTY	DESCRIPTION	REV
87	4711600	3	Flatwasher 3/8in Thin	
88	4100025	19	Sleeve, Fiberglass	
		in/49cm		
89	4920385	2 ft/60cm	Wire	
90	4711400	1	Flatwasher 1/4in Thin	
91	4566986	1	Tube, Adapter	
92	1320019	1	Clamp, Exhaust	
93	1320060	1	Clamp, Hose	
94	4060805	7 in/18cm	Flex-Trim 1/4in	
95	4060804	16	Flex-Trim 3/16in	
		in/40cm		
96	4751800	1	Flatwasher 1/2in Regular	
97	1060637	1	Lanyard	
98	0641808	2	Bolt 1/2in-13NC x 1in	
99	3311801	1	Nut 1/2in-13NC	
100	7019658	1	Fitting 90, W/Pick-Up Tube	
	0256191	Ref	PUMP COUPLING INSTALLATION	-
101		Ref	Coupling, Hayes Options:	
101	1660184	1	13 Tooth Pump (Originally Equipped)	
101	1660234	1	15 Tooth Pump (Option for field replacement)	
102	0080163	1	Plate, Pump Adapter	
103	0700810	6	Bolt M8 x 20mm	
104	4831900	6	Lockwasher M8	
106	4832000	8	Lockwasher M10	
107	3020021	AR	Grease, Coupling	
		Ref	MUFFLER INSTALLATIONS	
	0255875	Ref	Standard Equipment	-
	0255876	Ref	Optional Purifier	-
201		Ref	Muffler Options:	
201	3220100	1	Standard Spark Arresting	
201	3220101	1	Optional Catalytic Purifier	
202	0340041	2	Band, Clamp	
203	0902217	1	Bracket	
204	0641508	4	Bolt 5/16in-18NC x 1in	
205	4711500	8	Flatwasher 5/16in Thin	
206	3311505	4	Locknut 5/16in-18NC	
207	1320019	1	Clamp, Exhaust	
	2000132	Ref	ENGINE COMPONENTS	
301	7020023	1	Filter, Fuel (was p/n 7016328)	
302	7000663	1	Alternator (was p/ns 7016329 & 7020410)	
302	70002234	1	Bracket, Adjusting (Not Shown)	
303	7016330	1	Switch, Oil Pressure (Not Shown)	
304	7016331	1	Filter, Oil	
305	7016332	1	Starter	
306	70000787	1	Support, Fan	
307	7000699	1	Seal (Doughnut)	
308	7012599	4	Pump, Fuel Injection	
308	7020427	4	Injection (Not Shown)	
309	7012698	1	Pump, Fuel Supply	
309	7020411	1	Seal, Pump to Block	
309	7016309	1	Washer, Copper	
310	7019607	1	Shutdown, Throttle (Not Shown)	

SECTION 2 - TURNTABLE

ITEM	PART NUMBER	QTY	DESCRIPTION	REV
311	7020404	1	Washer, Oil Drain Plug (Not Shown)	
312	7020408	1	V-Belt	
313	7020418	1	Dipstick Oil Level (Not Shown)	
314	7020419	1	Hose, Fuel Return (Not Shown)	
315	7020431	1	Gasket, Valve Cover (Not Shown)	
316	See Note	1	Flywheel/Ring Gear Assembly (Not Shown) (Note: Not Available for Purchase)	
316	7020477	1	Ring Gear Only (Not Shown)	
317	7024565	1	Sensor, Tach (Not Shown - Located on Flywheel Housing)	
318	7027250	1	Spring, Actuator (Not Shown)	

SECTION 2 - TURNTABLE

FIGURE 2-9. DEUTZ ENGINE INSTALLATION - WITH NOISE REDUCTION (SN 0300028190 through 0300069000)



SECTION 2 - TURNTABLE

FIGURE 2-9. DEUTZ ENGINE INSTALLATION - WITH NOISE REDUCTION (SN 0300028190 through 0300069000)

ITEM	PART NUMBER	QTY	DESCRIPTION	REV
		Ref	ENGINE ASSEMBLY AND INSTALLATIONS	
	0256757	Ref	Engine Assembly and Installation (Standard) (SN 0300028190 through 0300064248)	9-H
	0270850	Ref	Engine Assembly and Installation - With ADE System (SN 0300064249 through 0300069000)	8-G
1		Ref	Engine - Deutz F4M1011F Diesel Options:	
1	2000146	1	Standard Machines	
1	2000173	1	ADE System (SN 0300028190 through 0300065628)	
1	2000189	1	ADE System (SN 0300065629 through 0300069000)	
2	4845404	1	Tray Engine	
3	3539872	1	Plate, Radiator Mounting	
4	3620033	1	Cooler, Oil	
5	2060025	1	Fan	
6	3600260	1	Piston Pump Assembly (See PISTON PUMP ASSEMBLY for Breakdown)	
7	1340060	1	Air Cleaner Assembly	
7A	7012664	1	Element	
8	0340041	2	Band, Mounting	
9	4640751	1	Valve, Oil Drain	
10	3600242	1	Gear Pump Assembly (See GEAR PUMP ASSEMBLY for Breakdown)	
11	3200378	2	Mount, Rubber Engine (Rear)	
12	3537420	1	Bracket, Engine Mounting - Rear	
13	3539971	1	Bracket, Engine Mounting - Front	
14	3537416	1	Support, Engine - Right	
15		Ref	Support, Engine - Left Options:	
15	3537417	1	Support, Engine - Left (SN 0300028190 through 0300064393)	
15	4846479	1	Support, Engine - Left (SN 0300064394 through 0300068965)	
15	4846566	1	Support, Engine - Left (SN 0300068966 through 0300069000)	
16	0400075	1	Battery	
17	0181727	1	Hold-Down, Battery	
18	0630498	2	Rod, Hold-Down	
19	3740067	2	Relay	
20	4567112	1	Tee, Air Intake Tube	
21	4360392	1	Switch, Restrictor Indicator	
22	2180798	1	Fitting	
23	3422448	1	Pin, Pivot	
24	3841143	1	Keeper, Pin	
25	3960389	5 ft/1.5m	Seal	
26	0940070	1	Bumper, Rubber	
27		Ref	Hose, Oil Cooler - Left Options:	
27	2720397	1	Hose 36in (SN 0300028190 through 0300034756)	
27	2720398	1	Hose 30in (SN 0300034757 through 0300069000)	
28	2720398	1	Hose, Oil Cooler - Right (30in)	
29	1703162	2	Nameplate - Fan Caution	
30	1320016	4	Clamp, Hose	
31	2901392	1	Throttle Mounting Kit (SN 0300028190 through 0300064249)	
31A	7008833	1	Bracket, Throttle	
31B	7008835	1	Coupling, Ball Joint	
31C	7008836	1	Spring	

SECTION 2 - TURNTABLE

ITEM	PART NUMBER	QTY	DESCRIPTION	REV
31D	7023340	AR	Screw, Shoulder 3/8in x 3/8in (Not Shown)	
32	2220451	2	Fitting, Straight	
33	3931620	2	Capscrew, Socket Head 3/8in-16NC x 1-1/4in	
34		Ref	Bracket, Control Module Mounting Options:	
34	0902243	1	Bracket, Control Module Mounting (SN 0300028190 through 0300044157)	
34	0902511	1	Bracket, Control Module Mounting (SN 0300044158 through 0300064394)	
35	0641818	2	Bolt 1/2in-13NC x 2-1/4in	
36	3311805	4	Locknut 1/2in-13NC	
37	0641610	AR	Bolt 3/8-16NC x 1-1/4in	
38	3311605	AR	Locknut 3/8in-16NC	
39	4751600	AR	Flatwasher 3/8in Regular	
40	0701414	AR	Bolt 1/4in-20NC x 3/4in	
41	4891600	2	Washer, Hardened 3/8in	
42	0641407	AR	Bolt 1/4in-20NC x 7/8in	
43	4751400	AR	Flatwasher 1/4in Regular	
44	3311405	AR	Locknut 1/4in-20NC	
45	0721005	2	Bolt #10-24NC x 5/8in (SN 0300028190 through 0300064249)	
46	3321005	2	Locknut #10-24NC (SN 0300028190 through 0300064249)	
47	4751000	2	Flatwasher #10 Regular (SN 0300028190 through 0300064249)	
48	1320022	6	Clamp, Hose	
49	2220273	2	Fitting, Reducer	
50	2180536	1	Fitting, Straight	
51	2220313	1	Fitting, 90	
52	2750532	6 ft/1.83m	Hose 3/8in	
53	2220250	1	Fitting, Reducer	
54	2220459	1	Fitting, 90	
55	2720271	15 ft/4.6m	Hose 3/16in	
56	0641812	4	Bolt 1/2in-13NC x 1-1/2in	
57	0100020	AR	Sealant, Thread	
58	0100011	AR	Compound, Locking	
60		Ref	Coupling, Rubber Intake Options:	
60	2720351	6 in/15cm	Coupling, Rubber Intake (SN 0300028190 through 0300067976)	
60	2720449	1	Coupling, Rubber Intake (SN 0300067977 through 0300069000)	
61	0700808	4	Bolt M8 x 16mm	
62	0060033	NLA	Actuator Assembly (Use p/n 2910000) (See ELECTRICAL SECTION for Breakdown) (SN 0300028190 through 0300064249)	
63	0641507	AR	Bolt 5/16in-18NC x 7/8in	
64	3380428	1	Panel, Rubber	
65	2720434	1	Elbow, Rubber	
66	4845395	1	Air Intake Adapter Weldment	
67	0641510	3	Bolt 5/16in-18NC x 1-1/4in	
68	3311505	7	Locknut 5/16in-18NC	
69	0961986	2	Bushing, Flanged	
70	2901358	1	Battery Cable Kit (Standard)	
70A	7016800	1	Cable, Battery (Red)	
70B	7016812	1	Cable, Battery (Black)	
70C	7016802	1	Cable (Red)	
70D	7016803	1	Cable (Red)	

SECTION 2 - TURNTABLE

ITEM	PART NUMBER	QTY	DESCRIPTION	REV
70E	7016804	1	Cable (Red)	
70F	Not Required	0	Not Required	
71	4460611	1	Terminal, Battery Jumper Post	
72	4360294	1	Breaker, Circuit - 30 Amp (SN 0300028190 through 0300064249)	
73	1320222	1	J-Clip 3/8in	
74	1320223	3	J-Clip 1/2in	
75	0641606	3	Bolt 3/8in-16NC x 3/4in	
76	3422532	1	Pin, Hitch	
77	3790152	1	O-Ring	
78	3960407	1	Gasket	
79	4791400	4	Starwasher 1/4in	
80	0701012	4	Bolt, Metric M10 x 25mm	
81	0701015	4	Bolt, Metric M10 x 35mm	
82	0642010	1	Bolt 5/8in-11NC x 1-1/4in	
83	4752000	1	Flatwasher 5/8in Regular	
84	1701505	1	Decal - Diesel (Not Shown - Located on Hood)	
85	2720058	16 ft/4.9m	Hose	
86	2220794	1	Fitting, Barbed	
87	4711600	3	Flatwasher 3/8in Thin	
88	1320031	2	Clamp Only (SN 0300028190 through 0300042668)	
89	3200362	2	Mount, Rubber Engine (Front)	
90	4711400	1	Flatwasher 1/4in Thin	
91	3960468	1	Seal, Foam Gasket	
92	3960469	1	Seal, Foam Gasket	
93	1320060	1	Clamp, Hose Only (SN 0300028190 through 0300034757)	
94	4060805	2.9 ft/0.88m	Flex-Trim 1/4in	
95	4711900	6	Flatwasher 9/16in Thin	
96	4751800	2	Flatwasher 1/2in Regular	
97	1060637	1	Lanyard	
98	0641808	2	Bolt 1/2in-13NC x 1in	
99	3311801	1	Nut 1/2in-13NC	
100	3539956	1	Plate, Support	
101	2720423	1	Hose Only (SN 0300028190 through 0300042668)	
102	1320131	2	Clamp Only (SN 0300028190 through 0300042668)	
103		Ref	Tuning Tube Weldment Options:	
103	4845394	1	Tuning Tube Weldment (SN 0300028190 through 0300042667)	
103	4567815	1	Tuning Tube Weldment (SN 0300042668 through 0300069000)	
104	0641826	2	Bolt 1/2in-13NC x 3-1/4in	
105	4740274	4	Washer, Snubbing	
106	7019658	1	Fitting 90, W/Pick-Up Tube	
		Ref	MUFFLER INSTALLATIONS	
	0256689	Ref	Standard Equipment (Spark Arresting)	-
	0256690	Ref	Optional Equipment (Catalytic)	-
201		Ref	Muffler Options:	
201	3220103	1	Spark Arresting	
201	3220104	1	Catalytic	
201		Ref	Clamp Options:	
201	1320176	1	Muffler p/n 3220103	

SECTION 2 - TURNTABLE

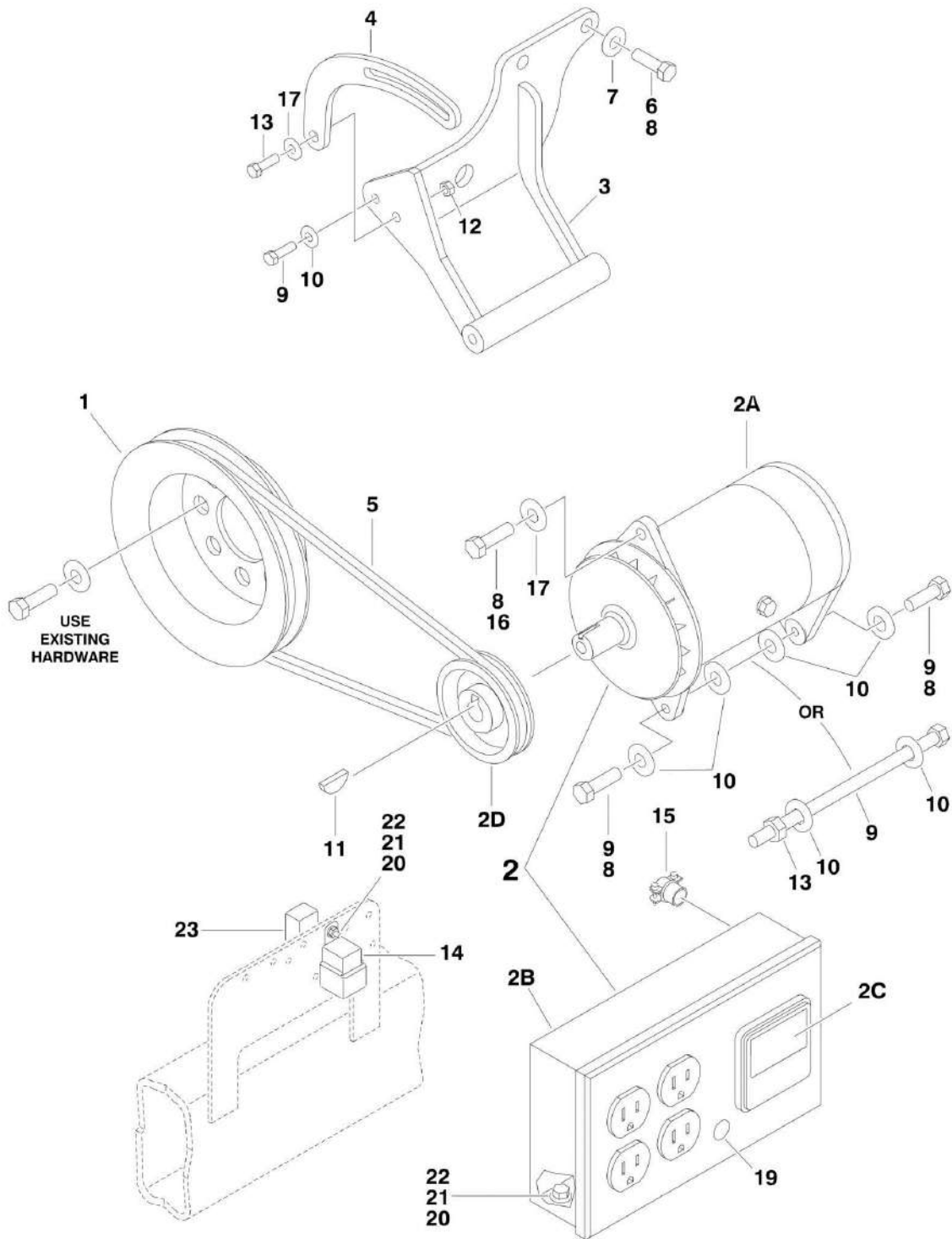
ITEM	PART NUMBER	QTY	DESCRIPTION	REV
201	70001017	1	Muffler p/n 3220104	
201	7024398	1	Tube, Exhaust	
201	7024560	1	Plug, Brass	
201	7020471	4	Gasket	
	2000146	Ref	ENGINE COMPONENTS (SN 0300028190 through 0300064249)	
301	8320270	1	Filter, Fuel (was p/n 7016639)	
302	7000663	1	Alternator (was p/ns 7016329, 7020436 & 7020410)	
303	7016330	1	Switch, Oil Pressure	
304	7016331	1	Filter, Oil (was p/n 7016641)	
304	70002813	1	Gasket, Filter Head to Engine Block	
305	7016332	1	Starter	
306	7026631	1	Dipstick, Engine Oil (was p/ns 7019664 & 7016640) (Not Shown)	
306	70001002	1	Tube, Oil Dipstick (was p/n 7019664) (Not Shown)	
307	7020025	1	Switch, Engine Temperature	
308	7020414	1	V-Belt	
309		Ref	Gasket, Cylinder Head Options (Not Shown):	
309	70001681	1	1 Notch	
309	70002411	1	2 Notches	
309	70002530	1	3 Notches	
309	7020431	1	Gasket, Valve Cover (Not Shown)	
310	7000699	1	Seal (Doughnut)	
310	7020471	4	Gasket (Muffler to Head)	
310	See Note	8	Nut, Muffler Attaching (Note: Not Available for Purchase)	
311	7019607	1	Shutdown, Throttle (was p/n 7016359) (Not Shown)	
312	7012599	4	Pump, Fuel Injection	
312	7020427	4	Injector, Fuel (Not Shown)	
312	7020425	4	Nozzle (Not Shown)	
313	7020463	1	Pump, Fuel Supply	
313	7020419	1	Hose, Fuel Return	
314	7020027	1	Flywheel/Ring Gear Assembly (Not Shown)	
314	7020477	1	Ring Gear Only (Not Shown)	
315	7020404	1	Washer, Oil Drain Plug (Not Shown)	
316	7027250	1	Spring, Actuator (Not Shown)	
317	7020465	2	Cap, Oil Fill (Not Shown - Located on Top and Left Sides)	
	2000173	Ref	ENGINE COMPONENTS (SN 0300064249 through 0300065628)	
	2000189	Ref	ENGINE COMPONENTS (SN 0300065629 through 0300069000)	
351	7016328	1	Filter, Fuel	
352	7000663	1	Alternator (was p/n 7020410)	
352	70003556		Pulley, Alternator	
352	7020464	1	Regulator, Voltage	
352	70002234	1	Bracket, Adjustable	
353	7020461	1	Switch, Oil Pressure	
354	7016331	1	Filter, Oil	
355		Ref	Starter Options:	
355	7016332	1	2000173 Engine	
355	7020479	1	2000189 Engine	
355	See Note	1	Relay (Note: Not Available for Purchase)	
355	7026608	2	Bolt, Starter Mounting	
355	70001498	1	Shield, Starter Heat (Not Shown)	
356	7026631	1	Dipstick Oil Level (Not Shown)	
356	7020487	1	Seal, Dipstick (Not Shown)	

SECTION 2 - TURNTABLE

ITEM	PART NUMBER	QTY	DESCRIPTION	REV
356	70001002		Tube, Dipstick	
357	7020168	1	Switch, Engine Temperature	
357	7020480	1	Seal, Temp Switch (Not Shown)	
358	7020408	1	V-Belt	
359	7020458	1	Fuel, Solenoid	
360	7020462	4	Fuel Injection Pump	
360	7026522	4	Injector, Fuel (Includes Nozzle Element) (Not Shown)	
361		Ref	Fuel Pump Supply Options:	
361	7020463	1	2000173 Engine	
361	7020463	1	2000189 Engine (was p/n 7024413)	
361	7020411	1	Seal, Pump to Block (Not Shown)	
362	7020465	2	Cap, Oil Fill (Not Shown - Located on Top and Left Sides)	
363	7020474	1	Pump, Oil Lube (Not Shown - Located on Left Side)	
363	7020468	1	Ring, Pump Sealing	
364	7020449	4	Gasket, Intake Manifold to Engine Block (Not Shown)	
365		Ref	Sensor, Tach (Not Shown - Located on Flywheel Housing)	
365	7024565	1	2000173 Engine	
365	7024565	1	2000189 Engine (was p/n 7020481)	
366	7020458	1	Actuator, Throttle (Not Shown)	
366	7026607	1	Spring, Actuator (was p/n 7027276)	
367	7020471	4	Gasket, Exhaust Manifold to Engine Block	
368	70001423	1	Head, Fuel Filter	
369		Ref	Gasket, Head Options (Not Shown):	
369	70001681	1	1 Notch Gasket	
369	70002411	1	2 Notch Gasket	
369	70002530	1	3 Notches	
370		Ref	Flywheel (Not Shown)	
370	7020027	1	2000173 Engine	
370	See Note	1	2000189 Engine (Note: Not Available for Purchase)	
	0256847	Ref	PUMP COUPLING INSTALLATION	-
401	1660234	1	Coupling, Hayes	
402	0080163	1	Plate, Pump Adapter	
403	0700810	6	Bolt M8 x 20mm	
404	4831900	6	Lockwasher M8	
406	4832000	8	Lockwasher M10	
407	3020021	AR	Grease, Coupling	

SECTION 2 - TURNTABLE

FIGURE 2-10. GENERATOR INSTALLATION (OPTIONAL - DEUTZ ENGINE MACHINES)



SECTION 2 - TURNTABLE

FIGURE 2-10. GENERATOR INSTALLATION (OPTIONAL - DEUTZ ENGINE MACHINES)

ITEM	PART NUMBER	QTY	DESCRIPTION	REV
		Ref	GENERATOR INSTALLATION OPTIONS:	
		Ref	Note: Numbered Colored Wiring starts after SN 0300035129.	
	0255396	Ref	110V Generator (Prior to SN 0300035129)	3
	0257853	Ref	110V Generator (SN 0300035129 through 0300064248)	3
	0271544	Ref	110V Generator - ADE System (SN 0300064249 through 0300068965)	3
	0272480	Ref	110V Generator - ADE System (SN 0300068966 through 0300069000)	2
	0272293	Ref	110V 50Hz Generator - ADE System (SN 0300063865 through 0300066586)	1
	0272482	Ref	110V 50Hz Generator - ADE System (SN 0300066587 through 0300069000)	1
	0257160	Ref	220V Generator (Prior to SN 0300035129)	2
	0257857	Ref	220V Generator (SN 0300035129 through 0300064248)	4
	0271547	Ref	220V Generator - ADE System (SN 0300064249 through 0300068965)	3
	0272481	Ref	220V Generator - ADE System (SN 0300068966 through 0300069000)	2
1	3580158	1	Pulley	
2		Ref	Generator and Control Box Assembly Options:	
2	2460011	1	110V/60Hz Assembly (Prior to SN 0300066056)	I
2	2460032	1	110V/60Hz Assembly (SN 0300066056 through 0300069000)	C
2	2460039	1	110V/50Hz Assembly (SN 0300063865 through 0300069000)	B
2	2460013	1	220V Assembly (Prior to SN 0300066056)	B
2	2460034	1	220V Assembly (SN 0300066056 through 0300068965)	B
2	2460013	1	220V Assembly (SN 0300068966 through 0300069000)	B
2A		Ref	Generator, Replacement Options:	
2A	7012558	1	110V/60Hz Generator Only	
2A	2460049	1	110V/50Hz Generator Only	
2A	1001100321	1	220 Volt Generator Only	
		Ref	Note: Replacement Generators come standard with p/n 3580134 pulley. This pulley may not be correct for all applications. Refer to pulley options below.	
2A	7020193	1	Cord, Power - 12ft Length	
2A		Ref	Armature with Slip Rings Options:	
2A	7026199	1	Armature for 110 Volt	
2A	70000123	1	Armature for 220 Volt	
2A	7020108	4	Brushes	
2A	7020109	4	Holder, Brush	
2A	7012513	4	Cap, Brush Holder	
2A	7012514	1	Fan	
2A	7020110	1	Bell, Front	
2A	7020111	1	Bell, Rear	
2A	7020190	2	Bearing	
2B		Ref	Box, Control Options:	
2B	70002239	1	110V/50Hz Control Box Only	
2B	7003657	1	110V/60Hz Control Box Only	
2B	70002235	1	220V Control Box Only	
2B	3520028	1	Plug, Hole	
2B		Ref	Receptacle Options:	
2B	4460190	1	Receptacle, Standard (110V Only)	

SECTION 2 - TURNTABLE

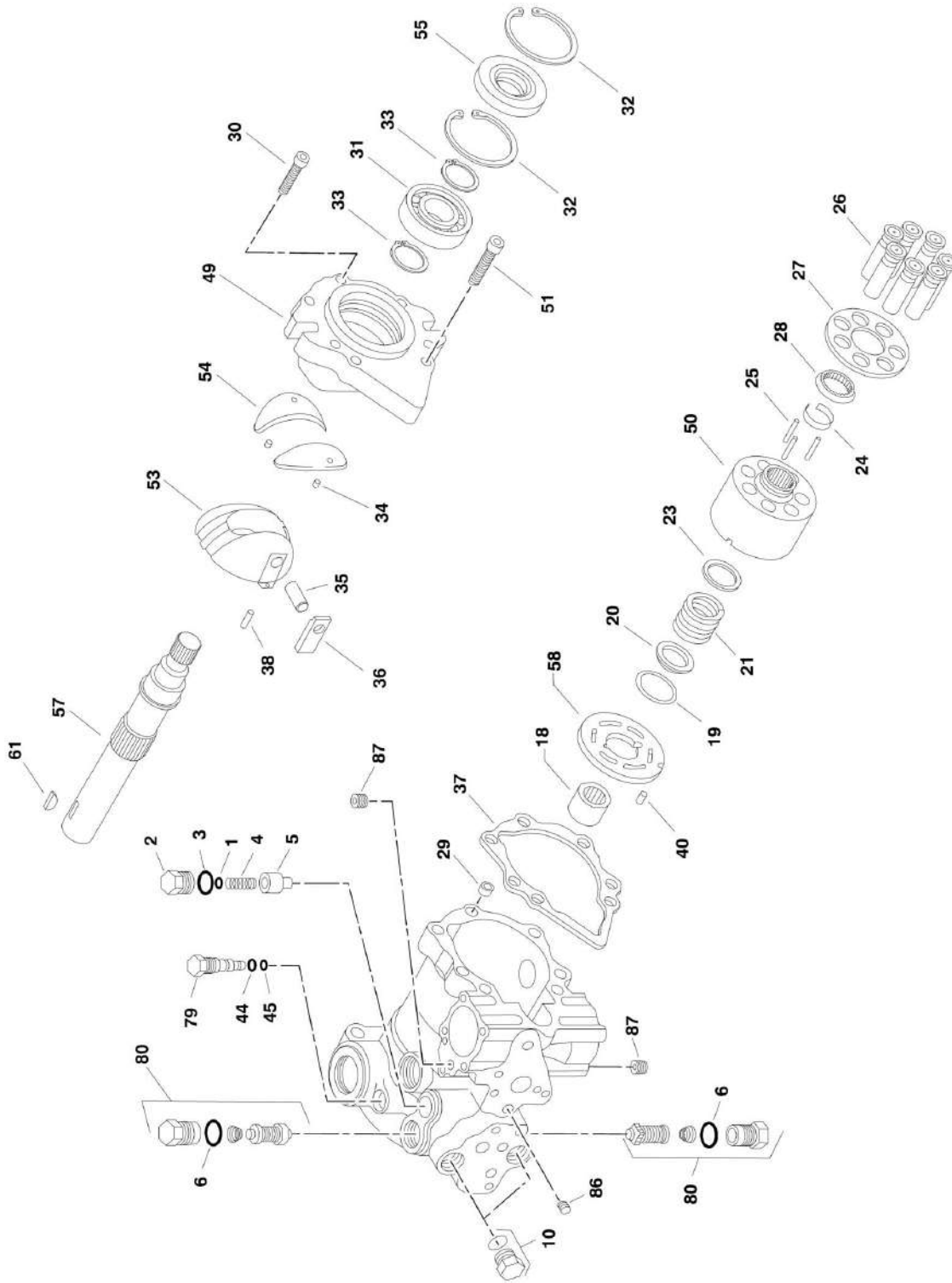
ITEM	PART NUMBER	QTY	DESCRIPTION	REV
2B	4460027	1	Receptacle, Twistlock (110V Only)	
2B	70000124	1	Receptacle, Double (220V Only)	
2B	70000125	1	Receptacle, Single (220V Only)	
2B		Ref	Circuit Breaker Options:	
2B	70002240	1	Circuit Breaker for 110V/50Hz	
2B	4360542	1	Circuit Breaker for 110V/60Hz	
2B	7000126	1	Circuit Breaker for 220V	
2B	7020191	1	Switch, Toggle	
2B	2920162	1	Lamp	
2C		Ref	Voltmeter Options:	
2C	2420203	1	Voltmeter for 110 Volt	
2C	7020192	1	Voltmeter for 220 Volt	
2D		Ref	Pulley Options:	
2D	3580134	1	Pulley 110V/50Hz	
2D	3580134	1	Pulley 110V/60Hz (Prior to SN 0300066056)	
2D	3580276	1	Pulley 110V/60Hz (SN 0300066056 through 0300069000)	
2D	3580134	1	Pulley 220V (Prior to SN 0300066056)	
2D	3580276	1	Pulley 220V (SN 0300066056 through 0300068965)	
2D	3580134	1	Pulley 220V (SN 0300068966 through 0300069000)	
2D	7027887	1	Key, Woodruff	
3		Ref	Bracket, Generator Mounting Options:	
3	4845184	1	Bracket, Generator Mounting (Prior to SN 0300034200)	
3	4845531	1	Bracket, Generator Mounting (SN 0300034200 through 0300064394)	
4		Ref	Arm, Adjusting Options:	
4	0200530	1	Arm, Adjusting (Prior to SN 0300064394)	
4	0200741	1	Arm, Adjusting (SN 0300064394 through 0300068965)	
4	0200742	1	Arm, Adjusting (SN 0300068966 through 0300069000)	
5		Ref	V-Belt Option:	
5	0480050	1	V-Belt (Prior to SN 0300064394)	
5	0480119	1	V-Belt (SN 0300064394 through 0300066055)	
5	0480111	1	V-Belt (SN 0300066056 through 0300068965)	
5	0480121	1	V-Belt (SN 0300068966 through 0300069000)	
6	0711414	2	Bolt, Metric 14mm x 30mm (Prior to SN 0300064394)	
7		Ref	Hardware Options:	
7	4751900	2	Flatwasher 9/16in Regular (Prior to SN 0300064394)	
7	0641610	1	Bolt 3/8in-16NC x 1-1/2in (SN 0300064394 through 0300069000)	
8	0100011	AR	Compound, Locking	
9		Ref	Bolt Options:	
9	0681612	3	Bolt 3/8in-16NC x 1-1/2in (Grade 8) (Prior to SN 0300064394)	
9	0641772	1	Bolt 7/16in-14NC x 9in (SN 0300064394 through 0300069000)	
10	4751600	6	Flatwasher 3/8in Regular	
11	2860012	1	Key, Woodruff	
12	3311605	1	Locknut 3/8in-16NC	
13		Ref	Hardware Options:	
13	0700819	AR	Bolt, Metric 8mm x 55mm (Prior to SN 0300064394)	
13	3311705	AR	Locknut 7/16in-14NC (SN 0300064394 through 0300069000)	
14	3740080	1	Relay	
15	4460023	1	Connector, Strain Relief	
16	0641508	1	Bolt 5/16in-18NC x 1in	
17	4751500	AR	Flatwasher 5/16in Regular	

SECTION 2 - TURNTABLE

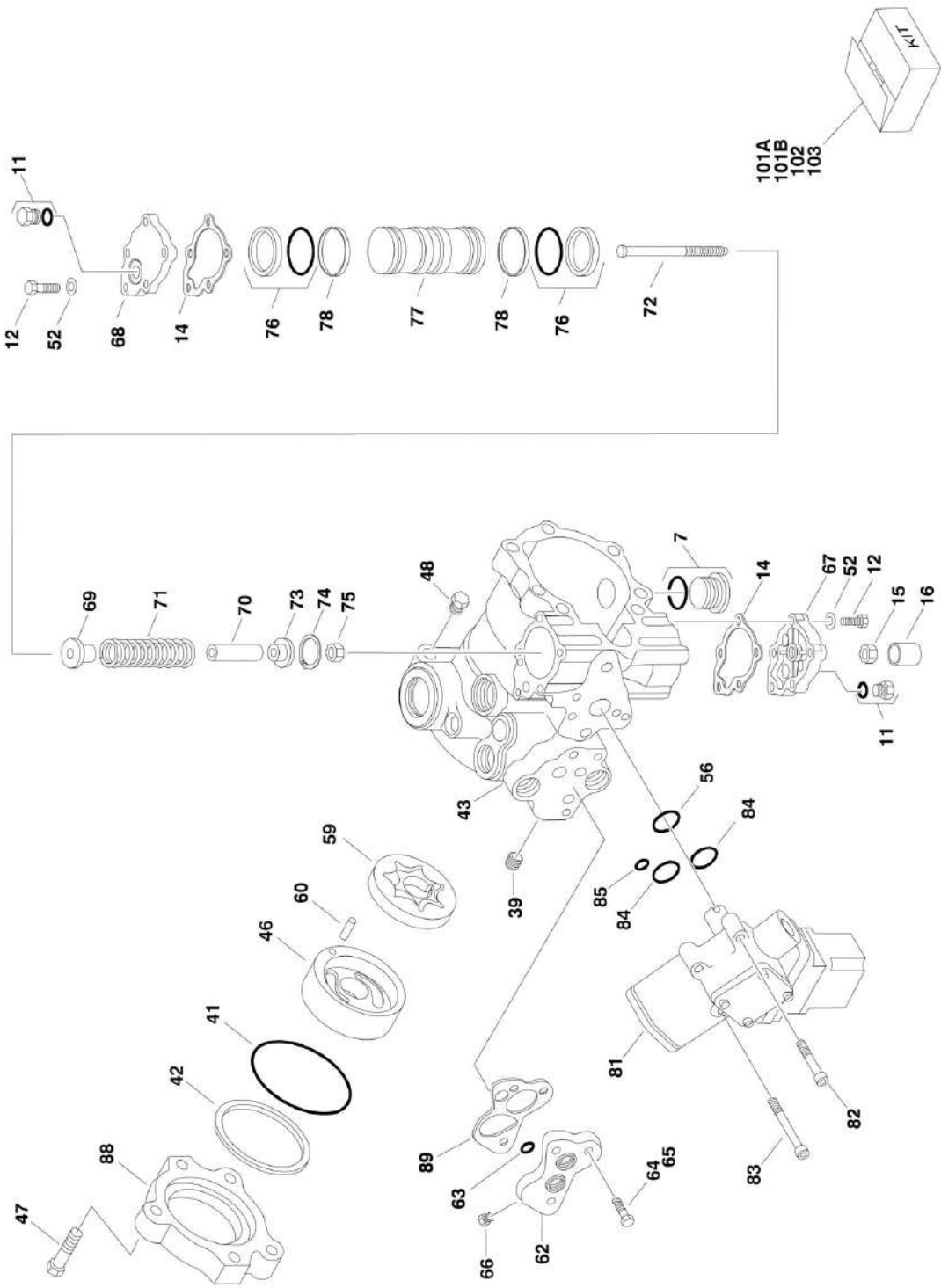
ITEM	PART NUMBER	QTY	DESCRIPTION	REV
19	3520028	1	Plug, Hole	
20	0721006	4	Bolt #10-24NC x 3/4in	
21	3311005	4	Locknut #10-24NC	
22	4751000	9	Flatwasher #10 Regular	
23	4360294	1	Breaker, Circuit - 30 Amp	
25	4360336	1	Switch, Toggle (Not Shown - Located at Platform)	
26	4740397	1	Bushing (Not Shown - Located at Platform)	
27	4060802	1	Guard, Switch (Not Shown - Located at Platform)	
29	2820031	4 in/10cm	Heat Shrink (Not Shown - Located at Platform)	
30	3251102	1	Decal (Not Shown - Located at Platform)	
31	1705325	1	Decal - 120V 50Hz Only (Not Shown - Located at Control Box)	

SECTION 2 - TURNTABLE

FIGURE 2-11. PISTON PUMP ASSEMBLY



SECTION 2 - TURNTABLE



SECTION 2 - TURNTABLE

FIGURE 2-11. PISTON PUMP ASSEMBLY

ITEM	PART NUMBER	QTY	DESCRIPTION	REV
		Ref	PISTON PUMP ASSEMBLIES	
	3600164	Ref	Piston Pump Assemblies 13 Tooth Pump Spline (Prior to SN 0300029318)	A
	3600260	Ref	Piston Pump Assemblies 15 Tooth Pump Spline (SN 0300029318 through 0300069000)	-
1	7007413	1	Shim Kit	
2	7007414	1	Plug	
3	See Note	NSS	O-Ring (Note: Use Item 101A)	
4	7007416	1	Spring, Relief Valve	
5	7007417	1	Valve, Relief	
6	See Note	NSS	O-Ring (Note: Use Item 101A)	
7	7007419	2	Plug	
10	7007420	2	Plug	
11	7007208	2	Plug	
12	7007421	10	Screw	
14	See Note	NSS	Gasket, Servo Cover (Note: Use Item 101A)	
15	7007423	1	Nut, Special	
16	7007424	1	Cover, Adjustment	
18	7007425	1	Bearing, Needle	
19	See Note	NSS	Ring, Retaining (Note: Use Item 103)	
20	See Note	NSS	Washer (Note: Use Item 103)	
21	See Note	NSS	Spring (Note: Use Item 103)	
23	See Note	NSS	Washer (Note: Use Item 103)	
24	See Note	NSS	Retainer (Note: Use Item 103)	
25	See Note	NSS	Pin, Slipper Holddown (Note: Use Item 103)	
26	See Note	NSS	Piston Assembly (Note: Use Item 103)	
27	See Note	NSS	Retainer, Slipper (Note: Use Item 103)	
28	See Note	NSS	Guide, Retainer (Note: Use Item 103)	
29	7007435	1	Pin, Spring	
30	7007436	1	Screw, 12 Point Head	
31	7007437	1	Bearing, Ball	
32	7007438	2	Ring, Retainer	
33	7007439	2	Ring	
34	7007440	2	Pin, Spring	
35	7007441	1	Handle, Pin	
36	7007442	1	Sleeve, Bearing	
37	See Note	NSS	Gasket, Front Cover (Note: Use Item 101A)	
38	7007444	1	Pin	
39	7007445	1	Plug, Expansion	
40	See Note	NSS	Pin (Note: Use Item 103)	
41	See Note	NSS	O-Ring (Note: Use Item 101A or 102)	
42	See Note	NSS	Ring, Load Temper (Note: Use Item 101A or 102)	
43	7007449	1	Housing, Pump	
44	See Note	NSS	Ring, Back-up (Note: Use Item 101A)	
45	See Note	NSS	O-Ring (Note: Use Item 101A)	
46	See Note	NSS	Cover, Gerotor (Note: Use Item 102)	
47	7007453	3	Bolt, Hex	
48	7007208	1	Plug	
49	7007454	1	Cover, Front	
50	See Note	NSS	Block, Cylinder (Note: Use Item 103)	

SECTION 2 - TURNTABLE

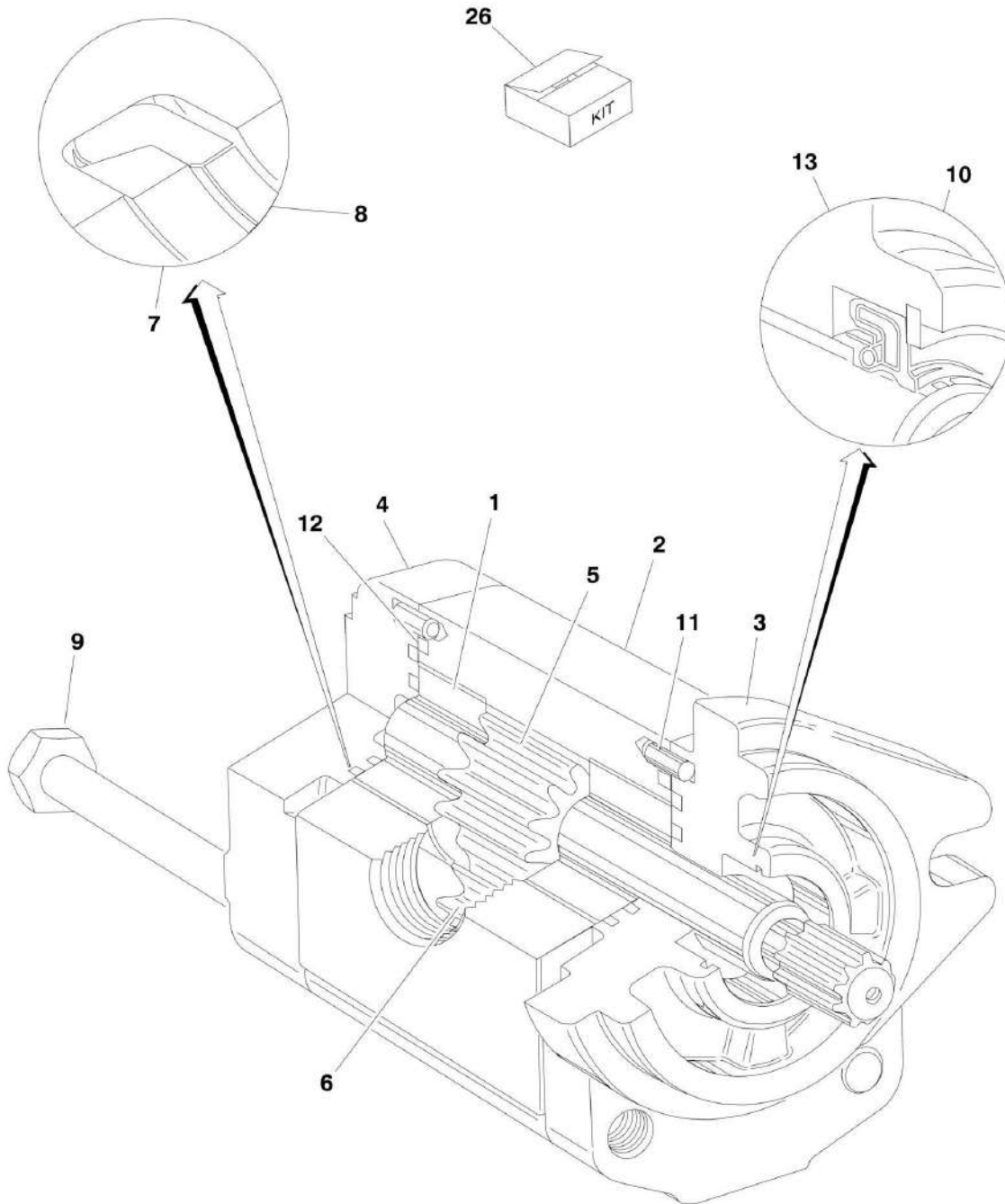
ITEM	PART NUMBER	QTY	DESCRIPTION	REV
51	7007456	6	Screw	
52	7001438	10	Washer	
53	See Note	NSS	Swash Plate (Note: Use Item 103)	
54	7007458	1	Journal, Bearing	
55	7007459	1	Seal, Lip	
56	See Note	NSS	O-Ring (Note: Use Item 101A)	
57		Ref	Shaft, Main Pump Options:	
57	7007461	1	Shaft, Main Pump 13 Tooth Spline (Prior to SN 29318)	
57	7010121	1	Shaft, Main Pump 15 Tooth Spline (SN 29318 through 69000)	
58	7021214	1	Plate, Valve	
59	7007463	1	Gerotor Assembly	
60	See Note	NSS	Pin (Note: Use Item 102)	
61	See Note	NSS	Kay, Woodruff (Note: Use Item 102)	
62	7007466	1	Adaptor, Remote Filtration (Without By-Pass)	
63	See Note	NSS	O-Ring (Note: Use Item 101A)	
64	7007468	2	Screw	
65	7007469	2	Screw	
66	7007470	1	Plug	
67	7007471	1	Cover, Servo (With Adjuster)	
67	7007490	2	Stop, Servo (Not Shown)	
67	7007491	2	Nut, Special (Not Shown)	
67	7007492	2	Ring, External (Not Shown)	
68	7007482	1	Cover, Servo (Without Adjuster)	
69	7007483	1	Guide, Spring	
70	7007484	1	Stop, Servo	
71	7007485	1	Spring	
72	7007486	1	Screw	
73	7007487	1	Guide, Spring	
74	7007488	1	Ring, Retaining	
75	7007499	1	Locknut	
76	See Note	NSS	Ring, Piston (Note: Use Item 101A or 101B)	
77	7007494	1	Piston, Servo	
78	See Note	NSS	O-Ring (Note: Use Item 101A or 101B)	
79	7007472	1	Valve, Bypass	
80	7010122	2	Valve, Pressure Relief (Includes Item 6) (was p/n 7007473)	
81	7007474	1	Control, Dual Oil-Filled	
81	7007496	1	Coil Assembly (Pilot)	
81	7007497	1	Plug (Pump)	
81	7007498	1	Plug (Valve Harness)	
82	7007478	2	Screw	
83	7001498	2	Screw	
84	See Note	NSS	O-Ring (Note: Use Item 101A)	
85	See Note	NSS	O-Ring (Note: Use Item 101A)	
86	7007475	1	Plug, Orifice/Screen (.156)	
87	7007477	2	Plug, Orifice (.37)	
88	7007476	1	Adapter, Auxiliary Pump	
89	7010120	1	Spacer/Gasket	
101		Ref	Seal Kit Options:	
101A	2900752	1	Complete (Includes Items 3, 6, 14, 37, 41, 42, 44, 45, 55, 56, 63, 76, 78, 84 & 85)	
101B	7007412	1	Servo Piston (Includes Items 76 & 78)	
102	2900826	1	Charge Pump Kit (Includes Items 41, 42, 46, 59, 60 & 61)	

SECTION 2 - TURNTABLE

ITEM	PART NUMBER	QTY	DESCRIPTION	REV
103	2900827	1	Cylinder Block Kit (Includes Items 19-28, 40, 50, 53 & 58)	

SECTION 2 - TURNTABLE

FIGURE 2-12. GEAR PUMP ASSEMBLY



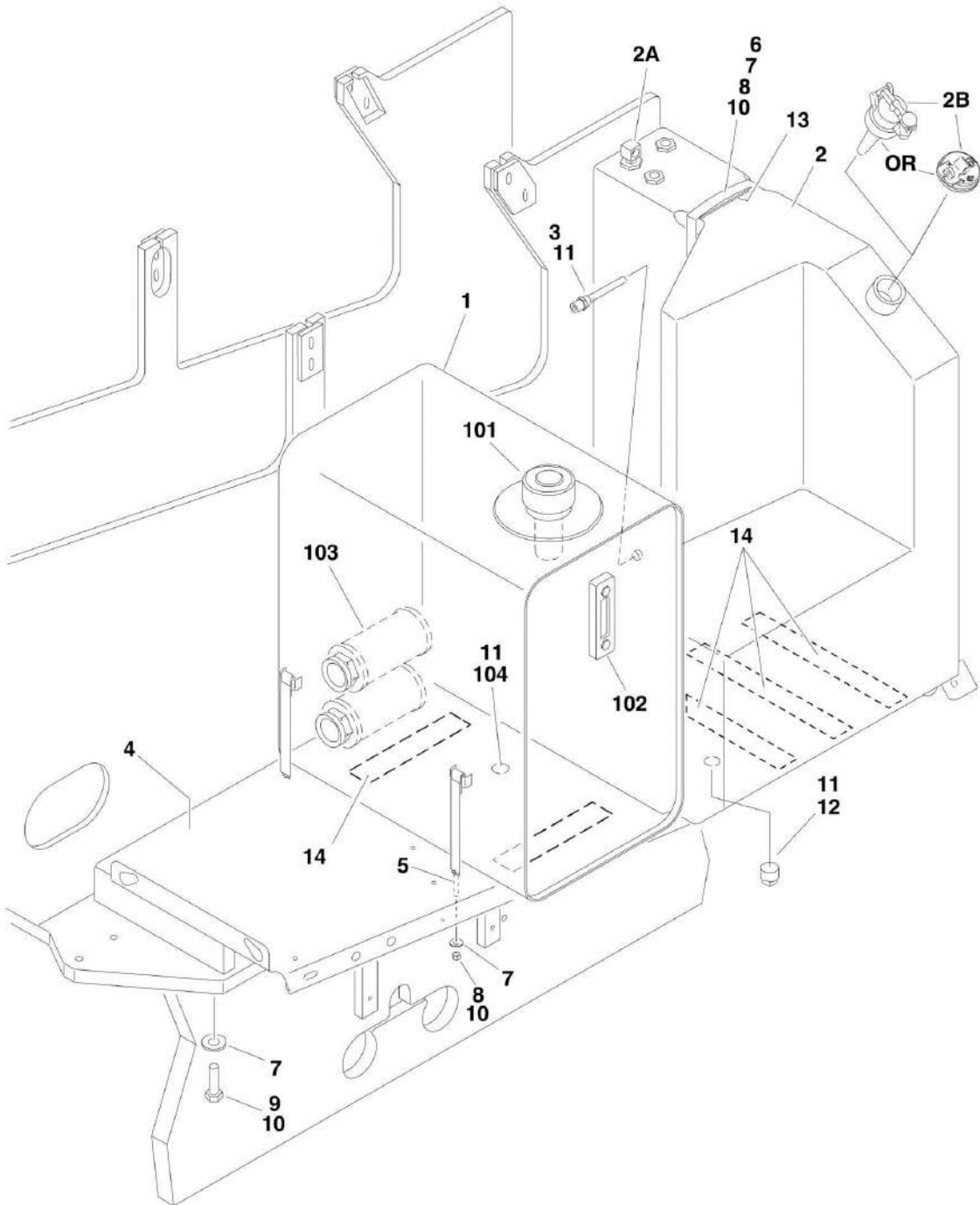
SECTION 2 - TURNTABLE

FIGURE 2-12. GEAR PUMP ASSEMBLY

ITEM	PART NUMBER	QTY	DESCRIPTION	REV
	3600242	Ref	GEAR PUMP ASSEMBLY	
1	7010105	2	Bearing/Bushing	
2	See Note	1	Housing (Note: Use p/n 3600242)	
3	See Note	1	Flange (Note: Use p/n 3600242)	
4	7010103	1	Cover	
5	7012987	1	Gear, Drive	
6	7012988	1	Gear, Idler	
7	See Note	NSS	Ring, Anti-Extrusion (Note: Use Item 26)	
8	See Note	NSS	Seal (Note: Use Item 26)	
9	See Note	4	Bolt (Note: Not Available for Purchase)	
10	7010104	1	Ring, Retaining	
11	See Note	4	Pin, Dowel (Note: Not Available for Purchase)	
12	See Note	NSS	Seal, O-Ring (Note: Use Item 26)	
13	See Note	NSS	Seal, Shaft (Note: Use Item 26)	
26	7007489	1	Seal Kit (Includes Items 7, 8, 12 & 13)	

SECTION 2 - TURNTABLE

FIGURE 2-13. TANKS INSTALLATION



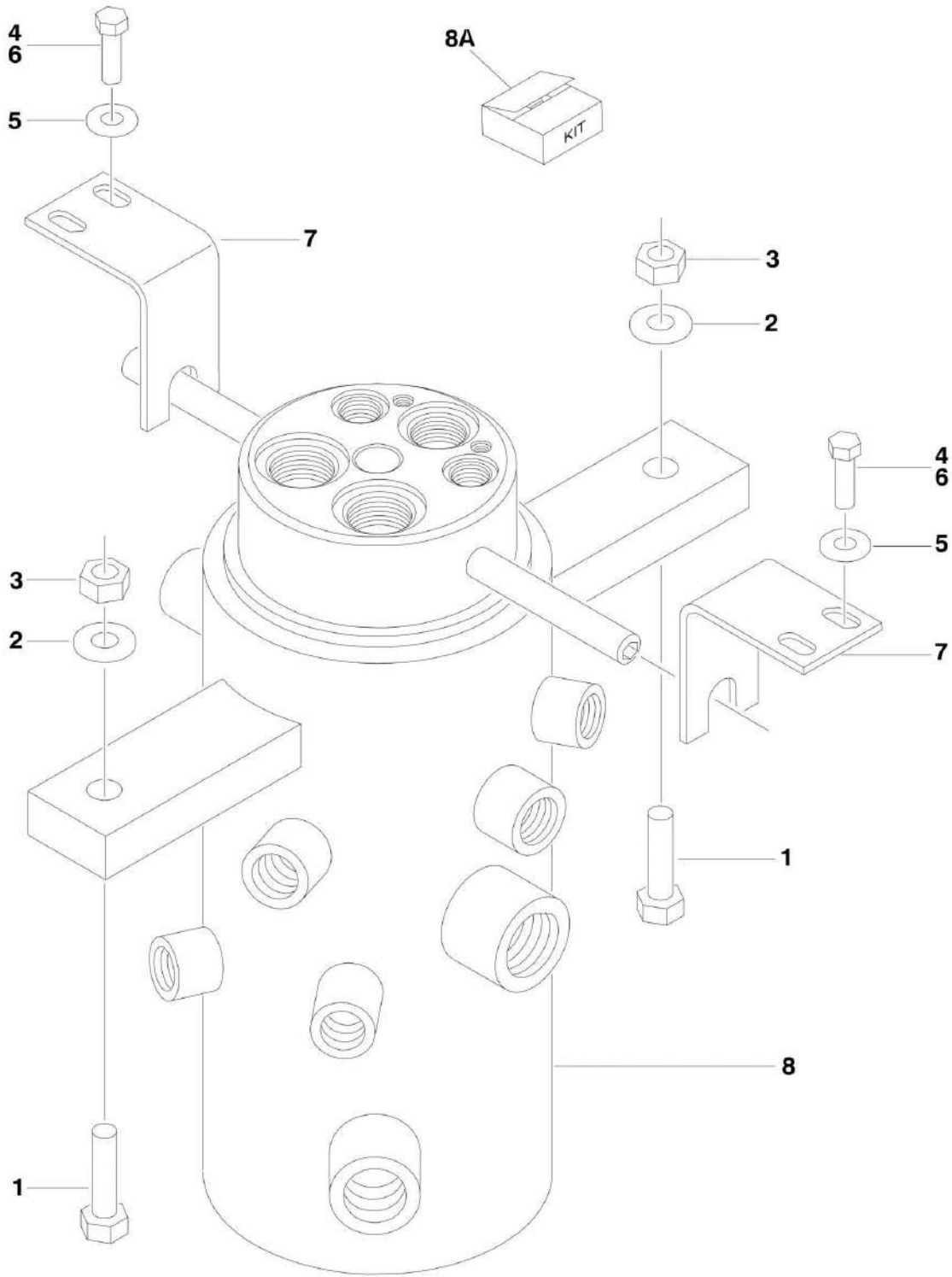
SECTION 2 - TURNTABLE

FIGURE 2-13. TANKS INSTALLATION

ITEM	PART NUMBER	QTY	DESCRIPTION	REV
	0255409	Ref	TANKS INSTALLATION (STANDARD PARTS)	6
	0257482	Ref	TANKS INSTALLATION (WITH LOCKING CAP)	1
1	4400372	1	Hydraulic Tank Assembly (See Items 101-104 for Breakdown)	
2		Ref	Tank, Fuel Options:	
2	4400373	1	Tank, Fuel (Prior to SN 0300030687)	
2	4400399	1	Tank, Fuel (SN 0300030687 through 0300069000)	
2A	7019658	1	Fitting, 90, W/Pick-Up Tube	
2B		Ref	Cap Options:	
2B	7016314	1	Standard - Non-Locking (Part of Item 2)	
2B	1120487	1	Blue Lockable Cap (Not Included with Tank - Purchase Separately) (Lock Not Included)	
3	4360436	1	Switch, Fuel Level	
4	4844964	1	Hydraulic Tray Weldment	
5	4240112	4	Strap, Tank	
6	4240102	1	Strap, Tank	
7	4751600	12	Flatwasher 3/8in Regular	
8	3311601	6	Nut 3/8in-16NC	
9	0641614	6	Bolt 3/8in-16NC x 1-3/4in	
10	0100011	AR	Compound, Locking	
11	0100079	AR	Sealant, Pipe	
12	2200222	1	Fitting	
13	4280295	25	Strip, Protective	
		in/44cm		
14	4420038	AR	Tape, Rubber	
	4400372	Ref	HYDRAULIC OIL TANK ASSEMBLY	J
101		Ref	Filler/Breather Assembly Options:	
101	7014803	1	Filler/Breather Assembly (Prior to June 1997)	
101	7014810	1	Filler/Breather Assembly (June 1997 to SN 0300069000)	
101	7014811	1	Cap, Breather (Fits 7014803 & 7014810)	
102	7014802	1	Gauge, Sight	
103	7014801	2	Strainer	
104	7014800	1	Plug, Magnetic	

SECTION 2 - TURNTABLE

FIGURE 2-14. ROTARY COUPLING INSTALLATION



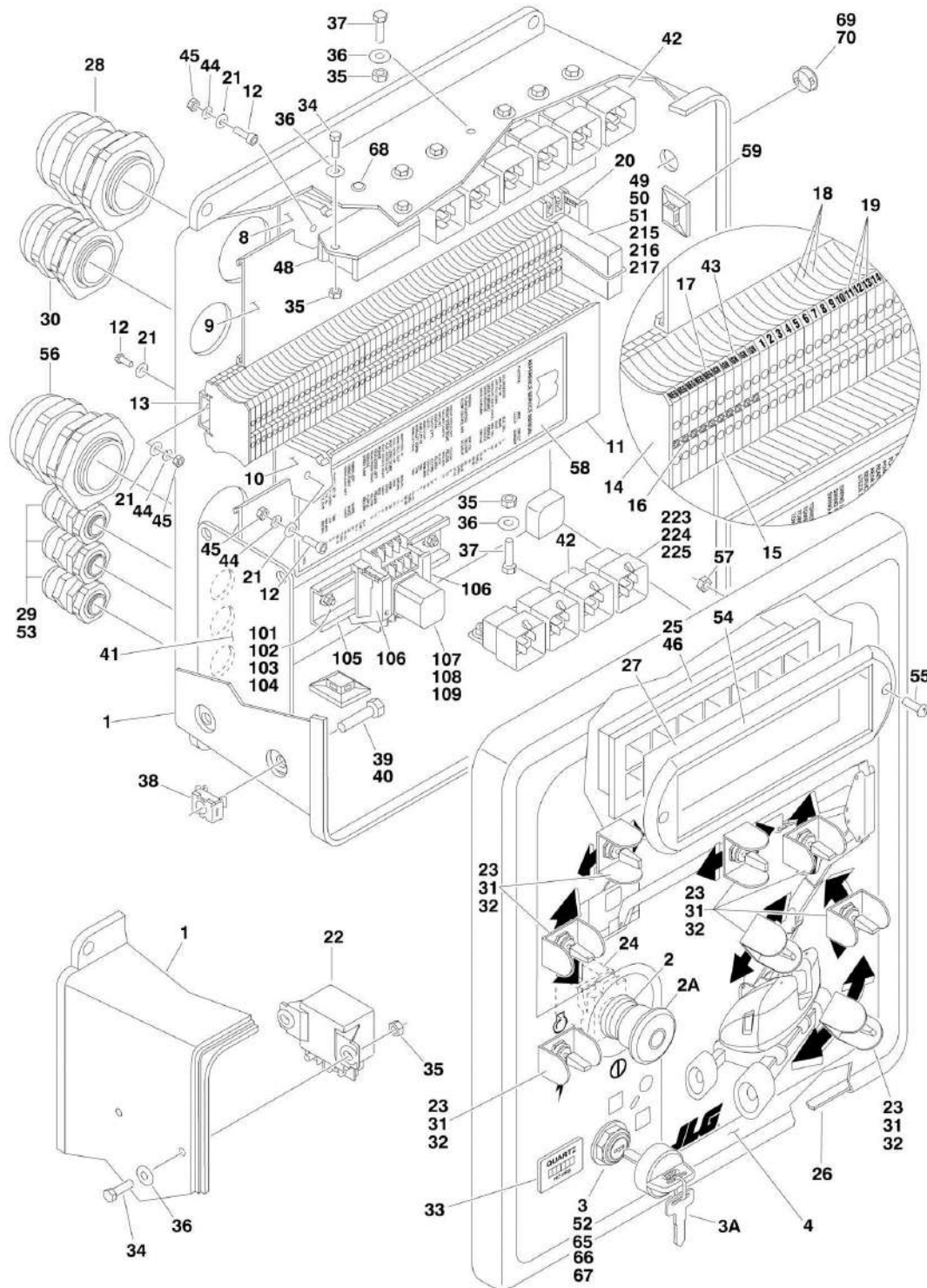
SECTION 2 - TURNTABLE

FIGURE 2-14. ROTARY COUPLING INSTALLATION

ITEM	PART NUMBER	QTY	DESCRIPTION	REV
		Ref	ROTARY COUPLING INSTALLATIONS	
	0255262	Ref	2WS	5
	0255294	Ref	4WS	2
1	0641820	2	Bolt 1/2in-13NC x 2-1/2in	
2	4751800	4	Flatwasher 1/2in Regular	
3	3311805	2	Locknut 1/2in-13NC	
4	0641611	4	Bolt 3/8in-16NC x 1-3/8in	
5	4751600	4	Flatwasher 3/8in Regular	
6	0100011	AR	Compound, Locking	
7		Ref	Bracket	
7	0902109	NLA	Bracket (Use p/n 0902520) (Prior to SN 0300041296)	
7	0902520	2	Bracket (SN 0300041296 through 0300069000)	
8		Ref	Coupling, Rotary Options:	
8	1660219	1	2WS	
8	1660223	1	4WS	
8A		Ref	Seal Kit Options:	
8A	7013187	1	2WS	
8A	7016342	1	4WS	
8A		Ref	Rebuilt Coupling Options:	
8A	1660219RR	1	2WS	
8A	1660223RR	1	4WS	

SECTION 2 - TURNTABLE

FIGURE 2-15. GROUND CONTROL BOX INSTALLATIONS (Prior to SN 0300064249)



SECTION 2 - TURNTABLE

FIGURE 2-15. GROUND CONTROL BOX INSTALLATIONS (Prior to SN 0300064249)

ITEM	PART NUMBER	QTY	DESCRIPTION	REV
		Ref	Numbered Colored Wiring Starts with SN 0300035129	
		Ref	GROUND CONTROL BOX ASSEMBLY OPTIONS:	
	0861044	Ref	Ground Control Box Assembly 600A (Prior to SN 0300035129)	3
	0861119	Ref	Ground Control Box Assembly 600A (SN 0300035129 through 0300064249)	7
	0861045	Ref	Ground Control Box Assembly 600AJ (Prior to SN 0300035129)	3
	0861120	Ref	Ground Control Box Assembly 600AJ (SN 0300035129 through 0300064249)	7
1		Ref	Box, Fiberglass Options:	
1	0861018	1	Box, Fiberglass (Prior to SN 0300035129)	
1	0861131	1	Box, Fiberglass (SN 0300044645 through 0300044651)	
1	0861302	1	Box, Fiberglass (SN 0300044652 through 0300064249)	
2		Ref	Switch, Emergency Stop Options:	
2	4360395	1	Switch, Emergency Stop (Prior to SN 0300036019)	
2	4360289	1	Switch, Emergency Stop (SN 0300036019 through 0300044651)	
2	4360475	1	Switch, Emergency Stop (SN 0300044652 through 0300064249)	
2A		Ref	Cap Options:	
2A	7016315	1	Cap, Red (Used on Switch p/n 4360395)	
2A	7012611	1	Cap, Mushroom Head (Used on Switch p/n 4360289)	
2A	7020175	1	Cap, Red (Used on Switch p/n 4360475)	
2A	7012612	1	Boot (Used on Switch p/n 4360289)	
2A	7020176	1	Block, Contact (Used on Switch p/n 4360475)	
3		Ref	Switch, Key Options:	
3	4360319	1	Switch, Key (Prior to SN 0300044652)	
3	4360470	1	Switch, Key (Common Key) (SN 0300044652 through 0300064249)	
3A	7012560	1 Set	Key Replacement (Use with 4360319 Switch)	
3A	2860030	1 Set	Key Replacement (Use with 4360470 Common KeySwitch)	
4		Ref	Decal - Faceplate Options:	
4	1702633	1	Decal - Faceplate 600A (Prior to SN 0300035129)	
4	1703467	1	Decal - Faceplate 600A (SN 0300035129 through 0300064249)	
4	1702537	1	Decal - Faceplate 600AJ (Prior to SN 0300035129)	
4	1703468	1	Decal - Faceplate 600AJ (SN 0300035129 through 0300064249)	
5		Ref	Engine Harness Assembly (See ELECTRICAL SECTION for Breakdown)	
5	4921737	1	Deutz Engine Machines (Prior to SN 0300035129)	
5	4921925	1	Deutz Engine Machines (SN 0300035129 through 0300064249)	
6		Ref	Valve Harness Assembly Options: (See ELECTRICAL SECTION for Breakdown)	
6	4921739	1	Valve Harness Assembly (Prior to SN 0300026233)	
6	4921848	1	Valve Harness Assembly (SN 0300026233 through 0300035128)	
6	4921922	1	Valve Harness Assembly (SN 0300035129 through 0300064249)	
8	1840012	1	Duct, Wiring - 2in/5cm	
9	1840013	1	Duct, Cover - 2in/5cm	

SECTION 2 - TURNTABLE

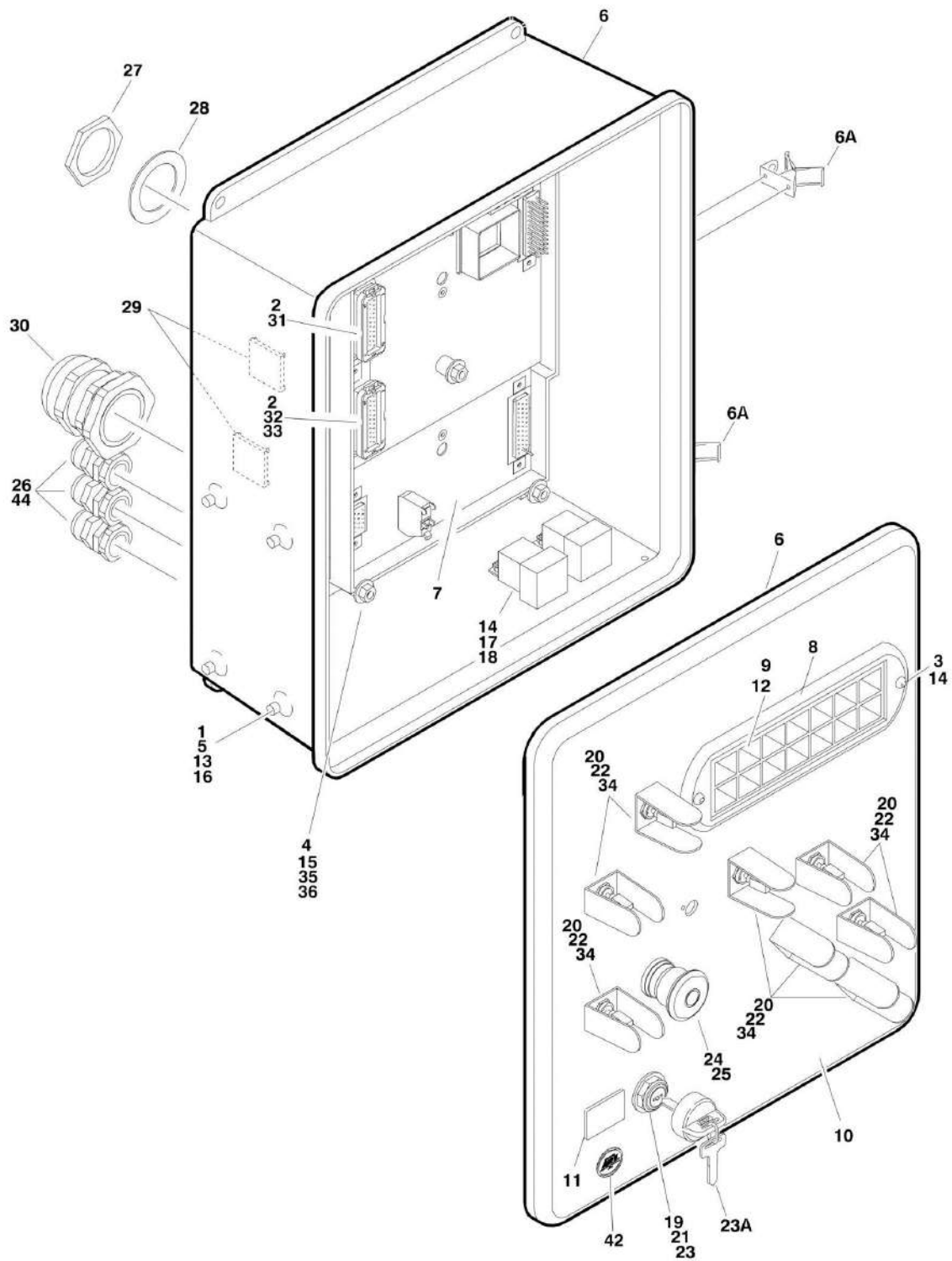
ITEM	PART NUMBER	QTY	DESCRIPTION	REV
10	1840014	1	Duct, Wiring - 3in/7.6cm	
11	1840015	1	Duct, Cover - 3in/7.6cm	
12	3910608	6	Screw #6-32NC x 1/2in	
13	3640970	1	Rail	
14	4460602	1	Barrier, Terminal	
15	4460601	10	Block, Terminal	
16	4460603	1	Bussbar - 10 Position (Requires being cut into (2) 5 position bussbars)	
17	4460631	AR	Marker, Terminal (Negative)	
18	4460600	AR	Block, Terminal	
19	4460628	AR	Marker, Terminal (1-50)	
20	4460607	1	Stop, Terminal	
21	4750600	12	Flatwasher #6 Regular	
22	3740112	1	Relay, Bosch	
23	4360314	AR	Switch, Toggle	
24		Ref	Switch, Contact Block Options:	
24	4360282	1	Switch, Contact Block (Prior to SN 0300044652)	
24	4360476	1	Switch, Contact Block (SN 0300044652 through 0300064249)	
25	2760105	1	Housing, Display Light	
25	2920129	7	Bulb, Light	
25	4120035	7	Socket, Light	
26	4420038	4 in/10cm	Insulation, Adhesive Foam	
27	1702610	1	Decal - Ground Control Display	
28	4460526	1	Connector, Strain Relief	
29	4460428	3	Connector, Strain Relief	
30	4460426	1	Connector, Strain Relief	
31	4740444	AR	Washer, Special	
32	4060906	AR	Shield, Toggle Switch	
33	2420172	1	Gauge, Hourmeter	
34	0721005	AR	Screw #10-24NC x 5/8in	
35	3311001	AR	Nut #10-24NC (Prior to SN 0300055241)	
36	4751000	AR	Flatwasher #10 Regular	
37		Ref	Screw Options:	
37	0721004	AR	Screw #10-24NC (Prior to SN 0300055241)	
37	3900268	AR	Screw #10-24NC x 1/2in (SN 0300055241 through 0300064249)	
38	3300205	4	Nut, Retainer	
39	0641506	4	Bolt 5/16in-18NC x 3/4in	
40	0100011	AR	Compound, Locking	
41	3539219	1	Plate, Reinforcement	
42	3740049	AR	Relay - SPDT	
43	4460630	AR	Marker, Terminal (Ignition)	
44	4760600	6	Lockwasher #6	
45	3310601	6	Nut #6-32NC	
46	3700010	1	Reflector Only (Prior to SN 0300027331)	
52	3300390	1	Nut with Weather Resistant Boot (SN 0300027331 through 0300044652)	
53	3520054	1	Plug, Hole (SN 0300028933 through 0300035128)	
54	1670829	1	Bezel (SN 0300035129 through 0300069000)	
55	0630518	2	Capscrew, Button Head (SN 0300035129 through 0300064249)	
56		Ref	Connector, Strain Relief Options:	
56	4460526	1	Connector, Strain Relief (Prior to SN 0300035129)	

SECTION 2 - TURNTABLE

ITEM	PART NUMBER	QTY	DESCRIPTION	REV
56	4460711	1	Connector, Strain Relief (SN 0300035129 through 0300069000)	
57	3300408	13	Locknut, Plastic Insert (SN 0300035129 through 0300064249)	
58	1703622	1	Decal - Service Manual Reference (SN 0300035129 through 0300064249)	
59	4460234	6	Base, Tie-Strap (SN 0300035129 through 0300064249)	
65	4070991	1	Shim, .125 (SN 0300044652 through 0300064249)	
66	4070987	1	Shim, .015 (SN 0300044652 through 0300064249)	
67	3910804	6	Screw (SN 0300044652 through 0300064249)	
68	3520174	4	Plug (SN 0300055241 through 0300064249)	
69	0100009	AR	Adhesive (SN 0300055241 through 0300064249)	
70	3520026	1	Plug (SN 0300055241 through 0300064249)	
		Ref	DRIVE CUT-OUT ELECTRICAL COMPONENTS (EN280 SPEC ONLY)	-
101	3910608	2	Screw, Machine #6-32NC x 1/2in	
102	4750600	2	Flatwasher #6 Regular	
103	4760600	2	Lockwasher #6	
104	3310601	2	Nut #6-32NC	
105	3640493	1	Rail, Mounting	
106	4460607	2	Stop, Terminal	
107	4120013	1	Socket, Relay	
108	3740058	1	Relay	
109	3740063	1	Spring, Relay	
	0259233	Ref	BPE LOAD SENSING DEVICE INSTALLATION (FRENCH SPEC) (SN 0300058378 through 0300064249)	4-C
	0271474	Ref	BPE LOAD SENSING DEVICE INSTALLATION (FRENCH SPEC) (SN 0300058378 through 0300064249)	1-A
215	3740057	1	Relay	
216	4120012	1	Socket, Relay	
217	3740066	1	Spring, Relay	
223	3740049	1	Relay	
224	3300408	1	Locknut #10-24NC	
225	0721006	1	Screw #10-24NC x 3/4in	

SECTION 2 - TURNTABLE

FIGURE 2-16. GROUND CONTROL BOX INSTALLATIONS (ADE SYSTEM) (SN 0300064249 through 0300069000)



SECTION 2 - TURNTABLE

FIGURE 2-16. GROUND CONTROL BOX INSTALLATIONS (ADE SYSTEM) (SN 0300064249 through 0300069000)

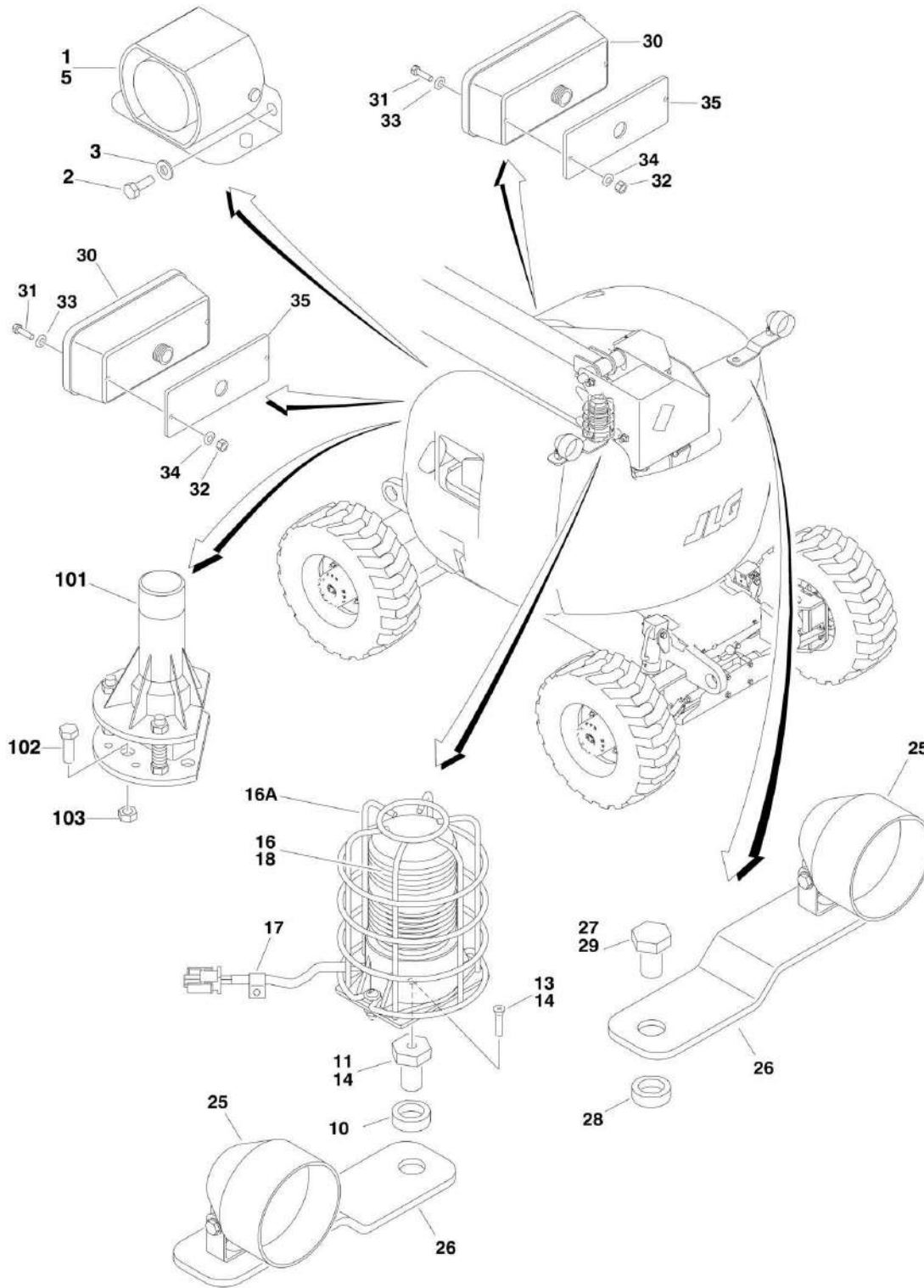
ITEM	PART NUMBER	QTY	DESCRIPTION	REV
		Ref	GROUND CONTROL BOX ASSEMBLIES	
		Ref	Ground Control Box Assemblies 600A	
	0861412	Ref	Ground Control Box Assemblies (SN 0300064249 through 0300064269)	E
	0861472	Ref	Ground Control Box Assemblies (SN 0300064270 through 0300069000)	E
		Ref	Ground Control Box Assemblies 600AJ	
	0861413	Ref	Ground Control Box Assemblies (SN 0300064249 through 0300064269)	E
	0861473	Ref	Ground Control Box Assemblies (SN 0300064270 through 0300069000)	D
1	0100011	AR	Compound, Locking	
2	0100048	AR	Grease, Dielectric	
3	0630518	2	Capscrew, Button Head	
4	0630548	5	Tap, Bolt 2 1/2in	
5	0641506	4	Bolt 5/16in-18NC x 3/4in	
6	0861407	1	Box, Fiberglass	
6A	7020246	2	Latch	
7		Ref	Module, Ground Control Options (Re-calibration Required when Replaced):	
7	1600312	1	Module, Ground Control (SN 0300064249 through 0300064269)	
7	1600327	NLA	Module, Ground Control (Use p/n 2915014) (SN 0300064270 through 0300069000)	
8	1670829	1	Bezel	
9	1702610	1	Decal - Ground Control Display	
10		Ref	Decal - Faceplate Options:	
10	1703467	1	Decal - Faceplate 600A	
10	1703468	1	Decal - Faceplate 600AJ	
11	2420172	1	Gauge, Hourmeter	
12	2760105	1	Housing, Display Light	
13	3300205	4	Nut, Retainer	
14	3300408	4	Locknut, Plastic Insert	
15	3311401	10	Nut 1/4in-20NC	
16	3539219	1	Plate, Reinforcement	
17	3740049	2	Relay	
18	3900268	2	Screw, Flange #10 x 1/2in	
19	3910804	6	Screw #8-32NC x 1/4in	
20	4060906	8	Shield, Toggle Switch	
21	4070987	1	Shim (.125in)	
22	4360328	8	Switch, Toggle	
23	4360470	1	Switch, Key	
23A	2860030	1	Key Replacement	
24	4360475	1	Switch, Emergency Stop	
25	4360476	1	Switch, Contact Block	
26	4460426	AR	Connector, Strain Relief	
27	4460470	1	Nut, Terminal	
28	4460471	1	Lockwasher, Terminal	
29	4460488	7	Mounting Base, Terminal	
30	4460526	1	Connector, Strain Relief	

SECTION 2 - TURNTABLE

ITEM	PART NUMBER	QTY	DESCRIPTION	REV
31	4460874	1	Connector, Natural	
32	4460875	1	Connector, Gray	
33	4460905	4	Connector, Amp Seal Plug	
34	4740444	8	Washer, Special	
35	4751400	20	Flatwasher 1/4in Regular	
36	4761400	10	Lockwasher 1/4in	
40		Ref	Harness, Analyzer Cable Options: (Not Shown)	
40	4922485	1	Harness, Analyzer Cable (SN 0300064249 through 0300064269)	
40	4922666	1	Harness, Analyzer Cable (SN 0300064270 through 0300069000)	
42	1705132	1	Decal - Control ADE (SN 0300066873 through 0300069000)	
44	3520035		Plug, Cap (SN 0300068131 through 0300069000)	

SECTION 2 - TURNTABLE

FIGURE 2-17. ELECTRICAL OPTIONS INSTALLATION (TURNTABLE MOUNTED)



SECTION 2 - TURNTABLE

FIGURE 2-17. ELECTRICAL OPTIONS INSTALLATION (TURNTABLE MOUNTED)

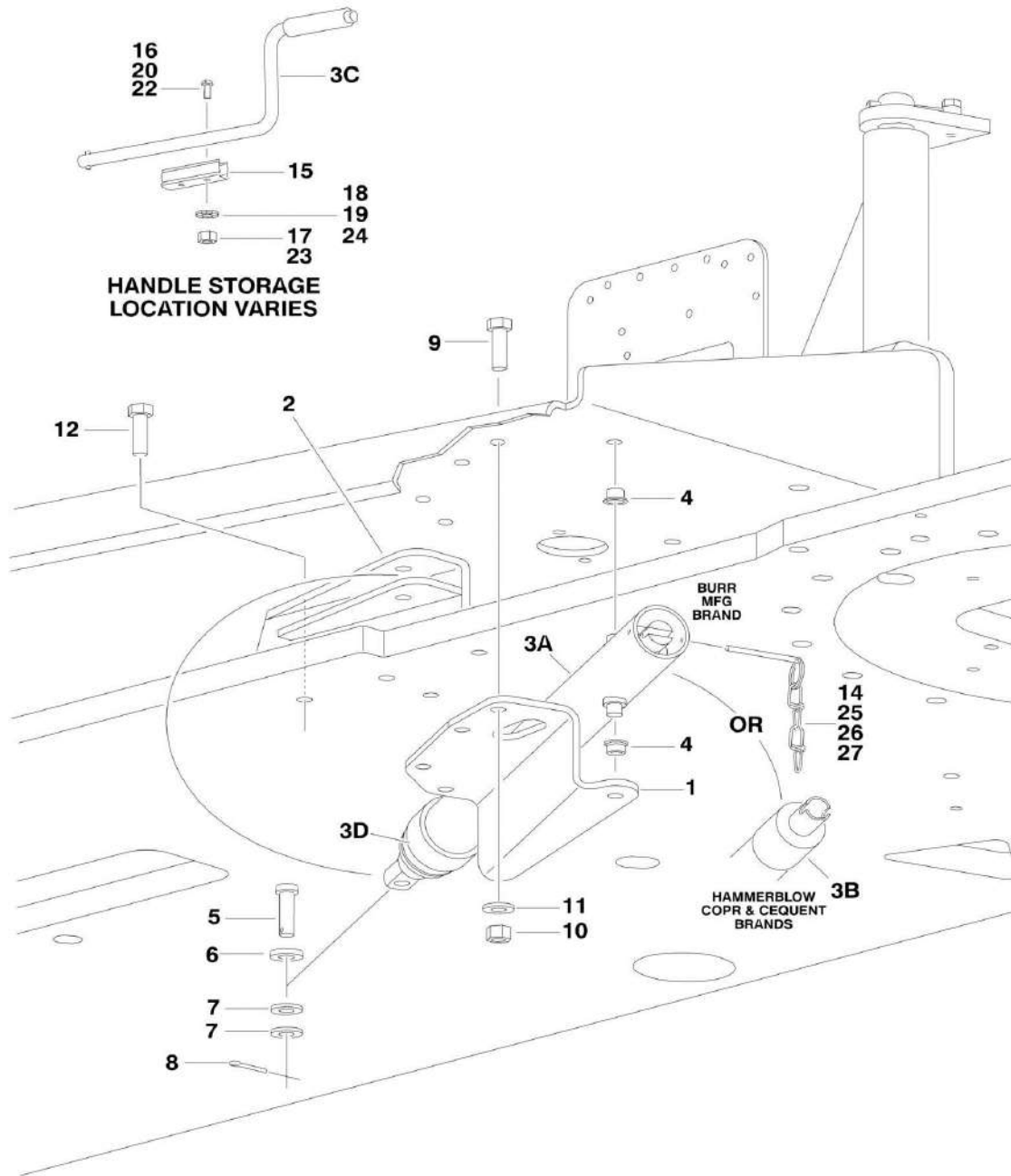
ITEM	PART NUMBER	QTY	DESCRIPTION	REV
		Ref	ALARMS INSTALLATIONS	
	0255368	Ref	Alarms Installations (Prior to SN 0300035129)	2
	0257886	Ref	Alarms Installations (SN 0300035129 through 0300064248)	1
	0270833	Ref	Alarms Installations (ADE System) (SN 0300064249 through 0300069000)	1
1		Ref	Alarm/Harness Assembly Options:	
1	0255914	1	Alarm/Harness Assembly (Colored Wiring) (Prior to SN 0300035129)	
1	0257886	1	Alarm/Harness Assembly (Numbered Colored Wiring) (SN 0300035129 through 0300069000)	
2	0641406	2	Bolt 1/4in-20NC x 3/4in	
3	4711400	2	Flatwasher 1/4in Thin	
5	0100048	AR	Sealant, Silicone	
		Ref	STROBE LIGHT INSTALLATIONS (AMBER) (OPTIONAL)	
	0255393	Ref	Strobe Light Installations (Amber) (Optional) (Colored Wiring) (Prior to SN 0300035129)	1
	0257885	Ref	Strobe Light Installations (Amber) (Optional) (Numbered Colored Wiring) (SN 0300035129 through 0300064248)	2
	0270805	Ref	Strobe Light Installations (Amber) (Optional) (ADE System) (SN 0300064249 through 0300069000)	1
10	4220162	1	Spacer, Stop (Used with ECCO Model 6640 Only)	
11		Ref	Adapter Options:	
11	0630491	1	Adapter used with ECCO Model 6640	
11	0080241	1	Adapter used with ECCO Model 6650	
12	3539281	1	Plate, Mounting (Used with ECCO Model 6640 Only)	
13	0741606	1	Screw, Flathead Countersunk 3/8in-16NC x 3/4in (Used with ECCO Model 6640 Only)	
14	0100011	AR	Compound, Locking	
15	4240032	1	Tie-Strap (Not Shown)	
16	0255917	NLA	Strobe Light/Guard/Harness Assembly (Use p/n 0272507)	
16	2920130	NLA	Strobe Light/Guard/Harness Assembly (Use p/n 0272507)	
16	2920214	NLA	Strobe Light/Guard/Harness Assembly (Use p/n 0272507)	
16		Ref	Bulb, Replacement Options:	
16	7016380	1	Bulb used with ECCO Model 6640	
16	70001941	1	Bulb used with ECCO Model 6650	
16A		Ref	Guard Options:	
16A	4060907	1	Guard used with ECCO Model 6640	
16A	2920215	1	Guard used with ECCO Model 6650	
17	4460234	1	Clamp	
18	0100048	AR	Sealant, Silicone	
		Ref	LIGHTS INSTALLATIONS (OPTIONAL)	
	0255387	Ref	Lights Installations (Optional) (Colored Wiring) (Prior to SN 0300035129)	2
	0257884	Ref	Lights Installations (Optional) (Numbered Colored Wiring) (SN 0300035129 through 0300064248)	1
	0271552	Ref	Lights Installations (Optional) (ADE System) (SN 0300064249 through 0300069000)	2
25	2920110	2	Headlight	
26	0902206	2	Bracket, Mounting	
27	0642612	1	Bolt 1in-8NC x 1-1/2in	
28	4220162	2	Spacer	
29	0100011	AR	Compound, Locking	

SECTION 2 - TURNTABLE

ITEM	PART NUMBER	QTY	DESCRIPTION	REV
30	2920113	2	Taillight	
31	3911040	4	Screw, Machine #10-24NC x 2 1/2	
32	3311005	4	Nut #10-24NC	
33	4751000	4	Flatwasher #10 Regular	
34	4740362	4	Washer, Fender	
35	3960461	2	Gasket	
37	4240032	21	Tie-Strap (Not Shown)	
38	4460234	21	Mount, Tie-Strap (Not Shown)	
39	4360336	1	Switch, Toggle (Not Shown - Located on Console)	
40	3790012	1	O- Ring (Not Shown - Located on Console)	
41	3820001	11	Pop Rivet (Not Shown)	
	0255362	Ref	TILT INDICATOR INSTALLATION (Prior to SN 0300064249)	-
101	4360416	1	Sensor, Tilt Indicator	
102	0641406	2	Bolt 1/4in-20NC x 3/4in	
103	3311405	2	Locknut 1/4in-20NC	

SECTION 2 - TURNTABLE

FIGURE 2-18. ENGINE TRAY JACK INSTALLATION (OPTIONAL)



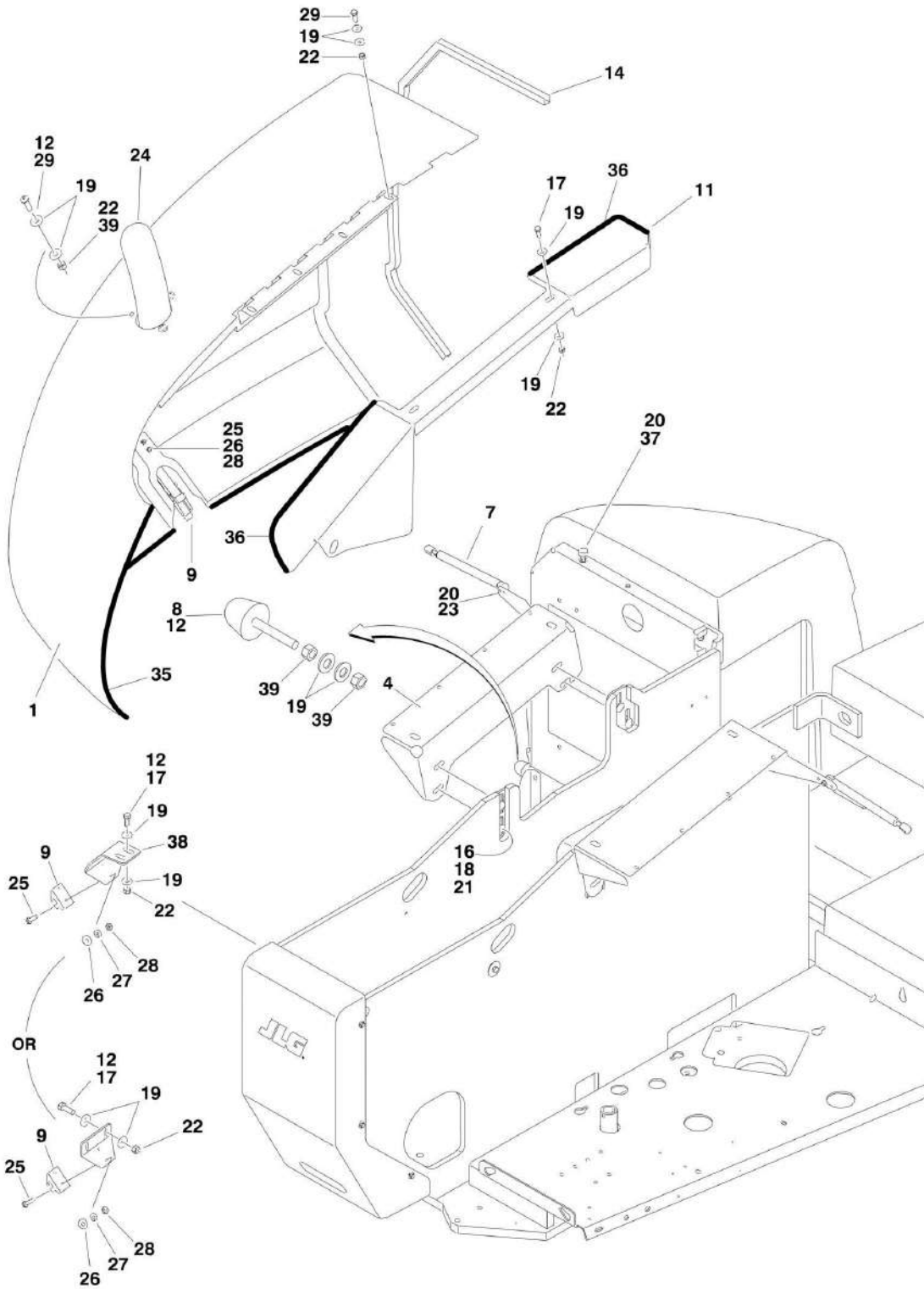
SECTION 2 - TURNTABLE

FIGURE 2-18. ENGINE TRAY JACK INSTALLATION (OPTIONAL)

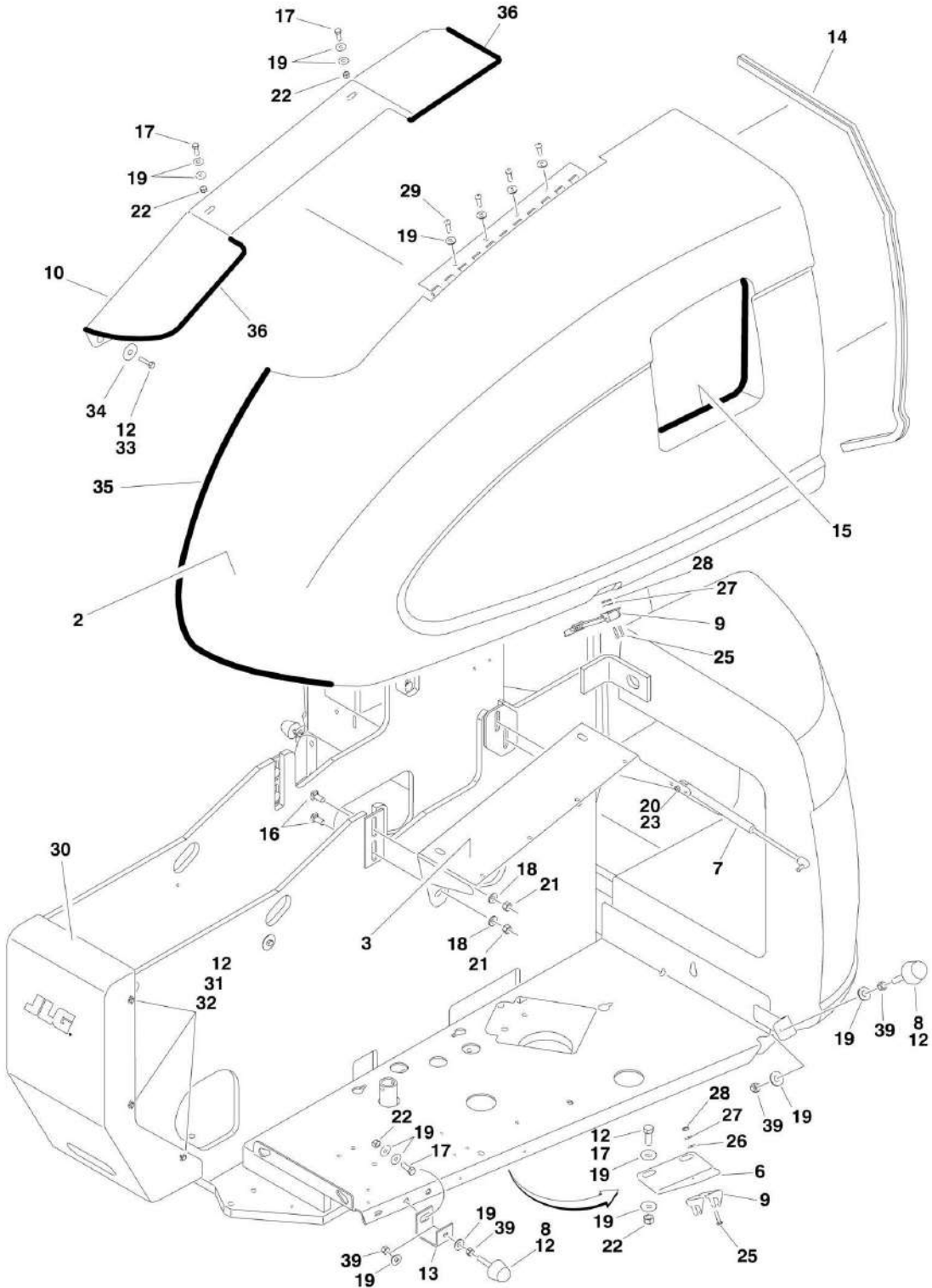
ITEM	PART NUMBER	QTY	DESCRIPTION	REV
	0255880	Ref	ENGINE TRAY JACK INSTALLATION	5-G
1	3537445	1	Bracket	
2	4845163	1	Bracket	
3	2840016	1	Hydraulic Jack Assembly (Prior to SN 0300027329)	
3	2840018	1	Hydraulic Jack Assembly (SN 0300027329 through 0300069000)	
3A		Ref	Burr Manufacturing Brand	
3B		Ref	Hammerblow Corp and Cequent Brands	
3C		Ref	Handle Options:	
3C	7016374	1	Burr Manufacturing Brand	
3C	7024598	1	Hammerblow Corp and Cequent Brands	
3D	7016322	1	Wiper (Burr Manufacturing Brand Only)	
4	0962051	2	Bushing, Flanged	
5	3430816	1	Pin, Clevis	
6	4891800	1	Flatwasher 1/2in Hardened	
7	4711800	AR	Flatwasher 1/2in Thin	
8	3450404	1	Pin, Cotter 1/8in x 1in	
9	0641609	4	Bolt 3/8in-16NC x 1-1/8in	
10	3311605	4	Locknut 3/8in-16NC	
11	4891600	4	Flatwasher 3/8in Hardened	
12	0641810	4	Bolt 1/2in-13NC x 1-1/4in	
14	3422530	1	Pins and Chain	
15	1380147	1	Clip, Spring	
16	3910610	2	Screw, Machine #6-32NC x 1-1/8in (Prior to SN 0300027570)	
17	3310601	2	Nut #6-32NC (Prior to SN 0300027570)	
18	4750600	2	Flatwasher #6 Regular (Prior to SN 0300027570)	
19	4751000	2	Flatwasher #10 Regular (Prior to SN 0300027570)	
20	0100011	AR	Compound, Locking (Prior to SN 0300027570)	
22	3910608	2	Screw #6-32NC x 1in (SN 0300027570 through 0300069000)	
23	3310601	2	Nut #6-32NC (SN 0300027658 through 0300069000)	
24	4770600	2	Starwasher #6 (SN 0300027658 through 0300069000)	
25	0641406	1	Bolt 1/4in-20NC x 3/4in (SN 0300031342 through 0300069000)	
26	4751400	2	Flatwasher 1/4in Regular (SN 0300031342 through 0300069000)	
27	3311405	1	Locknut 1/4in-20NC (SN 0300031342 through 0300069000)	

SECTION 2 - TURNTABLE

FIGURE 2-19. HOODS INSTALLATIONS - WITHOUT NOISE REDUCTION



SECTION 2 - TURNTABLE



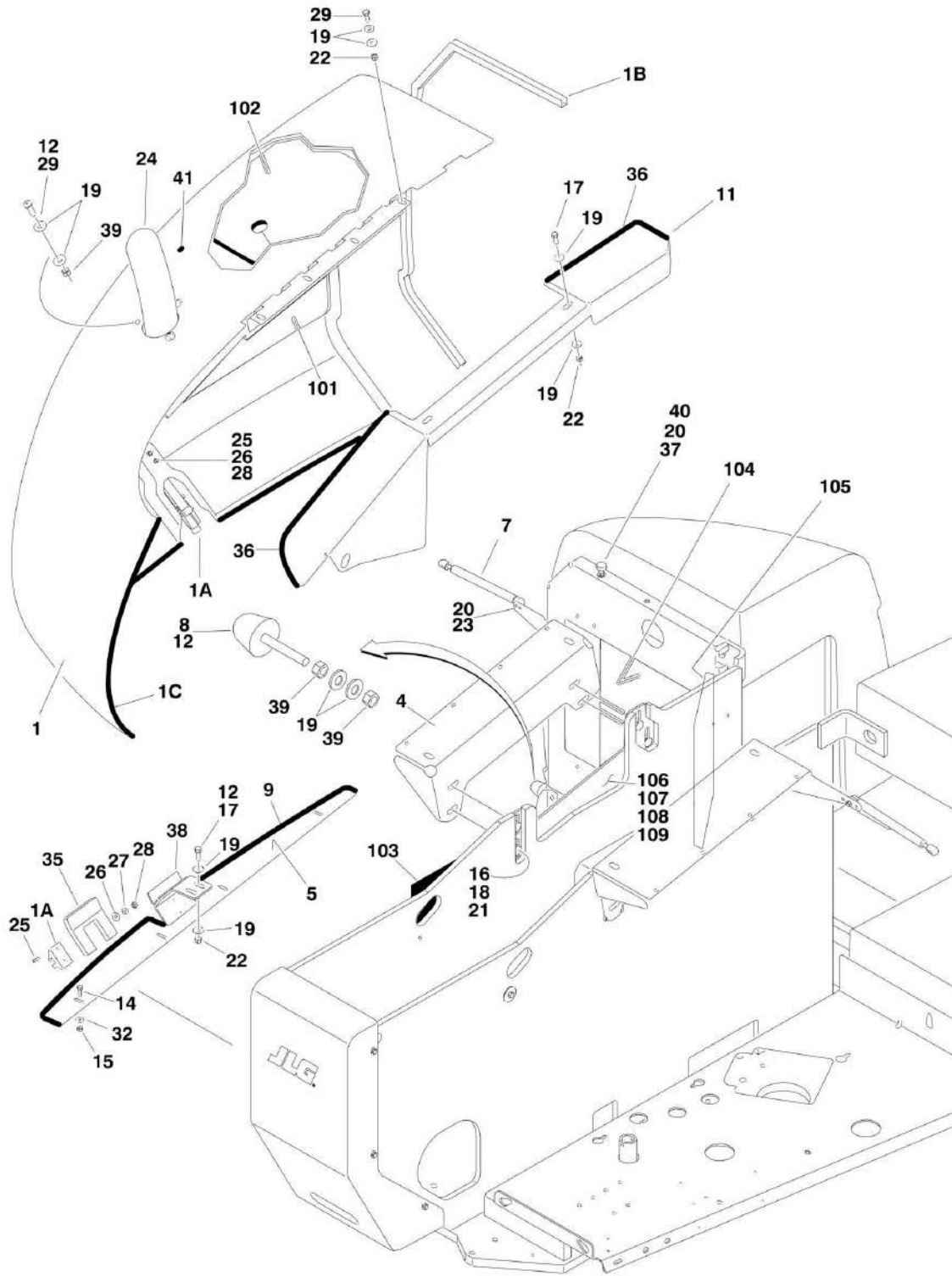
SECTION 2 - TURNTABLE

FIGURE 2-19. HOODS INSTALLATIONS - WITHOUT NOISE REDUCTION

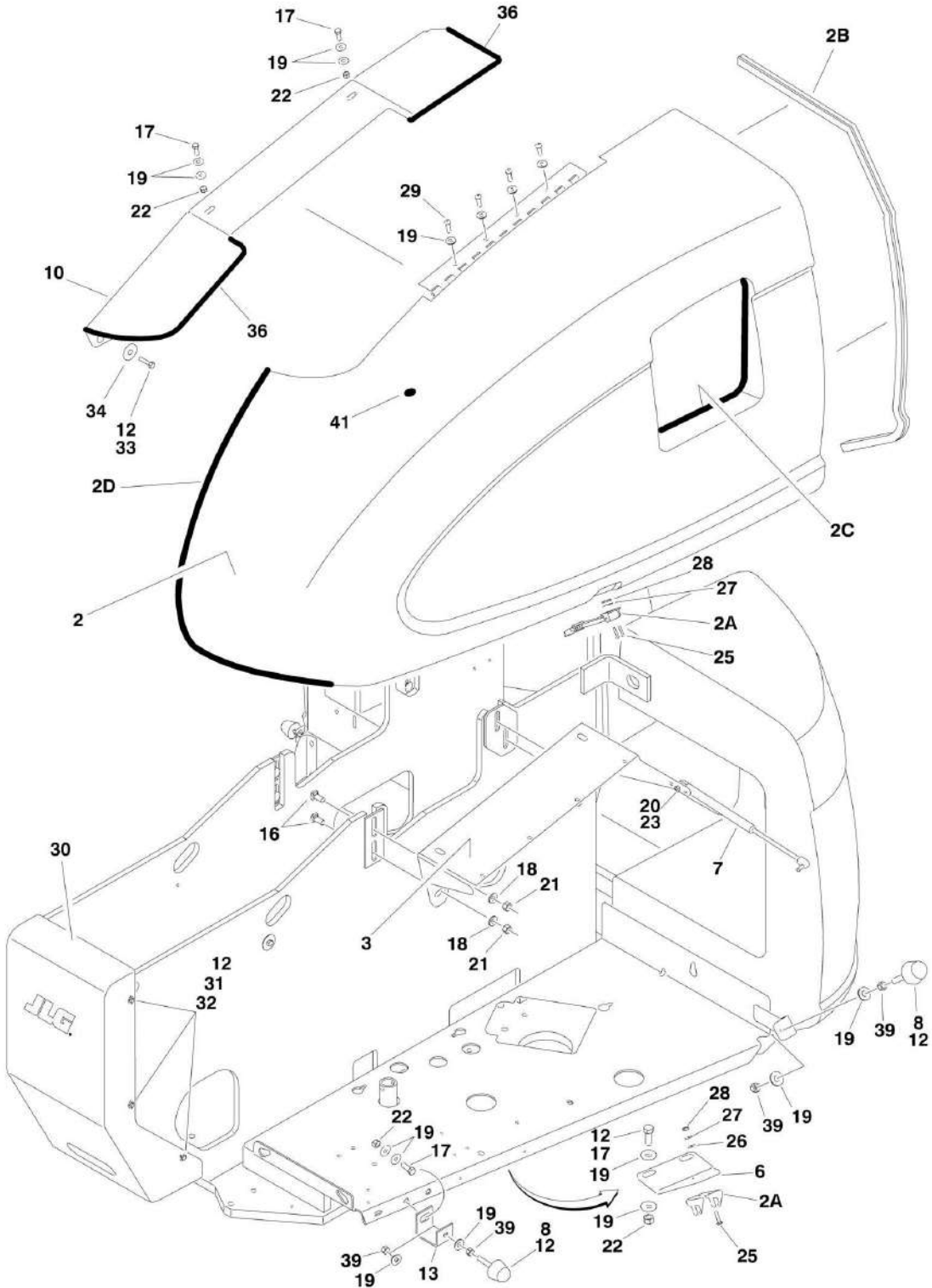
ITEM	PART NUMBER	QTY	DESCRIPTION	REV
	0255407	Ref	HOODS INSTALLATION	3
1	2680423	1	Hood - Engine Side (Includes Items 9, 14, 15 & 35)	
2	2680424	NLA	Hood - Tank Side (Use p/n 1671243)	
3	4845203	1	Mount - Tank Side	
4	4845200	1	Mount - Engine Side	
5	0902237	1	Bracket, Latch - Engine Side Only (Prior to SN 0300027349)	
6	0902242	1	Bracket, Latch - Tank Side	
7	4160143	2	Spring, Gas (Prior to SN 0300027329)	
7	4160152	2	Spring, Gas (SN 0300027329 through 0300069000)	
8	0940071	4	Bumper	
9	2940088	2	Latch, Hood (Part of Items 2 & 51)	
10	2680434	1	Spacer, Hood (Tank Side)	
11	2680433	1	Spacer, Hood (Engine Side)	
12	0100011	AR	Compound, Locking	
13	0902219	1	Bracket, Bumper	
14	3960462	11 ft/3.4m	Trim (Part of Items 2 & 51)	
15	3960447	55 in/1.4m	Trim (Part of Items 2 & 51)	
16	0630507	8	Bolt, Carriage 1/2in-13NC x 1-1/4in	
17	0641608	12	Bolt 3/8in-16NC x 1in	
18	4751800	8	Flatwasher 1/2in Regular	
19	4751600	48	Flatwasher 3/16in Regular	
20	4751500	4	Flatwasher 5/16in Regular	
21	3311805	8	Locknut 1/2in-13NC	
22	3311605	23	Locknut 3/8in-16NC	
23	3311505	2	Locknut 5/16in-18NC	
24	4845194	1	Outlet, Exhaust	
25	0721006	4	Bolt #10-24NC x 3/4in	
26	4751000	4	Flatwasher #10 Regular	
27	4761000	4	Lockwasher #10	
28	3311001	4	Bolt #10-24NC	
29	3900232	11	Bolt, Button Head 3/8in-16NC x 1in	
30	1670770	1	Cover, Turntable - Steel (Prior to SN 0300027941)	
30	1670767	1	Cover, Turntable - Polyethylene (SN 0300027941 through 0300069000)	
31	0641404	6	Bolt 1/4in-20NC x 1/2in	
32	4751400	6	Flatwasher 1/4in Regular	
33	0641606	2	Bolt 3/8in-16NC x 3/4in	
34	4740076	2	Washer, Fender	
35	3960389	6.3 ft/1.9m	Seal (Part of Items 2 & 51)	
36	3960418	6.5 ft/2m	Seal	
37	0940049	1	Bumper (SN 0300027349 through 0300069000)	
38	0902313	1	Bracket, Latch - Engine Side (SN 0300027349 through 0300069000)	
39	3311601	3	Nut 3/8in-16NC	

SECTION 2 - TURNTABLE

FIGURE 2-20. HOODS INSTALLATIONS - WITH NOISE REDUCTION



SECTION 2 - TURNTABLE



SECTION 2 - TURNTABLE

FIGURE 2-20. HOODS INSTALLATIONS - WITH NOISE REDUCTION

ITEM	PART NUMBER	QTY	DESCRIPTION	REV
	0256821	Ref	HOODS INSTALLATIONS	4
1	2680423	1	Hood - Engine Side (Prior to SN 0300037414)	
1	2680440	1	Hood - Engine Side (SN 0300037414 through 0300069000)	
1A	2940088	1	Latch, Hood	
1B	3960462	AR	Trim	
1C	3960389	AR	Seal	
2	2680424	NLA	Hood - Tank Side (Use p/n 1671216) (Prior to SN 0300037414)	
2	2680441	NLA	Hood - Tank Side (Use p/n 1671216) (SN 0300037414 through 0300069000)	
2A	2940088	1	Latch, Hood	
2B	3960462	AR	Trim	
2C	3960438	AR	Trim	
2D	3960389	AR	Seal	
3	4845203	1	Mount - Tank Side	
4	4845414	1	Mount - Engine Side	
5	3539923	1	Plate, Seal	
6	0902242	1	Bracket, Latch - Tank Side	
7	4160152	2	Spring, Gas (Prior to SN 0300030959)	
7	4160143	2	Spring, Gas (SN 0300030959 through 0300069000)	
8	0940071	4	Bumper	
9	3960389	3.5 ft/1m	Seal (Prior to SN 0300037414)	
10	2680434	1	Spacer, Hood (Tank Side)	
11	2680433	1	Spacer, Hood (Engine Side)	
12	0100011	AR	Compound, Locking	
13	0902219	1	Bracket, Bumper	
14	0641407	4	Bolt 1/4in-20NC x 7/8in	
15	3311405	4	Locknut 1/4in-20NC	
16	0630507	8	Bolt, Carriage 1/2in-13NC x 1-1/4in	
17	0641608	11	Bolt 3/8in-16NC x 1in	
18	4740171	8	Flatwasher 1/2in Hardened	
19	4751600	40	Flatwasher 3/16in Regular	
20	4751500	4	Flatwasher 5/16in Regular	
21	3311805	8	Locknut 1/2in-13NC	
22	3311605	23	Locknut 3/8in-16NC	
23	3311505	2	Locknut 5/16in-18NC	
24	4845194	1	Outlet, Exhaust	
25	0721006	4	Bolt #10-24NC x 3/4in	
26	4751000	4	Flatwasher #10 Regular	
27	4761000	4	Lockwasher #10	
28	3311001	4	Bolt #10-24NC	
28	3311005	4	Locknut #10-24NC (SN 0300037414 through 0300069000)	
29	3900232	11	Bolt, Button Head 3/8in-16NC x 1in	
30	1670767	1	Cover, Turntable	
31	0641404	6	Bolt 1/4in-20NC x 1/2in	
32	4751400	6	Flatwasher 1/4in Regular	
34	4740076	2	Washer, Fender	
35	3960467	1	Seal, Foam	
36	3960418	6.5 ft/2m	Seal (Prior to SN 0300037414)	
36	3960418	7 ft/2.1m	Seal (SN 0300037414 through 0300069000)	
37	0940049	1	Bumper (SN 0300027349 through 0300069000)	

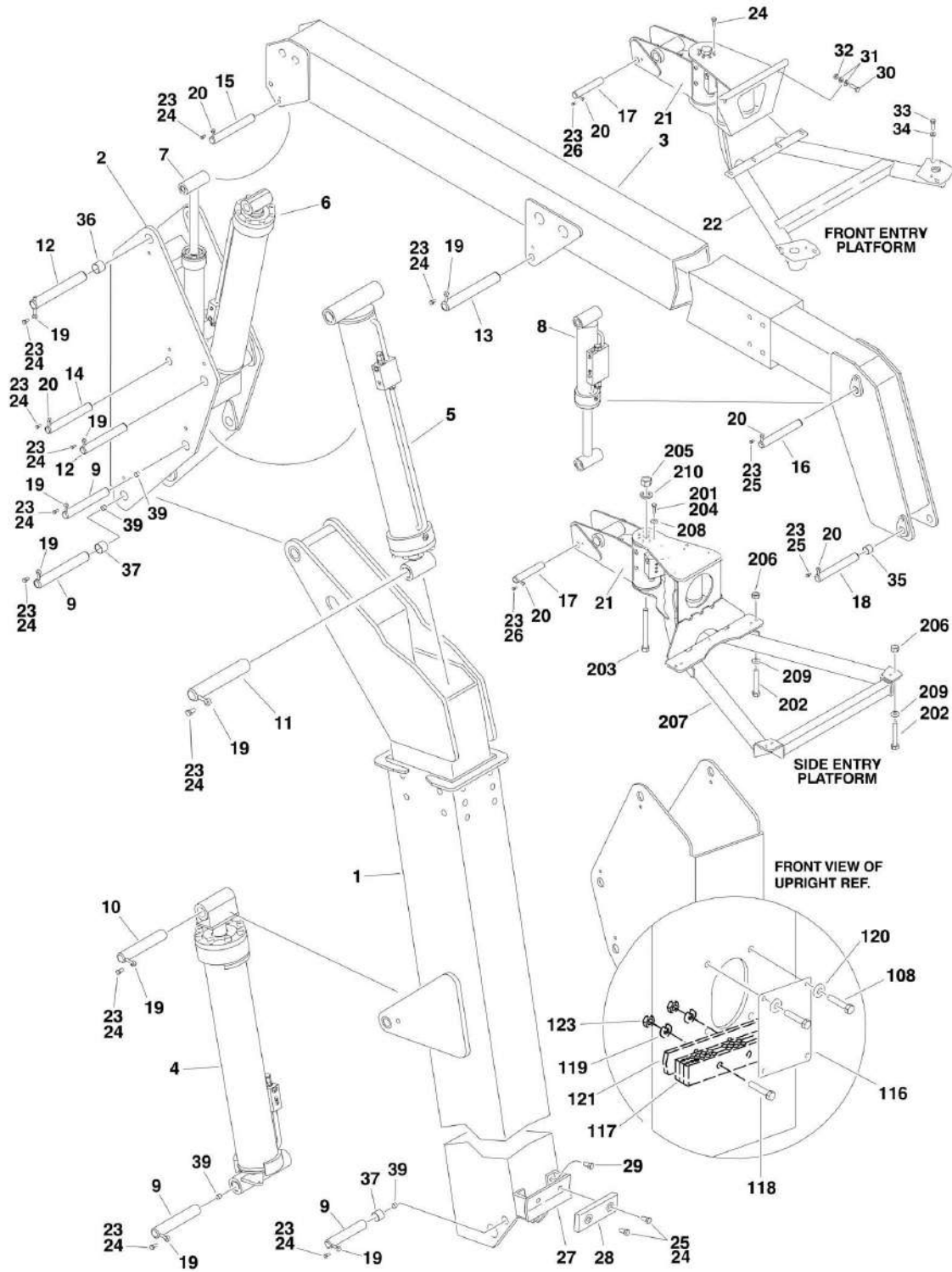
SECTION 2 - TURNTABLE

ITEM	PART NUMBER	QTY	DESCRIPTION	REV
38	0902335	1	Bracket, Latch - Engine Side	
39	3311601	11	Nut 3/8in-16NC	
40	3311501	2	Nut 5/16in-18NC (SN 0300037414 through 0300069000)	
41	3520033	2	Plug (SN 0300037414 through 0300069000)	
	0256822	Ref	NOISE REDUCTION INSTALLATION	-
101	2820076	1	Foam, Acoustical	
102	2820077	1	Foam, Acoustical	
103	2820078	1	Foam, Acoustical	
104	2820082	1	Foam, Acoustical	
105	2820083	1	Foam, Acoustical	
106	3539988	1	Plate, Baffle	
107	0641606	5	Bolt 3/8in-16NC x 3/4in	
108	4751600	5	Flatwasher 3/8in Regular	
109	0100011	AR	Compound, Locking	

SECTION 3 - BOOM

SECTION 3 - BOOM

FIGURE 3-1. BOOMS AND CYLINDERS INSTALLATION - 600A



SECTION 3 - BOOM

FIGURE 3-1. BOOMS AND CYLINDERS INSTALLATION - 600A

ITEM	PART NUMBER	QTY	DESCRIPTION	REV
		Ref	BOOMS AND CYLINDERS INSTALLATION - 600A	
	0255238	Ref	Boom and Cylinder Installation (Machines with Front Entry Platform Built) (Prior to SN 0300041868)	12
	0258694	Ref	CE Spec Boom and Cylinder Installation (Machines with Front Entry Platform Built) (SN 0300041868 through 0300069000)	8
	0256321	Ref	Australian Spec Boom and Cylinder Installation (Machines with Front Entry Platform Built) (SN 0300041868 through 0300069000)	5
	0272326	Ref	CE/Australian Spec - Boom and Cylinder Installation (Side Entry Platform)	1
1	0801019	1	Tower Boom Assembly -Tower (See TOWER BOOM ASSEMBLIES for Breakdown)	
2		Ref	Upright Weldment Options:	
2	4844945	NLA	Upright Weldment (Use p/n 4846005) (Prior to SN 0300042671)	
2	4846005	1	Upright Weldment (SN 0300042671 through 0300069000)	
3	0801022	1	Main Boom Assembly (See MAIN BOOM ASSEMBLIES for Breakdown)	
4	1683288	1	Tower Lift Cylinder Assembly (See CYLINDER SECTION for Breakdown)	
5	1683299	NLA	Upright Level Cylinder Assembly (See CYLINDER SECTION for Breakdown) (Use p/n 1684498)	
6	1683294	1	Main Lift Cylinder Assembly (See CYLINDER SECTION for Breakdown)	
7	1683266	1	Master Cylinder Assembly (See CYLINDER SECTION for Breakdown)	
8		Ref	Platform Level Cylinder Assembly Options (See CYLINDER SECTION for Breakdown)	
8	1683271	1	Platform Level Cylinder Assembly (Prior to SN 0300024714)	
8	1683415	1	Platform Level Cylinder Assembly (SN 0300024714 through 0300069000)	
9		Ref	Pin Options:	
9	3422442	NLA	Pin (Use p/n 3422571) (Prior to SN 0300041868)	
9	3422571	4	Pin (SN 0300041868 through 0300069000)	
10		Ref	Pin Options:	
10	3422444	NLA	Pin (Use p/n 3422573) (Prior to SN 0300041868)	
10	3422573	1	Pin (SN 0300041868 through 0300069000)	
11	3422575	1	Pin	
12		Ref	Pin Options:	
12	3422443	NLA	Pin (Use p/n 3422572) (Prior to SN 0300041868)	
12	3422572	2	Pin (SN 0300041868 through 0300069000)	
13		Ref	Pin Options:	
13	3422452	NLA	Pin (Use p/n 3422576) (Prior to SN 0300041868)	
13	3422576	1	Pin (SN 0300041868 through 0300069000)	
14		Ref	Pin Options:	
14	3422434	NLA	Pin (Use p/n 3422565) (Prior to SN 0300041868)	
14	3422565	1	Pin (SN 0300041868 through 0300069000)	
15		Ref	Pin Options:	
15	3422453	NLA	Pin (Use p/n 3422577) (Prior to SN 0300041868)	
15	3422577	1	Pin (SN 0300041868 through 0300069000)	
16		Ref	Pin Options:	
16	3422454	NLA	Pin (Use p/n 3422578) (Prior to SN 0300041868)	
16	3422578	1	Pin (SN 0300041868 through 0300069000)	

SECTION 3 - BOOM

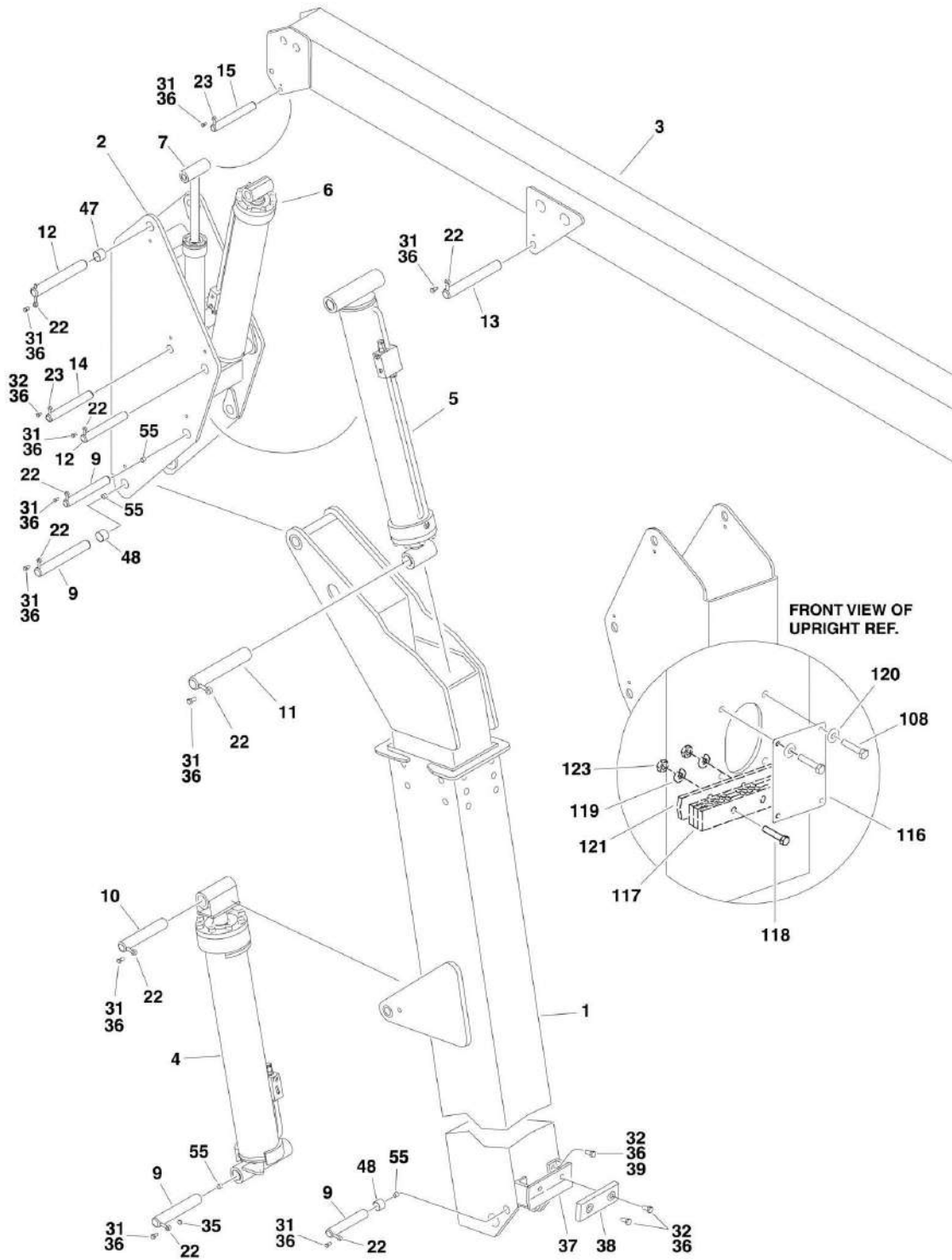
ITEM	PART NUMBER	QTY	DESCRIPTION	REV
17		Ref	Pin Options:	
17	3422489	NLA	Pin (Use p/n 3422580) (Prior to SN 0300041868)	
17	3422580	1	Pin (SN 0300041868 through 0300069000)	
19	3841203	9	Keeper, Pin - 1/2in	
20	3841143	5	Keeper, Pin - 3/8in	
21		Ref	Rotator Assembly Options:	
21	0060035	NLA	Front Entry Platform (Use p/n 0060076) (See ROTATOR ASSEMBLIES (FRONT ENTRY PLATFORM) for Breakdown)	
21	0060068	1	Side Entry Platform (See ROTATOR ASSEMBLIES (SIDE ENTRY PLATFORM) for Breakdown)	
22		Ref	Platform Support Weldment Options:	
22	4844790	1	All Specs (Front Entry Platform) (Prior to SN 0300036526)	
22	4845682	1	All Specs (Front Entry Platform) (SN 0300036526 through 0300038050)	
22	4844790	1	CE Spec (Front Entry Platform) (SN 0300038051 through 0300069000)	
22	4846081	1	Australian Spec (Front Entry Platform) (SN 0300038051 through 0300069000)	
		Ref	Note: For Side Entry Platform Machines See Items 201 to 210 for Support Installation	
23	0100011	AR	Compound, Locking	
24	0641810	15	Bolt 1/2in-13NC x 1-1/4in	
25	0641607	AR	Bolt 3/8in-16NC x 7/8in	
26	3900166	1	Screw, Socket Head Countersunk - 3/8in-16NC x 7/8in	
27	4845127	1	Boom Rest Weldment (Front Entry Platform)	
28	0561076	1	Block, Boom Rest	
29	0641605	4	Bolt 3/8in-16NC x 5/8in	
30	0641820	4	Bolt 1/2in-13NC x 2-1/2in (Front Entry Platform)	
31	4711800	8	Flatwasher 1/2in Thin (Front Entry Platform)	
32	3311805	4	Locknut 1/2in-13NC (Front Entry Platform)	
33	0681610	4	Bolt 3/8in-16NC x 1-1/4in (Grade 8) (Front Entry Platform)	
34	4711600	4	Flatwasher 3/8in Thin (Front Entry Platform)	
35	0961951	2	Bushing	
36	0961948	2	Bushing	
37	0961949	4	Bushing	
38	3422582	1	Pin	
39	3900239	4	Setscrew Only (SN 0300027329 through 0300069000)	
	0255423	Ref	POWER TRACK INSTALLATION	10-I
108	0641403	4	Bolt 1/4in-20NC x 3/8in	
116	3539779	1	Plate, Cover	
117		Ref	Clamp, Block Options:	
117	1320229	1	Clamp, Block (Prior to SN 0300034102)	
117	1320243	1	Clamp, Block (SN 0300034102 through 69000)	
118		Ref	Bolt Options:	
118	0641624	2	Bolt 3/8in-16NC x 3in (Prior to SN 0300034102)	
118	0641532	2	Bolt 5/16in-18NC x 4in (SN 0300034102 through 0300069000)	
119	4751600	2	Flatwasher 3/8in Regular	
120	4751400	4	Flatwasher 1/4in Regular	
121		Ref	Plate Options:	
121	3539930	1	Plate (SN 0300027207 through 0300034101)	
121	3570374	1	Plate (SN 0300034102 through 0300069000)	
123	3311505	2	Nut 5/16in-18NC Only (SN 0300034102 through 0300069000)	
	0272070	Ref	PLATFORM SUPPORT INSTALLATIONS (SIDE ENTRY	B

SECTION 3 - BOOM

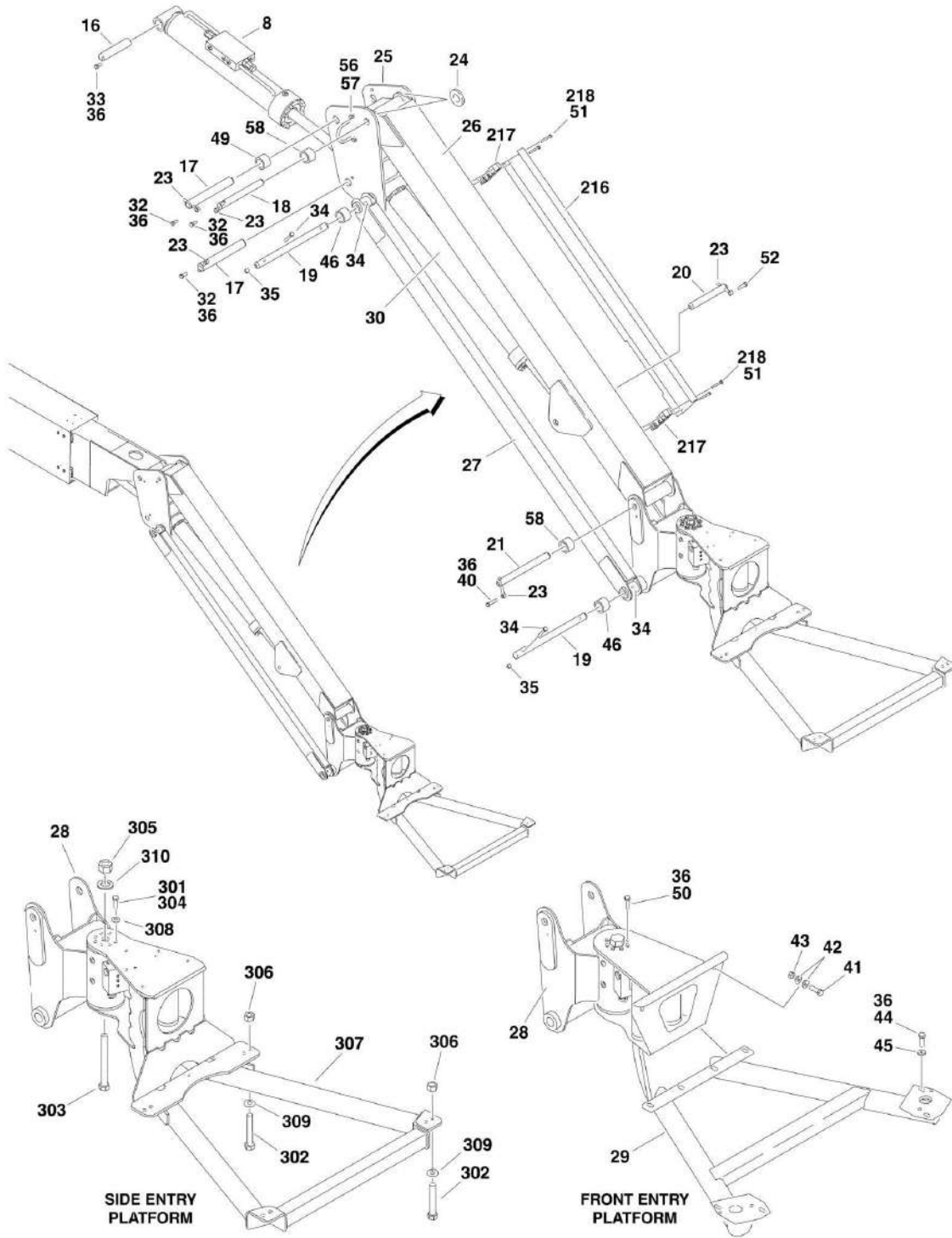
ITEM	PART NUMBER	QTY	DESCRIPTION	REV
	See Note	Ref	PLATFORM) (AUSTRALIAN SPEC) CE Spec Machines (Note: For Replacement Parts, Contact JLG Customer Service and Request Manual p/n 3124287)	
201	0100011	AR	Compound, Locking	
202	0641812	8	Bolt 1/2in-13NC x 1-1/2in	
203	0642682	1	Bolt 1in-8NC x 10-1/4in	
204	0681608	8	Bolt 3/8in-16NC x 1in	
205	3272605	1	Locknut 1in-8NC	
206	3311805	8	Locknut 1/2in-13NC	
207	4846573	1	Support Weldment	
208	4891600	8	Flatwasher 3/8in Hardened	
209	4891800	8	Flatwasher 1/2in Hardened	
210	4892600	1	Flatwasher 1in Hardened	

SECTION 3 - BOOM

FIGURE 3-2. BOOMS AND CYLINDERS INSTALLATION - 600AJ



SECTION 3 - BOOM



SECTION 3 - BOOM

FIGURE 3-2. BOOMS AND CYLINDERS INSTALLATION - 600AJ

ITEM	PART NUMBER	QTY	DESCRIPTION	REV
		Ref	BOOMS AND CYLINDERS INSTALLATION - 600AJ	
	0255239	Ref	Boom and Cylinder Installation (Front Entry Platform Machines Built) (Prior to SN 0300041868)	17
	0256322	Ref	Australian Spec Boom and Cylinder Installation (Front Entry Platform Machines Built) (SN 0300041868 through 0300064249)	7
	0258695	Ref	CE Spec Boom and Cylinder Installation (Front Entry Platform Machines Built) (SN 0300041868 through 0300064248)	9
	0271339	Ref	CE/Australian Spec - Boom and Cylinder Installation (With ADE System) (Front Entry Platform Machines Built) (SN 0300064249 through 0300069000)	5
	0272135	Ref	CE/Australian Spec - Boom and Cylinder Installation (With ADE System) (Side Entry Platform Machines)	1
1	0801019	1	Tower Boom Assembly -Tower (See TOWER BOOM ASSEMBLIES for Breakdown)	
2		Ref	Upright Weldment Options:	
2	4844945	NLA	Upright Weldment (Use p/n 4846006) (Prior to SN 0300042671)	
2	4846006	1	Upright Weldment (SN 0300042671 through 0300069000)	
3	0801025	1	Main Boom Assembly (See MAIN BOOM ASSEMBLIES for Breakdown)	
4	1683288	1	Tower Lift Cylinder Assembly (See CYLINDER SECTION for Breakdown)	
5	1683299	NLA	Upright Level Cylinder Assembly (See CYLINDER SECTION for Breakdown) (Use p/n 1684498)	
6	1683294	1	Main Lift Cylinder Assembly (See CYLINDER SECTION for Breakdown)	
7	1683263	1	Master Cylinder Assembly (See CYLINDER SECTION for Breakdown)	
8		Ref	Platform Level Cylinder Assembly Options (See CYLINDER SECTION for Breakdown)	
8	1683253	1	Platform Level Cylinder Assembly (Prior to SN 0300024714)	
8	1683418	1	Platform Level Cylinder Assembly (SN 0300024714 through 0300069000)	
9		Ref	Pin Options:	
9	3422442	NLA	Pin (Use p/n 3422571) (Prior to SN 0300041868)	
9	3422571	4	Pin ANSI (SN 0300041868 through 0300069000)	
10		Ref	Pin Options:	
10	3422444	NLA	Pin ANSI (Use p/n 3422573) (Prior to SN 0300041868)	
10	3422573	1	Pin (SN 0300041868 through 0300069000)	
11	3422575	1	Pin	
12		Ref	Pin Options:	
12	3422443	NLA	Pin (Use p/n 3422572) (Prior to SN 0300041868)	
12	3422572	2	Pin (SN 0300041868 through 0300069000)	
13		Ref	Pin Options:	
13	3422452	NLA	Pin (Use p/n 3422576) (Prior to SN 0300041868)	
13	3422576	1	Pin (SN 0300041868 through 0300069000)	
14		Ref	Pin Options:	
14	3422435	NLA	Pin (Use p/n 3422566) (Prior to SN 0300041868)	
14	3422566	1	Pin (SN 0300041868 through 0300069000)	
15		Ref	Pin Options:	
15	3422477	NLA	Pin (Use p/n 3422579) (Prior to SN 0300041868)	
15	3422579	1	Pin (SN 0300041868 through 0300069000)	

SECTION 3 - BOOM

ITEM	PART NUMBER	QTY	DESCRIPTION	REV
16		Ref	Pin Options:	
16	3422440	NLA	Pin (Use p/n 3422583) (Prior to SN 0300041868)	
16	3422583	1	Pin (SN 0300041868 through 0300069000)	
17		Ref	Pin Options:	
17	3422422	NLA	Pin (Use p/n 3422561) (Prior to SN 0300041868)	
17	3422561	2	Pin (SN 0300041868 through 0300069000)	
18		Ref	Pin Options:	
18	3422419	NLA	Pin (Use p/n 3422860) (Prior to SN 0300041868)	
18	3422558	NLA	Pin (Use p/n 3422860) (SN 0300041868 through 0300053999)	
18	3422860	1	Pin (SN 0300054000 through 0300069000)	
19		Ref	Pin Options:	
19	3422420	NLA	Pin (Use p/n 3422861) (Prior to SN 0300041868)	
19	3422559	NLA	Pin (Use p/n 3422861) (SN 0300041868 through 0300053999)	
19	3422861	2	Pin (SN 0300054000 through 0300069000)	
20		Ref	Pin Options:	
20	3422421	NLA	Pin (Use p/n 3422867) (Prior to SN 0300041868)	
20	3422560	NLA	Pin (Use p/n 3422867) (SN 0300041868 through 0300053999)	
20	3422867	1	Pin (SN 0300054000 through 0300069000)	
21		Ref	Pin Options:	
21	3422432	NLA	Pin (Use p/n 3422563) (Prior to SN 0300041868)	
21	3422563	1	Pin (Front Entry Platform) (SN 0300041868 through 0300069000)	
21	3422860	1	Pin (Side Entry Platform) (SN 0300041868 through 0300069000)	
22	3841203	9	Keeper, Pin - 1/2in	
23	3841143	7	Keeper, Pin - 3/8in	
24	4740439	2	Thrustwasher	
25	4844815	1	Pivot Weldment	
26	4844816	1	Tube Weldment - Top	
27	4844817	2	Tube Weldment - Bottom	
28		Ref	Rotator Assembly Options:	
28	0060031	NLA	Front Entry Platform (Use p/n 0060074) (See ROTATOR ASSEMBLIES (FRONT ENTRY PLATFORM) for Breakdown)	
28	0060066	1	Side Entry Platform (See ROTATOR ASSEMBLIES (SIDE ENTRY PLATFORM) for Breakdown)	
29		Ref	Support Weldment Options:	
29	4844790	1	All Specs (Front Entry Platform) (Prior to SN 0300036526)	
29	4845682	1	All Specs (Front Entry Platform) (SN 0300036526 through 0300038050)	
29	4844790	1	CE Spec (Front Entry Platform) (SN 0300038051 through 0300069000)	
29	4846081	1	Australian Spec (Front Entry Platform) (SN 0300038051 through 0300069000)	
		Ref	Note: For Side Entry Platform See Items 301 to 310 for Support Installation	
30	1683258	1	Extend-A-Reach Lift Cylinder Assembly (See CYLINDER SECTION for Breakdown)	
31	0641810	9	Bolt 1/2in-13NC x 1-1/4in	
32	0641607	AR	Bolt 3/8in-16NC x 7/8in	
33	0741607	1	Screw, Countersunk 3/8in-16NC x 7/8in	
34	0641618	4	Bolt 3/8in-16NC x 2-1/4in	
35	3311605	5	Locknut 3/8in-16NC	
36	0100011	AR	Compound, Locking	

SECTION 3 - BOOM

ITEM	PART NUMBER	QTY	DESCRIPTION	REV
37	4845127	1	Boom Rest Weldment (Front Entry Platform)	
38	0561076	1	Block, Boom Rest	
39	0641605	4	Bolt 3/8in-16NC x 5/8in	
40	0461614	1	Bolt 3/8in-16NC x 1-3/4in	
41	0641820	4	Bolt 1/2in-13NC x 2-1/2in (Front Entry Platform)	
42	4711800	8	Flatwasher 1/2in Thin (Front Entry Platform)	
43	3311805	4	Locknut 1/2in-13NC (Front Entry Platform)	
44	0681610	4	Bolt 3/8in-16NC x 1-1/4in (Grade 8) (Front Entry Platform)	
45	4711600	4	Flatwasher 3/8in Thin (Front Entry Platform)	
46	0961947	6	Bushing	
47	0961948	2	Bushing	
48	0961949	4	Bushing	
49	0961951	2	Bushing	
50	0641810	6	Bolt 1/2in-13NC x 1in	
51	2080044	4	Rivnut	
52	0641611	1	Bolt 3/8in-16NC x 1-3/8in	
55	3900239	4	Setscrew Only (SN 0300027329 through 0300069000)	
56	3841340	1	Loop, Hose Only (SN 0300033678 through 0300069000)	
57	0641606	2	Bolt 3/8in-16NC x 3/4in Only (SN 0300033678 through 0300069000)	
58	0962335	4	Bushing	
	0255423	Ref	POWER TRACK INSTALLATION	10-I
108	0641403	4	Bolt 1/4in-20NC x 3/8in	
116	3539779	1	Plate, Cover	
117		Ref	Clamp, Block Options:	
117	1320229	1	Clamp, Block (Prior to SN 0300034102)	
117	1320243	1	Clamp, Block (SN 0300034102 through 0300069000)	
118		Ref	Bolt Options:	
118	0641624	2	Bolt 3/8in-16NC x 3in (Prior to SN 0300034102)	
118	0641532	2	Bolt 5/16in-18NC x 4in (SN 0300034102 through 0300069000)	
119	4751600	2	Flatwasher 3/8in Regular	
120	4751400	4	Flatwasher 1/4in Regular	
121		Ref	Plate Options:	
121	3539930	1	Plate (SN 0300027207 through 0300034101)	
121	3570374	1	Plate (SN 0300034102 through 0300069000)	
123	3311505	2	Nut 5/16in-18NC Only (SN 0300034102 through 0300069000)	
		Ref	CABLE INSTALLATION OPTIONS:	
	0255878	Ref	Cable Installation (Prior to SN 0300064249)	9
	0270821	Ref	Cable Installation (SN 0300064249 through 0300069000)	6-E
216	1670769	1	Cover	
217	0561237	2	Clamp, Block	
218	0641416	4	Bolt 1/4in-20NC x 2in	
		Ref	PLATFORM SUPPORT INSTALLATIONS (SIDE ENTRY PLATFORM)	
	0272070	Ref	Australian Spec	B
	See Note	Ref	CE Spec Machines (Note: For Replacement Parts, Contact JLG Customer Service and Request Manual p/n 3124287)	C
301	0100011	AR	Compound, Locking	
302		Ref	Bolt Options:	
302	0641812	8	Australian Spec - Bolt 1/2in-13NC x 1-1/2in	
302	0641822	8	CE Spec - Bolt 1/2in-13NC x 2-3/4in	
303	0642682	1	Bolt 1in-8NC x 10-1/4in	

SECTION 3 - BOOM

ITEM	PART NUMBER	QTY	DESCRIPTION	REV
304		Ref	Bolt Options:	
304	0681608	8	Australian Spec - Bolt 3/8in-16NC x 1in	
304	0681610	8	CE Spec - Bolt 3/8in-16NC x 1-1/4in	
305	3272605	1	Locknut 1in-8NC	
306	3311805	8	Locknut 1/2in-13NC	
307	4846573	1	Support Weldment	
308	4891600	8	Flatwasher 3/8in Hardened	
309	4891800	8	Flatwasher 1/2in Hardened	
310	4892600	1	Flatwasher 1in Hardened	

SECTION 3 - BOOM

FIGURE 3-3. TOWER BOOM ASSEMBLIES

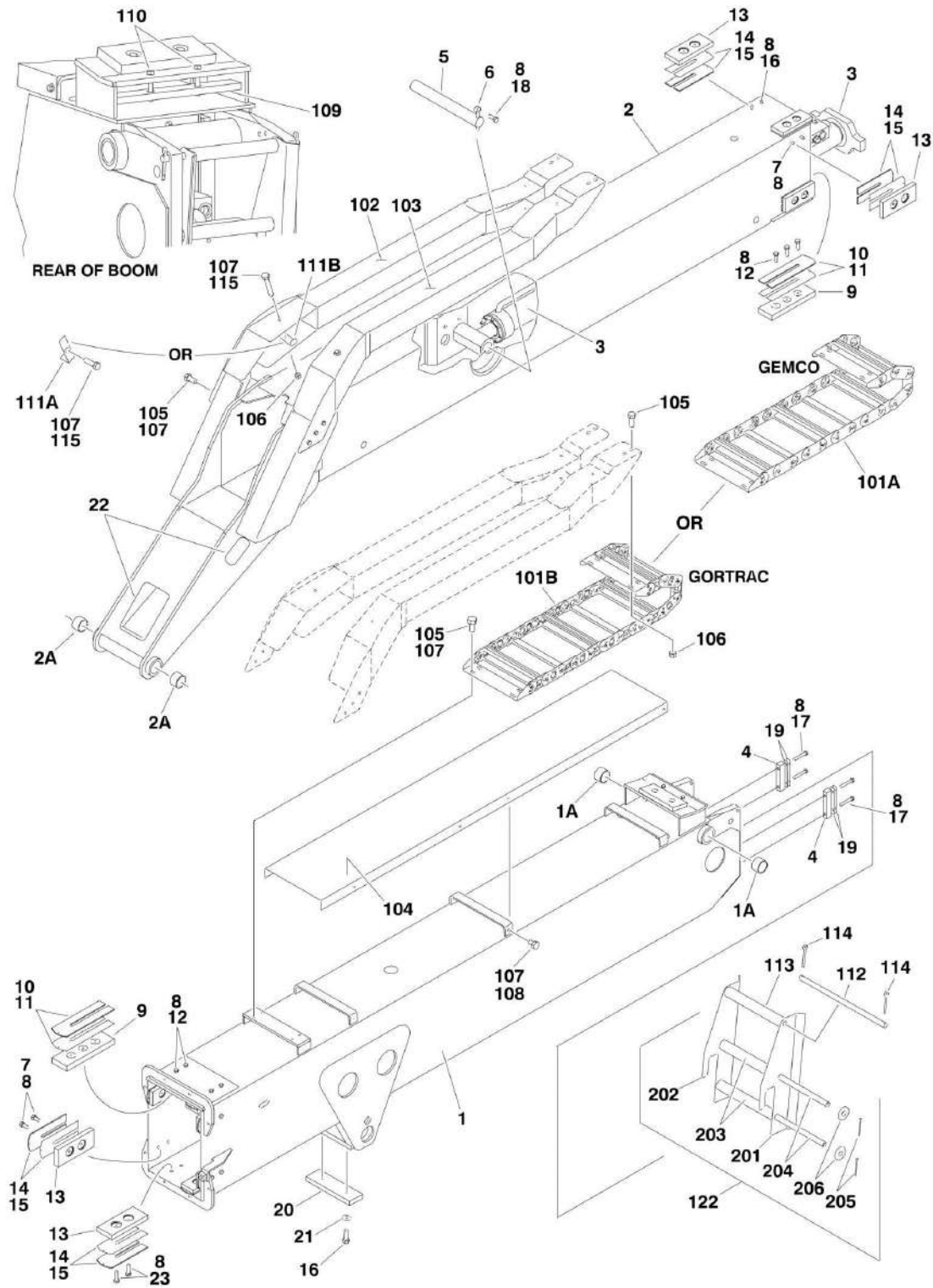


FIGURE 3-3. TOWER BOOM ASSEMBLIES

ITEM	PART NUMBER	QTY	DESCRIPTION	REV
	0801019	Ref	TOWER BOOM ASSEMBLY	7-H
1	0801020	1	Base Weldment (Prior to SN 0300027207)	
1	0801085	1	Base Weldment (SN 0300027207 through 0300069000)	
1A	0961949	2	Bushing	
2	0801021	1	Fly Weldment	
2A	0961949	2	Bushing	
3	1683312	1	Cylinder Assembly - Tower Telescope (See CYLINDER SECTION for Breakdown)	
4	0561185	2	Block, Attach	
5	3422575	1	Pin	
6	3841203	1	Keeper, Pin	
7	0641606	26	Bolt 3/8in-16NC x 3/4in	
8	0100011	AR	Compound, Locking	
9		Ref	Pad, Wear Options:	
9	3340705	4	Pad, Wear (Prior to SN 0300064394)	
9	3340871	4	Pad, Wear (SN 0300064394 through 0300069000)	
10	4070863	AR	Shim .12	
11	4070864	AR	Shim .05	
12	0641612	12	Bolt 3/8in-16NC x 1-1/2in	
13		Ref	Pad, Wear Options:	
13	3340756	12	Pad, Wear (Prior to SN 0300064394)	
13	3340881	12	Pad, Wear (SN 0300064394 through 0300069000)	
14	4070897	AR	Shim .05	
15	4070898	AR	Shim .12	
16	0641608	6	Bolt 3/8in-16NC x 1in	
17	0641618	4	Bolt 3/8in-16NC x 2- 1/4in	
18	0641809	1	Bolt 3/8in-16NC x 1-1/8in	
19	4070929	AR	Shim	
20	0561248	1	Block, Boom Rest Only (SN 0300027207 through 0300069000)	
21	4711600	2	Flatwasher 3/8in Thin	
22	4060808	31	Flex-Trim Only (SN 0300027207 through 0300069000)	
		in/79cm		
23	0641610	4	Bolt 3/8in-16NC x 1-1/4in (SN 0300038051 through 0300069000)	
	0255423	Ref	POWER TRACK INSTALLATION	10-I
101		Ref	Power Track Assembly Options:	
		Ref	Note: Various Power Tracks use on this model. Identify brand before ordering parts.	
101A	1180339	NLA	Gemco Brand Power Track (Use p/n 1001099835)	
101A		Ref	Replacement Parts:	
101A	7016502	AR	Repair Section (Includes 10 Link Pin, 4 Radius Links, 4 Carrier Links, 1 Carrier Weldment, 10 Slugs and 20 Bearing Plates)	
101A	7016510	2 Pair	Feet, Mounting	
101A	7006152	AR	Pin Kit (Includes 1 pin, 1 Retaining Ring and 4 Washers)	
101B	1001099835	1	Gortrac Brand Power Track	
101B		Ref	Replacement Parts:	
101B	70002001	AR	Repair Section	
101B	70002002	1	Mounting Bracket Kit	
102	4844984	NLA	Tube Weldment (Right Side) (Use p/n 1001151542)	
103	4844983	NLA	Tube Weldment (Left Side) (Use p/n 1001151586)	
104	3539228	1	Plate, Cover	

SECTION 3 - BOOM

ITEM	PART NUMBER	QTY	DESCRIPTION	REV
105	0641607	14	Bolt 3/8in-16NC x 7/8in	
106	3311605	6	Locknut 3/8in-16NC	
107	0100011	AR	Compound, Locking	
108	0641403	10	Bolt 1/4in-20NC x 3/8in	
109	3539236	1	Plate, Hose Clamp	
110	0641516	2	Bolt 5/16in-18NC x 2in	
111		Ref	Plate Options:	
111A	3539412	2	Plate (Prior to SN 0300034102)	
111B	3570375	2	Plate (SN 0300034102 through 0300069000)	
112	3841295	1	Rod	
113	4566892	1	Tube (Prior to SN 0300034102)	
113	4567241	1	Tube (SN 0300034102 through 0300069000)	
114	3450606	2	Pin, Cotter	
115	0641628	2	Bolt 3/8in-16NC x 3-1/2in	
122	0257573	1	Roller Hanger Assembly (Includes Items 201-205 Only) (SN 0300034084 through 0300069000)	
	0257573	Ref	ROLLER HANGER ASSEMBLY	1-A
201	3570277	1	Plate (Left Side)	
202	3570270	1	Plate (Right Side)	
203	4567241	2	Roller, Tube	
204	3841347	2	Rod	
205	3450306	4	Pin, Cotter	
206	4751800	4	Flatwasher 1/2in Regular	

SECTION 3 - BOOM

FIGURE 3-4. MAIN BOOM ASSEMBLIES

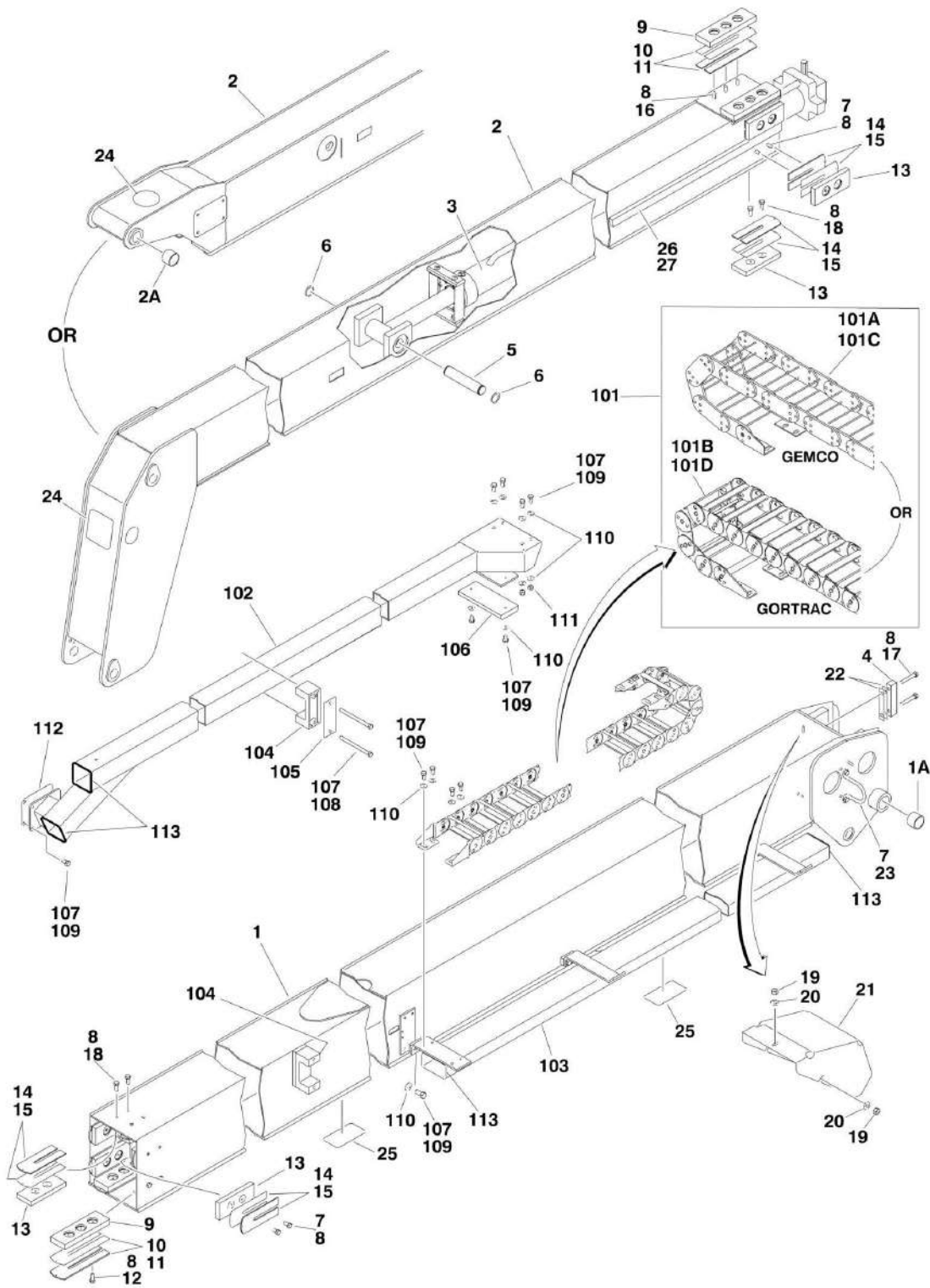


FIGURE 3-4. MAIN BOOM ASSEMBLIES

ITEM	PART NUMBER	QTY	DESCRIPTION	REV
	0801022	Ref	BOOM ASSEMBLY - 600A	12-F
	0801025	Ref	BOOM ASSEMBLY - 600AJ	7-D
1		Ref	Base Weldment Options:	
1	0801023	1	Base Weldment 600A	
1	0801026	1	Base Weldment 600AJ	
1A	0961948	2	Bushing (Note: Must be Purchased Separately)	
2		Ref	Fly Weldment Options:	
2	0801066	1	Fly Weldment 600A (Prior to SN 0300024714)	
2	0801078	1	Fly Weldment 600A (SN 0300024714 through 0300053958)	
2	0801228	1	Fly Weldment 600A (SN 0300053959 through 0300069000)	
2	0801027	1	Fly Weldment 600AJ	
2A		Ref	Bushing (Note: Must be Purchased Separately)	
2A	Not Required	0	Bushing 600A	
2A	0961951	2	Bushing 600AJ	
3		Ref	Telescope Cylinder Assembly Options: (See CYLINDER SECTION for Breakdown)	
3	1683307	1	Telescope Cylinder Assembly 600A	
3	1683317	1	Telescope Cylinder Assembly 600AJ	
4	0561185	2	Block	
5	3422457	1	Pin	
6	3760133	2	Ring, Retaining	
7	0641606	18	Bolt 3/8in-16NC x 3/4in	
8	0100011	AR	Compound, Locking	
9		Ref	Pad, Wear Options:	
9	3340705	4	Pad, Wear (Prior to SN 0300064394)	
9	3340871	4	Pad, Wear (SN 0300064394 through 0300069000)	
10	4070863	AR	Shim .12	
11	4070864	AR	Shim .05	
12	0641610	6	Bolt 3/8in-16NC x 1-1/4in	
13		Ref	Pad, Wear Options:	
13	3340756	12	Pad, Wear (Prior to SN 0300064394)	
13	3340881	12	Pad, Wear (SN 0300064394 through 0300069000)	
14	4070897	AR	Shim .05	
15	4070898	AR	Shim .12	
16	0641608	6	Bolt 3/8in-16NC x 1in	
17	0641618	4	Bolt 3/8in-16NC x 2-1/4in	
18	0641607	8	Bolt 3/8in-16NC x 7/8in	
19	3311401	3	Nut 1/4in-20NC	
20	4751400	3	Flatwasher 1/4in Regular	
21	1670768	1	Cover, Boom	
22	4070929	AR	Shim	
23	4845384	NLA	Clamp, Hose (Use p/n 3841340) (SN 0300027207 through 0300033682)	
23	3841340	1	Clamp, Hose (SN 0300033683 through 0300069000)	
24	4060805	AR	Flex-Trim (SN 0300027207 through 0300069000)	
25	1670836	6	Cover, Boom (SN 0300034047 through 0300069000)	
26		Ref	Tape, Two Sided Foam Options:	
26	4420060	10 ft./3m	Tape, Two Sided Foam 600A	
26	Not Required	0	Tape, Two Sided Foam 600AJ	
27		Ref	Bar, Fiberglass Options:	

SECTION 3 - BOOM

ITEM	PART NUMBER	QTY	DESCRIPTION	REV
27	0362529	1	Bar, Fiberglass 600A	
27	Not Required	0	Bar, Fiberglass 600AJ	
	0255281	Ref	POWER TRACK INSTALLATION - 600A	6-E
	0255288	Ref	POWER TRACK INSTALLATION - 600AJ	5-D
101		Ref	Power Track Assembly Options:	
		Ref	Note: Various Power Tracks use on this model. Identify brand before ordering parts.	
101A	1180336	NLA	600A - Gemco Brand Power Track (Use p/n 1001107153)	
101A		Ref	Replacement Parts:	
101A	7006140	AR	Repair Section (Includes 10 Link Pin, 4 Radius Links, 8 Carrier Links, 4 Rod Carrier, 8 Screws, 10 Slugs and 20 Bearing Plates) (600A)	
101A	7006151	2 Pair	Feet, Mounting (600A)	
101A	7006161	AR	Rod (600A)	
101A	7006152	AR	Pin Kit (Includes 1 pin, 1 Retaining Ring & 4 Washers) (600A)	
101B	1001107153	1	600A - Gortrac Brand Power Track	
101B		Ref	Replacement Parts:	
101B	70002011	AR	Repair Section (600A)	
101B	70002012	1	Mounting Bracket Kit (600A)	
101C	1180338	NLA	600AJ - Gemco Brand Power Track (Use p/n 1001099836)	
101C		Ref	Replacement Parts:	
101E	7016519	AR	Repair Section (Includes 10 Link Pin, 4 Radius Links, 8 Carrier Links, 4 Rod Carrier, 8 Screws, 10 Slugs and 20 Bearing Plates) (600AJ)	
101C	7006151	2 Pair	Feet, Mounting (600AJ)	
101C	7016521	AR	Rod (600AJ)	
101C	7006158	AR	Screw (600AJ)	
101C	7006152	AR	Pin Kit (Includes 1 pin, 1 Retaining Ring and 4 Washers) (600AJ)	
101D	1001099836	1	600AJ - Gortrac Brand Power Track	
101D		Ref	Replacement Parts:	
101D	70001999	AR	Repair Section (600AJ)	
101D	70002000	1	Mounting Bracket Kit (600AJ)	
102		Ref	Tube Weldment Options:	
102	4844969	1	Tube Weldment 600A	
102	4844978	1	Tube Weldment 600AJ	
103		Ref	Support, Power Track Options:	
103	4844972	1	Support, Power Track 600A	
103	4844979	1	Support, Power Track 600AJ	
104	3340764	2	Pad, Wear	
105	3538758	1	Plate, Cover Support	
106		Ref	Pad Options	
106	3340787	1	Pad 600A	
106	3340765	1	Pad 600AJ	
107	0100011	AR	Compound, Locking	
108	0641640	2	Bolt 3/8in-16NC x 5in	
109	0641606	22	Bolt 3/8in-16NC x 3/4in	
110	4711600	18	Flatwasher 3/8in Thin	
111	3311605	4	Locknut 3/8in-16NC	
112	4070932	AR	Shim	
113	4060804	AR	Flex-Trim (SN 0300027207 through 0300069000)	

SECTION 3 - BOOM

FIGURE 3-5. ROTATOR ASSEMBLIES (FRONT ENTRY PLATFORM)

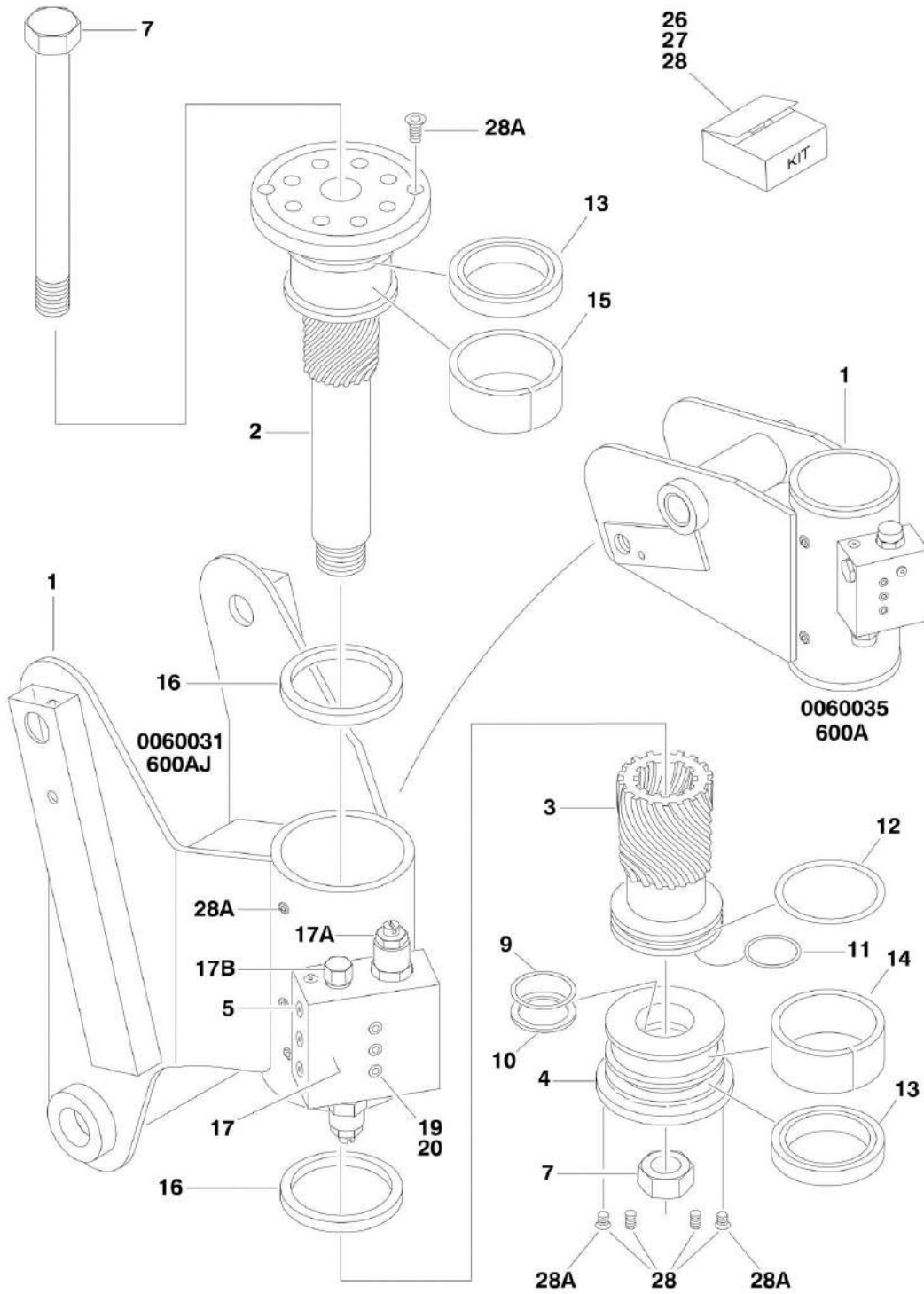


FIGURE 3-5. ROTATOR ASSEMBLIES (FRONT ENTRY PLATFORM)

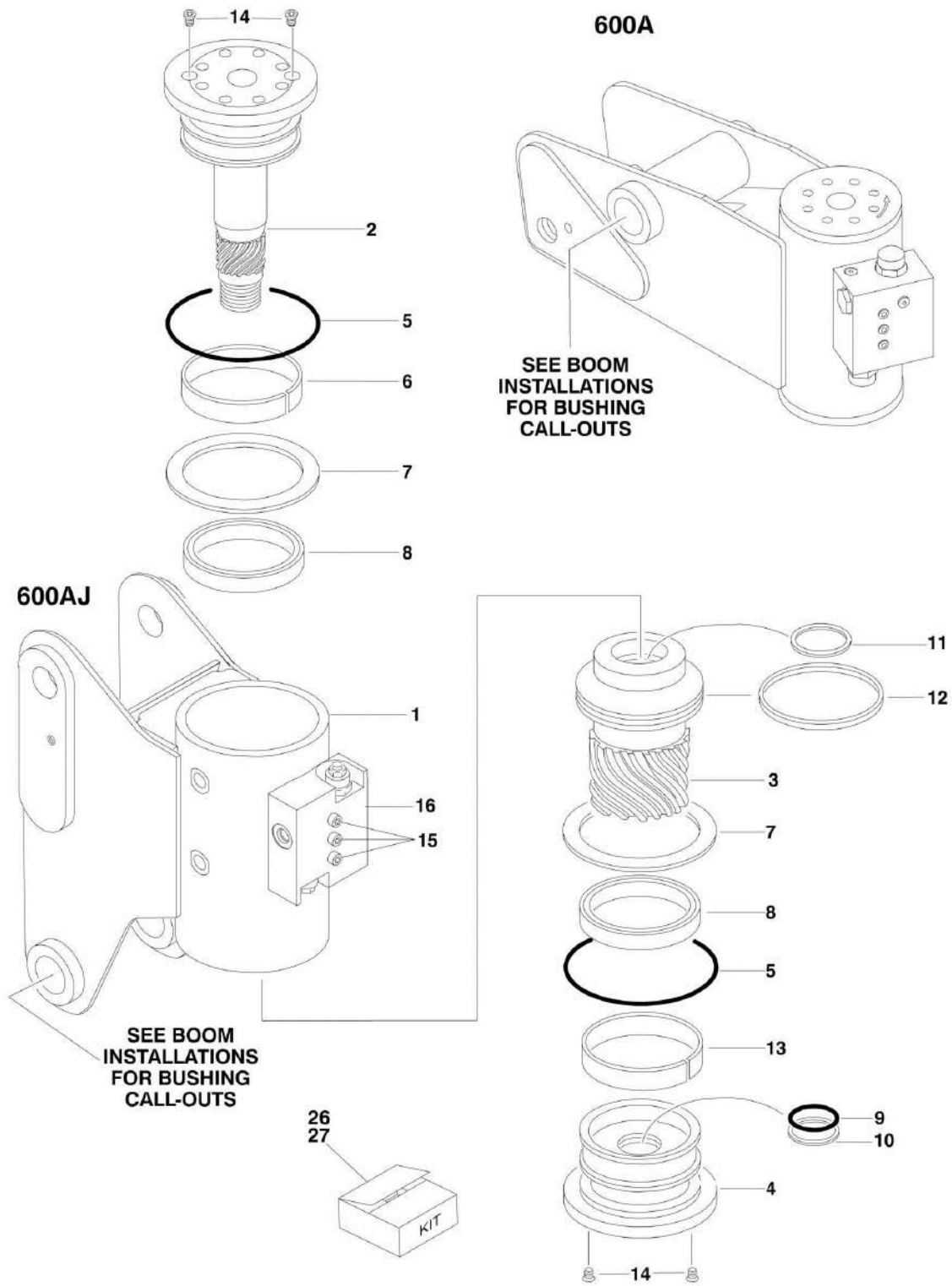
ITEM	PART NUMBER	QTY	DESCRIPTION	REV
		Ref	ROTATOR ASSEMBLIES	
	0060035	Ref	Rotator Assemblies 600A (Original Equipment)	G
	0060076	Ref	Rotator Assemblies 600A (Service Replacement)	B
	0060031	Ref	Rotator Assemblies 600AJ (Original Equipment)	H
	0060074	Ref	Rotator Assemblies 600AJ (Service Replacement)	B
		Ref	Note: Before ordering parts, identify whether original equipment rotator has been replaced with service replacement. Service replacement rotator uses spacer plate bolted on the top with 8 capscrews (Not shown - located at item 2).	
		Ref	Original equipment rotator does not use spacer plate.	
1	See Note	1	Housing/Ring Gear Assembly (Note: Note Available - Purchase Complete Assembly)	
2		Ref	Shaft Weldment Options:	
2	7017177	1	0060035 Rotators	
2	7017117	1	0060031 Rotators	
2	7017162	1	0060076 & 0060074 Rotators	
2	See Note	1	Plate, Spacer (Not Shown) (0060076 & 0060074 Rotators Only) (Note: Note Available for Purchase)	
3		Ref	Piston/Sleeve Options:	
3	7017115	1	0060035 & 0060031 Rotators	
3	7017163	1	0060076 & 0060074 Rotators	
4		Ref	Cap, End Options:	
4	7017174	1	0060035 Rotators	
4	7017116	1	0060031 Rotators	
4	7017164	1	0060076 & 0060074 Rotators	
5	See Note	6	Plug, Port (Note: Note Available for Purchase)	
7	7017102	1	Tie-Rod/Locknut Assy (Prior to SN 0300039950)	
7	7017119	1	Bolt 1in-8NC x 11in (SN 0300039950 through 0300069000)	
7	3272605	AR	Locknut 1in-8NC (SN 0300039950 through 0300069000)	
9	See Note	1	Seal, Cap (Note: Use Item 26)	
10	See Note	1	Ring, Back-up (Cap) (Note: Use Item 26)	
11	See Note	1	Seal, Rod (Note: Use Item 26)	
12	See Note	1	Seal, Piston (Note: Use Item 26)	
13	See Note	2	Packing, Bearing (Note: Use Item 26)	
14	See Note	1	Bearing, Cap (Note: Use Item 27)	
15	See Note	1	Bearing, Shaft (Note: Use Item 27)	
16	See Note	2	Thrustwasher (Note: Use Item 27)	
17		Ref	Valve Assembly Options:	
17	7017101	1	0060035 & 0060031 Rotators	
17	7017183	1	0060076 & 0060074 Rotators	
17A		Ref	Cartridge, Valve Options:	
17A	7011331	2	Cartridge for Helac p/n 24736	
17A	7017193	2	Cartridge for Helac p/n 27600	
17A	2900770	2	Seal Kit - 7011331 Valve	
17A	7017183	2	Seal Kit - 7017193 Valve	
		Ref	(Note: Not Available for Purchase)	
17B		Ref	Cartridge, Valve Options:	
17B	7011332	AR	Cartridge for Helac p/n 24736	
17B	See Note	1	Cartridge for Helac p/n 27600 (Not Shown - Located on Side of Valve Block) (Note: Not Available for Purchase)	

SECTION 3 - BOOM

ITEM	PART NUMBER	QTY	DESCRIPTION	REV
17B	7011346	2	Seal Kit - 7011332 Valve	
17B	See Note	1	Seal Kit - Valve Located on Side of Block (Note: Not Available for Purchase)	
18	7017118	2	Setscrew (0060035 & 0060031 Rotators Only)	
19	See Note	3	Bolt 1/4 x 1-1/2 (Grade 8) (Note: Not Available for Purchase)	
20	3790110	3	O-Ring (Not Shown - Located between Valve and Actuator Housing)	
26		Ref	Seal Kit Options (Includes Items 9-13):	
26	7017157	1	0060035 & 0060031 Rotators	
26	7017158	1	0060076 & 0060074 Rotators	
27		Ref	Bearing Kit Options (Includes Items 14-16):	
27	7017106	1	0060035 Rotators	
27	7017156	1	0060031 Rotators	
27	7017159	1	0060076 & 0060074 Rotators	
28	7017142	1	Hardware Kit Hardware Kit for 0060035 & 0060031 Rotators (Includes End Cap Dowel Pins and Items 6 & 28A)	
28A	70001697	6	Screw, Countersunk 1/4in-20NC x 3/8in Grade 8	

SECTION 3 - BOOM

FIGURE 3-6. ROTATOR ASSEMBLIES (SIDE ENTRY PLATFORM)



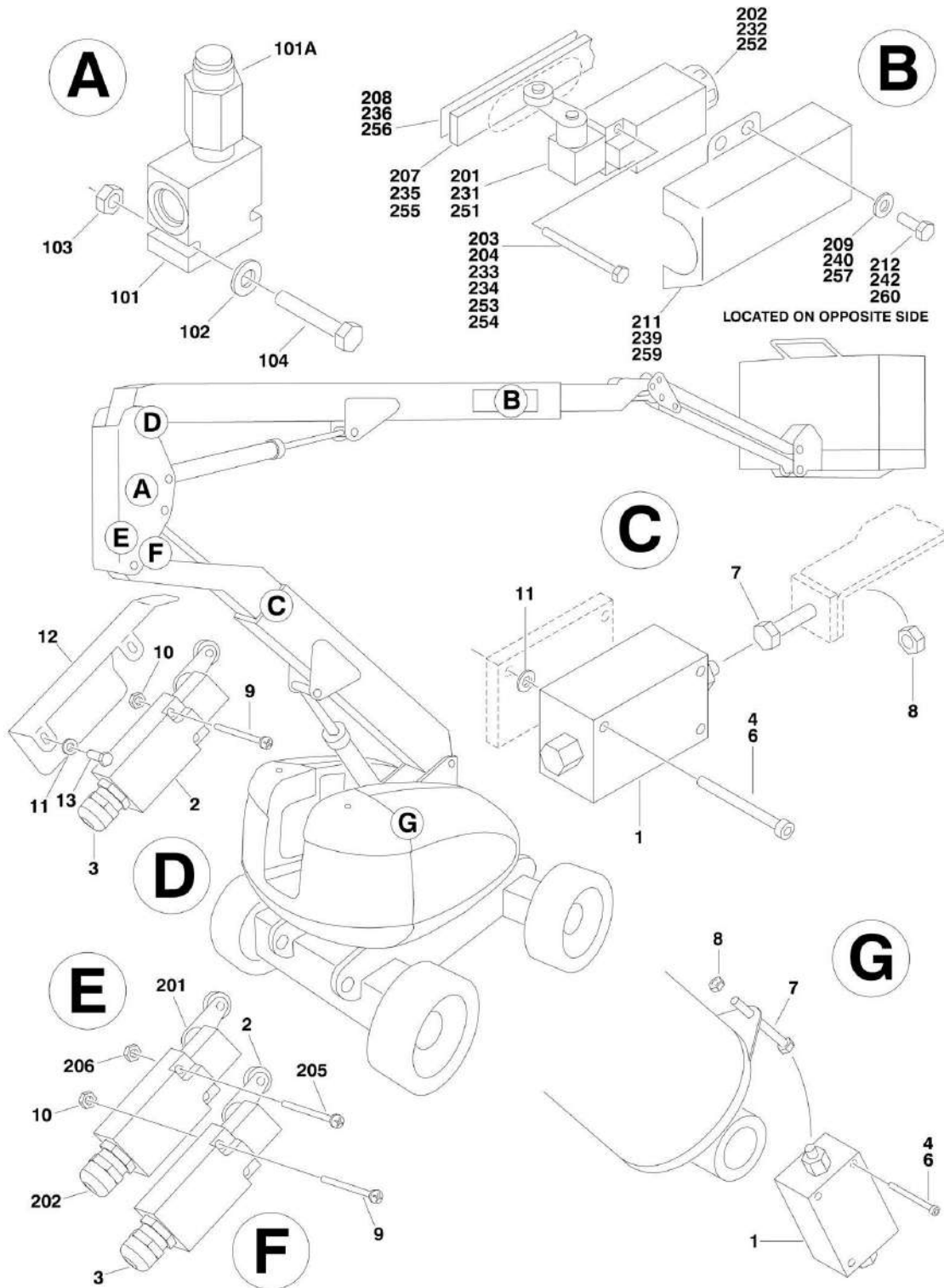
SECTION 3 - BOOM

FIGURE 3-6. ROTATOR ASSEMBLIES (SIDE ENTRY PLATFORM)

ITEM	PART NUMBER	QTY	DESCRIPTION	REV
		Ref	ROTATOR ASSEMBLIES	
	0060068	Ref	Rotator Assemblies (600A)	A
	0060066	Ref	Rotator Assemblies (600AJ)	C
1	See Note	1	Housing/Ring Gear Assembly (Note: Not Available - Purchase Complete Assembly)	
2	7017162	1	Shaft	
3	7017163	1	Piston/Sleeve Assembly	
4	7017164	1	Cap, End	
5	See Note	NSS	O-Ring (Note: Use Item 26)	
6	See Note	NSS	Bearing, Shaft (Note: Use Item 27)	
7	See Note	NSS	Thrustwasher (Note: Use Item 27)	
8	See Note	NSS	Packing, Bearing (Note: Use Item 26)	
9	See Note	NSS	Seal, Cap (Note: Use Item 26)	
10	See Note	NSS	Ring, Back-up Cap (Note: Use Item 26)	
11	See Note	NSS	Seal, Rod (Note: Use Item 26)	
12	See Note	NSS	Seal, Piston (Note: Use Item 26)	
13	See Note	NSS	Bearing, Cap (Note: Use Item 27)	
14	70001697	6	Capscrew 1/4in-20NC x 3/8in (Grade 8)	
15	See Note	3	Bolt 1/4 x 1-1/2 (Grade 8) (Note: Not Available for Purchase)	
16	7017183	1	Valve Assembly	
16	7017193	2	Cartridge, Valve	
16	See Note	2	Seal Kit - 7017193 Valve (Note: Not Available for Purchase)	
16	See Note	1	Cartridge, Valve (Not Shown - Located on Side of Block) (Note: Not Available for Purchase)	
16	See Note	1	Seal Kit - Valve Located on Side of Block (Note: Not Available for Purchase)	
26	7017158	1	Seal Kit (Includes Items 5, 8-12 & Hardware Kit)	
27	7017159	1	Bearing Kit (Includes Items 6, 7 & 13)	

SECTION 3 - BOOM

FIGURE 3-7. VALVES AND SWITCHES INSTALLATION (BOOM MOUNTED)



SECTION 3 - BOOM

FIGURE 3-7. VALVES AND SWITCHES INSTALLATION (BOOM MOUNTED)

ITEM	PART NUMBER	QTY	DESCRIPTION	REV
	0255438	Ref	BOOM VALVES AND LIMIT SWITCHES INSTALLATION (STANDARD)	6-G
1		Ref	Valve, Manual 2-Way Options:	
1	4640925	2	Valve, Manual 2-Way (Prior to SN 0300037959)	
1	4641045	2	Valve, Manual 2-Way (SN 0300037959 through 0300042377)	
1	4641105	2	Valve, Manual 2-Way (SN 0300042378 through 0300049398)	
1	4641139	2	Valve, Manual 2-Way (SN 0300049399 through 0300069000)	
2	See Note	2	Switch, Limit (was p/n 4360322 - Purchase p/ns 4360578 & 4460968 as Replacement)	
3		Ref	Connector, Strain Relief Options:	
3	4460428	2	Use with p/n 4360322 Switch	
3	4460968	2	Use with p/n 4360578 Switch	
4	3931430	6	Bolt, Socket Head 1/4in-20NC x 1-7/8in	
6	0100011	AR	Compound, Locking	
7	0630427	2	Bolt, Special	
8	3311801	2	Nut 1/2in-13NC	
9	3930824	4	Bolt, Socket Head #8-32NC x 1-1/2in	
10	3310801	4	Nut #8-32NC	
11	4751400	8	Flatwasher 1/4in Regular	
12	1670819	1	Cover, Switch (SN 0300027349 through 0300069000)	
13	3931408	2	Bolt, Socket 1/4in-20NC x 1/2in (SN 0300027349 through 0300069000)	
	0255440	Ref	VALVES INSTALLATION - 600A 2WS	9
	0255441	Ref	VALVES INSTALLATION - 600AJ 2WS	11
	0255442	Ref	VALVES INSTALLATION - 600A 4WS	9
	0255443	Ref	VALVES INSTALLATION - 600AJ 4WS	9
101	4640929	1	Valve Assembly (Relief)	
101A	7012970	1	Cartridge	
101A	7012953	1	Seal Kit - 7012970 Cartridge	
102	4711400	2	Flatwasher 1/4in Thin	
103	3311405	2	Locknut 1/4in-20NC	
104	0641424	2	Bolt 1/4in-20NC x 3in	
	0255699	Ref	LIMIT SWITCHES INSTALLATION - 600A DUAL CAPACITY	3-C
201	See Note	2	Switch, Limit (was p/n 4360322 - Purchase p/ns 4360578 & 4460968 as Replacement)	
202		Ref	Connector, Strain Relief Options:	
202	4460428	2	Use with p/n 4360322 Switch	
202	4460968	2	Use with p/n 4360578 Switch	
203	0100035	AR	Compound, Locking	
204	3930816	2	Bolt, Socket Head #8-32NC x 1in	
205	3930824	2	Bolt, Socket Head #8-32NC x 1-1/2in	
206	3310805	2	Locknut #8-32NC	
207	0362529	1	Bar, Fiberglass	
208	4420060	9.8 ft/3m	Tape, Foam	
209	4751400	4	Flatwasher 1/4in Regular (SN 0300028924 through 0300069000)	
211	1670824	1	Cover, Switch (SN 0300028924 through 0300069000)	
212	0641403	4	Bolt 1/4in-20NC x 3/8in (SN 0300028924 through 0300069000)	
		Ref	8 METER SWITCH INSTALLATIONS	
	0256346	Ref	Prior to SN 0300035129 (Colored Wiring)	2-A
	0257894	Ref	SN 0300035129 through 0300069000 (Numbered Colored Wiring)	3-B

SECTION 3 - BOOM

ITEM	PART NUMBER	QTY	DESCRIPTION	REV
231	See Note	1	Switch, Limit (was p/n 4360322 - Purchase p/ns 4360578 & 4460968 as Replacement)	
232		Ref	Connector, Strain Relief Options:	
232	4460428	1	Use with p/n 4360322 Switch	
232	4460968	1	Use with p/n 4360578 Switch	
233	0100035	AR	Compound, Locking	
234	3930816	2	Bolt, Socket Head #8-32NC x 1in	
235	0362612	1	Bar, Fiberglass	
236	4420060	7.1 in/2.2m	Tape, Foam	
237	1060016	18 ft/5.5m	Cable, Electrical - 16/3 (Not Shown)	
239	1670820	1	Cover, Switch (SN 0300028924 through 0300069000)	
240	4751400	4	Flatwasher 1/4in Regular (SN 0300028924 through 0300069000)	
242	0641403	4	Bolt 3/8in-16NC x 3/8in (SN 0300028924 through 0300069000)	
243	3539055	1	Plate (Welded on part) (Not Shown) (SN 0300049751 through 0300069000)	
	0256331	Ref	TRANSPORT POSITION SWITCHES INSTALLATION - 600A (EURO SPEC ONLY)	2-A
	0256336	Ref	TRANSPORT POSITION SWITCHES INSTALLATION - 600AJ (EURO SPEC ONLY)	2-A
251	See Note	1	Switch, Limit (was p/n 4360322 - Purchase p/ns 4360578 & 4460968 as Replacement)	
252		Ref	Connector, Strain Relief Options:	
252	4460428	1	Use with p/n 4360322 Switch	
252	4460968	1	Use with p/n 4360578 Switch	
253	0100035	AR	Compound, Locking	
254	3930816	2	Bolt, Socket Head #8-32NC x 1in	
255		Ref	Bar, Fiberglass Options:	
255	0362611	1	Bar, Fiberglass (600A)	
255	0362529	1	Bar, Fiberglass (600AJ)	
256	4420060	Ref	Tape, Foam	
256	4420060	161 in/4m	Tape, Foam (600A)	
256	4420060	127 in/3.2m	Tape, Foam (600AJ)	
257	4751400	4	Flatwasher 1/4in Regular (SN 0300028924 through 0300069000)	
259	1670824	1	Cover, Switch (SN 0300028924 through 0300069000)	
260	0641403	4	Bolt 3/8in-16NC x 3/8in (SN 0300028924 through 0300069000)	

SECTION 3 - BOOM

FIGURE 3-8. BOOM WIPERS INSTALLATIONS (OPTIONAL)

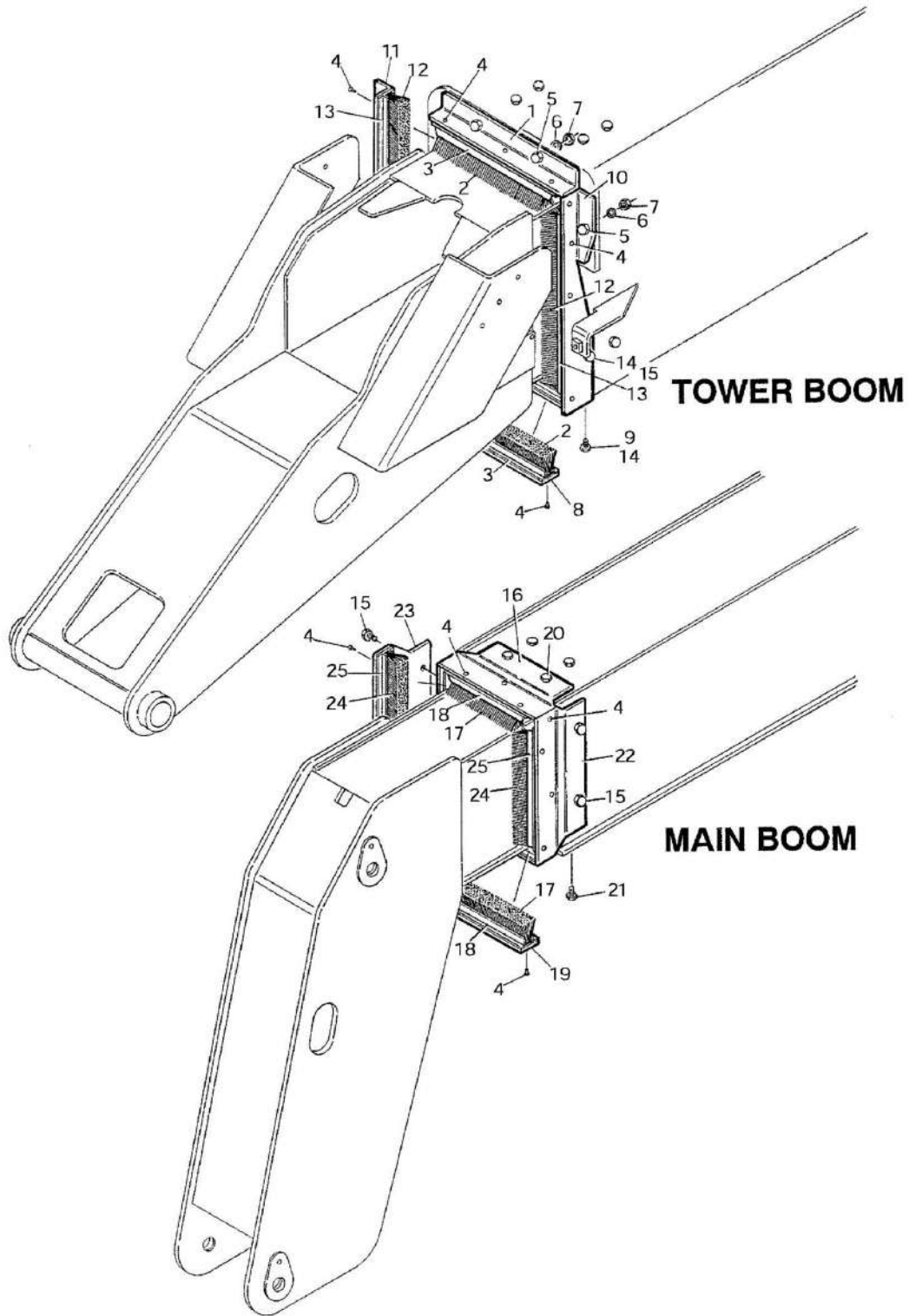


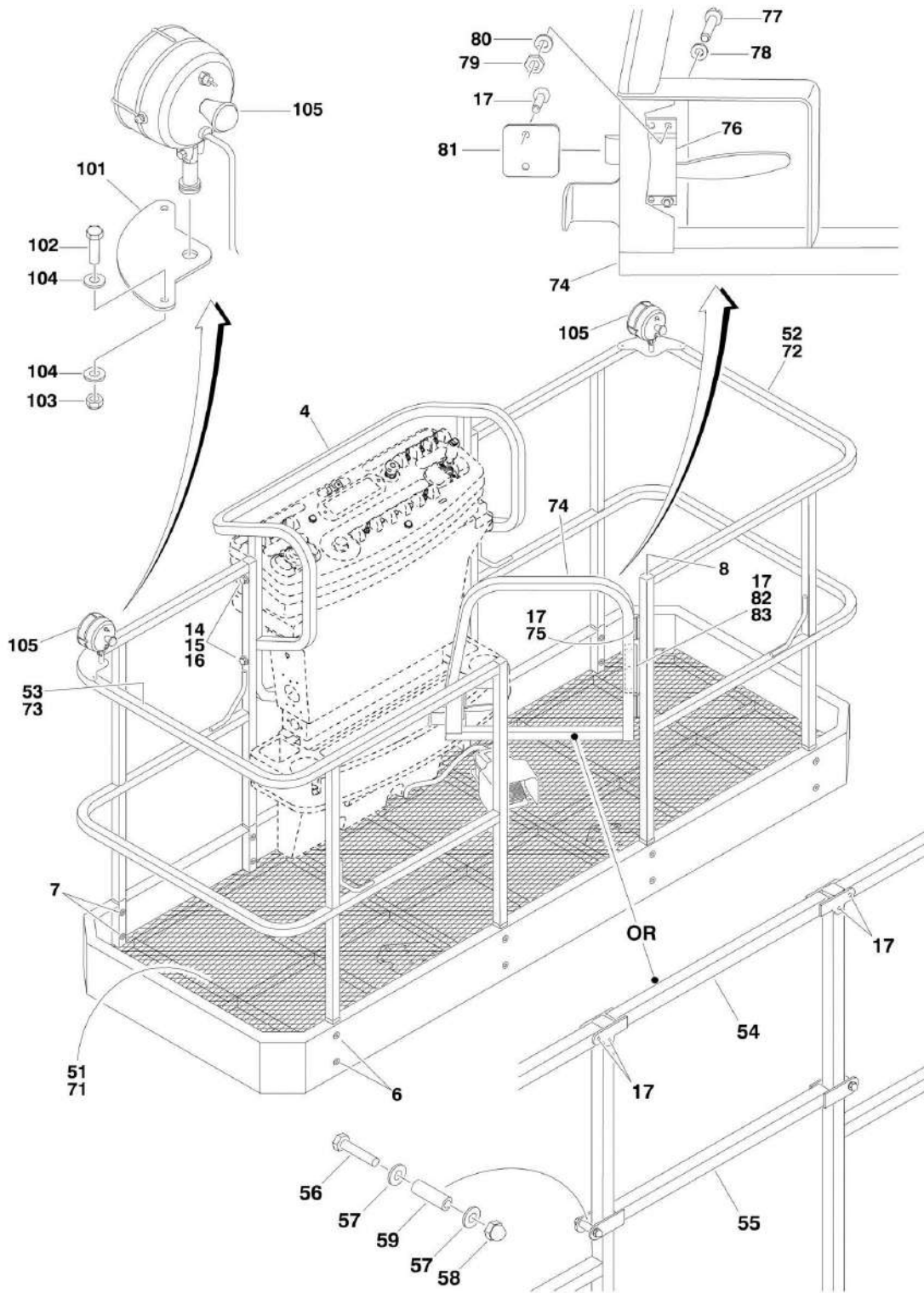
FIGURE 3-8. BOOM WIPERS INSTALLATIONS (OPTIONAL)

ITEM	PART NUMBER	QTY	DESCRIPTION	REV
		Ref	BOOM wiper INSTALLATION (STANDARD PARTS)	
	0256276	Ref	Boom Wipers Installations - 600A	2
	0256366	Ref	Boom Wipers Installations - 600AJ	3
1	3200386	2	Mount, Wiper (Tower Top)	
2	0540078	2	Brush, Wiper (Tower Top and Bottom)	
3	2660071	2	Holder, Brush (Tower Top and Bottom)	
4	3820001	30	Rivet	
5	0641409	8	Bolt 1/4in-20NC x 1-1/8in	
6	4761400	8	Lockwasher 1/4in	
7	3311401	8	Nut 1/4in-20NC	
8	3200388	1	Mount, Wiper (Tower Bottom) (Prior to SN 0300038141)	
9	0641611	2	Bolt 3/8in-16NC x 1-3/8in (Prior to SN 0300038141)	
10	3200387	1	Mount, Wiper (Tower Side - Left Side) (Prior to SN 0300038141)	
10	3200407		Mount, Wiper (Tower Side - Left Side) (SN 0300038141 through 0300069000)	
11	3200393	1	Mount, Wiper (Tower Side - Right Side) (Prior to SN 0300038141)	
11	3200408		Mount, Wiper (Tower Side - Right Side) (SN 0300038141 through 0300069000)	
12	0540099	2	Brush, Wiper (Tower Side)	
13	2660099	2	Holder, Brush (Tower Side)	
14	0100011	AR	Compound, Locking	
15	0641607	4	Bolt 3/8in-16NC x 7/8in	
16	3200389	1	Mount, Wiper (Main Top)	
17	0540083	2	Brush, Wiper (Main Top and Bottom)	
18	2660082	2	Holder, Brush (Main Top and Bottom)	
19	3200390	1	Mount, Wiper (Main Bottom)	
20	0641608	2	Bolt 3/8in-16NC x 1in	
21	0641611	2	Bolt 3/8in-16NC x 1-3/8in	
22		Ref	Mount, Wiper (Main Side - Left Side) Options:	
22	3200394	1	Mount, Wiper 600A	
22	3200396	1	Mount, Wiper 600AJ	
23		Ref	Mount, Wiper (Main Side - Right Side) Options:	
23	3200395	1	Mount, Wiper 600A	
23	3200397	1	Mount, Wiper 600AJ	
24		Ref	Brush, Wiper (Main Side)	
24	0540104	2	Brush, Wiper (Main Side) (600A)	
24	0540104	2	Brush, Wiper (Main Side) (Prior to SN 0300049396)	
24	0540107	2	Brush, Wiper (Main Side) (SN 0300049396 through 0300069000)	
25		Ref	Holder, Brush (Main Side)	
25	2660105	2	Holder, Brush (Main Side) (600A)	
25	2660105	2	Holder, Brush (Main Side) (Prior to SN 0300049396)	
25	2660109	2	Holder, Brush (Main Side) (SN 0300049396 through 0300069000)	

SECTION 4 - PLATFORM

SECTION 4 - PLATFORM

FIGURE 4-1. PLATFORM COMPONENTS INSTALLATION (FRONT ENTRY)



SECTION 4 - PLATFORM

FIGURE 4-1. PLATFORM COMPONENTS INSTALLATION (FRONT ENTRY)

ITEM	PART NUMBER	QTY	DESCRIPTION	REV
		Ref	PLATFORM OPTIONS:	
	3510751	Ref	5ft/1.52m Platform - With Self-Closing Gate (EN280 & CE Specs)	2
	3510728	Ref	5ft/1.52m Platform - With Self-Closing Gate (Australian Spec)	3
	3510499	Ref	6ft/1.83m Platform - With Drop Bar (EN280 & CE Specs)	3-A
	3510763	Ref	6ft/1.83m Platform - With Drop Bar (Mesh to Mid Rail) (EN280 & CE Specs)	1-A
	3510537	Ref	6ft/1.83m Platform - With Self-Closing Gate (EN280 Spec)	2
	3510542	Ref	6ft/1.83m Platform - (Australian Spec)	3
	3510500	Ref	8ft/2.44m Platform - With Drop Bar (EN280 & CE Specs)	2-A
	3510764	Ref	8ft/2.44m Platform - With Drop Bar (Mesh to Mid Rail) (EN280 & CE Specs)	1-A
	3510538	Ref	8ft/2.44m Platform - With Self-Closing Gate (EN280 Spec)	2
	3510543	Ref	8ft/2.44m Platform - (Australian Spec)	3
		Ref	PLATFORM ASSEMBLY (STANDARD PARTS)	
4		Ref	Rail Weldment - Back Options:	
4	4844927	1	Rail Weldment (Prior to SN 0300026233)	
4	4845328	1	Rail Weldment (SN 0300026233 through 0300069000)	
6	3900207	AR	Fastener	
		Ref	Note: P/N 3900207 Fastener may be replaced with p/n 0641416 bolt, p/n 4751400 flatwasher, p/n 3311405 locknut and p/n 3300151 acorn type nut. Acorn type nut required to meet industry safety requirements.	
7	3300393	AR	Collar	
8	3520072	4	Plug, Cap	
14	0641524	4	Bolt 5/16in-18NC x 3in	
15	3311505	4	Locknut 5/16in-18NC	
16	4751500	4	Flatwasher 5/16in Regular	
17	2080040	AR	Fastener	
17	7016652	1	Fastener Tool (Small Fasteners Only)	
		Ref	PLATFORM ASSEMBLIES - WITH DROP BAR (VARIABLE PARTS)	
51		Ref	Floor Weldment Options:	
51	4846184	1	5ft/1.52m Platforms	
51	4845290	1	6ft/1.83m Platforms	
51	4845289	1	8ft/2.44m Platforms	
52		Ref	Rail Weldment - Right Side Options:	
52	4846194	1	5ft/1.52m Platforms	
52	4844955	1	6ft/1.83m Platforms	
52	4846228	1	6ft/1.83m Platforms (Mesh to Mid Rail)	
52	4844924	1	8ft/2.44m Platforms	
52	4846240	1	8ft/2.44m Platforms (Mesh to Mid Rail)	
53		Ref	Rail Weldment - Left Side Options:	
53	4846195	1	5ft/1.52m Platforms	
53	4844956	1	6ft/1.83m Platforms	
53	4846229	1	6ft/1.83m Platforms (Mesh to Mid Rail)	
53	4844925	1	8ft/2.44m Platforms	
53	4846241	1	8ft/2.44m Platforms (Mesh to Mid Rail)	
54	4845287	1	Rail Weldment - Top	
55	4845288	1	Bar, Drop	
56	0641418	2	Bolt 1/4in-20NC x 2-1/4in	

SECTION 4 - PLATFORM

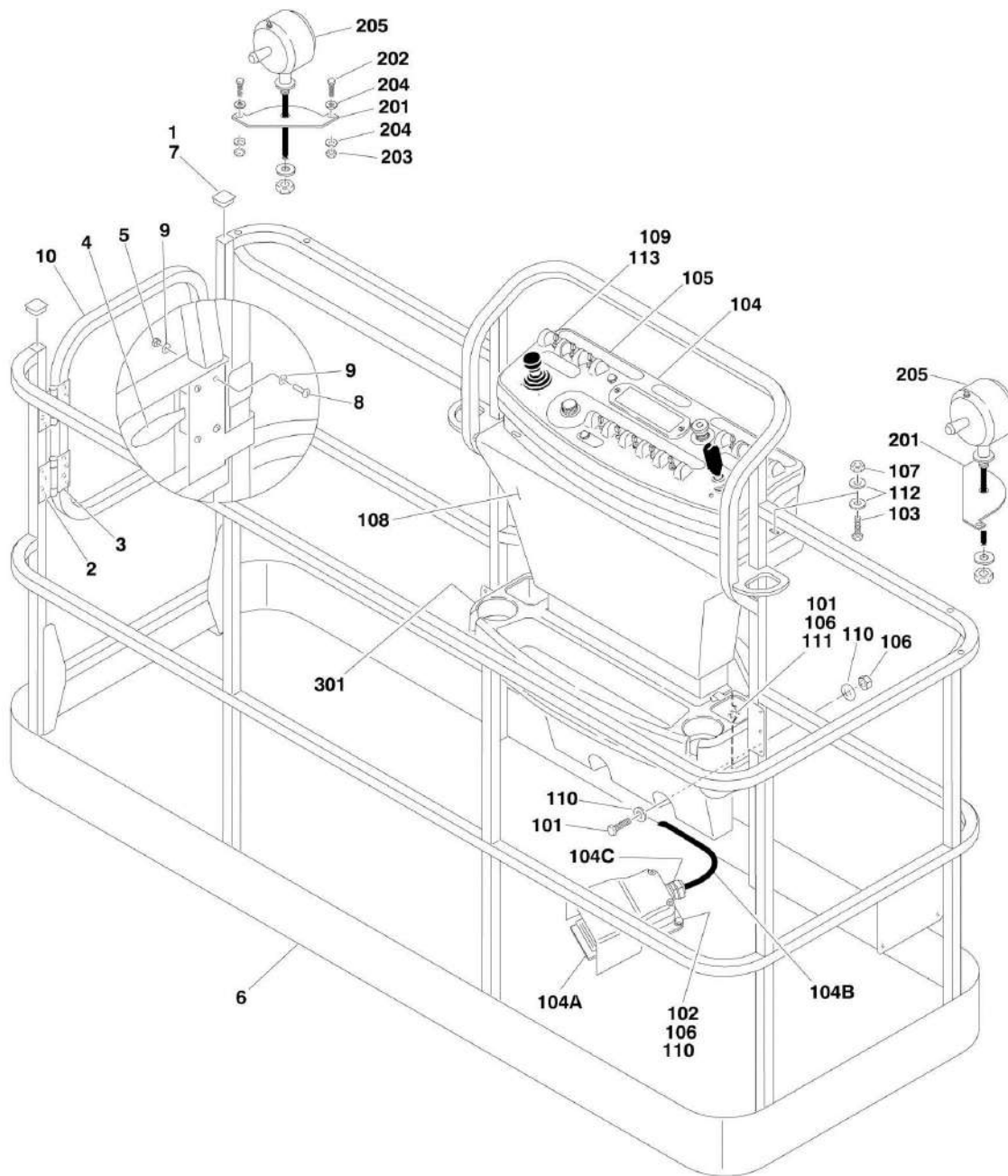
ITEM	PART NUMBER	QTY	DESCRIPTION	REV
57	4740411	4	Washer, Nylon	
58	3300151	2	Nut, Acorn 1/4in-20NC	
59	0961845	2	Bushing	
60	4420055	7 in/18cm	Tape	
		Ref	PLATFORM ASSEMBLIES WITH SELF-CLOSING GATE (VARIABLE PARTS)	
71		Ref	Floor Weldment Options:	
71	4846101	1	5ft/1.52m Platforms (Australian Spec)	
71	4845290	1	6ft/1.83m Platforms (EN280 & CE Specs)	
71	4844954	1	6ft/1.83m Platforms (Australian Spec)	
71	4845289	1	8ft/2.44m Platforms (EN280 Spec)	
71	4844928	1	8ft/2.44m Platforms (Australian Spec)	
72		Ref	Rail Weldment - Right Side Options:	
72	4846102	1	5ft/152m Platforms (Australian Spec) (Prior to SN 0300055241)	
72	4846194	1	5ft/152m Platforms (Australian Spec) (SN 0300055241 through 0300069000)	
72	4844955	1	6ft/1.83m Platforms	
72	4844924	1	8ft/2.44m Platforms	
73		Ref	Rail Weldment - Left Side Options:	
73	4846103	1	5ft/1.52m Platforms (Australian Spec) (Prior to SN 0300055241)	
73	4846195	1	5ft/1.52m Platforms (Australian Spec) (SN 0300055241 through 0300069000)	
73	4844956	1	6ft/1.83m Platforms	
73	4844925	1	8ft/2.44m Platforms	
74	4845327	1	Gate (Prior to SN 0300027649)	
74	4845426	1	Gate (SN 0300027649 through 0300069000)	
75		Ref	Hinge Options:	
75	2600219	2	Hinge (Prior to SN 0300068582)	
75	2600287	2	Hinge (SN 0300068582 through 0300069000)	
76	2940074	1	Latch	
77	3911016	4	Screw, Machine #10-24NC x 2in	
78	4751000	4	Flatwasher #10 Regular	
79	3311005	4	Locknut #10-24NC	
80	4761000	4	Lockwasher #10 (Prior to SN 0300068582)	
81	3539685	1	Plate, Catch	
82	4220165	1	Stop, Gate (Prior to SN 0300027649)	
82	4220168	1	Stop, Gate (EN280 & CE Spec) (SN 0300027649 through 0300069000)	
82	4220165	1	Stop, Gate (Australian Spec) (SN 0300027649 through 0300069000)	
83	4060803	6 ft/1.8m	Trimlock	
		Ref	PLATFORM WORKLIGHTS INSTALLATIONS (OPTIONAL)	
	0255392	Ref	Platform Worklights Installations (Optional) (Colored Wiring) (Prior to SN 0300035129)	2-B
	0258048	Ref	Platform Worklights Installations (Optional) (Numbered Colored Wiring) (SN 0300035129 through 0300064248)	2-F
	0270814	Ref	Platform Worklights Installations (Optional) (ADE System) (SN 0300064249 through 0300069000)	3-E
101	3536089	2	Plate, Mounting	
102	0641414	4	Bolt 1/4in-20NC x 1-3/4in	
103	3311405	4	Locknut 1/4in-20NC	
104	4711400	8	Flatwasher 1/4in Thin	
105	2920140	2	Worklight	

SECTION 4 - PLATFORM

ITEM	PART NUMBER	QTY	DESCRIPTION	REV
105	7016399	2	Bulb, Replacement (1 Per Worklight)	
106	4240099	10	Tie-Strap	
107	2820035	9 ft/2.8m	Loom, Vinyl (Not Shown)	
108	4460042	2	End, Terminal (Not Shown)	
109	4460598	1	Connector, Strain Relief (Not Shown)	

SECTION 4 - PLATFORM

FIGURE 4-2. PLATFORM COMPONENTS INSTALLATION (SIDE ENTRY)



SECTION 4 - PLATFORM

FIGURE 4-2. PLATFORM COMPONENTS INSTALLATION (SIDE ENTRY)

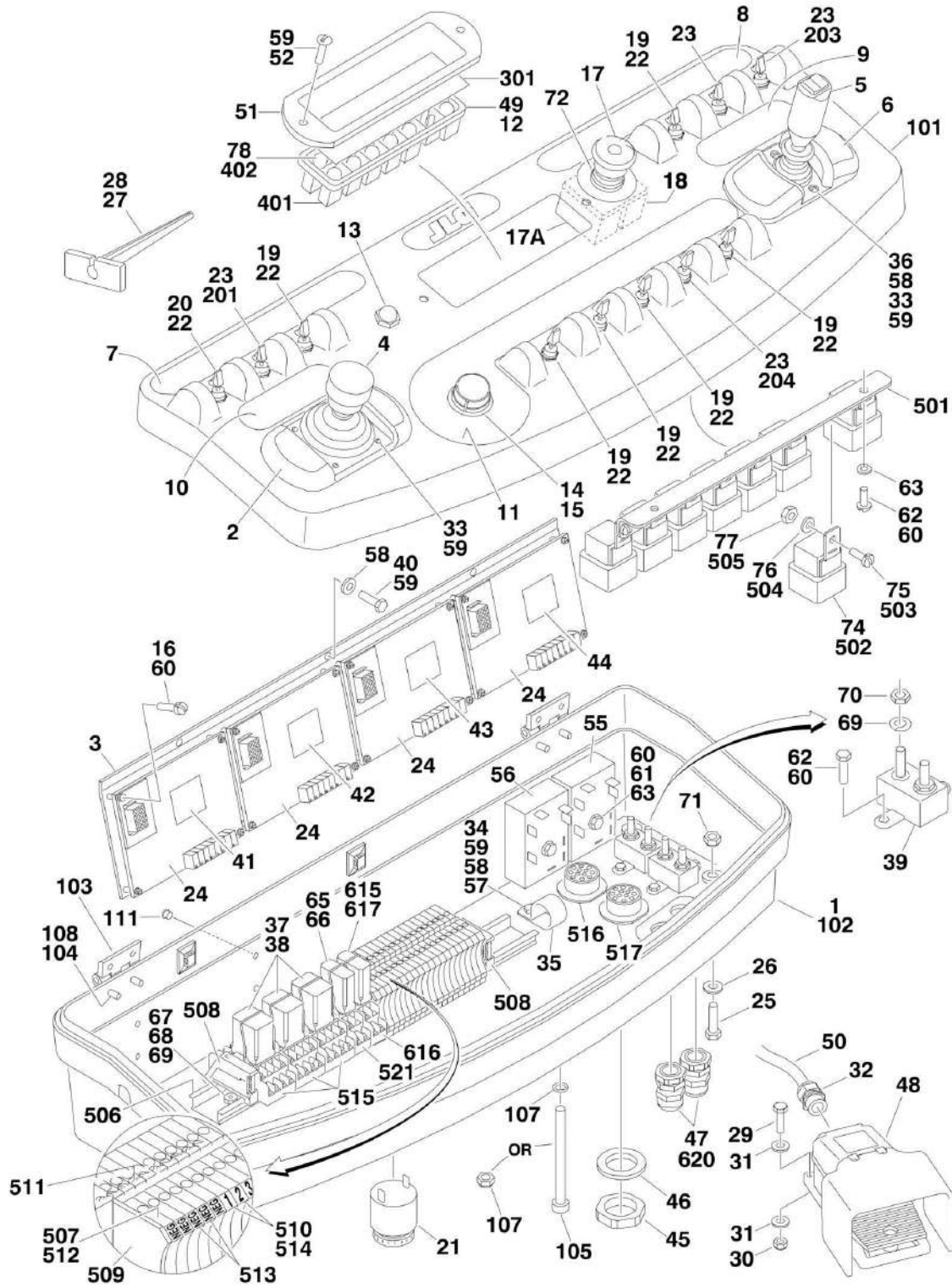
ITEM	PART NUMBER	QTY	DESCRIPTION	REV
		Ref	PLATFORM ASSEMBLIES:	
	3510822	NLA	8ft (2.44m) with No Mesh (Use p/n 1001144023)	B-A
	3510833	NLA	6ft (1.83m) with No Mesh (Use p/n 1001144024)	B-A
		Ref	Note: When replacing 8ft/2.44m platform with Soft Touch option, new Soft Touch Rail p/n 4846673 must be purchased to accommodate limit switch locations.	
		Ref	Note: When replacing platform on machines with SkyCutter option, new bracket p/n 1001145405 must be purchased to accommodate SkyCutter components.	
1	0100040	AR	Sealant, Adhesive	
2	2080040	16	Fastener, Huck	
3	2600281	2	Hinge, Self-Closing	
4	2940074	1	Latch	
5	3311001	4	Nut #10-24NC	
6	See Note	1	Platform Weldment (Note: Not Available - Purchase Platform Assembly)	
7	3520072	2	Cap-Plug	
8	3911008	4	Screw #10-24NC x 1in	
9	4751000	8	Flatwasher #10 Regular	
10		Ref	Gate Weldment Options:	
10	4846452	1	Gate for Original Equipment Platform p/n 3510822, 3510833	
10	1001144629	1	Gate for Service Replacement Platform p/ns 1001144023, 1001144024	
		Ref	CONSOLE BOX INSTALLATIONS	
	0271945	Ref	Console Box Installation 2WD	A
	0271941	Ref	Console Box Installation 4WD	A
101	0641406	4	Bolt 1/4in-20NC x 3/4in	
102	0641408	3	Bolt 1/4in-20NC x 1in	
103	0641610	4	Bolt 3/8in-16NC x 1-1/4in	
104	0861517	1	Platform Console Box Assembly (See PLATFORM CONSOLE ASSEMBLY (WITH ADE SYSTEM) for Breakdown)	
104A	0272970	1	Footswitch Assembly (Includes Footswitch and Items 104B & 104C)	
		Ref	Note: Assembly p/n 0272970 may use either p/n 4360031 or p/n 1001117320. If Original Equipment was replaced as an "assembly," p/n 1001117320 may have been used as part of the Service Replacement. Identify component before ordering parts.	
104A		Ref	Footswitch Less Cable Options:	
104A	4360031	1	Original Equipment	
104A	1001117320	1	Service Replacement	
104A		Ref	Block, Contact Options (see Note Above):	
104A	7000625	2	Contact Block for 4360031 Footswitch	
104A	70003483	1	Contact Block for 1001117320 Footswitch	
104B	1060918	7 ft/2.14m	Cable, Electrical - 18/3	
104C	4460071	1	Connector, Strain Relief	
105		Ref	Decal - Horn Options:	
105	1702563	1	Decal - Horn 2WD	
105	1702676	1	Decal - Horn 4WD	
106	3311405	7	Locknut 1/4in-20NC	
107	3311605	4	Locknut 3/8in-16NC	
108	3380434	1	Panel, Decal Mount	

SECTION 4 - PLATFORM

ITEM	PART NUMBER	QTY	DESCRIPTION	REV
109	4360331	1	Switch (4WD)	
110	4740362	7	Washer, Fender 1/4in	
111	4751400	4	Flatwasher 1/4in Regular	
112	4751600	8	Flatwasher 3/8in Regular	
113	3790012	1	O-Ring	
	0270814	Ref	WORKLIGHTS INSTALLATIONS (optional)	3-E
201	3536089	2	Plate, Mounting	
202	0641414	4	Bolt 1/4in-20NC x 1-3/4in	
203	3311405	4	Locknut 1/4in-20NC	
204	4711400	8	Flatwasher 1/4in Thin	
205	2920140	2	Worklight	
205	7016399	2	Bulb, Replacement (1 Per Worklight)	
206	4240099	10	Tie-Strap (Not Shown)	
207	2820035	9	Loom, Vinyl (Not Shown)	
209	4460598	1	Connector, Strain Relief (Not Shown - Located at Console Box)	
		Ref	TRAY INSTALLATIONS (OPTIONAL)	
301	1580012	1	Tray, Storage (Center)	
302	1580013	1	Tray, Storage (Rail Mounted - Not Shown)	

SECTION 4 - PLATFORM

FIGURE 4-3. PLATFORM CONSOLE ASSEMBLY (Prior to SN 0300064249)



SECTION 4 - PLATFORM

FIGURE 4-3. PLATFORM CONSOLE ASSEMBLY (Prior to SN 0300064249)

ITEM	PART NUMBER	QTY	DESCRIPTION	REV
		Ref	Note: Numbered Colored Wiring starts with SN 0300035129	
		Ref	PLATFORM CONSOLE AND FOOTSWITCH ASSEMBLIES OPTIONS:	
	0860986	Ref	Platform Console and Footswitch Assemblies 2WD CE & EN280 Spec (Prior to SN 0300035129)	7-F
	0861136	Ref	Platform Console and Footswitch Assemblies 2WD CE EN280 Spec (SN 0300035129 through 0300064249)	8-E
	0861084	Ref	Platform Console and Footswitch Assemblies 2WD Australian Spec (Prior to SN 0300035129)	8-A
	0861135	Ref	Platform Console and Footswitch Assemblies 2WD Australian Spec (SN 0300035129 through 0300064249)	7-E
	0861048	Ref	Platform Console and Footswitch Assemblies 4WD CE & EN280 Spec (Prior to SN 0300035129)	7-F
	0861137	Ref	Platform Console and Footswitch Assemblies 4WD CE & EN280 Spec (SN 0300035129 through 0300064249)	8-E
	0861083	Ref	Platform Console and Footswitch Assemblies 4WD Australian Spec (Prior to SN 0300035129)	1-A
	0861134	Ref	Platform Console and Footswitch Assemblies 4WD Australian Spec (SN 0300035129 through 0300064249)	7-E
1	0860984	1	Box, Console Assembly (See Items 101-108 for Breakdown)	
2	4340678	1	Support, Hand	
3	3538819	1	Plate, Mounting	
4		Ref	Controller Assembly (Lift and Swing) Options:	
4	1600242	1	Prior to SN 0300039654 (See OEM CONTROLLER ASSEMBLY (SWING AND LIFT) for Breakdown)	
4	1600284	1	SN 0300039654 through 0300064249 (See OEM CONTROLLER ASSEMBLY (SWING AND LIFT) for Breakdown)	
5		Ref	Controller Assembly (Drive and Steer) Options:	
5	1600239	1	Prior to SN 0300039654 (See OEM CONTROLLER ASSEMBLY (DRIVE/STEER) for Breakdown)	
5	1600283	1	SN 0300039654 through 0300064249 (See OEM CONTROLLER ASSEMBLY (DRIVE/STEER) for Breakdown)	
6	4340684	1	Support, Hand	
7		Ref	Decal - Controls Options: (Console Left Side)	
7	1702563	1	Prior to June 1996	
7	1702676	1	June 1996 to SN 0300064249	
8	1702564	1	Decal (Stop)	
9	1702565	1	Decal (Drive and Steer)	
10	1702566	1	Decal (Lift and Swing)	
11	1702567	1	Decal (Speed/Lower Lift/Tele/Rotate/Jib)	
12	2760105	1	Housing, Display Light	
13	4360387	1	Switch, Pushbutton	
14	2560136	1	Knob, Speed Control	
15	4360407	1	Controller, Speed	
15	See Note	1	Gasket "Top Hat" (Included with Switch) (Note: Not Available - Purchase Complete Controller.)	
15	70003784	1	Seal	
16	3910610	16	Screw #6-32NC x 5/8in	
17		Ref	Switch, Emergency Stop Options:	
17	4360395	1	Switch, Emergency Stop (Prior to SN 0300036019)	
17	4360289	1	Switch, Emergency Stop (SN 0300035129 through 0300044644)	

SECTION 4 - PLATFORM

ITEM	PART NUMBER	QTY	DESCRIPTION	REV
17	4360475	1	Switch, Emergency Stop (SN 0300044645 through 0300064249)	
17A		Ref	Cap Options:	
17A	7016315	1	Cap, Red (Used on Switch p/n 4360395)	
17A	7012611	1	Cap, Mushroom Head (Used on Switch p/n 4360289)	
17A	7012612	1	Boot (Used on Switch p/n 4360289)	
17A	7020175	1	Cap, Red (Used on Switch p/n 4360475)	
17A	7020176	1	Block, Contact (SN 0300044645 through 0300064249)	
18		Ref	Block, Contact Options:	
18	4360282	1	Block, Contact (Prior to SN 0300044645)	
18	4360476	1	Block, Contact (SN 0300044645 through 0300064249)	
19	4360314	6	Switch, Toggle	
20		Ref	Switch, Toggle Options:	
20	4360345	1	Switch, Toggle 2WD	
20	4360331	1	Switch, Toggle 4WD	
21	0140026	1	Alarm	
22	3790012	7	O-Ring	
23	3520028	4	Plug, Hole (For switch call-outs at these locations, refer to options installation below)	
24	1600218	4	Card, Control	
24	7016346	4	Fuse - 5 Amp (1Per Card)	
25		Ref	Bolt Options:	
25	0641606	4	Bolt 3/8in-16NC x 3/4in (Prior to SN 0300039778)	
25	0641610	4	Bolt 3/8in-16NC x 1-1/4in (SN 0300039778 through 0300064249)	
26	4751600	4	Flatwasher 3/8in Regular	
27	4460467	1	Tool, Pin Extraction (Blue 16-18 Gauge) (Not Shown)	
28	4460510	1	Tool, Pin Extraction (Yellow 12-14 Gauge) (Not Shown)	
29	0641408	3	Bolt 1/4in-20NC x 1in	
30	3311405	3	Locknut 1/4in-20NC	
31	4740362	3	Washer, Fender 1/4in	
32	4460071	1	Connector, Strain Relief	
33	0641404	8	Bolt 1/4in-20NC x 1/2in	
34	3311401	1	Nut 1/4in-20NC	
35	1320060	1	Clamp	
36	1320095	1	Clamp	
37	3740058	3	Relay - 4PDT	
38	3740063	3	Spring, Relay	
39	4360232	2	Breaker, Circuit - 15 Amp	
40	3931412	3	Capscrew, Socket Head 1/4in-20NC x 3/4in (Prior to SN 0300039749)	
40	0641406	3	Bolt 1/4in-20NC x 3/4in (SN 0300039749 through 0300064249)	
41	1703090	1	Decal - Control Card (Lift)	
42	1703091	1	Decal - Control Card (Swing)	
43	1703092	1	Decal - Control Card (Flow Control)	
44	1703093	1	Decal - Control Card (Drive)	
45	4460470	2	Nut, Conduit	
46	4460471	2	Washer	
47	4460428	2	Connector, Strain Relief	
48	4360031	1	Footswitch	
48	7000625	2	Block, Contact	
49	3700010	14	Reflector (Prior to SN 0300027331)	

SECTION 4 - PLATFORM

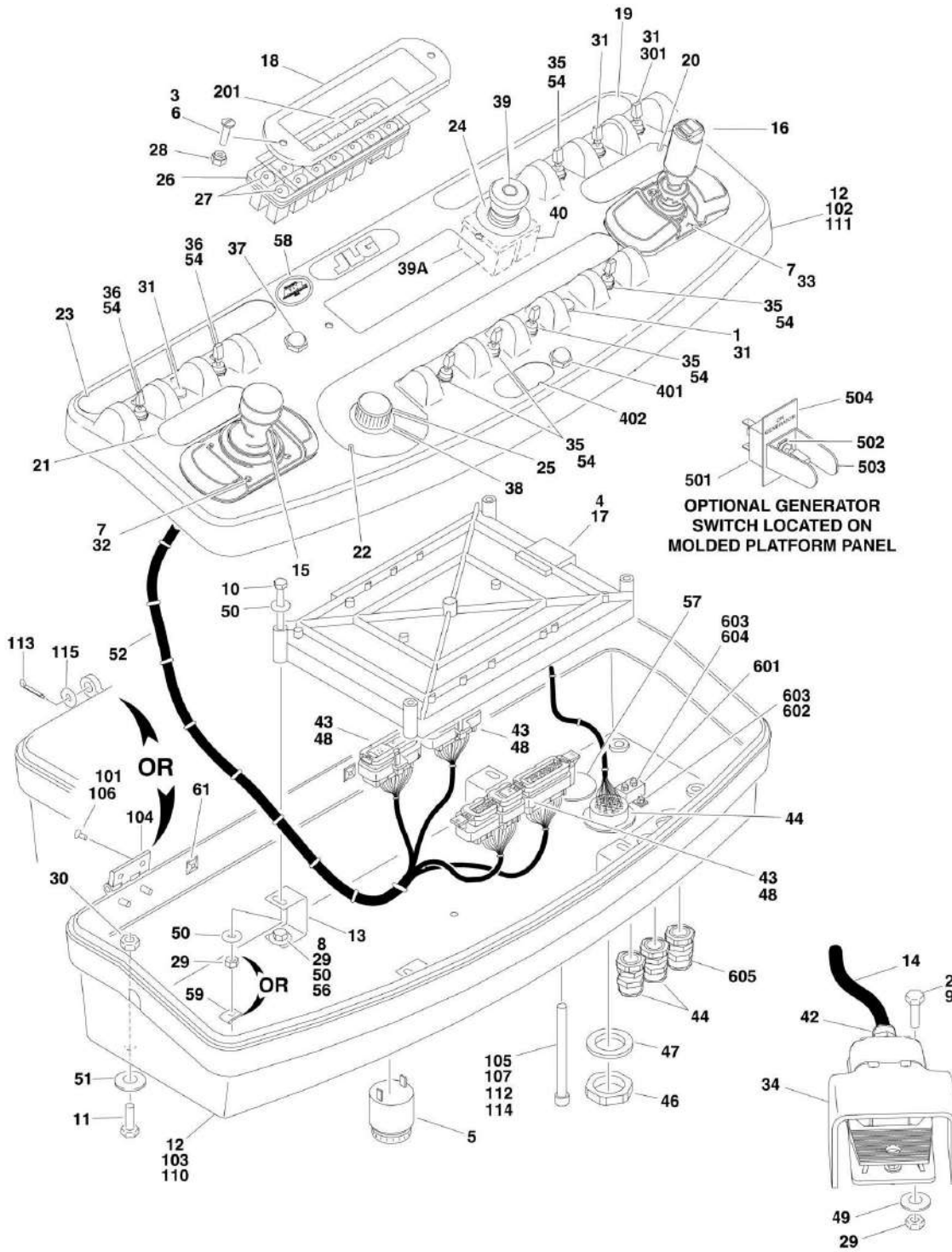
ITEM	PART NUMBER	QTY	DESCRIPTION	REV
51	1670829	1	Bezel	
52	0630464	2	Screw, Button Head #10-24NC x 1/2in	
55	3740113	1	Relay, Time Delay	
56	3740115	1	Relay, Time Delay	
57	0641406	1	Bolt 1/4in-20NC x 3/4in	
58	4751400	5	Flatwasher 1/4in Regular	
59	0100011	AR	Compound, Locking	
60	0100035	AR	Compound, Locking	
61	0721010	2	Screw, Machine #10-24NC x 1-1/4in	
62	0721003	4	Screw, Machine #10-24NC x 3/8in	
63	4751000	2	Flatwasher #10 Regular	
65		Ref	Relay - DPDT	
65	3740057	1	CE & EN280 Spec	
65	Not Required	0	Australian Spec	
66		Ref	Spring, Relay	
66	3740066	1	CE & EN280 Spec	
66	Not Required	0	Australian Spec	
67	0721004	2	Bolt #10-32NF x 1/2in	
68	4711000	2	Flatwasher #10 Thin	
69	4761000	6	Lockwasher #10	
70	3311001	4	Nut #10-24NC	
71	3311605	4	Locknut 3/8in-16NC (SN 0300039777 through 0300064249)	
72	1704260	1	Decal - EMS	
73	3539275	1	Plate, Relay Mounting (SN 0300055241 through 0300064249)	
74	3740049	AR	Relay, Bosch (SN 0300055241 through 0300064249)	
75	0721003	AR	Screw #10-24NC x 3/8in (SN 0300055241 through 0300064249)	
76	4751000	AR	Flatwasher #10 Regular (SN 0300055241 through 0300064249)	
77	3311005	AR	Locknut #10-24NC (SN 0300055241 through 0300064249)	
78	2920129	12	Bulb, Light (SN 0300055241 through 0300064249)	
	0860984	Ref	CONSOLE BOX ASSEMBLY	6-E
101	1220022	1	Lid, Cast	
102	1220023	1	Bottom, Box	
103	2600211	2	Hinge	
104	3900224	8	Capscrew, Socket Head Countersunk 6mm x 16mm	
105	3931672	1	Capscrew, Socket Head 3/8in-16NC x 4-1/2in	
107		Ref	Fastener Options:	
107	See Note	1	O-Ring (Prior to May 1996) (Note: Recommend using 3311601 Nut in place of original 3790109O-Ring)	
107	3311601	1	Nut 3/8in-16NC	
108	0100011	AR	Compound, Locking	
111	3520173	4	Plug (SN 0300038808 through 0300064249)	
		Ref	CONSOLE BOX OPTIONS	
201		Ref	4WS Switch Option Components	
201	4360331	1	Switch, Toggle	
201	3790012	1	O-Ring	
203		Ref	Lights Switch Option Components	
203	4360336	1	Switch, Toggle	
203	3790012	1	O-Ring	
204		Ref	Articulating Jib Switch Option Components	
204	4360314	1	Switch, Toggle	
204	3790012	1	O-Ring	
	0236632	Ref	LIGHT PANEL DISPLAY INSTALLATION (EN280 & CE SPEC)	-

SECTION 4 - PLATFORM

ITEM	PART NUMBER	QTY	DESCRIPTION	REV
301	1703084	1	Decal - Light Panel Display	
	0256633	Ref	LIGHT PANEL DISPLAY INSTALLATION (AUSTRALIAN SPEC)	-
301	1703085	1	Decal - Light Panel Display	
		Ref	HARNESS COMPONENTS	
401	4120035	7	Base, Light	
402	2920129	7	Bulb, Light	
		Ref	ELECTRICAL COMPONENTS INSTALLATIONS:	
	0860986	Ref	2WD CE & EN280 Spec (Prior to SN 0300035129)	7-F
	0861084	Ref	2WD Australian Spec (Prior to SN 0300035129)	1-A
	0861048	Ref	4WD CE & EN280 Spec (Prior to SN 0300035129)	7-F
	0861083	Ref	2WD Australian Spec (Prior to SN 0300035129)	1-A
	4921994	Ref	CE & EN280 Spec (SN 0300035129 through 0300064249)	2-E
	4921991	Ref	Australian Spec (SN 0300035129 through 0300064249)	1-A
		Ref	Prior to SN 0300035129 (Note the following components are part of the console assembly. After SN 35129, parts are available as a harness which is part of the console assembly.)	
501	3539275	1	Plate, Relay Mounting	
502	3740049	8	Relay, Bosch	
503	0721003	8	Screw #10-24NC x 3/8in	
504	4751000	8	Flatwasher #10 Regular	
505	3311005	8	Locknut #10-24NC	
506		Ref	Track Options:	
506	3640970	1	Track (Prior to SN 0300035129)	
506	3641182	1	Track (SN 0300035129 through 0300069000)	
507	4460601	AR	Block, Terminal	
508	4460607	2	Stop, End	
509	4460602	1	Barrier, Terminal	
510	4460629	2	Marker, Terminal (6-15)	
511	4460603	1	Bar, Buss - 10 Position (Cut into [2] 5 Position Bars)	
512	4460600	AR	Block, Terminal	
513	4460631	1	Marker, Terminal (Negative)	
514	4460632	AR	Marker, Terminal (1-5)	
515	4120013	3	Socket, Relay	
516	4460613	1	Connector - 21 Position	
517	4460503	1	Connector - 31 Position	
519	4240032	20	Tie-Strap (Not Shown)	
520	4240018	10	Tie-Strap (Not Shown)	
521		Ref	Relay, Socket Options:	
521	4120012	1	CE & EN280 Spec	
521	Not Required	0	Australian Spec	
	0259233	Ref	BPE LOAD SENSING DEVICE INSTALLATION (FRENCH SPEC) (SN 0300058378 through 0300064249)	4-C
	0271474	Ref	BPE LOAD SENSING DEVICE INSTALLATION (FRENCH SPEC) (SN 0300058378 through 0300064249)	1-A
615	3740057	1	Relay	
616	4120012	1	Base, Relay	
617	3740066	1	Spring, Relay	
620	4460428	1	Relief, Strain	

SECTION 4 - PLATFORM

FIGURE 4-4. PLATFORM CONSOLE ASSEMBLY (WITH ADE SYSTEM) (SN 0300064249 through 0300069000)



SECTION 4 - PLATFORM

FIGURE 4-4. PLATFORM CONSOLE ASSEMBLY (WITH ADE SYSTEM) (SN 0300064249 through 0300069000)

ITEM	PART NUMBER	QTY	DESCRIPTION	REV
		Ref	CONSOLE BOX AND FOOTSWITCH ASSEMBLIES	
	0861415	Ref	Console Box and Footswitch Assemblies (SN 0300064249 through 0300064269)	E
	0861474	Ref	Console Box and Footswitch Assemblies (SN 0300064270 through 0300068289)	B
	0861517	Ref	Console Box and Footswitch Assemblies (SN 0300068290 through 0300069000)	A
1	0100009	AR	Sealant	
2	0100020	AR	Sealant	
3	0100035	AR	Compound, Locking	
4	0100048	AR	Grease, Dielectric	
5	0140011	1	Alarm	
6	0630464	2	Screw, Button Head #10-24NC x 1/2in	
7	0641404	8	Bolt 1/4in-20NC x 1/2in	
8	0641406	4	Bolt 1/4in-20NC x 3/4in	
9	0641408	3	Bolt 1/4in-20NC x 1in	
10	0641416	4	Bolt 1/4in-20NC x 2in	
11	0641610	4	Bolt 3/8in-16NC x 1-1/4in	
12		Ref	Box, Console Options:	
		Ref	Note: No exact SN break exists. 0300067725 to 0300068965 may use either box.	
12	0861414	1	Box, Console - Aluminum (See Items 101-107 for Breakdown)	
12	0861537	1	Box, Console - Die Cast (See Items 110-115 for Breakdown)	
13	0902751	4	Bracket, Card Support	
14		Ref	Cable Options:	
14	1060330	7 ft/2.1m	Cable, 16/3 (SN 0300064249 through 0300064269)	
14	1060918	8 ft/2.4m	Cable, 18/3 (SN 0300064270 through 0300069000)	
15	1600317	NLA	Controller Assembly (Lift and Swing) (See OEM CONTROLLER ASSEMBLY (SWING AND LIFT) (WITH ADE SYSTEM) for Breakdown) (Use p/n 1001129555)	
15	100118417	NLA	Controller Assembly (Lift and Swing) (See OEM CONTROLLER ASSEMBLY (SWING AND LIFT) (WITH ADE SYSTEM) for Breakdown) (Use p/n 1001129555)	
16	1600318	NLA	Controller Assembly (Drive and Steer) (See OEM CONTROLLER ASSEMBLY (DRIVE/STEER) (WITH ADE SYSTEM) for Breakdown) (Use p/n 1001212415)	
17	1600313	1	Controller, Module (Re-calibration Required when Replaced)	
18	1670829	1	Bezel	
19	1702564	1	Decal (Stop)	
20	1702565	1	Decal (Drive and Steer)	
21	1702566	1	Decal (Lift and Swing)	
22	1702567	1	Decal (Function Speed)	
23	1702676	1	Decal (Horn)	
24	1704260	1	Decal - EMS	
25	2560136	1	Handle, Knob	
26	2760105	1	Housing, Display Light	
27	2920129	12	Bulb, Light	
28	3300408	2	Locknut, Nylon Insert	
29	3311405	11	Locknut 1/4in-20NC	
30	3311605	4	Locknut 3/8in-16NC	
31	3520028	4	Plug, Hole 1/2in	

SECTION 4 - PLATFORM

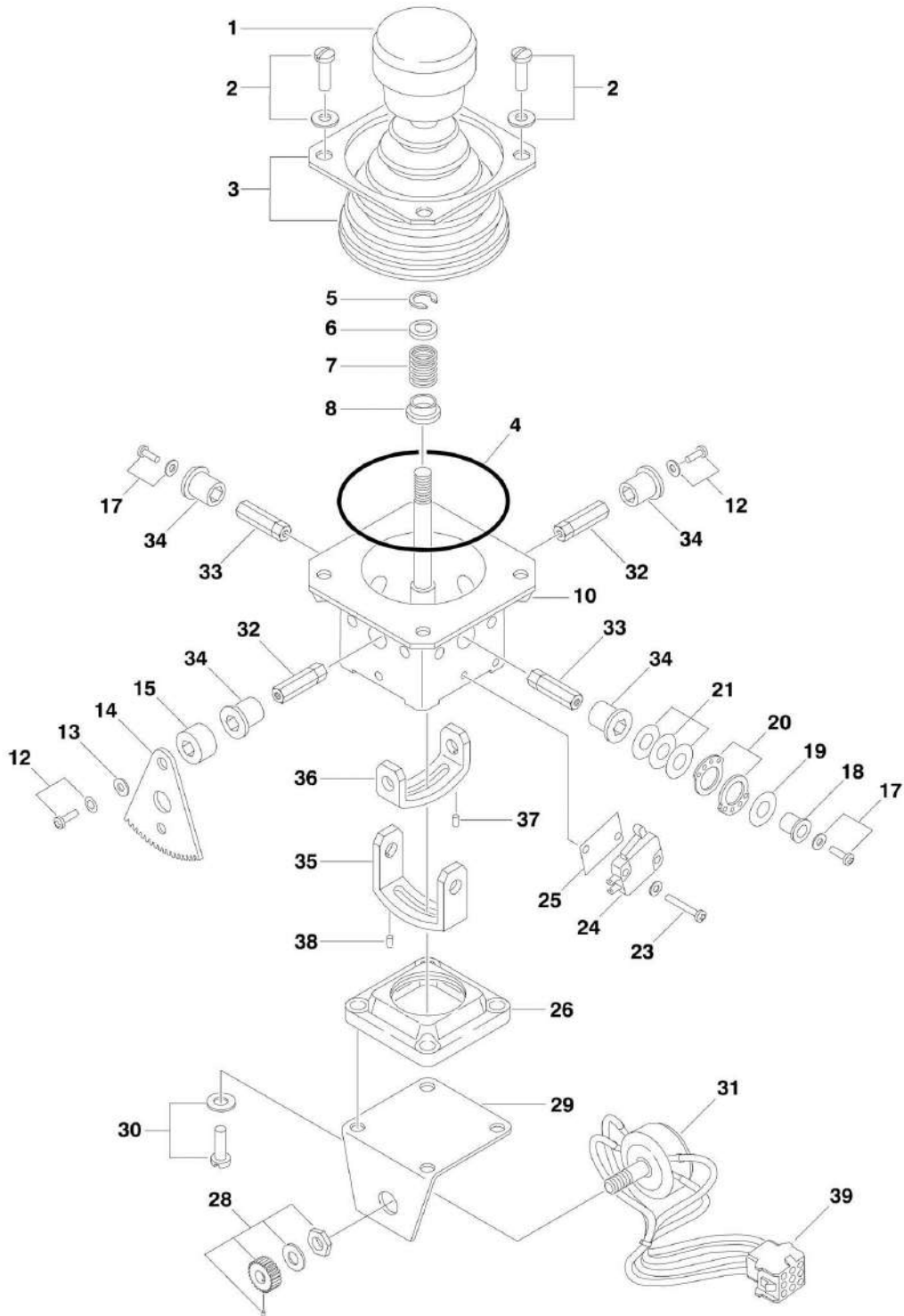
ITEM	PART NUMBER	QTY	DESCRIPTION	REV
32	4340678	1	Support, Hand	
33	4340684	1	Support, Hand	
34	4360031	1	Footswitch	
34	7000625	2	Block, Contact	
35	4360328	6	Switch, Toggle	
36	4360331	1	Switch, Toggle	
37	4360387	1	Switch, Pushbutton	
38	4360407	1	Controller, Speed	
38	See Note	1	Gasket "Top Hat" (Included with Switch) (Note: Not Available - Purchase Complete Controller.)	
38	70003784	1	Seal	
39	4360475	1	Switch, Emergency Stop	
39	7020175	1	Cap, Red	
39A	7020176	1	Contact Block	
40	4360476	1	Block, Contact	
41	4460042	3	Terminal, Ring (Not Shown)	
42	4460071	1	Connector, Strain Relief	
43	4460226	2	Socket, Contact	
44	4460428	2	Connector, Strain Relief	
45	4460464	1	Terminal, Deutsch	
46	4460470	1	Nut, Terminal	
47	4460471	1	Lockwasher, Terminal	
48	4460905	5	Connector, Amp Seal Plug	
49	4740362	3	Washer 1/4in (Fender)	
50	4751400	16	Flatwasher 1/4in Regular	
51	4751600	4	Flatwasher 3/8in Regular	
52		Ref	Harness, Platform Box Options:	
52	4922509	1	Harness, Platform Box (SN 0300064249 through 0300064269)	
52	4922639	1	Harness, Platform Box (SN 0300064270 through 0300069000)	
53		Ref	Harness, Analyzer Cable Options: (Not Shown)	
53	4922485	1	Harness, Analyzer Cable (SN 0300064249 through 0300064269)	
53	4922666	1	Harness, Analyzer Cable (SN 0300064270 through 0300069000)	
53	4460871	4	Terminal, Socket	
53	4460761	1	Housing - 4 Position	
53	4460227	4	Pin	
54	3790012	7	O-Ring	
55	4460708	2	Connector, Female - 15 Position (Not Shown - See ELECTRICAL SECTION for Location)	
56	0100081	AR	Adhesive (SN 0300064398 through 0300069000)	
57	1671037	1	Cover (SN 0300068918 through 0300069000)	
58	1705132	1	Decal - ADE (SN 0300068918 through 0300069000)	
59	3300353	4	Nut, Tinnerman (SN 0300068918 through 0300069000)	
60	4460226	3	Wire, Tie (Not Shown) (SN 0300068918 through 0300069000)	
61	4460488	1	Base, Mounting (SN 0300068918 through 0300069000)	
	0861414	Ref	CONSOLE BOX ASSEMBLY - ALUMINUM	C
101	0100011	AR	Compound, Locking	
102	0861414	1	Console Top (Note: Not Available for Purchase)	
103	0861414	1	Console Bottom (Note: Not Available for Purchase)	
104	2600211	2	Hinge	
105	3311601	1	Nut 3/8in-16NC	

SECTION 4 - PLATFORM

ITEM	PART NUMBER	QTY	DESCRIPTION	REV
106	3900224	8	Screw Countersunk	
107	3931672	1	Screw 3/8in-16NC x 4-1/2in	
108	3520174	3	Plug, 3/16 (Not Shown)	
	0861537	Ref	CONSOLE BOX ASSEMBLY - DIE CAST	A
110	1220096	1	Console Bottom	
111	1220102	1	Console Top	
112	3311601	1	Nut 3/8in-16NC	
113	3450304	2	Pin, Cotter	
114	3931672	1	Screw 3/8in-16NC x 4-1/2in	
115	4711500	2	Flatwasher 5/16in Thin	
		Ref	LIGHT PANEL DECAL INSTALLATION	
	0256632	Ref	Euro Spec	-
	0256633	Ref	Australian Spec	-
201		Ref	Decal - Display Options:	
201	1703084	1	Euro Spec	
201	1703085	1	Australian Spec	
	0271552	Ref	HEAD AND TAIL LIGHTS INSTALLATION (OPTIONAL)	1
301	4360336	1	Switch, Toggle	
301	3790012	1	O-Ring	
		Ref	SOFT TOUCH SYSTEM INSTALLATION (OPTIONAL)	
	0271550	Ref	6ft Platform	1
	0271551	Ref	8ft Platform	1
401	4360387	1	Switch, Pushbutton	
402	1702938	1	Decal - Soft Touch Override	
		Ref	GENERATOR INSTALLATION (OPTIONAL)	
	0271544	Ref	100V Deutz	1
	0271547	Ref	220V Deutz	1
501	4360336	1	Switch, Toggle	
502	4740397	1	Bushing	
503	4060802	1	Guard, Switch	
504	3251102	1	Decal - Generator ON/OFF	
	0270814	Ref	PLATFORM WORKLIGHT INSTALLATION (OPTIONAL)	3
601	4360232	1	Breaker, Circuit - 15Amp	
602	0721003	2	Bolt #10-24NC x 3/8in	
603	4761000	4	Lockwasher #10	
604	3311001	2	Nut #10-24NC	
605	4460598	1	Connector, Strain Relief	

SECTION 4 - PLATFORM

FIGURE 4-5. CONTROLLER ASSEMBLY (SWING AND LIFT) (Prior to SN 0300039749)



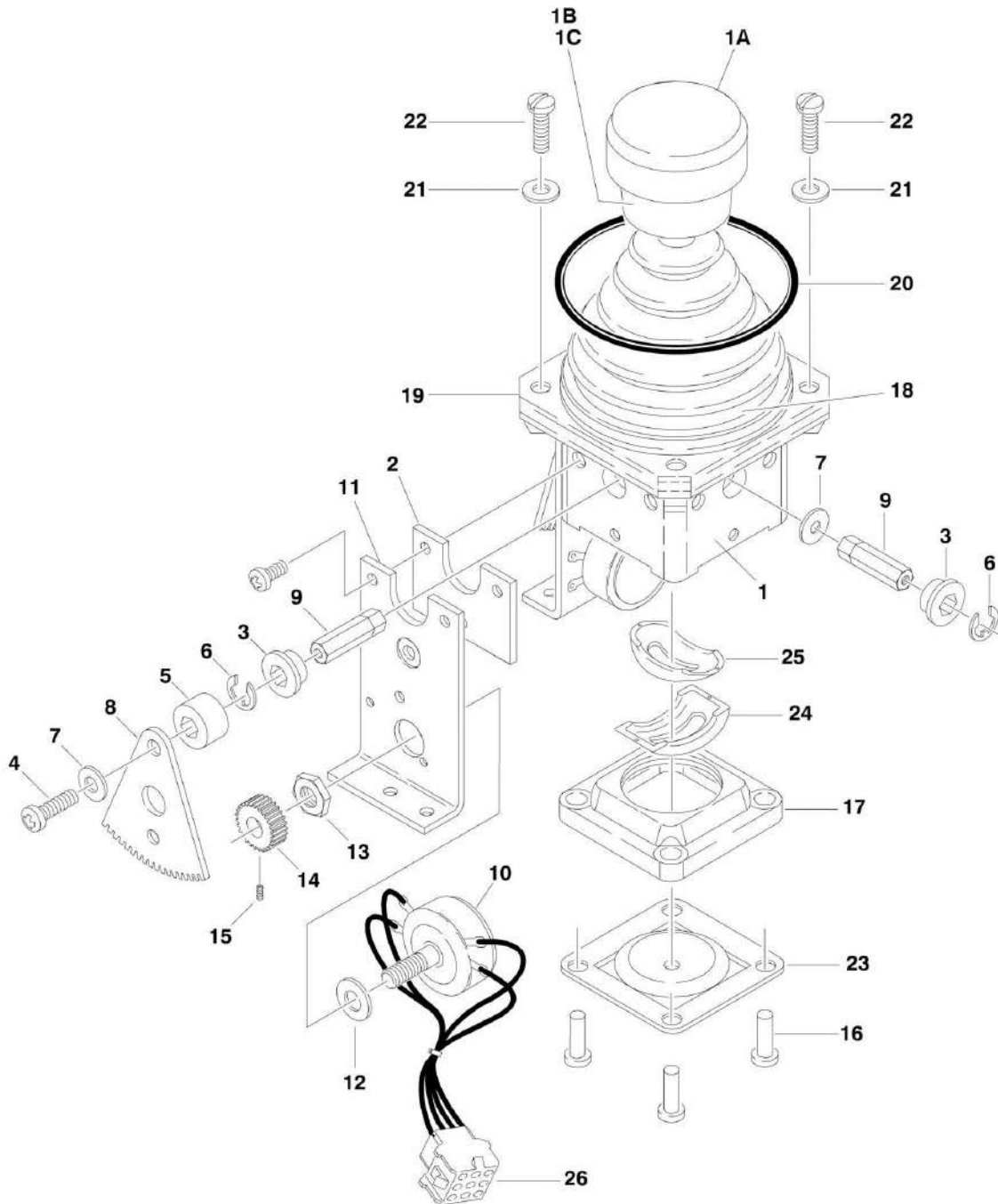
SECTION 4 - PLATFORM

FIGURE 4-5. CONTROLLER ASSEMBLY (SWING AND LIFT) (Prior to SN 0300039749)

ITEM	PART NUMBER	QTY	DESCRIPTION	REV
	1600242	Ref	CONTROLLER ASSEMBLY (LIFT/SWING) (Prior to SN 0300039749)	A
1	7003951	1	Knob, Handle	
2	7022811	4	Screw M14 x 25mm	
2	See Note	4	Washer (Note: Not Available for Purchase)	
3	7022813	1	Plate (was p/n 7003954)	
3	7022813	1	Boot (was p/n 7003955)	
4	7003956	1	O-Ring	
5	7003957	1	Ring, Retaining	
6	7003959	1	Retainer, Spring	
7	7003958	1	Spring, Return	
8	7003960	1	Bushing, Nylon Shaft	
10	See Note	1	Casting, Handle (Note: Not Available for Purchase)	
12	See Note	2/2	Screw M3 x.05 and Starwasher M3 (Note: Not Available - Purchase Locally)	
13	See Note	2	Spacer (Note: Not Available for Purchase)	
14	7003977	2	Gear, Drive	
15	See Note	2	Bearing (Note: Not Available for Purchase)	
17	See Note	2	Screw M3 (Note: Not Available - Purchase Locally)	
17	See Note	2	Washer, Wavy (Note: Not Available for Purchase)	
18	7019193	2	Coupling, Cam	
19	See Note	2	Spacer, Cam (Note: Not Available for Purchase)	
20	See Note	4	Cam, 4 Hole (Note: Not Available for Purchase)	
21	See Note	6	Cam (Note: Not Available for Purchase)	
23	See Note	4/4	Screw/Washer (Note: Not Available - Purchase Locally)	
24	7003961	2	Micro-Switch	
25	See Note	2	Insulator (Note: Not Available for Purchase)	
26	See Note	1	Gate (Note: Not Available for Purchase)	
28	7003976	2	Gear	
28	See Note	2	Setscrew (Note: Not Available - Purchase Locally)	
28	See Note	2	Spacer (Note: Not Available for Purchase)	
28	See Note	2	Nut (Note: Not Available for Purchase)	
29	See Note	1	Plate, Pot Mounting (Note: Not Available for Purchase)	
30	See Note	4/4	Screw M4 x 14/Washer M4 (Note: Not Available for Purchase)	
31	7003974	2	Potentiometer	
32	7019192	1	Pin	
33	7019104	2	Pin	
34	7019111	2	Bushing	
35	7019122	1	Limitter, Gate - Outer	
36	7019123	1	Limitter, Gate - Inner	
37	See Note	1	Setscrew (Note: Not Available for Purchase)	
38	See Note	1	Setscrew (Note: Not Available for Purchase)	
39	4460266	1	Cap, Connector - 9 Pin (Not Shown)	
39	4460268	8	Socket, Female (Not Shown)	
39	4460265	1	Plug - 9 Pin (Part of Platform Wiring) (Not Shown)	
39	4460267	8	Pin, Male (Part of Platform Wiring) (Not Shown)	

SECTION 4 - PLATFORM

FIGURE 4-6. CONTROLLER ASSEMBLY (SWING AND LIFT) (SN 0300039749 through 0300064248)



SECTION 4 - PLATFORM

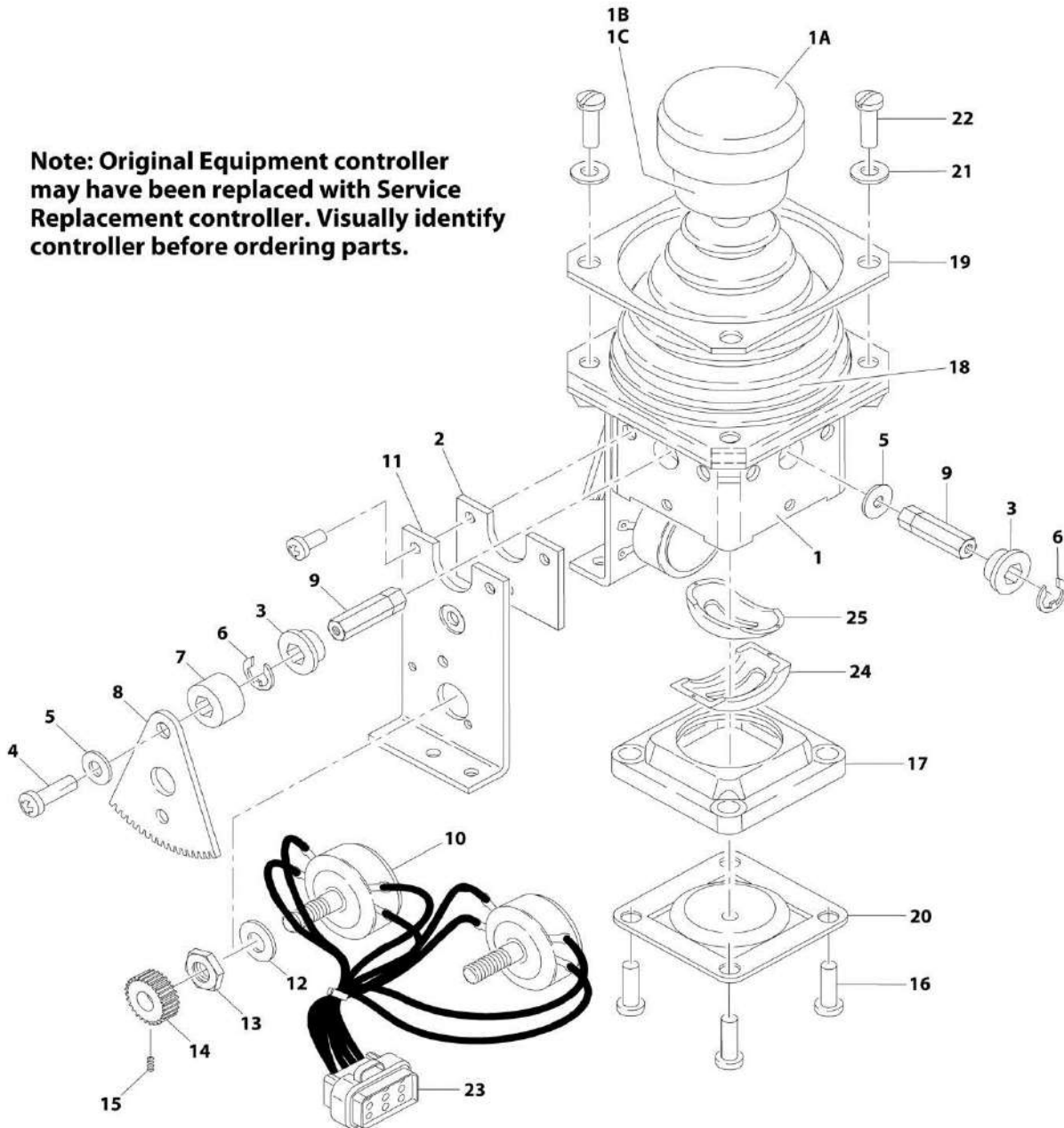
FIGURE 4-6. CONTROLLER ASSEMBLY (SWING AND LIFT) (SN 0300039749 through 0300064248)

ITEM	PART NUMBER	QTY	DESCRIPTION	REV
	1600284	Ref	CONTROLLER ASSEMBLY (LIFT/SWING)	A
1	7019141	1	Mechanical Assembly (Includes Base, Handle Stem and Items 1A, 1B, 1C & 18 Boot)	
1A	7019197	1	Handle Cap and Rod	
1B	7003928	1	Spring	
1C	7022808	1	Cap, Lift	
2	7019142	2	Plate	
3	7019111	4	Bearing, Gear	
4	7019143	2	Screw	
5	7019144	2	Spacer, Cam	
6	7019145	4	E-Clip	
7	7019174	2	Spacer	
8	7003977	2	Gear, Drive	
9	7019147	4	Shaft	
10	7003974	2	Potentiometer	
11	7019142	2	Plate	
12	7003992	2	Washer	
13	7003993	2	Nut	
14	7003976	2	Gear, Slave	
15	7019149	2	Setscrew	
16	7003952	4	Screw	
17	7019150	1	Gate	
18	7022813	1	Boot (was 7003955)	
19	7022813	1	Plate, Plastic (was p/n 7003954)	
20	7003956	1	Gasket	
21	7003953	4	Washer	
22	7022811	4	Screw	
23	See Note	1	Center, Detent (Note: Not Available for Purchase)	
24	7019122	1	Gimble, Outer	
25	7019123	1	Gimble, Inner	
26	4460266	1	Connector - 9 Pin	
26	4460268	8	Socket, Female	
26	4460265	1	Plug - 9 Pin (Part of Platform Wiring) (Not Shown)	
26	4460267	8	Pin, Male (Part of Platform Wiring) (Not Shown)	

SECTION 4 - PLATFORM

FIGURE 4-7. CONTROLLER ASSEMBLY (SWING AND LIFT) (WITH ADE SYSTEM) (ORIGINAL EQUIPMENT) (SN 0300064249 through 0300069000)

Note: Original Equipment controller may have been replaced with Service Replacement controller. Visually identify controller before ordering parts.



ART_1600317

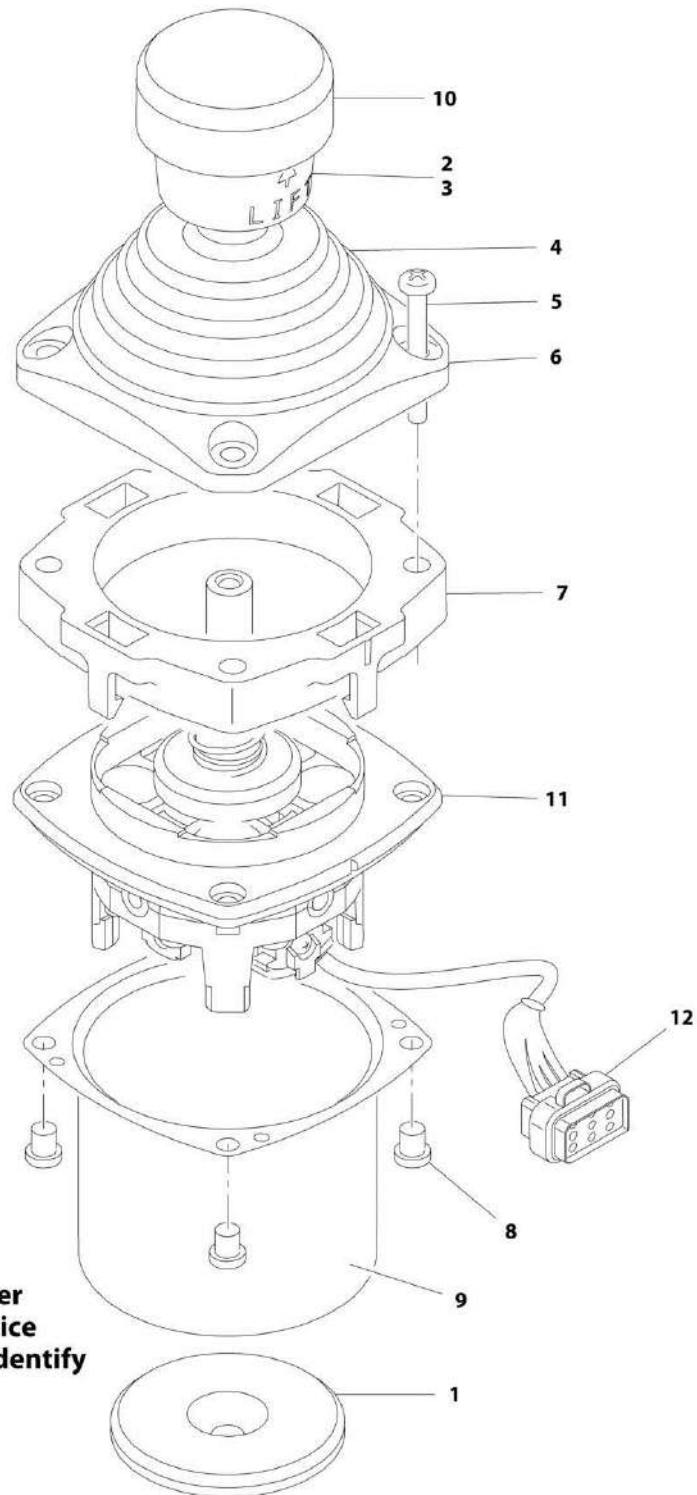
SECTION 4 - PLATFORM

FIGURE 4-7. CONTROLLER ASSEMBLY (SWING AND LIFT) (WITH ADE SYSTEM) (ORIGINAL EQUIPMENT) (SN 0300064249 through 0300069000)

ITEM	PART NUMBER	QTY	DESCRIPTION	REV
		Ref	Note: Original Equipment controller may have been replaced with Service Replacement controller. Visually identify controller before ordering parts.	
	1600317	Ref	CONTROLLER ASSEMBLY	C
		Ref	Note: Use p/n 1001129555 Kit as Replacement.	
1	7019141	1	Mechanical Assembly (Includes Base, Handle Stem and Items 1A, 1B, 1C & 18)	
1A	7019197	1	Handle Cap and Rod	
1B	7003928	1	Spring	
1C	7022808	1	Cap, Lift	
2	7019171	2	Plate	
3	7019111	4	Bearing, Gear	
4	7019143	2	Screw	
5	7019144	2	Spacer, Cam	
6	7019145	4	E-Clip	
7	7019174	2	Spacer	
8	7003977	2	Gear, Drive	
9		Ref	Shaft Options:	
9	7019147	2	Shaft, Short	
9	7019177	2	Shaft, Long	
10	7022818	2	Potentiometer	
11	7019142	2	Plate	
12	7003992	2	Washer	
13	7003993	2	Nut	
14	7003976	2	Gear, Slave	
15	7019149	2	Setscrew	
16	7022816	4	Screw	
17	7019150	1	Gate	
18	7022814	1	Boot	
19	7022815	1	Bezel	
20	See Note	NSS	Center, Detent (Note: Use p/n 1001129555)	
21	7003953	4	Washer	
22	7022817	4	Screw	
23	7022819	1	Plug, Male 8 Position (Natural)	
23	4460871	8	Socket, Female	
24	7019122	1	Gimble, Outer	
25	7019123	1	Gimble, Inner	

SECTION 4 - PLATFORM

FIGURE 4-8. CONTROLLER ASSEMBLY (SWING AND LIFT) (WITH ADE SYSTEM) (SERVICE REPLACEMENT) (SN 0300064249 through 0300069000)



Note: Original Equipment controller may have been replaced with Service Replacement controller. Visually identify controller before ordering parts.

ART_100118417

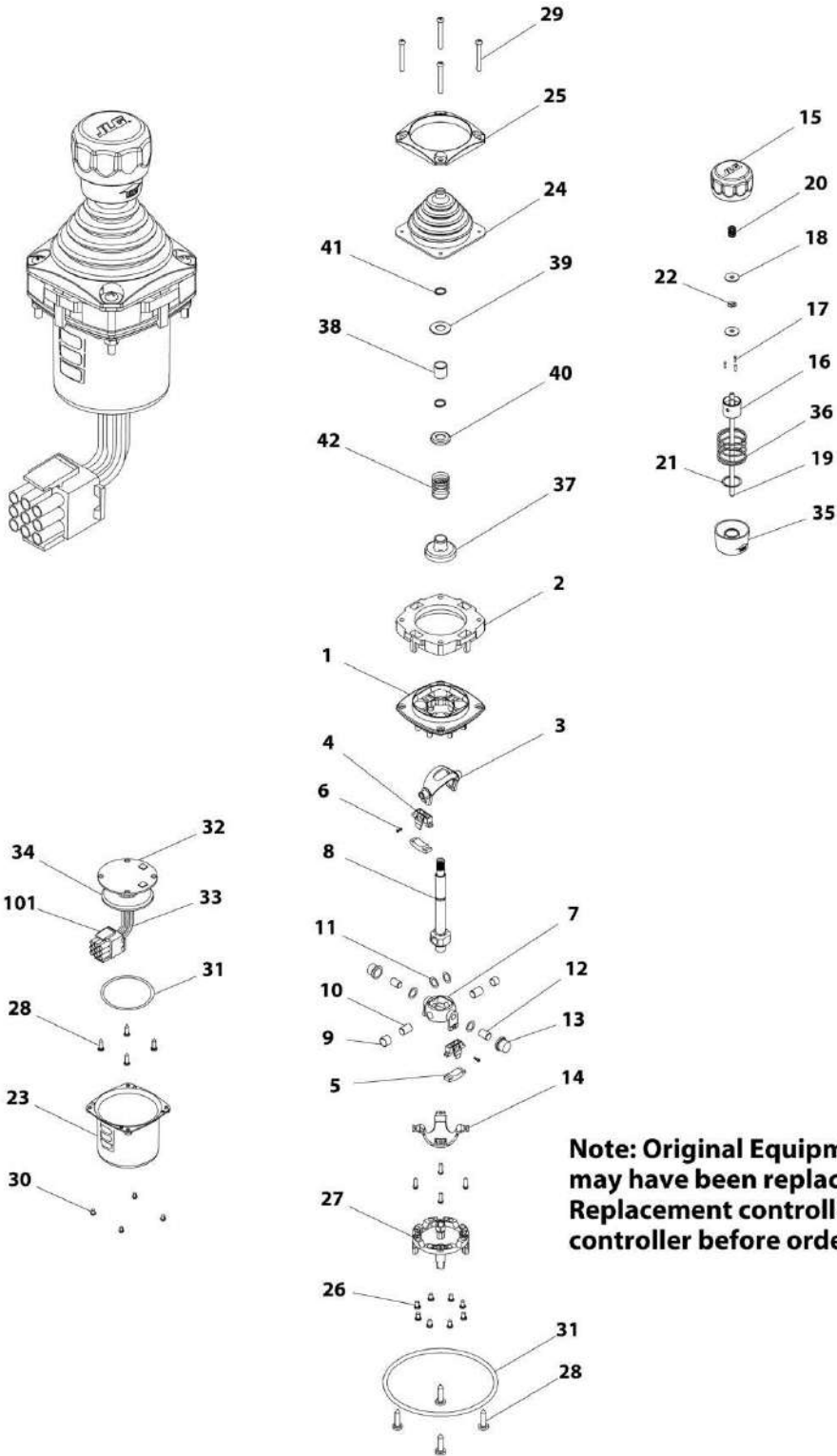
SECTION 4 - PLATFORM

FIGURE 4-8. CONTROLLER ASSEMBLY (SWING AND LIFT) (WITH ADE SYSTEM) (SERVICE REPLACEMENT) (SN 0300064249 through 0300069000)

ITEM	PART NUMBER	QTY	DESCRIPTION	REV
		Ref	Note: Original Equipment controller may have been replaced with Service Replacement controller. Visually identify controller before ordering parts.	
	1001118417	Ref	CONTROLLER ASSEMBLY	E
		Ref	Note: Use p/n 1001129555 as Replacement.	
1	70002730	1	Gasket	
2	7003928	1	Spring	
3	7022808	1	Cap, Lift	
4	70002731	1	Boot	
5	70002732	4	Screw	
6	7022815	1	Bezel	
7	70002733	1	Adapter	
8	70002734	4	Screw	
9	70002735	1	Can, Enclosure	
10	70002906	1	Cap	
11	See Note	NSS	Mechanical Assembly (Note: Use p/n 1001129555)	
12	7022819	1	Connector - 8 Position	
12	4460871	6	Socket, Female	

SECTION 4 - PLATFORM

FIGURE 4-9. CONTROLLER ASSEMBLY (SWING AND LIFT) (WITH ADE SYSTEM) (SERVICE REPLACEMENT) (SN 0300064249 through 0300069000)



Note: Original Equipment controller may have been replaced with Service Replacement controller. Visually identify controller before ordering parts.

ART_1001166539

SECTION 4 - PLATFORM

FIGURE 4-9. CONTROLLER ASSEMBLY (SWING AND LIFT) (WITH ADE SYSTEM) (SERVICE REPLACEMENT) (SN 0300064249 through 0300069000)

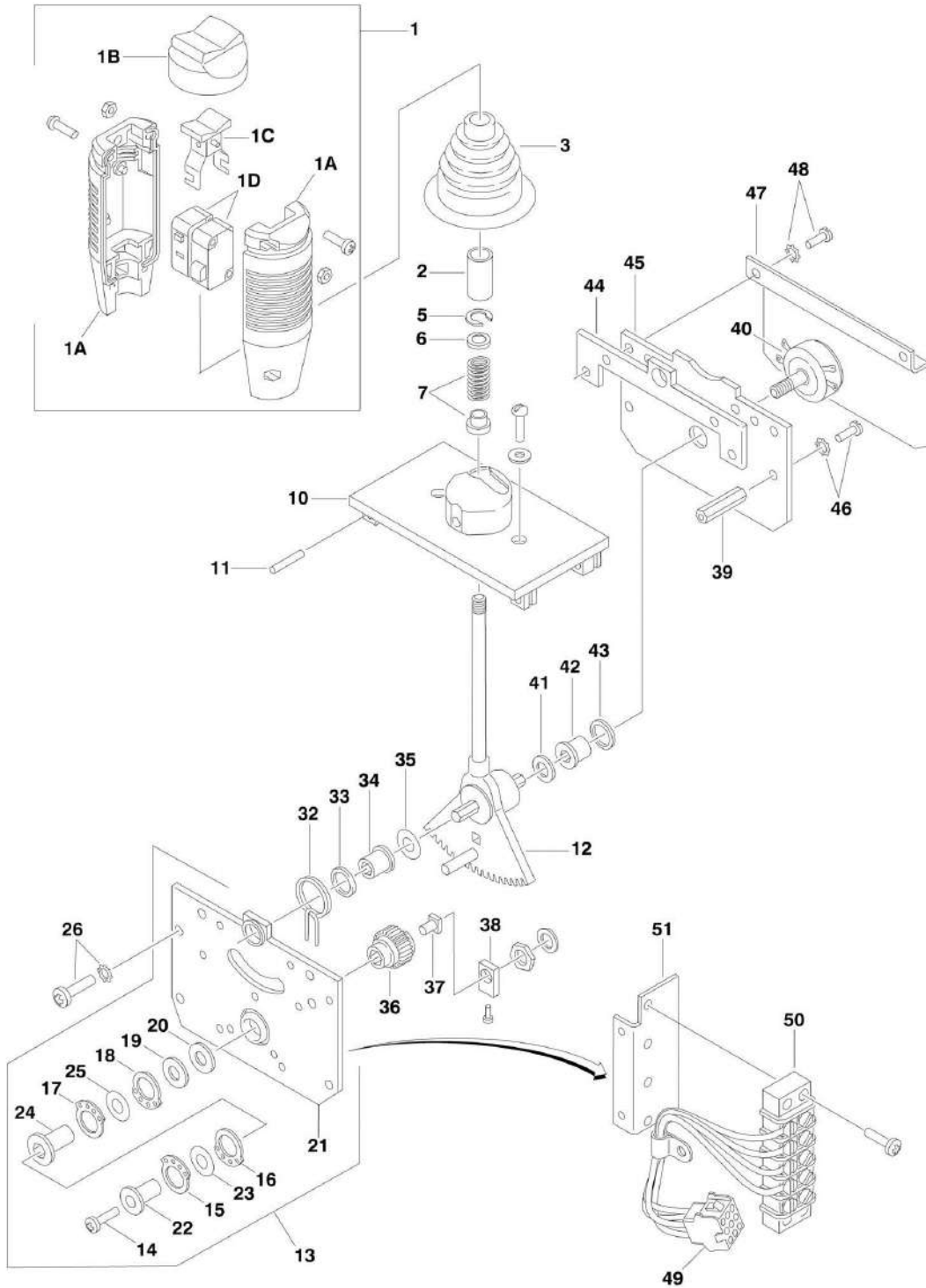
ITEM	PART NUMBER	QTY	DESCRIPTION	REV
		Ref	Note: Original Equipment controller may have been replaced with Service Replacement controller. Visually identify controller before ordering parts.	
	1001166539	Ref	CONTROLLER ASSEMBLY (SWING AND LIFT)	D
		Ref	Note: Use p/n 1001129555 as Replacement.	
1	See Note	NSS	Main Cast Body (Note: Not Available - Purchase Complete Assembly)	
2	70004752	1	Adapter	
3	See Note	NSS	Pivot Arm, Plastic (Note: Not Available - Purchase Complete Assembly)	
4	See Note	NSS	Holder, Magnet (Note: Not Available - Purchase Complete Assembly)	
5	See Note	NSS	Arc, Magnet (Note: Not Available - Purchase Complete Assembly)	
6	See Note	NSS	Screw (Note: Not Available for Purchase)	
7	See Note	NSS	Pivot Arm, Cast (Note: Not Available - Purchase Complete Assembly)	
8	See Note	NSS	Shaft, Main (Note: Not Available - Purchase Complete Assembly)	
9	See Note	NSS	Bearing (Note: Not Available - Purchase Complete Assembly)	
10	See Note	NSS	Pin (Note: Not Available - Purchase Complete Assembly)	
11	See Note	NSS	Shim (Note: Not Available - Purchase Complete Assembly)	
12	See Note	NSS	Pin (Note: Not Available - Purchase Complete Assembly)	
13	See Note	NSS	Bearing (Note: Not Available - Purchase Complete Assembly)	
14	See Note	NSS	Dome, Centering (Note: Not Available - Purchase Complete Assembly)	
15	70004753	1	Cap	
16	70004754	1	Insert, Cap	
17	70004755	3	Pin	
18	70004756	2	Washer	
19	70004757	1	Pin, Centering	
20	70004758	1	Spring	
21	70004759	1	Ring, Retaining	
22	70004760	1	E-Ring	
23	70004761	1	Can, Enclosure	
24	70004762	1	Boot	
25	70004763	1	Bezel	
26	See Note	NSS	Screw (Note: Not Available for Purchase)	
27	See Note	NSS	Base, Mounting (Note: Not Available - Purchase Complete Assembly)	
28	See Note	NSS	Screw (Note: Not Available for Purchase)	
29	70004764	4	Screw	
30	70004765	4	Screw	
31	70004766	1	O-Ring	
32	See Note	NSS	Plate (Note: Not Available - Purchase Complete Assembly)	
33	See Note	NSS	Harness (Note: Not Available - Purchase Complete Assembly)	
34	70004767	1	Grommet, Rubber	
35	70004768	1	Housing	
36	70004769	1	Spring	
37	70004770	1	Stopper	
38	70004771	1	Spacer	
39	70004772	1	Washer	

SECTION 4 - PLATFORM

ITEM	PART NUMBER	QTY	DESCRIPTION	REV
40	70004773	1	Disc	
41	70004774	2	Ring, Retaining	
42	70004775	1	Spring	
101	4460265	1	Connector - 9 Position	
101	4460226	6	Socket, Female	

SECTION 4 - PLATFORM

FIGURE 4-10. CONTROLLER ASSEMBLY (DRIVE AND STEER) (Prior to SN 0300039749)



SECTION 4 - PLATFORM

FIGURE 4-10. CONTROLLER ASSEMBLY (DRIVE AND STEER) (Prior to SN 0300039749)

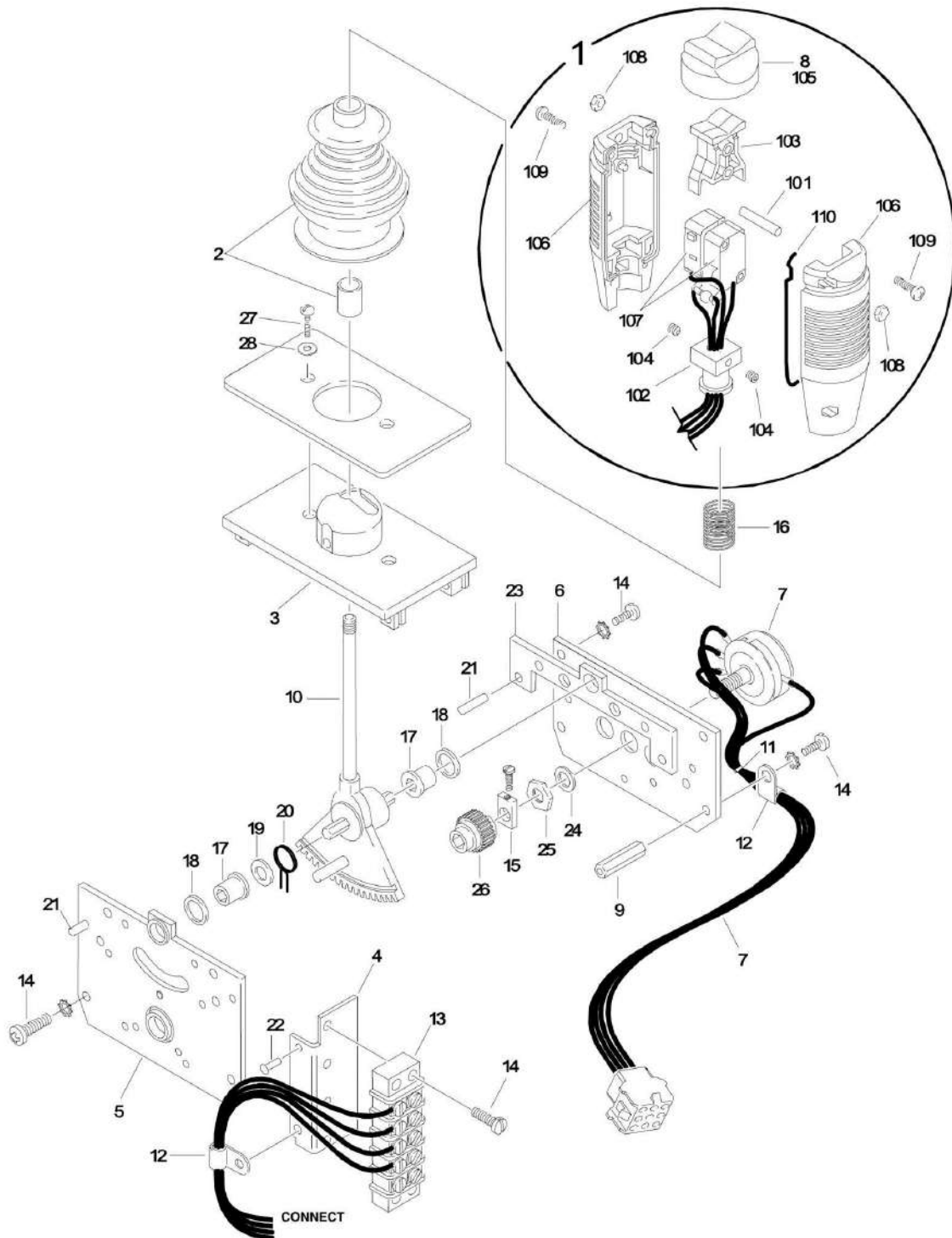
ITEM	PART NUMBER	QTY	DESCRIPTION	REV
	1600239	Ref	CONTROLLER ASSEMBLY (DRIVE/STEER) (Prior to SN 0300039749)	C
1	7003978	1	Handle Assembly	
1A	7003973	2	Half, Handle	
1B	7003972	1	Boot, Switch	
1C	7003981	1	Rocker	
1D	7003982	2	Switch, Micro	
2	7003984	1	Coupling	
3	7003966	1	Boot	
5	7003957	1	Ring, Retainer	
6	7003967	1	Flatwasher	
7	7003968	1	Detent, Assembly	
10	7019160	1	Plate, Base	
11	See Note	1	Pin (Note: Not Available for Purchase)	
12	7003963	1	Shaft/Gear Assembly	
13	See Note	1	Micro Cam Assembly (Includes Items 14-25) (Note: Not Available for Purchase)	
14	See Note	1	Screw (Note: Not Available for Purchase)	
15	See Note	1	Cam, 4 Hole (Note: Not Available for Purchase)	
16	See Note	1	Cam, 4 Hole (Note: Not Available for Purchase)	
17	See Note	1	Cam, 4 Hole (Note: Not Available for Purchase)	
18	See Note	1	Cam, 4 Hole (Note: Not Available for Purchase)	
19	See Note	1	Spacer, Cam (Note: Not Available for Purchase)	
20	See Note	1	Spacer, Cam (Note: Not Available for Purchase)	
21	See Note	1	Plate, Cam - Left Side (Note: Not Available for Purchase)	
22	See Note	1	Coupling, Cam (Note: Not Available for Purchase)	
23	See Note	1	Spacer, Cam (Note: Not Available for Purchase)	
24	See Note	1	Coupling, Cam (Note: Not Available for Purchase)	
25	See Note	1	Spacer, Cam (Note: Not Available for Purchase)	
26	See Note	4	Screw (Note: Not Available for Purchase)	
26	See Note	4	Washer (Note: Not Available for Purchase)	
32	7003946	1	Spring, Return (Note: Not Available for Purchase)	
33	See Note	1	Spacer (Note: Not Available for Purchase)	
34	See Note	1	Bearing (Note: Not Available for Purchase)	
35	See Note	1	Washer, Cam Retainer (Note: Not Available for Purchase)	
36	See Note	1	Gear, Slave (Note: Not Available for Purchase)	
37	See Note	1	Nut/Cam Assembly (Note: Not Available for Purchase)	
38	See Note	1	Coupling, Potentiometer (Note: Not Available for Purchase)	
39	See Note	2	Stand-Off (Note: Not Available for Purchase)	
40	7003974	1	Potentiometer	
41	See Note	1	Washer, Cam Retainer (Note: Not Available for Purchase)	
42	See Note	1	Bearing (Note: Not Available for Purchase)	
43	See Note	1	Spacer (Note: Not Available for Purchase)	
44	See Note	1	Plate, Mounting (Note: Not Available for Purchase)	
45	See Note	1	Plate, Potentiometer (Note: Not Available for Purchase)	
46	See Note	2	Screw (Note: Not Available for Purchase)	
46	See Note	2	Washer (Note: Not Available for Purchase)	
47	See Note	1	Heat Shrink (Note: Not Available for Purchase)	
48	See Note	2	Screw (Note: Not Available for Purchase)	
48	See Note	2	Washer (Note: Not Available for Purchase)	

SECTION 4 - PLATFORM

ITEM	PART NUMBER	QTY	DESCRIPTION	REV
49	4460266	1	Connector, Amp (9Pin) (Not Shown)	
49	4460268	7	Socket (Not Shown)	
49	4460265	1	Plug, Amp (9Pin) (Not Shown - Part of Harness)	
49	4460267	7	Pin (Not Shown - Part of Harness)	
50	7003886	1	Strip, Terminal - 3 Position	
50	See Note	1	Strip, Terminal - 5 Position (Note: Not Available for Purchase)	
51	7003985	1	Brace	

SECTION 4 - PLATFORM

FIGURE 4-11. CONTROLLER ASSEMBLY (DRIVE AND STEER) (SN 0300039749 through 0300064248)



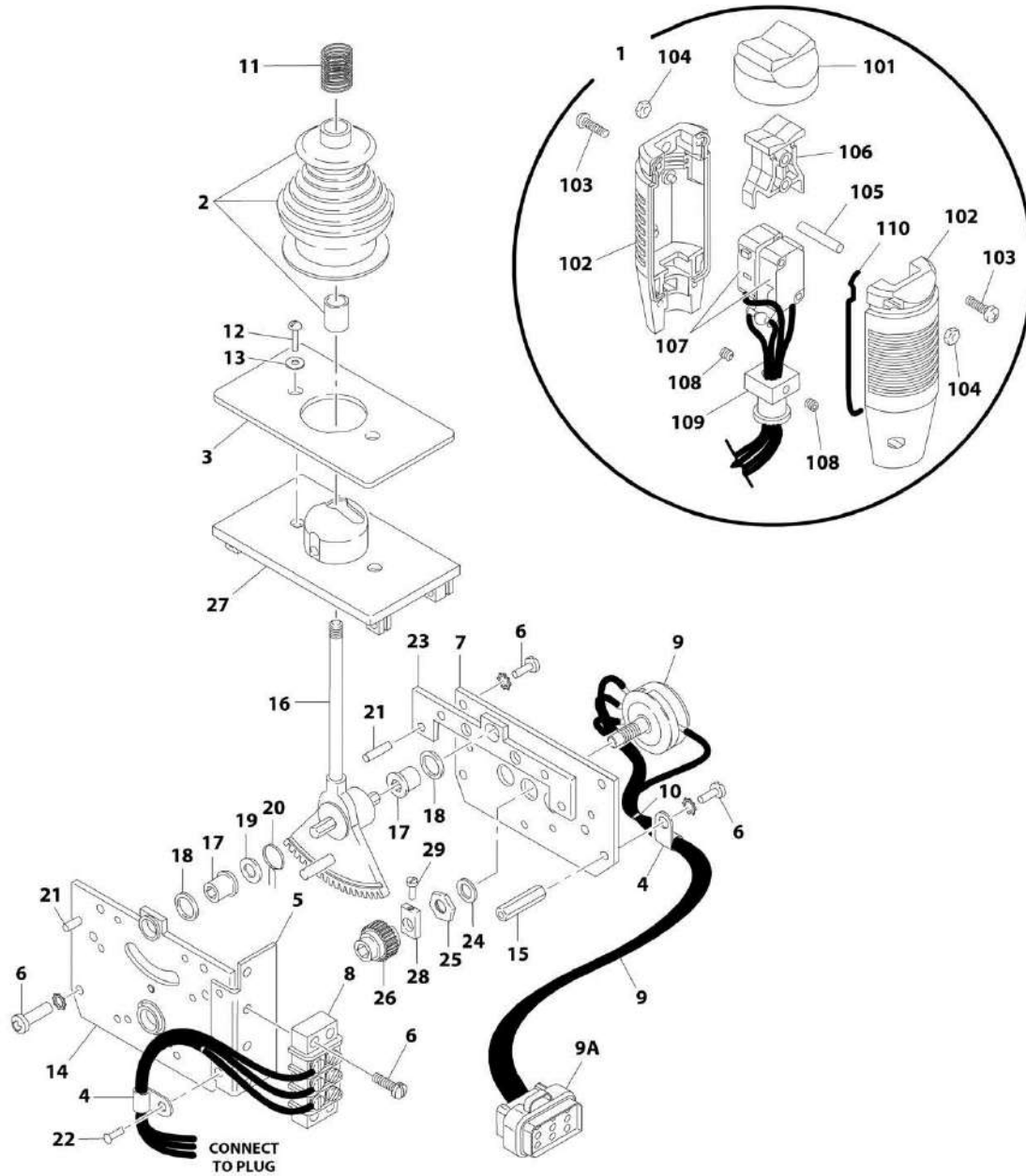
SECTION 4 - PLATFORM

FIGURE 4-11. CONTROLLER ASSEMBLY (DRIVE AND STEER) (SN 0300039749 through 0300064248)

ITEM	PART NUMBER	QTY	DESCRIPTION	REV
	1600283	Ref	CONTROLLER ASSEMBLY (DRIVE/STEER) (SN 0300039749 through 0300064249)	
1	7022810	1	Handle Assembly (See items 101-110 for Breakdown)	
2	7019161	1	Boot and Sleeve	
3	7019160	1	Cast Housing Assembly	
4	7019159	1	Bracket, Mounting	
5	7019158	1	Plate, Mounting (Left Side)	
6	7019157	1	Plate, Pot Mounting	
7	7019156	1	Electric Assembly	
8	7003972	1	Boot, Rocker	
9	7019115	2	Stand-Off	
10	7019155	1	Shaft 8mm	
11	7019151	AR	Tie-Strap	
12	7019154	2	Clamp, Wire	
13	7019153	1	Strip, Terminal - 5 Position	
14	7019117	8	Screw	
15	7019163	1	Potentiometer Coupling Assembly	
16	7019162	1	Spring	
17	7019111	2	Bearing	
18	7019110	2	Spacer, Head Gear	
19	7019112	1	Washer	
20	7003946	1	Spring, Return	
21	7019103	4	Pin	
22	See Note	1	Rivet (Note: Not Available - Purchase Locally)	
23	7019168	1	Plate, Mounting (Right Side)	
24	7003992	1	Washer	
25	7003993	1	Nut	
26	7003935	1	Gear, Slave	
27	7003969	2	Screw	
28	7003941	2	Washer	
	7022810	Ref	HANDLE ASSEMBLY	
101	7019164	1	Axle	
102	7019194	1	Coupling	
103	7019165	1	Rocker	
104	7003983	2	Setscrew	
105	7003972	1	Boot, Switch	
106	7003973	2	Half, Handle	
107	7019166	2	Switch, Micro	
108	7019167	4	Nut	
109	7003980	4	Screw	
110	7003989	2	Gasket	

SECTION 4 - PLATFORM

FIGURE 4-12. CONTROLLER ASSEMBLY (DRIVE AND STEER) (WITH ADE SYSTEM) (ORIGINAL EQUIPMENT) (SN 0300064249 through 0300069000)



Note: Original Equipment controller may have been replaced with Service Replacement controller. Visually identify controller before ordering parts.

ART_1600318

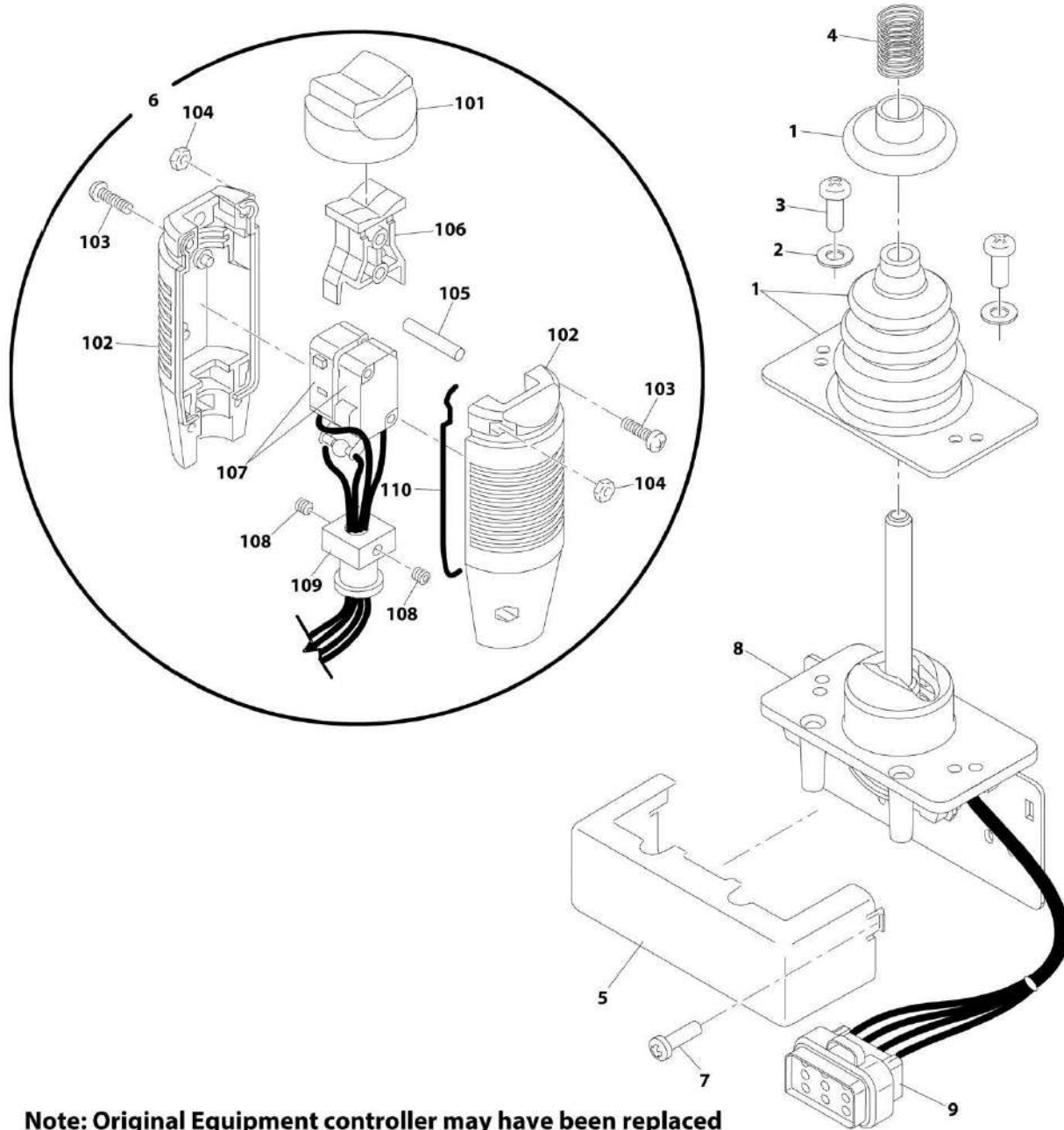
SECTION 4 - PLATFORM

FIGURE 4-12. CONTROLLER ASSEMBLY (DRIVE AND STEER) (WITH ADE SYSTEM) (ORIGINAL EQUIPMENT) (SN 0300064249 through 0300069000)

ITEM	PART NUMBER	QTY	DESCRIPTION	REV
		Ref	Note: Original Equipment controller may have been replaced with Service Replacement controller. Visually identify controller before ordering parts.	
	1600318	Ref	CONTROLLER ASSEMBLY	C
		Ref	Note: Use p/n 1001212415 as Replacement.	
1	7022812	1	Handle Assembly (See Items 101-110 for Breakdown)	
2	7019161	1	Boot and Sleeve	
3	7003933	1	Gasket	
4	7019154	2	Clamp, Wire	
5	7022823	1	Bracket, Mounting	
6	7003994	1	Screw	
7	7022822	1	Plate, Pot Mounting	
8	7003986	1	Strip, Terminal - 3 Position	
9	7022824	1	Electric Assembly	
9A	1001113961	1	Plug, Male - 8 Position (Black) (was p/n 7022825)	
9A	4460871	7	Socket, Female	
10	7019151	AR	Tie-Strap	
11	7019162	1	Spring	
12	7003969	2	Screw	
13	7003941	2	Washer	
14	See Note	NSS	Plate, Mounting (Left Side) (Note: Use p/n 1001166538)	
15	7019115	2	Stand-Off	
16	7019155	1	Shaft 8mm	
17	7019111	2	Bearing	
18	7019110	2	Spacer, Head Gear	
19	7019112	1	Washer	
20	7003946	1	Spring, Return	
21	7019103	4	Pin	
22	See Note	NSS	Rivet (Note: Not Available - Purchase Locally)	
23	7019168	1	Plate, Mounting (Right Side)	
24	7003992	1	Washer	
25	7003993	1	Nut	
26	7003935	1	Gear, Slave	
27	7019160	1	Plate, Base	
28	7019114	1	Coupling, Potentiometer	
29	See Note	NSS	Cup Point Screw (Note: Not Available for Purchase)	
	7022812	Ref	HANDLE ASSEMBLY	
101	7003972	1	Boot, Switch	
102	7003973	2	Half, Handle	
103	7003980	4	Screw	
104	7019167	4	Nut	
105	7019164	1	Axle	
106	7019165	1	Rocker	
107	See Note	NSS	Wiring for Controller Assembly p/n 1600318 (Note: Use p/n 1001166538)	
107	7019166	2	Switch, Micro	
108	7003983	2	Setscrew	
109	7019194	1	Coupling	
110	7003989	2	Gasket	

SECTION 4 - PLATFORM

FIGURE 4-13. CONTROLLER ASSEMBLY (DRIVE AND STEER) (WITH ADE SYSTEM) (SERVICE REPLACEMENT) (SN 0300064249 through 0300069000)



Note: Original Equipment controller may have been replaced with Service Replacement controller. Visually identify controller before ordering parts.

ART_1001118416

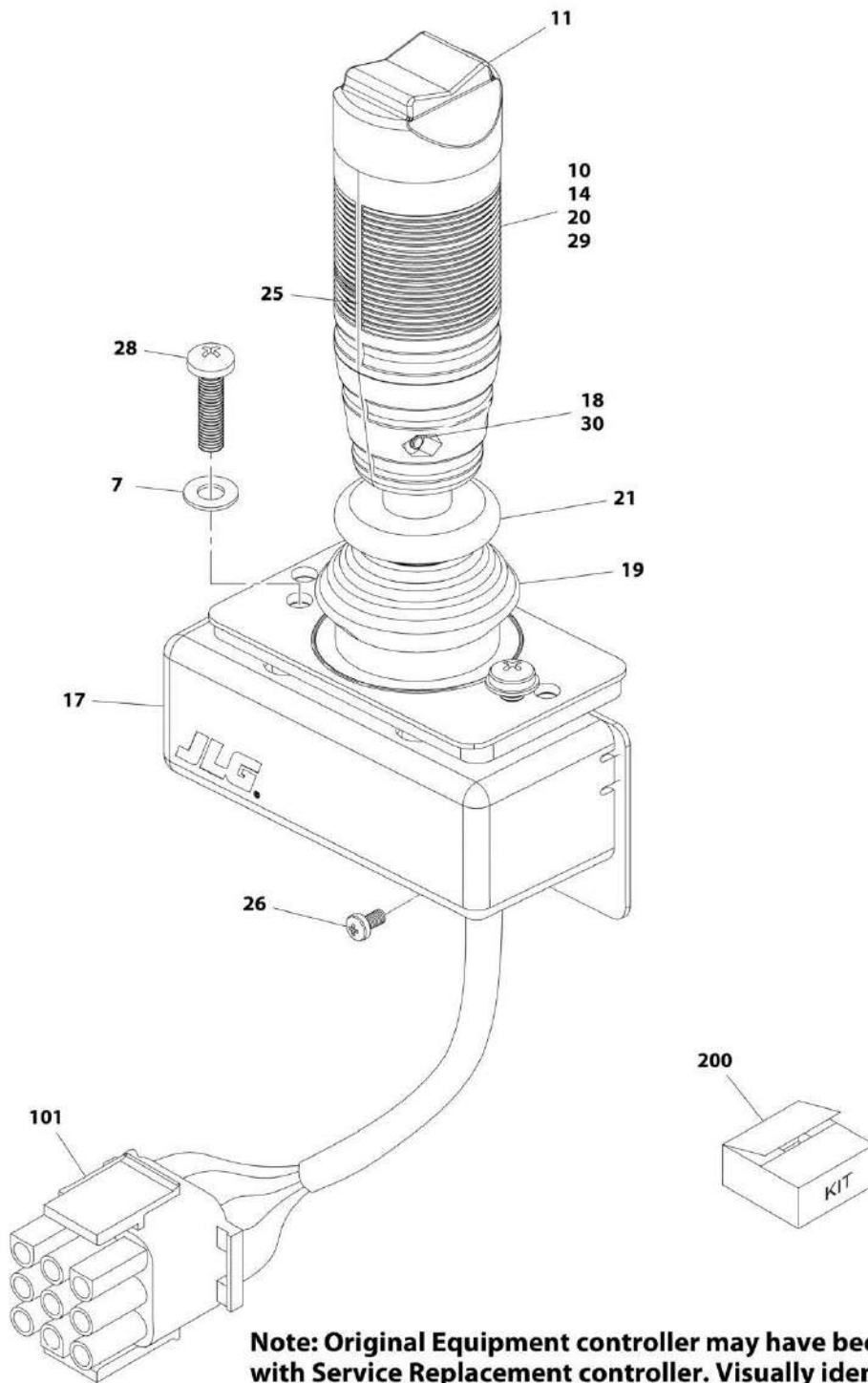
SECTION 4 - PLATFORM

FIGURE 4-13. CONTROLLER ASSEMBLY (DRIVE AND STEER) (WITH ADE SYSTEM) (SERVICE REPLACEMENT) (SN 0300064249 through 0300069000)

ITEM	PART NUMBER	QTY	DESCRIPTION	REV
		Ref	Note: Original Equipment controller may have been replaced with Service Replacement controller. Visually identify controller before ordering parts.	
	1001118416	Ref	CONTROLLER ASSEMBLY	D
		Ref	Note: Use p/n 1001212415 as Replacement.	
1	70002724	1	Boot and Control Lock Assembly	
2	7003941	2	Washer	
3	70002725	2	Screw	
4	7019162	1	Spring	
5	70002726	1	Enclosure	
6	70002727	1	Handle Assembly (See Items 101-110 for Breakdown)	
7	70002728	1	Screw	
8	See Note	NSS	Mechanical Assembly (Note: Use p/n 1001166538)	
9	1001113961	1	Plug, Male - 8 Position (Black) (was p/n 7022825)	
9	4460871	7	Socket, Female	
	70002727	Ref	HANDLE ASSEMBLY	
101	7003972	1	Boot, Switch	
102	7003973	2	Half, Handle	
103	7003980	4	Screw	
104	7019167	4	Nut	
105	7019164	1	Axle	
106	7019165	1	Rocker	
107	70002729	1	Wiring Assembly	
107	7003982	2	Switch, Micro	
108	7003983	2	Set Screw	
109	7019194	1	Coupling	
110	7003989	2	Gasket	

SECTION 4 - PLATFORM

FIGURE 4-14. CONTROLLER ASSEMBLY (DRIVE AND STEER) (WITH ADE SYSTEM) (SERVICE REPLACEMENT) (SN 0300064249 through 0300069000)



Note: Original Equipment controller may have been replaced with Service Replacement controller. Visually identify controller before ordering parts.

ART_1001166538

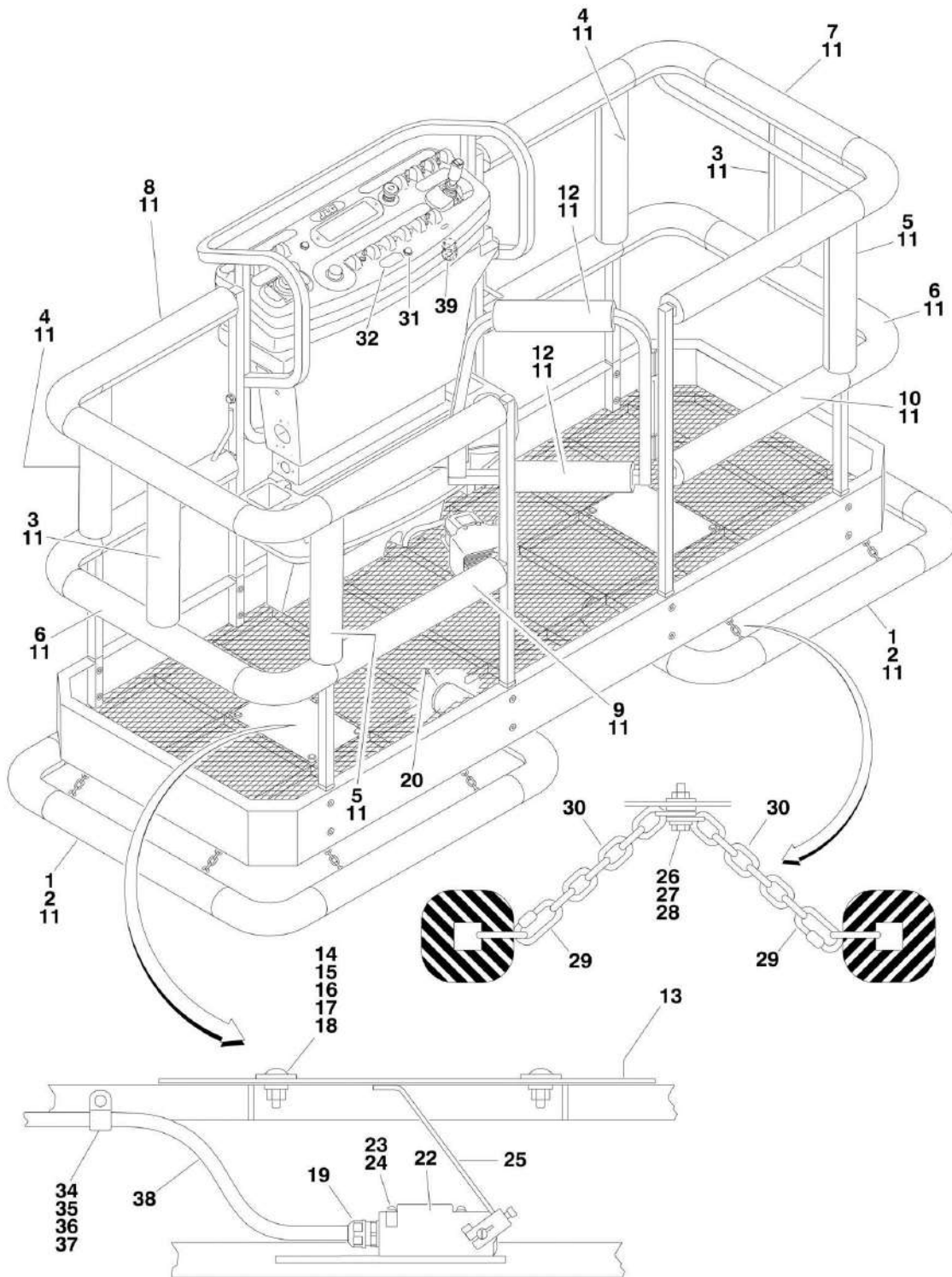
SECTION 4 - PLATFORM

FIGURE 4-14. CONTROLLER ASSEMBLY (DRIVE AND STEER) (WITH ADE SYSTEM) (SERVICE REPLACEMENT) (SN 0300064249 through 0300069000)

ITEM	PART NUMBER	QTY	DESCRIPTION	REV
		Ref	Note: Original Equipment controller may have been replaced with Service Replacement controller. Visually identify controller before ordering parts.	
	1001166538	Ref	CONTROLLER ASSEMBLY	E
		Ref	Note: Use p/n 1001212415 as Replacement.	
7	70004738	2	Washer	
10	70004739	1	Roller	
11	70004740	1	Boot, Switch	
14	70004741	2	Half, Handle	
17	70004742	1	Enclosure	
18	70004743	4	Nut	
19	70004744	NLA	Boot, Controller (Note: Use Item 200)	
20	70004745	NLA	Tube, Locking (Note: Use Item 200)	
21	70004746	NLA	Disc, Locking (Note: Use Item 200)	
25	70004747	2	Seal, Rope	
26	70004748	1	Screw, M3 x 6	
28	70004749	2	Screw, M5 x 20	
29	70004750	1	Pin, Dowel	
30	70004751	4	Screw, M3 x 16	
101	4460265	1	Connector - 9 Position	
101	4460226	7	Socket, Female	
200	70005230	1	Boot Kit (Includes Items 19-21)	

SECTION 4 - PLATFORM

FIGURE 4-15. SOFT TOUCH SYSTEM INSTALLATION (OPTIONAL)



SECTION 4 - PLATFORM

FIGURE 4-15. SOFT TOUCH SYSTEM INSTALLATION (OPTIONAL)

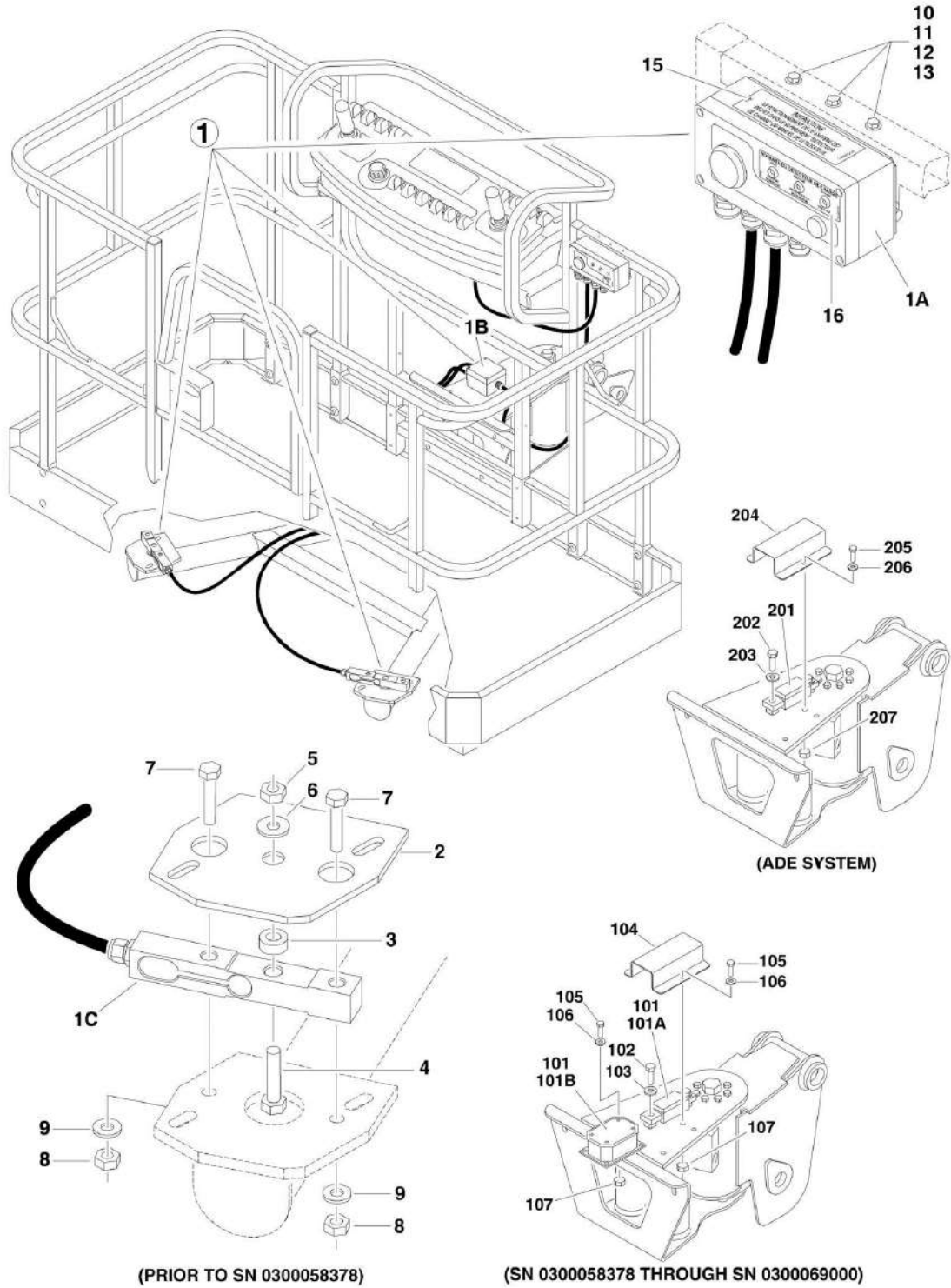
ITEM	PART NUMBER	QTY	DESCRIPTION	REV
		Ref	SOFT TOUCH SYSTEM INSTALLATION OPTIONS:	
	0257840	Ref	6ft/1.8m Platforms (Prior to SN 0300035129)	1
	0257849	Ref	6ft/1.8m Platforms (SN 0300035129 through 0300064248)	1
	0271550	Ref	6ft/1.8m Platforms - ADE System (SN 0300064249 through 0300069000)	1
	0257841	Ref	8ft/2.4m Platforms (Prior to SN 0300035129)	1
	0257850	Ref	8ft/2.4m Platforms (SN 0300035129 through 0300064248)	1
	0271551	Ref	8ft/2.4m Platforms - ADE System (SN 0300064249 through 0300069000)	1
1		Ref	Rail Weldment Options:	
1	4845308	2	6ft/1.8m Platforms	
1	4845309	2	8ft/2.4m Platforms	
2		Ref	Cover, Rail Options:	
2	1670804	2	6ft/1.8m Platforms	
2	1670803	2	8ft/2.4m Platforms	
3	1670787	2	Cover, End Post	
4	1670785	2	Cover, Front Right Post	
5	1670786	2	Cover, Front Left Post	
6	1670793	2	Cover, End Mid Rail	
7		Ref	Cover, Right End Top Options:	
7	1670798	1	6ft/1.8m Platforms	
7	1670796	1	8ft/2.4m Platforms	
8		Ref	Cover, Left End Top Options:	
8	1670797	1	6ft/1.8m Platforms	
8	1670795	1	8ft/2.4m Platforms	
9		Ref	Cover, Left Mid Rail Options:	
9	1670799	1	6ft/1.8m Platforms	
9	1670789	1	8ft/2.4m Platforms	
10		Ref	Cover, Right Mid Rail Options:	
10	1670801	1	6ft/1.8m Platforms	
10	1670791	1	8ft/2.4m Platforms	
11	0940038	70	Padding, Bumper	
		ft/21.4m		
12	1670788	2	Cover, Gate	
13	3539719	2	Plate, Switch Strike	
14	0630462	8	Bolt, Carriage	
15	4761500	8	Lockwasher 5/16in	
16	4751800	8	Flatwasher 1/2in Regular	
17	3311501	8	Nut 5/16in-18NC	
18	4751500	8	Flatwasher 5/16in Regular	
19	4460049	2	Connector, Strain Relief	
20	3530072	4	Plug, Cap	
22	4360057	2	Switch, Limit	
23	0731005	4	Bolt #10-32NC x 5/8in	
24	4751000	4	Lockwasher #10	
25	0200550	2	Arm, Switch	
26	0641612	8	Bolt 3/8in-16NC x 1-1/2in	
27	4751600	40	Flatwasher 3/8in Regular	
28	3311605	8	Locknut 3/8in-16NC	
29	3010088	16	Link, Quick	

SECTION 4 - PLATFORM

ITEM	PART NUMBER	QTY	DESCRIPTION	REV
30	1260136	10 ft/3m	Chain	
31	4360387	1	Switch, Push Button	
32	1702938	1	Decal - Soft Touch Override	
34	1320040	4	Clamp	
35	0641406	4	Bolt 1/4in-20NC x 3/4in	
36	4711400	8	Flatwasher 1/4in Thin	
37	3311405	4	Locknut 1/4in-20NC	
38		Ref	Cable Options:	
38	1060330	16 ft/4.9m	Cable, Electrical - 16/3 (SN 0300029105 through 0300064248)	
38	1060341	16 ft/4.9m	Cable, Electrical - 16/2 (SN 0300064249 through 0300069000)	
39		Ref	Connector, Strain Relief Options:	
39	4460428	1	Connector, Strain Relief (Prior to SN 0300032415)	
39	4460425	1	Terminal, Strain Relief (SN 0300032415 through 0300069000)	

SECTION 4 - PLATFORM

FIGURE 4-16. LOAD SENSING SYSTEM INSTALLATION (FRONT ENTRY PLATFORM)



SECTION 4 - PLATFORM

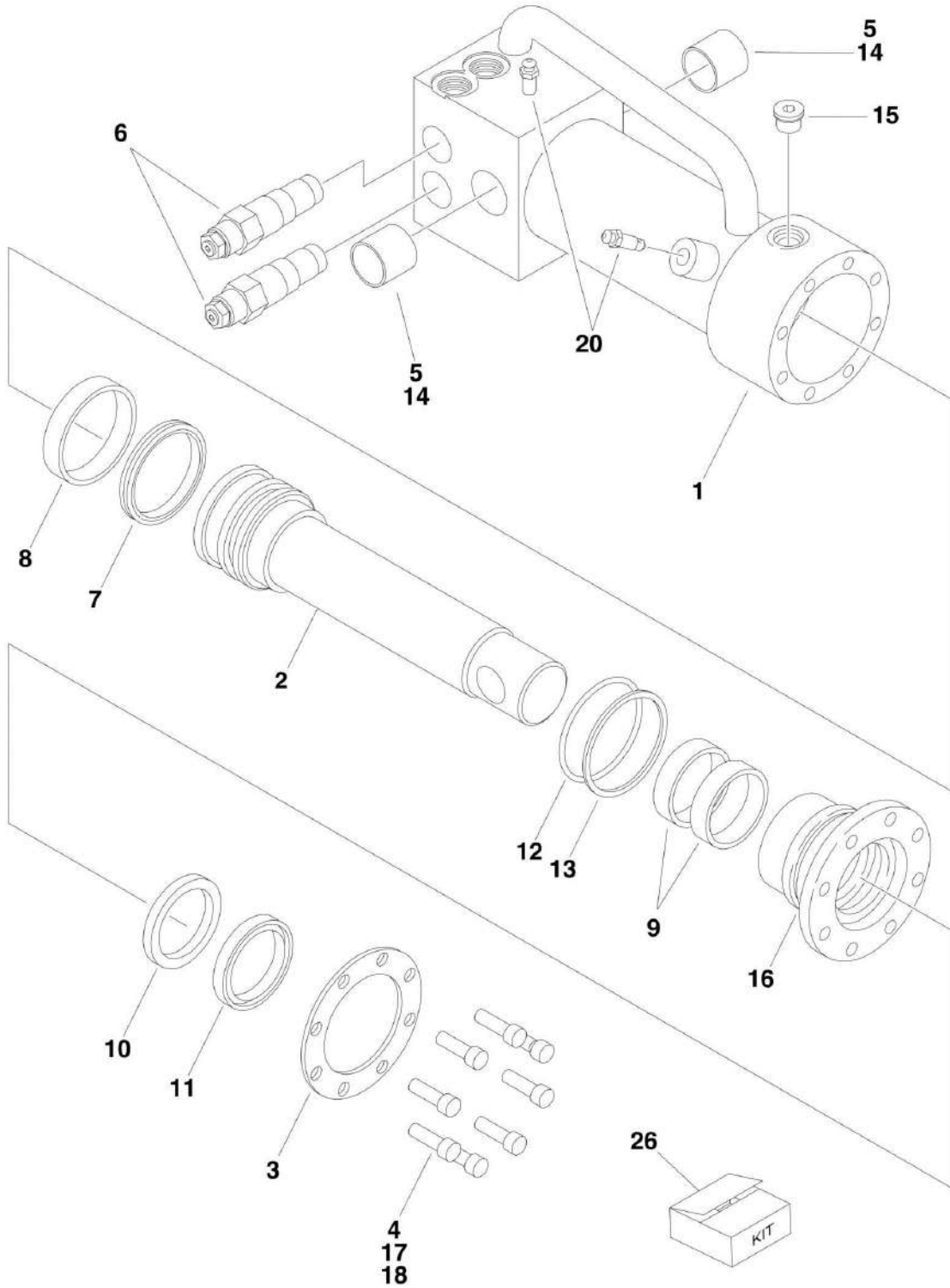
FIGURE 4-16. LOAD SENSING SYSTEM INSTALLATION (FRONT ENTRY PLATFORM)

ITEM	PART NUMBER	QTY	DESCRIPTION	REV
	0257997	Ref	PLATFORM LOAD SENSING DEVICE INSTALLATION (WITHOUT ADE SYSTEM) (Prior to SN 0300058378)	3-A
1	2901557	1	Load Sensing Assembly	
1A	7020057	1	Display Unit - 12V DC.	
1B	7020058	1	Converter (Junction Box)	
1C	7020059	2	Load Cell	
2	3570740	2	Plate, Spacer	
3	0962180	2	Spacer, Load Cell	
4	0641818	2	Bolt 1/2in-13NC x 2-1/4in	
5	3311805	2	Locknut 1/2in-13NC	
6	4751800	2	Flatwasher 1/2in Regular	
7	0641616	4	Bolt 3/8in-16NC x 2in	
8	3300143	4	Locknut 3/8in-16NC	
9	4751600	4	Flatwasher 3/8in Regular	
10	0641416	3	Bolt 1/4in-20NC x 2in	
11	3311401	3	Nut 1/4in-20NC	
12	4751400	3	Flatwasher 1/4in Regular	
13	4761400	3	Lockwasher 1/4in	
15	1703791	1	Decal - Instruction Load Sensing System	
16	1703801	1	Decal - Load Sensing Device Lights	
17	3124025	1	Manual Supplement (Not Shown)	
	0259233	Ref	PLATFORM LOAD SENSING DEVICE INSTALLATION (WITHOUT ADE SYSTEM) (SN 0300058378 through 0300069000)	4-C
	0271474	1	PLATFORM LOAD SENSING DEVICE INSTALLATION (WITHOUT ADE SYSTEM) (SN 0300058378 through 0300069000)	1-B
101	2901811	1	Load Sensing Assembly	
101A	3990109	1	Transducer, Pressure	
101B	7023332	1	Card, Control	
101B	7023331	1	Fuse	
101B	7023333	1	Holder, Fuse	
102	0701010	2	Bolt 10mm x 20mm	
103	4812000	2	Flatwasher 10mm	
104	1670900	1	Cover, Load Cell	
105	0641407	4	Bolt 1/4in-20NC x 7/8in	
106	4761400	4	Lockwasher 1/4in	
107	3311401	4	Nut 1/4in-20NC	
	0271543	Ref	PLATFORM LOAD SENSING DEVICE INSTALLATION (WITH ADE SYSTEM)	1A
201	3990109	1	Transducer, Pressure	
202	0701010	2	Bolt 10mm x 20mm	
203	4812000	2	Flatwasher 10mm	
204	1670900	1	Cover, Load Cell	
205	0641407	2	Bolt 1/4in-20NC x 7/8in	
206	4761400	2	Lockwasher 1/4in	
207	3311401	2	Nut 1/4in-20NC	
209	4460226	4	Terminal, Socket (Not Shown) (Located in Console Box)	

SECTION 5 - CYLINDER

SECTION 5 - CYLINDER

FIGURE 5-1. AXLE LOCKOUT CYLINDER ASSEMBLY



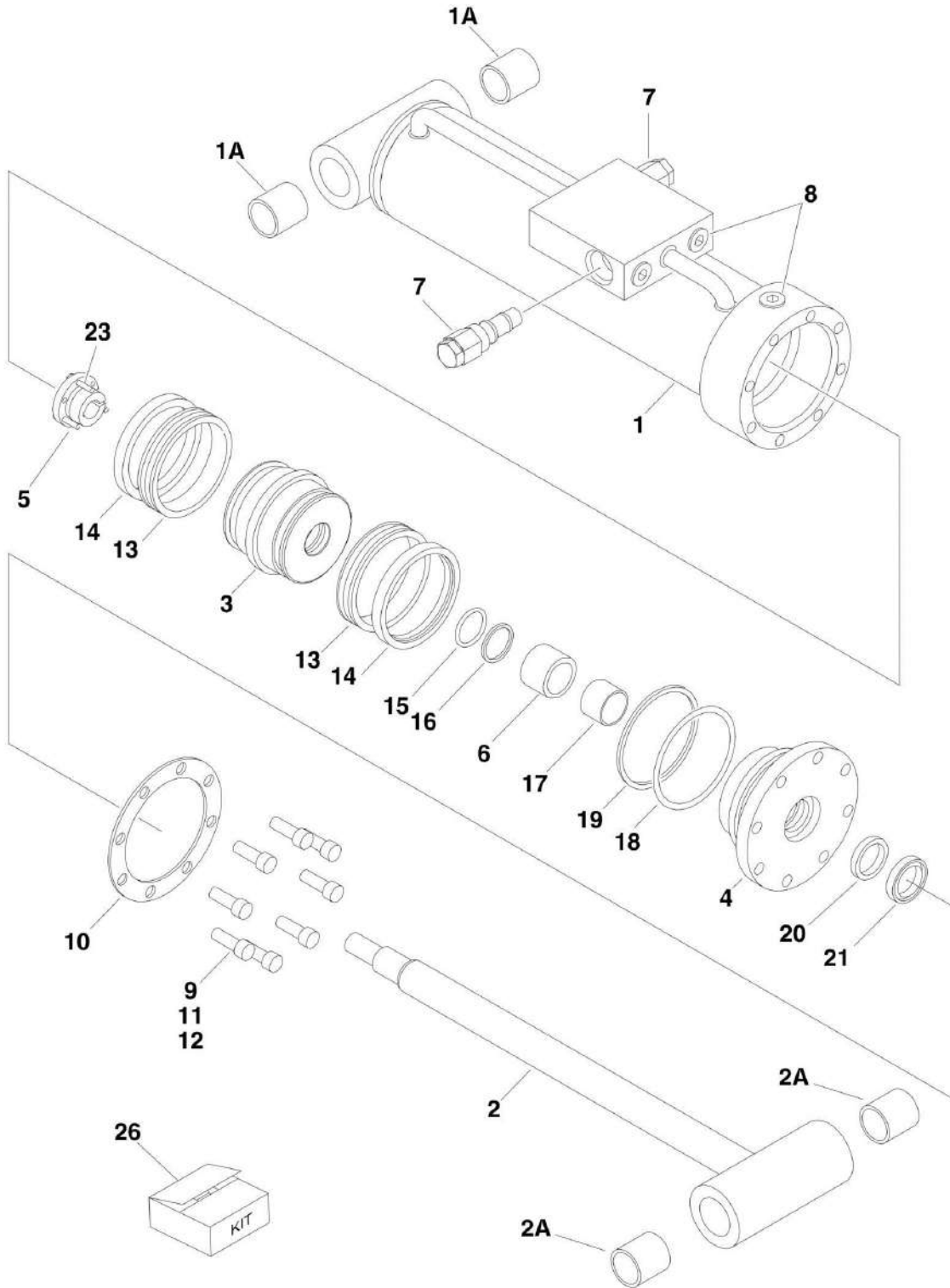
SECTION 5 - CYLINDER

FIGURE 5-1. AXLE LOCKOUT CYLINDER ASSEMBLY

ITEM	PART NUMBER	QTY	DESCRIPTION	REV
	1683280	Ref	AXLE LOCKOUT CYLINDER ASSEMBLY	6-D
1	1683281	1	Barrel Weldment	
2	1683283	1	Rod Weldment	
3	3760369	1	Ring, Washer	
4	0681610	8	Bolt 3/8in-16NC x 1-1/4in (Grade 8)	
5		Ref	Bushing Options:	
5	0961890	4	Bushing (Prior to SN 0300069092)	
5	0962474	4	Bushing (SN 0300069092 through 0300069000)	
6		Ref	Valve, Cartridge Options:	
6	4640525	2	Valve, Cartridge (Prior to SN 0300056900)	
6	4641162	2	Valve, Cartridge (SN 0300056900 through 0300069000)	
6	2900770	2	Seal Kit - 4640525 Valve	
7	See Note	NSS	Seal (Note: Use Item 26)	
8	See Note	NSS	Ring, Wear (Note: Use Item 26)	
9	See Note	NSS	Ring, Wear (Note: Use Item 26)	
10	See Note	NSS	Seal, Rod (Note: Use Item 26)	
11	See Note	NSS	Wiper, Rod (Note: Use Item 26)	
12	See Note	NSS	O-Ring (Note: Use Item 26)	
13	See Note	NSS	Ring, Back-up (Note: Use Item 26)	
14	0100063	AR	Adhesive	
15	2220885	1	Plug, O-Ring	
16	1683057	1	Head	
17	0100011	AR	Compound, Locking	
18	0100038	AR	Primer, Locking	
20	4640858	2	Valve, Bleeder	
26	2901321	1	Seal Kit (Includes Items 7-13)	

SECTION 5 - CYLINDER

FIGURE 5-2. PLATFORM LEVEL CYLINDER ASSEMBLIES (Prior to SN 0300024714)



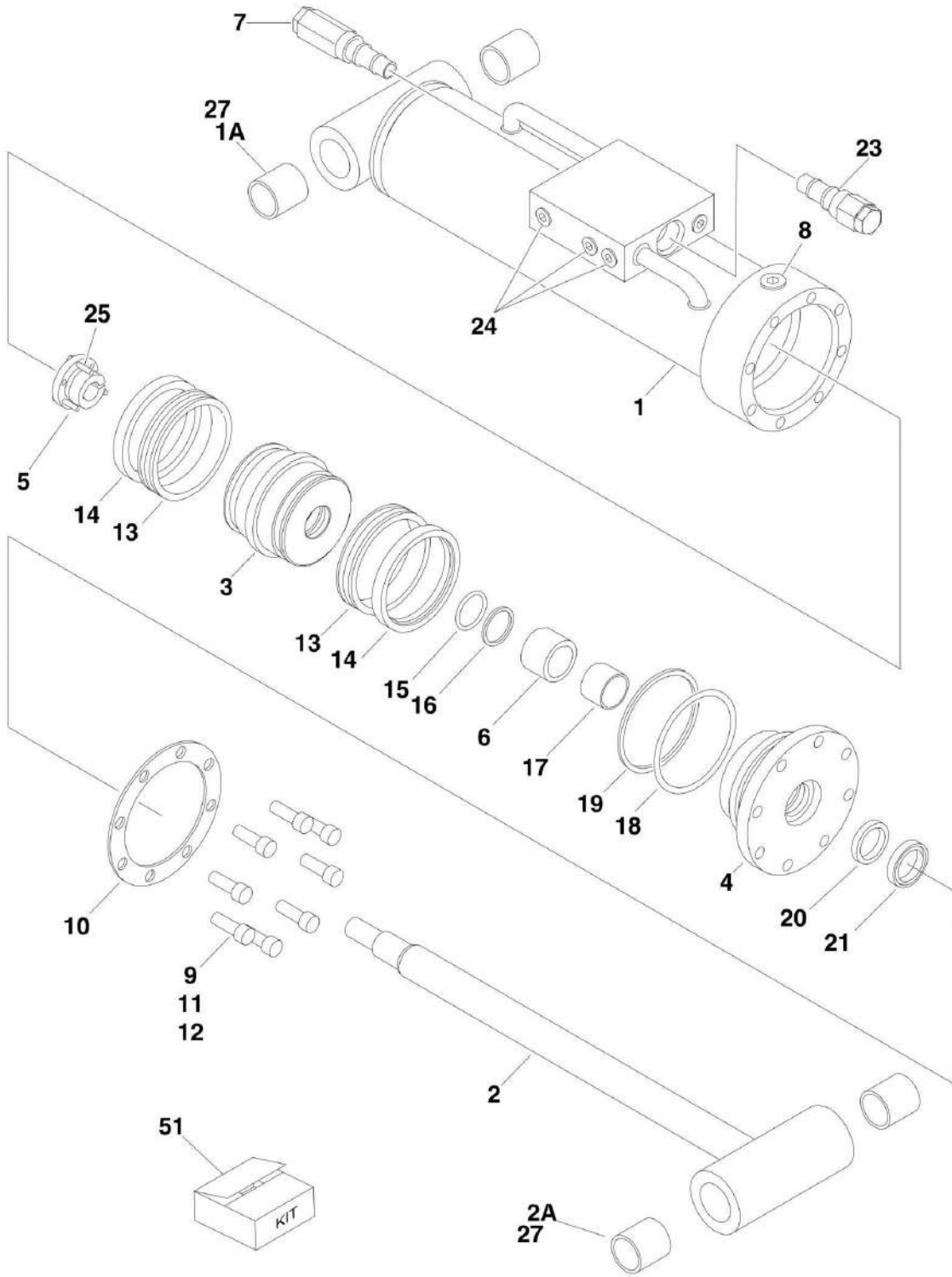
SECTION 5 - CYLINDER

FIGURE 5-2. PLATFORM LEVEL CYLINDER ASSEMBLIES (Prior to SN 0300024714)

ITEM	PART NUMBER	QTY	DESCRIPTION	REV
	1683271	Ref	PLATFORM LEVEL CYLINDER ASSEMBLY - 600A	2-B
	1683253	Ref	PLATFORM LEVEL CYLINDER ASSEMBLY - 600AJ	3-E
1		Ref	Barrel Options:	
1	1683272	1	Barrel 600A	
1	1683254	1	Barrel 600AJ	
1A		Ref	Bushing Options:	
1A	0961947	2	Bushing 600A	
1A	0961951	2	Bushing 600AJ	
2		Ref	Rod Options:	
2	1683274	1	Rod 600A	
2	1683333	1	Rod 600AJ	
2A		Ref	Bushing Options:	
2A	0961947	2	Bushing 600A	
2A	0961951	2	Bushing 600AJ	
3		Ref	Piston Options:	
3	3480210	1	Piston 600A	
3	3480188	1	Piston 600AJ	
4		Ref	Head Options:	
4	1683053	1	Head 600A	
4	1683055	1	Head 600AJ	
5		Ref	Bushing, Tapered Options:	
5	0961893	1	Bushing, Tapered 600A	
5	0961894	1	Bushing, Tapered 600AJ	
6	4566468	1	Spacer	
7	4640509	1	Cartridge, Valve	
7	2900792	1	Seal Kit - 4640509 Valve	
8	2220885	1	Plug, O-Ring	
9		Ref	Capscrew Options:	
9	3931516	8	600A - Capscrew, Socket Head 5/16in-18NC x 1in	
9	3931620	8	600AJ - Capscrew, Socket Head 3/8in-16NC x 1-1/4in	
10		Ref	Ring, Washer Options:	
10	3760368	1	Ring, Washer 600A	
10	3760369	1	Ring, Washer 600AJ	
11	0100011	AR	Compound, Locking	
12	0100038	AR	Primer, Locking	
13	See Note	2	Seal (Note: Use Item 26)	
14	See Note	2	Ring, Lock (Note: Use Item 26)	
15	See Note	1	O-Ring (Note: Use Item 26)	
16	See Note	1	Ring, Back-up (Note: Use Item 26)	
17	See Note	1	Ring, Wear (Note: Use Item 26)	
18	See Note	1	O-Ring (Note: Use Item 26)	
19	See Note	1	Ring, Back-up (Note: Use Item 26)	
20	See Note	1	Seal, Rod (Note: Use Item 26)	
21	See Note	1	Wiper (Note: Use Item 26)	
23	0630535	3	Bolt #10 - 24NC x 1-1/8in	
26		Ref	Seal Kit Options (Includes Items 13-21):	
26	2901303	1	Seal Kit 600A	
26	2901301	1	Seal Kit 600AJ	

SECTION 5 - CYLINDER

FIGURE 5-3. PLATFORM LEVEL CYLINDER ASSEMBLIES (SN 0300024714 through 0300069000)



SECTION 5 - CYLINDER

FIGURE 5-3. PLATFORM LEVEL CYLINDER ASSEMBLIES (SN 0300024714 through 0300069000)

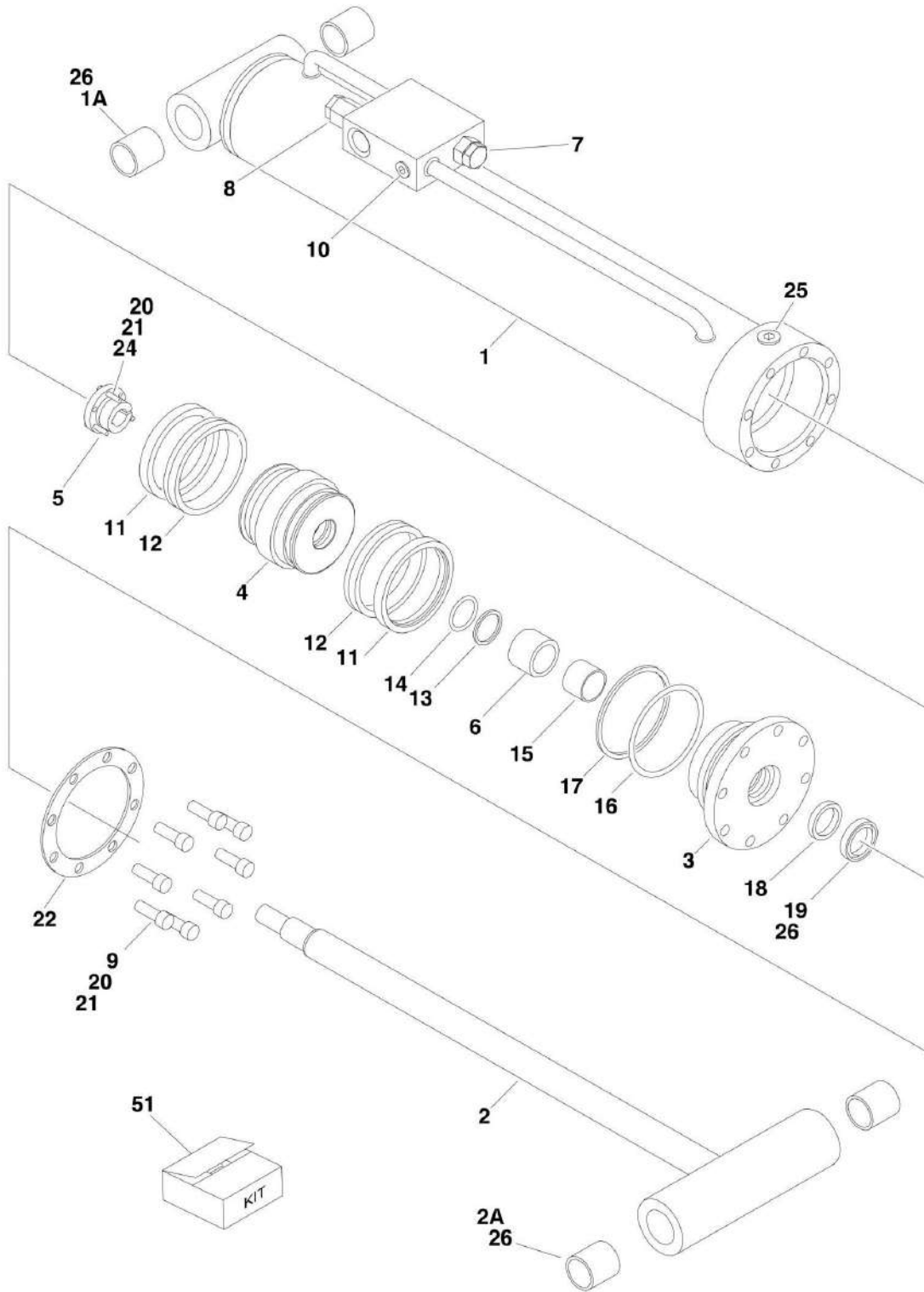
ITEM	PART NUMBER	QTY	DESCRIPTION	REV
	1683415	Ref	PLATFORM LEVEL CYLINDER ASSEMBLY - 600A	C
	1683418	Ref	PLATFORM LEVEL CYLINDER ASSEMBLY - 600AJ	D
1		Ref	Barrel Weldment Options:	
1	1683416	1	Barrel Weldment 600A (Note: Includes Item 1A) 600A (SN 0300024714 through 0300053551)	
1	1683977	1	Barrel Weldment 600A (Note: Includes Item 1A) 600A (SN 0300053552 through 0300069000)	
1	1683419	1	Barrel Weldment 600AJ (Note: Includes Item 1A) 600AJ (SN 0300024714 through 0300052684)	
1	1683952	1	Barrel Weldment 600AJ (Note: Item 1A not included. Purchase Separately) (SN 0300052685 through 0300069000)	
1A		Ref	Bushing Options:	
1A	0961947	2	600A - Bushing	
1A	0961951	2	600AJ - Bushing	
2		Ref	Rod Weldment Options:	
2	1683274	1	Rod Weldment 600A (Note: Includes Item 2A) (SN 0300024714 through 0300053551)	
2	1683976	1	Rod Weldment 600A (Note: Includes Item 2A) (SN 0300053552 through 0300069000)	
2	1683333	1	Rod Weldment 600AJ (Note: Includes Item 2A) (SN 0300024714 through 0300052684)	
2	1683963	1	Rod Weldment 600AJ (Note: Item 2A not included. Purchase (SN 0300052685 through 0300069000)	
2A		Ref	Bushing Options:	
2A	0961947	2	600A - Bushing	
2A	0961951	2	600AJ - Bushing	
3		Ref	Piston Options:	
3	3480210	1	Piston 600A	
3	3480188	1	Piston 600AJ	
4		Ref	Head Options:	
4	1683053	1	Head 600A	
4	1683055	1	Head 600AJ	
5		Ref	Bushing, Tapered (Includes Item 25) Options:	
5	0961893	1	Bushing, Tapered 600A	
5	0961894	1	Bushing, Tapered 600AJ	
6	4566468	1	Spacer	
7	4640509	1	Cartridge, Valve	
7	2900792	1	Seal Kit - 4640509 Valve	
8	2220885	1	Plug, O-Ring	
9		Ref	Capscrew, Socket Head Options:	
9	3931516	8	600A - Capscrew 5/16in-18NC x 1in	
9	3931620	8	600AJ - Capscrew 3/8in-16NC x 1-1/4in	
10		Ref	Ring, Washer Options:	
10	3760368	1	Ring, Washer 600A	
10	3760369	1	Ring, Washer 600AJ	
11	0100011	AR	Compound, Locking	
12	0100038	AR	Primer, Locking	
13	See Note	2	Seal (Note: Use Item 51)	
14	See Note	2	Ring, Lock (Note: Use Item 51)	
15	See Note	1	O-Ring (Note: Use Item 51)	
16	See Note	1	Ring, Back-up (Note: Use Item 51)	

SECTION 5 - CYLINDER

ITEM	PART NUMBER	QTY	DESCRIPTION	REV
17	See Note	1	Ring, Wear (Note: Use Item 51)	
18	See Note	1	O-Ring (Note: Use Item 51)	
19	See Note	1	Ring, Back-up (Note: Use Item 51)	
20	See Note	1	Seal, Rod (Note: Use Item 51)	
21	See Note	1	Wiper (Note: Use Item 51)	
23	4640932	1	Cartridge, Valve	
23	7011112	1	Seal Kit - 4640932 Valve	
24	2220883	8	Plug, O-Ring	
25		Ref	Bolt Options:	
25	0630534	3	600A - Bolt #10 - 24NC x 1in	
25	0630535	3	600AJ - Bolt 1/4in - 20NC x 1-1/8in	
27	0100063	AR	Adhesive	
51		Ref	Seal Kit Options (Includes Items 13-21):	
51	2901303	1	Seal Kit 600A	
51	2901301	1	Seal Kit 600AJ	

SECTION 5 - CYLINDER

FIGURE 5-4. LEVEL (UPRIGHT) CYLINDER ASSEMBLY



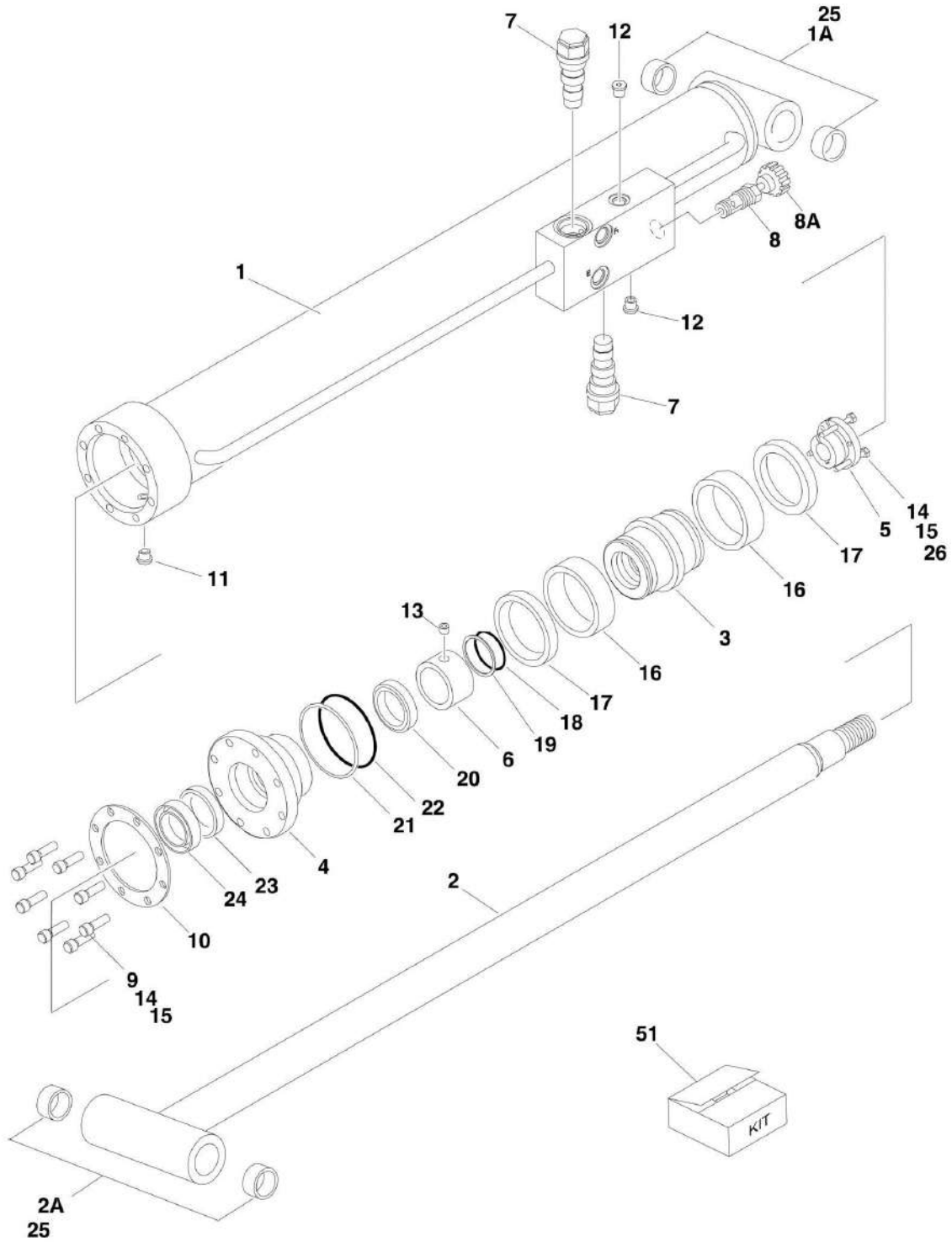
SECTION 5 - CYLINDER

FIGURE 5-4. LEVEL (UPRIGHT) CYLINDER ASSEMBLY

ITEM	PART NUMBER	QTY	DESCRIPTION	REV
		Ref	LEVEL (UPRIGHT) CYLINDER ASSEMBLY	
	1683299	Ref	Original Equipment	F
	1684498	Ref	Service Replacement	C
		Ref	Note: Original Equipment components may have been replaced with Service Replacement components part. Identify p/n stamped on cylinder before ordering parts.	
1		Ref	Barrel Weldment Options:	
1	1683300	1	Barrel Weldment (Prior to SN 0300056430)	
1	1684014	NLA	Barrel Weldment (Original Equipment) (Use p/n 0370035) (SN 0300056430 through 0300069000)	
1	0370035	1	Service Replacement	
1A	0961949	2	Bushing	
2		Ref	Rod Weldment Options:	
2	1683302	1	Rod Weldment (Prior to SN 0300056430)	
2	1684015	1	Rod Weldment (SN 0300056430 through 0300069000)	
2A	0961949	2	Bushing	
3	1683067	1	Head	
4	3480206	1	Piston	
5	0961898	1	Bushing, Tapered (Use item #24 in place of supplied bolts)	
6	4566501	1	Spacer, Tube	
7	4640509	1	Cartridge, Valve	
7	2900792	1	Seal Kit - 4640509 Valve	
8	4640605	1	Cartridge, Valve	
8	2900792	1	Seal Kit - 4640605 Valve	
9	3932032	8	Bolt, Socket Head 5/16in-11NC x 2in	
10	2220883	2	Plug, O-Ring	
11	See Note	NSS	Ring, Lock (Note: Use Item 51)	
12	See Note	NSS	Seal, Hydrolock (Note: Use Item 51)	
13	See Note	NSS	O-Ring (Note: Use Item 51)	
14	See Note	NSS	Ring, Back-up (Note: Use Item 51)	
15	See Note	NSS	Ring, Wear (Note: Use Item 51)	
16	See Note	NSS	O-Ring (Note: Use Item 51)	
17	See Note	NSS	Ring, Back-up (Note: Use Item 51)	
18	See Note	NSS	Seal, Rod (Note: Use Item 51)	
19	See Note	NSS	Wiper (Note: Use Item 51)	
20	0100011	AR	Compound, Locking	
21	0100038	AR	Primer, Locking	
22	3760372	1	Washer, Ring	
24	0630536	3	Bolt 3/8in-16NC x 1-1/2in	
25	2220886	1	Plug, O-Ring	
26	0100063	AR	Adhesive	
51	2901285	1	Seal Kit (Includes Items 11-19)	

SECTION 5 - CYLINDER

FIGURE 5-5. LIFT (ARTICULATING JIB) CYLINDER ASSEMBLY - 600AJ



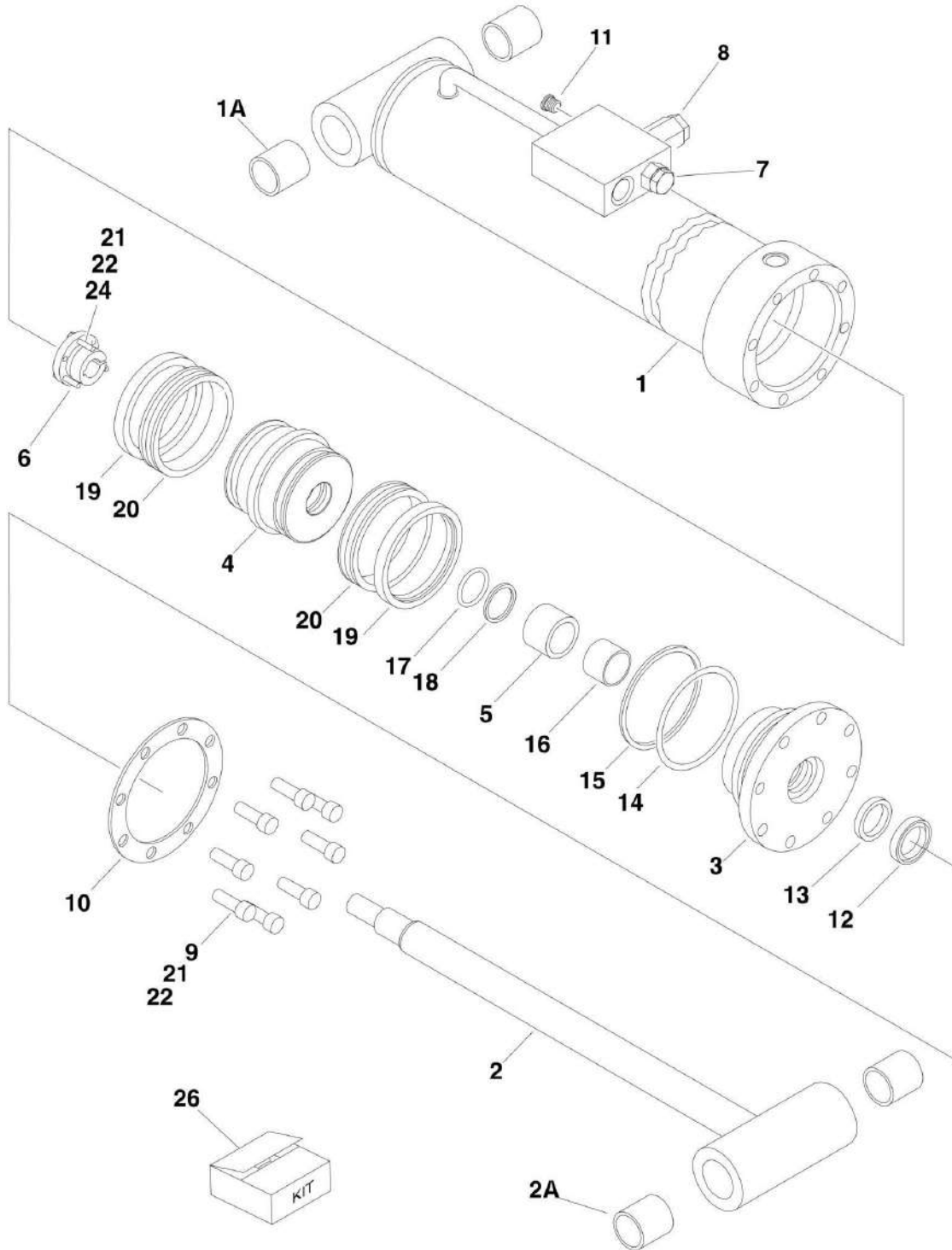
SECTION 5 - CYLINDER

FIGURE 5-5. LIFT (ARTICULATING JIB) CYLINDER ASSEMBLY - 600AJ

ITEM	PART NUMBER	QTY	DESCRIPTION	REV
	1683258	Ref	LIFT CYLINDER ASSEMBLY - 600AJ	C
1		Ref	Barrel Options:	
1	1683259	1	Barrel (Prior to SN 0300062140)	
1	1684092	1	Barrel (SN 0300062140 through 0300069000)	
1A		Ref	Bushing Options:	
1A	0961947	2	Bushing (Prior to SN 0300062140)	
1A	0962336	2	Bushing (SN 0300062140 through 0300069000)	
2		Ref	Rod Options:	
2	1683261	1	Rod (Prior to SN 0300062140)	
2	1684090	1	Rod (SN 0300062140 through 0300069000)	
2A		Ref	Bushing Options:	
2A	0961947	2	Bushing (Prior to SN 0300062140)	
2A	0962336	2	Bushing (SN 0300062140 through 0300069000)	
3	3480210	1	Piston	
4	1683053	1	Head	
5	0961893	1	Bushing, Tapered	
6	4566471	1	Spacer	
7	4640509	2	Cartridge, Valve	
7	2900792	2	Seal Kit - 4640509 Valve	
8	4640902	1	Cartridge, Valve	
8	7012953	1	Seal Kit - 4640902 Valve	
8A	7012961	1	Knob	
9	3931516	8	Capscrew, Socket Head 5/16in-18NC x 1in	
10	3760368	1	Ring, Washer	
11	2220885	1	Plug, O-Ring #6	
12	2220883	2	Plug, O-Ring #4	
13	3900141	1	Setscrew 1/4in-20NC x 3/8in	
14	0100011	AR	Compound, Locking	
15	0100038	AR	Primer, Locking	
16	See Note	NSS	Seal (Note: Use Item 51)	
17	See Note	NSS	Ring, Lock (Note: Use Item 51)	
18	See Note	NSS	O-Ring (Note: Use Item 51)	
19	See Note	NSS	Ring, Back-up (Note: Use Item 51)	
20	See Note	NSS	Ring, Wear (Note: Use Item 51)	
21	See Note	NSS	O-Ring (Note: Use Item 51)	
22	See Note	NSS	Ring, Back-up (Note: Use Item 51)	
23	See Note	NSS	Seal, Rod (Note: Use Item 51)	
24	See Note	NSS	Wiper (Note: Use Item 51)	
25	0100063	AR	Adhesive	
26	0630534	3	Bolt #10 - 24NC x 1in	
51	2901303	1	Seal Kit (Includes Items 16-24)	

SECTION 5 - CYLINDER

FIGURE 5-6. LIFT (MAIN BOOM) CYLINDER ASSEMBLY



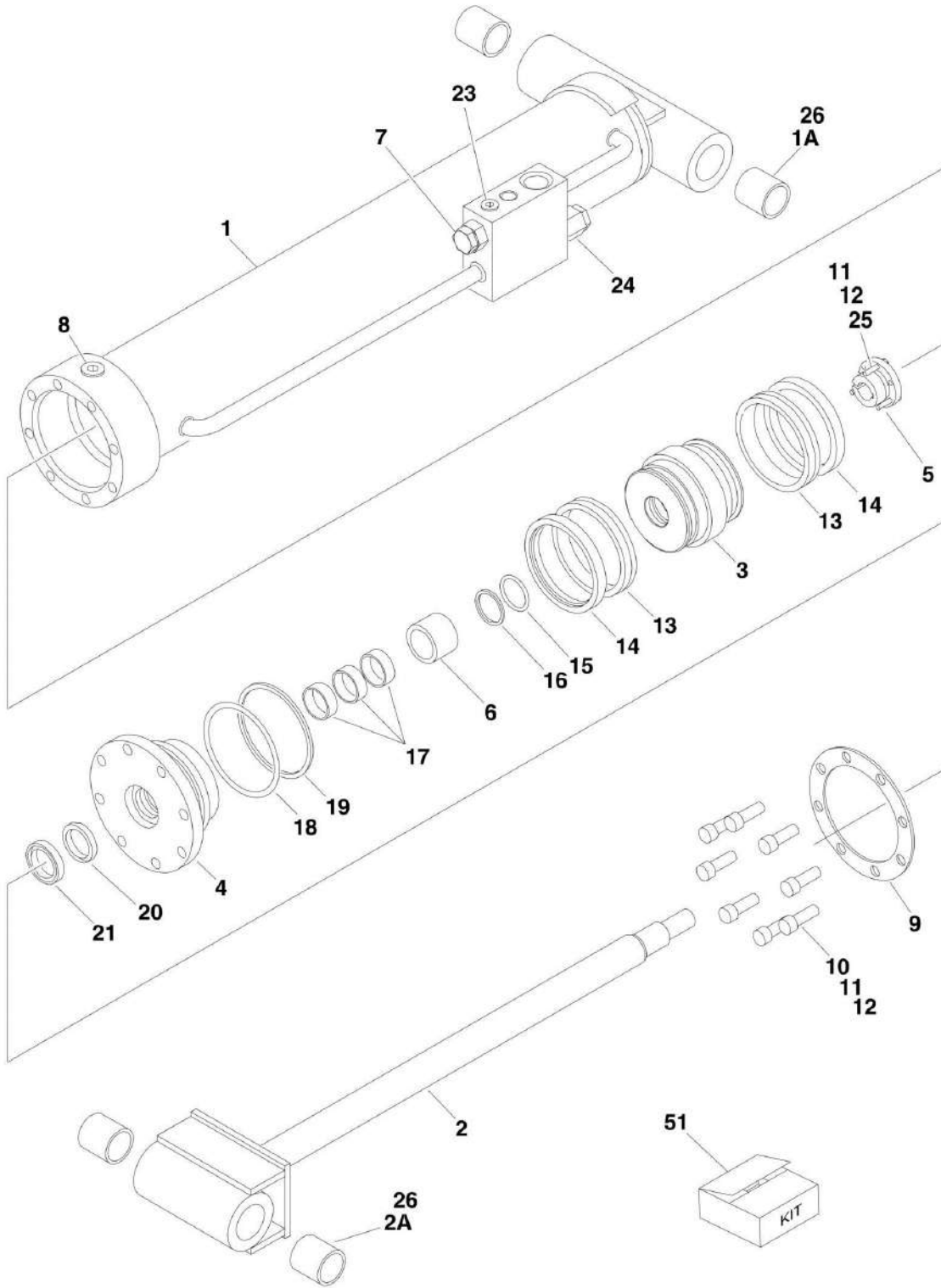
SECTION 5 - CYLINDER

FIGURE 5-6. LIFT (MAIN BOOM) CYLINDER ASSEMBLY

ITEM	PART NUMBER	QTY	DESCRIPTION	REV
	1683294	Ref	LIFT (MAIN BOOM) CYLINDER ASSEMBLY	G
1		Ref	Barrel Options:	
1	1683295	1	Barrel (Prior to SN 0300055554)	
1	1684001	1	Barrel (SN 0300055554 through 0300069000)	
1A	0961948	2	Bushing	
2		Ref	Rod Options:	
2	1683297	1	Rod (Prior to SN 0300055554)	
2	1684005	1	Rod (SN 0300055554 through 0300069000)	
2A	0961948	2	Bushing	
3	1683061	1	Head	
4	3480211	1	Piston	
5	4566408	1	Spacer	
6	0961897	1	Bushing, Tapered	
7	4640438	1	Cartridge, Valve	
7	2900770	1	Seal Kit - 4640438 Valve	
8	4640509	1	Cartridge, Valve	
8	2900792	1	Seal Kit - 4640509 Valve	
9	3931720	8	Capscrew, Socket Head 7/16in-14NC x 1-1/4in	
10	3760370	1	Ring, Washer	
11	2220883	1	Plug, O-Ring #6	
12	See Note	NSS	Wiper (Note: Use Item 26)	
13	See Note	NSS	Seal, Rod (Note: Use Item 26)	
14	See Note	NSS	O-Ring (Note: Use Item 26)	
15	See Note	NSS	Ring, Back-up (Note: Use Item 26)	
16	See Note	NSS	Ring, Wear (Note: Use Item 26)	
17	See Note	NSS	O-Ring (Note: Use Item 26)	
18	See Note	NSS	Ring, Back-up (Note: Use Item 26)	
19	See Note	NSS	Ring, Lock (Note: Use Item 26)	
20	See Note	NSS	Seal (Note: Use Item 26)	
21	0100011	AR	Compound, Locking	
22	0100038	AR	Primer, Locking	
24	0630535	3	Bolt 1/4in-20NC x 1-1/8in	
26	2901273	1	Seal Kit (Includes Items 12-20)	

SECTION 5 - CYLINDER

FIGURE 5-7. LIFT (TOWER BOOM) CYLINDER ASSEMBLY



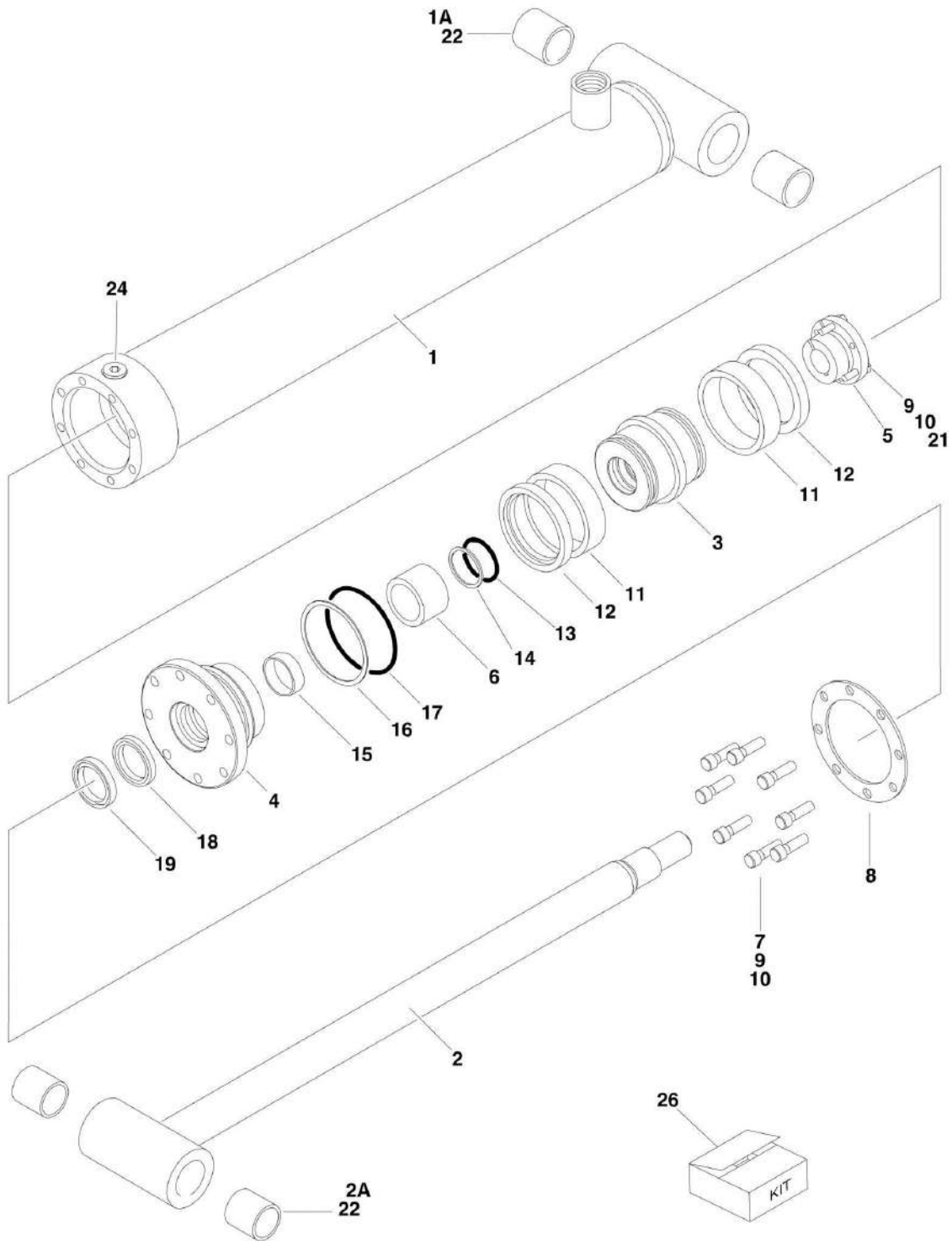
SECTION 5 - CYLINDER

FIGURE 5-7. LIFT (TOWER BOOM) CYLINDER ASSEMBLY

ITEM	PART NUMBER	QTY	DESCRIPTION	REV
	1683288	Ref	LIFT (TOWER BOOM) CYLINDER ASSEMBLY	L
1		Ref	Barrel Options:	
1	1683289	1	Barrel (Prior to SN 0300057328)	
1	1684017	1	Barrel (SN 0300057328 through 0300069000)	
1A	0961949	2	Bushing	
2		Ref	Rod Options:	
2	1683291	1	Rod (Prior to SN 0300057328)	
2	1684019	1	Rod (SN 0300057328 through 0300069000)	
2A	0961949	2	Bushing	
3	3480216	1	Piston	
4	1683069	1	Head	
5	0961899	1	Bushing, Tapered	
6	4566667	1	Spacer	
7	4640605	1	Cartridge, Valve	
7	2900792	1	Seal Kit - 4640605	
8	2220888	1	Plug, O-Ring #12	
9	3760384	1	Ring, Washer	
10	3932240	8	Capscrew, Socket Head 3/4in-10NC x 2-1/2in	
11	0100011	AR	Compound, Locking	
12	0100038	AR	Primer, Locking	
13	See Note	NSS	Seal (Note: Use Item 51)	
14	See Note	NSS	Ring, Lock (Note: Use Item 51)	
15	See Note	NSS	O-Ring (Note: Use Item 51)	
16	See Note	NSS	Ring, Back-up (Note: Use Item 51)	
17	See Note	NSS	Ring, Wear (Note: Use Item 51)	
18	See Note	NSS	O-Ring (Note: Use Item 51)	
19	See Note	NSS	Ring, Back-up (Note: Use Item 51)	
20	See Note	NSS	Seal, Rod (Note: Use Item 51)	
21	See Note	NSS	Wiper (Note: Use Item 51)	
23	2220883	2	Plug, O-Ring #4	
24	4640509	1	Counterbalance	
24	2900792	1	Seal Kit - 4640509	
25	0630536	3	Bolt 3/8in-16NC x 1-1/2in	
26	0100063	AR	Adhesive	
51	2901322	1	Seal Kit (Includes Items 13-21)	

SECTION 5 - CYLINDER

FIGURE 5-8. MASTER CYLINDER ASSEMBLIES



SECTION 5 - CYLINDER

FIGURE 5-8. MASTER CYLINDER ASSEMBLIES

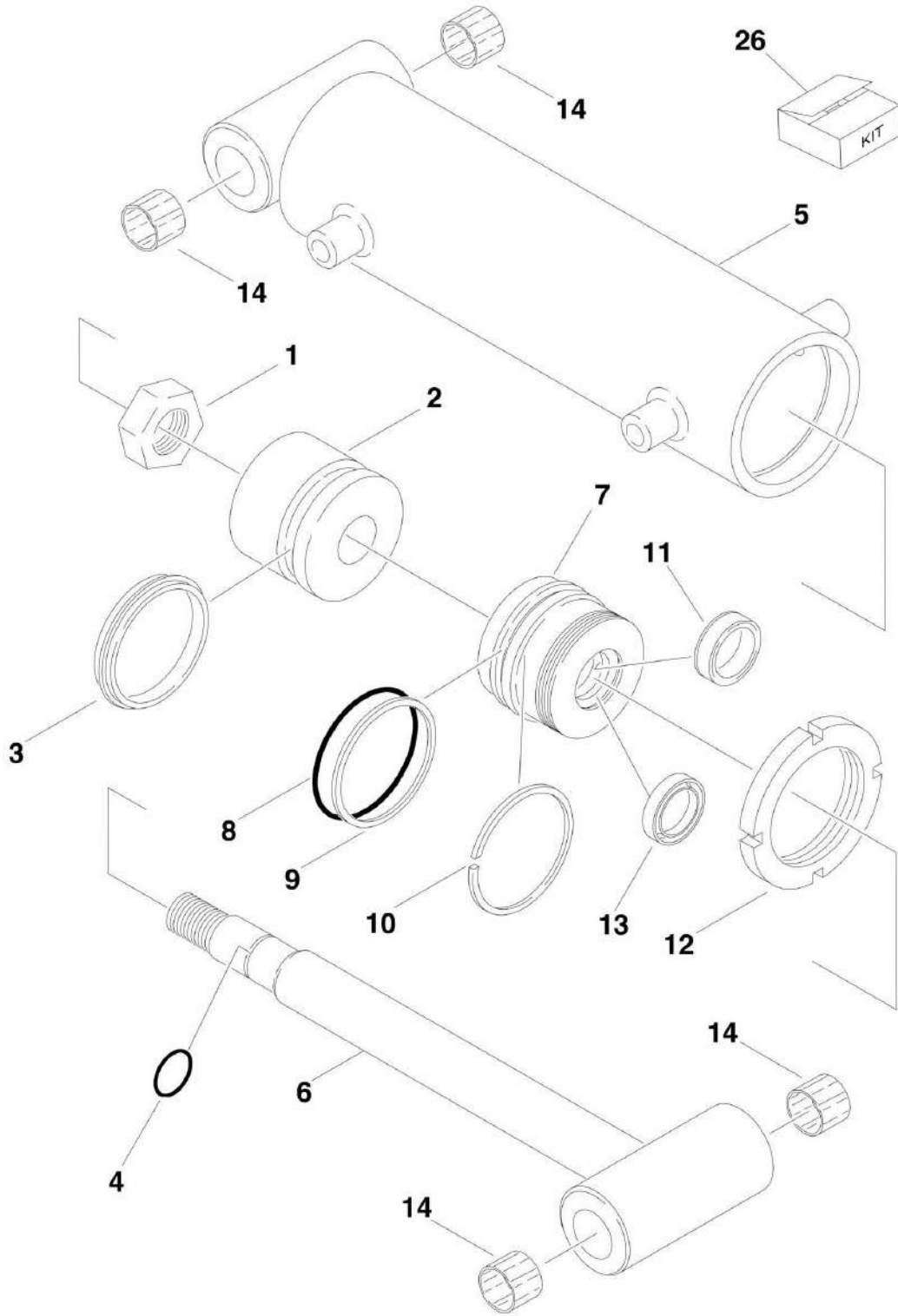
ITEM	PART NUMBER	QTY	DESCRIPTION	REV
	1683266	Ref	MASTER CYLINDER ASSEMBLY - 600A	C
	1683263	Ref	MASTER CYLINDER ASSEMBLY - 600AJ	E
1		Ref	Barrel Options:	
1	1683267	1	Barrel (Note: Includes Item 1A) 600A (Prior to SN 0300053542)	
1	1683972	1	Barrel (Note: Includes Item 1A) 600A (SN 0300053542 through 0300069000)	
1	1683264	1	Barrel (Note: Includes Item 1A) 600AJ (Prior to SN 0300052685)	
1	1683949	1	Barrel ((Note: Item 1A not included. Purchase Separately) 600AJ (SN 0300052685 through 0300069000)	
1A		Ref	Bushing Options:	
1A	0961947	2	600A - Bushing	
1A	0961951	2	600AJ - Bushing	
2		Ref	Rod Options:	
2	1683269	1	Rod 600A (Note: Includes Item 2A) (Prior to SN 0300053542)	
2	1683973	1	Rod 600A (Note: Includes Item 2A) (SN 0300053542 through 0300069000)	
2	1683256	1	Rod 600AJ (Note: Includes Item 2A) (Prior to SN 0300052685)	
2	1683962	1	Rod 600AJ (Note: Item 2A not included. Purchase Separately) (SN 0300052685 through 0300069000)	
2A		Ref	Bushing Options:	
2A	0961947	2	600A - Bushing	
2A	0961951	2	600AJ - Bushing	
3		Ref	Piston Options:	
3	3480210	1	Piston 600A	
3	3480188	1	Piston 600AJ	
4		Ref	Head Options:	
4	1683053	1	Head 600A	
4	1683055	1	Head 600AJ	
5		Ref	Bushing, Tapered Options (Use item 21 in place of supplied bolts):	
5	0961893	1	Bushing, Tapered 600A	
5	0961894	1	Bushing, Tapered 600AJ	
6	4566468	1	Spacer	
7		Ref	Capscrew, Socket Head Options:	
7	3931516	8	600A - Capscrew, Socket Head 5/16in-18NC x 1in	
7	3931620	8	600AJ - Capscrew, Socket Head 3/8in-16NCx1-1/4in	
8		Ref	Ring, Washer Options:	
8	3760368	1	Ring, Washer 600A	
8	3760369	1	Ring, Washer 600AJ	
9	0100011	AR	Compound, Locking	
10	0100038	AR	Primer, Locking	
11	See Note	2	Seal (Note: Use Item 26)	
12	See Note	2	Ring, Lock (Note: Use Item 26)	
13	See Note	1	O-Ring (Note: Use Item 26)	
14	See Note	1	Ring, Back-up (Note: Use Item 26)	
15	See Note	1	Ring, Wear (Note: Use Item 26)	
16	See Note	1	O-Ring (Note: Use Item 26)	
17	See Note	1	Ring, Back-up (Note: Use Item 26)	
18	See Note	1	Seal, Rod (Note: Use Item 26)	
19	See Note	1	Wiper (Note: Use Item 26)	
21		Ref	Bolt Options:	

SECTION 5 - CYLINDER

ITEM	PART NUMBER	QTY	DESCRIPTION	REV
21	0630534	3	600A - Bolt #10 - 24NC x 1in	
21	0630535	3	600AJ - Bolt 1/4in-20NC x 1-1/8in	
22	0100063	AR	Adhesive	
24	2220885	1	Plug, O-Ring #6 - 600AJ Only (SN 0300052685 through 0300069000)	
26		Ref	Seal Kit Options (Includes Items 11-19):	
26	2901303	1	Seal Kit 600A	
26	2901301	1	Seal Kit 600AJ	

SECTION 5 - CYLINDER

FIGURE 5-9. STEER CYLINDER ASSEMBLIES



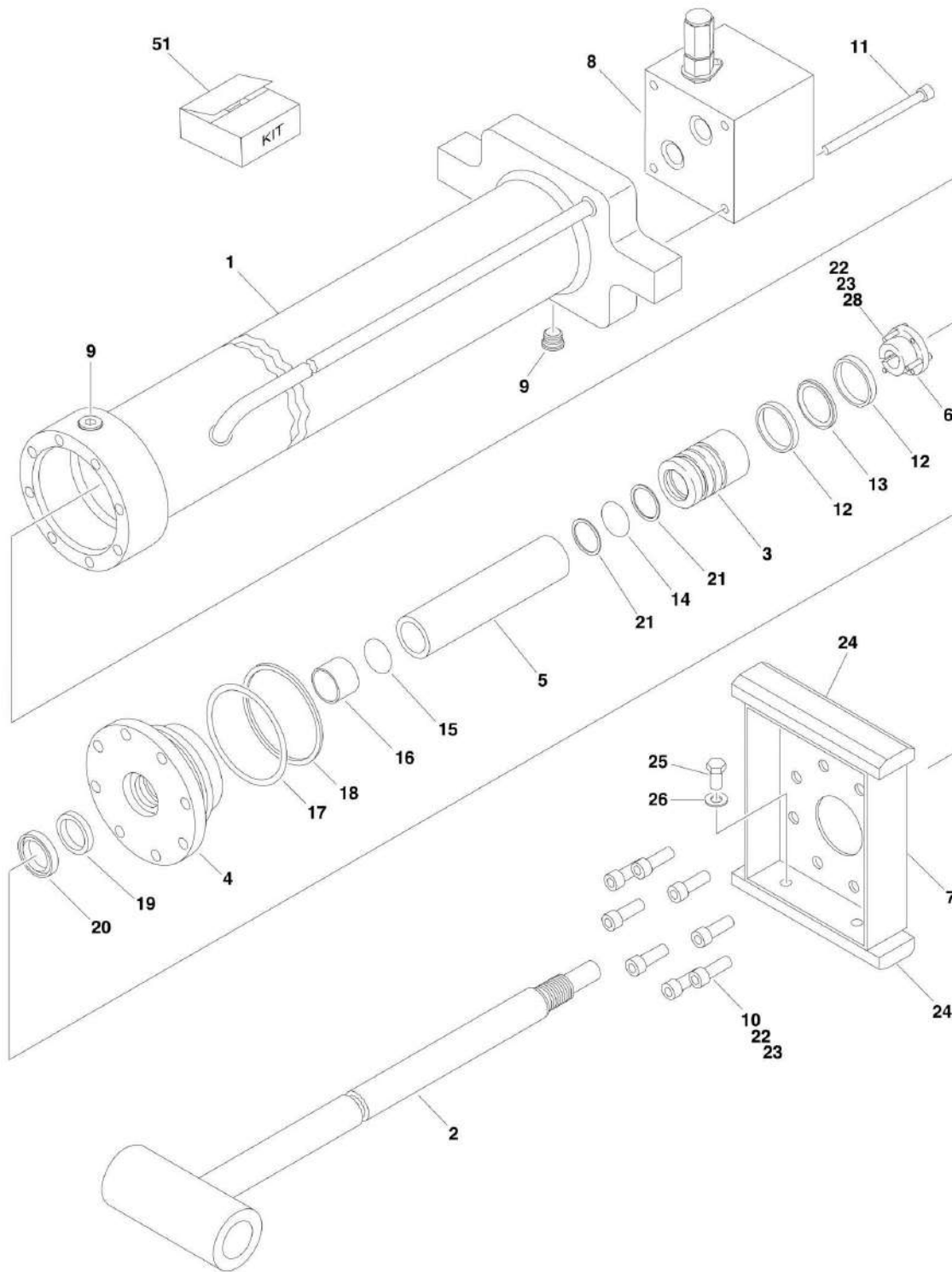
SECTION 5 - CYLINDER

FIGURE 5-9. STEER CYLINDER ASSEMBLIES

ITEM	PART NUMBER	QTY	DESCRIPTION	REV
		Ref	STEER CYLINDER ASSEMBLIES	
	1683208	Ref	8ft/2.4m Width Machines	C
	1683304	Ref	7ft/2.1m Width Machines	A
1	7001626	1	Locknut	
2	7001627	1	Piston	
3	See Note	NSS	Seal (Note: Use Item 26)	
4	See Note	NSS	O-Ring (Note: Use Item 26)	
5	See Note	1	Barrel (Note: Not Available for Purchase)	
6		Ref	Rod Options:	
6	7001633	1	8ft/2.4m Width Machines	
6	7001628	1	7ft/2.1m Width Machines	
7	7001629	1	Guide	
8	See Note	NSS	O-Ring (Note: Use Item 26)	
9	See Note	NSS	Ring, Back-up (Note: Use Item 26)	
10	See Note	NSS	Ring, Retaining (Note: Use Item 26)	
11	See Note	NSS	Seal, Lip (Note: Use Item 26)	
12	7001630	1	Nut, Spanner	
13	See Note	NSS	Ring, Wiper (Note: Use Item 26)	
14		Ref	Bushing Options:	
14	0961977	4	8ft/2.4m Width Machines	
14	0961890	4	7ft/2.1m Width Machines	
26	7001625	1	Seal Kit (Includes Items 3, 4, 8-11 & 13)	

SECTION 5 - CYLINDER

FIGURE 5-10. TELESCOPE (MAIN BOOM) CYLINDER ASSEMBLIES



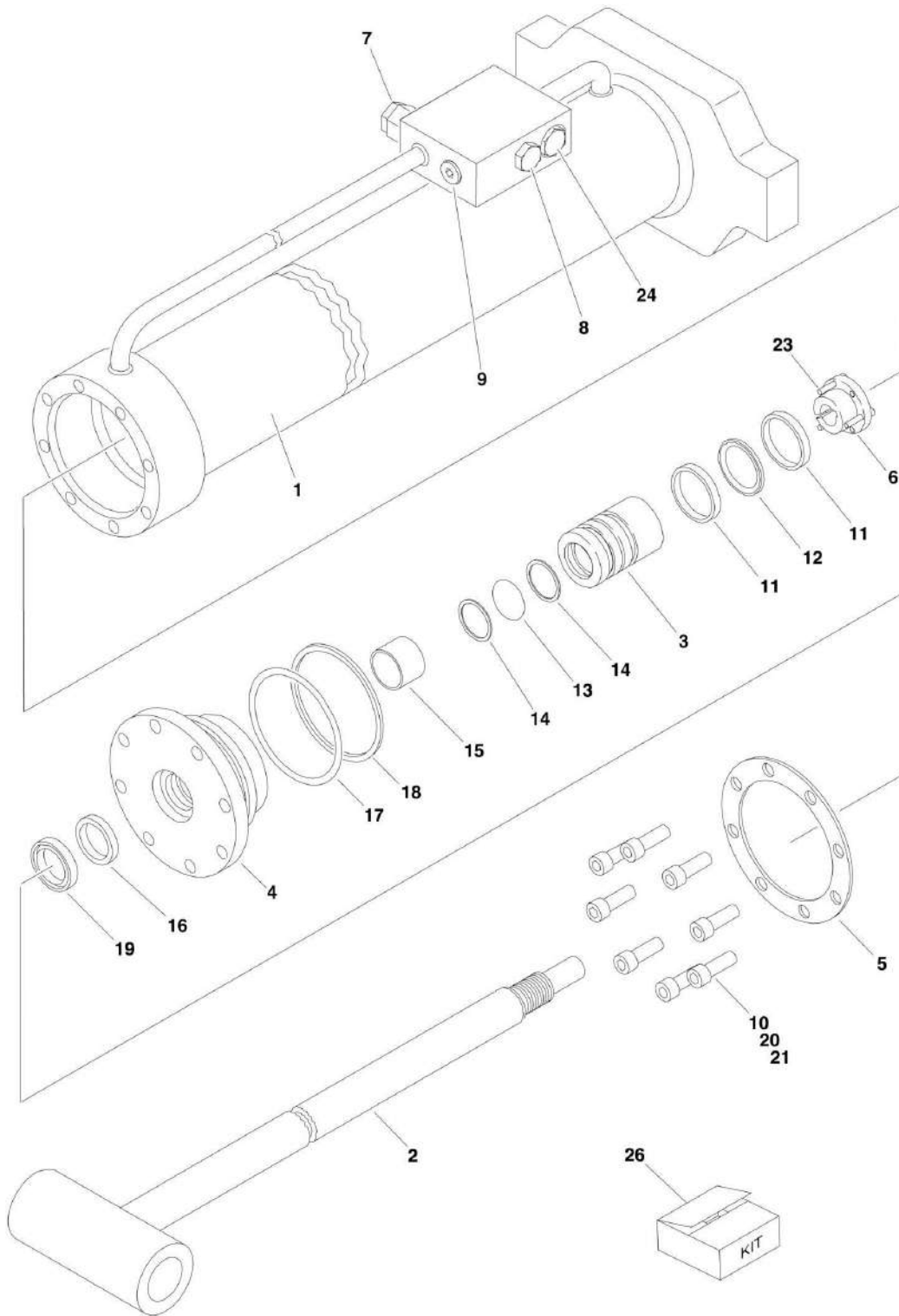
SECTION 5 - CYLINDER

FIGURE 5-10. TELESCOPE (MAIN BOOM) CYLINDER ASSEMBLIES

ITEM	PART NUMBER	QTY	DESCRIPTION	REV
	1683307	Ref	TELESCOPE CYLINDER ASSEMBLY - 600A	3-E
	1683317	Ref	TELESCOPE CYLINDER ASSEMBLY - 600AJ	3-E
1		Ref	Barrel Options:	
1	1683308	1	Barrel 600A	
1	1683318	1	Barrel 600AJ	
2		Ref	Rod Options:	
2	1683310	1	Rod 600A	
2	1683320	1	Rod 600AJ	
3	3480212	1	Piston	
4	1683054	1	Head	
5	4566425	1	Spacer	
6	0961896	1	Bushing, Tapered	
7		Ref	Plate, Wear Pad Mounting Options:	
7	3538771	1	Plate, Wear Pad Mounting 600A	
7	3538247	1	Plate, Wear Pad Mounting 600AJ	
8	4640862	1	Valve Block Assembly (No Service Parts Available -Replace Complete Assembly)	
9	2220885	2	Plug, O-Ring	
10	3931516	8	Capscrew, Socket Head 5/16in-18NC x 1in	
11	3931448	4	Capscrew, Socket Head 1/4in-20NC x 3in	
12	See Note	NSS	Ring, Wear (Note: Use Item 51)	
13	See Note	NSS	Seal (Note: Use Item 51)	
14	See Note	NSS	O-Ring (Note: Use Item 51)	
15	See Note	NSS	O-Ring (Note: Use Item 51)	
16	See Note	NSS	Ring, Wear (Note: Use Item 51)	
17	See Note	NSS	O-Ring (Note: Use Item 51)	
18	See Note	NSS	Ring, Back-up (Note: Use Item 51)	
19	See Note	NSS	Seal, Rod (Note: Use Item 51)	
20	See Note	NSS	Wiper (Note: Use Item 51)	
21	See Note	NSS	Ring, Back-up (Note: Use Item 51)	
22	0100038	AR	Primer, Locking	
23	0100011	AR	Compound, Locking	
24	3340608	2	Pad, Wear	
25	0641604	4	Bolt 3/8in-16NC x 1/2in	
26	4751600	4	Flatwasher 3/8in Regular	
28	0630535	3	Bolt 1/4in-20NC x 1-1/8in	
51	2901278	1	Seal Kit (Includes Items 12-21)	

SECTION 5 - CYLINDER

FIGURE 5-11. TELESCOPE (TOWER BOOM) CYLINDER ASSEMBLY



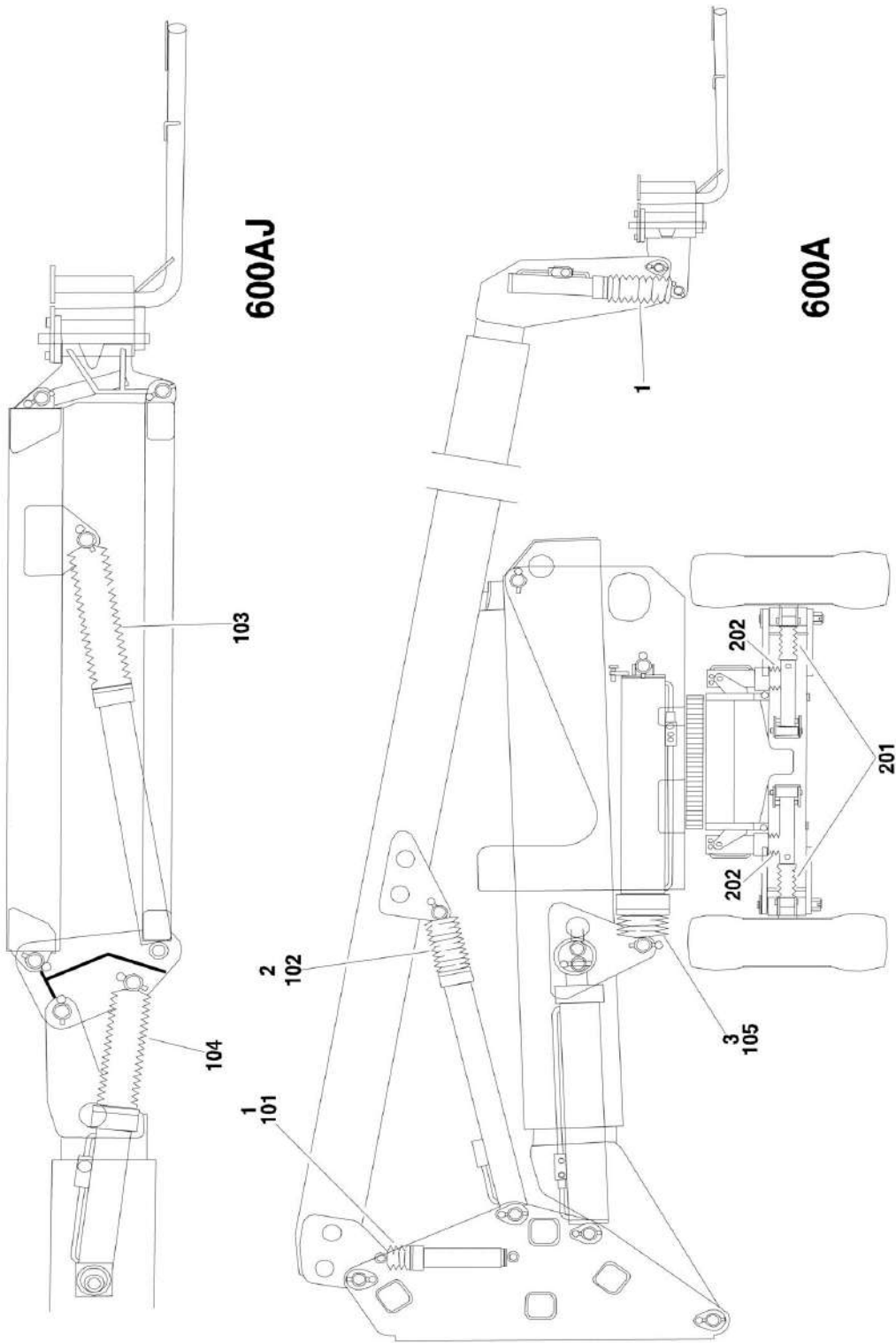
SECTION 5 - CYLINDER

FIGURE 5-11. TELESCOPE (TOWER BOOM) CYLINDER ASSEMBLY

ITEM	PART NUMBER	QTY	DESCRIPTION	REV
	1683312	Ref	TELESCOPE (TOWER BOOM) CYLINDER ASSEMBLY	4-E
1	1683313	1	Barrel	
2	1683314	1	Rod	
3	3480212	1	Piston	
4	1683054	1	Head	
5	3760368	1	Ring, Washer	
6	0961896	1	Bushing, Tapered	
7	4640509	2	Cartridge, Valve	
7	2900792	2	Seal Kit - 4640509 Valve	
8	4640647	1	Cartridge, Valve	
8	2900770	1	Seal Kit - 4640647 Valve	
9	2220883	1	Plug, O-Ring	
10	3931516	8	Capscrew, Socket Head 5/16in-18NC x 1in	
11	See Note	NSS	Ring, Wear (Note: Use Item 26)	
12	See Note	NSS	T-Seal (Note: Use Item 26)	
13	See Note	NSS	O-Ring (Note: Use Item 26)	
14	See Note	NSS	Ring, Back-up (Note: Use Item 26)	
15	See Note	NSS	Ring, Wear (Note: Use Item 26)	
16	See Note	NSS	Seal, Rod (Note: Use Item 26)	
17	See Note	NSS	O-Ring (Note: Use Item 26)	
18	See Note	NSS	Ring, Back-up (Note: Use Item 26)	
19	See Note	NSS	Wiper (Note: Use Item 26)	
20	0100038	AR	Primer, Locking	
21	0100011	AR	Compound, Locking	
23	0630535	3	Bolt 1/4in-20NC x 1-1/8in	
24	4640509	1	Cartridge, Valve (Recommend using 4640999 as a replacement) (Prior to SN 0300028176)	
24	2900792	1	Seal Kit - 4640509 Valve	
24	4640999	1	Cartridge, Valve (SN 0300028176 through 0300069000)	
24	7011185	1	Seal Kit - 4640999 Valve	
26	2901278	1	Seal Kit (Includes Items 11-19)	

SECTION 5 - CYLINDER

FIGURE 5-12. CYLINDER BELLOWS INSTALLATION (OPTIONAL)



SECTION 5 - CYLINDER

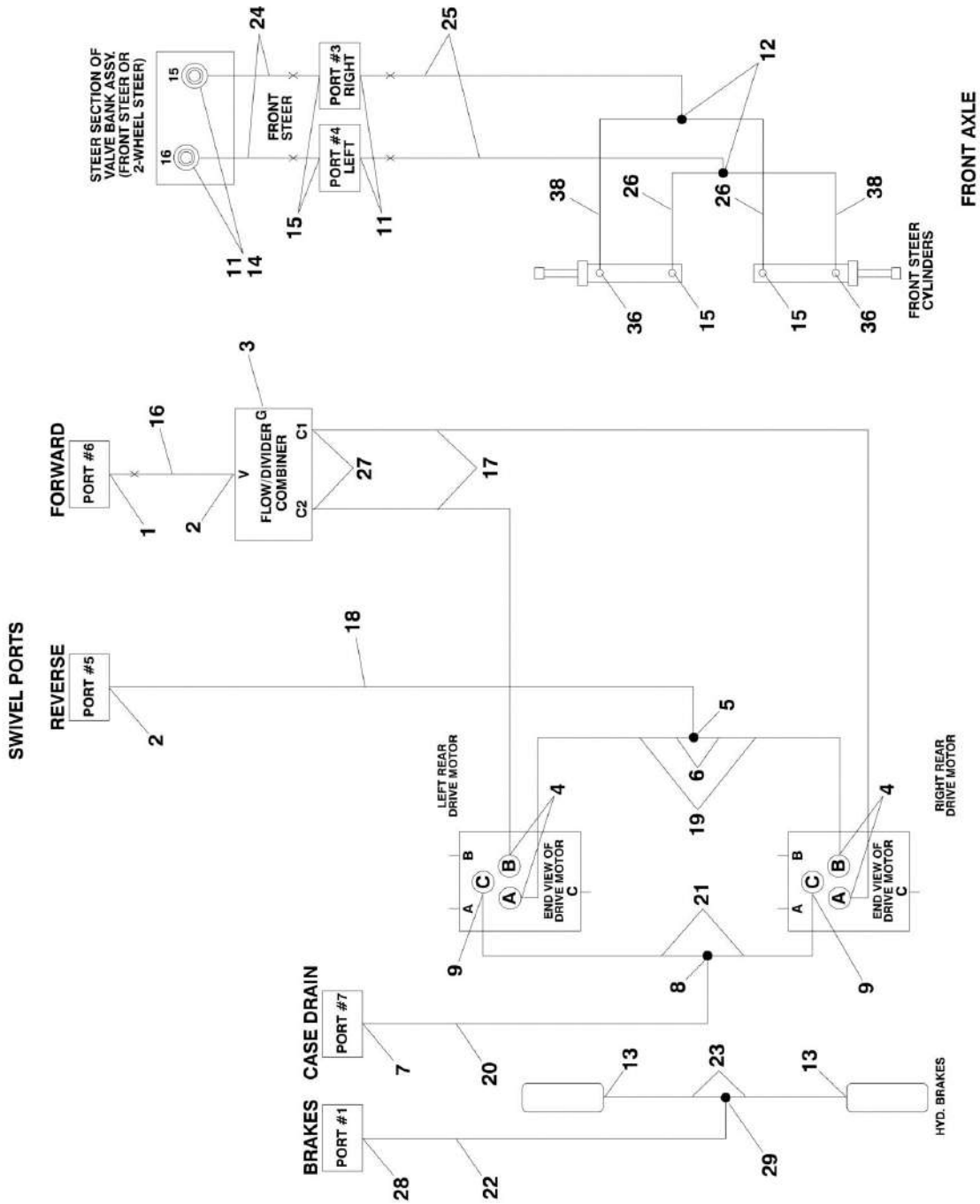
FIGURE 5-12. CYLINDER BELLOWS INSTALLATION (OPTIONAL)

ITEM	PART NUMBER	QTY	DESCRIPTION	REV
	0255927	Ref	CYLINDER BELLOWS INSTALLATION (600A)	1
1	0460152	2	Bellows, Cylinder (Master and Platform Level Cylinders)	
2	0460155	1	Bellows, Cylinder (Main Lift Cylinder)	
3	0460154	1	Bellows, Cylinder (Tower Lift Cylinder)	
	0255928	Ref	CYLINDER BELLOWS INSTALLATION (600AJ)	1
101	0460151	1	Bellows, Cylinder (Master and Platform Level Cylinders)	
102	0460155	1	Bellows, Cylinder (Main Lift Cylinder)	
103	0460161	1	Bellows, Cylinder (Articulating Jib Lift Cylinder)	
104	0460160	1	Bellows, Cylinder (Articulating Jib Level Cylinder)	
105	0460154	1	Bellows, Cylinder (Tower Lift Cylinder)	
	1282490	Ref	CYLINDER BELLOWS INSTALLATION (FRAME)	-
	0255482	Ref	2WD/2WS & 4WD/2WS 8ft/2.4m Width Machines with Oscillating Axle	-
	0255483	Ref	2WD/2WS & 4WD/2WS 8ft/2.4m Width Machines with Fixed Axle	-
	0255486	Ref	2WD/4WS & 4WD/2WS 8ft/2.4m Width Machines with Oscillating Axle	-
	0255487	Ref	2WD/4WS & 4WD/4WS 8ft/2.4m Width Machines with Fixed Axle	-
	0255484	Ref	2WD/2WS 7ft/2.1m Width Machines with Oscillating Axle	-
	0255485	Ref	2WD/2WS 7ft/2.1m Width Machines with Fixed Axle	-
	0255488	Ref	2WD/4WS 7ft/2.1m Width Machines with Oscillating Axle	-
	0255489	Ref	2WD/4WS 7ft/2.1m Width Machines with Fixed Axle	-
201		Ref	Bellows, Cylinder (Steer Cylinder)	
201	0460150	AR	8ft/2.4m Width Machines	
201	0460157	AR	7ft/2.1m Width Machines	
202		Ref	Bellows, Cylinder (Oscillating Axle Cylinders)	
202	0460159	AR	With Oscillating Axle	
202	Not Required	0	Without Oscillating Axle	

SECTION 6 - HYDRAULIC

SECTION 6 - HYDRAULIC

FIGURE 6-1. DRIVE HYDRAULIC DIAGRAM - 2WD/2WS



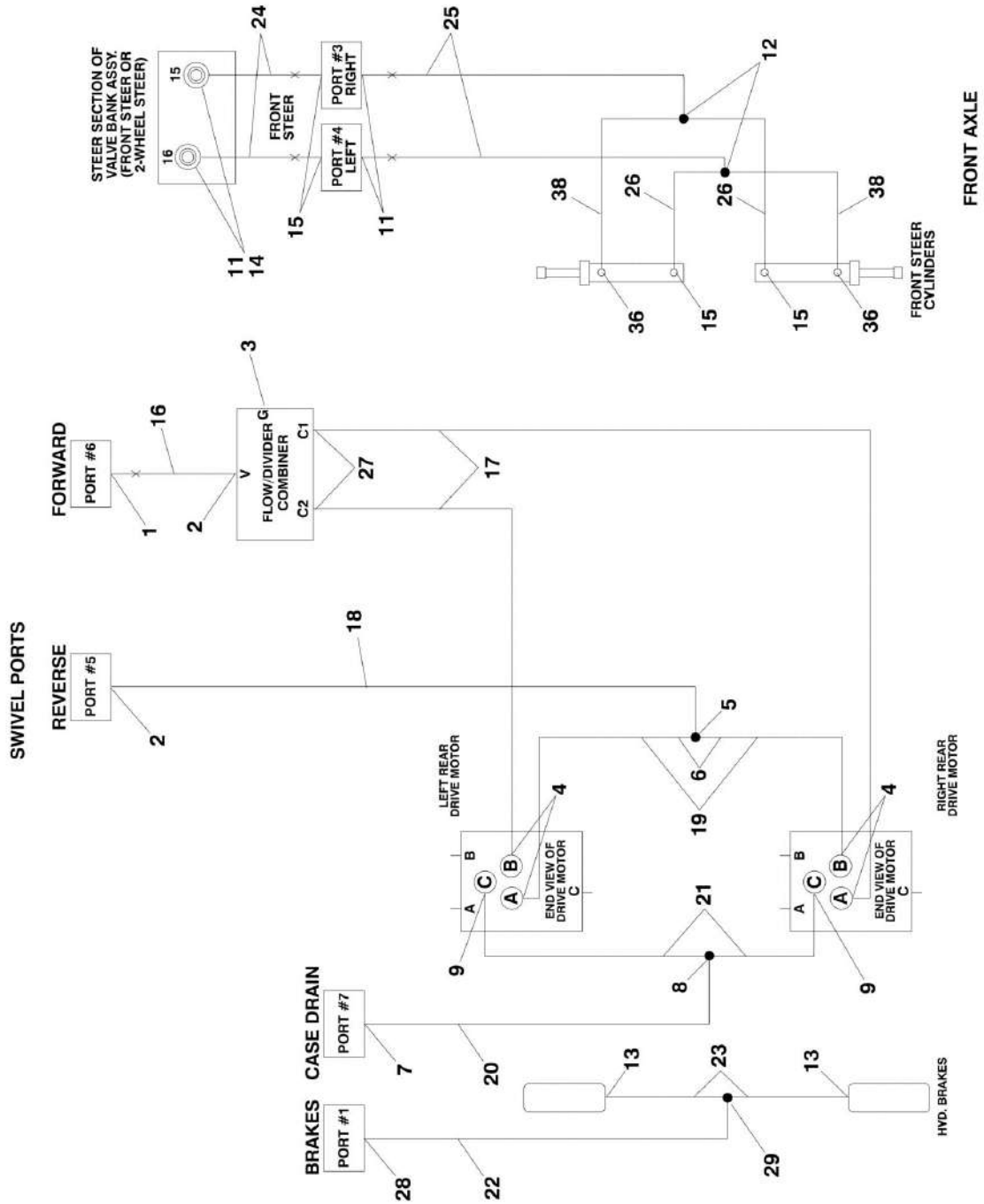
SECTION 6 - HYDRAULIC

FIGURE 6-1. DRIVE HYDRAULIC DIAGRAM - 2WD/2WS

ITEM	PART NUMBER	QTY	DESCRIPTION	REV
	2792193	Ref	DRIVE HYDRAULIC DIAGRAM - 2WD/2WS	4
1	2220377	1	Fitting, Straight	
2	2220365	2	Fitting, 45	
3	2220235	1	Fitting, Plug	
4	2220451	4	Fitting, Straight	
5	2220363	1	Fitting, Tee	
6	2220710	2	Fitting, Reducer	
7	2220375	1	Fitting, Straight	
8	2220362	1	Fitting, Tee	
9	2220373	2	Fitting, Straight	
11	2220371	2	Fitting, Straight	
12	2220490	2	Fitting, Tee	
13	2220466	2	Fitting, 90	
14	2220507	2	Fitting, 90	
15	2220473	4	Fitting, 90	
16	2752354	1	Hose	
17	2752258	2	Hose	
18	2752324	1	Hose	
19	2752245	2	Hose	
20	2752813	1	Hose	
21	2752814	2	Hose	
22	2752602	1	Hose	
23	2752459	2	Hose	
24	2752620	2	Hose	
25	2752473	2	Hose	
26	2752966	2	Hose	
27	2220435	2	Fitting, Straight	
28	2220582	1	Fitting, Straight	
29	2220504	1	Fitting, Straight	
36	2220501	2	Fitting, 45	
38	2752970	2	Hose	

SECTION 6 - HYDRAULIC

FIGURE 6-2. DRIVE HYDRAULIC DIAGRAM - 4WD/2WS



SECTION 6 - HYDRAULIC

FIGURE 6-2. DRIVE HYDRAULIC DIAGRAM - 4WD/2WS

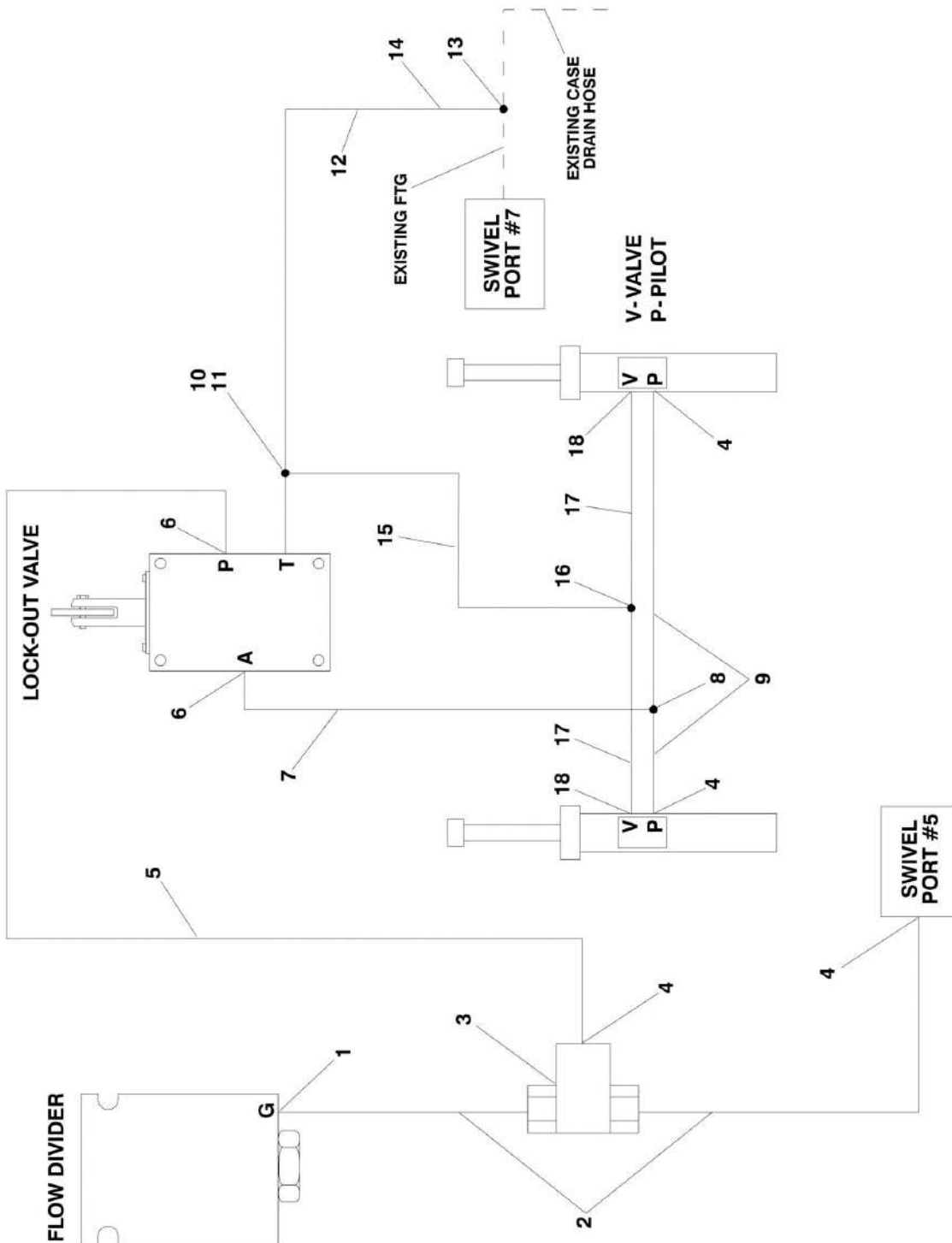
ITEM	PART NUMBER	QTY	DESCRIPTION	REV
	2792195	Ref	DRIVE HYDRAULIC DIAGRAM - 4WD/2WS	8
1	2220377	1	Fitting, Straight	
2	2752349	1	Hose	
3	2220365	1	Fitting, 45	
5	2220833	8	Fitting, Reducer	
6	2220500	4	Fitting, 45	
7	2752398	2	Hose	
8	2220596	4	Fitting, 90	
10	2220622	4	Fitting, Reducer (Prior to SN 0300058640)	
12	2751017	1	Hose (Prior to SN 0300037775)	
12	2751013	1	Hose (SN 0300037775 through 0300069000)	
13	2750770	1	Hose (Prior to SN 0300037775)	
13	2751013	1	Hose (SN 0300037775 through 0300069000)	
14	2220466	6	Fitting, 90	
15	2220490	2	Fitting, Tee	
16	2220671	4	Fitting, 90	
17	2752807	2	Hose	
18	2220362	2	Fitting, Tee	
19	2220375	2	Fitting, Straight	
20	2752813	1	Hose	
21	2220473	6	Fitting, 90	
22	2752602	1	Hose	
23	2752592	2	Hose	
24	2220371	4	Fitting, Straight	
25	2750756	1	Hose	
26	2220568	2	Fitting, 45	
28	2752249	2	Hose	
29	2220235	4	Fitting, Plug	
31	2752807	1	Hose	
32	2752890	2	Hose	
33	2750790	1	Hose	
34	2752919	2	Hose	
35	2220415	3	Fitting, Straight	
36	2752899	2	Hose	
37	2752966	2	Hose	
38	2752593	1	Hose	
39	2752473	2	Hose	
40	2220909	1	Fitting, Office (.015)	
41	2220605	1	Fitting, Tee	
42	2752573	1	Hose	
43	2751427	2	Hose	
44	2751396	1	Hose	
45	4640906	1	Valve, 2-Speed Motor Control	
45	7012974	1	Cartridge without Coil	
45	7012905	1	Seal Kit	
45	7012944	1	Coil	
45	4640906	2	Cartridge, Check Valve (Note: Not Available for Purchase)	
45	7012972	2	Seal Kit	
46	0641508	2	Bolt 5/16in-18NC x 1in	
47	4891500	2	Flatwasher 5/16in Hardened	

SECTION 6 - HYDRAULIC

ITEM	PART NUMBER	QTY	DESCRIPTION	REV
48	4711500	2	Flatwasher 5/16in Thin	
49	2220507	2	Fitting, 90	
50	2752620	2	Hose	
52	2220914	1	Orifice (.043)	
53		Ref	Fitting Options:	
53	2220550	2	Fitting (Prior to SN 0300058640)	
53	2220833	2	Fitting (SN 0300058640 through 0300069000)	
54		Ref	Fitting, Tee Options:	
54	2220738	2	Fitting, Tee (Prior to SN 0300058640)	
54	2220602	2	Fitting, Tee (SN 0300058640 through 0300069000)	
55	2220435	2	Fitting, Straight	
56	2752398	2	Hose	
57	2752889	2	Hose	
58	2220582	5	Fitting, Straight	
59	2220504	4	Fitting, Tee	
60	2220466	2	Fitting, Straight	
67	2220800	4	Fitting, Straight	
68	2752912	2	Hose	
69	2220501	2	Fitting, 45	
71	2752970	2	Hose	
73	2220502	1	Fitting, 45, (SN 0300057328 through 0300069000)	

SECTION 6 - HYDRAULIC

FIGURE 6-3. HYDRAULIC DIAGRAM - OSCILLATING AXLE



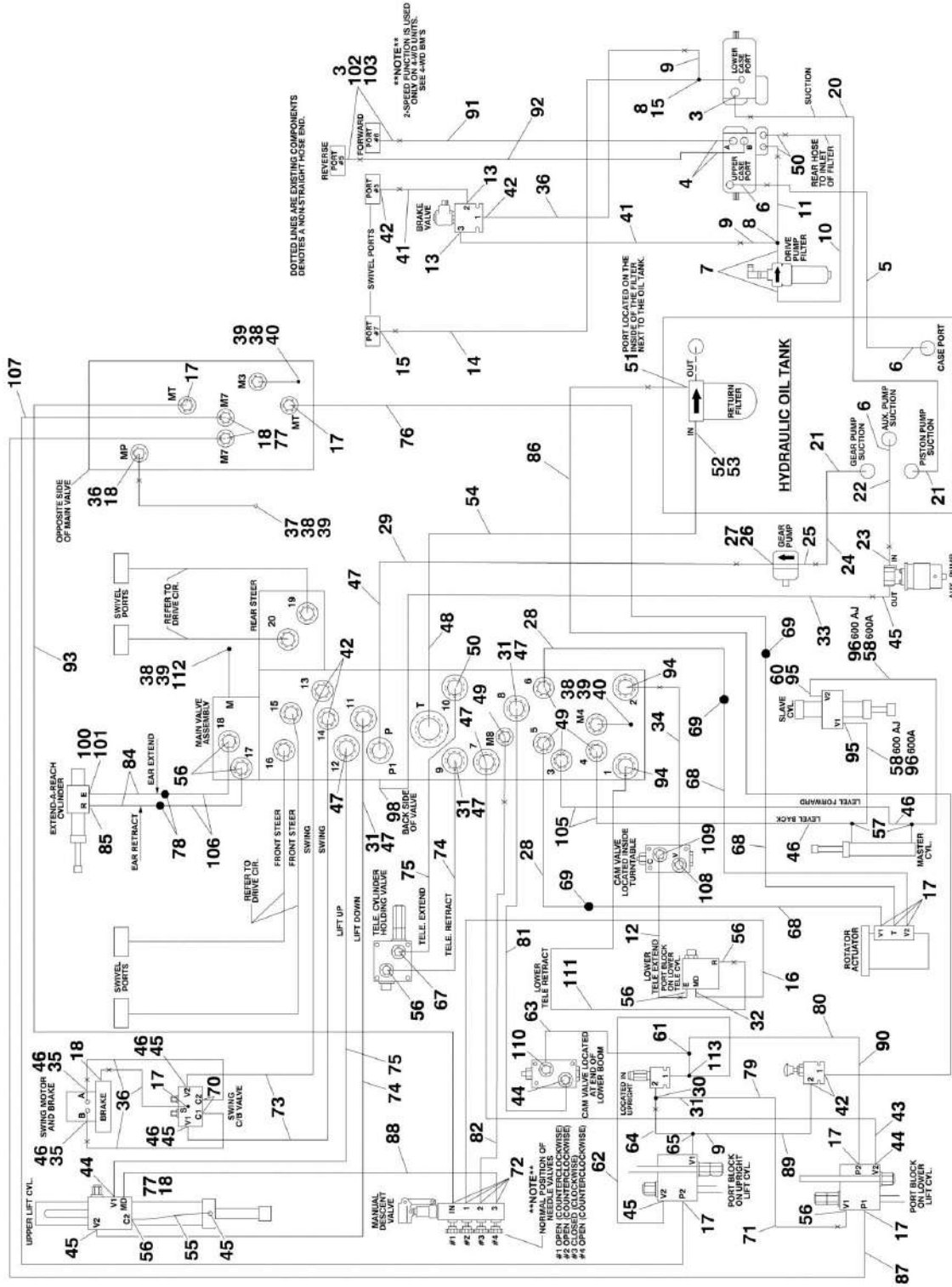
SECTION 6 - HYDRAULIC

FIGURE 6-3. HYDRAULIC DIAGRAM - OSCILLATING AXLE

ITEM	PART NUMBER	QTY	DESCRIPTION	REV
	2792230	Ref	HYDRAULIC DIAGRAM - OSCILLATING AXLE	-
1	2220466	1	Fitting, 90	
2	2751020	2	Hose	
3	4640939	1	Valve, Shuttle	
4	2220582	6	Fitting, Straight	
5	2751013	1	Hose	
6	2220415	2	Fitting, Straight	
7	2750900	1	Hose	
8	2220504	1	Fitting, Tee	
9	2752920	2	Hose	
10	2220603	1	Fitting, Straight	
11	2220635	1	Fitting, Tee	
12	2752824	1	Hose	
13	2220385	1	Fitting, Tee	
14	2220619	1	Fitting, Reducer	
15	2752823	1	Hose	
16	2220490	1	Fitting, Tee	
17	2752962	2	Hose	
18	2220371	2	Fitting, Straight	

SECTION 6 - HYDRAULIC

FIGURE 6-4. HYDRAULIC DIAGRAM - STANDARD



SECTION 6 - HYDRAULIC

FIGURE 6-4. HYDRAULIC DIAGRAM - STANDARD

ITEM	PART NUMBER	QTY	DESCRIPTION	REV
	2792188	Ref	HYDRAULIC DIAGRAM - STANDARD (600A)	18
	2792189	Ref	HYDRAULIC DIAGRAM - STANDARD (600AJ)	19
3	2220377	3	Fitting, Straight	
4	2220646	2	Fitting, 90	
5	2752655	1	Hose	
6	2220578	3	Fitting, 90	
7	2220366	2	Fitting, 90	
8	2220385	2	Fitting, Tee	
9	2220618	3	Fitting, Reducer	
10	2752500	1	Hose	
11	2752519	1	Hose	
12	2753132	1	Hose	
13	2220472	2	Fitting, 90	
14	2752928	1	Hose	
15	2220375	2	Fitting, Straight	
16	2752591	1	Hose	
17	2220466	8	Fitting, 90	
18	2220415	5	Fitting, Straight	
20	2752723	1	Hose	
21	2220379	2	Fitting, Straight	
22	2752656	1	Hose	
23	2220567	1	Fitting, 90	
24	2752724	1	Hose	
25	2220376	1	Fitting, Straight	
26	2220810	1	Fitting, Reducer	
27	4640744	1	Valve, Check	
28	2752604	2	Hose	
		Ref	(Note: Also Requires #69 & #68 for Complete Run Up Boom)	
29	2752929	1	Hose	
30	2220602	2	Fitting, Tee	
31	2220619	6	Fitting, Reducer	
32	2220416	1	Fitting, 90	
33	2752635	1	Hose	
34	2753133	1	Hose	
35	2220497	2	Fitting, Straight	
36	2752573	5	Hose	
37	2220414	AR	Fitting, Straight (600A - Qty1 /600AJ - Qty2) (Prior to SN 0300058640)	
38	2220428	AR	Fitting, Quick Coupling (600A - Qty3 /600AJ - Qty4)	
39	2220429	AR	Cap, Dust (600A - Qty3 /600AJ - Qty4)	
40	2220873	2	Fitting	
41	2752600	2	Hose	
42	2220582	6	Fitting, Straight	
43	2752506	1	Hose (600A)	
43	2752516	1	Hose (600AJ)	
44	2220596	3	Fitting, 90	
45	2220628	6	Fitting, 90	
46	2220609	7	Fitting, Reducer	
47	2220381	AR	Fitting, Long Straight (600A - Qty5 /600AJ - Qty6)	
48	2220974	1	Fitting, Long Straight	

SECTION 6 - HYDRAULIC

ITEM	PART NUMBER	QTY	DESCRIPTION	REV
49	2220923	5	Fitting, Long Straight	
50	2220374	3	Fitting	
51	2220574	1	Fitting, Straight	
52	2220921	1	Fitting, Reducer	
53	2220498	1	Fitting, 45	
54	2752783	1	Hose	
55	2752469	1	Hose	
56	2220372	AR	Fitting, Straight (600A - Qty5 /600AJ - Qty7)	
57	2220899	2	Fitting, Tee	
58	2752636	1	Hose (600A)	
58	2752468	1	Hose (600AJ)	
59	2220371	1	Fitting, Straight (600A Only)	
60	2220657	1	Fitting, 45, (600A Only)	
61		Ref	Fitting, Tee Options:	
61	2220635	1	Fitting, Tee (Prior to SN 0300068131)	
61	2221065	1	Fitting, Tee (SN 0300068131 through 0300069000)	
62		Ref	Hose Options:	
62	2752466	1	Hose (Prior to SN 0300068131)	
62	2752462	1	Hose (SN 0300068131 through 0300069000)	
63	2753134	1	Hose	
63	2753134	1	Hose	
64	2752497	1	Hose	
65	2220999	1	Fitting, Tee	
67	2220500	1	Fitting, 45	
68	2752601	3	Hose	
		Ref	(Note: Also Requires #69 & #28 or #76 for Complete Run Up Boom)	
69	2220510	3	Fitting, Coupling	
70	2220468	2	Fitting, Straight	
71	2753052	1	Hose	
72	2220502	4	Fitting, 45	
73	2752603	2	Hose	
74	2753055	1	Hose	
75	2752939	2	Hose	
76	2752579	1	Hose	
		Ref	(Note: Also Requires #69 & #68 for Complete Run Up Boom)	
77	2220654	4	Fitting, 90	
78	2220511	1	Fitting, Coupling (600AJ Only)	
79	2753056	1	Hose	
80	2752991	1	Hose	
81	2753135	1	Hose	
82	2752434	1	Hose	
84	2753047	2	Hose (600AJ)	
		Ref	(Note: Also Requires #78 & #106 for Complete Run Up Boom)	
85	2220473	1	Fitting, 90, (600AJ Only)	
86	2752453	1	Hose	
87	2752593	1	Hose	
88	2752988	1	Hose	
89	2752990	1	Hose	
90	2752985	1	Hose	
91	2752343	1	Hose	
92		Ref	Hose Options:	

SECTION 6 - HYDRAULIC

ITEM	PART NUMBER	QTY	DESCRIPTION	REV
92	2752356	1	Hose (Prior to SN 0300064394)	
92	2752341	1	Hose (SN 0300064394 through 0300069000)	
93	2752592	1	Hose	
94	2220998	2	Fitting, Straight	
95	2220603	2	Fitting, Straight	
96	2753046	1	Hose (600A)	
96	2752650	1	Hose (600AJ)	
97	2752444	1	Hose (600AJ Only) (Prior to SN 0300052685)	
98	2220473	1	Fitting, 90	
100	2180724	1	Fitting, Modified 90, (600AJ Only)	
101	2180380	1	Plug, Orifice .06 (600AJ Only)	
102	0100011	AR	Compound, Locking	
103	0100038	AR	Primer, Locking	
104	1703534	2	Decal, Hose Tags (Not Shown)	
105	2752989	2	Hose	
106	2752618	2	Hose (600AJ Only)	
		Ref	(Note: Also Requires #78 & #84 for Complete Run Up Boom)	
107	2752987	1	Hose	
108	2220373	1	Fitting, Straight	
109	2220947	1	Fitting, Straight	
110	2221036	1	Fitting, O-Ring	
111	2752484	1	Hose	
112	2220873	1	Fitting, Nipple (SN 0300058640 through 0300069000)	
113	2221053	1	Fitting, Tee (SN 0300068131 through 0300069000)	

SECTION 6 - HYDRAULIC

FIGURE 6-5. HYDRAULIC DIAGRAM LIST

ITEM	PART NUMBER	QTY	DESCRIPTION	REV
		Ref	Note: Diagrams with part numbers 2792193, 2792195, 2792230 & 1282396 are shown in the preceding pages. Information on diagrams not shown is available from JLG Service/Parts Departments.	
	1282396	Ref	Drive Hydraulic Diagrams	
		Ref	600A & 600AJ with 8ft/2.4m Width Frame:	
	2792193	Ref	2WD/2WS	
	2792194	Ref	2WD/4WS	
	2792195	Ref	4WD/2WS	
	2792196	Ref	4WD/4WS	
		Ref	600A & 600AJ with 7ft/2.1m Width Frame:	
	2792191	Ref	2WD/2WS	
	2792192	Ref	2WD/2WS	
	2792230	Ref	Oscillating Axle Hydraulic Diagram	
	2792188	Ref	Standard Hydraulic Diagram - 600A	
	1282396	Ref	Standard Hydraulic Diagram - 600A	
	2792189	Ref	Standard Hydraulic Diagram - 600AJ	
	1282396	Ref	Standard Hydraulic Diagram - 600AJ	
	2792177	Ref	Standard Hydraulic Schematic	
	2792405	Ref	Tool Circuit Hydraulic Diagram	
	2792315	Ref	Tow Hydraulic Diagram	

SECTION 7 - ELECTRICAL

SECTION 7 - ELECTRICAL

FIGURE 7-1. ELECTRICAL DIAGRAM LIST

ITEM	PART NUMBER	QTY	DESCRIPTION	REV
		Ref	Note: Diagrams with part numbers 1870044, 1870059, 1870050, 1870071 & 1870132 are not shown in the following pages. Diagrams not shown are available from the JLG Service Department. Note: Numbered Wiring Starts With S/N 0300035129	
		Ref	ALARM ELECTRICAL DIAGRAMS	
	4932783	Ref	Alarm Electrical (Prior to SN 0300035129)	A
	1282474	Ref	Alarm Electrical Diagrams (Prior to SN 0300035129)	-
	4932903	Ref	Alarm Electrical Diagrams - Motion (SN 0300035129 through 0300036477)	2
	1282685	Ref	Alarm Electrical Diagrams - Motion	D
	4933026	Ref	Alarm Electrical Diagrams - Motion (SN 0300036477 through 0300069000)	1
	1282937	Ref	Alarm Electrical Diagrams - Motion (SN 0300036477 through 0300069000)	A
	4932902	Ref	Alarm Electrical - Travel (SN 0300035129 through 0300036476)	2
	1282685	Ref	Alarm Electrical Diagrams - Motion (SN 0300035129 through 0300036476)	D
	4933025	Ref	Alarm Electrical - Travel (SN 0300036477 through 0300069000)	1
	1282937	Ref	Alarm Electrical Diagrams - Motion	A
	0259233	Ref	BPE LOAD SENSING DEVICE ELECTRICAL DIAGRAM	C
	0271474	Ref	BPE LOAD SENSING DEVICE ELECTRICAL	B
	4922304	1	Harness, Wiring (Installation 0259233)	
	4922616	1	Harness, Wiring (Lift Down) (Installation 0271474)	
	1282571	Ref	COLD WEATHER START ELECTRICAL DIAGRAM (DEUTZ)	F
		Ref	DRIVE CUT-OUT ELECTRICAL DIAGRAMS	
	4932896	Ref	Drive Cut-Out Electrical Above Elevation Tilt or Beyond Transport (Prior to SN 0300035129)	1
	1282672	Ref	Drive Cut-Out Electrical Above Elevation Tilt or Beyond Transport (Prior to SN 0300035129)	-
	4932990	Ref	Drive Cut-Out Electrical Above Elevation Tilt or Beyond Transport (SN 0300035129 through 0300069000)	2
	1282828	Ref	Drive Cut-Out Electrical Above Elevation Tilt or Beyond Transport Above Elevation Tilt (SN 0300035129 through 0300069000)	B
	4932894	Ref	Drive Cut-Out Electrical Above Elevation Tilt (Prior to SN 0300035129)	1
	1282672	Ref	Drive Cut-Out Electrical Above Elevation Tilt (Prior to SN 0300035129)	-
	4932993	Ref	Drive Cut-Out Electrical Above Elevation Tilt (SN 0300035129 through 0300069000)	2
	1282828	Ref	Drive Cut-Out Electrical Above Elevation Tilt (SN 0300035129 through 0300069000)	B
	4932894	Ref	Drive Cut-Out Electrical 8 Meter 600A (Prior to SN 0300035129)	1
	1282672	Ref	Drive Cut-Out Electrical 8 Meter (Prior to SN 0300035129)	-
	4932992	Ref	Drive Cut-Out Electrical 8 Meter 600A (SN 0300035129 through 0300069000)	2
	1282828	Ref	Drive Cut-Out Electrical 8 Meter (SN 0300035129 through 0300069000)	B
	0256346	Ref	Drive Cut-Out Electrical 8 Meter 600AJ (Prior to SN 0300035129)	1
	1282672	Ref	Drive Cut-Out Electrical 8 Meter (Prior to SN 0300035129)	-

SECTION 7 - ELECTRICAL

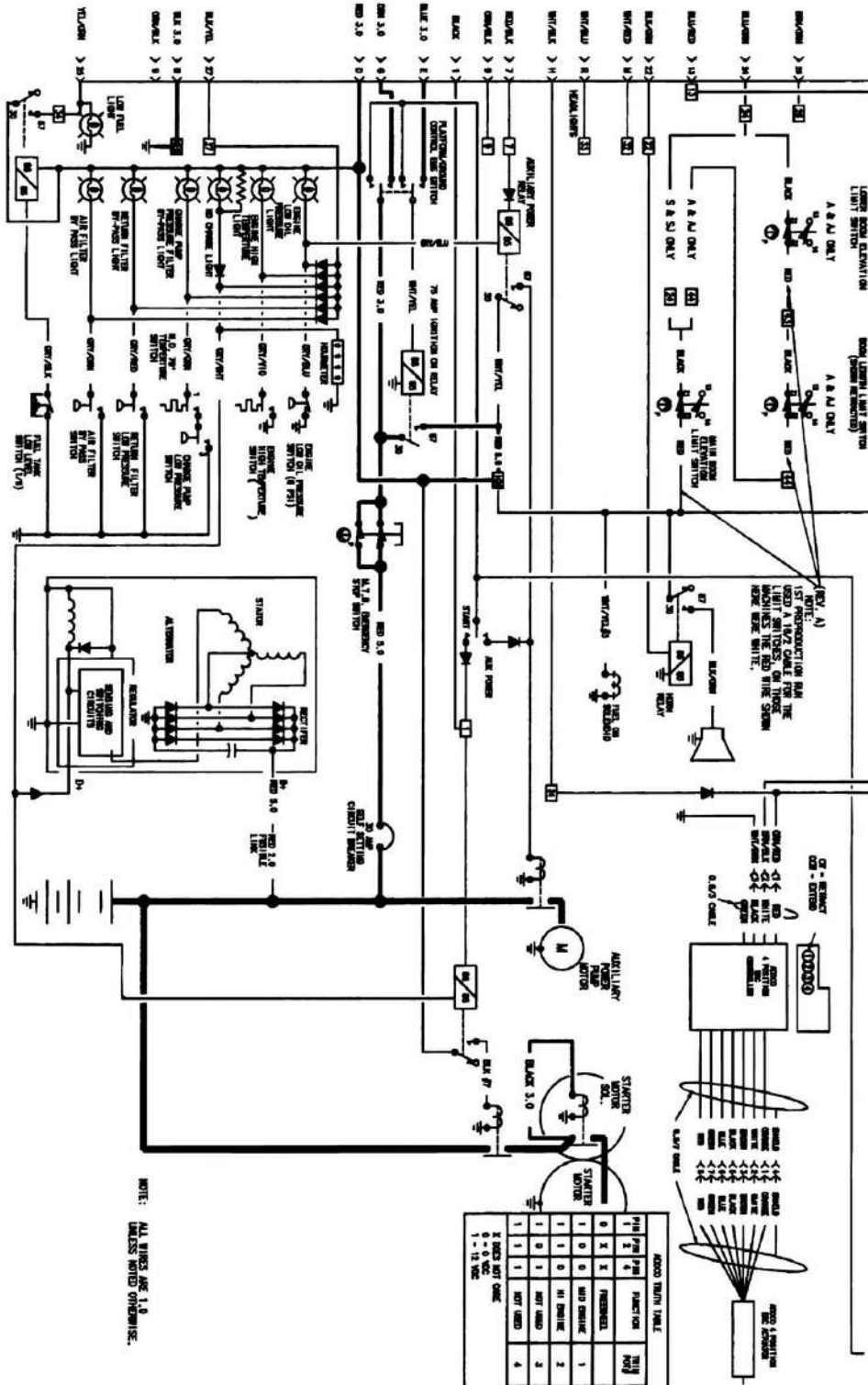
ITEM	PART NUMBER	QTY	DESCRIPTION	REV
	4932992	Ref	Drive Cut-Out Electrical 8 Meter 600AJ (SN 0300035129 through 0300069000)	2
	1282828	Ref	Drive Cut-Out Electrical 8 Meter (SN 0300035129 through 0300069000)	B
	3640493	1	Rail, Mounting	
	4460607	2	Stop, Terminal	
	4120013	1	Socket, Relay	
	3740058	1	Relay 4PDT	
	2740063	1	Spring, Relay	
		Ref	ENGINE LOW OIL SHUTDOWN ELECTRICAL DIAGRAMS	
	4932977	Ref	Engine Low Oil Shutdown Electrical (Prior to SN 0300035129)	1-A
	4932986	Ref	Engine Low Oil Shutdown Electrical (SN 0300035129 through 0300069000)	2-B
		Ref	GENERATOR ELECTRICAL DIAGRAMS	
	4932828	Ref	Generator Electrical Diagrams 110V (Prior to SN 0300035129)	2-C
	4932915	Ref	Generator Electrical Diagrams 110V (SN 0300035129 through 0300064248)	2-C
	4933158	Ref	Generator Electrical Diagrams 110Volt (ADE SYSTEM) (SN 0300064249 through 0300069000)	1-A
	4932940	Ref	Generator Electrical Diagrams 220V (Prior to SN 0300035129)	-
	4932989	Ref	Generator Electrical Diagrams 220V (SN 0300035129 through 0300064248)	1-B
	4933162	Ref	Generator Electrical Diagrams 220 Volt (ADE SYSTEM) (SN 0300064249 through 0300069000)	1-A
		Ref	LIGHTS ELECTRICAL DIAGRAMS:	
	4932839	Ref	Headlight/Taillight (Prior to SN 0300035129)	1-A
	4932917	Ref	Headlight/Taillight (SN 0300035129 through 0300064248)	3-D
	4922095	1	Harness (Located in Platform Console Box)	
	3740049	1	Relay	
	4933219	Ref	Headlight/Taillight (ADE System) (SN 0300064249 through 0300069000)	1-A
	4922484	1	Harness (Located in Ground Console Box)	
	3740049	1	Relay	
	4933006	Ref	LOAD SENSING SYSTEM ELECTRICAL DIAGRAM	1
		Ref	OIL COOLER ELECTRICAL DIAGRAMS	
	0256765	Ref	Deutz Machines	3
	1282665	Ref	Duetz Machines	C
	0270723	Ref	PLATFORM BEACON ELECTRICAL DIAGRAM	1-A
		Ref	PLATFORM ELECTRICAL DIAGRAMS	
	4932849	Ref	CE & EN280 Specs (Prior to SN 03000351129)	5-H
	4932974	Ref	CE & EN280 Specs (SN 03000351129 through 0300064249)	5-E
	4932848	Ref	Australian Spec (Prior to SN 0300029430)	1-E
	4932914	Ref	Australian Spec (SN 0300029430 through 0300035128)	5-D
	4932905	Ref	Australian Spec (SN 0300035129 through 0300064248)	7-E
	4922509	Ref	With ADE System (SN 0300064249 through 0300064269)	3-D
	4922639	Ref	With ADE System (SN 0300064270 through 0300069000)	C
		Ref	PLATFORM SOFT TOUCH SYSTEM ELECTRICAL DIAGRAMS	
	4922939	Ref	Platform Soft Touch System (Prior to SN 0300035129)	-
	4932980	Ref	Platform Soft Touch System (SN 0300035129 through 0300064249)	2-C
	3740057	1	Relay (Located in Platform Console Box)	
	4120012	1	Socket, Relay (Located in Platform Console Box)	
	3740066	1	Spring, Relay (Located in Platform Console Box)	

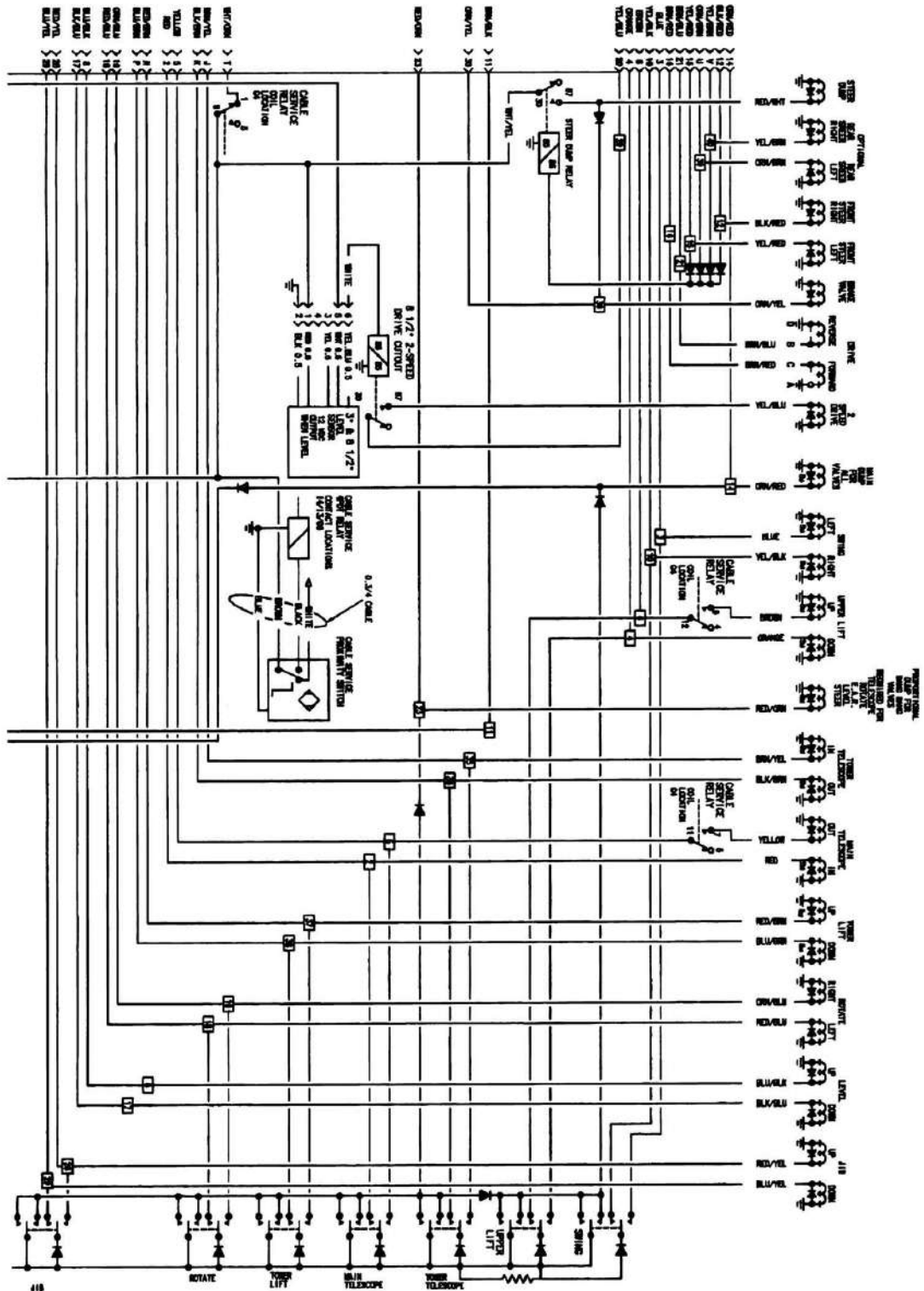
SECTION 7 - ELECTRICAL

ITEM	PART NUMBER	QTY	DESCRIPTION	REV
	3740049	1	Relay (Located in Platform Console Box)	
	4460600	1	Block, Terminal (Located in Platform Console Box)	
	4933218	Ref	PLATFORM SOFT TOUCH SYSTEM ELECTRICAL DIAGRAM (WITH ADE SYSTEM) (SN 0300064249 through 0300069000)	1-A
		Ref	PLATFORM WORKLIGHTS ELECTRICAL DIAGRAMS	
	0255392	Ref	Platform Worklights Electrical Diagrams (Prior to SN 0300035129)	2-B
	0258048	Ref	Platform Worklights Electrical Diagrams (SN 0300035129 through 0300064248)	2-E
	0270814	Ref	Platform Worklights Electrical Diagrams with ADE System (SN 0300064249 through 0300069000)	2-C
	4932971	Ref	POWER TOOL ELECTRICAL DIAGRAM	2-A
		Ref	STANDARD ELECTRICAL DIAGRAMS	
	4932850	Ref	Standard Electrical Diagrams (Prior to SN 0300035129)	5-G
	4932976	Ref	Standard Electrical Diagrams (SN 0300035129 through 0300064248)	5-E
	4933185	Ref	Deutz Engine (With ADE System) (SN 0300064249 through 0300069000)	3-C
		Ref	STANDARD ELECTRICAL SCHEMATICS	
	1870044	Ref	CE Spec (Prior to SN 0300035129)	E
	1870059	Ref	CE Spec (SN 0300035129 through 0300069000)	E
	1870050	Ref	Australian Spec (Prior to SN 0300035129)	B
	1870071	Ref	Australian Spec (SN 0300035129 through 0300069000)	C
	1870132	Ref	Deutz/Ford EFI (With ADE System) (SN 0300064249 through 0300069000)	B
		Ref	STROBE LIGHT ELECTRICAL DIAGRAMS	
	4932812	Ref	Strobe Light Electrical Diagrams (Prior to SN 0300035129)	-
	1282474	Ref	Strobe Light Electrical Diagrams (Prior to SN 0300035129)	-
	4932904	Ref	Strobe Light Electrical Diagrams (SN 0300035129 through 0300036476)	2
	1282685	Ref	Strobe Light Electrical Diagrams (SN 0300035129 through 0300036476)	D
	4933027	Ref	Strobe Light Electrical Diagrams (SN 0300036477 through 0300064248)	1
	1282937	Ref	Strobe Light Electrical Diagrams (SN 0300036477 through 0300064248)	A
	0255919	Ref	Strobe Light Electrical Diagrams with ADE System (SN 0300064249 through 0300069000)	-

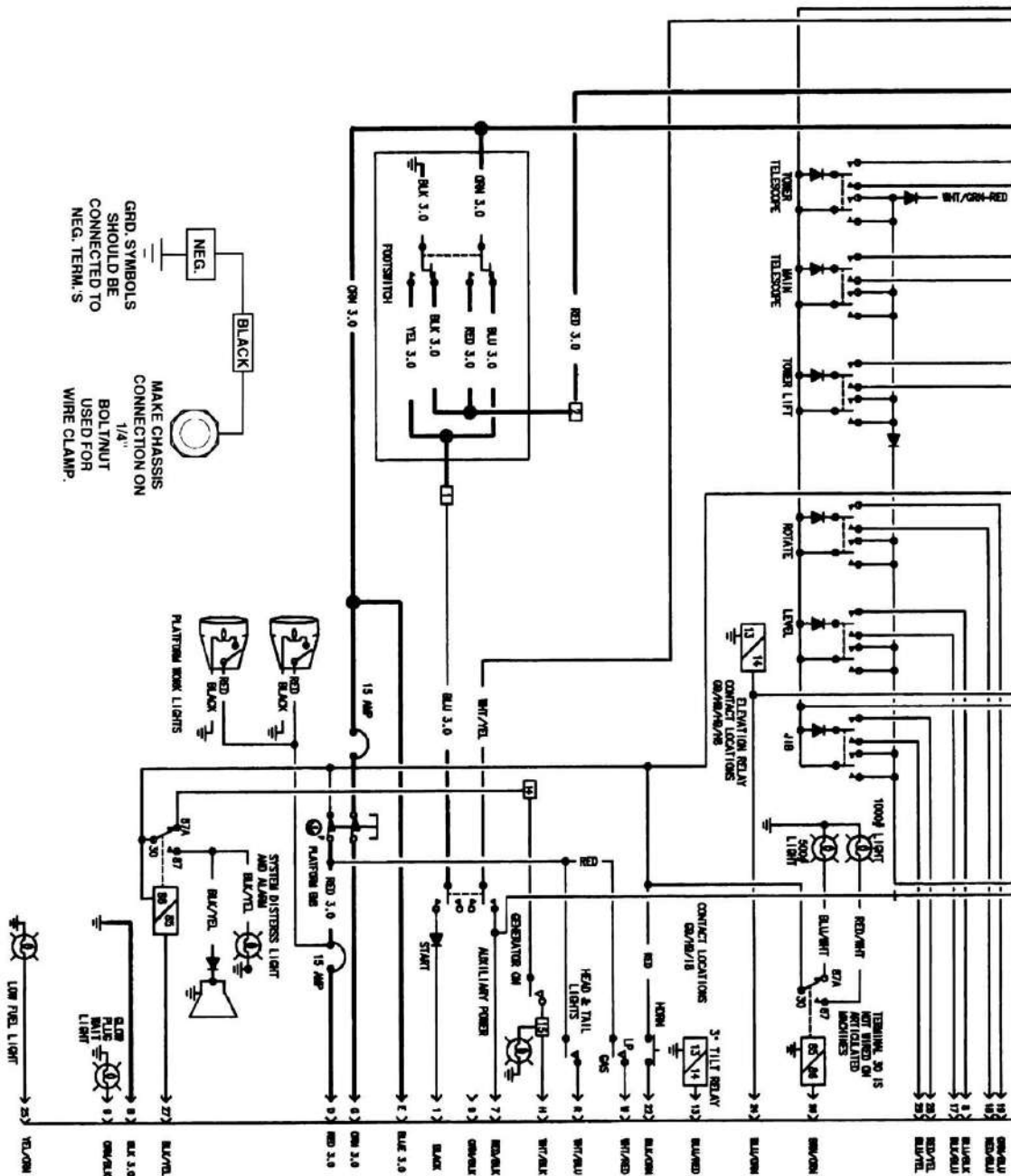
SECTION 7 - ELECTRICAL

FIGURE 7-2. ELECTRICAL SCHEMATIC - CE SPEC MACHINES WITH COLORED WIRING (Prior to SN 0300035129)

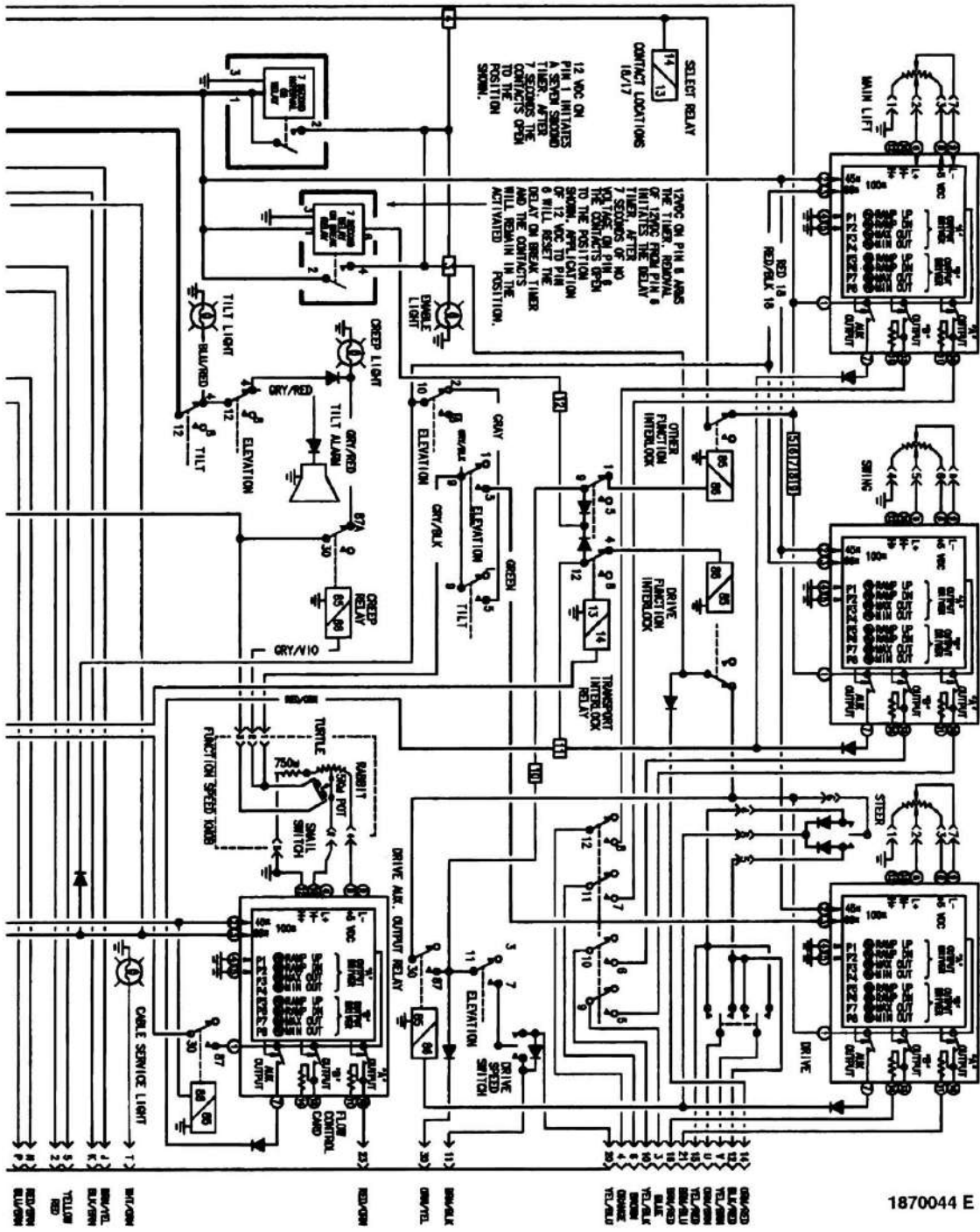




SECTION 7 - ELECTRICAL



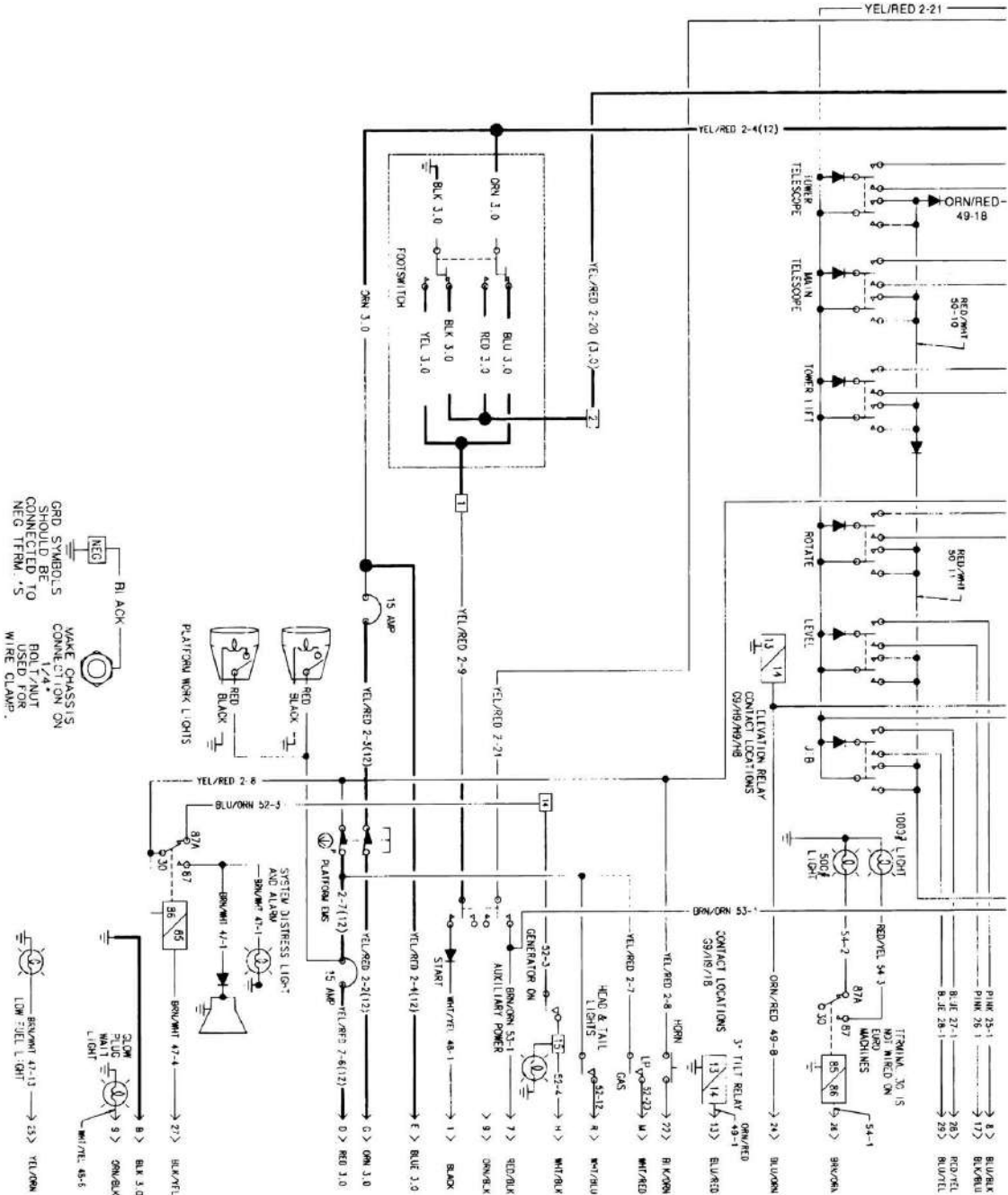
SECTION 7 - ELECTRICAL



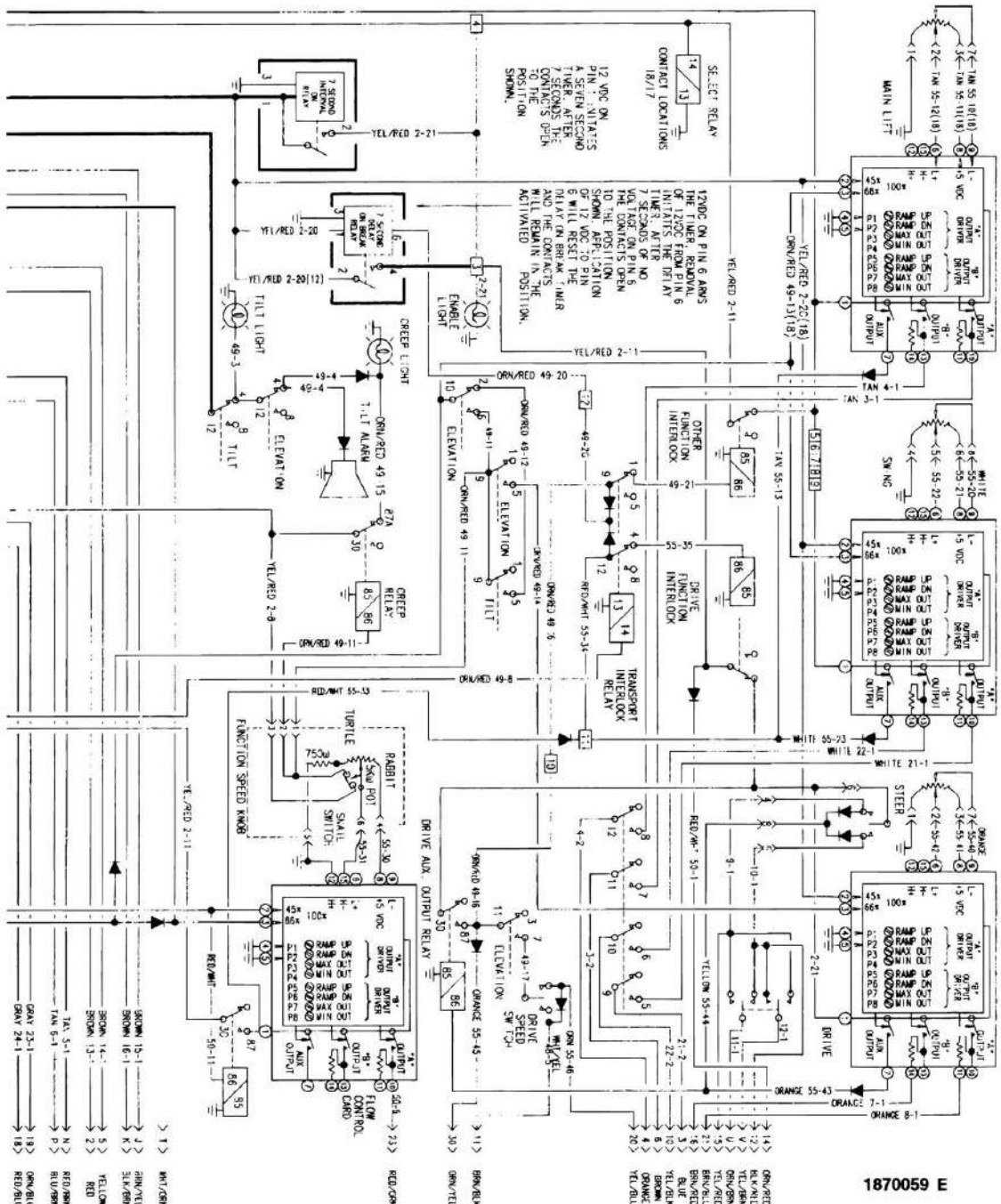
1870044 E

SECTION 7 - ELECTRICAL

FIGURE 7-3. ELECTRICAL SCHEMATIC - CE SPEC MACHINES WITH NUMBERED COLORED WIRING (SN 0300035129 through 0300069000)

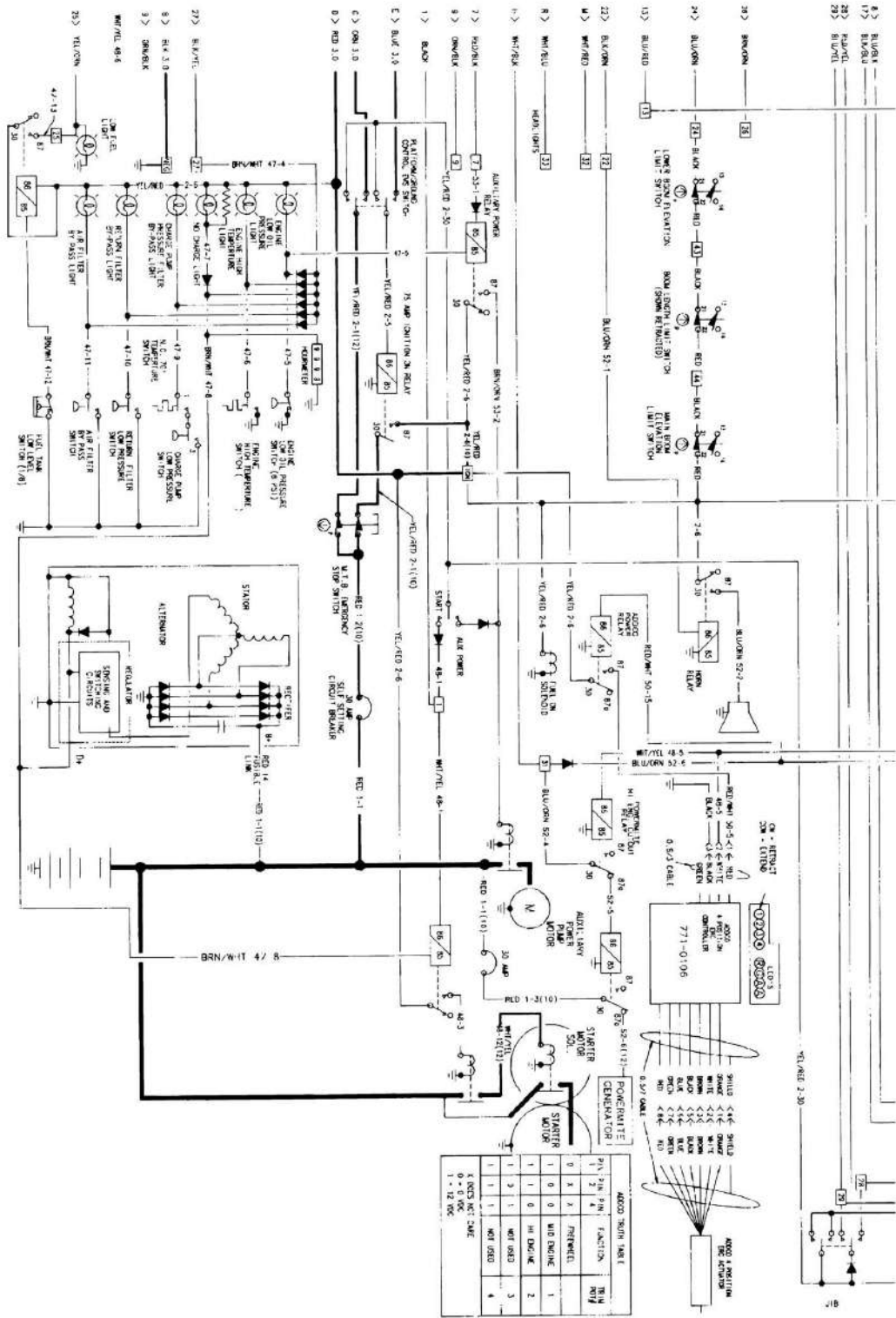


SECTION 7 - ELECTRICAL



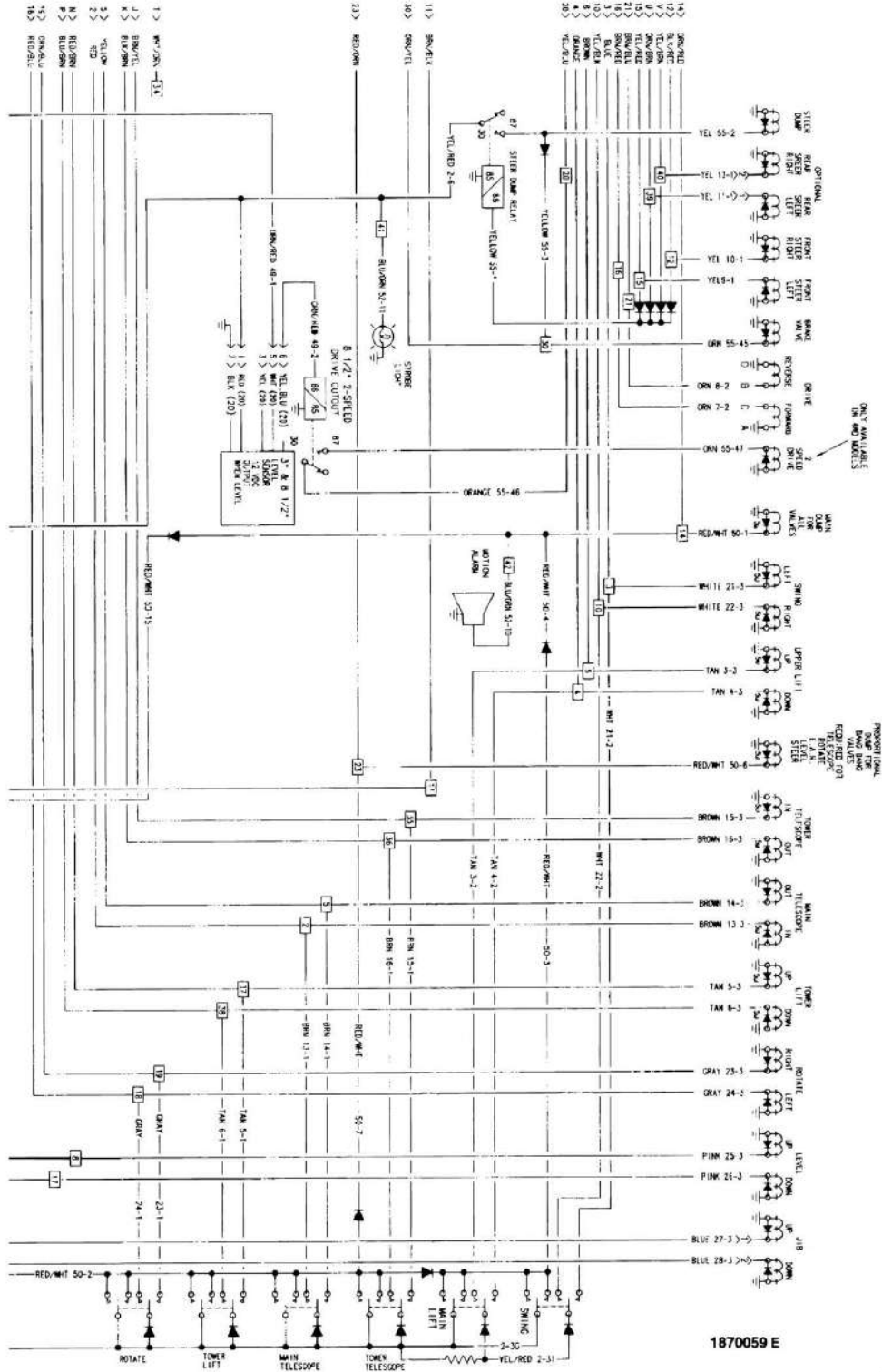
1870059 E

SECTION 7 - ELECTRICAL



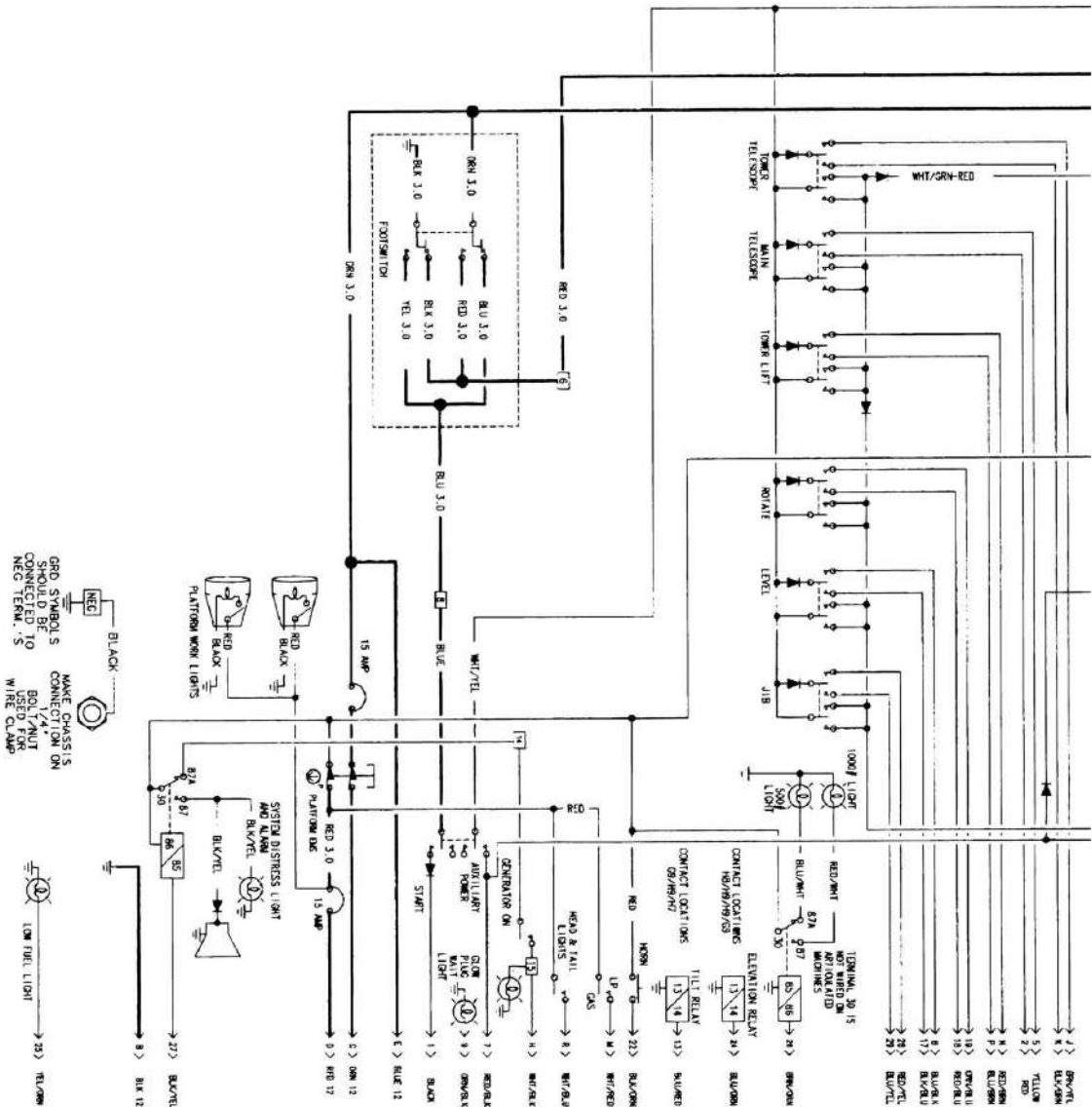
WIRE NO.	FUNCTION	TRIP
1	STARTER MOTOR	1
2	STARTER MOTOR	2
3	STARTER MOTOR	3
4	STARTER MOTOR	4
5	STARTER MOTOR	5
6	STARTER MOTOR	6
7	STARTER MOTOR	7
8	STARTER MOTOR	8
9	STARTER MOTOR	9
10	STARTER MOTOR	10
11	STARTER MOTOR	11
12	STARTER MOTOR	12
13	STARTER MOTOR	13
14	STARTER MOTOR	14
15	STARTER MOTOR	15
16	STARTER MOTOR	16
17	STARTER MOTOR	17
18	STARTER MOTOR	18
19	STARTER MOTOR	19
20	STARTER MOTOR	20
21	STARTER MOTOR	21
22	STARTER MOTOR	22
23	STARTER MOTOR	23
24	STARTER MOTOR	24
25	STARTER MOTOR	25
26	STARTER MOTOR	26
27	STARTER MOTOR	27
28	STARTER MOTOR	28
29	STARTER MOTOR	29
30	STARTER MOTOR	30
31	STARTER MOTOR	31
32	STARTER MOTOR	32
33	STARTER MOTOR	33
34	STARTER MOTOR	34
35	STARTER MOTOR	35
36	STARTER MOTOR	36
37	STARTER MOTOR	37
38	STARTER MOTOR	38
39	STARTER MOTOR	39
40	STARTER MOTOR	40
41	STARTER MOTOR	41
42	STARTER MOTOR	42
43	STARTER MOTOR	43
44	STARTER MOTOR	44
45	STARTER MOTOR	45
46	STARTER MOTOR	46
47	STARTER MOTOR	47
48	STARTER MOTOR	48
49	STARTER MOTOR	49
50	STARTER MOTOR	50
51	STARTER MOTOR	51
52	STARTER MOTOR	52
53	STARTER MOTOR	53
54	STARTER MOTOR	54
55	STARTER MOTOR	55
56	STARTER MOTOR	56
57	STARTER MOTOR	57
58	STARTER MOTOR	58
59	STARTER MOTOR	59
60	STARTER MOTOR	60
61	STARTER MOTOR	61
62	STARTER MOTOR	62
63	STARTER MOTOR	63
64	STARTER MOTOR	64
65	STARTER MOTOR	65
66	STARTER MOTOR	66
67	STARTER MOTOR	67
68	STARTER MOTOR	68
69	STARTER MOTOR	69
70	STARTER MOTOR	70
71	STARTER MOTOR	71
72	STARTER MOTOR	72
73	STARTER MOTOR	73
74	STARTER MOTOR	74
75	STARTER MOTOR	75
76	STARTER MOTOR	76
77	STARTER MOTOR	77
78	STARTER MOTOR	78
79	STARTER MOTOR	79
80	STARTER MOTOR	80
81	STARTER MOTOR	81
82	STARTER MOTOR	82
83	STARTER MOTOR	83
84	STARTER MOTOR	84
85	STARTER MOTOR	85
86	STARTER MOTOR	86
87	STARTER MOTOR	87
88	STARTER MOTOR	88
89	STARTER MOTOR	89
90	STARTER MOTOR	90
91	STARTER MOTOR	91
92	STARTER MOTOR	92
93	STARTER MOTOR	93
94	STARTER MOTOR	94
95	STARTER MOTOR	95
96	STARTER MOTOR	96
97	STARTER MOTOR	97
98	STARTER MOTOR	98
99	STARTER MOTOR	99
100	STARTER MOTOR	100

SECTION 7 - ELECTRICAL

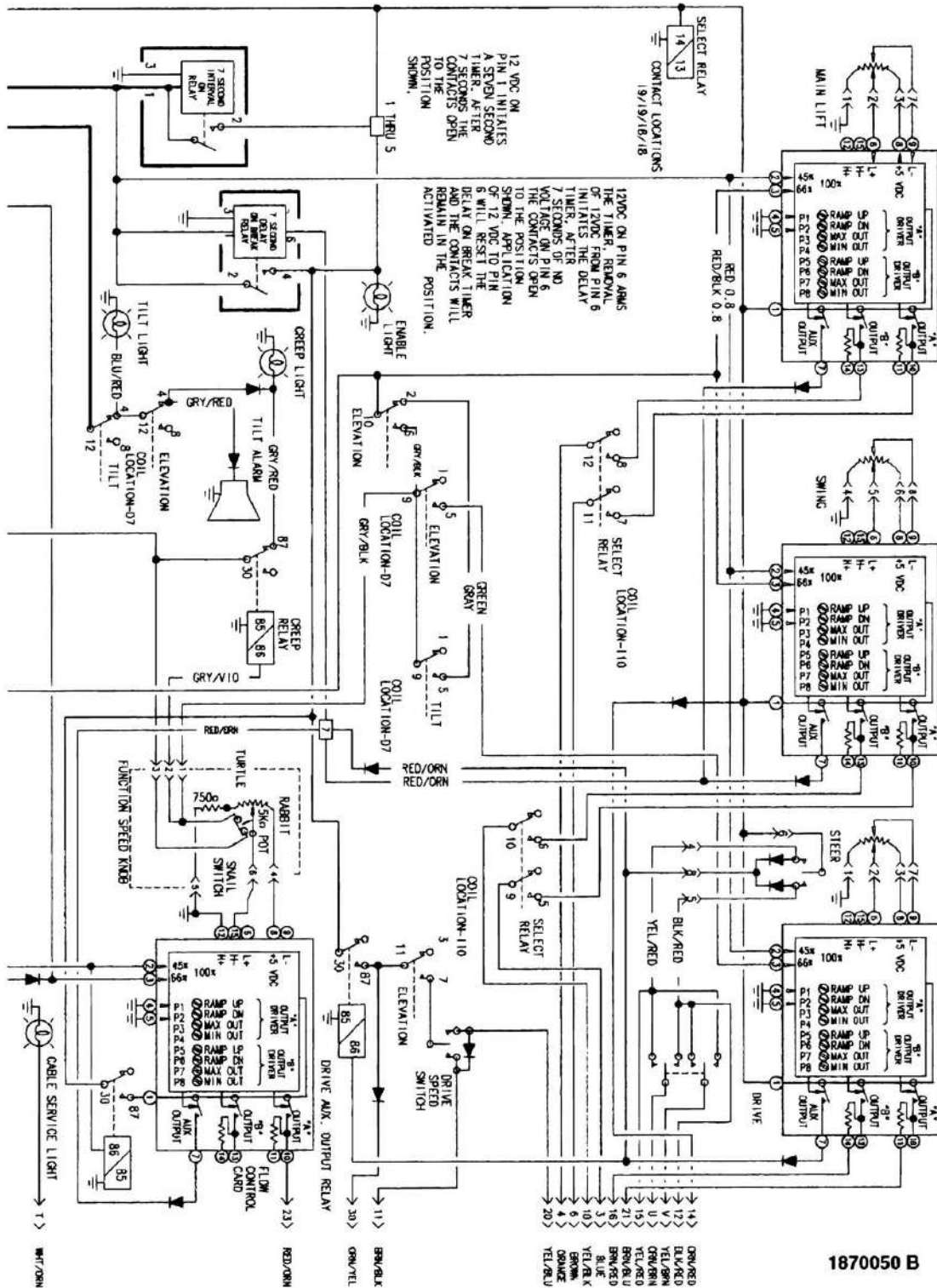


SECTION 7 - ELECTRICAL

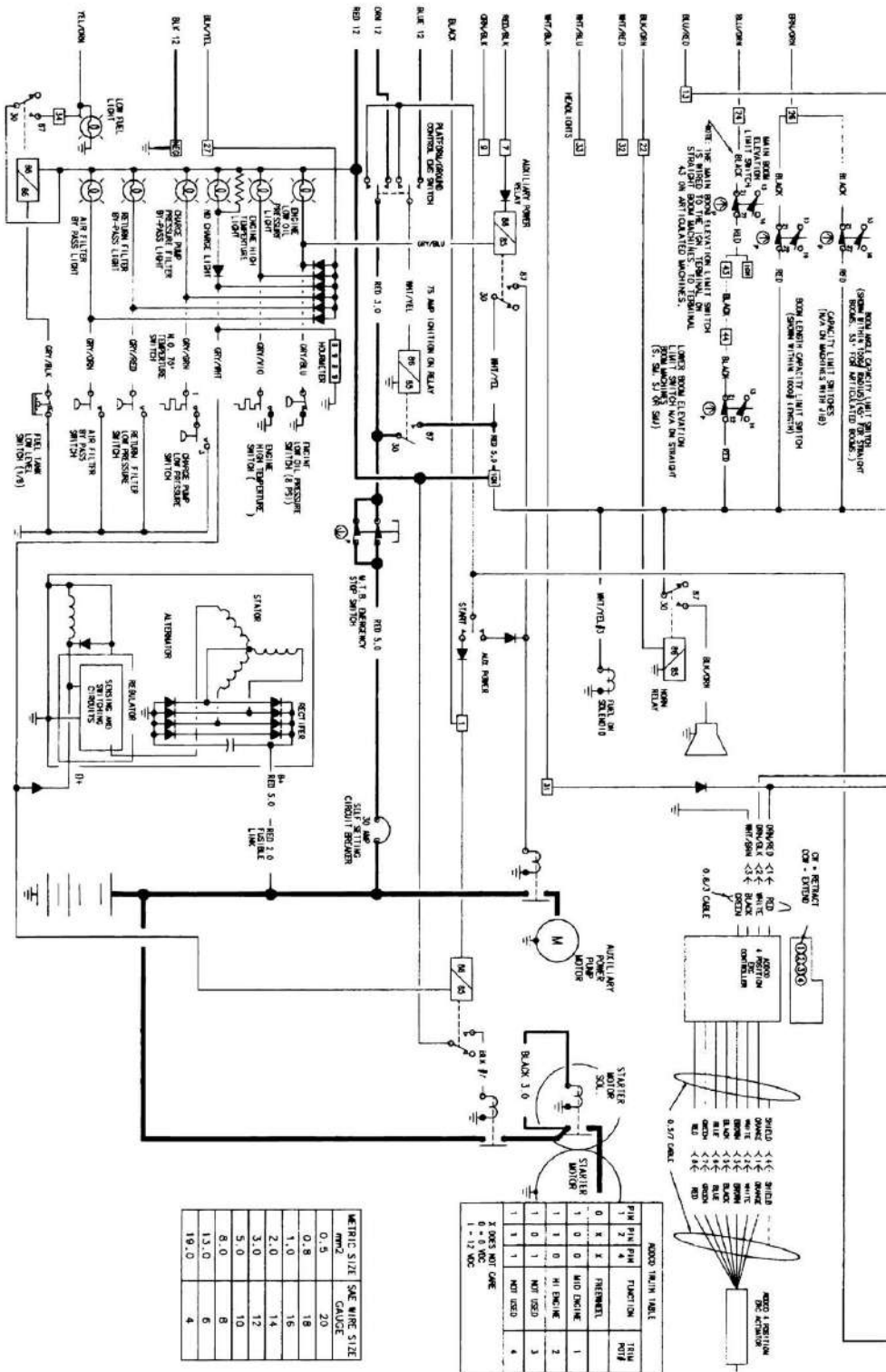
FIGURE 7-4. ELECTRICAL SCHEMATIC - AUSTRALIAN MACHINES WITH COLORED WIRING (Prior to SN 0300035129)

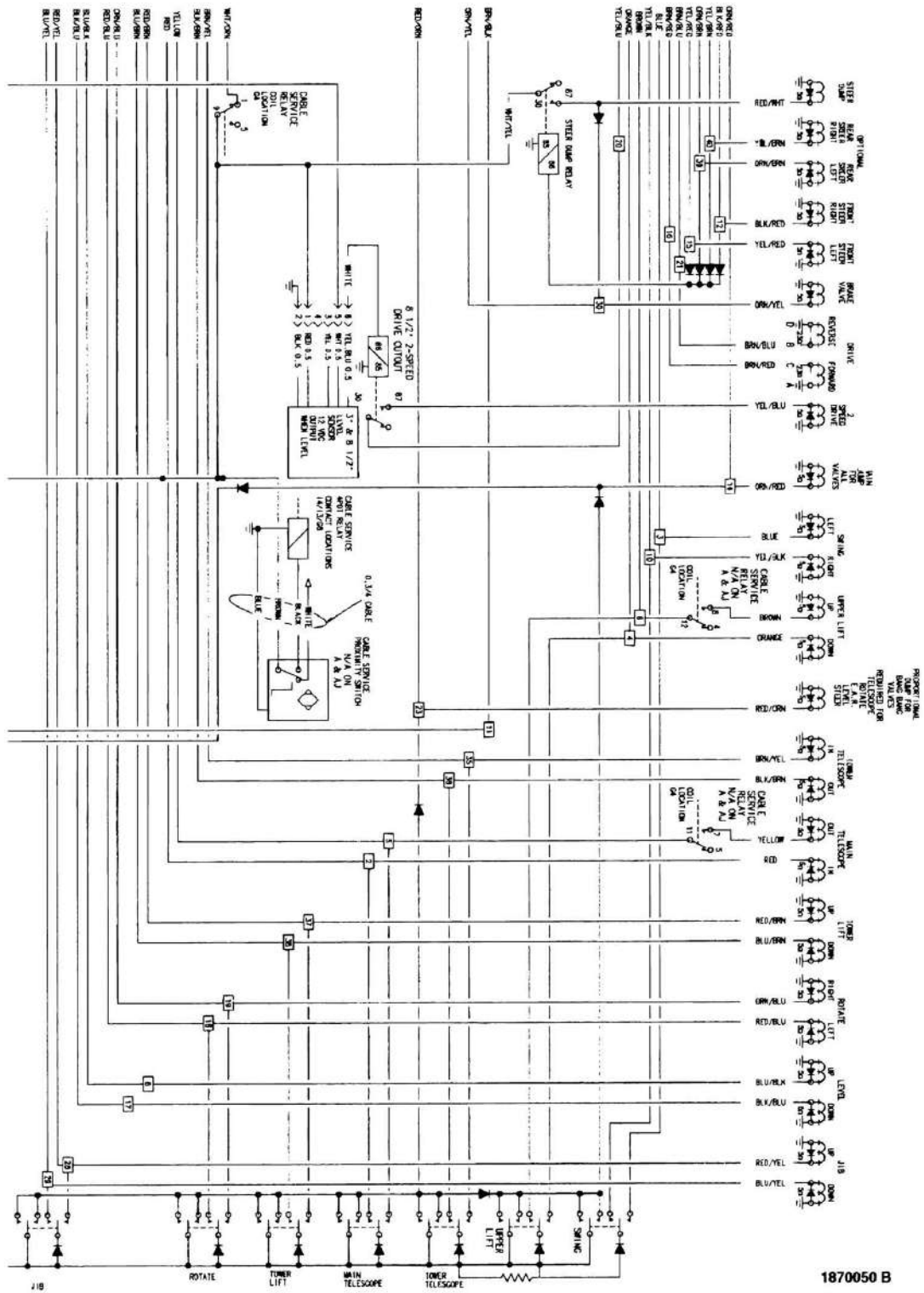


SECTION 7 - ELECTRICAL



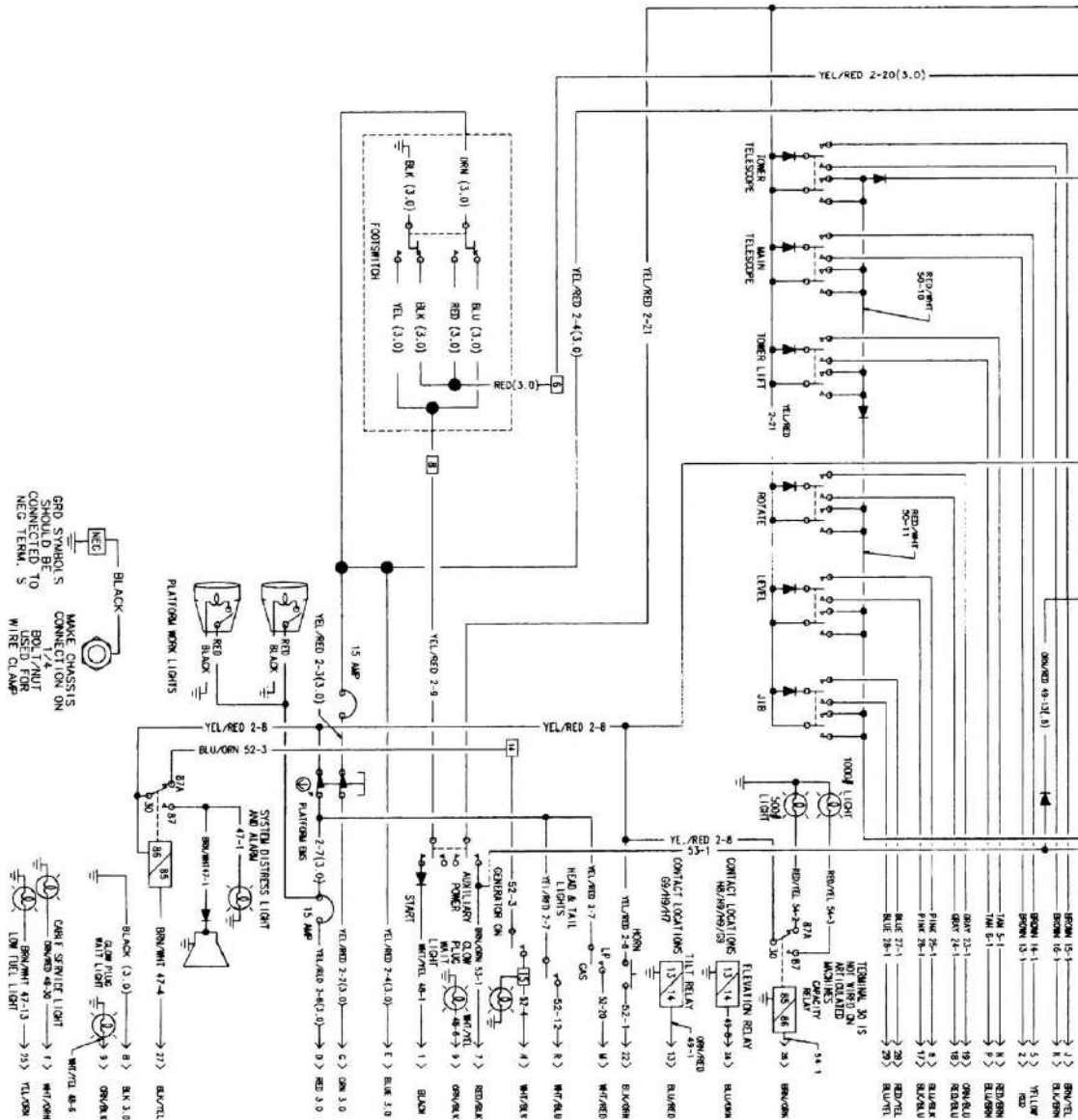
SECTION 7 - ELECTRICAL



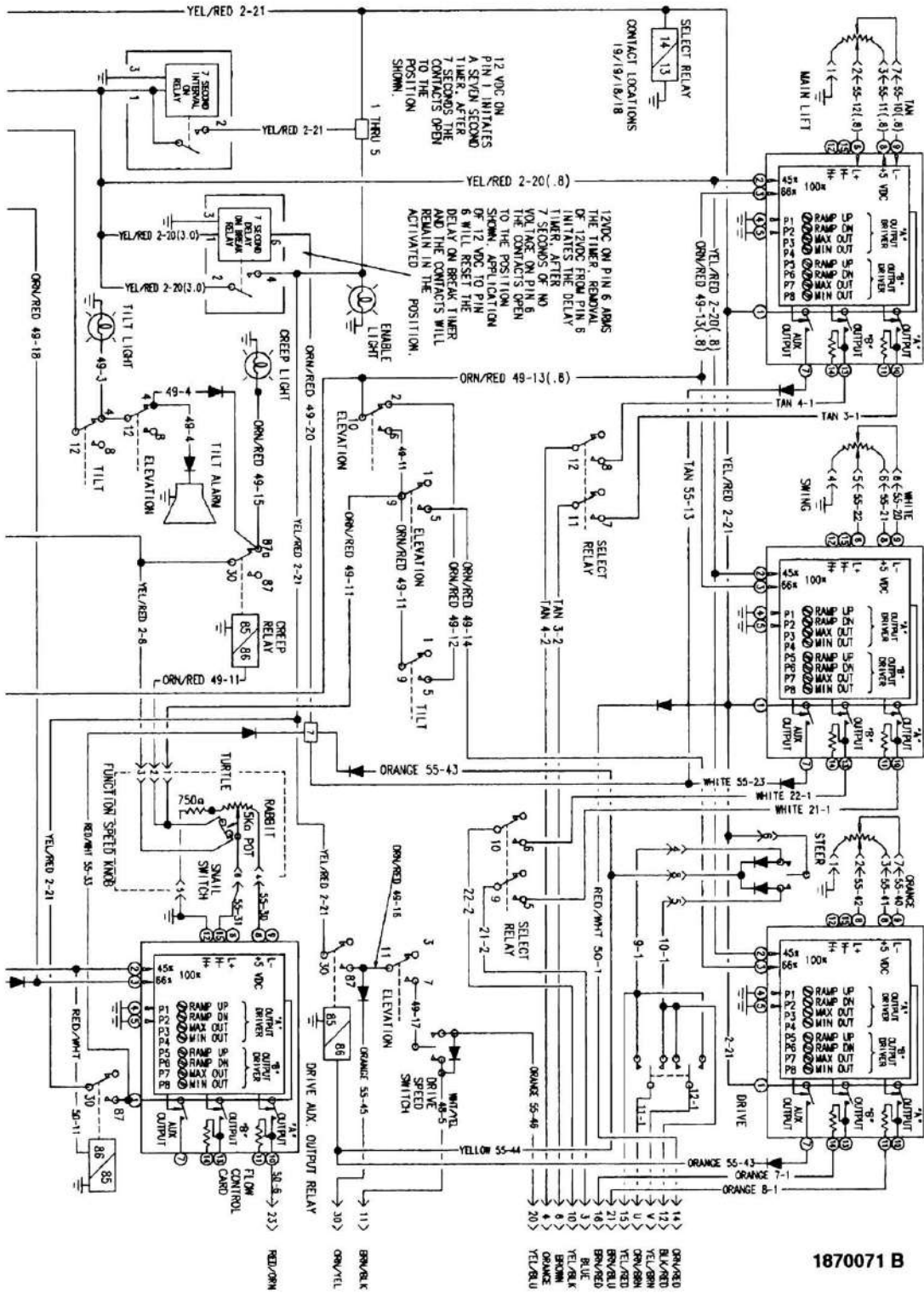


SECTION 7 - ELECTRICAL

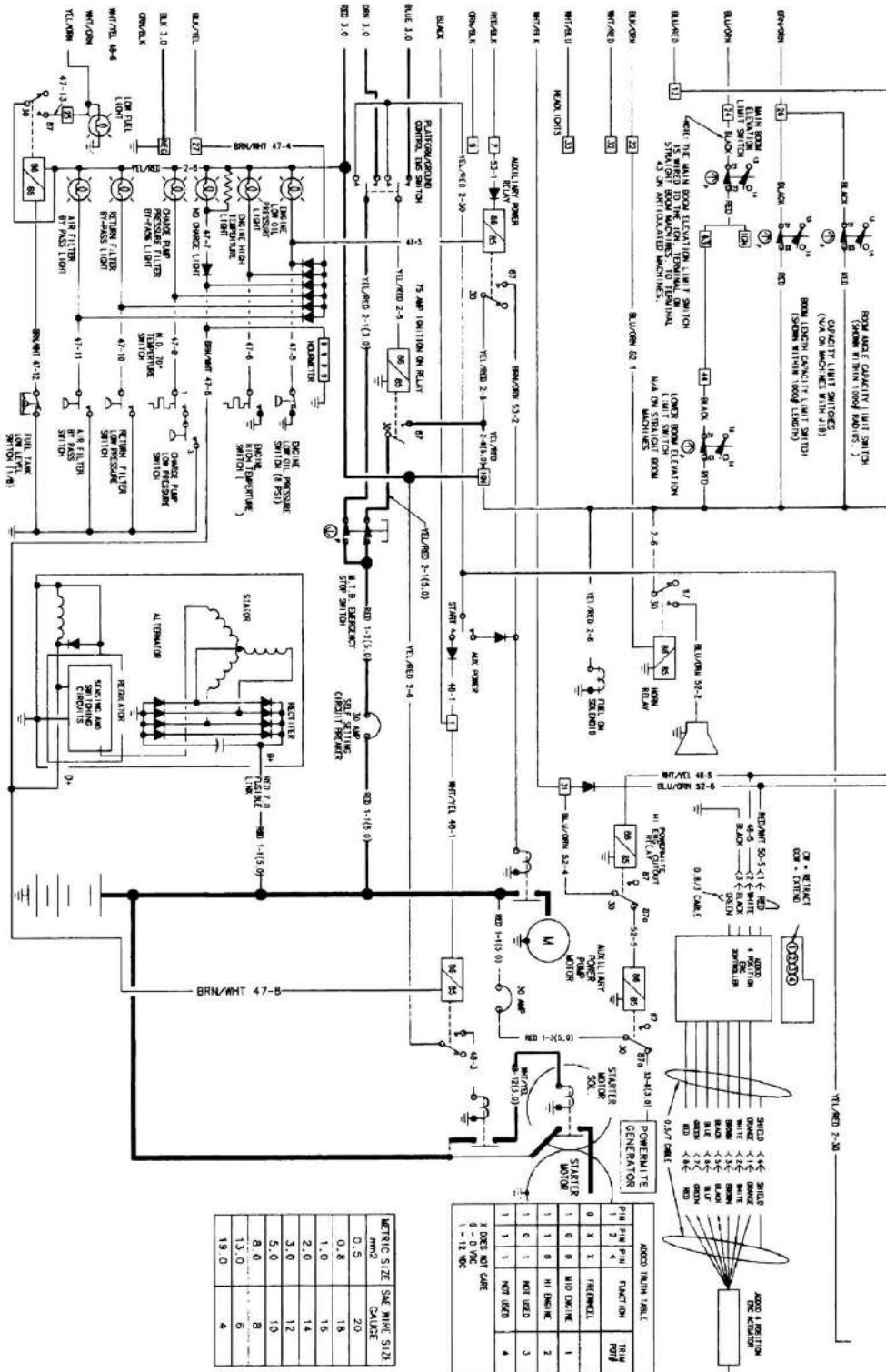
FIGURE 7-5. ELECTRICAL SCHEMATIC - AUSTRALIAN MACHINES WITH NUMBERED COLORED WIRING (SN 0300035129 through 0300069000)



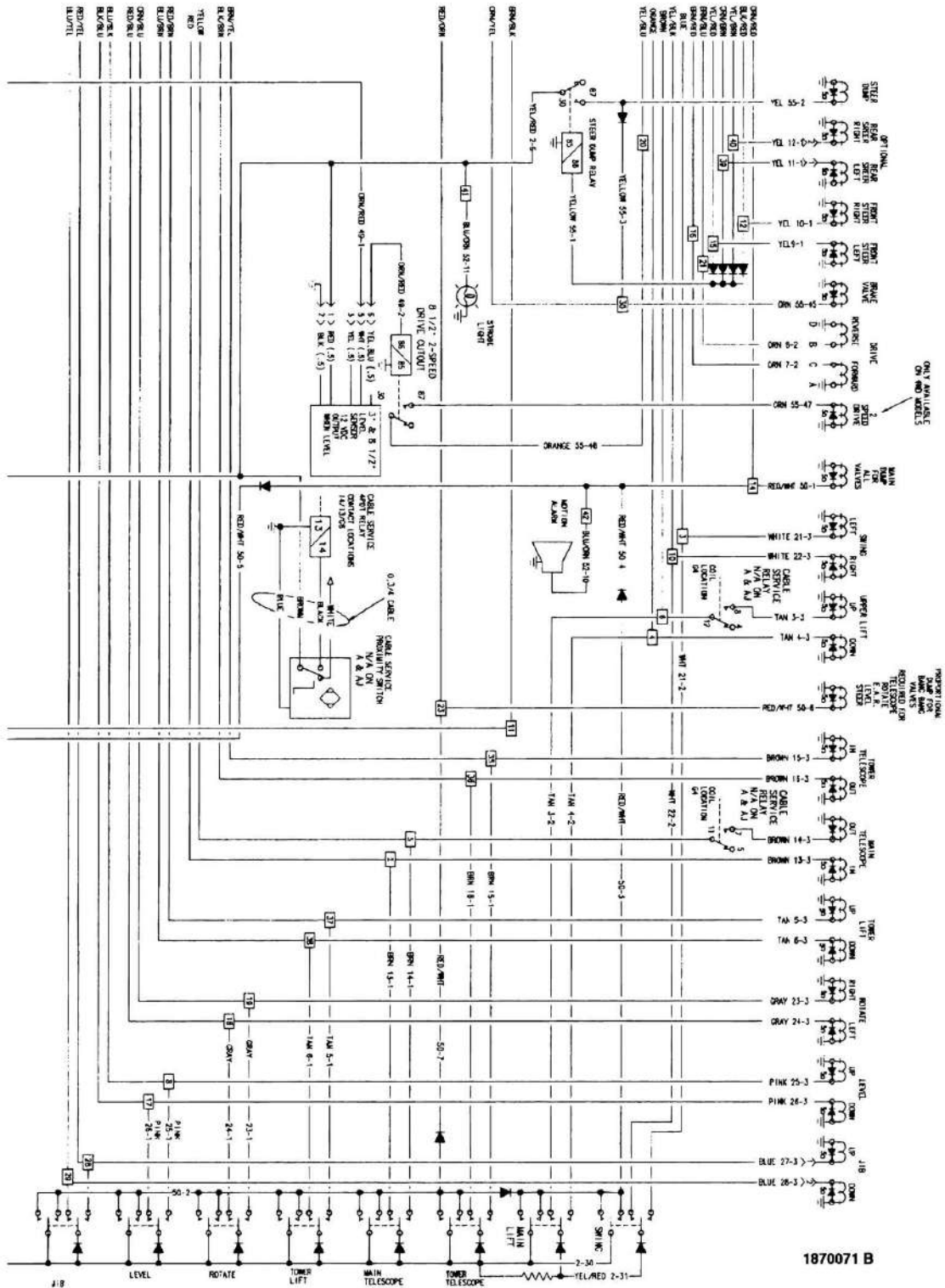
SECTION 7 - ELECTRICAL



SECTION 7 - ELECTRICAL

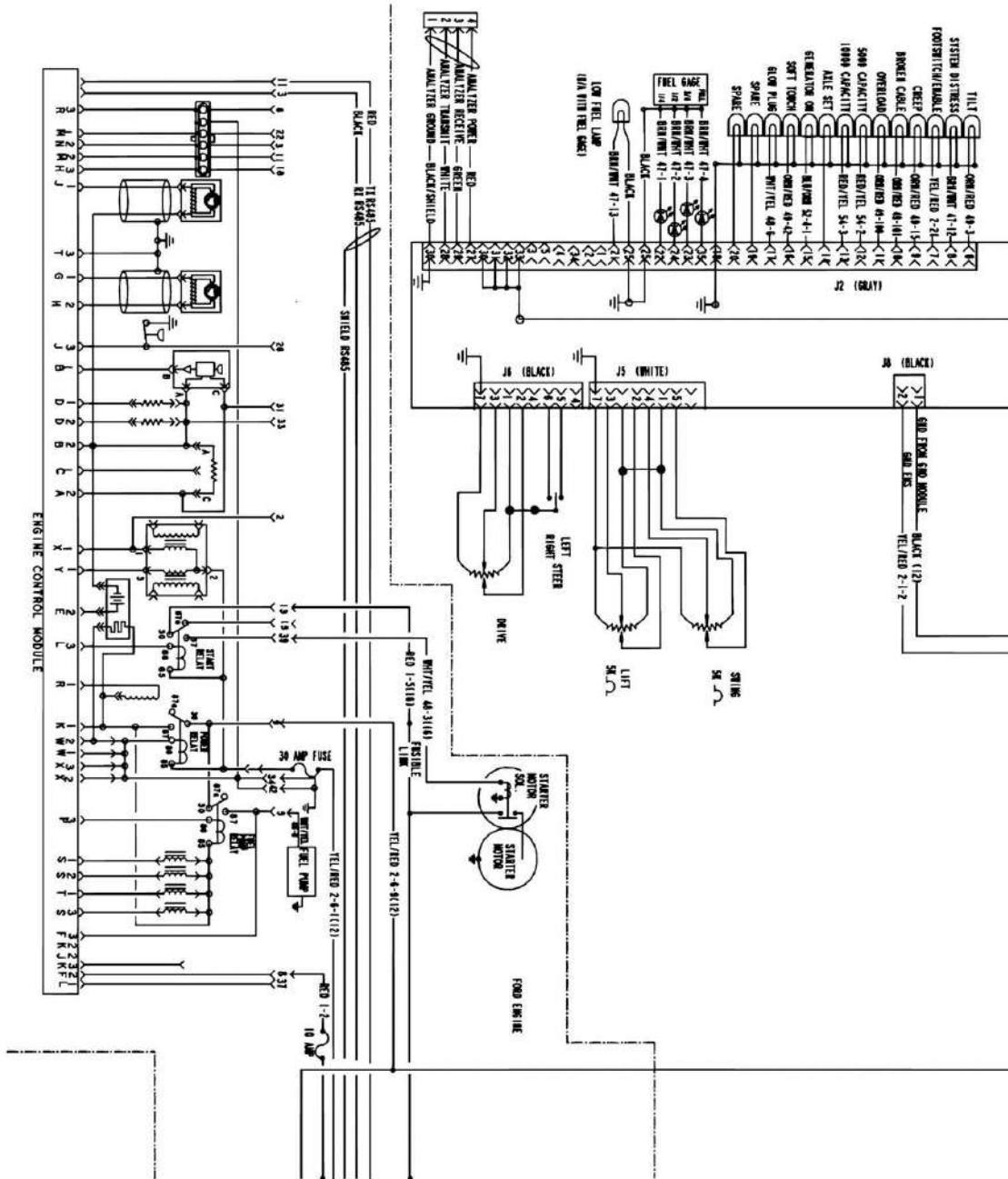


SECTION 7 - ELECTRICAL

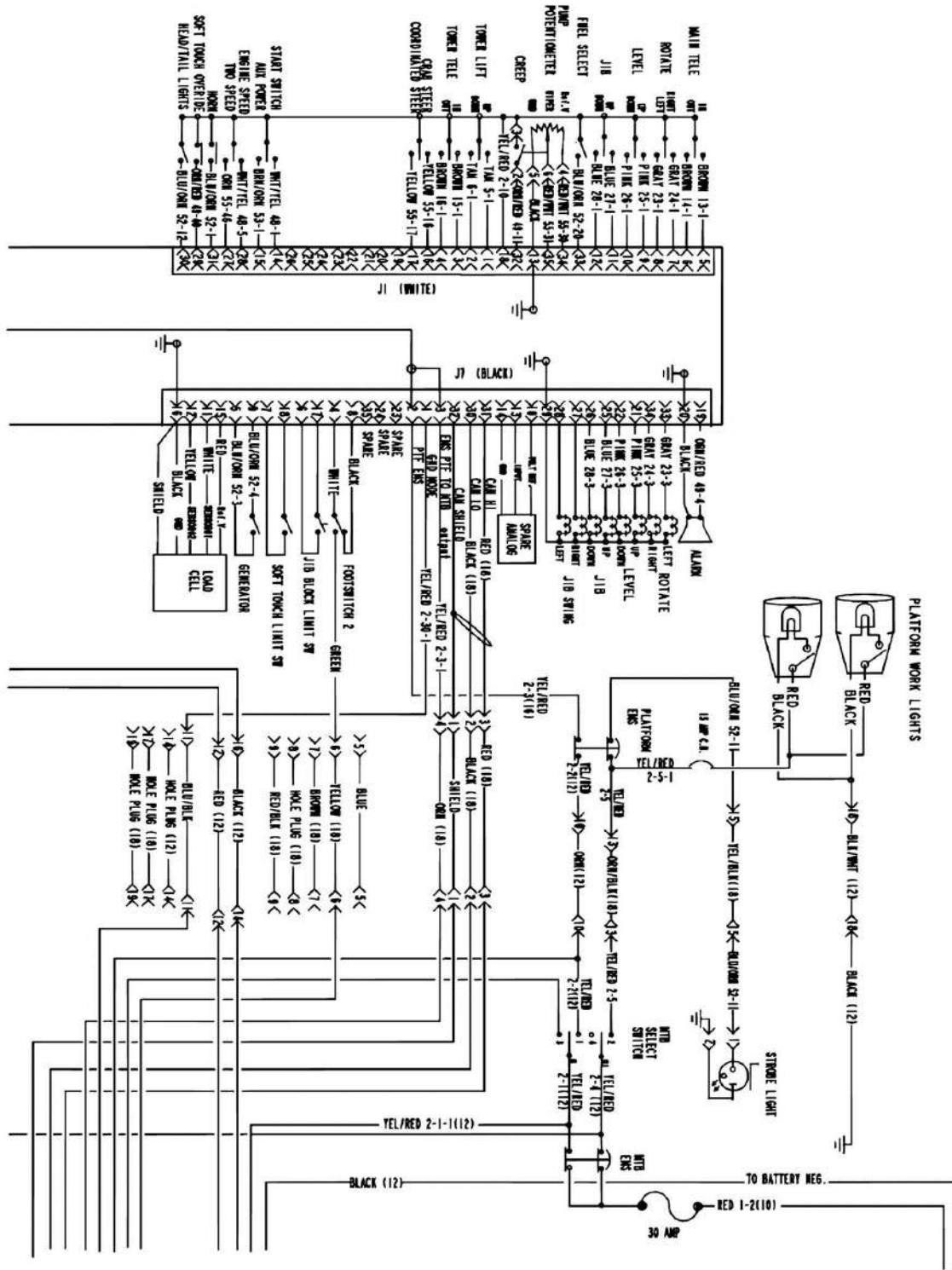


SECTION 7 - ELECTRICAL

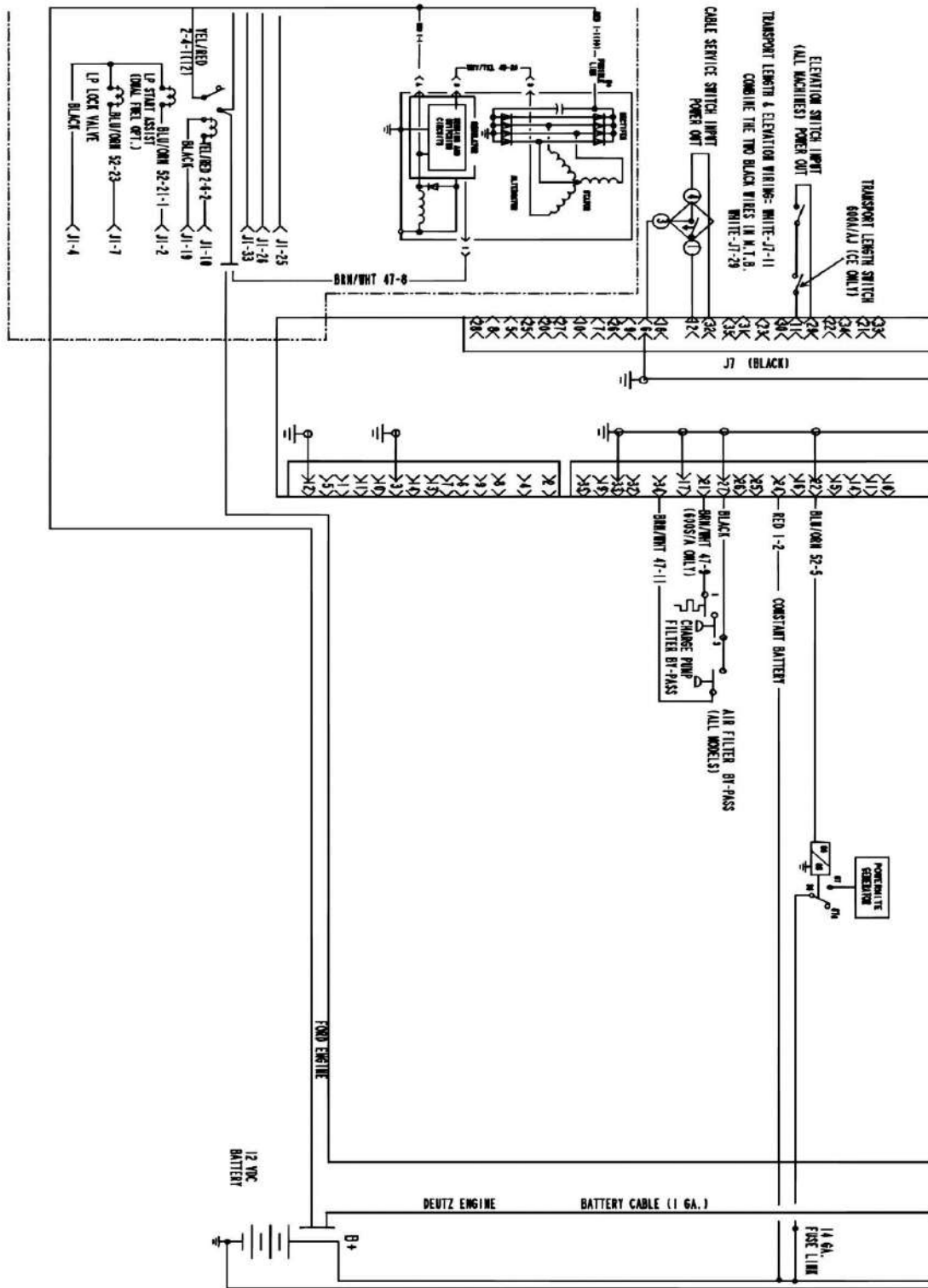
FIGURE 7-6. ELECTRICAL SCHEMATIC - DIESEL/GAS MACHINES (WITH ADE SYSTEM) (SN 0300064249 through 0300069000)

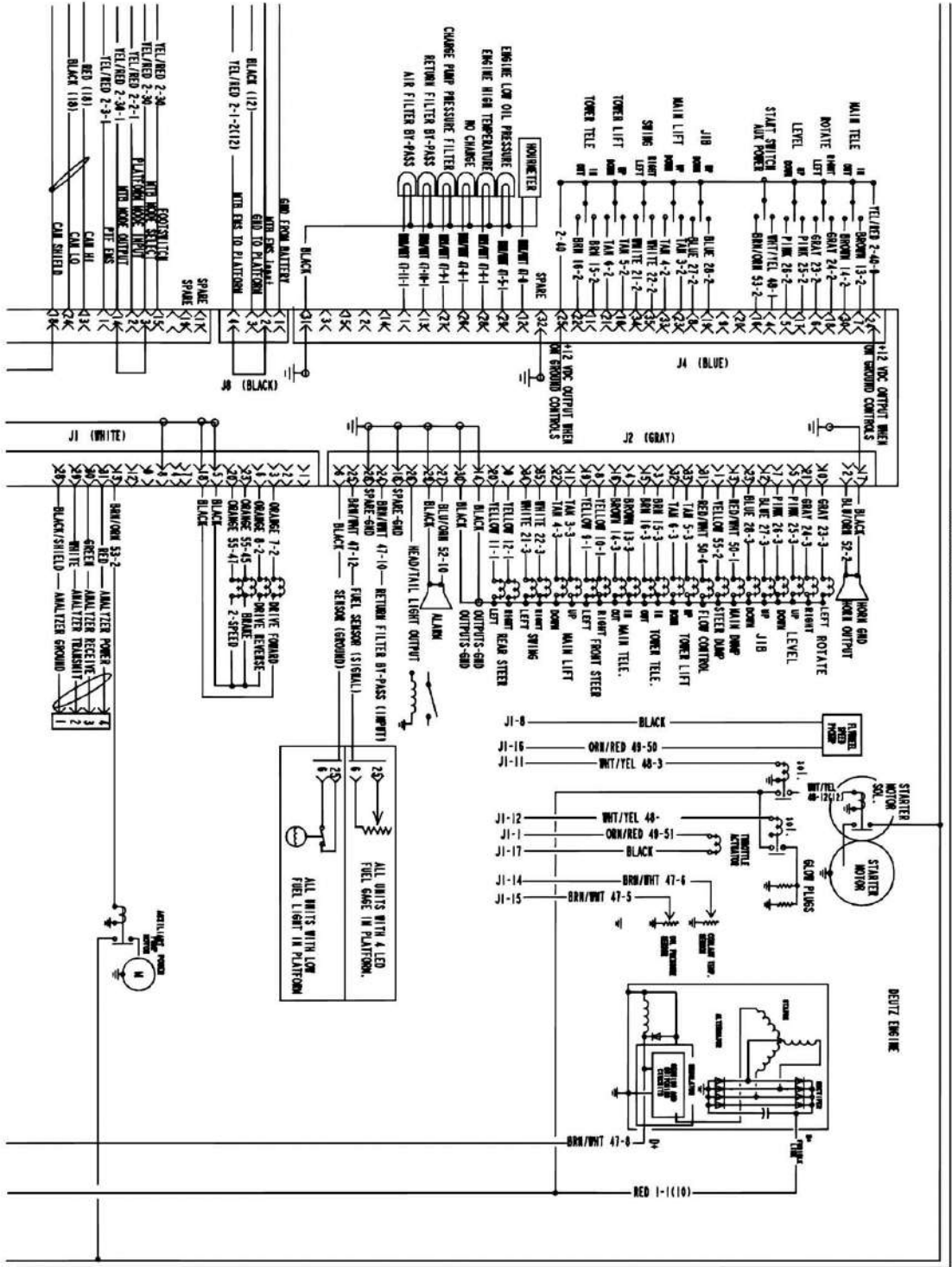


SECTION 7 - ELECTRICAL



SECTION 7 - ELECTRICAL

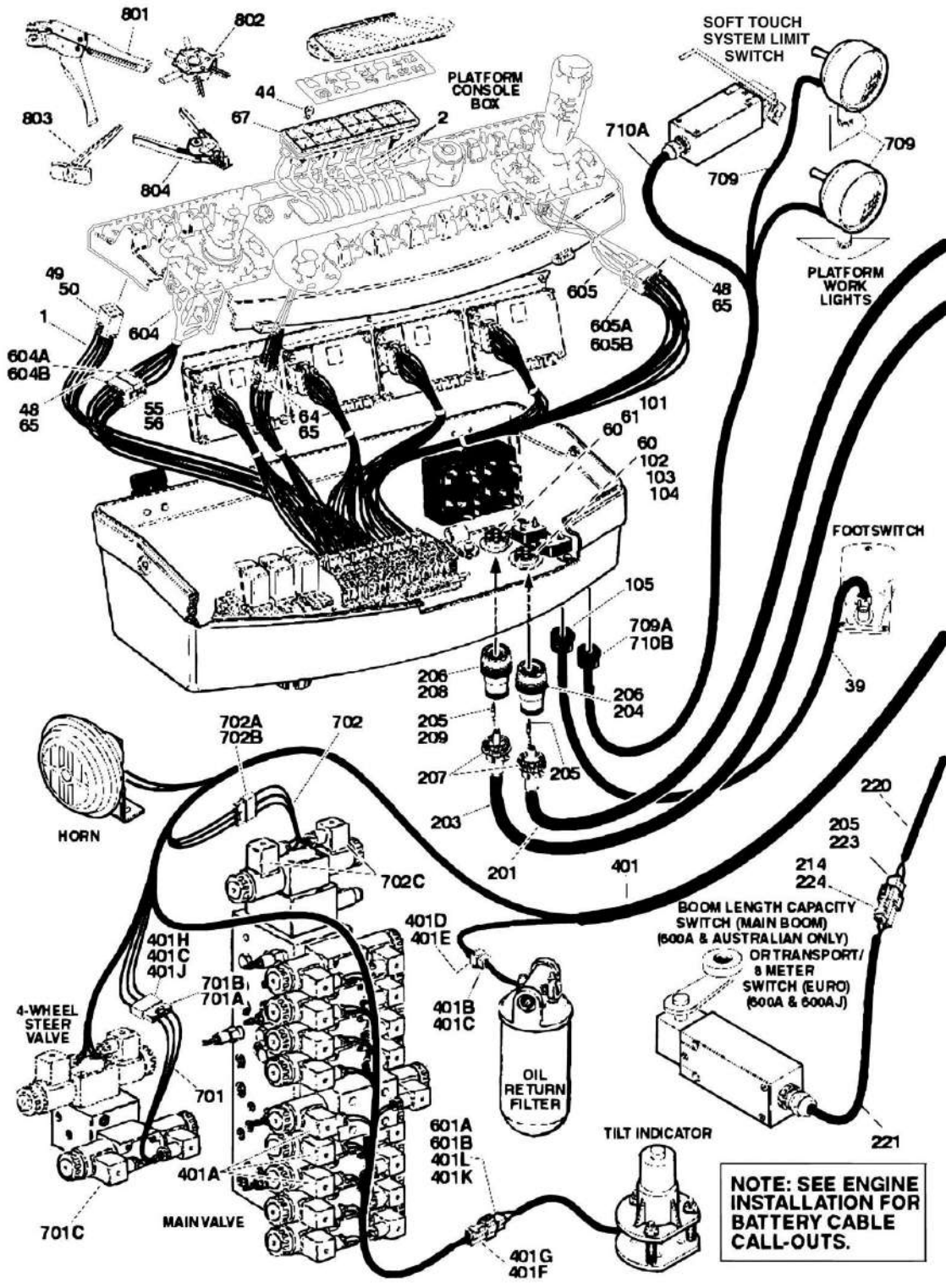




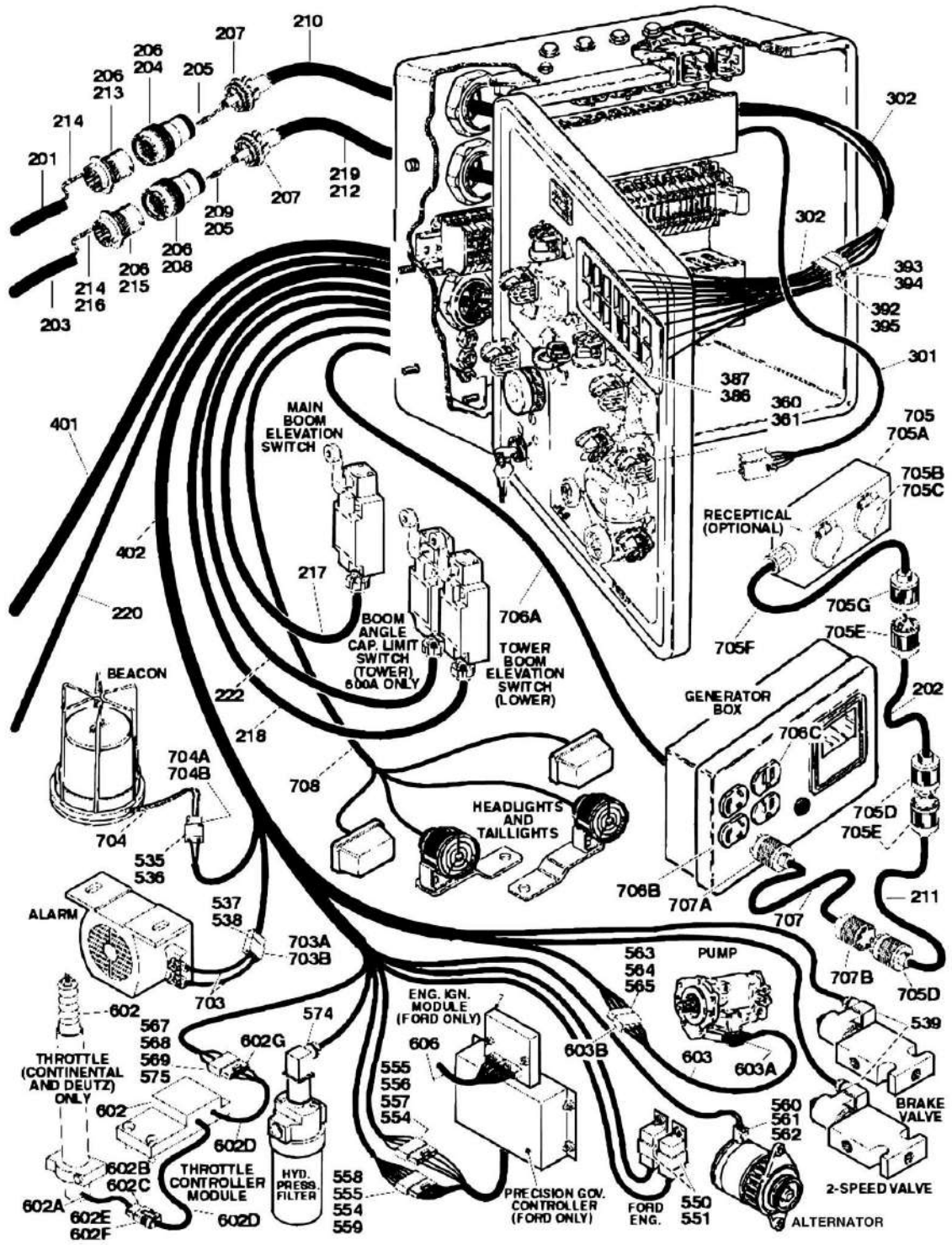
1870132 - B

SECTION 7 - ELECTRICAL

FIGURE 7-7. HARNESS COMPONENTS INSTALLATION (Prior to SN 0300064249)



SECTION 7 - ELECTRICAL



SECTION 7 - ELECTRICAL

FIGURE 7-7. HARNESS COMPONENTS INSTALLATION (Prior to SN 0300064249)

ITEM	PART NUMBER	QTY	DESCRIPTION	REV
		Ref	PLATFORM BOX WIRING DIAGRAMS	
		Ref	Note: Numbered Colored Wiring starts with SN 0300035129.	
	4932849	Ref	Platform Box Wiring Diagrams CE & EN280 Spec Machines (Prior to SN 0300035129)	5-H
	4921994	Ref	Platform Box Wiring Diagrams CE & EN280 Spec Machines (SN 0300035129 through 0300064249)	3-F
	4932974	Ref	Platform Box Wiring Diagrams CE & EN280 Specs (SN 0300035129 through 0300064249)	6-F
	4932848	Ref	Australian Spec (Prior to SN 0300029430)	1-E
	4932914	Ref	Australian Spec (SN 0300029430 through 0300035128)	5-D
	4921991	Ref	Australian Spec (SN 0300035129 through 0300064249)	2-E
	4932905	Ref	Australian Spec (SN 0300035129 through 0300069000)	7-E
1	See Note	AR	Harness, Switch (Make from Individual Wires) (Note: Not Available for Purchase)	
2	See Note	AR	Harness, Light Panel (Make from Individual Wires) (Note: Not Available for Purchase)	
39		Ref	Cable, Electrical (To Footswitch - Does Not Include Terminal Ends) Options:	
39	1060012	7 ft/2.1m	Cable, Electrical (To Footswitch - Does Not Include Terminal Ends) (Prior to SN 0300060643)	
39	1060515	7 ft/2.1m	Cable, Electrical (To Footswitch - Does Not Include Terminal Ends) (SN 0300060643 through 0300064249)	
44	2920129	12	Bulb, Light	
48	4460265	2	Plug - 9 Position	
49	4460418	8	Connector - 6 Position	
50	4460419	62	Socket, Female	
55		Ref	Connector - 15 Position Options:	
55	4460620	4	Connector - 15 Position (Prior to SN 0300035129)	
55	4460720	4	Connector - 15 Position (SN 0300035129 through 0300064249)	
56		Ref	Socket, Female Options:	
56	4460621	43	Socket, Female (Prior to SN 0300035129)	
56	4460721	43	Socket, Female (SN 0300035129 through 0300064249)	
60	4460464	40	Pin, Deutsch (14-16 Gauge)	
61	4460508	4	Pin, Deutsch (10-12 Gauge)	
62	3990010	13	Diode 3 Amp (Not Shown)	
64	4460225	1	Connector, Male - 6 Position	
65	4460267	21	Pin, Male	
66	3990010	11	Diode 6 Amp (Not Shown)	
68	4120035	12	Base, Light	
		Ref	PLATFORM BOX ASSEMBLY COMPONENTS	
101	4460613	1	Receptacle - 21 Pin	
102	4460503	1	Receptacle - 3 Pin	
103	4460470	2	Nut, Conduit	
104	4460471	2	Washer	
105	4460428	1	Connector, Strain Relief	
		Ref	BOOM CABLES INSTALLATIONS	
	0255870	Ref	Cable Installation - 600A (Standard Parts)	10
	0255878	Ref	Cable Installation - 600AJ	10
201	1060516	46.5 ft/14.2m	Cable, Electrical- 16/30 (Does Not Include Terminals)	
202	1060494	46.5	Cable, Electrical- 12/3 (Does Not Include Plug Ends) (Prior to	

SECTION 7 - ELECTRICAL

ITEM	PART NUMBER	QTY	DESCRIPTION	REV
		ft/14.2m	SN 0300041488)	
202	1060709	46.5	Cable, Electrical- 12/3 (Does Not Include Plug Ends) (SN 0300041488 through 0300064249)	
		ft/14.2m		
202	1060461	46.5	Cable, Electrical- 12/3 (Does Not Include Plug Ends) (SN 0300041488 through 0300064249)	
		ft/14.2m		
203	1060603	46.5	Cable, Electrical- 12/4 and 16/10 (Does Not Include Terminals)	
		ft/14.2m		
204	4460502	2	Plug, Connector (31 Pin)	
205	4460465	AR	Socket, Female - #16	
206	4460466	25	Seal, Plug	
207	4460473	4	Clamp, Cable	
208	4460614	2	Plug, Connector (19 Pin)	
209	4460509	8	Socket, Female - #12	
210	1060516	37	Cable, Electrical- 16/30 (Does Not Include Terminals)	
		ft/11.3m		
211	1060461	37	Cable, Electrical- 12/3 (Does Not Include Plug Ends) (Prior to SN 0300041488)	
		ft/11.3m		
211	1060709	37	Cable, Electrical- 12/3 (Does Not Include Plug Ends) (SN 0300041488 through 0300064249)	
		ft/11.3m		
211	1060461	37	Cable, Electrical- 12/3 (Does Not Include Plug Ends) (SN 0300041488 through 0300064249)	
		ft/11.3m		
212	1060603	37	Cable, Electrical - 12/4 and 16/10 (Does Not Include Terminals)	
		ft/11.3m		
213	4460503	1	Receptacle, Connector (31 Pin)	
214	4460464	AR	Pin, Male - #16	
215	4460613	1	Receptacle, Connector (19 Pin)	
216	4460508	4	Pin, Male - #12	
217	1060016	37	Cable, Electrical - 16/3	
		ft/11.3m		
218	1060016	37	Cable, Electrical - 16/3	
		ft/11.3m		
219	2820031	8 in/20cm	Heat Shrink	
220	1060016	37	Cable, Electrical - 16/3	
		ft/11.3m		
221	1060016	19 ft/5.8m	Cable, Electrical - 16/3	
222	Not Required	0	Not Required	
223	4460539	1	Connector, Terminal	
224	4460536	1	Plug, Terminal	
		Ref	GROUND CONTROL BOX WIRING DIAGRAMS	
		Ref	Note: Numbered Colored Wiring starts with S/N 0300035129.	
	4932850	Ref	Deutz Engine Machines (Prior to SN 0300035129)	5-F
	4932976	Ref	Deutz Engine Machines (SN 0300035129 through 0300064249)	4-C
301		Ref	Harness, Switch Options:	
301	See Note	AR	Harness, Switch (Make From Individual Wires) (Note: Not available for purchase) (Prior to SN 0300035129)	
301	4921992	AR	SN 0300035129 through 0300064249 (Includes Items 360 & 361)	3-D
302		Ref	Harness, Light Panel Options:	
302	See Note	AR	Harness, Light Panel (Make From Individual Wires) (Note: Not available for purchase) (Prior to SN 0300035129)	
302	4922002	AR	Harness, Light Panel (SN 0300035129 through 0300064249)	2-D
303		Ref	Sub-Harness, Start Options: (Not Shown)	
303	See Note	AR	Sub-Harness, Start (Make From Individual Wires) (Note: Not available for purchase) (Prior to SN 0300035129)	
303	4922008	AR	Sub-Harness, Start (SN 0300035129 through 0300064249)	4-D

SECTION 7 - ELECTRICAL

ITEM	PART NUMBER	QTY	DESCRIPTION	REV
360	4460418	AR	Connector - 6 Position	
361	4460419	AR	Socket, Female	
372	Not Required	0	Not Required	
384	3990010	AR	Diode 6 Amp (Not Shown)	
386	4120035	AR	Base, Light	
386	4460634	AR	Insert, Terminal (Signal Wire)	
386	4460635	AR	Insert, Terminal (Double Wire)	
387	2920129	AR	Bulb, Light	
388	3990001	7	Diode 3 Amp (Not Shown)	
389	3730099	1	Resistor 750 Ohm (Not Shown)	
391	3730022	1	Resistor 500 Ohm (Not Shown - Located at Alternator Light) (Prior to SN 0300036354)	
391	3730023	1	Resistor 510 Ohm (Not Shown - Located at Alternator Light) (SN 0300036354 through 0300064249)	
392	4460267	6	Pin, Male	
393	4460268	6	Socket, Female	
394	4460224	1	Connector, Female - 6 Position	
395	4460225	1	Connector, Male - 6 Position	
		Ref	GROUND CONTROL BOX ASSEMBLY COMPONENTS	
		Ref	Note: Numbered Colored Wiring starts with SN 0300035129	
		Ref	Valve Harness Assembly Options:	
401		1	Valve Harness Assembly (Prior to SN 0300026233)	
401	4921739	1	Valve Harness Assembly (SN 0300026233 through 0300035128)	
401	4921848	1	Valve Harness Assembly (SN 0300026233 through 0300035128)	
401	4921922	1	Valve Harness Assembly (SN 0300035129 through 0300064249)	
401A	4460499	19	Connector, DIN	
401B	4460320	2	Connector, Female - 2 Position	
401C	4460267	7	Pin, Male	
401D	4460424	1	Plug, Male - 2 Position	
401E	4460268	5	Socket, Female	
401F	4460539	1	Plug, Male - 3 Position (Prior to SN 0300026233)	
401F	4460225	1	Connector, Male - 6 Position (SN 0300026233 through 0300064249)	
401G	4460465	3	Socket, Female (Prior to SN 0300026233)	
401G	4460267	3	Pin, Male (SN 0300026233 through 0300064249)	
401H	4460326	1	Plug, Male - 3 Position	
401J	4460445	1	Connector, Female - 3 Position	
401K	4460536	1	Connector, Deutsch - 3 Position (Prior to SN 0300026233)	
401K	See Note	AR	Connector - 6 Position (SN 0300026233 through 0300064249)	
401L	4460464	3	Pin, Male (Prior to SN 0300026233)	
401L	See Note	AR	Pin (Note: After SN 0300026233, #401K & #401L are no longer part of Valve Harness. See Tilt Indicator Harness) (SN 0300026233 through 0300064249)	
402		Ref	Engine Harness Assembly Options: (See Items 501-574)	
402	4921737	1	Deutz Engine Machines (Prior to SN 0300035129)	4-E
402	4921925	1	Deutz Engine Machines (SN 0300035129 through 0300064249)	6-G
		Ref	ENGINE HARNESS ASSEMBLY OPTIONS - DEUTZ:	4-E
		Ref	Note: Numbered Wiring starts with SN 0300035129.	
	4921737	Ref	Deutz Engines (Prior to SN 0300035129)	4-E
	4921925	Ref	Deutz Engines (SN 0300035129 through 0300064249)	6-G
528	4460268	13	Socket, Female	
529	4460267	12	Pin, Male	

SECTION 7 - ELECTRICAL

ITEM	PART NUMBER	QTY	DESCRIPTION	REV
535	4460424	1	Plug, Male - 2 Position	
536	4460268	2	Socket, Female	
537	4460320	1	Connector, Female - 2 Position	
538	4460267	2	Pin, Male	
539	4460499	3	Connector, DIN with Diode	
545		Ref	Connector, Female Options:	
545	4460445	1	3 Position (Prior to SN 0300044053)	
545	4460268	3	Socket, Female (Prior to SN 0300044053)	
545	4460777	1	4 Position (SN 0300044053 through 0300064249)	
545	4460591	1	Lock, Terminal (SN 0300044053 through 0300064249)	
545	4460589	3	Socket, Female (SN 0300044053 through 0300064249)	
545	4460608	3	Seal, Cable (SN 0300044053 through 0300064249)	
547	4460265	1	Plug, Male - 9 Position	
548	4460266	1	Connector, Female - 9 Position	
550 to 551	Not Required	0	Not Required	
554 to 562	Not Required	0	Not Required	
563	4460460	1	Connector, Male	
564	4460457	4	Socket, Female	
565	4460458	4	Seal, Socket	
574	4460449	1	Connector, DIN without Diode	
		Ref	STANDARD HARNESS COMPONENTS	
		Ref	Note: Numbered Wiring starts with SN 0300035129.	
601	See Note	1	Tilt Indicator Harness (Note: Not Available for Purchase)	
601A	See Note	AR	Pin (Note, #601A is part of Valve Harness. See Valve Harness.) (Prior to SN 0300026233)	
601A	4460268	6	Socket, Female (SN 0300026233 through 0300064249)	
601B	See Note	1	Plug (Note, 601B is part of Valve Harness. See Valve Harness.) (Prior to SN 0300026233)	
601B	4460224	1	Connector, Female - 6 Position (SN 0300026233 through 0300064249)	
602	See Note	1	Throttle Actuator/Controller Harness - Deutz (Note: Not Available for Purchase)	
602	0060033	NLA	Throttle Actuator and Controller Assembly (Use p/n 2910000)	
602	7008833	1	Mounting Clamp Kit (Not Shown)	
602	7008836	1	Spring, Retract (Not Shown)	
602A	See Note	1	Throttle Actuator and Harness (Purchase p/n 2910000) (Note: Not Available for Purchase)	
602A	7016336	1	Boot Kit	
602B	See Note	9	Pin, Male (Note: Not Available for Purchase)	
602C	See Note	1	Connector, Male (Note: Not Available for Purchase)	
602D	2910001	1	Controller and Harnesses	
602E	See Note	9	Socket, Female (Note: Not Available for Purchase)	
602F	See Note	1	Connector, Female (Note: Not Available for Purchase)	
602G	See Note	1	Plug, Male - 4 Position (Note: Not Available for Purchase)	
602G	4460693	4	Pin, Male	
602G	4460591	1	Clip	
602G	4460608	4	Seal, Terminal	
603	See Note	1	Sunstrand Pump Harness (Note: Not Available for Purchase)	
603A	7007497	1	Plug (Pump End)	
603B	7007498	1	Plug (Engine Harness End)	
604	See Note	1	Controller Harness Assembly (Lift and Swing) (Note: Not Available for Purchase)	
604A	4460266	1	Connector, Female - 9 Position	

SECTION 7 - ELECTRICAL

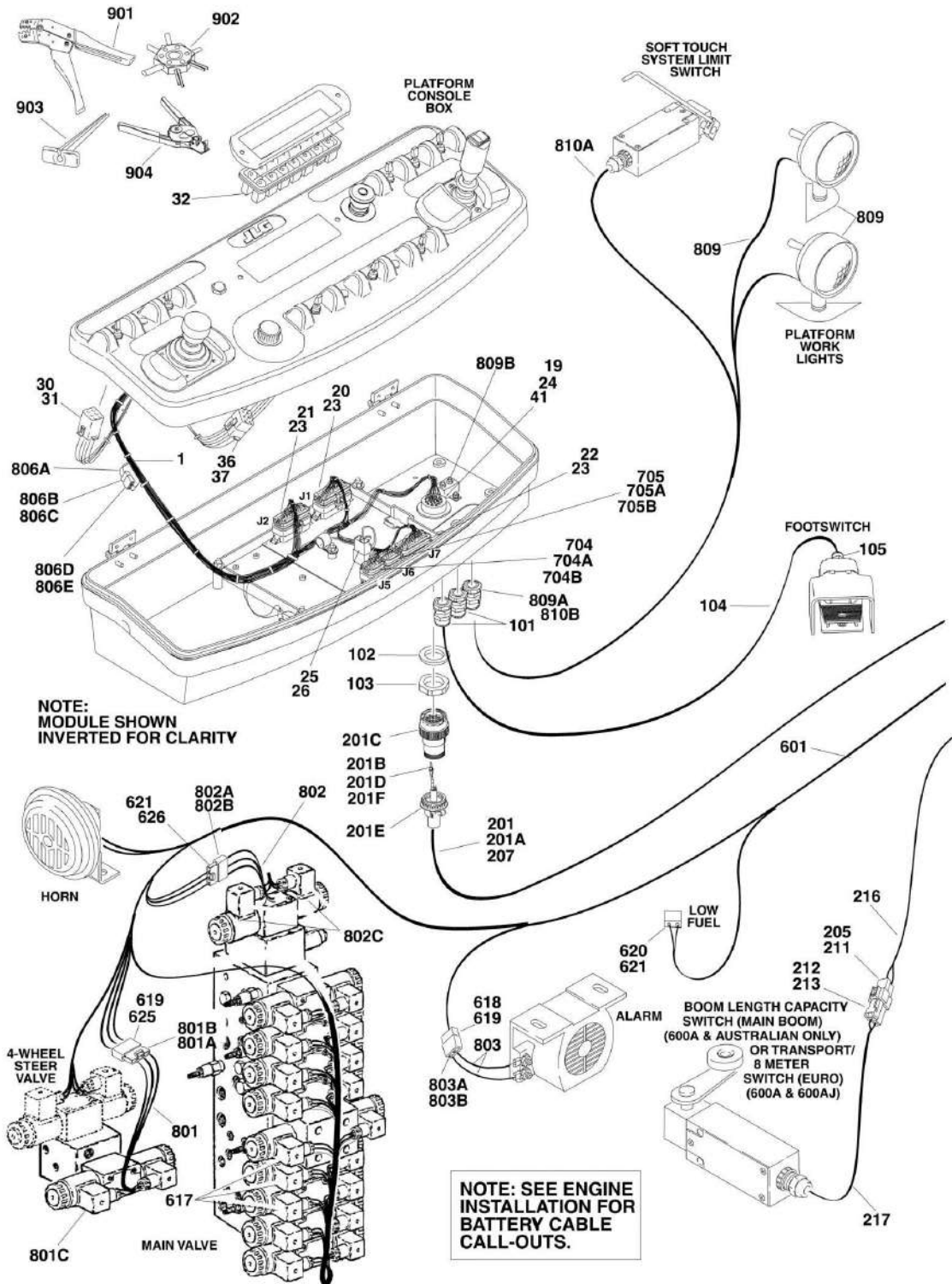
ITEM	PART NUMBER	QTY	DESCRIPTION	REV
604B	4460268	7	Socket, Female	
605	See Note	1	Controller Harness/Circuit Board Assembly (Drive and Steer) (Note: Not Available for Purchase)	
605A	4460266	1	Connector, Female - 9 Position	
605B	4460268	7	Socket, Female	
606	Not Required	0	Not Required	
		Ref	OPTIONAL HARNESS COMPONENTS	
		Ref	Note: Numbered Colored Wiring starts with SN 0300035129.	
701		Ref	4WS Valve Harness Options:	
701	4921772	1	4WS Valve Harness (Prior to SN 0300035129)	
701	4921928	1	4WS Valve Harness (SN 0300035129 through 0300064249)	
701A	4460268	3	Socket, Female	
701B	4460445	1	Connector, Female - 3 Position	
701C	4460499	2	Connector, DIN with Diode	
702		Ref	Articulating Jib Valve Harness Options: (600AJ Only)	
702	4921771	1	Articulating Jib Valve Harness (Prior to SN 0300035129)	
702	4921927	1	Articulating Jib Valve Harness (SN 0300035129 through 0300064249)	
702A	4460326	1	Plug, Male - 3 Position	
702B	4460267	3	Pin, Male	
702C	4460499	2	Connector, DIN with Diode	
703		Ref	Alarm Harness Options: (Includes Alarm)	
703	0255914	1	Alarm Harness (Prior to SN 0300035129)	
703	0257887	1	Alarm Harness (SN 0300035129 through 0300064249)	
703A	4460424	1	Plug, Male - 2 Position	
703B	4460268	2	Socket, Female	
704	0255917	1	Strobe Light Harness (Includes Strobe Light)	
704A	4460320	1	Connector, Female - 2 Position	
704B	4460267	2	Pin, Male	
705	0256202	Ref	AC (110V) to Platform Receptacle Components	4
705	See Note	Ref	AC (220V) to Platform Receptacle Components (Note: Not Available for Purchase)	D
705A	0860038	1	Box, Switch	
705B		Ref	Receptacle Options:	
705B	See Note	1	110V GFI (Note: Not Available for Purchase)	
705B	See Note	1	220V GFI (Note: Not Available for Purchase)	
705C		Ref	Shield, Cover Options:	
705C	See Note	1	110V GFI (Note: Not Available for Purchase)	
705C	See Note	1	220V GFI (Note: Not Available for Purchase)	
705D		Ref	Plug, Male Options:	
705D	4460709	2	110V GFI (Note: Not Available for Purchase)	
705D	See Note	2	220V GFI (Note: Not Available for Purchase)	
705E		Ref	Connector, Female Options:	
705E	4460710	2	110V GFI	
705E	See Note	2	220V GFI (Note: Not Available for Purchase)	
705F		Ref	Harness-Receptacle Box to Boom Options:	
705F	4921820	1	110V	
705F	See Note	1	220V (Note: Not Available for Purchase)	
705F	1060461	18	Cable, Electrical - 12/3	
		in/47cm		
705G	4460709	1	Plug, Male (110V)	
705G	See Note	1	Plug, Male (220V) (Note: Not Available for Purchase)	

SECTION 7 - ELECTRICAL

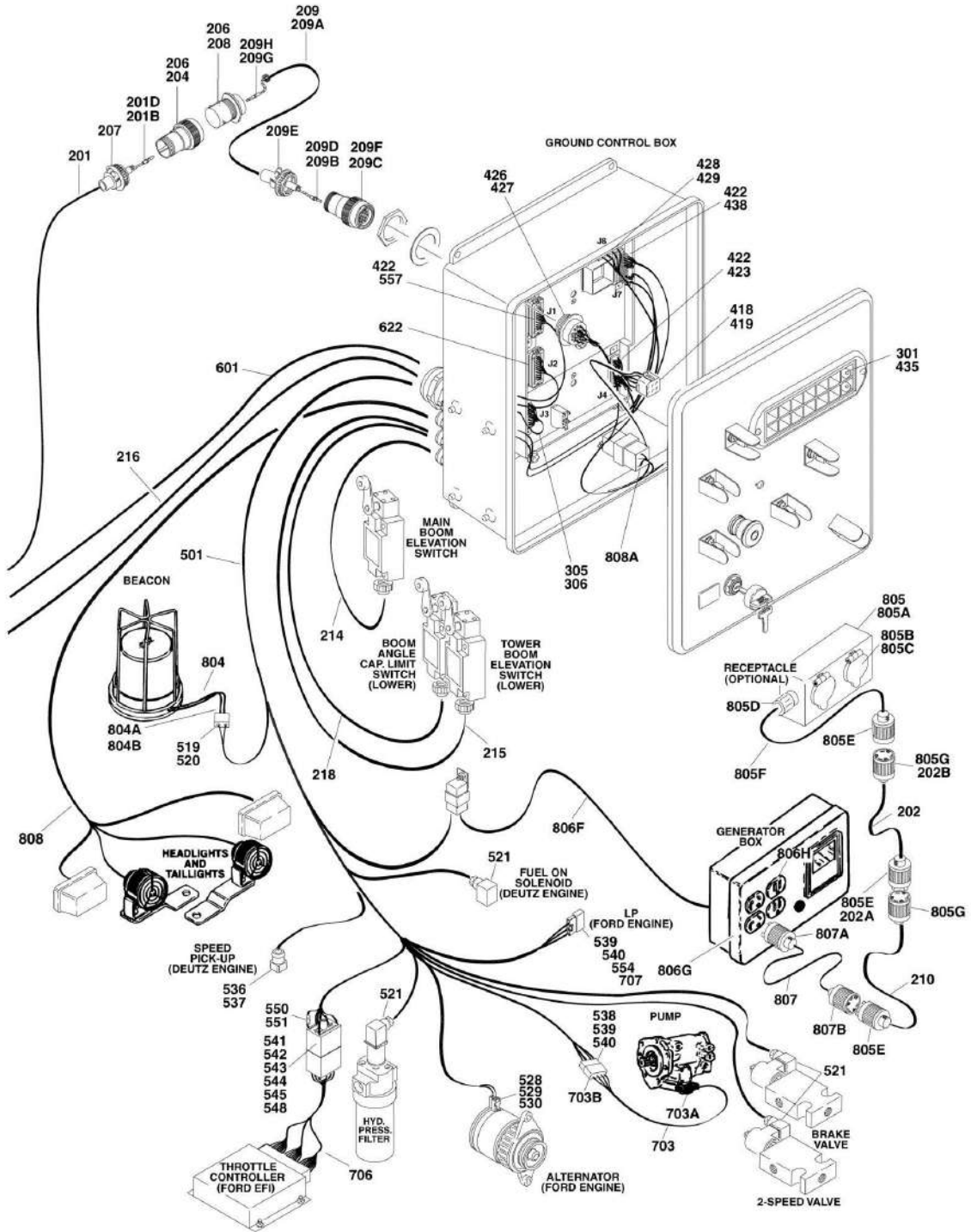
ITEM	PART NUMBER	QTY	DESCRIPTION	REV
705H	0961127	1	Bushing, Snap (Not Shown) (Prior to SN 0300040858)	
706		Ref	Generator Electrical Components	
706	4932828	Ref	110V (Prior to SN 0300035129)	2-C
706	4932940	Ref	220V (Prior to SN 0300035129)	1-A
706	4932915	Ref	110V (SN 0300035129 through 0300064249)	1-A
706	4932989	Ref	220V (SN 0300035129 through 0300064249)	-
706	3990010	1	Diode - 6 Amp (Not Shown)	
706A		Ref	Harness - On/Off Switch (Powermite Control Box to Ground Control Box)	
706A	4921828	1	Harness - On/Off Switch (Powermite Control Box to Ground Control Box) (Prior to SN 0300035129)	
706A	4921938	1	Harness - On/Off Switch (Powermite Control Box to Ground Control Box) (SN 0300035129 through 0300064249)	
706B	4460027	1	Receptacle, Electrical (Industrial) (110V)	
706B	4460125	1	Receptacle, Electrical (220V)	
706C	4460190	1	Receptacle, Electrical (Standard) (110V)	
706C	4460125	1	Receptacle, Electrical (220V)	
707	4921829	1	Generator to Rear of Boom Harness (110V)	
707	4921957	1	Generator to Rear of Boom Harness (220V)	
		Ref	Note: Harness used to connect AC at platform harness to generator receptacle to power platform receptacle.	
707	1060494	26 ft/8m	Cable, Electrical - 12/3	
707A	4460205	1	Plug, Male (110V)	
707A	4460233	1	Plug, Male (220V)	
707B	4460134	1	Receptacle, Female (110V)	
707B	4460701	1	Receptacle, Female (220V)	
708	See Note	1	Lights Harness (Note: Not Available for Purchase)	
708	3740049	1	Relay (Not Shown)	
708	1060341	37 ft/11.3m	Cable, Electrical - 16/2	
709	2920140	2	Platform Worklights Harness (Includes Light and Wire Only)	
709	2820035	9 ft/2.8m	Loom, Vinyl	
709	7016399	1	Bulb, Replacement (50 watts) (1 Per)	
709A	4460598	1	Connector, Strain Relief	
709A	4460442	2	Terminal (Not Shown-Located in Platform Console)	
710	See Note	1	Soft-Touch System Harness (Note: Not Available for Purchase)	
710A	1060330	16 ft/4.9m	Cable, Electrical - 16/3 (Prior to SN 0300029105)	
710A	1060341	16 ft/4.9m	Cable, Electrical - 16/3 (SN 0300029105 through 0300064249)	
710B	4460425	1	Connector, Strain Relief (SN 0300029105 through 0300064249)	
710B	4460428	1	Connector, Strain Relief (Prior to SN 0300029105)	
		Ref	TOOLS	
801	7002821	1	Crimper (For Wire to Pin/Socket Connections)	
802	7002823	1	Extractor (For Removal of Pin/Socket from Connectors)	
803	4460467	1	Extractor, Pin (Blue 16-18 Gauge) (For Removal of Pin/Socket from Connectors)	
803	4460510	1	Extractor, Pin (Yellow 12-14 Gauge) (For Removal of Pin/Socket from Connectors)	
804	8896941	1	Stripper, Wire	

SECTION 7 - ELECTRICAL

FIGURE 7-8. HARNESS COMPONENTS INSTALLATION (WITH ADE SYSTEM) (SN 0300064249 through 0300064269)



SECTION 7 - ELECTRICAL



SECTION 7 - ELECTRICAL

FIGURE 7-8. HARNESS COMPONENTS INSTALLATION (WITH ADE SYSTEM) (SN 0300064249 through 0300064269)

ITEM	PART NUMBER	QTY	DESCRIPTION	REV
	4922509	Ref	PLATFORM BOX HARNESS ASSEMBLY	3-D
1	4922509	1	Harness, Console Box	
19	4460866	1	Connector - 19 Position	
20	4460874	1	Connector - 35 Position (Natural)	
21	4460875	1	Connector - 35 Position (Gray)	
22	4460873	1	Connector - 35 Position (Black)	
23	4460871	48	Socket, Female	
24	4460464	7	Pin, Male (16 Gauge)	
25	4460879	1	Terminal, Housing 2 Position	
26	4460887	2	Terminal, (12 Gauge)	
30	4460418	4	Connector - 6 Position	
31	4460419	12	Socket, Female	
32	4120035	7	Base, Light	
36	4460225	1	Connector, Male - 6 Position	
37	4460227	6	Pin	
41	4460508	3	Pin, Male (12 Gauge)	
		Ref	PLATFORM BOX ASSEMBLY COMPONENTS	
101	4460428	2	Connector, Strain Relief	
102	4460470	1	Nut, Conduit	
103	4460471	1	Washer	
104	1060330	1	Cable, Electrical - 16/3	
105	4460071	1	Connector, Strain Relief	
		Ref	BOOM CABLES INSTALLATION	
	0270819	Ref	Boom Cables Installation 600A	3
	0270821	Ref	Boom Cables Installation 600AJ	3
201	4922493	1	Harness, Main Boom	
201A	1060896	45.5 ft/13.9m	Cable	
201B	4460465	22	Socket, Female - #16	
201C	4460865	1	Connector - 19 Position	
201D	4460509	8	Socket, Female - #12	
201E	4460473	1	Clamp, Cable	
201F	4460466	4	Seal, Plug	
202	1060461	46 ft/14m	Cable, Electrical - 12/3 (Does not include plug ends)	
204	4460865	1	Connector - 19 Position	
205	4460465	3	Socket, Female - #16	
206	4460466	8	Seal, Plug	
207	4460473	1	Clamp, Cable	
208	4460866	1	Connector - 19 Position	
209	4922494	1	Harness, Lower Boom Cable	
209A	1060896	35.5 ft/10.8m	Cable	
209B	4460465	11	Socket, Female - #16	
209C	4460865	1	Connector - 19 Position	
209D	4460509	4	Socket, Female - #12	
209E	4460473	1	Clamp, Cable	
209F	4460466	4	Seal, Plug	
209G	4460464	11	Pin, Male (16 Gauge)	
209H	4460508	4	Pin, Male (12 Gauge)	

SECTION 7 - ELECTRICAL

ITEM	PART NUMBER	QTY	DESCRIPTION	REV
210	1060461	33 ft/10m	Cable, Electrical - 12/3 (Does not include plug ends)	
211	4460539	1	Connector, Terminal (600A Only)	
212	4460536	1	Plug, Terminal (600A Only)	
213	4460464	3	Pin, Male (16 Gauge)	
214	1060902	37 ft/11.3m	Cable, Electrical - 18/2 Main Boom Limit Switch	
215	1060902	Ref	Cable, Electrical - 18/2 Tower Boom Limit Switch	
215	1060902	37 ft/11.3m	Cable, Electrical - 18/2 Tower Boom Limit Switch 600A	
215	1060902	18 ft/5.5m	Cable, Electrical - 18/2 Tower Boom Limit Switch 600AJ	
216	1060902	37 ft/11.3m	Cable, Electrical - 18/2 Main Boom Length (600A Only)	
217	1060902	Ref	Cable, Electrical - 18/2 Main Boom Length	
217	1060902	19 ft/5.8m	Cable, Electrical - 18/2 Main Boom Length 600A	
217	1060902	16.5 ft/5.0m	Cable, Electrical - 18/2 Main Boom Length 600AJ	
	4933185	Ref	GROUND CONTROL BOX DIAGRAMS	3-C
301	2920129	6	Bulb, Light	
302	4460871	6	Socket, Female	
307	2400065	1	Fuse, 30Amp (Not Shown)	
308	2400066	1	Fuse, Holder W/Cover (Not Shown)	
	4922516	Ref	GROUND CONTROL HARNESS ASSEMBLY	4-E
418	4460419	27	Socket, Female	
419	4460418	9	Connector - 6 Position	
422	4460871	39	Socket, Female	
423	4460876	1	Connector - 35 Position (Blue)	
426	4460464	10	Pin, Male (16 Gauge)	
427	4460866	1	Connector - 19 Position	
428	4460878	1	Housing, Terminal - 4 Position	
429	4460887	3	Terminal (12 Gauge)	
435	4120035	6	Base, Light	
438	4460873	1	Connector - 35 Position (Black)	
	4922515	Ref	ENGINE HARNESS ASSEMBLY	5-E
501	4922515	1	Harness, Assembly	
519	4460424	1	Plug, Male - 2 Position	
520	4460268	2	Socket, Female	
521	4460880	AR	DIN Connector without Diode	
536	4460890	1	Housing - 2 Position	
537	4460889	2	Terminal	
538	4460460	1	Connector, Male - 4 Position	
539	4460457	AR	Terminal, Female	
540	4460458	AR	Seal, Terminal	
557	4460871	AR	Socket, Female	
	4922508	Ref	VALVE HARNESS ASSEMBLY	2-A
601	4922508	1	Harness, Assembly	
617	4460880	15	DIN Connector	
618	4460320	1	Connector, Female - 2 Position	
619	4460267	5	Pin, Male	
620	4460424	1	Plug, Male - 2 Position	
621	4460268	5	Socket, Female	
622	4460871	28	Socket, Female	
625	4460326	1	Connector, Male - 3 Position	

SECTION 7 - ELECTRICAL

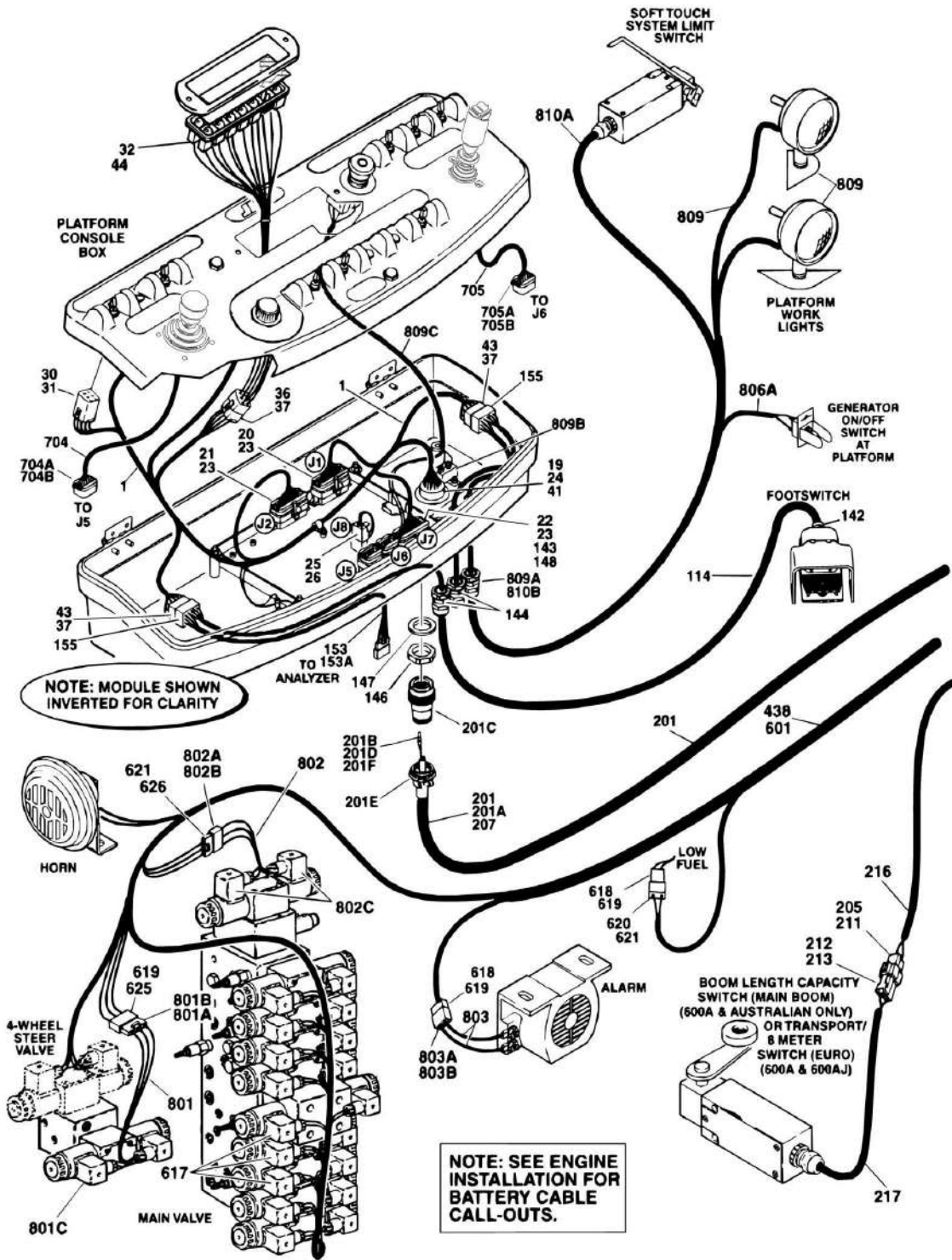
ITEM	PART NUMBER	QTY	DESCRIPTION	REV
626	4460445	1	Connector, Female - 3 Position	
		Ref	STANDARD HARNESS COMPONENTS	
703	See Note	1	Pump Harness (Note: Not Available for Purchase)	
703A	7007497	1	Plug (Pump End)	
703B	7007498	1	Plug (Engine Harness End)	
704	See Note	1	Controller Harness Assembly (Lift and Swing) (Note: Not Available for Purchase)	
704A	7022819	1	Plug, Male - 8 Position (Natural)	
704B	4460871	8	Socket, Female	
705	See Note	1	Controller Harness/Circuit Board Assembly (Drive and Steer) (Note: Not Available for Purchase)	
705A	7022825	1	Plug, Female - 8 Position (Black)	
705B	4460871	7	Socket, Female	
706 to 707	Not Required	0	Not Required	
		Ref	OPTIONAL HARNESS COMPONENTS	
801	4921928	1	4WS Valve Harness	
801A	4460268	3	Socket, Female	
801B	4460445	1	Connector, Female - 3 Position	
801C	4460499	2	Connector, DIN with Diode	
802	4921927	1	Jib Valve Harness (600AJ Only)	
802A	4460326	1	Plug, Male - 3 Position	
802B	4460267	3	Pin, Male	
802C	4460499	2	Connector, DIN with Diode	
803	0257887	1	Alarm Harness (Includes Alarm)	
803A	4460424	1	Plug, Male - 2 Position	
803B	4460268	2	Socket, Female	
804	0255917	1	Strobe Light Harness (Includes Strobe Light)	
804A	4460320	1	Connector, Female - 2 Position	
804B	4460267	2	Pin, Male	
805	0256202	Ref	AC to Platform Receptacle Components	4-G
805A	0860038	1	Box, Switch	
805B	Not Required	0	Receptacle	
805C	Not Required	0	Shield, Cover	
805D	Not Required	0	Connector, Strain Relief	
805E	4460709	2	Plug, Male	
805F	4921820	1	Harness-Receptacle Box to Boom	
805F	1060494	2.5 ft/0.8m	Cable, Electrical - 12/3	
805G	4460710	2	Connector, Female	
806		Ref	Generator Electrical Components	
806	4933158	Ref	110V	1-A
806	4933162	Ref	220V	1-A
806	3990010	1	Diode - 6 Amp (Not Shown)	
806A	4922483	1	Harness - On/Off Switch	
806B	4460320	1	Connector, Female - 2 Position	
806C	4460267	2	Pin, Male	
806D	4460424	1	Plug, Male - 2 Position	
806E	4460268	2	Socket, Female	
806F	4922482	1	Powermite Control Box to Relay	
806G	4460027	1	Receptacle, Electrical (Industrial) (110V)	
806G	4460125	1	Receptacle, Electrical (220V)	
806H	4460190	1	Receptacle, Electrical (Standard) (110V)	

SECTION 7 - ELECTRICAL

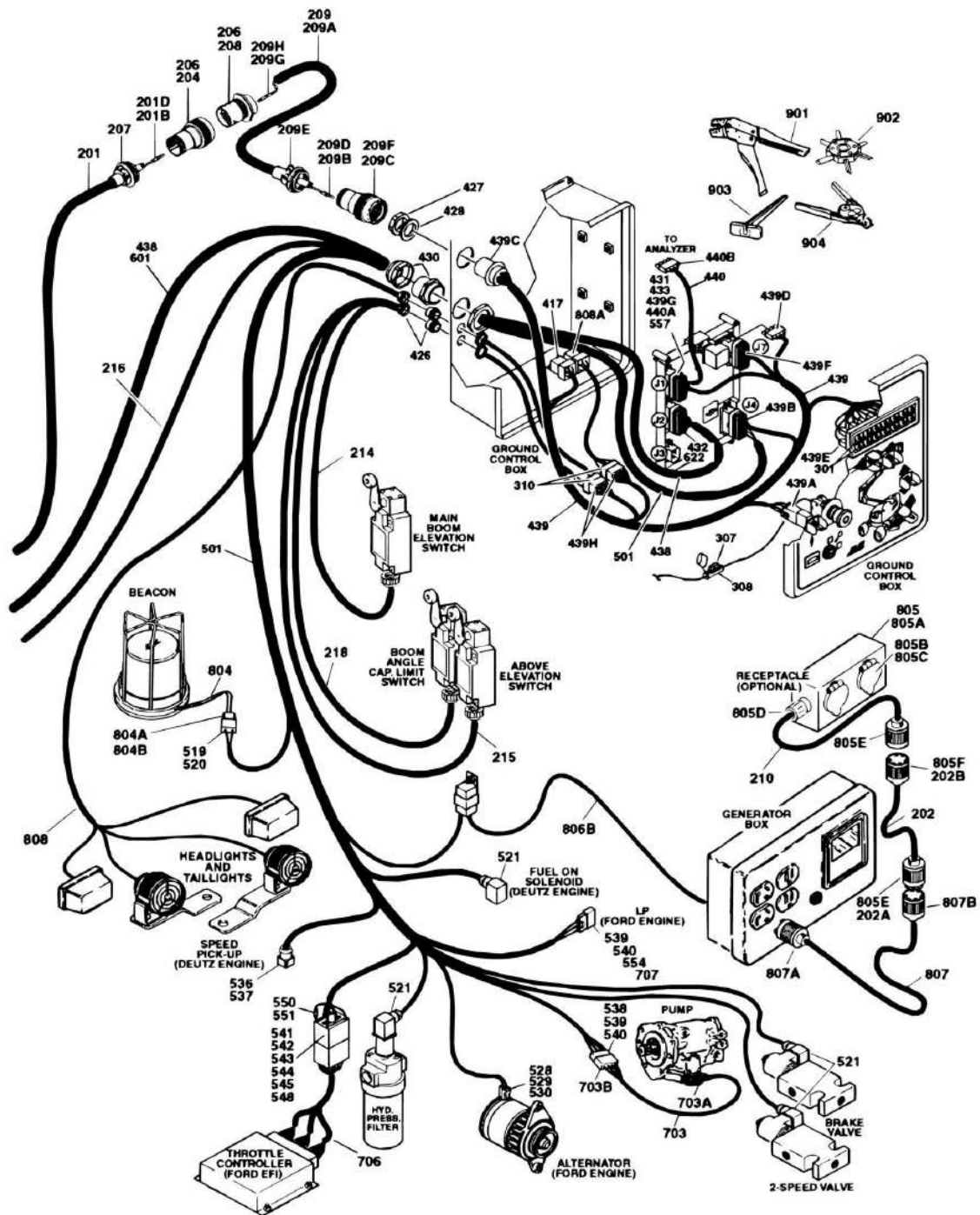
ITEM	PART NUMBER	QTY	DESCRIPTION	REV
806H	4460125	1	Receptacle, Electrical (220V)	
807	4921957	1	Generator to Rear of Boom Harness (110V/220V)	
		Ref	Note: Harness used to connect AC at platform harness to generator receptacle to power platform receptacle.	
807	1060461	6 ft/1.8m	Cable, Electrical - 12/3	
807A	Not Required	0	Plug, Male	
807B	Not Required	0	Receptacle, Female	
808	See Note	1	Lights Harness (Note: Not Available for Purchase)	
808	1060341	37 ft/11.3m	Cable, Electrical - 16/2	
808A	3740049	1	Relay	
808B	4922643	1	Harness, Bag (Located at Ground Control Box) (Not Shown)	
809	2920140	2	Platform Worklights Harness (Includes Light and Wire Only)	
809	2820035	9 ft/2.8m	Loom, Vinyl	
809	7016399	1	Bulb, Replacement (50 watts) (1 Per)	
809A	4460598	1	Connector, Strain Relief	
809B	4360232	1	Circuit Breaker, 15Amp	
810	See Note	1	Soft-Touch System Harness (Note: Not Available for Purchase)	
810A	1060341	16 ft/4.9m	Cable, Electrical - 16/3	
810B	4460425	1	Connector, Strain Relief	
		Ref	TOOLS	
901	7002821	1	Crimper (For Wire to Pin/Socket Connections)	
902	7002823	1	Extractor (For Removal of Pin/Socket from Connectors)	
903	4460467	1	Extractor, Pin (Blue 16-18 Gauge) (For Removal of Pin/Socket from Connectors)	
903	4460510	1	Extractor, Pin (Yellow 12-14 Gauge) (For Removal of Pin/Socket from Connectors)	
904	7002828	1	Stripper, Wire	
905	1001137005	1	Software Cable Kit (Not Shown)	

SECTION 7 - ELECTRICAL

FIGURE 7-9. HARNESS COMPONENTS INSTALLATION (WITH ADE SYSTEM) (SN 0300064270 through 0300069000)



SECTION 7 - ELECTRICAL



SECTION 7 - ELECTRICAL

FIGURE 7-9. HARNESS COMPONENTS INSTALLATION (WITH ADE SYSTEM) (SN 0300064270 through 0300069000)

ITEM	PART NUMBER	QTY	DESCRIPTION	REV
	4922639	Ref	PLATFORM BOX HARNESS ASSEMBLY	C
1	4922639	1	Harness, Console Box	
19	4460866	1	Connector - 19 Position	
20	4460874	1	Connector - 35 Position (Natural)	
21	4460875	1	Connector - 35 Position (Gray)	
22	4460873	1	Connector - 35 Position (Black)	
23	4460871	70	Socket, Female	
24	4460464	7	Pin, Male (16 Gauge)	
25	4460879	1	Terminal, Housing 2 Position	
26	4460887	2	Terminal, (12 Gauge)	
30	4460418	8	Connector - 6 Position	
31	4460419	24	Terminal, Female	
32	4120035	12	Base, Light	
36	4460225	1	Connector - 6 Position	
37	4460227	28	Pin, Male	
41	4460508	3	Pin, Male (12 Gauge)	
43	4460434	2	Connector - 15 Position	
44	2920129	12	Lamp, Indicator	
		Ref	PLATFORM BOX ASSEMBLY COMPONENTS	
104	0100048	AR	Grease, Dielectric (Not Shown)	
114	1060918	8 ft/2.4m	Cable, Electrical - 18/3	
142	4460071	1	Connector, Strain Relief	
143	4460226	2	Socket, Female	
144	4460428	2	Connector, Strain Relief	
146	4460470	1	Nut, Terminal	
147	4460471	1	Lockwasher, Terminal	
148	4460905	5	Seal, Plug	
153	4922666	1	Harness, Analyzer Cable	1-A
153	4460226	4	Socket, Female (Not Shown - Located at J2)	
153A	4460761	1	Connector, Female - 4 Position	
153A	4460227	4	Pin, Male	
155	4460708	2	Terminal, 15 Pin Mate-N-Loc	
		Ref	BOOM CABLES INSTALLATION	
	0270819	Ref	Boom Cables Installation 600A	5
	0270821	Ref	Boom Cables Installation 600AJ	6
	0272626	Ref	Boom Cables Installation 600A (With 7500W Generator) (SkyPower)	1
	0272627	Ref	Boom Cables Installation 600AJ (With 7500W Generator) (SkyPower)	1
201	4922493	1	Harness, Main Boom	
201A	1060896	45.5 ft/13.9m	Cable	
201B	4460465	22	Socket, Female - #16	
201C	4460865	1	Connector - 19 Position	
201D	4460509	8	Socket, Female - #12	
201E	4460473	1	Clamp, Cable	
201F	4460466	4	Seal, Plug	
202	1060461	46 ft/14m	Cable, Electrical - 12/3 (Does not include plug ends)	
202	4922810	1	Harness, Electrical - 8/5 (Does not include plug ends) (With 7500W Generator)	

SECTION 7 - ELECTRICAL

ITEM	PART NUMBER	QTY	DESCRIPTION	REV
202	1060945	47 ft/14.3m	Cable, Electrical - 8/5 (With 7500W Generator)	
204	4460865	1	Connector - 19 Position	
205	4460465	3	Socket, Female - #16	
206	4460466	8	Seal, Plug	
207	4460473	1	Clamp, Cable	
208	4460866	1	Connector - 19 Position	
209	4922494	1	Harness, Lower Boom Cable	
209A	1060896	35.5 ft/10.8m	Cable	
209B	4460465	11	Socket, Female - #16	
209C	4460865	1	Connector - 19 Position	
209D	4460509	4	Socket, Female - #12	
209E	4460473	1	Clamp, Cable	
209F	4460466	4	Seal, Plug	
209G	4460464	11	Pin, Male (16 Gauge)	
209H	4460508	4	Pin, Male (12 Gauge)	
210	1060461	33 ft/10m	Cable, Electrical - 12/3 (Does not include plug ends)	
210	4922811	1	Harness, Electrical - 8/5 (Does not include plug ends) (With 7500W Generator)	
210	1060945	36 ft/10.9m	Cable, Electrical - 8/5 (With 7500W Generator)	
211	4460891	1	Connector, Terminal (600A Only)	
212	4460897	1	Plug, Terminal (600A Only)	
213	4460464	3	Pin, Male (16 Gauge)	
214	1060902	37 ft/11.3m	Cable, Electrical - 18/2 Main Boom Limit Switch	
215	1060902	Ref	Cable, Electrical - 18/2 Tower Boom Limit Switch	
215	1060902	37 ft/11.3m	Cable, Electrical - 18/2 Tower Boom Limit Switch 600A	
215	1060902	18 ft/5.5m	Cable, Electrical - 18/2 Tower Boom Limit Switch 600AJ	
216	1060902	37 ft/11.3m	Cable, Electrical - 18/2 Main Boom Length (600A Only)	
217	1060902	Ref	Cable, Electrical - 18/2 Main Boom Length	
217	1060902	19 ft/5.8m	Cable, Electrical - 18/2 Main Boom Length 600A	
217	1060902	16.5 ft/5.0m	Cable, Electrical - 18/2 Main Boom Length 600AJ	
	4933214	Ref	GROUND CONTROL BOX DIAGRAMS	2-B
301	2920129	6	Bulb, Light	
307	2400065	1	Fuse, 30Amp	
308	2400066	1	Fuse, Holder W/Cover	
310	4460708	2	Receptacle, Female - 15 Position	
310	4460226	10	Socket, Female	
310	4922637	1	Harness, Jumper (Not Shown)	
		Ref	GROUND CONTROL HARNESS ASSEMBLY	
417	3740049	2	Relay	
426	4460426	2	Connector, Strain Relief	
427	4460470	1	Nut, Terminal	
428	4460471	1	Lockwasher, Terminal	
430	4460526	1	Connector, Strain Relief	
431	4460874	1	Connector (Natural)	
432	4460875	1	Connector (Gray)	
433	4460905	4	Connector, Amp Seal Plug	

SECTION 7 - ELECTRICAL

ITEM	PART NUMBER	QTY	DESCRIPTION	REV
437	4922515	1	Engine Harness Assembly (Not Shown - See 501 to 566 for Breakdown)	
438	4922508	1	Valve Harness Assembly (See 601 to 628 for Breakdown)	
439	4922638	1	Ground Control Box Harness Assembly	3-C
439A	4460418	9	Connector, Female - 6 Position	
439A	4460419	27	Socket, Female	
439B	4460876	1	Connector, 35 - Position	
439B	4460871	AR	Socket, Female	
439B	4460905	2	Seal, Plug	
439C	4460866	1	Connector - 19 Position	
439C	4460464	10	Pin, Male Deutsch (16 Gauge)	
439D	4460878	1	Housing, Terminal - 4 Position	
439D	4460887	3	Terminal (12 Gauge)	
439E	4120035	6	Base, Light	
439E	4460634	7	Terminal (16 Gauge)	
439F	4460873	1	Connector, 35 - Position (Black)	
439F	4460871	AR	Socket, Female	
439F	4460635	5	Terminal (12 Gauge)	
439G	4460871	AR	Socket, Female	
439H	4460434	2	Plug, Male 15 - Position	
439H	4460227	AR	Pin	
439I	3990010	2	Diode - 6 Amp (Not Shown)	
440	4922666	1	Cable, Analyzer	1-A
440A	4460226	4	Socket, Female	
440B	4460761	1	Connector, Female 4- Position	
440B	4460227	4	Pin, Male	
441	4933214	1	Ground Control Box Wiring Diagram (Not Shown - See Items 301 to 310 for Breakdown)	
	4922515	Ref	ENGINE HARNESS ASSEMBLY	5-E
501	4922515	1	Harness, Assembly	
519	4460424	1	Plug, Male - 2 Position	
520	4460268	2	Socket, Female	
521	4460880	AR	DIN Connector without Diode	
536	4460890	1	Housing - 2 Position	
537	4460889	2	Terminal	
538	4460460	1	Connector, Male - 4 Position	
539	4460457	AR	Terminal, Female	
540	4460458	AR	Seal, Terminal	
557	4460871	AR	Socket, Female	
	4922508	Ref	VALVE HARNESS ASSEMBLY	4-D
601	4922508	1	Harness, Assembly	
617	4460880	15	DIN Connector	
618	4460320	1	Connector, Female - 2 Position	
619	4460267	5	Pin, Male	
620	4460424	1	Connector, Male - 2 Position	
621	4460268	5	Pin, Female	
622	4460871	28	Socket, Female	
625	4460326	1	Connector, Male - 3 Position	
626	4460445	1	Connector, Female - 3 Position	
		Ref	STANDARD HARNESS COMPONENTS	
703	See Note	1	Pump Harness (Note: Not Available for Purchase)	
703A	7007497	1	Plug (Pump End)	

SECTION 7 - ELECTRICAL

ITEM	PART NUMBER	QTY	DESCRIPTION	REV
703B	7007498	1	Plug (Engine Harness End)	
704	See Note	1	Controller Harness Assembly (Lift and Swing) (Note: Not Available for Purchase)	
704A	7022819	1	Plug, Male - 8 Position (Natural)	
704B	4460871	8	Socket, Female	
705	See Note	1	Controller Harness/Circuit Board Assembly (Drive and Steer) (Note: Not Available for Purchase)	
705A	7022825	1	Plug, Male - 8 Position (Black)	
705B	4460871	7	Socket, Female	
706 to 707	Not Required	0	Not Required	
		Ref	OPTIONAL HARNESS COMPONENTS	
801	4921928	1	4WS Valve Harness	
801A	4460268	3	Socket, Female	
801B	4460445	1	Connector, Female - 3 Position	
801C	4460499	2	Connector, DIN with Diode	
802	4921927	1	Jib Valve Harness (600AJ Only)	
802A	4460326	1	Plug, Male - 3 Position	
802B	4460267	3	Pin, Male	
802C	4460499	2	Connector, DIN with Diode	
803	0257887	1	Alarm Harness (Includes Alarm)	
803A	4460424	1	Plug, Male - 2 Position	
803B	4460268	2	Socket, Female	
804	0255917	1	Strobe Light Harness (Includes Strobe Light)	
804A	4460320	1	Connector, Female - 2 Position	
804B	4460267	2	Pin, Male	
805	0256202	Ref	AC to Platform Receptacle Components	5
805	0272433	Ref	With 7500W Generator (SkyPower)	1
805A	0860038	1	Box, Switch	
805B	Not Required	0	Receptacle	
805C	Not Required	0	Shield, Cover	
805D	Not Required	0	Connector, Strain Relief	
805E	4460709	2	Plug, Male	
805E	4460959	1	With 7500W Generator (SkyPower)	
805F	4460710	1	Connector, Female	
806		Ref	Generator Electrical Components	
806	4933215	Ref	110V	1-A
806	4933216	Ref	220V	1-A
806	3990010	1	Diode - 6 Amp (Not Shown)	
806A	4922641	1	Harness - On/Off Switch	
806B	4922482	1	Harness - Powermite Control Box to Relay	
807	4921957	1	Generator to Rear of Boom Harness (110V/220V)	
		Ref	Note: Harness used to connect AC at platform harness to generator receptacle to power platform receptacle.	
807	1060461	6 ft/1.8m	Cable, Electrical - 12/3	
807A	Not Required	0	Plug, Male	
807B	Not Required	0	Receptacle, Female	
807B	4460960	1	With 7500W Generator (SkyPower)	
808	See Note	1	Lights Harness (Note: Not Available for Purchase)	
808	1060341	37 ft/11.3m	Cable, Electrical - 16/2	
808A	3740049	1	Relay	
808B	4922643	1	Harness, Bag (Located at Ground Control Box) (Not Shown)	

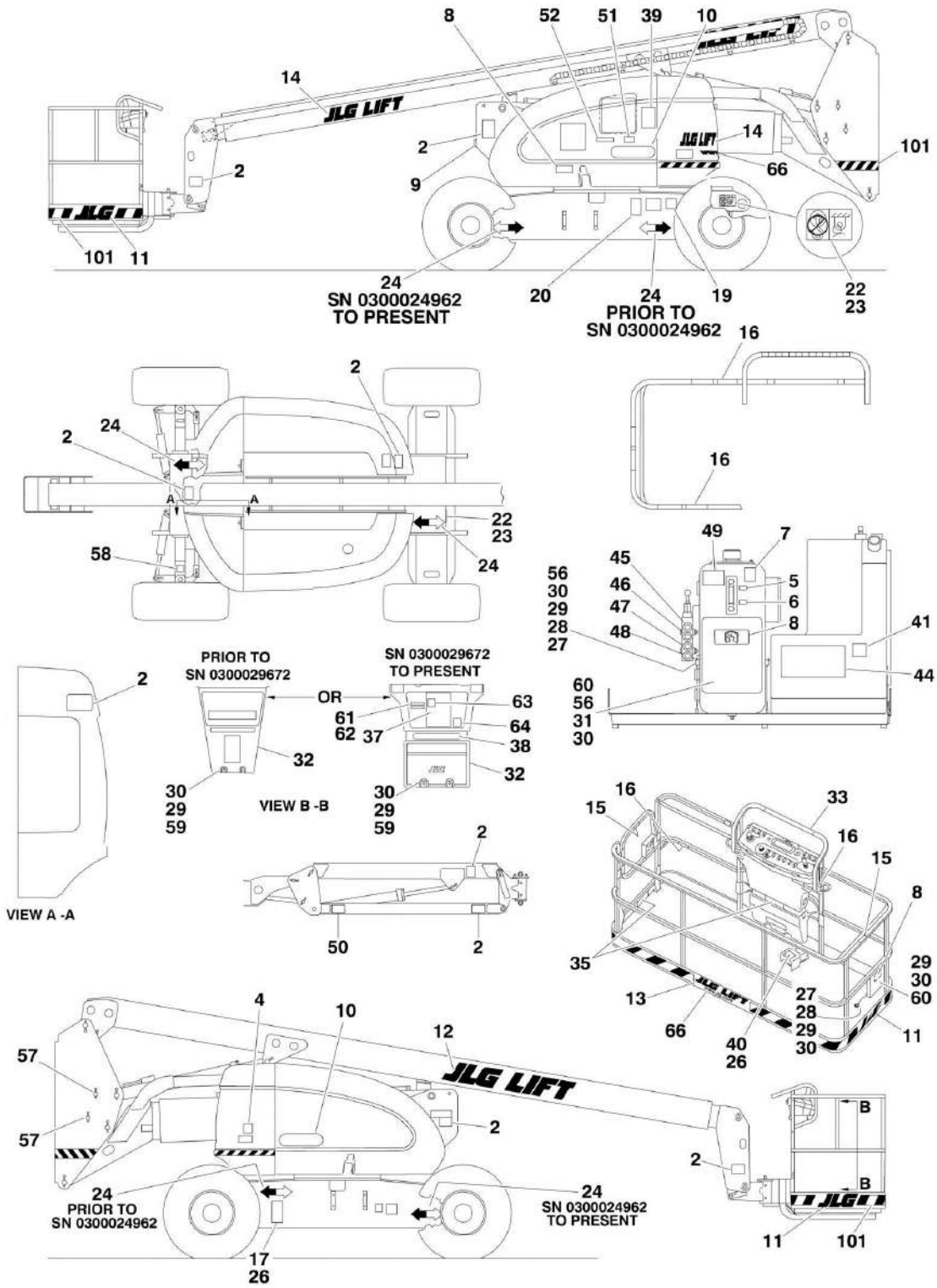
SECTION 7 - ELECTRICAL

ITEM	PART NUMBER	QTY	DESCRIPTION	REV
809	2920140	2	Platform Worklights Harness (Includes Light and Wire Only)	
809	2820035	9 ft/2.8m	Loom, Vinyl	
809	7016399	1	Bulb, Replacement (50 watts) (1 Per)	
809A	4460598	1	Connector, Strain Relief	
809B	4360232	1	Circuit Breaker, 15Amp	
810	See Note	1	Soft-Touch System Harness (Note: Not Available for Purchase)	
810A	1060341	16 ft/4.9m	Cable, Electrical - 16/3	
810B	4460425	1	Connector, Strain Relief	
		Ref	TOOLS	
901	7002821	1	Crimper (For Wire to Pin/Socket Connections)	
902	7002823	1	Extractor (For Removal of Pin/Socket from Connectors)	
903	4460467	1	Extractor, Pin (Blue 16-18 Gauge) (For Removal of Pin/Socket from Connectors)	
903	4460510	1	Extractor, Pin (Yellow 12-14 Gauge) (For Removal of Pin/Socket from Connectors)	
904	7002828	1	Stripper, Wire	
905	2901443	1	Analyzer Kit (Not Shown) (SN 0300064249 through 0300069000)	
906	1001137005	1	Software Cable Kit (Not Shown)	

SECTION 8 - DECALS

SECTION 8 - DECALS

FIGURE 8-1. DECALS INSTALLATION



SECTION 8 - DECALS

FIGURE 8-1. DECALS INSTALLATION

ITEM	PART NUMBER	QTY	DESCRIPTION	REV
		Ref	DECAL INSTALLATIONS	
	0255453	Ref	600A Common Decals	9
	0256626	Ref	600A Australian Spec	7
	0256282	Ref	600A Dutch Spec	4
	0256279	Ref	600A French Spec	5
	0256280	Ref	600A German Spec	4
	0256281	Ref	600A Italian Spec	4
	0256283	Ref	600A Spanish Spec	4
	0256278	Ref	600A UK English Spec	6
	0255457	Ref	600AJ Common Decals	11
	0256627	Ref	600AJ Australian Spec	7
	0256289	Ref	600AJ Dutch Spec	4
	0256286	Ref	600AJ French Spec	5
	0256287	Ref	600AJ German Spec	4
	0256288	Ref	600AJ Italian Spec	4
	0256290	Ref	600AJ Spanish Spec	4
	0256285	Ref	600AJ UK English Spec	6
2	1701518	6	Decal - Crushing	
4		Ref	Decal Options:	
4	Not Required	0	Australian Specs	
4	1702928	1	Decal - CE - Dutch/ French/ German/ Italian/ Spanish/ UK Spec (Prior to SN 0300065629)	
4	1705084	1	Decal - Sound Power Level - Dutch/ French/ German/ Italian/ Spanish/ UK Spec (SN 0300065629 through 0300069000)	
5	1701502	1	Decal - High Oil Level	
6	1701503	1	Decal - Low Oil Level	
7	1701504	1	Decal - Hydraulic Oil	
8	1701509	2	Decal - Manual	
9		Ref	Nameplate - Voltage Options:	
9	Not Required	0	Dutch/ French/ German/ Italian/ Spanish/ UK Spec	
9	3251242	1	Australian Spec (240V-50Hz)	
10		Ref	Decal - Model Designation Options:	
10	1702818	2	600A	
10	1702819	2	600AJ	
11	1702773	2	Decal - JLG (5in Height)	
12	1702861	2	Decal - JLG Lift (8in Height)	
13	1702774	1	Decal - JLG (3-1/2in Height)	
14	1702860	2	Decal - JLG Lift (5in Height)	
16		Ref	Decal - Attach Lanyard Here Options:	
16	Not Required	0	Dutch/ French/ German/ Italian/ Spanish/ UK Spec	
16	1702612	4	Australian Spec (Prior to SN 0300061066)	
16	1704277	4	Australian Spec (SN 0300061066 through 0300069000)	
17	See Note	1	Nameplate - Serial Number (Note: Not Available for Purchase)	
19	See Note	1	Decal - Bar Code (Note: Not Available for Purchase)	
20	1700584	1	Decal - Patent	
22	1702300	4	Decal - Tie Down/Lift	
23	1701500	4	Decal - Tie Down/Lift	
24	1701529	4	Decal - Arrow	
26		Ref	Rivet Options:	
26	Not Required	0	UK Specs	

SECTION 8 - DECALS

ITEM	PART NUMBER	QTY	DESCRIPTION	REV
26	3820001	4	Australian/ Dutch/ French/ German/ Italian/ Spanish Specs	
27	0641408	1	Bolt 1/4in-20NC x 1in	
28	1060279	1	Cable, Lanyard	
29	3311401	3	Nut 1/4in-20NC	
30	4751400	AR	Flatwasher 1/4in Regular	
31	0860520	1	Box, Manual Storage	
32		Ref	Panel, Pedestal Options:	
32	3380423	1	Panel, Pedestal (Prior to SN 0300029672)	
32	3380434	1	Panel, Pedestal (SN 0300029672 through 0300069000)	
37		Ref	Decal - Capacity Options:	
37	1690697	1	Australian/ French/ German/ Italian/ Spanish/ UK Spec	
37	1701596	1	Dutch Spec	
38		Ref	Decal - Caution Options:	
38	1703183	1	Australian and UK Spec	
38	1703186	1	Dutch Spec	
38	1703184	1	French Spec	
38	1703190	1	German Spec	
38	1703185	1	Italian Spec	
38	1703187	1	Spanish Spec	
39		Ref	Decal - Caution Options:	
39	1691483	1	Australian and UK Spec	
39	1701596	1	Dutch Spec	
39	1693289	1	French Spec	
39	1693291	1	German Spec	
39	1701602	1	Italian Spec	
39	1701798	1	Spanish Spec	
40		Ref	Decal - Footswitch Options:	
40	3252347	1	Australian and UK Spec	
40	1703518	1	Dutch Spec	
40	1693292	1	French Spec	
40	1693294	1	German Spec	
40	1701600	1	Italian Spec	
40	1701791	1	Spanish Spec	
41	1701505	1	Decal - Fuel (Diesel)	
44		Ref	Decal - Instructions Options:	
44	1702926	1	Australian and UK Spec	
44	1702999	1	Dutch Spec	
44	1702987	1	French Spec	
44	1702991	1	German Spec	
44	1702995	1	Italian Spec	
44	1703003	1	Spanish Spec	
45	1702903	1	Decal - #1	
46	1702927	1	Decal - #2	
47	1702924	1	Decal - #3	
48	1702925	1	Decal - #4	
49		Ref	Decal Options:	
49	1702265	1	Australian and UK Spec	
49	1702268	1	Dutch Spec	
49	1702270	1	French Spec	
49	1702267	1	German Spec	
49	1702269	1	Italian Spec	

SECTION 8 - DECALS

ITEM	PART NUMBER	QTY	DESCRIPTION	REV
49	1702266	1	Spanish Spec	
50		Ref	Decal - Manual Descent Options:	
50	1702908	2	600AJ Australian and UK Spec	
50	1702998	2	600AJ Dutch Spec	
50	1702986	2	600AJ French Spec	
50	1702990	2	600AJ German Spec	
50	1702994	2	600AJ Italian Spec	
50	1703002	2	600AJ Spanish Spec	
51		Ref	Decal - Manual Descent Options:	
51	1702901	1	Australian and UK Spec	
51	1702996	1	Dutch Spec	
51	1702984	1	French Spec	
51	1702988	1	German Spec	
51	1702992	1	Italian Spec	
51	1703000	1	Spanish Spec	
56	0100011	AR	Compound, Locking	
57		Ref	Plug Options:	
57	3520032	2	600A	
57	3520033	2	600AJ	
58	1703469	4	Decal - Maximum Tire Load	
59	0641414	2	Bolt 1/4in-20NC x 1-3/4in	
60	0641406	4	Bolt 1/4in-20NC x 3/4in	
61		Ref	Decal - Maintenance Options:	
61	1703663	1	Australian Spec	
61	Not Required	0	Dutch/ French/ German/ Italian/ Spanish/ UK Spec	
62		Ref	Decal - Caution Options:	
62	1703664	1	Australian Spec	
62	Not Required	0	Dutch/ French/ German/ Italian/ Spanish/ UK Spec	
63		Ref	Decal - Platform Capacity Options:	
63	1703675	1	Australian Spec	
63	Not Required	0	Dutch/ French/ German/ Italian/ Spanish/ UK Spec	
64		Ref	Decal - Danger Options:	
64	1703665	1	Australian Spec	
64	Not Required	0	Dutch/ French/ German/ Italian/ Spanish/ UK Spec	
66	1704885	2	Decal - Website (SN 0300067890 through 0300069000)	
	0257734	Ref	SAFETY STRIPES INSTALLATION	1
101	4420051	20 ft/6.1m	Decal - Corner Warning Stripe	

SECTION 9 - RECOMMENDED SERVICE PARTS STOCK

SECTION 9 - RECOMMENDED SERVICE PARTS STOCK

SECTION 9 - RECOMMENDED SERVICE PARTS STOCK

FIGURE 9-1. MODELS 600A/600AJ/N600AJ STANDARD PARTS

ITEM	PART NUMBER	QTY	DESCRIPTION	REV
	Note	Ref	Note: The following list will service fleets of machines (built to current production per date on the front cover) with emergency repair parts which can be installed in the field. Parts from the list should be replaced when inventory is depleted to keep service parts stock supplied. For further information, contact your JLG dealer or the JLG Industries Parts Department.	
		Ref	STANDARD PARTS	
	7012944	1	Coil	
	2120150	4	Element, Filter	
	7016312	1	Switch, Indicator	
	2120149	1	Element, Filter	
	7016313	1	Switch, Indicator	
	7012772	1	Coil	
	7012768	1	Coil	
	7012664	1 Dozen	Element, Air Cleaner	
	3740067	1	Relay	
	4360392	1	Switch, Indicator	
	4360294	1	Breaker, Circuit	
	7016328	4	Filter, Fuel	
	7016331	12	Filter, Oil	
	3740080	1	Relay, Bosch (Machines with Generator)	
	7014810	1	Breather	
	4360475	1	Switch, Mushroom	
	4360470	1	Switch, Key	
	2860030	1	Key, Replacement	
	4360328	1	Switch, Toggle	
	4360331	1	Switch, Toggle	
	4360336	1	Switch, Toggle	
	4360476	1	Contact, Switch Block	
	3740049	1	Relay	
	7016502	2	Power Track Repair Section	
	7006140	2	Power Track Repair Section	
	7006152	24	Power Track Pin Kit	
	2940074	1	Latch	
	7022818	1	Potentiometer	
	7022824	1	Electric Assembly	
	7019166	1	Switch, Micro	
	4360387	1	Switch, Push Button	
	2400065	2	Fuse, 30Amp	
	3990010	2	Diode	

SECTION 10 - SPECIAL OPTIONS

SECTION 10 - SPECIAL OPTIONS

FIGURE 10-1. SPECIAL OPTIONS

ITEM	PART NUMBER	QTY	DESCRIPTION	REV
		Ref	Note: This list is to accommodate machines ordered with special equipment. Options may not be applicable to all models. For more specific parts information contact JLG Parts Department.	
		Ref	MISCELLANEOUS SPECIAL OPTIONS	
		Ref	Airline to Platform Installation Options:	
	0256342	Ref	1/2in - 600A	
	0271475	Ref	1/2in Airline and (1) Welding Cable - 600A	
	0258966	Ref	1/2in - 600AJ	
		Ref	Biodegradable Hydraulic Fluid Decals Options:	
	1702788	1	Decal - Biodegradable Hydraulic Fluid (All except German Spec)	
	1704174	1	Decal - Synthetic Biodegradable Hydraulic Fluid (All except German Spec)	
	1703479	1	Decal - Biodegradable Hydraulic Fluid (German Spec Only)	
	1704175	1	Decal - Synthetic Biodegradable Hydraulic Fluid (German Spec Only)	
	0256789	Ref	Camera Mount Assembly	
	1282518	Ref	Capacity Rating Decal Installations	
	0256760	Ref	Capacity Rating Decal Installations (600A)	
	0256761	Ref	Capacity Rating Decal Installations (600A)	
	0256769	Ref	Capacity Rating Decal Installations (600AJ)	
	0256772	Ref	Capacity Rating Decal Installations (600AJ)	
		Ref	ClearSky (Telematics) Kits	
	1001139130	Ref	Australian Spec	
	1001104983	Ref	CE Spec	
		Ref	Note: Refer to ClearSky (Telematics) Manual p/n 3128499 for Serviceable Parts.	
	0256060	Ref	Cold Weather Package - Deutz	
	0258927	Ref	Cold Weather Package with Glow Plugs - Deutz	
	0271333	Ref	Cold Weather Package with Glow Plugs - Deutz (With ADE System) (Prior to SN 64249)	
	0271912	Ref	Cold Weather Package with Glow Plugs - Deutz (With ADE System) (SN 64249 through 69000)	
	0257157	Ref	Cold Weather Package with Ether Start - Deutz	
		Ref	Container - Tray Storage Options:	
	1580012	1	Center	
	1580013	1	Rail	
	2900975	Ref	Decal Kit	
	0272312	Ref	Decal Installation - Tire Sealant	
	2902203	1	Kit - Tire Sealant	
		Ref	Filter Kits:	
		Ref	Combined Filter Kit (Hydraulic/Air and Fuel/Engine Oil)	
	1001110993	1	Deutz Engine (Prior to SN 0300069000)	
		Ref	Hydraulic/Air Filter	
	2910931	1	Deutz Engine W/Noise Reduction (Prior to SN 0300064249)	
	1001109692	1	Deutz Engine	
		Ref	Fuel/Engine Oil Filter	
	1001110133	1	Deutz Engine	
	4060959	Ref	Footswitch Shield	
	See Note	Ref	Generator (2500W) Installation Kit (Note: Contact JLG Parts	

SECTION 10 - SPECIAL OPTIONS

ITEM	PART NUMBER	QTY	DESCRIPTION	REV
			Dept)	
	1001175815	Ref	Generator (4000W/50Hz) Installation Kit	
	See Note	Ref	Generator (7500W) Installation Kit (Note: Contact JLG Parts Dept)	
	0258928	Ref	Glow Plug Installation (Deutz)	
	0271548	Ref	Glow Plug Installation (Deutz) (With ADE System)	
	2910100	Ref	Hose/Cable Chafe Kit	
		Ref	Light Installation at Control Panels	
	0256632	Ref	CE Spec	
	0256633	Ref	Australian Spec	
	0257997	Ref	Load Sensing System Installation	
	0256765	Ref	Oil Cooler Installation - Deutz	
	1282665	Ref	Oil Cooler Installation - Deutz	
	0256343	Ref	Oxy-Acetylene Lines to Platform Installation	
	0270723	Ref	Platform Beacon Installation	
	0255398	Ref	Platform Console Cover Installation (Prior to SN 0300067890)	
	1670764	1	Cover, Console	
	1670784	1	Tear Away Sheet (10 Pack)	
	0258703	Ref	Platform Console Cover Installation (SN 0300067890 through 0300069000)	
	1001205175	Ref	Platform Console Cover Add-on Kit	
		Ref	Platform Entry Kit	
	1001142504	Ref	Kit, Replace Swing Gate with Drop Bar	
	1001142505	Ref	Kit, Replace Drop Bar with Swing Gate	
	0256829	Ref	Platform Self-Closing Gate Installation	
	0256202	Ref	Receptacle at Platform Installation	
		Ref	Platform Huck Fasteners Replacement Hardware	
	7002840	1	Antirotation Pin Removal Tool	
	0641614	AR	Bolt 1/4in-20NC x 2in	
	3311405	AR	Locknut 1/4in-20NC	
	4711400	AR	Flatwasher 1/4in Thin	
	3300151	AR	Acorn Nut 1/4in-20NC	
		Ref	Sky Accessory:	
	0272606	Ref	Plasma Cutter (SkyCutter)	
	0272607	Ref	Decal - SkyCutter	
	0272619	Ref	SkyPower - 7500W 50Hz	
	0272589	Ref	Decal - SkyPower	
	0272521	Ref	Welder - Stick, 250A	
	0272588	Ref	Decal - SkyWelder	
		Ref	Note: For Breakdown of Sky Accessories Refer to Accessory Manual p/n 3124242	
		Ref	SkyGuard Component Options:	
	1001149560	Ref	SkyGuard Complete Add-On Kit (Non-UGM Machines)	
	1001137672	Ref	SkyGuard Platform Sensor Kit	
	1001143256	Ref	SkyGuard Blue Beacon Kit	
	0272301	Ref	Tire Sealant Installation	
		Ref	Tools for Service	
	2901443	1	Analyzer Kit	
	8896941	1	Wire Stripper	
	7002821	1	Wire Crimper (To install wire ends to wires)	
	7002823	1	Pin/Socket Extractor - Universal (To Remove Pins/Sockets from Connectors)	

SECTION 10 - SPECIAL OPTIONS

ITEM	PART NUMBER	QTY	DESCRIPTION	REV
	4460467	1	Extractor - 16-18 Gauge (For Removal of Pin/Sockets from Deutsch Connectors)	
	4460510	1	Extractor - 12-14 Gauge (For Removal of Pin/Sockets from Deutsch Connectors)	
	7002822	1	Screwdriver, Potentiometer (To Adjust Drive Controllers)	
	7016654	1	Screwdriver, Magnetic	
	7004275	1	Seal Installation Tool - 1in	
	7004276	1	Seal Installation Tool - 1 1/2in	
	7002826	1	Seal Installation Tool - 2in	
	7016655	1	Wire Rope Sheave Gauge	
	7016652	1	Huck Bolt FASTER (For Small Huck Bolts Only)	
	4921850	1	Throttle Service Harness	
	4922012	1	"Rexroth" Card Service Harness	
	2900838	1	U.S. Standards Fastener (Hardware) Kit	
	7014676	1	U.S. Standards Tool Kit	
	1001137005	1	Software Cable Kit	
	7002840	1	Pin Removal Tool (Oscillating Axle Cam Valve)	
	0255385	Ref	Tool (Hydraulic) Circuit Installation - Deutz Engine 600A (Prior to SN 0300066200)	
	0272350	Ref	Tool (Hydraulic) Circuit Installation - Deutz Engine 600A (SN 0300066200 through 0300069000)	
	0255901	Ref	Tool (Hydraulic) Circuit Installation - Deutz Engine 600AJ	
	0257728	Ref	Tube Rack Installation	
	0258918	Ref	Utility Rack Installation	
	0256344	Ref	Weld Leads Installation	

PART NUMBER INDEX

PART NUMBER INDEX

0060031.....	117, 129	0255411.....	16, 19	0256321.....	111	0258927.....	290
0060033.....	60, 66, 265	0255412.....	19	0256322.....	116	0258928.....	291
0060035.....	112, 129	0255413.....	13, 21	0256331.....	136	0258966.....	290
0060066.....	117, 133	0255414.....	16, 21	0256336.....	136	0259233.....	89, 154, 189, 236
0060068.....	112, 133	0255415.....	15	0256342.....	290	0270123.....	13, 21
0060074.....	129	0255416.....	11	0256343.....	291	0270124.....	16, 21
0060076.....	129	0255417.....	15	0256344.....	292	0270329.....	49
0080163.....	61, 69	0255418.....	11	0256346.....	135, 236	0270723.....	237, 291
0080177.....	60	0255419.....	11	0256366.....	139	0270805.....	95
0080241.....	95	0255420.....	21	0256388.....	12	0270814.....	144, 148, 159, 238
0100009.....	89, 157	0255421.....	21	0256391.....	12	0270819.....	270, 276
0100011.....	11, 12, 15, 16, 19, 21, 22, 40, 49, 60, 66, 72, 83, 85, 88, 91, 95, 99, 102, 106, 107, 112, 113, 117, 118, 121, 122, 125, 126, 135, 139, 153, 158, 193, 195, 197, 201, 203, 205, 207, 209, 215, 217, 233, 285	0255422.....	22	0256392.....	15	0270821.....	118, 270, 276
0100019.....	12, 15, 49	0255423.....	112, 118, 121	0256397.....	11	0270833.....	95
0100020.....	60, 66, 157	0255425.....	59	0256398.....	11	0270850.....	65
0100035.....	135, 136, 153, 157	0255438.....	135	0256399.....	16, 19	0271333.....	290
0100038.....	193, 195, 197, 201, 203, 205, 207, 209, 215, 217, 233	0255440.....	39, 135	0256400.....	19	0271339.....	116
0100040.....	147	0255441.....	39, 135	0256523.....	19	0271474.....	89, 154, 189, 236
0100048.....	91, 95, 157, 276	0255442.....	39, 135	0256623.....	11	0271475.....	290
0100063.....	12, 16, 19, 193, 198, 201, 203, 207, 210	0255443.....	39, 135	0256624.....	11	0271543.....	189
0100079.....	83	0255444.....	49	0256625.....	15	0271544.....	71, 159
0100081.....	158	0255453.....	283	0256626.....	283	0271547.....	71, 159
0140001.....	40	0255457.....	283	0256627.....	283	0271548.....	291
0140011.....	157	0255482.....	219	0256632.....	159, 291	0271550.....	159, 185
0140026.....	152	0255483.....	219	0256633.....	154, 159, 291	0271551.....	159, 185
0181727.....	59, 65	0255484.....	219	0256689.....	67	0271552.....	95, 159
0200530.....	72	0255485.....	219	0256690.....	67	0271608.....	21
0200550.....	185	0255486.....	219	0256715.....	19	0271609.....	21
0200741.....	72	0255487.....	219	0256716.....	19	0271610.....	21
0200742.....	72	0255488.....	219	0256717.....	19	0271611.....	21
0236632.....	153	0255489.....	219	0256757.....	65	0271612.....	21
0254798.....	49	0255513.....	21	0256760.....	290	0271613.....	21
0255025.....	49	0255514.....	21	0256761.....	290	0271912.....	290
0255238.....	111	0255605.....	21	0256765.....	237, 291	0271941.....	147
0255239.....	116	0255606.....	21	0256769.....	290	0271945.....	147
0255262.....	85	0255699.....	135	0256772.....	290	0272070.....	112, 118
0255281.....	126	0255854.....	19	0256789.....	290	0272135.....	116
0255288.....	126	0255855.....	19	0256821.....	106	0272293.....	71
0255294.....	85	0255870.....	262	0256822.....	107	0272301.....	291
0255362.....	40, 96	0255875.....	61	0256829.....	291	0272312.....	290
0255368.....	95	0255876.....	61	0256847.....	69	0272326.....	111
0255385.....	292	0255878.....	118, 262	0257101.....	35	0272350.....	292
0255387.....	95	0255880.....	99	0257157.....	290	0272433.....	279
0255392.....	144, 238	0255901.....	292	0257160.....	71	0272480.....	71
0255393.....	95	0255914.....	95, 266	0257160.....	71	0272481.....	71
0255396.....	71	0255917.....	95, 266, 272, 279	0257436.....	35	0272482.....	71
0255397.....	22	0255919.....	238	0257482.....	83	0272521.....	291
0255398.....	291	0255927.....	219	0257573.....	122	0272588.....	291
0255404.....	11	0255928.....	219	0257728.....	292	0272589.....	291
0255405.....	12	0255982.....	219	0257734.....	285	0272606.....	291
0255406.....	12	0256060.....	290	0257840.....	185	0272607.....	291
0255407.....	102	0256191.....	61	0257841.....	185	0272619.....	291
0255409.....	83	0256202.....	266, 272, 279, 291	0257849.....	185	0272626.....	276
0255410.....	49	0256276.....	139	0257850.....	185	0272627.....	276
		0256278.....	283	0257853.....	71	0272970.....	147
		0256279.....	283	0257857.....	71	0340041.....	59, 61, 65
		0256280.....	283	0257884.....	95	0362519.....	35
		0256281.....	283	0257885.....	95	0362529.....	126, 135, 136
		0256282.....	283	0257886.....	95	0362611.....	136
		0256283.....	283	0257887.....	266, 272, 279	0362612.....	136
		0256285.....	283	0257894.....	135	0370035.....	201
		0256286.....	283	0257997.....	189, 291	0400075.....	59, 65
		0256287.....	283	0258048.....	144, 238	0440018.....	12
		0256288.....	283	0258694.....	111	0440019.....	12
		0256289.....	283	0258695.....	116		
		0256290.....	283	0258703.....	291		
				0258764.....	22		
				0258918.....	292		

PART NUMBER INDEX

0440161 13, 16, 19	0641605 112, 118	0801022..... 111, 125	0961898 201
0440207 49	0641606 60, 67, 102, 107, 118, 121, 125, 126, 152	0801023..... 125	0961899 207
0460150 219	0641607 ... 112, 117, 122, 125, 139	0801025..... 116, 125	0961947 ... 118, 195, 197, 203, 209
0460151 219	0641608 ... 11, 12, 15, 16, 19, 35, 40, 102, 106, 121, 125, 139	0801026..... 125	0961948 . 13, 16, 19, 112, 118, 125, 205
0460152 219	0641609 99	0801027..... 125	0961949... 112, 118, 121, 201, 207
0460154 219	0641610 ... 16, 19, 59, 66, 72, 121, 125, 147, 152, 157	0801066..... 125	0961950 11, 12, 15
0460155 219	0641611 85, 118, 139	0801078..... 125	0961951 ... 112, 118, 125, 195, 197, 209
0460157 219	0641612 . 11, 12, 16, 121, 185	0801085..... 121	0961977 213
0460159 219	0641613 40	0801228..... 125	0961986 60, 66
0460160 219	0641614 83, 291	0860038..... 266, 272, 279	0962005 12, 16, 19
0460161 219	0641616 189	0860520..... 284	0962051 99
0461614 118	0641618 ... 117, 121, 125	0860984..... 151, 153	0962180 189
0480050 72	0641624 112, 118	0860986..... 151, 154	0962272 13, 16, 19
0480111 72	0641628 122	0861018..... 87	0962335 118
0480119 72	0641640 126	0861044..... 87	0962336 203
0480121 72	0641772 72	0861045..... 87	0962474 193
0540078 139	0641808 61, 67	0861048..... 151, 154	1001099835 121
0540083 139	0641809 121	0861083..... 151, 154	1001099836 126
0540099 139	0641810 99, 112, 117, 118	0861084..... 151, 154	1001100321 71
0540104 139	0641811 49	0861119..... 87	1001104983 290
0540107 139	0641812 60, 66, 113, 118	0861120..... 87	1001107153 126
0561076 112, 118	0641816 15, 59	0861131..... 87	1001109692 290
0561185 121, 125	0641818 66, 189	0861134..... 151	1001110133 290
0561237 118	0641820 . 11, 15, 85, 112, 118	0861135..... 151	1001110993 290
0561248 121	0641822 118	0861136..... 151	1001113961 179, 181
0630427 135	0641826 11, 67	0861137..... 151	1001117320 147
0630462 185	0642010 60, 67	0861302..... 87	1001118416 181
0630464 153, 157	0642012 11, 12, 15	0861407..... 91	1001118417 157, 167
0630490 12	0642018 49	0861412..... 91	1001137005 273, 280, 292
0630491 95	0642612 95	0861413..... 91	1001137672 291
0630498 59, 65	0642682 113, 118	0861414..... 157, 158	1001139130 290
0630507 102, 106	0651406 40	0861415..... 157	1001142504 291
0630518 88, 91	0681608 . 13, 16, 19, 113, 119	0861472..... 91	1001142505 291
0630534 198, 203, 210	0681610 ... 112, 118, 119, 193	0861473..... 91	1001143256 291
0630535 ... 195, 198, 205, 210, 215, 217	0681612 72	0861474..... 157	1001144629 147
0630536 201, 207	0681836 49	0861517..... 147, 157	1001149560 291
0630548 91	0682016 21, 49	0861537..... 157, 159	1001166538 183
0641403 ... 112, 118, 122, 135, 136	0700808 66	0902109..... 85	1001166539 169
0641404 12, 102, 106, 152, 157	0700810 60, 61, 69	0902206..... 95	1001175815 291
0641406 ... 40, 60, 95, 96, 99, 147, 152, 153, 157, 186, 285	0700819 72	0902217..... 61	1001205175 291
0641407 66, 106, 189	0701010 189	0902219..... 102, 106	1060012 262
0641408 ... 147, 152, 157, 284	0701012 60, 67	0902237..... 102	1060016 136, 263
0641409 139	0701015 60, 67	0902242..... 102, 106	1060279 284
0641414 . 11, 15, 40, 144, 148, 285	0701016 60, 66	0902243..... 59, 66	1060330 ... 157, 186, 267, 270
0641416 40, 118, 157, 189	0711414 72	0902244..... 102, 106	1060341 ... 186, 267, 273, 279, 280
0641418 143	0721003 ... 153, 154, 159	0902313..... 102	1060461 ... 263, 266, 270, 271, 273, 276, 277, 279
0641424 135	0721004 60, 88, 153	0902335..... 107	1060494 262, 267, 272
0641505 35	0721005 66, 88	0902511..... 66	1060515 262
0641506 88, 91	0721006 73, 89, 102, 106	0902520..... 85	1060516 262, 263
0641507 66	0721010 153	0902751..... 157	1060603 263
0641508 .. 40, 61, 72, 225	0731005 185	0920083..... 53	1060637 61, 67
0641510 60, 66	0741606 95	0920084..... 21, 27	1060709 263
0641516 122	0741607 117	0920109..... 49, 53	1060896 270, 276, 277
0641520 16	0801019 111, 116, 121	0920110..... 21, 27	1060902 271, 277
0641522 13, 16, 40	0801020 121	0920117..... 21	1060918 147, 157, 276
0641524 143	0801021 121	0920119..... 49, 54	1060945 277
0641532 112, 118		0940038..... 185	1100098 11, 15
0641542 22		0940049..... 102, 106	1120460 12
0641604 215		0940070..... 59, 65	1120487 83
		0940071..... 102, 106	
		0961127..... 267	
		0961845..... 144	
		0961890..... 193, 213	
		0961893.... 195, 197, 203, 209	
		0961894.... 195, 197, 209	
		0961896..... 215, 217	
		0961897..... 205	

PART NUMBER INDEX

1180336.....	126	1670789.....	185	1683419.....	197	1702925.....	284
1180338.....	126	1670791.....	185	1683949.....	209	1702926.....	284
1180339.....	121	1670793.....	185	1683952.....	197	1702927.....	284
1220022.....	153	1670795.....	185	1683962.....	209	1702928.....	283
1220023.....	153	1670796.....	185	1683963.....	197	1702938.....	159, 186
1220096.....	159	1670797.....	185	1683972.....	209	1702984.....	285
1220102.....	159	1670798.....	185	1683973.....	209	1702986.....	285
1260017.....	49	1670799.....	185	1683976.....	197	1702987.....	284
1260136.....	186	1670801.....	185	1683977.....	197	1702988.....	285
1282396.....	234	1670803.....	185	1684001.....	205	1702990.....	285
1282398.....	49	1670804.....	185	1684005.....	205	1702991.....	284
1282474.....	236, 238	1670819.....	135	1684014.....	201	1702992.....	285
1282490.....	219	1670820.....	136	1684015.....	201	1702994.....	285
1282518.....	290	1670824.....	135, 136	1684017.....	207	1702995.....	284
1282571.....	236	1670829.....	88, 91, 153, 157	1684019.....	207	1702996.....	285
1282665.....	237, 291	1670836.....	125	1684090.....	203	1702998.....	285
1282672.....	236	1670900.....	189	1684092.....	203	1702999.....	284
1282685.....	236, 238	1671037.....	158	1684498.....	201	1703000.....	285
1282828.....	236, 237	1683053.....	195, 197, 203, 209	1690697.....	284	1703002.....	285
1282937.....	236, 238	1683054.....	215, 217	1691483.....	284	1703003.....	284
1320016.....	59, 65	1683055.....	195, 197, 209	1693289.....	284	1703084.....	154, 159
1320019.....	61	1683057.....	193	1693291.....	284	1703085.....	154, 159
1320022.....	60, 66	1683061.....	205	1693292.....	284	1703090.....	152
1320031.....	67	1683067.....	201	1693294.....	284	1703091.....	152
1320040.....	186	1683069.....	207	1700584.....	283	1703092.....	152
1320060.....	61, 67, 152	1683208.....	12, 16, 19, 213	1701500.....	283	1703093.....	152
1320095.....	152	1683253.....	116, 195	1701502.....	283	1703162.....	59, 65
1320131.....	67	1683254.....	195	1701503.....	283	1703183.....	284
1320176.....	67	1683256.....	209	1701504.....	283	1703184.....	284
1320222.....	60, 67	1683258.....	117, 203	1701505.....	60, 67, 284	1703185.....	284
1320223.....	60, 67	1683259.....	203	1701509.....	283	1703186.....	284
1320229.....	112, 118	1683261.....	203	1701518.....	283	1703187.....	284
1320243.....	112, 118	1683263.....	116, 209	1701529.....	283	1703190.....	284
1340056.....	59	1683264.....	209	1701596.....	284	1703403.....	35
1340060.....	65	1683266.....	111, 209	1701600.....	284	1703404.....	35
1380136.....	40	1683267.....	209	1701602.....	284	1703444.....	35
1380147.....	99	1683269.....	209	1701791.....	284	1703450.....	35
1580012.....	148, 290	1683271.....	111, 195	1701798.....	284	1703467.....	87, 91
1580013.....	148, 290	1683272.....	195	1702265.....	284	1703468.....	87, 91
1600218.....	152	1683274.....	195, 197	1702266.....	285	1703469.....	285
1600239.....	151, 173	1683280.....	11, 15, 193	1702267.....	284	1703479.....	290
1600242.....	151, 161	1683281.....	193	1702268.....	284	1703518.....	284
1600283.....	151, 177	1683283.....	193	1702269.....	284	1703534.....	233
1600284.....	151, 163	1683288.....	111, 116, 207	1702270.....	284	1703622.....	89
1600312.....	91	1683289.....	207	1702300.....	283	1703663.....	285
1600313.....	157	1683291.....	207	1702537.....	87	1703664.....	285
1600317.....	157, 165	1683294.....	111, 116, 205	1702563.....	147, 151	1703665.....	285
1600318.....	157, 179	1683295.....	205	1702564.....	151, 157	1703675.....	285
1600327.....	91	1683297.....	205	1702565.....	151, 157	1703791.....	189
1660184.....	61	1683299.....	111, 116, 201	1702566.....	151, 157	1703801.....	189
1660219.....	85	1683300.....	201	1702567.....	151, 157	1704174.....	290
1660219RR.....	85	1683302.....	201	1702610.....	88, 91	1704175.....	290
1660223.....	85	1683304.....	12, 19, 213	1702612.....	283	1704260.....	153, 157
1660223RR.....	85	1683307.....	125, 215	1702633.....	87	1704277.....	283
1660234.....	61, 69	1683308.....	215	1702676.....	147, 151, 157	1704885.....	285
1670752.....	16, 19	1683310.....	215	1702740.....	22	1705084.....	283
1670764.....	291	1683312.....	121, 217	1702773.....	283	1705132.....	92, 158
1670767.....	102, 106	1683313.....	217	1702774.....	283	1705325.....	73
1670768.....	125	1683314.....	217	1702788.....	290	1840012.....	87
1670769.....	118	1683317.....	125, 215	1702818.....	283	1840013.....	87
1670770.....	102	1683318.....	215	1702819.....	283	1840014.....	88
1670777.....	22	1683320.....	215	1702860.....	283	1840015.....	88
1670784.....	291	1683333.....	195, 197	1702861.....	283	1870044.....	238
1670785.....	185	1683415.....	111, 197	1702901.....	285	1870050.....	238
1670786.....	185	1683416.....	197	1702903.....	284	1870059.....	238
1670787.....	185	1683418.....	116, 197	1702908.....	285	1870071.....	238
1670788.....	185			1702924.....	284	1870132.....	238

PART NUMBER INDEX

2000132 59, 61	2220582 ... 223, 226, 229, 231	2680434 102, 106	2752783 232
2000146 65, 68	2220596 225, 231	2680440 106	2752807 225
2000173 65, 68	2220602 226, 231	2680441 106	2752813 223, 225
2000189 65, 68	2220603 229, 233	2720058 60, 67	2752814 223
2060025 59, 65	2220605 225	2720271 60, 66	2752823 229
2080040 143, 147	2220609 231	2720351 60, 66	2752824 229
2080044 118	2220618 231	2720397 59, 65	2752889 226
2120145 40	2220619 229, 231	2720398 59, 65	2752890 225
2120146 39	2220622 225	2720423 67	2752899 225
2120149 40, 288	2220628 231	2720434 66	2752912 226
2120150 39, 288	2220635 229, 232	2720449 66	2752919 225
2160002 49	2220646 231	2740063 237	2752920 229
2180344 49	2220654 232	2750532 60, 66	2752928 231
2180380 233	2220657 232	2750756 225	2752929 231
2180536 60, 66	2220671 225	2750770 225	2752939 232
2180724 233	2220710 223	2750790 225	2752962 229
2180798 59, 65	2220738 226	2750900 229	2752966 223, 225
2200222 83	2220794 60, 67	2751013 225, 229	2752970 223, 226
2220001 49	2220800 226	2751017 225	2752985 232
2220235 223, 225	2220810 231	2751020 229	2752987 233
2220250 60, 66	2220833 225, 226	2751032 49	2752988 232
2220273 60, 66	2220873 231, 233	2751396 225	2752989 233
2220313 60, 66	2220883 ... 198, 201, 203, 205, 207, 217	2751427 225	2752990 232
2220362 223, 225	2220885 ... 193, 195, 197, 203, 210, 215	2752245 223	2752991 232
2220363 223	2220886 201	2752249 225	2753046 233
2220365 223, 225	2220888 207	2752258 223	2753047 232
2220366 231	2220893 40	2752324 223	2753052 232
2220371 ... 223, 225, 229, 232	2220899 232	2752341 233	2753055 232
2220372 232	2220909 225	2752343 232	2753056 232
2220373 223, 233	2220914 226	2752349 225	2753132 231
2220374 232	2220921 232	2752354 223	2753133 231
2220375 ... 223, 225, 231	2220923 232	2752356 233	2753134 232
2220376 231	2220947 233	2752398 225, 226	2753135 232
2220377 ... 223, 225, 231	2220974 231	2752434 232	2760105.88, 91, 151, 157
2220379 231	2220998 233	2752444 233	2780205 49, 51
2220381 231	2220999 232	2752453 232	2780212 12
2220385 229, 231	2221036 233	2752459 223	2780213 21, 25
2220414 231	2221053 233	2752462 232	2792177 234
2220415 ... 225, 229, 231	2221065 232	2752466 232	2792188 231, 234
2220416 231	2400065 ... 271, 277, 288	2752468 232	2792189 231, 234
2220428 231	2400066 271, 277	2752469 232	2792191 234
2220429 231	2420172 88, 91	2752473 223, 225	2792192 234
2220435 223, 226	2420203 72	2752484 233	2792193 223, 234
2220451 59, 66, 223	2460011 71	2752497 232	2792194 234
2220459 60, 66	2460013 71	2752500 231	2792195 ... 40, 225, 234
2220466 ... 223, 225, 226, 229, 231	2460032 71	2752506 231	2792196 234
2220468 232	2460034 71	2752516 231	2792230 229, 234
2220472 231	2460039 71	2752519 231	2792315 234
2220473 ... 223, 225, 232, 233	2460049 71	2752573 225, 231	2792405 234
2220490 ... 223, 225, 229	2560122 40	2752579 232	2820031 73, 263
2220497 231	2560123 40	2752591 225, 233	2820035 ... 145, 148, 267, 273, 280
2220498 232	2560136 151, 157	2752593 225, 232	2820076 107
2220500 225, 232	2600211 153, 158	2752600 231	2820077 107
2220501 223, 226	2600219 144	2752601 232	2820078 107
2220502 226, 232	2600281 147	2752602 223, 225	2820082 107
2220504 ... 223, 226, 229	2600287 144	2752603 232	2820083 107
2220507 223, 226	2660071 139	2752604 231	2840016 99
2220510 232	2660082 139	2752618 233	2840018 99
2220511 232	2660099 139	2752620 223, 226	2860012 72
2220550 226	2660105 139	2752635 231	2860030 87, 91, 288
2220567 231	2660109 139	2752636 232	2890245 13
2220568 225	2680423 102, 106	2752650 233	2900708 39
2220574 232	2680424 102, 106	2752655 231	2900752 77
2220578 231	2680433 102, 106	2752656 231	2900766 27, 53
		2752723 231	2900767 28, 54
		2752724 231	2900768 28, 53

PART NUMBER INDEX

2900770.....39, 129, 193, 205, 217	3251242 283	3422432 117	3510822.....147
2900788.....33	3252347 284	3422434 111	3510833.....147
2900792.... 195, 197, 201, 203, 205, 207, 217	3272605 113, 119, 129	3422435 116	3520026.....89
2900826.....77	3290801 60	3422440 117	3520028.71, 73, 152, 157
2900827.....78	3300106 12, 21	3422442 111, 116	3520032.....285
2900838.....292	3300143 189	3422443 111, 116	3520033..... 107, 285
2900975.....290	3300151 144, 291	3422444 111, 116	3520035.....92
2901273.....205	3300205 88, 91	3422448 59, 65	3520054.....88
2901278.....215, 217	3300353 158	3422452 111, 116	3520072..... 143, 147
2901285.....201	3300390 88	3422453 111	3520173..... 153
2901301.... 195, 198, 210	3300393 143	3422454 111	3520174..... 89, 159
2901303.... 195, 198, 203, 210	3300408 89, 91, 157	3422457 125	3530072.....185
2901321.....193	3310601 88, 89, 99	3422477 116	3536089..... 144, 148
2901322.....207	3310801 135	3422489 112	3537318.....49
2901358.....60, 66	3310805 40, 135	3422492 16, 19	3537416.....59, 65
2901392.....59, 65	3311001 88, 102, 106, 147, 153, 159	3422530 99	3537417.....59, 65
2901443.....280, 291	3311005. 60, 73, 96, 106, 144, 153, 154	3422532 67	3537420.....59, 65
2901557.....189	3311401 91, 125, 139, 152, 189, 284	3422533 60	3537445.....99
2901763.....44	3311405 ... 40, 60, 66, 96, 99, 106, 135, 144, 147, 148, 152, 157, 186, 291	3422553 35	3537691.....59
2901811.....189	3311501 40, 107, 185	3422558 117	3538047..... 11, 12, 15
2902203.....290	3311505 ... 13, 16, 40, 60, 61, 66, 102, 106, 112, 118, 143	3422559 117	3538247.....215
2910001.....265	3311601 83, 102, 107, 153, 158, 159	3422560 117	3538724.....59
2910100.....291	3311605 ... 16, 19, 59, 66, 72, 99, 102, 106, 117, 122, 126, 147, 153, 157, 185	3422561 117	3538758.....126
2910931.....290	3311705 72	3422563 117	3538771.....215
2920110.....95	3311801 ...21, 61, 67, 135	3422565 111	3538819.....151
2920113.....96	3311805. 59, 66, 85, 102, 106, 112, 113, 118, 119, 189	3422566 116	3539055.....136
2920129.... 88, 153, 154, 157, 262, 264, 271, 276, 277	3313403 12	3422571 111, 116	3539219..... 88, 91
2920130.....95	3321005 66	3422572 111, 116	3539228.....121
2920140.... 144, 148, 267, 273, 280	3323403 12	3422573 111, 116	3539236.....122
2920162.....72	3340608 215	3422575 111, 116, 121	3539275..... 153, 154
2920214.....95	3340705 121, 125	3422576 111, 116	3539281.....95
2920215.....95	3340756 121, 125	3422577 111	3539412.....122
2940074.... 144, 147, 288	3340764 126	3422578 111	3539662.....35
2940088..... 102, 106	3340765 126	3422579 116	3539685.....144
3010088.....185	3340787 126	3422580 112	3539719.....185
3020021 61, 69	3340871 121, 125	3422582 112	3539779..... 112, 118
3124025.....189	3340881 121, 125	3422583 117	3539872.....65
3160200.....49, 57	3380423 284	3422590 16, 19	3539877..... 11, 15
3160204.....21, 33	3380428 66	3422592 11, 15	3539879..... 12, 16
3160205.....21, 31	3380434 147, 284	3422802 16, 19	3539923.....106
3160273.....49, 57	3420592 35	3422860 117	3539930..... 112, 118
3200362.....67	3421453 35	3422861 117	3539956.....67
3200378.....59, 65	3421565 49	3422867 117	3539971.....65
3200386.....139	3422325 11	3430816 99	3539988.....107
3200387.....139	3422419 117	3450304 159	3570270.....122
3200388.....139	3422420 117	3450306 122	3570277.....122
3200389.....139	3422421 117	3450404 99	3570374..... 112, 118
3200390.....139	3422422 117	3450606 122	3570375.....122
3200393.....139	3422426 ... 11, 12, 15, 16, 19	3450810 12	3570740.....189
3200394.....139	3422427 12	3451012 12	3580134.....72
3200395.....139	3422429 12, 16, 19	3480188 195, 197, 209	3580158.....71
3200396.....139	3422430 12, 16, 19	3480206 201	3580276.....72
3200397.....139	3422431 11, 15	3480210 ... 195, 197, 203, 209	3600164.....59, 76
3200407.....139		3480211 205	3600242.....59, 65, 81
3200408.....139		3480212 215, 217	3600243.....39
3220100.....61		3480216 207	3600260.....59, 65, 76
3220101.....61		3510499 143	3620033.....59, 65
3220103.....67		3510500 143	3640493..... 89, 237
3220104.....67		3510537 143	3640970..... 88, 154
3250872.....35		3510538 143	3641182.....154
3251102.....73, 159		3510542 143	3700010..... 88, 152
		3510543 143	3730022.....264
		3510728 143	3730023.....264
		3510751 143	3730099.....264
		3510763 143	3740049..88, 89, 91, 153, 154, 237, 238, 267, 273, 277, 279, 288
		3510764 143	

PART NUMBER INDEX

3740057 89, 153, 154, 237	3960098 12	4360282.....88, 152	4460419 ... 262, 264, 270, 271, 276, 278
3740058 89, 152, 237	3960389 65, 102, 106	4360289.....87, 151	4460424 ... 264, 265, 266, 271, 272, 278, 279
3740063 89, 152	3960407 60, 67	4360294...60, 67, 73, 288	4460425 ... 186, 267, 273, 280
3740066 89, 153, 154, 237	3960418 102, 106	4360314.....88, 152, 153	4460426 88, 91, 277
3740067 59, 65, 288	3960438 106	4360319.....87	4460428 88, 135, 136, 152, 154, 158, 186, 262, 267, 270, 276
3740080 72, 288	3960447 102	4360328.....91, 158, 288	4460434 276, 278
3740112 88	3960461 96	4360331 148, 152, 153, 158, 288	4460442 267
3740113 153	3960462 102, 106	4360336 73, 96, 153, 159, 288	4460445 ... 264, 265, 266, 272, 278, 279
3740115 153	3960467 106	4360345.....152	4460449 265
3760133 125	3960468 67	4360387 151, 158, 159, 186, 288	4460457 265, 271, 278
3760170 49	3990001 264	4360392.....59, 65, 288	4460458 265, 271, 278
3760368 ... 195, 197, 203, 209, 217	3990010 ... 262, 264, 267, 272, 278, 279, 288	4360395.....87, 151	4460460 265, 271, 278
3760369 ... 193, 195, 197, 209	4060802 73, 159	4360407 151, 158	4460464 ... 158, 262, 263, 264, 270, 271, 276, 277, 278
3760370 205	4060803 144	4360416.....40, 96	4460465 ... 263, 264, 270, 276, 277
3760372 201	4060804 40, 61, 126	4360436.....83	4460466 ... 263, 270, 276, 277
3760384 207	4060805 61, 67, 125	4360470.....87, 91, 288	4460467 ... 152, 267, 273, 280, 292
3790012 96, 148, 152, 153, 158, 159	4060807 40	4360475 87, 91, 152, 158, 288	4460470 91, 152, 158, 262, 270, 276, 277
3790110 130	4060808 13, 16, 121	4360476 88, 91, 152, 158, 288	4460471 91, 152, 158, 262, 270, 276, 277
3790152 60, 67	4060907 95	4360542.....72	4460473 ... 263, 270, 276, 277
3820001 35, 96, 139, 284	4060918 40	4400372.....83	4460488 91, 158
3841143 ... 11, 12, 15, 16, 19, 59, 65, 112, 117	4060959 290	4400373.....83	4460499 44, 47, 264, 265, 266, 272, 279
3841203 ... 112, 117, 121	4070863 121, 125	4400399.....83	4460502 263
3841258 11, 12, 15	4070864 121, 125	4420038.....83, 88	4460503 154, 262, 263
3841262 12	4070878 11, 12, 15	4420051 285	4460508 ... 262, 263, 270, 276, 277
3841263 12	4070879 11, 12, 15	4420055.....144	4460509 ... 263, 270, 276, 277
3841285 16, 19	4070897 121, 125	4420060 125, 135, 136	4460510 ... 152, 267, 273, 280, 292
3841291 19	4070929 121, 125	4460023.....72	4460526 88, 91, 277
3841295 122	4070932 126	4460027 72, 267, 272	4460536 263, 264, 271
3841329 35	4070944 11, 15	4460042.....145, 158	4460539 263, 264, 271
3841340 118, 125	4070945 11, 15	4460049.....185	4460589 265
3841347 122	4070987 89, 91	4460071 147, 152, 158, 270, 276	4460591 265
3900141 203	4070991 89	4460125 267, 272, 273	4460598 ... 145, 148, 159, 267, 273, 280
3900166 112	4100025 61	4460134.....267	4460600 88, 154, 238
3900207 143	4120012 89, 154, 237	4460190.....71, 267, 272	4460601 88, 154
3900224 153, 159	4120013 89, 154, 237	4460205.....267	4460602 88, 154
3900232 102, 106	4120035 88, 154, 262, 264, 270, 271, 276, 278	4460224 264, 265	4460603 88, 154
3900239 112, 118	4130325 12	4460225 262, 264, 270, 276	4460607 88, 89, 154, 237
3900268 88, 91	4130326 12	4460226 158, 170, 183, 189, 276, 277, 278	4460608 265
3910608 88, 89, 99	4130330 16, 19	4460227 158, 270, 276, 278	4460611 60, 67
3910610 99, 151	4130331 16, 19	4460233.....267	4460613 154, 262, 263
3910804 89, 91	4130340 12	4460234.....89, 95, 96	4460614 263
3910806 40	4130341 12	4460265 161, 163, 170, 174, 183, 262, 265	4460620 262
3911008 147	4160143 102, 106	4460266 161, 163, 174, 265, 266	4460621 262
3911016 144	4160152 102, 106	4460267 161, 163, 174, 262, 264, 265, 266, 271, 272, 278, 279	4460628 88
3911040 96	4220162 95	4460268 161, 163, 174, 264, 265, 266, 271, 272, 278, 279	4460629 154
3930816 135, 136	4220165 144	4460320 264, 265, 266, 271, 272, 278, 279	4460630 88
3930824 135	4220168 144	4460326 264, 266, 271, 272, 278, 279	4460631 88, 154
3931408 135	4240018 154	4460418 262, 264, 270, 271, 276, 278	4460632 154
3931412 152	4240032 95, 96, 154		
3931430 135	4240099 145, 148		
3931448 215	4240102 83		
3931516 ... 195, 197, 203, 209, 215, 217	4240112 83		
3931620 59, 66, 195, 197, 209	4280295 83		
3931672 153, 159	4300097 21		
3931720 205	4300120 21		
3931860 49	4340678 151, 158		
3932032 201	4340684 151, 158		
3932224 49	4360031 147, 152, 158		
3932240 207	4360057 185		
	4360232 ... 152, 159, 273, 280		

PART NUMBER INDEX

4460634.....264, 278	4640751 59, 65	4751900 72	4846081..... 112, 117
4460635.....264, 278	4640858 193	4752000 60, 67	4846101.....144
4460693.....265	4640862 215	4760600 88, 89	4846102..... 144
4460701.....267	4640866 39	4761000 ... 102, 106, 144, 153, 159	4846103..... 144
4460708..... 158, 276, 277	4640871 11, 15	4761400 92, 139, 189	4846184..... 143
4460709..... 266, 272, 279	4640902 203	4761500 185	4846194..... 143, 144
4460710..... 266, 272, 279	4640906 40, 225	4761600 35	4846195..... 143, 144
4460711.....89	4640907 39	4770600 99	4846228..... 143
4460720.....262	4640908 39	4791400 60, 67	4846240..... 143
4460721.....262	4640920 39, 43	4812000 189	4846241..... 143
4460761..... 158, 276, 278	4640921 39, 47	4831900 61, 69	4846452..... 147
4460777.....265	4640922 40, 47	4832000 61, 69	4846479..... 65
4460865..... 270, 276, 277	4640923 13, 16	4844790 112, 117	4846566..... 65
4460866..... 270, 271, 276, 277, 278	4640925 135	4844815 117	4846573..... 113, 119
4460871..... 158, 165, 167, 179, 181, 270, 271, 272, 276, 278, 279	4640929 135	4844816 117	4860158..... 22
4460873..... 270, 271, 276, 278	4640930 39	4844817 117	4891400..... 40
4460874..... 92, 270, 276, 277	4640932 198	4844924 143, 144	4891500..... 40, 225
4460875..... 92, 270, 276, 277	4640937 16	4844925 143, 144	4891600.. 60, 66, 99, 113, 119
4460876..... 271, 278	4640939 229	4844927 143	4891800.... 21, 40, 49, 99, 113, 119
4460878..... 271, 278	4640999 217	4844928 144	4892000..... 21, 49
4460879..... 270, 276	4641045 135	4844929 11	4892600..... 113, 119
4460880..... 271, 278	4641097 39, 43	4844945 111, 116	4920385..... 61
4460887..... 270, 271, 276, 278	4641105 135	4844954 144	4921737..... 87, 264
4460889..... 271, 278	4641139 135	4844955 143, 144	4921739..... 87, 264
4460890..... 271, 278	4641162 193	4844956 143, 144	4921771..... 39, 266
4460891..... 277	4711000 153	4844958 49	4921772..... 40, 266
4460897..... 277	4711400 ... 11, 15, 40, 61, 67, 95, 135, 144, 148, 186, 291	4844960 11	4921820..... 266, 272
4460905..... 92, 158, 276, 277, 278	4711500 ... 35, 40, 41, 61, 159, 226	4844961 59	4921828..... 267
4460959..... 279	4711600 ... 11, 12, 15, 16, 35, 40, 61, 67, 112, 118, 121, 126	4844964 83	4921829..... 267
4460960..... 279	4711800 99, 112, 118	4844969 126	4921848..... 87, 264
4460968..... 135, 136	4711900 67	4844972 126	4921850..... 292
4520171..... 21	4712600 35	4844978 126	4921850..... 292
4520172..... 22	4713000 35	4844979 126	4921922..... 87, 264
4520173..... 22	4713400 35	4844983 121	4921925..... 87, 264
4520210..... 22	4740016 12	4844984 121	4921927..... 39, 266, 272, 279
4520211..... 22	4740076 102, 106	4845041 15	4921928..... 40, 266, 272, 279
4520259..... 22	4740158 11, 12, 15	4845080 59	4921938..... 267
4566408..... 205	4740171 106	4845127 112, 118	4921957..... 267, 273, 279
4566425..... 215	4740274 67	4845162 59	4921991..... 154, 262
4566468..... 195, 197, 209	4740362 96, 148, 152, 158	4845163 99	4921992..... 263
4566471 203	4740397 73, 159	4845184 72	4921994..... 154, 262
4566501 201	4740411 144	4845194 102, 106	4922002..... 263
4566667 207	4740439 117	4845200 102	4922008..... 263
4566832..... 11, 15	4740444 88, 92	4845203 102, 106	4922012..... 292
4566892..... 122	4750600 88, 89, 99	4845281 35	4922095..... 237
4566986..... 61	4750800 40	4845283 35	4922304..... 236
4567112..... 65	4751000 ... 60, 66, 73, 88, 96, 99, 102, 106, 144, 147, 153, 154, 185	4845287 143	4922482..... 272, 279
4567172..... 35	4751400 ... 60, 66, 92, 99, 102, 106, 112, 118, 125, 135, 136, 148, 153, 158, 189, 284	4845288 143	4922483..... 272
4567241..... 122	4751500 . 13, 16, 72, 102, 106, 143, 185	4845289 143, 144	4922484..... 237
4567815..... 67	4751600 ... 60, 66, 72, 83, 85, 102, 106, 107, 112, 118, 148, 152, 158, 185, 189, 215	4845290 143, 144	4922485..... 92, 158
4640113..... 22	4751800 ... 11, 15, 61, 67, 85, 102, 122, 185, 189	4845308 185	4922493..... 270, 276
4640261..... 35		4845309 185	4922494..... 270, 277
4640438..... 205		4845327 144	4922508..... 271, 278
4640509..... 195, 197, 201, 203, 205, 207, 217		4845328 143	4922509..... 158, 237, 270
4640525..... 193		4845384 125	4922515..... 271, 278
4640605..... 201, 207		4845394 67	4922516..... 271
4640647..... 217		4845395 66	4922616..... 236
4640744..... 231		4845404 65	4922637..... 277
		4845414 106	4922638..... 278
		4845426 144	4922639..... 158, 237, 276
		4845450 35	4922641..... 279
		4845451 35	4922643..... 273, 279
		4845531 72	
		4845682 112, 117	
		4846005 111	
		4846006 116	

PART NUMBER INDEX

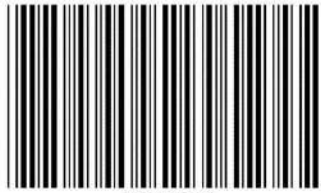
4922666 92, 158, 276, 278	7000209 51	70004766 169	7003976 161, 163, 165
4922810 276	7000214 51	70004767 169	7003977 161, 163, 165
4922811 277	7000217 51	70004768 169	7003978 173
4922939 237	70002234 61, 68	70004769 169	7003980 177, 179, 181
4932783 236	70002235 71	70004770 169	7003981 173
4932812 238	70002239 71	70004771 169	7003982 173, 181
4932828 237, 267	70002240 72	70004772 169	7003983 177, 179, 181
4932839 237	7000228 51	70004773 170	7003984 173
4932848 237, 262	7000229 51	70004774 170	7003985 174
4932849 237, 262	7000230 51	70004775 170	7003986 179
4932850 238, 263	70002411 68, 69	70005230 183	7003989 177, 179, 181
4932894 236	7000242 51	7000625 147, 152, 158	7003992 ... 163, 165, 177, 179
4932896 236	7000246 51	7000663 61, 68	7003993 ... 163, 165, 177, 179
4932902 236	7000253 51	7000699 61, 68	7003994 179
4932903 236	7000250 68, 69	7000731 28	7004275 292
4932904 238	7000255 51	7000796 27	7004276 292
4932905 237, 262	7000256 51	7001438 77	7005841 57
4932914 237, 262	7000257 51	7001498 77	7005842 57
4932915 237, 267	7000258 51	7001625 213	7005845 57
4932917 237	7000263 51	7001626 213	7005848 57
4932940 237, 267	7000269 51	7001627 213	7005881 57
4932971 238	7000270 51	7001628 213	7005882 57
4932974 237, 262	70002724 181	7001629 213	7005889 57
4932976 238, 263	70002725 181	7001630 213	7005890 57
4932977 237	70002726 181	7001633 213	7005891 57
4932980 237	70002727 181	7001711 25	7005892 57
4932986 237	70002728 181	7001909 51	7005893 57
4932989 237, 267	70002729 181	7001911 51	7005894 57
4932990 236	70002730 167	7001928 51	7005895 57
4932992 236, 237	70002731 167	7001931 51	7006140 126, 288
4932993 236	70002732 167	7001985 51	7006151 126
4933006 237	70002733 167	7001987 51	7006152 121, 126, 288
4933025 236	70002734 167	7001988 51	7006158 126
4933026 236	70002735 167	7002821 267, 273, 280, 291	7006161 126
4933027 238	70002813 68	7002822 292	7007208 76
4933158 237, 272	70002906 167	7002823 267, 273, 280, 291	7007412 77
4933162 237, 272	70003483 147	7002826 292	7007413 76
4933185 238, 271	70003556 68	7002828 273, 280	7007414 76
4933214 277, 278	70003784 151, 158	7002840.11, 15, 291, 292	7007416 76
4933215 279	70004738 183	7003657 71	7007417 76
4933216 279	70004739 183	7003886 174	7007419 76
4933218 238	70004740 183	7003928 163, 165, 167	7007420 76
4933219 237	70004741 183	7003933 179	7007421 76
70000123 71	70004742 183	7003935 177, 179	7007423 76
70000124 72	70004743 183	7003941 177, 179, 181	7007424 76
70000125 72	70004744 183	7003946 173, 177, 179	7007425 31, 76
70000579 43	70004745 183	7003951 161	7007426 31
70000580 43	70004746 183	7003952 163	7007427 31
70000582 43	70004747 183	7003953 163, 165	7007428 31
70000583 43	70004748 183	7003956 161, 163	7007429 31
70000787 61	70004749 183	7003957 161, 173	7007430 31
70001002 68, 69	70004750 183	7003958 161	7007431 31
70001017 68	70004751 183	7003959 161	7007434 31
7000126 72	70004752 169	7003960 161	7007435 76
70001423 69	70004753 169	7003961 161	7007436 76
70001498 68	70004754 169	7003963 173	7007437 31, 76
70001681 68, 69	70004755 169	7003966 173	7007438 31, 76
70001697 130, 133	70004756 169	7003967 173	7007439 31, 76
70001941 95	70004757 169	7003968 173	7007440 76
70001976 43, 44, 47	70004758 169	7003969 177, 179	7007441 76
70001999 126	70004759 169	7003972 173, 177, 179, 181	7007442 76
70002000 126	70004760 169	7003973 173, 177, 179, 181	7007444 76
70002001 121	70004761 169	7003974 161, 163, 173	7007445 76
70002002 121	70004762 169		7007446 31
70002011 126	70004763 169		7007449 76
70002012 126	70004764 169		
	70004765 169		

PART NUMBER INDEX

7007453.....76	7010119.....31	7012941.....39	7016315.....87, 152
7007454.....76	7010120.....77	7012944 .39, 40, 43, 225, 288	7016322.....99
7007456.....77	7010121.....77	7012953 .39, 43, 47, 135, 203	7016328.....68, 288
7007458.....77	7010122.....77	7012954.....39	7016330.....61, 68
7007459.....31, 77	7010474.....51	7012959.....39	7016331.....61, 68, 288
7007461.....77	7010488.....51	7012961.....39, 203	7016332.....61, 68
7007463.....77	7010492.....51	7012965.....47	7016336.....265
7007466.....77	7010494.....51	7012967.....43, 44	7016342.....85
7007468.....77	7010542.....43, 44	7012969.....44	7016346.....152
7007469.....77	7010543.....43, 44	7012970.....135	7016374.....99
7007470.....77	7011112.....198	7012972.....40, 225	7016380.....95
7007471.....77	7011185.....217	7012974.....40, 225	7016399....145, 148, 267, 273, 280
7007472.....77	7011328.....39	7012978.....16	7016422.....57
7007474.....77	7011331.....129	7012980.....13, 16	7016423.....57
7007475.....77	7011332.....129	7012987.....81	7016424.....57
7007476.....77	7011346.....130	7012988.....81	7016425.....57
7007477.....77	7011712.....27	7012989.....43	7016426.....57
7007478.....77	7011713.....27, 53	7012992.....16	7016427.....57
7007482.....77	7011714.....27, 53	7012993.....13, 16	7016502.....121, 288
7007483.....77	7011715.....27, 53	7012994.....16	7016510.....121
7007484.....77	7011716.....27, 53	7012998.....43, 44, 47	7016519.....126
7007485.....77	7011717.....27, 53	7013187.....85	7016521.....126
7007486.....77	7011719.....53	7013711.....39	7016652.....143, 292
7007487.....77	7011720.....53	7013755.....39	7016654.....292
7007488.....77	7012442.....13	7013796.....39	7016655.....292
7007489.....81	7012513.....71	7013799.....39	7016700.....39
7007490.....77	7012514.....71	7014676.....292	7016701.....39
7007491.....77	7012518.....43	7014700.....25	7016702.....39
7007492.....77	7012558.....71	7014701.....25	7016744.....39
7007494.....77	7012560.....87	7014702.....25	7016800.....60, 66
7007496.....77	7012599.....61, 68	7014706.....25	7016802.....60, 66
7007497.....77, 265, 272, 278	7012611.....87, 152	7014709.....25	7016803.....60, 66
7007498.....77, 265, 272, 279	7012612.....87, 152	7014710.....25	7016804.....60, 67
7007499.....77	7012664.....59, 65, 288	7014711.....25	7016805.....60
7007633.....51	7012693.....11, 15	7014712.....25	7016812.....60, 66
7007914.....53	7012694.....39	7014713.....25	7017089.....51
7007923.....27, 53	7012698.....61	7014714.....25	7017101.....129
7007924.....27	7012699.....39	7014715.....25	7017102.....129
7007933.....27	7012700.....33	7014716.....25	7017106.....130
7007934.....53	7012701.....33	7014717.....25	7017115.....129
7007970.....27, 53	7012702.....33	7014718.....25	7017116.....129
7007977.....27, 53	7012703.....33	7014719.....25	7017117.....129
7007979.....27, 53	7012704.....33	7014720.....25	7017118.....130
7007980.....27, 53	7012705.....33	7014721.....25	7017119.....129
7007983.....27, 53	7012706.....33	7014722.....25	7017142.....130
7007985.....27, 53	7012707.....33	7014723.....25	7017156.....130
7007986.....27	7012708.....33	7014724.....25	7017157.....130
7007987.....27, 53	7012709.....33	7014725.....25	7017158.....130, 133
7008833.....59, 65, 265	7012710.....33	7014726.....25	7017159.....130, 133
7008835.....59, 65	7012711.....33	7014727.....25	7017162.....129, 133
7008836.....59, 65, 265	7012712.....33	7014728.....25	7017163.....129, 133
7010103.....81	7012713.....33	7014729.....25	7017164.....129, 133
7010104.....81	7012714.....33	7014730.....25	7017174.....129
7010105.....81	7012715.....33	7014731.....25	7017177.....129
7010108.....31	7012716.....33	7014800.....83	7017183.....129, 133
7010109.....31	7012768.....288	7014801.....83	7017193.....129, 133
7010110.....31	7012769.....43, 44	7014802.....83	7017410.....43
7010111.....31	7012772...43, 44, 47, 288	7014803.....83	7017411.....43
7010112.....31	7012773.....43, 44, 47	7014810.....83, 288	7017418.....43
7010113.....31	7012774.....44, 47	7014811.....83	7017420.....44, 47
7010114.....31	7012775.....43, 44	7016206.....22	7017421.....47
7010115.....31	7012776.....47	7016309.....61	7017422.....47
7010116.....31	7012799.....44	7016312.....39, 288	7017423.....44
7010117.....31	7012905.....40, 225	7016313.....40, 288	7017427.....43
7010118.....31	7012907.....39	7016314.....83	7017428.....43, 44
	7012914.....43, 44		7018602.....27, 53
	7012918.....43, 44		

PART NUMBER INDEX

7018603	27, 53	7019155	177, 179	7020175.....	87, 152, 158	7022811	161, 163
7018605	27, 53	7019156	177	7020176.....	87, 152, 158	7022812	179
7018606	27, 53	7019157	177	7020190.....	71	7022813	161, 163
7018607	27, 53	7019158	177	7020191.....	72	7022814	165
7018608	28, 54	7019159	177	7020192.....	72	7022815	165, 167
7018609	27, 53	7019160	173, 177, 179	7020193.....	71	7022816	165
7018612	28, 54	7019161	177, 179	7020246.....	91	7022817	165
7018912	43, 44, 47	7019162	177, 179, 181	7020404.....	62, 68	7022818	165, 288
7018942	47	7019163	177	7020408.....	62, 69	7022819 ...	165, 167, 272, 279
7018945	47	7019164	177, 179, 181	7020411.....	61, 69	7022822	179
7018946	47	7019165	177, 179, 181	7020414.....	68	7022823	179
7018948	47	7019166	177, 179, 288	7020418.....	62	7022824	179, 288
7018952	44	7019167	177, 179, 181	7020419.....	62, 68	7022825	272, 279
7019103	177, 179	7019168	177, 179	7020425.....	68	7023331	189
7019104	161	7019171	165	7020427.....	61, 68	7023332	189
7019110	177, 179	7019174	163, 165	7020431.....	62, 68	7023333	189
7019111 ...	161, 163, 165, 177, 179	7019177	165	7020449.....	69	7023340	59, 66
7019112	177, 179	7019192	161	7020458.....	69	7024036	33
7019114	179	7019193	161	7020461.....	68	7024100	51
7019115	177, 179	7019194	177, 179, 181	7020462.....	69	7024398	68
7019117	177	7019197	163, 165	7020463.....	68, 69	7024560	68
7019122	161, 163, 165	7019607	61, 68	7020464.....	68	7024565	62, 69
7019123	161, 163, 165	7019658	61, 67, 83	7020465.....	68, 69	7024598	99
7019141	163, 165	7020023	61	7020468.....	69	7026199	71
7019142	163, 165	7020025	68	7020471.....	68, 69	7026522	69
7019143	163, 165	7020027	68, 69	7020474.....	69	7026607	69
7019144	163, 165	7020057	189	7020477.....	62, 68	7026608	68
7019145	163, 165	7020058	189	7020479.....	68	7026631	68
7019147	163, 165	7020059	189	7020480.....	69	7027250	62, 68
7019149	163, 165	7020108	71	7020487.....	68	7027887	72
7019150	163, 165	7020109	71	7021214.....	77	8320270	68
7019151	177, 179	7020110	71	7021310.....	44	8896941	267, 291
7019151	177, 179	7020111	71	7022203.....	39		
7019153	177	7020135	22	7022808.....	163, 165, 167		
7019154	177, 179	7020168	69	7022810.....	177		



3120841



An Oshkosh Corporation Company

JLG Industries, Inc.
1 JLG Drive
McConnellsburg PA. 17233-9533
USA
Phone: +1-717-485-5161
Customer Support Toll Free: 1-877-554-5438
Fax: +1-717-485-6417

JLG Worldwide Locations

JLG Industries (Australia)
P.O. Box 5119
11 Bolwarra Road
Port Macquarie
N.S.W. 2444
Australia
Phone: +61 2 65811111
Fax: +61 2 65813058

JLG Latino Americana Ltd.
Rua Antonia Marlins Luiz, 580
Distrito Industrial João Narezzi
13347-404 Indaiatuba - SP
Brazil
Phone: +55 19 3936 8870
Fax: +55 19 3935 2312

JLG Industries (UK) Ltd
Bentley House
Bentley Avenue
Middleton
Greater Manchester
M24 2GP
England
Phone: +44 (0)161 654 1000
Fax: +44 (0)161 654 1001

JLG France SAS
Z.I. de Baulieu
47400 Fauillet
France
Phone: +33 (0)5 53 88 31 70
Fax: +33 (0)5 53 88 31 79

JLG Deutschland GmbH
Max-Planck-Str. 21
D - 27721 Ritterhude-Ihlpohl
Germany
Phone: +49 (0)421 69 350 20
Fax: +49 (0)421 69 350 45

JLG Equipment Services Ltd.
Rm 1107 Landmark North
39 Lung Sum Avenue
Sheung Shui N.T.
Hong Kong
Phone: +852 2639 5783
Fax: +852 2639 5797

JLG Industries (Italia) s.r.l.
Via Po, 22
20010 Pregnana Milanese - MI
Italy
Phone: +39 029 359 5210
Fax: +39 029 359 5845

JLG Europe B.V.
Polaris Avenue 63
2132 JH Hoofddorp
The Netherlands
Phone: +31 (0)23 565 5665
Fax: +31 (0)23 557 2493

JLG Polska
Ul. Krolewska
00-060 Warszawa
Poland
Phone: +48 (0)914 320 245
Fax: +48 (0)914 358 200

Plataformas Elevadoras
JLG Iberica, S.L.
Trapadella, 2
P.I. Castellbisbal Sur
08755Castellbisbal, Barcelona
Spain
Phone: +34 93 772 4 700
Fax: +34 93 771 1762

JLG Sverige AB
Enkopingsvagen 150
Box 704
SE - 176 27 Jarfalla
Sweden
Phone: +46 (0)850 659 500
Fax: +46 (0)850 659 534

www.jlg.com