



# Illustrated Parts Manual

**Model**  
**10VP**  
**15VP**  
**20VP**

3120850

*April 29, 2011*



An Oshkosh Corporation Company



# REVISION LOG

Note: This manual for use with VP Models built serial number **0130001711** to Present. For machines with serial numbers prior to 0130001711 refer to manual part number 3120837.

December 1997 - Original Issue (Manual edited to Final Assembly 0010548 Rev. 4)

March 17, 2000 - Revised (Manual edited to Final Assembly 0010548 Rev. 20)

September 12, 2000 - Revised (Manual edited to Final Assembly 0010548 Rev. 25)

March 19, 2003 - Revised (Manual edited to Final Assembly 0010548 Rev. 30)

November 1, 2006 - Revised

April 29, 2011 - Revised

# REVISION LOG

# TABLE OF CONTENTS

FIGURE NO.	TITLE	PAGE NO.
<b>SECTION 1 - BASE</b>		<b>1-1</b>
1-1	BASE ASSEMBLY	1-2
1-2	REAR DRIVE ASSEMBLY	1-6
1-3	WHEEL DRIVE MOTOR ASSEMBLY	1-10
1-4	JLG POTHOLE PROTECTION INSTALLATION	1-12
<b>SECTION 2 - CONTROLS</b>		<b>2-1</b>
2-1	GROUND CONTROL/POWER PACK INSTALLATIONS	2-2
2-2	PLATFORM CONTROLS AND CABLES INSTALLATIONS	2-6
2-3	BATTERY CHARGER ASSEMBLIES (EUROPE AND AUSTRALIAN)	2-10
2-4	BATTERY CHARGER ASSEMBLY (UK ONLY)	2-12
2-5	PUMP/MOTOR/TANK ASSEMBLY	2-14
2-6	CONTROL BOX ASSEMBLY	2-16
2-7	OPTION INSTALLATIONS	2-18
<b>SECTION 3 - MAST</b>		<b>3-1</b>
3-1	MAST ASSEMBLY - 10VP	3-2
3-2	MAST ASSEMBLY - 15VP	3-6
3-3	MAST ASSEMBLY - 20VP	3-10
3-4	MAST MOUNTED COMPONENTS	3-16
<b>SECTION 4 - PLATFORM</b>		<b>4-1</b>
4-1	MOLDED PLATFORM INSTALLATION (PRIOR TO S/N 02370)	4-2
4-2	MOLDED PLATFORM INSTALLATION (S/N 02370 TO PRESENT)	4-6
4-3	QUICK-CHANGE PLATFORM INSTALLATION WITH SLIDE RAIL ENTRY	4-10
4-4	QUICK-CHANGE PLATFORM INSTALLATION WITH GULLWING GATE (PRIOR TO S/N 02256)	4-12
4-5	QUICK-CHANGE PLATFORM INSTALLATION WITH GULLWING GATE (S/N 02256 TO PRESENT)	4-16
4-6	QUICK-CHANGE PLATFORM INSTALLATION WITH EXTENSION (PRIOR TO S/N 02256)	4-20
4-7	QUICK-CHANGE PLATFORM INSTALLATION WITH EXTENSION (S/N 02256 TO PRESENT)	4-24
4-8	OPTIONAL PLATFORM COMPONENTS INSTALLATION	4-28
<b>SECTION 5 - CYLINDER</b>		<b>5-1</b>
5-1	LIFT CYLINDER ASSEMBLY	5-2
<b>SECTION 6 - HYDRAULIC</b>		<b>6-1</b>
6-1	HYDRAULIC DIAGRAM	6-2
<b>SECTION 7 - ELECTRICAL</b>		<b>7-1</b>
7-1	ELECTRICAL SCHEMATIC	7-2
7-2	HARNESS AND CABLES INSTALLATION	7-4
<b>SECTION 8 - DECALS</b>		<b>8-1</b>
8-1	DECALS INSTALLATION	8-2

# TABLE OF CONTENTS

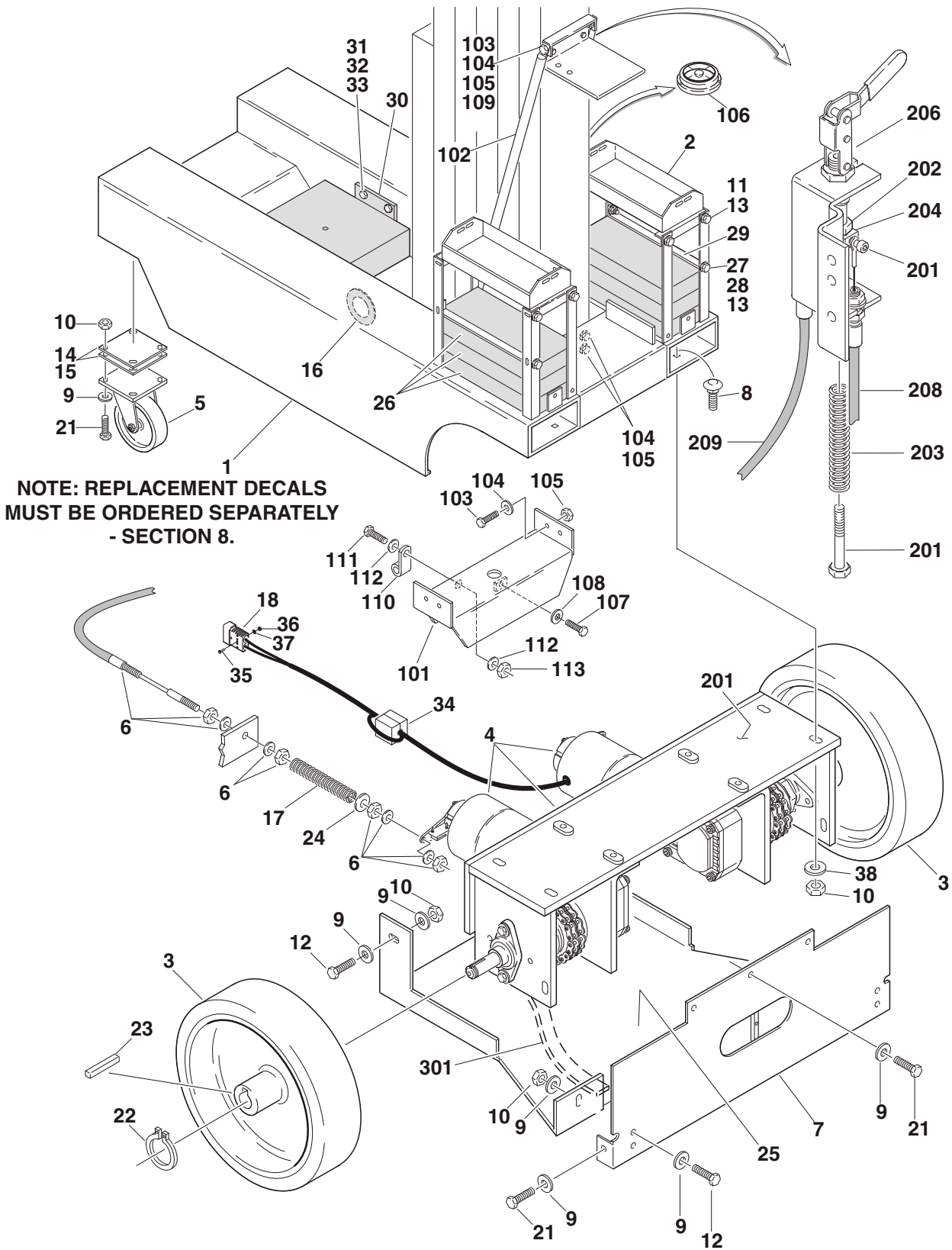
FIGURE NO.	TITLE	PAGE NO.
SECTION 9	RECOMMENDED SERVICE PARTS STOCK .....	9-1
SECTION 10	SPECIAL OPTIONS .....	10-1
SECTION 11	PART NUMBER INDEX .....	11-1

# SECTION 1 BASE

TABLE OF CONTENTS		
FIGURE	DESCRIPTION	PAGE
1-1	BASE ASSEMBLY .....	1-2
1-2	REAR MOTOR ASSEMBLY .....	1-6
1-3	WHEEL DRIVE MOTOR ASSEMBLY .....	1-8
1-4	JLG POTHOLE PROTECTION INSTALLATION .....	1-10

# SECTION 1 BASE

FIGURE 1-1. BASE ASSEMBLY





# SECTION 1 BASE

**FIGURE 1-1. BASE ASSEMBLY**

FIG & ITEM #	PART NUMBER	DESCRIPTION	QTY.	REV.
		<b>BASE ASSEMBLY OPTIONS:</b>	Ref.	
	0257235	<b>10VP</b>	Ref.	8
	0257236	<b>15VP</b>	Ref.	8
	0257238	<b>20VP</b>	Ref.	8
1		Base Weldment Options:	1	
	4845561	Prior to S/N 02369		
	4845877	S/N 02369 to Present		
2		Battery Box Weldment Options:	1	
	4845258	Prior to S/N 02369		
	4845875	S/N 02369 to S/N 03094		
3	4860175	Wheel, Rear Assembly	2	
	7019659	Steel Insert (1 Per Assembly)	2	
4		Drive Assembly - Rear (See Figure 1-2 for Breakdown) Options:	1	
	0257241	Prior to S/N 02363		
	0258718	S/N 02363 to Present		
5	4860177	Wheel, Caster Assembly	2	
	7019660	Axle 1/2" x 3 1/4" (1 Per Assembly)	2	
	7019661	Wheel, Replacement (1 Per Assembly)	2	
	7019662	Caster without Wheel (1 Per Assembly)	2	
	7019663	Bearing, Wheel (1 Per Assembly)	2	
6	1060658	Cable, Brake Assembly (See Items for 201-211 Breakdown)	1	
7	4845474	Rear Plate Weldment	1	
8	0630446	Bolt 3/8"-16NC x 1" (Carriage)	4	
9	4751600	Flatwasher 3/8" Wide	A/R	
10	3311605	Locknut 3/8"-16NC	16	
11		Bolt Options:	A/R	
	0641406	Bolt 1/4"-20NC x 3/4" (Prior to S/N 02369)		
	0641508	Bolt 5/16"-18NC x 1" (S/N 02369 to S/N 03094)		
12	0641609	Bolt 3/8"-16NC x 1 1/8"	12	
13		Flatwasher Options:	A/R	
	4751400	Flatwasher 1/4" Wide (Prior to S/N 02369)		
	4751500	Flatwasher 5/16" Wide (S/N 02369 to S/N 03094)		
14	3539659	Plate, Spacer 1/8"	1	
15	3539660	Plate, Spacer 5/64"	1	
16	2820086	Loom, Wire	4in/10cm	
17	4160164	Spring, Compression	2	
18	4460648	Connector, Terminal	2	
19	3020017	Grease, Multi-Purpose (Not Shown)	A/R	
20	0100011	Compound, Locking (Not Shown)	A/R	
21	0641608	Bolt 3/8"-16NC x 1"	5	
22		Options:	A/R	
	3760393	Ring, Retainer (Prior to S/N 02363)	2	
	4845878	Battery Box Cover - Right (S/N 02369 to S/N 03094)	1	

# SECTION 1 BASE

SECTION 1 BASE

**FIGURE 1-1. BASE ASSEMBLY (CONTINUED)**

FIG & ITEM #	PART NUMBER	DESCRIPTION	QTY.	REV.
23		Options:	A/R	
	2860026	Key, Wheel (Prior to S/N 02363)	2	
	3311505	Locking Nut 5/16"-18NC (S/N 02369 to S/N 03094)	6	
24		Options:	A/R	
	4751000	Flatwasher #10 Wide (Prior to S/N 01703)	2	
	4740430	Flatwasher, Fender (S/N 01703 to Present)	2	
25	3570172	Cover, Motor	1	
26		Counterweight Weldment Options:	A/R	
	Not Required	10VP	0	
	4845260	15VP	2	
	4845261	20VP	2	
27	0641408	Bolt 1/4"-20NC x 1"	A/R	
28	3311405	Locknut 1/4"-20NC	A/R	
29		Counterweight Bracket Options:	A/R	
	Not Required	10VP & 20VP	0	
	0902256	15VP (Standard Machines)	2	
30		Counterweight Weldment Options:	A/R	
	Not Required	10VP & 15VP	0	
	4845377	20VP	1	
31	0641810	Bolt 1/2"-13NC x 1 1/4"	A/R	
32	3311805	Locknut 1/2"-13NC	A/R	
33	4751800	Flatwasher 1/2"	A/R	
34	2820085	Block, Insulated	2	
35	3910620	Screw #6-32NC x (S/N 03094 to Present)	4	
36	3310601	Nut #6-32NC (S/N 03094 to Present)	8	
37	4750600	Flatwasher #6 (S/N 03094 to Present)	4	
38	4711600	Flatwasher 3/8" (S/N 03609 to Present)	8	
		<b>MAST SUPPORT INSTALLATION OPTIONS:</b>	Ref.	
	0256197	<b>Prior to S/N 02289</b>	Ref.	4/C
	0258582	<b>S/N 02289 to Present</b>	Ref.	1/A
101		Channel, Lift Cylinder Mounting Options:	1	
	4845478	Prior to S/N 02289		
	4845804	S/N 02289 to Present		
102	0880124	Brace, Mast	2	
103	0641609	Bolt 3/8"-16NC x 1 1/8"	11	
104	4751600	Flatwasher 3/8" Wide	24	
105	3311605	Locknut 3/8"-16NC	12	
106	2420140	Gauge, Level	1	
107	0641505	Bolt 5/16"-18NC x 5/8"	1	
108	4711500	Flatwasher 5/16" Narrow	1	
109	0641612	Bolt 3/8"-16NC x 1 1/2"	1	
110	1320041	Clamp	1	
111	0641404	Bolt 1/4"-20NC x 1/2"	1	
112	4711400	Flatwasher 1/4" Narrow	2	
113	3311401	Nut 1/4"-20NC	1	
114	0100011	Compound, Locking (Not Shown)	A/R	

# SECTION 1 BASE

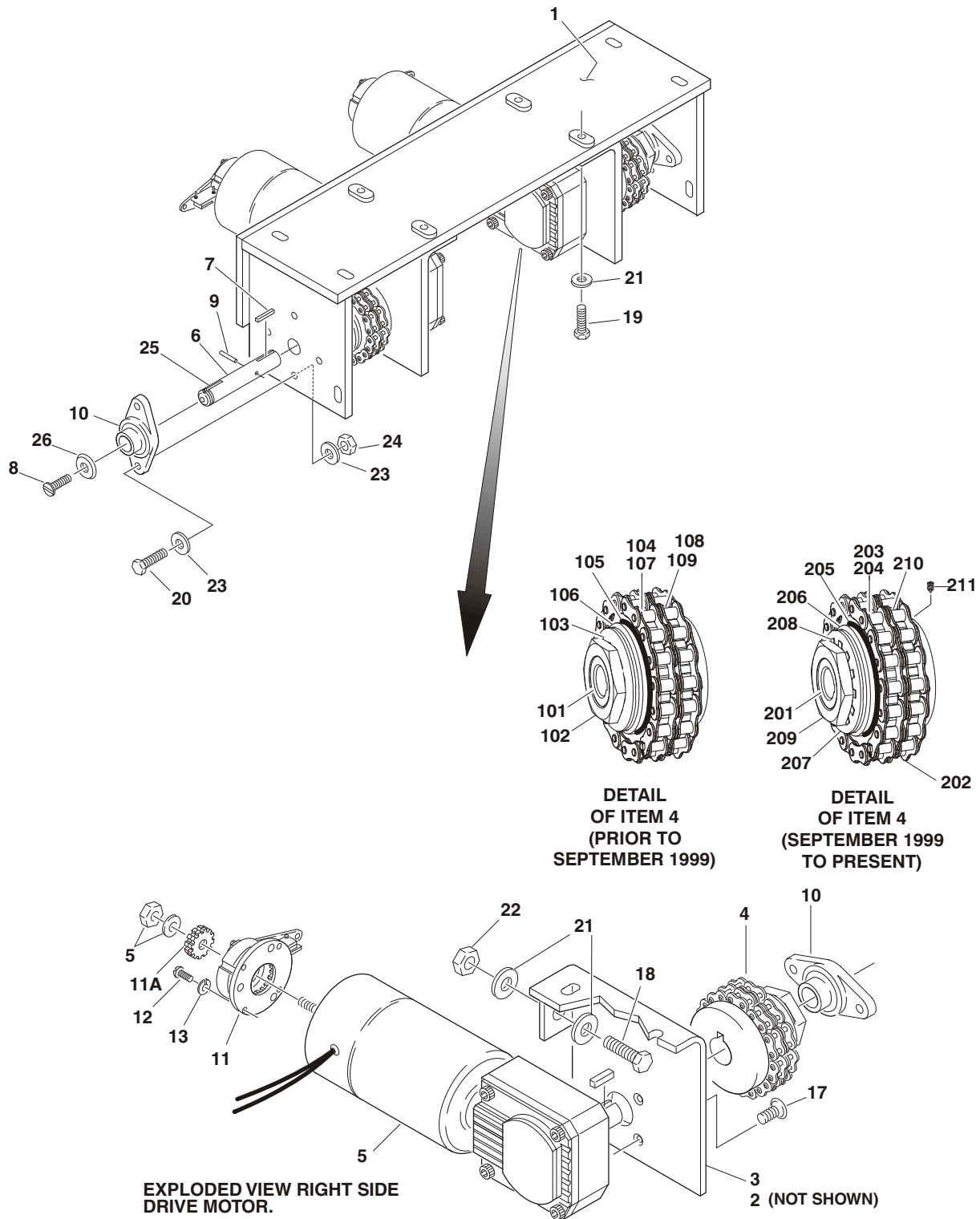
**FIGURE 1-1. BASE ASSEMBLY (CONTINUED)**

FIG & ITEM #	PART NUMBER	DESCRIPTION	QTY.	REV.
	1060658	<b>BRAKE CABLE ASSEMBLY</b>	Ref.	3/C
201	0641528	Bolt 5/16"-18NC x 3 1/2"	1	
202	3311501	Nut 5/16"-18NC	1	
203	4160166	Spring, Compression	1	
204	0561284	Bar, Aluminum	1	
205	3900248	Bolt 1/4"-20NC x 1/4"	2	
206	2560150	Handle, Brake Cable	1	
207	3570382	Bracket, Brake Cable	1	
208	1060661	Cable, Brake (55in/139.7cm)	1	
209	1060662	Cable, Brake (69in/175.3cm)	1	
210	0100019	Compound, Locking (Not Shown)	A/R	
211	0100035	Compound, Locking (Not Shown)	A/R	
	0270352	<b>STATIC STRAP INSTALLATION</b>	Ref.	1/A
301	0641608	Bolt 3/8"-16NC x 1"	1	
	3311605	Locknut 3/8"-16NC	1	
	4751600	Flatwasher 3/8"	2	
	4240084	Strap, Static	1	

SECTION 1 BASE

# SECTION 1 BASE

FIGURE 1-2. REAR DRIVE ASSEMBLY



# SECTION 1 BASE

**FIGURE 1-2. REAR DRIVE ASSEMBLY**

FIG & ITEM #	PART NUMBER	DESCRIPTION	QTY.	REV.
		<b>REAR DRIVE ASSEMBLY OPTIONS:</b>	Ref.	
	0257241	<b>Prior to S/N 02363</b>	Ref.	3/C
	0258718	<b>S/N 02363 to Present</b>	Ref.	1/B
1	4845473	Weldment, Drive	1	
2	3570168	Plate, Motor Mount (Left)	1	
3	3570169	Plate, Motor Mount (Right)	1	
4	1400126	Clutch, Torque Limiting Options: Dalton Brand Clutch, Torque Limiting (See Items 101-109 for Breakdown) (Prior to September 1999) EPT Brand Clutch, Torque Limiting (See Items 201-211 for Breakdown) (September 1999 to Present)	2	
5		Wheel Drive Motor Assembly (See Figure 1-3 for Breakdown) Options:	2	
	3160217	Prior to S/N 02363		
	3160234	S/N 02363 to Present		
6		Shaft, Drive Options:	2	
	4040259	Prior to S/N 02363		
	4040268	S/N 02363 to Present		
7	2860027	Key, Clutch	2	
8	0741609	Bolt 3/8"-16NC x 1 1/8"	2	
9	3440520	Pin, Roll	2	
10	0440221	Bearing, Flange	4	
11	0256851	Brake Assembly	2	
	7014117	Switch, Micro (1 Per Assembly)	2	
	7014118	Disc, Friction (1 Per Assembly)	2	
11A	7014119	Gear (1 Per Assembly)	2	
	7014120	Setscrew (2 Per Assembly)	4	
12	3930808	Bolt #8-32NC x 1/2"	8	
13	4750800	Flatwasher #8	8	
14	0100035	Compound, Locking (Not Shown)	A/R	
15	0100011	Compound, Locking (Not Shown)	A/R	
16	0100019	Compound, Locking (Not Shown)	A/R	
17	3900221	Bolt 5/16"-18NC x 3/4"	6	
18	0641610	Bolt 3/8"-16NC x 1 1/4"	2	
19	0641609	Bolt 3/8"-16NC x 1 1/8"	4	
20	0641711	Bolt 7/16"-14NC x 1 3/8"	8	
21	4751600	Flatwasher 3/8"	8	
22	3311605	Locknut 3/8"-16NC	2	
23	4711700	Flatwasher 7/16"	16	
24	3311705	Locknut 7/16"-14NC	8	
25	2860029	Key, Wheel	2	
26	4740478	Washer, Wheel Retainer	2	

# SECTION 1 BASE

SECTION 1 BASE

**FIGURE 1-2. REAR DRIVE ASSEMBLY (CONTINUED)**

FIG & ITEM #	PART NUMBER	DESCRIPTION	QTY.	REV.
	1400126	<b>TORQUE LIMITER CLUTCH ASSEMBLY (DALTON BRAND) (PRIOR TO SEPTEMBER 1999)</b>	Ref.	A
101	7016689	Hub	1	
102	7016683	Nut, Adjusting	1	
103	7016684	Spring	1	
104	7016685	Bearing	1	
105	7016691	Facing, Friction	2	
106	7016690	Plate, Pressure	1	
107	7016686	Sprocket	1	
108	7016687	Coupling, Chain	1	
109	7016688	Sprocket	1	
	1400126	<b>TORQUE LIMITER CLUTCH ASSEMBLY (EPT BRAND) (SEPTEMBER 1999 TO PRESENT)</b>	Ref.	C
201	7023351	Hub	1	
202	7023352	Chain	1	
203	7023353	Sprocket	1	
204	7023354	Bushing	1	
205	7023355	Facing, Friction	2	
206	7023356	Plate, Pressure	1	
207	7023357	Disc, Spring	3	
208	7023358	Lockwasher, Tabbed	1	
209	7023359	Nut, Adjusting	1	
210	7023360	Sprocket	1	
211	7023361	Setscrew	1	

# SECTION 1 BASE

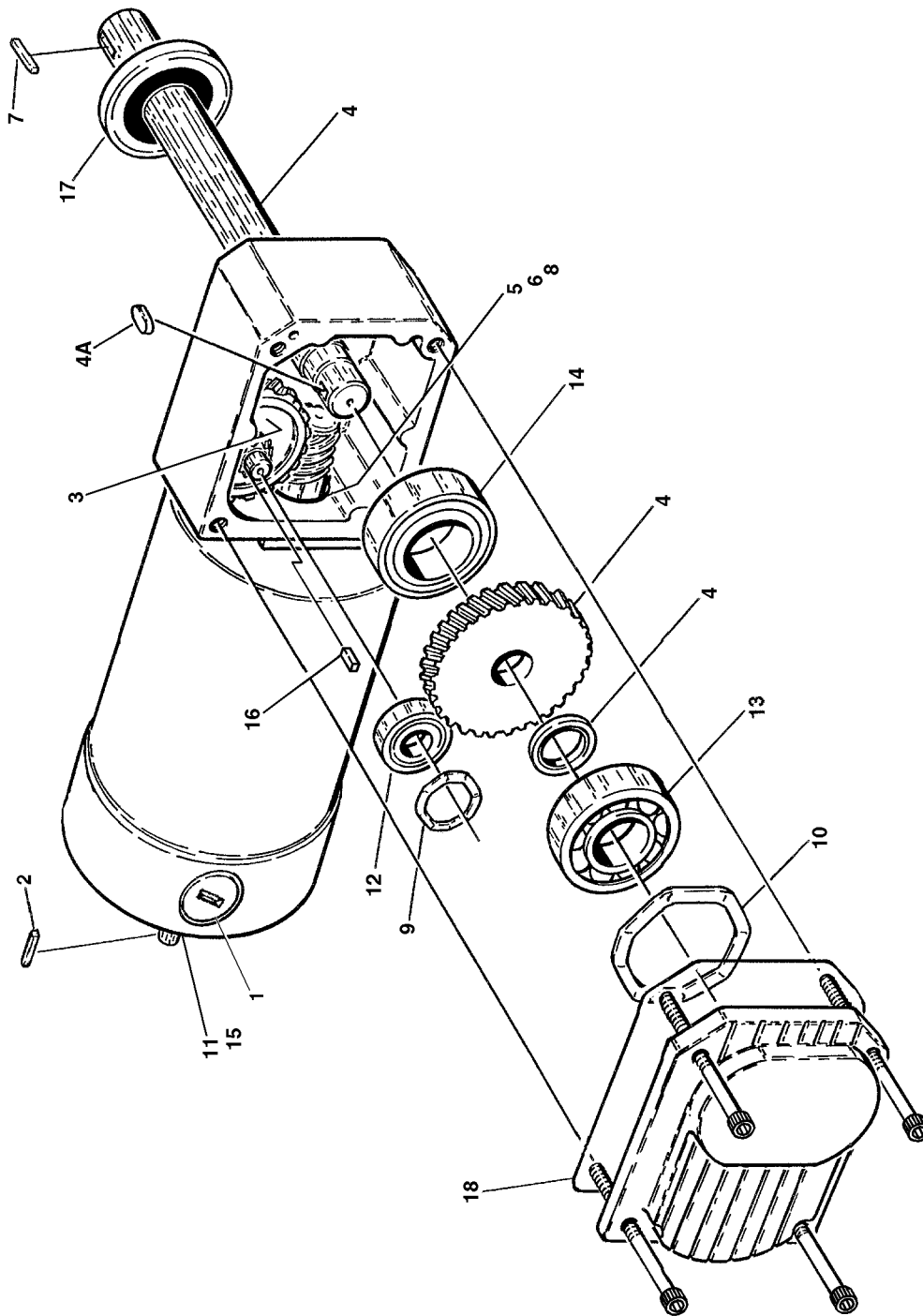
FIGURE 1-2. REAR DRIVE ASSEMBLY (CONTINUED)

FIG & ITEM #	PART NUMBER	DESCRIPTION	QTY.	REV.

**S  
E  
C  
T  
I  
O  
N  
  
1  
  
B  
A  
S  
E**

# SECTION 1 BASE

FIGURE 1-3. WHEEL DRIVE MOTOR ASSEMBLY





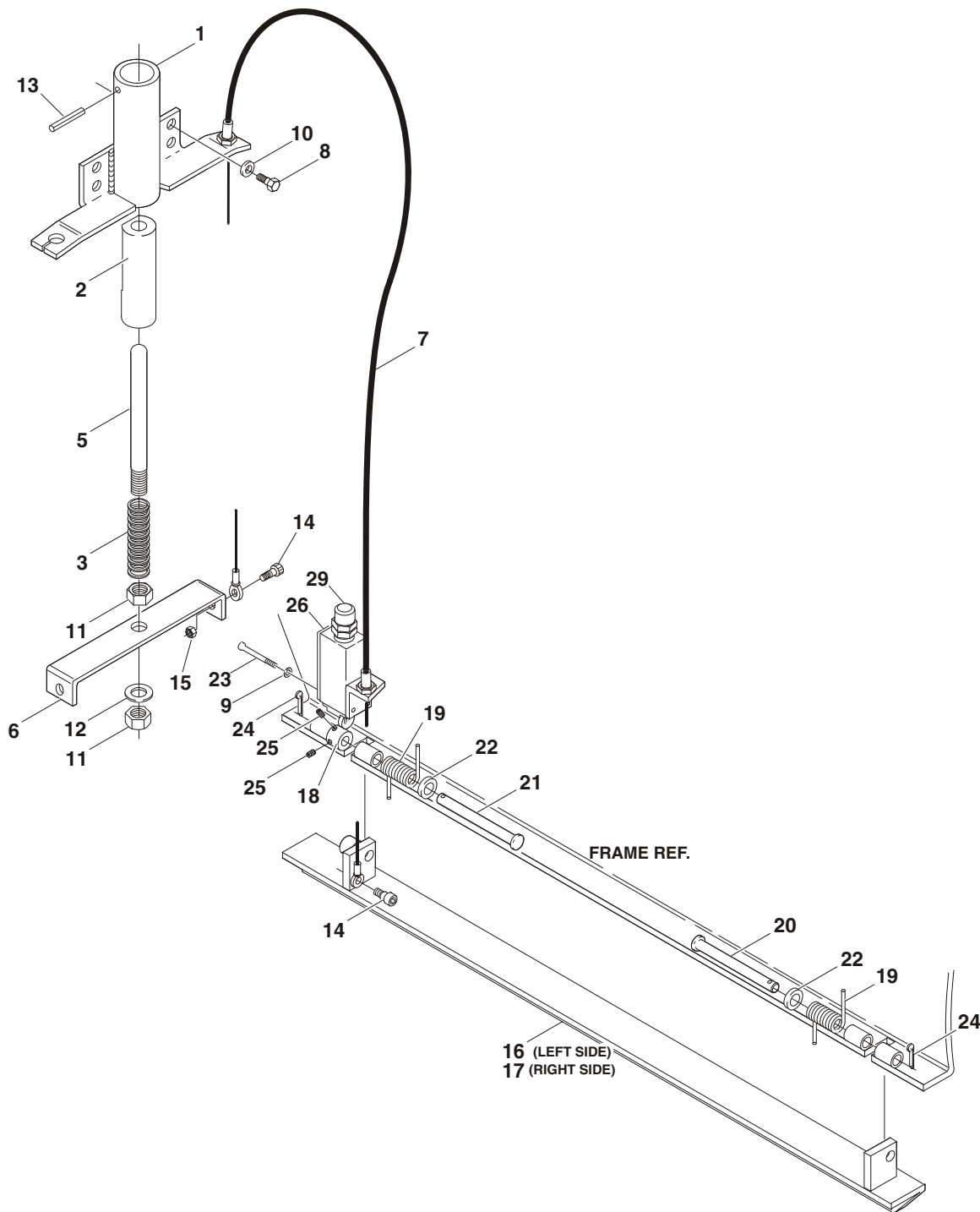
# SECTION 1 BASE

**FIGURE 1-3. WHEEL DRIVE MOTOR ASSEMBLY**

FIG & ITEM #	PART NUMBER	DESCRIPTION	QTY.	REV.
		<b>DRIVE MOTOR ASSEMBLY OPTIONS:</b>	Ref.	
	3160217	<b>Prior to S/N 02363</b>	Ref.	D
	3160234	<b>S/N 02363 to Present</b>	Ref.	C
1	7018000	Brush Kit	1	
	7018044	Holder, Brush	1	
2	7018001	Key, Shaft	1	
3	7018002	Gear and Pinion Assembly	1	
4	7018019	Gear and Drive Shaft	1	
4A	7018007	Key, Shaft	1	
5	7018018	Seal, Lip	1	
6	7018005	Ring, Retaining	1	
7	2860028	Shaft, Key	1	
8	7018008	Bearing	2	
9	7018009	Washer, Wave	1	
10	7018010	Washer, Wave	1	
11	7018011	Washer, Wave	1	
12	7018012	Bearing 32mm x 12mm x 10mm	2	
13	7018013	Bearing 47mm x 20mm x 14mm	1	
14	7018014	Bearing 47mm x 25mm x 12mm	1	
15	7018027	Bearing	1	
16	7018015	Shaft, Key	1	
17	7018026	Seal, Lip	1	
18		O-Ring Options:	1	
	Not Required	Prior to S/N 02363		
	7018028	S/N 02363 to Present		

# SECTION 1 BASE

FIGURE 1-4. JLG POTHOLE PROTECTION INSTALLATION



# SECTION 1 BASE

**FIGURE 1-4. JLG POTHOLE PROTECTION INSTALLATION**

FIG & ITEM #	PART NUMBER	DESCRIPTION	QTY.	REV.
	0257490	<b>JLG POTHOLE PROTECTION INSTALLATION</b>	Ref.	2/B
1	4845507	Actuator Weldment	1	
2	4567203	Tube, Sleeve	1	
3	4160160	Spring, Compression	1	
4	3020022	Grease, Lithium (with PTFE) (Not Shown)	A/R	
5	3841343	Rod, Actuator	1	
6	3570230	Plate, Cable Attach	1	
7	1060649	Cable	2	
8	0641405	Bolt 1/4"-20NC x 5/8"	4	
9	4750600	Flatwasher #6	4	
10	4711400	Flatwasher 1/4" Narrow	4	
11	3312002	Nut, Jam 5/8"-11NC	2	
12	4712000	Flatwasher 5/8" Narrow	1	
13	3440418	Rollpin 1/8" 1 1/8"	1	
14	3900202	Screw, Shoulder 1/4"-20NC x 1/4"	4	
15	3311005	Locknut #10-24NC	2	
16	4845508	Bar, Pothole (Left Side)	1	
17	4845509	Bar, Pothole (Right Side)	1	
18	1100103	Cam	2	
19	4160162	Spring, Torsion	4	
20	3430630	Pin, Clevis 3/8" x 3 3/4"	2	
21	3430638	Pin, Clevis 3/8" x 4 3/4"	2	
22	4751600	Flatwasher 3/8"	4	
23	3910620	Screw #6-32NC x 1 1/4"	4	
24	3450403	Pin, Cotter 1/8" x 3/4"	4	
25	3900249	Setscrew #10-32NC x 3/16"	4	
26	4360456	Switch, Limit	2	
27	0100035	Compound, Locking (Not Shown)	A/R	
28	0100011	Compound, Locking (Not Shown)	A/R	
29	4460662	Connector, Strain Relief	2	

# SECTION 1 BASE

**S  
E  
C  
T  
I  
O  
N  
  
1  
  
B  
A  
S  
E**

FIGURE 1-4. JLG POTHOLE PROTECTION INSTALLATION (CONTINUED)

FIG & ITEM #	PART NUMBER	DESCRIPTION	QTY.	REV.

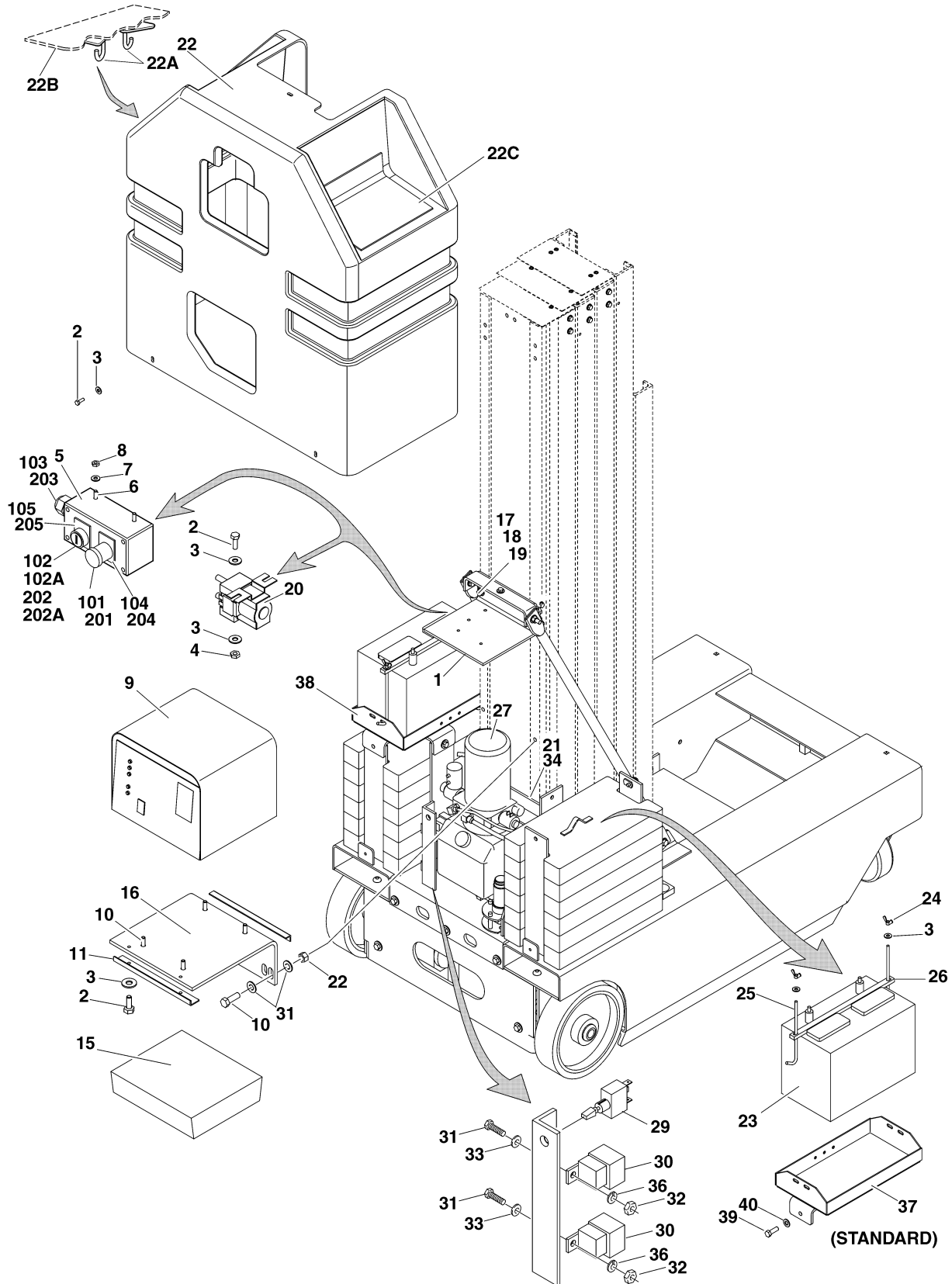
# SECTION 2 CONTROLS

TABLE OF CONTENTS		
FIGURE	DESCRIPTION	PAGE
2-1	GROUND CONTROL/POWER PACK INSTALLATIONS. . . . .	2-2
2-2	PLATFORM CONTROLS AND CABLES INSTALLATIONS . . . . .	2-6
2-3	BATTERY CHARGER ASSEMBLIES (EUROPE AND AUSTRALIAN). . . . .	2-10
2-4	BATTERY CHARGER ASSEMBLIES (UK ONLY). . . . .	2-12
2-5	PUMP/MOTOR/TANK ASSEMBLY . . . . .	2-14
2-6	CONTROL BOX ASSEMBLY . . . . .	2-16
2-7	OPTION INSTALLATIONS . . . . .	2-18

# SECTION 2 CONTROLS

FIGURE 2-1. GROUND CONTROL/POWER PACK INSTALLATIONS

SECTION 2 CONTROLS



# SECTION 2 CONTROLS

**FIGURE 2-1. GROUND CONTROL/POWER PACK INSTALLATIONS**

FIG & ITEM #	PART NUMBER	DESCRIPTION	QTY.	REV.
	0256599	<b>GROUND CONTROL/POWER PACK INSTALLATIONS</b>	Ref.	10
1		Bracket, Ground Controls Options:	1	
	0902248	Prior to S/N 03136		
	0902643	S/N 03136 to Present		
2	0641406	Bolt 1/4"-20NC x 3/4"	9	
3	4751400	Flatwasher 1/4" Wide	15	
4	3311405	Locknut 1/4"-20NC	2	
5		Ground Control Assembly (See Items 101-105 For Break-down) Options:	1	
	0861053	Prior to S/N 02862		
	0861292	S/N 02862 to S/N 03136		
	0861356	S/N 03136 to S/N 03905		
	0861292	S/N 03905 to Present		
6		Screw Options:	A/R	
	3910812	Screw, Machine #8-32NC x 3/4" (Prior to S/N 03136)	4	
	0721006	Screw, Machine #10-24NC x 3/4" (S/N 03136 to Present)	2	
7		Flatwasher Options:	A/R	
	4750600	Flatwasher #8 (Prior to S/N 03136)	8	
	4751000	Flatwasher #10 (S/N 03136 to Present)	2	
8		Locknut Options:	A/R	
	3310805	Locknut #8-32NC (Prior to S/N 02315)	4	
	3300392	Locknut #8-32NC (Brass) (S/N 02315 to S/N 03136)	4	
	3311005	Locknut #10-24NC (S/N 03136 to Present)	2	
9	Not Used			
10	0741407	Screw, Flathead 1/4"-20NC x 7/8"	4	
11	0181857	Angle, Controller Mount	1	
12	0641406	Bolt 1/4"-20NC x 3/4"	4	
13	4711400	Flatwasher 1/4" Narrow	4	
14	0100011	Compound, Locking(Not Shown)	A/R	
15	1600238	Controller Assembly (Prior to S/N 02996)	1	
	2900868	Controller Configuration Kit	1	
	1600305	Controller Assembly (S/N 02996 to Present)	1	
	2900868	Controller Configuration Kit	1	
16	0902250	Bracket, Battery Charger	1	
17	0641608	Bolt 3/8"-16NC x 1"	10	
18	4751600	Flatwasher 3/8"	20	
19	3311605	Locknut 3/8"-16NC	10	
20		Relay, 100Amp Options:	1	
	3740120	Prior to S/N 02315		
	3740130	S/N 02315 to Present		
21	3539565	Plate, Pump Mounting	1	
22	2680432	Hood	1	
22A	2700080	Hook	2	
22B	7023342	Lid	1	
22C	7023341	Lid	1	
23	0400122	Battery	2	
24	3300202	Wingnut	4	

**SECTION 2 CONTROLS**

# SECTION 2 CONTROLS

**FIGURE 2-1. GROUND CONTROL/POWER PACK INSTALLATIONS**

**SECTION 2 CONTROLS**

FIG & ITEM #	PART NUMBER	DESCRIPTION	QTY.	REV.
25	0630504	Bolt, Battery Hold Down	4	
26	0362658	Bar, Battery Hold Down	2	
27	Not Used			
28	4845266	Bracket, Brake Release	1	
29	4360314	Switch, Ground	1	
30	3740069	Relay, Power 24VDC	2	
31	3911010	Screw	2	
32	3311001	Nut #10-24NC	2	
33	4751000	Flatwasher #10 Wide	4	
34	0741605	Screw, Countersunk 3/8"-16NC x 5/8"	2	
35	0100051	Grease Battery (Not Shown)	A/R	
36	4761000	Lockwasher #10	2	
37	4845875	Weldment, Battery Box (Right Side)	1	
38	4845878	Weldment, Battery Box (Left Side)	1	
39	0641508	Bolt 5/16"-18NC x 1"	6	
40	4751500	Flatwasher 5/16	6	
	0861053	<b>GROUND CONTROL ASSEMBLY (PRIOR TO S/N 02862)</b>	Ref.	A
101	7017701	Switch, Push-Turn to Reset (Emergency Stop)	1	
	7017703	Block, Contact - N.C.	2	
	7017715	Button - Red	1	
102	7017714	Switch - Key (Lift)	1	
	7017702	Block, Contact - N.C.	2	
102A	7017704	Key, Replacement	1 set	
103		Strain Relief Connector Options:	1	
	7012637	Connector, Strain Relief (CG16)		
	7017713	Connector, Strain Relief (CG20)		
104	7017706	Nameplate - Emergency Stop	1	
105	7017705	Nameplate - Select	1	
	0861292	<b>GROUND CONTROL ASSEMBLY (S/N 02862 TO S/N 03136)</b>	Ref.	A
	0861356	<b>GROUND CONTROL ASSEMBLY (S/N 03136 TO S/N 03905)</b>	Ref.	A
	0861292	<b>GROUND CONTROL ASSEMBLY (S/N 03905 TO PRESENT)</b>	Ref.	A
201	7020078	Switch, Push-Turn to Reset (Emergency Stop)	1	
202	4360433	Switch - Key (Prior to S/N 03136)	1	
	4360472	Switch - Key (S/N 03136 to S/N 0390)	1	
	4360433	Switch - Key (S/N 03905 to Present)	1	
202A	7016339	Key, Replacement (Used with Switch p/n 4360433)	1 set	
	2860030	Key, Replacement (Used with Switch p/n 4360472)	1 set	
203	4460633	Strain Relief Connector	1	
204	7020096	Nameplate - Emergency Stop	1	
205	7020267	Nameplate - Select	1	



# SECTION 2 CONTROLS

FIGURE 2-1. GROUND CONTROL/POWER PACK INSTALLATIONS

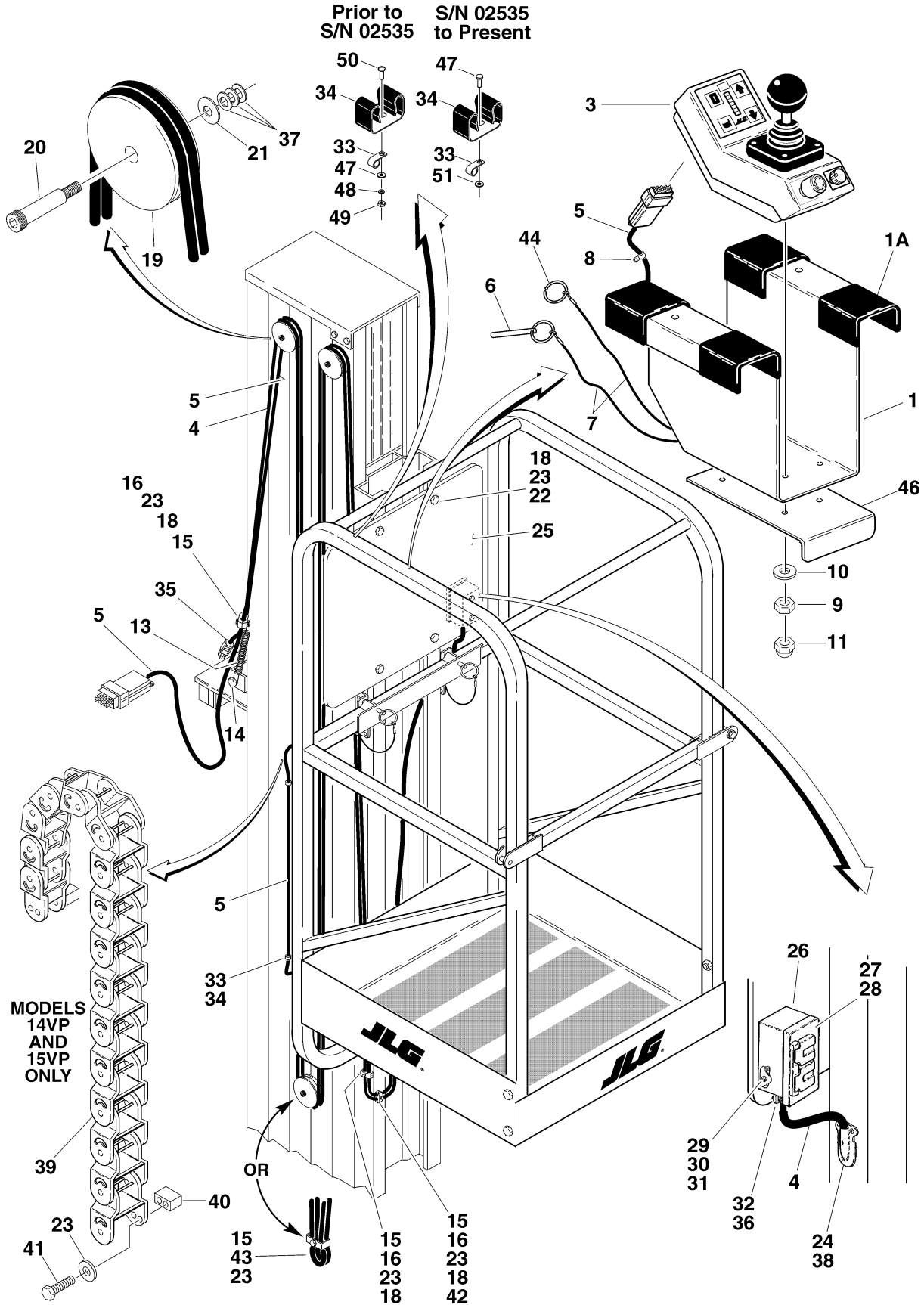
FIG & ITEM #	PART NUMBER	DESCRIPTION	QTY.	REV.

**S  
E  
C  
T  
I  
O  
N  
2  
C  
O  
N  
T  
R  
O  
L  
S**

# SECTION 2 CONTROLS

FIGURE 2-2. PLATFORM CONTROLS AND CABLES INSTALLATIONS

SECTION 2 CONTROLS



# SECTION 2 CONTROLS

**FIGURE 2-2. PLATFORM CONTROLS AND CABLES INSTALLATIONS**

FIG & ITEM #	PART NUMBER	DESCRIPTION	QTY.	REV.
		<b>PLATFORM CONTROLS AND CABLES INSTALLATIONS</b>	Ref.	
	0257624	<b>10 VP</b>	Ref.	11
	0257610	<b>15 VP</b>	Ref.	10
	0257601	<b>20 VP</b>	Ref.	12
1	3570680*	Plate, Control Mounting	1	
1A		Pad, Rubber Options:	A/R	
	7020075	RH Side Pad	2	
	7020076	LH Side Pad	2	
2	Not Used			
3		Platform Console Box Assembly Options (See Figure 2-6 for Breakdown):	1	
	1600267	Console Box Assembly (Prior to S/N 02996)		
	1600304	Console Box Assembly (S/N 02996 to Present)		
4	1060663	Cable, Electrical	A/R	
		10 VP	13.2ft/4m	
		15 VP	18.7ft/5.7m	
		20 VP	22.3ft/6.8m	
5		Platform Harness Assembly Options: (See Section 7 for Breakdown)	1	
	4922027	10 VP (Prior to S/N 02445)		
	4922201	10 VP(S/N 02445 to Present)		
	4922028	15 VP (Prior to S/N 02445)		
	4922202	15 VP(S/N 02445 to Present)		
	4922029	20 VP (Prior to S/N 02445)		
	4922203	20 VP(S/N 02445 to Present)		
6	3422657*	Pin, Quick Release	1	
7	1060380*	Cable, Lanyard	2	
8	1320043*	Clamp, Cable	1	
9	3310801*	Nut #8-32NC	A/R	
10	4750800*	Flatwasher #8 Wide	A/R	
11	3300416*	Nut, Acorn #8-32NC	4	
12	0100035	Compound, Locking (Not Shown)	A/R	
13	4160130	Spring, Extension	1	
14	3311605	Locknut 3/8"-16NC	1	
15	1320149	Clamp	3	
16	0641412	Bolt 1/4"-20NC x 1 1/2"	3	
17	0100019	Compound, Locking (Not Shown)	A/R	
18	3311405	Locknut 1/4"-20NC	7	
19	3580231	Pulley, Sheave	A/R	
20	3900200	Screw, Shoulder 5/16"-18NC x 1 1/4"	A/R	
21	4751500	Flatwasher 5/16" Wide	A/R	
22	0641406	Bolt 1/4"-20NC x 3/4"	4	
23	4711400	Flatwasher 1/4" Narrow	A/R	
24	4460566	Connector, Strain Relief - 90°	1	
25	3380441	Panel, Control	1	
26	0860946	Box, Electrical	1	
27	Supply Locally	Receptacle, Electrical	1	

# SECTION 2 CONTROLS

**FIGURE 2-2. PLATFORM CONTROLS AND CABLES INSTALLATIONS (CONTINUED)**

**SECTION 2 CONTROLS**

FIG & ITEM #	PART NUMBER	DESCRIPTION	QTY.	REV.
28	Supply Locally	Cover, Weatherproof	1	
29	0721005	Screw, Machine #10-24NC x 5/8"	2	
30	4761000	Lockwasher #10	2	
31	3311001	Nut #10-24NC	2	
32	4460023	Connector, Strain Relief	1	
33		Clamp, Cable Options:	A/R	
	1320227	Prior to S/N 01966	7	
	1320043	S/N 01966 to Present	4	
34		Hardware Options:	A/R	
	1020008	Button, Nylon (Prior to S/N 01966)	7	
	1380132	Clip, Gripper (S/N 01966 to Present)	4	
35	4460549	Plug, Electrical (Prior to S/N 02970)	1	
36	0960407	Bushing (Prior to S/N 02535)	1	
37	4751000	Flatwasher #10 Wide	A/R	
38	3300047	Nut, Conduit	1	
39		Carrier Options:	A/R	
	Not Required	10VP & 20VP	0	
	1180344	15VP	1	
40		Plate, Spacer Options:	A/R	
	Not Required	10VP & 20VP	0	
	3539617	15VP	2	
41	0641409	Bolt 1/4"-20NC x 1"	A/R	
42	0641416	Bolt 1/4"-20NC x 2"	A/R	
43	0641414	Bolt 1/4"-20NC x 1 3/4"	A/R	
44	3760170	Ring, Split	1	
45	0100048	Compound, Silicone #661 (Not Shown)	A/R	
46	3570737	Bracket, Protector	1	
47		Hardware Options:	4	
	4750800	Flatwasher #8 Wide (Prior to S/N 02535)		
	3820024	Pop Rivet (S/N 02535 to Present)		
48	4760800	Lockwasher #8 (Prior to S/N 02535)	4	
49	3310801	Nut #8-32NC (Prior to S/N 02535)	4	
50	3910806	Screw #8-32NC x 3/8" (Prior to S/N 02535)	4	
51	4740120	Washer, Nylon (S/N 03629 to Present)	4	
	2901542*	Controller Mounting Kit (Includes Items with * asterisk)	1	

# SECTION 2 CONTROLS

FIGURE 2-2. PLATFORM CONTROLS AND CABLES INSTALLATIONS (CONTINUED)

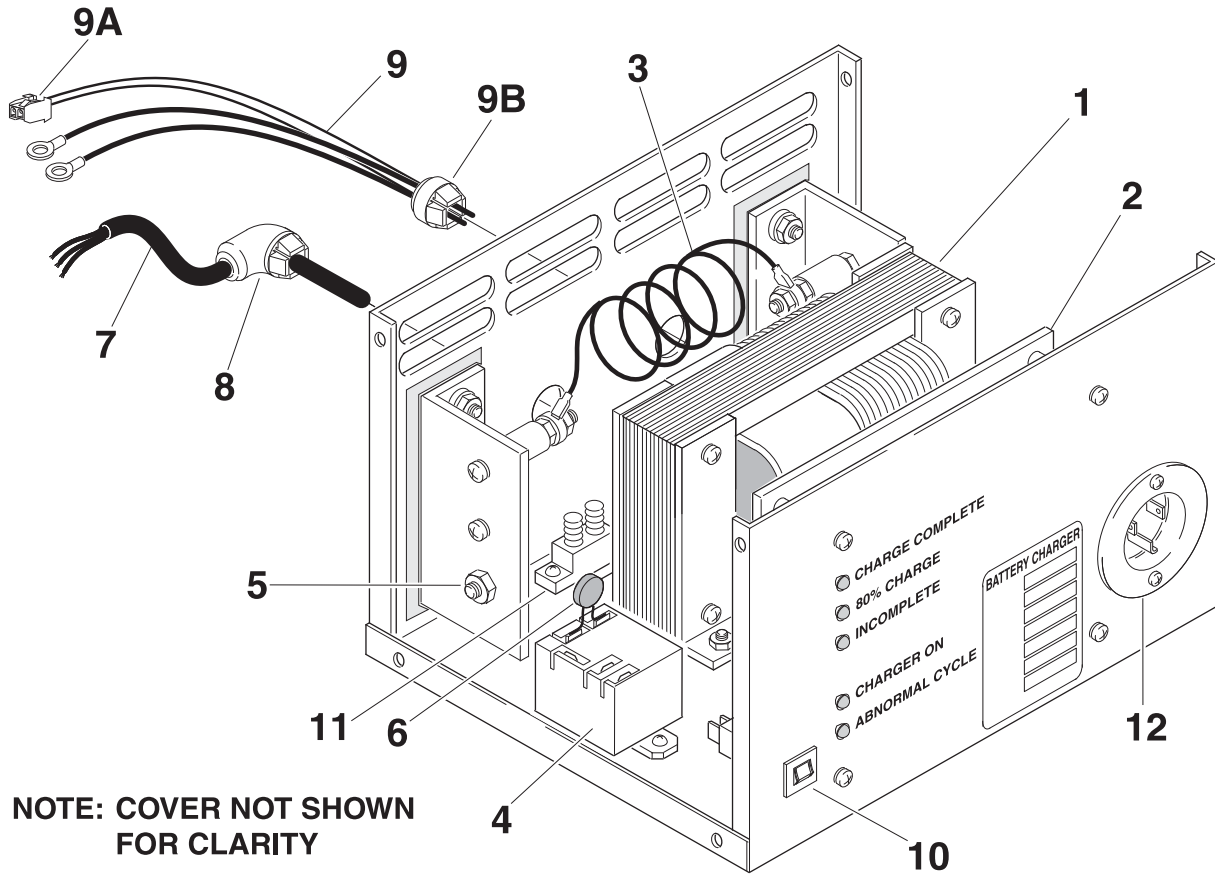
FIG & ITEM #	PART NUMBER	DESCRIPTION	QTY.	REV.

**S  
E  
C  
T  
I  
O  
N  
  
2  
  
C  
O  
N  
T  
R  
O  
L  
S**

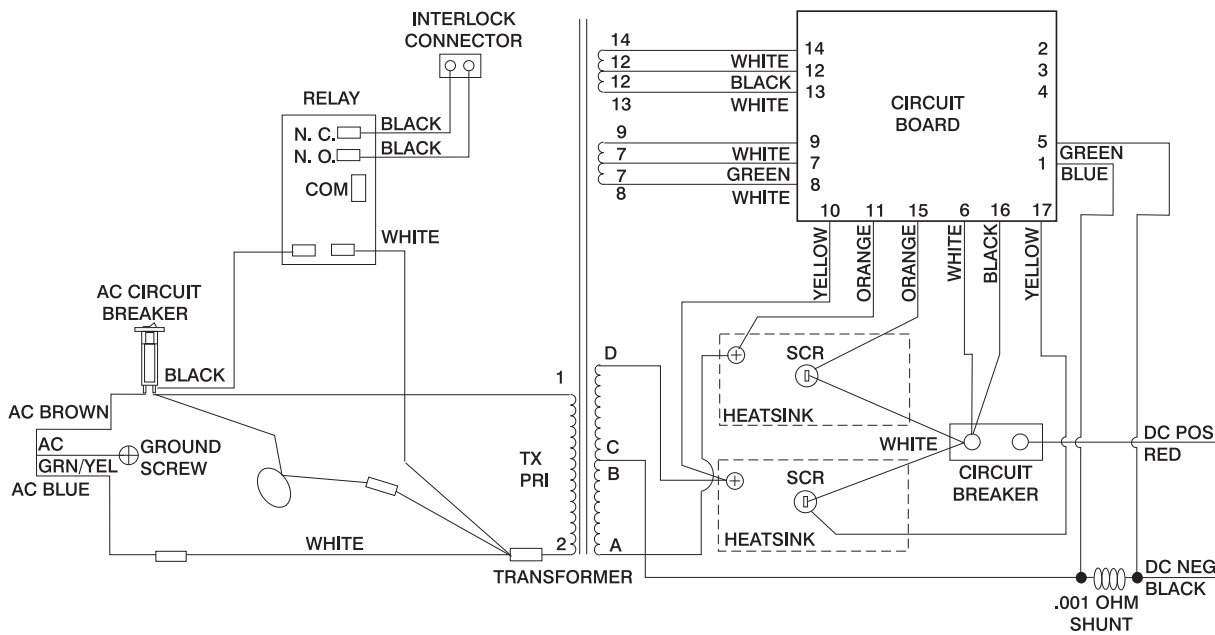
# SECTION 2 CONTROLS

FIGURE 2-3. BATTERY CHARGER ASSEMBLIES (EUROPE AND AUSTRALIAN)

SECTION 2 CONTROLS



NOTE: COVER NOT SHOWN FOR CLARITY



# SECTION 2 CONTROLS

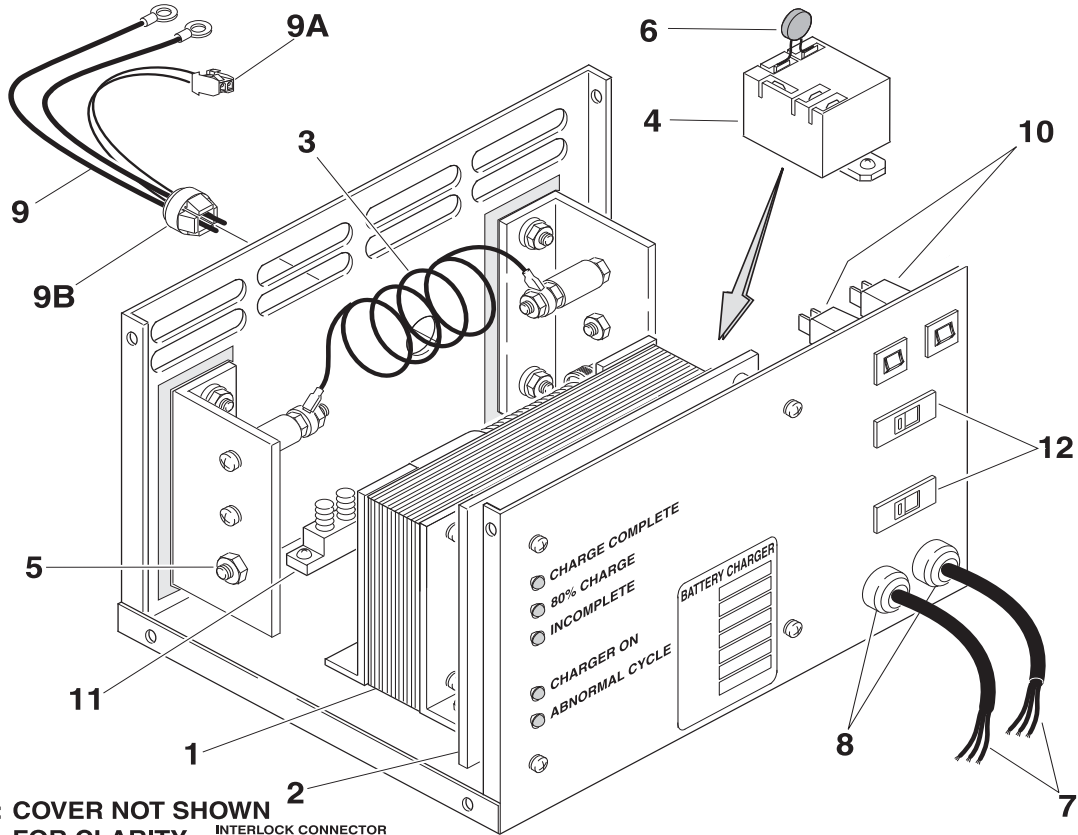
**FIGURE 2-3. BATTERY CHARGER ASSEMBLIES (EUROPE AND AUSTRALIAN)**

FIG & ITEM #	PART NUMBER	DESCRIPTION	QTY.	REV.
		<b>BATTERY CHARGER ASSEMBLIES</b> <b>Note: Battery Charger Serial Number Nameplate located on front of charger. To decode built date, look at first line for for Charger Spec and Date Code.</b> <b>Example: BA515 (Spec) 9631 (Date Code). First and second digits in the Date Code indicates year. Third and fourth digits indicate the week of manufacture.</b>	Ref.	
	0400166	<b>BATTERY CHARGER ASSEMBLY - 240 VOLT/50HZ (EUROPEAN MACHINES EXCEPT UK) (BA1028 CHARGER SPEC)</b>	Ref.	A
	0400167	<b>BATTERY CHARGER ASSEMBLY - 250 VOLT/50HZ (AUSTRALIAN MACHINES) (BA1029 CHARGER SPEC)</b>	Ref.	B
1	7018551	Transformer	1	
2		Card, Circuit Options:	1	
	7018562	European Machines (Charger p/n 0400166)		
	7018553	Australian Machines (Charger p/n 0400167)		
3	7018554	Shunt Assembly	1	
4		Relay, Interlock Options:	1	
	7018563	European Machines (Charger p/n 0400166)		
	7018535	Australian Machines (Charger p/n 0400167)		
5	7018555	SCR Rectifier	2	
6	7018537	Varistor	1	
7		AC Cord Assembly Options:	1	
	7011455	European Machines (Charger p/n 0400166)		
	Not Required	Australian Machines (Charger p/n 0400167)		
8		Connector, Strain Relief - 90° Options:	1	
	7018556	European Machines (Charger p/n 0400166)		
	Not Required	Australian Machines (Charger p/n 0400167)		
9	7018567	DC Harness Assembly	1	
9A	4460424	Connector, Male - 2 Position	1	
	4460267	Pin, Male	2	
9B	7011528	Connector, Strain Relief	1	
10		Breaker, Circuit - AC Options:	1	
	7018557	European Machines (Charger p/n 0400166)		
	7018536	Australian Machines (Charger p/n 0400167)		
11	7011509	Breaker, Circuit - DC	1	
12		Socket, AC Options:	1	
	Not Required	European Machines (Charger p/n 0400166)		
	7011667	Australian Machines (Charger p/n 0400167)		

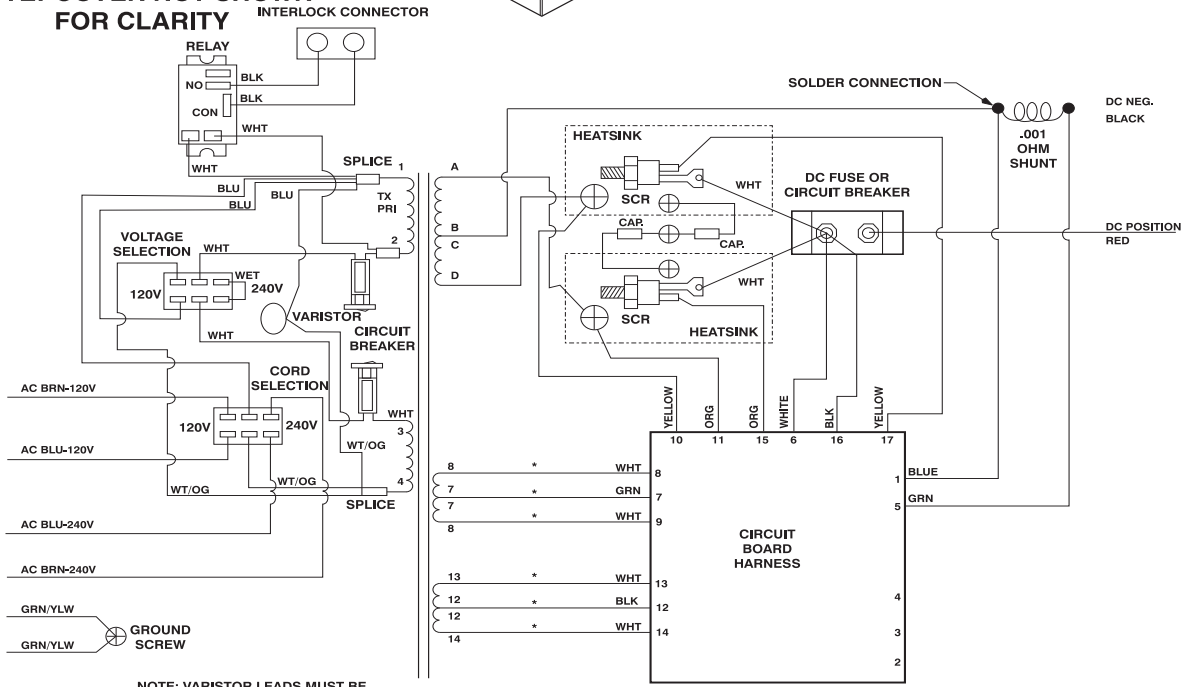
# SECTION 2 CONTROLS

FIGURE 2-4. BATTERY CHARGER ASSEMBLY (UK ONLY)

SECTION 2 CONTROLS



NOTE: COVER NOT SHOWN FOR CLARITY



NOTE: VARISTOR LEADS MUST BE COVERED WITH VARFLEX.

\*CONNECTIONS MAY BE MADE W/BELL CRIMPS OR TX WIRES MAY PLUG DIRECTLY INTO HARNESS



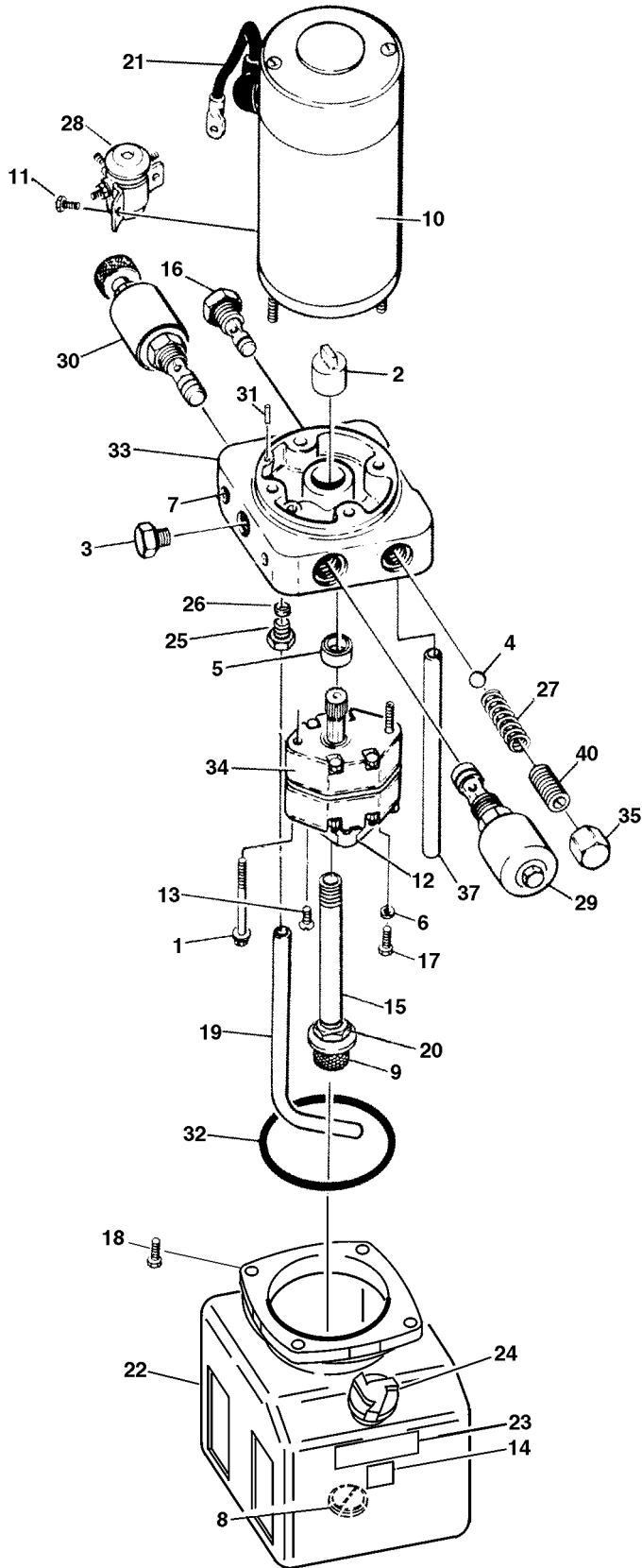
# SECTION 2 CONTROLS

**FIGURE 2-4. BATTERY CHARGER ASSEMBLY (UK ONLY)**

FIG & ITEM #	PART NUMBER	DESCRIPTION	QTY.	REV.
		<b>BATTERY CHARGER ASSEMBLIES</b> <b>Note: Battery Charger Serial Number Nameplate located on front of charger. To decode built date, look at first line for for Charger Spec and Date Code.</b> <b>Example: BA515 (Spec) 9631 (Date Code). First and second digits in the Date Code indicates year. Third and fourth digits indicate the week of manufacture.</b>	Ref.	
	0400157	<b>BATTERY CHARGER ASSEMBLY - 115/230 VOLT/50HZ (UK MACHINES ONLY) (BA1031 CHARGER SPEC)</b>	Ref.	A
1	7020620	Transformer (was p/n 7018551)	1	
2	7018562	Card, Circuit	1	
3	7018554	Shunt Assembly	1	
4	7018564	Relay, Interlock	1	
5	7018555	SCR Rectifier	2	
6	7018589	Varistor (was p/n 7018537)	1	
7	7011544	AC Cord Assembly	1	
8	7011528	Connector, Strain Relief	2	
9	7018567	DC Harness Assembly	1	
9A	4460424	Connector, Male - 2 Position	1	
	4460267	Pin, Male	2	
9B	7011528	Connector, Strain Relief	1	
10	7018557	Breaker, Circuit - AC	2	
11	7011509	Breaker, Circuit - DC	1	
12	7018586	Switch, Selector	2	
13	7011649	Relay (Not Shown)	1	

# SECTION 2 CONTROLS

FIGURE 2-5. PUMP/MOTOR/TANK ASSEMBLY



SECTION 2 CONTROLS

# SECTION 2 CONTROLS

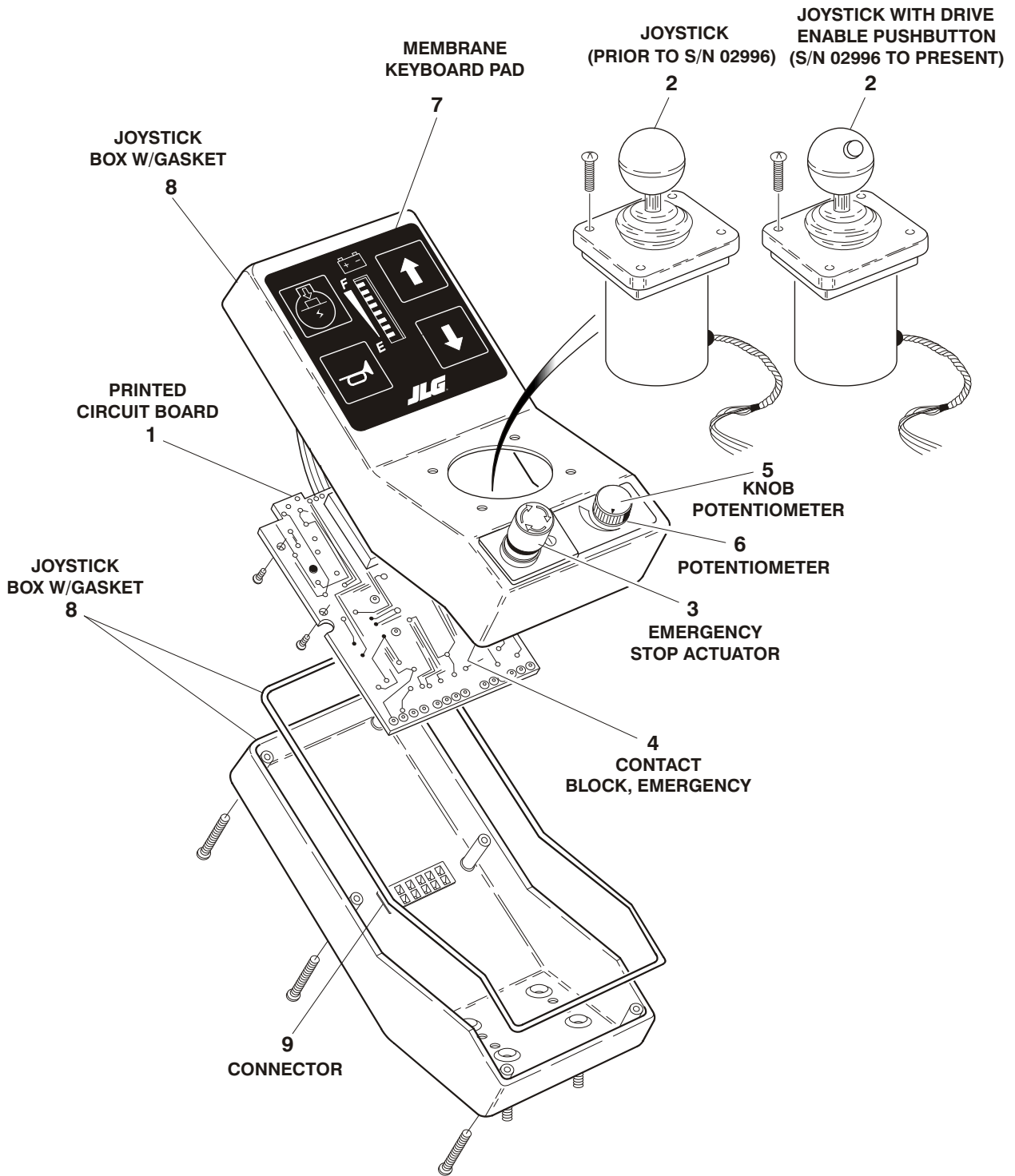
**FIGURE 2-5. PUMP/MOTOR/TANK ASSEMBLY**

FIG & ITEM #	PART NUMBER	DESCRIPTION	QTY.	REV.
		<b>PUMP/MOTOR/TANK ASSEMBLY OPTIONS:</b>	Ref.	
	3600254	<b>10VP &amp; 15VP</b>	Ref.	B
	3600255	<b>20VP</b>	Ref.	B
1	7013713	Bolt 5/16"-24NF x 2 3/4"	2	
2	7016735	Coupling	1	
3	7013714	Plug	1	
4	7013715	Ball	1	
5	7013716	Seal, Shaft	1	
6	7013717	Washer	1	
7	Not Serviced	Plug, Shipping	1	
8	7013722	Magnet	1	
9	7013723	Filter - 149 Micron	1	
10	7016710	Motor	1	
	7016718	Brush Kit	1	
11	7013758	Screw 1/4"-20NC	2	
12	7013727	Cover	1	
13	7013728	Screw M6 x 1	2	
14	Not Serviced	Nameplate - Serial Number	1	
15	7016719	Pipe, PCV	1	
16	7013708	Valve, Check Cartridge	1	
17	7016720	Bolt 5/16"-18NC x 1"	1	
18	7016721	Bolt #12-24NC x 1/2"	4	
19	7013791	Tube, Return	1	
20	7016722	Nut 3/8"	1	
21	7013759	Cable, Electrical	1	
22	7016712	Tank, Plastic	1	
23	7016713	Decal - Tank Fill Line	1	
24	7016714	Breather	1	
25	7013792	Nut, Compression	1	
26	7013793	Sleeve, Compression	1	
27	7013733	Spring	1	
28	7016711	Solenoid, Start	1	
29	7022205	Valve, Solenoid Cartridge	1	
	7022206	Coil	1	
30	7016723	Valve, Manual Override Cartridge	1	
	7016749	Knob, Manual Override	1	
31	7013766	Pin	1	
32	7013743	O-Ring	1	
33	Not Serviced	Endhead	1	
34		Pump Assembly Options:	1	
	7017717	10VP & 15VP		
	7013747	20VP		
	7013701	Seal Kit - Pump	1	
35	7013750	Cap	1	
36	7013720	Plug 1/16"	2	
37	7016724	Tube	1	
38 to 39	Not Used			
40	7013770	Valve, Screw Adjustment	1	

# SECTION 2 CONTROLS

FIGURE 2-6. CONTROL BOX ASSEMBLY

SECTION 2 CONTROLS



# SECTION 2 CONTROLS

**FIGURE 2-6. CONTROL BOX ASSEMBLY**

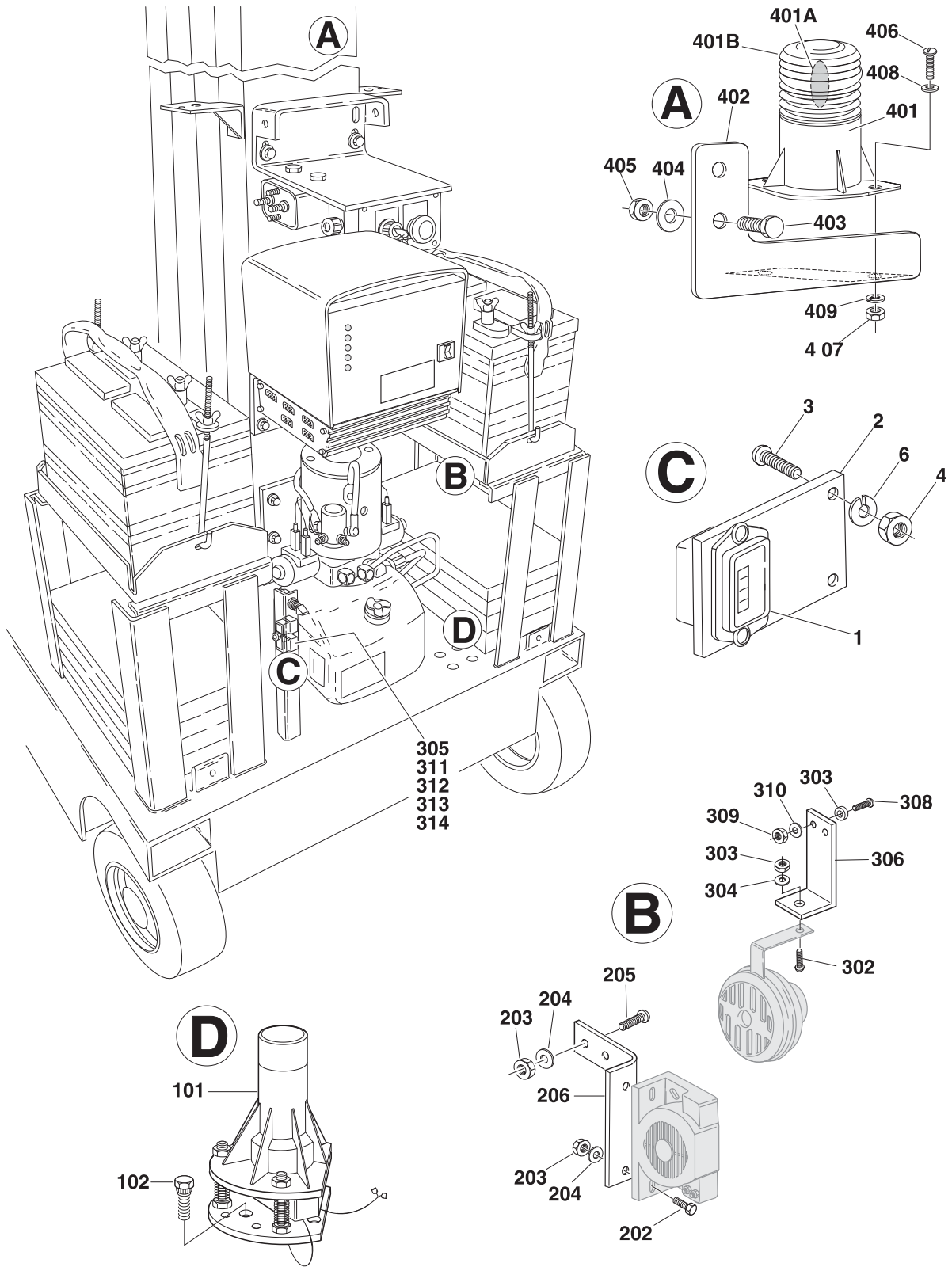
FIG & ITEM #	PART NUMBER	DESCRIPTION	QTY.	REV.
		<b>CONTROL BOX ASSEMBLIES</b>	Ref.	
	1600267	<b>PRIOR TO S/N 02996</b>	Ref.	A
	1600304	<b>S/N 02996 TO PRESENT</b>	Ref.	A
1	No Longer Available	Printed Circuit Board (was p/n 7020147 - Must Purchase Complete Control Box)	1	
2		Joystick Options:	1	
	7020141	Prior to S/N 02996		
	7023201	S/N 02996 to Present		
3	7020144	Emergency Stop Actuator	1	
4	7020145	Contact Block, Emergency Stop	1	
5	7020143	Knob Potentiometer	1	
6	7020142	Potentiometer	1	
7		Membrane Keyboard Pad Options:	1	
	7020146	Prior to S/N 02996		
	7023202	S/N 02996 to Present		
8	7020139	Joystick Box W/Gasket	1	
9		Connector, 12 Position Options:	1	
	Not Available	Prior to S/N 02996		
	7026038	S/N 02996 to Present		
	7026039	Pin	12	

**SECTION 2 CONTROLS**

# SECTION 2 CONTROLS

FIGURE 2-7. OPTION INSTALLATIONS

SECTION 2 CONTROLS



# SECTION 2 CONTROLS

**FIGURE 2-7. OPTION INSTALLATIONS**

FIG & ITEM #	PART NUMBER	DESCRIPTION	QTY.	REV.
	0256541	<b>HOURMETER INSTALLATION - OPTION</b>	Ref.	B
1	2420165	Gauge, Hourmeter	1	
2	0902296	Bracket	1	
3	3910608	Screw, Machine #6-32NC x 1/2"	4	
4	3310601	Nut #6-32NC	4	
5	Not Used			
6	4760600	Lockwasher #6	4	
		<b>TILT INDICATOR INSTALLATION - OPTIONS:</b>	Ref.	
	0256545	<b>Prior to S/N 02996</b>	Ref.	3
	0270068	<b>S/N 02996 to Present</b>	Ref.	1
101		Switch, Tilt Options:	1	
	4360435	Prior to S/N 02996		
	4360465	S/N 02996 to Present		
102	4300106	Stud, Grooved	4	
	0256540	<b>ALARM INSTALLATION - OPTION</b>	Ref.	C
201	0140033	Alarm (Remove Ground Strap Before Installing)	1	
202	0641406	Bolt 1/4"-20NC x 3/4"	2	
203	3311405	Locknut 1/4"-20NC	4	
204	4711400	Flatwasher 1/4" (Narrow)	4	
205	3911410	Screw, Machine 1/4"-20NC x 5/8"	2	
206	0902356	Bracket	1	
	0256539	<b>HORN INSTALLATION - OPTION</b>	Ref.	D
301	0140022	Horn	1	
302	0641507	Bolt 5/16"-18NC x 7/8" (Prior to S/N 02938)	1	
303	3311505	Locknut 5/16"-18NC (Prior to S/N 02938)	1	
304	4711500	Flatwasher 5/16" (Narrow) (Prior to S/N 02938)	2	
305	3740069	Relay	1	
306	0902354	Bracket (With Horn Only) (Prior to S/N 02938)	1	
307	3539964	Spacer (Prior to S/N 02938)	1	
308	3911416	Screw, Machine 1/4"-20NC x 1" (Prior to S/N 02938)	2	
309	3311405	Locknut 1/4"-20NC (Prior to S/N 02938)	2	
310	4711400	Flatwasher 1/4" (Narrow) (Prior to S/N 02938)	2	
311	3911010	Screw, Machine #10-24NC x 5/8"	1	
312	3311001	Nut #10-24NC	1	
313	4751000	Flatwasher #10	2	
314	4761000	Lockwasher #10	1	

# SECTION 2 CONTROLS

FIGURE 2-7. OPTION INSTALLATIONS (CONTINUED)

**SECTION 2 CONTROLS**

FIG & ITEM #	PART NUMBER	DESCRIPTION	QTY.	REV.
	0256546	<b>BEACON LIGHT INSTALLATION - OPTION</b>	Ref.	C
401	2920146	Beacon Light Assembly	1	
401A	7016319	Bulb, Light	1	
401B	7016372	Amber Lens	1	
402	0902297	Bracket	1	
403	0641610	Bolt 3/8"-16NC x 1 1/4"	2	
404	3311605	Locknut 3/8"-16NC	2	
405	4711600	Flatwasher 3/8" (Narrow)	4	
406	3911010	Screw, Machine #10-24NC x 5/8"	2	
407	3311001	Nut #10-24NC	2	
408	4751000	Flatwasher #10	2	
409	4761000	Lockwasher #10	2	



# SECTION 3 MAST

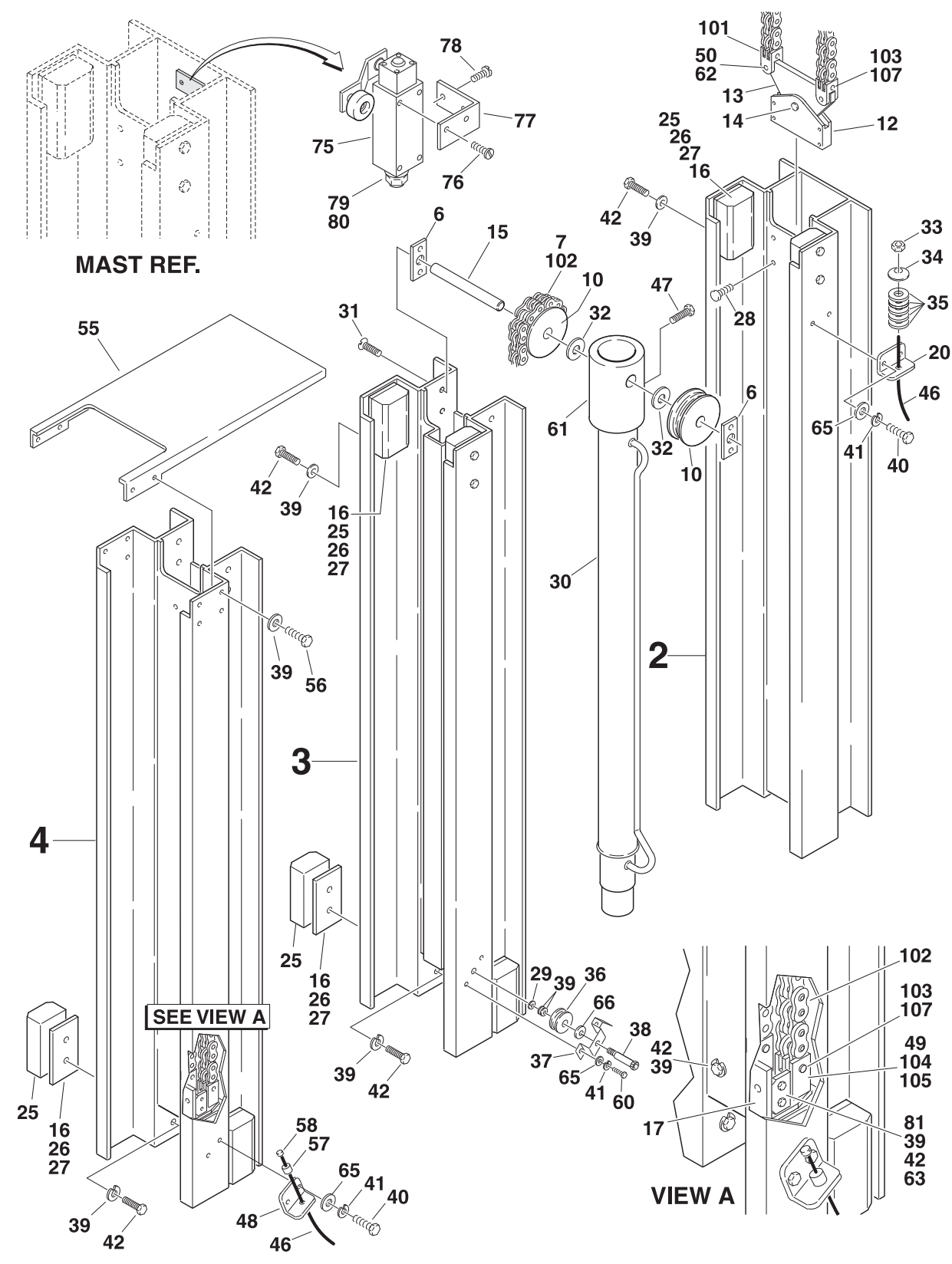
TABLE OF CONTENTS		
FIGURE	DESCRIPTION	PAGE
3-1	MAST ASSEMBLY - 10VP .....	3-2
3-2	MAST ASSEMBLY - 15VP .....	3-6
3-3	MAST ASSEMBLY - 20VP .....	3-10
3-4	MAST MOUNTING COMPONENTS.....	3-16

**S  
E  
C  
T  
I  
O  
N  
  
3  
  
M  
A  
S  
T**

# SECTION 3 MAST

FIGURE 3-1. MAST ASSEMBLY - 10VP

SECTION 3 MAST



# SECTION 3 MAST

**FIGURE 3-1. MAST ASSEMBLY - 10VP**

FIG & ITEM #	PART NUMBER	DESCRIPTION	QTY.	REV.
	0801120	<b>MAST ASSEMBLY - 10VP</b>	Ref.	3/B
1	Not Used			
2	1271342	Channel, Mast #1	1	
3	1271343	Channel, Mast #2	1	
4	1271361	Channel, Mast #3	1	
5	Not Used			
6	0362377	Bar, Sheave Pin	2	
7	1260324	Chain Assembly (See Items 101-107 for Breakdown)	2	
8	Not Used			
9	Not Used			
10	3580227	Chain, Sheave	2	
11	Not Used			
12	0561152	Block, Anchor	1	
13	3537932	Plate, Chain Adjustment	1	
14	3422341	Pin	1	
15	3422361	Pin, Sheave	1	
16	4070860	Shim 3/4"	15	
17	4845544	Chain Attach Weldment (Bottom)	1	
18	Not Used			
19	Not Used			
20	0902047	Bracket, Cable	1	
21 to 24	Not Used			
25		Pad, Slide Options:	8	
	3340704	Prior to S/N 02816		
	3340845	S/N 02816 to Present		
26	4070861	Shim 1/32"	3	
27	4070862	Shim 1/64"	10	
28	3900210	Screw, Button Head 5/16"-18NC x 3/4"	4	
29	4761400	Lockwasher 1/4"	1	
30	1683554	Lift Cylinder Assembly (See Section 5 for Breakdown)	1	
31	3900192	Screw, 3/8"-16NC x 1/2"	4	
32	4752600	Flatwasher 1"	2	
33	3311405	Locknut 1/4"-20NC	1	
34	4740414	Washer, Cup	1	
35	4160124	Spring	1	
36		Sheave, Cable	1	
	3580228	Prior to S/N 02947		
	3580269	S/N 02947 to Present		
37	0902042	Bracket, Pulley	1	
38	3900187	Screw, Shoulder	1	
39	4711400	Flatwasher 1/4" (Narrow)	32	
40	3900191	Screw #10-24NC x 3/4"	4	
41	4761000	Lockwasher #10	6	
42	0641406	Bolt 1/4"-20NC x 3/4"	22	
43	Not Used			
44	Not Used			
45	Not Used			

SECTION 3 MAST

# SECTION 3 MAST

**FIGURE 3-1. MAST ASSEMBLY - 10VP (CONTINUED)**

FIG & ITEM #	PART NUMBER	DESCRIPTION	QTY.	REV.
46	1060541	Cable, Sequence	1	
47	3900206	Bolt 1/4"-20NC x 5/8"	1	
48	0902084	Bracket, Sequence Cable	1	
49	3311601	Nut 3/8"-16 NC	4	
50	4751500	Flatwasher 5/16"	1	
51 to 54	Not Used			
55	4060877	Shield, Mast Cover	1	
56	0641404	Bolt 1/4"-20NC x 1/2"	4	
57	4220160	Sleeve, Stop	1	
58	4460121	Connector, Cap	1	
59	Not Used			
60	3900205	Screw, Phillips	2	
61	4566846	Tube, Cylinder Cable Mounting	1	
62	3422338	Pin, Chain Attach	2	
63	0100011	Compound, Locking (Not Shown)	A/R	
64	3020035	Lubricant, Silicone (Not Shown) (Prior to S/N 02816)	A/R	
65	4751000	Flatwasher #10	6	
66	4751500	Flatwasher 5/16"	1	
67	0100035	Compound, Locking (Not Shown)	A/R	
68 to 74	Not Used			
75	4360437	Switch, Limit	1	
76	3911018	Screw, Machine #10-24NC x 1 1/8"	2	
77	0902285	Bracket, Limit Switch	1	
78	0740603	Screw, Socket Head Countersunk #6-32NC x 3/8"	2	
79	4240032	Tie-Strap	1	
80	3520166	Plug, Electrical	1	
81	3570389	Plate, Support Attach	2	
	2901522	Mast Kit - 10VP (Includes Items 2-4)	1	
	1260324	<b>CHAIN ASSEMBLY</b>	Ref.	1/B
101	0561153	Block, Chain Attach	1	
102	1260299	Chain	5.5ft/1.68m	
103	3422265	Pin	2	
104	0561150	Block, Chain Anchor	1	
105	4300111	Stud 3/8"-16NC x 3 1/2"	1	
106	0100062	Compound, Locking (Not Shown)	A/R	
107	3450201	Pin, Cotter 3/32" x 1/2"	4	

**SECTION 3 MAST**

# SECTION 3 MAST

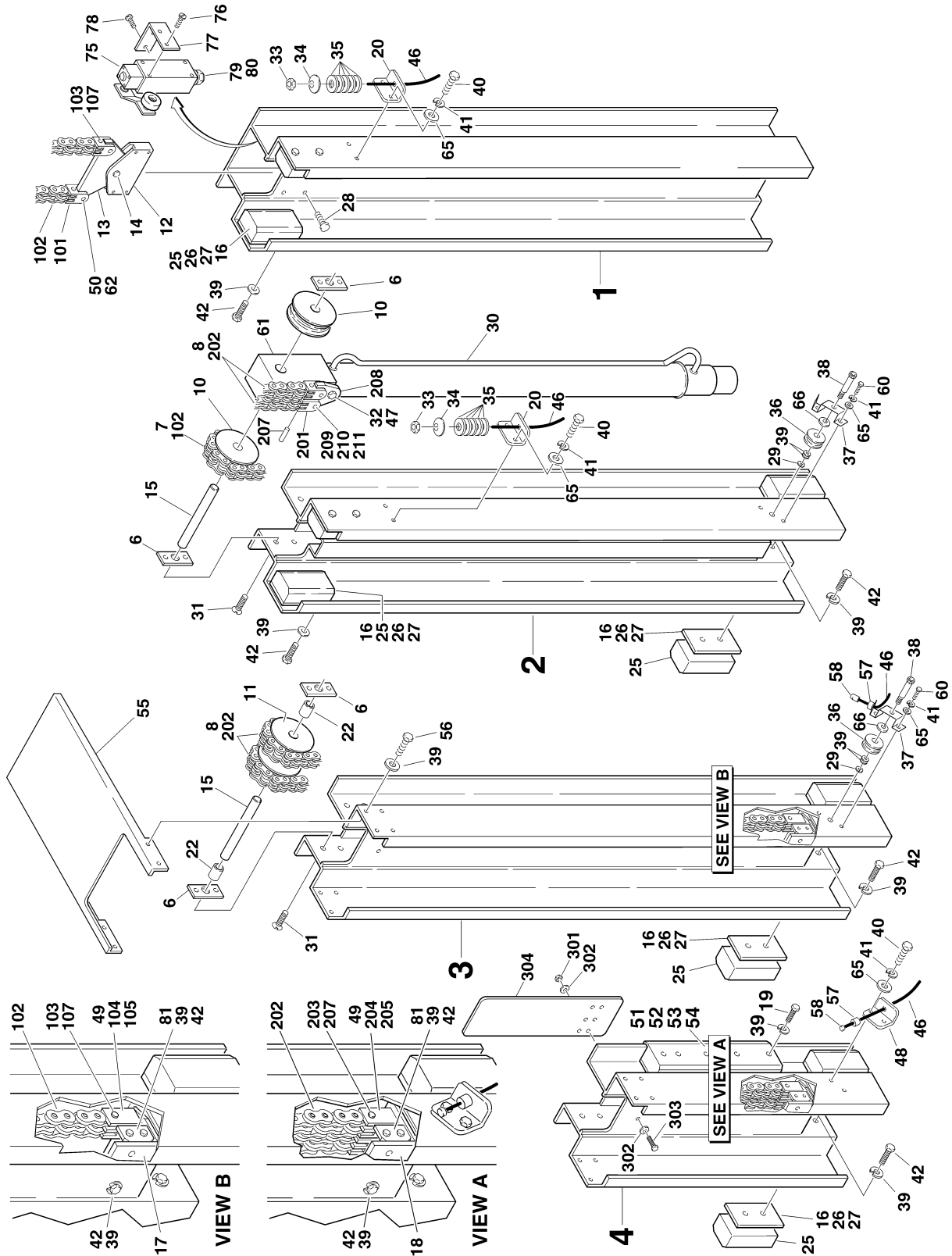
FIGURE 3-1. MAST ASSEMBLY - 10VP (CONTINUED)

FIG & ITEM #	PART NUMBER	DESCRIPTION	QTY.	REV.

**S  
E  
C  
T  
I  
O  
N  
  
3  
  
M  
A  
S  
T**

# SECTION 3 MAST

FIGURE 3-2. MAST ASSEMBLY - 15VP



**3 MAST**  
**3 NO-TICES**

# SECTION 3 MAST

**FIGURE 3-2. MAST ASSEMBLY - 15VP**

FIG & ITEM #	PART NUMBER	DESCRIPTION	QTY.	REV.
	0801115	<b>MAST ASSEMBLY - 15VP</b>	Ref.	4/B
1	1271342	Channel, Mast #1	1	
2	1271343	Channel, Mast #2	1	
3	1271345	Channel, Mast #3	1	
4	1271357	Channel, Mast #4	1	
5	Not Used			
6	0362377	Bar, Sheave Pin Support	4	
7	1260324	Chain Assembly - #466 (See Items 101-107 for Breakdown)	2	
8	1260325	Chain Assembly - #444 (See Items 201-211 for Breakdown)	1	
9	Not Used			
10	3580227	Chain, Sheave - #466	2	
11	3580226	Chain, Sheave - #444	2	
12	0561152	Block, Anchor	1	
13	3537932	Plate, Chain Adjustment	1	
14	3422341	Pin	1	
15	3422361	Pin, Sheave	2	
16	4070860	Shim 3/4"	15	
17	4845544	Chain Attach Weldment (Bottom)	1	
18	0901993	Bracket, Chain Attach (Bottom)	1	
19	0641410	Bolt 1/4"-20NC x 1 1/4"	10	
20	0902047	Bracket, Sequence Cable	2	
21	Not Used			
22	4566487	Tube, Spacer	2	
23	Not Used			
24	Not Used			
25		Pad, Slide Options:	10	
	3340704	Prior to S/N 02816		
	3340845	S/N 02816 to Present		
26	4070861	Shim 1/32"	3	
27	4070862	Shim 1/64"	10	
28	3900210	Screw, Button Head 5/16"-18NC x 3/4"	4	
29	4761600	Lockwasher 3/8"	2	
30	1683554	Lift Cylinder Assembly (See Section 5 for Breakdown)	1	
31	3900192	Screw, 3/8"-16NC x 1/2"	8	
32	3422339	Pin	1	
33	3311405	Locknut 1/4"-20NC	2	
34	4740414	Washer, Cup	2	
35	4160124	Spring	2	
36		Sheave, Cable	2	
	3580228	Prior to S/N 02947		
	3580269	S/N 02947 to Present		
37	0902042	Bracket, Pulley	2	
38	3900187	Screw, Shoulder	2	
39	4711400	Flatwasher 1/4" (Narrow)	60	
40	3900191	Screw #10-24NC x 3/4"	6	
41	4761000	Lockwasher #10	10	
42	0641406	Bolt 1/4"-20NC x 3/4"	36	

SECTION 3 MAST

# SECTION 3 MAST

**FIGURE 3-2. MAST ASSEMBLY - 15VP (CONTINUED)**

**SECTION 3 MAST**

FIG & ITEM #	PART NUMBER	DESCRIPTION	QTY.	REV.
43 - 45	Not Used			
46	1060541	Cable, Sequence	2	
47	3760383	Ring, Retaining	2	
48	0902084	Bracket, Sequence Cable	1	
49	3311601	Nut 3/8"-16 NC	8	
50	4751500	Flatwasher 5/16"	5	
51	3340709	Pad, Slide	2	
52	4070875	Shim 5/64"	2	
53	4070876	Shim 3/64"	1	
54	4070877	Shim 1/64"	1	
55	4060877	Shield, Mast Cover	1	
56	0641404	Bolt 1/4"-20NC x 1/2"	4	
57	4220160	Sleeve, Stop	2	
58	4460121	Connector, Cap	2	
59	Not Used			
60	3900205	Screw, Phillips	4	
61	0561145	Block, Cylinder	1	
62	3422338	Pin, Chain Attach	4	
63	0100011	Compound, Locking (Not Shown)	A/R	
64	3020035	Lubricant, Silicone (Not Shown) (Prior to S/N 02816)	A/R	
65	4751000	Flatwasher #10	8	
66	4751500	Flatwasher 5/16"	2	
67	0100035	Compound, Locking (Not Shown)	A/R	
68 to 74	Not Used			
75	4360437	Switch, Limit	1	
76	3911020	Screw, Machine #10-24NC x 1 1/4"	2	
77	0902285	Bracket, Limit Switch	1	
78	0740602	Screw, Socket Head Countersunk #6-32NC x 1/4"	2	
79	4240032	Tie-Strap	1	
80	3520166	Plug, Electrical	1	
81	3570389	Plate, Support Attach	4	
	2901445	Mast Kit - 15VP (Includes Items 1-4)	1	
	1260324	<b>CHAIN ASSEMBLY - #466</b>	Ref.	1/B
101	0561153	Block, Chain Attach	1	
102	1260299	Chain	55in/1.68m	
103	3422265	Pin	2	
104	0561150	Block, Chain Anchor	1	
105	4300111	Stud 3/8"-16NC x 3 1/2"	1	
106	0100062	Compound, Locking (Not Shown)	A/R	
107	3450201	Pin, Cotter 3/32" x 1/2"	4	



# SECTION 3 MAST

**FIGURE 3-2. MAST ASSEMBLY - 15VP (CONTINUED)**

FIG & ITEM #	PART NUMBER	DESCRIPTION	QTY.	REV.
	1260325	<b>CHAIN ASSEMBLY - #444</b>	Ref.	1/B
201	0561149	Block, Chain Attach	1	
202	1260298	Chain	131in/ 1.68m	
203	3422346	Pin	2	
204	0561151	Block, Chain Anchor	2	
205	4300111	Stud 3/8"-16NC x 3 1/2"	2	
206	0100062	Compound, Locking (Not Shown)	A/R	
207	3422355	Pin, Grooved	2	
208	3537920	Plate	1	
209	3422338	Pin, Chain Attach	2	
210	4711500	Flatwasher 5/16" (Narrow)	2	
211	3450304	Pin, Cotter 3/32" x 1"	2	
	0270113	<b>MAST SHIELD ASSEMBLY</b>	Ref.	A
301	3311401	Nut 1/4"-20NC	4	
302	4711400	Flatwasher 1/4" (Narrow)	8	
303	0641408	Bolt 1/4"-20NC x 1"	4	
304	4060993	Shield, Mast Chain/Cable	1	

SECTION 3 MAST



# SECTION 3 MAST

**FIGURE 3-3. MAST ASSEMBLY - 20VP**

FIG & ITEM #	PART NUMBER	DESCRIPTION	QTY.	REV.
	0801113	<b>MAST ASSEMBLY - 20VP</b>	Ref.	6/C
1	1271342	Channel, Mast #1	1	
2	1271343	Channel, Mast #2	1	
3	1271344	Channel, Mast #3	1	
4	1271345	Channel, Mast #4	1	
5	1271357	Channel, Mast #5	1	
6	0362377	Bar, Sheave Pin Support	6	
7		Chain Assembly - #466 Options (See Items 101-107 for Breakdown):	A/R	
	1260324	Prior to S/N 03528	2	
	1260366	S/N 03528 to Present	1	
8	1260325	Chain Assembly - #444 (See Items 201-211 for Breakdown)	1	
9	1260326	Chain Assembly - #444 Options (See Items 301-307 for Breakdown):	A/R	
	1260326	Prior to S/N 03528	2	
	1260367	S/N 03528 to Present	1	
10	3580227	Sheave, Chain - #466	2	
11	3580226	Sheave, Chain - #444	4	
12	0561152	Block, Anchor	2	
13	3537932	Plate, Chain Adjustment (Prior to S/N 03528)	2	
14	3422341	Pin	2	
15	3422361	Pin, Sheave	3	
16	4070860	Shim 3/4"	16	
17	0901992	Bracket, Chain Attach (Bottom)	2	
18	0901993	Bracket, Chain Attach (Bottom)	1	
19	0641410	Bolt 1/4"-20NC x 1 1/4"	10	
20	0902047	Bracket, Sequence Cable	3	
21	4566486	Tube, Spacer	1	
22	4566487	Tube, Spacer	2	
23	4712600	Flatwasher 1"	2	
24	4845544	Bracket - Bottom	1	
25		Pad, Slide Options:	14	
	3340704	Prior to S/N 02816		
	3340845	S/N 02816 to Present		
26	4070861	Shim 1/32"	2	
27	4070862	Shim 1/64"	9	
28	4751600	Flatwasher 3/8"	8	
29	4761400	Lockwasher 1/4"	3	
30	1683554	Lift Cylinder Assembly (See Section 5 for Breakdown)	1	
31	3900192	Screw, 3/8"-16NC x 1/2"	12	
32	3422339	Pin	1	
33	3311405	Locknut 1/4"-20NC	3	
34	4740414	Washer, Cup	3	
35	4160124	Spring	3	
36		Sheave, Cable	3	
	3580228	Prior to S/N 02947		
	3580269	S/N 02947 to Present		

SECTION 3 MAST

# SECTION 3 MAST

**FIGURE 3-3. MAST ASSEMBLY - 20VP (CONTINUED)**

FIG & ITEM #	PART NUMBER	DESCRIPTION	QTY.	REV.
37	0902042	Bracket, Pulley	3	
38	3900187	Screw, Shoulder	3	
39	4711400	Flatwasher 1/4" (Narrow)	70	
40	3900191	Screw #10-24NC x 3/4"	8	
41	4761000	Lockwasher #10	14	
42	0641406	Bolt 1/4"-20NC x 3/4"	46	
43	Not Used			
44	Not Used			
45	Not Used			
46	1060541	Cable, Sequence	3	
47	3760383	Ring, Retaining	2	
48	0902084	Bracket, Sequence Cable	1	
49	3311601	Nut 3/8"-16 NC	12	
50	4751500	Flatwasher 5/16"	3	
51	3340709	Pad, Slide	2	
52	4070875	Shim 5/64"	A/R	
53	4070876	Shim 3/64"	A/R	
54	4070877	Shim 1/64"	A/R	
55		Shield, Mast Cover Options:	1	
	4060877	Prior to S/N 03277		
	4061004	S/N 03277 to Present		
56	0641404	Bolt 1/4"-20NC x 1/2"	2	
57	4220160	Sleeve, Stop	3	
58	4460121	Connector, Cap	3	
59	Not Used			
60	3900205	Screw, Phillips	6	
61	0561145	Block, Cylinder	1	
62	3422338	Pin, Chain Attach (Prior to S/N 03528)	4	
63	0100011	Compound, Locking (Not Shown)	A/R	
64	3020035	Lubricant, Silicone (Not Shown) (Prior to S/N 02816)	A/R	
65	4751000	Flatwasher #10	14	
66	4751500	Flatwasher 5/16"	3	
67	4845544	Chain Attach Weldment	1	
68	0100035	Compound, Locking (Not Shown)	A/R	
69 to 74	Not Used			
75	4360437	Switch, Limit	1	
76	3911020	Screw, Machine #10-24NC x 1 1/4"	2	
77	0902285	Bracket, Limit Switch	1	
78	0740602	Screw, Socket Head Countersunk #6-32NC x 1/4"	2	
79	4240032	Tie-Strap	1	
80	3520166	Plug, Electrical	1	
81	3570389	Plate, Support Attach	6	
		-----		
	2901515	Mast Kit - 20VP (Includes Items 1-5)	1	

**SECTION 3 MAST**

# SECTION 3 MAST

**FIGURE 3-3. MAST ASSEMBLY - 20VP (CONTINUED)**

FIG & ITEM #	PART NUMBER	DESCRIPTION	QTY.	REV.
	1260324	<b>CHAIN ASSEMBLY - #466 (PRIOR TO S/N 03528)</b>	Ref.	1/B
101	0561153	Block, Chain Attach	1	
102	1260299	Chain	55in/1.68m	
103	3422265	Pin	2	
104	0561150	Block, Chain Anchor	1	
105	4300111	Stud 3/8"-16NC x 3 1/2"	1	
106	0100062	Compound, Locking (Not Shown)	A/R	
107	3450201	Pin, Cotter 3/32" x 1/2"	4	
	1260325	<b>CHAIN ASSEMBLY - #444</b>	Ref.	1/B
201	0561149	Block, Chain Attach	1	
202	1260298	Chain	131in/ 1.68m	
203	3422346	Pin	2	
204	0561151	Block, Chain Anchor	2	
205	4300111	Stud 3/8"-16NC x 3 1/2"	2	
206	0100062	Compound, Locking (Not Shown)	A/R	
207	3422355	Pin, Grooved	2	
208	3537920	Plate	1	
209	3422338	Pin, Chain Attach	2	
210	4711500	Flatwasher 5/16" (Narrow)	2	
211	3450304	Pin, Cotter 3/32" x 1"	2	
	1260326	<b>CHAIN ASSEMBLY - #444 (PRIOR TO S/N 03528)</b>	Ref.	1/B
301	0561149	Block, Chain Attach	1	
302	1260298	Chain	68.5in/ 1.73m	
303	3422346	Pin	1	
304	0561151	Block, Chain Anchor	1	
305	4300111	Stud 3/8"-16NC x 3 1/2"	1	
306	0100062	Compound, Locking (Not Shown)	A/R	
307	3452355	Pin, Grooved	1	
	1260366	<b>CHAIN ASSEMBLY - #466 (S/N 03528 TO PRESENT)</b>	Ref.	A
401	0100062	Compound, Locking (Not Shown)	A/R	
402	0561150	Block, Chain Anchor	2	
403	0561153	Block, Chain Attach	2	
404	1260299	Chain	11ft/3.4m	
405	3422265	Pin	4	
406	3422338	Pin	2	
407	3450201	Pin, Cotter 1/16" x 1/4"	8	
408	3450304	Pin, Cotter 3/32" x 1/2"	2	
409	3537932	Plate, Chain Adjustment	1	
410	4300111	Stud 3/8"-16NC x 3 1/2"	2	
411	4751500	Flatwasher 5/16"	2	

SECTION 3 MAST

# SECTION 3 MAST

**FIGURE 3-3. MAST ASSEMBLY - 20VP (CONTINUED)**

FIG & ITEM #	PART NUMBER	DESCRIPTION	QTY.	REV.
	1260367	<b>CHAIN ASSEMBLY - #466 (S/N 03528 TO PRESENT)</b>	Ref.	A
501	0100062	Compound, Locking (Not Shown)	A/R	
502	0561149	Block, Chain Anchor	2	
503	0561151	Block, Chain Attach	2	
504	1260298	Chain	11ft/3.4m	
505	3422338	Pin	2	
506	3422346	Pin	2	
507	3422355	Pin	2	
508	3450304	Pin, Cotter 3/32" x 1/2"	2	
509	3537932	Plate, Chain Adjustment	1	
510	4300111	Stud 3/8"-16NC x 3 1/2"	2	
511	4751500	Flatwasher 5/16"	2	
	0270113	<b>MAST SHIELD ASSEMBLY</b>	Ref.	A
601	3311401	Nut 1/4"-20NC	4	
602	4711400	Flatwasher 1/4" (Narrow)	8	
603	0641408	Bolt 1/4"-20NC x 1"	4	
604	4060993	Shield, Mast Chain/Cable	1	

**SECTION 3 MAST**

# SECTION 3 MAST

FIGURE 3-3. MAST ASSEMBLY - 20VP (CONTINUED)

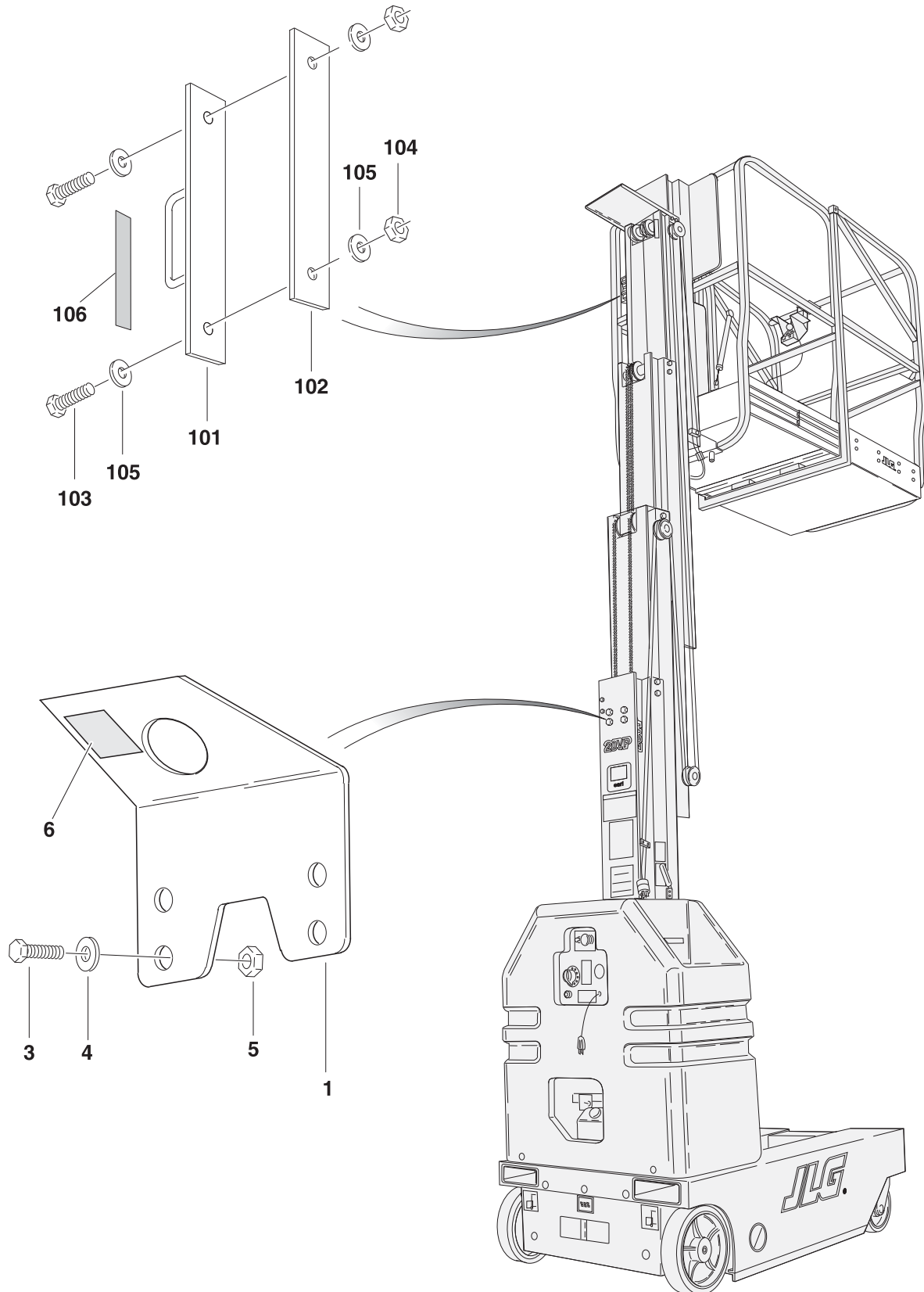
FIG & ITEM #	PART NUMBER	DESCRIPTION	QTY.	REV.

**S  
E  
C  
T  
I  
O  
N  
  
3  
  
M  
A  
S  
T**

# SECTION 3 MAST

FIGURE 3-4. MAST MOUNTED COMPONENTS

SECTION 3 MAST





# SECTION 3 MAST

**FIGURE 3-4. MAST MOUNTED COMPONENTS**

FIG & ITEM #	PART NUMBER	DESCRIPTION	QTY.	REV.
	0257648	<b>OPTIONAL CRANE HOOK INSTALLATION</b>	Ref.	1
1	3570312	Plate, Crane Hook	1	
2	Not Used			
3	0641609	Bolt 3/8"-16NC x 1 1/8"	4	
4	4711600	Flatwasher 3/8"	4	
5	3311601	Nut 3/8"-16NC	4	
6	1703455	Decal - Crane Hook	1	
	0256559	<b>SAFETY ATTACH INSTALLATION</b>	Ref.	3
101	4845345	Weldment, Safety Attach	1	
102	3539814	Plate, Backing	1	
103	0641812	Bolt 1/2"-13NC x 1 1/2"	2	
104	3271805	Locknut 1/2"-13NC	2	
105	4751800	Flatwasher 1/2"	4	
106		Decal - Lanyard Attach Options:	1	
	1702612	Prior to S/N 03905		
	1704277	S/N 03905 to Present		

SECTION 3 MAST

# SECTION 3 MAST

FIGURE 3-4. MAST MOUNTED COMPONENTS (CONTINUED)

FIG & ITEM #	PART NUMBER	DESCRIPTION	QTY.	REV.

**S  
E  
C  
T  
I  
O  
N  
  
3  
  
M  
A  
S  
T**

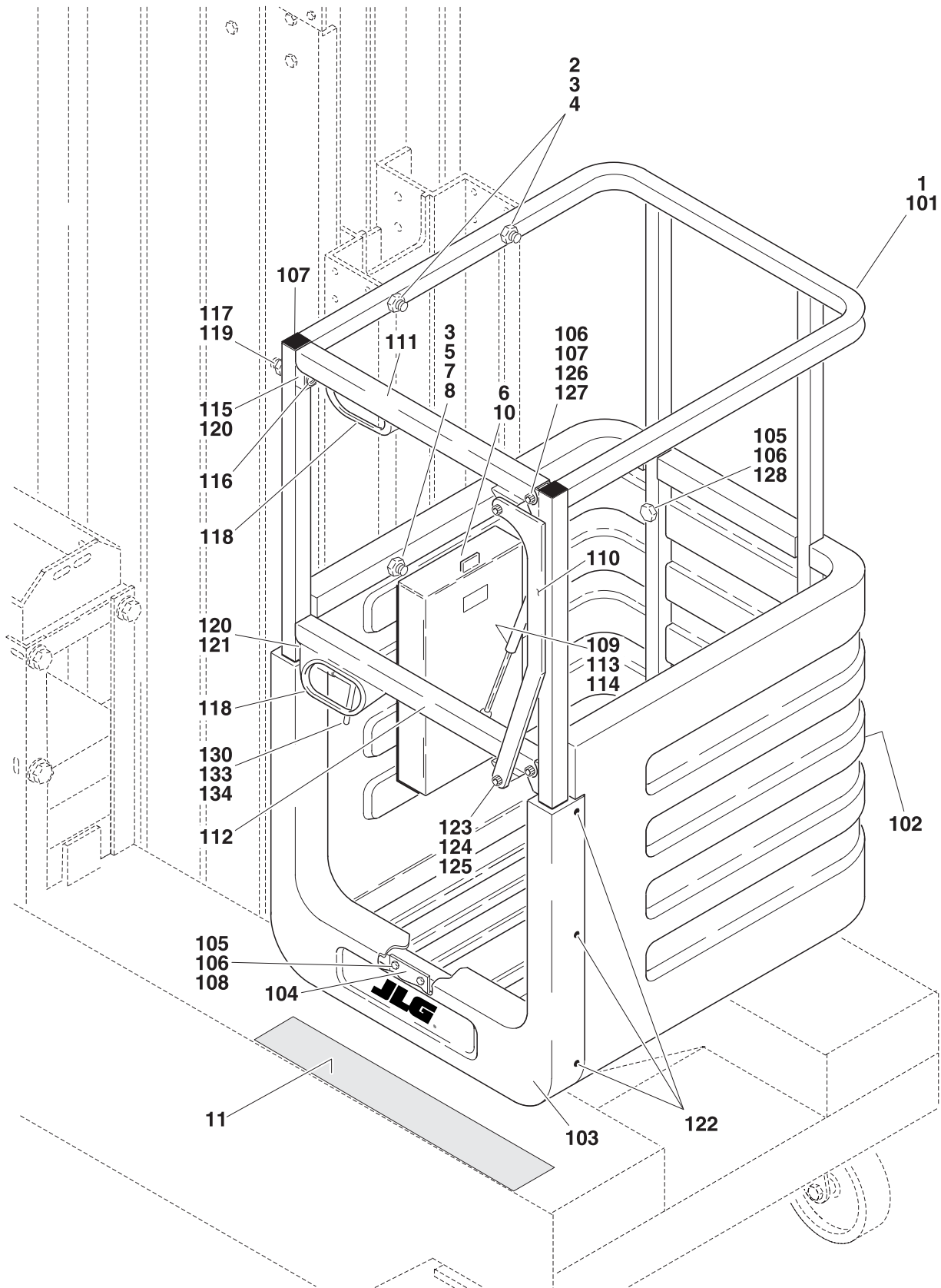
# SECTION 4 PLATFORM

<b>TABLE OF CONTENTS</b>		
<b>FIGURE</b>	<b>DESCRIPTION</b>	<b>PAGE</b>
4-1	MOLDED PLATFORM INSTALLATION (Prior to S/N 02370) . . . . .	4-2
4-2	MOLDED PLATFORM INSTALLATION (S/N 02370 to Present) . . . . .	4-6
4-3	QUICK-CHANGE PLATFORM INSTALLATION WITH SLIDE RAIL ENTRY . . . . .	4-10
4-4	QUICK-CHANGE PLATFORM INSTALLATION WITH GULLWING GATE (PRIOR TO S/N 02256) . . . . .	4-12
4-5	QUICK-CHANGE PLATFORM INSTALLATION WITH GULLWING GATE (S/N 02256 TO PRESENT) . . . . .	4-16
4-6	QUICK-CHANGE PLATFORM INSTALLATION WITH EXTENSION (PRIOR TO S/N 02256) . . . . .	4-20
4-7	QUICK-CHANGE PLATFORM INSTALLATION WITH EXTENSION (S/N 02256 TO PRESENT) . . . . .	4-24
4-8	OPTIONAL PLATFORM COMPONENTS INSTALLATION . . . . .	4-28

SECTION 4 PLATFORM

# SECTION 4 PLATFORM

FIGURE 4-1.MOLDED PLATFORM INSTALLATION (PRIOR TO S/N 02370)



SECTION 4 PLATFORM

# SECTION 4 PLATFORM

**FIGURE 4-1. MOLDED PLATFORM INSTALLATION (PRIOR TO S/N 02370)**

FIG & ITEM #	PART NUMBER	DESCRIPTION	QTY.	REV.
		<b>MOLDED PLATFORM INSTALLATION OPTIONS:</b>	Ref.	
	0258000	<b>Standard Machines</b>	Ref.	1
1	3510454*	Platform Assembly (See Items 101-134 for Break-down)	1	
2	0641518*	Bolt 5/16"-18NC x 2 1/4"	2	
3	4711500*	Flatwasher 5/16" (Narrow)	4	
4	3311505*	Locknut 5/16"-18NC	2	
5	3300356*	Nut, Acorn 5/16"-18NC	2	
6	0860520*	Box, Manual Storage	1	
7	4300115*	Stud 5/16"-18NC x 3"	2	
8	3311501*	Nut 5/16"-18NC	2	
9	0100011	Compound, Locking (Not Shown)	A/R	
10	3820032*	Rivet	4	
11	4420039*	Tape, Non Skid	16in/39cm	
		-----		
	0258007*	Platform Kit (Includes Items with (*) asterisk)	1	
	3510454	<b>PLATFORM ASSEMBLY</b>	Ref.	5/D
101	3640923	Rail	1	
102	3510477	Basket	1	
103	4060882	Cover	1	
104	0362384	Bar, Support	1	
105	0641416	Bolt 1/4"-20NC x 2"	10	
106	4751400	Flatwasher 1/4"	22	
107	3520072	Cap	2	
108	3311405	Locknut 1/4"-20NC	12	
109	4160125	Spring, Gas	1	
110	0362347	Link, Gate	1	
111	3640924	Rail, Gate (Top)	1	
112	3640990	Rail, Gate (Bottom)	1	
113	4751500	Flatwasher 5/16"	1	
114	3311505	Locknut 5/16"-18NC	1	
115	3340746	Pad, Gate Rest	1	
116	3911032	Screw, Machine #10-24NC x 2"	4	
117	4751000	Flatwasher #10	8	
118	4060805	Flex-Trim	2ft/0.6m	
119	3311001	Nut #10-24NC	4	
120	4070890	Shim, Gate Stop	2	
121	3340754	Pad, Gate Latch	1	
122	3900177	Screw, Plastite	6	
123	3900202	Bolt, Shoulder	2	
124	4740429	Washer, Nylon	4	
125	3311005	Locknut #10-24NC	2	
126	3900203	Bolt, Shoulder	2	
127	4740428	Washer, Nylon	4	

**SECTION 4 PLATFORM**

# SECTION 4      PLATFORM

**FIGURE 4-1. MOLDED PLATFORM INSTALLATION (PRIOR TO S/N 02370) (CONTINUED)**

FIG & ITEM #	PART NUMBER	DESCRIPTION	QTY.	REV.
128	3300151	Nut, Acorn 1/4"-20NC	2	
129	0100011	Compound, Locking (Not Shown)	A/R	
130	2940082	Latch, Gate	1	
131 to 132	Not Used			
133	3820024	Rivet	2	
134	4070894	Shim, Gate Latch	1	

**SECTION 4 PLATFORM**

# SECTION 4 PLATFORM

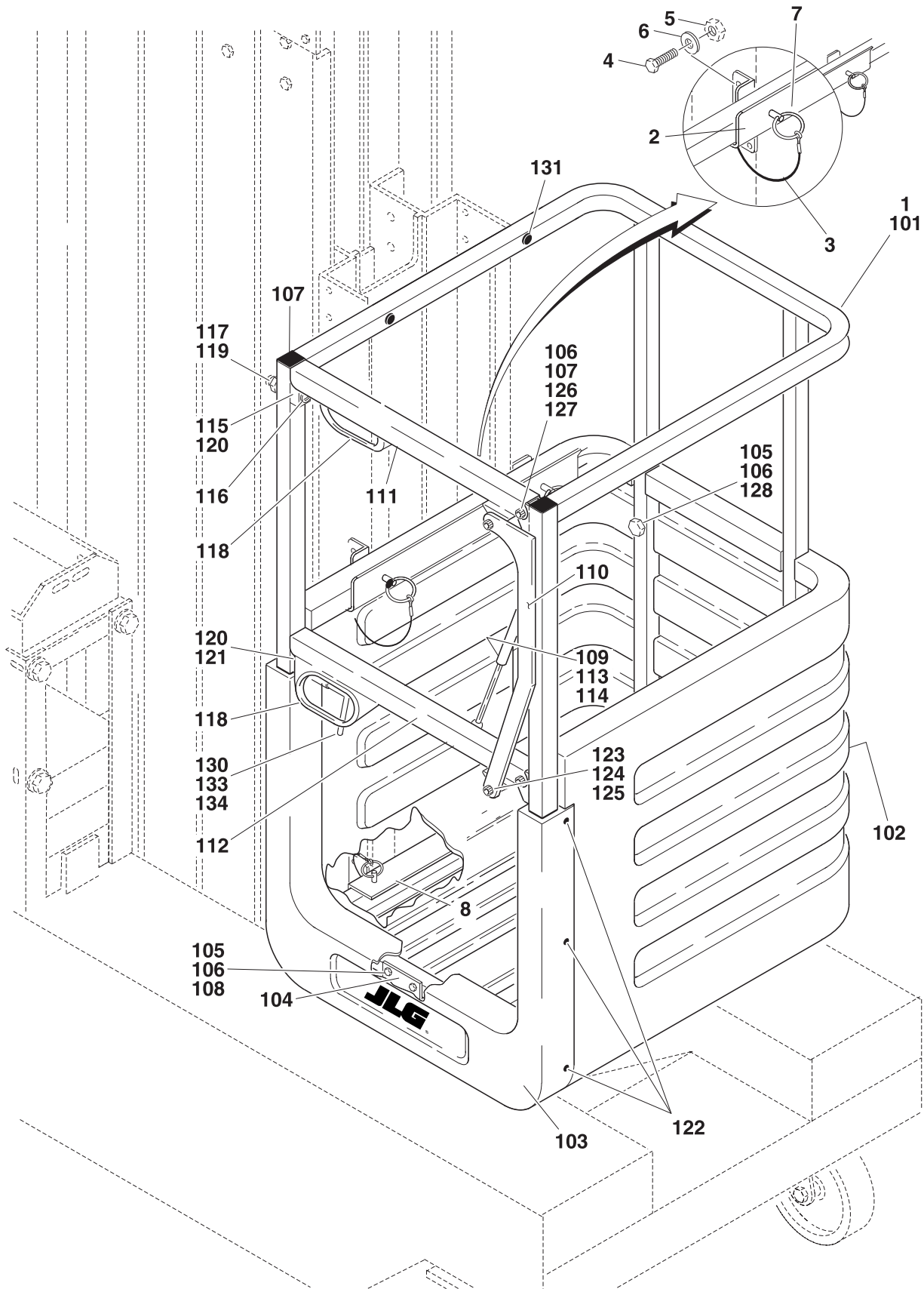
FIGURE 4-1. MOLDED PLATFORM INSTALLATION (PRIOR TO S/N 02370) (CONTINUED)

FIG & ITEM #	PART NUMBER	DESCRIPTION	QTY.	REV.

**S  
E  
C  
T  
I  
O  
N  
  
4  
  
P  
L  
A  
T  
F  
O  
R  
M**

# SECTION 4 PLATFORM

FIGURE 4-2.MOLDED PLATFORM INSTALLATION (S/N 02370 TO PRESENT)



SECTION 4 PLATFORM



# SECTION 4 PLATFORM

**FIGURE 4-2. MOLDED PLATFORM INSTALLATION (S/N 02370 TO PRESENT)**

FIG & ITEM #	PART NUMBER	DESCRIPTION	QTY.	REV.
		<b>MOLDED PLATFORM INSTALLATION OPTIONS:</b>	Ref.	
	0258877	<b>10VP &amp; 15VP</b>	Ref.	1
	0258878	<b>20VP</b>	Ref.	1
1	0258672	Platform Assembly (See Items 101-134 for Break-down)	1	
2		Weldment, Platform Mount Options:	1	
	4845807	10VP & 15VP		
	4845806	20VP		
3	1060380	Cable, Lanyard	4	
4	0641408	Bolt 1/4"-20NC x 1"	8	
5	3311405	Locknut 1/4"-20NC	8	
6	4711400	Flatwasher 1/4"	16	
7	3422657	Pin, Ball Detent	4	
8		Weldment, Platform Mount Options:	1	
	4845807	10VP & 15VP		
	4845806	20VP		
	0258672	<b>PLATFORM ASSEMBLY</b>	Ref.	3/B
101	4845822	Rail	1	
102	3510676	Basket	1	
103	4060882	Cover	1	
104	4845831	Weldment, Bottom Mount	1	
105	0641416	Bolt 1/4"-20NC x 2"	10	
106	4751400	Flatwasher 1/4"	22	
107	3520072	Cap	4	
108	3311405	Locknut 1/4"-20NC	12	
109	4160125	Spring, Gas	1	
110	0362347	Link, Gate	1	
111	3640924	Rail, Gate (Top)	1	
112	3640990	Rail, Gate (Bottom)	1	
113	4711500	Flatwasher 5/16"	1	
114	3311505	Locknut 5/16"-18NC	1	
115	3340746	Pad, Gate Rest	1	
116	3911032	Screw, Machine #10-24NC x 2"	4	
117	4751000	Flatwasher #10	8	
118	4060804	Flex-Trim	2ft/0.6m	
119	3311001	Nut #10-24NC	4	
120	4070890	Shim, Gate Stop	2	
121	3340754	Pad, Gate Latch	1	
122	3900177	Screw, Plastite	6	
123	3900202	Bolt, Shoulder	2	
124	4740429	Washer, Nylon	4	
125	3311005	Locknut #10-24NC	2	
126	3900203	Bolt, Shoulder	2	
127	4740428	Washer, Nylon	4	

SECTION 4 PLATFORM

# SECTION 4 PLATFORM

**FIGURE 4-2. MOLDED PLATFORM INSTALLATION (S/N 02370 TO PRESENT) (CONTINUED)**

FIG & ITEM #	PART NUMBER	DESCRIPTION	QTY.	REV.
128	3300151	Nut, Acorn 1/4"-20NC	2	
129	0100011	Compound, Locking (Not Shown)	A/R	
130	2940082	Latch, Gate	1	
131	3520028	Plug	A/R	
132	Not Used			
133	3820024	Rivet	2	
134	4070894	Shim, Gate Latch	1	

**SECTION 4 PLATFORM**

# SECTION 4 PLATFORM

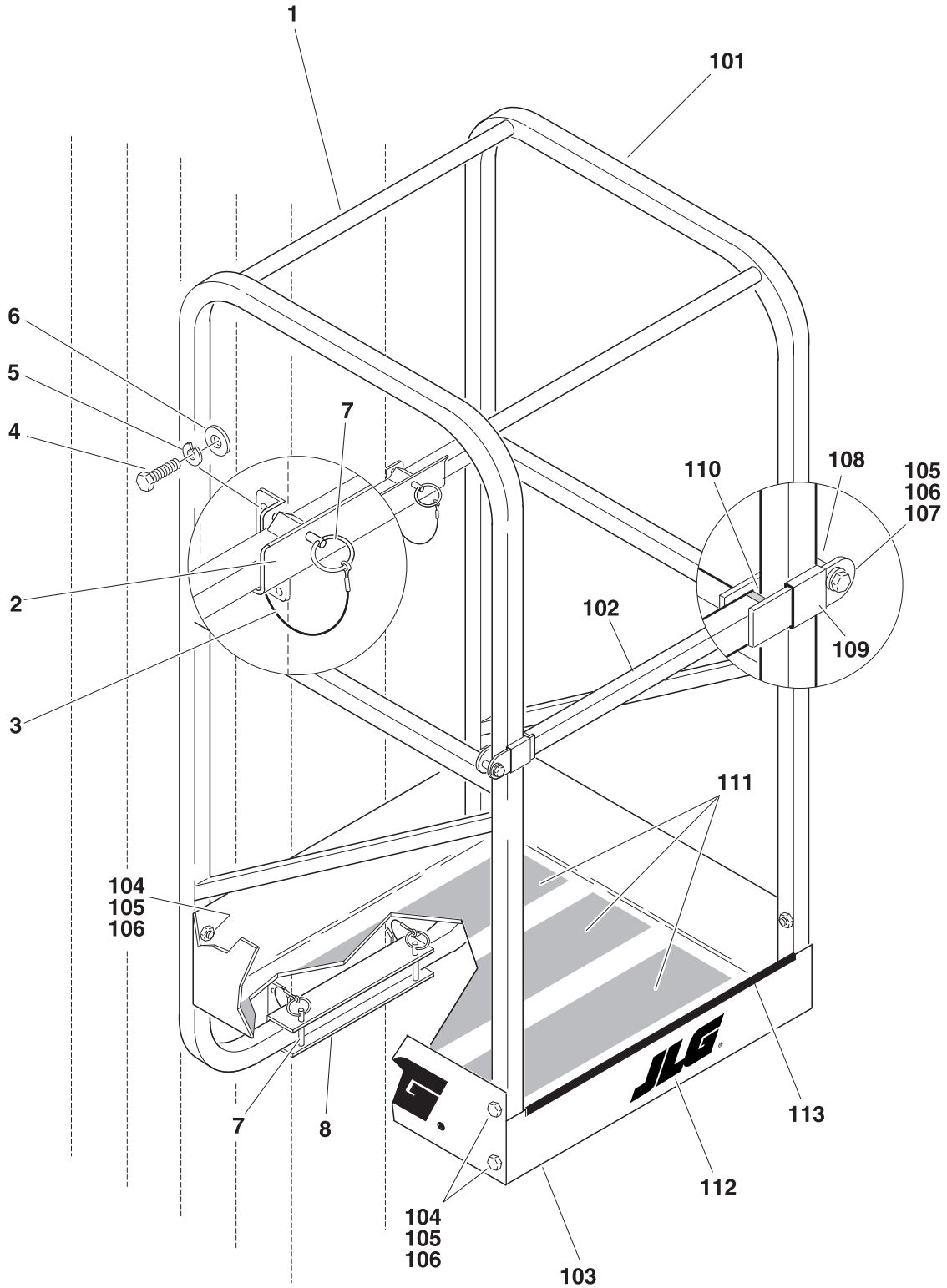
FIGURE 4-2. MOLDED PLATFORM INSTALLATION (S/N 02370 TO PRESENT) (CONTINUED)

FIG & ITEM #	PART NUMBER	DESCRIPTION	QTY.	REV.

**S  
E  
C  
T  
I  
O  
N  
  
4  
  
P  
L  
A  
T  
F  
O  
R  
M**

# SECTION 4 PLATFORM

FIGURE 4-3. QUICK-CHANGE PLATFORM INSTALLATION WITH SLIDE RAIL ENTRY



SECTION 4 PLATFORM

# SECTION 4 PLATFORM

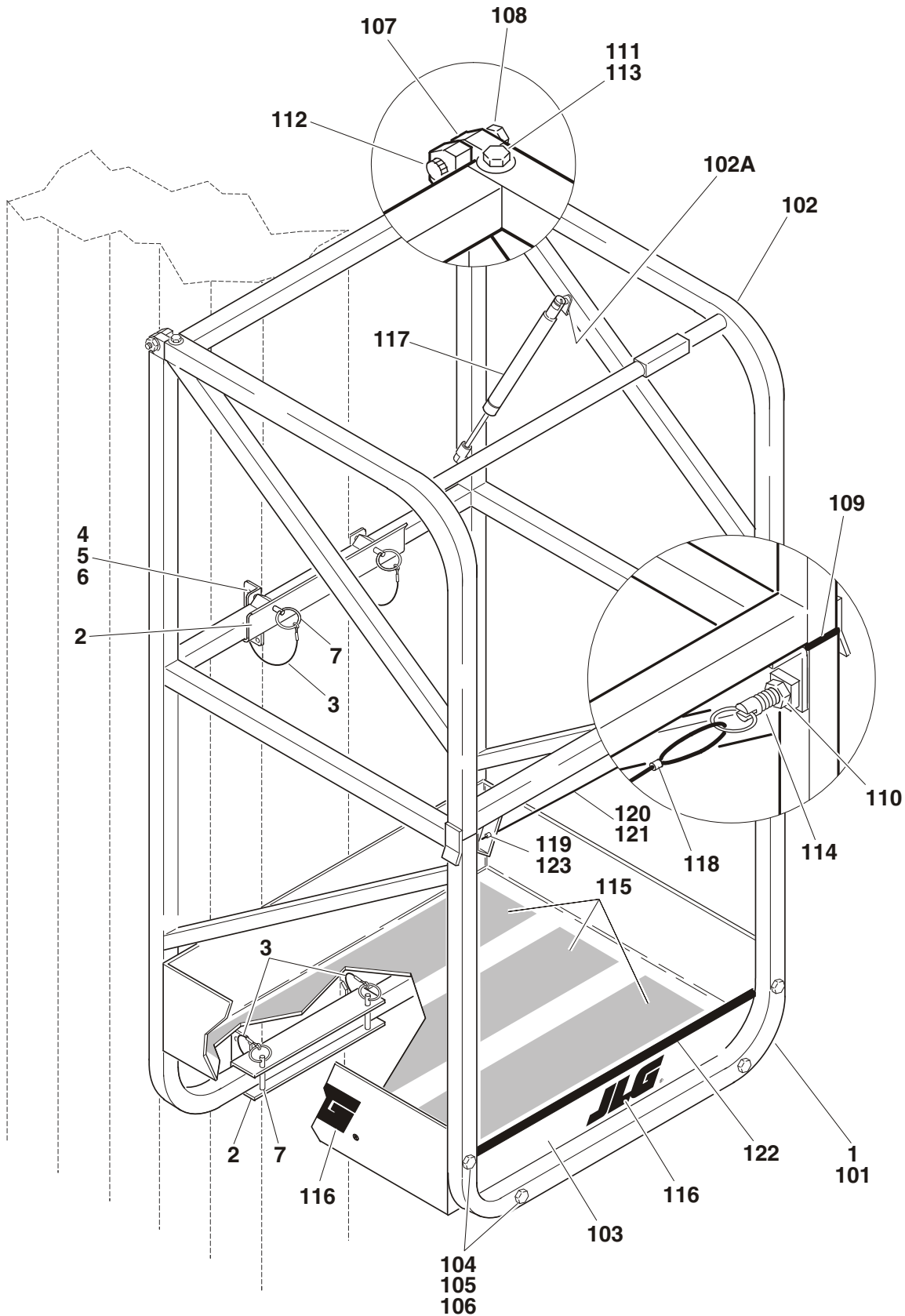
**FIGURE 4-3. QUICK-CHANGE PLATFORM INSTALLATION WITH SLIDE RAIL ENTRY**

FIG & ITEM #	PART NUMBER	DESCRIPTION	QTY.	REV.
		<b>PLATFORM INSTALLATION OPTIONS:</b>	Ref.	
	0257928	<b>10VP &amp; 15VP with 26" x 26" (66cm x 66cm)</b>	Ref.	2
	0257620	<b>20VP with 26" x 26" (66cm x 66cm)</b>	Ref.	2
1	0257711	Platform Assembly (See Items 101-113 for Break-down)	1	
2		Weldment, Platform Mount Options:	1	
	4845807	10VP & 15VP		
	4845806	20VP		
3	1060380	Cable, Lanyard	4	
4	0641408	Bolt 1/4"-20NC x 1"	8	
5	3311405	Locknut 1/4"-20NC	8	
6	4711400	Flatwasher 1/4"	16	
7	3422657	Pin, Ball Detent	4	
8		Weldment, Platform Mount Options:	1	
	4845807	10VP & 15VP		
	4845806	20VP		
	0257711	<b>PLATFORM ASSEMBLY</b>	Ref.	6/D
101	4845577	Rail	1	
102		Weldment, Gate Options:	1	
	4845578	Prior to S/N 03836		
	4845797	S/N 03836 to Present		
103	3570435	Plate, Platform Pan	1	
104	0641414	Bolt 1/4"-20NC x 1 3/4"	8	
105	4711400	Flatwasher 1/4" (Narrow)	20	
106	3311405	Locknut 1/4"-20NC	10	
107	0641418	Bolt 1/4"-20NC x 2 1/4"	2	
108	0961845	Bushing	2	
109	4280296	Tape	1.5ft/0.5m	
110	3520169	Cap-Plug	2	
111	4420039	Tape, Non Skid	6ft/1.8m	
112		Decal - JLG	3	
	1701612	Prior to S/N 03905		
	1703681	S/N 03905 to Present		
113	4060803	Shield, Flex-Trim Options:	A/R	
		Prior to S/N 03836	3.8ft/1.16m	
		S/N 03836 to Present	1.9ft/0.6m	

**SECTION 4 PLATFORM**

# SECTION 4 PLATFORM

FIGURE 4-4. QUICK-CHANGE PLATFORM INSTALLATION WITH GULLWING GATE (PRIOR TO S/N 02256)



SECTION 4 PLATFORM

# SECTION 4 PLATFORM

**FIGURE 4-4. QUICK-CHANGE PLATFORM INSTALLATION WITH GULLWING GATE (PRIOR TO S/N 02256)**

FIG & ITEM #	PART NUMBER	DESCRIPTION	QTY.	REV.
		<b>PLATFORM INSTALLATION OPTIONS:</b>	Ref.	
	0257927	<b>10VP &amp; 15VP with 25" x 22" (63.5cm x 56cm)</b>	Ref.	1
	0257622	<b>20VP with 25" x 22" (63.5cm x 56cm)</b>	Ref.	1
	0257926	<b>10VP &amp; 15VP with 26" x 28" (66cm x 71cm)</b>	Ref.	1
	0257656	<b>20VP with 26" x 28" (66cm x 71cm)</b>	Ref.	1
1		Platform Assembly (See Items 101-123 for Break-down)	1	
	0257741	25" X 22" (63.5cm x 56cm)		
	0257713	26" X 28" (66cm x 71cm)		
2		Weldment, Platform Mount Options:	2	
	4845663=	10VP & 15VP		
	4845537*	20VP		
3	1060380*=	Cable, Lanyard	4	
4	0641408*=	Bolt 1/4"-20NC x 1"	8	
5	3311405*=	Locknut 1/4"-20NC	8	
6	4711400*=	Flatwasher 1/4"	16	
7	3422657*=	Pin, Ball Detent	4	
		-----		
	2901552=	Platform Kit - 10VP & 15VP (Includes Items with =)	1	
	2901551*	Platform Kit - 20VP (Includes Items with (*) asterisk)	1	
		<b>PLATFORM ASSEMBLY</b>	Ref.	
	0257741	<b>25" X 22" (63.5cm x 56cm)</b>	Ref.	1
	0257713	<b>26" X 28" (66cm x 71cm)</b>	Ref.	1
101		Weldment, Platform Rail Options:	1	
	4845586	25" X 22" (63.5cm x 56cm)		
	4845583	26" X 28" (66cm x 71cm)		
102		Weldment, Gullwing Gate Options:	1	
	4845585	25" X 22" (63.5cm x 56cm)		
	4845584	26" X 28" (66cm x 71cm)		
102A	0902395	Bracket, Spring (Welded on part)	1	
103		Plate, Platform Pan Options:	1	
	3570464	25" X 22" (63.5cm x 56cm)		
	3570462	26" X 28" (66cm x 71cm)		
104	0641414	Bolt 1/4"-20NC x 1 3/4"	8	
105	4711400	Flatwasher 1/4" (Narrow)	16	
106	3311405	Locknut 1/4"-20NC	10	
107	2600225	Hinge, Gate	4	
108	3311505	Locknut 5/16"-18NC	2	
109	3520072	Cap-Plug	4	
110	3311802	Nut, Jam 1/2"-13NC	1	
111	3900251	Screw, Button Head 1/4"-20NC x 3/8"	4	
112	3900032	Bolt, Shoulder	2	
113	4711600	Flatwasher 3/8" (Narrow)	4	
114	3422658	Pin, Spring Plunger	1	

SECTION 4 PLATFORM

# SECTION 4      PLATFORM

**FIGURE 4-4. QUICK-CHANGE PLATFORM INSTALLATION WITH GULLWING GATE (PRIOR TO S/N 02256) (CONTINUED)**

FIG & ITEM #	PART NUMBER	DESCRIPTION	QTY.	REV.
115	4420039	Tape, Non Skid	A/R	
116	1701612	Decal - JLG	3	
117	4160165	Spring, Gas Shock	1	
118	4460142	Terminal, Eyelet	1	
119	4220160	Stop, Sleeve	1	
120	1060678	Cable, Gate Latch	1	
121	2820018	Tubing, Shrink	23in/58cm	
122	4060803	Shield, Flex-Trim	26in/70cm	
123	4460121	Connector, Cap	1	

**SECTION 4 PLATFORM**



# SECTION 4 PLATFORM

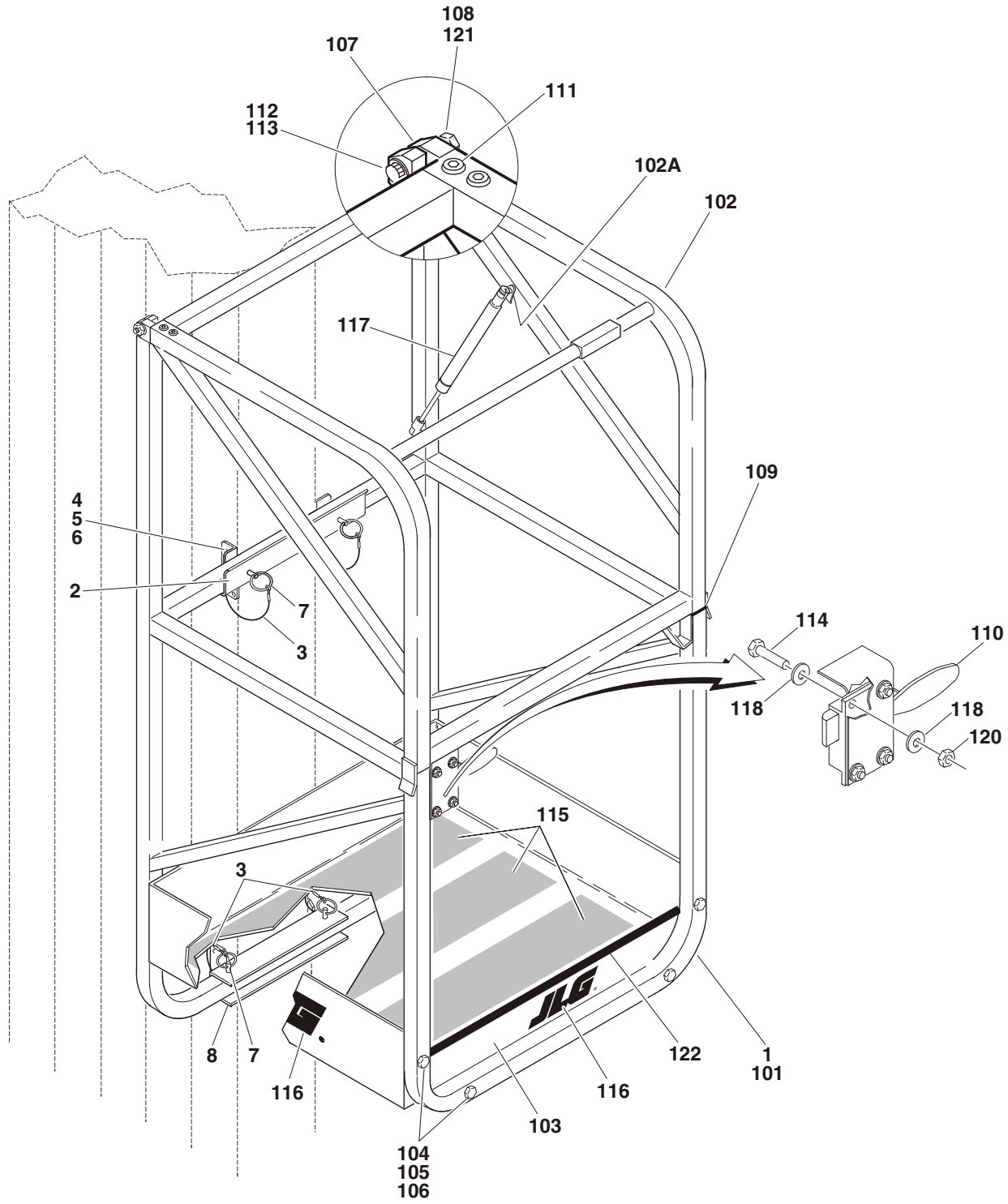
FIGURE 4-4. QUICK-CHANGE PLATFORM INSTALLATION WITH GULLWING GATE (PRIOR TO S/N 02256) (CONTINUED)

FIG & ITEM #	PART NUMBER	DESCRIPTION	QTY.	REV.

**S  
E  
C  
T  
I  
O  
N  
  
4  
  
P  
L  
A  
T  
F  
O  
R  
M**

# SECTION 4 PLATFORM

FIGURE 4-5. QUICK-CHANGE PLATFORM INSTALLATION WITH GULLWING GATE (S/N 02256 TO PRESENT)



SECTION 4 PLATFORM

# SECTION 4 PLATFORM

**FIGURE 4-5. QUICK-CHANGE PLATFORM INSTALLATION WITH GULLWING GATE (S/N 02256 TO PRESENT)**

FIG & ITEM #	PART NUMBER	DESCRIPTION	QTY.	REV.
		<b>PLATFORM INSTALLATION OPTIONS:</b>	Ref.	
	0258603	<b>10VP &amp; 15VP with 25" x 22" (63.5cm x 56cm)</b>	Ref.	1
	0258600	<b>20VP with 25" x 22" (63.5cm x 56cm)</b>	Ref.	2
	0258602	<b>10VP &amp; 15VP with 26" x 28" (66cm x 71cm)</b>	Ref.	1
	0258599	<b>20VP with 26" x 28" (66cm x 71cm)</b>	Ref.	1
1		Platform Assembly (See Items 101-123 for Break-down)	1	
	0258587	25" X 22" (63.5cm x 56cm)		
	0258588	26" X 28" (66cm x 71cm)		
2		Weldment, Platform Mount Options:	1	
	4845807	10VP & 15VP		
	4845806	20VP		
3	1060380	Cable, Lanyard	4	
4	0641408	Bolt 1/4"-20NC x 1"	8	
5	3311405	Locknut 1/4"-20NC	8	
6	4711400	Flatwasher 1/4"	16	
7	3422657	Pin, Ball Detent	4	
8		Weldment, Platform Mount Options:	1	
	4845807	10VP & 15VP		
	4845806	20VP		
		<b>PLATFORM ASSEMBLY</b>	Ref.	
	0258587	<b>25" X 22" (63.5cm x 56cm)</b>	Ref.	1
	0258588	<b>26" X 28" (66cm x 71cm)</b>	Ref.	2
101		Weldment, Platform Rail Options:	1	
	4845809	25" X 22" (63.5cm x 56cm)		
	4845808	26" X 28" (66cm x 71cm)		
102		Weldment, Gullwing Gate Options:	1	
	4845805	25" X 22" (63.5cm x 56cm)		
	4845813	26" X 28" (66cm x 71cm)		
102A	Use 0902877	Bracket, Spring (Welded on part) (was p/n 0902395)	1	
103		Plate, Platform Pan Options:	1	
	3570464	25" X 22" (63.5cm x 56cm)		
	3570462	26" X 28" (66cm x 71cm)		
104	0641414	Bolt 1/4"-20NC x 1 3/4"	8	
105	4711400	Flatwasher 1/4" (Narrow)	16	
106	3311405	Locknut 1/4"-20NC	8	
107	2600225	Hinge, Gate	4	
108	3311505	Locknut 5/16"-18NC	2	
109	3520072	Cap-Plug	4	
110	2940074	Latch	1	
111	3900258	Screw, Button Head 1/4"-20NC x 3/4"	8	
112	3900032	Bolt, Shoulder	2	
113	4711600	Flatwasher 3/8" (Narrow)	4	

SECTION 4 PLATFORM

# SECTION 4      PLATFORM

**FIGURE 4-5. QUICK-CHANGE PLATFORM INSTALLATION WITH GULLWING GATE (S/N 02256 TO PRESENT) (CONTINUED)**

FIG & ITEM #	PART NUMBER	DESCRIPTION	QTY.	REV.
114	0721006	Bolt 1/4"-20NC x 3/4"	4	
115	4420039	Tape, Non Skid	A/R	
116	1701612	Decal - JLG	3	
117	4160165	Spring, Gas Shock	1	
118	4751000	Flatwasher #10	8	
119	Not Used			
120	3311005	Locknut #10-24NC	4	
121	3300356	Nut, Acorn 5/16"-18NC	2	
122	4060803	Shield, Flex-Trim	A/R	

**SECTION 4 PLATFORM**

# SECTION 4 PLATFORM

FIGURE 4-5. QUICK-CHANGE PLATFORM INSTALLATION WITH GULLWING GATE (S/N 02256 TO PRESENT) (CONTINUED)

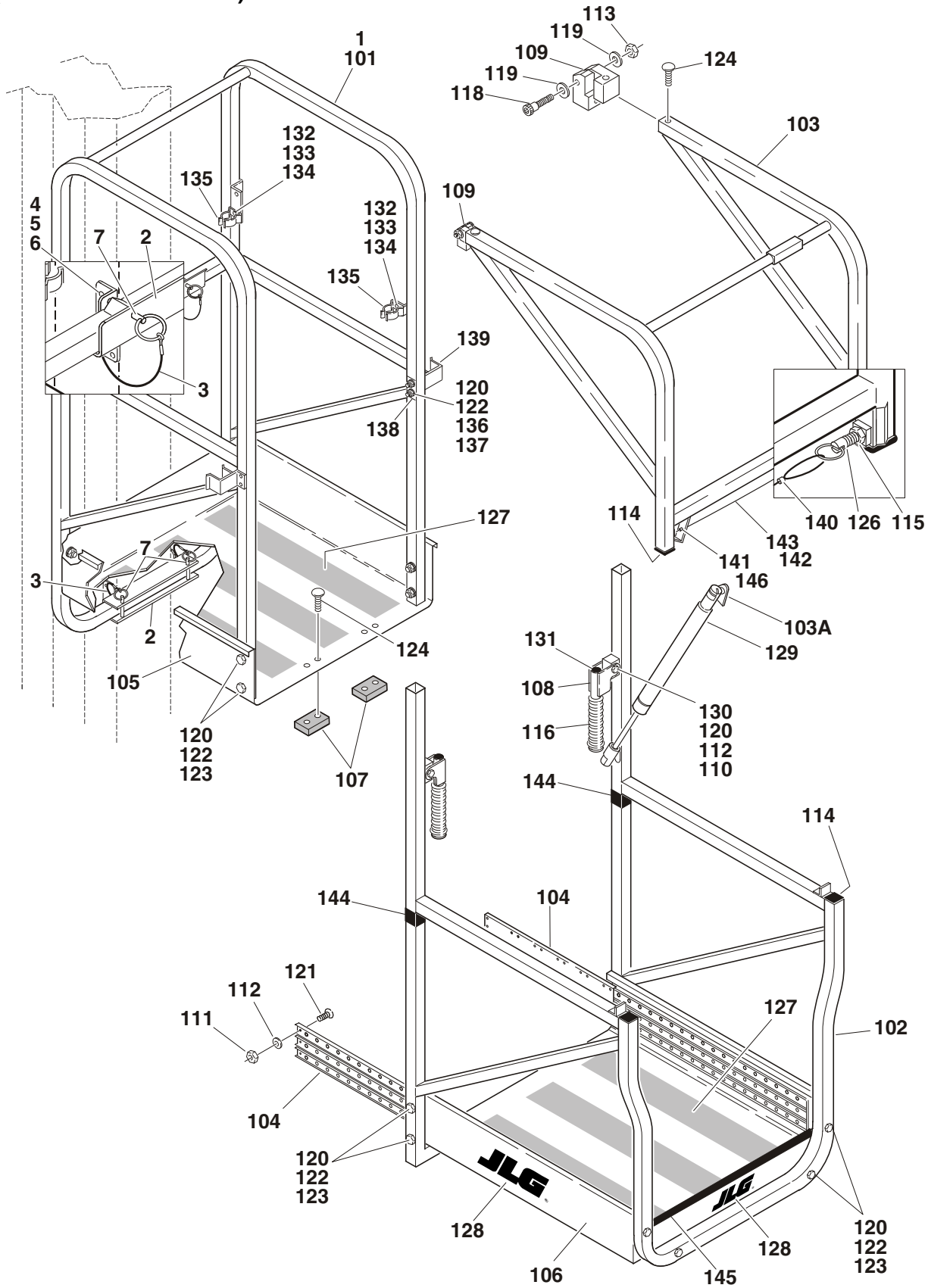
FIG & ITEM #	PART NUMBER	DESCRIPTION	QTY.	REV.

**S  
E  
C  
T  
I  
O  
N  
4  
P  
L  
A  
T  
F  
O  
R  
M**

# SECTION 4 PLATFORM

FIGURE 4-6. QUICK-CHANGE PLATFORM INSTALLATION WITH EXTENSION  
(PRIOR TO S/N 02256)

SECTION 4 PLATFORM



# SECTION 4 PLATFORM

**FIGURE 4-6. QUICK-CHANGE PLATFORM INSTALLATION WITH EXTENSION (PRIOR TO S/N 02256)**

FIG & ITEM #	PART NUMBER	DESCRIPTION	QTY.	REV.
		<b>PLATFORM INSTALLATION OPTIONS:</b>	Ref.	
		<b>Note: For use on 20VP Models only. "DO NOT" Install on other Models</b>		
	0257621	<b>20VP with 26" x 50" (66cm x 127cm)</b>	Ref.	1
1	0257672	Platform Assembly (See Items 101-146 for Break-down)	1	
2	4845537*	Weldment, Platform Mount	2	
3	1060380*	Cable, Lanyard	4	
4	0641408*	Bolt 1/4"-20NC x 1"	8	
5	3311405*	Locknut 1/4"-20NC	8	
6	4711400*	Flatwasher 1/4"	16	
7	3422657*	Pin, Ball Detent	4	
	2901551*	----- Platform Kit (Includes Items with (*) asterisk)	1	
	0257672	<b>PLATFORM ASSEMBLY</b>	Ref.	2
101	4845535	Weldment, Platform Rail (Stationary)	1	
102	4845536	Weldment, Platform Rail (Extension)	1	
103	4845545	Weldment, Gullwing Gate	1	
103A	0902395	Bracket, Spring (Welded on part)	1	
104	2020005	Glides, Extension	1 Pair	
105	3570362	Pan, Floor (Stationary)	1	
106	3570274	Pan, Floor (Extension)	1	
107	3340829	Pad, Slide	2	
108	4845614	Handle	2	
109	2600225	Hinge, Gate	4	
110	3900200	Bolt, Shoulder	2	
111	3311005	Locknut #10-24NC	64	
112	4751000	Flatwasher #10	66	
113	3311505	Locknut 5/16"-18NC	2	
114	3520072	Cap-Plug	4	
115	3311802	Nut, Jam 1/2"-13NC	1	
116	2560154	Grip, Handle	2	
117	Not Used			
118	3900032	Bolt, Shoulder	2	
119	4711600	Flatwasher 3/8" (Narrow)	4	
120	3311405	Locknut 1/4"-20NC	22	
121	3900252	Screw, Button Head 1/4"-20NC	64	
122	4711400	Flatwasher 1/4" (Narrow)	40	
123	0641414	Bolt 1/4"-20NC x 1 3/4"	16	
124	3900251	Screw, Button Head 1/4"-20NC	8	
125	0100011	Compound, Locking (Not Shown)	A/R	
126	3422658	Pin, Spring Plunger	1	
127	4420039	Tape, Non Skid	11.5ft/3.5m	
128	1701612	Decal - JLG	3	

SECTION 4 PLATFORM

# SECTION 4 PLATFORM

**FIGURE 4-6. QUICK-CHANGE PLATFORM INSTALLATION WITH EXTENSION (PRIOR TO S/N 02256)  
(CONTINUED)**

FIG & ITEM #	PART NUMBER	DESCRIPTION	QTY.	REV.
129	4160165	Spring, Gas Shock	1	
130	4711500	Flatwasher 5/16" (Narrow)	4	
131	3520030	Plug, Hole	2	
132	0720805	Screw #8-32NC x 5/8"	4	
133	4750800	Flatwasher #8	8	
134	3310805	Locknut #8-32NC	4	
135	1380132	Clip, Gripper	4	
136	0641416	Bolt 1/4"-20NC x 2"	4	
137	3570653	Plate, Shim	2	
138	3570654	Plate, Backing	2	
139	4845657	Weldment, Stop	2	
140	4460142	Terminal, Eyelet	1	
141	4220160	Stop, Sleeve	1	
142	1060678	Cable, Gate Latch	1	
143	2820022	Tube, Vinyl	19in/49cm	
144	4280296	Strip, Wear	10in/25cm	
145	4060803	Shield, Flex-Trim	26in/66cm	
146	4460121	Connector, Cap	1	

**SECTION 4 PLATFORM**



# SECTION 4 PLATFORM

FIGURE 4-6. QUICK-CHANGE PLATFORM INSTALLATION WITH EXTENSION (PRIOR TO S/N 02256)  
(CONTINUED)

FIG & ITEM #	PART NUMBER	DESCRIPTION	QTY.	REV.

**S  
E  
C  
T  
I  
O  
N  
4  
P  
L  
A  
T  
F  
O  
R  
M**



# SECTION 4 PLATFORM

**FIGURE 4-7. QUICK-CHANGE PLATFORM INSTALLATION WITH EXTENSION (S/N 02256 TO PRESENT)**

FIG & ITEM #	PART NUMBER	DESCRIPTION	QTY.	REV.
		<b>PLATFORM INSTALLATION OPTIONS:</b>	Ref.	
		<b>Note: For use on 20VP Models only. "DO NOT" Install on other Models</b>		
	0258597	<b>20VP with 26" x 50" (66cm x 127cm)</b>	Ref.	1
1	0258586	Platform Assembly (See Items 101-146 for Break-down)	1	
2	4845806	Weldment, Platform Mount	1	
3	1060380	Cable, Lanyard	4	
4	0641408	Bolt 1/4"-20NC x 1"	8	
5	3311405	Locknut 1/4"-20NC	8	
6	4711400	Flatwasher 1/4"	16	
7	3422657	Pin, Ball Detent	4	
8	4845806	Weldment, Platform Mount	1	
	0258586	<b>PLATFORM ASSEMBLY</b>	Ref.	7
101	4845810	Weldment, Platform Rail (Stationary)	1	
102	4845811	Weldment, Platform Rail (Extension)	1	
103	4845812	Weldment, Gate	1	
103A	Use 0902877	Bracket, Spring (Welded on part) (was p/n 0902395)	1	
104	2020005	Glides, Extension	1 Pair	
105	3570362	Pan, Floor (Stationary)	1	
106	3570274	Pan, Floor (Extension)	1	
107	3340829	Pad, Slide	2	
108	4845614	Handle	2	
109	2600225	Hinge, Gate	4	
110	3900200	Bolt, Shoulder	2	
111	3311005	Locknut #10-24NC	64	
112	4751000	Flatwasher #10	66	
113	3311505	Locknut 5/16"-18NC	2	
114	3520072	Cap-Plug	4	
115	2940074	Latch	1	
116	2560154	Grip, Handle	2	
117	0721006	Bolt #10-24NC x 3/4"	4	
118	3900032	Bolt, Shoulder	2	
119	4711600	Flatwasher 3/8" (Narrow)	2	
120	3311405	Locknut 1/4"-20NC	22	
121	3900252	Screw, Button Head 1/4"-20NC	64	
122	4711400	Flatwasher 1/4" (Narrow)	40	
123	0641414	Bolt 1/4"-20NC x 1 3/4"	16	
124	3900258	Screw, Button Head 1/4"-20NC x 3/4"	8	
125	0100011	Compound, Locking (Not Shown)	A/R	
126	4751000	Flatwasher #10	8	
127	4420039	Tape, Non Skid	11ft/3.4m	

SECTION 4 PLATFORM

# SECTION 4 PLATFORM

**FIGURE 4-7. QUICK-CHANGE PLATFORM INSTALLATION WITH EXTENSION (S/N 02256 TO PRESENT) (CONTINUED)**

FIG & ITEM #	PART NUMBER	DESCRIPTION	QTY.	REV.
128		Decal - JLG Options:	3	
	1701612	Prior to S/N 03609		
	1703681	S/N 03609 to Present		
129	4160165	Spring, Gas Shock	1	
130	4711500	Flatwasher 5/16" (Narrow)	4	
131	3520030	Plug, Hole	2	
132	0720805	Screw #8-32NC x 5/8"	4	
133	4750800	Flatwasher #8	8	
134	3310805	Locknut #8-32NC	4	
135	1380132	Clip, Gripper	4	
136	0641416	Bolt 1/4"-20NC x 2"	4	
137	3570653	Plate, Shim	2	
138	3570654	Plate, Backing	2	
139	4845657	Weldment, Stop	2	
140	Not Used			
141	3311005	Locknut #10-24NC	4	
142	3300356	Nut, Acorn 5/16"-18NC	2	
143	Not Used			
144	4280296	Strip, Wear	10in/25cm	
145	4060803	Shield, Flex-Trim	2.2ft/0.67m	
146	Not Used			
147		Screw, Button Head Options:	4	
	3900258	Screw, Button Head 1/4"-20NC x 3/4" (Production)		
	3900251	Screw, Button Head 1/4"-20NC x 3/8" (Post Production)		

**SECTION 4 PLATFORM**

# SECTION 4 PLATFORM

FIGURE 4-7. QUICK-CHANGE PLATFORM INSTALLATION WITH EXTENSION (S/N 02256 TO PRESENT) (CONTINUED)

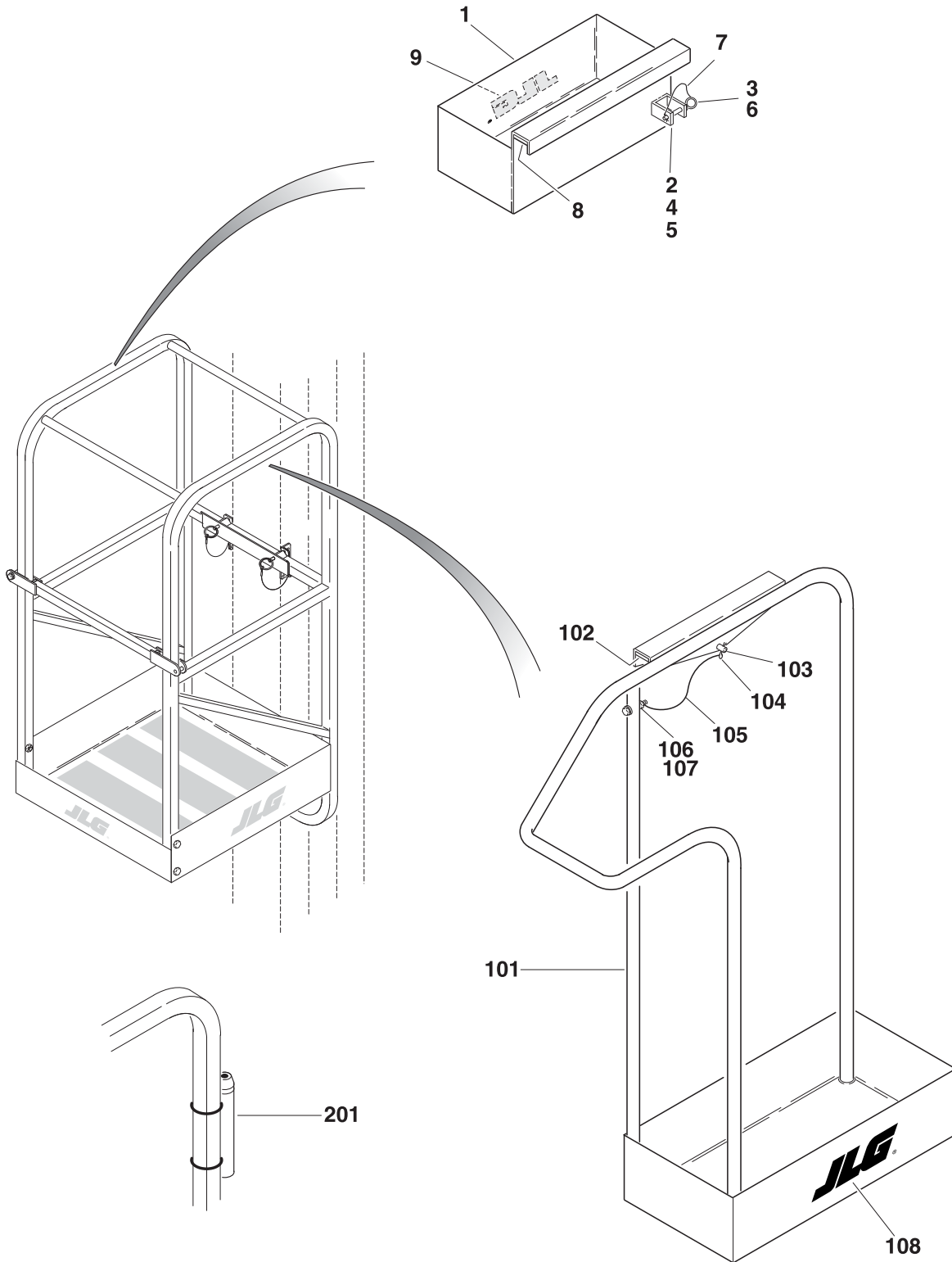
FIG & ITEM #	PART NUMBER	DESCRIPTION	QTY.	REV.

**S  
E  
C  
T  
I  
O  
N  
4  
P  
L  
A  
T  
F  
O  
R  
M**

# SECTION 4 PLATFORM

FIGURE 4-8.OPTIONAL PLATFORM COMPONENTS INSTALLATION

SECTION  
4  
PLATFORM



# SECTION 4 PLATFORM

**FIGURE 4-8. OPTIONAL PLATFORM COMPONENTS INSTALLATION**

FIG & ITEM #	PART NUMBER	DESCRIPTION	QTY.	REV.
	0255036	<b>TOOL TRAY ASSEMBLY</b>	Ref.	
1		Tool Box Weldment (Recommend purchasing 0255036 in place of 0860947)		
2	0902079	Bracket, Mounting	1	
3	3421453	Pin, Snap	1	
4	3900204	Bolt, Carriage #10-24NC x 1/2"	2	
5	3300391	Wingnut #10-24NC	2	
6	3760170	Snap-Pin	1	
7	1060380	Cable, Lanyard	1	
8	4280296	Strip, Wear	4	
9	1702365	Decal - JLG	1	
	0255040	<b>TUBE CADDY ASSEMBLY</b>	Ref.	
101		Tube Caddy Weldment (Recommend purchasing 0255040 in place of 4844840)	1	
102	4280296	Strip, Wear	2	
103	3421453	Pin, Snap	1	
104	3760170	Snap-Pin	1	
105	1060380	Cable, Lanyard	1	
106	0641410	Bolt 1/4"-20NC x 1 1/4"	1	
107	3311405	Locknut 1/4"-20NC	1	
108	1702365	Decal - JLG	1	
	0255853	<b>LASER LOCATOR INSTALLATION</b>	Ref.	A
201	4566847	Tube, Mounting	1	
	0750802	Screw #8 x 1/4"	2	
	1320218	Clamp, Spring	2	
	2920127	Pointer, Laser	1	
	4460425	Connector, Strain Relief	1	

SECTION 4 PLATFORM

# SECTION 4 PLATFORM

FIGURE 4-8. OPTIONAL PLATFORM COMPONENTS INSTALLATION (CONTINUED)

FIG & ITEM #	PART NUMBER	DESCRIPTION	QTY.	REV.

**S  
E  
C  
T  
I  
O  
N  
  
4  
  
P  
L  
A  
T  
F  
O  
R  
M**



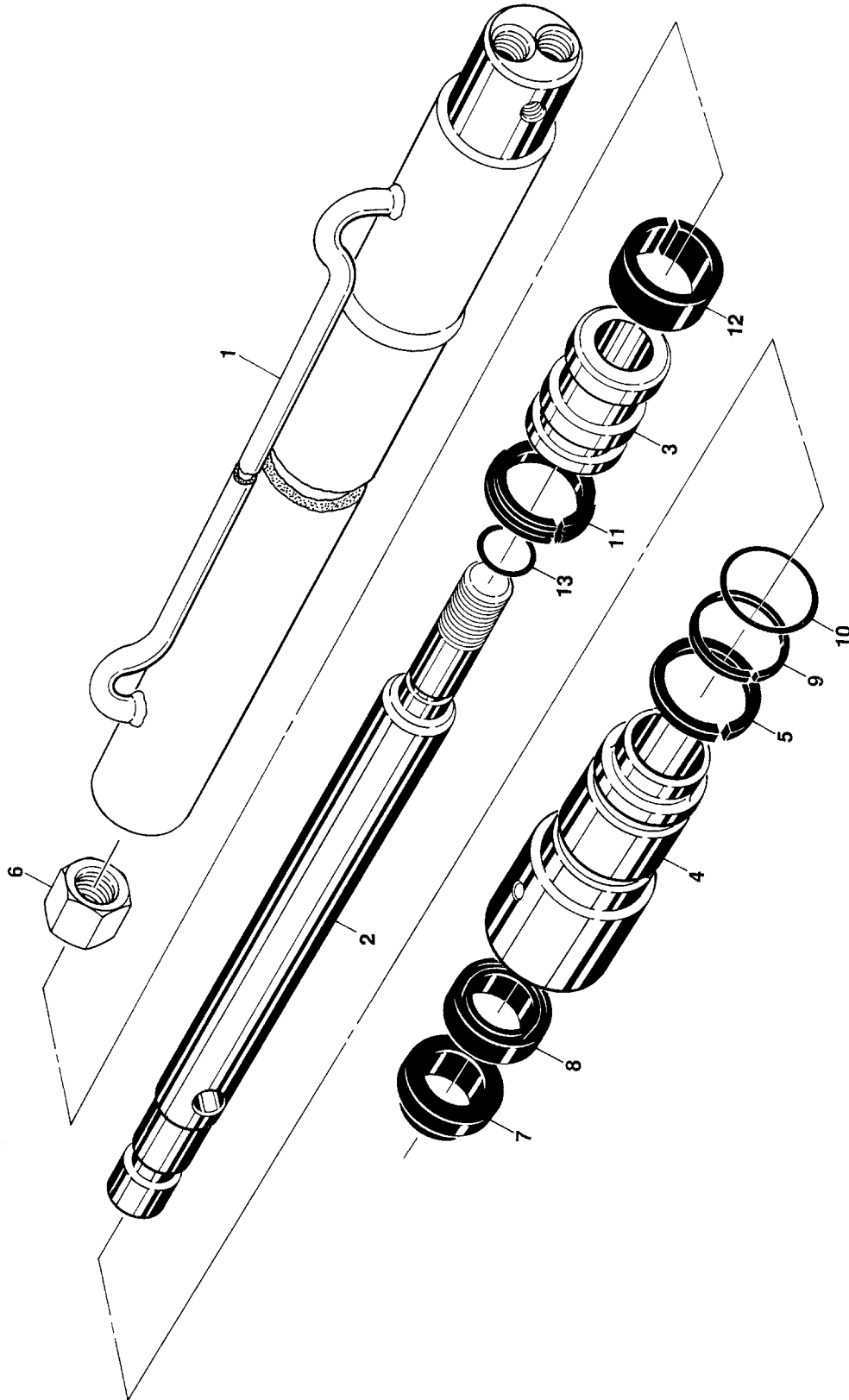
# SECTION 5 CYLINDER

TABLE OF CONTENTS		
FIGURE	DESCRIPTION	PAGE
5-1	LIFT CYLINDER ASSEMBLY .....	5-2

**S  
E  
C  
T  
I  
O  
N  
  
5  
  
C  
Y  
L  
I  
N  
D  
E  
R**

# SECTION 5 CYLINDER

FIGURE 5-1. LIFT CYLINDER ASSEMBLY



SECTION 5 CYLINDER

# SECTION 5      CYLINDER

**FIGURE 5-1. LIFT CYLINDER ASSEMBLY**

FIG & ITEM #	PART NUMBER	DESCRIPTION	QTY.	REV.
	1683554	<b>LIFT CYLINDER ASSEMBLY</b>	Ref.	B
1	7019814	Barrel	1	
2	7019813	Rod	1	
3	7003249	Piston	1	
4	7003248	Head	1	
5	7003247	Ring, Retaining	1	
6	7003246	Locknut	1	
7	Kit	Wiper, Rod	1	
8	Kit	Seal, Rod	1	
9	Kit	Ring, Back-Up	1	
10	Kit	O-Ring	1	
11	Kit	Seal, Piston	1	
12	Kit	Ring, Wear	1	
13	Kit	O-Ring	1	
	7003245	----- Seal Kit (Includes Items 7-13)	1	

**SECTION 5 CYLINDER**

# SECTION 5 CYLINDER

FIGURE 5-1. LIFT CYLINDER ASSEMBLY (CONTINUED)

FIG & ITEM #	PART NUMBER	DESCRIPTION	QTY.	REV.

**S  
E  
C  
T  
I  
O  
N  
  
5  
  
C  
Y  
L  
I  
N  
D  
E  
R**

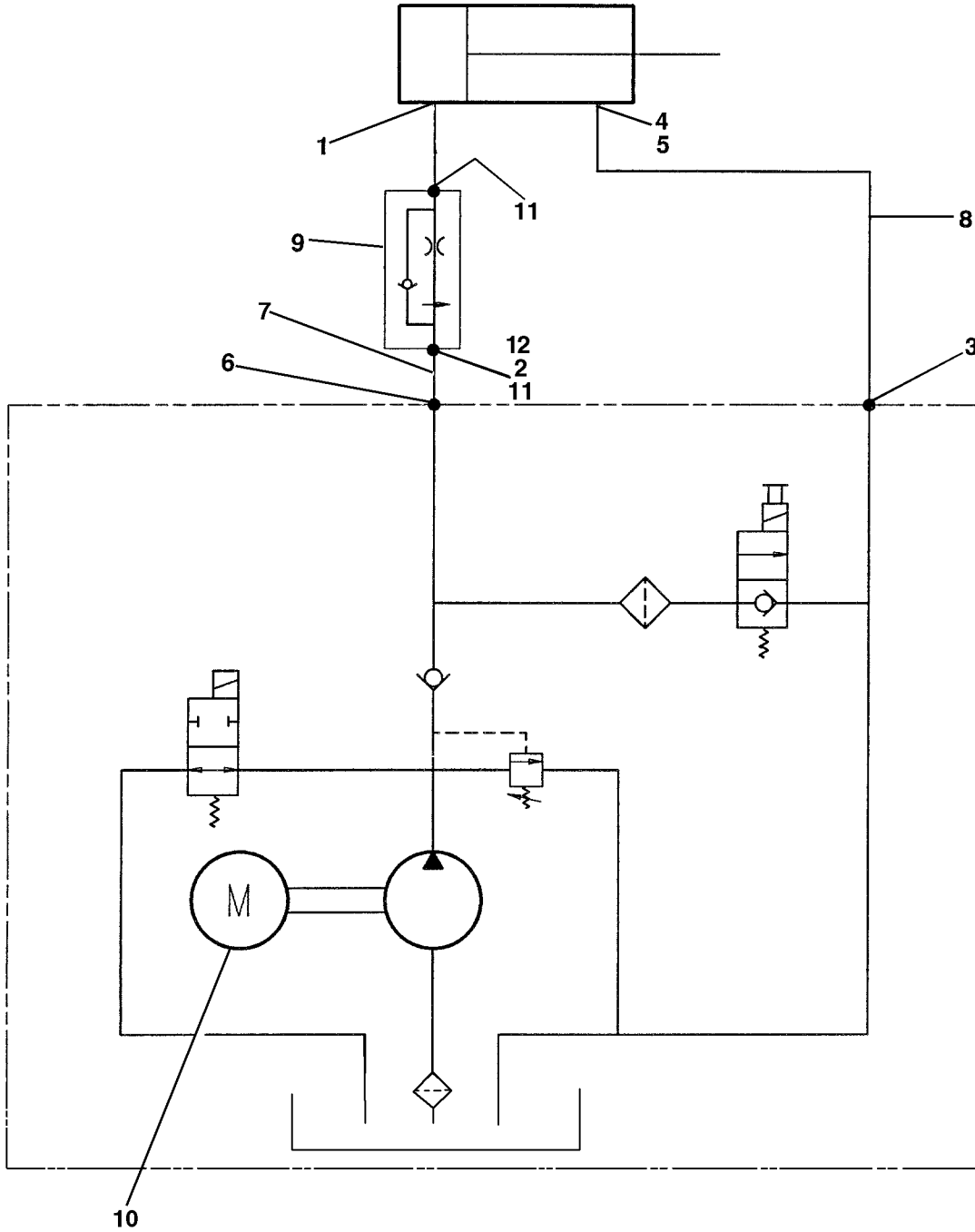
# SECTION 6 HYDRAULIC

TABLE OF CONTENTS		
FIGURE	DESCRIPTION	PAGE
6-1	HYDRAULIC DIAGRAM .....	6-2

**S  
E  
C  
T  
I  
O  
N  
  
6  
  
H  
Y  
D  
R  
A  
U  
L  
I  
C**

# SECTION 6 HYDRAULIC

FIGURE 6-1. HYDRAULIC DIAGRAM



SECTION 6 HYDRAULIC

# SECTION 6      HYDRAULIC

**FIGURE 6-1. HYDRAULIC DIAGRAM**

FIG & ITEM #	PART NUMBER	DESCRIPTION	QTY.	REV.
		<b>HYDRAULIC DIAGRAM OPTIONS:</b>	Ref.	
	2792252	<b>10VP &amp; 15VP (Prior to S/N 02289)</b>	Ref.	2
	2792373	<b>10VP &amp; 15VP (S/N 02289 to Present)</b>	Ref.	1
	2792253	<b>20VP (Prior to S/N 02289)</b>	Ref.	2
	2792374	<b>20VP (S/N 02289 to Present)</b>	Ref.	1
1	2220875	Fitting, 90°	1	
2		Fitting, Straight Options:	1	
	2221021	Fitting, Straight (Prior to S/N 02289)		
	2220416	Fitting, 90° (S/N 02289 to Present)		
3	2220472	Fitting, 90°	1	
4	2220603	Fitting, Straight	1	
5	2220507	Fitting, 90°	1	
6	2220473	Fitting, 90°	1	
7		Tube, Extension Options:	1	
	4567186	Prior to S/N 02289		
	4567634	S/N 02289 to Present		
8	4566950	Tube, Return	1	
9		Valve, Flow Control Options:	1	
	4640956	10VP & 15VP		
	4640900	20VP		
10		Pump/Motor/Tank Assembly Options: (See Section 2 for Breakdown)	1	
	3600254	10VP & 15VP		
	3600255	20VP		
11	0100020	Sealant, Pipe (Not Shown)	A/R	
12	2221022	Fitting, Straight (Prior to S/N 02289)	1	

**SECTION 6 HYDRAULIC**

# SECTION 6 HYDRAULIC

FIGURE 6-1. HYDRAULIC DIAGRAM (CONTINUED)

FIG & ITEM #	PART NUMBER	DESCRIPTION	QTY.	REV.

**S  
E  
C  
T  
I  
O  
N  
  
6  
  
H  
Y  
D  
R  
A  
U  
L  
I  
C**



# SECTION 7 ELECTRICAL

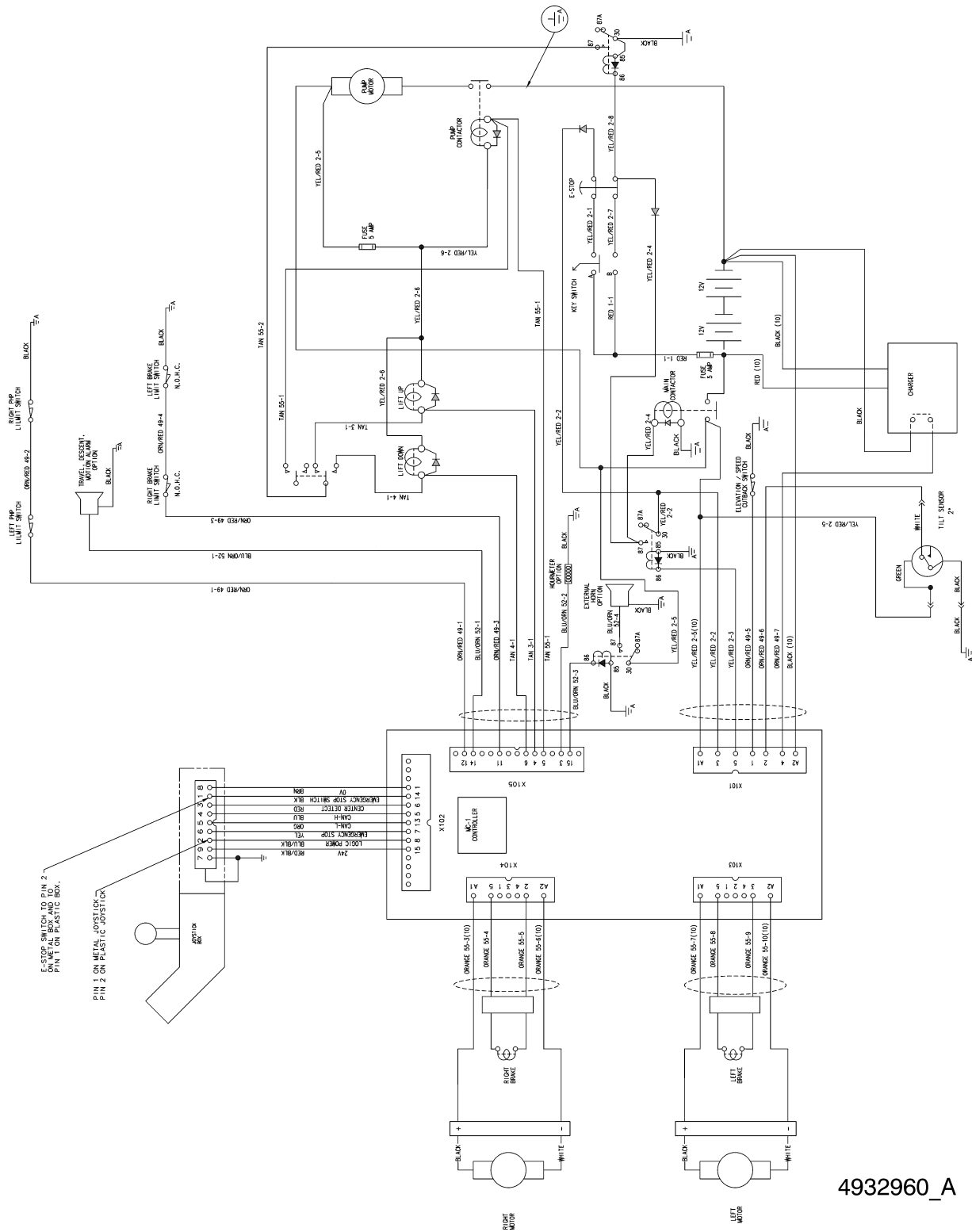
## TABLE OF CONTENTS

FIGURE	DESCRIPTION	PAGE
7-1	ELECTRICAL SCHEMATIC .....	7-2
7-3	HARNESS AND CABLES INSTALLATION .....	7-4

**S  
E  
C  
T  
I  
O  
N  
  
7  
  
E  
L  
E  
C  
T  
R  
I  
C  
A  
L**

# SECTION 7 ELECTRICAL

FIGURE 7-1.ELECTRICAL SCHEMATIC



4932960\_A

SECTION 7 ELECTRICAL

**SECTION 7 ELECTRICAL**

**This Page Intentionally Left Blank**

**S  
E  
C  
T  
I  
O  
N  
  
7  
  
E  
L  
E  
C  
T  
R  
I  
C  
A  
L**





# SECTION 7 ELECTRICAL

**FIGURE 7-2. HARNESS AND CABLES INSTALLATION**

FIG & ITEM #	PART NUMBER	DESCRIPTION	QTY.	REV.
	4932960	<b>ELECTRICAL DIAGRAM - STANDARD</b>	Ref.	A
1	1060620	Cable, Battery - 21"	2	
2	1060619	Cable, Battery - 24"	1	
3	1060618	Cable, Battery - 40"	1	
4	4921966	Harness - Ground Control	1	3
	3990010	Diode	2	
4A	4460646	Receptacle - 5 Pin	1	
	4460647	Shell, Receptacle	2	
4B	4460320	Connector, Female - 2 Position	1	
	4460268	Socket	2	
5	4921965	Harness, Valve & Limit Switch	1	3
	3990010	Diode	5	
5A	4460681	Receptacle - 15 Pin	1	
	4460643	Shell, Receptacle	1	
	4460684	Socket	8	
5B	4460424	Connector, Male - 2 Position	2	
	4460267	Pin	2	
	4460268	Socket	2	
5C	2400006	Fuse - 5 Amp	1	
	4460044	Fuseholder	1	
6	4921963	Harness, Right Motor	1	1
6A	4460644	Receptacle - 5 Pin	1	
	4460645	Pin	2	
6B	4460648	Receptacle - 2 Position	1	
6C	4460320	Connector, Female - 2 Position	1	
	4460267	Pin	1	
	4460268	Socket	2	
7	4921964	Harness, Left Motor	1	1
7A	4460644	Receptacle - 5 Pin	1	
	4460645	Pin	2	
7B	4460648	Receptacle - 2 Position	1	
7C	4460320	Connector, Female - 2 Position	1	
	4460267	Pin	1	
	4460268	Socket	2	
8	4921969	Harness - Emergency Stop (Not Shown - Located inside Ground Control Box)	1	1
9	4921968	Harness, Main Contactor	1	1
	3990010	Diode - 6 Amp	2	
10	4921967	Harness, Key Switch Power	1	1
10A	2400006	Fuse - 5 Amp	1	
	4460044	Fuseholder	1	

**SECTION 7 ELECTRICAL**

# SECTION 7 ELECTRICAL

**FIGURE 7-2. HARNESS AND CABLES INSTALLATION**

FIG & ITEM #	PART NUMBER	DESCRIPTION	QTY.	REV.
100		<b>PLATFORM CONSOLE HARNESS ASSEMBLIES</b>	Ref.	
	4922027	<b>10VP (Prior to S/N 02445)</b>	Ref.	1
	4922201	<b>10VP (S/N 02445 to Present)</b>	Ref.	1
	4922028	<b>15VP (Prior to S/N 02445)</b>	Ref.	1
	4922202	<b>15VP (S/N 02445 to Present)</b>	Ref.	1
	4922029	<b>20VP (Prior to S/N 02445)</b>	Ref.	1
	4922203	<b>20VP (S/N 02445 to Present)</b>	Ref.	1
101	7020216	Harness, Connector (Includes Items 102,103, 110, 111 & 114)	1	
	1060616	Cable, Electrical - 18/8	A/R	
102	4460671	Receptacle - 12 Position	1	
103	4460672	Pin, Female	1	
104	4460682	Receptacle - 15 Socket	1	
105	4460643	Shell, Receptacle (For 15 Socket Receptacle)	1	
106	Not Used			
107	4460683	Pin	8	
108	Not Used			
109	4460771	Plug, Male - 9 Position (S/N 02445 to Present)	1	
110	4460772	Plug, Female - 9 Position (S/N 02445 to Present)	1	
111	4460773	Backshell (S/N 02445 to Present)	2	
112	4460774	Plug, Dust Cap (S/N 02445 to Present)	1	
113	4460775	Pin, Male (S/N 02445 to Present)	9	
114	4460776	Pin, Female (S/N 02445 to Present)	9	
115	4240033	Tie Strap (S/N 02445 to Present)	1	
		<b>MISCELLANEOUS HARNESSES AND COMPONENTS</b>	Ref.	
201	4460648	Receptacle - 2 Position (Located at Drive Motor)	2	
202	Not Available	Harness Assembly - Brake	2	
202A	4460320	Connector, Female - 2 Position	1	
	4460268	Socket	1	
	4460267	Pin	1	
202B	4460424	Connector, Male - 2 Position	1	
	4460268	Socket	1	
	4460267	Pin	1	
203	7018567	DC Battery Charger Harness Assembly	1	
203A	7011621	Connector, Male - 2 Position	1	
	4460267	Pin	2	
		<b>ACCESSORIES HARNESSES AND COMPONENTS</b>	Ref.	
301	Not Available	Beacon Light Harness Assembly	1	
302	4460445	Receptacle - 3 Position (Attach to #5 for Tilt Sensor)	1	
	4460227	Pin	3	

**SECTION 7 ELECTRICAL**

# SECTION 7 ELECTRICAL

**FIGURE 7-2. HARNESS AND CABLES INSTALLATION**

FIG & ITEM #	PART NUMBER	DESCRIPTION	QTY.	REV.
		<b>TOOLS</b>	Ref.	
401	7002821	Crimper (For Wire to Pin/Socket Connections)	1	
402	7002830	Extractor (For Removal of Pin/Socket from Connectors) (Not Shown)	1	
403	Not Used			
404	7002828	Stripper, Wire	1	
405	7016618	Extractor, Pin (16-18 Gauge) (For Removal of Pin/Socket from Connectors at Control Box) (Not Shown)	1	

**SECTION 7 ELECTRICAL**



# SECTION 8 DECALS

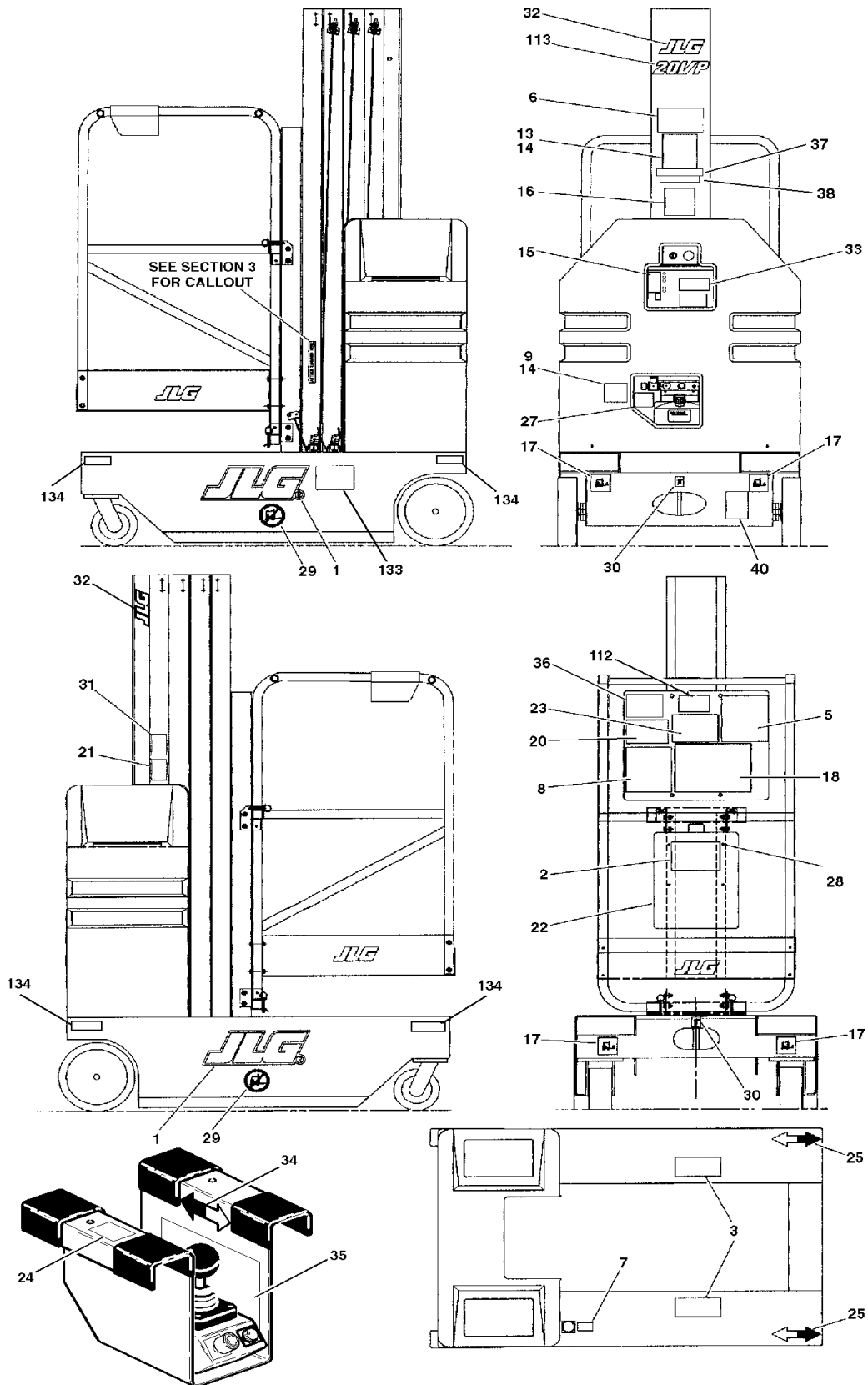
TABLE OF CONTENTS		
FIGURE	DESCRIPTION	PAGE
8-1	DECALS INSTALLATION .....	8-2

**S  
E  
C  
T  
I  
O  
N  
  
8  
  
D  
E  
C  
A  
L  
S**

# SECTION 8

# DECALS

### FIGURE 8-1.DECALS INSTALLATION



SECTION 8 DECALS

# SECTION 8      DECALS

**FIGURE 8-1. DECALS INSTALLATION**

FIG & ITEM #	PART NUMBER	DESCRIPTION	QTY.	REV.
		<b>DECAL INSTALLATIONS</b>	Ref.	
	0257940	<b>Australian Decals</b>	Ref.	4
	0257937	<b>Dutch Spec Decals</b>	Ref.	2
	0257934	<b>French Spec Decals</b>	Ref.	2
	0257933	<b>German Spec Decals</b>	Ref.	2
	0257936	<b>Italian Spec Decals</b>	Ref.	2
	0257935	<b>Spanish Spec Decals</b>	Ref.	2
	0257939	<b>UK Spec Decals</b>	Ref.	4
1	1703625	Decal - JLG	2	
2		Decal - Read Instructions Options:	1	
	1702110	Australian & UK		
	1702475	Dutch		
	1702472	French		
	1702471	German		
	1702474	Italian		
	1702473	Spanish		
3		Decal - Crushing Options:	2	
	1702364	Australian & UK		
	1702494	Dutch		
	1702491	French		
	1702490	German		
	1702493	Italian		
	1702492	Spanish		
4	Not Used			
5		Decal - Electrocution Hazard Options:	1	
	1702361	Australian & UK		
	1702455	Dutch		
	1702452	French		
	1702451	German		
	1702454	Italian		
	1702453	Spanish		
6		Decal - Daily Checklist Options:	1	
	1702885	Australian & UK		
	1703052	Dutch		
	1703037	French		
	1703032	German		
	1703047	Italian		
	1703042	Spanish		
7		Decal - Leveling Options:	1	
	1702886	Australian & UK		
	1703204	Dutch		
	1703201	French		
	1703200	German		
	1703203	Italian		
	1703202	Spanish		

SECTION 8 DECALS

# SECTION 8      DECALS

**FIGURE 8-1. DECALS INSTALLATION (CONTINUED)**

FIG & ITEM #	PART NUMBER	DESCRIPTION	QTY.	REV.
8		Decal - Operation Options:	1	
	1702887	Australian & UK		
	1703053	Dutch		
	1703038	French		
	1703033	German		
	1703048	Italian		
	1703043	Spanish		
9	1702922	Decal - Manual Decent	1	
10	Not Used			
11	Not Used			
12	Not Used			
13	Not Available	Nameplate, Serial Number	1	
14	3820006	Rivet	8	
15		Decal - Explosion/Fire Hazard Options:	1	
	1702437	Australian & UK		
	1702526	Dutch		
	1702523	French		
	1702522	German		
	1702525	Italian		
	1702524	Spanish		
16	Not Available	Decal - Bar Code	1	
17	1703073	Decal - Fork Pockets	4	
18	1702905	Decal - Joystick	1	
19	Not Used			
20		Decal - Brake Options:	1	
	1703635	Australian & UK		
	1703648	Dutch		
	1703645	French		
	1703644	German		
	1703647	Italian		
	1703646	Spanish		
21		Decal - Brake Symbol Options:	1	
	1703636	Australian & UK		
	1703655	Dutch		
	1703652	French		
	1703651	German		
	1703654	Italian		
	1703653	Spanish		
22	0860520	Box, Manual Storage	1	
23		Decal - Warning Options:	1	
	1702282	Australian & UK		
	1703056	Dutch		
	1703041	French		
	1703036	German		
	1703051	Italian		
	1703046	Spanish		

# SECTION 8      DECALS

**FIGURE 8-1. DECALS INSTALLATION (CONTINUED)**

FIG & ITEM #	PART NUMBER	DESCRIPTION	QTY.	REV.
24		Decal - Control Box Location Options:	1	
	1703684	Australian & UK		
	1703722	Dutch		
	1703719	French		
	1703718	German		
	1703721	Italian		
	1703685	Spanish		
25	1703687	Decal - Arrow	2	
26	Not Used			
27	1702923	Decal - Ground Controls	1	
28	3820024	Rivet	4	
29	1703072	Decal - No Forklift	2	
30	1702300	Decal - Tie Down	2	
31		Decal - Tow/Winching Options:	1	
	1703708	Australian & UK		
	1703737	Dutch		
	1703734	French		
	1703733	German		
	1703736	Italian		
	1703735	Spanish		
32	1703681	Decal - JLG	3	
33	1703682	Decal - Charger Cord Location	1	
34	1703688	Decal - Arrow	2	
35		Decal - Operation Options:	1	
	1703658	Australian & UK (Prior to S/N 03076)		
	1704527	Australian & UK (S/N 03076 to Present)		
	1703713	Dutch		
	1703710	French		
	1703709	German		
	1703712	Italian		
	1703711	Spanish		
36	1703665	Decal - Danger (Australian Spec Only)	1	
37	1703663	Decal - Maintenance (Australian Spec Only)	1	
38	1703661	Decal - Caution (Australian Spec Only)	1	
		-----		
		Decal Kit Options:	1	
	2900979	Dutch Spec		
	2900976	French Spec		
	2900977	German Spec		
	2900978	Italian Spec		
	2900980	Spanish Spec		
	2900983	UK Spec		
39	Not Used			
40	1700584	Decal - Patent (Standard Machines Only) (S/N 03247 to Present)		

SECTION 8 DECALS

# SECTION 8      DECALS

**FIGURE 8-1. DECALS INSTALLATION (CONTINUED)**

FIG & ITEM #	PART NUMBER	DESCRIPTION	QTY.	REV.
		<b>OPTIONAL DECALS INSTALLATION</b>	Ref.	
101 to 111	Not Used			
112		Decal - Capacity Options:	1	
	1703235	160kg (Non-Extendible Platforms) (Prior to S/N 02995)		
	1703244	160kg (Non-Extendible Platforms) (S/N 001924 to Present)		
	1703671	160kg/120kg (Extendible Platforms)		
113		Decal - Model Designation Options:	1	
	1702881	10VP		
	1702882	15VP		
	1702883	20VP		
114 to 132	Not Used			
133	1702928	Decal - CE	1	
134		Decal - Wheel Load Options: (S/N 02995 to Present)	4	
	1703501	10VP		
	1703502	15VP		
	1703503	20VP		

**SECTION 8 DECALS**

# SECTION 9 RECOMMENDED SERVICE PARTS STOCK

## 10VP/15VP/20VP

The following list will service fleets of machines (built to current production per date on the front cover) with emergency repair parts which can be installed in the field. Parts from the list should be replaced when inventory is depleted to keep service parts stock supplied. For further information, contact your JLG dealer or the JLG Industries Parts Department.

JLG PART NUMBER	DESCRIPTION	QTY PER FLEET		
		1-10	10-20	20 OR MORE
<b>STANDARD PARTS</b>				
7014117	Switch, Micro (Figure 1-2)	1	1	1
3740130	Relay 100-Amp (Figure 2-1)	1	1	1
4360314	Switch, Toggle (Figure 2-1)	1	1	1
3740069	Relay, Power 24 VDC (Figure 2-1)	1	1	1
7020078	Switch, Push-Turn (Figure 2-1)	1	1	1
4360471	Switch, Key (Figure 2-1)	1	1	1
7020174	Key, Replacement (Figure 2-1)	1	1	1
1600304	Control Box Assembly (Figure 2-2)	1	1	1
7011509	Breaker, Circuit - DC (Figures 2-3 & 2-4)	1	1	1
7018557	Breaker, Circuit - AC (Figures 2-3 & 2-4)	1	1	1
7013723	Filter - Hydraulic (Figure 2-5)	4	8	12
7016714	Breather (Figure 2-5)	1	2	3
3990010	Diode (Figure 7-2)	2	2	2
2400006	Fuse - 5 Amp (Figure 7-2)	2	2	2
<b>VARIABLE PARTS</b>				
4360456	Switch, Limit (Figure 1-4)	1	1	1
7018563	Relay (European Spec) (Figure 2-3)	1	1	1
7018535	Relay (Australian Spec) (Figure 2-3)	1	1	1
7018564	Relay (UK Spec) (Figure 2-4)	1	1	1
4360435	Switch, Tilt (Figure 2-5)	1	1	1
4360437	Switch, Limit (Figure 3-1, 3-2 & 3-3)	1	1	1

**SECTION 9**

**RECOMMENDED SERVICE PARTS**

10VP/15VP/20VP

The following list will service fleets of machines (built to current production per date on the front cover) with emergency repair parts which can be installed in the field. Parts from the list should be replaced when inventory is depleted to keep service parts stock supplied. For further information, contact your JLG dealer or the JLG Industries Parts Department.

JLG PART NUMBER	DESCRIPTION	QTY PER FLEET		
		1-10	10-20	20 OR MORE



# SECTION 10 SPECIAL OPTIONS

Note: This list is to accommodate machines ordered with special equipment. Options may not be applicable to all models. For more specific parts information contact JLG Parts Department.				
FIG & ITEM #	PART NUMBER	DESCRIPTION	QTY.	REV.
	0256789	<b>CAMERA MOUNT ASSEMBLY</b>	Ref.	
	1670815	<b>COVER - TRAVEL/STORAGE</b>	Ref.	
	0270113	<b>MAST SHIELD ASSEMBLY</b>	Ref.	
		<b>TOOLS</b>	Ref.	
	0080229	Adapter, Torque Setting Socket (To Set Slip-Clutch Torque)	1	
	2900868	Computer Analyzer Kit (Includes Analyzer, Cable and Instruction Sheet)	1	
	7002821	Crimper (For Wire to Pin/Socket Connections)	1	
	7002830	Extractor (For Removal of Pin/Socket from Connectors)	1	
	7016654	Screwdriver, Magnetic	1	
	7004275	Seal Tool - 1"	1	
	7004276	Seal Tool - 1 1/2"	1	
	7002826	Seal Tool - 2"	1	
	7002828	Stripper, Wire	1	

SECTION 10 SPECIAL OPTIONS

# SECTION 10 SPECIAL OPTIONS

**S  
E  
C  
T  
I  
O  
N  
  
1  
0  
  
S  
P  
E  
C  
I  
A  
L  
  
O  
P  
T  
I  
O  
N  
S**

Note: This list is to accommodate machines ordered with special equipment. Options may not be applicable to all models. For more specific parts information contact JLG Parts Department.

FIG & ITEM #	PART NUMBER	DESCRIPTION	QTY.	REV.

## SECTION 11 PART NUMBER INDEX

Part Number	Page	Part Number	Page	Part Number	Page	Part Number	Page
0080229	10-1	0258603	4-17	0801113	3-11	1320218	4-29
0100011	1-3, 1-4, 1-7, 1-13, 2-3, 3-4, 3-8, 3- 12, 4-3, 4-4, 4-8, 4-21, 4-25	0258672	4-7	0801115	3-7	1320227	2-8
0100019	1-5, 1-7, 2-7	0258718	1-3, 1-7	0801120	3-3	1380132	2-8, 4-22, 4-26
0100020	6-3	0258877	4-7	0860520	4-3, 8-4	1400126	1-7, 1-8
0100035	1-5, 1-7, 1-13, 2-7, 3-4, 3-8, 3-12	0258878	4-7	0860946	2-7	1600238	2-3
0100048	2-8	0270113	3-9, 3-14, 10-1	0861053	2-3, 2-4	1600267	2-7, 2-17
0100051	2-4	0362347	4-3, 4-7	0861292	2-3, 2-4	1600304	2-7, 2-17, 9-1
0100062	3-4, 3-8, 3-9, 3-13, 3-14	0362377	3-3, 3-7, 3-11	0861356	2-3, 2-4	1600305	2-3
0181857	2-3	0362384	4-3	0880124	1-4	1670815	10-1
0255036	4-29	0362658	2-4	0901992	3-11	1683554	3-3, 3-7, 3-11, 5-3
0255040	4-29	0400122	2-3	0901993	3-7, 3-11	1700584	8-5
0255853	4-29	0400157	2-13	0902042	3-3, 3-7, 3-12	1701612	4-11, 4-14, 4-18, 4- 21, 4-26
0256197	1-4	0400166	2-11	0902047	3-3, 3-7, 3-11	1702110	8-3
0256559	3-17	0400167	2-11	0902079	4-29	1702282	8-4
0256599	2-3	0440221	1-7	0902084	3-4, 3-8, 3-12	1702300	8-5
0256789	10-1	0561145	3-8, 3-12	0902248	2-3	1702361	8-3
0256851	1-7	0561149	3-9, 3-13, 3-14	0902250	2-3	1702364	8-3
0257235	1-3	0561150	3-4, 3-8, 3-13	0902256	1-4	1702365	4-29
0257236	1-3	0561151	3-9, 3-13, 3-14	0902285	3-4, 3-8, 3-12	1702437	8-4
0257238	1-3	0561152	3-3, 3-7, 3-11	0902395	4-13, 4-17, 4-21, 4- 25	1702451	8-3
0257241	1-3, 1-7	0561153	3-4, 3-8, 3-13	0902643	2-3	1702452	8-3
0257490	1-13	0561284	1-5	0902877	4-17, 4-25	1702453	8-3
0257601	2-7	0630446	1-3	0960407	2-8	1702454	8-3
0257610	2-7	0630504	2-4	0961845	4-11	1702455	8-3
0257620	4-11	0641404	1-4, 3-4, 3-8, 3-12	1020008	2-8	1702471	8-3
0257621	4-21	0641405	1-13	1060380	2-7, 4-7, 4-11, 4-13, 4-17, 4-21, 4-25, 4-29	1702472	8-3
0257622	4-13	0641406	1-3, 2-3, 2-7, 3-3, 3- 7, 3-12	1060541	3-4, 3-8, 3-12	1702473	8-3
0257624	2-7	0641408	1-4, 3-9, 3-14, 4-7, 4-11, 4-13, 4-17, 4-21, 4-25	1060616	7-7	1702474	8-3
0257648	3-17	0641409	2-8	1060618	7-6	1702475	8-3
0257656	4-13	0641410	3-7, 3-11, 4-29	1060619	7-6	1702490	8-3
0257672	4-21	0641412	2-7	1060620	7-6	1702491	8-3
0257711	4-11	0641414	2-8, 4-11, 4-13, 4- 17, 4-21, 4-25	1060649	1-13	1702492	8-3
0257713	4-13	0641416	2-8, 4-3, 4-7, 4-22, 4-26	1060658	1-3, 1-5	1702493	8-3
0257741	4-13	0641418	4-11	1060661	1-5	1702494	8-3
0257926	4-13	0641505	1-4	1060662	1-5	1702522	8-4
0257927	4-13	0641508	1-3, 2-4	1060663	2-7	1702523	8-4
0257928	4-11	0641518	4-3	1060678	4-14, 4-22	1702524	8-4
0257933	8-3	0641528	1-5	1100103	1-13	1702525	8-4
0257934	8-3	0641608	1-3, 1-5, 2-3	1180344	2-8	1702526	8-4
0257935	8-3	0641609	1-3, 1-4, 1-7, 3-17	1260298	3-9, 3-13, 3-14	1702612	3-17
0257936	8-3	0641610	1-7	1260299	3-4, 3-8, 3-13	1702881	8-6
0257937	8-3	0641612	1-4	1260324	3-3, 3-4, 3-7, 3-8, 3- 11, 3-13	1702882	8-6
0257939	8-3	0641711	1-7	1260325	3-7, 3-9, 3-11, 3-13	1702883	8-6
0257940	8-3	0641810	1-4	1260326	3-11, 3-13	1702885	8-3
0258000	4-3	0641812	3-17	1260366	3-11, 3-13	1702886	8-3
0258007	4-3	0720805	4-22, 4-26	1260367	3-11, 3-14	1702887	8-4
0258582	1-4	0721005	2-8	1271342	3-3, 3-7, 3-11	1702905	8-4
0258586	4-25	0721006	2-3, 4-18, 4-25	1271343	3-3, 3-7, 3-11	1702922	8-4
0258587	4-17	0740602	3-8, 3-12	1271344	3-11	1702923	8-5
0258588	4-17	0740603	3-4	1271345	3-7, 3-11	1702928	8-6
0258597	4-25	0741407	2-3	1271357	3-7, 3-11	1703032	8-3
0258599	4-17	0741605	2-4	1271361	3-3	1703033	8-4
0258600	4-17	0741609	1-7	1320041	1-4	1703036	8-4
0258602	4-17	0750802	4-29	1320043	2-7, 2-8	1703037	8-3
				1320149	2-7	1703038	8-4
						1703041	8-4
						1703042	8-3
						1703043	8-4

# SECTION 11 PART NUMBER INDEX

Part Number	Page	Part Number	Page	Part Number	Page	Part Number	Page
1703046	8-4	1704277	3-17	3300392	2-3	3520169	4-11
1703047	8-3	1704527	8-5	3300416	2-7	3537920	3-9, 3-13
1703048	8-4	2020005	4-21, 4-25	3310601	1-4	3537932	3-3, 3-7, 3-11, 3-13, 3-14
1703051	8-4	2220416	6-3	3310801	2-7, 2-8	3539565	2-3
1703052	8-3	2220472	6-3	3310805	2-3, 4-22, 4-26	3539617	2-8
1703053	8-4	2220473	6-3	3311001	2-4, 2-8, 4-3, 4-7	3539659	1-3
1703056	8-4	2220507	6-3	3311005	1-13, 2-3, 4-3, 4-7, 4-18, 4-21, 4-25, 4-26	3539660	1-3
1703072	8-5	2220603	6-3	3311401	1-4, 3-9, 3-14	3539814	3-17
1703073	8-4	2220875	6-3	3311405	1-4, 2-3, 2-7, 3-3, 3-7, 3-11, 4-3, 4-7, 4-11, 4-13, 4-17, 4-21, 4-25, 4-29	3570168	1-7
1703200	8-3	2221021	6-3	3311501	1-5, 4-3	3570169	1-7
1703201	8-3	2221022	6-3	3311505	1-4, 4-3, 4-7, 4-13, 4-17, 4-21, 4-25	3570172	1-4
1703202	8-3	2400006	7-6, 9-1	3311601	3-4, 3-8, 3-12, 3-17	3570230	1-13
1703203	8-3	2420140	1-4	3311605	1-3, 1-4, 1-5, 1-7, 2-3, 2-7	3570274	4-21, 4-25
1703204	8-3	2560150	1-5	3311705	1-7	3570312	3-17
1703235	8-6	2560154	4-21, 4-25	3311802	4-13, 4-21	3570362	4-21, 4-25
1703244	8-6	2600225	4-13, 4-17, 4-21, 4-25	3311805	1-4	3570382	1-5
1703455	3-17	2680432	2-3	3312002	1-13	3570389	3-4, 3-8, 3-12
1703501	8-6	2700080	2-3	3340704	3-3, 3-7, 3-11	3570435	4-11
1703502	8-6	2792252	6-3	3340709	3-8, 3-12	3570462	4-13, 4-17
1703503	8-6	2792253	6-3	3340746	4-3, 4-7	3570464	4-13, 4-17
1703625	8-3	2792373	6-3	3340754	4-3, 4-7	3570653	4-22, 4-26
1703635	8-4	2792374	6-3	3340829	4-21, 4-25	3570654	4-22, 4-26
1703636	8-4	2820018	4-14	3340845	3-3, 3-7, 3-11	3570680	2-7
1703644	8-4	2820022	4-22	3380441	2-7	3570737	2-8
1703645	8-4	2820085	1-4	3421453	4-29	3580226	3-7, 3-11
1703646	8-4	2820086	1-3	3422265	3-4, 3-8, 3-13	3580227	3-3, 3-7, 3-11
1703647	8-4	2820086	1-3	3422338	3-4, 3-8, 3-9, 3-12, 3-13, 3-14	3580228	3-3, 3-7, 3-11
1703648	8-4	2860026	1-4	3422339	3-7, 3-11	3580231	2-7
1703651	8-4	2860027	1-7	3422341	3-3, 3-7, 3-11	3580269	3-3, 3-7, 3-11
1703652	8-4	2860028	1-11	3422346	3-9, 3-13, 3-14	3600254	2-15, 6-3
1703653	8-4	2860029	1-7	3422355	3-9, 3-13, 3-14	3600255	2-15
1703654	8-4	2860030	2-4	3422361	3-3, 3-7, 3-11	3640923	4-3
1703655	8-4	2900868	2-3, 10-1	3422657	2-7, 4-7, 4-11, 4-13, 4-17, 4-21, 4-25	3640924	4-3, 4-7
1703658	8-5	2900976	8-5	3422658	4-13, 4-21	3640990	4-3, 4-7
1703661	8-5	2900977	8-5	3430630	1-13	3740069	2-4, 9-1
1703663	8-5	2900978	8-5	3430638	1-13	3740120	2-3
1703665	8-5	2900979	8-5	3440418	1-13	3740130	2-3, 9-1
1703671	8-6	2900980	8-5	3440520	1-7	3760170	2-8, 4-29
1703681	4-11, 4-26, 8-5	2900983	8-5	3450201	3-4, 3-8, 3-13	3760383	3-8, 3-12
1703682	8-5	2901445	3-8	3450304	3-9, 3-13, 3-14	3760393	1-3
1703684	8-5	2901515	3-12	3450403	1-13	3820006	8-4
1703685	8-5	2901522	3-4	3452355	3-13	3820024	2-8, 4-4, 4-8, 8-5
1703687	8-5	2901542	2-8	3510454	4-3	3820032	4-3
1703688	8-5	2901551	4-13, 4-21	3510477	4-3	3841343	1-13
1703708	8-5	2901552	4-13	3510676	4-7	3900032	4-13, 4-17, 4-21, 4-25
1703709	8-5	2920127	4-29	3520028	4-8	3900177	4-3, 4-7
1703710	8-5	2940074	4-17, 4-25	3520030	4-22, 4-26	3900187	3-3, 3-7, 3-12
1703711	8-5	2940082	4-4, 4-8	3520072	4-3, 4-7, 4-13, 4-17, 4-21, 4-25	3900191	3-3, 3-7, 3-12
1703712	8-5	3020017	1-3	3520166	3-4, 3-8, 3-12	3900192	3-3, 3-7, 3-11
1703713	8-5	3020022	1-13			3900200	2-7, 4-21, 4-25
1703718	8-5	3020035	3-4, 3-8, 3-12			3900202	1-13, 4-3, 4-7
1703719	8-5	3160217	1-7, 1-11			3900203	4-3, 4-7
1703721	8-5	3160234	1-7, 1-11			3900204	4-29
1703722	8-5	3271805	3-17			3900205	3-4, 3-8, 3-12
1703733	8-5	3300047	2-8			3900206	3-4
1703734	8-5	3300151	4-4, 4-8			3900210	3-3, 3-7
1703735	8-5	3300202	2-3			3900221	1-7
1703736	8-5	3300356	4-3, 4-18, 4-26				
1703737	8-5	3300391	4-29				

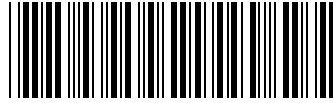
# SECTION 11 PART NUMBER INDEX

Part Number	Page	Part Number	Page	Part Number	Page	Part Number	Page
3900248	1-5		18, 4-21, 4-25	4740428	4-3, 4-7	4845811	4-25
3900249	1-13	4460023	2-8	4740429	4-3, 4-7	4845812	4-25
3900251	4-13, 4-21, 4-26	4460044	7-6	4740430	1-4	4845813	4-17
3900252	4-21, 4-25	4460121	3-4, 3-8, 3-12, 4-14, 4-22	4740478	1-7	4845822	4-7
3900258	4-17, 4-25, 4-26			4750600	1-4, 1-13, 2-3	4845831	4-7
3910620	1-4, 1-13	4460142	4-14, 4-22	4750800	1-7, 2-7, 2-8, 4-22, 4-26	4845875	1-3, 2-4
3910806	2-8	4460227	7-7	4751000	1-4, 2-3, 2-4, 2-8, 3-4, 3-8, 3-12, 4-3, 4-7, 4-18, 4-21, 4-25	4845877	1-3
3910812	2-3	4460267	2-11, 2-13, 7-6, 7-7	4751400	1-3, 2-3, 4-3, 4-7	4845878	1-3, 2-4
3911010	2-4	4460268	7-6, 7-7	4751500	1-3, 2-4, 2-7, 3-4, 3-8, 3-12, 3-13, 3-14, 4-3	4860175	1-3
3911018	3-4	4460320	7-6, 7-7	4751600	1-3, 1-4, 1-5, 1-7, 1-13, 2-3, 3-11	4860177	1-3
3911020	3-8, 3-12	4460424	2-11, 2-13, 7-6, 7-7	4751800	1-4, 3-17	4921963	7-6
3911032	4-3, 4-7	4460425	4-29	4752600	3-3	4921964	7-6
3930808	1-7	4460445	7-7	4760800	2-8	4921965	7-6
3990010	7-6, 9-1	4460549	2-8	4761000	2-4, 2-8, 3-3, 3-7, 3-12	4921966	7-6
4040259	1-7	4460566	2-7	4761400	3-3, 3-11	4921967	7-6
4040268	1-7	4460633	2-4	4761600	3-7	4921968	7-6
4060803	4-11, 4-14, 4-18, 4-22, 4-26	4460643	7-6, 7-7	4845258	1-3	4921969	7-6
4060804	4-7	4460644	7-6	4845260	1-4	4922027	2-7, 7-7
4060805	4-3	4460645	7-6	4845261	1-4	4922028	2-7, 7-7
4060877	3-4, 3-8, 3-12	4460646	7-6	4845266	2-4	4922029	2-7, 7-7
4060882	4-3, 4-7	4460647	7-6	4845345	3-17	4922201	2-7, 7-7
4060993	3-9, 3-14	4460648	1-3, 7-6, 7-7	4845377	1-4	4922202	2-7, 7-7
4061004	3-12	4460662	1-13	4845473	1-7	4922203	2-7, 7-7
4070860	3-3, 3-7, 3-11	4460671	7-7	4845474	1-3	4932960	7-6
4070861	3-3, 3-7, 3-11	4460672	7-7	4845477	1-7	7002821	7-8, 10-1
4070862	3-3, 3-7, 3-11	4460681	7-6	4845478	1-4	7002826	10-1
4070875	3-8, 3-12	4460682	7-7	4845507	1-13	7002828	7-8, 10-1
4070876	3-8, 3-12	4460683	7-7	4845508	1-13	7002830	7-8, 10-1
4070877	3-8, 3-12	4460684	7-6	4845509	1-13	7003245	5-3
4070890	4-3, 4-7	4460771	7-7	4845535	4-21	7003246	5-3
4070894	4-4, 4-8	4460772	7-7	4845536	4-21	7003247	5-3
4160124	3-3, 3-7, 3-11	4460773	7-7	4845537	4-13, 4-21	7003248	5-3
4160125	4-3, 4-7	4460774	7-7	4845544	3-3, 3-7, 3-11, 3-12	7003249	5-3
4160130	2-7	4460775	7-7	4845545	4-21	7004275	10-1
4160160	1-13	4460776	7-7	4845551	1-3	7004276	10-1
4160162	1-13	4566486	3-11	4845556	1-3	7011455	2-11
4160164	1-3	4566487	3-7, 3-11	4845577	4-11	7011509	2-11, 2-13, 9-1
4160165	4-14, 4-18, 4-22, 4-26	4566846	3-4	4845578	4-11	7011528	2-11, 2-13
4160166	1-5	4566847	4-29	4845583	4-13	7011544	2-13
4220160	3-4, 3-8, 3-12, 4-14, 4-22	4566950	6-3	4845584	4-13	7011621	7-7
4240032	3-4, 3-8, 3-12	4567186	6-3	4845585	4-13	7011649	2-13
4240033	7-7	4567203	1-13	4845586	4-13	7011667	2-11
4240084	1-5	4567634	6-3	4845614	4-21, 4-25	7012637	2-4
4280296	4-11, 4-22, 4-26, 4-29	4640900	6-3	4845657	4-22, 4-26	7013701	2-15
4300111	3-4, 3-8, 3-9, 3-13, 3-14	4640956	6-3	4845663	4-13	7013708	2-15
4300115	4-3	4711400	1-4, 1-13, 2-3, 2-7, 3-3, 3-7, 3-9, 3-12, 3-14, 4-7, 4-11, 4-13, 4-17, 4-21, 4-25	4845697	4-11	7013713	2-15
4360314	2-4, 9-1	4711500	1-4, 3-9, 3-13, 4-3, 4-7, 4-22, 4-26	4845804	1-4	7013714	2-15
4360433	2-4	4711600	1-4, 3-17, 4-13, 4-17, 4-21, 4-25	4845805	4-17	7013715	2-15
4360435	9-1	4711700	1-7	4845806	4-7, 4-11, 4-17, 4-25	7013716	2-15
4360437	3-4, 3-8, 3-12, 9-1	4712000	1-13	4845807	4-7, 4-11, 4-17	7013717	2-15
4360456	1-13, 9-1	4712600	3-11	4845808	4-17	7013720	2-15
4360471	9-1	4740120	2-8	4845809	4-17	7013722	2-15
4360472	2-4	4740414	3-3, 3-7, 3-11	4845810	4-25	7013723	2-15, 9-1
4420039	4-3, 4-11, 4-14, 4-					7013727	2-15
						7013728	2-15
						7013733	2-15
						7013743	2-15
						7013747	2-15
						7013750	2-15

## SECTION 11 PART NUMBER INDEX

Part Number	Page	Part Number	Page	Part Number	Page	Part Number	Page
7013758	2-15	7018015	1-11	7023359	1-8		
7013759	2-15	7018018	1-11	7023360	1-8		
7013766	2-15	7018019	1-11	7023361	1-8		
7013770	2-15	7018026	1-11	7026038	2-17		
7013791	2-15	7018027	1-11	7026039	2-17		
7013792	2-15	7018028	1-11				
7013793	2-15	7018044	1-11				
7014117	1-7, 9-1	7018535	2-11, 9-1				
7014118	1-7	7018536	2-11				
7014119	1-7	7018537	2-11				
7014120	1-7	7018551	2-11				
7016339	2-4	7018553	2-11				
7016618	7-8	7018554	2-11, 2-13				
7016654	10-1	7018555	2-11, 2-13				
7016683	1-8	7018556	2-11				
7016684	1-8	7018557	2-11, 2-13, 9-1				
7016685	1-8	7018562	2-11, 2-13				
7016686	1-8	7018563	2-11, 9-1				
7016687	1-8	7018564	2-13, 9-1				
7016688	1-8	7018567	2-11, 2-13, 7-7				
7016689	1-8	7018586	2-13				
7016690	1-8	7018589	2-13				
7016691	1-8	7019659	1-3				
7016710	2-15	7019660	1-3				
7016711	2-15	7019661	1-3				
7016712	2-15	7019662	1-3				
7016713	2-15	7019663	1-3				
7016714	2-15, 9-1	7019813	5-3				
7016718	2-15	7019814	5-3				
7016719	2-15	7020075	2-7				
7016720	2-15	7020076	2-7				
7016721	2-15	7020078	2-4, 9-1				
7016722	2-15	7020096	2-4				
7016723	2-15	7020139	2-17				
7016724	2-15	7020141	2-17				
7016735	2-15	7020142	2-17				
7016749	2-15	7020143	2-17				
7017701	2-4	7020144	2-17				
7017702	2-4	7020145	2-17				
7017703	2-4	7020146	2-17				
7017704	2-4	7020147	2-17				
7017705	2-4	7020174	9-1				
7017706	2-4	7020216	7-7				
7017713	2-4	7020267	2-4				
7017714	2-4	7020620	2-13				
7017715	2-4	7022205	2-15				
7017717	2-15	7022206	2-15				
7018000	1-11	7023201	2-17				
7018001	1-11	7023202	2-17				
7018002	1-11	7023341	2-3				
7018005	1-11	7023342	2-3				
7018007	1-11	7023351	1-8				
7018008	1-11	7023352	1-8				
7018009	1-11	7023353	1-8				
7018010	1-11	7023354	1-8				
7018011	1-11	7023355	1-8				
7018012	1-11	7023356	1-8				
7018013	1-11	7023357	1-8				
7018014	1-11	7023358	1-8				





3120850



An Oshkosh Corporation Company

Corporate Office  
JLG Industries, Inc.  
1 JLG Drive  
McConnellsburg PA. 17233-9533  
USA

☎ (717) 485-5161

📠 (717) 485-6417

## JLG Worldwide Locations

JLG Industries (Australia)  
P.O. Box 5119  
11 Bolwarra Road  
Port Macquarie  
N.S.W. 2444  
Australia

☎ +61 2 65 811111

📠 +61 2 65 810122

JLG Latino Americana Ltda.  
Rua Eng. Carlos Stevenson,  
80-Suite 71  
13092-310 Campinas-SP  
Brazil

☎ +55 19 3295 0407

📠 +55 19 3295 1025

JLG Industries (UK) Ltd  
Bentley House  
Bentley Avenue  
Middleton  
Greater Manchester  
M24 2GP - England

☎ +44 (0)161 654 1000

📠 +44 (0)161 654 1001

JLG France SAS  
Z.I. de Baulieu  
47400 Fauillet  
France

☎ +33 (0)5 53 88 31 70

📠 +33 (0)5 53 88 31 79

JLG Deutschland GmbH  
Max-Planck-Str. 21  
D - 27721 Ritterhude - Ihlpohl  
Germany

☎ +49 (0)421 69 350 20

📠 +49 (0)421 69 350 45

JLG Equipment Services Ltd.  
Rm 1107 Landmark North  
39 Lung Sum Avenue  
Sheung Shui N. T.  
Hong Kong

☎ (852) 2639 5783

📠 (852) 2639 5797

JLG Industries (Italia) s.r.l.  
Via Po. 22  
20010 Pregnana Milanese - MI  
Italy

☎ +39 029 359 5210

📠 +39 029 359 5845

JLG Polska  
Ul. Krolewska  
00-060 Warszawa  
Poland

☎ +48 (0)914 320 245

📠 +48 (0)914 358 200

Oshkosh-JLG Singapore  
Technology Equipment Pte Ltd  
29 Tuas Ave 4,  
Jurong Industrial Estate  
Singapore, 639379

☎ +65-6591 9030

📠 +65-6591 9031

Plataformas Elevadoras  
JLG Iberica, S.L.  
Trapadella, 2  
Pl. Castellbisbal Sur  
08755 Castellbisbal, Barcelona  
Spain

☎ +34 93 772 4700

📠 +34 93 771 1762

JLG Sverige AB  
Enkopingsvagen 150  
Box 704  
SE - 176 27 Jarfalla  
Sweden

☎ +46 (0)850 659 500

📠 +46 (0)850 659 534

[www.jlg.com](http://www.jlg.com)