



Illustrated Parts Manual

Models
E45A/AJ
E40AJP
E40AJPnarrow
M45A/AJ
M40AJP
M40AJPnarrow

P/N
3120885
August 31, 2011



An Oshkosh Corporation Company

REVISION LOG

June 30, 1999 - Original Issue Of Manual
September 30, 1999 - Revised Manual (Revised to B/M 0010554 Revision 5)
November 1, 1999 - Updated Page 2-15
June 1, 2000 - Revised Manual (E45 & M45 Revised to B/M 0010554 Revision 15)
 Added E40 & M40 Models. (E40 & M40 Edited to B/M 0010571 Revision 1)
August 15, 2000 - Revised Manual (Revised to B/M 0010554 Revision 19)
January 27, 2004 - Revised Manual
January 31, 2008 - Revised Manual
August 31, 2011 - Revised Manual (Revision 1)

TABLE OF CONTENTS

SECTION 1 - FRAME.....	7
FIGURE 1-1. STEER INSTALLATION.....	8
FIGURE 1-2. TIRE AND WHEEL DRIVE INSTALLATION	12
FIGURE 1-3. DRIVE HUB ASSEMBLY	16
FIGURE 1-4. HYDRAULIC COMPONENTS INSTALLATION	18
FIGURE 1-5. BRAKE/STEER VALVE ASSEMBLY	20
FIGURE 1-6. BATTERIES AND CHARGER INSTALLATIONS.....	22
FIGURE 1-7. BATTERY CHARGER ASSEMBLY (Prior to SN 49542).....	26
FIGURE 1-8. BATTERY CHARGER ASSEMBLY (SN 49542 to Present).....	28
FIGURE 1-9. ELECTRICAL COMPONENTS INSTALLATION (FRAME MOUNTED).....	30
FIGURE 1-10. MOTOR/GENERATOR INSTALLATION (M45 & M40 ONLY)	34
FIGURE 1-11. FRAME COVERS INSTALLATION	38
SECTION 2 - TURNTABLE	41
FIGURE 2-1. VALVES AND HORN INSTALLATIONS	42
FIGURE 2-2. MAIN CONTROL VALVE ASSEMBLY.....	44
FIGURE 2-3. TURNTABLE AND SWING DRIVE INSTALLATION.....	48
FIGURE 2-4. SWING MOTOR ASSEMBLY	50
FIGURE 2-5. SWING BEARING ASSEMBLY	52
FIGURE 2-6. TANK AND MOTOR/GENERATOR COMPONENTS INSTALLATION (M45 & M40 ONLY).....	54
FIGURE 2-7. GROUND CONTROL BOX ASSEMBLY.....	56
FIGURE 2-8. HOODS AND BEACON LIGHT INSTALLATIONS.....	60
SECTION 3 - BOOM.....	63
FIGURE 3-1. BOOMS INSTALLATION	64
FIGURE 3-2. MAIN BOOM ASSEMBLY (E45A & M45A).....	68
FIGURE 3-3. MAIN BOOM ASSEMBLY (E45AJ & M45AJ)	70
FIGURE 3-4. MAIN BOOM ASSEMBLY (E40AJP & M40AJP).....	72
FIGURE 3-5. SUPPORT AND ROTATOR ASSEMBLY (E45A & M45A) (Prior to SN 49945).....	74
FIGURE 3-6. SUPPORT AND ROTATOR ASSEMBLY (E45A & M45A) (SN 49945 to Present)	76
FIGURE 3-7. SUPPORT/ROTATOR AND JIB ASSEMBLIES (AJ & AJP)	78
FIGURE 3-8. ROTATOR ASSEMBLY	82
FIGURE 3-9. CABLES/CLAMPS AND LIMIT SWITCHES INSTALLATIONS.....	86
SECTION 4 - PLATFORM.....	89
FIGURE 4-1. PLATFORM COMPONENTS INSTALLATION	90
FIGURE 4-2. PLATFORM PADDING INSTALLATION.....	92
FIGURE 4-3. PLATFORM CONSOLE ASSEMBLY.....	94
FIGURE 4-4. CONTROLLER ASSEMBLY (SWING AND LIFT).....	98
FIGURE 4-5. CONTROLLER ASSEMBLY (DRIVE AND STEER).....	100
SECTION 5 - CYLINDER.....	103
FIGURE 5-1. JIB CYLINDER ASSEMBLY (AJ & AJP).....	104
FIGURE 5-2. PLATFORM LEVEL CYLINDER ASSEMBLY (E45A & M45A)	106
FIGURE 5-3. PLATFORM LEVEL CYLINDER ASSEMBLY (AJ & AJP).....	108
FIGURE 5-4. LIFT CYLINDER ASSEMBLY - LOWER.....	110
FIGURE 5-5. LIFT CYLINDER ASSEMBLY - MID.....	112
FIGURE 5-6. LIFT CYLINDER ASSEMBLY - UPPER.....	114
FIGURE 5-7. MASTER CYLINDER ASSEMBLY (A MODELS).....	116
FIGURE 5-8. MASTER CYLINDER ASSEMBLY (AJ & AJP MODELS)	118
FIGURE 5-9. ROTATOR CYLINDER ASSEMBLY (E45 & M45 ONLY) (Prior to SN 49945).....	120
FIGURE 5-10. STEER CYLINDER ASSEMBLY.....	122
FIGURE 5-11. TELESCOPE CYLINDER ASSEMBLY (E45 & M45)	124
FIGURE 5-12. TELESCOPE CYLINDER ASSEMBLY (E40 & M40)	126
SECTION 6 - HYDRAULIC	129
FIGURE 6-1. STANDARD HYDRAULIC DIAGRAM (E45A & M45A)	130
FIGURE 6-2. STANDARD HYDRAULIC DIAGRAM (E45AJ & M45AJ).....	134
FIGURE 6-3. STANDARD HYDRAULIC DIAGRAM (E40AJP & M40AJP).....	138
FIGURE 6-4. HYDRAULIC DIAGRAM LIST	142

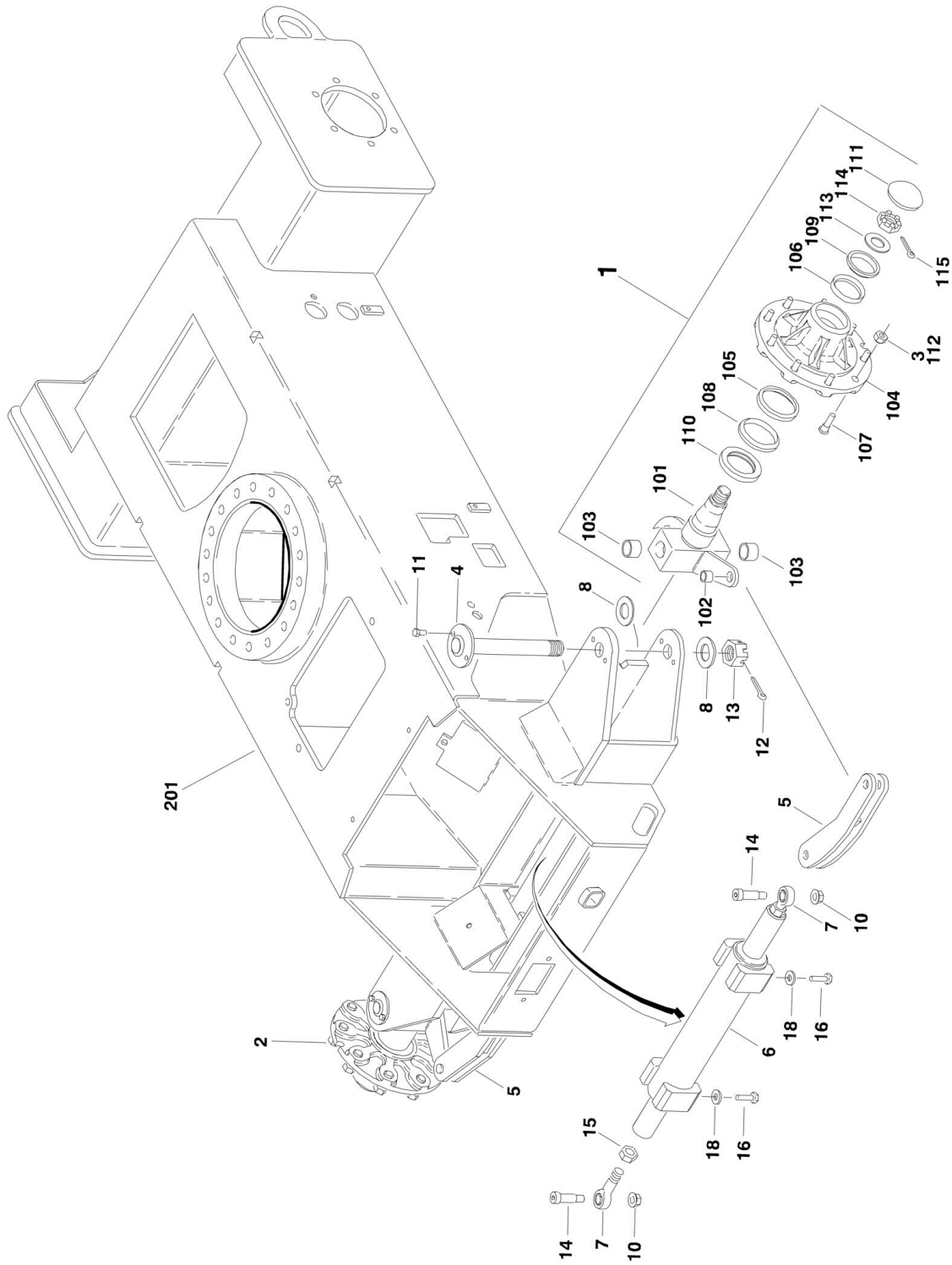
TABLE OF CONTENTS

SECTION 7 - ELECTRICAL.....	143
FIGURE 7-1. ELECTRICAL DIAGRAM LIST	144
FIGURE 7-2. ELECTRICAL SCHEMATIC (E45A & M45A MODELS).....	146
FIGURE 7-3. ELECTRICAL SCHEMATIC (E40AJP & M40AJP MODELS)	152
FIGURE 7-4. HARNESS COMPONENTS INSTALLATION	158
SECTION 8 - DECALS	167
FIGURE 8-1. DECALS INSTALLATION.....	168
SECTION 9 - RECOMMENDED SERVICE PARTS STOCK	173
FIGURE 9-1. MODELS E45/M45/E40 & M40 STANDARD PARTS	174
FIGURE 9-2. MODELS E45/M45/E40 & M40 VARIABLE PARTS	178
SECTION 10 - SPECIAL OPTIONS	181
FIGURE 10-1. SPECIAL OPTIONS	182
PART NUMBER INDEX.....	185

SECTION 1 - FRAME

SECTION 1 - FRAME

FIGURE 1-1. STEER INSTALLATION



SECTION 1 - FRAME

FIGURE 1-1. STEER INSTALLATION

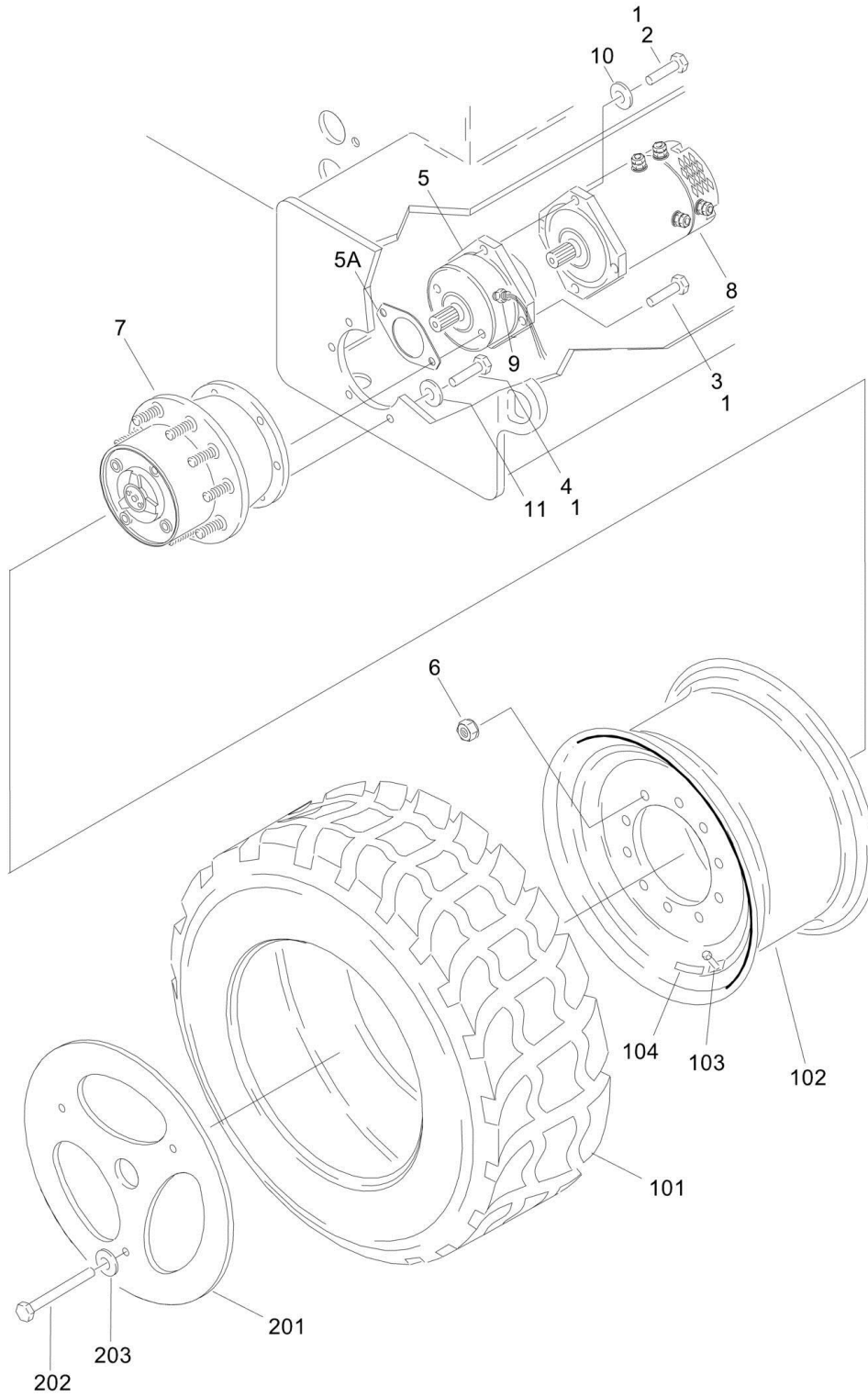
ITEM	PART NUMBER	QTY	DESCRIPTION	REV
		Ref	STEER INSTALLATION OPTIONS:	
	0257817	Ref	Steer Installation E45A, M45A, E45AJ, M45AJ, E40AJP & M40AJP	4-B
	0270010	Ref	Steer Installation E40AJPnarrow & M40AJPnarrow	1-A
1		Ref	Hub/Spindle Assembly Options: (Left Side) (See Items 101-115 for Breakdown)	
1	2780242	1	Hub/Spindle Assembly E45A, M45A, E45AJ, M45AJ, E40AJP & M40AJP	
1	2780250	1	Hub/Spindle Assembly E40AJPnarrow & M40AJPnarrow	
2		Ref	Hub/Spindle Assembly Options: (Right Side) (See Items 101-115 for Breakdown)	
2	2780241	1	Hub/Spindle Assembly E45A, M45A, E45AJ, M45AJ, E40AJP & M40AJP	
2	2780251	1	Hub/Spindle Assembly E40AJPnarrow & M40AJPnarrow	
3	3300426	18	Lugnut 5/8in-18NF	
4	3422692	2	Kingpin	
5		Ref	Steering Link Options:	
5	3010119	2	Steering Link E45A, M45A, E45AJ, M45AJ, E40AJP & M40AJP	
5	3010121	2	Steering Link E40AJPnarrow & M40AJPnarrow	
6	1683591	1	Steer Cylinder Assembly (See CYLINDER SECTION for Breakdown)	
7	3841367	2	End, Rod	
8	0440162	2	Washer, Thrust	
10	3312008	4	Nut, Serrated 5/8in-11NC	
11	0641606	4	Bolt 3/8in-16NC x 3/4in	
12	3450810	2	Pin, Cotter 1/4in x 2 1/2in	
13	3323003	2	Nut, Castle 1 1/4in-12NF	
14	3900109	4	Screw, Socket Head Shoulder 3/4in-16NF x 1 3/4in	
15	3322202	2	Nut, Jam 3/4in-16NF	
16	0681810	4	Bolt 1/2in-13NC x 1 1/4in (Grade 8)	
17	0100011	AR	Loctite #242 (Not Shown)	
18	4891800	4	Washer, Hardened 1/2in	
		Ref	HUB/SPINDLE ASSEMBLY OPTIONS:	
	2780242	Ref	Hub/Spindle Assembly E45A, M45A, E45AJ, M45AJ, E40AJP & M40AJP (Left Side)	B
	2780250	Ref	Hub/Spindle Assembly E40AJPnarrow & M40AJPnarrow (Left Side)	B
	2780241	Ref	Hub/Spindle Assembly E45A, M45A, E45AJ, M45AJ, E40AJP & M40AJP (Right Side)	B
	2780251	Ref	Hub/Spindle Assembly E40AJPnarrow & M40AJPnarrow (Right Side)	B
101		Ref	Spindle Options:	
101	4130350	AR	Spindle E45A, M45A, E45AJ, M45AJ, E40AJP & M40AJP (Left Side)	
101	7023216	AR	Spindle E40AJPnarrow & M40AJPnarrow (Left Side)	
101	4130351	AR	Spindle M40AJPnarrow E45A, M45A, E45AJ, M45AJ, E40AJP & M40AJP (Right Side)	
101	7023217	AR	Spindle E40AJPnarrow & M40AJPnarrow (Right Side)	
102	0962140	2	Bushing (1 per Assembly)	
103	0961951	4	Bushing (2 per Assembly)	
104	7020035	2	Hub Assy (1 per Assembly)	
105	7020036	2	Cup, Bearing - Inner (1 per Assembly)	

SECTION 1 - FRAME

ITEM	PART NUMBER	QTY	DESCRIPTION	REV
106	7020038	2	Cup, Bearing - Outer (1 per Assembly)	
107	7020041	18	Stud (9 per Assembly)	
108	7020037	2	Cone, Bearing - Inner (1 per Assembly)	
109	7020039	2	Cone, Bearing - Outer (1 per Assembly)	
110	7020040	2	Seal, Lip (1 per Assembly)	
111	7020137	2	Dust Cap (1 per Assembly)	
112	3300426	18	Lugnut 5/8in-18NF (9 per Assembly)	
113	7020055	2	Washer, Tanged (1 per Assembly)	
114	7020054	2	Nut, Castle (1 per Assembly)	
115	7020140	2	Pin, Cotter (1 per Assembly)	
201		Ref	FRAME WELDMENTS	
201	2360505	1	Frame Weldments E45A, M45A, E40AJP & M40AJP	
201	2360510	1	Frame Weldments E45AJ & M45AJ	
201	2360531	1	Frame Weldments E40AJP _{narrow} & M40AJP _{narrow}	

SECTION 1 - FRAME

FIGURE 1-2. TIRE AND WHEEL DRIVE INSTALLATION



SECTION 1 - FRAME

FIGURE 1-2. TIRE AND WHEEL DRIVE INSTALLATION

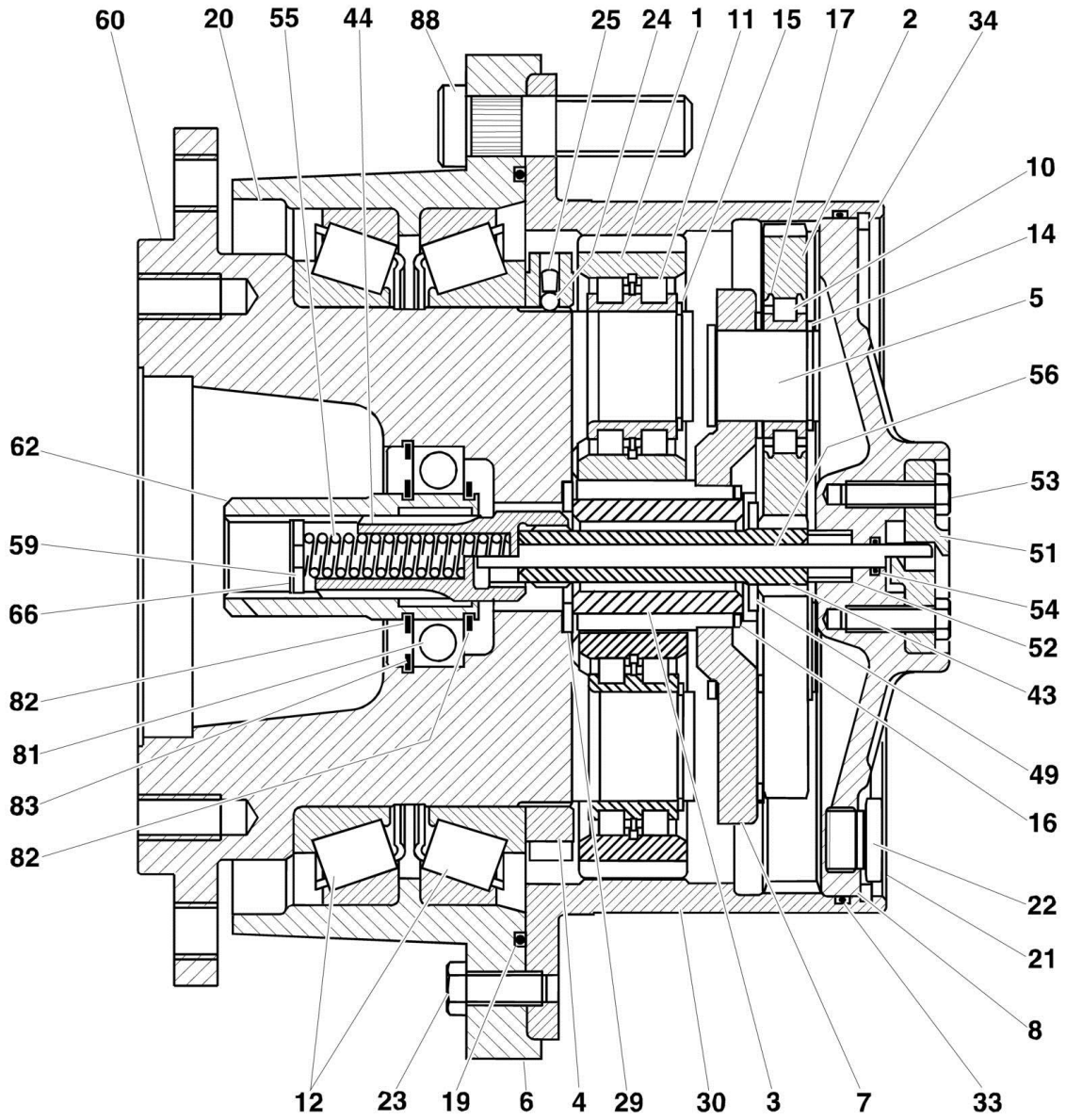
ITEM	PART NUMBER	QTY	DESCRIPTION	REV
		Ref	WHEEL DRIVE INSTALLATION OPTIONS:	
	0259069	Ref	Wheel Drive Installation E45A, M45A, E45AJ, M45AJ, E40AJP & M40AJP	6-G
	0270103	Ref	Wheel Drive Installation E40AJPnarrow & M40AJPnarrow	4
1	0100019	AR	Loctite #271	
2	0641609	8	Bolt 3/8in-16NC x 1 1/8in	
3	0641826	4	Bolt 1/2in-13NC x3 1/4in	
4	0682010	12	Bolt 5/8in-11NC x 1 1/4in (Grade 8)	
5	0920113	2	Drive Brake Assembly	
5	7011757	2	Repair Kit - Complete for 0920113 Brake (1 per Assembly)	
5	2900768	2	Bearing Kit for 0920113 Brake (1 per Assembly)	
5	7007900	2	Seal, Oil for 0920113 Brake (1 per Assembly)	
5	7007977	2	Ring, Retaining for 0920113 Brake (1 per Assembly)	
5	7011716	2	Ring, Retaining for 0920113 Brake (1 per Assembly)	
5A	7000731	2	Gasket (1 Per Assembly)	
6	3300426	18	Lugnut	
7	2780236	2	Drive Hub Assembly (See DRIVE HUB ASSEMBLY for Breakdown)	
8	3160239	2	Drive Motor Assembly	
8	7020138	NLA	Brush (Note: Use p/n 7020297)	
8	7020150	1	Holder Assembly	
9	3990105	2	Sensor, Speed	
10	4711600	8	Flatwasher 3/8in Narrow	
11	4892000	12	Washer, Hardened 5/8in	
		Ref	TIRE AND WHEEL INSTALLATIONS	
	0258995	Ref	IN240/55-17.5 Pneumatic	1
	0270416	Ref	IN240/55-17.5 Pneumatic (Non-Marking)	1
	0258996	Ref	IN240/55-17.5 Foam-Filled	1
	0270418	Ref	IN240/55-17.5 Foam-Filled (Non-Marking)	1
	0259679	Ref	LT215/8R16 Pneumatic	1
	0270037	Ref	26in x 7in x 20in Solid (Non-Marking)	A
	0270028	Ref	Solid (Non-Marking)	1-B
		Ref	Tire Assembly Options: (Note: Assemblies may require ballast/foam filling to manufacturer's specifications prior to installing on a machine. Refer to Operation and Safety or Service and Maintenance Manuals. Purchase individual tire and/or rim only if able to foam fill tire and wheel assembly, otherwise, purchase complete assembly.)	
		Ref	Tire Assembly E45A, M45A, E45AJ, M45AJ:	
	0258688	4	OTR IN240/55-17.5 Pneumatic	1-A
	0270415	4	OTR IN240/55-17.5 Pneumatic (Non-Marking)	1-A
	0258997	4	OTR IN240/55-17.5 Foam-Filled	1-A
	0270417	4	OTR IN240/55-17.5 Foam-Filled (Non-Marking)	1-A
	0258037	4	Goodyear LT215/8R16 Pneumatic	1-A
	4520232	4	Monarch 26in x 7in x 20in Solid (Non-Marking) (Sold as Assembly Only)	A
		Ref	Tire Assembly E40AJP & M40AJP:	
	0258997	4	OTR IN240/55-17.5 Foam-Filled	1-A
	0270417	4	OTR IN240/55-17.5 Foam-Filled (Non-Marking)	1-A
		Ref	Tire Assembly E40AJPnarrow & M40AJPnarrow:	
	4520231	2	Trelleborg 22in x 6in x 17.75in (M40AJPnarrow & E40AJPnarrow Front Tire) (Solid) Non-Marking (Sold as	B

SECTION 1 - FRAME

ITEM	PART NUMBER	QTY	DESCRIPTION	REV
	4520208	2	Assembly Only Trelleborg 25in x 7in x 12in (M40AJPnarrow & E40APJnarrow Rear Tire) (Solid) Non-Marking (Sold as Assembly Only)	E
101		Ref	Tire Options:	
101	4520209	1	IN240/55-17.5	
101	4520247	1	IN240/55-17.5 Non-Marking	
101	4520206	1	LT215/8R16	
102		Ref	Rim, Wheel Options:	
102	4860191	1	Use with IN240/55-17.5 Tires	
102	4860181	1	Use with LT215/8R16 Tires	
102	Not Available		Other Tire/Wheel Assemblies (Purchase Complete Assembly)	
103	4640392	1	Valve, Air	
104		Ref	Decal - Tire Air Pressure Options:	
104	1702740	1	90PSI	
104	1702701	1	95PSI	
	0259302	Ref	WHEEL COVER INSTALLATION (IN240/55-17.5 TIRES ONLY)	1-A
201	1670887	4	Cover, Wheel	
202	0641542	12	Bolt 5/16in-18NC x 5 1/4in	
203	4711500	12	Flatwasher 5/16in Narrow	
204	0100011	AR	Loctite #242 (Not Shown)	

SECTION 1 - FRAME

FIGURE 1-3. DRIVE HUB ASSEMBLY



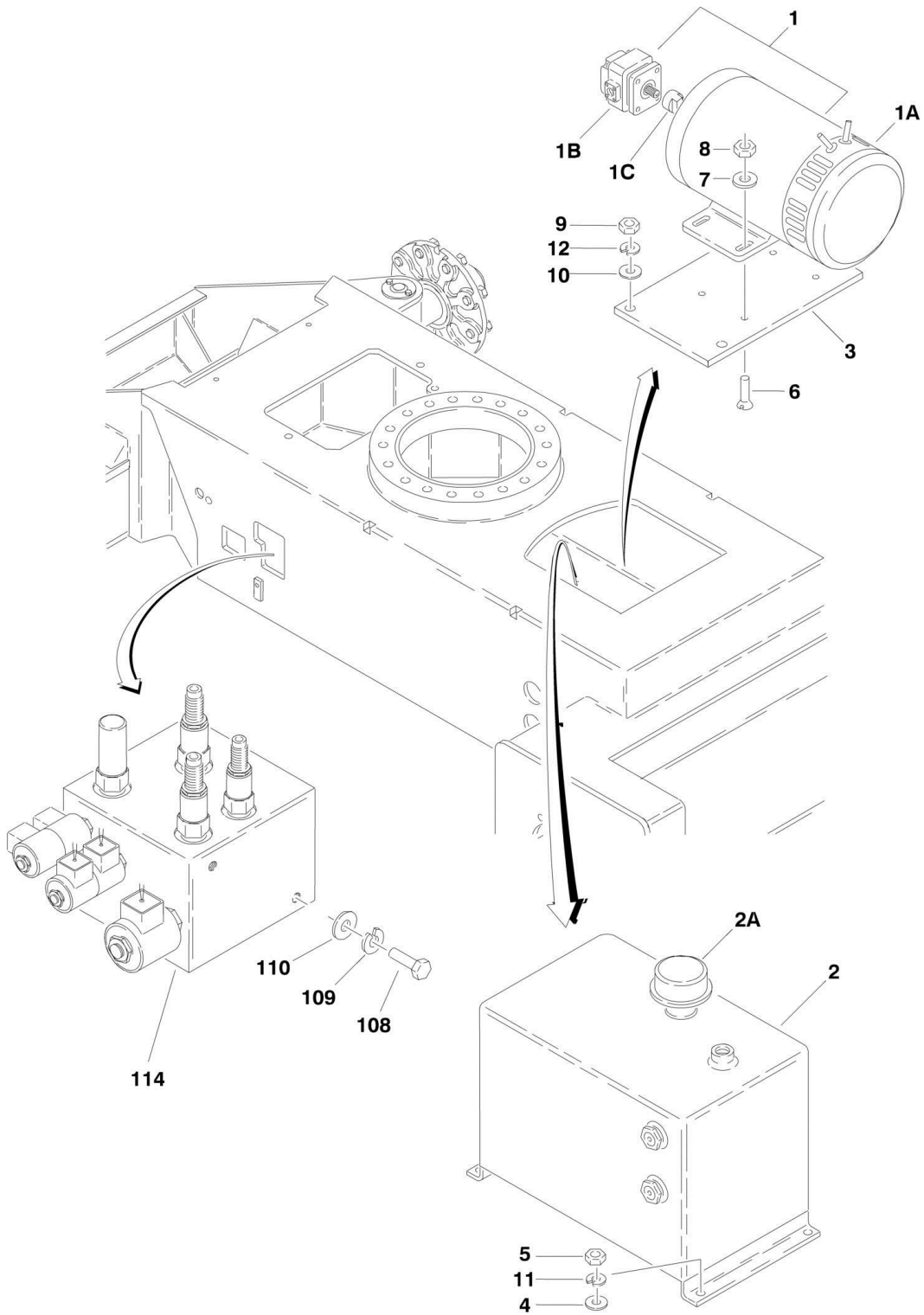
SECTION 1 - FRAME

FIGURE 1-3. DRIVE HUB ASSEMBLY

ITEM	PART NUMBER	QTY	DESCRIPTION	REV
	2780236	Ref	DRIVE HUB ASSEMBLY	C
1	7021323	4	Gear, Planet	
2	7021324	3	Gear, Planet	
3	7021325	1	Gear, Sun	
4	Kits 2 AND 5	1	Nut, Shaft	
5	7021326	3	Bolt, Planet	
6	7021327	1	Ring, Support	
7	7021328	1	Carrier, Planet	
8	Kit 1	1	Cover	
10	Kit 2	3	Bearing, Roller	
11	Kit 2	4	Bearing, Roller	
12	Kit 2	2	Bearing, Roller	
14	Kit 2	3	Ring, Retaining	
15	Kit 2	4	Ring, Retaining	
16	7021341	1	Ring, Retaining	
17	Kit 2	3	Disk, Support	
19	Kit 3	1	O-Ring	
20	Kit 3	1	Seal, Ring	
21	Kits 3 AND 5	3	Plug	
22	Kit 3	3	Seal, Ring	
23	7021342	3	Bolt	
24	Kit 2	2	Ball	
25	Kits 2 AND 5	2	Expander	
29	Kit 2	1	Washer, Housing	
30	7021335	1	Gear, Ring	
33	Kits 1 AND 3	1	O-Ring	
34	Kit 1	1	Ring, Retaining	
43	7021336	1	Shaft, Sun Gear	
44	7021337	1	Shaft, Input	
49	Kit 2	1	Washer, Thrust	
51	Kit 1	1	Cover	
52	Kit 1	1	Disk	
53	Kit 1	2	Bolt	
54	Kits 1, 3 AND 4	1	O-Ring	
55	Kit 4	1	Spring, Pressure	
56	Kit 4	1	Rod, Shaft	
59	Kit 4	1	Disk, Rotor	
60	7021339	1	Spindle	
62	7021340	1	Coupler	
66	Kit 4	1	Ring, Retaining	
81	Kit 2	1	Bearing, Ball	
82	Kit 2	2	Ring, Retaining	
83	Kit 2	1	Ring, Retaining	
88	7021344	9	Stud, Wheel	
	7021329	1	Kit 1 - Cover Kit (Includes Items 8, 33, 34, 51, 52, 53 & 54)	
	7021330	1	Kit 2 - Bearing Kit (Includes Items 4, 10, 11, 12, 14, 15, 17, 24, 25, 29, 49, 81, 82 & 83)	
	7021333	1	Kit 3 - Seal Kit (Includes Items 19-22, 33 & 54)	
	7021338	1	Kit 4 - Mechanical Disconnect Kit (Includes Items 54-56, 59 & 66)	
	2910601	1	Kit 5 - Shaft Nut Kit (Includes Items 4, 21 & 25)	

SECTION 1 - FRAME

FIGURE 1-4. HYDRAULIC COMPONENTS INSTALLATION



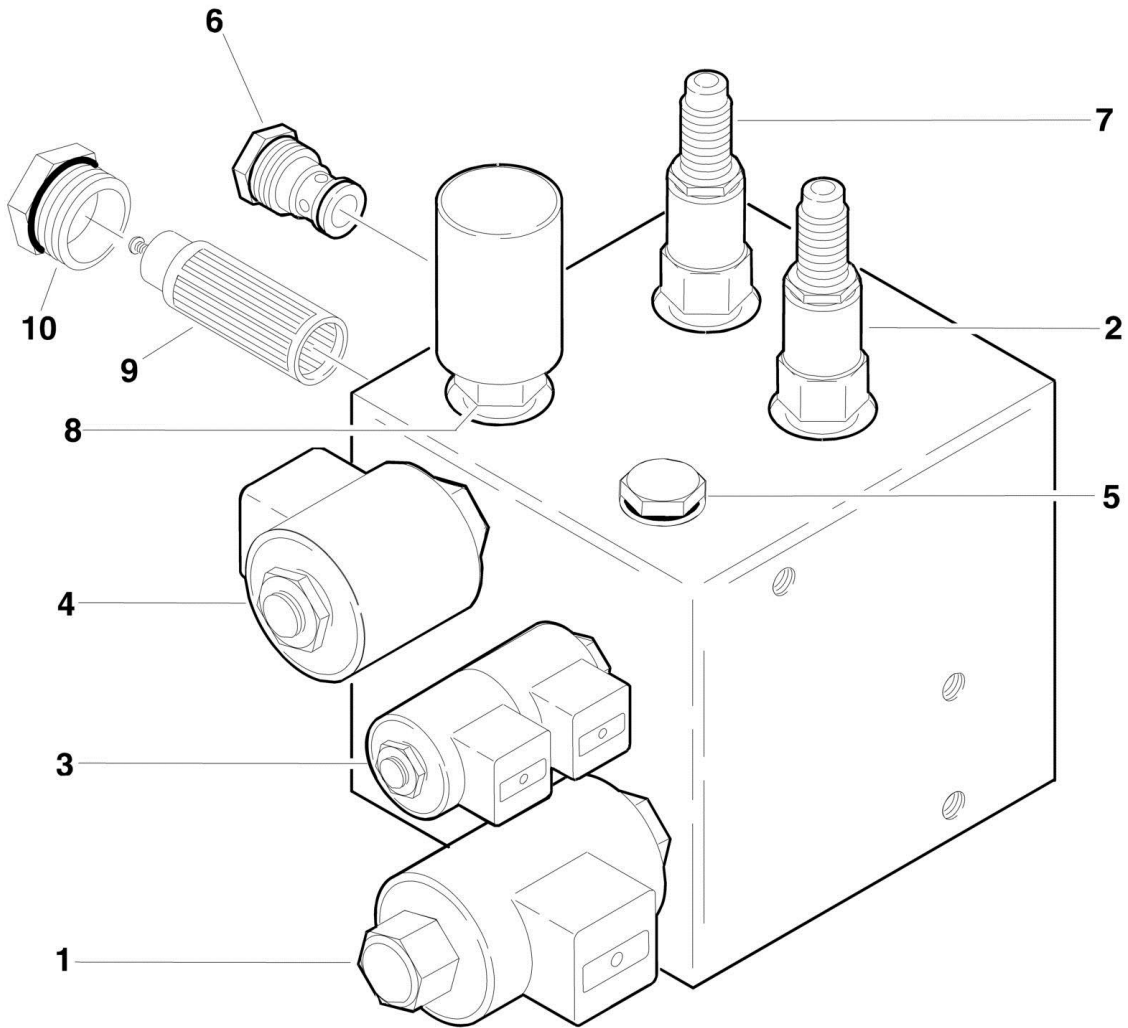
SECTION 1 - FRAME

FIGURE 1-4. HYDRAULIC COMPONENTS INSTALLATION

ITEM	PART NUMBER	QTY	DESCRIPTION	REV
	0257816	Ref	HYDRAULIC MOTOR/PUMP/TANK INSTALLATION	4-C
1	3600289	1	Motor/Pump Assembly	
1A	7021318	1	Motor Assembly	
1A	7021368	1	Brush Kit	
1B	7021319	1	Pump Assembly	
1B	Not Available	1	Seal Kit	
1C	7021367	1	Coupling	
2	4400416	1	Hydraulic Tank Assembly	
2A	7021320	1	Cap	
3	3571160	1	Plate, Mounting	
4	4711400	4	Flatwasher 1/4in Narrow	
5	3311405	4	Locknut 1/4in-20NC	
6	0741506	4	Screw, Flathead Countersink 5/16in-18NC x 3/4in	
7	4751500	4	Flatwasher 5/16in	
8	3311505	4	Locknut 5/16in-18NC	
9	3311605	2	Locknut 3/8in-16NC	
10	4751600	2	Flatwasher 3/8in	
11	4761400	4	Lockwasher 1/4in	
12	4761600	2	Lockwasher 3/8in	
		Ref	VALVES INSTALLATIONS	
	0258034	Ref	Valves Installations E45A & M45A	4-C
	0259399	Ref	Valves Installations E45AJ & M45AJ	3-B
	0259951	Ref	Valves Installations E40AJP, M40AJP, E40AJPnarrow & M40AJPnarrow	3-A
108	0641608	2	Bolt 3/8in-16NC x 1in	
109	4711600	2	Flatwasher 3/8in	
110	4761600	2	Lockwasher 3/8in	
114		Ref	Brake/Steer Control Valve Assembly Options:	
114	4641149	1	Brake/Steer Control Valve Assembly (was p/n 4641071) (Prior to SN 47551)	
114	4641149	1	Brake/Steer Control Valve Assembly (was p/n 464113) (SN 47551 through 50959)	
114	4641149	1	Brake/Steer Control Valve Assembly (See BRAKE/STEER VALVE ASSEMBLY for Breakdown) (SN 50960 to Present)	
120		Ref	Harness Assembly - Brake/Steer Control Valve Options: (Not Shown -See ELECTRICAL SECTION for Breakdown)	
120	4922069	1	Harness Assembly - Brake/Steer Control Valve (Prior to SN 47551)	
120	4922328	1	Harness Assembly - Brake/Steer Control Valve (SN 47551 to Present)	

SECTION 1 - FRAME

FIGURE 1-5. BRAKE/STEER VALVE ASSEMBLY



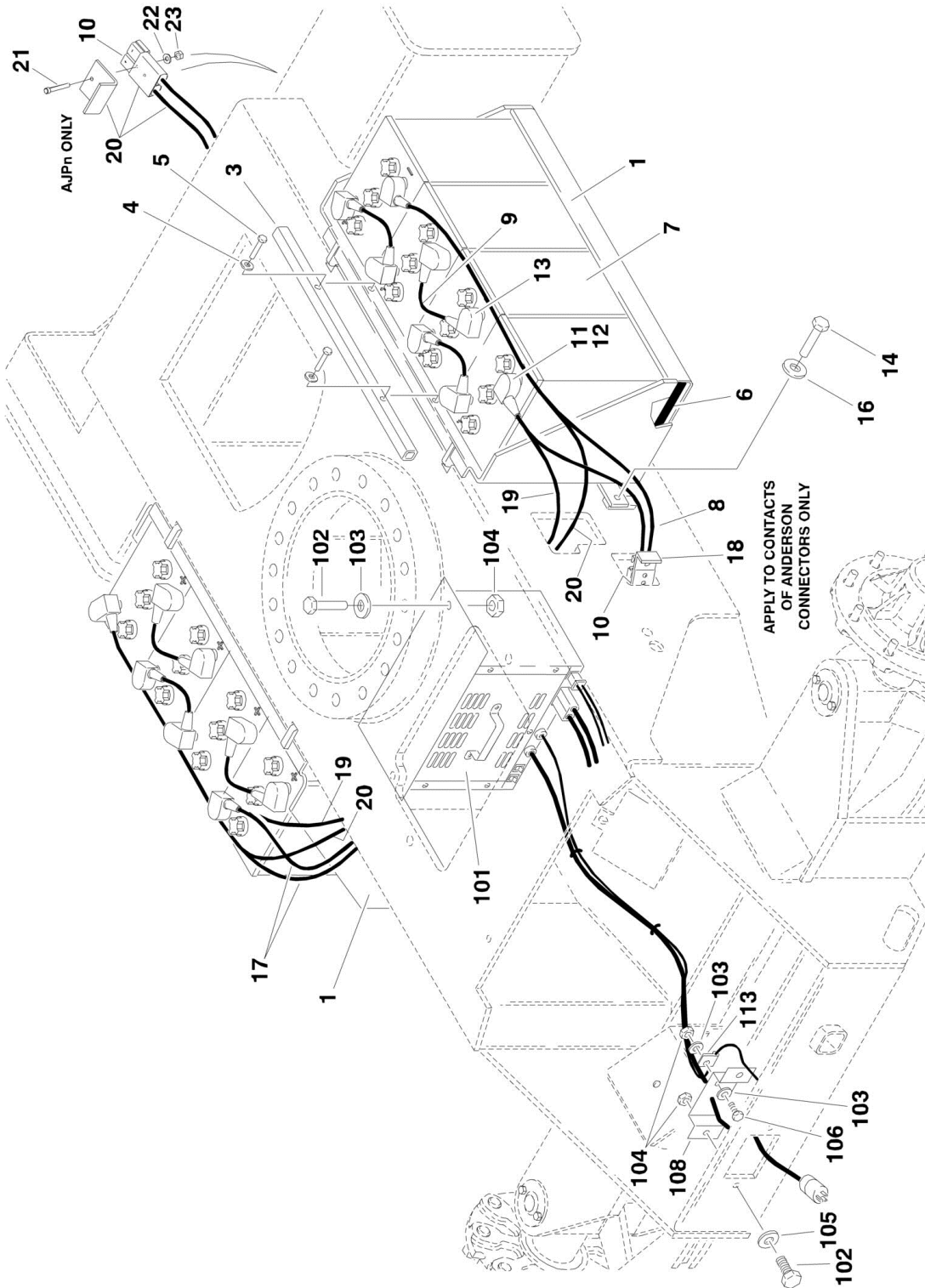
SECTION 1 - FRAME

FIGURE 1-5. BRAKE/STEER VALVE ASSEMBLY

ITEM	PART NUMBER	QTY	DESCRIPTION	REV
	4641149	Ref	BRAKE/STEER VALVE ASSEMBLIES	A
1	7017450	1	Cartridge, Proportional without Coil (Flow Control)	
1	7012518	1	Seal Kit- 7017450 Cartridge	
1	7021618	1	Coil	
2	7021659	1	Cartridge, Relief (Main)	
2	7012972	1	Seal Kit - 7021659 Cartridge	
3	7017433	1	Cartridge (Steer)	
3	7017402	1	Seal Kit - 7017433 Cartridge	
3	7021609	2	Coil	
4	7012941	1	Cartridge without Coil (Brake Release)	
4	7010543	1	Seal Kit - 7017455 Cartridge	
4	7021609	1	Coil	
5	7017412	1	Cartridge, Check	
5	7012967	1	Seal Kit - 7017412 Cartridge	
6	7010542	1	Cartridge, Shuttle	
6	7010543	1	Seal Kit - 7010542 Cartridge	
7	7017428	1	Cartridge, Relief (Steer)	
7	7012998	1	Seal Kit - 7012912 Cartridge	
8	7022532	1	Switch, Pressure	
9	7021616	1	Cartridge, Filter	
10	7024832	1	Plug	

SECTION 1 - FRAME

FIGURE 1-6. BATTERIES AND CHARGER INSTALLATIONS



SECTION 1 - FRAME

FIGURE 1-6. BATTERIES AND CHARGER INSTALLATIONS

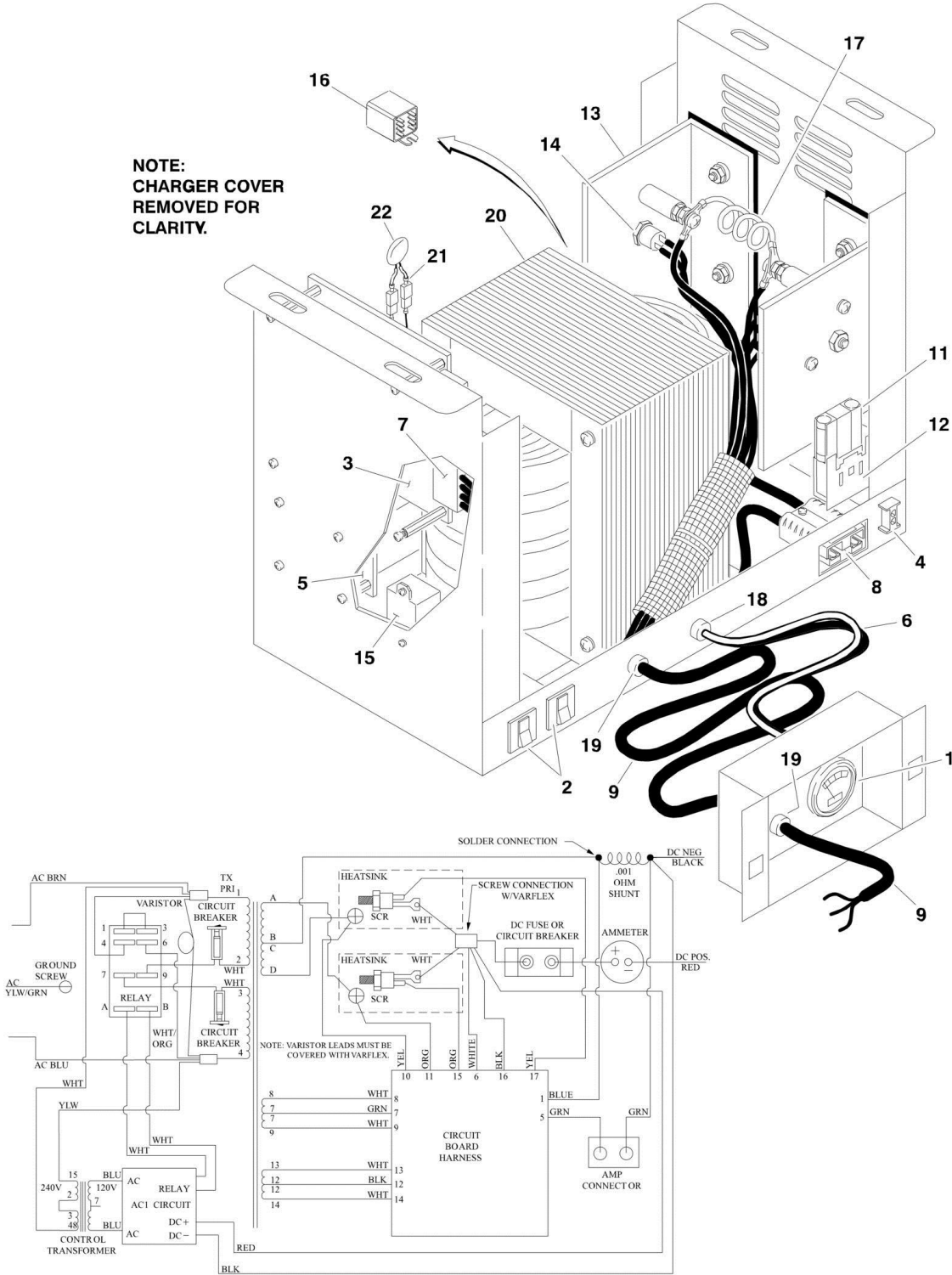
ITEM	PART NUMBER	QTY	DESCRIPTION	REV
		Ref	BATTERIES INSTALLATION	
	0258689	Ref	Batteries Installation E45A, M45A, E45AJ, M45AJ, E40AJP & M40AJP	2-C
	0259763	Ref	Batteries Installation E40AJPnarrow & M40AJPnarrow	B
1		Ref	Battery Box Weldment Options:	
1	4845846	2	Battery Box Weldment All Models Except AJPnarrow	
1	4846106	1	Battery Box Weldment AJPnarrow (Left Side)	
1	4846107	1	Battery Box Weldment AJPnarrow (Right Side)	
3		Ref	Battery Hold Down Options:	
3	4567679	2	Battery Hold Down All Models Except AJPnarrow	
3	0182010	2	Battery Hold Dow AJPnarrow	
4	4711500	4	Flatwasher 5/16in Narrow	
5	0641514	4	Bolt 5/16in-18NC x 1 3/4in	
6	3000003	2	Liner, Battery Box	
7		Ref	Battery Options:	
7	0400055	6	Wet	
7	7016177	6	Dry	
8		Ref	Cable, Battery (Left)	
8	1060760	1	Cable, Battery (Left) All Models Except AJPnarrow	
8	Not Required	0	Cable, Battery (Left) AJPnarrow	
9	1060092	6	Cable, Battery	
10	0100048	AR	Adhesive, Silicone	
11	0100051	AR	Grease, Terminal	
12	0840031	8	Boot, Terminal ("d" shape)	
13	0840032	8	Boot, Terminal ("b" shape)	
14	0641808	4	Bolt 1/2in-13NC x 1in	
16	4711800	8	Flatwasher 1/2in Narrow	
17		Ref	Cable, Battery (Right)	
17	1060761	1	Cable, Battery (Right) All Models Except AJPnarrow	
17	Not Required	0	Cable, Battery (Right) AJPnarrow	
18	1320172	2	Clamp, Cable	
19		Ref	Cable, Battery (Battery to Battery)	
19	Not Required	0	Cable, Battery (Battery to Battery) All Models Except AJPnarrow	
19	1060811	1	Cable, Battery (Battery to Battery) AJPnarrow	
20		Ref	Cable, Battery (Battery to Clamp)	
20	Not Required	0	Cable, Battery (Battery to Clamp) All Models Except AJPnarrow	
20	1060809	1	Cable, Battery (Battery to Clamp) AJPnarrow	
21	3311405	2	Locknut 1/4in-20NC	
22	3931430	2	Capscrew, Socket Head 1/4in-20NC x 1 7/8in	
23	4711400	2	Flatwasher 1/4in Narrow	
		Ref	BATTERY CHARGER INSTALLATIONS	
	0259258	Ref	CE Spec (110V/220V - 50Hz) (Prior to SN 49542)	2
	0259826	Ref	CE Spec (110V/220V - 50Hz) (SN 49542 to Present)	2
	0259693	Ref	Australian Spec (250V - 50Hz)	1
101		Ref	Battery Charger Assembly Options: (See BATTERY CHARGER ASSEMBLY and BATTERY CHARGER ASSEMBLY for Breakdown)	
101	0400192	1	CE Spec (110V/220V - 50Hz) (Prior to SN 49542)	
101	0400197	1	CE Spec (110V/220V - Auto Seeking Volts and Hz) (SN 49542 to Present)	

SECTION 1 - FRAME

ITEM	PART NUMBER	QTY	DESCRIPTION	REV
101	0400195	1	Australian Spec (250V - Auto Seeking Hz)	
102	0641408	4	Bolt 1/4in-20NC x 1in	
103	4711400	6	Flatwasher 1/4in Narrow	
104	3311405	5	Locknut 1/4in-20NC	
105	4761400	2	Lockwasher 1/4in	
106	0641404	1	Bolt 1/4in-20NC x 1/2in	
108		Ref	Plate, Panel Options:	
108	See Note	1	Plate, Panel (Note: Panel and Ammeter Supplied with Charger) (Prior to SN 49542)	
108	3571834	1	Plate, Panel (Uses LED Lights) (SN 49542 to Present)	
113	1320136	1	Clamp, Insulated	

SECTION 1 - FRAME

FIGURE 1-7. BATTERY CHARGER ASSEMBLY (Prior to SN 49542)



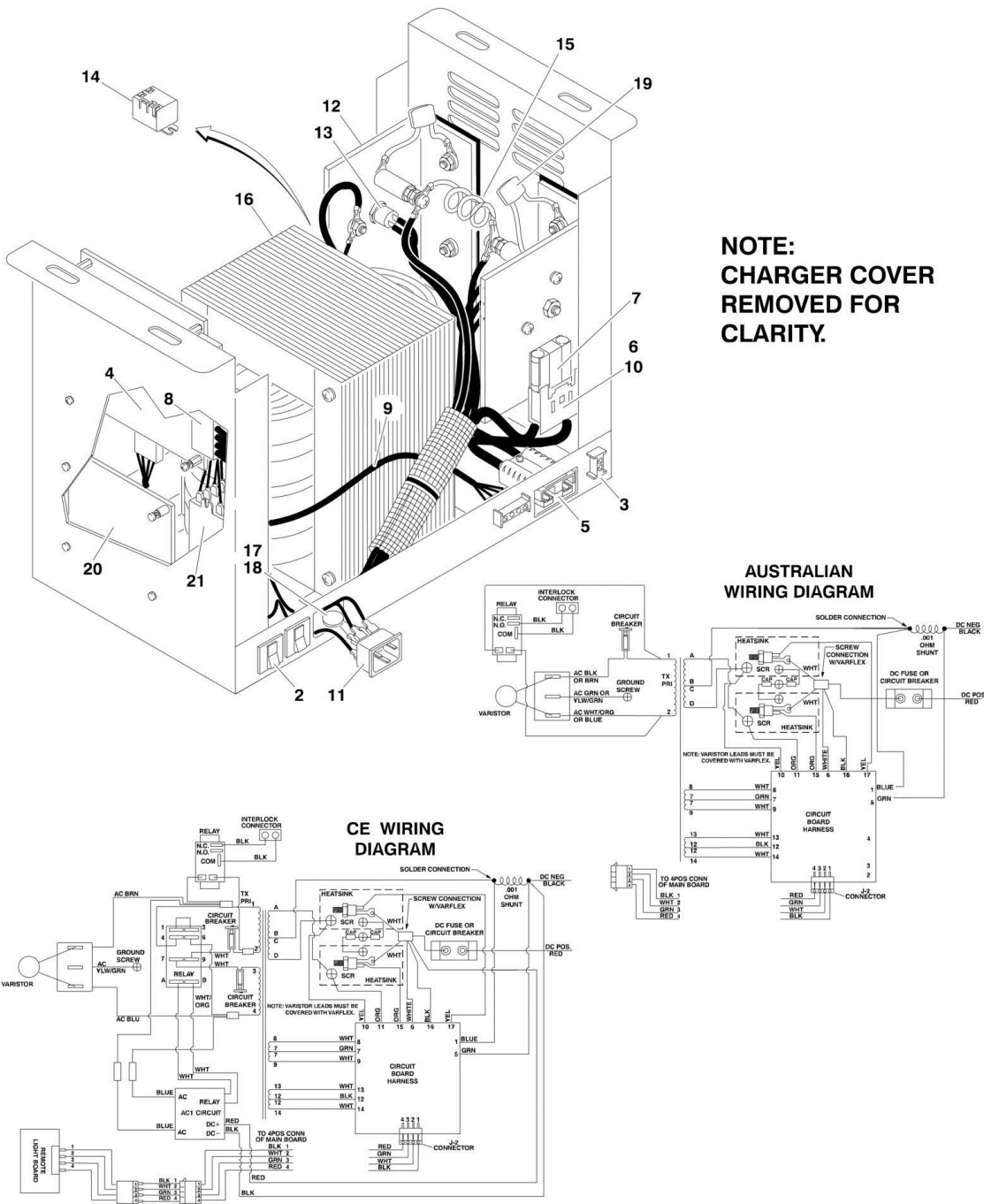
SECTION 1 - FRAME

FIGURE 1-7. BATTERY CHARGER ASSEMBLY (Prior to SN 49542)

ITEM	PART NUMBER	QTY	DESCRIPTION	REV
		Ref	Note: Refer to battery charger serial number nameplate for build date. Example: BA515 (Spec) 9631 (Date Code). First and second digits in the date code indicate year. Third and fourth digits indicate the week of manufacture.	
		Ref	BATTERY CHARGER ASSEMBLIES	
	0400192	Ref	CE Spec (110/220V - 50 Hz)	A
1	7011573	1	Ammeter	
2	7018597	2	Breaker, Circuit	
3	7020607	1	PC Board	
4	7011621	1	Connector, Enable Switch	
5	7020640	1	Controller PC Board	
6	7020667	1	DC Cord Assembly	
7	7020668	1	Harness	
8	7011590	1	Plug, DC	
9	7020669	1	Cord, AC	
11	7018570	1	Fuse, DC - 80 Amp	
12	7018571	1	Holder, Fuse - AC	
13	7020649	2	Rectifier Assembly	
14	7020650	2	Rectifier, SCR	
15	7018506	1	Relay (White)	
16	7020654	1	Relay (Clear Cover)	
17	7020651	1	Shunt Assembly	
18	7011528	1	Relief, Strain	
19	7020659	2	Relief, Strain	
20	7020670	1	Transformer, Main	
21	7020633	1	Varistor Assembly	
22	7011596	2	Varistor	

SECTION 1 - FRAME

FIGURE 1-8. BATTERY CHARGER ASSEMBLY (SN 49542 to Present)



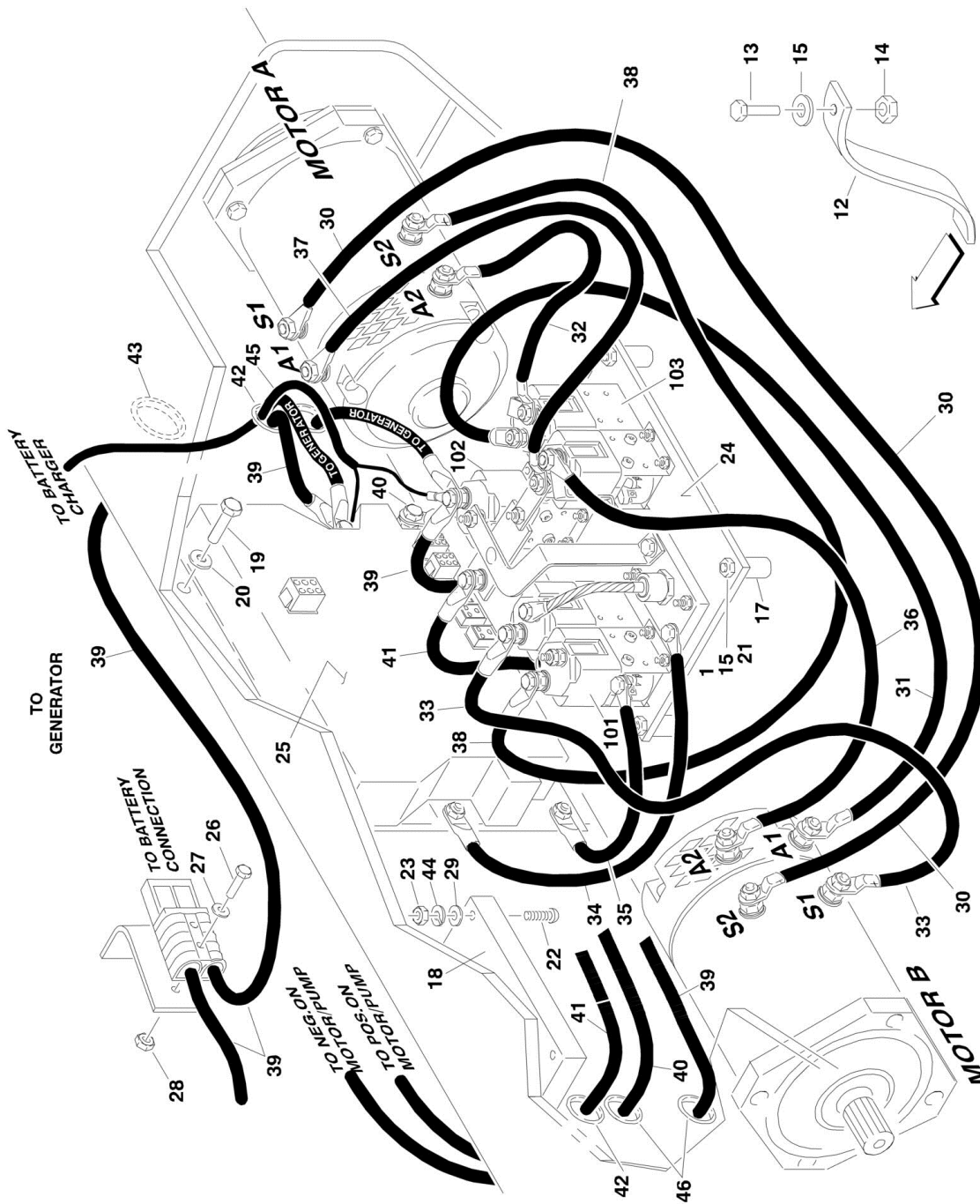
SECTION 1 - FRAME

FIGURE 1-8. BATTERY CHARGER ASSEMBLY (SN 49542 to Present)

ITEM	PART NUMBER	QTY	DESCRIPTION	REV
		Ref	Note: Refer to battery charger serial number nameplate for build date. Example: BA515 (Spec) 9631 (Date Code). First and second digits in the date code indicate year. Third and fourth digits indicate the week of manufacture.	
		Ref	BATTERY CHARGER ASSEMBLIES	
	0400197	Ref	CE Spec (110/220V - Auto Seeking Volts and Hz) (SN 49542 to Present)	A
	0400195	Ref	Australian Spec (250V - Auto Seeking Hz)	A
2		Ref	Breaker, Circuit Options:	
2	7020653	2	Charger p/n 0400197	
2	7018525	1	Charger p/n 0400195	
3	7011621	1	Connector, Enable Switch	
4		Ref	Circuit, Control Options:	
4	7022902	1	Charger p/n 0400197	
4	7020685	1	Charger p/n 0400195	
5	7020644	1	DC Cord Assembly	
6	7020690	1	Fuse Assembly	
7	7020691	1	Fuse, DC - 50Amp	
8	7020697	1	Harness	
9	7020693	1	Harness	
10	7018571	1	Holder, Fuse	
11	7020648	1	Plug, AC Inlet	
12	7020649	2	Rectifier Assembly	
13	7020650	1	Rectifier, SCR 40-Amp	
14		Ref	Relay (Black) Options:	
14	7018564	1	Charger p/n 0400197	
14	7018563	1	Charger p/n 0400195	
15	7020651	1	Shunt Assembly	
16		Ref	Transformer, Main Options:	
16	7022905	1	Charger p/n 0400197	
16	7020699	1	Charger p/n 0400195	
17	7018537	1	Varistor Assembly	
18	7020663	1	Varistor	
19	7018577	2	Capacitor Assembly	
20		Ref	Control, AC1-48V Options:	
20	7022903	1	Charger p/n 0400197	
20	Not Required	0	Charger p/n 0400195	
21		Ref	Relay, 24VDC-30A (Clear) Options:	
21	7020654	1	Charger p/n 0400197	
21	Not Required	0	Charger p/n 0400195	

SECTION 1 - FRAME

FIGURE 1-9. ELECTRICAL COMPONENTS INSTALLATION (FRAME MOUNTED)



SECTION 1 - FRAME

FIGURE 1-9. ELECTRICAL COMPONENTS INSTALLATION (FRAME MOUNTED)

ITEM	PART NUMBER	QTY	DESCRIPTION	REV
		Ref	CONTACTOR INSTALLATION OPTIONS:	
	0259069	Ref	Contactor Installation E45A, M45A, E45AJ, M45AJ, E40AJP & M40AJP	6-G
	0270103	Ref	Contactor Installation E40AJPnarrow & M40AJPnarrow	4-B
1	0100019	AR	Loctite #242 (Not Shown)	
12	4240084	1	Strap, Static	
13	0641508	1	Bolt 5/16in-18NC x 1in	
14	3311505	1	Locknut 5/16in-15NC	
15	4751500	10	Flatwasher 5/16in	
17	4300135	4	Stud, Stand-Off	
18	1600293	1	Module (Positrac/Tilt) (Note: Calibration required when replaced)	
19	0641406	6	Bolt 1/4in-20NC x 3/4in	
20	4761400	6	Lockwasher 1/4in	
21	3311501	8	Locknut 5/16in-18NC	
22	3910636	4	Screw #6-32NC x 2 1/4in	
23	3310601	4	Nut #10-24NC	
24	1600294	1	Contactor Plate Assembly (See Items 101-103 for Breakdown)	
25	1600292	1	Module, Power	
26	3931430	AR	Capscrew, Socket Head 1/4in-20NC x 2in	
27	4711400	AR	Flatwasher 1/4in	
28	3311405	AR	Locknut 1/4in-20NC	
29	4750600	4	Flatwasher #6	
30	1060717	1	Cable, Electrical (Motor B S1 to Motor A S2)	
31	1060718	1	Cable, Electrical (Motor B A1 to Contactor Plate MB1)	
32	1060719	1	Cable, Electrical (Motor A A2 to Contactor Plate MA2)	
33	1060720	1	Cable, Electrical (Motor B A2 to Contactor Plate SB1)	
34	1060721	1	Cable, Electrical (Power Module A to Contactor Plate)	
35	1060722	1	Cable, Electrical (Power Module B+ to Contactor Plate)	
36	1060723	1	Cable, Electrical (Motor B S2 to Contactor Plate MB2)	
37	1060724	1	Cable, Electrical (Motor A A1 to Contactor Plate MA1)	
38	1060725	1	Cable, Electrical (Motor A S1 to Contactor Plate SA1)	
39		Ref	Cable, Electrical Options: (Contactor Plate to Batteries)	
39	1060726	1	Cable, Electrical E45A, M45A, E45AJ, M45AJ, E40AJP & M40AJP	
39	1060810	1	Cable, Electrical E40AJPnarrow & M40AJPnarrow	
40	1060727	1	Cable, Electrical (Module to Hydraulic Pump Motor -)	
41	1060728	1	Cable, Electrical (Contactor Plate to Hydraulic Pump Motor +)	
42	2540019	4	Grommet	
43	2540021	1	Grommet	
44	4760600	4	Lockwasher #6	
45	4922103	1	Cable, Electrical (Contactor/Module to Charger)	
45	4460444	1	Connector, DC	
46	2540020	3	Grommet	
47		Ref	Clamp, Cable Options (Not Shown - Located on Item 39):	
47	Not Required	0	Clamp, Cable E45A, M45A, E45AJ, M45AJ, E40AJP & M40AJP	
47	1320172	1	Clamp, Cable E40AJPnarrow & M40AJPnarrow	
	1600294	Ref	CONTACTOR PLATE ASSEMBLY	B
	7022003	1	Harness, Contactor (See ELECTRICAL SECTION for Breakdown)	
	7022004	1	Harness, Posi-Track Contactor (See ELECTRICAL SECTION for Breakdown)	

SECTION 1 - FRAME

ITEM	PART NUMBER	QTY	DESCRIPTION	REV
	7022005	1	Harness, Shunt (See ELECTRICAL SECTION for Breakdown)	
101	7022002	1	Contactora	
102	7022001	1	Contactora	
103	7022000	1	Contactora	

SECTION 1 - FRAME

FIGURE 1-10. MOTOR/GENERATOR INSTALLATION (M45 & M40 ONLY)

ITEM	PART NUMBER	QTY	DESCRIPTION	REV
		Ref	MOTOR/GENERATOR INSTALLATION (YANMAR DIESEL)	
	0257824	Ref	Motor/Generator Installation M45A, M45AJ & M40AJP	11
	0270344	Ref	Motor/Generator Installation M40AJPnarrow	1-A
1	0257858	1	Motor/Generator Assembly (See Items 101 to 183 for Breakdown)	
2	3311505	8	Locknut 5/16in-18NC	
4	3200404	3	Mount, Insolation	
6	4751600	6	Flatwasher 3/8in	
7	3311605	3	Locknut 3/8in-16NC	
8	0641618	3	Bolt 3/8in-16NC x 2 1/4in	
11	2820117	1	Foam, Sound (Steer Axle) (SN 46103 to Present)	
12	1060755	1	Cable, Battery (Includes Terminal Boot) (+ Generator)	
13	1060754	1	Cable, Battery (Includes Terminal Boot) (- Generator)	
14		Ref	Battery Options:	
14	0400201	1	Battery (Was p/n 0400186) (Prior to SN 53986)	
14	0400201	1	Battery (SN 53986 to Present)	
15		Ref	Starter Battery Tray Options:	
15	4845642	1	Starter Battery Tray M45A, M40AJP & M45AJ	
15	Not Required	0	Starter Battery Tray M40AJPnarrow (Welded-In Part of Battery Tray)	
16		Ref	Battery Hold Down Options:	
16	4220179	1	Battery Hold Down (Was p/n 4567693) (Prior to SN 53986)	
16	4220179	1	Battery Hold Down (SN 53986 to Present)	
17		Ref	Battery Seat Options:	
17	3980035	1	Battery Seat (Was p/n 3000012) (Prior to SN 53986)	
17	3980035	1	Battery Seat (SN 53986 to Present)	
18	0641518	2	Bolt 5/16in-18NC x 1 5/8in	
19	4711500	6	Flatwasher 5/16in Narrow	
20	0641505	8	Bolt 5/16in-18NC x 5/8in	
25	2120042	1	Filter, In-Line Fuel	
28	2720339	12 ft/3.7m	Hose	
29	1320022	7	Clamp, Hose	
33	4240033	8	Strap, Tie	
44	4567845	1	Tube, Exhaust	
45	3571401	1	Plate	
46	3960389	5 ft/1.5m	Seal	
47	0100011	AR	Loctite #242 (Not Shown)	
48	4751500	6	Flatwasher 5/16in	
49	2820107	1	Insulation	
50	1060731	1	Cable, Battery (Includes Terminal Boot) (- Battery to Ground)	
51	1060730	1	Cable, Battery (Includes Terminal Boot) (+ Battery to Starter)	
53	0461406	4	Bolt 1/4in-20NC x 3/4in	
54	4711400	8	Flatwasher 1/4in Narrow	
55	3311405	4	Locknut 1/4in-20NC	
59	4060803	16 in/4.9m	Flex-Trim	
60	3960417	28 in/71cm	Seal	
61	4100025	26 in/66cm	Sleeve, Fiberglass	
62	4920385	7 in/18cm	Wire, Safety	

SECTION 1 - FRAME

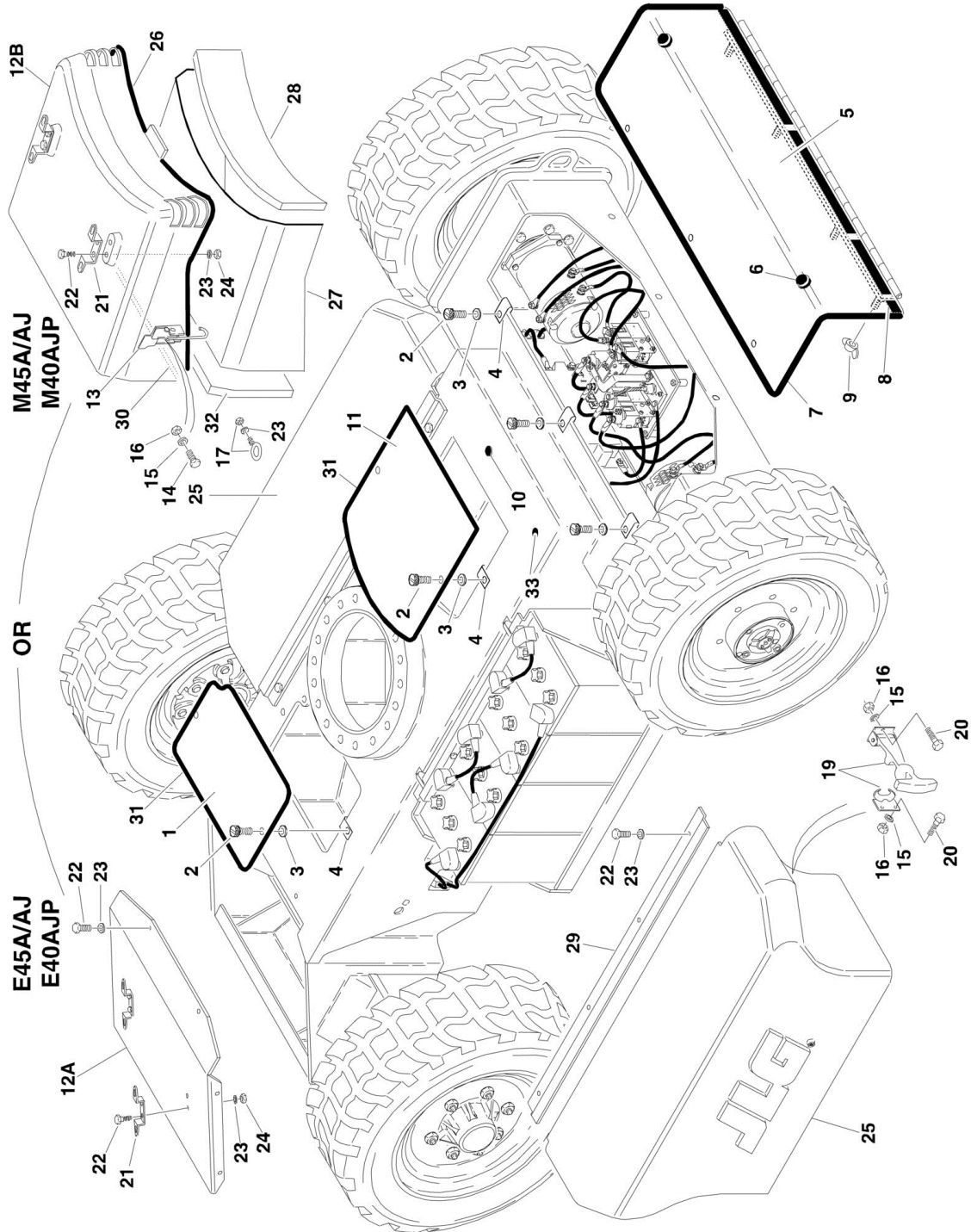
ITEM	PART NUMBER	QTY	DESCRIPTION	REV
63	2820112	2	Insulation	
64	2820116	1	Insulation (Right Side)	
65	2820116	1	Insulation (Left Side)	
66	2720455	1	Hose	
67	1320012	2	Clamp	
68	0259481	1	Plenum Box Assembly	
69	3960418	3 ft/.9m	Seal	
70	4922319	1	Harness, Generator (Not Shown - See ELECTRICAL SECTION for Breakdown)	
71	4460267	1	Socket, Female (Not Shown - See ELECTRICAL SECTION for Call-Out)	
	0257858	Ref	MOTOR/GENERATOR ASSEMBLY	E
101	7018126	1	Motor, Yanmar	
102	7023485	1	Alternator (was p/n 7020203)	
103	Not Available	1	Filter, Oil with Element	
103	7020215	1	Element, Oil	
104	7020167	1	Solenoid, Throttle	
105	7020166	1	Swivel, In-line	
110	7018125	1	Handle, Regulator	
111	70000323	2	Relay, Bosch (was p/n 7020207)	
112	3571412	1	Plate, Mounting, Oil Filter	
113	7018127	1	Switch, Pressure	
114	7020164	1	Fitting, Adapter	
115	7020163	1	Adapter, Oil Drain	
116	7020162	1	Bolt, Banjo	
117	Not Serviced	1	Washer, Rubber	
118	7020204	1	Drain Line Assembly	
119	7020161	1	Bracket	
129	3570581	1	Baseplate	
131	7020160	1	Flange, Air Intake	
132	7020159	1	Flange, Air Intake	
133	7020165	1	Heater, Air	
134	7018123	2	Gasket, Air Cleaner	
135	7018122	2	Gasket, Air Adapter	
136	7018124	1	Cover, Air Filter	
137	7020158	1	Probe, Temperature	
138	7020157	1	Bracket, Magnetic Pick-Up	
153	70000324	1	Sensor, Hall Effect Zero Speed (was p/n 7020206)	
156	70000322	1	Relay, Sealed 14VDC/40Amp (was p/n 7023274)	
161	7018125	1	Lever (was p/n 7020197)	
162	7020198	1	Spring	
163	7020199	1	Dipstick	
164	7020200	1	Regulator, Voltage (Not Shown - Located Below Starter)	
165	7020201	1	Muffler	
166	7020202	1	Starter (Not Shown - Located Below Muffler)	
166	7018137	1	Stopper Set, Pinion	
166	7018138	1	Pinion Assy	
167	7020217	1	Element, Air Cleaner (Washable)	
168	7018142	1	Pump, Fuel (Not Shown)	
169	7018134	1	Flywheel w/Gear (Not Shown)	
170	7018135	1	Valve, Assembly Fuel Injection (Not Shown)	
171	7018136	1	Pipe, Fuel Injection (Not Shown)	

SECTION 1 - FRAME

ITEM	PART NUMBER	QTY	DESCRIPTION	REV
172	7018139	1	Rectifier (Not Shown)	
173	7018140	1	Gasket Set (Not Shown)	
174	7018128	1	Gasket, Cylinder Head	
175	7018129	1	O-Ring, Cylinder Head	
176	7018132	1	Gasket, Valve Cover	
177	7018133	2	Bolt M6 x 55mm	
178	7020156	1	Printed Circuit Board (Not Shown)	
179	7023349	1	Fuse 15Amp (Not Shown)	
180	7023350	1	Fuse 20Amp (Not Shown)	
181	70001144	1	Filter, Head (was p/n 7023489)	
182	7026669	1	Spring, Governor	
183	7026670	1	Spring, Return	

SECTION 1 - FRAME

FIGURE 1-11. FRAME COVERS INSTALLATION



SECTION 1 - FRAME

FIGURE 1-11. FRAME COVERS INSTALLATION

ITEM	PART NUMBER	QTY	DESCRIPTION	REV
		Ref	FRAME COVERS INSTALLATIONS	
	0258974	Ref	Frame Covers Installations E45A, E45AJ & E40AJP	4
	0258035	Ref	Frame Covers Installations M45A, M45AJ & M40AJP	7
	0270100	Ref	Frame Covers Installations M40AJPnarrow	1
	0270101	Ref	Frame Covers Installations E40AJPnarrow	2
1	3570572	1	Cover, Charger	
2	3900174	7	Screw, Special	
3	3760308	7	Retainer	
4	1380138	1	Cup, Receptacle	
5		Ref	Axle Cover Options:	
5	4844603	1	Axle Cover E45A, E45AJ, E40AJP, M45A, M45AJ & M40AJP	
5	4846223	1	Axle Cover M40AJPnarrow & E40AJPnarrow	
6	0940036	2	Bumper	
7	3960447	93 in/2.4m	Seal	
8	3960433	39 in/1m	Seal	
9	3300371	4	Wingnut	
10	3520026	2	Plug, Hole	
11	3570573	1	Cover, Pump	
12		Ref	Cover Options:	
12A	3571094	1	Cover E45A, E45AJ, E40AJP & E40AJPnarrow	
12B	1670880	1	Cover M45A, M45AJ, M40AJP & M40AJPnarrow	
13		Ref	Latch Options:	
13	Not Required	0	Latch E45A, E45AJ, E40AJP & E40AJPnarrow	
13	2940115	2	Latch M45A, M45AJ, M40AJP & M40AJPnarrow	
14	0721006	AR	Screw, Machine #10-24NC x 3/4in	
15		Ref	Flatwasher Options:	
15	4750800	8	Flatwasher E45A, E45AJ	
15	4751000	12	Flatwasher M45A, M45AJ, M40AJP, E40AJP, M40AJPnarrow & E40AJPnarrow	
16	3311005	12	Locknut #10-24NC	
17	0630440	AR	Eyebolt	
18	0100011	AR	Loctite #242 (Not Shown)	
19	2940095	4	Latch	
20	0721004	16	Screw, Machine #10-24NC x 1/2in	
21	2700093	2	Hook	
22	0641406	AR	Bolt 1/4in-20NC x 3/4in	
23	4751400	AR	Flatwasher 1/4in	
24	3311405	4	Locknut 1/4in-20NC	
25		Ref	Battery Cover Options:	
25	1670879	2	Battery Cover E45A, E45AJ, E40AJP, M45A, M45AJ & M40AJP	
25	1670951	2	Battery Cover M40AJPnarrow & E40AJPnarrow	
26		Ref	Flex-Trim Options:	
26	Not Required	0	Flex-Trim E45A, E45AJ, E40AJP & E40AJPnarrow	
26	4060804	6 ft/1.8m	Flex-Trim M45A, M45AJ, M40AJP & M40AJPnarrow	
27		Ref	Flex-Trim Options:	
27	Not Required	0	Flex-Trim E45A, E45AJ, E40AJP & E40AJPnarrow	
27	2820105	1	Flex-Trim M45A, M45AJ, M40AJP & M40AJPnarrow	
28		Ref	Flex-Trim Options:	
28	Not Required	0	Flex-Trim E45A, E45AJ, E40AJP & E40AJPnarrow	

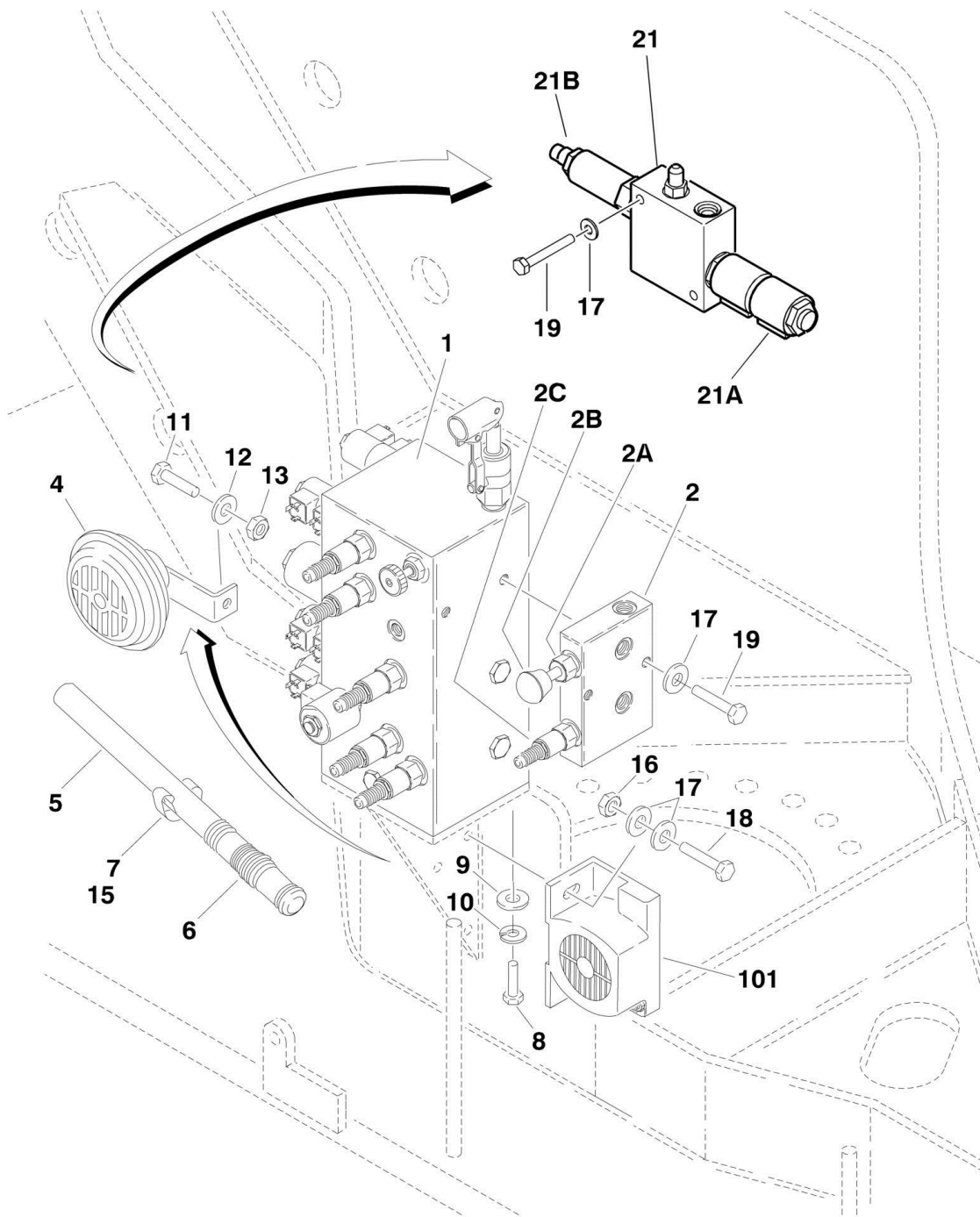
SECTION 1 - FRAME

ITEM	PART NUMBER	QTY	DESCRIPTION	REV
28	2820106	1	Flex-Trim M45A, M45AJ, M40AJP & M40AJPnarrow	
29	0902543	2	Strip, Mounting	
30		Ref	Seal Options:	
30	Not Required	0	Seal E45A, E45AJ, E40AJP & E40AJPnarrow	
30	3960389	2.5 ft/7.6m	Seal M45A, M45AJ, M40AJP & M40AJPnarrow	
31		Ref	Seal Options:	
31	Not Required	0	Seal E45A, E45AJ, E40AJP & E40AJPnarrow	
31	3960417	10 ft/3m	Seal M45A, M45AJ, M40AJP & M40AJPnarrow	
32		Ref	Insulation Options:	
32	Not Required	0	Insulation E45A, E45AJ, E40AJP & E40AJPnarrow	
32	2820110	1	Insulation M45A, M45AJ, M40AJP & M40AJPnarrow	
33	3520082	1	Plug	

SECTION 2 - TURNTABLE

SECTION 2 - TURNTABLE

FIGURE 2-1. VALVES AND HORN INSTALLATIONS



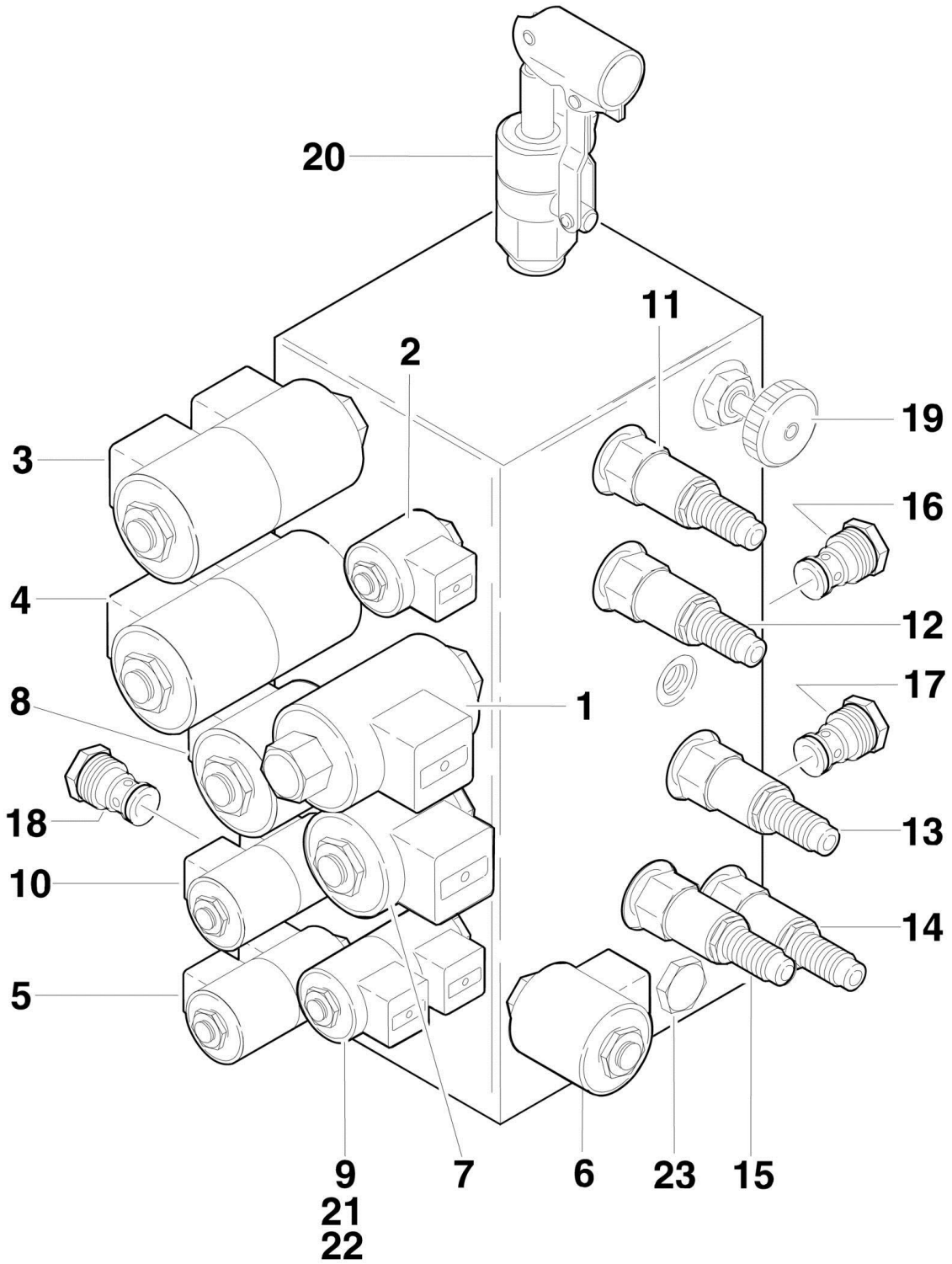
SECTION 2 - TURNTABLE

FIGURE 2-1. VALVES AND HORN INSTALLATIONS

ITEM	PART NUMBER	QTY	DESCRIPTION	REV
		Ref	VALVE AND HORN INSTALLATIONS	
	0258034	Ref	Valve and Horn Installations E45A & M45A	4-C
	0259399	Ref	Valve and Horn Installations E45AJ & M45AJ	3-B
	0259951	Ref	Valve and Horn Installations E40AJP, M40AJP, E40AJPnarrow & M40AJPnarrow	3-A
1	4641070	1	Main Control Valve Assembly Options (See MAIN CONTROL VALVE ASSEMBLY for Breakdown)	
2	4641029	1	Releveling Valve Assembly	
2A	7017466	1	Cartridge	
2A	2900708	1	Seal Kit - Cartridge	
2B	7012959	1	Knob	
2C	7012981	1	Cartridge	
2C	7012998	1	Seal Kit - Cartridge	
4	0140028	1	Horn	
5	2560122	1	Handle	
6	2560123	1	Grip, Handle	
7	1380136	1	Clip	
8	0641608	4	Bolt 3/8in-16NC x 1in	
9	4711400	2	Flatwasher 3/8in Narrow	
10	4761400	4	Lockwasher 3/8in	
11	0641508	1	Bolt 5/16in-18NC x 1in	
12	4711500	2	Flatwasher 5/16in Narrow	
13	3311505	1	Locknut 5/16in-18NC	
15	4300106	1	Stud	
16	3311405	AR	Locknut 1/4in-20NC	
17	4711400	AR	Flatwasher 1/4in Narrow	
18	0641408	AR	Bolt 1/4in-20NC x 1in	
19	0641413	AR	Bolt 1/4in-20NC x 1 5/8in	
21		Ref	Jib Valve Assembly Options:	
21	Not Required	0	Jib Valve Assembly E45A & M45A	
21	4641102	1	Jib Valve Assembly E45AJ & M45AJ	
21	4641119	1	Jib Valve Assembly E40AJP, M40AJP, E40AJPnarrow & M40AJPnarrow	
21A	7017452	1	Cartridge without Coils	
21A	7017402	1	Seal Kit - 701452 Cartridge	
21A	7021609	2	Coil	
21B		Ref	Cartridge Options:	
21B	7017460	1	Cartridge E45AJ & M45AJ	
21B	7017460	1	Cartridge E40AJP, M40AJP, E40AJPnarrow & M40AJPnarrow (was p/n 7021623)	
21B	7017461	1	Seal Kit - 7017460 & 7021623 Cartridges	
22	0100011	AR	Loctite #242 (Not Shown)	
		Ref	ALARM INSTALLATIONS	
	0259064	Ref	Motion Alarm	1
101	0140031	1	Alarm, Motion (Remove ground strap before installation)	
101	3311405	2	Locknut 1/4in-20NC	
101	4711400	4	Flatwasher 1/4in Narrow	
101	0641408	2	Bolt 1/4in-20NC	
101	4460685	2	Terminal, Stud Mounted Tab	

SECTION 2 - TURNTABLE

FIGURE 2-2. MAIN CONTROL VALVE ASSEMBLY



SECTION 2 - TURNTABLE

FIGURE 2-2. MAIN CONTROL VALVE ASSEMBLY

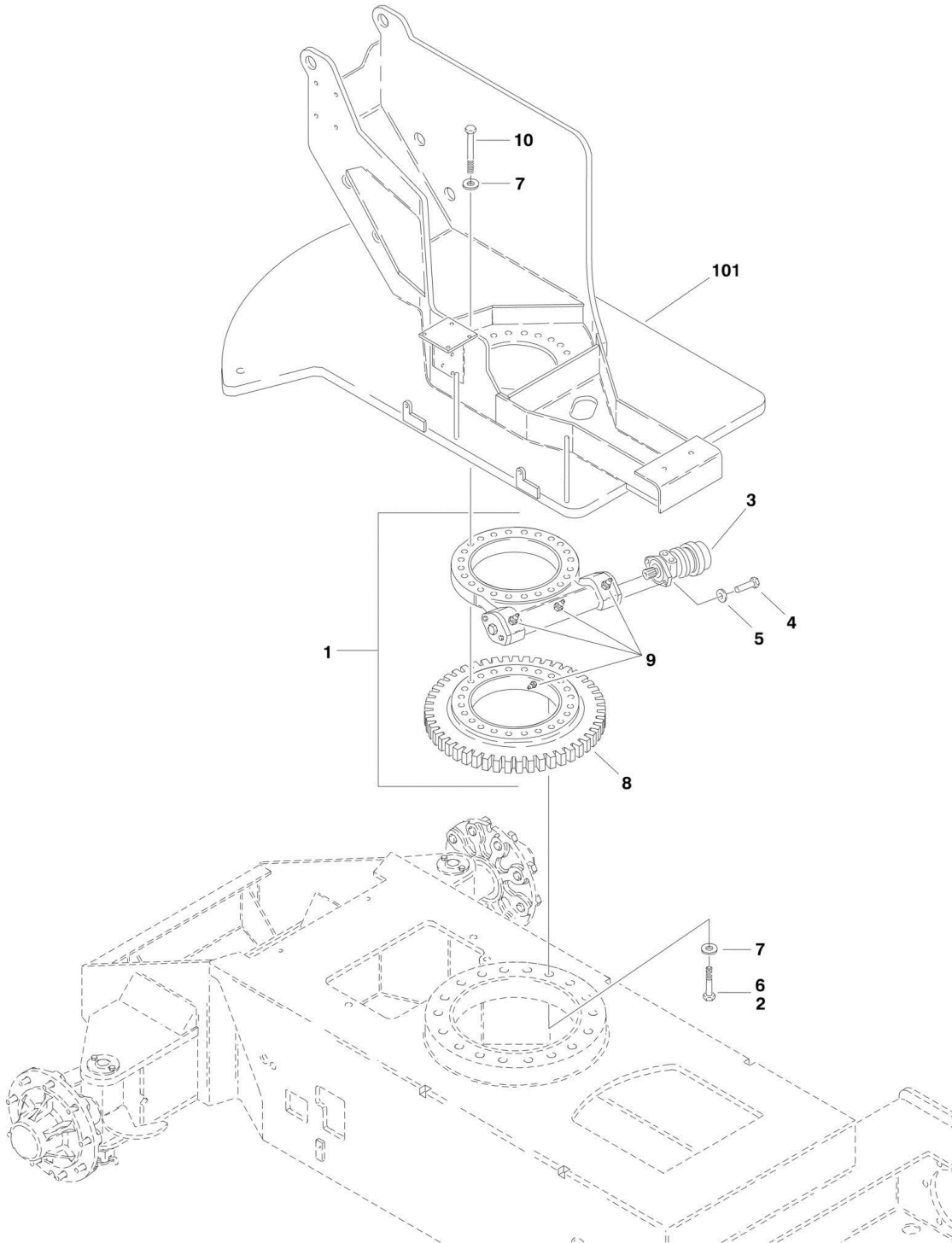
ITEM	PART NUMBER	QTY	DESCRIPTION	REV
	4641070	Ref	MAIN CONTROL VALVE ASSEMBLY	G
1	7021611	1	Cartridge without Coil (Flow Regulator)	
1	7012518	1	Seal Kit - 7021611 Cartridge	
1	7021618	1	Coil	
2	7017410	1	Cartridge without Coil (Bypass Unloading)	
2	7012967	1	Seal Kit - 7017410 Cartridge	
2	7021609	2	Coil	
3	7021603	1	Cartridge without Coil (Lower Lift)	
3	7012903	1	Seal Kit - 7021603 Cartridge	
3	7021610	2	Coil	
4	7021603	1	Cartridge without Coil (Upper Lift)	
4	7012903	1	Seal Kit - 7021603 Cartridge	
4	7021610	2	Coil	
5	7017433	1	Cartridge without Coil (Swing)	
5	7017402	1	Seal Kit - 7017433 Cartridge	
5	7021609	1	Coil	
6	7021604	1	Cartridge without Coil (Swing Restrictor)	
6	7012953	1	Seal Kit - 7021604 Cartridge	
6	7021609	1	Coil	
7	7017479	1	Cartridge without Coil (Telescope Out)	
7	7012518	1	Seal Kit - 7017479 Cartridge	
7	7021610	1	Coil	
8	7017479	1	Cartridge without Coil (Telescope In)	
8	7012518	1	Seal Kit - 7017479 Cartridge	
8	7021610	1	Coil	
9	7017452	1	Cartridge without Coil (Platform Level)	
9	7017402	1	Seal Kit - 7017452 Cartridge	
9	7021609	2	Coil	
10	7017452	1	Cartridge without Coil (Rotator)	
10	7017402	1	Seal Kit - 7017452 Cartridge	
10	7021609	2	Coil	
11	7017423	1	Cartridge, (Lower Lift Down)	
11	7012998	1	Seal Kit - 7017423 Cartridge	
12	7021606	1	Cartridge, (Upper Lift Down)	
12	7012998	1	Seal Kit - 7021606 Cartridge	
13	7021607	1	Cartridge (Telescope)	
13	7012998	1	Seal Kit - 7021607 Cartridge	
14	7017421	1	Cartridge (Platform Level Backward Piston End)	
14	7012998	1	Seal Kit - 7017421 Cartridge	
15	7017422	1	Cartridge (Platform Level Forward Rod End)	
15	7012998	1	Seal Kit - 7017422 Cartridge	
16	10837580	1	Cartridge (Telescope)	
16	7010543	1	Seal Kit - 10837580 Cartridge	
17	7012914	1	Cartridge (Platform Level Piston Side)	
17	7012918	1	Seal Kit - 7012914 Cartridge	
18	7012914	1	Cartridge (Platform Level Rod Side)	
18	7012918	1	Seal Kit - 7012914 Cartridge	
19	7012947	1	Cartridge, (Emergency Descent)	
19	7012518	1	Seal Kit - 7012947 Cartridge	
19	7012949	1	Knob	

SECTION 2 - TURNTABLE

ITEM	PART NUMBER	QTY	DESCRIPTION	REV
20	7012694	NLA	Pump, Manual (Note: Use p/n 70004019)	
20	7017496	1	Seal Kit - 7012694 Cartridge (was p/n 2900708)	
21	Not Available	1	Plug, Orifice (.031in)	
22	Not Available	1	Disc, Orifice (.028in)	
23	70000381	1	Cartridge, Plug	

SECTION 2 - TURNTABLE

FIGURE 2-3. TURNTABLE AND SWING DRIVE INSTALLATION



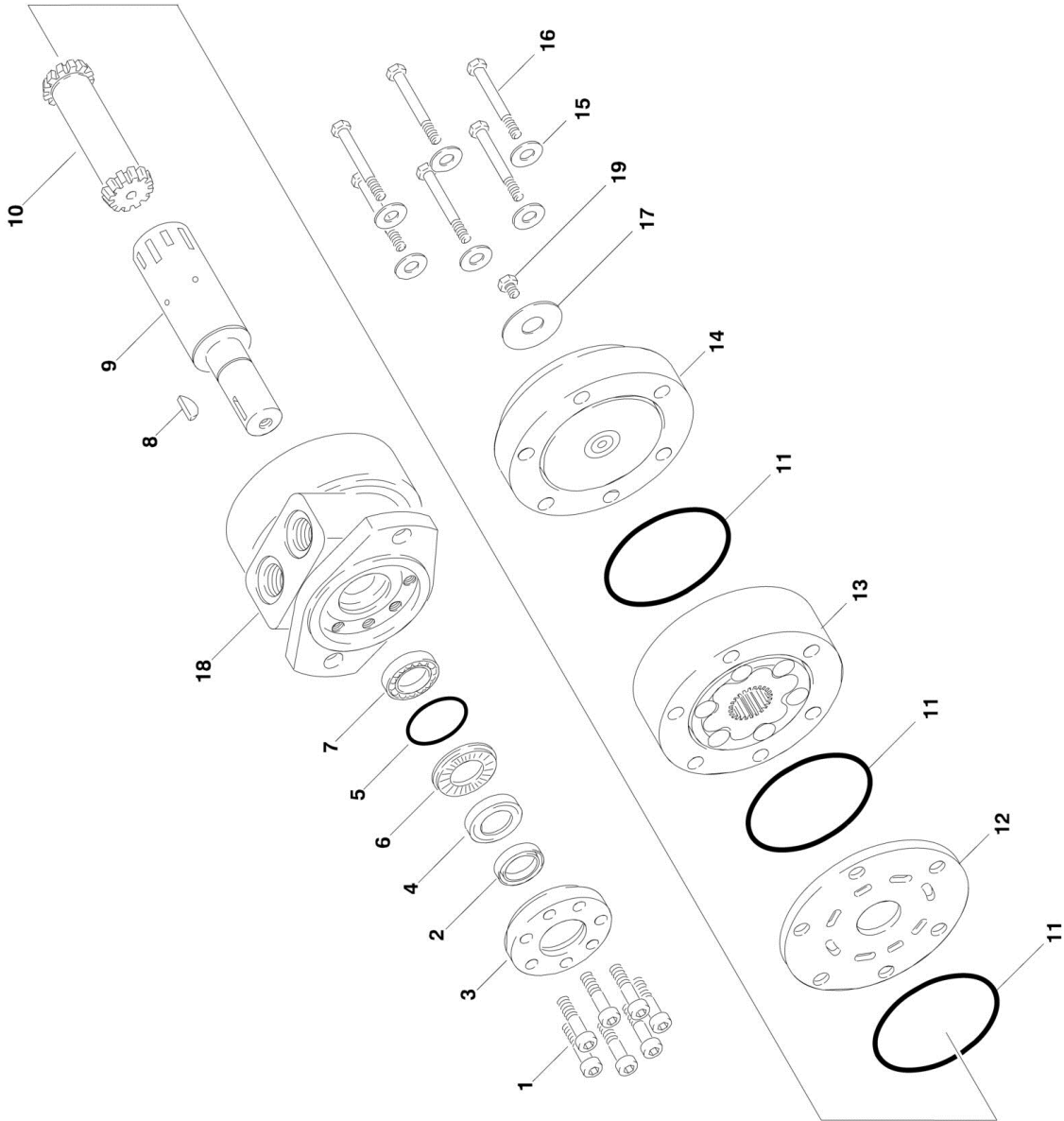
SECTION 2 - TURNTABLE

FIGURE 2-3. TURNTABLE AND SWING DRIVE INSTALLATION

ITEM	PART NUMBER	QTY	DESCRIPTION	REV
	0258653	Ref	TURNTABLE BEARING AND SWING INSTALLATION	1-A
1	0440203	1	Turntable Bearing and Rotation Box Assembly (See SWING BEARING ASSEMBLY for Breakdown)	
2	0100019	AR	Loctite	
3	3160233	1	Swing Motor Assembly (See SWING MOTOR ASSEMBLY for Breakdown)	
4	0681814	2	Bolt 1/2in-13NC x 1 3/4in (Grade 8)	
5	4740171	2	Washer, Hardened	
6	0682026	18	Bolt 5/8in-11NC x 3 1/4in (Grade 8)	
7	4740393	42	Washer, Hardened	
8	3020036	AR	Lube	
9	3020029	AR	Grease, Bearing	
10	0682028	24	Bolt 5/8in-11NC x 3 1/2in (Grade 8)	
101		Ref	TURNTABLE WELDMENTS	
101	4620118	1	Turntable Weldments E45A & M45A	
101	4620124	1	Turntable Weldments E45AJ, M45AJ, E40AJP, E40AJPnarrow, M40AJP & M40AJPnarrow	

SECTION 2 - TURNTABLE

FIGURE 2-4. SWING MOTOR ASSEMBLY



SECTION 2 - TURNTABLE

FIGURE 2-4. SWING MOTOR ASSEMBLY

ITEM	PART NUMBER	QTY	DESCRIPTION	REV
	3160233	Ref	SWING MOTOR ASSEMBLY	
1	Not Serviced	6	Screw, Metric M6 x 20mm	
2	Not Serviced	1	Ring, Dust	
3	Not Serviced	1	Flange, Spigot	
4	Kit	1	Seal, Shaft	
5	Kit	1	O-Ring	
6	7020128	1	Race, Bearing	
7	7020129	1	Bearing, Needle	
8	7020126	1	Key, Woodruff	
9	Not Available	1	Shaft, Output	
10	7020130	1	Shaft	
11	Kit	3	O-Ring	
12	Not Serviced	1	Plate, Distributor	
13	7020131	1	Gear Set	
14	Not Serviced	1	Cover, End	
15	Not Serviced	6	Washer	
16	Not Serviced	6	Screw, Metric M8 x 35mm	
17	Not Serviced	1	Nameplate	
18	Not Serviced		Housing	
19	Not Serviced		Plug, Drain 7/16in-20NF	
	7020127	1	Seal Kit (Includes Items 4, 5 & 11)	

SECTION 2 - TURNTABLE

FIGURE 2-5. SWING BEARING ASSEMBLY

ITEM	PART NUMBER	QTY	DESCRIPTION	REV
		Ref	Note: Visually identify the brand before ordering replacement parts.	
	0440339	Ref	SWING BEARING ASSEMBLY (PERFECTION GEAR) (SERVICE REPLACEMENT)	C
1	7026042	2	Bearing, Cup	
1	7026043	2	Bearing, Cone	
2	7027356	1	Adapter, Motor	
3	7027361	2	Seal	
4	7027354	1	Cap, End	
5	0641510	2	Bolt 5/16in-18NC x 1 1/4in	
6	0641812	2	Bolt 1/2in-13NC x 1 1/2in	
7	70000865	1	Plug	
8	7027360	1	Seal	
9	7027359	2	Straight Fitting, Grease	
9	2160003	2	Fitting, Grease - 45	
10	7027358	2	90 Fitting, Grease	
11	Not Available	1	Housing	
12	4891500	2	Flatwasher 5/16in (Hardened)	
13	7027363	1	Gear, Worm	
14	70000868	1	Ring, Bearing	
15	7027352	AR	Gasket (.010 - Brown)	
16	7027351	AR	Gasket (.0075 - Clear)	
17	7027350	AR	Gasket (.005 - Blue)	
18	7027353	1	Gasket (.020 - Yellow)	
	0440203	Ref	SWING BEARING ASSEMBLY (KAYDON) (ORIGINAL EQUIPMENT)	G
101	7012597	1	Swing Rotation Box Assembly	
102	7023484	1	Cap, End	
103	Not Available	2	Bolt 1/2in-13NC x 1 1/2in Grade 8	
104	Not Available	1	Gear, Worm	
105	7012654	1	Seal, Outer - Capped End (1.75 O.D.)	
106	7016682	1	Shims Kit (Includes Qty 3 each of .005, .0075 & .010 Shims)	
107	70001677	2	Cup, Bearing	
108	90206369	2	Cone, Bearing	
109	7016676	1	Seal, Outer - Capped End (2.063 O.D.)	
110	Not Available	1	Ring, Retaining	
111	7012655	1	Seal, Outer - Motor End	
112	2160001	2	Fitting, Grease - 90	
113	Not Available	2	Lockwasher 1/2in	
114		Ref	Component Options:	
114	Not Available		Plug, Pipe	
114	2160001	1	Fitting, Grease - 45	
115	7012596	1	Bearing, Turntable	
116	2160003	2	Fitting, Grease - 45	
117	Not Available	4	Capscrew, Socket Head 5/16in-18NC	
117	Not Available	4	Washer 5/16in (Not Shown)	

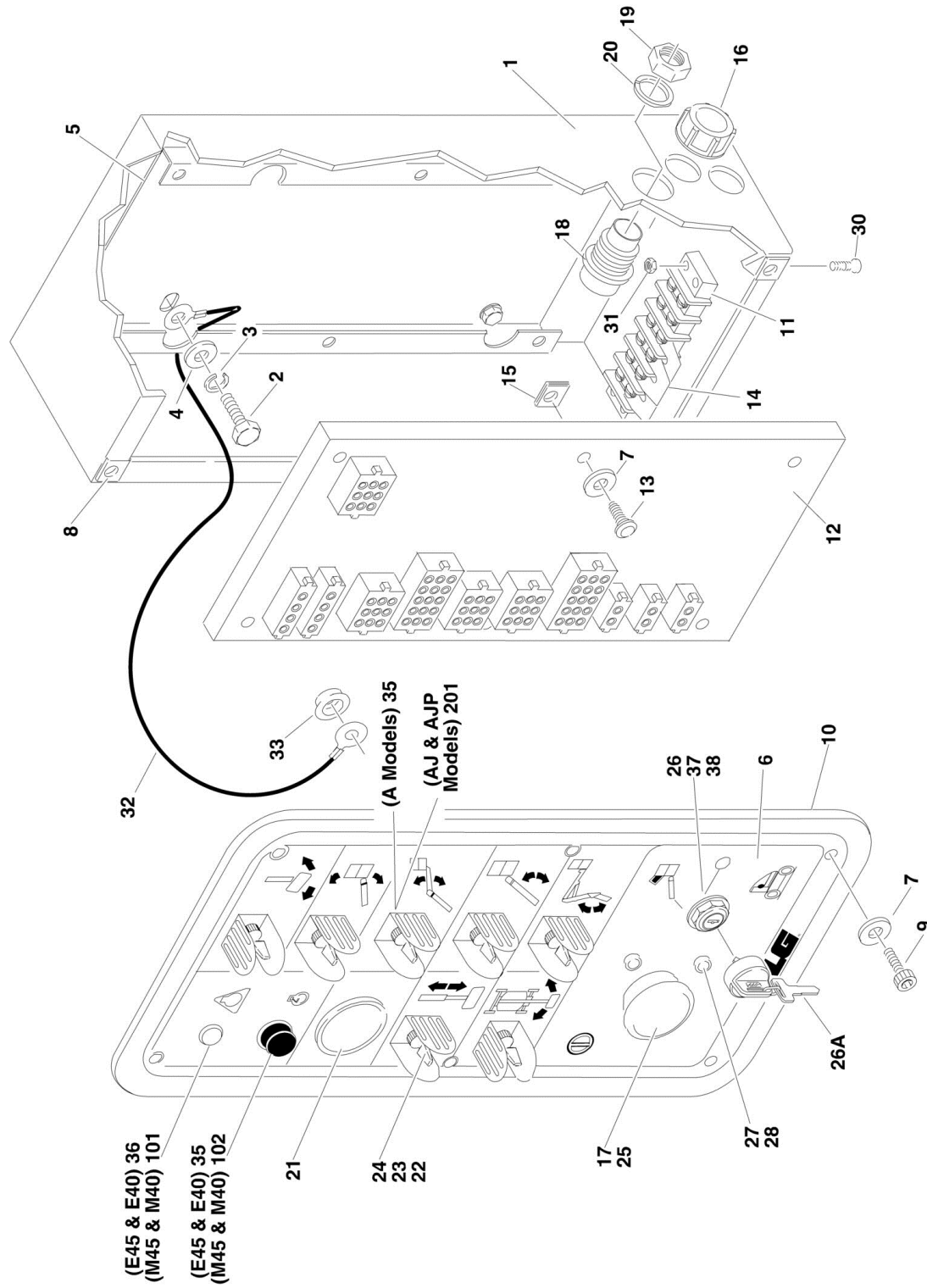
SECTION 2 - TURNTABLE

FIGURE 2-6. TANK AND MOTOR/GENERATOR COMPONENTS INSTALLATION (M45 & M40 ONLY)

ITEM	PART NUMBER	QTY	DESCRIPTION	REV
		Ref	TANK AND MOTOR/GENERATOR COMPONENTS INSTALLATION (TURNTABLE MOUNTED) (M45 & M40 ONLY)	
	0257824	Ref	Tank and Motor/Generator Components Installation M45A, M40AJP & M45AJ	11
	0270344	Ref	Tank and Motor/Generator Components Installation M40AJPnarrow	1
1	7020156	1	Module, Control	
2	7020155	1	Harness, Wiring (Not Shown - See ELECTRICAL SECTION for Breakdown)	
21	2180536	1	Fitting, Barbed	
22	4400417	1	Tank, Gas	
22A	7016314	1	Cap (Standard)	
22A	1120487	1	Lockable Cap (Blue) (Optional)	
23	4751600	2	Flatwasher 3/8in	
24	0641616	2	Bolt 3/8in-16NC x 2in	
26	2720271	10 ft/3m	Hose	
27	2220315	2	Fitting, Barbed	
28	2720339	12 ft/3.7m	Hose	
29	1320022	7	Clamp, Hose	
30	0100020	AR	Sealant (Not Shown)	
31	4100026	3 ft/1m	Sleeve, Hose	
32	2220459	3	Fitting 90	
33	4240033	10	Strap, Tie	
52	3571157	1	Plate	
53	0641406	4	Bolt 1/4in-20NC x 3/4in	
54	4711400	16	Flatwasher 1/4in Narrow	
55	3311405	8	Locknut 1/4in-20NC	
56	0641412	4	Bolt 1/4in-20NC x 1 1/2in	
57	1320041	1	Clamp	
58	0641408	1	Bolt 1/4in-20NC x 1in	

SECTION 2 - TURNTABLE

FIGURE 2-7. GROUND CONTROL BOX ASSEMBLY



SECTION 2 - TURNTABLE

FIGURE 2-7. GROUND CONTROL BOX ASSEMBLY

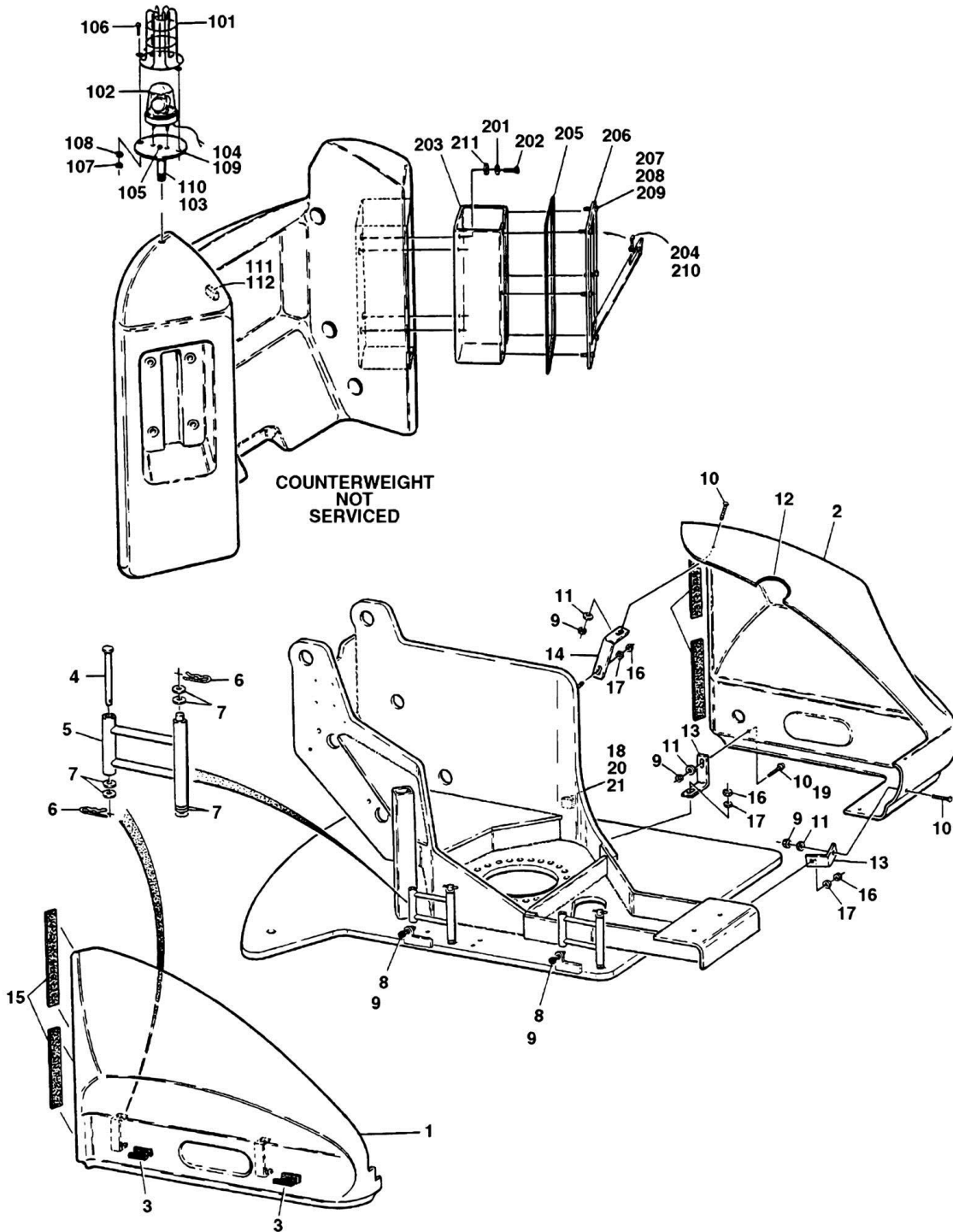
ITEM	PART NUMBER	QTY	DESCRIPTION	REV
		Ref	GROUND CONTROL BOX ASSEMBLY	
	0861263	Ref	Ground Control Box Assembly E45A & M45A Models	2-B
	0861352	Ref	Ground Control Box Assembly E40AJP & M40AJP Models	2-B
1	0861152	1	Box Weldment	
2	0641605	4	Bolt 3/8in-16NC x 5/8in	
3	4761600	4	Lockwasher 3/8in	
4	4751600	4	Flatwasher 3/8in	
5	0902406	1	Bracket, Module Mounting	
6		Ref	Nameplate Options:	
6	3252632	1	Nameplate E45A & M45A Models	
6	3252669	1	Nameplate E40AJP & M40AJP Models	
7	4740120	12	Washer, Nylon	
8	3300365	6	Nut, Retainer	
9	0630464	6	Screw	
10	3960438	50	Seal	
		in/1.26m		
11	4460007	1	Strip, Terminal - 6 Position	
11	3990106	1	Limiter, Inrush	
12		Ref	Module	
12	0610129	1	Module E45A & M45A Models	
12	0610139	1	Module E40AJP & M40AJP Models	
13	0750808	6	Screw #8 x 1in	
14	4460264	3	Buss, Terminal	
15	3300188	6	Nut, Tinnerman	
16	4460425	1	Connector, Strain Relief	
17	4360476	1	Block, Contact	
18	4460495	1	Connector, Receptacle	
19	4460497	1	Nut, Conduit	
20	4460496	1	Lockwasher	
21	2420106	1	Gauge, Hourmeter/Battery Capacity	
22	4740397	6	Spacer	
23	4360328	6	Switch, Toggle	
24	4060906	6	Guard, Switch	
25	4360475	1	Switch, Emergency Stop	
25	7020175	1	Mushroom Head	
25	7020176	1	Block, Contact	
26	4360470	1	Keyswitch	
26A	2860030	AR	Key, Replacement	
27	4360070	2	Breaker, Circuit - 15Amp	
28	3300396	2	Nut, Special	
30	3911012	2	Screw #10-24NC x 3/4in	
31	3311005	2	Locknut #10-24NC	
32	1060584	1	Cable, Lanyard	
33	3311011	1	Nut, Push #10	
35	3520028	2	Plug, Hole 1/2in	
36	3520054	1	Plug, Hole 7/16in	
37	4070987	5	Shim, Nylon	
38	3910804	6	Screw #8-32NC x 1/4in	
		Ref	MOTOR CONTROLS INSTALLATION (M45A & M40AJP ONLY)	
	0257824	Ref	Motor Controls Installation M45A Models	11

SECTION 2 - TURNTABLE

ITEM	PART NUMBER	QTY	DESCRIPTION	REV
	0270344	Ref	Motor Controls Installation M40AJP Models	1
101	2920151	1	Led (Red)	
101	4460248	2	Terminal, Button Splice	
102	4360274	1	Switch, Push Button	
102	4460259	2	Terminal, Posi-Lock	
102	4460260	2	Terminal, Housing	
	4933101	Ref	JIB SWITCH INSTALLATION (AJ AND AJP ONLY)	1-A
201	4360328	1	Switch, Toggle	
201	3790012	1	O-Ring	
201	4060906	1	Shield, Switch	

SECTION 2 - TURNTABLE

FIGURE 2-8. HOODS AND BEACON LIGHT INSTALLATIONS



SECTION 2 - TURNTABLE

FIGURE 2-8. HOODS AND BEACON LIGHT INSTALLATIONS

ITEM	PART NUMBER	QTY	DESCRIPTION	REV
		Ref	HOODS INSTALLATION	
	0258953	Ref	Hoods Installation M45A & M40AJP Models	2-B
	0253709	Ref	Hoods Installation E45A & E40AJP Models	7-G
		Ref	NOTE: REPLACEMENT DECALS MUST BE ORDERED SEPARATELY - (See DECALS SECTION for Breakdown)	
1		Ref	Hood, LH Options:	
1	2680473	1	Hood, LH (Was p/n 2680410) (Prior to SN 48133)	
1	2680473	1	Hood, LH (SN 48133 to Present)	
2		Ref	Hood Options:	
2	2680474	1	Hood M45A & M40AJP Models (Was p/n 2680453) (Prior to SN 48133)	
2	2680474	1	Hood M45A & M40AJP Models (SN 48133 to Present)	
2	2680475	1	Hood E45A & E40AJP Models (Was p/n 2680411) (Prior to SN 48133)	
2	2680475	1	Hood E45A & E40AJP Models (SN 48133 to Present)	
3	2940071	2	Latch	
4	3430840	2	Pin, Clevis	
5	0253687	2	Hinge, Swing	
6	3420156	4	Pin, Hair Cotter	
7	4751800	AR	Flatwasher 1/2in	
8	0940049	2	Bumper Only (Prior to SN 48133)	
9	3311501	AR	Nut 5/16in-18NC	
10	0630468	3	Bolt 5/16in-18NC x 1in	
11	4751500	5	Flatwasher 5/16in	
12	4060803	AR	Shield, Flex Trim	
13	0901923	2	Bracket, Hood Mounting	
14	0901921	1	Bracket, Hood Mounting	
15	3960453	5 ft/1.5m	Seal, Door	
16	3311601	AR	Nut 3/8in-16NC	
17	4751600	AR	Flatwasher 3/8in	
18	1320043	1	Clamp, Insulated Cable 3/8in	
19	0641510	AR	Bolt 5/16in-18NC x 1 1/4in	
20	4751400	1	Flatwasher 1/4in	
21	3311401	1	Nut 1/4in-20NC	
22	0100011	AR	Loctite #242 (Not Shown)	
	0259305	Ref	STROBE LIGHT INSTALLATION (OPTIONAL)	1
101	4060865	1	Guard, Light	
102	2920146	1	Light, Strobe (Amber)	
102	7016319	1	Bulb, Light	
102	7016372	1	Amber Lens	
103	0630491	1	Bolt, Special	
104	3537903	1	Plate, Mounting	
105	0741606	1	Screw, Flathead 3/8in-16NC x 3/4in	
106	0721008	2	Bolt #10-24NC x 1in	
107	3311005	2	Locknut #10-24NC	
108	4751000	4	Flatwasher #10	
109	4220162	1	Spacer	
110	0100011	AR	LOCTITE #242	
111	4240032	1	Tie-Strap	
112	4460234	1	Clamp	

SECTION 2 - TURNTABLE

ITEM	PART NUMBER	QTY	DESCRIPTION	REV
113	2820036	16 in/41cm	Loom (Not Shown)	B
	0253984	Ref	STORAGE COMPARTMENT INSTALLATION ONLY (Prior to SN 48133)	
201	4761600	4	Lockwasher 3/8in	
202	0641605	4	Bolt 3/8in-16NC x 5/8in	
203	3536691	1	Box, Storage	
204	2940042	1	Latch	
205	3960438	50 in/1.3m	Seal	
206	4844404	1	Door Front Weldment	
207	4740120	6	Washer, Nylon	
208	0630464	6	Screw, Button Head #10-24NC x 1/2in	
209	3300365	6	Retainer, Nut #10-24NC	
210	0100011	AR	LOCTITE #242	
211	4751600	4	Flatwasher 3/8in	

SECTION 3 - BOOM

SECTION 3 - BOOM

FIGURE 3-1. BOOMS INSTALLATION

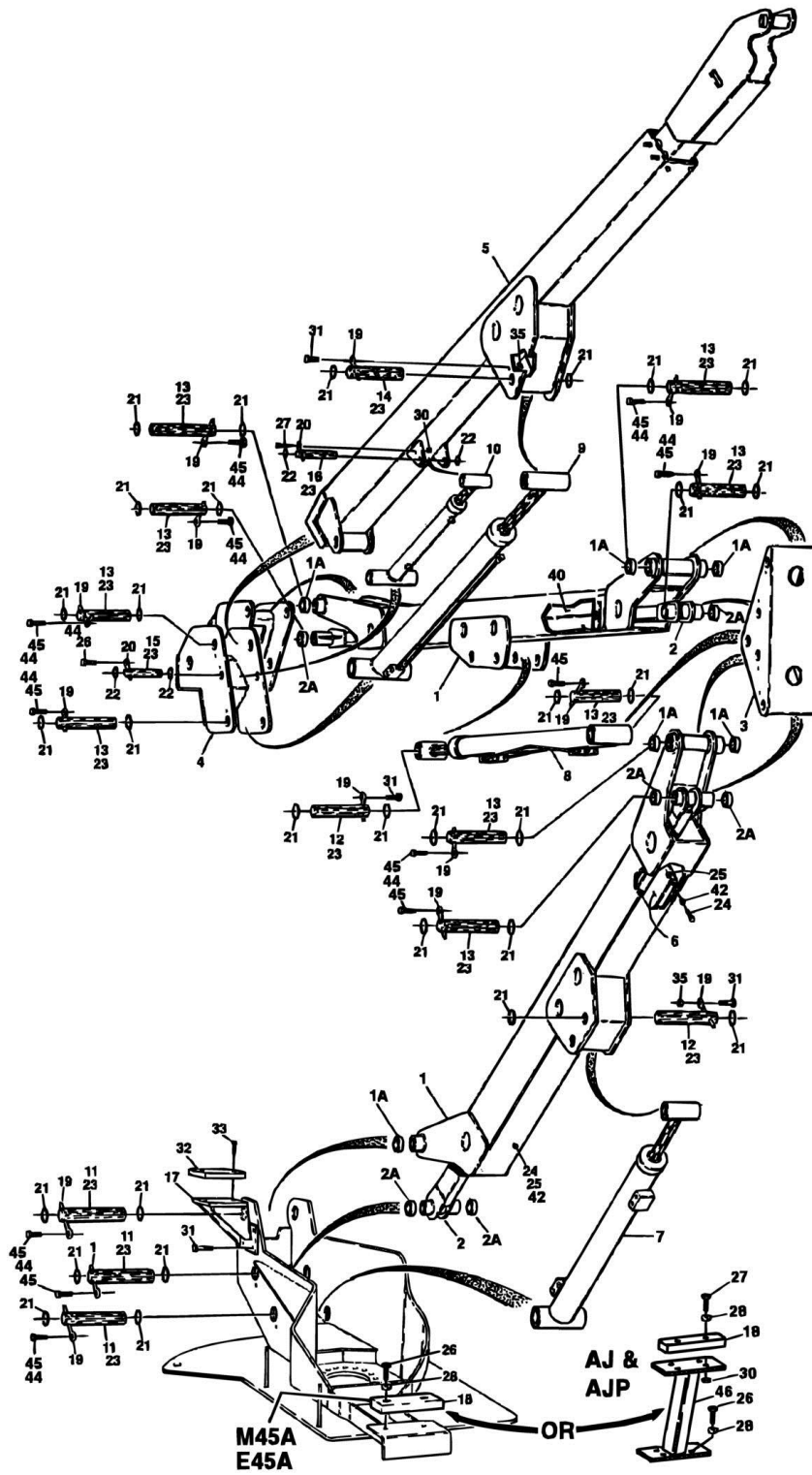


FIGURE 3-1. BOOMS INSTALLATION

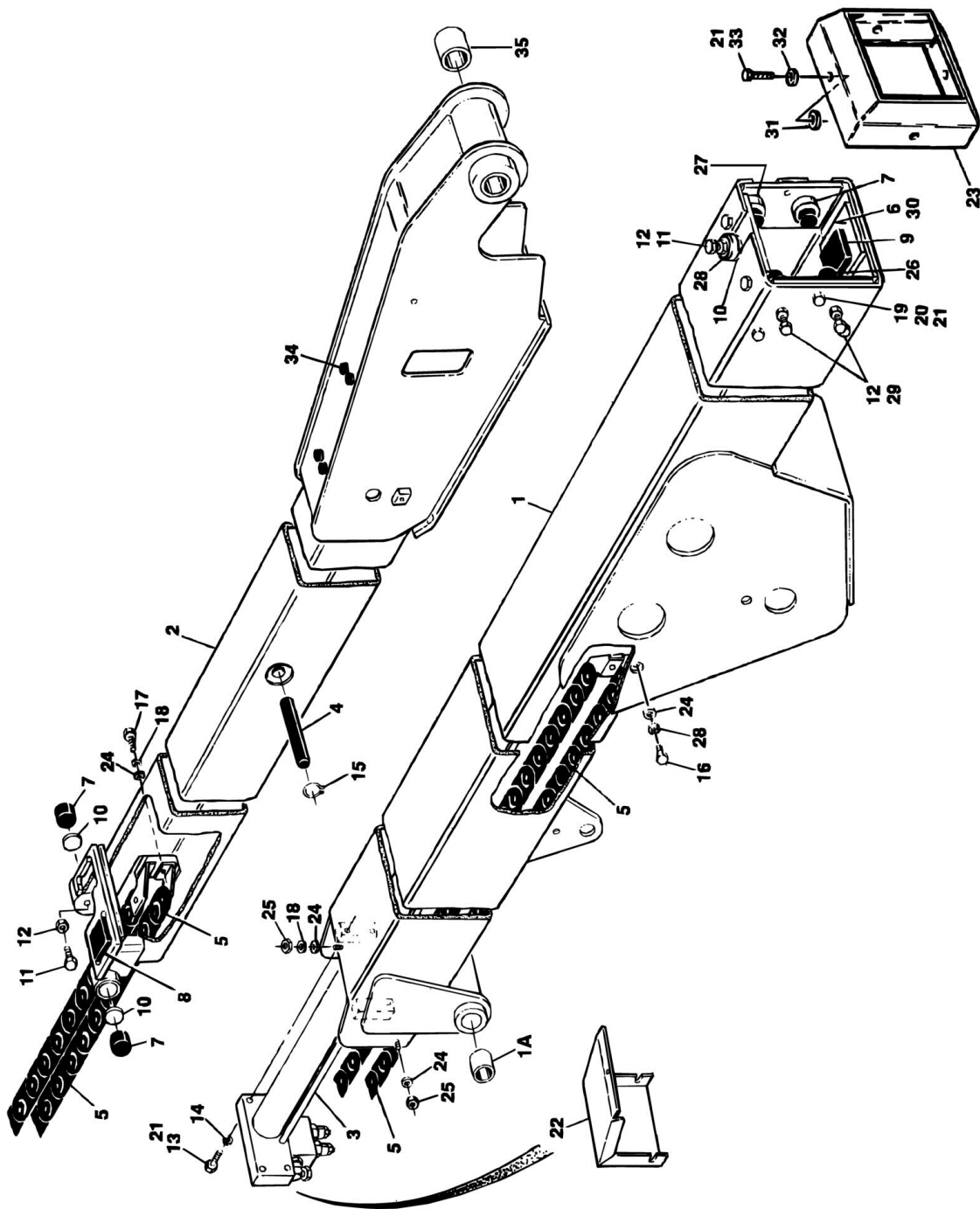
ITEM	PART NUMBER	QTY	DESCRIPTION	REV
		Ref	BOOMS INSTALLATIONS	
	0258691	Ref	Booms Installations E45A & M45A	2
	0259366	Ref	Booms Installations E45AJ & M45AJ	3-C
	0259939	Ref	Booms Installations E40AJP & M40AJP	2-B
1		Ref	Boom Assembly -Tower Options:	
1	0800852	2	Boom Assembly -Tower E45A & M45A	
1	0801227	2	Boom Assembly -Tower E40AJP & M40AJP	
1A		Ref	Teflon Bushing Options: (4 per Assembly)	
1A	0961726	AR	Teflon Bushing E45A & M45A	
1A	0961950	AR	Teflon Bushing E40AJP & M40AJP	
2		Ref	Level Link Options:	
2	4844541	2	Level Link E45A & M45A	
2	4846209	2	Level Link E40AJP & M40AJP	
2A		Ref	Teflon Bushing Options: (4 per Assembly)	
2A	0961726	AR	Teflon Bushing E45A & M45A	
2A	0961950	AR	Teflon Bushing E40AJP & M40AJP	
3	4844427	1	Upright Weldment (Lower)	
4		Ref	Upright Weldment (Upper) Options:	
4	4844304	1	Upright Weldment (Upper) E45A & M45A	
4	4846026	1	Upright Weldment (Upper) E45AJ, M45AJ, E40AJP & M40AJP	
5		Ref	Boom Assembly - Main Options :	
5	0801169	1	Boom Assembly - Main E45A & M45A (See MAIN BOOM ASSEMBLY (E45A & M45A) for Breakdown)	
5	0801197	1	Boom Assembly - Main E45AJ & M45AJ (See MAIN BOOM ASSEMBLY (E45AJ & M45AJ) for Breakdown)	
5	0801225	1	Boom Assembly - Main E40AJP & M40AJP (See MAIN BOOM ASSEMBLY (E40AJP & M40AJP) for Breakdown)	
6		Ref	Hose Guard Plate Options:	
6	3537045	1	Hose Guard Plate E45A & M45A	
6	3536491	1	Hose Guard Plate E40AJP & M40AJP	
7		Ref	Lift Cylinder Assembly - Lower Options (See CYLINDER SECTION for Breakdown):	
7	1683711	1	Lift Cylinder Assembly - Lower E45A & M45A	
7	1683826	1	Lift Cylinder Assembly - Lower E45AJ & M45AJ	
7	1683939	1	Lift Cylinder Assembly - Lower E40AJP & M40AJP	
8		Ref	Lift Cylinder Assembly - Mid Options (See CYLINDER SECTION for Breakdown):	
8	1683713	1	Lift Cylinder Assembly - Mid Options E45A & M45A	
8	1683825	1	Lift Cylinder Assembly - Mid Options E45AJ & M45AJ	
8	1683942	1	Lift Cylinder Assembly - Mid Options E40AJP & M40AJP	
9		Ref	Lift Cylinder Assembly - Upper Options (See CYLINDER SECTION for Breakdown):	
9	1683708	1	Lift Cylinder Assembly - Upper Options E45A & M45A	
9	1683813	1	Lift Cylinder Assembly - Upper Options E45AJ & M45AJ	
9	1683945	1	Lift Cylinder Assembly - Upper Options E40AJP & M40AJP	
10		Ref	Master Cylinder Assembly Options (See CYLINDER SECTION for Breakdown):	
10	1683325	1	Master Cylinder Assembly E45A & M45A	
10	1683773	1	Master Cylinder Assembly E45AJ & M45AJ	
10	1683923	1	Master Cylinder Assembly E40AJP & M40AJP	
11		Ref	Pin Options:	

SECTION 3 - BOOM

ITEM	PART NUMBER	QTY	DESCRIPTION	REV
11	3422175	3	Pin E45A & M45A	
11	3422481	3	Pin E40AJP & M40AJP	
12		Ref	Pin Options:	
12	3422176	2	Pin E45A & M45A	
12	3422845	2	Pin E40AJP & M40AJP	
13		Ref	Pin Options:	
13	3422177	9	Pin E45A & M45A	
13	3422480	9	Pin E40AJP & M40AJP	
14		Ref	Pin Options:	
14	3422178	1	Pin E45A & M45A	
14	3422844	1	Pin E40AJP & M40AJP	
15		Ref	Pin Options:	
15	3422179	1	Pin E45A & M45A	
15	3422806	1	Pin E45AJ, M45AJ, E40AJP & M40AJP	
16		Ref	Pin Options:	
16	3422180	1	Pin E45A & M45A	
16	3422582	1	Pin E45AJ, M45AJ, E40AJP & M40AJP	
17	4844467	1	Boom Rest Weldment	
18	0561076	1	Block, Boom Rest	
19	3841203	AR	Keeper, Pin - 1/2in	
20	3841143	AR	Keeper, Pin - 3/8in	
21	3780184	30	O-Ring - 2in (E45A, M45A, E45AJ & M45AJ Only)	
22	3780181	4	O-Ring - 1in (E45A & M45A Only)	
23	3020022	AR	Grease	
24	0641506	4	Bolt 5/16in-18NC x 3/4in	
25	3311505	4	Locknut 5/16in-18NC	
26	0641608	5	Bolt 3/8in-16NC x 1in	
27	0641610	4	Bolt 3/8in-16NC x 1 1/4in	
28	4751600	8	Flatwasher 5/16in	
30	3311605	3	Locknut 3/8in-16NC	
31	0641812	6	Bolt 1/2in-13NC x 1 1/2in	
32	0940048	1	Bumper	
33	0641806	2	Bolt 1/2in-13NC x 3/4in	
34	3422669	1	Pin	
35	3311805	3	Locknut 1/2in-13NC	
40		Ref	Tube	
40	4566356	1	Tube E45A & M45A	
40	4566427	1	Tube E40AJP & M40AJP	
42	4751500	4	Flatwasher 5/16in	
44	0100011	AR	Loctite #242	
45	0641810	12	Bolt 1/2in-13NC x 1 1/4in	
46	4846091	1	Rest, Boom Only (SN 46063 to Present)	

SECTION 3 - BOOM

FIGURE 3-2. MAIN BOOM ASSEMBLY (E45A & M45A)



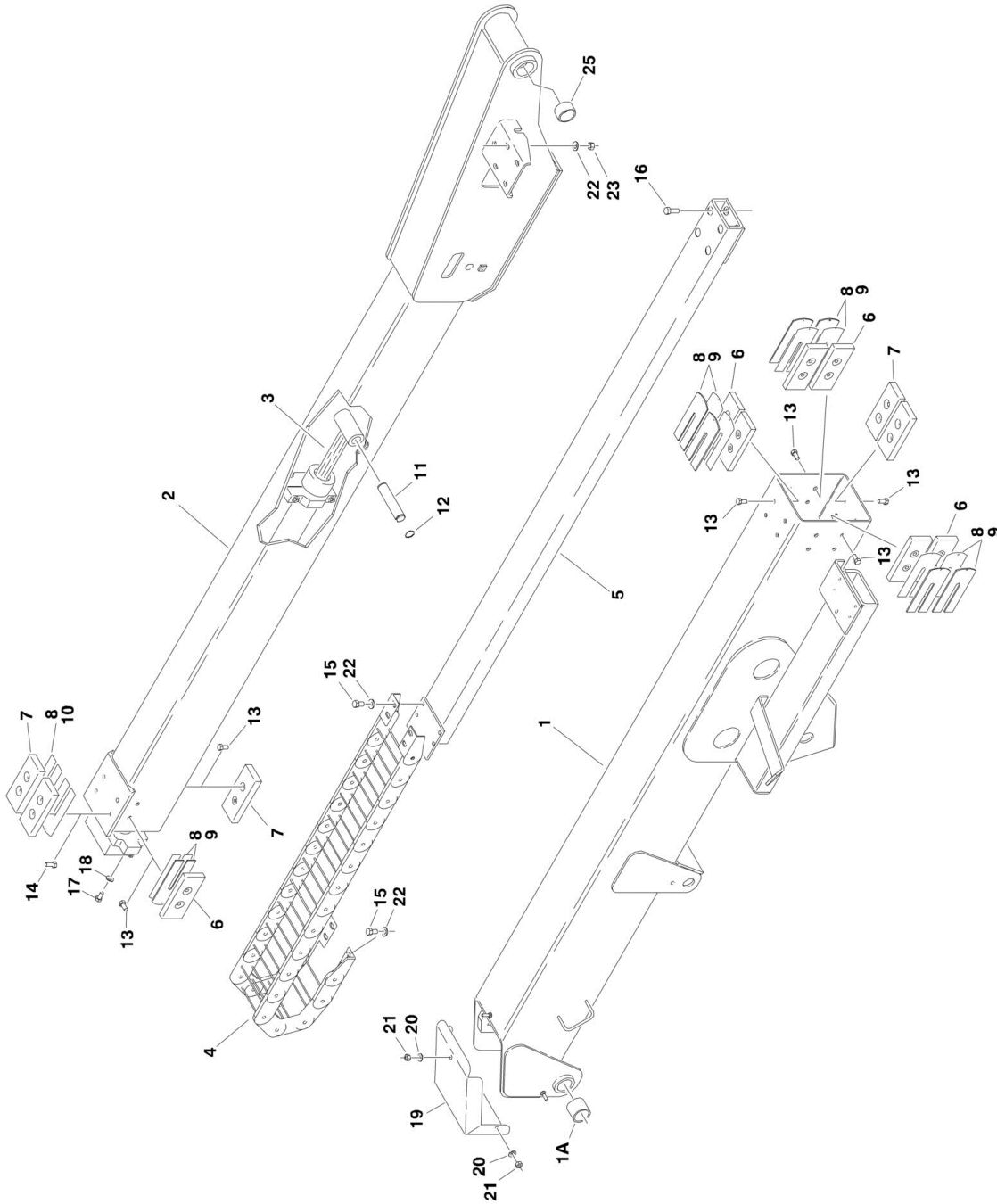
SECTION 3 - BOOM

FIGURE 3-2. MAIN BOOM ASSEMBLY (E45A & M45A)

ITEM	PART NUMBER	QTY	DESCRIPTION	REV
	0801169	Ref	MAIN BOOM ASSEMBLY (E45A & M45A)	1-A
1	0800854	1	Base Weldment	
1A	0961726	2	Bearing	
2	0801154	1	Fly Weldment	
3	1683704	1	Telescope Cylinder Assembly (See CYLINDER SECTION for Breakdown)	
4	3422185	1	Pin	
5	1180302	1	Powertrack Assembly	
6	4844579	1	Holder, Wear Pad	
7	3340663	8	Pad, Wear (Base Front Top and Sides/Fly Rear Sides and Bottom)	
8	3340820	2	Pad, Wear (Fly Rear Top)	
9	3340682	1	Pad, Wear (Base Front Bottom)	
10	1760160	8	Disc	
11	0630487	6	Bolt, Special	
12	3311602	8	Nut, Jam 3/8in-16NC	
13	0641818	4	Bolt 1/2in-13NC x 2 1/4in	
14	4761800	4	Lockwasher 1/2in	
15	3760115	2	Ring, Snap	
16	0641405	2	Bolt 1/4in-20NC x 5/8in	
17	0641404	2	Bolt 1/4in-20NC x 1/2in	
18	4761400	7	Lockwasher 1/4in	
19	0641606	7	Bolt 3/8in-16NC x 3/4in	
20	4761600	7	Lockwasher 3/8in	
21	0100011	AR	Loctite #242	
22	1670678	1	Cover, Boom	
23	1670698	1	Cover, Boom	
24	4751400	7	Flatwasher 1/4in	
25	3311401	3	Nut 1/4in-20NC	
26	1220038	1	Holder, Wear Pad (Base Front Left Sides)	
27	1220039	1	Holder, Wear Pad (Base Front Right Side)	
28	1220040	1	Holder, Wear Pad (Base Front Top)	
29	0630399	2	Bolt, Special	
30	0100009	AR	Silicone	
31	4740413	5	Washer, Spacer	
32	4751600	5	Flatwasher 3/8in	
33	0641608	5	Bolt 3/8in-16NC x 1in	
34	3520034	4	Plug, Hole	
35	0961951	2	Bearing, Garmax	

SECTION 3 - BOOM

FIGURE 3-3. MAIN BOOM ASSEMBLY (E45AJ & M45AJ)



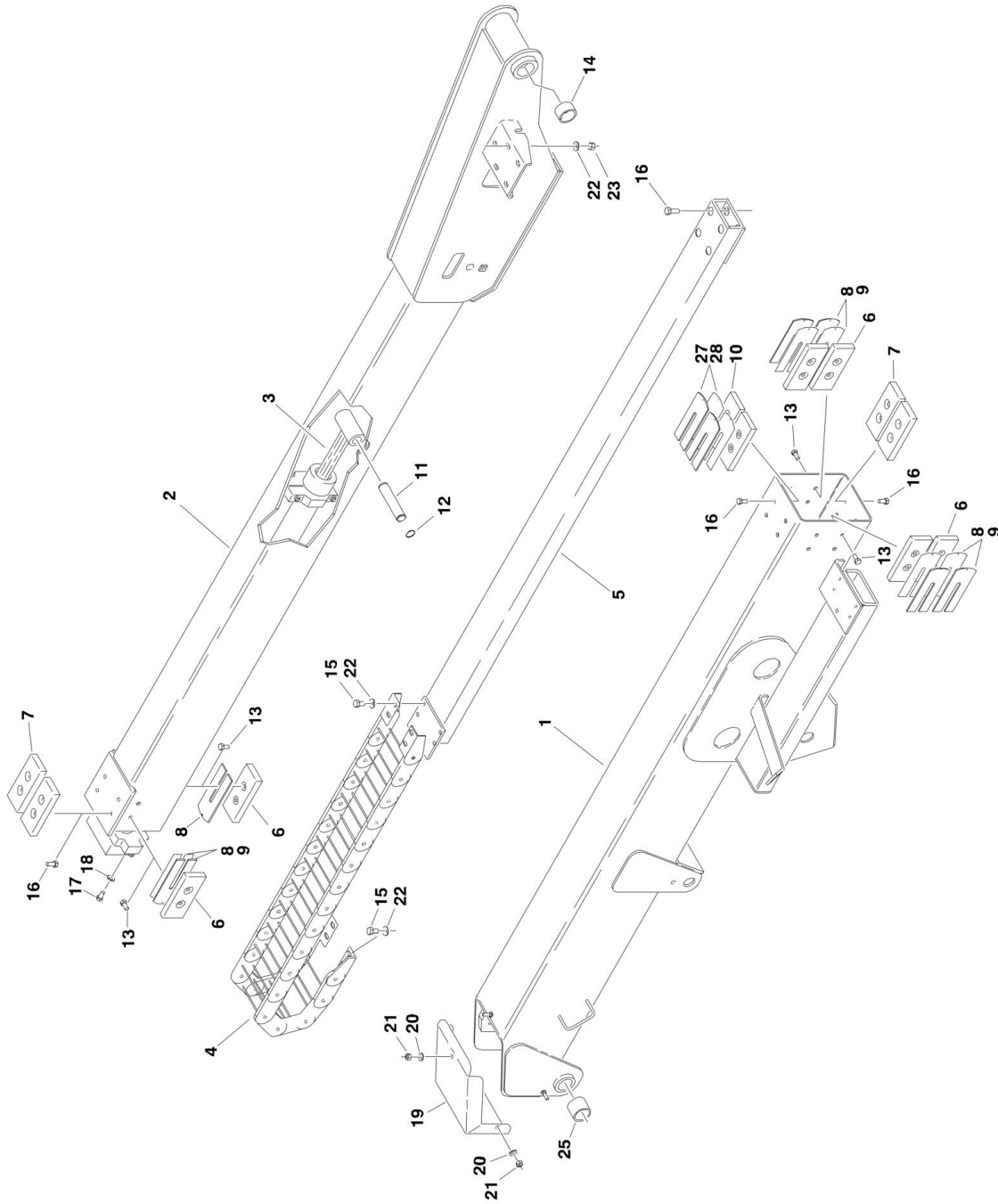
SECTION 3 - BOOM

FIGURE 3-3. MAIN BOOM ASSEMBLY (E45AJ & M45AJ)

ITEM	PART NUMBER	QTY	DESCRIPTION	REV
	0801197	Ref	MAIN BOOM ASSEMBLY (E45AJ & M45AJ)	2-B
1	0801198	1	Base Weldment	
1A	0961726	2	Bearing	
2	0801192	1	Fly Weldment	
3	1683798	1	Telescope Cylinder Assembly (See CYLINDER SECTION for Breakdown)	
4	1180352	1	Powertrack Assembly	
4	7006139	AR	1ft Repair Section	
4	7006151	AR	Feet, Mounting	
4	7006152	AR	Pin Kit (Includes 1 Link Pin, 4 Different Size Washers and 1 Retaining Ring)	
5	4846033	1	Pushtube Weldment	
6	3340756	8	Pad, Wear (Base Front Top and Sides/Fly Rear Sides)	
7	3340837	5	Pad, Wear (Base Bottom/Fly Rear Top and Bottom)	
8	4070897	10	Shim 18 Gauge	
9	4070898	8	Shim 16 Gauge	
10	4070982	2	Shim 11 Gauge	
11	3422804	1	Pin	
12	3760115	2	Ring, Snap	
13	0641606	22	Bolt 3/8in-16NC x 3/4in	
14	0641607	4	Bolt 3/8in-16NC x 7/8in	
15	0641605	8	Bolt 3/8in-16NC x 5/8in	
16	0641608	24	Bolt 3/8in-16NC x 1in	
17	0641818	4	Bolt 1/2in-13NC x 2 1/4in	
18	4761800	4	Lockwasher 1/2in	
19	1670678	1	Cover, Boom	
20	4761600	3	Lockwasher 3/8in	
21	3311401	3	Nut 1/4in-20NC	
22	4711600	12	Flatwasher 3/8in	
23	3311605	4	Locknut 3/8in-16NC	
24	0100011	AR	Loctite #242 (Not Shown)	
25	0961948	4	Bearing, Garmax	

SECTION 3 - BOOM

FIGURE 3-4. MAIN BOOM ASSEMBLY (E40AJP & M40AJP)



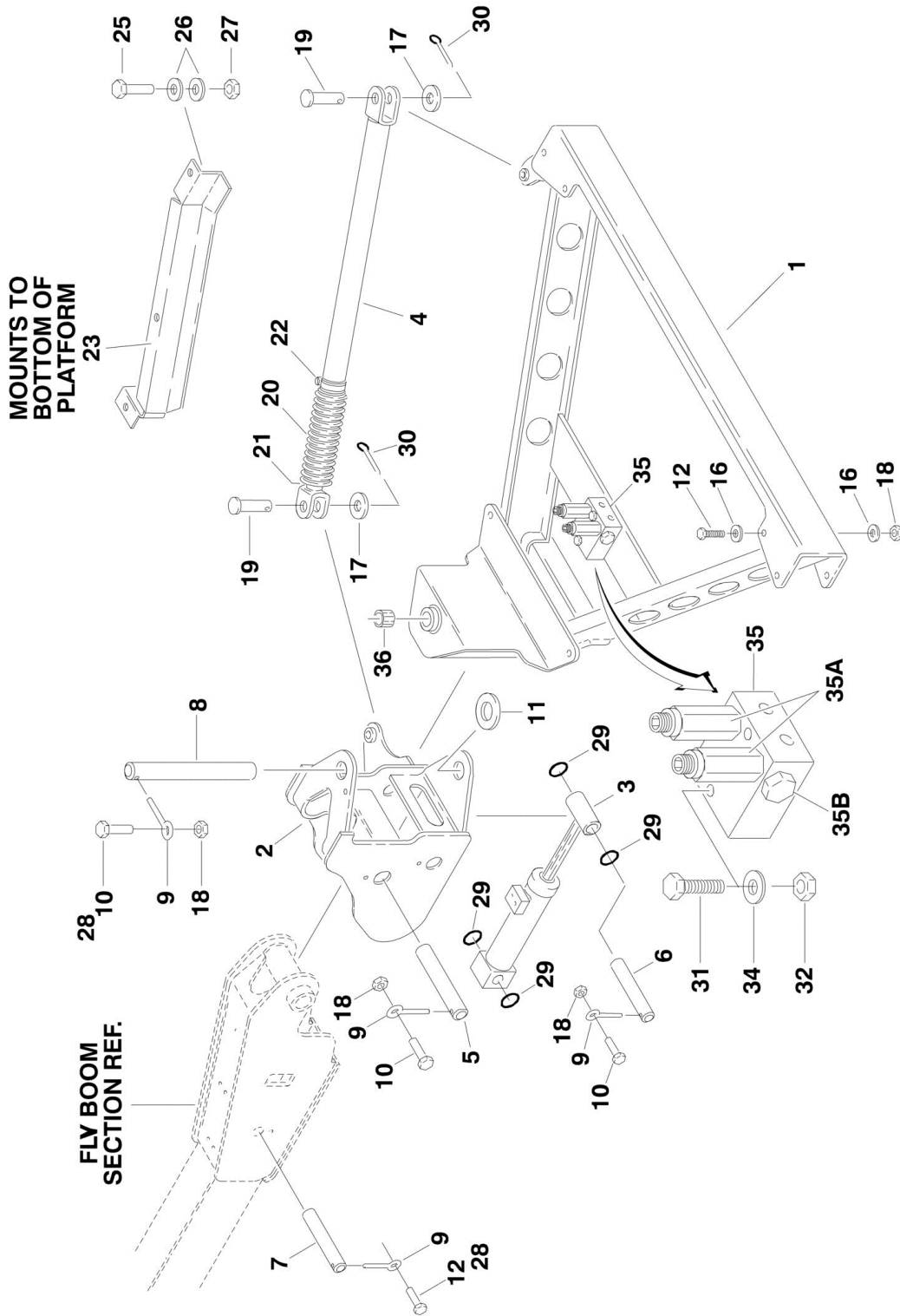
SECTION 3 - BOOM

FIGURE 3-4. MAIN BOOM ASSEMBLY (E40AJP & M40AJP)

ITEM	PART NUMBER	QTY	DESCRIPTION	REV
	0801225	Ref	MAIN BOOM ASSEMBLY (E40AJP & M40AJP)	2-B
1	0801224	1	Base Weldment	
2	0801226	1	Weldment, Fly Boom	
3	1683911	1	Cylinder, Telescope (See CYLINDER SECTION for Breakdown)	
4	1180353	1	Carrier, Power Track	
4	7006139	AR	1ft Repair Section	
4	7006151	AR	Feet, Mounting	
4	7006152	AR	Pin Kit (Includes 1 Link Pin, 4 Different Size Washers and 1 Retaining Ring)	
5	4846180	1	Weldment, Push Tube	
6	3340878	10	Pad, Wear	
7	3340884	4	Pad, Wear	
8	4070864	12	Shim 18 Gauge	
9	4070863	8	Shim 11 Gauge	
10	3340886	2	Pad, Wear	
11	3422804	1	Pin	
12	3760115	2	Ring, Retaining	
13	0641606	30	Bolt 3/8in-16NC x 3/4in	
14	0961948	2	Bearing	
15	0641605	8	Bolt 3/8in-16NC x 5/8in	
16	0641608	22	Bolt 3/8in-16NC x 1in	
17	0641818	4	Bolt 1/2in-13NC x 2 1/4in	
18	4761800	4	Lockwasher 1/2in	
19	1670959	1	Cover	
20	4761400	3	Lockwasher 1/4in	
21	3311401	3	Nut 1/4in-20NC	
22	4711600	12	Flatwasher 3/8in	
23	3311605	4	Locknut 3/8in-16NC	
24	0100011	AR	Loctite #242 (Not Shown)	
25	0961950	2	Bearing	
26	3520082	2	Plug (Not Shown)	
27	4070997	2	Shim 16 Gauge	
28	4070998	2	Shim 18 Gauge	

SECTION 3 - BOOM

FIGURE 3-5. SUPPORT AND ROTATOR ASSEMBLY (E45A & M45A) (Prior to SN 49945)



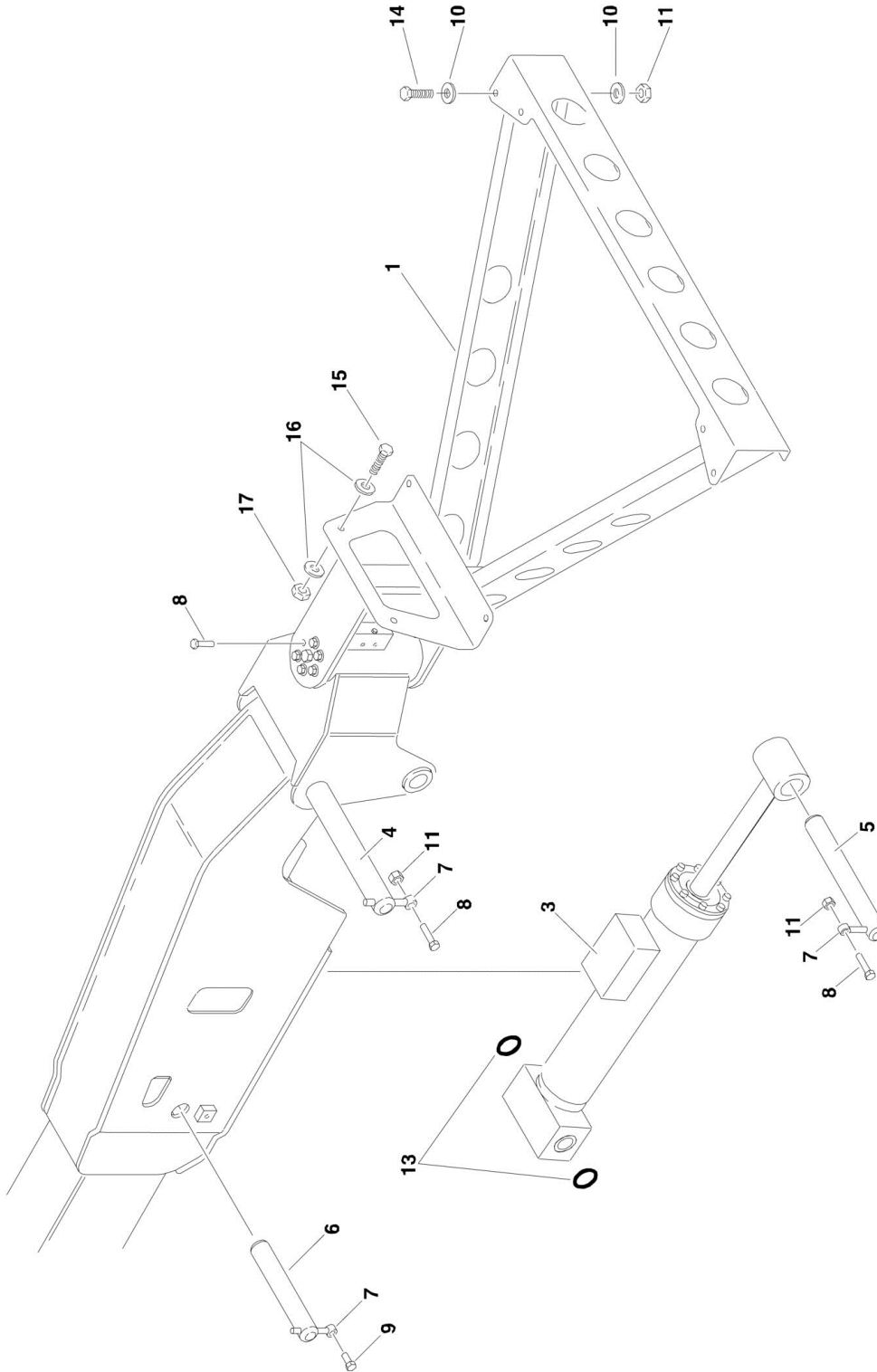
SECTION 3 - BOOM

FIGURE 3-5. SUPPORT AND ROTATOR ASSEMBLY (E45A & M45A) (Prior to SN 49945)

ITEM	PART NUMBER	QTY	DESCRIPTION	REV
	0258383	Ref	PLATFORM ROTATOR AND SUPPORT INSTALLATION (E45A & M45A)	6-C
1	4845770	1	Support Weldment	
2	4845769	1	Pivot Weldment	
3	1683285	1	Platform Level Cylinder Assembly (See CYLINDER SECTION for Breakdown)	
4	1682930	1	Platform Rotator Cylinder Assembly (See CYLINDER SECTION for Breakdown)	
5	3422709	1	Pin, Pivot	
6	3422180	1	Pin, Pivot	
7	3422181	1	Pin, Pivot	
8	3422748	1	Pin, Pivot	
9	3841143	4	Pin, Keeper	
10	0641608	3	Bolt 3/8in-16NC x 1 1/4in	
11	4740007	1	Washer, Thrust	
12	0641607	7	Bolt 3/8in-16NC x 7/8in	
16	4751600	6	Flatwasher 3/8in	
17	4751800	2	Flatwasher 1/2in	
18	3311605	9	Locknut 3/8in-16NC	
19	3430816	2	Pin, Clevis 1/2in x 2in	
20	0460106	1	Bellows	
21	1320014	1	Clamp, Hose	
22	1320031	1	Clamp, Hose	
23	4060855	1	Shield	
25	0641516	2	Bolt 5/16in-18NC x 2in	
26	4751500	4	Flatwasher 5/16in	
27	3311505	2	Locknut 5/16in-18NC	
28	0100011	AR	Loctite #242	
29	3780181	4	O-Ring	
30	3450405	2	Pin, Cotter	
31	0641422	2	Bolt 1/4in-20NC x 2 3/4in	
32	3311405	2	Locknut 1/4in-20NC	
34	4751400	2	Flatwasher 1/4in	
35	4641080	1	Valve Assembly - Counterbalance	
35	7017498	1	Piston, Pilot	
35A	7012981	2	Cartridge, Relief	
35A	7012953	2	Seal Kit - 7012981 Cartridge (1 per Assembly)	
35B	7012955	2	Cartridge, Check	
35B	7012967	2	Seal Kit - 7012955 Cartridge (1 per Assembly)	
36	0961947	2	Bushing (Platform Pivot)	

SECTION 3 - BOOM

FIGURE 3-6. SUPPORT AND ROTATOR ASSEMBLY (E45A & M45A) (SN 49945 to Present)



SECTION 3 - BOOM

FIGURE 3-6. SUPPORT AND ROTATOR ASSEMBLY (E45A & M45A) (SN 49945 to Present)

ITEM	PART NUMBER	QTY	DESCRIPTION	REV
	0259754	Ref	PLATFORM ROTATOR AND SUPPORT INSTALLATION (E45A & M45A)	1
1	4846050	1	Weldment, Support	
2	0060052	1	Rotator, Helac (See ROTATOR ASSEMBLY for Breakdown)	
3	1683285	1	Cylinder Assembly (See CYLINDER SECTION for Breakdown)	
4	3422709	1	Shaft, Pin	
5	3422180	1	Shaft, Pin	
6	3422181	1	Shaft, Pin	
7	3841143	3	Keeper	
8	0641608	8	Bolt 3/8in-16NC x 1in	
9	0641607	1	Bolt 3/8in-16NC x 7/8in	
10	4751600	12	Flatwasher 3/8in	
11	3311605	8	Locknut 3/8in-16NC	
12	0100011	AR	Loctite #242 (Not Shown)	
13	3780181	4	O-Ring (1in)	
14	0641610	6	Bolt 3/8in-16NC x 1 1/4in	
15	0641407	2	Bolt 1/4in-20NC x 7/8in	
16	4740362	4	Washer, Fender	
17	3311405	2	Nut 1/4in-20NC	

SECTION 3 - BOOM

FIGURE 3-7. SUPPORT/ROTATOR AND JIB ASSEMBLIES (AJ & AJP)

ITEM	PART NUMBER	QTY	DESCRIPTION	REV
		Ref	JIB ASSEMBLIES (AJ & AJP)	
	0259440	Ref	Jib Assemblies E45AJ & M45AJ	C
	0259441	Ref	Jib Assemblies E40AJP & M40AJP	C
1	0060044	1	Rotator Assembly (See ROTATOR ASSEMBLY for Breakdown)	
2		Ref	Rotator Assembly Options (See ROTATOR ASSEMBLY for Breakdown):	
2	Not Required	0	Rotator Assembly E45AJ & M45AJ	
2	0060046	AR	Rotator Assembly E40AJP & M40AJP	
3	0641407	2	Bolt 1/4in-20NC x 7/8in	
4	0641608	6	Bolt 3/8in-16NC x 1in	
5	0641610	6	Bolt 3/8in-16NC x 1 1/4in	
6	0641616	4	Bolt 3/8in-16NC x 2in	
7	0641618	2	Bolt 3/8in-16NC x 2 1/4in	
8	0641810	AR	Bolt 1/2in-13NC x 1 1/4in	
9	0961947	2	Bushing, Garmax	
10	0961951	2	Bushing, Garmax	
11	1320259	2	Clamp, Block	
12	1683779	1	Jib Cylinder Assembly (See CYLINDER SECTION for Breakdown)	
13	3311405	2	Locknut 1/4in-20NC	
14	3311501	8	Nut 5/16in-18NC	
15	3311605	12	Locknut 3/8in-16NC	
16	3422791	2	Pin	
17	3422794	2	Pin	
18	3571406	1	Plate, Jib Cover	
19	4711600	AR	Flatwasher 3/8in Narrow	
20	4711800	AR	Flatwasher 1/2in Narrow	
21	4740362	4	Flatwasher 1/4in	
22	4751600	12	Flatwasher 3/8in	
23	4845926	1	Link (Upper)	
24	4845927	2	Link (Lower)	
25	4846050	1	Support Weldment	
26		Ref	Pivot Options:	
26A	4845925	1	Pivot E45AJ & M45AJ	
26B	4846073	1	Pivot E40AJP & M40AJP	
27	0100011	AR	Loctite #242 (Not Shown)	
		Ref	SUPPORT AND ROTATOR ASSEMBLY	
	0259366	Ref	Support and Rotator Assembly E45AJ & M45AJ	3
	0259939	Ref	Support and Rotator Assembly E40AJP & M40AJP	2
119	3841203	1	Keeper, Pin	
120	3841143	2	Keeper, Pin	
122		Ref	Pin Options:	
122	3422793	1	Pin E45AJ & M45AJ	
122	3422814	1	Pin E40AJP & M40AJP	
123	3020022	AR	Grease	
127	0641610	1	Bolt 3/8in-16NC x 1 1/4in	
129		Ref	Platform Level Cylinder Assembly Options (See CYLINDER SECTION for Breakdown):	
129	1683760	1	Platform Level Cylinder Assembly E45AJ & M45AJ	
129	1683924	1	Platform Level Cylinder Assembly E40AJP & M40AJP	

SECTION 3 - BOOM

ITEM	PART NUMBER	QTY	DESCRIPTION	REV
134	3422669	1	Pin	
135	3311805	1	Locknut 1/2in-13NC	
136	0641607	1	Bolt 3/8in-16NC x 7/8in	
137	3422792	1	Pin	
138		Ref	Jib Assembly Options (Includes Items 1-27):	
138	0259440	1	Jib Assembly E45AJ & M45AJ	
138	0259441	1	Jib Assembly E40AJP & M40AJP	
139	0641810	1	Bolt 1/2in-13NC x 1 1/4in	
144	0100011	AR	Loctite #242 (Not Shown)	

SECTION 3 - BOOM

FIGURE 3-8. ROTATOR ASSEMBLY

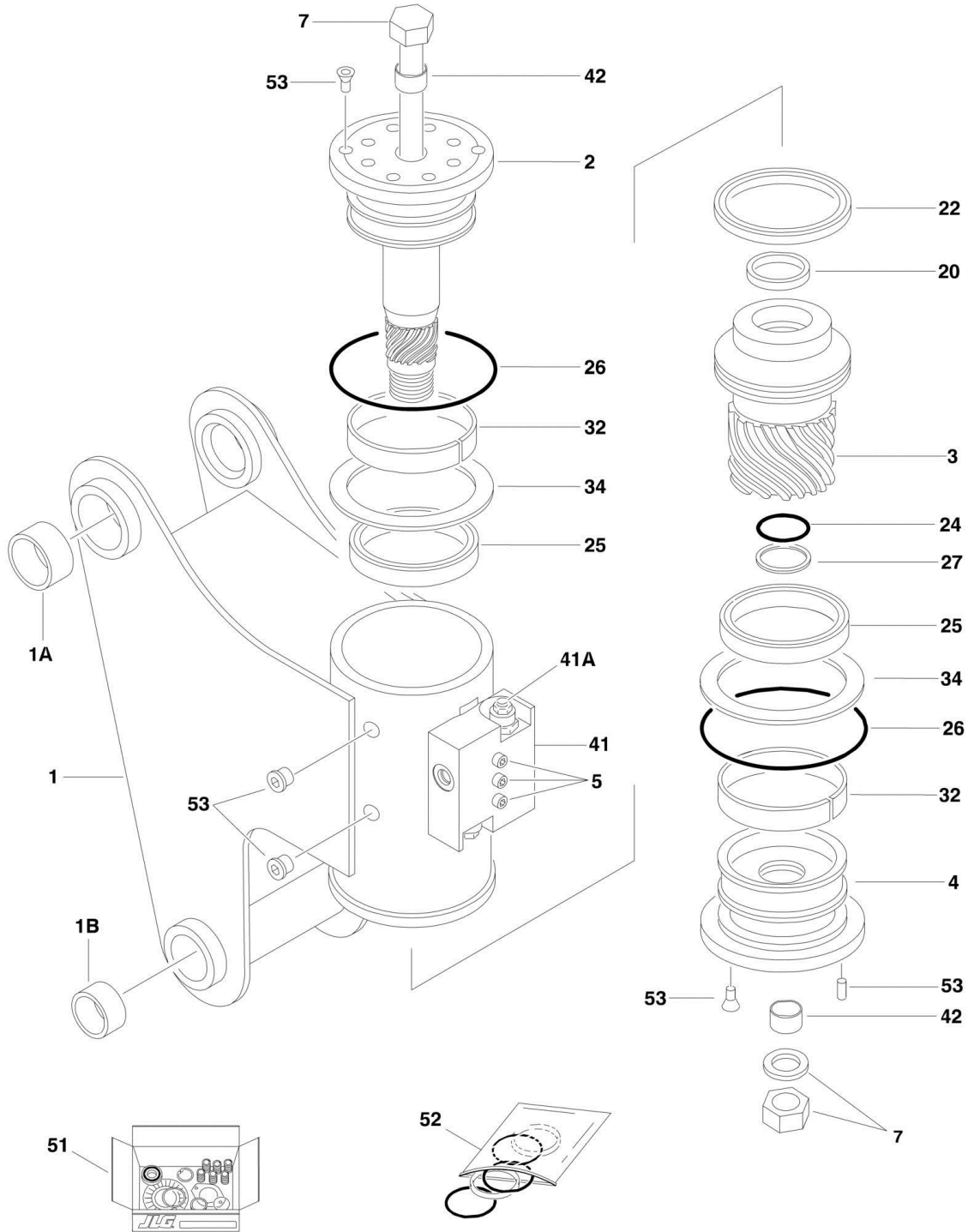


FIGURE 3-8. ROTATOR ASSEMBLY

ITEM	PART NUMBER	QTY	DESCRIPTION	REV
		Ref	ROTATOR ASSEMBLIES	
	0060044	Ref	Rotator Assemblies E45AJ & M45AJ	D
	0060052	Ref	Rotator Assemblies E45A & M45A Only (SN 49945 to Present)	F
	0060046	Ref	Rotator Assemblies E40AJP & M40AJP (Note: There are 2 different versions each of Rotators p/n 0060044 & 0060052. No s/n break exists. Order parts by the Helac Control #.)	C
1	Not Serviced	1	Case/Bracket Weldment (Purchase Complete Assembly)	
1A	0962257	2	Bushing, Garmax (0060044 Rotator Only)	
1B	0961947	2	Bushing, Garmax (0060044 Rotator Only)	
2		Ref	Shaft Options:	
2	7017120	1	0060052 Rotators with Helac Control #26409	
2	7017196	1	0060052 Rotators with Helac Control #26966	
2	7017120	1	0060044 Rotators with Helac Control #25928	
2	7017196	1	0060044 Rotators with Helac Control #26962	
2	7017130	1	0060046 Rotator	
3		Ref	Piston Sleeve Options:	
3	7017121	1	0060052 Rotators with Helac Control #26409	
3	7027900	1	0060052 Rotators with Helac Control #26966	
3	7017121	1	0060044 Rotators with Helac Control #25928	
3	7027900	1	0060044 Rotators with Helac Control #26962	
3	7017131	1	0060046 Rotator	
4		Ref	Cap, End Options:	
4	7017153	1	0060052 Rotators with Helac Control #26409	
4	7027901	1	0060052 Rotators with Helac Control #26966	
4	Not Available		0060044 Rotators with Helac Control #25928	
4	7027901	1	0060044 Rotators with Helac Control #26962	
4	Not Available		0060046 Rotator	
5	Not Available	3	Capscrew 1/4in-20NC (Grade 8)	
7		Ref	Bolt and Nut Assembly Options:	
7	7017126	1	0060044 & 0060052 Rotators	
7	7017135	1	0060046 Rotator	
20	See Note	1	Seal, Rod (Note: Use Items 100A-102B)	
22	See Note	1	Seal, Piston (Note: Use Items 100A-102B)	
24	See Note	1	Seal, Cap (Note: Use Items 100A-102B)	
25	See Note	2	Packing, Bearing (Note: Use Items 100A-102B)	
26	See Note	2	Seal (Note: Use Items 100A-102B)	
27	See Note	1	Ring, Back-Up Cap (Note: Use Items 100A-102B)	
32	Item 51	2	Bearing, Shaft	
34	Item 51	2	Washer, Thrust	
41		Ref	Counterbalance Valve Assembly Options:	
41	7017172	1	Helac p/n 24327 Stamped beside Mounting Screws (Was p/n 7017125)	
41	7017172	1	Helac p/n 26553 or 26554 Stamped beside Mounting Screws	
41A		Ref	Valve, Cartridge Options:	
41A	7011323	2	Valve, Cartridge for Helac p/n 24327 Valve	
41A	2900770	2	Seal Kit - 7011323 Cartridge (1 Per Assembly)	
41A	7017192	2	Valve, Cartridge Helac p/n 26553 or 26554 (No Seal Kit Available)	
42	Not Available	2	Bushing, Shaft	
51		Ref	Bearing Kit Options (Includes Items 32 - 34):	

SECTION 3 - BOOM

ITEM	PART NUMBER	QTY	DESCRIPTION	REV
51	7017122	1	0060044 & 0060052 Rotators	
51	7017134	1	0060046 Rotator	
52		Ref	Seal Kit Options (Includes Items 20, 22, 24, 25, 26 & 27):	
52		Ref	0060044 & 0060052 Rotators Options:	
52	7017127	1	Standard	
52	70000341	1	Low Temperature	
52		Ref	0060046 Rotator Options:	
52	7017165	1	Standard (was p/n 7017133)	
52	Not Available		Low Temperature	
53		Ref	Hardware Kit Options:	
53	7017123	1	0060044 & 0060052 Rotators	
53	7017132	1	0060046 Rotator	

SECTION 3 - BOOM

FIGURE 3-9. CABLES/CLAMPS AND LIMIT SWITCHES INSTALLATIONS

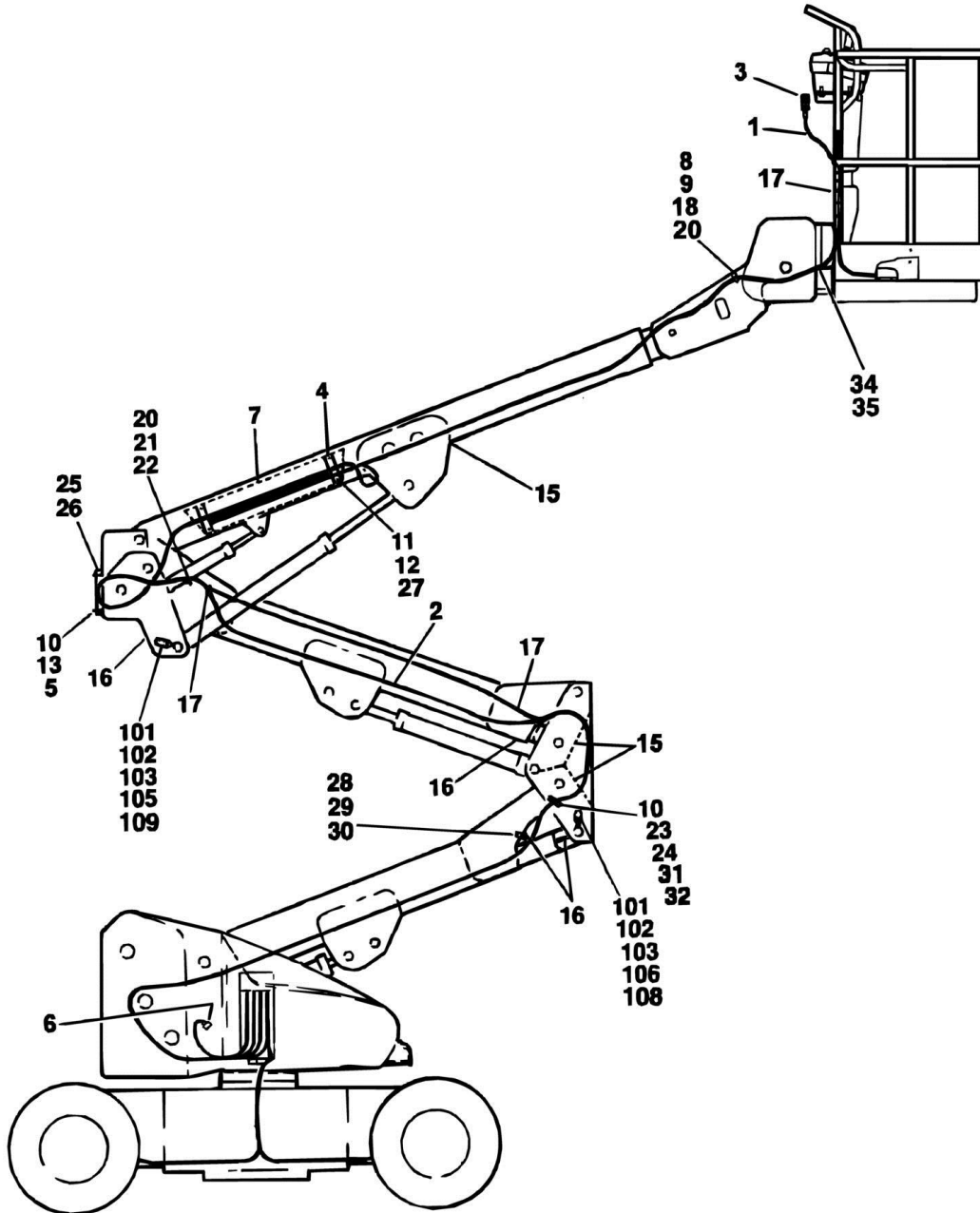


FIGURE 3-9. CABLES/CLAMPS AND LIMIT SWITCHES INSTALLATIONS

ITEM	PART NUMBER	QTY	DESCRIPTION	REV
		Ref	CABLES AND CLAMPS INSTALLATION	
	0257735	Ref	Cables and Clamps Installation E45A & M45A	4-D
	0259367	Ref	Cables and Clamps Installation E45AJ & M45AJ	1-B
	0259970	Ref	Cables and Clamps Installation E40AJP & M40AJP	2-A
1		Ref	Harness Assembly - Upper Boom Options: (See ELECTRICAL SECTION for Breakdown)	
1	4922178	1	Harness Assembly - Upper Boom E45A & M45A	
1	4922364	1	Harness Assembly - Upper Boom E40AJP & M40AJP	
2		Ref	Harness Assembly - Lower Boom Options: (See ELECTRICAL SECTION for Breakdown)	
2	4922179	1	Harness Assembly - Lower Boom E45A & M45A	
2	4922363	1	Harness Assembly - Lower Boom E40AJP & M40AJP	
3	4460754	1	Connector	
4	1320260	2	Block, Hose Clamp	
5	0561317	1	Block, Hose Clamp	
6	4460753	1	Connector	
7		Ref	Shield Options:	
7	3536999	1	Shield E45A & M45A	
7	3571462	1	Shield E45AJ, M45AJ, E40AJP & M40AJP	
8		Ref	Cover, Clamp Options:	
8	1320195	1	Cover, Clamp E45A & M45A	
8	Not Required	0	Cover, Clamp E45AJ & M45AJ	
9		Ref	Clamp Options:	
9	1320199	1	Clamp E45A & M45A	
9	Not Required	0	Clamp E45AJ & M45AJ	
10	4751500	5	Flatwasher 5/16in	
11	4751400	12	Flatwasher 1/4in	
12	3311401	6	Nut 1/4in-20NC	
13	0641514	3	Bolt 5/16in-18NC x 1 3/4in	
14	0100011	AR	Loctite #242 (Not Shown)	
15	4060805	3.6 ft/1.1m	Trim	
16	4060808	8 ft/2.4m	Trim 1/2in	
17	4240099	26	Tie-Strap	
18	0641520	AR	Bolt 5/16in-18NC x 2 1/2in	
20	3311505	2	Locknut 5/16in-18NC	
21	4566243	1	Roller	
22	0641560	1	Bolt 5/16in-18NC x 7 1/2in	
23	4300140	2	Stud, Weld 5/16in-18NC x 3 5/8in	
24		Ref	Hose Clamp Block Options:	
24	0561359	1	Hose Clamp Block E45A & M45A (Prior to SN 56080)	
24	0561384	1	Hose Clamp Block E45A & M45A (SN 56080 to Present)	
24	0561359	1	Hose Clamp Block E45AJ & M45AJ	
24	0561384	1	Hose Clamp Block E40AJP & M40AJP	
25	1670697	1	Cover, Hose	
26	0630467	4	Capscrew, Button 5/16in-18NC x 1/2in	
27	3300151	6	Nut, Acorn 1/4in - 20NC	
28	1320040	1	Clamp, Cable	
29	0641410	1	Bolt 1/4in-20NC x 1 1/4in	
30	3311405	1	Locknut 1/4in-20NC	

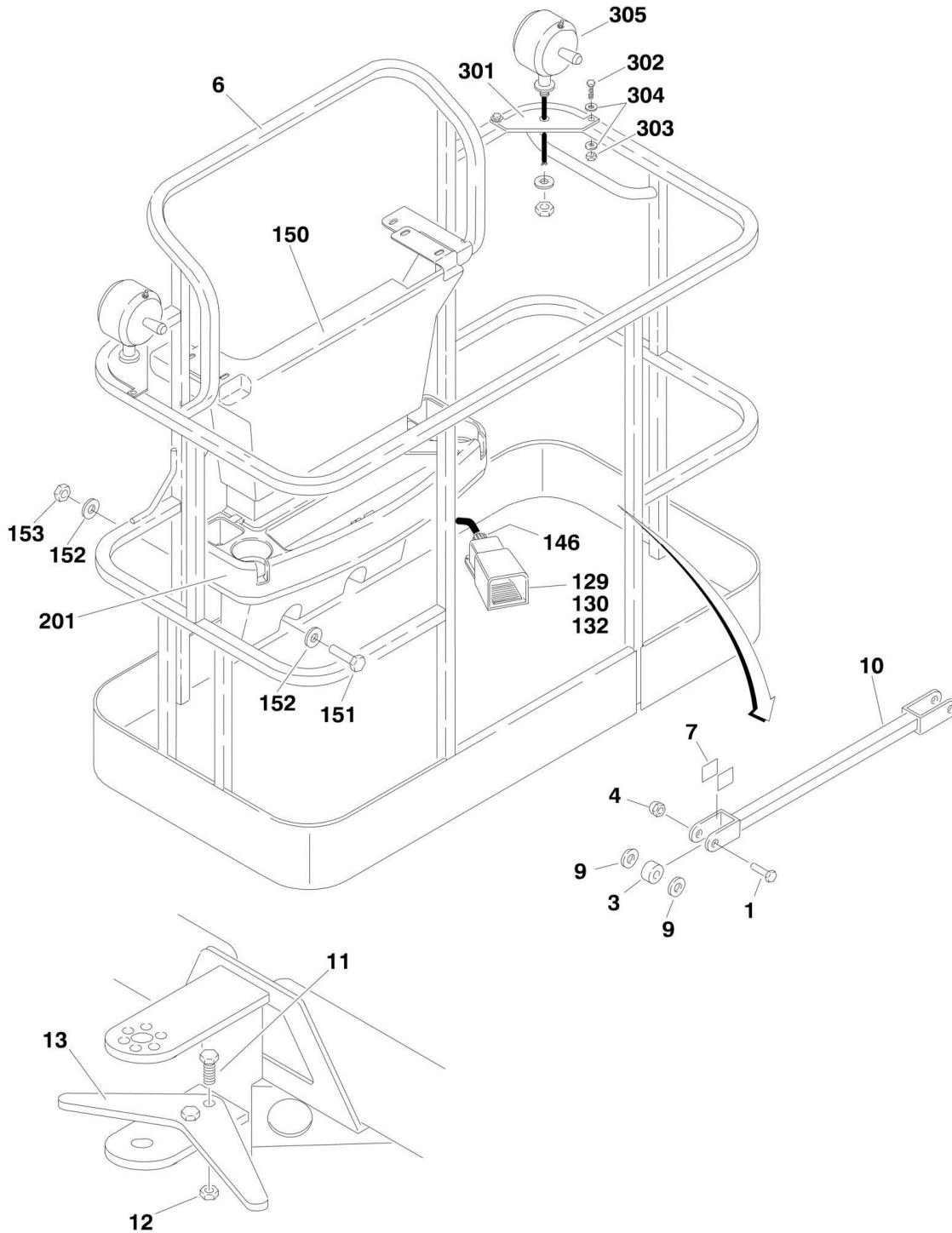
SECTION 3 - BOOM

ITEM	PART NUMBER	QTY	DESCRIPTION	REV
31		Ref	Hose Clamp Block Options:	
31	0561360	1	Hose Clamp Block E45A & M45A	
31	0561385	1	Hose Clamp Block E40AJP & M40AJP	
32		Ref	Hose Clamp Block Options:	
32	0561361	1	Hose Clamp Block E45A & M45A	
32	0561386	1	Hose Clamp Block E40AJP & M40AJP	
33	0100019	AR	Loctite #271 (Not Shown)	
34		Ref	Clamp Options:	
34	1320095	1	Clamp E45A, M45A, E45AJ & M45AJ (SN 45407 through 49944)	
34	Not Required	0	Clamp E45A & M45A (SN 49945 to Present)	
34	1320095	1	Clamp E45AJ & M45AJ (SN 49945 to Present)	
34	Not Required	0	Clamp E40AJP & M40AJP	
35		Ref	Sleeve Options:	
35	Not Required	0	Sleeve E45A, M45A, E45AJ & M45AJ (Prior to SN 49945)	
35	4100065	1	Sleeve E45A & M45A (SN 49945 to Present)	
35	Not Required	0	Sleeve E45AJ & M45AJ (SN 49945 to Present)	
35	Not Required	0	Sleeve E40AJP & M40AJP	
		Ref	LIMIT SWITCHES INSTALLATION	
	0254875	Ref	Limit Switches Installation E45A & M45A	4
	0253704	Ref	Limit Switches Installation E40AJP & M40AJP	5
101	4360321	2	Switch, Limit	
102	4460428	2	Connector, Strain Relief	
103	3311005	4	Locknut #10-24NC	
105	3900246	2	Screw, Filister Head #10-24NC x 1 3/4in	
106	3900104	2	Screw, Filister Head #10-24NC x 2 1/4in	
107	1060341	AR	Cable, Electrical - 16/2	
108	1670832	1	Cover, Switch Lower Only (SN 33795 to Present)	
109	1670833	1	Cover, Switch Upper Only (SN 33795 to Present)	

SECTION 4 - PLATFORM

SECTION 4 - PLATFORM

FIGURE 4-1. PLATFORM COMPONENTS INSTALLATION



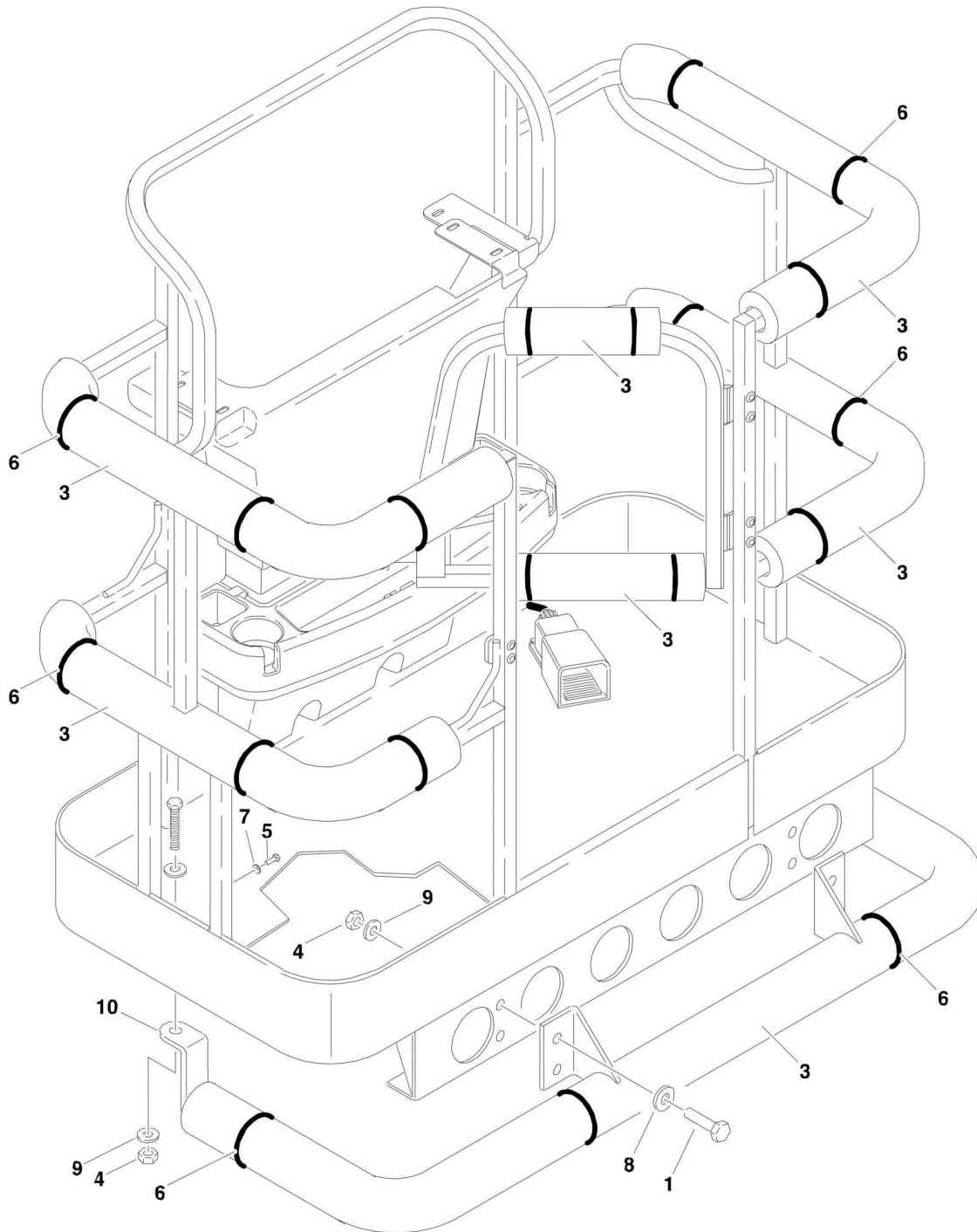
SECTION 4 - PLATFORM

FIGURE 4-1. PLATFORM COMPONENTS INSTALLATION

ITEM	PART NUMBER	QTY	DESCRIPTION	REV
		Ref	PLATFORM INSTALLATIONS WITH LIFT GATE	
	3510696	Ref	4ft/1.22m Width	B
	3510695	Ref	5ft/1.52m Width (Without Stop)	B
	0270408	Ref	5ft/1.52m Width (With Stop)	A
		Ref	Note: Replacement Decals Must be Ordered Separately – See DECALS SECTION.	
1	0641418	2	Bolt 1/4in-20NC x 2 1/4in (Grade 8)	
3	0961845	2	Bushing	
4	3300151	2	Nut Acorn 1/4in-20NC	
6	Not Serviced	1	Platform Options (Purchase Complete Platform):	
6	3510696	1	4ft/1.22m Width	
6	3510695	1	5ft/1.52m Width (Without Stops)	
6	0270408	1	5ft/1.52m Width (With Stops)	
7	4420055	4 in/10cm	Tape	
9	4740411	4	Washer, Nylon	
10	4845288	1	Slide Bar Weldment	
11	0641609	AR	Bolt 3/8in-16NC x 1 1/8in	
12	3311605	AR	Locknut 3/8in-16NC	
13	4846276	1	Stop	
	7016652	13	Huck Fastener Kit (Replaces Huck Fasteners with Bolts)	
	0861176	Ref	PEDESTAL PANEL AND FOOTSWITCH INSTALLATION	7-F
129	4360031	1	Footswitch	
129	7000625	2	Block, Contact	
129	3252347	1	Nameplate (Note: See DECALS SECTION for Other Languages)	
130	0641408	3	Bolt 1/4in-20NC x 1in	
131	3311401	3	Nut 1/4in-20NC	
132	4751400	3	Flatwasher 1/4in	
146	4460071	1	Connector, Strain Relief	
150	3380434	1	Panel, Pedestal	
151	0641407	2	Bolt 1/4in-20NC x 7/8in	
152	4740362	4	Washer, Fender	
153	3311405	2	Locknut 1/4in-20NC	
		Ref	TRAY INSTALLATIONS (OPTIONAL)	
201	1580012	1	Tray, Storage (Center)	
202	1580013	1	Tray, Storage (Rail Mounted - Not Shown)	
	0259338	Ref	WORKLIGHTS INSTALLATION (OPTIONAL)	1-A
301	3536089	2	Plate, Mounting	
302	0641414	4	Bolt 1/4in-20NC x 1 3/4in	
303	3311405	4	Locknut 1/4in-20NC	
304	4711400	8	Flatwasher 1/4in Narrow	
305	2920095	2	Worklight	
305	7016356	2	Bulb, Replacement (1 Per Assembly)	
306	4240099	10	Tie-Strap (Not Shown)	
307	2820035	9	Loom, Vinyl (Not Shown)	
309	4460428	1	Connector, Strain Relief (Not Shown - Located at Console Box)	

SECTION 4 - PLATFORM

FIGURE 4-2. PLATFORM PADDING INSTALLATION



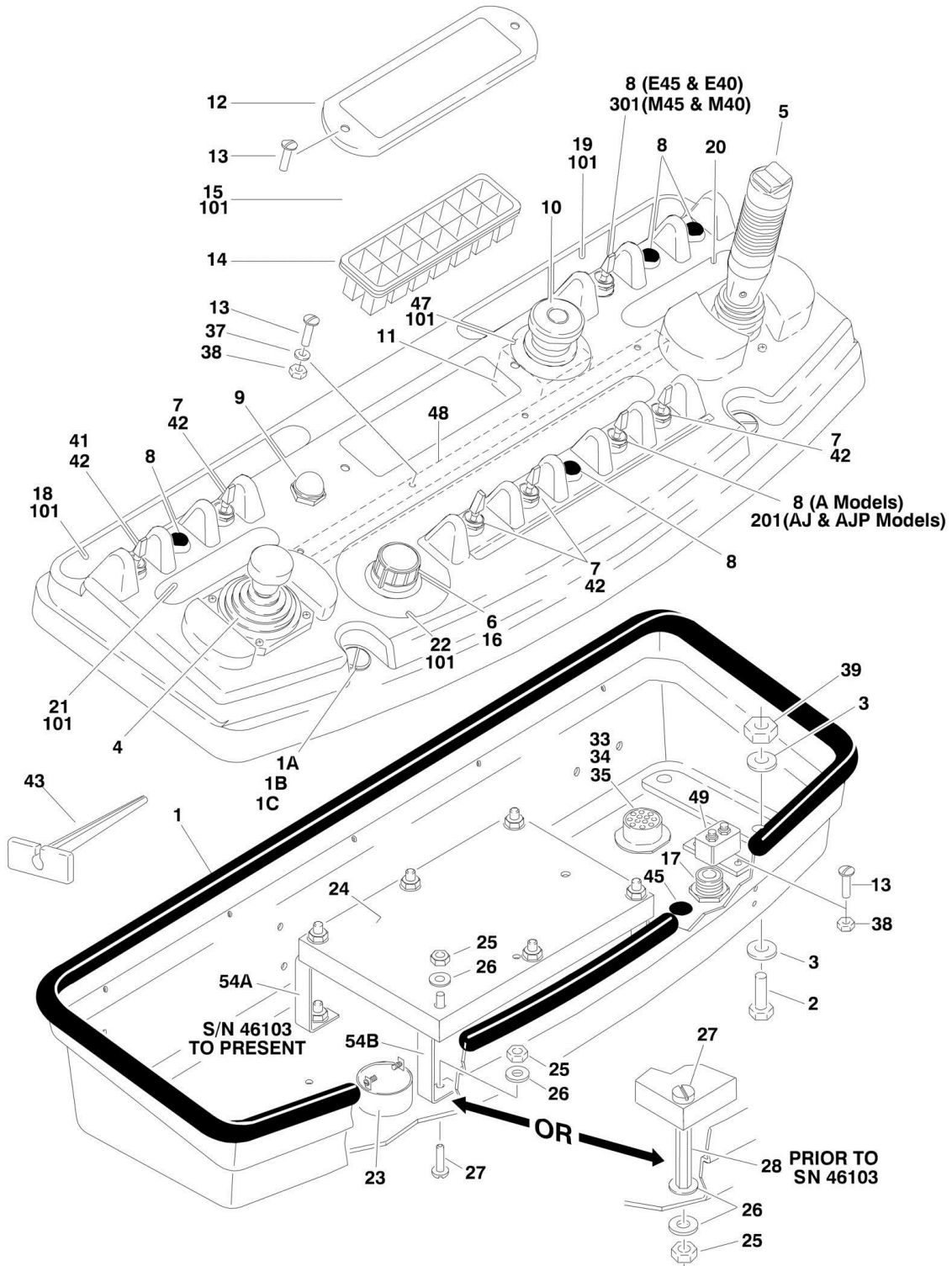
SECTION 4 - PLATFORM

FIGURE 4-2. PLATFORM PADDING INSTALLATION

ITEM	PART NUMBER	QTY	DESCRIPTION	REV
	0270338	Ref	PLATFORM PADDING INSTALLATION	A
1	0641508	4	Bolt 5/16in-18NC x 1in	
2	0641516	2	Bolt 5/16in-18NC x 2in	
3	0940038	24 ft/7.3m	Padding	
4	3311501	6	Nut 5/16in-18NC	
5	3941405	2	Screw, Self Tapping 1/4in-20NC x 5/8in	
6	4240099	AR	Tie, Wire	
7	4711400	2	Flatwasher 1/4in	
8	4751500	6	Flatwasher 5/16in (Wide)	
9	4761500	6	Lockwasher 5/16in	
10	4844917	1	Rail, Bumper	

SECTION 4 - PLATFORM

FIGURE 4-3. PLATFORM CONSOLE ASSEMBLY



SECTION 4 - PLATFORM

FIGURE 4-3. PLATFORM CONSOLE ASSEMBLY

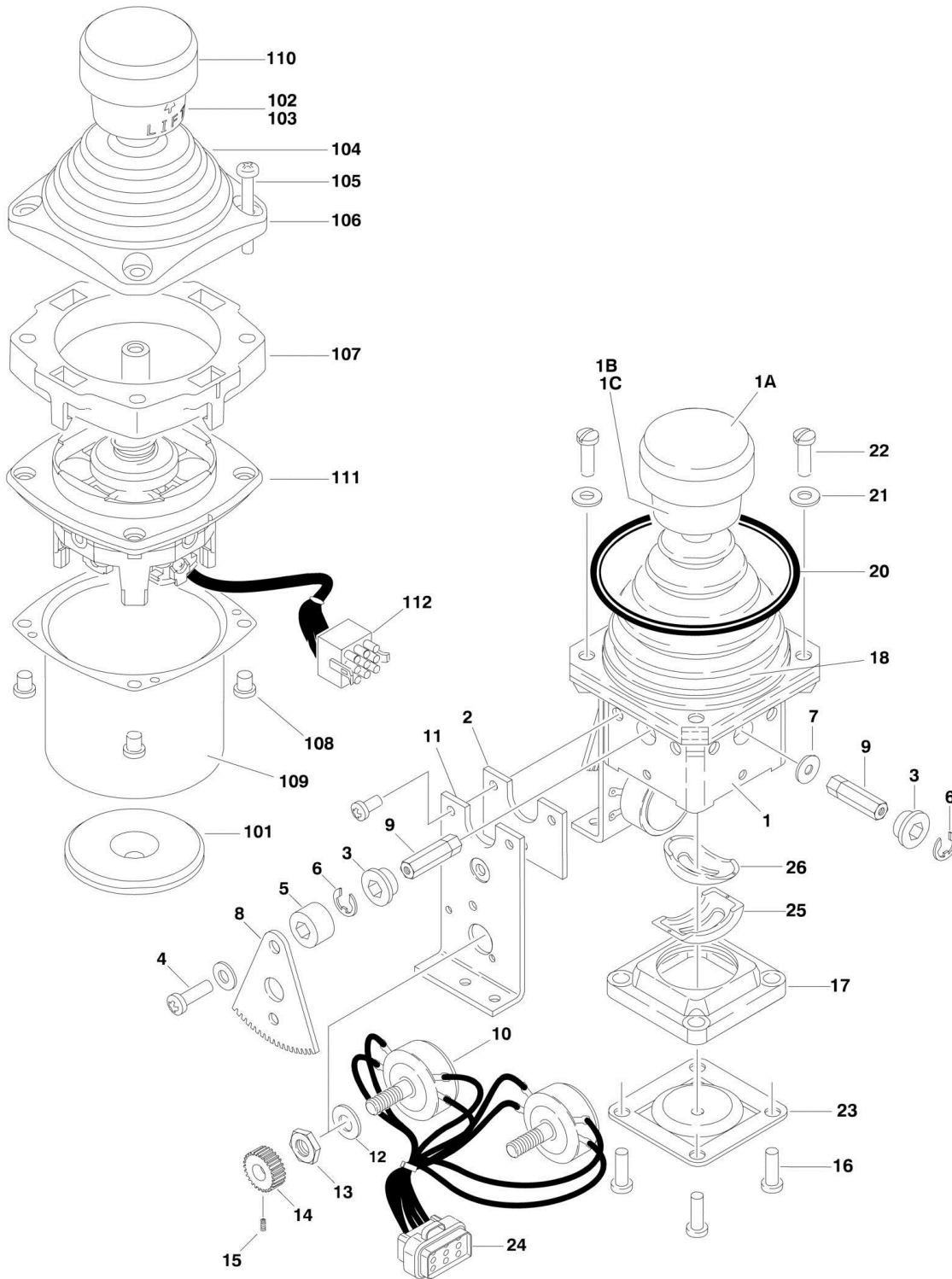
ITEM	PART NUMBER	QTY	DESCRIPTION	REV
		Ref	CONSOLE BOX ASSEMBLIES	
	0861176	Ref	Console Box Assemblies E45A & M45A	7-F
	0861314	Ref	Console Box Assemblies E40AJP & M40AJP	2-B
1	0861215	1	Box, Console	
1A	7020099	2	Screw	
1B	3760308	2	Retainer	
1C	7020100	2	Clip, Receptacle	
2	0641610	4	Bolt 3/8in-16NC x 1 1/4in	
3	4751600	8	Flatwasher 3/8in	
4	1001118419	1	Controller Assembly (Lift and Swing) (See CONTROLLER ASSEMBLY (SWING AND LIFT) for Breakdown) (was p/n 1600274)	
5	1001118418	1	Controller Assembly (Drive and Steer) (See CONTROLLER ASSEMBLY (DRIVE AND STEER) for Breakdown) (was p/n 1600273)	
6	4360462	1	Switch, Potentiometer	
7	4360328	AR	Switch, Toggle	
8	3520028	6	Plug, Hole	
9	4360387	1	Switch, Push Button	
10	4360475	1	Switch, Emergency Stop	
10	7020175	1	Cap, Mushroom with Sealing Ring	
10	7020176	1	Block, Contact	
11	4360476	1	Block, Contact	
12	1670829	1	Bezel	
13	0630464	8	Screw, Button Head #10-24NC x 1/2in	
14	2760105	1	Housing, Display Light	
15	1704239	1	Display - Light Panel	
16	2560136	1	Knob, Speed Control	
17	4460428	1	Connector, Strain Relief	
18	1704240	1	Decal - Horn	
19	1704192	1	Decal - Stop	
20	1702565	1	Decal - Drive and Steer	
21	1702566	1	Decal - Lift and Swing	
22		Ref	Decal - Function Speed Options:	
22	1702567	1	Decal - Function Speed E45A & M45A	
22	1704422	1	Decal - Function Speed E40AJP & M40AJP	
23		Ref	Alarm Options:	
23	0140011	1	Alarm (was p/n 0140019) (Prior to SN 46840)	
23	0140011	1	Alarm (SN 46840 to Present)	
24	0610128	1	Module, Platform	
25	3310601	AR	Nut #6-32NC	
26	4750600	AR	Flatwasher #6	
27	3910612	AR	Screw #8-32NC x 3/4in	
28	4300132	6	Stud, Stand-Off (Prior to SN 46103)	
33	4460752	1	Receptacle	
34	4460497	1	Nut, Receptacle	
35	4460496	1	Lockwasher, Receptacle	
36	4240032	2	Tie-Strap	
37	4740120	4	Washer, Nylon	
38	3311005	6	Locknut #10-24NC	

SECTION 4 - PLATFORM

ITEM	PART NUMBER	QTY	DESCRIPTION	REV
39	3311605	4	Locknut 3/8in-16NC	
41	4360330	1	Switch, Toggle - SPST	
42	3790012	AR	O-Ring	
43	4460467	1	Tool, Extraction	
44	0100035	AR	Loctite #222 (Not Shown)	
45	3520030	2	Hole, Plug	
47	1704260	1	Decal - Emergency Stop Switch	
48	3571222	1	Angle, Relay Mounting	
49	4360448	1	Breaker, Circuit - 10Amp	
54		Ref	Bracket Options:	
54A	0902575	1	Bracket - Rear (SN 46103 through 46881)	
54A	0902588	1	Bracket - Rear (SN 46882 to Present)	
54B	0902575	1	Bracket - Front	
59	0100009	AR	Adhesive, Silicone (Not Shown)	
101	2910866	1	Decal Kit Options (Includes Items 15, 18-22 & 47)	
	0259102	Ref	JIB CONSOLE SWITCH (AJ AND AJP ONLY)	2-B
201	4360328	1	Switch, Toggle	
201	3790012	1	O-Ring	
201	4922294	1	Harness, Jib Function (See ELECTRICAL SECTION for Breakdown)	
201	4240032	6	Tie-Strap	
	0257824	Ref	MOTOR CONTROLS INSTALLATION (M45A & M40AJP ONLY)	4
301	4360336	1	Switch, Toggle	
301	3790012	1	O-Ring	
301	4922222	1	Harness (See ELECTRICAL SECTION for Breakdown)	
301	4922223	1	Harness (See ELECTRICAL SECTION for Breakdown)	

SECTION 4 - PLATFORM

FIGURE 4-4. CONTROLLER ASSEMBLY (SWING AND LIFT)



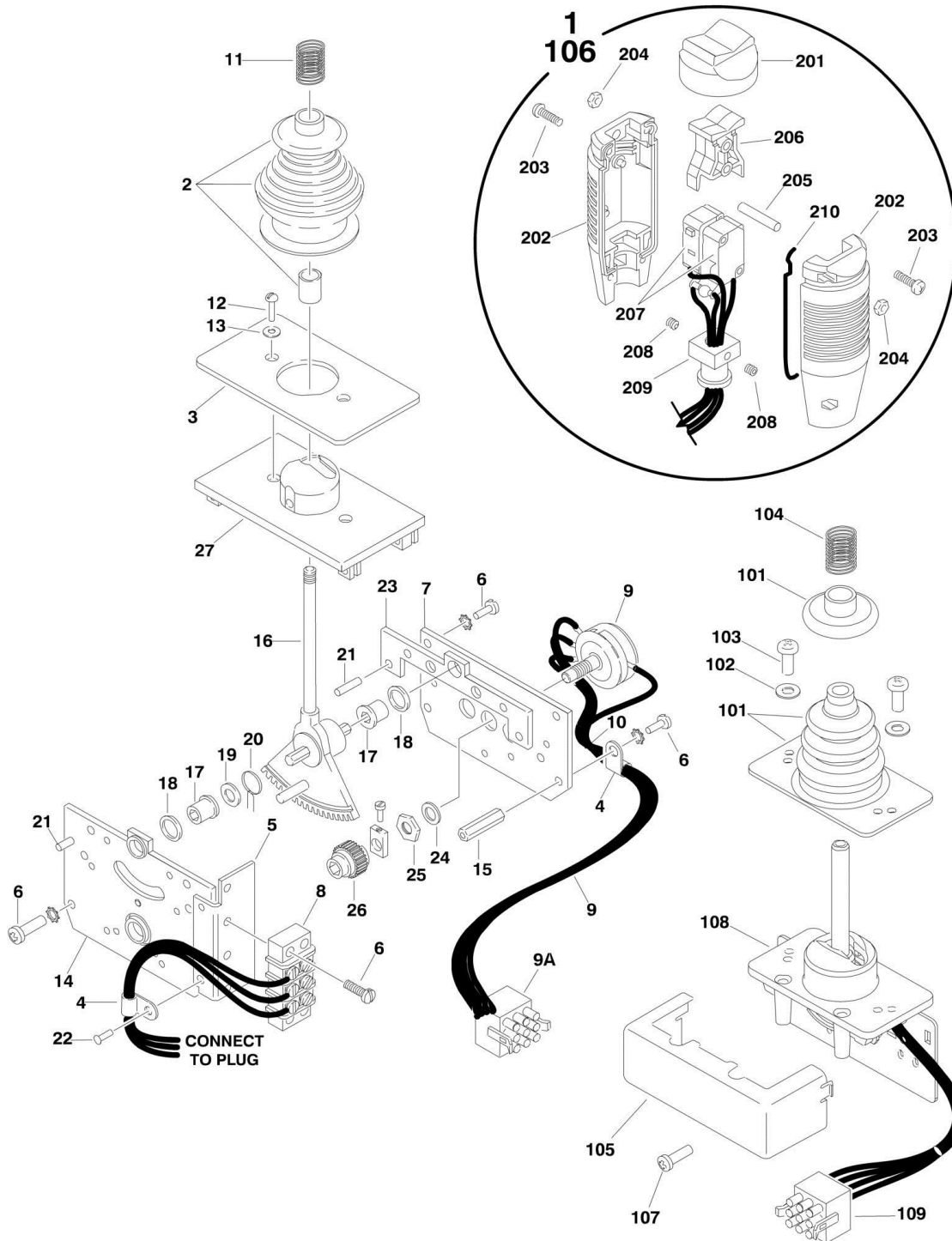
SECTION 4 - PLATFORM

FIGURE 4-4. CONTROLLER ASSEMBLY (SWING AND LIFT)

ITEM	PART NUMBER	QTY	DESCRIPTION	REV
		Ref	CONTROLLER ASSEMBLY	
	1600274	Ref	Controller Assembly (Original Equipment)	F
1	7019141	1	Mechanical Assembly (Includes Base, Handle Stem and Items 18, 1A, 1B & 1C)	
1A	7019197	1	Handle Cap and Rod	
1B	7003928	1	Spring	
1C	7022808	1	Cap, Lift	
2	7019142	2	Plate	
3	7019111	4	Bearing, Gear	
4	7019143	2	Screw	
5	7019144	2	Spacer	
6	7019145	4	E-Clip	
7	7019174	2	Spacer, Cam	
8	7003977	2	Gear, Drive	
9	7019147	4	Shaft	
10	7019195	2	Potentiometer Assembly	
10	7003974	1	Potentiometer	
11	7019142	2	Plate	
12	7003992	2	Washer	
13	7003993	2	Nut	
14	7003976	2	Gear, Slave	
15	7019149	2	Setscrew	
16	7003952	4	Screw	
17	7019150	1	Gate	
18	7022813	1	Boot (was p/n 7003955)	
19	7022813	1	Plate, Plastic (was p/n 7003954)	
20	7003956	1	O-Ring	
21	7003953	4	Washer	
22	7019137	4	Screw	
23	7019170	1	Center, Detent	
24	4460265	1	Connector - 9 Position	
24	4460226	8	Socket, Female	
25	7019122	1	Gimble, Outer	
26	7019123	1	Gimble, Inner	
	1001118419	Ref	Controller Assembly (Service Replacement)	
101	70002730	1	Gasket	
102	7003928	1	Spring	
103	7022808	1	Cap, Lift	
104	70002731	1	Boot	
105	70002732	4	Screw	
106	7022815	1	Bezel	
107	70002733	1	Adapter	
108	70002734	4	Screw	
109	70002735	1	Can, Enclosure	
110	70002906	1	Cap	
111	Not Available	1	Mechanical Assembly	
112	4460265	1	Connector - 9 Position	
112	4460226	8	Socket, Female	

SECTION 4 - PLATFORM

FIGURE 4-5. CONTROLLER ASSEMBLY (DRIVE AND STEER)



SECTION 4 - PLATFORM

FIGURE 4-5. CONTROLLER ASSEMBLY (DRIVE AND STEER)

ITEM	PART NUMBER	QTY	DESCRIPTION	REV
		Ref	CONTROLLER ASSEMBLY	
	1600273	Ref	Controller Assembly (Original Equipment)	G
1	7022812	1	Handle Assembly (See Items 201-210 for Breakdown)	
2	7019161	1	Boot and Sleeve	
3	7003933	1	Gasket	
4	7019154	2	Clamp, Wire	
5	7019159	1	Bracket, Mounting	
6	7003994	10	Screw	
7	7019157	1	Plate, Pot Mounting	
8	7003986	1	Strip, Terminal - 3 Position	
9	7019191	1	Electric Assembly	
9	7003974	1	Potentiometer	
9A	4460265	1	Connector - 9 Position	
9A	4460226	7	Socket, Female	
10	7019151	AR	Tie-Strap	
11	7019162	1	Spring	
12	7003969	NLA	Screw (Note: Use p/n 7003940)	
13	7003941	2	Washer	
14	7019158	1	Plate, Mounting (Left Side)	
15	7019115	2	Stand-Off	
16	Not Serviced	1	Shaft 8mm	
17	7019111	2	Bearing	
18	7019110	2	Spacer, Head Gear	
19	7019112	1	Washer	
20	7003946	1	Spring, Return	
21	7019103	4	Pin	
22	Not Serviced	1	Rivet	
23	7019168	1	Plate, Mounting (Right Side)	
24	7003992	1	Washer	
25	7003993	1	Nut	
26	7003935	1	Gear, Slave	
27	7019160	1	Base	
	1001118418	Ref	Controller Assembly (Service Replacement)	B
101	70002724	1	Boot and Control Lock Assembly	
102	7003941	2	Washer	
103	70002725	2	Screw	
104	7019162	1	Spring	
105	70002726	1	Enclosure	
106	70002736	1	Handle Assembly (See Items 201-210 for Breakdown)	
107	70002728	1	Screw	
108	Not Available	1	Mechanical Assembly	
109	4460265	1	Connector - 9 Position	
109	4460226	7	Socket, Female	
		Ref	HANDLE ASSEMBLIES	
	7022812	Ref	Controller Assembly p/n 1600273	
	70002736	Ref	Controller Assembly p/n 1001118418	
201	7003972	1	Boot, Switch	
202	7003973	2	Half, Handle	
203	7003980	4	Screw	
204	7019167	4	Nut	

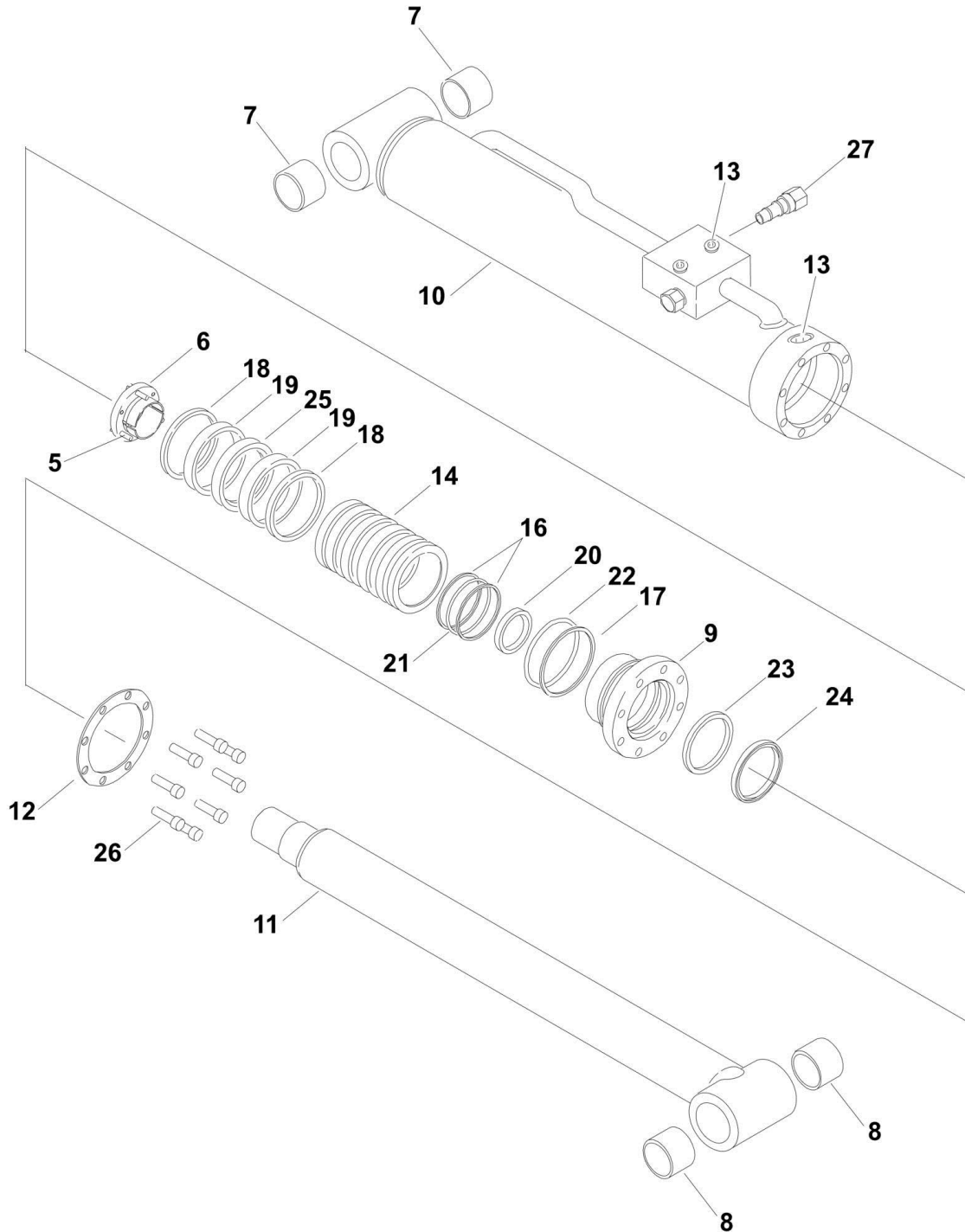
SECTION 4 - PLATFORM

ITEM	PART NUMBER	QTY	DESCRIPTION	REV
205	7019164	1	Axle	
206	7019165	1	Rocker	
207		Ref	Wiring Assembly Options:	
207	7019196	1	Controller Assembly p/n 1600273	
207	7019166	2	Switch, Micro	
207	70002737	1	Controller Assembly p/n 1001118418	
207	7003982	2	Switch, Micro	
208	7003983	2	Setscrew	
209	7019194	1	Coupling	
210	7003989	2	Gasket	

SECTION 5 - CYLINDER

SECTION 5 - CYLINDER

FIGURE 5-1. JIB CYLINDER ASSEMBLY (AJ & AJP)



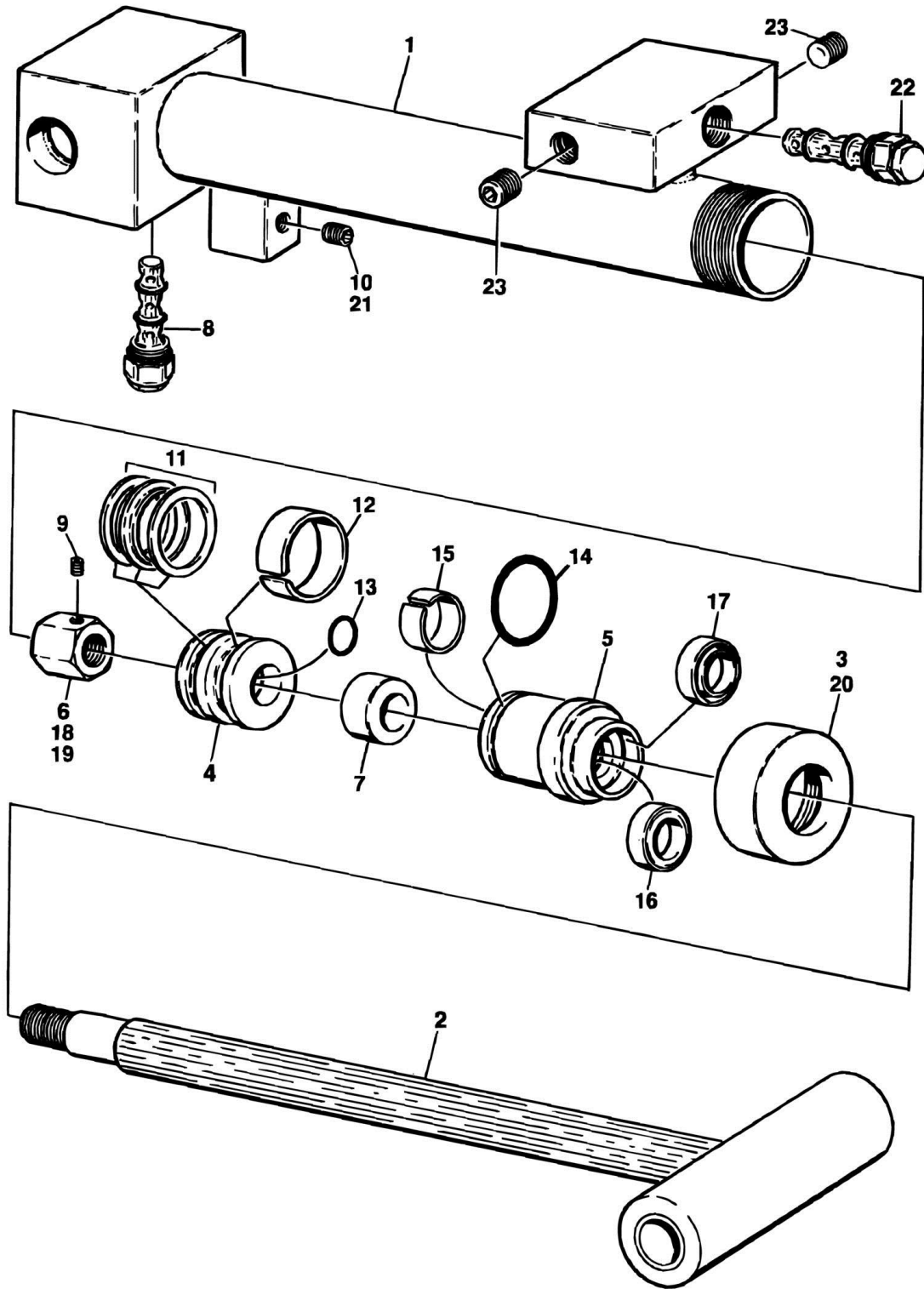
SECTION 5 - CYLINDER

FIGURE 5-1. JIB CYLINDER ASSEMBLY (AJ & AJP)

ITEM	PART NUMBER	QTY	DESCRIPTION	REV
	1683779	Ref	JIB CYLINDER ASSEMBLY (AJ & AJP)	B
1	0100011	AR	Loctite #242 (Not Shown)	
2	0100035	AR	Loctite #222 (Not Shown)	
3	0100038	AR	Primer #7471 (Not Shown)	
4	0100063	AR	Loctite RC 609 (Not Shown)	
5	3931016	3	Bolt #10-24NC x 1in	
6	0961893	1	Bushing, Tapered	
7	0961947	2	Bearing, Garmax	
8	0961951	2	Bushing, Garmax	
9	1683051	1	Head, Cylinder	
10	1683780	1	Barrel	
11	1683783	1	Rod	
12	3760367	1	Ring, Washer	
13	2220885	3	O-Ring Plug	
14	3480249	1	Piston, Head	
16	Kit	2	Back-Up	
17	Kit	1	Back-Up	
18	Kit	2	Ring, Seal	
19	Kit	2	Ring, Wear	
20	Kit	1	Ring, Wear	
21	Kit	1	O-Ring	
22	Kit	1	O-Ring	
23	Kit	1	Seal	
24	Kit	1	Wiper	
25	Kit	1	Seal	
26	3931516	8	Bolt 5/16in-18NC x 1in	
27	4640509	2	Cartridge, Valve	
27	2900792	2	Seal Kit- 4640509 Valve (1 Per Cartridge)	
	2901810	1	Seal Kit (Includes Items 16-25)	

SECTION 5 - CYLINDER

FIGURE 5-2. PLATFORM LEVEL CYLINDER ASSEMBLY (E45A & M45A)



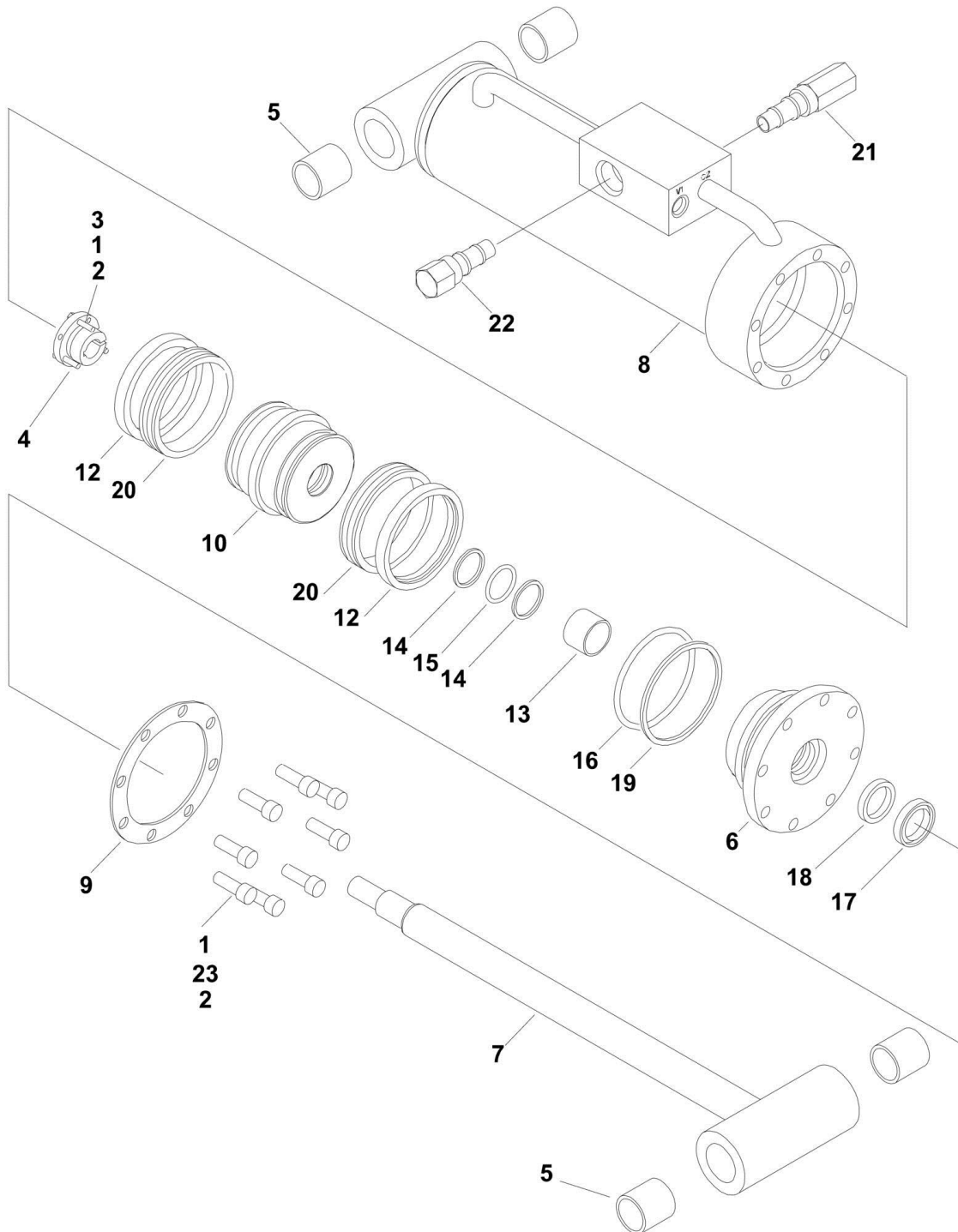
SECTION 5 - CYLINDER

FIGURE 5-2. PLATFORM LEVEL CYLINDER ASSEMBLY (E45A & M45A)

ITEM	PART NUMBER	QTY	DESCRIPTION	REV
	1683285	Ref	PLATFORM LEVEL CYLINDER ASSEMBLY (E45A & M45A)	A
1	1682878	1	Barrel Weldment	
1	0961608	2	Bushing, Teflon	
2	1683286	1	Rod Weldment	
2	0961608	2	Bushing, Teflon	
3	1120110	1	Retainer	
4	3480217	1	Piston	
5	1682154	1	Head	
6	3300308	1	Nut, Hex Options:	
7	4566023	1	Spacer, Tube	
8	4640509	1	Valve, Holding	
9	3900170	1	Setscrew 3/8in-16NC x 3/8in	
10	2200222	1	Plug, Pipe	
11	Kit	1	T-Seal	
12	Kit	1	Ring, Wear	
13	Kit	1	O-Ring	
14	Kit	1	O-Ring	
15	Kit	1	Ring, Wear	
16	Kit	1	Seal, Rod	
17	Kit	1	Wiper, Rod	
18	0100038	AR	Primer, Locking	
19	0100011	AR	LOCTITE #242	
20	0100035	AR	Loctite #222	
21	0100020	AR	Sealant, Pipe	
22	4640932	1	Cartridge, Holding Valve	
22	7011112	1	Seal Kit - 4640932 Valve	
23	2220883	2	Plug, Socket Hex	
	2901147	1	Seal Kit - 1683285 Cylinder (Includes Items 11-17)	

SECTION 5 - CYLINDER

FIGURE 5-3. PLATFORM LEVEL CYLINDER ASSEMBLY (AJ & AJP)



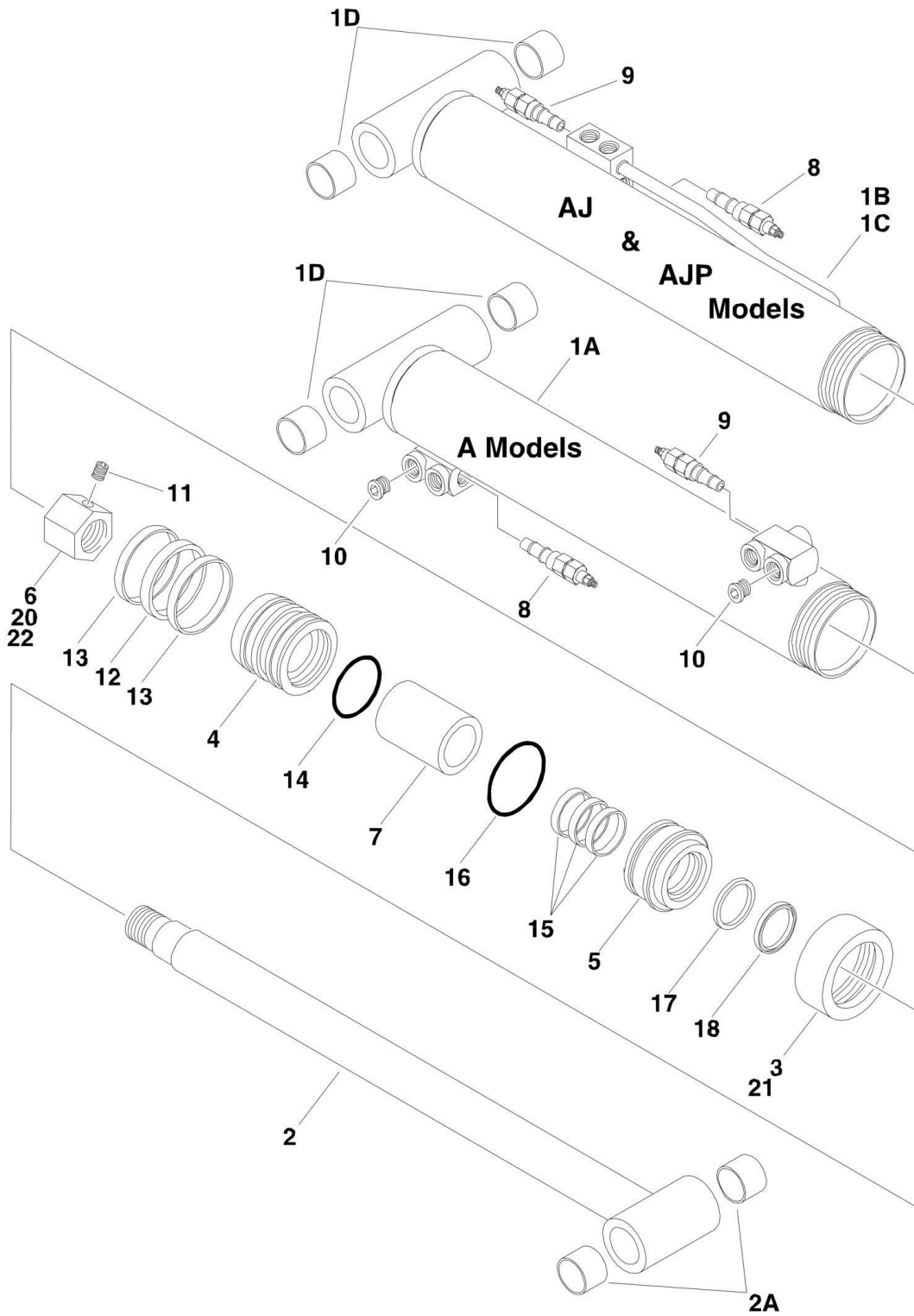
SECTION 5 - CYLINDER

FIGURE 5-3. PLATFORM LEVEL CYLINDER ASSEMBLY (AJ & AJP)

ITEM	PART NUMBER	QTY	DESCRIPTION	REV
		Ref	PLATFORM LEVEL CYLINDER ASSEMBLY (AJ & AJP)	
	1683760	Ref	Platform Level Cylinder Assembly E45AJ & M45AJ	B
	1683924	Ref	Platform Level Cylinder Assembly E40AJP & M40AJP	B
1	0100011	AR	LOCTITE #242	
2	0100038	AR	Primer, Locking #7471	
3	3931016	3	Bolt, Socket Head #10-24NC x 1in	
4		Ref	Tapered Bushing Options:	
4	0961900	1	Tapered Bushing E45AJ & M45AJ	
4	0962185	1	Tapered Bushing E40AJP & M40AJP	
5	0961951	4	Bushing, Garmax	
6		Ref	Head Options:	
6	1683052	1	Head E45AJ & M45AJ	
6	1683925	1	Head E40AJP & M40AJP	
7	1683759	1	Rod	
8	1683761	1	Barrel	
9	3760368	1	Washer, Ring	
10		Ref	Piston Options:	
10	3480247	1	Piston E45AJ & M45AJ	
10	3480259	1	Piston E40AJP & M40AJP	
12	Kit	2	Ring, Lock	
13	Kit	1	Ring, Wear	
14	Kit	2	Ring, Back-up	
15	Kit	1	O-Ring	
16	Kit	1	O-Ring	
17	Kit	1	Wiper	
18	Kit	1	Seal	
19	Kit	1	Ring, Back-up	
20	Kit	2	Seal	
21	4640932	1	Cartridge, Valve (Counterbalance Vented)	
21	7011112	1	Seal Kit-4640932 Valve	
22	4641086	1	Cartridge, Valve (Counterbalance Non vented)	
22	2900792	1	Seal Kit-4641086 Valve	
23	3931516	8	Bolt, Socket Head 5/16in-18NC x 1in	
		Ref	Seal Kit Options: (Includes Items 12-20)	
	2901776	1	Seal Kit E45AJ & M45AJ	
	2901898	1	Seal Kit E40AJP & M40AJP	

SECTION 5 - CYLINDER

FIGURE 5-4. LIFT CYLINDER ASSEMBLY - LOWER



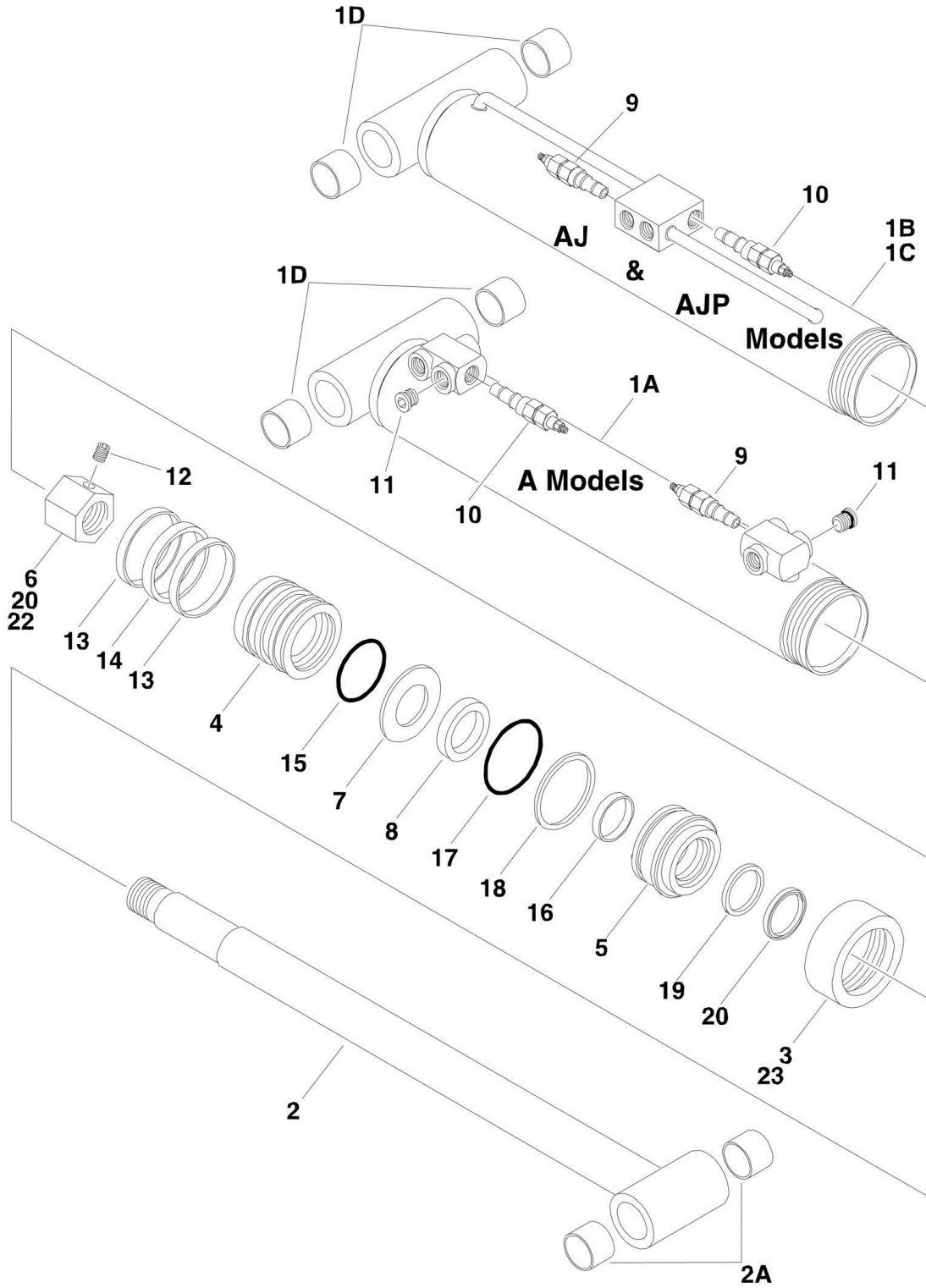
SECTION 5 - CYLINDER

FIGURE 5-4. LIFT CYLINDER ASSEMBLY - LOWER

ITEM	PART NUMBER	QTY	DESCRIPTION	REV
		Ref	LOWER LIFT CYLINDER ASSEMBLIES	
	1683711	Ref	Lower Lift Cylinder Assemblies E45A & M45A	1-A
	1683826	Ref	Lower Lift Cylinder Assemblies E45AJ & M45AJ	1-A
	1683939	Ref	Lower Lift Cylinder Assemblies E40AJP & M40AJP	1-A
1		Ref	Barrel Weldment Options:	
1A	1683515	1	Barrel E45A & M45A	
1B	1683827	1	Barrel E45AJ & M45AJ	
1C	1683940	1	Barrel E40AJP & M40AJP	
1D		Ref	Bushing Options:	
1D	0961726	2	Bushing E45A & M45A	
1D	0961950	2	Bushing E40AJP & M40AJP	
2		Ref	Rod Weldment Options:	
2	1683016	1	Rod Weldment E45A & M45A	
2	1683941	1	Rod Weldment E40AJP & M40AJP	
2A		Ref	Bushing Options:	
2A	0961726	2	Bushing E45A & M45A	
2A	0961950	2	Bushing E40AJP & M40AJP	
3	1120094	1	Retainer	
4	3480241	1	Piston	
5	1683710	1	Head	
6	3300281	1	Nut, Hex	
7	4566432		Spacer	
8	4640816	1	Cartridge, Holding Valve	
8	2900770	1	Seal Kit - 4640816 Valve	
9	4640634	1	Cartridge, Holding Valve	
9	2900770	1	Seal Kit - 4640634 Valve	
10		Ref	Plug Options:	
10	2220885	2	Plug E45A & M45A	
10	Not Required	0	AJ and AJP	
11	3900170	1	Setscrew	
12	Kit	1	Seal, Piston	
13	Kit	2	Ring, Wear	
14	Kit	1	O-Ring	
15	Kit	3	Ring, Wear	
16	Kit	1	O-Ring	
17	Kit	1	Seal, Rod	
18	Kit	1	Wiper, Rod	
20	0100011	AR	LOCTITE #242	
21	0100035	AR	Loctite	
22	0100038	AR	Primer, Locking	
	2901806	1	Seal Kit - Lower Lift Cylinder (Includes Items 12-18)	

SECTION 5 - CYLINDER

FIGURE 5-5. LIFT CYLINDER ASSEMBLY - MID



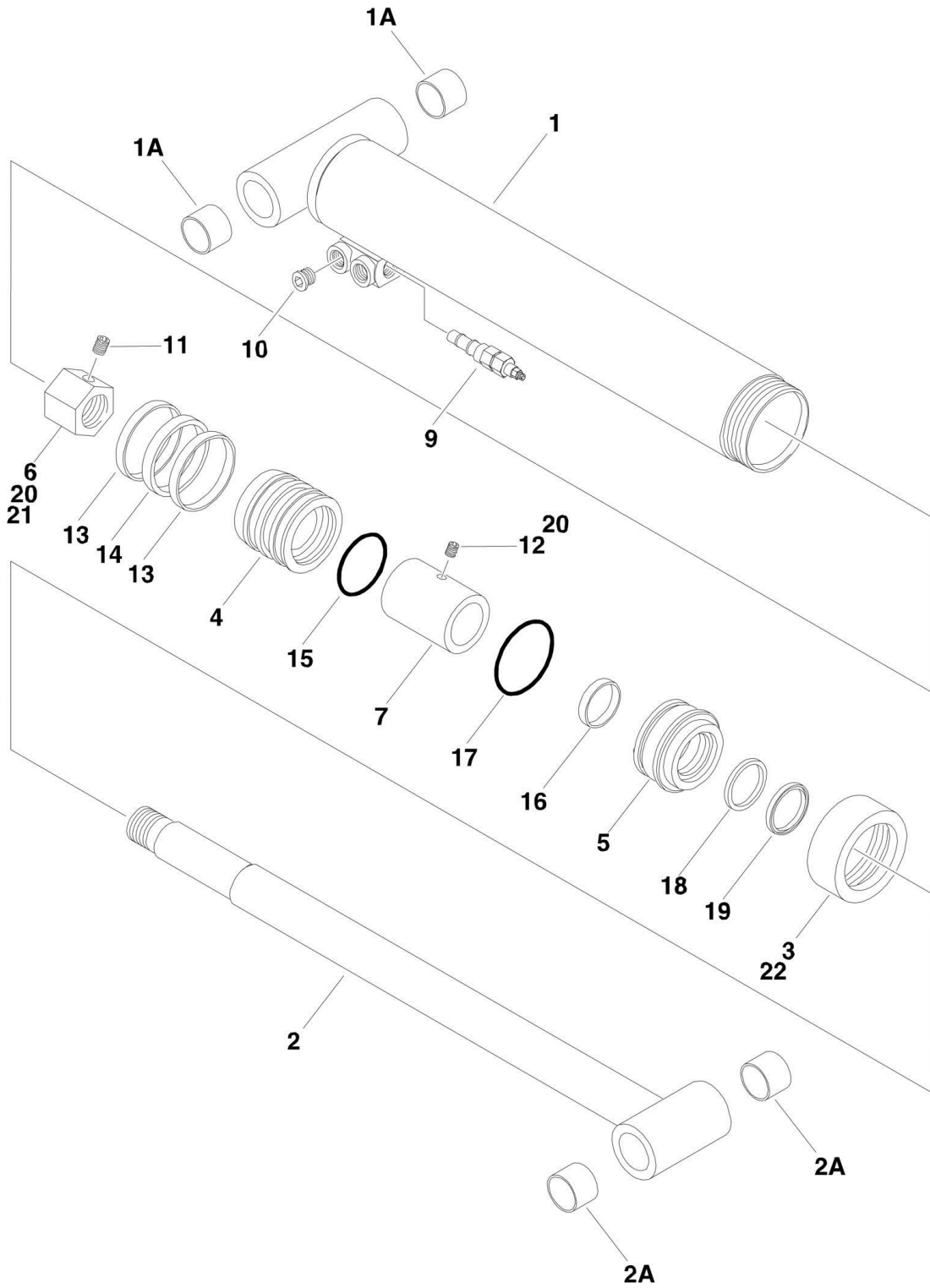
SECTION 5 - CYLINDER

FIGURE 5-5. LIFT CYLINDER ASSEMBLY - MID

ITEM	PART NUMBER	QTY	DESCRIPTION	REV
		Ref	MID LIFT CYLINDER ASSEMBLY	
	1683713	Ref	Mid Lift Cylinder Assembly E45A & M45A	1-A
	1683825	Ref	Mid Lift Cylinder Assembly E45AJ & M45AJ	1-A
	1683942	Ref	Mid Lift Cylinder Assembly E40AJP & M40AJP	1-A
1		Ref	Barrel Weldment Options:	
1A	1683516	1	Barrel Weldment E45A & M45A	
1B	1683829	1	Barrel Weldment E45AJ & M45AJ	
1C	1683943	1	Barrel Weldment E40AJP & M40AJP	
1D		Ref	Bushing Options:	
1D	0961726	2	Bushing E45A & M45A	
1D	0961950	2	Bushing E40AJP & M40AJP	
2		Ref	Rod Weldment Options:	
2	1683021	1	Rod Weldment E45A & M45A	
2	1683944	1	Rod Weldment E40AJP & M40AJP	
2A		Ref	Bushing Options:	
2A	0961726	2	Bushing E45A & M45A	
2A	0961950	2	Bushing E40AJP & M40AJP	
3	1120305	1	Cap, End	
4	3480242	1	Piston	
5	1683712	1	Head	
6	3300281	1	Nut, Hex	
7	4740207	1	Washer	
8	4566435	1	Spacer	
9	4640634	1	Cartridge, Holding Valve	
9	2900770	1	Seal Kit - 4640634 Valve	
10	4640816	1	Cartridge, Holding Valve	
10	2900770	1	Seal Kit - 4640816 Valve	
11		Ref	Plug Options:	
11	2220885	2	Plug E45A & M45A	
11	Not Required	0	AJ and AJP	
12	3900170	1	Setscrew	
13	Kit	2	Ring, Wear	
14	Kit	1	Seal, Piston	
15	Kit	1	O-Ring	
16	Kit	1	Ring, Wear	
17	Kit	1	O-Ring	
18	Kit	1	Ring, Back-up	
19	Kit	1	Seal, Rod	
20	Kit	1	Wiper, Rod	
21	0100011	AR	LOCTITE #242	
22	0100035	AR	Loctite	
23	0100038	AR	Primer, Locking	
	2901805	1	Seal Kit - Mid Lift Cylinder (Includes Items 13-20)	

SECTION 5 - CYLINDER

FIGURE 5-6. LIFT CYLINDER ASSEMBLY - UPPER



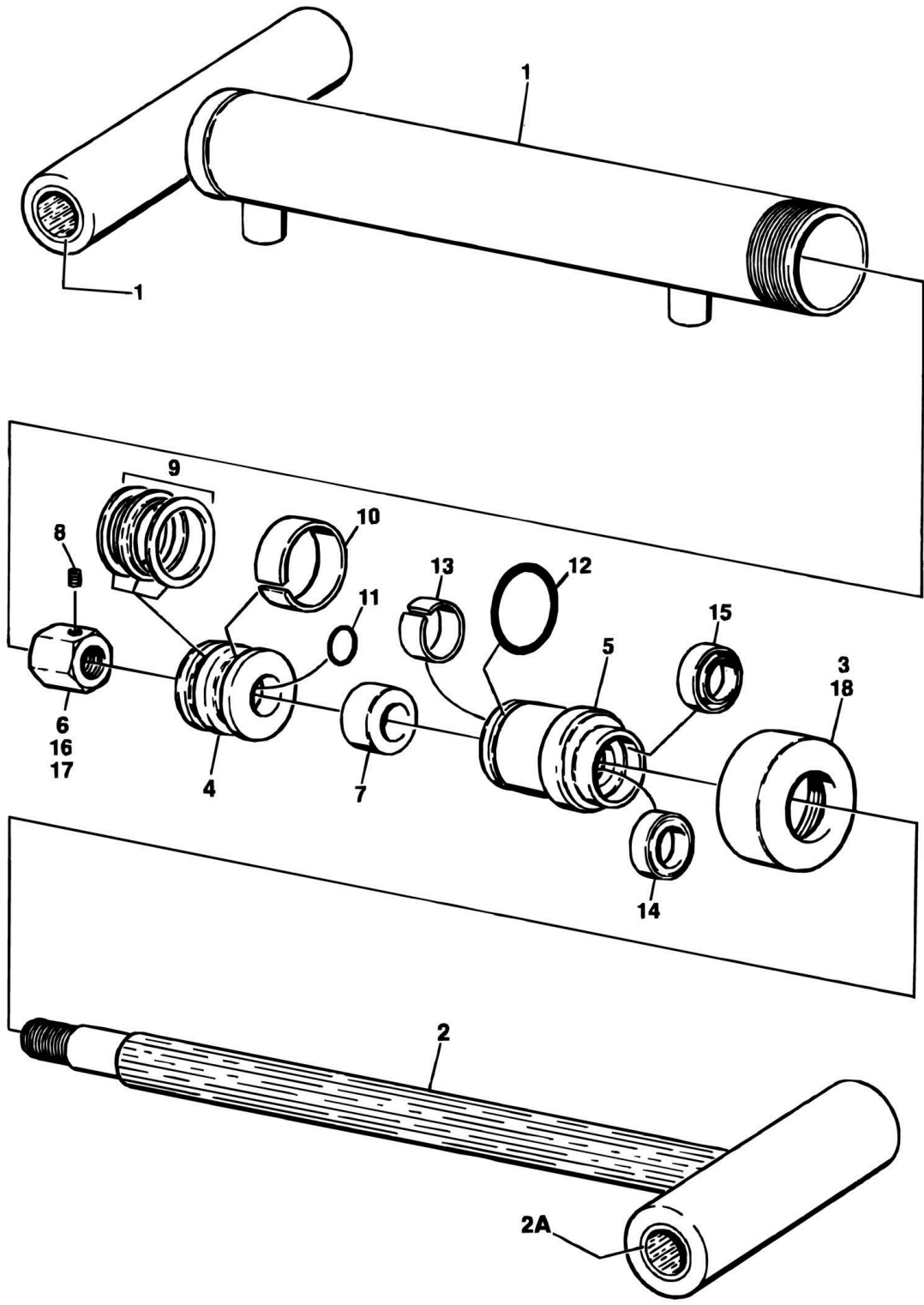
SECTION 5 - CYLINDER

FIGURE 5-6. LIFT CYLINDER ASSEMBLY - UPPER

ITEM	PART NUMBER	QTY	DESCRIPTION	REV
		Ref	UPPER LIFT CYLINDER ASSEMBLIES	
	1683708	Ref	Upper Lift Cylinder Assemblies E45A & M45A	2-B
	1683813	Ref	Upper Lift Cylinder Assemblies E45AJ & M45AJ	1-A
	1683945	Ref	Upper Lift Cylinder Assemblies E40AJP & M40AJP	1-A
1		Ref	Barrel Weldment Options:	
1	1683514	1	Barrel Weldment E45A & M45A	
1	1683815	1	Barrel Weldment E45AJ & M45AJ	
1	1683946	1	Barrel Weldment E40AJP & M40AJP	
1A		Ref	Bushing Options:	
1A	0961726	2	Bushing E45A & M45A	
1A	0961950	2	Bushing E40AJP & M40AJP	
2		Ref	Rod Weldment Options:	
2	1683505	1	Rod Weldment E45A & M45A	
2	1683817	1	Rod Weldment E45AJ & M45AJ	
2	1683947	1	Rod Weldment E40AJP & M40AJP	
2A		Ref	Bushing Options:	
2A	0961726	2	Bushing E45A & M45A	
2A	0961950	2	Bushing E40AJP & M40AJP	
3	1120108	1	Cap, End	
4	3480240	1	Piston	
5	1683709	1	Head	
6		Ref	Nut, Hex Options:	
6	3300315	1	Nut, Hex E45A & M45A (Was p/n 3300279) (Prior to SN 45523)	
6	3300315	1	Nut, Hex E45A & M45A (SN 45523 to Present)	
6	3300279	1	AJ and AJP	
7		Ref	Spacer, Tube Options:	
7	4567177	1	Spacer, Tube E45A & M45A	
7	4567908	1	AJ and AJP	
9	4640936	1	Cartridge, Valve	
9	2900770	1	Seal Kit - 4640936 Valve	
10	2220885	1	Plug, O-Ring	
11	3900170	1	Setscrew	
12		Ref	Setscrew Options:	
12	3951402	1	Setscrew E45A & M45A	
12	3900142	1	AJ and AJP	
13	Kit	2	Ring, Wear	
14	Kit	1	Seal	
15	Kit	1	O-Ring	
16	Kit	1	Ring, Wear	
17	Kit	1	O-Ring	
18	Kit	1	Seal	
19	Kit	1	Wiper	
20	0100011	AR	LOCTITE #242	
21	0100038	AR	Primer, Locking	
22	0100035	AR	Loctite	
	2901804	1	Seal Kit - Upper Lift Cylinder (Includes Items 13-19)	

SECTION 5 - CYLINDER

FIGURE 5-7. MASTER CYLINDER ASSEMBLY (A MODELS)



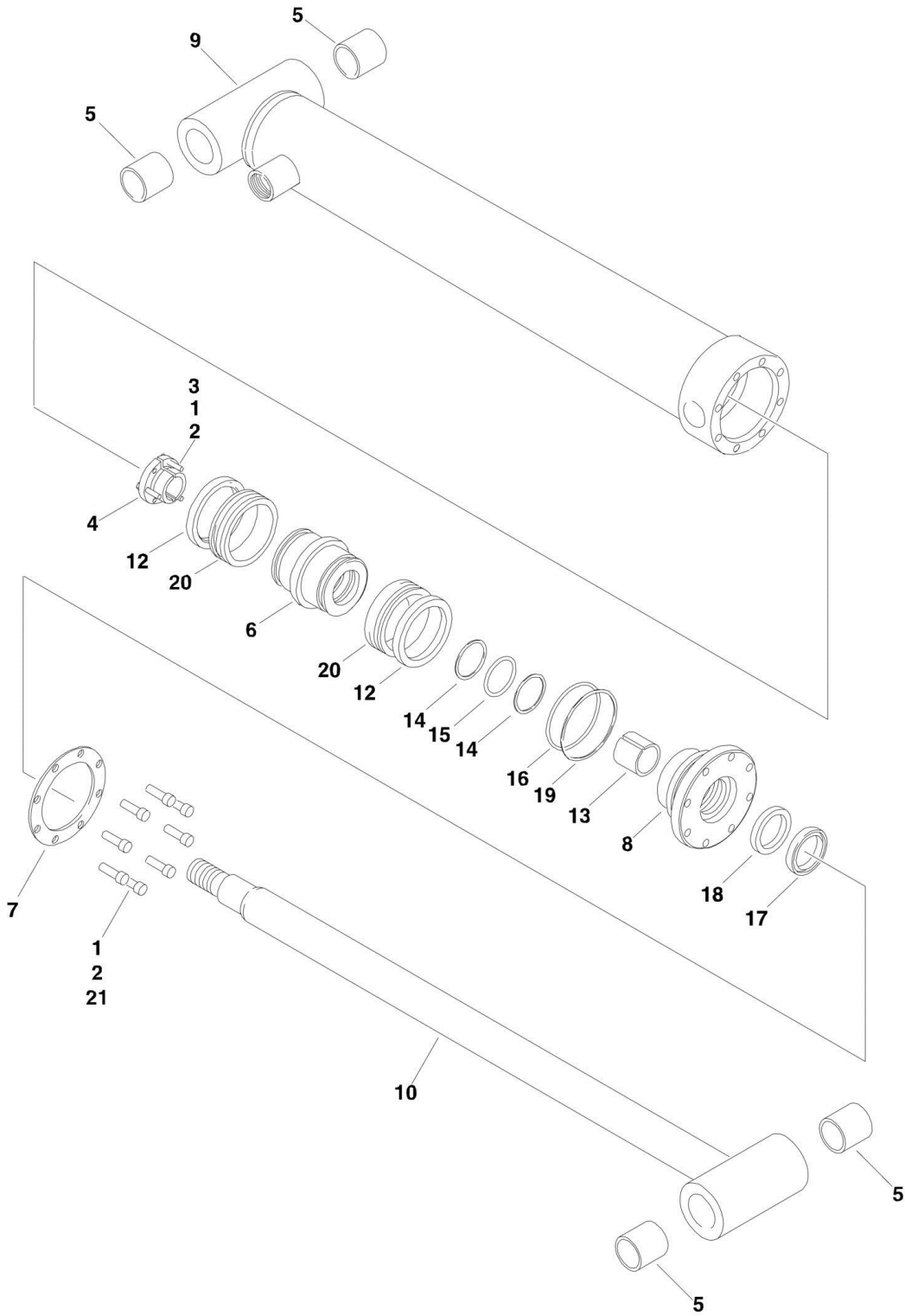
SECTION 5 - CYLINDER

FIGURE 5-7. MASTER CYLINDER ASSEMBLY (A MODELS)

ITEM	PART NUMBER	QTY	DESCRIPTION	REV
	1683325	Ref	MASTER CYLINDER ASSEMBLY (A MODELS)	1-A
1	1682879	1	Barrel Weldment	
1	0961608	2	Bushing, Teflon	
2	1683286	1	Rod Weldment	
2A	0961608	2	Bushing, Teflon	
3	1120110	1	Retainer	
4	3480217	1	Piston	
5	1682154	1	Head	
6	3300308	1	Nut, Hex	
7	4566023	1	Spacer, Tube	
8	3900170	1	Setscrew 3/8in-16NC x 3/8in	
9	Kit	1	T-Seal	
10	Kit	1	Ring, Wear	
11	Kit	1	O-Ring	
12	Kit	1	O-Ring	
13	Kit	1	Ring, Wear	
14	Kit	1	Seal, Rod	
15	Kit	1	Wiper, Rod	
16	0100038	AR	Primer, Locking	
17	0100011	AR	LOCTITE #242	
18	0100035	AR	Loctite #222	
	2901147	1	Seal Kit (Includes Items 9-15)	

SECTION 5 - CYLINDER

FIGURE 5-8. MASTER CYLINDER ASSEMBLY (AJ & AJP MODELS)



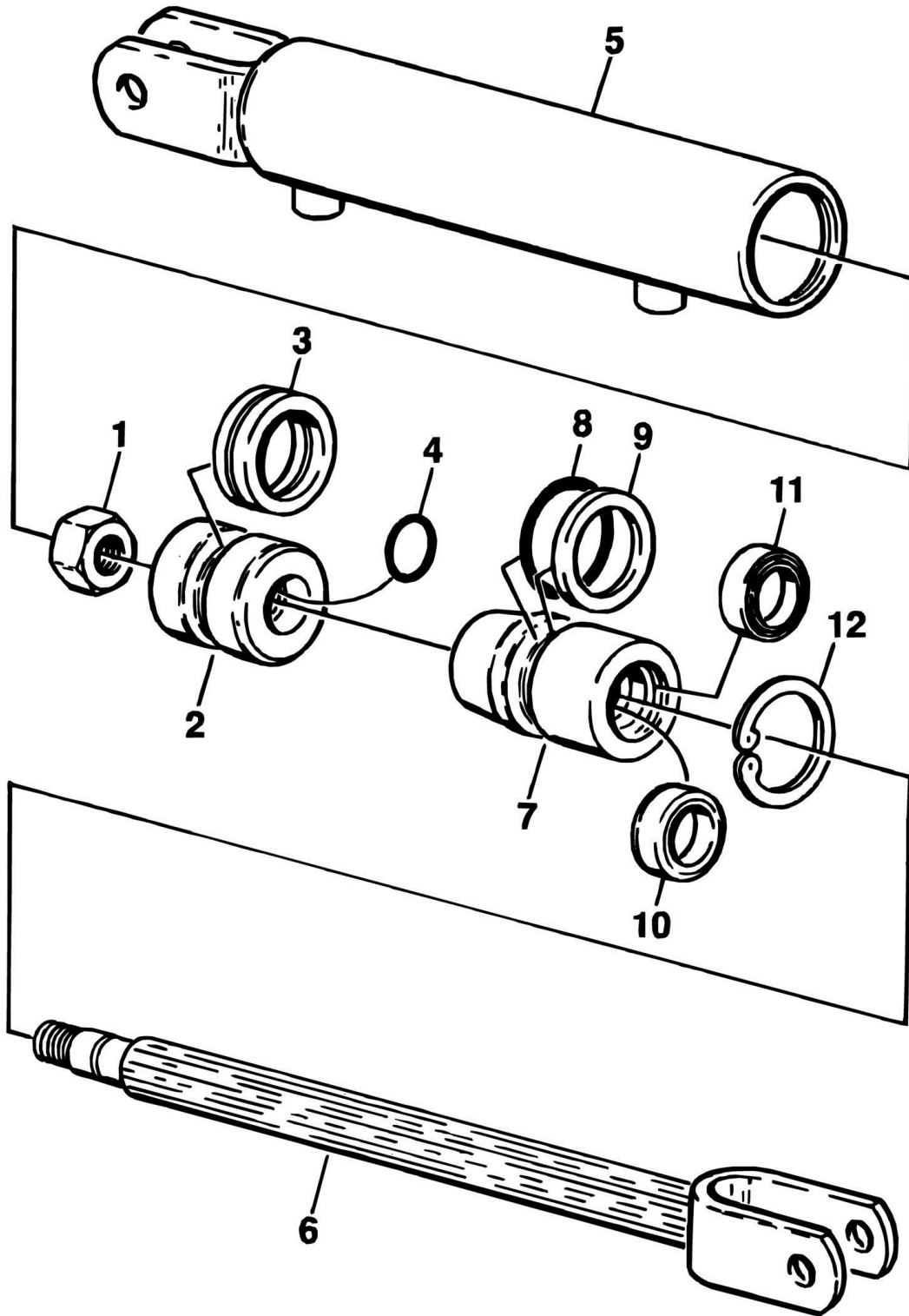
SECTION 5 - CYLINDER

FIGURE 5-8. MASTER CYLINDER ASSEMBLY (AJ & AJP MODELS)

ITEM	PART NUMBER	QTY	DESCRIPTION	REV
		Ref	MASTER CYLINDER ASSEMBLIES (AJ & AJP MODELS)	
	1683773	Ref	Master Cylinder Assemblies E45AJ & M45AJ	B
	1683923	Ref	Master Cylinder Assemblies E40AJP & M40AJP	B
1	0100011	AR	LOCTITE #242	
2	0100038	AR	Primer, Locking	
3	3931016	3	Bolt Socket Head #10-24NC x 1in	
4		Ref	Tapered Bushing Options:	
4	0961900	1	Tapered Bushing E45A & M45A	
4	0962185	1	Tapered Bushing E40AJP & M40AJP	
5	0961951	4	Bushing, Garmax	
6		Ref	Piston Options:	
6	3480247	1	Piston E45A & M45A	
6	3480259	1	Piston E40AJP & M40AJP	
7	3760368	1	Washer, Ring	
8		Ref	Head Options:	
8	1683052	1	Head E45A & M45A	
8	1683925	1	Head E40AJP & M40AJP	
9	1683756	1	Barrel	
10	1683772		Rod	
12	Kit	2	Ring, Lock	
13	Kit	1	Ring, Wear	
14	Kit	2	Ring, Back-up	
15	Kit	1	O-Ring	
16	Kit	1	O-Ring	
17	Kit	1	Wiper	
18	Kit	1	Seal	
19	Kit	1	Ring, Back-up	
20	Kit	2	Seal	
21	3931516	8	Bolt Socket Head 5/16in-18NC x 1in	
		Ref	Seal Kit Options: (Includes Items 12-20)	
	2901776	1	Seal Kit Options E45A & M45A	
	2901898	1	Seal Kit Options E40AJP & M40AJP	

SECTION 5 - CYLINDER

FIGURE 5-9. ROTATOR CYLINDER ASSEMBLY (E45 & M45 ONLY) (Prior to SN 49945)



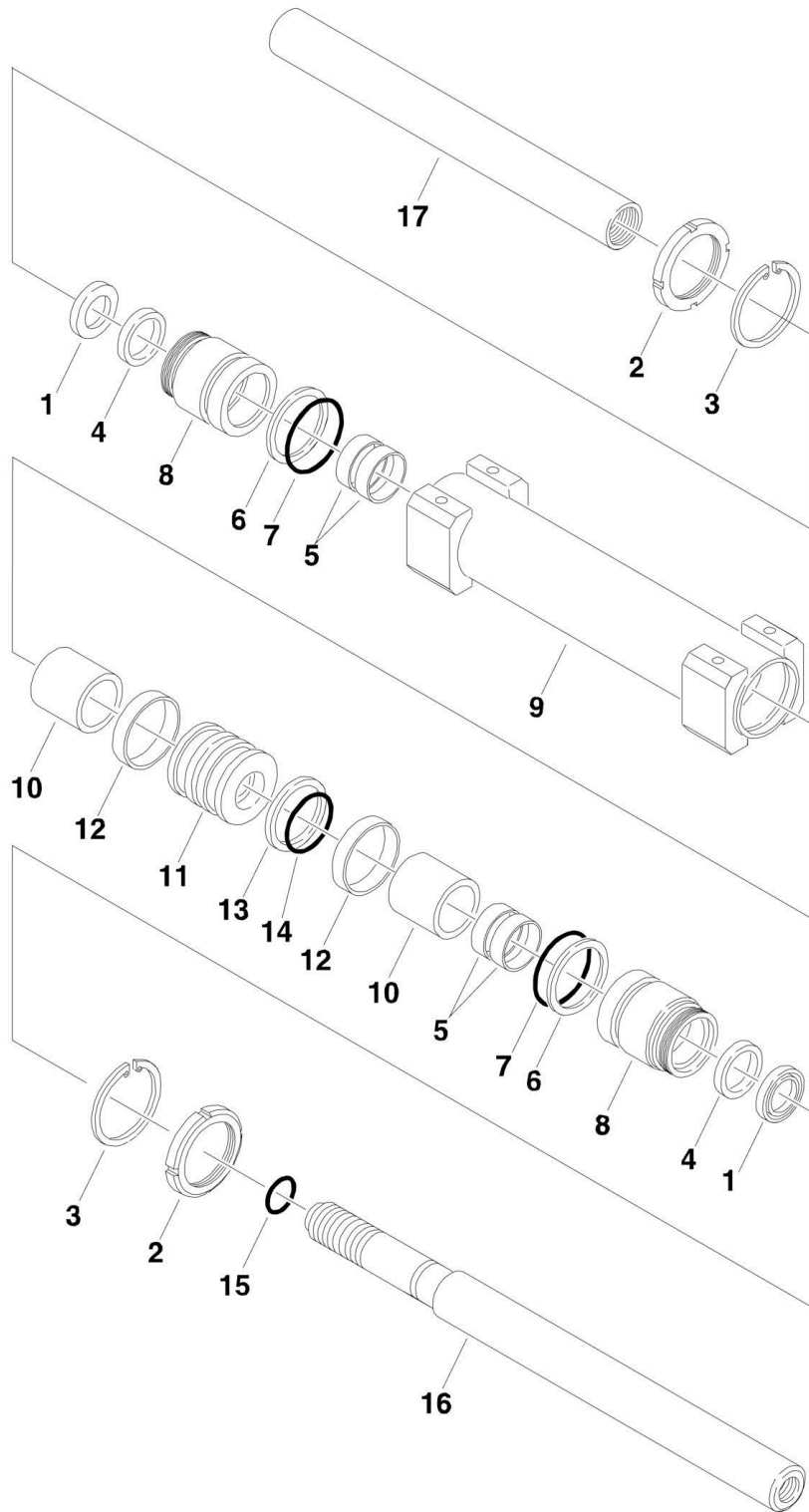
SECTION 5 - CYLINDER

FIGURE 5-9. ROTATOR CYLINDER ASSEMBLY (E45 & M45 ONLY) (Prior to SN 49945)

ITEM	PART NUMBER	QTY	DESCRIPTION	REV
	1682930	Ref	PLATFORM ROTATOR CYLINDER ASSEMBLY (E45 & M45 ONLY)	A
1	7001609	1	Nut, Hex	
2	7001610	1	Piston	
3	Kit	1	Seal	
4	Kit	1	O-Ring	
5	7001611	1	Barrel Weldment	
6	7001612	1	Rod	
7	7001613	1	Head	
8	Kit	1	O-Ring	
9	Kit	1	Ring, Back-up	
10	Kit	1	Seal	
11	Kit	1	Wiper	
12	7001614	1	Ring, Retainer	
	7001608	1	Seal Kit - 1682930 Cylinder (Includes Items 3,4 & 8-11)	

SECTION 5 - CYLINDER

FIGURE 5-10. STEER CYLINDER ASSEMBLY



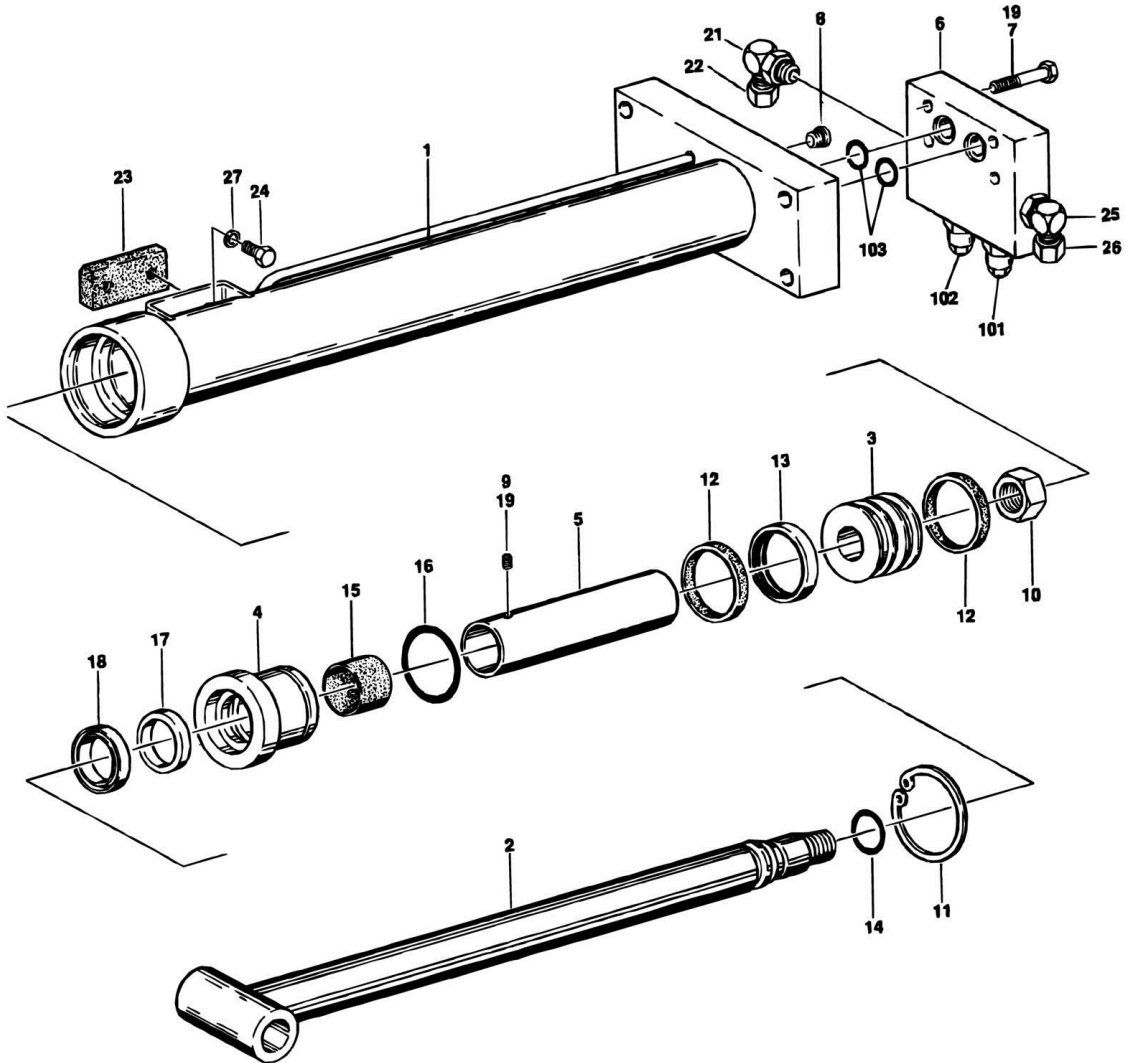
SECTION 5 - CYLINDER

FIGURE 5-10. STEER CYLINDER ASSEMBLY

ITEM	PART NUMBER	QTY	DESCRIPTION	REV
	1683591	Ref	STEER CYLINDER ASSEMBLY	B
1	Kit	2	Wiper	
2	7001630	2	Nut, Spanner	
3	7017247	2	Ring, Retaining	
4	Kit	2	Seal, Lip	
5	Kit	4	Ring, Wear	
6	Kit	2	Ring, Back-up	
7	Kit	2	O-Ring	
8	7017248	2	Guide	
9	70003341	1	Barrel Weldment	
10	7017249	2	Tube	
11	7017250	1	Piston	
12	Kit	2	Ring, Wear	
13	Kit	1	Seal	
14	Kit	1	O-Ring	
15	Kit	1	O-Ring	
16	7017251	1	Rod (Male End)	
17	7017252	1	Rod (Female End)	
	7017246	1	Seal Kit (Includes Items 1, 4-7 & 12-15)	

SECTION 5 - CYLINDER

FIGURE 5-11. TELESCOPE CYLINDER ASSEMBLY (E45 & M45)



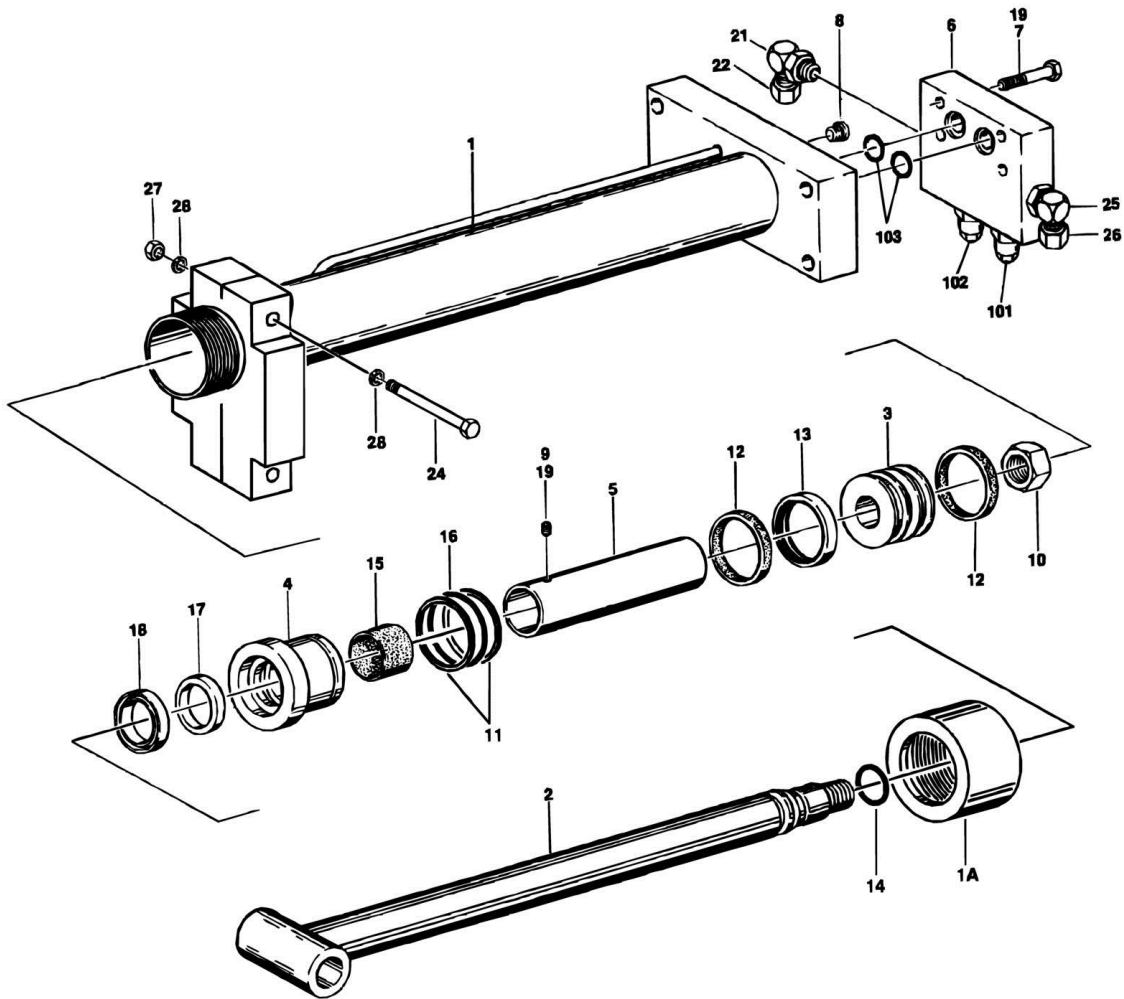
SECTION 5 - CYLINDER

FIGURE 5-11. TELESCOPE CYLINDER ASSEMBLY (E45 & M45)

ITEM	PART NUMBER	QTY	DESCRIPTION	REV
		Ref	TELESCOPE CYLINDER ASSEMBLY (E45 & M45)	
	1683704	Ref	Master Cylinder Assemblies E45A & M45A	3-C
	1683798	Ref	Master Cylinder Assemblies E45AJ & M45AJ	3-B
1		Ref	Barrel Weldment Options:	
1	1682948	1	Barrel Weldment E45A & M45A	
1	1683800	1	Barrel Weldment E45AJ & M45AJ	
2		Ref	Rod Weldment Options:	
2	1683706	1	Rod Weldment E45A & M45A	
2	1683802	1	Rod Weldment E45AJ & M45AJ	
3	3480239	1	Piston	
4	1683705	1	Head	
5		Ref	Spacer, Tube Options:	
5	4567704	1	Spacer, Tube E45A & M45A	
5	4566027	1	Spacer, Tube E45AJ & M45AJ	
6	4640807	1	Counterbalance Valve Assembly (See Items 101-103 for Breakdown)	
7	0641512	4	Bolt 5/16in-18NC x 1 1/2in	
8	2220883	2	Plug, O-Ring	
9	3951402	1	Setscrew 1/4in-20NC x 1/4in	
10	3322205	1	Locknut	
11	3760318	1	Ring, Retaining	
12	Kit	2	Ring, Wear	
13	Kit	1	Seal, Cap	
14	Kit	1	O-Ring	
15	Kit	1	Ring, Wear	
16	Kit	1	O-Ring	
17	Kit	1	Seal, Rod	
18	Kit	1	Wiper	
19	0100011	AR	LOCTITE #242	
21	2220628	1	Fitting, 90	
22	2220516	1	Fitting, Cap	
23	3340679	1	Wear Pad Assembly	
24	0641604	2	Bolt 3/8in-16NC x 1/2in	
25	2220596	1	Fitting, 90	
26	2220517	1	Fitting, Cap	
27	4761600	2	Lockwasher 3/8in	
	2901807	1	Seal Kit (Includes Items 12-18)	
	4640807	Ref	COUNTERBALANCE VALVE ASSEMBLY	
101	4640771	1	Cartridge, Counterbalance	
102	4640709	1	Cartridge, Vented Counterbalance	
103	3790113	2	O-Ring (Between Valve and Cylinder Block)	
	2900770		Seal Kit (1 Per Cartridge)	

SECTION 5 - CYLINDER

FIGURE 5-12. TELESCOPE CYLINDER ASSEMBLY (E40 & M40)



SECTION 5 - CYLINDER

FIGURE 5-12. TELESCOPE CYLINDER ASSEMBLY (E40 & M40)

ITEM	PART NUMBER	QTY	DESCRIPTION	REV
	1683911	Ref	TELESCOPE CYLINDER ASSEMBLY (E40 & M40)	2-B
1	1683912	1	Barrel Weldment	
1A	1120110	1	Cap, End	
2	1683980	1	Rod Weldment	
3	3480239	1	Piston	
4	1683863	1	Head	
5	4567963	1	Spacer, Tube	
6	4640807	1	Counterbalance Valve Assembly (See Items 101-103 for Breakdown)	
7	0641512	4	Bolt 5/16in-18NC x 1 1/2in	
8	2220883	2	Plug, O-Ring	
9	3951402	1	Setscrew 1/4in-20NC x 1/4in	
10	3322205	1	Locknut	
11	3760318	1	Ring, Retaining	
12	Kit	2	Ring, Wear	
13	Kit	1	Seal, Cap	
14	Kit	1	O-Ring	
15	Kit	1	Ring, Wear	
16	Kit	1	O-Ring	
17	Kit	1	Seal, Rod	
18	Kit	1	Wiper	
19	0100011	AR	LOCTITE #242	
21	2220628	1	Fitting, 90	
22	2220516	1	Fitting, Cap	
23	3340882	1	Wear Pad Assembly	
24	0641424	2	Bolt 1/4in-20NC x 3in	
25	2220596	1	Fitting, 90	
26	2220517	1	Fitting, Cap	
27	3311405	4	Flatwasher 1/4in	
	2901903	1	Seal Kit (Includes Items 12-18)	
	4640807	Ref	COUNTERBALANCE VALVE ASSEMBLY	
101	4640771	1	Cartridge, Counterbalance	
102	4640709	1	Cartridge, Vented Counterbalance	
103	3790113	2	O-Ring (Between Valve and Cylinder Block)	
	2900770		Seal Kit (1 Per Cartridge)	

SECTION 6 - HYDRAULIC

SECTION 6 - HYDRAULIC

FIGURE 6-1. STANDARD HYDRAULIC DIAGRAM (E45A & M45A)

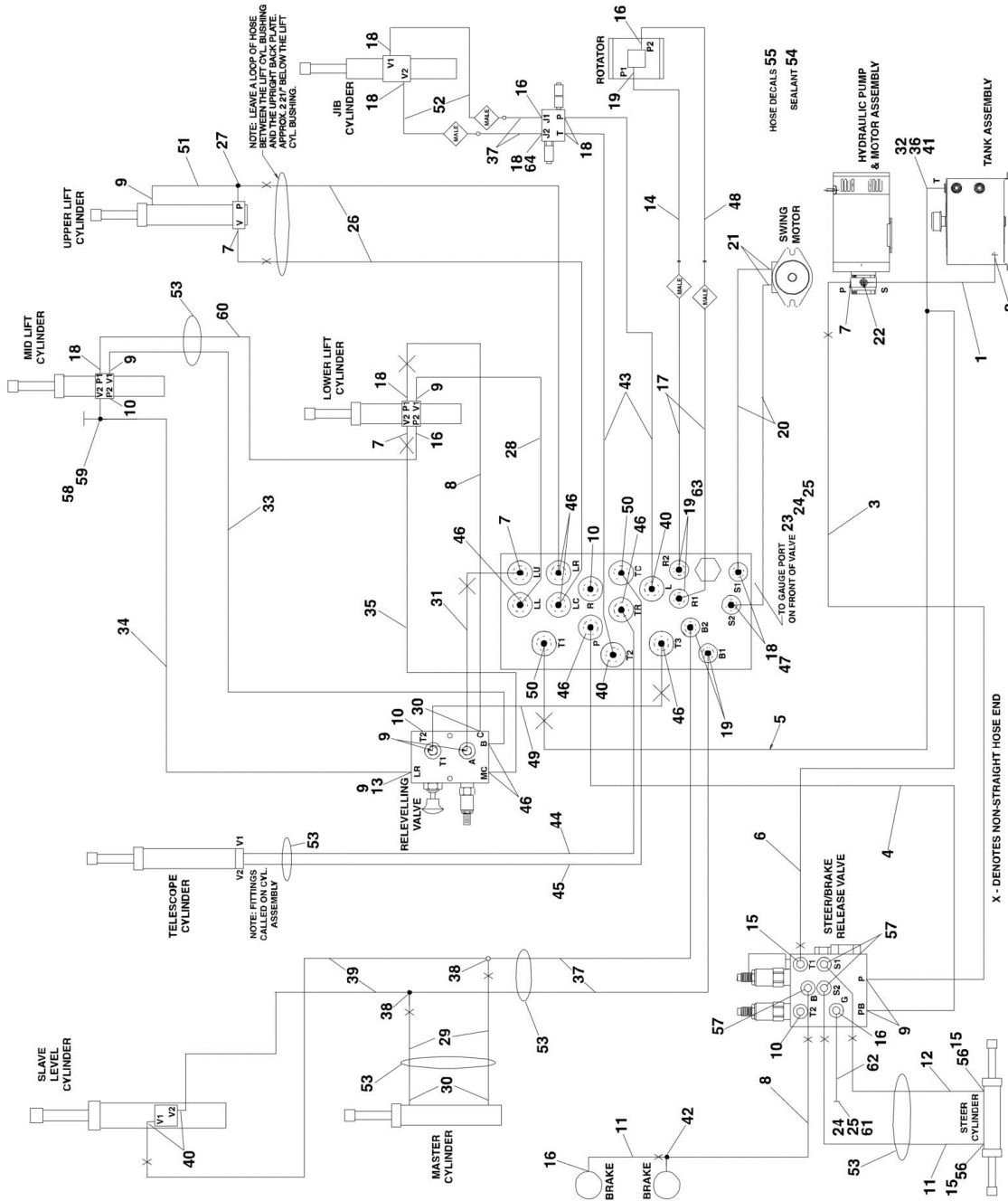
ITEM	PART NUMBER	QTY	DESCRIPTION	REV
	2792334	Ref	STANDARD HYDRAULIC DIAGRAM (E45A & M45A)	6-F
1	2752675	1	Hose	
2	1320033	1	Clamp	
3	2752487	1	Hose	
4	2752488	1	Hose	
5	2751498	1	Hose	
6	2752476	1	Hose	
7	2220371	3	Fitting, Straight	
8	2752600	1	Hose	
9	2220473	9	Fitting, 90	
10	2220885	5	Plug	
11	2752595	2	Hose	
12	2752446	1	Hose	
13	2220507	1	Fitting, 90	
14	2753326	2	Hose	
15	2220998	2	Fitting, Straight	
16	2220466	2	Fitting, 90	
17	2752795	2	Hose	
19	2220502	4	Fitting, 45	
20	2752459	2	Hose	
21	2221033	2	Fitting, Straight	
22	2220593	1	Fitting, Straight	
23	2220873	1	Fitting, Straight	
24	2220428	2	Fitting, Quick Coupling	
25	2220429	2	Dust Cap	
26	2753050	2	Hose	
27	2220899	3	Fitting, Tee	
28	2752620	1	Hose	
29	2752580	2	Hose	
30	2220472	8	Fitting, 90	
31	2752910	1	Hose	
32	2220999	1	Fitting, Tee	
33	2751127	1	Hose	
34	2751126	1	Hose	
35	2752475	1	Hose	
36	2220386	1	Fitting, 90	
37	2752585	2	Hose	
38	2220504	2	Fitting, Tee	
39	2752572	2	Hose	
40	2220727	2	Fitting, Straight	
41	2220684	2	Fitting, Tee	
42	2752435	1	Hose	
43	2752573	1	Hose	
44	2750996	1	Hose	
45	2751508	1	Hose	
46	2220501	7	Fitting, 45	
47	2220502	2	Fitting, 45	
50	2752581	1	Hose	
51	4566188	1	Tube	
52	4566623	1	Tube	

SECTION 6 - HYDRAULIC

ITEM	PART NUMBER	QTY	DESCRIPTION	REV
53	4100026	5	Nylon, Sleeve	
54	2752983	1	Hose	
55	1702124	1	Hose, Tags	
56	2220609	1	Fitting, Reducer	
57	2220923	3	Fitting, Adapter	
58	2220934	1	Fitting, Tee	
59	4640861	1	Bleeder, Kit	
60	2752440	1	Hose	
61	2220605	1	Fitting, Tee	
62	2752463	1	Hose	
63	0100020	AR	Sealant	
64	2220600	2	Fitting, Straight	
65	2220619	1	Fitting, Reducer	
66	2220711	1	Fitting, Tee	
67	2220414	1	Fitting, Straight	
68	2790900	1	Hose	
69	2220909	2	Fitting, Restrictor	

SECTION 6 - HYDRAULIC

FIGURE 6-2. STANDARD HYDRAULIC DIAGRAM (E45AJ & M45AJ)



SECTION 6 - HYDRAULIC

FIGURE 6-2. STANDARD HYDRAULIC DIAGRAM (E45AJ & M45AJ)

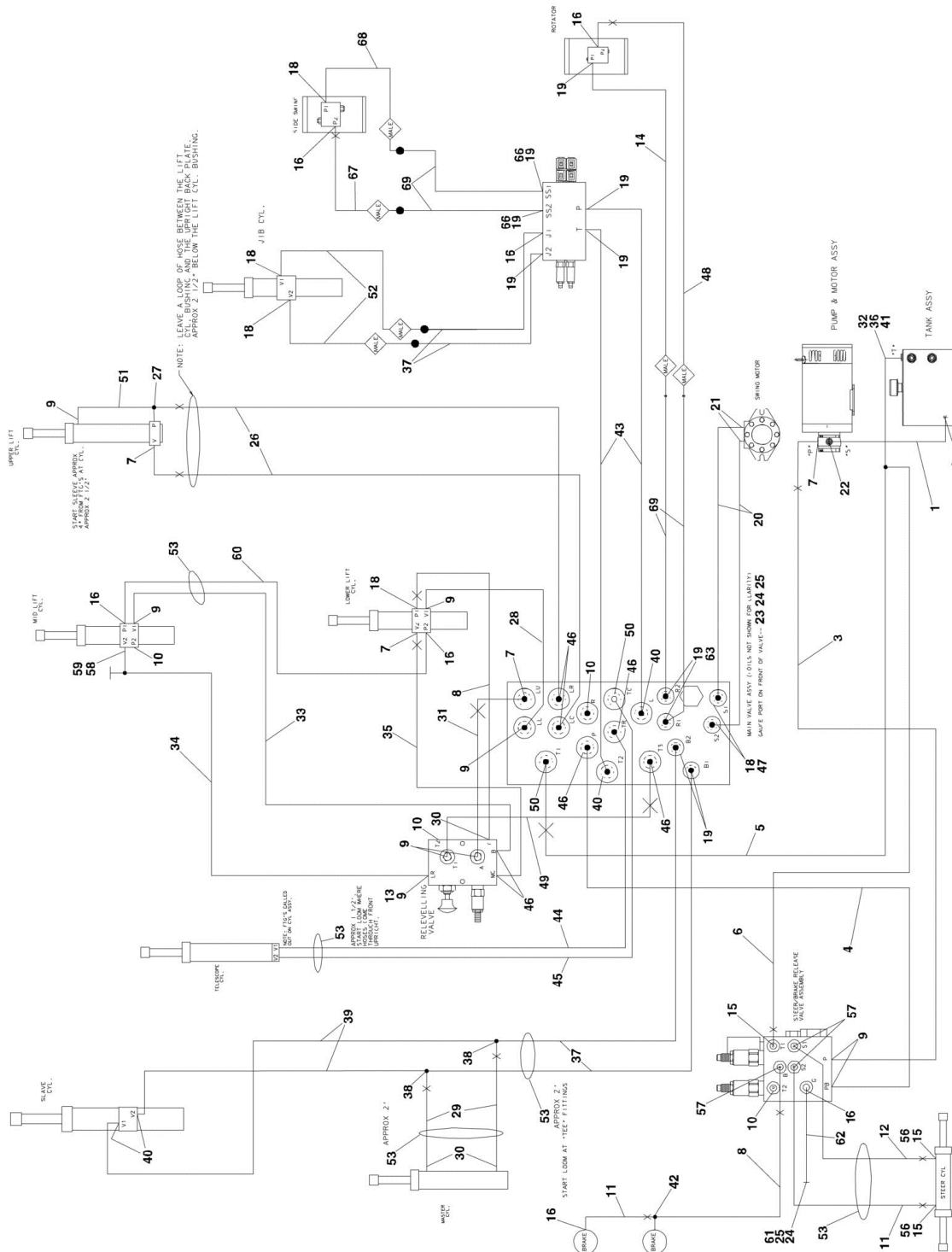
ITEM	PART NUMBER	QTY	DESCRIPTION	REV
	2792395	Ref	STANDARD HYDRAULIC DIAGRAM (E45AJ & M45AJ)	6-E
1	2752675	1	Hose	
2	1320017	1	Clamp	
3	2752487	1	Hose	
4	2752488	1	Hose	
5	2751498	1	Hose	
6	2752476	1	Hose	
7	2220371	4	Fitting, Straight	
8	2752600	2	Hose	
9	2220473	7	Fitting, 90	
10	2220885	6	Plug	
11	2752595	2	Hose	
12	2752446	1	Hose	
13	2220507	1	Fitting, 90	
14	2753304	1	Hose	
15	2220998	3	Fitting, Straight	
16	2220466	5	Fitting, 90	
17	2752795	2	Hose	
18	2220415	9	Fitting, Straight	
19	2220502	5	Fitting, 45	
20	2752459	2	Hose	
21	2221033	2	Fitting, Straight	
22	2220593	1	Fitting, Straight	
23	2220873	1	Fitting, Straight	
24	2220428	2	Fitting, Quick Coupling	
25	2220429	2	Dust Cap	
26	2753050	2	Hose	
27	2220899	1	Fitting, Tee	
28	2752466	1	Hose	
29	2752437	2	Hose	
30	2220472	3	Fitting, 90	
31	2750910	1	Hose	
32	2220999	1	Fitting, Tee	
33	2753301	1	Hose	
34	2751009	1	Hose	
35	2752611	1	Hose	
36	2220386	1	Fitting, 90	
37	2752585	4	Hose	
38	2220605	2	Fitting, Tee	
39	2753302	2	Hose	
40	2220582	4	Fitting, Straight	
41	2220619	1	Fitting, Reducer	
42	2220711	1	Fitting, Tee	
43	2752430	2	Hose	
44	2750996	1	Hose	
45	2751508	1	Hose	
46	2220501	8	Fitting, 45	
47	2220677	2	Fitting, 45	
48	2753305	1	Hose	
49	2752463	1	Hose	

SECTION 6 - HYDRAULIC

ITEM	PART NUMBER	QTY	DESCRIPTION	REV
50	2220600	2	Fitting, Straight	
51	4567946	1	Tube	
52	2753303	2	Hose	
53	4100026	4	Nylon, Sleeve	
54	0100020	AR	Sealant (Not Shown)	
55	1702124	1	Hose, Tags (Not Shown)	
56	2220609	2	Fitting, Reducer	
57	2220923	3	Fitting, Adapter	
58	2220934	1	Fitting, Tee	
59	4640861	1	Bleeder, Kit	
60	2751414	1	Hose	
61	2220414	1	Fitting, Straight	
62	2750900	1	Hose	
63	2220909	2	Orifice (.015)	
64	2220654	1	Fitting, Straight	

SECTION 6 - HYDRAULIC

FIGURE 6-3. STANDARD HYDRAULIC DIAGRAM (E40AJP & M40AJP)



SECTION 6 - HYDRAULIC

FIGURE 6-3. STANDARD HYDRAULIC DIAGRAM (E40AJP & M40AJP)

ITEM	PART NUMBER	QTY	DESCRIPTION	REV
	2792413	Ref	STANDARD HYDRAULIC DIAGRAM (E40AJP & M40AJP)	2-B
1	2752675	1	Hose	
2	1320033	1	Clamp	
3	2752487	1	Hose	
4	2752488	1	Hose	
5	2751498	1	Hose	
6	2752476	1	Hose	
7	2220371	4	Fitting, Straight	
8	2752600	2	Hose	
9	2220473	8	Fitting, 90	
10	2220885	6	Plug	
11	2752595	2	Hose	
12	2752446	1	Hose	
13	2220507	1	Fitting,90	
14	2753337	1	Hose	
15	2220998	3	Fitting, Straight	
16	2220466	6	Fitting, 90	
18	2220415	5	Fitting, Straight	
19	2220502	10	Fitting, 45	
20	2752459	2	Hose	
21	2221033	2	Fitting, Straight	
22	2220593	1	Fitting, Straight	
23	2220873	1	Fitting, Straight	
24	2220428	2	Fitting, Quick Coupling	
25	2220429	2	Dust Cap	
26	2752619	2	Hose	
27	2220899	1	Fitting, Tee	
28	2752466	1	Hose	
29	2752437	2	Hose	
30	2220472	3	Fitting, 90	
31	2750910	1	Hose	
32	2220999	1	Fitting, Tee	
33	2753335	1	Hose	
34	2753334	1	Hose	
35	2752611	1	Hose	
36	2220386	1	Fitting, 90	
37	2752571	4	Hose	
38	2220605	2	Fitting, Tee	
39	2753333	2	Hose	
40	2220582	4	Fitting, Straight	
41	2220619	1	Fitting, Reducer	
42	2220711	1	Fitting, Tee	
43	2752430	2	Hose	
44	2753474	1	Hose	
45	2753475	1	Hose	
46	2220501	7	Fitting, 45	
47	2220677	2	Fitting, 45	
48	2753336	1	Hose	
49	2752463	1	Hose	
50	2220600	2	Fitting, Straight	

SECTION 6 - HYDRAULIC

ITEM	PART NUMBER	QTY	DESCRIPTION	REV
51	4567946	1	Tube	
52	2753329	2	Hose	
53	4100026	4	Nylon, Sleeve	
54	0100020	AR	Sealant (Not Shown)	
55	1702124	1	Hose, Tags (Not Shown)	
56	2220609	2	Fitting, Reducer	
57	2220923	3	Fitting, Adapter	
58	2220934	1	Fitting, Tee	
59	4640861	1	Bleeder, Kit	
60	2751890	1	Hose	
61	2220414	1	Fitting, Straight	
62	2750900	1	Hose	
63	2220909	2	Orifice (.015)	
66	2221039	2	Orifice (.022)	
67	2753330	1	Hose	
68	2753331	1	Hose	
69	2753332	4	Hose	

SECTION 6 - HYDRAULIC

FIGURE 6-4. HYDRAULIC DIAGRAM LIST

ITEM	PART NUMBER	QTY	DESCRIPTION	REV
		Ref	Note: Information on diagrams not shown is available from JLG Service/Parts Departments.	
		Ref	Standard Hydraulic Diagrams	
	2792334	Ref	Standard Hydraulic Diagrams E45A & M45A	
	2792395	Ref	Standard Hydraulic Diagrams E45AJ & M45AJ	
	2792413	Ref	Standard Hydraulic Diagrams E40AJP & M40AJP	
	2792337	Ref	Standard Hydraulic Schematic	

SECTION 7 - ELECTRICAL

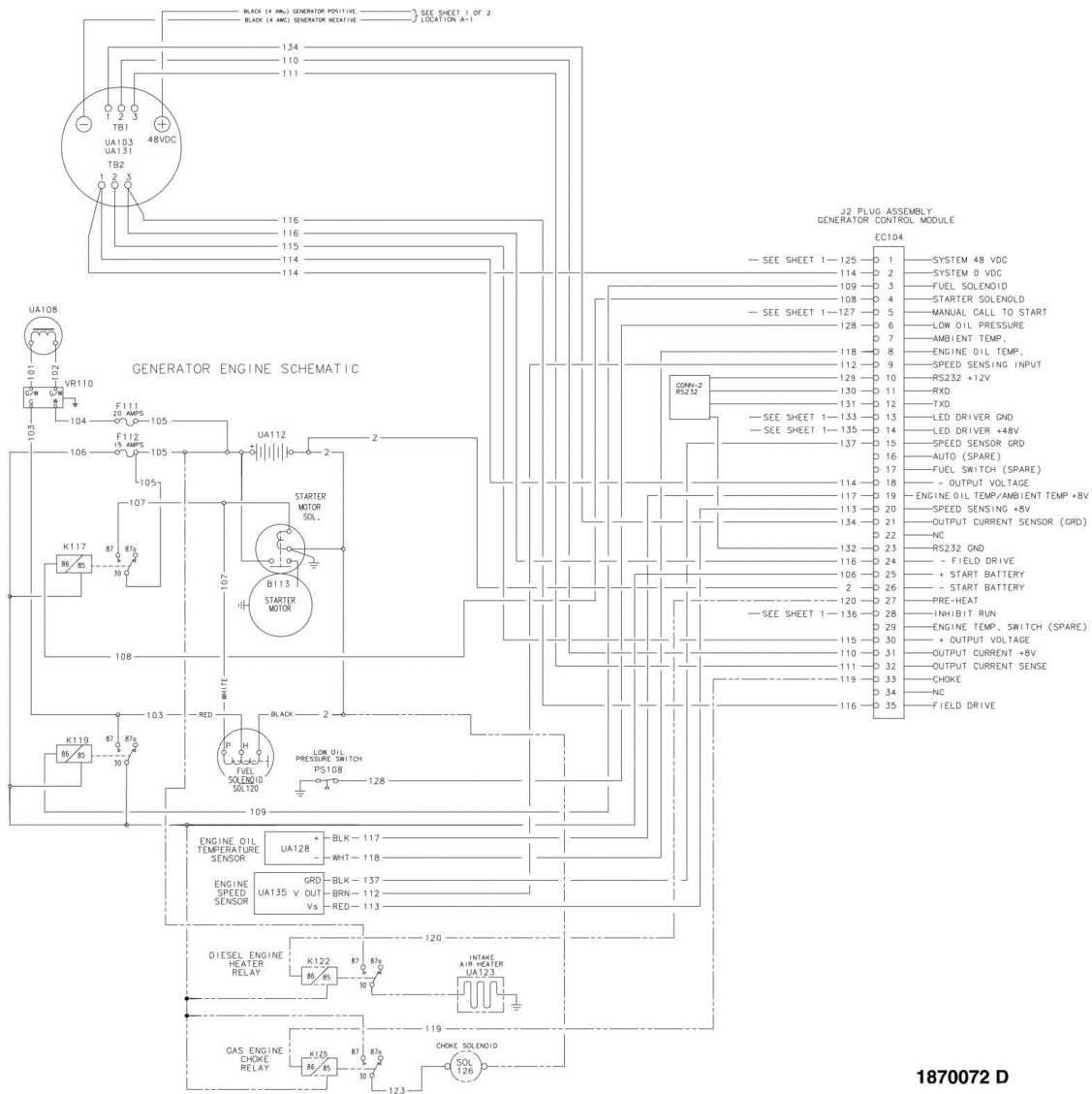
SECTION 7 - ELECTRICAL

FIGURE 7-1. ELECTRICAL DIAGRAM LIST

ITEM	PART NUMBER	QTY	DESCRIPTION	REV
		Ref	Note: Diagrams with asterisks (*) are not shown in the following pages. Diagrams not shown are available from the JLG Service Department.	
		Ref	LIGHTS ELECTRICAL DIAGRAMS	
		Ref	Headlights and Taillights	1-A
	4933102			
	4360336	1	Switch, Toggle (Located on Platform Console Box)	
	3740087	1	Relay (Located in Ground Control Box)	
	4120027	1	Socket, Relay (Located in Ground Control Box)	
	3740063	1	Spring (Located in Ground Control Box)	
	4360448	1	Breaker, Circuit 10 Amp (Located in Ground Control Box)	
	0259305	Ref	Strobe Light	1
	1283055	Ref	Strobe Light	B
	4933101	Ref	JIB FUNCTION ELECTRICAL DIAGRAM (E45AJ & M45AJ Only)	1-A
	0259064	Ref	MOTION ALARM ELECTRICAL DIAGRAM	1
	1283055	Ref	MOTION ALARM ELECTRICAL DIAGRAM	B
		Ref	PLATFORM ELECTRICAL DIAGRAM	
	4933060	Ref	Platform Electrical Diagram E45A & M45A	3-D
	4933105	Ref	Platform Electrical Diagram E40AJP & M40AJP	1-A
		Ref	STANDARD ELECTRICAL DIAGRAMS	
	4933059	Ref	Standard Electrical Diagrams E45A & M45A	3-G
	4933128	Ref	Standard Electrical Diagrams E40AJP & M40AJP	2-A
		Ref	STANDARD ELECTRICAL SCHEMATIC	
	1870072	Ref	Standard Electrical Schematic E45A & M45A	D
	1870126	Ref	Standard Electrical Schematic E40AJP & M40AJP	A

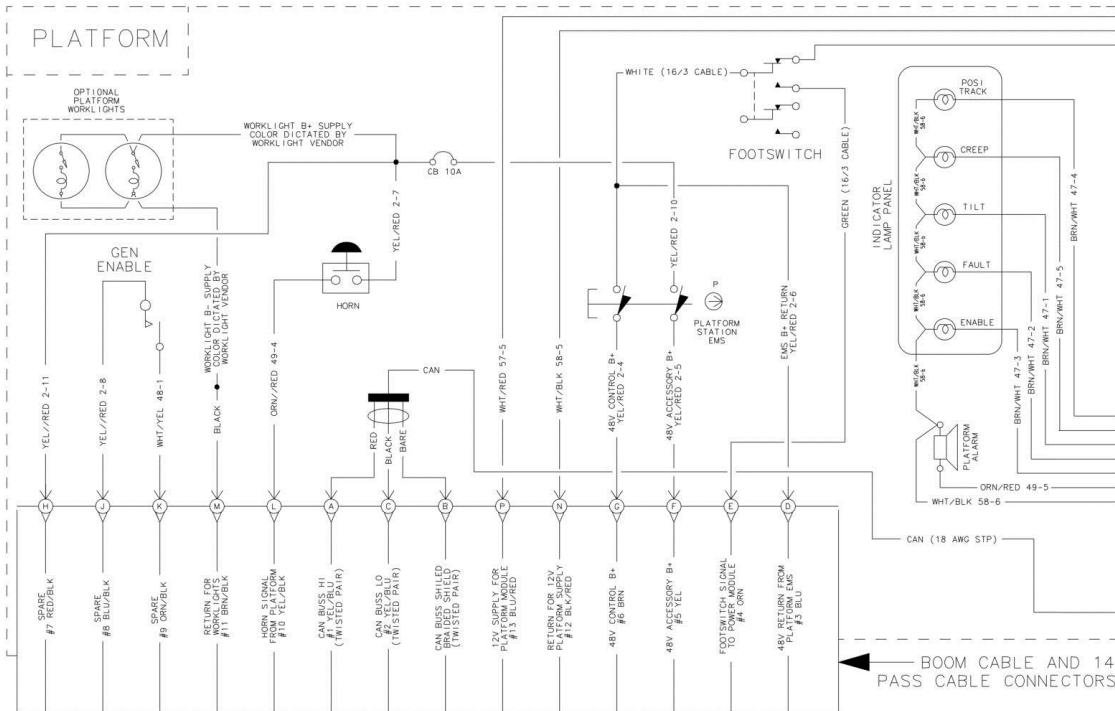
SECTION 7 - ELECTRICAL

FIGURE 7-2. ELECTRICAL SCHEMATIC (E45A & M45A MODELS)

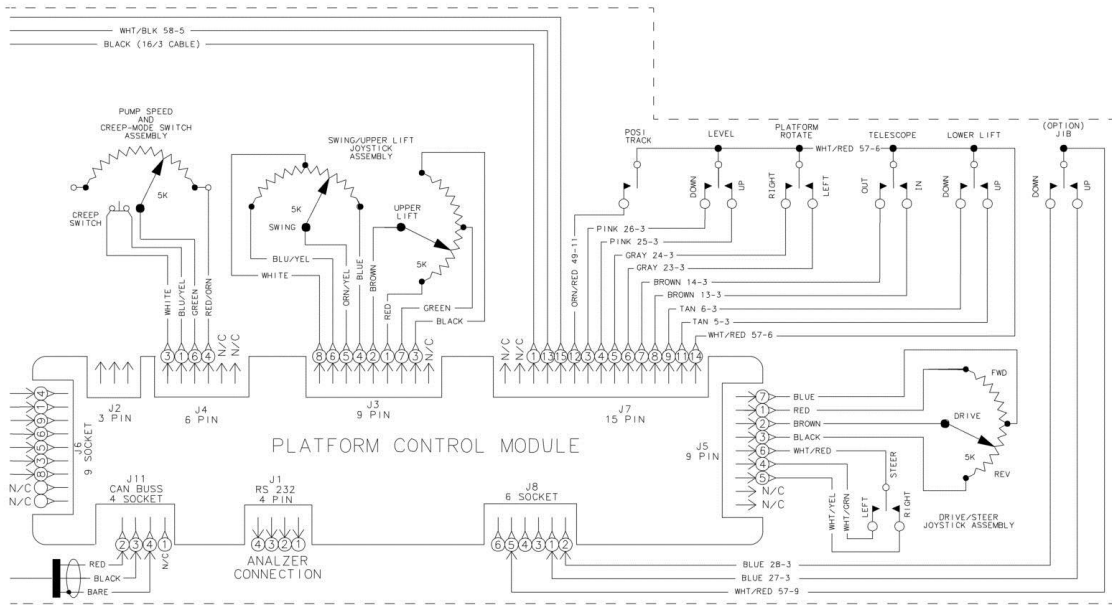


1870072 D

SECTION 7 - ELECTRICAL

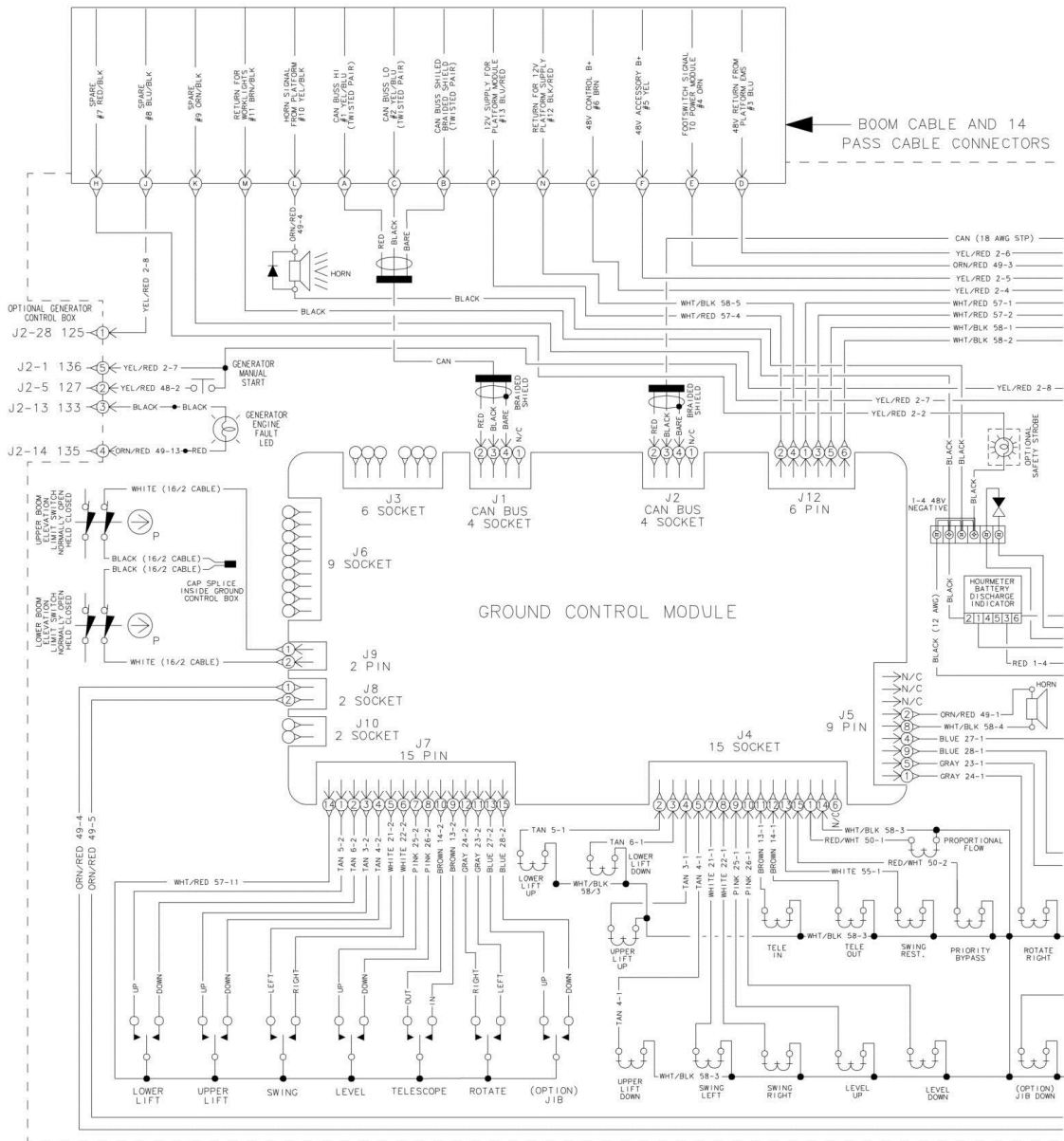


SECTION 7 - ELECTRICAL

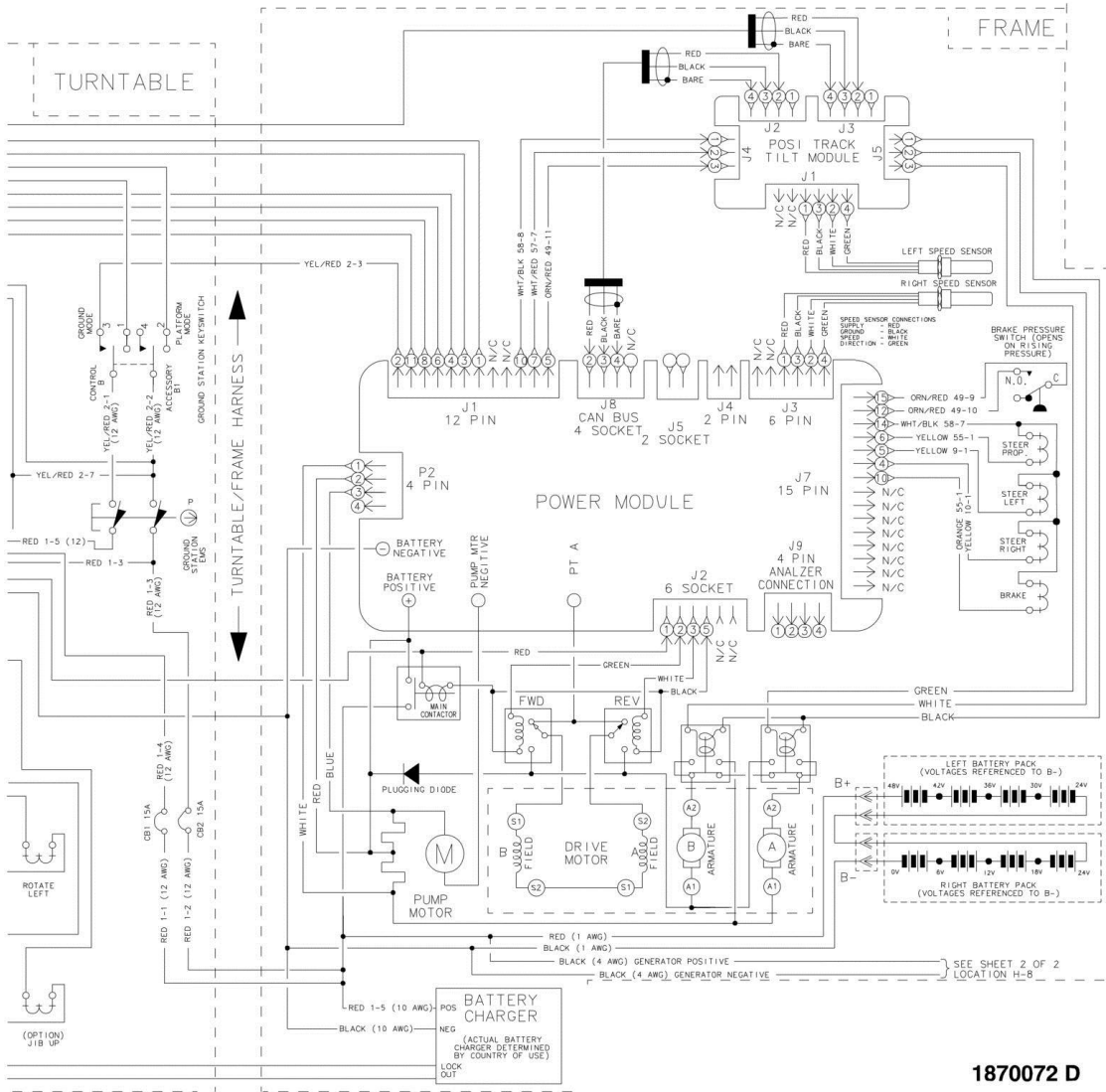


1870072 D

SECTION 7 - ELECTRICAL



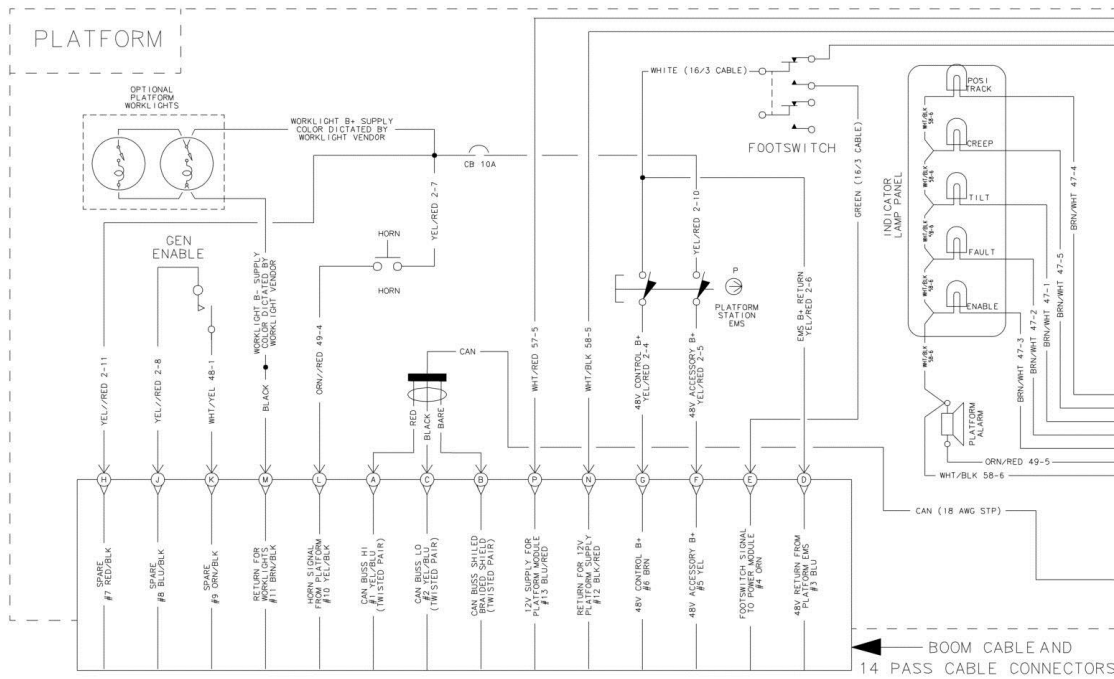
SECTION 7 - ELECTRICAL



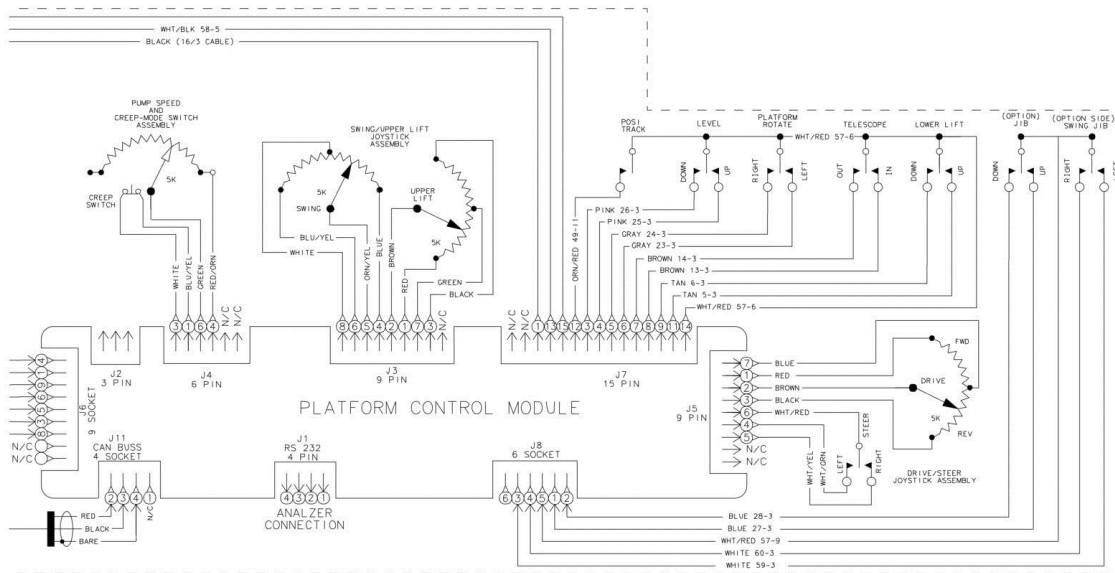
1870072 D

SECTION 7 - ELECTRICAL

FIGURE 7-3. ELECTRICAL SCHEMATIC (E40AJP & M40AJP MODELS)

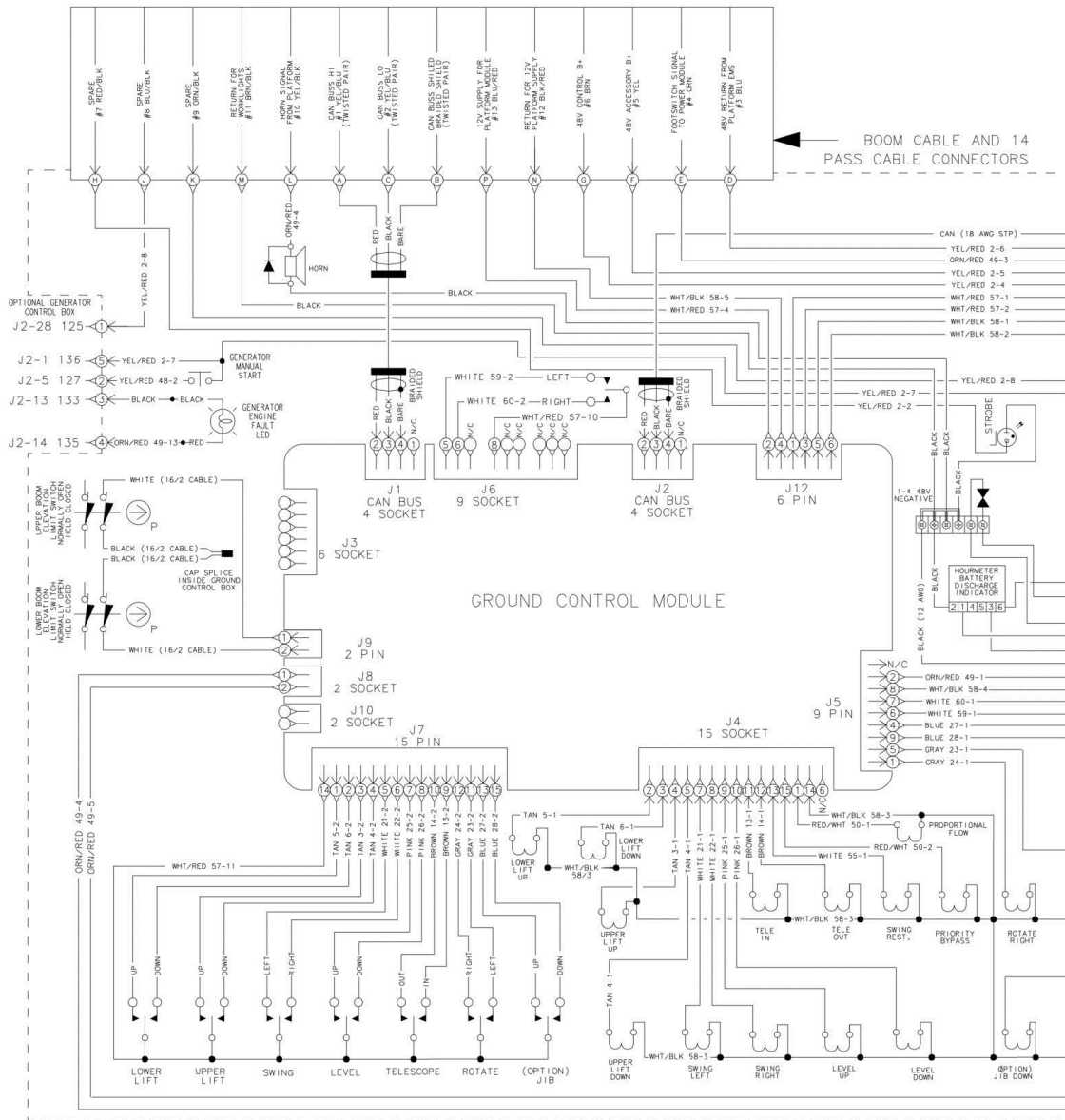


SECTION 7 - ELECTRICAL

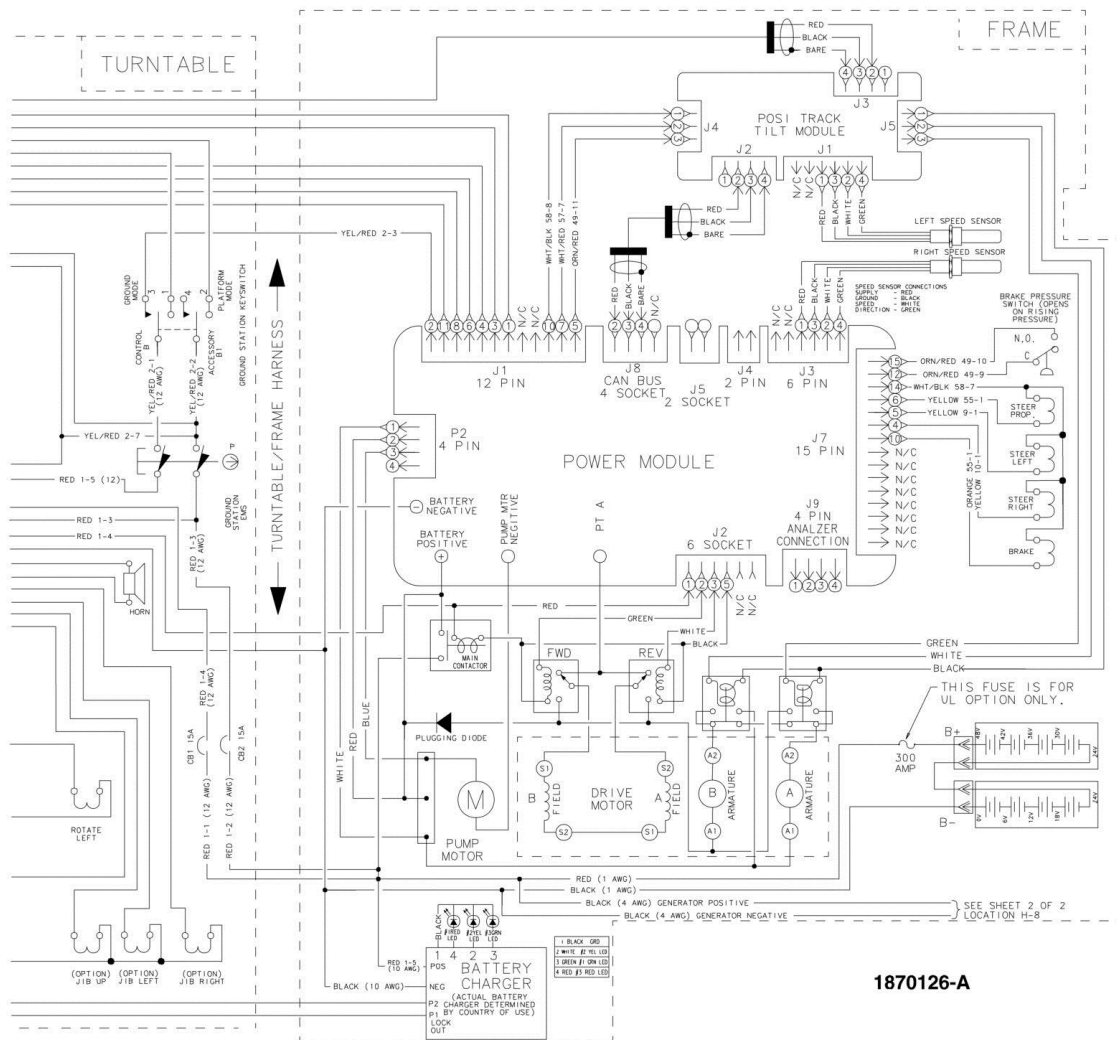


1870126-A

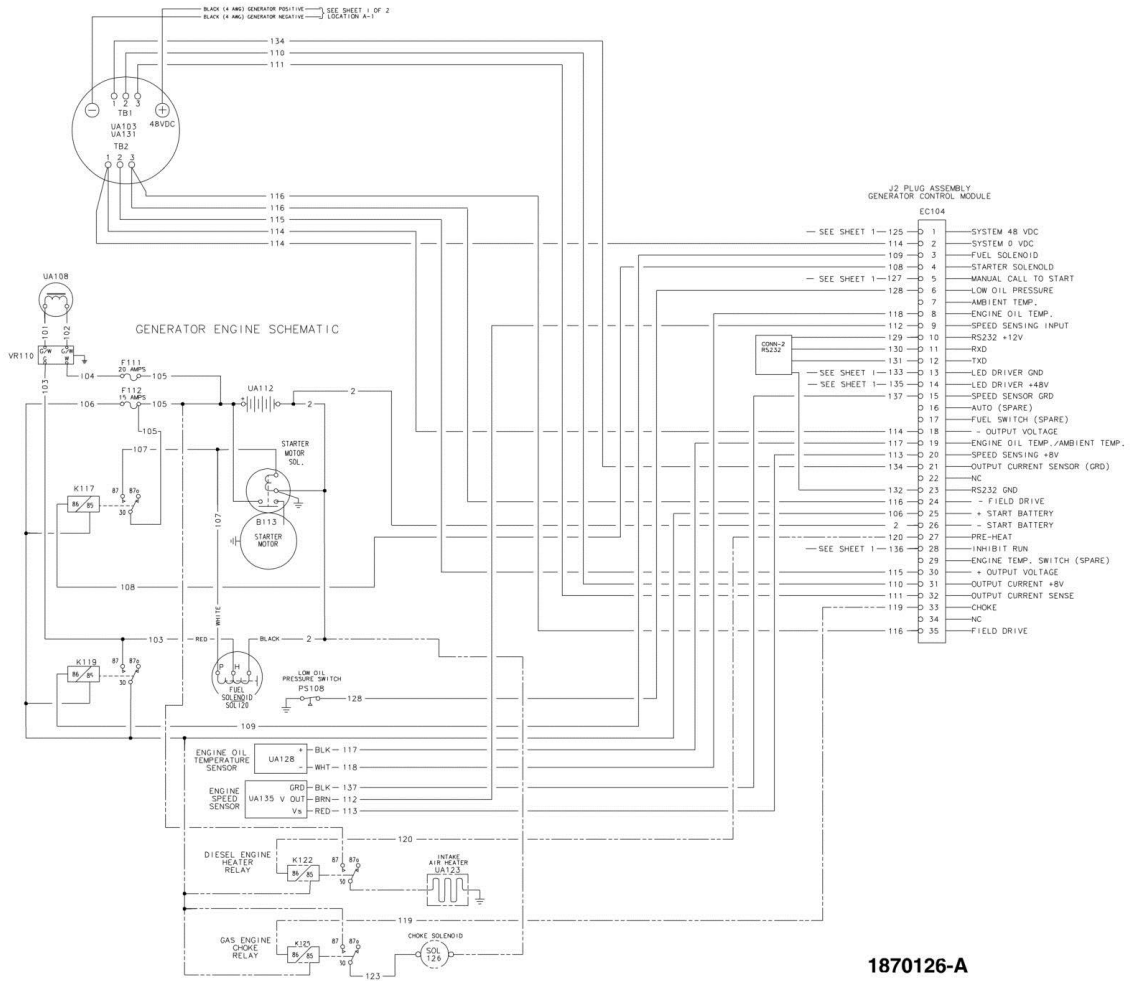
SECTION 7 - ELECTRICAL



SECTION 7 - ELECTRICAL



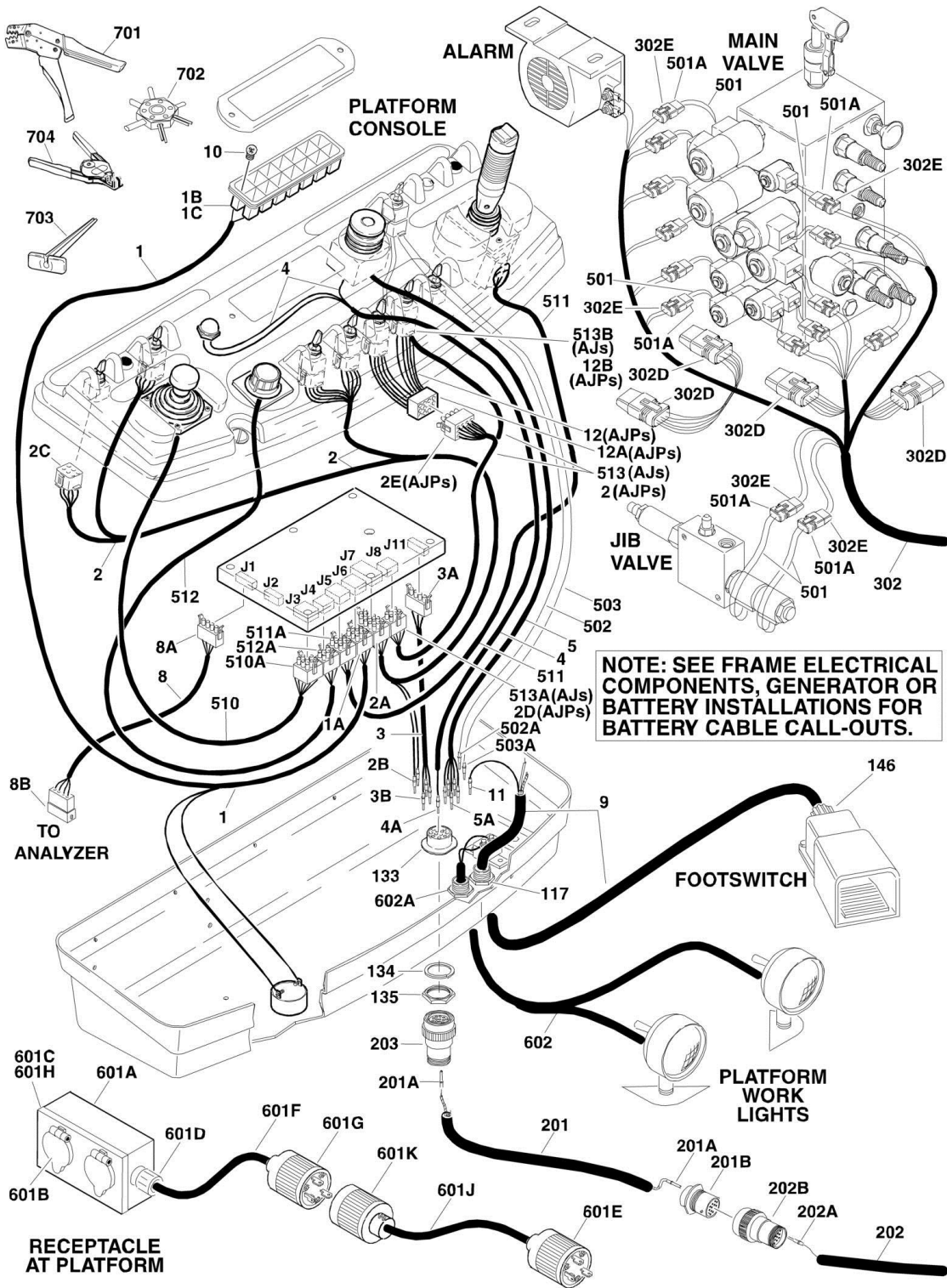
SECTION 7 - ELECTRICAL



1870126-A

SECTION 7 - ELECTRICAL

FIGURE 7-4. HARNESS COMPONENTS INSTALLATION



SECTION 7 - ELECTRICAL

FIGURE 7-4. HARNESS COMPONENTS INSTALLATION

ITEM	PART NUMBER	QTY	DESCRIPTION	REV
		Ref	HARNESS COMPONENTS INSTALLATION	
		Ref	PLATFORM BOX ELECTRICAL DIAGRAM	
	4933060	Ref	Platform Box Electrical Diagram A & AJ Models	3-D
	4933105	Ref	Platform Box Electrical Diagram AJP Models	1-A
1	4922074	1	Harness, Indicator Lamp	4-F
1A	4460265	1	Connector - 9 Position	
1A	4460227	5	Pin, Male	
1B	4120035	5	Socket, Lamp	
1C	4460634	6	Socket (Single Wire)	
1C	4460635	4	Socket (Two Wire)	
2		Ref	Harness, Function Switch	
2	4922060	1	Harness, Function Switch A & AJ Models	2-C
2	49223003	1	Harness, Function Switch AJP Models	5-D
2A	4460434	1	Connector - 15 Position	
2A	4460226	12	Pin, Male	
2B	4460464	2	Pin, Male	
2C	4460418	4	Connector, Female	
2C	4460419	12	Terminal	
2D	4460225	1	Connector - 6 Position (AJP Models Only)	
2D	4460227	5	Socket, Female	
2E	4460343	1	Connector - 12 Position (AJP Models Only)	
2E	4460227	10	Socket, Female	
3	4922071	1	Harness, Can Bus	2-B
3A	4460321	1	Connector - 4 Position	
3A	4460227	2	Pin, Male	
3A	4460267	1	Pin, Male	
3B	4460464	3	Pin, Male	
4	4922118	1	Harness, Box Horn	2-B
4A	4460464	1	Pin, Male	
5	4922157	1	Harness, Miscellaneous	3-C
5A	4460464	5	Pin, Male	
8	4922160	1	Harness, Analyzer	2-B
8A	4460321	1	Connector - 4 Position	
8A	4460226	4	Socket, Female	
8B	4460761	1	Connector, Female - 4 Position	
8B	4460227	4	Pin, Male	
9	1060330	7 ft/2.2m	Cable, Electrical - 16/3	
10	2920129	3	Bulb, Light	
11	4460464	3	Pin, Male	
12	4922307	1	Jib Harness (AJP Models Only)	3-C
12A	4460367	1	Connector, Female - 12 Position	
12A	4460226	10	Socket, Female	
12B	4460260	6	Connector, Female	
12B	4460259	6	Terminal	
		Ref	PLATFORM BOX ASSEMBLY COMPONENTS	
117	4460428	1	Connector, Strain Relief	
133	4460752	1	Connector, 14 Position	
134	4460497	1	Nut, Conduit	
135	4460496	1	Lockwasher, Conduit	
146	4460071	2	Connector, Strain Relief	

SECTION 7 - ELECTRICAL

ITEM	PART NUMBER	QTY	DESCRIPTION	REV
		Ref	BOOM CABLES INSTALLATION	
	0257735	Ref	Boom Cables Installation E45A & M45A	4-D
	0259367	Ref	Boom Cables Installation E45AJ & M45AJ	1-B
	0259970	Ref	Boom Cables Installation E40AJP & M40AJP	2-A
201		Ref	Main Boom Harness Assembly Options:	3
201	4922178	1	Main Boom Harness Assembly E45A & M45A Models	
201	1060677	26.5 ft/8.1m	Cable, Electrical (E45A & M45A Models Only)	
201	4922364	1	Cable, Electrical E40AJP & M40AJP Models	
201	1060780	25.25 ft/7.7m	Cable, Electrical - 18/6 (E40AJP & M40AJP Models)	
201	1060781	25.25 ft/7.7m	Cable, Electrical - 18/5 ((E40AJP & M40AJP Models)	
201A	4460465	28	Socket, Female	
201B	4460754	1	Plug, Male	
202		Ref	Tower Boom Harness Assembly Options:	2
202	4922179	1	Tower Boom Harness Assembly E45A & M45A Models	
202	4922363	1	Tower Boom Harness Assembly E40AJP & M40AJP Models	
202	1060677	Ref	Cable, Electrical Options: - 10/4-18/16	
202	1060677	35.5 ft/11m	Cable, Electrical E45 & M45 Models	
202	1060677	32 ft/9.8m	Cable, Electrical E40AJP & M40AJP Models	
202A	4460464	28	Pin, Male	
202B	4460495	1	Connector, Female	
203	4460754	1	Connector	
206	4460753	1	Connector	
		Ref	GROUND CONTROL BOX DIAGRAM	
	4933059	Ref	Ground Control Box Diagram E45A & M45A	3-G
	4933128	Ref	Ground Control Box Diagram E40AJP & M40AJP	1-A
301		Ref	Function Switch Harness Assembly Options:	
301	4922058	1	Function Switch Harness Assembly E45A & M45A	4-D
301	4922366	1	Function Switch Harness Assembly E40AJP & M40AJP	1-A
301A	4460418	7	Connector - 6 Position	
301A	4460419	21	Terminal, Female	
301B	4460434	1	Connector - 15 Position	
301B	4460226	15	Socket, Female	
301C	4460265	1	Connector - 9 Position (E40AJP & M40AJP Models)	
301C	4460227	3	Pin, Male	
302		Ref	Harness Assembly - Valve	
302	4922057	1	Harness Assembly E45A & M45A	4-C
302	4922367	1	Harness Assembly E40AJP & M40AJP	2-B
302A	4460434	1	Connector - 15 Position	
302A	4460227	14	Pin, Male	
302B	4460265	1	Connector - 9 Position	
302B	4460226	4	Socket, Female	
302C	4460425	1	Connector, Strain Relief	
302D		Ref	Components Options:	
302D		Ref	Components E45A & M45A (Shown)	
302D	4460744	6	Connector, 6 Position	
302D	4460746	24	Socket, Female	
302D	4460745	4	Lock, Secondary	
302D	4460749	4	Cap, Shell	

SECTION 7 - ELECTRICAL

ITEM	PART NUMBER	QTY	DESCRIPTION	REV
302D	4460750	4	Bar, Buss - 6 Position	
302D	4460458	24	Seal	
302D	4460751	4	Clip, Mounting	
302D		Ref	Components E40AJP & M40AJP (Not Shown)	
302D	4460836	2	Connector, 12 Position	
302D	4460837	2	Housing, Terminal - 12 Position	
302D	4460465	22	Pin, Terminal	
302E	4460742	17	Connector - 2 Position	
302E	4460743	34	Terminal, Female	
302E	4460458	34	Seal	
303	4922104	1	Harness Assembly - Turntable/Frame (Includes Item 304 Also)	7-F
303A	4460225	1	Connector - 6 Position	
303A	4460268	6	Socket, Female	
303B	4460321	2	Connector - 4 Position	
303B	4460227	2	Pin, Male	
303B	4460267	8	Pin, Male	
303C	4460425	1	Connector, Strain Relief	
303D	4460343	1	Connector, 12 Position	
303D	4460268	12	Socket, Female	
303E	4460320	1	Connector, 2 Position	
303E	4460268	2	Socket, Female	
303F	4460320	1	Connector, 2 Position	
303F	4460267	2	Pin, Male	
303G	4460326	1	Connector, 3 Position	
303G	4460267	3	Pin, Male	
303H	4460465	6	Socket, Female	
304	4922073	1	Harness Assembly - Horn/Beacon (M45A & E45A Only)	4-D
304	3990001	1	Diode (Not Shown)	
304A	4460465	1	Socket, Female	
305	4922117	1	Harness Assembly - Ground Control Can	3-B
305A	4460321	1	Connector - 4 Position	
305A	4460227	2	Pin, Male	
305A	4460267	1	Pin, Male	
305B	4460465	1	Socket, Female	
306	4460320	1	Connector, 2 Position	
307	4460268	2	Socket, Female	
309	4922267	1	Harness Assembly - Power Supply	3-C
310	4922263	1	Harness Assembly - Posi-Track Module Can	2-A
310A	4460321	2	Connector - 4 Position	
310A	4460227	4	Pin, Male	
310A	4460267	2	Pin, Male	
311	3990106	1	Limiters, Inrush (Not Shown)	
		Ref	GROUND CONTROL BOX ASSY COMPONENTS	
416	4460425	1	Connector, Strain Relief	
418	4460495	1	Connector, Male - 14 Position	
419	4460497	1	Nut, Conduit	
420	4460496	1	Lockwasher	
		Ref	STANDARD HARNESS COMPONENTS	
501	Not Available	17	Solenoid Harness	
501A	Not Serviced	17	Connector, Female - 2 Position (Purchase Complete Solenoid)	
501A	Not Serviced	34	Terminal, Male (Purchase Complete Solenoid)	

SECTION 7 - ELECTRICAL

ITEM	PART NUMBER	QTY	DESCRIPTION	REV
502	4922222	1	Generator Enable Harness (Yellow/Red) (M45 & M40 Only)	B
502A	4460464	1	Pin, Male	
503	4922223	1	Generator Enable Harness (White/Yellow) (M45A & M40 Only)	A
503A	4460464	1	Pin, Male	
504	7023486	1	Generator Harness (M45 & M40 Only) (was p/n 7020155)	
504A	7023486	1	Connector, Female - 6 Position (was p/n 7023337)	
504A	7023486	1	Socket, Female (was p/n 7023338)	
504A	4460268	5	Socket, Female	
505	Not Available	1	Boom Limit Switches Harness	
505	1060341	58 ft/17.7m	Cable, Electrical - 16/2	
506		Ref	Harness Assembly - Valve Options:	
506	4922069	1	Harness Assembly - Valve (Prior to SN 47551)	2-B
506	4922328	1	Harness Assembly - Valve (SN 47551 to Present)	1-A
506A	4460434	1	Connector - 15 Position	
506A	4460226	7	Socket, Female	
506B	4460749	1	Cap, Shell	
506B	4460750	1	Bar, Buss - 6 Position	
506B	4460744	1	Connector, 6 Position	
506B	4460745	1	Lock, Secondary	
506B	4460746	5	Socket, Female	
506B	4460458	6	Seal	
506B	4460748	1	Plug, Cavity	
506B	4460751	1	Clip, Mounting	
506C	4460742	5	Connector - 2 Position	
506C	4460743	10	Terminal, Female	
506C	4460458	10	Seal	
507	Not Available	1	Controller Harness Assembly (Lift and Swing)	
507A	4460265	1	Connector - 9 Position	
507A	4460226	8	Socket, Female	
508	Not Available	1	Controller Harness/Circuit Board Assembly (Drive and Steer)	
508A	4460265	1	Connector - 9 Position	
508A	4460226	7	Socket, Female	
509	Not Available	1	Controller Harness Assembly (Speed)	
509A	4460225	1	Connector - 6 Position	
509A	4460226	4	Socket, Female	
510		Ref	Battery Charger Components Options:	
510A		Ref	AC Cord Options:	
510A	7020656	1	AC Cord (To Receptacle and Ammeter) (Prior to SN 49739)	
510A	1060776	1	AC Cord (To Receptacle and Ammeter) (SN 49739 through 49541)	
510A	1060777	1	AC Cord (To Receptacle Only) (SN 49542 to Present)	
510B	7020693	1	LED Internal Harness Only (SN 49542 to Present)	
510B	4460761	1	Connector, Female - 4 Position	
510B	4460227	4	Male Pin	
510C	1060778	1	LED Remote Harness Only (SN 49542 to Present)	
510D	4460321	1	Connector - 4 Position	
510D	4460226	4	Socket, Female	
510E	4460761	1	Connector, Female - 4 Position	
510E	4460226	4	Socket, Female	
510F		Ref	DC Cord Options:	
510F	7020657	1	DC Cord (Prior to SN 49542)	

SECTION 7 - ELECTRICAL

ITEM	PART NUMBER	QTY	DESCRIPTION	REV
510F	7020644	1	DC Cord (SN 49542 to Present)	
510G	7011590	1	Connector, DC	
510H	7011621	1	Connector, Enable Switch	
510J	Supply Locally	1	Plug, Connector (Not Supplied with Charger)	
510K	4460428	1	Connector, Strain Relief (Not Supplied with Charger)	
510L	0610131	1	LED Assembly (Not Supplied with Charger)	
510M	4460321	1	Connector - 4 Position	
510M	4460227	4	Male Pin	
511	Not Available	2	Speed Sensor Harness	
511A	4460225	1	Connector - 6 Position	
511A	4460226	4	Socket, Female	
512	1600294	1	Contactora Plate Assembly	
512A	7022003	1	Contactora Harness	
512B	4460225	1	Connector - 6 Position	
512B	4460226	6	Socket, Female	
512C	7022004	1	Posi-Track Harness	
512D	4460326	1	Connector - 3 Position	
512D	4460227	3	Pin, Male	
512E	7022005	1	Shunt Harness	
512F	4460321	1	Connector - 4 Position	
512F	4460227	4	Pin, Male	
512G	7022012	1	Cable, Power	
513	4922294	1	Jib Harness (AJ Models Only)	1-A
513A	4460225	1	Connector - 6 Position	
513A	4460227	3	Pin, Male	
513B	4460418	1	Connector, Female	
513B	4460419	3	Terminal	
514	Not Available	5	Solenoid Harnesses - Steer/Brake Valve	
514A	Not Serviced	5	Connector, Female - 2 Position (Purchase Complete Solenoid/Valve Cartridge)	
514A	Not Serviced	10	Terminal, Male (Purchase Complete Solenoid/Valve Cartridge)	
515	4922319	1	Harness, Generator to Ground Control Box	1-A
515A	4460225	1	Connector - 6 Position	
515A	4460807	1	Seal, Terminal	
515A	4460808	1	Seal, Terminal	
515A	4460809	1	Pin, Terminal	
515A	4460267	5	Pin, Terminal	
		Ref	OPTIONAL HARNESS COMPONENTS	
601		Ref	AC to Platform Receptacle Components Options:	
601	0253717	Ref	220V Receptacle (E40AJP & M40AJP)	1
601	0259127	Ref	220V Receptacle (M45A & E45A)	1
601A	Supply Locally	1	Box, Switch	
601B	Supply Locally	1	Receptacle	
601C	Supply Locally	1	Shield, Cover	
601D	Supply Locally	1	Connector, Strain Relief	
601E	Supply Locally	1	Plug, Male Options	
601F		Ref	Harness (Main Boom) Options:	
601F	4921595	1	Harness (M45A & E45A)	1-A
601F	4921571	1	Harness (E40AJP & M40AJP)	1-A
601F	1060461	Ref	Electrical Cable Options:	
601F	1060461	32	Electrical Cable M45A & E45A (12/3)	
		ft/9.75m		

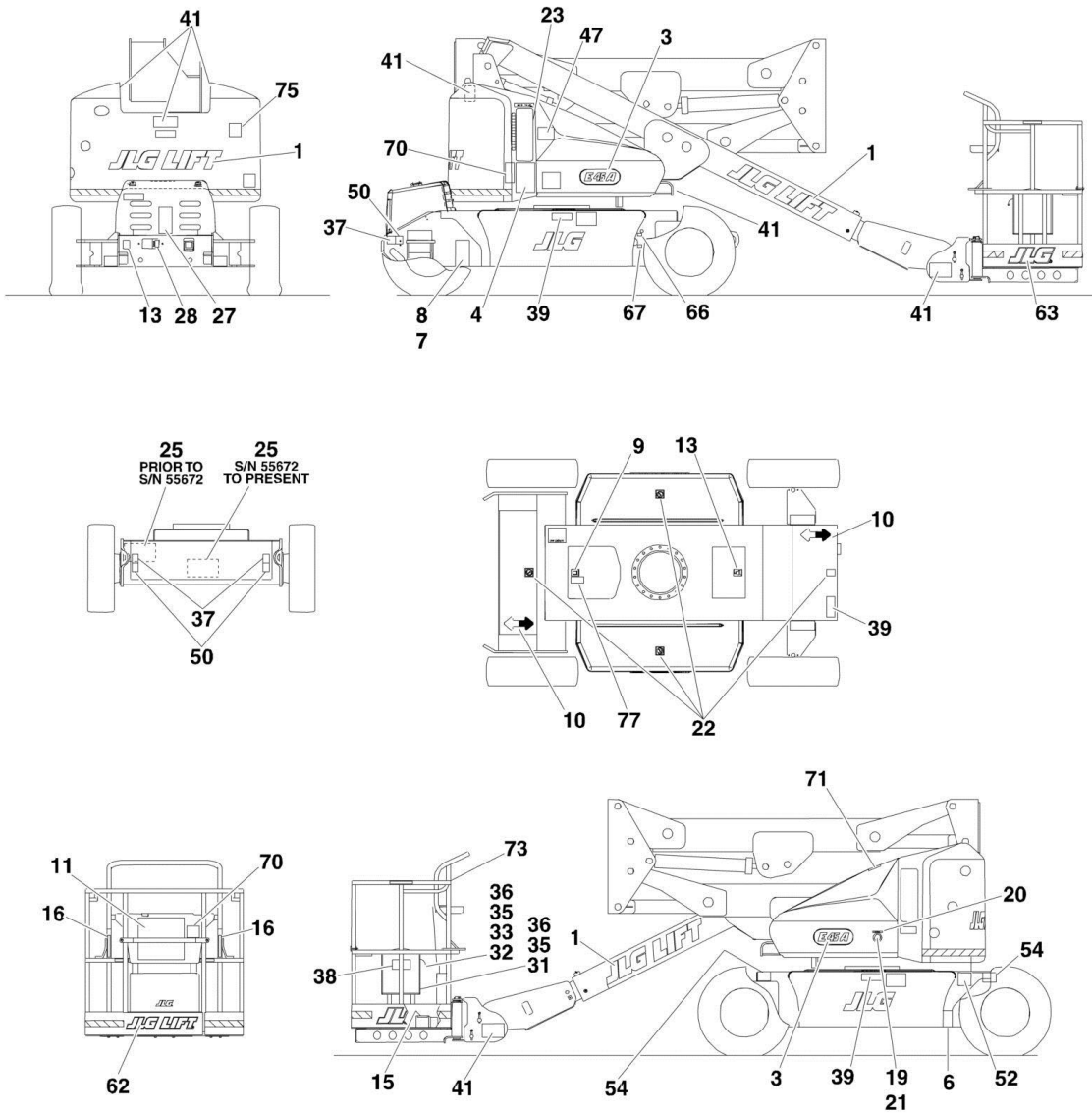
SECTION 7 - ELECTRICAL

ITEM	PART NUMBER	QTY	DESCRIPTION	REV
601F	1060461	30 ft/9.14m	Electrical Cable E40AJP & M40AJP (12/3)	
601G	4460205	1	Plug, Male	
601J		Ref	Harness (Tower Boom) Options:	
601J	4921594	1	Harness (M45A & E45A)	1-A
601J	4921570	1	Harness (E40AJP & M40AJP)	1-A
601J	1060461	Ref	Electrical Cable Options:	
601J	1060461	42 ft/12.8m	Electrical Cable M45A & E45A (12/3)	
601J	1060461	38 ft/11.6m	Electrical Cable E40AJP & M40AJP (12/3)	
601K	4460134	1	Connector, Female	
602	2920095	2	Platform Worklights Harness (Includes Light and Wire Only)	
602A	4460428	1	Connector, Strain Relief	
		Ref	TOOLS	
701	7002821	1	Crimper (For Wire to Pin/Socket Connections)	
702	7002823	1	Extractor (For Removal of Pin/Socket from Connectors)	
703	4460467	1	Extractor, Pin (Blue 16-18 Gauge) (For Removal of Pin/Socket from Connectors)	
703	4460510	1	Extractor, Pin (Yellow 12-14 Gauge) (For Removal of Pin/Socket from Connectors)	
704	7002828	1	Stripper, Wire	
705	2901443	1	Analyzer, Machine (Not Shown)	

SECTION 8 - DECALS

SECTION 8 - DECALS

FIGURE 8-1. DECALS INSTALLATION



SECTION 8 - DECALS

FIGURE 8-1. DECALS INSTALLATION

ITEM	PART NUMBER	QTY	DESCRIPTION	REV
		Ref	COUNTRY SPEC DECAL INSTALLATIONS	
	0270274	Ref	Country Spec Decal Installations A & AJ Model Lift Decals	2
	0270273	Ref	Country Spec Decal Installations AJP Model Lift Decals	2
		Ref	Country Spec Decal Installations E45A & E40AJP	
	0259534	Ref	Australian Spec	5
	0259291	Ref	Dutch Spec	7
	0259289	Ref	French Spec	7
	0259292	Ref	German Spec	7
	0259290	Ref	Italian Spec	7
	0259293	Ref	Spanish Spec	7
	0259288	Ref	UK English Spec	9
		Ref	Country Spec Decal Installations M45A & M40AJP	
	0259533	Ref	Australian Spec	4
	0259325	Ref	Dutch Spec	7
	0259323	Ref	French Spec	7
	0259326	Ref	German Spec	7
	0259324	Ref	Italian Spec	7
	0259327	Ref	Spanish Spec	7
	0259322	Ref	UK English Spec	9
1		Ref	Decal - JLG Lift Options:	
1	1701892	3	Decal - JLG Lift (Prior to SN 51296)	
1	1702860	2	Decal - JLG Lift (SN 51296 to Present)	
3		Ref	Decal - JLG Model Designation Options:	
3	1704257	2	Decal - JLG Model Designation E45A	
3	1704385	2	Decal - JLG Model Designation E45AJ	
3	1704256	2	Decal - JLG Model Designation M45A	
3	1704384	2	Decal - JLG Model Designation M45AJ	
3	1704791	2	Decal - JLG Model Designation E40AJP	
3	1704792	2	Decal - JLG Model Designation E40AJPnarrow	
3	1704793	2	Decal - JLG Model Designation M40AJP	
3	1704794	2	Decal - JLG Model Designation M40AJPnarrow	
4		Ref	Decal - Danger/Caution Options:	
4	1703807	1	Australian Spec	
4	1703914	1	Dutch Spec	
4	1703918	1	French Spec	
4	1703800	1	German Spec	
4	1703916	1	Italian Spec	
4	1703920	1	Spanish Spec	
4	1703807	1	UK English Spec	
6	1700584	1	Decal - Patent	
7	Not Available	1	Nameplate - Serial Number	
8	3820001	AR	Rivet	
9	1701504	1	Decal - Hydraulic Oil	
10	1701642	2	Decal - Arrow	
11		Ref	Decal - Caution/Danger Options:	
11	1703992	1	Australian Spec	
11	1703913	1	Dutch Spec	
11	1703917	1	French Spec	
11	1703799	1	German Spec	
11	1703915	1	Italian Spec	

SECTION 8 - DECALS

ITEM	PART NUMBER	QTY	DESCRIPTION	REV
11	1703919	1	Spanish Spec	
11	1703806	1	UK English Spec	
13	1701644	2	Decal - Charger	
15		Ref	Decal - Footswitch Options:	
15	3252347	1	Australian Spec	
15	1703518	1	Dutch Spec	
15	1693292	1	French Spec	
15	1693294	1	German Spec	
15	1701600	1	Italian Spec	
15	1701791	1	Spanish Spec	
15	3252347	1	UK English Spec	
16	1704277	3	Decal - Attach Lanyard	
19	0961127	1	Bushing, Snap	
20		Ref	Nameplate Options:	
20	3252507	1	220V/50-60HZ	
21	0100010	AR	Loctite, (Not Shown)	
22	1701691	4	Decal - No Step	
23	1704262	1	Decal - Manual Descent	
25	1704254	1	Decal - Cable Routing	
27		Ref	Decal - Charger Options:	
27	1704446	1	Australian Spec	
27	1704448	1	Dutch Spec	
27	1704450	1	French Spec	
27	1704447	1	German Spec	
27	1704449	1	Italian Spec	
27	1704451	1	Spanish Spec	
27	1704446	1	UK English Spec	
28	1704431	1	Decal - Battery Charger LED Indicator (SN 49542 to Present)	
31	0860520	1	Box, Manual Storage	
32	1060279	1	Lanyard	
33	0641408	1	Bolt 1/4in-20NC x 1in	
35	4751400	6	Flatwasher 1/4in	
36	3311405	5	Locknut 1/4in-20NC	
37	1701500	4	Decal - Lift	
38	1701509	1	Decal - Manual	
39		Ref	Decal - Explosion Warning Options:	
39	1703813	2	Australian Spec	
39	Not Required	0	Dutch Spec	
39	Not Required	0	French Spec	
39	Not Required	0	German Spec	
39	Not Required	0	Italian Spec	
39	Not Required	0	Spanish Spec	
39	Not Required	0	UK English Spec	
41	1701518	6	Decal - Crushing Hazard	
47		Ref	Decal Options:	
47	1702265	1	Australian Spec	
47	1702268	1	Dutch Spec	
47	1702270	1	French Spec	
47	1702267	1	German Spec	
47	1702269	1	Italian Spec	
47	1702266	1	Spanish Spec	

SECTION 8 - DECALS

ITEM	PART NUMBER	QTY	DESCRIPTION	REV
47	1702265	1	UK English Spec	
50	1702300	4	Decal - Tie Down	
52	Not Available	1	Decal - Bar Code	
54		Ref	Decal - Tire Load Options:	
54	1703488	4	Decal - Tire Load E45A	
54	1704445	4	Decal - Tire Load E45AJ	
54	1703488	4	Decal - Tire Load M45A	
54	1704445	4	Decal - Tire Load M45AJ	
54	1704727	4	Decal - Tire Load E40AJP	
54	1704752	4	Decal - Tire Load E40AJPnarrow	
54	1704727	4	Decal - Tire Load M40AJP	
54	1704752	4	Decal - Tire Load M40AJPnarrow	
62	1702774	AR	Decal - JLG Lift	
63		Ref	Decal - JLG Options:	
63	1702773	2	Decal - JLG A & AJ Models (JLG)	
63	1704200	2	Decal - JLG AJP Models (Jib Plus)	
65		Ref	Decal - 230kg/500lbs Maximum Capacity Options:	
65	1703996	1	Australian Spec	
65	Not Required	0	Dutch Spec	
65	Not Required	0	French Spec	
65	Not Required	0	German Spec	
65	Not Required	0	Italian Spec	
65	Not Required	0	Spanish Spec	
65	Not Required	0	UK English Spec	
66	1701502	1	Decal - Hydraulic Oil Level High	
67	1701503	1	Decal - Hydraulic Oil Level Low	
70		Ref	Decal - Generator Danger Options:	
70	Not Required	0	Decal - Generator Danger E45A & E40AJP All Specs	
70	1704286	AR	Decal - Generator Danger M45A & M40AJP - Australian Spec	
70	1704360	AR	Decal - Generator Danger M45A & M40AJP - Dutch Spec	
70	1704358	AR	Decal - Generator Danger M45A & M40AJP - French Spec	
70	1704361	AR	Decal - Generator Danger M45A & M40AJP - German Spec	
70	1704359	AR	Decal - Generator Danger M45A & M40AJP - Italian Spec	
70	1704362	AR	Decal - Generator Danger M45A & M40AJP - Spanish Spec	
70	1704286	AR	Decal - Generator Danger M45A & M40AJP - UK English Spec	
71		Ref	Decal - Fuel Options	
71	Not Required	0	Decal - Fuel E45A & E40AJP	
71	1701505	1	Decal - Fuel M45A & M40AJP	
73		Ref	Decal - Fuel Warning Options:	
73	Not Required	0	Decal - Fuel Warning E45A & E40AJP - All Specs	
73	Not Required	0	Decal - Fuel Warning M45A & M40AJP - Australian Specs	
73	1702962	1	Decal - Fuel Warning M45A & M40AJP - All Except Australian Specs	
75		Ref	Decal - CE Options:	
75	Not Required	0	Australian Specs	
75	1702928	1	Dutch Spec	
75	1702928	1	French Spec	
75	1702928	1	German Spec	
75	1702928	1	Italian Spec	
75	1702928	1	Spanish Spec	
75	1702928	1	UK English Spec	

SECTION 8 - DECALS

ITEM	PART NUMBER	QTY	DESCRIPTION	REV
77	1704412	1	Decal - Oil Type (SN 46643 to Present)	

SECTION 9 - RECOMMENDED SERVICE PARTS STOCK

SECTION 9 - RECOMMENDED SERVICE PARTS STOCK

SECTION 9 - RECOMMENDED SERVICE PARTS STOCK

FIGURE 9-1. MODELS E45/M45/E40 & M40 STANDARD PARTS

ITEM	PART NUMBER	QTY	DESCRIPTION	REV
	Note	Ref	Note: The following list will service fleets of machines (built to current production per date on the front cover) with emergency repair parts which can be installed in the field. Parts from the list should be replaced when inventory is depleted to keep service parts stock supplied. For further information, contact your JLG dealer or the JLG Industries Parts Department.	
		Ref	STANDARD PARTS	
	3990105	1	Sensor, Speed, (for fleets of 1 to 10)	
	3990105	1	Sensor, Speed, (for fleets of 10 to 20)	
	3990105	1	Sensor, Speed, (for fleets of 20 of more)	
	7021367	1	Coupling, Pump, (for fleets of 1 to 10)	
	7021367	1	Coupling, Pump, (for fleets of 10 to 20)	
	7021367	1	Coupling, Pump, (for fleets of 20 of more)	
	7021320	1	Cap, Breather, (for fleets of 1 to 10)	
	7021320	1	Cap, Breather, (for fleets of 10 to 20)	
	7021320	1	Cap, Breather, (for fleets of 20 of more)	
	7021618	1	Coil, (for fleets of 1 to 10)	
	7021618	1	Coil, (for fleets of 10 to 20)	
	7021618	1	Coil, (for fleets of 20 of more)	
	7021609	1	Coil, (for fleets of 1 to 10)	
	7021609	1	Coil, (for fleets of 10 to 20)	
	7021609	1	Coil, (for fleets of 20 of more)	
	7021616	1	Filter Cartridge, (for fleets of 1 to 10)	
	7021616	1	Filter Cartridge, (for fleets of 10 to 20)	
	7021616	1	Filter Cartridge, (for fleets of 20 of more)	
	7020654	1	Relay (Clear), (for fleets of 1 to 10)	
	7020654	1	Relay (Clear), (for fleets of 10 to 20)	
	7020654	1	Relay (Clear), (for fleets of 20 of more)	
	7020691	1	Fuse DC-50 Amp, (for fleets of 1 to 10)	
	7020691	1	Fuse DC-50 Amp, (for fleets of 10 to 20)	
	7020691	1	Fuse DC-50 Amp, (for fleets of 20 of more)	
	1600293	1	Module, Posi-Track/Tilt, (for fleets of 1 to 10)	
	1600293	1	Module, Posi-Track/Tilt, (for fleets of 10 to 20)	
	1600293	1	Module, Posi-Track/Tilt, (for fleets of 20 of more)	
	1600292	1	Module, Power, (for fleets of 1 to 10)	
	1600292	1	Module, Power, (for fleets of 10 to 20)	
	1600292	1	Module, Power, (for fleets of 20 of more)	
	7022002	1	Contactactor, (for fleets of 1 to 10)	
	7022002	1	Contactactor, (for fleets of 10 to 20)	
	7022002	1	Contactactor, (for fleets of 20 of more)	
	7022001	1	Contactactor, (for fleets of 1 to 10)	
	7022001	1	Contactactor, (for fleets of 10 to 20)	
	7022001	1	Contactactor, (for fleets of 20 of more)	
	7022000	1	Contactactor, (for fleets of 1 to 10)	
	7022000	1	Contactactor, (for fleets of 10 to 20)	
	7022000	1	Contactactor, (for fleets of 20 of more)	
	7021610	1	Coil, (for fleets of 1 to 10)	
	7021610	1	Coil, (for fleets of 10 to 20)	
	7021610	1	Coil, (for fleets of 20 of more)	

SECTION 9 - RECOMMENDED SERVICE PARTS STOCK

ITEM	PART NUMBER	QTY	DESCRIPTION	REV
	4360476	1	Contact, Switch Block, (for fleets of 1 to 10)	
	4360476	1	Contact, Switch Block, (for fleets of 10 to 20)	
	4360476	1	Contact, Switch Block, (for fleets of 20 of more)	
	4360328	1	Switch, Toggle, (for fleets of 1 to 10)	
	4360328	1	Switch, Toggle, (for fleets of 10 to 20)	
	4360328	1	Switch, Toggle, (for fleets of 20 of more)	
	4360475	1	Switch, Mushroom, (for fleets of 1 to 10)	
	4360475	1	Switch, Mushroom, (for fleets of 10 to 20)	
	4360475	1	Switch, Mushroom, (for fleets of 20 of more)	
	4360470	1	Switch, Key, (for fleets of 1 to 10)	
	4360470	1	Switch, Key, (for fleets of 10 to 20)	
	4360470	1	Switch, Key, (for fleets of 20 of more)	
	2860030	1	Key, Replacement, (for fleets of 1 to 10)	
	2860030	1	Key, Replacement, (for fleets of 10 to 20)	
	2860030	1	Key, Replacement, (for fleets of 20 of more)	
	4360070	1	Breaker, Circuit, (for fleets of 1 to 10)	
	4360070	1	Breaker, Circuit, (for fleets of 10 to 20)	
	4360070	1	Breaker, Circuit, (for fleets of 20 of more)	
	4360321	1	Switch, Limit, (for fleets of 1 to 10)	
	4360321	1	Switch, Limit, (for fleets of 10 to 20)	
	4360321	1	Switch, Limit, (for fleets of 20 of more)	
	4360031	1	Footswitch, (for fleets of 1 to 10)	
	4360031	1	Footswitch, (for fleets of 10 to 20)	
	4360031	1	Footswitch, (for fleets of 20 of more)	
	100118419	1	Controller (Lift and Swing), (for fleets of 1 to 10)	
	100118419	1	Controller (Lift and Swing), (for fleets of 10 to 20)	
	100118419	1	Controller (Lift and Swing), (for fleets of 20 of more)	
	100118418	1	Controller (Drive and Steer), (for fleets of 1 to 10)	
	100118418	1	Controller (Drive and Steer), (for fleets of 10 to 20)	
	100118418	1	Controller (Drive and Steer), (for fleets of 20 of more)	
	4360462	1	Controller, Speed, (for fleets of 1 to 10)	
	4360462	1	Controller, Speed, (for fleets of 10 to 20)	
	4360462	1	Controller, Speed, (for fleets of 20 of more)	
	4360387	1	Switch, Push Button, (for fleets of 1 to 10)	
	4360387	1	Switch, Push Button, (for fleets of 10 to 20)	
	4360387	1	Switch, Push Button, (for fleets of 20 of more)	
	0610128	1	Module, Platform Console, (for fleets of 1 to 10)	
	0610128	1	Module, Platform Console, (for fleets of 10 to 20)	
	0610128	1	Module, Platform Console, (for fleets of 20 of more)	
	4360330	1	Switch, Toggle, (for fleets of 1 to 10)	
	4360330	1	Switch, Toggle, (for fleets of 10 to 20)	
	4360330	1	Switch, Toggle, (for fleets of 20 of more)	
	4360448	1	Breaker, Circuit, (for fleets of 1 to 10)	
	4360448	1	Breaker, Circuit, (for fleets of 10 to 20)	
	4360448	1	Breaker, Circuit, (for fleets of 20 of more)	
	7003982	1	Switch, Steer (Drive and Steer), (for fleets of 1 to 10)	
	7003982	1	Switch, Steer (Drive and Steer), (for fleets of 10 to 20)	
	7003982	1	Switch, Steer (Drive and Steer), (for fleets of 20 of more)	
	3990001	2	Diode, (for fleets of 1 to 10)	
	3990001	2	Diode, (for fleets of 10 to 20)	
	3990001	2	Diode, (for fleets of 20 of more)	

SECTION 9 - RECOMMENDED SERVICE PARTS STOCK

ITEM	PART NUMBER	QTY	DESCRIPTION	REV
	2900838	1	U.S. Standards Fastener (Hardware) Kit, (for fleets of 1 to 10)	
	2900838	1	U.S. Standards Fastener (Hardware) Kit, (for fleets of 10 to 20)	
	2900838	1	U.S. Standards Fastener (Hardware) Kit, (for fleets of 20 of more)	
	7014676	1	U.S. Standards Tool Kit, (for fleets of 1 to 10)	
	7014676	1	U.S. Standards Tool Kit, (for fleets of 10 to 20)	
	7014676	1	U.S. Standards Tool Kit, (for fleets of 20 of more)	

SECTION 9 - RECOMMENDED SERVICE PARTS STOCK

FIGURE 9-2. MODELS E45/M45/E40 & M40 VARIABLE PARTS

ITEM	PART NUMBER	QTY	DESCRIPTION	REV
	Note	Ref	Note: The following list will service fleets of machines (built to current production per date on the front cover) with emergency repair parts which can be installed in the field. Parts from the list should be replaced when inventory is depleted to keep service parts stock supplied. For further information, contact your JLG dealer or the JLG Industries Parts Department.	
		Ref	VARIABLE PARTS	
	7020653	1	Breaker, Circuit (CE Spec), (for fleets of 1 to 10)	
	7020653	1	Breaker, Circuit (CE Spec), (for fleets of 10 to 20)	
	7020653	1	Breaker, Circuit (CE Spec), (for fleets of 20 of more)	
	7018525	1	Breaker, Circuit (Australian Spec), (for fleets of 1 to 10)	
	7018525	1	Breaker, Circuit (Australian Spec), (for fleets of 10 to 20)	
	7018525	1	Breaker, Circuit (Australian Spec), (for fleets of 20 of more)	
	7018564	1	Relay (Black) (CE Spec), (for fleets of 1 to 10)	
	7018564	1	Relay (Black) (CE Spec), (for fleets of 10 to 20)	
	7018564	1	Relay (Black) (CE Spec), (for fleets of 20 of more)	
	7020654	1	Relay (Clear) (CE Spec), (for fleets of 1 to 10)	
	7020654	1	Relay (Clear) (CE Spec), (for fleets of 10 to 20)	
	7020654	1	Relay (Clear) (CE Spec), (for fleets of 20 of more)	
	7018563	1	Relay (Black) (Australian Spec), (for fleets of 1 to 10)	
	7018563	1	Relay (Black) (Australian Spec), (for fleets of 10 to 20)	
	7018563	1	Relay (Black) (Australian Spec), (for fleets of 20 of more)	
	2120042	1	Filter, Fuel (M45A & M40AJP Only), (for fleets of 1 to 10)	
	2120042	1	Filter, Fuel (M45A & M40AJP Only), (for fleets of 10 to 20)	
	2120042	1	Filter, Fuel (M45A & M40AJP Only), (for fleets of 20 of more)	
	7020215	1	Filter, Oil (M45A & M40AJP Only), (for fleets of 1 to 10)	
	7020215	1	Filter, Oil (M45A & M40AJP Only), (for fleets of 10 to 20)	
	7020215	1	Filter, Oil (M45A & M40AJP Only), (for fleets of 20 of more)	
	7020167	1	Solenoid, Throttle (M45A & M40AJP Only), (for fleets of 1 to 10)	
	7020167	1	Solenoid, Throttle (M45A & M40AJP Only), (for fleets of 10 to 20)	
	7020167	1	Solenoid, Throttle (M45A & M40AJP Only), (for fleets of 20 of more)	
	7020207	1	Relay, Bosch (M45A & M40AJP Only), (for fleets of 1 to 10)	
	7020207	1	Relay, Bosch (M45A & M40AJP Only), (for fleets of 10 to 20)	
	7020207	1	Relay, Bosch (M45A & M40AJP Only), (for fleets of 20 of more)	
	7020200	1	Regulator, Voltage (M45A & M40AJP Only), (for fleets of 1 to 10)	
	7020200	1	Regulator, Voltage (M45A & M40AJP Only), (for fleets of 10 to 20)	
	7020200	1	Regulator, Voltage (M45A & M40AJP Only), (for fleets of 20 of more)	
	7020217	1	Element, Wet Air (M45A & M40AJP Only), (for fleets of 1 to 10)	
	7020217	1	Element, Wet Air (M45A & M40AJP Only), (for fleets of 10 to 20)	
	7020217	1	Element, Wet Air (M45A & M40AJP Only), (for fleets of 20 of more)	
	7016314	1	Cap, Fuel Tank (M45A & M40AJP Only), (for fleets of 1 to 10)	
	7016314	1	Cap, Fuel Tank (M45A & M40AJP Only), (for fleets of 10 to 20)	
	7016314	1	Cap, Fuel Tank (M45A & M40AJP Only), (for fleets of 20 of more)	
	7020156	1	Module, Control (M45A & M40AJP Only), (for fleets of 1 to 10)	
	7020156	1	Module, Control (M45A & M40AJP Only), (for fleets of 10 to 20)	
	7020156	1	Module, Control (M45A & M40AJP Only), (for fleets of 20 of more)	
	0610129	1	Module, Ground Control (M45A & E45A), (for fleets of 1 to 10)	
	0610129	1	Module, Ground Control (M45A & E45A), (for fleets of 10 to 20)	
	0610129	1	Module, Ground Control (M45A & E45A), (for fleets of 20 of more)	

SECTION 9 - RECOMMENDED SERVICE PARTS STOCK

ITEM	PART NUMBER	QTY	DESCRIPTION	REV
	0610139	1	Module, Ground Control (M40AJP & E40AJP), (for fleets of 1 to 10)	
	0610139	1	Module, Ground Control (M40AJP & E40AJP), (for fleets of 10 to 20)	
	0610139	1	Module, Ground Control (M40AJP & E40AJP), (for fleets of 20 of more)	
	4360274	1	Switch, Push Button (M45A & M40AJP Only), (for fleets of 1 to 10)	
	4360274	1	Switch, Push Button (M45A & M40AJP Only), (for fleets of 10 to 20)	
	4360274	1	Switch, Push Button (M45A & M40AJP Only), (for fleets of 20 of more)	
	4360336	1	Switch, Toggle (M45A & M40AJP Only), (for fleets of 1 to 10)	
	4360336	1	Switch, Toggle (M45A & M40AJP Only), (for fleets of 10 to 20)	
	4360336	1	Switch, Toggle (M45A & M40AJP Only), (for fleets of 20 of more)	

SECTION 10 - SPECIAL OPTIONS

SECTION 10 - SPECIAL OPTIONS

FIGURE 10-1. SPECIAL OPTIONS

ITEM	PART NUMBER	QTY	DESCRIPTION	REV
	Note		Note: This list is to accommodate machines ordered with special equipment. Options may not be applicable to all models. For more specific parts information contact JLG Parts Department.	
		Ref	MISCELLANEOUS SPECIAL OPTIONS	
		Ref	Airline Installations - 1/2in	
	0255015	Ref	Airline Installations E45A & M45A (Prior to SN 48133)	
	0259877	Ref	Airline Installations E45A & M45A (SN 48133 to Present)	
	Not Available	Ref	AJ and AJP	
	0270723	Ref	Beacon Installation Mounted Under Platform	
	0256789	Ref	Camera Mounting Installation	
	0258703	Ref	Console Cover	
		Ref	Cylinder Bellows Installations	
	0259397	Ref	Cylinder Bellows Installations E45A & M45A	
	Not Available	Ref	Cylinder Bellows Installation E45AJ & M45AJ	
	0460110	2	Bellows - Platform Level and Master Cylinders	
	0460115	1	Bellows - Main Lift Cylinder	
	0460113	1	Bellows - Mid Lift Cylinder	
	0460114	1	Bellows - Tower Lift Cylinder	
	Not Available	1	Bellows - Jib Cylinder	
	1320037	6	Clamp	
		Ref	Decal Installations Options:	
	1702788	1	Decal - Biodegradable Hydraulic Fluid (All except German Spec)	
	1703479	1	Decal - Biodegradable Hydraulic Fluid (German Spec Only)	
	0259550	Ref	Warning Stripes Installation	
	1283014	Ref	Warning Stripes Installation	
		Ref	ELECTRICAL CONNECTOR KITS	
	1001148902	Ref	Amp Connector Kit	
	1001148903	Ref	Deutsch DT Connector Kit	
	1001148904	Ref	Deutsch HD Connector Kit	
	1001148905	Ref	Packard Connector Kit	
	1001148906	Ref	Various Connector Kit	
		Ref	Filter Kits (Yanmar Engine)	
	1001111011	1	Combined Filter Kit (Hydraulic/Air and Fuel/Engine Oil Filter)	
	1001109715	1	Hydraulic/Air Filter Kit	
	1001110134	1	Fuel/Engine Oil Filter Kit	
	4060959	Ref	Footswitch Shield (Note: Move Decal to Shield)	
		Ref	Headlight and Taillights Installation	
	0259398	Ref	Headlight and Taillights Installation E45A & M45A	
	Not Available	Ref	Headlight and Taillights Installation E45AJ & M45AJ	
	2920150	2	Headlight	
	7016356	2	Lamp, Seal Beam (1 Per Headlight)	
	2920118	2	Taillight	
	7016623	2	Bulb - Brake (1 Per Taillight)	
	7016624	Ref	Bulb - Tail (1 Per Taillight)	
		Ref	Tools for Service	
	7002828	1	Wire Stripper	
	7002821	1	Wire Crimper (To Install Wire Ends to Wires)	
	7002823	1	Pin/Socket Extractor - Universal (To Remove Pins/Sockets from Connectors)	

SECTION 10 - SPECIAL OPTIONS

ITEM	PART NUMBER	QTY	DESCRIPTION	REV
	4460467	1	Extractor - 16-18 Gauge (For Removal of Pins/Sockets for Deutsch Connectors)	
	4460510	1	Extractor - 12-14 Gauge (For Removal of Pins/Sockets for Deutsch Connectors)	
	7002822	1	Screwdriver, Potentiometer (To Adjust Drive Controllers)	
	7016654	1	Screwdriver, Magnetic	
	7004275	1	Seal Installation Tool - 1in	
	7004276	1	Seal Installation Tool - 1 1/2in	
	7002826	1	Seal Installation Tool - 2in	
	2901443	1	Analyzer, Machine	
	0257728	Ref	Tube Rack Installation	

PART NUMBER INDEX

PART NUMBER INDEX

0060044.....79, 83	0259323.....169	0610131.....164	0801198.....71
0060046.....79, 83	0259324.....169	0610139.....57, 179	0801224.....73
0060052.....77, 83	0259325.....169	0630399.....69	0801225.....65, 73
0100009.....69, 96	0259326.....169	0630440.....39	0801226.....73
0100010.....170	0259327.....169	0630464.....57, 62, 95	0801227.....65
01000119, 14, 35, 39, 43, 61, 62, 66, 69, 71, 73, 75, 77, 79, 80, 87, 105, 107, 109, 111, 113, 115, 117, 119, 125, 127	0259338.....91	0630467.....87	0840031.....23
0100019.....13, 31, 49, 88	0259366.....65, 79	0630468.....61	0840032.....23
0100020.....55, 107, 132, 136, 140	0259367.....87, 161	0630487.....69	0860520.....170
0100035.....96, 105, 107, 111, 113, 115, 117	0259397.....182	0630491.....61	0861152.....57
0100038.....105, 107, 109, 111, 113, 115, 117, 119	0259398.....182	0641404.....24, 69	0861176.....91, 95
0100048.....23	0259399.....19, 43	0641405.....69	0861215.....95
0100051.....23	0259440.....79, 80	0641406.....31, 39, 55	0861263.....57
0100063.....105	0259441.....79, 80	0641407.....77, 79, 91	0861314.....95
0140011.....95	0259481.....36	0641408...24, 43, 55, 91, 170	0861352.....57
0140028.....43	0259533.....169	0641410.....87	0901921.....61
0140031.....43	0259534.....169	0641412.....55	0901923.....61
0182010.....23	0259550.....182	0641413.....43	0902406.....57
0253687.....61	0259679.....13	0641414.....91	0902543.....40
0253704.....88	0259693.....23	0641418.....91	0902575.....96
0253709.....61	0259754.....77	0641422.....75	0902588.....96
0253717.....164	0259763.....23	0641424.....127	0920113.....13
0253984.....62	0259826.....23	0641505.....35	0940036.....39
0254875.....88	0259877.....182	0641506.....66	0940038.....93
0255015.....182	0259939.....65, 79	0641508.....31, 43, 93	0940048.....66
0256789.....182	0259951.....19, 43	0641510.....53, 61	0940049.....61
0257728.....183	0259970.....87, 161	0641512.....125, 127	0961127.....170
0257735.....87, 161	0270010.....9	0641514.....23, 87	0961608.....107, 117
0257816.....19	0270028.....13	0641516.....75, 93	0961726..65, 69, 71, 111, 113, 115
0257817.....9	0270037.....13	0641518.....35	0961845.....91
0257824.....35, 55, 57, 96	0270100.....39	0641520.....87	0961893.....105
0257858.....35, 36	0270101.....39	0641542.....14	0961900.....109, 119
0258034.....19, 43	0270103.....13, 31	0641560.....87	0961947...75, 79, 83, 105
0258035.....39	0270273.....169	0641604.....125	0961948.....71, 73
0258037.....13	0270274.....169	0641605...57, 62, 71, 73	096195065, 73, 111, 113, 115
0258383.....75	0270338.....93	0641607.....71, 75, 77, 80	0961951...9, 69, 79, 105, 109, 119
0258653.....49	0270344.....35, 55, 58	0641608...19, 43, 66, 69, 71, 73, 75, 77, 79	0962140.....9
0258688.....13	0270408.....91	0641609.....13, 91	0962185.....109, 119
0258689.....23	0270415.....13	0641610...66, 77, 79, 95	0962257.....83
0258691.....65	0270416.....13	0641616.....55, 79	1001109715.....182
0258703.....182	0270417.....13	0641618.....35, 79	1001110134.....182
0258953.....61	0270418.....13	0641806.....66	1001111011.....182
0258974.....39	0270723.....182	0641808.....23	1001118418.95, 101, 175
0258995.....13	0400055.....23	0641810.....66, 79, 80	1001118419...95, 99, 175
0258996.....13	0400192.....23, 27	0641812.....53, 66	1001148902.....182
0258997.....13	0400195.....24, 29	0641818.....69, 71, 73	1001148903.....182
0259064.....43, 144	0400197.....23, 29	0641826.....13	1001148904.....182
0259069.....13, 31	0400201.....35	0681810.....9	1001148905.....182
0259102.....96	0440162.....9	0681814.....49	1001148906.....182
0259127.....164	0440203.....49, 53	0682010.....13	1060092.....23
0259258.....23	0440339.....53	0682026.....49	1060279.....170
0259288.....169	0440399.....53	0682028.....49	1060330.....160
0259289.....169	0460106.....75	0721004.....39	1060341.....88, 163
0259290.....169	0460110.....182	0721006.....39	1060461.....164, 165
0259291.....169	0460113.....182	0721008.....61	1060584.....57
0259292.....169	0460114.....182	0741506.....19	1060677.....161
0259293.....169	0460115.....182	0741606.....61	1060717.....31
0259302.....14	0461406.....35	0750808.....57	1060718.....31
0259305.....61, 144	0561076.....66	0800852.....65	1060719.....31
0259322.....169	0561317.....87	0800854.....69	1060720.....31
	0561359.....87	0801154.....69	1060721.....31
	0561360.....88	0801169.....65, 69	1060722.....31
	0561361.....88	0801192.....71	1060723.....31
	0561384.....87	0801197.....65, 71	1060724.....31
	0561385.....88		
	0561386.....88		
	0610128.....95, 175		
	0610129.....57, 178		

PART NUMBER INDEX

1060725	31	1670951	39	1701502	171	1704412	172
1060726	31	1670959	73	1701503	171	1704422	95
1060727	31	1682154	107, 117	1701504	169	1704431	170
1060728	31	1682878	107	1701505	171	1704445	171
1060730	35	1682879	117	1701509	170	1704446	170
1060731	35	1682930	75, 121	1701518	170	1704447	170
1060754	35	1682948	125	1701600	170	1704448	170
1060755	35	1683016	111	1701642	169	1704449	170
1060760	23	1683021	113	1701644	170	1704450	170
1060761	23	1683051	105	1701691	170	1704451	170
1060776	163	1683052	109, 119	1701791	170	1704727	171
1060777	163	1683285	75, 77, 107	1701892	169	1704752	171
1060778	163	1683286	107, 117	1702124	132, 136, 140	1704791	169
1060780	161	1683325	65, 117	1702265	170, 171	1704792	169
1060781	161	1683505	115	1702266	170	1704793	169
1060809	23	1683514	115	1702267	170	1704794	169
1060810	31	1683515	111	1702268	170	1760160	69
1060811	23	1683516	113	1702269	170	1870072	144
10837580	45	1683591	9, 123	1702270	170	1870126	144
1120094	111	1683704	69, 125	1702300	171	2120042	35, 178
1120108	115	1683705	125	1702565	95	2160001	53
1120110	107, 117, 127	1683706	125	1702566	95	2160003	53
1120305	113	1683708	65, 115	1702567	95	2180536	55
1120487	55	1683709	115	1702701	14	2200222	107
1180302	69	1683710	111	1702740	14	2220315	55
1180352	71	1683711	65, 111	1702773	171	2220371	131, 135, 139
1180353	73	1683712	113	1702774	171	2220386	131, 135, 139
1220038	69	1683713	65, 113	1702788	182	2220414	132, 136, 140
1220039	69	1683756	119	1702860	169	2220415	135, 139
1220040	69	1683759	109	1702928	171	2220428	131, 135, 139
1283014	182	1683760	79, 109	1702962	171	2220429	131, 135, 139
1283055	144	1683761	109	1703479	182	2220459	55
1320012	36	1683772	119	1703488	171	2220466	131, 135, 139
1320014	75	1683773	65, 119	1703518	170	2220472	131, 135, 139
1320017	135	1683779	79, 105	1703799	169	2220473	131, 135, 139
1320022	35, 55	1683780	105	1703800	169	2220501	131, 135, 139
1320031	75	1683783	105	1703806	170	2220502	131, 135, 139
1320033	131, 139	1683798	71, 125	1703807	169	2220504	131
1320037	182	1683800	125	1703813	170	2220507	131, 135, 139
1320040	87	1683802	125	1703913	169	2220516	125, 127
1320041	55	1683813	65, 115	1703914	169	2220517	125, 127
1320043	61	1683815	115	1703915	169	2220582	135, 139
1320095	88	1683817	115	1703916	169	2220593	131, 135, 139
1320136	24	1683825	65, 113	1703917	169	2220596	125, 127
1320172	23, 31	1683826	65, 111	1703918	169	2220600	132, 136, 139
1320195	87	1683827	111	1703919	170	2220605	132, 135, 139
1320199	87	1683829	113	1703920	169	2220609	132, 136, 140
1320259	79	1683863	127	1703992	169	2220619	132, 135, 139
1320260	87	1683911	73, 127	1703996	171	2220628	125, 127
1380136	43	1683912	127	1704192	95	2220654	136
1380138	39	1683923	65, 119	1704200	171	2220677	135, 139
1580012	91	1683924	79, 109	1704239	95	2220684	131
1580013	91	1683925	109, 119	1704240	95	2220711	132, 135, 139
1600273	101	1683939	65, 111	1704254	170	2220727	131
1600274	99	1683940	111	1704256	169	2220873	131, 135, 139
1600292	31, 174	1683941	111	1704257	169	2220883	107, 125, 127
1600293	31, 174	1683942	65, 113	1704260	96	2220885	105, 111, 113, 115, 131, 135, 139
1600294	31, 164	1683943	113	1704262	170	2220899	131, 135, 139
1670678	69, 71	1683944	113	1704277	170	2220909	132, 136, 140
1670697	87	1683945	65, 115	1704286	171	2220923	132, 136, 140
1670698	69	1683946	115	1704358	171	2220934	132, 136, 140
1670829	95	1683947	115	1704359	171	2220998	131, 135, 139
1670832	88	1683980	127	1704360	171	2220999	131, 135, 139
1670833	88	1693292	170	1704361	171	2221033	131, 135, 139
1670879	39	1693294	170	1704362	171	2221039	140
1670880	39	1700584	169	1704384	169	2360505	10
1670887	14	1701500	170	1704385	169		

PART NUMBER INDEX

2360510.....	10	2753336.....	139	3300188.....	57	3430840.....	61
2360531.....	10	2753337.....	139	3300279.....	115	3450405.....	75
2420106.....	57	2753474.....	139	3300281.....	111, 113	3450810.....	9
2540019.....	31	2753475.....	139	3300308.....	107, 117	3480217.....	107, 117
2540020.....	31	2760105.....	95	3300315.....	115	3480239.....	125, 127
2540021.....	31	2780236.....	13, 17	3300365.....	57, 62	3480240.....	115
2560122.....	43	2780241.....	9	3300371.....	39	3480241.....	111
2560123.....	43	2780242.....	9	3300396.....	57	3480242.....	113
2560136.....	95	2780250.....	9	3300426.....	9, 10, 13	3480247.....	109, 119
2680473.....	61	2780251.....	9	3310601.....	31, 95	3480249.....	105
2680474.....	61	2790900.....	132	3311005 ...	39, 57, 61, 88, 95	3480259.....	109, 119
2680475.....	61	2792334.....	131, 142	3311011.....	57	3510695.....	91
2700093.....	39	2792337.....	142	3311401 ...	61, 69, 71, 73, 87, 91	3510696.....	91
2720271.....	55	2792395.....	135, 142	3311405 ...	19, 23, 24, 31, 35, 39, 43, 55, 75, 77, 79, 87, 91, 127, 170	3520026.....	39
2720339.....	35, 55	2792413.....	139, 142	3311501 ...	31, 61, 79, 93	3520028.....	40, 73
2720455.....	36	2820035.....	91	3311505 ...	19, 31, 35, 43, 66, 75, 87	3536089.....	91
2750900.....	136, 140	2820036.....	62	3311601.....	61	3536491.....	65
2750910.....	135, 139	2820105.....	39	3311602.....	69	3536691.....	62
2750996.....	131, 135	2820106.....	40	3311605 ...	19, 35, 66, 71, 73, 75, 77, 79, 91, 96	3536999.....	87
2751009.....	135	2820107.....	35	3311805.....	66, 80	3537045.....	65
2751126.....	131	2820110.....	40	3312008.....	9	3537903.....	61
2751127.....	131	2820112.....	36	3322202.....	9	3570572.....	39
2751414.....	136	2820116.....	36	3322205.....	125, 127	3570573.....	39
2751498.....	131, 135, 139	2820117.....	35	3323003.....	9	3570581.....	36
2751508.....	131, 135	2860030.....	57, 175	3340663.....	69	3571094.....	39
2751890.....	140	2900708.....	43	3340679.....	125	3571157.....	55
2752430.....	135, 139	2900768.....	13	3340682.....	69	3571160.....	19
2752435.....	131	2900770.....	83, 111, 113, 115, 125, 127	3340756.....	71	3571222.....	96
2752437.....	135, 139	2900792.....	105, 109	3340820.....	69	3571401.....	35
2752440.....	132	2900838.....	176	3340837.....	71	3571406.....	79
2752446.....	131, 135, 139	2901147.....	107, 117	3340878.....	73	3571412.....	36
2752459.....	131, 135, 139	2901443.....	165, 183	3340882.....	127	3571462.....	87
2752463.....	132, 135, 139	2901776.....	109, 119	3340884.....	73	3571834.....	24
2752466.....	135, 139	2901804.....	115	3340886.....	73	3600289.....	19
2752475.....	131	2901805.....	113	3380434.....	91	3740063.....	144
2752476.....	131, 135, 139	2901806.....	111	3420156.....	61	3740087.....	144
2752487.....	131, 135, 139	2901807.....	125	3422175.....	66	3760115.....	69, 71, 73
2752488.....	131, 135, 139	2901810.....	105	3422176.....	66	3760308.....	39, 95
2752571.....	139	2901898.....	109, 119	3422177.....	66	3760318.....	125, 127
2752572.....	131	2901903.....	127	3422178.....	66	3760367.....	105
2752573.....	131	2910601.....	17	3422179.....	66	3760368.....	109, 119
2752580.....	131	2910866.....	96	3422180.....	66, 75, 77	3780181.....	66, 75, 77
2752581.....	131	2920095.....	91, 165	3422181.....	75, 77	3780184.....	66
2752585.....	131, 135	2920118.....	182	3422185.....	69	3790012.....	58, 96
2752595.....	131, 135, 139	2920129.....	160	3422480.....	66	3790113.....	125, 127
2752600.....	131, 135, 139	2920146.....	61	3422481.....	66	3820001.....	169
2752611.....	135, 139	2920150.....	182	3422582.....	66	3841143.....	66, 75, 77, 79
2752619.....	139	2920151.....	58	3422669.....	66, 80	3841203.....	66, 79
2752620.....	131	2940042.....	62	3422692.....	9	3841367.....	9
2752675.....	131, 135, 139	2940071.....	61	3422709.....	75, 77	3900104.....	88
2752795.....	131, 135	2940095.....	39	3422748.....	75	3900109.....	9
2752910.....	131	2940115.....	39	3422791.....	79	3900142.....	115
2752983.....	132	3000003.....	23	3422792.....	80	3900170.....	107, 111, 113, 115, 117
2753050.....	131, 135	3010119.....	9	3422793.....	79	3900174.....	39
2753301.....	135	3010121.....	9	3422794.....	79	3900246.....	88
2753302.....	135	3020022.....	66, 79	3422804.....	71, 73	3910612.....	95
2753303.....	136	3020029.....	49	3422806.....	66	3910636.....	31
2753304.....	135	3020036.....	49	3422814.....	79	3910804.....	57
2753305.....	135	3160233.....	49, 51	3422844.....	66	3911012.....	57
2753326.....	131	3160239.....	13	3422845.....	66	3931016.....	105, 109, 119
2753329.....	140	3200404.....	35	3430816.....	75	3931430.....	23, 31
2753330.....	140	3252347.....	91, 170			3931516.....	105, 109, 119
2753331.....	140	3252507.....	170				
2753332.....	140	3252632.....	57				
2753333.....	139	3252669.....	57				
2753334.....	139	3300151.....	87, 91				
2753335.....	139						

PART NUMBER INDEX

3941405..... 93	4460205..... 165	4566188..... 131	4844404..... 62
3951402 115, 125, 127	4460225 ... 160, 162, 163, 164	4566243..... 87	4844427..... 65
3960389..... 35, 40	4460226 99, 101, 160, 161, 163, 164	4566356..... 66	4844467..... 66
3960417..... 35, 40	4460227 ... 160, 161, 162, 163, 164	4566427..... 66	4844541..... 65
3960418..... 36	4460234 61	4566432..... 111	4844579..... 69
3960433..... 39	4460248 58	4566435..... 113	4844603..... 39
3960438..... 57, 62	4460259 58, 160	4566623..... 131	4844917..... 93
3960447..... 39	4460260 58, 160	4567177..... 115	4845288..... 91
3960453..... 61	4460264 57	4567679..... 23	4845642..... 35
3980035..... 35	4460265 99, 101, 160, 161, 163	4567704..... 125	4845769..... 75
3990001..... 162, 175	4460267 36, 160, 162, 164	4567845..... 35	4845770..... 75
3990105..... 13, 174	4460268 162, 163	4567908..... 115	4845846..... 23
3990106..... 57, 162	4460320 162	4567946..... 136, 140	4845925..... 79
4060803..... 35, 61	4460321 ... 160, 162, 163, 164	4567963..... 127	4845926..... 79
4060804..... 39	4460326 162, 164	4620118..... 49	4845927..... 79
4060805..... 87	4460343 160, 162	4620124..... 49	4846026..... 65
4060808..... 87	4460367 160	4640392..... 14	4846033..... 71
4060855..... 75	4460418 160, 161, 164	4640509..... 105, 107	4846050..... 77, 79
4060865..... 61	4460419 160, 161, 164	4640634..... 111, 113	4846073..... 79
4060906..... 57, 58	4460425 57, 161, 162	4640709..... 125, 127	4846091..... 66
4060959..... 182	4460428 . 88, 91, 95, 160, 164, 165	4640771..... 125, 127	4846106..... 23
4070863..... 73	4460434 160, 161, 163	4640807..... 125, 127	4846107..... 23
4070864..... 73	4460444 31	4640816..... 111, 113	4846180..... 73
4070897..... 71	4460458 162, 163	4640861..... 132, 136, 140	4846209..... 65
4070898..... 71	4460464 160, 161, 163	4640932..... 107, 109	4846223..... 39
4070982..... 71	4460465 161, 162	4640936..... 115	4846276..... 91
4070987..... 57	4460467 96, 165, 183	4641029..... 43	4860181..... 14
4070997..... 73	4460495 57, 161, 162	4641070..... 43, 45	4860191..... 14
4070998..... 73	4460496 57, 95, 160, 162	4641080..... 75	4891500..... 53
4100025..... 35	4460497 57, 95, 160, 162	4641086..... 109	4891800..... 9
4100026 55, 132, 136, 140	4460510 165, 183	4641102..... 43	4892000..... 13
4100065..... 88	4460634 160	4641119..... 43	4920385..... 35
4120027..... 144	4460635 160	4641149..... 19, 21	4921570..... 165
4120035..... 160	4460685 43	4711400.... 19, 23, 24, 31, 35, 43, 55, 91, 93	4921571..... 164
4130350..... 9	4460742 162, 163	4711500.... 14, 23, 35, 43	4921594..... 165
4130351..... 9	4460743 162, 163	4711600.... 13, 19, 71, 73, 79	4921595..... 164
4220162..... 61	4460744 161, 163	471800..... 23, 79	4922057..... 161
4220179..... 35	4460745 161, 163	4740007..... 75	4922058..... 161
4240032..... 61, 95, 96	4460746 161, 163	4740120..... 57, 62, 95	4922060..... 160
4240033..... 35, 55	4460748 163	4740171..... 49	4922069..... 19, 163
4240084..... 31	4460749 161, 163	4740207..... 113	4922071..... 160
4240099..... 87, 91, 93	4460750 162, 163	4740362..... 77, 79, 91	4922073..... 162
4300106..... 43	4460751 162, 163	4740393..... 49	4922074..... 160
4300132..... 95	4460752 95, 160	4740397..... 57	4922103..... 31
4300135..... 31	4460753 87, 161	4740411..... 91	4922104..... 162
4300140..... 87	4460754 87, 161	4740413..... 69	4922117..... 162
4360031..... 91, 175	4460761 160, 163	4750600..... 31, 95	4922118..... 160
4360070..... 57, 175	4460807 164	4750800..... 39	4922157..... 160
4360274..... 58, 179	4460808 164	4751000..... 39, 61	4922160..... 160
4360321..... 88, 175	4460809 164	4751400.... 39, 61, 69, 75, 87, 91, 170	4922178..... 87, 161
4360328 ... 57, 58, 95, 96, 175	4460836 162	4751500.... 19, 31, 35, 61, 66, 75, 87, 93	4922179..... 87, 161
4360330..... 96, 175	4460837 162	4751600.... 19, 35, 55, 57, 61, 62, 66, 69, 75, 77, 79, 95	4922222..... 96, 163
4360336..... 96, 144, 179	4520206 14	4751800..... 61, 75	4922223..... 96, 163
4360387..... 95, 175	4520208 14	4760600..... 31	4922263..... 162
4360448 96, 144, 175	4520209 14	4761400.... 19, 24, 31, 43, 69, 73	4922267..... 162
4360462..... 95, 175	4520231 13	4761500..... 93	4922294..... 96, 164
4360470..... 57, 175	4520232 13	4761600.... 19, 57, 62, 69, 71, 125	49223003..... 160
4360475 57, 95, 175	4520247 14	4761800..... 69, 71, 73	4922307..... 160
4360476 57, 95, 175	4566023 107, 117	4844304..... 65	4922319..... 36, 164
4400416..... 19	4566027 125		4922328..... 19, 163
4400417..... 55			4922363..... 87, 161
4420055..... 91			4922364..... 87, 161
4460007..... 57			4922366..... 161
4460071..... 91, 160			4922367..... 161
4460134..... 165			4933059..... 144, 161
			4933060..... 144, 160
			4933101..... 58, 144

PART NUMBER INDEX

4933102.....	144	7006152.....	71, 73	7017252.....	123	7019162.....	101
4933105.....	144, 160	7007900.....	13	7017402.....	21, 43, 45	7019164.....	102
4933128.....	144, 161	7007977.....	13	7017410.....	45	7019165.....	102
70000322.....	36	7010542.....	21	7017412.....	21	7019166.....	102
70000323.....	36	7010543.....	21, 45	7017421.....	45	7019167.....	101
70000324.....	36	7011112.....	107, 109	7017422.....	45	7019168.....	101
70000341.....	84	7011323.....	83	7017423.....	45	7019170.....	99
70000381.....	46	7011528.....	27	7017428.....	21	7019174.....	99
70000865.....	53	7011573.....	27	7017433.....	21, 45	7019191.....	101
70000868.....	53	7011590.....	27, 164	7017450.....	21	7019194.....	102
70001144.....	37	7011596.....	27	7017452.....	43, 45	7019195.....	99
70001677.....	53	7011621.....	27, 29, 164	7017460.....	43	7019196.....	102
70002724.....	101	7011716.....	13	7017461.....	43	7019197.....	99
70002725.....	101	7011757.....	13	7017466.....	43	7020035.....	9
70002726.....	101	7012518.....	21, 45	7017479.....	45	7020036.....	9
70002728.....	101	7012596.....	53	7017496.....	46	7020037.....	10
70002730.....	99	7012597.....	53	7017498.....	75	7020038.....	10
70002731.....	99	7012654.....	53	7018122.....	36	7020039.....	10
70002732.....	99	7012655.....	53	7018123.....	36	7020040.....	10
70002733.....	99	7012694.....	46	7018124.....	36	7020041.....	10
70002734.....	99	7012903.....	45	7018125.....	36	7020054.....	10
70002735.....	99	7012914.....	45	7018126.....	36	7020055.....	10
70002736.....	101	7012918.....	45	7018127.....	36	7020099.....	95
70002737.....	102	7012941.....	21	7018128.....	37	7020100.....	95
70002906.....	99	7012947.....	45	7018129.....	37	7020126.....	51
70003341.....	123	7012949.....	45	7018132.....	37	7020127.....	51
7000625.....	91	7012953.....	45, 75	7018133.....	37	7020128.....	51
7000731.....	13	7012955.....	75	7018134.....	36	7020129.....	51
7001608.....	121	7012959.....	43	7018135.....	36	7020130.....	51
7001609.....	121	7012967.....	21, 45, 75	7018136.....	36	7020131.....	51
7001610.....	121	7012972.....	21	7018137.....	36	7020137.....	10
7001611.....	121	7012981.....	43, 75	7018138.....	36	7020138.....	13
7001612.....	121	7012998.....	21, 43, 45	7018139.....	37	7020140.....	10
7001613.....	121	7014676.....	176	7018140.....	37	7020150.....	13
7001614.....	121	7016177.....	23	7018142.....	36	7020155.....	55
7001630.....	123	7016314.....	55, 178	7018506.....	27	7020156.....	37, 55, 178
7002821.....	165, 182	7016319.....	61	7018525.....	29, 178	7020157.....	36
7002822.....	183	7016356.....	91, 182	7018537.....	29	7020158.....	36
7002823.....	165, 182	7016372.....	61	7018563.....	29, 178	7020159.....	36
7002826.....	183	7016623.....	182	7018564.....	29, 178	7020160.....	36
7002828.....	165, 182	7016624.....	182	7018570.....	27	7020161.....	36
7003928.....	99	7016652.....	91	7018571.....	27, 29	7020162.....	36
7003933.....	101	7016654.....	183	7018577.....	29	7020163.....	36
7003935.....	101	7016676.....	53	7018597.....	27	7020164.....	36
7003941.....	101	7016682.....	53	7019103.....	101	7020165.....	36
7003946.....	101	7017120.....	83	7019110.....	101	7020166.....	36
7003952.....	99	7017121.....	83	7019111.....	99, 101	7020167.....	36, 178
7003953.....	99	7017122.....	84	7019112.....	101	7020175.....	57, 95
7003956.....	99	7017123.....	84	7019115.....	101	7020176.....	57, 95
7003969.....	101	7017126.....	83	7019122.....	99	7020198.....	36
7003972.....	101	7017127.....	84	7019123.....	99	7020199.....	36
7003973.....	101	7017130.....	83	7019137.....	99	7020200.....	36, 178
7003974.....	99, 101	7017131.....	83	7019141.....	99	7020201.....	36
7003976.....	99	7017132.....	84	7019142.....	99	7020202.....	36
7003977.....	99	7017134.....	84	7019143.....	99	7020204.....	36
7003980.....	101	7017135.....	83	7019144.....	99	7020207.....	178
7003982.....	102, 175	7017153.....	83	7019145.....	99	7020215.....	36, 178
7003983.....	102	7017165.....	84	7019147.....	99	7020217.....	36, 178
7003986.....	101	7017172.....	83	7019149.....	99	7020607.....	27
7003989.....	102	7017192.....	83	7019150.....	99	7020633.....	27
7003992.....	99, 101	7017196.....	83	7019151.....	101	7020640.....	27
7003993.....	99, 101	7017246.....	123	7019154.....	101	7020644.....	29, 164
7003994.....	101	7017247.....	123	7019157.....	101	7020648.....	29
7004275.....	183	7017248.....	123	7019158.....	101	7020649.....	27, 29
7004276.....	183	7017249.....	123	7019159.....	101	7020650.....	27, 29
7006139.....	71, 73	7017250.....	123	7019160.....	101	7020651.....	27, 29
7006151.....	71, 73	7017251.....	123	7019161.....	101	7020653.....	29, 178

PART NUMBER INDEX

7020654	27, 29, 174, 178	7021328 17	702161821, 45, 174	7023486 163
7020656 163	7021329 17	702165921	7024832 21
7020657 163	7021330 17	702200032, 174	7026042 53
7020659 27	7021333 17	702200132, 174	7026043 53
7020663 29	7021335 17	702200232, 174	7026669 37
7020667 27	7021336 17	702200331, 164	7026670 37
7020668 27	7021337 17	702200431, 164	7027350 53
7020669 27	7021338 17	702200532, 164	7027351 53
7020670 27	7021339 17	7022012164	7027352 53
7020685 29	7021340 17	702253221	7027353 53
7020690 29	7021341 17	702280899	7027354 53
7020691 29, 174	7021342 17	7022812101	7027356 53
7020693 29, 163	7021344 17	702281399	7027358 53
7020697 29	7021367 19, 174	702281599	7027359 53
7020699 29	7021368 19	702290229	7027360 53
7021318 19	7021603 45	702290329	7027361 53
7021319 19	7021604 45	702290529	7027363 53
7021320 19, 174	7021606 45	70232169	7027900 83
7021323 17	7021607 45	70232179	7027901 83
7021324 17	7021609	.. 21, 43, 45, 174	702334937	90206369 53
7021325 17	7021610 45, 174	702335037		
7021326 17	7021611 45	702348453		
7021327 17	702161621, 174	702348536		