



Illustrated Parts Manual

**Model
26MRT**

**P/N
3120893**

October 17, 2013



An Oshkosh Corporation Company

REVISION LOG

February 4, 2000 - Original Issue Of Manual (Was part of complete Manual #3120844) (Edited to 0010520 Revision 37)

October 30, 2000 - Revised (Edited to 0010520 Revision 37)

February 25, 2004 - Revised

September 15, 2007 - Revised

June 24, 2011 - Revised

October 17, 2013 - Revised

REVISION LOG

TABLE OF CONTENTS

FIGURE NO.	TITLE	PAGE NO.
SECTION 1 - FRAME		1-1
1-1	FRAME AND STEERING INSTALLATION	1-2
1-2	REAR DRIVE INSTALLATION	1-4
1-3	DRIVE MOTOR ASSEMBLY	1-6
1-4	DRIVE BRAKE ASSEMBLY	1-8
1-5	DRIVE AXLE ASSEMBLY	1-10
1-6	FRAME MOUNTED COMPONENTS INSTALLATION	1-12
SECTION 2 - GROUND COMPONENTS		2-1
2-1	CONTROL VALVES & TANKS INSTALLATION	2-2
2-2	CONTROL VALVES ASSEMBLY	2-6
2-3	VANGUARD GAS ENGINE INSTALLATION (PRIOR TO S/N 48113)	2-8
2-4	VANGUARD GAS ENGINE INSTALLATION (S/N 48113 TO PRESENT)	2-14
2-5	DUAL FUEL INSTALLATION (VANGUARD MACHINES ONLY)	2-18
2-6	YANMAR DIESEL ENGINE INSTALLATION	2-22
2-7	PISTON PUMP ASSEMBLY	2-26
2-8	GEAR PUMP ASSEMBLY (YANMAR ENGINE)	2-28
2-9	GROUND CONTROLS INSTALLATION	2-30
2-10	HOOD INSTALLATIONS	2-34
SECTION 3 - SCISSOR ARMS		3-1
3-1	SCISSOR ARMS INSTALLATION	3-2
3-2	ARM GUARDS INSTALLATION (PRIOR TO S/N 54142)	3-6
3-3	ARM GUARDS INSTALLATION (S/N 54142 TO PRESENT)	3-10
SECTION 4 - PLATFORM		4-1
4-1	PLATFORM COMPONENTS INSTALLATION - MANUALLY OPERATED EXTENSION	4-2
4-2	STANDARD HANDRAILS & EXTENSION INSTALLATION (MANUALLY OPERATED PLATFORM)	4-6
4-3	PLATFORM CONSOLE BOX ASSEMBLY	4-10
4-4	CONTROLLER ASSEMBLY (PRIOR TO S/N 58990)	4-14
4-5	CONTROLLER ASSEMBLY (S/N 58990 TO PRESENT)	4-16
SECTION 5 - CYLINDERS		5-1
5-1	LIFT CYLINDER COMPONENTS ASSEMBLY (PRIOR TO S/N 26916)	5-2
5-2	LIFT CYLINDER COMPONENTS ASSEMBLY (S/N 26916 TO PRESENT)	5-6
5-3	STEER CYLINDER ASSEMBLY	5-10
SECTION 6 - HYDRAULIC		6-1
6-1	HYDRAULIC DIAGRAM - STANDARD	6-2
6-2	HYDRAULIC DIAGRAM LIST	6-6
SECTION 7 - ELECTRICAL		7-1
7-1	ELECTRICAL DIAGRAM LIST	7-2
7-2	ELECTRICAL SCHEMATIC - VANGUARD	7-4
7-3	ELECTRICAL SCHEMATIC - YANMAR	7-6
7-4	HARNES AND CABLE ASSEMBLIES	7-8

TABLE OF CONTENTS

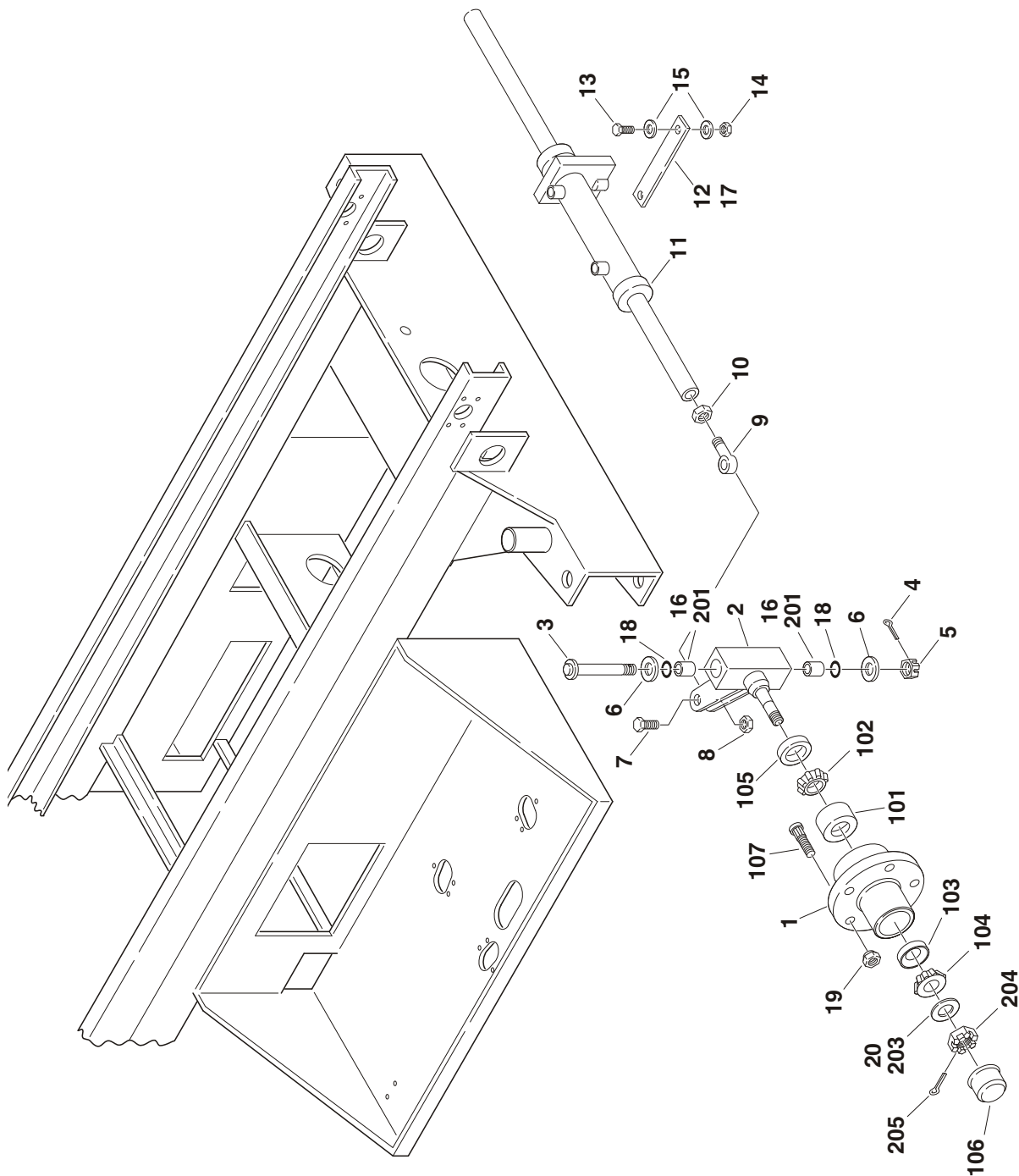
FIGURE NO.	TITLE	PAGE NO.
SECTION 8 - DECALS	8-1
8-1	DECALS INSTALLATIONS	8-2
SECTION 9 - RECOMMENDED SERVICE PARTS STOCK	9-1
SECTION 10 - SPECIAL OPTIONS	10-1

SECTION 1 FRAME

TABLE OF CONTENTS		
FIGURE	DESCRIPTION	PAGE
1-1	Frame And Steering Installation	1-2
1-2	Rear Drive Installation	1-4
1-3	Drive Motor Assembly	1-6
1-4	Drive Brake Assembly	1-8
1-5	Drive Axle Assembly	1-10
1-6	Frame Mounted Components Installation	1-12

SECTION 1 FRAME

FIGURE 1-1. FRAME AND STEERING INSTALLATION



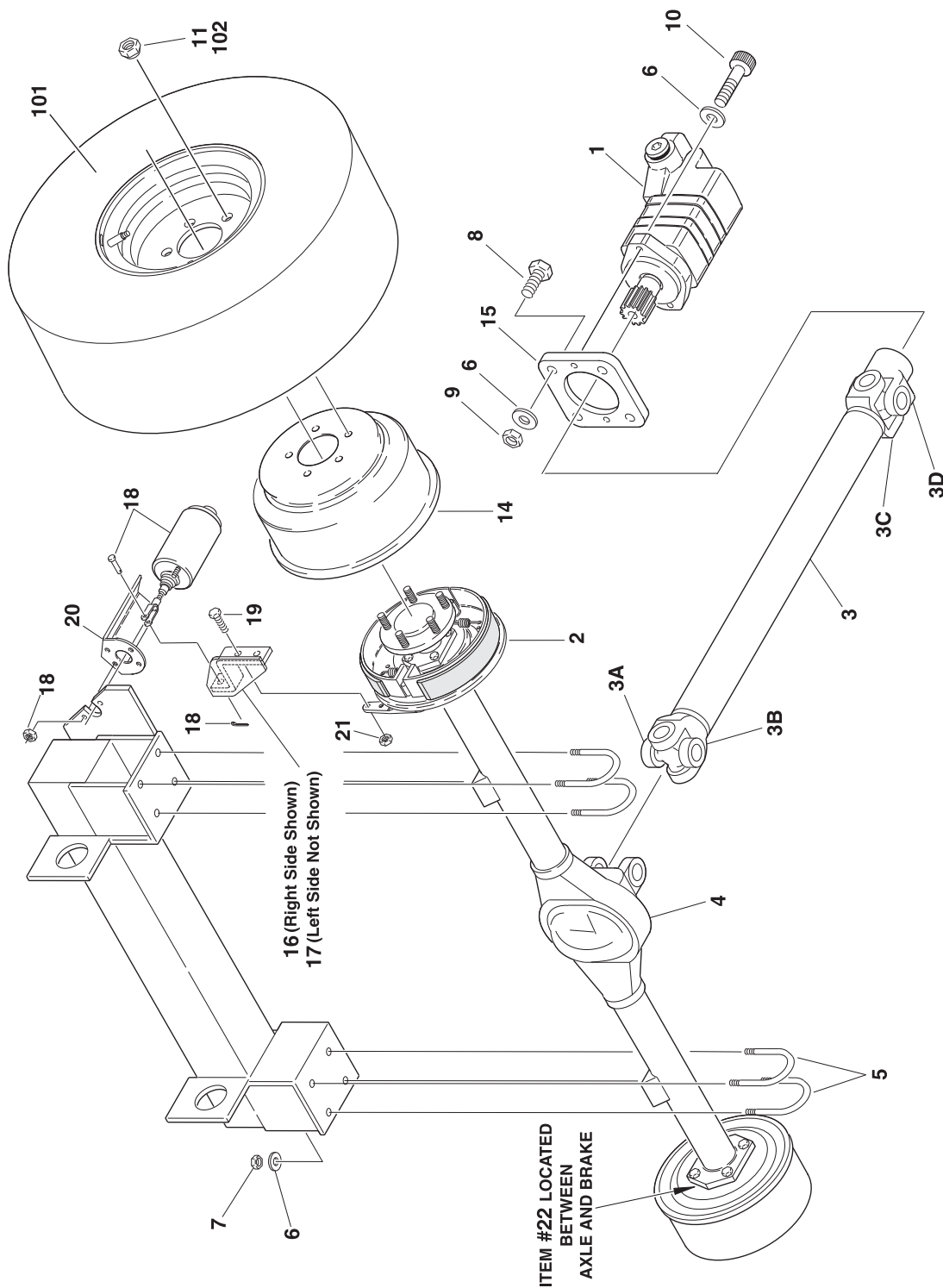
SECTION 1 FRAME

FIGURE 1-1. FRAME AND STEERING INSTALLATION

FIG & ITEM #	PART NUMBER	DESCRIPTION	QTY.	REV.
	2360420	FRAME WELDMENT	1	
	0255118	STEERING & SPINDLES INSTALLATION	Ref.	8
1	2780221	Hub Assembly (Includes Items 101-107)	2	
2	4130286	Spindle Weldment (Includes Items 201-205)	2	
3	3422610	Kingpin	2	
4	3450810	Pin, Cotter 1/4" x 2 1/2"	2	
5	3313003	Nut, Slotted 1 1/4"-7NC	2	
6	0440162	Washer, Thrust	2	
7	0642016	Bolt 5/8"-16NC x 2"	2	
8	3312005	Locknut 5/8"-16NC	2	
9	3841146	Rod-End	2	
10	3322002	Nut, Jam 5/8"-16NC	2	
11		Steer Cylinder Assembly (See Section 5 For Breakdown) Options:	1	
	1683239	Prior to S/N 46538		
	1683697	S/N 46538 to Present		
12	3340644	Pad, Wear	1	
13	0641508	Bolt 5/16"-18NC x 1"	1	
14	3311505	Locknut 5/16"-18NC	1	
15	4751500	Flatwasher 5/16"	2	
16	3020022	Grease	A/R	
17	4070809	Shim	A/R	
18	3780182	O-Ring	4	
19		Nut, Wheel Options:	10	
	3300255	Prior to S/N 32539		
	3300407	S/N 32539 to Present		
20	4752200	Flatwasher 3/4"	2	
	2780221	HUB ASSEMBLY	Ref.	—
101	7012519	Cup, Bearing - Inner (1 Per Hub)	2	
102	7012520	Cone, Bearing - Inner (1 Per Hub)	2	
103	7012521	Cup, Bearing - Outer (1 Per Hub)	2	
104	7012522	Cone, Bearing - Outer (1 Per Hub)	2	
105	7012523	Seal (1 Per Hub)	2	
106	7012524	Cap, Dust (1 Per Hub)	2	
107	7016360	Stud, Wheel (5 Per Hub)	10	
	4130286	SPINDLE WELDMENT	Ref.	—
201	0961621	Bushing, Bronze (2 Per Spindle)	4	
202	Not Used			
203	7012542	Washer (1 Per Spindle)	2	
204	7012541	Nut, Slotted (1 Per Spindle)	2	
205	7012543	Pin, Cotter (1 Per Spindle)	2	

SECTION 1 FRAME

FIGURE 1-2. REAR DRIVE INSTALLATION



SECTION 1 FRAME

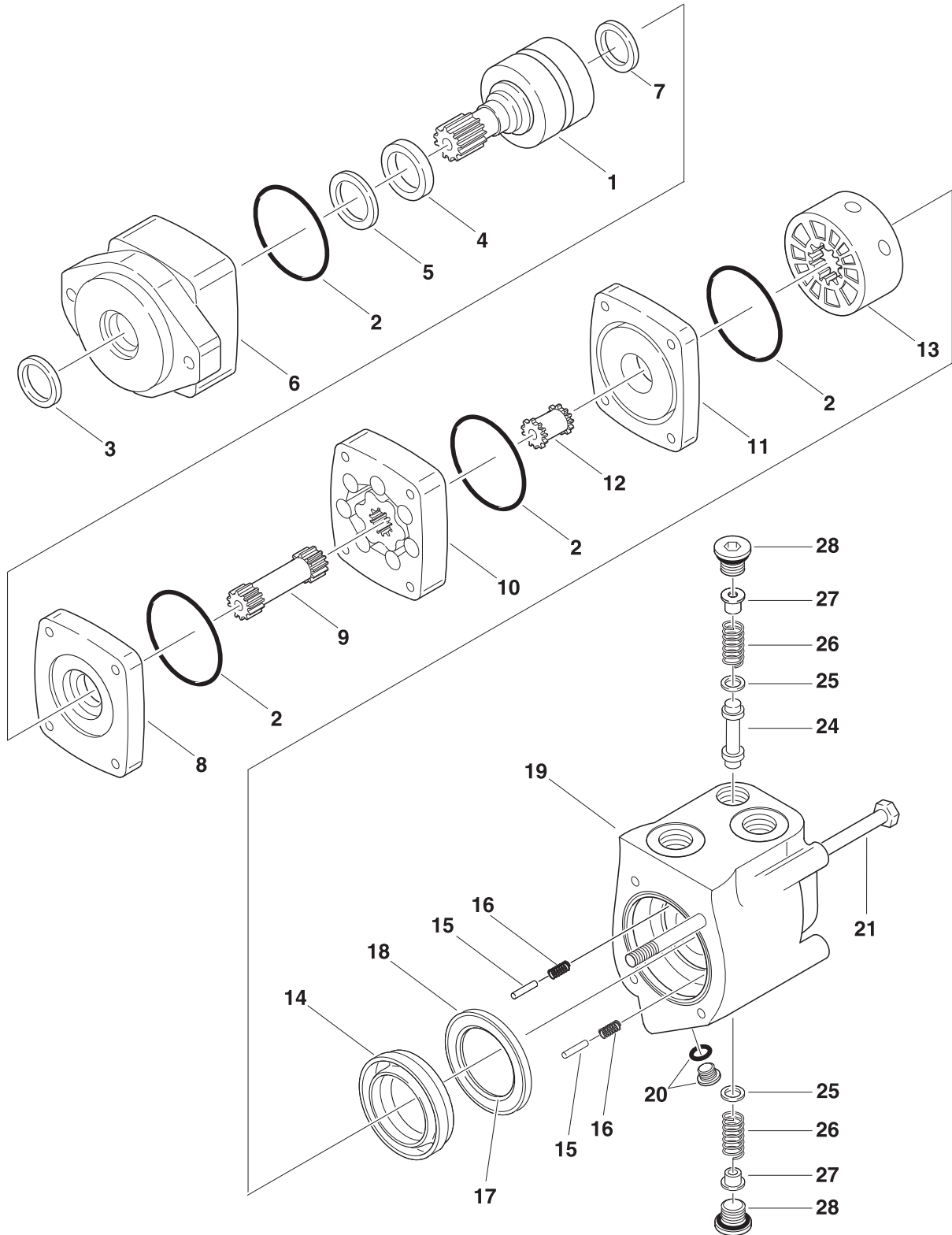
FIGURE 1-2. REAR DRIVE INSTALLATION

FIG & ITEM #	PART NUMBER	DESCRIPTION	QTY.	REV.
	0256775	REAR DRIVE AXLE INSTALLATION	Ref.	3
1	3160215	Drive Motor Assembly (See Figure 1-3 for Breakdown)	1	
2	0920107	Drive Brake Assembly (See Figure 1-4 for Breakdown)	2	
3	1360265	Drive Shaft Assembly	1	
3A	7011120	Journal & Bearing Kit	2	
3B	7011121	U-Bolt Assembly	1	
3C	7011122	Yoke	2	
3D	7011123	Yoke, Splined	1	
4	0280150	Drive Axle Assembly (See Figure 1-5 for Breakdown)	1	
5	0630488	U-Bolt	4	
6	4711800	Flatwasher 1/2" (Narrow)	14	
7	3321805	Locknut 1/2"-20NF	8	
8	0641844	Bolt 1/2"-13NC x 5 1/2"	4	
9	3311805	Locknut 1/2"-13NC	4	
10	3931824	Capscrew, Socket Head 1/2"-13NC x 1 1/2"	2	
11		Nut, Wheel 1/2"-20NF Options:	10	
	3300255	Prior to S/N 32539		
	3300407	S/N 32539 to S/N 46538		
12	0100011	Loctite #242 (Not Shown)	A/R	
13	3020008	Lube, Gear (Not Shown)	A/R	
14	0920108	Drum, Brake	2	
15	0080227	Adapter, Motor	1	
16	1360269	Clevis (Right Side)	1	
17	1360270	Clevis (Left Side)	1	
18	0060036	Actuator	2	
19	0641710	Bolt 7/16"-14NC x 1 1/4"	4	
20	4060926	Shield, Actuator	2	
21	3311705	Locknut 7/16"-14NC	4	
22	4070957	Shim, Axle	2	
23	1120064	Cap, Grease Fitting (Not Shown)	4	
	0256794	TIRE AND WHEEL INSTALLATION	Ref.	2
101	4520188	Tire and Wheel Assembly - 27 x 10.50 NHS -6 Ply (Right Side) (Foam Filled)	2	
	4520189	Tire and Wheel Assembly - 27 x 10.50 NHS -6 Ply (Left Side) (Foam Filled)	2	
		Note: Assemblies may require ballast/foam filling to manufacturer's specifications prior to installing on a machine. Refer to Operation & Safety or Service & Maintenance Manuals. Purchase individual tire and/or rim only if able to foam fill tire & wheel assembly, otherwise, purchase complete assembly.	Ref.	
	7020112	Tire, 27 x 10.50 x 15	A/R	
	7020113	Wheel, 15 x 8	A/R	
102	3300255	Nut, Wheel 1/2"-20NF (S/N 46538 to Present)	20	

SECTION 1 FRAME

FIGURE 1-3. DRIVE MOTOR ASSEMBLY

SECTION
1
FRAME



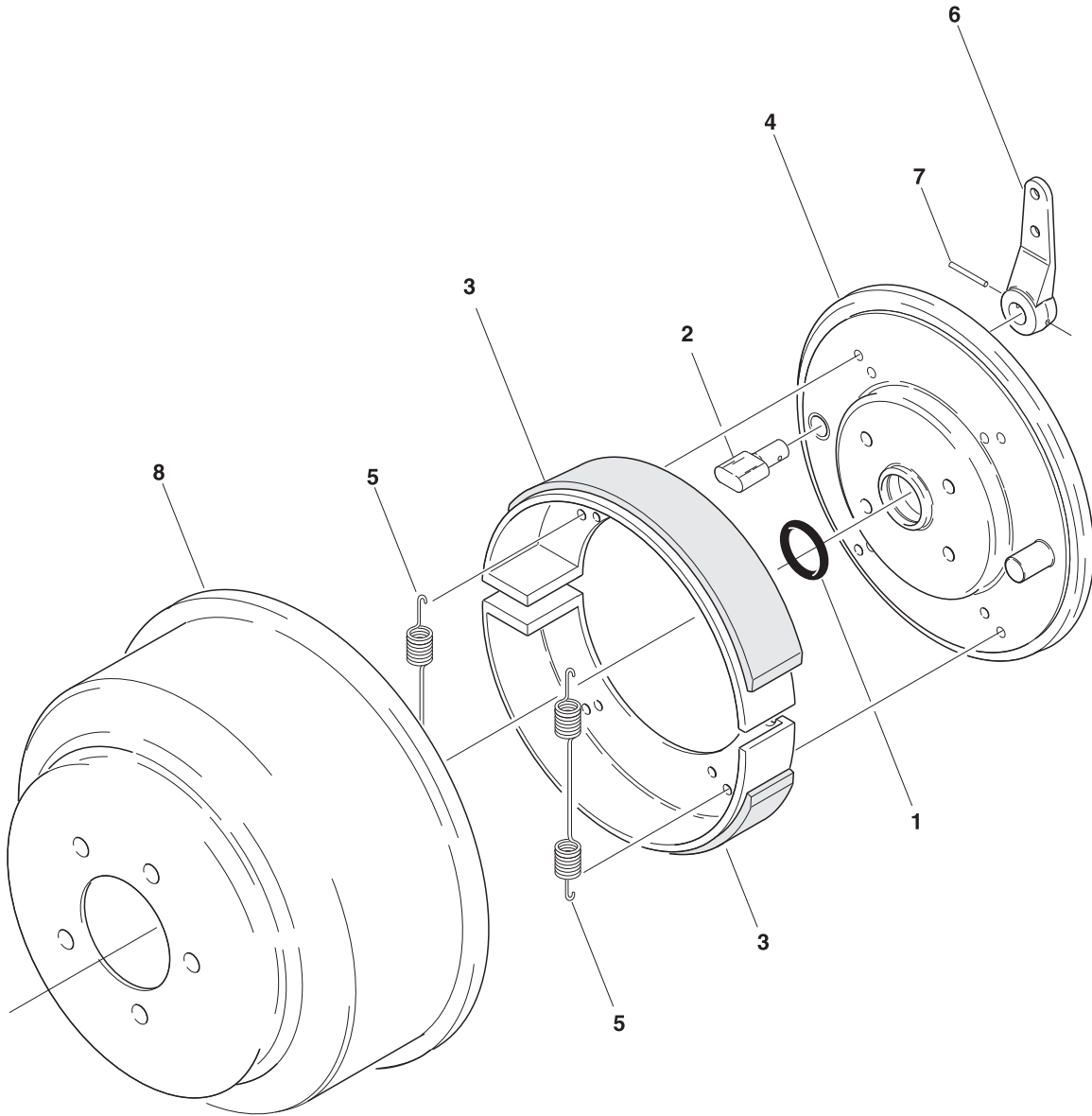
SECTION 1 FRAME

FIGURE 1-3. DRIVE MOTOR ASSEMBLY

FIG & ITEM #	PART NUMBER	DESCRIPTION	QTY.	REV.
	3160215	DRIVE MOTOR ASSEMBLY	Ref.	—
1	7014901	Shaft Sub-Assembly	1	
2	7014912	Seal	4	
3	Kit	Seal, Exclusion	1	
4	Kit	Seal, Shaft	1	
5	7009919	Ring, Back-Up	1	
6	Not Serviced	Housing, Bearing	1	
7	Kit	Seal, Shaft Face	1	
8	7009982	Plate, Wear	1	
9	7009936	Drive	1	
10	7009937	Geroler Assembly	1	
11	7009983	Plate, Valve	1	
12	7009905	Drive, Valve	1	
13	7009927	Valve	1	
14	7009909	Ring, Balance	1	
15	7009912	Pin, Balance Ring	2	
16	7009913	Spring, Compression	2	
17	7009910	Seal, Inner Face	1	
18	7009928	Seal, Outer Face	1	
19	7014913	Housing, Valve	1	
20	7002157	Plug/O-Ring Assembly	1	
	7002158	O-Ring	1	
21	Not Serviced	Bolt	4	
22 to 23	Not Used			
24	7014914	Piston, Shuttle	1	
25	7014915	Poppet	2	
26	7014916	Spring	2	
27	7014917	Sleeve	2	
28	7009940	Plug/O-Ring Assembly	2	
	7009941	O-Ring	2	
	2900699	Seal Kit (Includes Items 3, 4 & 7)	1	

SECTION 1 FRAME

FIGURE 1-4. DRIVE BRAKE ASSEMBLY



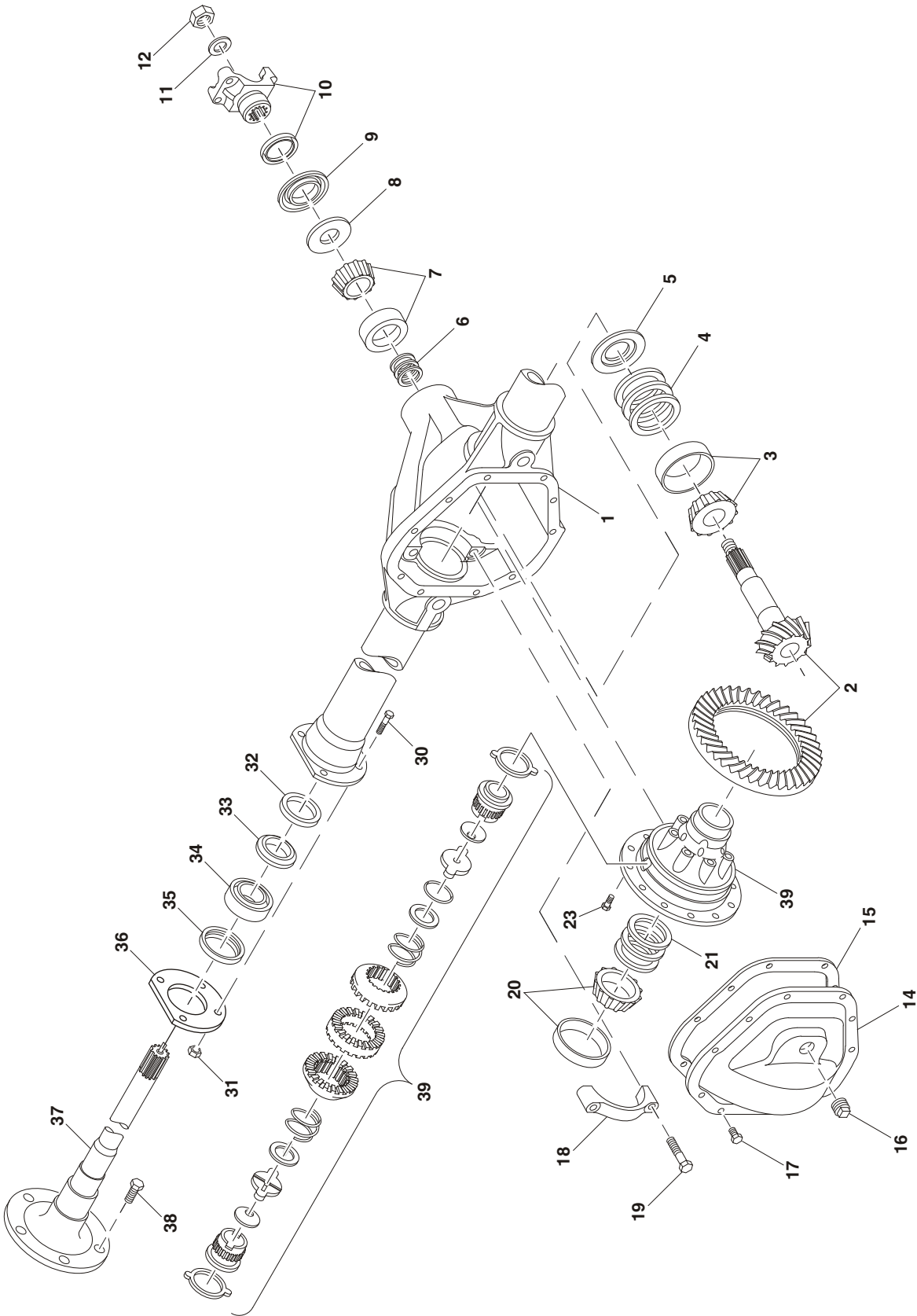
SECTION 1 FRAME

FIGURE 1-4. DRIVE BRAKE ASSEMBLY

FIG & ITEM #	PART NUMBER	DESCRIPTION	QTY.	REV.
	0920107	DRIVE BRAKE ASSEMBLY	Ref.	—
		Note: Drum not included in Brake Assembly but shown here for reference.	Ref.	
1	7016631	O-Ring	1	
2	7016632	Cam	1	
3	7016633	Shoe Assembly - Single (Requires 2 per side/4 per machine)	A/R	
4	7016634	Plate, Backing	1	
5	7016635	Spring, Return	2	
6	7016636	Lever	1	
7	7016637	Rollpin	1	
8	0920108	Drum (was p/n 0920218)	1	

SECTION 1 FRAME

FIGURE 1-5. DRIVE AXLE ASSEMBLY



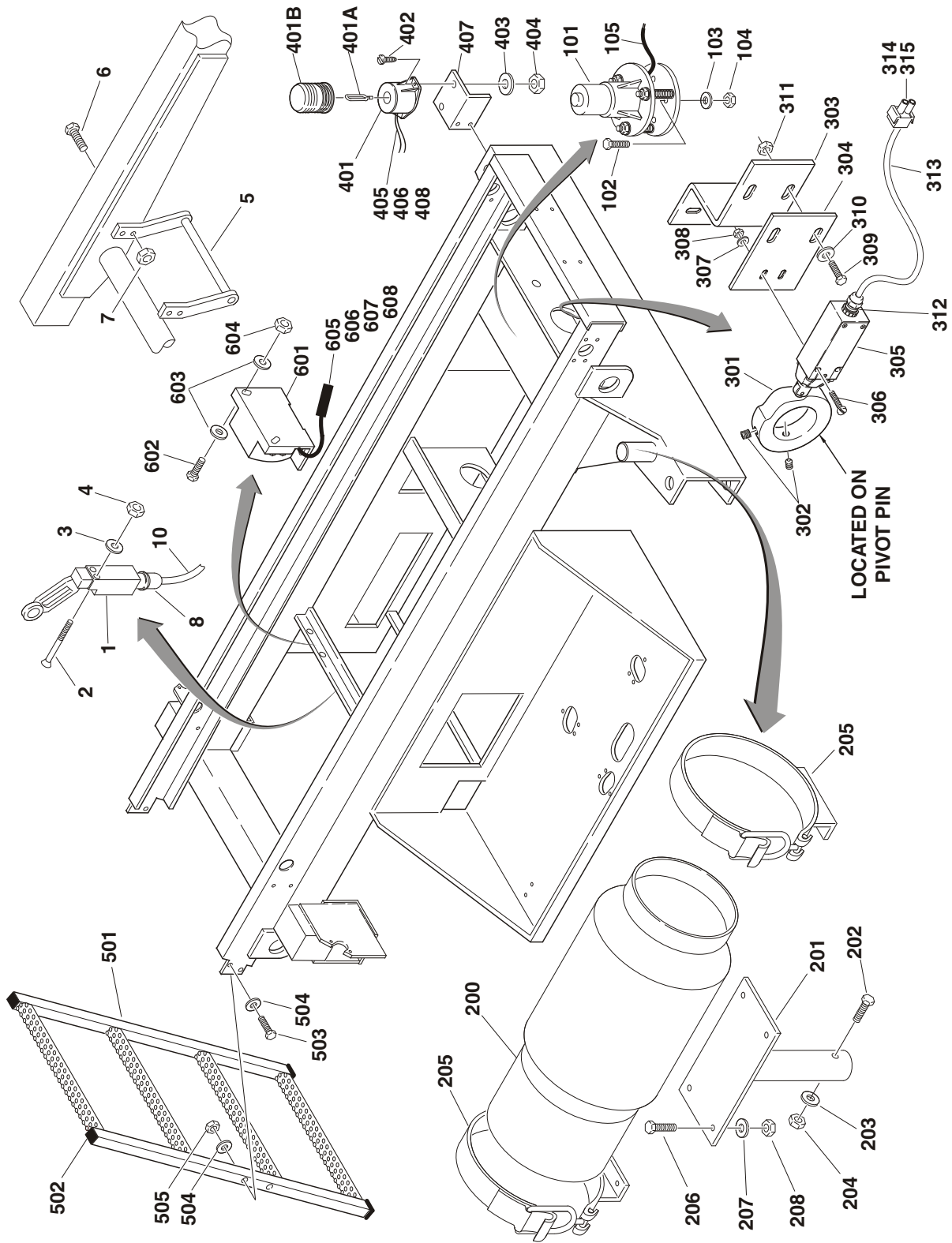
SECTION 1 FRAME

FIGURE 1-5. DRIVE AXLE ASSEMBLY

FIG & ITEM #	PART NUMBER	DESCRIPTION	QTY.	REV.
	0280150	DRIVE AXLE ASSEMBLY	Ref.	—
1	7019033	Housing	1	
2	7019000	Drive Gear & Pinion	1	
3	7019001	Bearing, Inner Pinion	1	
4	Kit	Shim, Drive Pinion Adjusting	A/R	
5	7019003	Baffle, Pinion Bearing	1	
6	Kit	Shim, Pinion Bearing Adjusting	A/R	
7	7019004	Bearing, Outer Pinion	1	
8	7019005	Slinger, Outer Pinion Bearing	1	
9	7019006	Seal, Pinion	1	
10	7019007	Yoke Assembly	1	
11	7019008	Washer, Pinion Nut	1	
12	7019009	Nut, Pinion	1	
13	Not Used			
14	7019010	Cover, Carrier	1	
15	7019011	Gasket	1	
	7019012	Sealant (Not Shown)	A/R	
16	7019013	Plug	1	
17	7019014	Bolt, Carrier Cover	10	
18	7019015	Cap, Differential Bearing	2	
19	7019016	Bolt, Differential Bearing Cap	4	
20	7019017	Bearing, Differential	2	
21	Kit	Shim, Differential Bearing	A/R	
22	Not Used			
23	7019019	Bolt, Differential Case	10	
24 to 29	Not Used			
30	7019020	Bolt, Axle Shaft	8	
31	7019021	Nut, Axle Shaft	8	
32	7019022	Seal, Inboard Shaft	2	
33	7019023	Ring, Wheel Bearing Retaining	2	
34	7019024	Bearing, Axle Shaft Wheel	2	
35	7019025	Seal, Outboard Shaft	2	
36	7019026	Retainer, Axle Shaft	2	
37	7019027	Shaft, Axle	2	
38	7019034	Bolt, Wheel	10	
39	7019029	Differential & Case Assembly (Sold as an Assembly Only)	1	
	7019002	Pinion & Bearing Adjusting Shims Kit (Includes Items 4, 6, 11, 12 & 15)	1	
	7019018	Differential Adjusting Shims Kit (Includes Items 15 & 21)	1	

SECTION 1 FRAME

FIGURE 1-6. FRAME MOUNTED COMPONENTS INSTALLATION



SECTION 1 FRAME

SECTION 1 FRAME

FIGURE 1-6. FRAME MOUNTED COMPONENTS INSTALLATION

FIG & ITEM #	PART NUMBER	DESCRIPTION	QTY.	REV.
	0256692	OVERLOAD PROTECTION INSTALLATION	Ref.	—
1	4360397	Switch, Limit	1	
2	3911024	Screw, Machine #10-24NC x 1 1/2"	2	
3	4751000	Flatwasher #10	2	
4	3311005	Locknut #10-24NC	2	
5	4845077	Actuator, Weldment (Prior to S/N 37222)	1	
6	0641508	Bolt 5/16"-18NC x 1" (Prior to S/N 37222)	2	
7	3311505	Locknut 5/16"-18NC (Prior to S/N 37222)	2	
8	4460052	Connector, Strain Relief	1	
9	Not Used			
10	1060341	Cable, Electrical - 16/2	A/R	
		TILT SWITCH INDICATOR INSTALLATIONS	Ref.	
	0256427	Euro Spec (Prior to S/N 38569)	Ref.	A
	0257220	Euro Spec (S/N 38569 to Present)	Ref.	2
	0256544	Australian Spec (Prior to S/N 38569)	Ref.	A
	0257218	Australian Spec (S/N 38569 to Present)	Ref.	2
101	4360354	Switch, Tilt Indicator	1	
102	0641407	Bolt 1/4"-20NC x 7/8"	2	
103	4761400	Lockwasher 1/4"	2	
104	3311401	Nut 1/4"-20NC	2	
105	1060330	Cable, Electrical - 16/3	6ft/1.8m	
	0256353	LP TANK & BRACKETS INSTALLATION	Ref.	—
200	4400040	Tank, LP	2	
201	4844185	Bracket, Tank Mounting	2	
202	0641522	Bolt 5/16"-18NC x 2 3/4"	2	
203	4751500	Flatwasher 5/16"	2	
204	3311505	Locknut 5/16"-18NC	2	
205	1320023	Clamp	2	
206	0641608	Bolt 3/8"-16NC x 1"	8	
207	4751600	Flatwasher 3/8"	8	
208	3311605	Locknut 3/8"-16NC	8	
	0256833	HI-DRIVE LIMIT SWITCH INSTALLATION	Ref.	3
301	1440325	Collar	1	
302	3951603	Setscrew 3/8"-16NC x 3/8"	2	
303	3570030	Bracket	1	
304	3570029	Plate	1	
305	4360321	Switch, Limit	1	
306	3911020	Screw, Machine #10-24NC x 1 1/4"	2	
307	4751000	Flatwasher #10	2	
308	3311005	Locknut #10-24NC	2	
309	0641405	Bolt 1/4"-20NC x 5/8"	2	

SECTION 1 FRAME

FIGURE 1-6. FRAME MOUNTED COMPONENTS INSTALLATION (CONTINUED)

FIG & ITEM #	PART NUMBER	DESCRIPTION	QTY.	REV.
310	4751400	Flatwasher 1/4"	4	
311	3311405	Locknut 1/4"-20NC	2	
312	4460428	Connector, Strain Relief	1	
313		Cable, Electrical Options:	9ft/2.74m	
	1060341	Cable, Electrical - 16/2 (Prior to S/N 55491)		
	1060680	Cable, Electrical - 18/2 (S/N 55491 to Present)		
314	4460320	Connector, Terminal	1	
315	4460268	Socket, Female	2	
316	0100011	Loctite #242 (Not Shown)	A/R	
	0256684	BEACON LIGHT INSTALLATION (OPTIONAL)	Ref.	3
401	2920146	Beacon Light Assembly	1	
401A	7016319	Bulb, Flash	1	
401B	7016372	Lens	1	
402	0721006	Bolt #10-24NC x 3/4"	2	
403	4761000	Lockwasher #10	4	
404	3311001	Nut #10-24NC	2	
405	1060341	Cable, Electrical - 16-2	10ft/3m	
406	4460035	Terminal, Butt	2	
407	0902322	Bracket, Beacon	1	
408	2820036	Loom (S/N 48790 to Present)	2ft/.6m	
	0256722	LADDER INSTALLATION	Ref.	2
501		Ladder Weldment Options:	1	
	4845388	Prior to S/N 58034		
	4845911	S/N 58034 to Present		
502	3520071	Cap	4	
503	0641624	Bolt 3/8"-16NC x 3"	4	
504	4751600	Flatwasher 3/8"	8	
505	3311605	Locknut 3/8"-16NC	4	
		ALARM INSTALLATIONS	Ref.	
	0256492	Descent	Ref.	2
	0256493	Motion	Ref.	3
	0256491	Travel	Ref.	3
601	0140024	Alarm	1	
602		Bolt Options:	2	
	0641408	Bolt 1/4"-20NC x 1" (Prior to S/N 48790)		
	0641508	Bolt 5/16"-18NC x 1" (S/N 48790 to Present)		
603	4751400	Flatwasher 1/4"	4	
604	3311405	Locknut 1/4"-20NC	2	
605	3990010	Diode 6 Amp (Motion Alarm Only)	2	
606	4460035	Terminal, Electrical	2	
607	1060341	Cable, Electrical - 16/2	4ft/1.2m	
608	2820036	Loom (S/N 48790 to Present)	2ft/.6m	

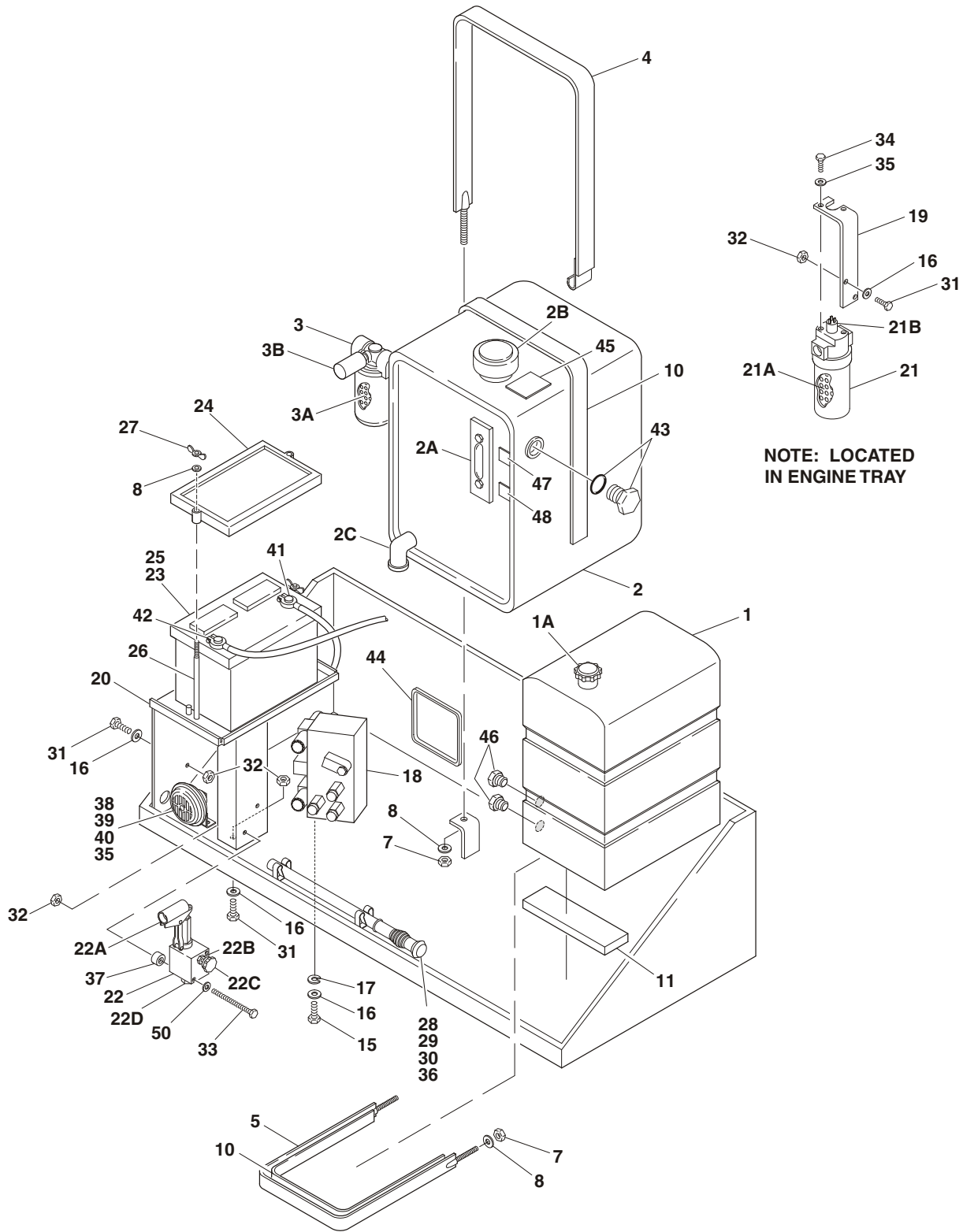
SECTION 2 GROUND COMPONENTS

TABLE OF CONTENTS		
FIGURE	DESCRIPTION	PAGE
2-1	Control Valves & Tanks Installation	2-2
2-2	Control Valve Assembly	2-6
2-3	Vanguard Gas Engine Installation (Prior to S/N 48113)	2-8
2-4	Vanguard Gas Engine Installation (S/N 48113 to Present)	2-14
2-5	Dual Fuel Installation (Vanguard Machines Only)	2-18
2-6	Yanmar Diesel Engine Installation	2-22
2-7	Piston Pump Assembly	2-26
2-8	Gear Pump Assembly (Yanmar Engine)	2-28
2-9	Ground Control Installation	2-30
2-10	Hood Installations	2-34

SECTION 2 GROUND COMPONENTS

FIGURE 2-1. CONTROL VALVES & TANKS INSTALLATION

SECTION 2 GROUND COMPONENTS



SECTION 2 GROUND COMPONENTS

FIGURE 2-1. CONTROL VALVES & TANKS INSTALLATION

FIG & ITEM #	PART NUMBER	DESCRIPTION	QTY.	REV.
	0256120	VALVES & TANKS INSTALLATION	Ref.	13
1		Tank, Fuel Options:	1	
	4400371	Prior to S/N 37163		
	4400401	S/N 37163 to Present		
1A	1120477	Cap, Fuel	1	
2	4400383	Hydraulic Tank Assembly	1	
2A	7014802	Gauge, Sight	1	
2B	7014803	Breather/Filler	1	
2C	7026544	Elbow, W/Drain Plug	1	
3	2120157	Filter, Oil Return	1	
3A	2120158	Element, Filter	1	
3B	7016313	Switch, Pressure	1	
4	4240118	Strap, Hold-Down (Hydraulic Tank)	1	
5	4240117	Strap, Hold-Down (Fuel Tank)	1	
6	Not Used			
7	3311601	Nut 3/8"-16NC	5	
8	4751600	Flatwasher 3/8"	7	
9	0100011	Loctite #242 (Not Shown)	A/R	
10		Molding Options:		
	4280295	Strip, Bumper (Prior to S/N 37163)	5ft/1.5m	
	4420037	Molding, Rubber 1" (S/N 37163 to Present)	7ft/2.1m	
11	4420038	Molding, Rubber 2"	2ft/0.6m	
12 to 14	Not Used			
15	0641506	Bolt 5/16"-18NC x 3/4"	3	
16	4751500	Flatwasher 5/16"	13	
17	4761500	Lockwasher 5/16"	3	
18	4640977	Control Valve Assembly (See Figure 2-2 for Breakdown)	1	
19	0902289	Bracket, Mounting - Filter	1	
20	4845337	Bracket, Mounting - Battery	1	
21	2120146	Filter, Oil - Pressure	1	
21A	2120150	Element, Filter	1	
21B	7016312	Switch, Indicator	1	
22	4640859	Manual Descent Valve Assembly	1	
22A	7012952	Cartridge, Pump	1	
22B	7012954	Cartridge, Needle Valve	1	
	7012953	Seal Kit - 7012954 Cartridge	1	
22C	7012961	Knob	1	
22D	7012955	Cartridge, Check	1	
	7012940	Seal Kit - 7012955 Cartridge	1	
23	0400003	Battery	1	
24	0400002	Hold-Down, Battery	1	
24A	2910479	Clips, Hold-Down (Not Shown)	4	
25	3980003	Seat, Battery	1	
26	0630370	Rod, Tie-Down	2	
27	3300029	Wingnut 3/8"-16NC	2	
28	2560123	Grip, Handle	1	
29	2560122	Handle, Manual Descent Valve	1	

SECTION 2 GROUND COMPONENTS

FIGURE 2-1. CONTROL VALVES & TANKS INSTALLATION (CONTINUED)

SECTION 2 GROUND COMPONENTS

FIG & ITEM #	PART NUMBER	DESCRIPTION	QTY.	REV.
30	1380136	Clip, Mounting	2	
31	0641508	Bolt 5/16"-18NC x 1"	5	
32	3311505	Locknut 5/16"-18NC	7	
33	0641530	Bolt 5/16"-18NC x 3 3/4"	2	
34	0651404	Bolt 1/4"-28NF x 1/2"	2	
35	4711400	Flatwasher 1/4" (Narrow)	2	
36	3820019	Rivet	2	
37	4566987	Tube, Spacer	2	
38	0140001	Horn	1	
39	0641406	Bolt 1/4"-20NC x 3/4"	1	
40	3311405	Locknut 1/4"-20NC	1	
41	1060360	Cable, Battery (Battery to Ground)	1	
42	1060632	Cable, Battery (Battery to Starter Relay)	1	
43	2220240	Plug, O-Ring	2	
44	4060807	Flex-Trim	9ft/2.7m	
45	1701504	Decal - Hydraulic Fluid	1	
46	3300233	Plug, O-Ring	2	
47	1701502	Hydraulic Oil Level (High)	1	
48	1701503	Hydraulic Oil Level (Low)	1	
49	0100001	Adhesive (Not Shown)	A/R	
50	4711500	Flatwasher (Narrow) (S/N 62148 to Present)	4	

SECTION 2 GROUND COMPONENTS

FIGURE 2-1. CONTROL VALVES & TANKS INSTALLATION (CONTINUED)

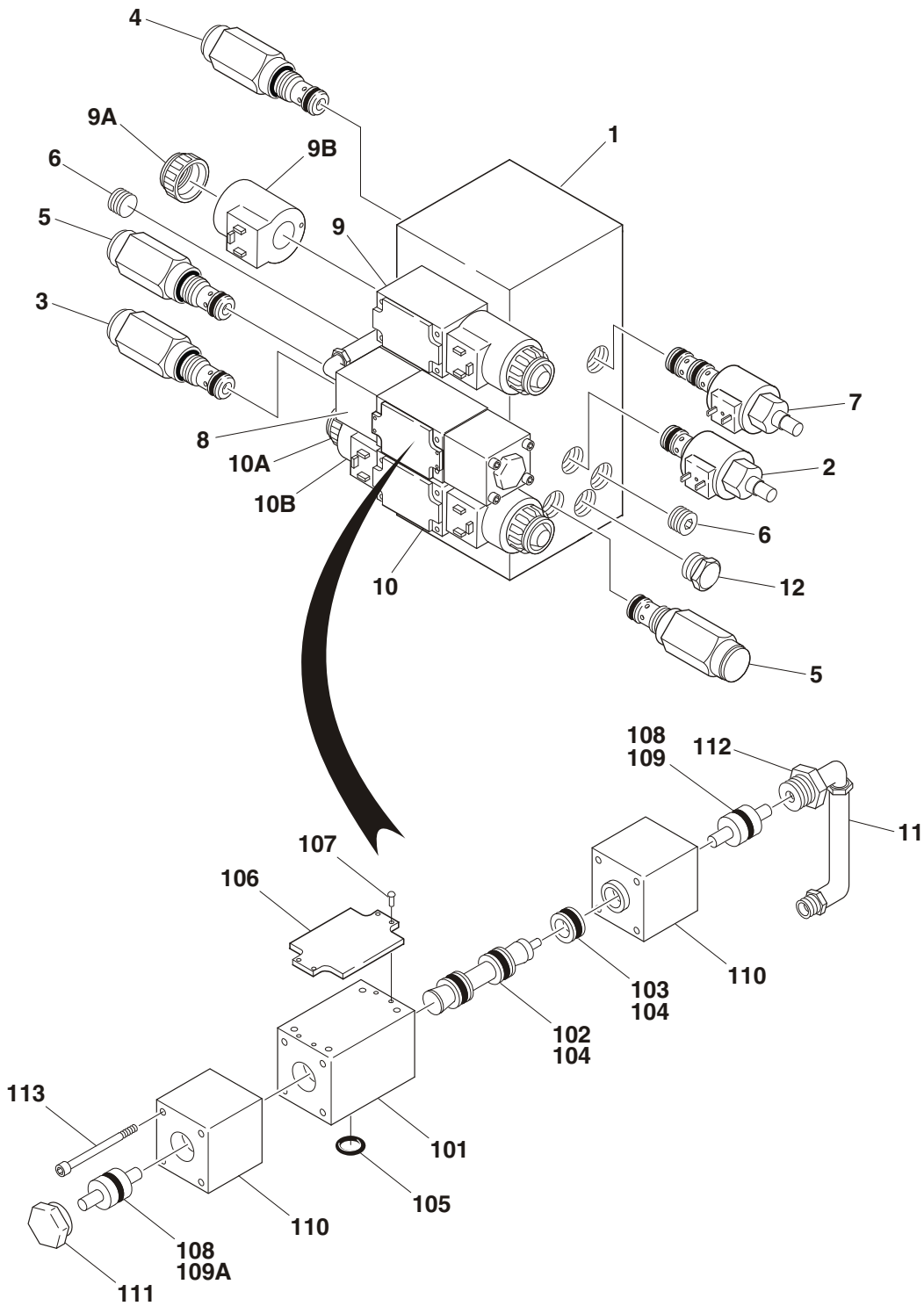
FIG & ITEM #	PART NUMBER	DESCRIPTION	QTY.	REV.

SECTION 2 GROUND COMPONENTS

SECTION 2 GROUND COMPONENTS

FIGURE 2-2. CONTROL VALVES ASSEMBLY

SECTION 2 GROUND COMPONENTS



SECTION 2 GROUND COMPONENTS

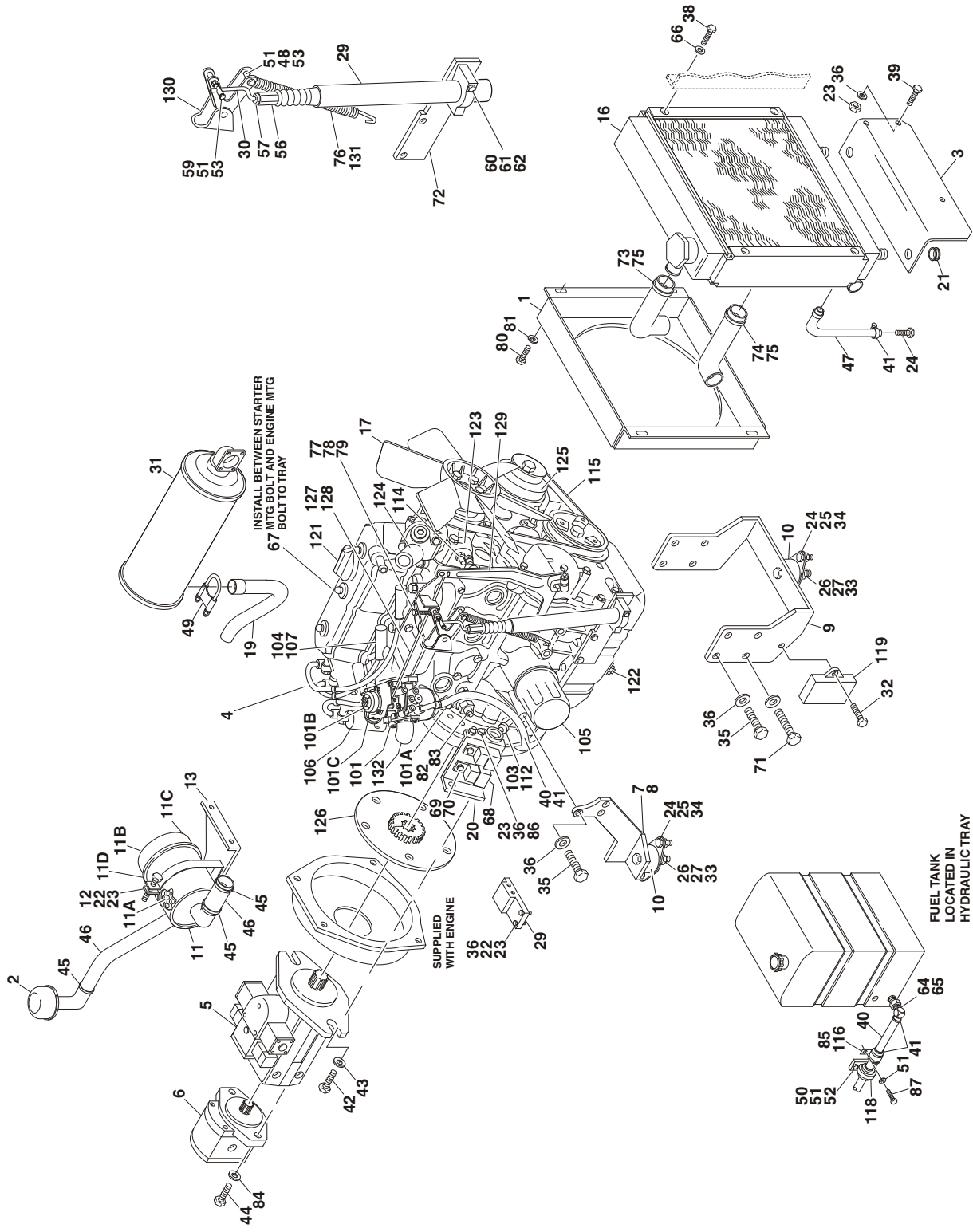
FIGURE 2-2. CONTROL VALVES ASSEMBLY

FIG & ITEM #	PART NUMBER	DESCRIPTION	QTY.	REV.
	4640977	CONTROL VALVE ASSEMBLY	Ref.	C
1	Not Serviced	Manifold	1	
2	7012966	Cartridge With Coil	1	
	7012967	Seal Kit - 7012966 Cartridge	1	
	7012944	Coil	1	
3	7017415	Cartridge	1	
	7012998	Seal Kit - 7017415 Cartridge	1	
4	7017416	Cartridge	1	
	7012998	Seal Kit - 7017416 Cartridge	1	
5	7017417	Cartridge	2	
	7012998	Seal Kit - 7017417 Cartridge (1 Per Cartridge)	2	
6	7018900	Orifice 1/16"/1.2mm	2	
7	7012941	Cartridge Less Coil	1	
	7010543	Seal Kit - 7012941 Cartridge	1	
	7012944	Coil	1	
8	7018901	Valve Assembly (See Items 101-113 for Breakdown)	1	
9	7012770	Valve Assembly	1	
	7012773	Seal Kit	2	
9A	7018912	Nut	2	
9B	7012772	Coil	2	
10	7012795	Valve Assembly	1	
	7012773	Seal Kit	2	
10A	7018912	Nut	2	
10B	7012772	Coil	2	
11	7018903	Tube Assembly	1	
12	7018905	Plug	1	
	7018901	VALVE ASSEMBLY	Ref.	
101	Not Serviced	Housing	1	
102	7018911	Spool	1	
103	Not Serviced	Detent	1	
104	7018906	O-Ring	2	
105	7018907	O-Ring	4	
106	Not Serviced	Nameplate	1	
107	Not Serviced	Rivet	4	
108	7018908	O-Ring	2	
109	7018909	Spool	1	
109A	7018910	Pin, Push	1	
110	Not Serviced	Housing	2	
111	Not Serviced	Plug	1	
112	7018904	Fitting 90°	1	
113	Not Serviced	Capscrew, Socket Head M4 x 45mm	8	

SECTION 2 GROUND COMPONENTS

SECTION 2 GROUND COMPONENTS

FIGURE 2-3. VANGUARD GAS ENGINE INSTALLATION (PRIOR TO S/N 48113)



SECTION 2 GROUND COMPONENTS

FIGURE 2-3. VANGUARD GAS ENGINE INSTALLATION (PRIOR TO S/N 48113)

FIG & ITEM #	PART NUMBER	DESCRIPTION	QTY.	REV.
	0255959	VANGUARD ENGINE ASSEMBLY & INSTALLATION (PRIOR TO S/N 48113)	Ref.	14
1	3539676	Shroud, Fan	1	
2	1340033	Cap, Air Intake	1	
3	3539465	Plate, Mounting (Radiator)	1	
4	2000140	Engine - Vanguard DM700G (See Items 101-130 for Breakdown)	1	
5	3600256	Piston Pump Assembly (See Figure 2-7 for Breakdown)	1	
6	See Note	Gear Pump Assembly (was p/n 3600257)	1	
		Note: P/N 3600257 no longer available. Use p/n 3600466. New pump includes required fitting.	Ref.	
	7018924	Seal Kit (Includes Shaft Seal)	1	
	7018923	Seal, Shaft	1	
7	3539459	Plate, Mounting (Rear Right Side)	1	
8	3539460	Plate, Mounting (Rear Left Side)	1	
9	3539461	Plate, Mounting (Front)	1	
10	3200381	Mount, Motor	3	
11	1340057	Air Cleaner Assembly	1	
11A	7015004	Element, Filter	1	
11B	7015005	Cover Assembly	1	
11C	7015006	Valve, Vacuator	1	
11D	7015007	Latch	2	
12	0340045	Band, Mounting	1	
13	3539484	Plate, Mounting (Air Cleaner)	1	
14 to 15	Not Used			
16	3620035	Radiator	1	
	7016606	Cap, Radiator	1	
	7019618	Draincock	1	
17	2901414	Fan Kit	1	
18	1700430	Decal - Gas (Not Shown - Located on Hood)	1	
19	4567104	Pipe, Exhaust	1	
20	0902270	Bracket	1	
21	2540032	Grommet	2	
22	0641506	Bolt 5/16"-18NC x 3/4"	2	
23	3311505	Locknut 5/16"-18NC	5	
24	0641608	Bolt 3/8"-16NC x 1"	7	
25	3311605	Locknut 3/8"-16NC	6	
26	0641818	Bolt 1/2"-13NC x 2 1/4"	3	
27	3311805	Locknut 1/2"-13NC	3	
28	Not Used			
29	Use 2910000	Actuator Assembly (Was p/n 0060037) (See Section 7 for Breakdown)	1	
30	3841315	Rod, Throttle	1	
31	3220109	Muffler	1	
32				
33	4740274	Washer, Snubbing	3	
34	4751600	Flatwasher 3/8"	6	
35	0700810	Bolt Metric 8mm x 20mm	12	

SECTION 2 GROUND COMPONENTS

FIGURE 2-3. VANGUARD GAS ENGINE INSTALLATION (PRIOR TO S/N 48113) (CONTINUED)

SECTION 2 GROUND COMPONENTS

FIG & ITEM #	PART NUMBER	DESCRIPTION	QTY.	REV.
36	4751500	Flatwasher 5/16"	23	
37	0100011	Loctite #242 (Not Shown)	A/R	
38	0760605	Bolt, Metric 6mm x 10mm	6	
39	0641508	Bolt 5/16"-18NC x 1"	3	
40	2720015	Hose, Fuel Line (1/4")	6ft/1.8m	
41	1320022	Clamp, Hose	8	
42	0641812	Bolt 1/2"-13NC x 1 1/2"	2	
43	4751800	Flatwasher 1/2"	2	
44	0701012	Bolt, Metric 10mm x 25mm	2	
45	1320031	Clamp, Hose	4	
46	2720063	Hose, Air Intake	2ft/0.6m	
47		Hose (3/8") Options:		
	2750532	Prior to S/N 44924	2ft/0.6m	
	2720058	S/N 44924 to Present	5ft/1.5m	
48	0651405	Bolt 1/4"-28NF x 5/8"	1	
49	1320026	Clamp, U-Bolt	1	
50	0641406	Bolt 1/4"-20NC x 3/4"	5	
51	4751400	Flatwasher 1/4"	9	
52	3311405	Locknut 1/4"-20NC	3	
53	4567086	Tube, Spacer - Throttle Linkage	2	
54 to 55	Not Used			
56	1660222	Coupling, Throttle	1	
57	3321402	Nut, Jam 1/4"-28NF	1	
58	Not Used			
59	1660220	Coupling, Throttle	1	
60	4740442	Washer, Belleville	1	
61	3900217	Bolt, Socket Head Shoulder 3/8"-16NC x 7/8"	1	
62	0962031	Bushing, Flanged	1	
63	Not Used			
64	2220250	Fitting, Reducer	1	
65	2220317	Fitting, 90°	1	
66	4811700	Flatwasher, Metric 6mm	6	
67	1060221	Cable, Solenoid	1	
68	3740049	Relay	2	
69	0721008	Bolt #10-24NC x 1"	2	
70	3311005	Locknut #10-24NC	2	
71	0700812	Bolt, Metric 8mm x 25mm	3	
72	3539929	Plate, Mounting	1	
73	2720420	Hose, Radiator (Top)	1	
74	2720421	Hose, Radiator (Bottom)	1	
75		Clamp, Hose Options:	4	
	1320014	Prior to S/N 44432		
	1320033	S/N 44432 to Present		
76	4160150	Spring (Used Prior to S/N 28511 - Recommend #131 as replacement)	1	
77	1320061	Clamp, Hose	1	
78	0700808	Bolt, Metric 8mm x 16mm	1	
79	4751500	Flatwasher 5/16"	1	

SECTION 2 GROUND COMPONENTS

FIGURE 2-3. VANGUARD GAS ENGINE INSTALLATION (PRIOR TO S/N 48113) (CONTINUED)

FIG & ITEM #	PART NUMBER	DESCRIPTION	QTY.	REV.
80	0700605	Bolt, Metric 6mm x 10mm	4	
81	4751400	Flatwasher 1/4"	4	
82	4360405	Sender, Oil Pressure	1	
83	2180812	Fitting, Adapter	1	
84	4740185	Washer, Hardened	2	
85	1320095	Clamp	1	
86	0641512	Bolt 5/16"-18NC x 1 1/2"	1	
87	0641404	Bolt 1/4"-20NC x 1/2"	3	
	2000140	ENGINE COMPONENTS	Ref.	D
101	7017617	Carburetor	1	
	7017640	Rebuilt Kit - 7017617 Carburetor	1	
	7017641	Gasket - Air Intake to Carburetor	1	
	70002087	Float Assembly	1	
	70000209	Gasket - Carburetor Float Bowl	1	
	7017643	Shaft, Throttle	1	
101A	7017639	Solenoid, Fuel	1	
101B	7017637	Switch, Choke	1	
101C	7017638	Choke, Vacuum	1	
	7017632	Link, Choke	1	
	7017644	Shaft, Choke	1	
102	7017620	Starter (Not Shown)	1	
103	7017603	Dipstick	1	
104	Use 7019932	Plug, Spark (was p/n 7017608)	3	
105	7017600	Filter, Oil	1	
106	7017606	Coil, Ignition	3	
107	7017607	Boot, Spark Plug	3	
108	Use 7024414	Gasket - Exhaust (Not Shown) (was p/n 7017629)	1	
109	7017612	Gasket - Inlet (Not Shown)	1	
110	7017613	Gasket - Outlet (Not Shown)	1	
111	7017614	Gasket - Water Pump (Not Shown)	1	
112	7017602	Tube, Dipstick	1	
113	Use 7017641	Gasket - Carburetor to Intake (Not Shown) (was p/n 7017618)	1	
114	7017627	Switch, Water Temperature	1	
115	7017616	V-Belt	1	
116	7017636	Filter, Fuel	1	
117	7017610	Regulator (Not Shown)	1	
118	Use 7017657	Pump, Fuel (was p/n 7017619)	1	
119	7017621	Module, Ignition	1	
120	7017622	Trigger, Ignition (Not Shown)	1	
121	7017605	Cap, Oil Fill	1	
122	7017604	Plug, Oil Drain	1	
123	7017615	Pump, Water	1	
124	7017611	Thermostat	1	
125	7017609	Alternator	1	
126	1660229	Coupling, Pump	1	
127	7017630	Link, Governor	1	
128	7017635	Spring, Link	1	

SECTION 2 GROUND COMPONENTS

SECTION 2 GROUND COMPONENTS

FIGURE 2-3. VANGUARD GAS ENGINE INSTALLATION (PRIOR TO S/N 48113) (CONTINUED)

SECTION 2 GROUND COMPONENTS

FIG & ITEM #	PART NUMBER	DESCRIPTION	QTY.	REV.
129	7017634	Lever, Governor	1	
130	7017633	Bracket, Control	1	
131	7017642	Spring, Governor	1	
132	7017669	Elbow, Carburetor	1	
133	7017646	Flywheel/Ring Gear Assembly (Not Shown)	1	

SECTION 2 GROUND COMPONENTS

FIGURE 2-3. VANGUARD GAS ENGINE INSTALLATION (PRIOR TO S/N 48113) (CONTINUED)

FIG & ITEM #	PART NUMBER	DESCRIPTION	QTY.	REV.

**S
E
C
T
I
O
N

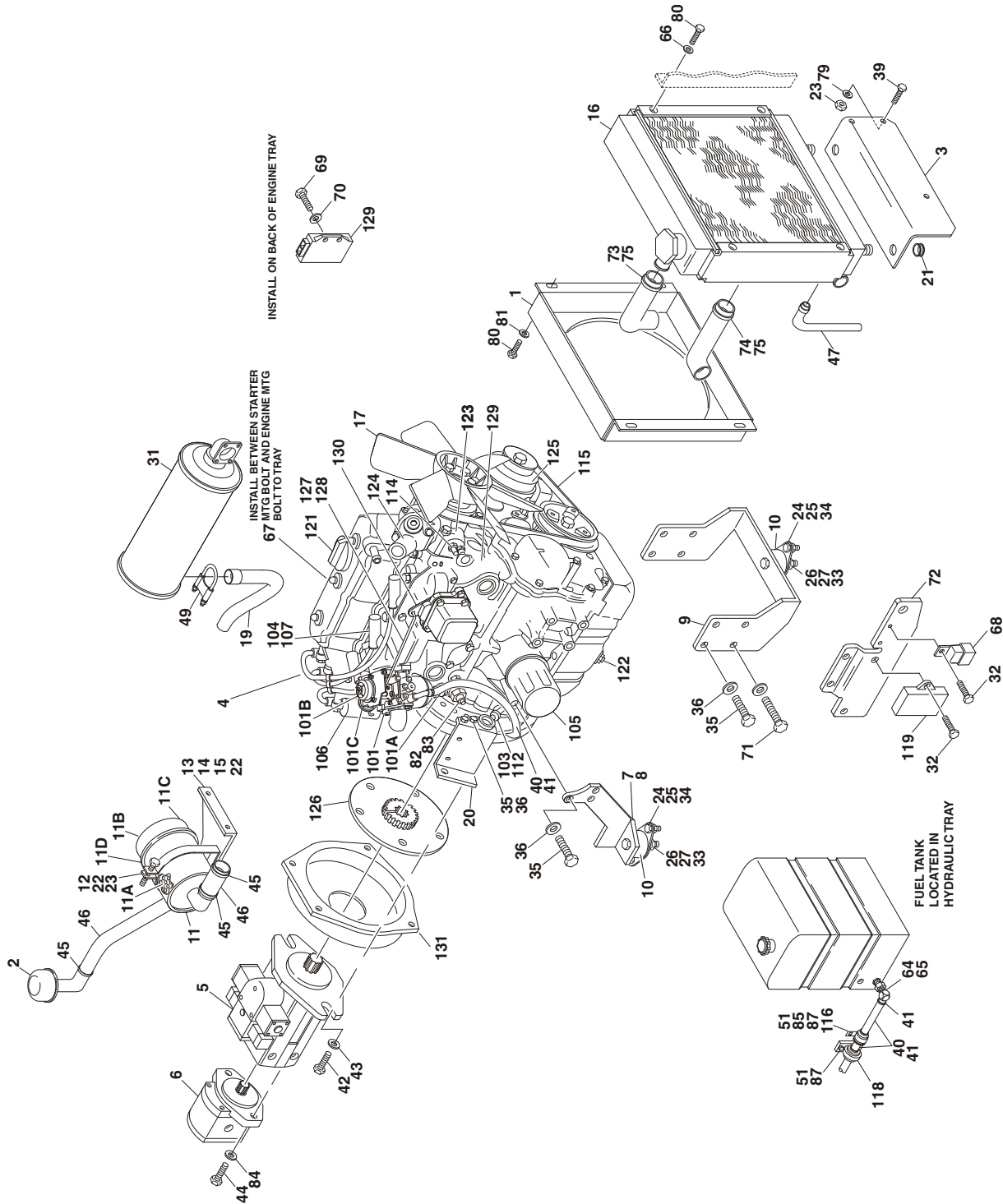
2

G
R
O
U
N
D

C
O
M
P
O
N
E
N
T
S**

SECTION 2 GROUND COMPONENTS

FIGURE 2-4. VANGUARD GAS ENGINE INSTALLATION (S/N 48113 TO PRESENT)



SECTION 2 GROUND COMPONENTS

FIGURE 2-4. VANGUARD GAS ENGINE INSTALLATION (S/N 48113 TO PRESENT)

FIG & ITEM #	PART NUMBER	DESCRIPTION	QTY.	REV.
	0258687	VANGUARD ENGINE ASSEMBLY & INSTALLATION (S/N 48113 TO PRESENT)	Ref.	6
1	3539676	Shroud, Fan	1	
2	1340033	Cap, Air Intake	1	
3	3539465	Plate, Mounting (Radiator)	1	
4	2000158	Engine - Vanguard DM700G (See Items 101-130 for Breakdown)	1	
5		Piston Pump Assembly Options:	1	
	Use 2910175	Prior to S/N 66750 (Was p/n 3600256) (See Figure 2-7 for Breakdown)		
	3600304	S/N 66750 to Present		
	Not Available	Seal Kit - 3600304 Pump	1	
6	See Note	Gear Pump Assembly (was p/n 3600257) Note: P/N 3600257 no longer available. Use p/n 3600466. New pump includes required fitting.	1 Ref.	
	7018924	Seal Kit (Includes Shaft Seal)	1	
	7018923	Seal, Shaft	1	
7	3539459	Plate, Mounting (Rear Right Side)	1	
8	3539460	Plate, Mounting (Rear Left Side)	1	
9	3539461	Plate, Mounting (Front)	1	
10	3200381	Mount, Motor	3	
11	1340057	Air Cleaner Assembly	1	
11A	7015004	Element, Filter	1	
11B	7015005	Cover Assembly	1	
11C	7015006	Valve, Vacuator	1	
11D	7015007	Latch	2	
12	0340045	Band, Mounting	1	
13		Plate, Mounting (Air Cleaner) Options:	1	
	3539484	Prior to S/N 64721		
	0902560	S/N 64721 to S/N 66750		
	0902589	S/N 66750 to Present		
14	3311405	Locknut 1/4"-20NC (S/N 64721 to Present)	2	
15	4711400	Flatwasher 1/4" (S/N 64721 to Present)	4	
16	3620035	Radiator	1	
	7016606	Cap, Radiator	1	
	7019618	Draincock	1	
17	2901414	Fan Kit	1	
18	1700430	Decal - Gas (Not Shown - Located on Hood)	1	
19	4567104	Pipe, Exhaust	1	
20	0902270	Bracket	1	
21	2540032	Grommet	2	
22	0641405	Bolt 1/4"-20NC x 5/8"	2	
23	3311505	Locknut 5/16"-18NC	2	
24	0641608	Bolt 3/8"-16NC x 1"	6	
25	3311605	Locknut 3/8"-16NC	6	
26	0641818	Bolt 1/2"-13NC x 2 1/4"	3	
27	3311805	Locknut 1/2"-13NC	3	
28 to 30	Not Used			

SECTION 2 GROUND COMPONENTS

FIGURE 2-4. VANGUARD GAS ENGINE INSTALLATION (S/N 48113 TO PRESENT) (CONTINUED)

FIG & ITEM #	PART NUMBER	DESCRIPTION	QTY.	REV.
31	3220109	Muffler	1	
32	3941406	Bolt Self Tapping 1/4" x 3/4"	3	
33	4740274	Washer, Snubbing	3	
34	4751600	Flatwasher 3/8"	6	
35	0700810	Bolt Metric 8mm x 20mm	13	
36	4751500	Flatwasher 5/16"	17	
37	0100011	Loctite #242 (Not Shown)	A/R	
38	Not Used			
39	0641508	Bolt 5/16"-18NC x 1"	3	
40	2720015	Hose, Fuel Line (1/4")	6ft/1.8m	
41	1320022	Clamp, Hose	8	
42	0641812	Bolt 1/2"-13NC x 1 1/2"	2	
43	4751800	Flatwasher 1/2"	2	
44		Bolt Options:	2	
	0701012	Bolt, Metric 10mm x 25mm (Prior to S/N 66750)		
	0641608	Bolt, 3/8"-16NC x 1" (S/N 66750 to Present)		
45	1320031	Clamp, Hose	4	
46	2720063	Hose, Air Intake	1.3ft/.40m	
47	2720058	Hose (3/8")	3ft/0.9m	
48	Not Used			
49	1320026	Clamp, U-Bolt	1	
50	Not Used			
51	4751400	Flatwasher 1/4"	9	
52 to 64	Not Used			
65	2220317	Fitting, 90°	1	
66	4811700	Flatwasher, Metric 6mm	10	
67	1060221	Cable, Solenoid	1	
68	3740049	Relay	1	
69	3900256	Bolt Self Tapping #10-16NC x 1 1/4"	4	
70	4751000	Washer #10	4	
71	0700812	Bolt, Metric 8mm x 25mm	2	
72	3539929	Plate, Mounting	1	
73	2720420	Hose, Radiator (Top)	1	
74	2720421	Hose, Radiator (Bottom)	1	
75	1320033	Clamp, Hose	4	
76 to 78	Not Used			
79	4751500	Flatwasher 5/16"	6	
80	0700605	Bolt, Metric 6mm x 10mm	6	
81	4751400	Flatwasher 1/4"	4	
82	4360405	Sender, Oil Pressure	1	
83	2180812	Fitting, Adapter	1	
84	4740185	Washer, Hardened	2	
85	1320265	Clamp	1	
86	0641512	Bolt 5/16"-18NC x 1 1/2"	1	
87	0641404	Bolt 1/4"-20NC x 1/2"	3	
88	4460234	Mount, Wire Tie (Not Shown)	2	
89	4240033	Wire Tie (Not Shown)	2	

SECTION 2 GROUND COMPONENTS

SECTION 2 GROUND COMPONENTS

FIGURE 2-4. VANGUARD GAS ENGINE INSTALLATION (S/N 48113 TO PRESENT) (CONTINUED)

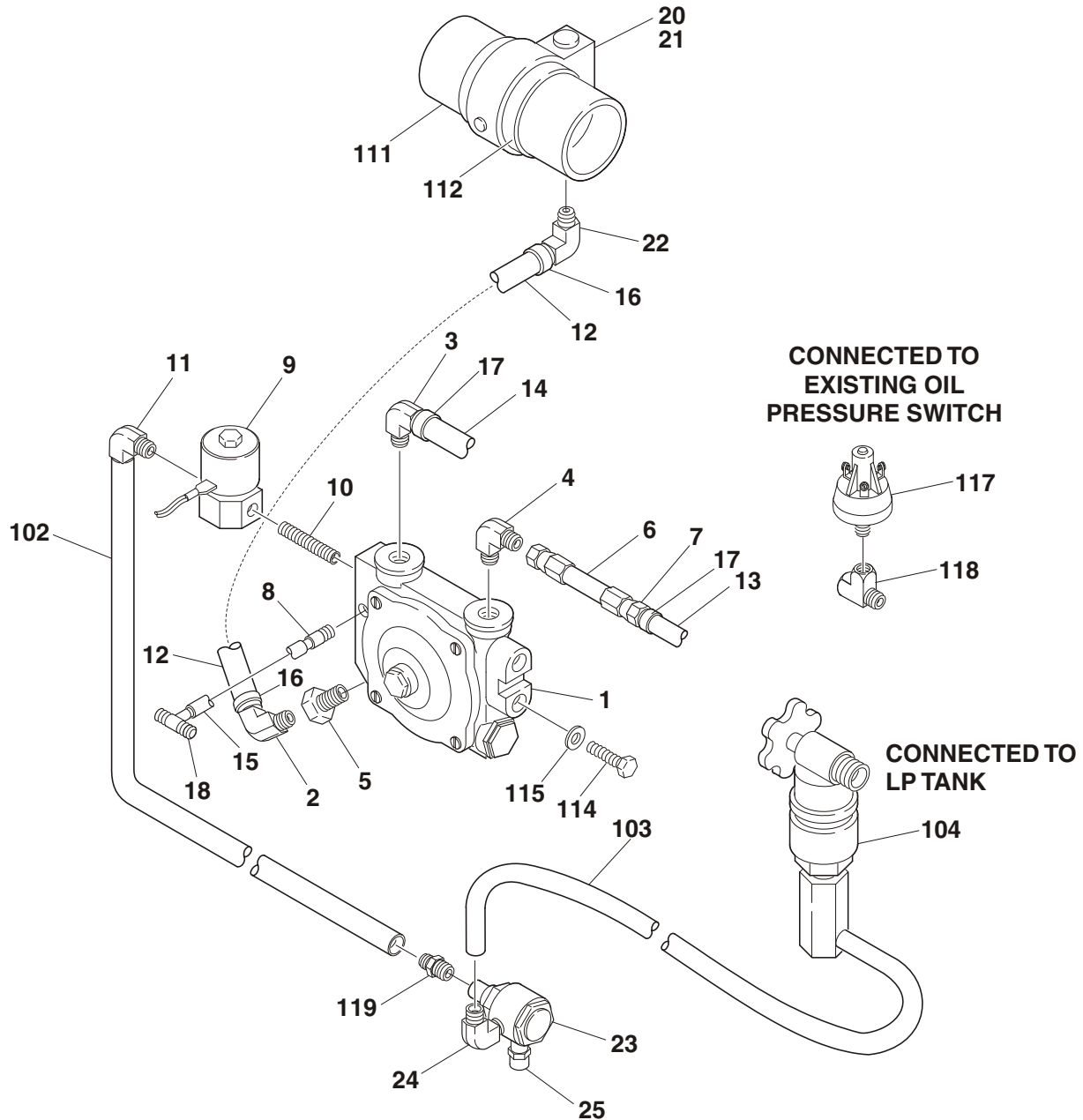
FIG & ITEM #	PART NUMBER	DESCRIPTION	QTY.	REV.
	2000158	ENGINE COMPONENTS	Ref.	B
101	7017653	Carburetor W/Auto Choke	1	
	7017652	Rebuilt Kit - 7017653 Carburetor	1	
	7017641	Gasket - Air Intake to Carburetor	1	
	7017669	Elbow, Carburetor	1	
101A	7017639	Solenoid, Fuel	1	
101B	7017637	Switch, Choke	1	
101C	7017638	Choke, Vacuum	1	
102	7017620	Starter (Not Shown)	1	
103	7017603	Dipstick	1	
104	Use 7019932	Plug, Spark (was p/n 7017608)	3	
105	7017600	Filter, Oil	1	
106	7017606	Coil, Ignition	3	
107	7017607	Boot, Spark Plug	3	
108	Not Used			
109	7017612	Gasket - Inlet (Not Shown)	1	
110	7017613	Gasket - Outlet (Not Shown)	1	
111	7017614	Gasket - Water Pump (Not Shown)	1	
112	7017602	Tube, Dipstick	1	
113	Not Used			
114	7017663	Switch, Water Temperature	1	
115	7017616	V-Belt	1	
116	7017656	Filter, Fuel	1	
117	Not Used			
118	7017657	Pump, Fuel	1	
119	7017621	Module, Ignition	1	
120	7017622	Trigger, Ignition (Not Shown)	1	
121	7017605	Cap, Oil Fill	1	
122	7017604	Plug, Oil Drain (Used Before Code Date 98083100)	2	
	7017654	Plug, Oil Drain (Used After Code Date 98083100)	2	
123	7017615	Pump, Water	1	
124	7017611	Thermostat	1	
125	7017609	Alternator	1	
126	1660229	Coupling, Pump	1	
127	7017667	Link, Governor	1	
128	7017668	Spring, Link	1	
129	7017659	Module, Electronic Ignition	1	
130	7017655	Motor, Servo	1	
131	7023362	Housing, Bell	1	
132	7017646	Flywheel/Ring Gear Assembly (Not Shown)	1	
133	7017670	Stud, Muffler Mount (Not Shown)	4	
	7017671	Nut, Muffler Mount (Not Shown)	4	
134	7024414	Gasket, Muffler (Not Shown)	1	

SECTION 2 GROUND COMPONENTS

SECTION 2 GROUND COMPONENTS

FIGURE 2-5. DUAL FUEL INSTALLATION (VANGUARD MACHINES ONLY)

SECTION 2 GROUND COMPONENTS



SECTION 2 GROUND COMPONENTS

FIGURE 2-5. DUAL FUEL INSTALLATION (VANGUARD MACHINES ONLY)

FIG & ITEM #	PART NUMBER	DESCRIPTION	QTY.	REV.
	2901456	DUAL FUEL KIT	Ref.	C
1	3720011	Regulator, Beam	1	
2	7017513	Fitting, 90° Nylon	1	
3	7017517	Fitting, 90° Barbed Brass	1	
4	7017518	Fitting, 90°	1	
5	7017508	Bushing	1	
6	7017501	Thermostat	1	
7	7017519	Fitting, Straight Barbed	1	
8	7017514	Fitting, Straight Nylon	1	
9	7017500	Solenoid, Fuel Shut-Off	1	
10	7017520	Fitting, Straight Brass Nipple	1	
11	7017521	Fitting, 90° Brass	1	
12	Supply Locally	Hose, Vapor	1ft/0.3m	
13	Supply Locally	Hose, Water	1.4ft/0.43m	
14	Supply Locally	Hose, Water	2ft/0.6m	
15	Supply Locally	Hose, Vacuum	1.8ft/0.55m	
16	Supply Locally	Clamp	2	
17	Supply Locally	Clamp	4	
18	7017512	Fitting, Tee	1	
19	Supply Locally	Tie-Strap (Not Shown)	1	
20	7017511	Adapter, In-Line	1	
21	7017510	Venturi	1	
22	7017513	Fitting, 90°	1	
23	7017504	Filter, Fuel	1	
24	7017521	Fitting, 90° Brass	1	
25	7017505	Valve, Relief	1	
26	Not Used			
27	Supply Locally	Clamp (Not Shown - Located at Oil Pressure Switch)	2	
28	7017521	Fitting, 90° Brass (Not Shown - Located at Oil Pressure Switch)	1	
	0256350	DUAL FUEL INSTALLATION	Ref.	10
101	2901456	Dual Fuel Kit Assembly (Includes Items 1-28)	1	
102	2720426	Hose	1	
103	2720116	Hose	1	
104	2180387	Fitting, Tank Connector	1	
105	Not Used			
106	4360345	Switch, Toggle (Not Shown - Located at Ground Control Box)	1	
107	Not Used			
108	3790012	O-Ring (Not Shown - Located at Ground Control Box)	1	
109	Not Used			
110	1700818	Decal - LP Gas (Not Shown - Located Near LP Tank)	1	
111		Hose, Radiator Options:	2	
	2720433	Prior to S/N 43783		
	2720444	S/N 43783 to Present		

SECTION 2 GROUND COMPONENTS

SECTION 2 GROUND COMPONENTS

FIGURE 2-5. DUAL FUEL INSTALLATION (VANGUARD MACHINES ONLY) (CONTINUED)

SECTION 2 GROUND COMPONENTS

FIG & ITEM #	PART NUMBER	DESCRIPTION	QTY.	REV.
112	1320016	Clamp	2	
113	Not Used			
114	0641405	Bolt 1/4"-20NC x 5/8"	2	
115	4711400	Flatwasher 1/4"	2	
116	0100011	Loctite #242 (Not Shown)	A/R	
117	4360357	Switch, Oil Pressure (S/N 29981 to Present)	1	
118	2180360	Fitting, Tee (S/N 29981 to Present)	1	
119	2180418	Fitting (S/N 43783 to Present)	1	

SECTION 2 GROUND COMPONENTS

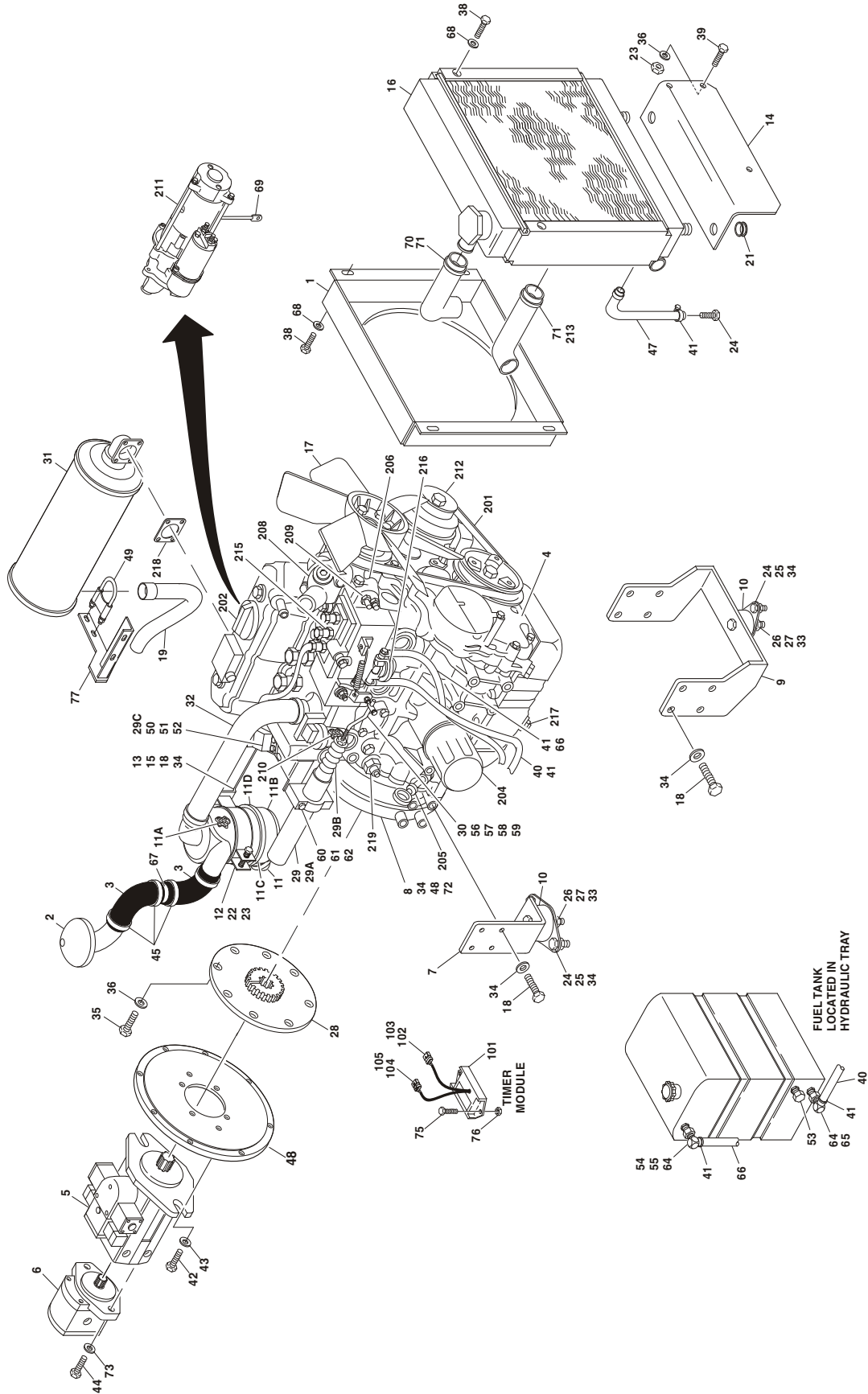
FIGURE 2-5. DUAL FUEL INSTALLATION (VANGUARD MACHINES ONLY) (CONTINUED)

FIG & ITEM #	PART NUMBER	DESCRIPTION	QTY.	REV.

SECTION 2 GROUND COMPONENTS

SECTION 2 GROUND COMPONENTS

FIGURE 2-6. YANMAR DIESEL ENGINE INSTALLATION



SECTION 2 GROUND COMPONENTS

FIGURE 2-6. YANMAR DIESEL ENGINE INSTALLATION

FIG & ITEM #	PART NUMBER	DESCRIPTION	QTY.	REV.
	0256271	ENGINE ASSEMBLY & INSTALLATION	Ref.	14
1	3539693	Shroud, Radiator	1	
2	1340033	Cap, Air Intake	1	
3	0080223	Elbow, Air Intake	2	
4	2000145	Engine, Yanmar 3TNE68 (See Items 101-116 for JLG Serviced Parts)	1	
5		Piston Pump Assembly Options:	1	
	3600256	Prior to S/N 66750 (See Figure 2-7 for Breakdown)		
	3600304	S/N 66750 to Present (See Figure 2-7 for Breakdown)		
6	3600199	Gear Pump Assembly (See Figure 2-8 to Breakdown)	1	
7	0902263	Bracket, Mounting (Rear)	2	
8	0080222	Adapter, Spacer - Flywheel Housing	1	
9	0902265	Bracket, Mounting (Front)	1	
10	3200381	Mount, Motor	3	
11	1340057	Air Cleaner Assembly	1	
11A	7015004	Element, Filter	1	
11B	7015005	Cover Assembly	1	
11C	7015006	Valve, Vacuator	1	
11D	7015007	Latch	2	
12	0340045	Band, Mounting	1	
13	3539692	Plate, Mounting (Air Cleaner)	1	
14	3539465	Plate, Mounting (Radiator)	1	
15	4566987	Tube, Spacer	4	
16	3620037	Radiator	1	
17	2901415	Fan Kit (Includes Mounting Hardware)	1	
18	0701012	Bolt, Metric 10mm x 25mm	20	
19	4567104	Pipe Exhaust	1	
20	0100020	Sealant, Pipe (Not Shown)	A/R	
21	2540032	Grommet	2	
22	0641506	Bolt 5/16"-18NC x 3/4"	2	
23	3311505	Locknut 5/16"-18NC	6	
24	0641608	Bolt 3/8"-16NC x 1"	7	
25	3311605	Locknut 3/8"-16NC	6	
26	0641818	Bolt 1/2"-13NC x 2 1/4"	3	
27	3311805	Locknut 1/2"-13NC	3	
28	1660228	Coupling, Pump	1	
29	Use 2910000	Actuator Assembly (Was p/n 0060038) (See Section 7 for Breakdown)	1	
		Note: Components do not include connectors or terminals.	Ref.	
29A	7016334	Actuator, Throttle (Includes Boot Kit)	1	
29B	7016336	Boot Kit	1	
29C	7016335	Controller	1	
30	3841307	Rod, Throttle	1	
31	3220109	Muffler	1	
32	0080225	Elbow, Air Intake	1	
33	4740274	Washer, Snubbing	3	
34	4761600	Flatwasher 3/8"	27	

SECTION 2 GROUND COMPONENTS

FIGURE 2-6. YANMAR DIESEL ENGINE INSTALLATION (CONTINUED)

FIG & ITEM #	PART NUMBER	DESCRIPTION	QTY.	REV.
35	0700812	Bolt, Metric 8mm x 25mm	27	
36	4751500	Flatwasher 5/16"	11	
37	0100011	Loctite #242 (Not Shown)	A/R	
38	0700805	Bolt, Metric 6mm x 10mm	6	
39	0641508	Bolt 5/16"-18NC x 1"	3	
40	2720058	Hose, Fuel Line (5/16")	6ft/1.8m	
41	1320022	Clamp, Hose	6	
42	0641812	Bolt 1/2"-13NC x 1 1/2"	2	
43	4751800	Flatwasher 1/2"	2	
44		Bolt Options:	2	
	0701012	Bolt, Metric 10mm x 25mm (Prior to S/N 66750)		
	0641608	Bolt, 3/8"-16NC x 1" (S/N 66750 to Present)		
45	1320016	Clamp, Hose	6	
46	1701505	Decal - Diesel Fuel (Not Shown - Located on Hood)	1	
47	2750532	Hose (3/8")	1ft/30.5cm	
48	0080221	Adapter, Pump Mounting	1	
49	1320026	Clamp, U-Bolt	1	
50	0641406	Bolt 1/4"-20NC x 3/4"	4	
51	4751400	Flatwasher 1/4"	4	
52	3311405	Locknut 1/4"-20NC	4	
53		Plug, Pipe Options:	1	
	2200213	Prior to S/N 58575		
	2200233	S/N 58575 to Present		
54		Fitting, 90° Options:	1	
	2200462	Prior to S/N 44924		
	2220648	S/N 44924 to Present		
55	2180666	Fitting, Barbed	1	
56	1660222	Coupling, Throttle	1	
57	3321402	Nut, Jam 1/4"-28NF	1	
58	3321602	Nut, Jam 3/8"-24NF	1	
59	1660220	Swivel, Throttle	1	
60	4740442	Washer, Belleville	1	
61	3900217	Bolt, Socket Head Shoulder	1	
62	0962031	Bushing, Flanged	1	
63	Not Used			
64	2220250	Fitting, Reducer	2	
65	2180348	Fitting, Barbed	1	
66	2720271	Hose, Fuel (3/16")	6	
67	4569675	Tube, Air Intake	1	
68	4811700	Flatwasher 6mm	6	
69	1060221	Strap, Ground (Starter to Engine Tray)	1	
70	2720422	Hose, Radiator (Top)	1	
71		Clamp, Hose Options:	4	
	1320014	Prior to S/N 44432		
	1320033	S/N 44432 to Present		
72	0701015	Bolt, Metric 10mm x 35mm	8	
73	4740185	Washer, Hardened	2	
74	Not Used			

SECTION 2 GROUND COMPONENTS

FIGURE 2-6. YANMAR DIESEL ENGINE INSTALLATION (CONTINUED)

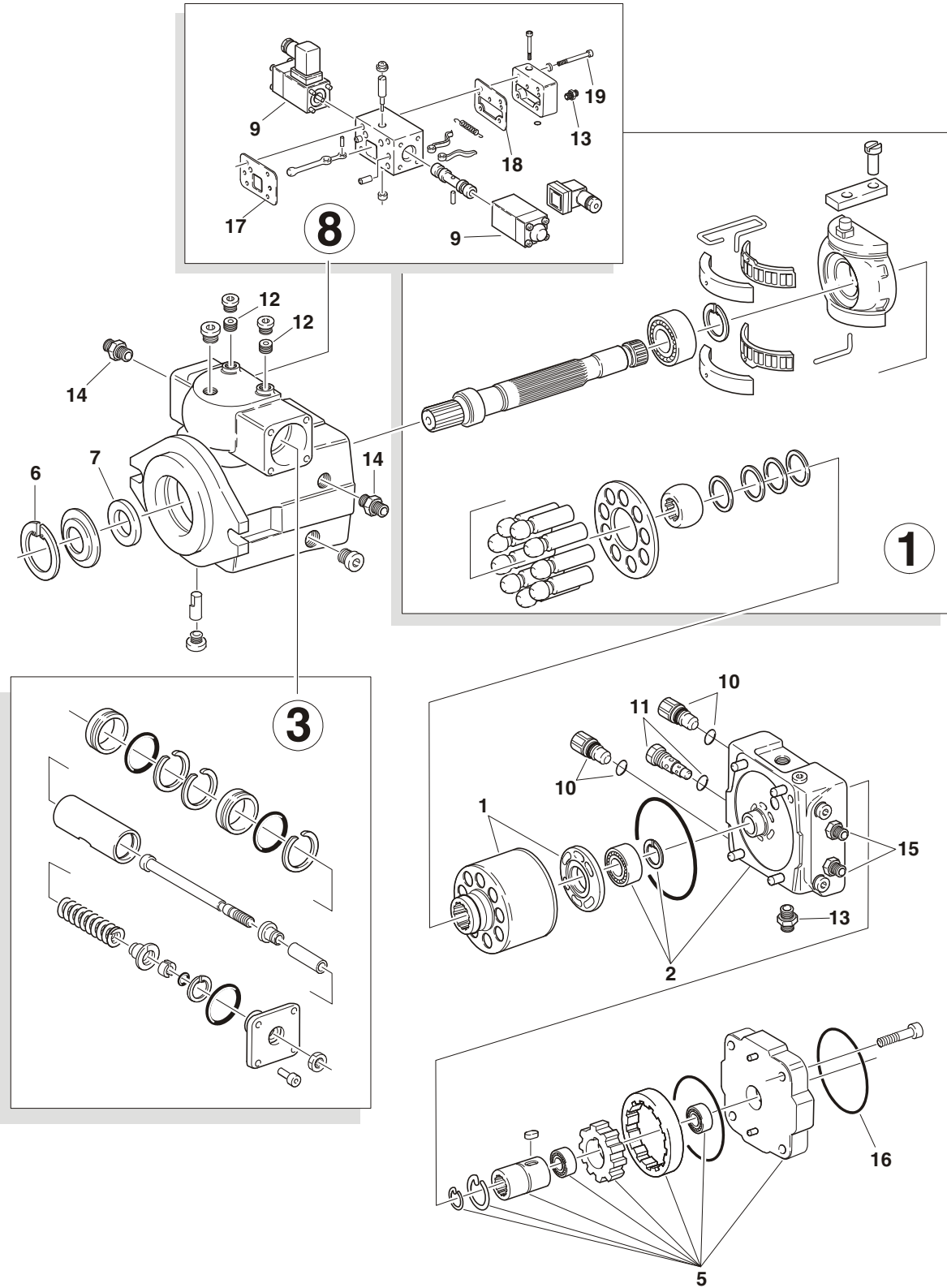
FIG & ITEM #	PART NUMBER	DESCRIPTION	QTY.	REV.
75	0721008	Bolt #10-24NC x 1" (S/N 40093 to Present)	2	
76	3311005	Locknut #10-24NC (S/N 40093 to Present)	2	
77	4845990	Weldment, Muffler Bracket	1	
78 to 79	Not Used			
80	4460234	Mount, Wire Tie (Not Shown)	2	
81	4240033	Wire Tie (Not Shown)	2	
	0257589	TIMER MODULE ASSEMBLY	Ref.	1
101	3740126	Relay, Timer Module	1	
102	4460445	Terminal, Receptacle	1	
103	4460267	Pin, Male	3	
104	4460326	Plug	1	
105	4460268	Socket, Female		
	2000145	ENGINE COMPONENTS	Ref.	
201	7018100	V-Belt	1	
202	7018101	Cap, Oil Fill	1	
203	7018102	Gasket, Valve Cover (Not Shown)	1	
204	7018103	Filter, Oil	1	
205	7018104	Dipstick, Engine Oil Level	1	
206	7018105	Pump, Water	1	
207	7018106	Gasket, Thermostat (Not Shown)	1	
208	7018107	Thermostat	1	
209	7018108	Switch, Water Temperature	1	
210	7018111	Element, Fuel Filter	1	
211	7018112	Starter	1	
212	7018113	Alternator	1	
213	Use 2720431	Hose, Radiator (Bottom) (was p/n 7018115)	1	
214	7018116	Solenoid, ETR Stop (Not Shown)	1	
215	7018117	Pump, Fuel Injection	1	
216	7018118	Pump, Fuel Feed	1	
217	7018975	Case Drain Plug / Seal	1	
218	7018144	Gasket, Muffler	1	
219	7018145	Switch, Oil Pressure	1	
220	7018119	Lever, Regulator (Not Shown)	1	
221	7018146	Fuel Strainer Assembly (Not Shown)	1	
222	7018147	Plug, Glow (Not Shown)	3	

SECTION 2 GROUND COMPONENTS

SECTION 2 GROUND COMPONENTS

FIGURE 2-7. PISTON PUMP ASSEMBLY

SECTION 2 GROUND COMPONENTS



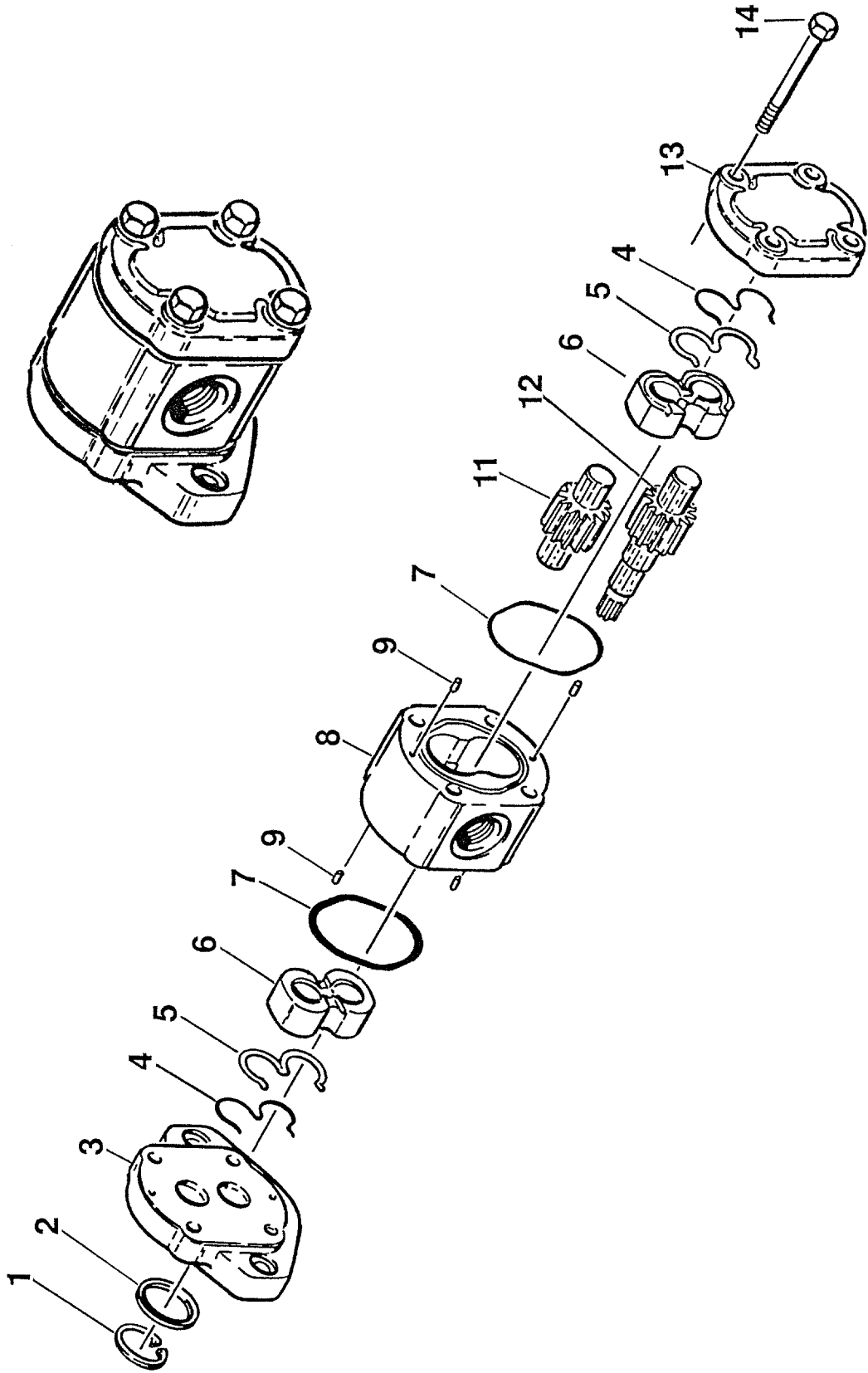
SECTION 2 GROUND COMPONENTS

FIGURE 2-7. PISTON PUMP ASSEMBLY

FIG & ITEM #	PART NUMBER	DESCRIPTION	QTY.	REV.
	3600256	PISTON PUMP ASSEMBLY	Ref.	B
1	7018925	Rotary Group Assembly	1	
2	7018926	Port Plate Assembly (Includes Items 10 & 11)	1	
3	7018927	Stroking Cylinder Assembly	1	
4	Not Used			
5	7018929	Connecting Plate Assembly	1	
6	7018930	Ring, Retaining	1	
7	7018931	Seal, Shaft	1	
8	7018932	Proportional Valve Assembly (Includes Item 9)	1	
9	7018933	Coil, Solenoid	2	
10	7018934	Cartridge, Valve - High Pressure Relief	2	
11	7018935	Cartridge, Valve - Boost Oil Pressure Relief	1	
12	7018936	Orifice	2	
13	7018937	Fitting, Adapter	2	
14	7018938	Fitting, Adapter	2	
15	7018939	Fitting, Adapter	1	
16	7018953	O-Ring	1	
17	7018983	Gasket	1	
18	7018984	Gasket	1	
19	7024016	Screw M6 x 55mm	4	
	7018940	Seal Kit - Complete External	1	

SECTION 2 GROUND COMPONENTS

FIGURE 2-8. GEAR PUMP ASSEMBLY (YANMAR ENGINE)



SECTION 2 GROUND COMPONENTS

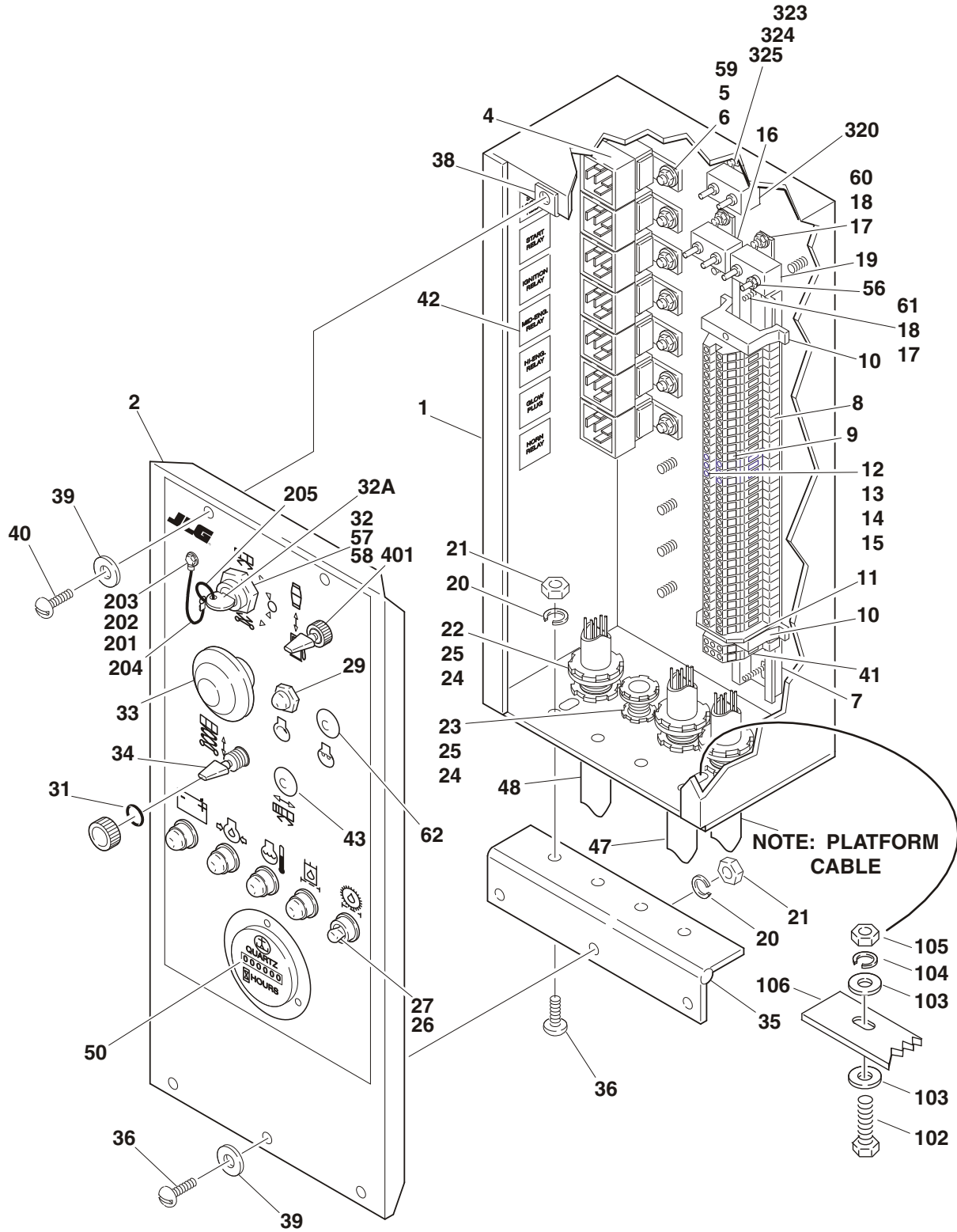
FIGURE 2-8. GEAR PUMP ASSEMBLY (YANMAR ENGINE)

FIG & ITEM #	PART NUMBER	DESCRIPTION	QTY.	REV.
	3600199	GEAR PUMP ASSEMBLY	Ref.	—
1	7010955	Ring, Retaining	1	
2	Kit	Seal, Shaft	1	
3	7010956	Flange, Mounting	1	
4	Kit	Ring, Back-Up	2	
5	Kit	E-Seal	2	
6	7010957	Bearing	2	
7	Kit	O-Ring	2	
8	7010958	Housing	1	
9	7010959	Pin, Dowel	4	
10	Not Used			
11	7010594	Gear, Idler	1	
12	7010978	Gear, Drive	1	
13	7010960	Cover, End	1	
14	7010961	Bolt	4	
	7010953	Seal Kit (Includes Items 2, 4, 5, & 7)	1	

SECTION 2 GROUND COMPONENTS

FIGURE 2-9. GROUND CONTROLS INSTALLATION

SECTION 2 GROUND COMPONENTS



SECTION 2 GROUND COMPONENTS

FIGURE 2-9. GROUND CONTROLS INSTALLATION

FIG & ITEM #	PART NUMBER	DESCRIPTION	QTY.	REV.
		GROUND CONTROL BOX ASSEMBLY OPTIONS:	Ref.	
	0256308	Vanguard (Prior to S/N 35428)	Ref.	6
	0256740	Vanguard (S/N 35428 to Present)	Ref.	6
	0256309	Yanmar (Prior to S/N 35428)	Ref.	6
	0256741	Yanmar (S/N 35428 to Present)	Ref.	4
1		Box Options:	1	
	4844562	Prior to S/N 70893		
	0861338	S/N 70893 to Present		
2	3252491	Lid	1	
3	4420037	Strip, Rubber	3ft/1m	
4	3740049	Relay	A/R	
5	4761400	Lockwasher 1/4"	A/R	
6	3311401	Locknut 1/4"-20NC	A/R	
7	3640865	Rail, Terminal	1	
8	4460298	Block, Terminal	35	
9	4460301	Marker, Terminal (1-50)	1	
10	4460299	Stop, Terminal	2	
11	4460300	Barrier, Terminal	1	
12	4460309	Bar, Buss - 3 Position	1	
13	4460305	Screw, Buss Bar	3	
14	4460306	Washer, Buss Bar	3	
15	4460307	Sleeve, Buss Bar	3	
16	4360216	Breaker, Circuit - 30 Amp	1	
17	4770600	Starwasher #6	4	
18	3310601	Nut #6-32NC	4	
19	4360232	Breaker, Circuit - 15 Amp	1	
20	4761000	Lockwasher #10	A/R	
21	3311001	Nut #10-24NC	10	
22	4460051	Connector, Strain Relief - 3/4"	A/R	
23	4460071	Connector, Strain Relief - 1/2"	2	
24	3300048	Locknut, Conduit	4	
25	0960238	Bushing	4	
26	2920028	Lamp - Yellow	5	
27	2920029	Bulb, Light	5	
28	Not Used			
29	4360387	Switch, Push Button	1	
30	0100035	Loctite (Not Shown)	A/R	
31	3790012	O-Ring	1	
32	4360431	Switch, Key	1	
32A	7016339	Key, Replacement	1	
33	4360395	Switch, Mushroom (Prior to S/N 58371)	1	
	7016315	Cap	1	
	4360289	Switch, Mushroom (S/N 58371 to Present)	1	
	7012611	Cap	1	
	7012612	Boot	1	
34	4360314	Switch, Toggle	1	
35	2600161	Hinge	1	

SECTION 2 GROUND COMPONENTS

SECTION 2 GROUND COMPONENTS

FIGURE 2-9. GROUND CONTROLS INSTALLATION (CONTINUED)

FIG & ITEM #	PART NUMBER	DESCRIPTION	QTY.	REV.
36	3911008	Screw #10-24NC x 1/2"	7	
37	3990010	Diode, 600V (Not Shown)	2	
38	3300177	Nut, Tinnerman	2	
39	4740120	Washer, Nylon	5	
40	0750806	Screw #8-32NC x 3/4"	2	
41	4460303	Terminal, Ground Block	2	
42	1701683	Decal - Relay Function	1	
43	3520026	Plug	1	
44	4460234	Mount, Cable Tie (Not Shown)	11	
45	2420033	Wire, Tie (Not Shown)	11	
46		Harness - Ground Control Box Options (See Section 7 for Breakdown) (Not Shown):	1	
	4921836	Prior to S/N 35428		
	4921897	S/N 35428 to Present		
47		Harness - Engine Options: (See Section 7 for Breakdown)	1	
	4921837	Vanguard (Prior to S/N 35428)		
	4921898	Vanguard (S/N 35428 to S/N 48113)		
	4922182	Vanguard (S/N 48113 to Present)		
	4921839	Yanmar (Prior to S/N 35428)		
	4921900	Yanmar (S/N 35428 to Present)		
48		Harness - Valve Options: (See Section 7 for Breakdown)	1	
	4921838	Prior to S/N 35428		
	4921899	S/N 35428 to Present		
49	Not Used			
50	2420009	Hourmeter	1	
51	Not Used			
52		Harness - Light Bank Diode Options: (Not Shown) (See Section 7 for Breakdown)	1	
	4921907	Prior to S/N 35428		
	4921910	S/N 35428 to Present		
53		Harness - Steer Dump Options: (Not Shown) (See Section 7 for Breakdown)	1	
	4921906	Prior to S/N 35428		
	4921909	S/N 35428 to Present		
54		Harness - High Engine Lift Options: (Not Shown) (See Section 7 for Breakdown) (S/N 32436 to Present)	1	
	4621905	Vanguard (Prior to S/N 35428)		
	4621908	Vanguard (S/N 35428 to Present)		
	Not Required	Yanmar		
55		Harness - Mid Engine Lockout Options: (Not Shown) (See Section 7 for Breakdown) (S/N 32436 to Present)	1	
	4921960	Prior to S/N 35428		
	4921961	S/N 35428 to Present		
56	3321001	Nut #10-32NF	4	
57	4070987	Shim, Nylon (S/N 65027 to Present)	5	
58	3910804	Screw #8-32NC x 1/4" (S/N 65027 to Present)	6	
59	0641406	Bolt 1/4"-20NC x 3/4" (S/N 70893 to Present)	A/R	
60	0721004	Bolt #10-24NC x 1/2" (S/N 70893 to Present)	3	
61	0722603	Bolt #6-32NC x 3/8" (S/N 70893 to Present)	4	

SECTION 2 GROUND COMPONENTS

SECTION 2 GROUND COMPONENTS

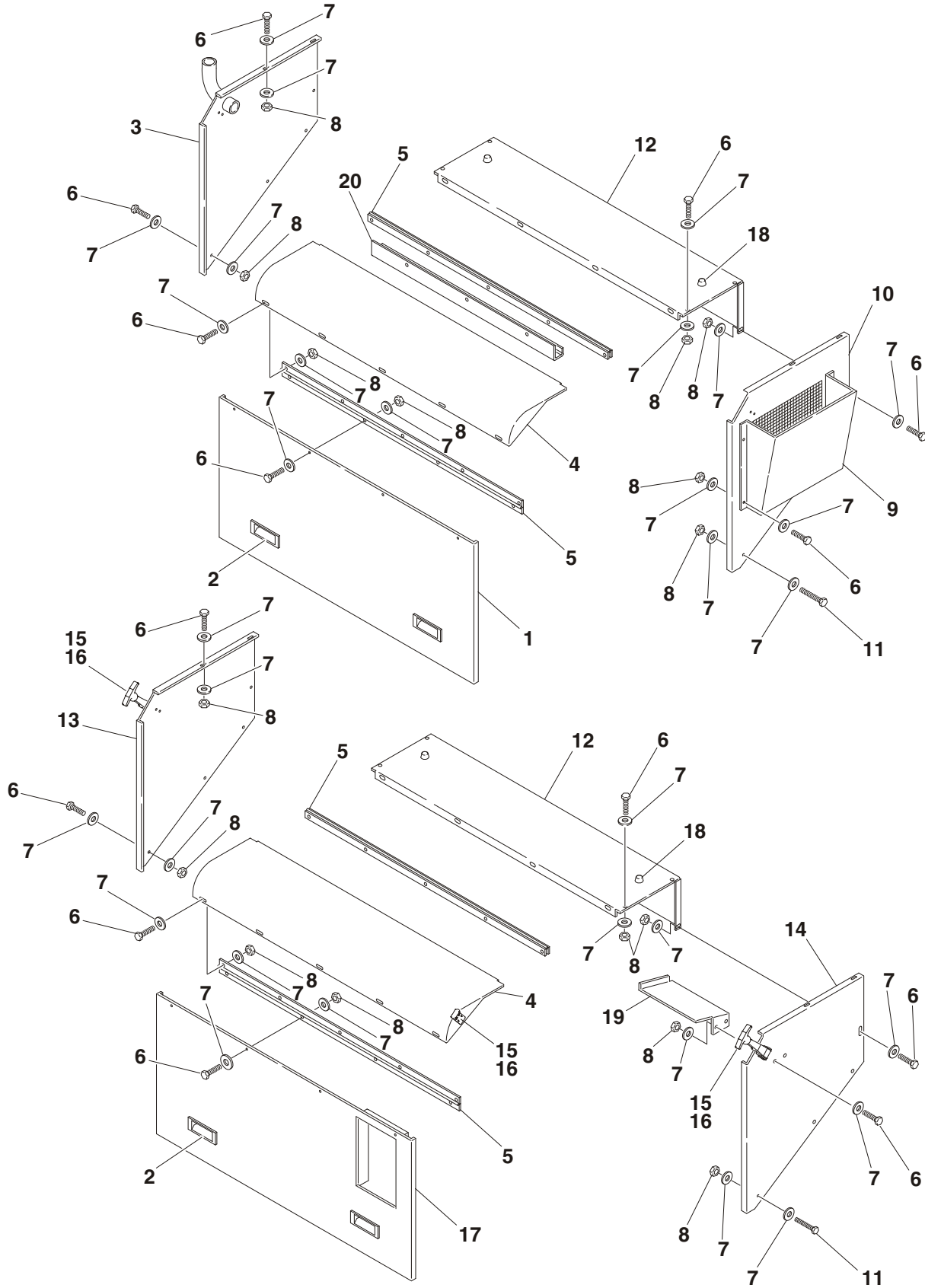
FIGURE 2-9. GROUND CONTROLS INSTALLATION (CONTINUED)

FIG & ITEM #	PART NUMBER	DESCRIPTION	QTY.	REV.
62		Component Options:	1	
	3520026	Plug (Vanguard Engine)		
	4360387	Switch, Push Button (Yanmar Engine)		
		GROUND CONTROL BOX INSTALLATION OPTIONS:	Ref.	
	0256310	Vanguard Engine	Ref.	2
	0256311	Yanmar Engine	Ref.	2
101	Not Used			
102	0641410	Bolt 1/4"-20NC x 1 1/4"	2	
103	4751400	Flatwasher 1/4"	4	
104	4761400	Lockwasher 1/4"	2	
105	3311401	Nut 1/4"-20NC	2	
106	0362591	Bar, Brace	1	
	0256536	KEY ATTACH ASSEMBLY	Ref.	A
201	0641405	Bolt 1/4"-20NC x 5/8"	1	
202	4751400	Flatwasher 1/4"	2	
203	3311405	Locknut 1/4"-20NC	1	
204	1060379	Lanyard	1	
205	3760170	Ring	1	
		OPTIONAL WORKLIGHTS INSTALLATION OPTIONS:	Ref.	
	0256535	Standard Rails	Ref.	3
	0258925	Fold-Down Rails	Ref.	1
301 to 319	Not Used			
320	4360448	Breaker, Circuit 10 Amp	1	
321 to 322	Not Used			
323	4761000	Lockwasher #10	1	
324	3311001	Locknut #10-24NC	1	
325	3911008	Bolt #10-24NC x 1/2"	1	
	0256692	PLATFORM EXTENSION INTERLOCK INSTALLATION (NOT SHOWN)	Ref.	—
	4120013	Socket, Relay	1	
	3740058	Relay	1	
	3740063	Clip, Spring	1	
	0256350	DUAL FUEL INSTALLATION (OPTIONAL)	Ref.	10
401	4360345	Switch, Toggle (Select)	1	
	3790012	O-Ring	1	

SECTION 2 GROUND COMPONENTS

SECTION 2 GROUND COMPONENTS

FIGURE 2-10. HOOD INSTALLATIONS



NOTE: REPLACEMENT DECALS MUST BE ORDERED SEPARATELY - SEE SECTION 8.

SECTION 2 GROUND COMPONENTS

SECTION 2 GROUND COMPONENTS

FIGURE 2-10. HOOD INSTALLATIONS

FIG & ITEM #	PART NUMBER	DESCRIPTION	QTY.	REV.
	0256292	HOOD INSTALLATION	Ref.	7
1	4845301	Door, Side (Engine Side)	1	
2	2560124	Handle, Lift	4	
3	4845297	Panel (Engine Side Rear)	1	
4	4845300	Door, Top	2	
5	2600217	Hinge	4	
6	0641405	Bolt 1/4"-20NC x 5/8"	48	
7	4711400	Flatwasher 1/4" (Narrow)	106	
8	3311405	Locknut 1/4"-20NC	53	
9	3539690	Plate, Air Intake	1	
10	4845296	Panel (Engine Side Front)	1	
11	0641406	Bolt 1/4"-20NC x 3/4"	5	
12	3539542	Panel, Top	2	
13	3539701	Panel (Valve Side Rear)	1	
14	3539700	Panel (Valve Side Front)	1	
15	2940095	Latch, Rubber	4	
16	3820019	Rivet	16	
17	4845316	Door, Side (Valve Side)	1	
18	0940036	Bumper	4	
19	4060925	Shield	1	
20	3571696	Plate, J-Channel (S/N 67933 to Present)	1	

SECTION 2 GROUND COMPONENTS

SECTION 2 GROUND COMPONENTS

FIGURE 2-10. HOOD INSTALLATIONS (CONTINUED)

**S
E
C
T
I
O
N

2

G
R
O
U
N
D

C
O
M
P
O
N
E
N
T
S**

FIG & ITEM #	PART NUMBER	DESCRIPTION	QTY.	REV.

SECTION 3 SCISSOR ARMS

TABLE OF CONTENTS		
FIGURE	DESCRIPTION	PAGE
3-1	Scissor Arms Installation.	3-2
3-2	Arm Guards Installation (Prior to S/N 54142)	3-6
3-3	Arm Guards Installation (S/N 54142 to Present).	3-10

**S
E
C
T
I
O
N

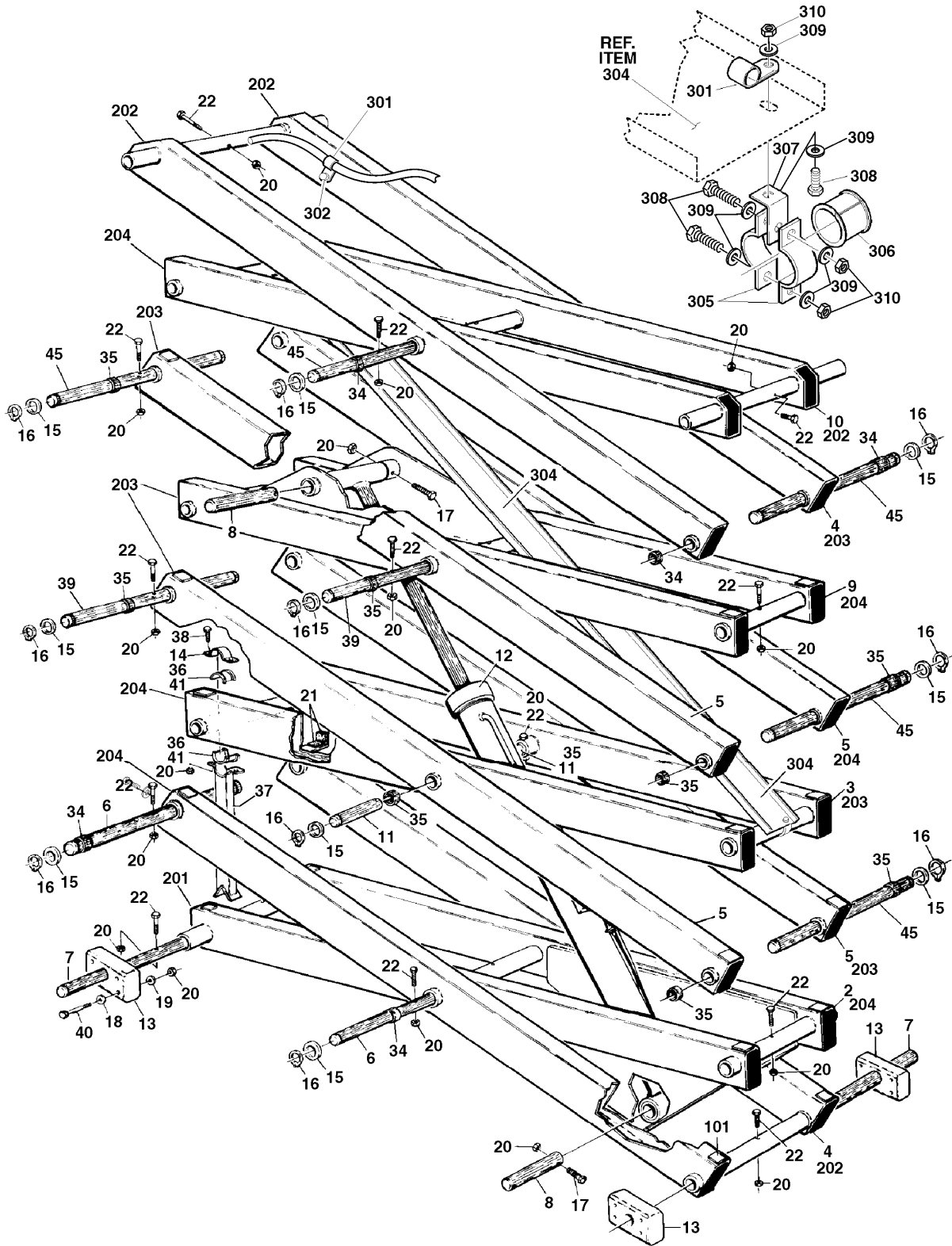
3

S
C
I
S
S
O
R

A
R
M
S**

SECTION 3 SCISSOR ARMS

FIGURE 3-1. SCISSOR ARMS INSTALLATION



SECTION 3 SCISSOR ARMS

SECTION 3 SCISSOR ARMS

FIGURE 3-1. SCISSOR ARMS INSTALLATION

FIG & ITEM #	PART NUMBER	DESCRIPTION	QTY.	REV.
		SCISSOR ARMS INSTALLATIONS	Ref.	
	0256355	Standard Machines	Ref.	12
1	Not Used			
2	0200531	Arm Weldment (Bottom Inboard)	1	
3	0200532	Arm Weldment (Lower Mid Inboard)	1	
4	0200533	Arm Weldment (Bottom & Top Outboard)	2	
5	0200537	Arm Weldment (Lower & Upper Mid Outboard)	4	
6	3422483	Pin	2	
7	3422487	Pin	2	
8	3422485	Pin	2	
9	0200535	Arm Weldment (Upper Mid Inboard)	1	
10	0200536	Arm Weldment (Top Inboard)	1	
11	3422488	Pin	2	
12		Lift Cylinder Assembly Options: (See Section 5 for Break-down)	1	
	1683363	Prior to S/N 26916		
	1683474	S/N 26916 to Present		
13	3340807	Pad, Slide	4	
14	4240125	Strap	1	
15	4740438	Washer, Special	14	
16	3760387	Ring, Retaining	14	
17	0641522	Bolt 5/16"-18NC x 2 3/4" (Not Shown)	2	
18	4711500	Flatwasher 5/16" (Narrow)	8	
19	4751500	Flatwasher 5/16"	8	
20	3311505	Locknut 5/16"-18NC	24	
21		Pad Options:	3	
	3340645	Prior to S/N 47184		
	3340841	S/N 47184 to Present		
22	0681520	Bolt 5/16"-18NC x 2 1/2" (Grade 8)	12	
23 to 33	Not Used			
34	0962010	Bushing, Garmax	8	
35	0962010	Bushing, Garmax	12	
36	0962015	Bushing, Split (Prior to S/N 27285 Only)	1	
37		Safety Prop Options:	1	
	4845040	Prior to S/N 27285		
	4845431	S/N 27285 to S/N 42356		
	4845475	S/N 42356 to Present		
38	0641508	Bolt 5/16"-18NC x 1"	2	
39		Pin, Options:	2	
	3422554	Prior to S/N 37797		
	3422597	S/N 37797 to Present		
40	0641516	Bolt 5/16"-18NC x 2"	8	
41	4240128	Strap (S/N 30515 to Present)	1	
42 to 44	Not Used			
45	3422483	Pin	5	

SECTION 3 SCISSOR ARMS

SECTION 3 SCISSOR ARMS

FIGURE 3-1. SCISSOR ARMS INSTALLATION (CONTINUED)

FIG & ITEM #	PART NUMBER	DESCRIPTION	QTY.	REV.
		Arm Kit Options: (Includes Items 2-5, 9, 10 & 37)	1	
	2901352	Prior to S/N 42356		
	2901504	S/N 42356 to Present		
	0252587	ARM PADS INSTALLATION	Ref.	3
101		Pads Options:	24	
	3340645	Prior to S/N 47189		
	3340841	S/N 47189 to Present		
	0256064	ARM CAPS INSTALLATION	Ref.	2
201	1120474	Cap, Arm	2	
202	1120475	Cap, Arm	6	
203	1120472	Cap, Arm	14	
204	1120473	Cap, Arm	10	
205	0100080	Adhesive (Not Shown)	A/R	
	0256608	TRAY & CLAMPS INSTALLATION	Ref.	5
301	1320061	Clamp	12	
302	3941406	Screw, Self-Tapping 1/4" x 3/4"	8	
303	4240127	Tie-Strap (Not Shown)	16	
304	3539265	Tray	1	
305	4240125	Strap	4	
306	0962015	Bushing, Split	2	
307	4240116	Strap, Mounting	2	
308		Bolt Options:	A/R	
	0641406	Bolt 1/4"-20NC x 3/4" (Prior to S/N 48299)	8	
	0641508	Bolt 5/16"-18NC x 1" (S/N 48299 to Present)	6	
309		Flatwasher Options:	A/R	
	4751400	Flatwasher 1/4" (Prior to S/N 48299)	20	
	4751500	Flatwasher 5/16" (S/N 48299 to Present)	12	
310		Locknut 1/4"-20NC	A/R	
	3311405	Locknut 1/4"-20NC (Prior to S/N 48299)	10	
	3311505	Locknut 5/16"-18NC (S/N 48299 to Present)	6	
311	4240033	Tie-Strap (Not Shown)	30	
312	4460052	Connector, Strain Relief (Not Shown - Located on Platform)	1	
313	2540002	Grommet, Nylon (Not Shown)	A/R	

SECTION 3 SCISSOR ARMS

SECTION 3 SCISSOR ARMS

FIGURE 3-1. SCISSOR ARMS INSTALLATION (CONTINUED)

FIG & ITEM #	PART NUMBER	DESCRIPTION	QTY.	REV.

**S
E
C
T
I
O
N

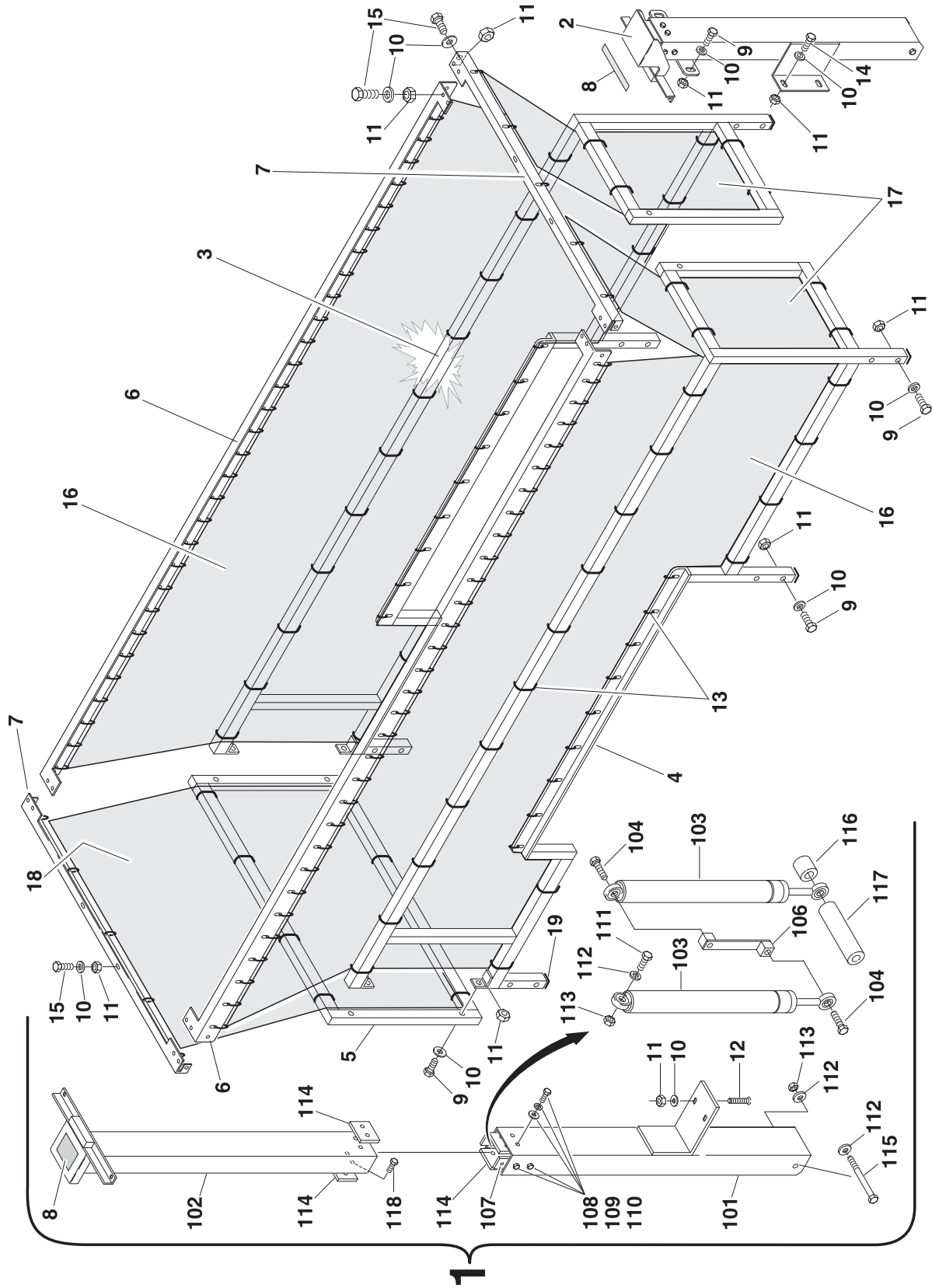
3

S
C
I
S
S
O
R

A
R
M
S**

SECTION 3 SCISSOR ARMS

FIGURE 3-2. ARM GUARDS INSTALLATION (PRIOR TO S/N 54142)



SECTION 3 SCISSOR ARMS

SECTION 3 SCISSOR ARMS

FIGURE 3-2. ARM GUARDS INSTALLATION (PRIOR TO S/N 54142)

FIG & ITEM #	PART NUMBER	DESCRIPTION	QTY.	REV.
	0256724	ARM GUARDS INSTALLATION	Ref.	A
1	0256713	Actuator Assembly (Rear) (See Items 101-118 for Break-down)	1	
2	0256714	Actuator Assembly (Front) (See Items 101-118 for Break-down)	1	
3	4845386	Frame Side Weldment (Left)	1	
4	4845387	Frame Side Weldment (Right)	1	
5	4845389	Frame Rear Weldment	1	
6	0181897	Angle, Side	2	
7	0181898	Angle, End	2	
8	4420055	Tape	6in/15cm	
9	0641416	Bolt 1/4"-20NC x 2"	18	
10	4711400	Flatwasher 1/4" (Narrow)	76	
11	3311405	Locknut 1/4"-20NC	40	
12	4300032	Stud (Welded on Part)	2	
13	4240033	Tie-Strap	150	
14	0641408	Bolt 1/4"-20NC x 1"	4	
15	0641406	Bolt 1/4"-20NC x 3/4"	16	
16	0480097	Belt, Mesh (Side)	2	
17	0480099	Belt, Mesh (Front)	2	
18	0480098	Belt, Mesh (Rear)	1	
19	3520072	Plug, Tube	18	
		ACTUATOR ASSEMBLIES	Ref.	
	0256713	Actuator Assembly (Rear)	Ref.	—
	0256714	Actuator Assembly (Front)	Ref.	—
101		Tube, Outer Options:	1	
	4567088	Rear		
	4567087	Front		
102		Tube, Inner Options:	1	
	4567099	Rear		
	4567100	Front		
103	4160136	Spring, Gas	2	
104	0641509	Bolt 5/16"-18NC x 1 1/8"	2	
105	0100011	Loctite (Not Shown)	A/R	
106	4845370	Link, Gas Spring	1	
107	3340781	Pad, Wear	2	
108	0641604	Bolt 3/8"-16NC x 1/2"	8	
109	4751600	Flatwasher 3/8"	8	
110	4761600	Lockwasher 3/8"	8	
111	0641516	Bolt 5/16"-18NC x 2"	1	
112	4751500	Flatwasher 5/16"	4	
113	3311505	Locknut 5/16"-18NC	2	
114	3340780	Pad, Wear	4	
115	0641536	Bolt 5/16"-18NC x 4 1/2"	1	
116	0962974	Bushing	1	

SECTION 3 SCISSOR ARMS

SECTION 3 SCISSOR ARMS

FIGURE 3-2. ARM GUARDS INSTALLATION (PRIOR TO S/N 54142) (CONTINUED)

FIG & ITEM #	PART NUMBER	DESCRIPTION	QTY.	REV.
117	0962975	Bushing	1	
118	3900213	Capscrew, Button Head 3/8"-16NC x 3/8"	4	

**S
E
C
T
I
O
N

3

S
C
I
S
S
O
R

A
R
M
S**

SECTION 3 SCISSOR ARMS

FIGURE 3-2. ARM GUARDS INSTALLATION (PRIOR TO S/N 54142) (CONTINUED)

FIG & ITEM #	PART NUMBER	DESCRIPTION	QTY.	REV.

**S
E
C
T
I
O
N

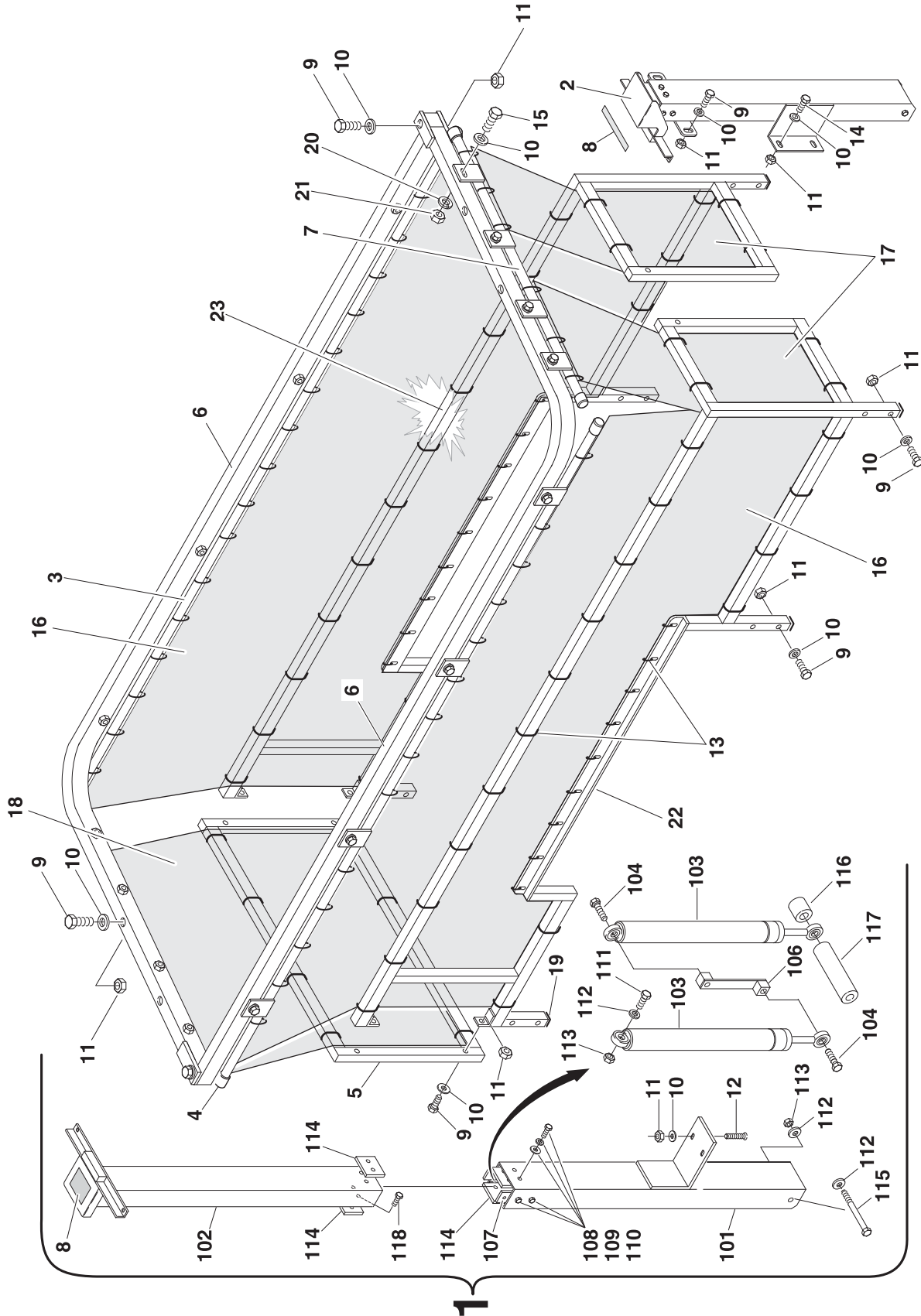
3

S
C
I
S
S
O
R

A
R
M
S**

SECTION 3 SCISSOR ARMS

FIGURE 3-3. ARM GUARDS INSTALLATION (S/N 54142 TO PRESENT)



SECTION 3 SCISSOR ARMS

SECTION 3 SCISSOR ARMS

FIGURE 3-3. ARM GUARDS INSTALLATION (S/N 54142 TO PRESENT)

FIG & ITEM #	PART NUMBER	DESCRIPTION	QTY.	REV.
	0258690	ARM GUARDS INSTALLATION	Ref.	2
1	0256713	Actuator Assembly (Rear) (See Items 101-118 for Break-down)	1	
2	0256714	Actuator Assembly (Front) (See Items 101-118 for Break-down)	1	
3	4845386	Frame Side Weldment (Left)	2	
4	1120514	Cap, Plastic	8	
5	4845389	Frame Rear Weldment	1	
6	4845839	Top Rail Weldment	2	
7	4845841	Weldment, End	2	
8	4420055	Tape	6in/15cm	
9	0641416	Bolt 1/4"-20NC x 2"	24	
10	4711400	Flatwasher 1/4" (Narrow)	94	
11	3311405	Locknut 1/4"-20NC	42	
12	4300032	Stud (Welded on Part)	2	
13	4240033	Tie-Strap	150	
14	0641408	Bolt 1/4"-20NC x 1"	4	
15	0641406	Bolt 1/4"-20NC x 3/4"	12	
16	0480097	Belt, Mesh (Side)	2	
17	0480099	Belt, Mesh (Front)	2	
18	0480098	Belt, Mesh (Rear)	1	
19	3520072	Plug, Tube	20	
20	4761400	Lockwasher 1/4"	12	
21	2080043	Fastener, Rivnut 1/4"-20NC	12	
22	4845387	Weldment, Arm Guard (Right Side)	1	
23	4845386	Weldment, Arm Guard (Left Side)	1	
		ACTUATOR ASSEMBLIES	Ref.	
	0256713	Actuator Assembly (Rear)	Ref.	—
	0256714	Actuator Assembly (Front)	Ref.	—
101		Tube, Outer Options:	1	
	4567088	Rear		
	4567087	Front		
102		Tube, Outer Options:	1	
	4567099	Rear		
	4567100	Front		
103	4160136	Spring, Gas	2	
104	0641509	Bolt 5/16"-18NC x 1 1/8"	2	
105	0100011	Loctite (Not Shown)	A/R	
106	4845370	Link, Gas Spring	1	
107	3340781	Pad, Wear	2	
108	0641604	Bolt 3/8"-16NC x 1/2"	8	
109	4751600	Flatwasher 3/8"	8	
110	4761600	Lockwasher 3/8"	8	
111	0641516	Bolt 5/16"-18NC x 2"	1	
112	4751500	Flatwasher 5/16"	4	

SECTION 3 SCISSOR ARMS

SECTION 3 SCISSOR ARMS

FIGURE 3-3. ARM GUARDS INSTALLATION (S/N 54142 TO PRESENT) (CONTINUED)

FIG & ITEM #	PART NUMBER	DESCRIPTION	QTY.	REV.
113	3311505	Locknut 5/16"-18NC	2	
114	3340780	Pad, Wear	4	
115	0641536	Bolt 5/16"-18NC x 4 1/2"	1	
116	0962074	Bushing	1	
117	0962075	Bushing	1	
118	3900213	Capscrew, Button Head 3/8"-16NC x 3/8"	4	

SECTION 3 SCISSOR ARMS

SECTION 4 PLATFORM

TABLE OF CONTENTS		
FIGURE	DESCRIPTION	PAGE
4-1	Platform Components Installation - Manual Operated Extension	4-2
4-2	Standard Handrails & Extension Installation (Manually Operated Platform)	4-6
4-3	Platform Console Box Assembly	4-10
4-4	Controller Assembly (Prior to S/N 58990)	4-14
4-5	Controller Assembly (S/N 58990 to Present)	4-16

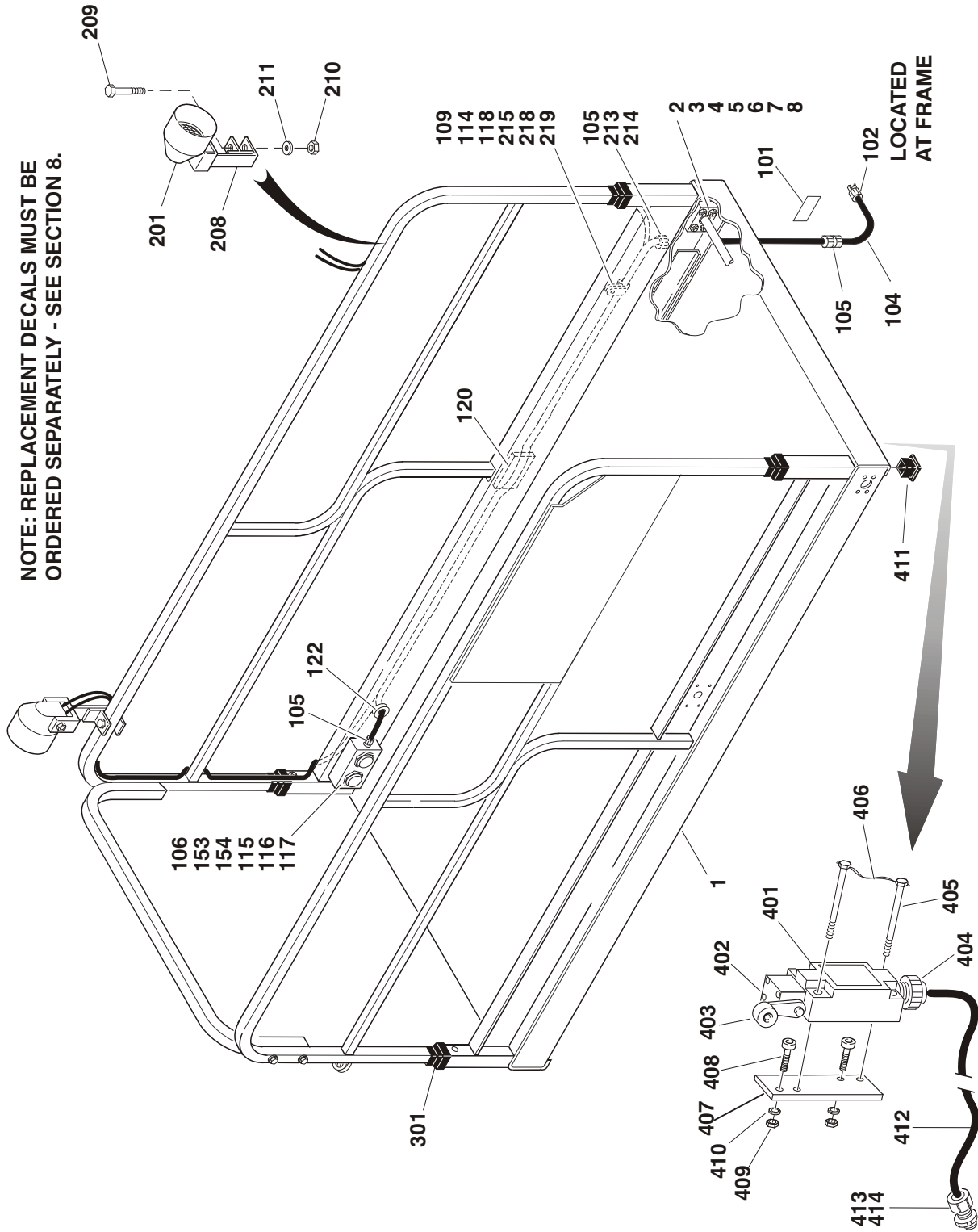
**S
E
C
T
I
O
N

4

P
L
A
T
F
O
R
M**

SECTION 4 PLATFORM

FIGURE 4-1.PLATFORM COMPONENTS INSTALLATION - MANUALLY OPERATED EXTENSION



FORMER PLATFORM 4 ZONE

SECTION 4 PLATFORM

FIGURE 4-1. PLATFORM COMPONENTS INSTALLATION - MANUALLY OPERATED EXTENSION

FIG & ITEM #	PART NUMBER	DESCRIPTION	QTY.	REV.
	0256558	PLATFORM INSTALLATION	Ref.	2
1	3510541	Platform Weldment	1	
2	3340629	Block, Slide Pad	4	
3	3421895	Pin, Attach	2	
4		Bushing, Spacer Options:	4	
	0962069	Prior to S/N 42615		
	0962154	S/N 42615 to Present		
5	0641522	Bolt 5/16"-18NC x 2 3/4"	8	
6	4751500	Flatwasher 5/16"	8	
7	4711500	Flatwasher 5/16" (Narrow)	8	
8	3311505	Locknut 5/16"-18NC	8	
		RECEPTACLE INSTALLATION OPTIONS:	Ref.	
	0256534	110Volt AC Receptacle (Prior to S/N 41017)	Ref.	A
	0256951	220Volt AC Receptacle (Standard)	Ref.	3
	0258293	220Volt AC Receptacle (Australian Spec)	Ref.	2
101		Nameplate Options:	1	
	3251243	120V/60HZ		
	3252507	220V/60HZ		
102	Supply Locally	Plug, Connector	1	
103	Not Used			
104	1060308	Cable, Electrical - 12/3	49ft/15m	
105	4460051	Connector, Strain Relief	A/R	
106	0860038	Box, Receptacle	1	
107	Not Used			
108	Not Used			
109	1320061	Clamp	3	
110 to 113	Not Used			
114	3311505	Locknut 5/16"-18NC	A/R	
115		Hardware Options:	A/R	
	0721006	Bolt #10-24NC x 3/4" (Prior to S/N 44279)		
	3900256	Self-Tapping #10-24NC x 1 1/4" (S/N 44279 to Present)		
116	4711000	Flatwasher #10	A/R	
117	4761000	Lockwasher #10	A/R	
118	0641505	Bolt 5/16"-18NC x 5/8"	26	
119	4240033	Tie-Strap (Not Shown)	16	
120	2820025	Guard, Plastic Spring	1	
121	Not Used			
122	2540002	Grommet, Nylon	A/R	
	0256535	OPTIONAL WORKLIGHTS INSTALLATION	Ref.	3
201	2920111	Worklight	2	
202	1060341	Cable, Electrical - 16/2 (Not Shown)	65ft/20m	
203 to 207	Not Used			

SECTION 4 PLATFORM

SECTION 4 PLATFORM

FIGURE 4-1. PLATFORM COMPONENTS INSTALLATION - MANUALLY OPERATED EXTENSION

FIG & ITEM #	PART NUMBER	DESCRIPTION	QTY.	REV.
208	0901930	Bracket	2	
209	0641416	Bolt 1/4"-20NC x 2"	2	
210	3311405	Locknut 1/4"-20NC	2	
211	4751400	Flatwasher 1/4"	4	
212	4240033	Tie-Strap (Not Shown)	12	
213		Connector, Strain Relief Options:	1	
	4460071	Prior to S/N 45752		
	4460051	S/N 45752 to Present		
214	3300048	Locknut, Conduit	1	
215	1320041	Clamp	5	
216 to 217	Not Used			
218	0641505	Bolt 5/16"-18NC x 5/8"	2	
219	3311505	Locknut 5/16"-18NC	2	
	0256609	RAIL BOOT INSTALLATION	Ref.	—
301	0840035	Boot	4	
	0256691	PLATFORM EXTENSION INTERLOCK INSTALLATION	Ref.	—
401	4360277	Switch, Limit	1	
402	4360236	Head, Switch	1	
403	4360278	Arm & Roller Assembly	1	
404	4460052	Connector, Strain Relief	2	
405	3900168	Screw, Special	2	
406	4920140	Lockwire	2	
407	3534995	Plate, Switch Mounting	1	
408	3931416	Bolt, Socket Head 1/4"-20NC x 1"	2	
409	3311401	Nut 1/4"-20NC	2	
410	4761400	Lockwasher 1/4"	2	
411	3520072	Plug, Cap	1	
412	1060341	Cable, Electrical - 16/2	54ft/16.5m	
413	3300047	Locknut	1	
414	0960239	Bushing	1	

SECTION 4 PLATFORM

SECTION 4 PLATFORM

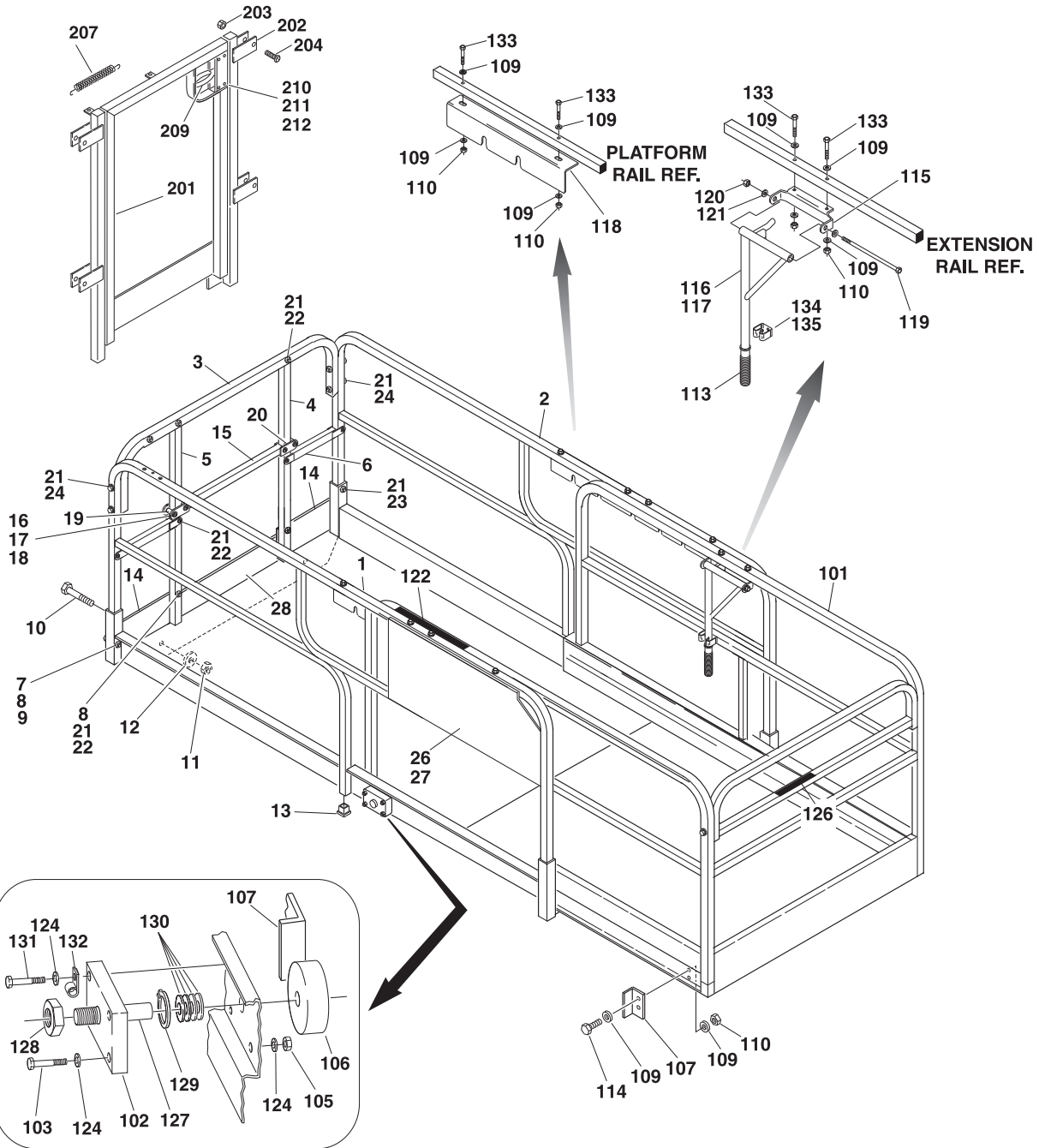
FIGURE 4-1. PLATFORM COMPONENTS INSTALLATION - MANUALLY OPERATED EXTENSION

FIG & ITEM #	PART NUMBER	DESCRIPTION	QTY.	REV.

**S
E
C
T
I
O
N
4
P
L
A
T
F
O
R
M**

SECTION 4 PLATFORM

FIGURE 4-2. STANDARD HANDRAILS & EXTENSION INSTALLATION (MANUALLY OPERATED PLATFORM)



SECTION 4 PLATFORM

SECTION 4 PLATFORM

FIGURE 4-2. STANDARD HANDRAILS & EXTENSION INSTALLATION (MANUALLY OPERATED PLATFORM)

FIG & ITEM #	PART NUMBER	DESCRIPTION	QTY.	REV.
		STANDARD HANDRAILS INSTALLATIONS OPTIONS:	Ref.	
	0256562	Prior to S/N 38569	Ref.	1
	0257721	S/N 38569 to Present	Ref.	3
1		Handrail - Right Side Options:	1	
	3640727	Prior to S/N 38569		
	3641210	S/N 38569 to S/N 52320		
	3641281	S/N 52320 to Present		
2		Handrail - Left Side Options:	1	
	3640728	Prior to S/N 32436		
	3641173	S/N 32436 to S/N 52320		
	3641282	S/N 52320 to Present		
3	4567057	Tube, Handrail - Rear	1	
4	3640730	Rail Weldment - End (Left Side)	1	
5	3640731	Rail Weldment - End (Right Side)	1	
6	3641160	Rail Weldment - Mid (Rear)	2	
7	0641420	Bolt 1/4"-20NC x 2 1/2"	4	
8	4751400	Flatwasher 1/4" (Wide)	A/R	
9	3311405	Locknut 1/4"-20NC	4	
10	0641608	Bolt 3/8"-16NC x 1"	2	
11	3311605	Locknut 3/8"-16NC	2	
12	4711600	Flatwasher 3/8"	4	
13	3520072	Plug, Cap	4	
14	3539838	Kickplate - Rear	2	
15	3640614	Rail Weldment - End (Gate)	1	
16	3911034	Screw, Round Head #10-24NC x 2 1/4"	4	
17	4751000	Flatwasher #10	4	
18	3311005	Locknut #10-24NC	4	
19	0961833	Bushing, UHMW	4	
20	4420055	Tape, UHMW	A/R	
21	3900184	Screw, Button Head #10-24NC x 5/8"	A/R	
22	3300373	Nut, Joint Connector 1 1/4"	A/R	
23	3300374	Nut, Joint Connector 1 7/8"	A/R	
24	3300375	Nut, Joint Connector 2 3/8"	A/R	
25	0100011	Loctite #242 (Not Shown)	A/R	
26	3570381	Plate, Placard (S/N 35882 to Present)	1	
27	3820019	Rivet (S/N 35882 to Present)	6	
28	3533370	Kickplate, Rear (S/N 35882 to Present)	1	
	0256585	PLATFORM EXTENSION INSTALLATION	Ref.	2
101	3510540	Weldment, Extension	1	
102	3537619	Mounting Weldment - Roller	4	
103	0641510	Bolt 5/16"-18NC x 1 1/8"	15	
104	Not Used			
105	3311505	Locknut 5/16"-18NC	18	

SECTION 4 PLATFORM

SECTION 4 PLATFORM

FIGURE 4-2. STANDARD HANDRAILS & EXTENSION INSTALLATION (MANUALLY OPERATED PLATFORM) (CONTINUED)

FIG & ITEM #	PART NUMBER	DESCRIPTION	QTY.	REV.
106	3860059	Roller	4	
107	0181684	Angle, Stop	4	
108	Not Used			
109	4711400	Flatwasher 1/4" (Narrow)	A/R	
110	3311405	Locknut 1/4"-20NC	A/R	
111	Not Used			
112	Not Used			
113	2560088	Grip, Handle	1	
114	0641416	Bolt 1/4"-20NC x 2"	9	
115	3537609	Plate, Pivot	2	
116	4845427	Handle, Weldment (Left Side)	1	
117	4845428	Handle, Weldment (Right Side)	1	
118	3570090	Latch	2	
119	0641676	Bolt 3/8"-16NC x 9 1/2"	2	
120	3311605	Locknut 3/8"-16NC	2	
121	4711600	Flatwasher 3/8"	4	
122		Nameplate - Capacity Options:	1	
	3252296	Prior to S/N 32436		
	3252080	S/N 32436 to Present		
123	Not Used			
124	4751500	Flatwasher 5/16"	16	
125	Not Used			
126	3252136	Nameplate - Control Box Location	1	
127	3841233	Rod, Roller	4	
128	3322202	Nut, Jam 3/4"-10NF	4	
129	3760348	Ring, Retaining	4	
130	4752200	Flatwasher 3/4"	4	
131	0641512	Bolt 5/16"-18NC x 1 1/2"	1	
132	1320061	Clamp	1	
133	3911432	Screw, Round Head 1/4"-20NC x 2"	8	
134	1380132	Clip, Gripper	2	
135	3941004	Self-Tapping	2	
	0252973	SELF-CLOSING ACCESS GATE INSTALLATION (EURO - OPTIONAL/AUSTRALIAN - STANDARD)	Ref.	5
201	4844100	Gate, Weldment	1	
202	4844104	Rail	1	
203	3300373	Nut #10-24NC	4	
204	3900184	Screw, Button Head #10-24NC x 5/8"	4	
205 to 206	Not Used			
207	4160028	Spring	1	
208	3520072	Plug, Cap	4	
209	2940074	Latch	1	
210	3911014	Screw, Round Head #10-24NC x 7/8"	4	
211	3311005	Locknut #10-24NC	4	
212	4751000	Flatwasher #10	4	

SECTION 4 PLATFORM

SECTION 4 PLATFORM

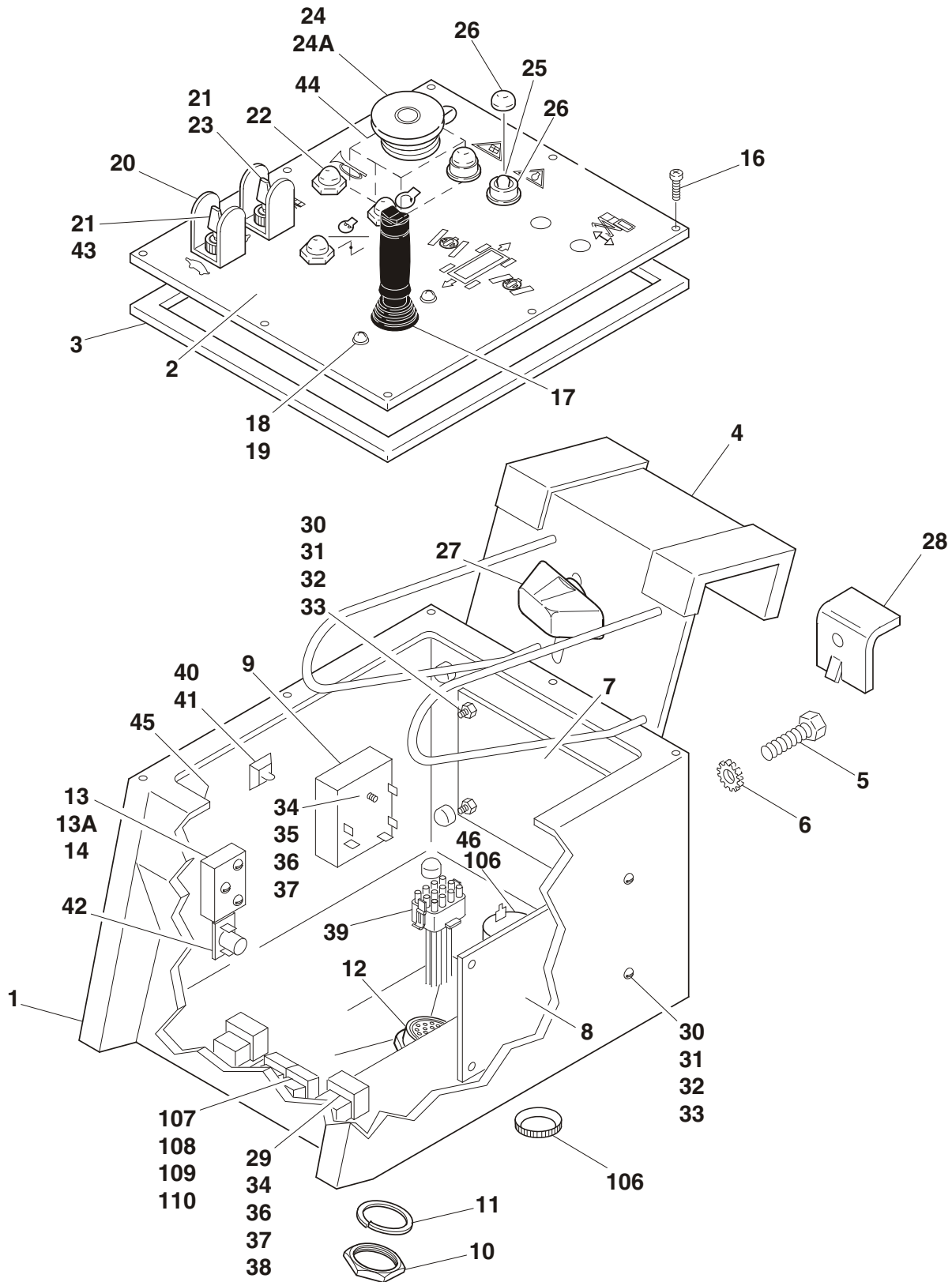
FIGURE 4-2. STANDARD HANDRAILS & EXTENSION INSTALLATION (MANUALLY OPERATED PLATFORM) (CONTINUED)

FIG & ITEM #	PART NUMBER	DESCRIPTION	QTY.	REV.

**S
E
C
T
I
O
N
4
P
L
A
T
F
O
R
M**

SECTION 4 PLATFORM

FIGURE 4-3.PLATFORM CONSOLE BOX ASSEMBLY



SECTION 4 PLATFORM

SECTION 4 PLATFORM

FIGURE 4-3. PLATFORM CONSOLE BOX ASSEMBLY

FIG & ITEM #	PART NUMBER	DESCRIPTION	QTY.	REV.
		CONSOLE BOX ASSEMBLY OPTIONS:	Ref.	
	0256315	Vanguard Engine (Prior to S/N 35428)	Ref.	F
	0256744	Vanguard Engine (S/N 35428 to Present)	Ref.	6
	0256316	Yanmar Engine (Prior to S/N 35428)	Ref.	F
	0256745	Yanmar Engine (S/N 35428 to Present)	Ref.	7
1	0861032	Box, Console	1	
2		Lid, Nameplate Options:	1	
	3252486	Prior to S/N 58990		
	3252627	S/N 58990 to Present		
3	4420008	Tape, Insulation	38in/1m	
4		Bracket, Hanger Options:	1	
	0902299	Prior to S/N 44924		
	0902456	S/N 44924 to S/N 58990		
	4845938	S/N 58990 to Present		
5	0641404	Bolt 1/4"-20NC x 1/2"	4	
6	4791400	Starwasher 1/4"	4	
7	1600218	Card, Circuit - JLG	1	
	Supply Locally	Fuse - 5 Amps	1	
8		Card, Circuit - Horsepower Options:	1	
	1600249	Vanguard		
	1600250	Yanmar Engine		
	7016379	Fuse - 1 Amp	1	
9	3740118	Relay, Delay (Prior to S/N 58990)	1	
10	4460470	Nut, Receptacle	1	
11	4460471	Lockwasher, Receptacle	1	
12	4460463	Receptacle, Male (23 Pin)	1	
13	4360339	Switch	1	
13A	7012593	Cover, Rubber - Green	1	
14	4360267	Block, Switch Contact	1	
15	0100035	Loctite #222 (Not Shown)	A/R	
16	3900177	Screw	8	
17		Controller Assembly Options:	1	
	1600241	Prior to S/N 58990 (See Figure 4-4 for Breakdown)		
	1600296	S/N 58990 to Present (See Figure 4-5 for Breakdown)		
18	4740120	Washer, Nylon	4	
19	3900178	Screw, Machine #10-32NF x 3/4"	4	
20	4060802	Shield, Switch	2	
21	3790012	O-Ring	2	
22	4360387	Switch, Push Button	A/R	
23	4360314	Switch, Toggle	1	
24		Switch, Emergency Stop Options:	1	
	4360395	Prior to S/N 58990		
	4360289	S/N 58990 to S/N 65027		
	4360475	S/N 65027 to Present		

SECTION 4 PLATFORM

SECTION 4 PLATFORM

FIGURE 4-3. PLATFORM CONSOLE BOX ASSEMBLY (CONTINUED)

FIG & ITEM #	PART NUMBER	DESCRIPTION	QTY.	REV.
24A	7016315	Head, Mushroom (Use on Switch p/n 4360395)	1	
	7012611	Head, Mushroom (Use on Switch p/n 4360289)	1	
	7012612	Boot (Use on Switch p/n 4360289)	1	
	7020175	Ring, Sealing (Use on Switch p/n 4360475)	1	
	7020176	Block, Contact (Use on Switch p/n 4360475)	1	
25	2920029	Bulb, Light	A/R	
26	2920026	Lamp, Indicator - Red	A/R	
27	2560141	Thumbscrew	1	
28	0181847	Angle	1	
29	3740049	Relay, Bosch	A/R	
30	3910616	Screw #6-32NC x 1"	A/R	
31	4760600	Lockwasher #6	A/R	
32	4750600	Flatwasher #6	A/R	
33	3310601	Nut #6-32NC	A/R	
34	4751000	Flatwasher #10	A/R	
35	3911024	Screw #10-24NC x 1 1/2" (Prior to S/N 58990)	1	
36	4761000	Lockwasher #10	A/R	
37	3311001	Nut #10-24NC	A/R	
38	3911012	Screw #10-24NC x 3/4"	A/R	
39		Harness - Platform Console Box Options:	1	
	4921842	Standard (Prior to S/N 35428)		
	4921901	Standard (S/N 35428 to S/N 58990)		
	4922288	Standard (S/N 58990 to Present)		
40	4460234	Mount, Wire Tie	5	
41	4240033	Tie, Wire	5	
42	4360069	Breaker, Circuit - 10 Amp	1	
43	4360336	Switch, Toggle	1	
44	4360282	Block, Contact	1	
45	1701683	Decal - Relay Function (Not Shown - Located on Inside Console Box) (S/N 32436 to Present)	1	
46	0140011	Alarm (S/N 44844 to Present)	1	
		TILT ALARM INSTALLATION OPTIONS:	Ref.	
	0256427	Euro Spec (Prior to S/N 38569)	Ref.	A
	0257219	Euro Spec (S/N 38569 to Present)	Ref.	2
	0256544	Australian Spec (Prior to S/N 38569)	Ref.	A
0257218	Australian Spec (S/N 38569 to Present)	Ref.	2	
101 to 105	Not Used			
106	0140011	Alarm	1	
107	3740049	Relay, Bosch	2	
108	3911012	Screw #10-24NC x 3/4"	2	
109	4751000	Flatwasher #10	4	
110	3311005	Locknut #10-24NC	2	

SECTION 4 PLATFORM

SECTION 4 PLATFORM

FIGURE 4-3. PLATFORM CONSOLE BOX ASSEMBLY (CONTINUED)

FIG & ITEM #	PART NUMBER	DESCRIPTION	QTY.	REV.

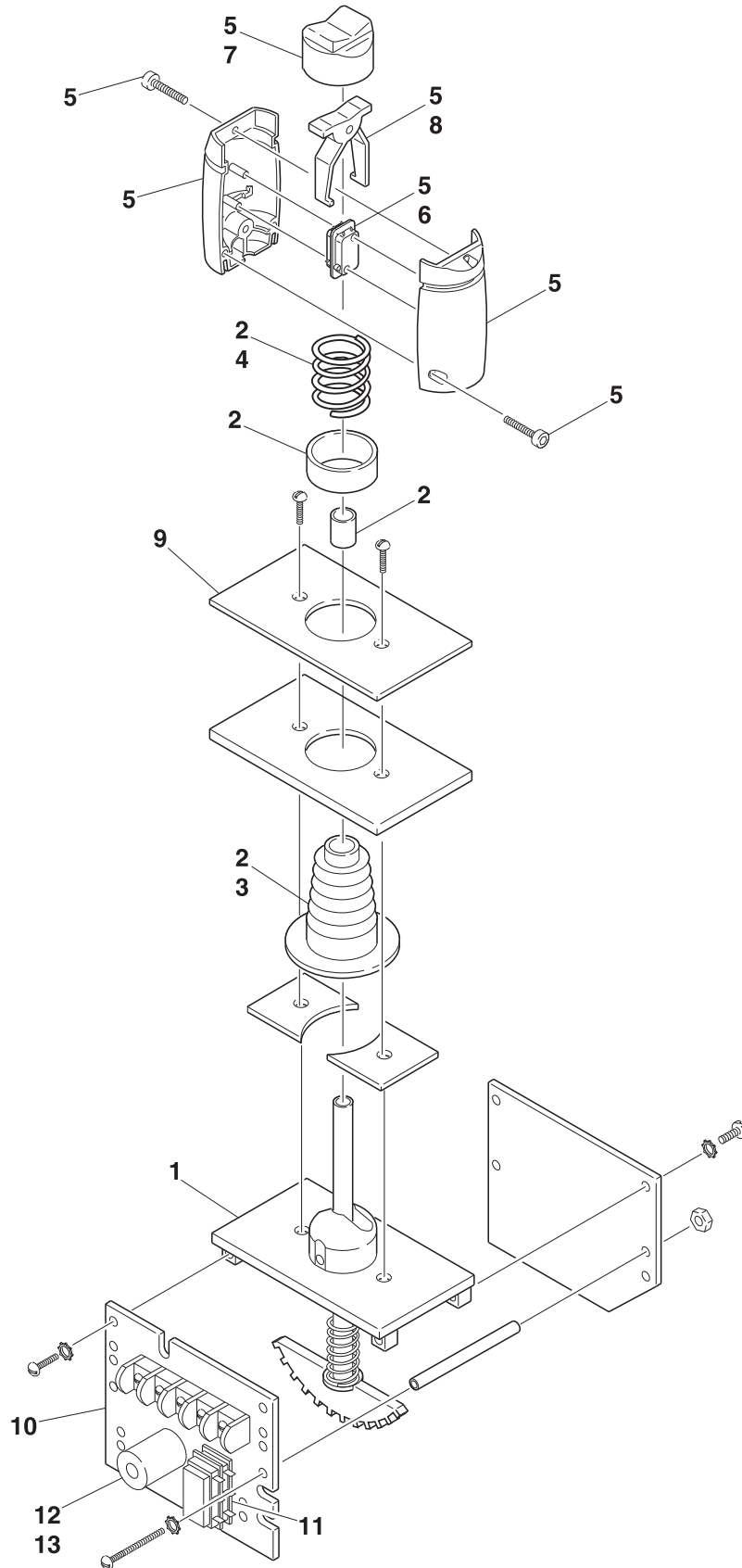
**S
E
C
T
I
O
N

4

P
L
A
T
F
O
R
M**

SECTION 4 PLATFORM

FIGURE 4-4. CONTROLLER ASSEMBLY (PRIOR TO S/N 58990)



SECTION
4
PLATFORM

SECTION 4 PLATFORM

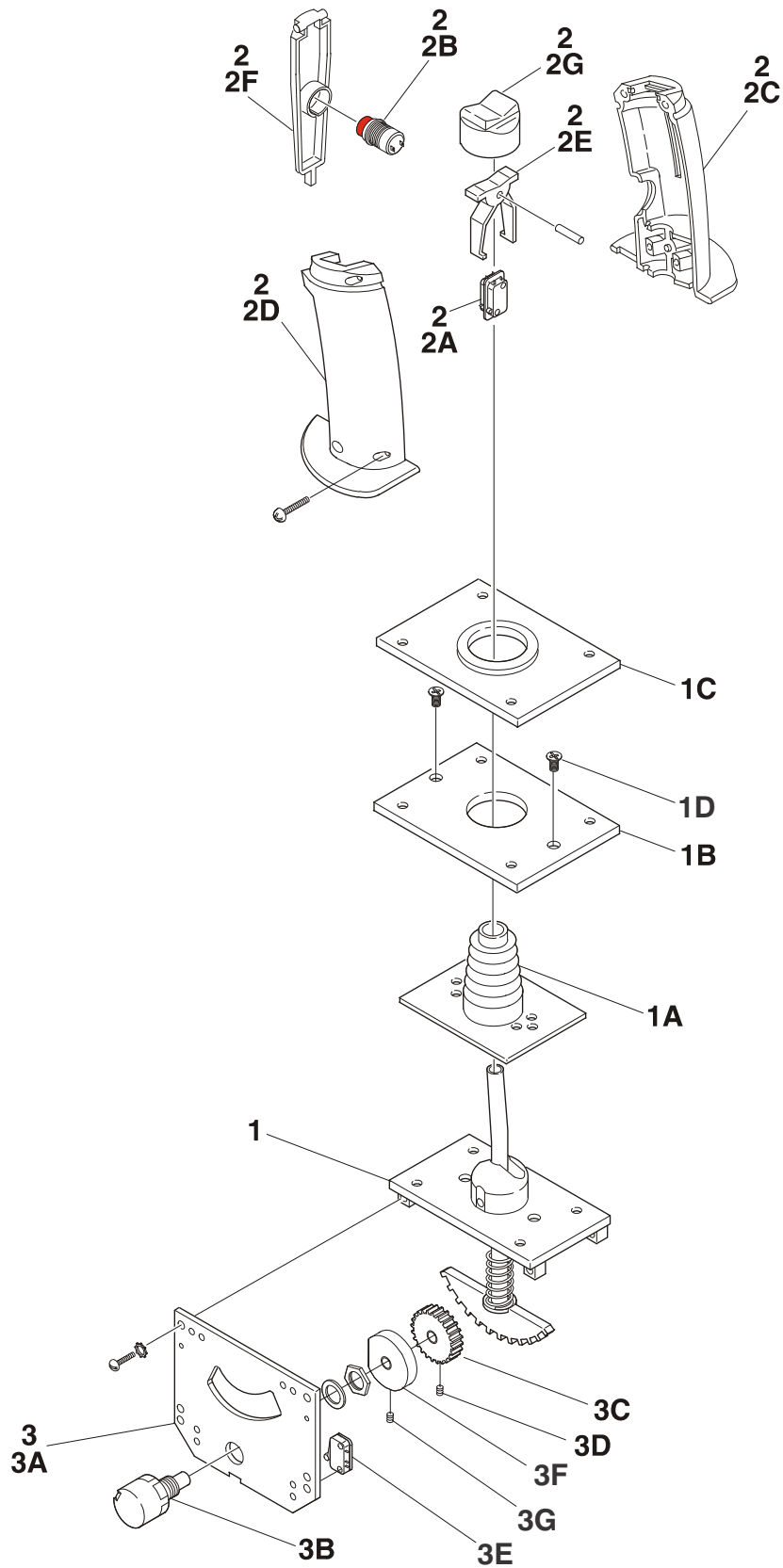
FIGURE 4-4. CONTROLLER ASSEMBLY (PRIOR TO S/N 58990)

FIG & ITEM #	PART NUMBER	DESCRIPTION	QTY.	REV.
	1600241	CONTROLLER ASSEMBLY	Ref.	
	7011931	Handle/Stem Assembly (Includes Items 1 to 9)	1	
1	7011932	Stem Assembly	1	
2	7011933	Slidelock Assembly (Includes Items 3 & 4)	1	
3	7003772	Boot	1	
4	7011934	Spring	1	
5	7011935	Handle Assembly (Includes Items 6 to 8)	1	
6	7003789	Switch, Rocker	1	
7	7003790	Cap, Rubber	1	
8	7003791	Actuator, Switch	1	
9	7011936	Gasket	1	
10	7011974	Electrical Assembly (Includes Items 11 to 13)	1	
11	7003714	Switch, Mico	1	
12	7011940	Gear, Pinion	1	
13	7011975	Potentiometer	1	
14	Not Serviced	Harness Assembly (Not Shown)	1	
	4460343	Connector - 12 Pin	1	
	4460367	Connector	1	
	4460226	Socket, Female	10	
	4460227	Pin, Male	10	

SECTION 4 PLATFORM

SECTION 4 PLATFORM

FIGURE 4-5. CONTROLLER ASSEMBLY (S/N 58990 TO PRESENT)



SECTION
4
PLATFORM

SECTION 4 PLATFORM

FIGURE 4-5. CONTROLLER ASSEMBLY (S/N 58990 TO PRESENT)

FIG & ITEM #	PART NUMBER	DESCRIPTION	QTY.	REV.
	1600296	CONTROLLER ASSEMBLY	Ref.	
1	7020503	Handle/Stem Assembly	1	
1A	7020520	Boot	1	
1B	7020504	Plate, Mounting	1	
1C	7020502	Gasket	1	
1D	7020528	Screw #10-32NF x 3/8"	2	
2	7011991	Grip Assembly	1	
2A	7011992	Switch Assembly	1	
2B	7020501	Switch, Push Button	1	
2C	Use 7020541	Grip - Right Half (was p/n 7011993)	1	
2D	Use 7020541	Grip - Left Half (was p/n 7011994)	1	
2E	7003791	Actuator, Switch	1	
2F	7011997	Trigger	1	
2G	7003790	Cap, Rubber	1	
3	7020525	Electrical Assembly	1	
3A	7020509	Plate, Mounting - Potentiometer	1	
3B	7011975	Potentiometer	1	
3C	7011940	Gear, Pinion	1	
3D	7020511	Setscrew #6-32 x 1/8"	1	
3E	7003771	Actuator, Switch	1	
3F	7020518	Cam, Neutral Switch	1	
3G	7011983	Setscrew #4-32 x 1/8"	1	
4	Not Serviced	Harness Assembly (Not Shown)	1	
	4460343	Connector - 12 Pin	1	
	4460367	Connector	1	
	4460226	Socket, Female	10	
	4460227	Pin, Male	10	

SECTION 4 PLATFORM

SECTION 4 PLATFORM

FIGURE 4-5. CONTROLLER ASSEMBLY (S/N 58990 TO PRESENT) (CONTINUED)

FIG & ITEM #	PART NUMBER	DESCRIPTION	QTY.	REV.

**S
E
C
T
I
O
N

4

P
L
A
T
F
O
R
M**

SECTION 5 CYLINDERS

TABLE OF CONTENTS		
FIGURE	DESCRIPTION	PAGE
5-1	Lift Cylinder Components Assembly (Prior to S/N 26916)	5-2
5-2	Lift Cylinder Components Assembly (S/N 26916 to Present)	5-6
5-3	Steer Cylinder Assembly	5-10

**S
E
C
T
I
O
N

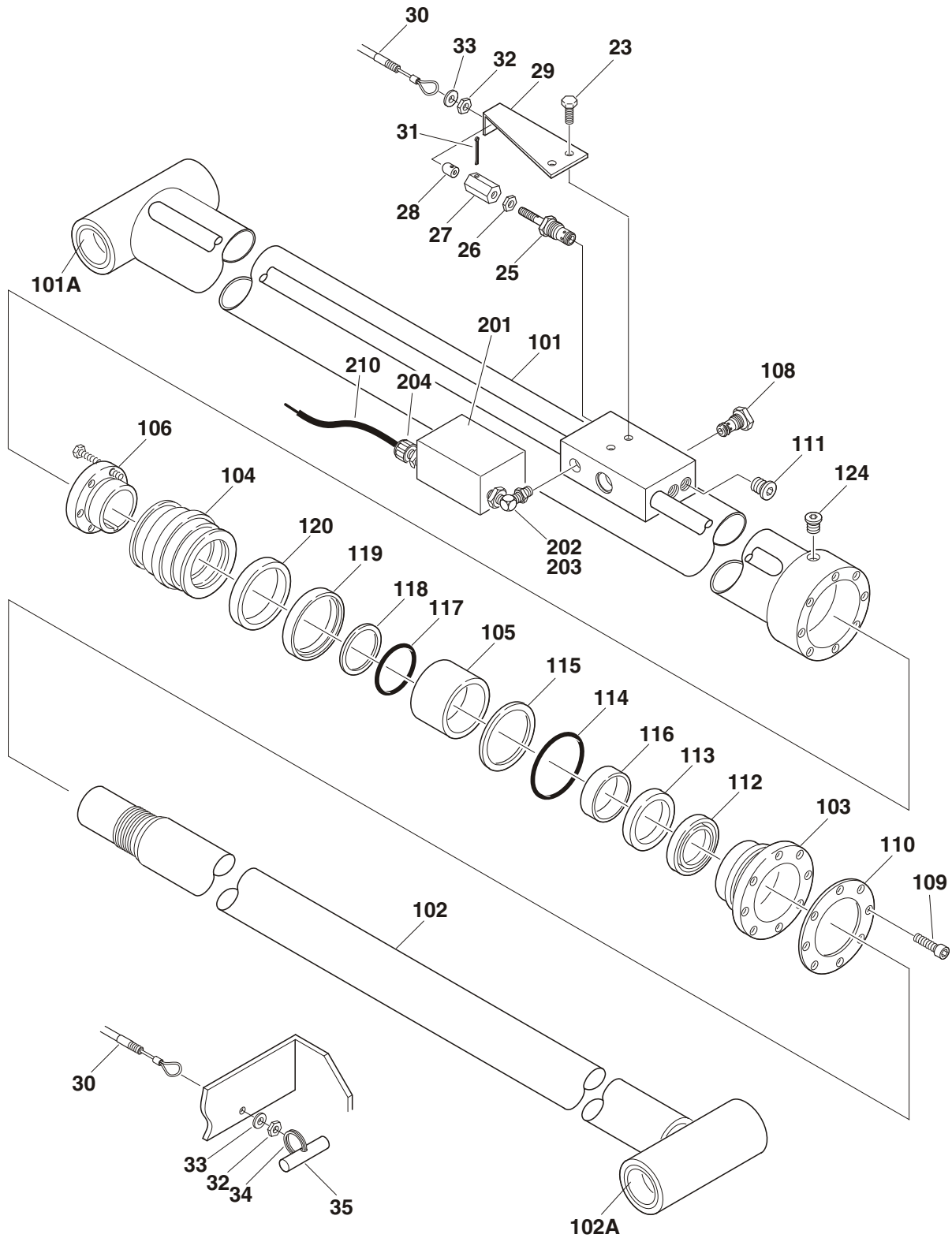
5

C
Y
L
I
N
D
E
R**

SECTION 5 CYLINDERS

FIGURE 5-1. LIFT CYLINDER COMPONENTS ASSEMBLY (PRIOR TO S/N 26916)

SECTION 5 CYLINDER



SECTION 5 CYLINDERS

FIGURE 5-1. LIFT CYLINDER COMPONENTS ASSEMBLY (PRIOR TO S/N 26916)

FIG & ITEM #	PART NUMBER	DESCRIPTION	QTY.	REV.
		LIFT CYLINDER SUB-ASSEMBLY	Ref.	
1 to 22	Not Used	Locknut	1	
23	0641506	Bolt 5/16"-18NC x 3/4"	2	
24	0100011	Loctite #242	A/R	
25	4640717	Cartridge, Valve (Manual Descent)	1	
26	3311402	Nut, Jam 1/4"-20NC	1	
27	0080190	Adapter	1	
28	4220044	Stop, Throttle	1	
29	0902151	Bracket	1	
30		Cable Assembly Options:	1	
	1060377	Prior to S/N 28133 - Use 1060643 as Replacement		
	1060643	S/N 28133 to Present		
31	3450405	Pin, Cotter	1	
32	3321402	Nut, Jam 1/4"-28NF	4	
33	4711400	Flatwasher 1/4" Narrow	4	
34	3760170	Ring (Prior to S/N 28133)	1	
35	3841127	Rod, Manual Descent (Prior to S/N 28133 Only)	1	
	1683363	LIFT CYLINDER ASSEMBLY	Ref.	C
101	1683353	Barrel Weldment	1	
101A	0962012	Bushing, Garmax	2	
102	1683355	Rod Weldment	1	
102A	0962012	Bushing, Garmax	2	
103	1683061	Head	1	
104	3480211	Piston	1	
105	4565008	Spacer	1	
106	0961897	Bushing, Tapered	1	
107	Not Used			
108	4640509	Cartridge, Valve	1	
	2900792	Seal, Kit - 4640509 Valve	1	
109	3931720	Capscrew 7/16"-14NC x 1 1/4"	8	
110	3760370	Ring, Washer	1	
111	2220883	Plug, Fitting	3	
112	Kit	Wiper	1	
113	Kit	Seal, Rod	1	
114	Kit	O-Ring	1	
115	Kit	Ring, Back-Up	1	
116	Kit	Ring, Wear	1	
117	Kit	O-Ring	1	
118	Kit	Ring, Back-Up	1	
119	Kit	Ring, Lock	2	
120	Kit	Seal	2	
121	0100011	Loctite #242 (Not Shown)	A/R	
122	0100038	Primer, Locking (Not Shown)	A/R	
123	Not Used			

SECTION 5
CYLINDER

SECTION 5 CYLINDERS

FIGURE 5-1. LIFT CYLINDER COMPONENTS ASSEMBLY (PRIOR TO S/N 26916) (CONTINUED)

FIG & ITEM #	PART NUMBER	DESCRIPTION	QTY.	REV.
124	2220885	Plug, O-Ring -----	1	
	2901273	Seal Kit (Includes Items 112 to 120)	1	
	0256692	PLATFORM EXTENSION INTERLOCK INSTALLATION	Ref.	
201	1692617	Switch, Pressure	1	
202	2221015	Fitting, 90°	1	
203	2220440	Fitting, Straight	1	
204	4460428	Connector, Strain Relief	1	
205 to 209	Not Used			
210	1060341	Cable, Electrical - 16/2	40ft/12m	

SECTION 5 CYLINDER

SECTION 5 CYLINDERS

FIGURE 5-1. LIFT CYLINDER COMPONENTS ASSEMBLY (PRIOR TO S/N 26916) (CONTINUED)

FIG & ITEM #	PART NUMBER	DESCRIPTION	QTY.	REV.

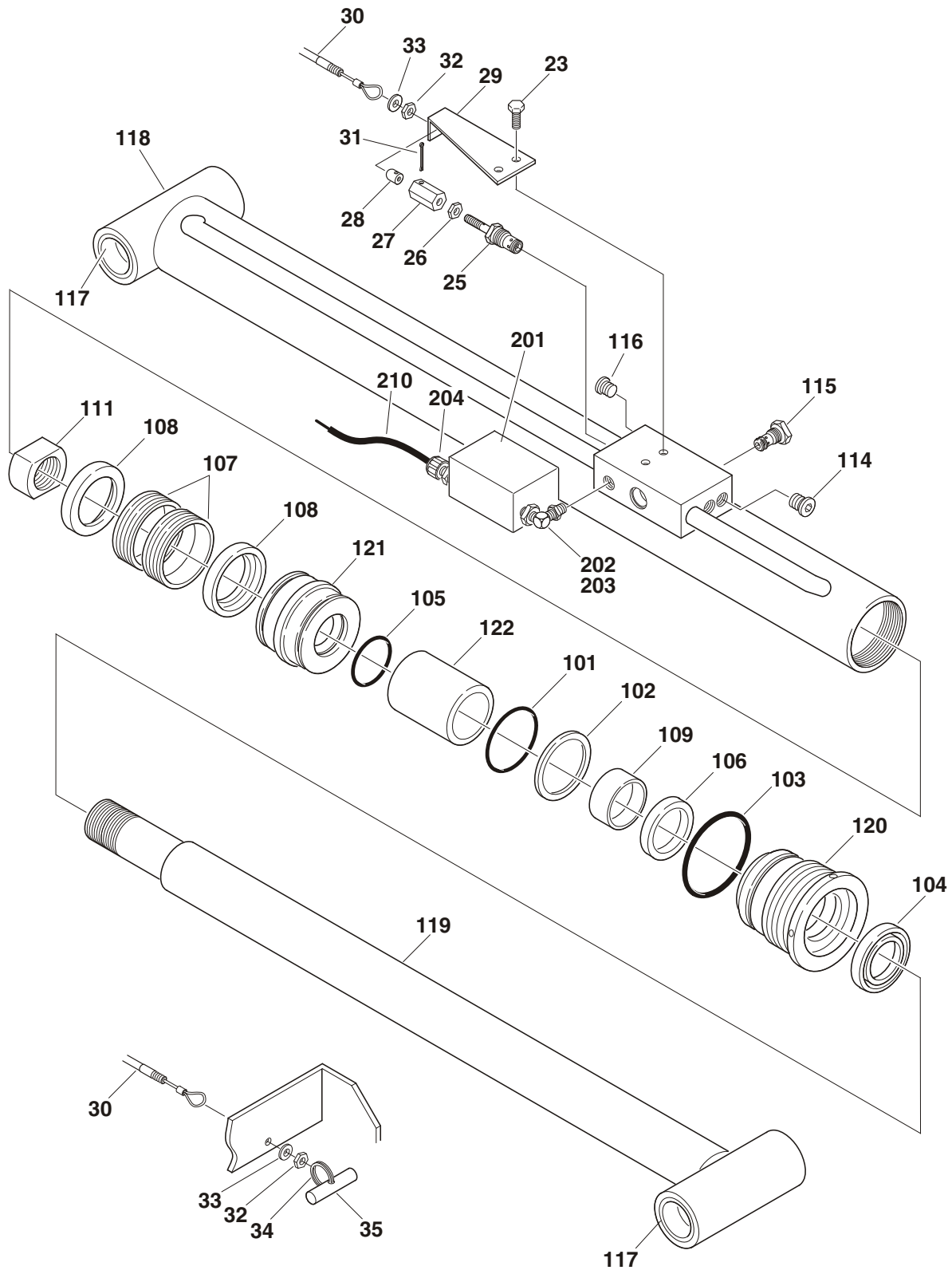
**S
E
C
T
I
O
N

5

C
Y
L
I
N
D
E
R**

SECTION 5 CYLINDERS

FIGURE 5-2. LIFT CYLINDER COMPONENTS ASSEMBLY (S/N 26916 TO PRESENT)



SECTION 5 CYLINDER

SECTION 5 CYLINDERS

FIGURE 5-2. LIFT CYLINDER COMPONENTS ASSEMBLY (S/N 26916 TO PRESENT)

FIG & ITEM #	PART NUMBER	DESCRIPTION	QTY.	REV.
		LIFT CYLINDER SUB-ASSEMBLY	Ref.	
1 to 22	Not Used	Locknut	1	
23	0641506	Bolt 5/16"-18NC x 3/4"	2	
24	0100011	Loctite #242	A/R	
25	4640717	Cartridge, Valve (Manual Descent)	1	
26	3311402	Nut, Jam 1/4"-20NC	1	
27	0080190	Adapter	1	
28	4220044	Stop, Throttle	1	
29	0902151	Bracket	1	
30		Cable Assembly Options:	1	
	1060377	Prior to S/N 28133 - Use 1060643 as Replacement		
	1060643	S/N 28133 to S/N 37837		
	1060664	S/N 37837 to Present		
31	3450405	Pin, Cotter	1	
32	3321402	Nut, Jam 1/4"-28NF	4	
33	4711400	Flatwasher 1/4" Narrow	4	
34	3760170	Ring (Prior to S/N 28133)	1	
35	3841127	Rod, Manual Descent (Prior to S/N 28133 Only)	1	
	1683474	LIFT CYLINDER ASSEMBLY	Ref.	—
101	Kit	O-Ring	1	
102	Kit	Ring, Back-Up	1	
103	Kit	O-Ring	1	
104	Kit	Wiper	1	
105	Kit	O-Ring	1	
106	Kit	Seal	1	
107	Kit	Seal	2	
108	Kit	Ring, Lock	2	
109	Kit	Ring, Wear	2	
110	Not Used			
111	7003226	Locknut	1	
112	7005312	Plug (Not Shown)	1	
113	7005315	Plug (Not Shown)	2	
114	7005356	Plug	3	
115	7017372	Cartridge, Valve	1	
	Consult Factory	Seal Kit - 7017372 Valve	1	
116	Not Serviced	Plug	1	
117	0962012	Bushing, Garmax	4	
118	7019874	Barrel Weldment	1	
119	7017388	Rod Weldment	1	
120	7017387	Head	1	
121	7017386	Piston	1	
122	7017385	Spacer	1	

	7017384	Seal Kit (Includes Items 101 to 109)	1	

**SECTION 5
CYLINDER**

SECTION 5 CYLINDERS

FIGURE 5-2. LIFT CYLINDER COMPONENTS ASSEMBLY (S/N 26916 TO PRESENT) (CONTINUED)

FIG & ITEM #	PART NUMBER	DESCRIPTION	QTY.	REV.
	0256692	PLATFORM EXTENSION INTERLOCK INSTALLATION	Ref.	—
201	1692617	Switch, Pressure	1	
202	2221015	Fitting, 90°	1	
203	2220440	Fitting, Straight	1	
204	4460428	Connector, Strain Relief	1	
205 to 209	Not Used			
210	1060341	Cable, Electrical - 16/2	40ft/12m	

SECTION 5 CYLINDER

SECTION 5 CYLINDERS

FIGURE 5-2. LIFT CYLINDER COMPONENTS ASSEMBLY (S/N 26916 TO PRESENT) (CONTINUED)

FIG & ITEM #	PART NUMBER	DESCRIPTION	QTY.	REV.

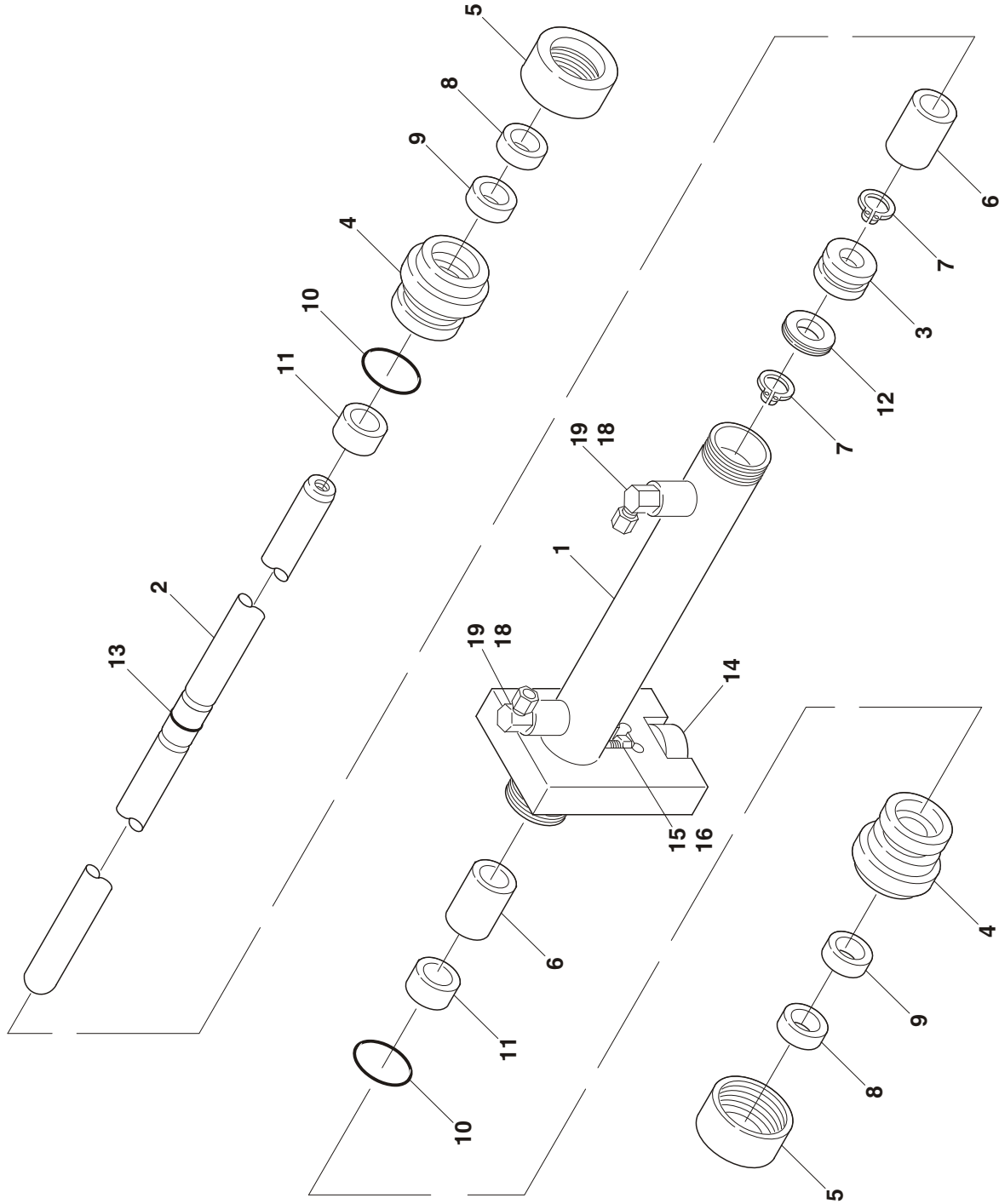
**S
E
C
T
I
O
N

5

C
Y
L
I
N
D
E
R**

SECTION 5 CYLINDERS

FIGURE 5-3. STEER CYLINDER ASSEMBLY



SECTION 5 CYLINDERS

FIGURE 5-3. STEER CYLINDER ASSEMBLY

FIG & ITEM #	PART NUMBER	DESCRIPTION	QTY.	REV.
		STEER CYLINDER ASSEMBLY OPTIONS:	Ref.	
	1683239	Prior to S/N 46538	Ref.	C
	1683697	S/N 46538 to Present	Ref.	2
1		Barrel Weldment Options:	1	
	1682528	Prior to S/N 46538		
	1683694	S/N 46538 to Present		
2	1683240	Rod	1	
3	3480153	Piston	1	
4	1682364	Head	2	
5	1120387	Retainer	2	
6	4566618	Spacer	2	
7	3760141	Ring, Retaining	2	
8	Kit	Seal, Wiper	2	
9	Kit	Seal, Rod	2	
10	Kit	O-Ring	2	
11	Kit	Ring, Wear	2	
12	Kit	T-Seal	1	
13	Kit	O-Ring	1	
14		Follower, Cam	1	
	3860054	Prior to S/N 46538		
	3860080	S/N 46538 to Present		
15		Nut 1/2"-20NF	1	
	3321801	Prior to S/N 37530		
	3321802	S/N 37530 to Present		
16	0100035	Loctite #222	A/R	
17	Not Used			
18	2220472	Fitting, 90°	2	
19	2220515	Fitting, Cap	2	

	2901178	Seal Kit (Includes Items 8 to 13)	1	

SECTION 5 CYLINDER

SECTION 5 CYLINDERS

FIGURE 5-3. STEER CYLINDER ASSEMBLY (CONTINUED)

FIG & ITEM #	PART NUMBER	DESCRIPTION	QTY.	REV.

**S
E
C
T
I
O
N

5

C
Y
L
I
N
D
E
R**

SECTION 6 HYDRAULIC

TABLE OF CONTENTS		
FIGURE	DESCRIPTION	PAGE
6-1	Hydraulic Diagram - Standard.....	6-2
6-2	Hydraulic Diagram List	6-6

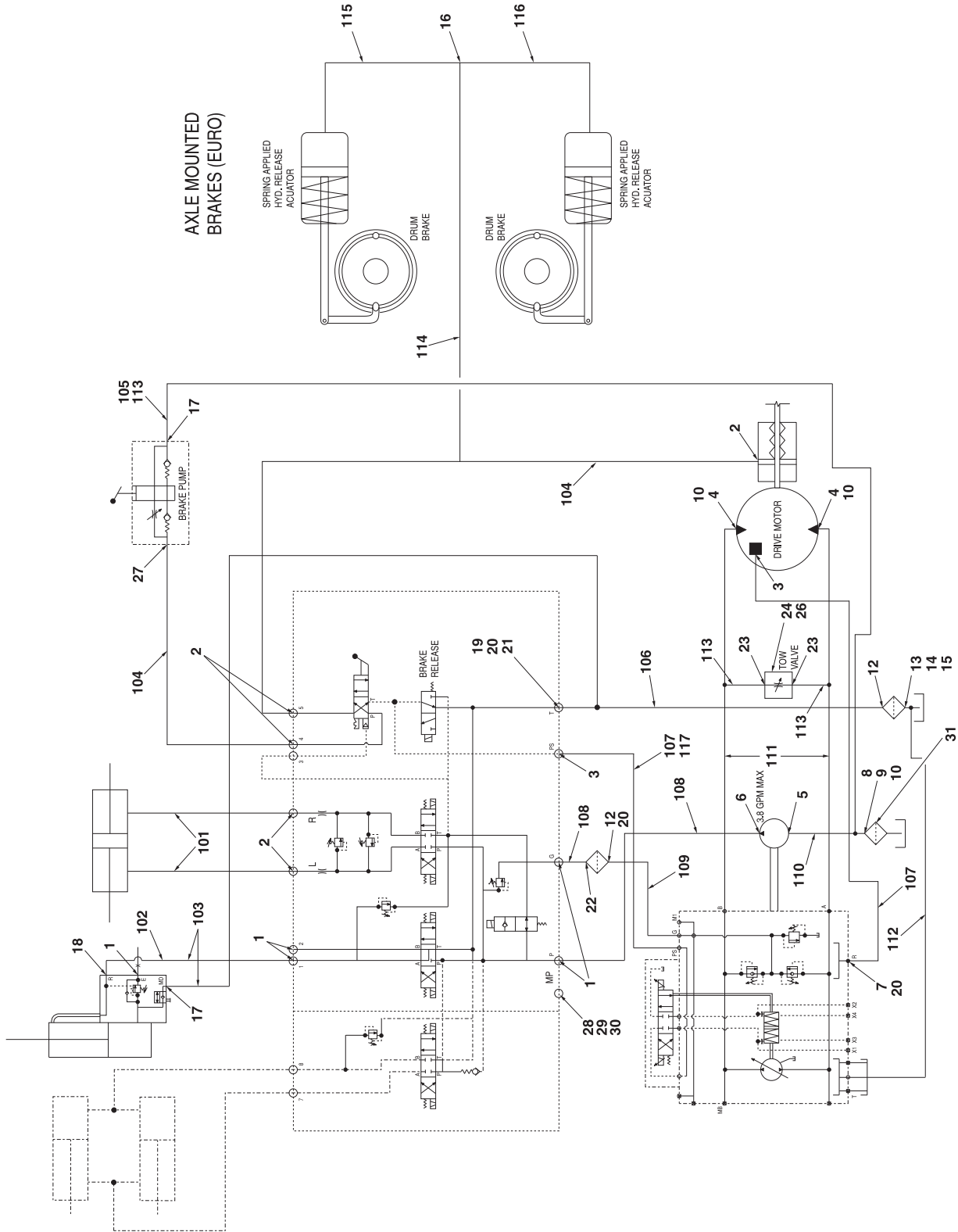
**S
E
C
T
I
O
N

6

H
Y
D
R
A
U
L
I
C**

SECTION 6 HYDRAULIC

FIGURE 6-1. HYDRAULIC DIAGRAM - STANDARD



1282590 - Rev. L

SECTION 6 HYDRAULIC

FIGURE 6-1. HYDRAULIC DIAGRAM - STANDARD

FIG & ITEM #	PART NUMBER	DESCRIPTION	QTY.	REV.
	2792300	HYDRAULIC DIAGRAM	Ref.	3
1	2220371	Fitting, Straight	5	
2	2220415	Fitting, Straight	5	
3	2220603	Fitting, Straight	2	
4	2220695	Fitting, Tee	2	
5	2220408	Fitting, Straight	1	
6	2220497	Fitting, Straight	1	
7	2220620	Fitting, Reducer (Prior to S/N 62148)	1	
8	2220435	Fitting, Straight	1	
9	2220700	Fitting, Tee	1	
10	2220621	Fitting, Reducer	3	
11	Not Used			
12	2220366	Fitting, 90°	2	
13	2220738	Fitting, Tee	1	
14	2220622	Fitting, Reducer	1	
15	2220594	Fitting, Straight	1	
16	2220504	Fitting, Tee	1	
17	2220775	Fitting, 90°	2	
18	2220473	Fitting, 90°	1	
19	2220385	Fitting, Tee	1	
20	2220619	Fitting, Reducer	3	
21	2220600	Fitting, Straight	1	
22	2220577	Fitting, Straight	1	
23	2220773	Fitting, 90°	2	
24	4640005	Valve, Needle	1	
25	Not Used			
26	2900062	Mounting Kit	1	
27	2220466	Fitting, 90°	1	
28	2220873	Fitting, 90°	1	
29	2220428	Fitting, Quick Disconnect	1	
30	2220429	Fitting, Cap	1	
31	2180749	Fitting, 45° (S/N 32539 to Present)	1	
32	0100020	Sealant, Loctite (Not Shown)	A/R	
	2901459	HOSE KIT	Ref.	3
101	2751398	Hose	2	
102	2752616	Hose	1	
103	2752622	Hose	2	
104	2752433	Hose	2	
105	2752461	Hose (Prior to S/N 38569)	1	
106	2752493	Hose	1	
107		Hose Options:		
	2751006	Prior to S/N 66750	2	
	2751006	S/N 66750 to Present	1	
108	2752462	Hose	2	

SECTION 6 HYDRAULIC

SECTION 6 HYDRAULIC

FIGURE 6-1. HYDRAULIC DIAGRAM - STANDARD (CONTINUED)

FIG & ITEM #	PART NUMBER	DESCRIPTION	QTY.	REV.
109	2751004	Hose	1	
110	2752657	Hose	1	
111	2752259	Hose	2	
112	2752504	Hose	1	
113	2752461	Hose	3	
114	2750899	Hose	1	
115	2752913	Hose	1	
116	2752914	Hose	1	
117	2750999	Hose (S/N 66750 to Present)	1	

SECTION 6 HYDRAULIC

SECTION 6 HYDRAULIC

FIGURE 6-1. HYDRAULIC DIAGRAM - STANDARD (CONTINUED)

FIG & ITEM #	PART NUMBER	DESCRIPTION	QTY.	REV.

**S
E
C
T
I
O
N

6

H
Y
D
R
A
U
L
I
C**

SECTION 6 HYDRAULIC

FIGURE 6-2.HYDRAULIC DIAGRAM LIST

FIG & ITEM #	PART NUMBER	DESCRIPTION	QTY.	REV.
		<p>Note: Diagrams with asterisk (*) are shown in the preceding pages. Information on diagrams not shown is available from JLG Service /Parts Department.</p>	Ref.	
	2792300/1282590*	Hydraulic Diagram - Standard	Ref.	3/L

SECTION 6 HYDRAULIC

SECTION 7 ELECTRICAL

TABLE OF CONTENTS

FIGURE	DESCRIPTION	PAGE
7-1	ELECTRICAL DIAGRAM LIST	7-2
7-2	ELECTRICAL SCHEMATIC - VANGUARD	7-4
7-3	ELECTRICAL SCHEMATIC - YANMAR	7-6
7-4	HARNESS AND CABLE ASSEMBLIES	7-8

**S
E
C
T
I
O
N

7

E
L
E
C
T
R
I
C
A
L**

SECTION 7 ELECTRICAL

FIGURE 7-1.ELECTRICAL DIAGRAM LIST

FIG & ITEM #	PART NUMBER	DESCRIPTION	QTY.	REV.
		Note: Diagrams with asterisks (*) are shown in the following pages. Diagrams not shown are available from the JLG Service Department.	Ref.	
	1282594	ALARM ELECTRICAL DIAGRAM - DESCENT/ MOTION/TRAVEL	Ref.	D
	1282589	ALARM ELECTRICAL DIAGRAM - TILT OPTIONS: Prior to S/N 38569	Ref.	B
	1282740	S/N 38569 to Present	Ref.	B
	0256535	LIGHTS ELECTRICAL DIAGRAM Work Lights	Ref. Ref.	C
	1282529	GROUND CONTROL BOX ELECTRICAL DIAGRAM OPTIONS: Prior to S/N 35428	Ref.	G
	1282546	S/N 35428 to Present	Ref.	B
	0256692	OVERLOAD PROTECTION ELECTRICAL DIAGRAM	Ref.	
	1282550	PLATFORM CONTROL BOX ELECTRICAL DIAGRAM OPTIONS: Standard (Prior to S/N 35428)	Ref.	H
	1282660	Standard (S/N 35428 to Present)	Ref.	D
	4921843	PLATFORM TO GROUND ELECTRICAL DIAGRAM	Ref.	C
		ELECTRICAL SCHEMATICS	Ref.	
		Standard Electrical Schematic - Vanguard Options:		
	1870042	Prior to S/N 35428	Ref.	J
	1870048	S/N 35428 to S/N 48113	Ref.	B
	1870086	S/N 48113 to S/N 59742	Ref.	D
	1870103*	S/N 59742 to Present	Ref.	C
		Standard Electrical Schematic - Yanmar Options:		
	1870043	Prior to S/N 35428	Ref.	J
	1870049	S/N 35428 to S/N 59742	Ref.	C
	1870102*	S/N 59742 to Present	Ref.	C

SECTION 7 ELECTRICAL

SECTION 7 ELECTRICAL

FIGURE 7-1.ELECTRICAL DIAGRAM LIST

FIG & ITEM #	PART NUMBER	DESCRIPTION	QTY.	REV.

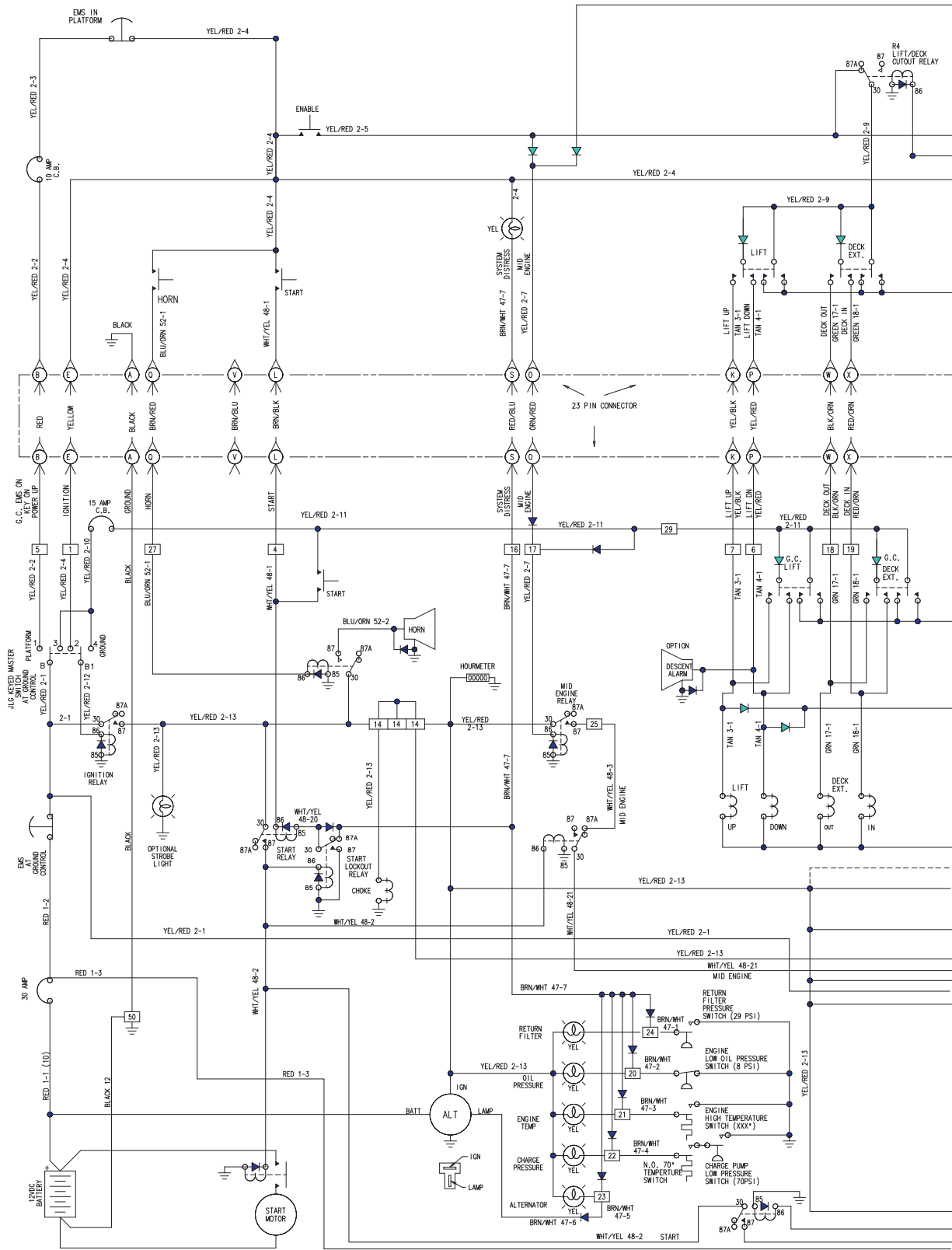
**S
E
C
T
I
O
N

7

E
L
E
C
T
R
I
C
A
L**

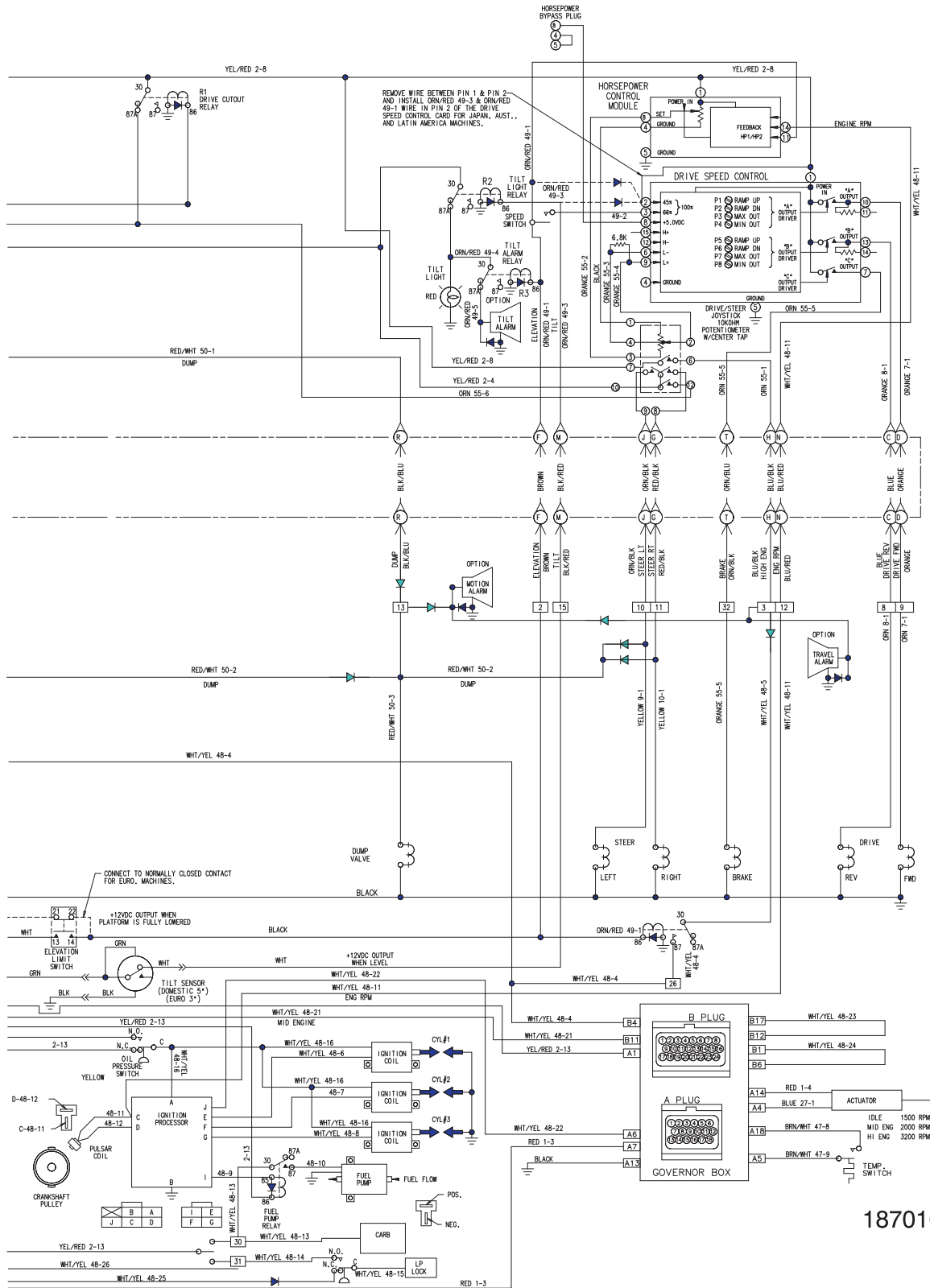
SECTION 7 ELECTRICAL

FIGURE 7-2. ELECTRICAL SCHEMATIC - VANGUARD



SECTION 7 ELECTRICAL

SECTION 7 ELECTRICAL

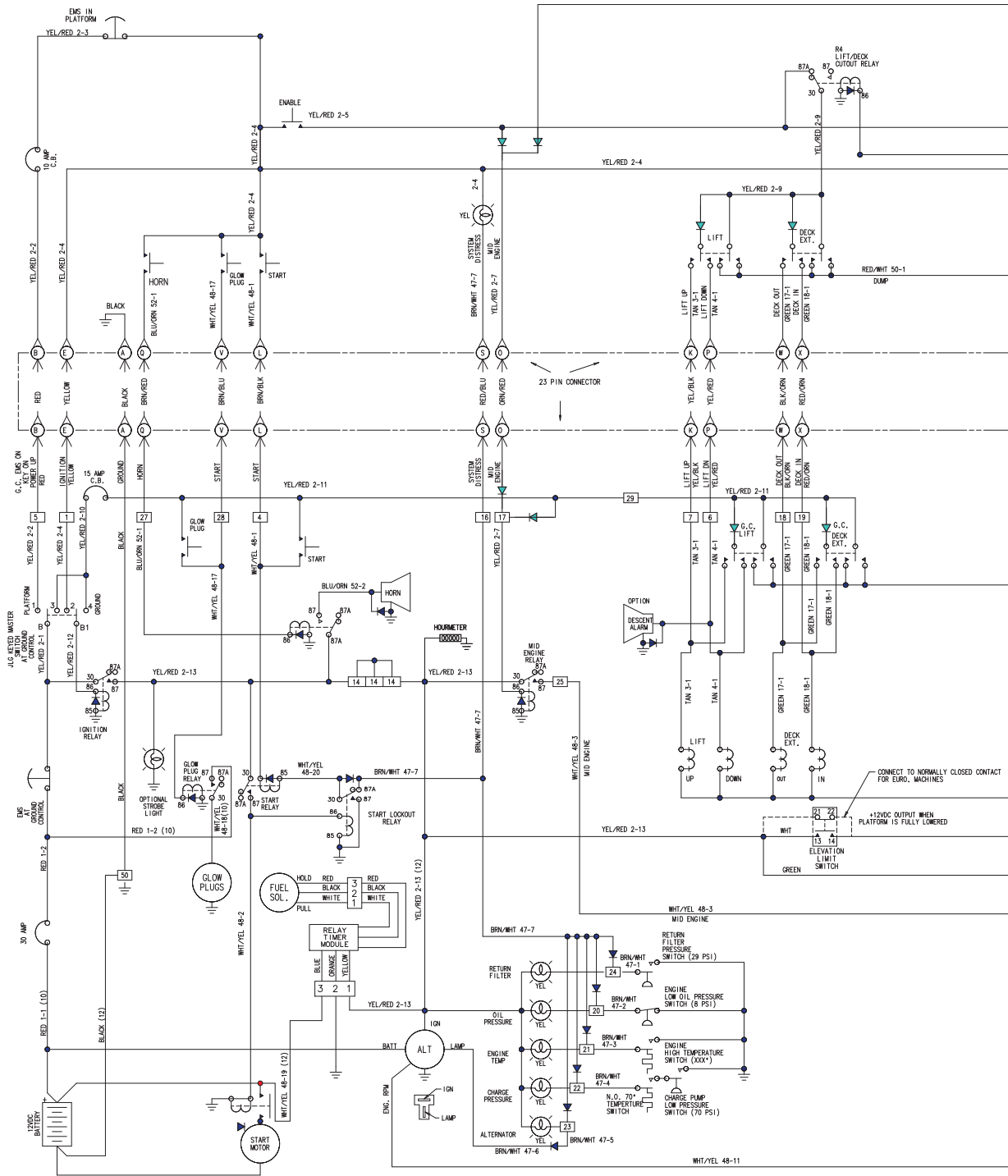


SECTION 7 ELECTRICAL

1870103_C

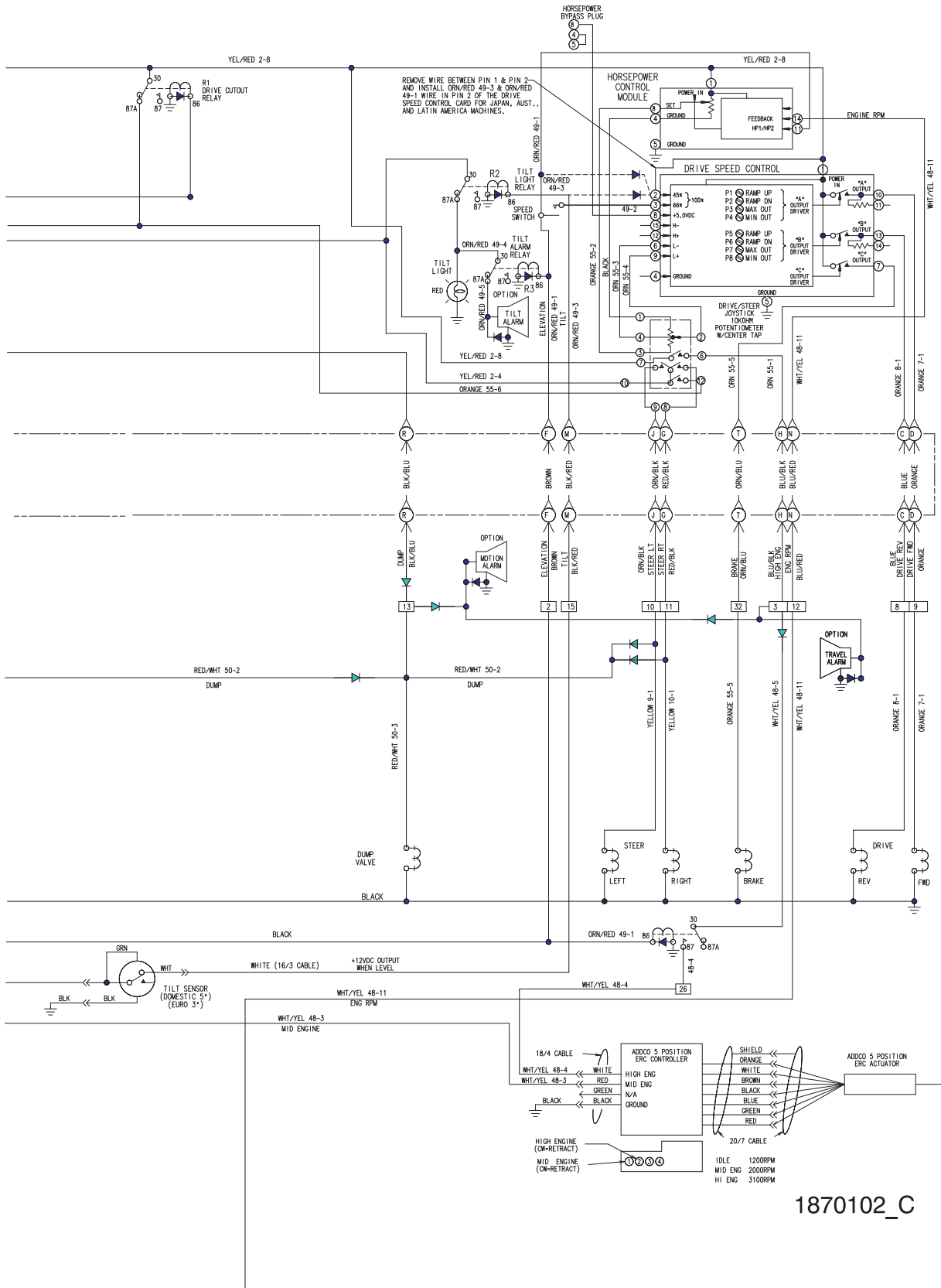
SECTION 7 ELECTRICAL

FIGURE 7-3.ELECTRICAL SCHEMATIC - YANMAR



SECTION 7 ELECTRICAL

SECTION 7 ELECTRICAL

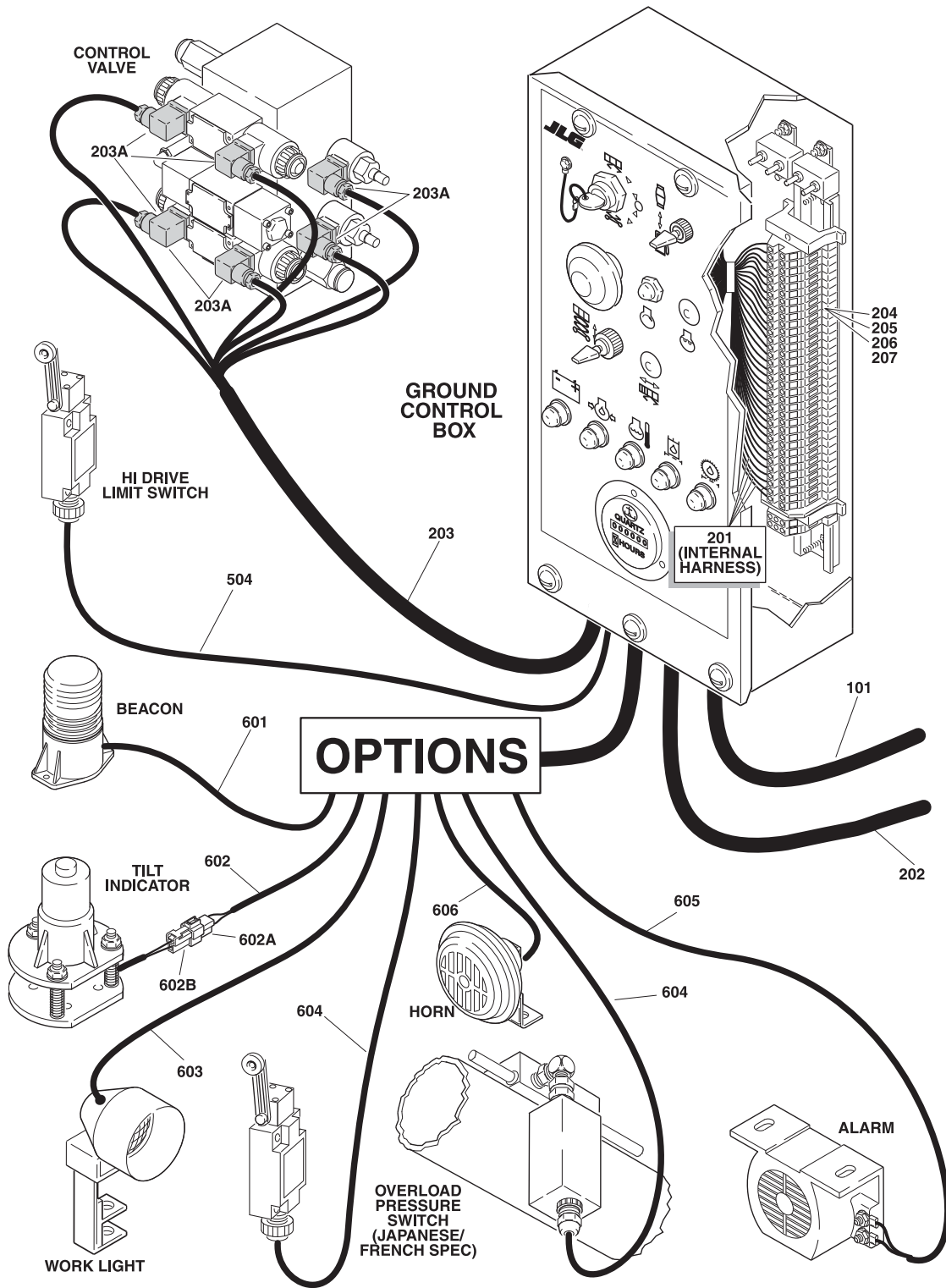


1870102_C

SECTION 7 ELECTRICAL

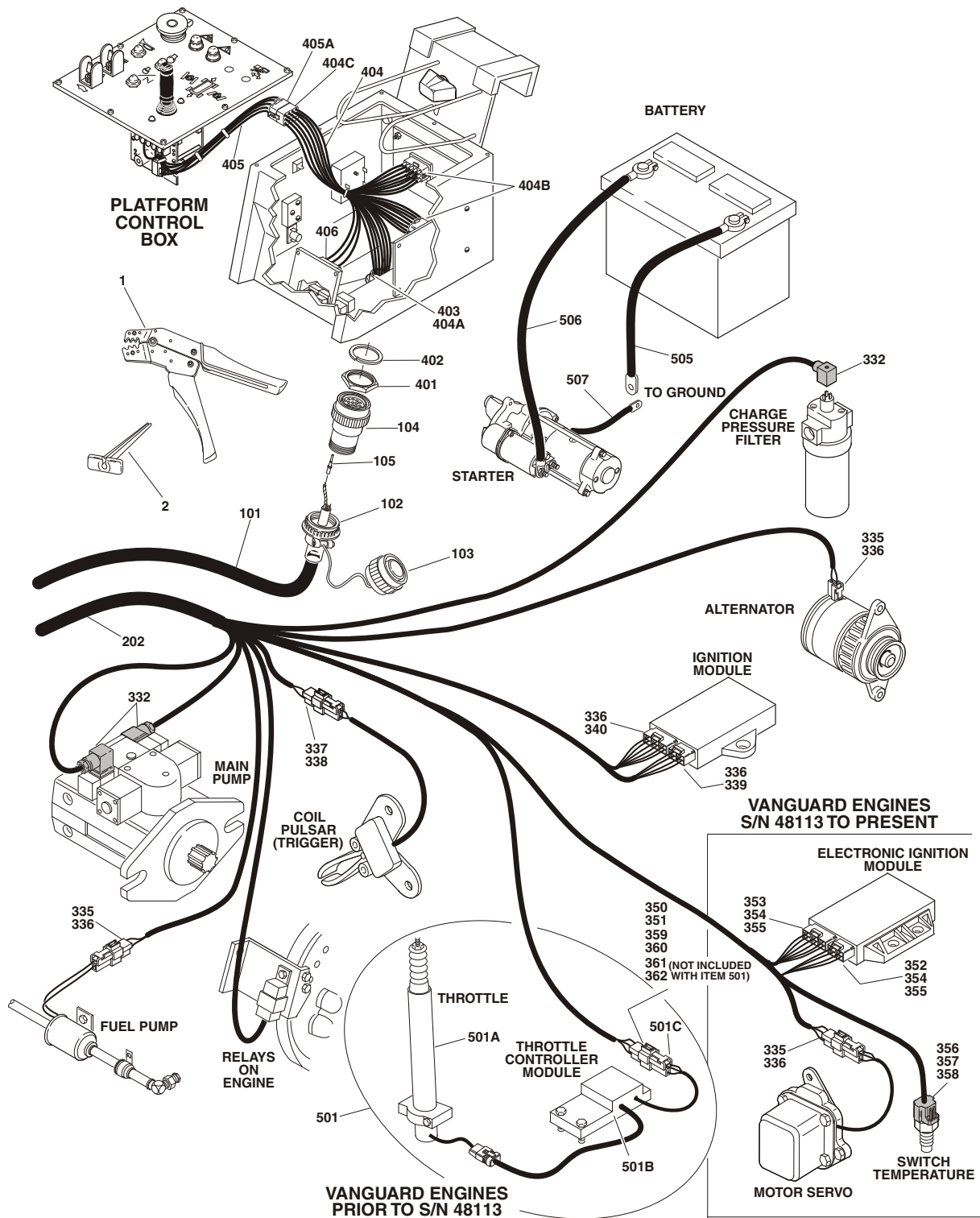
SECTION 7 ELECTRICAL

FIGURE 7-4. HARNESS AND CABLE ASSEMBLIES



SECTION 7 ELECTRICAL

SECTION 7 ELECTRICAL



SECTION 7 ELECTRICAL

SECTION 7 ELECTRICAL

FIGURE 7-4. HARNESS AND CABLE ASSEMBLIES

FIG & ITEM #	PART NUMBER	DESCRIPTION	QTY.	REV.
		TOOLS	Ref.	
1	7002821	Crimper (For Wire to Pin/Socket Connections)	1	
2	4460467	Extractor - 16-18 Gauge (For Removal of Pins/Sockets form Deutsch Connectors)	1	
	4921843	CABLE ASSEMBLIES - GROUND TO PLATFORM	Ref.	2
101	1060458	Cable, Electrical - 16/24 Options:	60ft/18.3m	
102	4460473	Clamp, Cable	1	
103	4460468	Cap, Dust	1	
104	4460462	Connector - 23 Pin	1	
105	4460465	Socket, Female	23	
106	4460121	Wire, Cap (Not Shown)	1	
		GROUND CONTROL BOX WIRING DIAGRAM OPTIONS:	Ref.	
	0256740	Vanguard	Ref.	6
	0256741	Yanmar	Ref.	4
201		Harness - Ground Control Options:	1	
	4921836	Prior to S/N 35428		E
	4921897	S/N 35428 to Present		4
	3990010	Diode - 6 Amp	A/R	
202		Harness - Engine Options: (See Items 301 to 358 for Breakdown)	1	
	4921837	Vanguard (Prior to S/N 35428)		G
	4921898	Vanguard (S/N 35428 to S/N 48113)		2
	4922182	Vanguard (S/N 48113 to Present)		4
	4921839	Yanmar (Prior to S/N 35428)		D
	4921900	Yanmar (S/N 35428 to Present)		6
203		Harness - Valve Options:	1	
	4921838	Prior to S/N 35428		C
	4921899	S/N 35428 to Present		2
203A	4460449	Connector - DIN	8	
204		Harness - Light Bank Diode Options: (Located in Ground Control Box at Terminals 16 & 20-24)	1	
	4921907	Prior to S/N 35428		
	4921910	S/N 35428 to Present		1
	3990010	Diode - 6 Amp	2	
205		Harness - Steer Dump Options: (Located in Ground Control Box at Terminals 10, 11 & 13)	1	
	4921906	Prior to S/N 35428		
	4921909	S/N 35428 to Present		2
	3990010	Diode - 6 Amp	A/R	

SECTION 7 ELECTRICAL

SECTION 7 ELECTRICAL

FIGURE 7-4. HARNESS AND CABLE ASSEMBLIES

FIG & ITEM #	PART NUMBER	DESCRIPTION	QTY.	REV.
206		Harness - High Engine Lift Options: (Located in Ground Control Box at Terminals 6, 7 & 26)	1	
	4921905	Vanguard (Prior to S/N 35428)		
	4921908	Vanguard (S/N 35428 to Present)		1
	Not Required	Yanmar		
	3990010	Diode - 6 Amp	2	
207	4921961	Harness - Mid Engine Lockout Options: (Located in Ground Control Box at Terminals 17 & 29) (S/N 35428 to Present)	1	
		ENGINE HARNESS ASSEMBLY - VANGUARD OPTIONS:	Ref.	
	4921837	Vanguard (Prior to S/N 35428)	Ref.	G
	4921898	Vanguard (S/N 35428 to S/N 48113)	Ref.	2
	4922182	Vanguard (S/N 48113 to Present)	Ref.	4
301 to 331	Not Used			
332	4460449	Connector, DIN	3	
333 to 334	Not Used			
335	4460656	Housing, Terminal	A/R	
336	4460657	Terminal	A/R	
337	4460654	Housing, Terminal	1	
338	4460655	Terminal	2	
339	4460658	Housing, Terminal	1	
340	4460659	Housing, Terminal	1	
341 to 345	Not Used			
346	3990010	Diode - 6 Amp (Not Shown)	A/R	
347 to 349	Not Used			
350	4460445	Receptacle (S/N 73846 to Present Only)	1	
351	4460267	Pin (S/N 73846 to Present Only)	3	
352	4460762	Connector - 18 Pin (S/N 48113 to Present)	1	
353	4460763	Connector - 24 Pin (S/N 48113 to Present)	1	
354	4460764	Pin (S/N 48113 to Present)	14	
355	4460767	Plug, Pin Hole (S/N 48113 to Present)	28	
356	4460765	Connector, Plug (S/N 48113 to Present)	1	
357	4460766	Pin (S/N 48113 to Present)	2	
358	4460768	Seal (S/N 48113 to Present)	2	
359 to 362	Not Required			
		ENGINE HARNESS ASSEMBLY - YANMAR OPTIONS:	Ref.	
	4921839	Prior to S/N 48113	Ref.	D
	4921900	S/N 48113 to Present	Ref.	6
301 to 331	Not Used			
332	4460449	Connector, DIN	3	
333 to 334	Not Used			
335	4460445	Receptacle (S/N 73846 to Present Only)	1	
336	4460267	Pin (S/N 73846 to Present Only)	3	
337 to 340	Not Required			

SECTION 7 ELECTRICAL

SECTION 7 ELECTRICAL

FIGURE 7-4. HARNESS AND CABLE ASSEMBLIES

FIG & ITEM #	PART NUMBER	DESCRIPTION	QTY.	REV.
341 to 345	Not Used			
346	3990010	Diode - 6 Amp (Not Shown)	A/R	
347 to 349	Not Used			
350	4460445	Receptacle (Prior to S/N 62149)	1	
351	4460267	Pin (Prior to S/N 62149)	3	
352 to 358	Not Required			
359	4460777	Housing, Terminal (S/N 62149 to Present)	1	
360	4460591	Lock, Terminal (S/N 62149 to Present)	1	
361	4460589	Socket, Female (S/N 62149 to Present)	3	
362	4460608	Seal (S/N 62149 to Present)	3	
		PLATFORM CONSOLE BOX ELECTRICAL DIAGRAM	Ref.	
	0256315	Vanguard (Prior to S/N 35428)	Ref.	F
	0256744	Vanguard (S/N 35428 to Present)	Ref.	6
	0256316	Yanmar (Prior to S/N 35428)	Ref.	F
	0256745	Yanmar (S/N 35428 to Present)	Ref.	7
401	4460470	Nut	1	
402	4460471	Lockwasher	1	
403	4460463	Connector - 23 Position	1	
404		Platform Box Harness Options:	1	
	4921842	Standard (Prior to S/N 35428)		G
	4921901	Standard (S/N 35428 to S/N 58990)		3
	4922288	Standard (S/N 58990 to Present)		2
	3990010	Diode - 6 Amp (Not Shown)	3	
	3990013	Diode - 1 Amp (Not Shown)	2	
	1540015	Capacitor 100mf/25V (Prior to S/N 58990)	1	
	3730112	Resistor 2.4k Ohms 1/4 Watt (Prior to S/N 58990)	1	
	3730035	Resistor 1k Ohms 1/4 Watt (Prior to S/N 58990)	1	
	3730114	Resistor 6.8k Ohms 1/4 Watt	1	
404A	4460464	Pin, Male	22	
404B		Connector - 15 Pin Options:	2	
	4460620	Prior to S/N 47483		
	4460720	S/N 47483 to Present		
	4460621	Terminal Options:	15	
	4460621	Prior to S/N 47483		
	4460721	S/N 47483 to Present		
404C	4460343	Connector - 12 Pin	1	
	4460227	Pin	9	
405	Not Serviced	Controller Harness	1	
405A	4460367	Connector - 12 Pin	1	
	4460226	Socket, Female	10	
406	4460652	Connector - 15 Pin (S/N 35428 to Present)	1	
	4460653	Pin	3	

SECTION 7 ELECTRICAL

SECTION 7 ELECTRICAL

FIGURE 7-4. HARNESS AND CABLE ASSEMBLIES

FIG & ITEM #	PART NUMBER	DESCRIPTION	QTY.	REV.
		MISCELLANEOUS HARNESSES & CABLES	Ref.	
501	Not Available	Throttle Actuator/Controller Harness (Vanguard & Yanmar) (Vanguard Engine - Prior to S/N 48113 Only)	1	
	Use 2910000	Throttle Actuator & Controller Assembly (Was p/n Gas - 0060037 & Diesel - 0060038)	1	
	7008833	Mounting Clamp Kit (Not Shown)	1	
	7008836	Spring, Retract (Not Shown)	1	
501A	Not Available	Throttle Actuator & Harness (Purchase p/n 2910000)	1	
	7016336	Boot Kit	1	
	Not Serviced	Pin, Male	8	
	Not Serviced	Connector - 8 Position	1	
501B	2910001	Controller & Harnesses (Purchase p/n 2910000)	1	
	Not Serviced	Socket, Female	8	
	Not Serviced	Connector - 8 Position	1	
501C	Not Available	Connector - 4 Position	1	
	4460693	Pin, Male	4	
	4460592	Clip	1	
	4460608	Seal, Terminal	4	
502 to 503	Not Used			
504	Not Available	High Drive Cut-Out	1	
	1060341	Cable, Electrical 16/2	9ft/2.7m	
	4460320	Connector - 2 Position	1	
	4460268	Socket, Female	2	
505	1060360	Cable, Battery (Battery to Ground)	1	
506	1060632	Cable, Battery (Battery to Start Relay)	1	
507	1060221	Cable, Solenoid (Starter to Engine Tray)	1	
		ACCESSORIES HARNESS ASSEMBLIES	Ref.	
601	Not Available	Harness Beacon	1	
	1060341	Cable, Electrical - 18/2	10ft./3.0m	
602	Not Available	Harness - Tilt Alarm	1	
	1060330	Cable, Electrical - 16/3	6ft./1.8m	
602A	4460445	Connector - 3 Pin	1	
	4460227	Pin Male	3	
602B	4460326	Plug, Connector	1	
	4460226	Socket, Female	3	
603	Not Available	Harness - Worklight	1	
	1060341	Cable, Electrical - 16/2	65ft/20m	
604	Not Available	Harness - Overload (Japanese/French Spec.)	1	
	1060341	Cable, Electrical - 16/2	40ft/12.2m	
605	Not Available	Harness - Alarm (Descent/Motion/Travel)	1	
	1060341	Cable, Electrical - 16/2	4ft/1.2m	
606	4922258	Harness - Horn	1	
	1060341	Cable, Electrical - 16/2	A/R	

SECTION 7 ELECTRICAL

SECTION 7 ELECTRICAL

FIGURE 7-4. HARNESS AND CABLE ASSEMBLIES

FIG & ITEM #	PART NUMBER	DESCRIPTION	QTY.	REV.

**S
E
C
T
I
O
N

7

E
L
E
C
T
R
I
C
A
L**

SECTION 8 DECALS

TABLE OF CONTENTS		
FIGURE	DESCRIPTION	PAGE
8-1	Decals Installations	8-2

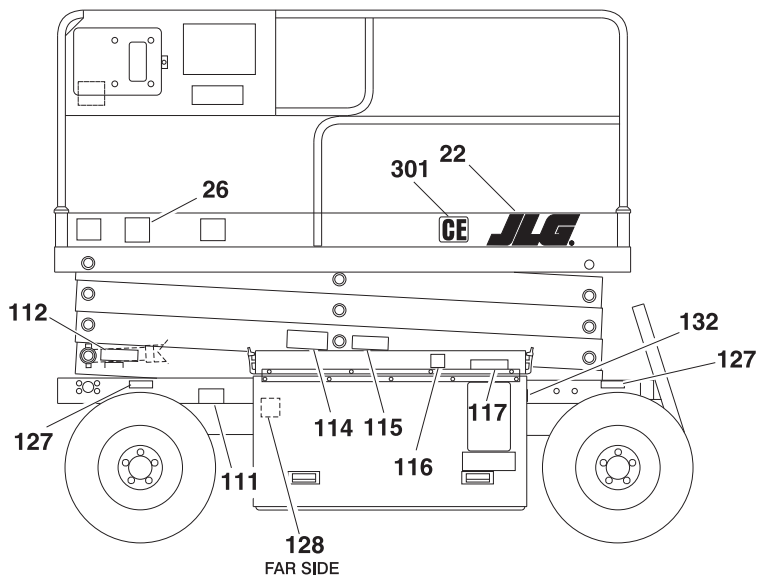
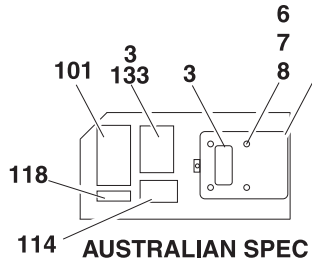
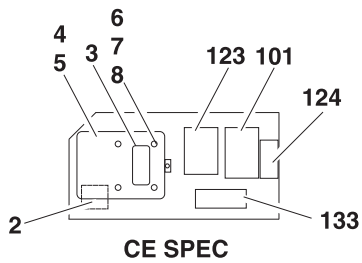
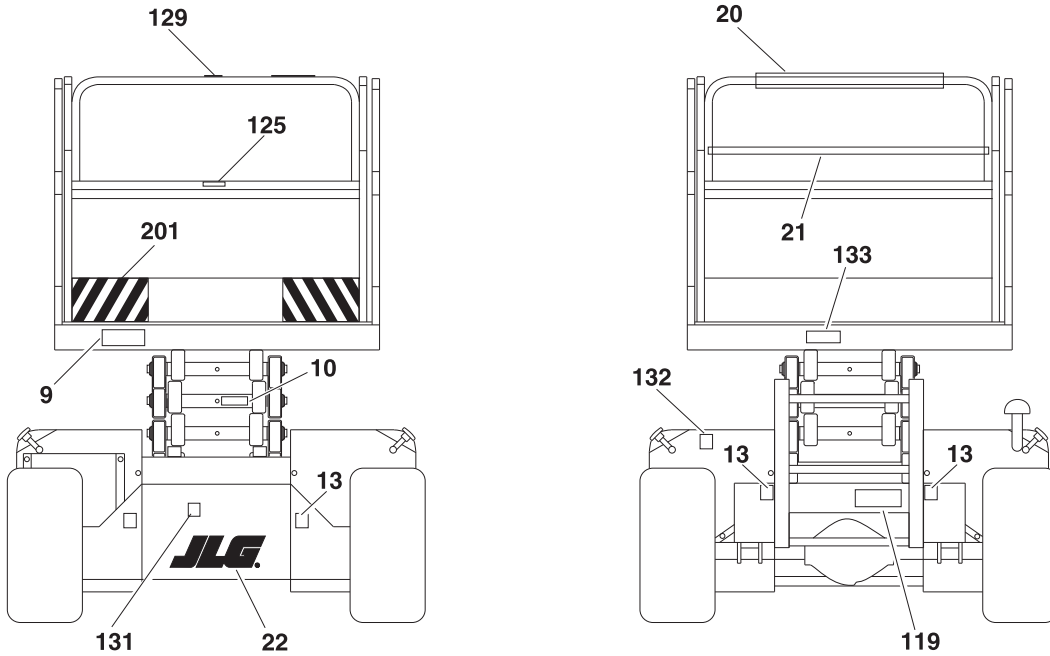
**S
E
C
T
I
O
N

8

D
E
C
A
L
S**

SECTION 8 DECALS

FIGURE 8-1.DECALS INSTALLATIONS



SECTION 8 DECALS

SECTION 8 DECALS

FIGURE 8-1. DECALS INSTALLATIONS

FIG & ITEM #	PART NUMBER	DESCRIPTION	QTY.	REV.
	0257048	DECAL INSTALLATION (COMMON)	Ref.	2
	0258248	DECAL INSTALLATION (AUSTRALIAN SPEC)	Ref.	1
1	Not Used			
2		Decal - USA Options:	1	
	3251813	Common		
	Not Required	Australian Spec		
3	1701509	Decal - Manual	1	
4	0860520	Box, Manual Storage	1	
5	1060279	Cable, Lanyard	1	
6	0641405	Bolt 1/4"-20NC x 5/8"	4	
7	4751400	Flatwasher 1/4"	8	
8	3311405	Locknut 1/4"-20NC	4	
9	3252492	Decal - 26MRT	1	
10	1702939	Decal - Safety Prop Location	1	
11 to 12	Not Used			
13	1702300	Decal - Tie Down	4	
14 to 19	Not Used			
20	3340612	Pad, Bumper	2ft/.61m	
21		Tubing Options:	2ft/.61m	
	2820024	Tubing, Vinyl (Prior to S/N 49766)		
	2820097	Mesh (S/N 49766 to Present)		
	Not Required	Australian Spec		
22	1702773	Decal - JLG	3	
23 to 25	Not Used			
26	Not Available	Decal - Bar Code	1	
27 to 31	Not Used			
		DECAL INSTALLATIONS (COUNTRY SPEC.)	Ref.	
	0258249	Australian Spec	Ref.	1
	0256499	Dutch Spec	Ref.	7
	0256500	Euro English Spec	Ref.	6
	0256502	French Spec	Ref.	6
	0256497	German Spec	Ref.	6
	0256501	Italian Spec	Ref.	6
	0256498	Spanish Spec	Ref.	6
101		Nameplate, Billboard Options:	1	
	1701523	Australian		
	1701616	Dutch (Prior to S/N 33116)		
	1701648	Dutch (S/N 33116 to Present)		
	1701523	Euro English		
	1701629	French		
	1701630	German		
	1701632	Italian		
	1701861	Spanish		
102 to 110	Not Used			

SECTION 8 DECALS

SECTION 8 DECALS

FIGURE 8-1. DECALS INSTALLATIONS (CONTINUED)

FIG & ITEM #	PART NUMBER	DESCRIPTION	QTY.	REV.
111	1701510	Decal - Manual Descent	1	
112		Decal - Safety Prop Options:	1	
	1701839	Australian		
	1701615	Dutch		
	1701839	Euro English		
	1701512	French		
	1701519	German		
	1701524	Italian		
	1701856	Spanish		
113	Not Used			
114	1703665	Decal - Electrocutation (Australian Spec Only)	3	
115	1703158	Decal - Crushing (Australian Spec Only)	2	
116	1701504	Decal - Hydraulic Fluid (Prior to S/N 31728)	1	
117		Decal - Ground Controls Options:	1	
	1702248	Australian		
	1701616	Dutch		
	1702248	Euro English		
	1701515	French		
	1701525	German		
	1701535	Italian		
	1701858	Spanish		
118	1703663	Decal - Maintenance (Australian Spec Only)	1	
119	Not Available	Nameplate - Serial Number	1	
120 to 122	Not Used			
123	Not Required			
124	Not Required			
125	Not Required			
126	Not Used			
127	1703212	Decal - Max Tire Load	4	
128	Not Required		1	
129	Not Required			
130	Not Used			
131		Decal - Tow Valve Options: (S/N 35428 to Present)	1	
	1703030	Australian		
	1703170	Dutch		
	1703030	Euro English		
	1703172	French		
	1703169	German		
	1703171	Italian		
	1703168	Spanish		
132		Decal - Fuel Options:	1	
	1701505	Diesel		
	1700430	Gas		
133		Nameplate - Capacity Options:	2	
	3252515	Prior to S/N 32436		
	3252531	S/N 32436 to Present		

SECTION 8 DECALS

FIGURE 8-1. DECALS INSTALLATIONS (CONTINUED)

FIG & ITEM #	PART NUMBER	DESCRIPTION	QTY.	REV.
	0251642	WARNING STRIPES INSTALLATION	Ref.	—
201	4420052	Stripe, Black/Yellow	4ft/1.2m	
	0255981	DECAL - CE INSTALLATION	Ref.	B
301	1702928	Decal - CE	2	

SECTION 8 DECALS

SECTION 8 DECALS

FIGURE 8-1. DECALS INSTALLATIONS (CONTINUED)

FIG & ITEM #	PART NUMBER	DESCRIPTION	QTY.	REV.

**S
E
C
T
I
O
N

8

D
E
C
A
L
S**

SECTION 9 RECOMMENDED SERVICE PARTS STOCK

MODEL 26MRT

The following list will service fleets of machines (built to current production per date on the front cover) with emergency repair parts which can be installed in the field. Parts from the list should be replaced when inventory is depleted to keep service parts stock supplied. For further information, contact your JLG dealer or the JLG Industries Parts Department.

JLG PART NUMBER	DESCRIPTION	QTY PER FLEET		
		1-4	5-9	10 OR MORE
STANDARD PARTS				
4360342	Switch, Tilt Indicator (Figure 1-6)	1	1	1
7014803	Breather (Figure 2-1)	1	2	3
2120158	Element, Return Filter (Figure 2-1)	4	8	12
2120150	Element, Pressure Filter (Figure 2-1)	4	8	12
7012944	Coil (Figure 2-2)	1	1	1
7012772	Coil (Figure 2-2)	1	1	1
7012773	Coil (Figure 2-2)	1	1	1
2910000	Actuator, Throttle (Figures 2-3 & 2-6)	1	1	1
7015004	Element, Air Filter (Figure 2-3, 2-4 & 2-6)	12	12	12
3740049	Relay (Figures 2-3, 2-4, 2-9 & 4-3)	1	1	1
7018933	Coil (Figure 2-7)	1	1	1
4360216	Breaker, Circuit (Figure 2-9)	1	1	1
4360232	Breaker, Circuit (Figure 2-9)	1	1	1
4360387	Switch, Push Button (Figure 2-9 & 4-3)	1	1	1
4360430	Switch, Key (Figure 2-9)	1	1	1
7016339	Key, Replacement (Figure 2-9)	1	1	1
4360395	Switch, Mushroom (Figures 2-9 & 4-3) (Prior to S/N 58371)	1	1	1
4360289	Switch, Mushroom (Figures 2-9 & 4-3) (S/N 58371 to Present)	1	1	1
4360314	Switch, Toggle (Figure 2-9 & 4-3)	1	1	1
1600218	Card, Circuit (Figure 4-3)	1	1	1
4360118	Relay, Delay (Figure 4-3) (Prior to S/N 58990)	1	1	1
4360339	Switch, Push Button (Figure 4-3)	1	1	1
4360267	Contact, Switch (Figure 4-3)	1	1	1
1600241	Controller, Directional (Figure 4-3) (Prior to S/N 58990)	1	1	1
1600296	Controller, Directional (Figure 4-3) (S/N 58990 to Present)	1	1	1
4360336	Switch, Toggle (Figure 4-3)	1	1	1
4360069	Breaker, Circuit (Figure 4-3)	1	1	1
4360282	Block, Switch Contact (Figure 4-3)	1	1	1
7003789	Switch, Steer - 1600241 (Figure 4-4)	1	1	1
7011974	Electrical Assembly - 1600241 (Figure 4-4)	1	1	1
7011975	Potentiometer - 1600241 (Figure 4-4)	1	1	1
7011992	Switch, Steer - 1600296 (Figure 4-5)	1	1	1
7020525	Electrical Assembly - 1600296 (Figure 4-5)	1	1	1
7011975	Potentiometer - 1600296 (Figure 4-5)	1	1	1
3990013	Diode - 1 Amp (Figure 7-4)	2	2	2
3990010	Diode - 6 Amp (Figure 7-4)	2	2	2

SECTION 9 RECOMMENDED SERVICE PARTS

MODEL 26MRT

The following list will service fleets of machines (built to current production per date on the front cover) with emergency repair parts which can be installed in the field. Parts from the list should be replaced when inventory is depleted to keep service parts stock supplied. For further information, contact your JLG dealer or the JLG Industries Parts Department.

JLG PART NUMBER	DESCRIPTION	QTY PER FLEET		
		1-4	5-9	10 OR MORE
VARIABLE PARTS				
4360397	Switch, Limit (Figure 1-6)	1	1	1
4360321	Switch, Limit (Figure 1-6)	1	1	1
1660229	Coupling Pump (Vanguard) (Figure 2-3 & 2-4)	1	1	1
7017600	Filter, Engine Oil (Vanguard) (Figure 2-3 & 2-4)	12	12	12
7017606	Coil, Ignition (Vanguard) (Figure 2-3 & 2-4)	1	1	1
7017621	Module, Ignition (Vanguard) (Figure 2-3 & 2-4)	1	1	1
7017659	Module, Electronic Ignition (Vanguard) (Figure 2-4)	1	1	1
7017655	Motor, Servo (Vanguard) (Figure 2-4)	1	1	1
7017500	Switch, Fuel Shut-Off (Dual Fuel Machines) (Figure 2-5)	1	1	1
1660228	Coupling Pump (Yanmar) (Figure 2-6)	1	1	1
7018103	Filter, Engine Oil (Yanmar) (Figure 2-6)	12	12	12
7018111	Filter, Engine Fuel (Yanmar) (Figure 2-6)	12	12	12
7018116	Solenoid, ETR Stop (Yanmar) (Figure 2-6)	1	1	1
4360448	Breaker, Circuit (With Optional Worklights) (Figure 2-9)	1	1	1
4360277	Switch, Limit (Platform Extension Interlock) (Figure 4-1)	1	1	1
1600249	Card, Circuit (Vanguard) (Figure 4-3)	1	1	1
1600250	Card, Circuit (Yanmar) (Figure 4-3)	1	1	1

SECTION 10 SPECIAL OPTIONS

Note: This list is to accommodate machines ordered with special equipment. Options may not be applicable to all models. For more specific parts information contact JLG Parts Department.

FIG & ITEM #	PART NUMBER	DESCRIPTION	QTY.	REV.
		MISCELLANEOUS SPECIAL OPTIONS	Ref.	
	0270095	AIR LINE INSTALLATION	Ref.	
	1702788	DECAL - BIODEGRADABLE OIL	1	
		ELECTRICAL CONNECTOR KITS	Ref.	
	1001148902	Amp/Tyco Electrical Connector Kit	Ref.	
	1001148903	Deutsch DT Electrical Connector Kit	Ref.	
	1001148904	Deutsch HD Electrical Connector Kit	Ref.	
	1001148905	Packard Electrical Connector Kit	Ref.	
	1001148906	Various Electrical Connectors Kit	Ref.	
		Filter Kits:	Ref.	
		Combined Filter Kit Options (Hydraulic/Air & Fuel/Engine Oil):	1	
		Vanguard Engine		
	Use 2910932	Prior to S/N 0200048113 (was p/n 2910453)		
	1001150359	S/N 0200048113 to Present		
	Use 1001111696	Yanmar Engine (was p/n 2910469 & 2910935)		
		Hydraulic/Air Filter Options:	1	
	Use 1001150359	Vanguard Engine		
	1001111669	Yanmar Engine		
		Fuel/Engine Oil Filter Options:	1	
	Use 1001150359	Vanguard Engine		
	1001111682	Yanmar Engine		
	2901814	KIT - TIE-STRAPS	1	
	0257049	PIPE RACKS INSTALLATION	Ref.	
	0100040	SEALANT	2	
		TOOLS FOR SERVICE	Ref.	
	7002818	Crimper (For Wire to Pin/Socket Connections)	1	
	7002823	Extractor (For Removal of Pin/Socket from Connectors)	1	
	4460467	Extractor, Pin (Blue 16-18 Gauge) (For Removal of Pin/Socket from Connectors)	1	
	4460510	Extractor, Pin (Yellow 12-14 Gauge) (For Removal of Pin/Socket from Connectors)	1	
	7004275	Seal Tool (For 1" Diameter Seals)	1	
	7004276	Seal Tool (For 1 1/2" Diameter Seals)	1	
	7002826	Seal Tool (For 2" Diameter Seals)	1	
	7002820	Arbor Set	1	
	7002840	Anti-Rotation Pin Removal Tool	1	

SECTION 10 SPECIAL OPTIONS

Note: This list is to accommodate machines ordered with special equipment. Options may not be applicable to all models. For more specific parts information contact JLG Parts Department.

**S
E
C
T
I
O
N

1
0

S
P
E
C
I
A
L

O
P
T
I
O
N
S**

FIG & ITEM #	PART NUMBER	DESCRIPTION	QTY.	REV.



3120893



An Oshkosh Corporation Company

Corporate Office
JLG Industries, Inc.
1 JLG Drive
McConnellsburg PA. 17233-9533
USA

☎ (717) 485-5161

📠 (717) 485-6417

JLG Worldwide Locations

JLG Industries (Australia)
P.O. Box 5119
11 Bolwarra Road
Port Macquarie
N.S.W. 2444
Australia

☎ +61 2 65 811111

📠 +61 2 65 813058

JLG Latino Americana Ltda.
Rua Eng. Carlos Stevenson,
80-Suite 71
13092-310 Campinas-SP
Brazil

☎ +55 19 3295 0407

📠 +55 19 3295 1025

JLG Industries (UK) Ltd
Bentley House
Bentley Avenue
Middleton
Greater Manchester
M24 2GP - England

☎ +44 (0)161 654 1000

📠 +44 (0)161 654 1001

JLG France SAS
Z.I. de Baulieu
47400 Fauillet
France

☎ +33 (0)5 53 88 31 70

📠 +33 (0)5 53 88 31 79

JLG Deutschland GmbH
Max-Planck-Str. 21
D - 27721 Ritterhude - Ihlpohl
Germany

☎ +49 (0)421 69 350 20

📠 +49 (0)421 69 350 45

JLG Equipment Services Ltd.
Rm 1107 Landmark North
39 Lung Sum Avenue
Sheung Shui N. T.
Hong Kong

☎ (852) 2639 5783

📠 (852) 2639 5797

JLG Industries (Italia) s.r.l.
Via Po. 22
20010 Pregnana Milanese - MI
Italy

☎ +39 029 359 5210

📠 +39 029 359 5845

Oshkosh-JLG Singapore
Technology Equipment Pte
Ltd
29 Tuas Ave 4,
Jurong Industrial Estate
Singapore, 639379

☎ +65-6591 9030

📠 +65-6591 9031

Plataformas Elevadoras
JLG Iberica, S.L.
Trapadella, 2
P.I. Castellbisbal Sur
08755 Castellbisbal, Barcelona
Spain

☎ +34 93 772 4700

📠 +34 93 771 1762

JLG Sverige AB
Enkopingsvagen 150
Box 704
SE - 176 27 Jarfalla
Sweden

☎ +46 (0)850 659 500

📠 +46 (0)850 659 534