



# *Illustrated Parts Manual*

***Models***  
***G15-44A***

**31211076**

February 21, 2018



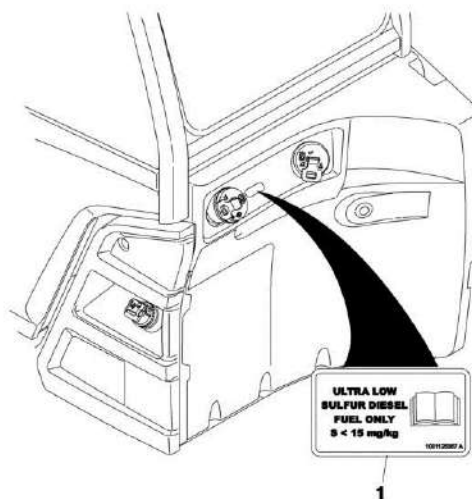


## EFFECTIVITY PAGE

July 31, 2015 - A - Original Issue of Manual  
August 27, 2015 - B - Revised Manual  
November 10, 2015 - C - Revised Manual  
February 19, 2016 - D - Revised Manual  
May 24, 2016 - E - Revised Manual  
November 30, 2016 - F - Revised Manual  
February 27, 2017 - G - Revised Manual  
May 22, 2017 - H - Revised Manual  
August 28, 2017 - I - Revised Manual  
December 14, 2017 - J - Revised Manual  
February 21, 2018 - K - Revised Manual

## Machine Configuration

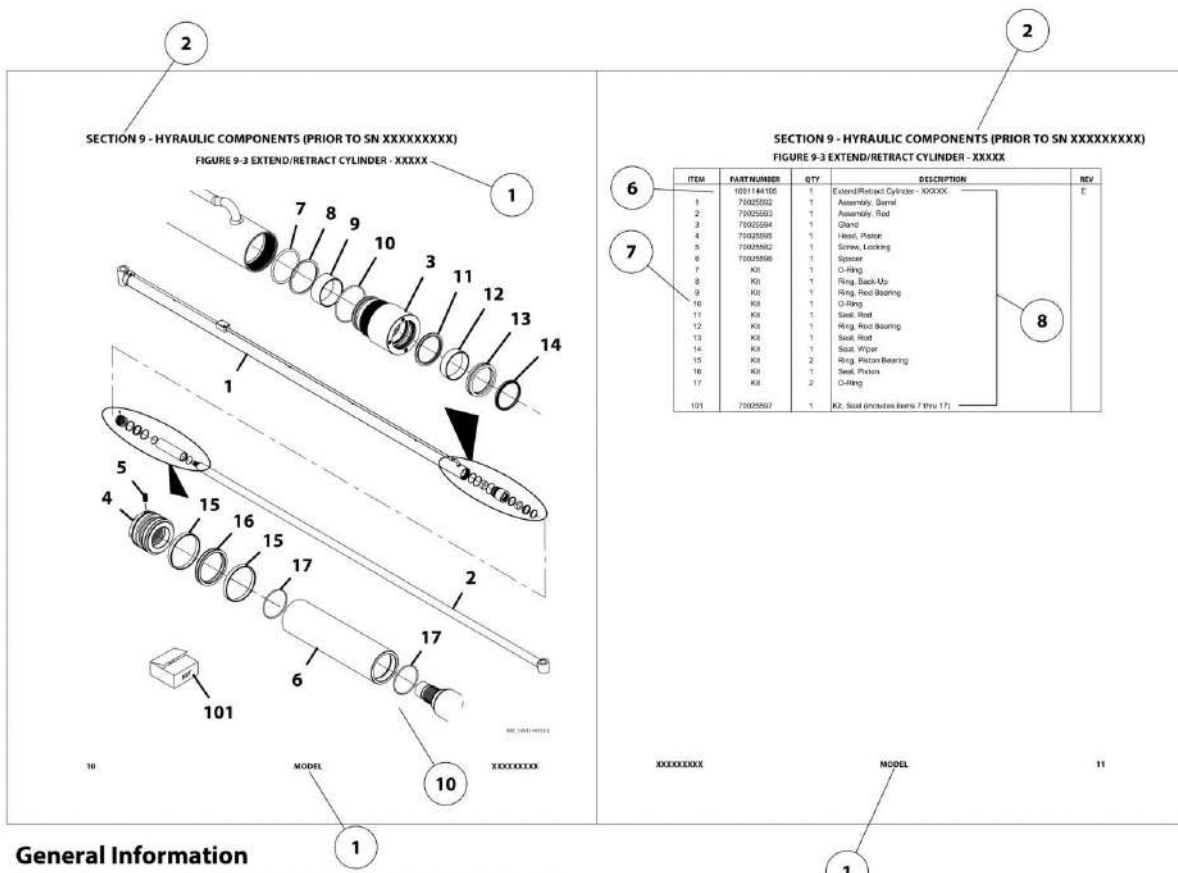
---



**Two configurations of each machine are included in this manual. Determine if machine is equipped with Ultra Low Sulfur Fuel Decal (1).**

**If equipped with the Ultra Low Sulfur decal, all specific references to this machine configuration will be referred to as Ultra Low Sulfur (ULS) from this point forward.**

**If not equipped with the Ultra Low Sulfur decal, all specific references to this machine configuration will be referred to as Low Sulfur (LS) from this point forward.**



## General Information

### 1. MACHINE IDENTIFICATION

Machines are identified by model and in some cases a combination of model, serial number (S/N) or regional standard (e.g. ANSI, CE, CSA, AUS). Components may also be identified by S/N or manufacturer. Common components that may be identified by these characteristics are attachments, engine, transmission and hydraulic components.

### 2. PARTS MANUAL ORGANIZATION

Product information in this manual is organized under section titles. Frame, Engine and Electrical are a few examples. Each section is organized by Figure and page number. The information within the Figure is then organized by item number, part number, description and corresponding illustration(s).

### 3. TABLE OF CONTENTS

A table of contents (TOC) is found toward the beginning of the manual. Figure number, description and page number are provided for quick reference to the page containing the related information.

### 4. RECOMMENDED SPARE PARTS

The Recommended Spare Parts, located near the end of the manual, references most frequently used maintenance parts.

### 5. PARTS NUMBER INDEX

A numerical index listing all part numbers and the corresponding page number(s) appears at the back of the manual.

### 6. NON-SERVICED PARTS

In some instances it is necessary to display non-serviced parts, assemblies or installations. In the case of assemblies and installations there will be a Ref in the QTY column and a note after the item description stating what is available for service within. In the case of parts that are not available for service within assemblies or components there will be a NSS (Not Sold Separately) listed in the part number column of the manual.

### 7. PARTS LIST ITEM NUMBERS

Numbers shown in the Item column correspond to numbers used in the associated illustration(s). Item numbers which are missing from sequence and are not shown in the illustration(s) are not used on that page.

### 8. INDENTED PART DESCRIPTION

An indented part description is included in the item under which it is indented.

## 9. ABBREVIATIONS AND SYMBOLS

AC	Alternating Current
A/C	Air Conditioning
ADE	Advanced Design Electronics
AG	Agriculture
AMP	Amperage
ANSI	American National Standards Institute
AR	As Required
ASSY	Assembly
AUS	Australia
AUX	Auxiliary
AWG	American Wire Gauge
CAC	Charge Air Cooler
CE	European Conformity
CM	Centimeter
CONST	Construction
CSA	Canadian Standards Association
DEF	Diesel Exhaust Fluid
DIA	Diameter
DC	Direct Current
DTZ	Decentralized Transmission Zeros
ECU	Electronic Control Unit
EMS	Emergency Stop
FNR	Forward Neutral Reverse
FT	Foot
GA	Gauge
GR	Grade
HBP	High Boom Pivot
HHP	High Horse Power
HOC	Hydraulic Oil Cooler
HVAC	Heating, Ventilating, and Air Conditioning
ID	Inside Diameter
IN	Inch
ISO	International Organization for Standards
ITSDF	Industrial Truck Standards Development Foundation
JIC	Joint Industry Council
KG	Kilogram
KW	Kilowatt
L	Liter

LB	Pound
LBP	Low Boom Pivot
LCD	Liquid Crystal Display
LED	Light Emitting Diode
LH	Left Hand
LHD	Left Hand Drive
LHP	Low Horse Power
LMIS	Load Management Indicator System
LS	Low Sulfur
LSI	Load Stability Indicator
LSS	Load Sensing System
M <sup>3</sup>	Cubic Meter
MA	Milliamp
M(m)	Metric/Meter
MM	Millimeter
N	Newton
NACD	North America Construction Division
NLA	No Longer Available
NSS	Not Sold Separately
OD	Outside Diameter
ORB	O-Ring Boss
ORFS	O-Ring Face Seal
OZ	Ounce
PR	Ply Rating
QT	Quart
QTY	Quantity
REF	Reference
REV	Revision
RH	Right Hand
RHD	Right Hand Drive
RHOC	Remote Hydraulic Oil Cooler
RUS	Russia
SAE	Society of Automotive Engineers
SAHR	Spring Applied Hydraulically Released
SN	Serial Number
SPD	Speed
TLU	Torque Lock Up
UGM	Universal Ground Module

## 10. ILLUSTRATION REFERENCE LETTERS

When necessary, illustrations may contain reference letters that are intended to track information from one point to another in the illustration such as harnesses and hoses or any other information that has been separated in the illustration

**Note:** Due to continuous product improvements, JLG Industries, Inc. reserves the right to make specification changes without prior notification. Contact JLG Industries, Inc. for updated information.

# TABLE OF CONTENTS

SECTION 1 - FRAME AND ATTACHING PARTS.....	13
FIGURE 1-1. FRAME WELDMENT.....	14
FIGURE 1-2. ENGINE POD INSTALLATION (ULS).....	16
FIGURE 1-3. COUNTERWEIGHT WITHOUT PINTLE HITCH~COUNTERWEIGHT WITHOUT PINTLE HITCH.....	18
FIGURE 1-4. COUNTERWEIGHT WITH PINTLE HITCH.....	20
FIGURE 1-5. COVERS INSTALLATION.....	22
FIGURE 1-6. CONVEX MIRROR ASSEMBLY.....	24
FIGURE 1-7. ENGINE COVER ASSEMBLY.....	26
SECTION 2 - BOOM.....	29
FIGURE 2-1. BOOM INSTALLATION.....	30
FIGURE 2-2. BOOM ASSEMBLY.....	32
FIGURE 2-3. FLY BOOM INSTALLATION (SN 0160075857 to Present).....	38
FIGURE 2-4. CHAIN INSTALLATION.....	40
FIGURE 2-5. CHAIN SHEAVE ASSEMBLY.....	42
FIGURE 2-6. QUICK COUPLER INSTALLATION, MANUAL.....	44
FIGURE 2-7. QUICK COUPLER ASSEMBLY.....	46
FIGURE 2-8. QUICK COUPLER INSTALLATION, HYDRAULIC.....	48
FIGURE 2-9. QUICK COUPLER VALVE.....	50
FIGURE 2-10. HYDRAULIC QUICK COUPLER ASSEMBLY.....	52
FIGURE 2-11. QUICK COUPLER CYLINDER ASSEMBLY.....	54
FIGURE 2-12. BOOM AUXILIARY HYDRAULICS ASSEMBLY.....	56
SECTION 3 - ATTACHMENTS.....	59
FIGURE 3-1. CARRIAGE ASSEMBLY (60 INCH) (Prior to SN 0160075857).....	60
FIGURE 3-2. CARRIAGE ASSEMBLY (60 INCH) (SN 0160075857 to Present).....	62
FIGURE 3-3. CARRIAGE ASSEMBLY (72 INCH) (Prior to SN 0160075857).....	64
FIGURE 3-4. CARRIAGE ASSEMBLY (72 INCH) (SN 0160075857 to Present).....	66
FIGURE 3-5. DUAL FORK POSITIONING CARRIAGE (50 INCH).....	68
FIGURE 3-6. DUAL FORK POSITIONING CARRIAGE ASSEMBLY (50 INCH).....	70
FIGURE 3-7. DUAL FORK CARRIAGE VALVE ASSEMBLY.....	72
FIGURE 3-8. SIDE TILT CARRIAGE ASSEMBLY (72 INCH).....	74
FIGURE 3-9. SIDE SHIFT CARRIAGE ASSEMBLY (50 INCH).....	76
FIGURE 3-10. SIDE TILT CARRIAGE ASSEMBLY (72 INCH).....	78
FIGURE 3-11. DUAL FORK POSITIONING CARRIAGE ASSEMBLY (50 INCH).....	80
FIGURE 3-12. DUAL FORK POSITIONING CARRIAGE (50 INCH).....	82
FIGURE 3-13. 90 SWING CARRIAGE ASSEMBLY (72 INCH).....	84
FIGURE 3-14. TRUSS BOOM (12 FOOT WITHOUT WINCH).....	86
FIGURE 3-15. TRUSS BOOM (15 FOOT WITHOUT WINCH).....	88
FIGURE 3-16. TRUSS BOOM (12 FOOT WITH WINCH).....	90
FIGURE 3-17. BUCKET (72 INCH).....	92
FIGURE 3-18. BUCKET (96 INCH).....	94
FIGURE 3-19. BUCKET (102 INCH).....	96
FIGURE 3-20. GRAPPLE BUCKET.....	98
FIGURE 3-21. PIPE HANDLER CARRIAGE.....	100
FIGURE 3-22. FORK MOUNTED PLATFORM (ASME).....	104
FIGURE 3-23. FORK MOUNTED PLATFORM ASSEMBLY.....	106
FIGURE 3-24. FORK - PALLET 1.75X6X48.....	108
FIGURE 3-25. DUAL TAPER FORK (60X6X2.36).....	110
FIGURE 3-26. FORK - DUAL TAPER 1.75X6X72.....	112
FIGURE 3-27. FORK EXTENSION (90 INCH).....	114
FIGURE 3-28. PALLET FORK (48X5X2.36).....	116
FIGURE 3-29. HOOK, FORK MOUNTED.....	118
FIGURE 3-30. COUPLER MOUNTED HOOK.....	120
FIGURE 3-31. FORK MOUNTED PLATFORM (FRENCH).....	122
SECTION 4 - ENGINE AND ATTACHING PARTS.....	125
FIGURE 4-1. ENGINE ASSEMBLY INSTALLATION.....	126
FIGURE 4-2. ENGINE, 4.6L.....	128
FIGURE 4-3. TRANSMISSION.....	130
FIGURE 4-4. COOLER ASSEMBLY INSTALLATION.....	132
FIGURE 4-5. COOLER INSTALLATION.....	134

# TABLE OF CONTENTS

FIGURE 4-6. RADIATOR PACKAGE .....	136
FIGURE 4-7. ENGINE POD EXHAUST INSTALLATION .....	138
FIGURE 4-8. EXHAUST INSTALLATION .....	140
FIGURE 4-9. HYDRAULIC PUMP INSTALLATION .....	142
FIGURE 4-10. AIR CLEANER INSTALLATION .....	144
FIGURE 4-11. AIR CLEANER FILTER .....	146
FIGURE 4-12. FUEL TANK .....	148
FIGURE 4-13. FUEL CAP, NON LOCKING .....	150
FIGURE 4-14. FUEL CAP, LOCKING .....	152
SECTION 5 - DRIVE TRAIN .....	155
FIGURE 5-1. DRIVETRAIN INSTALLATION .....	156
FIGURE 5-2. FRONT DRIVE SHAFT ASSEMBLY .....	158
FIGURE 5-3. REAR DRIVE SHAFT ASSEMBLY .....	160
FIGURE 5-4. REAR DRIVE SHAFT .....	162
FIGURE 5-5. FRONT AXLE ASSEMBLY .....	164
FIGURE 5-6. REAR AXLE ASSEMBLY .....	166
FIGURE 5-7. FRONT AXLE .....	168
FIGURE 5-8. FRONT AXLE, CENTRAL HOUSING .....	170
FIGURE 5-9. FRONT AXLE, DIFFERENTIAL .....	172
FIGURE 5-10. FRONT AXLE, HUB REDUCTION .....	174
FIGURE 5-11. FRONT AXLE, BRAKES .....	176
FIGURE 5-12. FRONT AXLE, STEERING .....	178
FIGURE 5-13. FRONT AXLE, TRUNION .....	180
FIGURE 5-14. FRONT AXLE, DIFFERENTIAL ASSEMBLY .....	182
FIGURE 5-15. FRONT AXLE, RING GEAR SUPPORT KIT .....	184
FIGURE 5-16. FRONT AXLE, PLANET GEAR CARRIER KIT .....	186
FIGURE 5-17. FRONT AXLE, SUPPORT ASSEMBLY .....	188
FIGURE 5-18. REAR AXLE .....	190
FIGURE 5-19. REAR AXLE, CENTRAL HOUSING .....	192
FIGURE 5-20. REAR AXLE, DIFFERENTIAL .....	194
FIGURE 5-21. REAR AXLE, HUB REDUCTION .....	196
FIGURE 5-22. REAR AXLE, BRAKES .....	198
FIGURE 5-23. REAR AXLE, STEERING .....	200
FIGURE 5-24. REAR AXLE, TRUNION .....	202
FIGURE 5-25. REAR AXLE, DIFFERENTIAL ASSEMBLY .....	204
FIGURE 5-26. REAR AXLE, RING GEAR SUPPORT KIT .....	206
FIGURE 5-27. REAR AXLE, PLANET GEAR CARRIER KIT .....	208
FIGURE 5-28. REAR AXLE, SUPPORT ASSEMBLY .....	210
FIGURE 5-29. FRONT AXLE, PIVOT SUPPORT ASSEMBLY .....	212
FIGURE 5-30. REAR AXLE, PIVOT SUPPORT ASSEMBLY .....	214
FIGURE 5-31. POWERSHIFT TRANSMISSION .....	216
FIGURE 5-32. TRANSMISSION, ENGINE CONNECTION .....	220
FIGURE 5-33. TRANSMISSION, CONVERTER .....	222
FIGURE 5-34. TRANSMISSION, INPUT .....	224
FIGURE 5-35. TRANSMISSION, HOUSING GROUP 1 .....	226
FIGURE 5-36. TRANSMISSION, HOUSING GROUP 2 .....	228
FIGURE 5-37. TRANSMISSION, CLUTCH GROUP 1 .....	230
FIGURE 5-38. TRANSMISSION, CLUTCH GROUP 2 .....	232
FIGURE 5-39. TRANSMISSION, COUPLING GROUP 1 .....	234
FIGURE 5-40. TRANSMISSION, COUPLING GROUP 2 .....	236
FIGURE 5-41. TRANSMISSION, COUPLING GROUP 3 .....	238
FIGURE 5-42. TRANSMISSION, COUPLING GROUP 4 .....	240
FIGURE 5-43. TRANSMISSION, OUTPUT .....	242
FIGURE 5-44. TRANSMISSION, POWER TAKE-OFF .....	244
FIGURE 5-45. TRANSMISSION, CONTROL UNIT .....	246
FIGURE 5-46. TRANSMISSION, SHIFT SYSTEM .....	248
FIGURE 5-47. TRANSMISSION, PRESSURE REGULATOR .....	250
FIGURE 5-48. TRANSMISSION, PRESSURE OIL PUMP .....	252
FIGURE 5-49. TRANSMISSION, INDUCTIVE TRANSMITTER .....	254
FIGURE 5-50. TRANSMISSION, FILTER .....	256
FIGURE 5-51. TRANSMISSION, ACCESSORIES GROUP 1 .....	258
FIGURE 5-52. TRANSMISSION, PERIPHERALS GROUP 1 .....	260
FIGURE 5-53. TRANSMISSION, ACCESSORIES GROUP 2 .....	262
FIGURE 5-54. TRANSMISSION, TRANSFER BOX .....	264
FIGURE 5-55. TRANSMISSION, TRANSFER BOX HOUSING 1 .....	266



# TABLE OF CONTENTS

FIGURE 5-56. TRANSMISSION, TRANSFER BOX HOUSING 2 .....	268
FIGURE 5-57. TRANSMISSION, TRANSFER BOX HOUSING INPUT.....	270
FIGURE 5-58. TRANSMISSION, TRANSFER BOX HOUSING OUTPUT 1.....	272
FIGURE 5-59. TRANSMISSION, TRANSFER BOX HOUSING OUTPUT 2 .....	274
FIGURE 5-60. FENDER INSTALLATION.....	276
FIGURE 5-61. TIRE SET - 17.5-25 PNEUMATIC.....	278
FIGURE 5-62. TIRE AND WHEEL ASSEMBLY (RIGHT).....	280
FIGURE 5-63. TIRE AND WHEEL ASSEMBLY (LEFT) .....	282
FIGURE 5-64. TIRE SET - 17.5-25 FOAM L-2 .....	284
SECTION 6 - CAB.....	287
FIGURE 6-1. CAB INSTALLATION .....	288
FIGURE 6-2. OPEN CAB ASSEMBLY .....	290
FIGURE 6-3. OPEN CAB .....	294
FIGURE 6-4. DASH INSTRUMENT PANEL.....	296
FIGURE 6-5. ELECTRICAL OPTIONS INSTALLATION .....	298
FIGURE 6-6. ENCLOSED CAB WITH HEATER .....	300
FIGURE 6-7. ENCLOSED CAB WITH HEATER/AC INSTALLATION .....	302
FIGURE 6-8. HEATER UNIT, 3 SPEED .....	306
FIGURE 6-9. ENCLOSED CAB.....	308
FIGURE 6-10. LOWER DOOR ASSEMBLY .....	314
FIGURE 6-11. ENCLOSED CAB.....	316
FIGURE 6-12. UPPER DOOR ASSEMBLY.....	320
FIGURE 6-13. OVERHEAD AC CONDENSER .....	322
FIGURE 6-14. AC/HEATER MOTOR, 3 SPEED .....	324
FIGURE 6-15. CAB CONTROLS INSTALLATION .....	326
FIGURE 6-16. FRONT WIPER.....	328
FIGURE 6-17. SKYLIGHT WIPER.....	330
FIGURE 6-18. SKYLIGHT WIPER MOTOR ASSEMBLY .....	332
FIGURE 6-19. SKYLIGHT WINDOW INSTALLATION .....	334
FIGURE 6-20. OPEN CAB HEATER INSTALLATION.....	336
FIGURE 6-21. RESISTOR POTENTIOMETER ASSEMBLY.....	338
FIGURE 6-22. SEAT (Prior to SN 0160077332).....	340
FIGURE 6-23. SEAT (SN 0160077332 to Present).....	342
FIGURE 6-24. SEAT BELT INSTALLATION (CALIFORNIA) (Prior to SN 0160077332).....	344
FIGURE 6-25. SEAT BELT INSTALLATION (CALIFORNIA) (SN 0160077332 to Present).....	346
FIGURE 6-26. REAR WINDOW EXIT INSTALLATION .....	348
FIGURE 6-27. CAB MIRROR INSTALLATION, LH .....	350
FIGURE 6-28. CAB FENDER.....	352
FIGURE 6-29. TOP BRICK GUARD INSTALLATION .....	354
FIGURE 6-30. FRONT BRICK GUARD INSTALLATION .....	356
SECTION 7 - CONTROLS .....	359
FIGURE 7-1. ACCELERATOR PEDAL .....	360
FIGURE 7-2. BRAKE PEDAL ASSEMBLY.....	362
FIGURE 7-3. STEERING CONTROL ASSEMBLY .....	364
FIGURE 7-4. TILT ON JOYSTICK ASSEMBLY.....	366
FIGURE 7-5. RHEOSTAT TILT .....	368
FIGURE 7-6. HYDRAULIC CONTROLLER.....	370
FIGURE 7-7. FRAME LEVEL HYDRAULIC CONTROLLER .....	372
FIGURE 7-8. CONTROLLER, AUX HYDRAULIC .....	374
SECTION 8 - HYDRAULIC CIRCUITS.....	377
FIGURE 8-1. MAIN HYDRAULIC INSTALLATION .....	378
FIGURE 8-2. MAIN CONTROL VALVE WITH FITTINGS .....	382
FIGURE 8-3. HYDRAULIC DRIVETRAIN INSTALLATION .....	384
FIGURE 8-4. CAB HYDRAULIC INSTALLATION .....	386
FIGURE 8-5. DECOMPRESSION VALVE ASSEMBLY .....	390
FIGURE 8-6. HYDRAULIC PUMP ASSEMBLY.....	392
FIGURE 8-7. PRESSURE REDUCER AND BRAKE VALVE ASSEMBLY .....	394
FIGURE 8-8. TILT RECIRCULATION INSTALLATION .....	396
FIGURE 8-9. VALVE ASSEMBLY .....	398
SECTION 9 - HYDRAULIC COMPONENTS.....	401

# TABLE OF CONTENTS

FIGURE 9-1. CYLINDER INSTALLATION .....	402
FIGURE 9-2. TILT CYLINDER INSTALLATION .....	404
FIGURE 9-3. TILT CYLINDER .....	406
FIGURE 9-4. TILT CYLINDER .....	408
FIGURE 9-5. COMPENSATION CYLINDER .....	410
FIGURE 9-6. EXTEND/RETRACT CYLINDER .....	412
FIGURE 9-7. LIFT CYLINDER .....	414
FIGURE 9-8. FRAME LEVEL CYLINDER .....	416
FIGURE 9-9. STABILIZER CYLINDER .....	418
FIGURE 9-10. GRAPPLE BUCKET CYLINDER .....	420
FIGURE 9-11. PIPE HANDLER CYLINDER .....	422
FIGURE 9-12. SIDE TILT CYLINDER .....	424
FIGURE 9-13. SIDE TILT CYLINDER ASSEMBLY .....	426
FIGURE 9-14. SWING CARRIAGE CYLINDER .....	428
FIGURE 9-15. QUICK COUPLER CYLINDER .....	430
FIGURE 9-16. FORK POSITIONING CYLINDER .....	432
FIGURE 9-17. MAIN CONTROL VALVE .....	434
FIGURE 9-18. BRAKE VALVE .....	438
FIGURE 9-19. HYDRAULIC TANK .....	442
FIGURE 9-20. DIVERTOR VALVE .....	444
FIGURE 9-21. STEERING SELECT VALVE .....	446
FIGURE 9-22. DIRECTIONAL CONTROL VALVE .....	448
FIGURE 9-23. FLOW DIVIDER VALVE .....	450
FIGURE 9-24. DECOMPRESSION VALVE .....	452
FIGURE 9-25. VALVE BLOCK ASSEMBLY .....	454
FIGURE 9-26. VARIABLE DISPLACEMENT PUMP .....	456
FIGURE 9-27. HYDRAULIC MANIFOLD .....	458
FIGURE 9-28. DUAL FORK CYLINDER ASSEMBLY .....	460
SECTION 10 - ELECTRICAL .....	463
FIGURE 10-1. ELECTRICAL COMPONENTS INSTALLATION .....	464
FIGURE 10-2. VEC PWR/GRD HARNESS .....	468
FIGURE 10-3. ENGINE HARNESS .....	470
FIGURE 10-4. TRANSMISSION HARNESS .....	472
FIGURE 10-5. TRANSMISSION RELAY HARNESS .....	474
FIGURE 10-6. ELECTRICAL INSTALLATION .....	476
FIGURE 10-7. CHASSIS HARNESS .....	478
FIGURE 10-8. PROXIMITY SENSOR .....	482
FIGURE 10-9. DUAL BATTERY INSTALLATION .....	484
FIGURE 10-10. ARCTIC BATTERY PACKAGE INSTALLATION .....	486
FIGURE 10-11. BOOM AUX ELECTRICS, HYDRAULIC .....	488
FIGURE 10-12. BOOM AUX ELECTRICS, MANUAL .....	492
FIGURE 10-13. ROADLIGHT PACKAGE INSTALLATION .....	496
FIGURE 10-14. WORKLIGHT PACKAGE INSTALLATION .....	500
FIGURE 10-15. FLOOD LIGHT ASSEMBLY .....	502
FIGURE 10-16. CAB WORKLIGHT ASSEMBLY .....	504
FIGURE 10-17. BEACON LIGHT .....	506
FIGURE 10-18. ROTATING BEACON LIGHT .....	508
FIGURE 10-19. REVERSE SENSING SYSTEM INSTALLATION .....	510
FIGURE 10-20. CAB AUXILIARY ELECTRICS (MANUAL QUICK COUPLER) .....	512
FIGURE 10-21. CAB AUXILIARY ELECTRICS (HYDRAULIC QUICK COUPLER) .....	516
FIGURE 10-22. ENCLOSED CAB OPTION HARNESS .....	518
FIGURE 10-23. VEC OPTIONS HARNESS .....	520
FIGURE 10-24. DASH HARNESS .....	524
FIGURE 10-25. AC HARNESS .....	526
FIGURE 10-26. AUXILIARY BOOM WIRING HARNESS .....	528
FIGURE 10-27. Q.C. VALVE HARNESS .....	530
FIGURE 10-28. AUXILIARY BOOM ELECTRIC HARNESS .....	532
FIGURE 10-29. CAB WORK LIGHT HARNESS (Prior to SN 01600791020) .....	534
FIGURE 10-30. CAB WORK LIGHT HARNESS (SN 01600791020 to Present) .....	536
FIGURE 10-31. BRICK GUARD WORK LIGHT HARNESS INSTALLATION .....	538
FIGURE 10-32. BOOM WORK LIGHT HARNESS .....	540
FIGURE 10-33. FRAME ROAD LIGHT HARNESS .....	542
FIGURE 10-34. CAB ROAD LIGHT HARNESS .....	544
FIGURE 10-35. REVERSE SENSOR HARNESS .....	546
FIGURE 10-36. CAB WORK LIGHTS HARNESS .....	548

# TABLE OF CONTENTS

FIGURE 10-37. AUXILIARY HARNESS .....	550
FIGURE 10-38. WIPER MOTOR HARNESS.....	552
FIGURE 10-39. INSTRUMENT PANEL HARNESS.....	554
FIGURE 10-40. TELEMATICS INSTALLATION - UNITED RENTALS .....	556
SECTION 11 - DECALS.....	559
FIGURE 11-1. DECAL INSTALLATION (ANSI).....	560
FIGURE 11-2. DECAL INSTALLATION (ENGLISH/FRENCH).....	564
FIGURE 11-3. BOOM DECAL INSTALLATION.....	568
FIGURE 11-4. CAPACITY CHART BOOKLET (ANSI) (Prior to SN 0160075857) .....	570
FIGURE 11-5. CAPACITY CHART BOOKLET (ANSI) (SN 0160075857 to Present).....	572
FIGURE 11-6. CAPACITY CHART BOOKLET (ISO) (Prior to SN 0160075857).....	574
FIGURE 11-7. CAPACITY CHART BOOKLET (ISO) (SN 0160075857 to Present).....	576
FIGURE 11-8. REVERSE SENSING SYSTEM DECAL (ENGLISH).....	578
FIGURE 11-9. REVERSE SENSING SYSTEM DECAL (ENGLISH/FRENCH) .....	580
FIGURE 11-10. REAR WINDOW EXIT DECAL (ENGLISH) .....	582
FIGURE 11-11. REAR WINDOW EXIT DECAL (ENGLISH/FRENCH).....	584
SECTION 12 - RECOMMENDED SPARE PARTS .....	587
FIGURE 12-1. RECOMMENDED SPARE PARTS .....	588
PART NUMBER INDEX .....	591

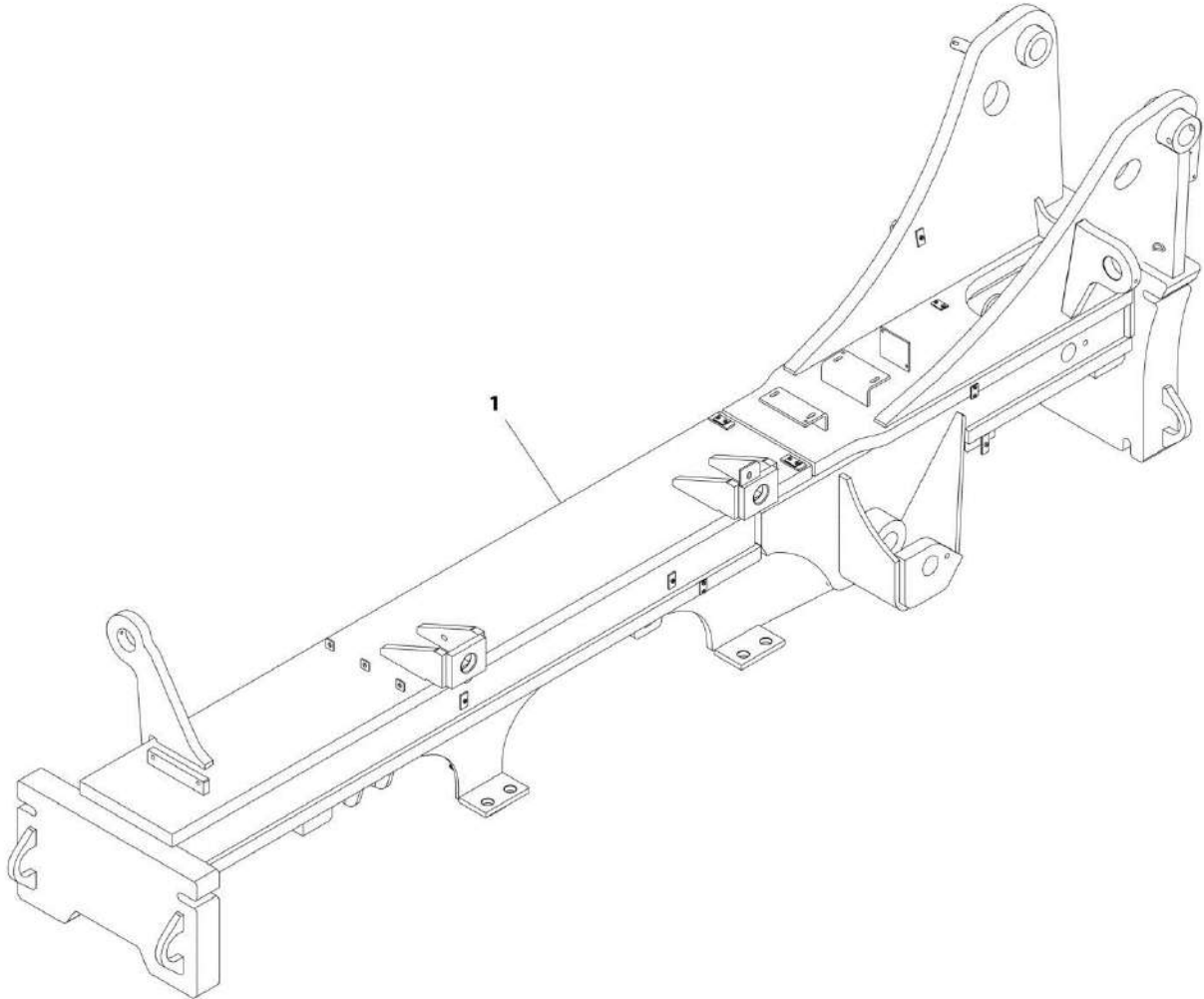


## **SECTION 1 - FRAME AND ATTACHING PARTS**

## **SECTION 1 - FRAME AND ATTACHING PARTS**

# SECTION 1 - FRAME AND ATTACHING PARTS

FIGURE 1-1. FRAME WELDMENT



ART\_1001187102-D

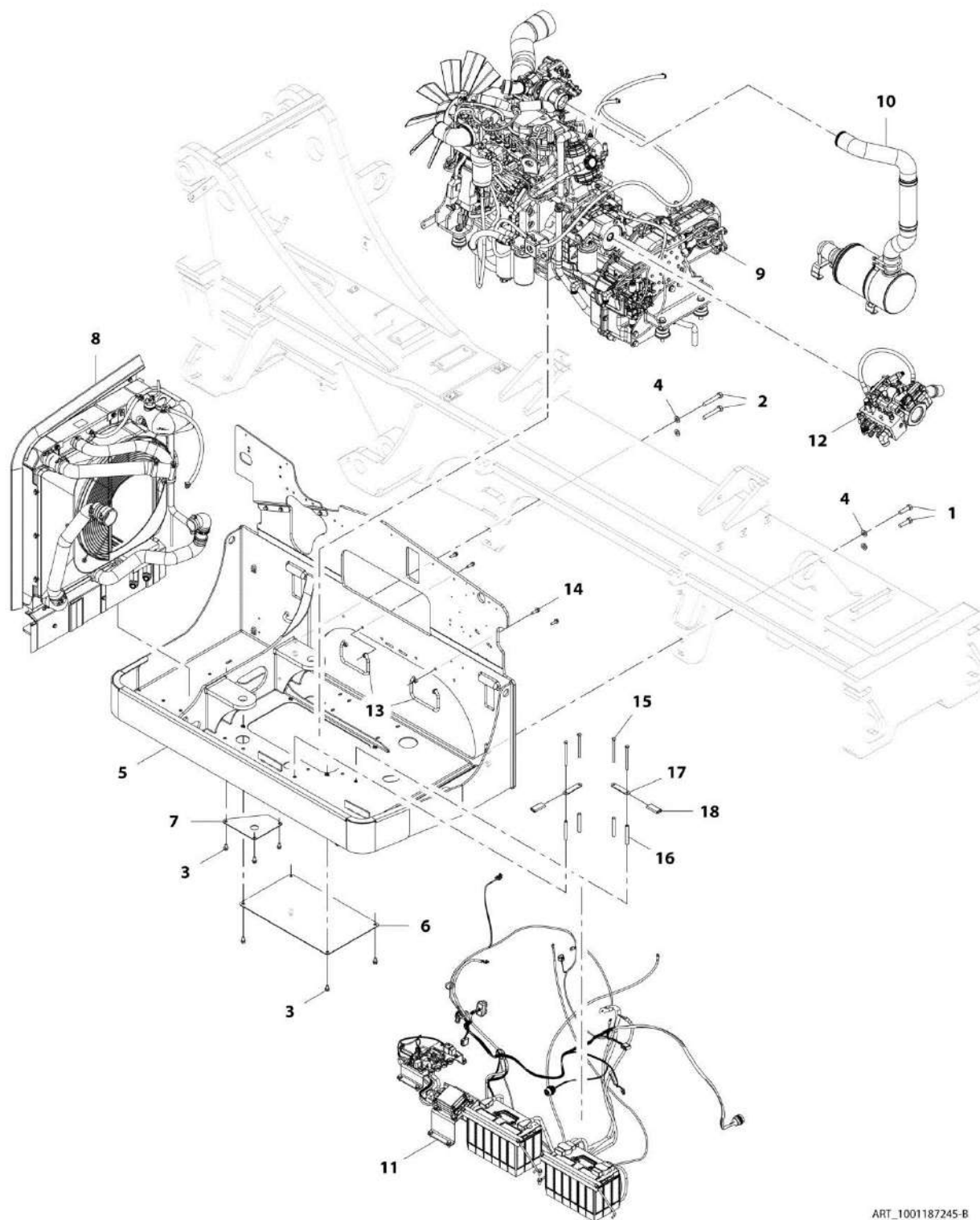
# SECTION 1 - FRAME AND ATTACHING PARTS

## FIGURE 1-1. FRAME WELDMENT

ITEM	PART NUMBER	QTY	DESCRIPTION	REV
1	1001187102	1	Frame Weldment	D

# SECTION 1 - FRAME AND ATTACHING PARTS

## FIGURE 1-2. ENGINE POD INSTALLATION (ULS)



ART\_1001187245-B



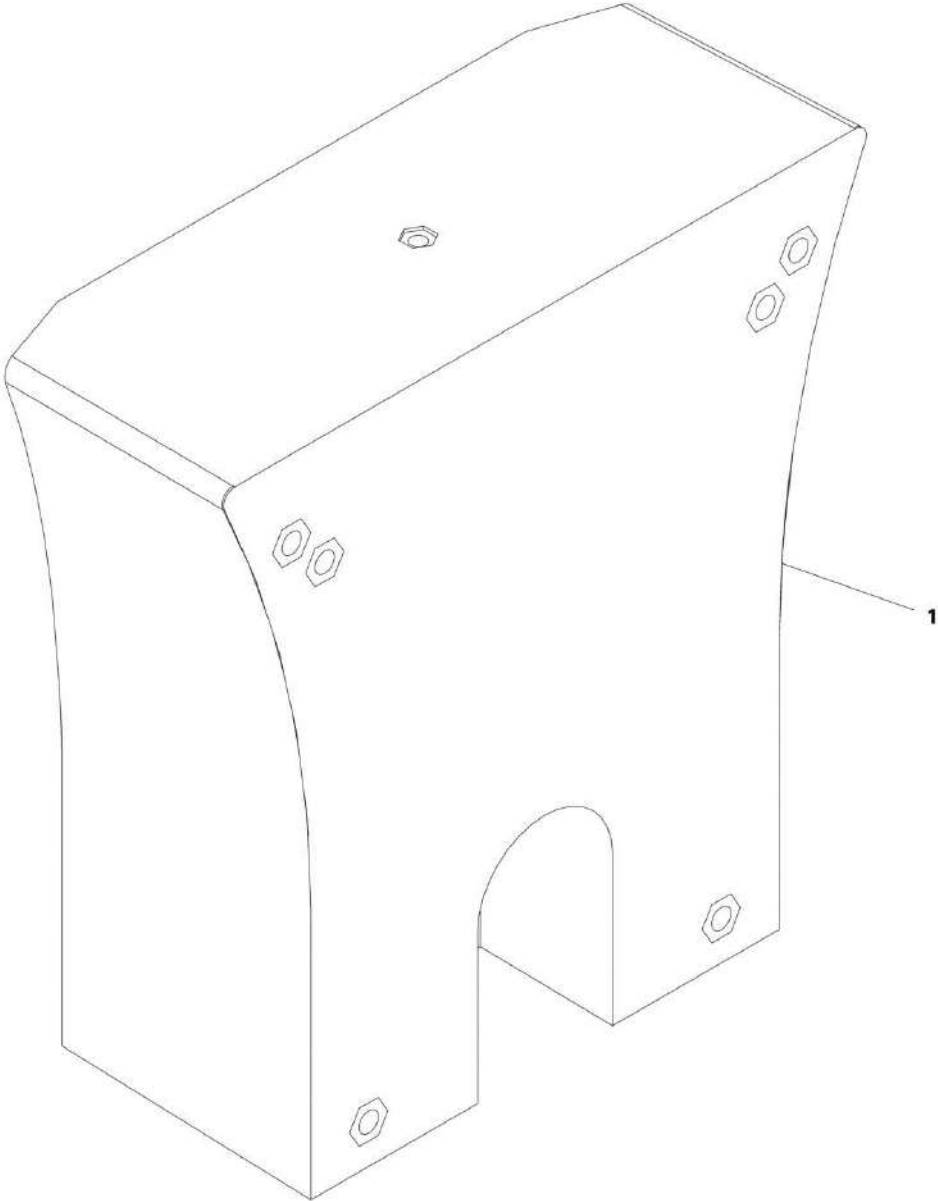
# SECTION 1 - FRAME AND ATTACHING PARTS

## FIGURE 1-2. ENGINE POD INSTALLATION (ULS)

ITEM	PART NUMBER	QTY	DESCRIPTION	REV
	1001187245	1	Engine Pod Installation (if equipped for ULS)	B
1	0682018	2	Bolt, 5/8-11X2 1/4 Grade 8	
2	0682032	2	Bolt, 5/8-11X4 Grade 8	
3	0811606	7	Screw, 3/8-16X3/4 Grade 8	
4	4892000	4	Washer, 5/8	
5	1001121031	1	Pod, Engine	
6	1001121047	1	Plate	
7	1001128248	1	Plate	
8	1001130057	1	Installation, Cooler Assembly (See ENGINE AND ATTACHING PARTS SECTION for Breakdown)	
9	1001200938	1	Installation, Engine Assembly (See ENGINE AND ATTACHING PARTS SECTION for Breakdown)	
10	1001130139	1	Installation, Engine Pod Exhaust Installation (See ENGINE AND ATTACHING PARTS SECTION for Breakdown)	
11	1001130159	1	Installation, Electrical Components (See ELECTRICAL SECTION for Breakdown)	
12	1001130288	1	Installation, Hydraulic Pump (See ENGINE AND ATTACHING PARTS SECTION for Breakdown)	
13	1001132796	2	Bracket	
14	0811610	4	Screw, 3/8-16X1 1/4 Grade 8	
15	0641640	4	Bolt, 3/8-16X5	
16	1001143653	4	Tube	
17	1001143654	2	Plate	
18	1001150299	2	Hose	

**SECTION 1 - FRAME AND ATTACHING PARTS**

**FIGURE 1-3. COUNTERWEIGHT WITHOUT PINTLE HITCH~COUNTERWEIGHT WITHOUT PINTLE HITCH**



ART\_91140001-J

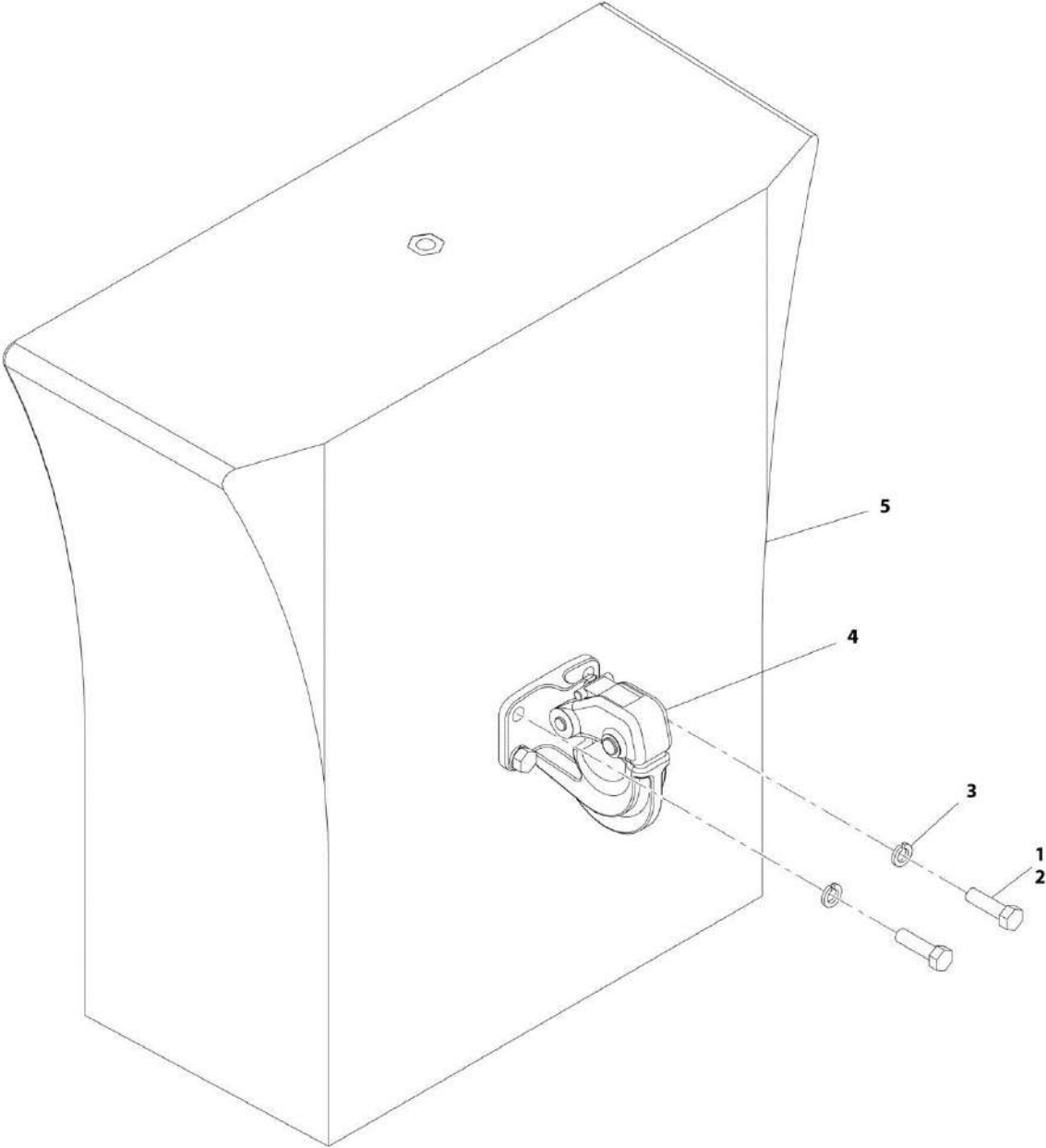
## SECTION 1 - FRAME AND ATTACHING PARTS

FIGURE 1-3. COUNTERWEIGHT WITHOUT PINTLE HITCH~COUNTERWEIGHT WITHOUT PINTLE HITCH

ITEM	PART NUMBER	QTY	DESCRIPTION	REV
1	91140001CP	1	Counterweight without Pintle Hitch	J

**SECTION 1 - FRAME AND ATTACHING PARTS**

**FIGURE 1-4. COUNTERWEIGHT WITH PINTLE HITCH**



ART\_1001097095-C

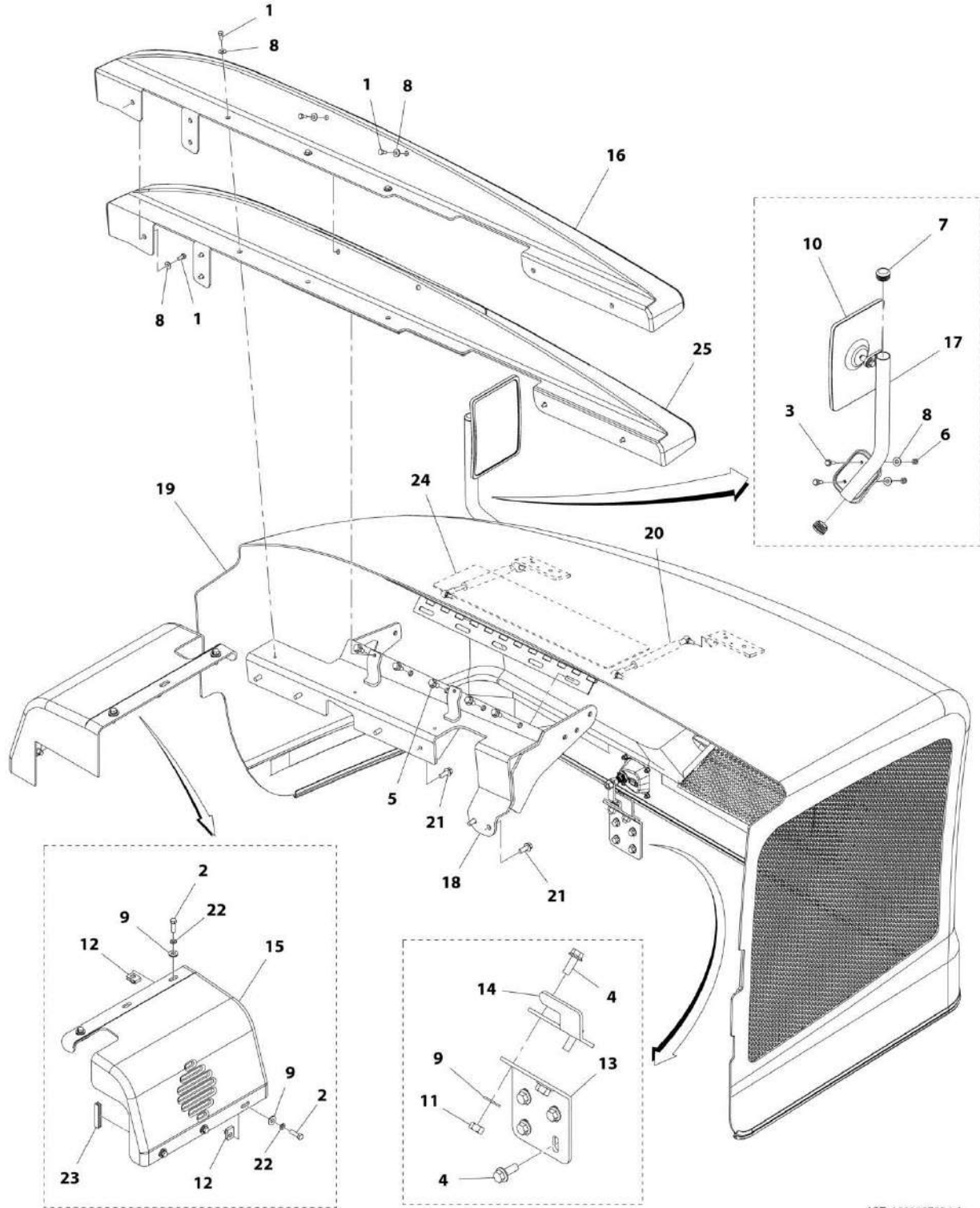
# SECTION 1 - FRAME AND ATTACHING PARTS

## FIGURE 1-4. COUNTERWEIGHT WITH PINTLE HITCH

ITEM	PART NUMBER	QTY	DESCRIPTION	REV
	1001097095CP	1	Counterweight with Pintle Hitch	C
1	0100011	AR	Compound, Locking	
2	0681814	4	Bolt, 1/2-13X1 3/4 Grade 8	
3	88551013	4	Washer, Lock 1/2	
4	90200602	1	Hook	
5	1001091458	1	Counterweight	

# SECTION 1 - FRAME AND ATTACHING PARTS

## FIGURE 1-5. COVERS INSTALLATION



ART\_1001187236-A

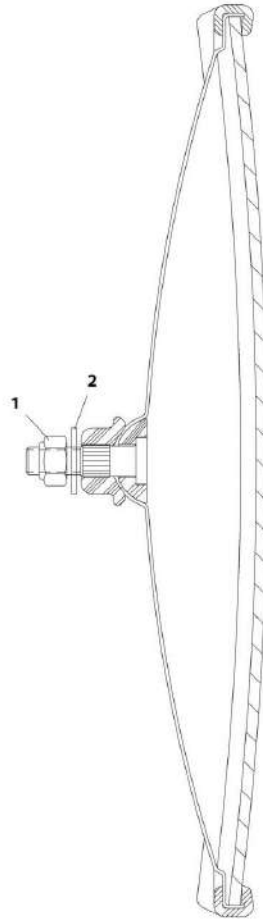
# SECTION 1 - FRAME AND ATTACHING PARTS

## FIGURE 1-5. COVERS INSTALLATION

ITEM	PART NUMBER	QTY	DESCRIPTION	REV
	1001187236	1	Covers Installation	A
1	0641405	10	Bolt, 1/4-20X5/8	
2	0641610	5	Bolt, 3/8-16X1 1/4	
3	0791410	2	Screw, 1/4-20X1 1/4	
4	0791608	6	Screw, 3/8-16X1	
5	0811606	5	Screw, 3/8-16X3/4 Grade 8	
6	3311405	2	Nut, 1/4-20	
7	3520176	2	Plug	
8	4751400	12	Washer, 1/4	
9	4751600	7	Washer, 3/8	
10	8866348	1	Assembly, Convex Mirror (See CONVEX MIRROR ASSEMBLY for Breakdown)	
11	88501006	2	Nut, 3/8-16	
12	88662523	5	Nut	
13	1001121332	1	Bracket	
14	1001121337	1	Bracket	
15	1001128390	1	Cover	
16	1001129637	1	Cover	
17	1001129639	1	Bracket	
18	1001144114	1	Mount, Hinge	
19	1001131147	1	Assembly, Engine Cover (See ENGINE COVER ASSEMBLY for Breakdown)	
20	1001131247	2	Spring	
21	0811608	6	Screw, 3/8-16X1 Grade 8	
22	4761600	5	Washer, 3/8	
23	90206198	3 in	Trim Lock	
24	1001146367	1	Insulate	
25	1001146371	1	Insulate	

# SECTION 1 - FRAME AND ATTACHING PARTS

FIGURE 1-6. CONVEX MIRROR ASSEMBLY



ART\_B866348-E



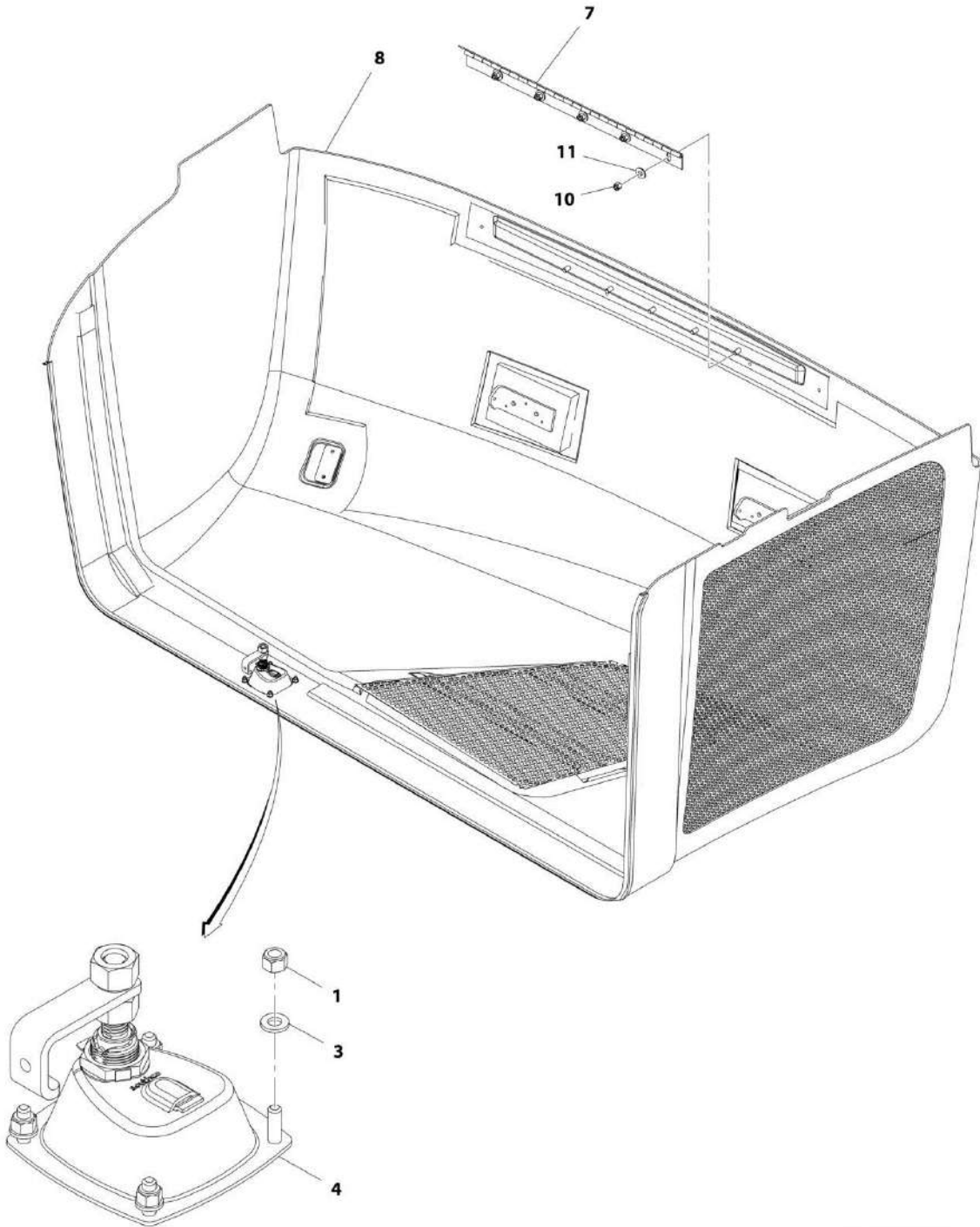
# SECTION 1 - FRAME AND ATTACHING PARTS

## FIGURE 1-6. CONVEX MIRROR ASSEMBLY

ITEM	PART NUMBER	QTY	DESCRIPTION	REV
	8866348	1	Convex Mirror Assembly	E
1	83683300	1	Nut, Lock	
2	83683298	1	Washer	

# SECTION 1 - FRAME AND ATTACHING PARTS

FIGURE 1-7. ENGINE COVER ASSEMBLY



ART\_1001131147-F

# SECTION 1 - FRAME AND ATTACHING PARTS

## FIGURE 1-7. ENGINE COVER ASSEMBLY

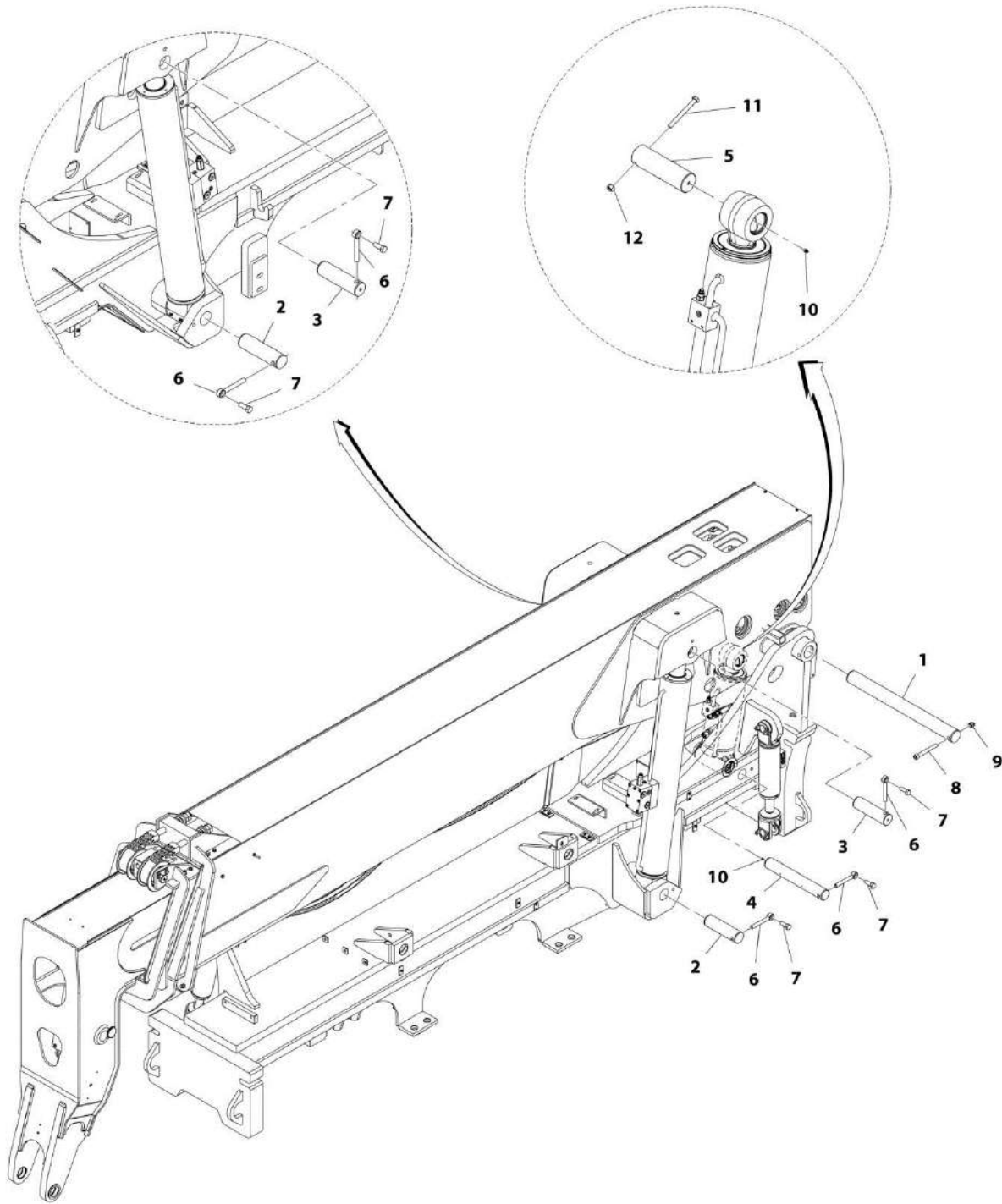
ITEM	PART NUMBER	QTY	DESCRIPTION	REV
	1001131147	1	Engine Cover Assembly	F
1	3290605	4	Nut, Lock M6X1 Grade 8	
3	4811700	4	Washer, M6	
4	1001122219	1	Latch	
7	1001129358	1	Hinge, Engine Cover	
8	1001129638	1	Cover, Engine	
8	70026992	1	Bulb Seal	
10	3300492	5	Nut, 3/8-16	
11	4751600	5	Washer, 3/8	



**SECTION 2 - BOOM**

# SECTION 2 - BOOM

## FIGURE 2-1. BOOM INSTALLATION



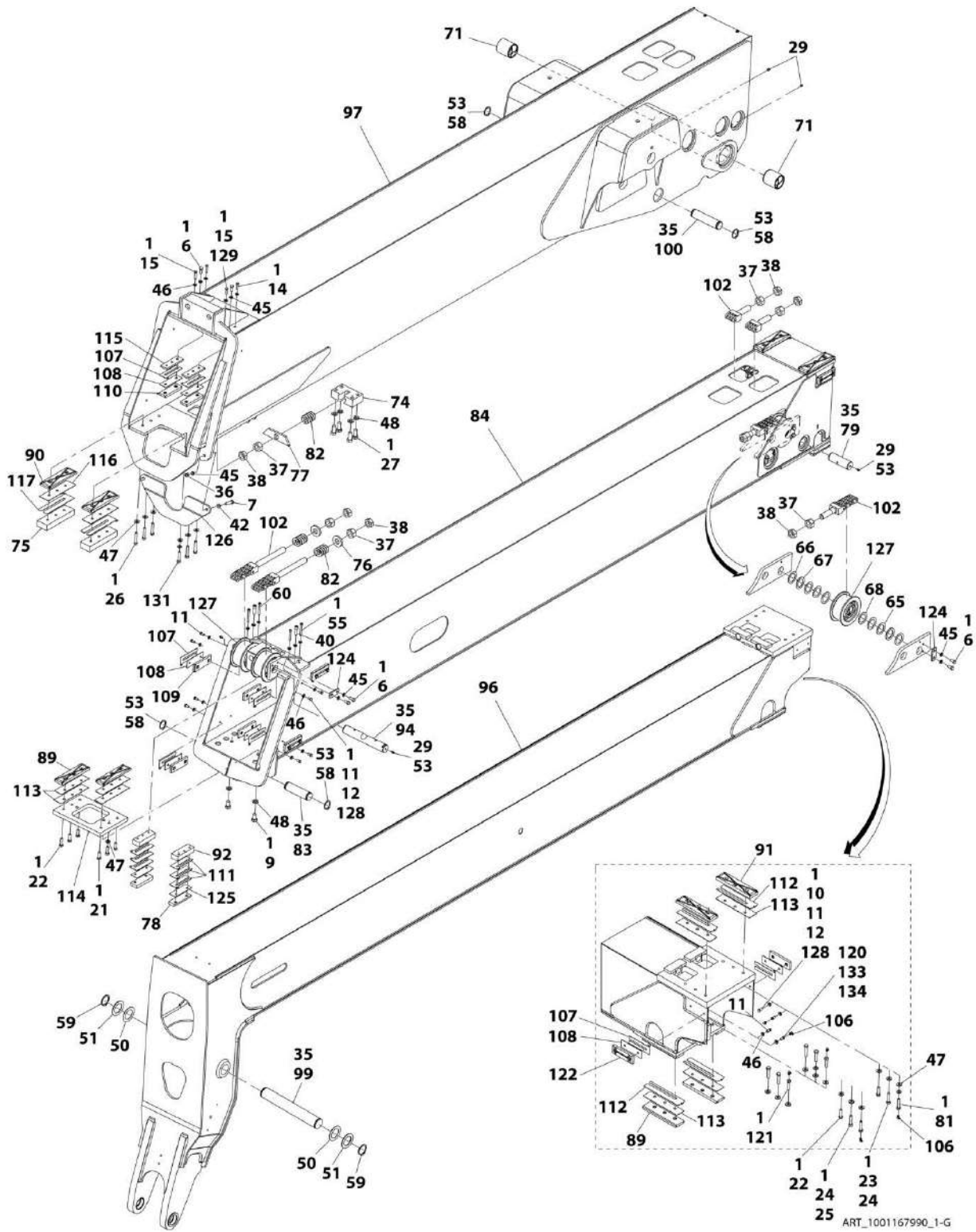
ART\_1001187394-C

FIGURE 2-1. BOOM INSTALLATION

ITEM	PART NUMBER	QTY	DESCRIPTION	REV
	1001187394	1	Boom Installation	C
1	3423247	1	Pin, Boom Pivot	
2	1001209476	2	Pin, Upper Lift Cylinder	
3	1001209475	2	Pin, Upper Lift Cylinder	
4	1001190781	1	Pin, Cylinder Base	
5	1001159605	1	Pin, Rod End	
6	3841287	5	Rod, 3/4X6	
7	0682216	5	Bolt, 3/4-10X2 Grade 8	
8	88212287	1	Capscrew, 3/4-10X6 Grade 8	
9	8310067	1	Nut, Lock 750-10	
10	2160016	2	Grease	
11	0711228	1	Bolt, 12X110	
12	3291205	1	Nut, Lock M12X1.75 Grade 8	

# SECTION 2 - BOOM

## FIGURE 2-2. BOOM ASSEMBLY







## SECTION 2 - BOOM

### FIGURE 2-2. BOOM ASSEMBLY

ITEM	PART NUMBER	QTY	DESCRIPTION	REV
	1001167990	1	Boom Assembly	G
1	0100011	AR	Compound, Locking	
4	0641607	3	Bolt, 3/8-16X7/8	
6	0641808	6	Bolt, 1/2-13X1	
7	0641818	2	Bolt, 1/2-13X2 1/4	
8	0641826	1	Bolt, 1/2-13X3 1/4	
9	0642210	2	Bolt, 3/4-10X1 1/4	
10	0651605	AR	Bolt, 3/8-24X5/8	
11	0651606	AR	Bolt, 3/8-24X3/4	
12	0651607	AR	Bolt, 3/8-24X7/8	
14	0651612	AR	Bolt, 3/8-24X1 1/2	
15	0651614	AR	Bolt, 3/8-24X1 3/4	
16	0651620	AR	Bolt, 3/8-24X2 1/2	
17	0651622	AR	Bolt, 3/8-24X2 3/4	
18	0651807	AR	Bolt, 1/2-20X7/8	
19	0651808	AR	Bolt, 1/2-20X1	
20	0651810	AR	Bolt, 1/2-20X1 1/4	
21	0651812	AR	Bolt, 1/2-20X1 1/2	
22	0651814	AR	Bolt, 1/2-20X1 3/4	
23	0651816	AR	Bolt, 1/2-20X2	
24	0651818	AR	Bolt, 1/2-20X2 1/4	
25	0651820	AR	Bolt, 1/2-20X2 1/2	
26	0651822	AR	Bolt, 1/2-20X2 3/4	
27	0682214	4	Bolt, 3/4-10X1 3/4	
28	2111212	2	Fitting, Straight ORFS	
29	2160002	6	Fitting, Grease	
30	2171110	2	Fitting, Straight ORFS	
31	2171208	2	Fitting, 90 ORFS	
35	3020040	AR	Lubricant	
36	3311801	2	Nut, 1/2-13	
37	3313001	6	Nut, 1 1/4-7	
38	3313002	6	Nut, 1 1/4-7	
39	3423301	1	Pin	
40	3931828	2	Nut, 1/2-13X1 3/4	
42	4711800	2	Washer, 1/2	
43	4751600	3	Washer, 3/8	
44	4761600	3	Washer, 3/8	
45	4761800	11	Washer, 1/2	
46	8310054	AR	Washer, 3/8 Grade 8	
47	8310056	AR	Flatwasher, 1/2 Hardened Grade 8	
48	4892200	6	Washer, 3/4 Grade 8	
50	8307916	AR	Washer, 2.500X.075X3.875	
51	8307917	AR	Washer, 2.500X.134X3.875	
53	14404793	AR	Grease	
55	88211551	2	Screw, 3/8-24X3	
56	88501008	2	Nut, 1/2-13	
57	88501108	2	Nut, 1/2-13	
58	88581149	4	Ring, Snap 2	
59	88581157	2	Ring, Snap 2.5	
60	88681343	AR	Screw, 3/8-24X2.75	

## SECTION 2 - BOOM

ITEM	PART NUMBER	QTY	DESCRIPTION	REV
62	90205792	2	Clamp, Cushion	
63	90207464	6	Clamp, Cushion	
65	91041449	AR	Washer	
66	91041450	AR	Washer	
67	91041451	AR	Washer	
68	91041596	AR	Washer	
69	91121134	2	Retainer	
70	91123054	2	Spring	
71	91141301	2	Bushing	
72	91143024	1	Hose, Sheave	
73	91161222	AR	Bolt	
74	91561090	1	Block, Chain Adjusting	
75	91561101	2	Pad	
76	91561107	2	Washer	
77	91561250	1	Spring	
78	91563028	2	Pad	
79	91563030	1	Pin, 2.0X6.00	
80	91563147	2	Bolt, 3/8-24X1/2	
81	91563161	AR	Bolt, 1/2 - 20X2 1/4	
82	91563219	3	Spring	
83	91563263	1	Pin	
84	91566007	1	Boom, 2nd Section	
85	1001157029	1	Bracket	
86	1001091306	2	Rod	
87	1001097036	2	Hose	
89	1001117652	4	Pad	
90	1001117653	4	Pad	
91	1001117660	2	Pad	
92	1001121290	2	Bar, Spacer	
94	1001129352	1	Pin	
96	1001167110	1	Boom, 3rd Section <b>(Prior to SN 0160075857)</b>	
96	1001210584	1	Installation, Fly Boom, (See FLY BOOM INSTALLATION for Breakdown) <b>(SN 0160075857 to Present)</b>	
97	1001168079	1	Boom, Base Section	
98	1001168193	1	Bracket	
99	1001168333	1	Pin	
100	1001171331	1	Pin	
101	1001207622	1	Hose	
102	0274677	3	Installation, Chain (See CHAIN INSTALLATION for Breakdown)	
104	1001097038	2	Hose	
105	1001165212	2	Hose	
106	88671027	12	Fitting, 90	
107	90205870	AR	Shim	
108	91031236	14	Shim	
109	91033186	8	Pad	
110	91033189	2	Pad	
111	91121082	AR	Shim	
112	91141302	AR	Shim	
113	91141303	8	Shim	
114	91161168	1	Pad	
115	91161171	2	Pad	
116	91161183	4	Shim	

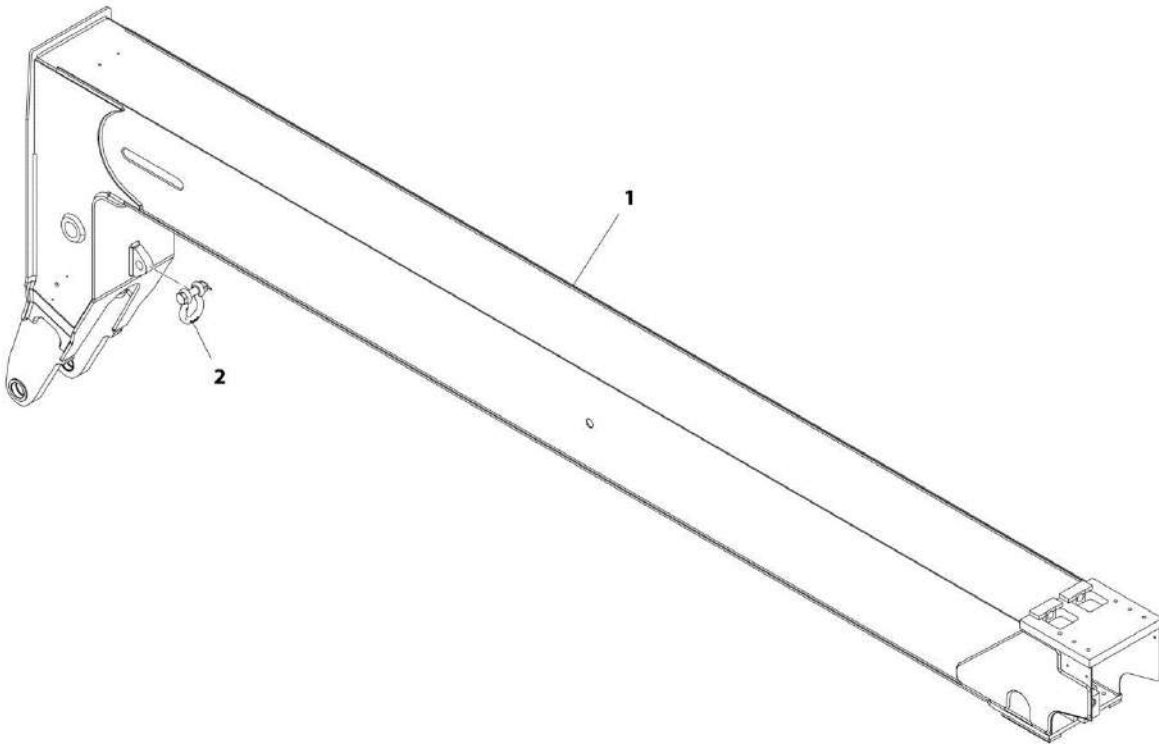
## SECTION 2 - BOOM

ITEM	PART NUMBER	QTY	DESCRIPTION	REV
117	91161184	AR	Shim	
118	91161221	AR	Bolt, 1/2-20X1-3/4	
120	91161248	AR	Bolt, 3/8-24X3/4	
121	91161277	AR	Bolt, 1/2-20X2	
122	91163188	4	Pad	
123	91163214	2	Pad	
124	91401189	2	Plate	
125	91511094	4	Spacer	
126	91561156	1	Plate	
127	91565005	Ref	Assembly, Extend Chain Roller (See EXTEND ROLLER CHAIN ASSEMBLY for Breakdown)	
128	0651608	AR	Bolt, 3/8-24X1	
129	0651616	AR	Bolt, 3/8-24X2	
130	0651618	AR	Bolt, 3/8-24X2 1/4	
131	0651824	AR	Bolt, 1/2-20X3	
132	88991005	AR	Bolt, 1/2-20X1	
133	91361044	AR	Bolt, 3/8-24X5/8	
134	91361045	AR	Bolt, 3/8-24X7/8	



## SECTION 2 - BOOM

FIGURE 2-3. FLY BOOM INSTALLATION (SN 0160075857 to Present)



ART\_1001210584-B

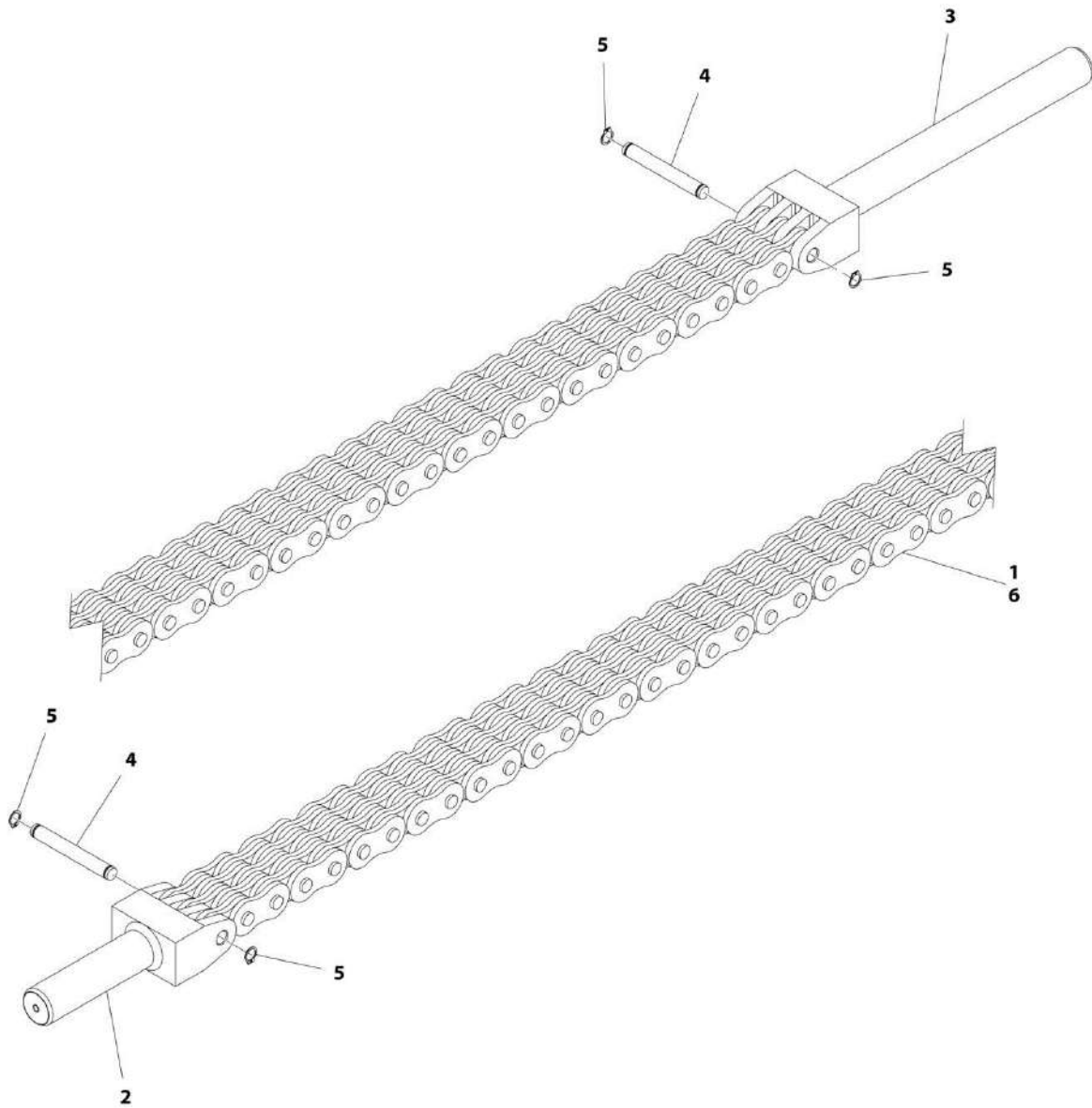
## SECTION 2 - BOOM

**FIGURE 2-3. FLY BOOM INSTALLATION (SN 0160075857 to Present)**

ITEM	PART NUMBER	QTY	DESCRIPTION	REV
	1001210584	Ref	Fly Boom Installation	B
1	1001167110	1	Boom Weldment	
2	1001200439	1	Clevis	

# SECTION 2 - BOOM

## FIGURE 2-4. CHAIN INSTALLATION



ART\_0274677-C

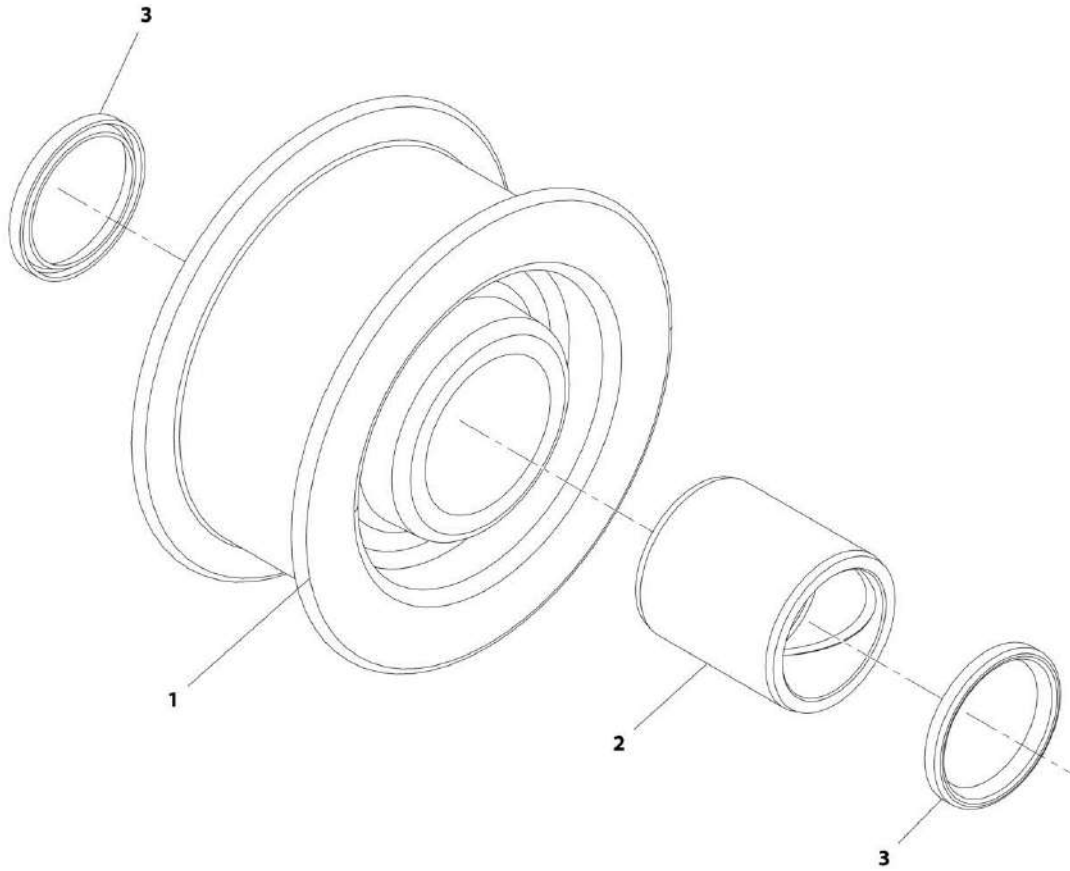


FIGURE 2-4. CHAIN INSTALLATION

ITEM	PART NUMBER	QTY	DESCRIPTION	REV
	0274677	1	Chain Installation	C
1	91563035	1	Chain, 193.75	
2	1360300	1	Chain, Clevis	
3	1360301	1	Chain, Clevis	
4	91513176	2	Pin, Chain	
5	88581115	4	Ring, Snap	
6	8522012	AR	Lube	

# SECTION 2 - BOOM

## FIGURE 2-5. CHAIN SHEAVE ASSEMBLY



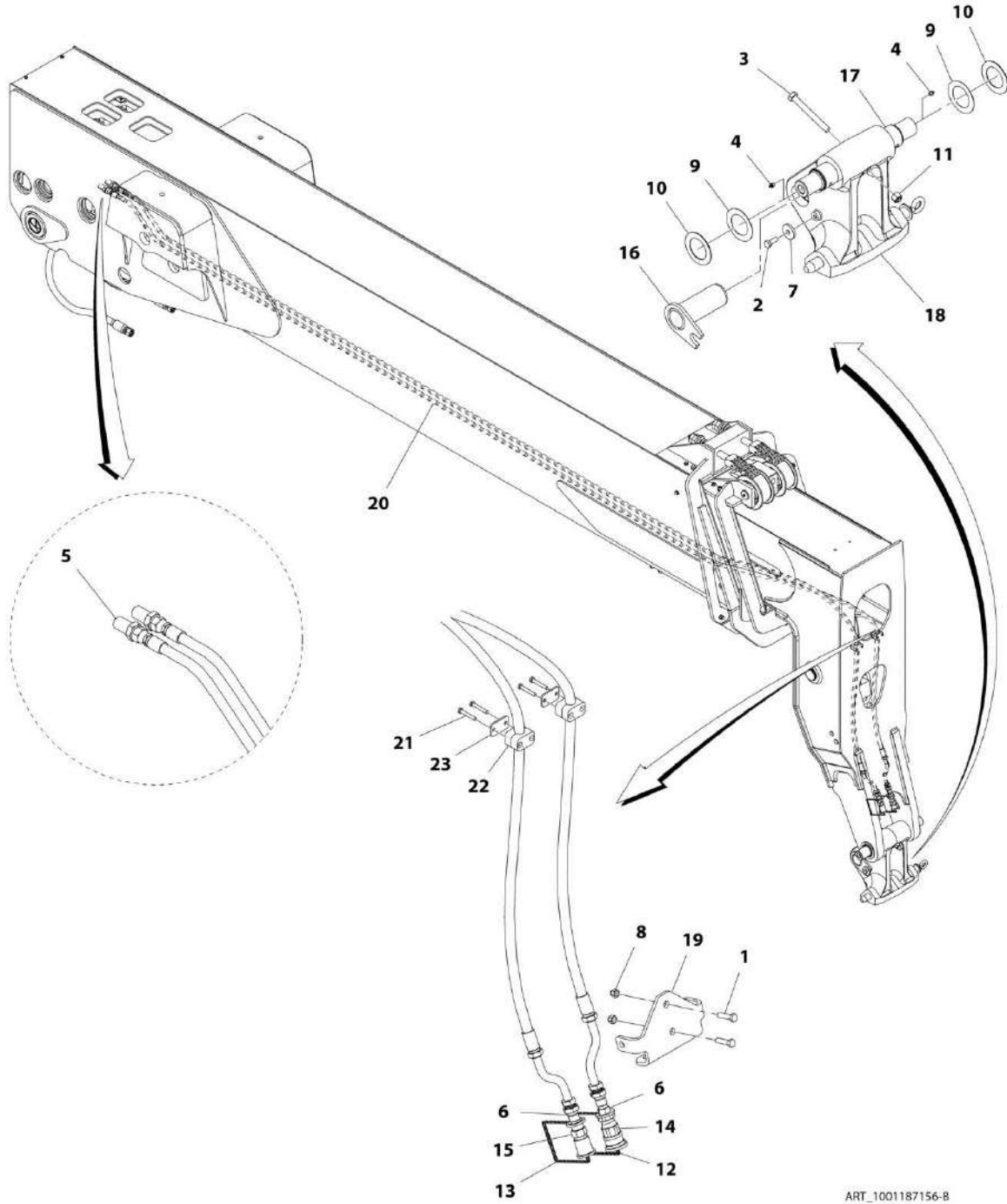
ART\_91565005-E

**FIGURE 2-5. CHAIN SHEAVE ASSEMBLY**

<b>ITEM</b>	<b>PART NUMBER</b>	<b>QTY</b>	<b>DESCRIPTION</b>	<b>REV</b>
	91565005	1	Extend Chain Roller Assembly	E
1	91563026	1	Roller, Chain	
2	91563025	1	Bushing	
3	91403119	2	Seal	

# SECTION 2 - BOOM

## FIGURE 2-6. QUICK COUPLER INSTALLATION, MANUAL



ART\_1001187156-8

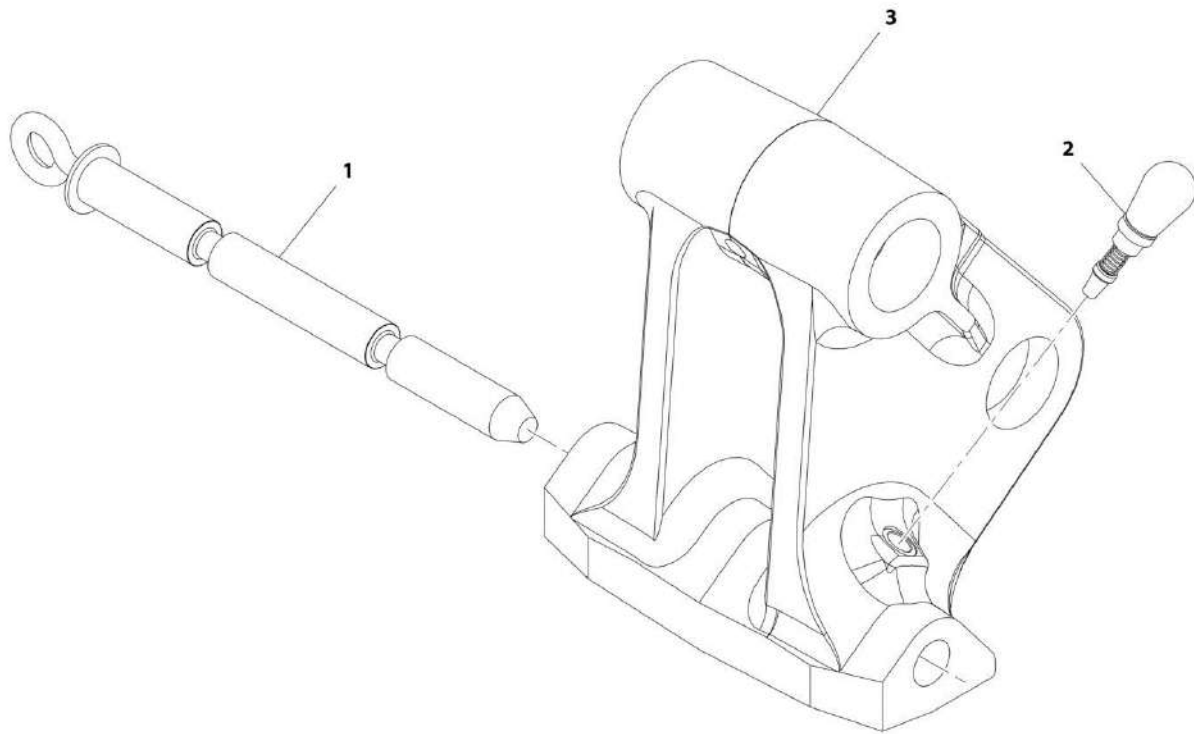
## SECTION 2 - BOOM

**FIGURE 2-6. QUICK COUPLER INSTALLATION, MANUAL**

ITEM	PART NUMBER	QTY	DESCRIPTION	REV
	1001187156	1	Quick Coupler Installation, Manual	B
1	0641612	2	Bolt, 3/8-16X1 1/2	
2	0761214	1	Bolt, 12X30	
3	0711631	1	Bolt, 16X140	
4	2160016	2	Fitting, Grease	
5	2171110	2	Fitting, Straight ORFS	
6	2180849	2	Fitting, Straight ORFS	
7	4740003	1	Washer	
8	8305645	2	Nut, Lock	
9	1001164884	AR	Shim, M65X2X100	
10	1001164885	AR	Shim, M65X3.5X100	
11	3291605	1	Nut, Lock M16X2	
12	91043125	1	Plug	
13	91043126	1	Cap	
14	91403413	1	Fitting	
15	91403414	1	Fitting, Straight	
16	1001164881	1	Pin	
17	1001164871	1	Pin	
18	1001164571	1	Assembly, Quick Coupler (See QUICK COUPLER ASSEMBLY for Breakdown)	
19	1001098425	1	Bracket	
20	1001207621	1	Hose	
21	0700616	4	Bolt, M6X40	
22	8769152	2	Clamp	
23	8769153	2	Plate	

## SECTION 2 - BOOM

FIGURE 2-7. QUICK COUPLER ASSEMBLY



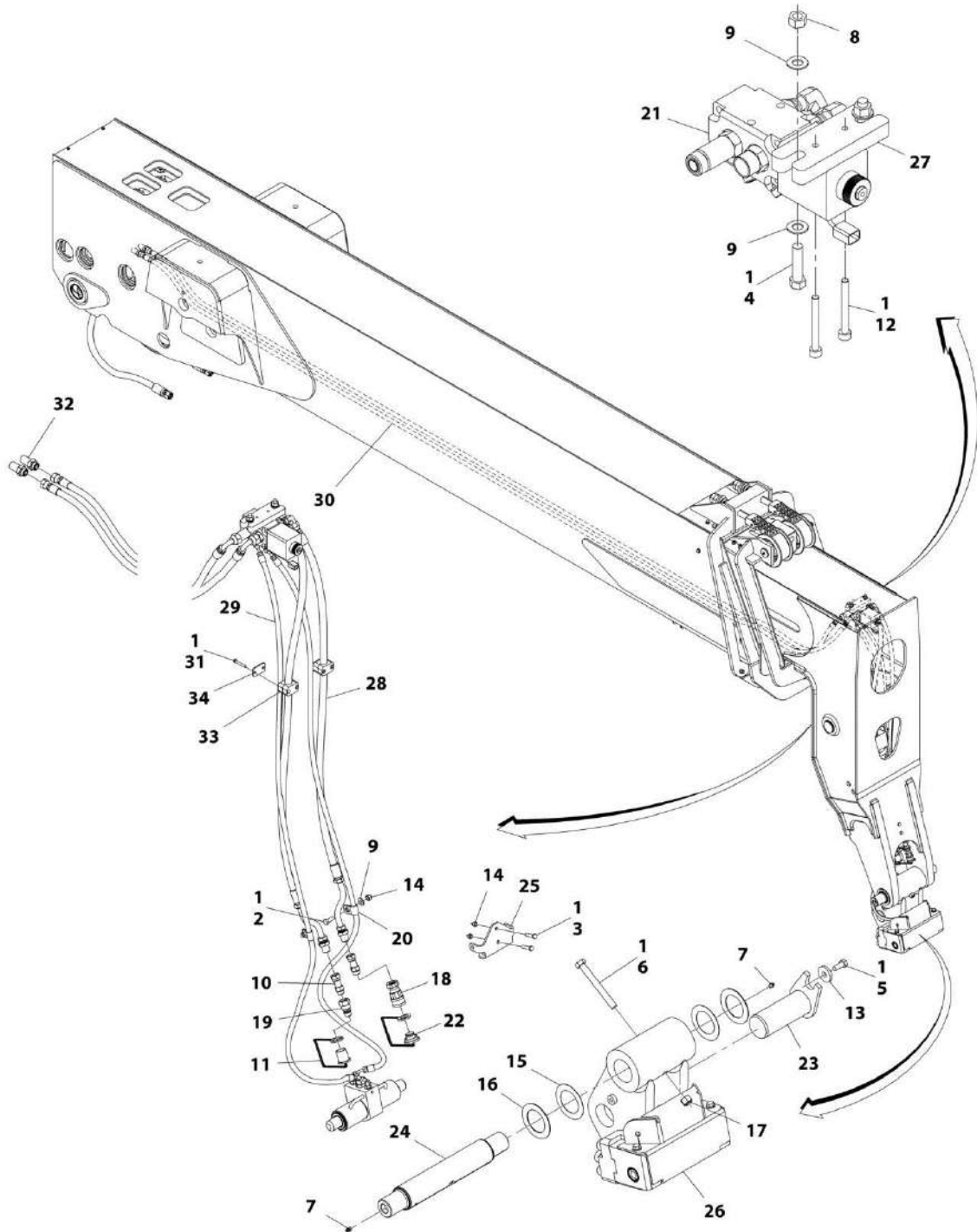
ART\_1001164571-A

FIGURE 2-7. QUICK COUPLER ASSEMBLY

ITEM	PART NUMBER	QTY	DESCRIPTION	REV
	1001164571	Ref	Quick Coupler Assembly	A
1	1001105441	1	Pin	
2	1001143692	1	Pin, Poppin	
3	1001164567	1	Coupling, Quick Connect	

# SECTION 2 - BOOM

## FIGURE 2-8. QUICK COUPLER INSTALLATION, HYDRAULIC



ART\_1001187153-B



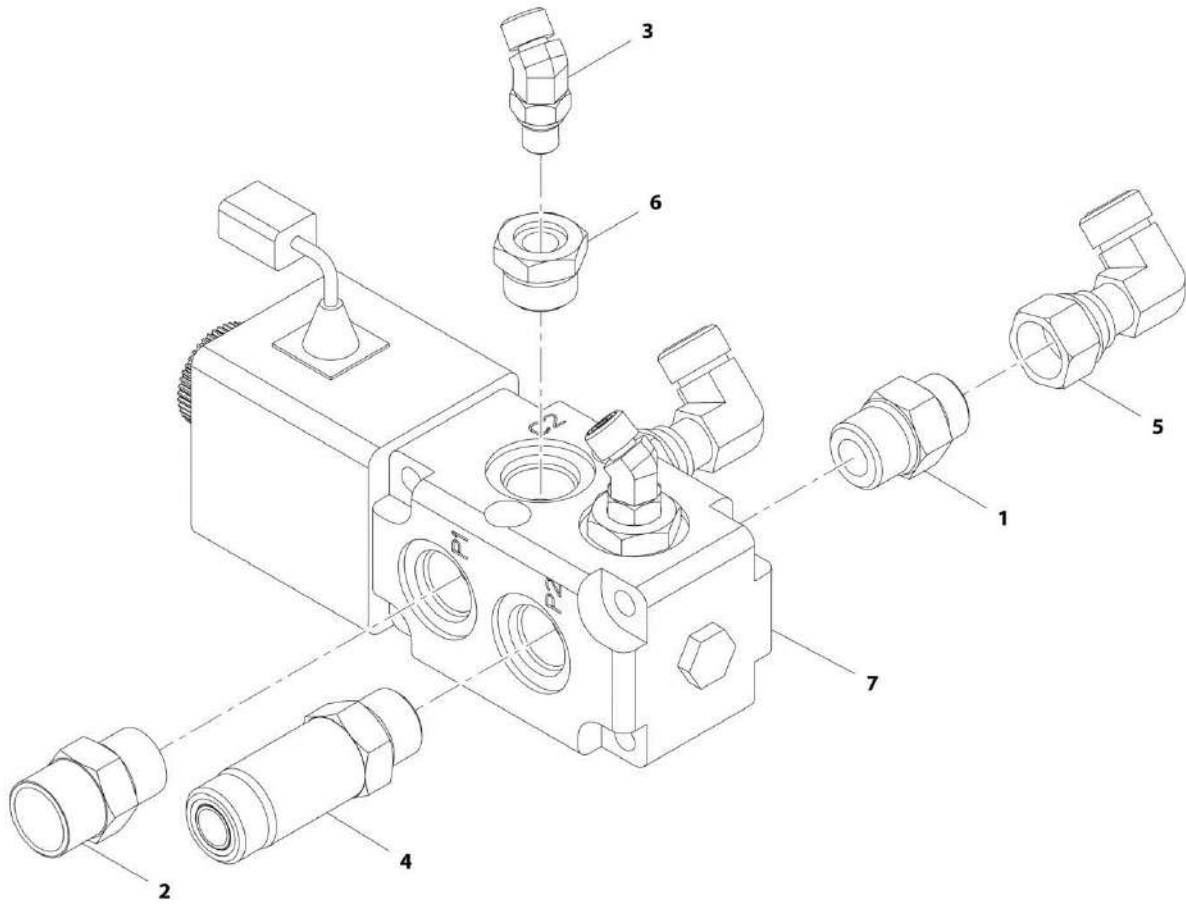
## SECTION 2 - BOOM

**FIGURE 2-8. QUICK COUPLER INSTALLATION, HYDRAULIC**

ITEM	PART NUMBER	QTY	DESCRIPTION	REV
	1001187153	1	Quick Coupler Installation, Hydraulic	B
1	0100011	AR	Compound, Locking	
2	0641608	2	Bolt, 3/8-16X1	
3	0641612	2	Bolt, 3/8-16X1 1/2	
4	0641714	2	Bolt, 7/16-14X1 3/4	
5	0761214	1	Bolt, 12X30	
6	0711631	1	Bolt, 16X140	
7	2160016	2	Fitting, Grease	
8	3311701	2	Nut, 7/16-14	
9	4711700	6	Washer, 7/16	
10	2180849	2	Fitting, Straight ORFS	
11	91043126	1	Cap	
12	4031918	2	Screw, M8X70	
13	4740003	1	Washer, 1/2	
14	8305645	4	Nut, Lock	
15	1001164884	AR	Shim, M65X2X100	
16	1001164885	AR	Shim, M65X3.5X100	
17	3291605	1	Nut, Lock M16X2	
18	91403413	1	Fitting	
19	91403414	1	Fitting, Coupler	
20	1001080996	2	Clamp	
21	1001127006	1	Valve (See QUICK COUPLER VALVE for Breakdown)	
22	91043125	1	Plug	
23	1001164881	1	Pin	
24	1001164871	1	Pin	
25	1001098425	1	Bracket	
26	1001164845	1	Assembly, Quick Coupler Hydraulic (See HYDRAULIC QUICK COUPLER ASSEMBLY for Breakdown)	
27	1001127353	1	Plate	
28	1001188284	2	Hose, ORFS	
29	1001188280	2	Hose, ORFS	
30	1001209093	1	Hose, ORFS	
31	0700616	4	Bolt, 6X40	
32	2171110	2	Fitting, ORFS	
33	8769152	2	Clamp	
34	8769153	2	Plate, Cover	

## SECTION 2 - BOOM

FIGURE 2-9. QUICK COUPLER VALVE



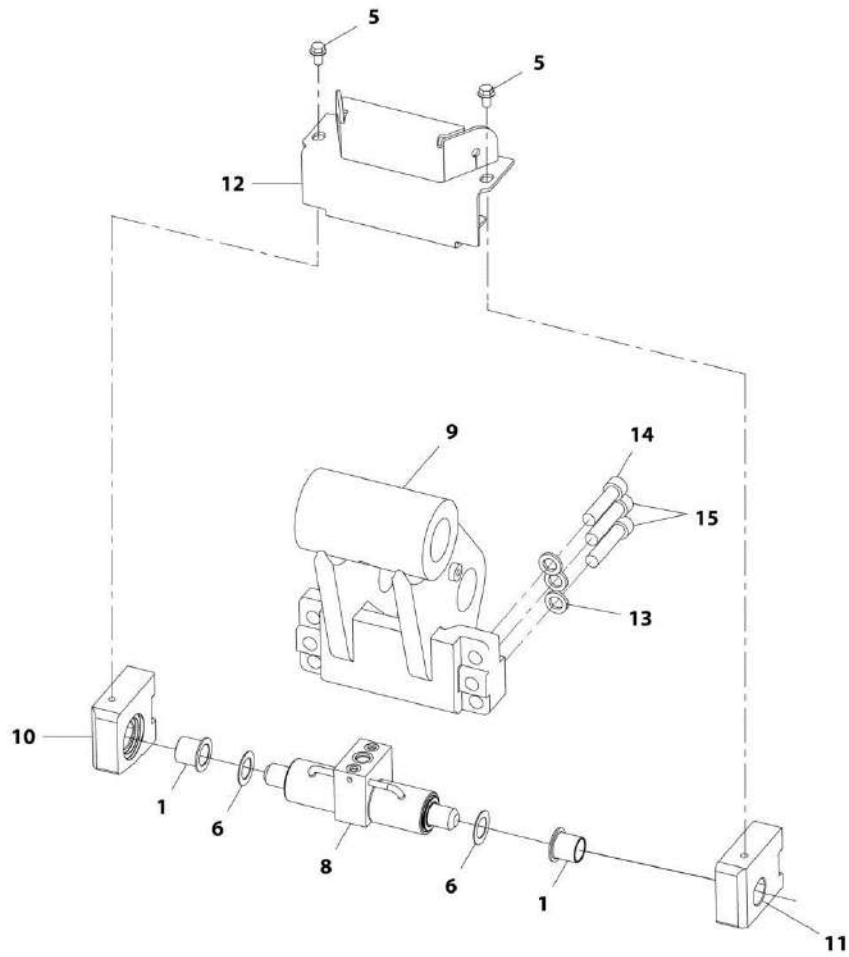
ART\_1001127006-A

FIGURE 2-9. QUICK COUPLER VALVE

ITEM	PART NUMBER	QTY	DESCRIPTION	REV
	1001127006	Ref	Quick Coupler Valve	A
1	2110810	2	Fitting, Straight ORFS	
2	2111010	1	Fitting, Straight ORFS	
3	2150404	2	Fitting, 45 ORFS	
4	2170110	1	Fitting, Straight ORFS	
5	2172108	2	Fitting, 90 ORFS	
6	1001001568	2	Fitting	
7	1001104477	1	Valve, Divertor (See HYDRAULIC COMPONENTS SECTION for Breakdown)	

## SECTION 2 - BOOM

FIGURE 2-10. HYDRAULIC QUICK COUPLER ASSEMBLY



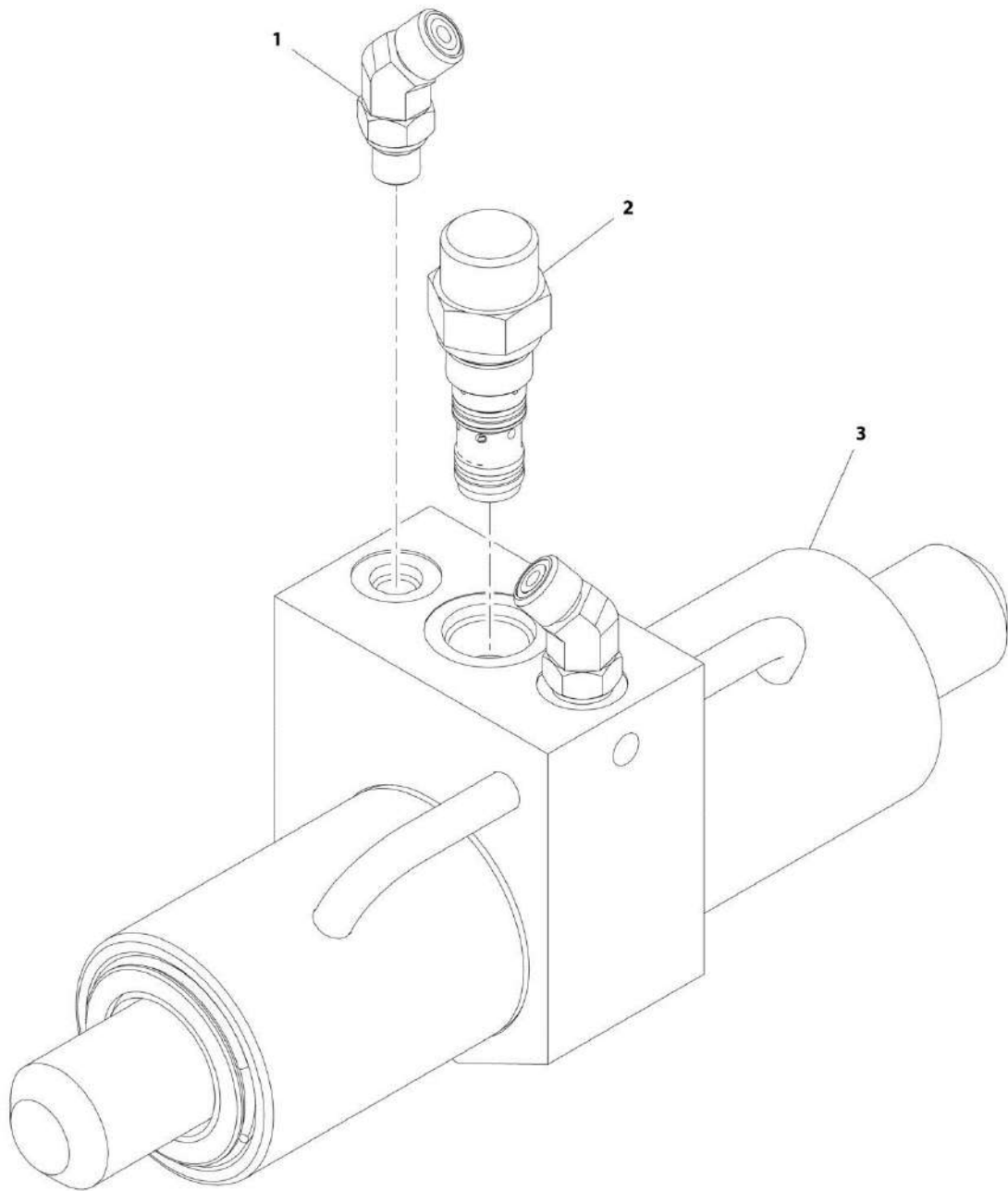
ART\_1001164845-C

FIGURE 2-10. HYDRAULIC QUICK COUPLER ASSEMBLY

ITEM	PART NUMBER	QTY	DESCRIPTION	REV
	1001164845	Ref	Hydraulic Quick Coupler Assembly	C
1	0440321	2	Bearing, Flange	
5	5201210	2	Bolt, Ripp M12X20	
6	91561240	AR	Shim	
8	1001197151	1	Assembly, Quick Coupler Cylinder (See QUICK COUPLER CYLINDER ASSEMBLY for Breakdown)	
9	1001164846	1	Adapter, Hydraulic Quick Coupler	
10	1001164858	1	Plate	
11	1001164859	1	Plate	
12	1001164860	1	Cover	
13	1001171991	6	Washer, M20	
14	1001172153	2	Screw, M20X1.5X80	
15	1001172154	4	Screw, M20X1.5X90	

## SECTION 2 - BOOM

FIGURE 2-11. QUICK COUPLER CYLINDER ASSEMBLY



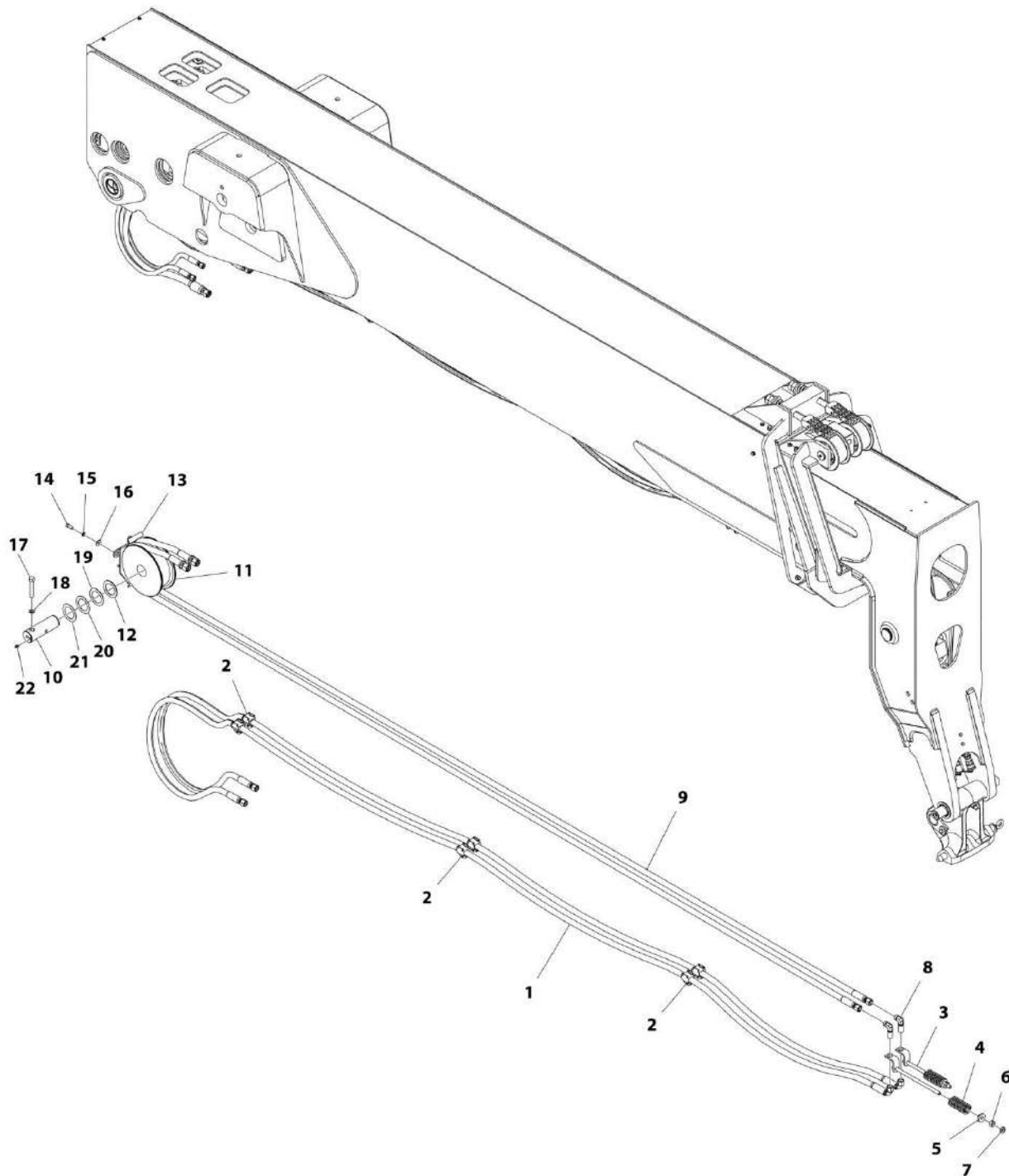
ART\_1001197151-B

FIGURE 2-11. QUICK COUPLER CYLINDER ASSEMBLY

ITEM	PART NUMBER	QTY	DESCRIPTION	REV
	1001197151	Ref	Quick Coupler Cylinder Assembly	B
1	2150404	2	Fitting, 45 ORFS	
2	1001007056	1	Valve	
3	1001120163	1	Cylinder, Quick Coupler (See HYDRAULIC COMPONENTS SECTION for Breakdown)	

# SECTION 2 - BOOM

## FIGURE 2-12. BOOM AUXILIARY HYDRAULICS ASSEMBLY



ART\_1001187427-A



## SECTION 2 - BOOM

### FIGURE 2-12. BOOM AUXILIARY HYDRAULICS ASSEMBLY

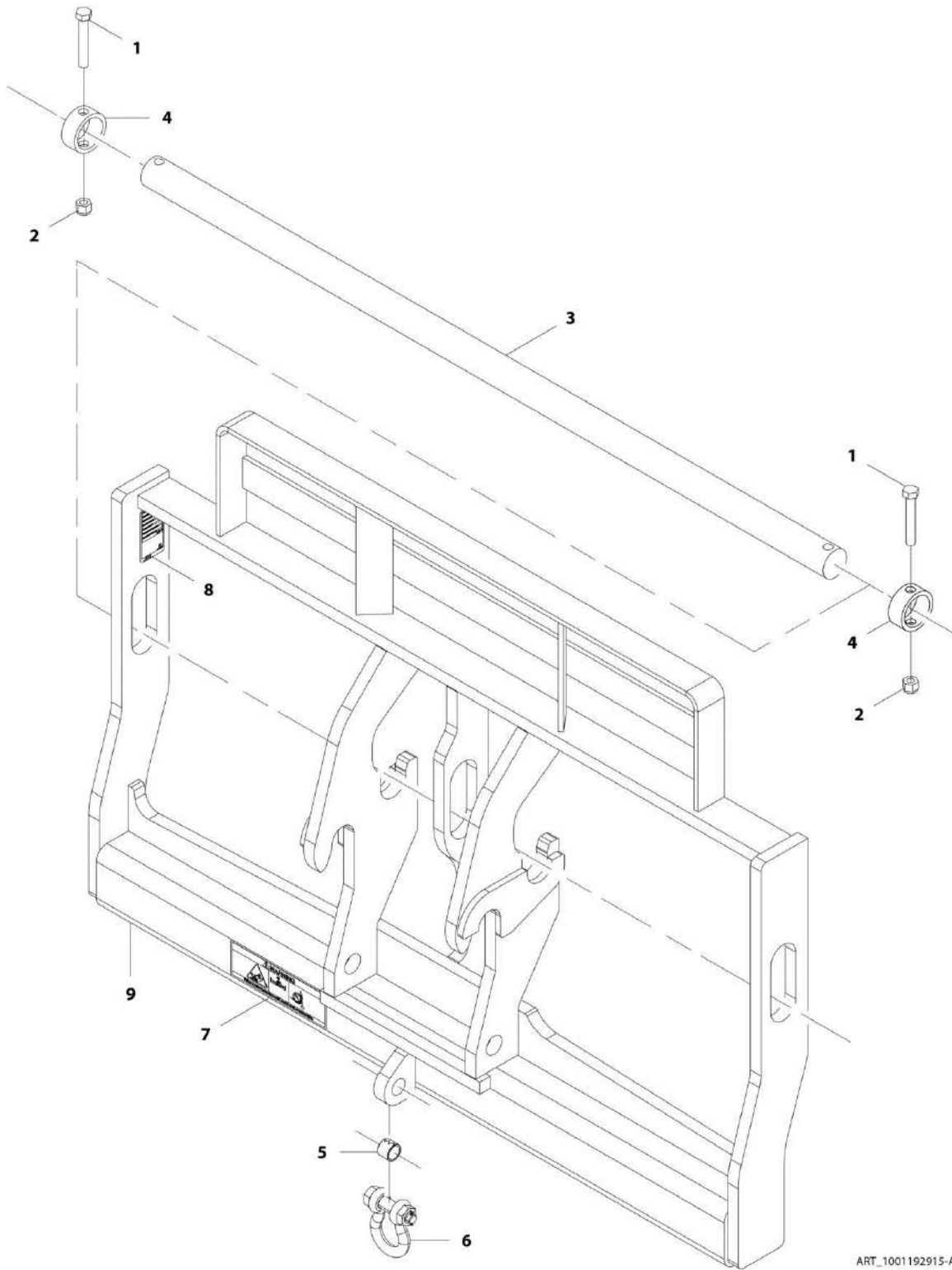
ITEM	PART NUMBER	QTY	DESCRIPTION	REV
	1001187427	1	Boom Auxiliary Hydraulics Assembly	A
1	1001165212	2	Hose	
2	90207464	6	Clamp	
3	1001091306	2	Rod, Hose Tension	
4	91123054	2	Spring, Compression	
5	91121134	2	Spring, Retainer	
6	88501008	2	Nut, 1/2-13	
7	88501108	2	Nut, 1/2-13	
8	2171208	2	Fitting, 90 ORFS	
9	1001097038	2	Hose	
10	3423301	1	Pin	
11	91143024	1	Sheave, Hose	
12	91041451	AR	Washer	
13	1001157030	1	Bracket	
14	0641607	3	Bolt, 3/8-16X7/8	
15	4761600	3	Washer, Lock	
16	4751600	3	Washer	
17	0641826	1	Bolt, 1/2-13X3 1/4	
18	4761800	1	Washer, Lock	
19	91041449	AR	Washer, Shim	
20	91041450	AR	Washer, Shim	
21	91041596	AR	Washer, Shim	
22	2160002	1	Fitting, Grease	



**SECTION 3 - ATTACHMENTS**

# SECTION 3 - ATTACHMENTS

FIGURE 3-1. CARRIAGE ASSEMBLY (60 INCH) (Prior to SN 0160075857)



ART\_1001192915-A

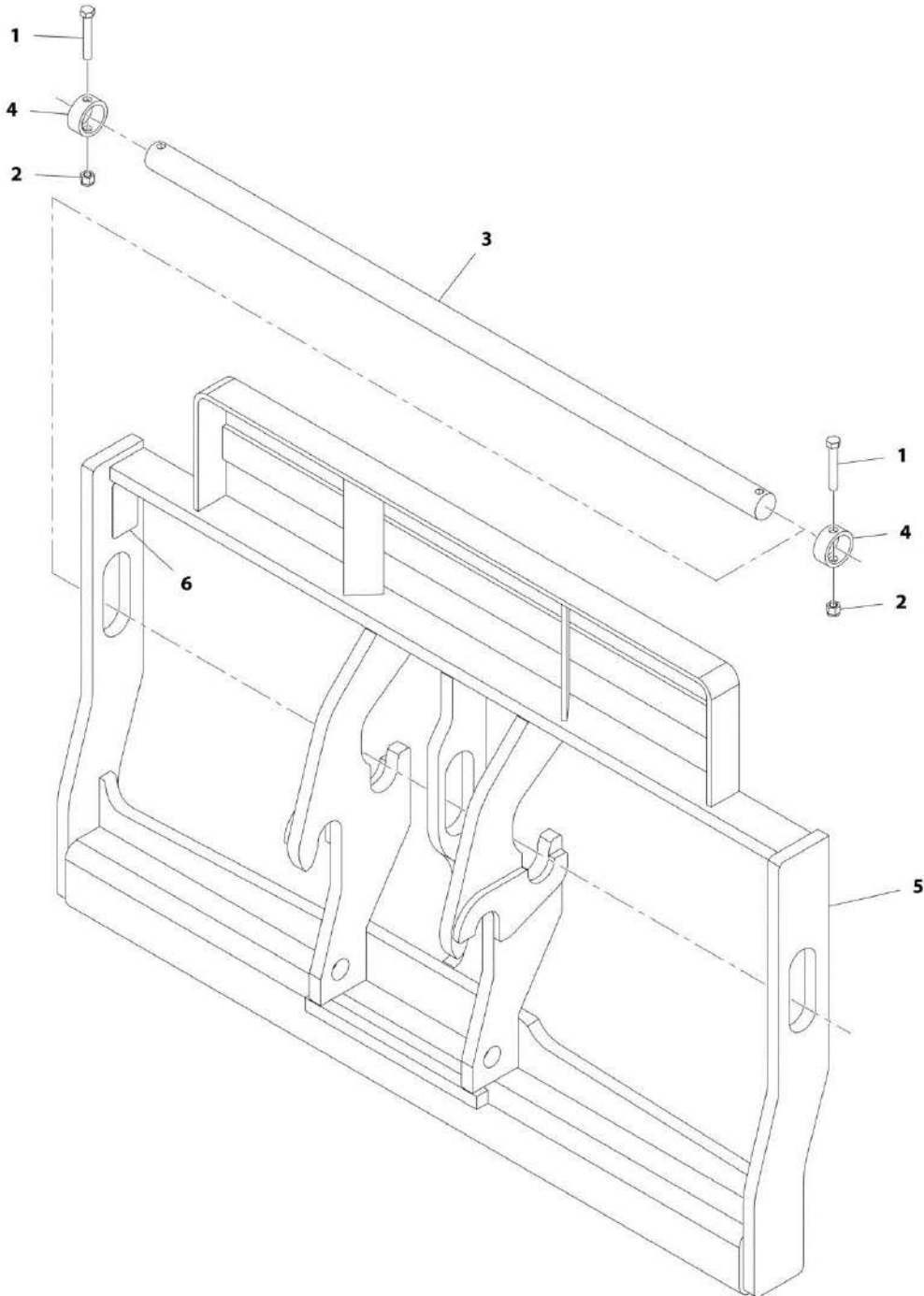
## SECTION 3 - ATTACHMENTS

**FIGURE 3-1. CARRIAGE ASSEMBLY (60 INCH) (Prior to SN 0160075857)**

ITEM	PART NUMBER	QTY	DESCRIPTION	REV
	1001192915	Ref	Carriage Assembly (60 Inch)	A
1	0642032	2	Bolt, 5/8-11X4	
2	3300240	2	Nut, Locking 5/8-11	
3	3423242	1	Pin	
4	90200003	2	Collar	
5	1001146159	1	Sleeve	
6	1001146160	1	Shackle	
7	1001151561	1	Decal, Danger	
8	N.S.S.	1	S/N Plate	
9	N.S.S.	1	Weldment, Carriage	

# SECTION 3 - ATTACHMENTS

FIGURE 3-2. CARRIAGE ASSEMBLY (60 INCH) (SN 0160075857 to Present)



ART\_1001211711-A

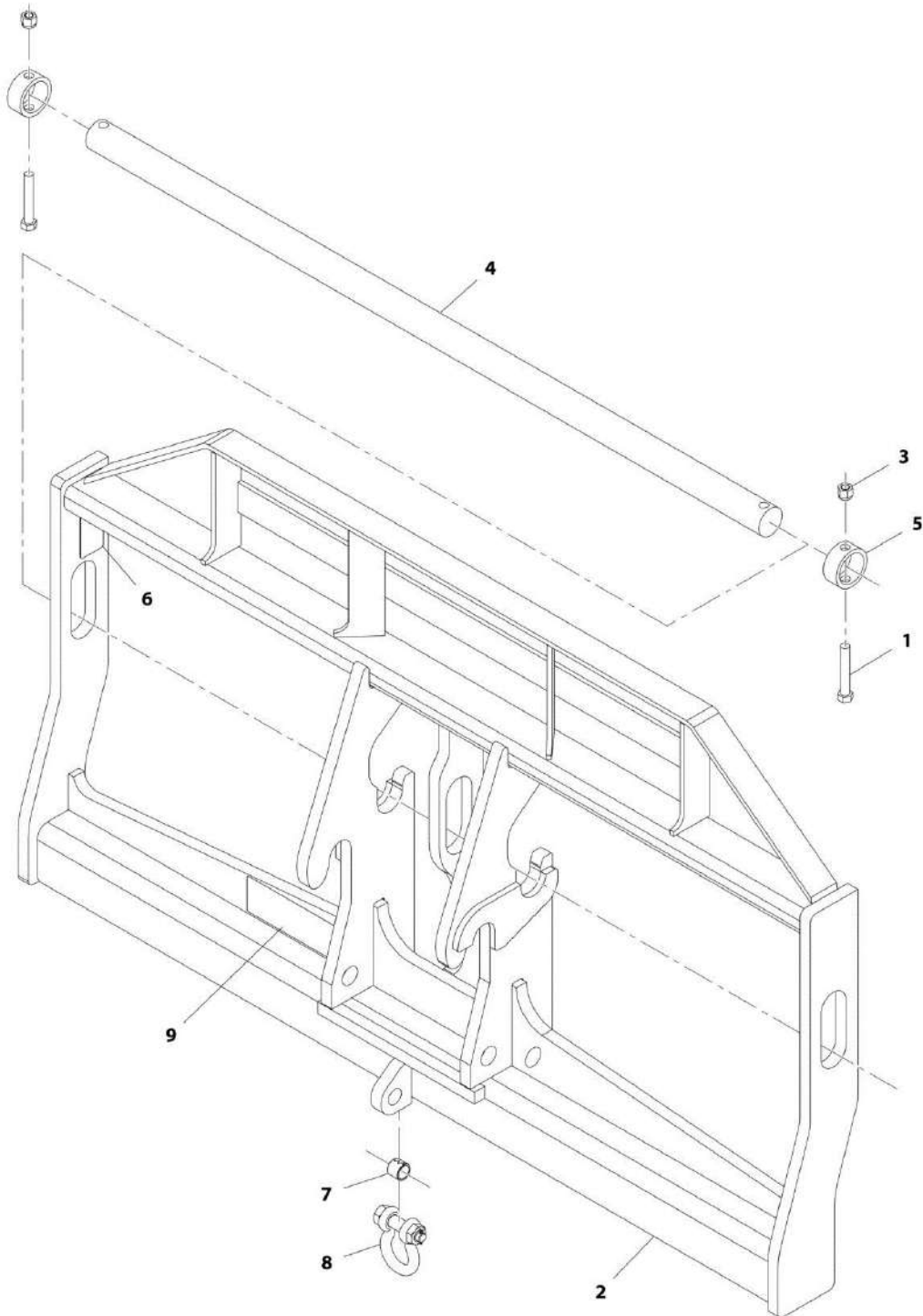
## SECTION 3 - ATTACHMENTS

**FIGURE 3-2. CARRIAGE ASSEMBLY (60 INCH) (SN 0160075857 to Present)**

ITEM	PART NUMBER	QTY	DESCRIPTION	REV
	1001211711	Ref	Carriage Assembly (60 Inch)	A
1	0642032	2	Bolt, 5/8-11X4	
2	3300240	2	Nut, Locking 5/8-11	
3	3423242	1	Pin	
4	90200003	2	Collar	
5	N.S.S.	1	Weldment, Carriage	
6	N.S.S.	1	S/N Plate	

# SECTION 3 - ATTACHMENTS

FIGURE 3-3. CARRIAGE ASSEMBLY (72 INCH) (Prior to SN 0160075857)



ART\_1001193794-D



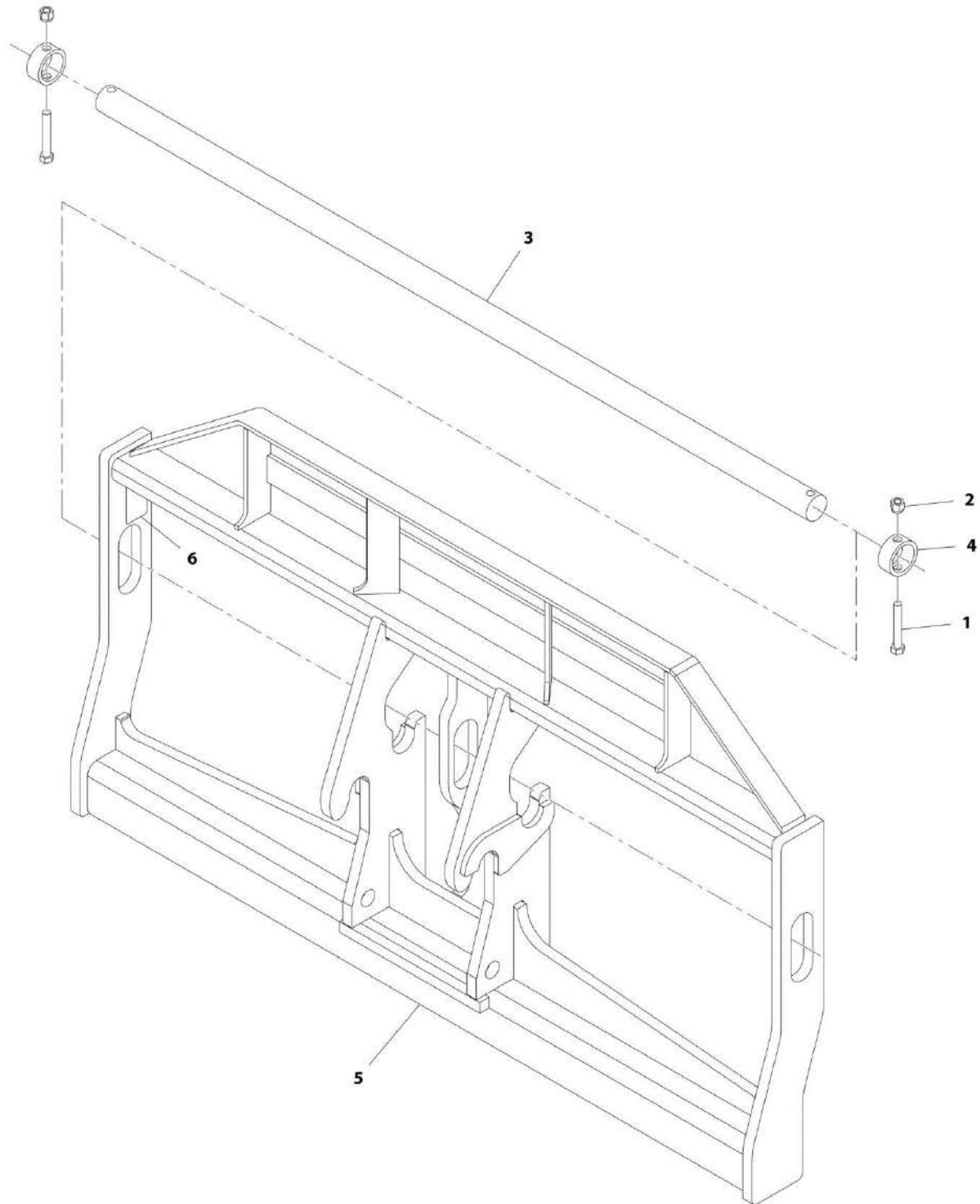
## SECTION 3 - ATTACHMENTS

**FIGURE 3-3. CARRIAGE ASSEMBLY (72 INCH) (Prior to SN 0160075857)**

ITEM	PART NUMBER	QTY	DESCRIPTION	REV
	1001193794	Ref	Carriage Assembly (72 Inch)	D
1	0642032	2	Bolt, 5/8-11X4	
2	N.S.S.	1	Weldment, Carriage	
3	3300240	2	Nut, Locking 5/8-11	
4	3423276	1	Pin	
5	90200003	2	Collar	
6	N.S.S.	1	S/N Plate	
7	1001146159	1	Sleeve	
8	1001146160	1	Shackle	
9	1001151561	1	Decal, Danger	

# SECTION 3 - ATTACHMENTS

FIGURE 3-4. CARRIAGE ASSEMBLY (72 INCH) (SN 0160075857 to Present)



ART\_1001211516-A

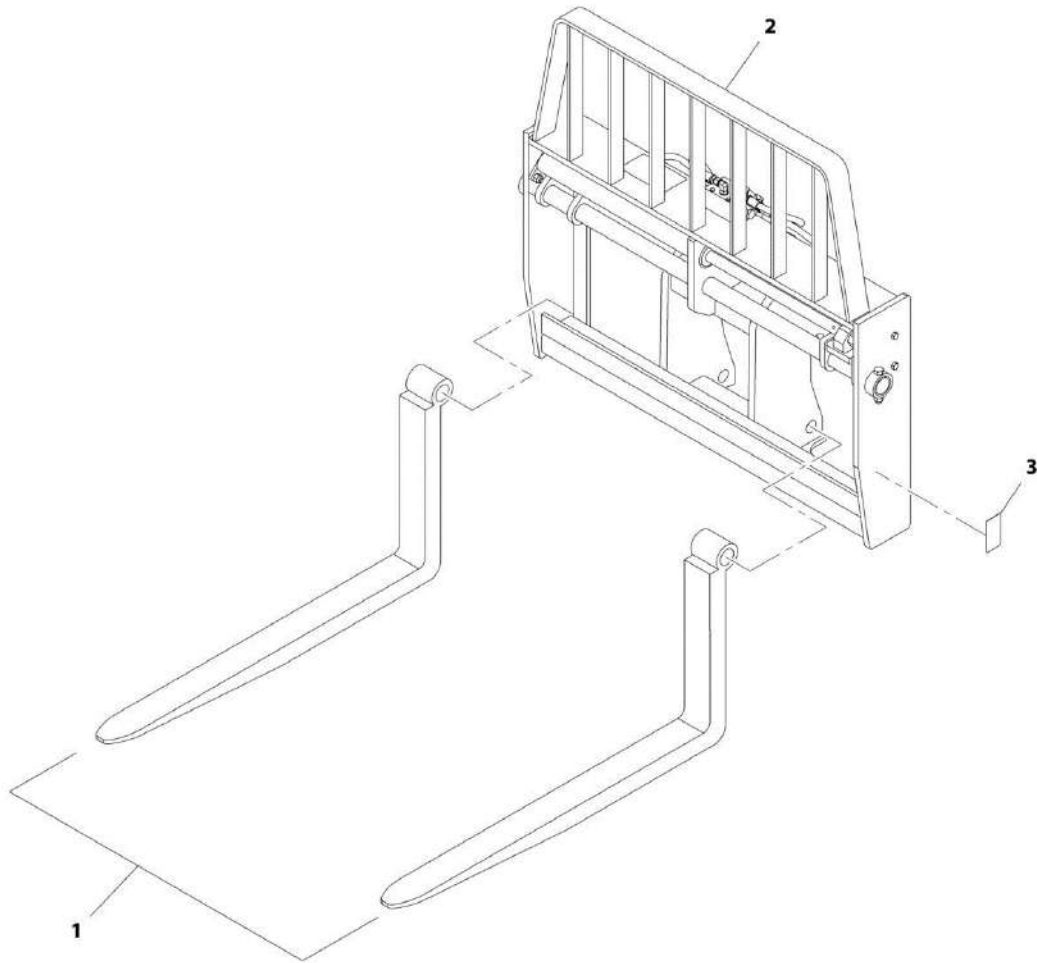
## SECTION 3 - ATTACHMENTS

**FIGURE 3-4. CARRIAGE ASSEMBLY (72 INCH) (SN 0160075857 to Present)**

ITEM	PART NUMBER	QTY	DESCRIPTION	REV
	1001211516	Ref	Carriage Assembly (72 Inch)	A
1	0642032	2	Bolt, 5/8-11X4	
2	3300240	2	Nut, Locking 5/8-11	
3	3423276	1	Pin	
4	90200003	2	Collar	
5	N.S.S.	1	Weldment, Carriage	
6	N.S.S.	1	S/N Plate	

# SECTION 3 - ATTACHMENTS

FIGURE 3-5. DUAL FORK POSITIONING CARRIAGE (50 INCH)



ART\_7301295-F

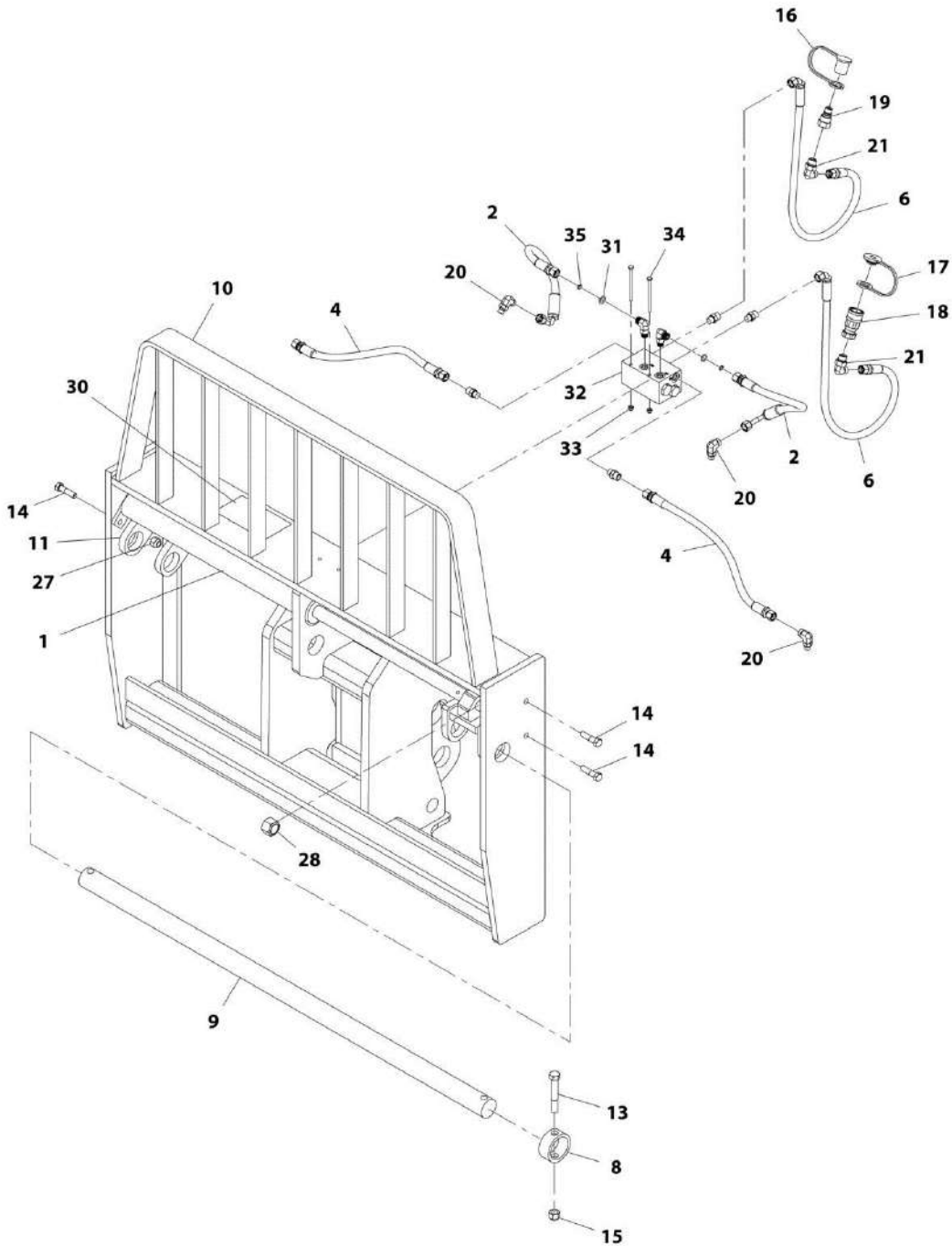
## SECTION 3 - ATTACHMENTS

**FIGURE 3-5. DUAL FORK POSITIONING CARRIAGE (50 INCH)**

ITEM	PART NUMBER	QTY	DESCRIPTION	REV
	7301295	1	Dual Fork Positioning Carriage (50 Inch)	F
1	7301408	2	Fork, Pallet	
2	7301568	1	Assembly, Dual Fork Positioning Carriage (See DUAL FORK POSITIONING CARRIAGE ASSEMBLY (50 INCH) for Breakdown)	
3	N.S.S.	1	S/N Plate	

# SECTION 3 - ATTACHMENTS

## FIGURE 3-6. DUAL FORK POSITIONING CARRIAGE ASSEMBLY (50 INCH)



ART\_7301568-J

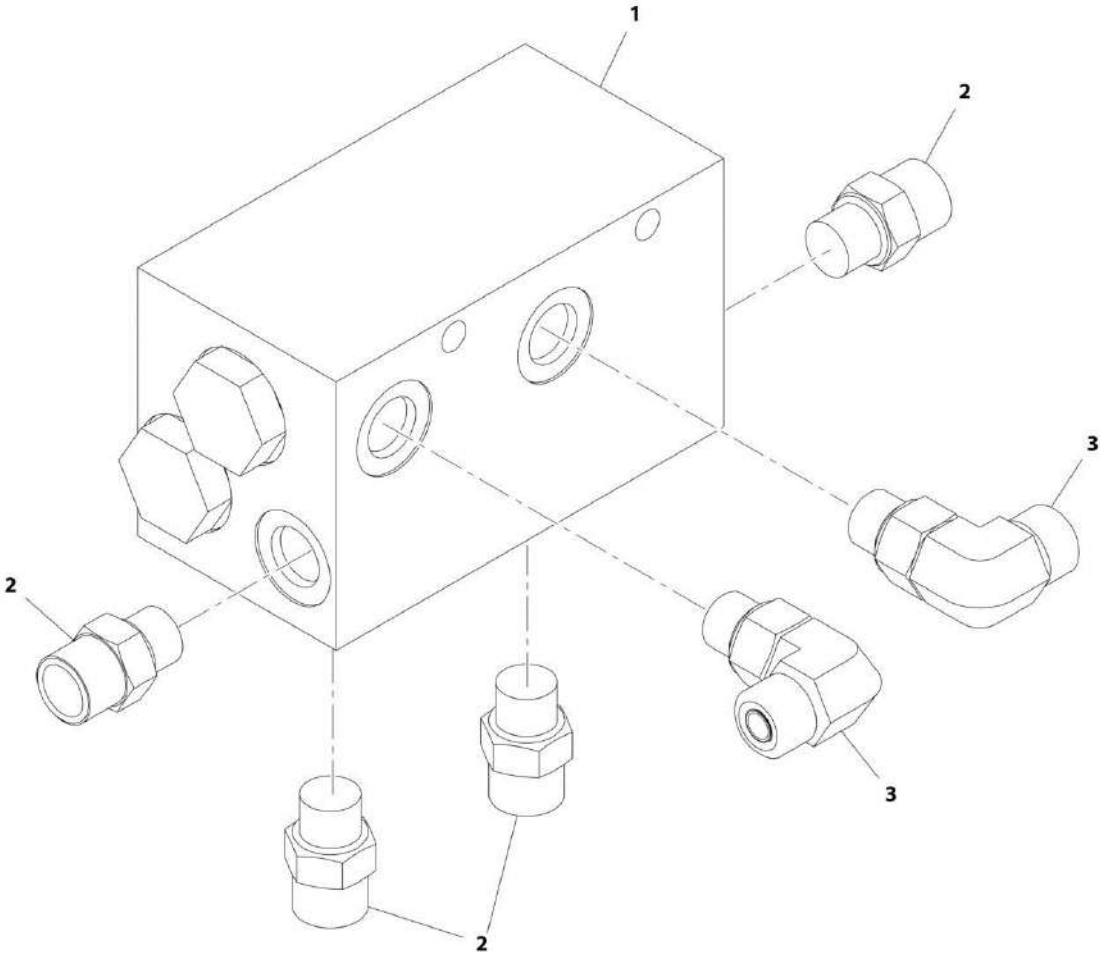
## SECTION 3 - ATTACHMENTS

**FIGURE 3-6. DUAL FORK POSITIONING CARRIAGE ASSEMBLY (50 INCH)**

ITEM	PART NUMBER	QTY	DESCRIPTION	REV
	7301568	Ref	Dual Fork Positioning Carriage Assembly (50 Inch)	1
1	2717283	2	Cylinder, Fork Positioning (See HYDRAULIC COMPONENTS SECTION for Breakdown)	
2	2717160	2	Hose	
4	2717161	2	Hose	
6	2717162	2	Hose	
8	90200003	2	Collar, Fork Pin	
9	90451058	1	Shaft, Fork	
13	8303634	2	Bolt, 5/8-11X4	
14	8303658	4	Bolt, 1/2-13X2	
15	8305643	2	Nut, Lock 5/8-11	
16	8420053	1	Cap, Dust	
17	8420055	1	Plug, Dust	
18	91403413	1	Adapter, Quick Disconnect	
19	91403414	1	Adapter, Quick Disconnect	
20	2130606	4	Adapter, 90 Straight	
21	2130608	2	Adapter, 90 Straight	
27	8310302	4	Nut, Lock 1/2-13	
28	10705034	2	Nut, Lock 1-14	
30	4110473	1	Decal, Warning Route Hoses	
31	7139918	2	Disk, Orifice	
32	4641502	1	Assembly, Dual Fork Carriage Valve (See DUAL FORK CARRIAGE VALVE ASSEMBLY for Breakdown)	
33	8305624	2	Nut, Lock 1/4-20	
34	8310435	2	Bolt, 1/4-20X3-3/4	
35	8630003	2	O-Ring	

**SECTION 3 - ATTACHMENTS**

**FIGURE 3-7. DUAL FORK CARRIAGE VALVE ASSEMBLY**



ART\_4641502-B



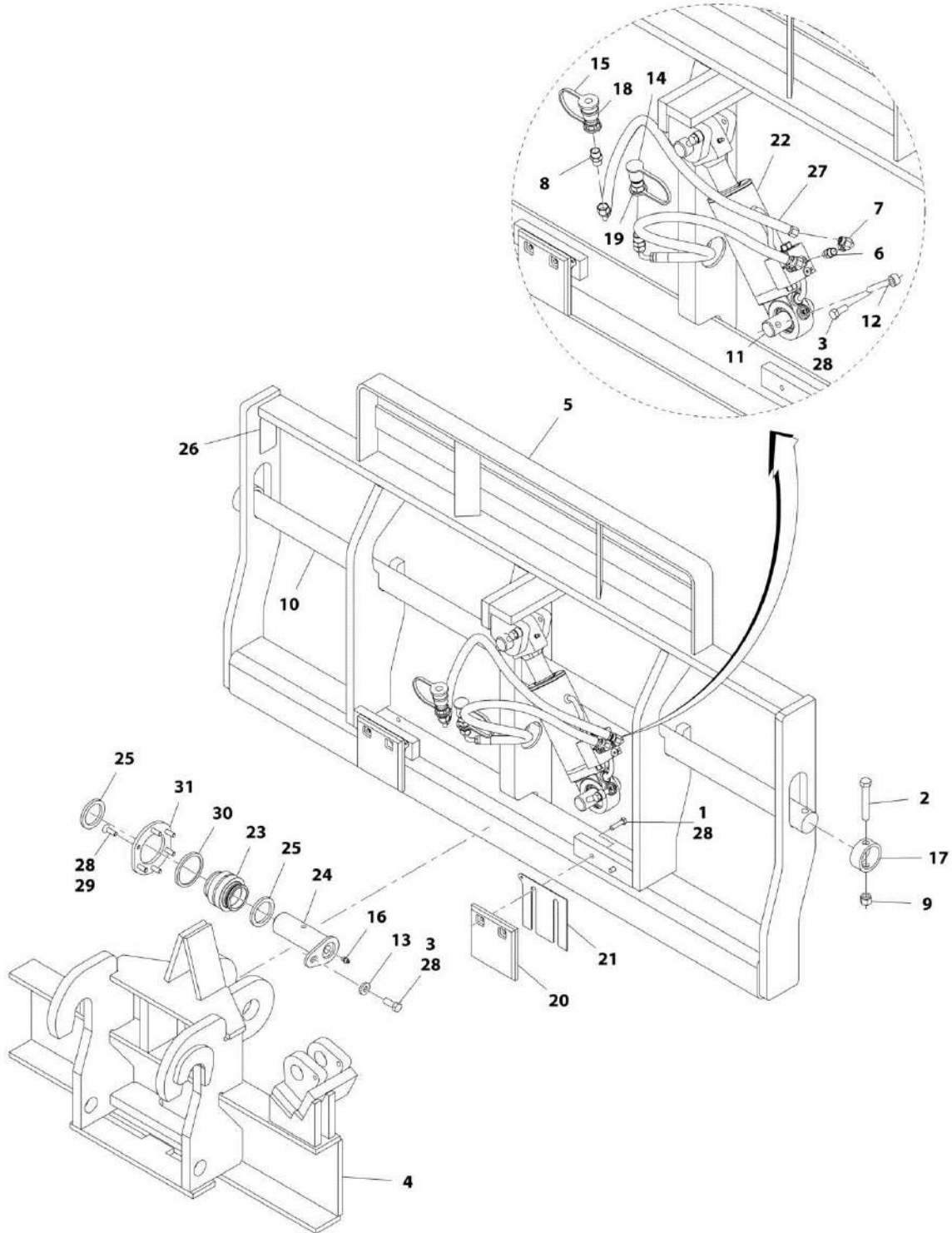
## SECTION 3 - ATTACHMENTS

### FIGURE 3-7. DUAL FORK CARRIAGE VALVE ASSEMBLY

ITEM	PART NUMBER	QTY	DESCRIPTION	REV
	4641502	Ref	Dual Fork Carriage Valve Assembly	B
1	4641501	1	Valve, Flow Divider, (See HYDRAULIC COMPONENTS SECTION for Breakdown)	
2	2110606	4	Adapter, Straight	
3	2130606	2	Adapter, 90	

# SECTION 3 - ATTACHMENTS

## FIGURE 3-8. SIDE TILT CARRIAGE ASSEMBLY (72 INCH)



ART\_1170057-M

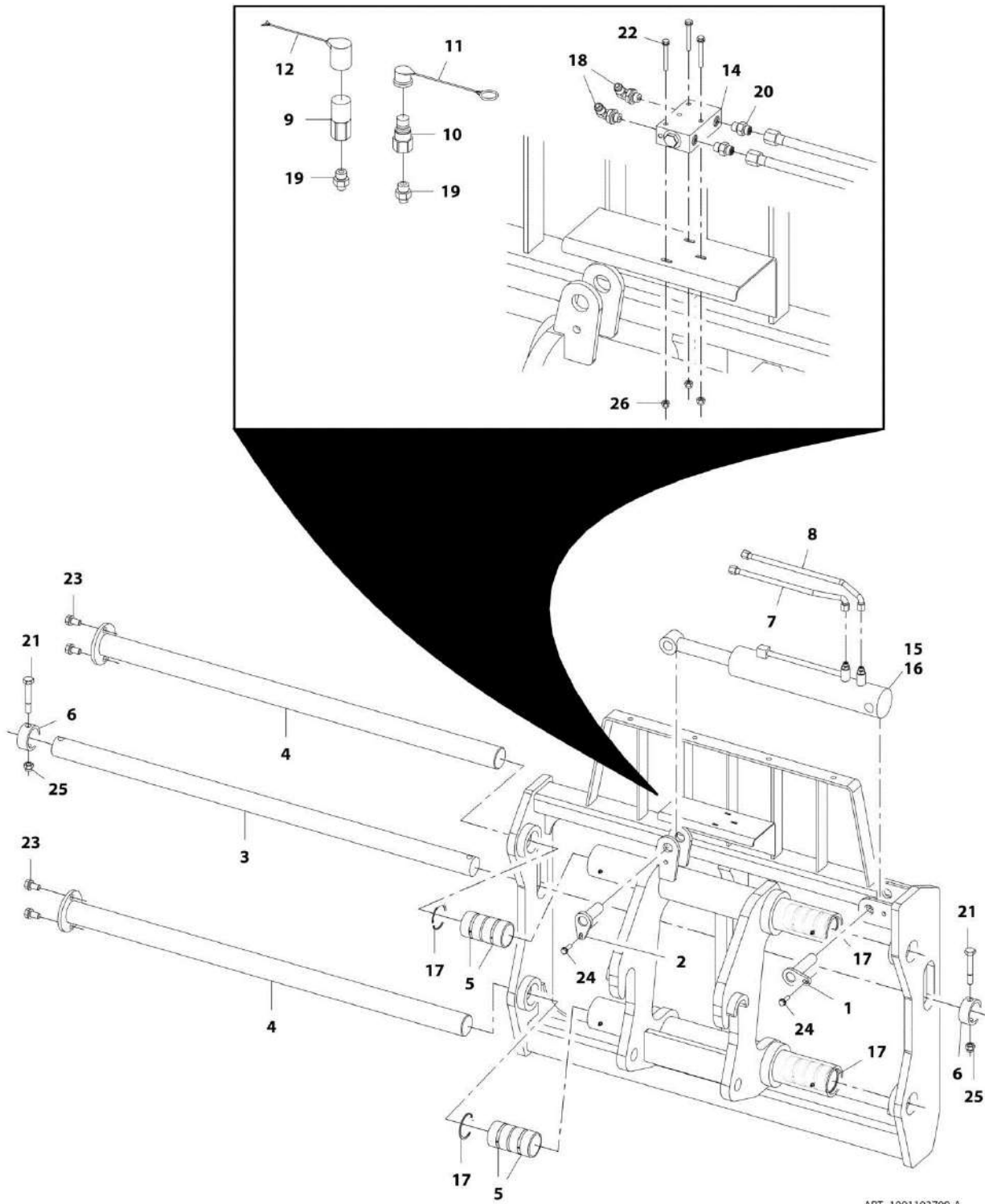
## SECTION 3 - ATTACHMENTS

**FIGURE 3-8. SIDE TILT CARRIAGE ASSEMBLY (72 INCH)**

ITEM	PART NUMBER	QTY	DESCRIPTION	REV
	1170057	1	Side Tilt Carriage Assembly (72 Inch)	J
1	0641612	4	Bolt, 3/8-16X1 1/2	
2	0642032	2	Bolt, 5/8-11X4	
3	0681810	3	Bolt, 1/2-13X1 1/4 Grade 8	
4	1001133072	1	Pivot, Carriage	
5	N.S.S.	1	Weldment, Carriage	
6	2110606	2	Fitting, Straight ORFS	
7	2172106	2	Fitting, 90 ORFS	
8	2110808	2	Fitting, Straight ORFS	
9	3300240	2	Nut, Locking 5/8-11	
10	3423276	1	Pin	
11	3423307	2	Pin	
12	3841203	2	Keeper	
13	4891800	1	Flatwasher	
14	8420053	1	Cap	
15	8420055	1	Plug	
16	88671001	1	Fitting, Grease	
17	90200003	2	Collar	
18	91403413	1	Fitting	
19	91403414	1	Fitting	
20	1001090063	2	Pad	
21	1001090064	AR	Shim	
22	1001163414	1	Cylinder, Side Tilt (See HYDRAULIC COMPONENTS SECTION for Breakdown)	
23	1001090140	1	Bearing	
24	1001099113	1	Pin	
25	1001099115	2	Sleeve	
26	N.S.S.	1	S/N Plate	
27	1001102378	2	Hose, .38X39.00 6X8-90 ORFS	
28	0100011	AR	Compound, Locking	
29	0741610	6	Screw, 3/8-16X1.25	
30	1001120914	1	Shim	
31	1001120915	1	Plate	

# SECTION 3 - ATTACHMENTS

## FIGURE 3-9. SIDE SHIFT CARRIAGE ASSEMBLY (50 INCH)



ART\_1001193799-A

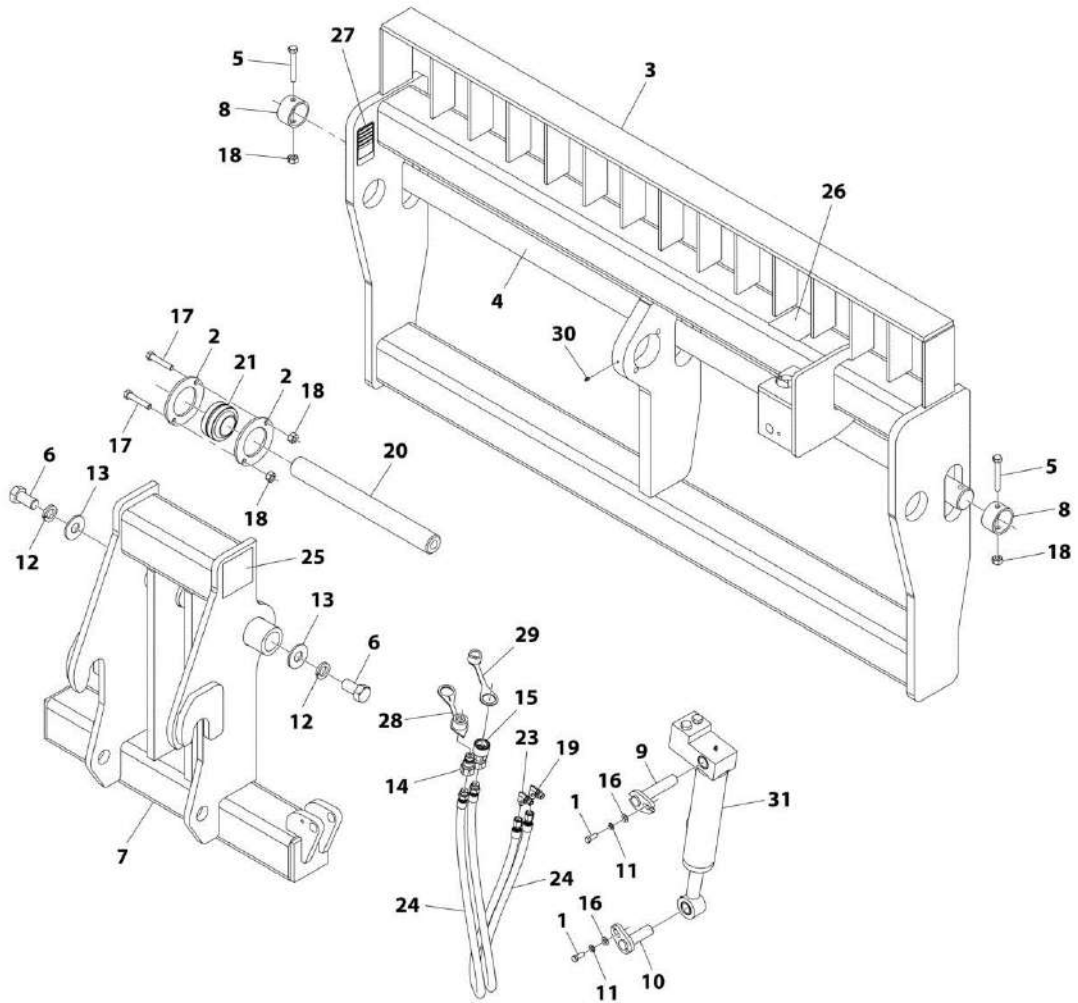
## SECTION 3 - ATTACHMENTS

### FIGURE 3-9. SIDE SHIFT CARRIAGE ASSEMBLY (50 INCH)

ITEM	PART NUMBER	QTY	DESCRIPTION	REV
	1001193799	1	Side Shift Carriage Assembly (50 Inch)	A
1	70026729	1	Pin Cylinder, Rod End	
2	70026730	1	Pin Cylinder, Barrel End	
3	70026731	1	Pin, 50 Fork	
4	70026732	2	Pin, 50	
5	1001006298	8	Bushing	
6	70026734	2	Collar, Fork Pin	
7	70026735	1	Tube, Plumped	
8	70026736	1	Tube, Plumped	
9	91403413	1	Fitting, Straight	
10	91403414	1	Fitting, Straight	
11	8420053	1	Cap	
12	8420055	1	Plug	
13	70026741	2	Hose, (not shown)	
14	1001009036	1	Valve	
15	1001006305	1	Cylinder, Side Shift	
16	70021507	1	Kit, Seal	
17	1001008465	4	Retaining, Ring	
18	2130606	2	Fitting, 90 ORFS	
19	2130810	2	Fitting, 90 ORFS	
20	2110606	4	Fitting, Straight ORFS	
21	0642032	2	Bolt, 5/8-11X4	
22	0641416	3	Bolt, 1/4-20X2	
23	0642010	4	Bolt, 5/8-11X1-1/4	
24	0641608	2	Bolt, 3/8-16X1	
25	3300240	2	Nut, Lock 5/8-11	
26	70026765	3	Nut, Lock 1/4-20	

# SECTION 3 - ATTACHMENTS

## FIGURE 3-10. SIDE TILT CARRIAGE ASSEMBLY (72 INCH)



ART\_1001182953-E

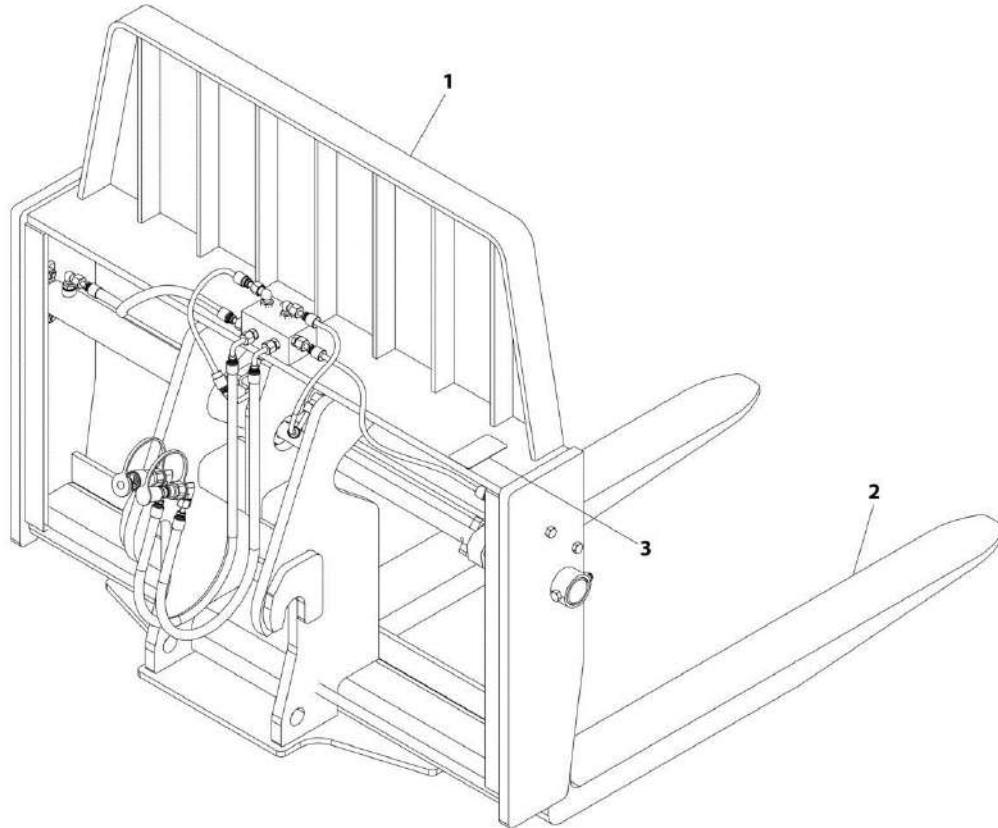
## SECTION 3 - ATTACHMENTS

### FIGURE 3-10. SIDE TILT CARRIAGE ASSEMBLY (72 INCH)

ITEM	PART NUMBER	QTY	DESCRIPTION	REV
	1001182953	1	Side Tilt Carriage Assembly (72 Inch) - G15-44A	D
1	70021349	2	Bolt, 3/8X1	
2	70024091	2	Plate Bearing Retainer	
3	N.S.S.	1	Weldment, Main Frame	
4	70026704	1	Fork Pin	
5	70020002	2	Bolt	
6	70024095	2	Bolt	
7	N.S.S.	1	Weldment, Rear Frame	
8	70020028	2	Fork Pin Retainer	
9	70021348	1	Pin	
10	70021351	1	Pin	
11	90554042	2	Washer, Lock 3/8	
12	70024094	2	Washer	
13	70024093	2	Washer	
14	91403414	1	Adapter, Male Quick Disconnect	
15	91403413	1	Adapter, Female Quick Disconnect	
16	7029703	2	Washer	
17	70026703	2	Bolt	
18	90554038	4	Nut	
19	70026700	1	Fitting	
20	70028456	1	Pin	
21	70024089	1	Bearing	
23	90554065	1	Elbow, 90	
24	70026702	2	Hose	
25	90554017	2	Decal, Danger Pinch Point	
26	7029711	1	Decal	
27	N.S.S.	1	S/N Plate	
28	8420053	1	Cap, Dust	
29	8420055	1	Plug, Dust	
30	90554045	1	Fitting, Grease	
31	70021363	1	Cylinder, Side Tilt Cylinder (See Separate Breakdown in HYDRAULIC COMPONENTS Section)	

## SECTION 3 - ATTACHMENTS

FIGURE 3-11. DUAL FORK POSITIONING CARRIAGE ASSEMBLY (50 INCH)



ART\_1001189211-A



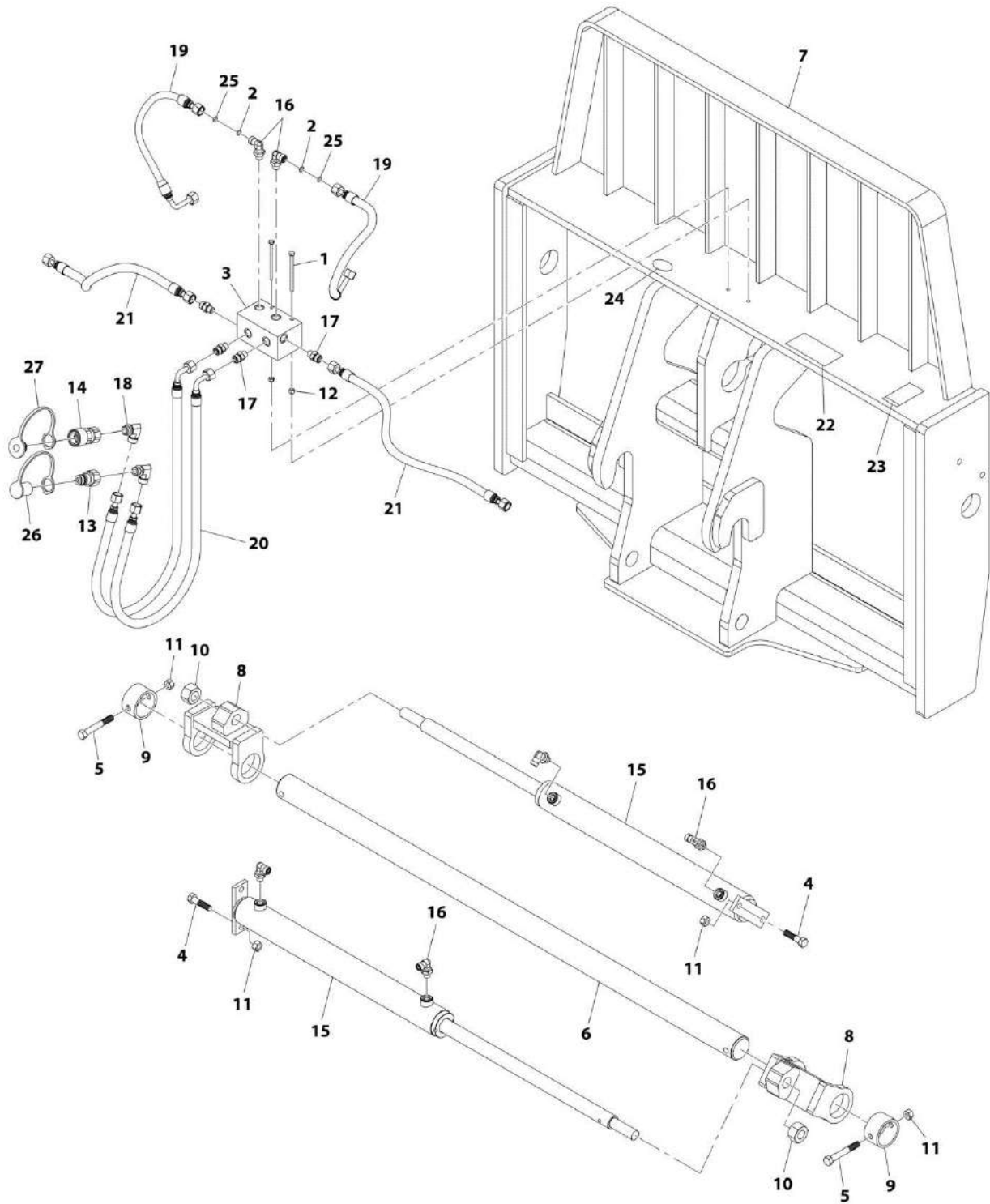
## SECTION 3 - ATTACHMENTS

**FIGURE 3-11. DUAL FORK POSITIONING CARRIAGE ASSEMBLY (50 INCH)**

ITEM	PART NUMBER	QTY	DESCRIPTION	REV
1	1001189211	Ref	Dual Fork Positioning Carriage Assembly (50 Inch)	A
	1001188390	1	Carriage, Dual Fork Positioning (50 Inch) (See Separate Breakdown in this Section)	
2	2340038	2	Fork, Pallet 2.36X5X48, (See Separate Breakdown in this Section)	
3	N.S.S.	1	S/N Plate	

# SECTION 3 - ATTACHMENTS

## FIGURE 3-12. DUAL FORK POSITIONING CARRIAGE (50 INCH)



ART\_1001188390-C

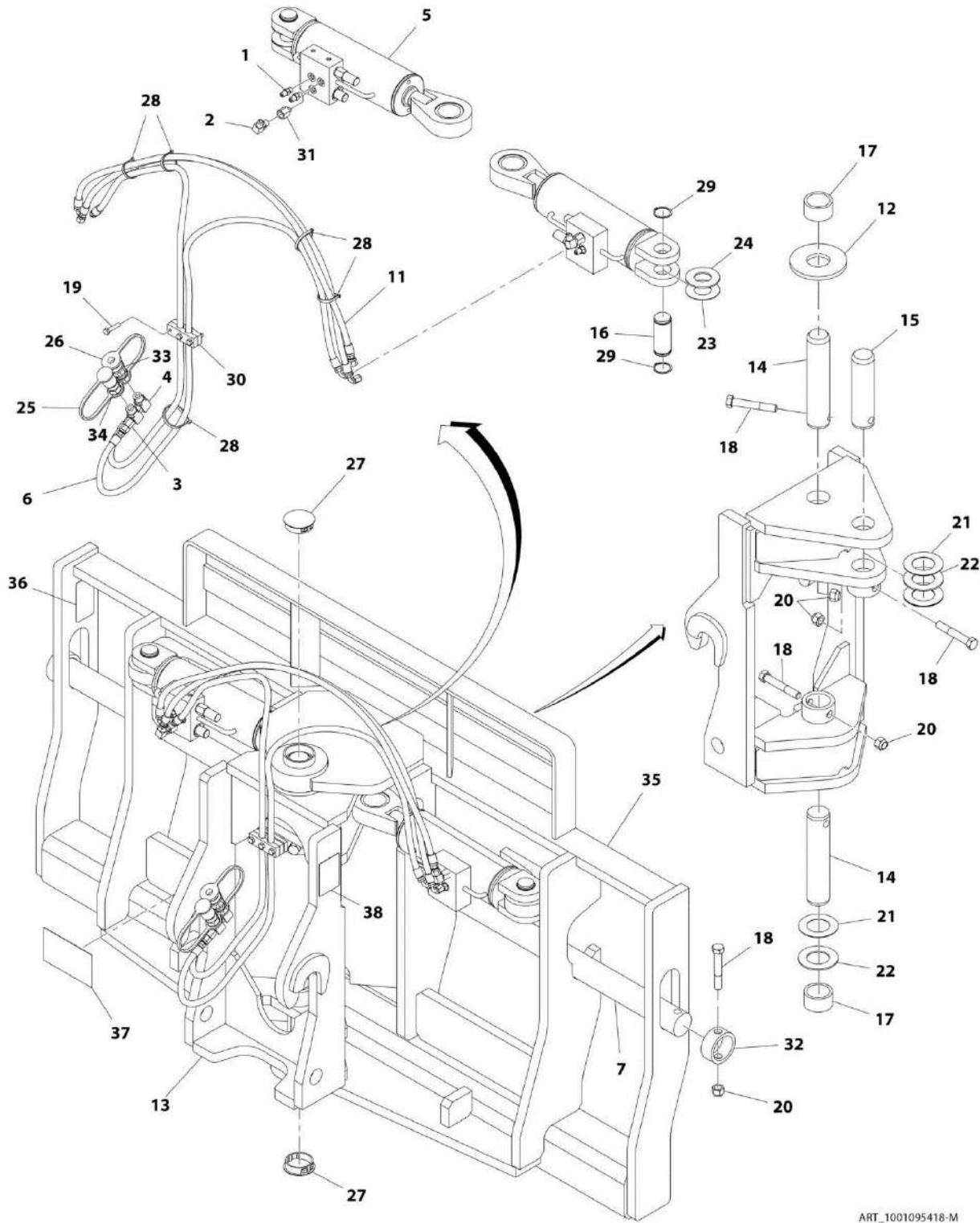
## SECTION 3 - ATTACHMENTS

**FIGURE 3-12. DUAL FORK POSITIONING CARRIAGE (50 INCH)**

ITEM	PART NUMBER	QTY	DESCRIPTION	REV
	1001188390	NLA	Dual Fork Positioning Carriage (50 Inch) - (no longer available, see items 1 thru 27 for service or use 1001189211 for replacement)	C
1	70028519	2	Bolt	
2	70028520	2	Orifice	
3	70028521	1	Valve	
4	90554019	4	Bolt	
5	70020002	2	Bolt	
6	70027283	1	Pin Fork	
7	N.S.S.	1	Weldment	
8	70028522	2	Weldment, Fork Adapter	
9	70020028	2	Bushing	
10	70021440	2	Nut	
11	70028523	6	Nut	
12	70028524	2	Nut	
13	91403414	1	Adapter, Male Quick Disconnect	
14	91403413	1	Adapter, Female Quick Disconnect	
15	70026772	2	Cylinder, Dual Fork (See Separate Breakdown in HYDRAULIC COMPONENTS Section)	
16	70028525	6	Elbow, 90	
17	70028486	4	Fitting	
18	70028526	2	Elbow, 90	
19	70028527	2	Hose	
20	70028528	2	Hose	
21	70028529	2	Hose	
22	70028530	1	Decal, Hose Routing	
23	N.S.S.	1	S/N Plate	
24	90554016	1	Decal	
25	70028531	2	O-Ring	
26	8420055	1	Plug, Dust	
27	8420053	1	Cap, Dust	

# SECTION 3 - ATTACHMENTS

## FIGURE 3-13. 90 SWING CARRIAGE ASSEMBLY (72 INCH)



ART\_1001095418-M

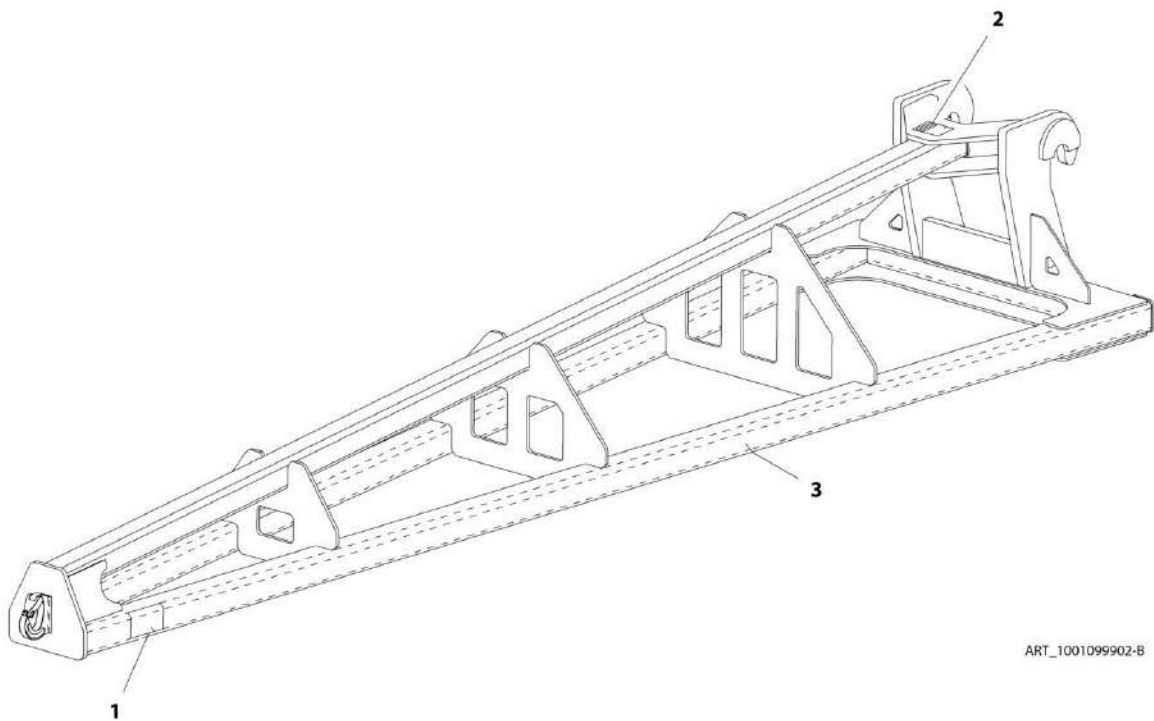
## SECTION 3 - ATTACHMENTS

**FIGURE 3-13. 90 SWING CARRIAGE ASSEMBLY (72 INCH)**

ITEM	PART NUMBER	QTY	DESCRIPTION	REV
	1001095418	1	90 Swing Carriage Assembly (72 Inch)	M
1	2220415	4	Adapter, Straight	
2	2220473	2	Adapter, 90	
3	2220609	2	Adapter, Straight	
4	2220628	2	Adapter, 90	
5	1001103182	2	Swing Carriage Cylinder (See Separate Breakdown in HYDRAULIC COMPONENTS Section)	
6	2717287	2	Hose	
7	3423276	1	Pin, Fork	
11	6604662	2	Hose	
12	7062922	1	Washer, Thrust	
13	N.S.S.	1	Weldment, Pivot	
14	7110702	2	Pin, Pivot	
15	7110712	1	Pin, Cylinder	
16	7110722	1	Pin, Cylinder	
17	8065062	2	Bushing	
18	8303634	5	Bolt, 5/8-11X4	
19	8303715	3	Bolt, 5/16-18X1-1/2	
20	8305643	5	Nut, Lock 5/8-11	
21	8307904	AR	Washer, Shim	
22	8307918	AR	Washer, Shim	
23	8310160	AR	Washer, Shim	
24	8310161	AR	Washer, Shim	
25	8420053	1	Cap, Dust	
26	8420055	1	Plug, Dust	
27	8580315	2	Plug	
28	8584001	5	Wrap, Tie	
29	8642207	4	Ring, Retaining	
30	8769132	2	Clamp, Twin	
31	8770016	2	Adapter, Straight	
32	90200003	2	Collar, Fork Pin	
33	91403413	1	Adapter, Female Quick Disconnect	
34	91403414	1	Adapter, Male Quick Disconnect	
35	N.S.S.	1	Frame, Carriage	
36	N.S.S.	1	S/N Plate	
37	1001110704	1	Decal, Warning Crushing Hazard	
38	1001111190	2	Decal, Warning	

## SECTION 3 - ATTACHMENTS

FIGURE 3-14. TRUSS BOOM (12 FOOT WITHOUT WINCH)



ART\_1001099902-B

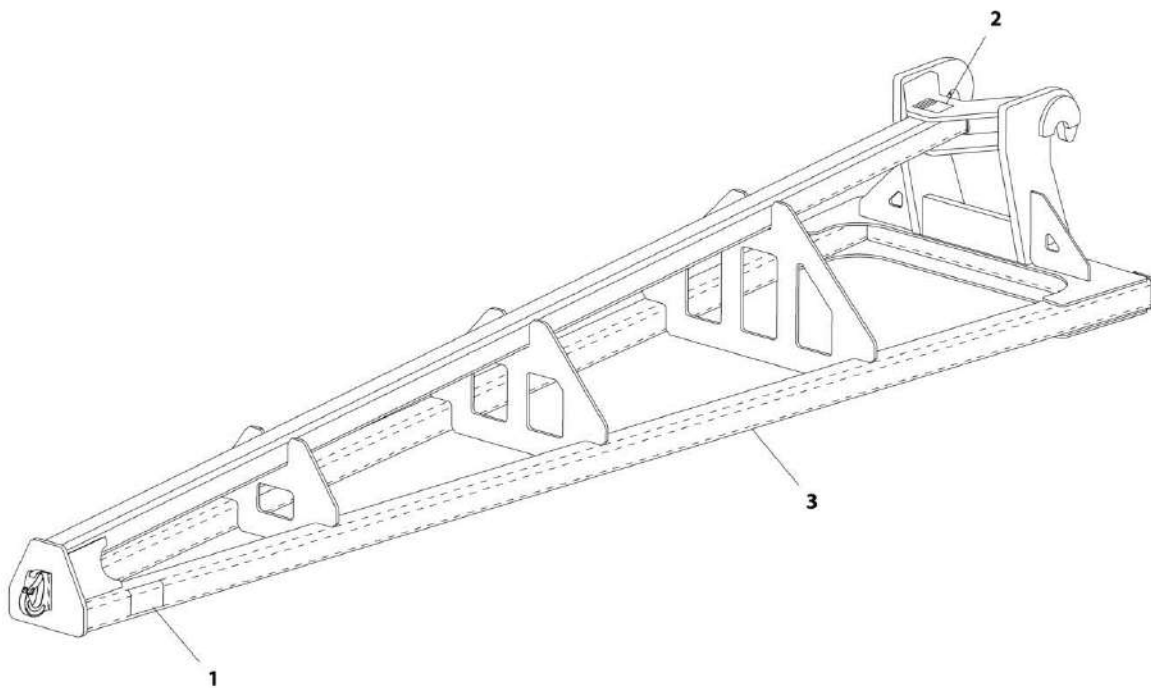
## SECTION 3 - ATTACHMENTS

**FIGURE 3-14. TRUSS BOOM (12 FOOT WITHOUT WINCH)**

ITEM	PART NUMBER	QTY	DESCRIPTION	REV
	1001099902	1	Truss Boom (12 Foot without Winch)	B
1	4110422	2	Decal, Danger Swinging Loads	
2	N.S.S.	1	S/N Plate	
3	N.S.S.	1	Boom, Truss	

## SECTION 3 - ATTACHMENTS

FIGURE 3-15. TRUSS BOOM (15 FOOT WITHOUT WINCH)



ART\_1001099901-C



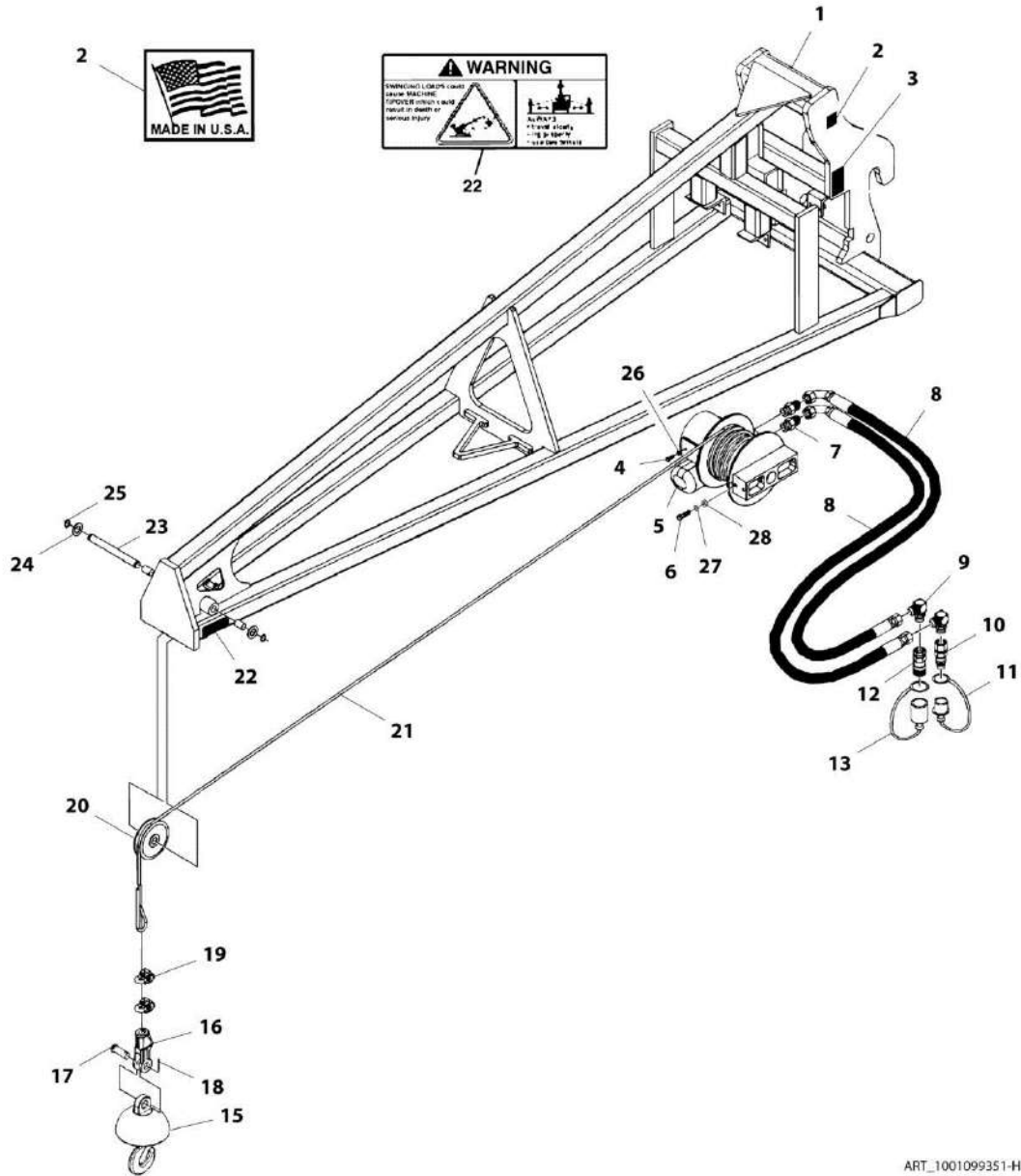
## SECTION 3 - ATTACHMENTS

**FIGURE 3-15. TRUSS BOOM (15 FOOT WITHOUT WINCH)**

ITEM	PART NUMBER	QTY	DESCRIPTION	REV
	1001099901	1	Truss Boom (15 Foot without Winch)	C
1	4110422	2	Decal, Danger Swinging Loads	
2	N.S.S.	1	S/N Plate	
3	N.S.S.	1	Boom, Truss	

# SECTION 3 - ATTACHMENTS

## FIGURE 3-16. TRUSS BOOM (12 FOOT WITH WINCH)



ART\_1001099351-H

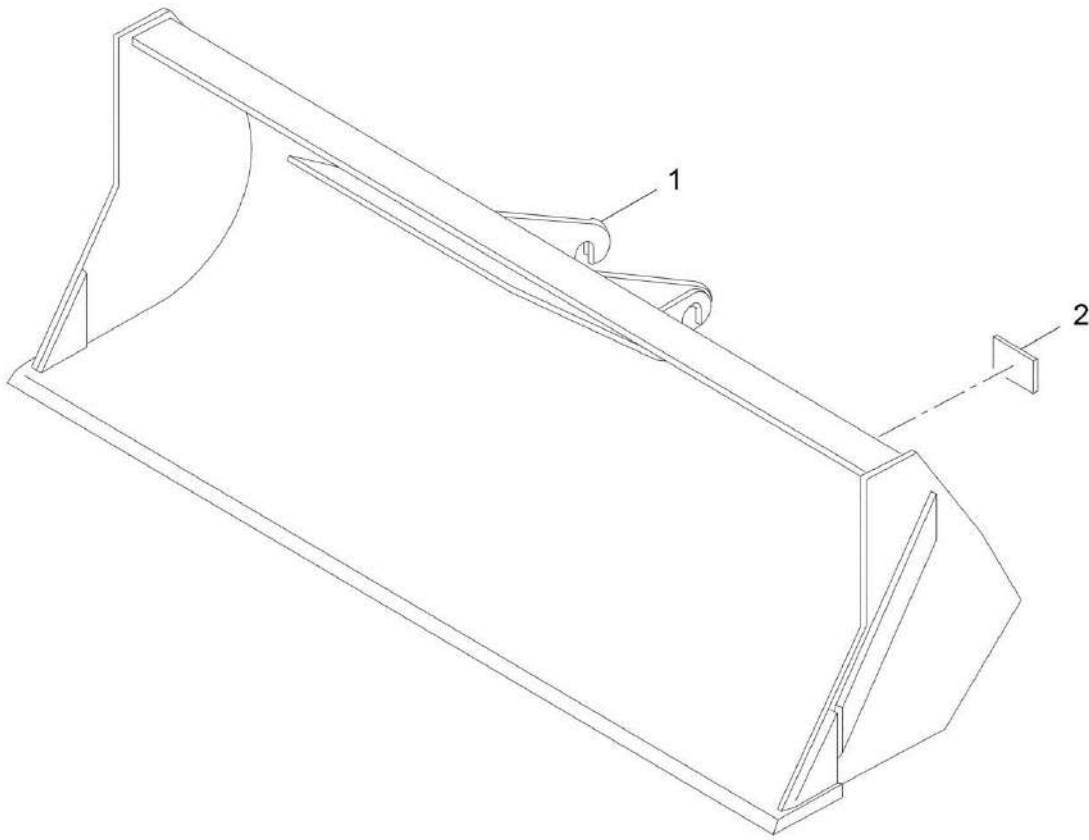
## SECTION 3 - ATTACHMENTS

**FIGURE 3-16. TRUSS BOOM (12 FOOT WITH WINCH)**

ITEM	PART NUMBER	QTY	DESCRIPTION	REV
	1001099351	1	Truss Boom (12 Foot with Winch)	H
1	N.S.S.	1	Frame, Truss Boom	
2	90554016	1	Decal, Made in USA	
3	N.S.S.	1	S/N Plate	
4	70021349	4	Bolt, 3/8X1	
5	70021921	1	Motor, Truss Boom Winch	
6	70024059	2	Bolt, 1/2X1-3/4	
7	70021415	2	Connector	
8	70021977	2	Hose	
9	70022527	2	Elbow, 90	
10	7029692	1	Quick Coupler, Male	
11	90554062	1	Cap, Dust	
12	70021342	1	Quick Coupler, Female	
13	90554076	1	Cover, Dust	
15	70021978	1	Ball Swivel with Safety Hook	
16	70021979	1	Assembly, Socket (includes items 17 & 18)	
17	N.S.S.	1	Pin	
18	N.S.S.	1	Pin, Cotter	
19	70022528	2	Clamp	
20	70021935	1	Pulley	
21	70022028	1	Cable	
22	4110422	2	Decal, Warning Swinging Loads	
23	70022529	1	Pin	
24	70024060	2	Washer, Flat 1	
25	70024061	2	Ring, Snap	
26	90554042	4	Washer, Lock 3/8	
27	90554020	2	Washer, Lock 1/2	
28	90554054	2	Nut, 1/2	

# SECTION 3 - ATTACHMENTS

FIGURE 3-17. BUCKET (72 INCH)



ART\_1001100822-C

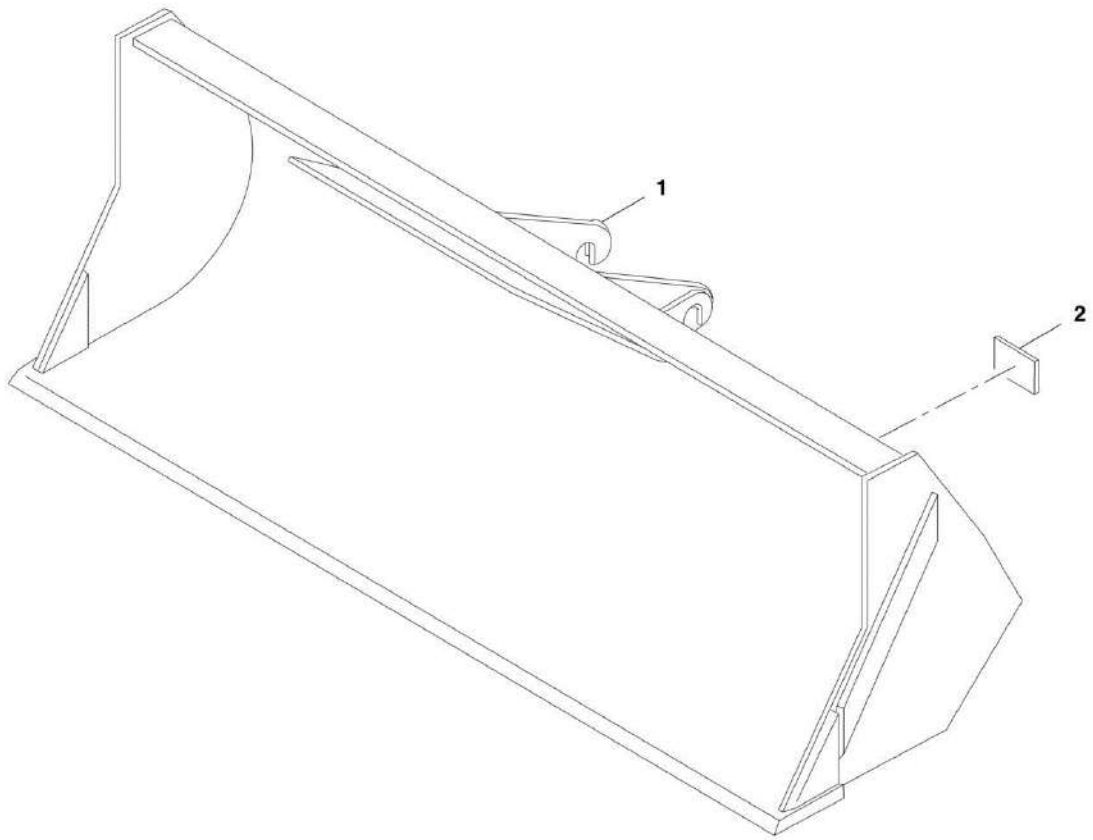
## SECTION 3 - ATTACHMENTS

FIGURE 3-17. BUCKET (72 INCH)

ITEM	PART NUMBER	QTY	DESCRIPTION	REV
1	1001100822	1	Bucket (72 Inch)	C
2	N.S.S.	1	S/N Plate	

# SECTION 3 - ATTACHMENTS

FIGURE 3-18. BUCKET (96 INCH)



ART\_1001100823-C

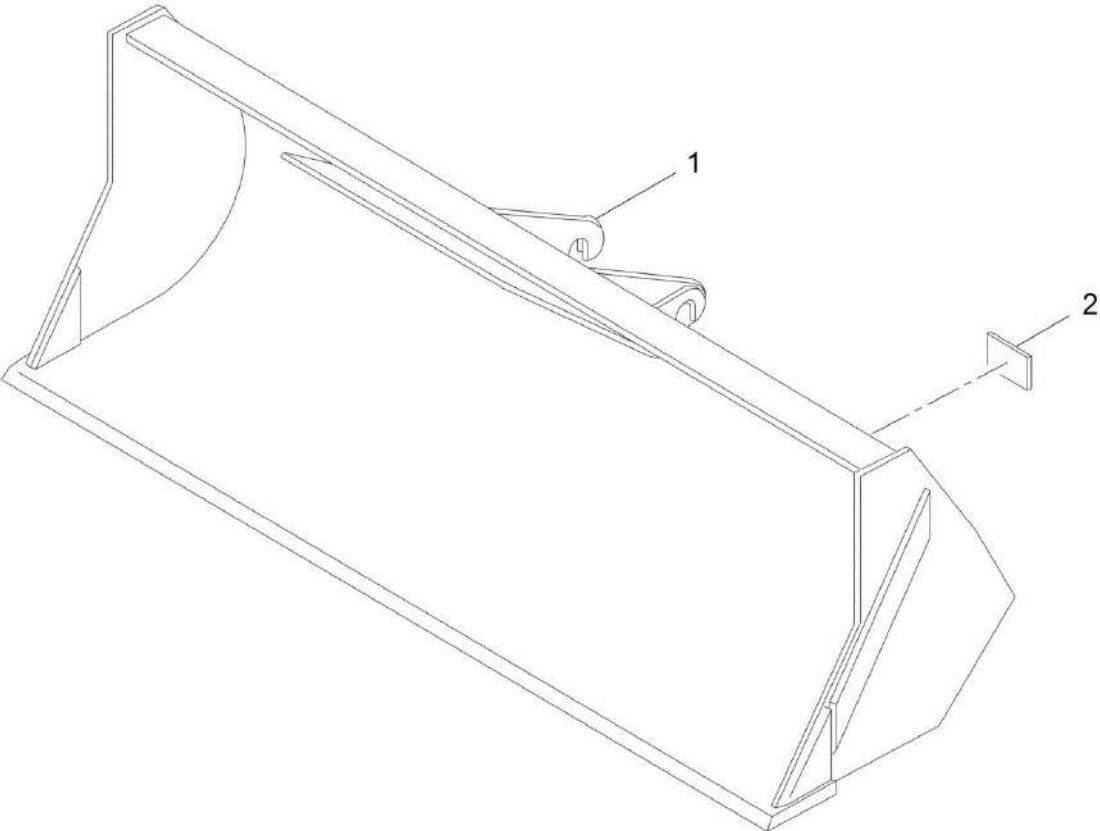
## SECTION 3 - ATTACHMENTS

**FIGURE 3-18. BUCKET (96 INCH)**

ITEM	PART NUMBER	QTY	DESCRIPTION	REV
1	1001100823	1	Bucket (96 Inch)	C
2	N.S.S.	1	S/N Plate	

**SECTION 3 - ATTACHMENTS**

**FIGURE 3-19. BUCKET (102 INCH)**



ART\_1001100824-C



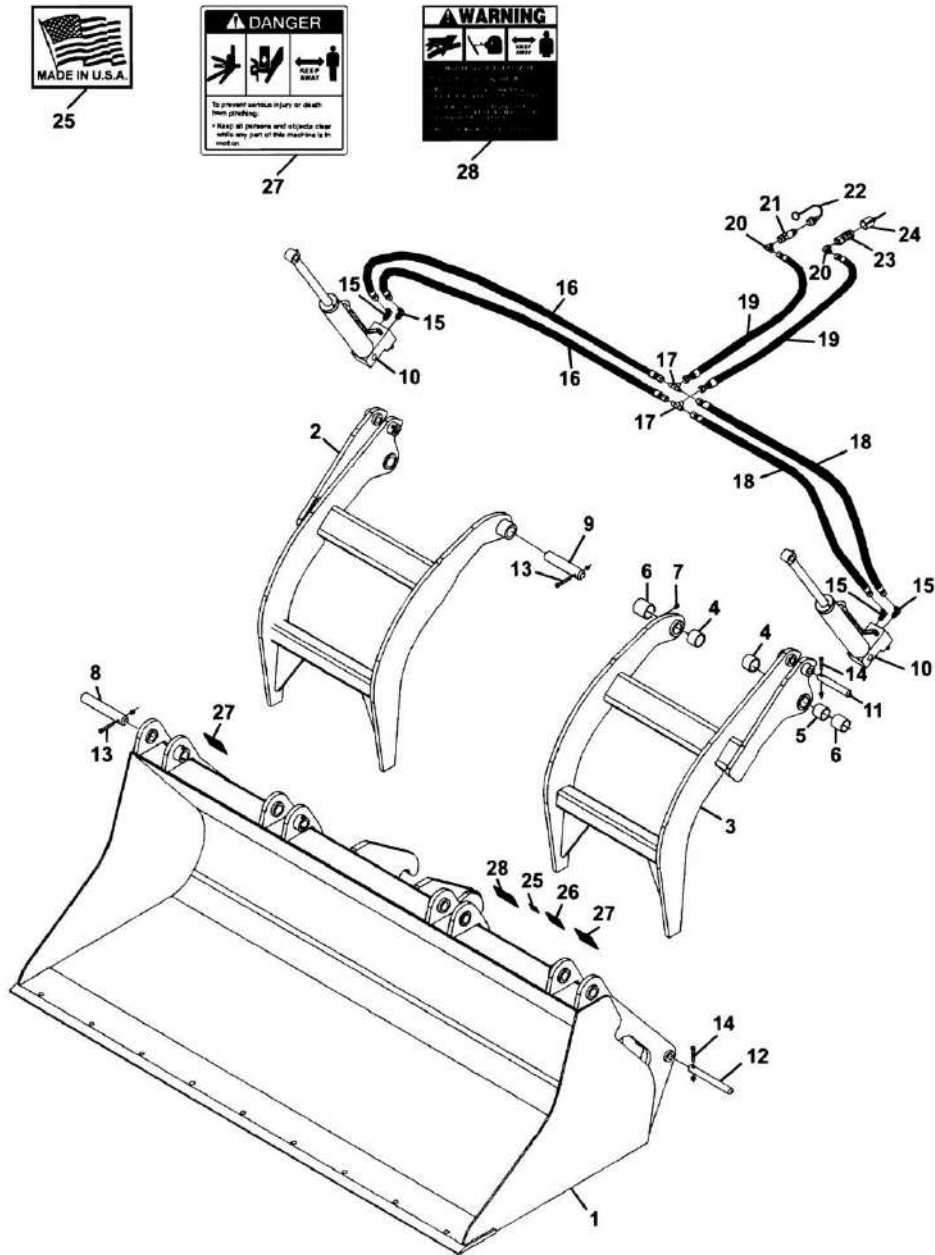
## SECTION 3 - ATTACHMENTS

**FIGURE 3-19. BUCKET (102 INCH)**

ITEM	PART NUMBER	QTY	DESCRIPTION	REV
1	1001100824	1	Bucket (102 Inch)	C
2	N.S.S.	1	S/N Plate	

# SECTION 3 - ATTACHMENTS

## FIGURE 3-20. GRAPPLE BUCKET



ART\_0930020-H

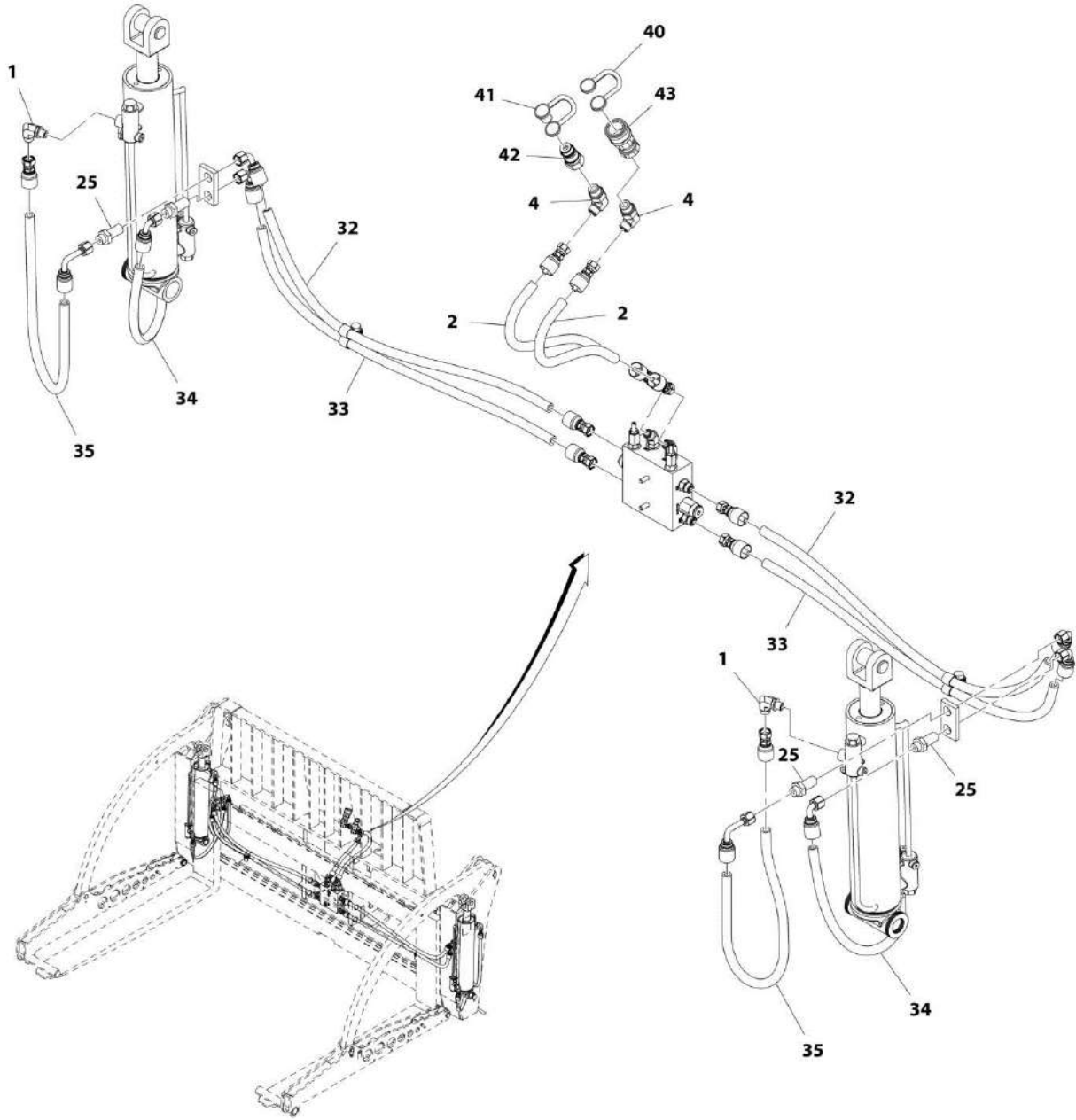
## SECTION 3 - ATTACHMENTS

### FIGURE 3-20. GRAPPLE BUCKET

ITEM	PART NUMBER	QTY	DESCRIPTION	REV
	0930020	1	Grapple Bucket	H
1	N.S.S.	1	Bucket	
1	70021387	4	Clamp, Hose, (not shown)	
2	70021391	1	Hook, RH Grapple	
3	70021392	1	Hook, LH Grapple	
4	70021358	4	Bushing	
5	70021359	2	Spacer	
6	70021360	4	Bushing	
7	7029714	4	Fitting, Grease	
8	70021361	2	Pin, Outer Pivot	
9	70021362	2	Pin, Inner Pivot	
10	70021393	2	Cylinder, Grapple Bucket (See HYDRAULIC COMPONENTS for Breakdown)	
11	70021364	2	Pin, Cylinder (base end)	
12	70021365	2	Pin, Cylinder (rod end)	
13	70021366	4	Bolt, 3/8X2-3/4	
13	70021367	4	Nut, Lock 3/8	
14	70021399	4	Bolt, 3/8X2-1/4	
14	70021367	4	Nut, Lock 3/8	
15	90554065	4	Elbow, 90	
16	70021980	2	Hose	
17	70020562	2	Fitting, Tee	
18	70021981	2	Hose	
19	70021982	2	Hose	
20	70022527	2	Elbow, 90	
21	7029692	1	Quick Coupler, Male	
22	90554062	1	Cover, Dust	
23	70021342	1	Quick Coupler, Female	
24	90554076	1	Cover, Dust	
25	90554016	1	Decal, Made in USA	
26	N.S.S.	1	S/N Plate	
27	90554017	2	Decal, Danger Pinch Point	
28	90554018	1	Decal, Warning High Pressure	

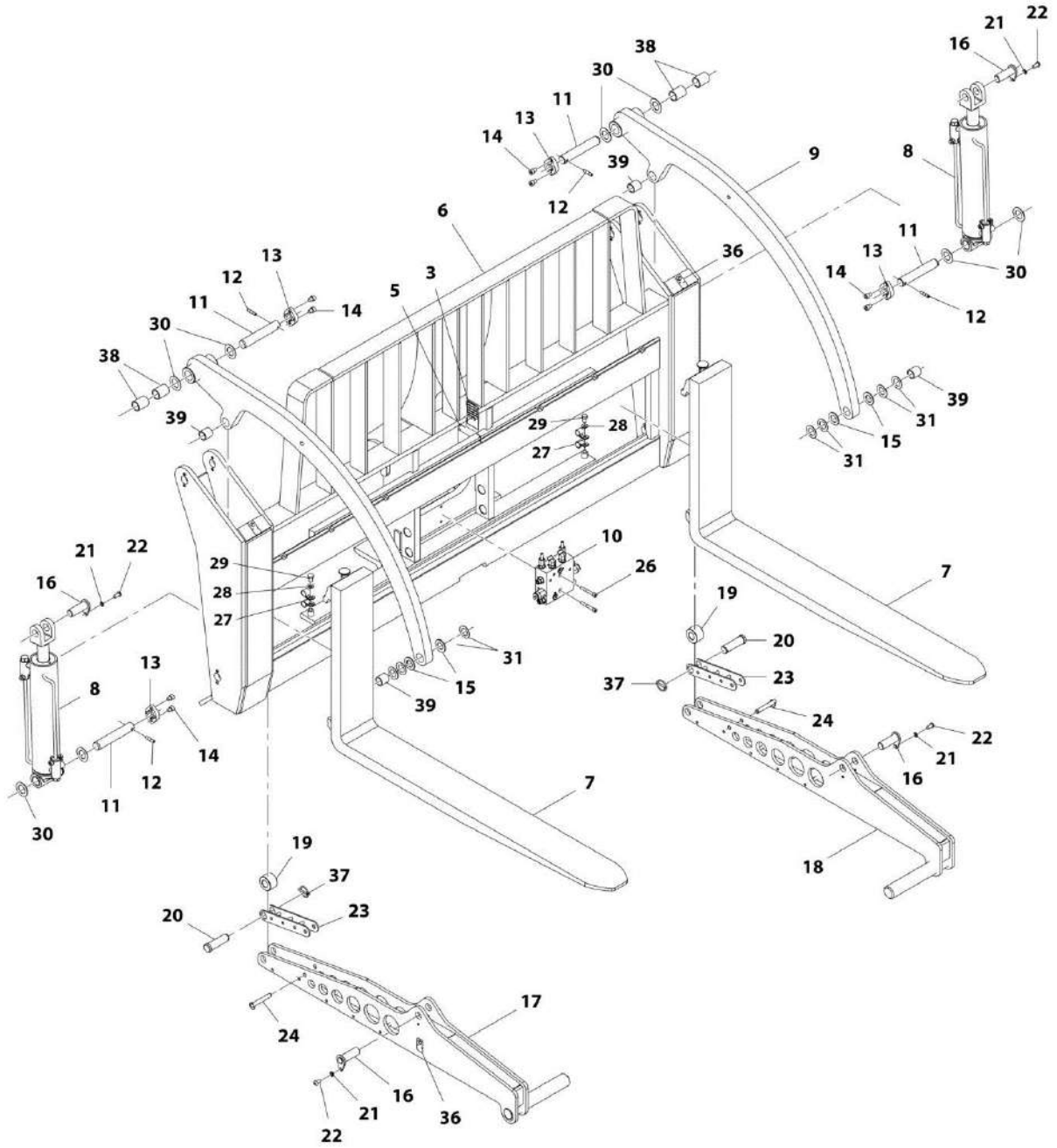
# SECTION 3 - ATTACHMENTS

## FIGURE 3-21. PIPE HANDLER CARRIAGE



ART\_1001142247\_1-C

# SECTION 3 - ATTACHMENTS



ART\_1001142247\_2-C

## SECTION 3 - ATTACHMENTS

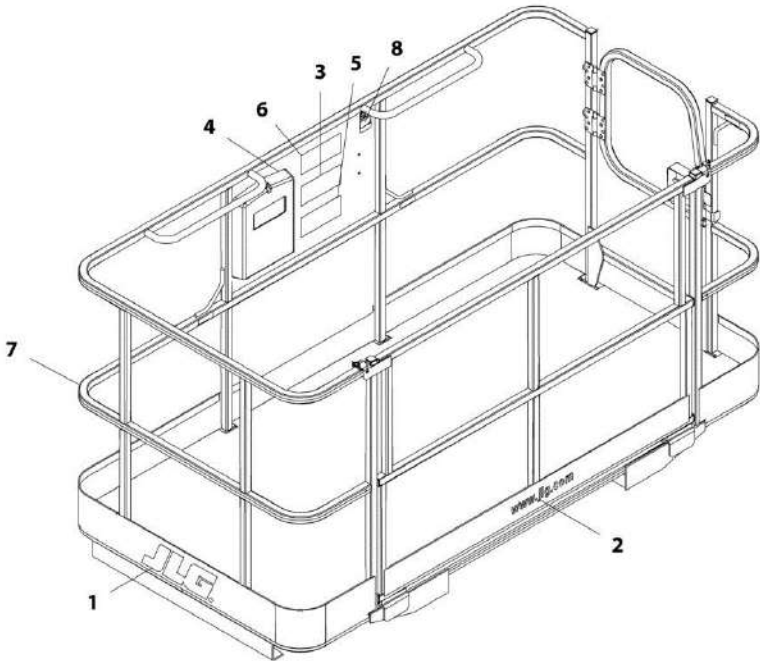
### FIGURE 3-21. PIPE HANDLER CARRIAGE

ITEM	PART NUMBER	QTY	DESCRIPTION	REV
	1001142247	Ref	Pipe Handler Carriage	C
	70026585	1	Hydraulic Supply Group (includes items 1, 2, 4, 25 & 32 thru 35 & 40 thru 43)	
1	70024123	4	Fitting	
2	70026347	2	Hose, 485 mm	
3	N.S.S.	1	JLG Nameplate	
4	70024550	2	Fitting	
5	N.S.S.	1	Nameplate	
6	N.S.S.	1	Carriage Weldment	
7	70026586	2	Fork	
8	70026587	2	Cylinder, Pipe Handler (See HYDRAULIC COMPONENTS SECTION for Breakdown)	
9	70026588	2	Arm	
10	70026589	1	Valve Assembly ( See HYDRAULIC CIRCUITS SSECTION for Breakdown)	
11	70026470	4	Pin	
12	70026471	4	Pin Drive - Lock	
13	70026472	4	Retainer	
14	70026473	8	Capscrew, M10X12	
15	70026590	4	Thrust Washer	
16	70026591	4	Pin Weldment	
17	70026592	1	Contact Pad - RH	
18	70026593	1	Contact Pad - LH	
19	70026594	2	Roller	
20	70026595	2	Clevis Pin	
21	70026596	4	Lockwasher, M8	
22	70026597	4	Capscrew, M8X16	
23	70026598	2	Retainer	
24	70026599	2	Ring Detent Pin	
25	70023000	4	Fitting	
26	70026600	2	Capscrew, M8X60	
27	70026481	4	Hose Clamp	
28	70026482	2	Washer	
29	70022996	2	Capscrew, M10X16	
30	70026476	24	Shim	
31	70026601	8	Shim	
32	70026602	2	Hose	
33	70026603	2	Hose	
34	70026604	2	Hose	
35	70026605	2	Hose	
36	70024538	4	Warning Decal	
37	70026606	2	Lynch Pin, 3/16	
38	70026501	4	Bushing	
39	70026607	4	Bushing	
40	70026608	1	Plug	
41	70026609	1	Cap	
42	91403414	1	Coupler - Male	
43	91403413	1	Coupler - Female	



**SECTION 3 - ATTACHMENTS**

**FIGURE 3-22. FORK MOUNTED PLATFORM (ASME)**



ART\_1001103637-F



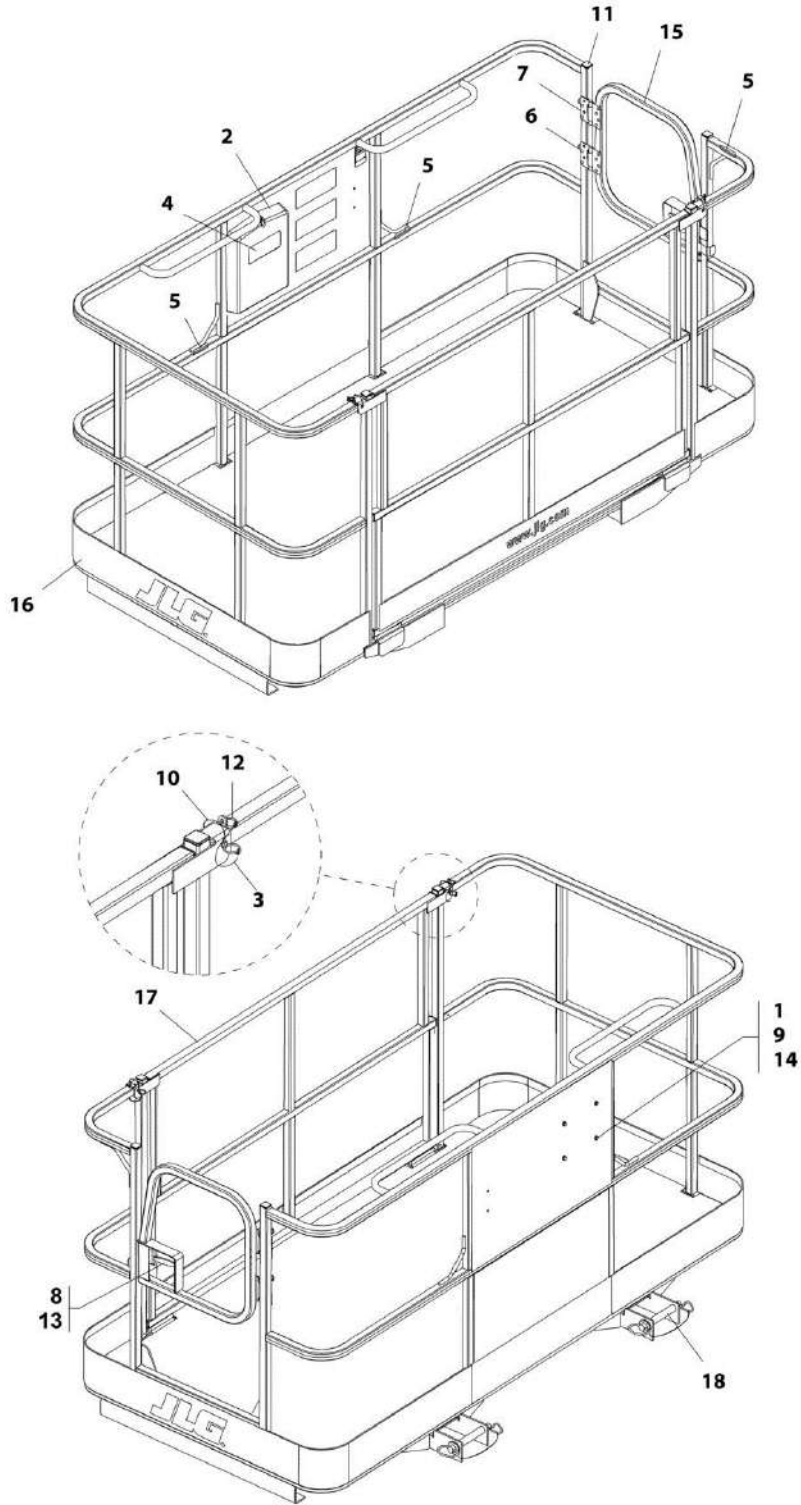
## SECTION 3 - ATTACHMENTS

### FIGURE 3-22. FORK MOUNTED PLATFORM (ASME)

ITEM	PART NUMBER	QTY	DESCRIPTION	REV
	1001103637	1	Fork Mounted Platform (ASME)	F
1	1702773	2	Decal, JLG	
2	1704885	1	Decal, Website	
3	1706892	1	Decal, Platform Warning	
4	31200160	1	Manual, Personnel Work Platform Operation and Safety	
5	1001092481	1	Decal, Warning Attachment	
6	1001092482	1	Decal, Platform Capacity	
7	1001096162	1	Assembly, Fork Mounted Platform (See Separate Breakdown in this Section)	
8	N.S.S.	1	S/N Plate	

# SECTION 3 - ATTACHMENTS

## FIGURE 3-23. FORK MOUNTED PLATFORM ASSEMBLY



ART\_1001096162\_J

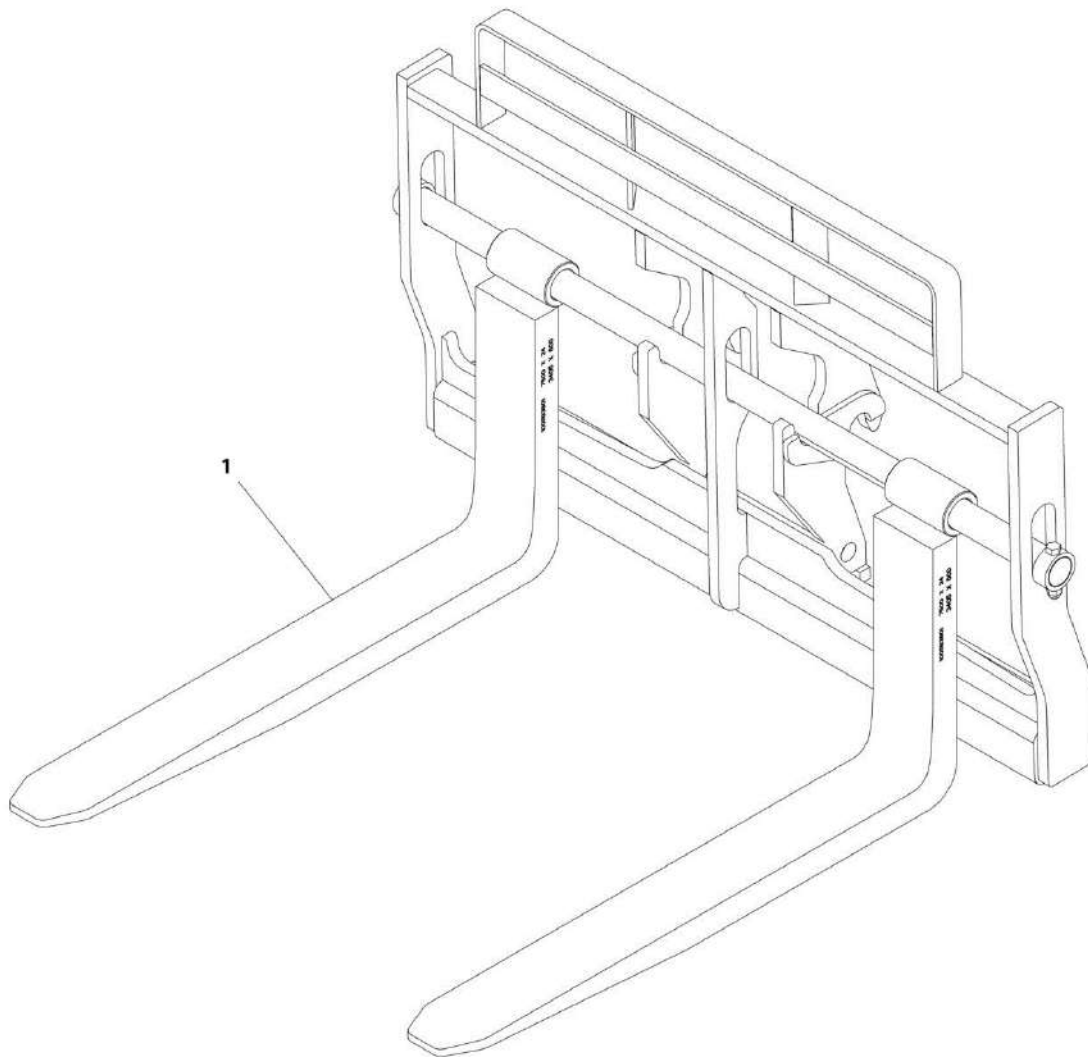
## SECTION 3 - ATTACHMENTS

**FIGURE 3-23. FORK MOUNTED PLATFORM ASSEMBLY**

ITEM	PART NUMBER	QTY	DESCRIPTION	REV
	1001096162	Ref	Fork Mounted Platform Assembly	J
1	0641405	4	Bolt, 1/4-20X5/8	
2	0860520	1	Box, Manual Storage	
3	1060379	2	Cable, Lanyard	
4	1701509	1	Decal, Manual	
5	1704277	3	Decal, Lanyard Attach	
6	2080040	16	Fastener	
7	2600281	2	Hinge	
8	2940074	1	Latch	
9	3311405	4	Nut, Lock 1/4-20	
10	3421453	2	Pin	
11	3520072	10	Plug	
12	3760170	4	Ring	
13	3820020	4	Rivet	
14	4711400	8	Washer, 1/4	
15	4846452	1	Weldment, Gate	
16	N.S.S.	1	Platform, Fork Mounted	
17	1001095810	1	Weldment, Gate	
18	1001102813	2	Pin, Hitch	

# SECTION 3 - ATTACHMENTS

FIGURE 3-24. FORK - PALLET 1.75X6X48



ART\_1001193801-A

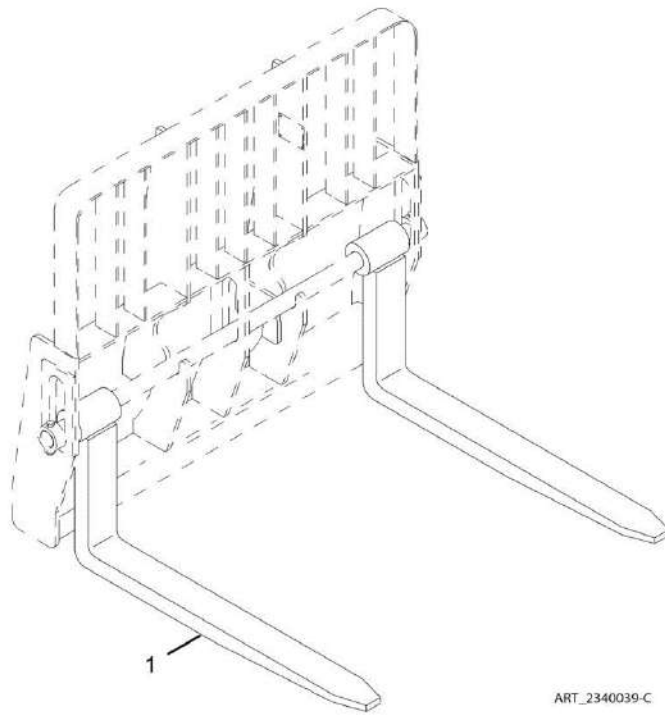
## SECTION 3 - ATTACHMENTS

**FIGURE 3-24. FORK - PALLET 1.75X6X48**

ITEM	PART NUMBER	QTY	DESCRIPTION	REV
1	1001193801	2	Fork - Pallet 1.75X6X48	A

# SECTION 3 - ATTACHMENTS

FIGURE 3-25. DUAL TAPER FORK (60X6X2.36)



ART\_2340039-C

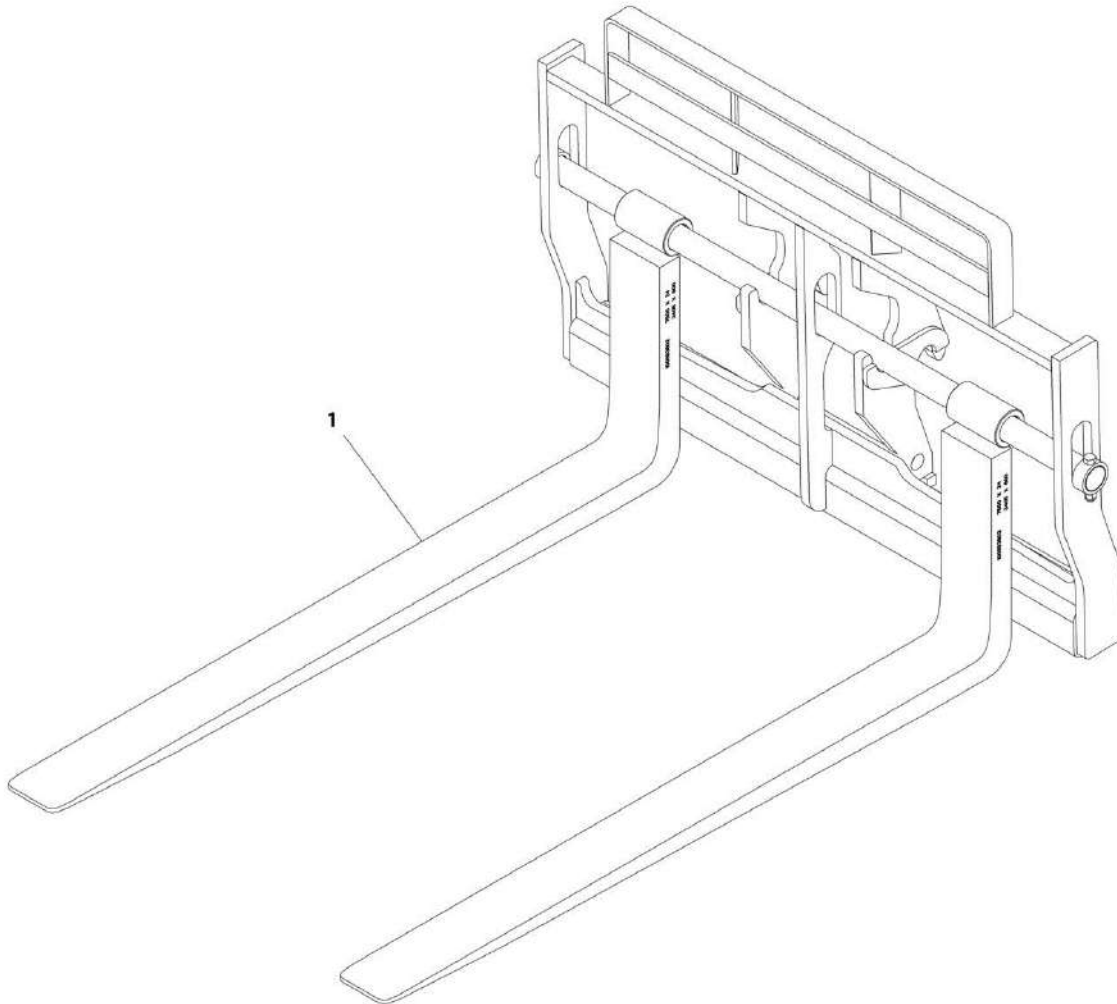
## SECTION 3 - ATTACHMENTS

**FIGURE 3-25. DUAL TAPER FORK (60X6X2.36)**

ITEM	PART NUMBER	QTY	DESCRIPTION	REV
1	2340039	2	Dual Taper Fork (60X6X2.36)	C
N1	Note	Ref	<b>FORKS RATED LESS THAN THE ATTACHMENT OR MACHINE'S CAPACITY DECREASES CAPACITY OF THE ATTACHMENT OR MACHINE TO THAT OF THE FORKS. FORKS RATED MORE THAN THE ATTACHMENT OR MACHINE'S CAPACITY DO NOT INCREASE ATTACHMENT OR MACHINE'S CAPACITY.</b>	
N2	Note	1	<b>PLEASE CONSULT JLG PARTS DEPARTMENT TO DETERMINE THE CORRECT FORKS APPLICABLE TO YOUR SPECIFIC CARRIAGE ASSEMBLY AND APPLICATION.</b>	

# SECTION 3 - ATTACHMENTS

FIGURE 3-26. FORK - DUAL TAPER 1.75X6X72



ART\_1001193802-A



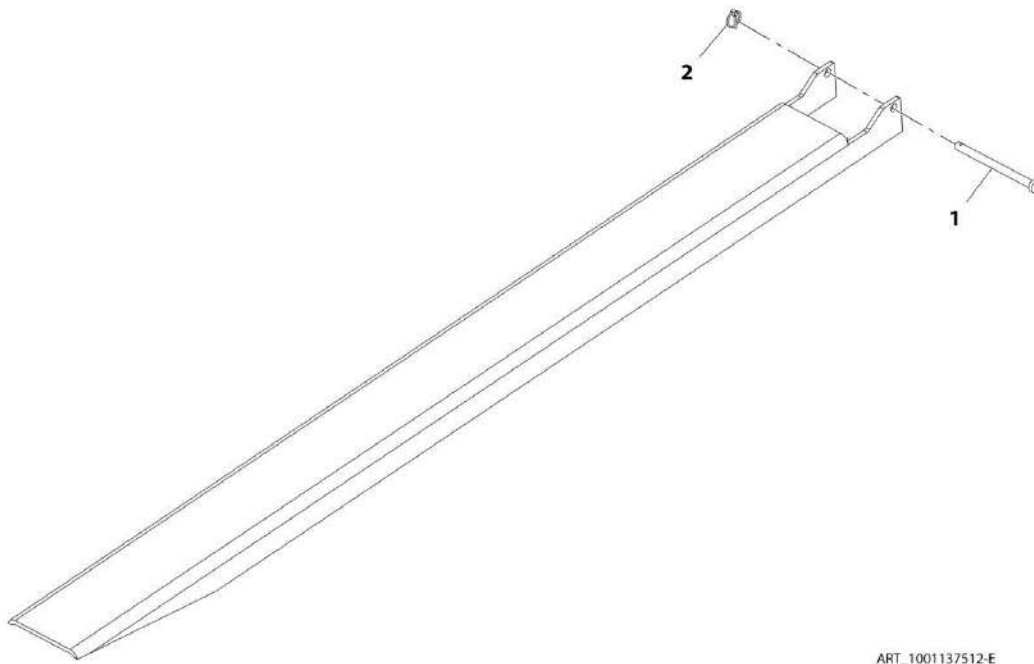
## SECTION 3 - ATTACHMENTS

**FIGURE 3-26. FORK - DUAL TAPER 1.75X6X72**

ITEM	PART NUMBER	QTY	DESCRIPTION	REV
1	1001193802	2	Fork - Dual Taper 1.75X6X72	A
N1	Note	Ref	<b>FORKS RATED LESS THAN THE ATTACHMENT OR MACHINE'S CAPACITY DECREASES CAPACITY OF THE ATTACHMENT OR MACHINE TO THAT OF THE FORKS. FORKS RATED MORE THAN THE ATTACHMENT OR MACHINE'S CAPACITY DO NOT INCREASE ATTACHMENT OR MACHINE'S CAPACITY.</b>	
N2	Note	Ref	<b>PLEASE CONSULT JLG PARTS DEPARTMENT TO DETERMINE THE CORRECT FORKS APPLICABLE TO YOUR SPECIFIC CARRIAGE ASSEMBLY AND APPLICATION.</b>	

# SECTION 3 - ATTACHMENTS

FIGURE 3-27. FORK EXTENSION (90 INCH)



ART\_1001137512-E

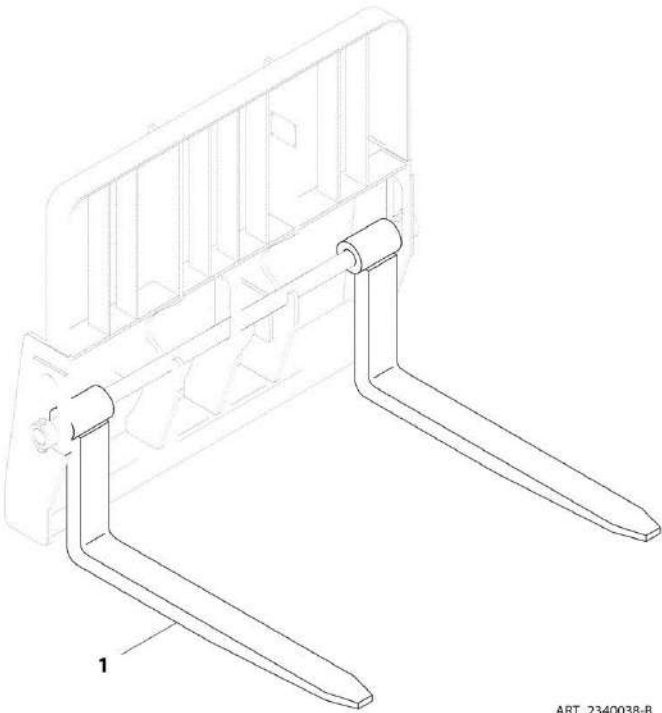
## SECTION 3 - ATTACHMENTS

FIGURE 3-27. FORK EXTENSION (90 INCH)

ITEM	PART NUMBER	QTY	DESCRIPTION	REV
	1001137512	2	Fork Extension (90 Inch)	E
1	70024306	1	Pin	
2	70024307	1	Clip	

**SECTION 3 - ATTACHMENTS**

**FIGURE 3-28. PALLET FORK (48X5X2.36)**



ART\_2340038-B

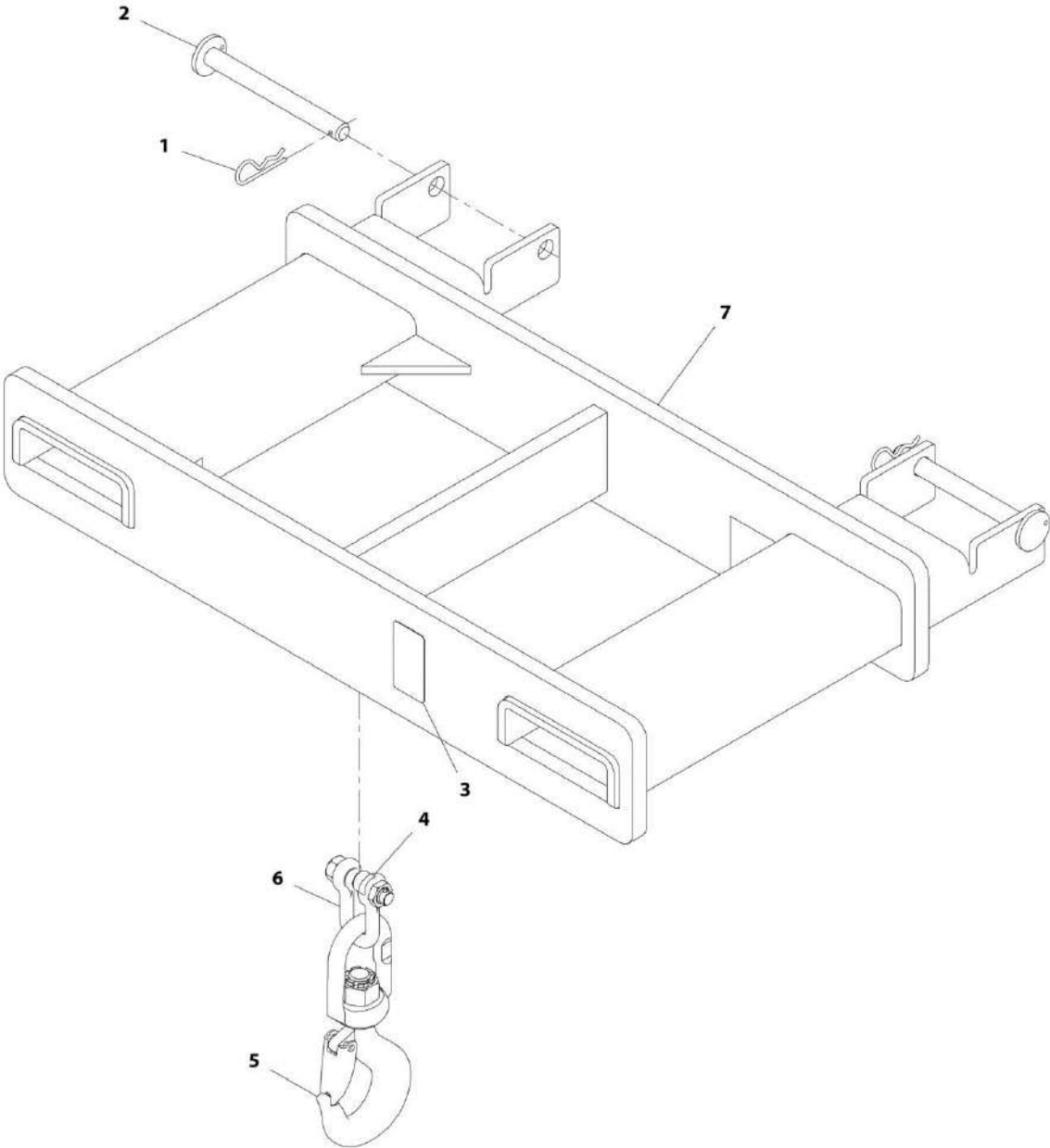
## SECTION 3 - ATTACHMENTS

**FIGURE 3-28. PALLET FORK (48X5X2.36)**

ITEM	PART NUMBER	QTY	DESCRIPTION	REV
1	2340038	2	Pallet Fork (48X5X2.36)	B
N1	Note	Ref	<b>FORKS RATED LESS THAN THE ATTACHMENT OR MACHINE'S CAPACITY DECREASES CAPACITY OF THE ATTACHMENT OR MACHINE TO THAT OF THE FORKS. FORKS RATED MORE THAN THE ATTACHMENT OR MACHINE'S CAPACITY DO NOT INCREASE ATTACHMENT OR MACHINE'S CAPACITY.</b>	
N2	Note	Ref	<b>PLEASE CONSULT JLG PARTS DEPARTMENT TO DETERMINE THE CORRECT FORKS APPLICABLE TO YOUR SPECIFIC CARRIAGE ASSEMBLY AND APPLICATION.</b>	

**SECTION 3 - ATTACHMENTS**

**FIGURE 3-29. HOOK, FORK MOUNTED**



ART\_1001193803-A

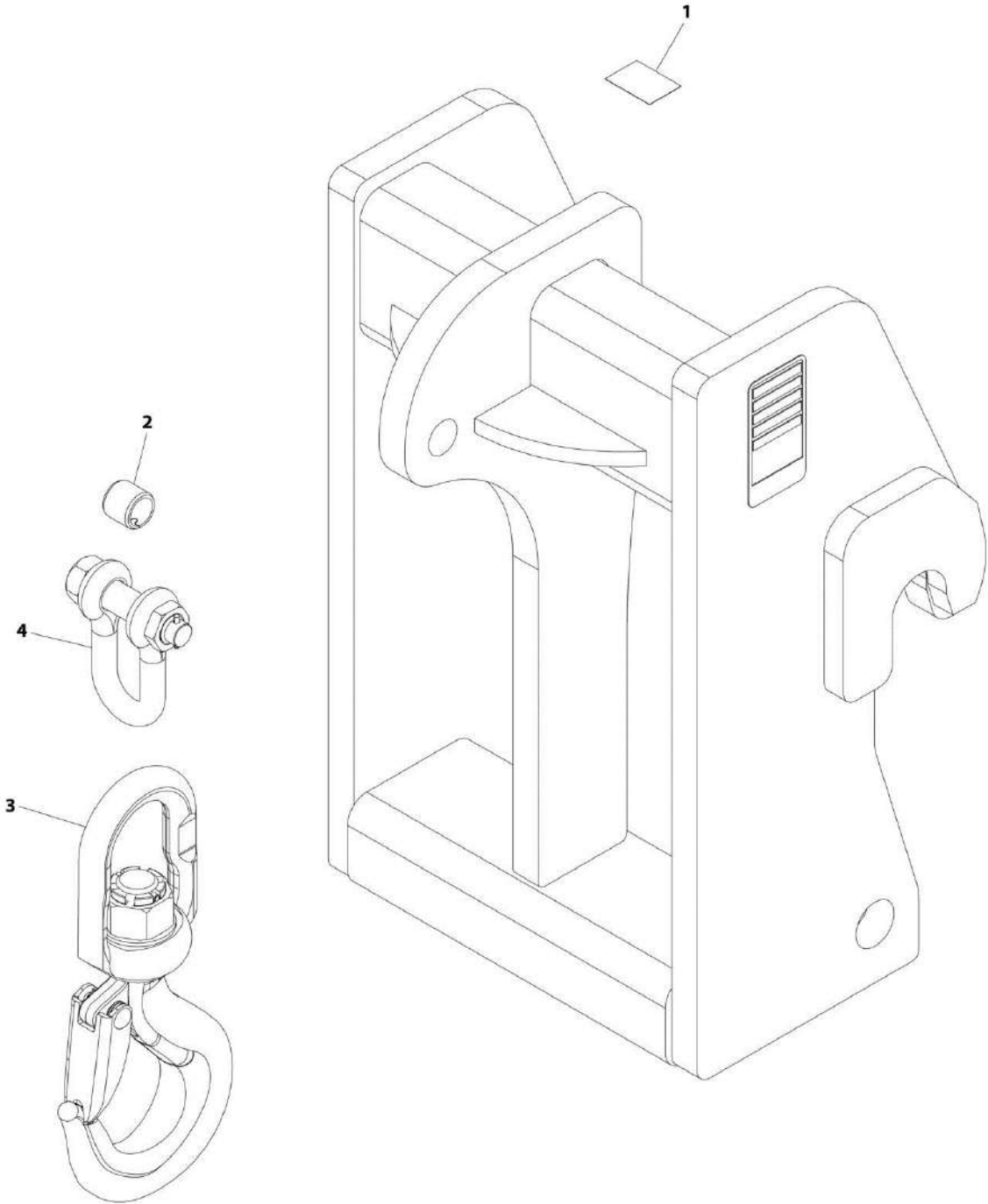
## SECTION 3 - ATTACHMENTS

### FIGURE 3-29. HOOK, FORK MOUNTED

ITEM	PART NUMBER	QTY	DESCRIPTION	REV
	1001193803	1	Hook, Fork Mounted	A
1	7029520	2	Pin, Cotter	
2	1001093171	2	Pin	
3	N.S.S.	1	S/N Plate	
4	70020555	1	Bushing	
5	70026745	1	Hook	
6	70026746	1	Shackle, Chain	
7	N.S.S.	1	Weldment, Crane Hook	

**SECTION 3 - ATTACHMENTS**

**FIGURE 3-30. COUPLER MOUNTED HOOK**



ART\_1001207606-B



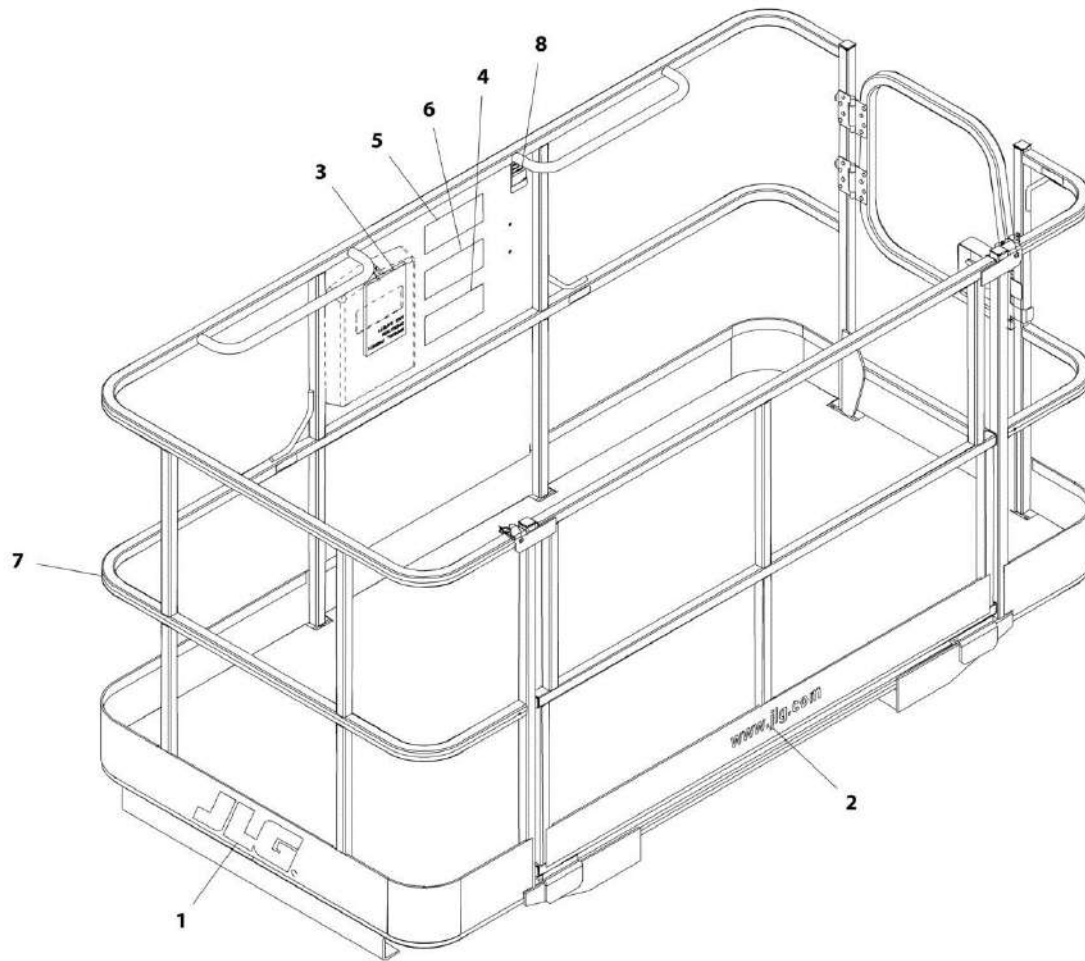
## SECTION 3 - ATTACHMENTS

### FIGURE 3-30. COUPLER MOUNTED HOOK

ITEM	PART NUMBER	QTY	DESCRIPTION	REV
	1001207606	Ref	Coupler Mounted Hook	B
1	90554016	1	Decal	
2	70020555	1	Bushing	
3	70026745	1	Hook Swivel	
4	70026746	1	Shackle Chain	

# SECTION 3 - ATTACHMENTS

## FIGURE 3-31. FORK MOUNTED PLATFORM (FRENCH)



ART\_1001103736-F

## SECTION 3 - ATTACHMENTS

**FIGURE 3-31. FORK MOUNTED PLATFORM (FRENCH)**

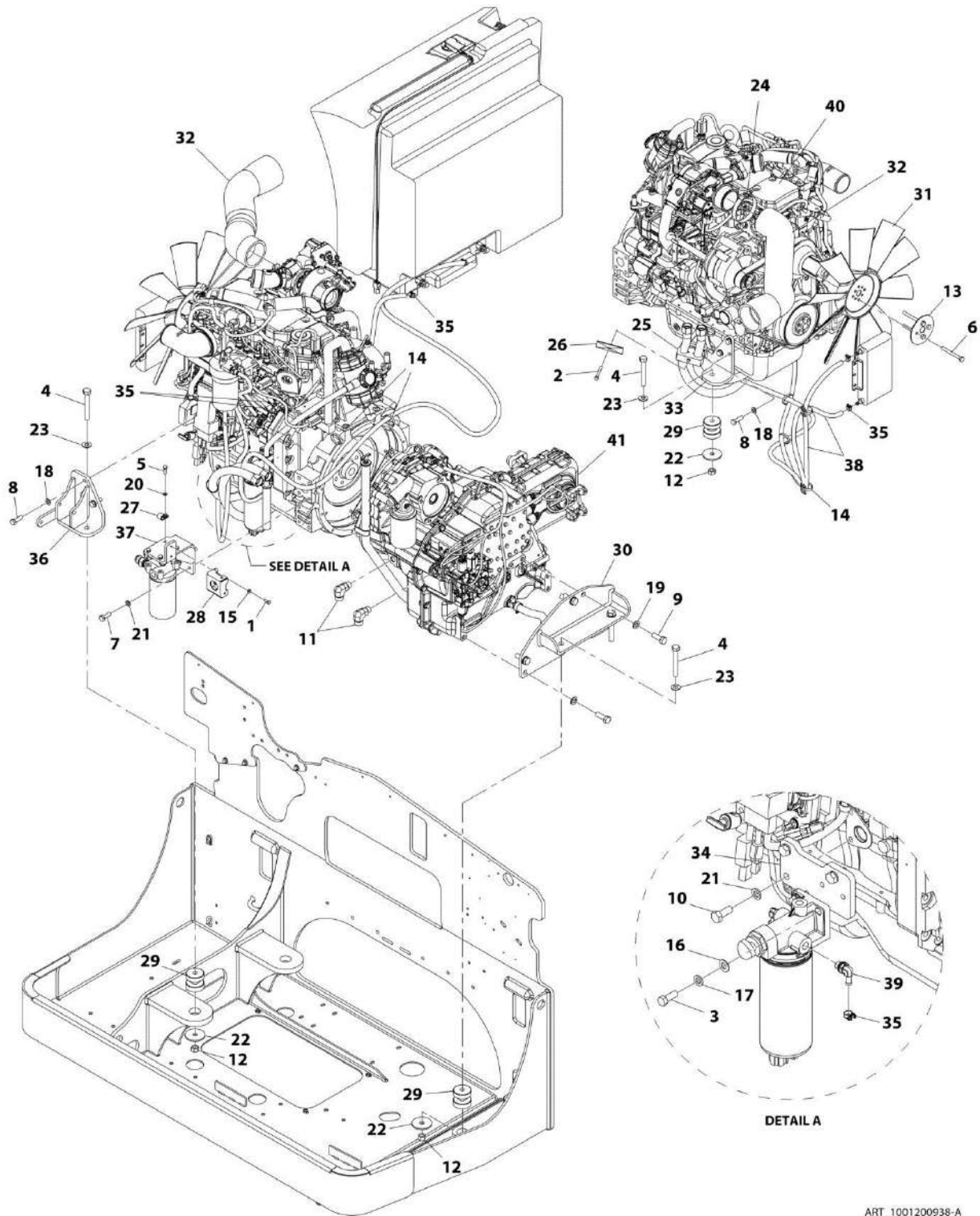
ITEM	PART NUMBER	QTY	DESCRIPTION	REV
	1001103736	1	Fork Mounted Platform (FRENCH)	F
1	1702773	2	Decal, JLG	
2	1704885	1	Decal, Website	
3	31200386	1	Manual, Personnel Work Platform Operation and Safety (French)	
4	1001096019	1	Decal, Warning Attachment (French)~Decal, Warning Attachment (French)~Decal, Warning Attachment (French)	
5	1001096020	1	Decal, Platform Capacity (French)	
6	1001096024	1	Decal, Platform Warning (French)	
7	1001096162	1	Assembly, Fork Mounted Platform (See FORK MOUNTED PLATFORM ASSEMBLY for Breakdown)	
8	N.S.S.	1	S/N Plate	



**SECTION 4 - ENGINE AND ATTACHING PARTS**

# SECTION 4 - ENGINE AND ATTACHING PARTS

## FIGURE 4-1. ENGINE ASSEMBLY INSTALLATION



ART\_1001200938-A

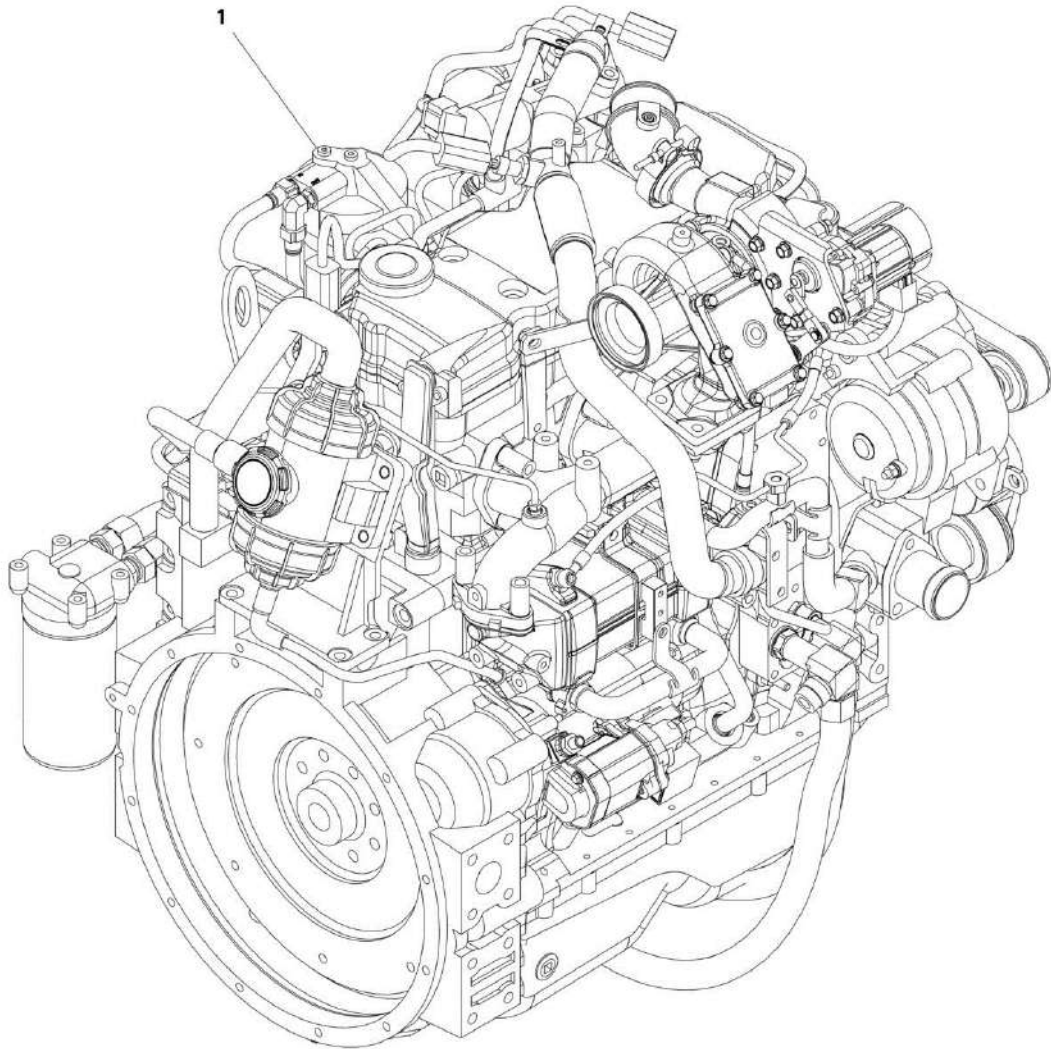
## SECTION 4 - ENGINE AND ATTACHING PARTS

**FIGURE 4-1. ENGINE ASSEMBLY INSTALLATION**

ITEM	PART NUMBER	QTY	DESCRIPTION	REV
	1001200938	Ref	Engine Assembly Installation	A
1	0641406	2	Bolt, 1/4-20X3/4	
2	0641520	1	Bolt, 5/16-18X2 1/2	
3	0641709	2	Bolt, 7/16-14X1 1/8	
4	0682036	4	Bolt, 5/8-11X4 1/2 Grade 8	
5	0700812	4	Bolt, 8X25	
6	0701027	4	Bolt, 10X100	
7	0701215	4	Bolt, 12X35	
8	0701216	6	Bolt, 12X40	
9	0701617	6	Bolt, 16X45	
10	0761214	3	Bolt, 12X30	
11	2131210	2	Fitting, 90 ORFS	
12	3272001	4	Nut, 5/8-11	
13	3575947	1	Plate	
14	4240018	9	Tie Strap	
15	4711400	2	Washer, 1/4	
16	4711700	2	Washer, 7/16	
17	4761700	2	Washer, 7/16	
18	4812100	6	Washer, M12	
19	4812300	6	Washer, M16	
20	4831900	4	Washer, Lock M8	
21	4832100	7	Washer, Lock M12	
22	7300435	4	Washer	
23	8307107	4	Washer, .625	
24	8405505	1	Clamp, T-Bolt	
25	8750024	1	Clamp	
26	8750025	1	Plate, Cover	
27	91143122	1	Clamp	
28	1001115884	1	Bracket	
29	1001121309	4	Isolator	
30	1001121883	1	Bracket	
31	1001122234	1	Fan	
32	1001130675	1	Hose	
33	1001131022	1	Bracket	
34	1001136919	1	Plate	
35	1001136975	8	Clamp	
36	1001137239	1	Bracket	
37	1001139038	1	Bracket	
38	1001141400	345 in	Hose	
39	1001182094	2	Elbow, Hose	
40	1001182934	1	Engine, QSB4.5L (130HP) (See ENGINE, 4.6L for Breakdown)	
41	1001200937	1	Assembly, Transmission (See TRANSMISSION for Breakdown)	

## SECTION 4 - ENGINE AND ATTACHING PARTS

FIGURE 4-2. ENGINE, 4.6L



ART\_1001182934-A



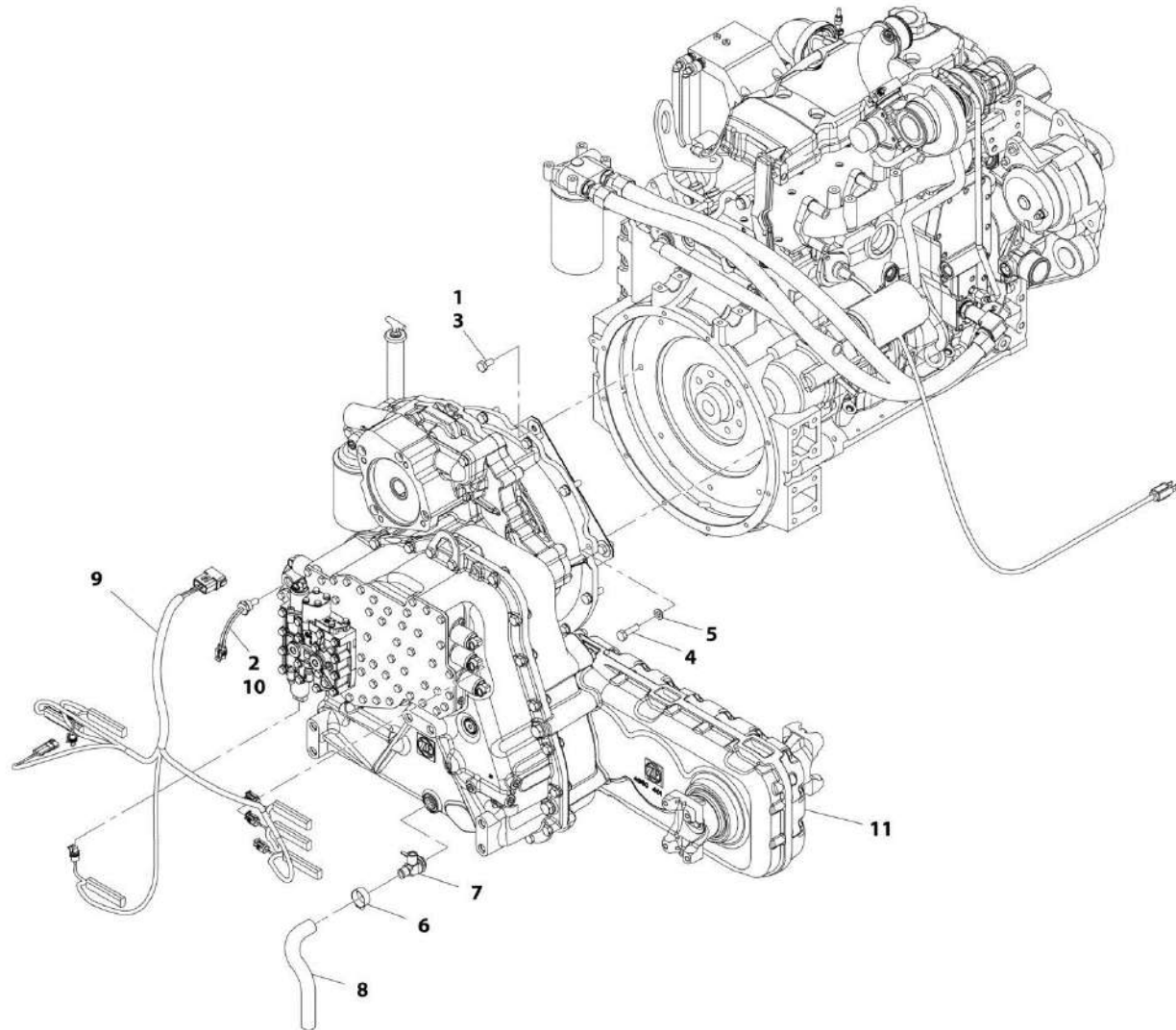
## SECTION 4 - ENGINE AND ATTACHING PARTS

**FIGURE 4-2. ENGINE, 4.6L**

ITEM	PART NUMBER	QTY	DESCRIPTION	REV
	1001182934	Ref	Engine, 4.6L	A
	1319726	1	Filter	
	70020350	1	Dipstick	
	70020351	1	Tube, Dipstick	
	70020358	3	Filter, Oil	
	70021803	1	Plug, Oil Pan	
	70024152	1	Kit, Filter and Gasket	
	70024175	1	Element, Filter Primary	
	70024176	1	Element, Filter Safety	
	70024284	2	Filter, Crankcase Vent	
	70024309	1	Belt, Fan	
	70024310	1	Alternator, 12 Volt	
	70024311	1	Starter	
	70024312	1	Cap, Oil Fill W/Gasket	
	70024313	1	Kit, Thermostat	
	70024314	3	Filter, Fuel Primary	
	70024315	3	Filter, Fuel Secondary	
	70026335	1	EGR Cooler Line	
	70026728	1	EGR Cooler Line Sealing Washer	

# SECTION 4 - ENGINE AND ATTACHING PARTS

## FIGURE 4-3. TRANSMISSION



ART\_1001200937-A

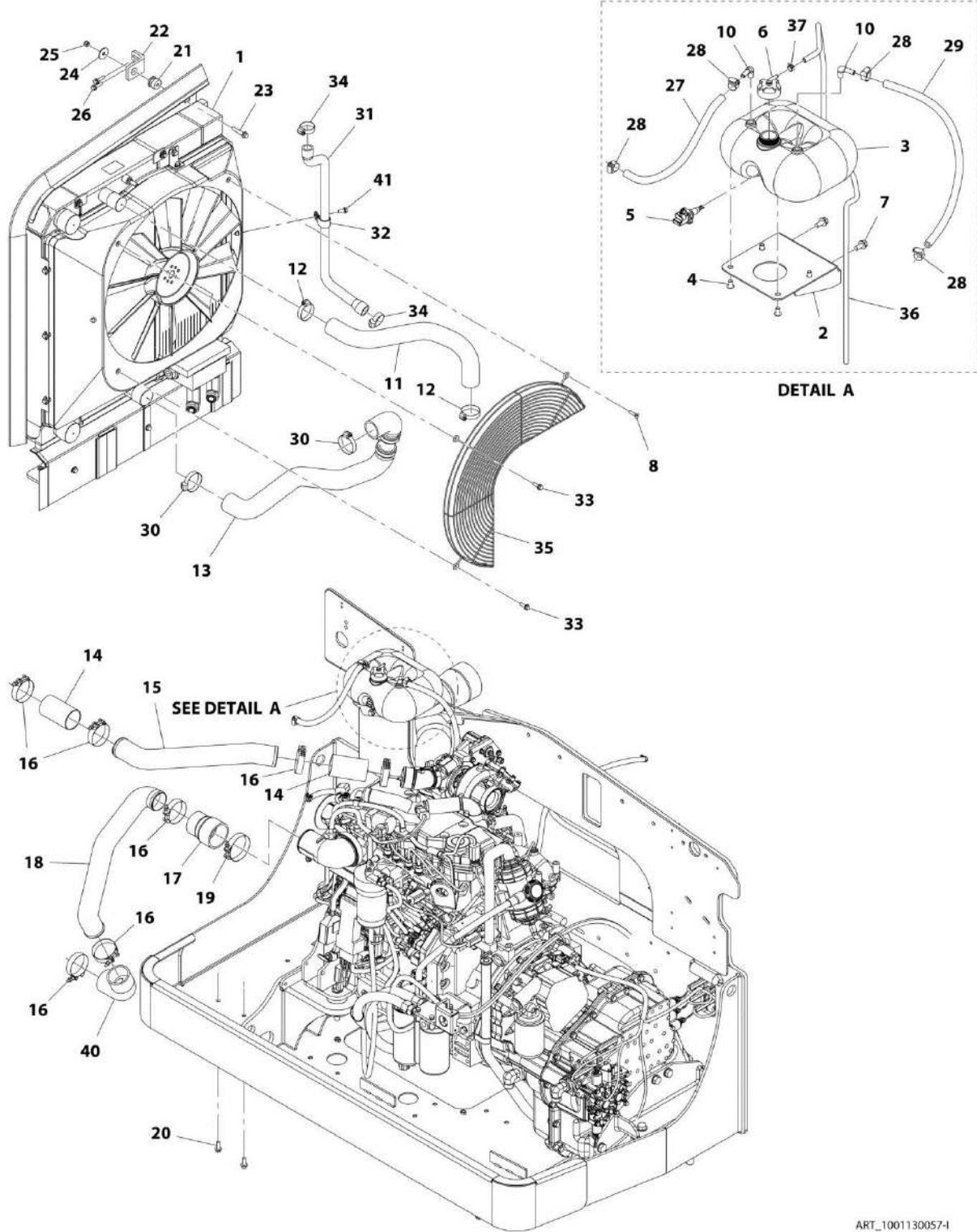
## SECTION 4 - ENGINE AND ATTACHING PARTS

### FIGURE 4-3. TRANSMISSION

ITEM	PART NUMBER	QTY	DESCRIPTION	REV
	1001200937	Ref	Transmission	A
1	0100011	AR	Compound, Locking	
2	0100020	AR	Compound, Locking	
3	0701010	4	Bolt, M10X20	
4	0711015	12	Bolt, M10X35	
5	4812000	12	Washer, M10	
6	8405007	1	Clamp, Hose	
7	1001097053	1	Valve	
8	1001109536	1	Hose	
9	1001115528	1	Harness, Transmission (See ELECTRICAL SECTION for Breakdown)	
10	1001147072	1	Switch, Oil Temperature	
11	1001170171	1	Transmission, Powershift (See DRIVETRAIN SECTION for Breakdown)	

# SECTION 4 - ENGINE AND ATTACHING PARTS

## FIGURE 4-4. COOLER ASSEMBLY INSTALLATION



ART\_1001130057-4

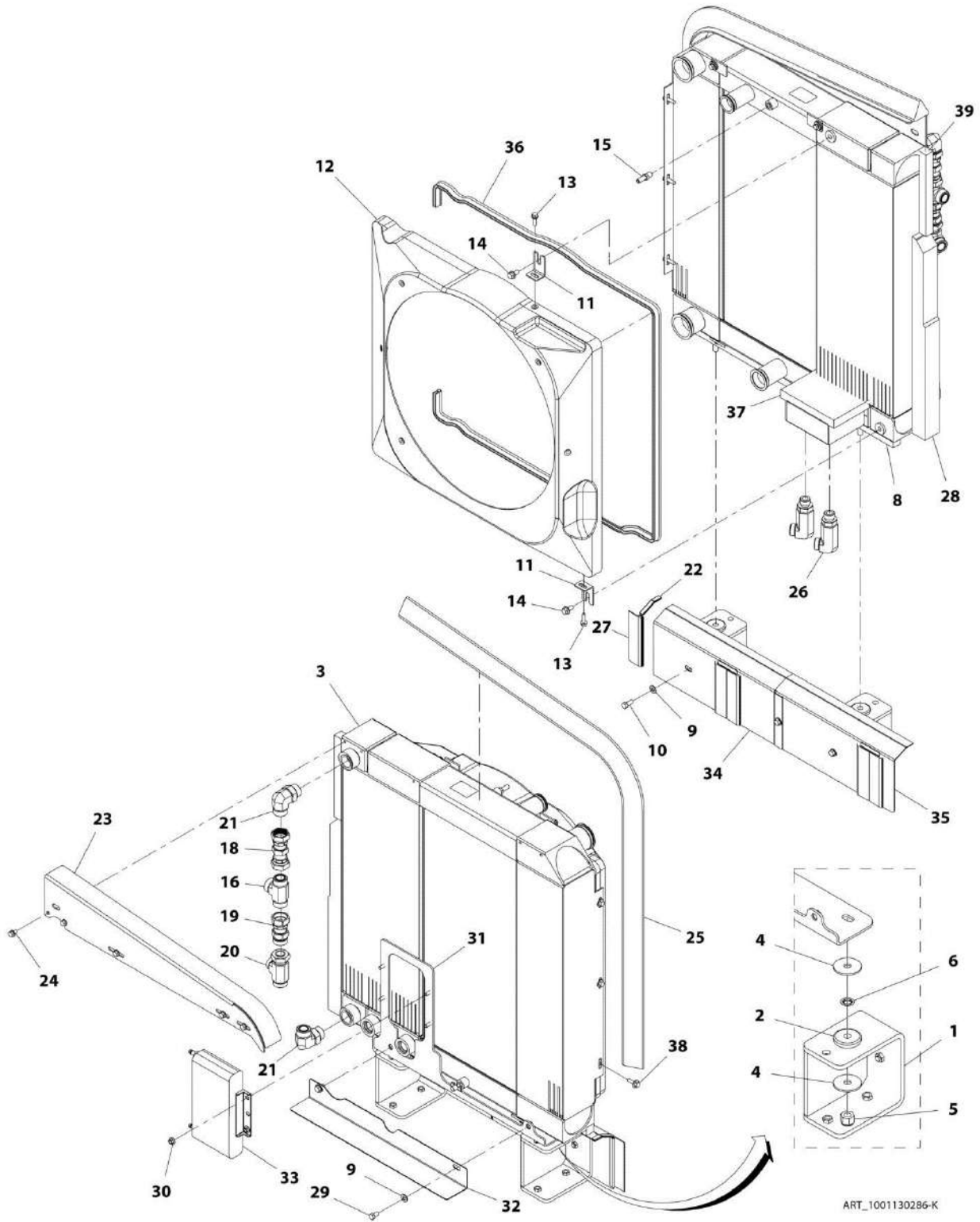
## SECTION 4 - ENGINE AND ATTACHING PARTS

### FIGURE 4-4. COOLER ASSEMBLY INSTALLATION

ITEM	PART NUMBER	QTY	DESCRIPTION	REV
	1001130057	Ref	Cooler Assembly Installation	I
1	1001130286	1	Installation, Cooler (See COOLER INSTALLATION for Breakdown)	
2	1001128945	1	Bracket	
3	1001128144	1	Tank, Coolant	
4	88261026	4	Bolt, .375-16X.625	
5	1001121955	1	Sensor, Coolant Level	
6	1001128341	1	Cap	
7	0811606	2	Screw, 3/8-16X3/4 Grade 8	
8	8310494	1	Screw, .312-18X1.25 Grade 8	
10	2180467	2	Fitting, Barbed	
11	1001136887	1	Hose, Inlet	
12	8405104	2	Clamp	
13	1001130370	1	Hose, Lower	
14	1001114495	2	Hose	
15	1001127153	1	Pipe	
16	8405212	7	Clamp, T-Bolt	
17	1001138348	1	Hose, Reducer	
18	1001136940	1	Pipe, Outlet	
19	8405306	1	Clamp, T-Bolt	
20	0811608	4	Screw, 3/8-16X1 Grade 8	
21	8278020	1	Isolator	
22	1001121050	1	Plate	
23	0811616	1	Screw, 3/8-16X2 Grade 8	
24	7057141	1	Washer	
25	3300492	1	Nut	
26	0811510	2	Screw, 5/16-18X1 1/4 Grade 8	
27	1001121506	1	Hose	
28	8410013	4	Clamp	
29	1001130312	1	Hose	
30	8405201	2	Clamp	
31	1001130378	1	Hose	
32	8406303	1	Clamp	
33	0791508	2	Screw, 5/16-18X1	
34	8405102	2	Clamp	
35	1001122338	1	Grill	
36	1001080998	1	Hose	
37	1001144802	1	Clamp	
40	1001127726	1	Hose	
41	0791506	1	Screw, 5/16-18X3/4	

# SECTION 4 - ENGINE AND ATTACHING PARTS

## FIGURE 4-5. COOLER INSTALLATION



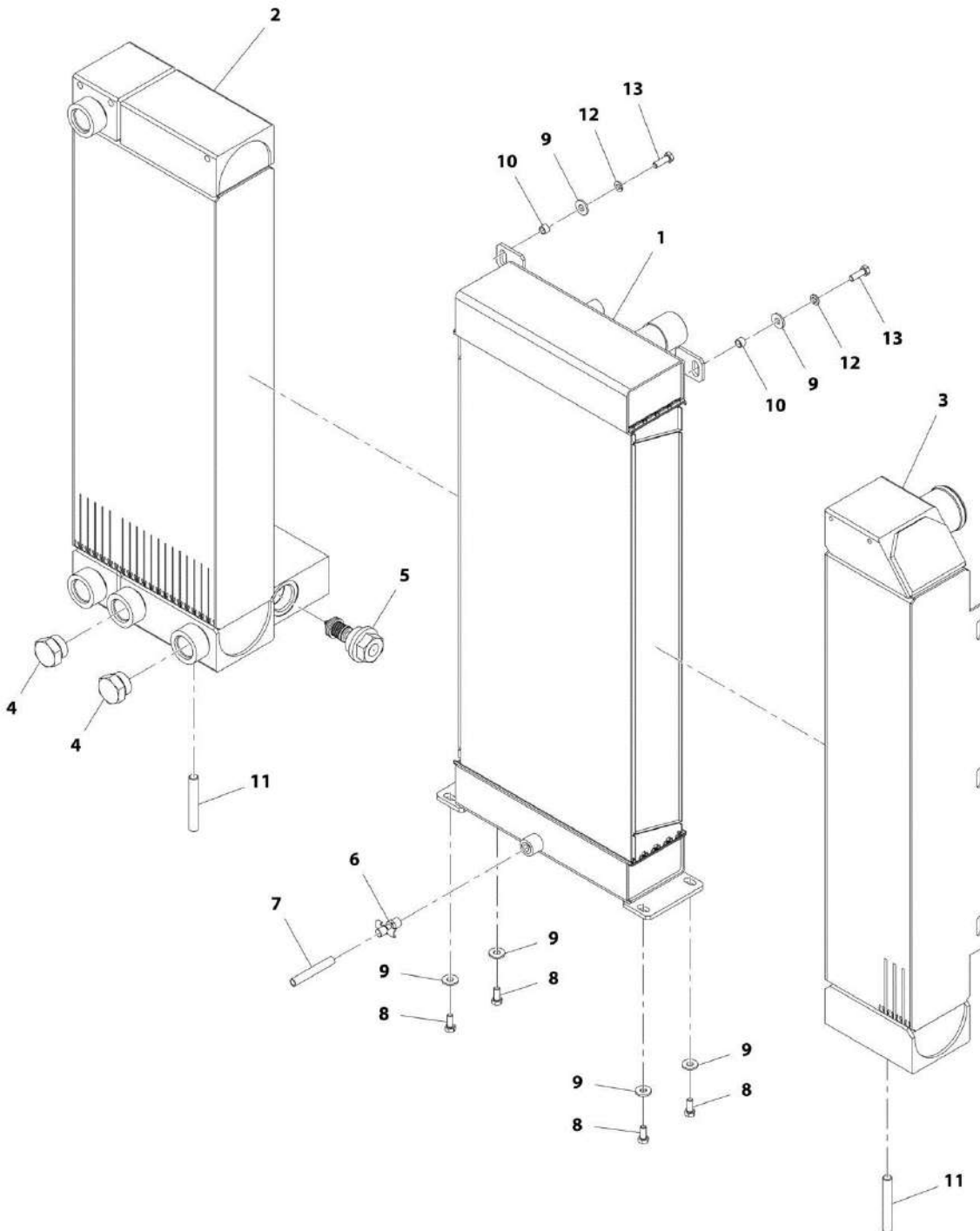
## SECTION 4 - ENGINE AND ATTACHING PARTS

### FIGURE 4-5. COOLER INSTALLATION

ITEM	PART NUMBER	QTY	DESCRIPTION	REV
	1001130286	Ref	Cooler Installation	K
1	1001134453	2	Support, Cooler	
2	1001114803	2	Isolator, Mount	
3	1001197054	1	Radiator Package, (See RADIATOR PACKAGE for Breakdown)	
4	4740274	4	Washer	
5	88521208	2	Nut, Lock 1/2-13	
6	3300246	2	Nut, Push	
8	1001118092	1	Gasket	
9	4711600	5	Washer	
10	0641607	3	Bolt, 3/8-16X7/8	
11	1001121404	2	Bracket	
12	1001122566	1	Shroud	
13	0791508	2	Screw, 5/16-18X1	
14	0811606	2	Screw, 3/8-16X3/4 Grade 8	
15	2220767	1	Fitting, Barbed	
16	2170516	1	Fitting, Tee ORFS	
18	2172416	1	Fitting, ORFS	
19	1001159129	1	Valve	
20	2170716	1	Fitting, Tee ORFS	
21	2131616	2	Fitting, 90 ORFS	
22	90206194	9 in	Trim	
23	1001130046	1	Plate	
24	0791504	5	Screw, 5/16-18X1/2	
25	1001130079	1	Gasket	
26	2170212	2	Fitting, 90 ORFS	
27	1001133877	5	Seal	
28	1001121962	1	Gasket	
29	0641605	2	Bolt, 3/8-16X5/8	
30	77143006	4	Nut, Lock 5/16-18	
31	1001134456	1	Mount	
32	1001134458	1	Plate	
33	1001134516	1	Radiator, Fuel	
34	1001138258	1	Plate	
35	1001138313	1	Plate	
36	1001120639	99 in	Seal	
37	1001147450	1	Gasket	
38	1001149227	3	Bolt, 5/16-18X1	
39	1001149756	1	Gasket	

# SECTION 4 - ENGINE AND ATTACHING PARTS

## FIGURE 4-6. RADIATOR PACKAGE



ART\_1001197054-A



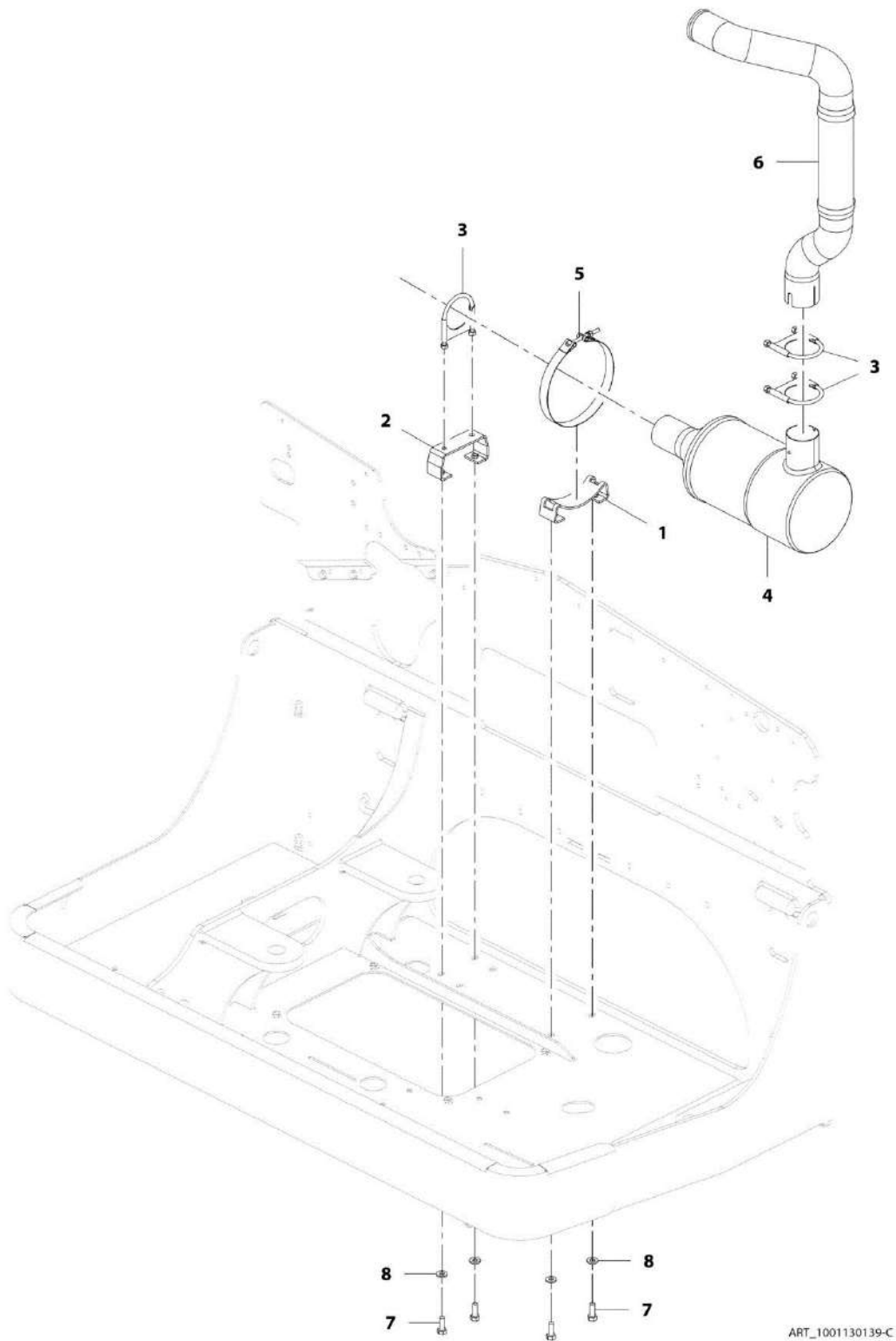
## SECTION 4 - ENGINE AND ATTACHING PARTS

### FIGURE 4-6. RADIATOR PACKAGE

ITEM	PART NUMBER	QTY	DESCRIPTION	REV
	1001197054	Ref	Radiator Package	A
1	70024110	1	Radiator	
2	70026709	1	Cooler	
3	70024109	1	Cooler, Charge Air	
8	70026758	2	Plug, 1-5/16	
9	70024116	1	Valve	
10	70024112	1	Draincock, 1/4	
11	70023337	1 ft	Hose	
12	70026759	4	Bolt, 5/16-18X3/4	
13	70024115	6	Washer	
14	70026760	2	Bushing, M12X8	
15	70026761	2	Washer, M12.5X25	
16	70024114	2	Stud, 1/2-13X3.5	
17	70026762	2	Washer, Lock 5/16	
18	70026763	2	Bolt, 5/16-18X1	
19	N.S.S.	2	Foam, Sealing	

# SECTION 4 - ENGINE AND ATTACHING PARTS

## FIGURE 4-7. ENGINE POD EXHAUST INSTALLATION



ART\_1001130139-C

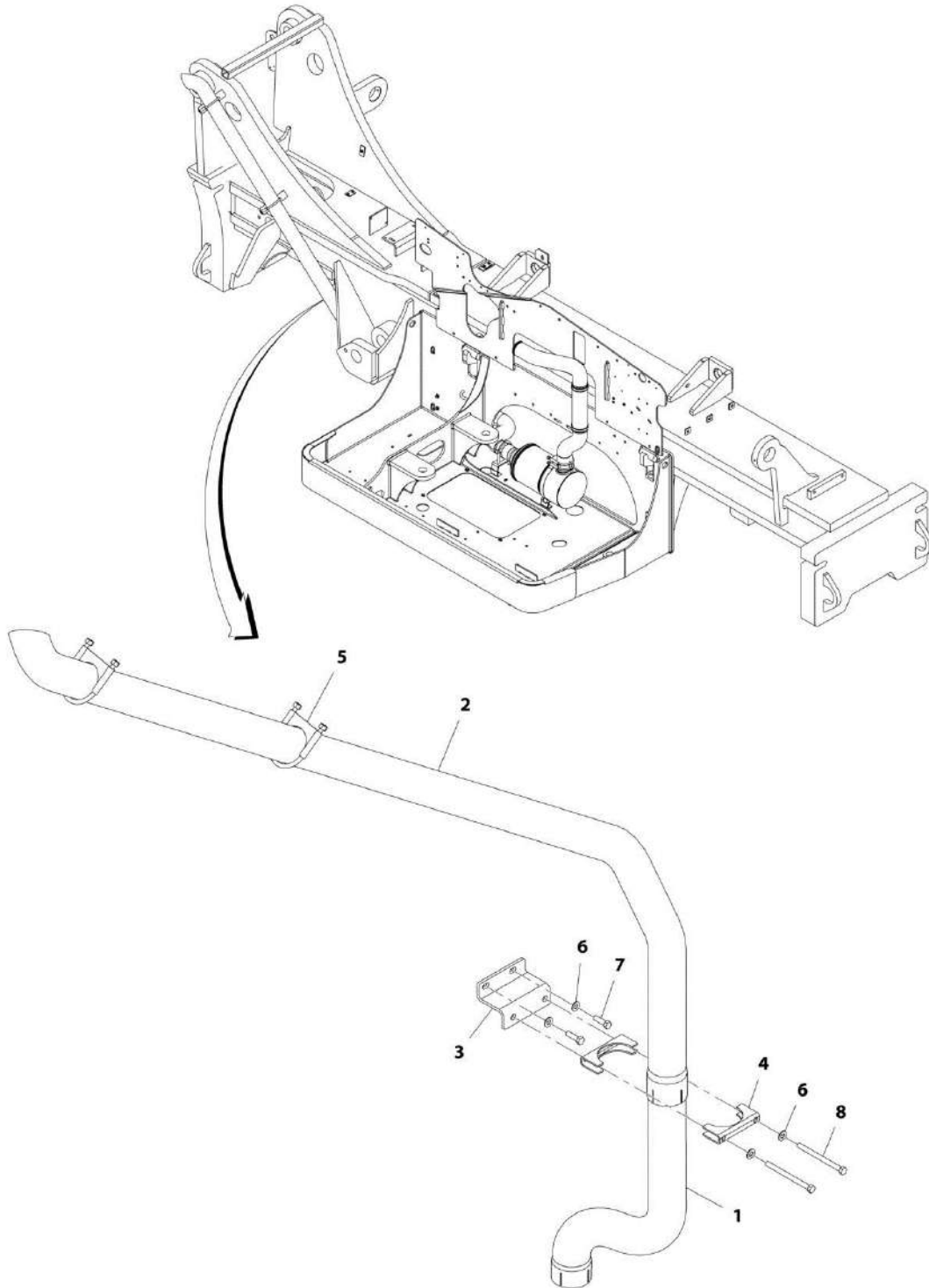
## SECTION 4 - ENGINE AND ATTACHING PARTS

FIGURE 4-7. ENGINE POD EXHAUST INSTALLATION

ITEM	PART NUMBER	QTY	DESCRIPTION	REV
	1001130139	Ref	Engine Pod Exhaust Installation	C
1	1001128363	1	Bracket	
2	1001128364	1	Bracket	
3	24921332	3	Clamp	
4	1001128714	1	Muffler	
5	1001128901	1	Strap	
6	1001128602	1	Pipe	
7	0641507	4	Bolt, 5/16-18X7/8	
8	4891500	4	Washer, 5/16	

# SECTION 4 - ENGINE AND ATTACHING PARTS

## FIGURE 4-8. EXHAUST INSTALLATION



ART\_1001187137-A

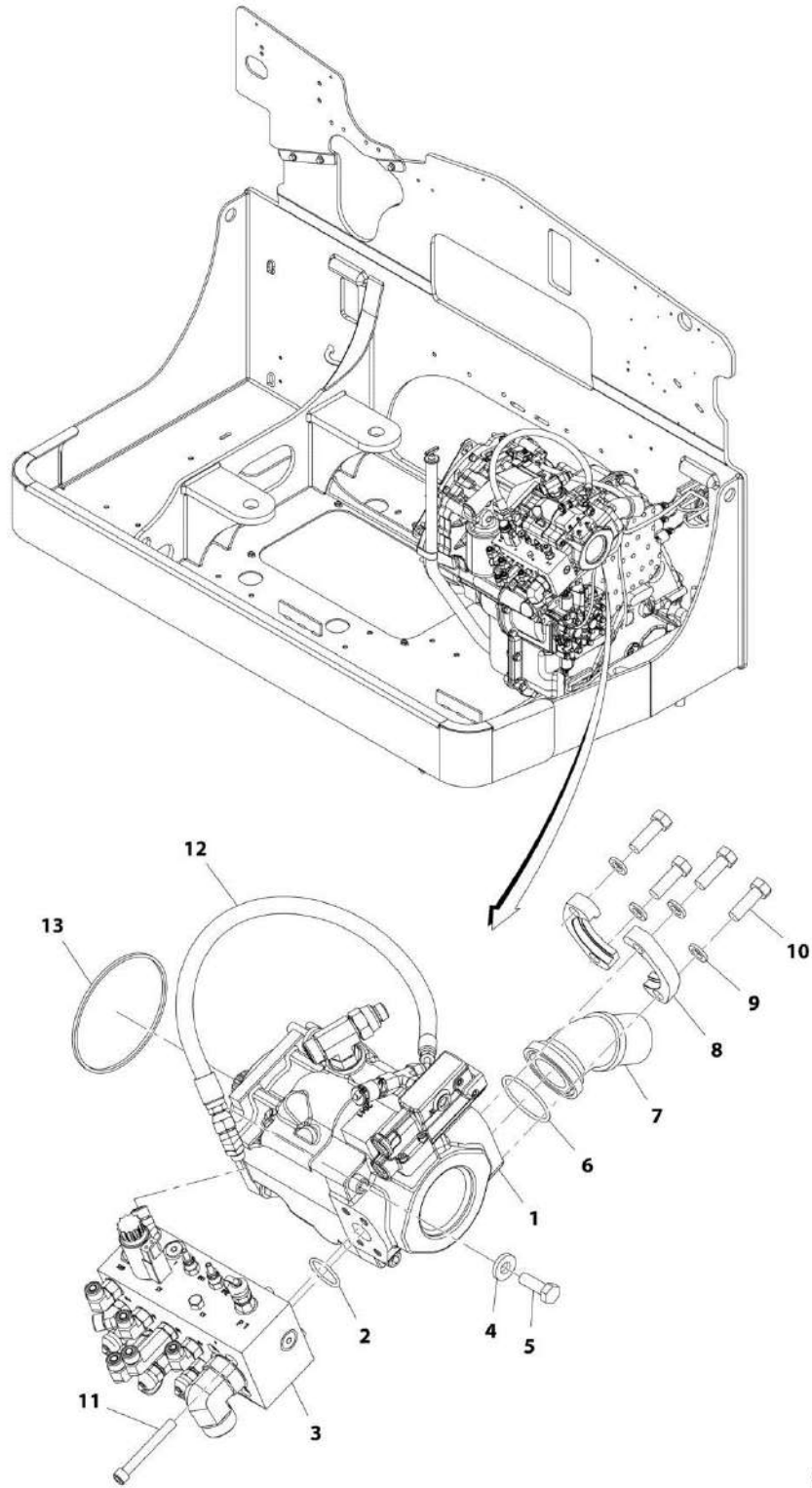
## SECTION 4 - ENGINE AND ATTACHING PARTS

FIGURE 4-8. EXHAUST INSTALLATION

ITEM	PART NUMBER	QTY	DESCRIPTION	REV
	1001187137	Ref	Exhaust Installation	A
1	1001130943	1	Pipe	
2	1001130906	1	Tailpipe	
3	1001129785	1	Support	
4	1001129787	2	Mount	
5	24921332	2	Clamp	
6	4711600	4	Washer, 3/8	
7	0641610	2	Bolt, 3/8-16X1 1/4	
8	0641638	2	Bolt, 3/8-16X4 3/4	

# SECTION 4 - ENGINE AND ATTACHING PARTS

## FIGURE 4-9. HYDRAULIC PUMP INSTALLATION



ART\_1001130288-C

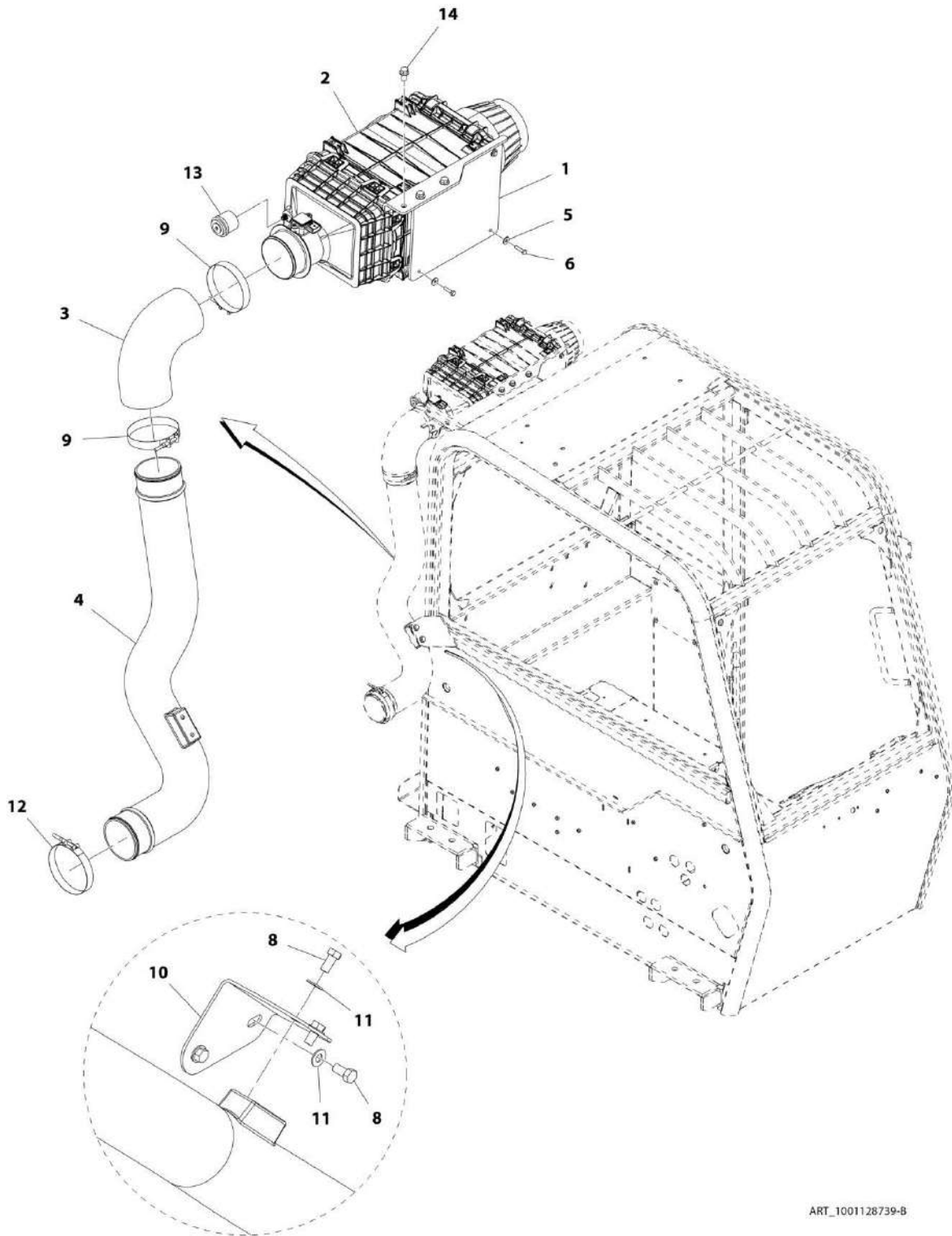
## SECTION 4 - ENGINE AND ATTACHING PARTS

**FIGURE 4-9. HYDRAULIC PUMP INSTALLATION**

ITEM	PART NUMBER	QTY	DESCRIPTION	REV
	1001130288	Ref	Hydraulic Pump Installation	C
1	1001130707	1	Assembly, Hydraulic Pump (See HYDRAULIC CIRCUITS SECTION for Breakdown)	
2	91083106	1	O-Ring	
3	1001130440	1	Assembly, Pressure Reducer and Brake Valve (See HYDRAULIC CIRCUITS SECTION for Breakdown)	
4	4891800	4	Flatwasher, 1/2	
5	0701215	4	Bolt, 12X35	
6	3790228	1	O-Ring	
7	1001107814	1	Fitting, 45	
8	8546407	2	Fitting, Tee	
9	4761800	4	Washer, 1/2	
10	0641812	4	Bolt, 1/2-13X1 1/2	
11	3931648	4	Screw, 3/8-16X3	
12	1001145543	1	Hose	
13	80933113	1	O-Ring	

# SECTION 4 - ENGINE AND ATTACHING PARTS

## FIGURE 4-10. AIR CLEANER INSTALLATION



ART\_1001128739-B



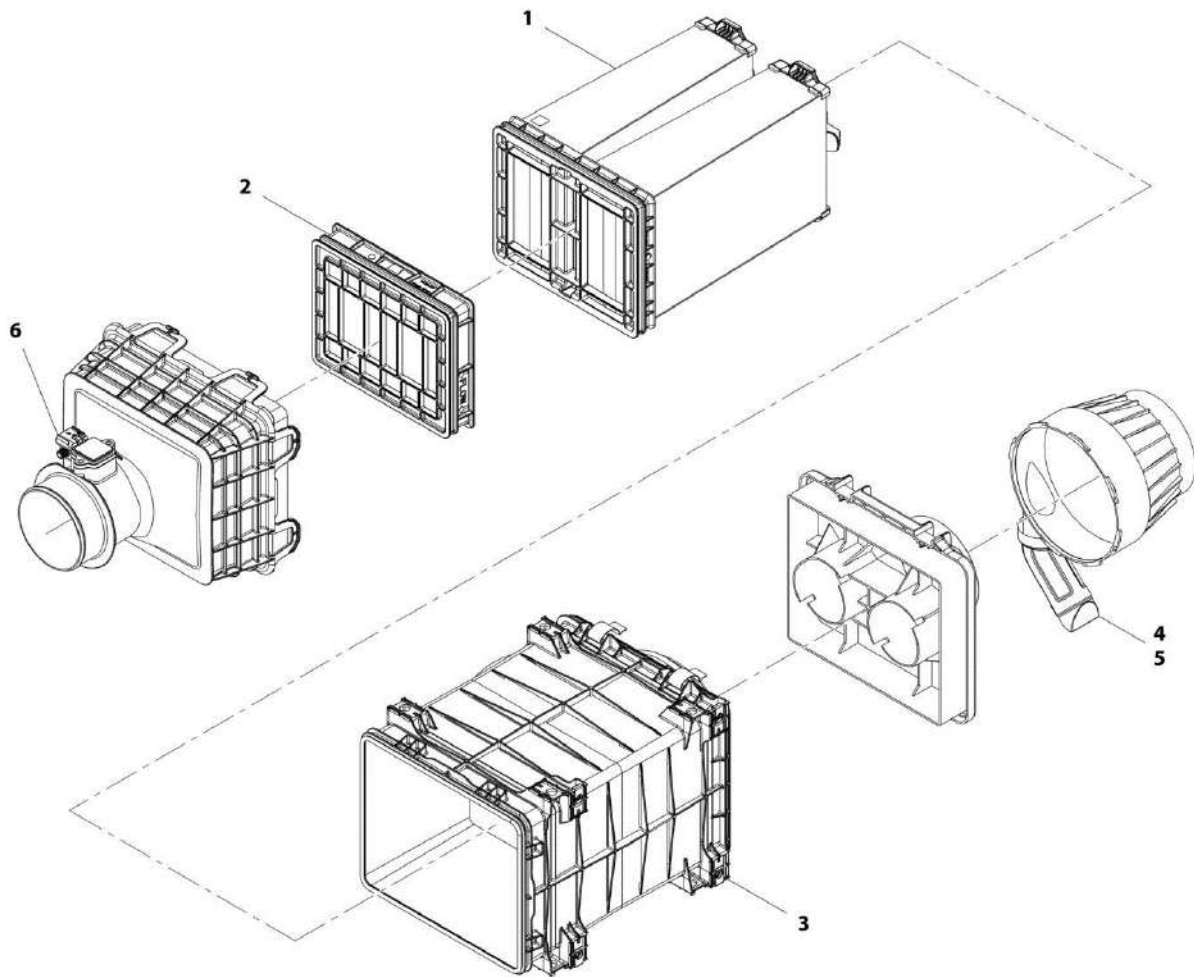
## SECTION 4 - ENGINE AND ATTACHING PARTS

### FIGURE 4-10. AIR CLEANER INSTALLATION

ITEM	PART NUMBER	QTY	DESCRIPTION	REV
	1001128739	Ref	Air Cleaner Installation	B
1	1001128746	1	Bracket	
2	1001128745	1	Filter, Air Cleaner (See AIR CLEANER FILTER for Breakdown)	
3	09523572	1	Fitting, Air Intake 90	
4	91563079	1	Tube, Air Intake	
5	4811702	4	Washer, M6	
6	0760612	4	Bolt, 6X25	
8	0641606	4	Bolt, 3/8-16X3/4	
9	77383790	2	Clamp	
10	1001121869	1	Bracket	
11	4711600	4	Washer, 3/8	
12	80933367	1	Clamp	
13	91563129	1	Indicator	
14	0811606	3	Bolt, 3/8-16X3/4 Grade 8	

# SECTION 4 - ENGINE AND ATTACHING PARTS

## FIGURE 4-11. AIR CLEANER FILTER



ART\_1001128745-D

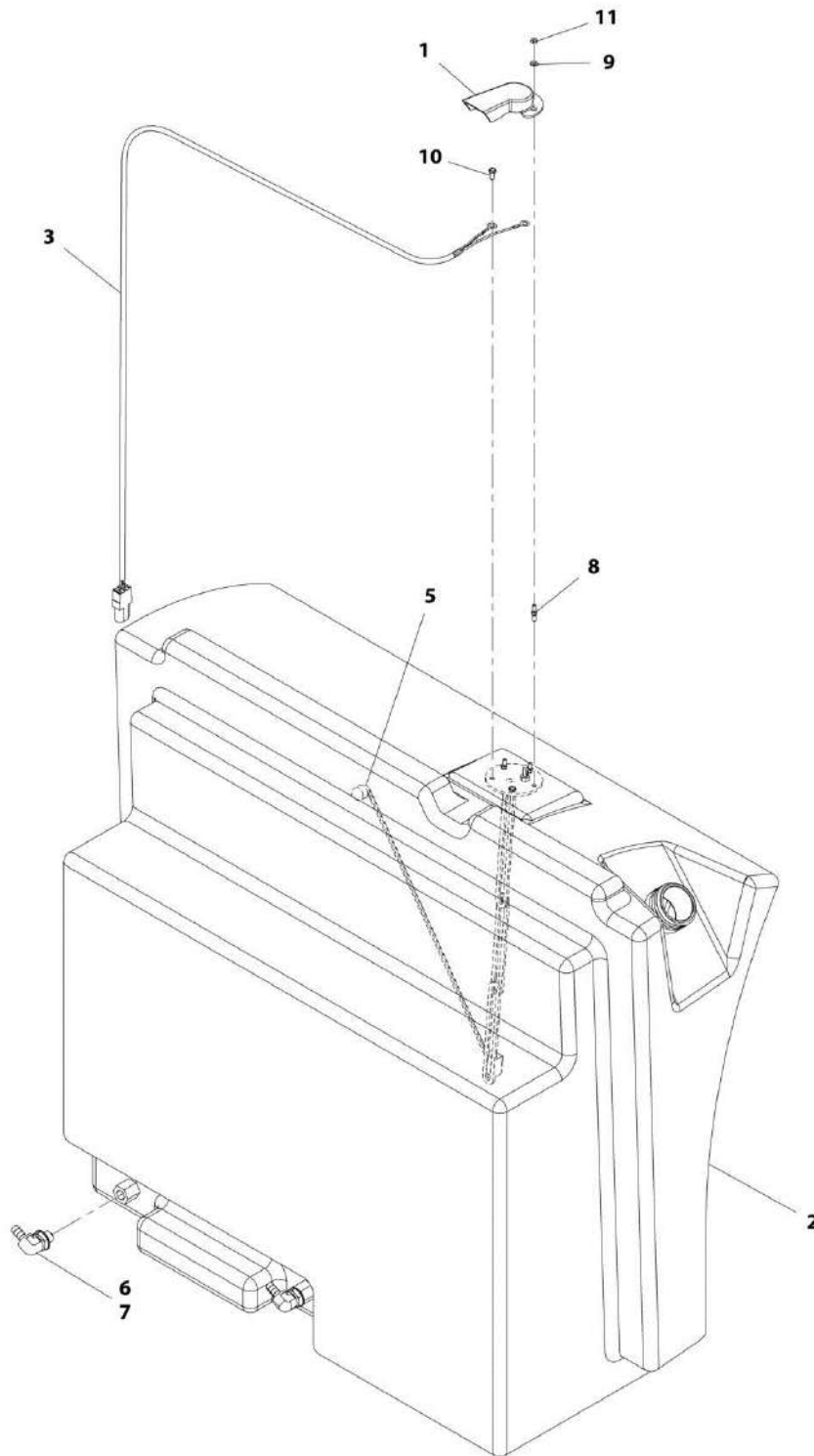
## SECTION 4 - ENGINE AND ATTACHING PARTS

### FIGURE 4-11. AIR CLEANER FILTER

ITEM	PART NUMBER	QTY	DESCRIPTION	REV
	1001128745	Ref	Air Cleaner Filter	D
1	70024175	1	Element, Primary Filter	
2	70024176	1	Element, Safety Filter	
3	70024270	1	Valve, Vacuator	
4	70024271	1	Pre-Cleaner	
5	70024318	1	Cover	
6	70024841	1	Sensor, Mass Air Flow	

# SECTION 4 - ENGINE AND ATTACHING PARTS

## FIGURE 4-12. FUEL TANK



ART\_1001130780-C

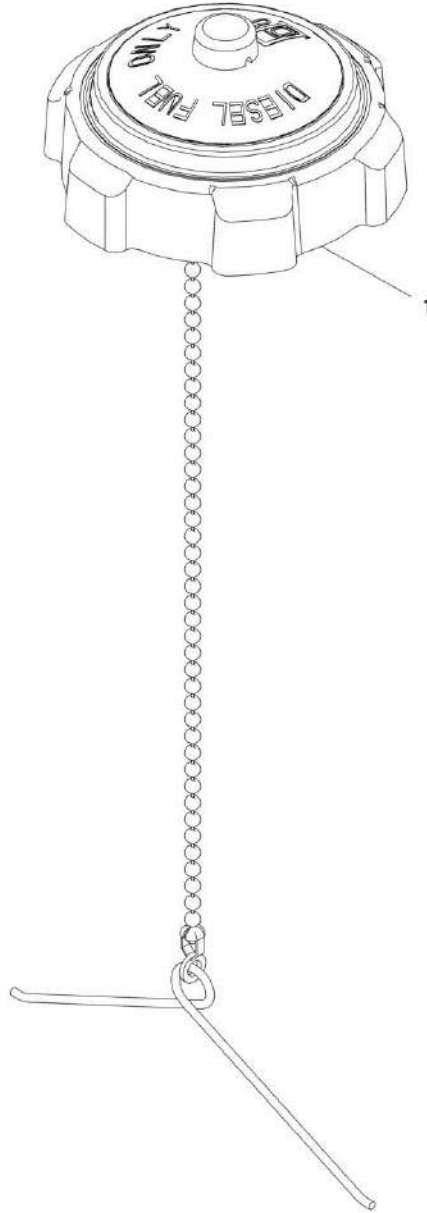
## SECTION 4 - ENGINE AND ATTACHING PARTS

### FIGURE 4-12. FUEL TANK

ITEM	PART NUMBER	QTY	DESCRIPTION	REV
	1001130780	Ref	Fuel Tank	C
1	1671313	1	Cover, Fuel Sender	
2	1001134413	1	Tank, Fuel	
3	4923452	1	Harness, Fuel Sender	
5	1001148837	1	Sender, Fuel Level	
6	1001130776	2	Fitting, 90	
7	0100093	AR	Compound, Locking	
8	1001148847	3	Adapter	
9	4811600	3	Washer, M5	
10	0731003	2	Bolt, 10X.375	
11	1001149344	3	Nut, 8-32	

## SECTION 4 - ENGINE AND ATTACHING PARTS

FIGURE 4-13. FUEL CAP, NON LOCKING



ART\_1001093641-C

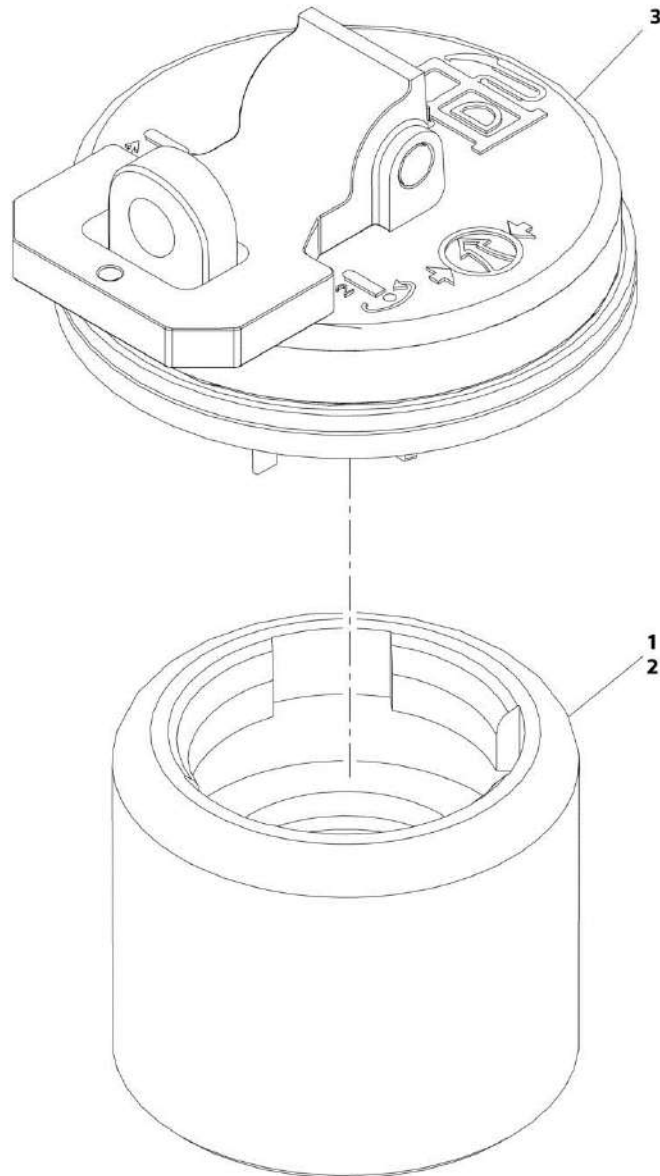
## SECTION 4 - ENGINE AND ATTACHING PARTS

FIGURE 4-13. FUEL CAP, NON LOCKING

ITEM	PART NUMBER	QTY	DESCRIPTION	REV
1	1001093641	1	Fuel Cap, Non Locking	C

## SECTION 4 - ENGINE AND ATTACHING PARTS

FIGURE 4-14. FUEL CAP, LOCKING



ART\_1001102657-A



## SECTION 4 - ENGINE AND ATTACHING PARTS

### FIGURE 4-14. FUEL CAP, LOCKING

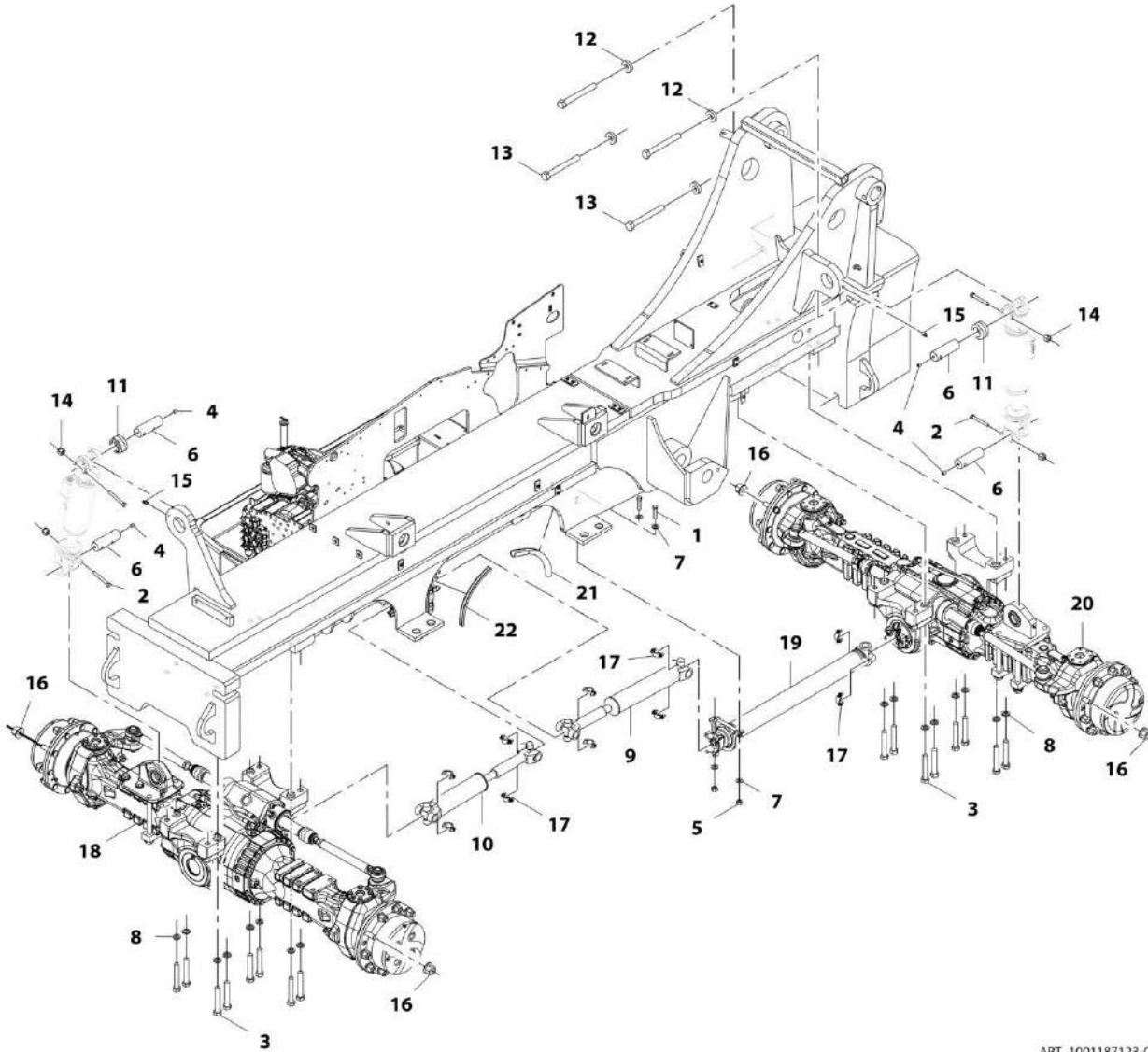
ITEM	PART NUMBER	QTY	DESCRIPTION	REV
1	1001102657	1	Fuel Cap, Locking	A
1	0100093	AR	Compound, Locking	
2	1001001422	1	Adapter	
3	1001080707	1	Cap, Fuel	



**SECTION 5 - DRIVE TRAIN**

# SECTION 5 - DRIVE TRAIN

## FIGURE 5-1. DRIVETRAIN INSTALLATION



ART\_1001187123-C

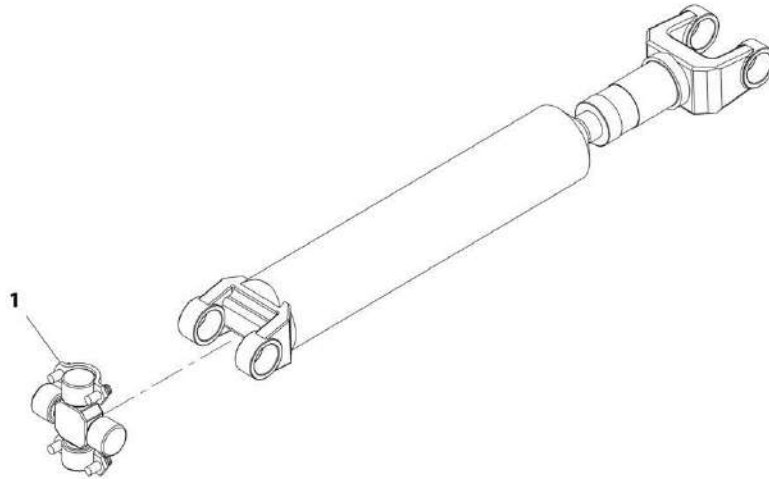
## SECTION 5 - DRIVE TRAIN

**FIGURE 5-1. DRIVETRAIN INSTALLATION**

ITEM	PART NUMBER	QTY	DESCRIPTION	REV
	1001187123	Ref	Drivetrain Installation	C
1	0641716	2	Bolt, 7/16-14X2	
2	0641832	4	Bolt, 1/2-13X4	
3	0682444	16	Bolt, 7/8-9X5 1/2 Grade 8	
4	2200221	4	Plug	
5	3311705	2	Nut, 7/16-14	
6	3423227	4	Pin	
7	4711700	4	Washer, 7/16	
8	4892400	16	Washer, 7/8	
9	7139914	1	Drive Shaft, Front, (See FRONT DRIVE SHAFT for Breakdown)	
10	7150580	1	Assembly, Rear Drive Shaft (See REAR DRIVE SHAFT ASSEMBLY for Breakdown)	
11	8065640	2	Bearing	
12	80241137	4	Washer	
13	83201147	4	Bolt, 1-8X8 1/2	
14	88521208	4	Nut, Lock 1/2-13	
15	88671001	2	Fitting, Grease	
16	91403193	40	Nut, Lug M22 X 1.5 Grade 8	
17	8880218-OM	5	Kit, Strap	
18	1001097803	1	Assembly, Front Axle (See FRONT AXLE ASSEMBLY for Breakdown)	
19	1001143724	1	Driveshaft, Rear, (See REAR DRIVESHAFT for Breakdown)	
20	1001146680	1	Assembly, Rear Axle (See REAR AXLE ASSEMBLY for Breakdown)	
21	1001144101	15.5 in	Conduit	
22	90206203	13.5 in	Trim	

## SECTION 5 - DRIVE TRAIN

FIGURE 5-2. FRONT DRIVE SHAFT ASSEMBLY



ART\_7139914-C

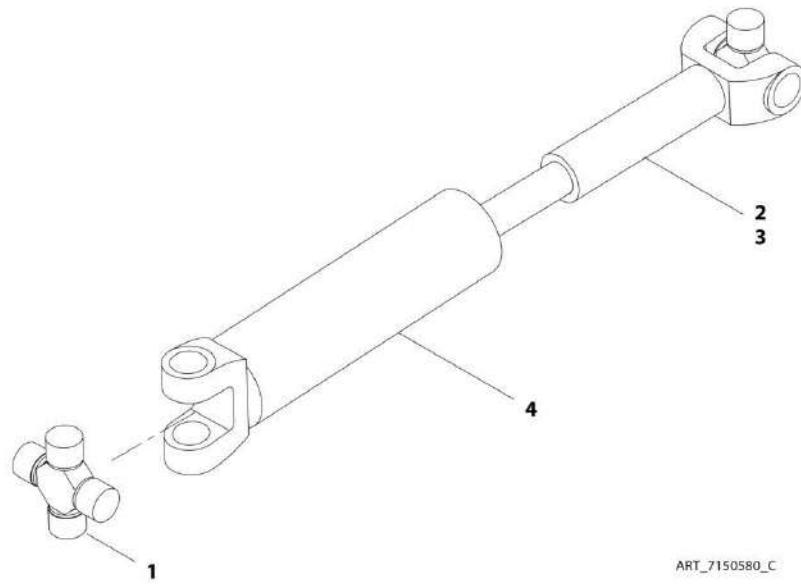
## SECTION 5 - DRIVE TRAIN

### FIGURE 5-2. FRONT DRIVE SHAFT ASSEMBLY

ITEM	PART NUMBER	QTY	DESCRIPTION	REV
1	7139914 91474035	Ref 2	Front Drive Shaft Assembly Universal Joint	C

# SECTION 5 - DRIVE TRAIN

## FIGURE 5-3. REAR DRIVE SHAFT ASSEMBLY





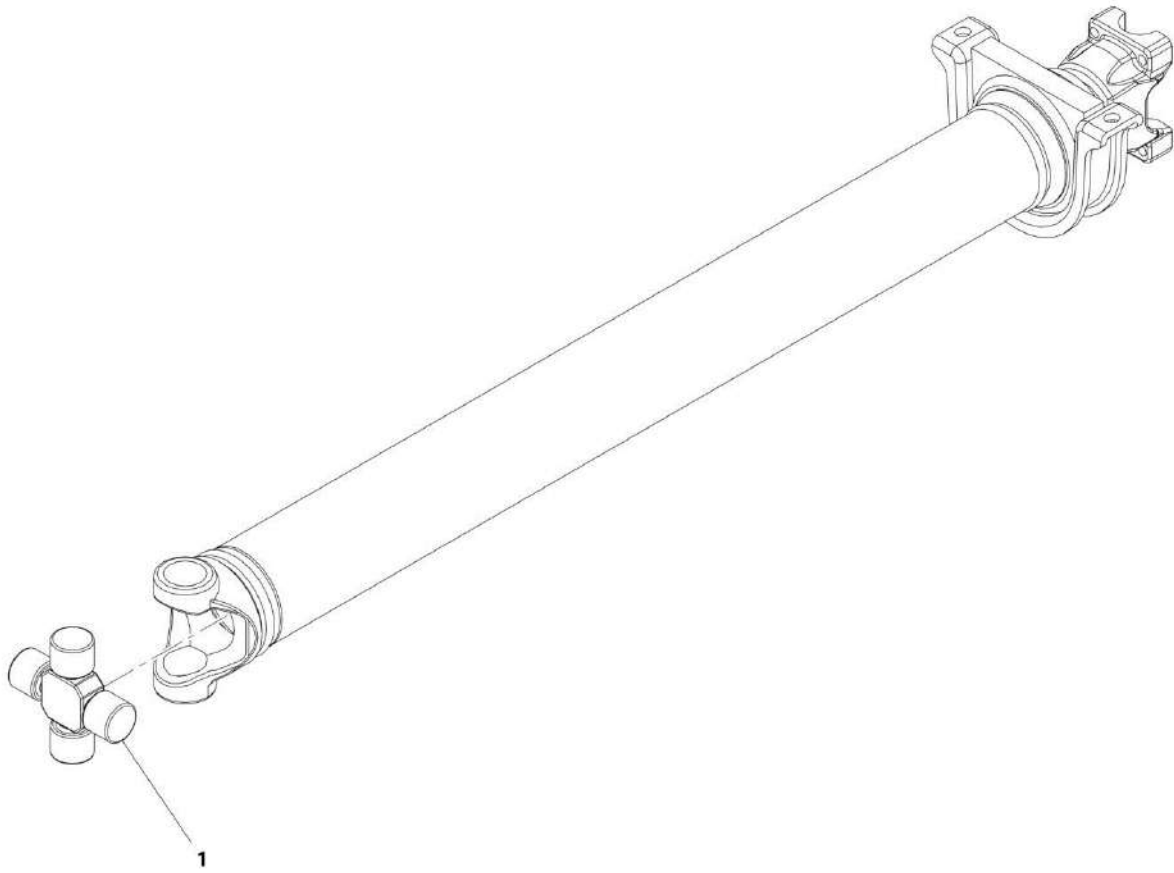
## SECTION 5 - DRIVE TRAIN

### FIGURE 5-3. REAR DRIVE SHAFT ASSEMBLY

ITEM	PART NUMBER	QTY	DESCRIPTION	REV
	7150580	Ref	Rear Drive Shaft Assembly	C
1	8035779	1	Kit, Dust Cap	
2	8036433	2	Kit, Cross and Bearing	
3	N.S.S.	1	Slip Joint	
4	N.S.S.	1	Shaft, Yoke	

# SECTION 5 - DRIVE TRAIN

## FIGURE 5-4. REAR DRIVE SHAFT



ART\_91563209-B

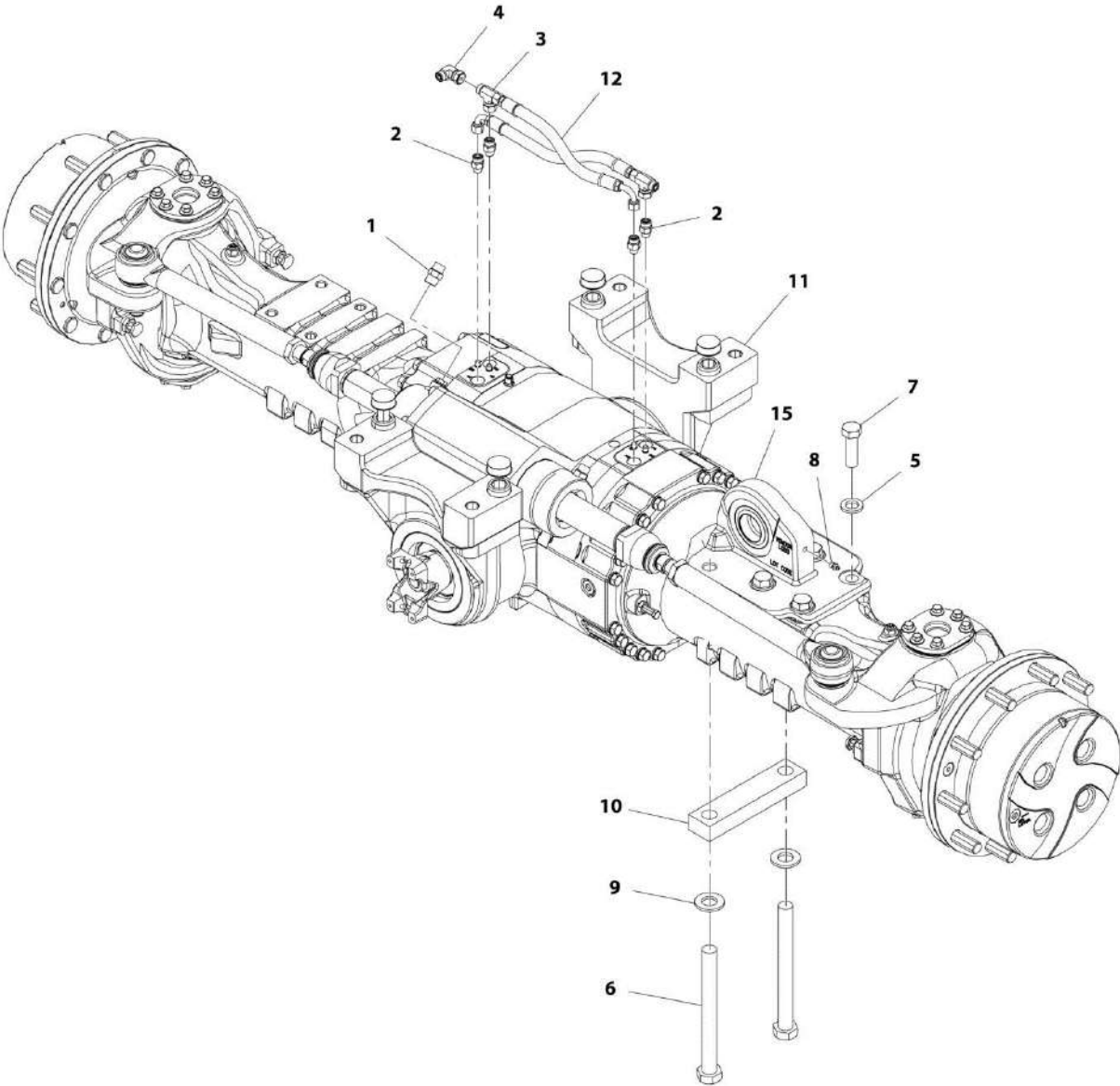
## SECTION 5 - DRIVE TRAIN

### FIGURE 5-4. REAR DRIVE SHAFT

ITEM	PART NUMBER	QTY	DESCRIPTION	REV
1	1001143724 91474035	Ref 1	Rear Drive Shaft Kit, Universal Joint	B

**SECTION 5 - DRIVE TRAIN**

**FIGURE 5-5. FRONT AXLE ASSEMBLY**



ART\_1001097803-H

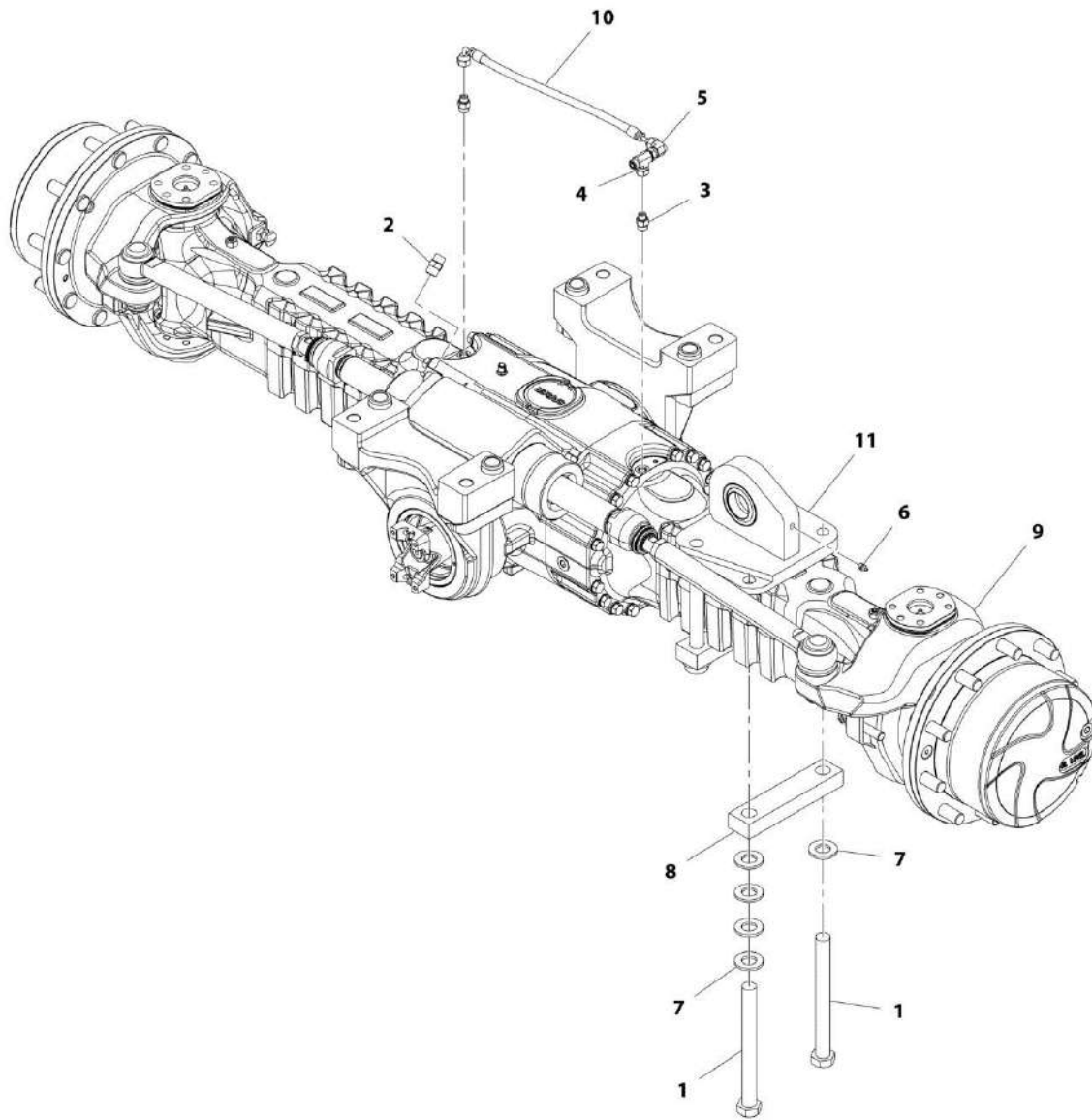
## SECTION 5 - DRIVE TRAIN

### FIGURE 5-5. FRONT AXLE ASSEMBLY

ITEM	PART NUMBER	QTY	DESCRIPTION	REV
	1001097803	Ref	Front Axle Assembly	H
1	2110808	2	Fitting, Straight ORFS	
2	2144605	4	Fitting, Straight ORFS	
3	2170806	2	Fitting, Tee ORFS	
4	2172106	1	Fitting, 90 ORFS	
5	4892400	4	Washer, 7/8 Grade 8	
6	77101143	2	Bolt	
7	80333162	4	Bolt, M20X2.5X65	
8	88671001	1	Fitting, Grease 1/8	
9	90027475	2	Washer	
10	91511105	1	Plate, Retainer	
11	1001179605	1	Axle, Front (See FRONT AXLE for Breakdown)	
12	1001097810	2	Hose	
15	1001099602	1	Assembly, Pivot Support (See FRONT AXLE, PIVOT SUPPORT ASSEMBLY for Breakdown)	

# SECTION 5 - DRIVE TRAIN

## FIGURE 5-6. REAR AXLE ASSEMBLY



ART\_1001146680-C

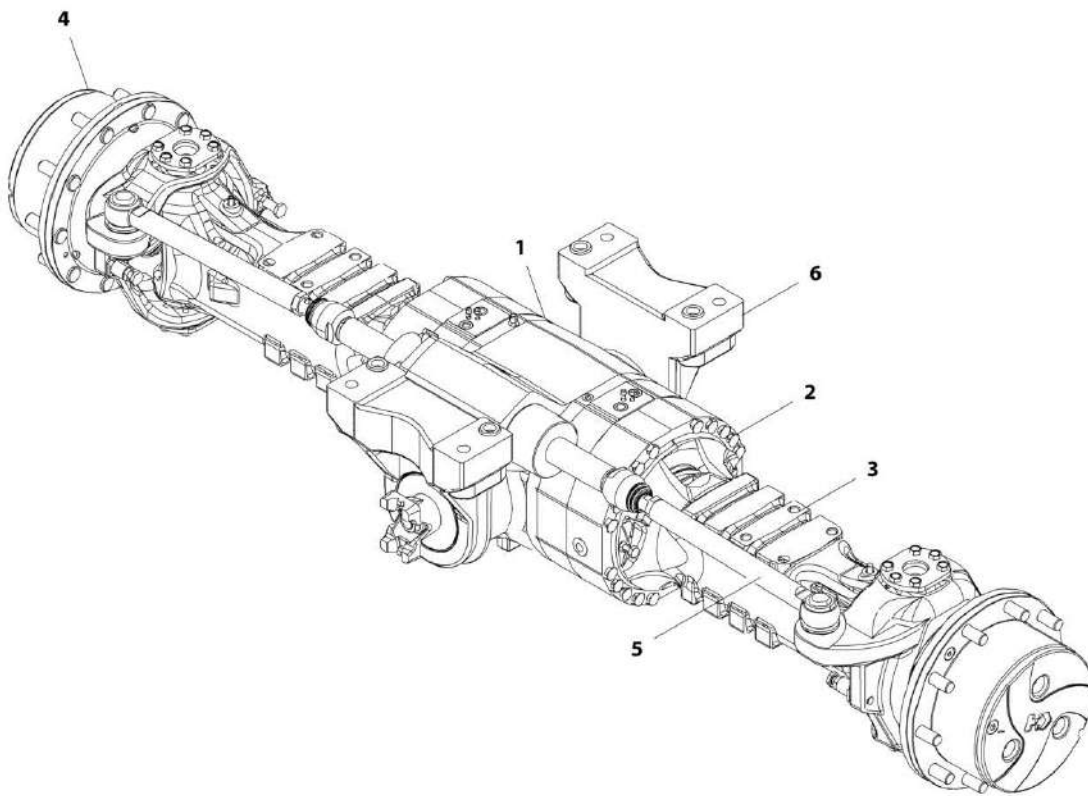
## SECTION 5 - DRIVE TRAIN

### FIGURE 5-6. REAR AXLE ASSEMBLY

ITEM	PART NUMBER	QTY	DESCRIPTION	REV
	1001146680	Ref	Rear Axle Assembly	C
1	77101143	4	Bolt	
2	2110808	2	Fitting, Straight ORFS	
3	2144605	2	Fitting, Straight ORFS	
4	2170806	1	Fitting, Tee ORFS	
5	2172106	1	Fitting, 90 ORFS	
6	88671001	1	Grease Fitting, 1/8	
7	90027475	7	Washer	
8	91511105	2	Plate - Retainer	
9	1001179607	1	Axle, Rear (See REAR AXLE for Breakdown)	
10	1001102509	1	Hose	
11	1001142892	1	Assembly, Pivot Support (See REAR AXLE, PIVOT SUPPORT ASSEMBLY for Breakdown)	

# SECTION 5 - DRIVE TRAIN

## FIGURE 5-7. FRONT AXLE



ART\_1001179605-D



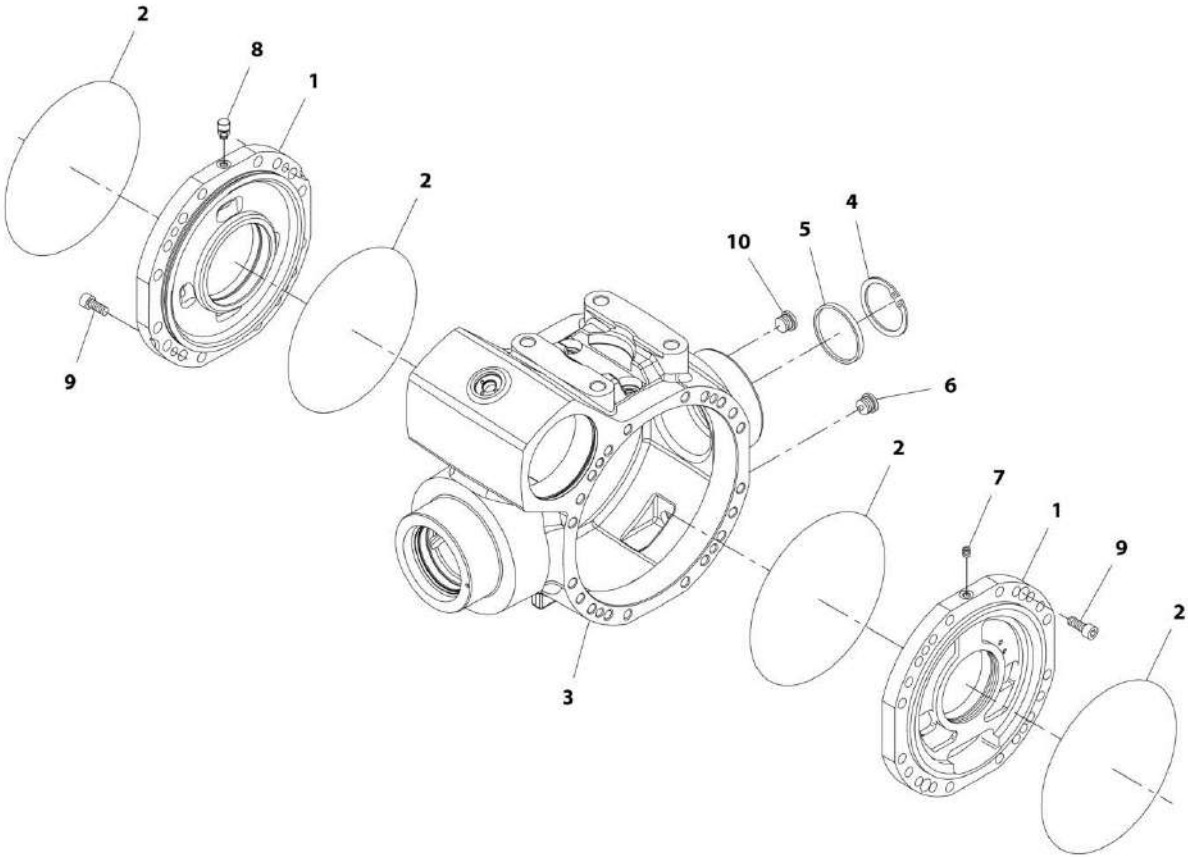
## SECTION 5 - DRIVE TRAIN

### FIGURE 5-7. FRONT AXLE

ITEM	PART NUMBER	QTY	DESCRIPTION	REV
	1001179605	Ref	Front Axle	D
1		Ref	Front Axle, Central Housing (See FRONT AXLE, CENTRAL HOUSING for Breakdown)	
2		Ref	Front Axle, Differential (See FRONT AXLE, DIFFERENTIAL for Breakdown)	
3		Ref	Front Axle, Hub Reduction (See FRONT AXLE, HUB REDUCTION for Breakdown)	
4		Ref	Front Axle, Brakes (See FRONT AXLE, BRAKES for Breakdown)	
5		Ref	Front Axle, Steering (See FRONT AXLE, STEERING for Breakdown)	
6		Ref	Front Axle, Trunion (See FRONT AXLE, TRUNION for Details)	

**SECTION 5 - DRIVE TRAIN**

**FIGURE 5-8. FRONT AXLE, CENTRAL HOUSING**



ART\_1001179605\_1-D

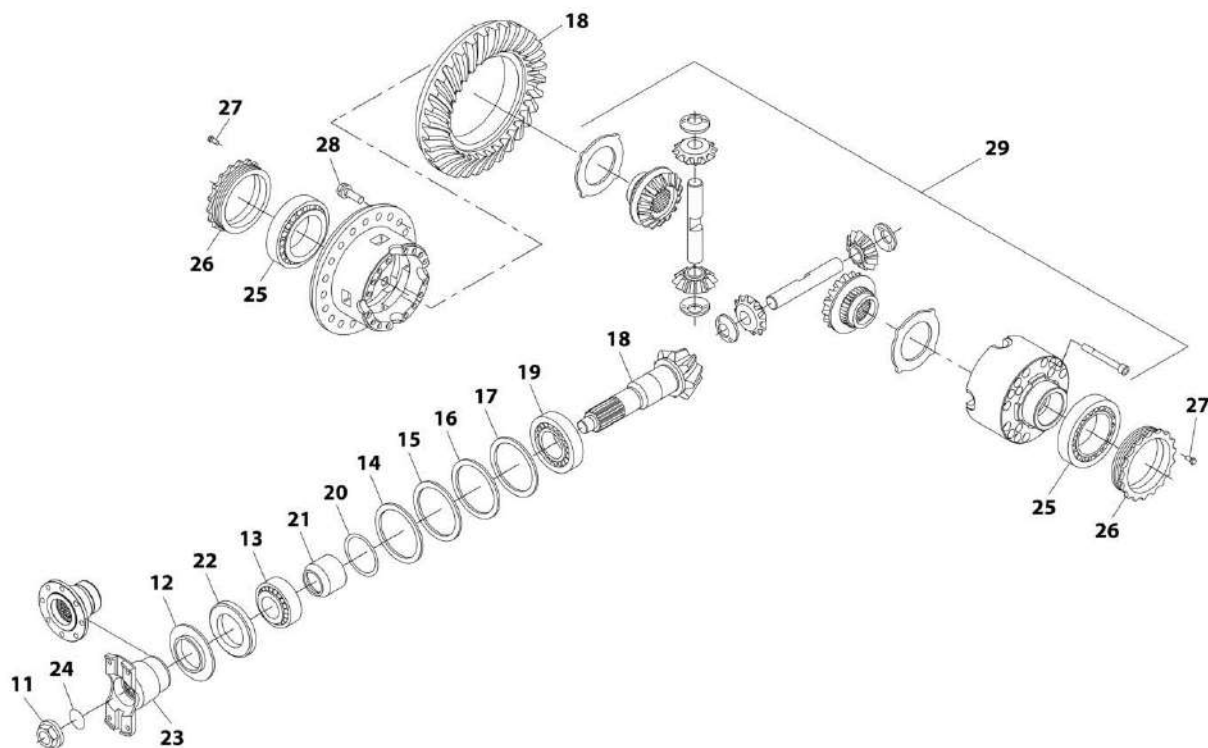
## SECTION 5 - DRIVE TRAIN

FIGURE 5-8. FRONT AXLE, CENTRAL HOUSING

ITEM	PART NUMBER	QTY	DESCRIPTION	REV
1	70024670	2	Cover, Intermediate	
2	7026487	4	O-Ring	
3	70023258	1	Housing	
4	80204005	1	Circlip	
5	91514098	1	Plug	
6	70021177	1	Plug	
7	80204012	1	Plug	
8	80204014	1	Vent	
9	80204144	4	Bolt, Cylinder	
10	91514087	1	Plug	

# SECTION 5 - DRIVE TRAIN

## FIGURE 5-9. FRONT AXLE, DIFFERENTIAL



ART\_1001179605\_2-D

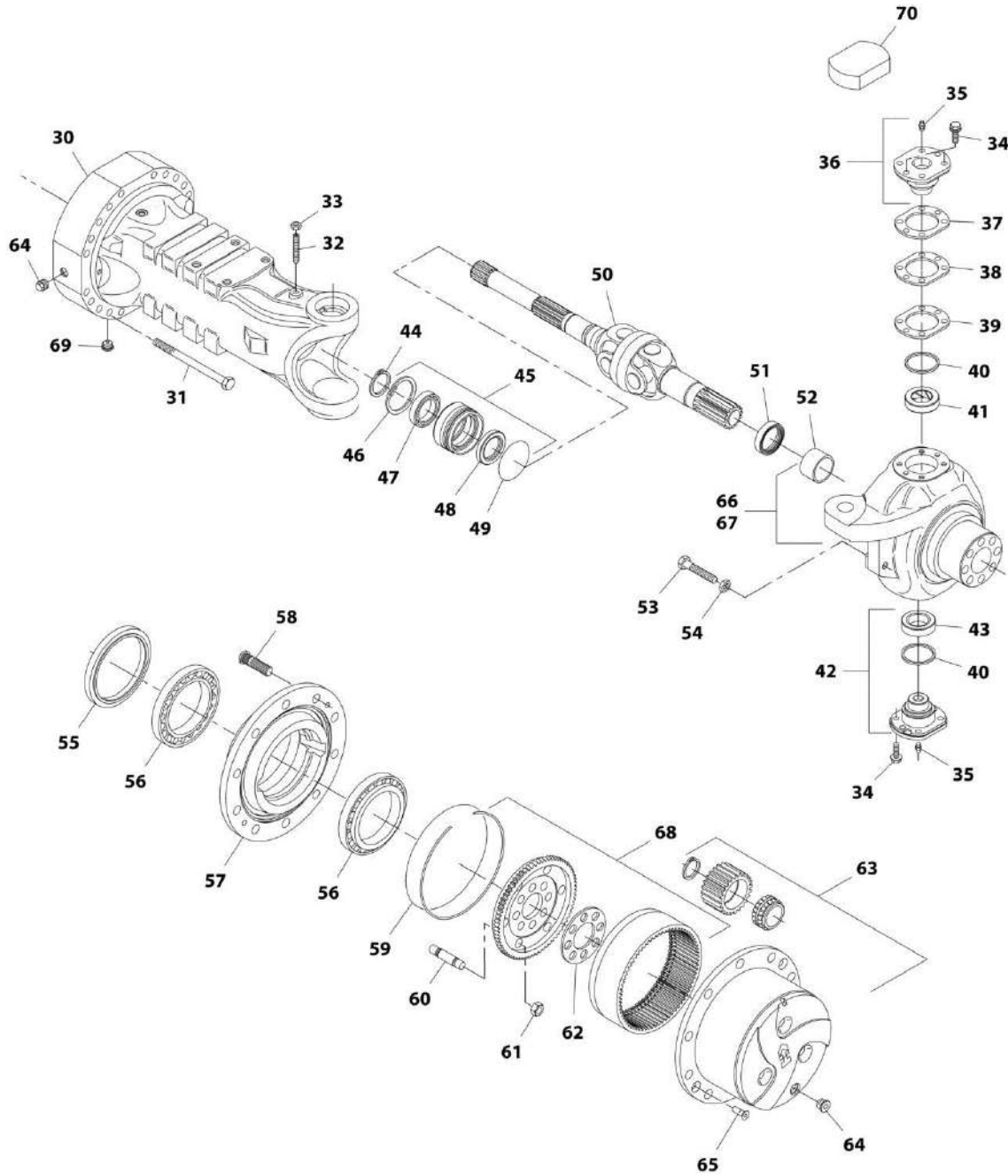
## SECTION 5 - DRIVE TRAIN

**FIGURE 5-9. FRONT AXLE, DIFFERENTIAL**

ITEM	PART NUMBER	QTY	DESCRIPTION	REV
11	80204043	1	Nut	
12	91514130	1	Plate, Cover	
13	80204048	1	Bearing	
14	80204049	1	Shim	
15	80204050	1	Shim	
16	80204051	1	Shim	
17	80204052	1	Shim	
18	7026495	1	Gear, Bevel	
19	80204035	1	Bearing	
20	70023494	1	Ring	
21	70022140	1	Spacer	
22	80204047	1	Seal	
23	91514131	1	Flange	
24	10725554	1	O-Ring	
25	80204033	2	Bearing	
26	91514133	2	Nut, Ring	
27	91514134	2	Bolt	
28	91514123	20	Bolt	
29	70026766	1	Assembly, Differential (See FRONT AXLE DIFFERENTIAL ASSEMBLY for Breakdown)	

# SECTION 5 - DRIVE TRAIN

## FIGURE 5-10. FRONT AXLE, HUB REDUCTION



ART\_1001179605\_3-D

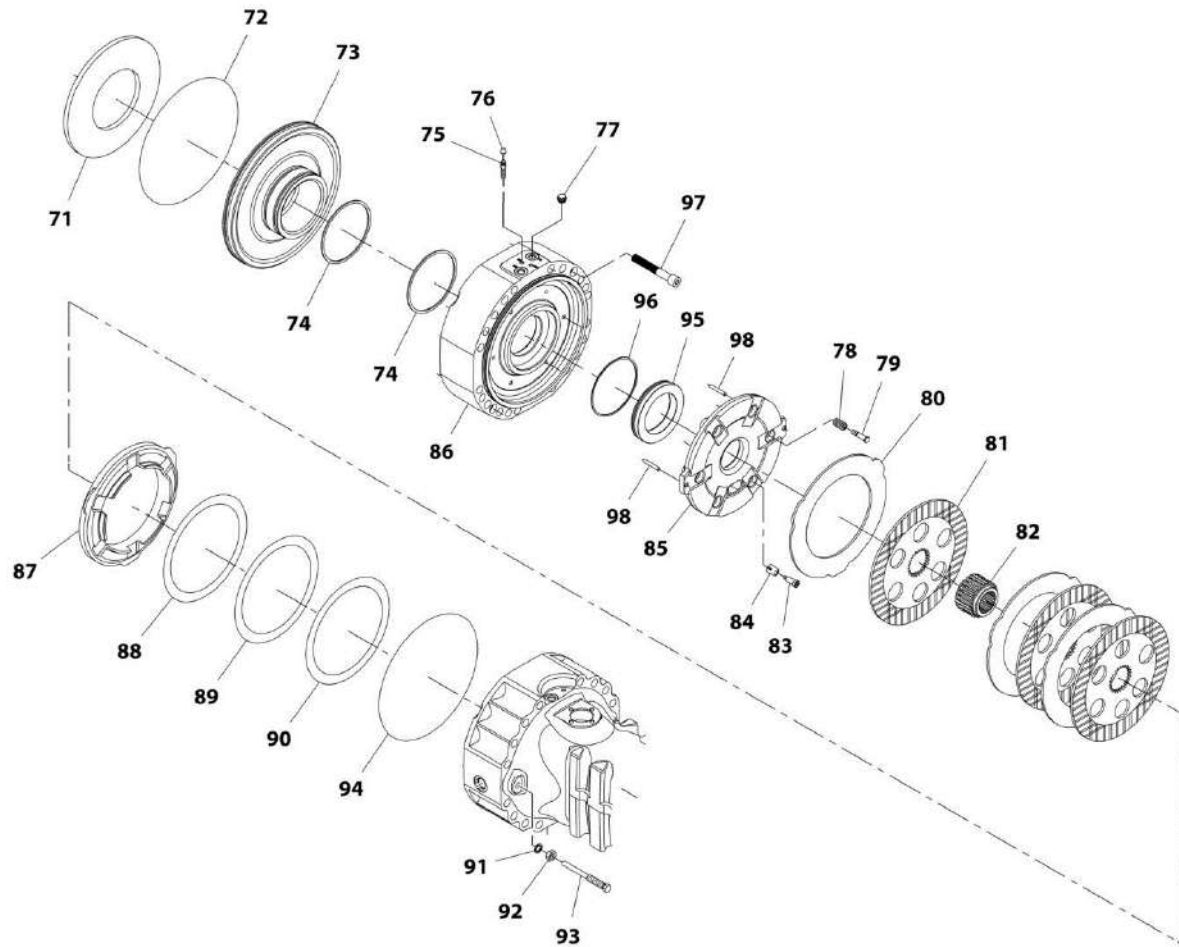
## SECTION 5 - DRIVE TRAIN

**FIGURE 5-10. FRONT AXLE, HUB REDUCTION**

ITEM	PART NUMBER	QTY	DESCRIPTION	REV
30	70026073	2	Axle Case	
31	70024207	40	Bolt, M16X195	
32	7026499	2	Bolt	
33	91514082	2	Nut	
34	70025562	24	Bolt	
35	91514099	4	Fitting, Grease	
36	70026063	2	Pin, Pivot (Includes Item 35)	
37	91514113	2	Shim	
38	91514114	2	Shim	
39	91514115	2	Shim	
40	7028716	4	Seal, Dust	
41	7029312	2	Bushing	
42	7029313	2	Pin, Pivot	
43	91514095	2	Bearing	
44	80204071	2	Circlip	
45	91514149	2	Bushing, Reduction	
46	80204005	2	Circlip	
47	91514146	2	Ball Bearing	
48	91514147	2	Seal	
49	91514148	2	O-Ring	
50	70026067	2	Shaft, Double Universal Joint	
51	70026238	2	Seal	
52	91514111	2	Bushing, Thrust	
53	70021603	4	Bolt, Steering Adjust	
54	80204065	4	Nut	
55	70026002	2	Seal	
56	80204076	4	Bearing	
57	91514174	2	Hub, Wheel	
58	91514183	20	Stud	
59	91514181	2	O-Ring	
60	91514180	16	Stud	
61	91514179	16	Nut	
62	91514178	2	Plate, Locking	
63	7029743	2	Kit, Planet Gear Carrier (See FRONT AXLE PLANET GEAR CARRIER KIT for Breakdown)	
64	91514188	4	Plug	
65	91514189	4	Bolt, Countersunk	
66	70026767	1	Case, Steering (RF, Includes Item 52)	
67	70026768	1	Case, Steering (LF, Includes Item 52)	
68	70024146	2	Kit, Ring Gear Support (See FRONT AXLE RING GEAR SUPPORT KIT for Breakdown)	
69	91474513	2	Plug, Magnet	
70	91474524	2	Cover	

# SECTION 5 - DRIVE TRAIN

## FIGURE 5-11. FRONT AXLE, BRAKES



ART\_1001179605\_4-D



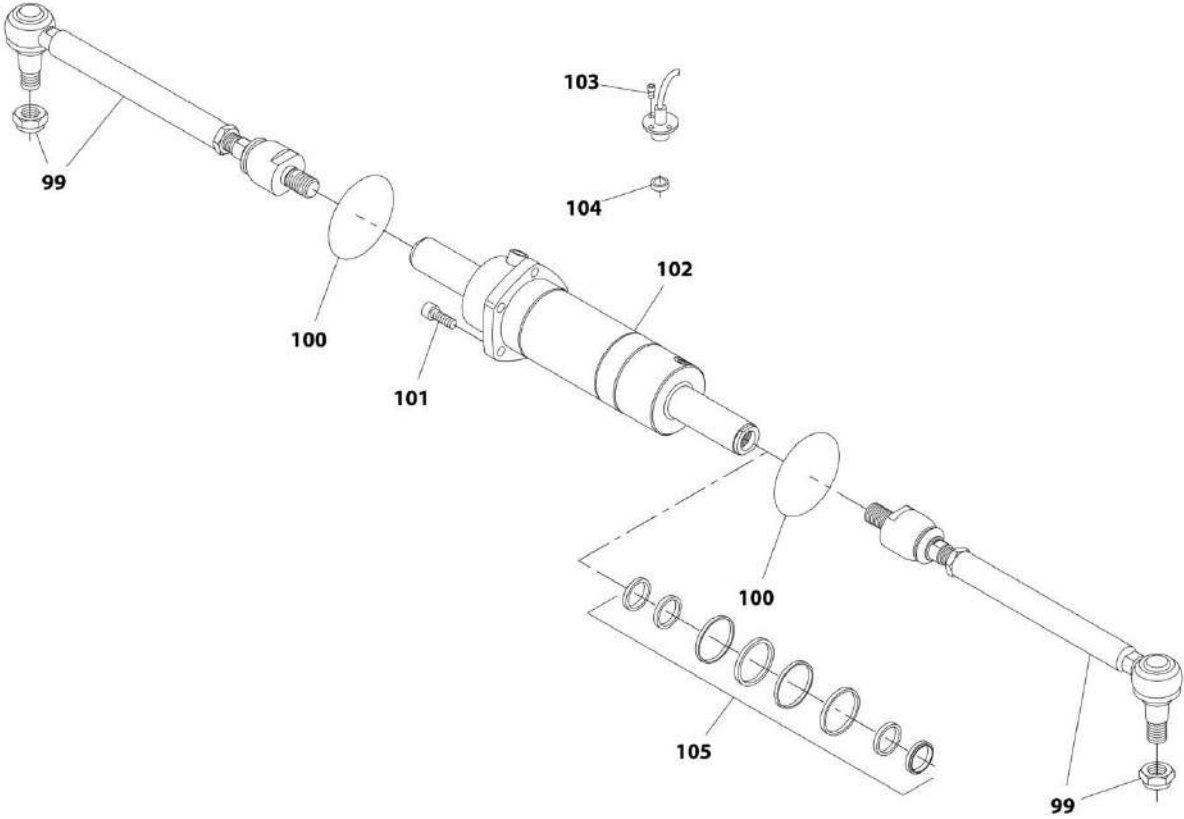
## SECTION 5 - DRIVE TRAIN

### FIGURE 5-11. FRONT AXLE, BRAKES

ITEM	PART NUMBER	QTY	DESCRIPTION	REV
71	91514151	2	Washer	
72	7026713	2	O-Ring	
73	70024209	2	Piston	
74	70026754	4	Seal	
75	80204281	4	Bolt, Bleeding	
76	80204117	4	Plug	
77	91514154	4	Plug	
78	91514159	6	Spring	
79	70024210	6	Bolt, Adjusting	
80	91514161	6	Disc, Intermediate Brake	
81	7029735	6	Disc, Brake	
82	7029734	2	Bushing, Reduction	
83	7029789	6	Bolt	
84	91514165	6	Spring	
85	70024849	2	Disc, Intermediate Brake	
86	70026769	2	Cover	
87	70026756	2	Spacer	
88	91514171	2	Shim, M0.2	
89	91514172	2	Shim, M0.3	
90	91514173	2	Shim, M0.5	
91	80204108	4	Washer, Lock	
92	80204060	4	Nut	
93	70024213	4	Bolt, M12X122.5	
94	7026487	2	O-Ring	
95	7026718	2	Piston	
96	70026755	2	Seal	
97	70024214	4	Bolt, M14X100	
98	70024215	4	Dowel	

**SECTION 5 - DRIVE TRAIN**

**FIGURE 5-12. FRONT AXLE, STEERING**



ART\_1001179605\_5-D

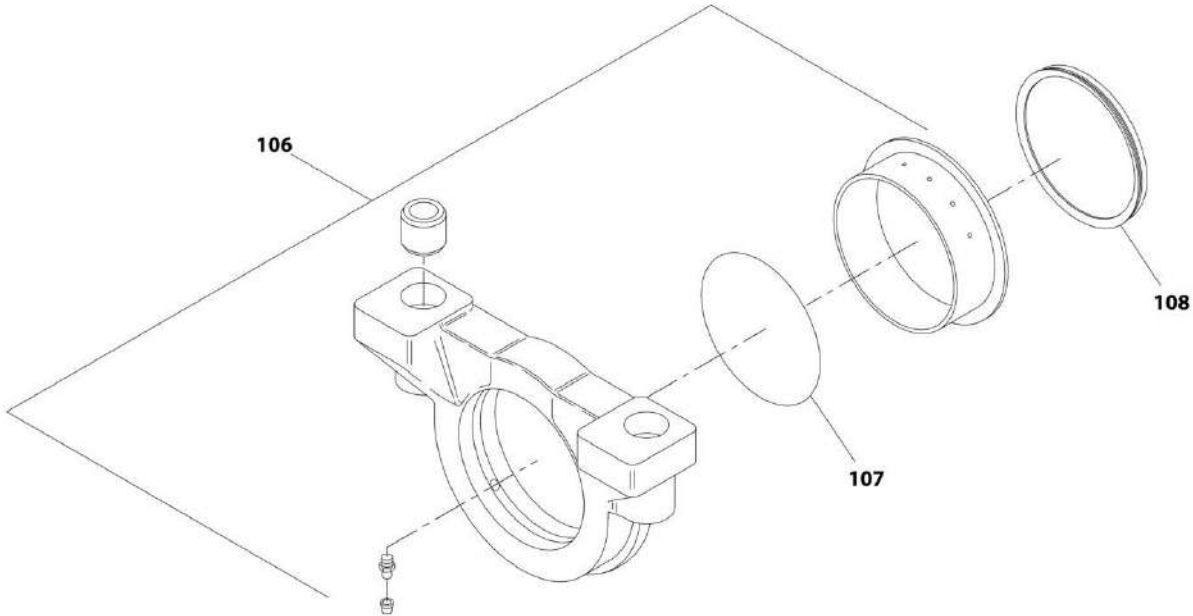
## SECTION 5 - DRIVE TRAIN

### FIGURE 5-12. FRONT AXLE, STEERING

ITEM	PART NUMBER	QTY	DESCRIPTION	REV
99	70026753	2	Bar (Includes Nut)	
99	70022773	2	Nut	
100	80204143	2	O-Ring	
101	80204144	5	Bolt	
102	7026490	1	Cylinder	
103	8008175	3	Bolt	
104	7029307	1	Plug	
105	7029127	1	Kit, Seal	

**SECTION 5 - DRIVE TRAIN**

**FIGURE 5-13. FRONT AXLE, TRUNION**



ART\_1001179605\_6-D

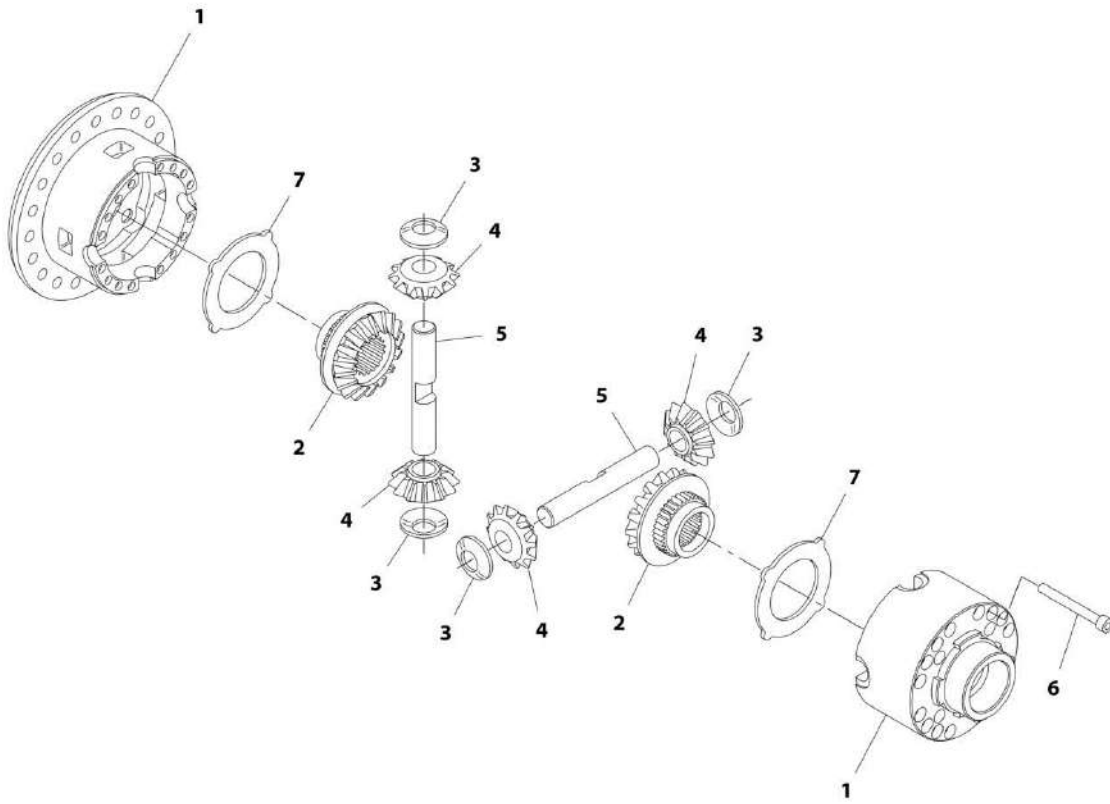
## SECTION 5 - DRIVE TRAIN

### FIGURE 5-13. FRONT AXLE, TRUNION

ITEM	PART NUMBER	QTY	DESCRIPTION	REV
106	7029303	2	Assembly, Front Axle Support (See FRONT AXLE SUPPORT ASSEMBLY for Breakdown)	
107	7029304	2	O-Ring	
108	7029305	2	Dust Excluder	

# SECTION 5 - DRIVE TRAIN

## FIGURE 5-14. FRONT AXLE, DIFFERENTIAL ASSEMBLY



ART\_1001179605\_7-D

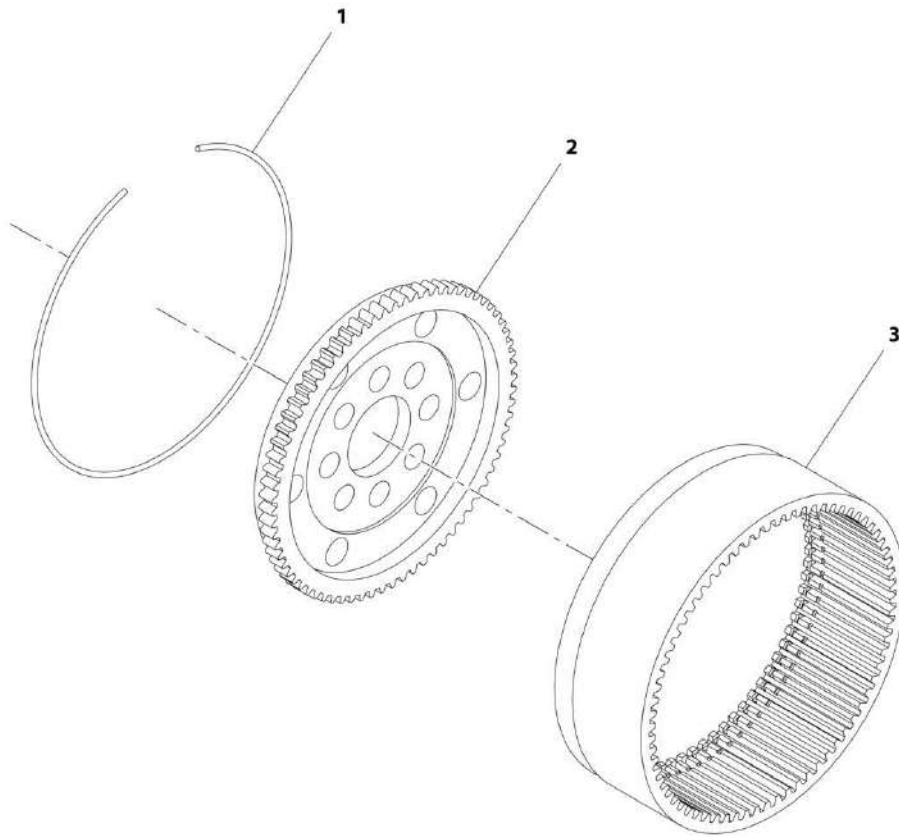
## SECTION 5 - DRIVE TRAIN

**FIGURE 5-14. FRONT AXLE, DIFFERENTIAL ASSEMBLY**

ITEM	PART NUMBER	QTY	DESCRIPTION	REV
	70026766	Ref	Front Axle Differential Assembly	
1	70024204	1	Differential Carrier	
2	70025856	2	Gear, Differential Side	
3	70023491	4	Washer, Friction	
4	70025339	4	Differential Pinion	
5	70023490	2	Differential Shaft	
6	91514143	15	Bolt	
7	70026750	2	Clutch Disc	

# SECTION 5 - DRIVE TRAIN

## FIGURE 5-15. FRONT AXLE, RING GEAR SUPPORT KIT



ART\_1001179605\_8-D



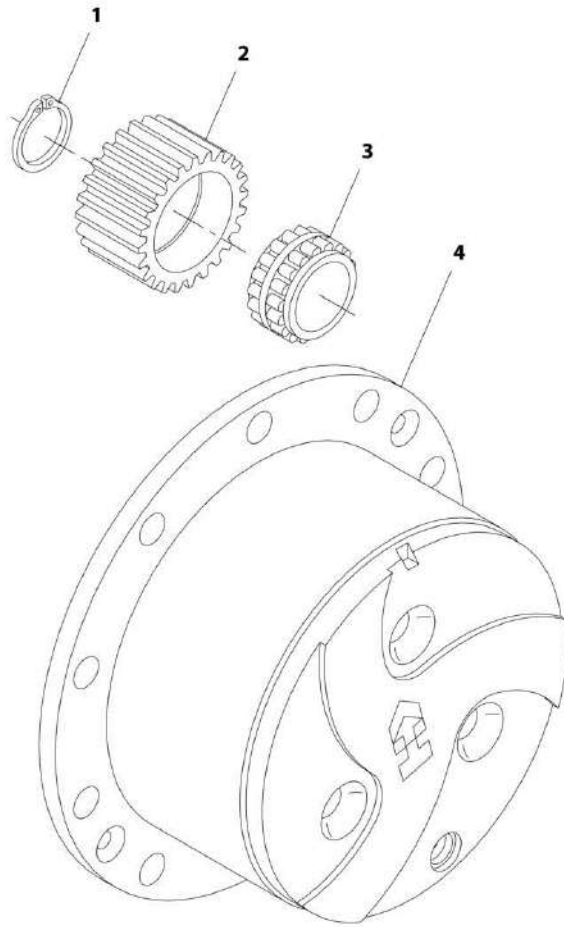
## SECTION 5 - DRIVE TRAIN

### FIGURE 5-15. FRONT AXLE, RING GEAR SUPPORT KIT

ITEM	PART NUMBER	QTY	DESCRIPTION	REV
	70024146	Ref	Front Axle Ring Gear Support Kit	
1	91514175	1	Circlip	
2	91514177	1	Ring Gear Support	
3	70024147	1	Ring Gear	

## SECTION 5 - DRIVE TRAIN

FIGURE 5-16. FRONT AXLE, PLANET GEAR CARRIER KIT



ART\_1001179605\_9-D

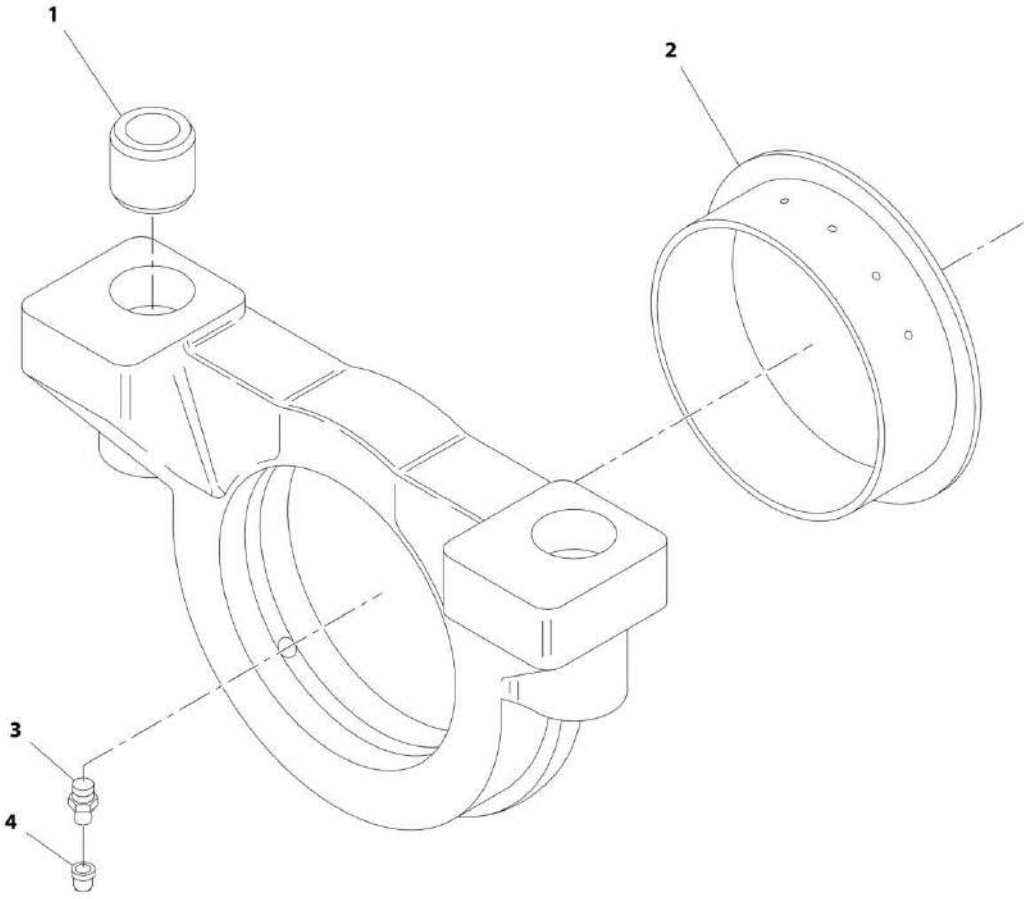
## SECTION 5 - DRIVE TRAIN

**FIGURE 5-16. FRONT AXLE, PLANET GEAR CARRIER KIT**

ITEM	PART NUMBER	QTY	DESCRIPTION	REV
	7029743	Ref	Front Axle Planet Gear Carrier Kit	
1	91514184	4	Circlip	
2	91514185	4	Gear, Planet	
3	91514186	4	Bearing	
4	7029317	1	Planet Gear Carrier	

**SECTION 5 - DRIVE TRAIN**

**FIGURE 5-17. FRONT AXLE, SUPPORT ASSEMBLY**



ART\_1001179605\_10-D

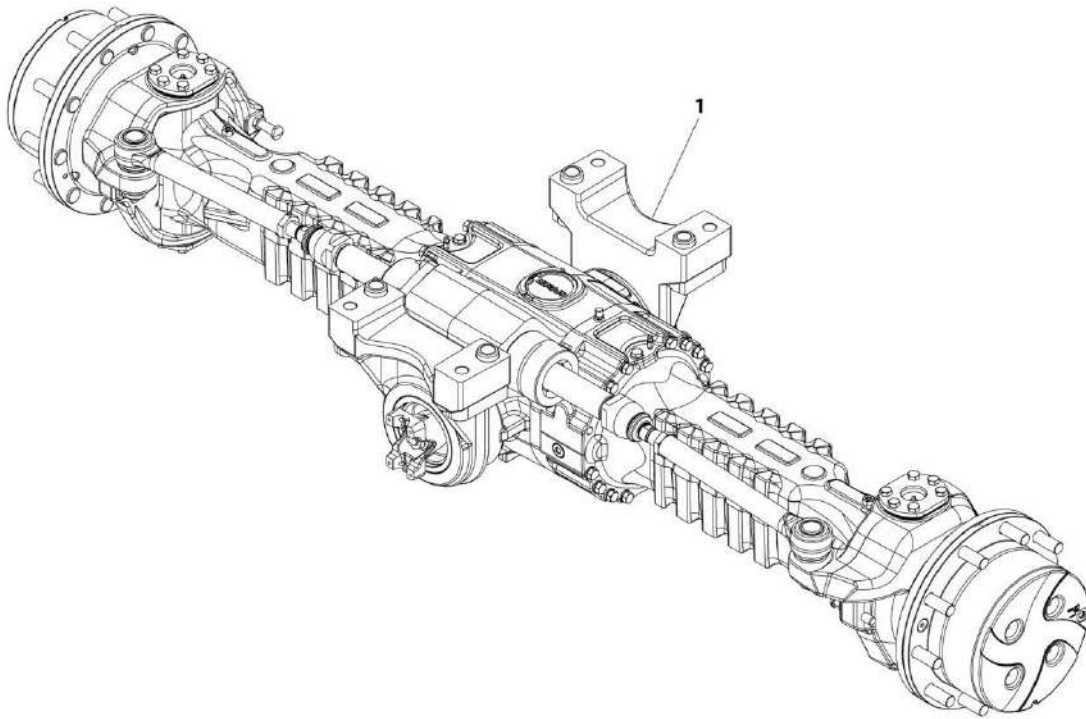
## SECTION 5 - DRIVE TRAIN

**FIGURE 5-17. FRONT AXLE, SUPPORT ASSEMBLY**

ITEM	PART NUMBER	QTY	DESCRIPTION	REV
	7029303	Ref	Front Axle Support Assembly	
1	7029290	2	Bushing	
2	91514090	1	Bushing, Thrust	
3	91514099	1	Grease Fitting	
4	80204117	1	Plug	

# SECTION 5 - DRIVE TRAIN

## FIGURE 5-18. REAR AXLE



ART\_1001179607-E

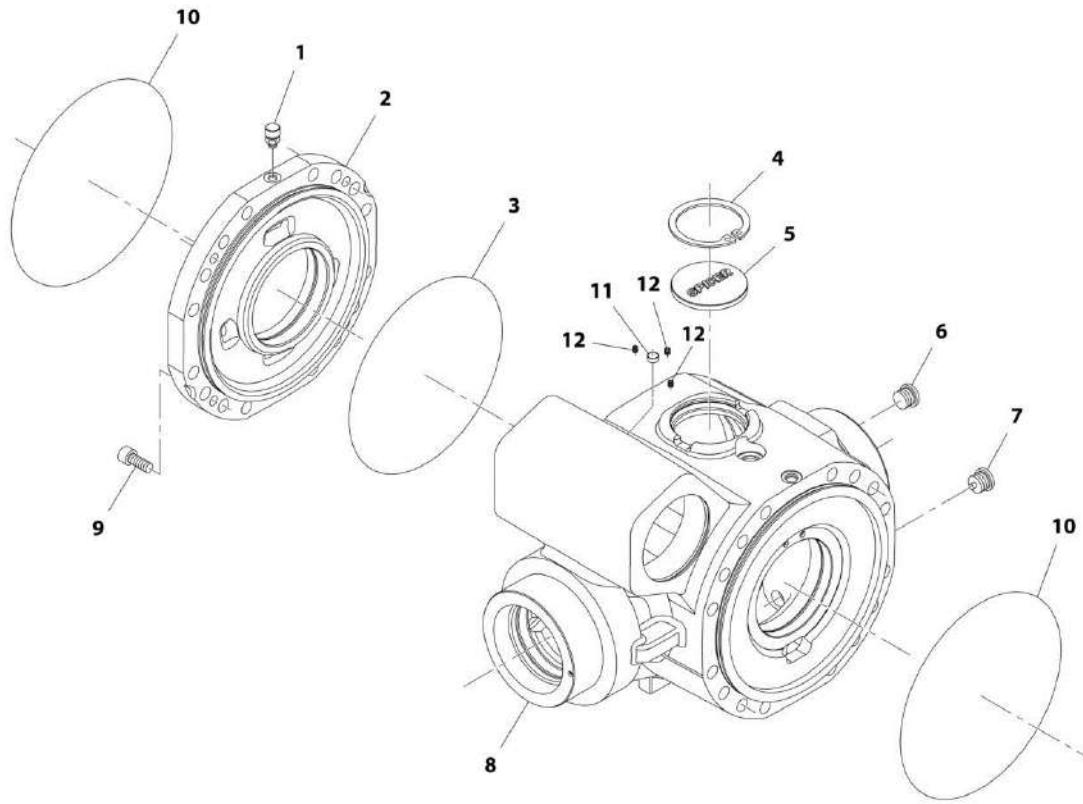
## SECTION 5 - DRIVE TRAIN

**FIGURE 5-18. REAR AXLE**

ITEM	PART NUMBER	QTY	DESCRIPTION	REV
1	1001179607	Ref	Axel, Rear	E
2		Ref	<b>Rear Axle, Central Housing (See REAR AXLE, CENTRAL HOUSING for Breakdown)</b>	
3		Ref	<b>Rear Axle, Differential (See REAR AXLE, DIFFERENTIAL for Breakdown)</b>	
4		Ref	<b>Rear Axle, Hub Reduction (See REAR AXLE, HUB REDUCTION for Breakdown)</b>	
5		Ref	<b>Rear Axle, Brakes (See REAR AXLE, BRAKES for Breakdown)</b>	
6		Ref	<b>Rear Axle, Steering (See REAR AXLE, STEERING for Breakdown)</b>	
		Ref	<b>Rear Axle, Trunnion (See REAR AXLE, TRUNION for Breakdown)</b>	

# SECTION 5 - DRIVE TRAIN

## FIGURE 5-19. REAR AXLE, CENTRAL HOUSING



ART\_1001179607\_1-E



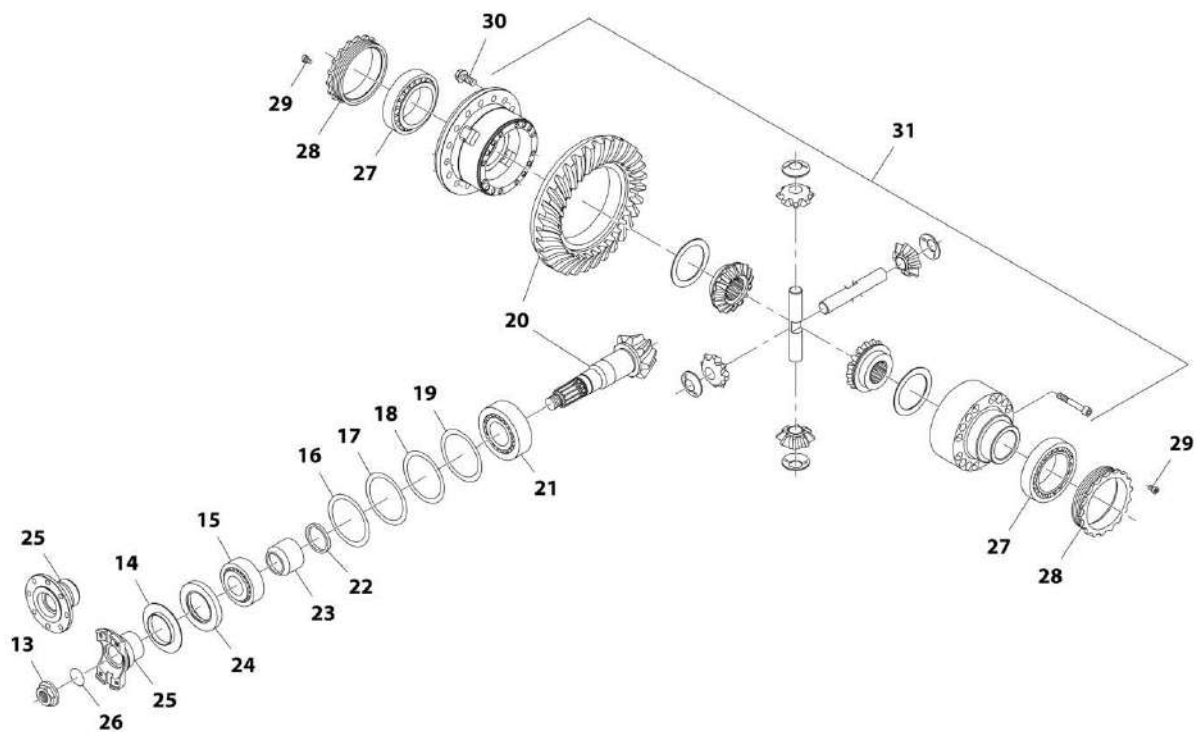
## SECTION 5 - DRIVE TRAIN

### FIGURE 5-19. REAR AXLE, CENTRAL HOUSING

ITEM	PART NUMBER	QTY	DESCRIPTION	REV
1	91474512	1	Vent	
2	7029288	1	Cover, Intermediate	
3	80204002	1	O-Ring	
4	80204005	1	Circlip	
5	91514098	1	Plug	
6	91514087	1	Plug	
7	70021177	1	Plug, Magnetic	
8	70025335	1	Housing	
9	91514101	4	Bolt	
10	91514089	2	O - Ring	
11	7029307	1	Plug	
12	8008175	3	Bolt	

# SECTION 5 - DRIVE TRAIN

## FIGURE 5-20. REAR AXLE, DIFFERENTIAL



ART\_1001179607\_2-E

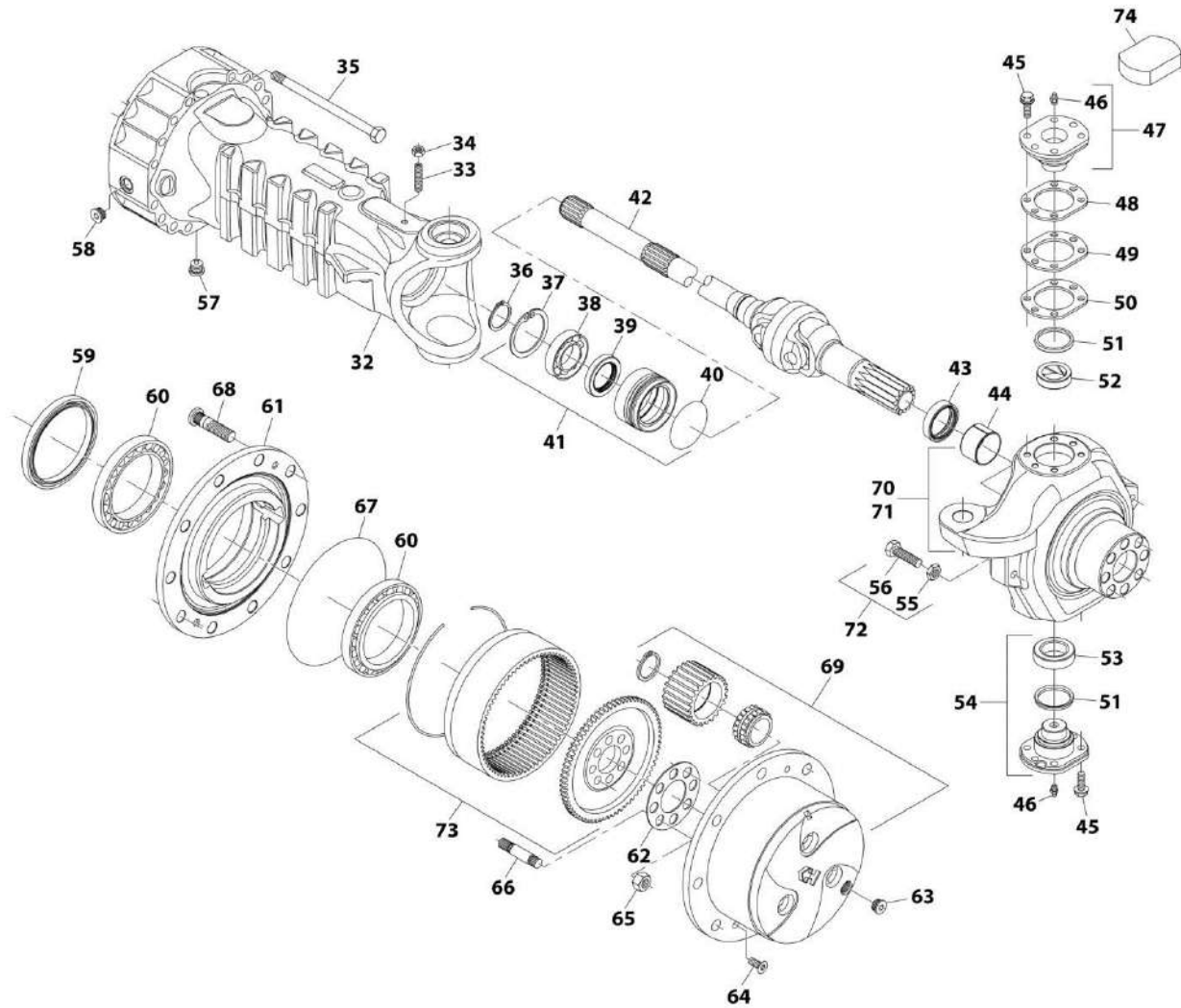
## SECTION 5 - DRIVE TRAIN

**FIGURE 5-20. REAR AXLE, DIFFERENTIAL**

ITEM	PART NUMBER	QTY	DESCRIPTION	REV
13	80204043	1	Nut	
14	91514130	1	Cover Plate	
15	80204048	1	Bearing, Taper Roller	
16	80204049	1	Shim	
17	80204050	1	Shim	
18	80204051	1	Shim	
19	80204052	1	Shim	
20	70025336	1	Set, Bevel Gear	
21	80204035	1	Bearing, Taper Roller	
22	70023494	1	Kit, Spacer	
23	70022140	1	Spacer	
24	80204047	1	Seal	
25	91514131	1	Flange	
26	10725554	1	O-Ring	
27	80204033	2	Bearing, Taper Roller	
28	91514133	2	Nut, Ring	
29	91514134	2	Bolt	
30	91514123	16	Bolt	
31	70026030	1	Assembly, Differential (See REAR AXLE DIFFERENTIAL ASSEMBLY for Breakdown)	

# SECTION 5 - DRIVE TRAIN

## FIGURE 5-21. REAR AXLE, HUB REDUCTION



ART\_1001179607\_3-E

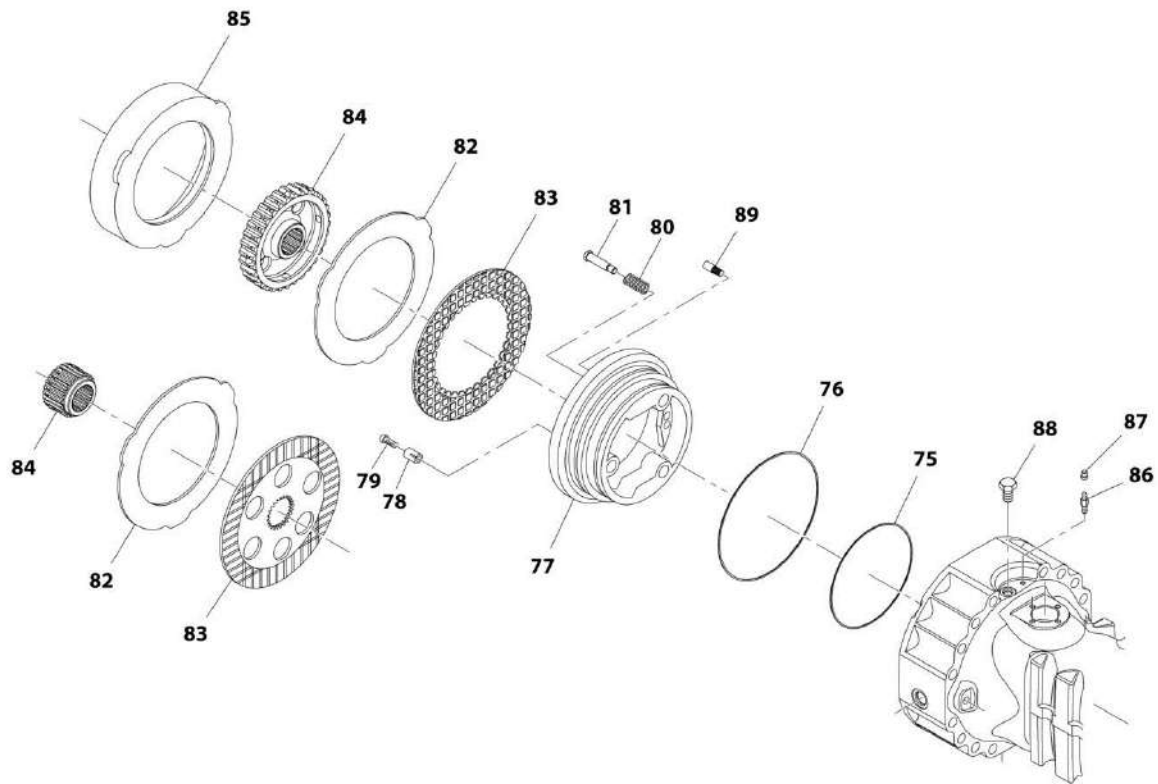
## SECTION 5 - DRIVE TRAIN

**FIGURE 5-21. REAR AXLE, HUB REDUCTION**

ITEM	PART NUMBER	QTY	DESCRIPTION	REV
32	70025341	2	Case, Axle	
33	91514081	2	Bolt	
34	91514082	2	Nut	
35	70022814	32	Bolt	
36	80204071	2	Circlip	
37	80204005	2	Circlip	
38	91514146	2	Ball Bearing	
39	91514147	2	Seal	
40	91514148	2	O-Ring	
41	91514149	2	Bushing, Reduction	
42	70026066	2	Joint, Double Universal	
43	70026238	2	Seal	
44	91514111	2	Bushing, Thrust	
45	70025562	24	Bolt	
46	91514099	2	Fitting, Grease	
47	91514112	2	Pivot Pin	
48	91514113	2	Shim	
49	91514114	2	Shim	
50	91514115	2	Shim	
51	7028716	2	Seal, Dust	
52	7028714	2	Bushing	
53	91514095	2	Bearing	
54	7028715	2	Pivot Pin	
55	2401305	4	Nut	
56	91514117	4	Bolt	
57	70021177	2	Plug	
58	91514087	2	Plug	
59	70026002	2	Seal	
60	80204076	4	Bearing, Taper Roller	
61	91514174	2	Wheel Hub	
62	91514178	2	Plate, Locking	
63	91514188	2	Plug	
64	91514189	4	Bolt, Countersunk	
65	91514179	16	Nut	
66	91514180	16	Stud	
67	91514181	2	O-Ring	
68	80214120	20	Stud, Wheel	
69	7029743	2	Kit, Planet Gear Carrier (See REAR AXLE PLANET GEAR CARRIER KIT for Breakdown)	
70	70026260	1	Case, Steering (RR)	
71	70026261	1	Case, Steering (LR)	
72	7028733	4	Bolt, Steering Adjust	
73	70024146	2	Kit, Ring Gear Support (See REAR AXLE RING GEAR SUPPORT KIT for Breakdown)	
74	91474524	2	Cover	

# SECTION 5 - DRIVE TRAIN

## FIGURE 5-22. REAR AXLE, BRAKES



ART\_1001179607\_4-E

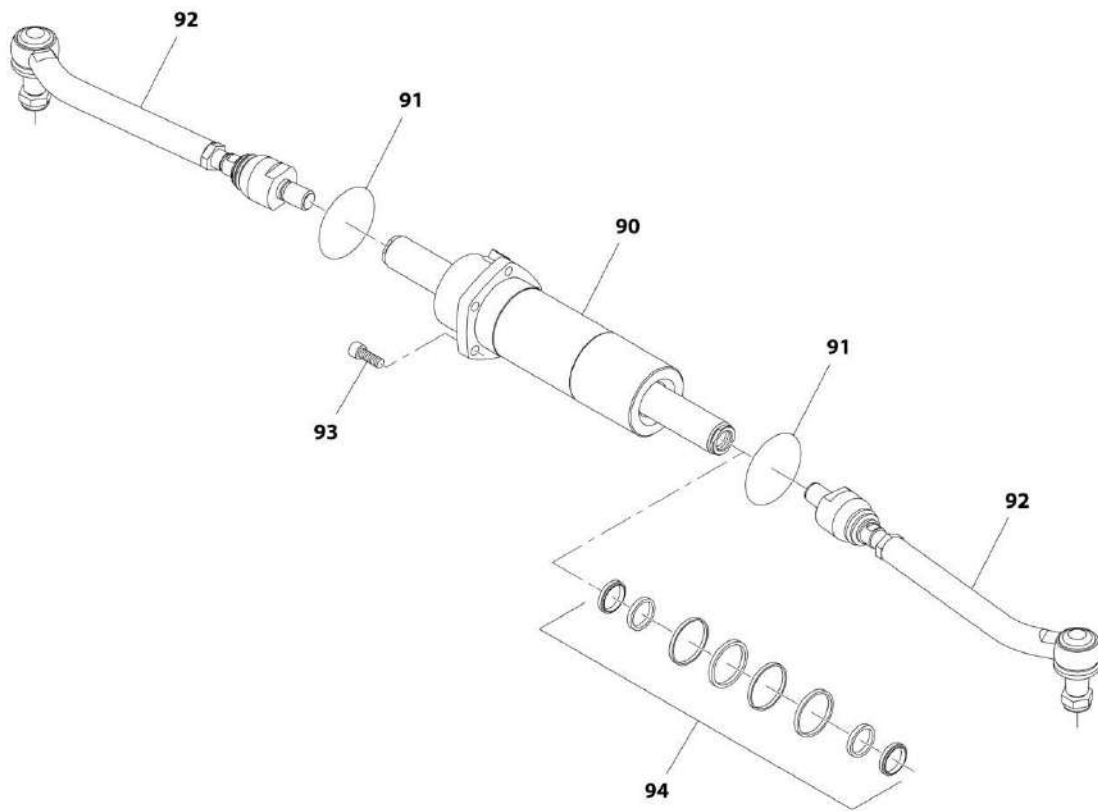
## SECTION 5 - DRIVE TRAIN

### FIGURE 5-22. REAR AXLE, BRAKES

ITEM	PART NUMBER	QTY	DESCRIPTION	REV
75	70026747	2	Seal	
76	70026748	2	Seal	
77	70024216	2	Piston	
78	91514165	6	Spring	
79	70021607	6	Bolt, Adjusting	
80	91514159	6	Spring	
81	70024210	6	Bolt, Adjusting	
82	91514161	6	Disc, Intermediate Brake	
83	7029735	6	Disk, Brake	
84	7029734	2	Bushing, Reduction	
85	70021606	2	Spacer	
86	2960243	2	Bolt, Bleeding	
87	80204117	2	Plug	
88	91514154	2	Bolt	
89	70021613	2	Bolt, Pilot	

# SECTION 5 - DRIVE TRAIN

## FIGURE 5-23. REAR AXLE, STEERING



ART\_1001179607\_5-E



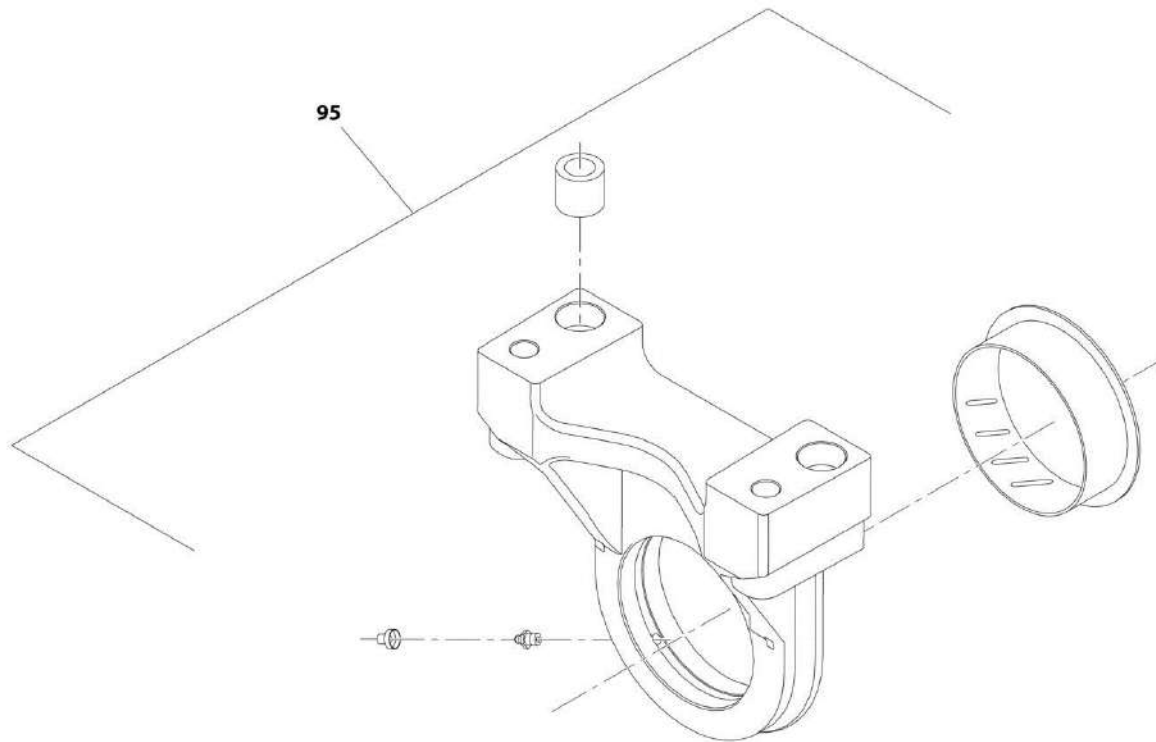
## SECTION 5 - DRIVE TRAIN

### FIGURE 5-23. REAR AXLE, STEERING

ITEM	PART NUMBER	QTY	DESCRIPTION	REV
90	7026490	1	Cylinder	
91	80204143	2	O-Ring	
92	70026753	2	Bar	
93	80204144	5	Bolt	
94	7029127	1	Seal Kit	

# SECTION 5 - DRIVE TRAIN

## FIGURE 5-24. REAR AXLE, TRUNION



ART\_1001179607\_6-E

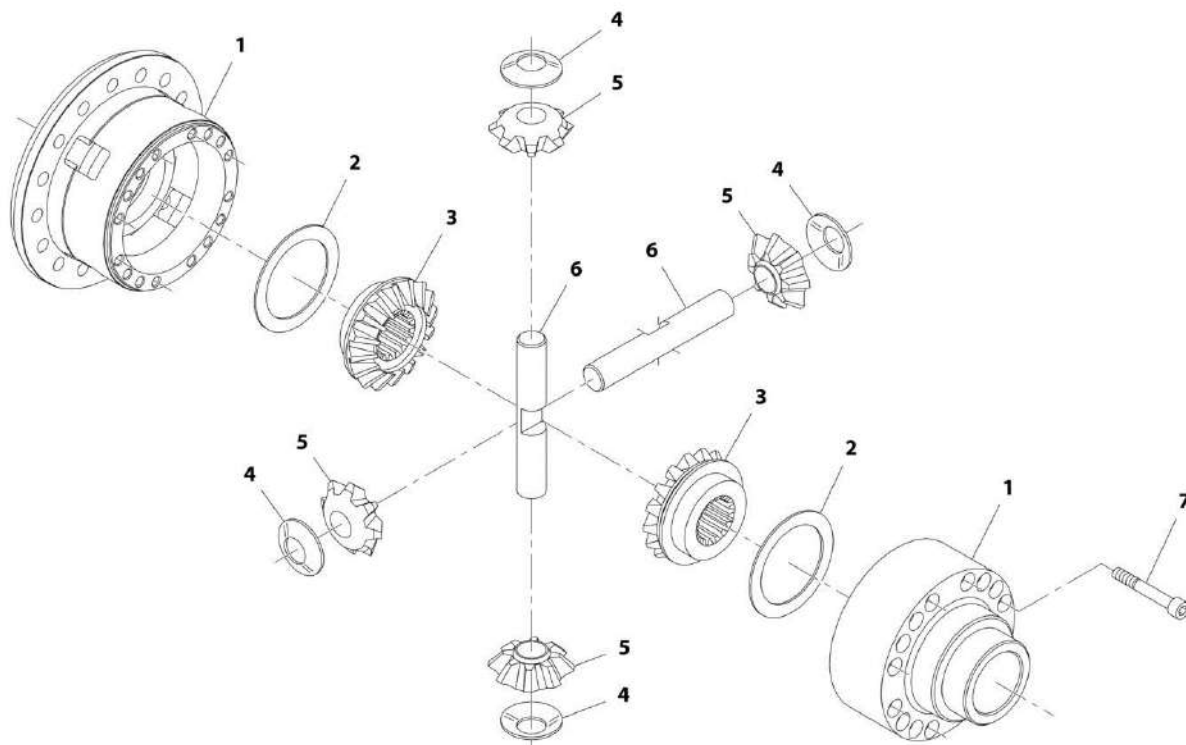
## SECTION 5 - DRIVE TRAIN

**FIGURE 5-24. REAR AXLE, TRUNION**

ITEM	PART NUMBER	QTY	DESCRIPTION	REV
95	7029292	2	Rear Axle Support Assembly, (See REAR AXLE SUPPORT ASSEMBLY for Breakdown)	

# SECTION 5 - DRIVE TRAIN

## FIGURE 5-25. REAR AXLE, DIFFERENTIAL ASSEMBLY



ART\_1001179607\_7-E

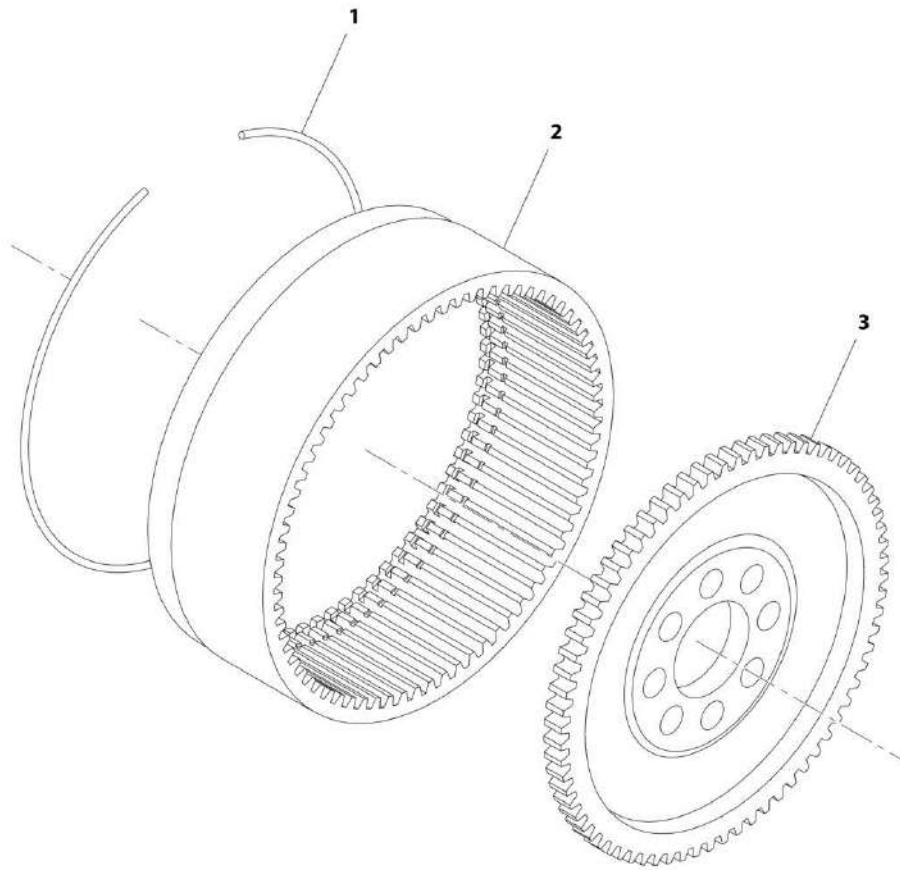
## SECTION 5 - DRIVE TRAIN

### FIGURE 5-25. REAR AXLE, DIFFERENTIAL ASSEMBLY

ITEM	PART NUMBER	QTY	DESCRIPTION	REV
	70026030	Ref	Rear Axle Differential Assembly	
1	70025337	1	Differential Carrier	
2	70023493	2	Washer, Friction	
3	70025338	2	Gear, Differential Side	
4	70023491	4	Washer, Friction	
5	70025339	4	Pinion, Differential	
6	70023490	2	Shaft, Differential	
7	70023489	15	Bolt	

## SECTION 5 - DRIVE TRAIN

FIGURE 5-26. REAR AXLE, RING GEAR SUPPORT KIT



ART\_1001179607\_8-E

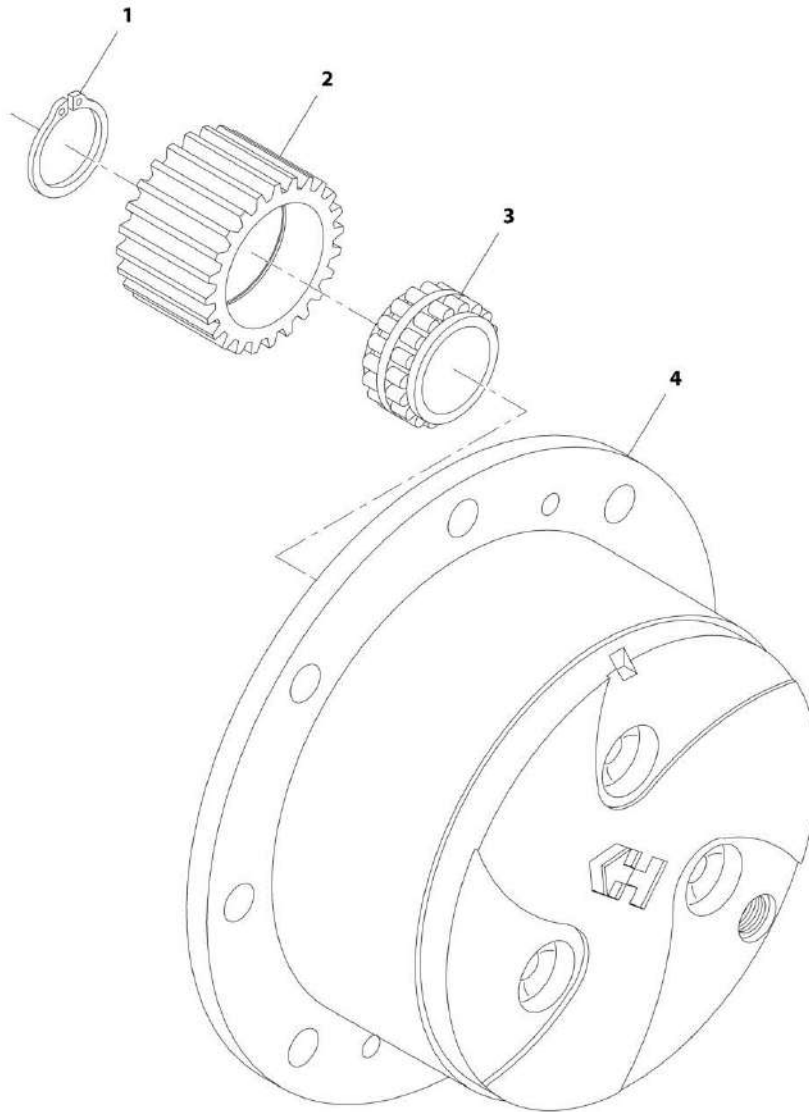
## SECTION 5 - DRIVE TRAIN

### FIGURE 5-26. REAR AXLE, RING GEAR SUPPORT KIT

ITEM	PART NUMBER	QTY	DESCRIPTION	REV
	70024146	Ref	Rear Axle Ring Gear Support Kit	
1	91514175	2	Circlip	
2	70024147	2	Ring Gear	
3	91514177	2	Support, Ring Gear	

# SECTION 5 - DRIVE TRAIN

FIGURE 5-27. REAR AXLE, PLANET GEAR CARRIER KIT



ART\_1001179607\_9-E



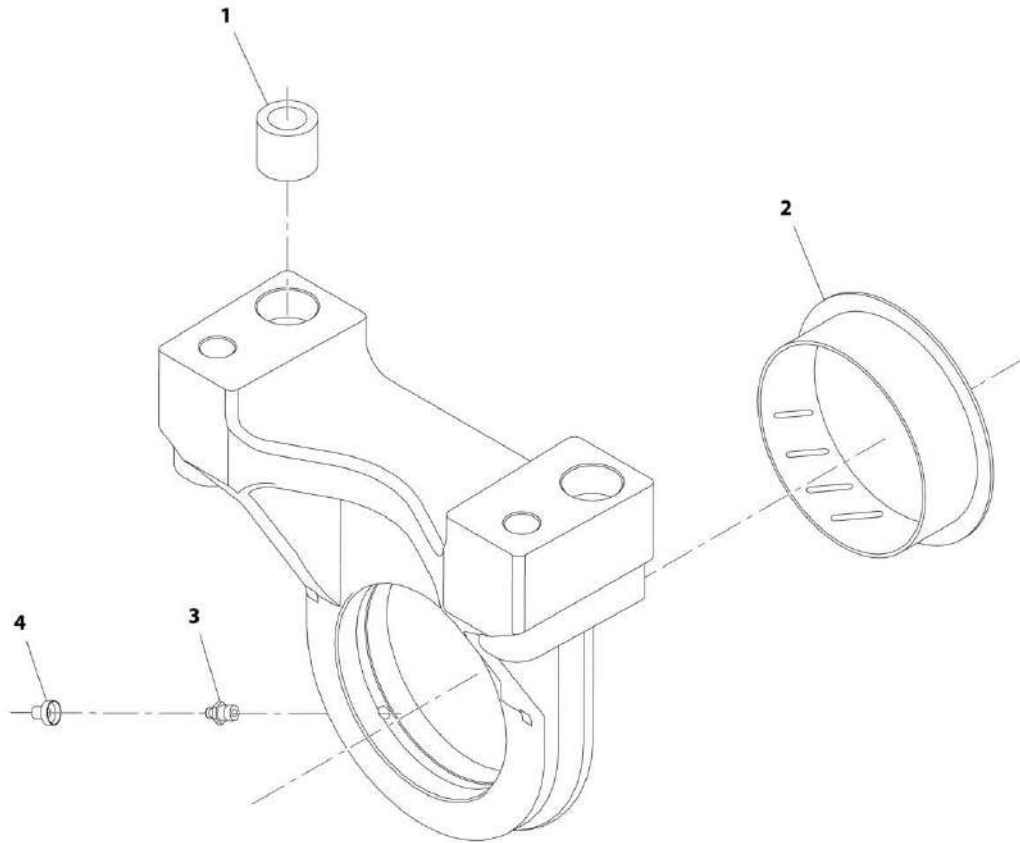
## SECTION 5 - DRIVE TRAIN

FIGURE 5-27. REAR AXLE, PLANET GEAR CARRIER KIT

ITEM	PART NUMBER	QTY	DESCRIPTION	REV
	7029743	Ref	Rear Axle Planet Gear Carrier Kit	
1	91514184	8	Circlip	
2	91514185	8	Gear, Planet	
3	91514186	8	Bearing	
4	7029317	2	Planet Gear Carrier	

# SECTION 5 - DRIVE TRAIN

## FIGURE 5-28. REAR AXLE, SUPPORT ASSEMBLY



ART\_1001179607\_10-E

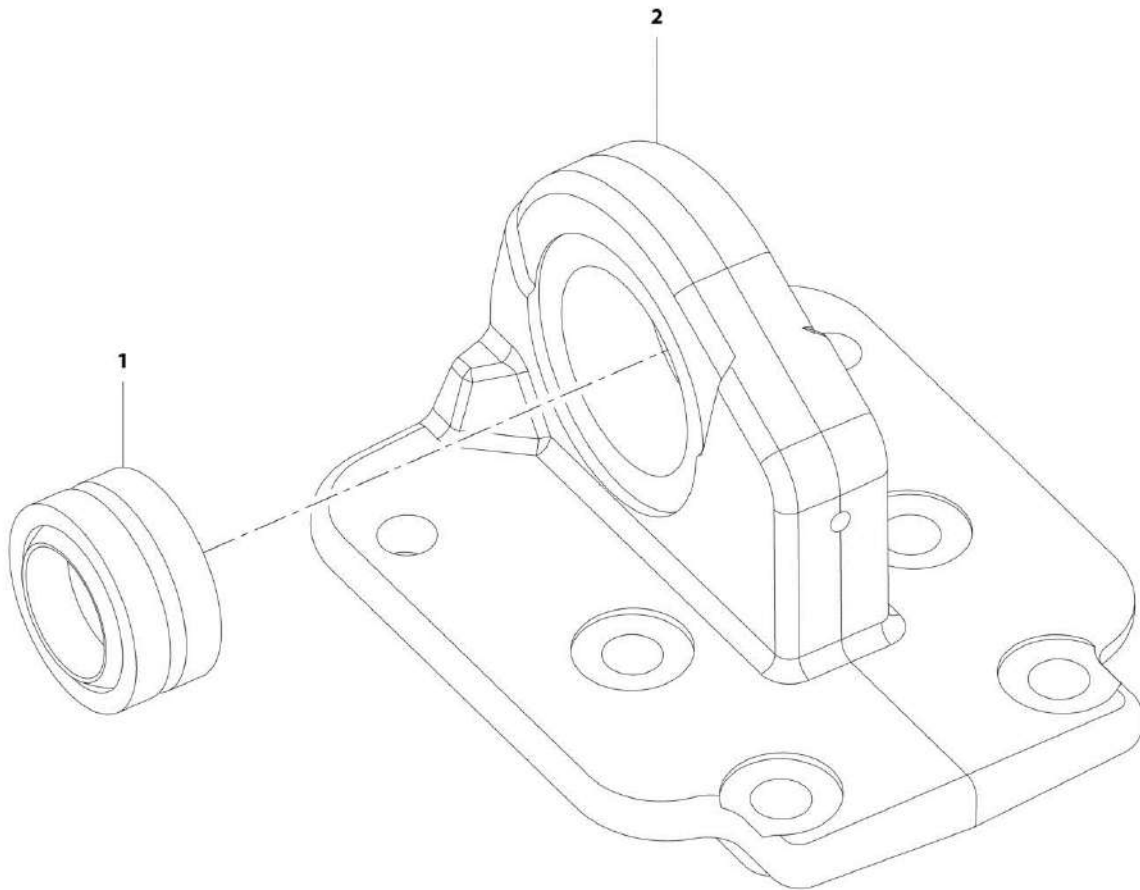
## SECTION 5 - DRIVE TRAIN

### FIGURE 5-28. REAR AXLE, SUPPORT ASSEMBLY

ITEM	PART NUMBER	QTY	DESCRIPTION	REV
	7029292	Ref	Rear Axle Support Assembly	
1	7029290	4	Bushing	
2	91514090	2	Bushing, Thrust	
3	91514099	2	Fitting, Grease	
4	80204117	2	Plug	

## SECTION 5 - DRIVE TRAIN

FIGURE 5-29. FRONT AXLE, PIVOT SUPPORT ASSEMBLY



ART\_1001099602-C

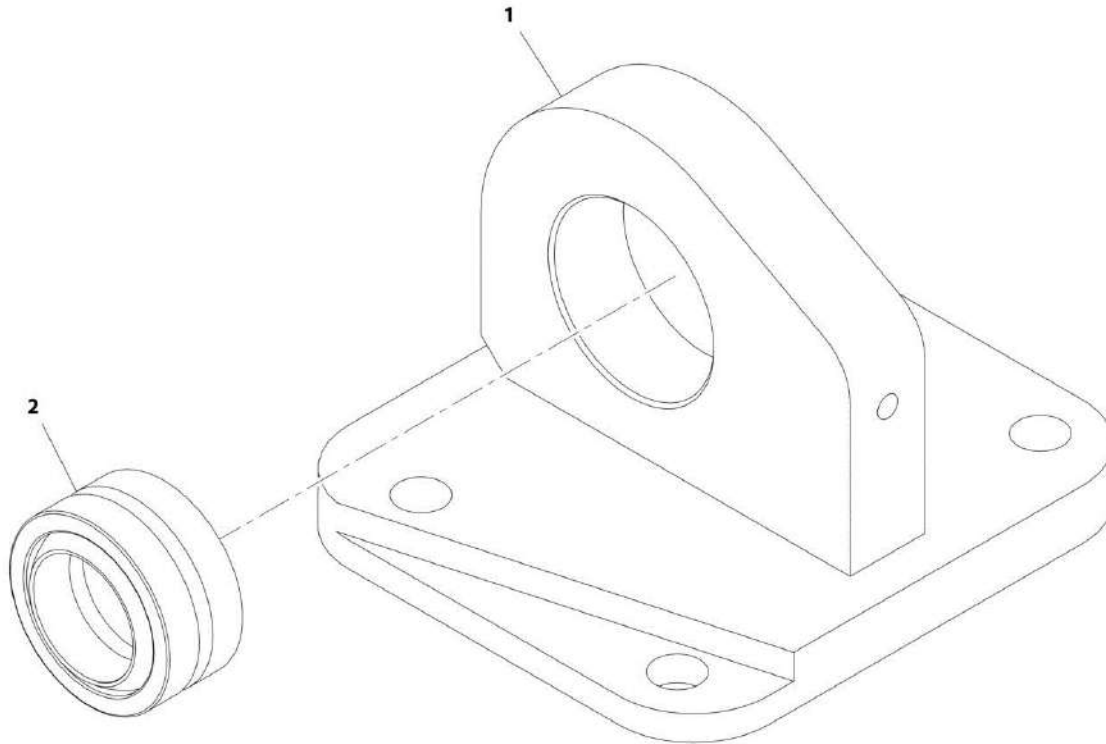
## SECTION 5 - DRIVE TRAIN

### FIGURE 5-29. FRONT AXLE, PIVOT SUPPORT ASSEMBLY

ITEM	PART NUMBER	QTY	DESCRIPTION	REV
	1001099602	Ref	Pivot Support Assembly	C
1	8065640	1	Bearing	
2	1001099601	1	Pivot Support	

## SECTION 5 - DRIVE TRAIN

FIGURE 5-30. REAR AXLE, PIVOT SUPPORT ASSEMBLY



ART\_1001142892-A

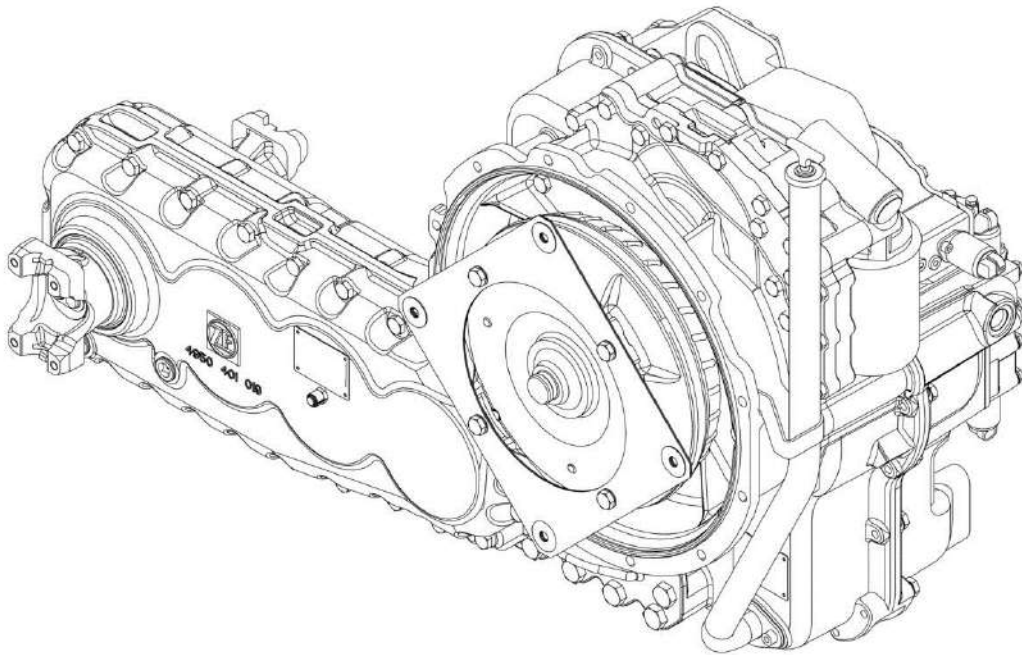
## SECTION 5 - DRIVE TRAIN

FIGURE 5-30. REAR AXLE, PIVOT SUPPORT ASSEMBLY

ITEM	PART NUMBER	QTY	DESCRIPTION	REV
	1001142892	1	Pivot Support Assembly	A
1	1001142893	1	Bracket	
2	8065640	1	Bearing	

## SECTION 5 - DRIVE TRAIN

FIGURE 5-31. POWERSHIFT TRANSMISSION



ART\_100170171\_1-C



## SECTION 5 - DRIVE TRAIN

**FIGURE 5-31. POWERSHIFT TRANSMISSION**

ITEM	PART NUMBER	QTY	DESCRIPTION	REV
	1001170171	Ref	Powershift Transmission	C
		Ref	Transmission, Engine Connection (See TRANSMISSION, ENGINE CONNECTION for Breakdown)	
		Ref	Transmission, Converter (See TRANSMISSION, CONVERTER for Breakdown)	
		Ref	Transmission, Input (See TRANSMISSION, INPUT for Breakdown)	
		Ref	Transmission, Housing Group 1 (See TRANSMISSION, HOUSING GROUP 1 for Breakdown)	
		Ref	Transmission, Housing Group 2 (See TRANSMISSION, HOUSING GROUP 2 for Breakdown)	
		Ref	Transmission, Clutch Group 1 (See TRANSMISSION, CLUTCH GROUP 1 for Breakdown)	
		Ref	Transmission, Clutch Group 2 (See TRANSMISSION, CLUTCH GROUP 2 for Breakdown)	
		Ref	Transmission, Coupling Group 1 (See TRANSMISSION, COUPLING GROUP 1 for Breakdown)	
		Ref	Transmission, Coupling Group 2 (See TRANSMISSION, COUPLING GROUP 2 for Breakdown)	
		Ref	Transmission, Coupling Group 3 (See TRANSMISSION, COUPLING GROUP 3 for Breakdown)~Transmission, Coupling Group 3 (See TRANSMISSION, COUPLING GROUP 3 for Breakdown)	
		Ref	Transmission, Coupling Group 4 (See TRANSMISSION, COUPLING GROUP 4 for Breakdown)	
		Ref	Transmission, Output (See TRANSMISSION, OUTPUT for Breakdown)	
		Ref	Transmission, Power Take-Off (See TRANSMISSION, POWER TAKE-OFF for Breakdown)	
		Ref	Transmission, Control Unit (See TRANSMISSION, CONTROL UNIT for Breakdown)	
		Ref	Transmission, Shift System (See TRANSMISSION, SHIFT SYSTEM for Breakdown)	
		Ref	Transmission, Pressure Regulator (See TRANSMISSION, PRESSURE REGULATOR for Breakdown)	
		Ref	Transmission, Pressure Oil Pump (See TRANSMISSION, PRESSURE OIL PUMP for Breakdown)	
		Ref	Transmission, Inductive Transmitter (See TRANSMISSION, INDUCTIVE TRANSMITTER for Breakdown)	
		Ref	Transmission, Filter (See TRANSMISSION, FILTER for Breakdown)	
		Ref	Transmission, Accessories Group 1 (See TRANSMISSION, ACCESSORIES GROUP 1 for Breakdown)	
		Ref	Transmission, Peripherals Group 1 (See TRANSMISSION, PERIPHERALS GROUP 1 for Breakdown)	
		Ref	Transmission, Peripherals Group 2 (See TRANSMISSION, PERIPHERALS GROUP 2 for Breakdown)	
		Ref	Transmission, Accessories Group 2 (See TRANSMISSION, ACCESSORIES GROUP 2 for Breakdown)	
		Ref	Transmission, Housing Group (See TRANSMISSION, HOUSING GROUP for Breakdown)	
		Ref	Transmission, Housing 1 (See TRANSMISSION, HOUSING 1 for Breakdown)	
		Ref	Transmission, Housing 2 (See TRANSMISSION, HOUSING 2 for Breakdown)	
		Ref	Transmission, Housing Input (See TRANSMISSION, HOUSING	

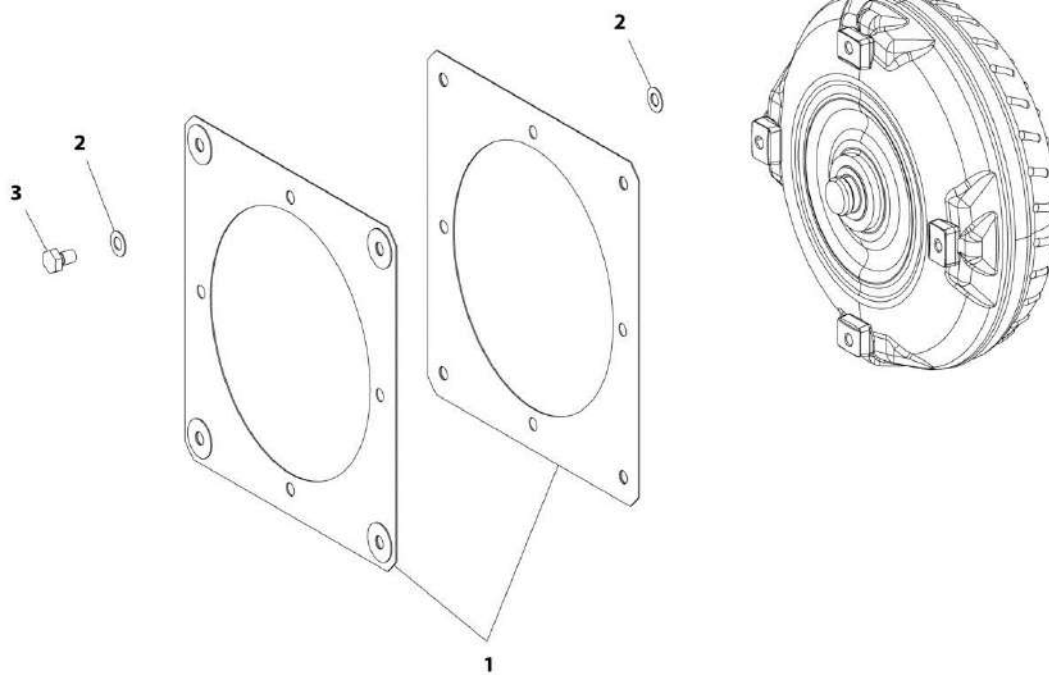
## SECTION 5 - DRIVE TRAIN

ITEM	PART NUMBER	QTY	DESCRIPTION	REV
			<b>INPUT for Breakdown)</b>	
		Ref	Transmission, Housing Output 1 (See TRANSMISSION, HOUSING OUTPUT 1 for Breakdown)	
		Ref	Transmission, Housing Output 2 (See TRANSMISSION, HOUSING OUTPUT 2 for Breakdown)	



# SECTION 5 - DRIVE TRAIN

## FIGURE 5-32. TRANSMISION, ENGINE CONNECTION



ART\_1001170171\_2-C

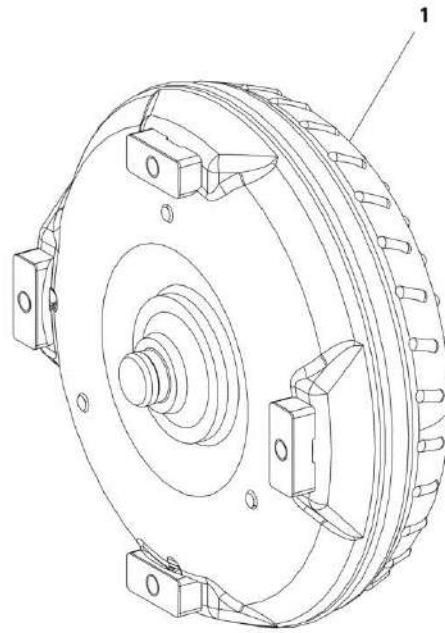
## SECTION 5 - DRIVE TRAIN

**FIGURE 5-32. TRANSMISION, ENGINE CONNECTION**

ITEM	PART NUMBER	QTY	DESCRIPTION	REV
1	1319229	2	Diaphragm	
2	7026745	8	Washer, M10 (See Note 1)	
3	7026744	4	Hex HD Capscrew, M10X16	

## SECTION 5 - DRIVE TRAIN

FIGURE 5-33. TRANSMISSION, CONVERTER



ART\_1001170171\_3-C

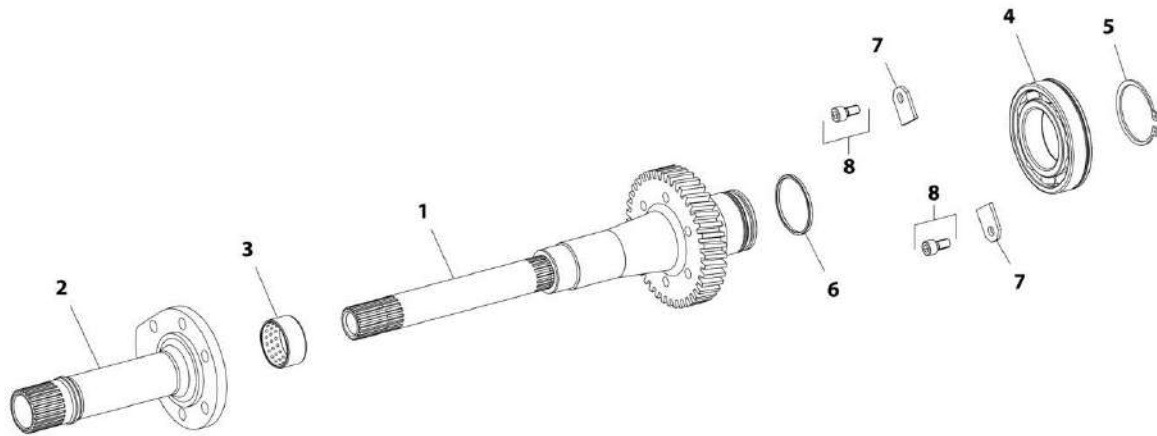
## SECTION 5 - DRIVE TRAIN

FIGURE 5-33. TRANSMISSION, CONVERTER

ITEM	PART NUMBER	QTY	DESCRIPTION	REV
1	7026746	1	Converter, Torque	

# SECTION 5 - DRIVE TRAIN

## FIGURE 5-34. TRANSMISSION, INPUT



ART\_1001170171\_4-C



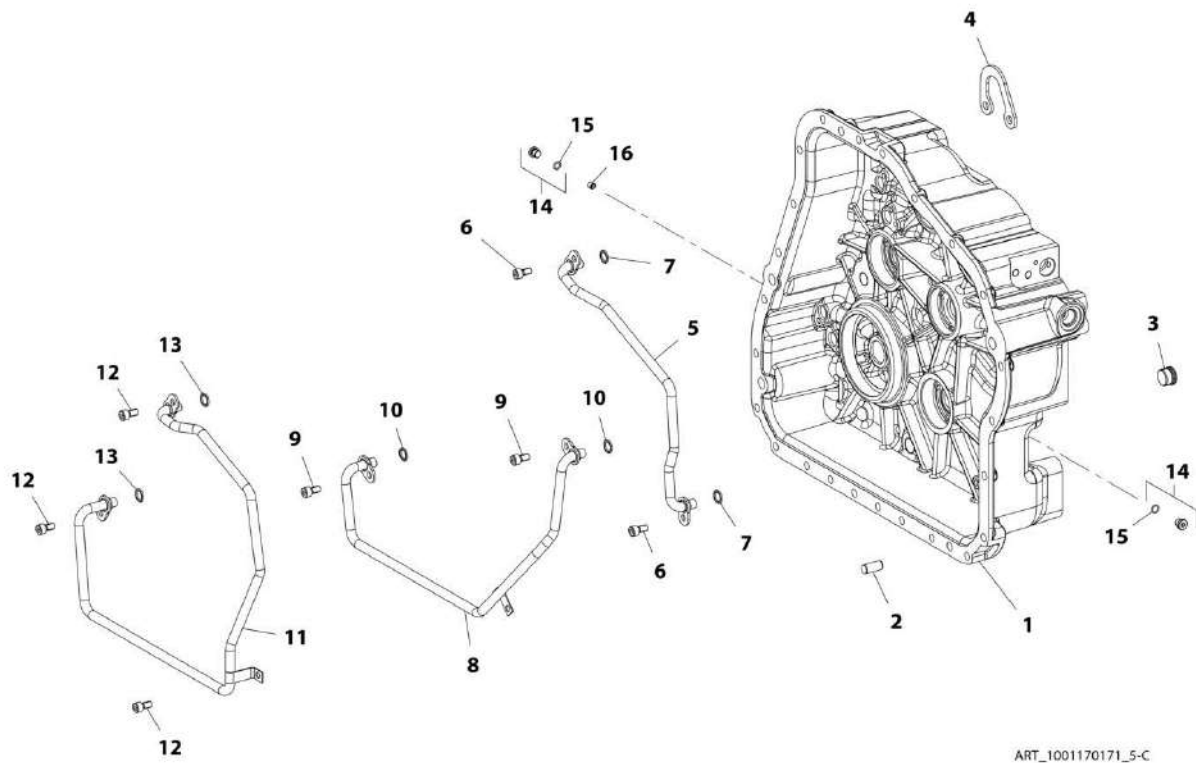
## SECTION 5 - DRIVE TRAIN

**FIGURE 5-34. TRANSMISSION, INPUT**

ITEM	PART NUMBER	QTY	DESCRIPTION	REV
1	7026747	1	Shaft, Turbine	
2	7026748	1	Shaft, Stator	
3	1319558	1	Bushing, Bearing	
4	1319563	1	Bearing, Ball	
5	80304405	1	Ring, Retaining	
6	7026749	1	Ring, Piston	
7	70026515	2	Strap	
8	70026516	2	Bolt, M8X16	

# SECTION 5 - DRIVE TRAIN

## FIGURE 5-35. TRANSMISSION, HOUSING GROUP 1



ART\_1001170171\_5-C

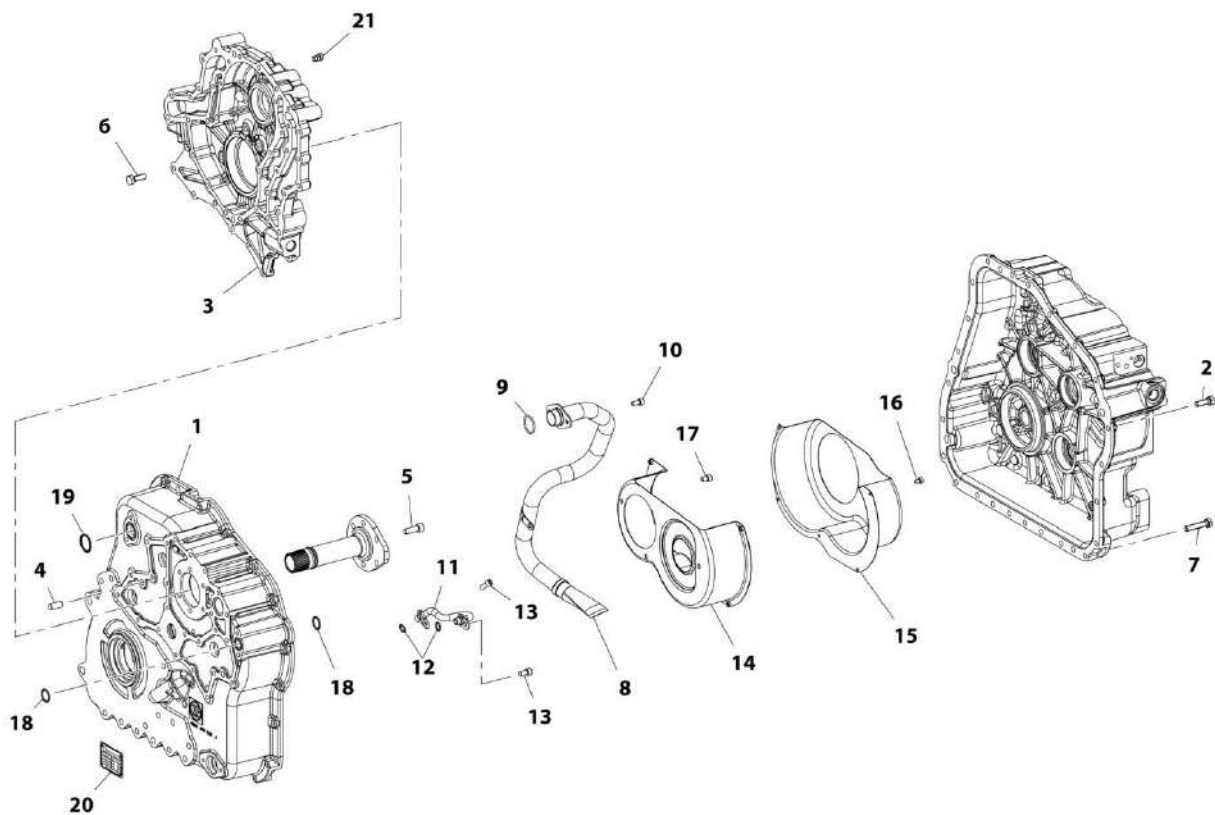
## SECTION 5 - DRIVE TRAIN

### FIGURE 5-35. TRANSMISSION, HOUSING GROUP 1

ITEM	PART NUMBER	QTY	DESCRIPTION	REV
1	7029973	1	Housing	
2	1319571	2	Pin, Dowel	
3	70023404	1	Plug	
4	1319590	1	Bracket, Lift	
5	7026750	1	Pipe	
6	70026516	2	Bolt, M8X16	
7	8036847	2	O-Ring	
8	7026751	1	Pipe	
9	70026516	2	Bolt, M8X16	
10	8036847	2	O-Ring	
11	7026752	1	Pipe	
12	70026516	3	Bolt, M8X16	
13	8036847	2	O-Ring	
14	70026517	7	Plug, Screw	
15	10731709	7	O-Ring	
16	70026518	1	Nozzle	

# SECTION 5 - DRIVE TRAIN

## FIGURE 5-36. TRANSMISSION, HOUSING GROUP 2



ART\_1001170171\_6-C

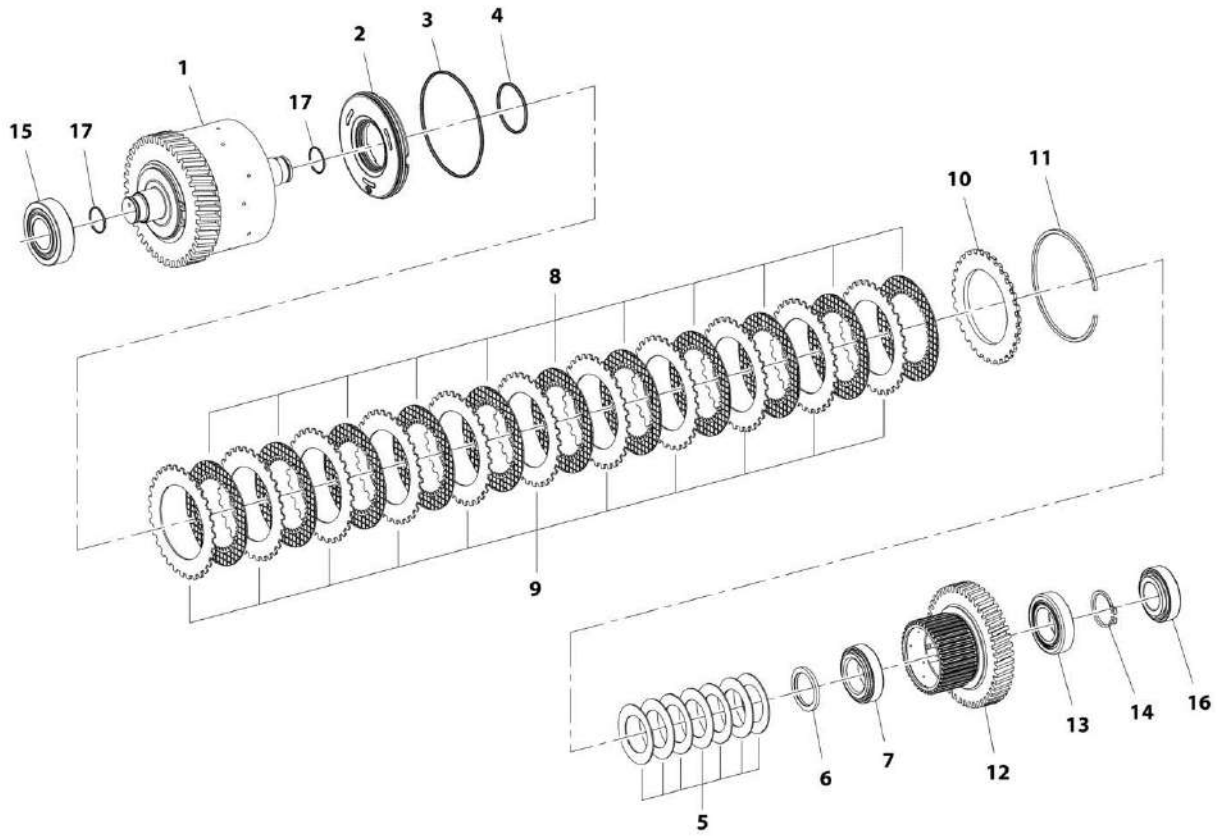
## SECTION 5 - DRIVE TRAIN

**FIGURE 5-36. TRANSMISSION, HOUSING GROUP 2**

ITEM	PART NUMBER	QTY	DESCRIPTION	REV
1	7029972	1	Housing	
2	80304394	18	Bolt, M10X30	
3	70021920	1	Housing, PTO	
4	1319571	2	Pin, Dowel	
5	70026519	6	Bolt, M10X30	
6	80304394	13	Bolt, M10X30	
7	7026794	6	Bolt, M10X50	
8	7026753	1	Tube, Suction	
9	70023885	1	O-Ring	
10	70026516	2	Bolt, M8X16	
11	7026754	1	Pipe	
12	8036847	2	O-Ring	
13	70026516	2	Bolt, M8X16	
14	7026755	1	Sheet, Screen	
15	7026756	1	Sheet, Screen	
16	70026520	5	Bolt, M6X10	
17	70026521	3	Bolt, M8X12	
18	7026792	2	O-Ring	
19	70023885	1	O-Ring	
20	N.S.S.	1	S/N Plate	
21	10731744	1	Breather	

# SECTION 5 - DRIVE TRAIN

## FIGURE 5-37. TRANSMISSION, CLUTCH GROUP 1



ART\_1001170171\_7-C

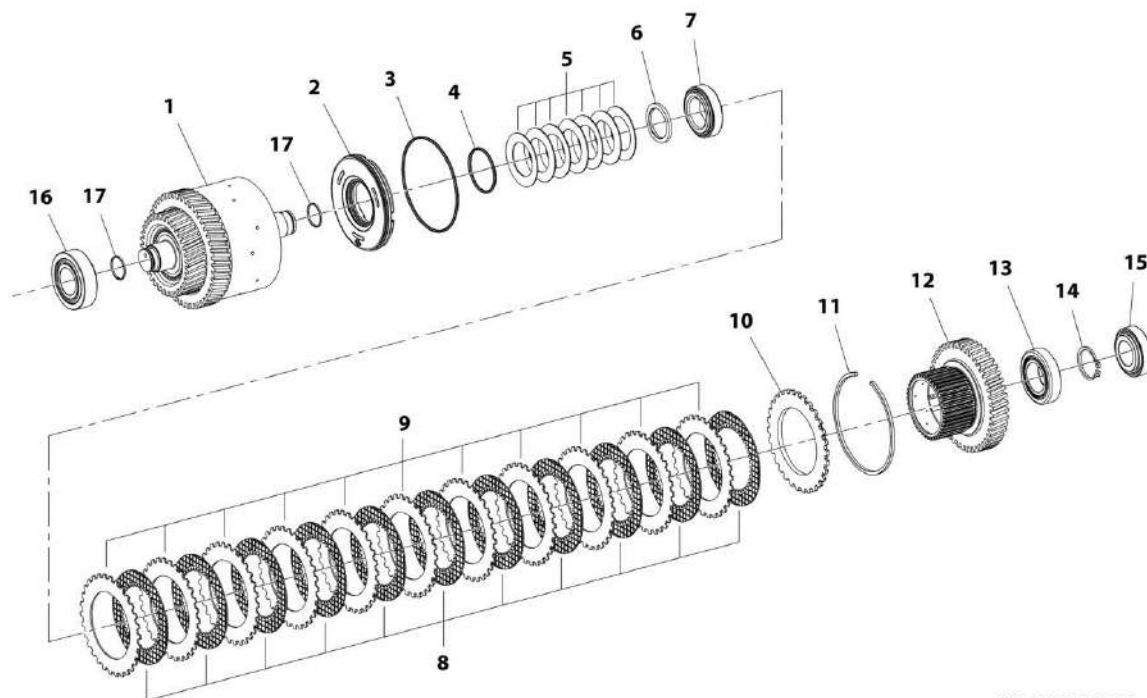
## SECTION 5 - DRIVE TRAIN

**FIGURE 5-37. TRANSMISSION, CLUTCH GROUP 1**

ITEM	PART NUMBER	QTY	DESCRIPTION	REV
1	7026757	1	Coupling	
2	70022075	1	Piston	
3	1319594	1	O-Ring	
4	1319593	1	O-Ring	
5	1319595	7	Spring, Cup	
6	1319617	1	Support, Shim	
7	1319618	AR	Bearing, Roller	
8	7026758	11	Disc, Friction	
9	7026759	11	Disc, Clutch	
10	7026760	1	Shim, End	
11	70026527	AR	Ring, Snap 2.00	
11	70026528	AR	Ring, Snap 2.25	
11	70026529	AR	Ring, Snap 2.50	
11	7029852	AR	Ring, Snap 2.75	
11	1319602	AR	Ring, Snap 3.00	
11	7029849	AR	Ring, Snap 3.25	
11	1319601	AR	Ring, Snap 3.50	
11	7029850	AR	Ring, Snap 3.75	
11	1319600	AR	Ring, Snap 4.00	
12	1319638	1	Carrier, Inner Disc	
13	1319620	AR	Bearing, Roller~Bearing, Roller	
14	1319632	AR	Ring, Retaining 2.10	
14	1319631	AR	Ring, Retaining 2.20	
14	1319630	AR	Ring, Retaining 2.30	
14	1319629	AR	Ring, Retaining 2.40	
14	1319628	AR	Ring, Retaining 2.50	
14	1319627	AR	Ring, Retaining 2.60	
14	1319626	AR	Ring, Retaining 2.70	
14	1319625	AR	Ring, Retaining 2.80	
14	1319624	AR	Ring, Retaining 2.90	
14	1319623	AR	Ring, Retaining 3.00	
14	1319622	AR	Ring, Retaining 3.10	
14	1319621	AR	Ring, Retaining 3.20	
15	1319615	1	Bearing, Roller	
16	1319636	1	Bearing, Roller	
17	7026761	2	Ring, Piston	

# SECTION 5 - DRIVE TRAIN

## FIGURE 5-38. TRANSMISSION, CLUTCH GROUP 2



ART\_1001170171\_8-C



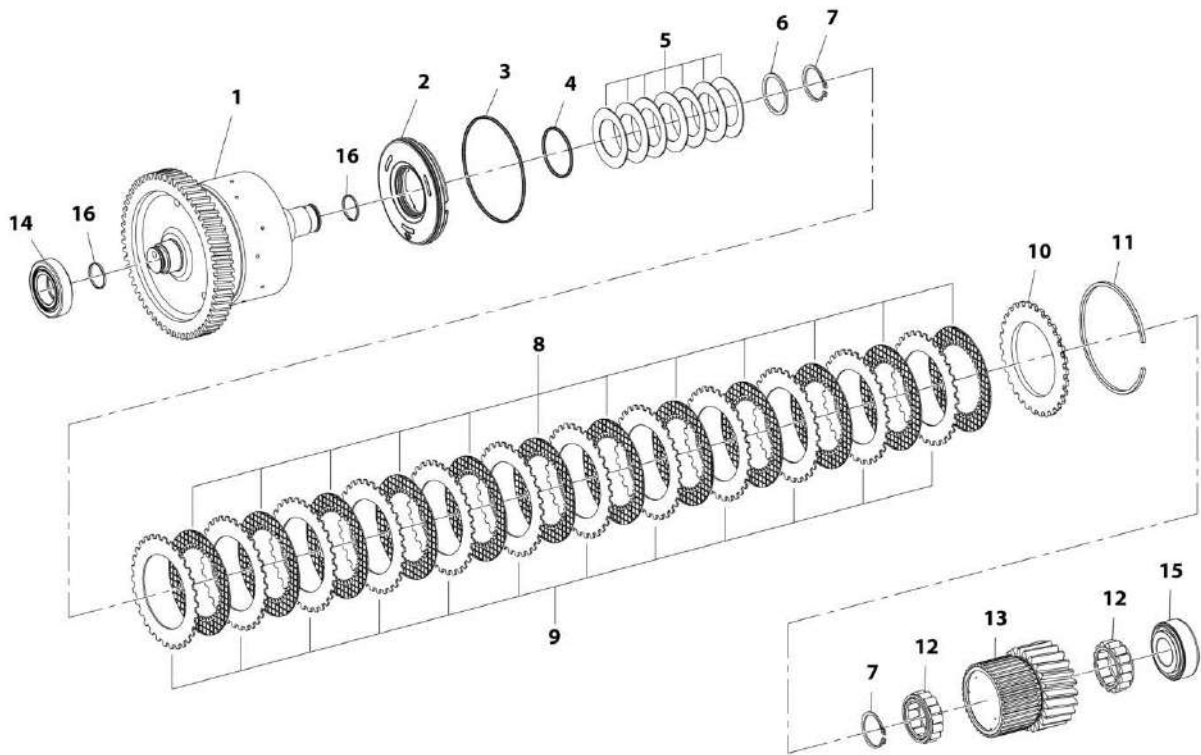
## SECTION 5 - DRIVE TRAIN

**FIGURE 5-38. TRANSMISSION, CLUTCH GROUP 2**

ITEM	PART NUMBER	QTY	DESCRIPTION	REV
1	7026762	1	Coupling	
2	70022075	1	Piston	
3	1319594	1	O-Ring~O-Ring	
4	1319593	1	O-Ring	
5	1319595	7	Spring, Cup~Spring, Cup	
6	1319617	1	Shim, Support	
7	1319618	AR	Bearing, Roller	
8	7026758	11	Disc, Friction	
9	7026759	11	Disc, Static	
10	7026760	1	Shim, End	
11	70026527	AR	Ring, Snap 2.00	
11	70026528	AR	Ring, Snap 2.25	
11	70026529	AR	Ring, Snap 2.50	
11	7029852	AR	Ring, Snap 2.75	
11	1319602	AR	Ring, Snap 3.00	
11	7029849	AR	Ring, Snap 3.25	
11	1319601	AR	Ring, Snap 3.50	
11	7029850	AR	Ring, Snap 3.75	
11	1319600	AR	Ring, Snap 4.00	
12	1319638	1	Carrier, Disc	
13	1319620	1	Bearing, Roller	
14	1319632	AR	Ring, Retaining 2.10	
14	1319631	AR	Ring, Retaining 2.20	
14	1319630	AR	Ring, Retaining 2.30	
14	1319629	AR	Ring, Retaining 2.40	
14	1319628	AR	Ring, Retaining 2.50	
14	1319627	AR	Ring, Retaining 2.60	
14	1319626	AR	Ring, Retaining 2.70~Ring, Retaining 2.70	
14	1319625	AR	Ring, Retaining 2.80	
14	1319624	AR	Ring, Retaining 2.90~Ring, Retaining 2.90	
14	1319623	AR	Ring, Retaining 3.00	
14	1319622	AR	Ring, Retaining 3.10	
14	1319621	AR	Ring, Retaining 3.20	
15	1319615	1	Bearing, Roller	
16	1319636	1	Bearing, Roller	
17	7026761	2	Ring, Piston	

# SECTION 5 - DRIVE TRAIN

## FIGURE 5-39. TRANSMISSION, COUPLING GROUP 1



ART\_1001170171\_9-C

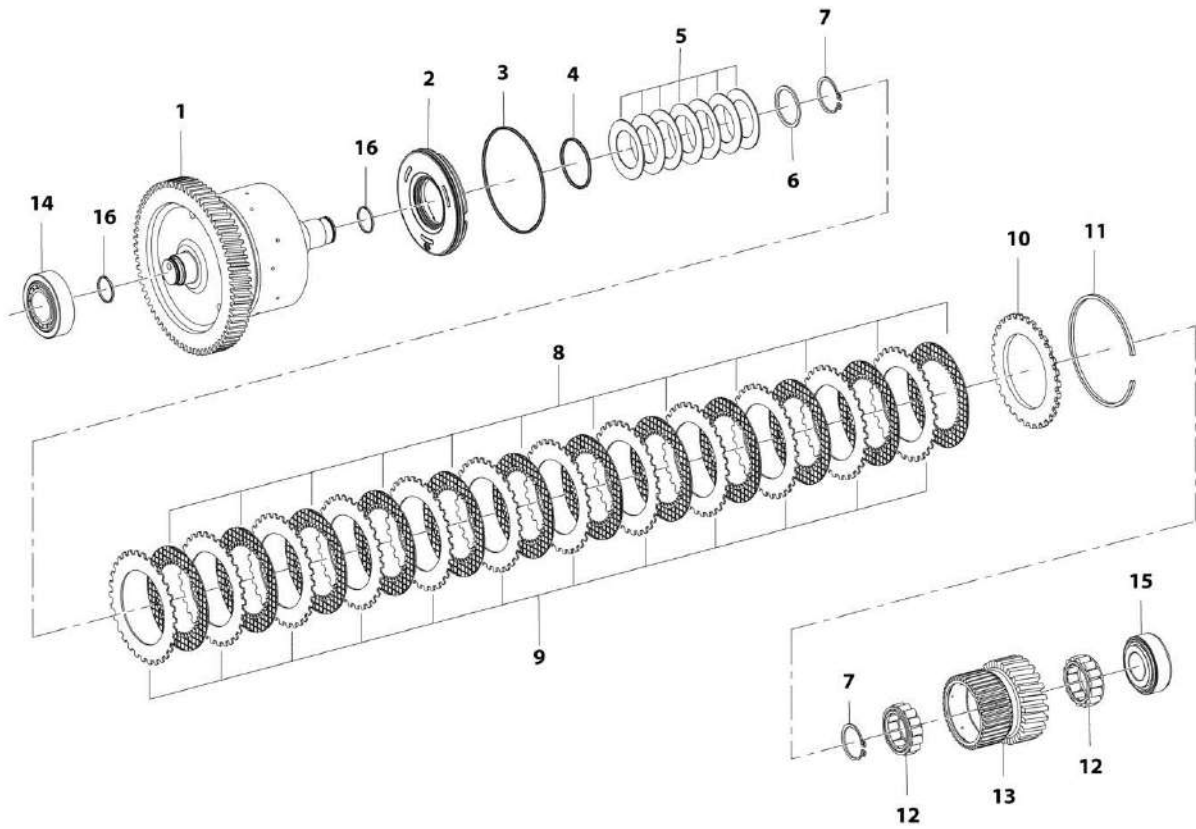
## SECTION 5 - DRIVE TRAIN

**FIGURE 5-39. TRANSMISSION, COUPLING GROUP 1**

ITEM	PART NUMBER	QTY	DESCRIPTION	REV
1	70026530	1	Coupling	
2	70022075	1	Piston	
3	1319594	1	O-Ring	
4	1319593	1	O-Ring	
5	1319595	7	Spring, Cup	
6	1319596	1	Shim 2.00~Shim 2.00	
7	10731845	2	Ring, Retaining~Ring, Retaining	
8	7026758	12	Disc, Friction	
9	7026759	12	Disc, Clutch	
10	7026760	1	Shim, End	
11	70026527	AR	Ring, Snap 2.00	
11	70026528	AR	Ring, Snap 2.25	
11	70026529	AR	Ring, Snap 2.50	
11	7029852	AR	Ring, Snap 2.75	
11	1319602	AR	Ring, Snap 3.00	
11	7029849	AR	Ring, Snap 3.25	
11	1319601	AR	Ring, Snap 3.50~Ring, Snap 3.50	
11	7029850	AR	Ring, Snap 3.75	
11	1319600	AR	Ring, Snap 4.00~Ring, Snap 4.00	
12	1319605	AR	Cage, Roller	
13	1319607	1	Carrier, Disc	
14	1319608	1	Bearing, Roller	
15	8036190	1	Bearing, Roller	
16	7026761	2	Piston Ring	

# SECTION 5 - DRIVE TRAIN

## FIGURE 5-40. TRANSMISSION, COUPLING GROUP 2



ART\_1001170171\_10-C

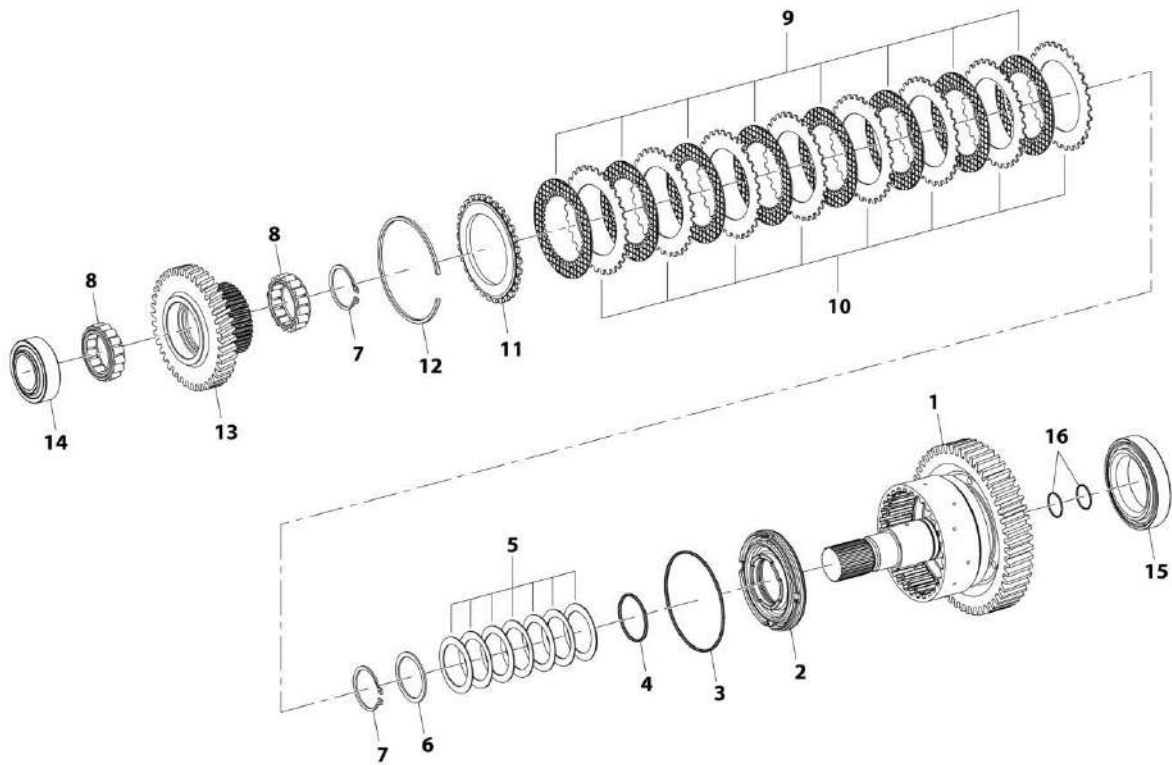
## SECTION 5 - DRIVE TRAIN

**FIGURE 5-40. TRANSMISSION, COUPLING GROUP 2**

ITEM	PART NUMBER	QTY	DESCRIPTION	REV
1	70026531	1	Coupling	
2	70022075	1	Piston	
3	1319594	1	O-Ring~O-Ring	
4	1319593	1	O-Ring	
5	1319595	7	Spring, Cup	
6	1319596	1	Shim	
7	10731845	2	Ring, Retaining	
8	7026758	12	Disc, Friction	
9	7026759	12	Disc, Clutch	
10	7026760	1	Shim, End	
11	70026527	AR	Ring, Snap 2.00	
11	70026528	AR	Ring, Snap 2.25	
11	70026529	AR	Ring, Snap 2.50	
11	7029852	AR	Ring, Snap 2.75	
11	1319602	AR	Ring, Snap 3.00	
11	7029849	AR	Ring, Snap 3.25	
11	1319601	AR	Ring, Snap 3.50	
11	7029850	AR	Ring, Snap 3.75	
11	1319600	AR	Ring, Snap 4.00	
12	1319605	AR	Bearing, Roller	
13	1319614	1	Carrier, Disc	
14	1319615	1	Bearing, Roller	
15	8036190	1	Bearing, Roller	
16	7026761	2	Piston Ring	

# SECTION 5 - DRIVE TRAIN

## FIGURE 5-41. TRANSMISSION, COUPLING GROUP 3



ART\_1001170171\_11-C

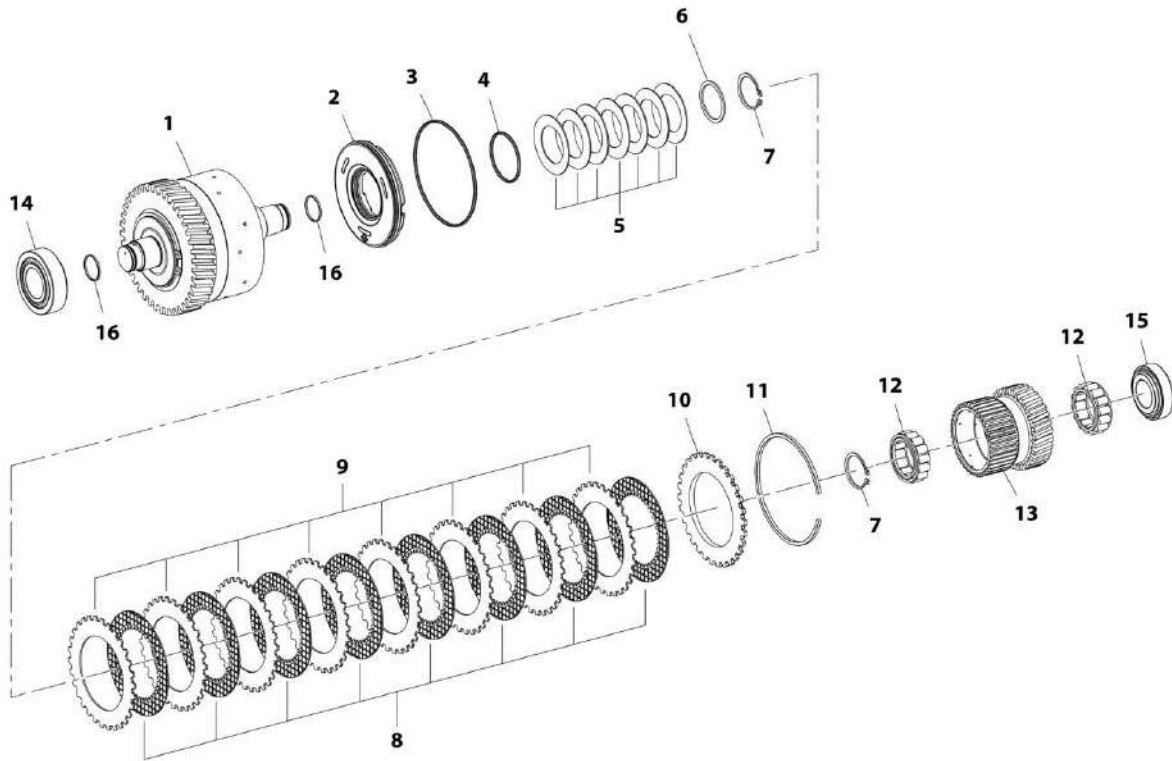
## SECTION 5 - DRIVE TRAIN

**FIGURE 5-41. TRANSMISSION, COUPLING GROUP 3**

ITEM	PART NUMBER	QTY	DESCRIPTION	REV
1	70026532	1	Coupling	
2	70022075	1	Piston~Piston	
3	1319594	1	O-Ring	
4	1319593	1	O-Ring	
5	7026765	7	Spring, Cup	
6	7026766	1	Washer	
7	80304227	AR	Ring, Retaining~Ring, Retaining	
8	70021227	AR	Ring	
8	70021228	AR	Cage, Roller	
9	7026758	AR	Disc, Friction	
10	7026759	AR	Disc, Clutch	
11	7026760	AR	Shim, End	
12	70026527	AR	Ring, Snap 2.00	
12	70026528	AR	Ring, Snap 2.25	
12	70026529	AR	Ring, Snap 2.50	
12	7029852	AR	Ring, Snap 2.75	
12	1319602	AR	Ring, Snap 3.00	
12	7029849	AR	Ring, Snap 3.25	
12	1319601	AR	Ring, Snap 3.50	
12	7029850	AR	Ring, Snap 3.75	
12	1319600	AR	Ring, Snap 4.00	
13	7027267	1	Carrier, Disc	
14	70021268	1	Bearing, Outer Ring	
14	70021269	1	Bearing, Inner Ring	
15	7026769	AR	Bearing, Roller	
16	7026761	2	Ring, Piston	

# SECTION 5 - DRIVE TRAIN

## FIGURE 5-42. TRANSMISSION, COUPLING GROUP 4



ART\_1001170171\_12-C



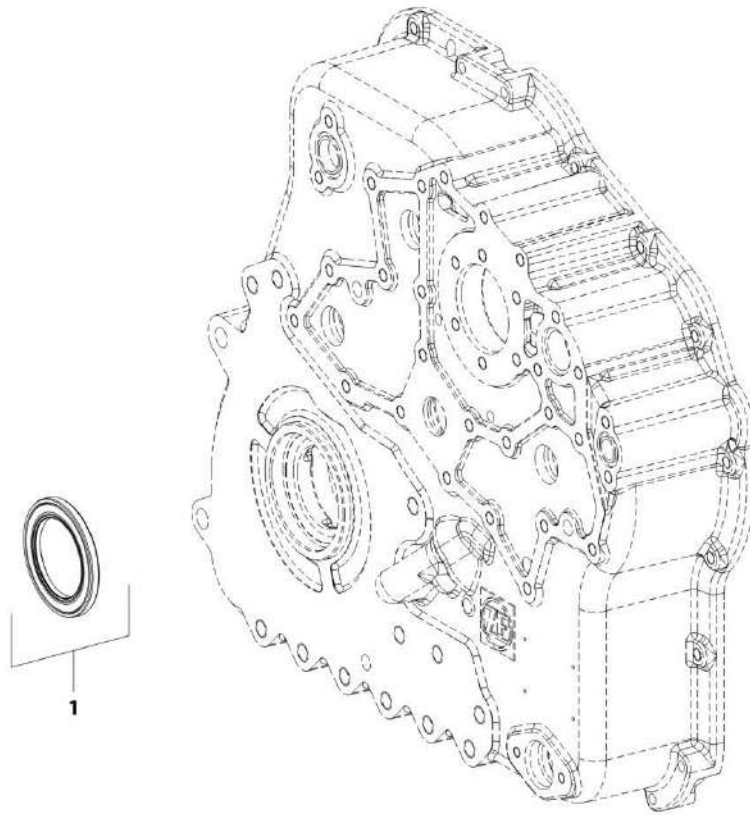
## SECTION 5 - DRIVE TRAIN

**FIGURE 5-42. TRANSMISSION, COUPLING GROUP 4**

ITEM	PART NUMBER	QTY	DESCRIPTION	REV
1	70026535	1	Coupling	
2	70022075	1	Piston	
3	1319594	1	O-Ring	
4	1319593	1	O-Ring~O-Ring	
5	1319595	7	Spring, Cup~Spring, Cup	
6	1319596	1	Shim	
7	10731845	2	Ring, Retaining	
8	7026758	8	Disc, Friction	
9	7026759	8	Disc, Clutch	
10	7026760	1	Shim, End~Shim, End	
11	70026527	AR	Ring, Snap 2.00~Ring, Snap 2.00	
11	70026528	AR	Ring, Snap 2.25	
11	70026529	AR	Ring, Snap 2.50	
11	7029852	AR	Ring, Snap 2.75	
11	1319602	AR	Ring, Snap 3.00	
11	7029849	AR	Ring, Snap 3.25	
11	1319601	AR	Ring, Snap 3.5	
11	7029850	AR	Ring, Snap 3.75	
11	1319600	AR	Ring, Snap 4.00	
12	1319605	AR	Bearing, Roller	
13	1319635	1	Carrier, Disc	
14	1319615	1	Bearing, Roller~Bearing, Roller	
15	1319636	1	Bearing, Roller	
16	7026761	2	Piston Ring	

# SECTION 5 - DRIVE TRAIN

## FIGURE 5-43. TRANSMISSION, OUTPUT



ART\_1001170171\_13-C

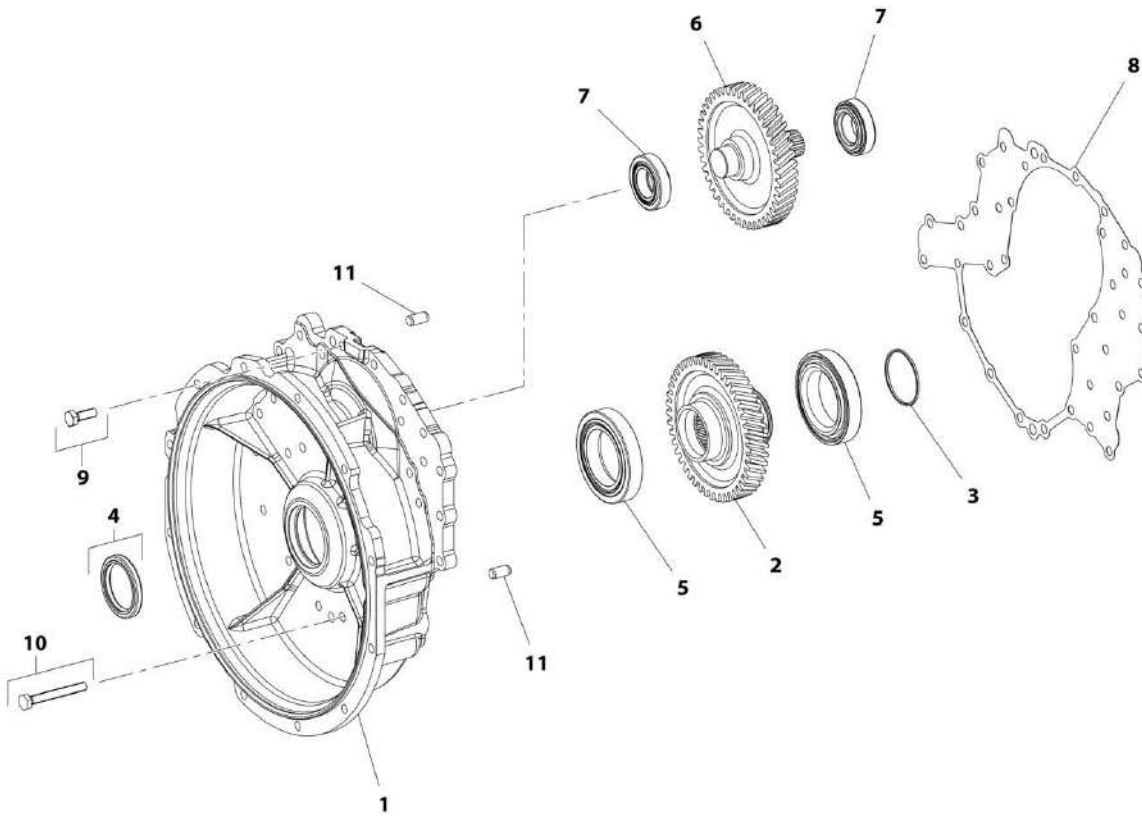
## SECTION 5 - DRIVE TRAIN

FIGURE 5-43. TRANSMISSION, OUTPUT

ITEM	PART NUMBER	QTY	DESCRIPTION	REV
1	70026536	1	Seal, Shaft	

# SECTION 5 - DRIVE TRAIN

## FIGURE 5-44. TRANSMISSION, POWER TAKE-OFF



ART\_1001170171\_14-C

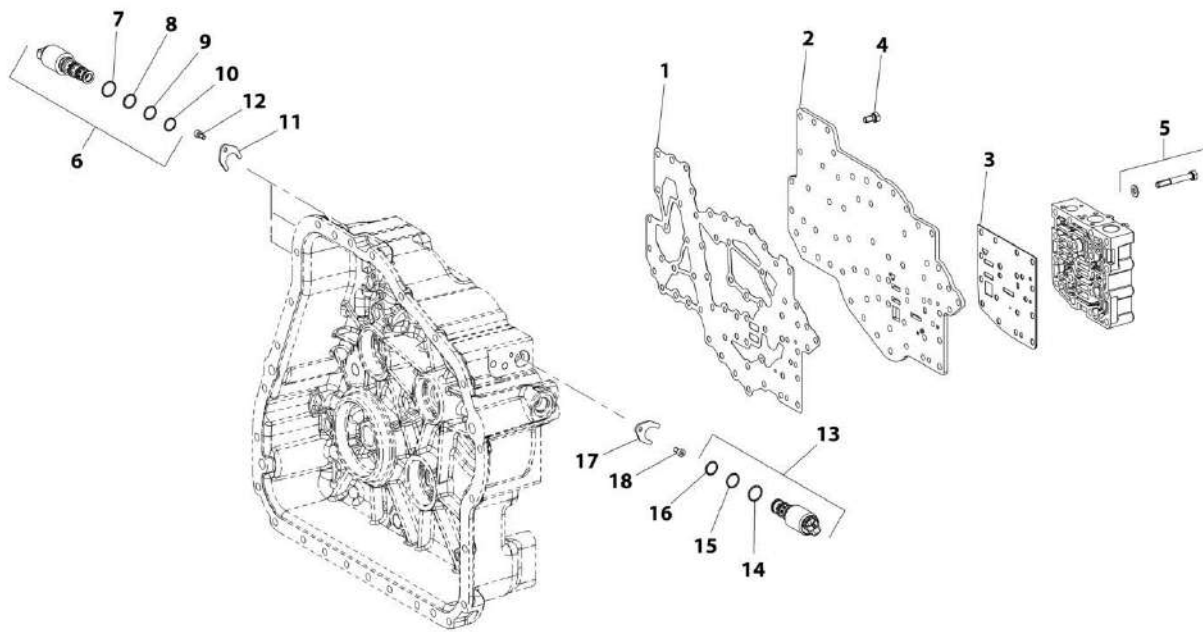
## SECTION 5 - DRIVE TRAIN

**FIGURE 5-44. TRANSMISSION, POWER TAKE-OFF**

ITEM	PART NUMBER	QTY	DESCRIPTION	REV
1	70021526	1	Housing	
2	7026771	1	Shaft	
3	7026772	1	Ring, Piston	
4	1319576	1	Seal, Shaft	
5	7026769	AR	Bearing, Roller	
6	7026773	1	Shaft	
7	1319608	AR	Bearing, Roller	
8	7026774	1	Gasket	
9	80304394	21	Bolt, M10X30	
10	7026775	15	Bolt, M10X80	
11	1319571	2	Pin	

# SECTION 5 - DRIVE TRAIN

## FIGURE 5-45. TRANSMISSION, CONTROL UNIT



ART\_1001170171\_15-C

## SECTION 5 - DRIVE TRAIN

**FIGURE 5-45. TRANSMISSION, CONTROL UNIT**

ITEM	PART NUMBER	QTY	DESCRIPTION	REV
1	7026776	1	Gasket	
2	70026538	1	Plate	
3	70026539	1	Sheet, Intermediate	
4	7026780	46	Bolt, M8X16	
5	7026781	16	Bolt, M8X60 (includes washer)	
5	10732095	16	Washer	
6	8036529	3	Valve, Solenoid (includes items 7 thru 10)	
7	N.S.S.	3	O-Ring	
8	N.S.S.	3	O-Ring	
9	N.S.S.	3	O-Ring	
10	N.S.S.	3	O-Ring	
11	7029267	3	Bracket	
12	70026544	3	Bolt, M6X12	
13	8036528	1	Valve, Solenoid (includes items 14 thru 16)	
14	N.S.S.	1	O-Ring	
15	N.S.S.	1	O-Ring	
16	N.S.S.	1	O-Ring	
17	7029267	1	Bracket	
18	70026544	1	Bolt, M6X12~Bolt, M6X12	





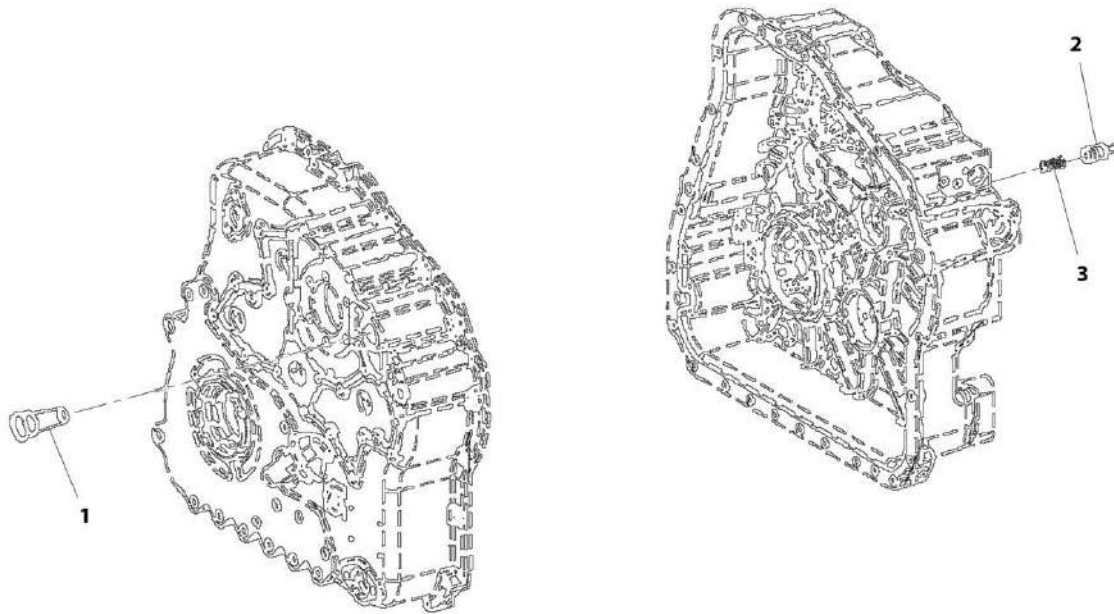
## SECTION 5 - DRIVE TRAIN

**FIGURE 5-46. TRANSMISSION, SHIFT SYSTEM**

ITEM	PART NUMBER	QTY	DESCRIPTION	REV
1	70026561	1	Assembly, Shift System (includes all items)	
2	70026546	1	Housing, Valve	
3	70026547	1	Piston, Control	
4	1319683	1	Spring	
5	1319684	1	Spring	
6	1319689	AR	Washer 0.20	
6	1319688	AR	Washer, 0.30	
6	1319687	AR	Washer, 0.50	
6	1319686	AR	Washer, 1.00	
6	1319685	AR	Washer, 2.00	
7	70026548	1	Piston	
8	70026549	1	Nozzle	
9	1319694	1	Assembly, Valve (includes items 10 thru 13)	
10	N.S.S.	1	Piston	
11	N.S.S.	2	Spring, Compression	
12	N.S.S.	2	Sleeve, Spring	
13	N.S.S.	2	Ring, Snap	
14	7026787	1	Spacer	
15	70026554	1	Plug, Screw (includes O-Ring)	
15	70000656	1	O-Ring	
16	8036528	2	Valve, Solenoid (includes items 17 thru 19)	
17	N.S.S.	2	O-Ring	
18	N.S.S.	2	O-Ring	
19	N.S.S.	2	O-Ring	
20	7029267	2	Bracket	
21	70026544	2	Bolt, M6X12	
22	7026788	1	Gasket~Gasket	
23	7026789	1	Cover	
24	70026555	2	Screw, Torx M6X23	
25	70026556	4	Screw, Torx M6X52	
26	70026517	2	Plug, Screw (includes O-Ring)	
26	10731709	2	O-Ring	
27	10732071	1	Ball	
28	10732072	1	Spring	

# SECTION 5 - DRIVE TRAIN

## FIGURE 5-47. TRANSMISSION, PRESSURE REGULATOR



ART\_1001170171\_17-C

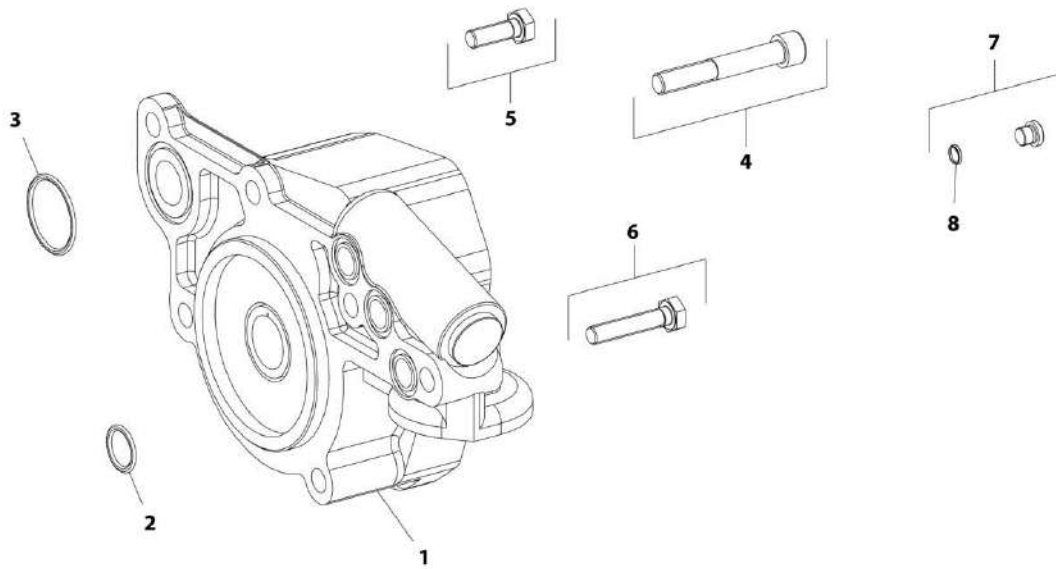
## SECTION 5 - DRIVE TRAIN

FIGURE 5-47. TRANSMISSION, PRESSURE REGULATOR

ITEM	PART NUMBER	QTY	DESCRIPTION	REV
1	7026782	1	Valve	
2	7026783	1	Piston	
3	7026784	1	Spring	

# SECTION 5 - DRIVE TRAIN

## FIGURE 5-48. TRANSMISSION, PRESSURE OIL PUMP



ART\_1001170171\_18-C

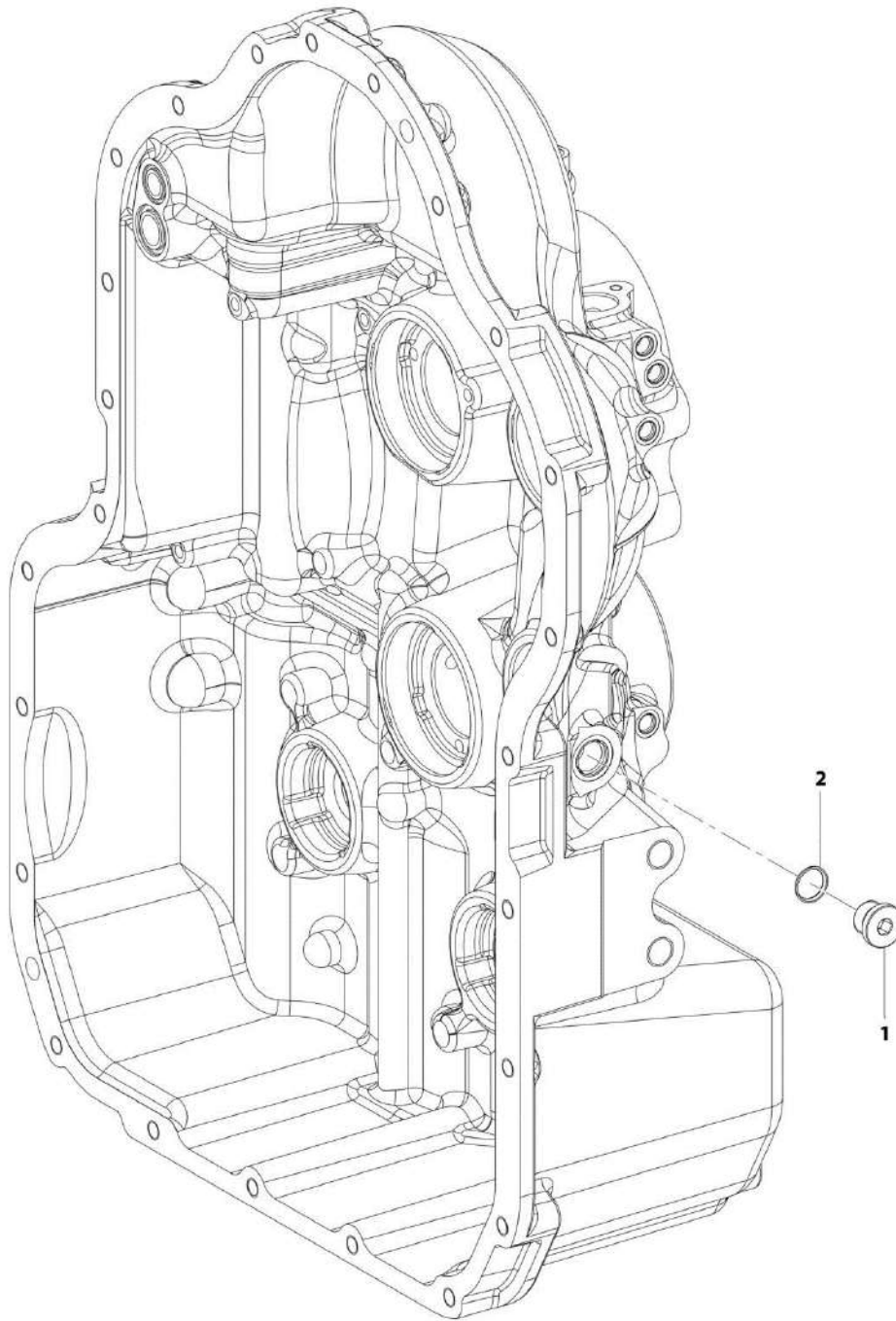
## SECTION 5 - DRIVE TRAIN

FIGURE 5-48. TRANSMISSION, PRESSURE OIL PUMP

ITEM	PART NUMBER	QTY	DESCRIPTION	REV
1	7026791	1	Pump	
2	7026792	3	O-Ring	
3	1319719	1	O-Ring	
4	7026793	4	Bolt, M12X80	
5	80304394	1	Bolt, M10X30	
6	7026794	1	Bolt, M10X50	
7	70026517	2	Plug, Screw	
8	10731709	2	O-Ring	

# SECTION 5 - DRIVE TRAIN

## FIGURE 5-49. TRANSMISSION, INDUCTIVE TRANSMITTER



ART\_1001170171\_19-C

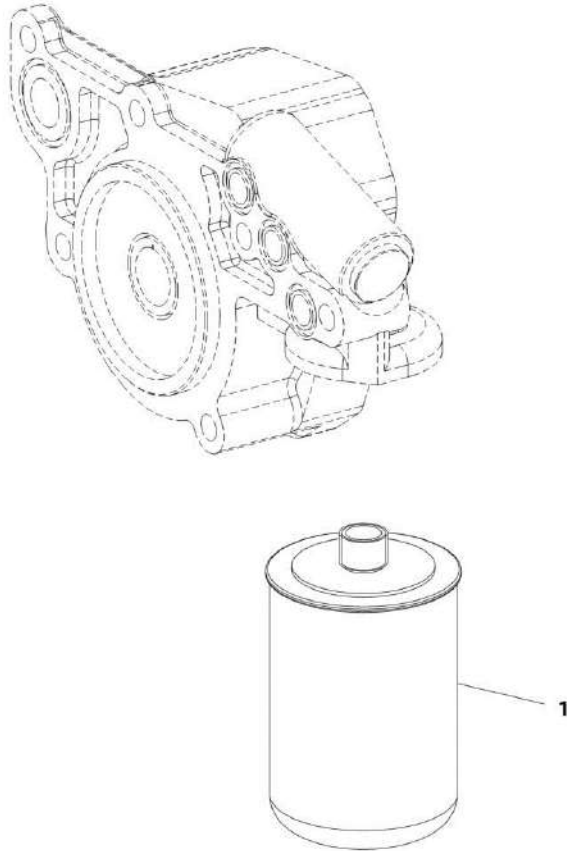
## SECTION 5 - DRIVE TRAIN

**FIGURE 5-49. TRANSMISSION, INDUCTIVE TRANSMITTER**

ITEM	PART NUMBER	QTY	DESCRIPTION	REV
1	70024895	1	Plug, Screw (includes O-Ring)	
2	N.S.S.	1	O-Ring	

## SECTION 5 - DRIVE TRAIN

FIGURE 5-50. TRANSMISSION, FILTER



ART\_1001170171\_20-C



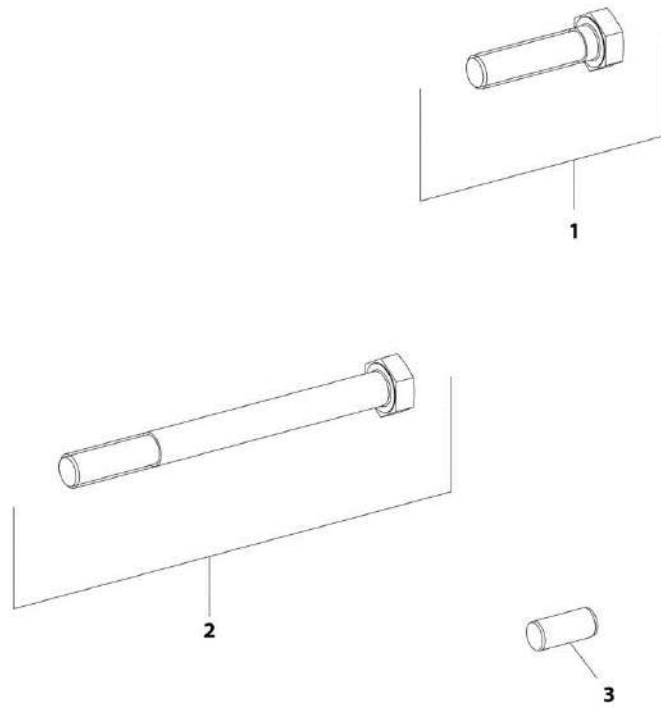
## SECTION 5 - DRIVE TRAIN

FIGURE 5-50. TRANSMISSION, FILTER

ITEM	PART NUMBER	QTY	DESCRIPTION	REV
1	1319726	1	Filter	

# SECTION 5 - DRIVE TRAIN

## FIGURE 5-51. TRANSMISSION, ACCESSORIES GROUP 1



ART\_3001170171\_21-C

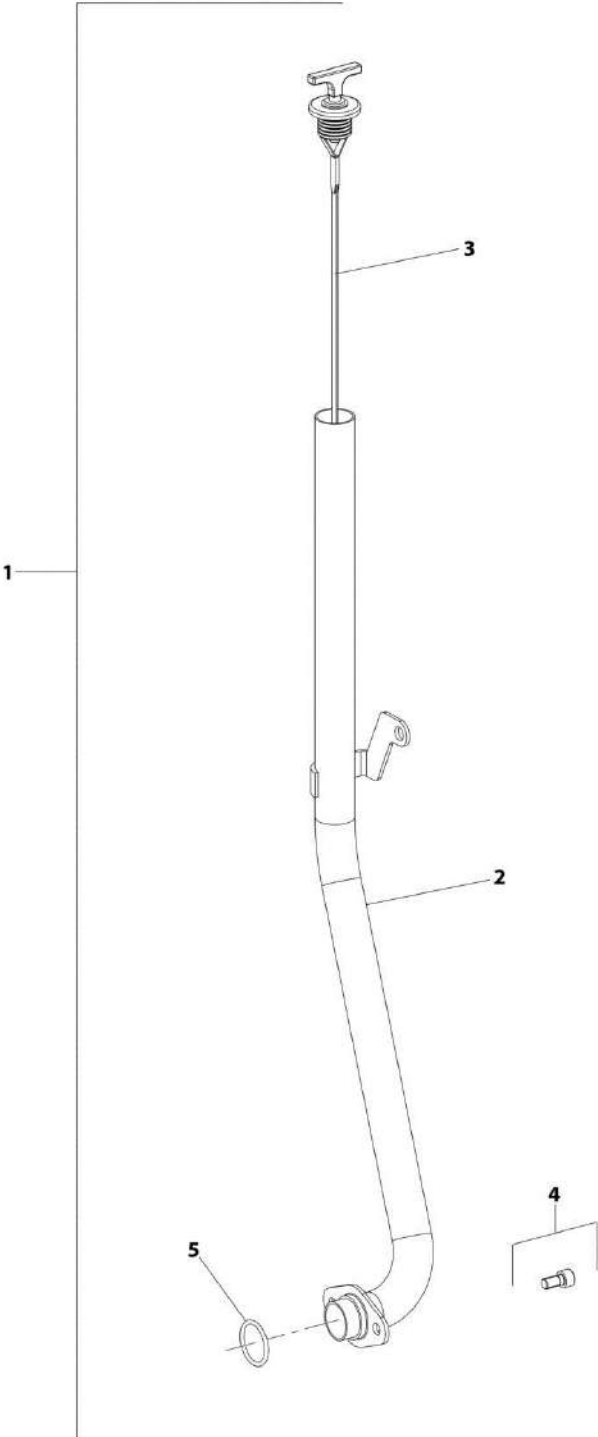
## SECTION 5 - DRIVE TRAIN

FIGURE 5-51. TRANSMISSION, ACCESSORIES GROUP 1

ITEM	PART NUMBER	QTY	DESCRIPTION	REV
1	7027254	12	Bolt, M14X55~Bolt, M14X55	
2	7027255	2	Bolt, M14X150	
3	1319571	1	Pin	

**SECTION 5 - DRIVE TRAIN**

**FIGURE 5-52. TRANSMISSION, PERIPHERALS GROUP 1**



ART\_1001170171\_22-C

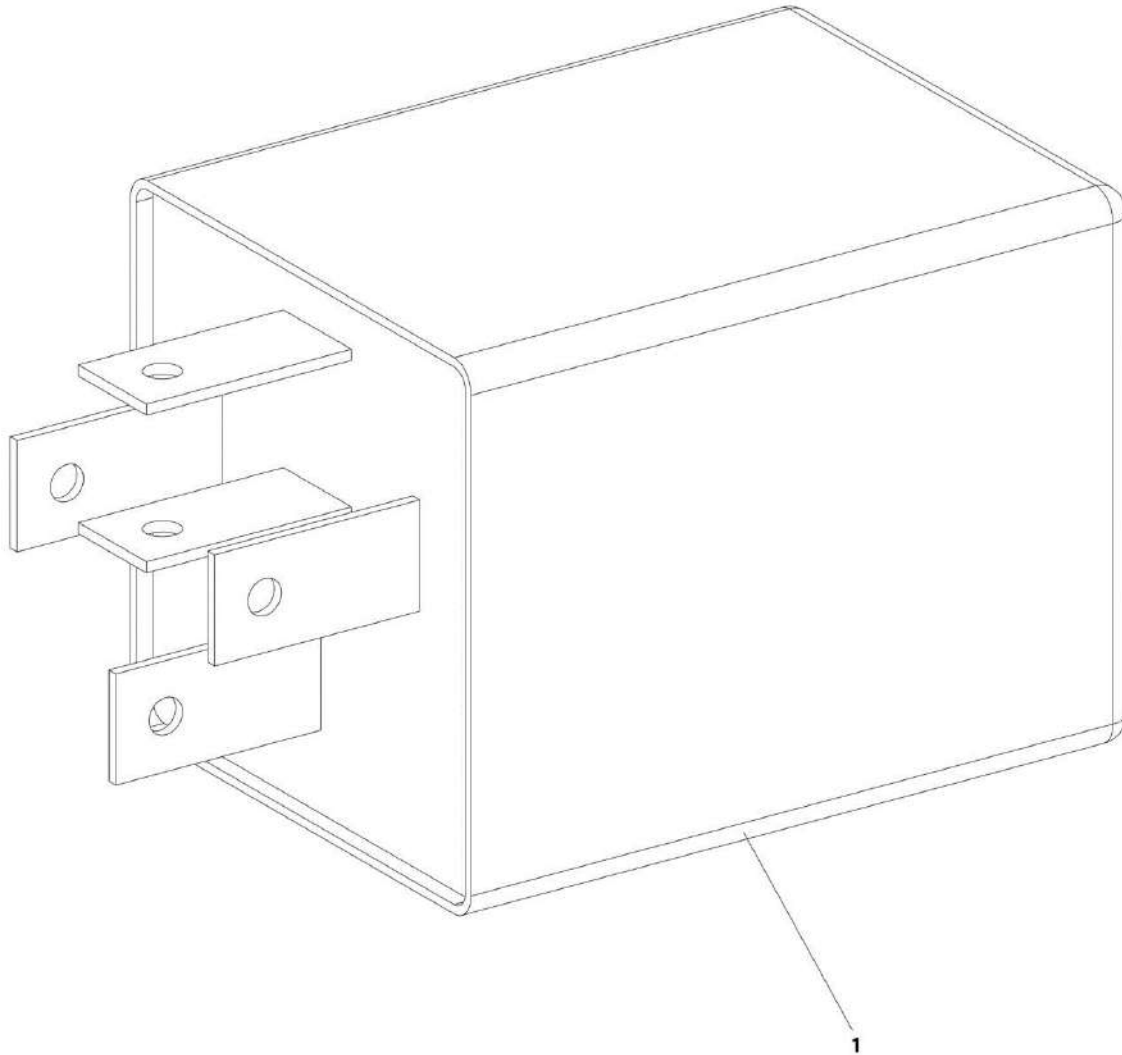
## SECTION 5 - DRIVE TRAIN

FIGURE 5-52. TRANSMISSION, PERIPHERALS GROUP 1

ITEM	PART NUMBER	QTY	DESCRIPTION	REV
1	1001095738	1	Kit, Oil Level Dipstick (includes items 2 & 3)	
2	1001095744	1	Tube, Oil Level	
3	8841322	1	Dipstick, Oil Level	
4	70026516	2	Bolt, M8X16	
5	70023885	1	O-Ring	

## SECTION 5 - DRIVE TRAIN

FIGURE 5-53. TRANSMISSION, ACCESSORIES GROUP 2



ART\_1001170171\_24-C

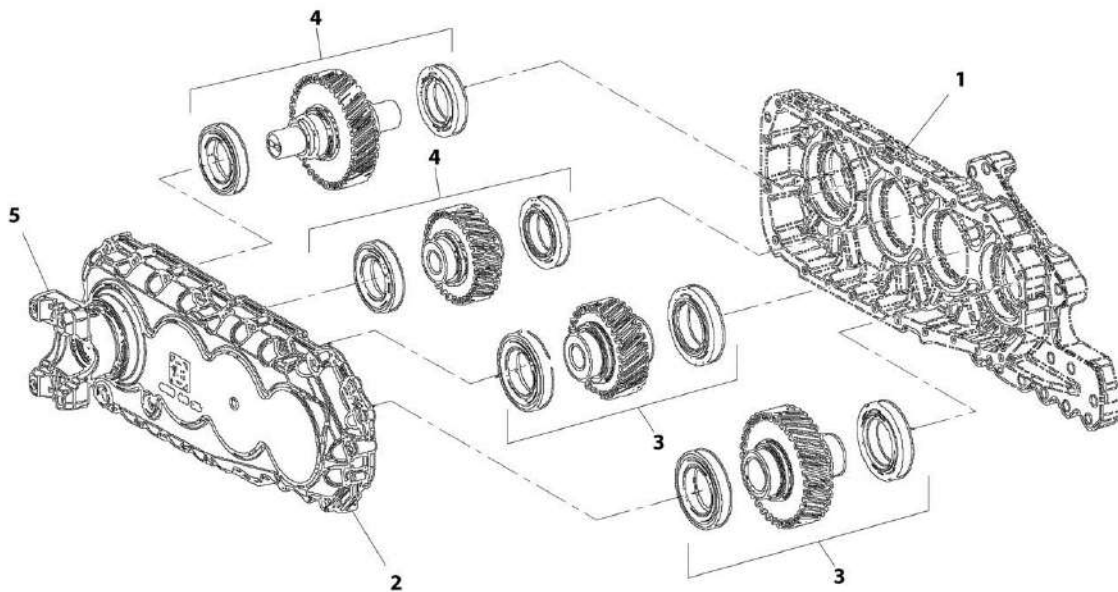
## SECTION 5 - DRIVE TRAIN

FIGURE 5-53. TRANSMISSION, ACCESSORIES GROUP 2

ITEM	PART NUMBER	QTY	DESCRIPTION	REV
1	70026559	1	Relay	

# SECTION 5 - DRIVE TRAIN

## FIGURE 5-54. TRANSMISSION, TRANSFER BOX



ART\_1001170171\_25-C



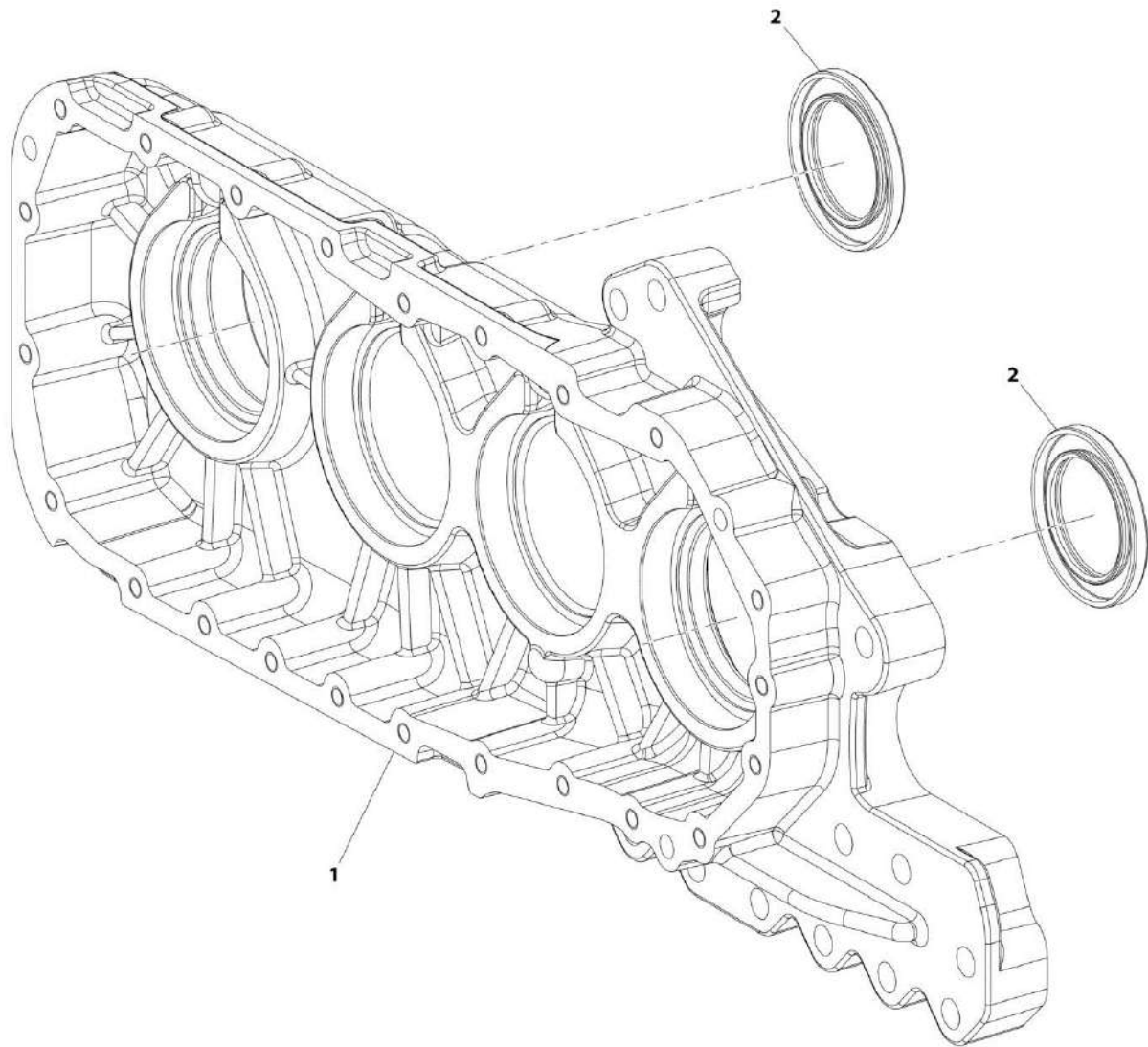
## SECTION 5 - DRIVE TRAIN

**FIGURE 5-54. TRANSMISSION, TRANSFER BOX**

ITEM	PART NUMBER	QTY	DESCRIPTION	REV
	70023502	1	Box Transfer (includes all items)	
1	N.S.S.	Ref	Housing 1, Transfer Box (see TRANSFER BOX HOUSING 1 for Breakdown)	
2	N.S.S.	Ref	Housing 2, Transfer Box (See TRANSFER BOX HOUSING 2 for Breakdown)	
3	N.S.S.	Ref	Input, Transfer Box (See TRANSFER BOX INPUT for Breakdown)	
4	N.S.S.	Ref	Output 1, Transfer Box (See TRANSFER BOX OUTPUT 1 for Breakdown)	
5	N.S.S.	Ref	Output 2, Transfer Box (See TRANSFER BOX OUTPUT 2 for Breakdown)	

# SECTION 5 - DRIVE TRAIN

## FIGURE 5-55. TRANSMISSION, TRANSFER BOX HOUSING 1



ART\_1001170171\_26-C

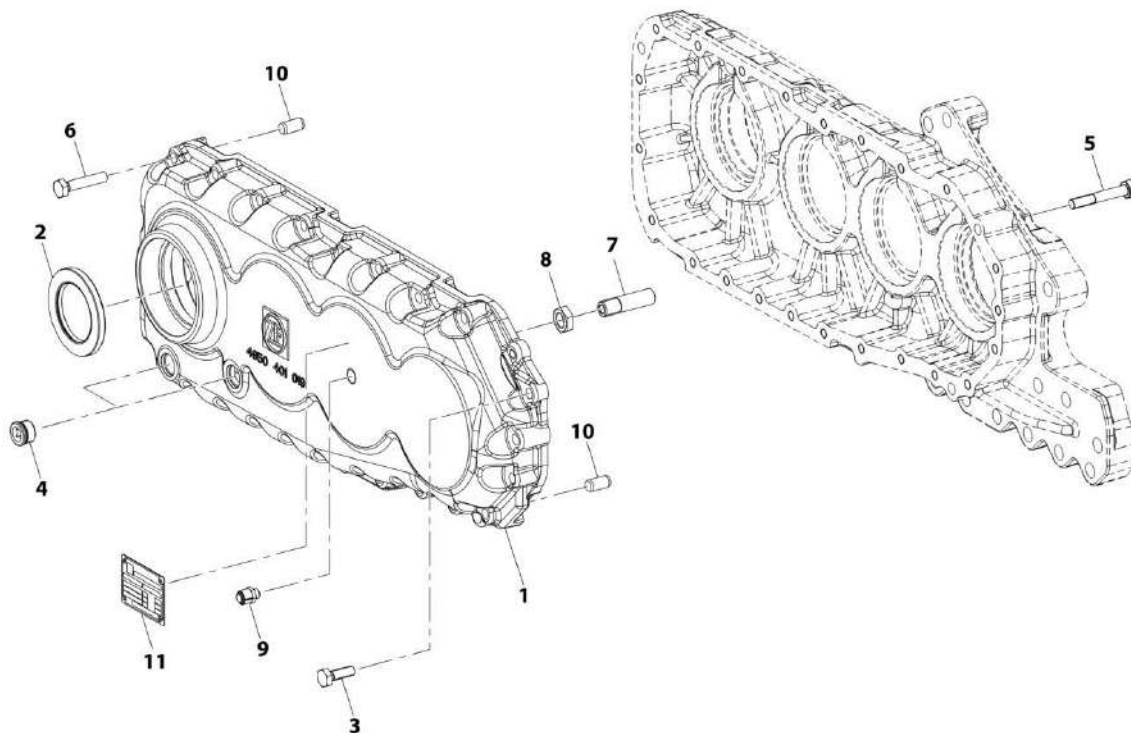
## SECTION 5 - DRIVE TRAIN

**FIGURE 5-55. TRANSMISSION, TRANSFER BOX HOUSING 1**

ITEM	PART NUMBER	QTY	DESCRIPTION	REV
1	70023474	1	Housing, Transfer Box	
2	70026536	2	Seal, Shaft	

# SECTION 5 - DRIVE TRAIN

## FIGURE 5-56. TRANSMISSION, TRANSFER BOX HOUSING 2



ART\_1001170171\_27-C

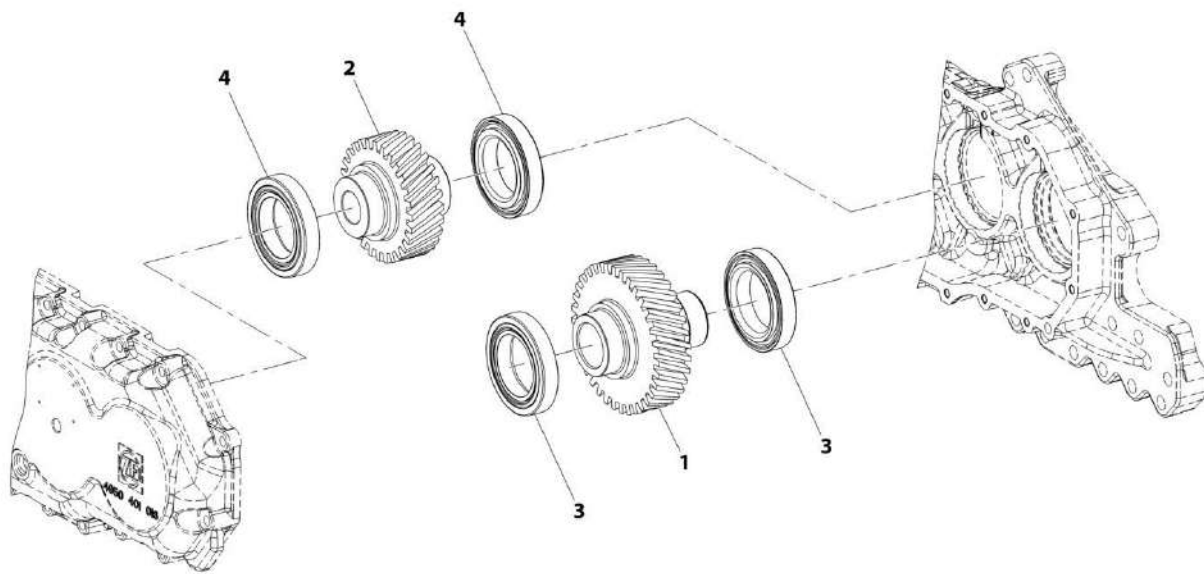
## SECTION 5 - DRIVE TRAIN

**FIGURE 5-56. TRANSMISSION, TRANSFER BOX HOUSING 2**

ITEM	PART NUMBER	QTY	DESCRIPTION	REV
1	70023475	1	Housing	
2	70026536	1	Seal, Shaft	
3	70023800	1	Bolt, M10X30	
4	70023404	2	Plug	
5	70023476	1	Bolt, M10X65	
6	70023801	22	Bolt, M10X50	
7	7026577	1	Sleeve	
8	7026578	1	Nut, M16	
9	1319436	1	Breather	
10	1319571	2	Pin	
11	N.S.S.	1	S/N Plate	

# SECTION 5 - DRIVE TRAIN

FIGURE 5-57. TRANSMISSION, TRANSFER BOX HOUSING INPUT



ART\_1001170171\_28-C

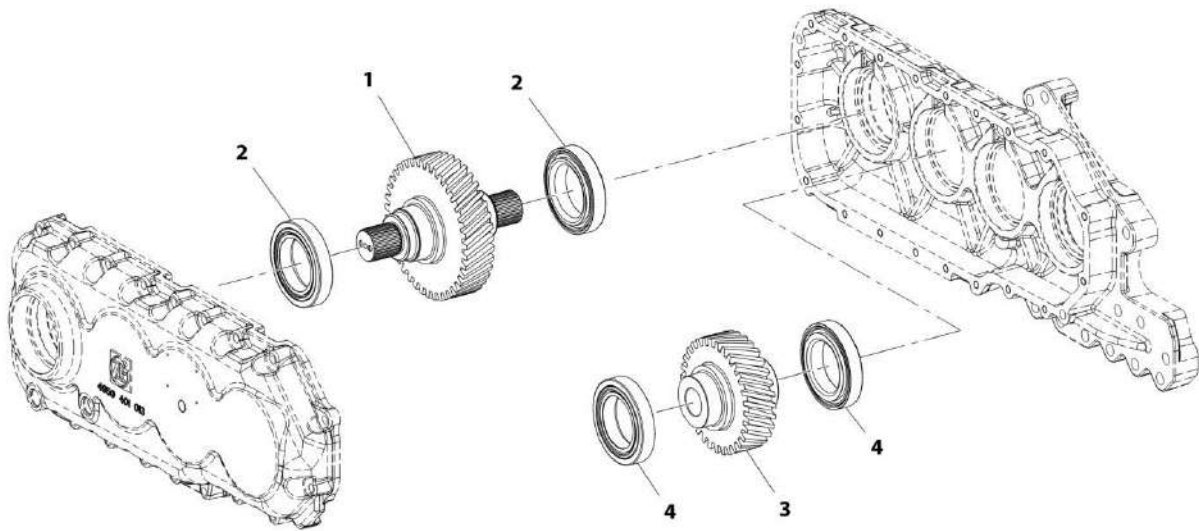
## SECTION 5 - DRIVE TRAIN

FIGURE 5-57. TRANSMISSION, TRANSFER BOX HOUSING INPUT

ITEM	PART NUMBER	QTY	DESCRIPTION	REV
1	7027269	1	Shaft	
2	7027270	1	Gear, Idler	
3	7026769	2	Bearing, Roller	
4	1320748	2	Cup, Tapered Roller	
4	1320754	2	Cone, Tapered Roller	

# SECTION 5 - DRIVE TRAIN

FIGURE 5-58. TRANSMISSION, TRANSFER BOX HOUSING OUTPUT 1



ART\_1001170171\_29-C



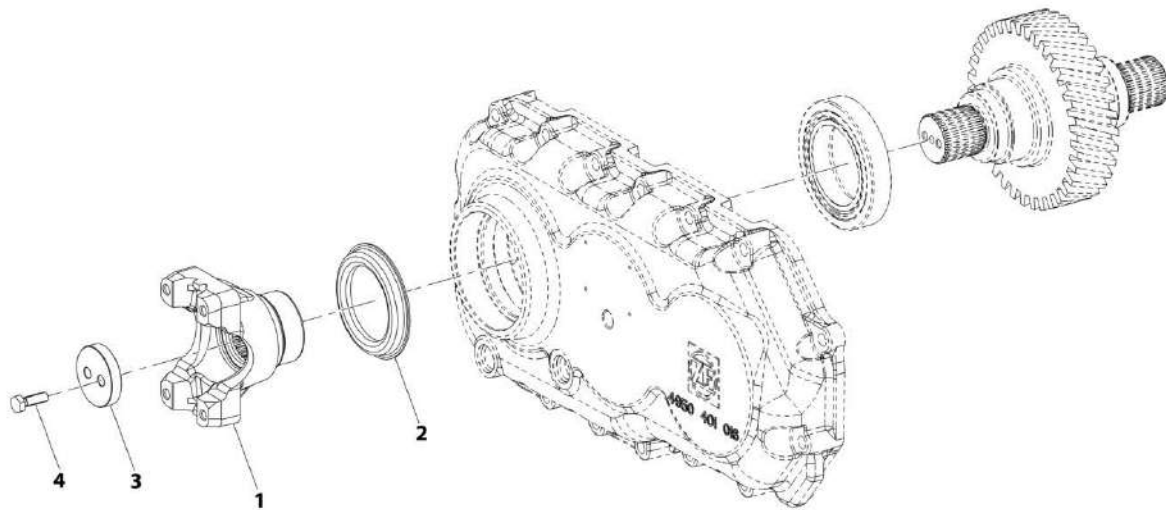
## SECTION 5 - DRIVE TRAIN

FIGURE 5-58. TRANSMISSION, TRANSFER BOX HOUSING OUTPUT 1

ITEM	PART NUMBER	QTY	DESCRIPTION	REV
1	7027271	1	Gear, Output	
2	7026769	2	Bearing, Roller	
3	7027272	1	Gear, Idler	
4	1320748	2	Cup, Tapered Roller	
4	1320754	2	Cone, Tapered Roller	

## SECTION 5 - DRIVE TRAIN

FIGURE 5-59. TRANSMISSION, TRANSFER BOX HOUSING OUTPUT 2



ART\_1001170171\_30-C

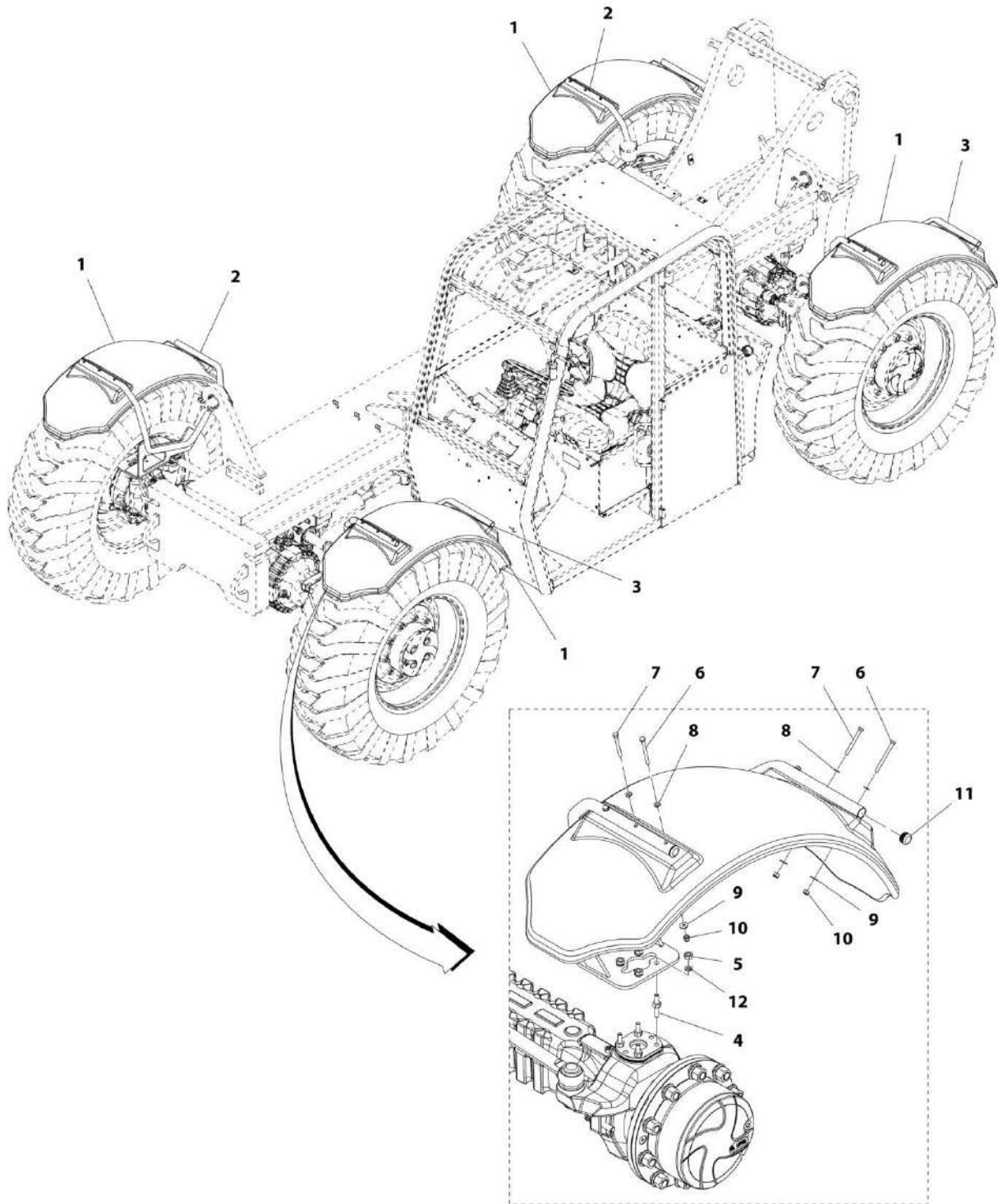
## SECTION 5 - DRIVE TRAIN

**FIGURE 5-59. TRANSMISSION, TRANSFER BOX HOUSING OUTPUT 2**

ITEM	PART NUMBER	QTY	DESCRIPTION	REV
1	7027273	2	Flange (one per side)	
2	1319647	2	Sheet, Screen (one per side)	
3	1319648	2	Washer, (one per side)	
4	10731959	4	Bolt, M8X25 (two per side)	

# SECTION 5 - DRIVE TRAIN

## FIGURE 5-60. FENDER INSTALLATION



ART\_91565081-F

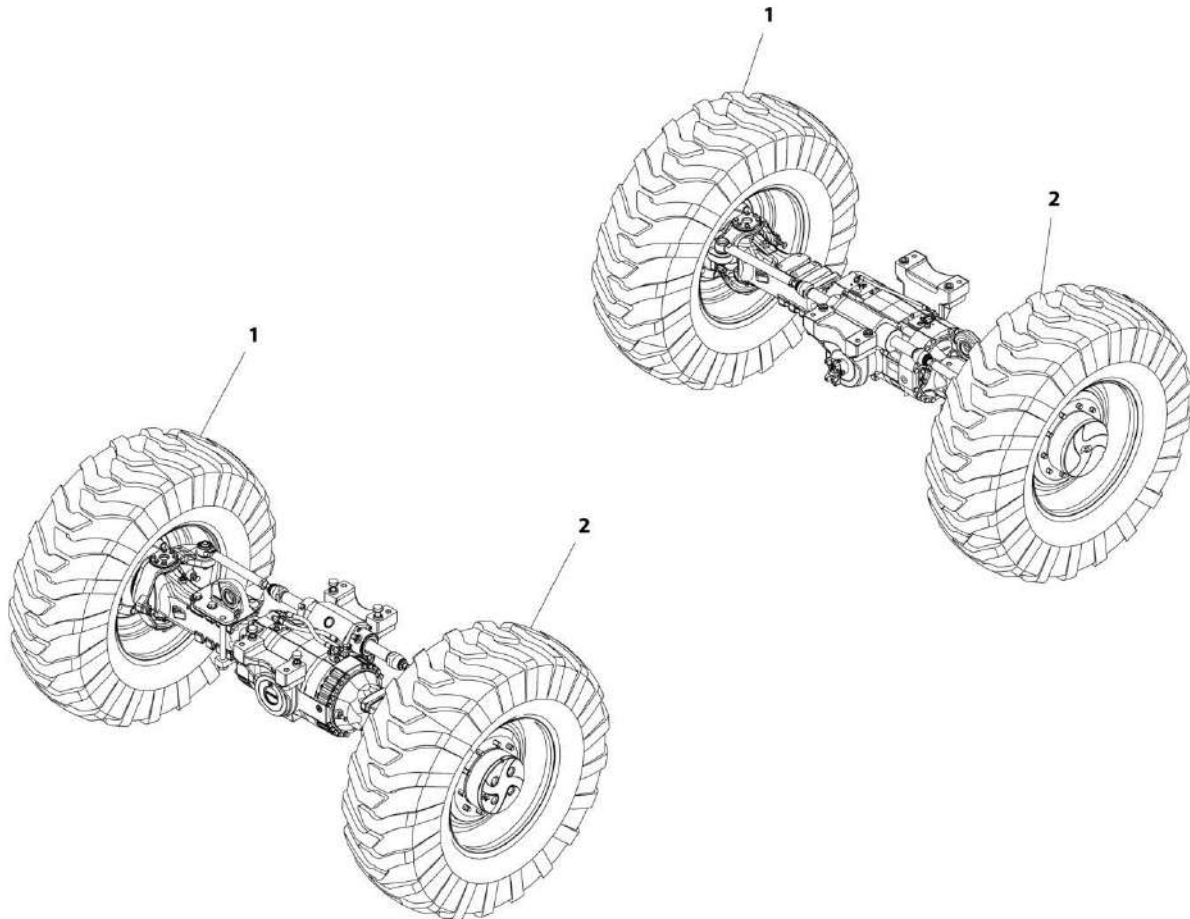
## SECTION 5 - DRIVE TRAIN

### FIGURE 5-60. FENDER INSTALLATION

ITEM	PART NUMBER	QTY	DESCRIPTION	REV
	91565081	1	Fender Installation	F
1	91473126	4	Fender	
2	91566062	2	Bracket, Fender RH	
3	91566063	2	Bracket, Fender LH	
4	91514118	16	Stud	
5	91513266	16	Nut, M12X1.25	
6	0641528	16	Bolt, 5/16-18X3 1/2	
7	0641524	8	Bolt, 5/16-18X3	
8	4711500	24	Washer, 5/16	
9	4751500	24	Washer, 5/16	
10	88521205	24	Nut, Lock	
11	3520176	8	Plug	
12	83191010	16	Washer, Lock M12	

# SECTION 5 - DRIVE TRAIN

## FIGURE 5-61. TIRE SET - 17.5-25 PNEUMATIC



ART\_1001187242-A

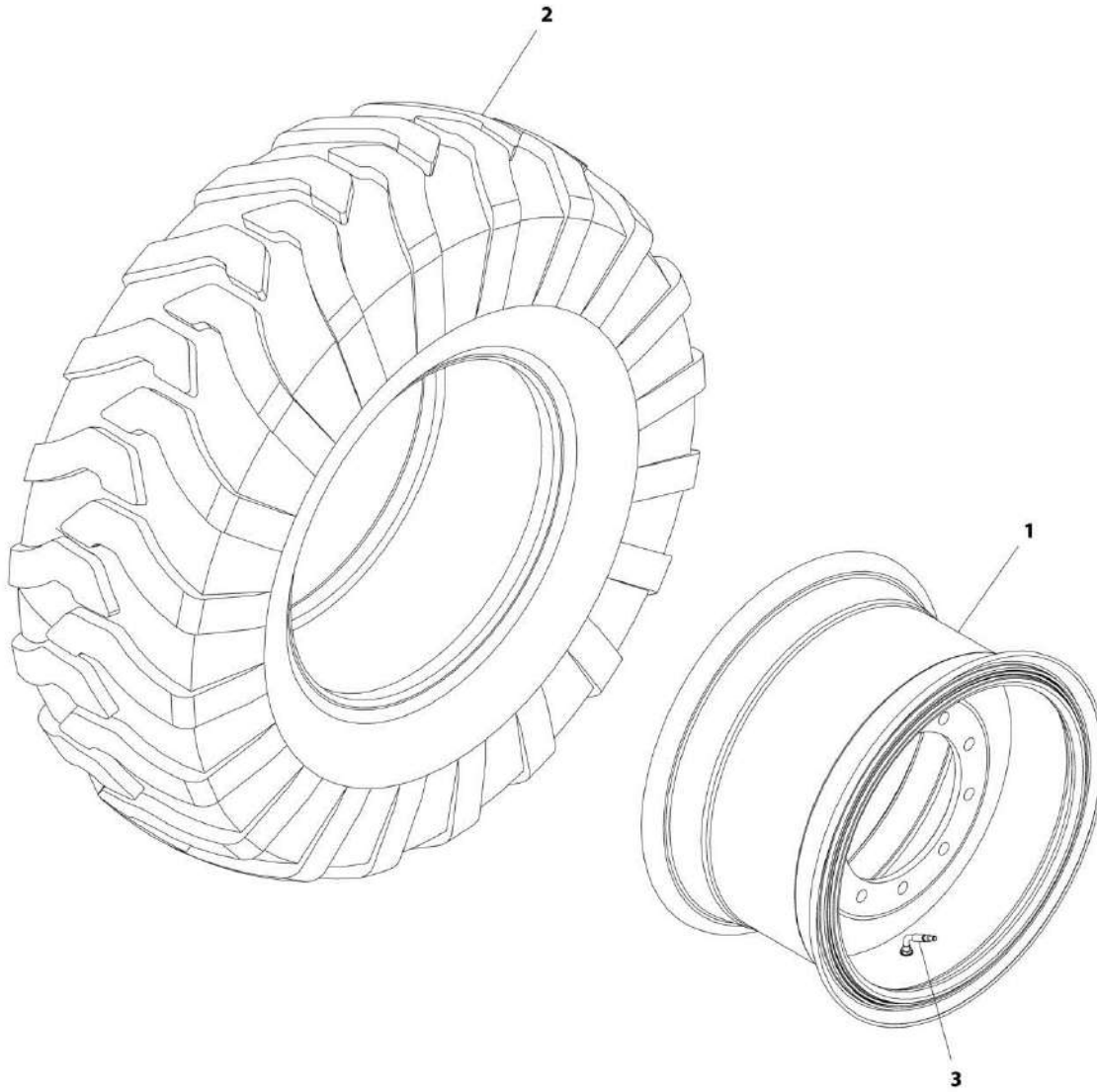
## SECTION 5 - DRIVE TRAIN

### FIGURE 5-61. TIRE SET - 17.5-25 PNEUMATIC

ITEM	PART NUMBER	QTY	DESCRIPTION	REV
1	1001187242	1	Tire Set - 17.5-25 PNEUMATIC	A
	1001188287	2	Assembly, Tire and Wheel (Right) (See TIRE AND WHEEL ASSEMBLY (RIGHT) for Breakdown)	
2	1001188288	2	Tire and Wheel Assembly (Left) (See TIRE AND WHEEL ASSEMBLY (LEFT) for Breakdown)	

# SECTION 5 - DRIVE TRAIN

## FIGURE 5-62. TIRE AND WHEEL ASSEMBLY (RIGHT)



ART\_1001188287-D



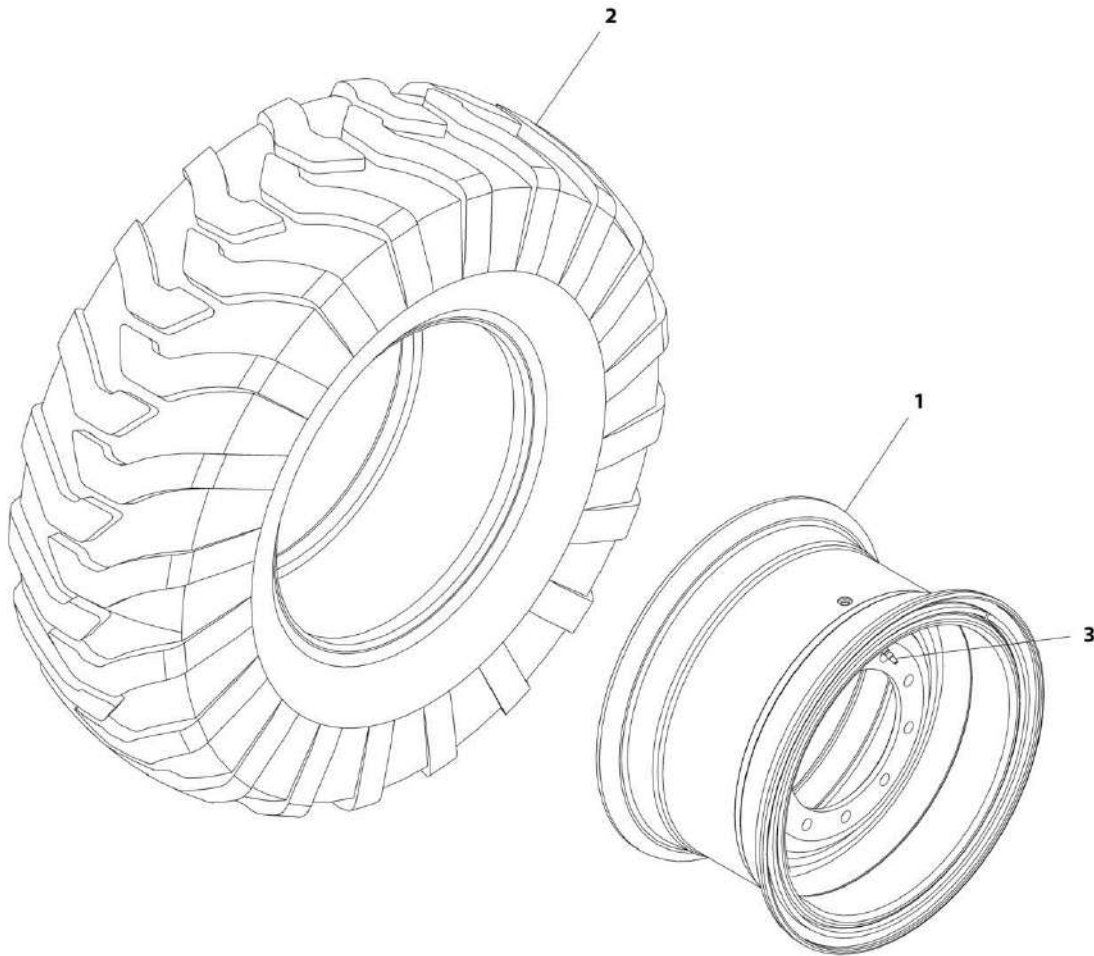
## SECTION 5 - DRIVE TRAIN

### FIGURE 5-62. TIRE AND WHEEL ASSEMBLY (RIGHT)

ITEM	PART NUMBER	QTY	DESCRIPTION	REV
	1001188287	Ref	Tire and Wheel Assembly (Right)	D
1	1001175915J	1	Wheel, 25X14.00	
2	1001187423	1	Tire, 17.5-25	
3	90200339	1	Valve, Tire	

## SECTION 5 - DRIVE TRAIN

FIGURE 5-63. TIRE AND WHEEL ASSEMBLY (LEFT)



ART\_1001188288-D

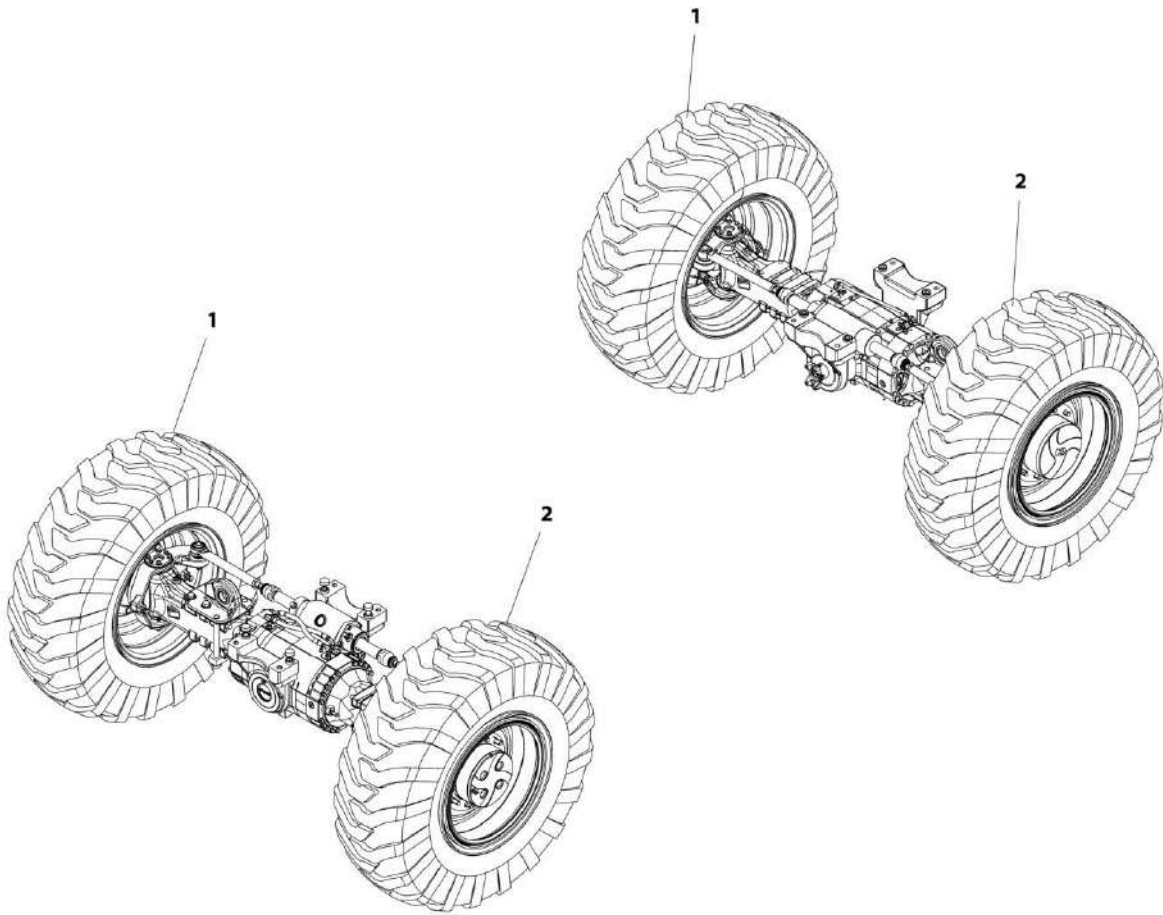
## SECTION 5 - DRIVE TRAIN

### FIGURE 5-63. TIRE AND WHEEL ASSEMBLY (LEFT)

ITEM	PART NUMBER	QTY	DESCRIPTION	REV
	1001188288	Ref	Tire and Wheel Assembly (Left)	D
1	1001175915J	1	Wheel, 25X14.00	
2	1001187423	1	Tire, 17.5-25	
3	90200339	1	Valve, Tire	

# SECTION 5 - DRIVE TRAIN

FIGURE 5-64. TIRE SET - 17.5-25 FOAM L-2



ART\_1001187243-A

## SECTION 5 - DRIVE TRAIN

**FIGURE 5-64. TIRE SET - 17.5-25 FOAM L-2**

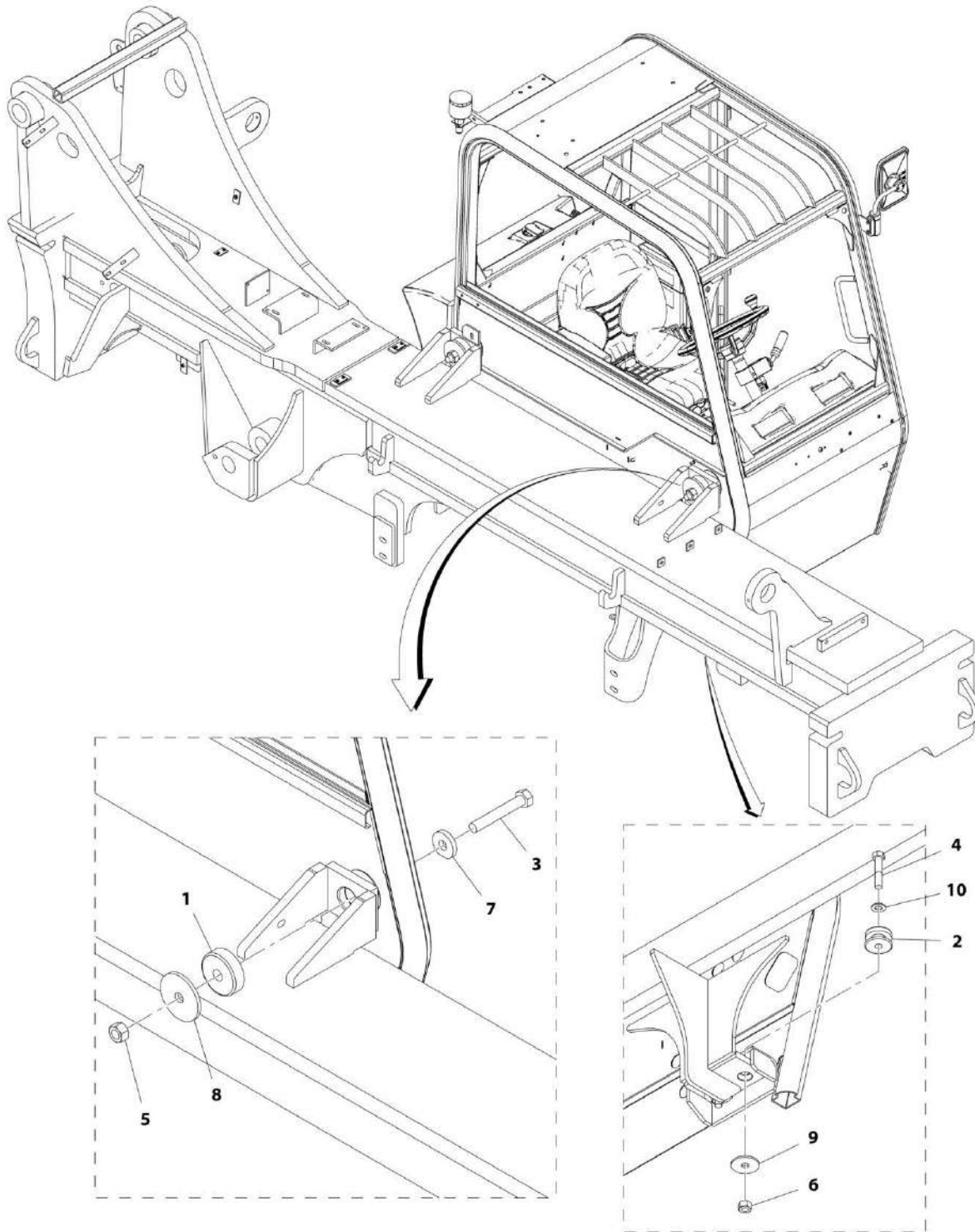
ITEM	PART NUMBER	QTY	DESCRIPTION	REV
	1001187243	1	Tire Set - 17.5-25 FOAM L-2	A
1	1001188192	2	Assembly, Tire and Wheel (Right)	
2	1001188193	2	Assembly, Tire and Wheel (Left)	



**SECTION 6 - CAB**

# SECTION 6 - CAB

## FIGURE 6-1. CAB INSTALLATION



ART\_1001187104-A

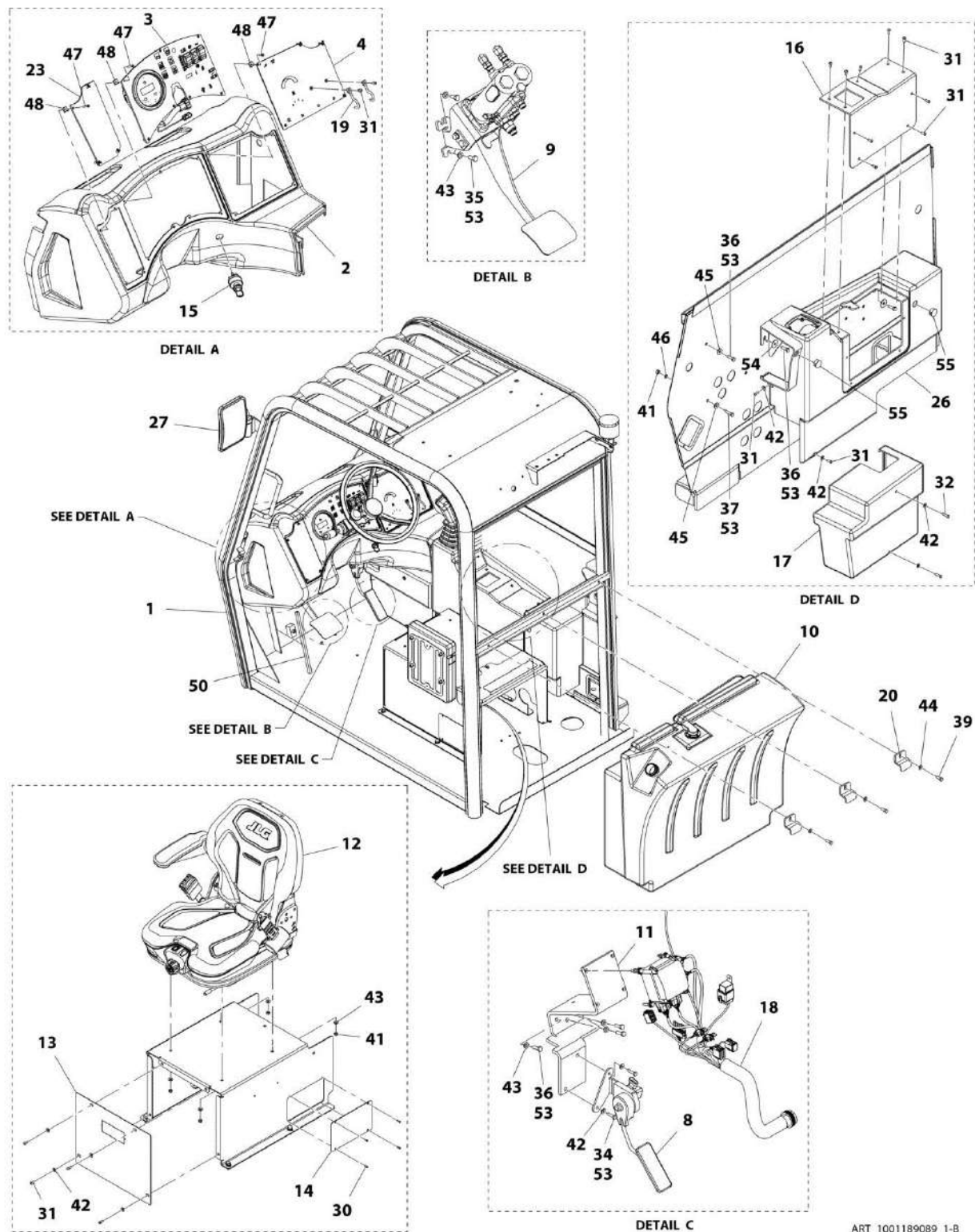


FIGURE 6-1. CAB INSTALLATION

ITEM	PART NUMBER	QTY	DESCRIPTION	REV
	1001187104	Ref	Cab Installation	A
1	91563061	4	Isolator	
2	91403097	4	Isolator	
3	0682652	2	Bolt, 1-8X6 1/2 Grade 8	
4	83201058	4	Bolt, 3/4-10X3 3/4 Grade 8	
5	8850-1016	2	Nut, 1-8	
6	88501012	4	Nut, 3/4-10	
7	1001106614	2	Washer	
8	91563062	2	Washer	
9	91403098	4	Washer, Tail	
10	90027473	4	Washer, 3/4	

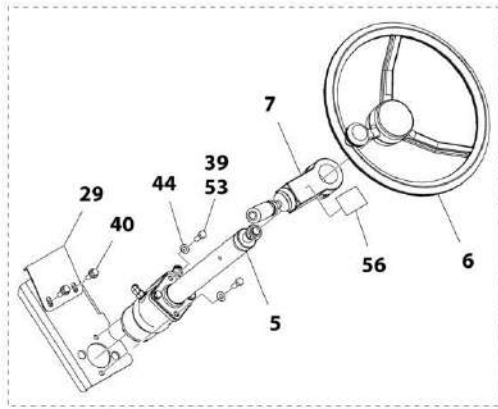
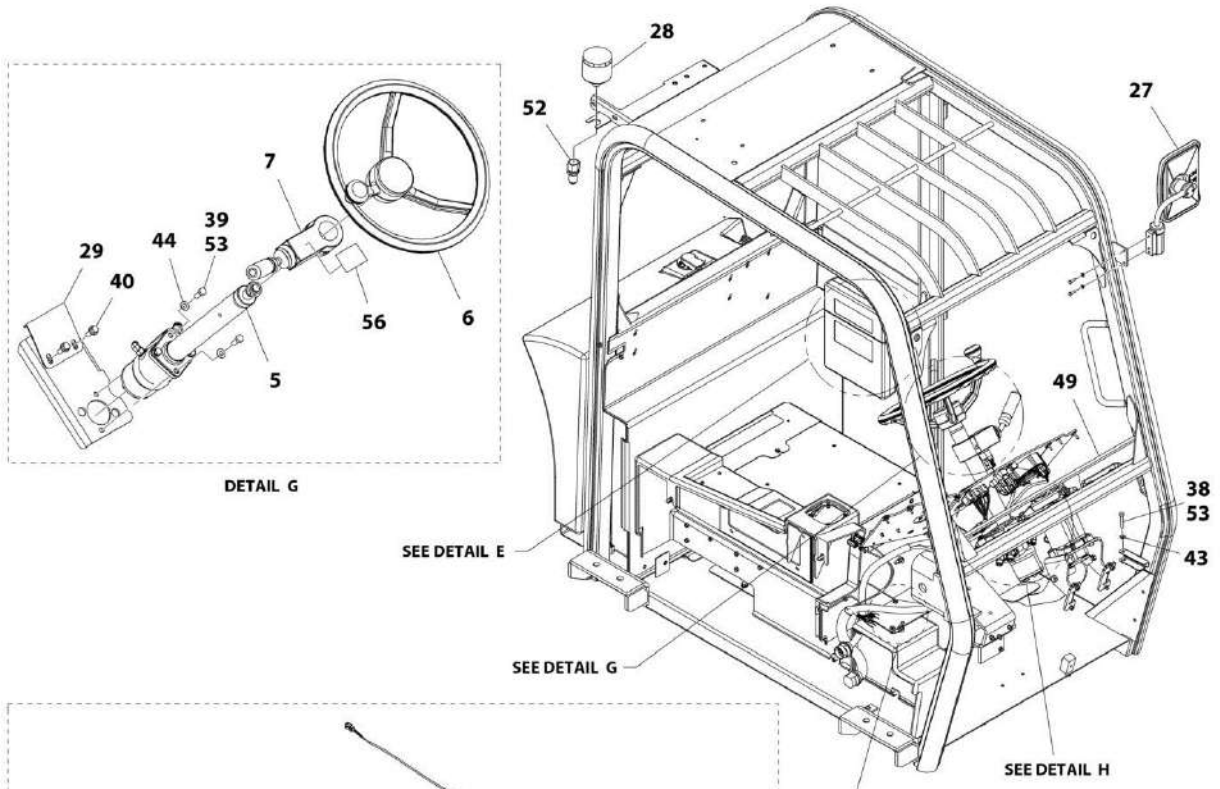
# SECTION 6 - CAB

## FIGURE 6-2. OPEN CAB ASSEMBLY

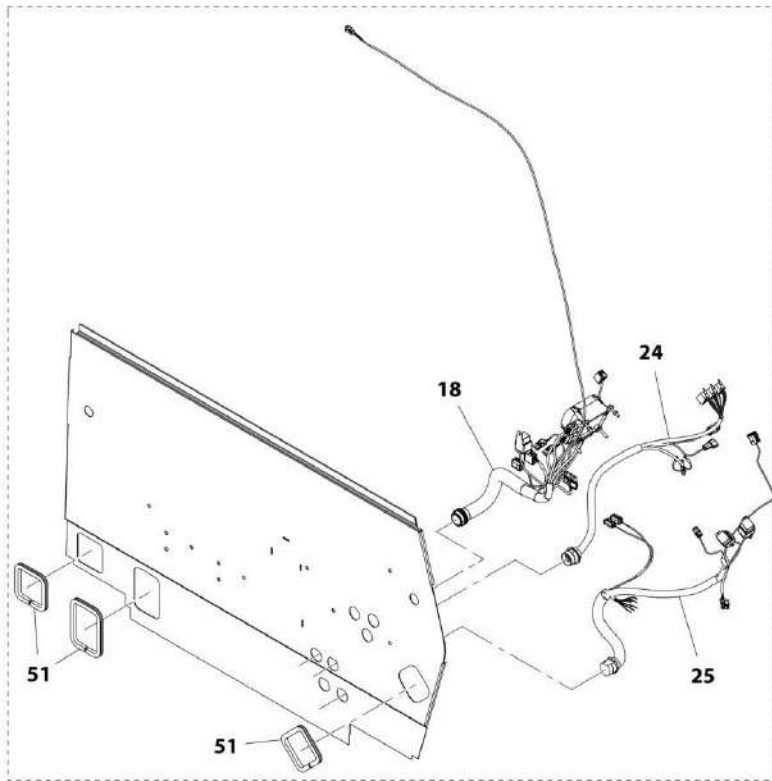


ART\_1001189089\_1-B

# SECTION 6 - CAB

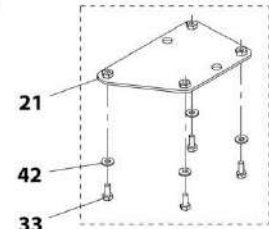


DETAIL G

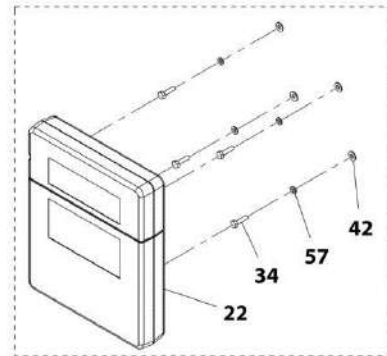


DETAIL H

SEE DETAIL F



DETAIL F



DETAIL E

ART\_1001189089\_2-B

## SECTION 6 - CAB

### FIGURE 6-2. OPEN CAB ASSEMBLY

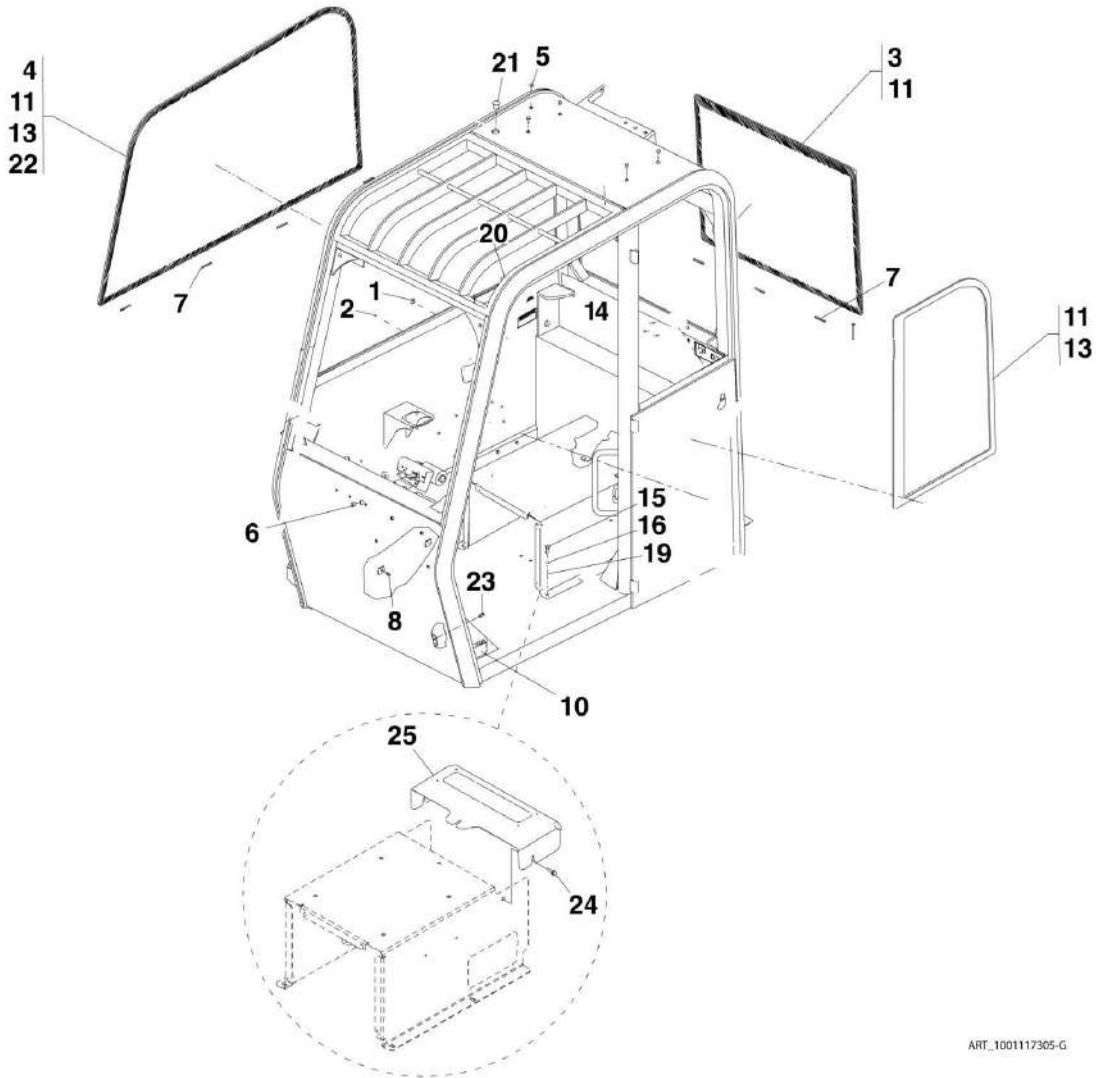
ITEM	PART NUMBER	QTY	DESCRIPTION	REV
	1001189089	Ref	Open Cab Assembly	B
1	1001117305	1	Cab, Open (See OPEN CAB for Breakdown)	
2	91473211	1	Panel, Instrument	
3	1001101666	1	Panel, Dash Instrument (See DASH INSTRUMENT PANEL for Breakdown)	
4	1001156272	1	Panel, RH Dash Instrument	
5	1001001213	1	Assembly, Steering Control (See CONTROLS SECTION for Breakdown)	
6	91563208	1	Wheel, Steering	
7	91563226	1	Shifter, 4-Speed	
8	1001126589	1	Assembly, Accelerator Pedal (See CONTROLS SECTION for Breakdown)	
9	1001091173	1	Assembly, Brake Pedal (See CONTROLS SECTION for Breakdown)	
10	1001130780	1	Tank, Fuel (See ENGINE AND ATTACHING PARTS SECTION for Breakdown)	
11	91561192	1	Bracket	
12		Ref	Seat (See SEAT for Breakdown)	
13	1001103567	1	Panel, Seat Riser Access	
14	1001106866	1	Panel, Seat Riser Side	
15	91033317	1	Switch, Ignition	
16	1001189088	1	Plate, Cover RH Console	
17	91563075	1	Console, Lower RH	
18	1001001186	1	Installation, Electrical Options (See ELECTRICAL OPTIONS INSTALLATION for Breakdown)	
19	91163087	2	Bracket, Load Chart	
20	1001150364	3	Bracket, Tank Hold Down	
21	91401516	1	Brace	
22	91403230	1	Case, Manual	
23	91403324	1	Panel, Dash	
24	1001108841	1	Harness, Dash	
25	1001140233	1	Harness, Transmission Relay (See ELECTRICAL SECTION for Breakdown)	
26	1001103557	1	Panel, Console RH	
27	1001115153	1	Installation, Cab Mirror LH (See CAB MIRROR INSTALLATION, LH for Breakdown)	
28	1340021	1	Breather, Air	
29	91401590	1	Clamp, Dash	
30	91413036	4	Screw, 6X1/2	
31	0630407	17	Screw, 1/4-20X5/8	
32	0630457	2	Screw, 1/4-20X1.00	
33	0641405	4	Bolt, 1/4-20X5/8	
34	0641408	6	Bolt, 1/4-20X1	
35	0641506	4	Bolt, 5/16-18X3/4	
36	0641508	6	Bolt, 5/16-18X1	
37	0641510	1	Bolt, 5/16-18X1 1/4	
38	0641514	1	Bolt, 5/16-18X1 3/4	
39	0641608	5	Bolt, 3/8-16X1	
40	0791608	2	Screw, 3/8-16X1	
41	3311505	5	Nut, Lock 5/16-18	
42	4711400	18	Washer, 1/4	

**SECTION 6 - CAB**

<b>ITEM</b>	<b>PART NUMBER</b>	<b>QTY</b>	<b>DESCRIPTION</b>	<b>REV</b>
43	4711500	12	Washer, 5/16	
44	4711600	5	Washer, 3/8	
45	4751500	2	Washer, 5/16	
46	4771500	1	Washer, Star Lock 5/16	
47	80363033	16	Screw, 10-24X1	
48	80363034	16	Nut, 10-24	
49	90200755	32 in	Tape, Weather	
50	90206198	12 in	Compound, Locking	
51	90206199	51 in	Compound, Locking	
52	91163100	1	Fitting, Straight	
53	0100011	AR	Compound, Locking	
54	91023098	2	Washer, 11/32X1 1/4X.047-.080	
55	1001131130	2	Plug	
56	91163028	1	Decal, Shifter	
57	4761400	4	Washer, Lock 1/4	

SECTION 6 - CAB

FIGURE 6-3. OPEN CAB



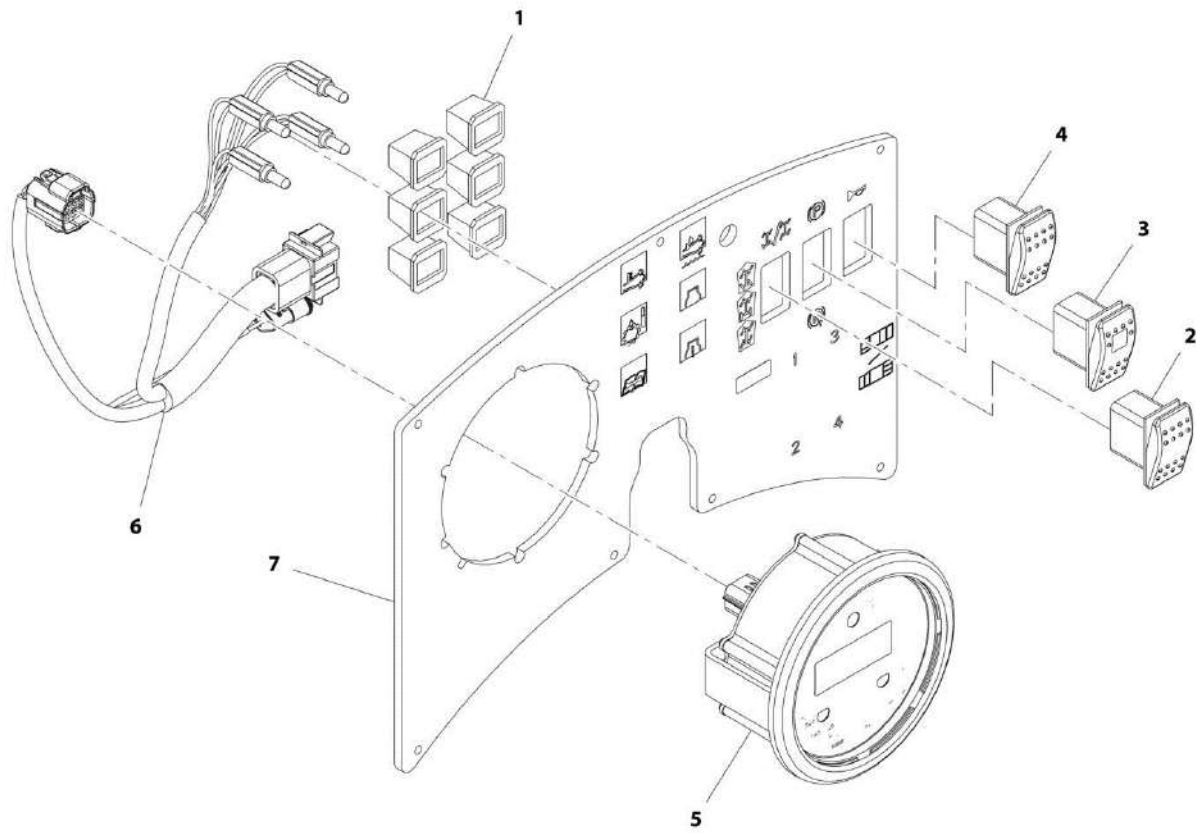
ART\_1001117305-G

FIGURE 6-3. OPEN CAB

ITEM	PART NUMBER	QTY	DESCRIPTION	REV
	1001117305	Ref	Open Cab	G
1	80264035	6	Plug	
2	8036654	7	Plug	
3	91404110	1	Window, Rear	
4	91404109	1	Window, RH Side	
5	8036654	10	Plug	
6	91164087	1	Plug	
7	80264031	13	Block	
8	1001103509	18	Rivnut	
10	91164094	1	Decal, ROPS Warning	
11	80364009	AR	Urethane	
13	91404302	AR	Activator	
14	1001103663	1	Riser, Seat	
15	7029854	4	Bolt	
16	80364037	4	Washer	
19	7029855	4	Washer, Lock	
20	70024001	1	Grip, Vinyl	
21	80364011	1	Plug	
22	91344046	AR	Sealant	
23	7028939	1	Rivnut	
24	0791406	1	Bolt, 1/4-20x3/4	
25	1001117136	1	Panel, Access	

# SECTION 6 - CAB

## FIGURE 6-4. DASH INSTRUMENT PANEL



ART\_1001101666-O

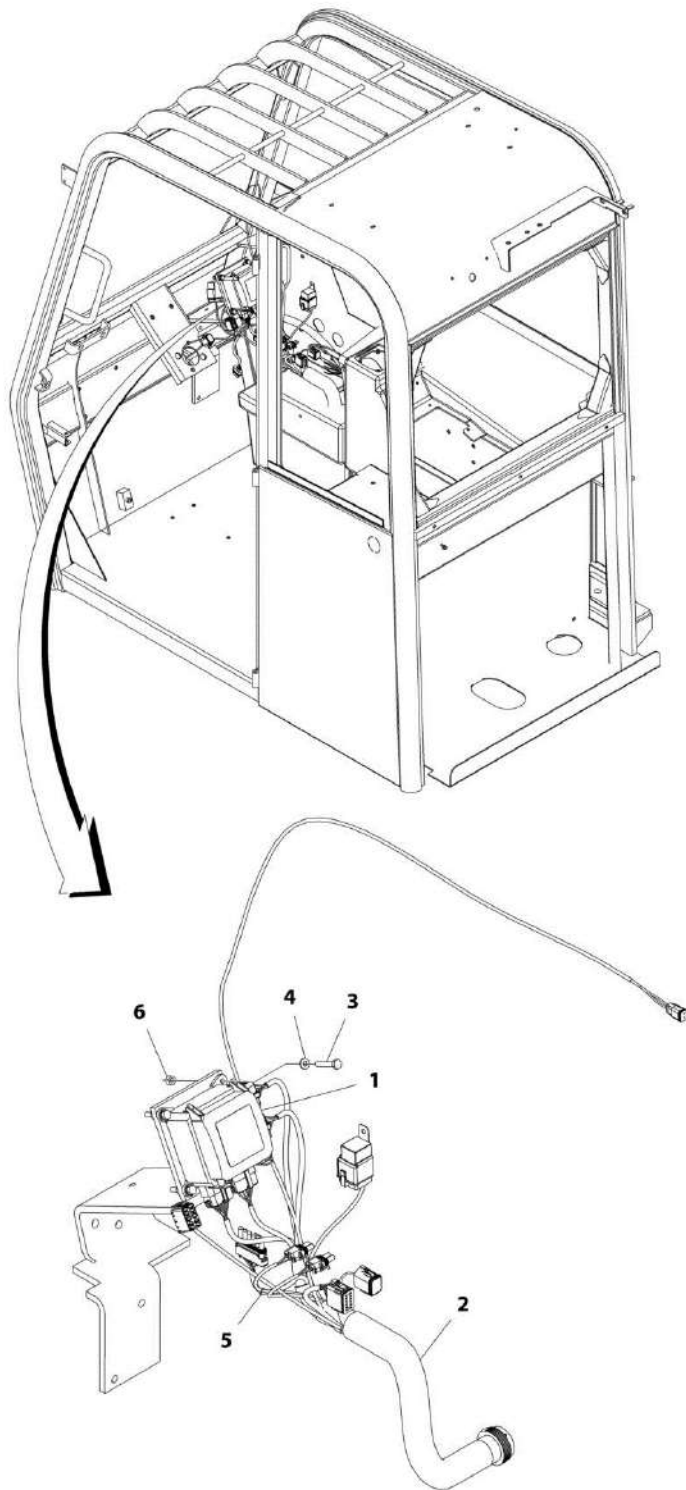


FIGURE 6-4. DASH INSTRUMENT PANEL

ITEM	PART NUMBER	QTY	DESCRIPTION	REV
	1001101666	Ref	Dash Instrument Panel	0
1	N.S.S.	6	Housing, Bulb	
2	91473127	1	Switch, Steering Select	
3	91474465	1	Switch, Park Brake	
4	7026440	1	Switch, Horn and Reset	
5	1001099163	1	Gauge, 3 in 1	
6	1001102815	1	Harness, Instrument Panel (See ELECTRICAL SECTION for Breakdown)	
7	1001099378	1	Panel, Dash Instrument	

# SECTION 6 - CAB

## FIGURE 6-5. ELECTRICAL OPTIONS INSTALLATION



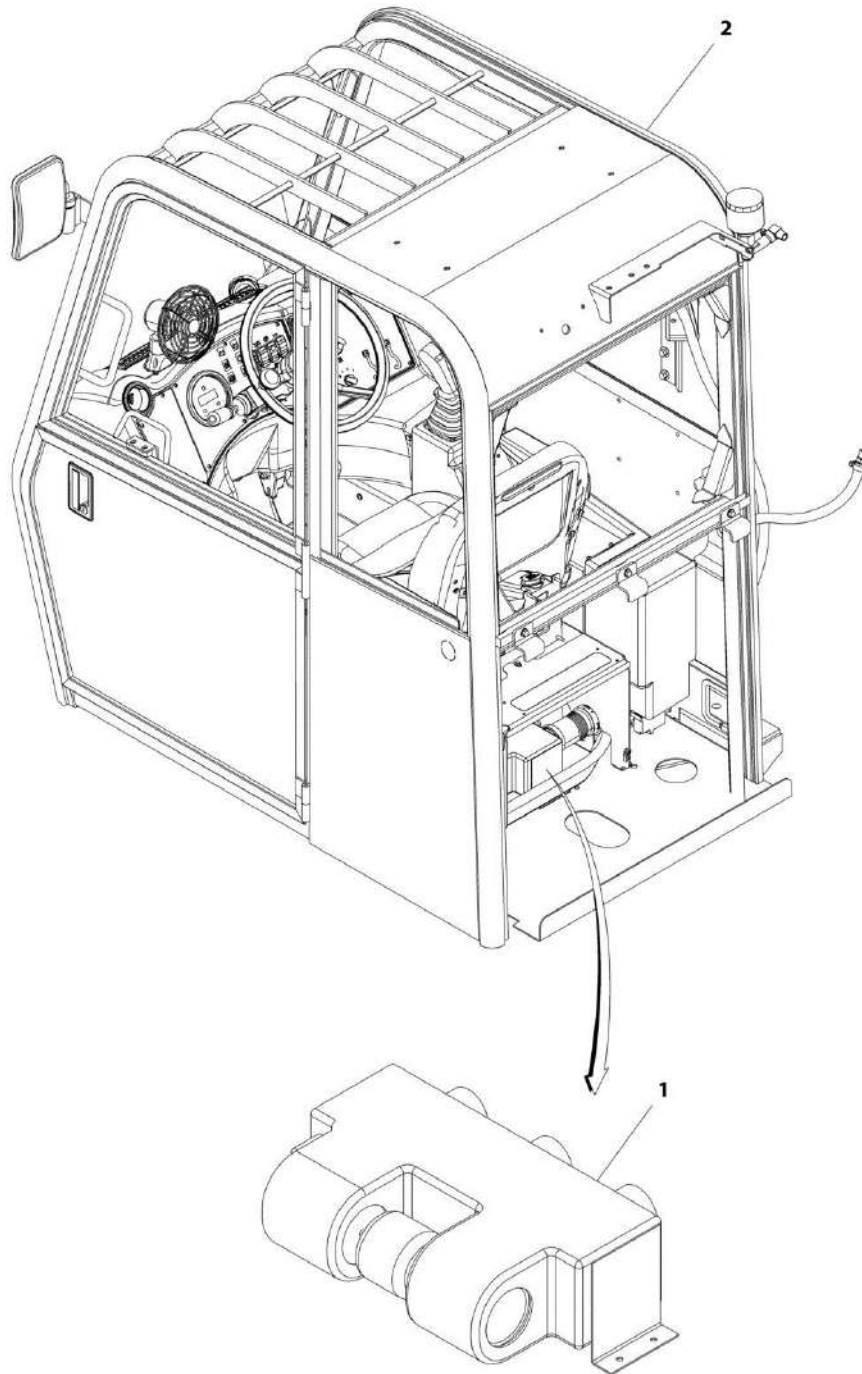
ART\_1001001186-F

FIGURE 6-5. ELECTRICAL OPTIONS INSTALLATION

ITEM	PART NUMBER	QTY	DESCRIPTION	REV
	1001001186	Ref	Electrical Options Installation	F
1	1001126285	1	Box, VEC Options	
1	70024843	1	Relay, 12V 30AMP	
2	1001112039	1	Harness, VEC Options (See ELECTRICAL SECTION for Breakdown)	
3	0641412	4	Bolt, 1/4-20X1 1/2	
4	4751200	4	Washer, 12	
5	4240033	2	Strap, Tie	
6	3311401	4	Nut, 1/4-20	

# SECTION 6 - CAB

## FIGURE 6-6. ENCLOSED CAB WITH HEATER



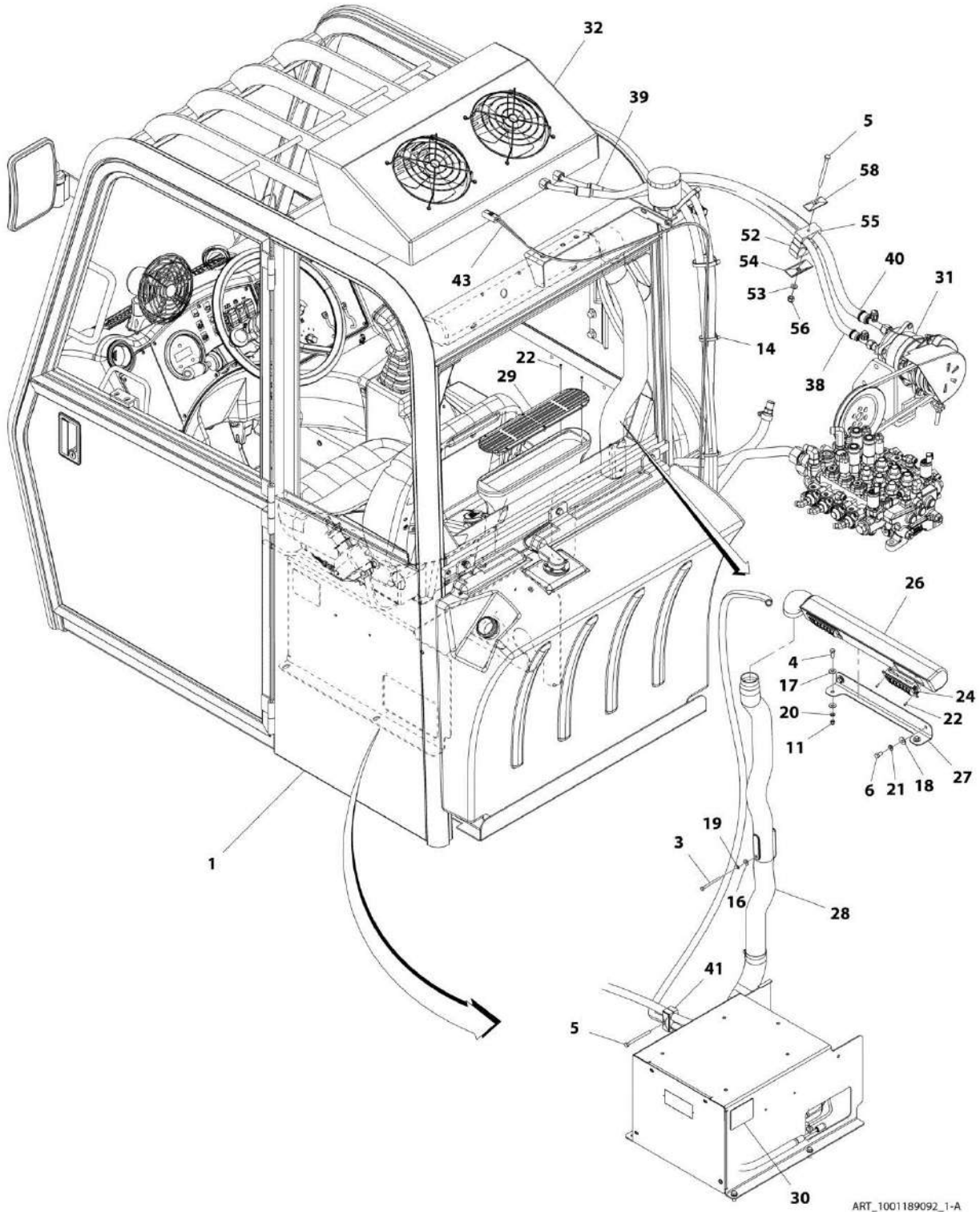
ART\_1001189091-A

**FIGURE 6-6. ENCLOSED CAB WITH HEATER**

<b>ITEM</b>	<b>PART NUMBER</b>	<b>QTY</b>	<b>DESCRIPTION</b>	<b>REV</b>
1	1001189091	Ref	Enclosed Cab with Heater	A
	1001114282	1	Heater Unit, 3 Speed (See HEATER UNIT, 3 SPEED for Breakdown)	
2	1001189090	1	Cab, Enclosed (See ENCLOSED CAB for Breakdown)	

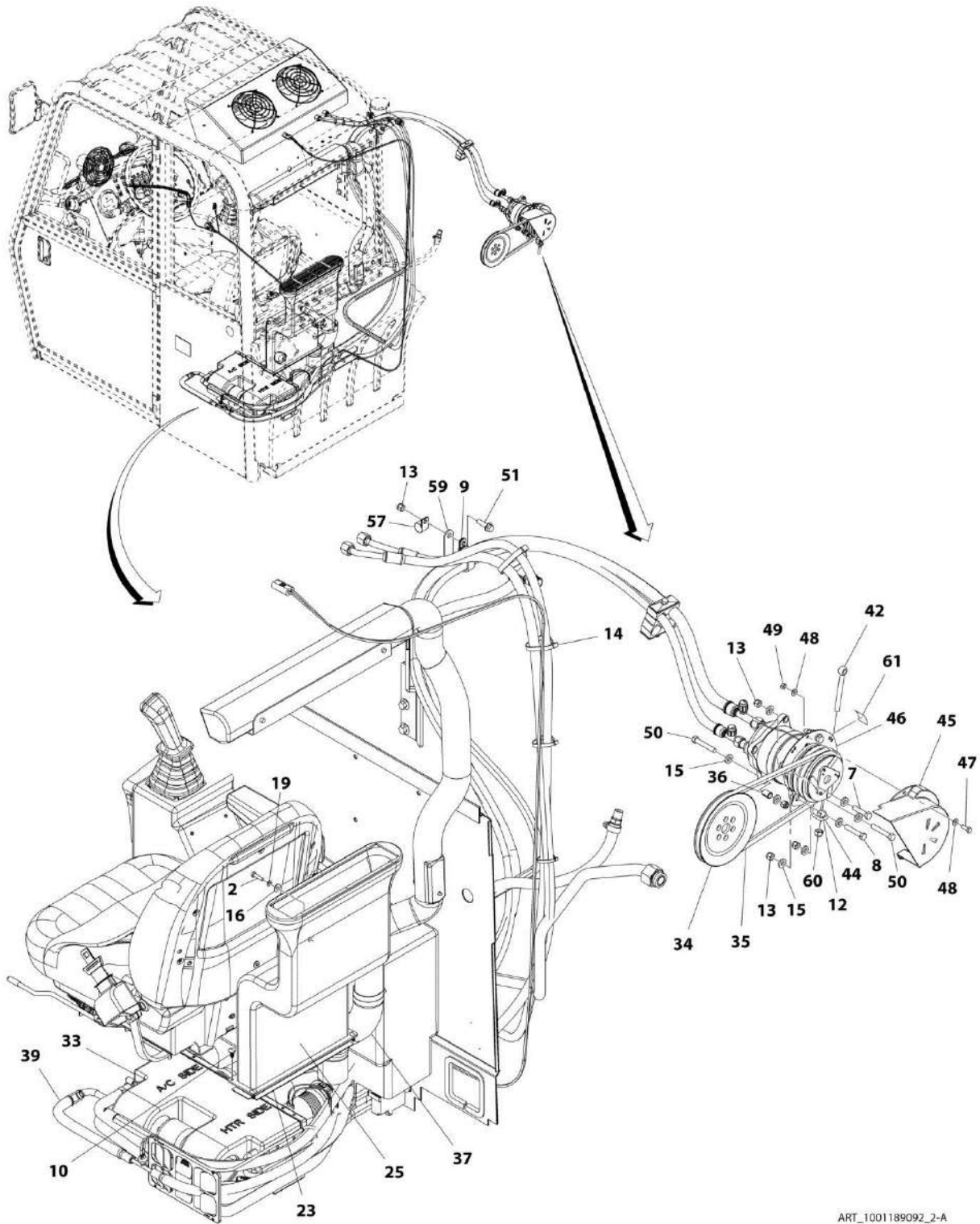
# SECTION 6 - CAB

## FIGURE 6-7. ENCLOSED CAB WITH HEATER/AC INSTALLATION



ART\_1001189092\_1-A

# SECTION 6 - CAB



ART\_1001189092\_2-A

## SECTION 6 - CAB

**FIGURE 6-7. ENCLOSED CAB WITH HEATER/AC INSTALLATION**

ITEM	PART NUMBER	QTY	DESCRIPTION	REV
	1001189092	Ref	Enclosed Cab with Heater/AC Installation	A
1	1001189090	1	Cab, Enclosed (See ENCLOSED CAB for Breakdown)	
2	0641408	1	Bolt, 1/4-20X1	
3	0641424	1	Bolt, 1/4-20X3	
4	0641507	2	Bolt, 5/16-18X7/8	
5	0641532	2	Bolt, 5/16-18X4	
6	0641605	2	Bolt, 3/8-16X5/8	
7	0641613	2	Bolt, 3/8-16X1 5/8	
8	83201057	2	Bolt, 3/8-16X2.00 Grade 8	
9	1321716	1	Clamp	
10	1380158	4	Clip	
11	2080063	2	Nut, Lock 1/4-20	
12	3291001	1	Nut, M10X1.5	
13	3300492	7	Nut, 3/8-16	
14	4240033	6	Tie Strap, 7 IN	
15	4891600	12	Washer, 3/8	
16	4751400	2	Washer, 1/4	
17	4751500	4	Washer, 5/16	
18	4751600	2	Washer, 3/8	
19	4761400	2	Washer, Lock 1/4	
20	4761500	2	Washer, Lock 5/16	
21	4761600	2	Washer, Lock 3/8	
22	91413036	10	Screw, 6X1/2	
23	1001090344	28 in	Tape	
24	1001100279	2	Vent, Defrost	
25	1001100281	1	Vent, Main AC/Heater	
26	1001100770	1	Tube, AC	
27	1001100773	1	Bracket	
28	1001101259	1	Tube, Top Duct	
29	1001101640	1	Filter, AC Vent	
30	1001103956	1	Decal, AC	
31	1001107339	1	Compressor, AC Clutch	
32	1001107340	1	Condenser, AC Overhead (See AC OVERHEAD CONDENSER for Breakdown)	
33	1001142350	1	Motor, AC/Heater 3 Speed (See AC/HEATER MOTOR, 3 SPEED for Breakdown)	
34	1001140468	1	Pulley, AC Drive	
35	1001140694	1	Belt, AC Drive	
36	1001131818	1	Bushing	
37	1001100446	1	Hose, 2.5 IN	
38	1001146218	1	Hose, AC Compressor	
39	1001107428	1	Hose, Ac Condenser To Evaporator	
40	1001146217	1	Hose, AC Compressor	
41	77323029	1	Clamp, Set	
42	8310737	1	Rod, M10X1.5X100	
43	91563247	1	Harness, AC (See AC HARNESS for Breakdown)	
44	1001139703	1	Bracket, Tension Arm	
45	1001138945	1	Cover, Compressor	
46	1001138944	1	Support, AC Cover	
47	0641406	3	Bolt, 1/4-20X3/4	

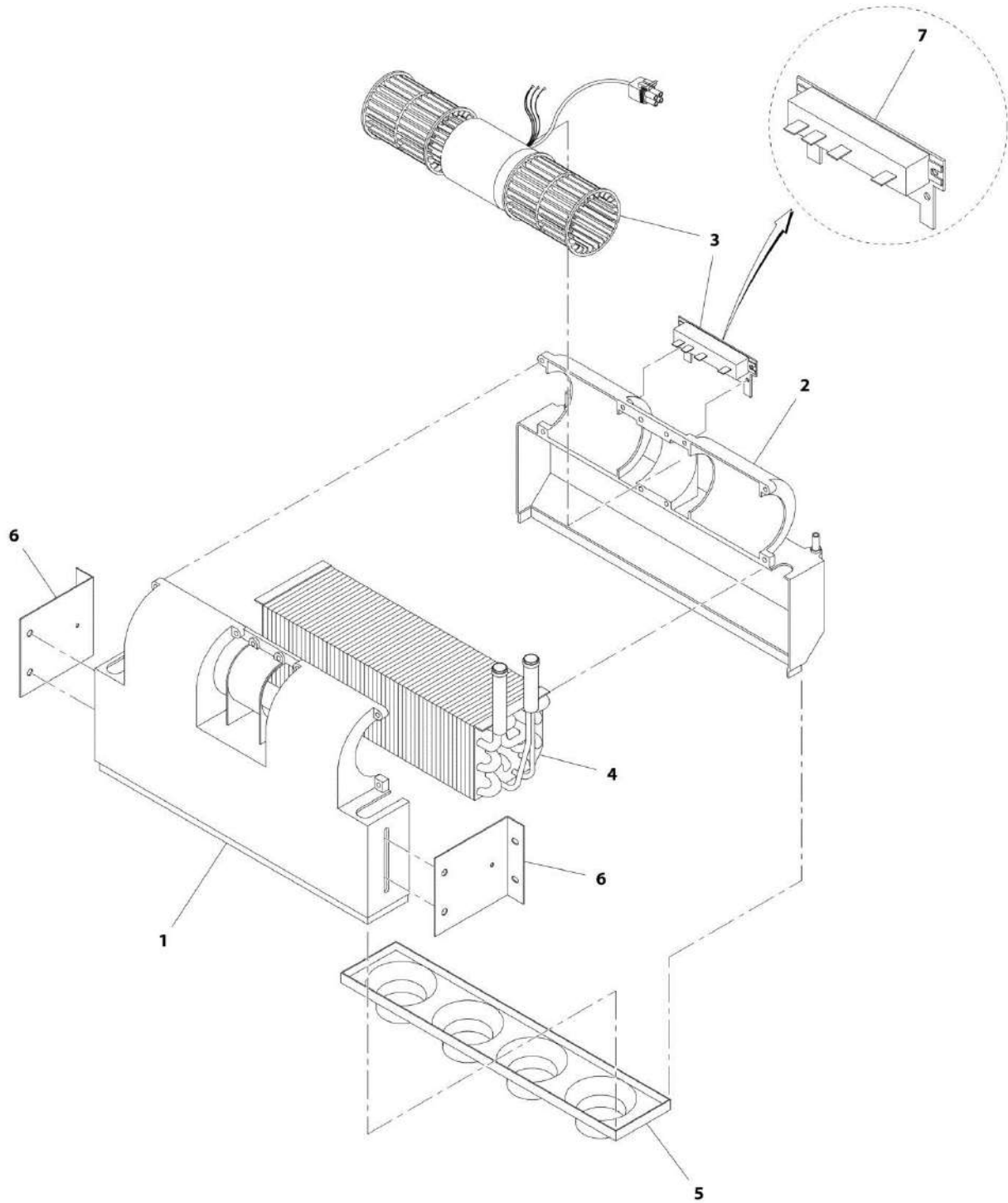


**SECTION 6 - CAB**

<b>ITEM</b>	<b>PART NUMBER</b>	<b>QTY</b>	<b>DESCRIPTION</b>	<b>REV</b>
48	4711400	6	Washer, 1/4	
49	3311405	3	Nut, Lock 1/4-20	
50	0681618	2	Bolt, 3/8-16X2 1/4 Grade 8	
51	0811610	1	Screw, 3/8-16X1 1/4 Grade 8	
52	1321320	1	Clamp	
53	4711500	1	Washer, 5/16	
54	77133134	1	Clamp, Cover Plate	
55	77133279	1	Clamp, Set	
56	88521205	1	Nut, Lock 5/16-18	
57	91143122	1	Clamp	
58	77133137	1	Clamp, Set	
59	1001143654	1	Plate, Hose Guide	
60	8305630	1	Nut, Lock M10X1.50	
61	1001093526	1	Decal, AC	

**SECTION 6 - CAB**

**FIGURE 6-8. HEATER UNIT, 3 SPEED**



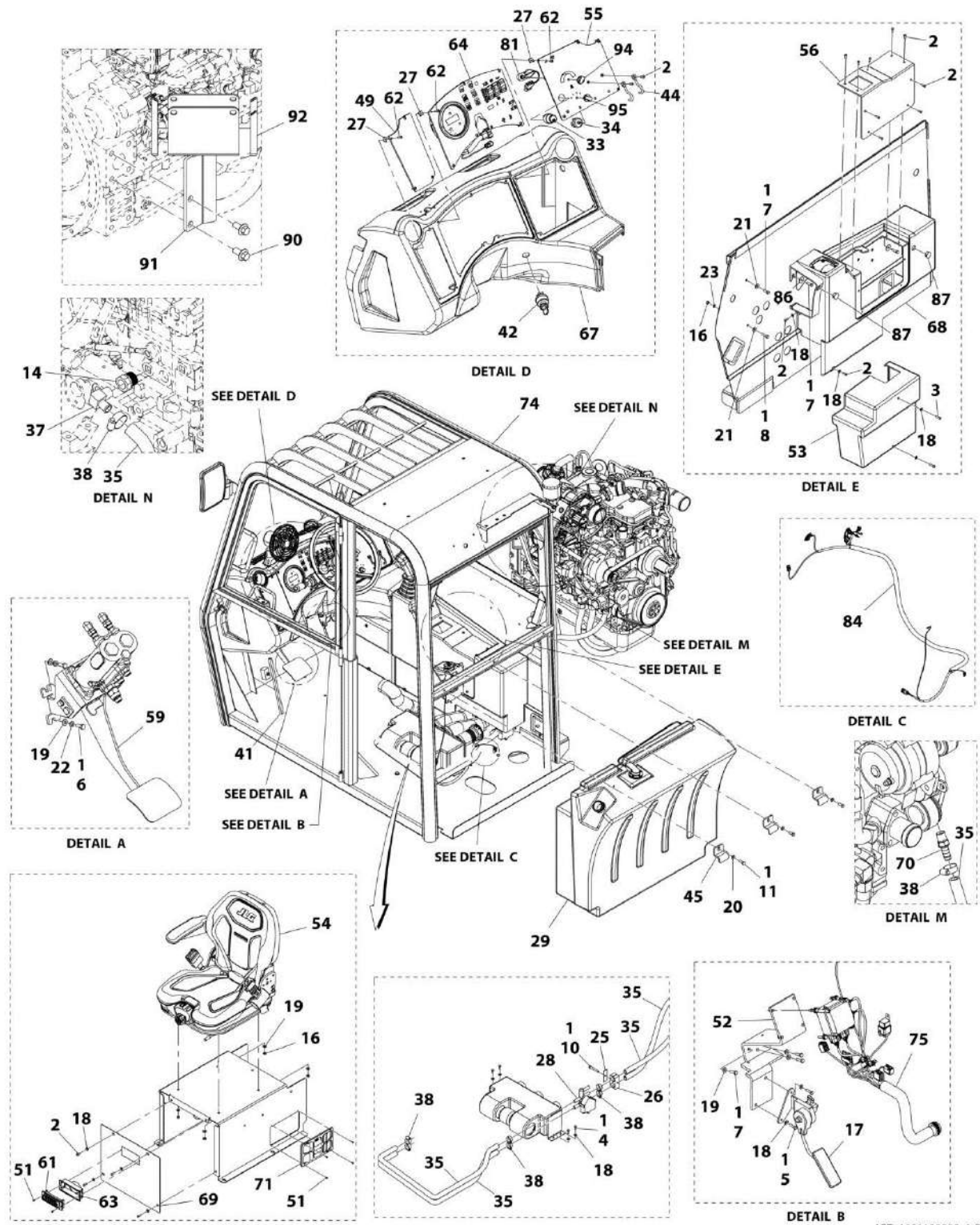
ART\_100114282-C

FIGURE 6-8. HEATER UNIT, 3 SPEED

ITEM	PART NUMBER	QTY	DESCRIPTION	REV
	1001114282	Ref	Heater Unit, 3 Speed	C
1	70022552	1	Top, Evaporator Case	
2	70022553	1	Bottom, Evaporator Case	
3	70022805	1	Motor, Blower W/Wheel	
4	70025925	1	Coil, Heater	
5	70025926	1	Top, 4 Hole	
6	70025927	2	Leg	
7	70023110	1	Resistor	

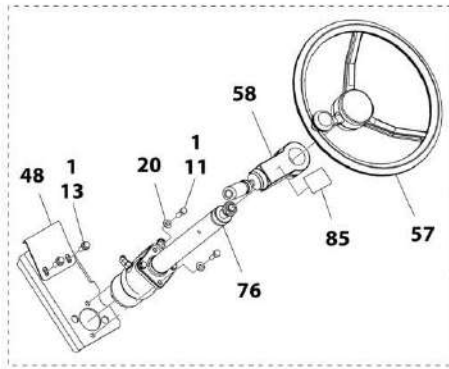
# SECTION 6 - CAB

## FIGURE 6-9. ENCLOSED CAB

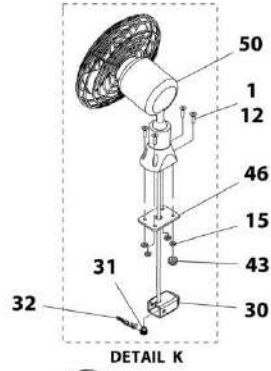


ART\_1001189090\_1-B

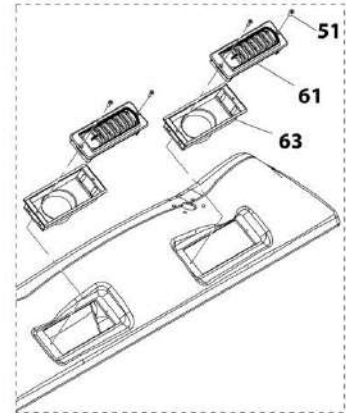
# SECTION 6 - CAB



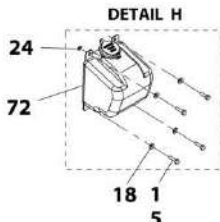
DETAIL J



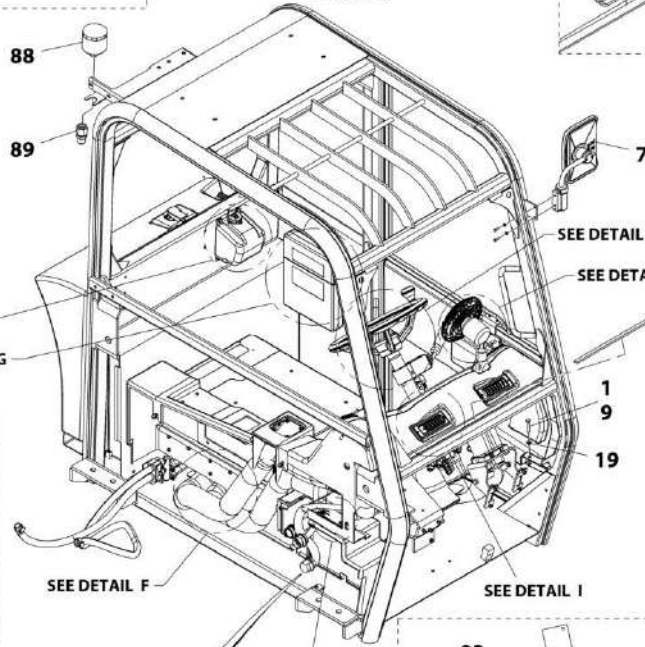
DETAIL K



DETAIL I

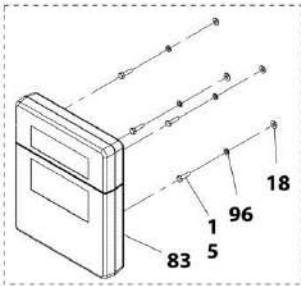


DETAIL H

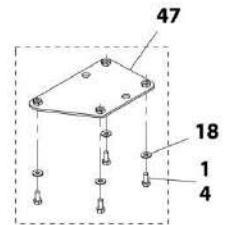


SEE DETAIL H  
SEE DETAIL G

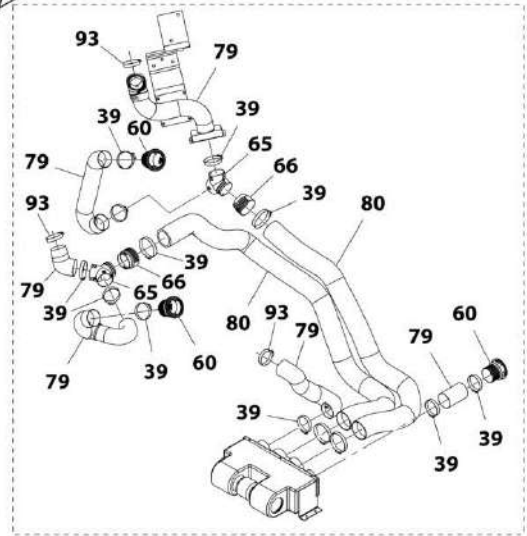
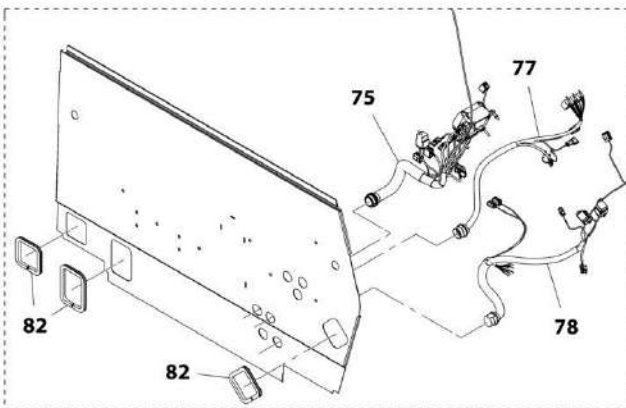
SEE DETAIL J  
SEE DETAIL K



DETAIL G



DETAIL L



DETAIL F

ART\_1001189090\_2-B

# SECTION 6 - CAB

## FIGURE 6-9. ENCLOSED CAB

ITEM	PART NUMBER	QTY	DESCRIPTION	REV
	1001189090	Ref	Enclosed Cab	B
1	0100011	AR	Compound, Locking	
2	0630407	17	Screw, 1/4-20X5/8	
3	0630457	2	Screw, 1/4-20X1.00	
4	0641405	8	Bolt, 1/4-20X5/8	
5	0641408	10	Bolt, 1/4-20X1	
6	0641506	4	Bolt, 5/16-18X3/4	
7	0641508	6	Bolt, 5/16-18X1	
8	0641510	1	Bolt, 5/16-18X1 1/4	
9	0641514	1	Bolt, 5/16-18X1 3/4	
10	0641518	1	Bolt, 5/16-18X2 1/4	
11	0641608	5	Bolt, 3/8-16X1	
12	0741006	4	Screw, 10-24X.75	
13	0791608	2	Screw, 3/8-16X1	
14	2220282	1	Fitting, Reducer	
15	3311005	4	Nut, Lock 10-24	
16	3311505	5	Nut, Lock 5/16-18	
17	1001126589	1	Pedal, Accelerator (See CONTROLS SECTION for Breakdown)	
18	4711400	26	Washer, 1/4	
19	4711500	12	Washer, 5/16	
20	4711600	5	Washer, 3/8	
21	4751500	2	Washer, 5/16	
22	4761500	4	Washer, 5/16	
23	4771500	1	Washer, Star Lock 5/16	
24	4791400	1	Washer, Star Lock 1/4	
25	77133137	1	Clamp	
26	77133279	1	Clamp	
27	80363034	16	Nut, 10-24	
28	80383231	1	Valve, Heater Control	
29	1001130780	1	Tank, Fuel (See ENGINE AND ATTACHING PARTS SECTION for Breakdown)	
30	80963058	1	Shroud	
31	80963065	2	Seal	
32	80963069	2	Pin	
33	80963101	1	Switch, Wiper	
34	80964001	1	Switch, Blower	
35	82033995	198 in	Hose, Heater 5/8	
36	82033997	132 in	Hose, Washer Fluid, (not shown)	
37	84712749	1	Fitting, 90 Hose	
38	86683193	8	Clamp, Hose	
39	86883328	13	Clamp, Hose	
40	90200755	32 in	Tape, Weather	
41	90206198	13 in	Compound, Locking	
42	91033317	1	Switch, Ignition	
43	91033425	1	Grommet	
44	91163087	2	Bracket, Load Chart	
45	1001150364	3	Bracket, Tank Hold Down	
46	91401443	1	Plate	
47	91401516	1	Brace, Dash	
48	91401590	1	Clamp, Dash	

## SECTION 6 - CAB

ITEM	PART NUMBER	QTY	DESCRIPTION	REV
49	91403324	1	Panel, Dash	
50	91403608	1	Fan, Defroster	
51	91413036	10	Screw, 6X1/2	
52	91561192	1	Bracket, Accelerator	
53	91563075	1	Console, Lower RH	
54		Ref	Seat (See SEAT for Breakdown)	
55	1001156272	1	Panel, RH Dash Instrument	
56	1001189088	1	Plate, Cover RH Console	
57	91563208	1	Wheel, Steering	
58	91563226	1	Shifter, 4-Speed	
59	1001091173	1	Assembly, Brake Pedal (See CONTROLS SECTION for Breakdown)	
60	1001100278	3	Vent, A/C	
61	1001100279	3	Vent, Defrost	
62	1001100322	16	Screw	
63	1001101216	3	Vent, Defrost Base	
64	1001101666	1	Panel, Dash	
65	1001101668	2	Conduit, 3-Way 2.5X3	
66	1001101669	2	Conduit, 3.0X2.5 IN	
67	1001103553	1	Panel, Dash Enclosed Cab	
68	1001103557	1	Panel, Console RH	
69	1001103567	1	Panel, Seat Riser Access	
70	1001104685	1	Fitting, Barbed .50X.625	
71	1001106849	1	Vent, Return Air	
72	1001111112	1	Tank, Washer Fluid	
73	1001115153	1	Installation, Cab Mirror LH (See CAB MIRROR INSTALLATION, LH for Breakdown)	
74	1001117306	1	Cab, Enclosed (See ENCLOSED CAB for Breakdown)	
75	1001001186	1	Installation, Electrical Options (See ELECTRICAL OPTIONS INSTALLATION for Breakdown)	
76	1001001213	1	Assembly, Steering Control (See CONTROLS SECTION for Breakdown)	
77	1001108841	1	Harness, Dash (See ELECTRICAL SECTION for Breakdown)	
78	1001140233	1	Harness, Transmission Relay (See ELECTRICAL SECTION for Breakdown)	
79	1001100446	73 in	Hose	
80	1001100447	123 in	Hose	
81	1001151643	1	Assembly, Resistor Potentiometer (See RESISTOR POTENTIOMETER ASSEMBLY for Breakdown)	
82	90206199	51 in	Compound, Locking	
83	91403230	1	Case, Manual	
84	91563185	1	Harness, Enclosed Cab Option (See ELECTRICAL SECTION for Breakdown)	
85	91163028	1	Decal, Shifter	
86	91023098	2	Washer, Fender	
87	1001131130	2	Plug	
88	1340021	1	Breather, Air	
89	91163100	1	Fitting, JIC	
90	0781212	2	Bolt, M12X25	
91	1001138788	1	Support, Hose Guide	
92	90206196	24 in	Gasket	
93	84231107	3	Clamp	
94	1001151847	1	Knob	

## SECTION 6 - CAB

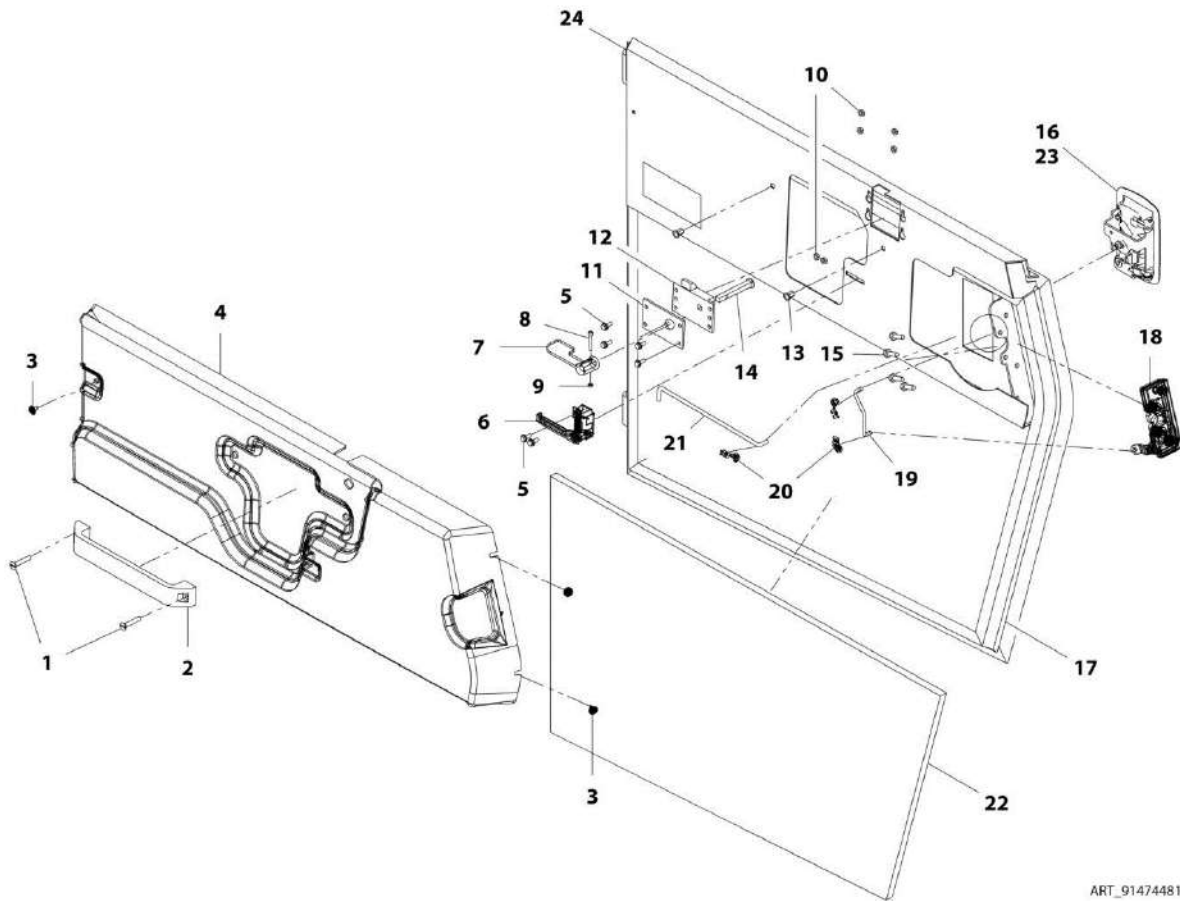
ITEM	PART NUMBER	QTY	DESCRIPTION	REV
95	1001152326	1	Knob	
96	4761400	4	Washer, Lock 1/4	





# SECTION 6 - CAB

## FIGURE 6-10. LOWER DOOR ASSEMBLY



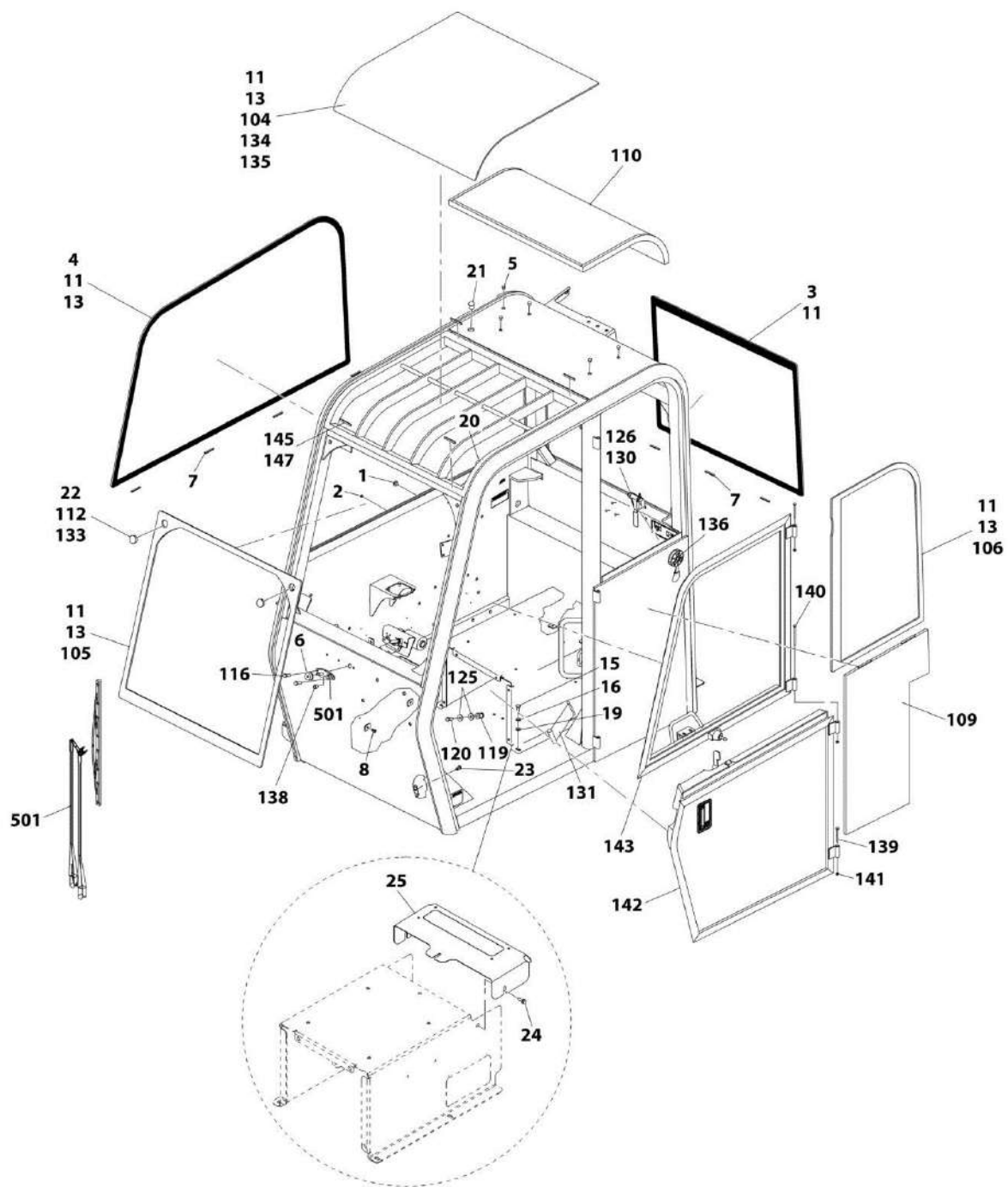
ART\_91474481

FIGURE 6-10. LOWER DOOR ASSEMBLY

ITEM	PART NUMBER	QTY	DESCRIPTION	REV
	91474481	Ref	Lower Door Assembly	
1	8035461	2	Bolt, 1/4-20X1-1/4	
2	91404316	1	Handle, Grab	
3	80264066	3	Bolt, M6X1X12	
4	91404311	1	Cover, Door	
5	80384191	6	Screw, Whiz-Lock 10-24x1/2	
6	80384192	1	Handle, LH Inside	
7	91404315	1	Lever, Release	
8	91404317	1	Screw, Socket M32X1.12 GR8	
9	91404318	1	Nut, Lock M8-32	
10	91404313	6	Nut, Lock M10-24	
11	91404320	1	Stiffener, Latch	
12	91404319	1	Latch, LH	
13	8866334	2	Rivnut, 1/4-20X0.469	
14	91404321	1	Bar, Lower Door Drive	
15	80384189	4	Bolt, 1/4-20X3/4	
16	1001081241	1	Handle, Cab Door	
17	80364001	8 ft	Seal, Bulb	
18	80364079	1	Latch, RH	
19	91404309	1	Rod, Exterior Release Door	
20	80384187	3	Clip, Rod End Retainer	
21	91404310	1	Rod, Interior Release Door	
22	91404312	1	Foam, Lower Door	
23	80964051	1	Key, Door	
24	N.S.S.	1	Weldment, Door	

# SECTION 6 - CAB

## FIGURE 6-11. ENCLOSED CAB



ART\_1001117306\_1-F

FIGURE 6-11. ENCLOSED CAB

ITEM	PART NUMBER	QTY	DESCRIPTION	REV
	1001117306	Ref	Cab, Enclosed	F
1	80264035	6	Plug	
2	8036654	7	Plug	
3	91404110	1	Window, Rear	
4	91404109	1	Window, RH	
5	8036654	10	Plug	
6	91164087	1	Plug	
7	80264031	13	Block, Setting	
8	1001103509	18	Nut, Rivet 1/4-20	
10	91164094	1	Decal, ROPS Warning, (not shown) (See Separate Breakdown in this Section)	
11	80364009	AR	Urethane	
13	91404302	AR	Activator	
14	1001103663	1	Riser, Seat, (not shown) (See Separate Breakdown in this Section)	
15	7029854	4	Bolt	
16	80364037	4	Washer	
19	7029855	4	Washer, Lock	
20	70024001	1	Grip, Vinyl	
21	80364011	1	Plug	
22	91344046	AR	Sealant	
23	7028939	1	Rivnut	
24	0791406	3	Bolt, 1/4-20X3/4	
25	1001117136	1	Panel, Access	
104	91404290	1	Window, Sky Light	
105	91404291	1	Window, Front	
106	80364030	1	Window, LH Rear	
109	91404294	1	Foam, LH Side Panel	
110	91404295	1	Headliner	
112	91404296	2	Plug~Plug	
116	80384207	2	Bolt, 1/4-28X3/4	
119	80364023	1	Striker	
120	91334024	1	Bolt, 3/8-16X7/8	
125	91404297	2	Washer	
126	91404298	3	Rivet	
127	91404299	1	Decal, Escape, (not shown)	
130	91404301	1	Hammer	
131	80384218	1	Strap, Door	
133	70020632	AR	Seal	
134	91334034	AR	Urethane, Black	
135	91404302	AR	Activator	
136	91404303	1	Hold-Open, Female Door	
138	91334035	1	Spacer	
139	80384205	2	Bolt, 3/8-16X4-1/2	
140	91404305	1	Bolt, 3/8-16X6-1/2	
141	91404306	3	Nut, 3/8-16	
142	91474481	1	Assembly, Lower Door (See LOWER DOOR ASSEMBLY for Breakdown)	
143	91474482	1	Assembly, Upper Door (See UPPER DOOR ASSEMBLY for Breakdown)	
145	80264031	15	Block, Setting	

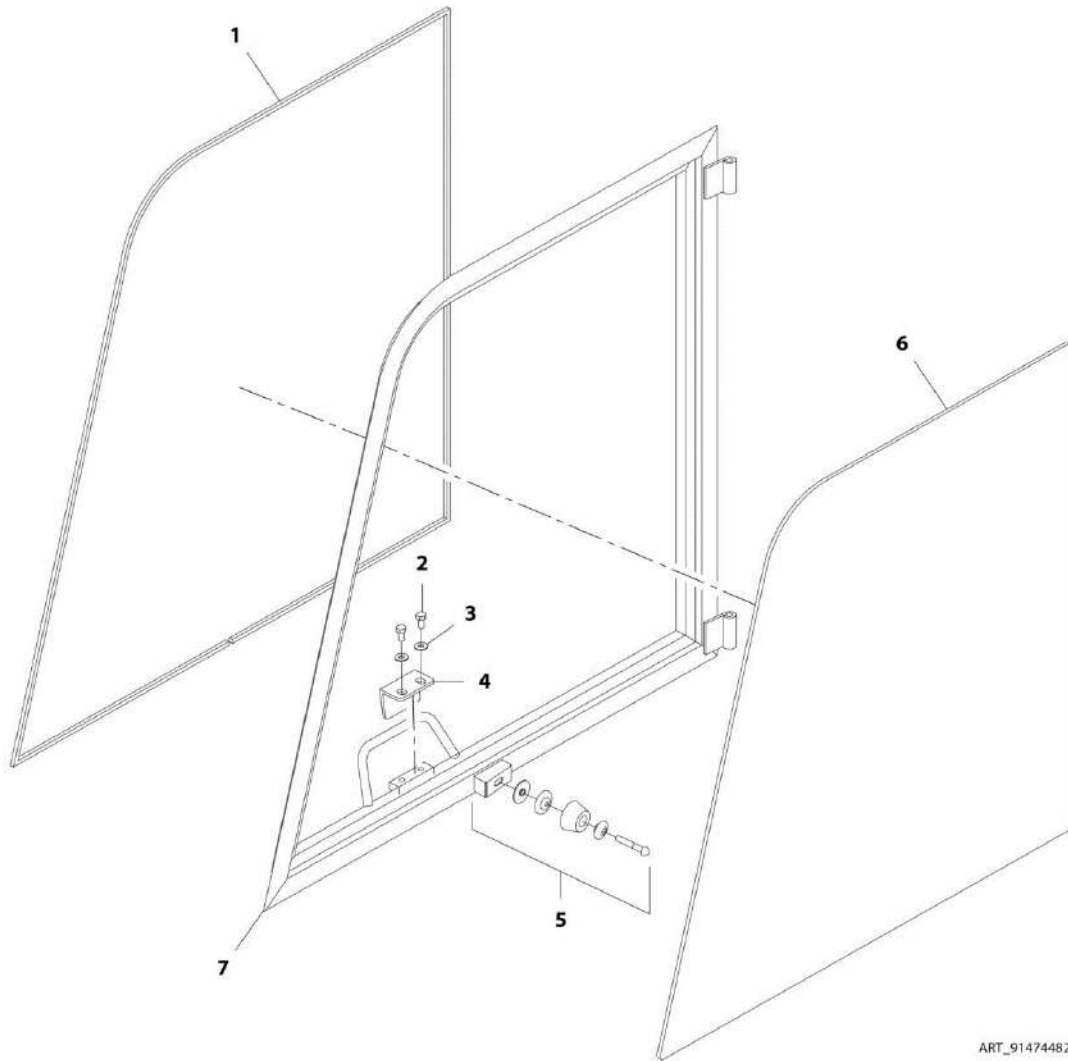
## SECTION 6 - CAB

ITEM	PART NUMBER	QTY	DESCRIPTION	REV
147	70020653	4	Block	
501		Ref	Front Wiper, (See Separate Breakdown in this Section)	



# SECTION 6 - CAB

## FIGURE 6-12. UPPER DOOR ASSEMBLY



ART\_91474482

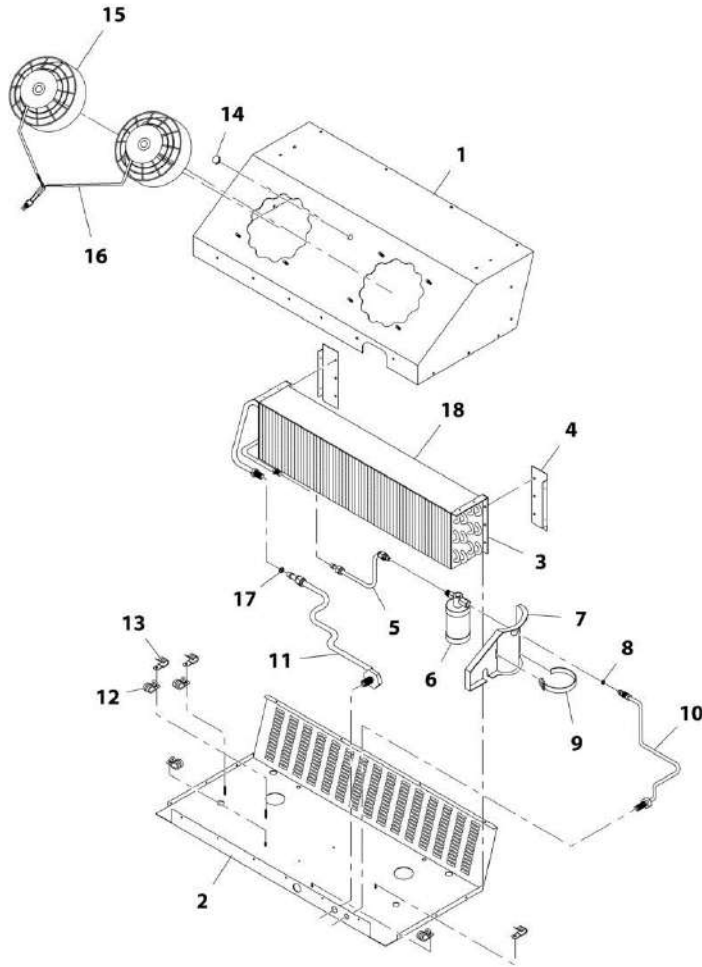


FIGURE 6-12. UPPER DOOR ASSEMBLY

ITEM	PART NUMBER	QTY	DESCRIPTION	REV
	91474482	Ref	Upper Door Assembly	
1	80364001	11 ft	Seal, Bulb	
2	91404324	2	Bolt, 5/16-18X5/8	
3	91334032	2	Washer	
4	91404323	1	Latch, Slam	
5	91474492	1	Hold-Open, Male Door	
6	91404322	1	Glass, Upper Door	
7	N.S.S.	1	Weldment, Upper Door	

# SECTION 6 - CAB

## FIGURE 6-13. OVERHEAD AC CONDENSER



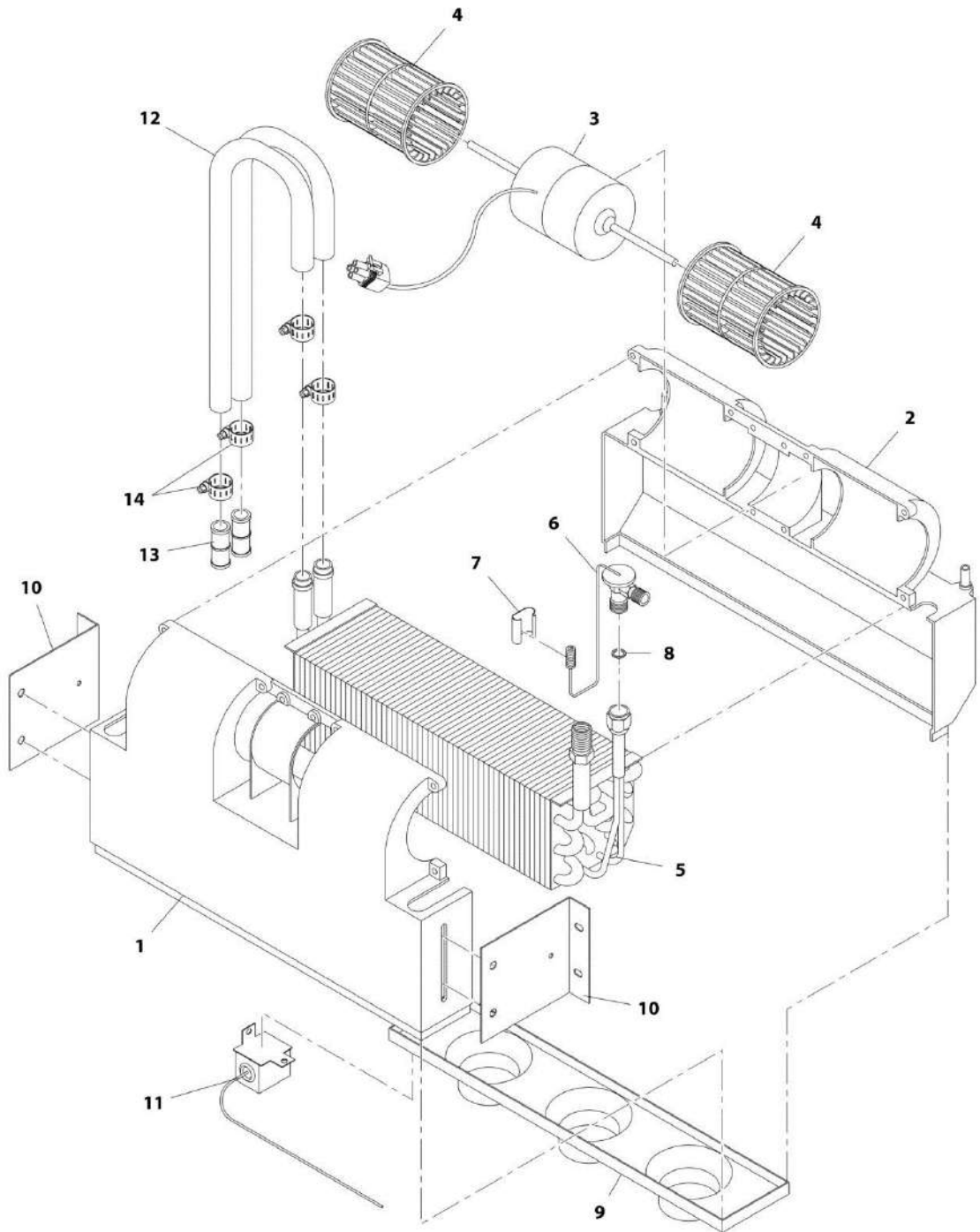
ART\_1001107340-A

FIGURE 6-13. OVERHEAD AC CONDENSER

ITEM	PART NUMBER	QTY	DESCRIPTION	REV
	1001107340	Ref	Overhead AC Condenser	A
1	70020643	1	Top, Case	
2	70022880	1	Bottom, Case	
3	70020644	1	Coil, Overhead Condenser	
4	70022881	2	Bracket, Mounting	
5	91514270	1	Tube	
6	91514266	1	Drier	
7	70022882	1	Mount, Drier	
8	80363102	3	O-Ring	
9	70022883	1	Clamp, Hose	
10	70020645	1	Tube	
11	70020646	1	Tube	
12	70022884	4	Clamp, Hose	
13	70022885	3	Clamp, Cushion	
14	70022886	1	Plug	
15	91514295	2	Fan	
16	70020647	1	Harness, Fan	
17	80363103	1	O-Ring	
18	70022891	2 ft	Foam	
19	70022890	4	Bolt, 3/8-16X3, (not shown)	
20	70022888	4	Washer, 3/8, (not shown)	
21	70022889	4	Washer, Lock 3/8, (not shown)	

# SECTION 6 - CAB

## FIGURE 6-14. AC/HEATER MOTOR, 3 SPEED



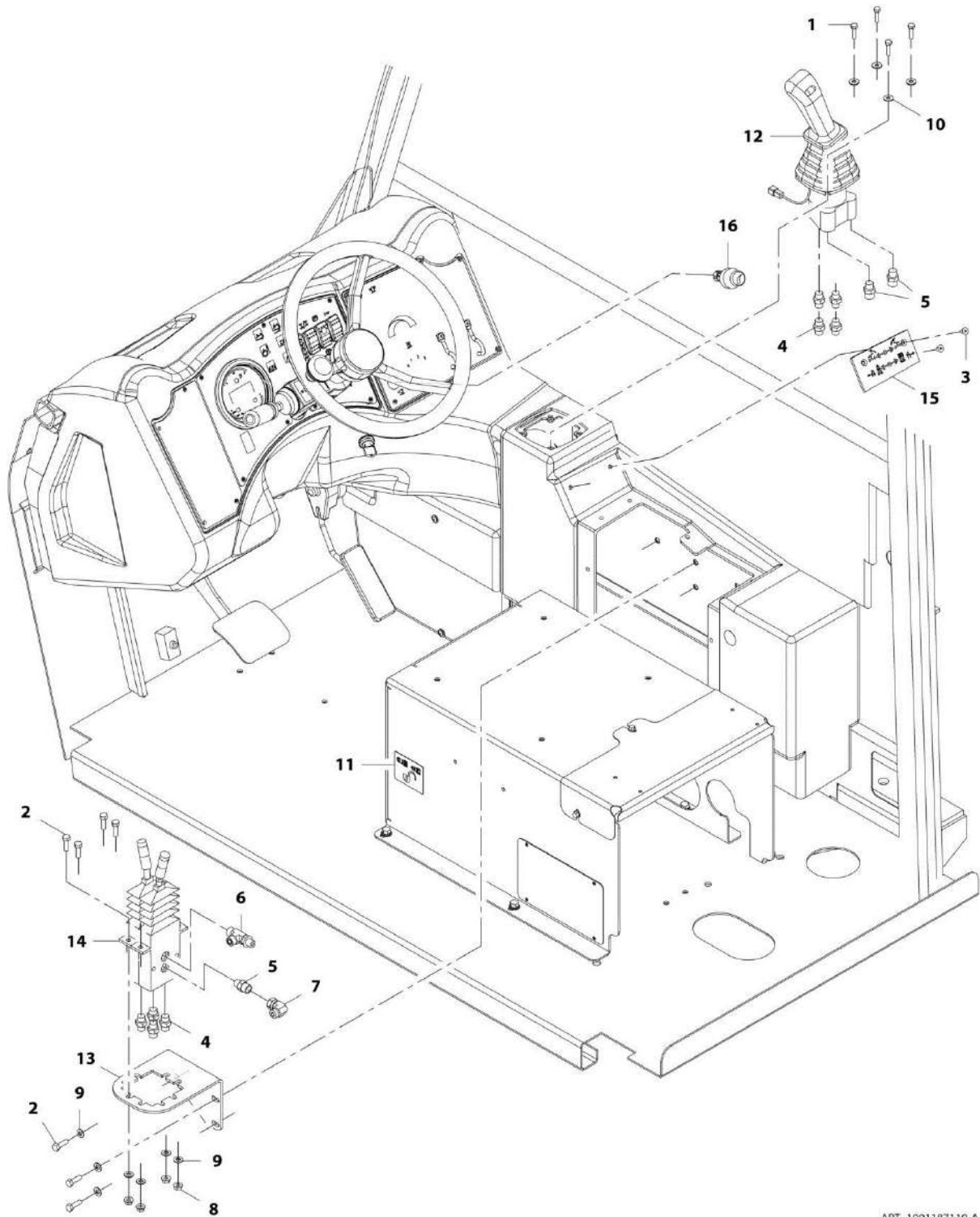
ART\_1001142350-C

FIGURE 6-14. AC/HEATER MOTOR, 3 SPEED

ITEM	PART NUMBER	QTY	DESCRIPTION	REV
	1001142350	Ref	AC/Heater Motor, 3 Speed	C
1	70022552	1	Top, Case	
2	70022553	1	Bottom, Case	
3	70022805	1	Motor, Blower	
4	91404439	1	Wheel, Blower	
5	70022876	1	Coil, Heater/Cooler	
6	91514272	1	Valve, Expansion	
7	70022877	1	Clamp, Bulb	
8	80363103	1	O-Ring	
9	N.S.S.	1	Top, 3 Hole	
10	N.S.S.	2	Leg	
11	N.S.S.	1	Thermostat	
12	N.S.S.	2	Hose	
13	N.S.S.	2	Splice, Hose	
14	70022879	4	Clamp, Worm Gear	
15	70022555	1	Restrictor, Air, (not shown)	
16	91514296	1	Switch, Metro, (not shown)	
17	70020640	1	Relay, 12V, (not shown)	
18	70022556	1 ft	Hose, Drain, (not shown)	
19	70022557	1	Elbow, Drain, (not shown)	
20	70022558	1	Tee, Drain, (not shown)	
21	80363099	1	Switch, Pressure, (not shown)	
22	70023108	2	Gasket, Blower Wheel, (not shown)	

# SECTION 6 - CAB

## FIGURE 6-15. CAB CONTROLS INSTALLATION



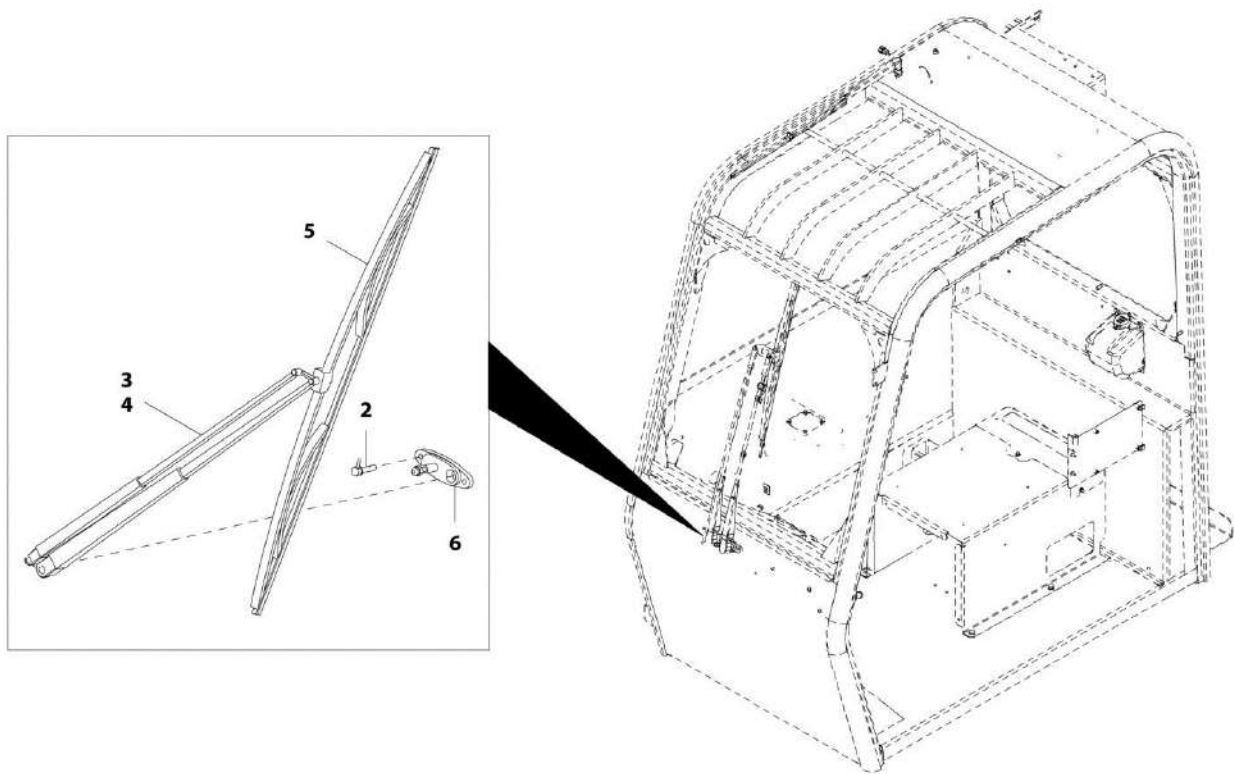
ART\_1001187110-A

FIGURE 6-15. CAB CONTROLS INSTALLATION

ITEM	PART NUMBER	QTY	DESCRIPTION	REV
	1001187110	Ref	Cab Controls Installation	A
1	0641408	4	Bolt, 1/4-20X1	
2	0641508	7	Bolt, 5/16-18X1	
3	0741404	2	Screw, 1/4-20X.50	
4	2110406	8	Fitting, Straight ORFS	
5	2110606	3	Fitting, Straight ORFS	
6	2170306	1	Fitting, Tee ORFS	
7	2172106	1	Fitting, 90 ORFS	
8	3311508	4	Nut, 5/16-18	
9	4711500	7	Washer, 5/16	
10	4751400	4	Washer, 1/4	
11	91503112	1	Decal, Decompression Valve	
12	91513212	1	Assembly, Tilt on Joystick (See CONTROLS SECTION for Breakdown)	
13	91561140	1	Bracket	
14	91563200	1	Controller, Hydraulic (See CONTROL SECTION for Breakdown)	
16	1001106688	1	Tilt, Rheostat (See CONTROL SECTION for Breakdown)	

# SECTION 6 - CAB

## FIGURE 6-16. FRONT WIPER



ART\_1001081308-C

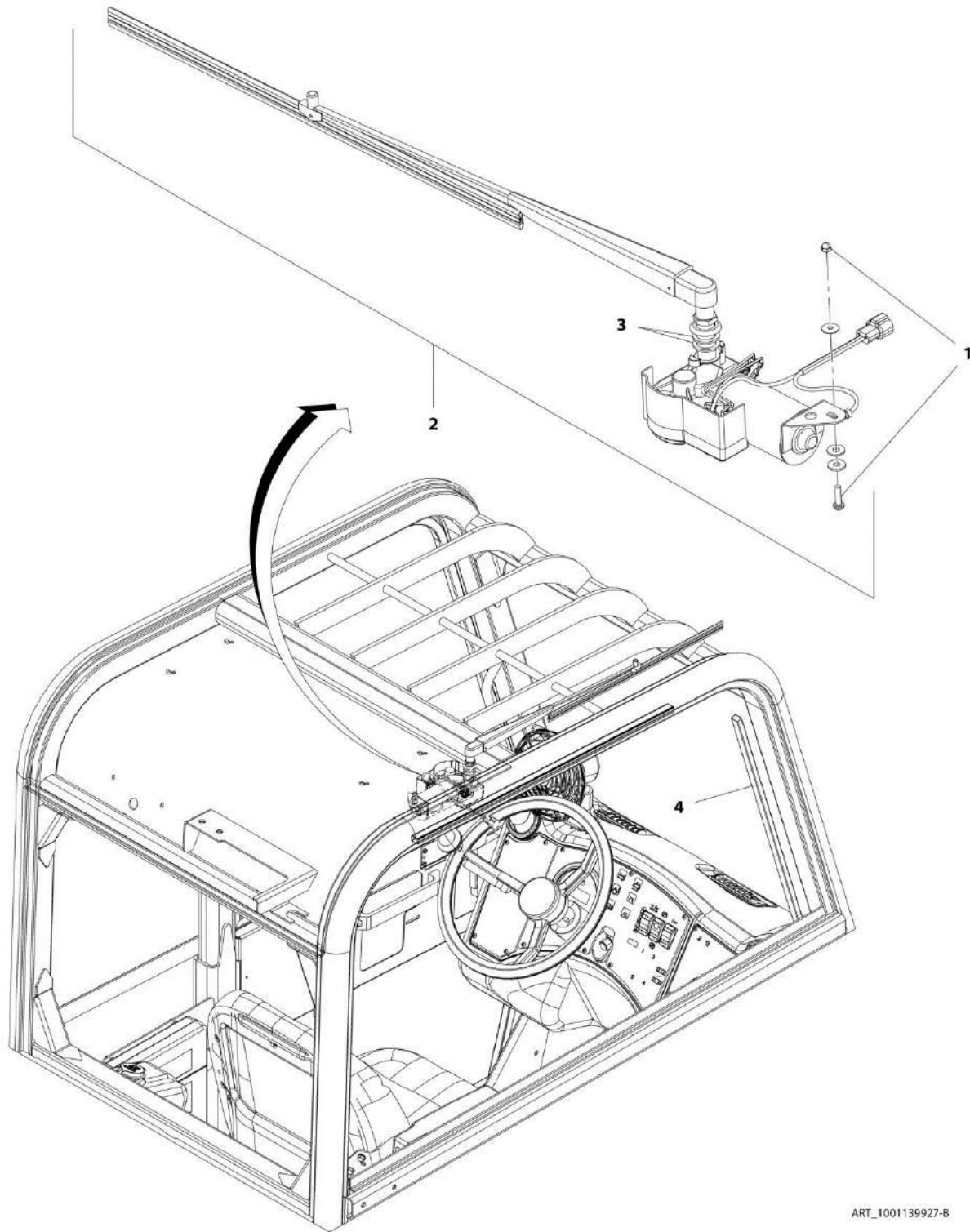


FIGURE 6-16. FRONT WIPER

ITEM	PART NUMBER	QTY	DESCRIPTION	REV
2	1001081310	1	Adapter, Wet Arm	
3	1001081311	1	Kit, Wet Arm	
4	1001081308	1	Arm, Wiper	
5	8035392	1	Blade, Wiper	
6	1001081307	1	Mount, Adapter	

# SECTION 6 - CAB

## FIGURE 6-17. SKYLIGHT WIPER



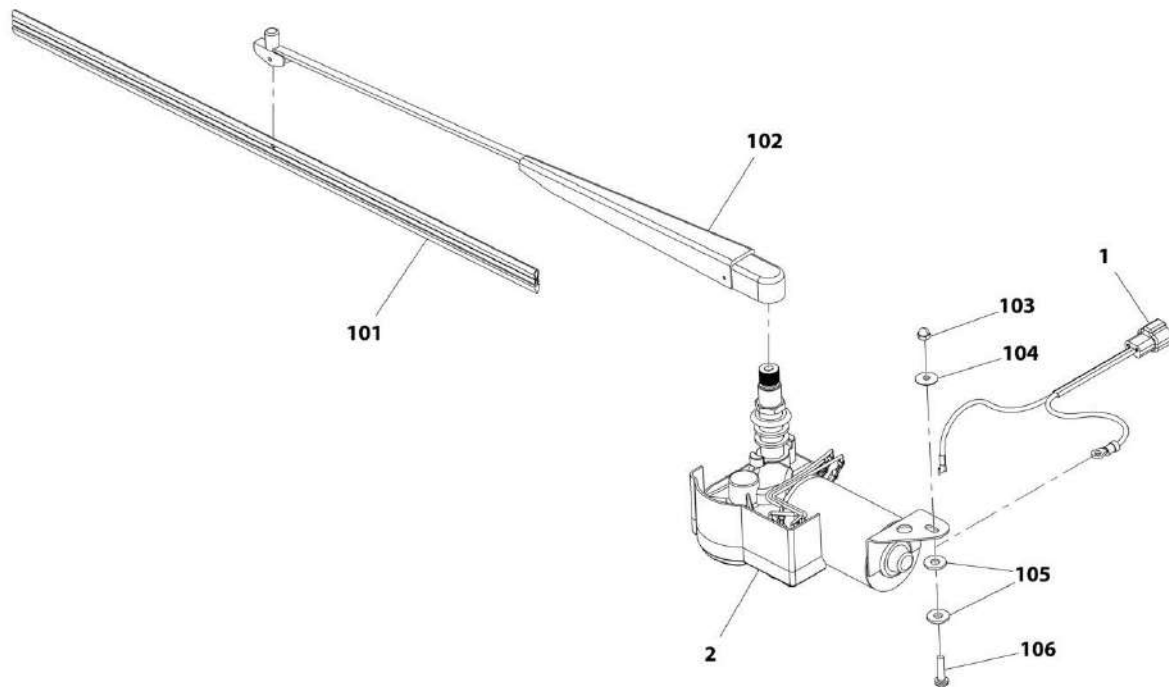
ART\_1001139927-B

FIGURE 6-17. SKYLIGHT WIPER

ITEM	PART NUMBER	QTY	DESCRIPTION	REV
	1001139927	Ref	Skylight Wiper	B
1	0100011	AR	Compound, Locking	
2	1001111086	1	Assembly, Skylight Wiper Motor (See SKYLIGHT WIPER MOTOR ASSEMBLY for Breakdown)	
3	14403190	AR	Sealant	
4	8096D097	48 in	Wiring Duct	

# SECTION 6 - CAB

## FIGURE 6-18. SKYLIGHT WIPER MOTOR ASSEMBLY



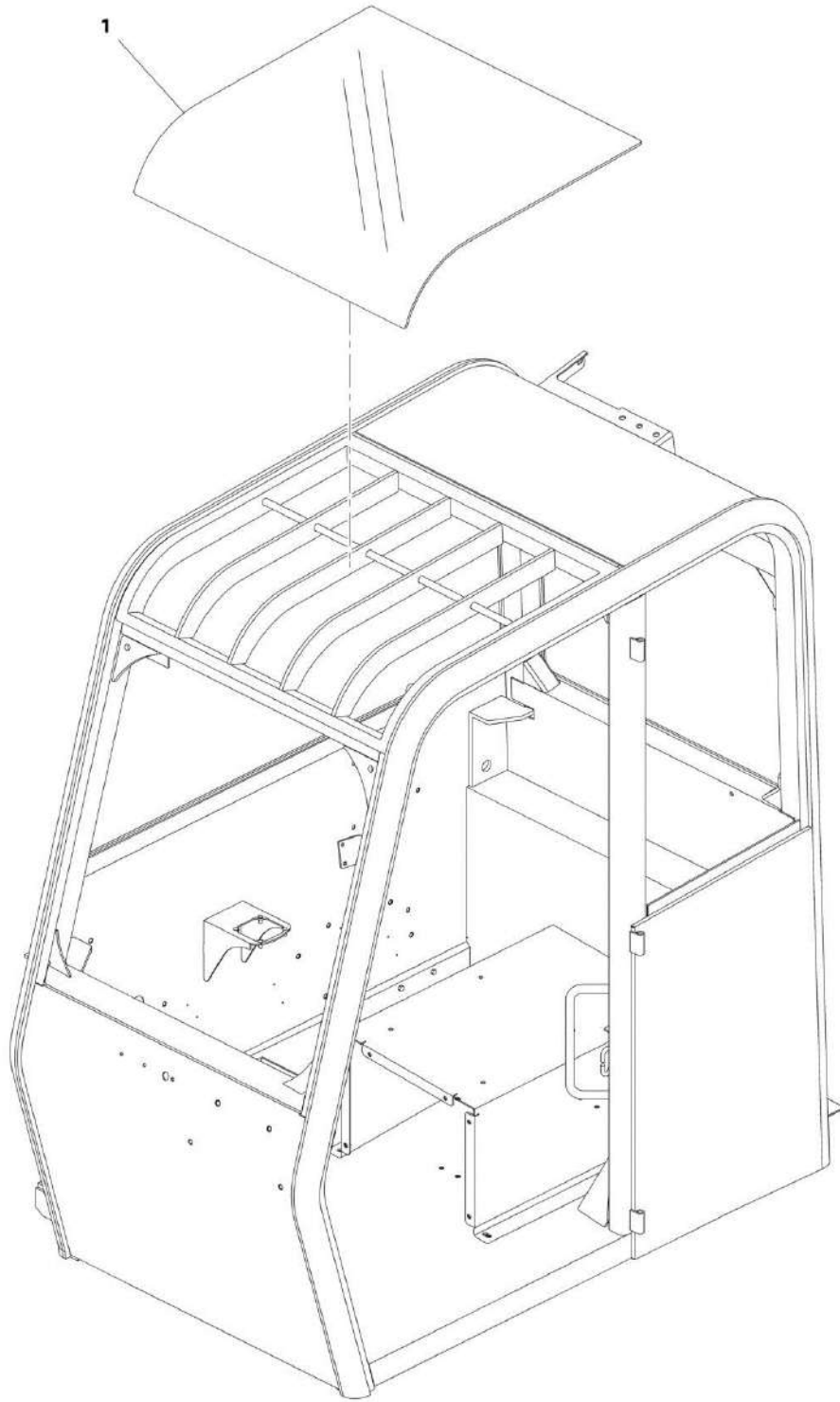
ART\_1001111086-C

FIGURE 6-18. SKYLIGHT WIPER MOTOR ASSEMBLY

ITEM	PART NUMBER	QTY	DESCRIPTION	REV
	1001111086	Ref	Skylight Wiper Motor Assembly	C
1	1001093828	1	Harness, Wiper Motor (See ELECTRICAL SECTION for Breakdown)	
2	1001107799	1	Motor, Skylight Wiper	
101	8035498	1	Blade, Wiper 20 Flex	
102	8034807	1	Arm, Wiper 15-19	
103	8034805	1	Nut, Acorn 10-24	
104	4740553	1	Washer	
105	8036678	2	Washer, Plastic	
106	8036088	1	Screw, 10-24X3/4	

# SECTION 6 - CAB

## FIGURE 6-19. SKYLIGHT WINDOW INSTALLATION



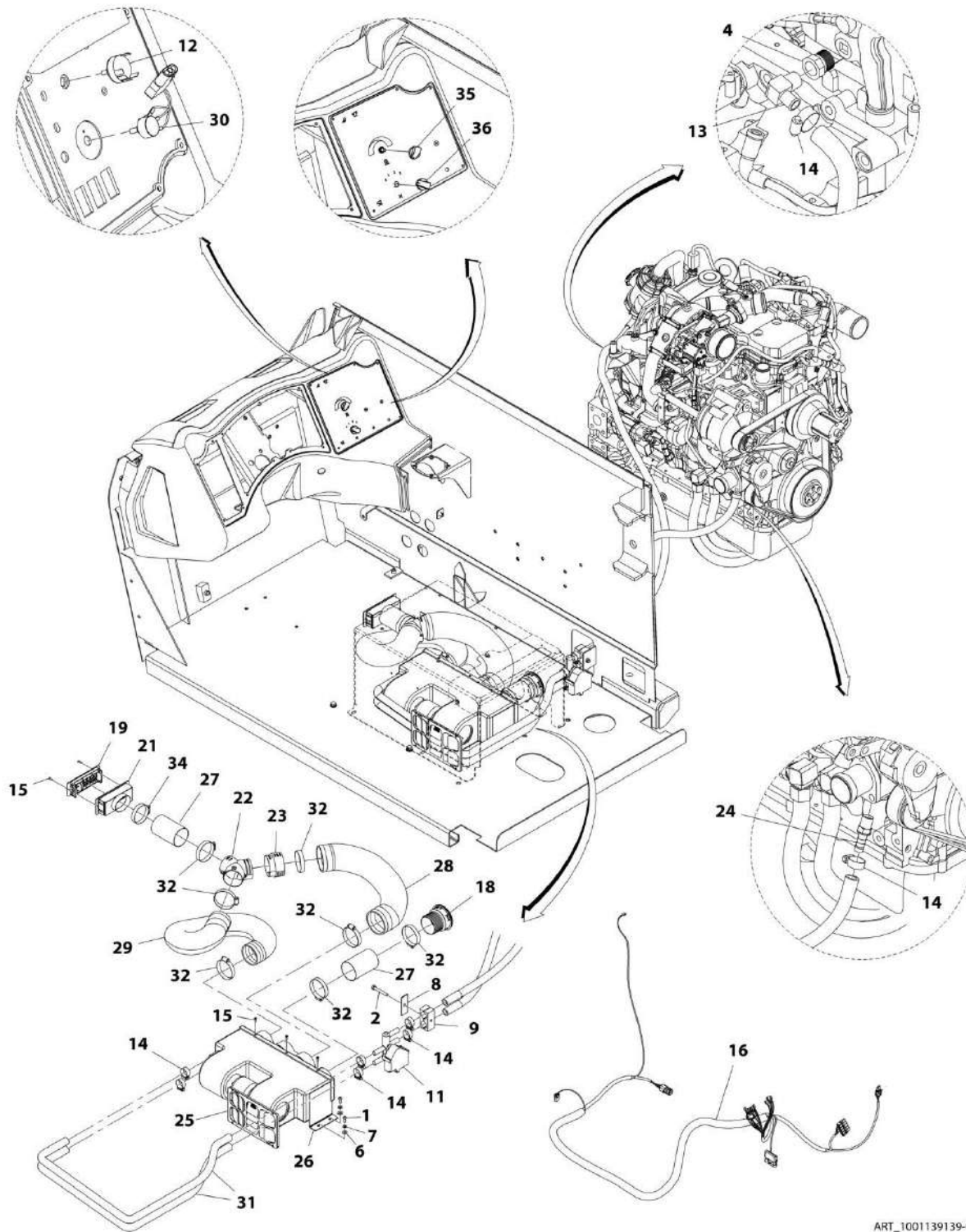
ART\_91415082-A

**FIGURE 6-19. SKYLIGHT WINDOW INSTALLATION**

<b>ITEM</b>	<b>PART NUMBER</b>	<b>QTY</b>	<b>DESCRIPTION</b>	<b>REV</b>
1	91415082 91413142	Ref 1	Skylight Window Installation Skylight Window	A

# SECTION 6 - CAB

## FIGURE 6-20. OPEN CAB HEATER INSTALLATION



ART\_1001139139-C

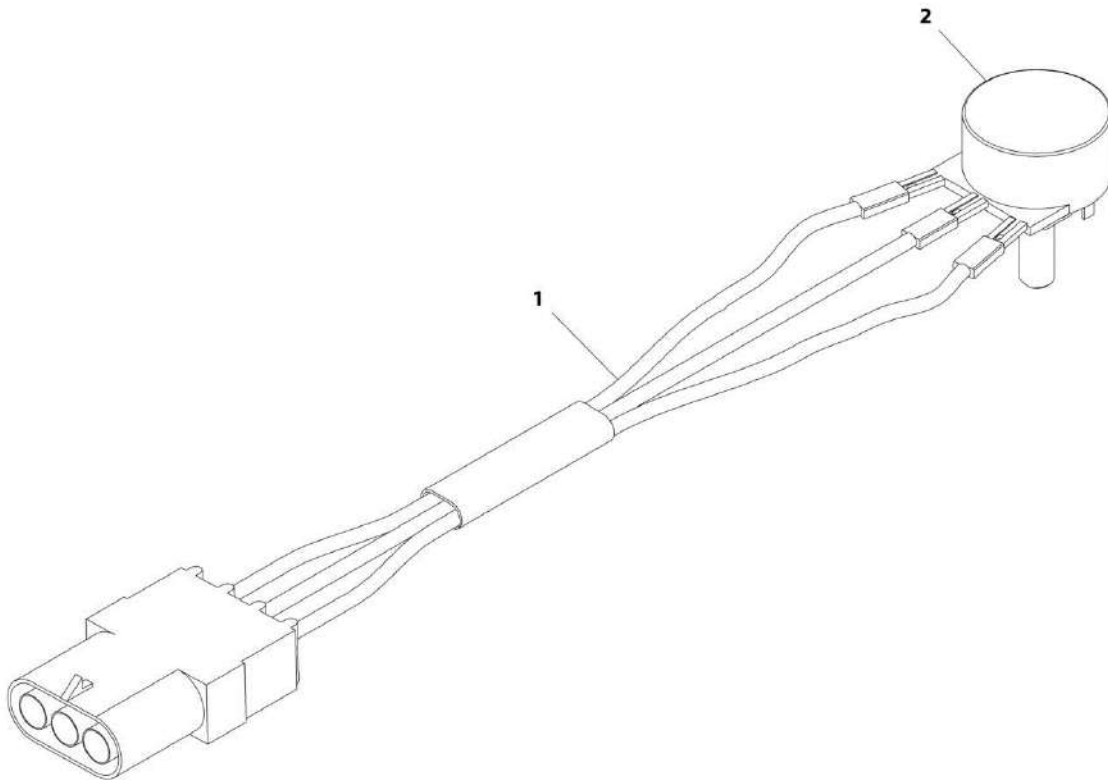


FIGURE 6-20. OPEN CAB HEATER INSTALLATION

ITEM	PART NUMBER	QTY	DESCRIPTION	REV
	1001139139	Ref	Open Cab Heater Installation	C
1	0630407	4	Screw, 1/4-20X5/8	
2	0641518	1	Bolt, 5/16-18X2 1/4	
4	2220282	1	Fitting, Reducer	
6	4711400	4	Washer, 1/4	
7	4761400	4	Washer, Lock 1/4	
8	77133137	1	Clamp, Set	
9	77133279	1	Clamp, Set	
11	80383231	1	Valve, Heater Control	
12	80964001	1	Switch, Blower	
13	84712749	1	Fitting, Hose	
14	86683193	8	Clamp, Hose	
15	91413036	8	Screw, 6X1/2	
16	91563185	1	Harness, Enclosed Cab Option (See Electrical Section for Breakdown)	
18	1001100278	1	Vent, AC	
19	1001100279	1	Vent, Defrost	
21	1001101216	1	Vent, Defrost	
22	1001101668	1	Conduit, 3-Way 2.5X3	
23	1001101669	1	Conduit, 3.0 IN To 2.5 IN	
24	1001104685	1	Fitting, Barbed .50X.625	
25	1001106849	1	Vent, Return Air	
26	1001114282	1	Heater Unit, 3 Speed (See HEATER UNIT 3 SPEED for Breakdown)	
27	1001100446	11 in	Hose	
28	1001100447	17 in	Hose	
29	71492152	30 in	Hose	
30	1001151643	1	Assembly, Resistor Potentiometer (See RESISTOR POTENTIOMETER ASSEMBLY for Breakdown)	
31	82033995	193 in	Hose	
32	86883328	7	Clamp, Hose	
34	84231107	1	Clamp, Hose	
35	1001151847	1	Knob	
36	1001152326	1	Knob	

## SECTION 6 - CAB

FIGURE 6-21. RESISTOR POTENTIOMETER ASSEMBLY



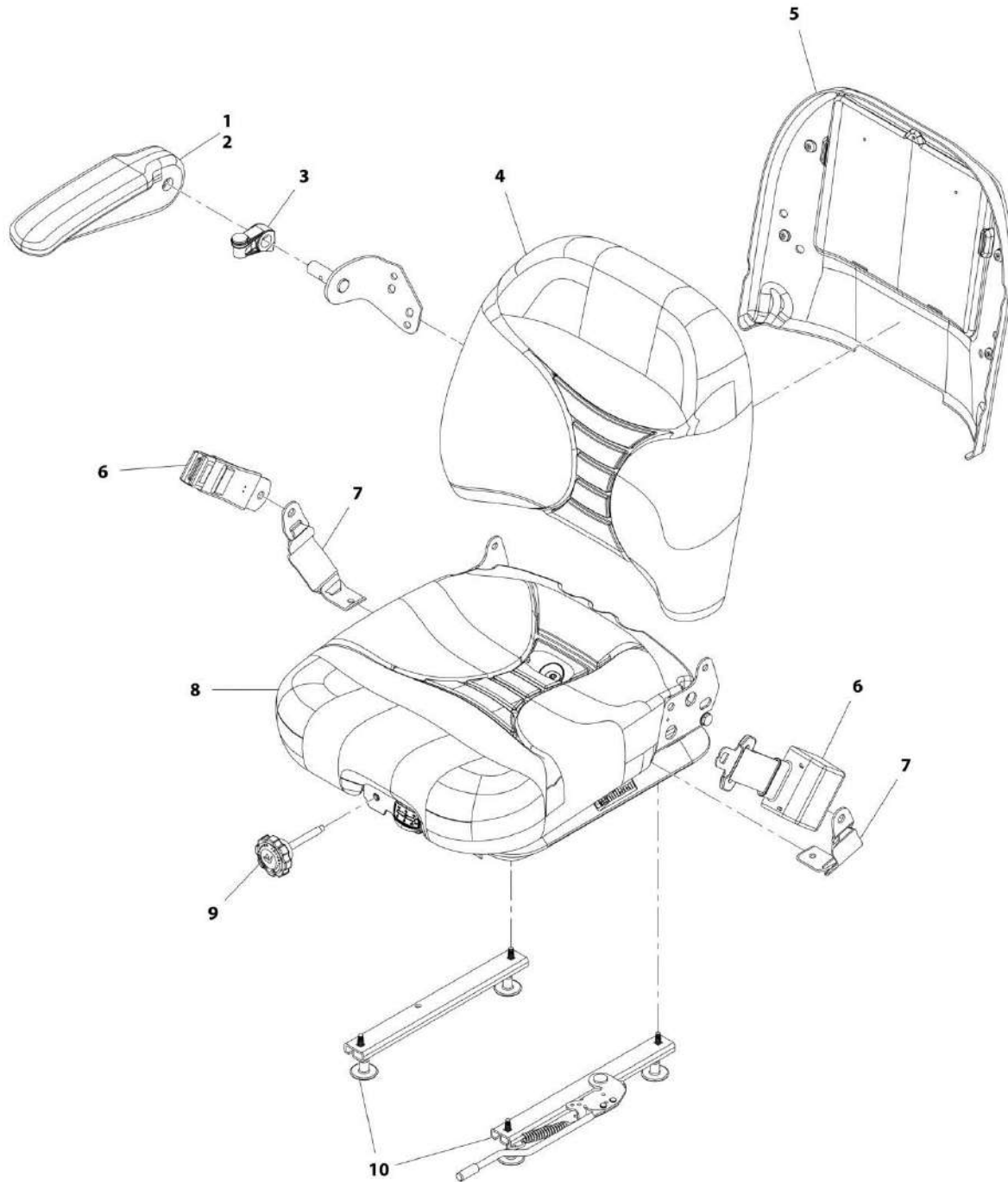
.ART\_1001151643-A

FIGURE 6-21. RESISTOR POTENTIOMETER ASSEMBLY

ITEM	PART NUMBER	QTY	DESCRIPTION	REV
	1001151643	Ref	Resistor Potentiometer Assembly	A
1	80363208	1	Harness, Potentiometer	
2	1001145206	1	Resistor, Potentiometer 10K OHM	

# SECTION 6 - CAB

## FIGURE 6-22. SEAT (Prior to SN 0160077332)



ART\_91563158-G

FIGURE 6-22. SEAT (Prior to SN 0160077332)

ITEM	PART NUMBER	QTY	DESCRIPTION	REV
	91563158	Ref	Seat	G
1	7026904	1	Armrest, RH (includes items 2 & 3)	
2	N.S.S.	1	Armrest	
3	N.S.S.	1	Stop, Armrest	
4	7026900	1	Cushion, Back	
5	7026902	1	Panel, Back	
6	7026905	1	Belt, Seat	
7	7026906	1	Tether	
8	7026901	1	Cushion, Seat	
9	7026799	1	Knob	
10	7026798	1	Slide	

## **SECTION 6 - CAB**

**FIGURE 6-23. SEAT (SN 0160077332 to Present)**

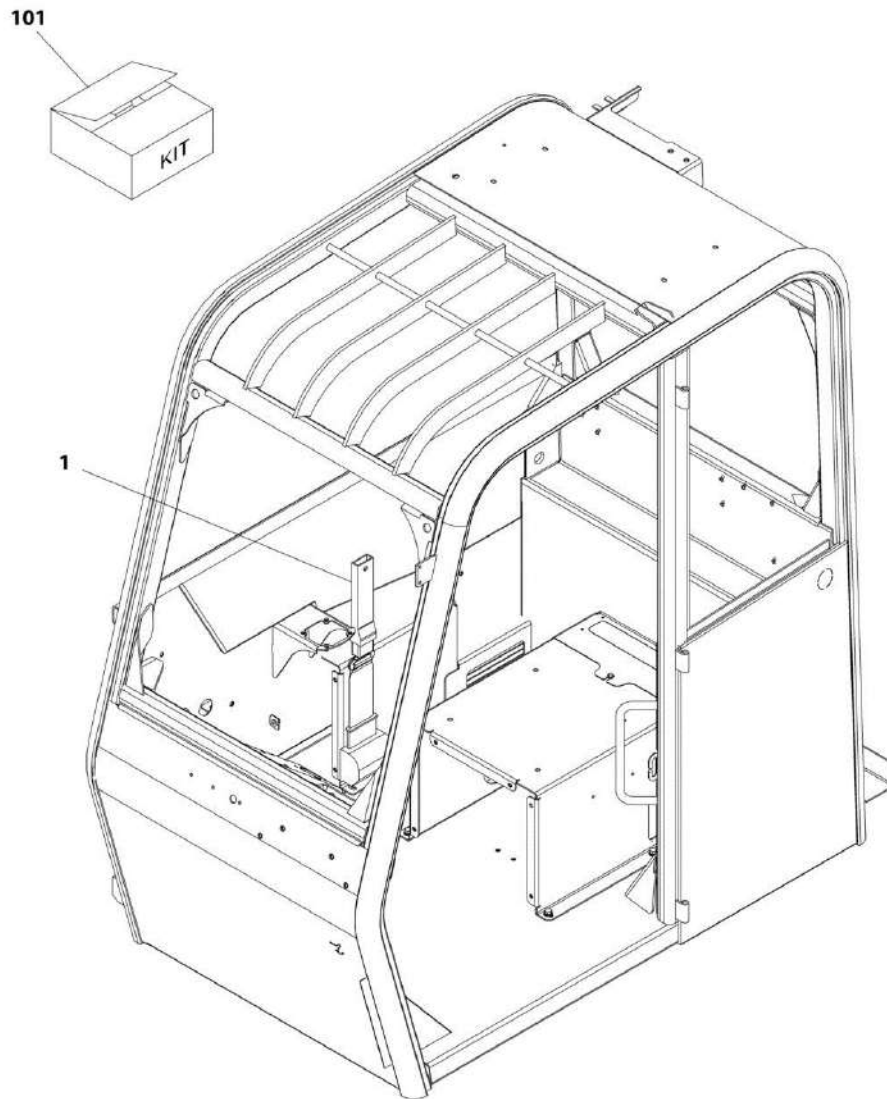
**INFORMATION IS NOT AVAILABLE AT THE TIME OF PUBLICATION**

**FIGURE 6-23. SEAT (SN 0160077332 to Present)**

ITEM	PART NUMBER	QTY	DESCRIPTION	REV
	1001210604	Ref	Seat	A

## SECTION 6 - CAB

FIGURE 6-24. SEAT BELT INSTALLATION (CALIFORNIA) (Prior to SN 0160077332)



ART\_91565064-A

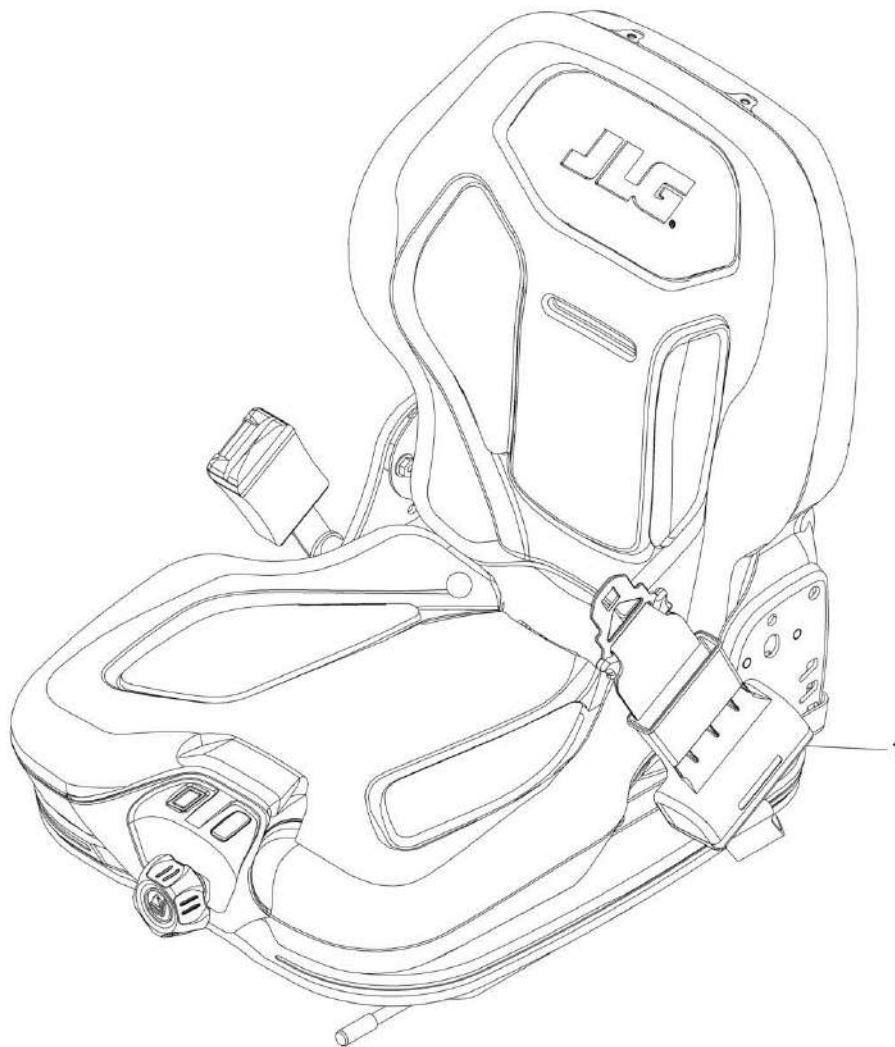


**FIGURE 6-24. SEAT BELT INSTALLATION (CALIFORNIA) (Prior to SN 0160077332)**

<b>ITEM</b>	<b>PART NUMBER</b>	<b>QTY</b>	<b>DESCRIPTION</b>	<b>REV</b>
	91565064	Ref	Seat Belt Installation (California)	A
1	91563164	1	Belt, Seat	
101	70023139	1	Kit, 3 Inch Seat Belt (includes female and retractor ends)	

## SECTION 6 - CAB

FIGURE 6-25. SEAT BELT INSTALLATION (CALIFORNIA) (SN 0160077332 to Present)



ART\_1001215783-A

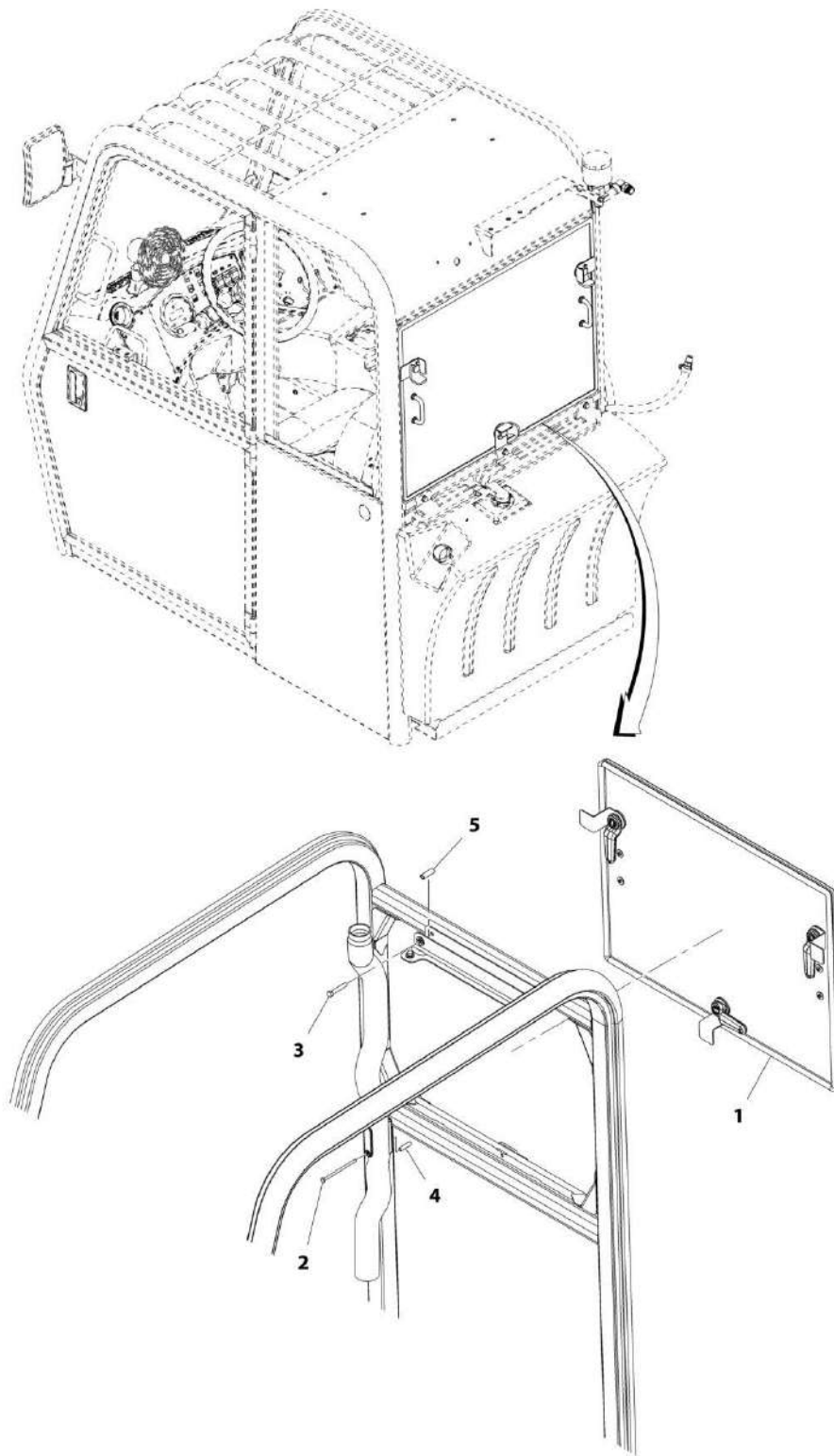
## SECTION 6 - CAB

**FIGURE 6-25. SEAT BELT INSTALLATION (CALIFORNIA) (SN 0160077332 to Present)**

ITEM	PART NUMBER	QTY	DESCRIPTION	REV
1	1001215783 1001215778	Ref 1	Seat Belt Installation (California) Belt, Seat	A

# SECTION 6 - CAB

## FIGURE 6-26. REAR WINDOW EXIT INSTALLATION



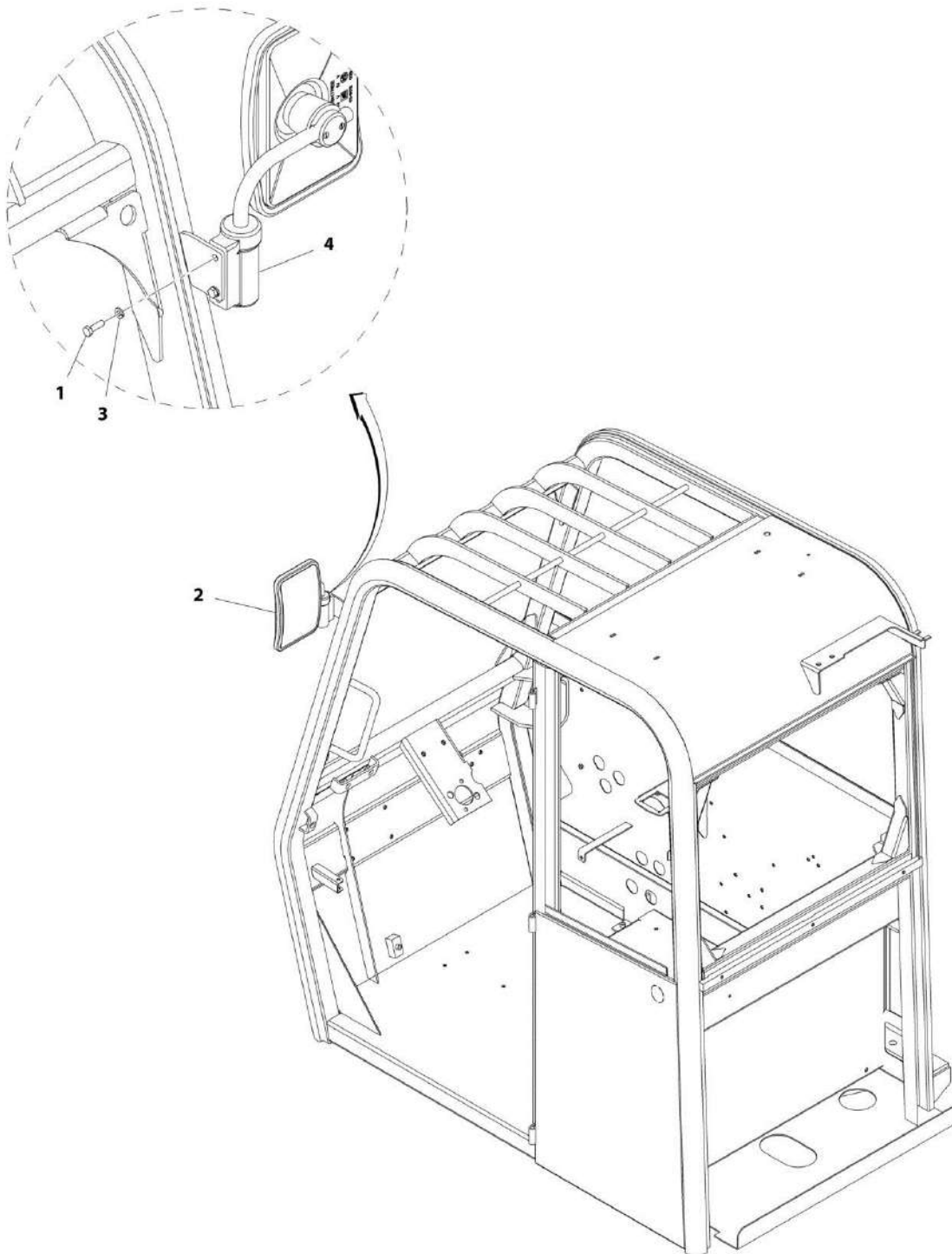
ART\_1001159949-B

FIGURE 6-26. REAR WINDOW EXIT INSTALLATION

ITEM	PART NUMBER	QTY	DESCRIPTION	REV
	1001159949	Ref	Rear Window Exit Installation	B
1	1001160889	1	Window, Rear	
2	0641436	1	Bolt, 1/4-20X4 1/2	
3	0641617	2	Bolt, 3/8-16X2 1/8	
4	1001165578	1	Shim, AC Tube Spacer	
5	1001165579	2	Shim, AC Blower Spacer	

# SECTION 6 - CAB

## FIGURE 6-27. CAB MIRROR INSTALLATION, LH



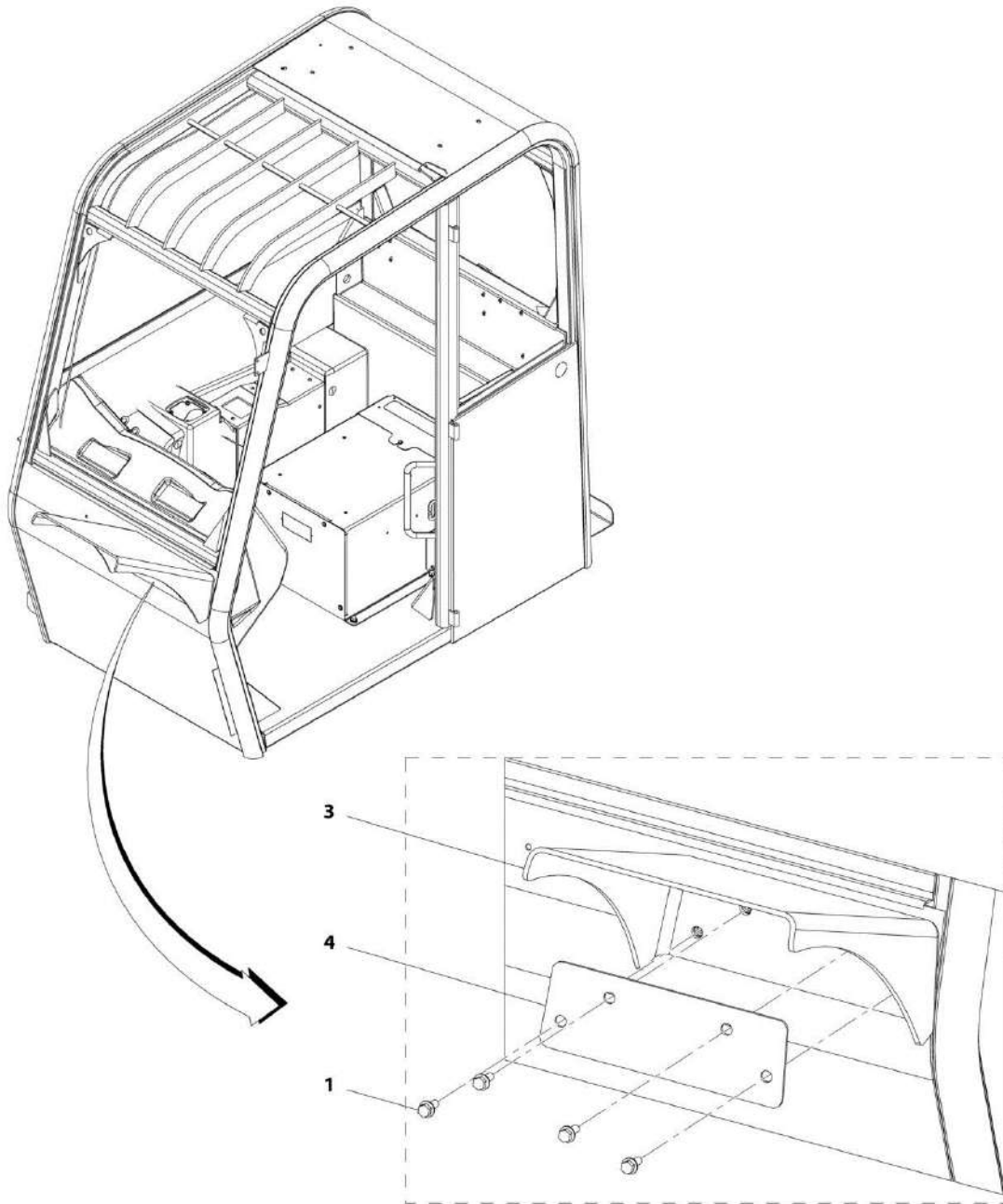
ART\_1001115153-C

FIGURE 6-27. CAB MIRROR INSTALLATION, LH

ITEM	PART NUMBER	QTY	DESCRIPTION	REV
	1001115153	Ref	Cab Mirror Installation, LH	C
1	0700610	2	Bolt, M6X20	
2	1001148177	1	Mirror, Rectangular	
3	8307024	2	Washer, Lock M6	
4	1001114675	1	Mount, Arm Mirror	

# SECTION 6 - CAB

## FIGURE 6-28. CAB FENDER



ART\_1001145754-B

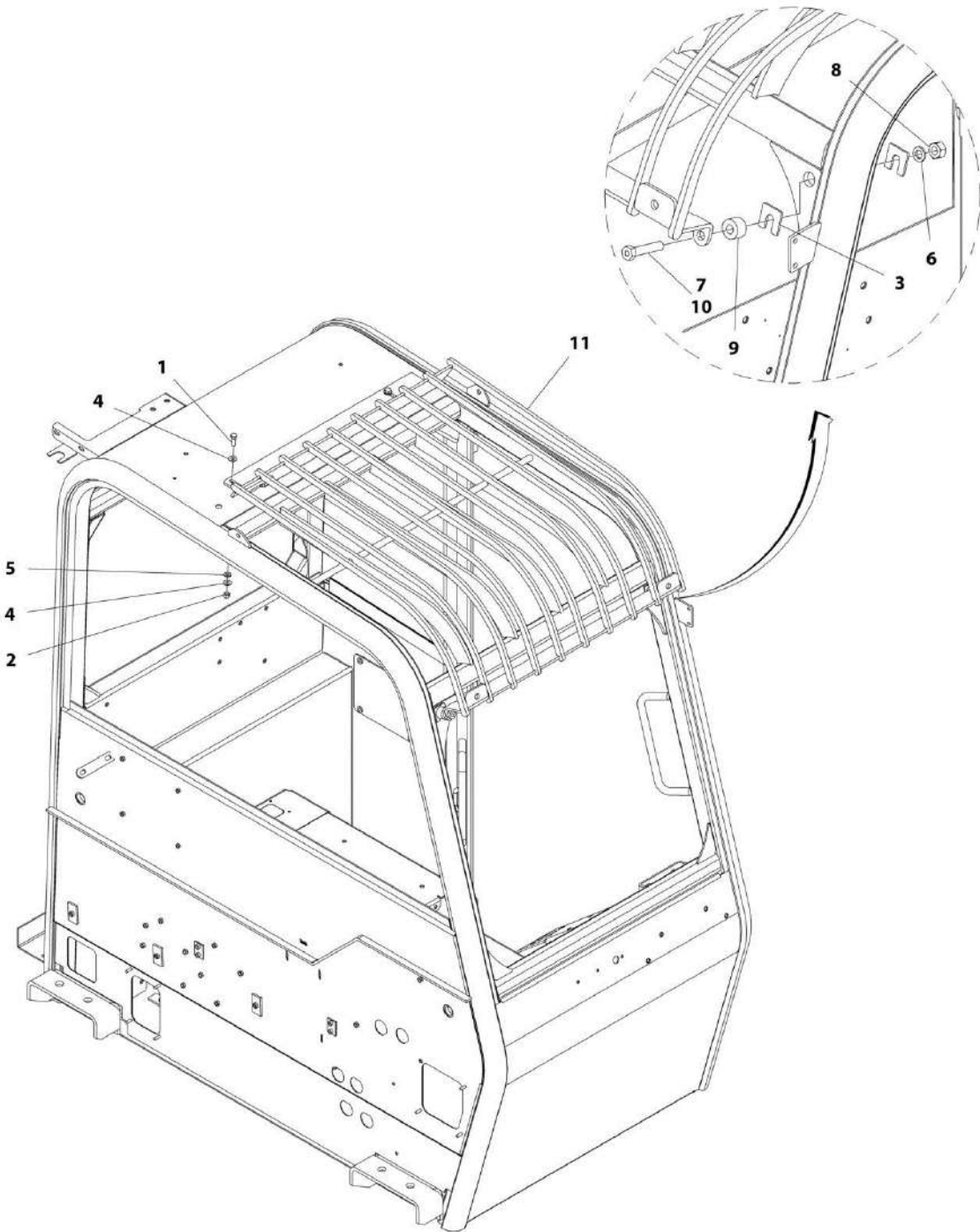


**FIGURE 6-28. CAB FENDER**

<b>ITEM</b>	<b>PART NUMBER</b>	<b>QTY</b>	<b>DESCRIPTION</b>	<b>REV</b>
	1001145754	Ref	Cab Fender	B
1	0791608	4	Bolt, 3/8-16X1	
3	1001145702	1	Fender	
4	1001145753	1	Plate, Fender	

# SECTION 6 - CAB

## FIGURE 6-29. TOP BRICK GUARD INSTALLATION



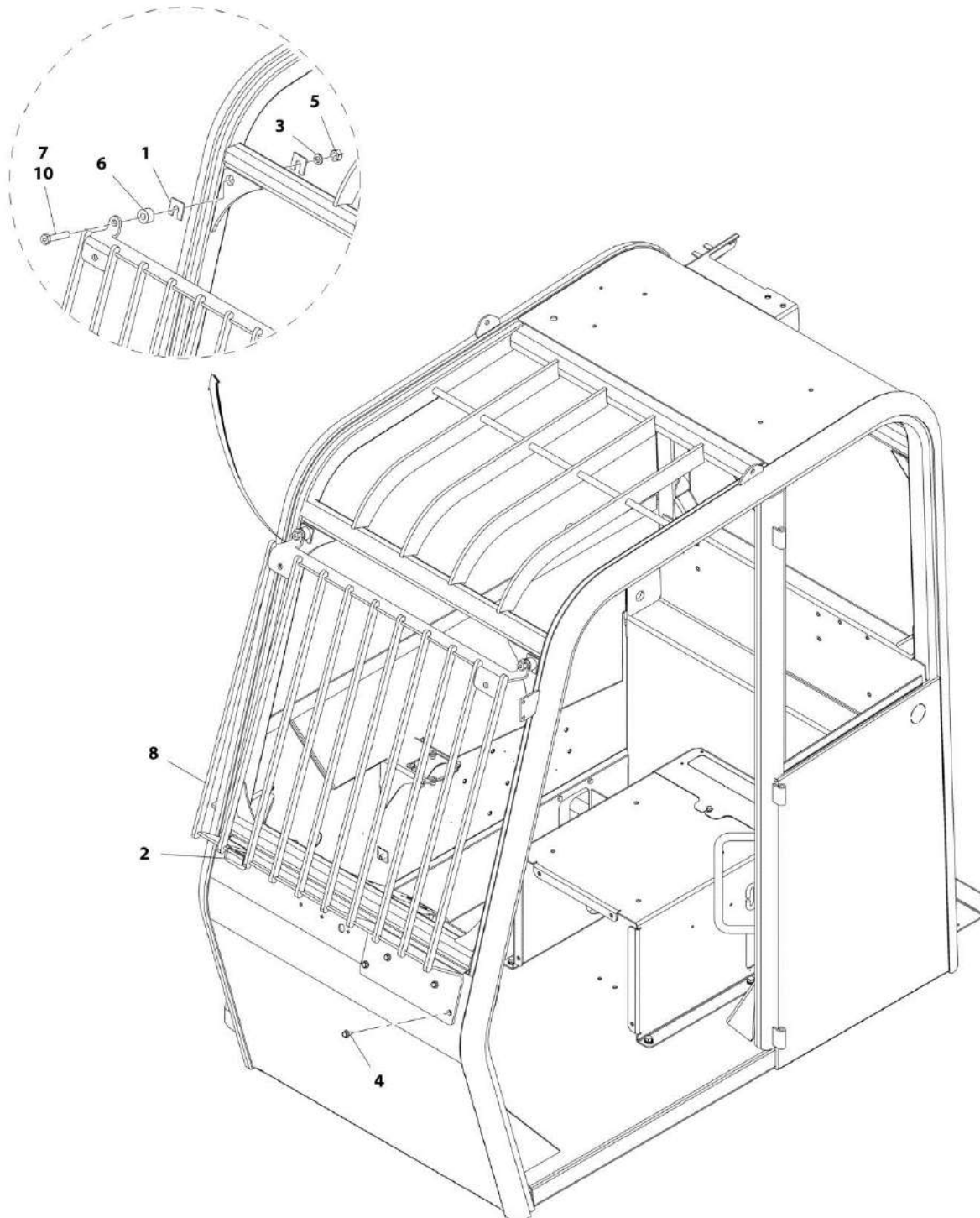
ART\_1001100879-8

FIGURE 6-29. TOP BRICK GUARD INSTALLATION

ITEM	PART NUMBER	QTY	DESCRIPTION	REV
	1001100879	Ref	Top Brick Guard Installation	B
1	0641608	2	Bolt, 3/8-16X1	
2	3271601	2	Nut, 3/8-16	
3	4071133	4	Shim	
4	4711600	4	Washer, 3/8	
5	4761600	2	Washer, Lock 3/8	
6	4761800	2	Washer, Lock 1/2	
7	14404173	AR	Sealant, Silicone	
8	88501008	2	Nut, 1/2-13	
9	91403503	2	Spacer	
10	1001096728	2	Bolt, 1/2-13	
11	1001098344	1	Guard, Top Brick	

# SECTION 6 - CAB

## FIGURE 6-30. FRONT BRICK GUARD INSTALLATION



ART\_1001100880-B

FIGURE 6-30. FRONT BRICK GUARD INSTALLATION

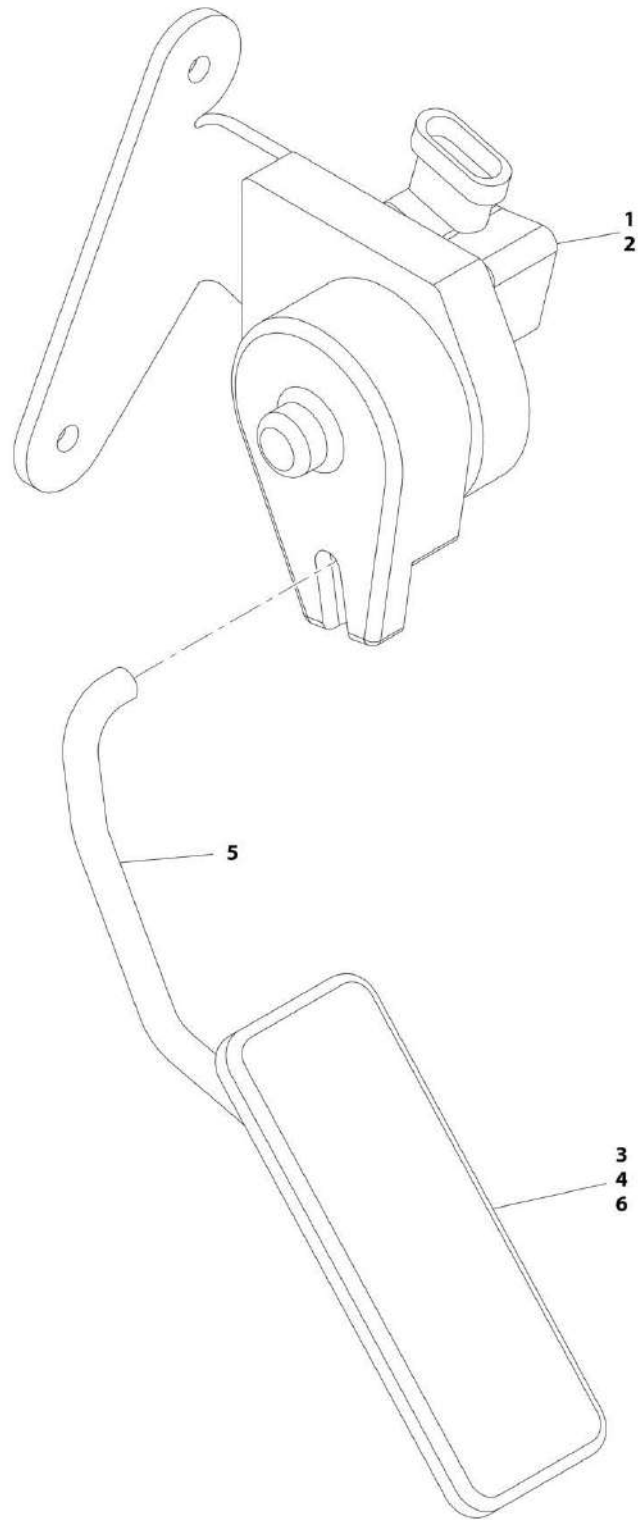
ITEM	PART NUMBER	QTY	DESCRIPTION	REV
	1001100880	Ref	Front Brick Guard Installation	B
1	4071133	4	Shim	
2	4420060	1	Tape	
3	4761800	2	Washer, Lock 1/2	
4	77143003	4	Screw, 5/16-18X.625	
5	88501008	2	Nut, 1/2-13	
6	91403503	2	Spacer	
7	1001096728	2	Bolt, 1/2-13	
8	1001098042	1	Guard, Front Brick	
10	14404173	AR	Sealant, Silicone	



**SECTION 7 - CONTROLS**

# SECTION 7 - CONTROLS

## FIGURE 7-1. ACCELERATOR PEDAL



ART\_1001126589-B



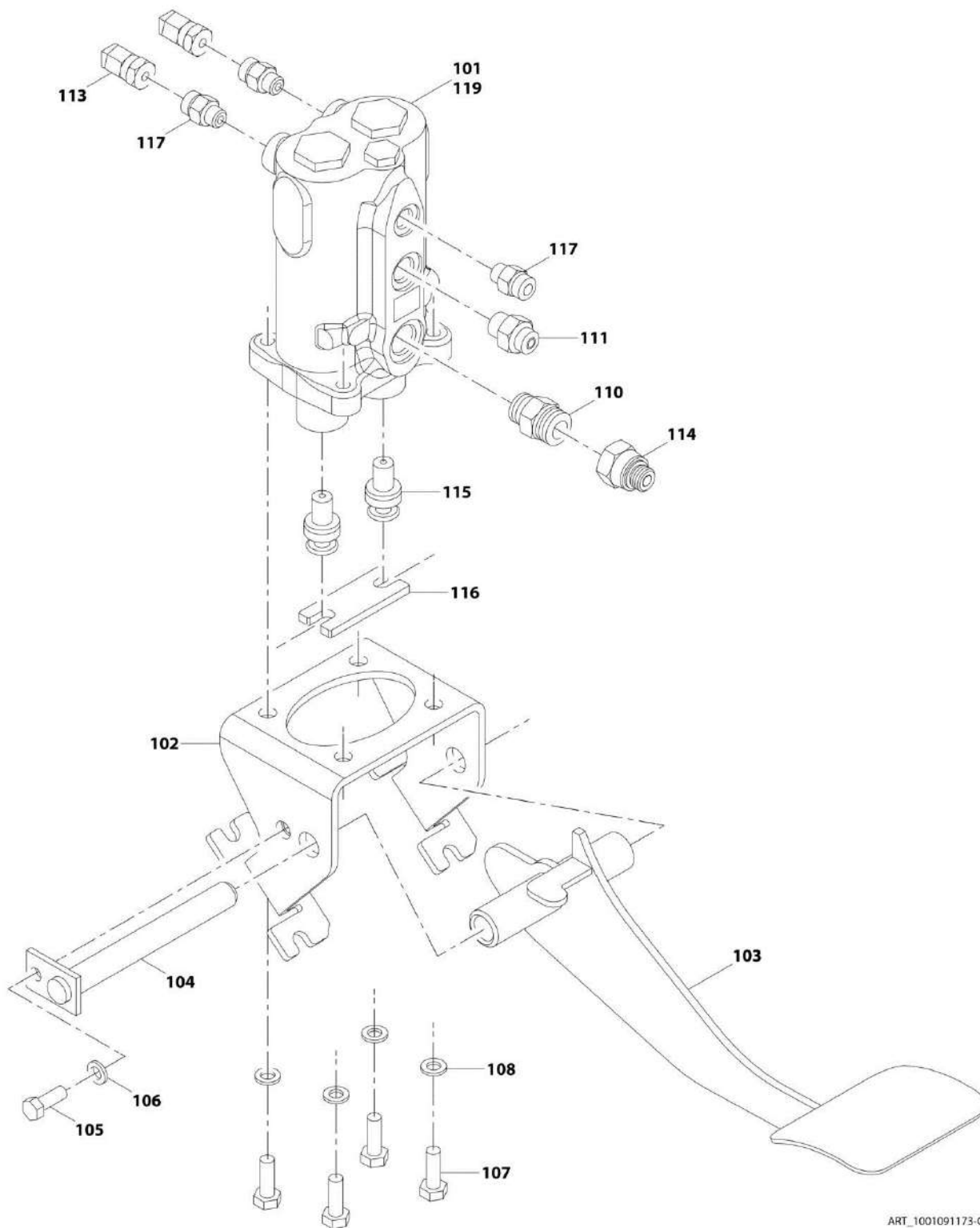
## SECTION 7 - CONTROLS

### FIGURE 7-1. ACCELERATOR PEDAL

ITEM	PART NUMBER	QTY	DESCRIPTION	REV
	1001126589	Ref	Accelerator Pedal	B
1	70024319	1	Sensor Kit, (Includes Screws)	
2	N.S.S.	1	Bracket	
3	70023325	1	Pedal Kit, (Includes Items 4 & 6)	
4	N.S.S.	1	Pedal Spring	
5	7026481	1	Pedal Arm	
6	N.S.S.	1	Pedal Pin	

# SECTION 7 - CONTROLS

## FIGURE 7-2. BRAKE PEDAL ASSEMBLY



ART\_1001091173-G

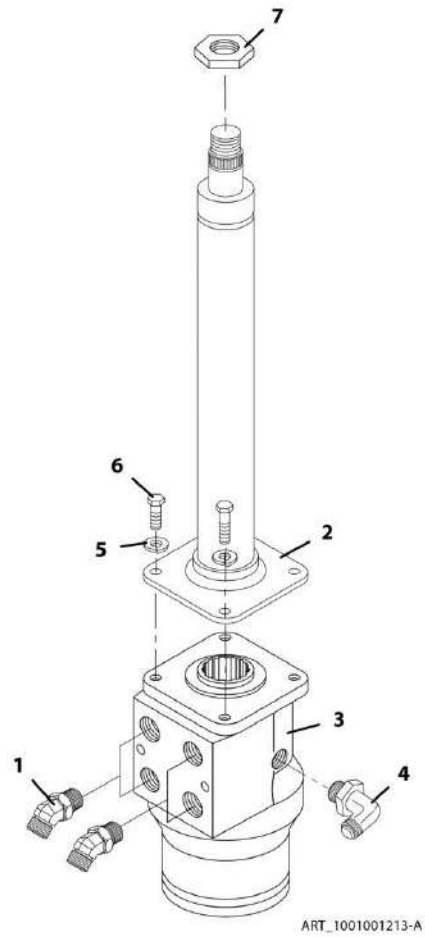
## SECTION 7 - CONTROLS

### FIGURE 7-2. BRAKE PEDAL ASSEMBLY

ITEM	PART NUMBER	QTY	DESCRIPTION	REV
	1001091173	Ref	Brake Pedal Assembly	G
101	1001106836	1	Valve, Brake, (See HYDRAULIC COMPONENTS SECTION for Breakdown)	
102	1001091118	1	Bracket, Brake Pedal	
103	1001090741	1	Pedal, Brake With Stoplight Tab	
104	91476031	1	Pin	
105	0641608	1	Bolt, 3/8-16X1	
106	4761600	1	Washer, Lock 3/8	
107	0701014	4	Bolt, 10X30	
108	4832000	4	Washer, Lock M10	
110	2221257	1	Fitting, Straight ORFS	
111	8770258	1	Connector	
113	2172106	2	Fitting, 90 ORFS	
114	2221244	1	Fitting, 10-06 ORFS	
115	91513180	2	Actuator	
116	91511145	1	Bar	
117	2144605	3	Fitting, Straight ORFS	
119	3020039	AR	Compound, Locking	

# SECTION 7 - CONTROLS

## FIGURE 7-3. STEERING CONTROL ASSEMBLY



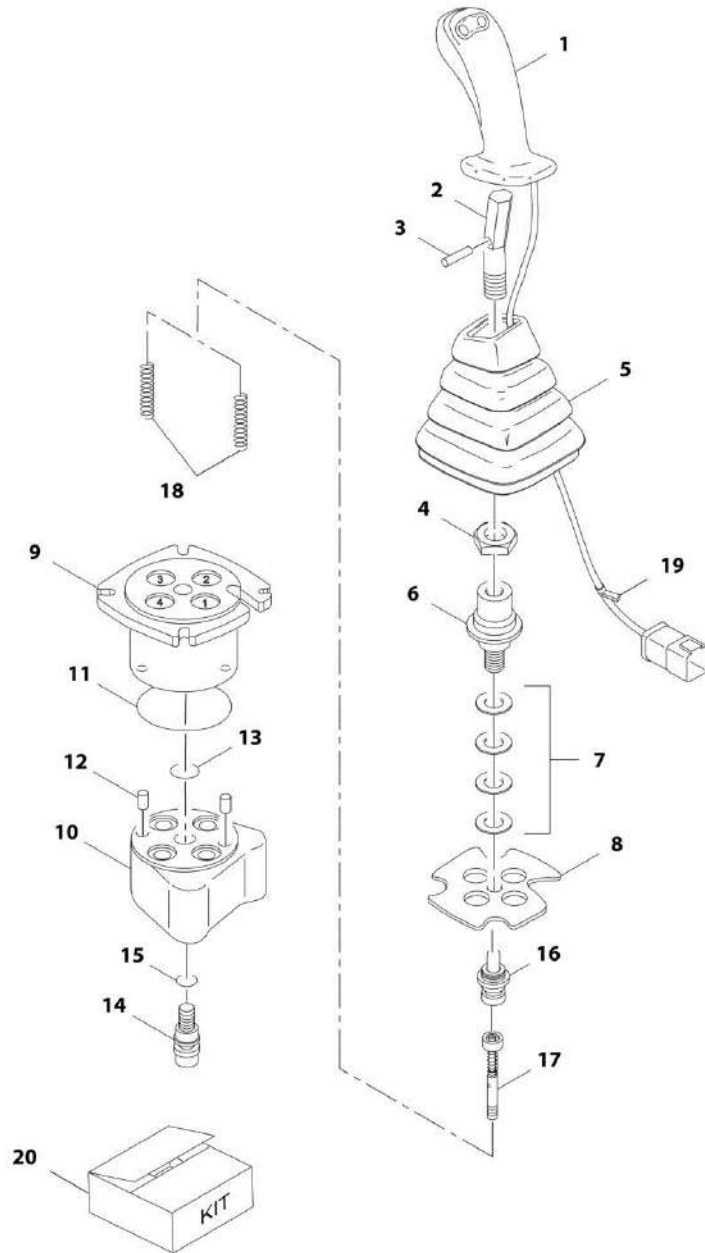
## SECTION 7 - CONTROLS

### FIGURE 7-3. STEERING CONTROL ASSEMBLY

ITEM	PART NUMBER	QTY	DESCRIPTION	REV
	1001001213	Ref	Steering Control Assembly	A
1	2150808	4	Fitting, 45 ORFS	
2	91513125	1	Column, Steering	
2	91144191	1	Nut, Steering Wheel	
3	91123126	1	Unit, Steering Control	
3	91144190	1	Kit, Steering Control Unit Seal	
4	2130404	1	Fitting, 90 ORFS	
5	4761600	2	Washer, Lock 3/8	
6	0641606	2	Bolt, 3/8-16X3/4	

# SECTION 7 - CONTROLS

## FIGURE 7-4. TILT ON JOYSTICK ASSEMBLY



ART\_91513212-A

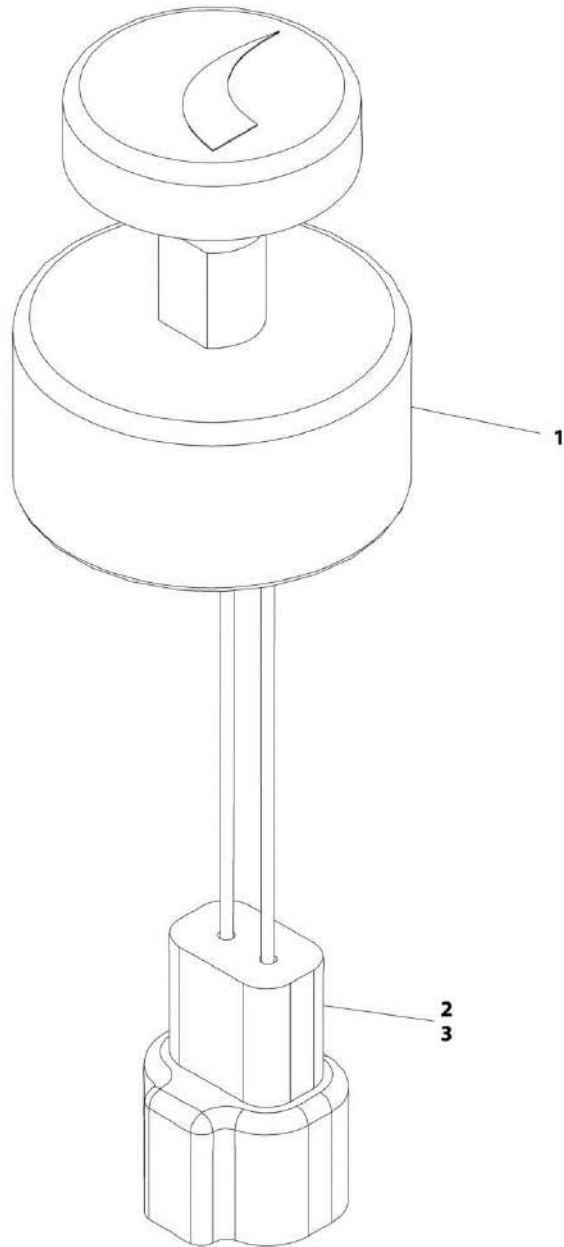
## SECTION 7 - CONTROLS

**FIGURE 7-4. TILT ON JOYSTICK ASSEMBLY**

ITEM	PART NUMBER	QTY	DESCRIPTION	REV
	91513212	Ref	Controller, Hydraulic	A
1	91404325	1	Assembly, Grip	
2	91404011	1	Kit, Bent Lever	
3	N.S.S.	1	Pin, Spring	
4	N.S.S.	1	Nut, Hex	
5	80364095	1	Boot	
6	80264138	1	Kit, Cardon	
7	N.S.S.	1	Shim	
8	91404013	1	Plate, Retaining	
9	91404016	1	Body, Upper	
10	N.S.S.	1	Body, Lower	
11	Kit	1	O-Ring	
12	Kit	2	Pin, Dowel	
13	Kit	1	O-Ring	
14	Kit	1	Assembly, Screw	
15	Kit	1	O-Ring	
16	80934498	4	Kit, Plunger and Guide	
17	91514224	4	Unit, Regulating	
18	91504028	1	Spring, (ports 1 & 3), (pack of two)	
18	91504029	1	Spring, (ports 2 & 4), (pack of two)	
19	80264139	1	Kit, Grommet with Cable Tie	
20	91404326	1	Kit, Seal	

# SECTION 7 - CONTROLS

## FIGURE 7-5. RHEOSTAT TILT



ART\_1001106688-A



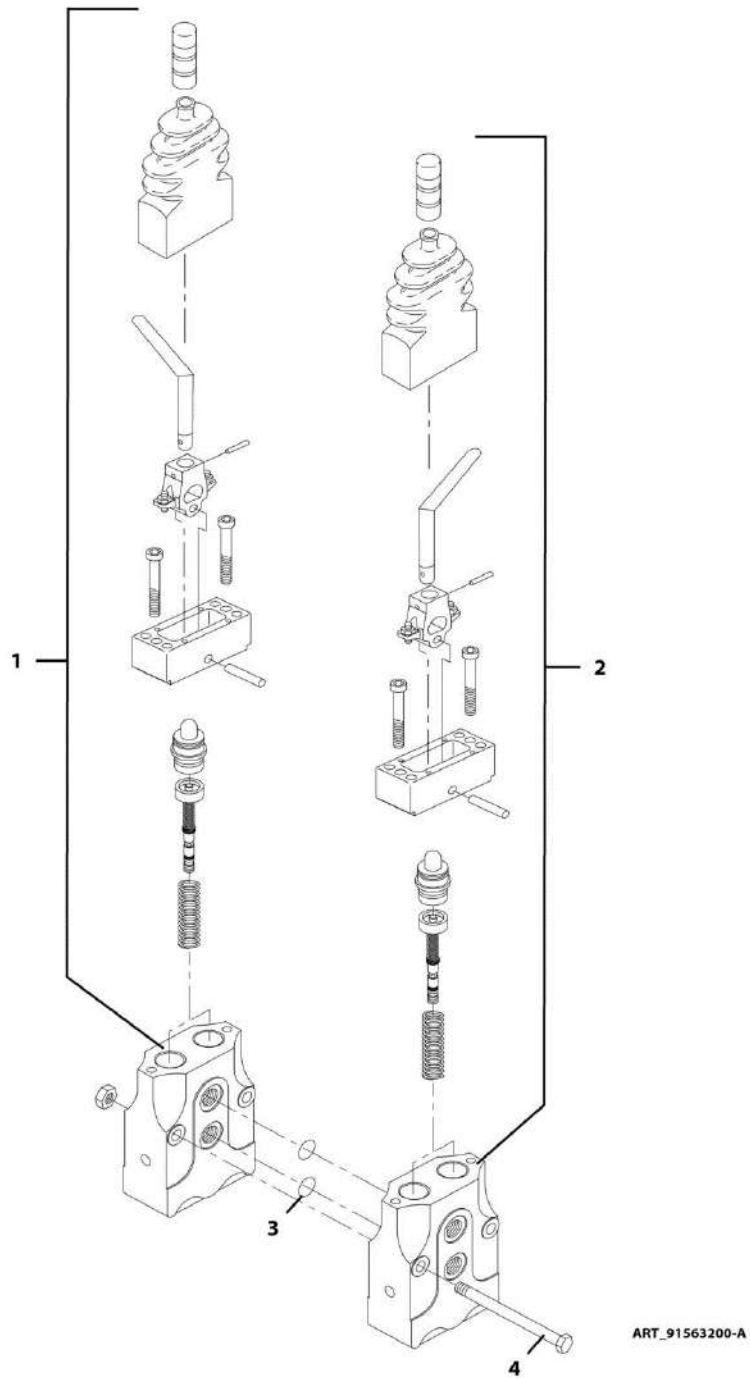
## SECTION 7 - CONTROLS

### FIGURE 7-5. RHEOSTAT TILT

ITEM	PART NUMBER	QTY	DESCRIPTION	REV
	1001106688	Ref	Rheostat Tilt	A
1	1001106644	1	Switch, Resistor	
2	4460897	1	Terminal	
3	4460464	2	Terminal	

# SECTION 7 - CONTROLS

## FIGURE 7-6. HYDRAULIC CONTROLLER



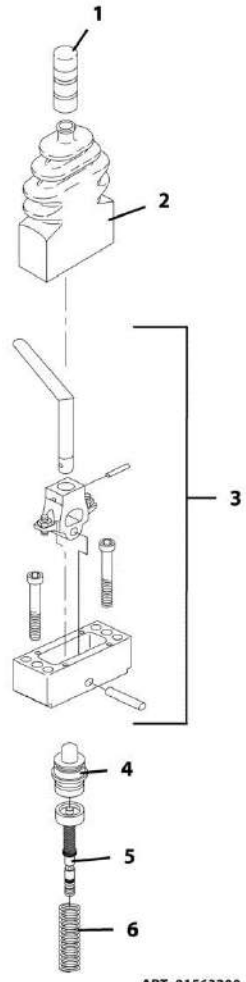
## SECTION 7 - CONTROLS

### FIGURE 7-6. HYDRAULIC CONTROLLER

ITEM	PART NUMBER	QTY	DESCRIPTION	REV
	91563200	Ref	Hydraulic Controller	A
1	91563201	1	Controller, Hydraulic, Frame Level, (See FRAME LEVEL HYDRAULIC CONTROLLER for Breakdown)	
2	7026741	1	Controller, Hydraulics, Aux, (See AUX HYDRAULICS CONTROLLER for Breakdown)	
3	7026742	2	O-Ring	
4	7026743	1	Kit, Nut and Bolt	

# SECTION 7 - CONTROLS

## FIGURE 7-7. FRAME LEVEL HYDRAULIC CONTROLLER



ART\_91563200-A

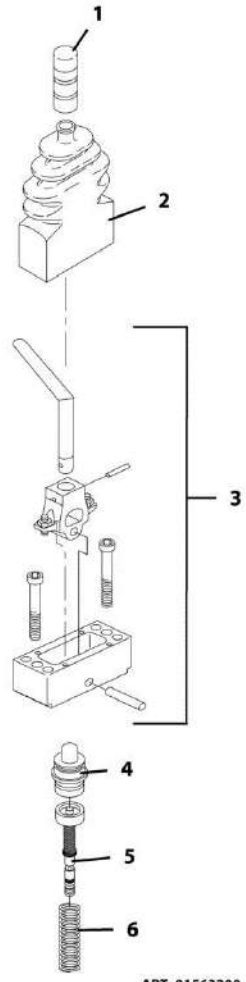
## SECTION 7 - CONTROLS

### FIGURE 7-7. FRAME LEVEL HYDRAULIC CONTROLLER

ITEM	PART NUMBER	QTY	DESCRIPTION	REV
	91563201	1	Frame Level Hydraulic Controller	
1	91504030	2	Grip	
2	91504031	2	Boot, Rubber	
3	7026739	2	Kit, Lever Operation	
4	80934498	2	Kit, Plunger	
5	7026740	2	Kit, Regulating Unit	
6	91504029	2	Spring, Return	

# SECTION 7 - CONTROLS

## FIGURE 7-8. CONTROLLER, AUX HYDRAULIC



ART\_91563200-A

## SECTION 7 - CONTROLS

**FIGURE 7-8. CONTROLLER, AUX HYDRAULIC**

ITEM	PART NUMBER	QTY	DESCRIPTION	REV
	7026741	1	Aux Hydraulic Controller	
1	91504030	1	Grip	
2	91504031	1	Boot, Rubber	
3	7026739	1	Kit, Lever Operation	
4	80934498	1	Kit, Plunger	
5	7026740	1	Kit, Regulating Unit	
6	91504029	1	Spring, Return	

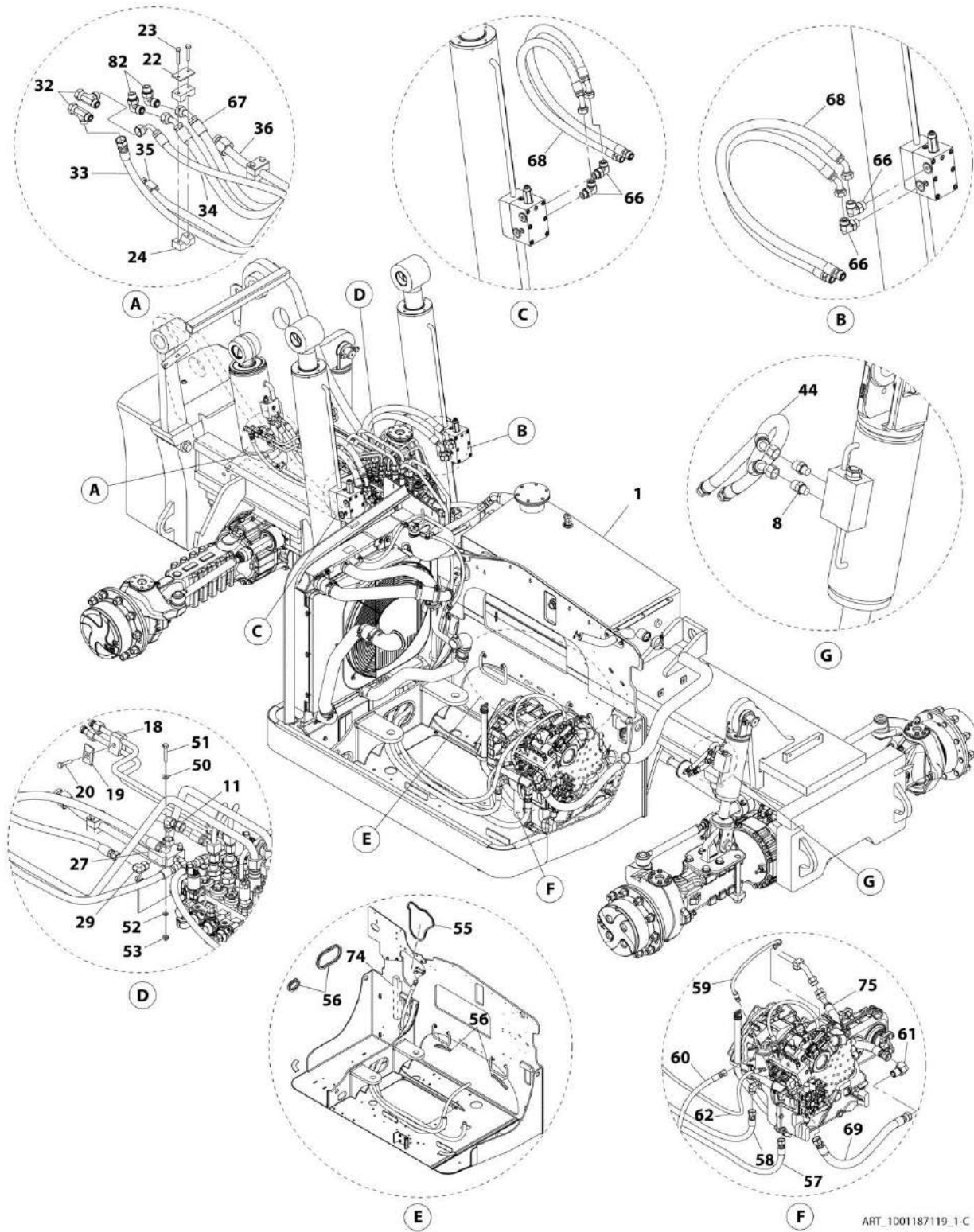




**SECTION 8 - HYDRAULIC CIRCUITS**

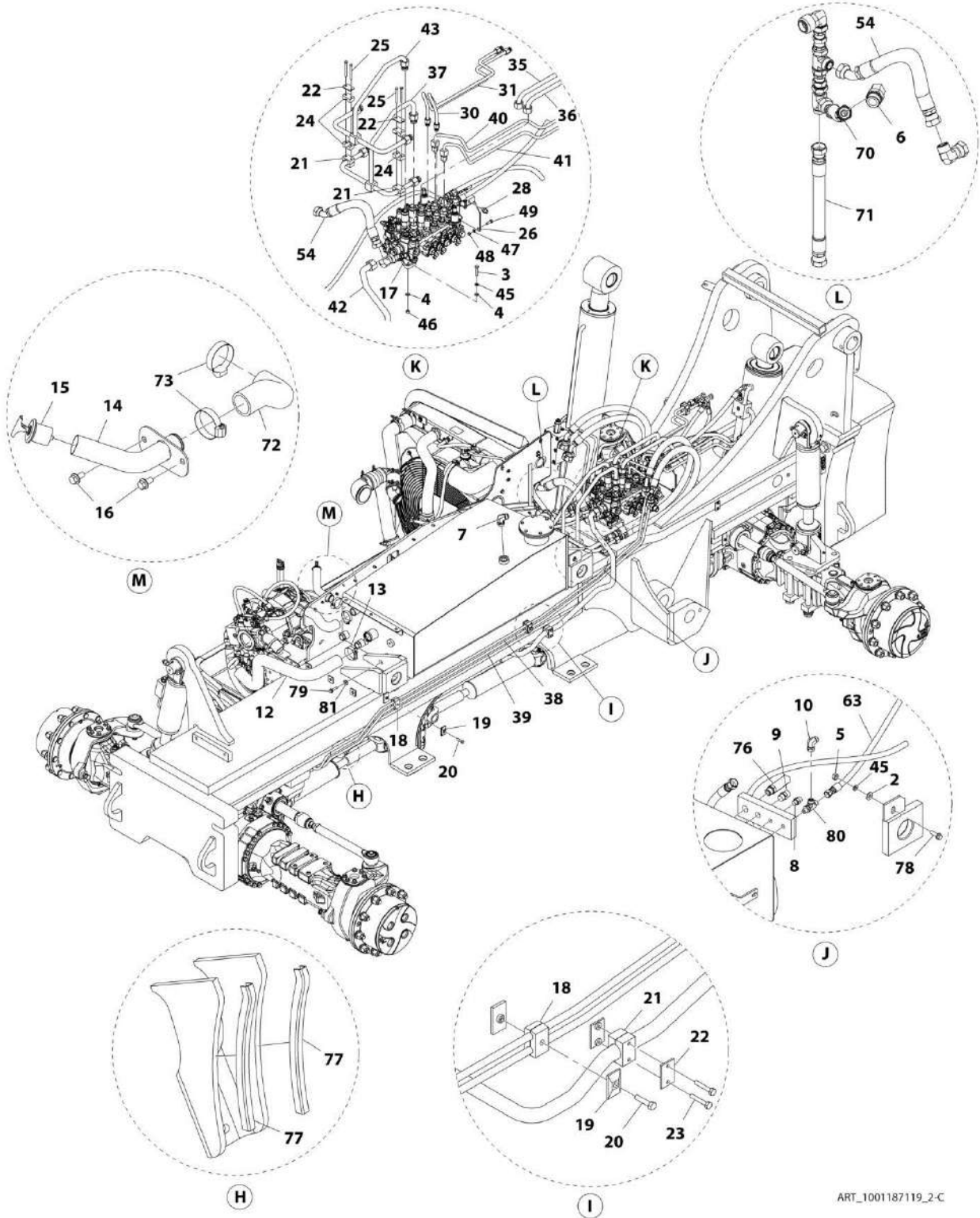
# SECTION 8 - HYDRAULIC CIRCUITS

## FIGURE 8-1. MAIN HYDRAULIC INSTALLATION



ART\_1001187119\_1-C

# SECTION 8 - HYDRAULIC CIRCUITS



ART\_1001187119\_2-C

# SECTION 8 - HYDRAULIC CIRCUITS

## FIGURE 8-1. MAIN HYDRAULIC INSTALLATION

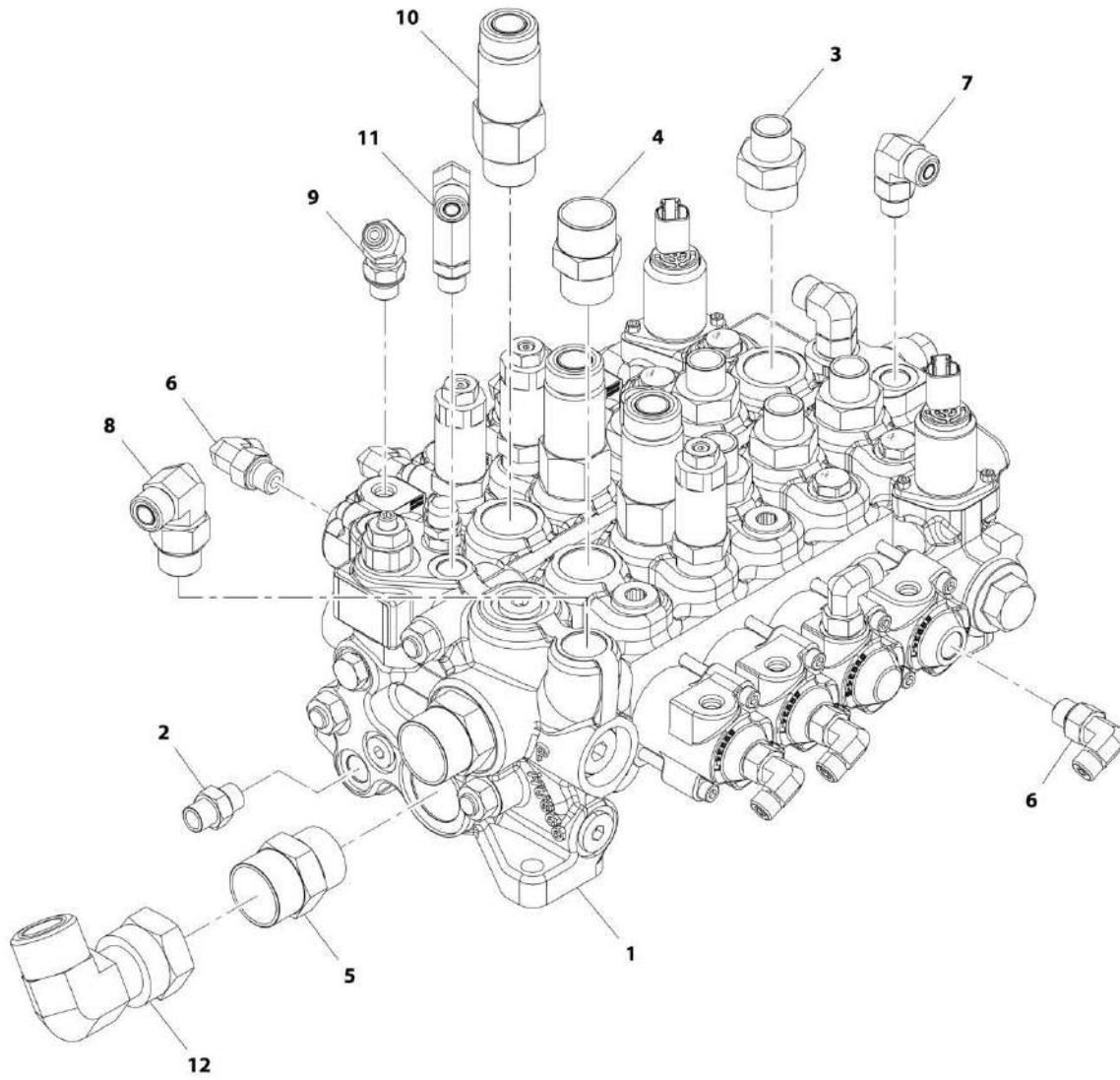
ITEM	PART NUMBER	QTY	DESCRIPTION	REV
	1001187119	1	Main Hydraulic Installation	C
1	1001119900	1	Tank, Hydraulic (See HYDRAULIC COMPONENTS SECTION for Breakdown)	
2	4751600	1	Washer, 3/8	
3	0641614	4	Bolt, 3/8-16X1 3/4	
4	4711600	8	Washer, 3/8	
5	88501006	1	Nut, 3/8-16	
6	2151620	1	Fitting, 45 ORFS	
7	2220578	1	Fitting, 90 ORFS	
8	2110606	3	Fitting, Straight ORFS	
9	2110808	1	Fitting, Straight ORFS	
10	2172106	1	Fitting, 90 ORFS	
11	2172108	2	Fitting, 90 ORFS	
12	1001139081	1	Hose, Suction	
13	90028720	2	Clamp	
14	1001136981	1	Tube, Hydraulic Fill	
15	91403579	1	Cap, Oil Filler	
16	0811606	2	Screw, 3/8-16X3/4 Grade 8	
17	1001188872	1	Valve, Main Control (See MAIN CONTROL VALVE WITH FITTINGS for Breakdown)	
18	77133168	5	Clamp, Set	
19	77133140	5	Plate, Cover	
20	0641511	5	Bolt, 5/16-18X1 3/8	
21	77133073	4	Clamp, 1 IN	
22	77133052	6	Plate, Cover	
23	0641412	8	Bolt, 1/4-20X1 1/2	
24	77133053	4	Clamp, Set	
25	0641424	4	Bolt, 1/4-20X3	
26	91561268	1	Bracket Plate	
27	91503094	1	Valve, Decompression Shuttle	
28	2110406	1	Fitting, Straight ORFS	
29	2130606	2	Fitting, 90 ORFS	
30	1001105102	1	Tube	
31	1001105103	1	Tube	
32	2170708	2	Fitting, Tee ORFS	
33	1001165216	1	Hose, .38 IN ORFS	
34	1001165218	1	Hose, .38 IN ORFS	
35	1001105118	1	Tube	
36	1001105119	1	Tube	
37	1001105120	1	Tube	
38	1001188869	1	Tube	
39	1001188870	1	Tube	
40	1001105122	1	Tube	
41	1001105123	1	Tube	
42	1001125404	1	Tube, MCV To Pump	
43	1001105121	1	Tube	
44	1001165143	2	Hose, 0.38 ORFS	
45	4761600	5	Washer, Lock 3/8	
46	3311601	4	Nut, 3/8-16	
47	4761500	2	Washer, Lock 5/16	

## SECTION 8 - HYDRAULIC CIRCUITS

ITEM	PART NUMBER	QTY	DESCRIPTION	REV
48	88501005	2	Nut, 5/16-18	
49	0641508	2	Bolt, 5/16-18X1	
50	4711400	2	Washer, 1/4	
51	0641414	2	Bolt, 1/4-20X1 3/4	
52	4761400	2	Washer, Lock 1/4	
53	88501004	2	Nut	
54	1001130127	1	Hose, 1.00 ORFS	
55	90206202	48 in	Trim Lock	
56	90206203	50 in	Trim	
57	1001125119	1	Hose, .75 ORFS	
58	1001125128	1	Hose, .75 ORFS	
59	1001141211	1	Hose, 3/8 ORFS	
60	1001141212	1	Hose, 5/8 ORFS	
61	2171216	1	Fitting, 90 ORFS	
62	1001130679	1	Hose, .25 ORFS	
63	1001122608	1	Hose, 0.38 ORFS	
66	2131212	4	Fitting, 90 ORFS	
67	1001193070	2	Hose, .50 ORFS	
68	1001102185	4	Hose, Hydraulic Lift	
69	1001136631	1	Hose, 1.00 ORFS	
70	1001161806	1	Hose, 1.00 ORFS	
71	1001130065	1	Hose, 1.00 ORFS	
72	1001128110	1	Hose, Hydraulic Tank Fill	
73	8405104	2	Clamp, 2.25	
74	1001125491	1	Seal	
75	1001136630	1	Hose, 1.00 ORFS	
76	2170210	1	Fitting, 90 ORFS	
77	4060918	39 in	Clip, Trim Lock 5/8	
78	0811610	1	Bolt, 3/8-16X1 1/4 Grade 8	
79	0811612	1	Bolt, 3/8-16X1 1/2 Grade 8	
80	2170306	1	Fitting, Tee ORFS	
81	10701277	1	Washer, 3/8	
82	2130808	2	Fitting, 90 ORFS	

# SECTION 8 - HYDRAULIC CIRCUITS

## FIGURE 8-2. MAIN CONTROL VALVE WITH FITTINGS



ART\_1001188872-B

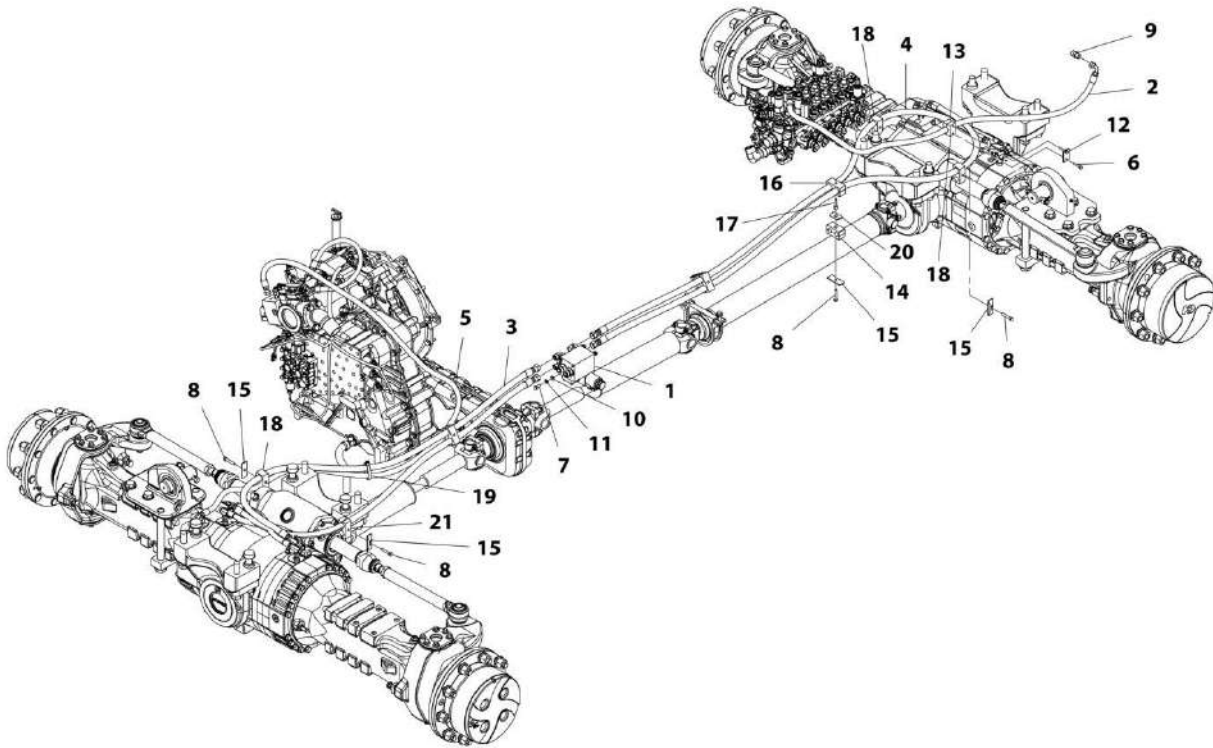
## SECTION 8 - HYDRAULIC CIRCUITS

**FIGURE 8-2. MAIN CONTROL VALVE WITH FITTINGS**

ITEM	PART NUMBER	QTY	DESCRIPTION	REV
	1001188872	Ref	Main Control Valve with Fittings	B
1	1001188871	1	Valve, Main Control (See HYDRAULIC COMPONENTS SECTION for Breakdown)	
2	2110406	1	Fitting, Straight ORFS	
3	2110812	6	Fitting, Straight ORFS	
4	2111212	1	Fitting, Straight ORFS	
5	2111616	2	Fitting, Straight ORFS	
6	2130406	8	Fitting, 90 ORFS	
7	2130606	2	Fitting, 90 ORFS	
8	2130810	1	Fitting, 90 ORFS	
9	2150406	1	Fitting, 45 ORFS	
10	2170112	3	Fitting, Long ORFS	
11	2170206	1	Fitting, 90 ORFS	
12	2172116	1	Fitting, 90 ORFS	

# SECTION 8 - HYDRAULIC CIRCUITS

## FIGURE 8-3. HYDRAULIC DRIVETRAIN INSTALLATION



ART\_1001130195-H



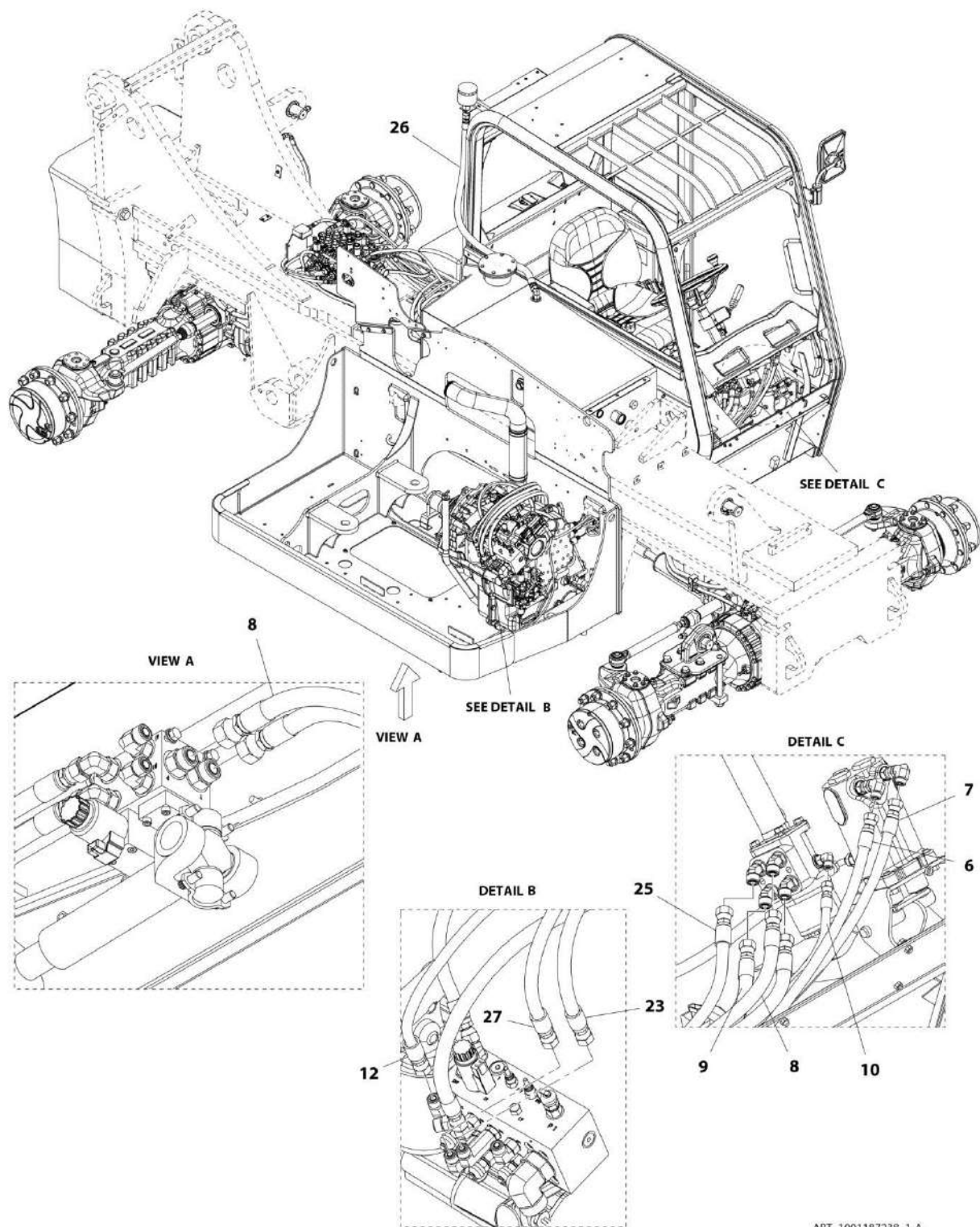
## SECTION 8 - HYDRAULIC CIRCUITS

**FIGURE 8-3. HYDRAULIC DRIVETRAIN INSTALLATION**

ITEM	PART NUMBER	QTY	DESCRIPTION	REV
	1001130195	1	Hydraulic Drivetrain Installation	H
1	1001001016	1	Valve, Steering Select (See HYDRAULIC COMPONENTS SECTION for Breakdown)	
2	1001095431	1	Hose	
3	1001095434	2	Hose, Steering	
4	1001095436	2	Hose, Steering	
5	1001137231	1	Hose	
6	0641412	2	Bolt, 1/4-20X1 1/2	
7	0641506	4	Bolt, 5/16-18X3/4	
8	0641514	7	Bolt, 5/16-18X1 3/4	
9	2110608	1	Fitting, Straight ORFS	
10	4711500	4	Washer, 5/16	
11	4761500	4	Washer, Lock 5/16	
12	77133052	1	Plate, Cover	
13	77133053	1	Clamp, Set	
14	77133136	2	Clamp, Set	
15	77133137	7	Clamp, Set	
16	77133279	3	Clamp, Set	
17	77133306	2	Clamp, Set	
18	83663119	3	Clamp, Set	
19	86683122	AR	Strap, Tie	
20	77133390	2	Clamp, Set	
21	77323029	1	Clamp, Set	

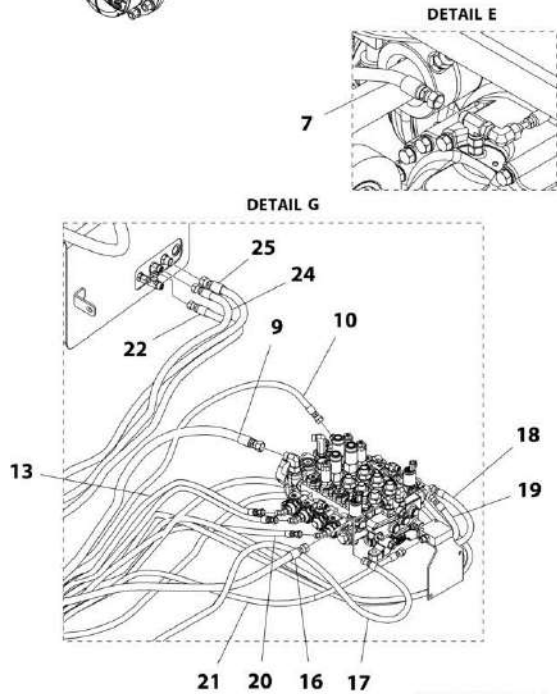
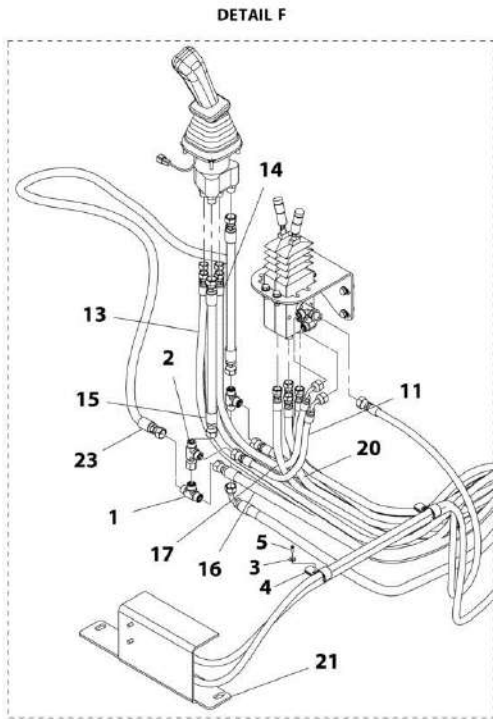
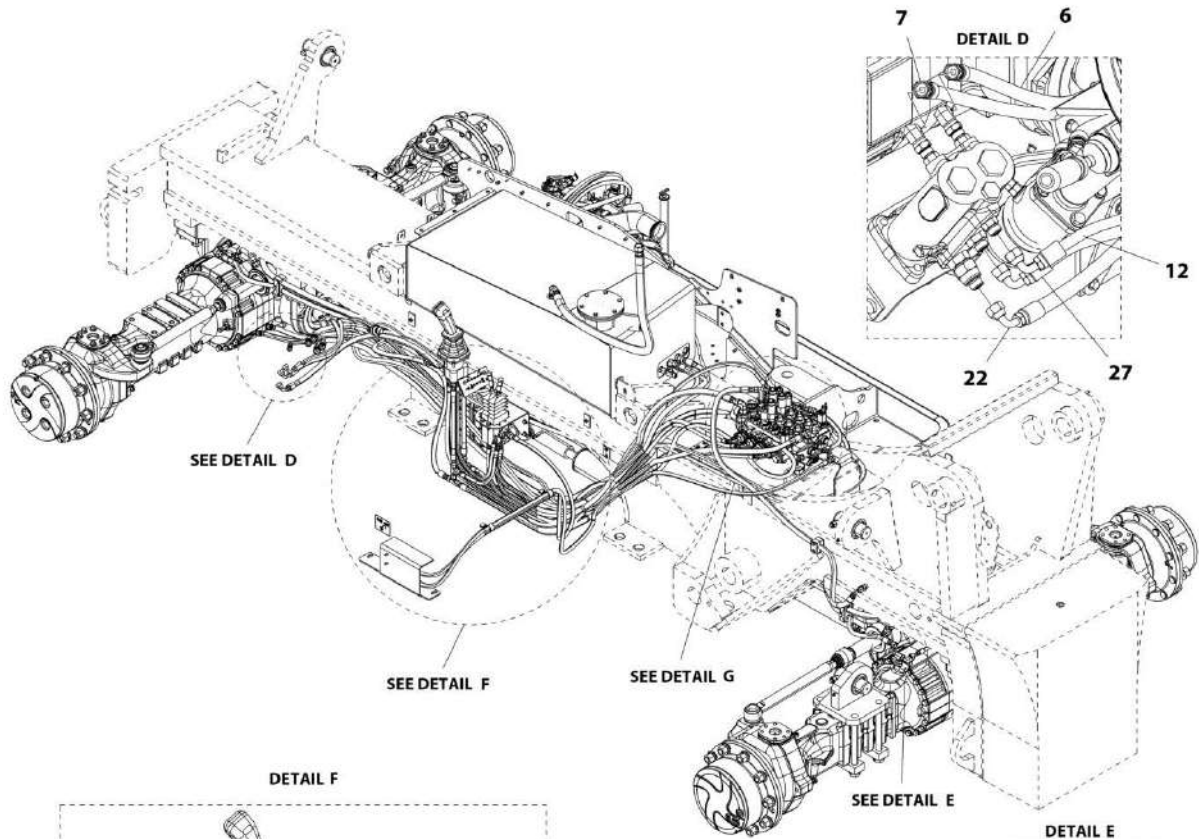
# SECTION 8 - HYDRAULIC CIRCUITS

## FIGURE 8-4. CAB HYDRAULIC INSTALLATION



ART\_1001187238\_1-A

# SECTION 8 - HYDRAULIC CIRCUITS



ART\_1001187238\_2-A

## SECTION 8 - HYDRAULIC CIRCUITS

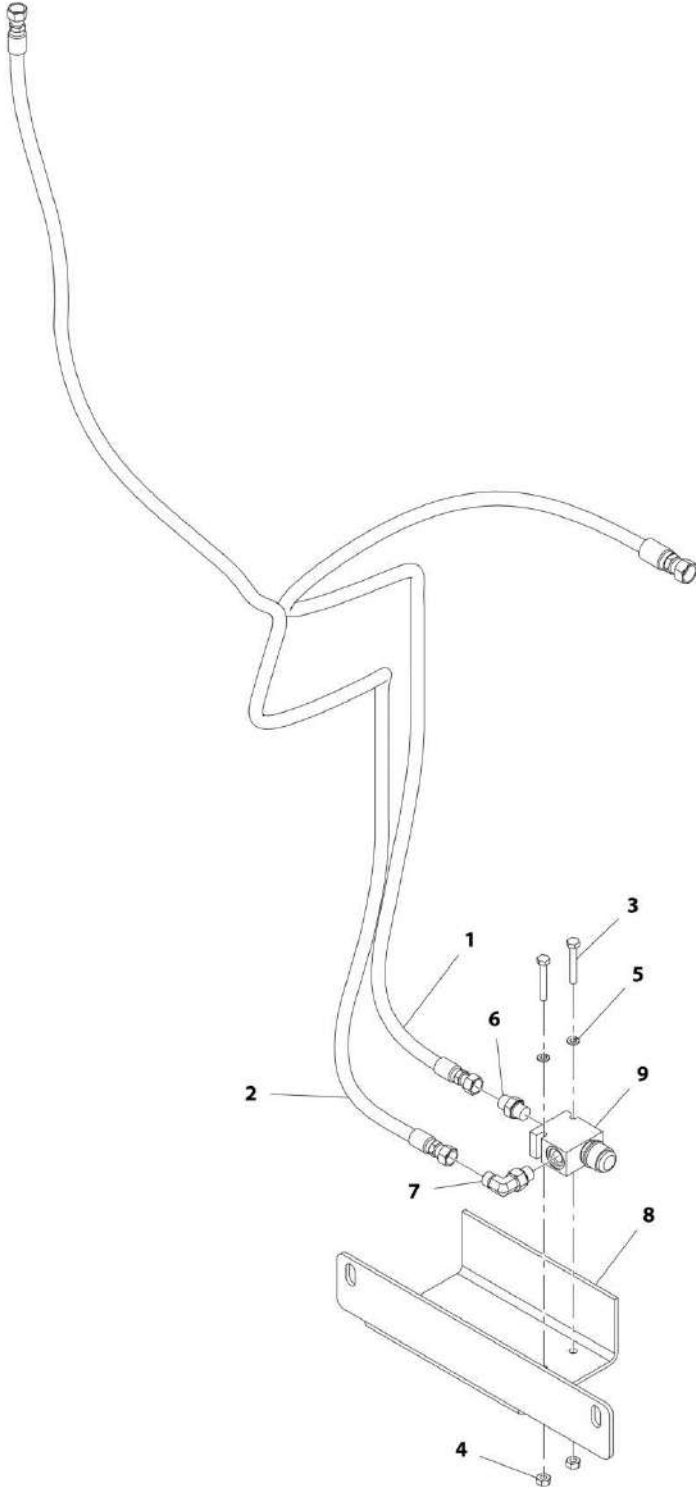
FIGURE 8-4. CAB HYDRAULIC INSTALLATION

ITEM	PART NUMBER	QTY	DESCRIPTION	REV
	1001187238	1	Cab Hydraulic Installation	A
1	2170506	2	Fitting, Tee ORFS	
2	2170706	1	Fitting, Tee ORFS	
3	4711000	2	Washer	
4	85941017	2	Clamp, Pipe	
5	91413036	2	Screw, 6X1/2	
6	1001096388	1	Hose, Hydraulic	
7	1001096389	1	Hose, Hydraulic	
8	1001096390	2	Hose, Hydraulic	
9	1001096393	1	Hose, Hydraulic	
10	1001096394	1	Hose, Hydraulic	
11	1001096396	2	Hose, Hydraulic	
12	1001144724	1	Hose, Brake To BLS	
13	1001097924	2	Hose, Hydraulic	
14	1001097925	2	Hose, Hydraulic	
15	1001097926	2	Hose, Hydraulic	
16	1001097928	1	Hose, Hydraulic	
17	1001097930	1	Hose, Hydraulic	
18	1001097931	1	Hose, Hydraulic	
19	1001097932	1	Hose, Hydraulic	
20	1001097933	1	Hose, Hydraulic	
21	1001098744	1	Assembly, Decompression Valve (See DECOMPRESSION VALVE ASSEMBLY for Breakdown)	
22	1001137280	1	Hose, Hydraulic	
23	1001115999	1	Hose, Joystick To Pump JS	
24	1001137259	1	Hose, Joystick To Tank	
25	1001137281	1	Hose, Hydraulic	
26	2752661	1	Hose	
27	1001116011	1	Hose, Brake To BV	



**SECTION 8 - HYDRAULIC CIRCUITS**

**FIGURE 8-5. DECOMPRESSION VALVE ASSEMBLY**



ART\_1001098744-B

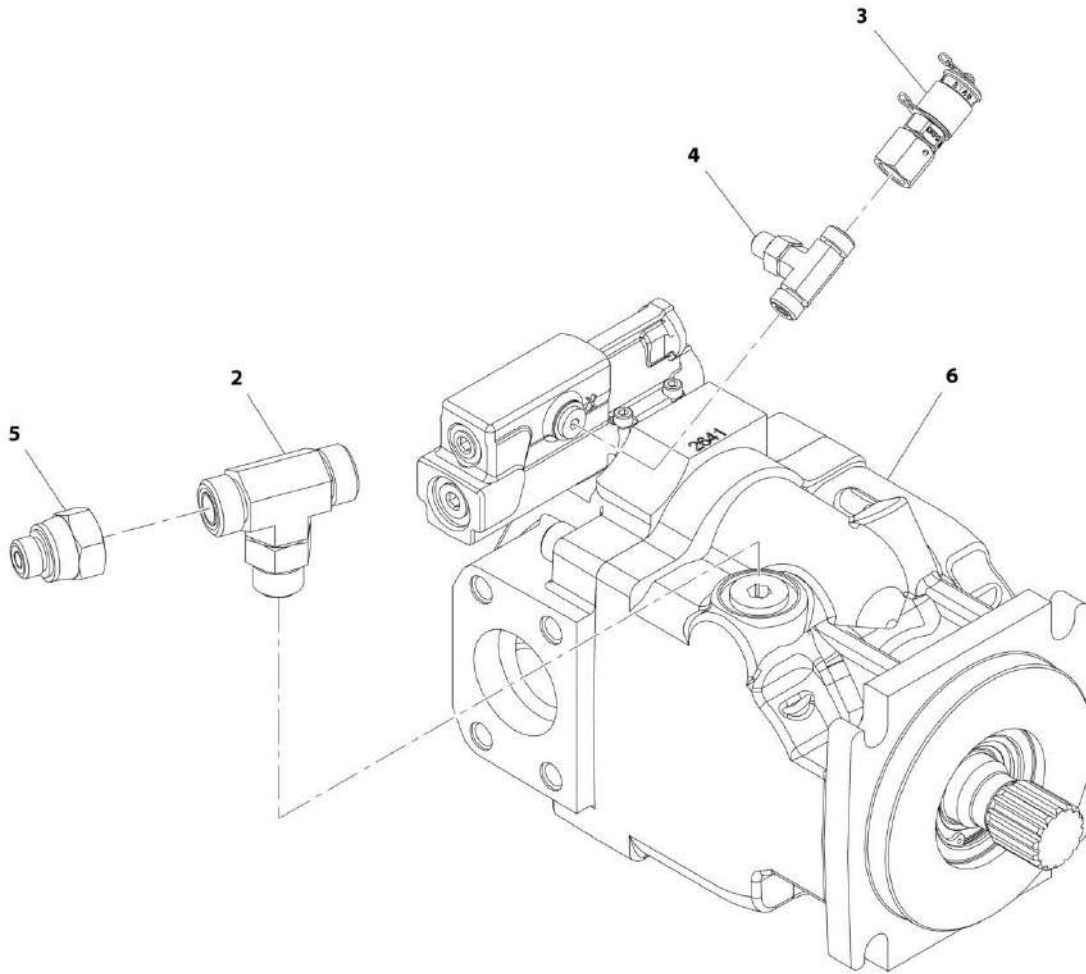
## SECTION 8 - HYDRAULIC CIRCUITS

### FIGURE 8-5. DECOMPRESSION VALVE ASSEMBLY

ITEM	PART NUMBER	QTY	DESCRIPTION	REV
	1001098744	Ref	Decompression Valve Assembly	B
1	1001098742	1	Hose, Hydraulic	
2	1001098743	1	Hose, Hydraulic	
3	88201008	2	Bolt, .25-20X1.75	
4	88501004	2	Nut, 1/4-20	
5	88551009	2	Washer, Lock 1/4	
6	2110406	1	Fitting, Straight ORFS	
7	2130406	1	Fitting, 90 ORFS	
8	91501064	1	Plate	
9	91503093	1	Valve, Decompression (See HYDRAULIC COMPONENTS SECTION for Breakdown)	

# SECTION 8 - HYDRAULIC CIRCUITS

## FIGURE 8-6. HYDRAULIC PUMP ASSEMBLY



ART\_1001130707-E



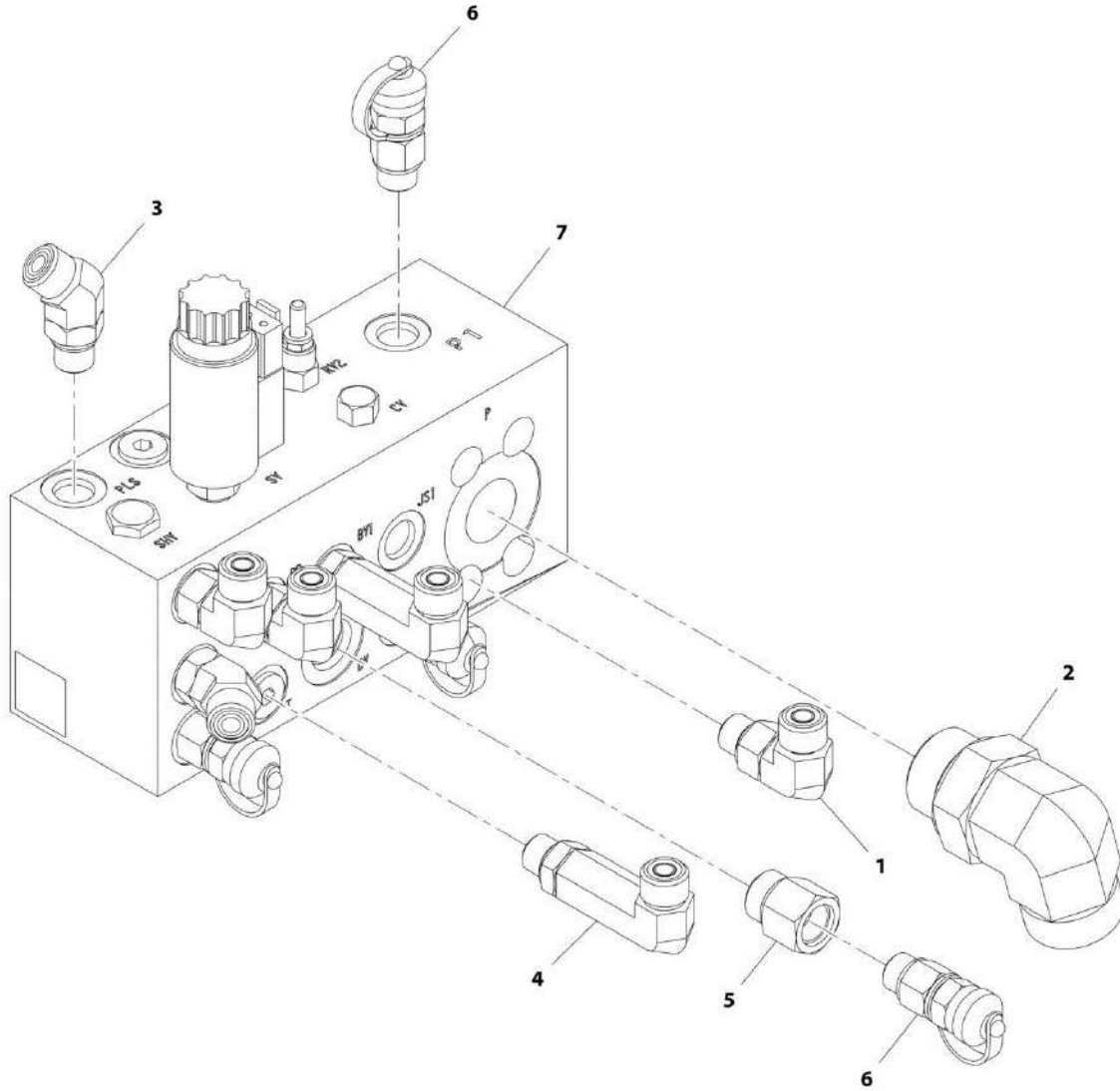
## SECTION 8 - HYDRAULIC CIRCUITS

### FIGURE 8-6. HYDRAULIC PUMP ASSEMBLY

ITEM	PART NUMBER	QTY	DESCRIPTION	REV
	1001130707	Ref	Hydraulic Pump Assembly	E
2	2170410	1	Fitting, Tee ORFS	
3	1001103069	1	Coupling, Test ORFS	
4	2170404	1	Fitting, Tee ORFS	
5	2221244	1	Fitting, Adapter ORFS	
6	1001170639	1	Pump, Variable Displacement (See HYDRAULIC COMPONENTS SECTION for Breakdown)	

# SECTION 8 - HYDRAULIC CIRCUITS

## FIGURE 8-7. PRESSURE REDUCER AND BRAKE VALVE ASSEMBLY



ART\_1001130440-C

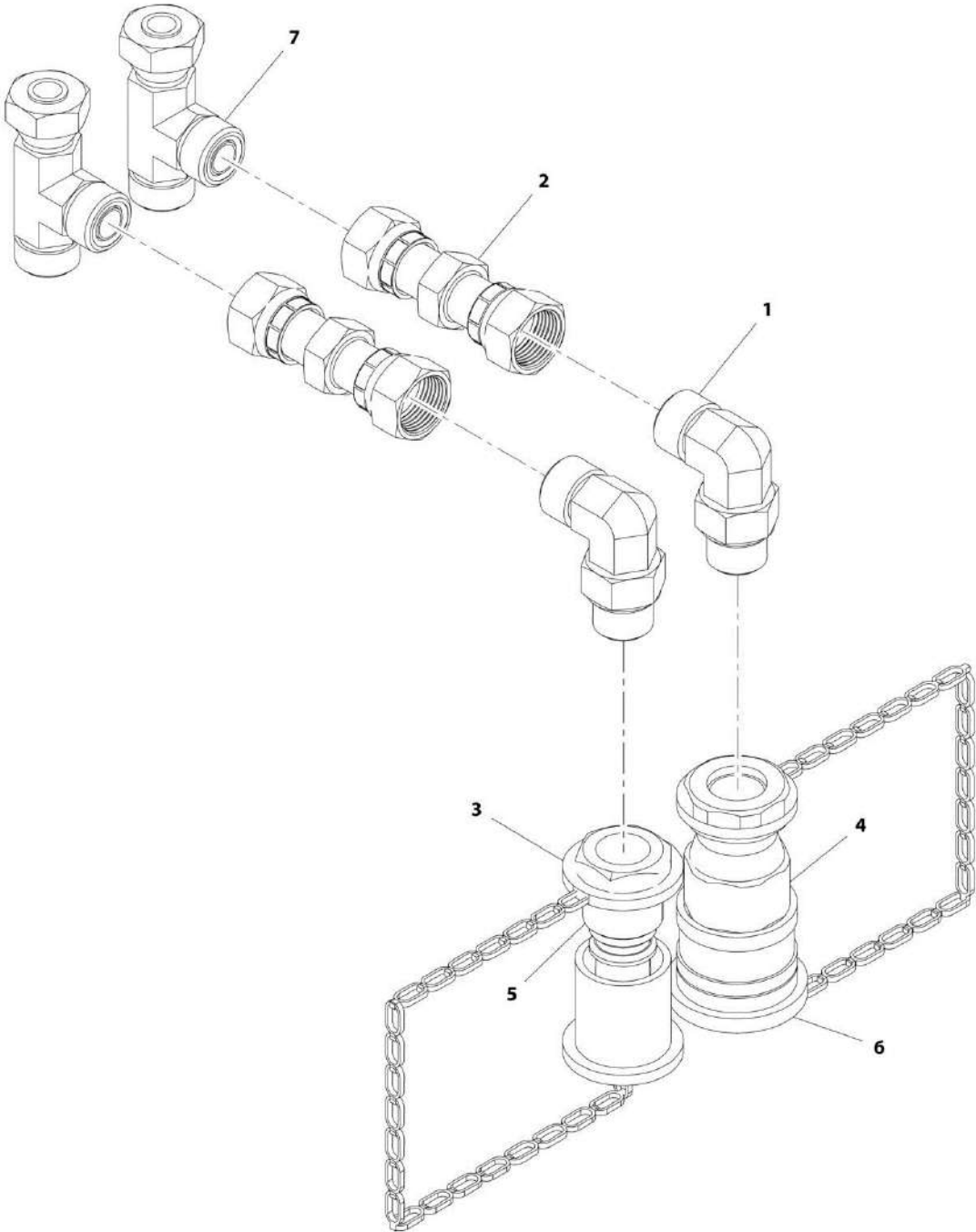
## SECTION 8 - HYDRAULIC CIRCUITS

**FIGURE 8-7. PRESSURE REDUCER AND BRAKE VALVE ASSEMBLY**

ITEM	PART NUMBER	QTY	DESCRIPTION	REV
	1001130440	Ref	Pressure Reducer and Brake Valve Assembly	C
1	2130606	3	Fitting, 90 ORFS	
2	2131616	1	Fitting, 90 ORFS	
3	2150606	2	Fitting, 45 ORFS	
4	2170206	2	Fitting, 90 ORFS	
5	2220591	1	Fitting, Straight ORFS	
6	77133089	4	Fitting, Mini-Check	
7	91563190	1	Manifold, Hydraulic (See HYDRAULIC COMPONENTS SECTION for Breakdown)	

**SECTION 8 - HYDRAULIC CIRCUITS**

**FIGURE 8-8. TILT RECIRCULATION INSTALLATION**



ART\_1001121459-A

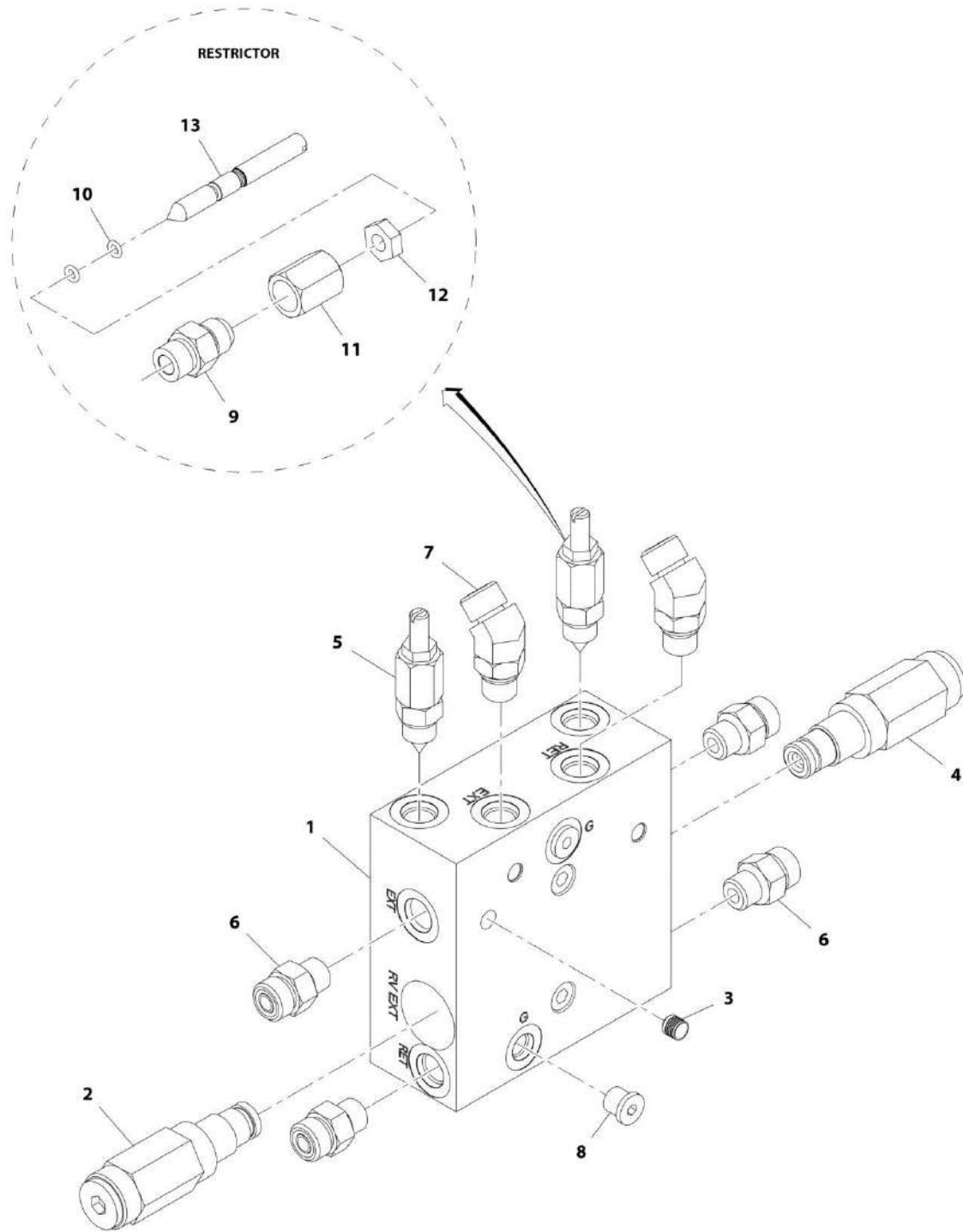
## SECTION 8 - HYDRAULIC CIRCUITS

### FIGURE 8-8. TILT RECIRCULATION INSTALLATION

ITEM	PART NUMBER	QTY	DESCRIPTION	REV
	1001121459	1	Tilt Recirculation Installation	A
1	2130808	2	Fitting, 90 ORFS	
2	2172408	2	Fitting, Straight ORFS	
3	91043126	1	Cap Dust, For Quick Disconnect	
4	91403413	1	Fitting, Straight	
5	91403414	1	Fitting, Straight	
6	91043125	1	Dust Plug, For Quick Disconnect	
7	2170708	2	Fitting, Tee	

# SECTION 8 - HYDRAULIC CIRCUITS

## FIGURE 8-9. VALVE ASSEMBLY



ART\_70026589

## SECTION 8 - HYDRAULIC CIRCUITS

### FIGURE 8-9. VALVE ASSEMBLY

ITEM	PART NUMBER	QTY	DESCRIPTION	REV
	70026589	1	Valve Assembly	
1	70026612	1	Manifold	
2	70026613	1	Cartridge	
3	70026614	4	Plug	
4	70026478	1	Relief Valve Cartridge	
5	70026615	2	Restrictor	
6	70024130	4	Fitting	
7	70026616	2	Fitting	
8	70024129	2	Plug	
9	70026617	1	Fitting	
10	70026618	2	O-Ring	
11	70026619	1	Cap	
12	70026620	1	Jam Nut	
13	70026621	1	Plunger	

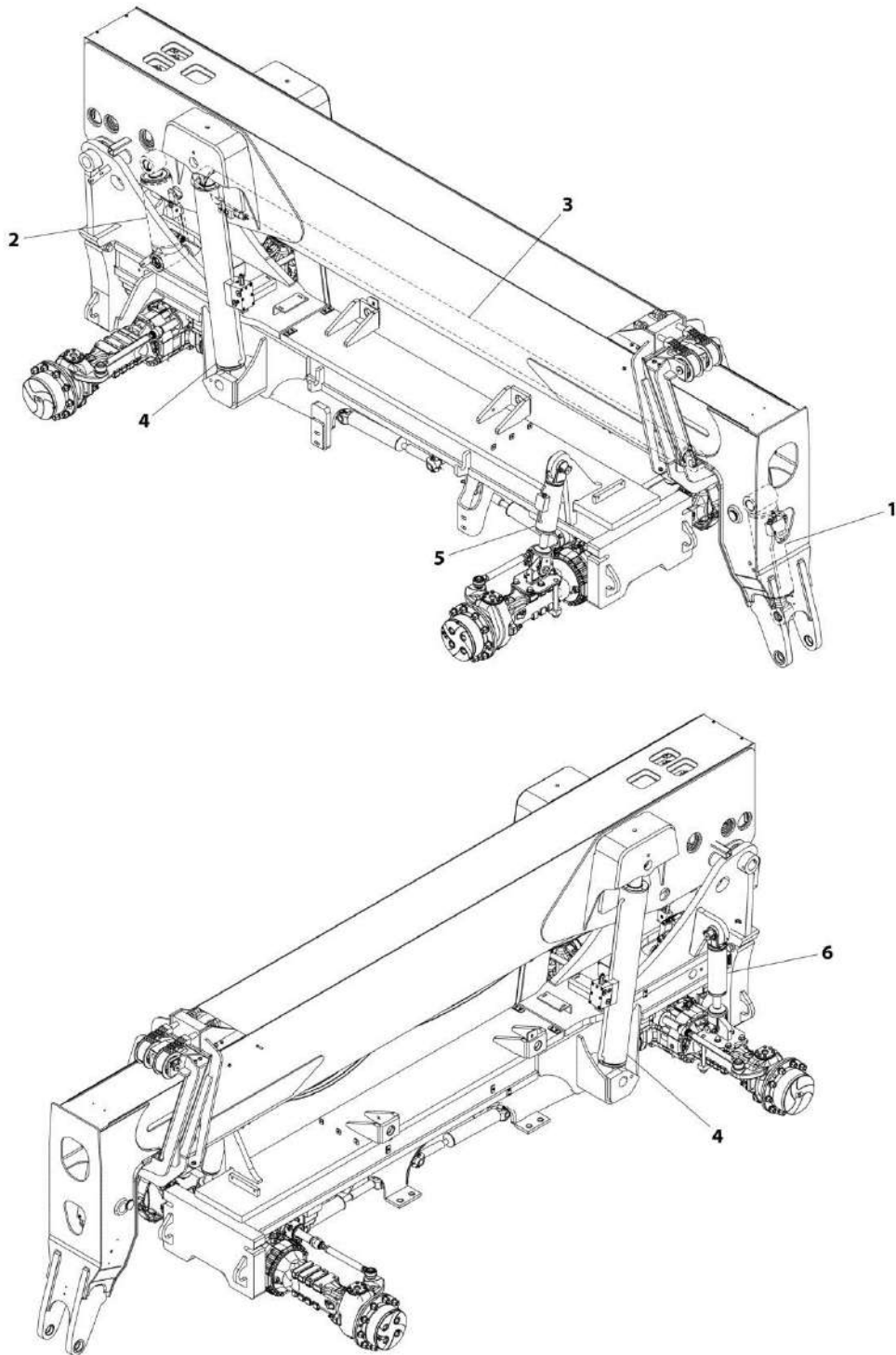




**SECTION 9 - HYDRAUIC COMPONENTS**

# SECTION 9 - HYDRAULIC COMPONENTS

## FIGURE 9-1. CYLINDER INSTALLATION



ART\_1001187240-D

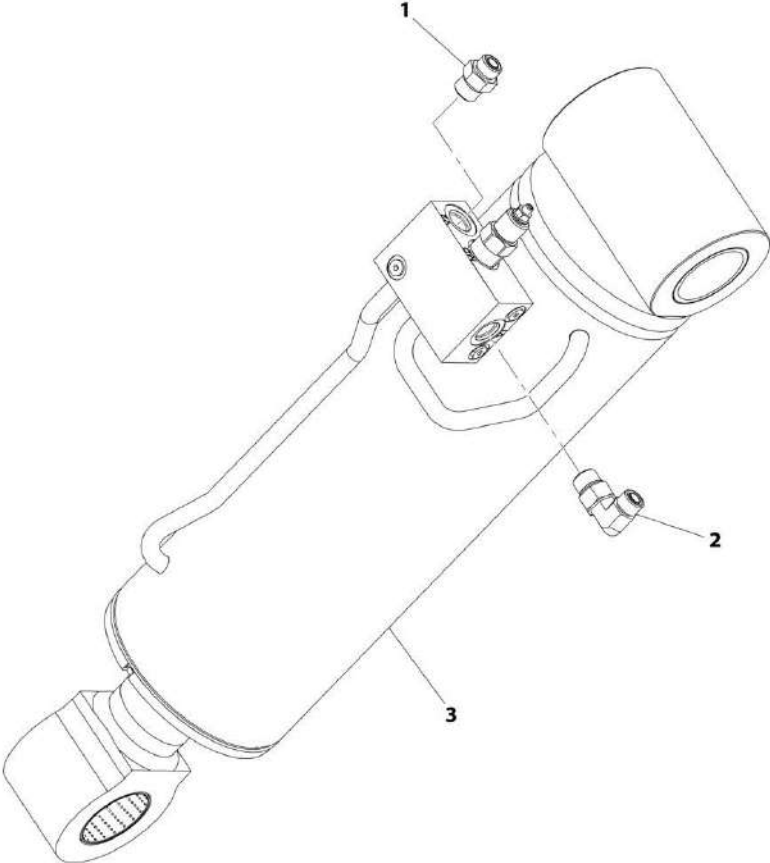
## SECTION 9 - HYDRAULIC COMPONENTS

### FIGURE 9-1. CYLINDER INSTALLATION

ITEM	PART NUMBER	QTY	DESCRIPTION	REV
	1001187240	1	Cylinder Installation	D
1	1001196454	1	Tilt Cylinder Installation, (See TILT CYLINDER INSTALLATION for Breakdown)	
2	1001208114	1	Compensation Cylinder, (See COMPENSATION CYLINDER for Breakdown)	
3	1001163569	1	Extend/Retract Cylinder, (See EXTEND/RETRACT CYLINDER for Breakdown)	
4	1001163568	2	Lift Cylinder, (See LIFT CYLINDER for Breakdown)	
5	1001116440	1	Frame Level Cylinder, (See FRAME LEVEL CYLINDER for Breakdown)	
6	1001116443	1	Stabilizer Cylinder, (See STABILIZER CYLINDER for Breakdown)	

**SECTION 9 - HYDRAULIC COMPONENTS**

**FIGURE 9-2. TILT CYLINDER INSTALLATION**



ART\_1001196454-C

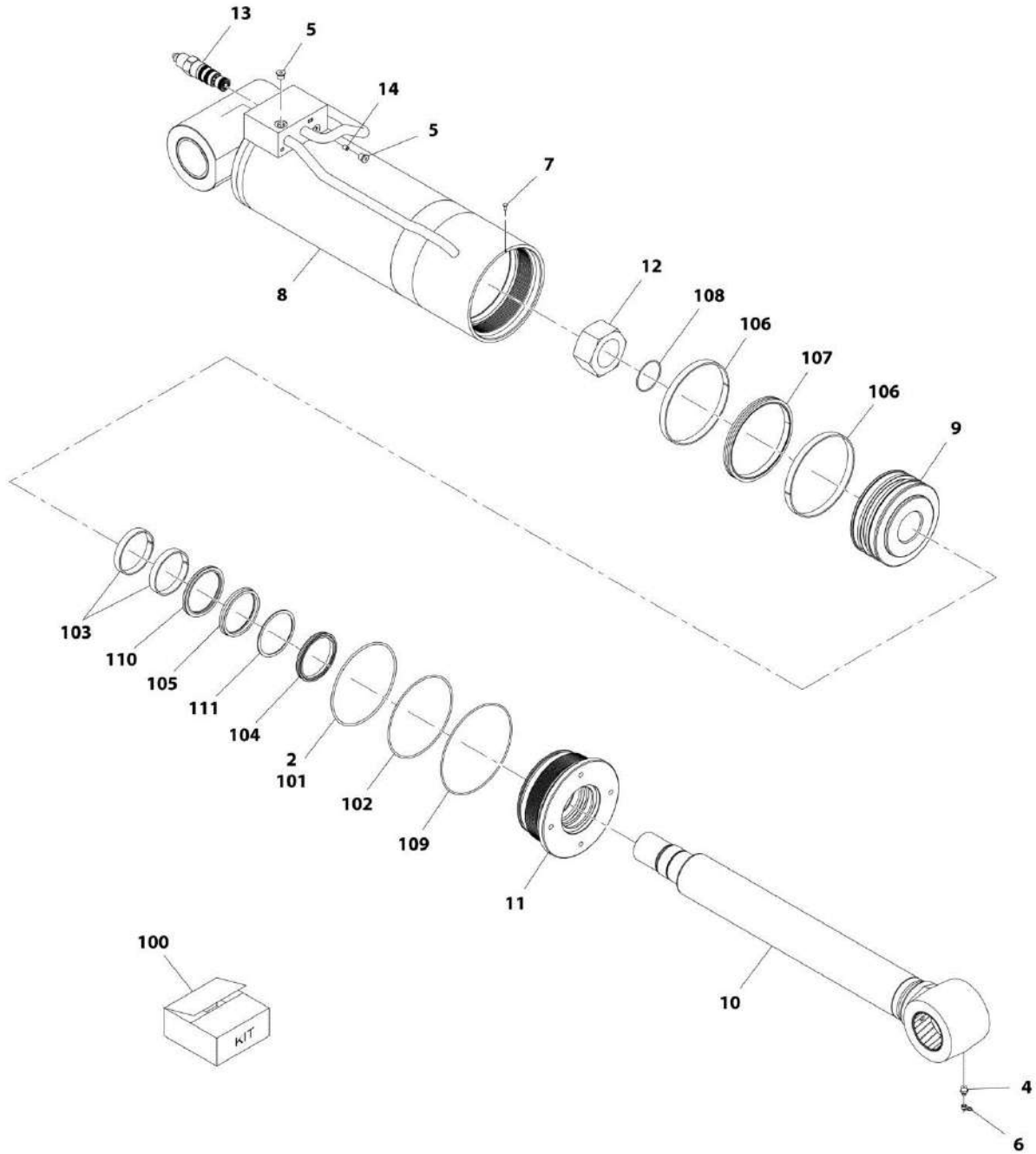
## SECTION 9 - HYDRAULIC COMPONENTS

### FIGURE 9-2. TILT CYLINDER INSTALLATION

ITEM	PART NUMBER	QTY	DESCRIPTION	REV
	1001196454	Ref	Tilt Cylinder Installation	C
1	2110810	1	Fitting, Straight ORFS	
2	2130810	1	Fitting, 90 ORFS	
3	1001157359	NLA	Cylinder, Tilt (See Separate Breakdown in this Section) (no longer available, use 1001228068 for replacement)	
3	1001228068	1	Cylinder, Tilt (See Separate Breakdown in this Section)	

# SECTION 9 - HYDRAULIC COMPONENTS

## FIGURE 9-3. TILT CYLINDER



ART\_1001157359-K

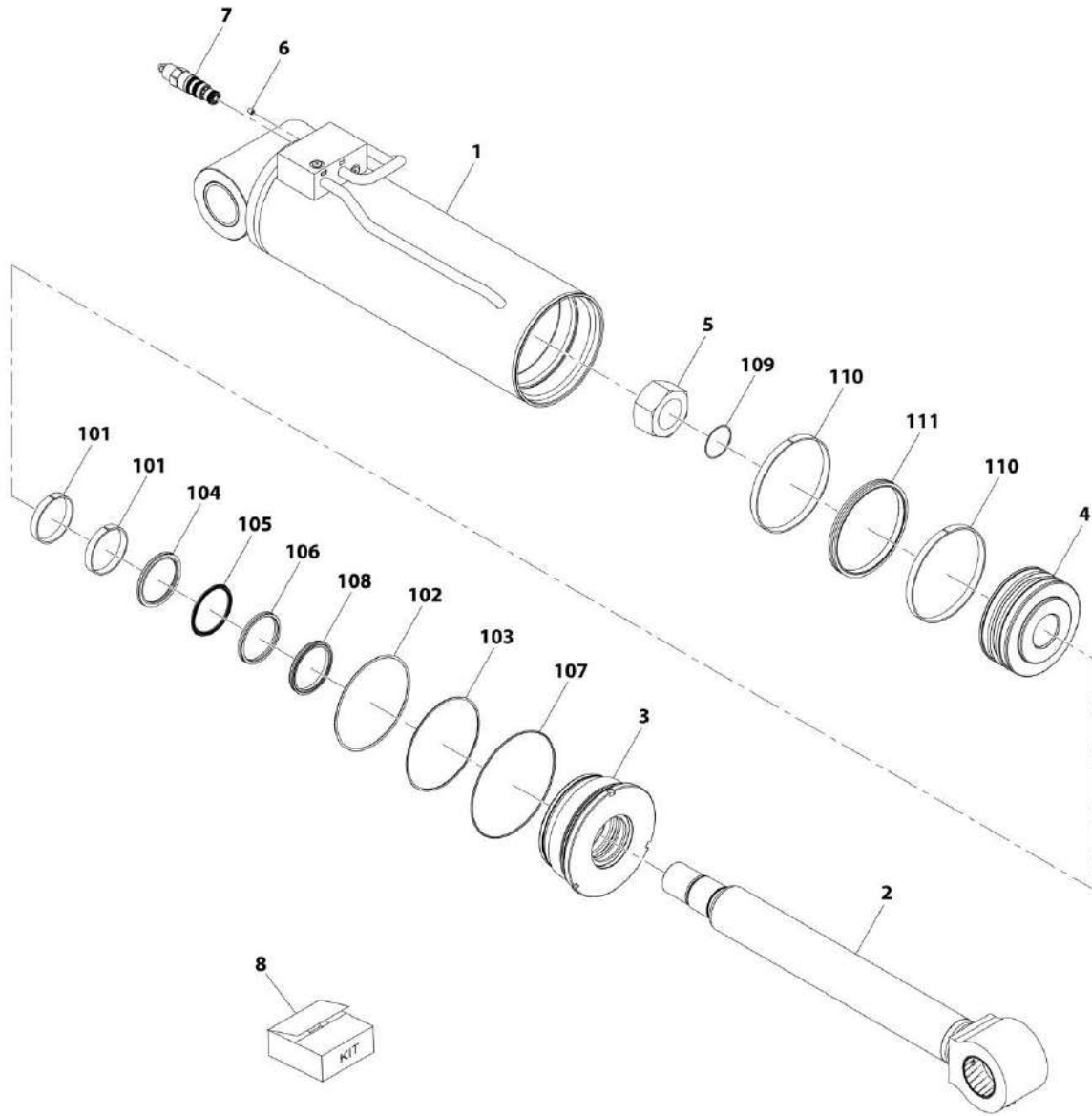
## SECTION 9 - HYDRAULIC COMPONENTS

### FIGURE 9-3. TILT CYLINDER

ITEM	PART NUMBER	QTY	DESCRIPTION	REV
	1001157359	NLA	Tilt Cylinder, (no longer available, see items 2 through 111 for service or 1001228068 for replacement)	K
2	3020043	AR	Lube, Anti-Seize	
4	2160016	1	Fitting, Grease	
5	2220883	4	Plug	
6	8887145	1	Cap, Grease Fitting	
7	1001125137	1	Screw, Self Tapping	
8	1001161824	1	Barrel	
9	1001162142	1	Piston	
10	1001161814	1	Rod	
11	1001162141	1	Head	
12	1001122453	1	Nut, Lock	
13	1001189888	1	Valve, Counterbalance	
14	1001163267	1	Plug	
100	1001162144	1	Kit, Seal	
101	1001162145	1	O-Ring	
102	1001162146	1	Ring, Back-Up	
103	1001162129	2	Ring, Wear	
104	1001162130	1	Wiper, Rod	
105	1001162131	1	Seal, Rod	
106	1001162152	2	Ring, Piston Wear	
107	1001162153	1	Seal	
108	1001162134	1	O-Ring	
109	1001162148	1	O-Ring	
110	1001162159	1	Seal, Rod Buffer	
111	1001163540	1	Ring, Back-Up	

# SECTION 9 - HYDRAULIC COMPONENTS

## FIGURE 9-4. TILT CYLINDER



ART\_1001228068-A



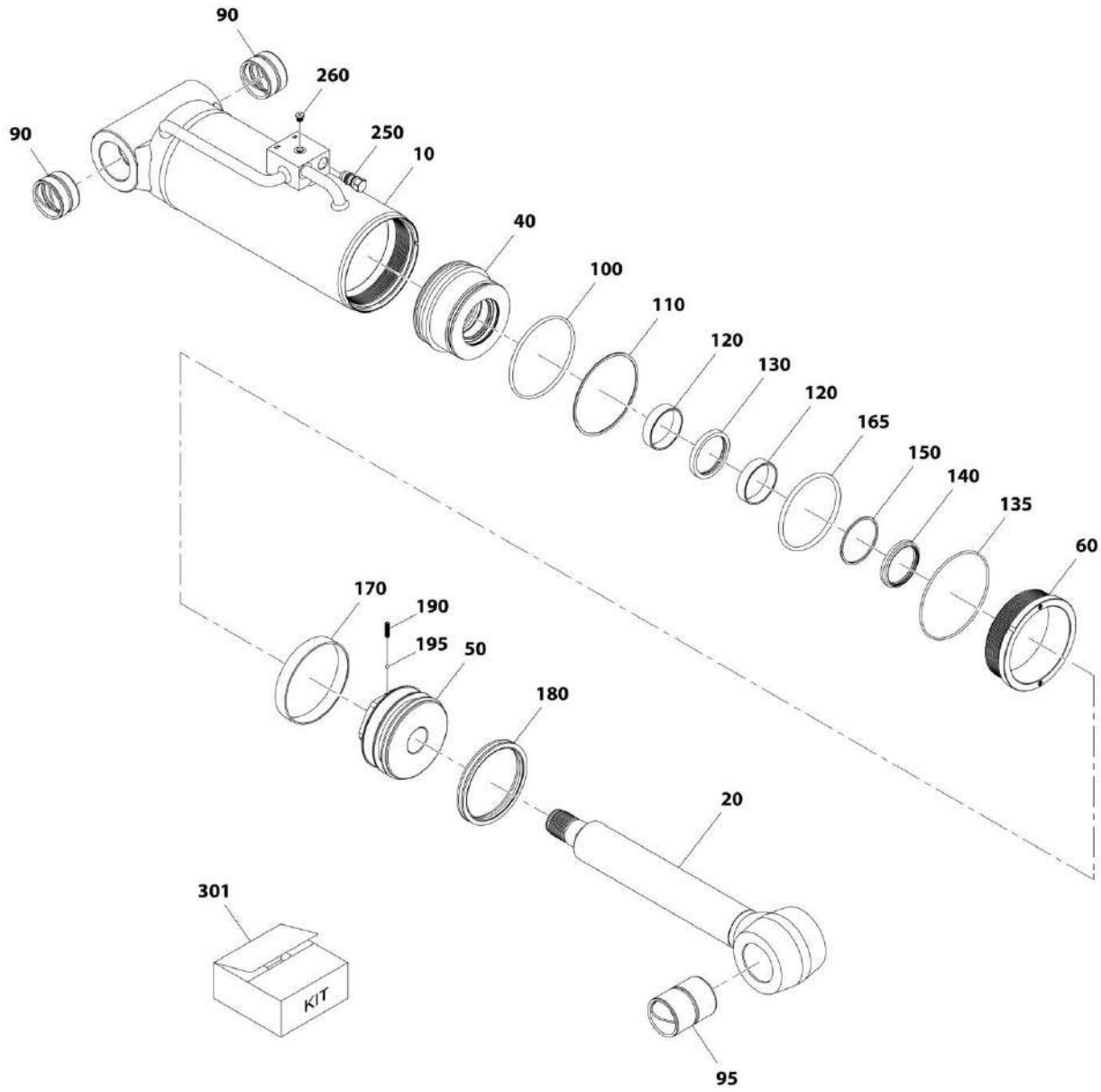
## SECTION 9 - HYDRAULIC COMPONENTS

### FIGURE 9-4. TILT CYLINDER

ITEM	PART NUMBER	QTY	DESCRIPTION	REV
	1001228068	Ref	Tilt Cylinder	A
1	N.S.S.	1	Body	
2	70028772	1	Rod	
3	70028773	1	Rod, Guide	
4	70028774	1	Piston	
5	70028775	1	Nut	
6	1001163267	1	Plug	
7	1001189888	1	Valve, Counterbalance	
8	1001162144	1	Kit, Seal	
101	Kit	2	Bearing	
102	Kit	1	O-Ring	
103	Kit	1	Ring, Back-Up	
104	Kit	1	Buffer	
105	Kit	1	Seal, Rod	
106	Kit	1	Ring, Back-Up	
107	Kit	1	O-Ring	
108	Kit	1	Wiper	
109	Kit	1	O-Ring	
110	Kit	2	Bearing	
111	Kit	1	Piston, Seal	

# SECTION 9 - HYDRAULIC COMPONENTS

## FIGURE 9-5. COMPENSATION CYLINDER



ART\_1001208114-A

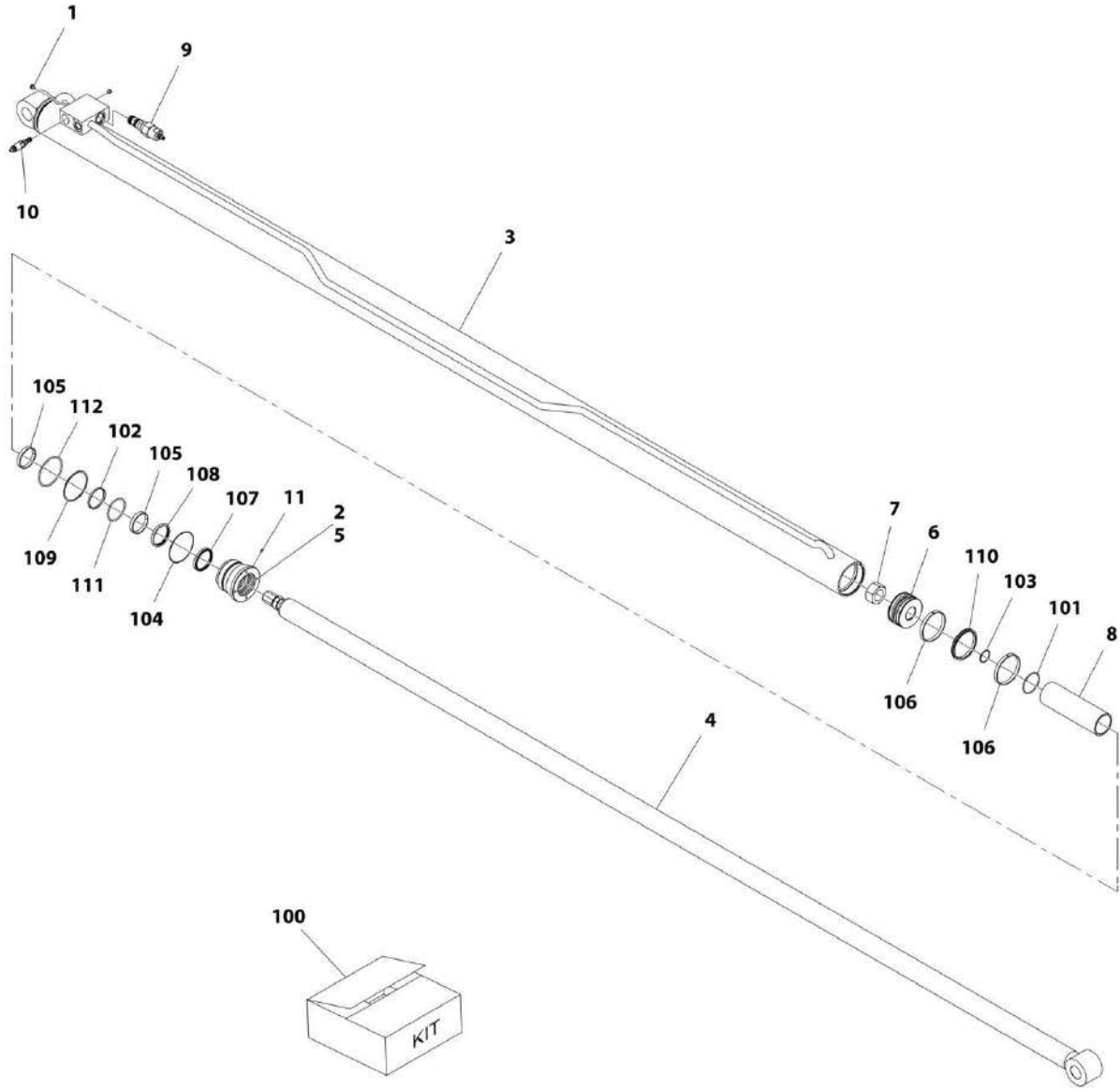
## SECTION 9 - HYDRAULIC COMPONENTS

### FIGURE 9-5. COMPENSATION CYLINDER

ITEM	PART NUMBER	QTY	DESCRIPTION	REV
	1001208114	Ref	Compensation Cylinder	A
10	70027264	1	Barrel	
20	70027265	1	Rod	
40	70026154	1	Gland	
50	70026155	1	Piston Head	
60	70026156	1	Locking Collar	
90	70026157	2	Bushing	
95	70026158	1	Bushing	
100	Kit	1	O-Ring	
110	Kit	1	Back-Up Ring	
120	Kit	2	Rod Bearing Ring	
130	Kit	1	Rod Seal	
135	Kit	1	O-Ring	
140	Kit	1	Press-In Wiper	
150	70023086	1	Internal Snap Ring	
165	Kit	1	O-Ring	
170	Kit	1	Piston Bearing Ring	
180	Kit	1	Piston Seal	
190	70026159	1	Locking Grub Screw	
195	70005014	1	Steel Ball	
250	70027266	1	Cavity Plug	
260	70025619	1	Blanking Plug	
301	70026343	1	Kit, Seal (includes items 100 thru 140 & 165 thru 180)	

# SECTION 9 - HYDRAUIC COMPONENTS

## FIGURE 9-6. EXTEND/RETRACT CYLINDER



ART\_1001163569-B

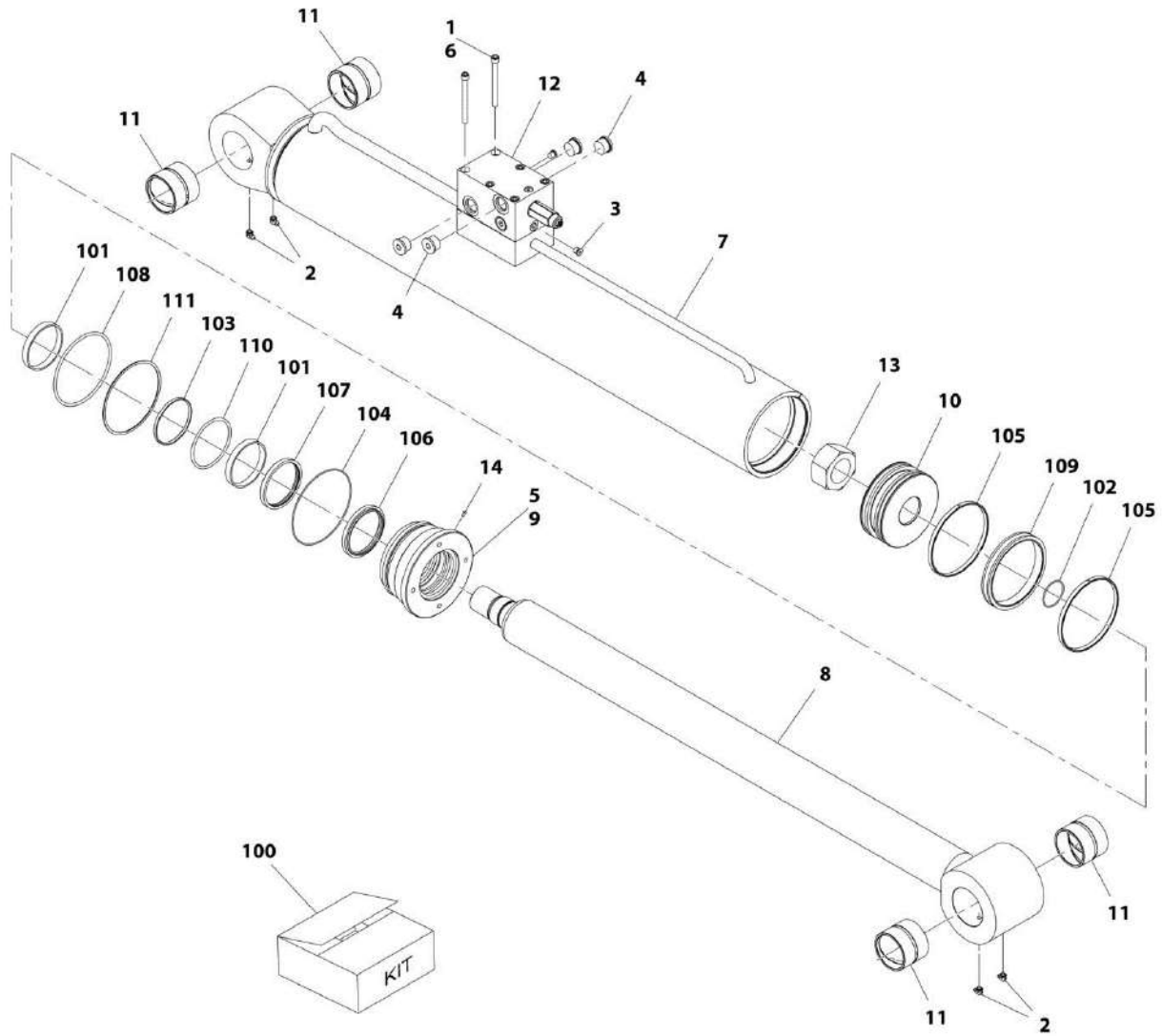
## SECTION 9 - HYDRAULIC COMPONENTS

### FIGURE 9-6. EXTEND/RETRACT CYLINDER

ITEM	PART NUMBER	QTY	DESCRIPTION	REV
	1001163569	Ref	Extend/Retract Cylinder	B
1	2220883	2	Plug, Bolt	
2	3020043	1	Lube	
3	1001122484	1	Barrel, Cylinder	
4	1001122491	1	Rod, Cylinder	
5	1001163566	1	Head, Cylinder	
6	1001122495	1	Piston, Cylinder	
7	1001122505	1	Nut, Lock 1 1/2-12	
8	1001123013	1	Tube, Spacer	
9	1001123014	1	Valve, Counterbalance	
10	1001123015	1	Valve, Counterbalance	
11	1001125137	1	Bolt, 8-32	
100	1001163542	1	Kit, Seal	
101	3790234	1	O-Ring	
102	3960442	1	Seal, Buffer	
103	1001122497	1	O-Ring	
104	1001122498	1	O-Ring	
105	1001122499	2	Ring, Wear	
106	1001122500	2	Ring, Wear	
107	1001122501	1	Ring, Rod Wiper	
108	1001122502	1	Seal, Rod	
109	1001163556	1	Ring, Backup	
110	1001122504	1	Seal, Piston	
111	1001125091	1	O-Ring	
112	3790348	1	O-Ring	

# SECTION 9 - HYDRAULIC COMPONENTS

## FIGURE 9-7. LIFT CYLINDER



ART\_1001163568-C

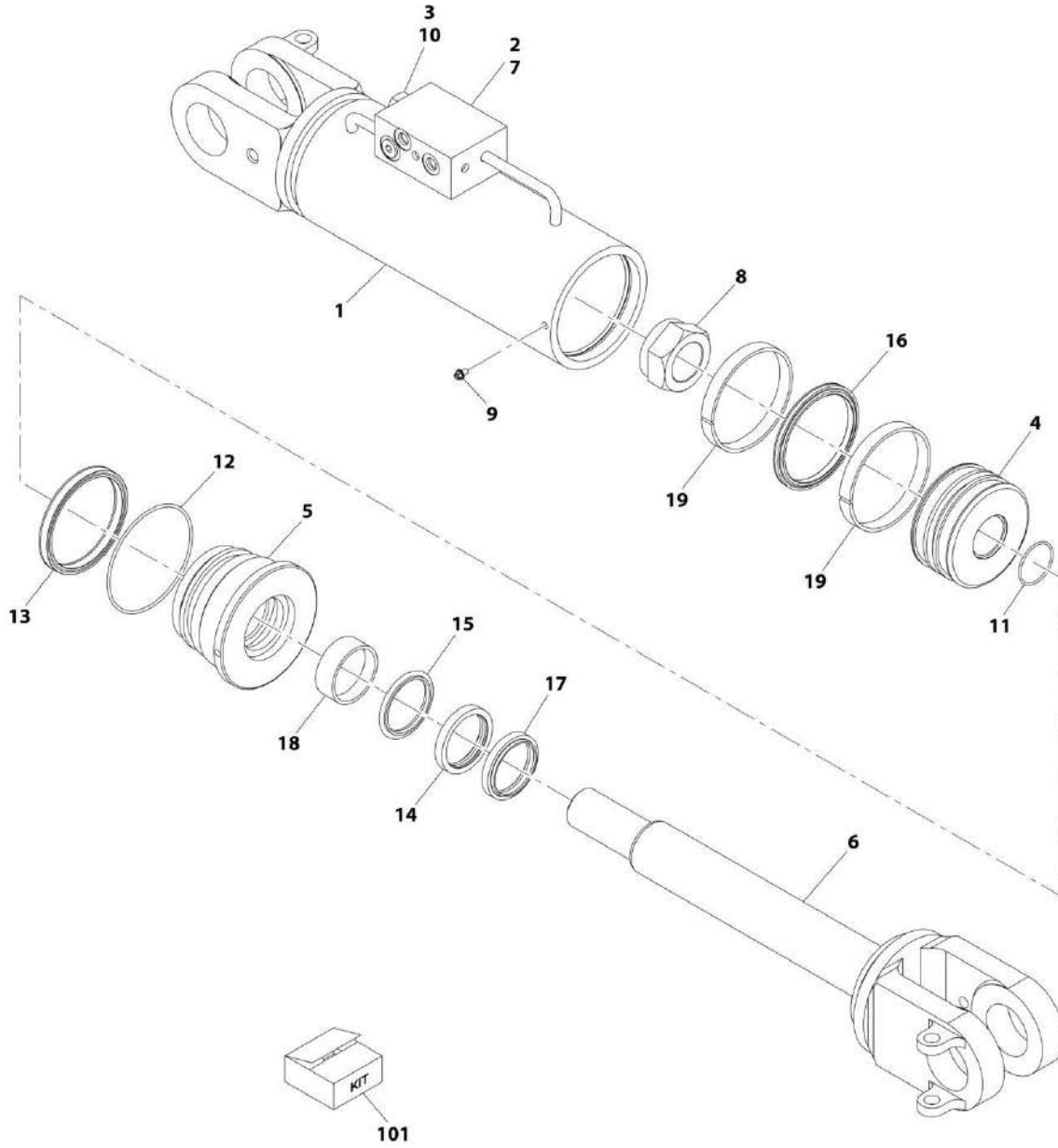
## SECTION 9 - HYDRAULIC COMPONENTS

### FIGURE 9-7. LIFT CYLINDER

ITEM	PART NUMBER	QTY	DESCRIPTION	REV
	1001163568	Ref	Lift Cylinder	C
1	0100011	AR	Compound, Locking	
2	2160001	4	Fitting, 90 ORFS	
3	2220883	2	Plug, Bolt	
4	2220888	4	Plug, Bolt	
5	3020043	1	Lube	
6	3931664	6	Plug, Bolt	
7	1001121418	1	Barrel, Cylinder	
8	1001121425	1	Rod, Cylinder	
9	1001163565	1	Head, Cylinder	
10	1001121428	1	Piston, Cylinder	
11	1001121429	4	Bearing	
12	1001172288	1	Assembly, Valve Block (See VALVE BLOCK ASSEMBLY for Breakdown)	
13	1001122453	1	Nut, Lock	
14	1001125137	1	Bolt, 8-32	
100	1001163541	1	Kit, Seal	
101	3760258	1	Ring	
102	3780187	1	O-Ring	
103	3960441	1	Seal, Buffer	
104	1001121530	1	O-Ring	
105	1001163673	2	Ring, Wear	
106	1001121569	1	Ring, Rod Wiper	
107	1001121570	1	Seal, Rod	
108	3790358	1	O-Ring	
109	1001121577	1	Seal, Piston	
110	1001125093	1	O-Ring	
111	1001163555	1	Ring, Backup	

# SECTION 9 - HYDRAULIC COMPONENTS

## FIGURE 9-8. FRAME LEVEL CYLINDER



ART\_100116440-D



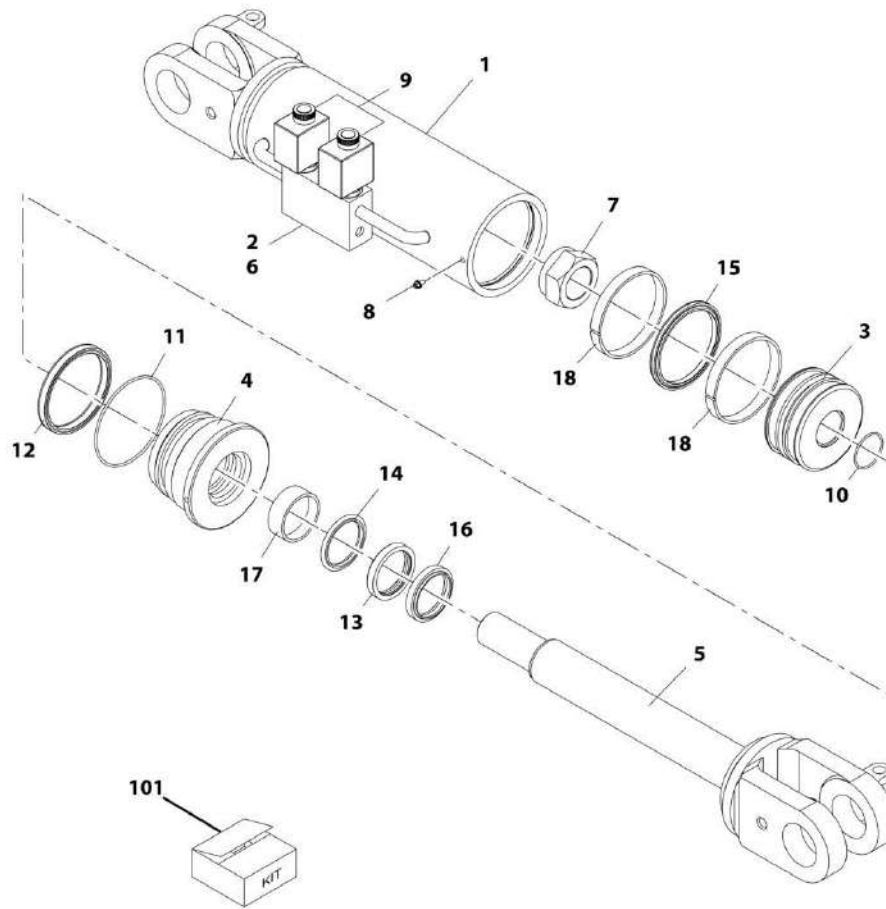
## SECTION 9 - HYDRAULIC COMPONENTS

### FIGURE 9-8. FRAME LEVEL CYLINDER

ITEM	PART NUMBER	QTY	DESCRIPTION	REV
	1001116440	Ref	Frame Level Cylinder, (includes items 1 thru 19)	D
1	70023934	1	Weldment, Tube	
2	70023935	1	Plug	
3	70023936	1	Plug	
4	70022861	1	Piston	
5	70023940	1	Gland, Head	
6	70023937	1	Rod, Weldment	
7	8035784	1	Plug	
8	8035865	1	Nut, Lock	
9	70023896	1	Screw	
10	7026938	1	Valve, Dual P.O. Check Assembly	
11	Kit	1	O-Ring	
12	Kit	1	O-Ring	
13	Kit	1	Seal, Poly-Pak	
14	Kit	1	U-Cup	
15	Kit	1	Seal, Buffer	
16	Kit	1	T-Seal	
17	Kit	1	Wiper, Rod	
18	Kit	1	Wearband, Precision	
19	Kit	2	Wearband, Precision	
101	70023943	1	Kit, Seal (includes items 11 thru 19)	

# SECTION 9 - HYDRAULIC COMPONENTS

## FIGURE 9-9. STABILIZER CYLINDER



ART\_100116443-D

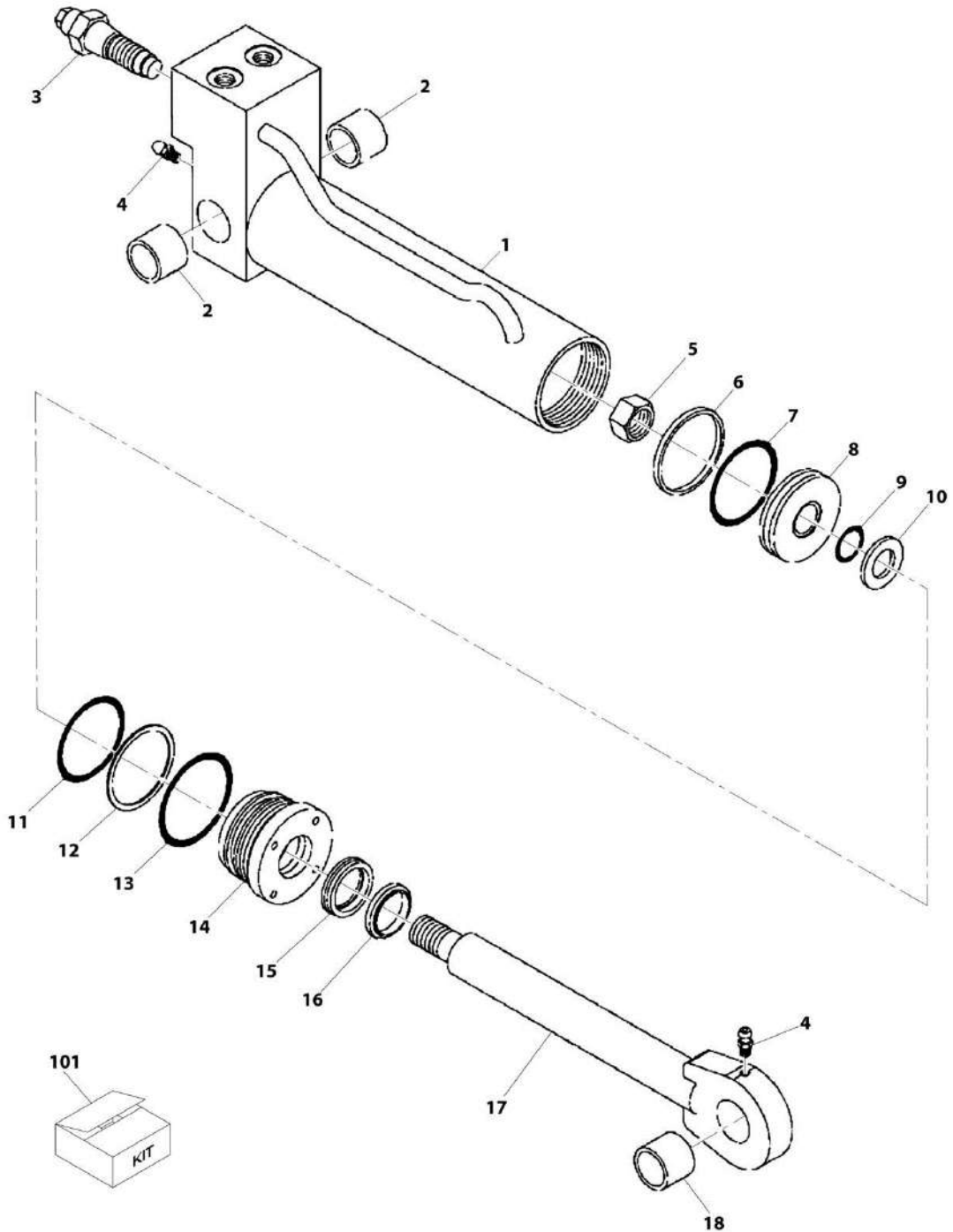
## SECTION 9 - HYDRAULIC COMPONENTS

### FIGURE 9-9. STABILIZER CYLINDER

ITEM	PART NUMBER	QTY	DESCRIPTION	REV
	1001116443	Ref	Stabilizer Cylinder	D
1	70023939	1	Tube, Weldment	
2	8035782	2	Plug	
3	70022861	1	Piston	
4	70023940	1	Gland, Head	
5	70023941	1	Rod, Weldment	
6	8035784	2	Plug	
7	8035865	1	Nut, Lock	
8	70023896	1	Screw	
9	70023963	2	Valve, Solenoid (Torque To 20-22 Lb-ft)	
10	Kit	1	O-Ring	
11	Kit	1	O-Ring	
12	Kit	1	Seal, Gland	
13	Kit	1	Seal, Rod	
14	Kit	1	Seal, Buffer	
15	Kit	1	Seal, Piston	
16	Kit	1	Rod, Wiper	
17	Kit	1	Wearband	
18	Kit	2	Wearband	
101	70023943	1	Kit, Seal (includes items 10 thru 18)	

# SECTION 9 - HYDRAULIC COMPONENTS

## FIGURE 9-10. GRAPPLE BUCKET CYLINDER



ART\_70021393-A

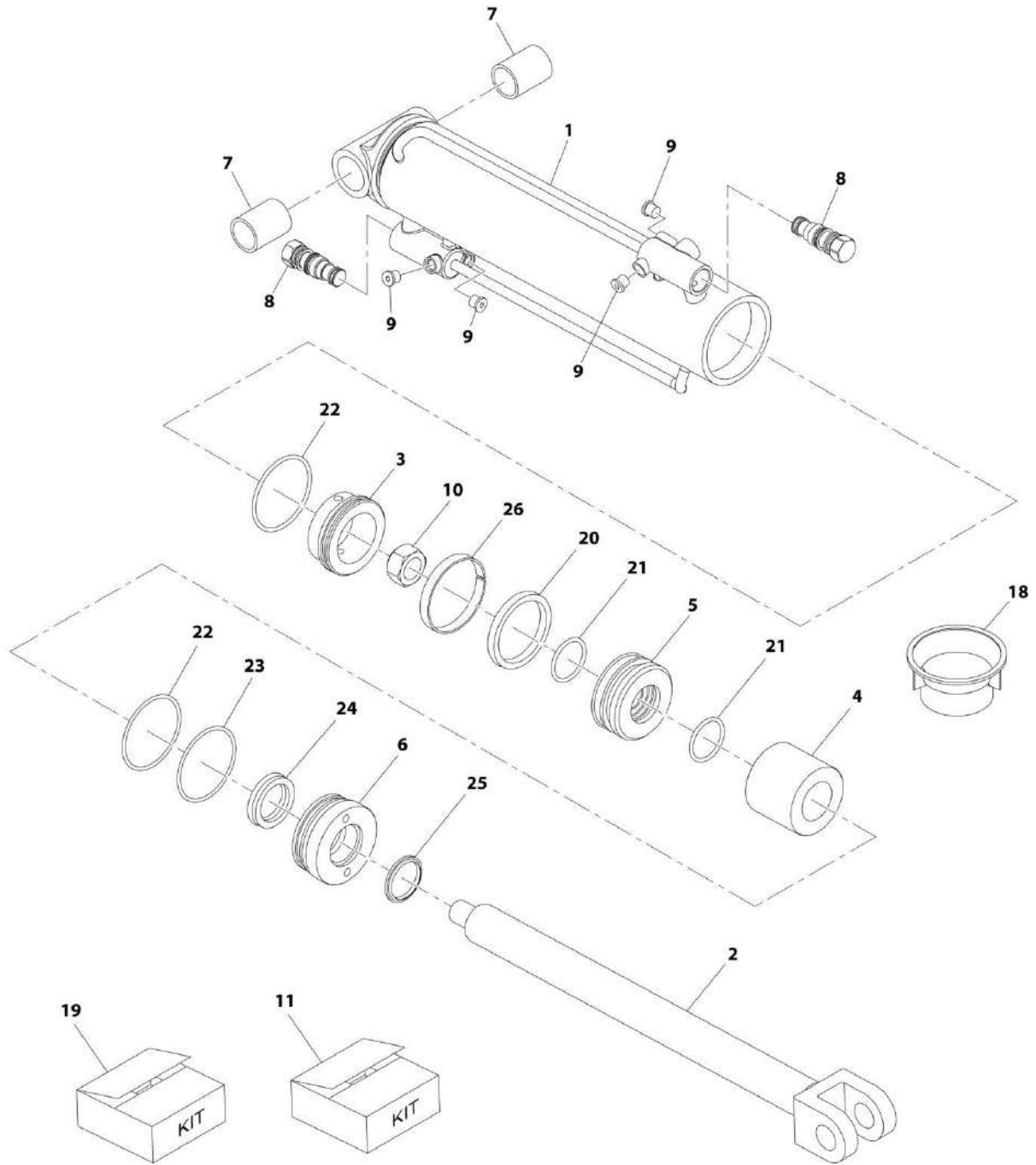
## SECTION 9 - HYDRAULIC COMPONENTS

### FIGURE 9-10. GRAPPLE BUCKET CYLINDER

ITEM	PART NUMBER	QTY	DESCRIPTION	REV
	70021393	Ref	Grapple Bucket Cylinder	
1	70021465	1	Tube, Cylinder	
2	70021448	2	Bushing	
3	70021464	2	Cartridge, Valve	
4	90554045	2	Fitting, Grease	
5	70021440	1	Nut	
6	Kit	1	Ring, Piston	
7	Kit	1	O-Ring	
8	70021451	1	Piston	
9	Kit	1	O-Ring	
10	70021444	1	Washer	
11	Kit	1	O-Ring	
12	Kit	1	Washer, Back-Up	
13	Kit	1	O-Ring	
14	70021446	1	Gland, Cylinder	
15	Kit	1	Seal, Poly-Pak	
16	Kit	1	Wiper, Rod	
17	70021466	1	Rod, Piston	
18	70021447	1	Bushing	
101	70021452	1	Kit, Seal (includes items 6, 7, 9, 11 thru 13, 15 & 16)	

# SECTION 9 - HYDRAULIC COMPONENTS

## FIGURE 9-11. PIPE HANDLER CYLINDER



ART\_70026587

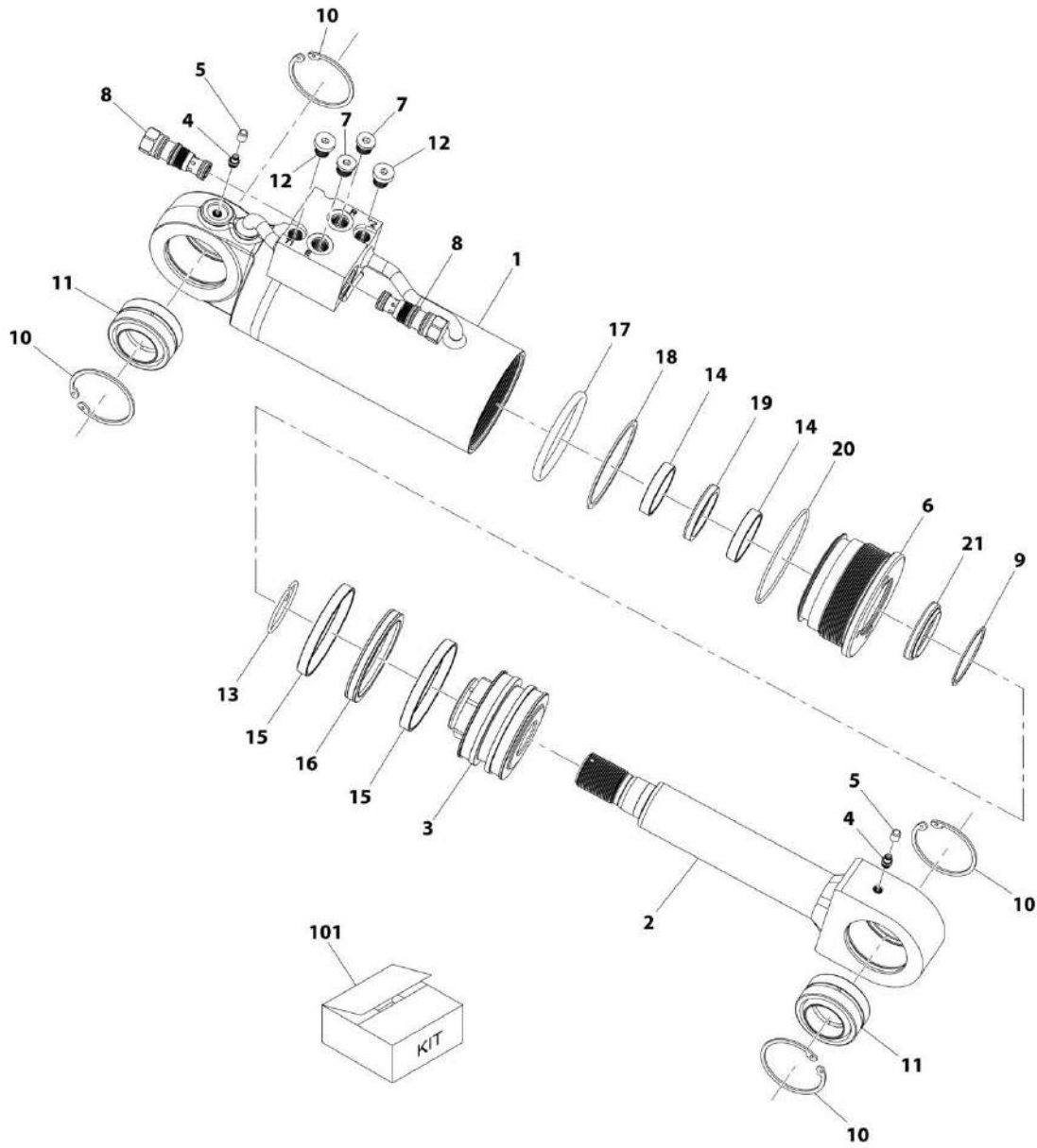
## SECTION 9 - HYDRAULIC COMPONENTS

### FIGURE 9-11. PIPE HANDLER CYLINDER

ITEM	PART NUMBER	QTY	DESCRIPTION	REV
	70026587	1	Pipe Handler Cylinder	
1	70026495	1	Shell	
2	70026610	1	Rod	
3	70026497	1	Spacer	
4	70026611	1	Spacer	
5	Kit	1	Seal	
6	70026499	1	Piston	
7	Kit	2	O-Ring	
8	Kit	2	O-Ring	
9	Kit	1	Ring, Back Up	
10	Kit	1	Seal~Seal	
11	70026500	1	Retainer	
12	Kit	1	Wiper	
13	70026501	2	Bushing	
14	70026502	2	Valve, Check	
15	70024129	1	Plug	
16	Kit	1	Ring, Wear	
17	70026503	1	Nut	
18	70024734	1	Kit, Check Valve Service	
19	70026505	1	Loader, Seal	
20	70026506	1	Kit, Service (includes items 5, 7 thru 10 & 12 & 16)	

# SECTION 9 - HYDRAULIC COMPONENTS

## FIGURE 9-12. SIDE TILT CYLINDER



ART\_1001163414-A



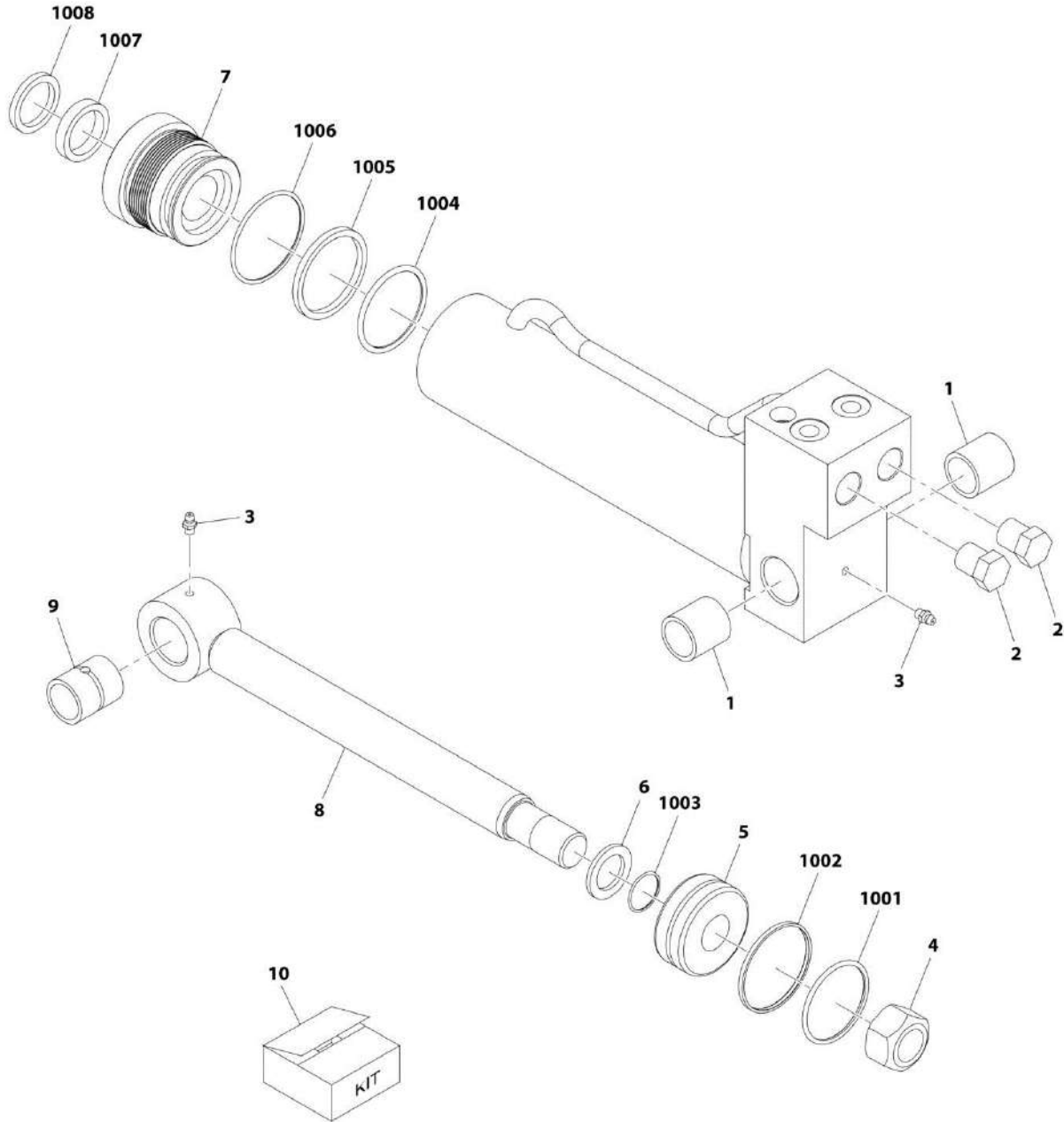
## SECTION 9 - HYDRAULIC COMPONENTS

### FIGURE 9-12. SIDE TILT CYLINDER

ITEM	PART NUMBER	QTY	DESCRIPTION	REV
	1001163414	Ref	Side Tilt Cylinder	A
1	70026056	1	Barrel	
2	70026057	1	Rod	
3	70026058	1	Head, Piston	
4	70025606	2	Nipple, Grease	
5	70024020	2	Fitting, Grease	
6	70003849	1	Gland	
7	70025959	2	Plug	
8	70026059	2	Valve, P.O. Check	
9	70002219	1	Ring, Internal Snap	
10	70026060	4	Ring, Internal Snap	
11	70026061	2	Bearing, Spherical	
12	70024262	2	Plug	
13	70002224	1	Ring, Locking	
14	Kit	2	Ring, Rod Bearing	
15	Kit	2	Ring, Piston Bearing	
16	Kit	1	Seal, Piston	
17	Kit	1	O-Ring	
18	Kit	1	Ring, Back-Up	
19	Kit	1	Seal, Rod	
20	Kit	1	O-Ring	
21	Kit	1	Seal, Wiper	
101	70026062	1	Kit, Seal (includes items 14 thru 21)	

# SECTION 9 - HYDRAULIC COMPONENTS

## FIGURE 9-13. SIDE TILT CYLINDER ASSEMBLY



ART\_70021363

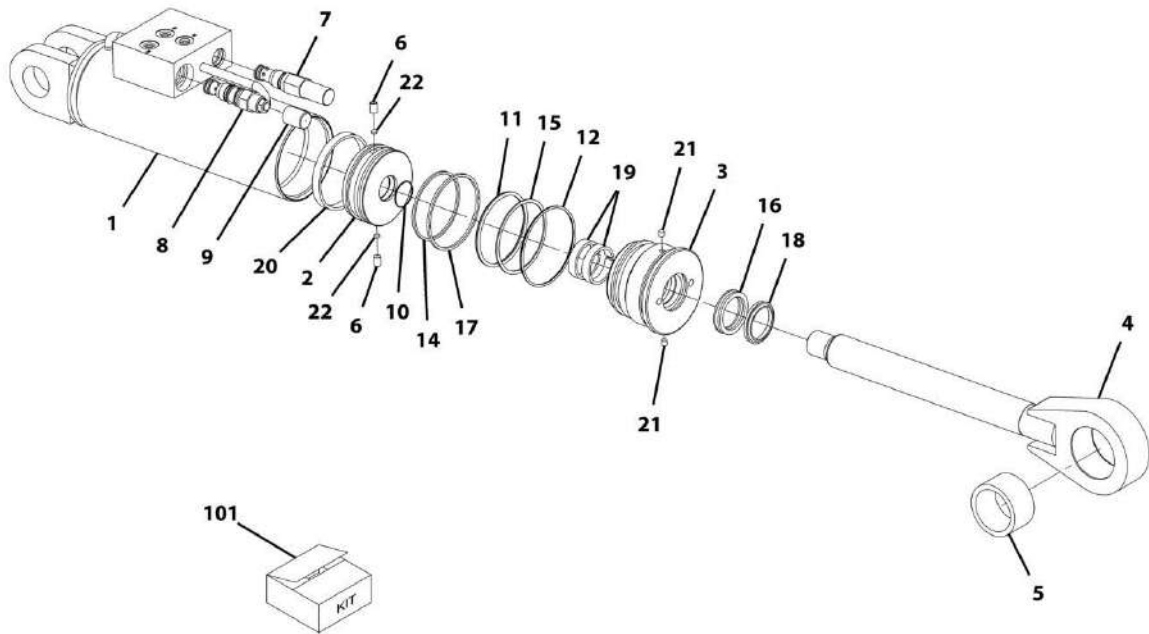
## SECTION 9 - HYDRAULIC COMPONENTS

### FIGURE 9-13. SIDE TILT CYLINDER ASSEMBLY

ITEM	PART NUMBER	QTY	DESCRIPTION	REV
	70021363	Ref	Side Tilt Cylinder Assembly	
1	N.S.S.	1	Cylinder Tube	
2	70021448	2	Bushing	
3	70021464	2	Valve Cartridge	
4	90554045	2	Grease	
5	70021440	1	Nut	
6	Kit	1	Piston Ring	
7	Kit	1	O-Ring	
8	70021451	1	Cylinder Piston	
9	Kit	1	O-Ring	
10	70021444	1	Washer	
11	Kit	1	O-Ring	
12	Kit	1	O-Ring, Back-Up	
13	Kit	1	O-Ring	
14	70021446	1	Cylinder Gland	
15	Kit	1	Seal	
16	Kit	1	Rod Wiper	
17	70021462	1	Cylinder Rod	
18	70021447	1	Bushing	
101	70021452	1	Kit, Seal (includes items 6, 7, 9, 11, 12, 13, 15 & 16)	

# SECTION 9 - HYDRAULIC COMPONENTS

## FIGURE 9-14. SWING CARRIAGE CYLINDER



ART\_1001103182-B

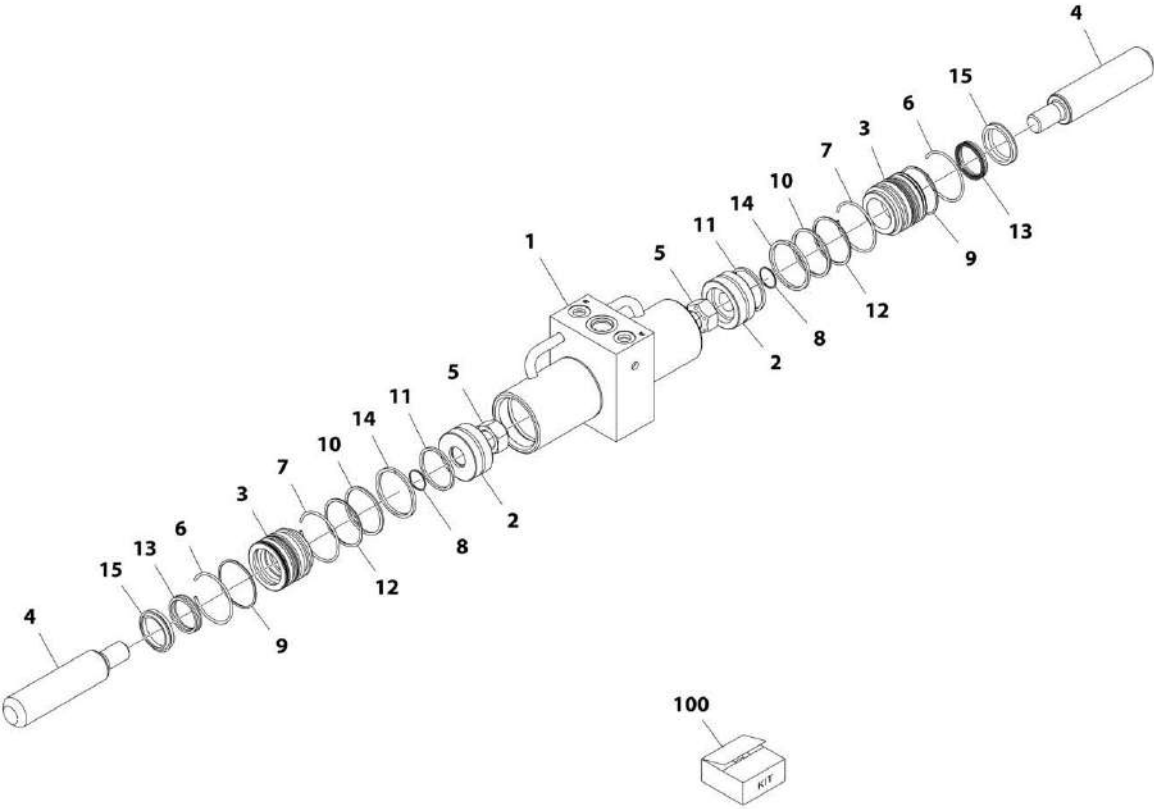
## SECTION 9 - HYDRAULIC COMPONENTS

### FIGURE 9-14. SWING CARRIAGE CYLINDER

ITEM	PART NUMBER	QTY	DESCRIPTION	REV
	1001103182	Ref	Swing Carriage Cylinder	B
1	70022044	1	Assembly, Tube	
2	8035863	1	Piston	
3	8035862	1	Gland, Head	
4	70022045	1	Assembly, Rod	
5	70022046	1	Bearing	
6	8035536	2	Screw, Set 5/16-18X1/2	
7	70020428	1	Valve, Relief	
7	7024574	1	Kit, Seal	
8	8033786	1	Valve, Counterbalance	
8	8205655	1	Kit, Seal	
11	Kit	1	O-Ring	
12	Kit	1	O-Ring	
13	Kit	1	O-Ring	
14	Kit	1	Ring, Square	
15	Kit	1	Ring, Backup	
16	Kit	1	Seal	
17	Kit	1	Seal, Piston	
18	Kit	1	Wiper, Rod	
19	Kit	2	Wearband	
20	Kit	1	Wearband	
21	Kit	2	Insert	
22	Kit	2	Insert	
101	2915023	1	Kit, Seal (includes items 11 thru 22)	

**SECTION 9 - HYDRAULIC COMPONENTS**

**FIGURE 9-15. QUICK COUPLER CYLINDER**



ART\_1001120163-D

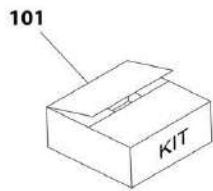
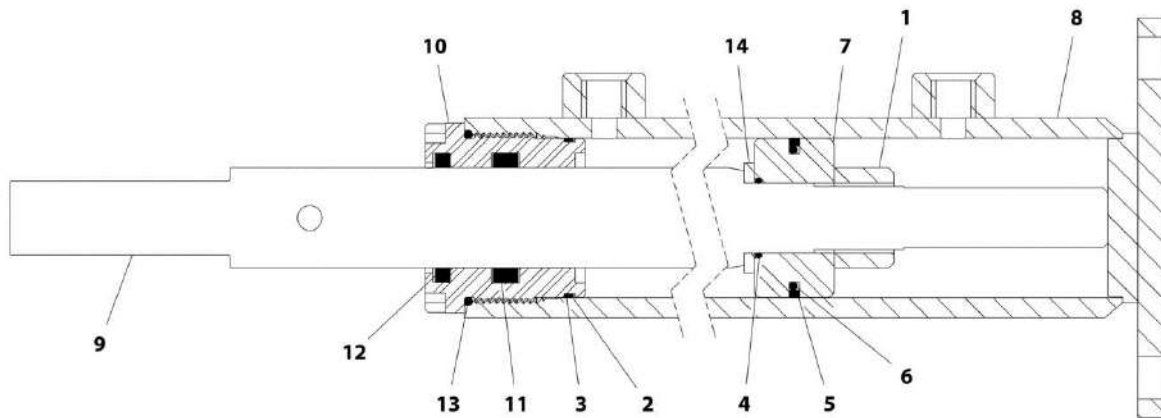
## SECTION 9 - HYDRAULIC COMPONENTS

### FIGURE 9-15. QUICK COUPLER CYLINDER

ITEM	PART NUMBER	QTY	DESCRIPTION	REV
	1001120163	Ref	Quick Coupler Cylinder	D
1	70026211	1	Barrel	
2	70026212	2	Piston	
3	70026213	2	Gland, Head	
4	70026214	2	Rod, Cylinder	
5	8037140	2	Nut, Lock	
6	Kit	2	Ring, Retaining Round	
7	Kit	2	Ring, Retaining Round	
8	Kit	2	O-Ring	
9	Kit	2	O-Ring	
10	Kit	2	O-Ring	
11	Kit	2	Ring, Square	
12	Kit	2	Ring, Backup	
13	Kit	2	Seal, Rod	
14	Kit	2	Seal, Piston	
15	Kit	2	Wiper, Rod	
100	70026215	1	Kit, Seal (includes items 6 thru 15)	

# SECTION 9 - HYDRAULIC COMPONENTS

## FIGURE 9-16. FORK POSITIONING CYLINDER



ART\_2717283-AA



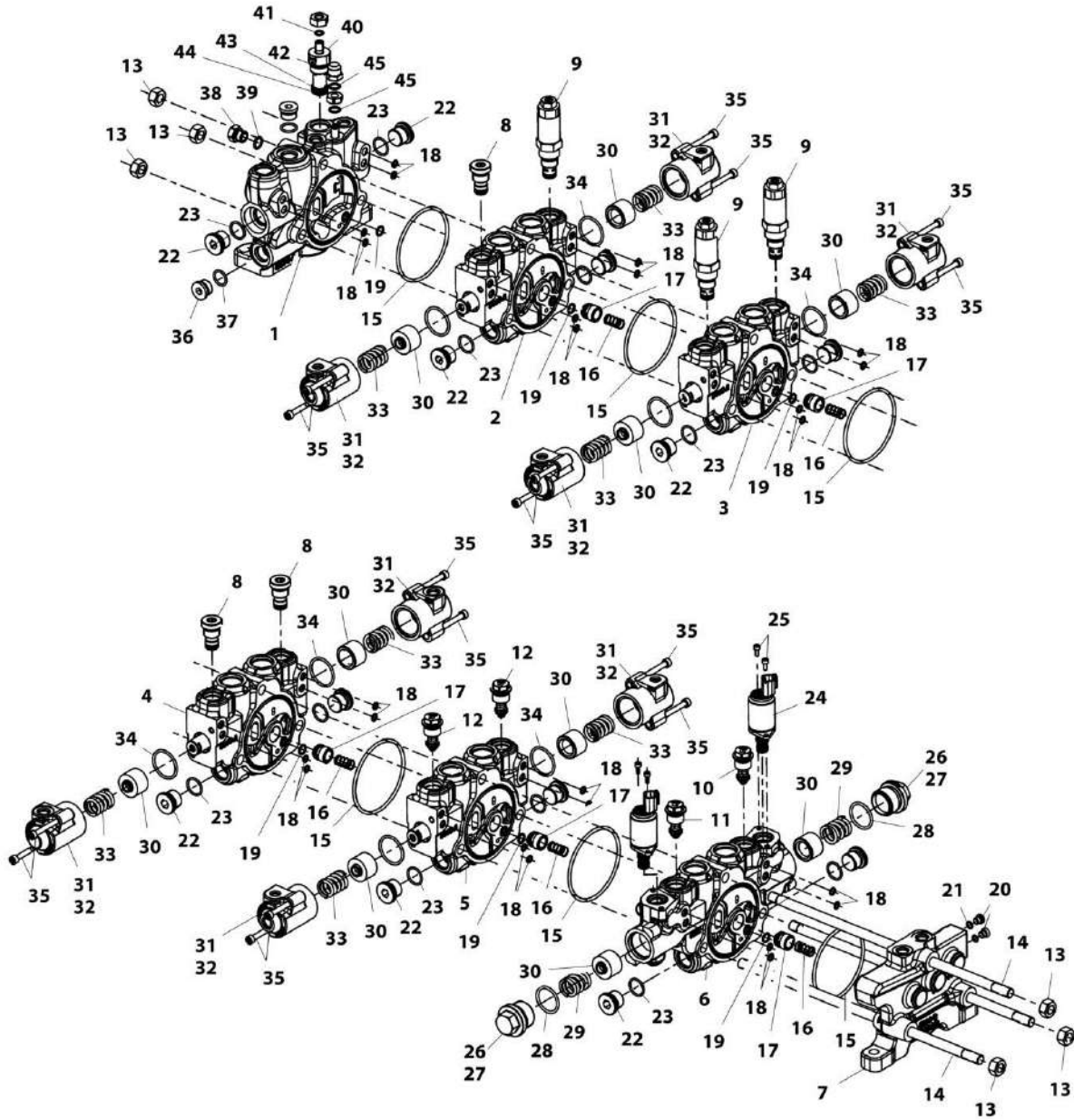
## SECTION 9 - HYDRAULIC COMPONENTS

**FIGURE 9-16. FORK POSITIONING CYLINDER**

ITEM	PART NUMBER	QTY	DESCRIPTION	REV
	2717283	Ref	Fork Positioning Cylinder	AA
1	70026770	1	Nut, Lock	
2	Kit	1	O-Ring	
3	Kit	1	Ring, Back-Up	
4	Kit	1	O-Ring	
5	Kit	1	Ring, Piston	
6	Kit	1	O-Ring	
7	70026771	1	Piston	
8	N.S.S.	1	Barrel, Cylinder	
9	70026773	1	Rod, Cylinder	
10	70026774	1	Gland	
11	Kit	1	Poly-Pak	
12	Kit	1	Wiper, Rod	
13	Kit	1	O-Ring	
14	70026775	1	Washer, Special	
101	8036733	1	Kit, Seal (includes items 2 thru 6 & 11 thru 13)	

# SECTION 9 - HYDRAULIC COMPONENTS

## FIGURE 9-17. MAIN CONTROL VALVE



ART\_1001188871-A

## SECTION 9 - HYDRAULIC COMPONENTS

### FIGURE 9-17. MAIN CONTROL VALVE

ITEM	PART NUMBER	QTY	DESCRIPTION	REV
	1001188871	Ref	Main Control Valve	A
1	70022000	1	Assembly, Inlet Section (includes items 21, 28 and others to service Inlet Section Assembly)	
2	70022001	1	Assembly, Spool Section Lift, (includes items 18, 22 and all others to service Spool Section Lift Assembly)	
3	70022002	1	Assembly, Spool Section Crowd, (includes items 18, 22 and all others to service Spool Section Crowd Assembly)	
4	70022004	1	Assembly, Spool Section Sway, (includes items 17, 22 and all others to service Spool Section Sway Assembly)	
5	70022005	1	Assembly, Spool Section Aux, (includes items 18, 22 and all others to service Spool Section Aux Assembly)	
6	70022006	1	Assembly, Spool Section Tilt, (includes items 14 thru 16, 23, 26 and all others to service Spool Section Tilt Assembly)	
7	70022007	1	Assembly, Outlet Section (includes items all items required to replace Outlet Section Assembly)	
8	70022008	3	Plug, Shut-Off Assembly	
9	70022009	3	Valve, Full Flow Relief	
10	70022010	1	Valve, Relief 280	
11	70025982	1	Valve	
12	70022011	2	Valve, Relief 185	
13	70022019	6	Nut, Tie Rod Metric	
14	70023320	3	Tie Rod, Metric	
15	8034697	6	O-Ring	
16	70025854	5	Spring	
17	8903015	5	Poppet-C.V.	
18	70026369	24	O-Ring	
19	70026776	6	O-Ring	
20	70026379	2	Plug	
21	70026372	2	O-Ring	
22	70024847	12	Plug, Assembly	
23	70026777	12	O-Ring	
24	70022013	2	Valve, Cartridge Solenoid	
25	70022014	4	Capscrew, Hex HD Metric	
26	70022015	2	Kit, End Mechanism (includes all components and seals required to service End Mechanism Kit)	
27	70026778	2	Plug, Assembly Special	
28	70026779	2	O-Ring	
29	70026780	2	Spring	
30	70026781	10	Seat, Spring	
31	70022017	8	Spool, End Group (includes all components and seals required to service Spool End Group Assembly)	
32	70026782	8	Spool Cap, P.O.	
33	70026783	8	Spring	
34	70026784	8	O-Ring	
35	70026785	16	Screw	
36	8035382	2	Plug, Assembly - SAE	
37	70024202	2	O-Ring	
38	70026786	1	Plug, Assembly - SAE	
39	70026787	1	O-Ring	
40	70022012	1	Drain, Regulator Assembly	
41	70026373	1	O-Ring	
42	10837928	1	O-Ring	

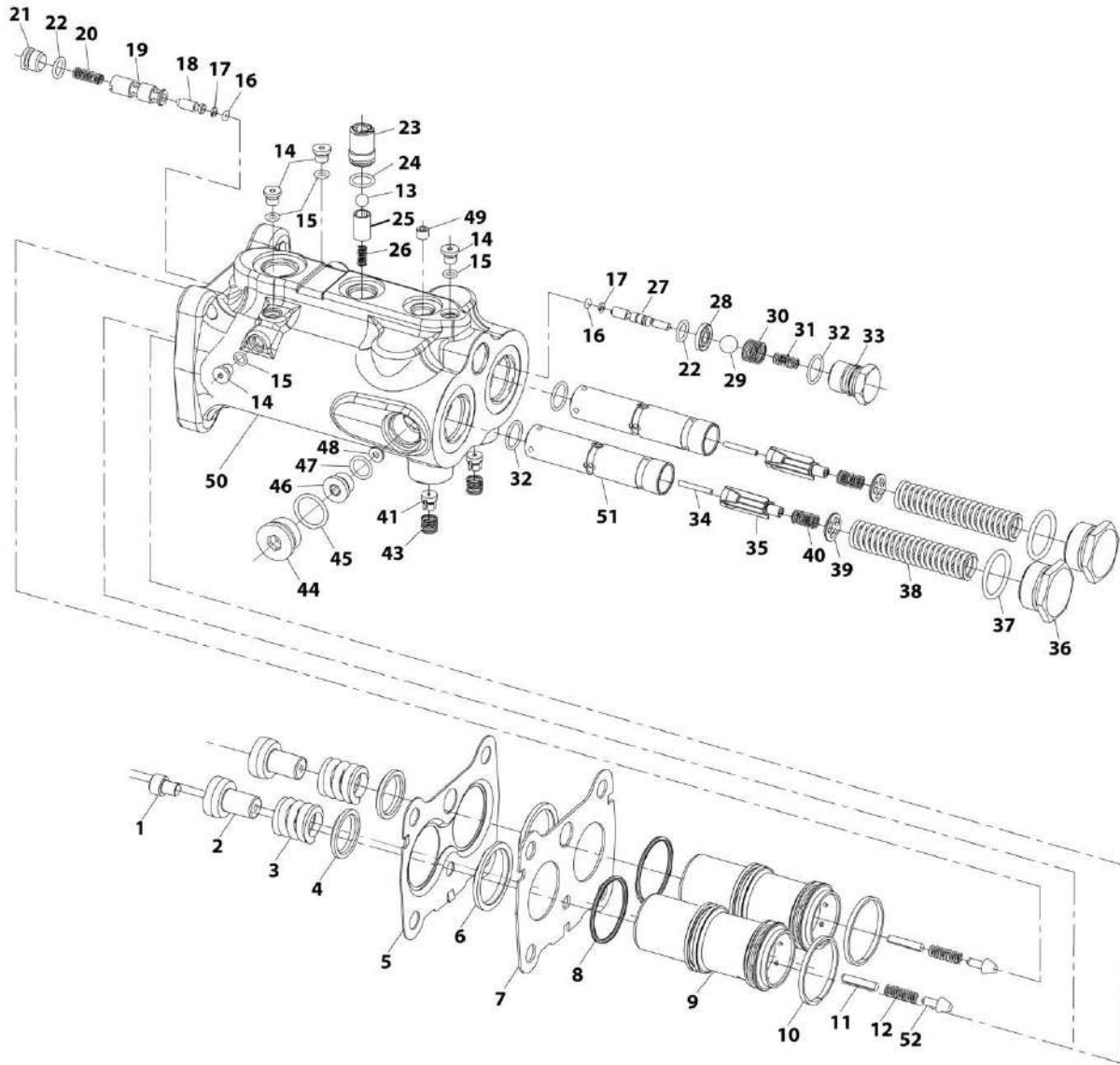
## SECTION 9 - HYDRAULIC COMPONENTS

ITEM	PART NUMBER	QTY	DESCRIPTION	REV
43	70026376	1	Ring, Back-Up	
44	70026370	1	O-Ring	
45	10791805	2	O-Ring	



# SECTION 9 - HYDRAULIC COMPONENTS

## FIGURE 9-18. BRAKE VALVE



ART\_1001106836-B

## SECTION 9 - HYDRAULIC COMPONENTS

### FIGURE 9-18. BRAKE VALVE

ITEM	PART NUMBER	QTY	DESCRIPTION	REV
	1001106836	Ref	Brake Valve	B
1	91474454	1	Screw	
2	91474442	2	Pin	
3	70020659	2	Spring	
4	91474441	2	Wiper	
5	70020660	1	Cover	
6	91474440	2	Wiper	
7	70020661	1	Cover	
8	91474439	2	Ring, Quad	
9	70020662	2	Piston	
10	70020663	2	Ring, Piston	
11	70023037	2	Pin	
12	91474438	2	Spring	
13	91474452	1	Ball	
14	91474450	4	Plug	
15	91474451	4	O-Ring	
16	91474453	2	O-Ring	
17	91514199	2	Ring, Back-Up	
18	91474455	1	Piston, Dump	
19	91474456	1	Spool, Dump	
20	70020665	1	Spring	
21	91474458	1	Plug	
22	91514198	2	O-Ring	
23	70020666	1	Seat, Inlet	
24	70020667	1	O-Ring	
25	70020668	1	Retainer	
26	70020669	1	Spring	
27	91474447	1	Piston	
28	91474446	1	Seat	
29	70020670	1	Ball	
30	70020671	1	Spring	
31	70020672	1	Spring	
32	91514197	3	O-Ring	
33	91474443	1	Plug	
34	70020673	2	Roller, Needle	
35	70020674	2	Check, Make-Up	
36	91474434	2	Plug	
37	91474435	2	O-Ring	
38	70020675	2	Spring	
39	70020676	2	Guide, Spring	
40	70020677	2	Spring	
41	70020678	2	Orifice	
43	70020679	2	Spring	
44	91474459	1	Plug	
45	91474460	1	O-Ring	
46	70020680	1	Plug	
47	70020681	1	O-Ring	
48	70020682	1	Orifice	
49	70023039	1	Orifice	
50	N.S.S.	1	Housing	

## SECTION 9 - HYDRAUIC COMPONENTS

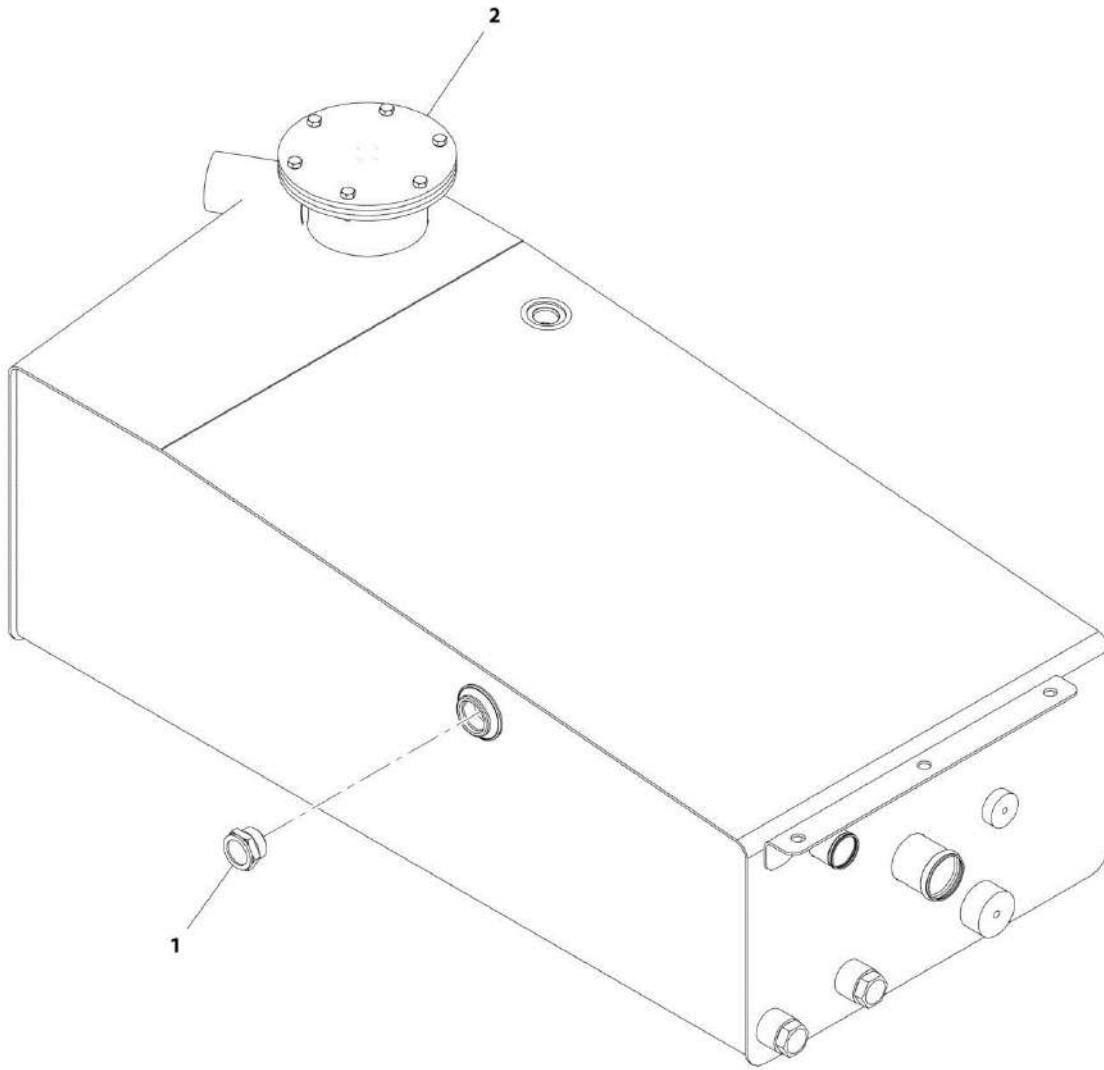
ITEM	PART NUMBER	QTY	DESCRIPTION	REV
51	N.S.S.	2	Spool	
52	70023038	2	Poppet	





# SECTION 9 - HYDRAULIC COMPONENTS

FIGURE 9-19. HYDRAULIC TANK



ART\_1001119900-H

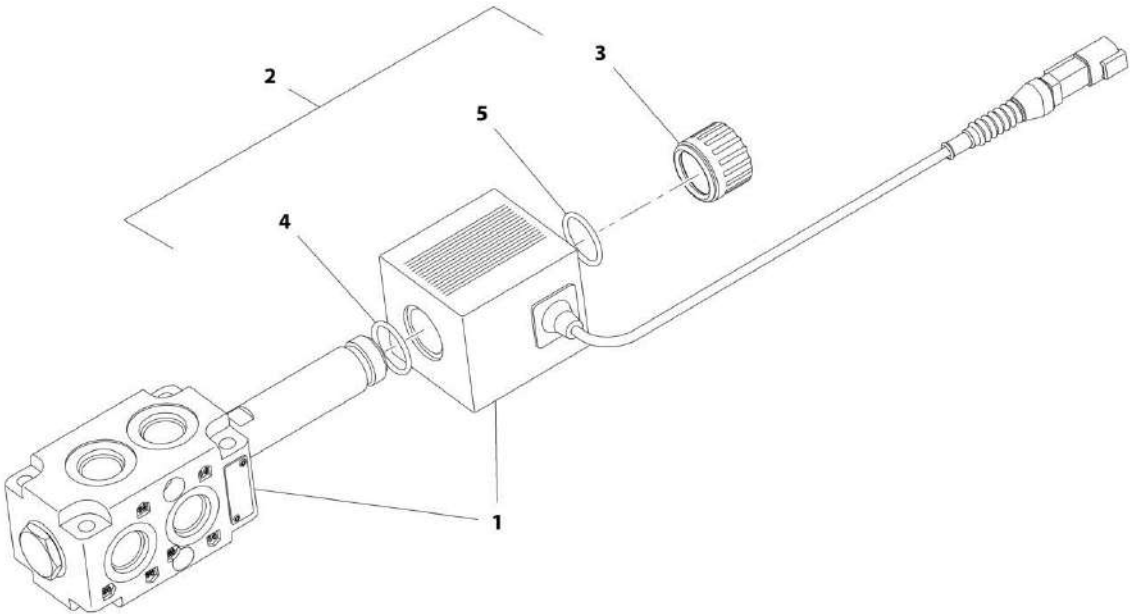
## SECTION 9 - HYDRAULIC COMPONENTS

FIGURE 9-19. HYDRAULIC TANK

ITEM	PART NUMBER	QTY	DESCRIPTION	REV
	1001119900	Ref	Hydraulic Tank	H
1	70024153	1	Sight Gauge	
2	70024152	1	Filter and Gasket Kit	

**SECTION 9 - HYDRAULIC COMPONENTS**

**FIGURE 9-20. DIVERTOR VALVE**



ART\_1001104477-D

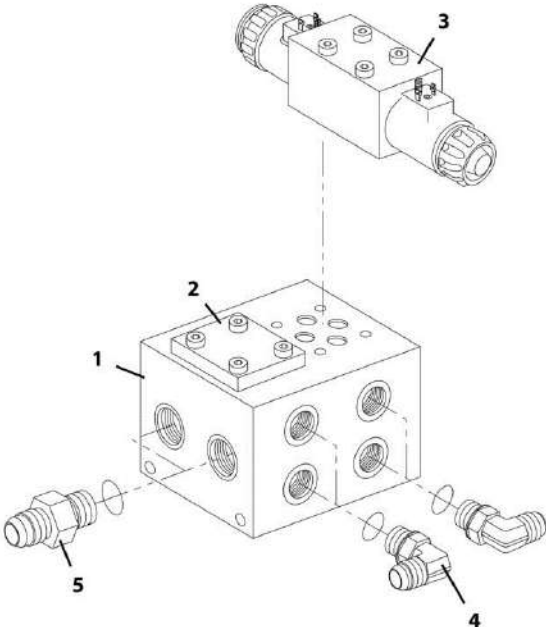
## SECTION 9 - HYDRAUIC COMPONENTS

### FIGURE 9-20. DIVERTOR VALVE

ITEM	PART NUMBER	QTY	DESCRIPTION	REV
	1001104477	Ref	Divertor Valve	D
1	70020764	1	Coil	
2	70021531	1	Kit, Retainer	
3	N.S.S.	1	Nut	
4	N.S.S.	1	O-Ring	
5	N.S.S.	1	O-Ring	

**SECTION 9 - HYDRAULIC COMPONENTS**

**FIGURE 9-21. STEERING SELECT VALVE**



ART\_1001001016-C

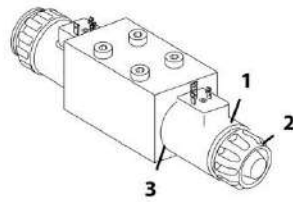
## SECTION 9 - HYDRAULIC COMPONENTS

### FIGURE 9-21. STEERING SELECT VALVE

ITEM	PART NUMBER	QTY	DESCRIPTION	REV
	1001001016	Ref	Steering Select Valve	C
1	7029915	1	Manifold, Steering	
2	7029916	1	Plate, Cover	
3	91474402	1	Valve, Directional Control (See DIRECTIONAL CONTROL VALVE for Breakdown)	
4	88662065	4	Fitting, 90	
5	88662019	2	Fitting, Straight	

# SECTION 9 - HYDRAULIC COMPONENTS

FIGURE 9-22. DIRECTIONAL CONTROL VALVE



ART\_91474402



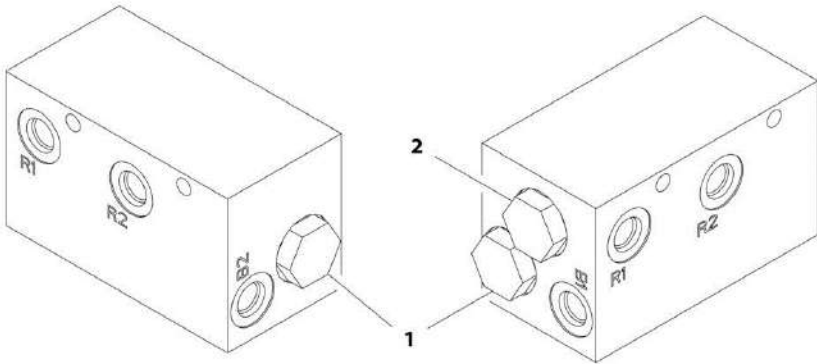
## SECTION 9 - HYDRAUIC COMPONENTS

FIGURE 9-22. DIRECTIONAL CONTROL VALVE

ITEM	PART NUMBER	QTY	DESCRIPTION	REV
	91474402	Ref	Directional Control Valve	
1	91474407	1	Solenoid	
2	7029917	1	Nut	
3	7012773	1	Kit, Seal	

# SECTION 9 - HYDRAULIC COMPONENTS

FIGURE 9-23. FLOW DIVIDER VALVE



ART\_4641501-A

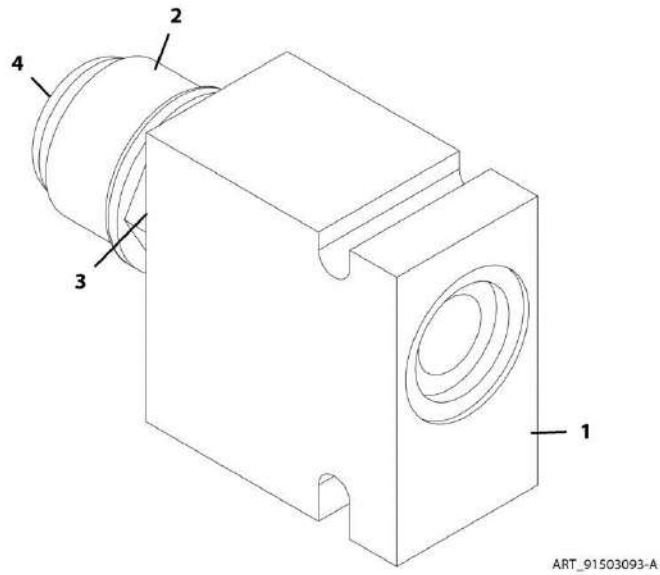
# SECTION 9 - HYDRAUIC COMPONENTS

## FIGURE 9-23. FLOW DIVIDER VALVE

ITEM	PART NUMBER	QTY	DESCRIPTION	REV
	4641501	Ref	Flow Divider Valve	A
1	70023928	2	Cartridge, PO Check Valve	
2	70023929	1	Cartridge, Valve	

## SECTION 9 - HYDRAULIC COMPONENTS

FIGURE 9-24. DECOMPRESSION VALVE



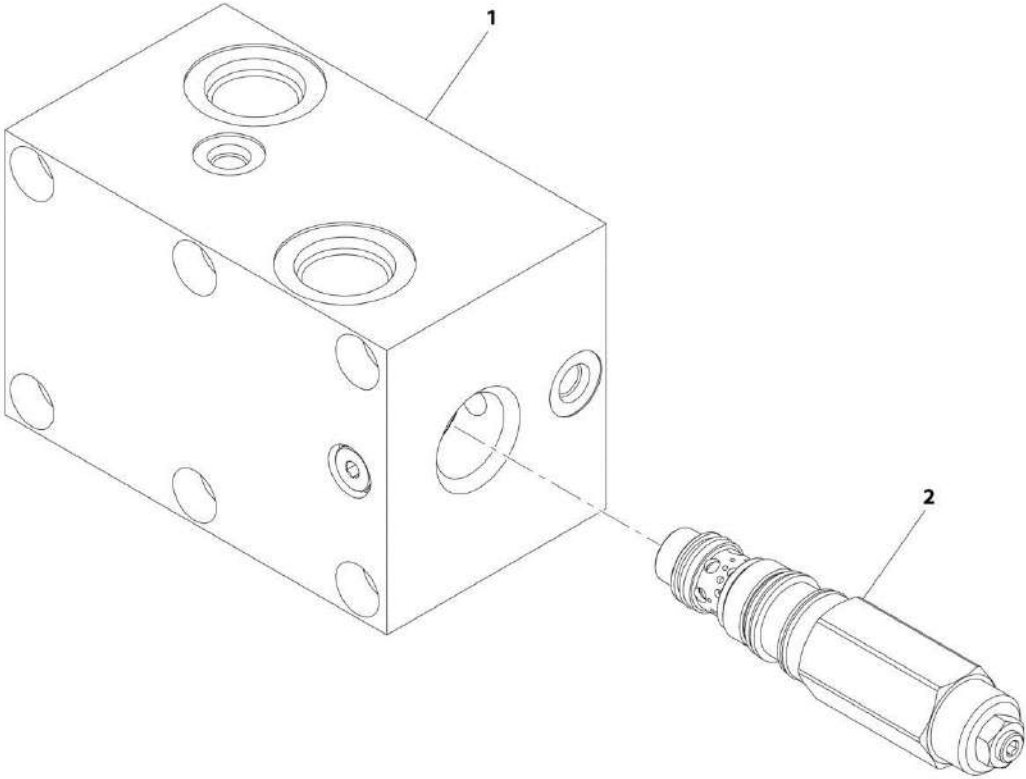
## SECTION 9 - HYDRAULIC COMPONENTS

### FIGURE 9-24. DECOMPRESSION VALVE

ITEM	PART NUMBER	QTY	DESCRIPTION	REV
	91503093	Ref	Decompression Valve	A
1	91504056	1	Valve, Body	
2	91504057	1	Valve, (includes items 3 & 4)	
3	91504058	1	Kit, Seal	
4	91504059	1	Button, Push	

**SECTION 9 - HYDRAULIC COMPONENTS**

**FIGURE 9-25. VALVE BLOCK ASSEMBLY**



ART\_1001172288-B

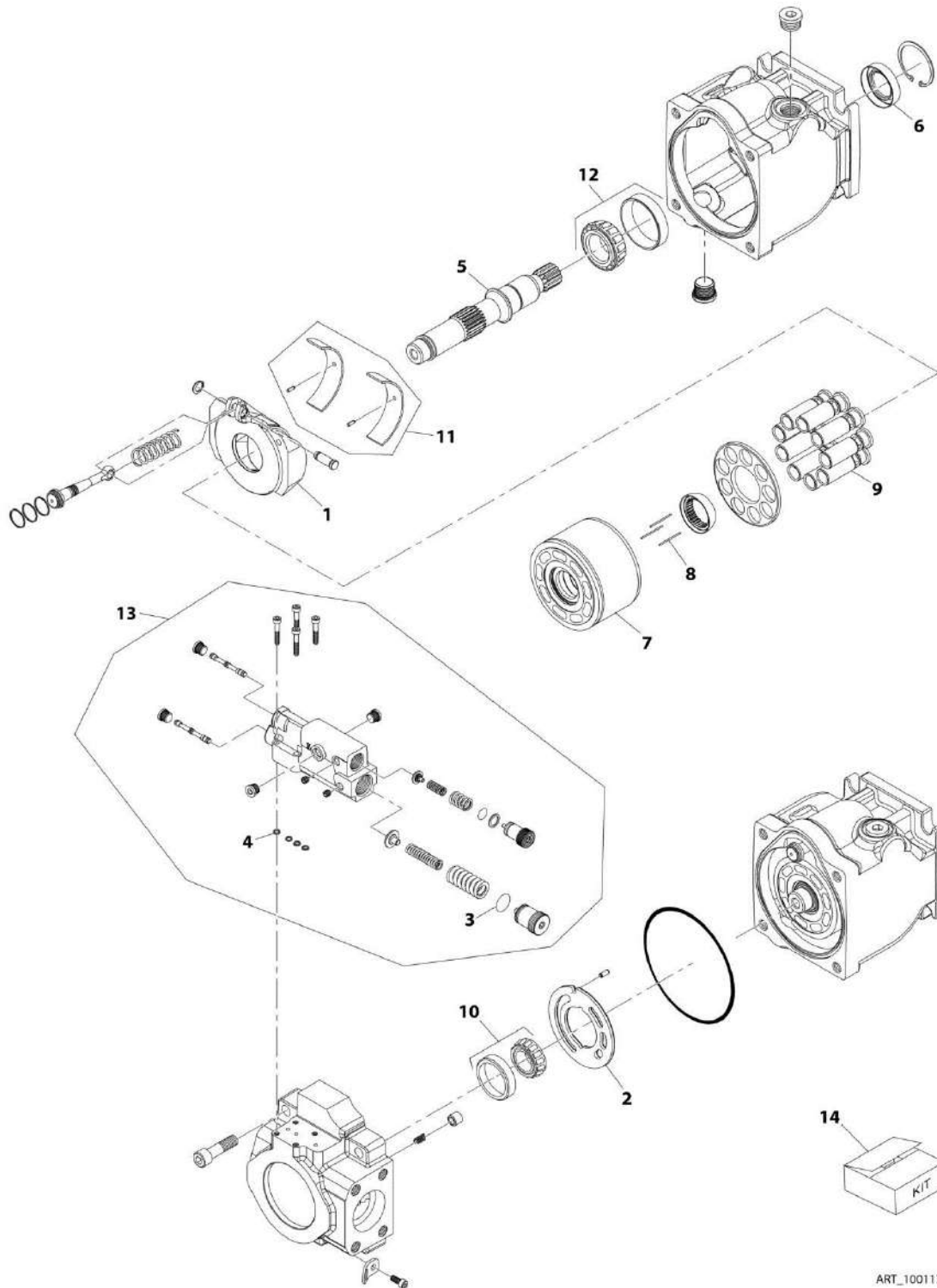
## SECTION 9 - HYDRAULIC COMPONENTS

FIGURE 9-25. VALVE BLOCK ASSEMBLY

ITEM	PART NUMBER	QTY	DESCRIPTION	REV
	1001172288	Ref	Valve Block Assembly	B
1	1001167902	1	Manifold, Hydraulic Cylinder	
2	1001172274	NLA	Valve, Counterbalance, (no longer available, use 1001231674 for replacement)	
2	1001231674	1	Valve, Counterbalance	

# SECTION 9 - HYDRAULIC COMPONENTS

## FIGURE 9-26. VARIABLE DISPLACEMENT PUMP



ART\_1001170639-B



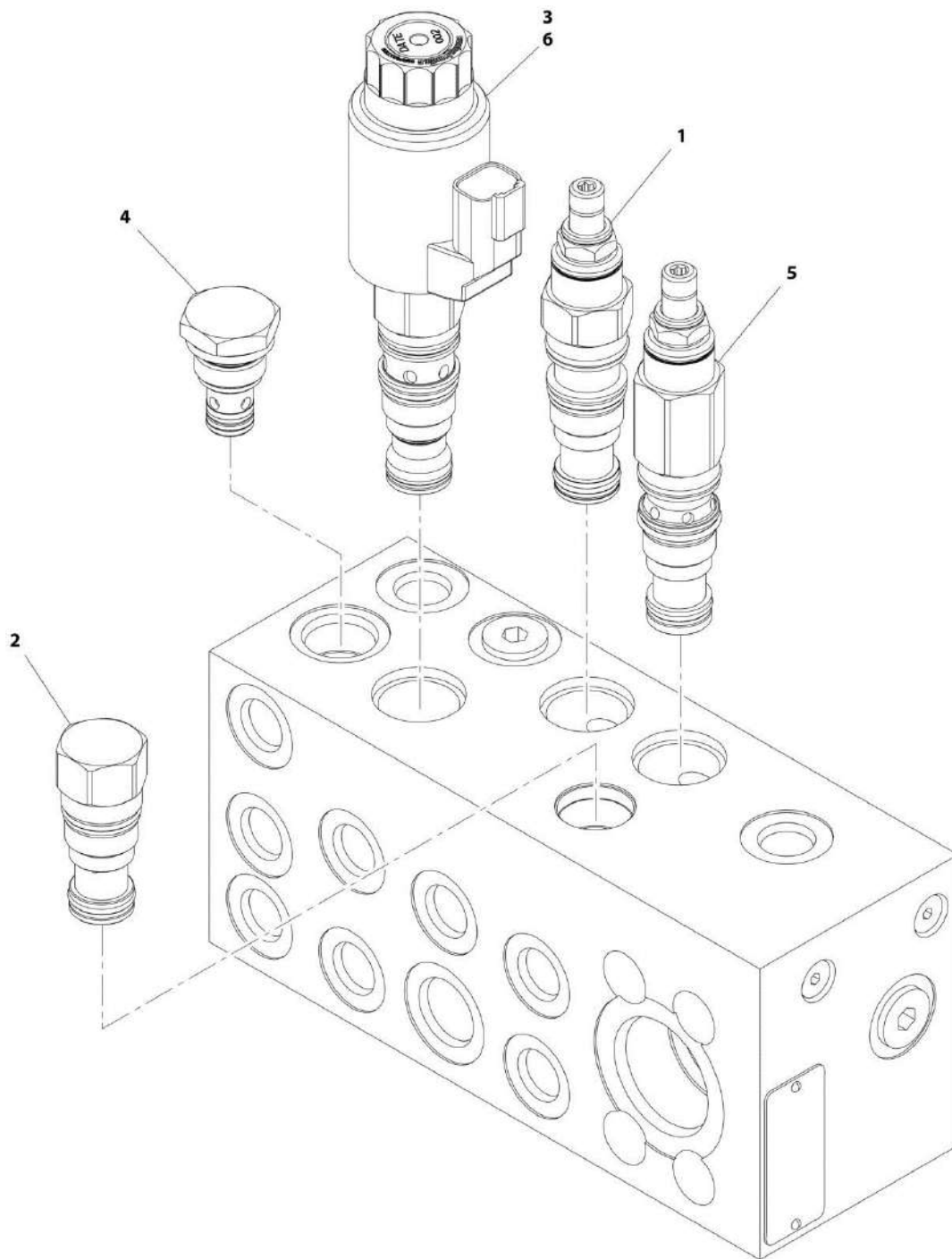
## SECTION 9 - HYDRAULIC COMPONENTS

**FIGURE 9-26. VARIABLE DISPLACEMENT PUMP**

ITEM	PART NUMBER	QTY	DESCRIPTION	REV
	1001170639	Ref	Variable Displacement Pump	B
1	70004416	1	Swashplate	
2	70026714	1	Plate, Valve	
3	70023361	4	O-Ring	
4	70023362	4	Ring, Seal	
5	70023364	1	Shaft	
6	70022287	1	Seal, Lip	
7	70004421	1	Cylinder	
8	7021275	3	Pin, Hold Down	
9	70004422	9	Piston	
10	70002585	1	Kit, Rear Bearing	
11	70004426	1	Kit, Swashplate Bearing (Includes Qty 2 Bearings and Retainer)	
12	70002578	1	Kit, Front Bearing	
13	70023350	1	Kit, Control	
14	70002599	1	Kit, Overhaul Seal (includes items 3, 4 & 6)	

# SECTION 9 - HYDRAULIC COMPONENTS

## FIGURE 9-27. HYDRAULIC MANIFOLD



ART\_91563190-E

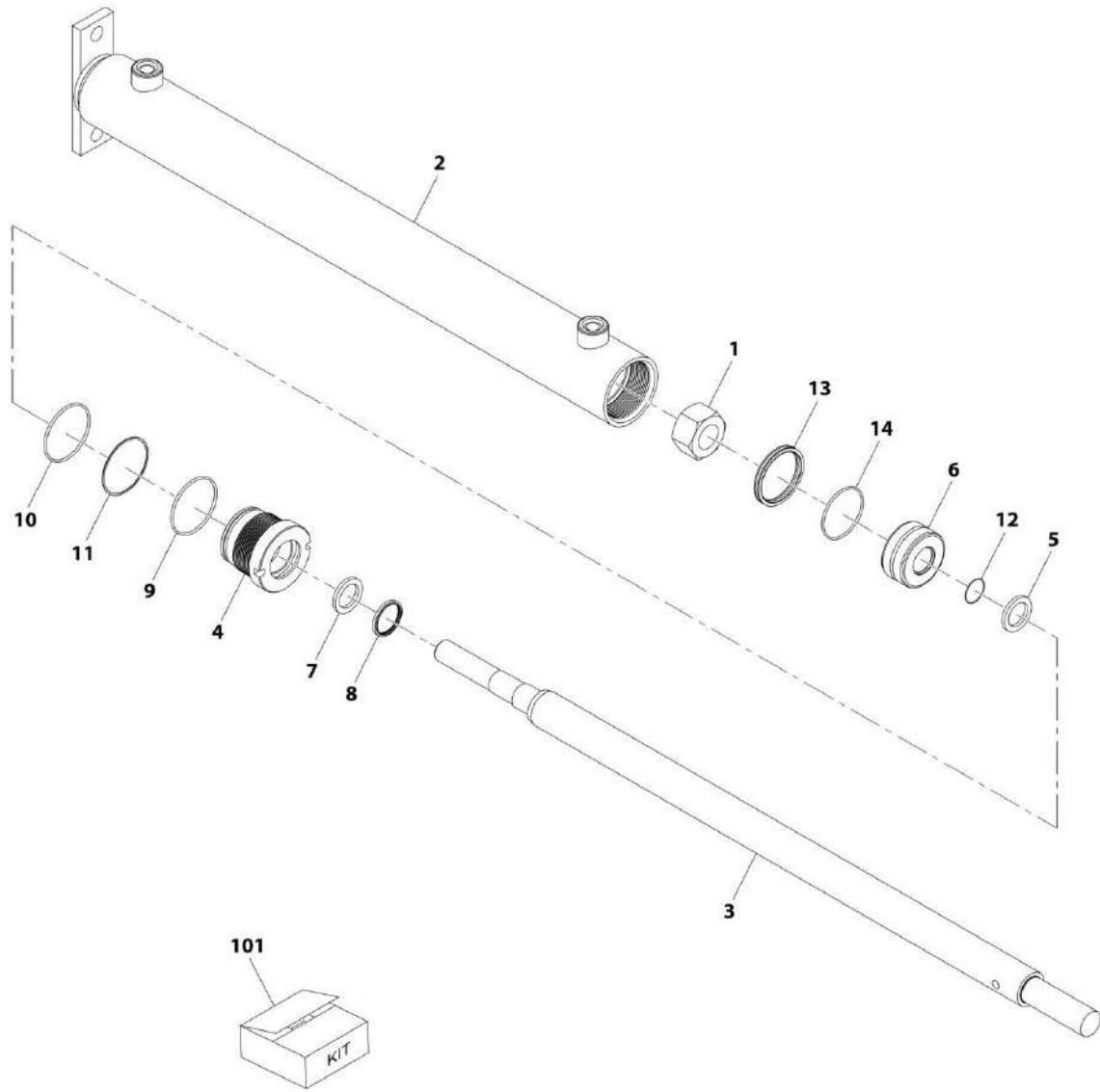
## SECTION 9 - HYDRAULIC COMPONENTS

FIGURE 9-27. HYDRAULIC MANIFOLD

ITEM	PART NUMBER	QTY	DESCRIPTION	REV
	91563190	Ref	Hydraulic Manifold	E
1	7026998	1	Valve, Pressure Reducing	
2	7026999	1	Valve, Check	
3	7026022	1	Valve, Cartridge (Dump)	
4	7018300	1	Valve, Shuttle	
5	7027100	1	Valve, Pressure Reducing	
6	70026348	1	Coil	

# SECTION 9 - HYDRAULIC COMPONENTS

## FIGURE 9-28. DUAL FORK CYLINDER ASSEMBLY



ART\_70026772

## SECTION 9 - HYDRAULIC COMPONENTS

**FIGURE 9-28. DUAL FORK CYLINDER ASSEMBLY**

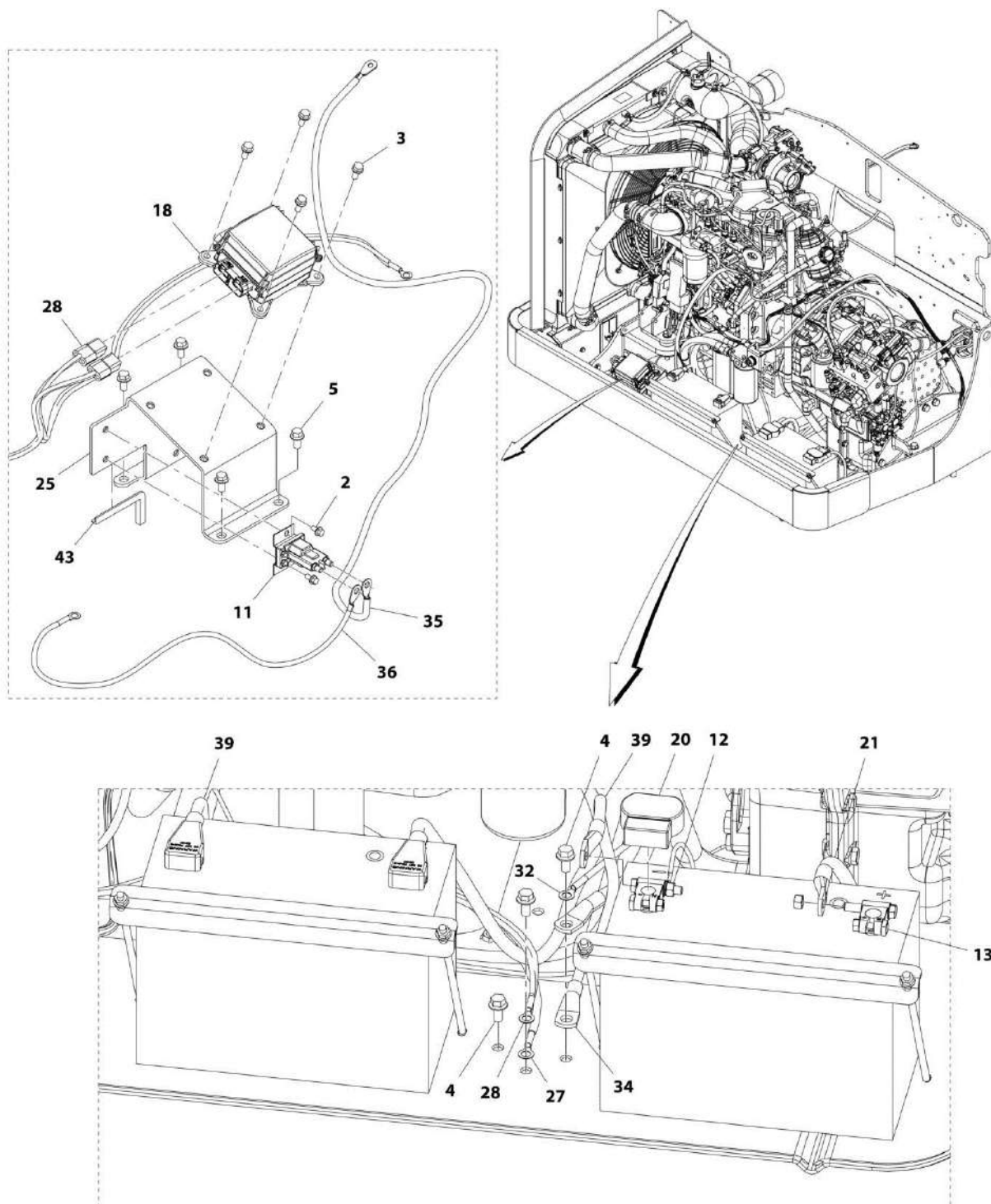
ITEM	PART NUMBER	QTY	DESCRIPTION	REV
	70026772	2	Dual Fork Cylinder Assembly	
1	70026770	1	Nut	
2	N.S.S.	1	Weldment, Cylinder Tube	
3	70026773	1	Cylinder Rod	
4	70026774	1	Gland	
5	70026775	1	Washer	
6	70026771	1	Cylinder Piston	
7	Kit	1	Seal	
8	Kit	1	Rod Wiper	
9	Kit	1	O-Ring	
10	Kit	1	O-Ring	
11	Kit	1	O-Ring, Back-Up	
12	Kit	1	O-Ring	
13	Kit	1	Piston Ring	
14	Kit	1	O-Ring	
101	8036733	1	Kit, Seal (includes items 7 thru 14)	



**SECTION 10 - ELECTRICAL**

# SECTION 10 - ELECTRICAL

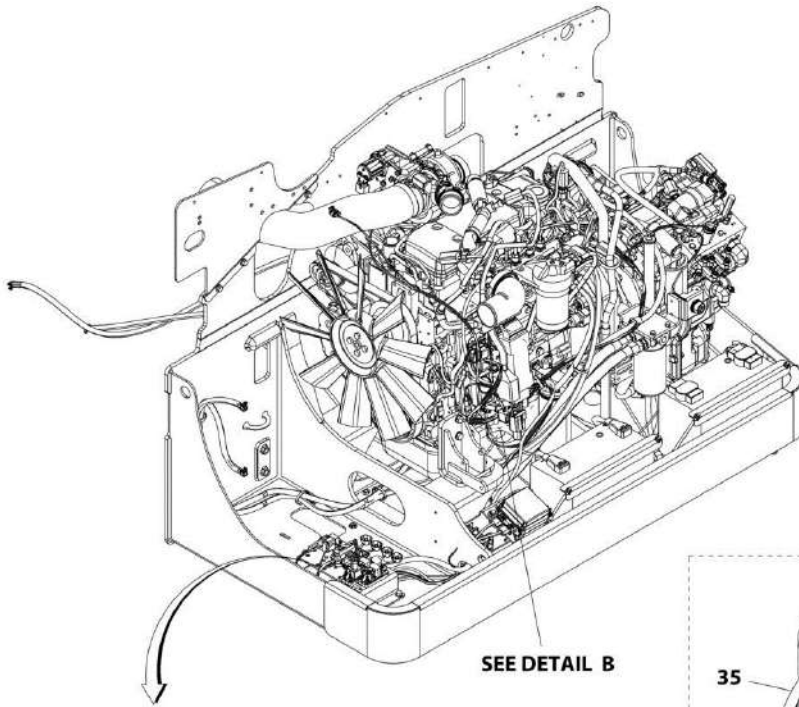
## FIGURE 10-1. ELECTRICAL COMPONENTS INSTALLATION



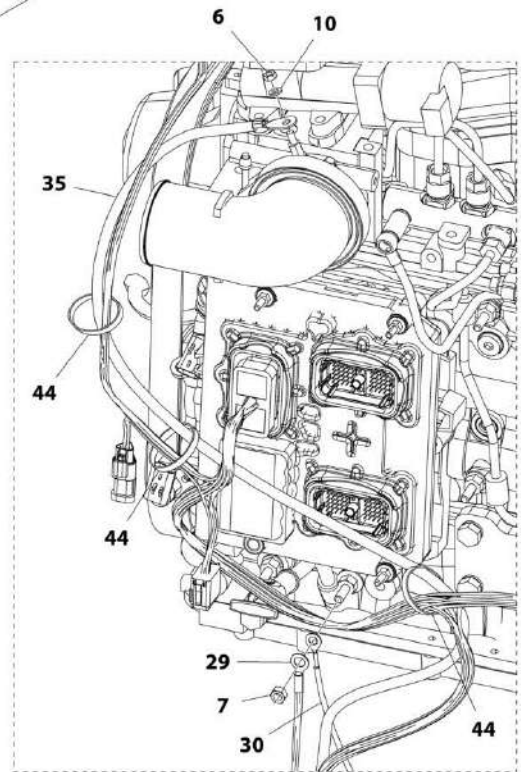
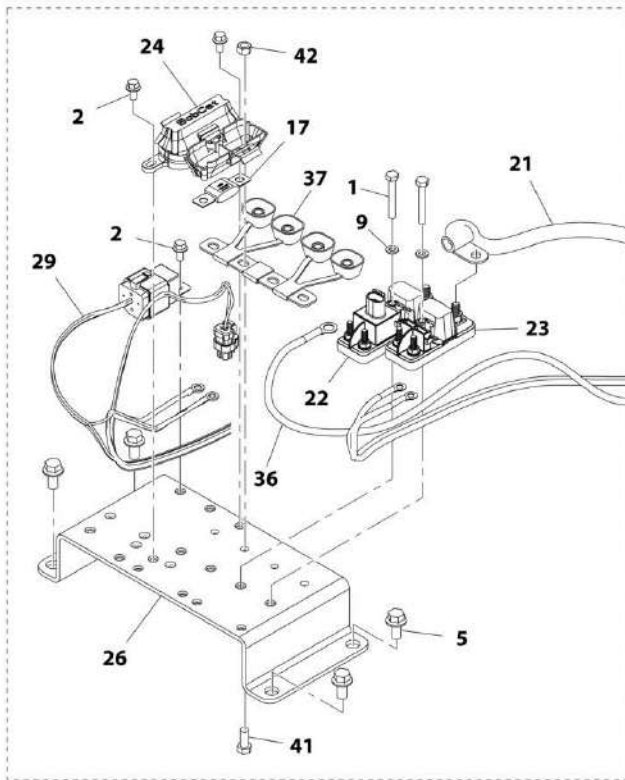
ART\_1001130159\_1-L



# SECTION 10 - ELECTRICAL



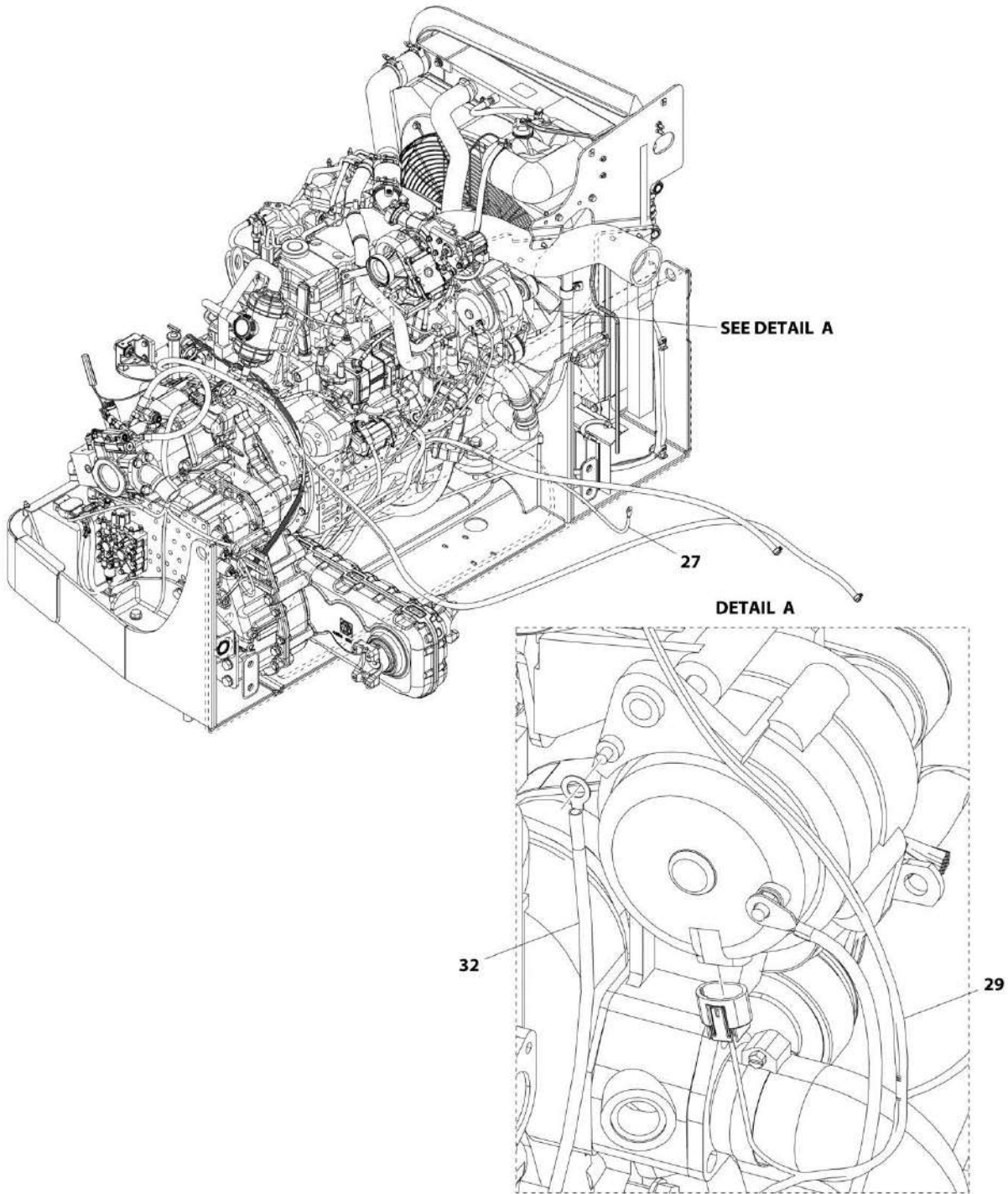
SEE DETAIL B



DETAIL B

ART\_1001130159\_2-L

**SECTION 10 - ELECTRICAL**



ART\_1001130159\_3-L

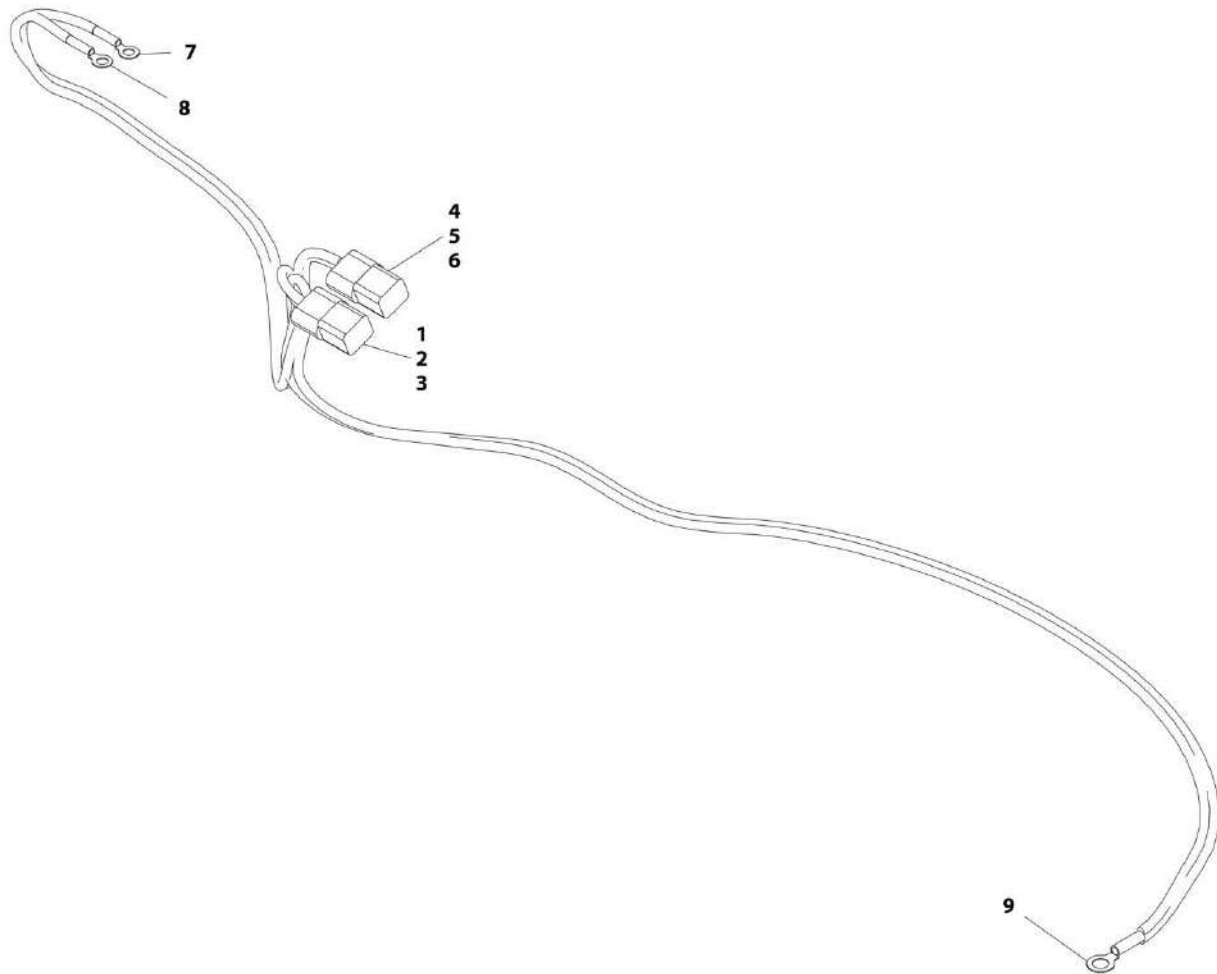
## SECTION 10 - ELECTRICAL

**FIGURE 10-1. ELECTRICAL COMPONENTS INSTALLATION**

ITEM	PART NUMBER	QTY	DESCRIPTION	REV
	1001130159	Ref	Electrical Components Installation	L
1	0641415	2	Bolt, 1/4-20X1 7/8	
2	0791404	5	Screw, 1/4-20X1/2	
3	0791506	4	Screw, 5/16-18X3/4	
4	0791606	3	Screw, 3/8-16X3/4	
5	0811606	8	Screw, 3/8-16X3/4	
6	3290601	1	Nut, M6X1	
7	3290801	1	Nut, M8X1.25	
9	4761400	2	Washer, Lock 1/4	
10	4811700	1	Washer, M6	
11	8225122	1	Relay, 12VDC 100A	
12	1001148992	1	Terminal, Battery Negative	
13	1001148991	1	Terminal, Battery Positive	
17	1001118245	1	Fuse, 250 AMP Mega	
18	1001108433	1	Control, VEC Module	
18	70024843	4	Relay, 12V 30AMP	
20	1001145301	1	Cable, Battery to POT GND	
21	1001127488	1	Cable, Battery Positive	
22	1001163729	1	Relay, Power Module	
23	1001127699	1	Fuse, Power Module	
24	1001127700	1	Holder, AMG Fuse	
25	1001127748	1	Mount, VEC Box	
26	1001127756	1	Mount, Electronics	
27	1001129277	1	Cable, Cab Ground	
28	1001131891	1	Harness, VEC PWR/GRD (See VEC PWR/GRD HARNESS for Breakdown)	
29	1001131966	1	Harness, Engine (See ENGINE HARNESS for Breakdown)	
30	1001143377	1	Cable, Engine Ground	
32	1001134232	1	Cable, Alt Ground	
34	1001134234	1	Cable, Starter Ground	
35	1001134235	1	Cable, Heater Grid, PWR	
36	1001134236	1	Cable, Heater Grid, SOL - Fuse	
37	1001134470	1	Connector, Bussbar 4 Position	
39	1001135349	1	Cable, Start Aid Negative	
41	0641506	1	Bolt, 5/16-18X3/4	
42	8310453	1	Nut, 5/16-18	
43	90206198	7 in	Clip, Trim Lock	
44	4240018	3	Tie Strap	

# SECTION 10 - ELECTRICAL

## FIGURE 10-2. VEC PWR/GRD HARNESS



ART\_1001131891-C

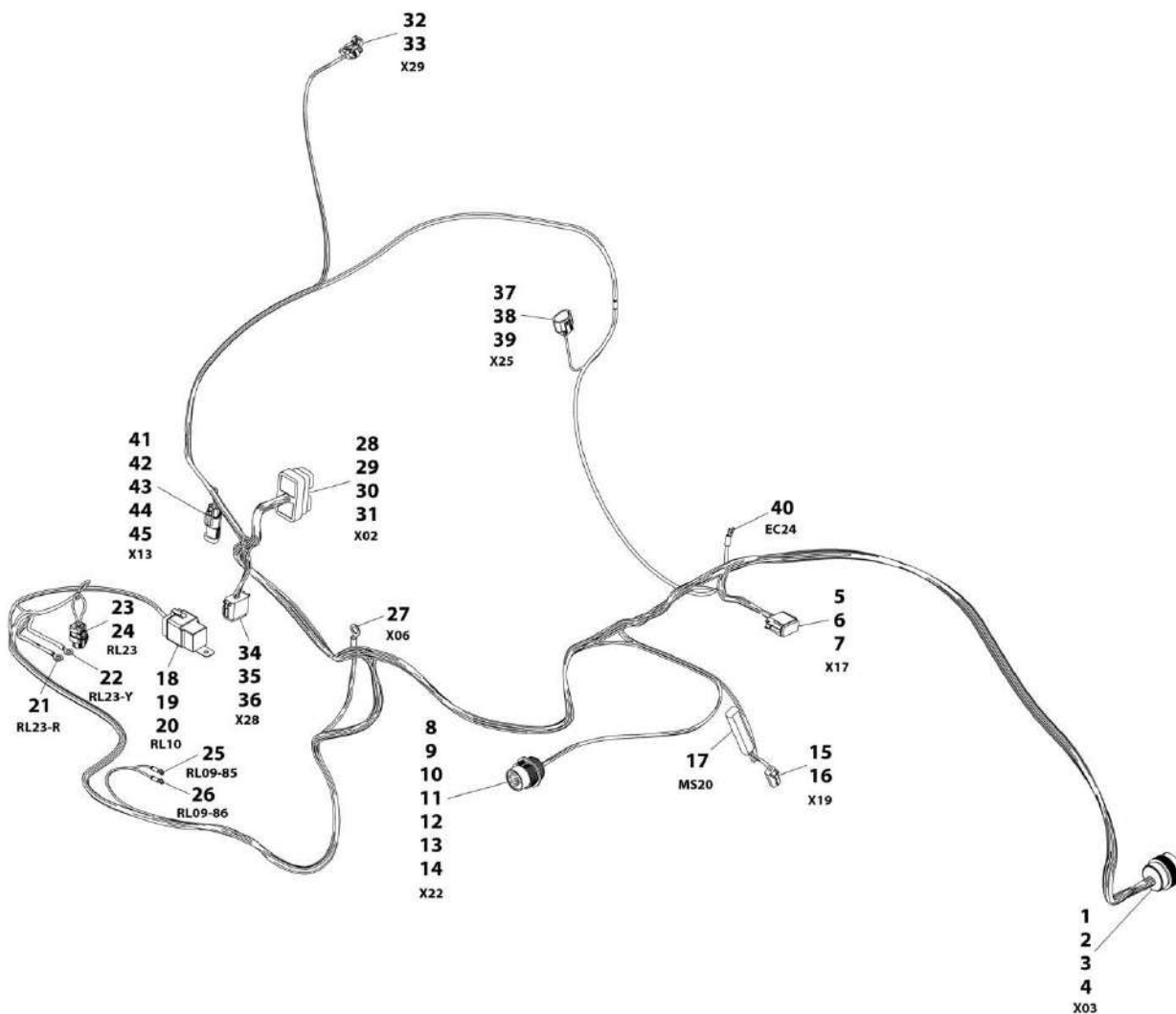
## SECTION 10 - ELECTRICAL

### FIGURE 10-2. VEC PWR/GRD HARNESS

ITEM	PART NUMBER	QTY	DESCRIPTION	REV
	1001131891	Ref	VEC PWR/GRD Harness	C
1	1001117103	1	Connector	
2	7026401	1	Lock, Connector	
3	8220157	2	Terminal	
4	1001117104	1	Connector	
5	7026401	1	Lock, Connector	
6	8220157	2	Terminal	
7	1001117106	1	Terminal, Ring	
8	1001117106	1	Terminal, Ring	
9	1001117112	1	Terminal, Ring	

# SECTION 10 - ELECTRICAL

## FIGURE 10-3. ENGINE HARNESS



ART\_1001131966-G

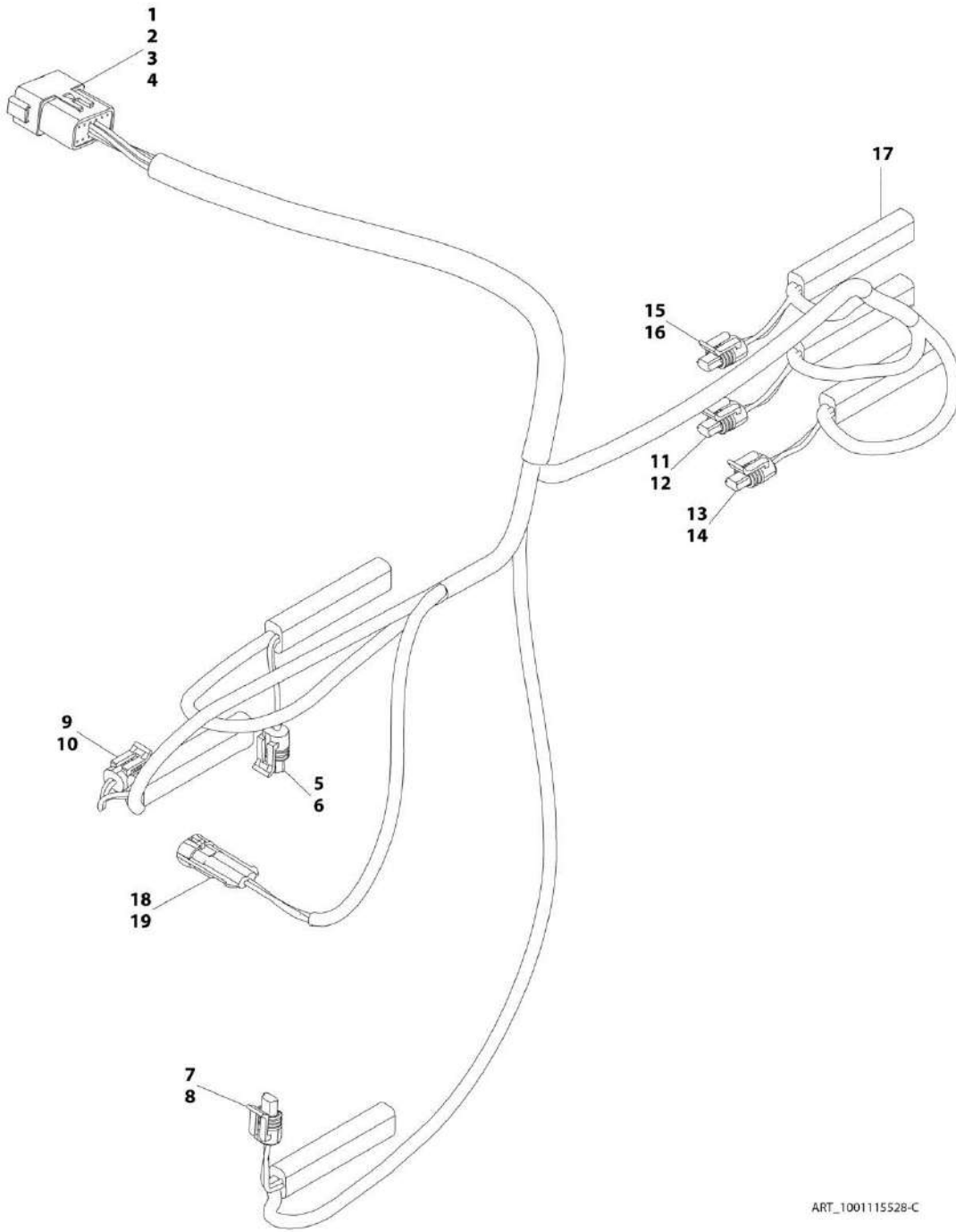
## SECTION 10 - ELECTRICAL

### FIGURE 10-3. ENGINE HARNESS

ITEM	PART NUMBER	QTY	DESCRIPTION	REV
	1001131966	Ref	Engine Harness	G
1	1001116938	1	Connector	
2	4460465	23	Terminal	
3	4460944	2	Terminal	
4	4460466	6	Plug	
5	4460933	1	Connector	
6	4460465	10	Terminal	
7	4460466	2	Plug	
8	1001112612	1	Connector	
9	4460941	2	Terminal	
10	4460943	2	Terminal	
11	4460466	5	Plug	
12	1001125785	1	Nut, Plastic 18	
13	1001125784	1	Washer, 18	
14	70026708	1	Cap	
15	4460891	1	Connector	
16	4460465	2	Terminal	
17	91363021	1	Diode, Molded	
18	1001118282	1	Connector	
19	1001116733	4	Terminal	
20	8220101	1	Plug	
21	1001117106	1	Terminal, Ring	
22	4460312	1	Terminal, Ring	
23	1001116950	1	Connector	
24	4460942	2	Terminal	
25	4460247	1	Terminal, Ring	
26	4460247	1	Terminal, Ring	
27	8220164	1	Terminal, Ring	
28	1001126208	1	Connector	
29	1001126009	25	Terminal	
30	4460518	34	Plug	
31	70024578	1	Relief, Strain	
32	1001125027	1	Connector	
33	8220124	3	Terminal	
34	4460933	1	Connector	
35	4460944	8	Terminal	
36	4460466	4	Plug	
37	4460590	1	Connector	
38	1001116751	3	Plug	
39	8220124	1	Terminal	
40	1001117111	1	Terminal, Ring	
41	1001144147	1	Connector	
42	1001116815	1	Receptacle	
43	4460943	1	Terminal	
44	4460944	1	Terminal	
45	4460466	1	Plug	

# SECTION 10 - ELECTRICAL

## FIGURE 10-4. TRANSMISSION HARNESS



ART\_1001115528-C



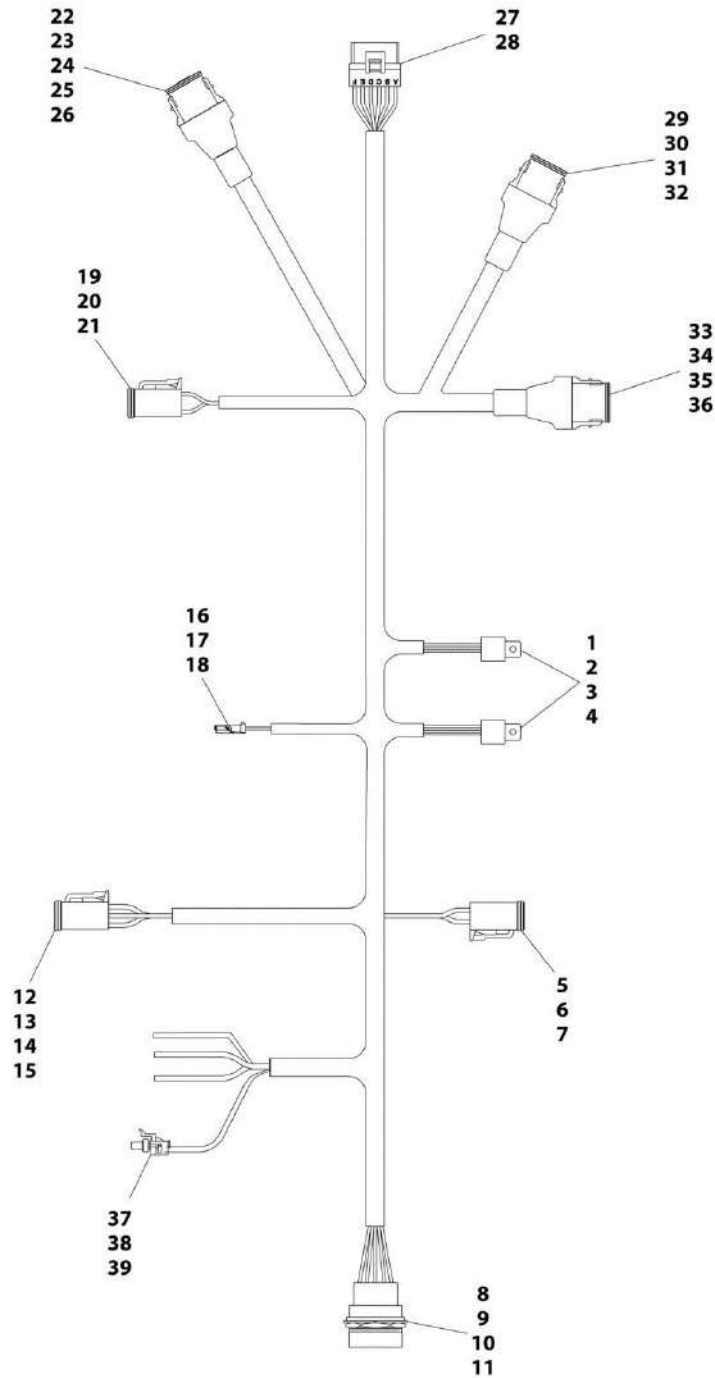
## SECTION 10 - ELECTRICAL

### FIGURE 10-4. TRANSMISSION HARNESS

ITEM	PART NUMBER	QTY	DESCRIPTION	REV
	1001115528	Ref	Transmission Harness	C
1	4460970	1	Connector	
2	80363179	1	Lock, Connector	
3	4460464	9	Terminal	
4	4460466	3	Plug	
5	4460955	1	Connector	
6	1001116748	2	Terminal	
7	4460955	1	Connector	
8	1001116748	2	Terminal	
9	4460955	1	Connector	
10	1001116748	2	Terminal	
11	4460955	1	Connector	
12	1001116748	2	Terminal	
13	4460955	1	Connector	
14	1001116748	2	Terminal	
15	4460955	1	Connector	
16	1001116748	2	Terminal	
17	91363021	6	Diode, Molded	
18	1001117073	1	Connector	
19	1001126010	2	Terminal	

# SECTION 10 - ELECTRICAL

## FIGURE 10-5. TRANSMISSION RELAY HARNESS



ART\_1001140233-D

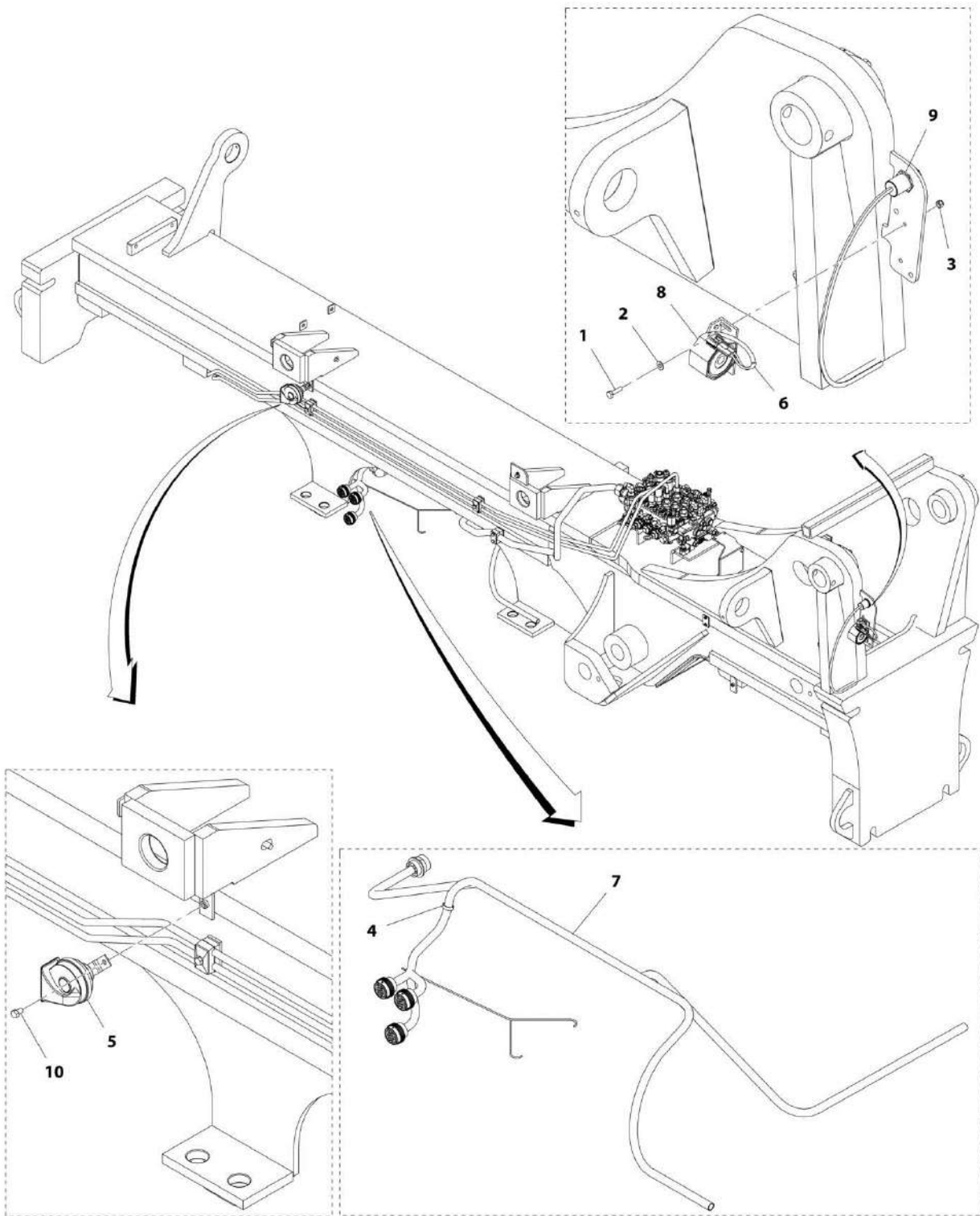
## SECTION 10 - ELECTRICAL

### FIGURE 10-5. TRANSMISSION RELAY HARNESS

ITEM	PART NUMBER	QTY	DESCRIPTION	REV
	1001140233	Ref	Transmission Relay Harness	D
1	3740080	2	Relay	
2	1001118282	1	Relay, Metri-Pack	
3	1001116733	4	Terminal	
4	1001128128	1	Plug	
5	4460884	1	Connector	
6	80604021	1	Lock, Connector	
7	4460465	4	Terminal	
8	4460503	1	Connector	
9	4460464	31	Terminal	
10	83481286	1	Nut	
11	83481285	1	Washer, Lock	
12	91504088	1	Connector	
13	91504107	1	Lock, Connector	
14	77363229	4	Connector	
15	4460466	2	Plug	
16	80963055	1	Connector	
17	80963068	1	Terminal	
18	77394009	1	Seal, Red Cable	
19	7026408	1	Connector	
20	80604018	1	Lock, Connector	
21	77363229	2	Lock, Connector	
22	4460851	1	Connector	
23	80604025	1	Lock, Connector	
24	77363229	7	Connector	
25	4460466	1	Plug	
26	70020870	1	Boot	
27	1001230931	1	Connector	
28	1001116748	6	Terminal	
29	80604016	1	Lock, Connector	
30	4460465	9	Terminal	
31	4460930	1	Plug	
32	80604025	1	Lock, Connector	
33	4460930	1	Plug	
34	80604025	1	Lock, Connector	
35	4460465	1	Terminal	
36	70020870	1	Boot	
37	80963055	1	Connector	
38	80963068	1	Terminal	
39	80963065	1	Seal	

# SECTION 10 - ELECTRICAL

## FIGURE 10-6. ELECTRICAL INSTALLATION



ART\_1001187113-B

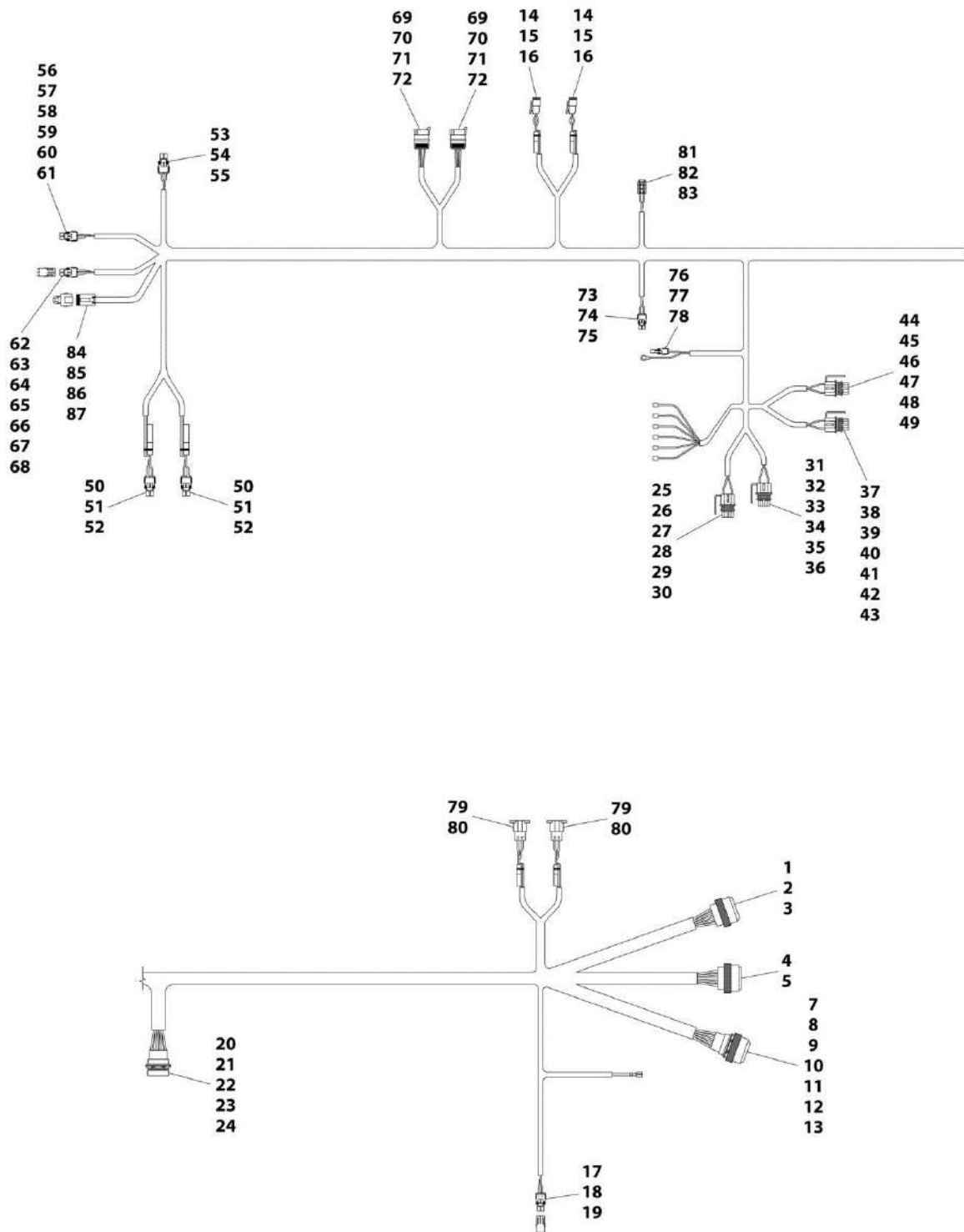
## SECTION 10 - ELECTRICAL

### FIGURE 10-6. ELECTRICAL INSTALLATION

ITEM	PART NUMBER	QTY	DESCRIPTION	REV
	1001187113	Ref	Electrical Installation	B
1	0641408	2	Bolt, 1/4-20X1	
2	4711400	2	Washer, 1/4	
3	8305624	2	Nut, Lock	
4	8881800	5	Tie Strap	
5	10713707	1	Horn	
6	1001116274	1	Resistor	
7	1001127386	1	Harness, Chassis (See CHASSIS HARNESS for Breakdown)	
8	8270621	1	Alarm, Backup	
9	91365037	1	Sensor, Stabilizer Proximity	
10	0641504	1	Bolt, 5/16-18X1/2	

# SECTION 10 - ELECTRICAL

## FIGURE 10-7. CHASSIS HARNESS



ART\_1001127386-J

# SECTION 10 - ELECTRICAL

## FIGURE 10-7. CHASSIS HARNESS

ITEM	PART NUMBER	QTY	DESCRIPTION	REV
	1001127386	Ref	Chassis Harness	J
1	7026910	1	Connector	
2	77363228	21	Terminal	
3	4460466	7	Plug	
4	4460502	1	Connector	
5	77363229	32	Terminal	
7	91563124	1	Connector	
8	83481286	1	Nut	
9	83481285	1	Washer, Lock	
10	77363229	11	Terminal	
11	77363347	6	Terminal	
12	4460473	1	Clamp	
13	4460941	2	Terminal	
14	7026408	2	Connector	
15	80604018	2	Lock, Connector	
16	77363229	4	Terminal	
17	80963057	1	Connector	
18	80963068	2	Terminal	
19	4460458	2	Seal, Terminal	
20	1001116934	1	Connector	
21	83481286	1	Nut	
22	83481285	1	Washer, Lock	
23	4460464	27	Terminal	
24	4460466	4	Plug	
25	80484086	1	Connector	
26	7026414	1	Lock, Connector	
27	4460746	4	Terminal	
28	1001116747	4	Terminal	
29	4460458	4	Seal, Terminal	
30	8220089	4	Seal, Cable	
31	80484085	1	Connector	
32	7026414	1	Lock, Connector	
33	4460748	4	Plug	
34	1001116747	4	Terminal	
35	80963065	4	Seal	
36	80963067	4	Seal	
37	80484084	1	Connector	
38	7026414	1	Lock, Connector	
39	4460748	6	Plug	
40	1001116747	2	Terminal	
41	80963065	6	Seal	
42	80963067	1	Seal	
43	4460789	1	Seal	
44	80484081	1	Connector	
45	7026414	1	Lock, Connector	
46	4460748	6	Plug	
47	1001116747	2	Terminal	
48	80963065	6	Seal	
49	80963067	2	Seal	
50	80963057	1	Connector	

## SECTION 10 - ELECTRICAL

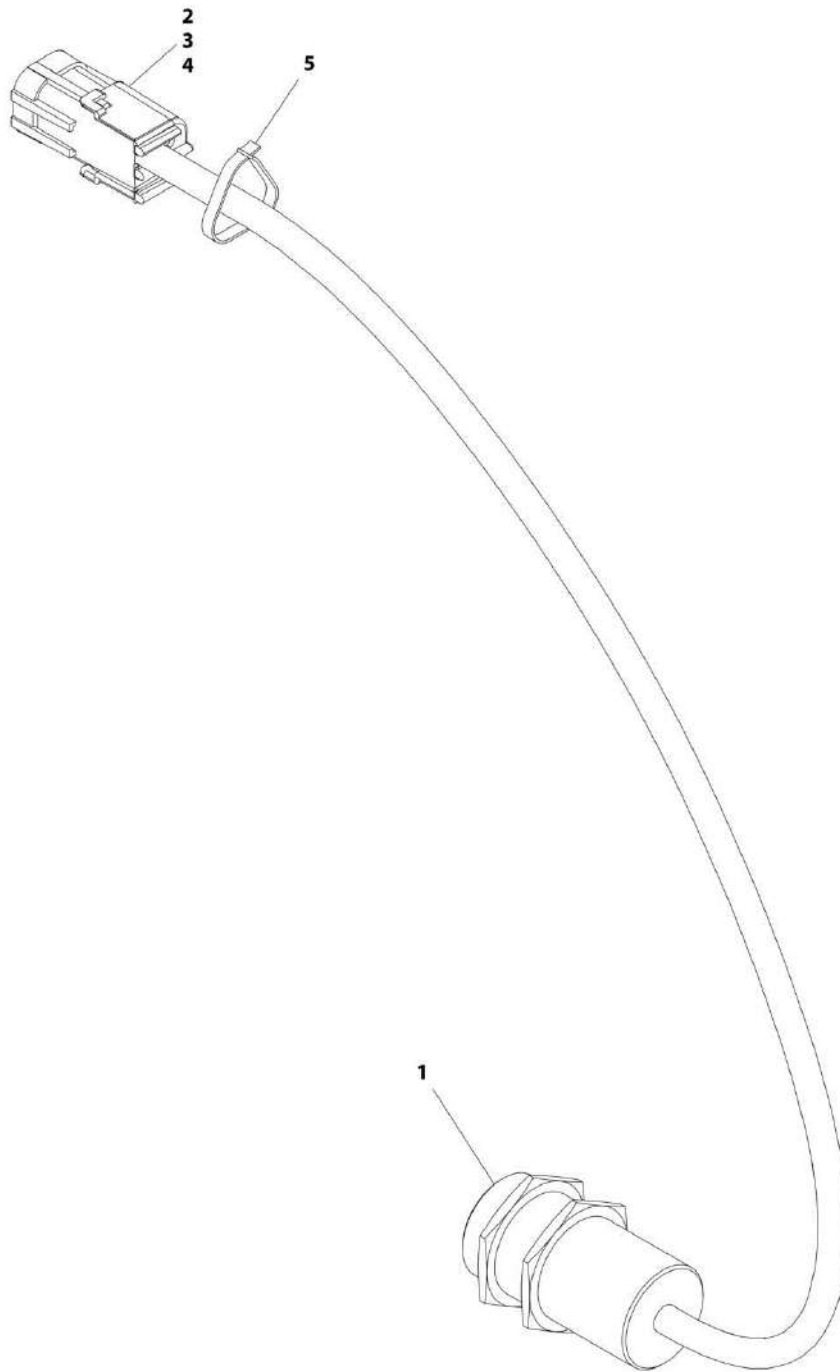
ITEM	PART NUMBER	QTY	DESCRIPTION	REV
51	80963068	4	Terminal	
52	4460458	2	Seal, Terminal	
53	80963061	1	Connector	
54	80963068	4	Terminal	
55	4460458	1	Seal, Terminal	
56	1001117021	1	Connector	
57	8220890	1	Lock, Connector	
58	4460746	1	Terminal	
59	4460458	1	Seal, Terminal	
60	1001116747	1	Terminal	
61	4460458	1	Seal	
62	80963061	1	Connector	
63	80963068	1	Terminal	
64	4460458	1	Seal	
65	1001116747	3	Terminal	
66	1001190037	1	Seal, Terminal	
67	80963062	1	Connector	
68	1001116727	1	Plug	
69	7026413	2	Connector	
70	77363228	10	Terminal	
71	4460466	2	Plug	
72	7026419	2	Cap	
73	80963057	1	Connector	
74	80963068	2	Terminal	
75	4460458	1	Seal, Terminal	
76	80963056	1	Connector	
77	80963069	2	Terminal	
78	80963065	1	Seal	
79	91474468	2	Connector	
80	91474469	4	Terminal	
81	80484087	1	Connector	
82	77363229	1	Terminal	
83	80604021	1	Lock, Connector	
84	4460884	1	Connector	
85	4460465	3	Terminal	
86	4460466	1	Plug	
87	1001192401	1	Dust Cap	





# SECTION 10 - ELECTRICAL

## FIGURE 10-8. PROXIMITY SENSOR



ART\_91365037-B

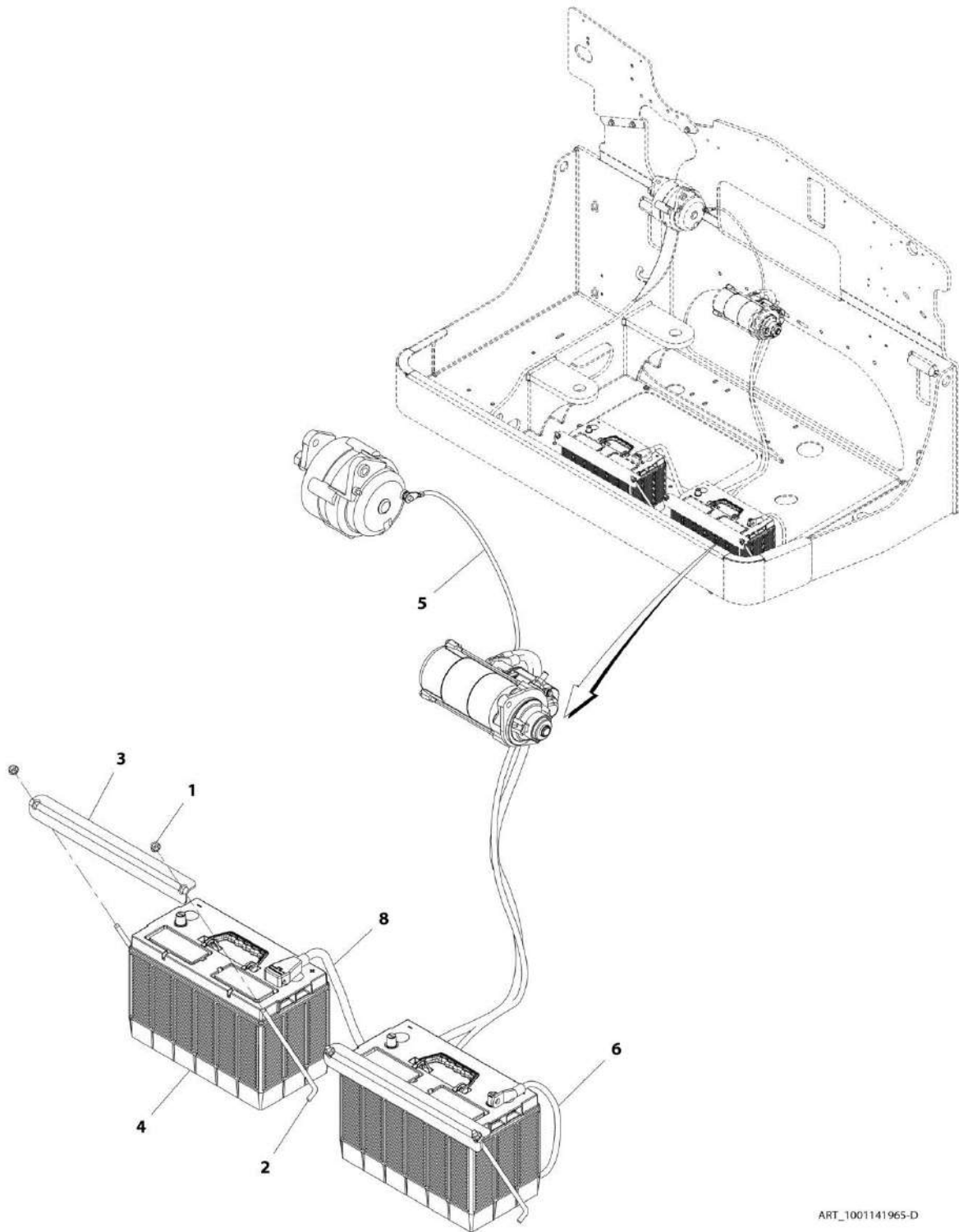
## SECTION 10 - ELECTRICAL

### FIGURE 10-8. PROXIMITY SENSOR

ITEM	PART NUMBER	QTY	DESCRIPTION	REV
	91365037	Ref	Proximity Sensor	B
1	91143155	1	Sensor, Proximity	
2	80963062	1	Connector	
3	80963069	4	Pin	
4	80963065	4	Seal	
5	91053419	1	Tie Strap	

# SECTION 10 - ELECTRICAL

## FIGURE 10-9. DUAL BATTERY INSTALLATION



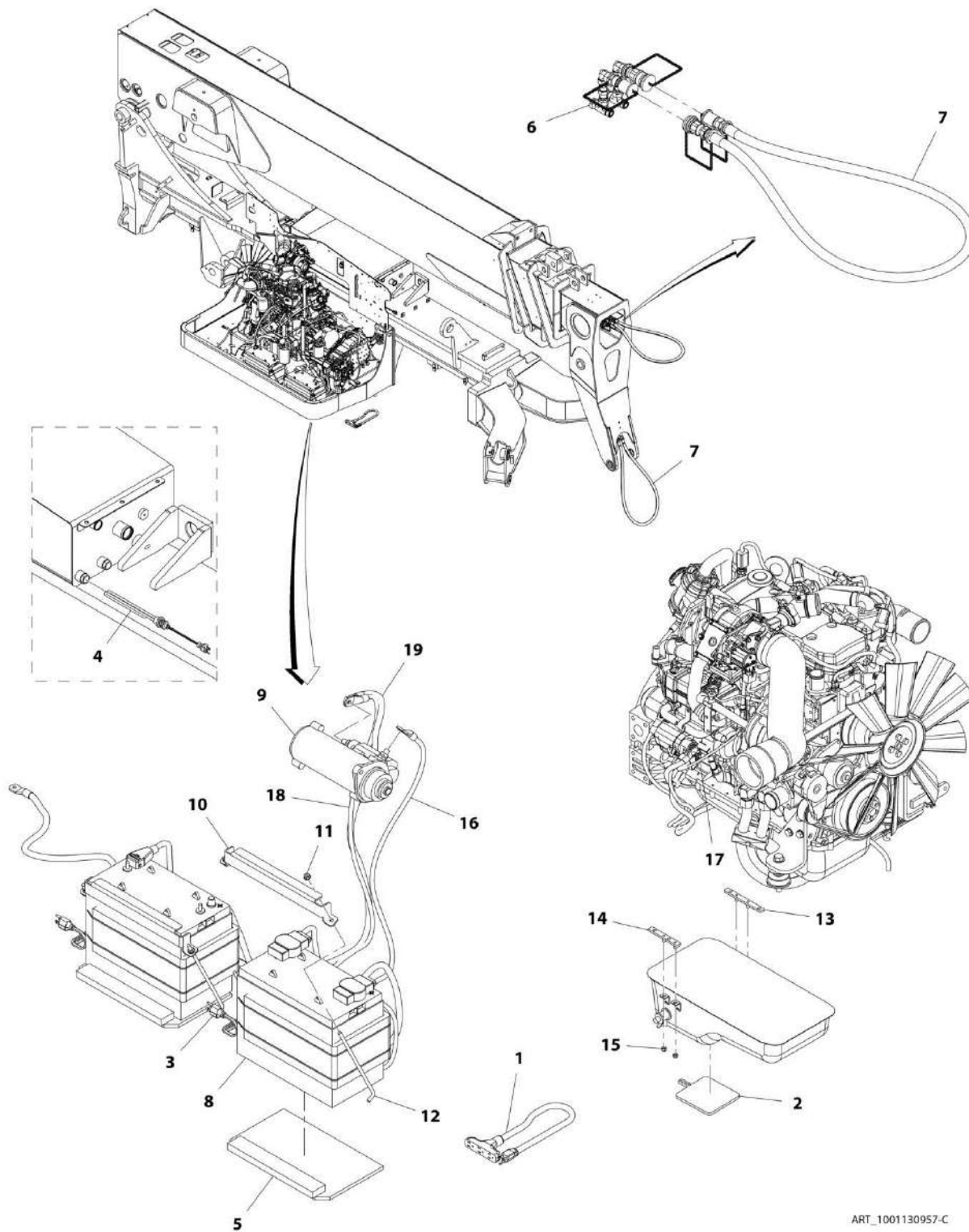
## SECTION 10 - ELECTRICAL

### FIGURE 10-9. DUAL BATTERY INSTALLATION

ITEM	PART NUMBER	QTY	DESCRIPTION	REV
	1001141965	Ref	Dual Battery Installation	D
1	3311508	4	Nut, 5/16-18	
2	91081640	4	Bolt, Battery Hold Down	
3	91401281	2	Bracket, Battery Hold Down	
4	1001155219	2	Battery	
5	1001134231	1	Cable, Alternator	
6	1001134233	1	Cable, Starter	
8	1001135348	1	Cable, Start Aid	

# SECTION 10 - ELECTRICAL

## FIGURE 10-10. ARCTIC BATTERY PACKAGE INSTALLATION



ART\_1001130957-C

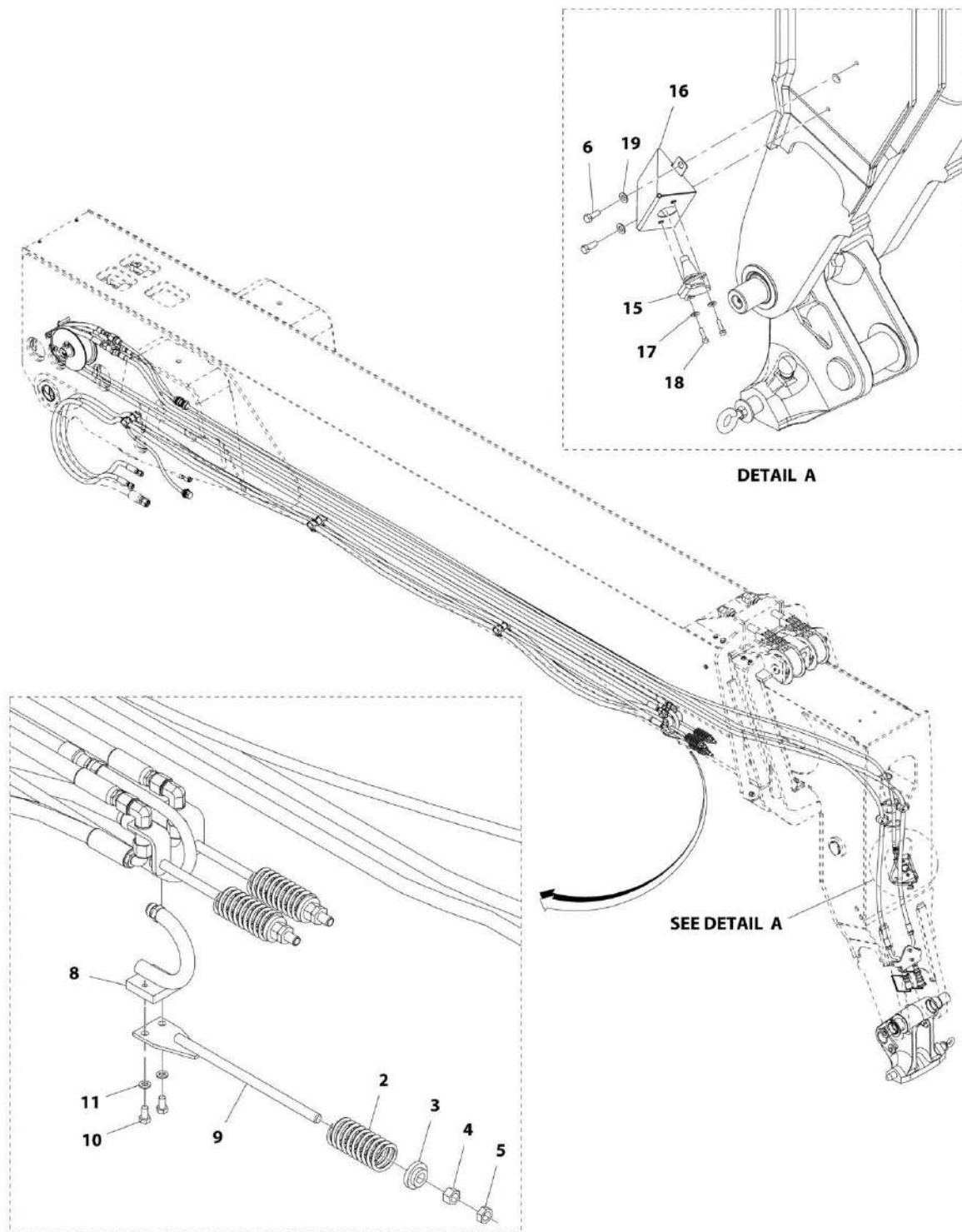
## SECTION 10 - ELECTRICAL

**FIGURE 10-10. ARCTIC BATTERY PACKAGE INSTALLATION**

ITEM	PART NUMBER	QTY	DESCRIPTION	REV
	1001130957	Ref	Arctic Battery Package Installation	C
1	1060626	2	Cord, 3-Way Extension	
2	2580040	1	Pad, Heater	
3	1001093564	2	Heater, Battery	
4	1001105886	1	Heater, Immersion Hydraulic	
5	1001115878	2	Insulate, Battery Base	
6	1001121459	Ref	Installation, Tilt Recirculation (See HYDRAULIC CIRCUIT SECTION for Breakdown)	
7	1001121460	2	Hose	
8	1001098762	2	Battery, 12V Arctic AGM	
9	1001128594	1	Motor, Starter	
10	1001141596	2	Plate, Battery Hold Down	
11	3311508	4	Nut, 5/16-18	
12	91081640	4	Bolt, Battery Hold Down	
13	1001143397	1	Bracket, Oil Pan Heater Left Side	
14	1001143398	1	Bracket, Oil Pan Heater Right Side	
15	8305626	4	Nut, Lock .312-18	
16	1001144782	1	Cable, Starter Ground	
17	1001144790	1	Cable, Alternator Power	
18	1001144801	1	Cable, Start Aid Positive	
19	1001144803	1	Cable, Start Power	

# SECTION 10 - ELECTRICAL

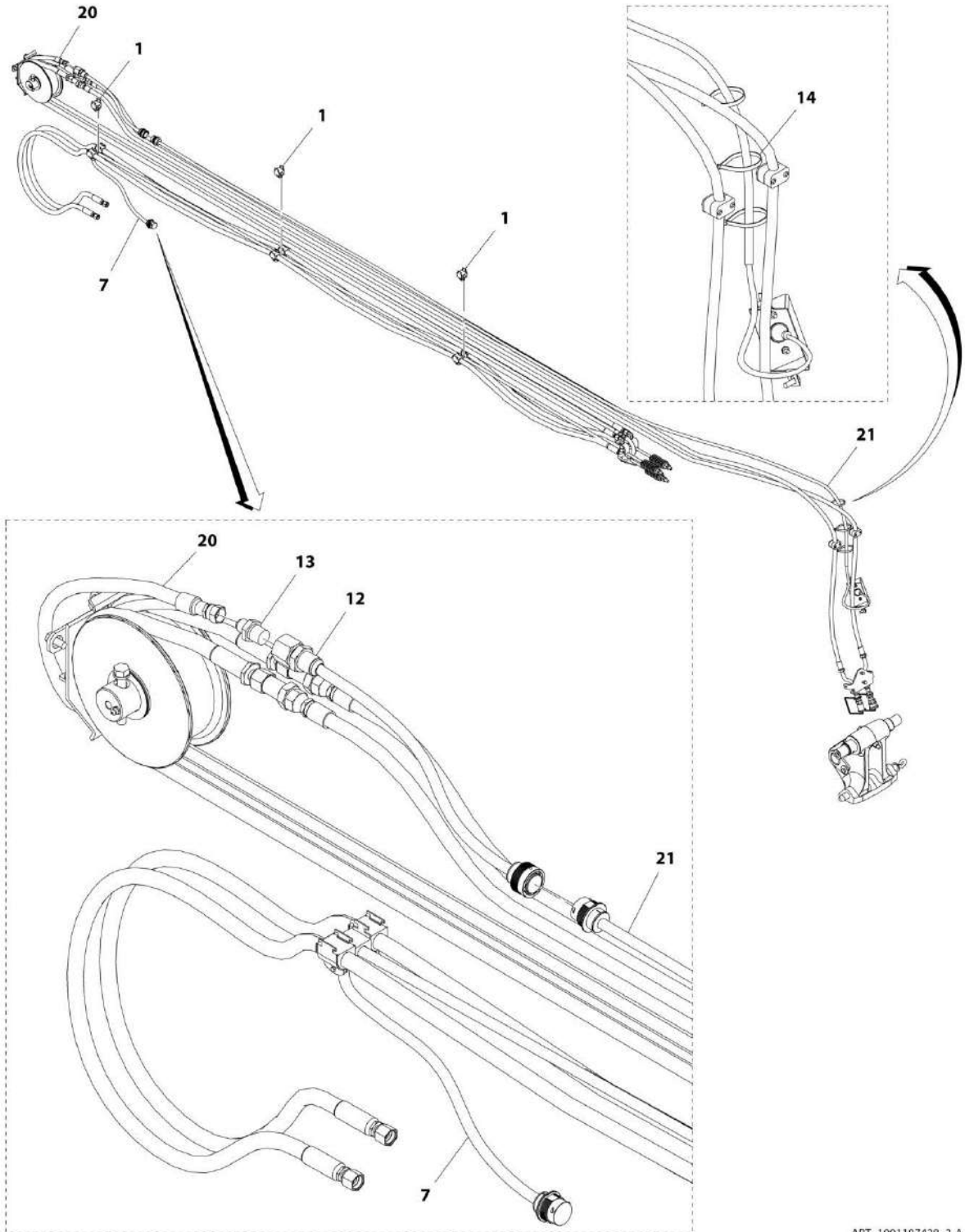
## FIGURE 10-11. BOOM AUX ELECTRICS, HYDRAULIC



ART\_1001187428\_1-A



# SECTION 10 - ELECTRICAL



ART\_1001187428\_2-A

## SECTION 10 - ELECTRICAL

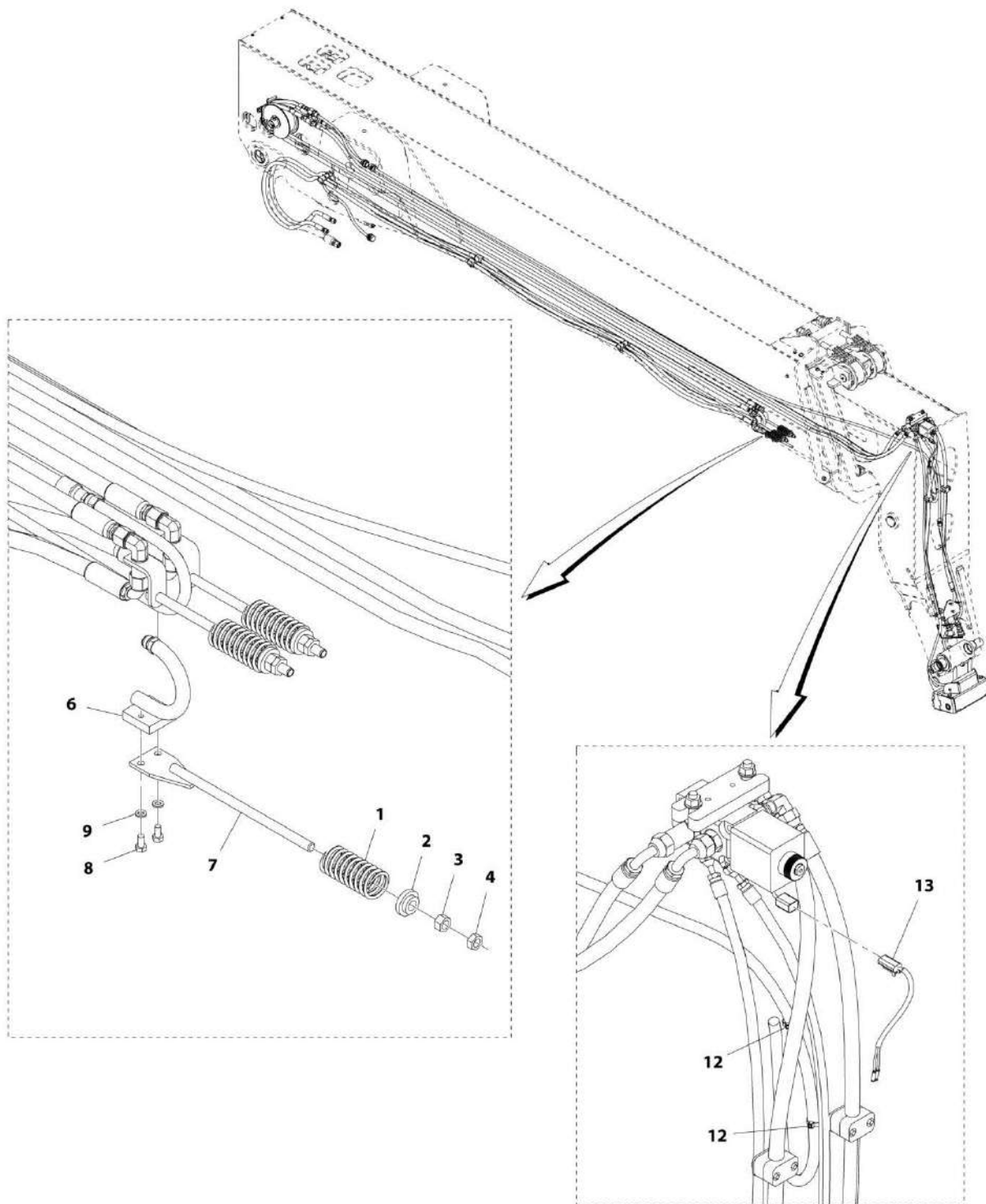
FIGURE 10-11. BOOM AUX ELECTRICS, HYDRAULIC

ITEM	PART NUMBER	QTY	DESCRIPTION	REV
	1001187428	Ref	Boom Aux Electrics, Hydraulic	A
1	90207463	3	Clamp	
2	91123054	1	Spring, Compression	
3	91121134	1	Retainer, Spring	
4	3311801	1	Nut, 1/2-13	
5	3311802	1	Nut, 1/2-13	
6	0641608	2	Bolt, 3/8-16X1	
7	91363151	1	Harness, Auxiliary Boom Wiring (See AUXILIARY BOOM WIRING HARNESS for Breakdown)	
8	91366015	1	Hose	
9	91126032	1	Cable	
10	0641505	2	Bolt, 5/16-18X5/8	
11	4761500	2	Washer, Lock 5/16	
12	91163100	1	Fitting, Adapter	
13	2220346	1	Fitting, 3/4X1/2	
14	8584003	3	Tie Strap	
15	90207661	1	Connector, 6 Contact Socket	
16	1001099812	1	Panel, Connector Cover	
17	4711400	2	Washer, 1/4	
18	0641408	2	Bolt, 1/4-20X1	
19	4711600	2	Washer, 3/8	
20	1001158178	1	Hose	
21	1001189235	1	Harness, Auxiliary Boom Electric (See AUXILIARY BOOM ELECTRIC HARNESS for Breakdown)	



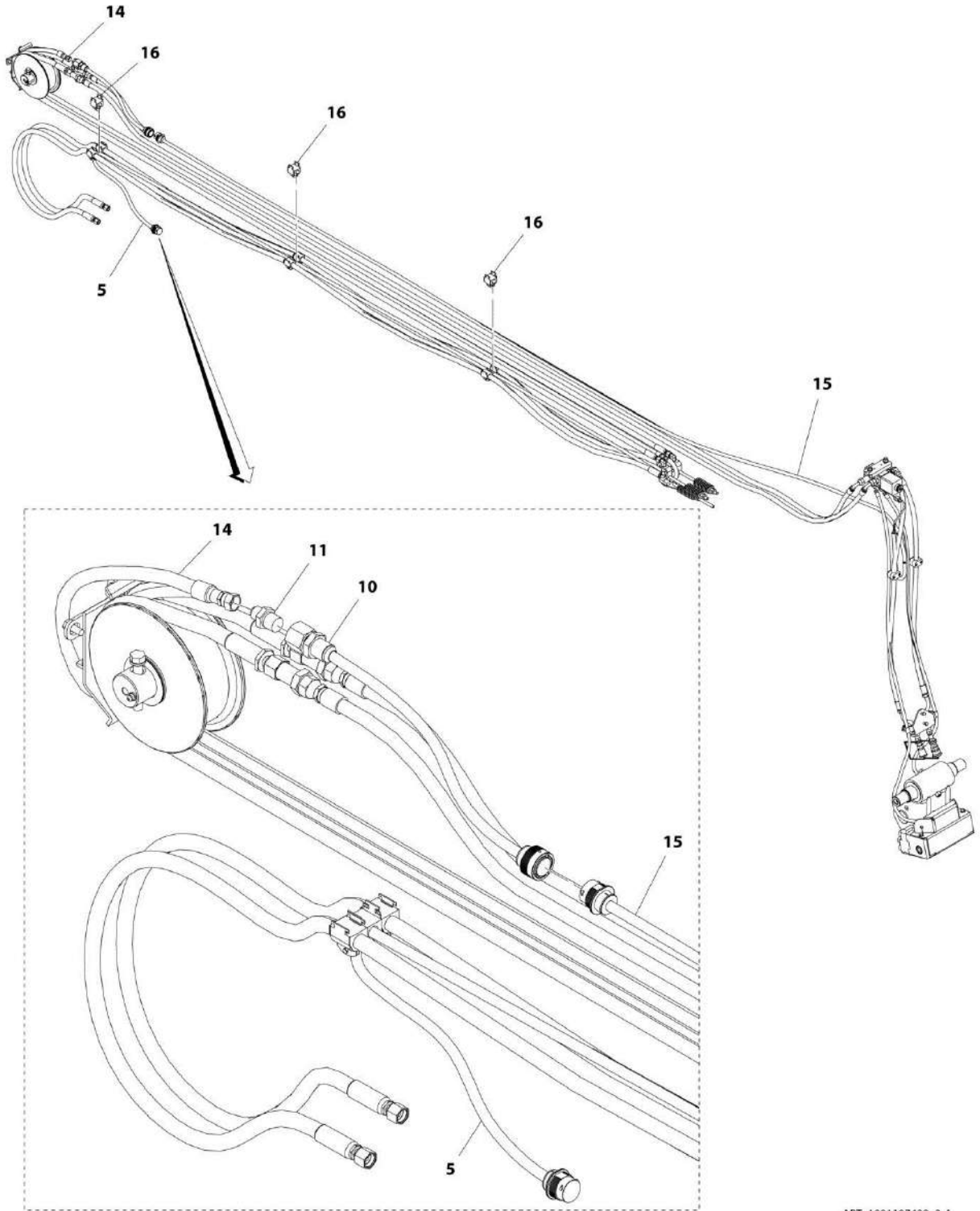
# SECTION 10 - ELECTRICAL

## FIGURE 10-12. BOOM AUX ELECTRICS, MANUAL



ART\_1001187429\_1-A

# SECTION 10 - ELECTRICAL



ART\_1001187429\_2-A

## SECTION 10 - ELECTRICAL

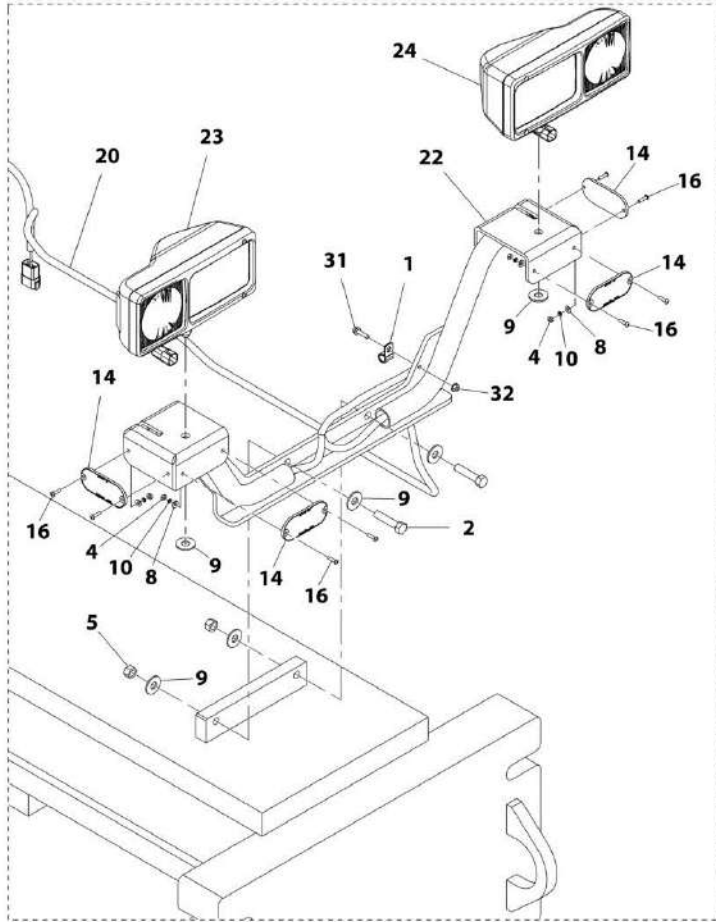
**FIGURE 10-12. BOOM AUX ELECTRICS, MANUAL**

ITEM	PART NUMBER	QTY	DESCRIPTION	REV
	1001187429	Ref	Boom Aux Electrics, Manual	A
1	91123054	1	Spring, Compression	
2	91121134	1	Retainer, Spring	
3	3311801	1	Nut, 1/2-13	
4	3311802	1	Nut, 1/2-13	
5	91363151	1	Harness, Auxiliary Boom Wiring (See AUXILIARY BOOM WIRING HARNESS for Breakdown)	
6	91366015	1	Hose, Take Up Weldment	
7	91126032	1	Support, Cable Take Up	
8	0641505	2	Bolt, 5/16-18X5/8	
9	4761500	2	Washer, Lock 5/16	
10	91163100	1	Fitting, Adapter	
11	2220346	1	Fitting, 3/4X1/2	
12	86683122	2	Tie Strap	
13	1001090006	1	Harness, Q.C. Valve (See Q.C. VALVE HARNESS for Breakdown)	
14	1001158178	1	Hose	
15	1001189235	1	Harness, Auxiliary Boom Electric (See AUXILIARY BOOM ELECTRIC HARNESS for Breakdown)	
16	90207463	3	Clamp, Cushion	

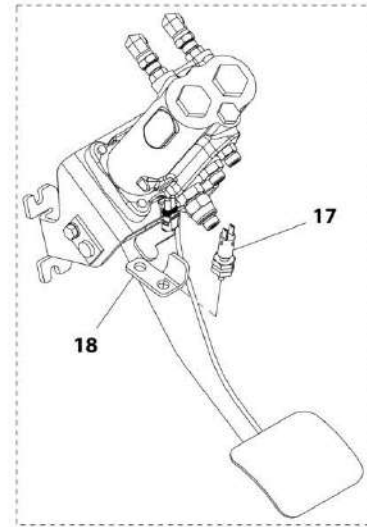


# SECTION 10 - ELECTRICAL

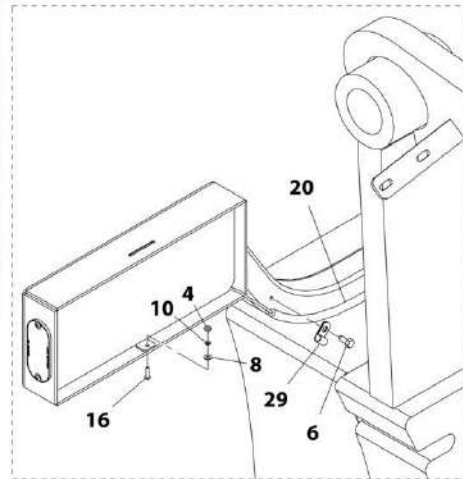
## FIGURE 10-13. ROADLIGHT PACKAGE INSTALLATION



DETAIL A



DETAIL B

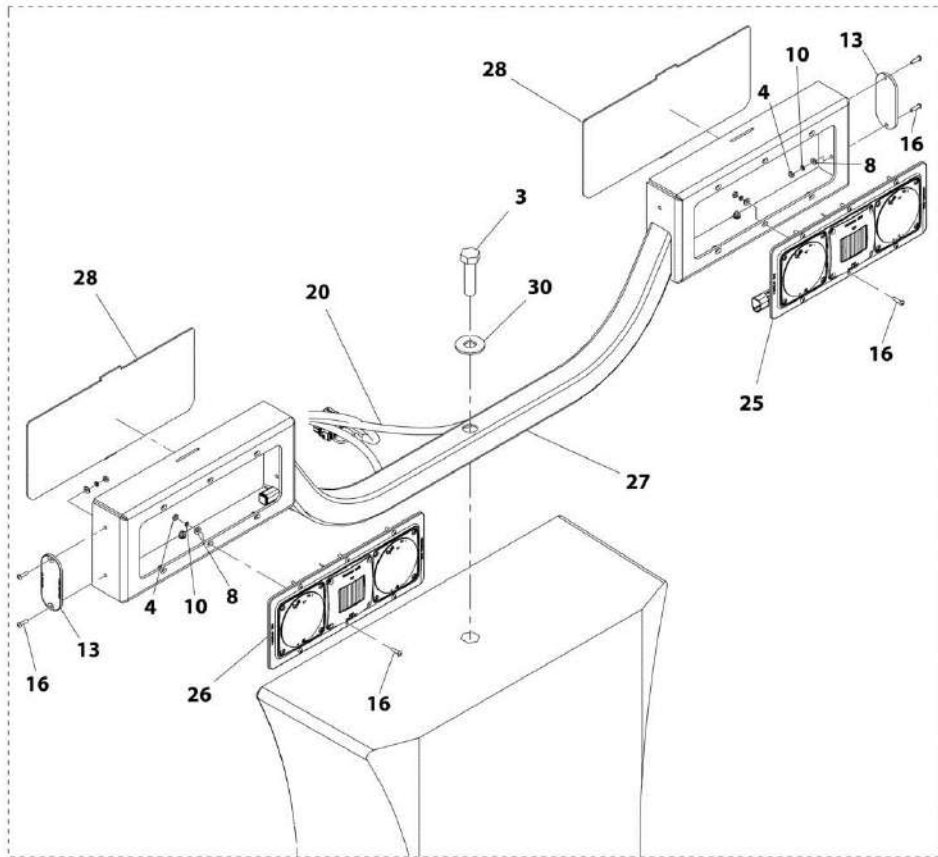
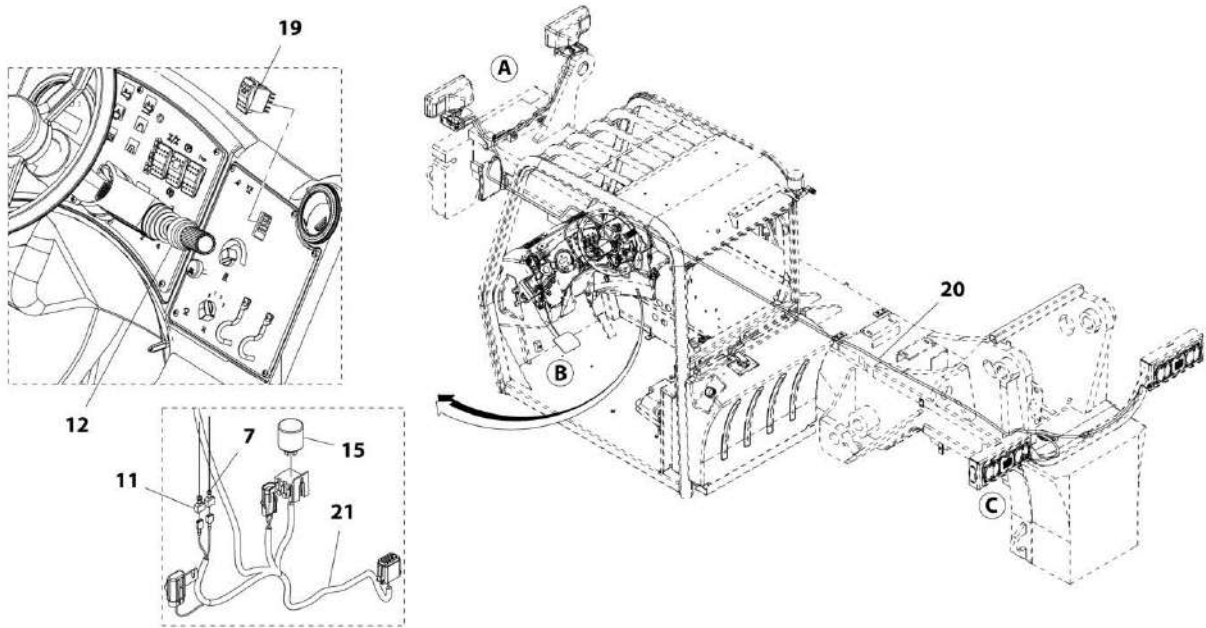


DETAIL C (REAR VIEW)

ART\_1001189329\_1-A



# SECTION 10 - ELECTRICAL



DETAIL C

ART\_1001189329\_2-A

## SECTION 10 - ELECTRICAL

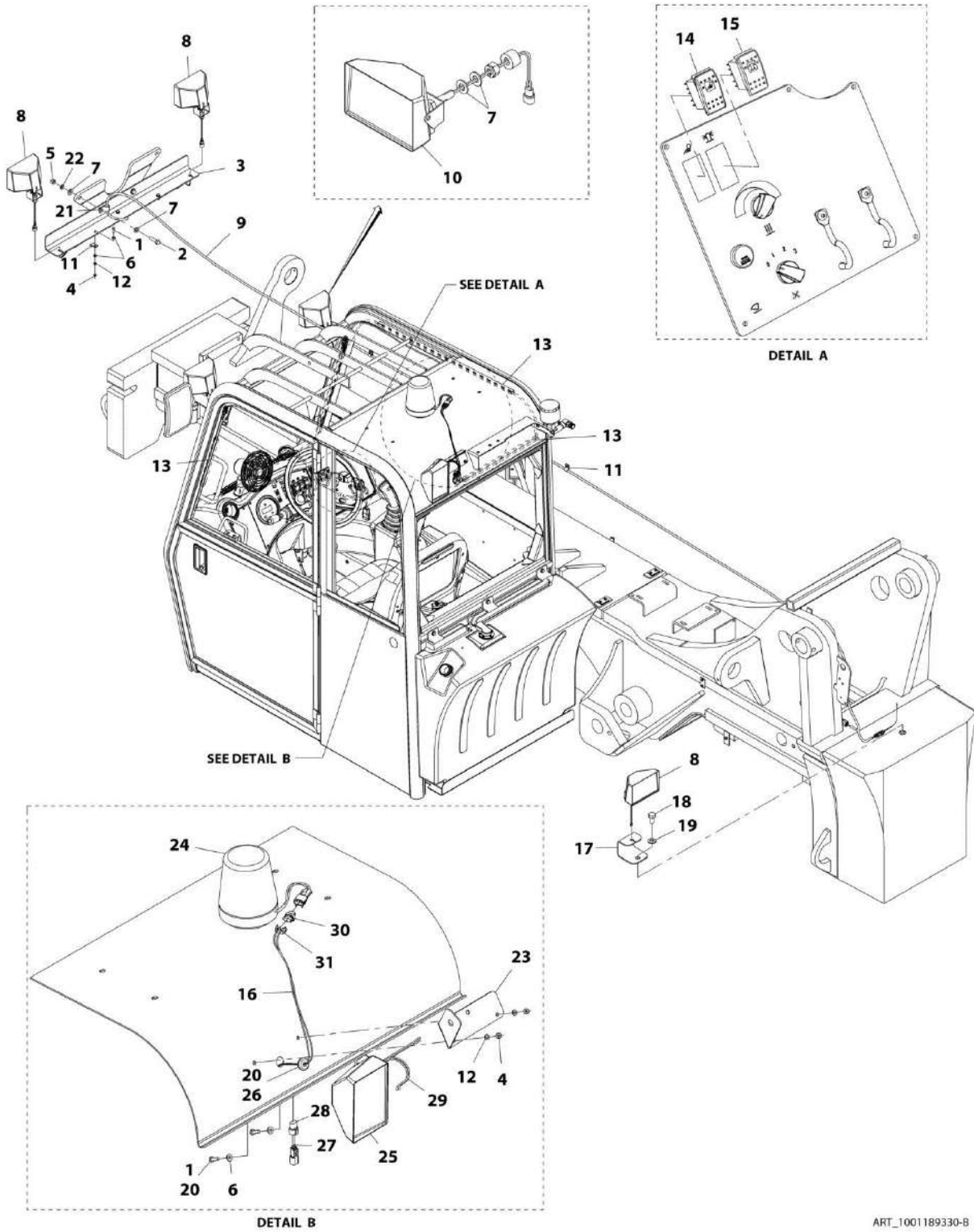
**FIGURE 10-13. ROADLIGHT PACKAGE INSTALLATION**

ITEM	PART NUMBER	QTY	DESCRIPTION	REV
	1001189329	Ref	Roadlight Package Installation	A
1	85941016	1	Clamp, 1/2	
2	0641818	2	Bolt, 1/2-13X2 1/4	
3	0642222	1	Bolt, 3/4-10X2 3/4	
4	3311001	26	Nut, 10-24	
5	3311805	2	Nut, Lock 1/2-13	
6	3941506	2	Screw	
7	4461254	1	Terminal	
8	4711000	28	Washer, M10	
9	4751800	6	Washer, 1/2	
10	4761000	26	Washer, Lock M10	
11	8220050	1	Terminal	
12	8223073	1	Control, Turn Signal	
13	10718991	2	Decal, Reflector Red	
14	10718992	4	Decal, Reflector Yellow	
15	80983168	1	Flasher, Variable Load	
16	88261010	26	Capscrew, 10-24X3/4	
17	91143117	1	Switch, Stoplight	
18	91511127	1	Tab, Mounting Stoplight Switch	
19	1001090459	1	Switch, Hazard	
20	1001125385	1	Harness, Frame Road Light (See FRAME ROAD LIGHT HARNESS for Breakdown)	
21	1001090509	1	Harness, Cab Road Light (See CAB ROAD LIGHT HARNESS for Breakdown)	
22	1001094264	1	Bracket, Front Road Lights	
23	1001094390	1	Lamp, Forward Road Lights RH	
24	1001094391	1	Lamp, Forward Road Lights LH	
25	1001094392	1	Lamp, Tail Light RH	
26	1001094393	1	Lamp, Tail Light LH	
27	1001094523	1	Bracket, Road Lights Tail End	
28	1001094824	2	Cover, Road Lights Tail	
29	1320263	2	Clamp, Cable	
30	4752200	1	Washer, 3/4	
31	0791408	1	Screw, 1/4-20X1	
32	3311408	1	Nut, 1/4-20	



# SECTION 10 - ELECTRICAL

## FIGURE 10-14. WORKLIGHT PACKAGE INSTALLATION



ART\_1001189330-B

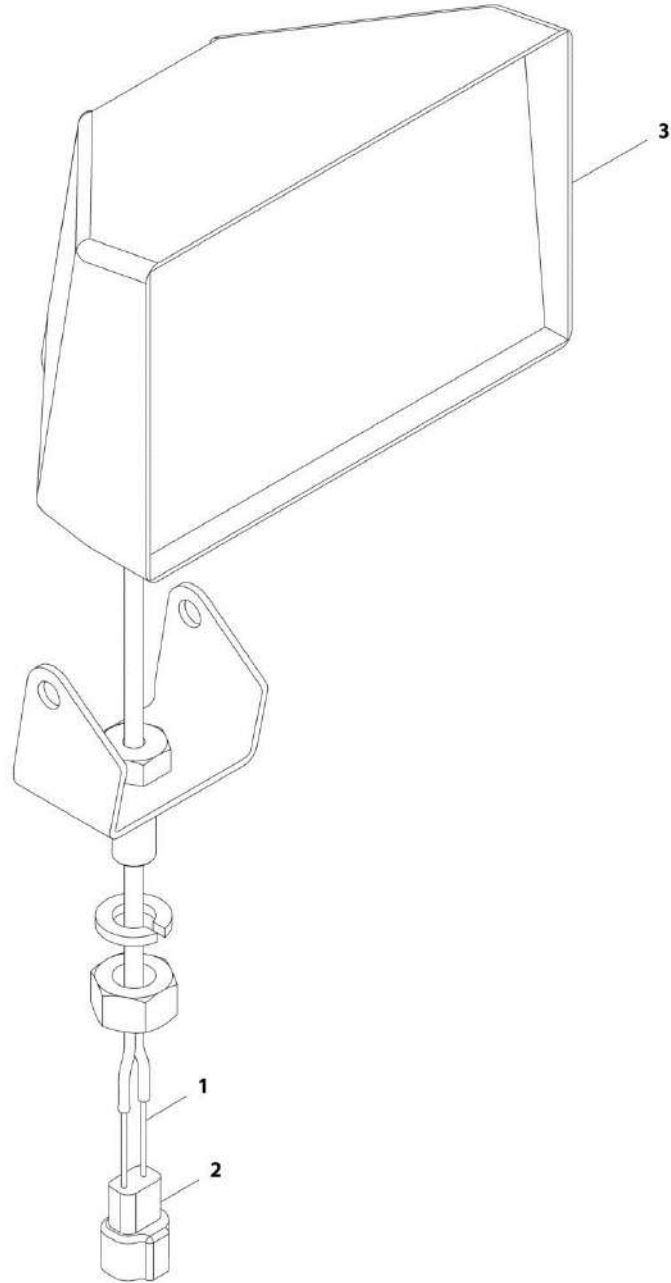
## SECTION 10 - ELECTRICAL

### FIGURE 10-14. WORKLIGHT PACKAGE INSTALLATION

ITEM	PART NUMBER	QTY	DESCRIPTION	REV
	1001189330	Ref	Worklight Package Installation	B
1	0641407	5	Bolt, 1/4-20X7/8	
2	0641814	2	Bolt, 1/2-13X1-3/4	
3	0903661	1	Bracket, Boom Light Mounting	
4	3311401	5	Nut, 1/4-20	
5	3311801	2	Nut, 1/2-13	
6	4711400	8	Washer, 1/4	
7	4711800	8	Washer, 1/2	
8	1001095342	3	Assembly, Flood Light, (See FLOOD LIGHT ASSEMBLY for Breakdown)	
9	1001125382	1	Harness, Boom Work Light (See BOOM WORK LIGHT HARNESS for Breakdown)	
10	1001090580	2	Assembly, Cab Worklight (See CAB WORKLIGHT ASSEMBLY for Breakdown)	
11	1320263	6	Clamp, Cable	
12	4761400	5	Washer, Lock 1/4	
13	8096D097	87.75 in	Duct, Wiring	
14	1001090460	1	Switch, Work Lights	
15	1001090461	1	Switch, Beacon	
16		Ref	Harness, Cab Work Light (See Separate Breakdown in this Section)	
17	1001090522	1	Bracket, Backup Light	
18	0642210	1	Bolt, 3/4-10X1 1/4	
19	4712200	1	Washer, 3/4	
20	14404173	AR	Sealant	
21	8406105	1	Clamp, Hose .75	
22	4761800	2	Washer, Lock 1/2	
23	1001146009	1	Bracket, Worklight	
24	8500066	1	Light, Rotating Beacon, (See ROTATING BEACON LIGHT for Breakdown)	
25	1001099276	1	Lamp, Utility Flood	
26	1001090615	1	Grommet, .875X.375	
27	4460464	2	Terminal	
28	4460897	1	Terminal	
29	2820035	14.4 in	Insulation, .25	
30	1001117021	1	Connector	
31	8220890	1	2-Way TPA	

# SECTION 10 - ELECTRICAL

## FIGURE 10-15. FLOOD LIGHT ASSEMBLY



ART\_1001095342-B

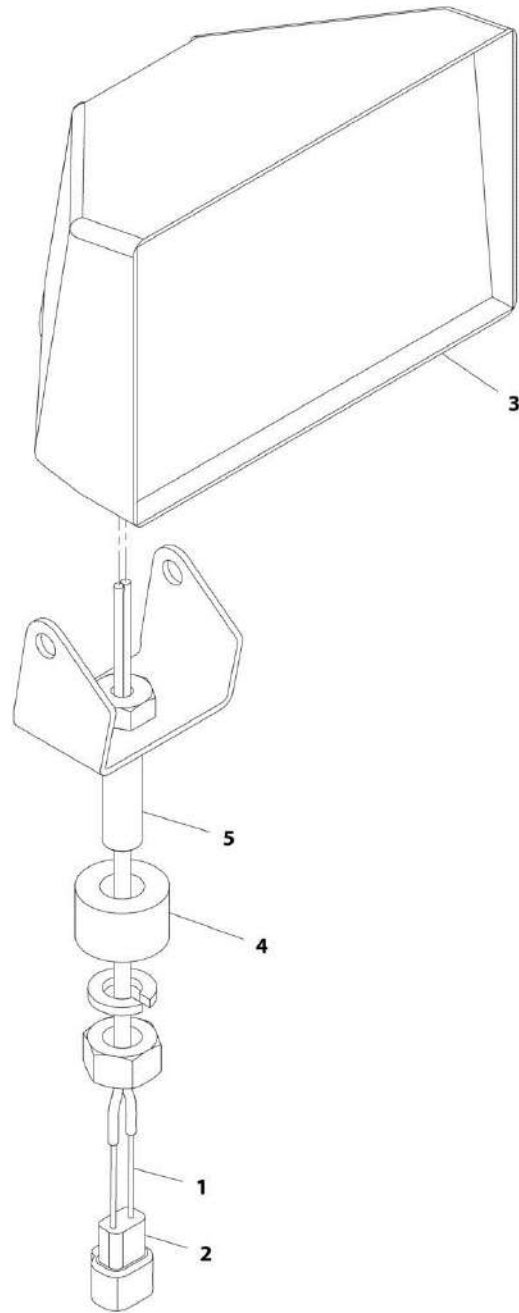
## SECTION 10 - ELECTRICAL

### FIGURE 10-15. FLOOD LIGHT ASSEMBLY

ITEM	PART NUMBER	QTY	DESCRIPTION	REV
	1001095342	Ref	Flood Light Assembly	B
1	4460464	2	Terminal	
2	4460897	1	Connector	
3	80963050	1	Light, Flood	

# SECTION 10 - ELECTRICAL

## FIGURE 10-16. CAB WORKLIGHT ASSEMBLY



ART\_1001090580-B



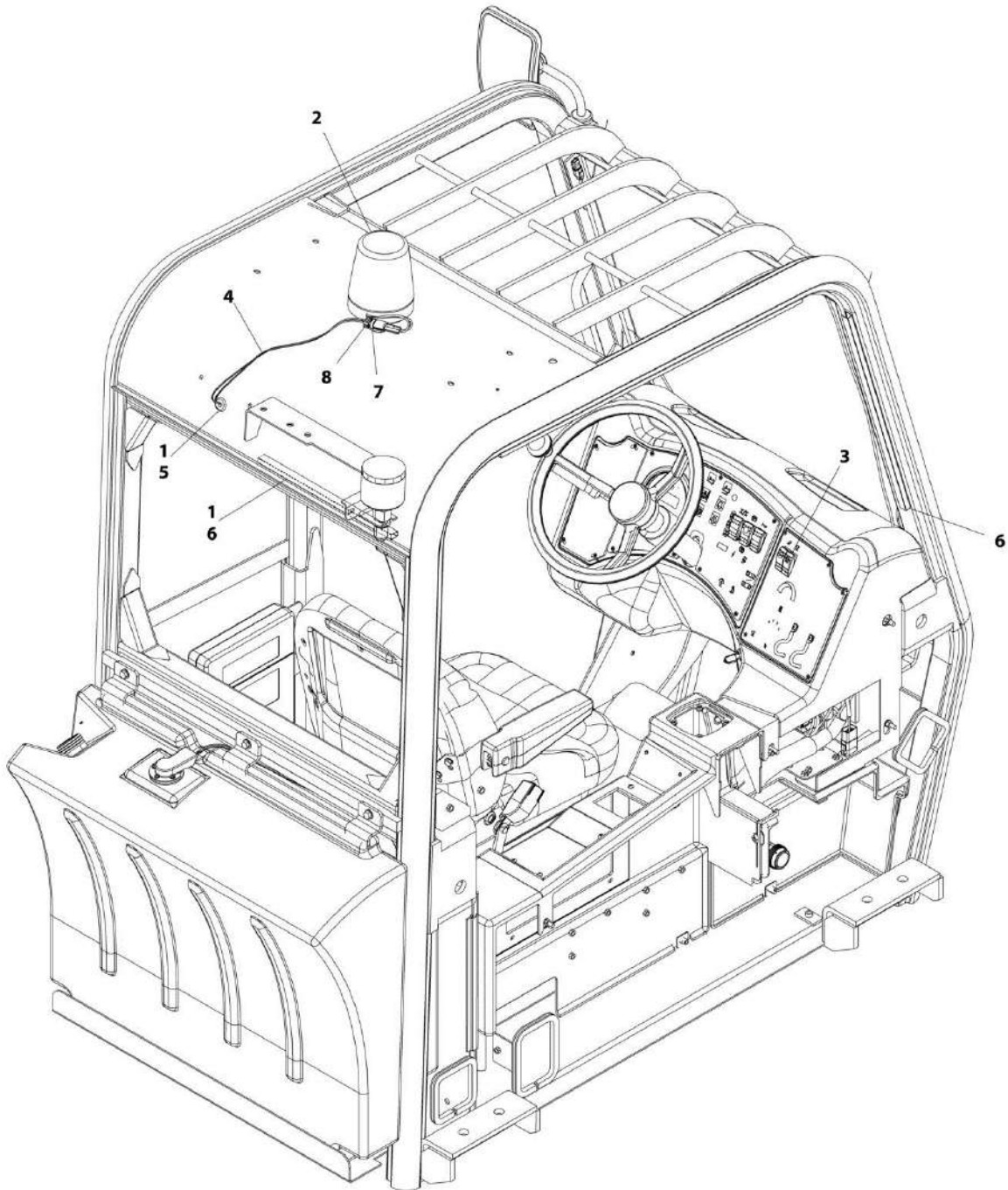
## SECTION 10 - ELECTRICAL

### FIGURE 10-16. CAB WORKLIGHT ASSEMBLY

ITEM	PART NUMBER	QTY	DESCRIPTION	REV
	1001090580	Ref	Cab Worklight Assembly	B
1	4460464	2	Terminal	
2	4460897	1	Connector	
3	80963050	1	Light, Flood	
4	91403503	1	Spacer	
5	91413052	1	Bolt, 1/2-13X2	

# SECTION 10 - ELECTRICAL

## FIGURE 10-17. BEACON LIGHT



ART\_1001189331-B

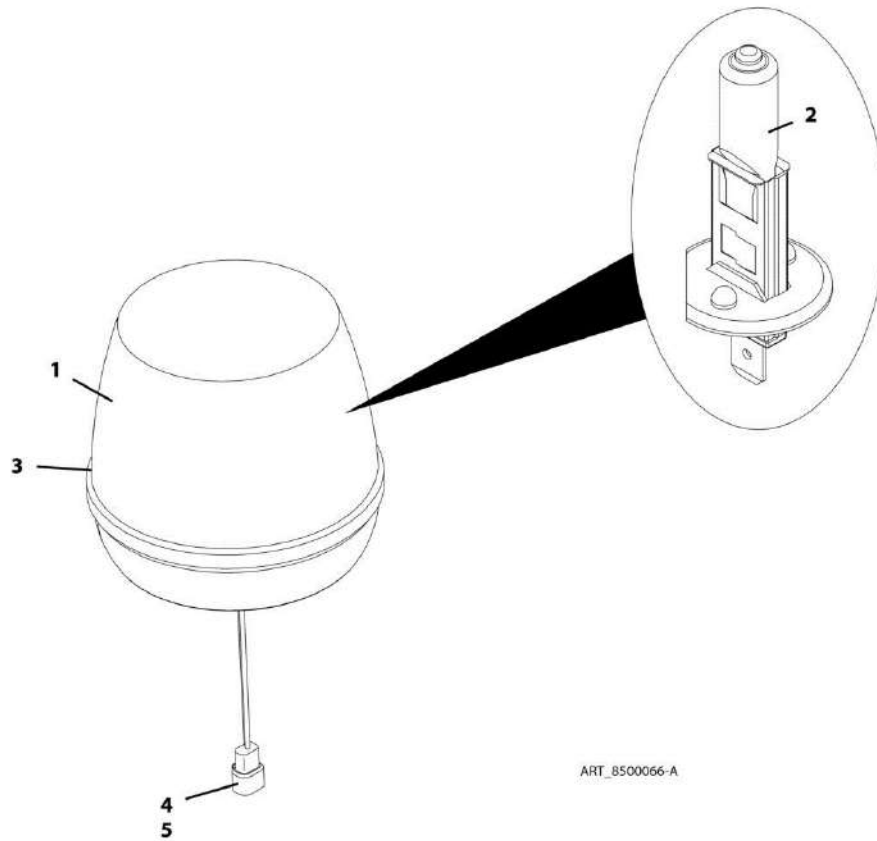
# SECTION 10 - ELECTRICAL

## FIGURE 10-17. BEACON LIGHT

ITEM	PART NUMBER	QTY	DESCRIPTION	REV
	1001189331	Ref	Beacon Light	B
1	14404173	AR	Sealant, Silicone	
2	8500066	1	Light, Rotating Beacon, (See ROTATING BEACON LIGHT for Breakdown)	
3	1001090461	1	Switch, Beacon	
4		Ref	Harness, Cab Work Light (See Separate Breakdown in this Section)	
5	1001090615	1	Grommet, .875X.375	
6	8096D097	72 in	Duct, Wiring	
7	1001117021	1	Connector	
8	8220890	1	Lock, TPA Secondary	

# SECTION 10 - ELECTRICAL

## FIGURE 10-18. ROTATING BEACON LIGHT



ART\_8500066-A

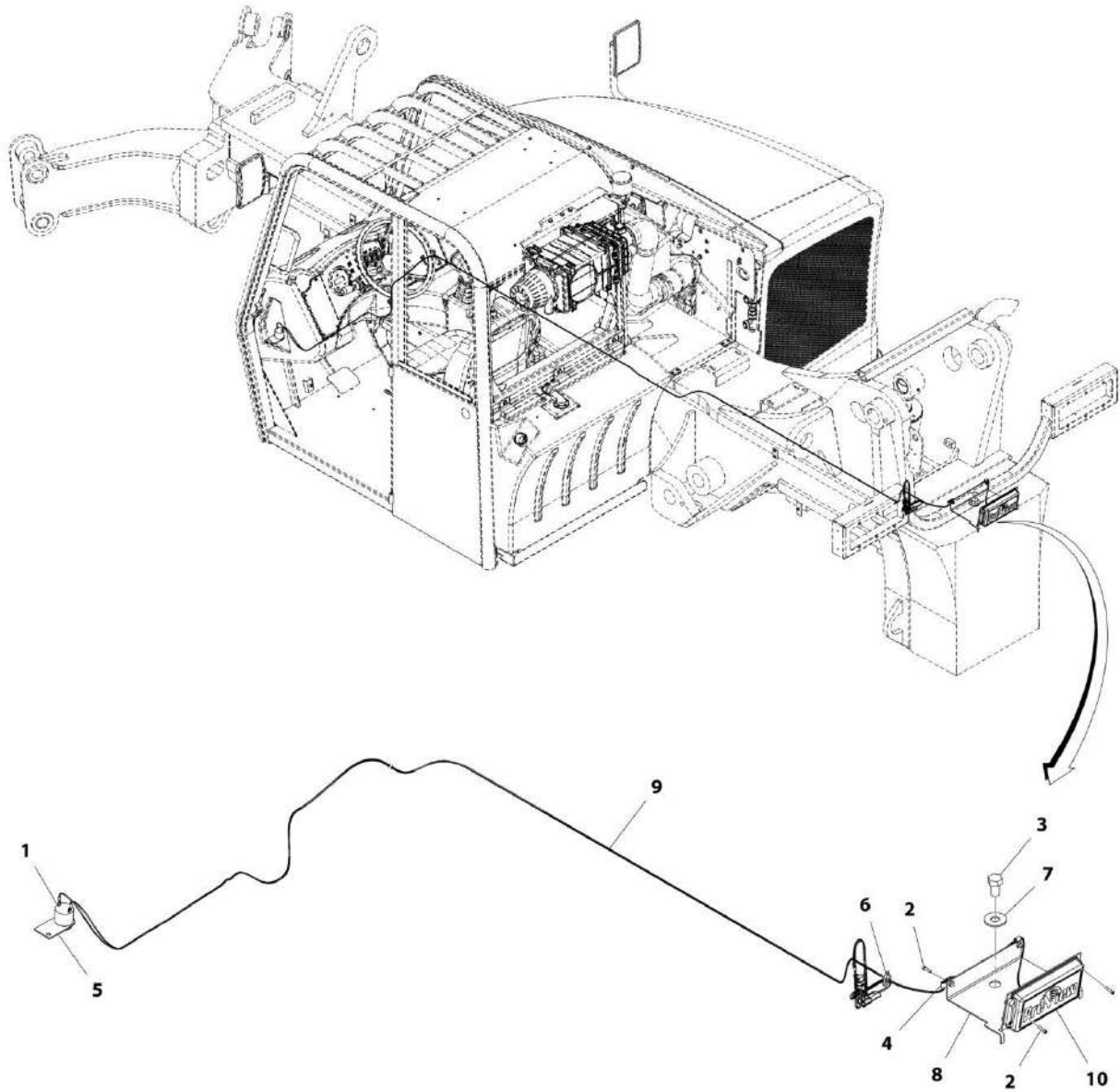
## SECTION 10 - ELECTRICAL

### FIGURE 10-18. ROTATING BEACON LIGHT

ITEM	PART NUMBER	QTY	DESCRIPTION	REV
	8500066	Ref	Rotating Beacon Light	A
1	70025997	1	Lens, Amber	
2	7029524	1	Bulb, 12VDC	
3	70025998	1	Belt	
4	4460508	1	Terminal	
5	4461017	1	Connector	

# SECTION 10 - ELECTRICAL

## FIGURE 10-19. REVERSE SENSING SYSTEM INSTALLATION



ART\_1001152538-A

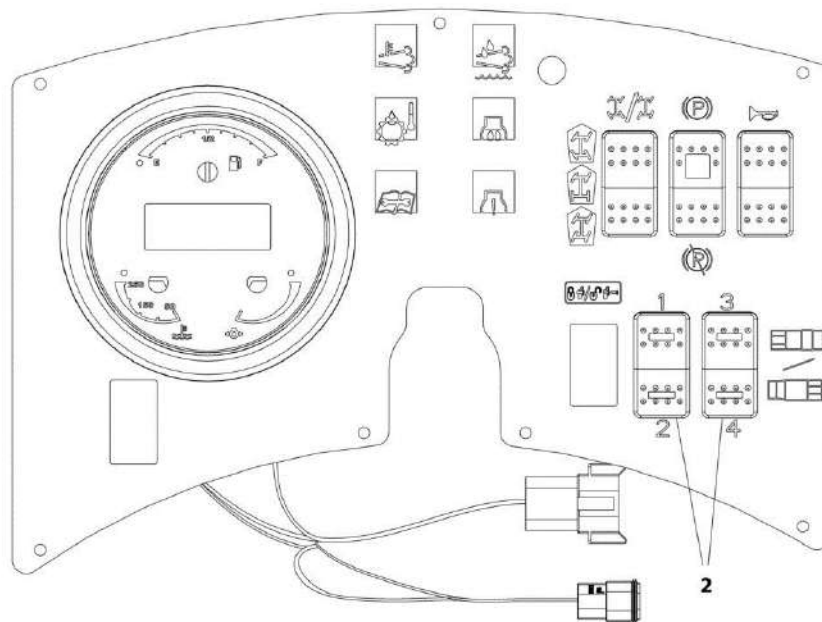
## SECTION 10 - ELECTRICAL

### FIGURE 10-19. REVERSE SENSING SYSTEM INSTALLATION

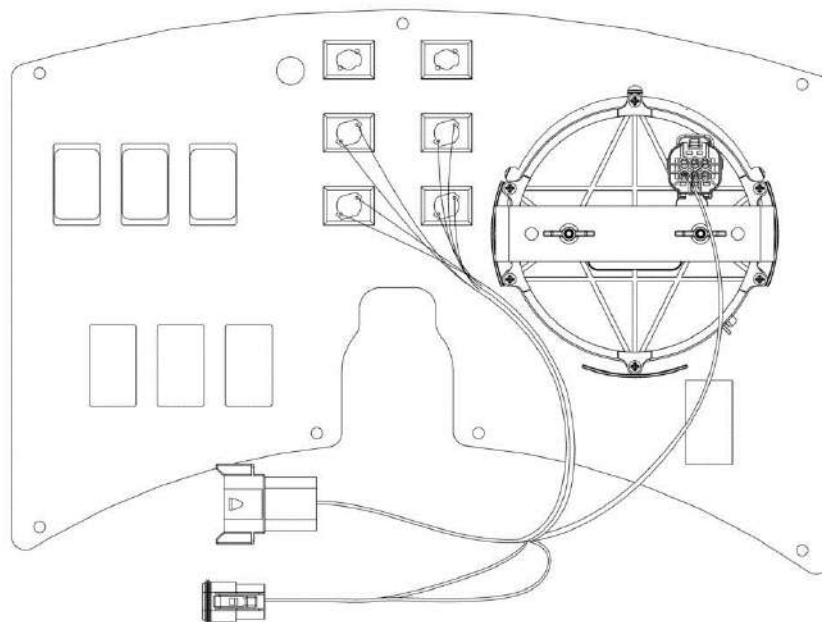
ITEM	PART NUMBER	QTY	DESCRIPTION	REV
	1001152538	Ref	Reverse Sensing System Installation	A
1	0140011	1	Audible Signal Device	
2	3931012	6	Bolt, 10-24X3/4	
3	0642210	1	Bolt, 3/4-10X1 1/4	
4	1320136	2	Clamp, Cable	
5	1001182662	1	Bracket, Audible Alarm	
6	4240033	AR	Strap, Tie	
7	4752200	1	Washer, 3/4	
8	1001152220	1	Bracket, Backup Sensor	
9	1001153084	1	Harness, Reverse Sensor (See REVERSE SENSOR HARNESS for Breakdown)	
10	1001182358	1	Control, Reverse Sensor	

# SECTION 10 - ELECTRICAL

## FIGURE 10-20. CAB AUXILIARY ELECTRICS (MANUAL QUICK COUPLER)



**FRONT VIEW**

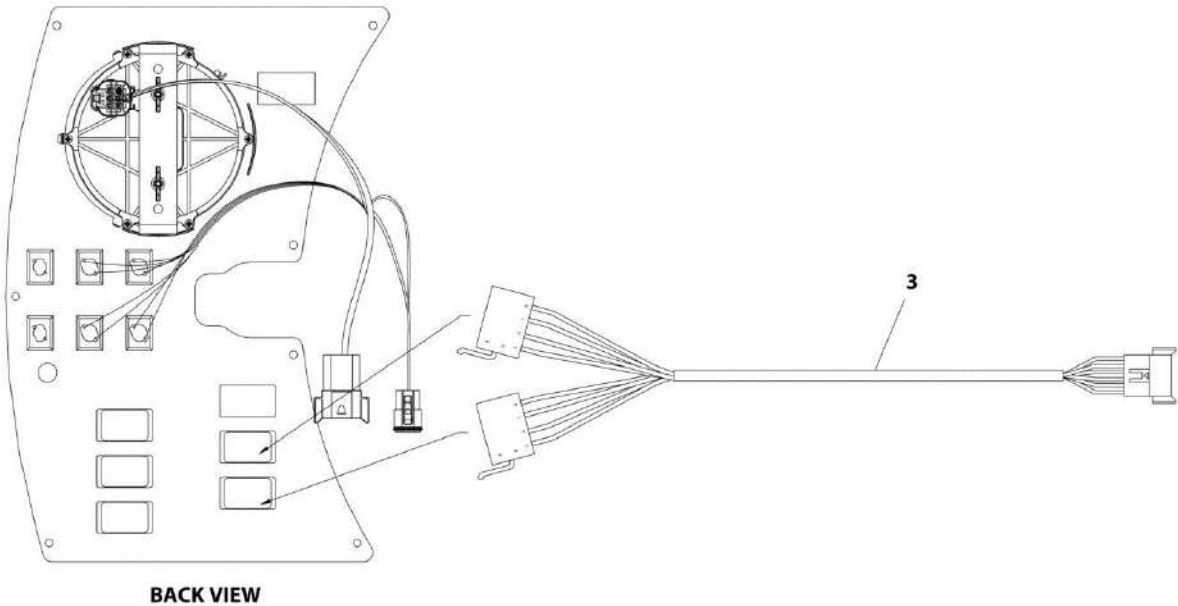


**BACK VIEW**

ART\_91563066\_1-B



**SECTION 10 - ELECTRICAL**



ART\_91565066\_2-B

## SECTION 10 - ELECTRICAL

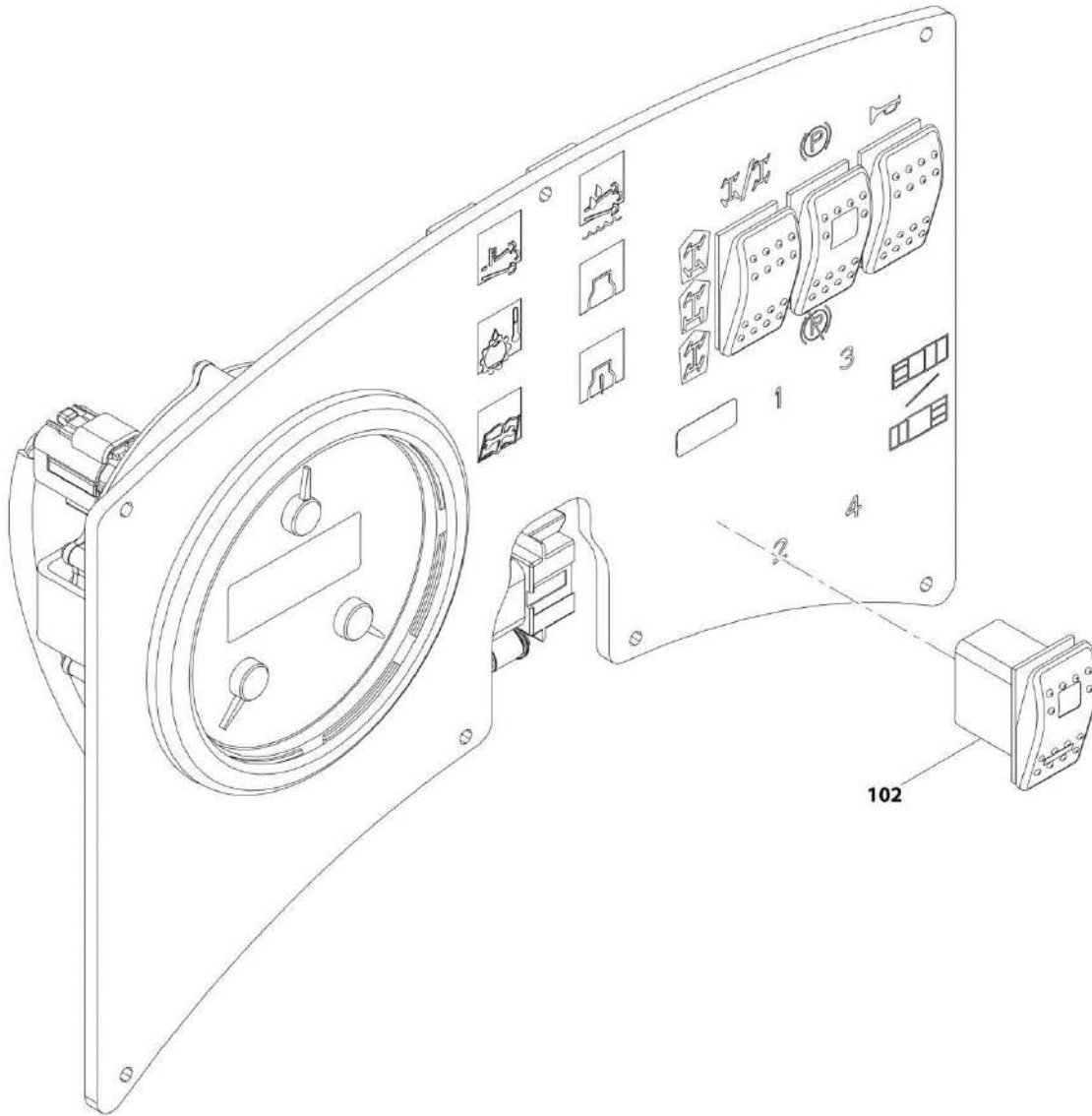
FIGURE 10-20. CAB AUXILIARY ELECTRICS (MANUAL QUICK COUPLER)

ITEM	PART NUMBER	QTY	DESCRIPTION	REV
	91565066	Ref	Cab Auxiliary Electrics (Manual Quick Coupler)	B
2	91473127	2	Switch	
3	91563192	1	Harness, Auxiliary (See AUXILIARY HARNESS for Breakdown)	



# SECTION 10 - ELECTRICAL

## FIGURE 10-21. CAB AUXILIARY ELECTRICS (HYDRAULIC QUICK COUPLER)



ART\_1001001181-F

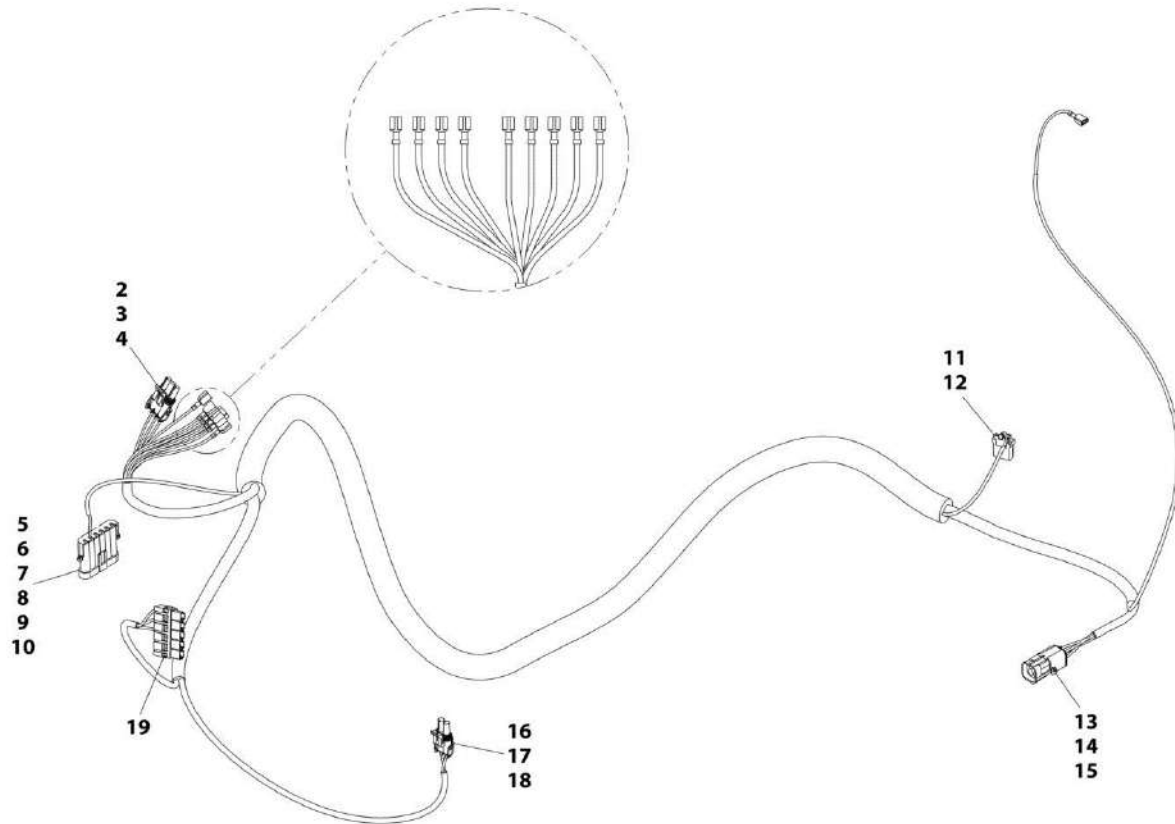
## SECTION 10 - ELECTRICAL

**FIGURE 10-21. CAB AUXILIARY ELECTRICS (HYDRAULIC QUICK COUPLER)**

ITEM	PART NUMBER	QTY	DESCRIPTION	REV
102	1001001181 1001001242	Ref 1	Cab Auxiliary Electrics (Hydraulic Quick Coupler) Switch	F

# SECTION 10 - ELECTRICAL

## FIGURE 10-22. ENCLOSED CAB OPTION HARNESS



ART\_91563185-B

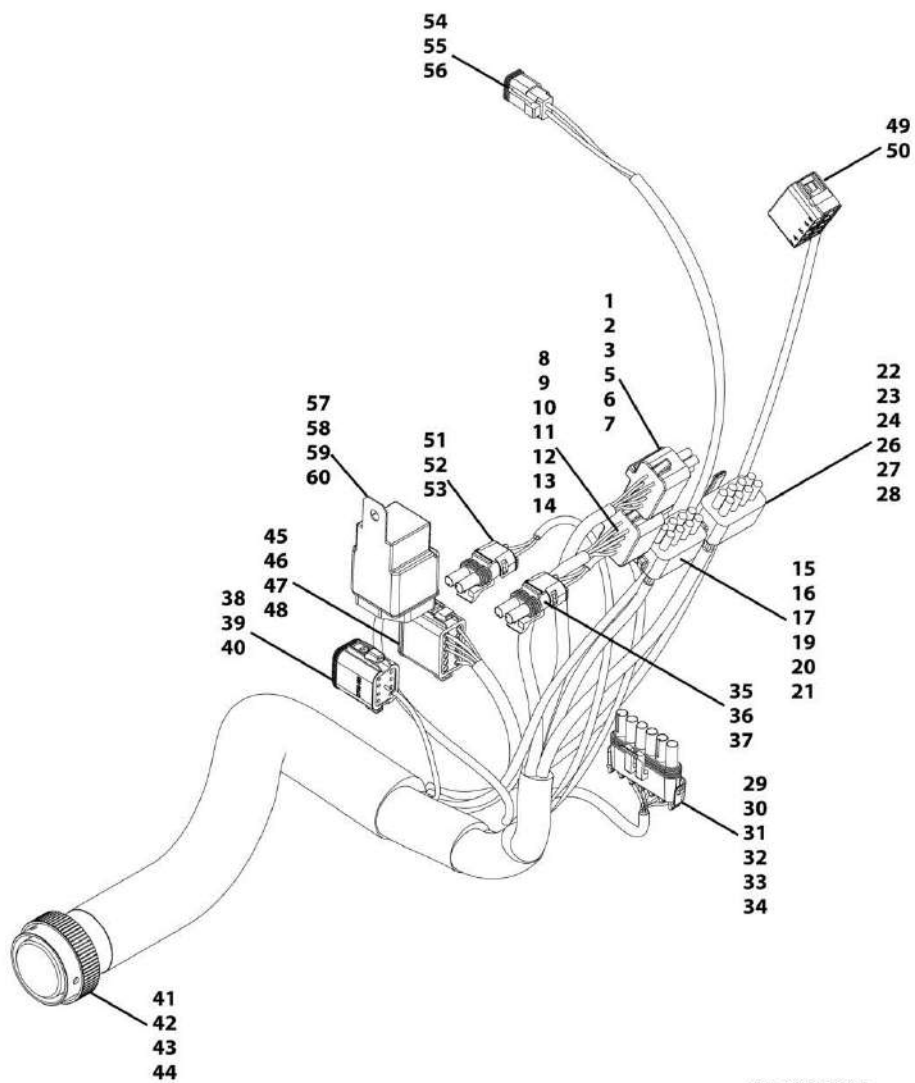
## SECTION 10 - ELECTRICAL

**FIGURE 10-22. ENCLOSED CAB OPTION HARNESS**

ITEM	PART NUMBER	QTY	DESCRIPTION	REV
	91563185	Ref	Enclosed Cab Option Harness	B
2	4460459	1	Terminal, Connector	
3	4460743	3	Terminal, Socket	
4	80963065	1	Seal, Weatherpack Cable	
5	80963065	1	Seal, Weatherpack Cable	
6	80963064	1	Shroud	
7	80963069	2	Pin, Weatherpack Male	
8	4460850	3	Terminal, Male Pin	
9	80963067	1	Seal	
10	80963070	1	Plug, Dust Cap	
11	7026429	1	Connector	
12	7026430	3	Terminal	
13	80963065	1	Seal, Weatherpack Cable	
14	80963069	4	Pin, Weatherpack Male	
15	80963062	1	Connector	
16	80963057	1	Tower	
17	80963068	2	Terminal	
18	80963065	1	Seal, Weatherpack Cable	
19	7026431	1	Connector	

# SECTION 10 - ELECTRICAL

## FIGURE 10-23. VEC OPTIONS HARNESS



ART\_1001112039-E



# SECTION 10 - ELECTRICAL

## FIGURE 10-23. VEC OPTIONS HARNESS

ITEM	PART NUMBER	QTY	DESCRIPTION	REV
	1001112039	Ref	VEC Options Harness	E
1	80484086	1	Connector, (black)	
2	7026414	1	Lock, Connector	
3	4460746	3	Terminal	
5	80963065	3	Seal, Weatherpack Cable	
6	1001116747	5	Terminal, Female Metri-Pack	
7	80963067	5	Seal	
8	80484085	1	Connector, (gray)	
9	7026414	1	Lock, Connector	
10	4460746	4	Terminal	
11	80963070	1	Plug, Dust Cap	
12	80963065	4	Seal, Weatherpack Cable	
13	1001116747	3	Terminal, Female Metri-Pack	
14	80963067	3	Seal	
15	80484081	1	Connector, (green)	
16	7026414	1	Lock, Connector	
17	4460746	3	Terminal	
19	80963065	3	Seal, Weatherpack Cable	
20	1001116747	5	Terminal, Female Metri-Pack	
21	80963067	53	Seal	
22	80484084	1	Connector, (blue)	
23	7026414	1	Lock, Connector	
24	4460746	3	Terminal	
26	80963065	3	Seal, Weatherpack Cable	
27	1001116747	5	Terminal, Female Metri-Pack	
28	80963067	5	Seal	
29	80963063	1	Connector	
30	80963068	2	Terminal	
31	80963065	2	Seal, Weatherpack Cable	
32	4460790	3	Terminal, Female Metri-Pack	
33	80963067	3	Seal	
34	80963070	1	Plug, Dust Cap	
35	80963057	1	Tower	
36	80963068	2	Terminal	
37	80963065	2	Seal, Weatherpack Cable	
38	7026909	1	Connector	
39	8220525	1	Lock	
40	77363229	8	Connector, Socket	
41	91504089	1	Connector	
42	77363228	10	Terminal	
43	77363345	8	Contact	
44	4460466	1	Terminal, Sealing Plug	
45	7026425	1	Connector	
46	80604016	1	Wedglock	
47	77363229	9	Contact	
48	4460466	1	Terminal, Sealing Plug	
49	7026439	1	Housing	
50	4460419	7	Terminal	
51	80963057	1	Tower	
52	4460790	2	Terminal, Female Socket	

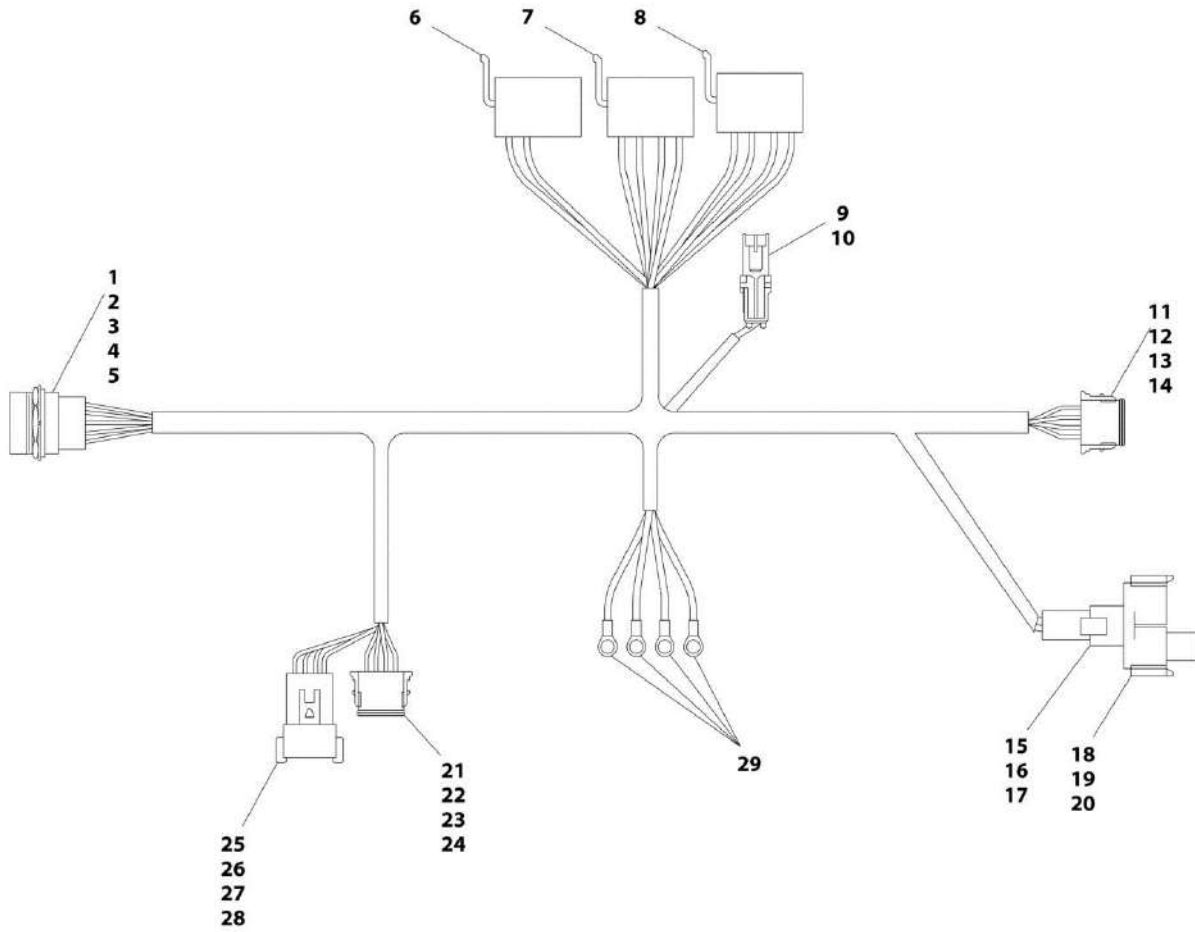
## SECTION 10 - ELECTRICAL

ITEM	PART NUMBER	QTY	DESCRIPTION	REV
53	80963067	2	Seal	
54	7026408	1	Connector	
55	80604018	1	Wedgelock	
56	77363229	2	Contact	
57	3740080	1	Relay, Weather Proof	
58	4460374	1	Plug, Terminal	
59	1001116733	4	Terminal, Female Metri-Pack	
60	91554023	1	Plug	



# SECTION 10 - ELECTRICAL

## FIGURE 10-24. DASH HARNESS



ART\_1001108B41-F

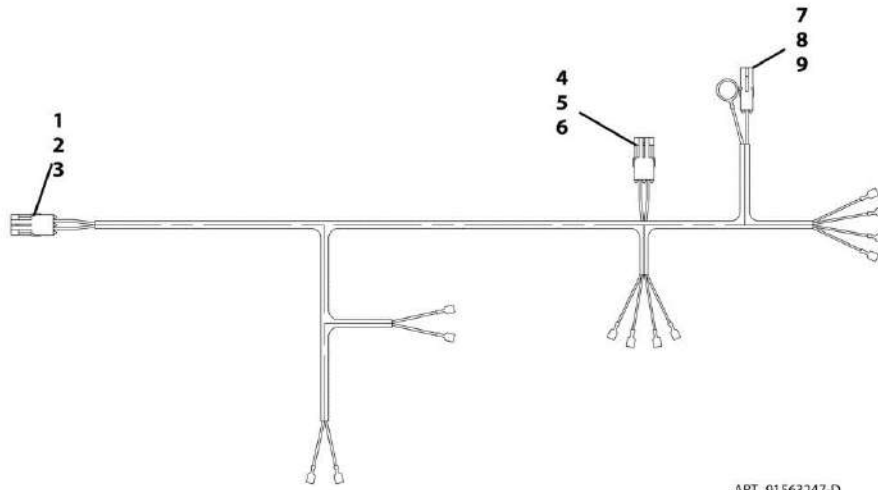
## SECTION 10 - ELECTRICAL

### FIGURE 10-24. DASH HARNESS

ITEM	PART NUMBER	QTY	DESCRIPTION	REV
	1001108841	Ref	Dash Harness	F
1	4460500	1	Connector	
2	4460465	30	Terminal~Terminal	
3	4460466	1	Plug	
4	83481286	1	Nut	
5	83481285	1	Lockwasher	
6	4460419	2	Terminal	
7	4460419	6	Terminal	
8	4460419	4	Terminal	
9	80963056	1	Connector	
10	4460475	1	Terminal	
11	8220524	1	Terminal	
12	8220525	1	Lock, Connector	
13	4460465	7	Terminal	
14	4460466	1	Plug	
15	77363242	1	Connector	
16	91554019	1	Lock, Connector	
17	4460944	1	Terminal	
18	7026425	1	Connector	
19	80604016	1	Lock, Connector	
20	4460465	10	Terminal	
21	4460466	1	Terminal	
22	80363178	1	Connector	
23	80363179	1	Lock, Connector	
24	4460465	1	Terminal~Terminal	
25	4460466	1	Plug	
26	4460945	1	Terminal	
27	70022224	1	Connector	
28	91554019	1	Lock, Connector	

# SECTION 10 - ELECTRICAL

## FIGURE 10-25. AC HARNESS



ART\_91563247-D

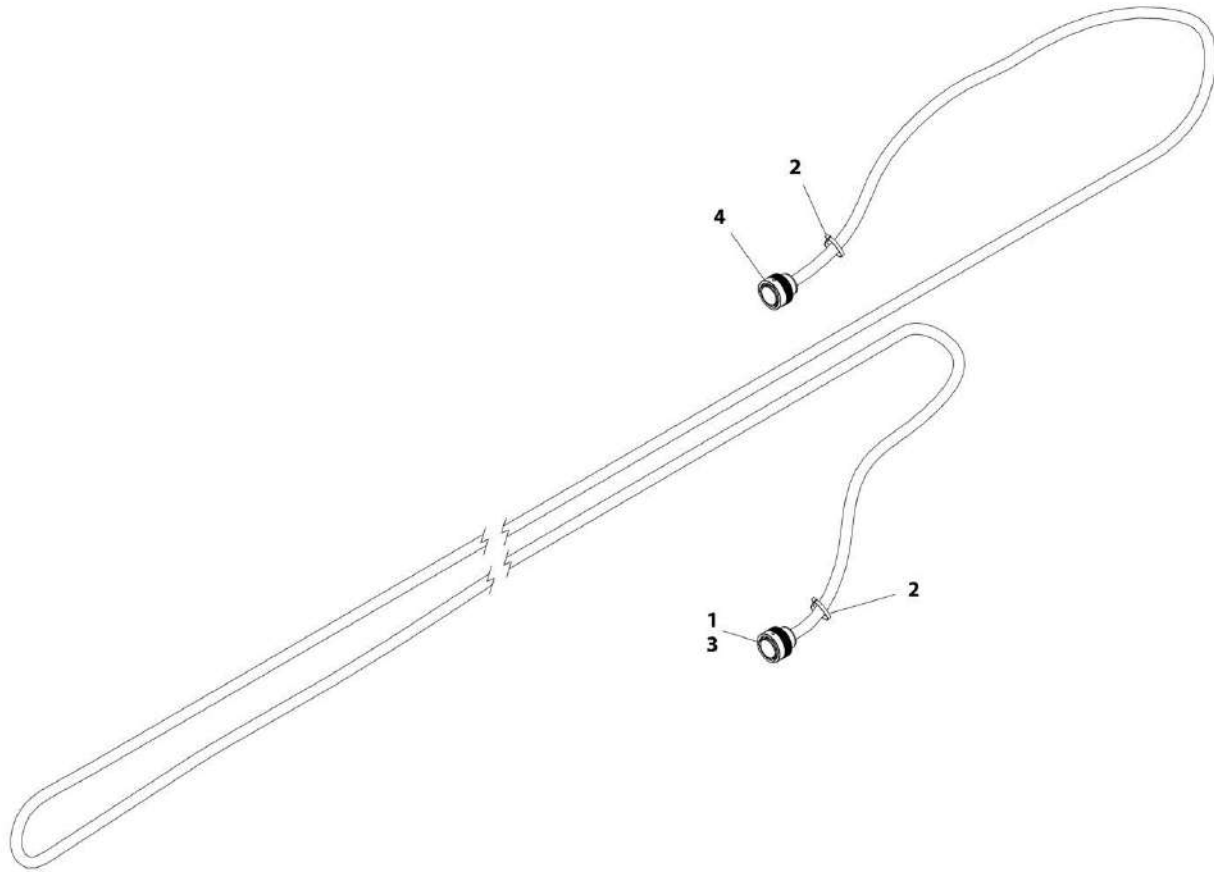
## SECTION 10 - ELECTRICAL

### FIGURE 10-25. AC HARNESS

ITEM	PART NUMBER	QTY	DESCRIPTION	REV
	91563247	Ref	AC Harness	D
1	80963058	1	Connector	
2	80963069	2	Terminal	
3	80963067	1	Seal	
4	80963058	1	Connector	
5	80963069	2	Terminal	
6	80963067	1	Seal	
7	80963056	1	Connector	
8	80963069	1	Terminal	
9	80963065	1	Seal	

# SECTION 10 - ELECTRICAL

## FIGURE 10-26. AUXILIARY BOOM WIRING HARNESS



ART\_91363151-B



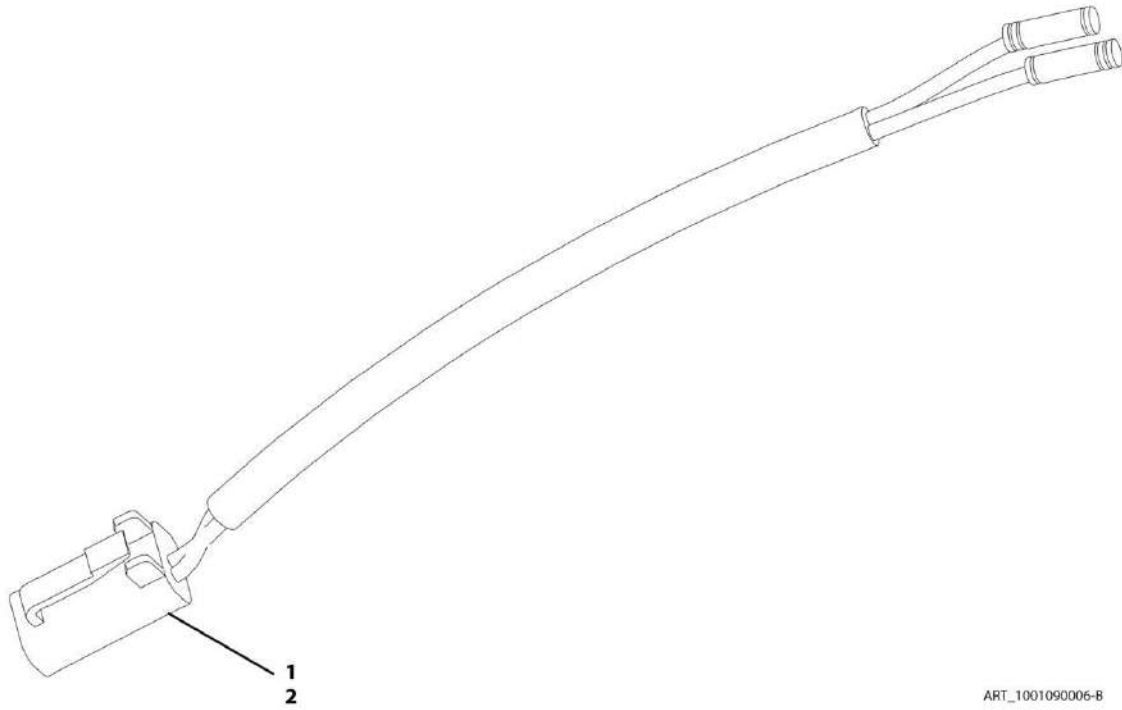
## SECTION 10 - ELECTRICAL

### FIGURE 10-26. AUXILIARY BOOM WIRING HARNESS

ITEM	PART NUMBER	QTY	DESCRIPTION	REV
	91363151	Ref	Auxiliary Boom Wiring Harness	B
1	77363233	1	Connector	
2	91143107	1	Relief, Strain	
3	77363229	5	Contacts, Socket	
4	77363233	1	Connector	

# SECTION 10 - ELECTRICAL

## FIGURE 10-27. Q.C. VALVE HARNESS



ART\_1001090006-B

# SECTION 10 - ELECTRICAL

## FIGURE 10-27. Q.C. VALVE HARNESS

ITEM	PART NUMBER	QTY	DESCRIPTION	REV
	1001090006	Ref	Q.C. Valve Harness	B
1	4460891	1	Connector	
2	80604018	1	Lock, Connector	

# SECTION 10 - ELECTRICAL

## FIGURE 10-28. AUXILIARY BOOM ELECTRIC HARNESS



ART\_1001189235-A

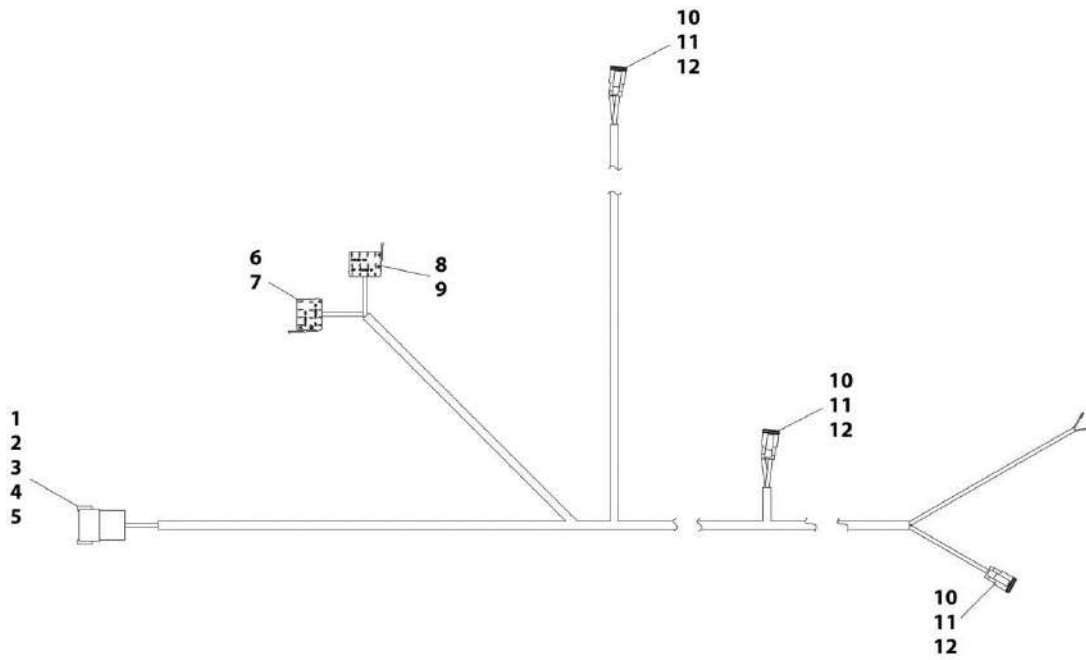
## SECTION 10 - ELECTRICAL

### FIGURE 10-28. AUXILIARY BOOM ELECTRIC HARNESS

ITEM	PART NUMBER	QTY	DESCRIPTION	REV
	1001189235	Ref	Auxiliary Boom Electric Harness	A
1	91143107	1	Relief, Strain	
2	77363232	1	Connector	

# SECTION 10 - ELECTRICAL

FIGURE 10-29. CAB WORK LIGHT HARNESS (Prior to SN 01600791020)



ART\_1001158896-B

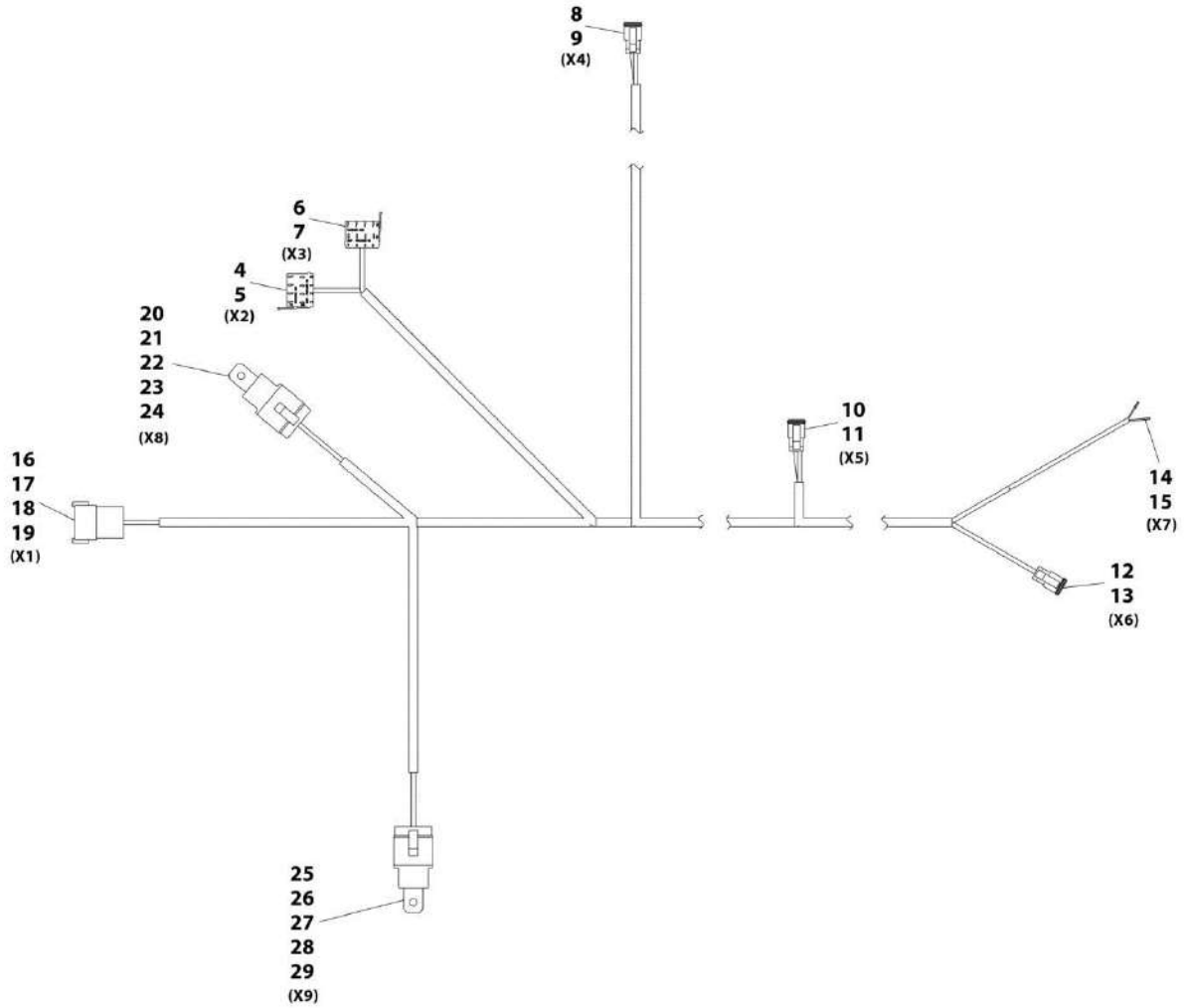
## SECTION 10 - ELECTRICAL

**FIGURE 10-29. CAB WORK LIGHT HARNESS (Prior to SN 01600791020)**

ITEM	PART NUMBER	QTY	DESCRIPTION	REV
	1001158896	Ref	Cab Worklight Harness	B
1	91503105	1	Connector	
2	8220525	1	Lock	
3	77363229	4	Connector	
4	4460942	2	Terminal	
5	4460466	2	Terminal, Sealing Plug	
6	7026439	1	Housing	
7	1001118384	5	Terminal	
8	7026439	1	Housing	
9	1001118384	3	Terminal	
10	7026408	3	Connector	
11	80604018	1	Wedglock	
12	80463058	2	Terminal	

# SECTION 10 - ELECTRICAL

FIGURE 10-30. CAB WORK LIGHT HARNESS (SN 01600791020 to Present)



ART\_1001224062-B



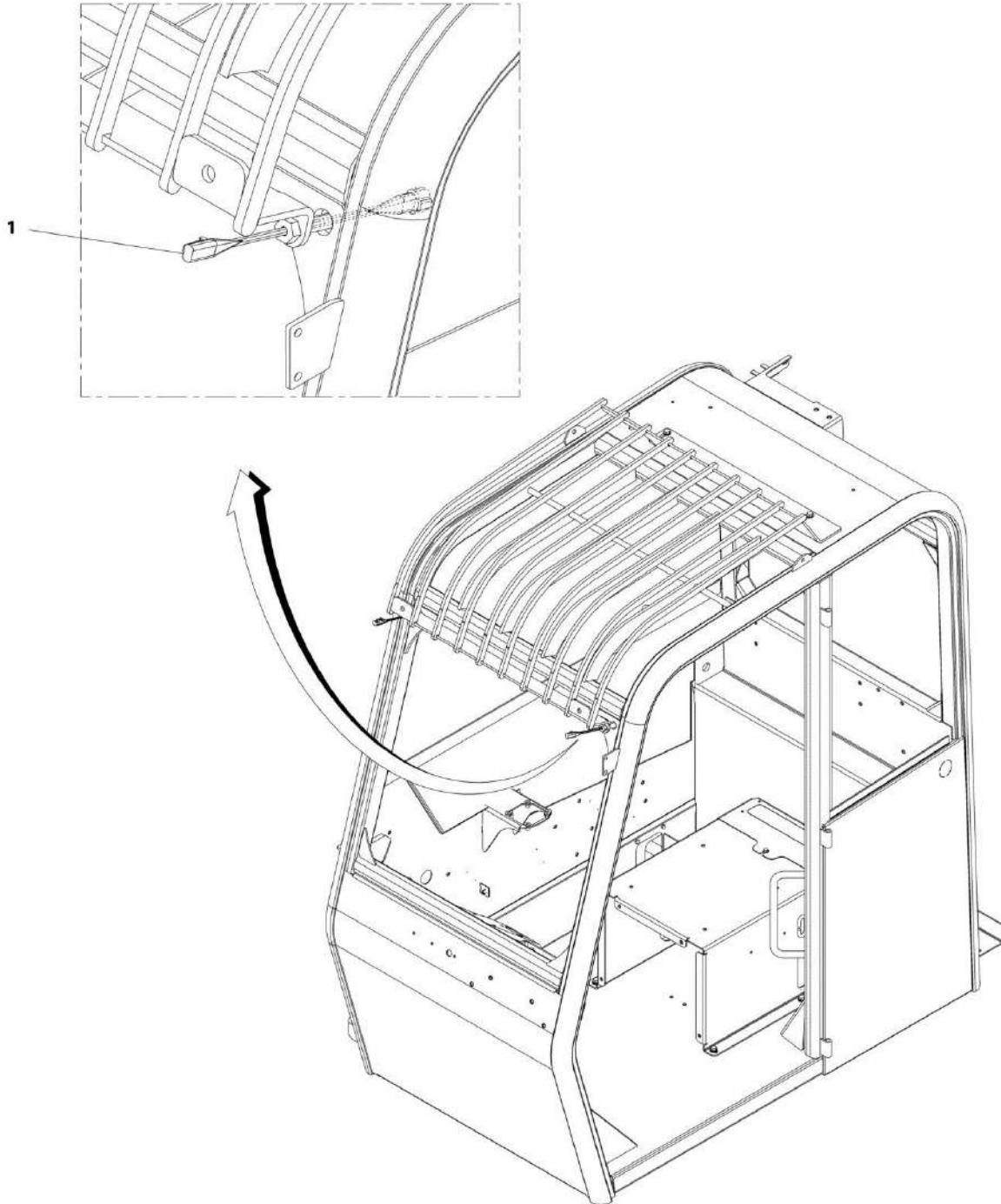
## SECTION 10 - ELECTRICAL

**FIGURE 10-30. CAB WORK LIGHT HARNESS (SN 01600791020 to Present)**

ITEM	PART NUMBER	QTY	DESCRIPTION	REV
	1001224062	Ref	Cab Work Light Harness	B
4	8220904	1	Connector	
5	1001118384	5	Terminal	
6	8220904	1	Connector	
7	1001118384	3	Terminal	
8	4460891	1	Connector	
9	4460942	2	Terminal	
10	4460891	1	Connector	
11	4460942	2	Terminal	
12	4460891	1	Connector	
13	4460942	2	Terminal	
14	4460458	1	Seal	
15	4460746	2	Terminal	
16	4460931	1	Connector	
17	4460941	5	Terminal	
18	1001157891	1	Terminal	
19	4460466	2	Plug	
20	1001120851	1	Connector	
21	3740080	1	Relay	
22	1001116733	2	Terminal	
23	1001116734	2	Terminal	
24	1001128128	1	Plug	
25	1001120851	1	Connector	
26	3740080	1	Relay	
27	1001116733	2	Terminal	
28	1001116734	2	Terminal	
29	1001128128	1	Plug	

# SECTION 10 - ELECTRICAL

## FIGURE 10-31. BRICK GUARD WORK LIGHT HARNESS INSTALLATION



ART\_1001135607-A

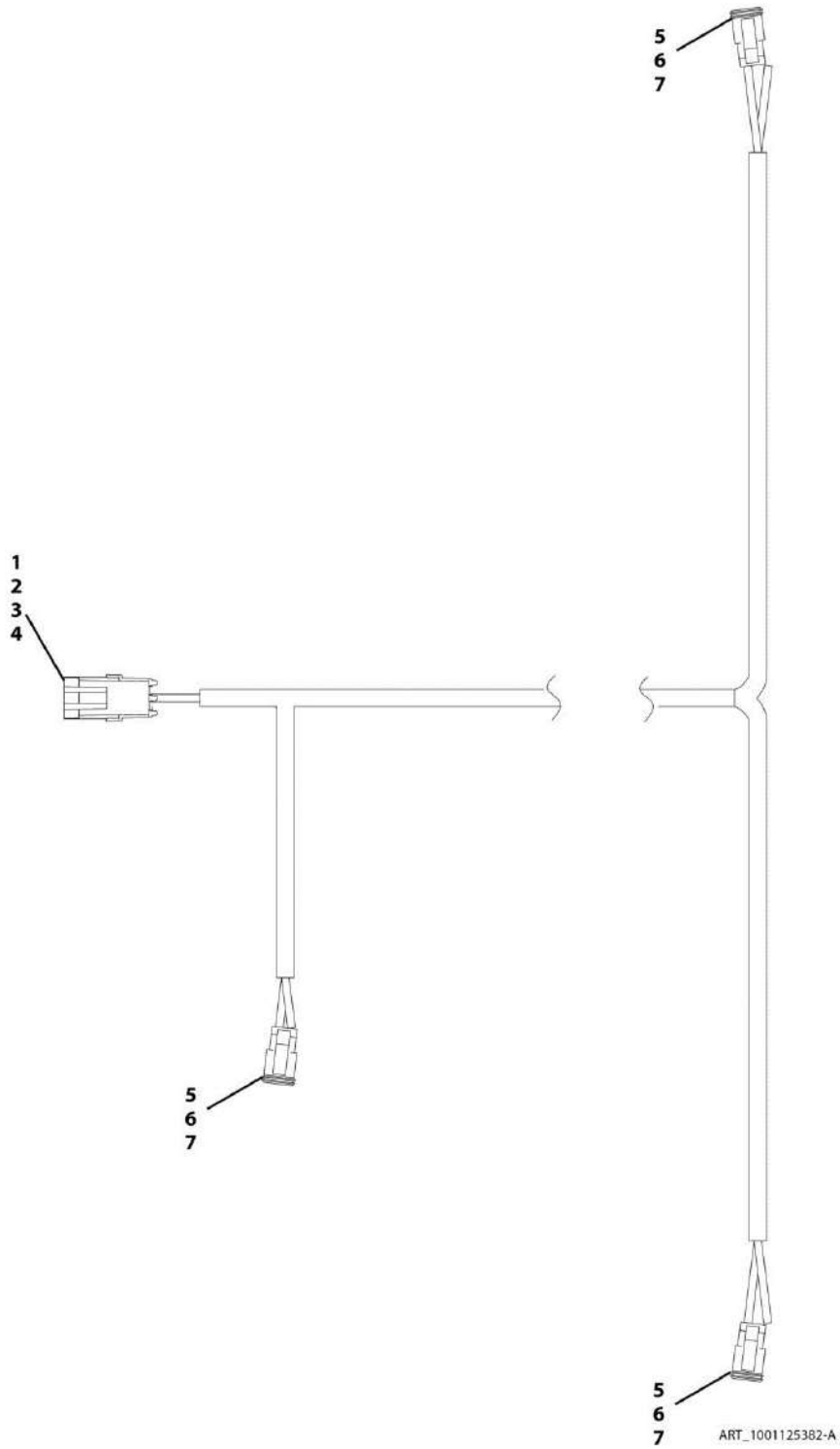
## SECTION 10 - ELECTRICAL

**FIGURE 10-31. BRICK GUARD WORK LIGHT HARNESS INSTALLATION**

ITEM	PART NUMBER	QTY	DESCRIPTION	REV
1	1001135607 1001100895	Ref 2	Brick Guard Work Light Harness Installation Harness, Cab Work Lights (See CAB WORK LIGHTS HARNESS for Breakdown)	A

# SECTION 10 - ELECTRICAL

## FIGURE 10-32. BOOM WORK LIGHT HARNESS



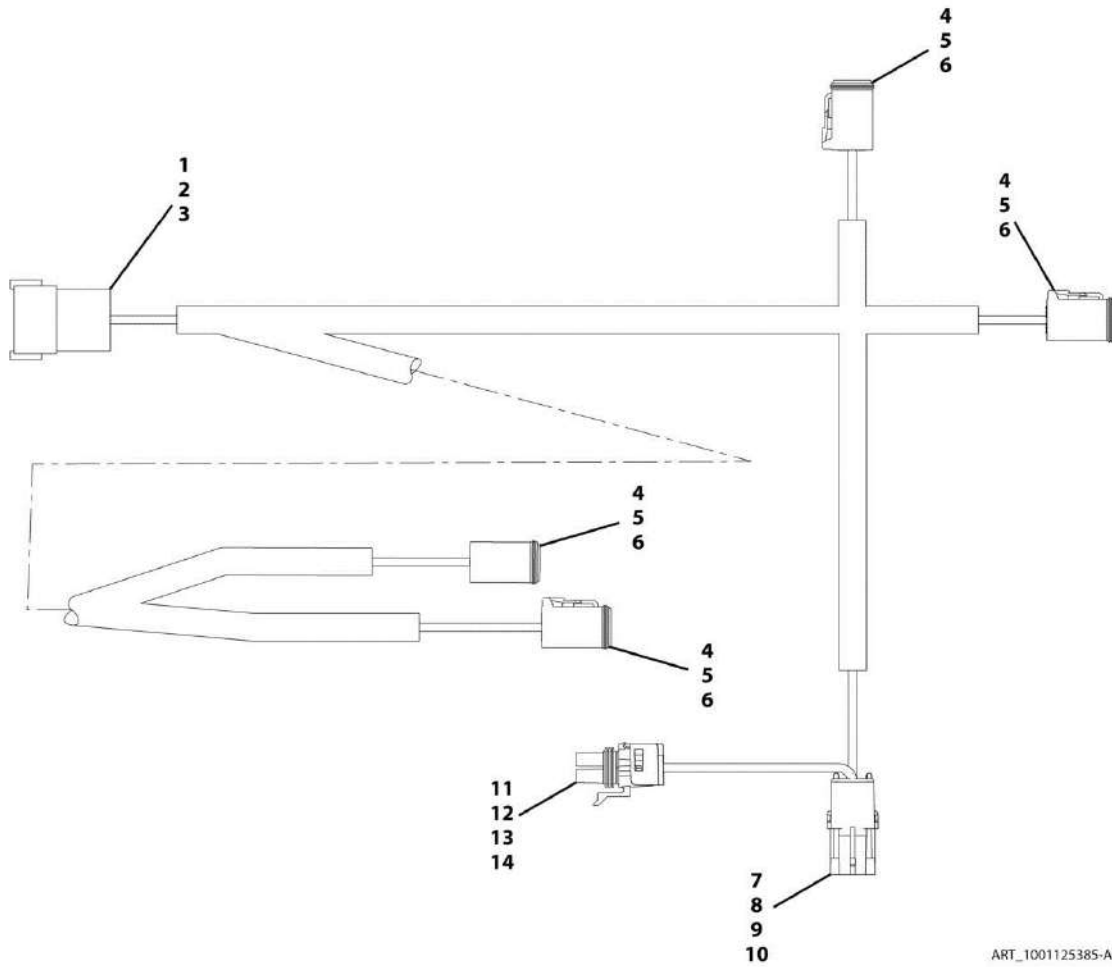
## SECTION 10 - ELECTRICAL

### FIGURE 10-32. BOOM WORK LIGHT HARNESS

ITEM	PART NUMBER	QTY	DESCRIPTION	REV
	1001125382	Ref	Boom Work Light Harness	A
1	80963062	1	Connector	
2	4460850	2	Terminal	
3	8220081	2	Seal	
4	1001116727	2	Plug	
5	4460891	3	Connector	
6	80604018	1	Lock, Connector	
7	4460942	2	Terminal	

# SECTION 10 - ELECTRICAL

## FIGURE 10-33. FRAME ROAD LIGHT HARNESS



ART\_1001125385-A

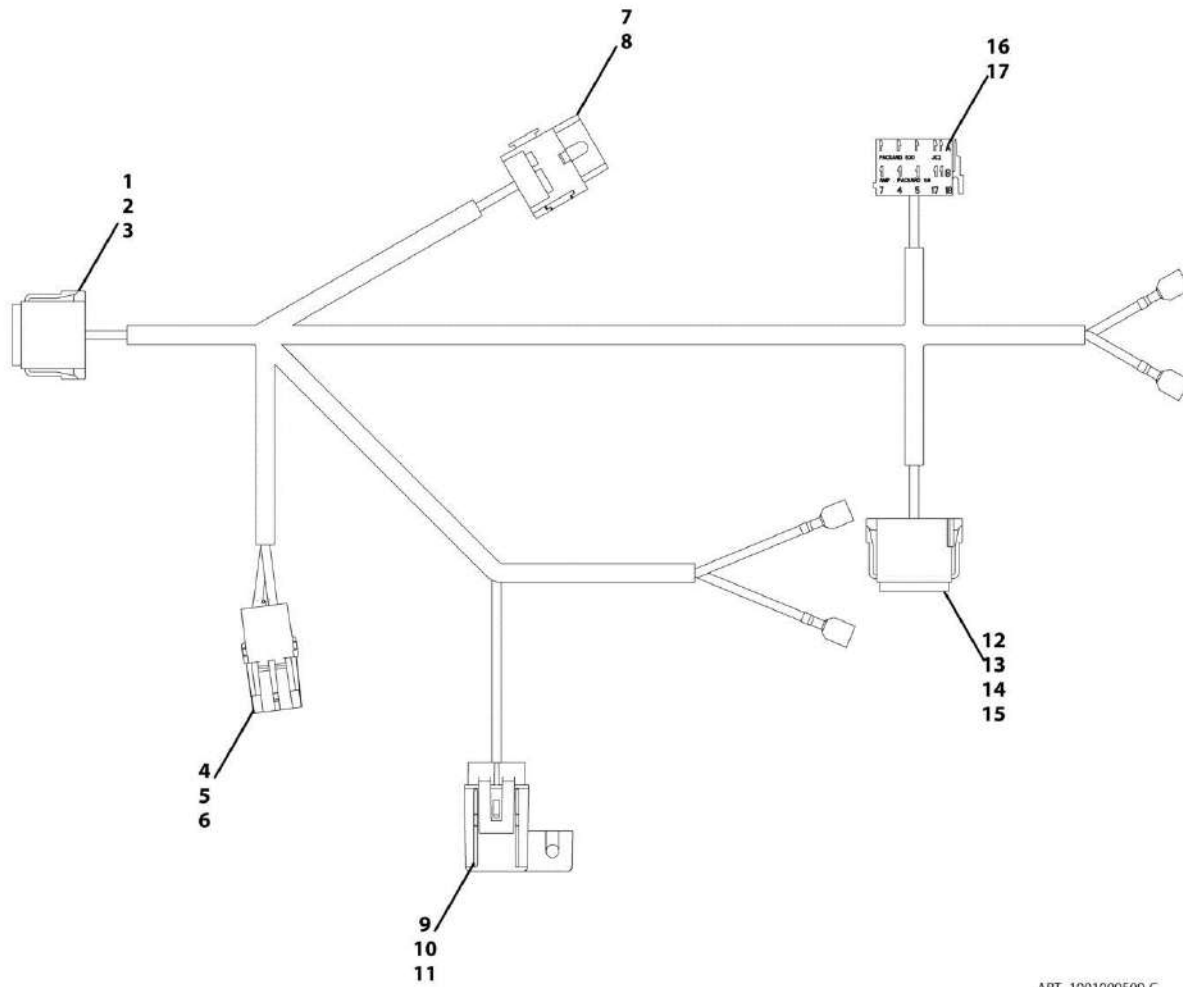
## SECTION 10 - ELECTRICAL

### FIGURE 10-33. FRAME ROAD LIGHT HARNESS

ITEM	PART NUMBER	QTY	DESCRIPTION	REV
	1001125385	Ref	Frame Road Light Harness	A
1	91503105	1	Connector	
2	91503106	1	Wedglock	
3	4460464	1	Terminal	
4	4460894	1	Terminal	
5	91504107	1	Lock, Connector	
6	4460464	1	Terminal	
7	80963062	1	Connector	
8	4460850	1	Terminal	
9	4460789	1	Terminal, Seal	
10	80963070	1	Plug, Dust Cap	
11	80963061	1	Connector	
12	80963068	1	Terminal	
13	80963065	1	Seal, Cable, (green)	
14	80963070	1	Plug, Dust Cap	

# SECTION 10 - ELECTRICAL

## FIGURE 10-34. CAB ROAD LIGHT HARNESS



ART\_1001090509-C



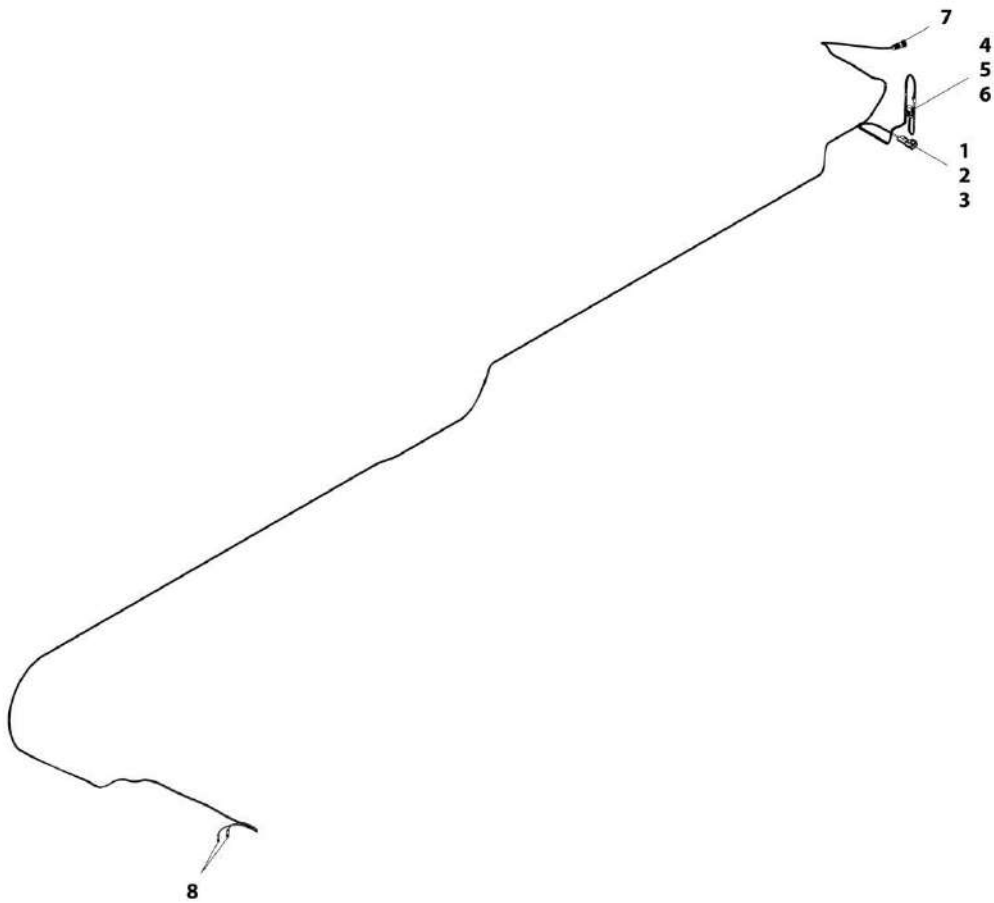
## SECTION 10 - ELECTRICAL

### FIGURE 10-34. CAB ROAD LIGHT HARNESS

ITEM	PART NUMBER	QTY	DESCRIPTION	REV
	1001090509	Ref	Cab Road Light Harness	C
1	4460851	1	Connector	
2	8220525	1	Lock, Connector	
3	4460465	8	Terminal	
4	80963058	1	Connector	
5	80963069	2	Terminal	
6	4460789	1	Seal	
7	1001117058	1	Connector	
8	4460419	2	Terminal	
9	1001117019	1	Connector	
10	1001116733	8	Terminal	
11	1001191599	1	Cover, Fuse	
12	7026425	1	Connector	
13	8220525	1	Lock, Connector	
14	4460465	7	Terminal	

# SECTION 10 - ELECTRICAL

## FIGURE 10-35. REVERSE SENSOR HARNESS



ART\_1001153084-B

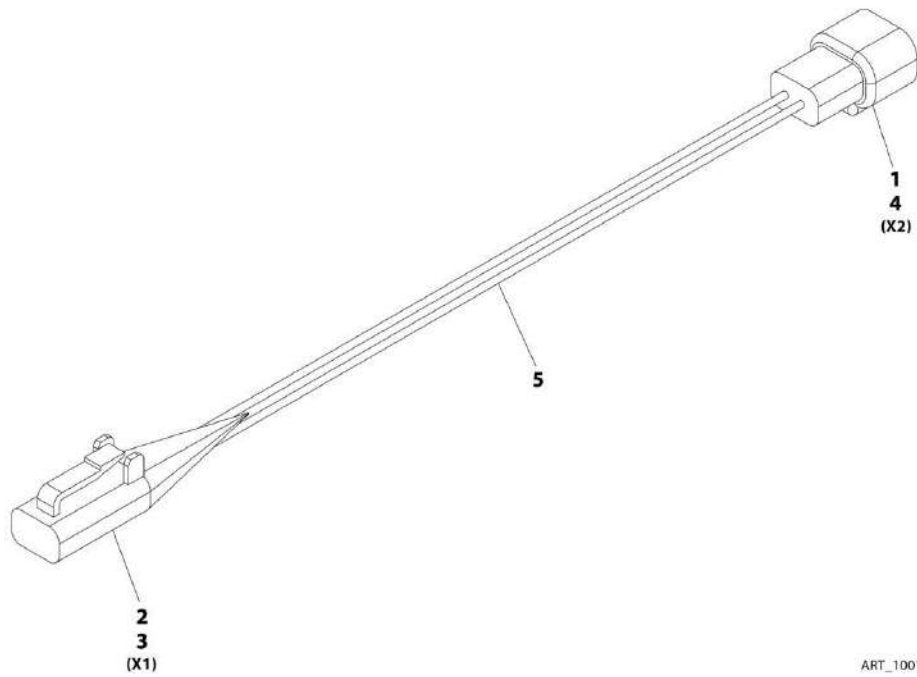
## SECTION 10 - ELECTRICAL

### FIGURE 10-35. REVERSE SENSOR HARNESS

ITEM	PART NUMBER	QTY	DESCRIPTION	REV
	1001153084	Ref	Reverse Sensor Harness	B
1	1001117021	1	Connector	
2	1001116728	2	Terminal	
3	4460458	2	Terminal, Seal	
4	1001117026	1	Connector	
5	1001116745	2	Terminal	
6	4460458	2	Terminal, Seal	
7	1001175733	1	Connector	
8	1001098122	2	Terminal, Ring	

# SECTION 10 - ELECTRICAL

## FIGURE 10-36. CAB WORK LIGHTS HARNESS



ART\_1001100895-B

## SECTION 10 - ELECTRICAL

### FIGURE 10-36. CAB WORK LIGHTS HARNESS

ITEM	PART NUMBER	QTY	DESCRIPTION	REV
	1001100895	Ref	Cab Work Lights Harness	B
1	4460464	1	Terminal	
2	4460465	1	Terminal	
3	4460891	1	Terminal, Position Plug	
4	4460897	1	Terminal, Position Plug	
5	4920017	2	Wire	

# SECTION 10 - ELECTRICAL

## FIGURE 10-37. AUXILIARY HARNESS



ART\_91563192-A

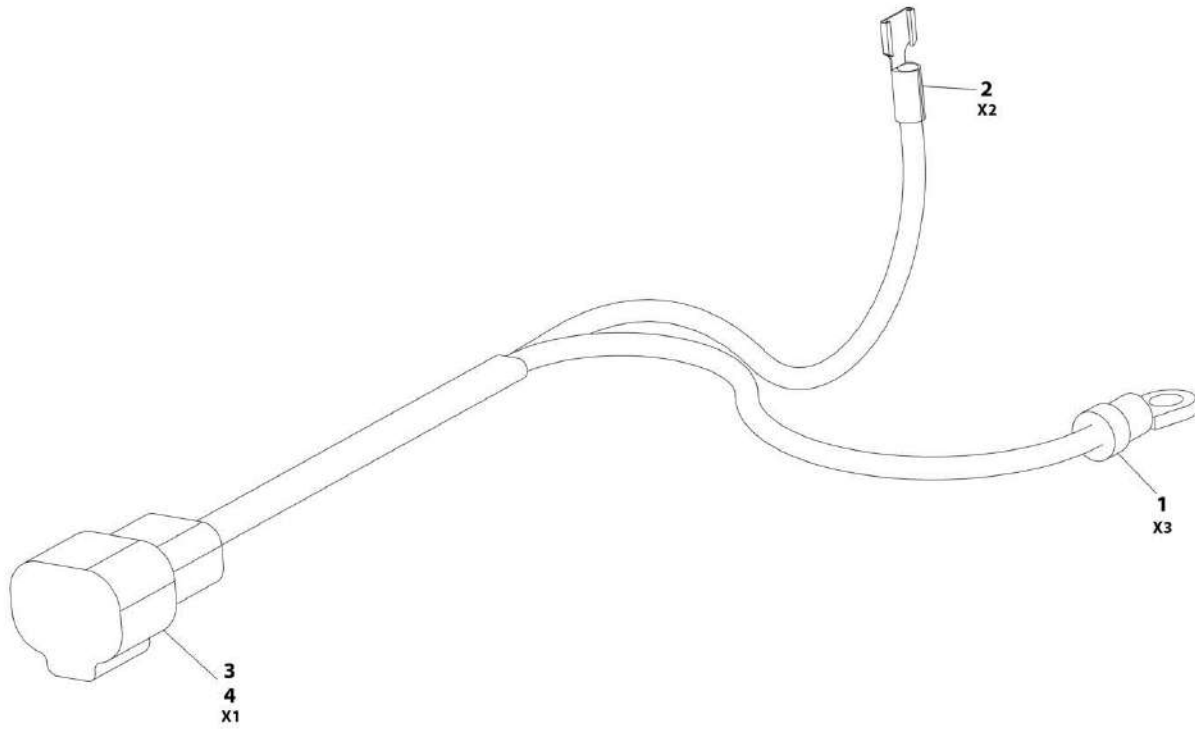
## SECTION 10 - ELECTRICAL

### FIGURE 10-37. AUXILIARY HARNESS

ITEM	PART NUMBER	QTY	DESCRIPTION	REV
	91563192	Ref	Auxiliary Harness	A
1	4460419	2	Connector	
2	4460532	1	Connector	
3	80363179	1	Lock, Connector	
4	77363228	9	Terminal	
5	4460466	3	Plug	

# SECTION 10 - ELECTRICAL

## FIGURE 10-38. WIPER MOTOR HARNESS



ART\_1001093828-A



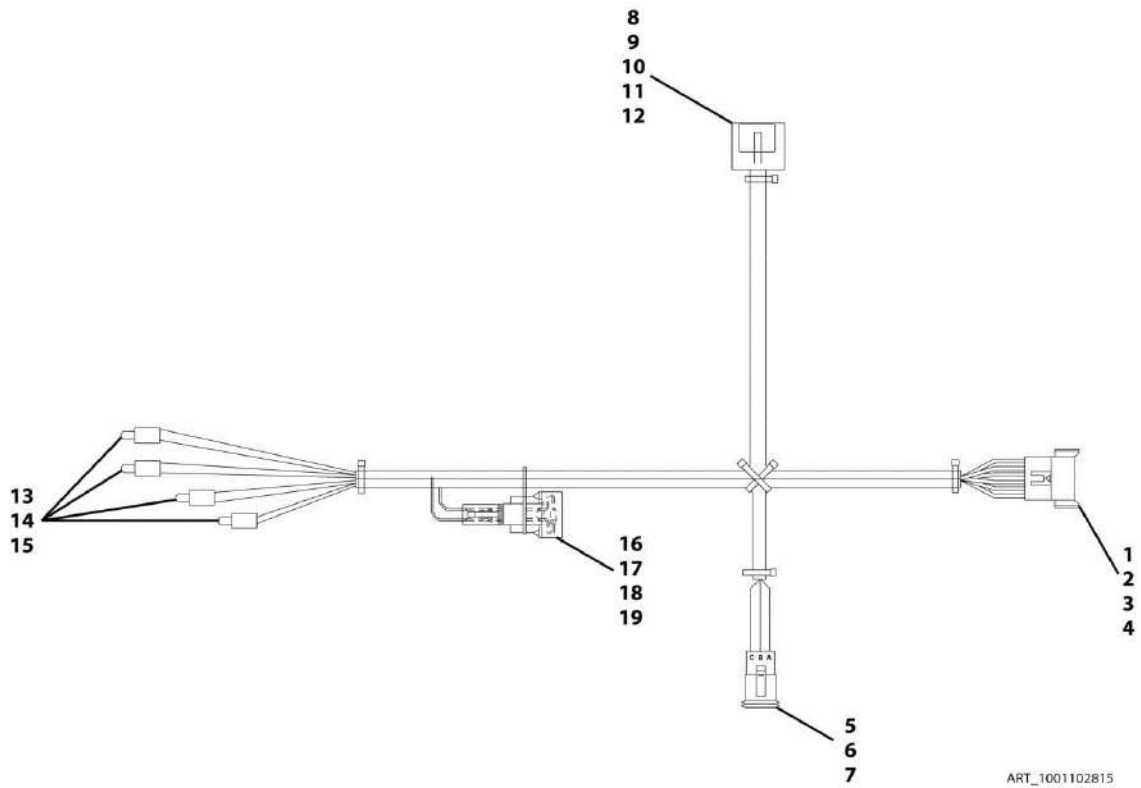
## SECTION 10 - ELECTRICAL

### FIGURE 10-38. WIPER MOTOR HARNESS

ITEM	PART NUMBER	QTY	DESCRIPTION	REV
	1001093828	Ref	Wiper Motor Harness	A
1	4460042	1	Terminal	
2	4460185	1	Terminal	
3	4460464	2	Terminal	
4	4460897	1	Terminal	

# SECTION 10 - ELECTRICAL

## FIGURE 10-39. INSTRUMENT PANEL HARNESS



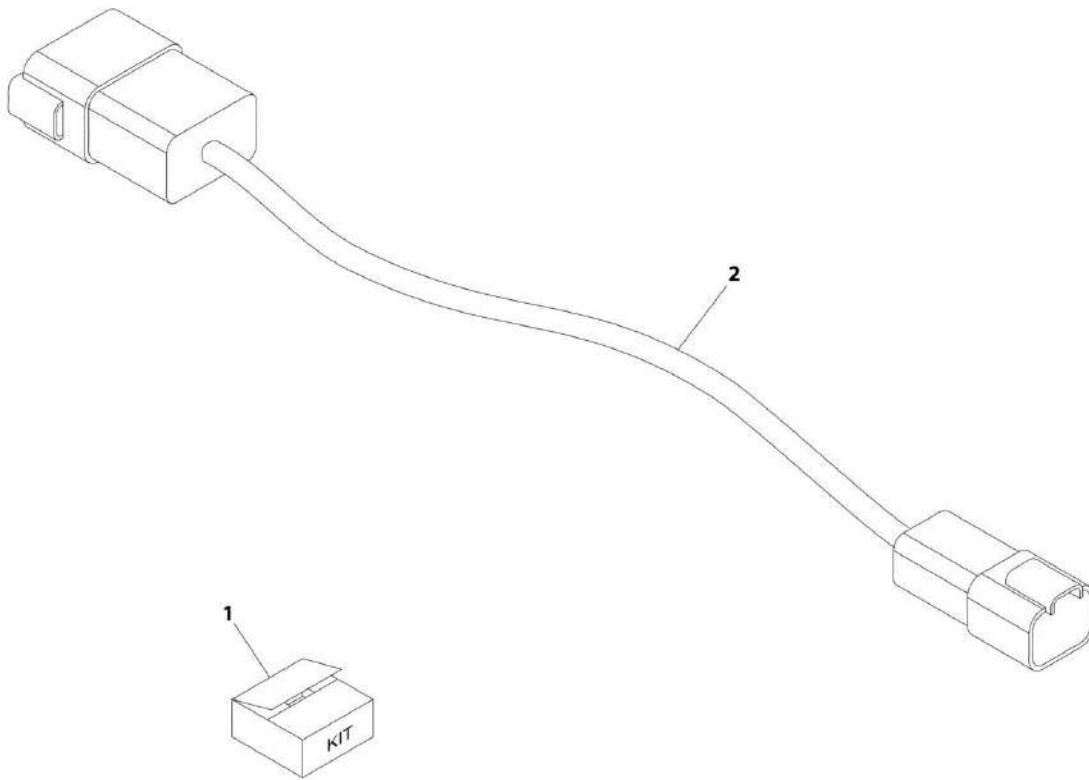
## SECTION 10 - ELECTRICAL

**FIGURE 10-39. INSTRUMENT PANEL HARNESS**

ITEM	PART NUMBER	QTY	DESCRIPTION	REV
	1001102815	Ref	Instrument Panel Harness	C
1	91503105	1	Connector	
2	91503106	1	Wedgelock	
3	77363228	1	Terminal	
4	4460466	7	Plug, Terminal Sealing	
5	4460966	1	Connector	
6	70022691	1	Wedgelock	
7	4460944	3	Terminal	
8	1001188385	1	Connector	
9	1001188386	1	Terminal, Double Lock Plate	
10	1001188387	1	Terminal	
11	1001118659	1	Seal, Terminal, (gray)	
12	1001188389	1	Plug, Terminal Sealing	
13	7026437	4	Base, Bulb	
14	7026438	8	Terminal	
15	80484088	4	Bulb	
16	1001116816	1	Connector	
17	4460465	3	Terminal	
18	80604021	1	Wedgelock	
19	4460884	1	Connector	
20	4460466	1	Plug, Terminal Sealing, (not shown)	

# SECTION 10 - ELECTRICAL

## FIGURE 10-40. TELEMATICS INSTALLATION - UNITED RENTALS



ART\_1001195610-A

## SECTION 10 - ELECTRICAL

**FIGURE 10-40. TELEMATICS INSTALLATION - UNITED RENTALS**

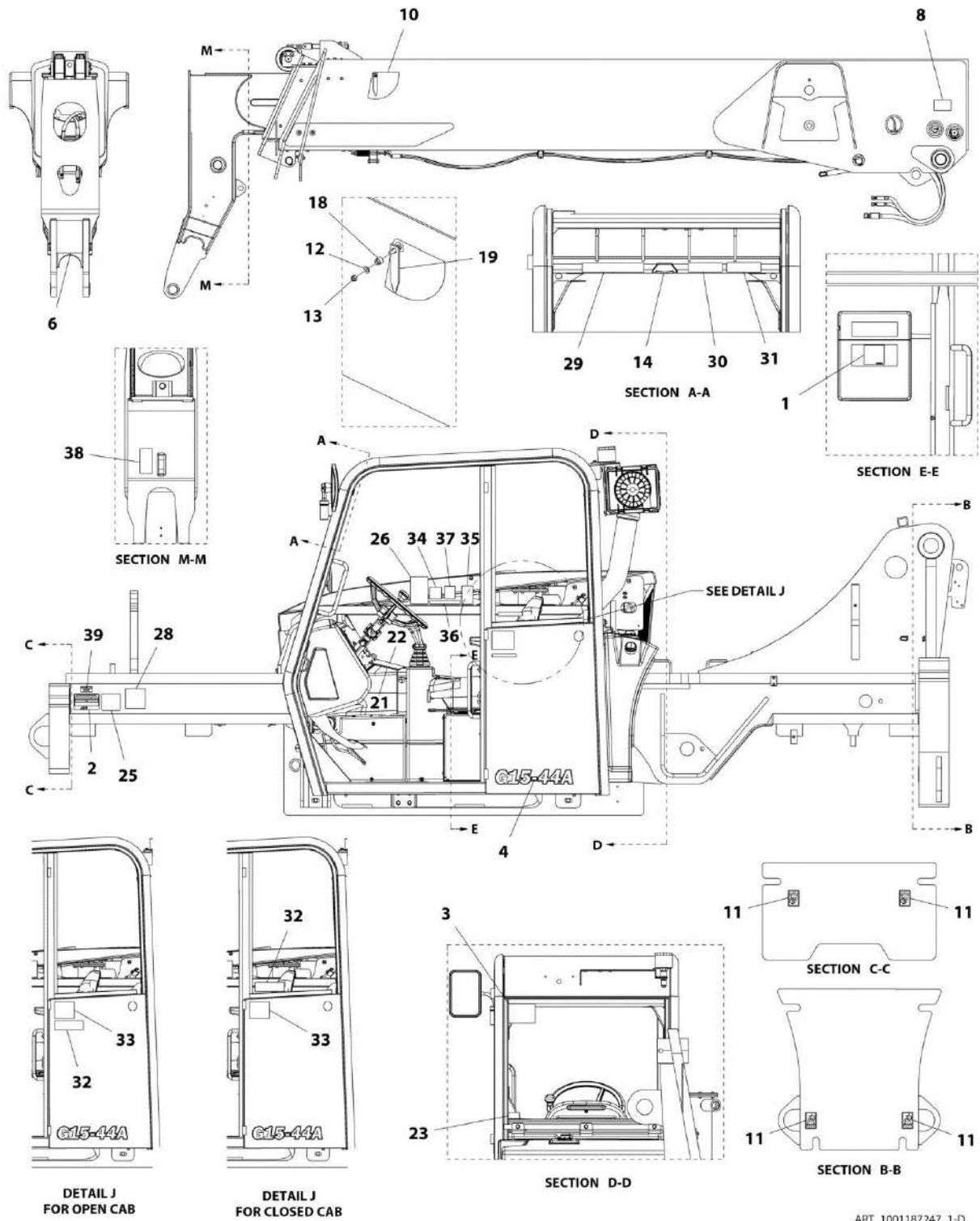
ITEM	PART NUMBER	QTY	DESCRIPTION	REV
	1001195610	Ref	Telematics Installation, United Rentals	A
1	N.S.S.	1	Telematics Kit	
2	1001195423	1	Harness, Jumper	



**SECTION 11 - DECALS**

# SECTION 11 - DECALS

## FIGURE 11-1. DECAL INSTALLATION (ANSI)



ART\_1001187247\_1-D





# SECTION 11 - DECALS

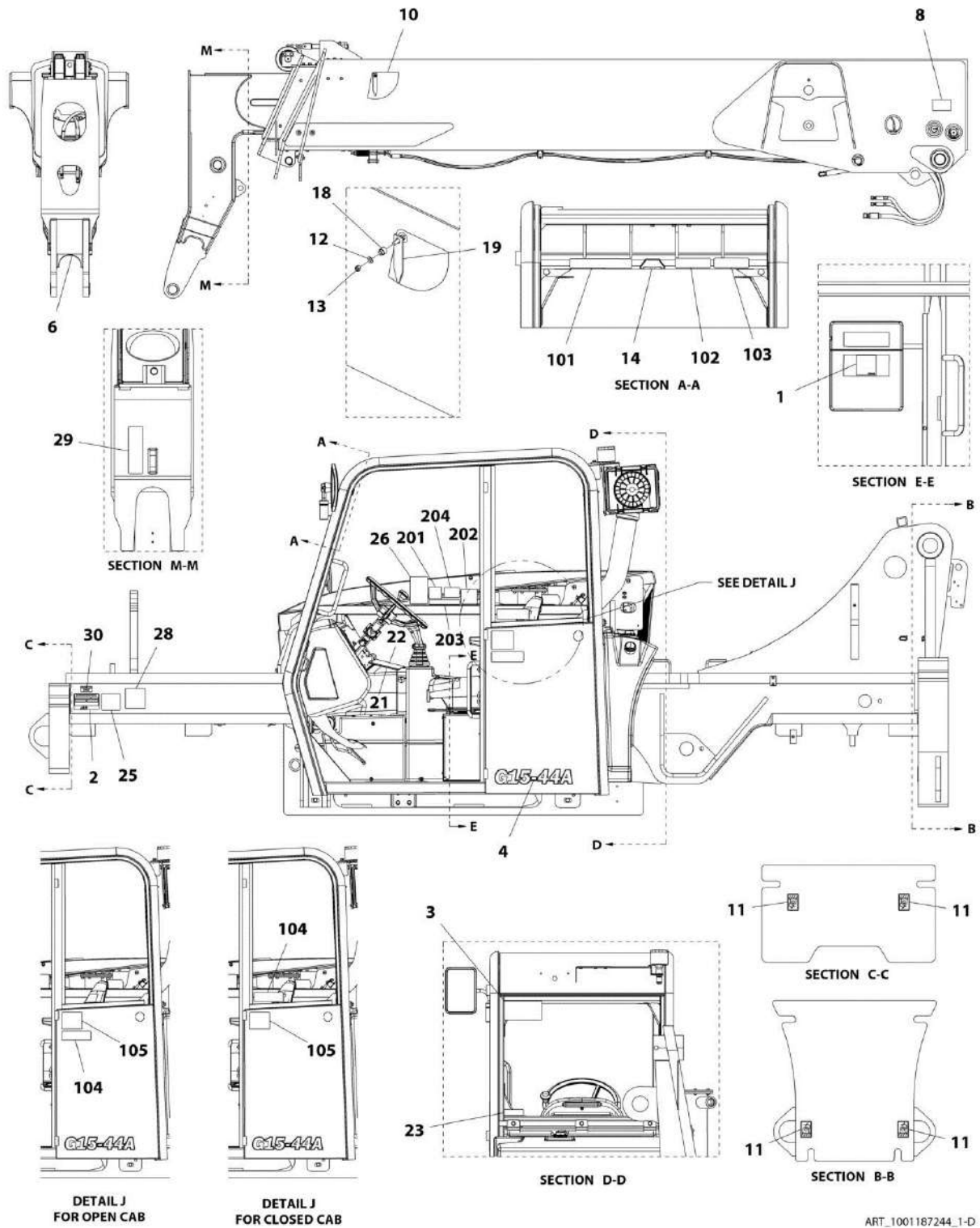
FIGURE 11-1. DECAL INSTALLATION (ANSI)

ITEM	PART NUMBER	QTY	DESCRIPTION	REV
	1001187247	Ref	Decal Installation (ANSI)	D
1	1701640	1	Decal, Manual	
2	1001154575	1	Decal, Serial Number	
3	1706300	1	Decal, Ether Warning	
4	1001188726	2	Decal, G15-44	
5	1706296	1	Decal, Battery Warning (ANSI)	
6	1706298	1	Decal, Carry Personnel	
7	1706301	1	Decal, Warning Keep Clear Of Rotating Parts	
8	1706302	5	Decal, Pinch Point Boom Holes	
9	4100181	1	Decal, Hydraulic Oil Fill	
10	4105262	1	Decal, Boom Angle Indicator	
11	1702300	4	Decal, Tie Down	
12	4711600	1	Washer, 3/8	
13	8305645	1	Nut, Lock .375-16	
14	8466306	1	Gage, Tilt Angle	
15	91413061	1	Decal, Ignition Switch	
16	1001152569	1	Tape	
17	91553072	1	Decal, Boom Numbers	
18	1001096404	1	Sleeve, Angle Indicator	
19	1001098769	1	Plate, Boom Angle Indicator	
20	1001139578	1	Decal, Hot Fluid Warning	
21	1001145498	1	Decal, Maintenance Chart	
22	1001193390	1	Decal, Lubrication Chart	
23	1001125387	1	Decal, Ultra Low Sulfur Diesel	
24	1001130323	1	Decal, Oil Level	
25	1001131271	1	Decal, Patent Telehandlers USA/Canada	
26	1001131745	1	Decal, Joystick Boom TOJ	
27	1001109053	1	Decal, Coolant Fill	
28	1702631	1	Decal, Bar Code	
29	1706306	1	Decal, Warning Tip Over	
30	1706299	1	Decal, Warning Contacting Power Lines	
31	1706850	1	Decal, Warning Crush Hazard	
32	1706768	1	Decal, Vehicle Roll Away	
33	3251813	1	Decal, USA	
34	1706851	1	Decal, Warning Do Not Jump	
35	1706304	1	Decal, Warning Run Over Hazard	
36	1706303	1	Decal, Warning Read Manual	
37	1706767	1	Decal, Warning Machine Roll Away	
38	1001207217	1	Decal, Danger Swinging Load Boom (SN 0160075857 to Present)	
39	1001223453	1	Decal, ICES (CAN)	

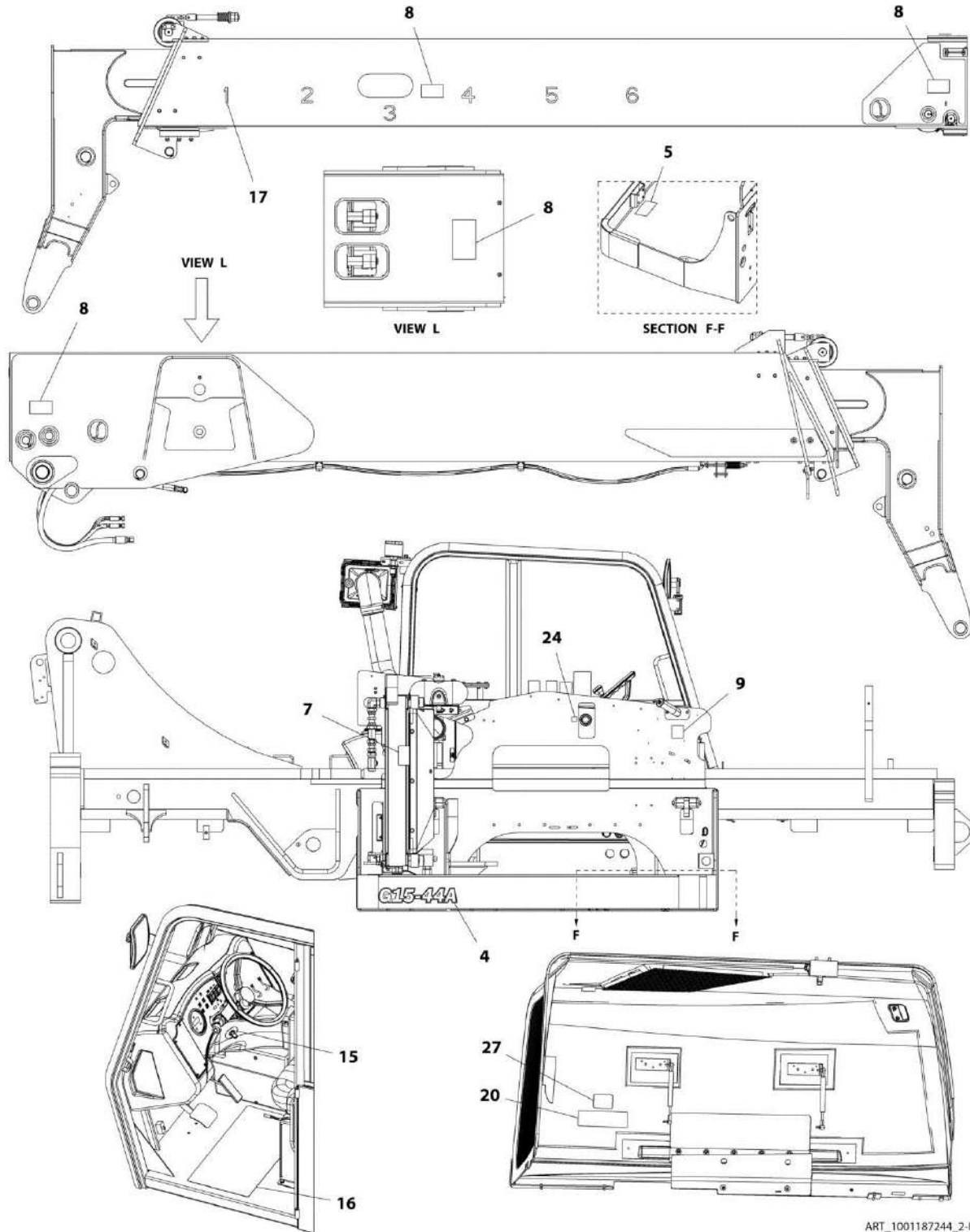


# SECTION 11 - DECALS

## FIGURE 11-2. DECAL INSTALLATION (ENGLISH/FRENCH)



# SECTION 11 - DECALS



ART\_1001187244\_2-D

## SECTION 11 - DECALS

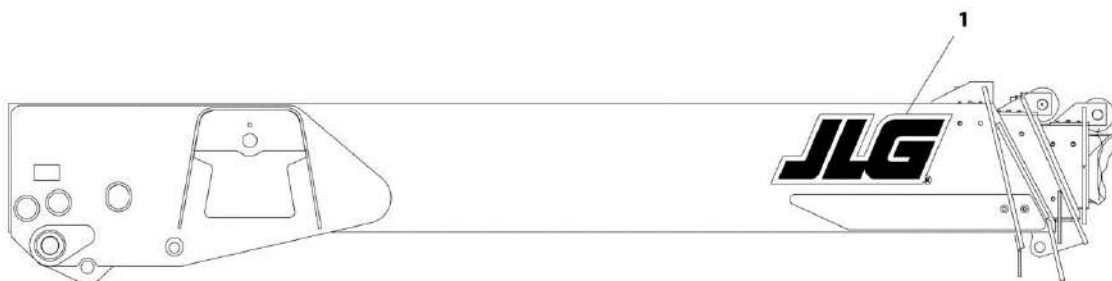
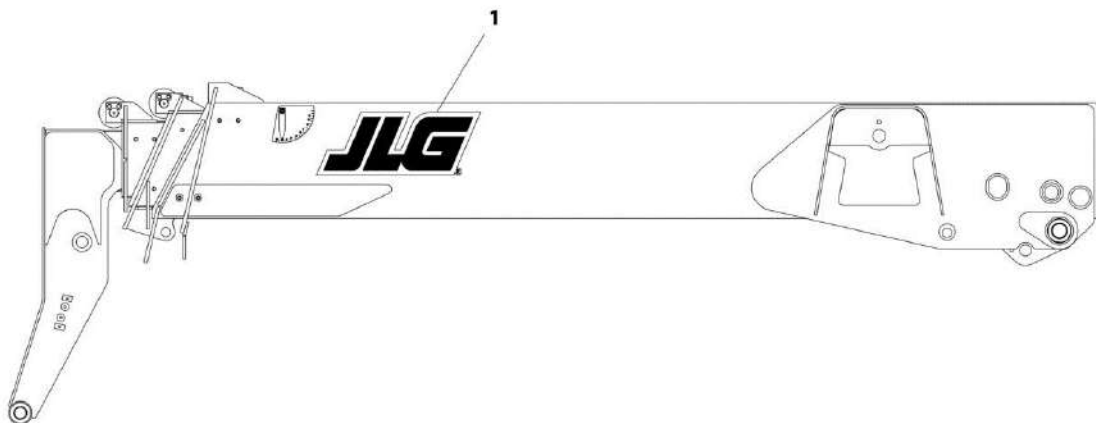
FIGURE 11-2. DECAL INSTALLATION (ENGLISH/FRENCH)

ITEM	PART NUMBER	QTY	DESCRIPTION	REV
	1001187244	Ref	Decal Installation (ENGLISH/FRENCH)	D
1	1701640	1	Decal, Manual	
2	1001154575	1	Decal, Nameplate Serial Number	
3	1001163212	1	Decal, Warning No Either	
4	1001188726	2	Decal, G15-44	
5	1001163174	1	Decal, Battery Warning	
6	1001163206	1	Decal, Carry Personnel	
7	1001163222	1	Decal, Moving Parts	
8	1001163223	5	Decal, Pinch Point	
9	4100181	1	Decal, Hydraulic Oil Fill	
10	4105262	1	Decal, Boom Angle Indicator	
11	1702300	4	Decal, Tie Down	
12	4711600	1	Washer, 3/8	
13	8305645	1	Nut, Lock .375-16	
14	8466306	1	Gage, Tilt Angle	
15	91413061	1	Decal, Ignition Switch	
16	1001152569	1	Tape, Floor Non Skid	
17	91553072	1	Decal, Boom Numbers	
18	1001096404	1	Sleeve, Spacer Angle Indicator	
19	1001098769	1	Plate, Boom Angle Indicator	
20	1001163323	1	Decal, Warning Hot Fluid	
21	1001145498	1	Decal, Maintenance Chart	
22	1001193390	1	Decal, Lubrication Chart	
23	1001163355	1	Decal, Ultra Low Sulfur Diesel	
24	1001130323	1	Decal, Oil Level	
25	1001131271	1	Decal, Patent Telehandlers USA/Canada	
26	1001131745	1	Decal, Joystick Boom TOJ	
27	1001109053	1	Decal, Coolant Fill	
28	1702631	1	Decal, Bar Code	
29	1001209625	1	Decal, Danger Swinging Load Boom (SN 0160075857 to Present)	
30	1001223453	1	Decal, ICES (CAN)	
101	1001163285	1	Decal, Warning Tip Over	
102	1001163210	1	Decal, Electrocutation Hazard	
103	1001163304	1	Decal, Warning Crushing Hazard	
104	1001163300	1	Decal, No Riders	
105	3251813	1	Decal, USA	
201	1001163321	1	Decal, Warning Do Not Jump	
202	1001163276	1	Decal, Warning Run Over Hazard	
203	1001163273	1	Decal, Read Manual	
204	1001163291	1	Decal, Warning Machine Roll Away	



# SECTION 11 - DECALS

## FIGURE 11-3. BOOM DECAL INSTALLATION



ART\_91565069-C



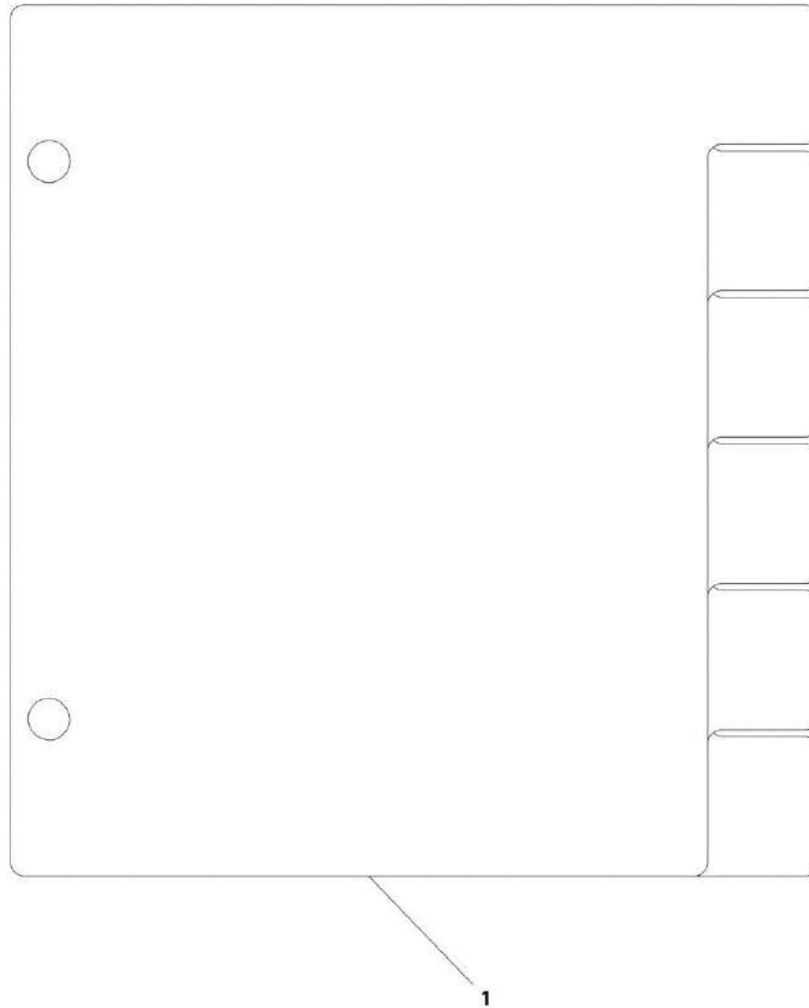
## SECTION 11 - DECALS

### FIGURE 11-3. BOOM DECAL INSTALLATION

ITEM	PART NUMBER	QTY	DESCRIPTION	REV
	91565069	Ref	Boom Decal Installation	C
1	1706185	2	Decal, JLG 14 IN	
2	1704885	1	Decal, Website	

# SECTION 11 - DECALS

FIGURE 11-4. CAPACITY CHART BOOKLET (ANSI) (Prior to SN 0160075857)



ART\_1001194130-F

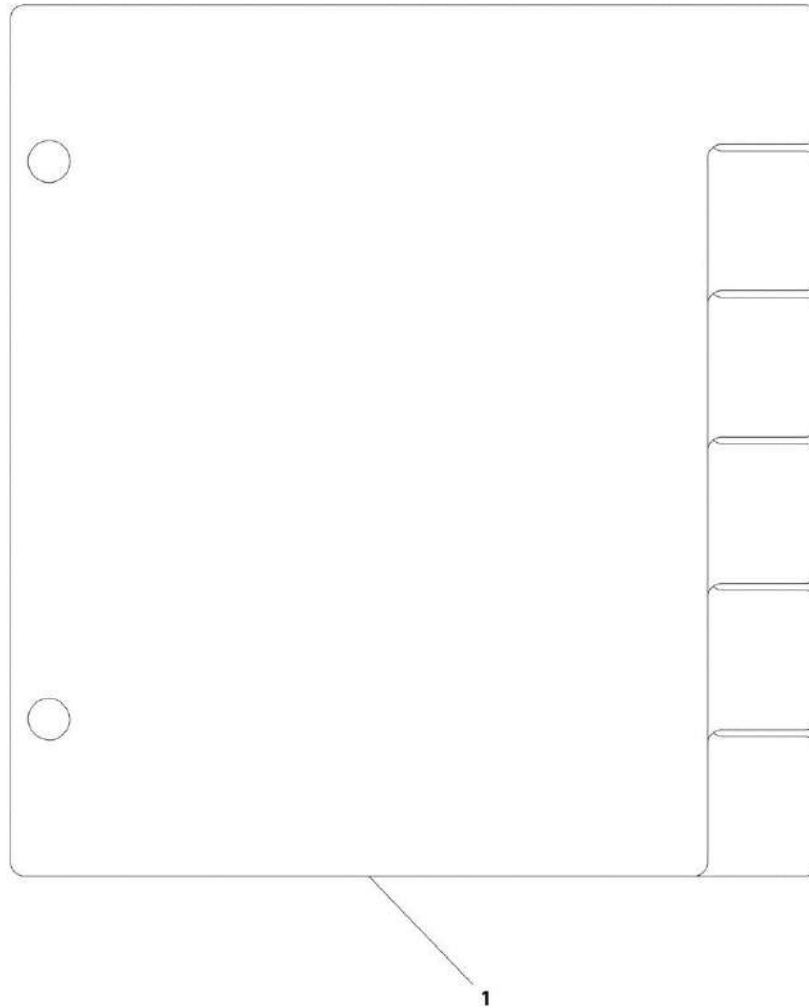
## SECTION 11 - DECALS

**FIGURE 11-4. CAPACITY CHART BOOKLET (ANSI) (Prior to SN 0160075857)**

ITEM	PART NUMBER	QTY	DESCRIPTION	REV
1	1001194130	1	Capacity Chart Booklet (ANSI)	F

# SECTION 11 - DECALS

FIGURE 11-5. CAPACITY CHART BOOKLET (ANSI) (SN 0160075857 to Present)



ART\_1001211953-B

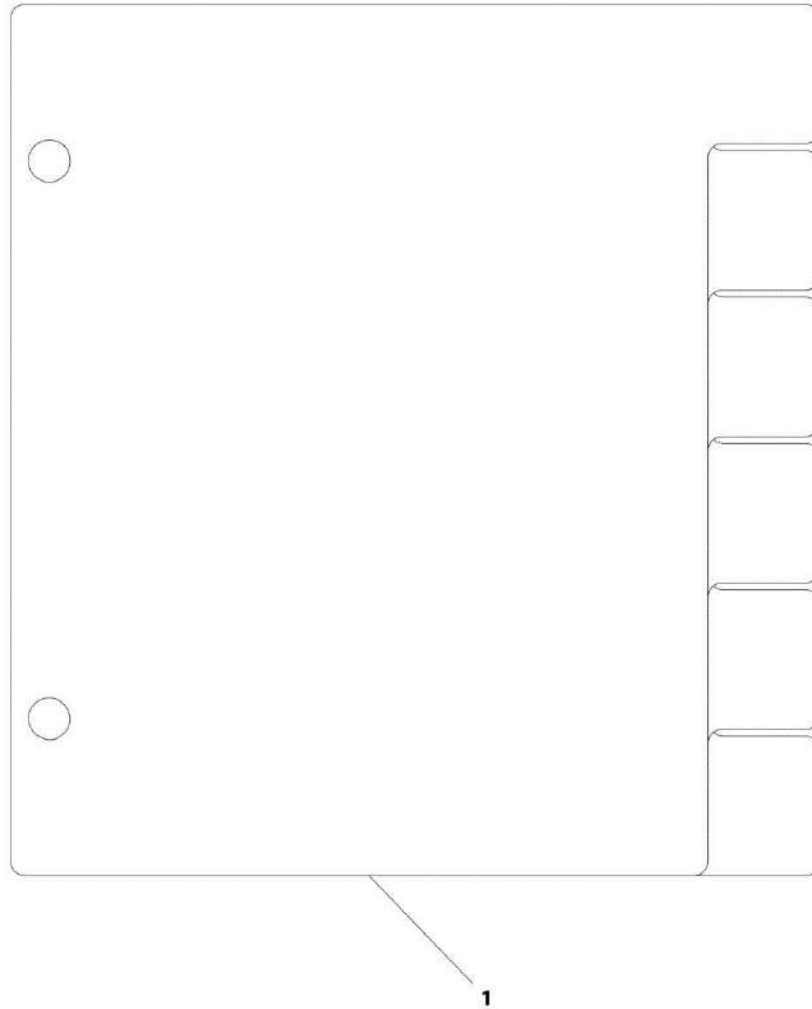
## SECTION 11 - DECALS

**FIGURE 11-5. CAPACITY CHART BOOKLET (ANSI) (SN 0160075857 to Present)**

ITEM	PART NUMBER	QTY	DESCRIPTION	REV
1	1001211953	1	Capacity Chart Booklet (ANSI)	B

# SECTION 11 - DECALS

FIGURE 11-6. CAPACITY CHART BOOKLET (ISO) (Prior to SN 0160075857)



ART\_1001194373-F

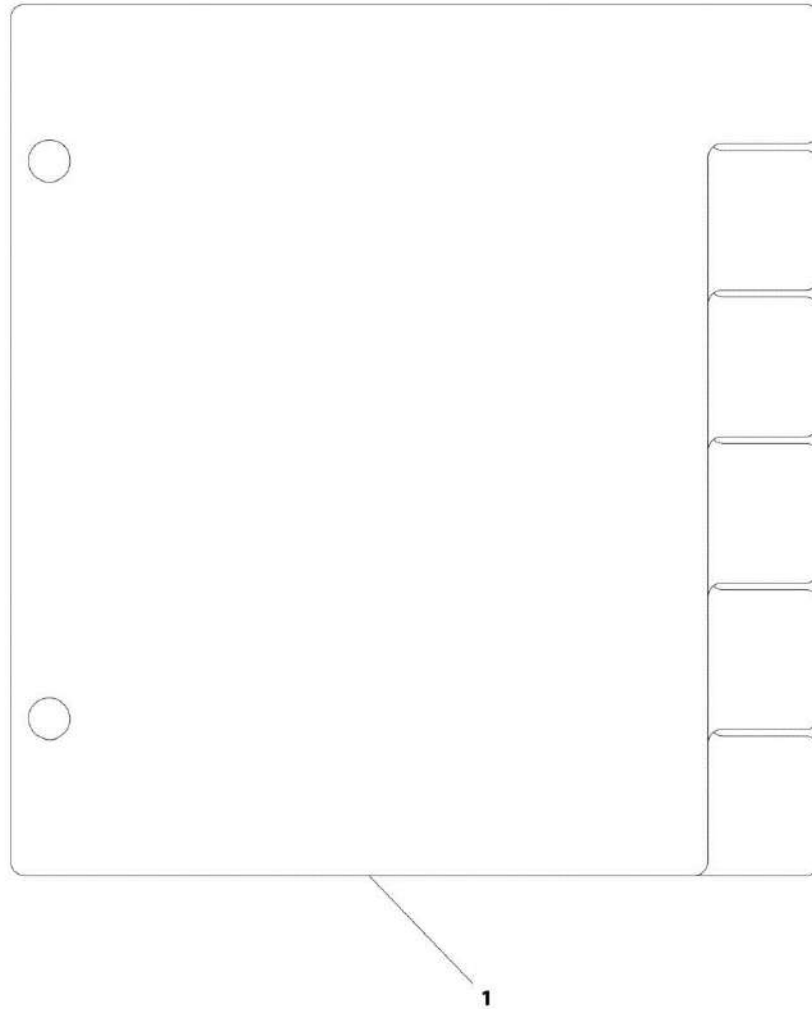
## SECTION 11 - DECALS

**FIGURE 11-6. CAPACITY CHART BOOKLET (ISO) (Prior to SN 0160075857)**

ITEM	PART NUMBER	QTY	DESCRIPTION	REV
1	1001194373	1	Capacity Chart Booklet (ISO)	F

# SECTION 11 - DECALS

FIGURE 11-7. CAPACITY CHART BOOKLET (ISO) (SN 0160075857 to Present)



ART\_1001211956-B



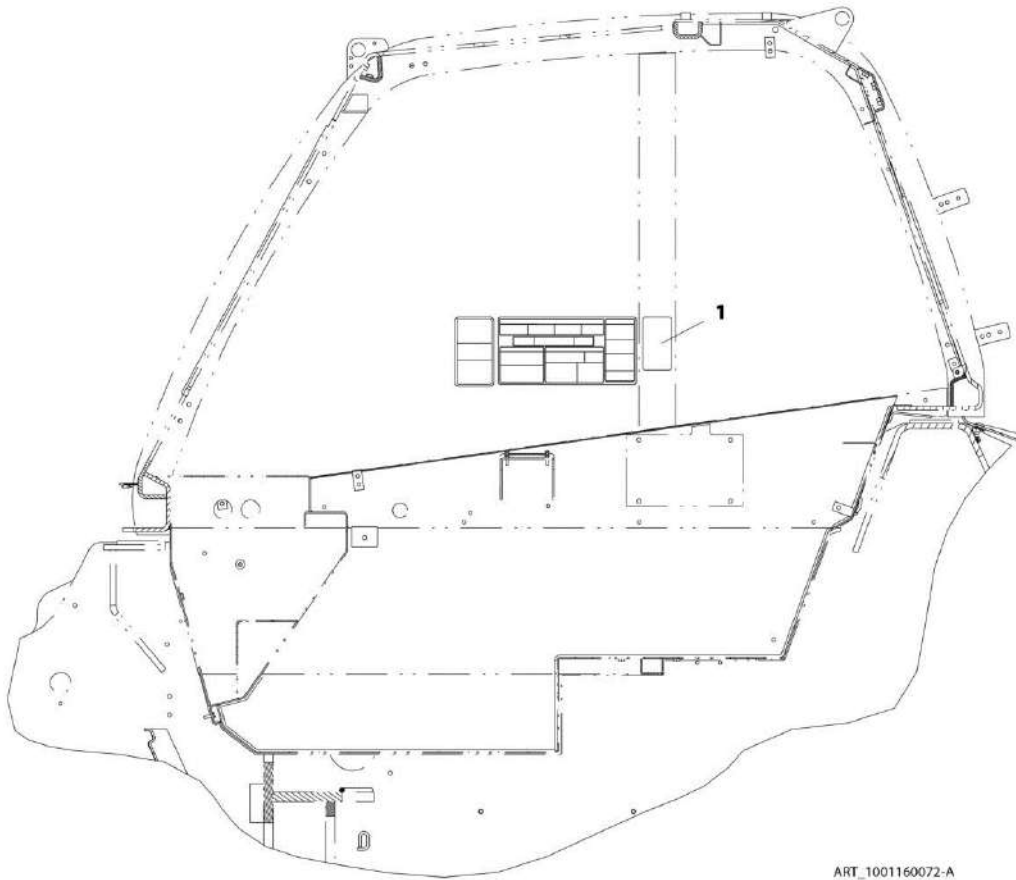
## SECTION 11 - DECALS

**FIGURE 11-7. CAPACITY CHART BOOKLET (ISO) (SN 0160075857 to Present)**

ITEM	PART NUMBER	QTY	DESCRIPTION	REV
1	1001211956	1	Capacity Chart Booklet (ISO)	B

# SECTION 11 - DECALS

## FIGURE 11-8. REVERSE SENSING SYSTEM DECAL (ENGLISH)



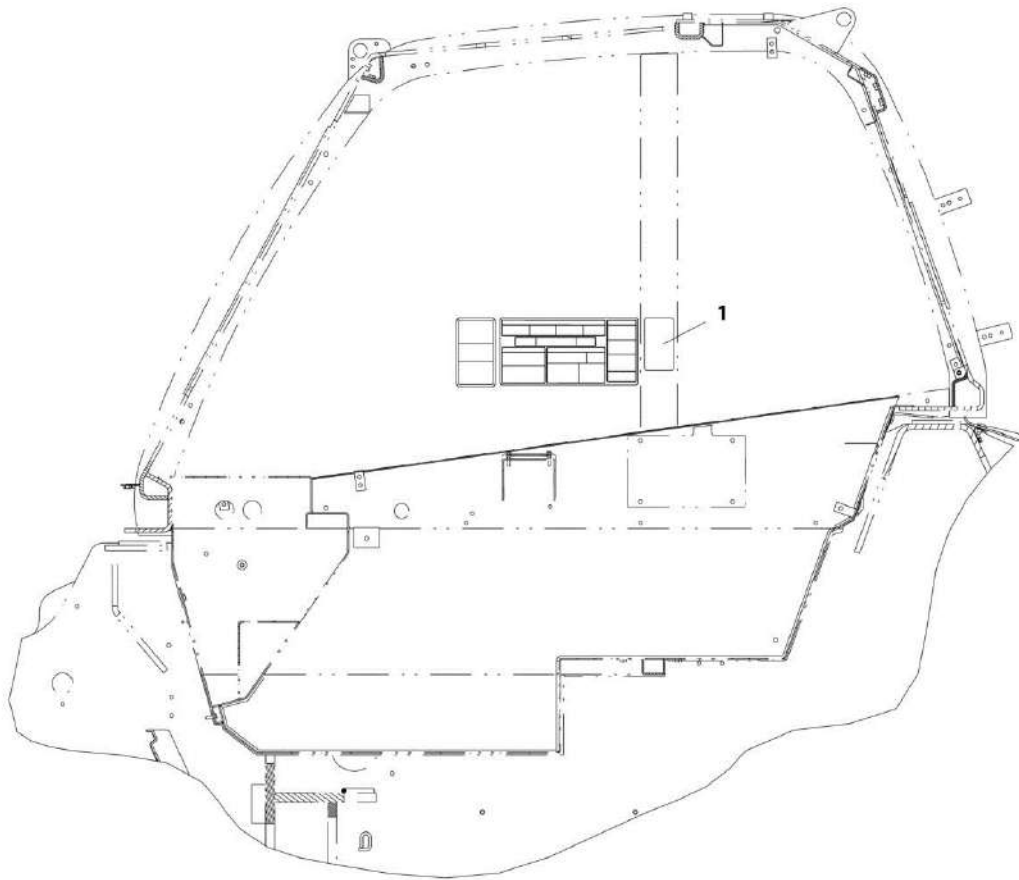
## SECTION 11 - DECALS

**FIGURE 11-8. REVERSE SENSING SYSTEM DECAL (ENGLISH)**

ITEM	PART NUMBER	QTY	DESCRIPTION	REV
1	1001160072	1	Reverse Sensing System Decal (ENGLISH)	A

# SECTION 11 - DECALS

FIGURE 11-9. REVERSE SENSING SYSTEM DECAL (ENGLISH/FRENCH)



ART\_1001160945-A

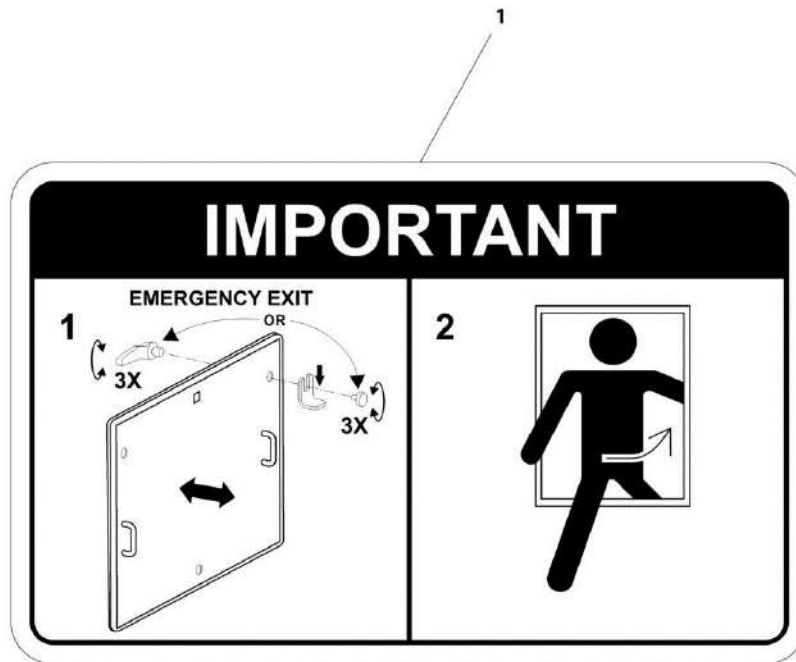
## SECTION 11 - DECALS

**FIGURE 11-9. REVERSE SENSING SYSTEM DECAL (ENGLISH/FRENCH)**

ITEM	PART NUMBER	QTY	DESCRIPTION	REV
1	1001160945	1	Reverse Sensing System Decal (ENGLISH/FRENCH)	A

# SECTION 11 - DECALS

FIGURE 11-10. REAR WINDOW EXIT DECAL (ENGLISH)



ART\_1001160071-A

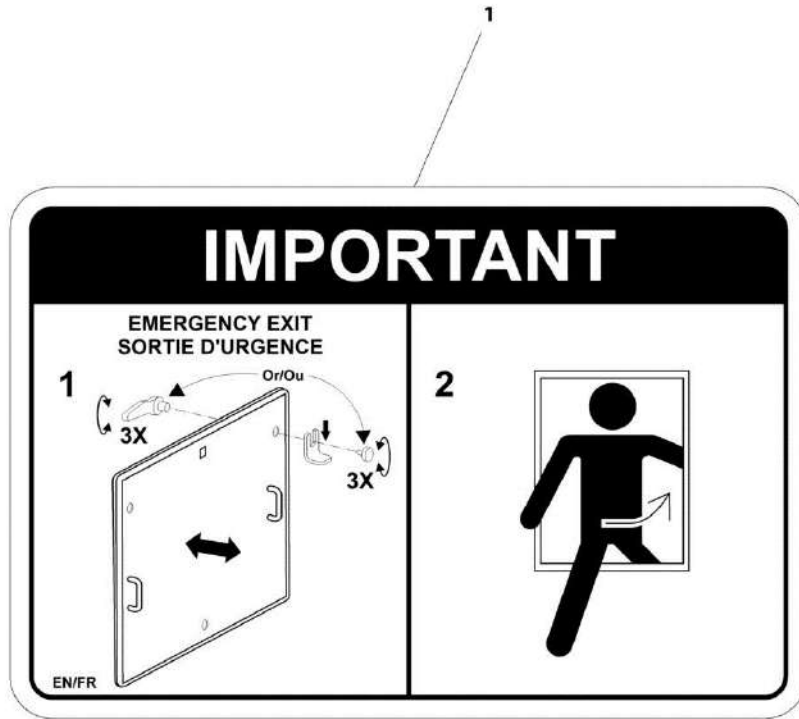
## SECTION 11 - DECALS

FIGURE 11-10. REAR WINDOW EXIT DECAL (ENGLISH)

ITEM	PART NUMBER	QTY	DESCRIPTION	REV
1	1001160071	1	Rear Window Exit Decal (ENGLISH)	A

# SECTION 11 - DECALS

FIGURE 11-11. REAR WINDOW EXIT DECAL (ENGLISH/FRENCH)



ART\_1001160787-A



## SECTION 11 - DECALS

FIGURE 11-11. REAR WINDOW EXIT DECAL (ENGLISH/FRENCH)

ITEM	PART NUMBER	QTY	DESCRIPTION	REV
1	1001160787	1	Rear Window Exit Decal (ENGLISH/FRENCH)	A



**SECTION 12 - RECOMMENDED SPARE PARTS**

## SECTION 12 - RECOMMENDED SPARE PARTS

FIGURE 12-1. RECOMMENDED SPARE PARTS

ITEM	PART NUMBER	QTY	DESCRIPTION	REV
		Ref	<b>Boom</b>	
	91563035	1	Chain	
	91561101	2	Pad	
	91563028	2	Pad	
	1001097036	2	Hose	
	1001117652	4	Pad	
	1001117653	4	Pad	
	1001117660	2	Pad	
	1001207622	2	Hose	
	1001097038	2	Hose	
	1001165212	2	Hose	
	90205870	AR	Shim	
	91031236	14	Shim	
	91033186	8	Pad	
	91033189	2	Pad	
	91141303	8	Shim	
	91161168	1	Pad	
	91161171	2	Pad	
	91161183	4	Shim	
	91163188	4	Pad	
	91163214	2	Pad	
	91511094	4	Shim	
	1001105441	1	Pin, Quick Coupler	
	1001143692	1	Pin, Quick Coupler	
		Ref	<b>Engine</b>	
	1001150521	1	Kit, (Service) 250 Hour Filter	
	1001150522	1	Kit, (Service) 1000 Hour Filter	
	1001122234	1	Fan	
	1319726	1	Filter	
	70020350	1	Dipstick	
	70020358	3	Filter, Element	
	70024152	1	Kit, Filter and Gasket	
	70024175	2	Element, Filter Primary	
	70024176	2	Element, Filter Safety	
	70024284	2	Filter, Crankcase Vent	
	70024309	1	Belt, Fan	
	70024314	3	Filter, Fuel Primary	
	70024315	3	Filter, Fuel Secondary	
	1001080707	1	Cap, Fuel	
	1340021	1	Breather, Air	
		Ref	<b>Drive Train</b>	
	91474035	2	Kit, Universal Joint	
	8035779	2	Kit, Dust Cap	
	8036433	4	Kit, Cross and Bearing	
	7026911	1	Kit, Universal Joint	
	91514111	4	Bushing, Thrust	

## SECTION 12 - RECOMMENDED SPARE PARTS

ITEM	PART NUMBER	QTY	DESCRIPTION	REV
	70026238	4	Seal	
	70026002	4	Seal	
	1319726	1	Filter, Transmission Oil	
	91563226	1	Shifter, 4-Speed	
		Ref	<b>Cab</b>	
	8035392	1	Blade, Front Wiper	
	8035498	1	Blade, Skylight Wiper	
	1001101640	1	Filter, AC Vent	
		Ref	<b>Hydraulic Components</b>	
	91513212	1	Controller, Hydraulic	
	91404325	1	Grip Assembly	
	1001162144	1	Seal Kit, Tilt Cylinder	
	70026343	1	Seal Kit, Compensation Cylinder	
	1001163542	1	Seal Kit, Extend/Retract Cylinder	
	1001163541	1	Seal Kit, Lift Cylinder	
	70023943	1	Seal Kit, Frame Level Cylinder	
	70023943	1	Seal Kit, Stabilizer Cylinder	
	70021452	1	Seal Kit, Grapple Bucket Cylinder	
	70026506	1	Seal Kit, Pipe Grapple Cylinder	
	70026062	1	Seal Kit, Side Tilt Cylinder	
	2915023	1	Seal Kit, Swing Carriage Cylinder	
	70026215	1	Seal Kit, Quick Coupler Cylinder	
	8036733	1	Seal Kit, Fork Positioning Cylinder	
	70024152	1	Kit, Filter and Gasket	
	70024153	1	Gauge, Sight	
		Ref	<b>Electrical</b>	
	8270621	1	Alarm, Backup	
	10713707	1	Horn	
	1001121955	1	Sensor, Coolant Level	
	1001155219	2	Battery	
	1001098762	2	Battery, 12V Arctic	
	70024311	1	Starter	
	1001128594	1	Starter Motor, Arctic	
	70024310	1	Alternator, 12V	
	70024313	1	Kit, Thermostat	
		Ref	<b>Miscellaneous</b>	
	80964051	1	Key, Cab Door	
	31211078	1	Operation and Safety Manual	
	31211077	1	Service Manual	



**PART NUMBER INDEX**

# PART NUMBER INDEX

0100011.....21, 34, 49, 75, 131, 293, 310, 331, 415	0651612..... 34	1001001016 ..... 385, 447	1001096162..... 105, 107, 123
0100020..... 131	0651614..... 34	1001001181 ..... 517	1001096388..... 388
0100093..... 149, 153	0651616..... 36	1001001186 ..... 292, 299, 311	1001096389..... 388
0140011..... 511	0651618..... 36	1001001213 ..... 292, 311, 365	1001096390..... 388
0274677..... 35, 41	0651620..... 34	1001001242 ..... 517	1001096393..... 388
0440321..... 53	0651622..... 34	1001001422 ..... 153	1001096394..... 388
0630407..... 292, 310, 337	0651807..... 34	1001001568 ..... 51	1001096396..... 388
0630457..... 292, 310	0651808..... 34	1001006298 ..... 77	1001096404..... 562, 566
0641405..... 23, 107, 292, 310	0651810..... 34	1001006305 ..... 77	1001096728..... 355, 357
0641406..... 127, 304	0651812..... 34	1001007056 ..... 55	1001097036..... 35, 588
0641407..... 501	0651814..... 34	1001008465 ..... 77	1001097038... 35, 57, 588
0641408..... 292, 304, 310, 327, 477, 490	0651816..... 34	1001009036 ..... 77	1001097053..... 131
0641412..... 299, 380, 385	0651818..... 34	1001080707 ..... 153, 588	1001097095CP..... 21
0641414..... 381	0651820..... 34	1001080996 ..... 49	1001097803..... 157, 165
0641415..... 467	0651822..... 34	1001080998 ..... 133	1001097810..... 165
0641416..... 77	0651824..... 36	1001081241 ..... 315	1001097924..... 388
0641424..... 304, 380	0681618..... 305	1001081307 ..... 329	1001097925..... 388
0641436..... 349	0681810..... 75	1001081308 ..... 329	1001097926..... 388
0641504..... 477	0681814..... 21	1001081310 ..... 329	1001097928..... 388
0641505..... 490, 494	0682018..... 17	1001081311 ..... 329	1001097930..... 388
0641506..... 292, 310, 385, 467	0682032..... 17	1001090006 ..... 494, 531	1001097931..... 388
0641507..... 139, 304	0682036..... 127	1001090063 ..... 75	1001097932..... 388
0641508..... 292, 310, 327, 381	0682214..... 34	1001090064 ..... 75	1001098042..... 357
0641510..... 292, 310	0682216..... 31	1001090140 ..... 75	1001098122..... 547
0641511..... 380	0682444..... 157	1001090344 ..... 304	1001098344..... 355
0641514..... 292, 310, 385	0682652..... 289	1001090459 ..... 498	1001098425..... 45, 49
0641518..... 310, 337	0700610..... 351	1001090460 ..... 501	1001098742..... 391
0641520..... 127	0700616..... 45, 49	1001090461 ..... 501, 507	1001098743..... 391
0641524..... 277	0700812..... 127	1001090509 ..... 498, 545	1001098744..... 388, 391
0641528..... 277	0701010..... 131	1001090522 ..... 501	1001098762..... 487, 589
0641532..... 304	0701014..... 363	1001090580 ..... 501, 505	1001098769..... 562, 566
0641605..... 135, 304	0701027..... 127	1001090615 ..... 501, 507	1001099113..... 75
0641606..... 145, 365	0701215..... 127, 143	1001090741 ..... 363	1001099115..... 75
0641607..... 34, 57, 135	0701216..... 127	1001091118 ..... 363	1001099163..... 297
0641608 49, 77, 292, 310, 355, 363, 490	0701617..... 127	1001091173 ..... 292, 311, 363	1001099276..... 501
0641610..... 23, 141	0711015..... 131	1001091306 ..... 35, 57	1001099351..... 91
0641612..... 45, 49, 75	0711228..... 31	1001091458 ..... 21	1001099378..... 297
0641613..... 304	0711631..... 45, 49	1001092481 ..... 105	1001099601..... 213
0641614..... 380	0731003..... 149	1001092482 ..... 105	1001099602..... 165, 213
0641617..... 349	0741006..... 310	1001093171 ..... 119	1001099812..... 490
0641638..... 141	0741404..... 327	1001093526 ..... 305	1001099901..... 89
0641640..... 17	0741610..... 75	1001093564 ..... 487	1001099902..... 87
0641709..... 127	0760612..... 145	1001093641 ..... 151	1001100278..... 311, 337
0641714..... 49	0761214..... 45, 49, 127	1001093828 ..... 333, 553	1001100279..... 304, 311, 337
0641716..... 157	0781212..... 311	1001094264 ..... 498	1001100281..... 304
0641808..... 34	0791404..... 467	1001094390 ..... 498	1001100322..... 311
0641812..... 143	0791406..... 295, 317	1001094391 ..... 498	1001100446..... 304, 311, 337
0641814..... 501	0791408..... 498	1001094392 ..... 498	1001100447..... 311, 337
0641818..... 34, 498	0791410..... 23	1001094393 ..... 498	1001100770..... 304
0641826..... 34, 57	0791504..... 135	1001094523 ..... 498	1001100773..... 304
0641832..... 157	0791506..... 133, 467	1001094824 ..... 498	1001100822..... 93
0642010..... 77	0791508..... 133, 135	1001095342 ..... 501, 503	1001100823..... 95
0642032..... 61, 63, 65, 67, 75, 77	0791606..... 467	1001095418 ..... 85	1001100824..... 97
0642210..... 34, 501, 511	0791608 ..... 23, 292, 310, 353	1001095431 ..... 385	1001100879..... 355
0642222..... 498	0811510..... 133	1001095434 ..... 385	1001100880..... 357
0651605..... 34	0811606 17, 23, 133, 135, 145, 380, 467	1001095436 ..... 385	1001100895..... 539, 549
0651606..... 34	0811608..... 23, 133	1001095738 ..... 261	1001101216..... 311, 337
0651607..... 34	0811610..... 17, 305, 381	1001095744 ..... 261	1001101259..... 304
0651608..... 36	0811612..... 381	1001095810 ..... 107	1001101640..... 304, 589
	0811616..... 133	1001096019 ..... 123	1001101666..... 292, 297, 311
	0860520..... 107	1001096020 ..... 123	1001101668..... 311, 337
	0903661..... 501	1001096024 ..... 123	
	0930020..... 99		
	09523572..... 145		



## PART NUMBER INDEX

1001101669 ..... 311, 337	1001116728..... 547	1001122338..... 133	1001129637 ..... 23
1001102185 ..... 381	1001116733..... 471, 475, 522, 537, 545	1001122453..... 407, 415	1001129638 ..... 27
1001102378 ..... 75	1001116734..... 537	1001122484..... 413	1001129639 ..... 23
1001102509 ..... 167	1001116745..... 547	1001122491..... 413	1001129785 ..... 141
1001102657 ..... 153	1001116747..... 479, 480, 521	1001122495..... 413	1001129787 ..... 141
1001102813 ..... 107	1001116748..... 473, 475	1001122497..... 413	1001130046 ..... 135
1001102815 ..... 297, 555	1001116751..... 471	1001122498..... 413	1001130057 ..... 17, 133
1001103069 ..... 393	1001116815..... 471	1001122499..... 413	1001130065 ..... 381
1001103182 ..... 85, 429	1001116816..... 555	1001122500..... 413	1001130079 ..... 135
1001103509 ..... 295, 317	1001116934..... 479	1001122501..... 413	1001130127 ..... 381
1001103553 ..... 311	1001116938..... 471	1001122502..... 413	1001130139 ..... 17, 139
1001103557 ..... 292, 311	1001116950..... 471	1001122504..... 413	1001130159 ..... 17, 467
1001103567 ..... 292, 311	1001117019..... 545	1001122505..... 413	1001130195 ..... 385
1001103637 ..... 105	1001117021..... 480, 501, 507, 547	1001122566..... 135	1001130286 ..... 133, 135
1001103663 ..... 295, 317	1001117026..... 547	1001122608..... 381	1001130288 ..... 17, 143
1001103736 ..... 123	1001117058..... 545	1001123013..... 413	1001130312 ..... 133
1001103956 ..... 304	1001117073..... 473	1001123014..... 413	1001130323 ..... 562, 566
1001104477 ..... 51, 445	1001117103..... 469	1001123015..... 413	1001130370 ..... 133
1001104685 ..... 311, 337	1001117104..... 469	1001125027..... 471	1001130378 ..... 133
1001105102 ..... 380	1001117106..... 469, 471	1001125091..... 413	1001130440 ..... 143, 395
1001105103 ..... 380	1001117111..... 471	1001125093..... 415	1001130675 ..... 127
1001105118 ..... 380	1001117112..... 469	1001125119..... 381	1001130679 ..... 381
1001105119 ..... 380	1001117136..... 295, 317	1001125128..... 381	1001130707 ..... 143, 393
1001105120 ..... 380	1001117305..... 292, 295	1001125137 ..... 407, 413, 415	1001130776 ..... 149
1001105121 ..... 380	1001117306..... 311, 317	1001125382..... 501, 541	1001130780 ..... 149, 292, 310
1001105122 ..... 380	1001117652..... 35, 588	1001125385..... 498, 543	1001130906 ..... 141
1001105123 ..... 380	1001117653..... 35, 588	1001125387..... 562	1001130943 ..... 141
1001105441 ..... 47, 588	1001117660..... 35, 588	1001125404..... 380	1001130957 ..... 487
1001105886 ..... 487	1001118092..... 135	1001125491..... 381	1001131022 ..... 127
1001106614 ..... 289	1001118245..... 467	1001125784..... 471	1001131130 ..... 293, 311
1001106644 ..... 369	1001118282..... 471, 475	1001125785..... 471	1001131147 ..... 23, 27
1001106688 ..... 327, 369	1001118384..... 535, 537	1001126009..... 471	1001131247 ..... 23
1001106836 ..... 363, 439	1001118659..... 555	1001126010..... 473	1001131271 ..... 562, 566
1001106849 ..... 311, 337	1001119900..... 380, 443	1001126208..... 471	1001131745 ..... 562, 566
1001106866 ..... 292	1001120163..... 55, 431	1001126285..... 299	1001131818 ..... 304
1001107339 ..... 304	1001120639..... 135	1001126589..... 292, 310, 361	1001131891 ..... 467, 469
1001107340 ..... 304, 323	1001120851..... 537	1001127006..... 49, 51	1001131966 ..... 467, 471
1001107428 ..... 304	1001120914..... 75	1001127153..... 133	1001132796 ..... 17
1001107799 ..... 333	1001120915..... 75	1001127353..... 49	1001133072 ..... 75
1001107814 ..... 143	1001121031..... 17	1001127386..... 477, 479	1001133877 ..... 135
1001108433 ..... 467	1001121047..... 17	1001127488..... 467	1001134231 ..... 485
1001108841 ..... 292, 311, 525	1001121050..... 133	1001127699..... 467	1001134232 ..... 467
1001109053 ..... 562, 566	1001121290..... 35	1001127700..... 467	1001134233 ..... 485
1001109536 ..... 131	1001121309..... 127	1001127726..... 133	1001134234 ..... 467
1001110704 ..... 85	1001121332..... 23	1001127748..... 467	1001134235 ..... 467
1001111086 ..... 331, 333	1001121337..... 23	1001127756..... 467	1001134236 ..... 467
1001111112 ..... 311	1001121404..... 135	1001128110..... 381	1001134413 ..... 149
1001111190 ..... 85	1001121418..... 415	1001128128..... 475, 537	1001134453 ..... 135
1001112039 ..... 299, 521	1001121425..... 415	1001128144..... 133	1001134456 ..... 135
1001112612 ..... 471	1001121428..... 415	1001128248..... 17	1001134458 ..... 135
1001114282 ..... 301, 307, 337	1001121429..... 415	1001128341..... 133	1001134470 ..... 467
1001114495 ..... 133	1001121459..... 397, 487	1001128363..... 139	1001134516 ..... 135
1001114675 ..... 351	1001121460..... 487	1001128364..... 139	1001135348 ..... 485
1001114803 ..... 135	1001121506..... 133	1001128390..... 23	1001135349 ..... 467
1001115153 ..... 292, 311, 351	1001121530..... 415	1001128594..... 487, 589	1001135607 ..... 539
1001115528 ..... 131, 473	1001121569..... 415	1001128602..... 139	1001136630 ..... 381
1001115878 ..... 487	1001121570..... 415	1001128714..... 139	1001136631 ..... 381
1001115884 ..... 127	1001121577..... 415	1001128739..... 145	1001136887 ..... 133
1001115999 ..... 388	1001121869..... 145	1001128745..... 145, 147	1001136919 ..... 127
1001116011 ..... 388	1001121883..... 127	1001128746..... 145	1001136940 ..... 133
1001116274 ..... 477	1001121955..... 133, 589	1001128901..... 139	1001136975 ..... 127
1001116440 ..... 403, 417	1001121962..... 135	1001128945..... 133	1001136981 ..... 380
1001116443 ..... 403, 419	1001122219..... 27	1001129277..... 467	1001137231 ..... 385
1001116727 ..... 480, 541	1001122234..... 127, 588	1001129352..... 35	1001137239 ..... 127
		1001129358..... 27	1001137259 ..... 388
			1001137280 ..... 388

# PART NUMBER INDEX

1001137281.....	388	1001149756.....	135	1001163542.....	413, 589	1001187423.....	281, 283
1001137512.....	115	1001150299.....	17	1001163555.....	415	1001187427.....	57
1001138258.....	135	1001150364.....	292, 310	1001163556.....	413	1001187428.....	490
1001138313.....	135	1001150521.....	588	1001163565.....	415	1001187429.....	494
1001138348.....	133	1001150522.....	588	1001163566.....	413	1001188192.....	285
1001138788.....	311	1001151561.....	61, 65	1001163568.....	403, 415	1001188193.....	285
1001138944.....	304	1001151643.....	311, 337, 339	1001163569.....	403, 413	1001188280.....	49
1001138945.....	304			1001163673.....	415	1001188284.....	49
1001139038.....	127	1001151847.....	311, 337	1001163729.....	467	1001188287.....	279, 281
1001139081.....	380	1001152220.....	511	1001164567.....	47	1001188288.....	279, 283
1001139139.....	337	1001152326.....	312, 337	1001164571.....	45, 47	1001188385.....	555
1001139578.....	562	1001152538.....	511	1001164845.....	49, 53	1001188386.....	555
1001139703.....	304	1001152569.....	562, 566	1001164846.....	53	1001188387.....	555
1001139927.....	331	1001153084.....	511, 547	1001164858.....	53	1001188389.....	555
1001140233.....	292, 311, 475	1001154575.....	562, 566	1001164859.....	53	1001188390.....	81, 83
1001140468.....	304	1001155219.....	485, 589	1001164860.....	53	1001188726.....	562, 566
1001140694.....	304	1001156272.....	292, 311	1001164871.....	45, 49	1001188869.....	380
1001141211.....	381	1001157029.....	35	1001164881.....	45, 49	1001188870.....	380
1001141212.....	381	1001157030.....	57	1001164884.....	45, 49	1001188871.....	383, 435
1001141400.....	127	1001157359.....	405, 407	1001164885.....	45, 49	1001188872.....	380, 383
1001141596.....	487	1001157891.....	537	1001165143.....	380	1001189088.....	292, 311
1001141965.....	485	1001158178.....	490, 494	1001165212.....	35, 57, 588	1001189089.....	292
1001142247.....	102	1001158896.....	535	1001165216.....	380	1001189090.....	301, 304, 310
1001142350.....	304, 325	1001159129.....	135	1001165218.....	380	1001189091.....	301
1001142892.....	167, 215	1001159605.....	31	1001165578.....	349	1001189092.....	304
1001142893.....	215	1001159949.....	349	1001165579.....	349	1001189211.....	81
1001143377.....	467	1001160071.....	583	1001167110.....	35, 39	1001189235.....	490, 494, 533
1001143397.....	487	1001160072.....	579	1001167902.....	455	1001189329.....	498
1001143398.....	487	1001160787.....	585	1001167990.....	34	1001189330.....	501
1001143653.....	17	1001160889.....	349	1001168079.....	35	1001189331.....	507
1001143654.....	17, 305	1001160945.....	581	1001168193.....	35	1001189888.....	407, 409
1001143692.....	47, 588	1001161806.....	381	1001168333.....	35	1001190037.....	480
1001143724.....	157, 163	1001161814.....	407	1001170171.....	131, 217	1001190781.....	31
1001144101.....	157	1001161824.....	407	1001170639.....	393, 457	1001191599.....	545
1001144114.....	23	1001162129.....	407	1001171331.....	35	1001192401.....	480
1001144147.....	471	1001162130.....	407	1001171991.....	53	1001192915.....	61
1001144724.....	388	1001162131.....	407	1001172153.....	53	1001193070.....	381
1001144782.....	487	1001162134.....	407	1001172154.....	53	1001193390.....	562, 566
1001144790.....	487	1001162141.....	407	1001172274.....	455	1001193794.....	65
1001144801.....	487	1001162142.....	407	1001172288.....	415, 455	1001193799.....	77
1001144802.....	133	1001162144.....	407, 409, 589	1001175733.....	547	1001193801.....	109
1001144803.....	487	1001162145.....	407	1001175915J.....	281, 283	1001193802.....	113
1001145206.....	339	1001162146.....	407	1001179605.....	165, 169	1001193803.....	119
1001145301.....	467	1001162148.....	407	1001179607.....	167, 191	1001194130.....	571
1001145498.....	562, 566	1001162148.....	407	1001182094.....	127	1001194373.....	575
1001145543.....	143	1001162152.....	407	1001182094.....	127	1001195423.....	557
1001145702.....	353	1001162153.....	407	1001182358.....	511	1001195610.....	557
1001145753.....	353	1001162153.....	407	1001182662.....	511	1001196454.....	403, 405
1001145754.....	353	1001162159.....	407	1001182934.....	127, 129	1001197054.....	135, 137
1001146009.....	501	1001162159.....	407	1001182953.....	79	1001197151.....	53, 55
1001146159.....	61, 65	1001163174.....	566	1001187102.....	15	1001200439.....	39
1001146160.....	61, 65	1001163206.....	566	1001187104.....	289	1001200937.....	127, 131
1001146217.....	304	1001163210.....	566	1001187110.....	327	1001200938.....	17, 127
1001146218.....	304	1001163212.....	566	1001187113.....	477	1001207217.....	562
1001146367.....	23	1001163222.....	566	1001187119.....	380	1001207606.....	121
1001146371.....	23	1001163223.....	566	1001187119.....	380	1001207621.....	45
1001146680.....	157, 167	1001163267.....	407, 409	1001187123.....	157	1001207622.....	35, 588
1001147072.....	131	1001163273.....	566	1001187123.....	157	1001208114.....	403, 411
1001147450.....	135	1001163273.....	566	1001187137.....	141	1001209093.....	49
1001148177.....	351	1001163276.....	566	1001187153.....	49	1001209475.....	31
1001148837.....	149	1001163285.....	566	1001187156.....	45	1001209476.....	31
1001148847.....	149	1001163291.....	566	1001187236.....	23	1001209625.....	566
1001148991.....	467	1001163291.....	566	1001187238.....	388	1001210584.....	35, 39
1001148992.....	467	1001163300.....	566	1001187240.....	403	1001210604.....	343
1001149227.....	135	1001163304.....	566	1001187242.....	279	1001211516.....	67
1001149344.....	149	1001163321.....	566	1001187242.....	279		
		1001163323.....	566	1001187243.....	285		
		1001163355.....	566	1001187244.....	566		
		1001163414.....	75, 425	1001187245.....	17		
		1001163540.....	407	1001187247.....	562		
		1001163541.....	415, 589	1001187394.....	31		

# PART NUMBER INDEX

1001211711 .....	63	1319630 .....	231, 233	2111010 .....	51	2717160 .....	71
1001211953 .....	573	1319631 .....	231, 233	2111212 .....	34, 383	2717161 .....	71
1001211956 .....	577	1319632 .....	231, 233	2111616 .....	383	2717162 .....	71
1001215778 .....	347	1319635 .....	241	2130404 .....	365	2717283 .....	71, 433
1001215783 .....	347	1319636 .....	231, 233, 241	2130406 .....	383, 391	2717287 .....	85
1001223453 .....	562, 566	1319638 .....	231, 233	2130606 .....	71, 73, 77, 380, 383, 395	2752661 .....	388
1001224062 .....	537	1319647 .....	275	2130608 .....	71	2820035 .....	501
1001228068 .....	405, 409	1319648 .....	275	2130808 .....	381, 397	2915023 .....	429, 589
1001230931 .....	475	1319683 .....	249	2130810 .....	77, 383, 405	2940074 .....	107
1001231674 .....	455	1319684 .....	249	2131210 .....	127	2960243 .....	199
1060379 .....	107	1319685 .....	249	2131212 .....	381	3020039 .....	363
1060626 .....	487	1319686 .....	249	2131616 .....	135, 395	3020040 .....	34
10701277 .....	381	1319687 .....	249	2144605 .....	165, 167, 363	3020043 .....	407, 413, 415
10705034 .....	71	1319688 .....	249	2150404 .....	51, 55	31200160 .....	105
10713707 .....	477, 589	1319689 .....	249	2150406 .....	383	31200386 .....	123
10718991 .....	498	1319694 .....	249	2150606 .....	395	31211077 .....	589
10718992 .....	498	1319719 .....	253	2150808 .....	365	31211078 .....	589
10725554 .....	173, 195	1319726 .....	129, 257, 588, 589	2151620 .....	380	3251813 .....	562, 566
10731709 .....	227, 249, 253	1320136 .....	511	2160001 .....	415	3271601 .....	355
10731744 .....	229	1320263 .....	498, 501	2160002 .....	34, 57	3272001 .....	127
10731845 .....	235, 237, 241	1320748 .....	271, 273	2160016 .....	31, 45, 49, 407	3290601 .....	467
10731959 .....	275	1320754 .....	271, 273	2170110 .....	51	3290605 .....	27
10732071 .....	249	1321320 .....	305	2170112 .....	383	3290801 .....	467
10732072 .....	249	1321716 .....	304	2170206 .....	383, 395	3291001 .....	304
10732095 .....	247	1340021 .....	292, 311, 588	2170210 .....	381	3291205 .....	31
10791805 .....	436	1360300 .....	41	2170212 .....	135	3291605 .....	45, 49
10837928 .....	435	1360301 .....	41	2170212 .....	135	3300240 .....	61, 63, 65, 67, 75, 77
1170057 .....	75	1380158 .....	304	2170306 .....	327, 381	3300246 .....	135
1319229 .....	221	14403190 .....	331	2170404 .....	393	3300492 .....	27, 133, 304
1319436 .....	269	14404173 .....	355, 357, 501, 507	2170410 .....	393	3311001 .....	498
1319558 .....	225	14404793 .....	34	2170506 .....	388	3311005 .....	310
1319563 .....	225	1671313 .....	149	2170516 .....	135	3311401 .....	299, 501
1319571 .....	227, 229, 245, 259, 269	1701509 .....	107	2170706 .....	388	3311405 .....	23, 107, 305
1319576 .....	245	1701640 .....	562, 566	2170708 .....	380, 397	3311408 .....	498
1319590 .....	227	1702300 .....	562, 566	2170716 .....	135	3311505 .....	292, 310
1319593 .....	231, 233, 235, 237, 239, 241	1702631 .....	562, 566	2170806 .....	165, 167	3311508 .....	327, 485, 487
1319594 .....	231, 233, 235, 237, 239, 241	1702773 .....	105, 123	2171110 .....	34, 45, 49	3311601 .....	380
1319595 .....	231, 233, 235, 237, 241	1704277 .....	107	2171208 .....	34, 57	3311601 .....	380
1319596 .....	235, 237, 241	1704885 .....	105, 123, 569	2171216 .....	381	3311701 .....	49
1319600 .....	231, 233, 235, 237, 239, 241	1706185 .....	569	2172106 .....	75, 165, 167, 327, 363, 380	3311705 .....	157
1319601 .....	231, 233, 235, 237, 239, 241	1706296 .....	562	2172108 .....	51, 380	3311801 .....	34, 490, 494, 501
1319602 .....	231, 233, 235, 237, 239, 241	1706298 .....	562	2172116 .....	383	3311802 .....	490, 494
1319605 .....	235, 237, 241	1706299 .....	562	2172408 .....	397	3311805 .....	498
1319607 .....	235	1706300 .....	562	2172416 .....	135	3313001 .....	34
1319608 .....	235, 245	1706301 .....	562	2180467 .....	133	3313002 .....	34
1319614 .....	237	1706302 .....	562	2180849 .....	45, 49	3421453 .....	107
1319615 .....	231, 233, 237, 241	1706303 .....	562	2200221 .....	157	3423227 .....	157
1319617 .....	231, 233	1706304 .....	562	2220282 .....	310, 337	3423242 .....	61, 63
1319618 .....	231, 233	1706306 .....	562	2220346 .....	490, 494	3423247 .....	31
1319620 .....	231, 233	1706306 .....	562	2220415 .....	85	3423276 .....	65, 67, 75, 85
1319621 .....	231, 233	1706767 .....	562	2220473 .....	85	3423301 .....	34, 57
1319622 .....	231, 233	1706768 .....	562	2220578 .....	380	3423307 .....	75
1319623 .....	231, 233	1706850 .....	562	2220591 .....	395	3520072 .....	107
1319624 .....	231, 233	1706851 .....	562	2220609 .....	85	3520176 .....	23, 277
1319625 .....	231, 233	1706892 .....	105	2220628 .....	85	3575947 .....	127
1319626 .....	231, 233	2080040 .....	107	2220767 .....	135	3740080 .....	475, 522, 537
1319627 .....	231, 233	2080063 .....	304	2220883 .....	407, 413, 415	3760170 .....	107
1319628 .....	231, 233	2110406 .....	327, 380, 383, 391	2220888 .....	415	3760258 .....	415
1319629 .....	231, 233	2110606 .....	73, 75, 77, 327, 380	2221244 .....	363, 393	3780187 .....	415
		2110608 .....	385	2221257 .....	363	3790228 .....	143
		2110808 .....	75, 165, 167, 380	2340038 .....	81, 117	3790234 .....	413
		2110810 .....	51, 405	2340039 .....	111	3790348 .....	413
		2110812 .....	383	2401305 .....	197	3790358 .....	415
				24921332 .....	139, 141	3820020 .....	107
				2580040 .....	487	3841203 .....	75
				2600281 .....	107	3841287 .....	31

# PART NUMBER INDEX

3931012.....	511	4460955.....	473	70002599.....	457	70021387.....	99
3931648.....	143	4460966.....	555	70003849.....	425	70021391.....	99
3931664.....	415	4460970.....	473	70004416.....	457	70021392.....	99
3931828.....	34	4461017.....	509	70004421.....	457	70021393.....	99, 421
3941506.....	498	4461254.....	498	70004422.....	457	70021399.....	99
3960441.....	415	4641501.....	73, 451	70004426.....	457	70021415.....	91
3960442.....	413	4641502.....	71, 73	70005014.....	411	70021440.....	83, 421, 427
4031918.....	49	4711000.....	388, 498	70020002.....	79, 83	70021444.....	421, 427
4060918.....	381	4711400... 107, 127, 292,		70020028.....	79, 83	70021446.....	421, 427
4071133.....	355, 357	305, 310, 337, 381,		70020350.....	129, 588	70021447.....	421, 427
4100181.....	562, 566	477, 490, 501		70020351.....	129	70021448.....	421, 427
4105262.....	562, 566	4711500... 277, 293, 305,		70020358.....	129, 588	70021451.....	421, 427
4110422.....	87, 89, 91	310, 327, 385		70020428.....	429	70021452.....	421, 427, 589
4110473.....	71	4711600... 135, 141, 145,		70020555.....	119, 121	70021462.....	427
4240018.....	127, 467	293, 310, 355, 380,		70020562.....	99	70021464.....	421, 427
4240033.....	299, 304, 511	490, 562, 566		70020632.....	317	70021465.....	421
4420060.....	357	4711700..... 49, 127, 157		70020640.....	325	70021466.....	421
4460042.....	553	4711800..... 34, 501		70020643.....	323	70021507.....	77
4460185.....	553	4712200..... 501		70020644.....	323	70021526.....	245
4460247.....	471	4740003..... 45, 49		70020645.....	323	70021531.....	445
4460312.....	471	4740274..... 135		70020646.....	323	70021603.....	175
4460374.....	522	4740553..... 333		70020647.....	323	70021606.....	199
4460419..... 521, 525, 545,		4751200..... 299		70020653.....	318	70021607.....	199
551		4751400..... 23, 304, 327		70020659.....	439	70021613.....	199
4460458..... 479, 480, 537,		4751500... 277, 293, 304,		70020660.....	439	70021803.....	129
547		310		70020661.....	439	70021920.....	229
4460459.....	519	4751600... 23, 27, 34, 57,		70020662.....	439	70021921.....	91
4460464..... 369, 473, 475,		304, 380		70020663.....	439	70021935.....	91
479, 501, 503, 505,		4751800..... 498		70020665.....	439	70021977.....	91
543, 549, 553		4752200..... 498, 511		70020666.....	439	70021978.....	91
4460465..... 471, 475, 480,		4761000..... 498		70020667.....	439	70021979.....	91
525, 545, 549, 555		4761400... 293, 304, 312,		70020668.....	439	70021980.....	99
4460466..... 471, 473, 475,		337, 381, 467, 501		70020669.....	439	70021981.....	99
479, 480, 521, 525,		4761500... 304, 310, 380,		70020670.....	439	70021982.....	99
535, 537, 551, 555		385, 490, 494		70020671.....	439	70022000.....	435
4460473.....	479	4761600... 23, 34, 57, 304,		70020672.....	439	70022001.....	435
4460475.....	525	355, 363, 365, 380		70020673.....	439	70022002.....	435
4460500.....	525	4761700..... 127		70020674.....	439	70022004.....	435
4460502.....	479	4761800... 34, 57, 143, 355,		70020675.....	439	70022005.....	435
4460503.....	475	357, 501		70020676.....	439	70022006.....	435
4460508.....	509	4771500..... 293, 310		70020677.....	439	70022007.....	435
4460518.....	471	4791400..... 310		70020678.....	439	70022008.....	435
4460532.....	551	4811600..... 149		70020679.....	439	70022009.....	435
4460590.....	471	4811700..... 27, 467		70020680.....	439	70022010.....	435
4460743.....	519	4811702..... 145		70020681.....	439	70022011.....	435
4460746..... 479, 480, 521,		4812000..... 131		70020682.....	439	70022012.....	435
537		4812100..... 127		70020764.....	445	70022013.....	435
4460748.....	479	4812300..... 127		70020870.....	475	70022014.....	435
4460789..... 479, 543, 545		4831900..... 127		70021177... 171, 193, 197		70022015.....	435
4460790.....	521	4832000..... 363		70021227.....	239	70022017.....	435
4460850..... 519, 541, 543		4832100..... 127		70021228.....	239	70022019.....	435
4460851.....	475, 545	4846452..... 107		70021268.....	239	70022028.....	91
4460884..... 475, 480, 555		4891500..... 139		70021269.....	239	70022044.....	429
4460891..... 471, 531, 537,		4891600..... 304		70021342.....	91, 99	70022045.....	429
541, 549		4891800..... 75, 143		70021348.....	79	70022046.....	429
4460894.....	543	4892000..... 17		70021349.....	79, 91	70022075... 231, 233, 235,	
4460897..... 369, 501, 503,		4892200..... 34		70021351.....	79	237, 239, 241	
505, 549, 553		4892400..... 157, 165		70021358.....	99	70022140.....	173, 195
4460930.....	475	4920017..... 549		70021359.....	99	70022224.....	525
4460931.....	537	4923452..... 149		70021360.....	99	70022287.....	457
4460933.....	471	5201210..... 53		70021361.....	99	70022527.....	91, 99
4460941..... 471, 479, 537		6604662..... 85		70021362.....	99	70022528.....	91
4460942..... 471, 535, 537,		70000656..... 249		70021363.....	79, 427	70022529.....	91
541		70002219..... 425		70021364.....	99	70022552.....	307, 325
4460943.....	471	70002224..... 425		70021365.....	99	70022553.....	307, 325
4460944..... 471, 525, 555		70002578..... 457		70021366.....	99	70022555.....	325
4460945.....	525	70002585..... 457		70021367.....	99	70022556.....	325

## PART NUMBER INDEX

70022557	325	70024061	91	70025856	183	70026519	229
70022558	325	70024089	79	70025925	307	70026520	229
70022691	555	70024091	79	70025926	307	70026521	229
70022773	179	70024093	79	70025927	307	70026527	231, 233, 235, 237, 239, 241
70022805	307, 325	70024094	79	70025959	425	70026528	231, 233, 235, 237, 239, 241
70022814	197	70024095	79	70025982	435	70026529	231, 233, 235, 237, 239, 241
70022861	417, 419	70024109	137	70025997	509	70026530	235
70022876	325	70024110	137	70025998	509	70026531	237
70022877	325	70024112	137	70026002	175, 197, 589	70026532	239
70022879	325	70024114	137	70026030	195, 205	70026535	241
70022880	323	70024115	137	70026056	425	70026536	243, 267, 269
70022881	323	70024116	137	70026057	425	70026538	247
70022882	323	70024123	102	70026058	425	70026539	247
70022883	323	70024129	399, 423	70026059	425	70026544	247, 249
70022884	323	70024130	399	70026060	425	70026546	249
70022885	323	70024146	175, 185, 197, 207	70026061	425	70026547	249
70022886	323	70024147	185, 207	70026062	425, 589	70026548	249
70022888	323	70024152	129, 443, 588, 589	70026063	175	70026549	249
70022889	323	70024153	443, 589	70026066	197	70026554	249
70022890	323	70024175	129, 147, 588	70026067	175	70026555	249
70022891	323	70024176	129, 147, 588	70026073	175	70026556	249
70022996	102	70024202	435	70026154	411	70026559	263
70023000	102	70024204	183	70026155	411	70026561	249
70023037	439	70024207	175	70026156	411	70026585	102
70023038	440	70024209	177	70026157	411	70026586	102
70023039	439	70024210	177, 199	70026158	411	70026587	102, 423
70023086	411	70024213	177	70026159	411	70026588	102
70023108	325	70024214	177	70026211	431	70026589	102, 399
70023110	307	70024215	177	70026212	431	70026590	102
70023139	345	70024216	199	70026213	431	70026591	102
70023258	171	70024262	425	70026214	431	70026592	102
70023320	435	70024270	147	70026215	431, 589	70026593	102
70023325	361	70024271	147	70026238	175, 197, 589	70026594	102
70023337	137	70024284	129, 588	70026260	197	70026595	102
70023350	457	70024306	115	70026261	197	70026596	102
70023361	457	70024307	115	70026335	129	70026597	102
70023362	457	70024309	129, 588	70026343	411, 589	70026598	102
70023364	457	70024310	129, 589	70026347	102	70026599	102
70023404	227, 269	70024311	129, 589	70026348	459	70026600	102
70023474	267	70024312	129	70026369	435	70026601	102
70023475	269	70024313	129, 589	70026370	436	70026602	102
70023476	269	70024314	129, 588	70026372	435	70026603	102
70023489	205	70024315	129, 588	70026373	435	70026604	102
70023490	183, 205	70024318	147	70026376	436	70026605	102
70023491	183, 205	70024319	361	70026379	435	70026606	102
70023493	205	70024538	102	70026470	102	70026607	102
70023494	173, 195	70024550	102	70026471	102	70026608	102
70023502	265	70024578	471	70026472	102	70026609	102
70023800	269	70024670	171	70026473	102	70026610	423
70023801	269	70024734	423	70026476	102	70026611	423
70023885	229, 261	70024841	147	70026478	399	70026612	399
70023896	417, 419	70024843	299, 467	70026481	102	70026613	399
70023928	451	70024847	435	70026482	102	70026614	399
70023929	451	70024849	177	70026495	423	70026615	399
70023934	417	70024895	255	70026497	423	70026616	399
70023935	417	70025335	193	70026499	423	70026617	399
70023936	417	70025336	195	70026500	423	70026618	399
70023937	417	70025337	205	70026501	102, 423	70026619	399
70023939	419	70025338	205	70026502	423	70026620	399
70023940	417, 419	70025339	183, 205	70026503	423	70026621	399
70023941	419	70025341	197	70026505	423	70026700	79
70023943	417, 419, 589	70025562	175, 197	70026506	423, 589	70026702	79
70023963	419	70025606	425	70026515	225	70026703	79
70024001	295, 317	70025619	411	70026516	225, 227, 229, 261	70026704	79
70024020	425	70025854	435	70026517	227, 249, 253		
70024059	91			70026518	227		
70024060	91						

# PART NUMBER INDEX

70026708.....	471	70028529.....	83	7026771.....	245	7029743.....	175, 187, 197, 209
70026709.....	137	70028530.....	83	7026772.....	245	7029789.....	177
70026714.....	457	70028531.....	83	7026773.....	245	7029849.....	231, 233, 235, 237, 239, 241
70026728.....	129	70028772.....	409	7026774.....	245	7029850.....	231, 233, 235, 237, 239, 241
70026729.....	77	70028773.....	409	7026775.....	245	7029852.....	231, 233, 235, 237, 239, 241
70026730.....	77	70028774.....	409	7026776.....	247	7029854.....	295, 317
70026731.....	77	70028775.....	409	7026780.....	247	7029855.....	295, 317
70026732.....	77	7012773.....	449	7026781.....	247	7029915.....	447
70026734.....	77	7018300.....	459	7026782.....	251	7029916.....	447
70026735.....	77	7021275.....	457	7026783.....	251	7029917.....	449
70026736.....	77	7024574.....	429	7026784.....	251	7029972.....	229
70026741.....	77	7026022.....	459	7026787.....	249	7029973.....	227
70026745.....	119, 121	7026401.....	469	7026788.....	249	7057141.....	133
70026746.....	119, 121	7026408... 475, 479, 522, 535		7026789.....	249	7062922.....	85
70026747.....	199	7026413.....	480	7026791.....	253	7110702.....	85
70026748.....	199	7026414.....	479, 521	7026792.....	229, 253	7110712.....	85
70026750.....	183	7026419.....	480	7026793.....	253	7110722.....	85
70026753.....	179, 201	7026425... 521, 525, 545		7026794.....	229, 253	7139914.....	157, 159
70026754.....	177	7026429.....	519	7026798.....	341	7139918.....	71
70026755.....	177	7026430.....	519	7026799.....	341	71492152.....	337
70026756.....	177	7026431.....	519	7026900.....	341	7150580.....	157, 161
70026758.....	137	7026437.....	555	7026901.....	341	7300435.....	127
70026759.....	137	7026438.....	555	7026902.....	341	7301295.....	69
70026760.....	137	7026439.....	521, 535	7026904.....	341	7301408.....	69
70026761.....	137	7026440.....	297	7026905.....	341	7301568.....	69, 71
70026762.....	137	7026449.....	175	7026906.....	341	77101143.....	165, 167
70026763.....	137	7026481.....	361	7026909.....	521	77133052.....	380, 385
70026765.....	77	7026487.....	171, 177	7026910.....	479	77133053.....	380, 385
70026766.....	173, 183	7026490.....	179, 201	7026911.....	588	77133073.....	380
70026767.....	175	7026495.....	173	7026938.....	417	77133089.....	395
70026768.....	175	7026499.....	175	7026998.....	459	77133134.....	305
70026769.....	177	7026577.....	269	7026999.....	459	77133136.....	385
70026770.....	433, 461	7026578.....	269	7027100.....	459	77133137..	305, 310, 337, 385
70026771.....	433, 461	7026713.....	177	7027254.....	259	77133140.....	380
70026772.....	83, 461	7026718.....	177	7027255.....	259	77133168.....	380
70026773.....	433, 461	7026739.....	373, 375	7027267.....	239	77133279..	305, 310, 337, 385
70026774.....	433, 461	7026740.....	373, 375	7027269.....	271	77133306.....	385
70026775.....	433, 461	7026741.....	371, 375	7027270.....	271	77133390.....	385
70026776.....	435	7026742.....	371	7027271.....	273	77143003.....	357
70026777.....	435	7026743.....	371	7027272.....	273	77143006.....	135
70026778.....	435	7026744.....	221	7027273.....	275	77323029.....	304, 385
70026779.....	435	7026745.....	221	7028714.....	197	77363228..	479, 480, 521, 551, 555
70026780.....	435	7026746.....	223	7028715.....	197	77363229..	475, 479, 480, 521, 522, 529, 535
70026781.....	435	7026747.....	225	7028716.....	175, 197	77363232.....	533
70026782.....	435	7026748.....	225	7028733.....	197	77363233.....	529
70026783.....	435	7026749.....	225	7028939.....	295, 317	77363242.....	525
70026784.....	435	7026750.....	227	7029127.....	179, 201	77363345.....	521
70026785.....	435	7026751.....	227	7029267.....	247, 249	77363347.....	479
70026786.....	435	7026752.....	227	7029288.....	193	77383790.....	145
70026787.....	435	7026753.....	229	7029290.....	189, 211	77394009.....	475
70026992.....	27	7026754.....	229	7029292.....	203, 211	8008175.....	179, 193
70027264.....	411	7026755.....	229	7029303.....	181, 189	80204002.....	193
70027265.....	411	7026756.....	229	7029304.....	181	80204005..	171, 175, 193, 197
70027266.....	411	7026757.....	231	7029305.....	181	80204012.....	171
70027283.....	83	7026758... 231, 233, 235, 237, 239, 241		7029307.....	179, 193	80204014.....	171
70028456.....	79	7026759... 231, 233, 235, 237, 239, 241		7029312.....	175	80204033.....	173, 195
70028486.....	83	7026760... 231, 233, 235, 237, 239, 241		7029313.....	175	80204035.....	173, 195
70028519.....	83	7026761... 231, 233, 235, 237, 239, 241		7029317.....	187, 209	80204043.....	173, 195
70028520.....	83	7026762.....	233	7029520.....	119		
70028521.....	83	7026765.....	239	7029524.....	509		
70028522.....	83	7026766.....	239	7029692.....	91, 99		
70028523.....	83	7026769... 239, 245, 271, 273		7029703.....	79		
70028524.....	83			7029711.....	79		
70028525.....	83			7029714.....	99		
70028526.....	83			7029734.....	177, 199		
70028527.....	83			7029735.....	177, 199		
70028528.....	83						

## PART NUMBER INDEX

80204047 .....	173, 195	8037140 .....	431	8223073 .....	498	8750024 .....	127
80204048 .....	173, 195	80383231 .....	310, 337	8225122 .....	467	8750025 .....	127
80204049 .....	173, 195	80384187 .....	315	8270621 .....	477, 589	8769132 .....	85
80204050 .....	173, 195	80384189 .....	315	8278020 .....	133	8769152 .....	45, 49
80204051 .....	173, 195	80384191 .....	315	8303634 .....	71, 85	8769153 .....	45, 49
80204052 .....	173, 195	80384192 .....	315	8303658 .....	71	8770016 .....	85
80204060 .....	177	80384205 .....	317	8303715 .....	85	8770258 .....	363
80204065 .....	175	80384207 .....	317	8305624 .....	71, 477	88201008 .....	391
80204071 .....	175, 197	80384218 .....	317	8305626 .....	487	88211551 .....	34
80204076 .....	175, 197	80463058 .....	535	8305630 .....	305	88212287 .....	31
80204108 .....	177	80484081 .....	479, 521	8305643 .....	71, 85	88261010 .....	498
80204117 .....	177, 189, 199, 211	80484084 .....	479, 521	8305645 .....	45, 49, 562, 566	88261026 .....	133
80204143 .....	179, 201	80484085 .....	479, 521	8307024 .....	351	8841322 .....	261
80204144 .....	171, 179, 201	80484086 .....	479, 521	8307107 .....	127	88501004 .....	381, 391
80204281 .....	177	80484087 .....	480	8307904 .....	85	88501005 .....	381
80214120 .....	197	80484088 .....	555	8307916 .....	34	88501006 .....	23, 380
80241137 .....	157	80604016 .....	475, 521, 525	8307917 .....	34	88501008 .....	34, 57, 355, 357
80264031 .....	295, 317	80604018 .....	475, 479, 522, 531, 535, 541	8307918 .....	85	88501012 .....	289
80264035 .....	295, 317	80604021 .....	475, 480, 555	8310054 .....	34	8850-1016 .....	289
80264066 .....	315	80604025 .....	475	8310056 .....	34	88501108 .....	34, 57
80264138 .....	367	8065062 .....	85	8310067 .....	31	88501109 .....	277, 305
80264139 .....	367	8065640 .....	157, 213, 215	8310160 .....	85	88521205 .....	135, 157
80304227 .....	239	80933113 .....	143	8310161 .....	85	88551009 .....	391
80304394 .....	229, 245, 253	80933367 .....	145	8310302 .....	71	88551013 .....	21
80304405 .....	225	80934498 .....	367, 373, 375	8310435 .....	71	88581115 .....	41
80333162 .....	165	80963050 .....	503, 505	8310453 .....	467	88581149 .....	34
8033786 .....	429	80963055 .....	475	8310494 .....	133	88581157 .....	34
8034697 .....	435	80963057 .....	480, 525, 527	8310737 .....	304	88662019 .....	447
8034805 .....	333	80963057 .....	479, 480, 519, 521	83191010 .....	277	88662065 .....	447
8034807 .....	333	80963058 .....	310, 527, 545	83201057 .....	304	88662523 .....	23
8035382 .....	435	80963061 .....	480, 543	83201058 .....	289	8866334 .....	315
8035392 .....	329, 589	80963062 .....	480, 483, 519, 541, 543	83201147 .....	157	8866348 .....	23, 25
8035461 .....	315	80963063 .....	521	83481285 .....	475, 479, 525	88671001 .....	75, 157, 165, 167
8035498 .....	333, 589	80963064 .....	519	83481286 .....	475, 479, 525	88671027 .....	35
8035536 .....	429	80963065 .....	310, 475, 479, 480, 483, 519, 521, 527, 543	83663119 .....	385	88681343 .....	34
8035779 .....	161, 588	80963067 .....	479, 519, 521, 522, 527	83683298 .....	25	8880218-OM .....	157
8035782 .....	419	80963068 .....	475, 479, 480, 519, 521, 543	83683300 .....	25	8881800 .....	477
8035784 .....	417, 419	80963069 .....	310, 480, 483, 519, 527, 545	8405007 .....	131	8887145 .....	407
8035862 .....	429	80963070 .....	519, 521, 543	8405102 .....	133	88991005 .....	36
8035863 .....	429	80963101 .....	310	8405104 .....	133, 381	8903015 .....	435
8035865 .....	417, 419	80964001 .....	310, 337	8405201 .....	133	90027473 .....	289
8036088 .....	333	80964051 .....	315, 589	8405212 .....	133	90027475 .....	165, 167
8036190 .....	235, 237	8096D097 .....	331, 501, 507	8405306 .....	133	90028720 .....	380
80363033 .....	293	80983168 .....	498	8405505 .....	127	90200003 .....	61, 63, 65, 67, 71, 75, 85
80363034 .....	293, 310	82033995 .....	310, 337	8406105 .....	501	90200339 .....	281, 283
80363099 .....	325	82033997 .....	310	8406303 .....	133	90200602 .....	21
80363102 .....	323	8205655 .....	429	8410013 .....	133	90200755 .....	293, 310
80363103 .....	323, 325	8220050 .....	498	8420053 .....	71, 75, 77, 79, 83, 85	90205792 .....	35
80363178 .....	525	8220081 .....	541	8420055 .....	71, 75, 77, 79, 83, 85	90205870 .....	35, 588
80363179 .....	473, 525, 551	8220089 .....	479	84231107 .....	311, 337	90206194 .....	135
80363208 .....	339	8220101 .....	471	8466306 .....	562, 566	90206196 .....	311
80364001 .....	315, 321	8220124 .....	471	84712749 .....	310, 337	90206198 .....	23, 293, 310, 467
80364009 .....	295, 317	8220157 .....	469	8500066 .....	501, 507, 509	90206199 .....	293, 311
80364011 .....	295, 317	8220164 .....	471	8522012 .....	41	90206202 .....	381
80364023 .....	317	8220524 .....	525	8546407 .....	143	90206203 .....	157, 381
80364030 .....	317	8220525 .....	521, 525, 535, 545	8580315 .....	85	90207463 .....	490, 494
80364037 .....	295, 317	8220890 .....	480, 501, 507	8584001 .....	85	90207464 .....	35, 57
80364079 .....	315	8220904 .....	537	8584003 .....	490	90207661 .....	490
80364095 .....	367			85941016 .....	498	90451058 .....	71
8036433 .....	161, 588			85941017 .....	388	90554016 .....	83, 91, 99, 121
8036528 .....	247, 249			8630003 .....	71	90554017 .....	79, 99
8036529 .....	247			8642207 .....	85	90554018 .....	99
8036654 .....	295, 317			86683122 .....	385, 494	90554019 .....	83
8036678 .....	333			86683193 .....	310, 337		
8036733 .....	433, 461, 589			86883328 .....	310, 337		
8036847 .....	227, 229						

# PART NUMBER INDEX

90554020.....91	91366015..... 490, 494	91474434..... 439	91514112..... 197
90554038.....79	91401189..... 36	91474435..... 439	91514113..... 175, 197
90554042.....79, 91	91401281..... 485	91474438..... 439	91514114..... 175, 197
90554045.....79, 421, 427	91401443..... 310	91474439..... 439	91514115..... 175, 197
90554054.....91	91401516..... 292, 310	91474440..... 439	91514117..... 197
90554062.....91, 99	91401590..... 292, 310	91474441..... 439	91514118..... 277
90554065.....79, 99	91403097..... 289	91474442..... 439	91514123..... 173, 195
90554076.....91, 99	91403098..... 289	91474443..... 439	91514130..... 173, 195
91023098..... 293, 311	91403119..... 43	91474446..... 439	91514131..... 173, 195
91031236..... 35, 588	91403193..... 157	91474447..... 439	91514133..... 173, 195
91033186..... 35, 588	91403230..... 292, 311	91474450..... 439	91514134..... 173, 195
91033189..... 35, 588	91403324..... 292, 311	91474451..... 439	91514143..... 183
91033317..... 292, 310	91403413..... 45, 49, 71, 75, 77, 79, 83, 85, 102, 397	91474452..... 439	91514146..... 175, 197
91033425..... 310	91403414..... 45, 49, 71, 75, 77, 79, 83, 85, 102, 397	91474453..... 439	91514147..... 175, 197
91041449..... 35, 57	91403503..... 355, 357, 505	91474454..... 439	91514148..... 175, 197
91041450..... 35, 57	91403579..... 380	91474455..... 439	91514149..... 175, 197
91041451..... 35, 57	91403608..... 311	91474456..... 439	91514151..... 177
91041596..... 35, 57	91404011..... 367	91474458..... 439	91514154..... 177, 199
91043125..... 45, 49, 397	91404013..... 367	91474459..... 439	91514159..... 177, 199
91043126..... 45, 49, 397	91404016..... 367	91474460..... 439	91514161..... 177, 199
91053419..... 483	91404109..... 295, 317	91474465..... 297	91514165..... 177, 199
91081640..... 485, 487	91404110..... 295, 317	91474468..... 480	91514171..... 177
91083106..... 143	91404290..... 317	91474481..... 315, 317	91514172..... 177
91121082..... 35	91404291..... 317	91474482..... 317, 321	91514173..... 177
91121134..... 35, 57, 490, 494	91404294..... 317	91474492..... 321	91514174..... 175, 197
91123054..... 35, 57, 490, 494	91404295..... 317	91474512..... 193	91514175..... 185, 207
91123126..... 365	91404296..... 317	91474513..... 175	91514177..... 185, 207
91126032..... 490, 494	91404297..... 317	91474524..... 175, 197	91514178..... 175, 197
91140001CP..... 19	91404298..... 317	91476031..... 363	91514179..... 175, 197
91141301..... 35	91404299..... 317	91501064..... 391	91514180..... 175, 197
91141302..... 35	91404301..... 317	91503093..... 391, 453	91514181..... 175, 197
91141303..... 35, 588	91404302..... 295, 317	91503094..... 380	91514183..... 175
91143024..... 35, 57	91404303..... 317	91503105..... 535, 543, 555	91514184..... 187, 209
91143107..... 529, 533	91404305..... 317	91503106..... 543, 555	91514185..... 187, 209
91143117..... 498	91404306..... 317	91503112..... 327	91514186..... 187, 209
91143122..... 127, 305	91404309..... 315	91504028..... 367	91514188..... 175, 197
91143155..... 483	91404310..... 315	91504029..... 367, 373, 375	91514189..... 175, 197
91144190..... 365	91404311..... 315	91504030..... 373, 375	91514197..... 439
91144191..... 365	91404312..... 315	91504031..... 373, 375	91514198..... 439
91161168..... 35, 588	91404313..... 315	91504056..... 453	91514199..... 439
91161171..... 35, 588	91404315..... 315	91504057..... 453	91514224..... 367
91161183..... 35, 588	91404316..... 315	91504058..... 453	91514266..... 323
91161184..... 36	91404317..... 315	91504059..... 453	91514270..... 323
91161221..... 36	91404318..... 315	91504088..... 475	91514272..... 325
91161222..... 35	91404319..... 315	91504089..... 521	91514295..... 323
91161248..... 36	91404320..... 315	91504107..... 475, 543	91514296..... 325
91161277..... 36	91404321..... 315	91511094..... 36, 588	91553072..... 562, 566
91163028..... 293, 311	91404322..... 321	91511105..... 165, 167	91554019..... 525
91163087..... 292, 310	91404323..... 321	91511127..... 498	91554023..... 522
91163100..... 293, 311, 490, 494	91404324..... 321	91511145..... 363	91561090..... 35
91163188..... 36, 588	91404325..... 367, 589	91513125..... 365	91561101..... 35, 588
91163214..... 36, 588	91404326..... 367	91513176..... 41	91561107..... 35
91164087..... 295, 317	91404329..... 325	91513180..... 363	91561140..... 327
91164094..... 295, 317	91413036..... 292, 304, 311, 337, 388	91513212..... 327, 367, 589	91561156..... 36
91334024..... 317	91413052..... 505	91513266..... 277	91561192..... 292, 311
91334032..... 321	91413061..... 562, 566	91514081..... 197	91561240..... 53
91334034..... 317	91413142..... 335	91514082..... 175, 197	91561250..... 35
91334035..... 317	91415082..... 335	91514087..... 171, 193, 197	91561268..... 380
91344046..... 295, 317	91473126..... 277	91514089..... 193	91563025..... 43
91361044..... 36	91473127..... 297, 514	91514090..... 189, 211	91563026..... 43
91361045..... 36	91473211..... 292	91514095..... 175, 197	91563028..... 35, 588
91363021..... 471, 473	91474035..... 159, 163, 588	91514098..... 171, 193	91563030..... 35
91363151..... 490, 494, 529	91474402..... 447, 449	91514099..... 175, 189, 197, 211	91563035..... 41, 588
91365037..... 477, 483	91474407..... 449	91514101..... 193	91563061..... 289
		91514111..... 175, 197, 588	91563062..... 289
			91563075..... 292, 311
			91563079..... 145



## PART NUMBER INDEX

91563124 .....	479	91563185 ..	311, 337, 519	91563219.....	35	91565066 .....	514
91563129 .....	145	91563190 .....	395, 459	91563226...292, 311, 589		91565069 .....	569
91563147 .....	35	91563192 .....	514, 551	91563247.....	304, 527	91565081 .....	277
91563158 .....	341	91563200 .....	327, 371	91563263.....	35	91566007 .....	35
91563161 .....	35	91563201 .....	371, 373	91565005.....	36, 43	91566062 .....	277
91563164 .....	345	91563208 .....	292, 311	91565064.....	345	91566063 .....	277



31211076



An Oshkosh Corporation Company

Corporate Office  
JLG Industries, Inc.  
1 JLG Drive  
McConnellsburg, PA 17233-9533  
USA

+1-717-485-5161 (Corporate)  
+1-877-554-5438 (Customer Support Toll Free)  
+1-717-485-6417

### JLG Worldwide Locations

JLG Industries  
358 Park Road  
Regents Park  
NSW 2143  
Sydney 2143  
Australia  
+6 (12) 87186300  
+6 (12) 65813058  
Email: techservicesaus@jlg.com

JLG Ground Support Oude  
Bunders 1034  
Breitwaterstraat 12A  
3630 Maasmechelen  
Belgium  
+32 (0)89 84 82 26  
Email: emeaservice@jlg.com

JLG Latino Americana LTDA  
Rua Antonia Martins Luiz, 580  
Distrito Industrial Joao Narezzi  
Indaikatuba-SP 13347-404  
Brasil  
+55 (19) 3936 7664 (Parts)  
+55 (19) 3936 9049 (Service)  
Email: comercialpecas@jlg.com  
Email: servicios@jlg.com

Oshkosh-JLG (Tianjin)  
Equipment Technology LTD  
Shanghai Branch  
No 465 Xiao Nan Road  
Feng Xian District  
Shanghai 201204  
China  
+86 (21) 800 819 0050

JLG Industries Dubai  
Jafza View  
PO Box 262728, LB 19  
20th Floor, Office 05  
Jebel Ali, Dubai  
+971 (0) 4 884 1131  
+971 (0) 4 884 7683  
Email: emeaservice@jlg.com

JLG France SAS  
Z.I. Guillaume Mon Amy  
30204 Fauillet  
47400 Tonniens  
France  
+33 (0) 553 84 85 86  
+33 (0) 553 84 85 74  
Email: pieces@jlg.com

JLG Deutschland GmbH  
Max Planck Str. 21  
27721 Ritterhude-Ihlpohl  
Germany  
+49 (0) 421 69350-0  
+49 (0) 421 69350-45  
Email: german-parts@jlg.com

JLG Equipment Services Ltd.  
Rm 1107 Landmark North  
39 Lung Sum Avenue  
Sheung Shui N. T.  
Hong Kong  
+(852) 2639 5783  
+(852) 2639 5797

JLG Industries (Italia) S. R. L.  
Via Po, 22  
IT-20010 Pregnana Milanese (MI)  
Italy  
+39 (0) 2 9359 5210  
+39 (0) 2 9359 5211  
Email: ricambi@jlg.com

JLG EMEA B.V.  
Polaris Avenue 63  
2132 JH Hoofddorp  
The Netherlands  
+31 (0) 23 565 5665  
Email: emeaservice@jlg.com

JLG NZ Access Equipment & Services  
2B Fisher Crescent  
Mt Wellington 1060  
Auckland, New Zealand  
+6 (12) 87186300  
+6 (12) 65813058  
Email: techservicesaus@jlg.com

JLG Industries  
Vahutinskoe shosse 24b  
Khimki,  
Moscow Region 141400  
Russia Federation  
+7 (499) 922 06 99  
+7 (499) 922 06 99

Oshkosh-JLG Singapore  
Technology Equipment P te Ltd.  
35 Tuas Avenue 2  
Jurong Industrial Estate  
Singapore 639454  
+65 6591 9030  
+65 6591 9045  
Email: SEA@jlg.com

JLG Iberica S. L.  
Trapadella, 2  
Pol. Ind. Castellbisbal Sur  
08755 Castellbisbal  
Barcelona  
Spain  
+34 (0) 93 772 47 00  
+34 (0) 93 77 117 62  
Email: parts\_iberica@jlg.com

JLG Sverige AB  
Enkopingsvagen 150  
17627 Jarfalla  
Sweden  
+46 (0) 8 506 595 00  
+46 (0) 8 506 595 27  
Email: nordicsupport@jlg.com

JLG Industries (UK) Ltd.  
Bentley House  
Bentley Avenue  
Middleton, Greater Manchester  
M24 2GP  
United Kingdom  
+44 (0) 161 654 1000  
+44 (0) 161 654 1003  
Email: ukparts@jlg.com

www.jlg.com