



Illustrated Parts Manual

Models
330CRT
400CRT

P/N
3121112

October 16, 2013

ANSI



An Oshkosh Corporation Company

REVISION LOG

March 20, 2000 - Original Issue Of Manual (Edited to 0010562 Revision 3)
August 7, 2000 - Revised Manual (Revised to B/M 0010562 Revision 8)
December 18, 2000 - Revised Manual (Revised to B/M 0010562 Revision 14)
March 31, 2002 - Revised Manual (Revised to B/M 0010562 Revision 22)
August 1, 2002 - Revised Manual (Revised to B/M 0010562 Revision 22)
April 15, 2003 - Revised Manual (Revised to B/M 0010562 Revision 25)
August 1, 2003 - Revised Manual (Revised to B/M 0010562 Revision 25)
December 7, 2006 - Revised Manual
May 2, 2011 - Revised Manual
October 16, 2013 - Revised Manual

REVISION LOG

TABLE OF CONTENTS

FIGURE NO.	TITLE	PAGE NO.
SECTION 1 - FRAME		1-1
1-1	FRAME AND STEERING INSTALLATION	1-2
1-2	OSCILLATING REAR AXLE INSTALLATION	1-4
1-3	WHEEL DRIVE INSTALLATION	1-6
1-4	FRONT DRIVE MOTOR ASSEMBLY - 330CRT	1-8
1-5	FRONT DRIVE MOTOR ASSEMBLY - 400CRT	1-10
1-6	REAR DRIVE MOTOR WITH BRAKE ASSEMBLY - 330CRT PRIOR TO S/N 82626	1-12
1-7	REAR DRIVE MOTOR WITH BRAKE ASSEMBLY - 330CRT S/N 82626 TO PRESENT & ALL 400CRT	1-16
1-8	DIESEL ENGINE INSTALLATION - KUBOTA	1-20
1-9	GAS DUAL FUEL ENGINE INSTALLATION - KUBOTA	1-24
1-10	PISTON PUMP ASSEMBLY (PRODUCTION)	1-28
1-11	PISTON PUMP ASSEMBLY (POST PRODUCTION)	1-32
1-12	FRAME MOUNTED COMPONENTS INSTALLATION	1-36
1-13	FRAME COVERS AND LADDERS INSTALLATION	1-38
1-14	LEVELING JACKS INSTALLATION	1-42
1-15	GENERATOR INSTALLATION - 110V (OPTIONAL)	1-46
SECTION 2 - GROUND COMPONENTS		2-1
2-1	RIGHT SIDE COMPARTMENT INSTALLATIONS	2-2
2-2	MAIN CONTROL VALVE ASSEMBLY	2-6
2-3	FLOW DIVIDER VALVE ASSEMBLY	2-8
2-4	GROUND CONTROL BOX ASSEMBLY	2-10
2-5	FUEL COMPARTMENT INSTALLATION	2-12
SECTION 3 - SCISSOR ARMS		3-1
3-1	SCISSOR ARMS INSTALLATION - 330CRT	3-2
3-2	SCISSOR ARMS INSTALLATION - 400CRT	3-6
SECTION 4 - PLATFORM		4-1
4-1	PLATFORM AND ACCESSORIES INSTALLATION	4-2
4-2	FOLDDOWN HANDRAILS & EXTENSION INSTALLATION (MANUALLY OPERATED PLATFORM)	4-4
4-3	PLATFORM CONSOLE BOX ASSEMBLY	4-8
4-4	DRIVE/STEER CONTROLLER ASSEMBLY (PRODUCTION)	4-12
4-5	DRIVE/STEER CONTROLLER J.R. MERRITT ASSEMBLY (POST PRODUCTION)	4-14
SECTION 5 - CYLINDERS		5-1
5-1	AXLE LOCKOUT CYLINDER ASSEMBLY	5-2
5-2	LEVELING JACK CYLINDER ASSEMBLY (PRIOR TO S/N 104829)	5-4
5-3	LEVELING JACK CYLINDER ASSEMBLY (S/N 104829 TO PRESENT)	5-6
5-4	LIFT CYLINDER COMPONENTS ASSEMBLY - 330CRT	5-8
5-5	LIFT CYLINDER COMPONENTS ASSEMBLY - 400CRT	5-10
5-6	STEER CYLINDER ASSEMBLY	5-14

TABLE OF CONTENTS

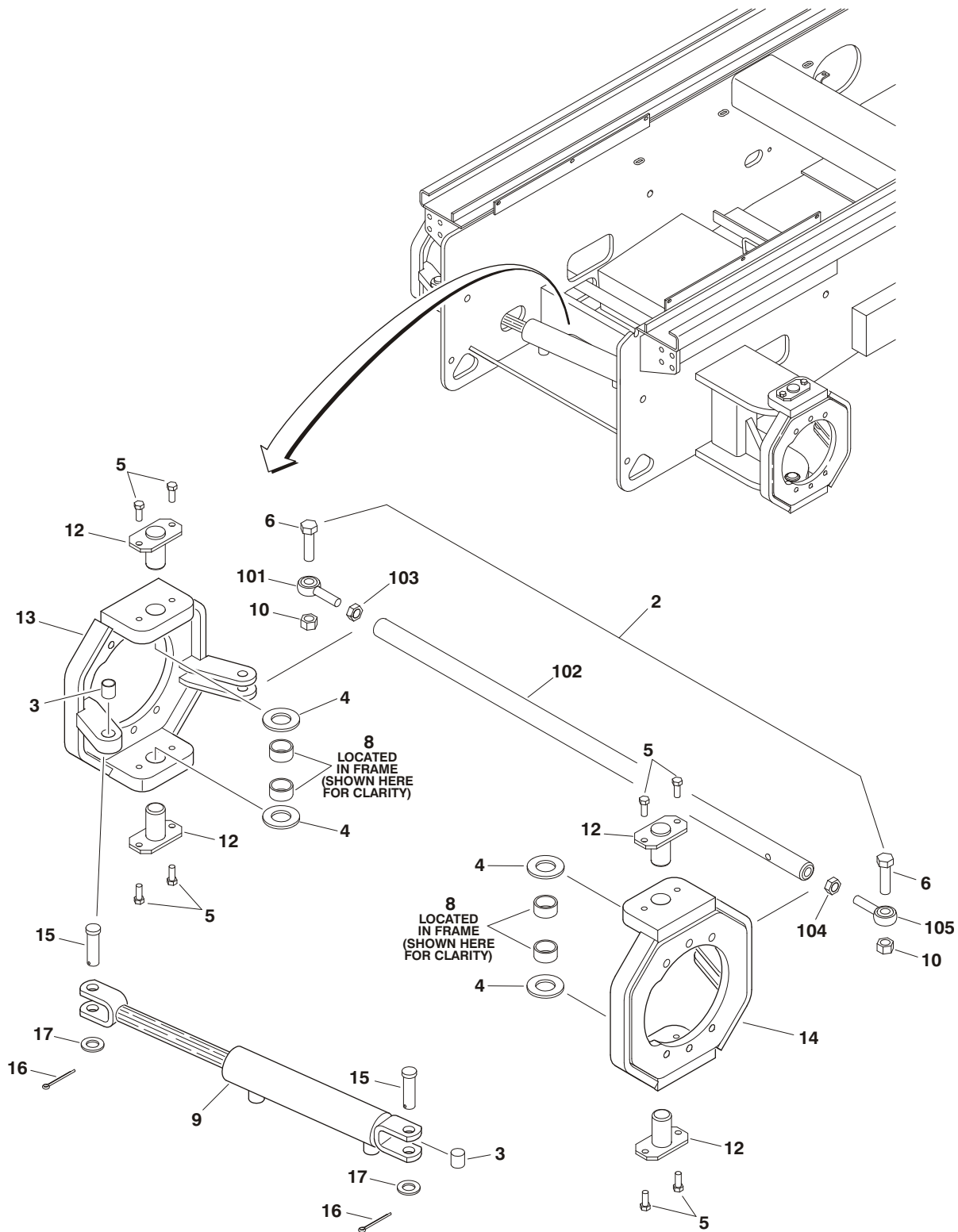
FIGURE NO.	TITLE	PAGE NO.
SECTION 6 - HYDRAULIC		6-1
6-1	HYDRAULIC DIAGRAM - 330CRT OSCILLATING AXLE MACHINES	6-2
6-2	HYDRAULIC DIAGRAM - 400CRT OSCILLATING AXLE MACHINES	6-6
6-3	HYDRAULIC DIAGRAM - LEVELING JACKS	6-10
6-4	HYDRAULIC DIAGRAM - 110V GENERATOR (OPTIONAL)	6-12
6-5	HYDRAULIC DIAGRAM LIST	6-14
SECTION 7 - ELECTRICAL		7-1
7-1	ELECTRICAL SCHEMATIC - STANDARD	7-2
7-2	ELECTRICAL SCHEMATIC - MACHINES WITH GENERATOR	7-4
7-3	ELECTRICAL SCHEMATIC - DUAL FUEL	7-6
7-4	ELECTRICAL COMPONENTS INSTALLATION	7-8
SECTION 8 - DECALS		8-1
8-1	DECALS INSTALLATIONS - ANSI	8-2
8-2	DECALS INSTALLATIONS - ANSI EXPORT	8-6
SECTION 9 - RECOMMENDED SERVICE PARTS STOCK		9-1
SECTION 10 - SPECIAL OPTIONS		10-1

SECTION 1 FRAME

TABLE OF CONTENTS		
FIGURE	DESCRIPTION	PAGE
1-1	FRAME AND STEERING INSTALLATION	1-2
1-2	OSCILLATING REAR AXLE INSTALLATION	1-4
1-3	WHEEL DRIVE INSTALLATION	1-6
1-4	FRONT DRIVE MOTOR ASSEMBLY - 330CRT	1-8
1-5	FRONT DRIVE MOTOR ASSEMBLY - 400CRT	1-10
1-6	REAR DRIVE MOTOR WITH BRAKE ASSEMBLY - 330CRT PRIOR TO S/N 82626	1-12
1-7	REAR DRIVE MOTOR WITH BRAKE ASSEMBLY - 330CRT S/N 82626 TO PRESENT & ALL 400CRT	1-16
1-8	DIESEL ENGINE INSTALLATION - KUBOTA	1-20
1-9	GAS DUAL FUEL ENGINE INSTALLATION - KUBOTA	1-24
1-10	PISTON PUMP ASSEMBLY (PRODUCTION)	1-28
1-11	PISTON PUMP ASSEMBLY (POST PRODUCTION)	1-32
1-12	FRAME MOUNTED COMPONENTS INSTALLATION	1-36
1-13	FRAME COVERS AND LADDERS INSTALLATION	1-38
1-14	LEVELING JACKS INSTALLATION	1-42
1-15	GENERATOR INSTALLATION - 110V (OPTIONAL)	1-46

SECTION 1 FRAME

FIGURE 1-1. FRAME AND STEERING INSTALLATION



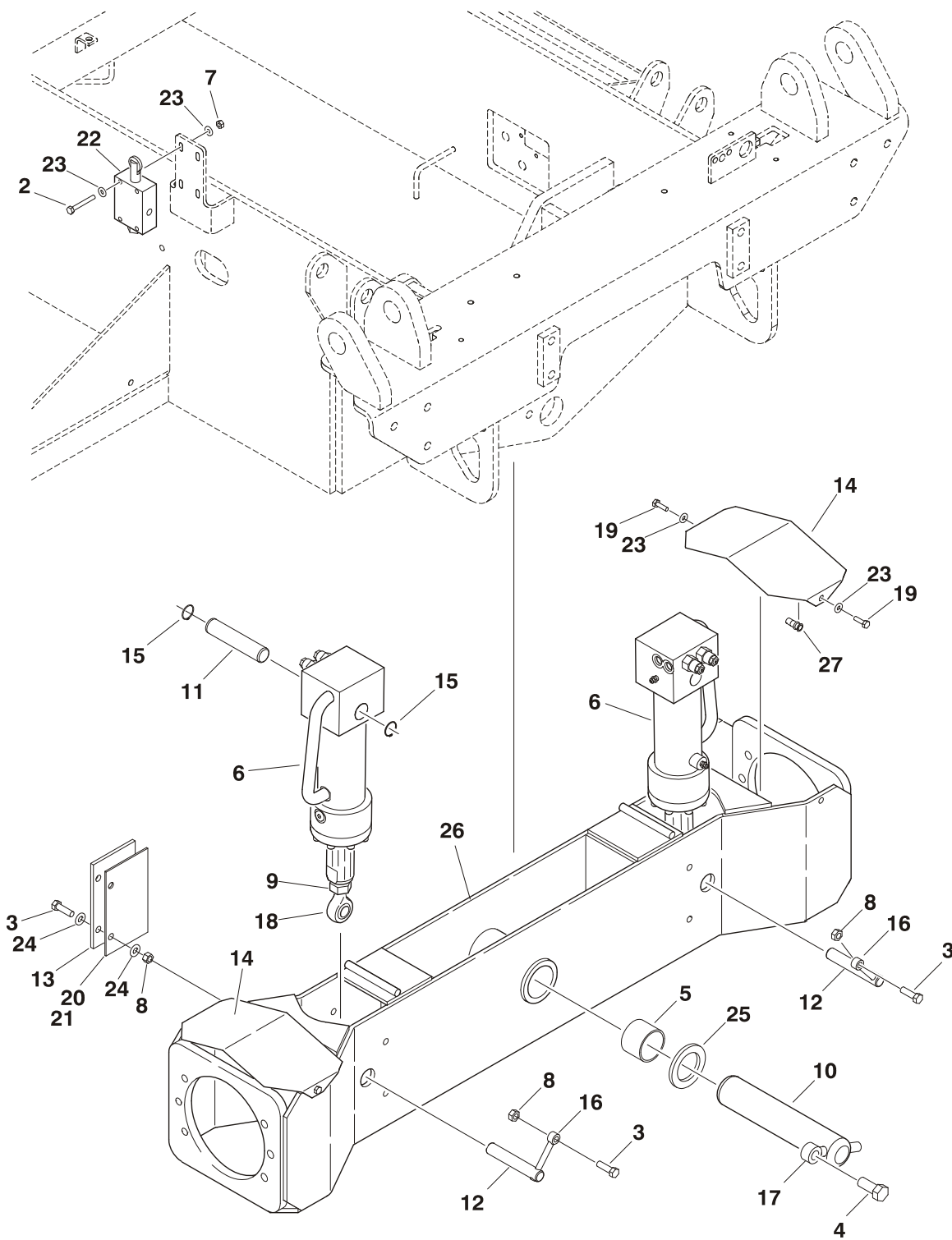
SECTION 1 FRAME

FIGURE 1-1. FRAME AND STEERING INSTALLATION

FIG & ITEM #	PART NUMBER	DESCRIPTION	QTY.	REV.
		FRAME WELDMENT OPTIONS:	Ref.	
	2360525	330/400CRT - 4WD with Oscillating Rear Axle	1	
	0259337	STEERING INSTALLATION (2WS)	Ref.	E
1	0100011	Loctite #242 (Not Shown)	A/R	
2	0259336	Tie-Rod Assembly (See Items 101-105 for Breakdown)	1	
3	0440228	Bearing	2	
4	4740501	Bearing, Thrust	4	
5	0641608	Bolt 3/8"-16NC x 1"	8	
6	0642018	Bolt 5/8"-11NC x 2 1/4"	2	
7	Not Used			
8	0962257	Bushing	4	
9	1683807	Steer Cylinder Assembly (See Section 5 for Breakdown)	1	
10	3312005	Locknut 5/8"-11NC	2	
11	Not Used			
12	3422803	Kingpin	4	
13	4130367	Spindle (Right Side)	1	
14	4130372	Spindle (Left Side)	1	
15	3431220	Pin, Clevis	2	
16	3450406	Pin, Cotter 1/8" x 1 1/2"	2	
17	4712200	Flatwasher 3/4" Narrow	2	
	0259336	TIE-ROD ASSEMBLY	Ref.	C
101	3841146	End, Rod (Right Side)	1	
102	3841432	Tie-Rod	1	
103	3322002	Nut, Jam 5/8"- 18NF (Right Hand Thread)	1	
104	3300409	Nut, Jam 5/8"- 18NF (Left Hand Thread)	1	
105	3841469	End, Rod (Left Side)	1	

SECTION 1 FRAME

FIGURE 1-2. OSCILLATING REAR AXLE INSTALLATION



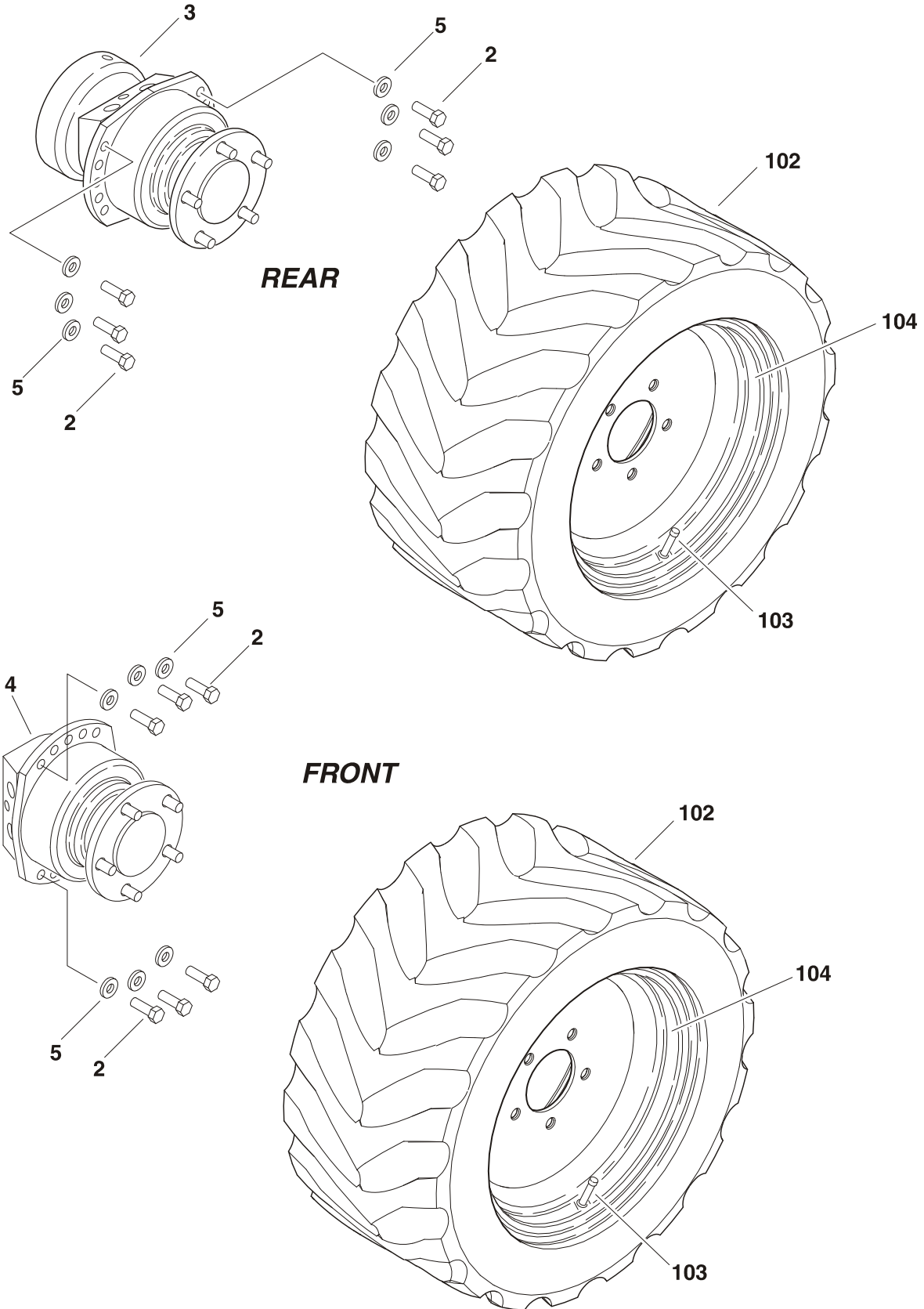
SECTION 1 FRAME

FIGURE 1-2. OSCILLATING REAR AXLE INSTALLATION

FIG & ITEM #	PART NUMBER	DESCRIPTION	QTY.	REV.
	0259649	OSCILLATING AXLE INSTALLATION	Ref.	F
1	0100011	Loctite #242 (Not Shown)	A/R	
2	0641416	Bolt 1/4"-20NC x 2"	4	
3	0641610	Bolt 3/8"-16NC x 1 1/4"	6	
4	0642012	Bolt 5/8"-11NC x 1 1/2"	1	
5	0961950	Bushing	2	
6	1683978	Oscillating Axle Cylinder Assembly (See Section 5 for Breakdown)	2	
7	3311405	Locknut 1/4"-20NC	4	
8	3311605	Locknut 3/8"-16NC	6	
9	3322201	Nut 3/4"-16NF	2	
10	3422592	Pin, Axle Pivot	1	
11	3422745	Pin, Cylinder (Top)	2	
12	3422828	Pin, Cylinder (Bottom)	2	
13	3538047	Shim	2	
14	3572029	Cover, Axle	2	
15	3760115	Ring, Retaining	4	
16	3841143	Keeper, Pin	2	
17	3841258	Keeper, Pin	1	
18	3841367	End, Rod with Grease Fitting	2	
19	0641407	Bolt 1/4"-20NC x 7/8"	4	
20	4070878	Shim (.06)	A/R	
21	4070879	Shim (.12)	A/R	
22	4641143	Valve Assembly	1	
	7012693	Seal Kit - 4641143 Valve	1	
	7002840	Pin Removal Tool - 4641143 Valve	1	
23	4711400	Flatwasher 1/4" Narrow	12	
24	4711600	Flatwasher 3/8"	8	
25	4740158	Thrustwasher	1	
26	4846156	Axle Weldment	1	
27	2080059	Fastener 1/4"	4	
28	0100019	Loctite #271 (Not Shown)	A/R	

SECTION 1 FRAME

FIGURE 1-3. WHEEL DRIVE INSTALLATION



SECTION 1 FRAME

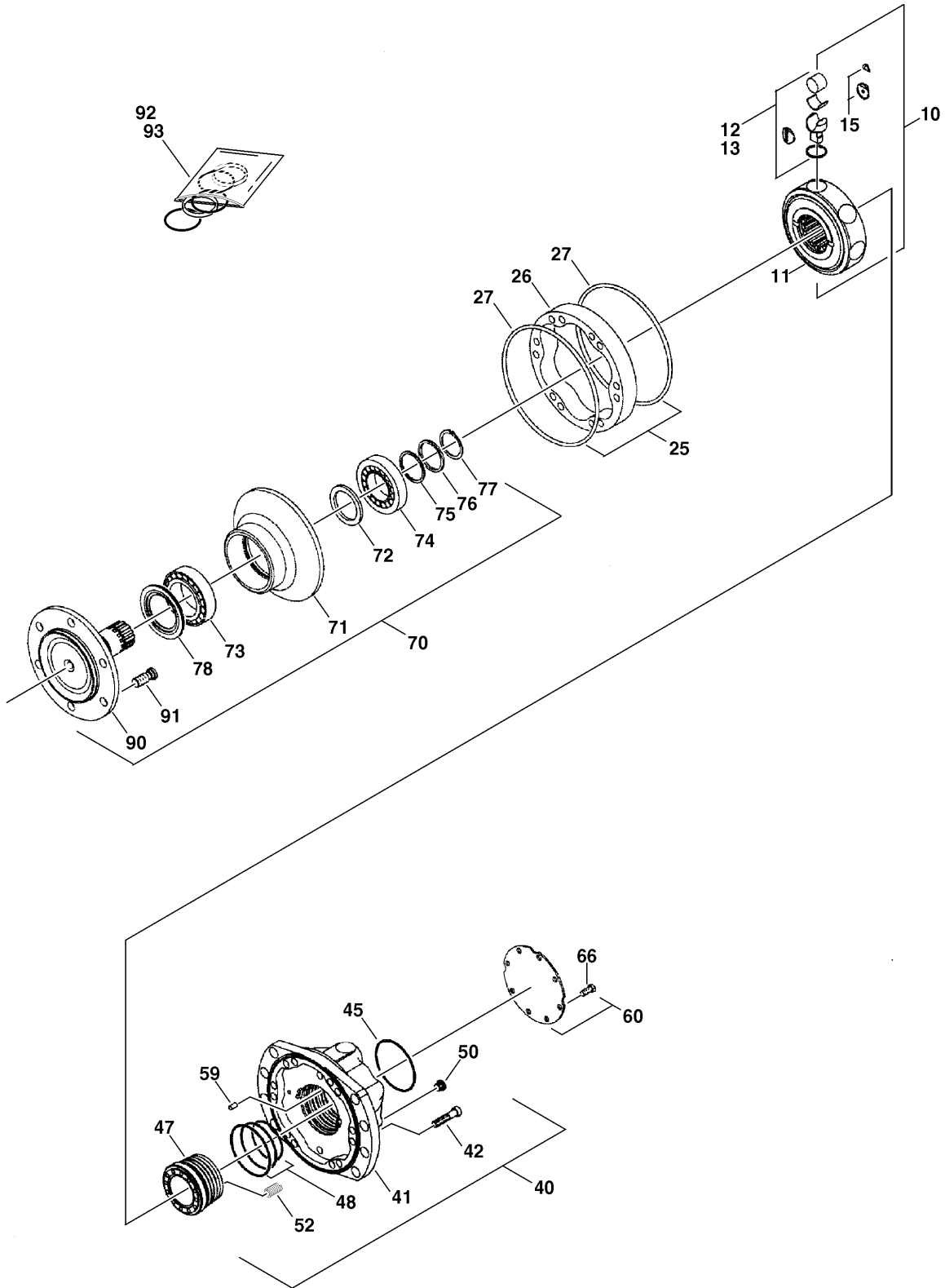
FIGURE 1-3. WHEEL DRIVE INSTALLATION

FIG & ITEM #	PART NUMBER	DESCRIPTION	QTY.	REV.
		WHEEL DRIVE INSTALLATION	Ref.	
	0259460	330CRT	Ref.	C
	0270679	400CRT	Ref.	A
1	0100011	Loctite #242 (Not Shown)	A/R	
2	0681812	Bolt 1/2"-13NC x 1 1/2" (Grade 8)	24	
3		Drive Motor with Brake Assembly Options: (Rear)	2	
	3160254	330CRT - Prior to S/N 82626 (See Figure 1-6 for Breakdown)		
	3160244	330CRT - S/N 82626 to Present (See Figure 1-7 for Breakdown)		
	3160244	400CRT (See Figure 1-7 for Breakdown)		
4		Drive Motor Assembly Options: (Front)	2	
	3160255	330CRT (See Figure 1-4 for Breakdown)		
	3160245	400CRT (See Figure 1-5 for Breakdown)		
5	4891800	Washer, Hardened 1/2"	24	
		TIRE AND WHEEL INSTALLATIONS OPTIONS:	Ref.	
	0259652	Standard Foam Filled (30.4 x 10.4)	Ref.	D
		Tire & Wheel Assembly Options:	A/R	
	0270251	30.4 x 10.4 NHS (Right Side) (Foam Filled)		
	0270252	30.4 x 10.4 NHS (Left Side) (Foam Filled)		
101	Not Used			
102	4520238	Tire - 30.4 x 10.4 NHS	A/R	
103	4640113	Valve	A/R	
104	4860217	Rim	A/R	

SECTION 1 FRAME

SECTION
1
FRAME

FIGURE 1-4. FRONT DRIVE MOTOR ASSEMBLY - 330CRT



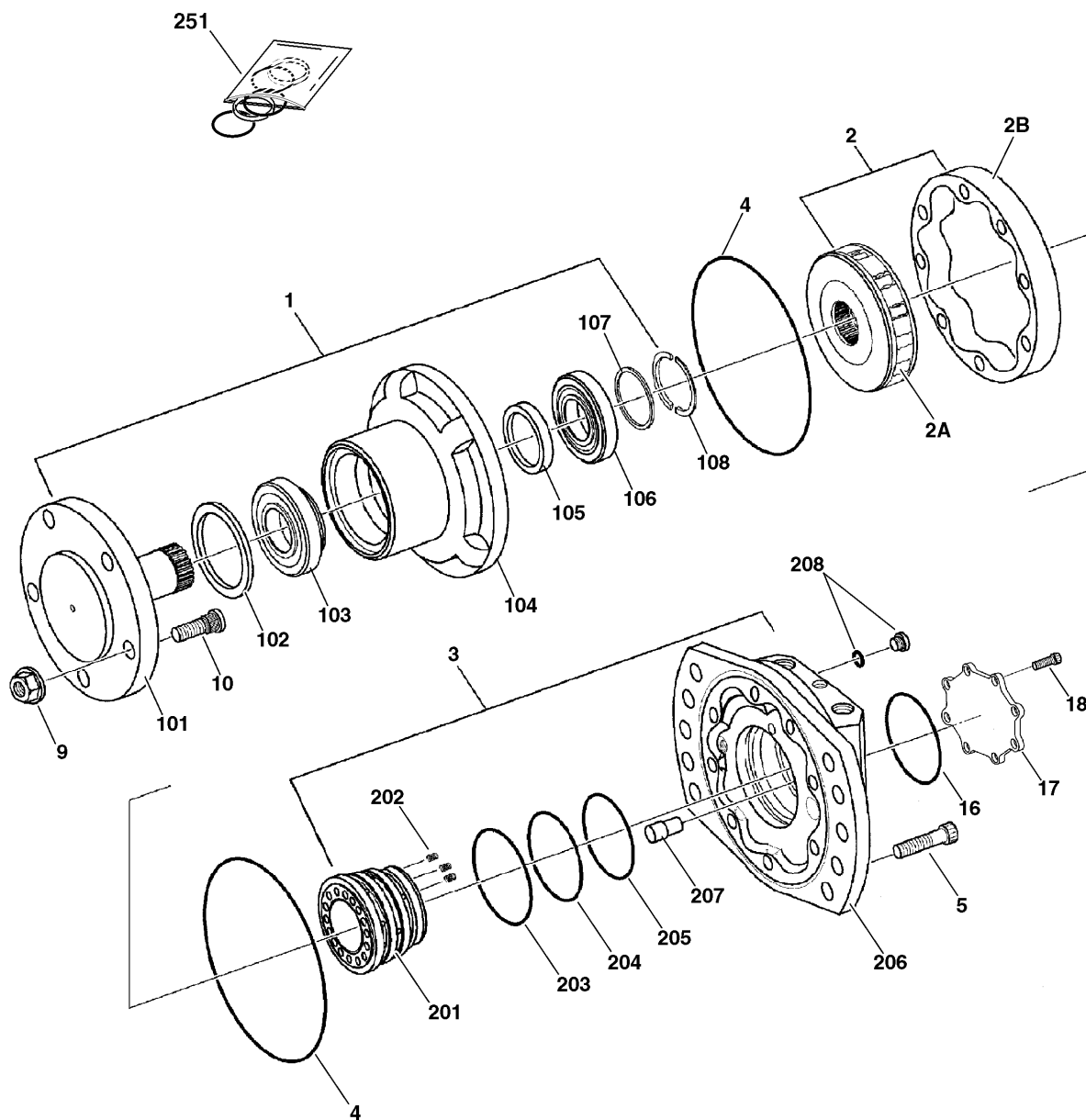
SECTION 1 FRAME

FIGURE 1-4. FRONT DRIVE MOTOR ASSEMBLY - 330CRT

FIG & ITEM #	PART NUMBER	DESCRIPTION	QTY.	REV.
	3160255	DRIVE MOTOR ASSEMBLY	Ref.	B
1 to 9	Not Used			
10	7023279	Cylinder Block Assembly	1	
11	Not Serviced	Block, Cylinder	1	
12	7023276	Piston	1	
13	Not Used			
14	Not Used			
15	7023278	Guide & Keeper Kit	1	
16 to 24	Not Used			
25	7023280	Cam Assembly	1	
26	Not Serviced	Cam	1	
27	7027888	O-Ring (Note: Use Item 92 or 93)	2	
28 to 39	Not Used			
40	7023281	Valving Cover Assembly	1	
41	Not Serviced	Cover, Valving	1	
42	7023282	Bolt	6	
43 to 44	Not Used			
45	See Note	O-Ring (Note: Use Item 92 or 93)	1	
46	Not Used			
47	7023283	Distributor	1	
48	Use Item 93	Seal Kit	1	
49	Not Used			
50	7023284	Plug	1	
51	Not Used			
52	7018411	Spring	4	
53 to 58	Not Used			
59	7023286	Pin, Split	1	
60	7023285	Back Plate Assembly	1	
61 to 65	Not Used			
66	7018435	Bolt	8	
67 to 69	Not Used			
70	7023287	Support Assembly	1	
71	Not Serviced	Support, Bearing	1	
72	See Note	Seal (Note: Use Item 92 or 93)	1	
73	7023288	Bearing	1	
74	7023289	Bearing	1	
75	7023302	Shim Set	1	
76	7023290	Ring	1	
77	7023291	Ring, Snap	1	
78	See Note	Seal (Note: Use Item 92 or 93)	1	
79 to 89	Not Used			
90	7023292	Shaft	1	
91	7023303	Stud Set (1 Set of 5)	1	
	7018436	Nut, Wheel (1 Set of 5)	1	
92	7023300	Seal Kit - (Includes Items - 27,45,72 & 78)	1	
93	7023301	Seal Kit - (Includes Items - 27,45,48,72 & 78)	1	

SECTION 1 FRAME

FIGURE 1-5. FRONT DRIVE MOTOR ASSEMBLY - 400CRT



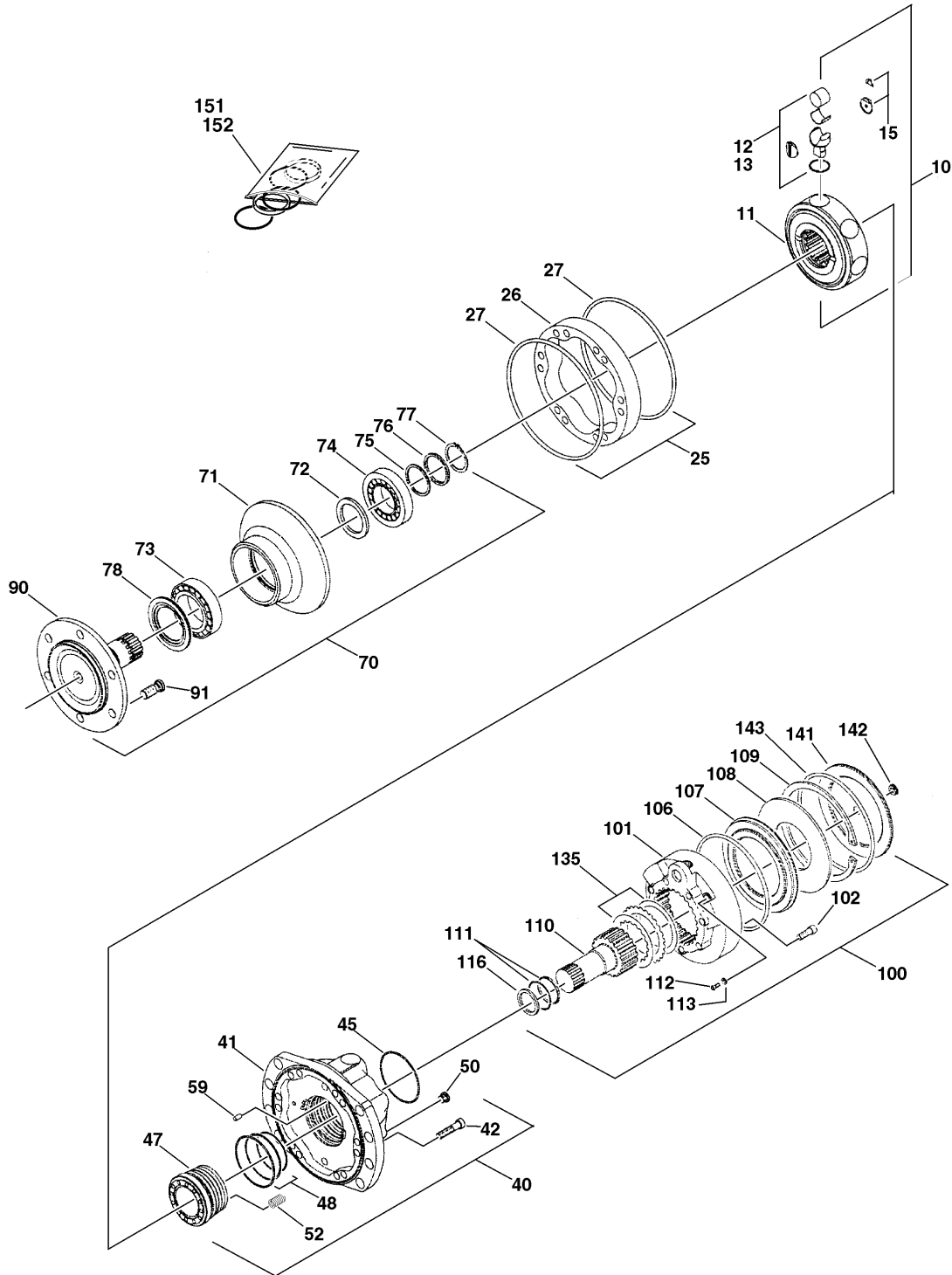
SECTION 1 FRAME

FIGURE 1-5. FRONT DRIVE MOTOR ASSEMBLY - 400CRT

FIG & ITEM #	PART NUMBER	DESCRIPTION	QTY.	REV.
	3160245	DRIVE MOTOR ASSEMBLY - 400CRT	Ref.	D
1	Not Available	Front Housing Assembly (See 101 to 108 for Breakdown)	1	
2	Not Available	Rotary Assembly	1	
2A	Not Available	Rotary without Cam	1	
2B	Not Available	Cam	1	
3	Not Available	Rear Housing Assembly (See 201 to 208 for Breakdown)	1	
4	Use Item 251	Seal, Square	2	
5	Not Available	Screw, Cap	6	
6 to 8	Not Used			
9	7023806	Lugnut	5	
10	7023807	Stud, Wheel	5	
11 to 15	Not Used			
16	7024008	Seal, Square	1	
17	7024007	Plate, Rear Cover	1	
18	7024009	Screw, Cap	8	
		FRONT HOUSING ASSEMBLY	Ref.	
101	7022586	Shaft	1	
102	Use Item 251	Seal, Face	1	
103	7022587	Bearing, Front	1	
104	Not Available	Casting, Front	1	
105	Use Item 251	Seal, Shaft	1	
106	7022588	Bearing, Rear	1	
107	Not Available	Washer	1	
108	7022589	Ring, Split	1	
		REAR HOUSING ASSEMBLY	Ref.	
201	Not Available	Ring, Distributor	1	
202	Not Available	Spring	9	
203	Use Item 251	Seal, Nylon	1	
204	Use Item 251	Seal, Nylon	1	
205	Use Item 251	Seal, Nylon	1	
206	Not Available	Housing, Rear	1	
207	7022590	Pin, Stop	1	
208	7022591	Plug (O-Ring Supplied with Plug)	1	
209 to 250	Not Used			
251	7023801	Seal Kit (Includes Items - 4,102,105,203 -205)	1	

SECTION 1 FRAME

FIGURE 1-6. REAR DRIVE MOTOR WITH BRAKE ASSEMBLY - 330CRT PRIOR TO S/N 82626



SECTION
1
FRAME

SECTION 1 FRAME

FIGURE 1-6. REAR DRIVE MOTOR WITH BRAKE ASSEMBLY - 330CRT PRIOR TO S/N 82626

FIG & ITEM #	PART NUMBER	DESCRIPTION	QTY.	REV.
	3160254	DRIVE MOTOR ASSEMBLY	Ref.	C
1 to 9	Not Used			
10	7023279	Cylinder Block Assembly	1	
11	Not Serviced	Block, Cylinder	1	
12	7023276	Piston	1	
13	Not Used			
14	Not Used			
15	7023278	Guide & Keeper Kit	1	
16 to 24	Not Used			
25	7023280	Cam Assembly	1	
26	Not Serviced	Cam	1	
27	7027888	O-Ring	2	
28 to 39	Not Used			
40	7023281	Valving Cover Assembly	1	
41	Not Serviced	Cover, Valving	1	
42	7023282	Bolt	6	
43 to 44	Not Used			
45	See Note	O-Ring (Note: Use Item 151 or 152)	1	
46	Not Used			
47	7023283	Distributor	1	
48	Use Item 152	Seal Kit	1	
49	Not Used			
50	7023284	Plug	1	
51	Not Used			
52	7018411	Spring	4	
53 to 58	Not Used			
59	7023286	Pin, Split	1	
60 to 69	Not Used			
70	7023287	Support Assembly	1	
71	Not Serviced	Support, Bearing	1	
72	See Note	Seal (Note: Use Item 151 or 152)	1	
73	7023288	Bearing	1	
74	7023289	Bearing	1	
75	7023302	Shim Set	1	
76	7023290	Ring	1	
77	7023291	Ring, Snap	1	
78	See Note	Seal (Note: Use Item 151 or 152)	1	
79 to 89	Not Used			
90	7023292	Shaft	1	
91	7023303	Stud Set (1 Set of 5)	1	
	7018436	Nut, Wheel (1 Set of 5)	1	
92 to 99	Not Used			
100	7023293	Disc Brake Assembly	1	
101	Not Serviced	Body, Brake	1	
102	7023294	Bolt	8	
103 to 105	Not Used			
106	See Note	O-Ring (Note: Use Item 151 or 152)	1	

SECTION 1 FRAME

SECTION 1 FRAME

**FIGURE 1-6. REAR DRIVE MOTOR WITH BRAKE ASSEMBLY - 330CRT PRIOR TO S/N 82626
(CONTINUED)**

FIG & ITEM #	PART NUMBER	DESCRIPTION	QTY.	REV.
107	7023295	Piston, Brake	1	
108	7023296	Washer, Spring	1	
109	7023297	Ring, Snap	1	
110	7023298	Shaft	1	
111	Use Item 152	Seal	1	
112	7018408	Bolt	1	
113	See Note	Gasket (Note: Use Item 151 or 152)	1	
114 to 115	Not Used			
116	7023305	Shim	1	
117 to 134	Not Used			
135	7023304	Brake Disc Kit (Includes Shim Kit)	1	
	7026191	Brake Shim Kit	1	
136 to 140	Not Used			
141	Use Item 152	Protector	1	
142	Use Item 152	Plug, Dust	1	
143	Use Item 152	O-Ring	1	
144 to 150	Not Used			

151	7023300	Seal Kit - (Includes Items - 27,45,72,78,106 & 113)	1	
152	7023301	Seal Kit - (Includes Items - 27,45,48,72,78,106,111,113,141, 142 & 143)	1	

SECTION 1 FRAME

FIGURE 1-6. REAR DRIVE MOTOR WITH BRAKE ASSEMBLY - 330CRT PRIOR TO S/N 82626
(CONTINUED)

FIG & ITEM #	PART NUMBER	DESCRIPTION	QTY.	REV.

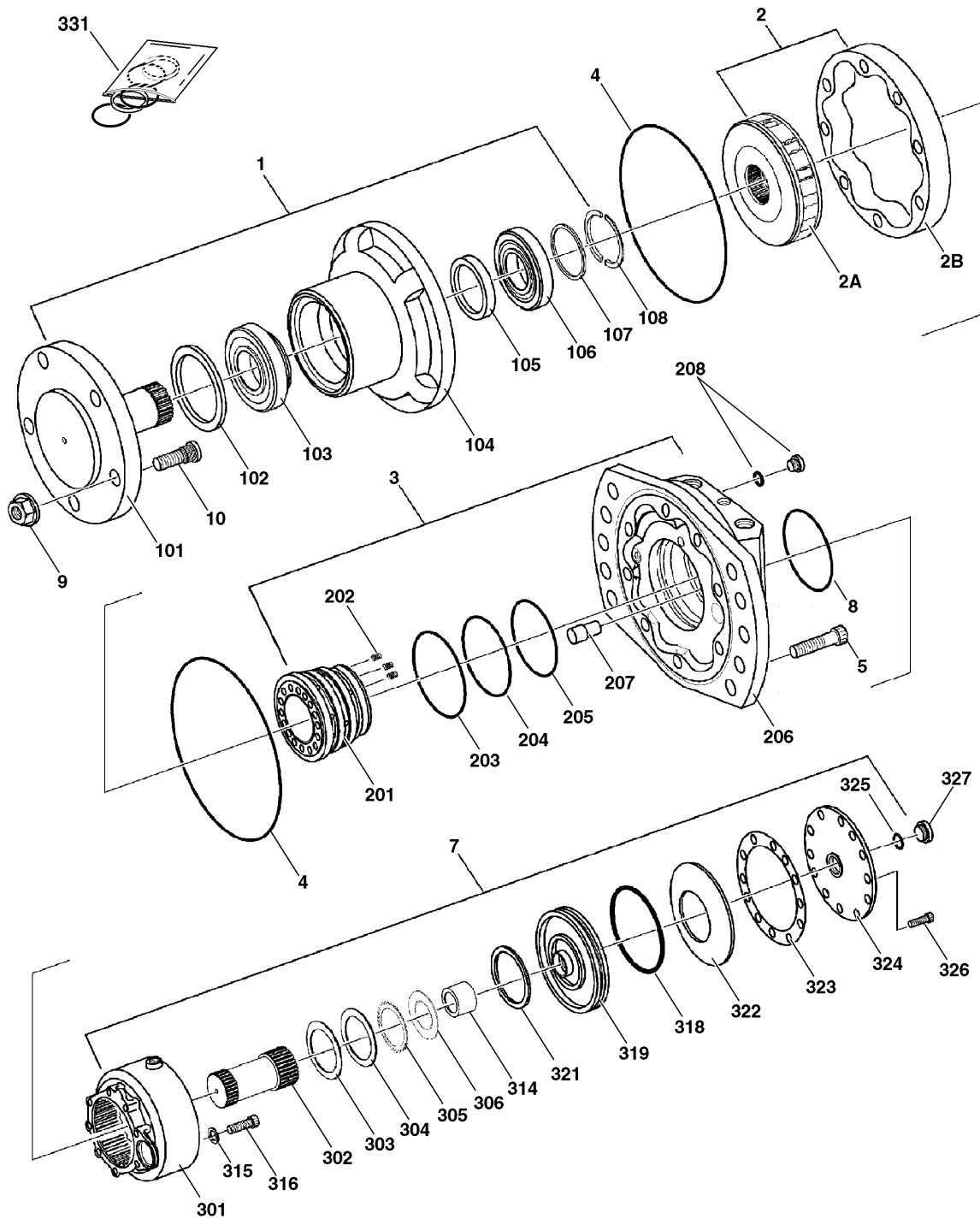
**S
E
C
T
I
O
N

1

F
R
A
M
E**

SECTION 1 FRAME

FIGURE 1-7. REAR DRIVE MOTOR WITH BRAKE ASSEMBLY - 330CRT S/N 82626 TO PRESENT & ALL 400CRT



SECTION
1
FRAME

SECTION 1 FRAME

FIGURE 1-7. REAR DRIVE MOTOR WITH BRAKE ASSEMBLY - 330CRT S/N 82626 TO PRESENT & ALL 400CRT

FIG & ITEM #	PART NUMBER	DESCRIPTION	QTY.	REV.
	3160244	DRIVE MOTOR ASSEMBLY	Ref.	D
1	7024963	Front Housing Assembly (See Items 101 to 108 for Breakdown)	1	
2	7023866	Rotary Assembly	1	
2A	Not Available	Rotary without Cam	1	
2B	Not Available	Cam	1	
3	7024964	Rear Housing Assembly (See Items 201 to 208 for Breakdown)	1	
4	Use Item 331	Seal, Square	2	
5	Not Available	Screw, Cap	6	
6	Not Used			
7	7024965	Brake Assembly (See Items 301 to 327 for Breakdown)	1	
8	Use Item 331	Seal, Square	1	
9	7023806	Lugnut	5	
10	7023807	Stud, Wheel	5	
		FRONT HOUSING ASSEMBLY	Ref.	
101	7022586	Shaft	1	
102	Use Item 331	Seal, Face	1	
103	7022587	Bearing, Front	1	
104	Not Available	Casting, Front	1	
105	Use Item 331	Seal, Shaft	1	
106	7022588	Bearing, Rear	1	
107	Not Available	Washer	1	
108	7022589	Ring, Split	1	
		REAR HOUSING ASSEMBLY	Ref.	
201	Not Available	Ring, Distributor	1	
202	Not Available	Spring	9	
203	Use Item 331	Seal, Nylon	1	
204	Use Item 331	Seal, Nylon	1	
205	Use Item 331	Seal, Nylon	1	
206	Not Available	Housing, Rear	1	
207	7022590	Pin, Stop	1	
208	7022591	Plug (O-Ring Supplied with Plug)	1	
		BRAKE ASSEMBLY	Ref.	
301	Not Available	Housing, Brake	1	
302	7022592	Shaft	1	
303	7022593	Shim	1	
304	7022594	Shim	1	
305	7022595	Disc, Outer Brake	15	
306	7022596	Disc, Inner Brake	13	
307 to 313	Not Used			
314	7022597	Bushing	1	
315	Not Available	Washer	8	

SECTION 1 FRAME

FIGURE 1-7. REAR DRIVE MOTOR WITH BRAKE ASSEMBLY - 330CRT S/N 82626 TO PRESENT & ALL 400CRT (CONTINUED)

FIG & ITEM #	PART NUMBER	DESCRIPTION	QTY.	REV.
316	Not Available	Screw, Cap	8	
317	Not Used			
318	Use Item 331	Ring, Square	1	
319	7022598	Piston, Brake	1	
320	Not Used			
321	Use Item 331	Seal, Outer	1	
322	7022599	Washer, Bellville	1	
323	Use Item 331	Gasket	1	
324	Not Available	Cover, End	1	
325	Use Item 331	O-Ring	1	
326	Not Available	Screw, Cap	12	
327	7023800	Plug	1	
328 to 330	Not Used			

331	7022585	Seal Kit - (Includes Items 4,8,102,105,203-205,318,321,323 & 325)	1	

SECTION 1 FRAME

SECTION 1 FRAME

FIGURE 1-7. REAR DRIVE MOTOR WITH BRAKE ASSEMBLY - 330CRT S/N 82626 TO PRESENT & ALL 400CRT (CONTINUED)

FIG & ITEM #	PART NUMBER	DESCRIPTION	QTY.	REV.

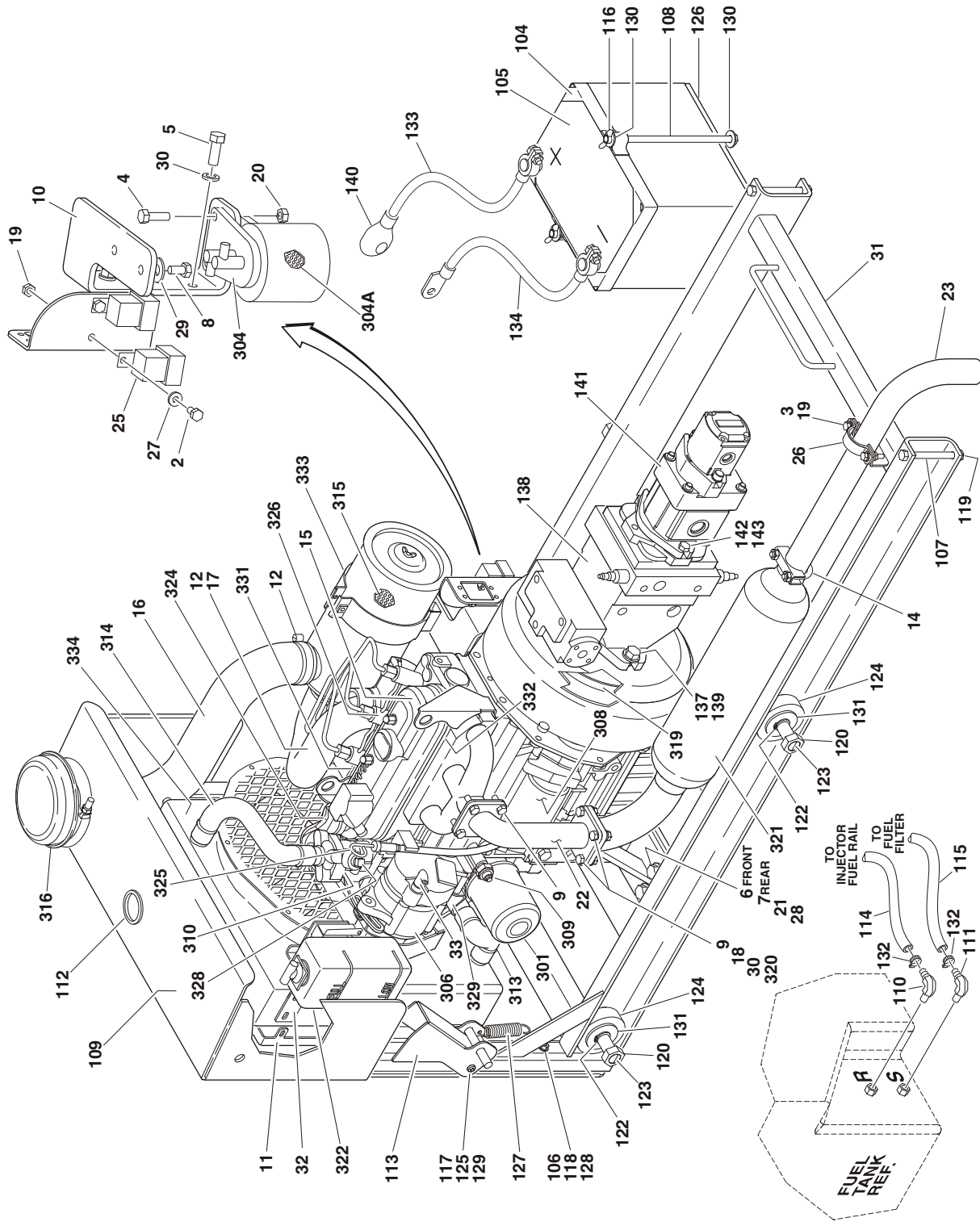
**S
E
C
T
I
O
N

1

F
R
A
M
E**

SECTION 1 FRAME

FIGURE 1-8. DIESEL ENGINE INSTALLATION - KUBOTA



SECTION 1 FRAME

FIGURE 1-8. DIESEL ENGINE INSTALLATION - KUBOTA

FIG & ITEM #	PART NUMBER	DESCRIPTION	QTY.	REV.
	0259851	DIESEL ENGINE ASSEMBLY	Ref.	D
1	Not Used			
2	0641404	Bolt 1/4"-20NC x 1/2"	2	
3	0641410	Bolt 1/4"-20NC x 1 1/4"	2	
4	0641508	Bolt 5/16"-18NC x 1"	2	
5	0641608	Bolt 3/8"-16NC x 1"	2	
6	0641812	Bolt 1/2"-13NC x 1 1/2"	4	
7	0641814	Bolt 1/2"-13NC x 1 3/4"	2	
8	0700808	Bolt, Metric M8 x 16mm	2	
9	0760812	Bolt, Metric M8 x 25mm	8	
10	0902613	Bracket, Air Cleaner	1	
11	0902624	Bracket, Radiator Seal	1	
12	1320016	Clamp	4	
13	Not Used			
14	1320274	Clamp, Exhaust	1	
15	2000169	Engine, Kubota Diesel	1	
16	2720456	Hose, Air Intake	1	
17	2720457	Hose, Air Intake	1	
18	3290801	Nut, Metric M8	4	
19	3311405	Locknut 1/4"-20NC	4	
20	3311505	Locknut 5/16"-18NC	2	
21	3311805	Locknut 1/2"-13NC	6	
22	3460314	Pipe, Exhaust	1	
23	3460316	Pipe, Exhaust	1	
24	Not Used			
25	3740049	Relay	2	
26	4240143	Strap, Exhaust	1	
27	4711400	Flatwasher 1/4" Narrow	4	
28	4711800	Flatwasher 1/2" Narrow	12	
29	4751600	Flatwasher 3/8"	2	
30	4761600	Lockwasher 3/8"	6	
31	4846036	Engine Tray Weldment	1	
32	4846221	Reserve Tank Mounting Weldment	1	
33	0840026	Boot, Terminal	1	
	0259381	DIESEL ENGINE INSTALLATION	Ref.	J
101	0100011	Loctite #242 (Not Shown)	A/R	
102	0100020	Sealant, Pipe (Not Shown)	A/R	
103	Not Used			
104	0400002	Hold-Down, Battery	1	
	2910479	Clip Repair Kit	1	
105	0400003	Battery	1	
106	0641418	Bolt 1/4"-20NC x 2 1/4"	4	
107	0641632	Bolt 3/8"-16NC x 4"	2	
108	0641672	Bolt 3/8"-16NC x 9"	2	
109	1670945	Cover, Engine - Front	1	

SECTION 1 FRAME

FIGURE 1-8. DIESEL ENGINE INSTALLATION - KUBOTA (CONTINUED)

FIG & ITEM #	PART NUMBER	DESCRIPTION	QTY.	REV.
110	2221046	Fitting, 90°	1	
111	2221047	Fitting, 90°	1	
112	2540036	Grommet	1	
113	2560163	Handle	1	
114		Hose, Fuel Line Options:	9ft/2.75m	
	2720339	Production		
	2720058	Post Production		
115	2720271	Hose, Low Pressure	9ft/2.75m	
116	3300029	Wingnut 3/8"-16NC	2	
117	3300374	Nut, Post Binding	1	
118	3311405	Locknut 1/4"-20NC	4	
119	3311605	Locknut 3/8"-16NC	2	
120	3322202	Nut, Jam 3/4"-16NF	4	
121	Not Used			
122	3760348	Ring, Retaining	4	
123	3841233	Rod, Roller Mount	4	
124	3860059	Roller, Extension	4	
125	3900184	Screw, Button Head #10-24NC x 5/8"	1	
126	3980003	Seat, Battery	1	
127	4160189	Spring, Extension	1	
128	4711400	Flatwasher 1/4" Narrow	8	
129	4740493	Washer, Nylon Insert	2	
130	4751600	Flatwasher 3/8"	4	
131	4752200	Flatwasher 3/4"	4	
132	1320022	Clamp	6	
133	1060823	Cable, Battery (Positive)	1	
134	1060824	Cable, Battery (Negative)	1	
135 to 136	Not Used			
137	0641812	Bolt 1/2"-13NC x 1 1/2"	2	
138		Piston Pump Assembly Options:	1	
	3600300	Production (See Figure 1-10 for Breakdown)	1	
	3600414	Post Production (See Figure 1-11 for Breakdown)	1	
139	4711800	Flatwasher 1/2" Narrow	2	
140	0840025	Boot, Cable	1	
141	3600313	Gear Pump Assembly	1	
	7022389	Seal Kit - 3600313 Front Pump		
	Use 70002861	Seal Kit - 3600313 Rear Pump (was p/n 7022388)		
142	0641608	Bolt 3-8"-16NC x 1"	2	
143	4711600	Flatwasher 3/8" (Narrow)	2	
144 to 299	Not Used			
	2000169	ENGINE COMPONENTS	Ref.	A
301	7017923	Filter, Oil	1	
302	7023177	Solenoid, Fuel Shutdown (Not Shown)	1	
	7023134	Gasket (Not Shown)	1	
303	7023137	Plug, Glow (Not Shown)	3	
304	7023199	Filter Cover Assembly	1	
304A	7023138	Element, Fuel Filter	1	

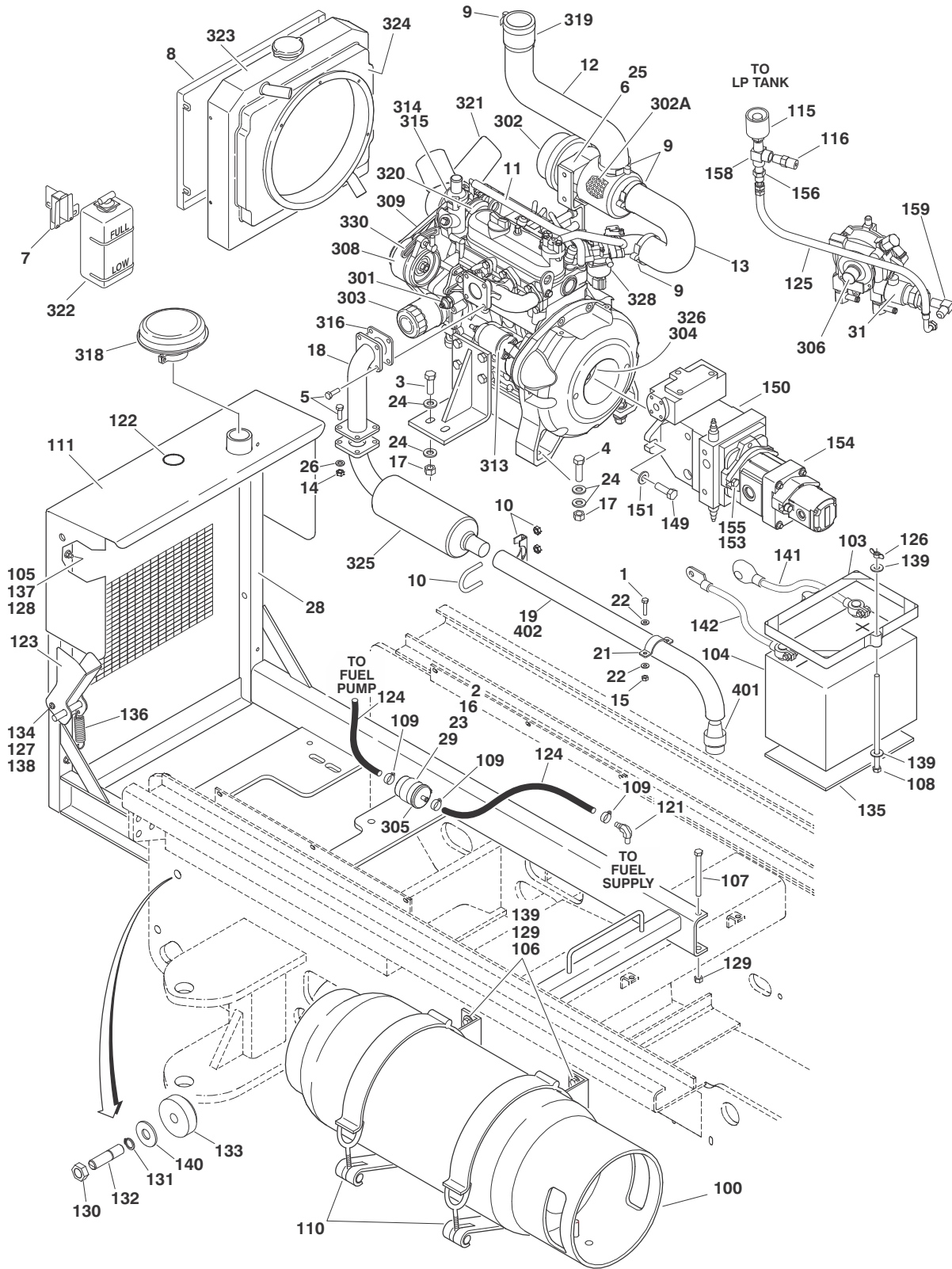
SECTION 1 FRAME

FIGURE 1-8. DIESEL ENGINE INSTALLATION - KUBOTA (CONTINUED)

FIG & ITEM #	PART NUMBER	DESCRIPTION	QTY.	REV.
305	7017995	Gasket, Fuel Pump (Not Shown)	1	
306	7023169	Alternator	1	
	7023142	Brush	2	
	7023143	Spring, Brush	2	
307	7023141	V-Belt (Not Shown)	1	
308	7023144	Starter	1	
	7023186	Relay, Starter	1	
	7023187	Connector, Starter Relay	1	
309	7017901	Switch, Oil	1	
310	7023170	Thermostat	1	
311	7017924	Pump, Water (Not Shown)	1	
312	7017967	Cap, Radiator (Not Shown)	1	
313	7017968	Hose, Radiator (Bottom)	1	
314	7017969	Hose, Radiator (Top)	1	
315	7017938	Element, Air Cleaner	1	
316	7017942	Cap, Air Cleaner	1	
317	Not Used			
318	7023173	Sensor, Speed (Not Shown)	1	
319	7023196	Coupling, Pump	1	
320	7023124	Gasket, Exhaust	2	
321	7023172	Muffler	1	
322	7023126	Tank, Reservoir	1	
323	7017908	Plug, Drain Oil Pan (Not Shown)	1	
	7017904	Gasket, Drain Plug (Not Shown)	1	
324	7023133	Cap, Oil Filler	1	
325	7023160	Dipstick	1	
326	7023166	Nozzle Holder Assembly	3	
	7023167	Gasket (1 per holder)	3	
	7023168	Seal, Heat (1 per holder)	3	
327	7026205	Pump, Fuel (Electric) (Not Shown)	1	
328	7026211	Thermoswitch	1	
329	7017963	Pipe, Water	1	
330	7017964	Hose, Water (Not Shown - Located from Water Pipe to Bottom of Water Pump)	1	
331	7023149	Gasket, Intake Manifold	1	
332	7023148	Gasket, Exhaust Manifold	1	
333	7026202	Band, Air Cleaner	1	
	7026203	Cushion	1	
334	7026207	Radiator Assembly	1	
335	7023164	Pump, Injection (Not Shown)	1	
336	7023188	Harness, Engine (Not Shown)	1	
337	70001140	Gear, Ring (Flywheel) (Not Shown)	1	
338	70001865	Fan, Cooling (Not Shown)	1	

SECTION 1 FRAME

FIGURE 1-9. GAS DUAL FUEL ENGINE INSTALLATION - KUBOTA



SECTION 1 FRAME

FIGURE 1-9. GAS DUAL FUEL ENGINE INSTALLATION - KUBOTA

FIG & ITEM #	PART NUMBER	DESCRIPTION	QTY.	REV.
	0259850	GAS DUAL FUEL ENGINE ASSEMBLY	Ref.	H
1	0641410	Bolt 1/4"-20NC x 1 1/4"	2	
2	0641508	Bolt 5/16"-18NC x 1"	1	
3	0641812	Bolt 1/2"-13NC x 1 1/2"	4	
4	0641814	Bolt 1/2"-13NC x 1 3/4"	2	
5	0760812	Bolt, Metric M8 x 25mm	8	
6	0902614	Bracket, Air Cleaner	1	
7	0902639	Bracket, Reserve Tank	1	
8	0902623	Bracket, Radiator Seal	1	
9	1320016	Clamp	4	
10	1320274	Clamp, Exhaust	1	
11	2000170	Engine, Kubota WG-750 Gas Dual Fuel	1	
12	2720458	Hose, Air Intake	1	
13	2720459	Hose, Air Intake	1	
14	3290801	Nut, Metric M8	4	
15	3311405	Locknut 1/4"-20NC	2	
16	3311505	Locknut 5/16"-18NC	1	
17	3311805	Locknut 1/2"-13NC	6	
18	3460314	Pipe, Exhaust	1	
19	3460315	Pipe, Exhaust	1	
20	Not Used			
21	4240143	Strap, Exhaust	1	
22	4711400	Flatwasher 1/4" Narrow	4	
23	4711500	Flatwasher 5/16"	2	
24	4711800	Flatwasher 1/2" Narrow	12	
25	4740495	Washer, Special	1	
26	4761600	Lockwasher 3/8"	4	
27	Not Used			
28	4846036	Engine Tray Weldment	1	
29	1320265	Clamp, Loop	1	
30	0840026	Boot, Terminal (Not Shown - Located at Positive Post of Alternator)	1	
31	2120077	Filter-Lock, LP Gas	1	
32	Not Used			
	0259380	GAS DUAL FUEL ENGINE INSTALLATION	Ref.	J
100	4400275	Tank, LP	1	
101	0100020	Sealant, Pipe (Not Shown)	A/R	
102	Not Used			
103	0400002	Hold-Down, Battery	1	
	2910479	Clip Repair Kit	1	
104	0400003	Battery	1	
105	0641418	Bolt 1/4"-20NC x 2 1/4"	4	
106	0641612	Bolt 3/8"-16NC x 1 1/2"	4	
107	0641632	Bolt 3/8"-16NC x 4"	2	
108	0641672	Bolt 3/8"-16NC x 9"	2	

SECTION 1 FRAME

FIGURE 1-9. GAS DUAL FUEL ENGINE INSTALLATION - KUBOTA (CONTINUED)

FIG & ITEM #	PART NUMBER	DESCRIPTION	QTY.	REV.
109	1320022	Clamp	4	
110	1320220	Clamp Kit - LP	1	
111	1670944	Cover, Engine - Front	1	
112 to 114	Not Used			
115	2180387	Fitting, LP	1	
116	2180389	Fitting, Relief Valve	1	
117	2200222	Fitting, Pipe Plug (Not Shown - Located on Fuel Tank)	1	
118 to 120	Not Used			
121	2221046	Fitting, 90°	1	
122	2540036	Grommet	1	
123	2560163	Handle	1	
124	2720339	Hose, Fuel Line	9ft/2.75m	
125	2720463	Hose, LP	1	
126	3300029	Wingnut 3/8"-16NC	2	
127	3300374	Nut, Post Binding	1	
128	3311405	Locknut 1/4"-20NC	6	
129	3311605	Locknut 3/8"-16NC	6	
130	3322202	Nut, Jam 3/4"-16NF	4	
131	3760348	Ring, Retaining	4	
132	3841233	Rod, Roller Mount	4	
133	3860059	Roller, Extension	4	
134	3900184	Screw, Button Head #10-24NC x 5/8"	1	
135	3980003	Seat, Battery	1	
136	4160189	Spring, Extension	1	
137	4711400	Flatwasher 1/4" Narrow	12	
138	Not Used			
139	4751600	Flatwasher 3/8"	12	
140	4752200	Flatwasher 3/4"	4	
141	1060823	Cable, Battery (Positive)	1	
142	1060824	Cable, Battery (Negative)	1	
143 to 147	Not Used			
148	0100011	Loctite #242 (Not Shown)	A/R	
149	0641812	Bolt 1/2"-13NC x 1 1/2"	2	
150		Piston Pump Assembly Options:	1	
	3600300	Production (See Figure 1-10 for Breakdown)	1	
	3600414	Post Production (See Figure 1-11 for Breakdown)	1	
151	4711800	Flatwasher 1/2" Narrow	2	
152	Not Used			
153	0641608	Bolt 3/8"-16NC x 1"	2	
154	3600313	Gear Pump Assembly	1	
	7022389	Seal Kit - 3600313 Front Pump	1	
	Use 70002861	Seal Kit - 3600313 Rear Pump (was p/n 7022388)	1	
155	4711600	Flatwasher 3/8" (Narrow)	2	
156	2220399	Fitting	1	
157	0641406	Bolt 1/4"-20NC x 3/4"	2	
158	2220290	Fitting, Tee	1	
159	2220773	Fitting, 90°	1	
160 to 299	Not Used			

SECTION 1 FRAME

FIGURE 1-9. GAS DUAL FUEL ENGINE INSTALLATION - KUBOTA (CONTINUED)

FIG & ITEM #	PART NUMBER	DESCRIPTION	QTY.	REV.
	2000170	ENGINE COMPONENTS	Ref.	
301	7017901	Switch, Oil	1	
302	7023174	Air Cleaner Assembly	1	
302A	7023153	Element, Breather	1	
303	7017980	Filter, Oil	1	
304	7017985	Flywheel	1	
305	7017992	Filter, Fuel	1	
	7022169	Shutoff, Fuel Filter (Not Shown)	1	
306	7017998	Vaporizer	1	
307	7023105	Coil, Ignition (Not Shown)	1	
308	7023169	Alternator	1	
309	7023107	V-Belt	1	
310	7023108	Regulator (Not Shown)	1	
311	7023109	Connector, Electrical (Not Shown)	1	
312	7023110	Connector, Electrical (Not Shown)	1	
313	7023111	Starter	1	
314	7023113	Thermostat	1	
315	7023115	Pump, Water	1	
316	7023124	Gasket, Muffler	2	
317	7017981	Dipstick (Not Shown)	1	
318	7017942	Cover, Air Cleaner	1	
319	7017978	Tube, Breather	1	
320	7023104	Air Distributor	1	
321	7023120	Fan	1	
322	7023126	Tank, Overflow	1	
323	7023128	Radiator	1	
324	7023125	Shroud, Fan	1	
325	7023127	Muffler	1	
326	7023175	Coupling, Pump	1	
327	7023190	Pump, Fuel (Not Shown)	1	
328		Carburetor Assembly Options:	1	
	7023197	With Automatic Choke		
	7023176	Without Automatic Choke		
	Not Available	Valve, LP Lockout Solenoid (Not Sold Separately)	1	
	7023184	Choke Assembly	1	
	7023191	Coupling, Bronze	1	
	7023193	Base, Choke	1	
	7023192	Bushing (Fits Between Choke and Carb)	1	
	7023194	Washer (Fits Between Choke and Carb)	1	
	7023195	Rod, Choke	1	
	7026209	Bracket, Choke Support	1	
	7023198	Horn, Air	1	
329	7023173	Sensor, Speed (Not Shown)	1	
330	70001439	Bracket, Adjusting	1	

SECTION 1 FRAME

SECTION
1
FRAME

FIGURE 1-9. GAS DUAL FUEL ENGINE INSTALLATION - KUBOTA (CONTINUED)

FIG & ITEM #	PART NUMBER	DESCRIPTION	QTY.	REV.
	0270199	SPARK ARRESTOR INSTALLATION (DUAL FUEL)	Ref.	A
401	3220083	Muffler, Spark Arrestor	1	
402	3460325	Pipe, Exhaust	1	

SECTION 1 FRAME

FIGURE 1-9. GAS DUAL FUEL ENGINE INSTALLATION - KUBOTA (CONTINUED)

FIG & ITEM #	PART NUMBER	DESCRIPTION	QTY.	REV.

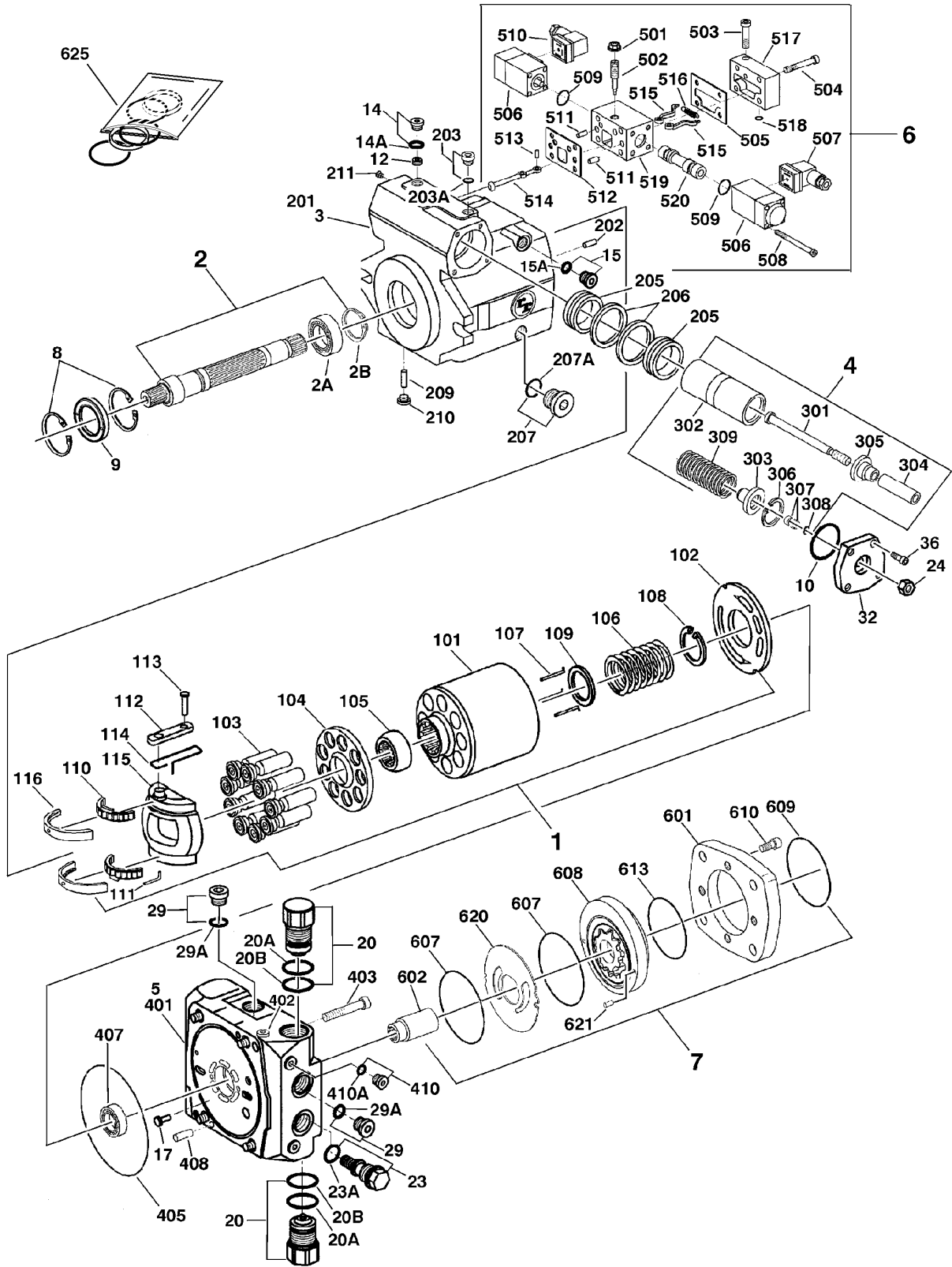
**S
E
C
T
I
O
N

1

F
R
A
M
E**

SECTION 1 FRAME

FIGURE 1-10. PISTON PUMP ASSEMBLY (PRODUCTION)



SECTION 1 FRAME

SECTION 1 FRAME

FIGURE 1-10. PISTON PUMP ASSEMBLY (PRODUCTION)

FIG & ITEM #	PART NUMBER	DESCRIPTION	QTY.	REV.
	3600300	PISTON PUMP ASSEMBLY	Ref.	D
1	Not Available	Rotary Group Assembly (Includes Items 101-116)	1	
2	Not Available	Shaft Assembly	1	
	7023887	Shaft	1	
2A	7023888	Bearing, Roller	1	
2B	7023889	Ring, Retaining	1	
3	Not Available	Housing Assembly (Includes Items 201-211)	1	
4	Not Available	Stroking Piston Assembly (Includes Items 301-309)	1	
5	Not Available	Port Block Assembly (Includes Items 401-410)	1	
6	7023877	Control Valve Assembly (Includes Items 501-520)	1	
7	Not Available	Thru Drive Assembly (Includes Items 601-621)	1	
8	7023878	Ring, Retaining	2	
9	7024070	Seal, Shaft	1	
10	Use Item 625	O-Ring	1	
11	Not Used			
12	Not Available	Orifice (1.0)	2	
13	Not Used			
14	Not Serviced	Plug, O-Ring	3	
14A	Use Item 625	O-Ring	3	
15	Not Serviced	Plug, O-Ring	3	
15A	Use Item 625	O-Ring	3	
16	Not Used		1	
17	7023879	Pin, Lens	1	
18	Not Used			
19	Not Used			
20	7022380	Relief Valve Assembly	2	
20A	Use Item 625	Ring, Back-Up	2	
20B	Use Item 625	O-Ring	2	
21	Not Used			
22	Not Used			
23	7023881	Charge Pressure Relief Valve Kit	1	
23A	Use Item 625	O-Ring	1	
24	Use Item 625	Nut, Jam	1	
25 to 28	Not Used			
29	Not Serviced	Plug, O-Ring	1	
29A	Use Item 625	O-Ring	2	
30 to 31	Not Used			
32	Not Available	Cover, Stroking Piston	1	
33 to 35	Not Used			
36	7023882	Capscrew M6 x 12	4	
		ROTARY GROUP ASSEMBLY	Ref.	
101	Not Available	Barrel	1	
102	Not Available	Plate, Lens	1	
103	Not Available	Piston	9	
104	Not Available	Plate, Retaining	1	

SECTION 1 FRAME

SECTION 1 FRAME

FIGURE 1-10. PISTON PUMP ASSEMBLY (PRODUCTION) (CONTINUED)

FIG & ITEM #	PART NUMBER	DESCRIPTION	QTY.	REV.
105	Not Available	Coupling, Ball	1	
106	7023883	Spring	1	
107	Not Available	Pin, Pressure	3	
108	7023884	Ring, Retaining	1	
109	Not Available	Disk	1	
110	7023885	Cradle Bearing Set	1	
111	7023834	Wire	1	
112	Not Available	Lever	1	
113	Not Available	Pin	1	
114	Not Available	Wire	1	
115	Not Available	Plate, Swash	1	
116	7023886	Race, Bearing	1pr	
HOUSING ASSEMBLY			1Ref.	
201	Not Available	Housing	1	
202	Not Available	Rollpin	2	
203	Not Available	Plug, O-Ring	3	
203A	Use Item 625	O-Ring	3	
204	Not Used			
205	7023890	Bushing	2	
206	Use Item 625	Glyd-Ring	2	
207	Not Available	Plug, O-Ring	1	
207A	Use Item 625	O-Ring	1	
208	Not Used			
209	Not Available	Pin	1	
210	Use Item 625	Plug	1	
211	Not Available	Plug, Breakoff	1	
STROKING PISTON ASSEMBLY			Ref.	
301	7023891	Bolt, Centering	1	
302	Not Available	Piston, Center	1	
303	7023892	Collar, Spring	1	
304	7023893	Spacer	1	
305	7023894	Collar, Spring	1	
306	7023895	Ring, Retaining	1	
307	7023896	Ring	1	
308	Use Item 625	O-Ring	1	
309	7023897	Spring	1	
PORT BLOCK ASSEMBLY				
401	Not Available	Block, Port	1	
402	Use Item 625	Plug	1	
403	7023898	Capscrew M12 x 70	4	
404	Not Used			
405	Use Item 625	O-Ring	1	
406	Not Used			

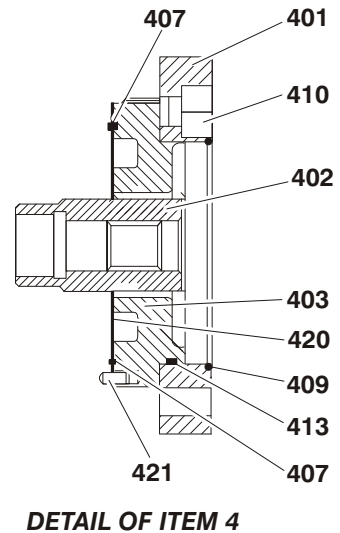
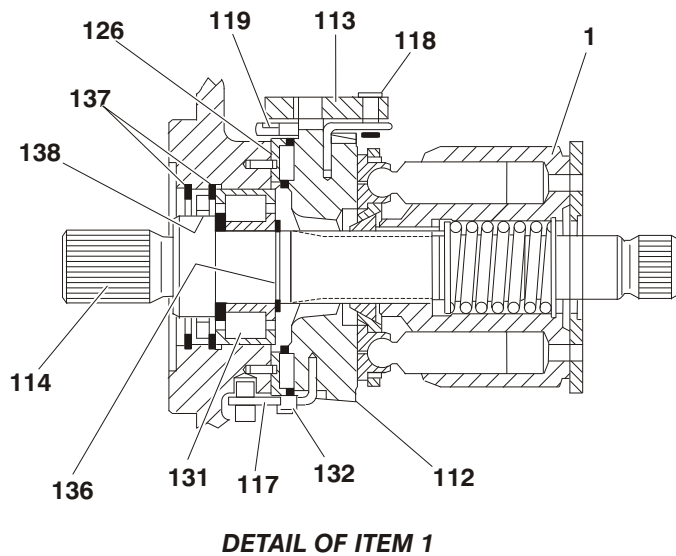
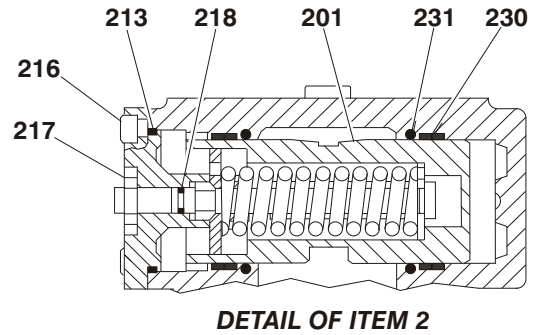
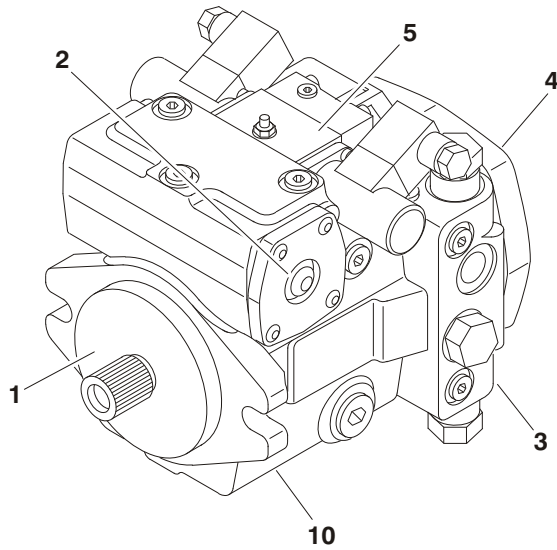
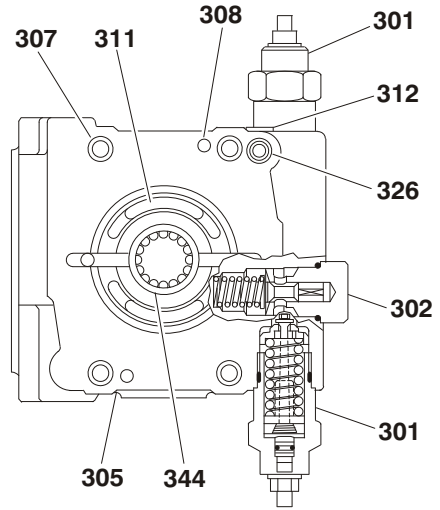
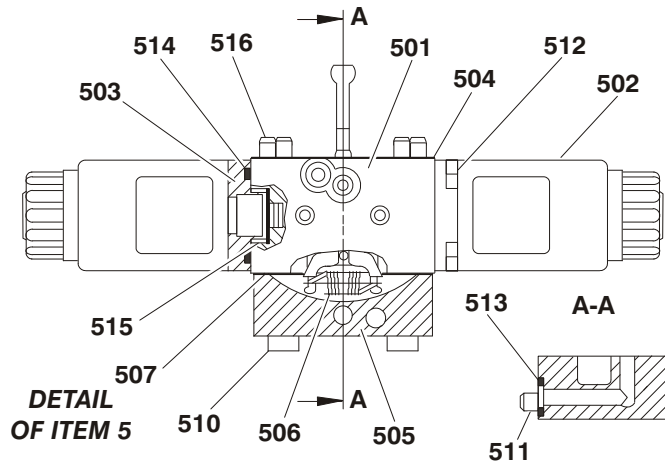
SECTION 1 FRAME

FIGURE 1-10. PISTON PUMP ASSEMBLY (PRODUCTION) (CONTINUED)

FIG & ITEM #	PART NUMBER	DESCRIPTION	QTY.	REV.
407	7023899	Bearing, Roller	1	
408	Not Available	Pin, Dowel	2	
409	Not Used			
410	Not Available	Plug, O-Ring	2	
410A	Use Item 625	O-Ring	2	
CONTROL VALVE ASSEMBLY			Ref.	
501	Use Item 625	Nut, Seal	1	
502	Not Available	Eccentric	1	
503	7024000	Capscrew M6 x 45	1	
504	7024001	Capscrew M6 x 70	4	
505	Use Item 625	Gasket	1	
506	7023854	Solenoid	2	
507	7023855	Connector, Electrical (Gray)	1	
508	Not Available	Capscrew M4 x 50	8	
509	Use Item 625	O-Ring	2	
510	7023856	Connector, Electrical (Black)	1	
511	Not Available	Pin, Dowel	2	
512	Use Item 625	Gasket	1	
513	Not Available	Pin	1	
514	7024002	Lever, Feedback	1	
515	7024003	Lever	2	
516	7023859	Spring	1	
517	Not Available	Cover	1	
518	Use Item 625	O-Ring	1	
519	Not Available	Block	1	
520	Not Available	Piston	1	
THRU DRIVE ASSEMBLY			Ref.	
601	Not Available	Plate	1	
602	7024004	Coupling, Shaft	1	
603 to 606	Not Used			
607	Use Item 625	O-Ring	2	
608	Not Available	Gear	1	
609	Use Item 625	O-Ring	1	
610	Not Available	Capscrew M10 x 20	4	
611 to 612	Not Used			
613	Use Item 625	O-Ring	1	
614 to 619	Not Used			
620	7024005	Plate, Wear	1	
621	Not Available	Pin		
622 to 624	Not Used			
625	7024006	Seal Kit (Includes Items 9,10,14A,15A,20A,20B,23A, 24,29A,203A,206,207A,210,308,402,405,410A,501, 505,509,512,518,607,609 & 613	1	

SECTION 1 FRAME

FIGURE 1-11. PISTON PUMP ASSEMBLY (POST PRODUCTION)



SECTION 1 FRAME

FIGURE 1-11. PISTON PUMP ASSEMBLY (POST PRODUCTION)

FIG & ITEM #	PART NUMBER	DESCRIPTION	QTY.	REV.
	3600414	PISTON PUMP ASSEMBLY	Ref.	B
1	7024064	Rotary Group (See Items 101-138 for Breakdown)	1	
2	7024065	Control Assembly (See Items 201-231 for Breakdown)	1	
3	Not Available	Valve Plate Assembly (See Items 301-344 for Breakdown)	1	
4	Not Available	Internal Pump Assembly (See Items 401-421 for Breakdown)	1	
5	7024068	Module Assembly (See Items 501-516 for Breakdown)	1	
6 to 9	Not Used			
10	Not Available	Housing	1	
11 to 12	Not Used			
13	80934596	Joint, Pin (Not Shown)	1	
14	Not Available	Pin, Dowel (Not Shown)	1	
15 to 19	Not Used			
20	Not Available	Screw, Locking (Not Shown)	1	
21	Not Used			
22	Not Available	Screw, Locking (Not Shown)	3	
23	Not Available	Screw, Locking (Not Shown)	1	
24	Not Available	Screw, Locking (Not Shown)	1	
25 to 26	Not Used			
27	Not Available	Pin, Breakoff (Not Shown)	1	
28	7018936	Orifice (Not Shown)	2	
29 to 30	Not Used			
31	7028877	Pin, Clamping (Not Shown)	2	
32 to 40	Not Used			
41	7024069	O-Ring (Not Shown)	1	
42 to 48	Not Used			
49	Not Available	Plug (Not Shown)	1	
	7024064	ROTARY GROUP	Ref.	
101 to 111	Not Used			
112	Not Available	Cradle (Purchase Assembly p/n 7024064)	1	
113	Not Available	Ring, Slide (Purchase Assembly p/n 7024064)	1	
114	7023887	Driveshaft	1	
115 to 116	Not Used			
117	Not Available	Wire (Purchase Assembly p/n 7024064)	1	
118	Not Available	Joint, Pin (Purchase Assembly p/n 7024064)	1	
119	Not Available	Wire (Purchase Assembly p/n 7024064)	1	
120 to 125	Not Used			
126	Not Available	Liner, Bearing (Purchase Assembly p/n 7024064)	1 Pr	
127 to 130	Not Used			
131	7023888	Bearing, Roller	1	
132	7023885	Cradle Bearing Assembly (Purchase Assembly p/n 7024064)	1 Set	
133 to 135	Not Used			
136	Not Available	Ring, Retaining (Purchase Assembly p/n 7024064)	1	
137	70001968	Ring, Retaining (Purchase Assembly p/n 7024064)	2	
138	7024070	Seal, Shaft Ring	1	

SECTION 1 FRAME

FIGURE 1-11. PISTON PUMP ASSEMBLY (POST PRODUCTION) (CONTINUED)

FIG & ITEM #	PART NUMBER	DESCRIPTION	QTY.	REV.
	7024065	CONTROL ASSEMBLY	Ref.	
201	Not Available	Piston, Positioning - Complete (Purchase Assembly p/n 7024065) (Includes Items 213 & 218)	1	
202 to 212	Not Used			
213	7024071	O-Ring, Outer Seal	1	
214 to 215	Not Used			
216	Not Available	Capscrew, Socket Head (Purchase Assembly p/n 7024065)	4	
217	Not Available	Nut, Hex (Purchase Assembly p/n 7024065)	1	
218	7024072	O-Ring, Stem	1	
219 to 229	Not Used			
230	Not Available	Ring, Guide (Purchase Assembly p/n 7024065)	2	
231	Not Available	Ring, Glide (Purchase Assembly p/n 7024065)	2	
3	Not Available	VALVE PLATE ASSEMBLY	Ref.	
301	7024073	Cartridge, Relief Valve Note: Sold as an Assembly Except O-Ring & Back-up Ring.	2	
	7024075	O-Ring (1 Per Assembly)	2	
	7024076	Ring, Back-up (1 Per Assembly)	2	
302	7023881	Cartridge, Relief Valve Note: Sold as an Assembly Except O-Ring.	1	
	7024077	O-Ring	1	
303 to 304	Not Used			
305	70003339	Plate, Port	1	
306	Not Used			
307	Not Available	Capscrew	4	
308	Not Available	Pin, Dowel	2	
309 to 310	Not Used			
311	70003340	Pin, Breakoff	1	
312	Not Available	Screw, Locking	1	
313 to 325	Not Used			
326	7024908	O-Ring	1	
327 to 334	Not Used			
335	Not Available	Screw, Locking (Not Shown)	2	
336 to 343	Not Used			
344	Not Available	Bearing, Roller	1	
	Not Available	INTERNAL PUMP ASSEMBLY	Ref.	
401	Not Available	Plate, Sandwich	1	
402	7024004	Coupling, Shaft	1	
403	Not Available	Seal, Ring	1	
404 to 406	Not Used			
407	Not Available	Seal	2	
408	Not Used			
409	7024082	O-Ring	1	
410	Not Available	Capscrew	4	

SECTION 1 FRAME

FIGURE 1-11. PISTON PUMP ASSEMBLY (POST PRODUCTION) (CONTINUED)

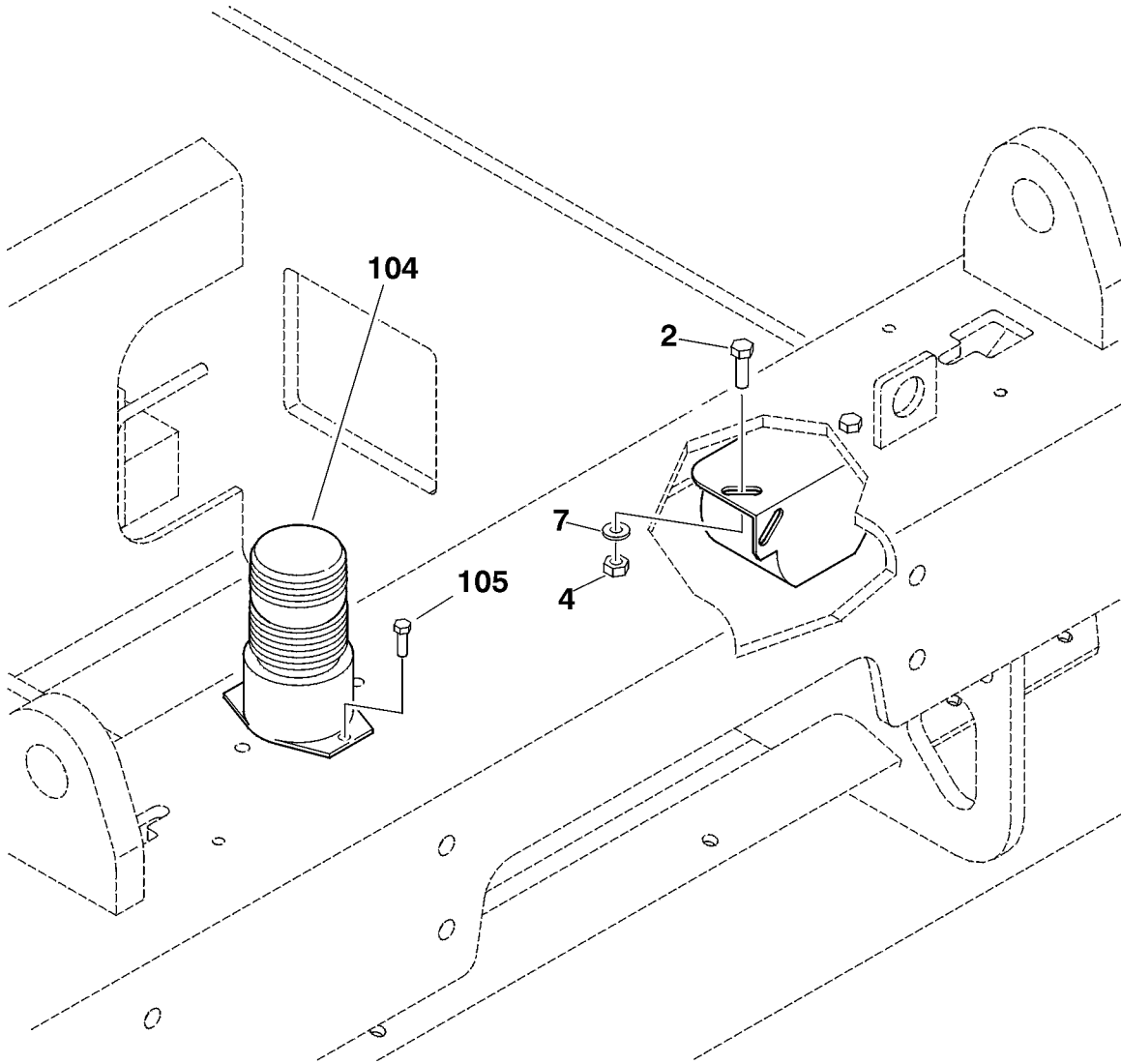
FIG & ITEM #	PART NUMBER	DESCRIPTION	QTY.	REV.
411 to 412	Not Used			
413	7024081	O-Ring	1	
414 to 419	Not Used			
420	7024005	Plate, Wear	1	
421	Not Available	Pin, Dowel	1	
	7024068	MODULE ASSEMBLY	Ref.	
501	7024084	Module, Control (Valve Block) Less Coils Note: No Internal Replacement Parts Available. Sold as an Assembly Only.	1	
502	7024083	Coil, Solenoid	2	
503	Not Available	Adapter, Valve Block to Coil (Purchase Assembly p/n 7024068)	2	
504	7024085	Gasket	1	
505	Not Available	Cover (Purchase Assembly p/n 7024068)	1	
506	Not Available	Spring, Draw (Purchase Assembly p/n 7024068)	1	
507	7024086	Gasket	1	
508 to 509	Not Used			
510	80934644	Capscrew (Purchase Assembly p/n 7024068)	4	
511	Not Available	Capscrew (Purchase Assembly p/n 7024068)	1	
512	Not Available	Capscrew (Purchase Assembly p/n 7024068)	8	
513	7024087	O-Ring	1	
514	7024088	O-Ring	2	
515	7024089	Cup, Spring	2	
516	Not Available	Pin, Dowel (Purchase Assembly p/n 7024068)	2	
	Not Available	----- Seal Kit - Complete	1	

SECTION 1 FRAME

SECTION 1 FRAME

FIGURE 1-12. FRAME MOUNTED COMPONENTS INSTALLATION

SECTION
1
FRAME



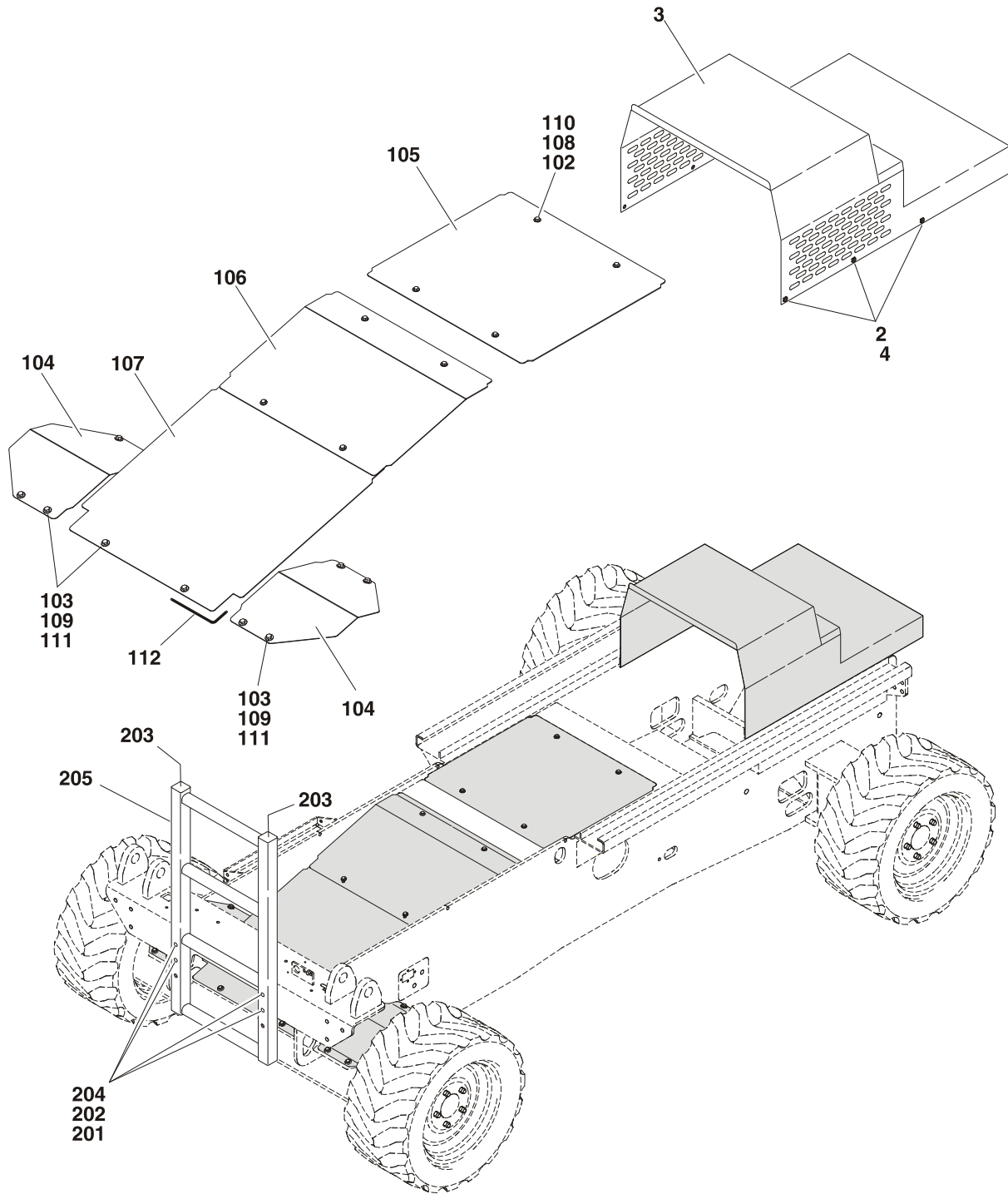
SECTION 1 FRAME

FIGURE 1-12. FRAME MOUNTED COMPONENTS INSTALLATION

FIG & ITEM #	PART NUMBER	DESCRIPTION	QTY.	REV.
		ALARM INSTALLATIONS (OPTIONAL)	Ref.	
	0259591	Descent	Ref.	D
	0259592	Motion	Ref.	D
1	Not Used			
2	0641508	Bolt 5/16"-18NC x 1"	2	
3	Not Used			
4	3311505	Locknut 5/16"-18NC	2	
5 to 6	Not Used			
7	4711500	Flatwasher 5/16" Narrow	2	
8	4922425	Harness, Alarm (Not Shown - See Section 7 for Breakdown)	1	
9	Not Used			
	0259593	BEACON LIGHT INSTALLATION (OPTIONAL)	Ref.	B
101 to 102	Not Used			
103	2820018	Tube, Heat Shrink (Not Shown)	A/R	
104	2920146	Beacon Light Assembly	1	
	7016319	Tube, Flash	1	
	7016372	Lens, Replacement Amber	1	
105	3941004	Screw, Self-Tapping #10-24NC x 1/2"	2	
106 to 110	Not Used			
111	4922426	Harness, Beacon (Not Shown - See Section 7 for Breakdown)	1	

SECTION 1 FRAME

FIGURE 1-13. FRAME COVERS AND LADDERS INSTALLATION



SECTION
1
FRAME

SECTION 1 FRAME

FIGURE 1-13. FRAME COVERS AND LADDERS INSTALLATION

FIG & ITEM #	PART NUMBER	DESCRIPTION	QTY.	REV.
	0259562	ENGINE COVER INSTALLATION	Ref.	C
1	0100019	Loctite #271 (Not Shown)	A/R	
2	0641405	Bolt 1/4"-20NC x 5/8"	6	
3	1670943	Cover, Engine	1	
4	4711400	Flatwasher 1/4" (Narrow)	6	
		FRAME COVERS INSTALLATION OPTIONS:	Ref.	
	0259947	Fixed Rear Axle Machines (Prior to S/N 71310)	Ref.	B
	0259948	Oscillating & Fixed Rear Axle Machines (S/N 71310 to Present)	Ref.	C
101	0100011	Loctite #242 (Not Shown)	A/R	
102	0641406	Bolt 1/4"-20NC x 3/4"	A/R	
103		Bolt Options:	A/R	
	0641506	Bolt 5/16"-18NC x 3/4" (Fixed Rear Axle - Prior to S/N 71310)	10	
	0641405	Bolt 1/4"-20NC x 5/8" (Oscillating/Fixed Rear Axle - S/N 71310 to Present)	2	
	0641407	Bolt 1/4"-20NC x 7/8" (Oscillating/Fixed Rear Axle - Use on Axle Covers) (S/N 71310 to Present)	4	
104		Cover, Axle Options:	2	
	1670933	Fixed Rear Axle (Prior to S/N 71310)		
	3572029	Oscillating/Fixed Rear Axle (S/N 71310 to Present)		
105	1670934	Cover, Frame - Front	1	
106		Cover, Frame - Center Options:	1	
	1670935	Fixed Rear Axle (Prior to S/N 71310)		
	1670937	Oscillating/Fixed Rear Axle (Not Shown - Items 106 & 107 are 1 piece) (S/N 71310 to Present)		
107		Cover, Frame - Rear Options:	1	
	1670936	Fixed Rear Axle (Prior to S/N 71310)		
	1670937	Oscillating/Fixed Rear Axle (Not Shown - Items 106 & 107 are 1 piece) (S/N 71310 to Present)		
108	2080052	Fastener 1/4"-20NC	A/R	
109		Nut Options:	A/R	
	0641506	Nut 5/16"-18NC (Fixed Rear Axle) (Prior to S/N 71310)	10	
	0641405	Nut 1/4"-20NC (Oscillating/Fixed Rear Axle) (S/N 71310 to Present)	2	
110	4751400	Flatwasher 1/4"	8	
111	4751500	Flatwasher 5/16"	A/R	
112	4060803	Flex-Trim	4.5in/11cm	

SECTION 1 FRAME

FIGURE 1-13. FRAME COVERS AND LADDERS INSTALLATION (CONTINUED)

FIG & ITEM #	PART NUMBER	DESCRIPTION	QTY.	REV.
		LADDER INSTALLATIONS		
	0259576	330CRT	Ref.	
	0259577	400CRT	Ref.	D
	0270514	330/400CRT with Leveling Jacks	Ref.	D
			Ref.	A
201	0641828	Bolt 1/2"-13NC x 3 1/2"	4	
202	3311805	Locknut 1/2"-13NC	4	
203	3520071	Cap-Plug	2	
204	4751800	Flatwasher 1/2"	8	
205		Ladder Weldment Options:	1	
	4846159	330/400CRT without Leveling Jacks		
	4846282	330/400CRT with Leveling Jacks		

SECTION 1 FRAME

SECTION 1 FRAME

FIGURE 1-13. FRAME COVERS AND LADDERS INSTALLATION (CONTINUED)

FIG & ITEM #	PART NUMBER	DESCRIPTION	QTY.	REV.

**S
E
C
T
I
O
N

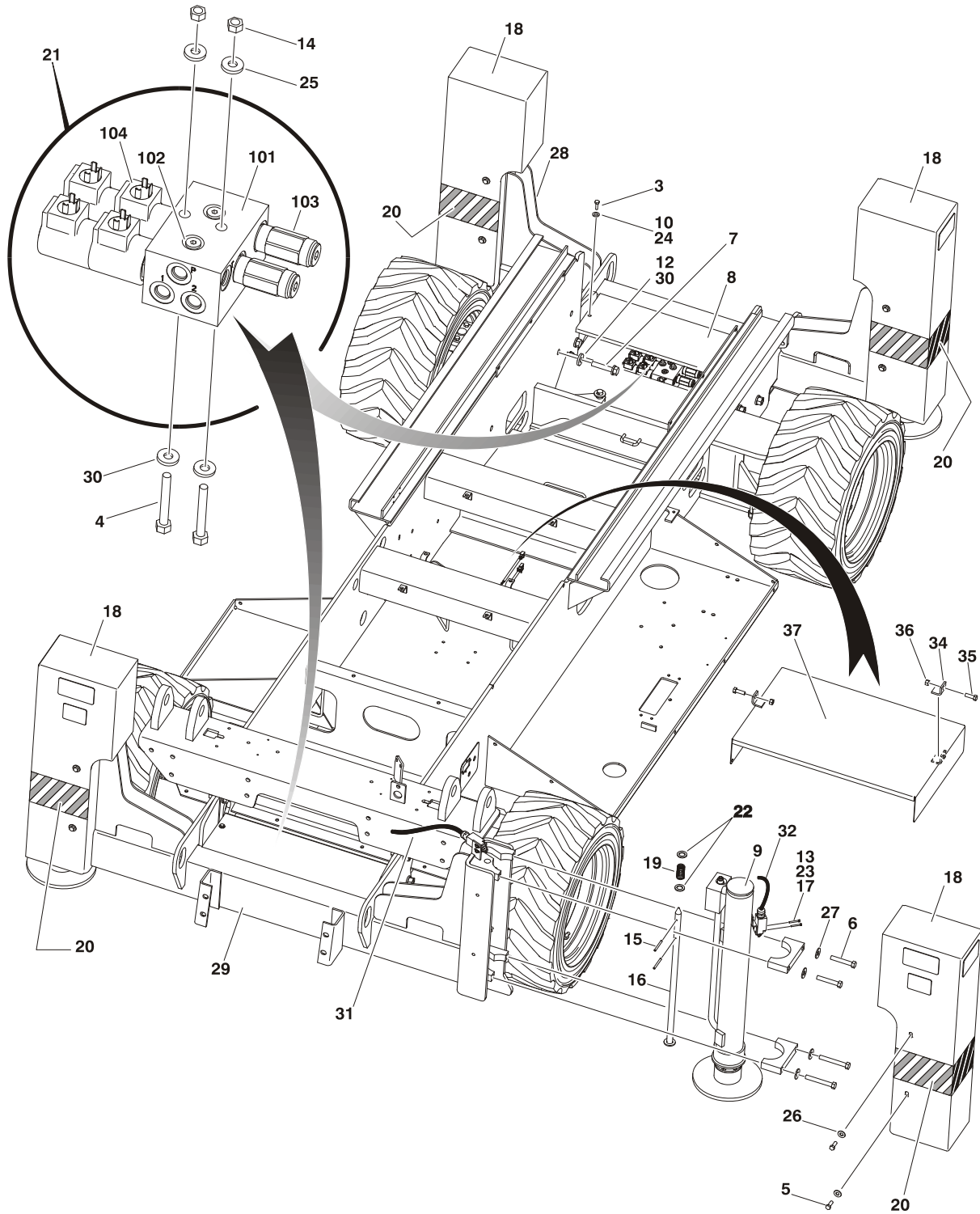
1

F
R
A
M
E**

SECTION 1 FRAME

FIGURE 1-14. LEVELING JACKS INSTALLATION

SECTION 1 FRAME



SECTION 1 FRAME

FIGURE 1-14. LEVELING JACKS INSTALLATION

FIG & ITEM #	PART NUMBER	DESCRIPTION	QTY.	REV.
	0259611	LEVELING JACKS INSTALLATION	Ref.	E
1	0100011	Loctite, #242 (Not Shown)	A/R	
2	0100019	Loctite, #271 (Not Shown)	A/R	
3	0641406	Bolt 1/4"-20NC x 3/4"	4	
4	0641528	Bolt 5/16"-18NC x 3 1/2"	4	
5	0641608	Bolt 3/8"-16NC x 1"	16	
6	0641830	Bolt 1/2"-13NC x 3 3/4"	16	
7	0682016	Bolt 5/8"-11NC x 2"	12	
8	1670971	Cover, Valve	2	
9		Jack Cylinder Assembly Options (See Section 5 for Breakdown):	4	
	Use 1684217	Prior to S/N 104829 (p/n was 1683966)		
	1684217	S/N 104829 to Present		
10	2080052	Fastener, Insert	4	
11	Not Used			
12	3272001	Nut 5/8"-11NC	12	
13	3310805	Locknut #8-32NC	16	
14	3311505	Locknut 5/16"-18NC	4	
15	3440420	Pin, Roll	8	
16	3841326	Rod	4	
17	3930820	Bolt #8-32NC x 1 1/4"	16	
18	4061003	Cover	4	
19	4160116	Spring	4	
20	4420052	Tape, Safety	8.3ft/2.5m	
21	4641150	Leveling Jack Control Valve Assembly (See 101-104 for Breakdown)	2	
22	4740415	Washer	4	
23	4750800	Flatwasher #8 (Wide)	16	
24	4751400	Flatwasher 1/4" (Wide)	4	
25	4751500	Flatwasher 5/16" (Wide)	4	
26	4751600	Flatwasher 3/8" (Wide)	16	
27	4711800	Flatwasher 1/2" (Wide)	16	
28	4846224	Weldment, Leveling Jack (Front)	1	
29	4846225	Weldment, Leveling Jack (Rear)	1	
30	4892000	Flatwasher 5/8" (Hardened)	28	
31	4922454	Harness (See Section 7 for Breakdown)	2	
32	4922455	Harness (See Section 7 for Breakdown)	2	
33	4922456	Harness (Not Shown - See Section 7 for Breakdown)	1	
34	0182005	Angle, Hold-down	2	
35	0641609	Bolt 3/8"-16NC x 1 1/8"	2	
36	3311605	Locknut 3/8"-16NC	2	
37	3572782	Plate, Hose Support	1	

SECTION 1 FRAME

SECTION 1 FRAME

FIGURE 1-14. LEVELING JACKS INSTALLATION (CONTINUED)

FIG & ITEM #	PART NUMBER	DESCRIPTION	QTY.	REV.
	4641150	LEVELING JACK CONTROL VALVE ASSEMBLY	Ref.	B
101	0561407	Valve, Jack Control	1	
102	2220883	Plug	2	
103	4641151	Cartridge, Relief Valve	2	
	7021653	Seal Kit - 4641151 Valve (1 Per Cartridge)	2	
104	4641152	Valve, 4-Way	2	
	7012903	Seal Kit - 4641152 Valve (1 Per Cartridge)	2	
	7012943	Coil (2 Per Cartridge)	4	

SECTION 1 FRAME

FIGURE 1-14. LEVELING JACKS INSTALLATION (CONTINUED)

FIG & ITEM #	PART NUMBER	DESCRIPTION	QTY.	REV.

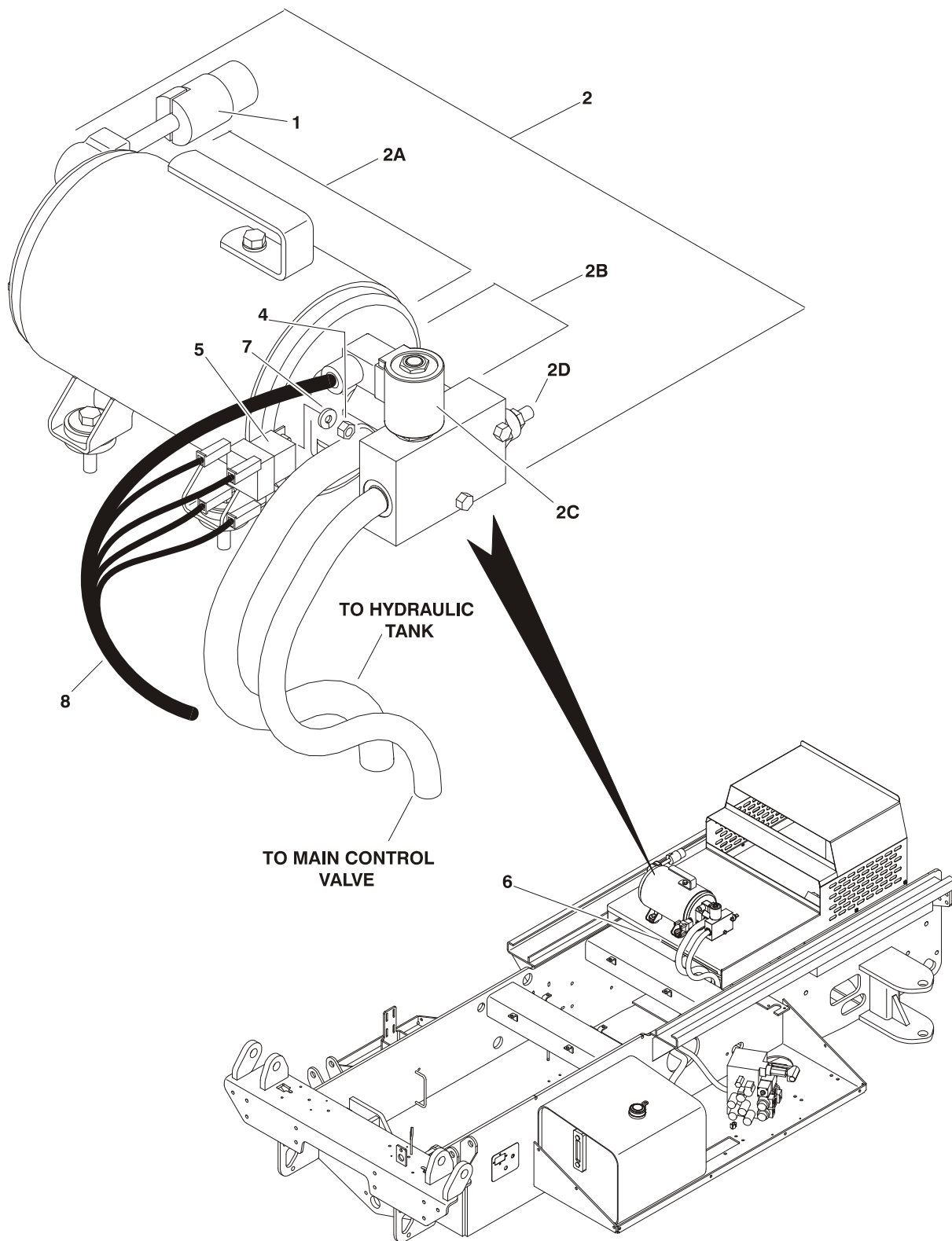
**S
E
C
T
I
O
N

1

F
R
A
M
E**

SECTION 1 FRAME

FIGURE 1-15. GENERATOR INSTALLATION - 110V (OPTIONAL)



SECTION 1 FRAME

FIGURE 1-15. GENERATOR INSTALLATION - 110V (OPTIONAL)

FIG & ITEM #	PART NUMBER	DESCRIPTION	QTY.	REV.
	0259696	GENERATOR INSTALLATION - 110V	Ref.	A
		Note: Mounting Hardware Supplied with Generator Assembly	Ref.	
1	1060882	Cable, AC (See Section 7 for Breakdown)	1	
2	2460036	110V Generator Assembly (Hydraulic)	1	
2A	7023232	Generator Only	1	
	7023233	Brush Assembly	1	
2B	7023235	Motor Assembly Only	1	
2C	7010635	Cartridge	1	
	2900708	Seal Kit - 7010635 Cartridge	1	
	7012943	Coil	1	
2D	7023234	Cartridge	1	
2E	7023247	Receptacle (Not Shown)	1	
3	Not Used			
4	3311401	Nut 1/4-20NC	1	
5	3740049	Relay, Skirted	1	
6	4060803	Shield, Flex Trim	1ft/.3m	
7	4761400	Lockwasher 1/4"	1	
8	4922452	Harness, Generator (See Section 7 for Breakdown)	1	

SECTION 1 FRAME

FIGURE 1-15. GENERATOR INSTALLATION - 110V (OPTIONAL) (CONTINUED)

FIG & ITEM #	PART NUMBER	DESCRIPTION	QTY.	REV.

**S
E
C
T
I
O
N

1

F
R
A
M
E**

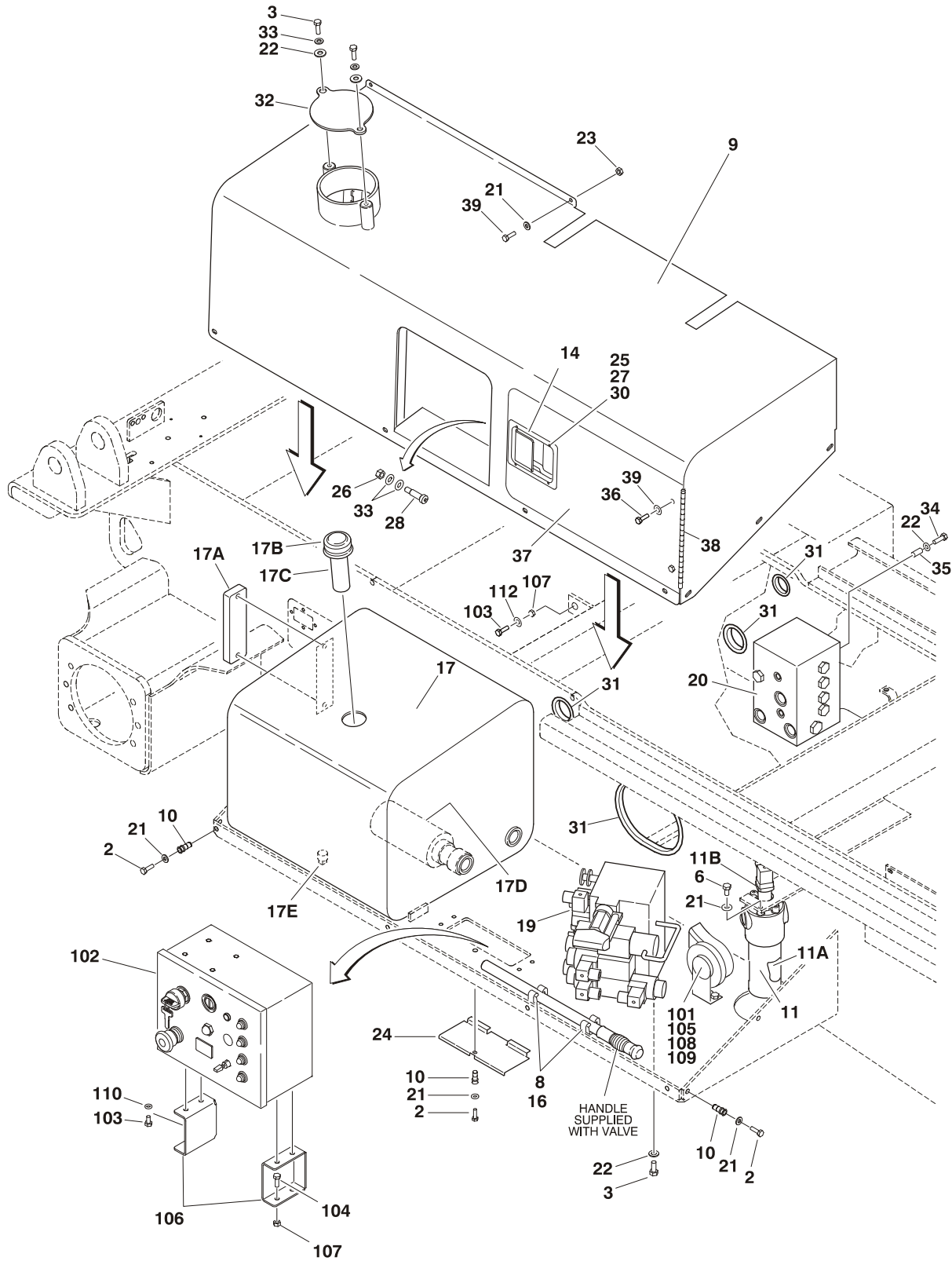
SECTION 2 GROUND COMPONENTS

TABLE OF CONTENTS		
FIGURE	DESCRIPTION	PAGE
2-1	RIGHT SIDE COMPARTMENT INSTALLATIONS.	2-2
2-2	MAIN CONTROL VALVE ASSEMBLY.	2-6
2-3	FLOW DIVIDER VALVE ASSEMBLY	2-8
2-4	GROUND CONTROL BOX ASSEMBLY	2-10
2-5	FUEL COMPARTMENT INSTALLATION.	2-12

SECTION 2 GROUND COMPONENTS

FIGURE 2-1. RIGHT SIDE COMPARTMENT INSTALLATIONS

SECTION 2 GROUND COMPONENTS



SECTION 2 GROUND COMPONENTS

FIGURE 2-1. RIGHT SIDE COMPARTMENT INSTALLATIONS

FIG & ITEM #	PART NUMBER	DESCRIPTION	QTY.	REV.
	0259559	HYDRAULIC COMPONENTS INSTALLATION Note: Replacement Decals must be Purchased Separately - See Section 8.	Ref. Ref.	K
1	0100011	Loctite #242 (Not Shown)	A/R	
2	0641407	Bolt 1/4"-20NC x 7/8"	A/R	
3	0641506	Bolt 5/16"-18NC x 3/4"	5	
4 to 5	Not Used			
6	0651404	Bolt 1/4"-48NF x 1/2"	2	
7	Not Used			
8	1380136	Clip, Gripper	2	
9	1670926	Cover, Hydraulic Tray	1	
10	2080052	Fastener 1/4"-20NC	8	
11		Pressure Filter Assembly Options:	1	
	2120146	With Electrical Clog Indicator	1	
	2120209	With Manual Clog Indicator	1	
		Note: All machines equipped with 2120146 filter from the factory. However, if the filter was replaced after leaving the factory, it may have been replaced with a 2120209 filter. Check clog indicator to determine which filter is on the machine.		
11A	7023206	O-Ring	1	
		Element, Filter Options:	1	
	2120150	Element, Filter - p/n 2120146	1	
	2120210	Element, Filter - p/n 2120209	1	
11B		Indicator, Clog Options:	1	
	7016312	Electrical Indicator - p/n 2120146	1	
	7020020	Manual Indicator - p/n 2120209	1	
12 to 13	Not Used			
14	2940126	Latch	1	
15	Not Used			
16	3820019	Rivet	2	
17	4400426	Hydraulic Tank Assembly	1	L
17A	7014802	Gauge, Sight	1	
17B	7014811	Cap, Breather	1	
17C	7014816	Screen	1	
	7020256	Neck		
17D	7020253	Strainer	1	
17E	7014813	Plug, Magnetic	1	
	7014812	Magnet	1	
18	Not Used			
19	4641157	Main Control Valve Assembly (See Figure 2-2 for Breakdown)	1	
20	4641147	Flow Divider Assembly (See Figure 2-3 for Breakdown)	1	
21	4711400	Flatwasher 1/4" Narrow	A/R	
22	4711500	Flatwasher 5/16" Narrow	11	
23	3311405	Locknut 1/4"-20NC	A/R	
24	3572229	Plate, Splash	1	

SECTION 2 GROUND COMPONENTS

SECTION 2 GROUND COMPONENTS

FIGURE 2-1. RIGHT SIDE COMPARTMENT INSTALLATIONS (CONTINUED)

FIG & ITEM #	PART NUMBER	DESCRIPTION	QTY.	REV.
25	3310805	Locknut #8-32NC	4	
26	3311505	Locknut 5/16"-18NC	1	
27	3900289	Screw, Phillips Head #8-32NC	4	
28	3900208	Screw 3/8"-16NC x 1"	1	
29	Not Used			
30	4750800	Flatwasher #8	4	
31	4060808	Flex-Trim	6ft/1.8m	
32	3572362	Plate, Cover	1	
33	4761500	Lockwasher 5/16"	1	
34	0641524	Bolt 5/16"-18NC x 3"	4	
35	4568114	Tube, Spacer	4	
36	0641405	Bolt 1/4"-20NC x 5/8"	4	
37	1780317	Door	1	
38	2600147	Hinge, Door	1	
39	0641410	Bolt 1/4"-20NC x 1 1/4"	8	
		ELECTRICAL COMPONENTS INSTALLATIONS	Ref.	
	0259580	Dual Fuel Gas Machines	Ref.	D
	0259583	Diesel Machines	Ref.	D
	0259582	Dual Fuel Gas Machines with Leveling Jacks	Ref.	B
	0259581	Diesel Machines with Leveling Jacks	Ref.	C
101	0140001	Horn	1	
102		Ground Control Box Assembly Options (See Figure 2-4 for Breakdown):	1	
	0259645	Dual Fuel Gas Machines (Production)		
	0259864	Dual Fuel Gas Machines (Post Production)		
	0259829	Diesel Machines (Production)		
	0270423	Diesel Machines (Post Production)		
	0259864	Dual Fuel Gas Machines with Leveling Jacks		
	0270423	Diesel Machines with Leveling Jacks		
103	0641404	Bolt 1/4"-20NC x 1/2"	A/R	
104	0641406	Bolt 1/4"-20NC x 3/4"	4	
105	0641506	Bolt 5/16"-18NC x 3/4"	1	
106	0902590	Bracket, Ground Control Box	2	
107	3311405	Locknut 1/4"-20NC	A/R	
108	3311505	Locknut 5/16"-18NC	1	
109	4751500	Flatwasher 5/16"	2	
110	4761400	Lockwasher 1/4"	4	
111		Harness, Engine & Valve Options (Not Shown - See Section 7 for Breakdown):	1	
	4922343	Machines without Leveling Jacks		
	4922441	Machines with Leveling Jacks		
112	4711400	Flatwasher 1/4" (Narrow)	1	

SECTION 2 GROUND COMPONENTS

SECTION 2 GROUND COMPONENTS

FIGURE 2-1. RIGHT SIDE COMPARTMENT INSTALLATIONS (CONTINUED)

FIG & ITEM #	PART NUMBER	DESCRIPTION	QTY.	REV.

**S
E
C
T
I
O
N

2

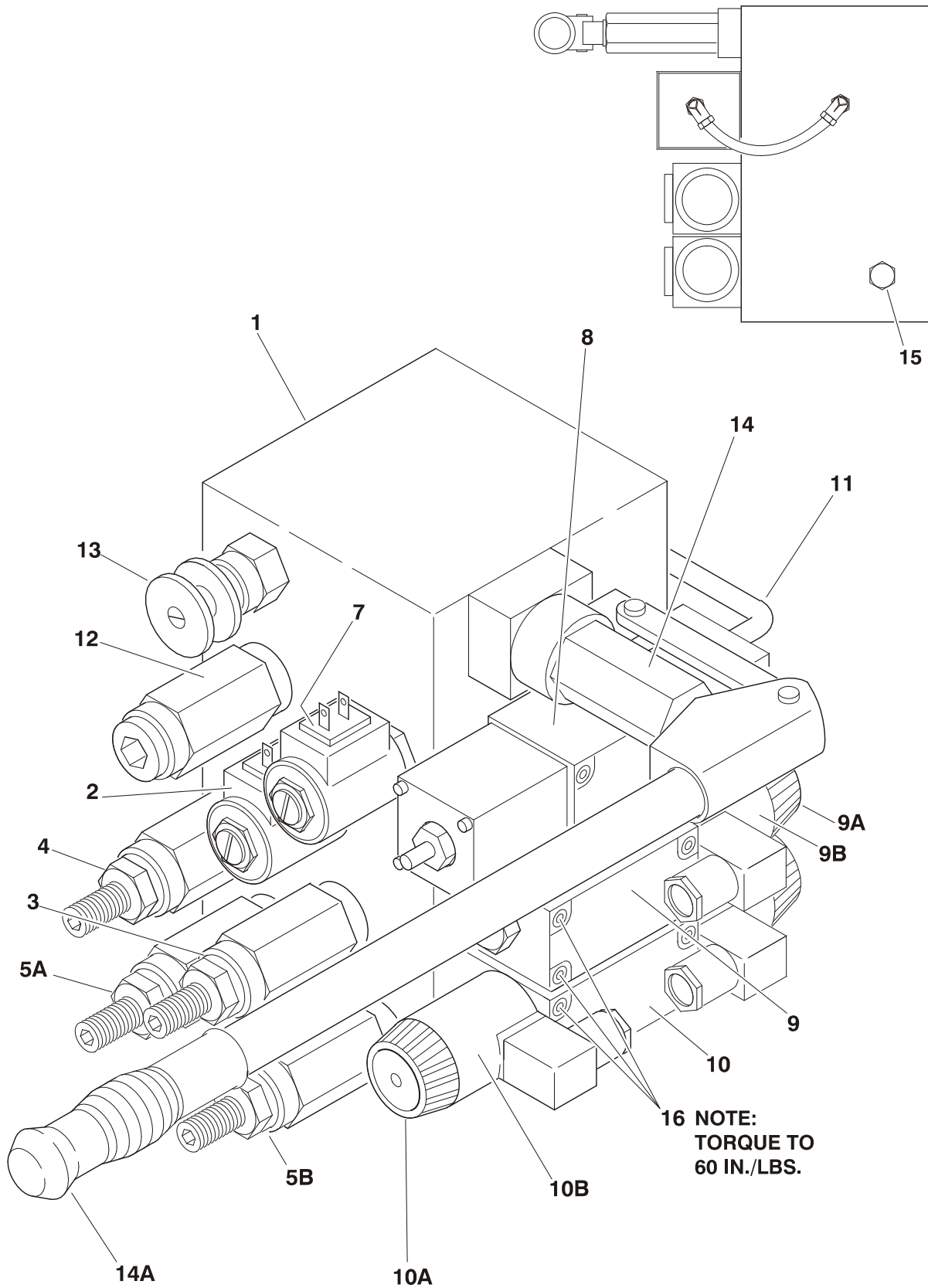
G
R
O
U
N
D

C
O
M
P
O
N
E
N
T
S**

SECTION 2 GROUND COMPONENTS

FIGURE 2-2. MAIN CONTROL VALVE ASSEMBLY

SECTION 2 GROUND COMPONENTS



SECTION 2 GROUND COMPONENTS

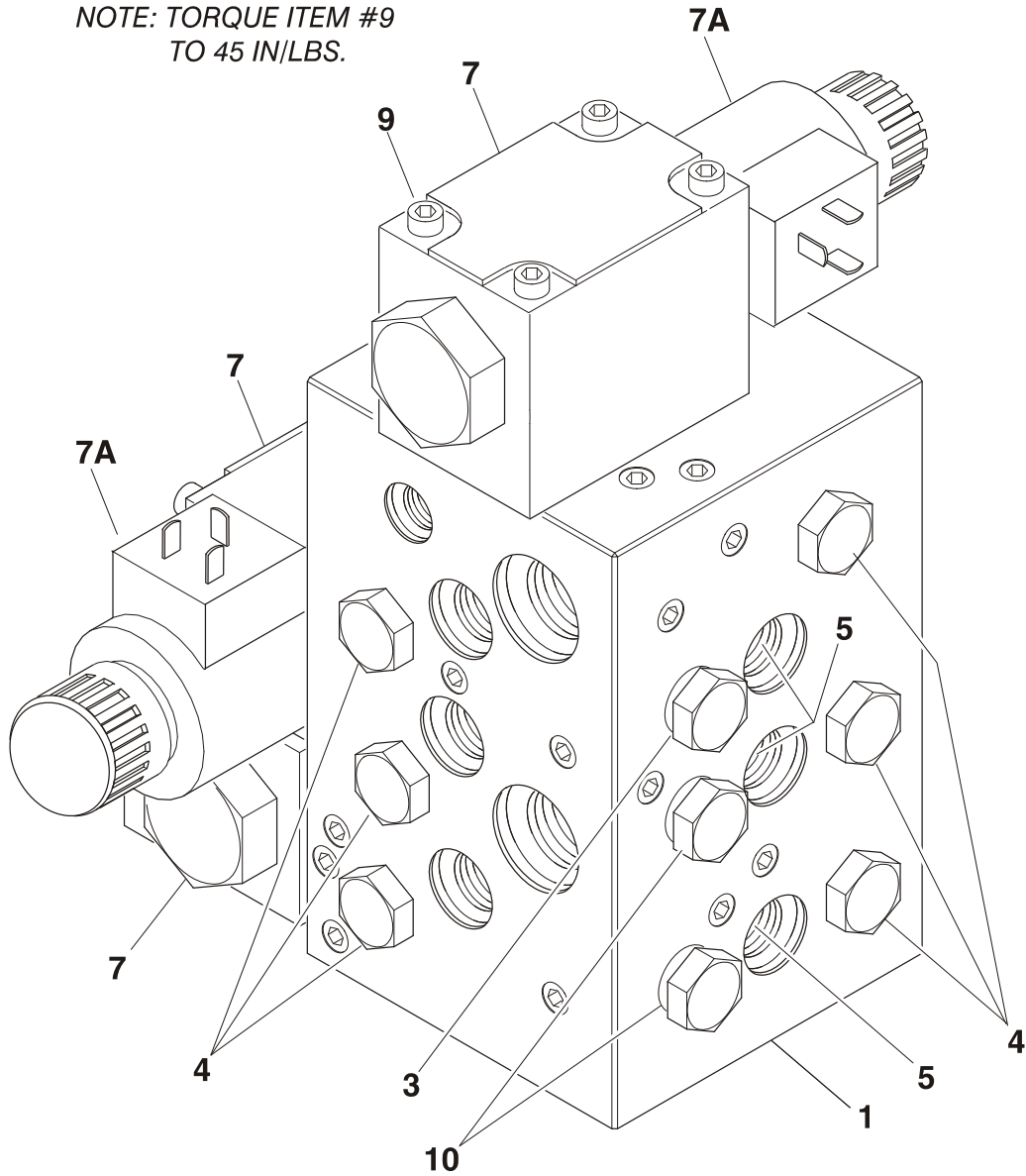
FIGURE 2-2. MAIN CONTROL VALVE ASSEMBLY

FIG & ITEM #	PART NUMBER	DESCRIPTION	QTY.	REV.
	4641157	MAIN CONTROL VALVE ASSEMBLY	Ref.	D
1	Not Serviced	Manifold	1	
2	7017410	Cartridge Less Coil (Dump)	1	
	7012967	Seal Kit - 7017410 Cartridge	1	
	7012944	Coil	1	
3	7017418	Cartridge, Relief (Lift Up)	1	
	7012998	Seal Kit - 7017418 Cartridge	1	
4	7017418	Cartridge, Relief (Main)	1	
	7012998	Seal Kit - 7017418 Cartridge	1	
5A	7021649	Cartridge, Relief (Steer Right)	2	
	7021651	Seal Kit - 7021649 Cartridge (1 Per Cartridge)	2	
5B	7021650	Cartridge, Relief (Steer Left)	2	
	7021651	Seal Kit - 7021650 Cartridge (1 Per Cartridge)	2	
6	7022527	Orifice 1/16"/2.0mm (Not Shown - Located on Back of Valve at Port L)	1	
7	7012941	Cartridge Less Coil (Brake Release)	1	
	7010543	Seal Kit - 7012941 Cartridge	1	
	7012944	Coil	1	
8	7018901	Valve Assembly	1	
	7022531	Seal Kit	1	
9	7022529	Valve Assembly (Lift)	1	
	7012773	Seal Kit	1	
9A	7021375	Nut	1	
9B	7021376	Coil	1	
10	7022530	Valve Assembly (Steer)	1	
	7012773	Seal Kit	2	
10A	7021375	Nut	2	
10B	7021376	Coil	2	
11	7018903	Tube Assembly	1	
	7018904	Fitting, Straight	1	
12	7021646	Cartridge, Check	1	
	7012998	Seal Kit - 7021646 Cartridge	1	
13	7021629	Cartridge, Needle Valve	1	
	7012953	Seal Kit - 7021629 Cartridge	1	
14	7023208	Valve Assembly (Manual Descent)	1	
	7023209	Seal Kit - 7023208 Cartridge	1	
14A	7023210	Handle	1	
15	7010542	Cartridge	1	
	7010543	Seal Kit - 7010542 Cartridge	1	
16	7018942	Capscrew, Socket Head #10-24NC x 2"	12	

SECTION 2 GROUND COMPONENTS

FIGURE 2-3. FLOW DIVIDER VALVE ASSEMBLY

NOTE: TORQUE ITEM #9
TO 45 IN/LBS.



SECTION 2 GROUND COMPONENTS

FIGURE 2-3. FLOW DIVIDER VALVE ASSEMBLY

FIG & ITEM #	PART NUMBER	DESCRIPTION	QTY.	REV.
	4641147	FLOW DIVIDER VALVE ASSEMBLY	Ref.	C
1	Not Serviced	Block	1	
2	Not Used			
3	7023810	Cartridge (Reverse)	1	
	7011344	Seal Kit - 7023810 Cartridge	1	
4	7012975	Cartridge	6	
	7012967	Seal Kit - 7012975 Cartridge	6	
5	7022524	Orifice (.5mm)	3	
6	Not Used			
7	7022528	Valve Assembly	3	
	7012773	Seal Kit - Valve Assembly	3	
7A	7021376	Coil	3	
8	Not Used			
9	7018942	Capscrew, Socket Head #10-24NC x 2"	12	
10	7023809	Cartridge (Forward)	2	
	7011344	Seal Kit - 7023809 Cartridge	2	

SECTION 2 GROUND COMPONENTS

SECTION 2 GROUND COMPONENTS

FIGURE 2-4. GROUND CONTROL BOX ASSEMBLY

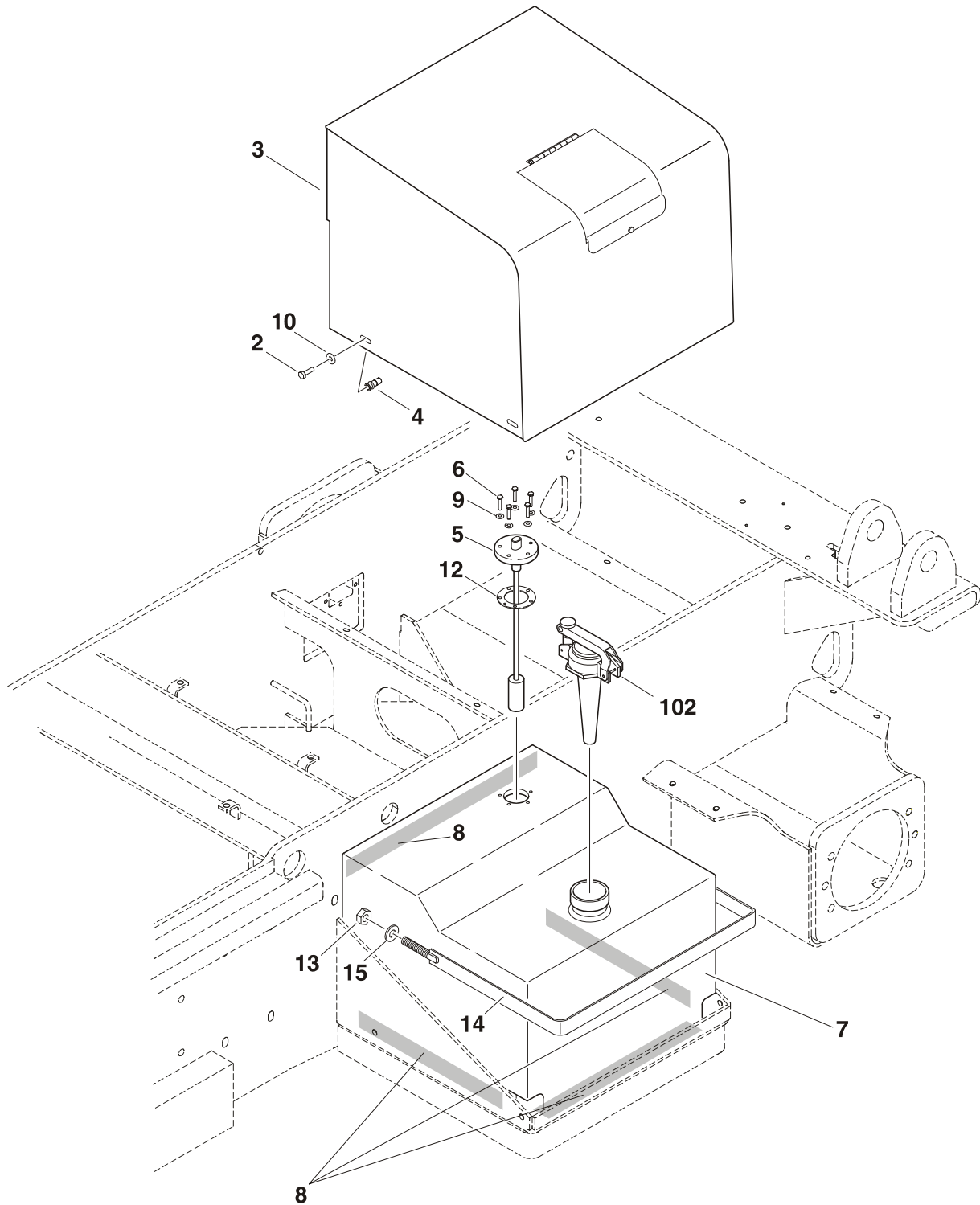
FIG & ITEM #	PART NUMBER	DESCRIPTION	QTY.	REV.
		GROUND CONTROL BOX ASSEMBLY OPTIONS:	Ref.	
	0259829	Diesel Machines	Ref.	K
	0270423	Diesel Machines	Ref.	K
	0259645	Dual Fuel Gas Machines (Production)	Ref.	L
	0259864	Dual Fuel Gas Machines (Post Production)	Ref.	K
	0270423	Diesel Machines with Leveling Jacks	Ref.	K
	0259864	Dual Fuel Gas Machines with Leveling Jacks	Ref.	K
1		Circuit Board Options:	1	
	0610140	Machines without Leveling Jacks (Production)		
	0610134	Machines without Leveling Jacks (Post Production)		
	0610134	Machines with Leveling Jacks		
2	0861315	Box Assembly	1	
2A	Not Available	Latch	1	
3		Decal Options:	1	
	1704462	Prior to S/N 112399		
	1705729	S/N 112399 to Present		
4	2420172	Gauge, Hourmeter	1	
5	2920026	Holder, Bulb	4	
6	2920029	Bulb, Light	4	
7	3900281	Screw, Socket Head	8	
8	3910606	Screw #6-32NC x 3/8	3	
9	3910616	Screw #6-32NC x 1"	4	
10	3910804	Screw #8 x 1/4"	3	
11	4070987	Shim (.015)	3	
12	4070991	Shim (.125)	1	
13	4360070	Breaker, Circuit - 15Amp	1	
14	4360328	Switch, Toggle	1	
15	4360387	Switch, Push Button	2	
16	4360469	Switch, Key	1	
16A	2860030	Key, Replacement (Set of 2)	1	
17	4360475	Switch, Mushroom	1	
	7020175	Ring, Sealing	1	
17A	7020176	Block, Contact	1	
18	4360481	Block, Switch - Dual Axis	1	
19	4750600	Flatwasher #6	3	
20	4760600	Lockwasher #6	4	
21	4761000	Lockwasher #10	8	
22		Harness, Ground Control Box (Not Shown - See Section 7 for Breakdown)	1	
	4922378	Diesel Machines		
	4922336	Gas/Dual Fuel Machines		
23	4922339	Harness, Tilt (Not Shown - See Section 7 for Breakdown)	1	
24	3520026	Plug (Dual Fuel Machines Only)	1	
25	3520193	Plug (S/N 112399 to Present Only)	1	
26	Not Used			
27	3520030	Plug, Hole (Post Production)	1	

SECTION 2 GROUND COMPONENTS

SECTION 2 GROUND COMPONENTS

FIGURE 2-5. FUEL COMPARTMENT INSTALLATION

SECTION 2 GROUND COMPONENTS



SECTION 2 GROUND COMPONENTS

FIGURE 2-5. FUEL COMPARTMENT INSTALLATION

FIG & ITEM #	PART NUMBER	DESCRIPTION	QTY.	REV.
	0259560	FUEL TANK INSTALLATION	Ref.	F
1	0100011	Loctite #242 (Not Shown)	A/R	
2	0641407	Bolt 1/4"-20NC x 7/8"	4	
3	1670931	Cover, Fuel Tank	1	
4	2080052	Fastener 1/4"-20NC	4	
5	2420191	Gauge/Sender, Fuel Level	1	
6	3900128	Screw, Round Head	5	
7	4400427	Fuel Tank Assembly	1	
	See Item 102	Cap, Tank	1	
8	4420037	Tape, Padded	52in/1.3m	
9	4751000	Flatwasher #10	5	
10	4751400	Flatwasher 1/4"	4	
11	Not Used			
12	3960525	Gasket, Fuel Gauge	1	
13	3311601	Nut 3/8"-16NC	2	
14	4240139	Strap, Tank Mounting	1	
15	4711600	Flatwasher 3/8" (Narrow)	2	
		FUEL TANK CAP OPTIONS:	Ref.	
	4400427	Standard Tank Cap	Ref.	D
	0259613	Optional Locking Tank Cap	Ref.	B
101	0100020	Sealant, Pipe (Not Shown - Locking Cap only)	A/R	
102		Cap Options:	1	
	7020257	Standard Cap		
	1120485	Locking Cap		

SECTION 2 GROUND COMPONENTS

SECTION 2 GROUND COMPONENTS

FIGURE 2-5. FUEL COMPARTMENT INSTALLATION (CONTINUED)

FIG & ITEM #	PART NUMBER	DESCRIPTION	QTY.	REV.

**S
E
C
T
I
O
N

2

G
R
O
U
N
D

C
O
M
P
O
N
E
N
T
S**

SECTION 3 SCISSOR ARMS

TABLE OF CONTENTS		
FIGURE	DESCRIPTION	PAGE
3-1	SCISSOR ARMS INSTALLATION - 330CRT	3-2
3-2	SCISSOR ARMS INSTALLATION - 400CRT	3-6

**S
E
C
T
I
O
N

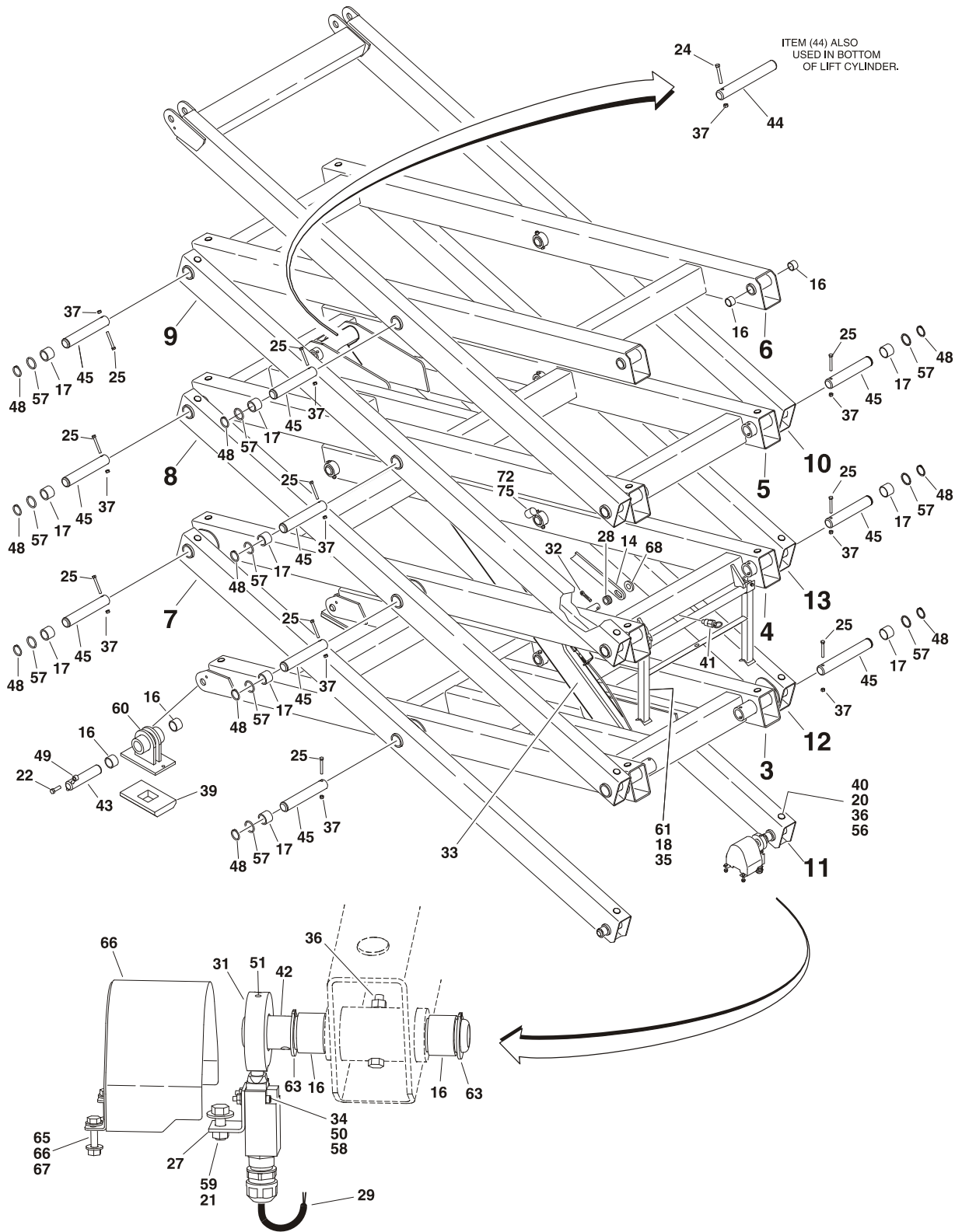
3

S
C
I
S
S
O
R

A
R
M
S**

SECTION 3 SCISSOR ARMS

FIGURE 3-1. SCISSOR ARMS INSTALLATION - 330CRT



SECTION 3 SCISSOR ARMS

SECTION 3 SCISSOR ARMS

FIGURE 3-1. SCISSOR ARMS INSTALLATION - 330CRT

FIG & ITEM #	PART NUMBER	DESCRIPTION	QTY.	REV.
	0259105	SCISSOR ARMS INSTALLATION - 330CRT	Ref.	K
1	Not Used			
2	0100011	Loctite #242 (Not Shown)	A/R	
3	0200654	Arm Weldment (Bottom Inboard)	1	
4	0200655	Arm Weldment (Lower Mid Inboard)	1	
5	0200656	Arm Weldment (Upper Mid Inboard)	1	
6	0200657	Arm Weldment (Top Inboard)	1	
7	0200658	Arm Weldment (Bottom Left Side Outboard)	1	
8	0200659	Arm Weldment (Lower Mid Left Side Outboard)	1	
9	0200660	Arm Weldment (Upper Mid Left Side Outboard)	1	
10	0200661	Arm Weldment (Top Outboard)	1	
11	0200667	Arm Weldment (Bottom Right Side Outboard)	1	
12	0200668	Arm Weldment (Lower Mid Right Side Outboard)	1	
13	0200669	Arm Weldment (Upper Mid Right Side Outboard)	1	
14	0362840	Bar, Cable Carrier	1	
15	0362841	Bar, Cable Carrier	1	
16	0440234	Bushing	A/R	
17	0440236	Bushing	A/R	
18	0641418	Bolt 1/4"-20NC x 2 1/4"	2	
19	Not Used			
20	0641510	Bolt 5/16"-18NC x 1 1/4"	A/R	
21	0641608	Bolt 3/8"-16NC x 1"	1	
22	0641610	Bolt 3/8"-16NC x 1 1/4"	2	
23	0681520	Bolt 5/16"-18NC x 2 1/2" (Grade 8)	2	
24	0681622	Bolt 3/8"-16NC x 2 3/4" (Grade 8)	2	
25	0681624	Bolt 3/8"-16NC x 3" (Grade 8)	20	
26	Not Used			
27	0902540	Bracket, Limit Switch	1	
28	4740480	Washer, Plastic Insert	4	
29		Harness, Limit Switch Options: (See Section 7 for Break-down)	1	
	Use 4922630	Prior to S/N 101118 (Was p/n 1060868)		
	4922630	S/N 101118 to Present		
30	Not Used			
31	1100110	Cam, Activator	1	
32	3450304	Pin, Cotter	4	
33	1683858	Lift Cylinder Assembly (See Section 5 for Breakdown)	1	
34	3311805	Locknut #8-32NC	2	
35	3300151	Nut, Acorn 1/4"-20NC	2	
36	3311505	Locknut 5/16"-18NC	A/R	
37	3311605	Locknut 3/8"-16NC	25	
38	Not Used			
39	3340856	Pad, Slide	2	
40	3340866	Pad, Arm	A/R	
41	3422369	Pin, Plunger	1	
42	3422821	Pin, Pivot	2	
43	3422822	Pin, Pivot	2	

SECTION 3 SCISSOR ARMS

SECTION 3 SCISSOR ARMS

FIGURE 3-1. SCISSOR ARMS INSTALLATION - 330CRT (CONTINUED)

FIG & ITEM #	PART NUMBER	DESCRIPTION	QTY.	REV.
44	3422778	Pin, Pivot	2	
45	3422825	Pin, Pivot	16	
46	3422826	Pin, Pivot	4	
47	Not Used			
48	3760420	Ring, Retaining	20	
49	3841143	Keeper, Pin	2	
50	3930820	Screw, Socket Head #8-32NC x 1 1/4"	2	
51	3951603	Setscrew, Socket Head 3/8"-16NC x 3/8"	2	
52 to 55	Not Used			
56	4711500	Flatwasher 5/16" Narrow	A/R	
57	4740332	Washer, Special	20	
58	4750800	Flatwasher #8	2	
59	4751600	Flatwasher 3/8"	1	
60	4845986	Slider Weldment (Bottom)	2	
61	4846020	Prop, Safety	1	
62	4922321	Harness, Lift Down (Not Shown - See Section 7 for Breakdown)	1	
63	3760387	Ring, Retaining	4	
64	Not Used			
65	0641408	Bolt 1/4"-20NC x 1"	2	
66	1670965	Cover, Limit Switch	1	
67	3311405	Locknut 1/4"-20NC	2	
68	4751500	Flatwasher 5/16"	4	
69	Not Used			
70	3020022	Grease, Lithium (Not Shown)	A/R	
71	Not Used			
72	1320110	Clamp	1	
73 to 74	Not Used			
75	4711600	Flatwasher 3/8"	1	
	2901930	Arm Kit - (Includes Items - 3 thru 13,16,17,20,36,40 & 56)	1	

SECTION 3 SCISSOR ARMS

SECTION 3 SCISSOR ARMS

FIGURE 3-1. SCISSOR ARMS INSTALLATION - 330CRT (CONTINUED)

FIG & ITEM #	PART NUMBER	DESCRIPTION	QTY.	REV.

**S
E
C
T
I
O
N

3

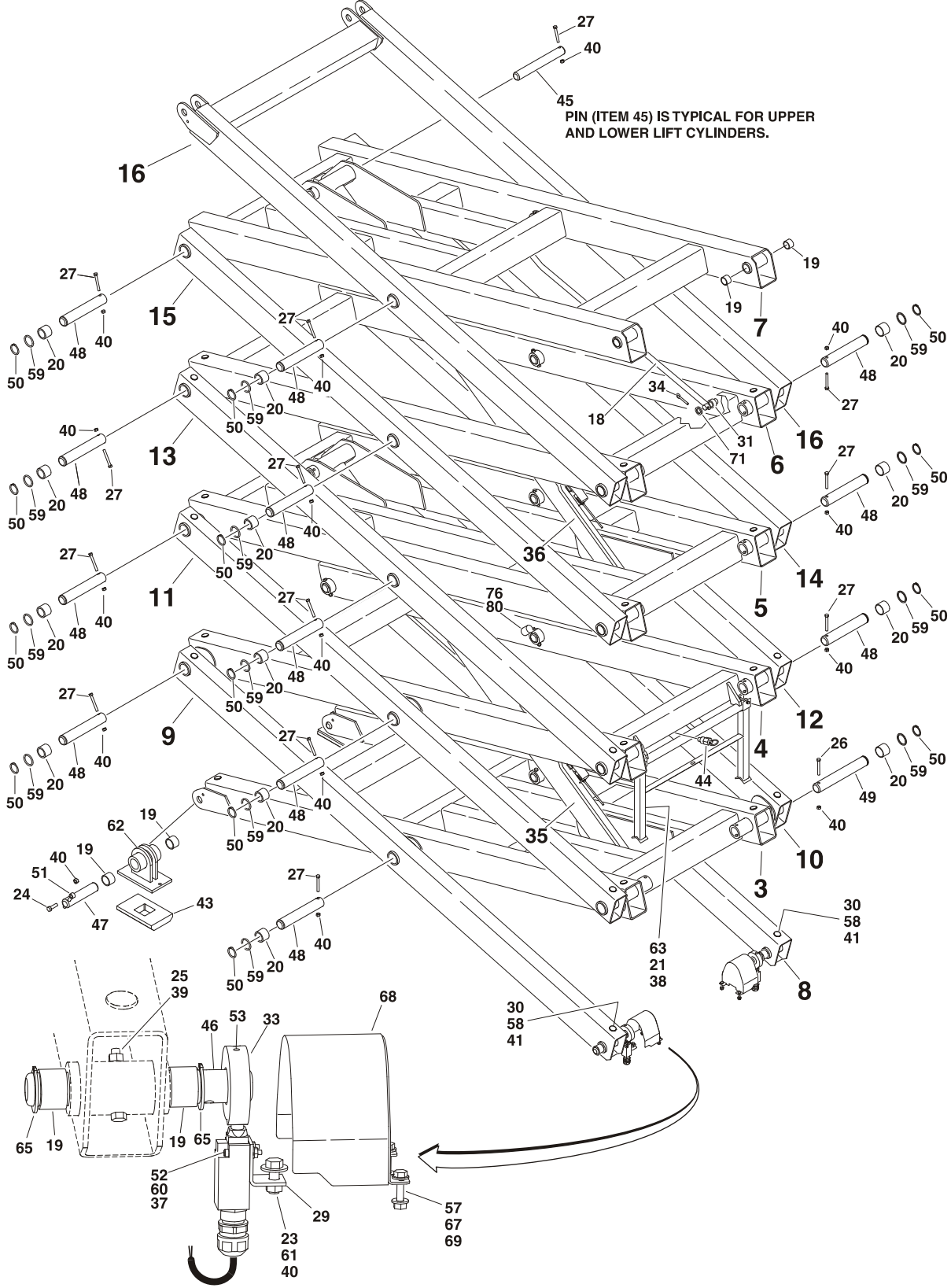
S
C
I
S
S
O
R

A
R
M
S**

SECTION 3 SCISSOR ARMS

FIGURE 3-2. SCISSOR ARMS INSTALLATION - 400CRT

SECTION 3 SCISSOR ARMS



SECTION 3 SCISSOR ARMS

FIGURE 3-2. SCISSOR ARMS INSTALLATION - 400CRT

FIG & ITEM #	PART NUMBER	DESCRIPTION	QTY.	REV.
	0259561	SCISSOR ARMS INSTALLATION - 400CRT	Ref.	J
1	Not Used			
2	0100011	Loctite #242 (Not Shown)	A/R	
3	0200683	Arm Weldment (Bottom Inboard)	1	
4	0200684	Arm Weldment (Lower Mid Inboard)	1	
5	0200685	Arm Weldment (Center Mid Inboard)	1	
6	0200686	Arm Weldment (Upper Mid Inboard)	1	
7	0200687	Arm Weldment (Top Inboard)	1	
8	0200688	Arm Weldment (Bottom Right Side Outboard)	1	
9	0200689	Arm Weldment (Bottom Left Side Outboard)	1	
10	0200690	Arm Weldment (Lower Mid Right Side Outboard)	1	
11	0200691	Arm Weldment (Lower Mid Left Side Outboard)	1	
12	0200692	Arm Weldment (Center Mid Right Side Outboard)	1	
13	0200693	Arm Weldment (Center Mid Left Side Outboard)	1	
14	0200694	Arm Weldment (Upper Mid Right Side Outboard)	1	
15	0200695	Arm Weldment (Upper Mid Left Side Outboard)	1	
16	0200696	Arm Weldment (Top Outboard)	1	
17	Not Used			
18	0362841	Bar, Cable Carrier	1	
19	0440234	Bushing	A/R	
20	0440236	Bushing	A/R	
21	0641418	Bolt 1/4"-20NC x 2 1/4"	2	
22	Not Used			
23	0641608	Bolt 3/8"-16NC x 1"	2	
24	0641610	Bolt 3/8"-16NC x 1 1/4"	2	
25	0681520	Bolt 5/16"-18NC x 2 1/2" (Grade 8)	2	
26	0681622	Bolt 3/8"-16NC x 2 3/4" (Grade 8)	4	
27	0681624	Bolt 3/8"-16NC x 3" (Grade 8)	26	
28	Not Used			
29	0902540	Bracket, Limit Switch	2	
30	0940090	Bumper, Arm Spacer	A/R	
31	4740480	Washer, Plastic Insert	4	
32		Harness, Limit Switch Options: (Right Side) (Not Shown -See Section 7 for Breakdown)	1	
	Use 4922630	Prior to S/N 101118 (Was p/n 1060868)		
	4922630	S/N 101118 to Present		
33	1100110	Cam, Activator	2	
34	3450304	Pin, Cotter	4	
35	1683891	Lift Cylinder Assembly - Lower (See Section 5 for Breakdown)	1	
36	1683892	Lift Cylinder Assembly - Upper (See Section 5 for Breakdown)	1	
37	3311805	Locknut #8-32NC	4	
38	3300151	Nut, Acorn 1/4"-20NC	2	
39	3311505	Locknut 5/16"-18NC	2	
40	3311605	Locknut 3/8"-16NC	34	
41	3311401	Nut 1/4"-20NC	A/R	
42	Not Used			

SECTION 3 SCISSOR ARMS

SECTION 3 SCISSOR ARMS

FIGURE 3-2. SCISSOR ARMS INSTALLATION - 400CRT (CONTINUED)

FIG & ITEM #	PART NUMBER	DESCRIPTION	QTY.	REV.
43	3340856	Pad, Slide	2	
44	3422369	Pin, Plunger	1	
45	3422778	Pin, Pivot	4	
46	3422821	Pin, Pivot	2	
47	3422822	Pin, Pivot	2	
48	3422825	Pin, Pivot	24	
49	3422826	Pin, Pivot	2	
50	3760420	Ring, Retaining	26	
51	3841143	Keeper, Pin	2	
52	3930820	Screw, Socket Head #8-32NC x 1 1/4"	4	
53	3951603	Setscrew, Socket Head 3/8"-16NC x 3/8"	4	
54 to 56	Not Used			
57	4711400	Flatwasher 1/4" Narrow	8	
58	4711500	Flatwasher 5/16" Narrow	A/R	
59	4740332	Washer, Special	26	
60	4750800	Flatwasher #8	4	
61	4751600	Flatwasher 3/8"	2	
62	4845986	Slider Weldment (Bottom)	2	
63	4846020	Prop, Safety	1	
64	4922345	Harness, Lift Down (Not Shown - See Section 7 for Breakdown)	1	
65	3760387	Ring, Retaining	4	
66	Not Used			
67	0641408	Bolt 1/4"-20NC x 1"	4	
68	1670965	Cover, Limit Switch	2	
69	3311405	Locknut 1/4"-20NC	4	
70	Not Used			
71	4751500	Flatwasher 5/16" (Wide)	4	
72	Not Used			
73	3020022	Lube, Lithium Grease (Not Shown)	A/R	
74		Harness, Limit Switch Option: (Left Side) (Not Shown - See Section 7 for Breakdown)	1	
	Use 4922630	Prior to S/N 101118 (Was p/n 1060869)		
	4922630	S/N 101118 to Present		
75	Not Used			
76	1320110	Clamp	1	
77 to 79	Not Used			
80	4711600	Flatwasher 3/8"	1	
	2901931	Arm Kit - (Includes Items - 3 thru 16,19,20,30,41 & 58)	1	

SECTION 3 SCISSOR ARMS

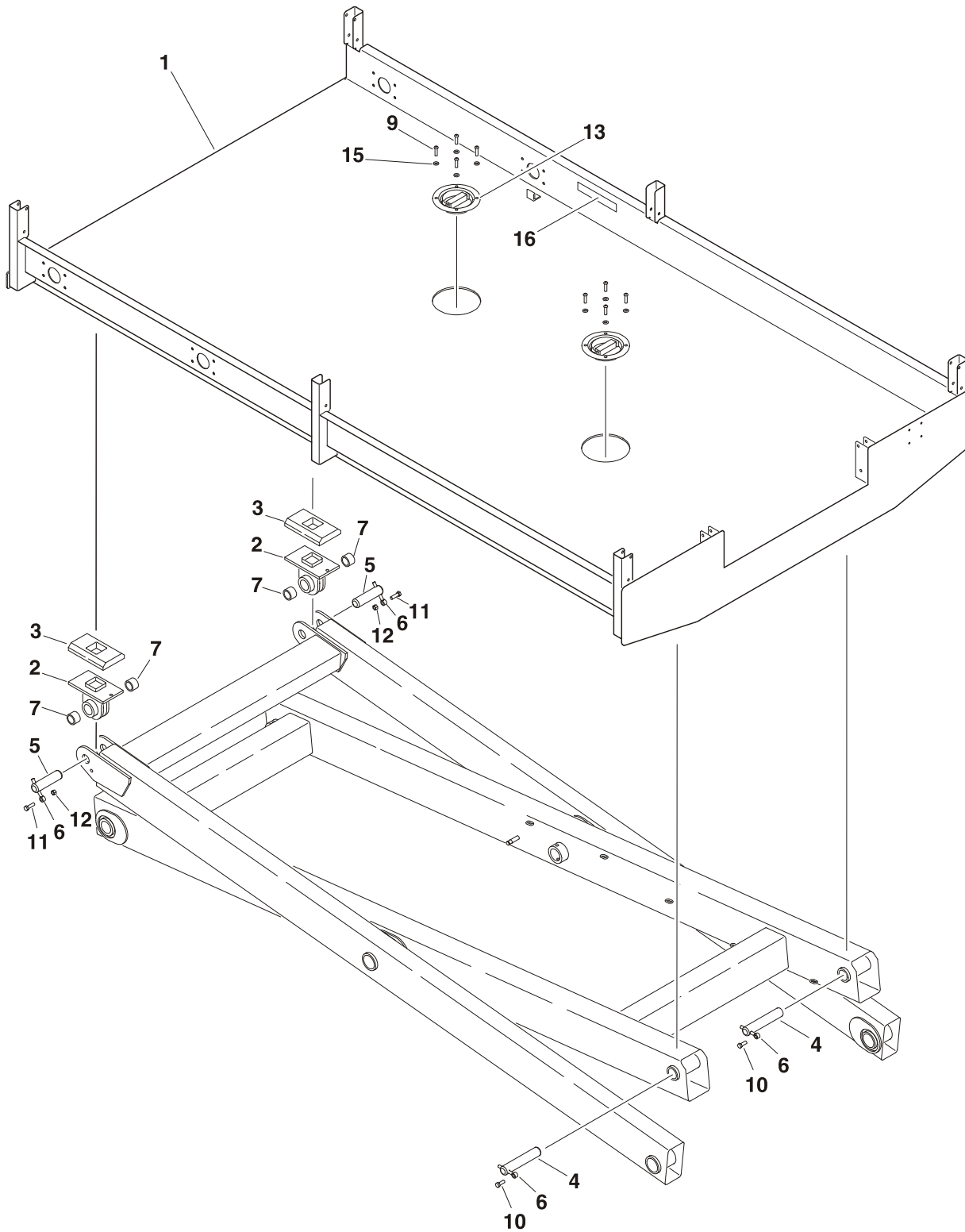
SECTION 4 PLATFORM

TABLE OF CONTENTS

FIGURE	DESCRIPTION	PAGE
4-1	PLATFORM AND ACCESSORIES INSTALLATION	4-2
4-2	FOLDDOWN HANDRAILS & EXTENSION INSTALLATION (MANUALLY OPERATED PLATFORM)	4-4
4-3	PLATFORM CONSOLE BOX ASSEMBLY	4-8
4-4	DRIVE/STEER CONTROLLER ASSEMBLY (PRODUCTION)	4-12
4-5	DRIVE/STEER CONTROLLER J.R. MERRITT ASSEMBLY (POST PRODUCTION)	4-14

SECTION 4 PLATFORM

FIGURE 4-1.PLATFORM AND ACCESSORIES INSTALLATION



SECTION 4 PLATFORM

SECTION 4 PLATFORM

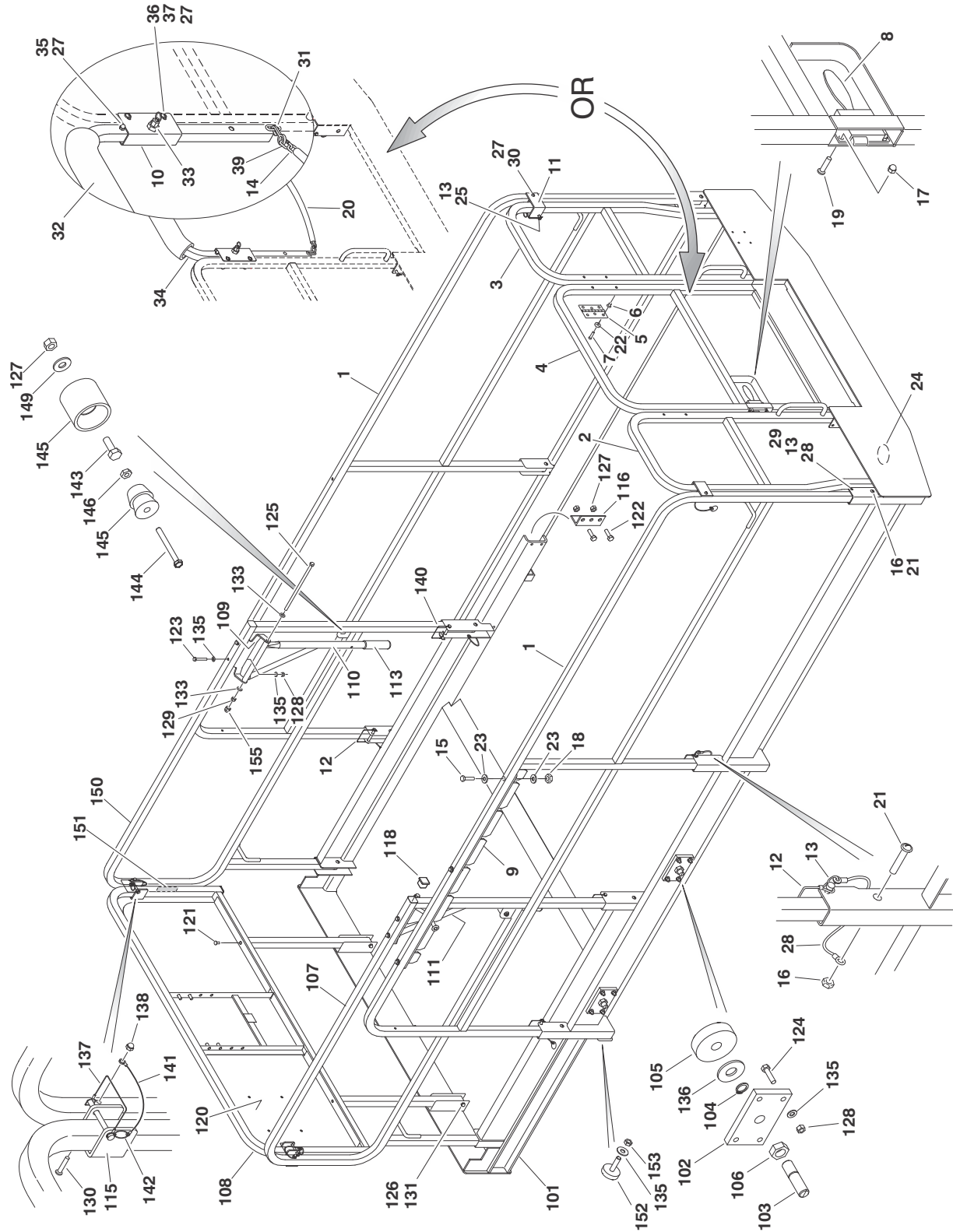
FIGURE 4-1. PLATFORM AND ACCESSORIES INSTALLATION

FIG & ITEM #	PART NUMBER	DESCRIPTION	QTY.	REV.
		PLATFORM INSTALLATION OPTIONS:	Ref.	
	0259563	Platform without D-Rings	Ref.	B
	0259564	Platform with D-Rings	Ref.	C
		Note: Replacement Decals must be Purchased Separately - See Section 8.	Ref.	
1		Platform Weldment Options:	1	
	3510723	Platform without D-Rings		
	3510734	Platform with D-Rings		
2	4845987	Slider Weldment	2	
3	3340856	Block, Slide Pad	2	
4	3422823	Pin, Pivot	2	
5	3422824	Pin, Slider	2	
6	3841143	Keeper, Pin	4	
7	0440234	Bearing	4	
8	0100011	Loctite #242 (Not Shown)	A/R	
9	0630476	Screw, Button Head	A/R	
10	0641608	Bolt 3/8"-16NC x 1"	2	
11	0641610	Bolt 3/8"-16NC x 1"	2	
12	3311605	Locknut 3/8"-16NC	2	
13	3760321	D-Ring, Swivel (Platforms with D-Rings Only)	2	
14	Not Used			
15	4711500	Flatwasher 5/16"	A/R	
16	1703175	Decal - Lanyard (Platforms with D-Rings Only)	2	

SECTION 4 PLATFORM

SECTION 4 PLATFORM

FIGURE 4-2. FOLDDOWN HANDRAILS & EXTENSION INSTALLATION (MANUALLY OPERATED PLATFORM)



SECTION 4 PLATFORM

SECTION 4 PLATFORM

FIGURE 4-2. FOLDDOWN HANDRAILS & EXTENSION INSTALLATION (MANUALLY OPERATED PLATFORM)

FIG & ITEM #	PART NUMBER	DESCRIPTION	QTY.	REV.
		FOLDDOWN HANDRAILS INSTALLATIONS OPTIONS:	Ref.	
	0259566	Chain Gate	Ref.	F
	0259568	Self-Closing Welded Gate	Ref.	H
		Note: Replacement Decals must be Purchased Separately - See Section 8.	Ref.	
1	4846123	Side Rail Weldment	2	
2	4846125	Rear Rail Weldment (Right Side)	1	
3	4846124	Rear Rail Weldment (Left Side)	1	
4	4846122	Gate Weldment (Self-Closing Gate Only)	1	
5	2600253	Hinge (Self-Closing Gate Only)	2	
6	2080069	Fastener #10-32NF (Self-Closing Gate Only)	12	
7	3900267	Screw, Socket Head (Self-Closing Gate Only)	12	
8	2940074	Latch (Self-Closing Gate Only)	1	
9	3571829	Plate, Latch	1	
10	4845829	Retainer, Rail (Chain Gate Only)	18	
11	0901870	Bracket	2	
12	3421565	Pin, Snap	A/R	
13	3760170	Ring, Split	A/R	
14	1260136	Chain (Chain Gate Only)	2ft/61cm	
15	0641516	Bolt 5/16"-18NC x 2"	3	
16	3300356	Nut, Acorn 5/16"-18NC	10	
17	3300432	Nut, Acorn #10-24NC (Self-Closing Gate Only)	4	
18	3311505	Locknut 5/16"-18NC	3	
19	3911008	Screw #10-24NC x 1/2" (Self-Closing Gate Only)	4	
20	2820097	Tubing, Mesh	2ft/.6m	
21	3911532	Screw 5/16"-18NC x 2"	A/R	
22	4751000	Flatwasher #10 (Self-Closing Gate Only)	12	
23	4751500	Flatwasher 5/16"	6	
24	2540020	Grommet	1	
25	3422219	Pin, Snap	2	
26	0100011	Loctite #242 (Not Shown)	A/R	
27	3300151	Nut, Acorn 1/4"-20NC	A/R	
28	1060808	Lanyard	A/R	
29	3911536	Screw 5/16"-18NC x 2 1/4"	1	
30	3911428	Screw 1/4"-20NC x 1 3/4"	2	
31	Use 1001101076	Snap-Hook (Includes Item 39) (Chain Gate Only) (was p/n 2940064)	1	
32	3340612	Pad (Chain Gate Only)	A/R	
33	3422369	Pin, Plunger (Chain Gate Only)	2	
34	3641310	Rail Weldment (Chain Gate Only)	1	
35	3911424	Screw 1/4"-20NC x 1 1/2" (Chain Gate Only)	2	
36	3911432	Screw 1/4"-20NC x 2" (Chain Gate Only)	4	
37	4711400	Flatwasher 1/4" Narrow (Chain Gate Only)	A/R	
38	1320061	Clamp, Hose (Not Shown)	1	
39	3010088	Link (Chain Gate Only)	2	

SECTION 4 PLATFORM

SECTION 4 PLATFORM

FIGURE 4-2. FOLDDOWN HANDRAILS & EXTENSION INSTALLATION (MANUALLY OPERATED PLATFORM) (CONTINUED)

FIG & ITEM #	PART NUMBER	DESCRIPTION	QTY.	REV.
	0259565	PLATFORM EXTENSION INSTALLATION Note: Replacement Decals must be Purchased Separately - See Section 8.	Ref. Ref.	H
101	4846117	Extension Weldment	1	
102	3537619	Mounting Weldment - Roller	4	
103	3841233	Rod, Roller	4	
104	3760348	Ring, Retaining	4	
105	3860059	Roller, Extension	4	
106	3322202	Nut, Jam 3/4"	4	
107	4846121	Side Rail Weldment (Left Side)	1	
108	4846120	Front Rail Weldment	1	
109	3537609	Plate, Pivot	2	
110	4846191	Handle Weldment (Right Side)	1	
111	4846181	Handle Weldment (Left Side)	1	
112	Not Used			
113	2560088	Handle	2	
114	Not Used			
115	0901870	Bracket	2	
116		Angle, Extension Stop Options:	2	
	0181684	Prior to S/N 106729		
	0182035	S/N 106729 to Present		
117	3020022	Grease, Lithium (Not Shown)	A/R	
118	3520072	Cap-Plug	4	
119	Not Used			
120	3571862	Plate, Placard	1	
121	3820020	Rivet	7	
122		Bolt Options:	4	
	0641407	Prior to S/N 106729 (Bolt 1/4"-20NC x 7/8")		
	0681508	S/N 106729 to Present (Bolt 5/16"-18NC x 1")		
123	0641516	Bolt 5/16"-18NC x 2"	4	
124	0641510	Bolt 5/16"-18NC x 1 1/4"	16	
125	0641676	Bolt 3/8"-16NC x 9 1/2"	2	
126	3300356	Nut, Acorn 5/16"-18NC	6	
127		Nut Options:	A/R	
	3311405	Prior to S/N 106729 (Locknut 1/4"-20NC)	6	
	3311405	S/N 106729 to Present (Locknut 1/4"-20NC)	2	
	3271505	S/N 106729 to Present (Nut 5/16"-18NC x 1")	4	
128	3311505	Locknut 5/16"-18NC	20	
129	3311605	Locknut 3/8"-16NC	2	
130	3911428	Screw 1/4"-20NC x 1 3/4"	2	
131	3911532	Screw 5/16"-18NC x 2"	6	
132	Not Used			
133	4711600	Flatwasher 3/8" Narrow	4	
134	Not Used			
135	4711500	Flatwasher 5/16" Narrow	26	
136	4752200	Flatwasher 3/4"	4	

SECTION 4 PLATFORM

SECTION 4 PLATFORM

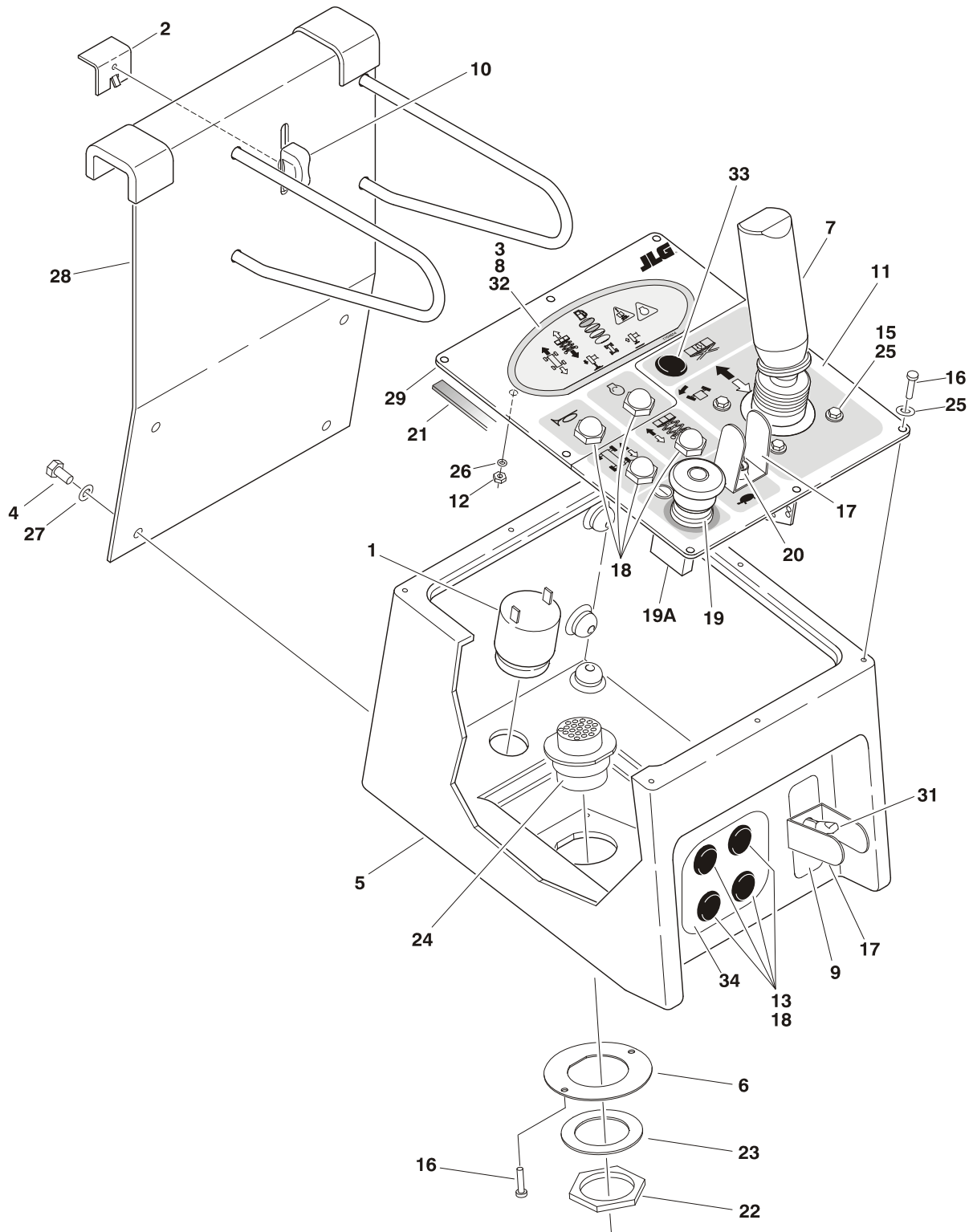
FIGURE 4-2. FOLDDOWN HANDRAILS & EXTENSION INSTALLATION (MANUALLY OPERATED PLATFORM) (CONTINUED)

FIG & ITEM #	PART NUMBER	DESCRIPTION	QTY.	REV.
137	3422219	Pin, Snap	2	
138	3300151	Nut, Acorn 1/4"-20NC	2	
139	0100011	Loctite #242 (Not Shown)	A/R	
140	3421565	Pin, Snap	2	
141	1060808	Lanyard	4	
142	3760170	Ring, Split	4	
143	0641406	Bolt 1/4"-20NC x 3/4"	2	
144	0700619	Bolt, 6mm	2	
145	2940127	Latch, Rubber	2	
146	3290601	Nut, 6mm	2	
147 to 148	Not Used			
149	4751400	Flatwasher 1/4"	2	
150	4846256	Side Rail Weldment (Right Side)	1	
151	4420055	Tape	10in/25cm	
152	0940090	Bumper	2	
153	3311401	Nut 1/4"-20NC	2	
154	0100048	Grease (Not Shown)	A/R	
155	3300420	Acorn Nut 3/8"-16NC (Nylon)	2	

SECTION 4 PLATFORM

SECTION 4 PLATFORM

FIGURE 4-3.PLATFORM CONSOLE BOX ASSEMBLY



SECTION 4 PLATFORM

FIGURE 4-3. PLATFORM CONSOLE BOX ASSEMBLY

FIG & ITEM #	PART NUMBER	DESCRIPTION	QTY.	REV.
		CONSOLE BOX ASSEMBLY OPTIONS:	Ref.	
	0270198	Diesel Machines	Ref.	J
	0270451	Diesel Machines with Leveling Jacks	Ref.	E
	0270537	Diesel Machines with Generator	Ref.	E
	0270539	Diesel Machines with Leveling Jacks & Generator	Ref.	E
	0270128	Gas Dual Fuel Machines	Ref.	I
	0270450	Gas Dual Fuel Machines with Leveling Jacks	Ref.	E
	0270536	Gas Dual Fuel Machines with Generator	Ref.	E
	0270538	Gas Dual Fuel Machines with Leveling Jacks & Generator	Ref.	E
1	0140011	Alarm	1	
2	0181847	Angle, Latch	1	
3	0610135	Board, P/C Display	1	
4	0641404	Bolt 1/4"-20NC x 1/2"	4	
5	0861357	Box, Console	1	
6	0902499	Bracket, D-Ring	1	
7		Drive/Steer Controller Assembly Options:	1	
	1600308	Production (See Figure 4-4 for Breakdown)	1	
	1600403	Post Production (See Figure 4-5 for Breakdown)	1	
8		Decal - Display Board Options:	1	
	1704624	Production		
	1705947	Post Production		
	1706130	Machines With Generator Only (Post Production)		
9		Decal - Toggle Switch Function Options:	1	
	1704589	Glow Plug (Diesel Machines)		
	1704588	Fuel Select (Gas Dual Fuel Machines)		
10	2560141	Thumbscrew	1	
11		Nameplate Options:	1	
	3252695	Machines without Generator (Prior to S/N 112399)		
	3252746	Machines with Generator (Prior to S/N 112399)		
	1705711	Machines without Generator (S/N 112399 to Present)		
	1705948	Machines without Generator (Post Production Replacement)		
	1705712	Machines with Generator (S/N 112399 to Present)		
	1705976	Machines with Generator (Post Production Replacement)		
12	3310601	Nut #6-32NC	4	
13		Component Options:	4	
	3520080	Machines without Leveling Jacks or Generator (Plug)		
	4360387	Machines with Leveling Jacks & Generator (Toggle Switch)		
	4360387	Machines with Leveling Jacks Only (Toggle Switch)		
	3520080	Machines with Generator Only (Plug)		
14	Not Used			

SECTION 4 PLATFORM

SECTION 4 PLATFORM

FIGURE 4-3. PLATFORM CONSOLE BOX ASSEMBLY (CONTINUED)

FIG & ITEM #	PART NUMBER	DESCRIPTION	QTY.	REV.
15	3900178	Screw, Plastite #10-32NC x 1/2"	4	
16	3900265	Screw, Self-Tapping #8-18 x 3/4"	10	
17	4060802	Guard, Switch	2	
18	4360387	Switch, Push Button	4	
19	4360475	Switch, Emergency Stop	1	
	7020175	Ring, Sealing	1	
19A	7020176	Block, Contact	1	
20		Toggle Switch Options:	A/R	
	4360482	Machines without Leveling Jacks or Generator	1	
	4360331	Machines with Leveling Jacks & Generator	1	
	4360482	Machines with Leveling Jacks Only	1	
	4360331	Machines with Generator Only	1	
21	4420008	Tape, Insulation	38in/1m	
22	4460470	Nut, Terminal	1	
23	4460471	Lockwasher, Terminal	1	
24	4460480	Connector, Terminal	1	
25	4740120	Washer, Nylon	12	
26	4760600	Lockwasher #6	4	
27	4791400	Starwasher 1/4"	4	
28	4845938	Bracket, Box Mounting	1	
29	4846249	Lid, Box	1	
30		Platform Console Box Harness Options: (Not Shown - See Section 7 for Breakdown)	1	
	4922391	Diesel/Gas Dual Fuel without Leveling Jacks & Generator	1	
	4922437	Diesel/Gas Dual Fuel with Leveling Jacks Only	1	
	4922447	Diesel/Gas Dual Fuel with Generator Only	1	
	4922446	Diesel/Gas Dual Fuel with Leveling Jacks & Generator	1	
31		Switch, Toggle Options:	1	
	4360483	Diesel Machines		
	4360482	Gas Dual Fuel Machines		
32	3340895	Pad, Spacer (Production Only)	1	
33		Components Options (S/N 112399 to Present Only)	A/R	
	3520193	Plug (S/N 112399 to Present Only)	1	
	2920026	Lamp, Indicator	1	
	2920029	Bulb, Light	1	
34	1704574	Decal - Outtrigger Select (Machines with Leveling Jacks Only)	1	

SECTION 4 PLATFORM

SECTION 4 PLATFORM

FIGURE 4-3. PLATFORM CONSOLE BOX ASSEMBLY (CONTINUED)

FIG & ITEM #	PART NUMBER	DESCRIPTION	QTY.	REV.

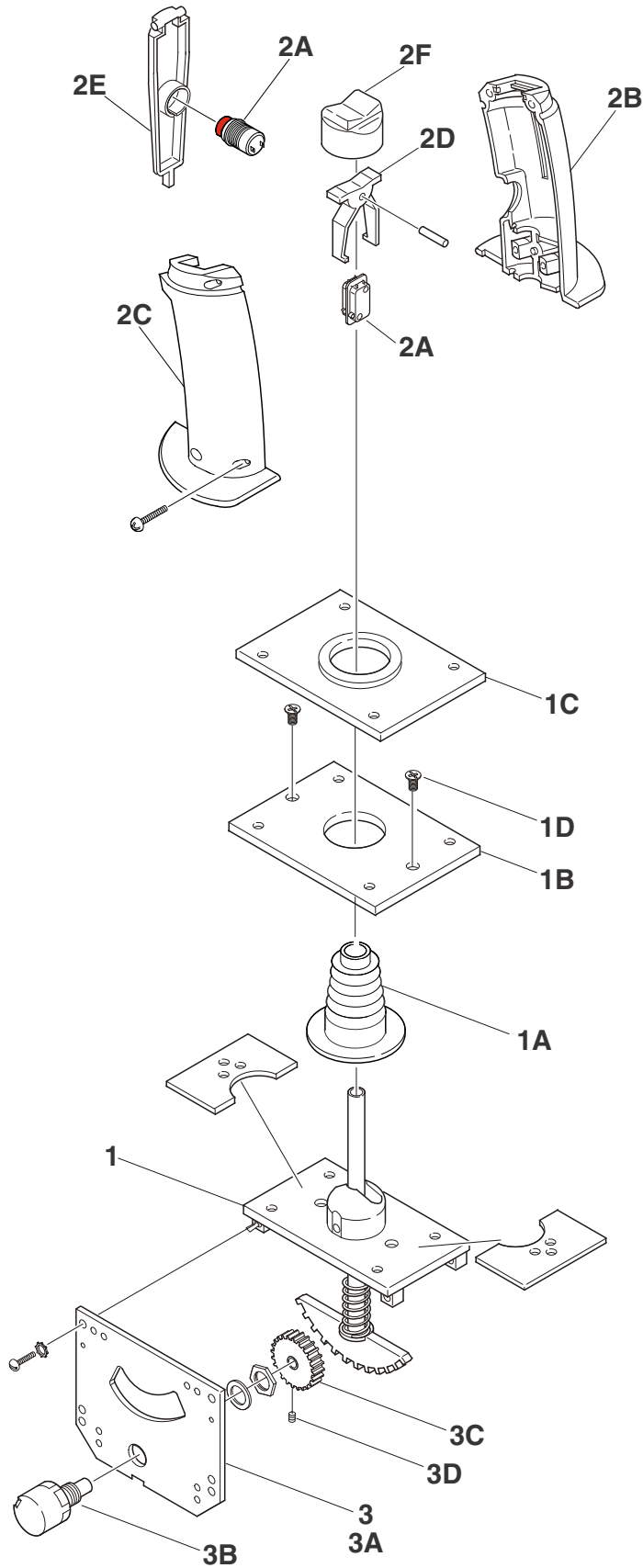
**S
E
C
T
I
O
N

4

P
L
A
T
F
O
R
M**

SECTION 4 PLATFORM

FIGURE 4-4. DRIVE/STEER CONTROLLER ASSEMBLY (PRODUCTION)



SECTION
4
PLATFORM

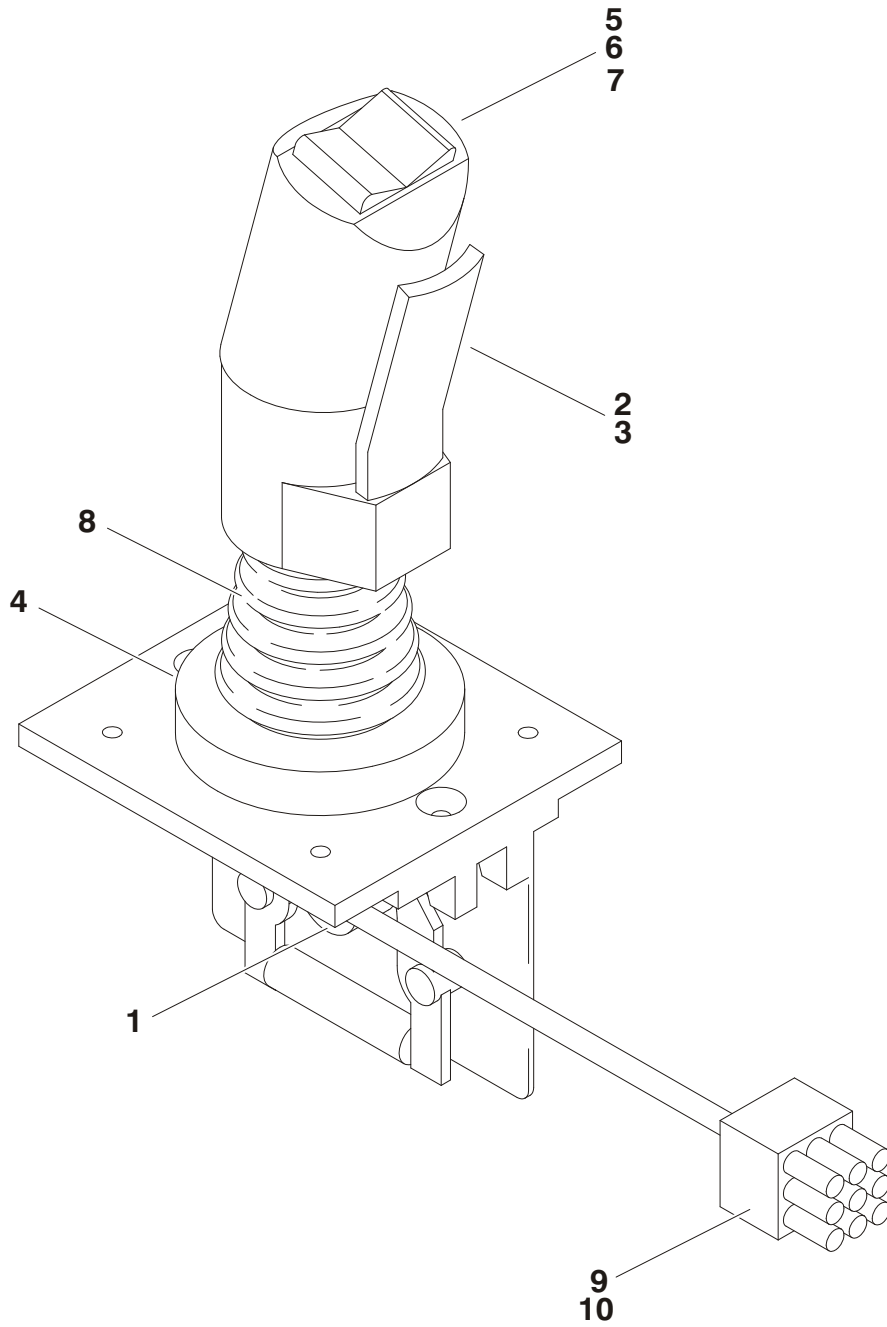
SECTION 4 PLATFORM

FIGURE 4-4. DRIVE/STEER CONTROLLER ASSEMBLY (PRODUCTION)

FIG & ITEM #	PART NUMBER	DESCRIPTION	QTY.	REV.
	1600308	CONTROLLER ASSEMBLY	Ref.	D
	7020527	Mechanical Assembly	1	
1	7020503	Handle/Housing Assembly	1	
1A	7020520	Housing	1	
1B	7020504	Plate, Mounting	1	
1C	7020502	Gasket	1	
1D	7020528	Screw #10-32NF x 3/8"	2	
2	7020529	Grip Assembly	1	
2A	7020501	Push Button	1	
	7020530	Push Button W/Wires	1	
	7020500	Micro Switch	1	
2B	Use 7020541	Grip - Right Half (was p/n 7020531)	1	
2C	Use 7020541	Grip - Left Half (was p/n 7020532)	1	
2D	7003791	Actuator, Switch	1	
2E	7011997	Trigger	1	
2F	7003790	Cap, Rubber	1	
3	7020533	Electrical Assembly	1	
	7020535	Resistor	2	
3A	7020509	Plate, Mounting - Potentiometer	1	
3B	7020534	Potentiometer	1	
3C	7011940	Gear, Pinion	1	
3D	7020511	Setscrew #6-32 x 1/8"	1	
	4460265	Plug, Male - 9 Pin (Not Shown)	1	
	4460268	Socket, Female (Not Shown)	8	
	4460266	Connector, Receptacle - 9 Pin (Not Shown - Part of Console Harness)	1	
	4460267	Pin, Male (Not Shown - Part of Console Harness)	8	

SECTION 4 PLATFORM

FIGURE 4-5. DRIVE/STEER J.R. MERRITT CONTROLLER ASSEMBLY
(POST PRODUCTION)



SECTION
4
PLATFORM

SECTION 4 PLATFORM

FIGURE 4-5. DRIVE/STEER J.R. MERRITT CONTROLLER ASSEMBLY (POST PRODUCTION)

FIG & ITEM #	PART NUMBER	DESCRIPTION	QTY.	REV.
	1600403	CONTROLLER ASSEMBLY Note: If your machine was equipped with a 1600403 J.R. Merritt controller in ordering a replacement controller you must order a 1600403 J.R. Merritt controller. You can not replace the 1600403 J.R. Merritt controller with the 1600308 P/Q controller.	Ref.	E
1	70000081	Potentiometer	1	
2	7027367	Switch, Push Button	1	
3	7027765	Lever, Enabler	1	
4	7027766	Ring, Retaining	1	
5	70000082	Microswitch	1	
6	70000083	Coupler, Microswitch	1	
7	70000084	Cap, Rubber	1	
8	70000085	Boot, Rubber	1	
9	4460265	Plug, Male - 9 Pin	1	
10	4460226	Socket, Female	8	
11	70000685	Washer, Plastic (Not Shown)	A/R	
12	70000684	Screw, Handle (Not Shown)	A/R	
13	Not Available	Nut, Handle (Not Shown)	A/R	
14	70000683	Washer, Neoprene (Not Shown)	A/R	
15	70000686	Screw, Handle (Not Shown)	A/R	
16	4460266	Connector, Receptacle - 9 Pin (Not Shown - Part of Console Harness)	1	
17	4460267	Pin, Male (Not Shown - Part of Console Harness)	8	

SECTION 4 PLATFORM

SECTION 4 PLATFORM

FIGURE 4-5. DRIVE/STEER J.R. MERRITT CONTROLLER ASSEMBLY (POST PRODUCTION)
(CONTINUED)

FIG & ITEM #	PART NUMBER	DESCRIPTION	QTY.	REV.

**S
E
C
T
I
O
N

4

P
L
A
T
F
O
R
M**

SECTION 5 CYLINDERS

TABLE OF CONTENTS

FIGURE	DESCRIPTION	PAGE
5-1	AXLE LOCKOUT CYLINDER ASSEMBLY	5-2
5-2	LEVELING JACK CYLINDER ASSEMBLY (PRIOR TO S/N 104829).....	5-4
5-3	LEVELING JACK CYLINDER ASSEMBLY (S/N 104829 TO PRESENT).....	5-6
5-4	LIFT CYLINDER COMPONENTS ASSEMBLY - 330CRT	5-8
5-5	LIFT CYLINDER COMPONENTS ASSEMBLY - 400CRT	5-10
5-6	STEER CYLINDER ASSEMBLY.....	5-14

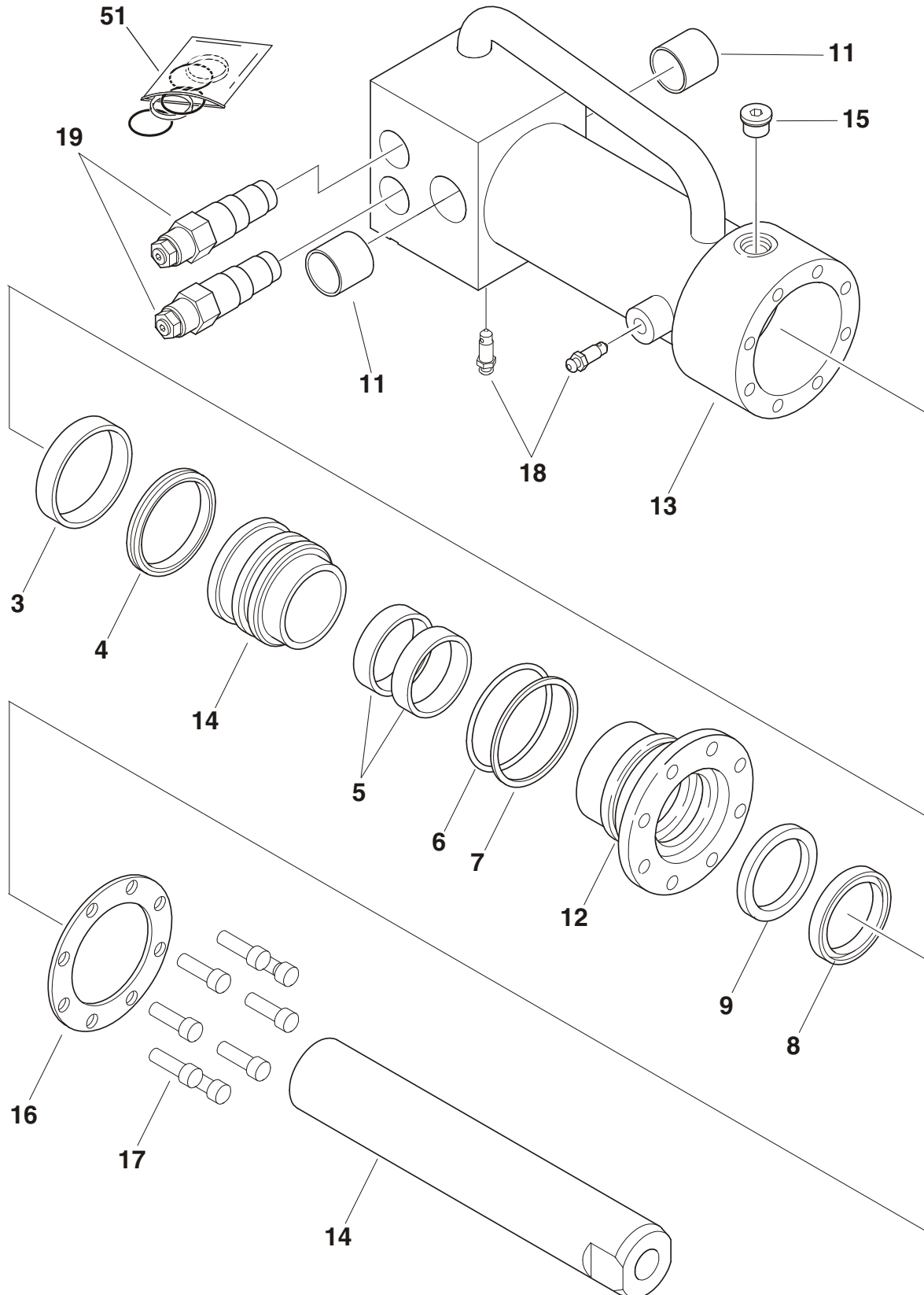
**S
E
C
T
I
O
N

5

C
Y
L
I
N
D
E
R**

SECTION 5 CYLINDERS

FIGURE 5-1. AXLE LOCKOUT CYLINDER ASSEMBLY



SECTION 5 CYLINDERS

FIGURE 5-1. AXLE LOCKOUT CYLINDER ASSEMBLY

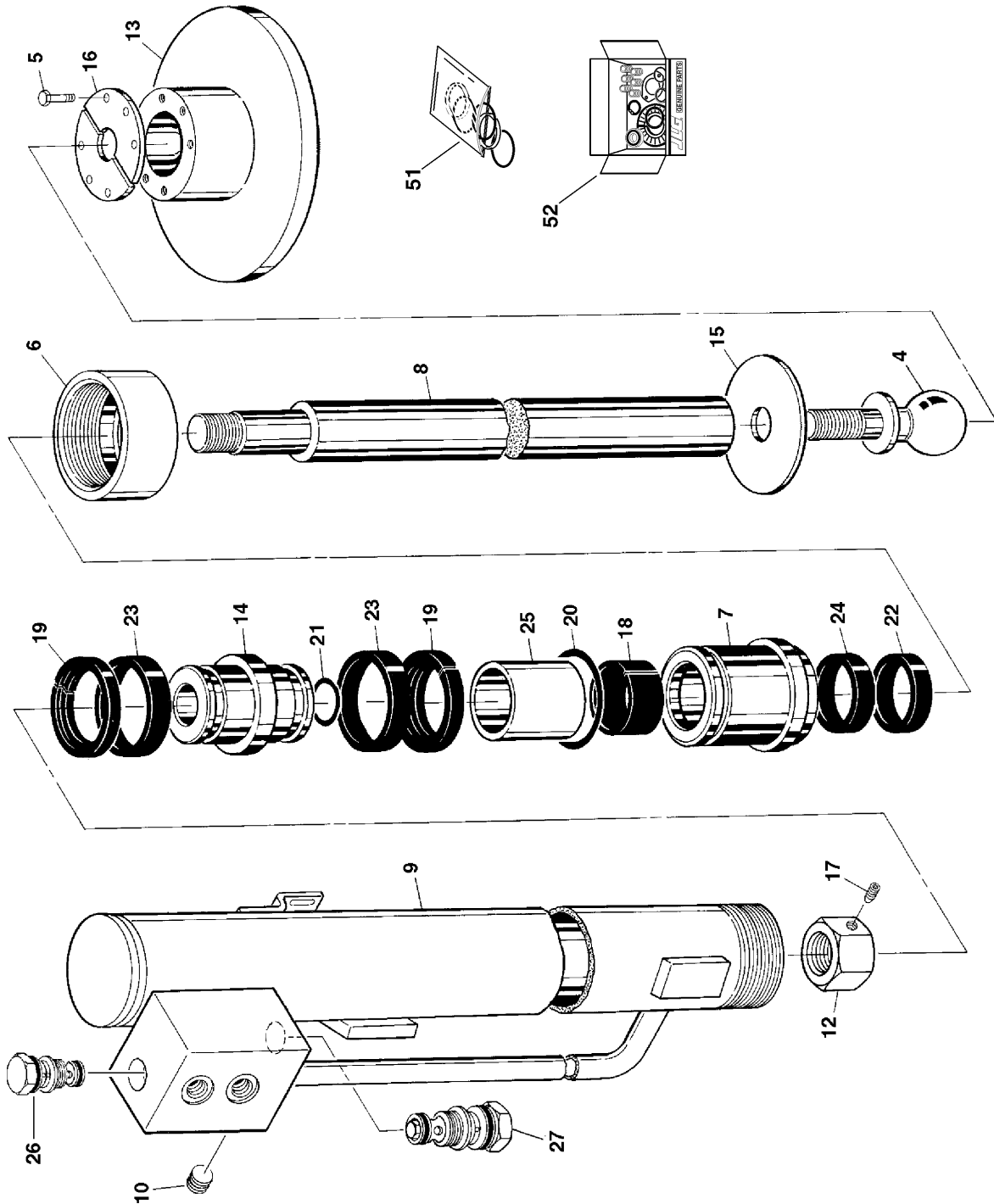
FIG & ITEM #	PART NUMBER	DESCRIPTION	QTY.	REV.
	1683978	AXLE LOCKOUT CYLINDER ASSEMBLY	Ref.	C
1	0100011	Loctite #242 (Not Shown)	A/R	
2	0100038	Primer, Locking (Not Shown)	A/R	
3	Use Item 51	Ring, Wear	1	
4	Use Item 51	T-Seal	1	
5	Use Item 51	Ring, Wear	2	
6	Use Item 51	O-Ring	1	
7	Use Item 51	Ring, Back-Up	1	
8	Use Item 51	Seal, Wiper	1	
9	Use Item 51	Seal, Rod	1	
10	Not Used			
11	0962474	Bushing (Was p/n 0961890)	2	
12	1683076	Head	1	
13	1683572	Barrel Weldment	1	
14	1683574	Rod/Piston	1	
15	2220885	Plug, O-Ring	1	
16	3760367	Ring, Washer	1	
17	3931516	Capscrew, Socket Head 5/16"-18NC x1"	8	
18	4640858	Valve, Bleeder	2	
19	4641163	Valve, Counter Balance	2	
	2900770	Seal Kit - 4641163 Valve	2	
20 to 50	Not Used			

51	2901548	Seal Kit (Includes Items 3 to 9)	1	

SECTION 5 CYLINDER

SECTION 5 CYLINDERS

FIGURE 5-2. LEVELING JACK CYLINDERS ASSEMBLY (PRIOR TO S/N 104829)



SECTION 5 CYLINDER

SECTION 5 CYLINDERS

FIGURE 5-2. LEVELING JACK CYLINDERS ASSEMBLY (PRIOR TO S/N 104829)

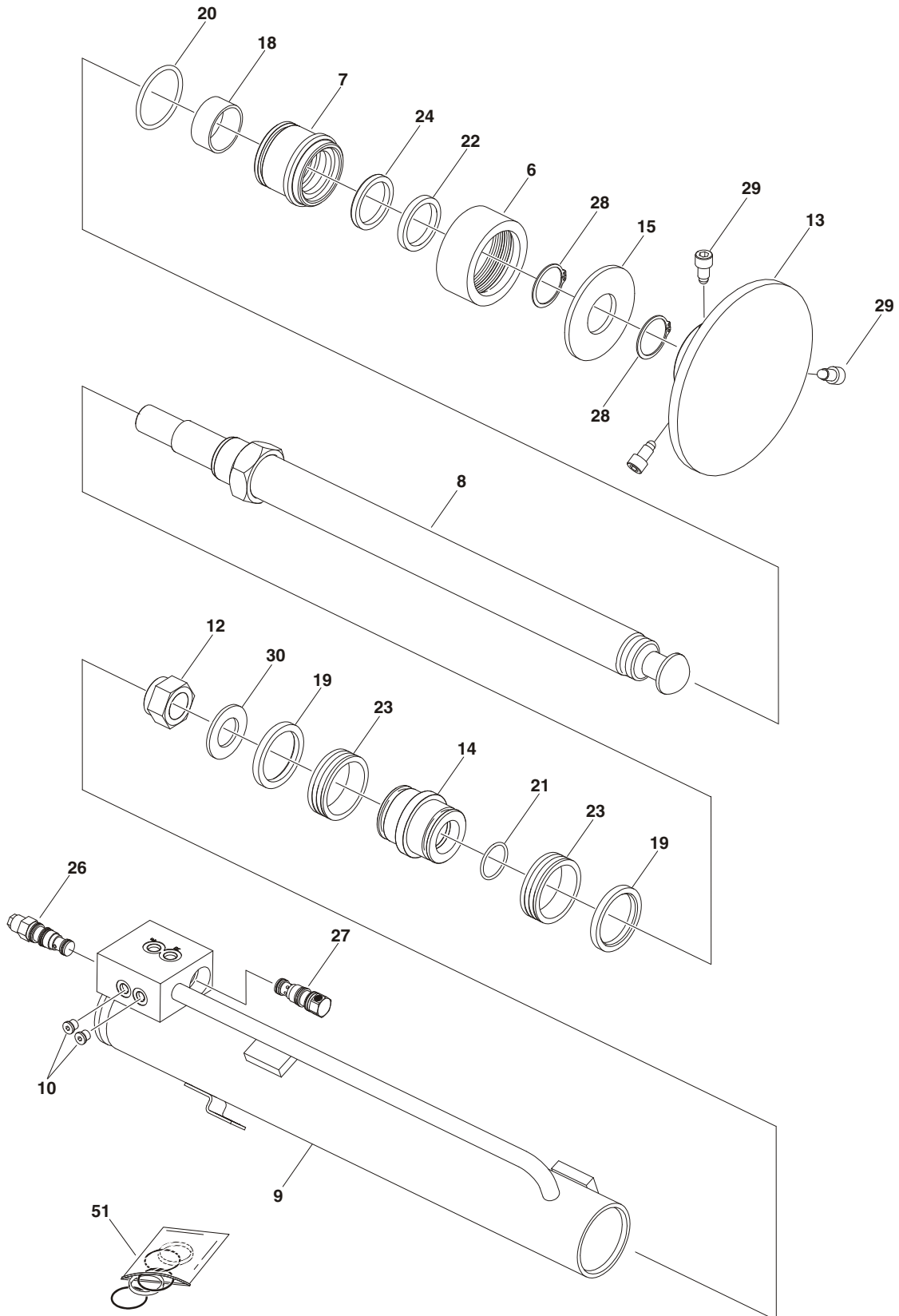
FIG & ITEM #	PART NUMBER	DESCRIPTION	QTY.	REV.
	1683966	LEVELING JACK CYLINDER ASSEMBLY	Ref.	G
1	0100011	Loctite #242 (Not Shown)	A/R	
2	0100035	Loctite #222 (Not Shown)	A/R	
3	0100038	Primer #7471 (Not Shown)	A/R	
4	0320015	Ball, Trailer	1	
5		Bolt Options:	6	
	0681506	Bolt 5/16"-18NC x 3/4" (Prior to S/N 90659)		
	0681606	Bolt 3/8"-16NC x 3/4" (S/N 90659 to S/N 104829)		
6	1120108	Cap	1	
7	1681283	Head	1	
8	1682723	Rod	1	
9	1683967	Barrel	1	
10	2220883	Plug	2	
11	Not Used			
12	3300281	Nut	1	
13		Pad, Jack Options:	1	
	Use 2902023	Prior to S/N 90659 (was p/n 3340650)		
	Use 2902023	S/N 90659 to S/N 104829 (was p/n 3340904)		
14	3480092	Piston	1	
15	3536708	Plate	1	
16		Ring, Retainer Options:	1	
	3760261	Prior to S/N 90659		
	3760453	(S/N 90659 to S/N 104829)		
17	3900170	Screw, Locking	1	
18	Use Item 51	Ring, Wear	1	
19	Use Item 51	Guidelock	2	
20	Use Item 51	O-Ring	1	
21	Use Item 51	O-Ring	1	
22	Use Item 51	Seal, Wiper	1	
23	Use Item 51	Polyseal	2	
24	Use Item 51	Hydrolock	1	
25	4565647	Tube, Spacer	1	
26	4640495	Valve, Counter Balance	1	
27	4641156	Valve, Check	1	
28 to 50	Not Used			

51	2901941	Seal Kit (Includes Items 18-24)	1	
52	2902023	Jack Pad Kit (Includes Items 5, 13 & 16)	1	

SECTION 5 CYLINDER

SECTION 5 CYLINDERS

FIGURE 5-3. LEVELING JACK CYLINDER ASSEMBLY(S/N 104829 TO PRESENT)



SECTION 5 CYLINDER

SECTION 5 CYLINDERS

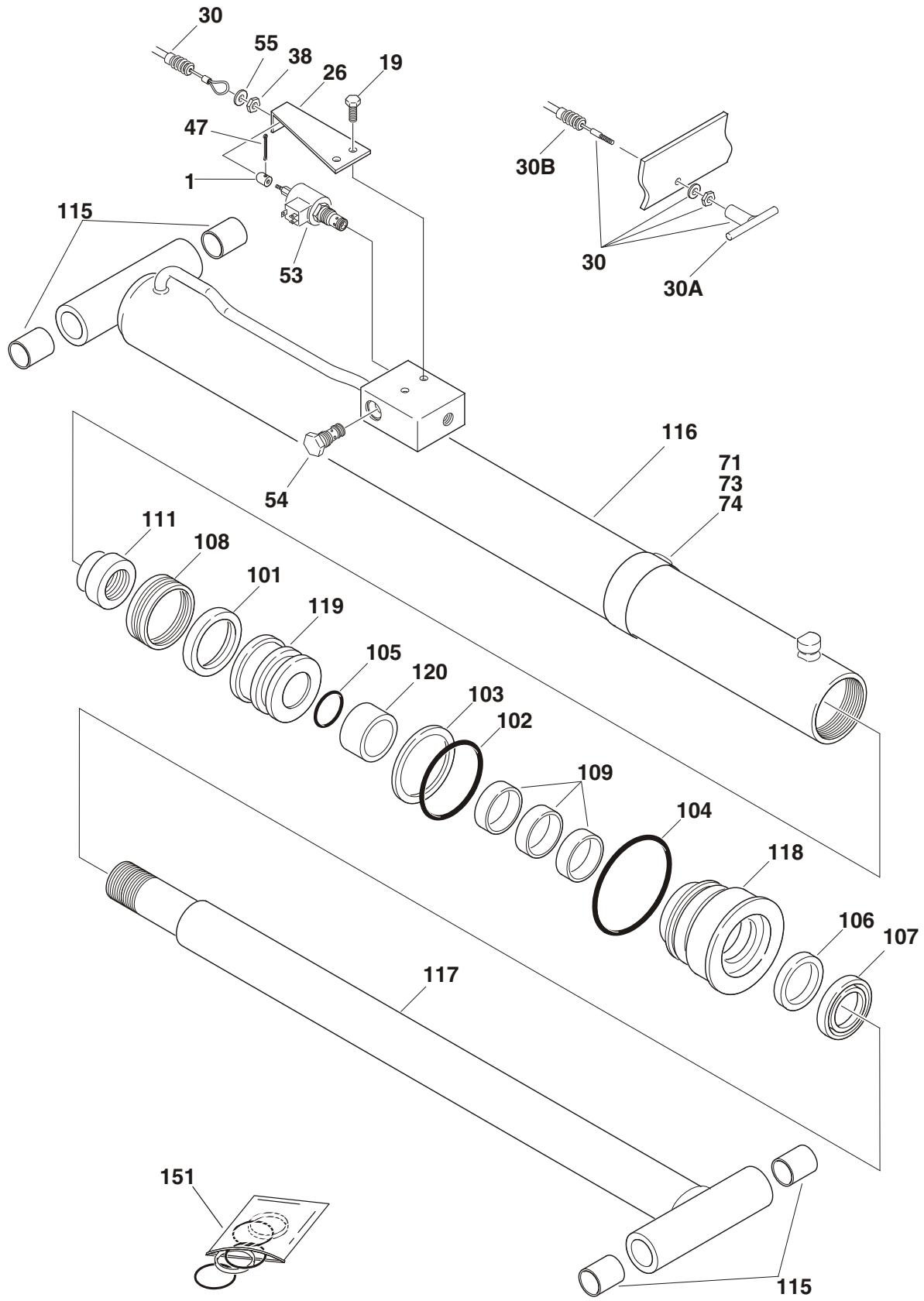
FIGURE 5-3. LEVELING JACK CYLINDER ASSEMBLY(S/N 104829 TO PRESENT)

FIG & ITEM #	PART NUMBER	DESCRIPTION	QTY.	REV.
	1684217	LEVELING JACK CYLINDER ASSEMBLY	Ref.	A
1	0100011	Loctite #242 (Not Shown)	A/R	
2	0100035	Loctite #222 (Not Shown)	A/R	
3 to 5	Not Used			
6	1120108	Cap, End	1	
7	1681283	Head	1	
8	1684206	Rod, Cylinder	1	
9	1683967	Barrel, Cylinder	1	
10	2220883	Plug	2	
11	Not Used			
12	3300465	Locknut 1 1/4"-12NC	1	
13	4846584	Pad, Jack	1	
14	3480092	Piston	1	
15	3573513	Plate	1	
16 to 17	Not Used			
18	Use Item 51	Ring, Wear	1	
19	Use Item 51	Guidelock	2	
20	Use Item 51	O-Ring	1	
21	Use Item 51	O-Ring	1	
22	Use Item 51	Seal, Wiper	1	
23	Use Item 51	Polyseal	2	
24	Use Item 51	Hydrolock	1	
25	Not Used			
26	4640495	Valve, Counter Balance	1	
	2900770	Seal Kit - 4640495 Valve	1	
27	4641156	Valve, Check	1	
	2900770	Seal Kit - 4641156 Valve	1	
28	3760460	Ring, Retaining	2	
29	3900321	Screw, Special 1/2"-13NC x 1 1/4	3	
30	4713000	Flatwasher 1 1/4"	1	
31 to 50	Not Used			
51	2901941	Seal Kit (Includes Items 18-24)	1	

SECTION 5 CYLINDER

SECTION 5 CYLINDERS

FIGURE 5-4. LIFT CYLINDER COMPONENTS ASSEMBLY - 330CRT



SECTION 5 CYLINDER

SECTION 5 CYLINDERS

FIGURE 5-4. LIFT CYLINDER COMPONENTS ASSEMBLY - 330CRT

FIG & ITEM #	PART NUMBER	DESCRIPTION	QTY.	REV.
	0259105	LIFT CYLINDER SUB-ASSEMBLY	Ref.	K
1	0080228	Adapter	1	
2	0100011	Loctite #242 (Not Shown)	A/R	
3 to 18	Not Used			
19	0641506	Bolt 5/16"-18NC x 3/4"	2	
20 to 25	Not Used			
26	0902421	Bracket	1	
27 to 29	Not Used			
30	1060846	Manual Descent Cable Assembly	1	
30A	7020218	T-Handle	1	
30B	7019602	Bellows	1	
31 to 37	Not Used			
38	3321402	Nut, Jam 1/4"-28NF	2	
39 to 46	Not Used			
47	3450405	Pin, Cotter	1	
48 to 52	Not Used			
53		Cartridge, Valve (Manual Descent) Options:	1	
	4641001	Prior to S/N 80106		
	4641172	S/N 80106 to Present		
	7017445	Cartridge Only - 4641001 & 4641172 Valve	1	
	Use 7012998	Seal Kit - 4641001 & 4641172 Valve (was p/n 7012967)	1	
		Coil Options:	1	
	7017444	4641001 Valve		
	7012943	4641172 Valve		
54	4641002	Valve, Check/Restrictor	1	
	7012953	Seal Kit - 4641002 Valve	1	
55	4711400	Flatwasher 1/4" Narrow	2	
	1683858	LIFT CYLINDER ASSEMBLY	Ref.	C
101	Use Item 151	Seal	1	
102	Use Item 151	O-Ring	1	
103	Use Item 151	Ring, Back-Up	1	
104	Use Item 151	O-Ring	1	
105	Use Item 151	O-Ring	1	
106	Use Item 151	Seal	1	
107	Use Item 151	Wiper	1	
108	Use Item 151	Ring, Wear	1	
109	Use Item 151	Ring, Wear	3	
110	Not Used			
111	7003226	Locknut	1	
112 to 114	Not Used			
115	7019889	Bushing, Garmax	4	
116	7019898	Barrel Weldment	1	
117	7019897	Rod Weldment	1	

SECTION 5 CYLINDER

SECTION 5 CYLINDERS

FIGURE 5-4. LIFT CYLINDER COMPONENTS ASSEMBLY - 330CRT (CONTINUED)

FIG & ITEM #	PART NUMBER	DESCRIPTION	QTY.	REV.
118	7019886	Head	1	
119	7019880	Piston	1	
120	7019896	Spacer	1	
121 to 150	Not Used			
151	7019884	Seal Kit (Includes Items 101 to 109)	1	

SECTION 5 CYLINDER

SECTION 5 CYLINDERS

FIGURE 5-4. LIFT CYLINDER COMPONENTS ASSEMBLY - 330CRT (CONTINUED)

FIG & ITEM #	PART NUMBER	DESCRIPTION	QTY.	REV.

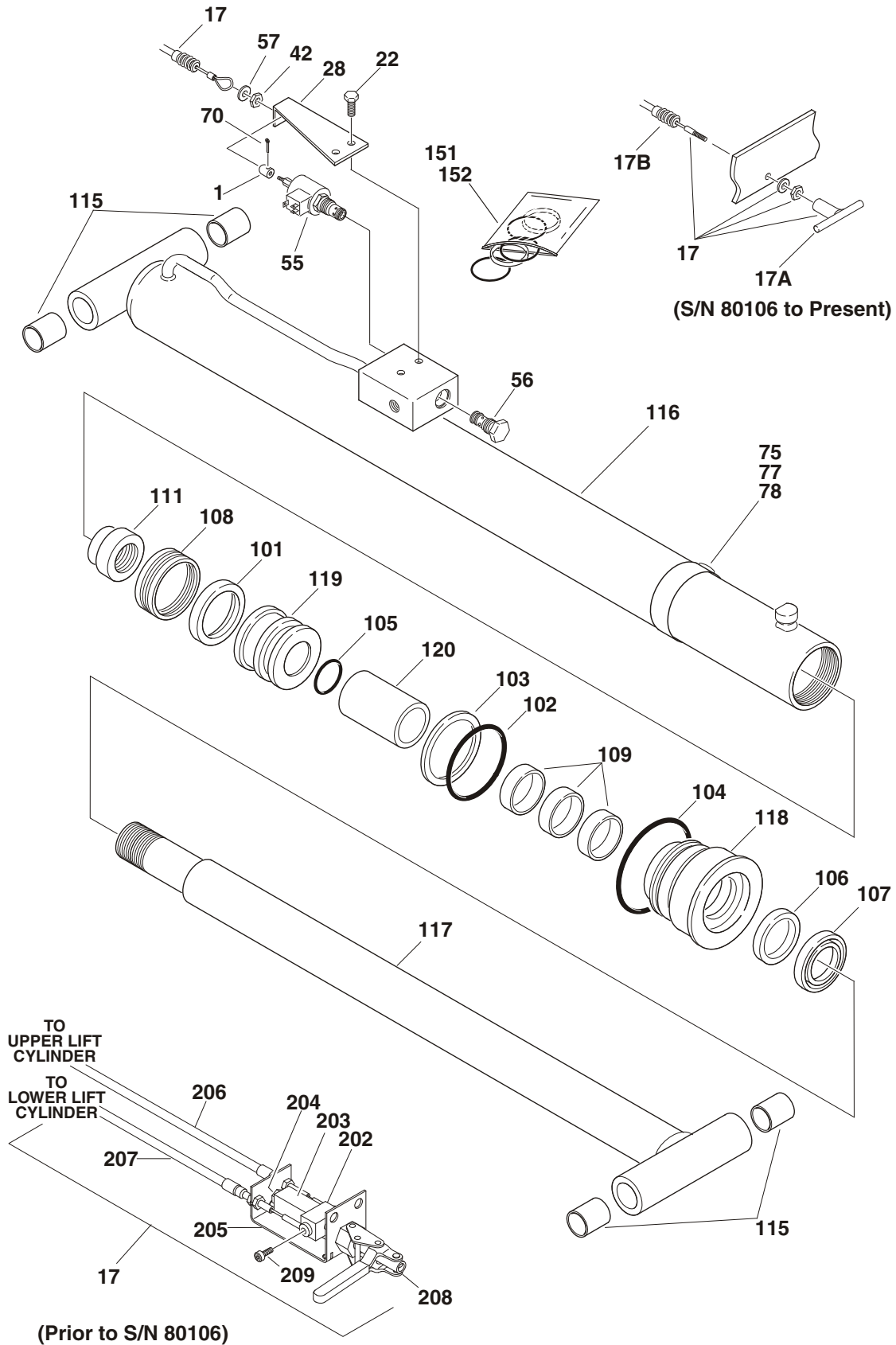
**S
E
C
T
I
O
N

5

C
Y
L
I
N
D
E
R**

SECTION 5 CYLINDERS

FIGURE 5-5. LIFT CYLINDER COMPONENTS ASSEMBLY - 400CRT



SECTION 5 CYLINDER

SECTION 5 CYLINDERS

FIGURE 5-5. LIFT CYLINDER COMPONENTS ASSEMBLY - 400CRT

FIG & ITEM #	PART NUMBER	DESCRIPTION	QTY.	REV.
	0259561	LIFT CYLINDER SUB-ASSEMBLY	Ref.	J
1	0080228	Adapter	2	
2	0100011	Loctite #242 (Not Shown)	A/R	
3 to 16	Not Used			
17		Manual Descent Cable Assembly Options:	1	
	0259859	Prior to S/N 80106 (See Items 201-209 for Breakdown)		
	1060846	S/N 80106 to Present (See Items 17A & 17B)		
17A	7020218	T-Handle	1	
17B	7019602	Bellows	1	
18 to 21	Not Used			
22	0641506	Bolt 5/16"-18NC x 3/4"	4	
23 to 27	Not Used			
28	0902421	Bracket	2	
29 to 41	Not Used			
42	3321402	Nut, Jam 1/4"-28NF	4	
43 to 54	Not Used			
55		Cartridge Valve Options: (Manual Descent)	1	
		Cartridge Valve (Lower Lift Cylinder)		
	4641001	Prior to S/N 80106		
	4641172	S/N 80106 to Present		
		Cartridge Valve (Upper Lift Cylinder)		
	4641001	Prior to S/N 80106		
	4641168	S/N 80106 to Present		
		Cartridge Only Options:	1	
	7017445	4641001/4641172 Valve		
	7017467	4641168 Valve		
	Use 7012998	Seal Kit - 4641001, 4641172 & 4641168 Valve (was p/n 7012967)	1	
		Coil Options:	1	
	7017444	4641001 Valve		
	7012943	4641172 Valve		
	7012944	4641168 Valve		
56	4641118	Valve, Thermal Relief	2	
	7012998	Seal Kit - 4641118 Valve (1 Per Valve)	2	
57	4711400	Flatwasher 1/4" Narrow	4	
58 to 69	Not Used			
70	3450405	Pin, Cotter	2	
71 to 74	Not Used			
75	1320122	Clamp	1	
76	Not Used			
77	1670995	Cover, Cable (Not Shown)	1	
78	4280295	Strip, Protector (Not Shown)	A/R	
79 to 80	Not Used			

SECTION 5 CYLINDER

SECTION 5 CYLINDERS

FIGURE 5-5. LIFT CYLINDER COMPONENTS ASSEMBLY - 400CRT (CONTINUED)

FIG & ITEM #	PART NUMBER	DESCRIPTION	QTY.	REV.
		LIFT CYLINDER ASSEMBLY	Ref.	
	1683891	Lower Cylinder	Ref.	C
	1683892	Upper Cylinder	Ref.	C
101	See Note	Seal (Note: Use Item 151 or 152)	1	
102	See Note	O-Ring (Note: Use Item 151 or 152)	1	
103	See Note	Ring, Back-Up (Note: Use Item 151 or 152)	1	
104	See Note	O-Ring (Note: Use Item 151 or 152)	1	
105	See Note	O-Ring (Note: Use Item 151 or 152)	1	
106	See Note	Seal (Note: Use Item 151 or 152)	1	
107	See Note	Wiper (Note: Use Item 151 or 152)	1	
108	See Note	Ring, Wear (Note: Use Item 151 or 152)	1	
109	See Note	Ring, Wear (Note: Use Item 151 or 152)	3	
110	Not Used			
111		Locknut Options:	1	
	7003226	1683891 Cylinder		
	7003212	1683892 Cylinder		
112 to 114	Not Used			
115	7019889	Bushing, Garmax	4	
116		Barrel Weldment Options:	1	
	7019888	1683891 Cylinder		
	7019895	1683892 Cylinder		
117		Rod Weldment Options:	1	
	7019887	1683891 Cylinder		
	7019894	1683892 Cylinder		
118		Head Options:	1	
	7019886	1683891 Cylinder		
	7019893	1683892 Cylinder		
119		Piston Options:	1	
	7019880	1683891 Cylinder		
	7019892	1683892 Cylinder		
120		Spacer Options:	1	
	7019885	1683891 Cylinder		
	7019891	1683892 Cylinder		
121 to 150	Not Used			

		Seal Kit Options (Includes Items 101 to 109):	1	
151	7019884	1683891 Cylinder		
152	7019890	1683892 Cylinder		
	0259859	MANUAL DESCENT CABLE ASSEMBLY (PRIOR TO S/N 80106)	Ref.	B
201	0100011	Loctite #242 (Not Shown)	A/R	
202	0561373	Block, Cable Attach	1	
203	0561374	Block, Spacer	1	
204	0641526	Bolt 5/16"-18NC x 3 1/4"	1	
205	0902573	Bracket, Cable	1	

SECTION 5 CYLINDER

SECTION 5 CYLINDERS

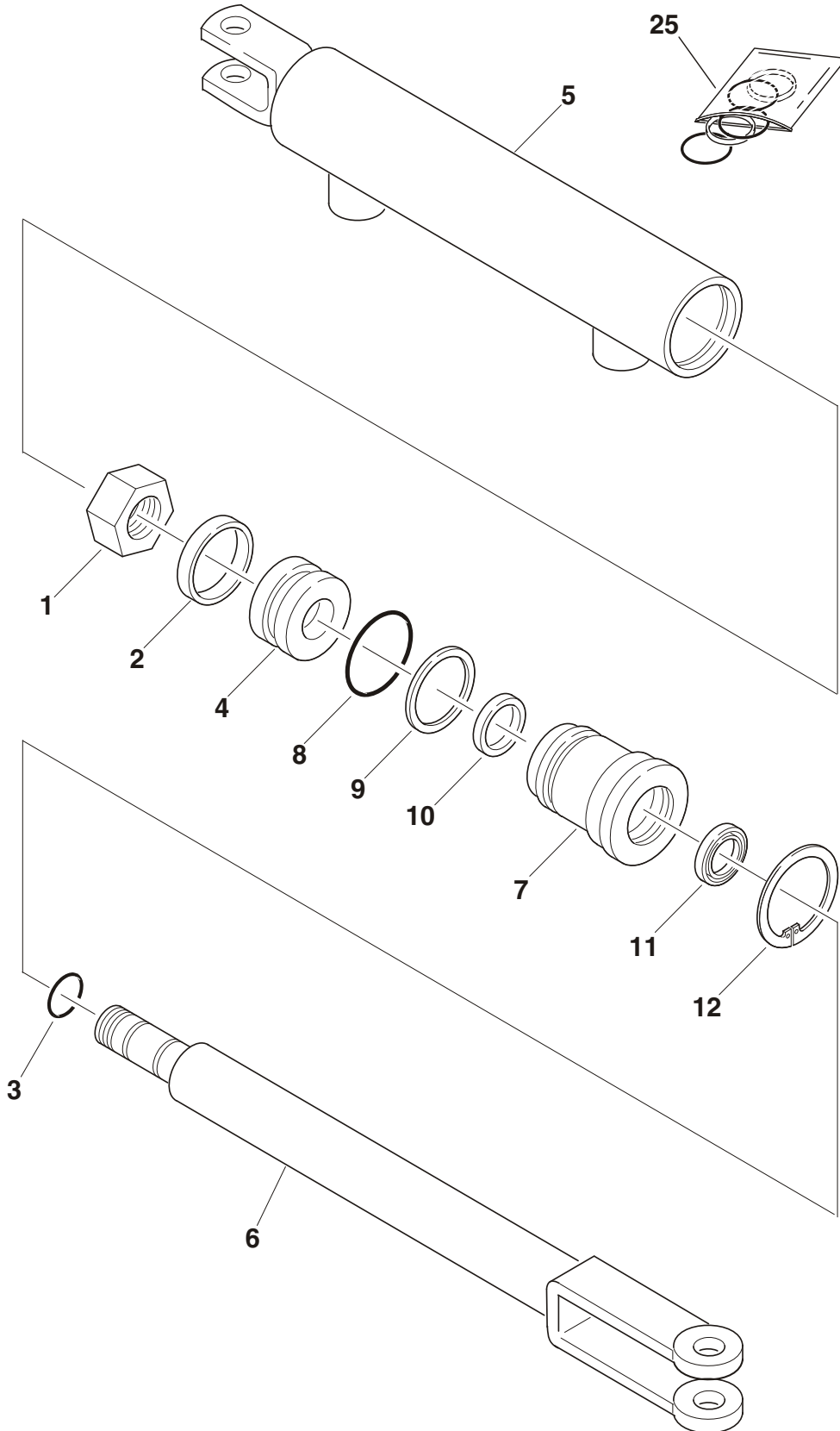
FIGURE 5-5. LIFT CYLINDER COMPONENTS ASSEMBLY - 400CRT (CONTINUED)

FIG & ITEM #	PART NUMBER	DESCRIPTION	QTY.	REV.
206	1060797	Cable Assembly - Upper Lift Cylinder (Includes Attaching Hardware)	1	
207	1060798	Cable Assembly - Lower Lift Cylinder (Includes Attaching Hardware)	1	
208	2560150	Handle Assembly	1	
209	3900248	Screw, Shoulder #10-24NC x 1/4"	2	

SECTION 5 CYLINDER

SECTION 5 CYLINDERS

FIGURE 5-6. STEER CYLINDER ASSEMBLY



SECTION 5 CYLINDER

SECTION 5 CYLINDERS

FIGURE 5-6. STEER CYLINDER ASSEMBLY

FIG & ITEM #	PART NUMBER	DESCRIPTION	QTY.	REV.
	1683807	STEER CYLINDER ASSEMBLY	Ref.	D
1	7017226	Locknut	1	
2	Use Item 25	Seal, Piston	1	
3	Use Item 25	O-Ring	1	
4	7017291	Piston	1	
5	7023009	Barrel	1	
6	7023010	Rod	1	
7	7017294	Guide	1	
8	Use Item 25	O-Ring	1	
9	Use Item 25	Ring, Back-up	1	
10	Use Item 25	Seal	1	
11	Use Item 25	Wiper	1	
12	Use Item 25	Ring, Retainer	1	
12 to 24	Not Used			
25	7017290	Seal Kit - (Includes Items 2, 3 & 8-12)	1	

SECTION 5 CYLINDER

SECTION 5 CYLINDERS

FIGURE 5-6. STEER CYLINDER ASSEMBLY (CONTINUED)

FIG & ITEM #	PART NUMBER	DESCRIPTION	QTY.	REV.

**S
E
C
T
I
O
N

5

C
Y
L
I
N
D
E
R**

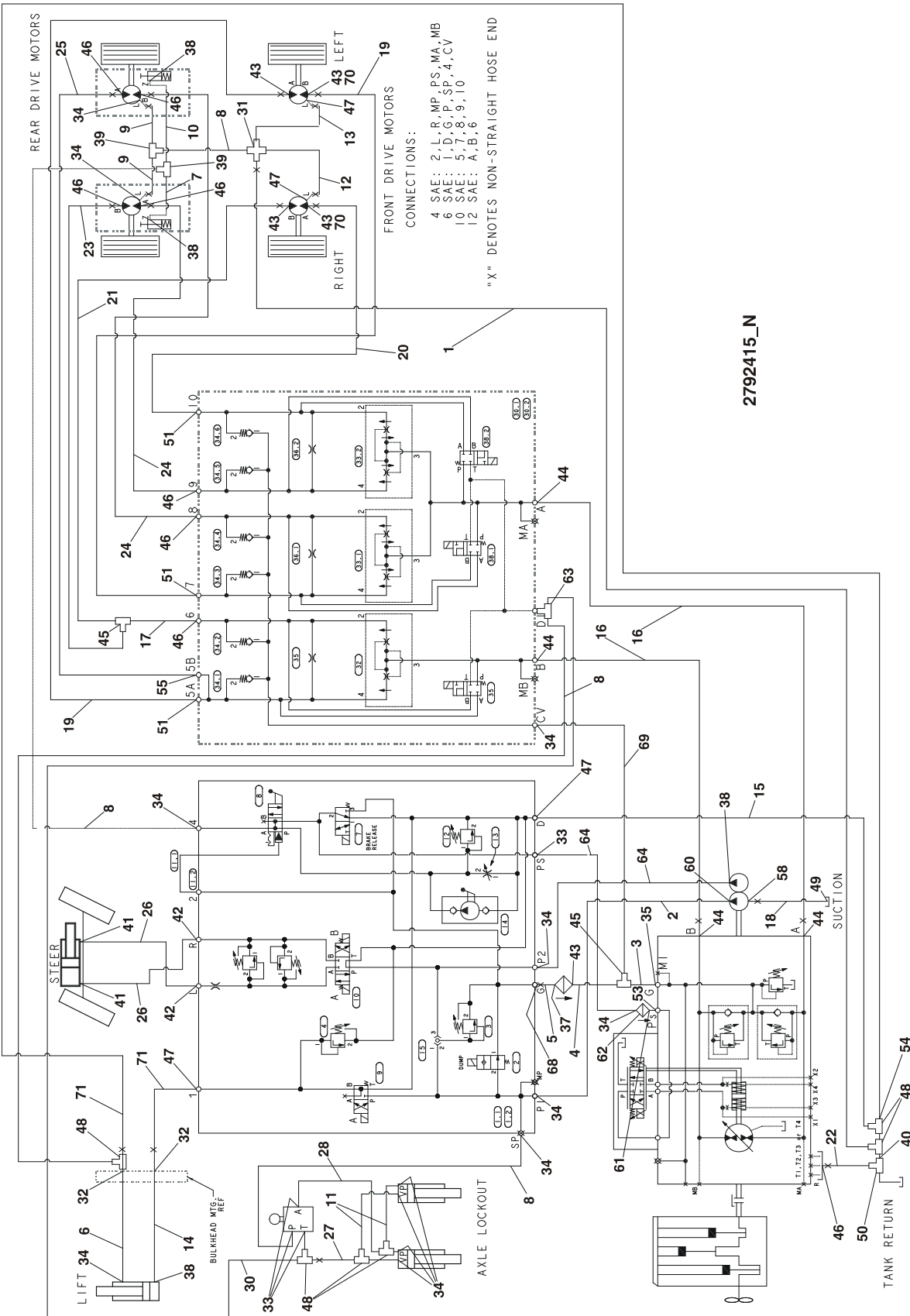
SECTION 6 HYDRAULIC

TABLE OF CONTENTS

FIGURE	DESCRIPTION	PAGE
6-1	HYDRAULIC DIAGRAM - 330CRT OSCILLATING AXLE MACHINES.....	6-2
6-2	HYDRAULIC DIAGRAM - 400CRT OSCILLATING AXLE MACHINES.....	6-6
6-3	HYDRAULIC DIAGRAM - LEVELING JACKS.....	6-10
6-4	HYDRAULIC DIAGRAM - 110V GENERATOR (OPTIONAL).....	6-12
6-5	HYDRAULIC DIAGRAM LIST.....	6-14

SECTION 6 HYDRAULIC

FIGURE 6-1. HYDRAULIC DIAGRAM - 330CRT OSCILLATING AXLE MACHINES



SECTION 6 HYDRAULIC

SECTION 6 HYDRAULIC

FIGURE 6-1. HYDRAULIC DIAGRAM - 330CRT OSCILLATING AXLE MACHINES

FIG & ITEM #	PART NUMBER	DESCRIPTION	QTY.	REV.
	2792415	HYDRAULIC DIAGRAM	Ref.	N
1	2752471	Hose	1	
2	2753399	Hose	1	
3	2753506	Hose	1	
4	2753507	Hose	1	
5	2752493	Hose	1	
6	2753400	Hose	1	
7	2752632	Hose	1	
8	2753120	Hose	A/R	
9	2752643	Hose	2	
10	2752478	Hose	1	
11	2752469	Hose	2	
12	2752484	Hose	A/R	
13	2753476	Hose	1	
14	2752622	Hose	1	
15	2753118	Hose	1	
16	2753402	Hose	2	
17	2753401	Hose	1	
18	2753418	Hose	1	
19	2753404	Hose	2	
20	2753405	Hose	1	
21	2753406	Hose	1	
22	2753407	Hose	1	
23	2753411	Hose	1	
24	2753412	Hose	2	
25	2753413	Hose	1	
26	2753410	Hose	2	
27	2752463	Hose	1	
28	2752479	Hose	1	
29	Not Used			
30	2753473	Hose	1	
31	2220827	Fitting, 4-Way	1	
32		Fitting, Bulkhead Options:	2	
	2230043	Prior to S/N 96519		
	2230024	S/N 96519 to Present		
33	2220603	Fitting, Straight	4	
34	2220371	Fitting, Straight	13	
35	2221042	Fitting, 90°	1	
36	Not Used			
37	2220366	Fitting, 90°	1	
38	2220473	Fitting, 90°	4	
39	2220490	Fitting, Tee	2	
40	2220621	Fitting, Straight Reducer	1	
41	2220472	Fitting, 90°	2	
42	2220502	Fitting, 45°	2	
43	2220906	Fitting, 90°	5	
44	2220451	Fitting, Straight	4	

SECTION 6 HYDRAULIC

SECTION 6 HYDRAULIC

FIGURE 6-1. HYDRAULIC DIAGRAM - 330CRT OSCILLATING AXLE MACHINES (CONTINUED)

FIG & ITEM #	PART NUMBER	DESCRIPTION	QTY.	REV.
45	2220849	Fitting, Tee	2	
46	2220947	Fitting, Straight	8	
47	2220501	Fitting, 45°	4	
48	2220635	Fitting, Tee	6	
49	2221070	Fitting, 45°	1	
50	2220738	Fitting, Tee	1	
51	2221050	Fitting, 45°	3	
52	Not Used			
53	2220819	Fitting, 90° Long	1	
54	2220507	Fitting, 90°	1	
55	2221069	Fitting, 90° Long	1	
56 to 57	Not Used			
58	2220376	Fitting, Straight	1	
59	Not Used			
60	2220828	Fitting, 90°	1	
61	2220919	Fitting, Straight	1	
62	2120172	Filter, In-Line	1	
63	2220899	Fitting, Tee	1	
64	2751852	Hose	2	
65	Not Used			
66	2752480	Hose (Prior to S/N 96519 Only)	1	
67	Not Used			
68	2220600	Fitting, Straight	1	
69	2753508	Hose	1	
70	0100075	Loctite #545 (Not Shown)	A/R	
71	2753059	Hose (S/N 96519 to Present Only)	2	

SECTION 6 HYDRAULIC

SECTION 6 HYDRAULIC

FIGURE 6-1. HYDRAULIC DIAGRAM - 330CRT OSCILLATING AXLE MACHINES (CONTINUED)

FIG & ITEM #	PART NUMBER	DESCRIPTION	QTY.	REV.

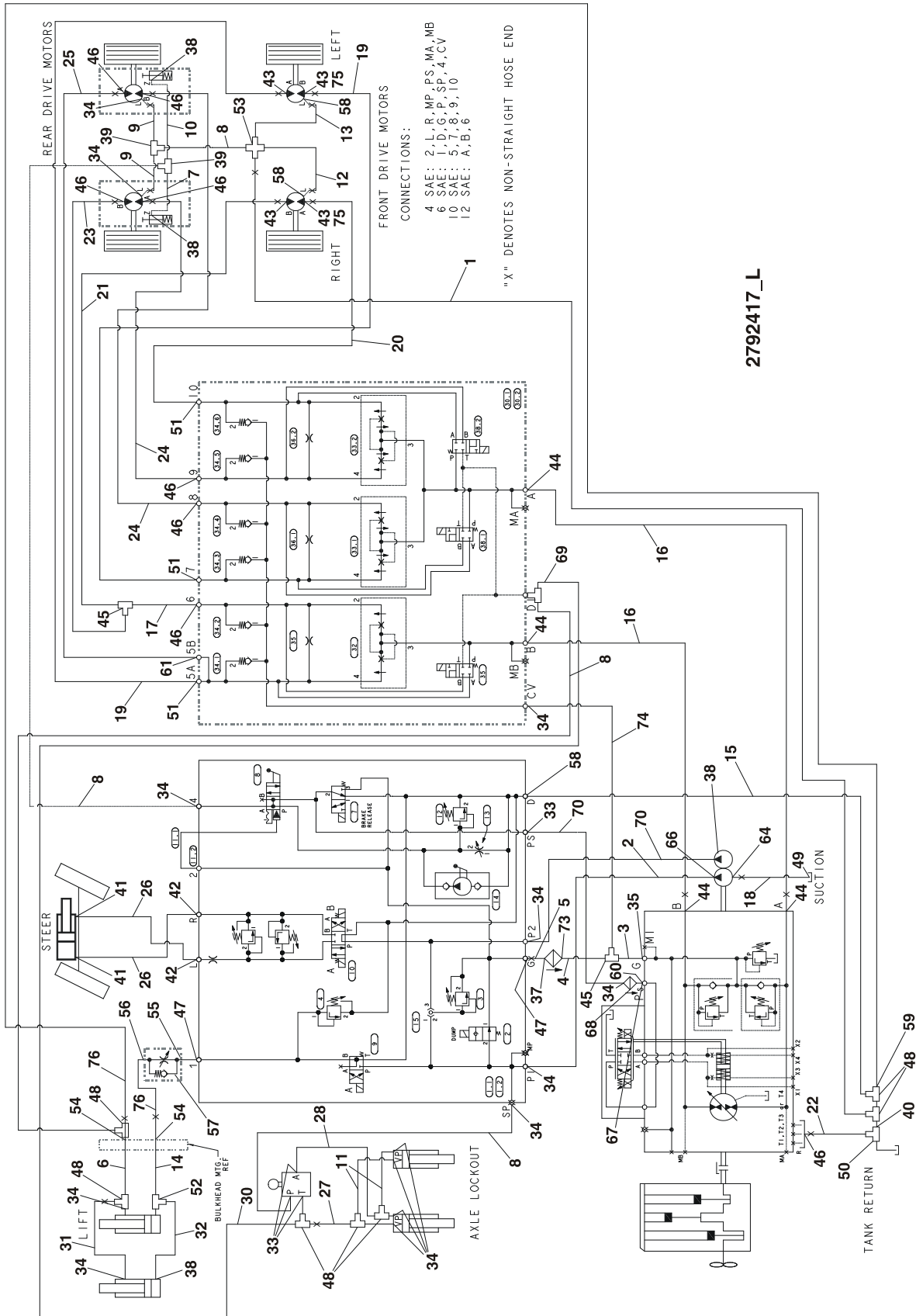
**S
E
C
T
I
O
N

6

H
Y
D
R
A
U
L
I
C**

SECTION 6 HYDRAULIC

FIGURE 6-2. HYDRAULIC DIAGRAM - 400CRT OSCILLATING AXLE MACHINES



2792417_L

SECTION 6 HYDRAULIC

SECTION 6 HYDRAULIC

FIGURE 6-2. HYDRAULIC DIAGRAM - 400CRT OSCILLATING AXLE MACHINES

FIG & ITEM #	PART NUMBER	DESCRIPTION	QTY.	REV.
	2792417	HYDRAULIC DIAGRAM	Ref.	L
1	2752471	Hose	1	
2	2753399	Hose	1	
3	2753506	Hose	1	
4	2753507	Hose	1	
5	2752493	Hose	1	
6	2753400	Hose	1	
7	2752632	Hose	1	
8	2753120	Hose	A/R	
9	2752643	Hose	2	
10	2752478	Hose	1	
11	2752469	Hose	2	
12	2752484	Hose	A/R	
13	2753476	Hose	1	
14	2752622	Hose	1	
15	2753118	Hose	1	
16	2753402	Hose	2	
17	2753401	Hose	1	
18	2753418	Hose	1	
19	2753404	Hose	2	
20	2753405	Hose	1	
21	2753406	Hose	1	
22	2753407	Hose	1	
23	2753411	Hose	1	
24	2753412	Hose	2	
25	2753413	Hose	1	
26	2753410	Hose	2	
27	2752463	Hose	1	
28	2752479	Hose	1	
29	Not Used			
30	2753473	Hose	1	
31	2753414	Hose	1	
32	2753415	Hose	1	
33	2220603	Fitting, Straight	4	
34	2220371	Fitting, Straight	15	
35	2221042	Fitting, 90°	1	
36	Not Used			
37	2220366	Fitting, 90°	1	
38	2220473	Fitting, 90°	4	
39	2220490	Fitting, Tee	2	
40	2220621	Fitting, Straight Reducer	1	
41	2220472	Fitting, 90°	2	
42	2220502	Fitting, 45°	2	
43	2221036	Fitting, 90°	4	
44	2220451	Fitting, Straight	4	
45	2220849	Fitting, Tee	2	

SECTION 6 HYDRAULIC

SECTION 6 HYDRAULIC

FIGURE 6-2. HYDRAULIC DIAGRAM - 400CRT OSCILLATING AXLE MACHINES (CONTINUED)

FIG & ITEM #	PART NUMBER	DESCRIPTION	QTY.	REV.
46	2220947	Fitting, Straight	8	
47	2220600	Fitting, Straight	1	
48	2220635	Fitting, Tee	7	
49	2221070	Fitting, 45°	1	
50	2220738	Fitting, Tee	1	
51	2221050	Fitting, 45°	3	
52	2220899	Fitting, Tee	1	
53	2220827	Fitting, 4-Way	1	
54		Fitting, Bulkhead Options:	2	
	2230043	Prior to S/N 96519		
	2230024	S/N 96519 to Present		
55	2220651	Fitting, Straight	1	
56	2220628	Fitting, 90°	1	
57	4640757	Valve, Flow Control	1	
58	2220501	Fitting, 45°	3	
59	2220507	Fitting, 90°	1	
60	2220819	Fitting, 90° Long	1	
61	2221069	Fitting, 90° Long	1	
62 to 63	Not Used			
64	2220376	Fitting, Straight	1	
65	Not Used			
66	2220828	Fitting, 90°	1	
67	2220919	Fitting, Straight	1	
68	2120172	Filter, In-Line	1	
69	2220899	Fitting, Tee	1	
70	2751852	Hose	2	
71	Not Used			
72	2752480	Hose (Prior to S/N 96519 Only)	1	
73	2220906	Fitting, 90°	1	
74	2753508	Hose	1	
75	0100075	Loctite #545 (Not Shown)	A/R	
76	2753059	Hose (S/N 96519 to Present Only)	2	

SECTION 6 HYDRAULIC

SECTION 6 HYDRAULIC

FIGURE 6-2. HYDRAULIC DIAGRAM - 400CRT OSCILLATING AXLE MACHINES (CONTINUED)

FIG & ITEM #	PART NUMBER	DESCRIPTION	QTY.	REV.

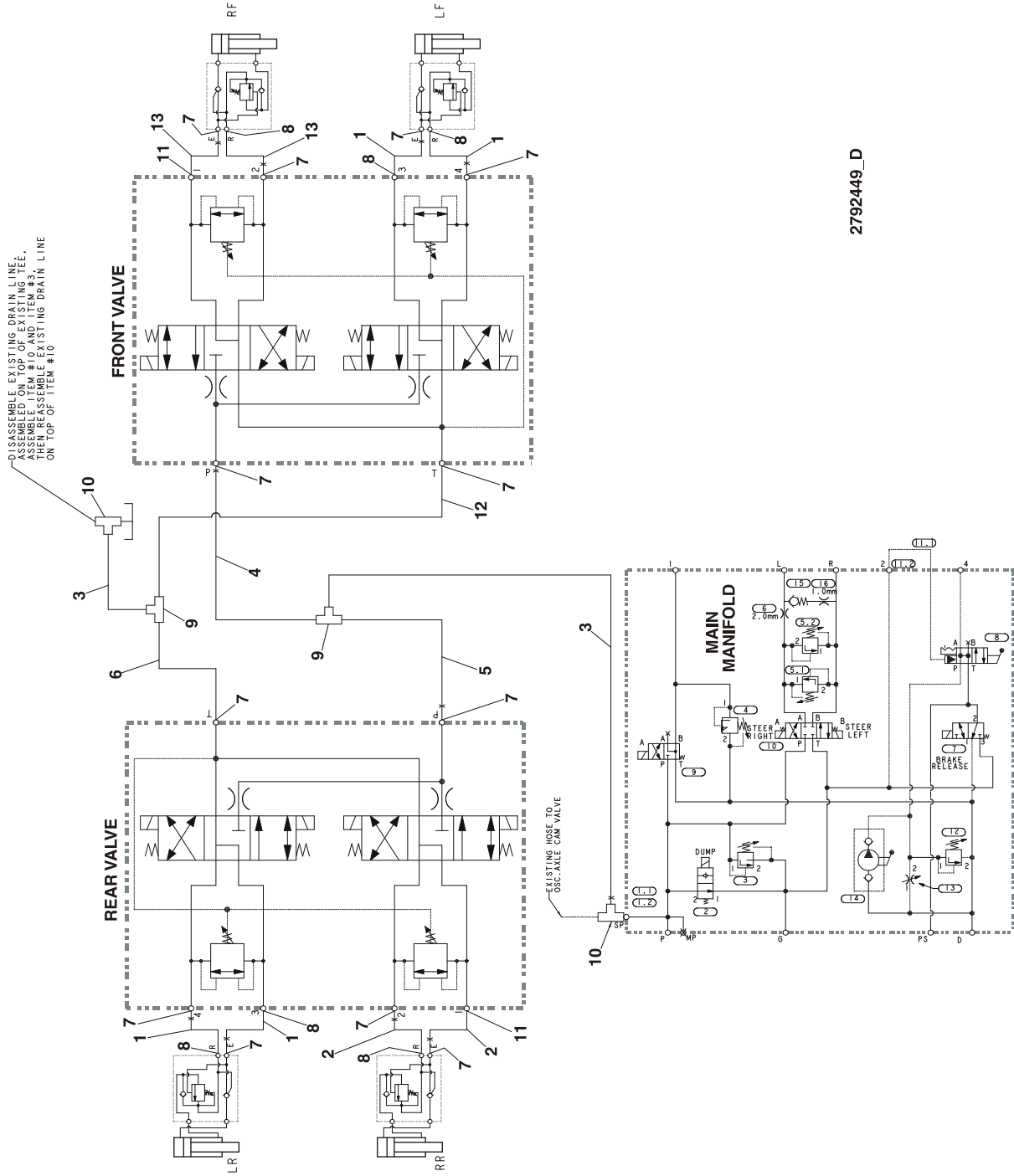
**S
E
C
T
I
O
N

6

H
Y
D
R
A
U
L
I
C**

SECTION 6 HYDRAULIC

FIGURE 6-3.HYDRAULIC DIAGRAM - LEVELING JACKS



2792449_D

SECTION 6 HYDRAULIC

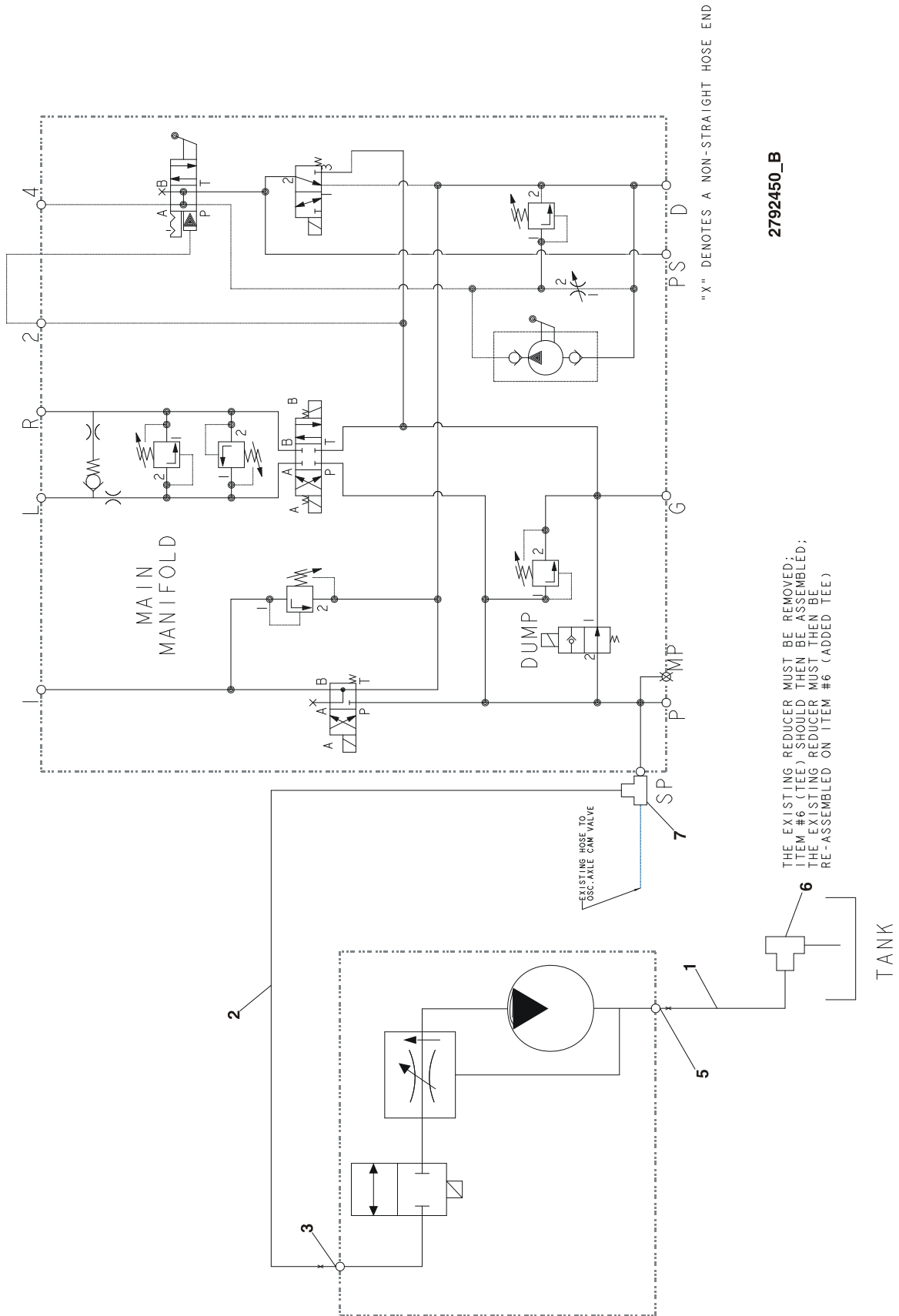
FIGURE 6-3. HYDRAULIC DIAGRAM - LEVELING JACKS

FIG & ITEM #	PART NUMBER	DESCRIPTION	QTY.	REV.
	2792449	HYDRAULIC DIAGRAM	Ref.	D
1	2750991	Hose	4	
2	2753327	Hose	2	
3	2752472	Hose	2	
4	2753059	Hose	1	
5	2750909	Hose	1	
6	2750916	Hose	1	
7	2220371	Fitting, Straight	12	
8	2220473	Fitting, 90°	6	
9	2220490	Fitting, Tee	2	
10	2220635	Fitting	2	
11	2220819	Fitting, Long 90°	2	
12	2753120	Hose	1	
13	2752476	Hose	2	

SECTION 6 HYDRAULIC

SECTION 6 HYDRAULIC

FIGURE 6-4. HYDRAULIC DIAGRAM - 110V GENERATOR (OPTIONAL)



SECTION 6 HYDRAULIC

SECTION 6 HYDRAULIC

FIGURE 6-4. HYDRAULIC DIAGRAM - 110V GENERATOR (OPTIONAL)

FIG & ITEM #	PART NUMBER	DESCRIPTION	QTY.	REV.
	2792450	HYDRAULIC DIAGRAM	Ref.	B
1	2753500	Hose, Return	1	
2	2753501	Hose, Pressure	1	
3	2220373	Fitting	1	
4	Not Used			
5	2220852	Fitting	1	
6	2220700	Fitting, Swivel	1	
7	2220635	Fitting, Swivel	1	

SECTION 6 HYDRAULIC

SECTION 6 HYDRAULIC

FIGURE 6-5.HYDRAULIC DIAGRAM LIST

FIG & ITEM #	PART NUMBER	DESCRIPTION	QTY.	REV.
		Note: Diagrams with asterisk (*) are shown in the preceding pages. Information on diagrams not shown is available from JLG Service /Parts Department.	Ref.	
	2792396	Hydraulic Diagram - Standard 330CRT 4WD with Fixed Axle	Ref.	
	2792415*	330CRT 4WD with Oscillating Axle		
	2792416	400CRT 4WD with Fixed Axle		
	2792417*	400CRT 4WD with Oscillating Axle		
	2792449*	Leveling Jacks (Optional)		
	2792450*	110V Generator (Optional)		
	2792397	Hydraulic Schematic	Ref.	

SECTION 6 HYDRAULIC

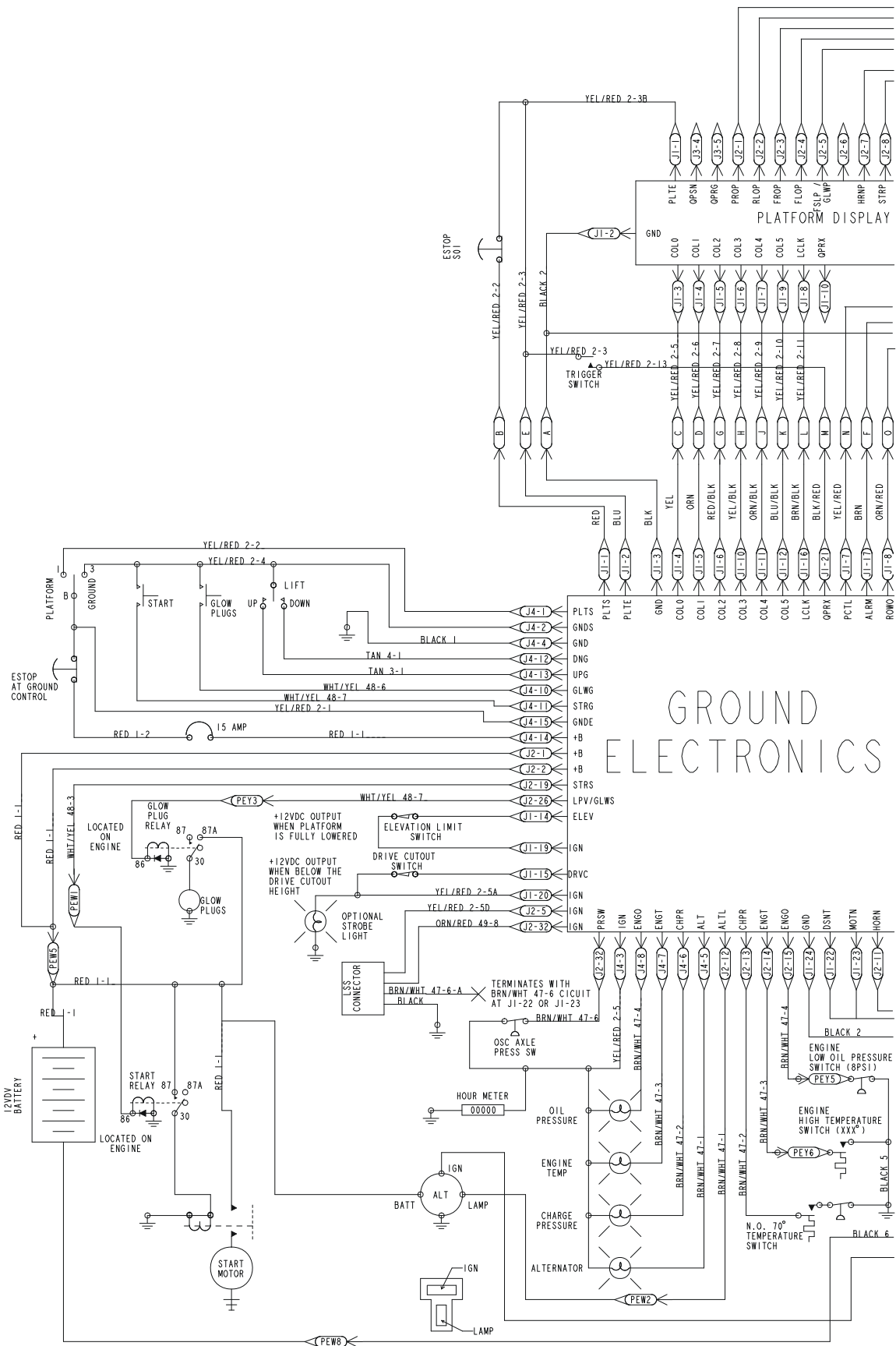
SECTION 7 ELECTRICAL

TABLE OF CONTENTS

FIGURE	DESCRIPTION	PAGE
7-1	ELECTRICAL SCHEMATIC - STANDARD	7-2
7-2	ELECTRICAL SCHEMATIC - MACHINES WITH GENERATOR.....	7-4
7-3	ELECTRICAL SCHEMATIC - DUAL FUEL	7-6
7-4	ELECTRICAL COMPONENTS INSTALLATION	7-8

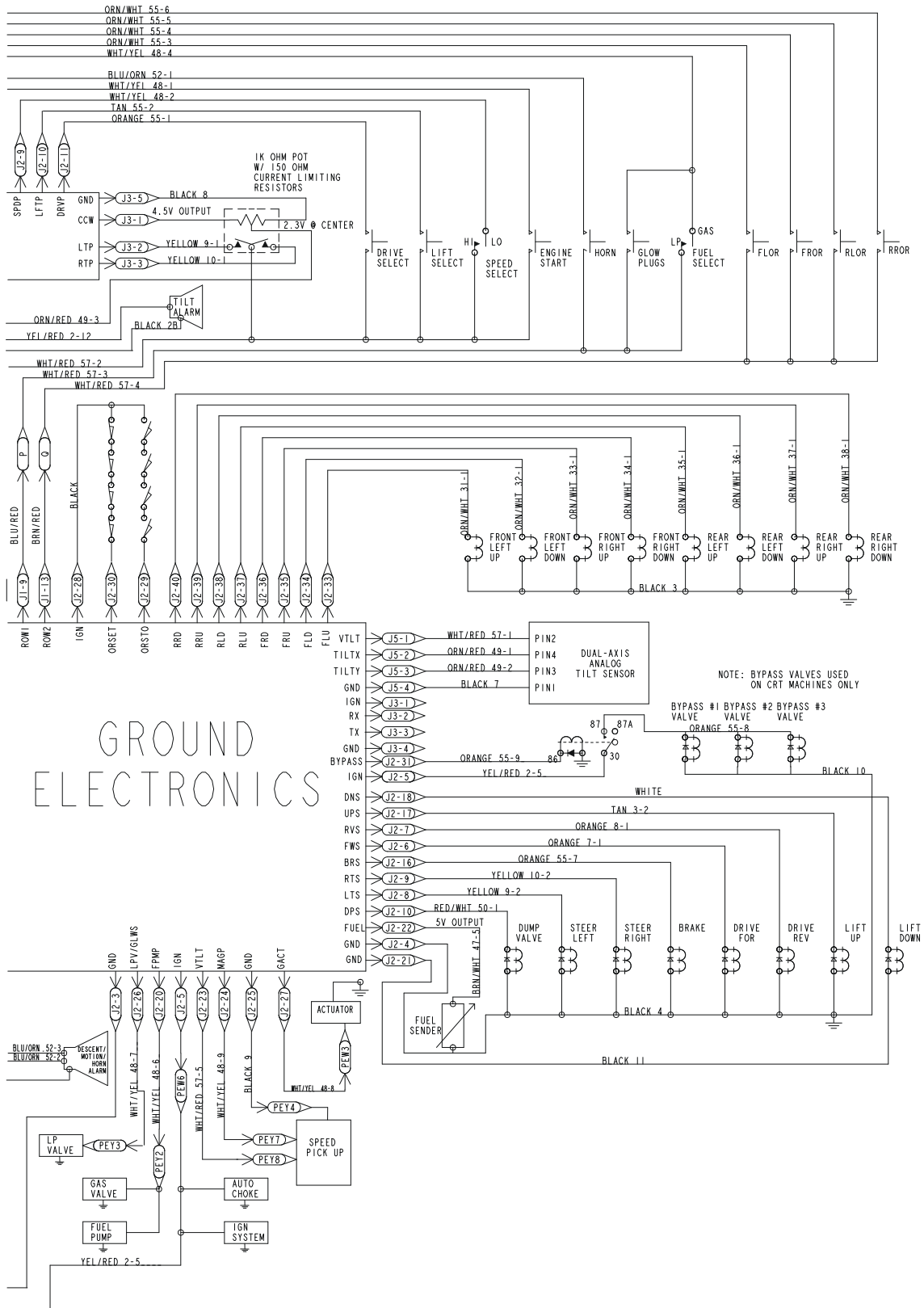
SECTION 7 ELECTRICAL

FIGURE 7-1. ELECTRICAL SCHEMATIC - STANDARD



SECTION 7 ELECTRICAL

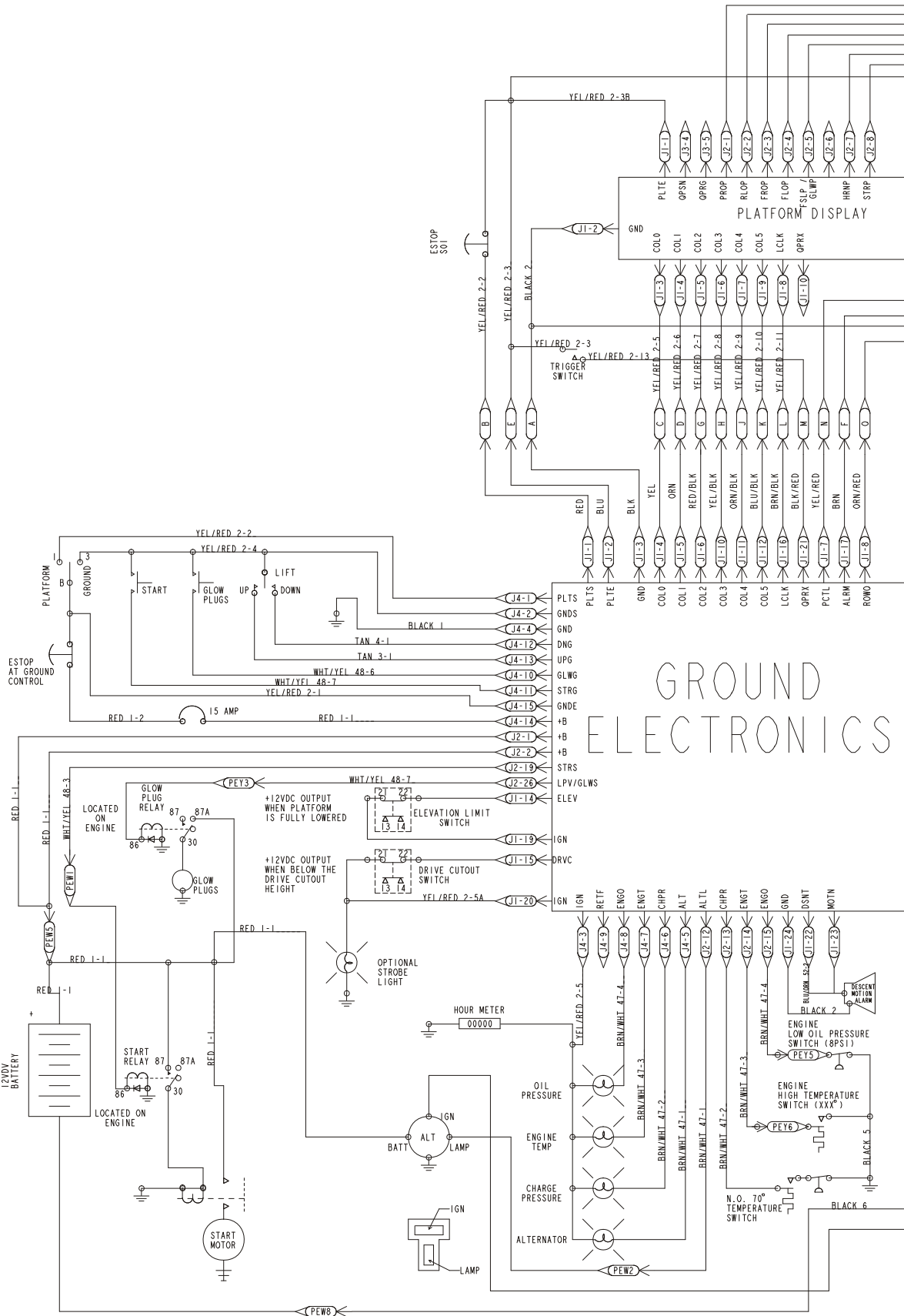
SECTION 7 ELECTRICAL



SECTION 7 ELECTRICAL

SECTION 7 ELECTRICAL

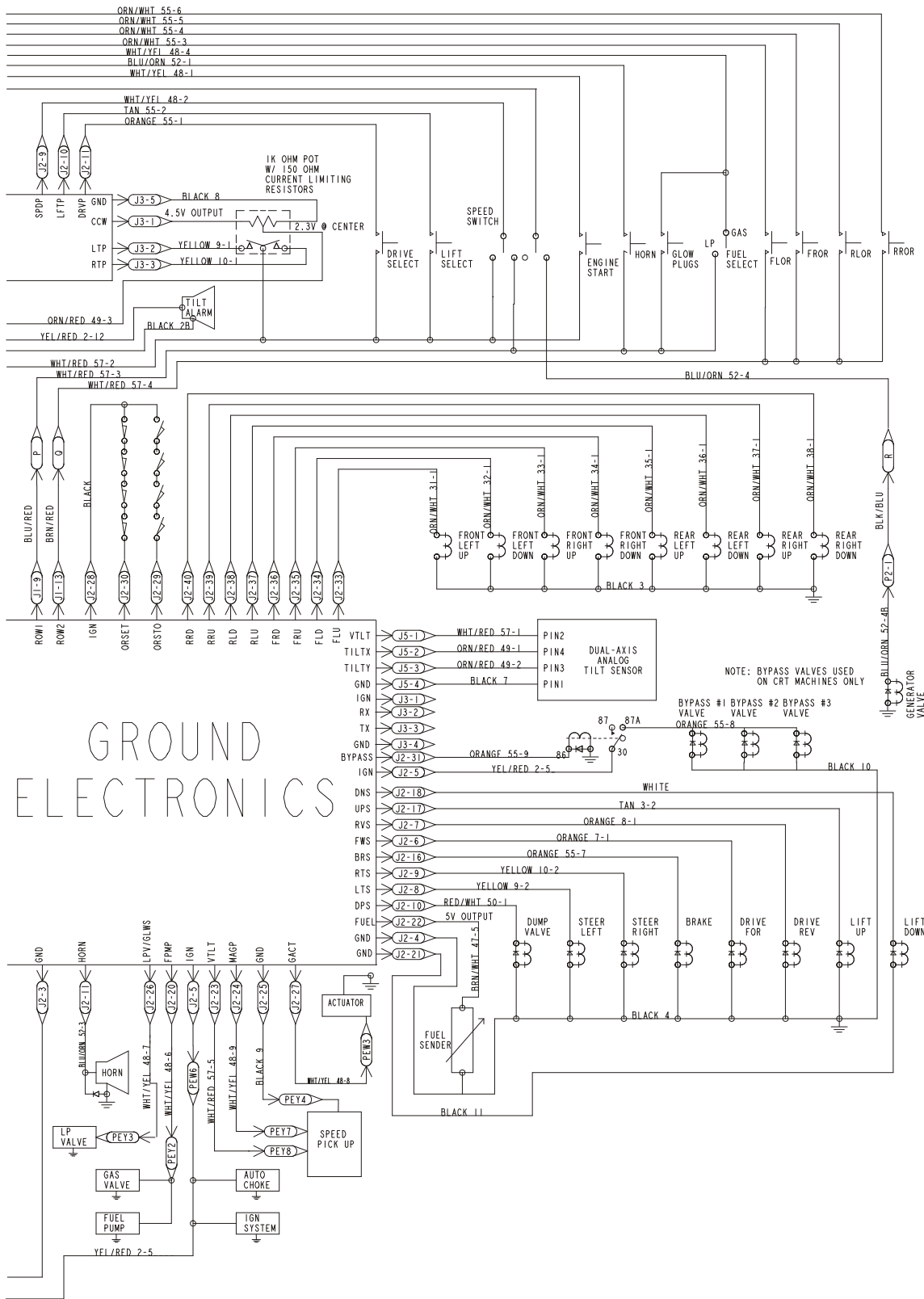
FIGURE 7-2. ELECTRICAL SCHEMATIC - MACHINES WITH GENERATOR



GROUND ELECTRONICS

SECTION 7 ELECTRICAL

SECTION 7 ELECTRICAL



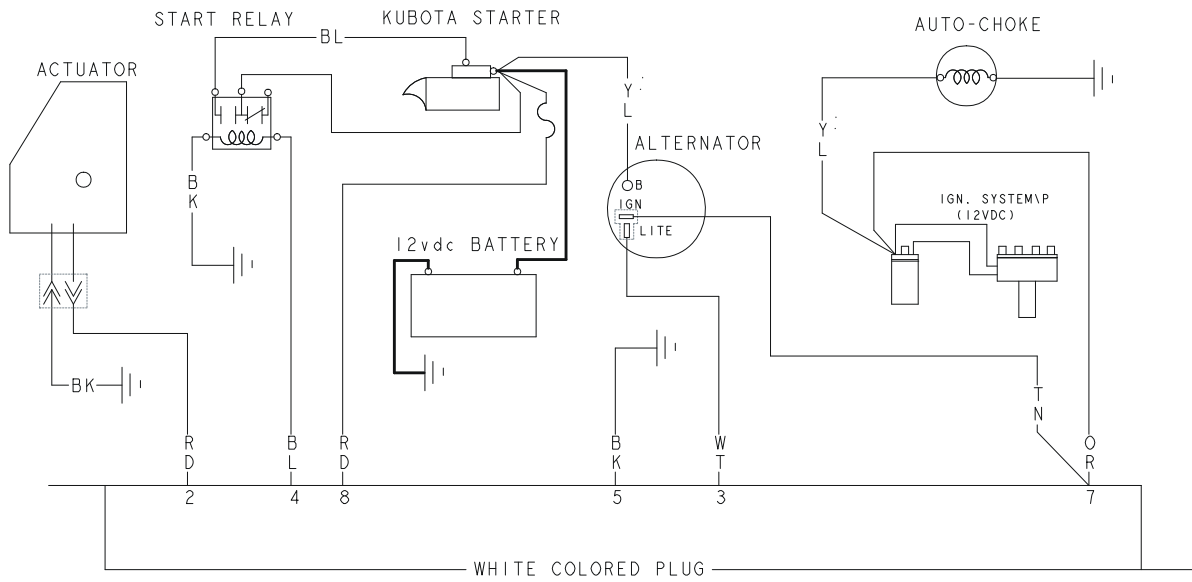
GROUND ELECTRONICS

SECTION 7 ELECTRICAL

1870129 A

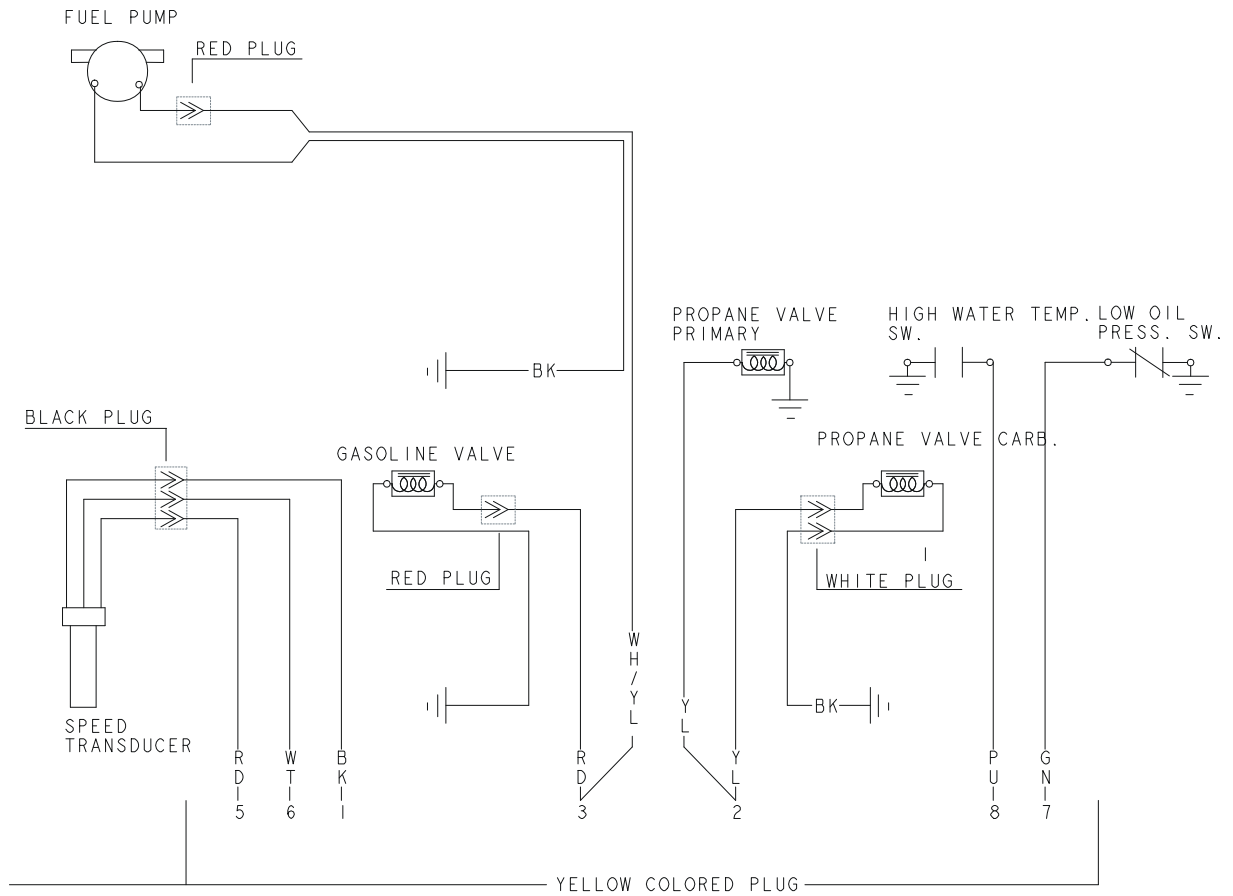
SECTION 7 ELECTRICAL

FIGURE 7-3. ELECTRICAL SCHEMATIC - DUAL FUEL



SECTION 7 ELECTRICAL

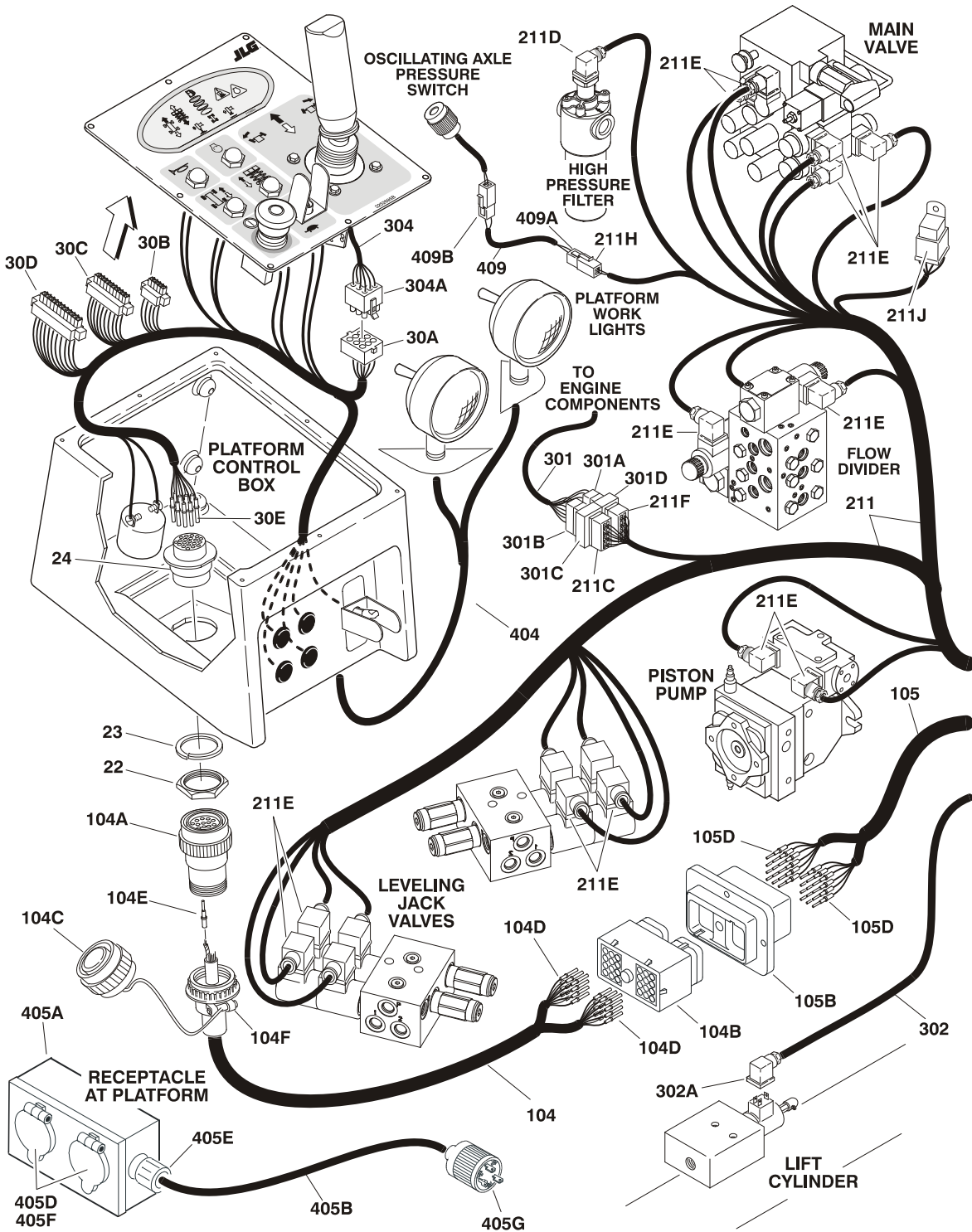
SECTION 7 ELECTRICAL



1870138_A

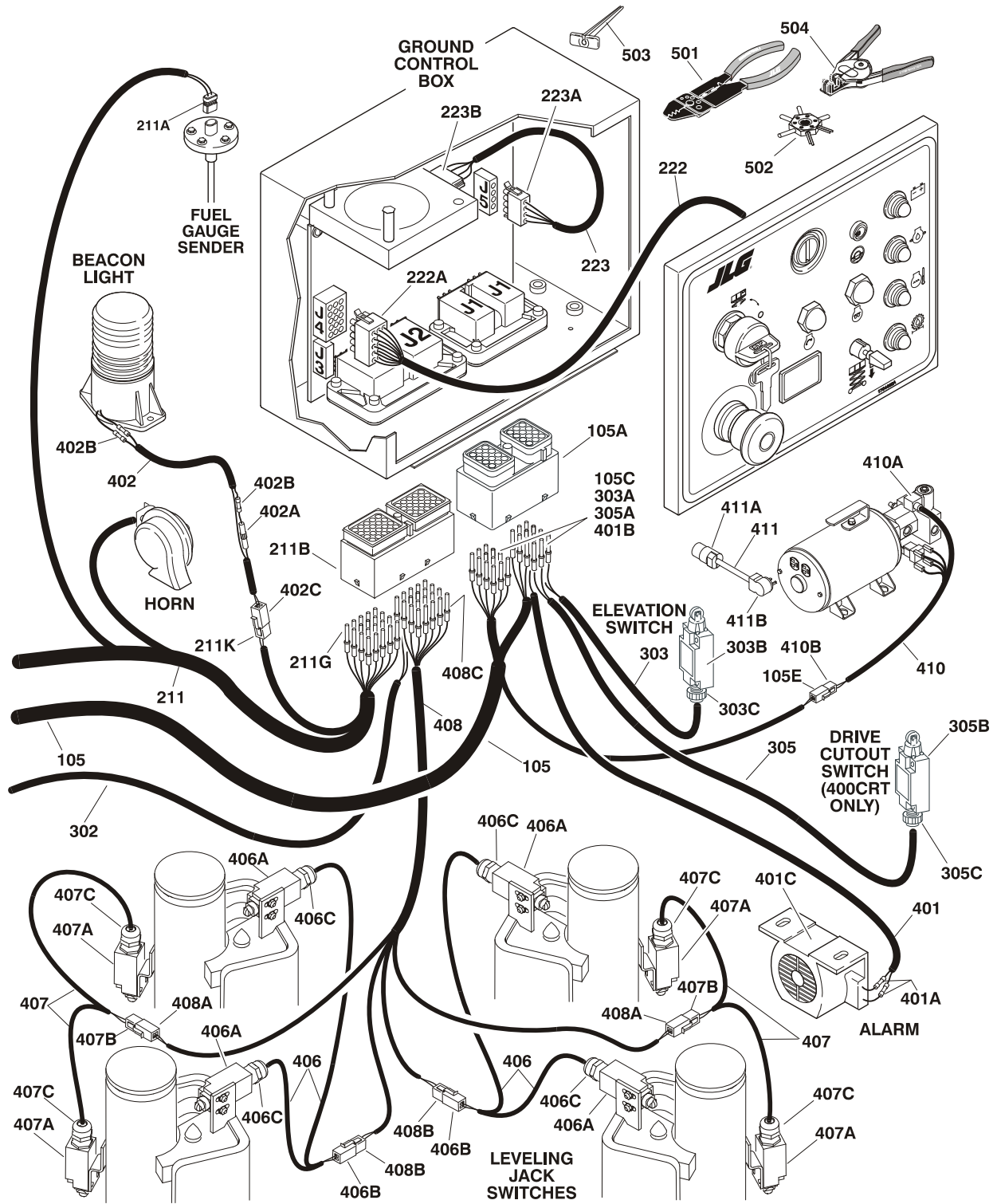
SECTION 7 ELECTRICAL

FIGURE 7-4. ELECTRICAL COMPONENTS INSTALLATION



SECTION 7 ELECTRICAL

SECTION 7 ELECTRICAL



SECTION 7 ELECTRICAL

SECTION 7 ELECTRICAL

FIGURE 7-4. ELECTRICAL COMPONENTS INSTALLATION

FIG & ITEM #	PART NUMBER	DESCRIPTION	QTY.	REV.
		CONSOLE BOX COMPONENTS	Ref.	
1 to 21	Not Used			
22	4460470	Nut, Terminal	1	
23	4460471	Lockwasher, Terminal	1	
24	4460480	Connector, Terminal	1	
25 to 29	Not Used			
30		Harness, Console Box Options:	1	
	4922391	Without Leveling Jacks & Generator	1	A
	4922437	With Leveling Jacks Only	1	A
	4922447	With Generator Only	1	B
	4922446	With Leveling Jacks & Generator	1	A
30A	4460266	Connector - 9 Pin	1	
	4460267	Pin, Male	8	
30B	4460817	Connector - 5 Position	1	
30C	4460818	Connector - 10 Position	1	
30D	4460819	Connector - 11 Position	1	
30E	4460465	Socket, Female	15	
		PLATFORM CABLES INSTALLATION	Ref.	
	0270102	330CRT	Ref.	C
	0270105	400CRT	Ref.	C
101 to 103	Not Used			
104		Harness Assembly (Routed Through Scissor Arms)	1	
	4922383	330CRT		C
	4922392	400CRT		C
	1060815	Cable, Electrical -16/18	A/R	
		330CRT	73.8ft/22.5m	
		400CRT	88.5ft/27m	
104A	4460481	Connector	1	
104B	4460812	Connector - 24 Position	1	
104C	4460468	Cap, Dust	1	
104D	4460465	Socket, Female	33	
104E	4460464	Pin, Male	15	
104F	4460473	Clamp	1	
105	4922384	Harness Assembly (Ground Control Box to Item 104)	1	B
	1060815	Cable, Electrical -16/18	6.8ft/2.07m	
105A	4460812	Connector - 24 Position	1	
105B	4460846	Connector - 24 Position	1	
105C	4460465	Socket, Female	16	
105D	4460464	Pin, Male	A/R	
105E	4460424	Connector - 2 Position	1	
	4460267	Pin, Male	2	

SECTION 7 ELECTRICAL

FIGURE 7-4. ELECTRICAL COMPONENTS INSTALLATION

FIG & ITEM #	PART NUMBER	DESCRIPTION	QTY.	REV.
		GROUND CONTROL BOX ASSEMBLY AND INSTALLATIONS	Ref.	
201 to 210	Not Used			
211		Harness, Engine and Valve	1	
	4922343	Without Leveling Jacks		F
	4922441	With Leveling Jacks		C
	3990010	Diode 6A 600V	1	
211A	4460834	Connector - 2 Position	1	
	4460845	Terminal	2	
211B	4460814	Connector, Female - 40 Position	1	
211C	4460828	Connector, Female - 8 Position (White)	1	
	4460829	Terminal, Female	7	
211D	4460449	Connector, DIN without Diode	1	
211E	4460499	Connector, DIN with Diode Options:	A/R	
		Without Leveling Jacks	10	
		With Leveling Jacks	18	
211F	4460827	Connector, Female - 8 Position (Yellow)	1	
	4460829	Terminal, Female	7	
211G	4460465	Socket, Female	A/R	
	3730117	Resistor - 4.7OHM 1/4Watt	1	
211H	4460320	Connector - 2 Position	1	
	4460268	Socket, Female	2	
211J	3740049	Relay	1	
	4460260	Terminal	4	
	4460259	Cover, Terminal	4	
211K	4460424	Connector - 2 Position	1	
	4460267	Pin, Male	2	
212 to 221	Not Used			
222		Harness, Ground Control Box Options:	1	
	4922378	Diesel Machines		A
	4922336	Gas Dual Fuel Machines		C
222A	4460434	Connector - 15 Position	1	
	4460268	Socket, Female	13	
223	4922339	Harness, Tilt	1	C
223A	4460321	Connector - 4 Position	1	
	4460267	Pin, Male	4	
223B	4460824	Connector, Female - 6 Position	1	
	4460825	Socket, Female	4	
		STANDARD HARNESS COMPONENTS	Ref.	
301	7023183	Harness, Engine	1	
301A	7023179	Connector - 8 Position (Yellow)	1	
	7023182	Pin, Male	8	
301B	7023178	Connector - 8 Position (White)	1	
	7023182	Pin, Male	8	
301C	7023180	Bulkhead, Electrical Connector (White)	1	
301D	7023181	Bulkhead, Electrical Connector (Yellow)	1	

SECTION 7 ELECTRICAL

SECTION 7 ELECTRICAL

FIGURE 7-4. ELECTRICAL COMPONENTS INSTALLATION

FIG & ITEM #	PART NUMBER	DESCRIPTION	QTY.	REV.
302		Harness, Lift Down Options:	1	
	4922321	330CRT		C
	4922345	400CRT		C
	1060680	Cable, Electrical - 18/2	A/R	
		330CRT	21ft/6.4m	
		400CRT	45ft/13.7m	
302A	4460499	Connector, DIN	A/R	
		330CRT	1	
		400CRT	2	
	4460465	Socket, Female	2	
303		Elevation Switch Harness Options:	1	
	Use 4922630	Prior to S/N 101118 (Was p/n 1060868)		
	4922630	S/N 101118 to Present		
	1060680	Cable, Electrical - 18/2	9ft/2.75m	
303A	4460465	Socket, Female	2	
303B		Switch, Limit Options:	1	
	4360321	Production		
	4360548	Post Production		
303C		Connector, Strain Relief Options:	1	
	4460662	Prior to S/N 101118 (Use with 1060868 Harness)		
	4460428	S/N 101118 to Present (Use with 4922630 Harness) (Production)		
	4460968	Post Production		
304	Not Available	Harness, Controller (Part of Electrical Assembly)	1	
304A	4460265	Connector - 9 Position	1	
	4460268	Socket, Female	8	
305		Drive Cutout Switch Harness Options: (400CRT Only)	1	
	Use 4922630	Prior to S/N 101118 (Was p/n 1060869)		
	4922630	S/N 101118 to Present		
	1060680	Cable, Electrical - 18/2	11ft/3.4m	
305A	4460465	Socket, Female	2	
305B		Switch, Limit Options:	1	
	4360321	Production		
	4360548	Post Production		
305C		Connector, Strain Relief Options:	1	
	4460662	Prior to S/N 101118 (Use with 1060869 Harness)		
	4460428	S/N 101118 to Present (Use with 4922630 Harness) (Production)		
	4460968	Post Production		
		OPTIONAL HARNESS COMPONENTS	Ref.	
401	4922425	Alarm Harness	1	B
	1060680	Cable, Electrical - 18/2	7ft/2.2m	
401A	4460248	Terminal	2	
401B	4460465	Socket, Female	2	
401C	0140032	Alarm	1	

SECTION 7 ELECTRICAL

SECTION 7 ELECTRICAL

FIGURE 7-4. ELECTRICAL COMPONENTS INSTALLATION

FIG & ITEM #	PART NUMBER	DESCRIPTION	QTY.	REV.
402	4922426	Beacon Harness	1	A
	1060680	Cable, Electrical - 18/2	8ft/2.5m	
402A	2400056	Fuse - 5 Amp	1	
	4460044	Fuseholder	1	
402B	4460248	Terminal, Butt	3	
402C	4460268	Socket, Female	2	
	4460320	Connector - 2 Position	1	
403	Not Used			
404	Not Available	Harness - Worklight	1	
	1060680	Cable, Electrical - 18/2	A/R	
405		AC to Platform Receptacle Components Options:		
	0259586	110V Receptacle (ANSI 330CRT)	Ref.	E
	0270108	110V Receptacle (ANSI 400CRT)	Ref.	D
	0259587	110V GFI Receptacle (ANSI 330CRT)	Ref.	F
	0270109	110V GFI Receptacle (ANSI 400CRT)	Ref.	E
	0259588	220V Receptacle (ANSI 330CRT)	Ref.	F
	0270110	220V Receptacle (ANSI 400CRT)	Ref.	D
	0259589	220V Receptacle (ANSI Export 330CRT)	Ref.	E
	0270111	220V Receptacle (ANSI Export 400CRT)	Ref.	D
405A	0860038	Box, Switch	1	
405B		Cable, Electrical - 12/3	1	
	4922592	110Volt (330CRT)	1	B
	1060308	Cable, Electrical - 12/3 (Production)	50ft./15.2m	
	1060908	Cable, Electrical - 12/3 (Post Production)	50ft./15.2m	
	4922593	110Volt (400CRT)	1	B
	1060308	Cable, Electrical - 12/3 (Production)	60ft./18.3m	
	1060908	Cable, Electrical - 12/3 (Post Production)	60ft./18.3m	
	1060866	220Volt (330CRT)	1	C
	1060461	Cable, Electrical - 12/3 (Production)	51ft./15.5m	
	1060908	Cable, Electrical - 12/3 (Post Production)	51ft./15.5m	
	1060867	220Volt (400CRT)	1	C
	1060461	Cable, Electrical - 12/3 (Production)	61ft./18.6m	
	1060908	Cable, Electrical - 12/3 (Post Production)	61ft./18.6m	
405C		Decal - AC Power Options: (Not Shown)	1	
	1703464	110V		
	3252507	220V		
405D		Shield, Cover Options:	1	
	4060092	110V		
	4060700	110V with GFI Receptacle		
	Not Available	220V GFI		
405E		Connector, Strain Relief Options:	1	
	4460051	110V		
	4460328	220V (330CRT Prior to S/N 110801)		
	4460071	220V (330CRT S/N 110801 to Present)		
	4460328	220V (400CRT)		
405F	Not Available	Receptacle	1	
405G		Connector Options:	1	
	4460138	110V		
	Not Available	220V		

SECTION 7 ELECTRICAL

SECTION 7 ELECTRICAL

FIGURE 7-4. ELECTRICAL COMPONENTS INSTALLATION

FIG & ITEM #	PART NUMBER	DESCRIPTION	QTY.	REV.
406	4922454	Harness - Leveling Jacks (N.O. Limit Switches)	2	D
	1060680	Cable, Electrical - 18/2	8.5ft/2.6m	
406A		Switch, Limit Options:	2	
	4360321	Production		
	4360548	Post Production		
406B	4460424	Connector, Female - 2 Position	1	
	4460267	Pin, Male	2	
406C		Connector, Strain Relief Options:	2	
	4460428	Production		
	4460968	Post Production		
407	4922455	Harness - Leveling Jacks (N.C. Limit Switches)	2	D
	1060680	Cable, Electrical - 18/2	9.9ft/3m	
407A		Switch, Limit Options:	2	
	4360321	Production		
	4360548	Post Production		
407B	4460320	Connector - 2 Position	1	
	4460268	Socket, Female	2	
407C		Connector, Strain Relief Options:	2	
	4460428	Production		
	4460968	Post Production		
408	4922456	Harness, Connecting - Leveling Jacks	1	B
	1060680	Cable, Electrical - 18/2	28ft/8.5m	
408A	4460424	Connector, Female - 2 Position	2	
	4460267	Pin, Male	4	
408B	4460320	Connector - 2 Position	2	
	4460268	Socket, Female	4	
408C	4460465	Socket, Female	3	
409 to 409B	Not Required			
410	4922452	Harness, Generator	1	A
410A	4460449	Connector, Din	1	
410B	4460320	Connector - 2 Position	1	
	4460268	Socket, Female	2	
411	1060882	Cord, AC	1	A
411A	4460779	Receptacle, Male	1	
411B	4460858	Receptacle, Female	1	
		TOOLS	Ref.	
501	7002821	Crimper (For Wire to Pin/Socket Connections)	1	
502	7002823	Extractor (For Removal of Pin/Socket from Connectors)	1	
503	4460467	Extractor, Pin (Blue 16-18 Gauge) (For Removal of Pin/Socket from Connectors)	1	
	4460510	Extractor, Pin (Yellow 12-14 Gauge) (For Removal of Pin/Socket from Connectors)	1	
504	7002828	Stripper, Wire	1	
505	2901443	Analyzer, Machine (Not Shown)	1	

SECTION 7 ELECTRICAL

SECTION 8 DECALS

TABLE OF CONTENTS		
FIGURE	DESCRIPTION	PAGE
8-1	DECALS INSTALLATIONS - ANSI	8-2
8-2	DECALS INSTALLATIONS - ANSI EXPORT	8-6

**S
E
C
T
I
O
N

8

D
E
C
A
L
S**

SECTION 8 DECALS

FIGURE 8-1. DECALS INSTALLATION - ANSI

FIG & ITEM #	PART NUMBER	DESCRIPTION	QTY.	REV.
	0259598	DECAL INSTALLATION	Ref.	8
1	0641405	Bolt 1/4"-20NC x 5/8"	4	
2	0860520	Box, Manual Storage	1	
3	1702153	Decal - Inspection	1	
4	Not Available	Decal - Bar Code	1	
5	Not Used			
6	1703816	Decal - Danger/Warning	1	
7	1704211	Decal - Safety Prop	1	
8	Not Used			
9	Use 1701509	Decal - Manual Reference (Was p/n 1703788)	1	
10	1703811	Decal - Lifting Lugs	4	
11	1703812	Decal - Hydraulic Oil	1	
12	1703814	Decal - Tie Down	4	
13	1704277	Decal - Attach Lanyard Here	8	
14	1703819	Decal - Directional Arrow	1	
15		Decal - Manual Descent Options: (Prior to S/N 88958 Only)	1	
	1703822	330CRT		
	Not Available	400CRT		
16	Not Used			
17	1704480	Decal - Legend	1	
18	1704556	Decal - Towing/Winching/Tow Speed	1	
19	1703696	Decal - Gradeability	1	
20	1703818	Decal - Warning Crushing Hazard/Danger Electrocution	4	
21	1703821	Decal - Control Box Location	1	
22	3251813	Decal - USA	1	
23	Not Available	Nameplate - Serial Number	1	
24	3311405	Locknut 1/4"-20NC	4	
25	4711400	Flatwasher 1/4" Narrow	8	
26	1060279	Cable, Lanyard	1	
27	1704412	Decal - Hydraulic Oil	1	
28	1700584	Decal - Patent	1	
29	1704479	Decal - Battery Warning	1	
30	2080057	Fastener (Not Shown)	4	
31	1703687	Decal - Directional Arrow	1	

		Decal Kit Options:	A/R	
	2901912	Master Kit (Includes Items 9-15)	1	5
	2901914	Multi-Color Kit (Includes Items 17-21)	1	
		OPTIONAL DECAL INSTALLATIONS	Ref.	
101	1701214	Decal - Outrigger Warning (Optional - Not Shown)	8	
102	1702788	Decal - Biodegradable Oil (Optional)	1	

SECTION 8 DECALS

SECTION 8 DECALS

FIGURE 8-1. DECALS INSTALLATION - ANSI (CONTINUED)

FIG & ITEM #	PART NUMBER	DESCRIPTION	QTY.	REV.
103		Decal - Warning Prop. 65 Options (ANSI California Spec Only):	1	
	1702961	Dual Fuel Machines		
	1702962	Diesel Machines		
104		Decal - Fuel Options:	1	
	1701542	Dual Fuel Machines		
	1701505	Diesel Machines		
105		Decal - Capacity Options:	3	
	3252591	330CRT (1000lbs)		
	3252694	400CRT (800lbs)		
106	1700818	Decal - LP Gas (Dual Fuel Machines Only):	1	
107	Not Used			
108		Decal - Model Options:	2	
	1704545	330CRT		
	1704546	400CRT		
109		Decal - Maximum Tire Load Options:	4	
	1704426	330CRT		
	1704427	400CRT		
110		Decal - Maximum Load Options: (Not Shown - Machines with Leveling Jacks Only)	4	
	1704746	330CRT		
	1704747	400CRT		
111	0251642	Decal - Warning Stripe	A/R	

	0270263	JLG Decals Installation	Ref.	
112	1702773	Decal - JLG	4	
113	1704885	Decal - Website	3	

SECTION 8 DECALS

SECTION 8 DECALS

FIGURE 8-1. DECALS INSTALLATION - ANSI (CONTINUED)

FIG & ITEM #	PART NUMBER	DESCRIPTION	QTY.	REV.

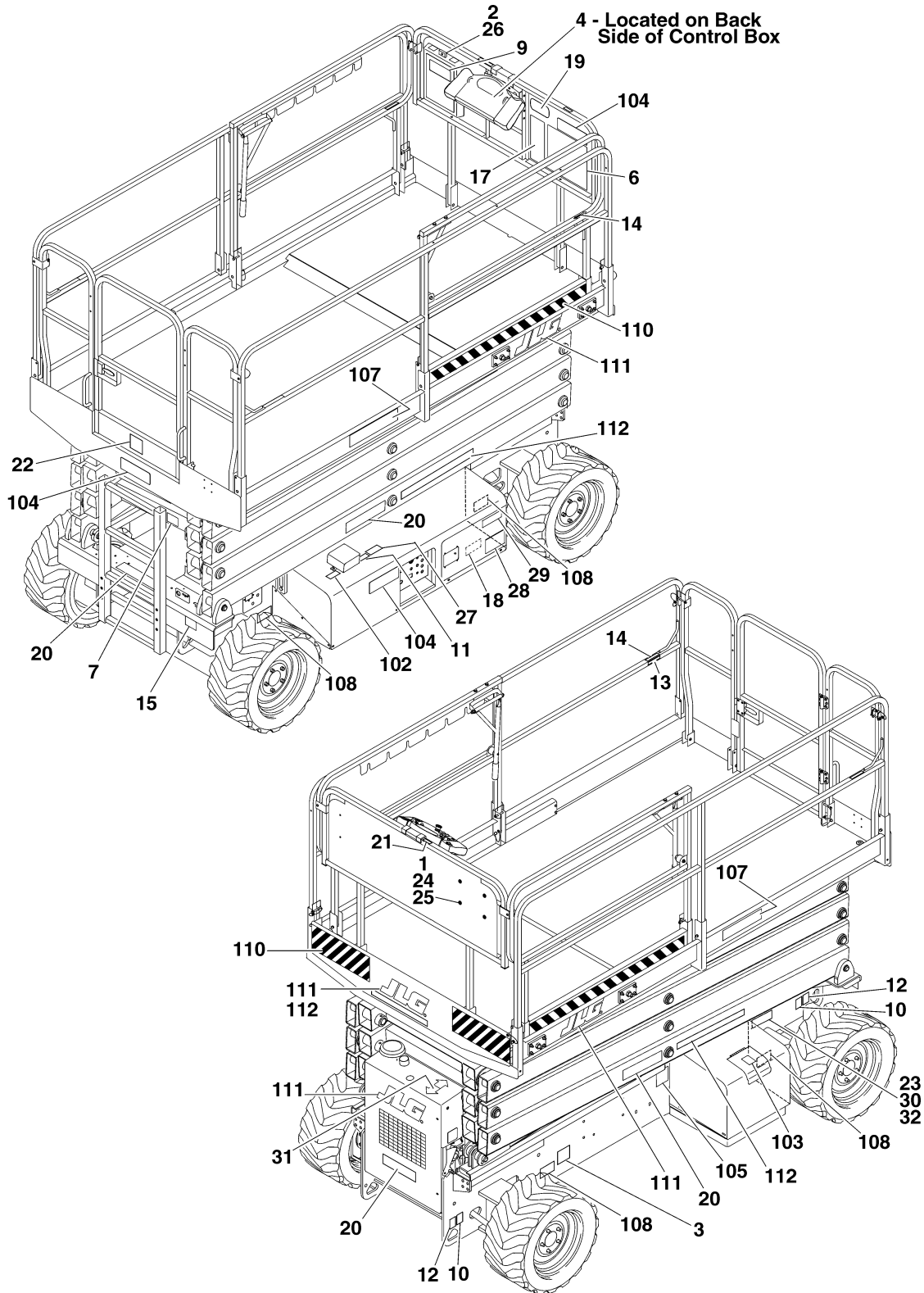
**S
E
C
T
I
O
N

8

D
E
C
A
L
S**

SECTION 8 DECALS

FIGURE 8-2.DECALS INSTALLATION - ANSI EXPORT



SECTION 8 DECALS

SECTION 8 DECALS

FIGURE 8-2. DECALS INSTALLATION - ANSI EXPORT

FIG & ITEM #	PART NUMBER	DESCRIPTION	QTY.	REV.
		DECAL INSTALLATIONS	Ref.	
	0259608	Brazilian Spec (Dual Language -Portuguese/ Spanish)	Ref.	7
	0259601	CSA Spec (Prior to S/N 104715) (Dual Language - English/French)	Ref.	8
	0272256	CSA Spec (S/N 104715 to Present) (Dual Language - English/French)	Ref.	1
	0259607	Latin American Spec (Dual Language -English/ Spanish)	Ref.	7
	0270531	Chinese Spec (Dual Language - Chinese/English)	Ref.	3
1	0641405	Bolt 1/4"-20NC x 5/8"	4	
2	0860520	Box, Manual Storage	1	
3		Decal - Inspection Options:	1	
	1704008	Brazilian Spec		
	1704006	CSA Spec		
	1704007	Latin American Spec		
	1704607	Chinese Spec		
4	Not Available	Decal - Bar Code	1	
5	Not Used			
6		Decal - Danger/Warning Options:	1	
	1704699	Brazilian Spec		
	1704684	CSA Spec		
	1704691	Latin American Spec		
	1704616	Chinese Spec		
7	1704211	Decal - Safety Prop	1	
8	Not Used			
9		Decal - Manual Reference Options:	1	
	1703788	Prior to S/N 102557		
	1701509	S/N 102557 to Present		
10	1703811	Decal - Lifting Lugs	4	
11	1703812	Decal - Hydraulic Oil	1	
12	1703814	Decal - Tie Down	4	
13	1704277	Decal - Attach Lanyard Here	8	
14	1703819	Decal - Directional Arrow	1	
15		Decal - Manual Descent Options:	1	
	1703822	330CRT		
	Not Available	400CRT		
16	Not Used			
17		Decal - Legend Options:	1	
	1704700	Brazilian Spec		
	1704685	CSA Spec		
	1704692	Latin American Spec		
	1704910	Chinese Spec		
18		Decal - Towing/Winchng/Tow Speed Options:	1	
	1704623	Brazilian Spec		
	1704688	CSA Spec		
	1704695	Latin American Spec		

SECTION 8 DECALS

SECTION 8 DECALS

FIGURE 8-2. DECALS INSTALLATION - ANSI EXPORT (CONTINUED)

FIG & ITEM #	PART NUMBER	DESCRIPTION	QTY.	REV.
19	Continued	Decal - Towing/Winching/Tow Speed Options:	1	
	1705009	Chinese Spec		
	1704748	Decal - Gradability Options:	1	
	1704597	Brazilian Spec		
20	1704598	CSA Spec		
	1704598	Latin American Spec		
	1705010	Chinese Spec		
		Decal - Warning Crushing Hazard/Danger	4	
		Electrocution Options:		
21	1704701	Brazilian Spec		
	1704686	CSA Spec		
	1704693	Latin American Spec		
	1704611	Chinese Spec		
		Decal - Control Box Location Options:	1	
22	1704702	Brazilian Spec		
	1704687	CSA Spec		
	1704694	Latin American Spec		
	1704610	Chinese Spec		
22	3251813	Decal - USA	1	
23	Not Available	Nameplate - Serial Number	1	
24	3311405	Locknut 1/4"-20NC	4	
25	4711400	Flatwasher 1/4" Narrow	8	
26	1060279	Cable, Lanyard	1	
27	1704412	Decal - Hydraulic Oil	1	
28		Decal - Patent Options:	1	
	1702573	Brazilian Spec		
	1700584	CSA Spec		
	1700584	Latin American Spec		
	1700584	Chinese Spec		
29		Decal - Battery Warning Options:	1	
	1704703	Brazilian Spec		
	1704689	CSA Spec		
	1704696	Latin American Spec		
	1705011	Chinese Spec		
30	2080057	Fastener (Not Shown)	4	
31	1703687	Decal - Directional Arrow	1	
32		Decal - CSA Options: (CSA Spec Only)	1	
	3252191	Prior to S/N 104715		
	1705303	S/N 104715 to Present		

		Decal Kit Options:	A/R	
	2901912	Master Kit (Includes Items 9-15)	1	5
		Multi-Color Kit Options (Includes Items 17-21):	1	
	2901926	Brazilian Spec		
	2901938	CSA Spec		
	2901939	Latin American Spec		
	2902080	Chinese Spec		

SECTION 8 DECALS

SECTION 8 DECALS

FIGURE 8-2. DECALS INSTALLATION - ANSI EXPORT (CONTINUED)

FIG & ITEM #	PART NUMBER	DESCRIPTION	QTY.	REV.
		OPTIONAL DECAL INSTALLATIONS	Ref.	
101		Decal - Outrigger Warning Options (Optional - Not Shown):	8	
	1704698	Brazilian Spec		
	1704690	CSA Spec		
	1704697	Latin American Spec		
102	1702788	Decal - Biodegradable Oil (Optional)	1	
103		Decal - Fuel Options:	1	
	1701542	Dual Fuel Machines		
	1701505	Diesel Machines		
104		Decal - Capacity Options:	3	
	3252591	330CRT (1000lbs)		
	3252694	400CRT (800lbs)		
105		Decal - LP Gas Options (Dual Fuel Machines Only):	1	
	1700818	English Language		
	1702720	Spanish Language		
106	Not Used			
107		Decal - Model Options:	2	
	1704545	330CRT		
	1704546	400CRT		
108		Decal - Maximum Tire Load Options:	4	
	1704426	330CRT		
	1704427	400CRT		
109		Decal - Maximum Load Options: (Not Shown - Machines with Leveling Jacks Only)	4	
	1704746	330CRT		
	1704747	400CRT		
110	0251642	Decal - Warning Stripe	A/R	

	0270263	JLG Decals Installation	Ref.	
111	1702773	Decal - JLG	4	
112	1704885	Decal - Website	3	

SECTION 8 DECALS

SECTION 8 DECALS

FIGURE 8-2. DECALS INSTALLATION - ANSI EXPORT (CONTINUED)

FIG & ITEM #	PART NUMBER	DESCRIPTION	QTY.	REV.

**S
E
C
T
I
O
N

8

D
E
C
A
L
S**

SECTION 9 RECOMMENDED SERVICE PARTS STOCK

MODEL 330/400CRT

The following list will service fleets of machines (built to current production per date on the front cover) with emergency repair parts which can be installed in the field. Parts from the list should be replaced when inventory is depleted to keep service parts stock supplied. For further information, contact your JLG dealer or the JLG Industries Parts Department.

JLG PART NUMBER	DESCRIPTION	QTY PER FLEET		
		1-4	5-9	10 OR MORE
STANDARD PARTS		Ref.	Ref.	Ref.
2120210	Element, Pressure Filter (Figure 2-1)	4	8	12
7014811	Breather, Hydraulic (Figure 2-1)	1	1	1
7012944	Coil (Figure 2-2)	1	1	1
7011376	Coil (Figure 2-2 & 2-3)	1	1	1
4360070	Breaker, Circuit (Figure 2-4)	1	1	1
4360328	Switch, Toggle (Figure 2-4)	1	1	1
4360387	Switch, Push Button (Figure 2-4 & 4-3)	1	1	1
4360469	Switch, Key (Figure 2-4)	1	1	1
2860030	Key, Replacement (Set of 2) (Figure 2-4)	1	1	1
4360475	Switch, Mushroom (Figure 2-4 & 4-3)	1	1	1
4360481	Block, Switch (Figure 2-4)	1	1	1
4360482	Switch, Toggle (Figure 4-3)	1	1	1
7027367	Switch, Push Button (Figure 4-5)	1	1	1
70000081	Potentiometer (Figure 4-5)	1	1	1
3990010	Diode 6A 600V (Figure 7-4)	2	2	2
VARIABLE PARTS		Ref.	Ref.	Ref.
3740049	Relay (Diesel Machines) (Figure 1-8,1-15 & 7-4)	1	1	1
7017923	Filter, Engine Oil (Diesel Machines) (Figure 1-8)	12	12	12
7023138	Filter, Engine Fuel (Diesel Machines) (Figure 1-8)	4	8	12
7017938	Element, Air Filter (Diesel Machines) (Figure 1-8)	4	8	12
7017980	Filter, Engine Oil (Dual Fuel Machines) (Figure 1-9)	12	12	12
7017992	Filter, Engine Fuel (Dual Fuel Machines) (Figure 1-9)	4	8	12
7023153	Element, Air Filter (Dual Fuel Machines) (Figure 1-9)	4	8	12
7023105	Coil, Ignition (Dual Fuel Machines) (Figure 1-9)	1	1	1
2940064	Snap-Hook (Chain Gate Platform Entry) (Figure 4-2)	1	1	1
2940074	Latch (Door Platform Entry) (Figure 4-2)	1	1	1
4360482	Switch, Toggle (Figure 4-3)	1	1	1
4360331	Switch, Toggle (Figure 4-3)	1	1	1
2400056	Fuse 5 Amp (Beacon Light Option) (Figure 7-4)	2	2	2
4360548	Switch, Limit (Figure 7-4)	1	1	1

SECTION 9 RECOMMENDED SERVICE PARTS

SECTION 9 RECOMMENDED SERVICE PARTS STOCK

MODEL 330/400CRT

The following list will service fleets of machines (built to current production per date on the front cover) with emergency repair parts which can be installed in the field. Parts from the list should be replaced when inventory is depleted to keep service parts stock supplied. For further information, contact your JLG dealer or the JLG Industries Parts Department.

JLG PART NUMBER	DESCRIPTION	QTY PER FLEET		
		1-4	5-9	10 OR MORE

SECTION 10 SPECIAL OPTIONS

Note: This list is to accomodate machines ordered with special equipment. Options may not be applicable to all models. For more specific parts information contact JLG Parts Department.

FIG & ITEM #	PART NUMBER	DESCRIPTION	QTY.	REV.
		MISCELLANEOUS SPECIAL OPTIONS	Ref.	
	0270095	AIR LINE INSTALLATION	Ref.	
	0270543	BUBBLE LEVEL INSTALLATION	Ref.	
	0270546	DECAL INSTALLATION - SUNBELT	Ref.	
	1704735	Decal - Sunbelt	4	
	0270951	DECAL INSTALLATION - UNITED RENTALS (PRIOR TO S/N 109236)	Ref.	
	1704744	Decal - United Rentals (UR10)	4	
	1704741	Decal - United Rentals (UR5)	1	
	1702773	Decal - JLG	3	
	0271666	DECAL INSTALLATION - UNITED RENTALS (S/N 109236 TO PRESENT)	Ref.	
		DECAL INSTALLATION - PROP 65 WARNING	Ref.	
	1702962	Decal - Diesel Machines	1	
	1702961	Decal - Gas Machines	1	
		Filter Kits:	Ref.	
	1001111691	Combined Filter Kit (Hydraulic/Air & Fuel/Engine Oil) (was p/n 2910494)	1	
	1001111666	Hydraulic/Air Filter	1	
	1001111681	Fuel/Engine Oil Filter	1	
	1702788	DECAL - BIODEGRADABLE OIL	Ref.	
		ELECTRICAL CONNECTOR KITS	Ref.	
	1001148902	Amp/Tyco Electrical Connector Kit	Ref.	
	1001148903	Deutsch DT Electrical Connector Kit	Ref.	
	1001148904	Deutsch HD Electrical Connector Kit	Ref.	
	1001148905	Packard Electrical Connector Kit	Ref.	
	1001148906	Various Electrical Connectors Kit	Ref.	
		FRAME WELDMENT OPTION:	Ref.	
	2360509	4WD with Fixed Rear Axle		
		HYDRAULIC FLUIDS OPTIONS:	Ref.	
	2300014	Mobil 424	Ref.	
	2300027	Mobil 224H Bio	Ref.	
	2300016	Mobil DTE 13M	Ref.	
	2300021	Union Carbide Ucon HP5046 Fire Resistant	Ref.	

SECTION 10 SPECIAL OPTIONS

SECTION 10 SPECIAL OPTIONS

Note: This list is to accommodate machines ordered with special equipment. Options may not be applicable to all models. For more specific parts information contact JLG Parts Department.

SECTION 10 SPECIAL OPTIONS

FIG & ITEM #	PART NUMBER	DESCRIPTION	QTY.	REV.
		KIT OPTIONS: - TIE-STRAPS	Ref.	
	0270494	330CRT	1	
	0270495	400CRT	1	
	0257049	PIPE RACKS INSTALLATION	Ref.	
	0100040	SEALANT	Ref.	
		WORKLIGHTS INSTALLATION	Ref.	
	0259596	330CRT	1	
	0270410	400CRT	1	
		TOOLS FOR SERVICE	Ref.	
	7002818	Crimper (For Wire to Pin/Socket Connections)	1	
	7002840	Extractor, Anti-Rotation Pin (Used on Axle Lockout Valve)	1	
	7002823	Extractor (For Removal of Pin/Socket from Connectors)	1	
	4460467	Extractor, Pin (Blue 16-18 Gauge) (For Removal of Pin/Socket from Connectors)	1	
	4460510	Extractor, Pin (Yellow 12-14 Gauge) (For Removal of Pin/Socket from Connectors)	1	
	7004275	Seal Tool (For 1" Diameter Seals)	1	
	7004276	Seal Tool (For 1 1/2" Diameter Seals)	1	
	7002826	Seal Tool (For 2" Diameter Seals)	1	
	7002820	Arbor Set	1	
	1001137005	Software USB Cable Kit	1	

INDEX

P/N	PAGE	P/N	PAGE	P/N	PAGE	P/N	PAGE	P/N	PAGE
4846036	1-21	0200658	3-3	0259587	7-13	0270450	4-9	0641406	1-45
4846036	1-25	0200659	3-3	0259588	7-13	0270451	4-9	0641406	2-4
0080228	5-13	0200660	3-3	0259589	7-13	0270494	10-2	0641406	4-7
0080228	5-9	0200661	3-3	0259591	1-39	0270495	10-2	0641407	1-41
0100011	1-21	0200667	3-3	0259592	1-39	0270514	1-42	0641407	1-5
0100011	1-26	0200668	3-3	0259593	1-39	0270531	8-7	0641407	2-13
0100011	1-3	0200669	3-3	0259596	10-2	0270536	4-9	0641407	2-3
0100011	1-41	0200683	3-7	0259598	8-3	0270537	4-9	0641407	4-6
0100011	1-45	0200684	3-7	0259601	8-7	0270538	4-9	0641408	3-4
0100011	1-5	0200685	3-7	0259607	8-7	0270539	4-9	0641408	3-8
0100011	1-7	0200686	3-7	0259608	8-7	0270543	10-1	0641410	1-21
0100011	2-13	0200687	3-7	0259611	1-45	0270546	10-1	0641410	1-25
0100011	2-3	0200688	3-7	0259613	2-13	0270679	1-7	0641410	2-4
0100011	3-3	0200689	3-7	0259645	2-11	0270951	10-1	0641416	1-5
0100011	3-7	0200690	3-7	0259645	2-4	0271666	10-1	0641418	1-21
0100011	4-3	0200691	3-7	0259649	1-5	0272256	8-7	0641418	1-25
0100011	4-5	0200692	3-7	0259652	1-7	0320015	5-5	0641418	3-3
0100011	4-7	0200693	3-7	0259696	1-49	0362840	3-3	0641418	3-7
0100011	5-13	0200694	3-7	0259829	2-11	0362841	3-3	0641506	1-41
0100011	5-14	0200695	3-7	0259829	2-4	0362841	3-7	0641506	1-41
0100011	5-3	0200696	3-7	0259850	1-25	0400002	1-21	0641506	2-3
0100011	5-5	0251642	8-4	0259851	1-21	0400002	1-25	0641506	2-4
0100011	5-7	0251642	8-9	0259859	5-13	0400003	1-21	0641506	5-13
0100011	5-9	0257049	10-2	0259859	5-14	0400003	1-25	0641506	5-9
0100019	1-41	0259105	3-3	0259864	2-11	0440228	1-3	0641508	1-21
0100019	1-45	0259105	5-9	0259864	2-11	0440234	3-3	0641508	1-25
0100019	1-5	0259336	1-3	0259864	2-4	0440234	3-7	0641508	1-39
0100020	1-21	0259336	1-3	0259864	2-4	0440234	4-3	0641510	3-3
0100020	1-25	0259337	1-3	0259947	1-41	0440236	3-3	0641510	4-6
0100020	2-13	0259380	1-25	0259948	1-41	0440236	3-7	0641516	4-5
0100035	5-5	0259381	1-21	0270095	10-1	0561373	5-14	0641516	4-6
0100035	5-7	0259460	1-7	0270102	7-10	0561374	5-14	0641524	2-4
0100038	5-3	0259559	2-3	0270105	7-10	0561407	1-46	0641526	5-14
0100038	5-5	0259560	2-13	0270108	7-13	0610134	2-11	0641528	1-45
0100040	10-2	0259561	3-7	0270109	7-13	0610134	2-11	0641608	1-21
0100048	4-7	0259561	5-13	0270110	7-13	0610135	4-9	0641608	1-22
0100075	6-4	0259562	1-41	0270111	7-13	0610140	2-11	0641608	1-26
0100075	6-8	0259563	4-3	0270128	4-9	0630476	4-3	0641608	1-3
0140001	2-4	0259564	4-3	0270198	4-9	0641404	1-21	0641608	1-45
0140011	4-9	0259565	4-6	0270199	1-28	0641404	2-4	0641608	3-3
0140032	7-12	0259566	4-5	0270251	1-7	0641404	4-9	0641608	3-7
0181684	4-6	0259568	4-5	0270252	1-7	0641405	1-41	0641608	4-3
0181847	4-9	0259576	1-42	0270263	8-4	0641405	1-41	0641609	1-45
0182005	1-45	0259577	1-42	0270263	8-9	0641405	1-41	0641610	1-5
0182035	4-6	0259580	2-4	0270410	10-2	0641405	2-4	0641610	3-3
0200654	3-3	0259581	2-4	0270423	2-11	0641405	8-3	0641610	3-7
0200655	3-3	0259582	2-4	0270423	2-11	0641405	8-7	0641610	4-3
0200656	3-3	0259583	2-4	0270423	2-4	0641406	1-26	0641612	1-25
0200657	3-3	0259586	7-13	0270423	2-4	0641406	1-41	0641632	1-21

INDEX

P/N	PAGE	P/N	PAGE	P/N	PAGE	P/N	PAGE	P/N	PAGE
06416321-25	09026231-25	11001103-7	16838923-7	17038198-3
06416721-21	09026241-21	11201085-5	16838925-14	17038198-7
06416721-25	09026391-25	11201085-7	16839665-5	17038218-3
06416764-6	09400903-7	11204852-13	16839675-5	17038228-3
06418121-21	09400904-7	12601364-5	16839675-7	17038228-7
06418121-22	09619501-5	13200161-21	16839781-5	17040068-7
06418121-25	09622571-3	13200161-25	16839785-3	17040078-7
06418121-26	09624745-3	13200221-22	16842065-7	17040088-7
06418141-21	1001148902	..10-1	13200221-26	16842171-45	17042118-3
06418141-25	1001148903	..10-1	13200614-5	16842175-7	17042118-7
06418281-42	1001148904	..10-1	13201103-4	17005848-3	17042778-3
06418301-45	1001148905	..10-1	13201103-8	17005848-8	17042778-7
06420121-5	1001148906	..10-1	13201225-13	17005848-8	17044128-3
06420181-3	10602798-3	13202201-26	17005848-8	17044128-8
06514042-3	10602798-8	13202651-25	17008188-4	17044268-4
06815065-5	10603087-13	13202741-21	17008188-9	17044268-9
06815084-6	10603087-13	13202741-25	17012148-3	17044278-4
06815203-3	10604617-13	13801362-3	17015058-4	17044278-9
06815203-7	10604617-13	16003084-13	17015058-9	17044622-11
06816065-5	10606807-12	16003084-9	17015098-7	17044798-3
06816223-3	10606807-12	16004034-15	17015428-4	17044808-3
06816223-7	10606807-12	16004034-9	17015428-9	17045458-4
06816243-3	10606807-12	16709262-3	17021538-3	17045458-9
06816243-7	10606807-13	16709312-13	17025738-8	17045468-4
06818121-7	10606807-13	16709331-41	17027208-9	17045468-9
06820161-45	10606807-14	16709341-41	170277310-1	17045568-3
07006194-7	10606807-14	16709351-41	17027738-4	17045744-10
07008081-21	10606807-14	16709361-41	17027738-9	17045884-9
07608121-21	10607975-15	16709371-41	170278810-1	17045894-9
07608121-25	10607985-15	16709371-41	17027888-3	17045978-8
08400251-22	10608084-5	16709431-41	17027888-9	17045988-8
08400261-21	10608084-7	16709441-26	170296110-1	17046078-7
08400261-25	10608157-10	16709451-21	17029618-4	17046108-8
08600387-13	10608157-10	16709653-4	170296210-1	17046118-8
08605208-3	10608231-22	16709653-8	17029628-4	17046168-7
08605208-7	10608231-26	16709711-45	17031754-3	17046238-7
08613152-11	10608241-22	16709955-13	17034647-13	17046244-9
08613574-9	10608241-26	16812835-5	17036878-3	17046848-7
09018704-5	10608465-13	16812835-7	17036878-8	17046858-7
09018704-6	10608465-9	16827235-5	17036968-3	17046868-8
09024215-13	10608667-13	16830765-3	17037888-7	17046878-8
09024215-9	10608677-13	16835725-3	17038118-3	17046888-7
09024994-9	10608821-49	16835745-3	17038118-7	17046898-8
09025403-3	10608827-14	16838071-3	17038128-3	17046908-9
09025403-7	10609087-13	16838075-17	17038128-7	17046918-7
09025735-14	10609087-13	16838583-3	17038148-3	17046928-7
09025902-4	10609087-13	16838585-9	17038148-7	17046938-8
09026131-21	10609087-13	16838913-7	17038168-3	17046948-8
09026141-25	11001103-3	16838915-14	17038188-3	17046958-7

INDEX

P/N	PAGE	P/N	PAGE	P/N	PAGE	P/N	PAGE	P/N	PAGE
1704696	8-8	2120210	2-3	2220827	6-3	2560088	4-6	2753118	6-7
1704697	8-9	2180387	1-26	2220827	6-8	2560141	4-9	2753120	6-11
1704698	8-9	2180389	1-26	2220828	6-4	2560150	5-15	2753120	6-3
1704699	8-7	2200222	1-26	2220828	6-8	2560163	1-22	2753120	6-7
1704700	8-7	2220290	1-26	2220849	6-4	2560163	1-26	2753327	6-11
1704701	8-8	2220366	6-3	2220849	6-7	2600147	2-4	2753399	6-3
1704702	8-8	2220366	6-7	2220852	6-13	2600253	4-5	2753399	6-7
1704703	8-8	2220371	6-11	2220883	1-46	2720058	1-22	2753400	6-3
1704735	10-1	2220371	6-3	2220883	5-5	2720271	1-22	2753400	6-7
1704741	10-1	2220371	6-7	2220883	5-7	2720339	1-22	2753401	6-3
1704744	10-1	2220373	6-13	2220885	5-3	2720339	1-26	2753401	6-7
1704746	8-4	2220376	6-4	2220899	6-4	2720456	1-21	2753402	6-3
1704746	8-9	2220376	6-8	2220899	6-8	2720457	1-21	2753402	6-7
1704747	8-4	2220399	1-26	2220899	6-8	2720458	1-25	2753404	6-3
1704747	8-9	2220451	6-3	2220906	6-3	2720459	1-25	2753404	6-7
1704748	8-8	2220451	6-7	2220906	6-8	2720463	1-26	2753405	6-3
1704885	8-4	2220472	6-3	2220919	6-4	2750909	6-11	2753405	6-7
1704885	8-9	2220472	6-7	2220919	6-8	2750916	6-11	2753406	6-3
1704910	8-7	2220473	6-11	2220947	6-4	2750991	6-11	2753406	6-7
1705009	8-8	2220473	6-3	2220947	6-8	2751852	6-4	2753407	6-3
1705010	8-8	2220473	6-7	2221036	6-7	2751852	6-8	2753407	6-7
1705011	8-8	2220490	6-11	2221042	6-3	2752463	6-3	2753410	6-3
1705303	8-8	2220490	6-3	2221042	6-7	2752463	6-7	2753410	6-7
1705711	4-9	2220490	6-7	2221046	1-22	2752469	6-3	2753411	6-3
1705712	4-9	2220501	6-4	2221046	1-26	2752469	6-7	2753411	6-7
1705729	2-11	2220501	6-8	2221047	1-22	2752471	6-3	2753412	6-3
1705947	4-9	2220502	6-3	2221050	6-4	2752471	6-7	2753412	6-7
1705948	4-9	2220502	6-7	2221050	6-8	2752472	6-11	2753413	6-3
1705976	4-9	2220507	6-4	2221069	6-4	2752476	6-11	2753413	6-7
1706130	4-9	2220507	6-8	2221069	6-8	2752478	6-3	2753414	6-7
1780317	2-4	2220600	6-4	2221070	6-4	2752478	6-7	2753415	6-7
2000169	1-21	2220600	6-8	2221070	6-8	2752479	6-3	2753418	6-3
2000169	1-22	2220603	6-3	2230024	6-3	2752479	6-7	2753418	6-7
2000170	1-25	2220603	6-7	2230024	6-8	2752480	6-4	2753473	6-3
2000170	1-27	2220621	6-3	2230043	6-3	2752480	6-8	2753473	6-7
2080052	1-41	2220621	6-7	2230043	6-8	2752484	6-3	2753476	6-3
2080052	1-45	2220628	6-8	2300014	10-1	2752484	6-7	2753476	6-7
2080052	2-13	2220635	6-11	2300016	10-1	2752493	6-3	2753500	6-13
2080052	2-3	2220635	6-13	2300021	10-1	2752493	6-7	2753501	6-13
2080057	8-3	2220635	6-4	2300027	10-1	2752622	6-3	2753506	6-3
2080057	8-8	2220635	6-8	2360509	10-1	2752622	6-7	2753506	6-7
2080059	1-5	2220651	6-8	2360525	1-3	2752632	6-3	2753507	6-3
2080069	4-5	2220700	6-13	2400056	7-13	2752632	6-7	2753507	6-7
2120077	1-25	2220738	6-4	2420172	2-11	2752643	6-3	2753508	6-4
2120146	2-3	2220738	6-8	2420191	2-13	2752643	6-7	2753508	6-8
2120150	2-3	2220773	1-26	2460036	1-49	2753059	6-11	2792396	6-14
2120172	6-4	2220819	6-11	2540020	4-5	2753059	6-4	2792397	6-14
2120172	6-8	2220819	6-4	2540036	1-22	2753059	6-8	2792415*	6-14
2120209	2-3	2220819	6-8	2540036	1-26	2753118	6-3	2792415	6-3

INDEX

P/N	PAGE	P/N	PAGE	P/N	PAGE	P/N	PAGE	P/N	PAGE
2792416	6-14	3160255	1-7	3311405	4-6	3422745	1-5	3572782	1-45
2792417*	6-14	3160255	1-9	3311405	8-3	3422778	3-4	3573513	5-7
2792417	6-7	3220083	1-28	3311405	8-8	3422778	3-8	3600300	1-22
2792449*	6-14	3251813	8-3	3311505	1-21	3422803	1-3	3600300	1-26
2792449	6-11	3251813	8-8	3311505	1-25	3422821	3-3	3600300	1-31
2792450*	6-14	3252191	8-8	3311505	1-39	3422821	3-8	3600313	1-22
2792450	6-13	3252507	7-13	3311505	1-45	3422822	3-3	3600313	1-26
2820018	1-39	3252591	8-4	3311505	2-4	3422822	3-8	3600414	1-22
2820097	4-5	3252591	8-9	3311505	2-4	3422823	4-3	3600414	1-26
2860030	2-11	3252694	8-4	3311505	3-3	3422824	4-3	3600414	1-35
2900708	1-49	3252694	8-9	3311505	3-7	3422825	3-4	3641310	4-5
2900770	5-3	3252695	4-9	3311505	4-5	3422825	3-8	3730117	7-11
2900770	5-7	3252746	4-9	3311505	4-6	3422826	3-4	3740049	1-21
2900770	5-7	3271505	4-6	3311601	2-13	3422826	3-8	3740049	1-49
2901443	7-14	3272001	1-45	3311605	1-22	3422828	1-5	3740049	7-11
2901548	5-3	3290601	4-7	3311605	1-26	3431220	1-3	3760115	1-5
2901912	8-3	3290801	1-21	3311605	1-45	3440420	1-45	3760170	4-5
2901912	8-8	3290801	1-25	3311605	1-5	3450304	3-3	3760170	4-7
2901914	8-3	3300029	1-22	3311605	3-3	3450304	3-7	3760261	5-5
2901926	8-8	3300029	1-26	3311605	3-7	3450405	5-13	3760321	4-3
2901930	3-4	3300151	3-3	3311605	4-3	3450405	5-9	3760348	1-22
2901931	3-8	3300151	3-7	3311605	4-6	3450406	1-3	3760348	1-26
2901938	8-8	3300151	4-5	3311805	1-21	3460314	1-21	3760348	4-6
2901939	8-8	3300151	4-7	3311805	1-25	3460314	1-25	3760367	5-3
2901941	5-5	3300281	5-5	3311805	1-42	3460315	1-25	3760387	3-4
2901941	5-7	3300356	4-5	3311805	3-3	3460316	1-21	3760387	3-8
2902023	5-5	3300356	4-6	3311805	3-7	3460325	1-28	3760420	3-4
2902080	8-8	3300374	1-22	3312005	1-3	3480092	5-5	3760420	3-8
2910479	1-21	3300374	1-26	3321402	5-13	3480092	5-7	3760453	5-5
2910479	1-25	3300409	1-3	3321402	5-9	3510723	4-3	3760460	5-7
2920026	2-11	3300420	4-7	3322002	1-3	3510734	4-3	3820019	2-3
2920026	4-10	3300432	4-5	3322201	1-5	3520026	2-11	3820020	4-6
2920029	2-11	3300465	5-7	3322202	1-22	3520030	2-11	3841143	1-5
2920029	4-10	3310601	4-9	3322202	1-26	3520071	1-42	3841143	3-4
2920146	1-39	3310805	1-45	3322202	4-6	3520072	4-6	3841143	3-8
2940074	4-5	3310805	2-4	3340612	4-5	3520080	4-9	3841143	4-3
2940126	2-3	3311401	1-49	3340856	3-3	3520080	4-9	3841146	1-3
2940127	4-7	3311401	3-7	3340856	3-8	3520193	2-11	3841233	1-22
3010088	4-5	3311401	4-7	3340856	4-3	3520193	4-10	3841233	1-26
3020022	3-4	3311405	1-21	3340866	3-3	3536708	5-5	3841233	4-6
3020022	3-8	3311405	1-22	3340895	4-10	3537609	4-6	3841258	1-5
3020022	4-6	3311405	1-25	3421565	4-5	3537619	4-6	3841326	1-45
3160244	1-17	3311405	1-26	3421565	4-7	3538047	1-5	3841367	1-5
3160244	1-7	3311405	1-5	3422219	4-5	3571829	4-5	3841432	1-3
3160244	1-7	3311405	2-3	3422219	4-7	3571862	4-6	3841469	1-3
3160245	1-11	3311405	2-4	3422369	3-3	3572029	1-41	3860059	1-22
3160245	1-7	3311405	3-4	3422369	3-8	3572029	1-5	3860059	1-26
3160254	1-13	3311405	3-8	3422369	4-5	3572229	2-3	3860059	4-6
3160254	1-7	3311405	4-6	3422592	1-5	3572362	2-4	3900128	2-13

INDEX

P/N	PAGE	P/N	PAGE	P/N	PAGE	P/N	PAGE	P/N	PAGE
3900170	5-5	4240139	2-13	4460266	4-15	4460467	7-14	4641118	5-13
3900178	4-10	4240143	1-21	4460266	7-10	4460468	7-10	4641143	1-5
3900184	1-22	4240143	1-25	4460267	4-13	4460470	4-10	4641147	2-3
3900184	1-26	4280295	5-13	4460267	4-15	4460470	7-10	4641147	2-9
3900208	2-4	4360070	2-11	4460267	7-10	4460471	4-10	4641150	1-45
3900248	5-15	4360321	7-12	4460267	7-10	4460471	7-10	4641150	1-46
3900265	4-10	4360321	7-12	4460267	7-11	4460473	7-10	4641151	1-46
3900267	4-5	4360321	7-14	4460267	7-11	4460480	4-10	4641152	1-46
3900281	2-11	4360321	7-14	4460267	7-14	4460480	7-10	4641156	5-5
3900289	2-4	4360328	2-11	4460267	7-14	4460481	7-10	4641156	5-7
3900321	5-7	4360331	4-10	4460268	4-13	4460499	7-11	4641157	2-3
3910606	2-11	4360331	4-10	4460268	7-11	4460499	7-12	4641157	2-7
3910616	2-11	4360387	2-11	4460268	7-11	4460510	10-2	4641163	5-3
3910804	2-11	4360387	4-10	4460268	7-12	4460510	7-14	4641168	5-13
3911008	4-5	4360387	4-9	4460268	7-13	4460662	7-12	4641172	5-13
3911424	4-5	4360387	4-9	4460268	7-14	4460662	7-12	4641172	5-9
3911428	4-5	4360469	2-11	4460268	7-14	4460779	7-14	4711400	1-21
3911428	4-6	4360475	2-11	4460268	7-14	4460812	7-10	4711400	1-22
3911432	4-5	4360475	4-10	4460320	7-11	4460812	7-10	4711400	1-25
3911532	4-5	4360481	2-11	4460320	7-13	4460814	7-11	4711400	1-26
3911532	4-6	4360482	4-10	4460320	7-14	4460817	7-10	4711400	1-41
3911536	4-5	4360482	4-10	4460320	7-14	4460818	7-10	4711400	1-5
3930820	1-45	4360482	4-10	4460320	7-14	4460819	7-10	4711400	2-3
3930820	3-4	4360483	4-10	4460321	7-11	4460824	7-11	4711400	2-4
3930820	3-8	4360548	7-12	4460328	7-13	4460825	7-11	4711400	3-8
3931516	5-3	4360548	7-12	4460328	7-13	4460827	7-11	4711400	4-5
3941004	1-39	4360548	7-14	4460424	7-10	4460828	7-11	4711400	5-13
3951603	3-4	4360548	7-14	4460424	7-11	4460829	7-11	4711400	5-9
3951603	3-8	4400275	1-25	4460424	7-14	4460829	7-11	4711400	8-3
3960525	2-13	4400426	2-3	4460424	7-14	4460834	7-11	4711400	8-8
3980003	1-22	4400427	2-13	4460428	7-12	4460845	7-11	4711500	1-25
3980003	1-26	4400427	2-13	4460428	7-12	4460846	7-10	4711500	1-39
3990010	7-11	4420008	4-10	4460428	7-14	4460858	7-14	4711500	2-3
4060092	7-13	4420037	2-13	4460428	7-14	4460968	7-12	4711500	3-4
4060700	7-13	4420052	1-45	4460434	7-11	4460968	7-12	4711500	3-8
4060802	4-10	4420055	4-7	4460449	7-11	4460968	7-14	4711500	4-3
4060803	1-41	4460044	7-13	4460449	7-14	4460968	7-14	4711500	4-6
4060803	1-49	4460051	7-13	4460464	7-10	4520238	1-7	4711600	1-22
4060808	2-4	4460071	7-13	4460464	7-10	4565647	5-5	4711600	1-26
4061003	1-45	4460138	7-13	4460465	7-10	4568114	2-4	4711600	1-5
4070878	1-5	4460226	4-15	4460465	7-10	4640113	1-7	4711600	2-13
4070879	1-5	4460248	7-12	4460465	7-10	4640495	5-5	4711600	3-4
4070987	2-11	4460248	7-13	4460465	7-11	4640495	5-7	4711600	3-8
4070991	2-11	4460259	7-11	4460465	7-12	4640757	6-8	4711600	4-6
4130367	1-3	4460260	7-11	4460465	7-12	4640858	5-3	4711800	1-21
4130372	1-3	4460265	4-13	4460465	7-12	4641001	5-13	4711800	1-22
4160116	1-45	4460265	4-15	4460465	7-12	4641001	5-13	4711800	1-25
4160189	1-22	4460265	7-12	4460465	7-14	4641001	5-9	4711800	1-26
4160189	1-26	4460266	4-13	4460467	10-2	4641002	5-9	4711800	1-45

INDEX

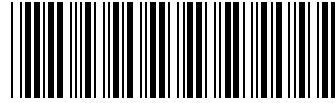
P/N	PAGE	P/N	PAGE	P/N	PAGE	P/N	PAGE	P/N	PAGE
4712200	1-3	4845938	4-10	4922437	7-10	7003790	4-13	7017444	5-13
4713000	5-7	4845986	3-4	4922441	2-4	7003791	4-13	7017444	5-9
4740120	4-10	4845986	3-8	4922441	7-11	7004275	10-2	7017445	5-13
4740158	1-5	4845987	4-3	4922446	4-10	7004276	10-2	7017445	5-9
4740332	3-4	4846020	3-4	4922446	7-10	7010542	2-7	7017467	5-13
4740332	3-8	4846020	3-8	4922447	4-10	7010543	2-7	7017901	1-23
4740415	1-45	4846117	4-6	4922447	7-10	7010543	2-7	7017901	1-27
4740480	3-3	4846120	4-6	4922452	1-49	7010635	1-49	7017904	1-23
4740480	3-7	4846121	4-6	4922452	7-14	7011344	2-9	7017908	1-23
4740493	1-22	4846122	4-5	4922454	1-45	7011344	2-9	7017923	1-22
4740495	1-25	4846123	4-5	4922454	7-14	7011940	4-13	7017924	1-23
4740501	1-3	4846124	4-5	4922455	1-45	7011997	4-13	7017938	1-23
4750600	2-11	4846125	4-5	4922455	7-14	7012693	1-5	7017942	1-23
4750800	1-45	4846156	1-5	4922456	1-45	7012773	2-7	7017942	1-27
4750800	2-4	4846159	1-42	4922456	7-14	7012773	2-7	7017963	1-23
4750800	3-4	4846181	4-6	4922592	7-13	7012773	2-9	7017964	1-23
4750800	3-8	4846191	4-6	4922593	7-13	7012903	1-46	7017967	1-23
4751000	2-13	4846221	1-21	4922630	3-3	7012941	2-7	7017968	1-23
4751000	4-5	4846224	1-45	4922630	3-7	7012943	1-46	7017969	1-23
4751400	1-41	4846225	1-45	4922630	3-8	7012943	1-49	7017978	1-27
4751400	1-45	4846249	4-10	4922630	7-12	7012943	5-13	7017980	1-27
4751400	2-13	4846256	4-7	4922630	7-12	7012943	5-9	7017981	1-27
4751400	4-7	4846282	1-42	70000081	4-15	7012944	2-7	7017985	1-27
4751500	1-41	4846584	5-7	70000082	4-15	7012944	2-7	7017992	1-27
4751500	1-45	4860217	1-7	70000083	4-15	7012944	5-13	7017995	1-23
4751500	2-4	4891800	1-7	70000084	4-15	7012953	2-7	7017998	1-27
4751500	3-4	4892000	1-45	70000085	4-15	7012953	5-9	7018408	1-14
4751500	3-8	4922321	3-4	70000683	4-15	7012967	2-7	7018411	1-13
4751500	4-5	4922321	7-12	70000684	4-15	7012967	2-9	7018411	1-9
4751600	1-21	4922336	2-11	70000685	4-15	7012975	2-9	7018435	1-9
4751600	1-22	4922336	7-11	70000686	4-15	7012998	2-7	7018436	1-13
4751600	1-26	4922339	2-11	70001140	1-23	7012998	2-7	7018436	1-9
4751600	1-45	4922339	7-11	70001439	1-27	7012998	2-7	7018901	2-7
4751600	3-4	4922343	2-4	70001865	1-23	7012998	5-13	7018903	2-7
4751600	3-8	4922343	7-11	70001968	1-35	7014802	2-3	7018904	2-7
4751800	1-42	4922345	3-8	70003339	1-36	7014811	2-3	7018936	1-35
4752200	1-22	4922345	7-12	70003340	1-36	7014812	2-3	7018942	2-7
4752200	1-26	4922378	2-11	7002818	10-2	7014813	2-3	7018942	2-9
4752200	4-6	4922378	7-11	7002820	10-2	7014816	2-3	7019602	5-13
4760600	2-11	4922383	7-10	7002821	7-14	7016312	2-3	7019602	5-9
4760600	4-10	4922384	7-10	7002823	10-2	7016319	1-39	7019880	5-10
4761000	2-11	4922391	4-10	7002823	7-14	7016372	1-39	7019880	5-14
4761400	1-49	4922391	7-10	7002826	10-2	7017226	5-17	7019884	5-10
4761400	2-4	4922392	7-10	7002828	7-14	7017290	5-17	7019884	5-14
4761500	2-4	4922425	1-39	7002840	1-5	7017291	5-17	7019885	5-14
4761600	1-21	4922425	7-12	7002840	10-2	7017294	5-17	7019886	5-10
4761600	1-25	4922426	1-39	7003212	5-14	7017410	2-7	7019886	5-14
4791400	4-10	4922426	7-13	7003226	5-14	7017418	2-7	7019887	5-14
4845829	4-5	4922437	4-10	7003226	5-9	7017418	2-7	7019888	5-14

INDEX

P/N	PAGE	P/N	PAGE	P/N	PAGE	P/N	PAGE	P/N	PAGE
7019889	5-14	7022380	1-31	7023133	1-23	7023209	2-7	7023302	1-9
7019889	5-9	7022389	1-22	7023134	1-22	7023210	2-7	7023303	1-13
7019890	5-14	7022389	1-26	7023137	1-22	7023232	1-49	7023303	1-9
7019891	5-14	7022524	2-9	7023138	1-22	7023233	1-49	7023304	1-14
7019892	5-14	7022527	2-7	7023141	1-23	7023234	1-49	7023305	1-14
7019893	5-14	7022528	2-9	7023142	1-23	7023235	1-49	7023800	1-18
7019894	5-14	7022529	2-7	7023143	1-23	7023247	1-49	7023801	1-11
7019895	5-14	7022530	2-7	7023144	1-23	7023276	1-13	7023806	1-11
7019896	5-10	7022531	2-7	7023148	1-23	7023276	1-9	7023806	1-17
7019897	5-9	7022585	1-18	7023149	1-23	7023278	1-13	7023807	1-11
7019898	5-9	7022586	1-11	7023153	1-27	7023278	1-9	7023807	1-17
7020020	2-3	7022586	1-17	7023160	1-23	7023279	1-13	7023809	2-9
7020175	2-11	7022587	1-11	7023164	1-23	7023279	1-9	7023810	2-9
7020175	4-10	7022587	1-17	7023166	1-23	7023280	1-13	7023834	1-32
7020176	2-11	7022588	1-11	7023167	1-23	7023280	1-9	7023854	1-33
7020176	4-10	7022588	1-17	7023168	1-23	7023281	1-13	7023855	1-33
7020218	5-13	7022589	1-11	7023169	1-23	7023281	1-9	7023856	1-33
7020218	5-9	7022589	1-17	7023169	1-27	7023282	1-13	7023859	1-33
7020253	2-3	7022590	1-11	7023170	1-23	7023282	1-9	7023866	1-17
7020256	2-3	7022590	1-17	7023172	1-23	7023283	1-13	7023877	1-31
7020257	2-13	7022591	1-11	7023173	1-23	7023283	1-9	7023878	1-31
7020500	4-13	7022591	1-17	7023173	1-27	7023284	1-13	7023879	1-31
7020501	4-13	7022592	1-17	7023174	1-27	7023284	1-9	7023881	1-31
7020502	4-13	7022593	1-17	7023175	1-27	7023285	1-9	7023881	1-36
7020503	4-13	7022594	1-17	7023176	1-27	7023286	1-13	7023882	1-31
7020504	4-13	7022595	1-17	7023177	1-22	7023286	1-9	7023883	1-32
7020509	4-13	7022596	1-17	7023178	7-11	7023287	1-13	7023884	1-32
7020511	4-13	7022597	1-17	7023179	7-11	7023287	1-9	7023885	1-32
7020520	4-13	7022598	1-18	7023180	7-11	7023288	1-13	7023885	1-35
7020527	4-13	7022599	1-18	7023181	7-11	7023288	1-9	7023886	1-32
7020528	4-13	7023009	5-17	7023182	7-11	7023289	1-13	7023887	1-31
7020529	4-13	7023010	5-17	7023182	7-11	7023289	1-9	7023887	1-35
7020530	4-13	7023104	1-27	7023183	7-11	7023290	1-13	7023888	1-31
7020533	4-13	7023105	1-27	7023184	1-27	7023290	1-9	7023888	1-35
7020534	4-13	7023107	1-27	7023186	1-23	7023291	1-13	7023889	1-31
7020535	4-13	7023108	1-27	7023187	1-23	7023291	1-9	7023890	1-32
7021375	2-7	7023109	1-27	7023188	1-23	7023292	1-13	7023891	1-32
7021375	2-7	7023110	1-27	7023190	1-27	7023292	1-9	7023892	1-32
7021376	2-7	7023111	1-27	7023191	1-27	7023293	1-13	7023893	1-32
7021376	2-7	7023113	1-27	7023192	1-27	7023294	1-13	7023894	1-32
7021376	2-9	7023115	1-27	7023193	1-27	7023295	1-14	7023895	1-32
7021629	2-7	7023120	1-27	7023194	1-27	7023296	1-14	7023896	1-32
7021646	2-7	7023124	1-23	7023195	1-27	7023297	1-14	7023897	1-32
7021649	2-7	7023124	1-27	7023196	1-23	7023298	1-14	7023898	1-32
7021650	2-7	7023125	1-27	7023197	1-27	7023300	1-14	7023899	1-33
7021651	2-7	7023126	1-23	7023198	1-27	7023300	1-9	7024000	1-33
7021651	2-7	7023126	1-27	7023199	1-22	7023301	1-14	7024001	1-33
7021653	1-46	7023127	1-27	7023206	2-3	7023301	1-9	7024002	1-33
7022169	1-27	7023128	1-27	7023208	2-7	7023302	1-13	7024003	1-33

INDEX

P/N	PAGE	P/N	PAGE
70240041-33	809345961-35
70240041-36	809346441-37
70240051-33	Use 10011010764-5	
70240051-37	Use 1684217..1-45	
70240061-33	Use 1701509...8-3	
70240071-11	Use 2902023...5-5	
70240081-11	Use 2902023...5-5	
70240091-11	Use 4922630...3-3	
70240641-35	Use 4922630...3-7	
70240641-35	Use 4922630...3-8	
70240651-35	Use 4922630..7-12	
70240651-36	Use 4922630..7-12	
70240681-35	Use 70002861.1-22	
70240681-37	Use 70002861.1-26	
70240691-35	Use 7012998..5-13	
70240701-31	Use 7012998...5-9	
70240701-35	Use 7020541..4-13	
70240711-36	Use 7020541..4-13	
70240721-36		
70240731-36		
70240751-36		
70240761-36		
70240771-36		
70240811-37		
70240821-36		
70240831-37		
70240841-37		
70240851-37		
70240861-37		
70240871-37		
70240881-37		
70240891-37		
70249081-36		
70249631-17		
70249641-17		
70249651-17		
70261911-14		
70262021-23		
70262031-23		
70262051-23		
70262071-23		
70262091-27		
70262111-23		
70273674-15		
70277654-15		
70277664-15		
70278881-13		
70278881-9		
70288771-35		



3121112



An Oshkosh Corporation Company

Corporate Office
JLG Industries, Inc.
1 JLG Drive
McConnellsburg PA. 17233-9533
USA

☎ (717) 485-5161

📠 (717) 485-6417

JLG Worldwide Locations

JLG Industries (Australia)
P.O. Box 5119
11 Bolwarra Road
Port Macquarie
N.S.W. 2444
Australia

☎ +61 2 65 811111

📠 +61 2 65 813058

JLG Latino Americana Ltda.
Rua Eng. Carlos Stevenson,
80-Suite 71
13092-310 Campinas-SP
Brazil

☎ +55 19 3295 0407

📠 +55 19 3295 1025

JLG Industries (UK) Ltd
Bentley House
Bentley Avenue
Middleton
Greater Manchester
M24 2GP - England

☎ +44 (0)161 654 1000

📠 +44 (0)161 654 1001

JLG France SAS
Z.I. de Baulieu
47400 Fauillet
France

☎ +33 (0)5 53 88 31 70

📠 +33 (0)5 53 88 31 79

JLG Deutschland GmbH
Max-Planck-Str. 21
D - 27721 Ritterhude - Ihlpohl
Germany

☎ +49 (0)421 69 350 20

📠 +49 (0)421 69 350 45

JLG Equipment Services Ltd.
Rm 1107 Landmark North
39 Lung Sum Avenue
Sheung Shui N. T.
Hong Kong

☎ (852) 2639 5783

📠 (852) 2639 5797

JLG Industries (Italia) s.r.l.
Via Po. 22
20010 Pregnana Milanese - MI
Italy

☎ +39 029 359 5210

📠 +39 029 359 5845

Oshkosh-JLG Singapore
Technology Equipment Pte
Ltd
29 Tuas Ave 4,
Jurong Industrial Estate
Singapore, 639379

☎ +65-6591 9030

📠 +65-6591 9031

Plataformas Elevadoras
JLG Iberica, S.L.
Trapadella, 2
P.I. Castellbisbal Sur
08755 Castellbisbal, Barcelona
Spain

☎ +34 93 772 4700

📠 +34 93 771 1762

JLG Sverige AB
Enkopingsvagen 150
Box 704
SE - 176 27 Jarfalla
Sweden

☎ +46 (0)850 659 500

📠 +46 (0)850 659 534