



Illustrated Parts Manual

Models

***3006H
30.6***

31211226

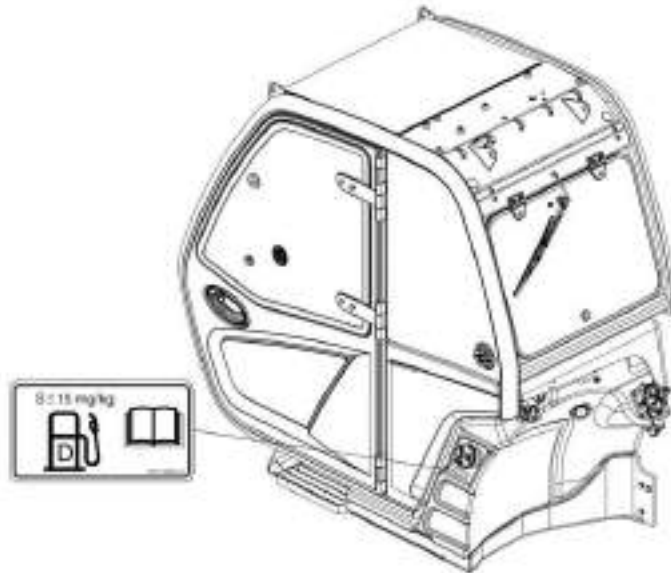
April 16, 2018 - Rev F



EFFECTIVITY PAGE

July 11, 2016 - A - Original Issue of Manual
August 24, 2016 - B - Revised Manual
November 22, 2016 - C - Revised Manual
March 31, 2017 - D - Revised Manual
January 30, 2018 - E - Revised Manual
April 16, 2018 - F - Revised Manual

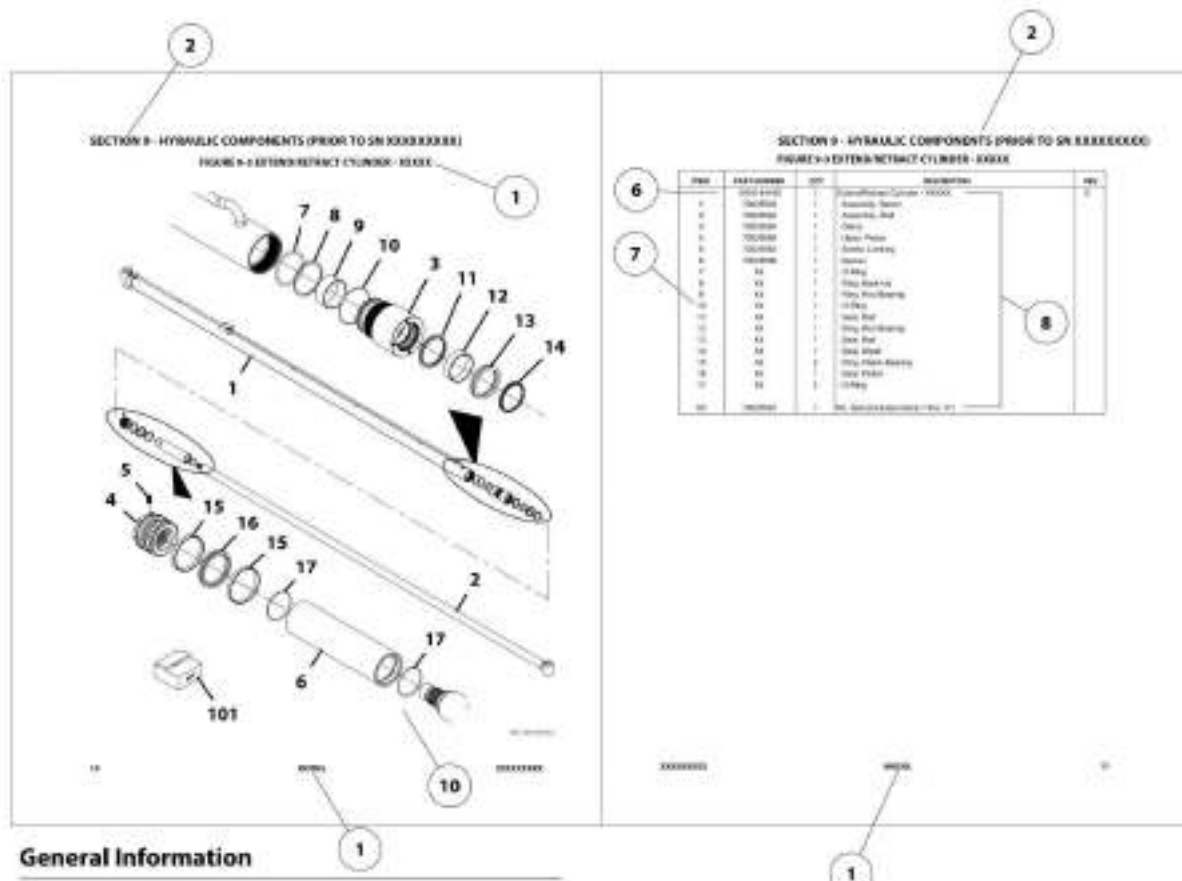
Machine Configuration



Two configurations of each machine are included in this manual. Determine if machine is equipped with Ultra Low Sulfur Fuel Decal (1).

If equipped with the Ultra Low Sulfur decal, all specific references to this machine configuration will be referred to as Ultra Low Sulfur (ULS) from this point forward.

If not equipped with the Ultra Low Sulfur decal, all specific references to this machine configuration will be referred to as Low Sulfur (LS) from this point forward.



General Information

1. MACHINE IDENTIFICATION

Machines are identified by model and in some cases a combination of model, serial number (S/N) or regional standard (e.g. ANSI, CE, CSA, AUS). Components may also be identified by S/N or manufacturer. Common components that may be identified by these characteristics are attachments, engine, transmission and hydraulic components.

2. PARTS MANUAL ORGANIZATION

Product information in this manual is organized under section titles. Frame, Engine and Electrical are a few examples. Each section is organized by Figure and page number. The information within the Figure is then organized by item number, part number, description and corresponding illustration(s).

3. TABLE OF CONTENTS

A table of contents (TOC) is found toward the beginning of the manual. Figure number, description and page number are provided for quick reference to the page containing the related information.

4. RECOMMENDED SPARE PARTS

The Recommended Spare Parts, located near the end of the manual, references most frequently used maintenance parts.

5. PARTS NUMBER INDEX

A numerical index listing all part numbers and the corresponding page number(s) appears at the back of the manual.

6. NON-SERVICED PARTS

In some instances it is necessary to display non-serviced parts, assemblies or installations. In the case of assemblies and installations there will be a Ref in the QTY column and a note after the item description stating what is available for service within. In the case of parts that are not available for service within assemblies or components there will be a NSS (Not Sold Separately) listed in the part number column of the manual.

7. PARTS LIST ITEM NUMBERS

Numbers shown in the Item column correspond to numbers used in the associated illustration(s). Item numbers which are missing from sequence and are not shown in the illustration(s) are not used on that page.

8. INDENTED PART DESCRIPTION

An indented part description is included in the item under which it is indented.

9. ABBREVIATIONS AND SYMBOLS

AC	Alternating Current
A/C	Air Conditioning
ADE	Advanced Design Electronics
AG	Agriculture
AAMP	Amperage
ANSI	American National Standards Institute
AR	As Required
ASSY	Assembly
AUS	Australia
AUX	Auxiliary
AWG	American Wire Gauge
CAC	Charge Air Cooler
CE	European Conformity
CM	Centimeter
CONST	Construction
CSA	Canadian Standards Association
DEF	Diesel Exhaust Fluid
DIA	Diameter
DC	Direct Current
DTZ	Decentralized Transmission Zeros
ECU	Electronic Control Unit
EMS	Emergency Stop
FNR	Forward Neutral Reverse
FT	Foot
GA	Gauge
GR	Grade
HBP	High Boom Pivot
HHP	High Horse Power
HOC	Hydraulic Oil Cooler
HVAC	Heating, Ventilating, and Air Conditioning
ID	Inside Diameter
IN	Inch
ISO	International Organization for Standards
ITSDF	Industrial Truck Standards Development Foundation
JK	Joint Industry Council
KG	Kilogram
KW	Kilowatt
L	Liter

LB	Pound
LBP	Low Boom Pivot
LCD	Liquid Crystal Display
LED	Light Emitting Diode
LH	Left Hand
LHD	Left Hand Drive
LHP	Low Horse Power
LMIS	Load Management Indicator System
LS	Low Sulfur
LSI	Load Stability Indicator
LSS	Load Sensing System
M ³	Cubic Meter
MA	Milliamp
M(m)	Metric/Meter
MM	Millimeter
N	Newton
NACD	North America Construction Division
NLA	No Longer Available
NSS	Not Sold Separately
OD	Outside Diameter
ORB	O-Ring Boss
ORFS	O-Ring Face Seal
OZ	Ounce
PR	Ply Rating
QT	Quart
QTY	Quantity
REF	Reference
REV	Revision
RH	Right Hand
RHD	Right Hand Drive
RHOC	Remote Hydraulic Oil Cooler
RUS	Russia
SAE	Society of Automotive Engineers
SAHR	Spring Applied Hydraulically Released
SN	Serial Number
SPD	Speed
TLLJ	Torque Lock Up
UGM	Universal Ground Module

10. ILLUSTRATION REFERENCE LETTERS

When necessary, illustrations may contain reference letters that are intended to track information from one point to another in the illustration such as harnesses and hoses or any other information that has been separated in the illustration.

Note: Due to continuous product improvements, JLG Industries, Inc. reserves the right to make specification changes without prior notification. Contact JLG Industries, Inc. for updated information.

TABLE OF CONTENTS

SECTION 1 - FRAME AND ATTACHING PARTS.....	17
FIGURE 1-1. FRAME INSTALLATION (20IN WHEEL)	18
FIGURE 1-2. FRAME INSTALLATION (24IN WHEEL)	20
FIGURE 1-3. ENGINE ENCLOSURE INSTALLATION (JLG).....	22
FIGURE 1-4. ENGINE ENCLOSURE COVER INSTALLATION.....	24
FIGURE 1-5. HOOD INSTALLATION (JLG).....	26
FIGURE 1-6. COVER PLATES INSTALLATION (ULS).....	28
FIGURE 1-7. COVER PLATES INSTALLATION (LS)	32
FIGURE 1-8. REAR COVER PLATES INSTALLATION	36
FIGURE 1-9. COUNTERWEIGHT INSTALLATION.....	38
FIGURE 1-10. TANKS INSTALLATION.....	40
FIGURE 1-11. FUEL TANK INSTALLATION	42
FIGURE 1-12. HYDRAULIC TANK INSTALLATION	44
FIGURE 1-13. FUEL TANK ASSEMBLY	46
FIGURE 1-14. HYDRAULIC TANK ASSEMBLY.....	48
FIGURE 1-15. FUEL AND HYDRAULIC CAP INSTALLATION.....	50
FIGURE 1-16. DEF TANK BRACKET INSTALLATION (NO TRAILER BRAKE)	52
FIGURE 1-17. DEF TANK BRACKET INSTALLATION (TRAILER BRAKE)	54
FIGURE 1-18. HITCH RETRIEVAL INSTALLATION.....	56
FIGURE 1-19. HITCH INSTALLATION (EEC AUTO)	58
FIGURE 1-20. HITCH INSTALLATION (PITON)	60
FIGURE 1-21. HITCH ASSEMBLY (EEC AUTO)	62
FIGURE 1-22. SLIDING HITCH ASSEMBLY (PITON)	64
FIGURE 1-23. HITCH INSTALLATION (EEC MANUAL)	66
FIGURE 1-24. HITCH ASSEMBLY (EEC MANUAL)	68
FIGURE 1-25. HITCH INSTALLATION (CUNA CATEGORY C)	70
FIGURE 1-26. HITCH ASSEMBLY (CUNA CATEGORY C).....	72
FIGURE 1-27. HITCH INSTALLATION (CUNA CATEGORY D2)	74
FIGURE 1-28. HITCH ASSEMBLY (CUNA CATEGORY D2).....	76
FIGURE 1-29. HITCH INSTALLATION (FIXED).....	78
FIGURE 1-30. HITCH ASSEMBLY (FIXED).....	80
FIGURE 1-31. CAB PLUG INSTALLATION (NON HYDRAULIC HITCH).....	82
FIGURE 1-32. HITCH INSTALLATION (HYDRAULIC).....	84
FIGURE 1-33. HITCH ASSEMBLY (HYDRAULIC).....	86
FIGURE 1-34. FRONT RETRIEVAL HITCH PIN	88
SECTION 2 - BOOM.....	91
FIGURE 2-1. BOOM INSTALLATION (JLG).....	92
FIGURE 2-2. BOOM ASSEMBLY (JLG) (Prior to SN 1160008371)	94
FIGURE 2-3. BOOM ASSEMBLY (JLG) (SN 1160008371 to Present)	96
FIGURE 2-4. BOOM ASSEMBLY (DEUTZ-FAHR) (SN 1160008371 to Present)	98
FIGURE 2-5. FIRST BOOM SECTION ASSEMBLY (JLG).....	100
FIGURE 2-6. SECOND BOOM SECTION ASSEMBLY.....	102
FIGURE 2-7. LINK ASSEMBLY	104
FIGURE 2-8. LEVER ASSEMBLY	106
FIGURE 2-9. MANUAL QUICK COUPLER INSTALLATION (20IN WHEEL)	108
FIGURE 2-10. MANUAL QUICK COUPLER INSTALLATION (24IN WHEEL)	110
FIGURE 2-11. HYDRAULIC QUICK COUPLER INSTALLATION (20IN WHEEL).....	112
FIGURE 2-12. HYDRAULIC QUICK COUPLER INSTALLATION (24IN WHEEL).....	114
FIGURE 2-13. BOOM ANGLE INDICATOR INSTALLATION.....	116
FIGURE 2-14. BOOM PROP INSTALLATION	118
FIGURE 2-15. BOOM BRUSHES INSTALLATION	120
FIGURE 2-16. BOOM REMOTE GREASING INSTALLATION	122
SECTION 3 - ATTACHMENTS	125
FIGURE 3-1. PALLET FORK (50X100X1220).....	126
FIGURE 3-2. PALLET FORK (50X120X1200).....	128
FIGURE 3-3. PALLET FORK (60X100X1220).....	130
FIGURE 3-4. PALLET FORK (50X100X1070).....	132
FIGURE 3-5. PALLET FORK (2.36X4X48).....	134
FIGURE 3-6. PALLET FORK (2.36X5X48).....	136
FIGURE 3-7. PALLET FORK (50X100X1525).....	138
FIGURE 3-8. BLOCKING FORK (50X50X1220)	140

TABLE OF CONTENTS

FIGURE 3-9. BLOCKING FORK (50X50X1220)	142
FIGURE 3-10. CARRIAGE ASSEMBLY (1200MM) (CE AND AUS)	144
FIGURE 3-11. CARRIAGE ASSEMBLY (1270MM)	146
FIGURE 3-12. SIDE TILTING CARRIAGE (4.5 TON - 1225 MM)	148
FIGURE 3-13. SIDE TILTING CARRIAGE (4.5 TON - 1270 MM)	150
FIGURE 3-14. SIDE SHIFT CARRIAGE (4.0 TON - 1225 MM)	152
FIGURE 3-15. SIDE SHIFT CARRIAGE (5.5 TON - 1270 MM)	154
FIGURE 3-16. FORK POSITIONING CARRIAGE WITH FORKS (4.5 TON)	156
FIGURE 3-17. DUAL FORK CARRIAGE ASSEMBLY	158
FIGURE 3-18. DUAL FORK CARRIAGE VALVE ASSEMBLY	160
FIGURE 3-19. DUAL TINE BAILING FORK CARRIAGE	162
FIGURE 3-20. BUCKET 1.0 YD ³ (ANSI - JLG)	164
FIGURE 3-21. BUCKET 1.0 M ³ (CE AND AUS)	166
FIGURE 3-22. BUCKET 1.5 M ³ (CE AND AUS)	168
FIGURE 3-23. BUCKET 2.0 M ³ (CE AND AUS)	170
FIGURE 3-24. FORK MOUNTED BUCKET (1.0 M ³)	172
FIGURE 3-25. 4 IN 1 BUCKET 0.6 M ³	174
FIGURE 3-26. DIG BUCKET 1.0 M ³ (CE AND AUS)	176
FIGURE 3-27. MANURE GRAPPLE BUCKET (CE & AUS)	178
FIGURE 3-28. MULTI-PURPOSE GRAPPLE BUCKET (1850MM) (ANSI - JLG)	180
FIGURE 3-29. MULTI-PURPOSE GRAPPLE (WIDE GRIP - 1850MM) (CE & AUS)	182
FIGURE 3-30. MULTI-PURPOSE GRAPPLE BUCKET (2100MM) (CE & AUS)	184
FIGURE 3-31. MUCK FORK AND GRAB (CE & AUS)	186
FIGURE 3-32. CUTTING EDGE (2100MM BUCKET)	188
FIGURE 3-33. TRUSS BOOM (4 TON - 2.1M)	190
FIGURE 3-34. TRUSS BOOM (1 TON - 3.4M)	192
FIGURE 3-35. TRUSS BOOM (0.9 TON - 3.7M)	194
FIGURE 3-36. TRUSS BOOM (1.8 TON - 1M FT WITH WINCH)	196
FIGURE 3-37. TRUSS BOOM (3 FT WITH WINCH)	198
FIGURE 3-38. TRUSS BOOM (0.9 TON - 3.7M WITH WINCH)	200
FIGURE 3-39. TRUSS BOOM (1.8 TON - 3 FT WITH WINCH)	202
FIGURE 3-40. TRUSS BOOM (0.9 TON - 12 FT WITH WINCH)	204
FIGURE 3-41. CRANE HOOK (CE AND AUS)	206
FIGURE 3-42. CRANE HOOK	208
FIGURE 3-43. FORK MOUNTED HOOK (4 TON)	210
FIGURE 3-44. FORK MOUNTED BASKET	212
FIGURE 3-45. FORK MOUNTED PLATFORM	214
FIGURE 3-46. FORK MOUNTED TRASH HOPPER	216
FIGURE 3-47. CONCRETE BUCKET	218
FIGURE 3-48. SWEEPER	222
FIGURE 3-49. SWEEPER	224
FIGURE 3-50. AUGER (COUPLER MOUNTED)	226
FIGURE 3-51. FORK POSITIONING CARRIAGE WITH FORKS (4.0 TON)	228
FIGURE 3-52. FORK ROTATING CARRIAGE (4.5 TON - 1270 MM)	230
FIGURE 3-53. FORK ROTATING CARRIAGE (2.05 TON - 990 MM)	234
FIGURE 3-54. DRIVE GROUP MOTOR	238
FIGURE 3-55. DRIVE MOTOR	240
FIGURE 3-56. FEM CARRIAGE AND FORKS	242
FIGURE 3-57. BUCKET GUARD	244
FIGURE 3-58. BALE HANDLER (TUBE CLAMP)	246
FIGURE 3-59. BALE HANDLER (SPIKE CLAMP)	248
FIGURE 3-60. BALE HANDLER KIT (SPIKES)	250
FIGURE 3-61. BALE HANDLER KIT (SPIKES TO TUBE)	252
FIGURE 3-62. FORK EXTENSION (50X100X1910)	254
FIGURE 3-63. FORK EXTENSION (60X100X1920)	256
FIGURE 3-64. TRANSPORT LATCHES	258
FIGURE 3-65. MANITOU HYDRAULIC COUPLING	260
FIGURE 3-66. MANITOU HYDRAULIC COUPLING	262
FIGURE 3-67. JCB HYDRAULIC COUPLING INSTALLATION	264
FIGURE 3-68. JCB HYDRAULIC COUPLING	266
FIGURE 3-69. MERLO HYDRAULIC COUPLING INSTALLATION	268
FIGURE 3-70. MERLO HYDRAULIC COUPLING	270
SECTION 4 - ENGINE AND ATTACHING PARTS	273
FIGURE 4-1. ENGINE INSTALLATION (74.4KW - ULS)	274
FIGURE 4-2. ENGINE INSTALLATION (74.4KW - LS)	276

TABLE OF CONTENTS

FIGURE 4-3. ENGINE INSTALLATION (85KW - ULS).....	278
FIGURE 4-4. ENGINE INSTALLATION (85KW - LS).....	280
FIGURE 4-5. ENGINE MOUNTING INSTALLATION	282
FIGURE 4-6. DIPSTICK INSTALLATION	284
FIGURE 4-7. 3.6L ENGINE (85KW - ULS).....	286
FIGURE 4-8. 3.6L ENGINE (74.4KW - ULS).....	288
FIGURE 4-9. 3.6L ENGINE (85KW - LS).....	290
FIGURE 4-10. 3.6L ENGINE (74.4KW - LS).....	292
FIGURE 4-11. FUEL LINES INSTALLATION (ULS).....	294
FIGURE 4-12. FUEL LINES INSTALLATION (LS)	296
FIGURE 4-13. EXHAUST INSTALLATION (ULS)	298
FIGURE 4-14. EXHAUST INSTALLATION (LS) (Prior to SN 0160079089, Excluding 0160079084, 0160079085 and 0160079086).....	300
FIGURE 4-15. EXHAUST INSTALLATION (LS) (SN 0160079089 to Present, Including 0160079084, 0160079085 and 0160079086)	302
FIGURE 4-16. ENGINE PARTS INSTALLATION (NO A/C)	304
FIGURE 4-17. COOLING PACKAGE INSTALLATION (ULS)	306
FIGURE 4-18. COOLING PACKAGE INSTALLATION (LS)	308
FIGURE 4-19. RADIATOR COOLING PACKAGE INSTALLATION	310
FIGURE 4-20. RADIATOR	312
FIGURE 4-21. FAN INSTALLATION	314
FIGURE 4-22. FAN LINES INSTALLATION	316
FIGURE 4-23. FAN VALVE INSTALLATION.....	318
FIGURE 4-24. PRIMARY FUEL FILTER INSTALLATION (ULS)	320
FIGURE 4-25. PRIMARY FUEL FILTER INSTALLATION (LS)	322
FIGURE 4-26. AIR CLEANER INSTALLATION (ULS)	324
FIGURE 4-27. AIR CLEANER INSTALLATION (LS).....	326
FIGURE 4-28. AIR CLEANER FILTER.....	328
FIGURE 4-29. COOLANT LINES INSTALLATION.....	330
FIGURE 4-30. COOLER LINES INSTALLATION (Prior to SN 1160008371)	332
FIGURE 4-31. COOLER LINES INSTALLATION (SN 1160008371 to Present).....	334
FIGURE 4-32. CAC LINES INSTALLATION (ULS)	336
FIGURE 4-33. CAC LINES INSTALLATION (LS).....	338
FIGURE 4-34. SURGE TANK INSTALLATION	340
FIGURE 4-35. BULKHEAD INSTALLATION	342
FIGURE 4-36. DEF PUMP AND CONTROL INSTALLATION	344
FIGURE 4-37. DEF TANK INSTALLATION.....	346
FIGURE 4-38. DEF PUMP LINES INSTALLATION.....	348
FIGURE 4-39. TRANSMISSION HYDROSTATIC ADAPTER INSTALLATION.....	350
FIGURE 4-40. TRANSMISSION HYDROSTATIC DRIVE PUMP INSTALLATION	352
FIGURE 4-41. IMPLEMENT PUMP INSTALLATION	354
FIGURE 4-42. IMPLEMENT PUMP ASSEMBLY.....	356
FIGURE 4-43. PULLEY COVER INSTALLATION	358
FIGURE 4-44. HYDRAULIC FAN PUMP INSTALLATION	360
FIGURE 4-45. HEATER LINES INSTALLATION (ULS)	362
FIGURE 4-46. HEATER LINES INSTALLATION (LS).....	364
FIGURE 4-47. BLOCK HEATER INSTALLATION (230V)	366
FIGURE 4-48. BLOCK HEATER INSTALLATION (120V)	368
FIGURE 4-49. BLOCK HEATER (ULS).....	370
FIGURE 4-50. BLOCK HEATER (LS).....	372
FIGURE 4-51. A/C PUMP INSTALLATION	374
FIGURE 4-52. A/C LINES INSTALLATION	376
FIGURE 4-53. HYDROSTATIC PUMP INSTALLATION.....	378
SECTION 5 - DRIVE TRAIN	381
FIGURE 5-1. AXLES INSTALLATION (20IN WHEEL)	382
FIGURE 5-2. AXLES INSTALLATION (24IN WHEEL)	384
FIGURE 5-3. HYDROSTATIC MOTOR INSTALLATION.....	386
FIGURE 5-4. HYDROSTATIC DRIVE MOTOR	388
FIGURE 5-5. FRONT AXLE (20IN WHEEL).....	390
FIGURE 5-6. FRONT AXLE, CENTRAL HOUSING (20IN WHEEL).....	392
FIGURE 5-7. FRONT AXLE, DIFFERENTIAL (20IN WHEEL)	394
FIGURE 5-8. FRONT AXLE, HUB REDUCTION (20IN WHEEL)	396
FIGURE 5-9. FRONT AXLE, BRAKES (20IN WHEEL)	398
FIGURE 5-10. FRONT AXLE, STEERING (20IN WHEEL).....	400
FIGURE 5-11. FRONT AXLE, GEAR BOX (20IN WHEEL).....	402

TABLE OF CONTENTS

FIGURE 5-12. FRONT AXLE (24IN WHEEL)	406
FIGURE 5-13. FRONT AXLE, CENTRAL HOUSING (24IN WHEEL)	408
FIGURE 5-14. FRONT AXLE, DIFFERENTIAL (24IN WHEEL)	410
FIGURE 5-15. FRONT AXLE, HUB REDUCTION (24IN WHEEL).....	412
FIGURE 5-16. FRONT AXLE, BRAKES (24IN WHEEL).....	414
FIGURE 5-17. FRONT AXLE, STEERING (24IN WHEEL)	416
FIGURE 5-18. FRONT AXLE, GEAR BOX (24IN WHEEL).....	418
FIGURE 5-19. REAR AXLE (20IN WHEEL).....	422
FIGURE 5-20. REAR AXLE, CENTRAL HOUSING (20IN WHEEL)	424
FIGURE 5-21. REAR AXLE, DIFFERENTIAL (20IN WHEEL)	426
FIGURE 5-22. REAR AXLE, HUB REDUCTION (20IN WHEEL)	428
FIGURE 5-23. REAR AXLE, STEERING (20IN WHEEL).....	430
FIGURE 5-24. TRUNNION.....	432
FIGURE 5-25. REAR AXLE (24IN WHEEL).....	434
FIGURE 5-26. REAR AXLE, CENTRAL HOUSING (24IN WHEEL)	436
FIGURE 5-27. REAR AXLE, DIFFERENTIAL (24IN WHEEL)	438
FIGURE 5-28. REAR AXLE, HUB REDUCTION (24IN WHEEL)	440
FIGURE 5-29. REAR AXLE, STEERING (24IN WHEEL).....	442
FIGURE 5-30. REAR AXLE, TRUNNION KIT (24IN WHEEL)	444
FIGURE 5-31. DIFFERENTIAL KIT.....	446
FIGURE 5-32. DIFFERENTIAL KIT.....	448
FIGURE 5-33. REDUCTION BUSHING KIT	450
FIGURE 5-34. STEERING CASE KIT, (LF, RR)	452
FIGURE 5-35. STEERING CASE KIT, (RF, LR)	454
FIGURE 5-36. STEERING CASE KIT, (LF, RR)	456
FIGURE 5-37. STEERING CASE KIT, (RF, LR)	458
FIGURE 5-38. STEERING ADJUST BOLT KIT	460
FIGURE 5-39. PLANET GEAR KIT	462
FIGURE 5-40. PLANET GEAR CARRIER KIT	464
FIGURE 5-41. PLANET GEAR CARRIER KIT	466
FIGURE 5-42. RING GEAR SUPPORT KIT.....	468
FIGURE 5-43. RING GEAR SUPPORT KIT.....	470
FIGURE 5-44. SUPPORT KIT.....	472
FIGURE 5-45. DRIVE SHAFTS INSTALLATION	474
FIGURE 5-46. FRONT DRIVE SHAFT.....	476
FIGURE 5-47. REAR DRIVE SHAFT	478
FIGURE 5-48. AXLE SHIM INSTALLATION (20IN WHEEL)	480
FIGURE 5-49. AXLE SHIM INSTALLATION	482
FIGURE 5-50. TIRE/WHEEL SET (20IN WHEEL - 405/70 - AIR).....	484
FIGURE 5-51. RIGHT TIRE/WHEEL ASSEMBLY (20IN WHEEL - 405/70 - AIR)	486
FIGURE 5-52. WHEEL, RH RIM ASSEMBLY (20IN WHEEL - 405/70 - AIR).....	488
FIGURE 5-53. LEFT TIRE/WHEEL ASSEMBLY (20IN WHEEL - 405/70 - AIR).....	490
FIGURE 5-54. WHEEL, LH RIM ASSEMBLY (20IN WHEEL - 405/70 - AIR).....	492
FIGURE 5-55. TIRE/WHEEL SET (20IN WHEEL - 400/70 - AIR).....	494
FIGURE 5-56. RIGHT TIRE/WHEEL ASSEMBLY (20IN WHEEL - 400/70 - AIR)	496
FIGURE 5-57. WHEEL, RH RIM ASSEMBLY (20IN WHEEL - 400/70 - AIR).....	498
FIGURE 5-58. LEFT TIRE/WHEEL ASSEMBLY (20IN WHEEL - 400/70 - AIR).....	500
FIGURE 5-59. WHEEL, LH RIM ASSEMBLY (20IN WHEEL - 400/70 - AIR).....	502
FIGURE 5-60. TIRE/WHEEL SET (24IN WHEEL - 405/70 - AIR).....	504
FIGURE 5-61. RIGHT TIRE/WHEEL ASSEMBLY (24IN WHEEL - 405/70 - AIR)	506
FIGURE 5-62. WHEEL RH RIM ASSEMBLY (24IN WHEEL - 405/70 - AIR).....	508
FIGURE 5-63. LEFT TIRE/WHEEL ASSEMBLY (24IN WHEEL - 405/70 - AIR).....	510
FIGURE 5-64. WHEEL LH RIM ASSEMBLY (24IN WHEEL - 405/70 - AIR).....	512
FIGURE 5-65. TIRE/WHEEL SET (24IN WHEEL - 400/70 - XMCL - AIR).....	514
FIGURE 5-66. RIGHT TIRE/WHEEL ASSEMBLY (24IN WHEEL - 400/70 - XMCL - AIR)	516
FIGURE 5-67. WHEEL RH RIM ASSEMBLY (24IN WHEEL - 400/70 - XMCL - AIR).....	518
FIGURE 5-68. LEFT TIRE/WHEEL ASSEMBLY (24IN WHEEL - 400/70 - XMCL - AIR).....	520
FIGURE 5-69. WHEEL, LH RIM ASSEMBLY (24IN WHEEL - 400/70 - XMCL - AIR).....	522
FIGURE 5-70. TIRE/WHEEL SET (24IN WHEEL - 400/70 - CL - AIR).....	524
FIGURE 5-71. RIGHT TIRE/WHEEL ASSEMBLY (24IN WHEEL - 400/70 - CL - AIR).....	526
FIGURE 5-72. WHEEL RH RIM ASSEMBLY ASSEMBLY (24IN WHEEL-400/70-CL-AIR)	528
FIGURE 5-73. LEFT TIRE/WHEEL ASSEMBLY (24IN WHEEL - 400/70 - CL - AIR)	530
FIGURE 5-74. WHEEL LH RIM ASSEMBLY (24IN WHEEL - 400/70 - CL - AIR).....	532
FIGURE 5-75. FENDER INSTALLATION (20IN WHEEL).....	534
FIGURE 5-76. FENDER INSTALLATION (24IN WHEEL).....	536
FIGURE 5-77. WHEEL CHOCK INSTALLATION.....	538

TABLE OF CONTENTS

SECTION 6 - CAB.....	541
FIGURE 6-1. CAB MOUNTS INSTALLATION.....	542
FIGURE 6-2. ENCLOSED CAB INSTALLATION (20IN WHEEL - JLG).....	544
FIGURE 6-3. ENCLOSED CAB INSTALLATION (24IN WHEEL - JLG).....	546
FIGURE 6-4. ENCLOSED CAB ASSEMBLY (20IN WHEEL - JLG).....	548
FIGURE 6-5. ENCLOSED CAB ASSEMBLY (24IN WHEEL - JLG).....	550
FIGURE 6-6. ENCLOSED CAB GROUP.....	552
FIGURE 6-7. ENCLOSED CAB (Prior to SN 1160008371).....	554
FIGURE 6-8. ENCLOSED CAB (SN 1160008371 to Present).....	556
FIGURE 6-9. ENCLOSED CAB (SN 1160008371 to Present).....	558
FIGURE 6-10. ENCLOSED CAB PLUG GROUP.....	560
FIGURE 6-11. REAR WINDOW INSTALLATION.....	562
FIGURE 6-12. REAR WINDOW ASSEMBLY.....	564
FIGURE 6-13. DOOR INSTALLATION.....	566
FIGURE 6-14. DOOR ASSEMBLY (AG).....	568
FIGURE 6-15. DOOR ASSEMBLY (AG) (SN 1160008371 to Present).....	570
FIGURE 6-16. CAB DOOR.....	572
FIGURE 6-17. DOOR UPPER GLASS ASSEMBLY.....	574
FIGURE 6-18. CAB LATCH ASSEMBLY.....	576
FIGURE 6-19. CAB DOOR TRIGGER ASSEMBLY.....	578
FIGURE 6-20. DOOR STRAP INSTALLATION.....	580
FIGURE 6-21. ENCLOSED CAB TRIM INSTALLATION (Prior to SN 1160008371).....	582
FIGURE 6-22. ENCLOSED CAB TRIM INSTALLATION (SN 1160008371 to Present).....	586
FIGURE 6-23. DASH COVER ASSEMBLY.....	590
FIGURE 6-24. RECIRCULATION GRILLE COVER PANEL ASSEMBLY (Prior to SN 1160008371).....	592
FIGURE 6-25. REAR PANEL COVER ASSEMBLY.....	594
FIGURE 6-26. ADJUSTABLE ARMREST INSTALLATION.....	596
FIGURE 6-27. HEADLINER INSTALLATION.....	598
FIGURE 6-28. HEADLINER/RADIO READY INSTALLATION.....	600
FIGURE 6-29. COMMON CAB TRIM INSTALLATION.....	602
FIGURE 6-30. CAB TRIM INSTALLATION (Prior to SN 1160008371).....	604
FIGURE 6-31. CAB TRIM INSTALLATION (SN 1160008371 to Present).....	606
FIGURE 6-32. ROOF CAP INSTALLATION (A/C).....	608
FIGURE 6-33. ROOF CAP INSTALLATION (NO A/C).....	610
FIGURE 6-34. FRONT COVER INSTALLATION.....	612
FIGURE 6-35. FILTER TRAY PANEL.....	614
FIGURE 6-36. FRONT DUCT COVER.....	616
FIGURE 6-37. HVAC CAB ACTUATOR.....	618
FIGURE 6-38. SEAT INSTALLATION (MECHANICAL).....	620
FIGURE 6-39. SEAT ASSEMBLY.....	622
FIGURE 6-40. SEAT INSTALLATION (AIR SUSPENSION - STANDARD).....	624
FIGURE 6-41. SEAT ASSEMBLY (AIR SUSPENSION - STANDARD).....	626
FIGURE 6-42. SEAT INSTALLATION (PREMIUM).....	628
FIGURE 6-43. UPPER SEAT ASSEMBLY.....	630
FIGURE 6-44. UPPER SEAT ASSEMBLY.....	632
FIGURE 6-45. SUSPENSION KIT.....	634
FIGURE 6-46. SEAT BELT INSTALLATION (2IN).....	636
FIGURE 6-47. SEAT BELT INSTALLATION (3IN).....	638
FIGURE 6-48. HEATER INSTALLATION (Prior to SN 1160008371).....	640
FIGURE 6-49. HEATER INSTALLATION (SN 1160008371 to Present).....	642
FIGURE 6-50. HEATER AND A/C INSTALLATION (Prior to SN 1160008371).....	644
FIGURE 6-51. HEATER AND A/C INSTALLATION (SN 1160008371 to Present).....	648
FIGURE 6-52. HEATER ASSEMBLY (Prior to SN 1160008371).....	652
FIGURE 6-53. HEATER ASSEMBLY (SN 1160008371 to Present).....	654
FIGURE 6-54. HEATER AND A/C ASSEMBLY (Prior to SN 1160008371).....	656
FIGURE 6-55. HEATER AND A/C ASSEMBLY (SN 1160008371 to Present).....	658
FIGURE 6-56. HEATER.....	660
FIGURE 6-57. HEATER.....	662
FIGURE 6-58. HEATER AND A/C.....	664
FIGURE 6-59. HEATER AND A/C.....	666
FIGURE 6-60. CAB CONDENSER ASSEMBLY.....	668
FIGURE 6-61. CONDENSER.....	670
FIGURE 6-62. A/C RECEIVER DRIER.....	672
FIGURE 6-63. ROOF WIPER INSTALLATION.....	674
FIGURE 6-64. FRONT NOSE CONE INSTALLATION (ROADLIGHTS).....	676
FIGURE 6-65. FRONT NOSE CONE INSTALLATION (NO ROADLIGHTS).....	678

TABLE OF CONTENTS

FIGURE 6-66. RETRACTABLE SUNSCREEN INSTALLATION.....	680
FIGURE 6-67. FLOOR MAT INSTALLATION	682
FIGURE 6-68. EXTERNAL WINDOW RELEASE INSTALLATION(CAN & ISO).....	684
FIGURE 6-69. CAB GUARD INSTALLATION (TOP)	686
FIGURE 6-70. CAB GUARD INSTALLATION (FRONT)	688
FIGURE 6-71. CAB GUARD INSTALLATION (TOP AND FRONT)	690
FIGURE 6-72. NUMBER PLATE BRACKET INSTALLATION (NO CAB GUARD)	692
FIGURE 6-73. NUMBER PLATE BRACKET INSTALLATION (CAB GUARD).....	694
FIGURE 6-74. MIRROR INSTALLATION (20IN WHEEL).....	696
FIGURE 6-75. HITCH MIRROR INSTALLATION (FLAT).....	698
FIGURE 6-76. HITCH MIRROR INSTALLATION (CONVEX)	700
FIGURE 6-77. MIRROR ASSEMBLY (CONVEX)	702
FIGURE 6-78. INTERIOR MIRROR INSTALLATION (Prior to SN 1160008371).....	704
FIGURE 6-79. INTERIOR MIRROR (Prior to SN 1160008371)	706
FIGURE 6-80. REAR VIEW MIRROR INSTALLATION.....	708
FIGURE 6-81. FRONT WIPER INSTALLATION	710
FIGURE 6-82. WASHER TANK INSTALLATION.....	712
FIGURE 6-83. WASHER HOSES INSTALLATION	714
FIGURE 6-84. HAMMER INSTALLATION	716
FIGURE 6-85. HAMMER ATTACHMENT ASSEMBLY	718
FIGURE 6-86. LEVEL INDICATOR INSTALLATION	720
FIGURE 6-87. WASHER BOTTLE	722
FIGURE 6-88. TOOL BOX INSTALLATION.....	724
FIGURE 6-89. REAR WINDOW INSTALLATION (WO/WIPER) (ANSI).....	726
FIGURE 6-90. REAR WINDOW INSTALLATION (WO/WIPER) (ISO).....	728
SECTION 7 - CONTROLS.....	731
FIGURE 7-1. ACCELERATOR PEDAL INSTALLATION.....	732
FIGURE 7-2. ACCELERATOR PEDAL	734
FIGURE 7-3. BRAKE INSTALLATION (24IN WHEEL)	736
FIGURE 7-4. BRAKE PEDAL (24IN WHEEL)	738
FIGURE 7-5. BRAKE INSTALLATION (20IN WHEEL)	740
FIGURE 7-6. BRAKE PEDAL (20IN WHEEL).....	742
FIGURE 7-7. BRAKE PEDAL PLATE	744
FIGURE 7-8. BRAKE SENSOR INSTALLATION.....	746
FIGURE 7-9. SWITCH PLATE ASSEMBLY.....	748
FIGURE 7-10. PARKING BRAKE INSTALLATION (SAHR).....	750
FIGURE 7-11. STEERING COLUMN INSTALLATION (20IN WHEEL).....	752
FIGURE 7-12. STEERING COLUMN INSTALLATION	754
FIGURE 7-13. TILT STEERING COLUMN	756
FIGURE 7-14. WIPER-TURN SWITCH (NO SPEED).....	758
FIGURE 7-15. WIPER-TURN SWITCH (0 SPEED - FNR).....	760
FIGURE 7-16. STEERING WHEEL INSTALLATION (24IN WHEEL).....	762
FIGURE 7-17. STEERING WHEEL.....	764
FIGURE 7-18. HORN BUTTON INSTALLATION (JLG).....	766
FIGURE 7-19. JOYSTICK INSTALLATION.....	768
SECTION 8 - HYDRAULIC CIRCUITS	771
FIGURE 8-1. COMMON HYDRAULICS INSTALLATION	772
FIGURE 8-2. HYDRAULICS INSTALLATION (20IN WHEEL)	774
FIGURE 8-3. HYDRAULICS INSTALLATION (24IN WHEEL)	776
FIGURE 8-4. MAIN CONTROL VALVE INSTALLATION (Prior to SN 1160008371)	778
FIGURE 8-5. MAIN CONTROL VALVE INSTALLATION (SN 1160008371 to Present).....	780
FIGURE 8-6. MAIN CONTROL VALVE LINES INSTALLATION.....	782
FIGURE 8-7. STEERING SELECT VALVE INSTALLATION	784
FIGURE 8-8. BRAKE LINES INSTALLATION (20IN WHEEL).....	786
FIGURE 8-9. BRAKE LINES INSTALLATION (24IN WHEEL).....	788
FIGURE 8-10. BRAKE AND STEERING INSTALLATION (20IN WHEEL).....	790
FIGURE 8-11. BRAKE AND STEERING INSTALLATION (24IN WHEEL).....	792
FIGURE 8-12. BRAKE AND STEERING PIPE ASSEMBLY (24IN WHEEL).....	794
FIGURE 8-13. BRAKE AND STEERING PIPE ASSEMBLY (20IN WHEEL).....	796
FIGURE 8-14. IMPLEMENT LINES INSTALLATION (Prior to SN 1160008371)	798
FIGURE 8-15. IMPLEMENT LINES INSTALLATION (SN 1160008371 to Present)	800
FIGURE 8-16. STEERING LINES INSTALLATION (20IN WHEEL).....	802
FIGURE 8-17. STEERING LINES INSTALLATION (24IN WHEEL).....	804

TABLE OF CONTENTS

FIGURE 8-18. SUCTION LINES INSTALLATION	806
FIGURE 8-19. RETURN LINES INSTALLATION	808
FIGURE 8-20. BOOM RAISE HOSES INSTALLATION (NO RIDE CONTROL) (Prior to SN 1160008371)	810
FIGURE 8-21. BOOM RAISE HOSES INSTALLATION (NO RIDE CONTROL) (SN 1160008371 to Present)	812
FIGURE 8-22. BOOM RAISE HOSES INSTALLATION (RIDE CONTROL) (Prior to SN 1160008371)	814
FIGURE 8-23. BOOM RAISE HOSES INSTALLATION (RIDE CONTROL) (SN 1160008371 to Present).....	816
FIGURE 8-24. MANUAL COUPLER LINES INSTALLATION (FRONT BOOM - SINGLE)	818
FIGURE 8-25. MANUAL COUPLER LINES INSTALLATION (FRONT BOOM - TWIN)	820
FIGURE 8-26. HYDRAULIC COUPLER LINES INSTALLATION (FRONT BOOM - SINGLE)	822
FIGURE 8-27. HYDRAULIC COUPLER LINES INSTALLATION (FRONT BOOM - TWIN)	824
FIGURE 8-28. AUX HYDRAULIC LINES INSTALLATION (NO REAR AUX)	826
FIGURE 8-29. REAR AUX HYDRAULICS INSTALLATION (SINGLE).....	828
FIGURE 8-30. REAR AUX HYDRAULICS INSTALLATION (TWIN).....	830
FIGURE 8-31. TRAILER BRAKE INSTALLATION (CE)	832
FIGURE 8-32. HYDROSTATIC LINES INSTALLATION.....	834
FIGURE 8-33. BOOM HYDRAULIC TUBES INSTALLATION	836
FIGURE 8-34. IMPLEMENT PUMP FILTER INSTALLATION	838
FIGURE 8-35. IMPLEMENT PUMP FILTER ASSEMBLY	840
FIGURE 8-36. LIFT CYLINDER INSTALLATION	842
FIGURE 8-37. SPEED SELECT VALVE INSTALLATION	844
FIGURE 8-38. BRAKE ACCUMULATOR INSTALLATION.....	846
FIGURE 8-39. HYDRAULIC FILTER ASSEMBLY.....	848
FIGURE 8-40. AUTO APPLY PARK BRAKE INSTALLATION	850
SECTION 9 - HYDRAULIC COMPONENTS.....	853
FIGURE 9-1. LIFT CYLINDER	854
FIGURE 9-2. TILT CYLINDER	856
FIGURE 9-3. EXTEND/RETRACT CYLINDER ASSEMBLY	858
FIGURE 9-4. EXTEND/RETRACT CYLINDER	860
FIGURE 9-5. COMPENSATION CYLINDER ASSEMBLY.....	862
FIGURE 9-6. COMPENSATION CYLINDER.....	864
FIGURE 9-7. COUPLER LOCKING CYLINDER ASSEMBLY	866
FIGURE 9-8. COUPLER LOCKING CYLINDER.....	868
FIGURE 9-9. SIDE TILT CYLINDER	870
FIGURE 9-10. SIDE SHIFT CARRIAGE CYLINDER.....	872
FIGURE 9-11. MULTI-PURPOSE GRAPPLE BUCKET CYLINDER (1850MM).....	874
FIGURE 9-12. FORK POSITIONING CYLINDER.....	876
FIGURE 9-13. MAIN CONTROL VALVE	878
FIGURE 9-14. IMPLEMENT PUMP.....	882
FIGURE 9-15. HYDROSTATIC PUMP	884
FIGURE 9-16. STEERING SELECT VALVE	886
FIGURE 9-17. TRAILER BRAKE VALVE (CE).....	888
FIGURE 9-18. RIDE CONTROL VALVE	890
FIGURE 9-19. SPEED CONTROL VALVE.....	892
FIGURE 9-20. DIVERTOR VALVE	894
FIGURE 9-21. DIVERTOR VALVE	896
FIGURE 9-22. DIVERTOR VALVE	898
FIGURE 9-23. DIVERTOR VALVE.....	900
FIGURE 9-24. FLOW DIVIDER VALVE.....	902
FIGURE 9-25. HYDRAULIC HITCH CONTROL VALVE (Prior to SN 1160008583).....	904
FIGURE 9-26. HYDRAULIC HITCH CONTROL VALVE (SN 1160008583 to Present).....	906
FIGURE 9-27. HYDRAULIC FILTER.....	908
FIGURE 9-28. SAHR BRAKE MANIFOLD	910
SECTION 10 - ELECTRICAL	913
FIGURE 10-1. FRAME WIRING INSTALLATION.....	914
FIGURE 10-2. ENGINE WIRING INSTALLATION (85KW - ULS)	916
FIGURE 10-3. ENGINE ECU INSTALLATION (74.4KW - 85KW - ULS).....	918
FIGURE 10-4. ENGINE WIRING INSTALLATION (74.4KW - 85KW - LS).....	920
FIGURE 10-5. ENGINE ECU INSTALLATION (74.4KW - 85KW - LS).....	922
FIGURE 10-6. ELECTRICAL COMPONENTS INSTALLATION	924
FIGURE 10-7. POWER DISTRIBUTION ELECTRICAL BOX.....	926
FIGURE 10-8. 200 AMP RELAY INSTALLATION	928
FIGURE 10-9. BATTERY INSTALLATION	930
FIGURE 10-10. CAB ELECTRICAL INSTALLATION	932

TABLE OF CONTENTS

FIGURE 10-11. STANDARD ELECTRICAL BOARD ASSEMBLY	936
FIGURE 10-12. OPTION 1 ELECTRICAL BOARD ASSEMBLY	938
FIGURE 10-13. OPTION 2 ELECTRICAL BOARD ASSEMBLY	940
FIGURE 10-14. DASH ELECTRICS INSTALLATION (ULS)	942
FIGURE 10-15. REVERSE CAMERA INSTALLATION (NO HYDRAULIC HITCH).....	944
FIGURE 10-16. REVERSE CAMERA INSTALLATION (HYDRAULIC HITCH)	946
FIGURE 10-17. REVERSE SENSOR INSTALLATION (NO HYDRAULIC HITCH).....	948
FIGURE 10-18. REVERSE SENSOR INSTALLATION (HYDRAULIC HITCH)	950
FIGURE 10-19. CLEARSKY INSTALLATION (A/C - LONG ROOF CAP) (Prior to SN 1160008371)	952
FIGURE 10-20. CLEARSKY INSTALLATION (A/C) (SN 1160008371 to Present)	954
FIGURE 10-21. CLEARSKY INSTALLATION (NO A/C - SHORT ROOF CAP)	956
FIGURE 10-22. TELEMATICS CAP INSTALLATION	958
FIGURE 10-23. HORN INSTALLATION.....	960
FIGURE 10-24. REVERSE ALARM INSTALLATION.....	962
FIGURE 10-25. DIP LIGHTS INSTALLATION (RHD)	964
FIGURE 10-26. DIP LIGHTS INSTALLATION (LHD).....	966
FIGURE 10-27. LICENSE PLATE LAMP INSTALLATION.....	968
FIGURE 10-28. CAB WORKLIGHTS INSTALLATION (NO A/C)	970
FIGURE 10-29. CAB WORKLIGHTS INSTALLATION (A/C)	972
FIGURE 10-30. CAB WORKLIGHT INSTALLATION (NO A/C - LED)	974
FIGURE 10-31. CAB WORKLIGHT INSTALLATION (A/C - LED).....	976
FIGURE 10-32. BOOM WORKLIGHTS INSTALLATION	978
FIGURE 10-33. BOOM LED WORKLIGHTS INSTALLATION	980
FIGURE 10-34. BEACON BRACKET INSTALLATION (Prior to SN 1160008371)	982
FIGURE 10-35. BEACON BRACKET INSTALLATION (AG) (SN 1160008371 to Present)	984
FIGURE 10-36. BEACON LIGHT INSTALLATION.....	986
FIGURE 10-37. TRAILER ELECTRICS INSTALLATION	988
FIGURE 10-38. MULTIFUNCTION DISPLAY INSTALLATION	990
FIGURE 10-39. ENGINE SPEED SET SWITCH INSTALLATION	992
FIGURE 10-40. IGNITION SWITCH INSTALLATION	994
FIGURE 10-41. IGNITION SWITCH INSTALLATION	996
FIGURE 10-42. LSI SENSOR COVER INSTALLATION (20IN WHEEL)	998
FIGURE 10-43. LSI SENSOR COVER INSTALLATION (24IN WHEEL)	1000
FIGURE 10-44. TRAVEL MODE SWITCH INSTALLATION	1002
FIGURE 10-45. LSI SENSOR INSTALLATION (20IN WHEEL)	1004
FIGURE 10-46. LSI SENSOR INSTALLATION (24IN WHEEL) (Prior to SN 1160008371)	1006
FIGURE 10-47. LSI ASSEMBLY	1008
FIGURE 10-48. LSI SENSOR (20IN WHEEL)	1010
FIGURE 10-49. LSI SENSOR (24IN WHEEL) (Prior to SN 1160008371).....	1012
FIGURE 10-50. LSI SENSOR (24IN WHEEL) (SN 1160008371 to Present).....	1014
FIGURE 10-51. LMIS INSTALLATION	1016
FIGURE 10-52. LMIS MECHANICAL (Prior to SN 1160008371)	1018
FIGURE 10-53. LMIS MECHANICAL (SN 1160008371 to Present)	1020
FIGURE 10-54. LMIS CONTROLLER.....	1022
FIGURE 10-55. LMIS WIRING INSTALLATION	1024
FIGURE 10-56. LMIS BEACON INSTALLATION.....	1026
FIGURE 10-57. BOOM ANGLE SENSOR INSTALLATION	1028
FIGURE 10-58. EARTH STRAP INSTALLATION	1030
FIGURE 10-59. RETRACT SENSOR EXTENSION LEED HARNESS (Prior to SN 1160008371).....	1032
FIGURE 10-60. BOOM RETRACT SENSOR INSTALLATION	1034
FIGURE 10-61. FRONT FRAME HARNESS (Prior to SN 1160008371).....	1036
FIGURE 10-62. FRONT FRAME HARNESS (SN 1160008371 to Present).....	1040
FIGURE 10-63. HYDROSTATIC HARNESS.....	1046
FIGURE 10-64. REAR FRAME HARNESS (Prior to SN 1160008371)	1048
FIGURE 10-65. REAR FRAME HARNESS (SN 1160008371 to Present)	1052
FIGURE 10-66. ENGINE HARNESS (ULS)	1056
FIGURE 10-67. ENGINE HARNESS (LS).....	1062
FIGURE 10-68. FUEL PUMP HARNESS.....	1066
FIGURE 10-69. GLOW PLUG RELAY HARNESS	1068
FIGURE 10-70. CAB HARNESS.....	1070
FIGURE 10-71. CAB OPTION HARNESS	1078
FIGURE 10-72. CAB HEATER HARNESS INSTALLATION	1080
FIGURE 10-73. CAB HEATER HARNESS (Prior to SN 1160008371).....	1082
FIGURE 10-74. CAB HEATER HARNESS (SN 1160008371 to Present).....	1084
FIGURE 10-75. A/C OPTION HARNESS.....	1086
FIGURE 10-76. BOOM HARNESS INSTALLATION (Prior to SN 1160008371)	1088
FIGURE 10-77. BOOM HARNESS INSTALLATION (SN 1160008371 to Present)	1090

TABLE OF CONTENTS

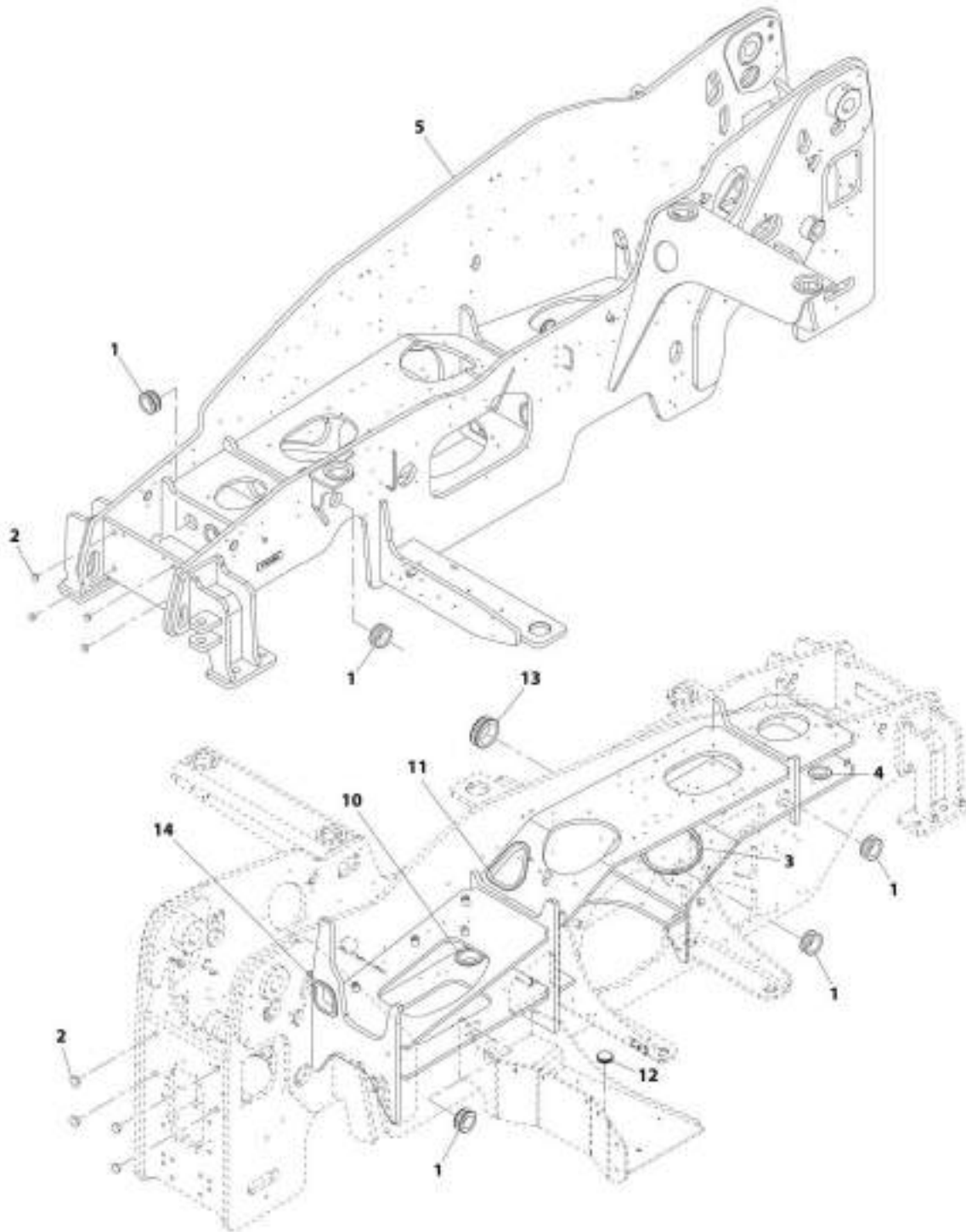
FIGURE 10-78. BOOM HARNESS (Prior to SN 1160008371)	1092
FIGURE 10-79. BOOM HARNESS (SN 1160008371 to Present)	1094
FIGURE 10-80. LMIS CHASSIS OPTION HARNESS	1096
FIGURE 10-81. REVERSE SENSOR HARNESS.....	1098
FIGURE 10-82. CLEARSKY HARNESS (A/C)	1100
FIGURE 10-83. LICENSE LIGHT HARNESS	1102
FIGURE 10-84. BOOM WORKLIGHTS HARNESS.....	1104
FIGURE 10-85. LINK TRAILER HARNESS.....	1106
FIGURE 10-86. NO ROAD LIGHTS INSTALLATION	1108
FIGURE 10-87. SEAT ADAPTOR HARNESS	1110
FIGURE 10-88. LSI DISPLAY INSTALLATION (Prior to SN 1160008371)	1112
FIGURE 10-89. DASH ELECTRICS INSTALLATION (LS).....	1114
FIGURE 10-90. LSI SENSOR COVER INSTALLATION (20IN WHEEL).....	1116
FIGURE 10-91. LSI SENSOR COVER INSTALLATION (24IN WHEEL).....	1118
FIGURE 10-92. FOG LAMP SWITCH INSTALLATION	1120
SECTION 11 - DECALS.....	1123
FIGURE 11-1. CAPACITY CHART HOLDER INSTALLATION	1124
FIGURE 11-2. CAPACITY CHART (JLG) (METRIC)	1126
FIGURE 11-3. CAPACITY CHART (JLG) (ANSI)	1128
FIGURE 11-4. CAPACITY CHART (JLG) (AUS)	1130
FIGURE 11-5. DECALS INSTALLATION (JLG)	1132
FIGURE 11-6. DECALS INSTALLATION (ISO - ULS).....	1134
FIGURE 11-7. DECALS INSTALLATION (ISO - LS)	1138
FIGURE 11-8. DECALS INSTALLATION (AUS - LS)	1142
FIGURE 11-9. DECALS INSTALLATION (RUS - LS).....	1146
FIGURE 11-10. DECALS INSTALLATION (NACD - ULS).....	1150
FIGURE 11-11. REFLECTORS INSTALLATION.....	1154
FIGURE 11-12. HOMOLOGATION PLATE INSTALLATION.....	1156
SECTION 12 - RECOMMENDED SPARE PARTS	1159
FIGURE 12-1. RECOMMENDED SPARE PARTS	1160
PART NUMBER INDEX	1161

SECTION 1 - FRAME AND ATTACHING PARTS

SECTION 1 - FRAME AND ATTACHING PARTS

SECTION 1 - FRAME AND ATTACHING PARTS

FIGURE 1-1. FRAME INSTALLATION (20IN WHEEL)



ART_5001164160-H

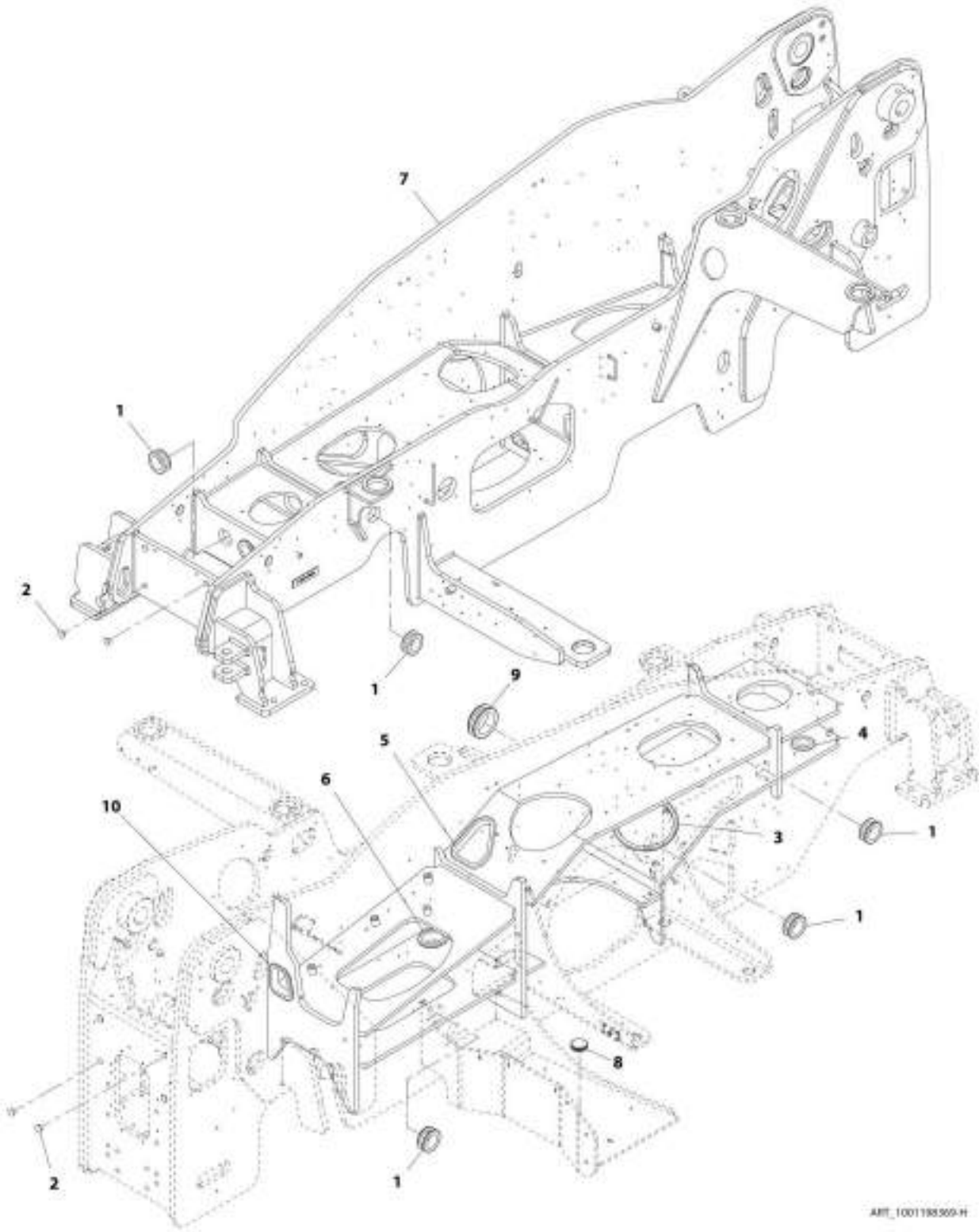
SECTION 1 - FRAME AND ATTACHING PARTS

FIGURE 1-1. FRAME INSTALLATION (20IN WHEEL)

ITEM	PART NUMBER	QTY	DESCRIPTION	REV
	1001164166	Ref	Frame Installation (20IN Wheel)	N
1	1001028308	6	Grommet	
2	1001091126	8	Plug	
3	1001182749	1	Grommet	
4	1001188971	1	Grommet	
5	1001164153J	1	Frame	
10	1001206454	2	Grommet	
11	1001206156	1	Grommet	
12	1001215299	1	Grommet	
13	1001028291	1	Grommet	
14	1001223092	1	Grommet, Bulkhead	

SECTION 1 - FRAME AND ATTACHING PARTS

FIGURE 1-2. FRAME INSTALLATION (24IN WHEEL)



ARIT_1001198565-H

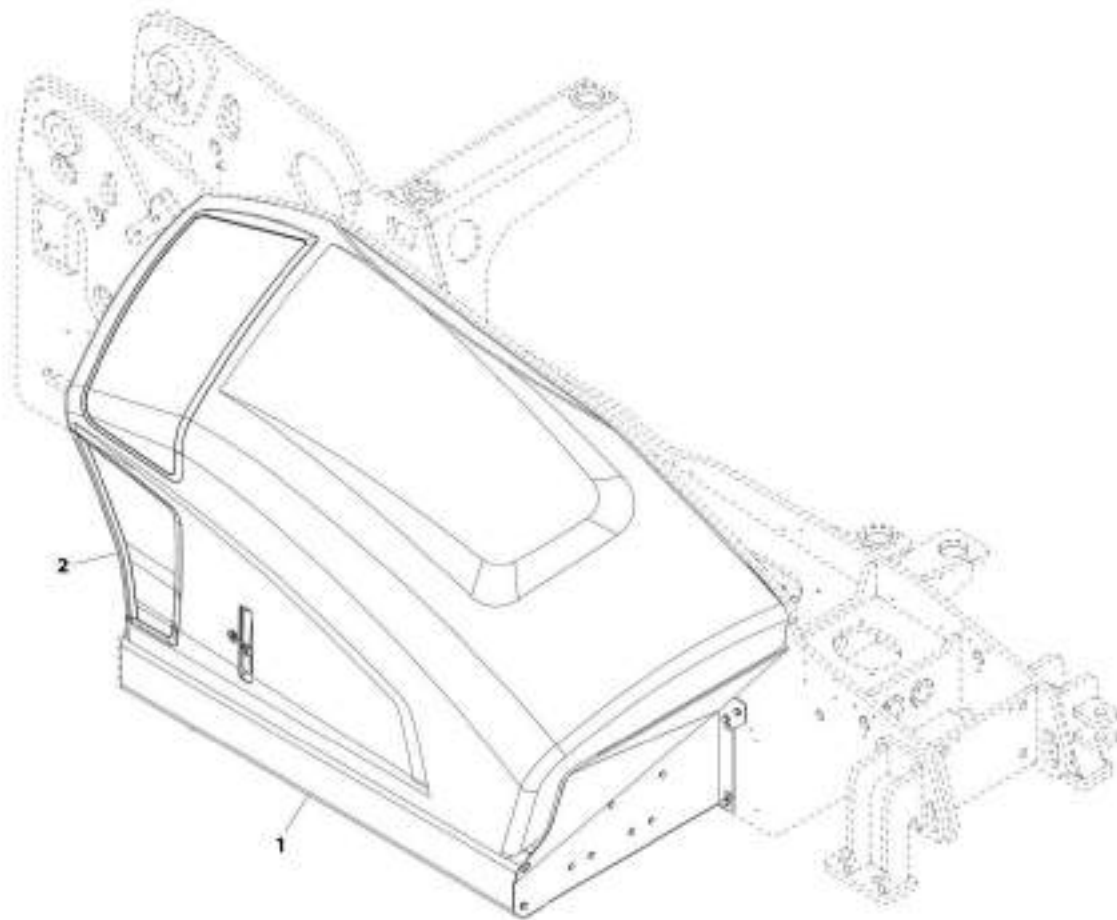
SECTION 1 - FRAME AND ATTACHING PARTS

FIGURE 1-2. FRAME INSTALLATION (24IN WHEEL)

ITEM	PART NUMBER	QTY	DESCRIPTION	REV
	1001198369	Ref	Frame Installation (24IN Wheel)	H
1	1001028308	6	Grommet	
2	1001091126	8	Plug	
3	1001182749	1	Grommet	
4	1001188971	1	Grommet	
5	1001206156	1	Grommet	
6	1001206454	2	Grommet	
7	1001197470J	1	Frame (24IN Wheel)	
8	1001215299	1	Grommet	
9	1001028291	1	Grommet	
10	1001223092	1	Grommet, Bulkhead	

SECTION 1 - FRAME AND ATTACHING PARTS

FIGURE 1-3. ENGINE ENCLOSURE INSTALLATION (JLG)



WIT_1001259172-0

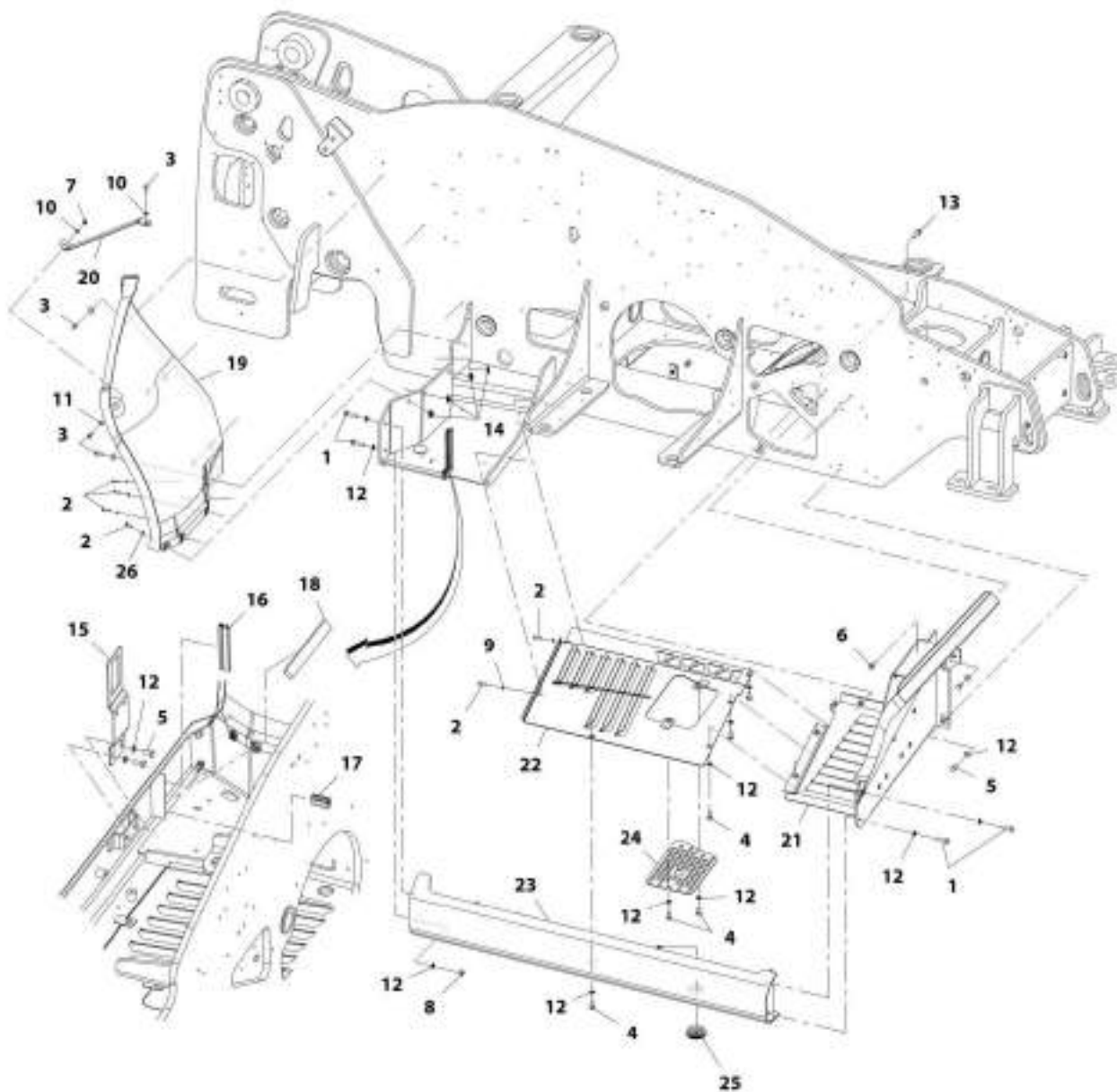
SECTION 1 - FRAME AND ATTACHING PARTS

FIGURE 1-3. ENGINE ENCLOSURE INSTALLATION (JLG)

ITEM	PART NUMBER	QTY	DESCRIPTION	REV
1	1001203172	Ref	Engine Enclosure Installation (JLG)	D
	1001199649	Ref	Installation, Engine Enclosure Cover (See Separate Breakdown in this Section)	
2	1001205341	Ref	Installation, Hood (JLG) (See Separate Breakdown in this Section)	

SECTION 1 - FRAME AND ATTACHING PARTS

FIGURE 1-4. ENGINE ENCLOSURE COVER INSTALLATION



MTT_3001198649-E

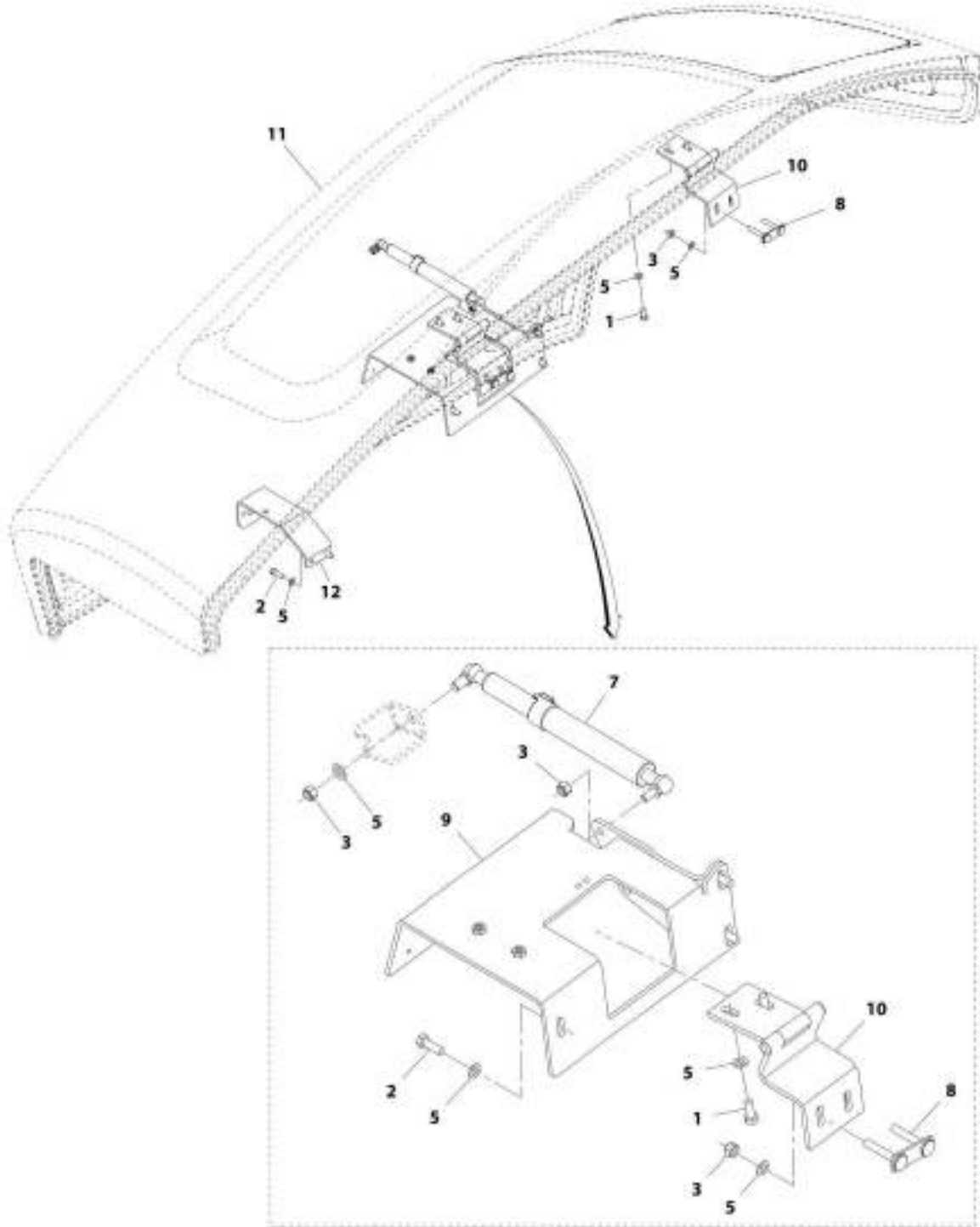
SECTION 1 - FRAME AND ATTACHING PARTS

FIGURE 1-4. ENGINE ENCLOSURE COVER INSTALLATION

ITEM	PART NUMBER	QTY	DESCRIPTION	REV
	1001199649	Ref	Engine Enclosure Cover Installation	E
1	0701016	4	Bolt, M6X40	
2	0760612	6	Bolt, M6X25	
3	0760810	6	Bolt, M8X20	
4	0761010	6	Bolt, M10X20	
5	0761012	5	Bolt, M10X25	
6	0780814	1	Bolt, M8X30	
7	3290801	1	Nut, M8X1.25 Grade 8	
8	3291005	1	Nut, Lock M10	
9	4811700	2	Washer, M6	
10	4811900	2	Washer, M8	
11	4811902	5	Washer, M8	
12	4812000	16	Washer, M10	
13	5251016	1	Bolt, M10X40	
14	8305919	4	Nut, M6	
15	1001154688	1	Plate, Latch	
16	1001184616	1	Seal	
17	1001184617	1	Seal	
18	1001195339	1	Seal	
19	1001199579	1	Cover, Rear Engine Enclosure	
20	1001200238	1	Plate, Rear Enclosure	
21	1001215303J	NLA	Plate, Front Enclosure (no longer available, use 1001226512J for replacement)	
21	1001226512J	1	Plate, Front Enclosure	
22	1001201746J	NLA	Panel, Base Engine Enclosure (no longer available, use 1001226514 for replacement)	
22	1001226514	1	Panel, Engine Enclosure	
23	1001202176J	1	Panel, Side Skirt Enclosure	
24	1001202187J	NLA	Panel, Access Engine Enclosure (no longer available, use 1001226513 for replacement)	
24	1001226513	1	Panel, Access Engine Enclosure	
25	2540045	1	Grommet, (not shown)	
26	4811702	4	Washer, M6	

SECTION 1 - FRAME AND ATTACHING PARTS

FIGURE 1-5. HOOD INSTALLATION (JLG)



ART_1001205241-F

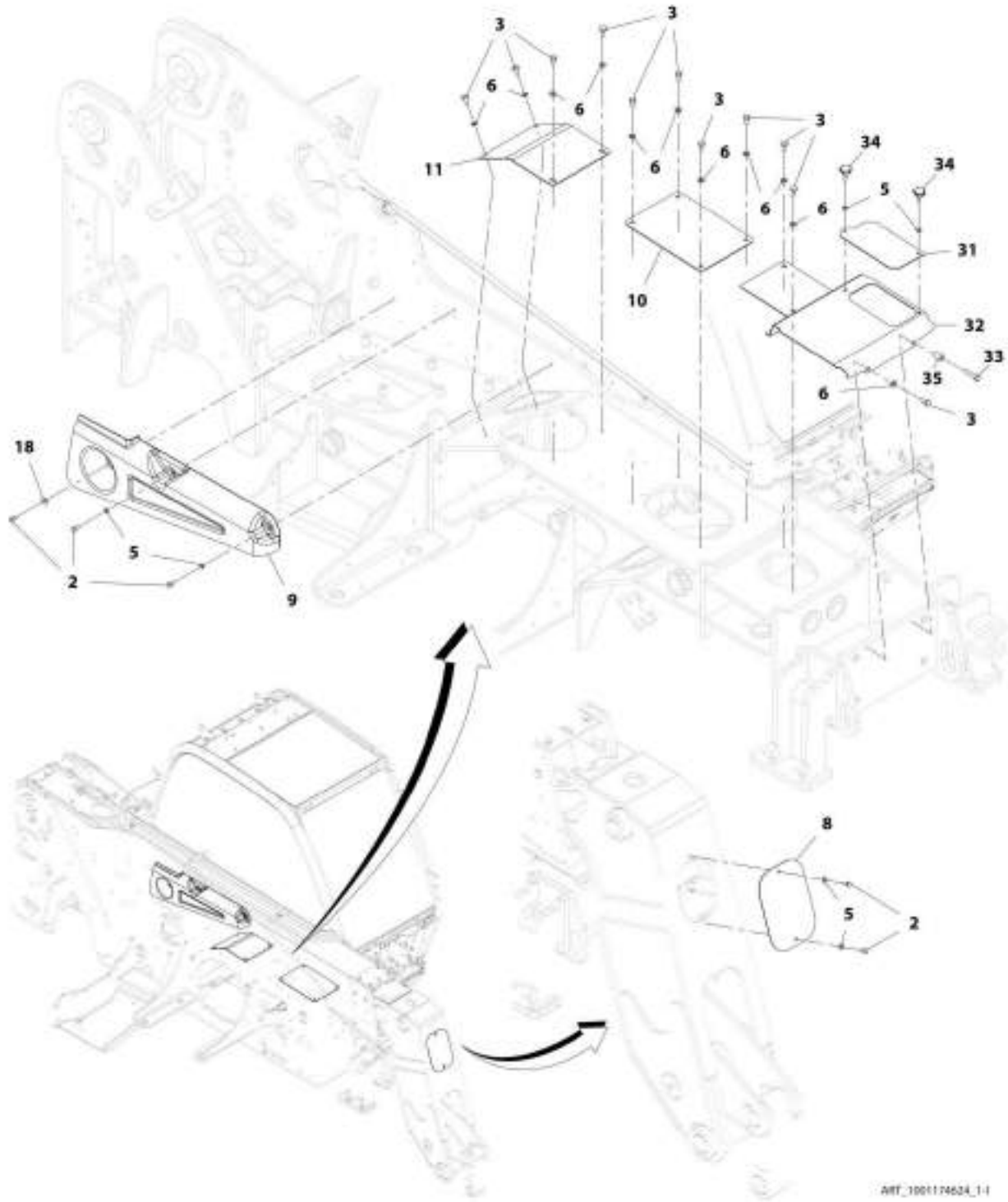
SECTION 1 - FRAME AND ATTACHING PARTS

FIGURE 1-5. HOOD INSTALLATION (JLG)

ITEM	PART NUMBER	QTY	DESCRIPTION	REV
	1001205341	Ref	Hood Installation (JLG)	F
1	0760810	4	Bolt, M8X20	
2	0760812	5	Bolt, M8X25	
3	3290805	6	Nut, Lock M8X1.25	
5	4811900	14	Washer, M8	
7	1001112426	1	Spring, Gas	
8	1001195587	2	Brace, Hood Hinge	
9	1001200077	1	Bracket, Gas Strut	
10	1001205080	2	Hinge, Hood	
11	1001205339	1	Hood (Prior to SN 1160008371)	
11	1001230490	1	Hood (SN 1160008371 to Present)	
12	1001191332	1	Bracket, Isolator Switch (Prior to SN 1160008371)	
12	1001228619	1	Bracket, Isolator Switch (SN 1160008371 to Present)	

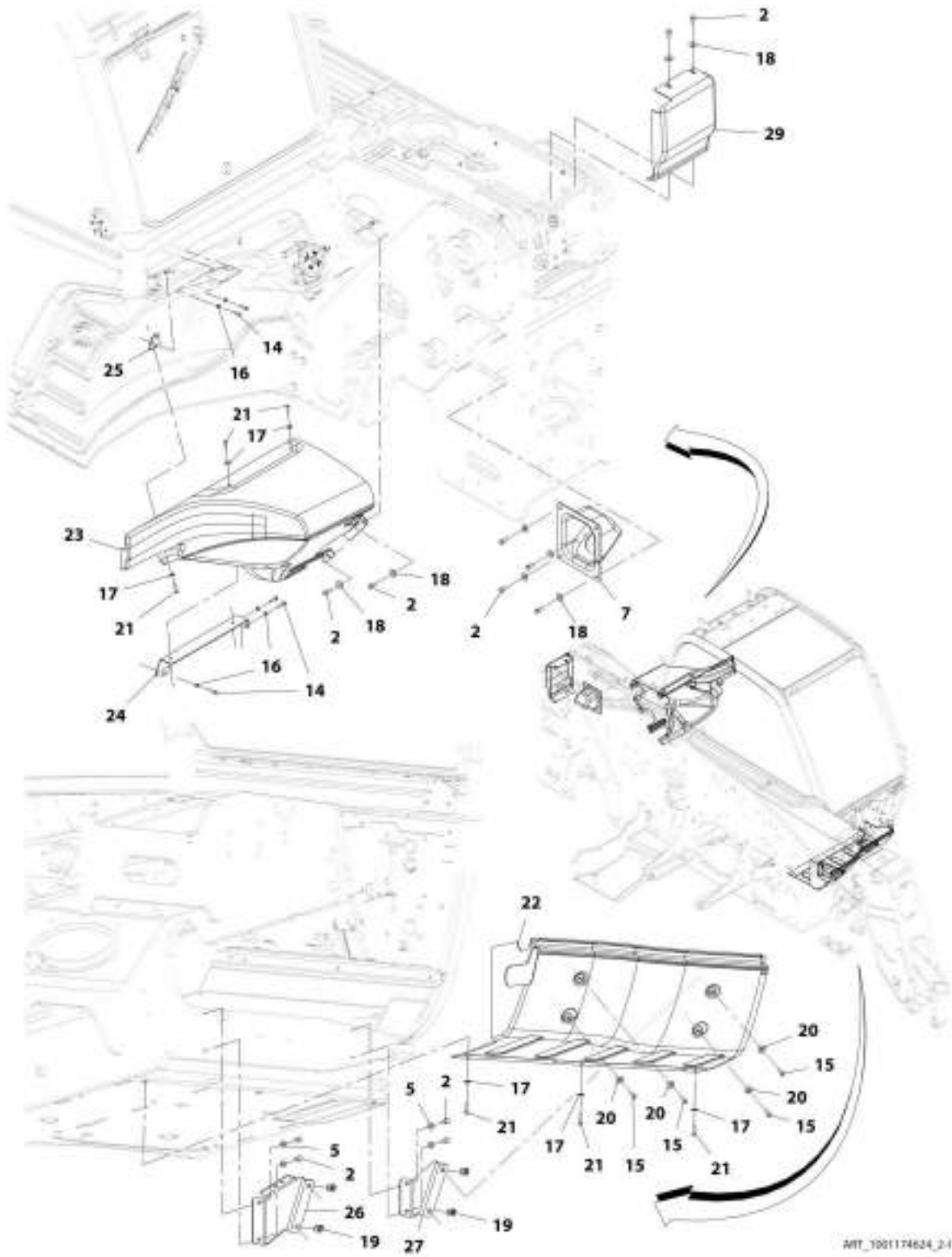
SECTION 1 - FRAME AND ATTACHING PARTS

FIGURE 1-6. COVER PLATES INSTALLATION (ULS)



AWT_1001174634_1-1

SECTION 1 - FRAME AND ATTACHING PARTS



AWT_1001174624_24

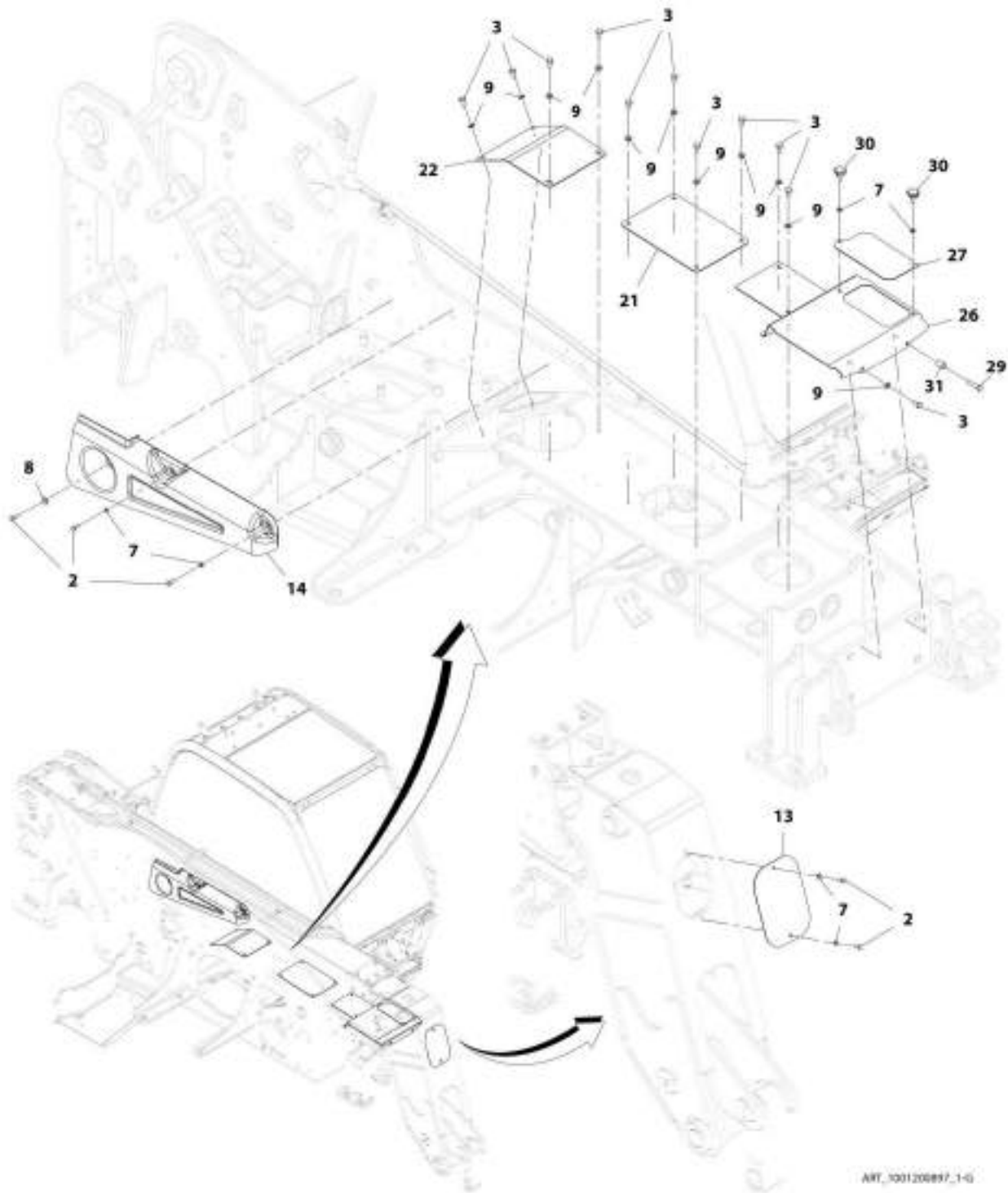
SECTION 1 - FRAME AND ATTACHING PARTS

FIGURE 1-6. COVER PLATES INSTALLATION (ULS)

ITEM	PART NUMBER	QTY	DESCRIPTION	REV
	1001174624	Ref	Cover Plates Installation (ULS)	I
2	0760810	17	Bolt, M8X20	
3	0761010	11	Bolt, M10X20	
5	4811900	10	Washer, M8	
6	4812000	11	Washer, M10	
7	1001183438	1	Cover, DEF Tank	
8	1001185936	1	Plate, Boom Head Cover	
9	1001188469	1	Cover, Lines	
10	1001180186J	1	Plate, Access	
11	1001180189J	1	Plate, Access	
14	0700612	5	Bolt, M6X25	
15	3900379	4	Screw, M6X24	
16	4811700	5	Washer, M6	
17	4811702	6	Washer, M6	
18	4811902	9	Washer, M8	
19	8305919	4	Nut, M6	
20	1001097540	4	Washer, M6	
21	1001134428	6	Screw, M6X25	
22	1001190643	1	Cover, Lower Cab Front	
23	1001192882	1	Cover, Main Control Valve	
24	1001193218	1	Support, MCV Cover	
25	1001193226	1	Support, Lower MCV Cover	
26	1001193590	1	Mount, Front Tank Cover	
27	1001193594	1	Mount, Front Short Tank Cover	
29	1001202774	1	Cover, Rear Boom (Prior to SN 1160008927, Excluding 1160008583 and 1160008584)	
29	1001225426	1	Cover, Rear Boom (SN 1160008927 to Present, Including 1160008583 and 1160008584)	
31	1001208533J	1	Door, Battery	
32	1001208530J	1	Door, Battery	
33	0701018	1	Bolt, M10X50	
34	400095	2	5 Lobe Hand Wheel	
35	1001188548	1	Spacer	

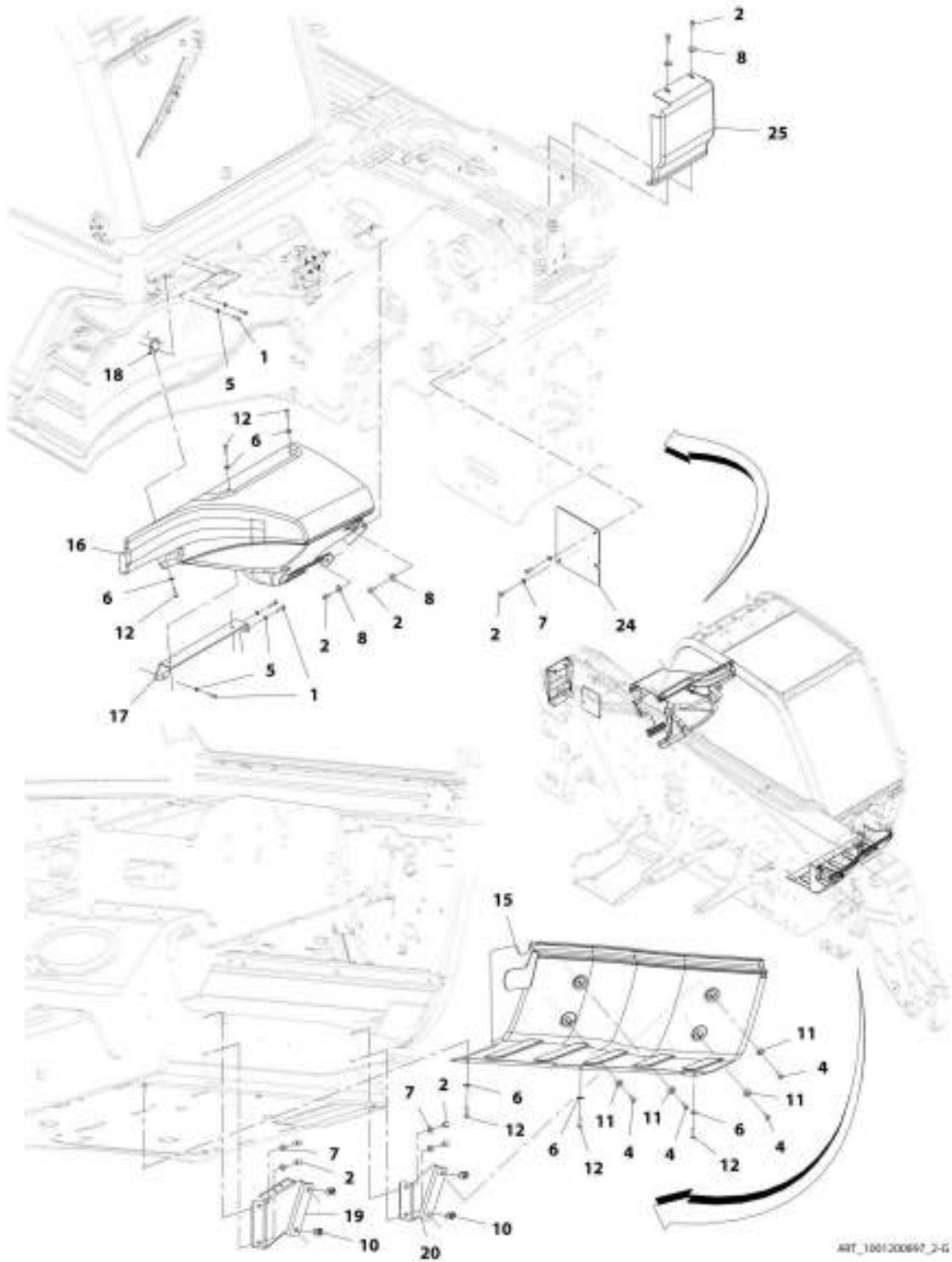
SECTION 1 - FRAME AND ATTACHING PARTS

FIGURE 1-7. COVER PLATES INSTALLATION (LS)



ART_100120887_1-G

SECTION 1 - FRAME AND ATTACHING PARTS



ART_1001200697_2-G

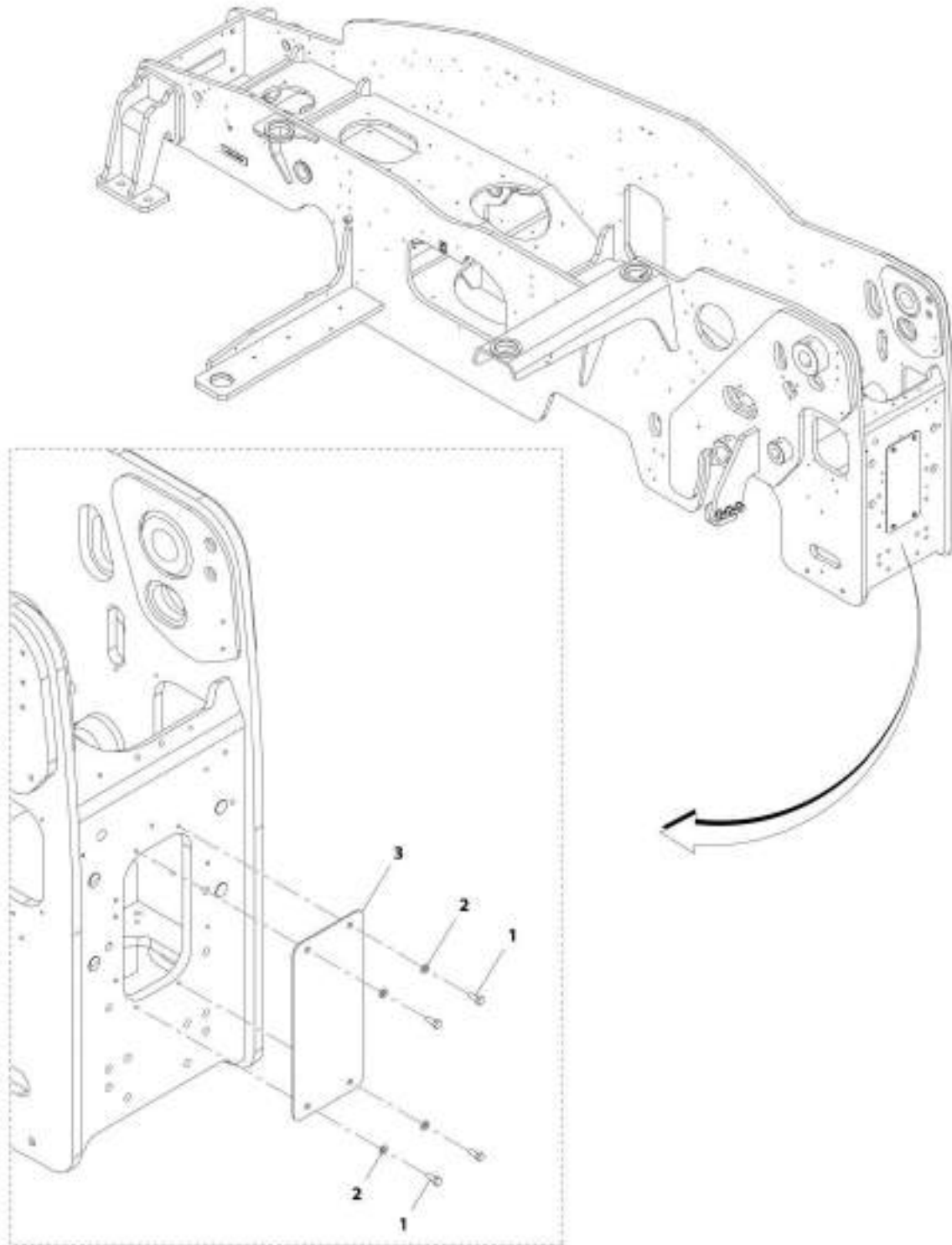
SECTION 1 - FRAME AND ATTACHING PARTS

FIGURE 1-7. COVER PLATES INSTALLATION (LS)

ITEM	PART NUMBER	QTY	DESCRIPTION	REV
	1001200897	Ref	Cover Plates Installation (LS)	G
1	0700612	5	Bolt, M6X25	
2	0760810	15	Bolt, M8X20	
3	0761010	11	Bolt, M10X20	
4	3900379	4	Screw, M6X25	
5	4811700	5	Washer, M6	
6	4811702	6	Washer, M6	
7	4811900	12	Washer, M8	
8	4811902	5	Washer, M8	
9	4812000	11	Washer, M10	
10	8305919	4	Nut, M6	
11	1001097540	4	Washer, M6	
12	1001134428	6	Screw, M6X25	
13	1001185936	1	Plate, Boom Head Cover	
14	1001188469	1	Cover, Lines	
15	1001190643	1	Cover, Lower Cab Front	
16	1001192882	1	Cover, Main Control Valve	
17	1001193218	1	Support, MCV Cover	
18	1001193226	1	Support, Lower MCV Cover	
19	1001193590	1	Mount, Front Tank Cover	
20	1001193594	1	Mount, Front Short Tank Cover	
21	1001180186J	1	Plate, Access	
22	1001180189J	1	Plate, Access	
24	1001200926J	1	Plate, Cover	
25	1001202774	1	Cover, Rear Boom (Prior to SN 1160008927, Excluding 1160008583 and 1160008584)	
25	1001225426	1	Cover, Rear Boom (SN 1160008927 to Present, Including 1160008583 and 1160008584)	
26	1001208530J	1	Door, Battery	
27	1001208533J	1	Door, Battery	
29	0701018	1	Bolt, M10X50	
30	400095	2	5 Lobe Hand Wheel	
31	1001188548	1	Spacer	

SECTION 1 - FRAME AND ATTACHING PARTS

FIGURE 1-8. REAR COVER PLATES INSTALLATION



ART_1001200.795-A

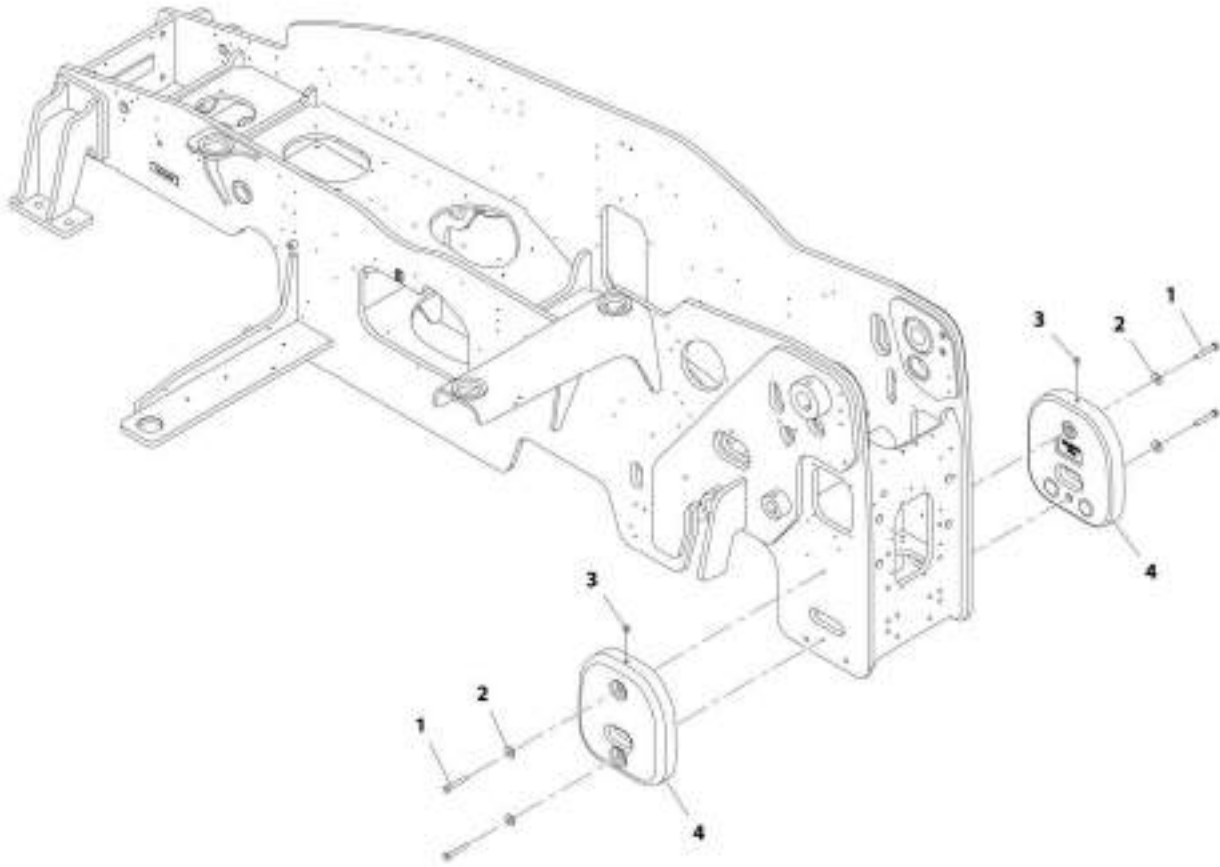
SECTION 1 - FRAME AND ATTACHING PARTS

FIGURE 1-8. REAR COVER PLATES INSTALLATION

ITEM	PART NUMBER	QTY	DESCRIPTION	REV
	1001202795	Ref	Rear Cover Plates Installation	A
1	0760810	4	Bolt, M8X20	
2	4811900	4	Washer, M8	
3	1001180191J	1	Plate, Access	

SECTION 1 - FRAME AND ATTACHING PARTS

FIGURE 1-9. COUNTERWEIGHT INSTALLATION



MT_1001212215-A

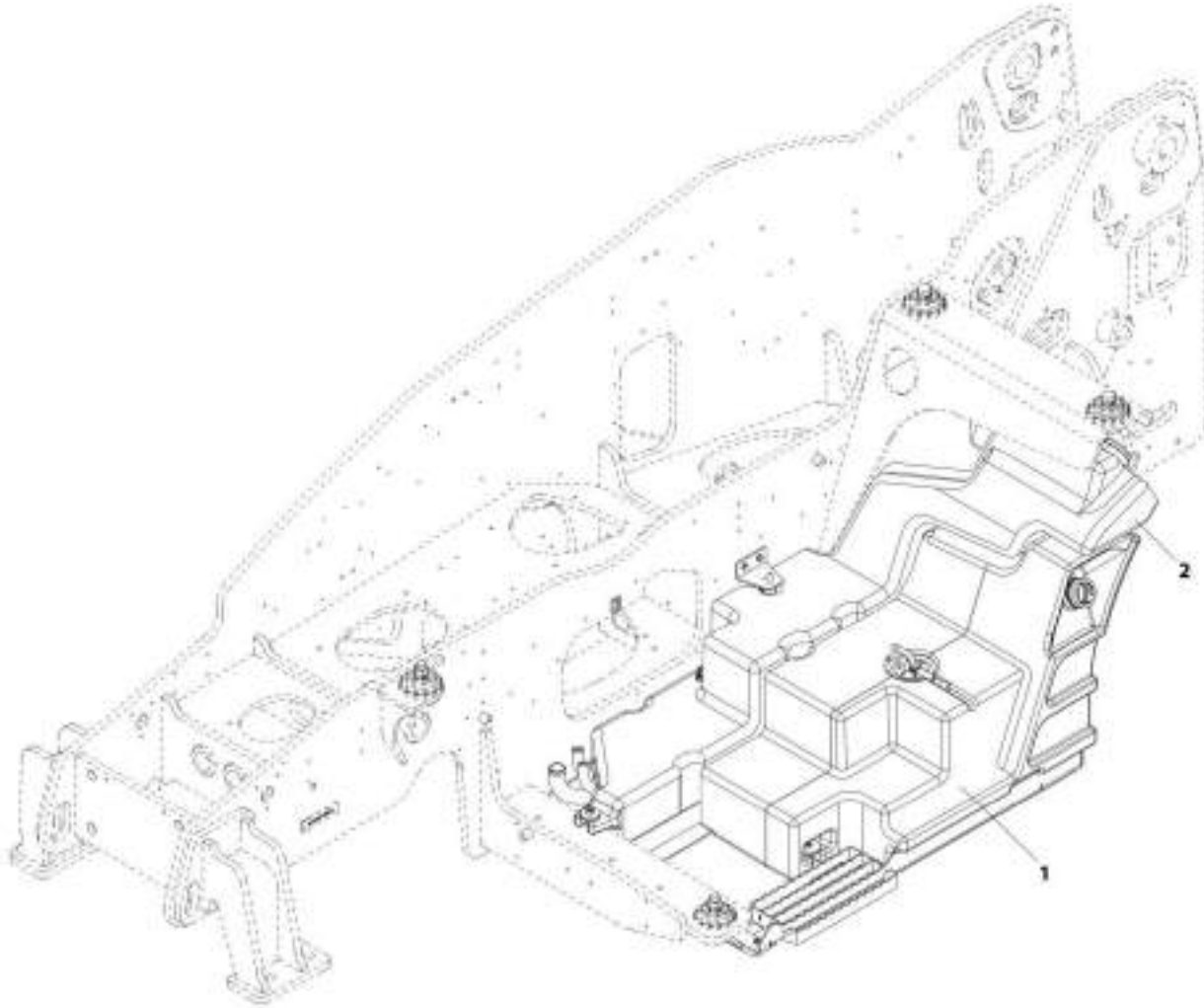
SECTION 1 - FRAME AND ATTACHING PARTS

FIGURE 1-9. COUNTERWEIGHT INSTALLATION

ITEM	PART NUMBER	QTY	DESCRIPTION	REV
	1001212215	Ref	Counterweight Installation	A
1	0701224	4	Bolt, M12X80	
2	4812102	4	Washer, M12	
3	1001198346	2	Screw, M12X16	
4	1001211474J	2	Counterweight	

SECTION 1 - FRAME AND ATTACHING PARTS

FIGURE 1-10. TANKS INSTALLATION



ART_1001174600-8

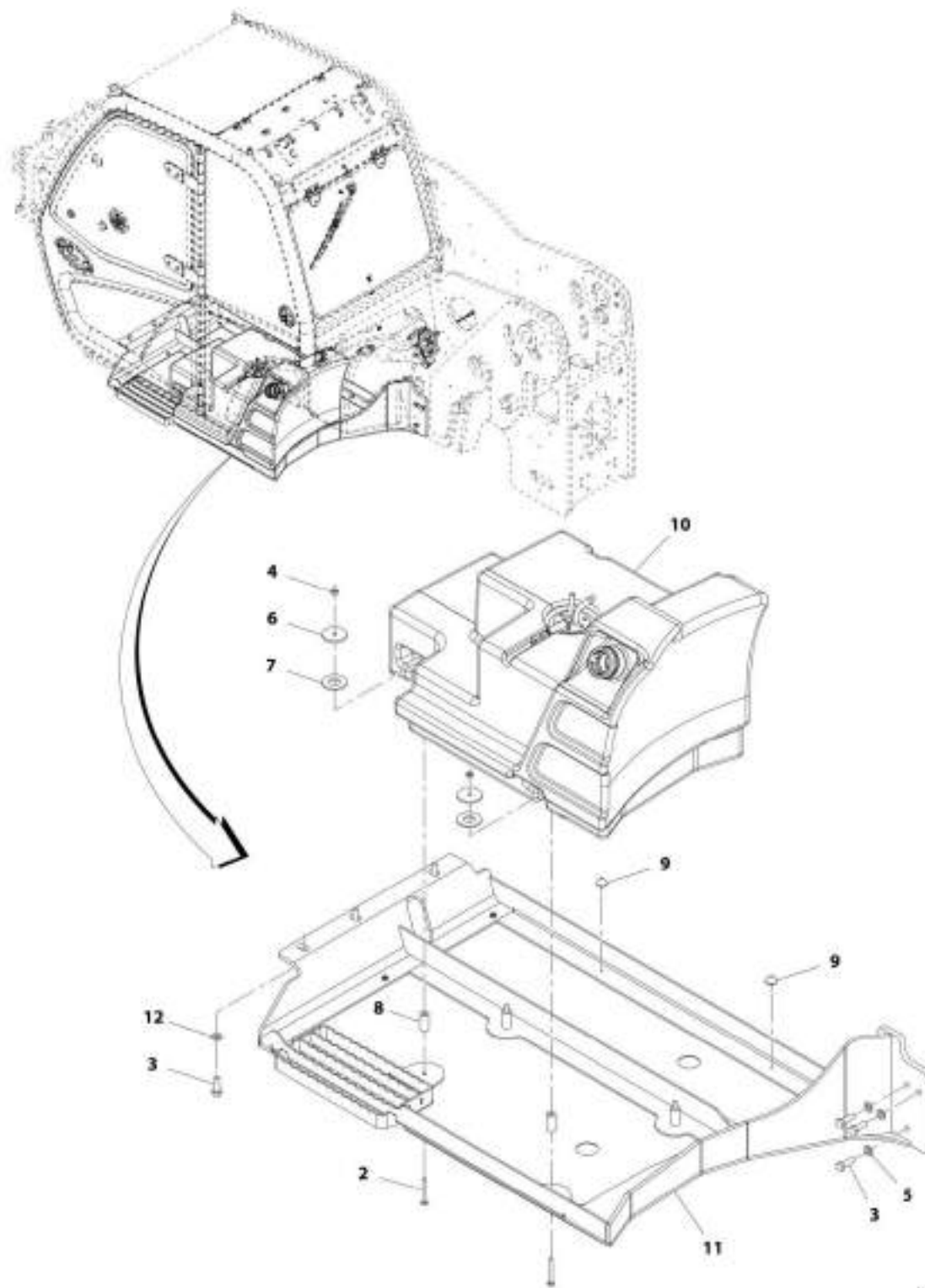
SECTION 1 - FRAME AND ATTACHING PARTS

FIGURE 1-10. TANKS INSTALLATION

ITEM	PART NUMBER	QTY	DESCRIPTION	REV
1	1001174608	Ref	Tanks Installation	B
	1001176892	Ref	Installation, Fuel Tank (See Separate Breakdown in this Section)	
	1001176893	Ref	Installation, Hydraulic Tank (See Separate Breakdown in this Section)	

SECTION 1 - FRAME AND ATTACHING PARTS

FIGURE 1-11. FUEL TANK INSTALLATION



ART_1001176892-F

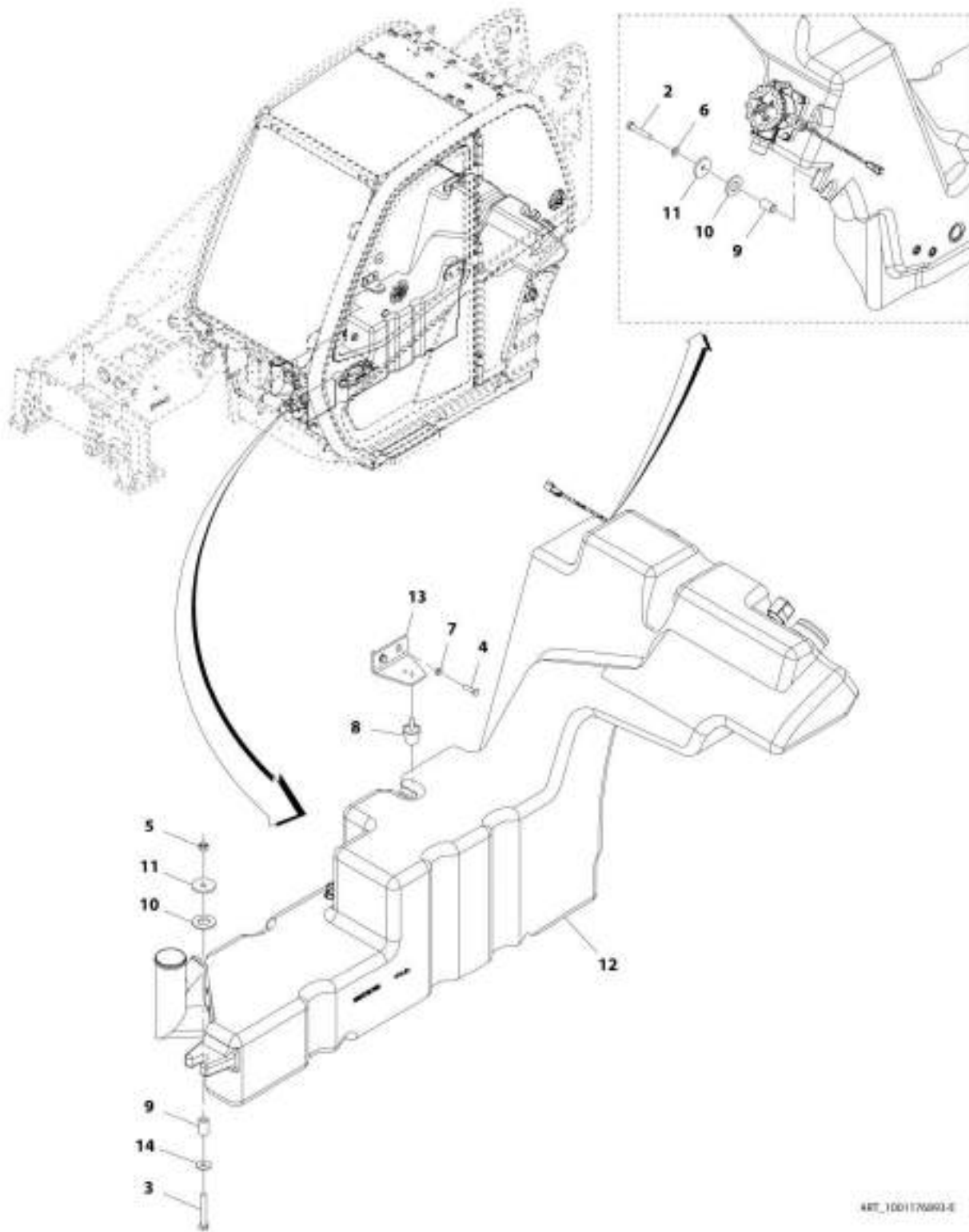
SECTION 1 - FRAME AND ATTACHING PARTS

FIGURE 1-11. FUEL TANK INSTALLATION

ITEM	PART NUMBER	QTY	DESCRIPTION	REV
	1001176892	Ref	Fuel Tank Installation	F
2	0700821	2	Bolt, M8X65	
3	0761215	6	Bolt, M12X35	
4	3290801	4	Nut, M8X1.25	
5	4812100	3	Washer, M12	
6	1001006259	4	Washer	
7	1001006329	4	Washer	
8	1001092122	4	Spacer	
9	1001169454	4	Mount, Buffer	
10	1001199075	1	Assembly, Fuel Tank (See Separate Breakdown in this Section)	
11	1001179608	1	Plate, Tank Support	
12	4812102	3	Washer, M12	

SECTION 1 - FRAME AND ATTACHING PARTS

FIGURE 1-12. HYDRAULIC TANK INSTALLATION



48T_1001170803-E

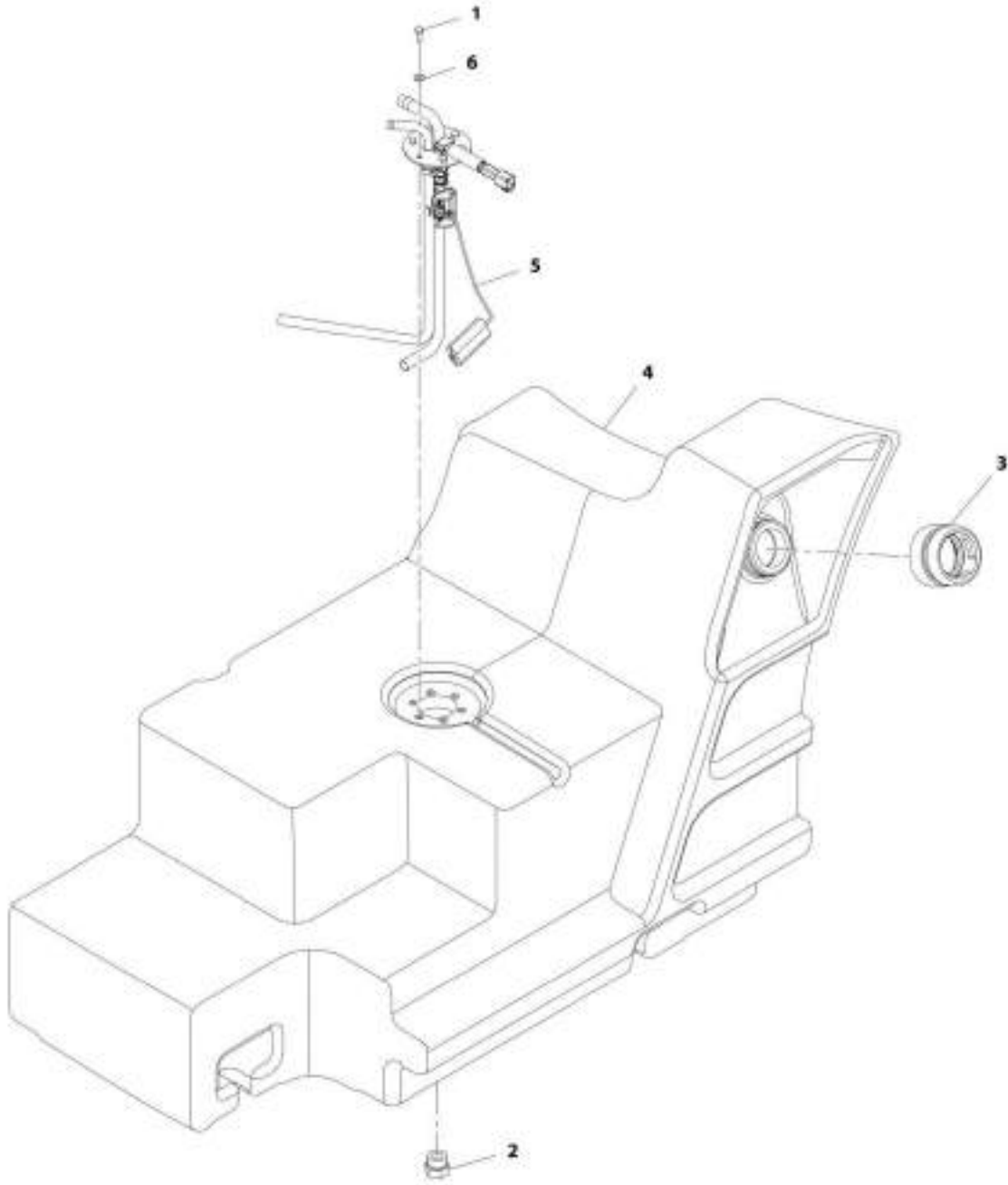
SECTION 1 - FRAME AND ATTACHING PARTS

FIGURE 1-12. HYDRAULIC TANK INSTALLATION

ITEM	PART NUMBER	QTY	DESCRIPTION	REV
	1001176893	Ref	Hydraulic Tank Installation	E
2	0701020	1	Bolt, M10X60	
3	0701024	1	Bolt, M10X80	
4	0760814	2	Bolt, M8X30	
5	3291005	1	Nut, Lock M10X1.5	
6	4812000	1	Washer, M10	
7	4811900	2	Washer, M8	
8	1001008575	1	Bumper	
9	1001171179	2	Spacer	
10	1001172146	2	Washer, Rubber	
11	1001172147	2	Washer, M10	
12	1001176860	1	Assembly, Hydraulic Tank (See Separate Breakdown in this Section)	
13	1001177082	1	Bracket	
14	4812002	1	Washer, M10	

SECTION 1 - FRAME AND ATTACHING PARTS

FIGURE 1-13. FUEL TANK ASSEMBLY



AWT_7001189075-C

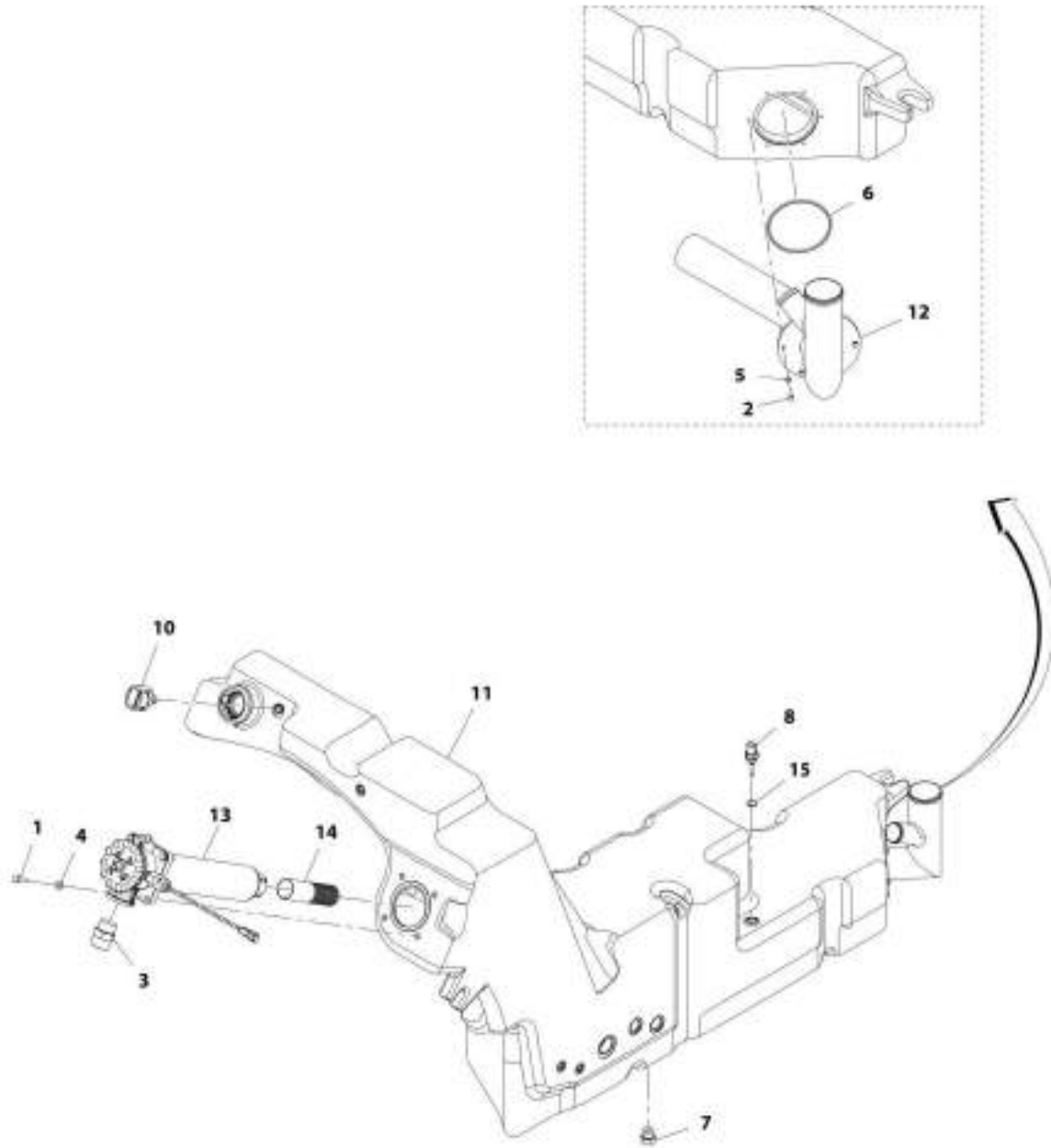
SECTION 1 - FRAME AND ATTACHING PARTS

FIGURE 1-13. FUEL TANK ASSEMBLY

ITEM	PART NUMBER	QTY	DESCRIPTION	REV
	1001199075	Ref	Fuel Tank Assembly	C
1	4031607	6	Bolt, M5-.8X16	
2	1001003427	1	Plug	
3	1001192392	1	Adapter, Filler Neck	
4	1001199076	1	Tank, Fuel	
5	1001215017	1	Sender, Fuel Level	
6	1001222190	6	Washer, M5	

SECTION 1 - FRAME AND ATTACHING PARTS

FIGURE 1-14. HYDRAULIC TANK ASSEMBLY



REF_1001170890-H

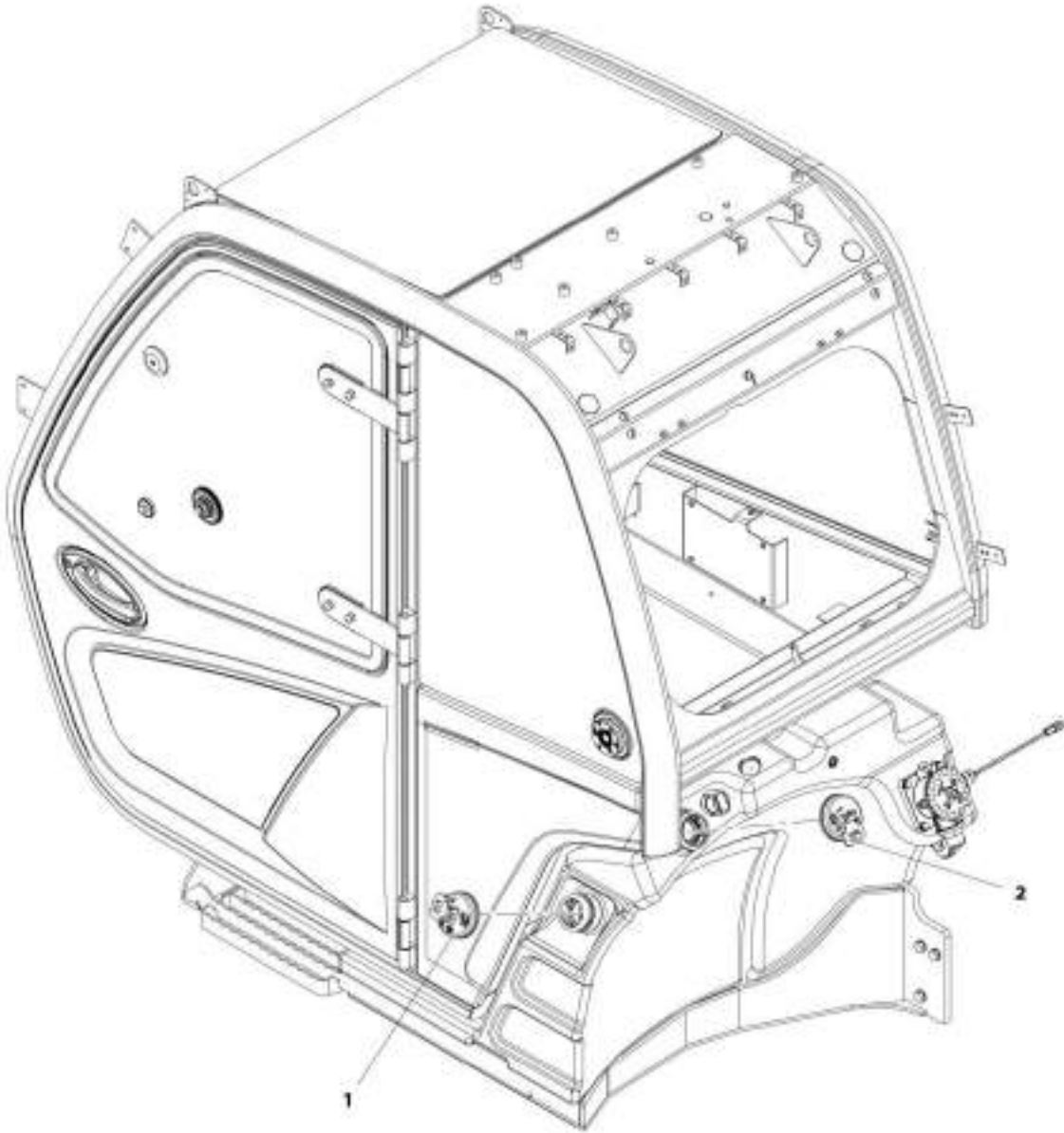
SECTION 1 - FRAME AND ATTACHING PARTS

FIGURE 1-14. HYDRAULIC TANK ASSEMBLY

ITEM	PART NUMBER	QTY	DESCRIPTION	REV
	1001176860	Ref	Hydraulic Tank Assembly	H
1	0700814	4	Bolt, M8X30	
2	0760507	6	Bolt, M5X14	
3	2111616	1	Fitting, Straight ORFS	
4	4811900	4	Washer, M8	
5	4831600	6	Washer, Lock M5	
6	1001187713	1	O-ring	
7	1001003427	1	Plug	
8	1001128478	1	Sensor, Temperature	
10	1001162662	1	Filter, Breather	
11	1001176780	1	Tank, Hydraulic	
12	1001217548	1	Manifold, Hydraulic Suction	
13	1001182214	1	Assembly, Hydraulic Filter (See Separate Breakdown in this Section)	
14	1001187719	1	Manifold, Hydraulic Tank Diffuser	
15	1001009163	1	O-Ring	

SECTION 1 - FRAME AND ATTACHING PARTS

FIGURE 1-15. FUEL AND HYDRAULIC CAP INSTALLATION



ARC_1001191273-A

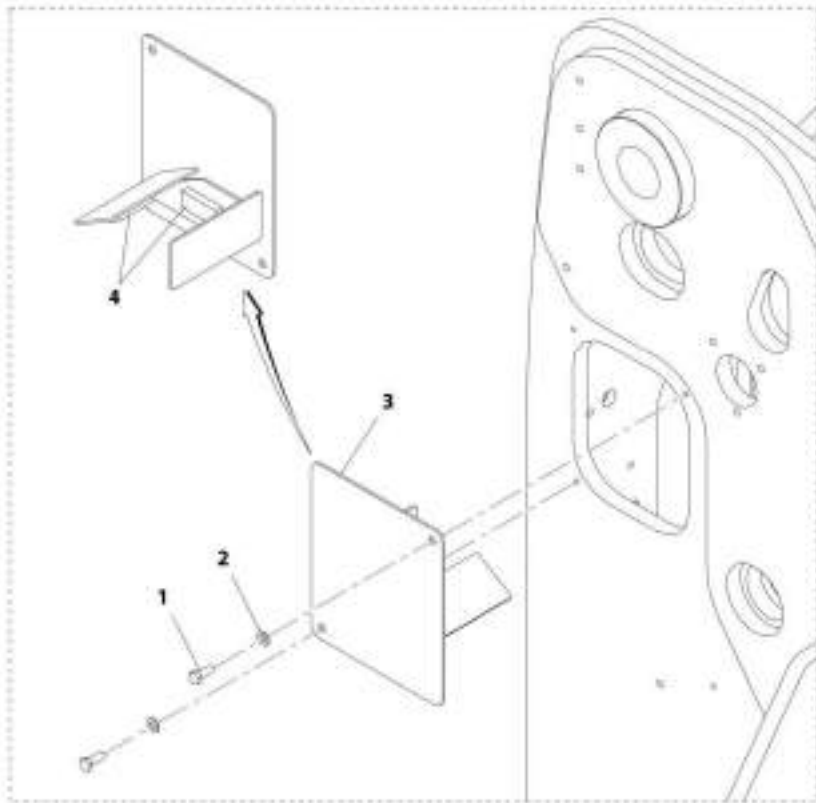
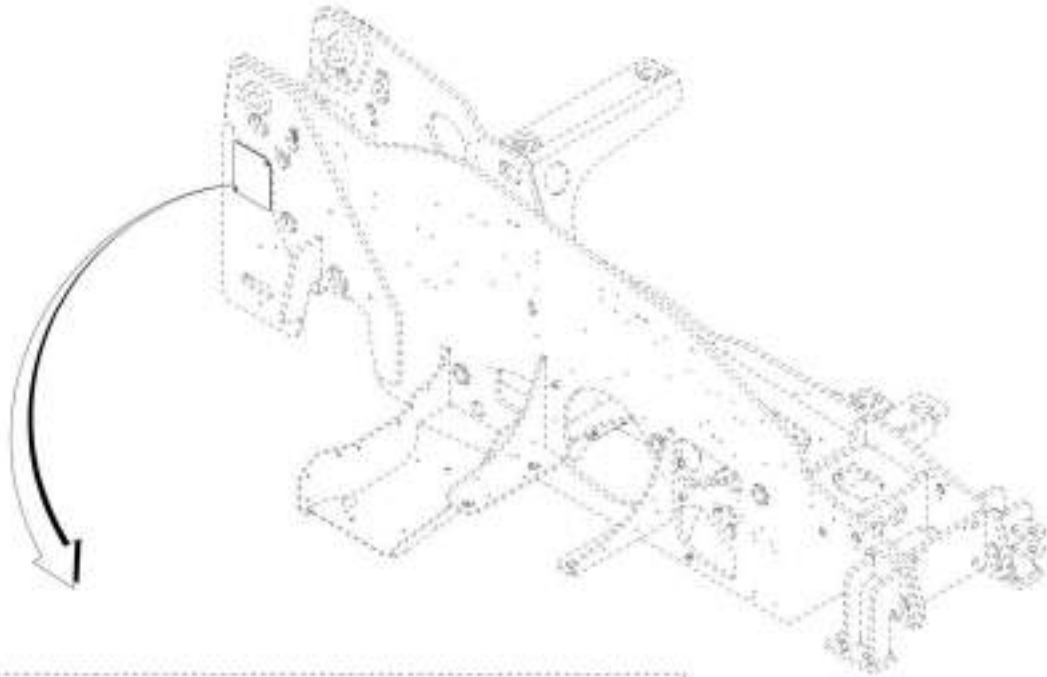
SECTION 1 - FRAME AND ATTACHING PARTS

FIGURE 1-15. FUEL AND HYDRAULIC CAP INSTALLATION

ITEM	PART NUMBER	QTY	DESCRIPTION	REV
	1001197273	Ref	Fuel and Hydraulic Cap Installation	A
1	1001142658	1	Cap, Fuel	
2	1001142659	1	Cap, Hydraulic	

SECTION 1 - FRAME AND ATTACHING PARTS

FIGURE 1-16. DEF TANK BRACKET INSTALLATION (NO TRAILER BRAKE)



ART_1001202537-0

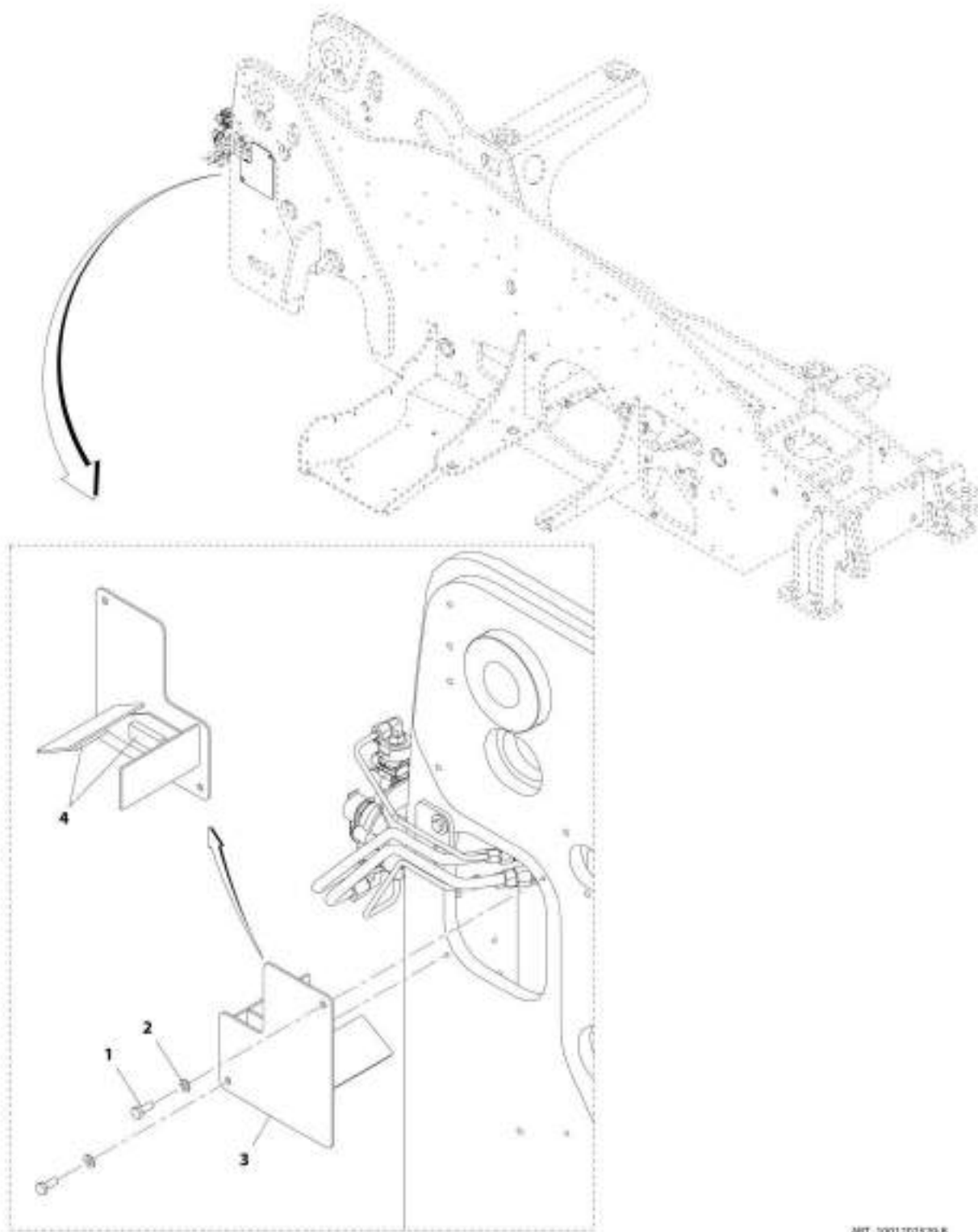
SECTION 1 - FRAME AND ATTACHING PARTS

FIGURE 1-16. DEF TANK BRACKET INSTALLATION (NO TRAILER BRAKE)

ITEM	PART NUMBER	QTY	DESCRIPTION	REV
	1001202527	Ref	DEF Tank Bracket Installation (No Trailer Brake)	B
1	0760810	2	Bolt, M8X20	
2	4811900	2	Washer, M8	
3	1001219260J	1	Bracket, DEF Tank	
4	1001219463	2	Seal, Foam	

SECTION 1 - FRAME AND ATTACHING PARTS

FIGURE 1-17. DEF TANK BRACKET INSTALLATION (TRAILER BRAKE)



MHT_1001202529-B

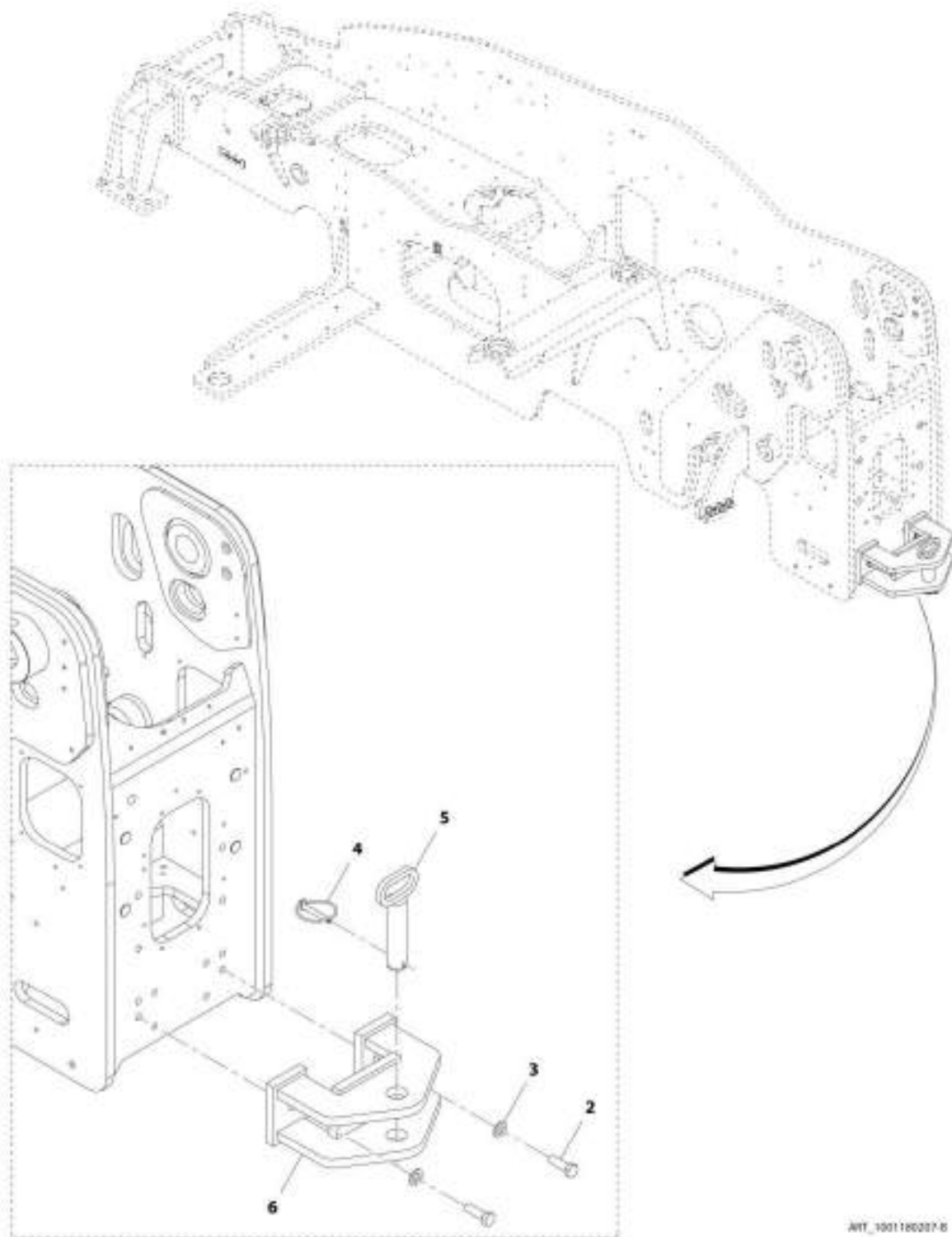
SECTION 1 - FRAME AND ATTACHING PARTS

FIGURE 1-17. DEF TANK BRACKET INSTALLATION (TRAILER BRAKE)

ITEM	PART NUMBER	QTY	DESCRIPTION	REV
	1001202529	Ref	DEF Tank Bracket Installation (Trailer Brake)	B
1	0760810	2	Bolt, M8X20	
2	4811900	2	Washer, M8	
3	1001219443J	1	Bracket, DEF Tank	
4	1001219463	2	Seal, Foam	

SECTION 1 - FRAME AND ATTACHING PARTS

FIGURE 1-18. HITCH RETRIEVAL INSTALLATION



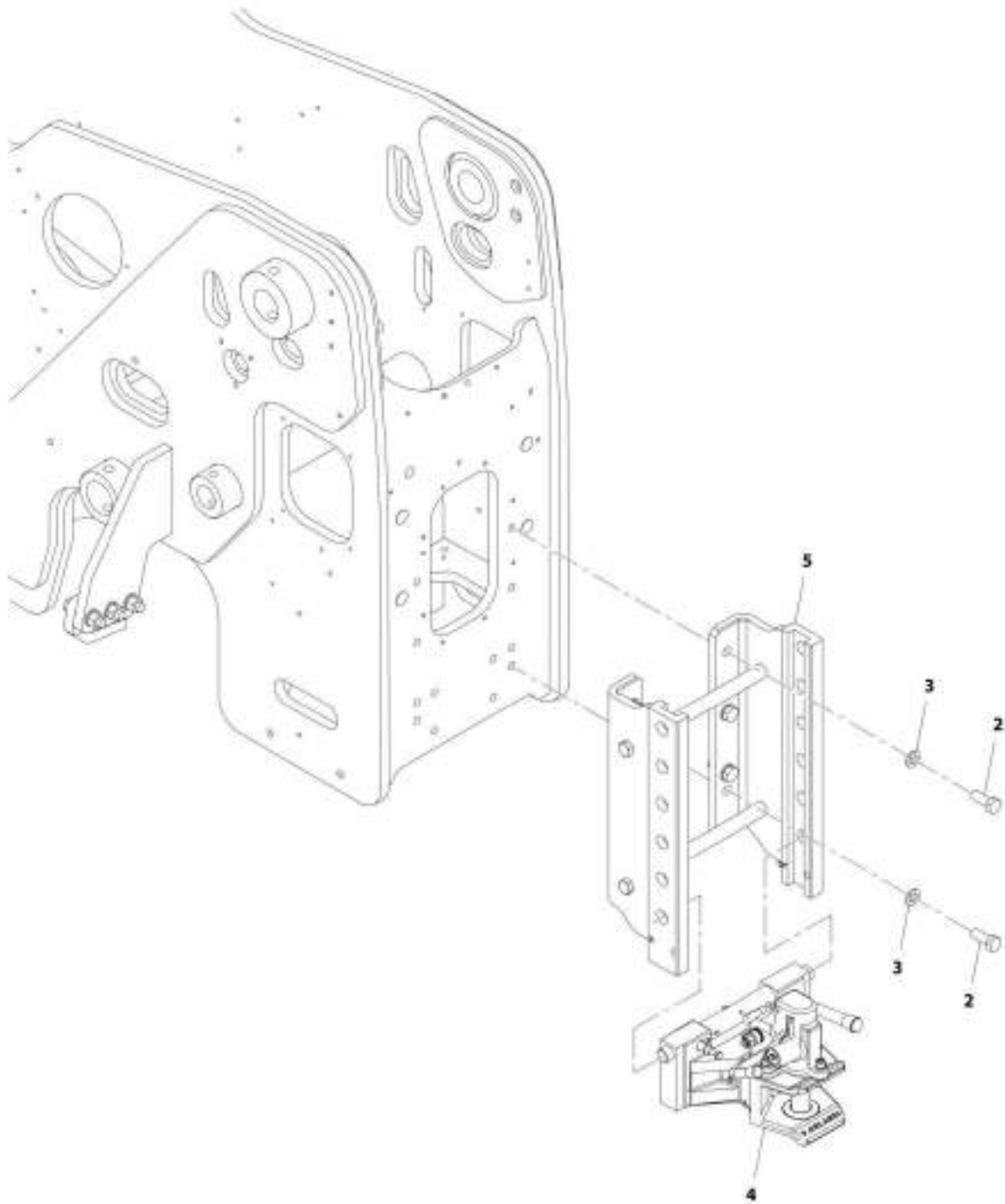
SECTION 1 - FRAME AND ATTACHING PARTS

FIGURE 1-18. HITCH RETRIEVAL INSTALLATION

ITEM	PART NUMBER	QTY	DESCRIPTION	REV
	1001180207	Ref	Hitch Retrieval Installation	B
2	0771618	2	Bolt, M16X50 Grade 10.9	
3	5241600	2	Washer, M16	
4	1001003803	1	Pin	
5	1001005267	1	Pin	
6	1001106570	1	Hitch, Retrieval	

SECTION 1 - FRAME AND ATTACHING PARTS

FIGURE 1-19. HITCH INSTALLATION (EEC AUTO)



ART_1001180196-B

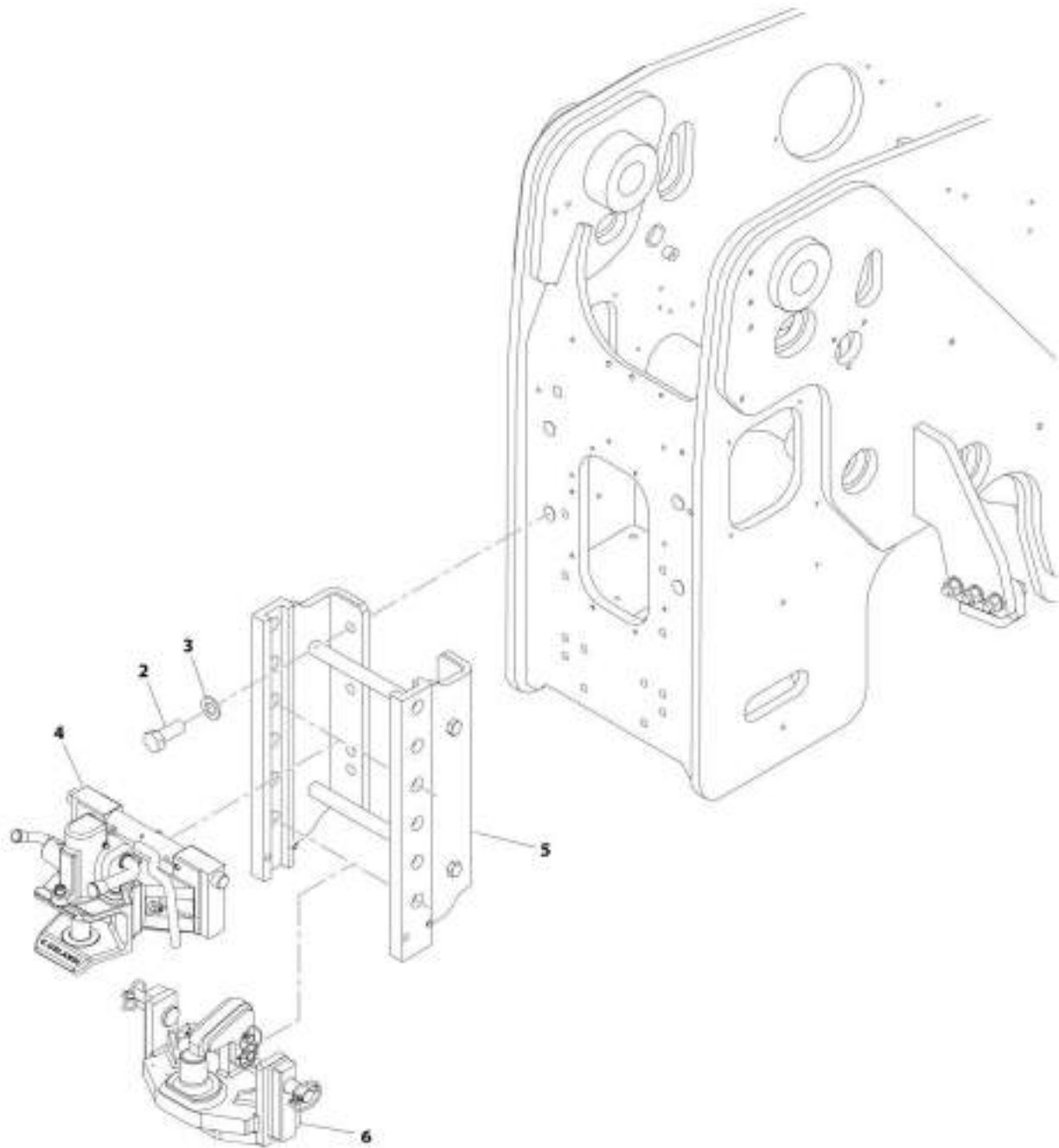
SECTION 1 - FRAME AND ATTACHING PARTS

FIGURE 1-19. HITCH INSTALLATION (EEC AUTO)

ITEM	PART NUMBER	QTY	DESCRIPTION	REV
	1001180196	Ref	Hitch Installation (EEC Auto)	B
2	0701616	8	Bolt, M16X40	
3	4812300	8	Washer, M6	
4	1001098629	1	Assembly, Hitch (EEC Auto) (See Separate Breakdown in this Section)	
5	1001183274	1	Hitch, Sliding Towing Bracket	

SECTION 1 - FRAME AND ATTACHING PARTS

FIGURE 1-20. HITCH INSTALLATION (PITON)



ART_3001180200-8

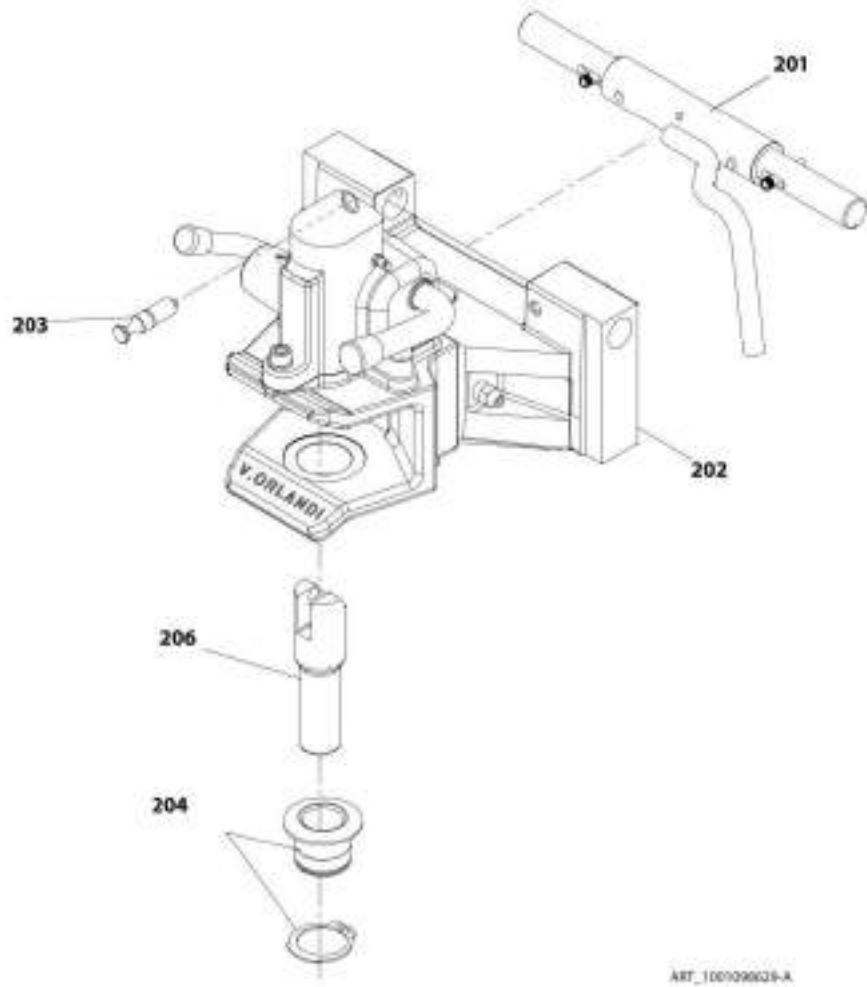
SECTION 1 - FRAME AND ATTACHING PARTS

FIGURE 1-20. HITCH INSTALLATION (PITON)

ITEM	PART NUMBER	QTY	DESCRIPTION	REV
	1001180202	Ref	Hitch Installation (Piton)	B
2	0701616	8	Bolt, M16X40	
3	4812300	8	Washer, M16	
4	1001098629	1	Assembly, Hitch (EEC AUTO) (See Separate Breakdown in this Section)	
5	1001183274	1	Hitch, Sliding Towing Bracket	
6	1001185248	1	Hitch, Sliding (Piton) (See Separate Breakdown in this Section)	

SECTION 1 - FRAME AND ATTACHING PARTS

FIGURE 1-21. HITCH ASSEMBLY (EEC AUTO)



ART_100026028-A

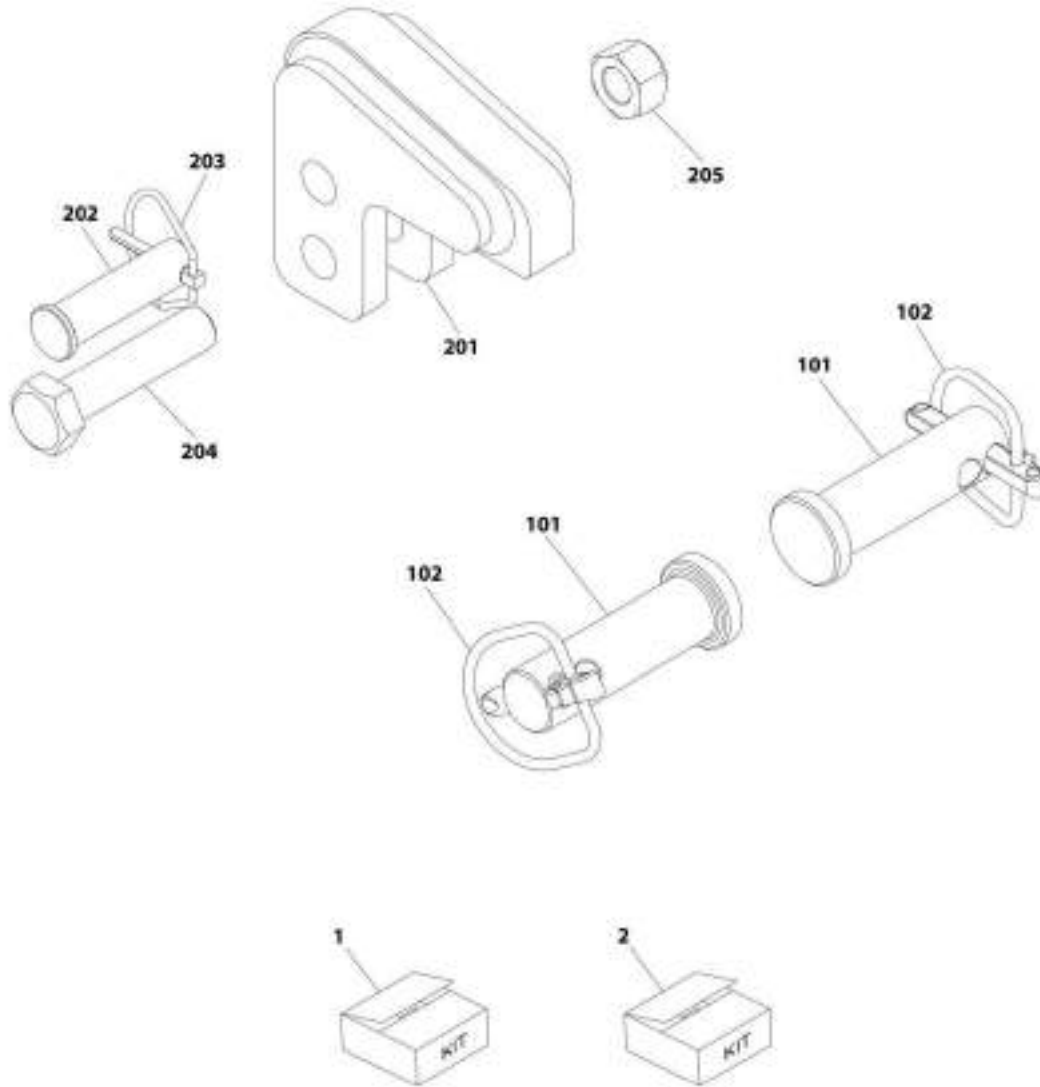
SECTION 1 - FRAME AND ATTACHING PARTS

FIGURE 1-21. HITCH ASSEMBLY (EEC AUTO)

ITEM	PART NUMBER	QTY	DESCRIPTION	REV
	1001098629	Ref	Hitch Assembly (EEC Auto)	A
201	70022821	1	Lever, Opening	
202	70022822	1	Mechanism, Box	
203	70022823	1	Pivot, Security	
204	70022824	1	Bushing	
206	70022825	1	Pin	

SECTION 1 - FRAME AND ATTACHING PARTS

FIGURE 1-22. SLIDING HITCH ASSEMBLY (PITON)



WIT_1001183248-A

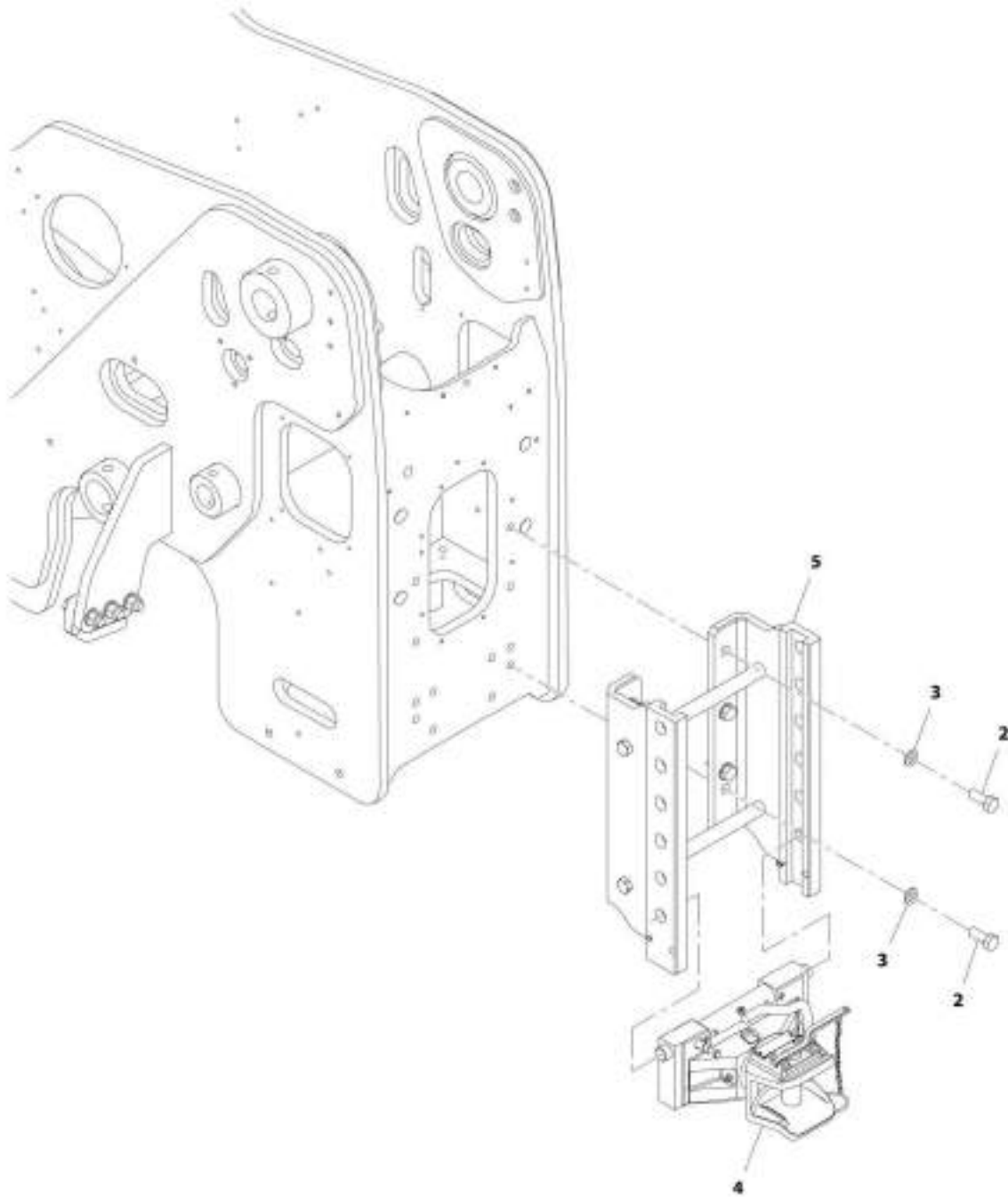
SECTION 1 - FRAME AND ATTACHING PARTS

FIGURE 1-22. SLIDING HITCH ASSEMBLY (PITON)

ITEM	PART NUMBER	QTY	DESCRIPTION	REV
	1001185248	Ref	Sliding Hitch Assembly (Piton)	A
1	70027175	1	Kit, Pins (includes items 101 and 102)	
2	70027174	1	Kit, Keeper (includes items 201 thru 205)	
101	Kit	2	Pin	
102	Kit	2	Pin, Safety	
201	Kit	1	Keeper	
202	Kit	1	Pin	
203	Kit	1	Pin, Safety	
204	Kit	1	Bolt, M20X95	
205	Kit	1	Nut	

SECTION 1 - FRAME AND ATTACHING PARTS

FIGURE 1-23. HITCH INSTALLATION (EEC MANUAL)



AWT_3001160188 0

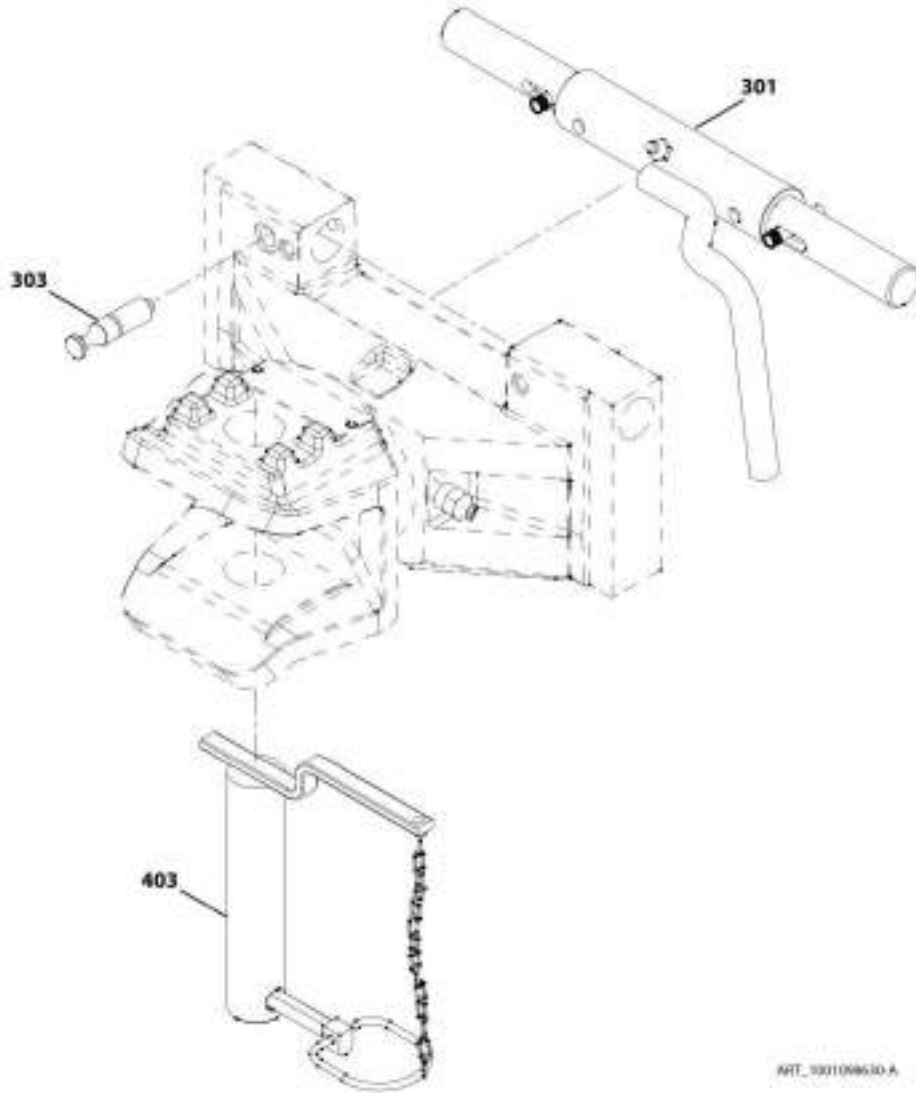
SECTION 1 - FRAME AND ATTACHING PARTS

FIGURE 1-23. HITCH INSTALLATION (EEC MANUAL)

ITEM	PART NUMBER	QTY	DESCRIPTION	REV
	1001180198	Ref	Hitch Installation (EEC Manual)	B
2	0701616	8	Bolt, M16X40	
3	4812300	8	Washer, M16	
4	1001098630	1	Assembly, Hitch (EEC Manual) (See Separate Breakdown in this Section)	
5	1001183274	1	Hitch, Sliding Towing Bracket	

SECTION 1 - FRAME AND ATTACHING PARTS

FIGURE 1-24. HITCH ASSEMBLY (EEC MANUAL)



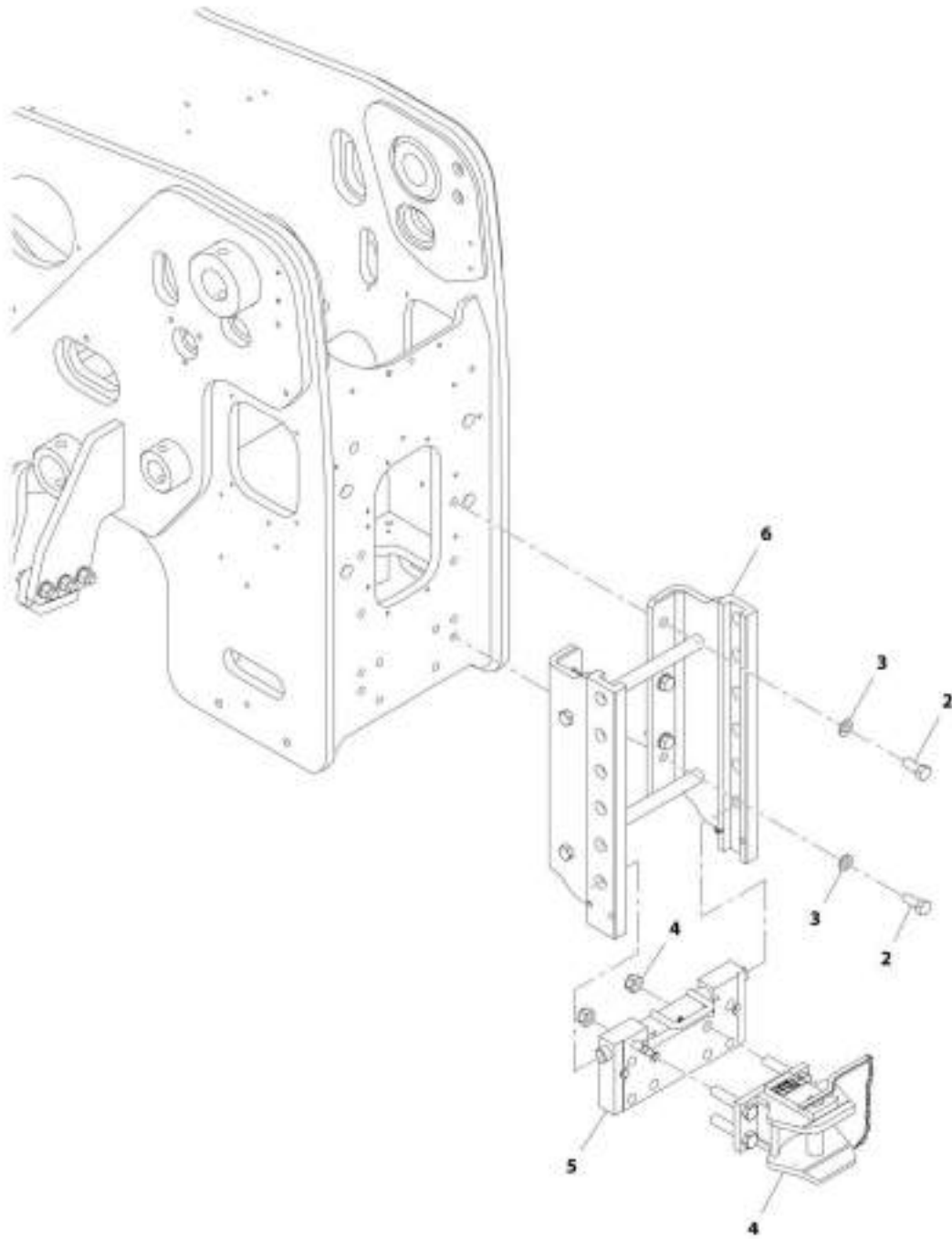
SECTION 1 - FRAME AND ATTACHING PARTS

FIGURE 1-24. HITCH ASSEMBLY (EEC MANUAL)

ITEM	PART NUMBER	QTY	DESCRIPTION	REV
	1001098630	Ref	Hitch Assembly (EEC Manual)	A
301	70022821	1	Lever, Opening	
303	70022823	1	Pivot, Security	
403	70022826	1	Pin	

SECTION 1 - FRAME AND ATTACHING PARTS

FIGURE 1-25. HITCH INSTALLATION (CUNA CATEGORY C)



ART_3001180199-B

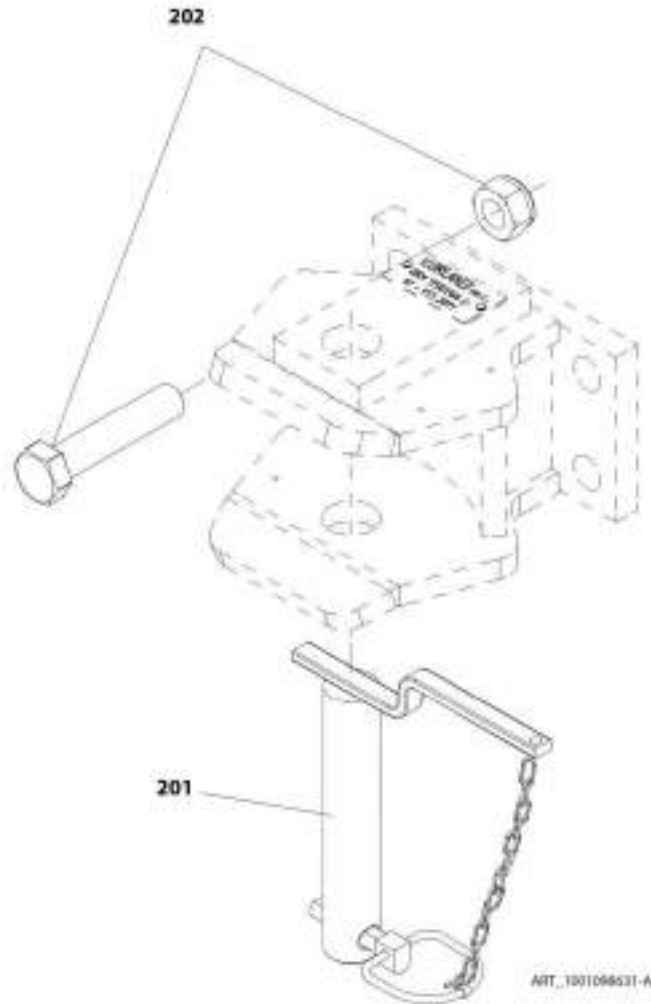
SECTION 1 - FRAME AND ATTACHING PARTS

FIGURE 1-25. HITCH INSTALLATION (CUNA CATEGORY C)

ITEM	PART NUMBER	QTY	DESCRIPTION	REV
	1001180199	Ref	Hitch Installation (CUNA Category C)	B
2	0701616	8	Bolt, M16X40	
3	4812300	8	Washer, M16	
4	1001098631	1	Assembly, Hitch (CUNA Category C) (See Separate Breakdown in this Section)	
5	1001098636	1	Plate, Adaptor	
6	1001183274	1	Hitch, Sliding Towing Bracket	

SECTION 1 - FRAME AND ATTACHING PARTS

FIGURE 1-26. HITCH ASSEMBLY (CUNA CATEGORY C)



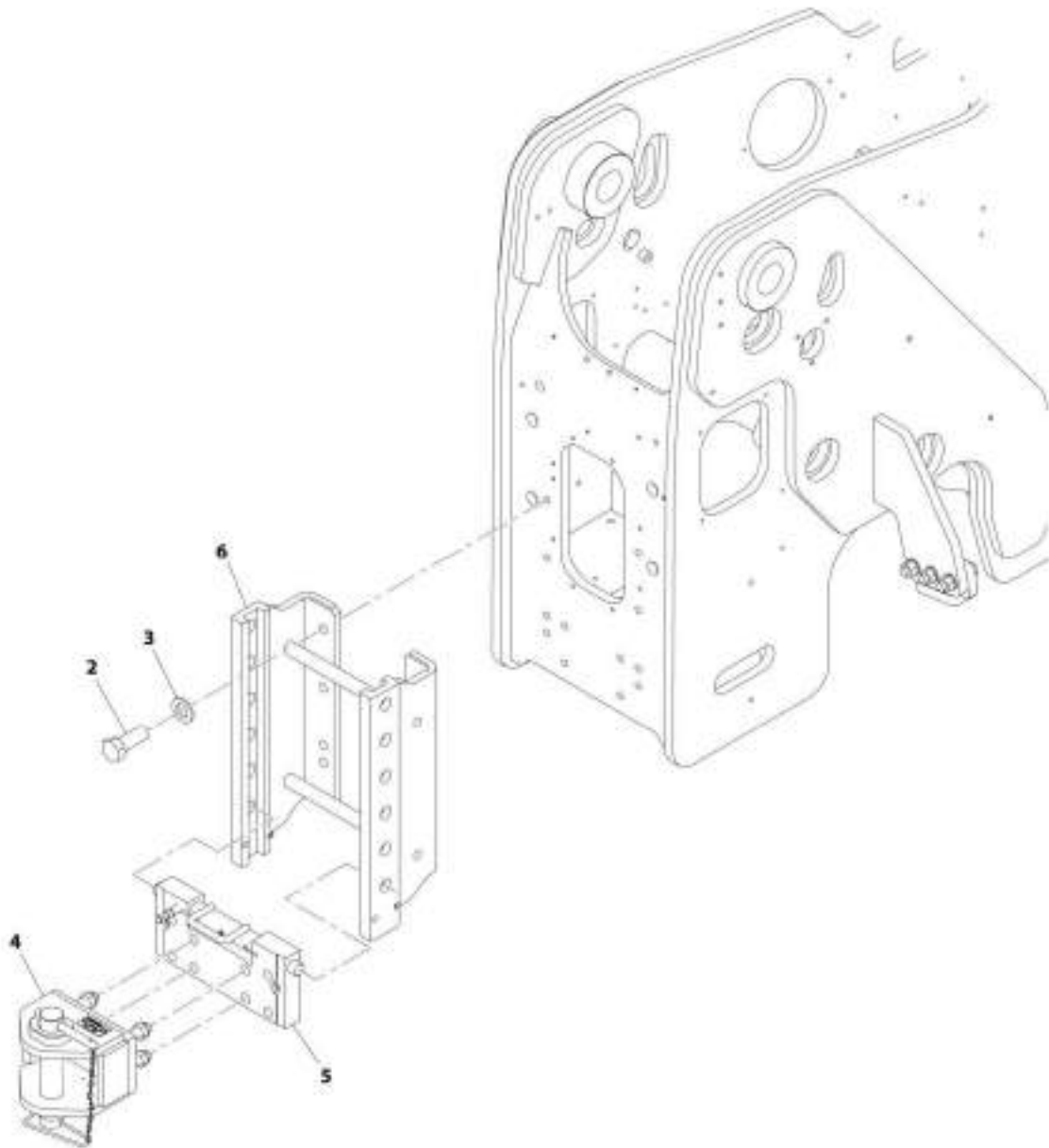
SECTION 1 - FRAME AND ATTACHING PARTS

FIGURE 1-26. HITCH ASSEMBLY (CUNA CATEGORY C)

ITEM	PART NUMBER	QTY	DESCRIPTION	REV
	1001098631	Ref	Hitch Assembly (CUNA Category C)	A
201	70022818	1	Pin	
202	70022819	1	Hardware, Mounting	

SECTION 1 - FRAME AND ATTACHING PARTS

FIGURE 1-27. HITCH INSTALLATION (CUNA CATEGORY D2)



ART_1001180206-R

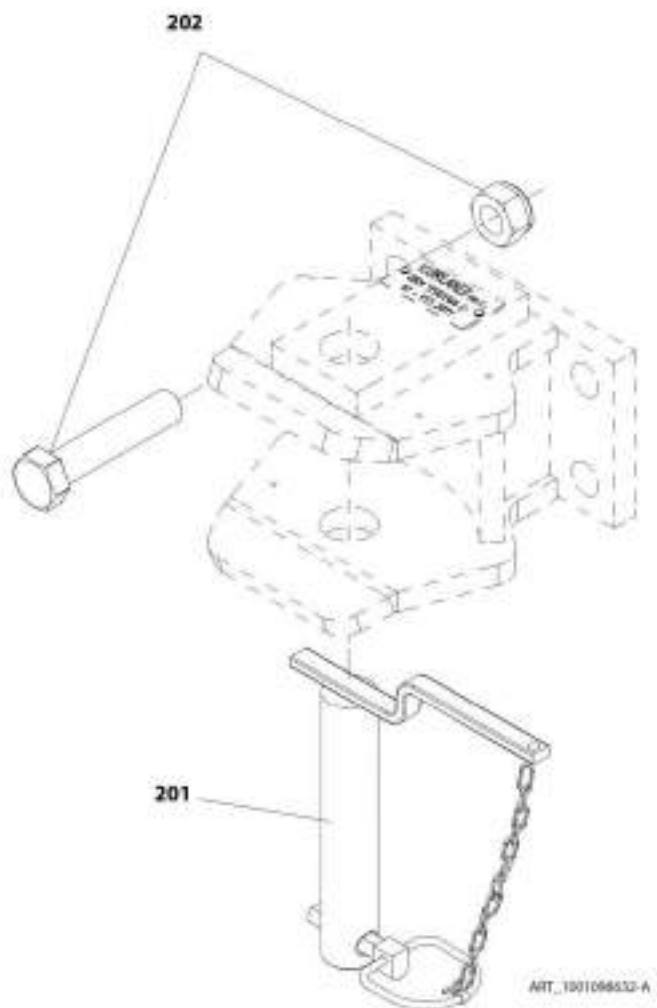
SECTION 1 - FRAME AND ATTACHING PARTS

FIGURE 1-27. HITCH INSTALLATION (CUNA CATEGORY D2)

ITEM	PART NUMBER	QTY	DESCRIPTION	REV
	1001180200	Ref	Hitch Installation (CUNA Category D2)	B
2	0701616	8	Bolt, M16X40	
3	4812300	8	Washer, M16	
4	1001098632	1	Assembly, Hitch (CUNA Category D2) (See Separate Breakdown in this Section)	
5	1001098636	1	Plate, Adaptor	
6	1001183274	1	Hitch, Sliding Towing Bracket	

SECTION 1 - FRAME AND ATTACHING PARTS

FIGURE 1-28. HITCH ASSEMBLY (CUNA CATEGORY D2)



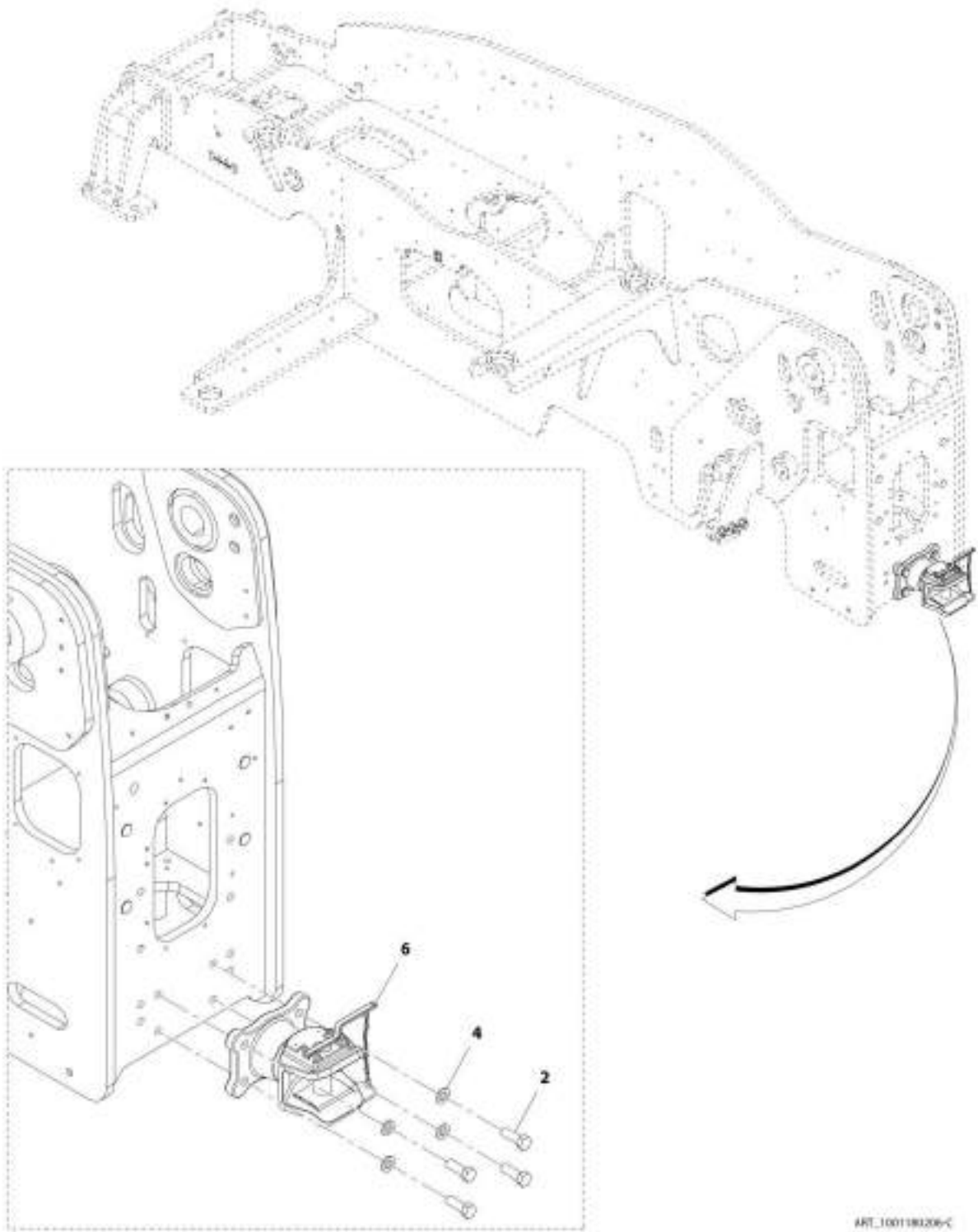
SECTION 1 - FRAME AND ATTACHING PARTS

FIGURE 1-28. HITCH ASSEMBLY (CUNA CATEGORY D2)

ITEM	PART NUMBER	QTY	DESCRIPTION	REV
	1001098632	Ref	Hitch Assembly (CUNA Category D2)	A
202	70022818	1	Hardware, Mounting	
301	70022819	4	Pin	

SECTION 1 - FRAME AND ATTACHING PARTS

FIGURE 1-29. HITCH INSTALLATION (FIXED)



ART_1001180206-C

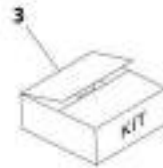
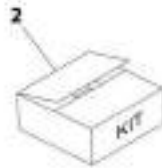
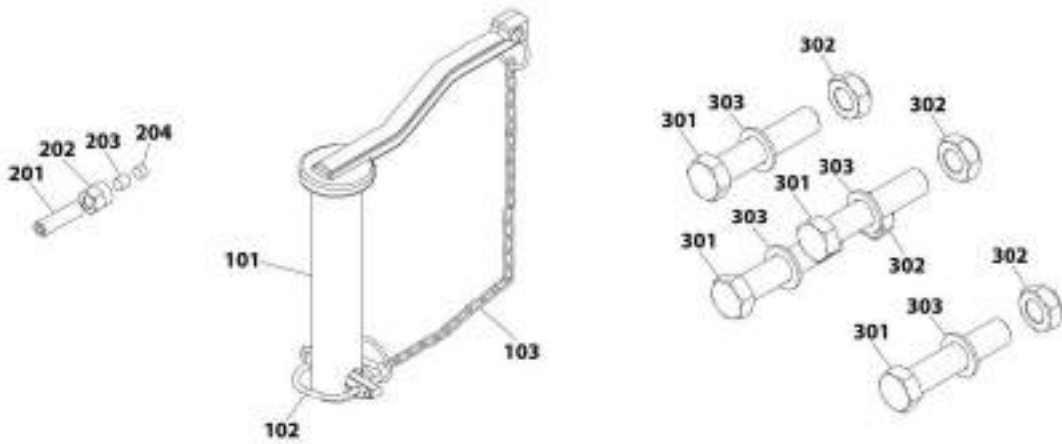
SECTION 1 - FRAME AND ATTACHING PARTS

FIGURE 1-29. HITCH INSTALLATION (FIXED)

ITEM	PART NUMBER	QTY	DESCRIPTION	REV
	1001180206	Ref	Hitch Installation (Fixed)	C
2	0701617	4	Bolt, M16X45	
4	4812300	4	Washer, M16	
6	1001110849	1	Assembly, Hitch (Fixed) (See Separate Breakdown in this Section)	

SECTION 1 - FRAME AND ATTACHING PARTS

FIGURE 1-30. HITCH ASSEMBLY (FIXED)



WIT_100113849-B

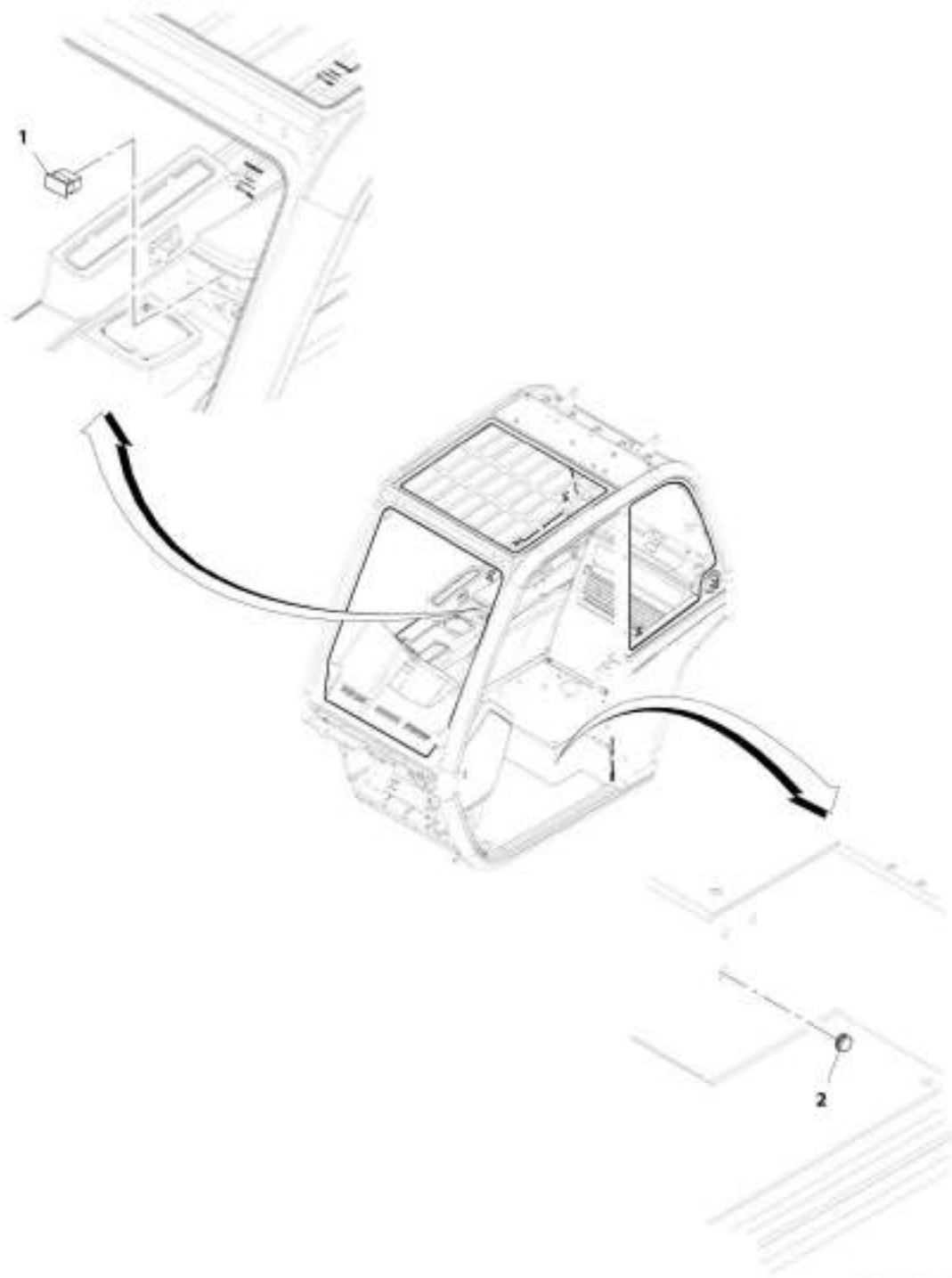
SECTION 1 - FRAME AND ATTACHING PARTS

FIGURE 1-30. HITCH ASSEMBLY (FIXED)

ITEM	PART NUMBER	QTY	DESCRIPTION	REV
	1001110849	Ref	Hitch Assembly (Fixed)	B
1	70027178	1	Kit, Towing Pin (includes items 101 thru 103)	
2	70027176	1	Kit, Friction (includes items 201 thru 204)	
3	70027177	1	Kit, Screws (includes items 301 thru 303)	
101	Kit	1	Pin	
102	Kit	1	Chain, Safety	
103	Kit	1	Pin, Safety	
201	Kit	1	Screw, M16X80	
202	Kit	1	Nut, M10	
203	Kit	1	Insert	
204	Kit	1	Insert	
301	Kit	4	Screw, M16X80	
302	Kit	4	Nut, M16	
303	Kit	4	Washer	

SECTION 1 - FRAME AND ATTACHING PARTS

FIGURE 1-31. CAB PLUG INSTALLATION (NON HYDRAULIC HITCH)



MT_1001214572-A

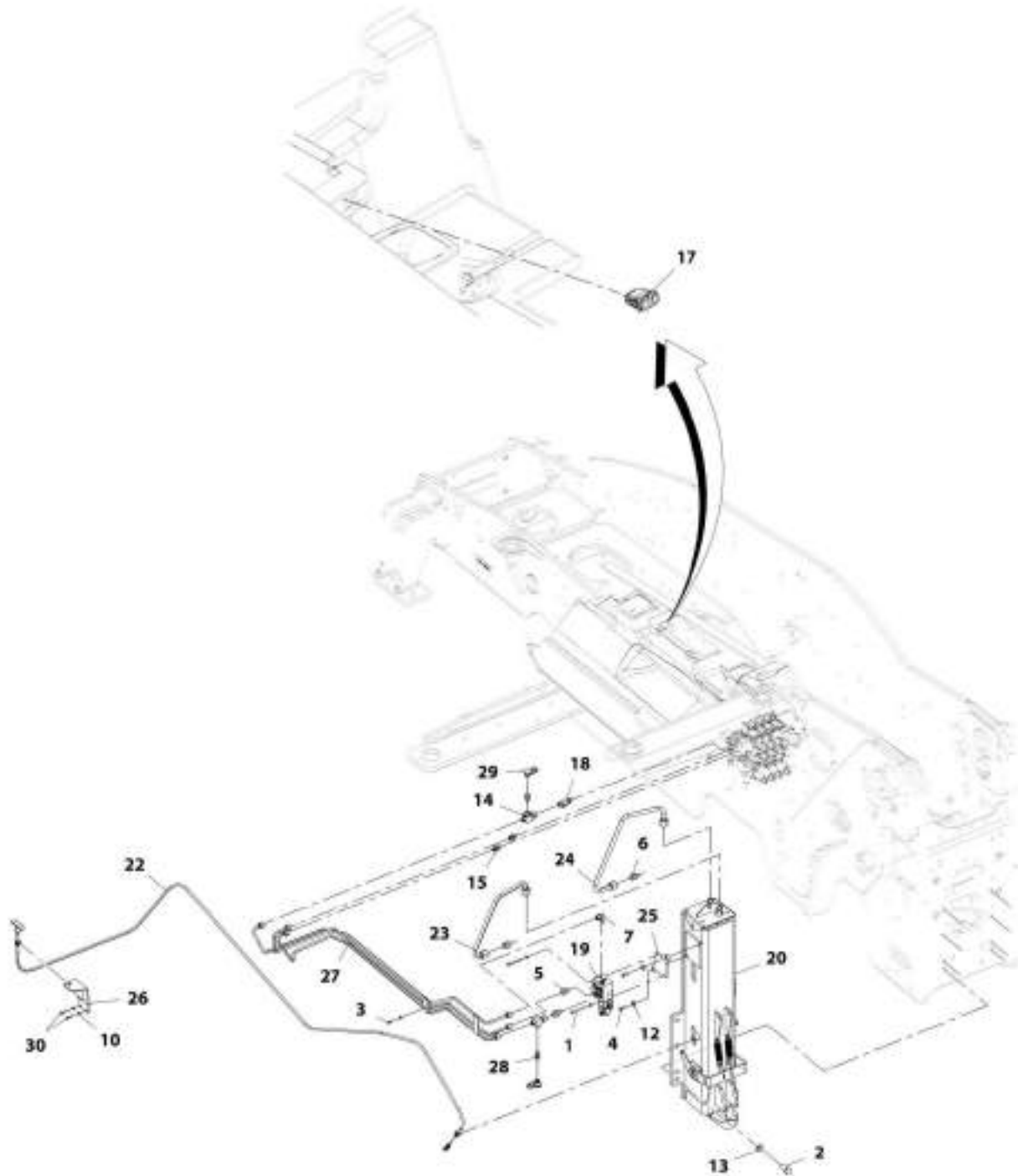
SECTION 1 - FRAME AND ATTACHING PARTS

FIGURE 1-31. CAB PLUG INSTALLATION (NON HYDRAULIC HITCH)

ITEM	PART NUMBER	QTY	DESCRIPTION	REV
	1001214572	1	Cab Plug Installation (Non Hydraulic Hitch)	A
1	4360669	1	Cover, Switch	
2	1001176323	1	Plug	

SECTION 1 - FRAME AND ATTACHING PARTS

FIGURE 1-32. HITCH INSTALLATION (HYDRAULIC)



MT_100180195-G

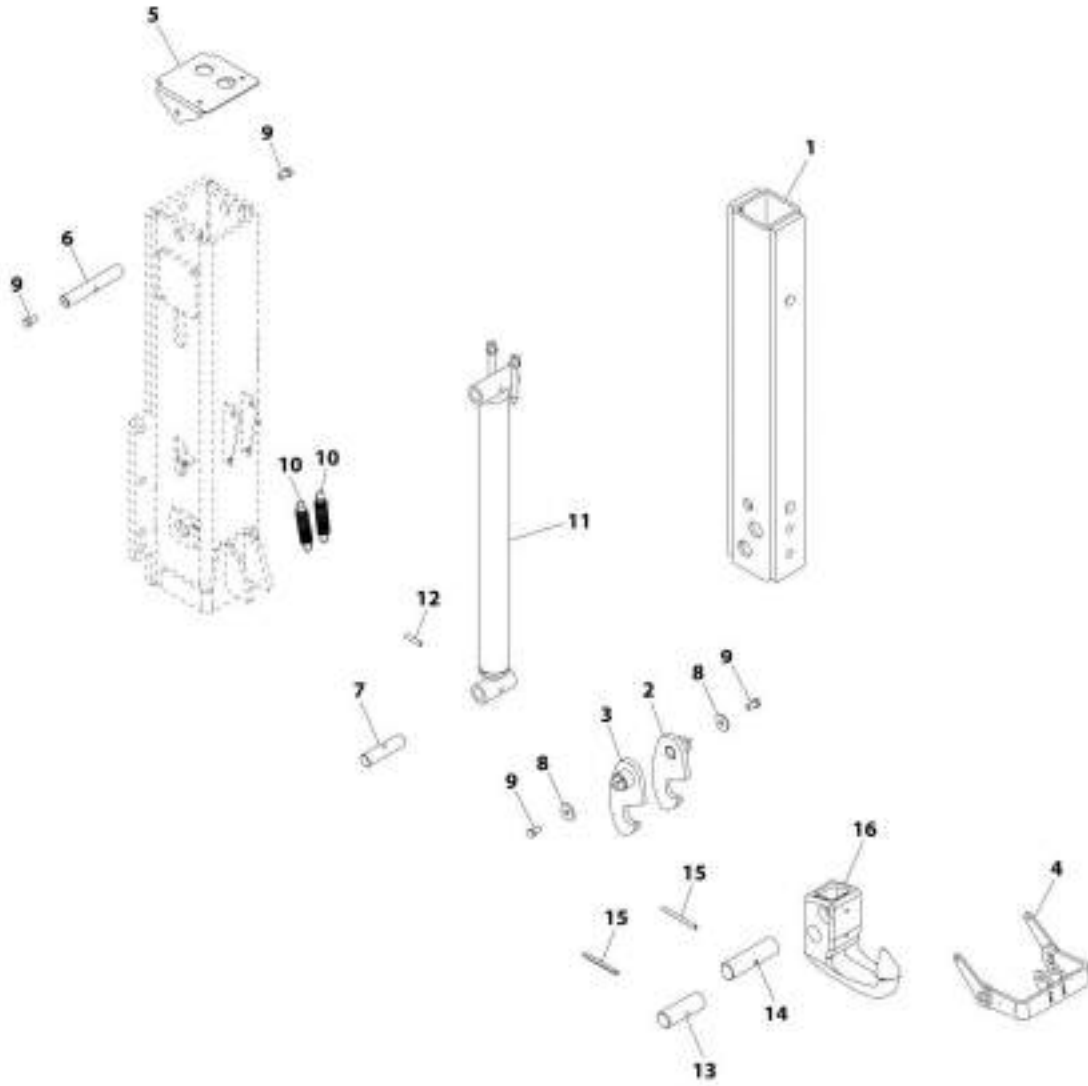
SECTION 1 - FRAME AND ATTACHING PARTS

FIGURE 1-32. HITCH INSTALLATION (HYDRAULIC)

ITEM	PART NUMBER	QTY	DESCRIPTION	REV
	1001180195	Ref	Hitch Installation (Hydraulic)	G
1	0700620	2	Bolt, M6X60	
2	0711616	8	Bolt, M16X40	
3	0760607	1	Bolt, M6X14	
4	0760810	2	Bolt, M8X20 (Prior to SN 1160008583)	
4	0761010	2	Bolt, M10X20 (SN 1160008583 to Present)	
5	2110606	2	Fitting, Straight ORFS	
6	2110806	2	Fitting, Straight ORFS	
7	2130604	1	Fitting, 90 ORFS	
10	4811700	5	Washer, M6	
12	4811902	2	Washer, M8 (Prior to SN 1160008583)	
12	4812000	2	Washer, M10 (SN 1160008583 to Present)	
13	4812300	8	Washer, M16	
14	1001033119	2	Fitting, Straight ORFS	
15	80233218	2	Fitting, Straight ORFS	
17	1001198836	1	Switch, Hitch	
18	1001169800	1	Fitting, Tee ORFS	
19	1001173770	1	Valve, Pickup Hitch Control (See Separate Breakdown in this Section) (Prior to SN 1160008583)	
19	1001226722	1	Valve, Pickup Hitch Control (See Separate Breakdown in this Section) (SN 1160008583 to Present)	
20	1001182763	1	Assembly, Hitch (Hydraulic) (See Separate Breakdown in this Section)	
22	1001185720	1	Cable, Hitch Release	
23	1001204374	1	Pipe	
24	1001204375	1	Pipe	
25	1001188413	1	Plate, PUH Valve Mounting	
26	1001188722	1	Bracket, Hitch (Prior to SN 1160008371)	
26	1001228418	1	Bracket, Hitch (SN 1160008371 to Present)	
27	1001205771	1	Bracket, Pipe Assembly	
28	1001003590	2	Fitting, Straight	
29	1001008761	2	Cap, Dust	
30	0700610	2	Bolt, M6X20	

SECTION 1 - FRAME AND ATTACHING PARTS

FIGURE 1-33. HITCH ASSEMBLY (HYDRAULIC)



ART_1001182763-D

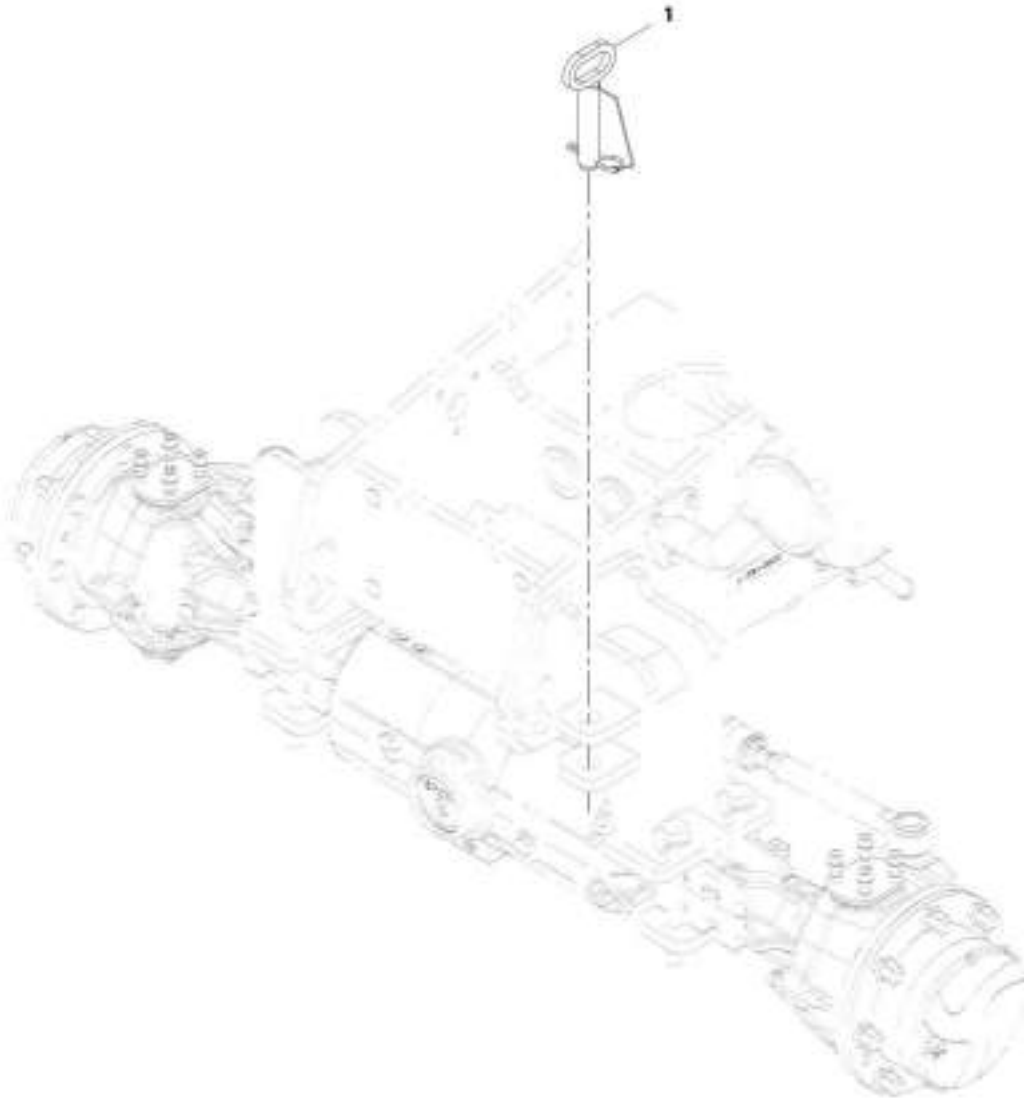
SECTION 1 - FRAME AND ATTACHING PARTS

FIGURE 1-33. HITCH ASSEMBLY (HYDRAULIC)

ITEM	PART NUMBER	QTY	DESCRIPTION	REV
	1001182763	Ref	Hitch Assembly (Hydraulic)	D
1	70027158	1	Body, Sliding	
2	70027159	1	Lock, Right Vertical	
3	70027160	1	Lock, Left Vertical	
4	70027161	1	Bracket	
5	70027162	1	Plate, Cover	
6	70027163	1	Pin	
7	70027164	1	Pin	
8	70027165	2	Washer	
9	70027166	4	Screw	
10	70027167	2	Spring	
11	70027168	1	Cylinder	
12	70027169	1	Pin	
13	70027170	1	Pin	
14	70027171	1	Pin	
15	70027172	1	Pin	
16	70027173	1	Hook	

SECTION 1 - FRAME AND ATTACHING PARTS

FIGURE 1-34. FRONT RETRIEVAL HITCH PIN



ART_100125609-A

SECTION 1 - FRAME AND ATTACHING PARTS

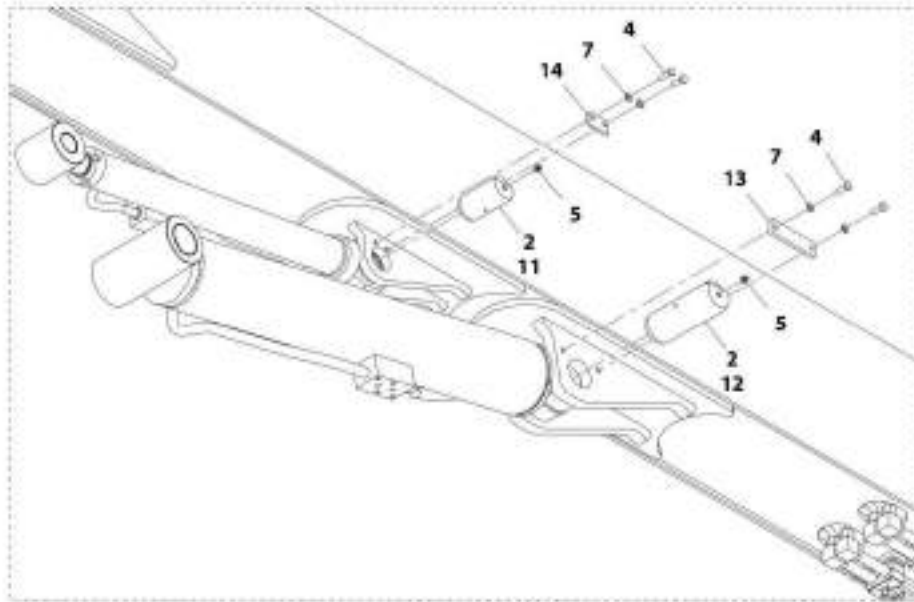
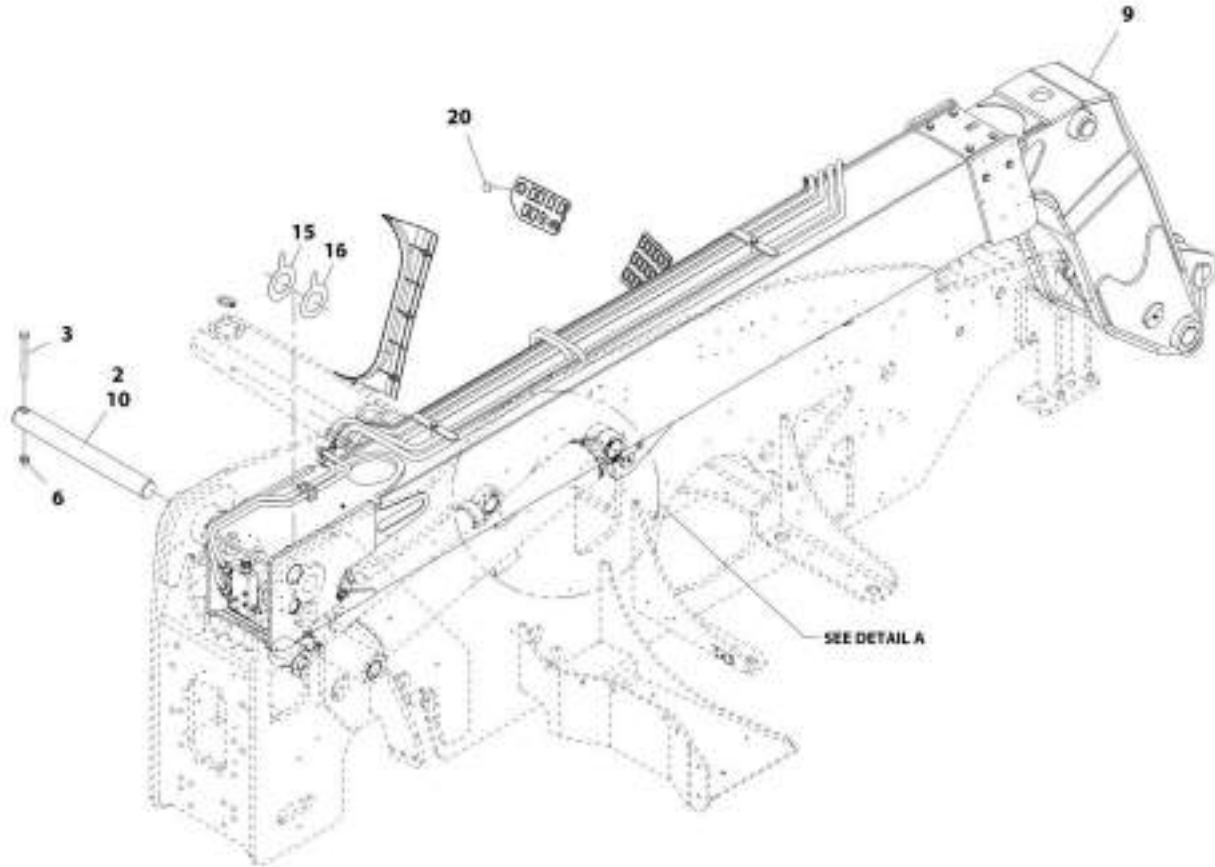
FIGURE 1-34. FRONT RETRIEVAL HITCH PIN

ITEM	PART NUMBER	QTY	DESCRIPTION	REV
1	1001215639	1	Front Retrieval Hitch Pin	A
	1001003391	1	Pin, Hitch	

SECTION 2 - BOOM

SECTION 2 - BOOM

FIGURE 2-1. BOOM INSTALLATION (JLG)



DETAIL A

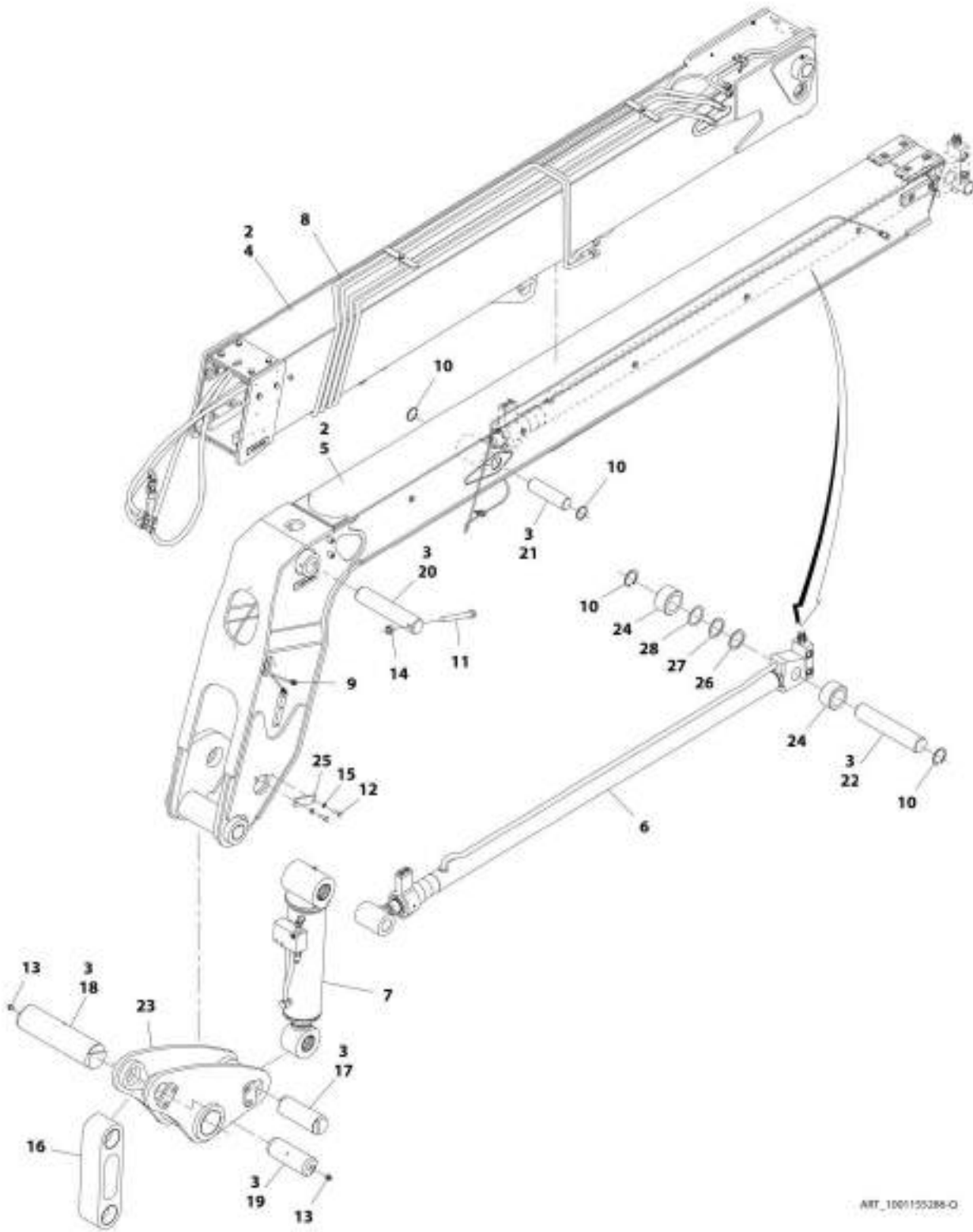
ART_1001178114-1

FIGURE 2-1. BOOM INSTALLATION (JLG)

ITEM	PART NUMBER	QTY	DESCRIPTION	REV
	1001176114	Ref	Boom Installation (JLG)	I
2	1001098457	AR	Lube, Lithium Grease	
3	0701632	1	Bolt, M16-2X150	
4	0760812	4	Bolt, 8X25	
5	2160016	2	Fitting, Grease	
6	3291601	1	Nut, M16X2 Grade 8	
7	4811900	4	Washer, M8	
9	1001155286	1	Assembly, Boom (See Separate Breakdown in this Section) (Prior to SN 1160008371)	
9	1001226685	1	Assembly, Boom (See Separate Breakdown in this Section) (SN 1160008371 to Present)	
10	1001175243	1	Pin, Boom Pivot	
11	1001175754	1	Pin	
12	1001175898	1	Pin, Lift Cylinder	
13	1001191621	1	Plate, Pin Retainer	
14	1001176942	1	Bracket, Pin Retainer	
15	1001214449	AR	Shim, M1 With Tab	
16	1001214455	AR	Shim, M0.5 64 With Tab	
20	1001190589	1	Plug	

SECTION 2 - BOOM

FIGURE 2-2. BOOM ASSEMBLY (JLG) (Prior to SN 1160008371)



ART_100155288-Q

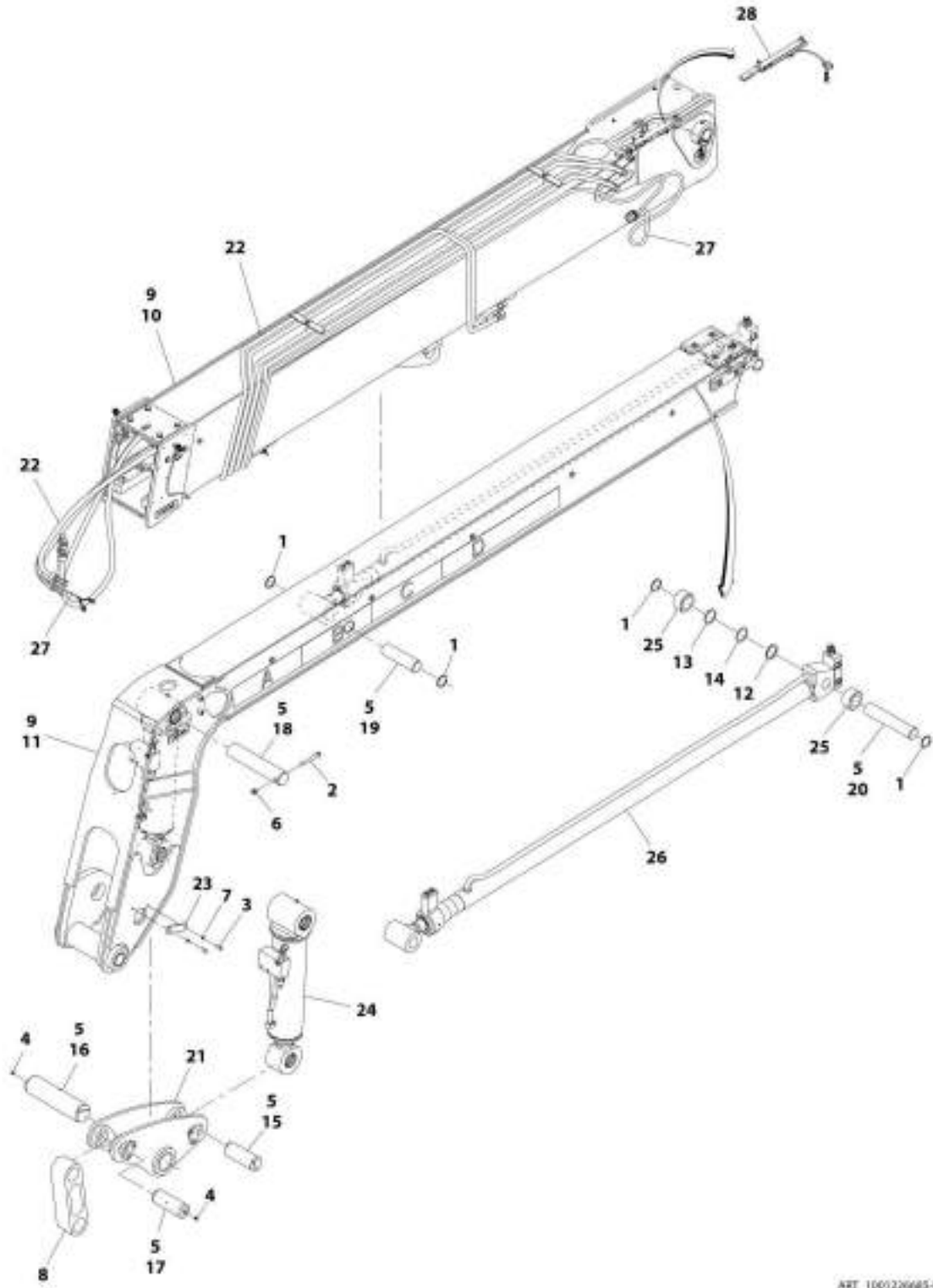
SECTION 2 - BOOM

FIGURE 2-2. BOOM ASSEMBLY (JLG) (Prior to SN 1160008371)

ITEM	PART NUMBER	QTY	DESCRIPTION	REV
	1001155286	Ref	Boom Assembly (JLG)	Q
2	1001098457	AR	Lube, Lithium Grease	
3	3020040	AR	Lubricant, Moly Paste	
4	1001154044	1	Assembly, First Boom Section (JLG) (See Separate Breakdown in this Section)	
5	1001154045	1	Assembly, Second Boom Section (See Separate Breakdown in this Section)	
6	1001203314	1	Assembly, Top Extend/Retract Cylinder (See Separate Breakdown in Hydraulic Components Section)	
7	1001195800	1	Cylinder, Tilt (See Separate Breakdown in Hydraulic Components Section)	
8	1001184622	Ref	Installation, Boom Hydraulic Tubes (See Separate Breakdown in Hydraulic Circuits Section)	
9	1001185734	Ref	Installation, Boom Harness (See Separate Breakdown in Electrical Section)	
10	314689	4	Ring, Retaining M50	
11	0711228	1	Bolt, M12X110	
12	0760812	2	Bolt, M8X25	
13	2160016	2	Fitting, Grease	
14	3291205	1	Nut, Lock M12X1.75 Grade 8	
15	4831900	2	Washer, Lock M8	
16	1001096870	1	Assembly, Link (See Separate Breakdown in this Section)	
17	1001175746	1	Pin, Tilt	
18	1001175747	1	Pin, Tilt Lower	
19	1001175749	1	Pin, Tilt Link	
20	1001175751	1	Pin, Tilt	
21	1001175753	1	Pin, Telescope Cylinder	
22	1001175756	1	Pin, Telescope Cylinder	
23	1001176407	1	Assembly, Lever (See Separate Breakdown in this Section)	
24	1001199730	2	Tube, Spacer	
25	1001191621	1	Plate, Pin Retainer	
26	1001155958	AR	Shim, M3	
27	1001155959	AR	Shim, M2	
28	1001155960	AR	Shim, M1	

SECTION 2 - BOOM

FIGURE 2-3. BOOM ASSEMBLY (JLG) (SN 1160008371 to Present)



ART_100120685-9

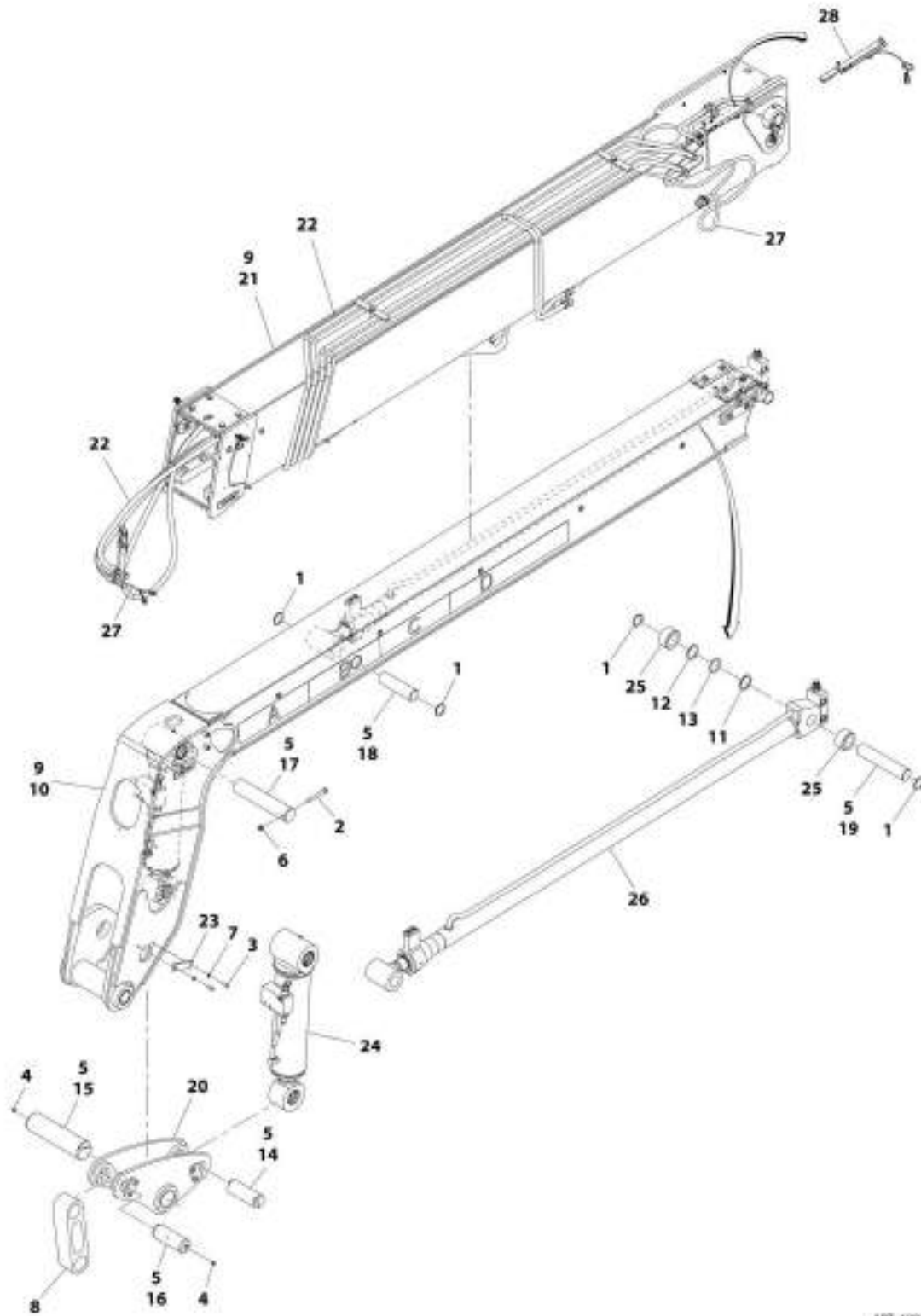
SECTION 2 - BOOM

FIGURE 2-3. BOOM ASSEMBLY (JLG) (SN 1160008371 to Present)

ITEM	PART NUMBER	QTY	DESCRIPTION	REV
	1001226685	Ref	Boom Assembly (JLG)	B
1	314689	4	Ring, Retaining M50	
2	0711228	1	Bolt, M12X110	
3	0760812	2	Bolt, M8X25	
4	2160016	2	Fitting, Grease	
5	3020040	AR	Lubricant, Moly Paste	
6	3291205	1	Nut, Lock M12X1.75 Grade 8	
7	4831900	2	Washer, Lock M8	
8	1001096870	Ref	Assembly, Link (See Separate Breakdown in this Section)	
9	1001098457	AR	Lube, Lithium Grease	
10	1001154044	Ref	Assembly, First Boom Section (JLG) (See Separate Breakdown in this Section)	
11	1001154045	Ref	Assembly, Second Boom Section (See Separate Breakdown in this Section)	
12	1001155958	AR	Shim, M3	
13	1001155959	AR	Shim, M2	
14	1001155960	AR	Shim, M1	
15	1001175746	1	Pin, Tilt	
16	1001175747	1	Pin, Tilt Lower	
17	1001175749	1	Pin, Tilt Link	
18	1001175751	1	Pin, Tilt	
19	1001175753	1	Pin, Telescope Cylinder	
20	1001175756	1	Pin, Telescope Cylinder	
21	1001176407	Ref	Assembly, Lever (See Separate Breakdown in this Section)	
22	1001184622	Ref	Installation, Boom Hydraulic Tubes (See Separate Breakdown in Hydraulic Circuits Section)	
23	1001191621	1	Plate, Pin Retainer	
24	1001195800	Ref	Cylinder, Tilt (See Separate Breakdown in Hydraulic Components Section)	
25	1001199730	2	Tube, Spacer	
26	1001203314	Ref	Assembly, Top Extend/Retract Cylinder (See Separate Breakdown in Hydraulic Components Section)	
27	1001226645	Ref	Installation, Boom Harness (See Separate Breakdown in Electrical Section)	
28	1001184857	Ref	Boom Retract Sensor Installation (See Separate Breakdown in Electrical Section)	

SECTION 2 - BOOM

FIGURE 2-4. BOOM ASSEMBLY (DEUTZ-FAHR) (SN 1160008371 to Present)



ART_100122667-B

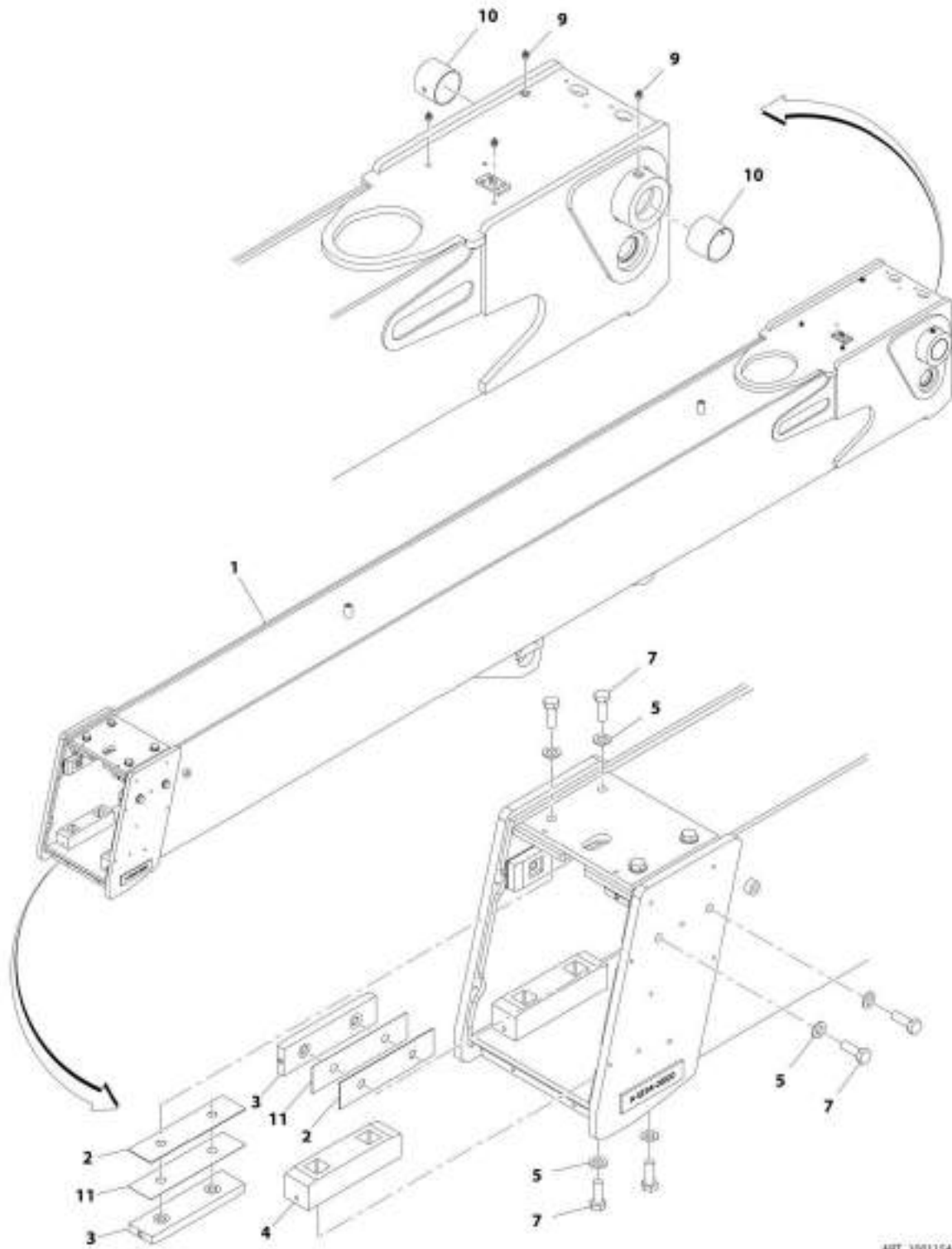
SECTION 2 - BOOM

FIGURE 2-4. BOOM ASSEMBLY (DEUTZ-FAHR) (SN 1160008371 to Present)

ITEM	PART NUMBER	QTY	DESCRIPTION	REV
	1001226687	Ref	Boom Assembly (Deutz-Fahr)	B
1	314689	4	Ring, Retaining M50	
2	0711228	1	Bolt, M12X110	
3	0760812	2	Bolt, M8X25	
4	2160016	2	Fitting, Grease	
5	3020040	AR	Lubricant, Moly Paste	
6	3291205	1	Nut, Lock M12X1.75 Grade 8	
7	4831900	2	Washer, Lock M8	
8	1001096870	Ref	Assembly, Link (See Separate Breakdown in this Section)	
9	1001098457	AR	Lube, Lithium Grease	
10	1001154045	Ref	Assembly, Second Boom Section (See Separate Breakdown in this Section)	
11	1001155958	AR	Shim, M3	
12	1001155959	AR	Shim, M2	
13	1001155960	AR	Shim, M1	
14	1001175746	1	Pin, Tilt	
15	1001175747	1	Pin, Tilt Lower	
16	1001175749	1	Pin, Tilt Link	
17	1001175751	1	Pin, Tilt	
18	1001175753	1	Pin, Telescope Cylinder	
19	1001175756	1	Pin, Telescope Cylinder	
20	1001176407	Ref	Assembly, Lever (See Separate Breakdown in this Section)	
21	1001178742	Ref	Assembly, First Boom Section (Deutz-Fahr) (See Separate Breakdown in this Section)	
22	1001184622	Ref	Installation, Boom Hydraulic Tubes (See Separate Breakdown in Hydraulic Circuits Section)	
23	1001191621	1	Plate, Pin Retainer	
24	1001195800	Ref	Cylinder, Tilt (See Separate Breakdown in Hydraulic Components Section)	
25	1001199730	2	Tube, Spacer	
26	1001203314	Ref	Assembly, Top Extend/Retract Cylinder (See Separate Breakdown in Hydraulic Components Section)	
27	1001226645	Ref	Installation, Boom Harness (See Separate Breakdown in Electrical Section)	
28	1001184857	Ref	Boom Retract Sensor Installation (See Separate Breakdown in Electrical Section)	

SECTION 2 - BOOM

FIGURE 2-5. FIRST BOOM SECTION ASSEMBLY (JLG)



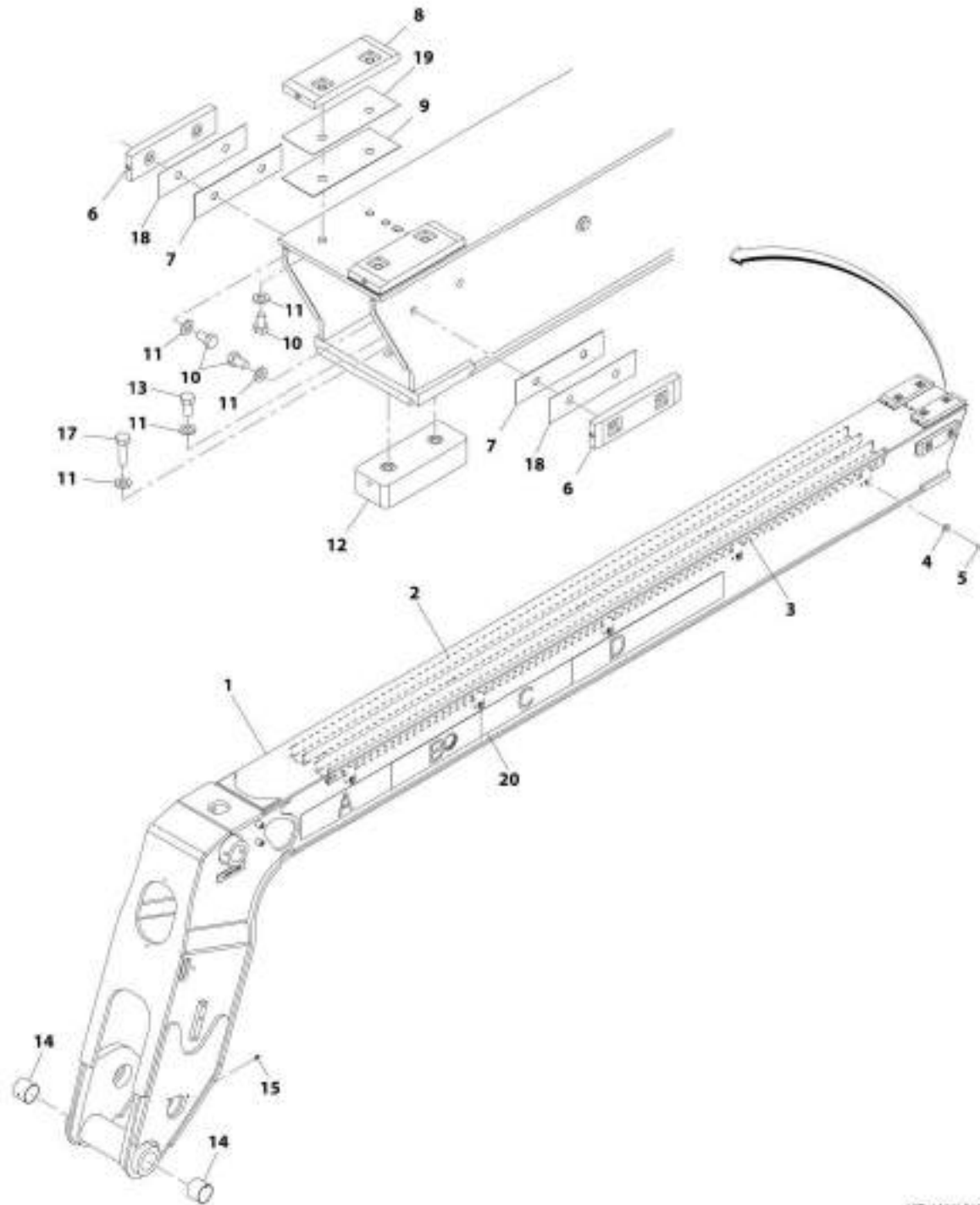
ART_10011540441

FIGURE 2-5. FIRST BOOM SECTION ASSEMBLY (JLG)

ITEM	PART NUMBER	QTY	DESCRIPTION	REV
	1001154044	Ref	First Boom Section Assembly (JLG)	I
1	1001170150J	1	Boom, First	
2	1001147731	AR	Shim, M1X45X185	
3	1001147657	4	Pad, M15X45X181	
4	1001175949	2	Pad, M43X45X181	
5	1001125117	AR	Washer, M12	
7	0711215	12	Bolt, M12X35 Grade 10.9	
9	2160016	4	Fitting, Grease	
10	1001176853	2	Bearing	
11	1001154174	AR	Shim, M0.5X45X185	

SECTION 2 - BOOM

FIGURE 2-6. SECOND BOOM SECTION ASSEMBLY



ART_100158045-G

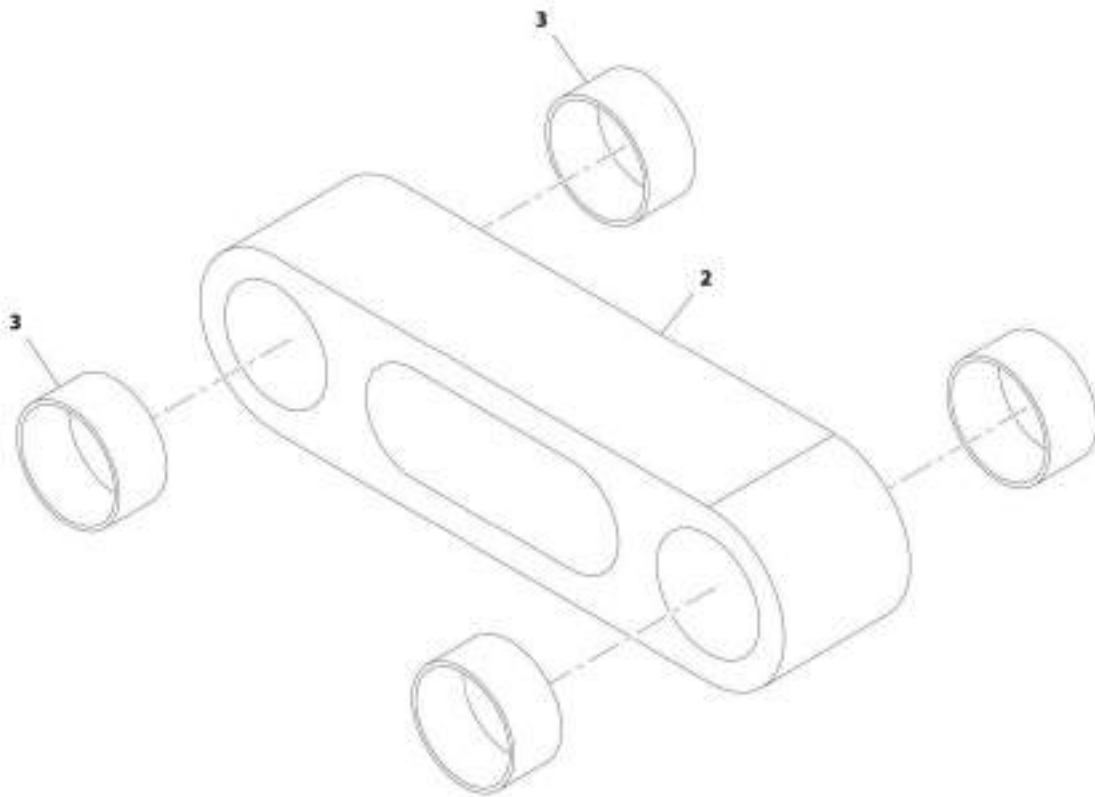
SECTION 2 - BOOM

FIGURE 2-6. SECOND BOOM SECTION ASSEMBLY

ITEM	PART NUMBER	QTY	DESCRIPTION	REV
	1001154045	Ref	Second Boom Section Assembly	G
1	1001170283	1	Boom, Second	
2	1001176261	1	Support, Hose	
3	1001176262	1	Support, Hose	
4	4811902	10	Washer, M8	
5	0760812	10	Bolt, M8X25	
6	1001147657	2	Pad, M15X45X181	
7	1001147731	AR	Shim, M1X45X185	
8	1001148103	2	Pad, M15X67.5X181	
9	1001148147	AR	Shim, M1X67.5X185	
10	0771210	8	Bolt, M12X20 Grade 10.9	
11	1001125117	AR	Washer, M12	
12	1001175950	1	Pad, M43X67.5X181	
13	0771212	1	Bolt, M12X25 Grade 10.9	
14	1001176853	2	Bearing	
15	2160016	1	Fitting, Grease	
17	0711216	1	Bolt, M12X40	
18	1001154174	AR	Shim, M0.5X45X185	
19	1001154176	AR	Shim, M0.5X67.5X185	
20	1001227228	1	Decal, Boom Extend	

SECTION 2 - BOOM

FIGURE 2-7. LINK ASSEMBLY



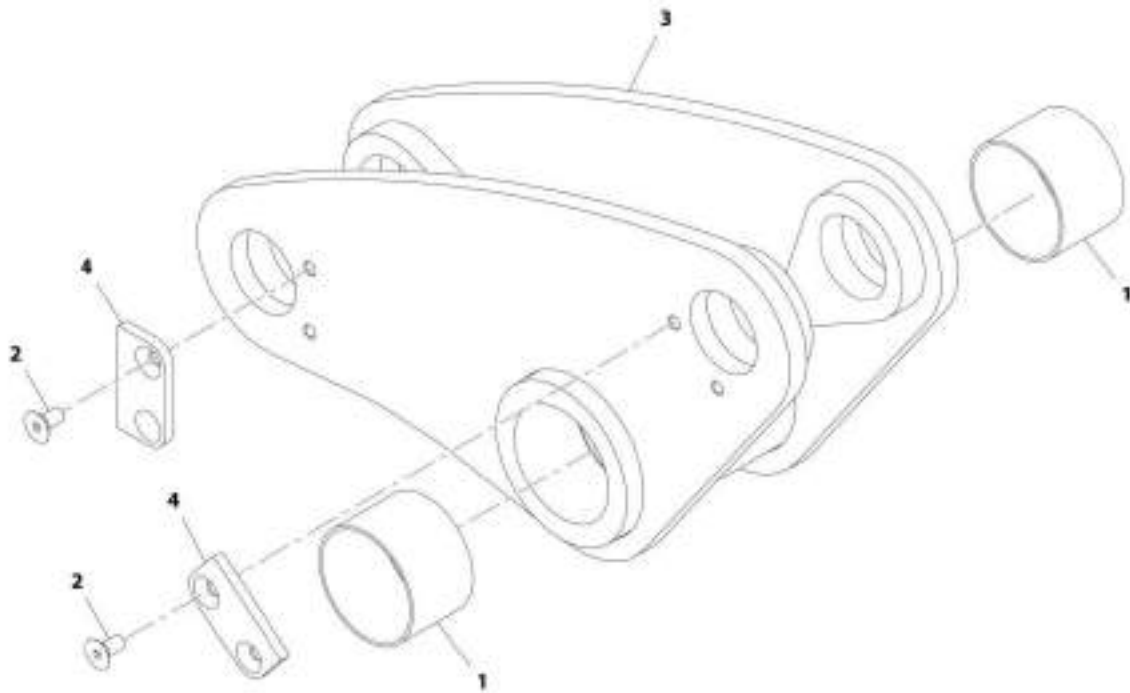
ART_100106270-B

FIGURE 2-7. LINK ASSEMBLY

ITEM	PART NUMBER	QTY	DESCRIPTION	REV
	1001096870	Ref	Link Assembly	B
2	1001096726	1	Link	
3	1001100442	4	Bearing	

SECTION 2 - BOOM

FIGURE 2-8. LEVER ASSEMBLY



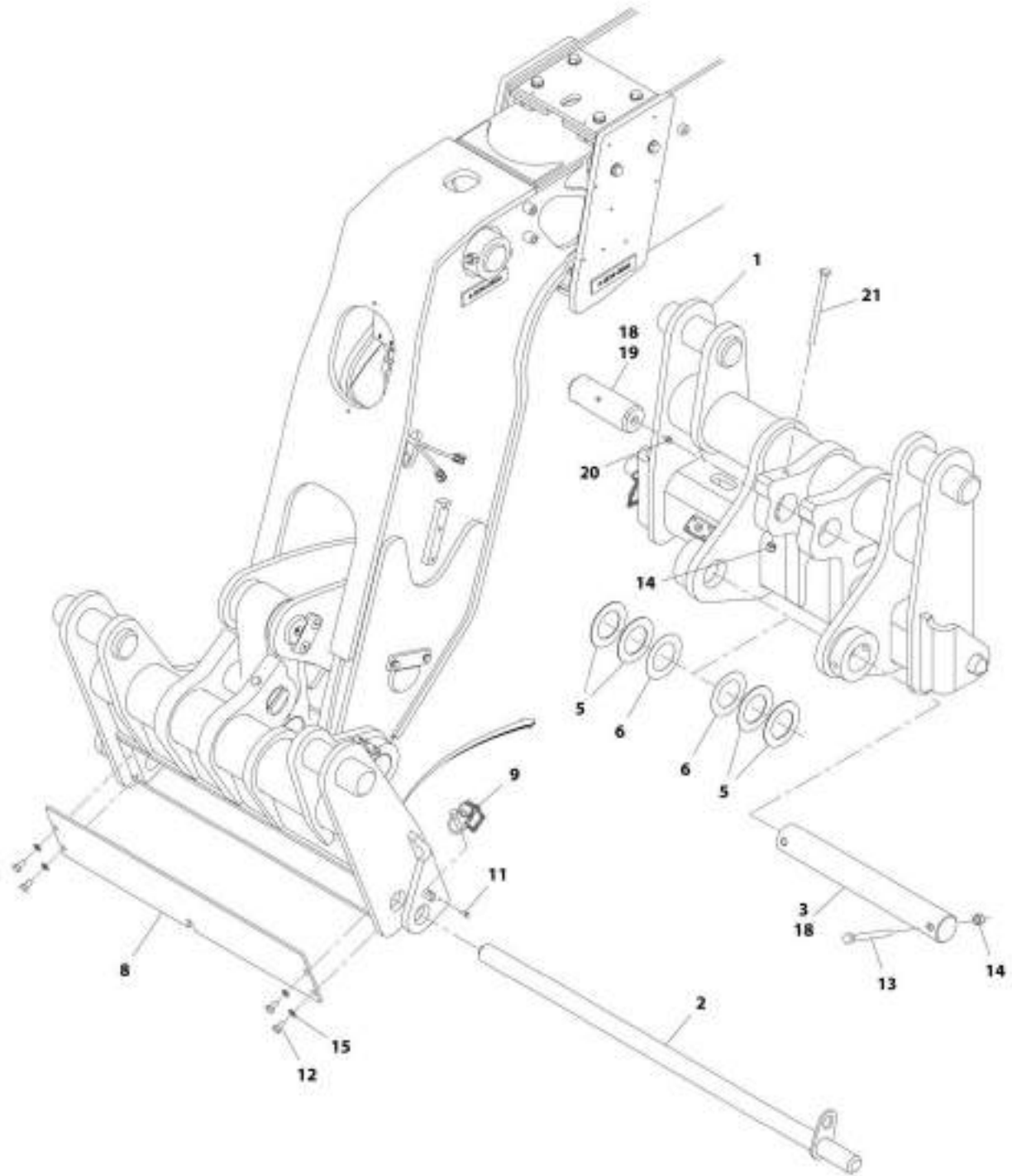
ART_100176407-C

FIGURE 2-8. LEVER ASSEMBLY

ITEM	PART NUMBER	QTY	DESCRIPTION	REV
	1001176407	Ref	Lever Assembly	C
1	1001092298	2	Bearing	
2	1001155441	4	Screw, M10-1.5X20	
3	1001189480	1	Plate	
4	1001176882	2	Plate, Pin Retainer	

SECTION 2 - BOOM

FIGURE 2-9. MANUAL QUICK COUPLER INSTALLATION (20IN WHEEL)



REF_1001170524-E

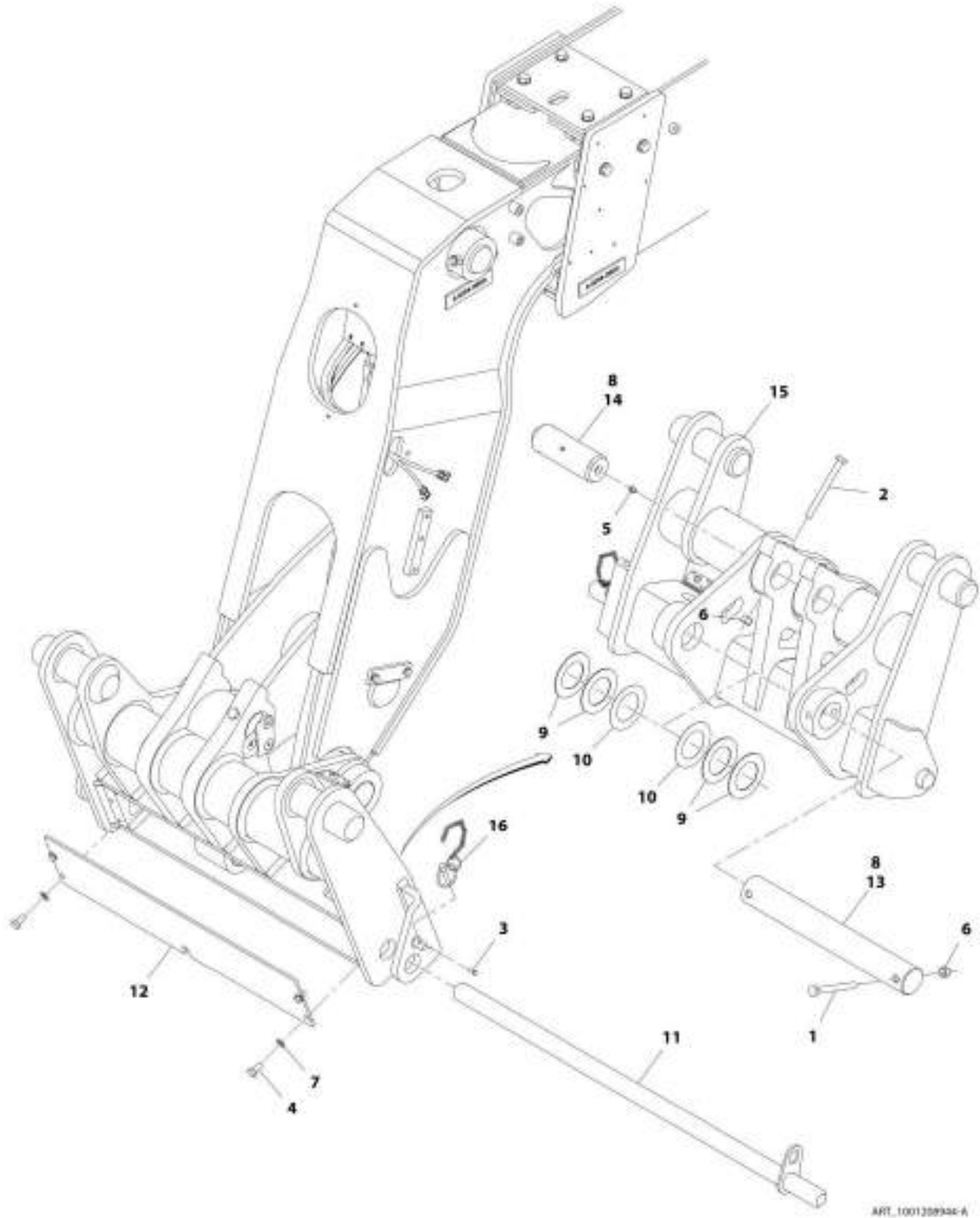
SECTION 2 - BOOM

FIGURE 2-9. MANUAL QUICK COUPLER INSTALLATION (20IN WHEEL)

ITEM	PART NUMBER	QTY	DESCRIPTION	REV
	1001178524	Ref	Manual Quick Coupler Installation (20IN Wheel)	E
1	1001196632	1	Coupler	
2	1001162636	1	Pin	
3	1001172950	1	Pin	
5	1001117382	AR	Washer, Shim M62X100X2	
6	1001117383	AR	Washer, Shim M62X100X0.5	
8	1001171390	1	Plate	
9	1001149923	1	Pin, Retaining	
11	0760507	1	Bolt, M5X14	
12	0760808	4	Bolt, M8X16	
13	0701229	1	Bolt, M12X120	
14	3291205	2	Nut, Lock, M12X1.75 Grade 8	
15	4811900	4	Washer, M8	
18	1001098457	AR	Lube, Lithium Grease	
19	1001197479	1	Pin	
20	2160016	1	Fitting, Grease	
21	0701032	1	Bolt, M12X150	

SECTION 2 - BOOM

FIGURE 2-10. MANUAL QUICK COUPLER INSTALLATION (24IN WHEEL)



ART_1001209346-A

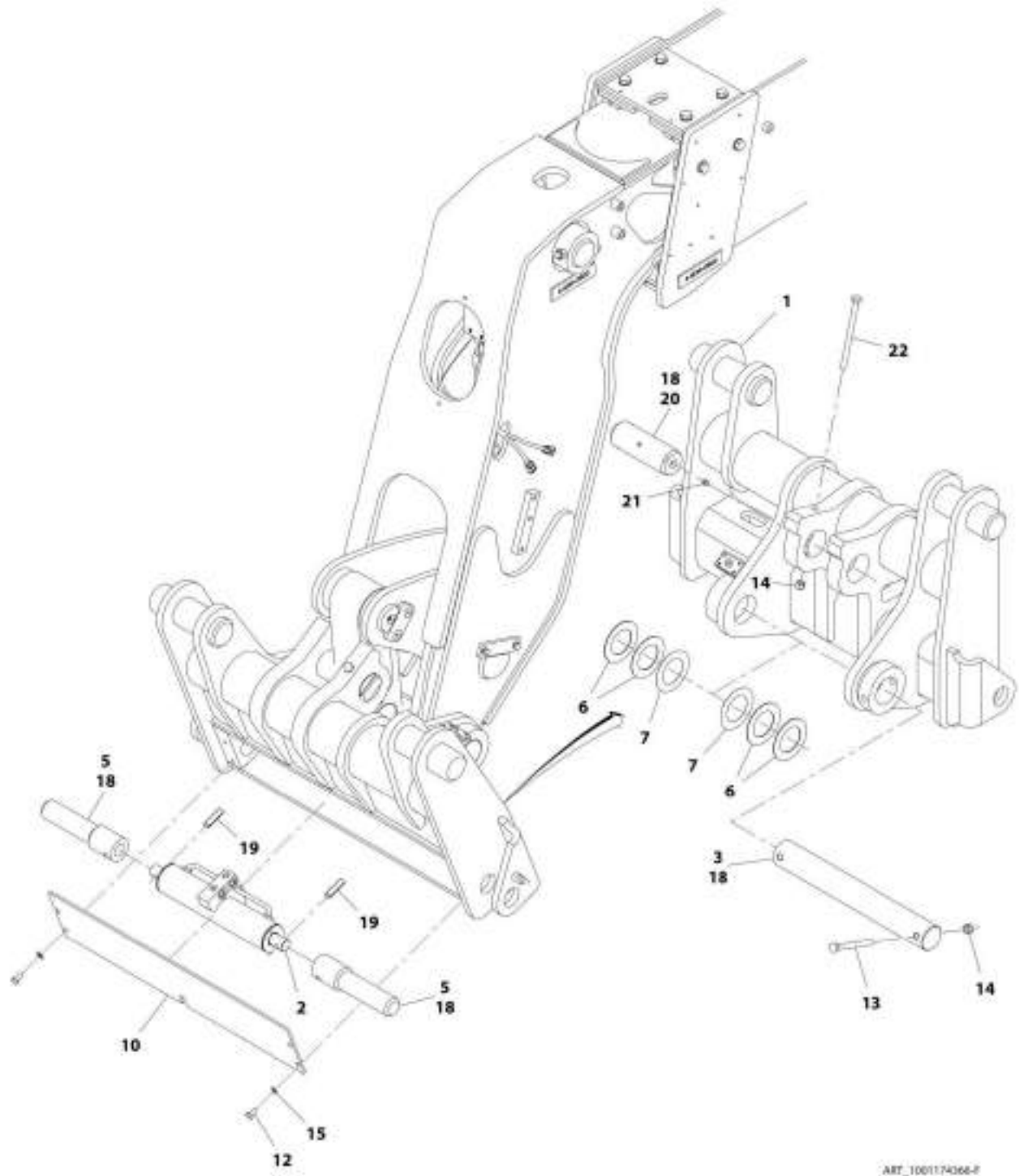
SECTION 2 - BOOM

FIGURE 2-10. MANUAL QUICK COUPLER INSTALLATION (24IN WHEEL)

ITEM	PART NUMBER	QTY	DESCRIPTION	REV
	1001208944	Ref	Manual Quick Coupler Installation (24IN Wheel)	A
1	0701229	1	Bolt, M12X120	
2	0701230	1	Bolt, M12X130	
3	0760507	1	Bolt, M5X14	
4	0760808	4	Bolt, M8X16	
5	2160016	1	Fitting, Grease	
6	3291205	2	Nut, Lock, M12X1.75 Grade 8	
7	4811900	4	Washer, M8	
8	1001098457	AR	Lube, Lithium Grease	
9	1001117382	AR	Washer, Shim M62X100X2	
10	1001117383	AR	Washer, Shim M62X100X0.5	
11	1001162636	1	Pin	
12	1001171390	1	Plate	
13	1001172950	1	Pin	
14	1001197479	1	Pin	
15	1001208948	1	Coupler	
16	1001149923	1	Pin, Retaining	

SECTION 2 - BOOM

FIGURE 2-11. HYDRAULIC QUICK COUPLER INSTALLATION (20IN WHEEL)



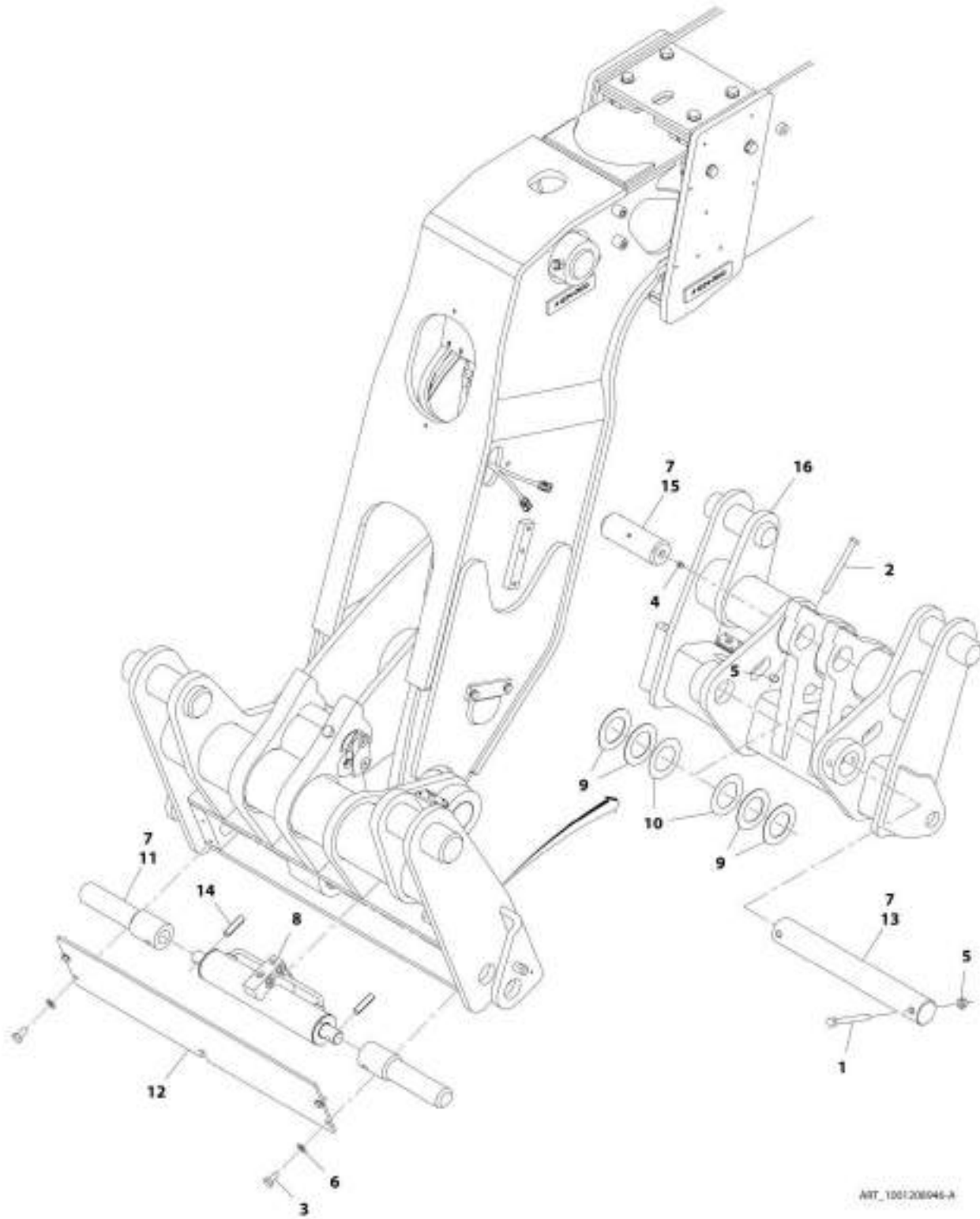
SECTION 2 - BOOM

FIGURE 2-11. HYDRAULIC QUICK COUPLER INSTALLATION (20IN WHEEL)

ITEM	PART NUMBER	QTY	DESCRIPTION	REV
	1001174366	Ref	Hydraulic Quick Coupler Installation (20IN Wheel)	F
1	1001196632	1	Coupler	
2	1001114787	1	Assembly, Coupler Locking Cylinder (See Separate Breakdown in Hydraulic Components Section)	
3	1001172950	1	Pin	
5	1001170984	2	Rod	
6	1001117382	AR	Washer, Shim M62X100X2	
7	1001117383	AR	Washer, Shim M62X100X0.5	
10	1001171390	1	Plate	
12	0760808	4	Bolt, M8X16	
13	0701229	1	Bolt, M12X120	
14	3291205	2	Nut, Lock, M12X1.75 Grade 8	
15	4811900	4	Washer, M8	
18	1001098457	AR	Lube, Lithium Grease	
19	1001184610	2	Pin, Grooved M12X45	
20	1001197479	1	Pin	
21	2160016	1	Fitting, Grease	
22	0701032	1	Bolt, M10X150	

SECTION 2 - BOOM

FIGURE 2-12. HYDRAULIC QUICK COUPLER INSTALLATION (24IN WHEEL)



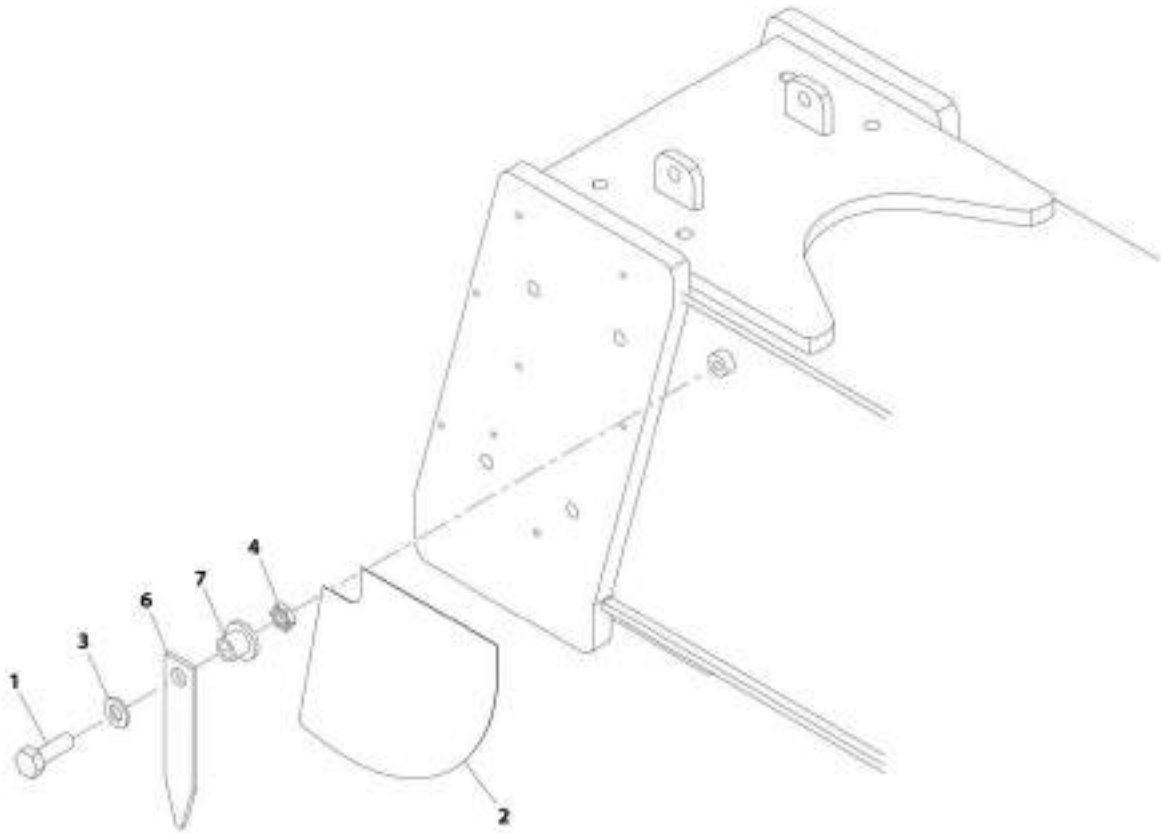
SECTION 2 - BOOM

FIGURE 2-12. HYDRAULIC QUICK COUPLER INSTALLATION (24IN WHEEL)

ITEM	PART NUMBER	QTY	DESCRIPTION	REV
	1001208946	Ref	Hydraulic Quick Coupler Installation (24IN Wheel)	A
1	0701229	1	Bolt, M12X120	
2	0701230	1	Bolt, M12X130	
3	0760808	4	Bolt, M8X16	
4	2160016	1	Fitting, Grease	
5	3291205	2	Nut, Lock, M12X1.75 Grade 8	
6	4811900	4	Washer, M8	
7	1001098457	AR	Lube, Lithium Grease	
8	1001114787	1	Assembly, Coupler Locking Cylinder (See Separate Breakdown in this Section)	
9	1001117382	AR	Washer, Shim M62X100X2	
10	1001117383	AR	Washer, Shim M62X100X0.5	
11	1001170984	2	Rod	
12	1001171390	1	Plate	
13	1001172950	1	Pin	
14	1001184610	2	Pin, Grooved M12X45	
15	1001197479	1	Pin	
16	1001208948	1	Coupler	

SECTION 2 - BOOM

FIGURE 2-13. BOOM ANGLE INDICATOR INSTALLATION



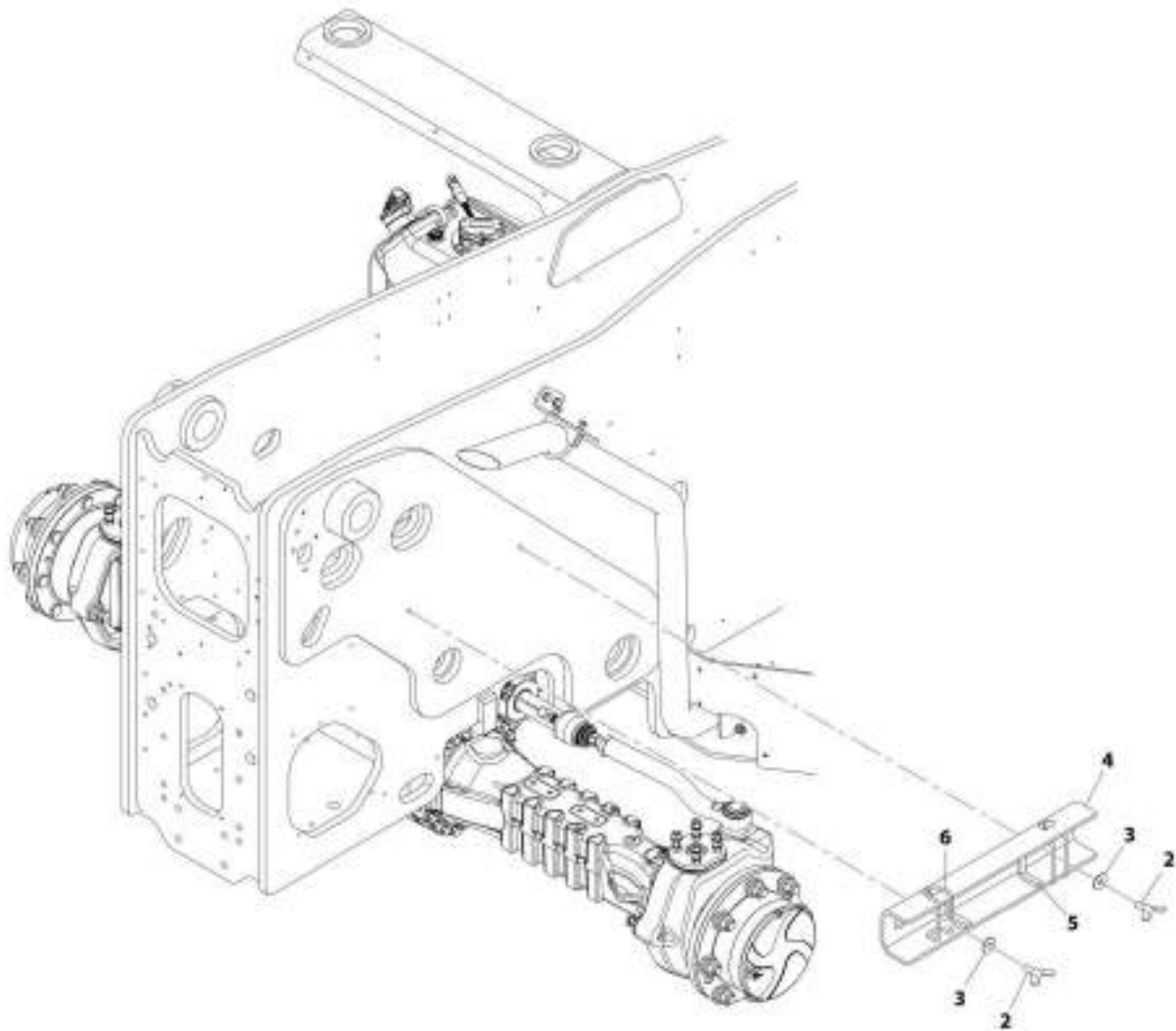
ART.1001180190-C

FIGURE 2-13. BOOM ANGLE INDICATOR INSTALLATION

ITEM	PART NUMBER	QTY	DESCRIPTION	REV
	1001188190	Ref	Boom Angle Indicator Installation	C
1	0701014	1	Bolt, M10X30	
2	4105262	1	Decal, Boom Angle Indicator	
3	4812000	1	Washer, M10	
4	8305438	1	Nut, M10X1.50	
6	1001098769	1	Plate, Boom Angle Indicator	
7	1001171808	1	Spacer	

SECTION 2 - BOOM

FIGURE 2-14. BOOM PROP INSTALLATION



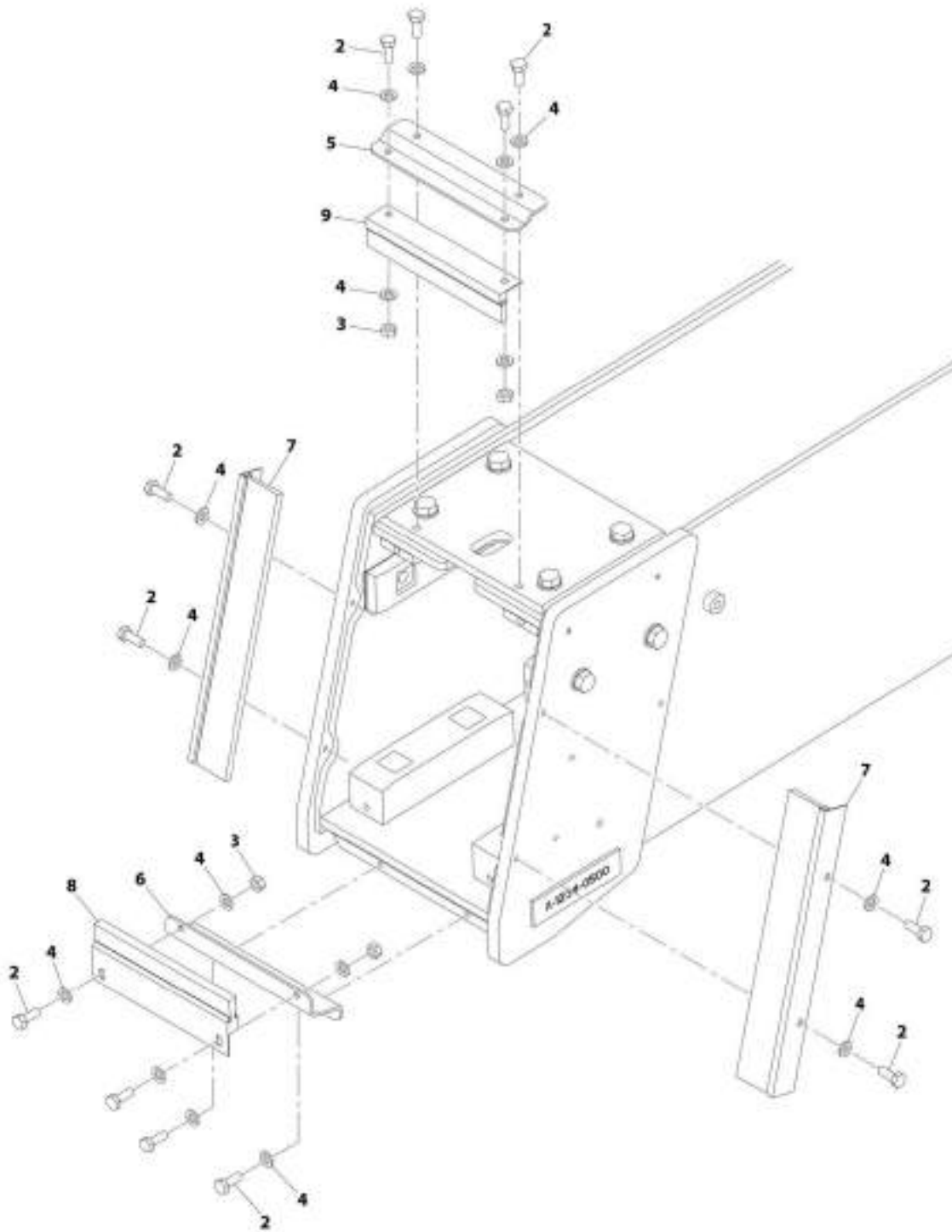
ART_3001189475-D

FIGURE 2-14. BOOM PROP INSTALLATION

ITEM	PART NUMBER	QTY	DESCRIPTION	REV
	1001189475	Ref	Boom Prop Installation	D
2	443630	2	Screw, Wing M12X30	
3	4812102	2	Washer, M12	
4	1001204535	1	Bracket, Boom Support	
5	1001189476	2	Pad	
6	1784861	2	O-Ring	

SECTION 2 - BOOM

FIGURE 2-15. BOOM BRUSHES INSTALLATION



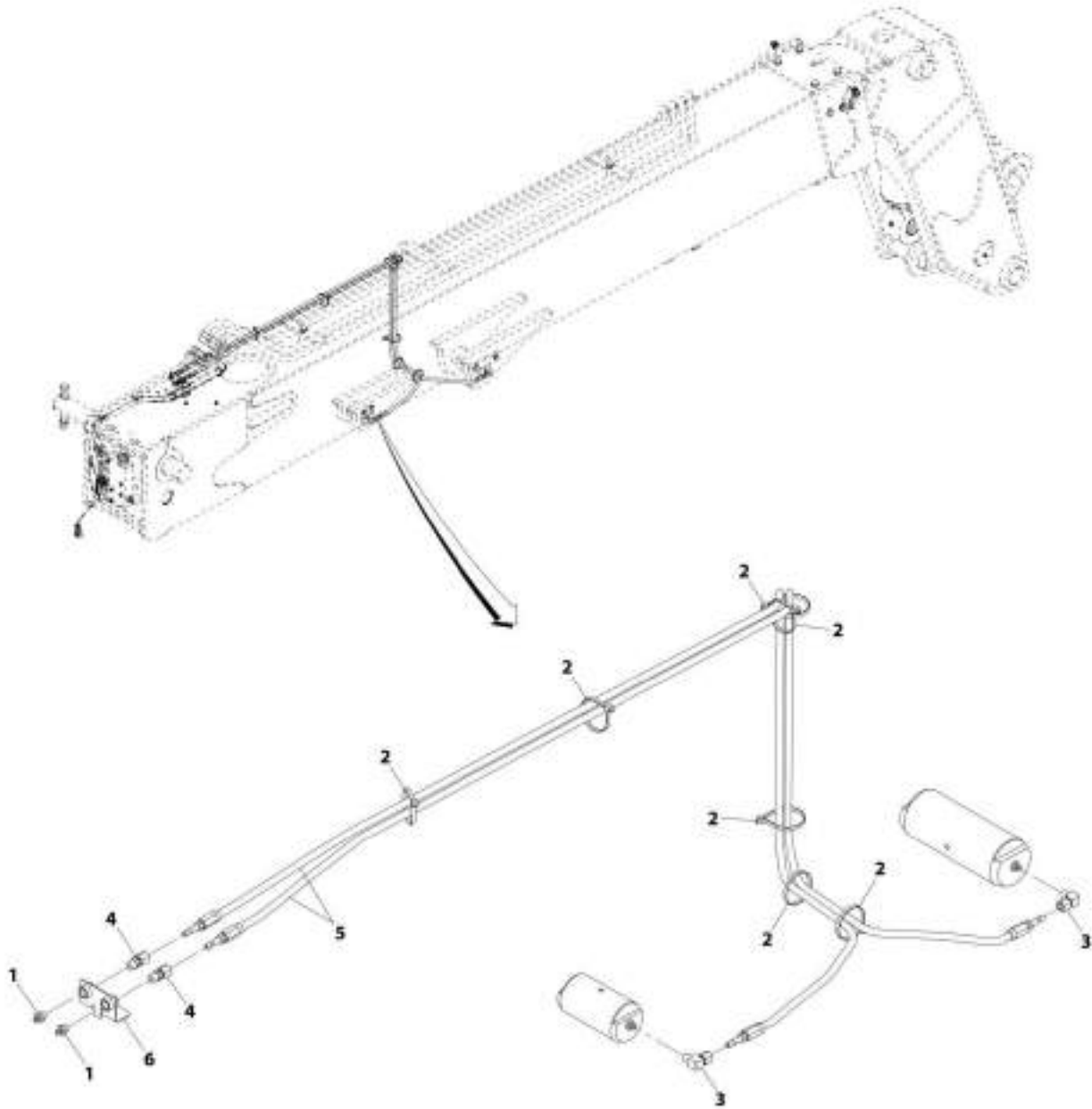
ART_100186697-E

FIGURE 2-15. BOOM BRUSHES INSTALLATION

ITEM	PART NUMBER	QTY	DESCRIPTION	REV
	1001186697	Ref	Boom Brushes Installation	E
2	0760608	12	Bolt, M6X16	
3	3290601	4	Nut, M6X1 Grade 8	
4	4811700	16	Washer, M6	
5	1001214600	1	Bracket, Boom Brush Top	
6	1001214312	1	Bracket, Boom Brush Bottom	
7	1001183676	2	Seal, Boom Brush	
8	1001184166	1	Seal, Boom Brush	
9	1001184170	1	Seal, Boom Brush	

SECTION 2 - BOOM

FIGURE 2-16. BOOM REMOTE GREASING INSTALLATION



ART_1001210394-0

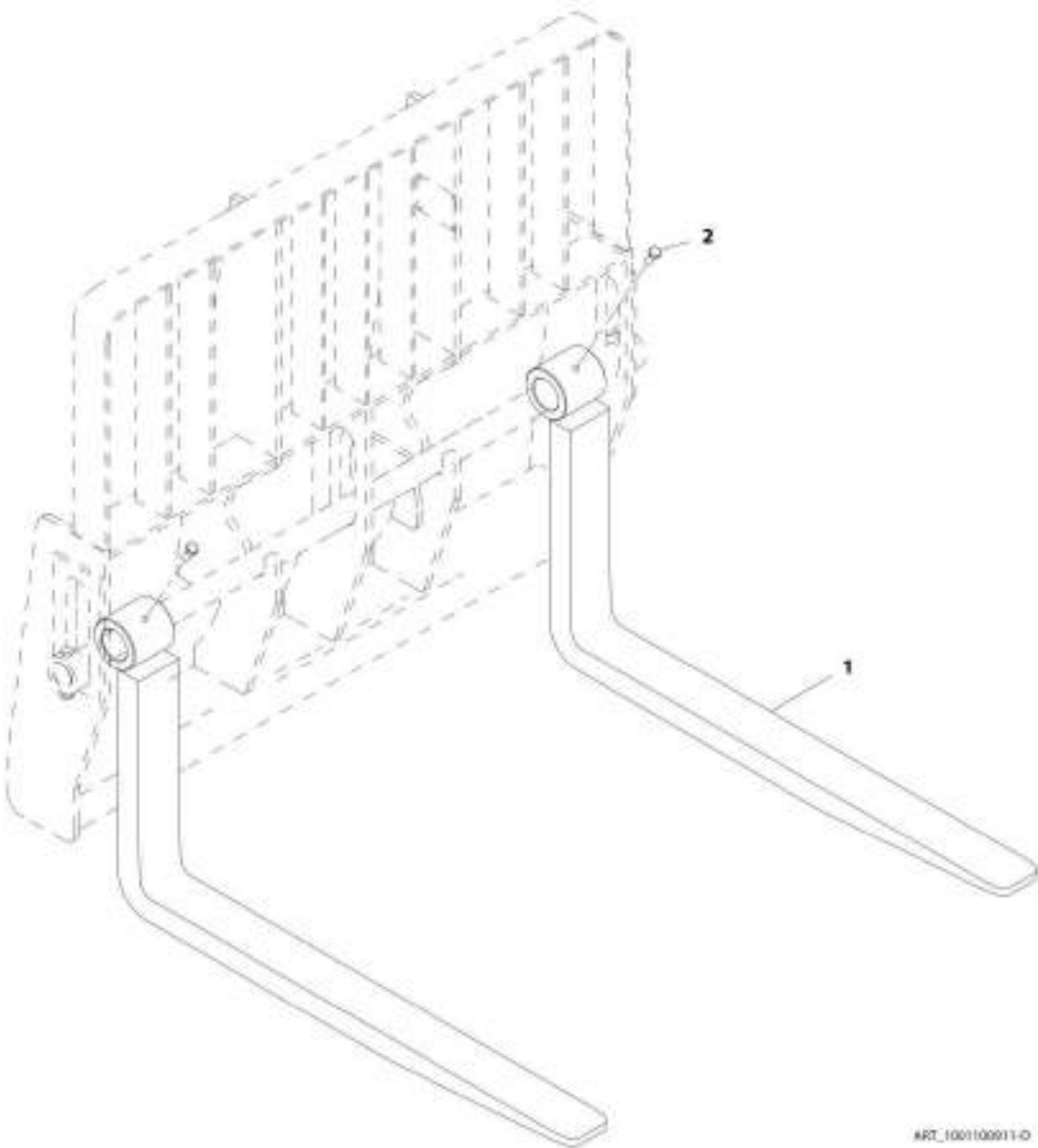
FIGURE 2-16. BOOM REMOTE GREASING INSTALLATION

ITEM	PART NUMBER	QTY	DESCRIPTION	REV
	1001210394	Ref	Boom Remote Greasing Installation	B
1	2160016	2	Fitting, Grease	
2	1001008559	7	Tie, Strap	
3	1001164053	2	Fitting, Grease	
4	1001101563	2	Fitting, Grease	
5	1001210407	2	Hose, Remote Grease	
6	1001210409	NLA	Bracket, Remote Grease (no longer available, use 1001227653 for replacement)	
6	1001227653	1	Bracket, Remote Grease	

SECTION 3 - ATTACHMENTS

SECTION 3 - ATTACHMENTS

FIGURE 3-1. PALLET FORK (50X100X1220)



ART_100100011-D

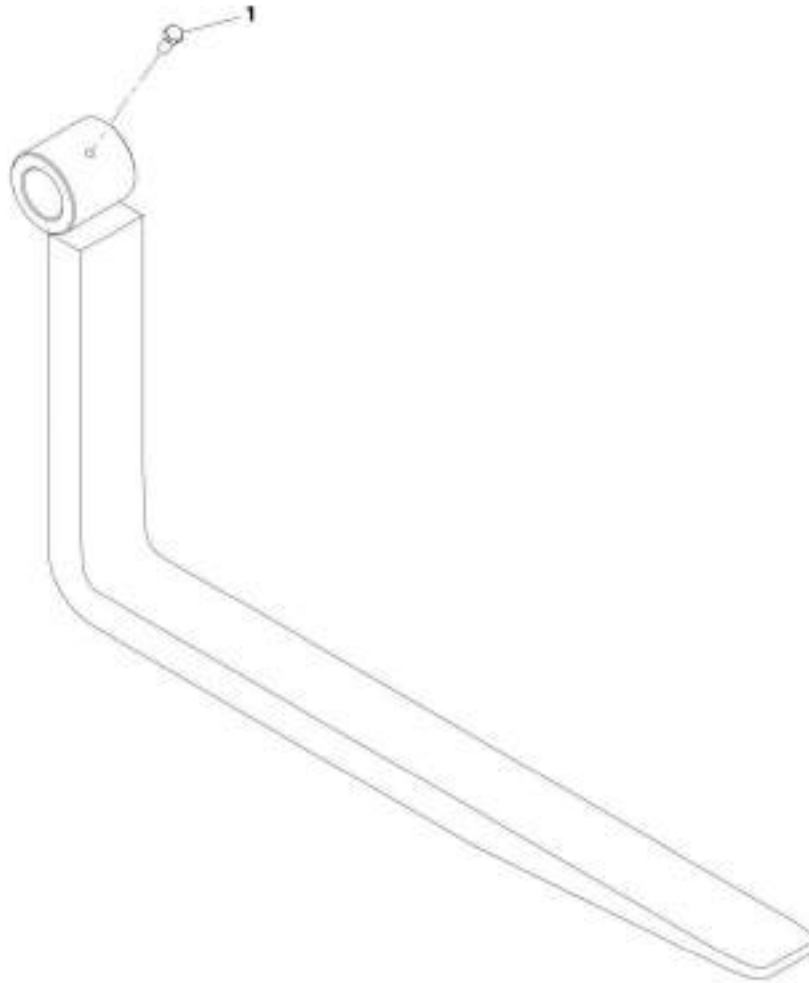
SECTION 3 - ATTACHMENTS

FIGURE 3-1. PALLET FORK (50X100X1220)

ITEM	PART NUMBER	QTY	DESCRIPTION	REV
1	1001100911	1 pr	Pallet Fork (50X100X1220)	D
2	70027179	2	Screw	
	Note	Ref	<p>FORKS RATED LESS THAN THE ATTACHMENT OR MACHINE'S CAPACITY DECREASES CAPACITY OF THE ATTACHMENT OR MACHINE TO THAT OF THE FORKS. FORKS RATED MORE THAN THE ATTACHMENT OR MACHINE'S CAPACITY DO NOT INCREASE ATTACHMENT OR MACHINE'S CAPACITY.</p>	
	Note	Ref	<p>PLEASE CONSULT JLG PARTS DEPARTMENT TO DETERMINE THE CORRECT FORKS APPLICABLE TO YOUR SPECIFIC CARRIAGE ASSEMBLY AND APPLICATION.</p>	

SECTION 3 - ATTACHMENTS

FIGURE 3-2. PALLET FORK (50X120X1200)



ART.1001117945-C

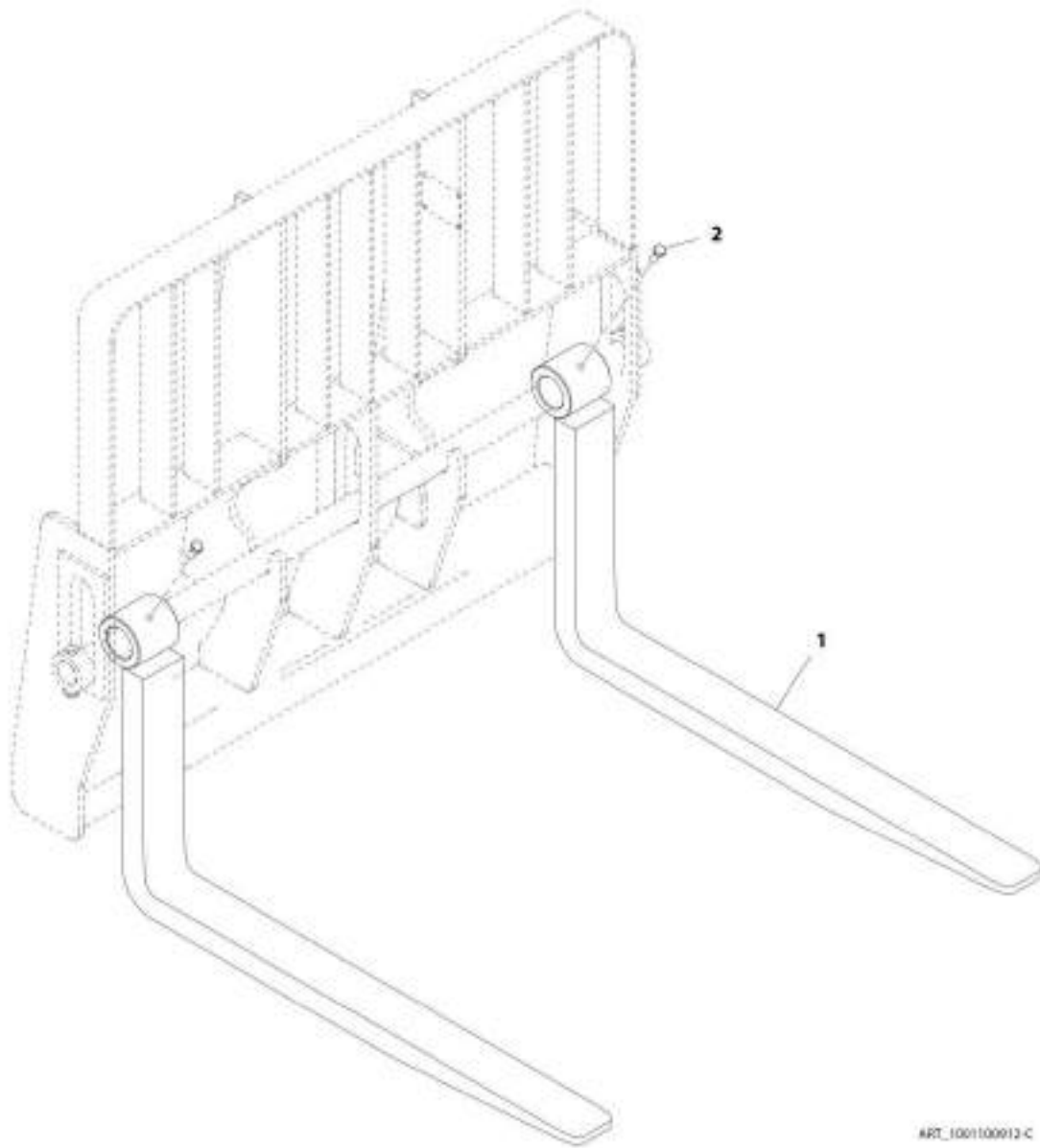
SECTION 3 - ATTACHMENTS

FIGURE 3-2. PALLET FORK (50X120X1200)

ITEM	PART NUMBER	QTY	DESCRIPTION	REV
1	1001117945 0761612 Note	1 pr 2 Ref	Pallet Fork (50X120X1200) Bolt, M16X25 FORKS RATED LESS THAN THE ATTACHMENT OR MACHINE'S CAPACITY DECREASES CAPACITY OF THE ATTACHMENT OR MACHINE TO THAT OF THE FORKS. FORKS RATED MORE THAN THE ATTACHMENT OR MACHINE'S CAPACITY DO NOT INCREASE ATTACHMENT OR MACHINE'S CAPACITY.	C
	Note	Ref	PLEASE CONSULT JLG PARTS DEPARTMENT TO DETERMINE THE CORRECT FORKS APPLICABLE TO YOUR SPECIFIC CARRIAGE ASSEMBLY AND APPLICATION.	

SECTION 3 - ATTACHMENTS

FIGURE 3-3. PALLET FORK (60X100X1220)



ART_1001100013-C

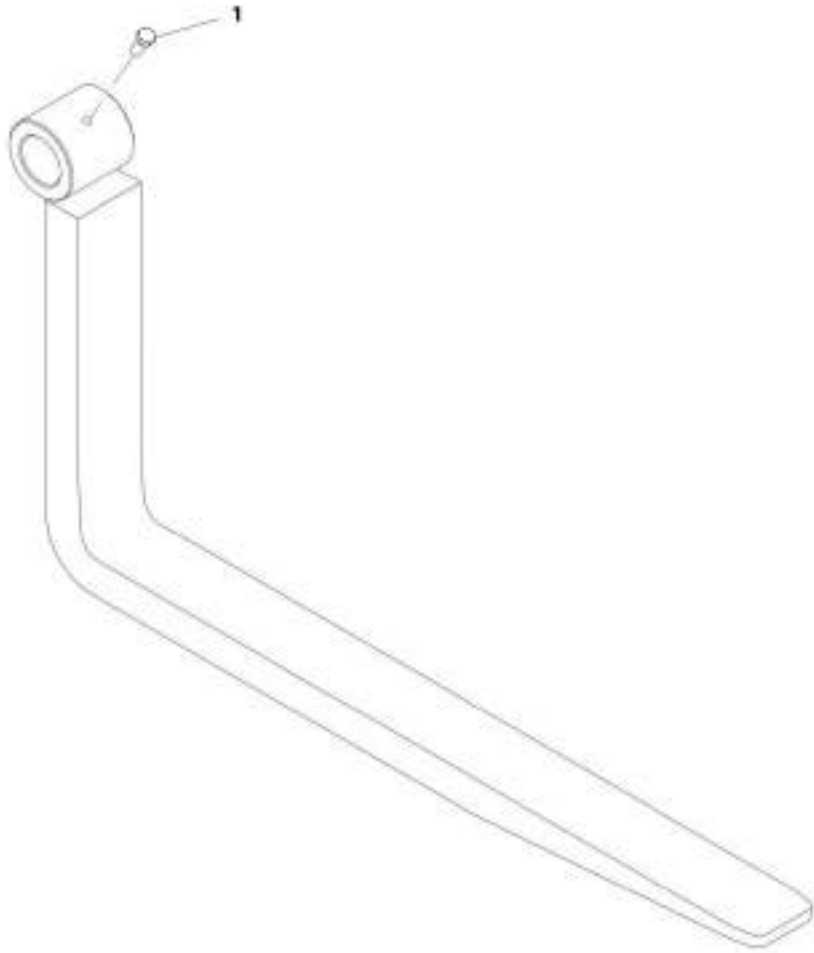
SECTION 3 - ATTACHMENTS

FIGURE 3-3. PALLET FORK (60X100X1220)

ITEM	PART NUMBER	QTY	DESCRIPTION	REV
1	1001100912	1 pr	Pallet Fork (60X100X1220)	C
2	70027179	2	Screw	
	Note	Ref	<p>FORKS RATED LESS THAN THE ATTACHMENT OR MACHINE'S CAPACITY DECREASES CAPACITY OF THE ATTACHMENT OR MACHINE TO THAT OF THE FORKS. FORKS RATED MORE THAN THE ATTACHMENT OR MACHINE'S CAPACITY DO NOT INCREASE ATTACHMENT OR MACHINE'S CAPACITY.</p>	
	Note	Ref	<p>PLEASE CONSULT JLG PARTS DEPARTMENT TO DETERMINE THE CORRECT FORKS APPLICABLE TO YOUR SPECIFIC CARRIAGE ASSEMBLY AND APPLICATION.</p>	

SECTION 3 - ATTACHMENTS

FIGURE 3-4. PALLET FORK (50X100X1070)



ART_1001170488-A

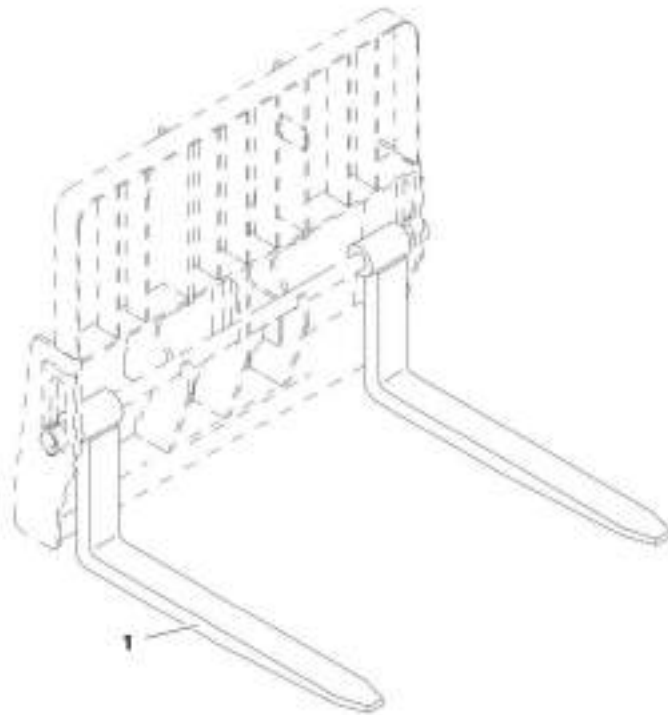
SECTION 3 - ATTACHMENTS

FIGURE 3-4. PALLET FORK (50X100X1070)

ITEM	PART NUMBER	QTY	DESCRIPTION	REV
1	1001170488	1	Pallet Fork (60X100X1070)	A
	70027179	1	Screw	
	Note	Ref	<p>FORKS RATED LESS THAN THE ATTACHMENT OR MACHINE'S CAPACITY DECREASES CAPACITY OF THE ATTACHMENT OR MACHINE TO THAT OF THE FORKS. FORKS RATED MORE THAN THE ATTACHMENT OR MACHINE'S CAPACITY DO NOT INCREASE ATTACHMENT OR MACHINE'S CAPACITY.</p>	
	Note	Ref	<p>PLEASE CONSULT JLG PARTS DEPARTMENT TO DETERMINE THE CORRECT FORKS APPLICABLE TO YOUR SPECIFIC CARRIAGE ASSEMBLY AND APPLICATION.</p>	

SECTION 3 - ATTACHMENTS

FIGURE 3-5. PALLET FORK (2.36X4X48)



ART_3340045_0

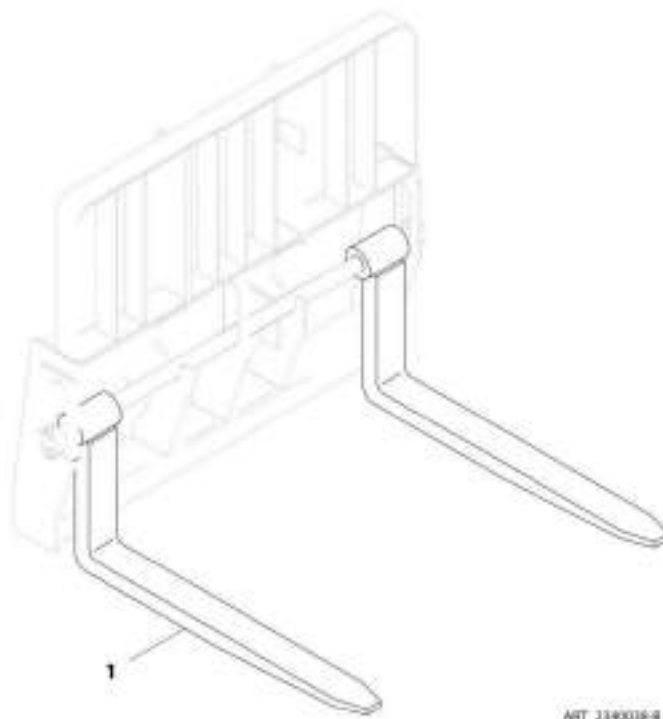
SECTION 3 - ATTACHMENTS

FIGURE 3-5. PALLET FORK (2.36X4X48)

ITEM	PART NUMBER	QTY	DESCRIPTION	REV
1	2340045	2	Pallet Fork (2.36X4X48)	B
	Note	Ref	FORKS RATED LESS THAN THE ATTACHMENT OR MACHINE'S CAPACITY DECREASES CAPACITY OF THE ATTACHMENT OR MACHINE TO THAT OF THE FORKS. FORKS RATED MORE THAN THE ATTACHMENT OR MACHINE'S CAPACITY DO NOT INCREASE ATTACHMENT OR MACHINE'S CAPACITY.	
	Note	Ref	PLEASE CONSULT JLG PARTS DEPARTMENT TO DETERMINE THE CORRECT FORKS APPLICABLE TO YOUR SPECIFIC CARRIAGE ASSEMBLY AND APPLICATION.	

SECTION 3 - ATTACHMENTS

FIGURE 3-6. PALLET FORK (2.36X5X48)



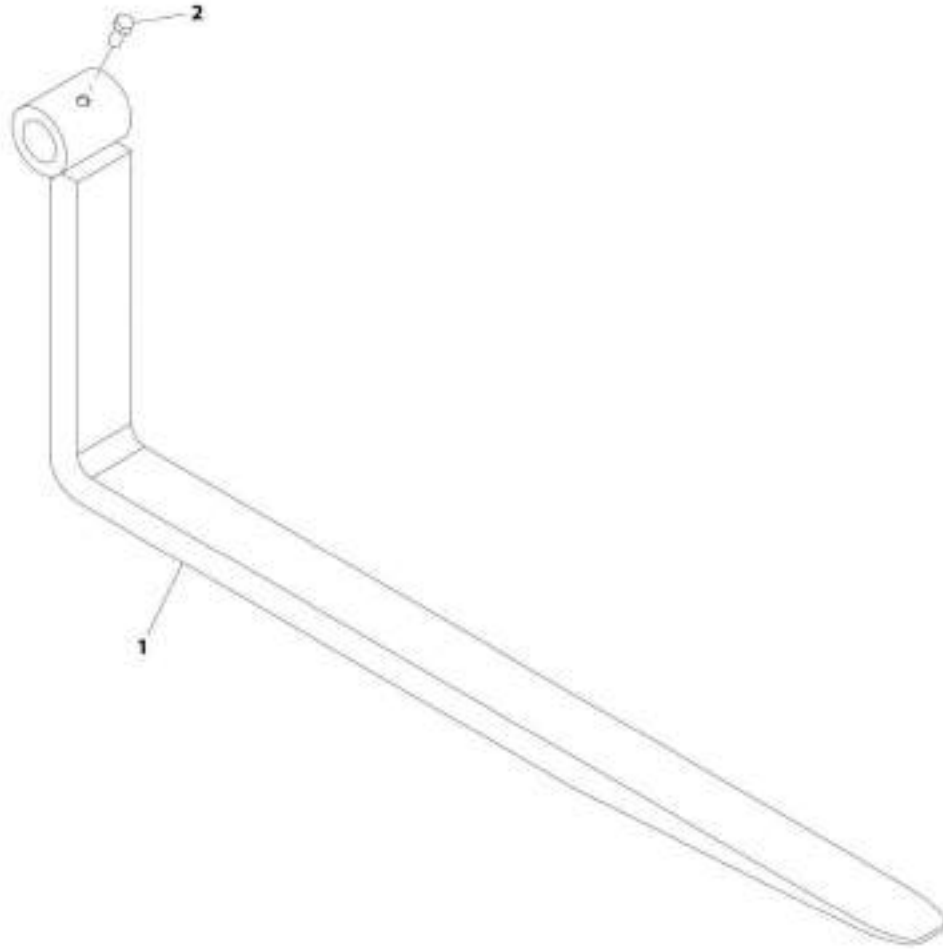
SECTION 3 - ATTACHMENTS

FIGURE 3-6. PALLET FORK (2.36X5X48)

ITEM	PART NUMBER	QTY	DESCRIPTION	REV
1	2340038	2	Pallet Fork (2.36X5X48) (ANSI)	B
	Note	Ref	FORKS RATED LESS THAN THE ATTACHMENT OR MACHINE'S CAPACITY DECREASES CAPACITY OF THE ATTACHMENT OR MACHINE TO THAT OF THE FORKS. FORKS RATED MORE THAN THE ATTACHMENT OR MACHINE'S CAPACITY DO NOT INCREASE ATTACHMENT OR MACHINE'S CAPACITY.	
	Note	Ref	PLEASE CONSULT JLG PARTS DEPARTMENT TO DETERMINE THE CORRECT FORKS APPLICABLE TO YOUR SPECIFIC CARRIAGE ASSEMBLY AND APPLICATION.	

SECTION 3 - ATTACHMENTS

FIGURE 3-7. PALLET FORK (50X100X1525)



ART_1001007539-B

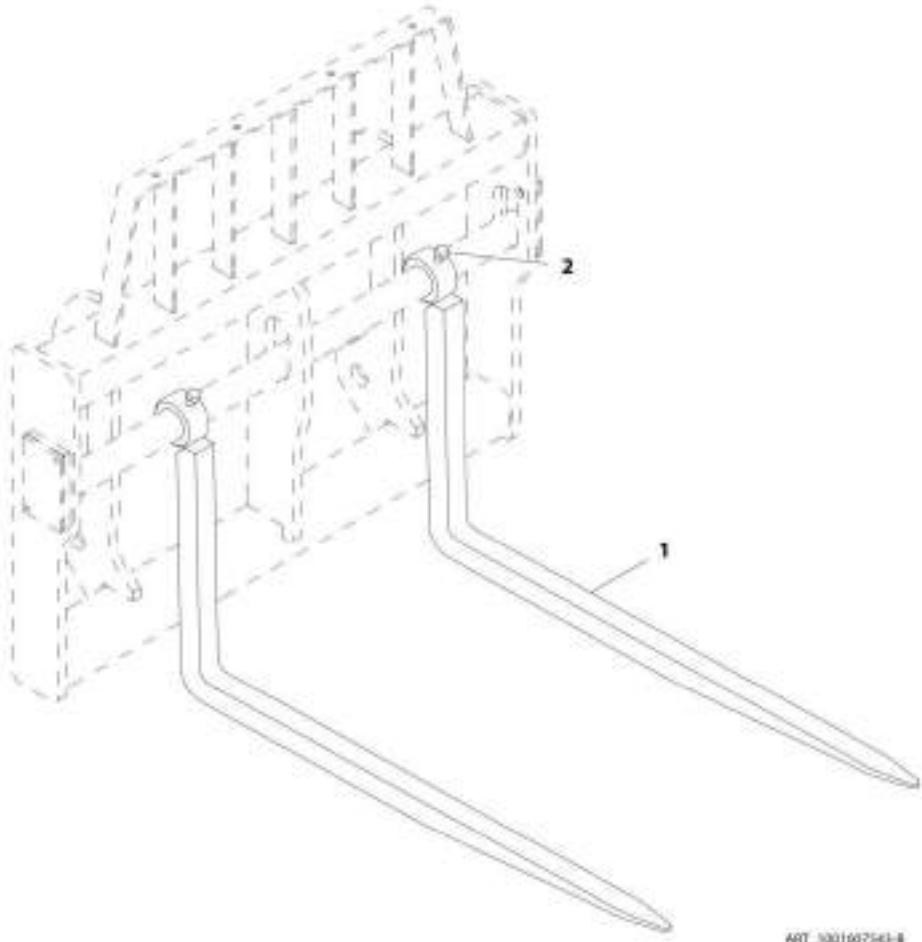
SECTION 3 - ATTACHMENTS

FIGURE 3-7. PALLET FORK (50X100X1525)

ITEM	PART NUMBER	QTY	DESCRIPTION	REV
1	1001007539 N.S.S.	Ref 1	Pallet Fork (50X100X1525) Fork	B
2	1001109113 Note	2 Ref	Bolt, 5/8-18X1.50, Grade 8 FORKS RATED LESS THAN THE ATTACHMENT OR MACHINE'S CAPACITY DECREASES CAPACITY OF THE ATTACHMENT OR MACHINE TO THAT OF THE FORKS. FORKS RATED MORE THAN THE ATTACHMENT OR MACHINE'S CAPACITY DO NOT INCREASE ATTACHMENT OR MACHINE'S CAPACITY.	
	Note	Ref	PLEASE CONSULT JLG PARTS DEPARTMENT TO DETERMINE THE CORRECT FORKS APPLICABLE TO YOUR SPECIFIC CARRIAGE ASSEMBLY AND APPLICATION.	

SECTION 3 - ATTACHMENTS

FIGURE 3-8. BLOCKING FORK (50X50X1220)



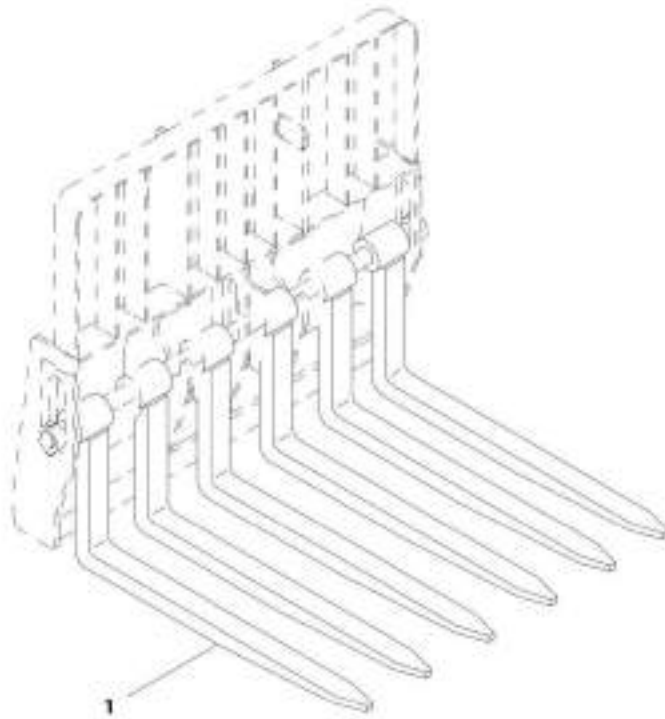
SECTION 3 - ATTACHMENTS

FIGURE 3-8. BLOCKING FORK (50X50X1220)

ITEM	PART NUMBER	QTY	DESCRIPTION	REV
	1001007543	1	Blocking Fork (50X50X1220) (pair)	B
2	N.S.S.	1	Fork	
2	1001109113	2	Bolt, 5/8-18X1.50, Grade 8	
	Note	Ref	FORKS RATED LESS THAN THE ATTACHMENT OR MACHINE'S CAPACITY DECREASES CAPACITY OF THE ATTACHMENT OR MACHINE TO THAT OF THE FORKS. FORKS RATED MORE THAN THE ATTACHMENT OR MACHINE'S CAPACITY DO NOT INCREASE ATTACHMENT OR MACHINE'S CAPACITY.	
	Note	Ref	PLEASE CONSULT JLG PARTS DEPARTMENT TO DETERMINE THE CORRECT FORKS APPLICABLE TO YOUR SPECIFIC CARRIAGE ASSEMBLY AND APPLICATION.	

SECTION 3 - ATTACHMENTS

FIGURE 3-9. BLOCKING FORK (50X50X1220)



ART_2340037-A

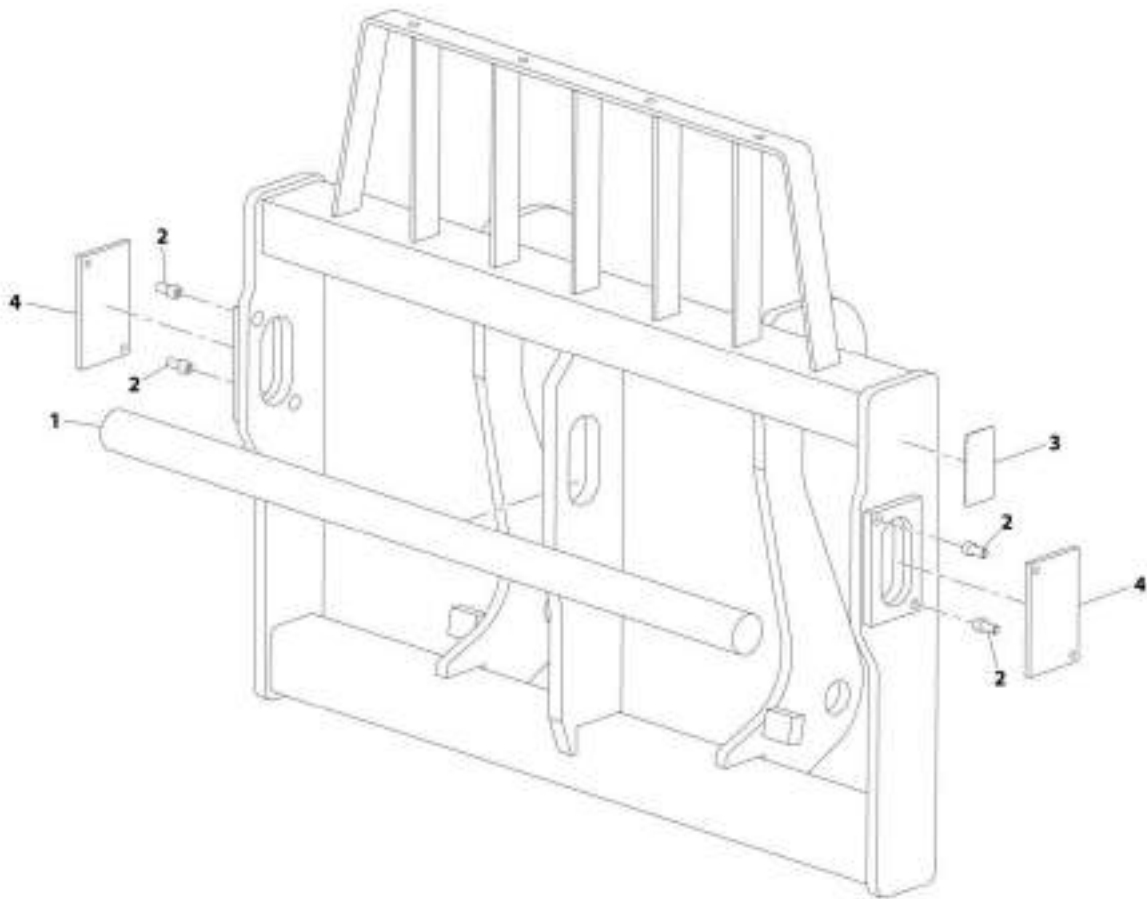
SECTION 3 - ATTACHMENTS

FIGURE 3-9. BLOCKING FORK (50X50X1220)

ITEM	PART NUMBER	QTY	DESCRIPTION	REV
1	2340037	1	Blocking Fork (50X50X1220)	A
	Note	Ref	FORKS RATED LESS THAN THE ATTACHMENT OR MACHINE'S CAPACITY DECREASES CAPACITY OF THE ATTACHMENT OR MACHINE TO THAT OF THE FORKS. FORKS RATED MORE THAN THE ATTACHMENT OR MACHINE'S CAPACITY DO NOT INCREASE ATTACHMENT OR MACHINE'S CAPACITY.	
	Note	Ref	PLEASE CONSULT JLG PARTS DEPARTMENT TO DETERMINE THE CORRECT FORKS APPLICABLE TO YOUR SPECIFIC CARRIAGE ASSEMBLY AND APPLICATION.	

SECTION 3 - ATTACHMENTS

FIGURE 3-10. CARRIAGE ASSEMBLY (1200MM) (CE AND AUS)



ART_1001206696-D

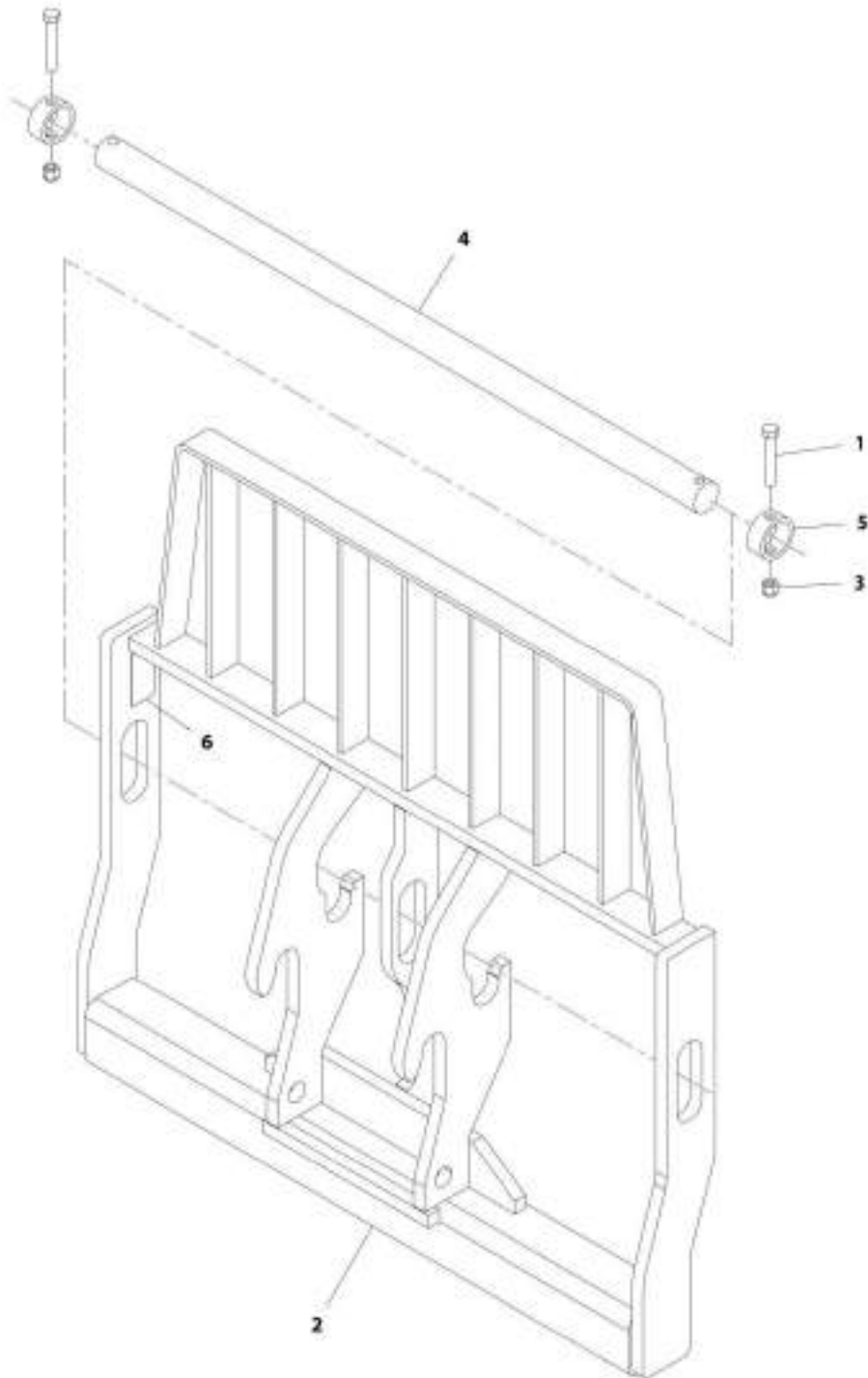
SECTION 3 - ATTACHMENTS

FIGURE 3-10. CARRIAGE ASSEMBLY (1200MM) (CE AND AUS)

ITEM	PART NUMBER	QTY	DESCRIPTION	REV
	1001208606	1	Carriage Assembly (1200MM) (CE and AUS)	D
1	1001107336	1	Shaft, Carriage	
2	70021504	4	Screw	
3	N.S.S.	1	Plate, Serial Number	
4	1001107338	1	Cover, Plate	

SECTION 3 - ATTACHMENTS

FIGURE 3-11. CARRIAGE ASSEMBLY (1270MM)



AWT_11/0021-F

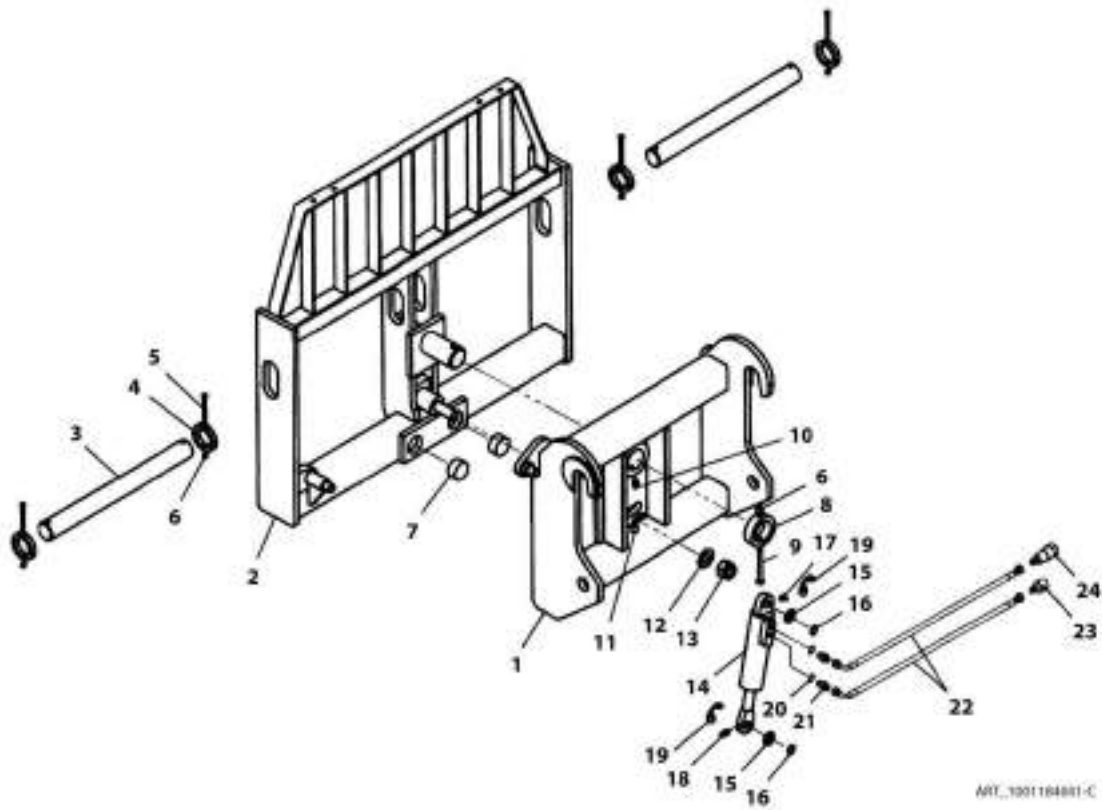
SECTION 3 - ATTACHMENTS

FIGURE 3-11. CARRIAGE ASSEMBLY (1270MM)

ITEM	PART NUMBER	QTY	DESCRIPTION	REV
	1170021	1	Carriage Assembly (1270MM)	F
1	0642032	2	Bolt, 5/8-11X4	
2	1170012	1	Weldment, Carriage	
3	3300240	2	Nut, Lock 5/8-11	
4	3423275	1	Pin, Fork	
5	90200003	2	Collar, Fork Pin	
6	N.S.S.	Ref	Plate, Serial Number	

SECTION 3 - ATTACHMENTS

FIGURE 3-12. SIDE TILTING CARRIAGE (4.5 TON - 1225 MM)



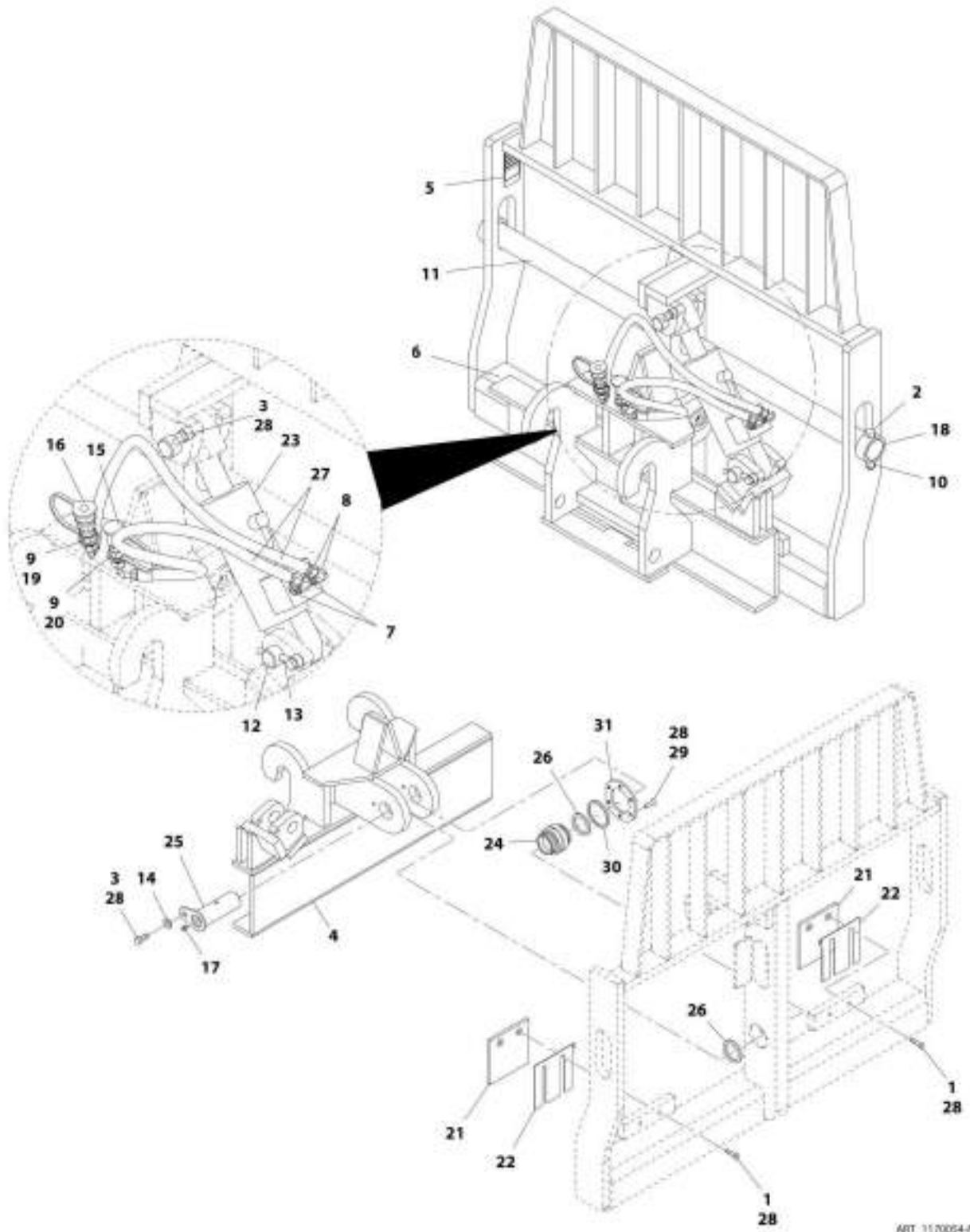
SECTION 3 - ATTACHMENTS

FIGURE 3-12. SIDE TILTING CARRIAGE (4.5 TON - 1225 MM)

ITEM	PART NUMBER	QTY	DESCRIPTION	REV
	1001184041	1	Side Tilting Carriage (4.5 ton - 1225 MM)	C
1	N.S.S.	1	Carriage Weldment	
2	70027604	1	Fork, Carriage	
3	70027605	2	Pin	
4	70027606	4	Pin, Block	
5	70027607	4	Bolt	
6	70021241	5	Nut, Lock M12	
7	70021238	2	Buffer	
8	70021239	1	Collar	
9	70021240	1	Bolt	
10	70021242	1	Fitting, Grease	
11	70021243	1	Cover, Grease Fitting	
12	70021244	1	Washer	
13	70022697	1	Nut, Lock	
14	70020506	1	Cylinder	
15	70020507	1	Washer	
16	70020508	2	Ring, Snap	
17	70021245	1	Fitting, Grease	
18	70021246	1	Fitting, Grease	
19	70021247	2	Cover, Grease Fitting	
20	70020730	2	O-Ring	
21	70020731	2	Fitting	
22	70021248	2	Tube, Hydraulic	
23	1001094556	1	Coupling, Male Quick Disconnect	
24	1001094555	1	Coupling, Female Quick Disconnect	

SECTION 3 - ATTACHMENTS

FIGURE 3-13. SIDE TILTING CARRIAGE (4.5 TON - 1270 MM)



ART_1170054-M

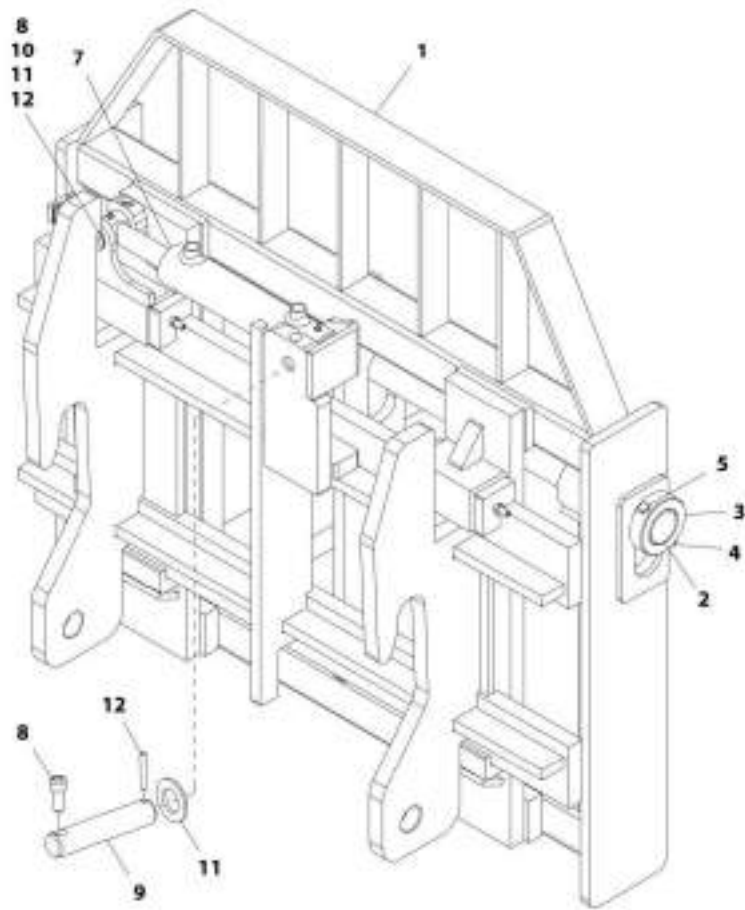
SECTION 3 - ATTACHMENTS

FIGURE 3-13. SIDE TILTING CARRIAGE (4.5 TON - 1270 MM)

ITEM	PART NUMBER	QTY	DESCRIPTION	REV
	1170054	1	Side Tilting Carriage (4.5 ton - 1270 MM)	M
1	0641612	4	Bolt, 3/8-16X1-1/2	
2	0642032	2	Bolt, 5/8-11X4	
3	0681810	3	Bolt, 1/2-13X1-1/4	
4	1001133072	1	Carriage, Base Pivot	
5	N.S.S.	1	Plate, Serial Number	
6	N.S.S.	1	Carriage, Side Tilt	
7	2110606	2	Fitting, Straight ORFS	
8	2172106	2	Fitting, 90 ORFS	
9	2110808	2	Fitting, Straight ORFS	
10	3300240	2	Nut, Locking 5/8-11	
11	3423275	1	Pin, Fork	
12	3423307	2	Pin	
13	3841203	2	Keeper	
14	4891800	1	Flatwasher	
15	8420053	1	Cap	
16	8420055	1	Plug	
17	88671001	1	Fitting, Grease	
18	90200003	2	Collar	
19	91403413	1	Fitting	
20	91403414	1	Fitting	
21	1001090063	2	Pad	
22	1001090064	AR	Shim	
23	1001163414	1	Cylinder, Side Tilt (See Separate Breakdown in HYDRAULIC COMPONENTS Section)	
24	1001090140	1	Bearing	
25	1001099113	1	Pin	
26	1001099115	2	Sleeve	
27	1001102378	2	Hose	
28	0100011	AR	Compound, Locking	
29	0741610	6	Screw, 3/8-16X1.25	
30	1001120914	1	Shim	
31	1001120915	1	Plate	

SECTION 3 - ATTACHMENTS

FIGURE 3-14. SIDE SHIFT CARRIAGE (4.0 TON - 1225 MM)



ART_1178802-1

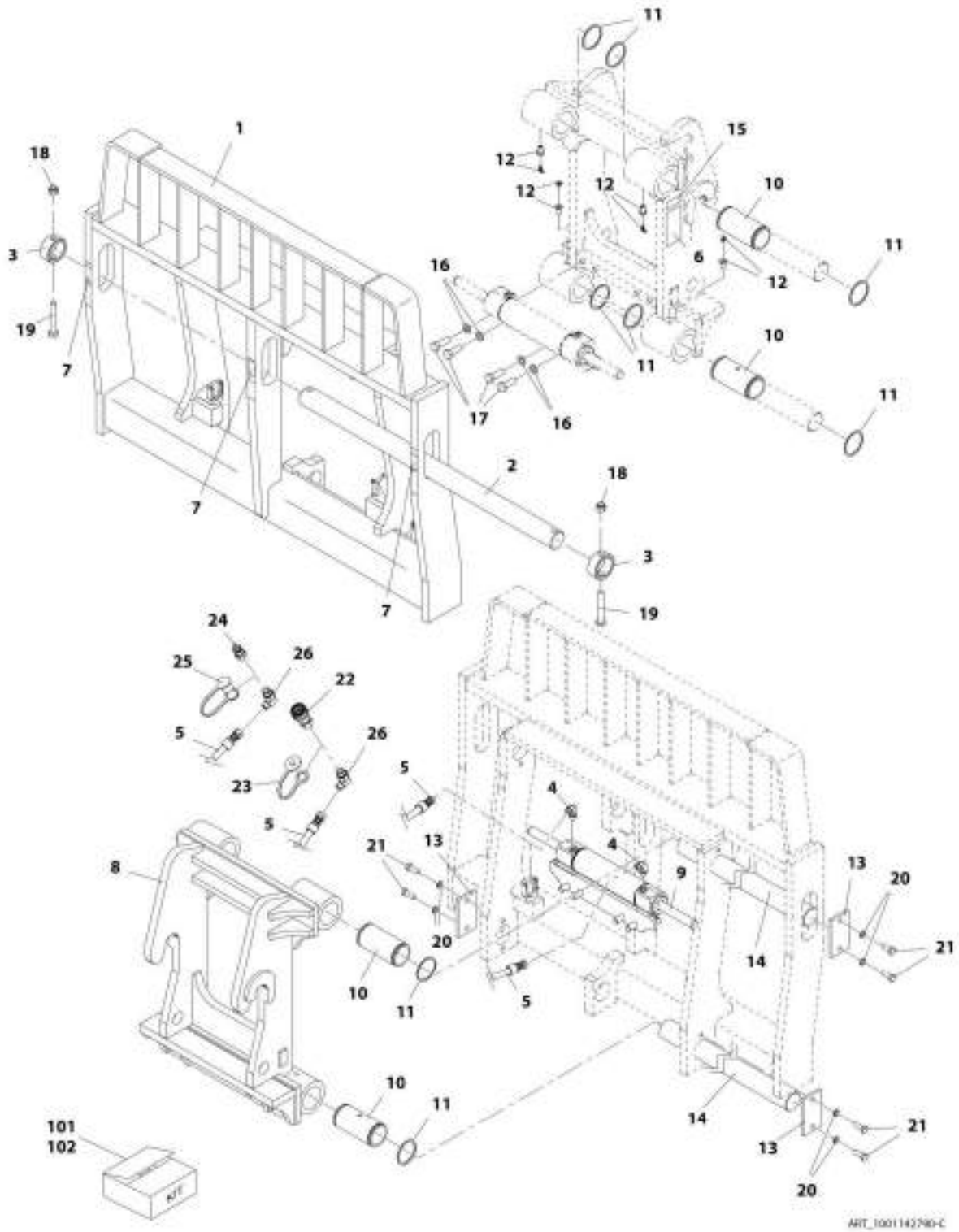
SECTION 3 - ATTACHMENTS

FIGURE 3-14. SIDE SHIFT CARRIAGE (4.0 TON - 1225 MM)

ITEM	PART NUMBER	QTY	DESCRIPTION	REV
	1170002	1	Side Shift Carriage (4.0 ton - 1255 MM)	I
1	N.S.S.	1	Carriage, Side Shift	
2	7028136	1	Bar, Fork Carrier	
3	7028137	1	Collar	
4	3291005	2	Nut, Lock M10X1.5	
5	0701029	2	Bolt, M10X120	
7	70021558	1	Cylinder	
8	70021559	2	Bolt	
9	70021560	1	Pin	
10	70021561	1	Pin	
11	70021562	2	Washer	
12	70021563	2	Pin	
13	N.S.S.	1	Plate, Serial Number, (not shown)	

SECTION 3 - ATTACHMENTS

FIGURE 3-15. SIDE SHIFT CARRIAGE (5.5 TON - 1270 MM)



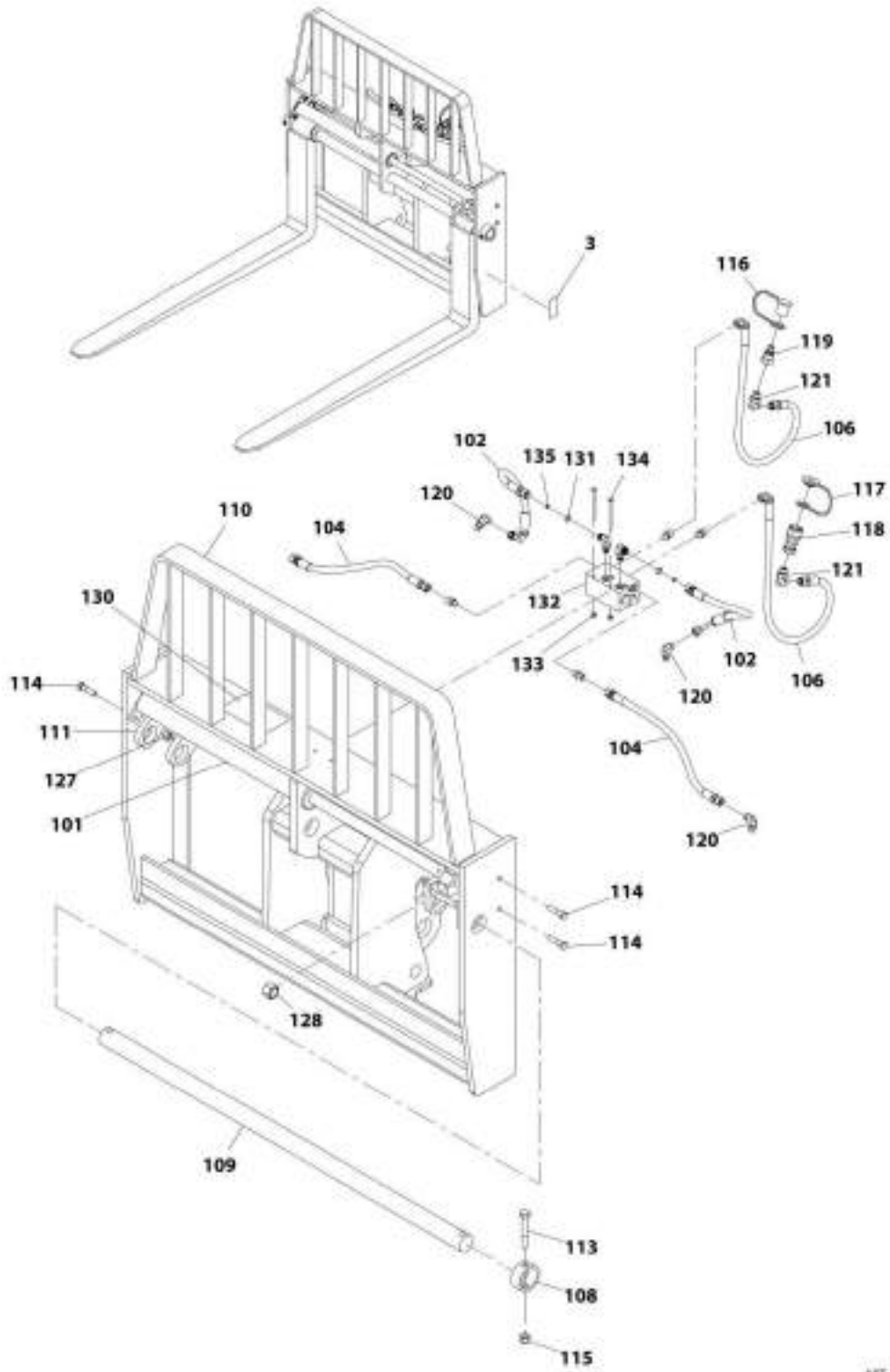
SECTION 3 - ATTACHMENTS

FIGURE 3-15. SIDE SHIFT CARRIAGE (5.5 TON - 1270 MM)

ITEM	PART NUMBER	QTY	DESCRIPTION	REV
	1001142790	1	Side Shift Carriage (5.5 ton - 1270 MM)	C
1	N.S.S.	1	Weldment	
2	70024535	1	Shaft	
3	70024536	2	Collar	
4	70024123	2	Fitting, 90	
5	70024537	2	Hose	
6	N.S.S.	1	Plate, Serial Number	
7	70024538	3	Decal, Warning	
8	N.S.S.	1	Weldment	
9	70024539	1	Cylinder, Side Shift (ANSI) (See Separate Breakdown in Hydraulic Components Section)	
10	70024540	4	Bushing	
11	70024541	8	Circlip	
12	70024542	4	Fitting, Grease	
13	70024543	4	Retainer	
14	70024544	2	Shaft	
15	N.S.S.	1	Plate, Serial Number	
16	70024551	4	Washer, Lock M16	
17	70024552	4	Bolt, M16X45	
18	70024553	2	Nut, Hex M16	
19	70024554	2	Bolt, M16X100	
20	70022997	8	Washer, Lock M12	
21	70024555	8	Bolt, M12X35	
22	91403413	1	Fitting, Straight	
23	8420055	1	Plug	
24	91403414	1	Fitting, Straight	
25	8420053	1	Cap, Dust	
26	70024550	2	Fitting, 90	
101	70024545	1	Kit, Hydraulic Repair (includes items 5 & 22 thru 26)	
102	70024546	1	Kit, Retainer (includes items 13, 20 & 21)	

SECTION 3 - ATTACHMENTS

FIGURE 3-16. FORK POSITIONING CARRIAGE WITH FORKS (4.5 TON)



ART_7361295-H

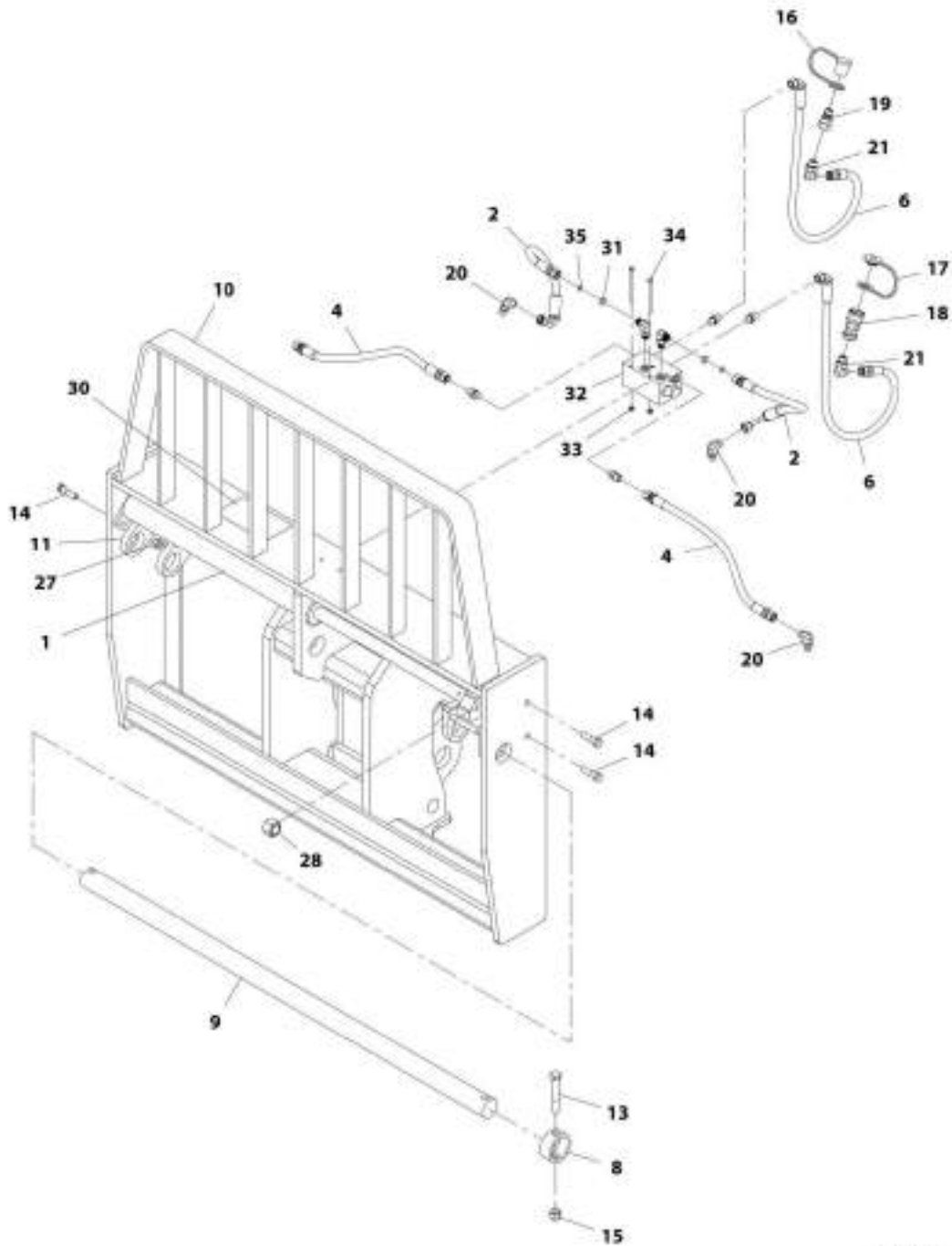
SECTION 3 - ATTACHMENTS

FIGURE 3-16. FORK POSITIONING CARRIAGE WITH FORKS (4.5 TON)

ITEM	PART NUMBER	QTY	DESCRIPTION	REV
	7301295	1	Fork Positioning Carriage (4.5 ton)	H
3	N.S.S.	1	Plate, Serial Number	
101	2717283	1	Cylinder, Fork Positioning	
102	2717160	1	Hose	
104	2717161	1	Hose	
106	2717162	1	Hose	
108	90200003	1	Collar, Fork Pin	
109	90451058	1	Shaft, Fork	
110	N.S.S.	1	Weldment, Carriage	
111	N.S.S.	1	Weldment, Fork Adapter	
113	8303634	1	Bolt, 5/8-11X4	
114	8303658	1	Bolt, 1/2-13x2	
115	8305643	1	Nut, Lock 5/8-11	
116	8420053	1	Cap, Dust	
117	8420055	1	Plug, Dust	
118	91403413	1	Adapter, Quick Disconnect	
119	91403414	1	Adapter, Quick Disconnect	
120	2130606	1	Adapter, 90 Straight	
121	2130608	1	Adapter, 90 Straight	
127	8310302	1	Nut, Lock 1/2-13	
128	10705034	1	Nut, Lock 1-14	
130	4110473	1	Decal, Warning Route Hoses	
131	7139918	1	Disk, Orifice	
132	4641502	1	Assembly, Dual Fork Carriage Valve (See Separate Breakdown in this Section)	
133	8305624	1	Nut, Lock 1/4-20	
134	8310435	1	Bolt, 1/4-20X3-3/4	
135	8630003	1	O-Ring	

SECTION 3 - ATTACHMENTS

FIGURE 3-17. DUAL FORK CARRIAGE ASSEMBLY



WIT. 7501568 J

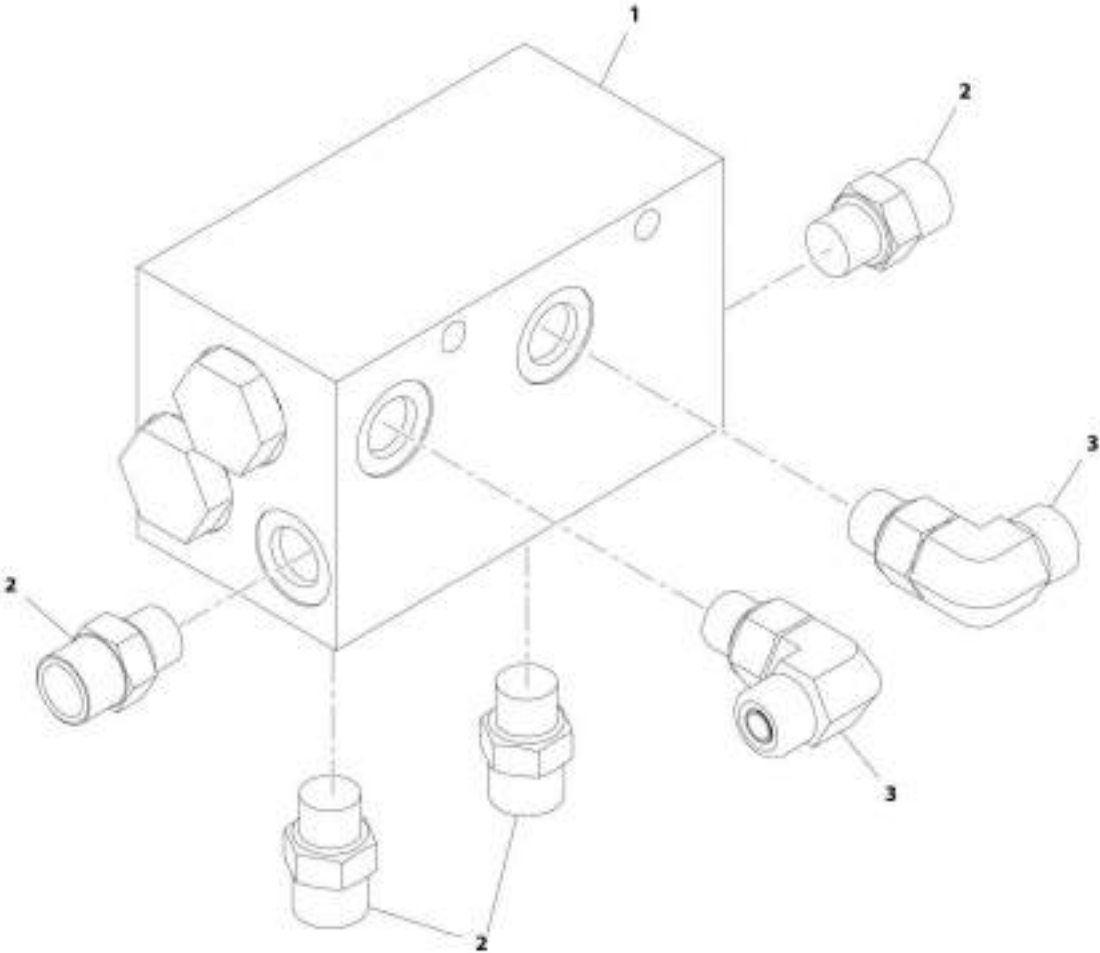
SECTION 3 - ATTACHMENTS

FIGURE 3-17. DUAL FORK CARRIAGE ASSEMBLY

ITEM	PART NUMBER	QTY	DESCRIPTION	REV
	7301568	Ref	Dual Fork Carriage Assembly	J
1	2717283	2	Cylinder, Fork Positioning (See Separate Breakdown in Hydraulic Components Section)	
2	2717160	2	Hose	
4	2717161	2	Hose	
6	2717162	2	Hose	
8	90200003	2	Collar, Fork Pin	
9	90451058	1	Shaft, Fork	
10	N.S.S.	1	Weldment, Carriage	
11	N.S.S.	2	Weldment, Fork Adapter	
13	8303634	2	Bolt, 5/8-11X4	
14	8303658	4	Bolt, 1/2-13X2	
15	8305643	2	Nut, Lock 5/8-11	
16	8420053	1	Cap, Dust	
17	8420055	1	Plug, Dust	
18	91403413	1	Fitting, Straight	
19	91403414	1	Fitting, Straight	
20	2130606	4	Fitting, 90	
21	2130608	2	Fitting, 90	
27	8310302	4	Nut, Lock 1/2-13	
28	10705034	2	Nut, Lock 1-14	
30	4110473	1	Decal, Warning Route Hoses	
31	7139918	2	Disk, Orifice	
32	4641502	1	Assembly, Dual Fork Carriage Valve (See Separate Breakdown in this Section)	
33	8305624	2	Nut, Lock 1/4-20	
34	8310435	2	Bolt, 1/4-20X3-3/4	
35	8630003	2	O-Ring	

SECTION 3 - ATTACHMENTS

FIGURE 3-18. DUAL FORK CARRIAGE VALVE ASSEMBLY



ART. 4641502-B

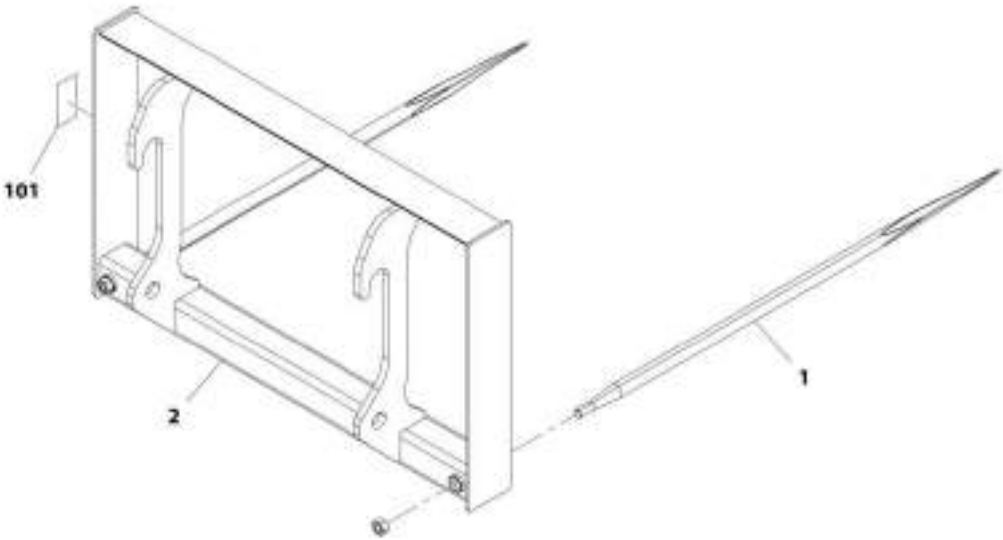
SECTION 3 - ATTACHMENTS

FIGURE 3-18. DUAL FORK CARRIAGE VALVE ASSEMBLY

ITEM	PART NUMBER	QTY	DESCRIPTION	REV
	4641502	Ref	Dual Fork Carriage Valve Assembly	B
1	4641501	1	Valve, Flow Divider (See Separate Breakdown in Hydraulic Components Section)	
2	2110606	4	Fitting, Straight ORFS	
3	2130606	2	Fitting, 90	

SECTION 3 - ATTACHMENTS

FIGURE 3-19. DUAL TINE BAILING FORK CARRIAGE



ART_1001211897-8

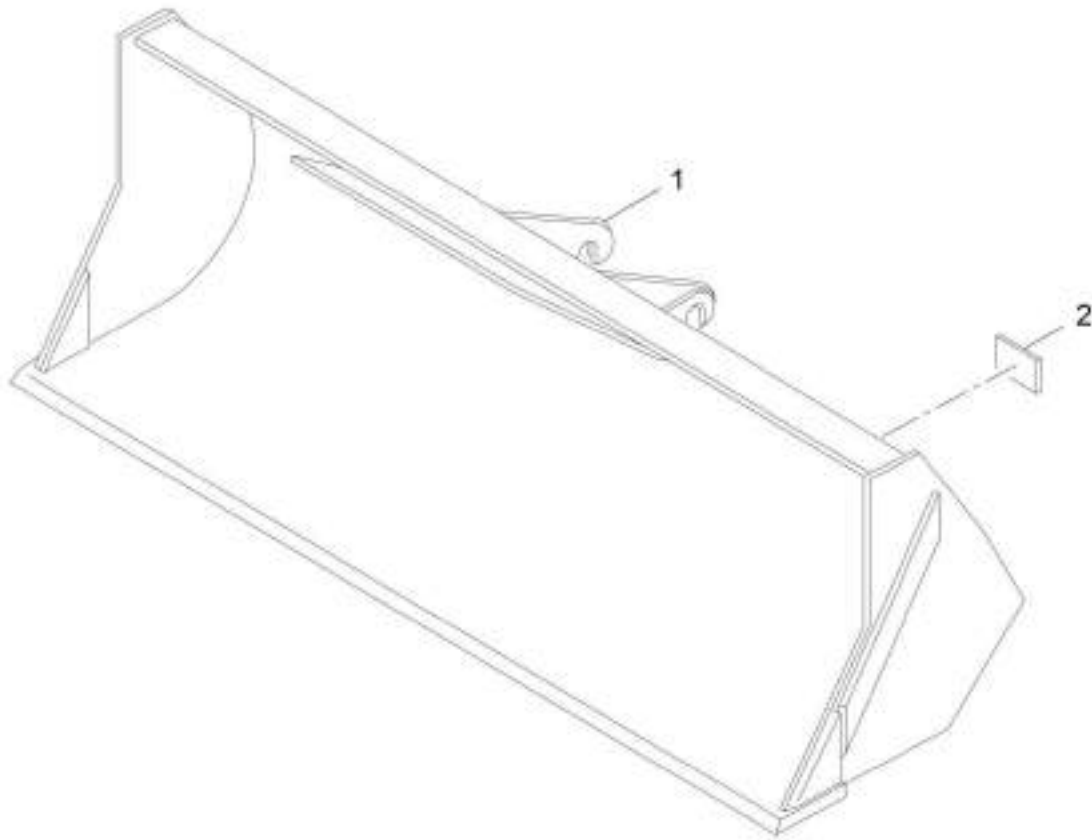
SECTION 3 - ATTACHMENTS

FIGURE 3-19. DUAL TINE BAILING FORK CARRIAGE

ITEM	PART NUMBER	QTY	DESCRIPTION	REV
	1001211897	1	Dual Tine Bailing Fork Carriage	B
1	70027631	2	Tine, Bale (includes Hex Nut)	
2	N.S.S.	Ref	Weldment, Carriage	
101	N.S.S.	Ref	Plate, Serial Number	

SECTION 3 - ATTACHMENTS

FIGURE 3-20. BUCKET 1.0 YD³ (ANSI - JLG)



ART 1001100822 ©

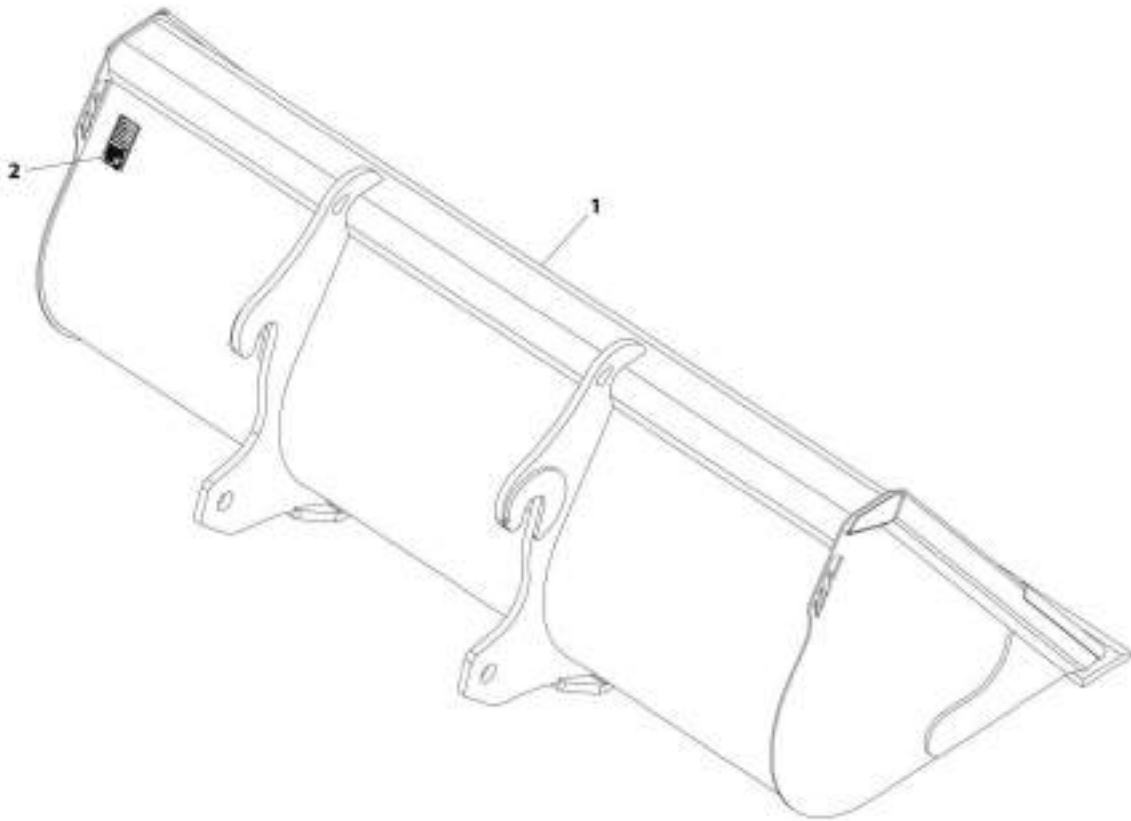
SECTION 3 - ATTACHMENTS

FIGURE 3-20. BUCKET 1.0 YD³ (ANSI - JLG)

ITEM	PART NUMBER	QTY	DESCRIPTION	REV
1	1001100822	1	Bucket 1.0 yd ³ (ANSI - JLG)	C
2	N.S.S.	1	Plate, Serial Number	

SECTION 3 - ATTACHMENTS

FIGURE 3-21. BUCKET 1.0 M³ (CE AND AUS)



ART_3001212685-C

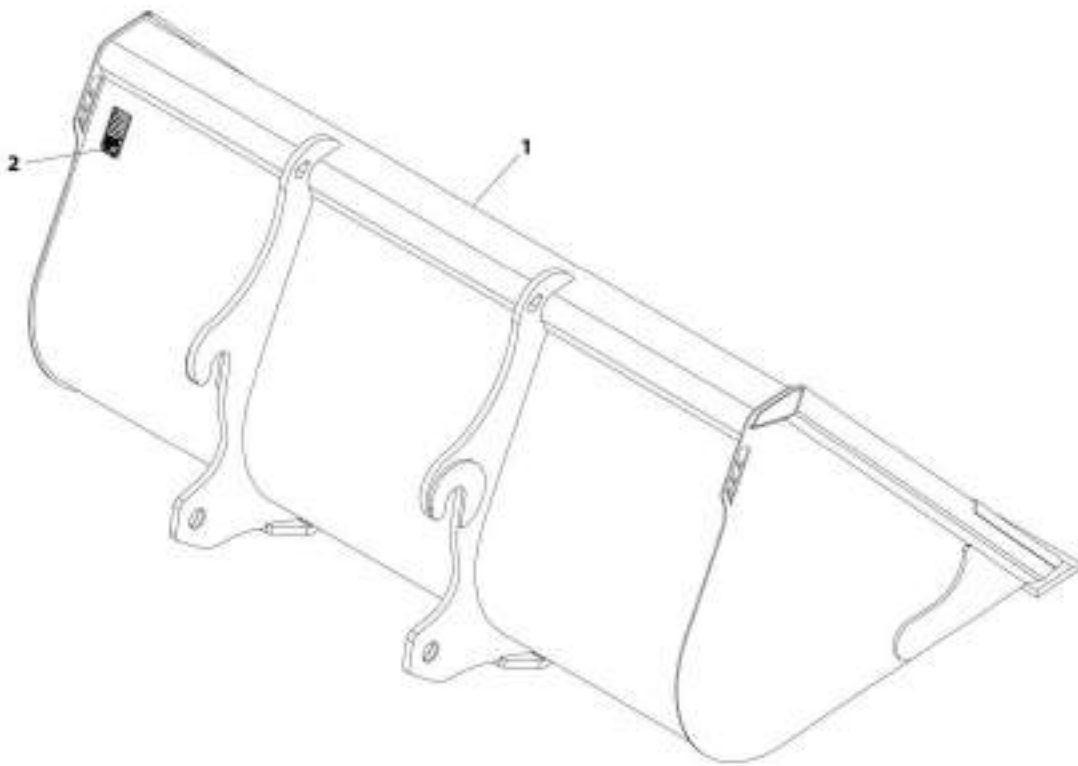
SECTION 3 - ATTACHMENTS

FIGURE 3-21. BUCKET 1.0 M³ (CE AND AUS)

ITEM	PART NUMBER	QTY	DESCRIPTION	REV
1	1001212685	1	Bucket 1.0 m ³ (CE and AUS - JLG)	C
2	N.S.S.	1	Plate, Serial Number	

SECTION 3 - ATTACHMENTS

FIGURE 3-22. BUCKET 1.5 M³ (CE AND AUS)



ART_3001212687-C

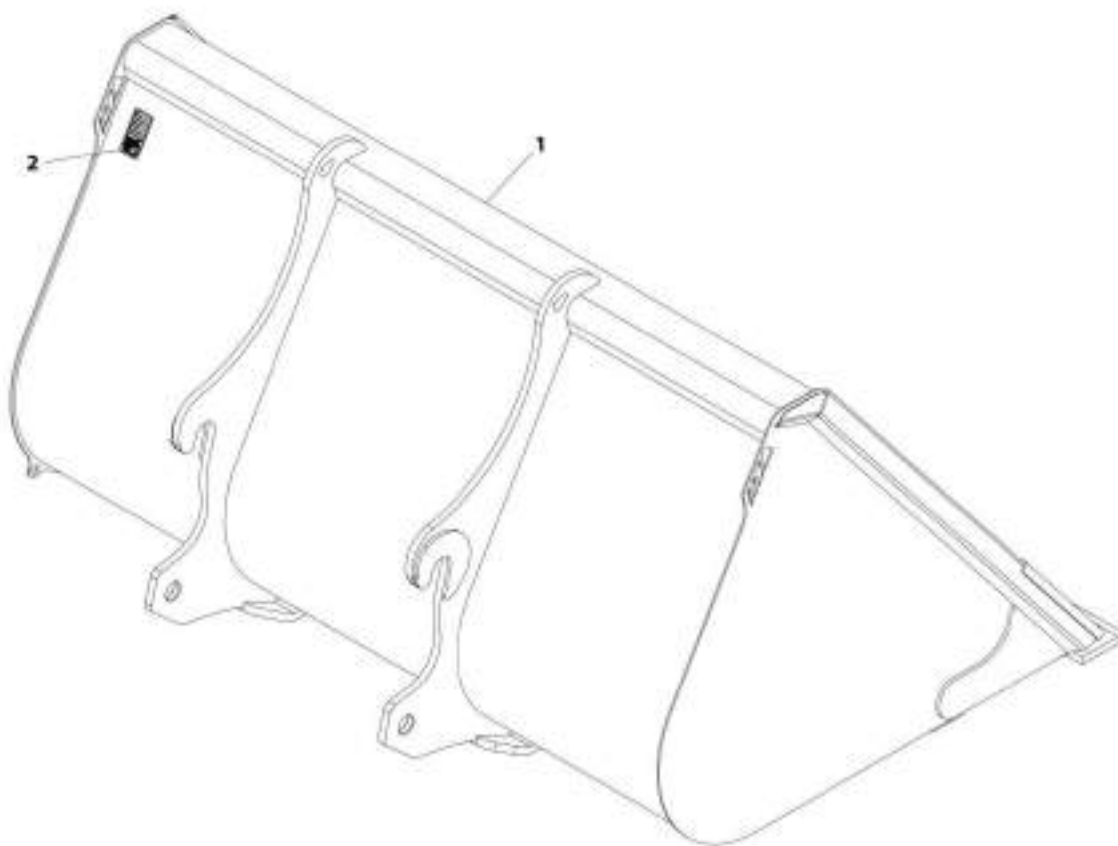
SECTION 3 - ATTACHMENTS

FIGURE 3-22. BUCKET 1.5 M³ (CE AND AUS)

ITEM	PART NUMBER	QTY	DESCRIPTION	REV
1	1001212687	1	Bucket 1.5 m ³ (CE and AUS)	C
2	N.S.S.	1	Plate, Serial Number	

SECTION 3 - ATTACHMENTS

FIGURE 3-23. BUCKET 2.0 M³ (CE AND AUS)



ART_3001212689-C

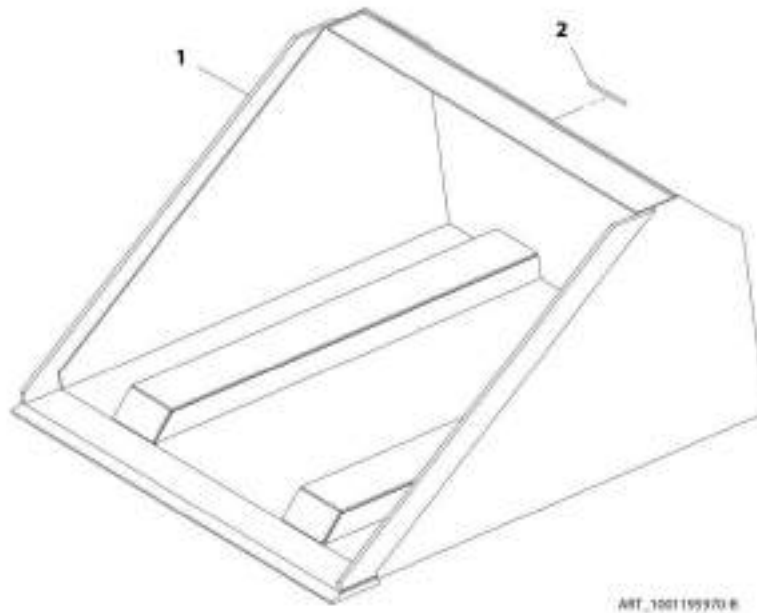
SECTION 3 - ATTACHMENTS

FIGURE 3-23. BUCKET 2.0 M³ (CE AND AUS)

ITEM	PART NUMBER	QTY	DESCRIPTION	REV
1	1001212689	1	Bucket 2.0 m ³ (CE and AUS)	C
2	N.S.S.	1	Plate, Serial Number	

SECTION 3 - ATTACHMENTS

FIGURE 3-24. FORK MOUNTED BUCKET (1.0 M³)



ART_1001199370.B

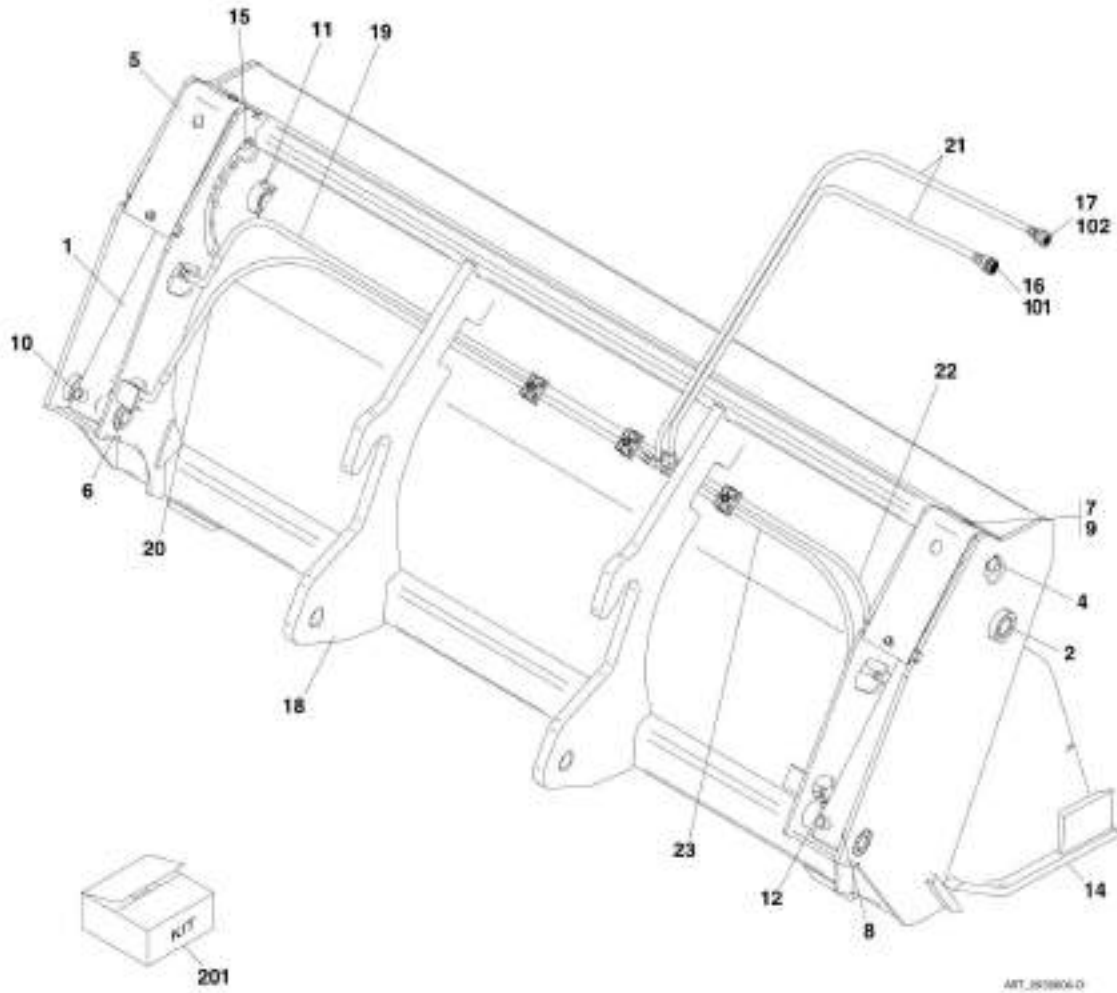
SECTION 3 - ATTACHMENTS

FIGURE 3-24. FORK MOUNTED BUCKET (1.0 M³)

ITEM	PART NUMBER	QTY	DESCRIPTION	REV
1	1001195970	1	Bucket 1.0 m ³ (Fork Mounted)	B
2	N.S.S.	1	Plate, Serial Number	

SECTION 3 - ATTACHMENTS

FIGURE 3-25. 4 IN 1 BUCKET 0.6 M³



ART. 301804.0

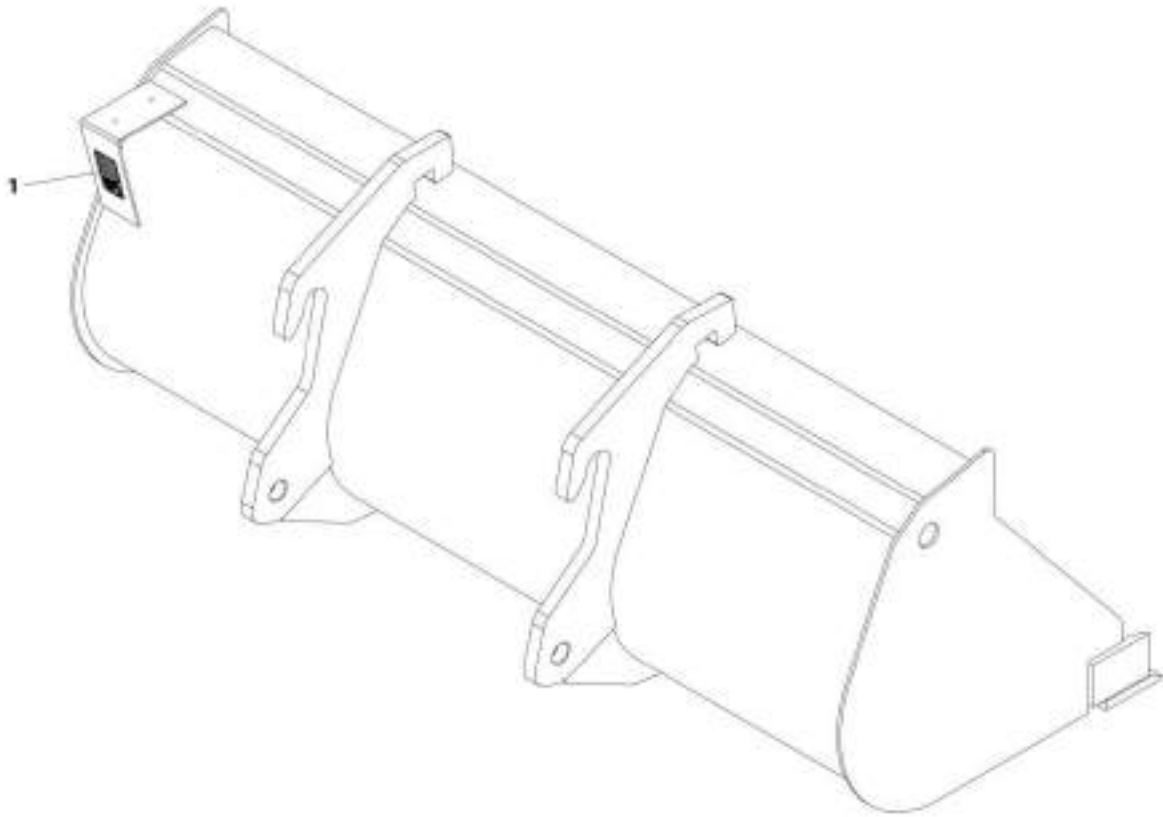
SECTION 3 - ATTACHMENTS

FIGURE 3-25. 4 IN 1 BUCKET 0.6 M³

ITEM	PART NUMBER	QTY	DESCRIPTION	REV
	0930006	1	4 in 1 Bucket 0.6 M ³	D
1	7028990	2	Cylinder	
1	7028910	1	Kit, Seal, Cylinder	
2	7028911	2	Pin	
3	7028912	6	Nut, (not shown)	
4	7028913	2	Pin	
5	7028914	2	Plate, Protective	
6	7028915	2	Pin	
7	7028916	4	Bolt	
8	7028131	6	Bushing	
9	7028917	4	Washer	
10	7028918	6	Nipple, Grease	
11	7028920	2	Screw	
12	7028919	4	Screw	
14	N.S.S.	1	Weldment	
15	7028923	1	Gauge	
16	1001094555	1	Adapter, Female Quick Disconnect	
17	1001094556	1	Adapter, Male Quick Disconnect	
18	N.S.S.	1	Weldment	
19	7028982	1	Hose	
20	7028983	1	Hose	
21	7028984	2	Hose	
22	7028985	1	Hose	
23	7028991	1	Hose	
101	1001093826	1	Cap, Dust	
102	1001093827	1	Plug, Dust	
201	1001097287	1	Kit, Quick Disconnect Adapter (includes items 16, 17, 101 & 102)	

SECTION 3 - ATTACHMENTS

FIGURE 3-26. DIG BUCKET 1.0 M³ (CE AND AUS)



ART_3001214119-C

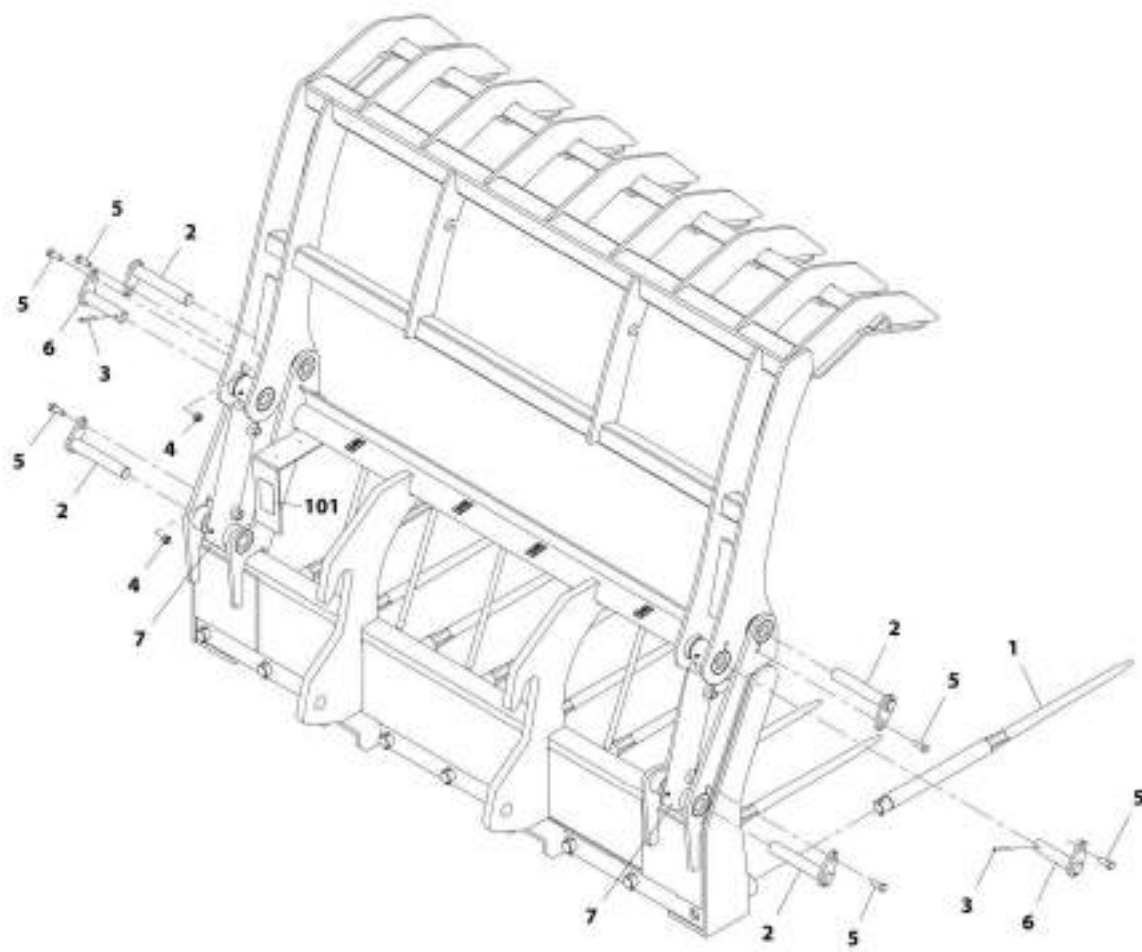
SECTION 3 - ATTACHMENTS

FIGURE 3-26. DIG BUCKET 1.0 M³ (CE AND AUS)

ITEM	PART NUMBER	QTY	DESCRIPTION	REV
1	1001214110	1	Dig Bucket 1.0 m ³ (CE and AUS)	C
	N.S.S.	1	Plate, Serial Number	

SECTION 3 - ATTACHMENTS

FIGURE 3-27. MANURE GRAPPLE BUCKET (CE & AUS)



ART. 1001212676-C

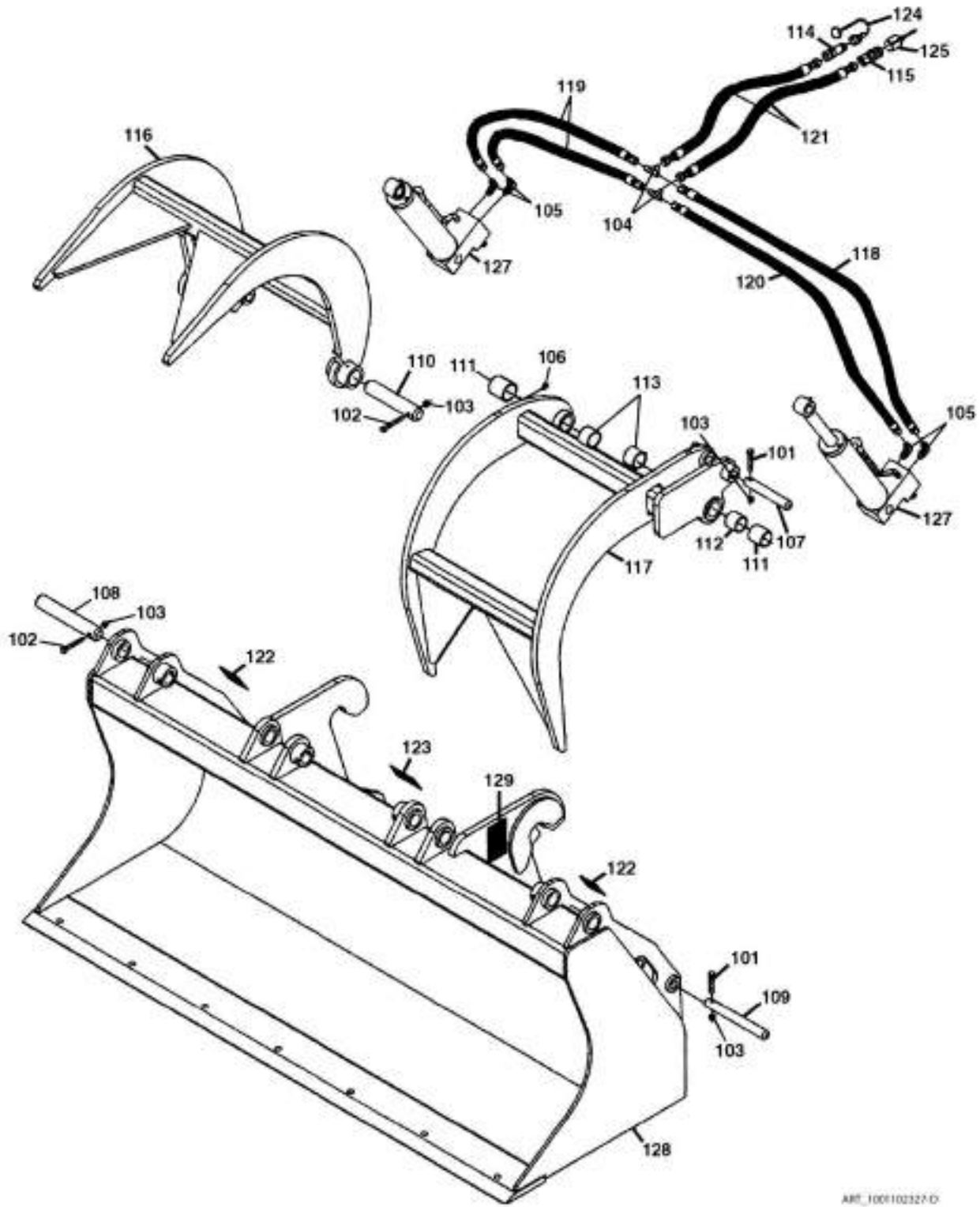
SECTION 3 - ATTACHMENTS

FIGURE 3-27. MANURE GRAPPLE BUCKET (CE & AUS)

ITEM	PART NUMBER	QTY	DESCRIPTION	REV
	1001212676	1	Manure Grapple Bucket (CE & AUS)	C
1	70027302	9	Electro-Forged Fingers, Right	
2	70027294	4	Pin	
3	70027298	2	Pin, Roll	
4	70027296	6	Nut	
5	70027297	6	Screw	
6	70027293	2	Pin	
7	7028127	2	Cylinder	
101	N.S.S.	AR	SN Plate	

SECTION 3 - ATTACHMENTS

FIGURE 3-28. MULTI-PURPOSE GRAPPLE BUCKET (1850MM) (ANSI - JLG)



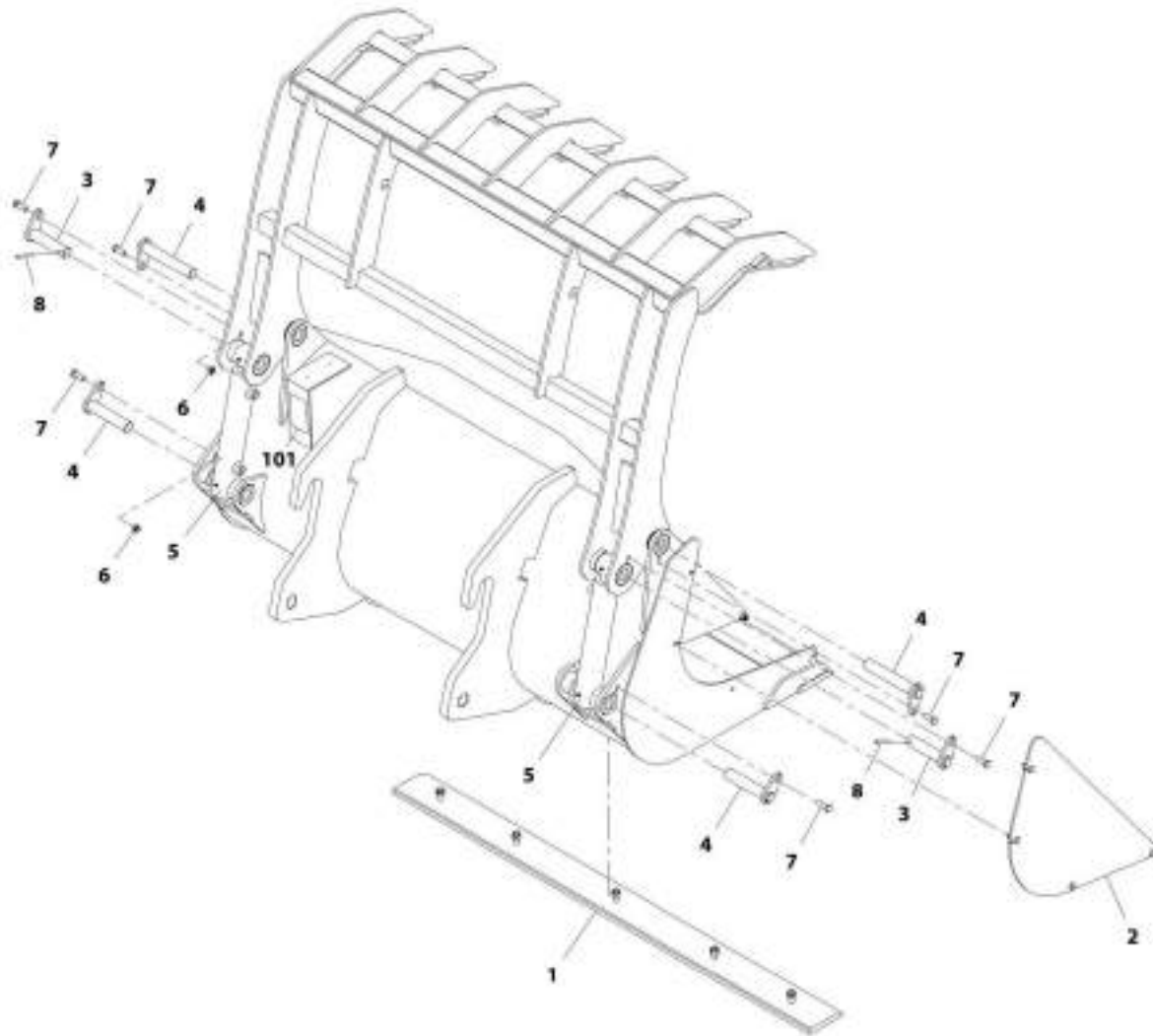
SECTION 3 - ATTACHMENTS

FIGURE 3-28. MULTI-PURPOSE GRAPPLE BUCKET (1850MM) (ANSI - JLG)

ITEM	PART NUMBER	QTY	DESCRIPTION	REV
	1001102327	1	Multi-Purpose Grapple Bucket (1850mm) (ANSI - JLG)	D
101	70021399	4	Screw	
102	70021366	4	Screw	
103	70021367	8	Nut	
104	70020562	2	Fitting, Tee	
105	90554065	4	Fitting, 90	
106	7029714	4	Fitting, Grease	
107	70021364	2	Pin	
108	70021361	2	Pin	
109	70021365	2	Pin	
110	70021362	2	Pin	
111	70021360	4	Bushing	
112	70021359	2	Spacer	
113	70021358	4	Bushing	
114	7029692	1	Fitting, Straight	
115	70021342	1	Fitting, Straight	
116	70021356	1	Grapple Hook, RH	
117	70021357	1	Grapple Hook, LH	
118	70020560	1	Hose	
119	70021368	2	Hose	
120	70021370	1	Hose	
121	70021369	2	Hose	
122	90554017	2	Decal, Pinch Point	
123	7029711	1	Decal, High Pressure	
124	90554062	1	Cap, Dust	
125	90554076	1	Plug, Dust	
126	70021387	4	Clamp	
127	70021363	2	Cylinder, Multi-Purpose Grapple Bucket (1850mm) (See Separate Breakdown in Hydraulic Components Section)	
128	N.S.S.	1	Bucket, Grapple	
129	N.S.S.	1	Plate, Serial Number	

SECTION 3 - ATTACHMENTS

FIGURE 3-29. MULTI-PURPOSE GRAPPLE (WIDE GRIP - 1850MM) (CE & AUS)



ART_1001212753-C

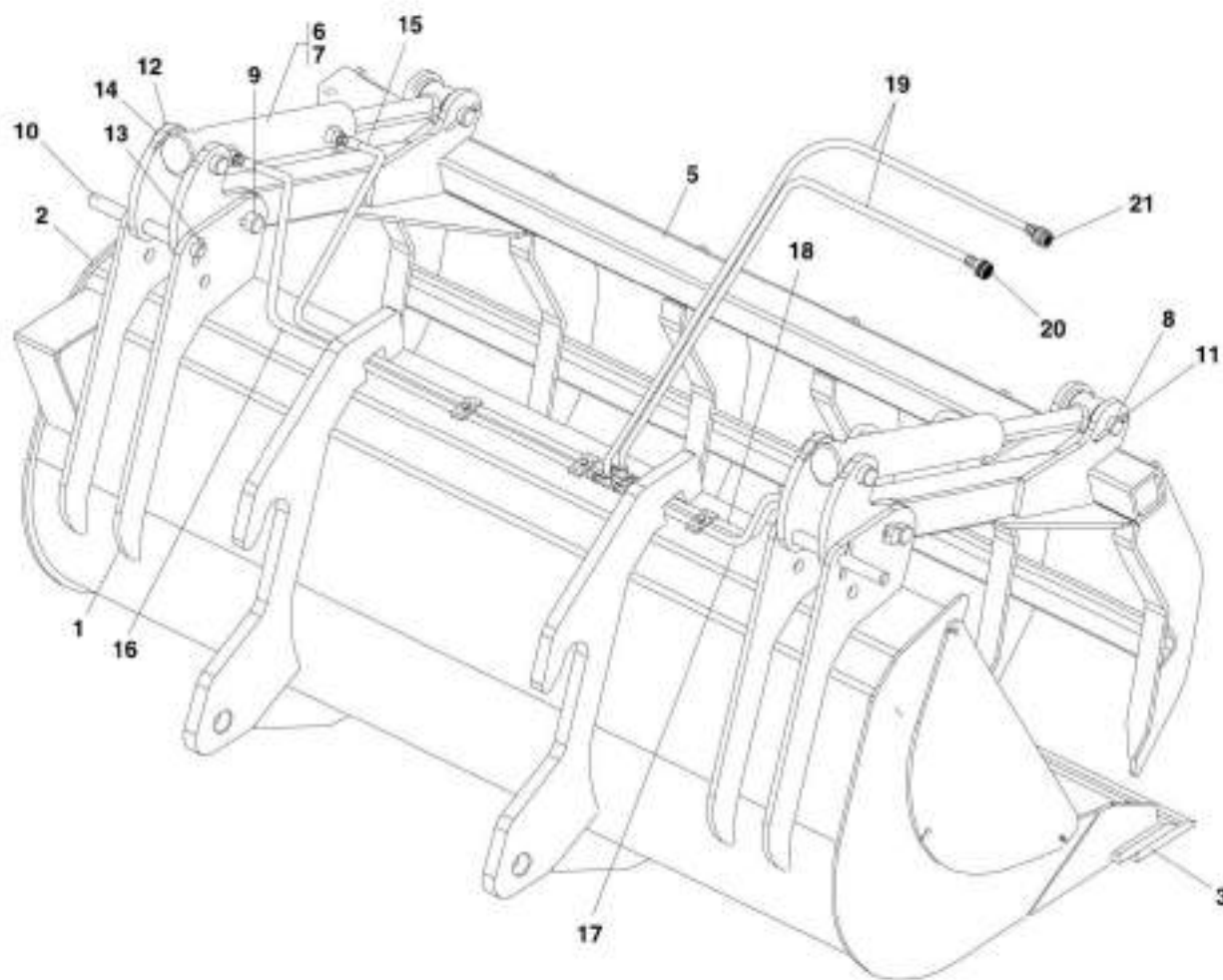
SECTION 3 - ATTACHMENTS

FIGURE 3-29. MULTI-PURPOSE GRAPPLE (WIDE GRIP - 1850MM) (CE & AUS)

ITEM	PART NUMBER	QTY	DESCRIPTION	REV
	1001212733	1	Multi-Purpose Grapple Bucket (Wide Grip - 1850mm) (CE & AUS)	C
1	70027301	1	Assembly, Blade	
2	70027290	1	Kit, Side Plate	
3	70027293	2	Pin	
4	70027294	4	Pin	
5	7028127	2	Cylinder	
6	70027296	6	Nut	
7	70027297	6	Screw	
8	70027298	2	Pin	
101	N.S.S.	1	Plate, Serial Number	

SECTION 3 - ATTACHMENTS

FIGURE 3-30. MULTI-PURPOSE GRAPPLE BUCKET (2100MM) (CE & AUS)



ART_000005-0

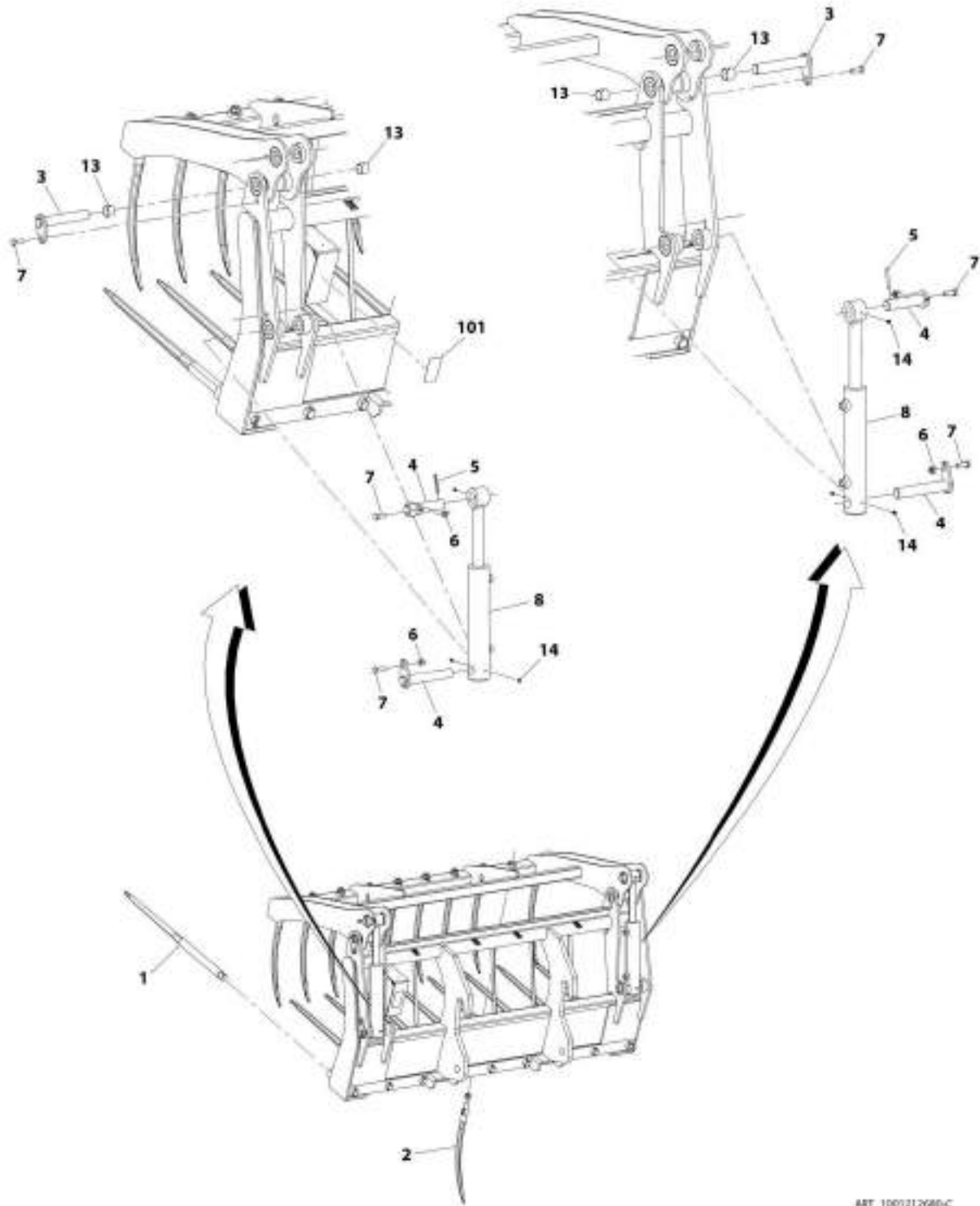
SECTION 3 - ATTACHMENTS

FIGURE 3-30. MULTI-PURPOSE GRAPPLE BUCKET (2100MM) (CE & AUS)

ITEM	PART NUMBER	QTY	DESCRIPTION	REV
	0930005	1	Multi-Purpose Grapple Bucket (2100MM) (CE & AUS)	D
1	N.S.S.	1	Weldment	
2	7029323	1	Plate, Side	
3	7028132	1	Assembly, Blade (includes blade and the mounting hardware)	
5	7029321	1	Grapple	
6	7028127	2	Cylinder	
7	7028910	2	Kit, Seal	
8	7028131	6	Bushing	
9	7028128	2	Pin	
10	7028129	2	Pin, Locking	
11	7028130	2	Pin	
12	7028135	4	Pin	
13	7028134	8	Pin	
14	7028124	2	Circlip	
15	7028986	1	Hose	
16	7028987	1	Hose	
17	7028988	1	Hose	
18	7028989	1	Hose	
19	7028984	2	Hose	
20	1001094555	1	Adapter, Female Quick Disconnect	
21	1001094556	1	Adapter, Male Quick Disconnect	

SECTION 3 - ATTACHMENTS

FIGURE 3-31. MUCK FORK AND GRAB (CE & AUS)



ART_100121268D-C

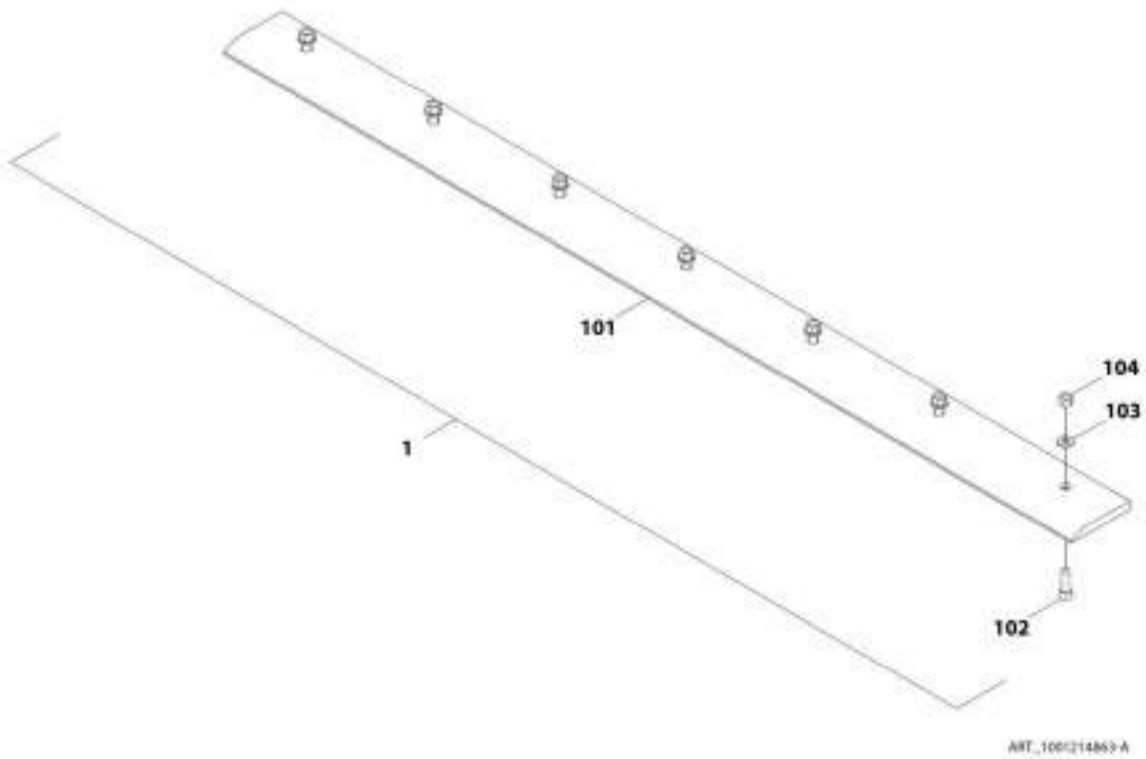
SECTION 3 - ATTACHMENTS

FIGURE 3-31. MUCK FORK AND GRAB (CE & AUS)

ITEM	PART NUMBER	QTY	DESCRIPTION	REV
	1001212680	1	Muck Fork and Grab (CE & AUS)	C
1	70027302	9	Electro-Forged Fingers, Right	
2	70027324	10	Electro-Forged Fingers, Curved	
3	70027293	2	Pin	
4	70027294	4	Pin	
5	70027298	2	Pin, Roll	
6	70027296	6	Nut	
7	70027297	6	Screw	
8	7028127	2	Cylinder, Tilt	
9	70027325	1	Hose (not shown)	
10	7028988	1	Hose (not shown)	
11	70027326	1	Hose (not shown)	
12	7028986	1	Hose (not shown)	
13	7028131	6	Bushing	
14	7028918	6	Nipple, Grease	
101	N.S.S.	1	SN Plate	

SECTION 3 - ATTACHMENTS

FIGURE 3-32. CUTTING EDGE (2100MM BUCKET)



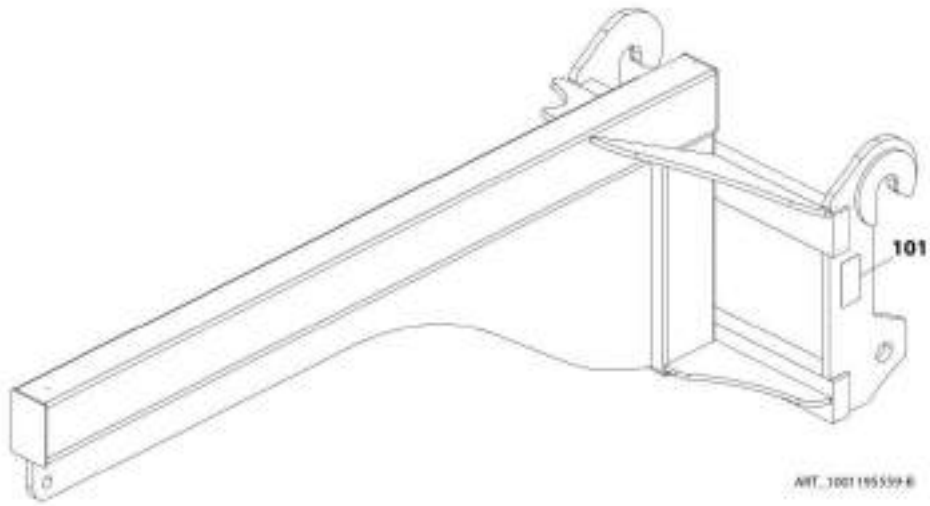
SECTION 3 - ATTACHMENTS

FIGURE 3-32. CUTTING EDGE (2100MM BUCKET)

ITEM	PART NUMBER	QTY	DESCRIPTION	REV
1	1001214863	1	Cutting Edge (2100mm Bucket)	A
101	N.S.S.	1	Blade	
102	N.S.S.	7	Bolt	
103	N.S.S.	7	Washer	
104	N.S.S.	7	Nut	

SECTION 3 - ATTACHMENTS

FIGURE 3-33. TRUSS BOOM (4 TON - 2.1M)



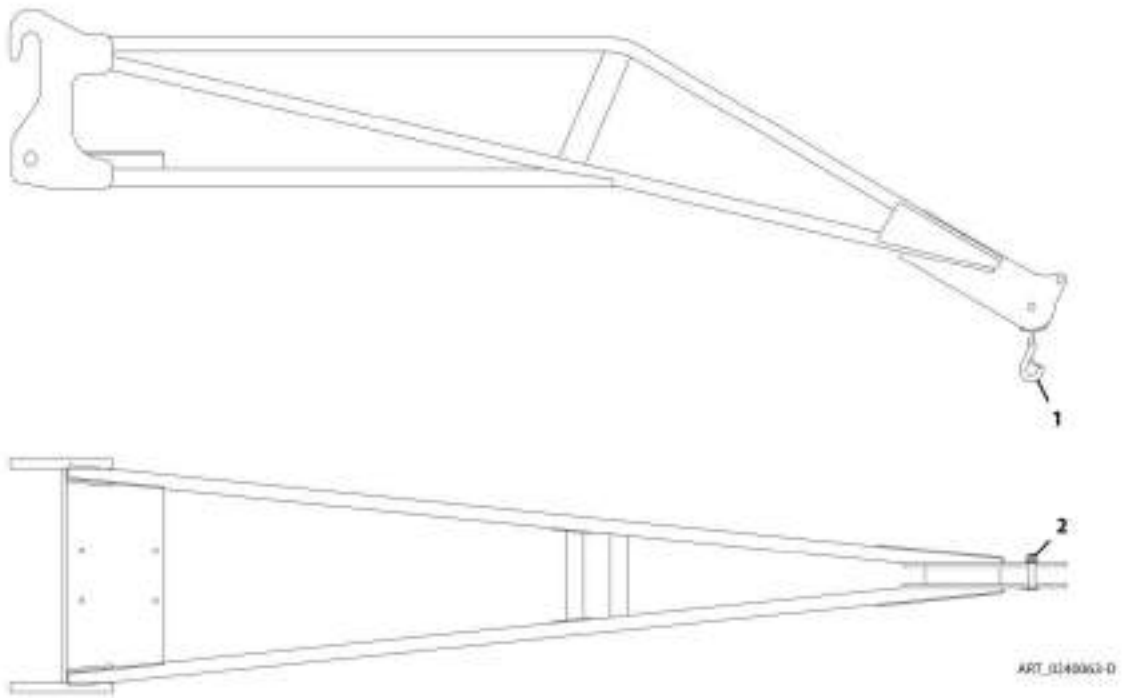
SECTION 3 - ATTACHMENTS

FIGURE 3-33. TRUSS BOOM (4 TON - 2.1M)

ITEM	PART NUMBER	QTY	DESCRIPTION	REV
	1001195559	1	Truss Boom (4 Ton - 2.1M)	B
101	N.S.S.	1	Plate, Serial Number	

SECTION 3 - ATTACHMENTS

FIGURE 3-34. TRUSS BOOM (1 TON - 3.4M)



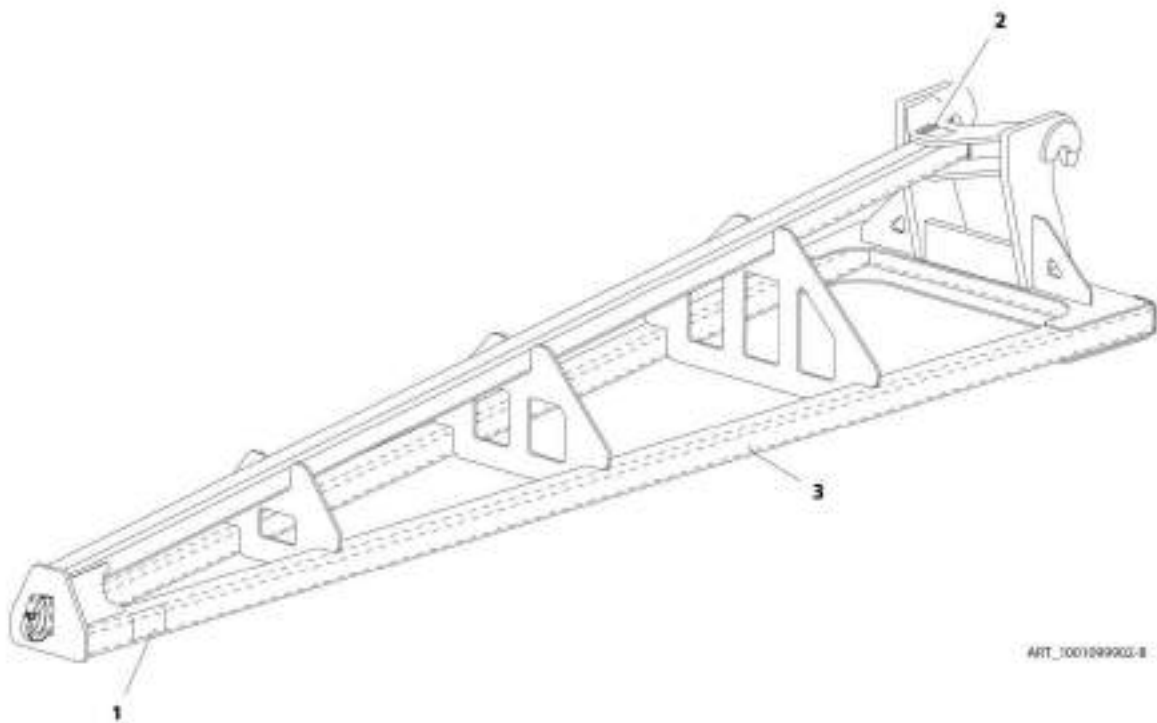
SECTION 3 - ATTACHMENTS

FIGURE 3-34. TRUSS BOOM (1 TON - 3.4M)

ITEM	PART NUMBER	QTY	DESCRIPTION	REV
	0240063	1	Truss Boom (1 Ton - 3.4M)	D
1	70020421	1	Hook	
2	70020422	1	Bolt	

SECTION 3 - ATTACHMENTS

FIGURE 3-35. TRUSS BOOM (0.9 TON - 3.7M)



ART_100109903-8

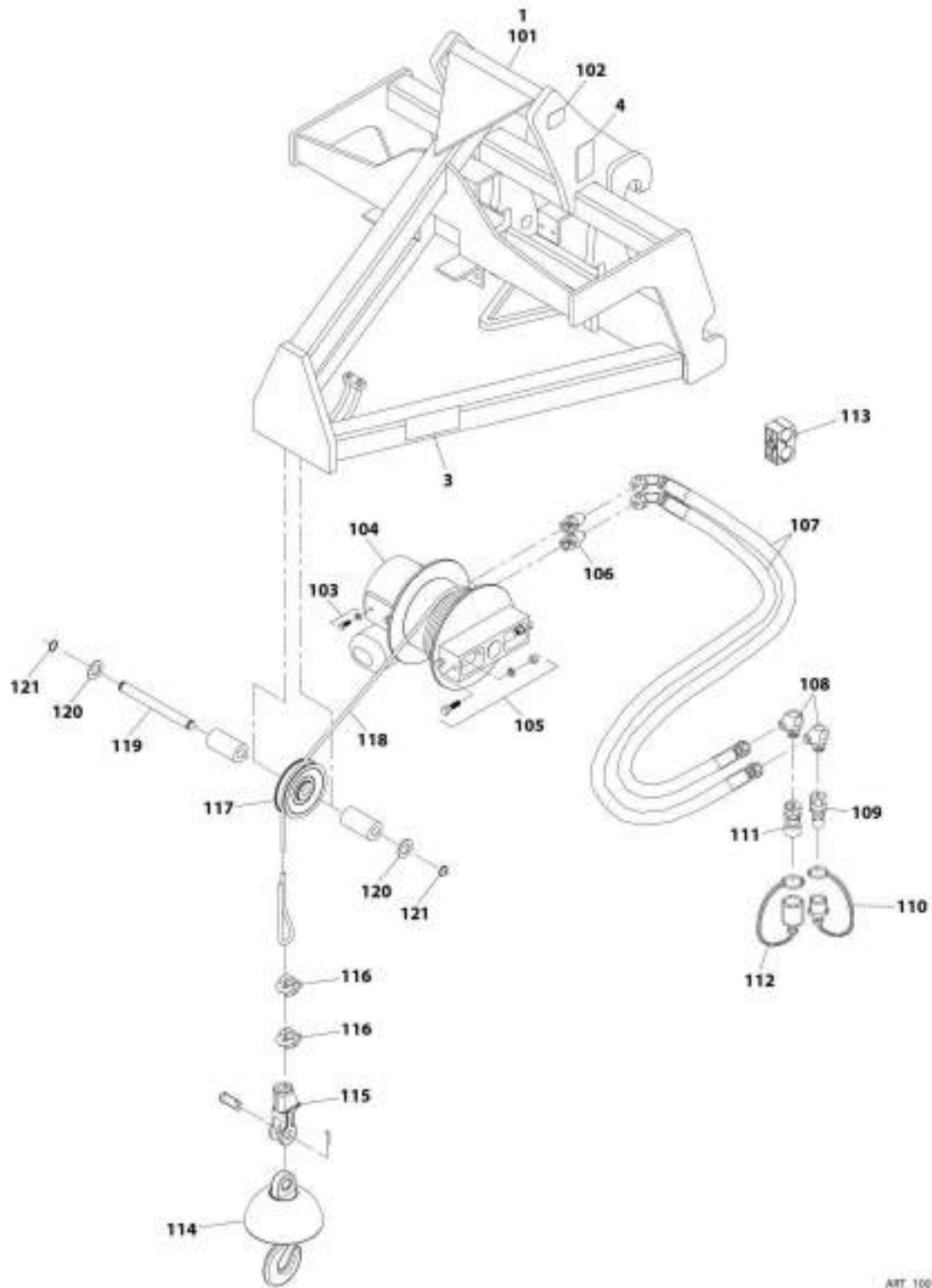
SECTION 3 - ATTACHMENTS

FIGURE 3-35. TRUSS BOOM (0.9 TON - 3.7M)

ITEM	PART NUMBER	QTY	DESCRIPTION	REV
	1001099902	1	Truss Boom (0.9 Ton - 3.7M)	B
1	4110422	2	Decal, Danger Swinging Loads	
2	N.S.S.	1	Plate, Serial Number	
3	N.S.S.	1	Boom, Truss	

SECTION 3 - ATTACHMENTS

FIGURE 3-36. TRUSS BOOM (1.8 TON - 1M FT WITH WINCH)



ART_300100967-C

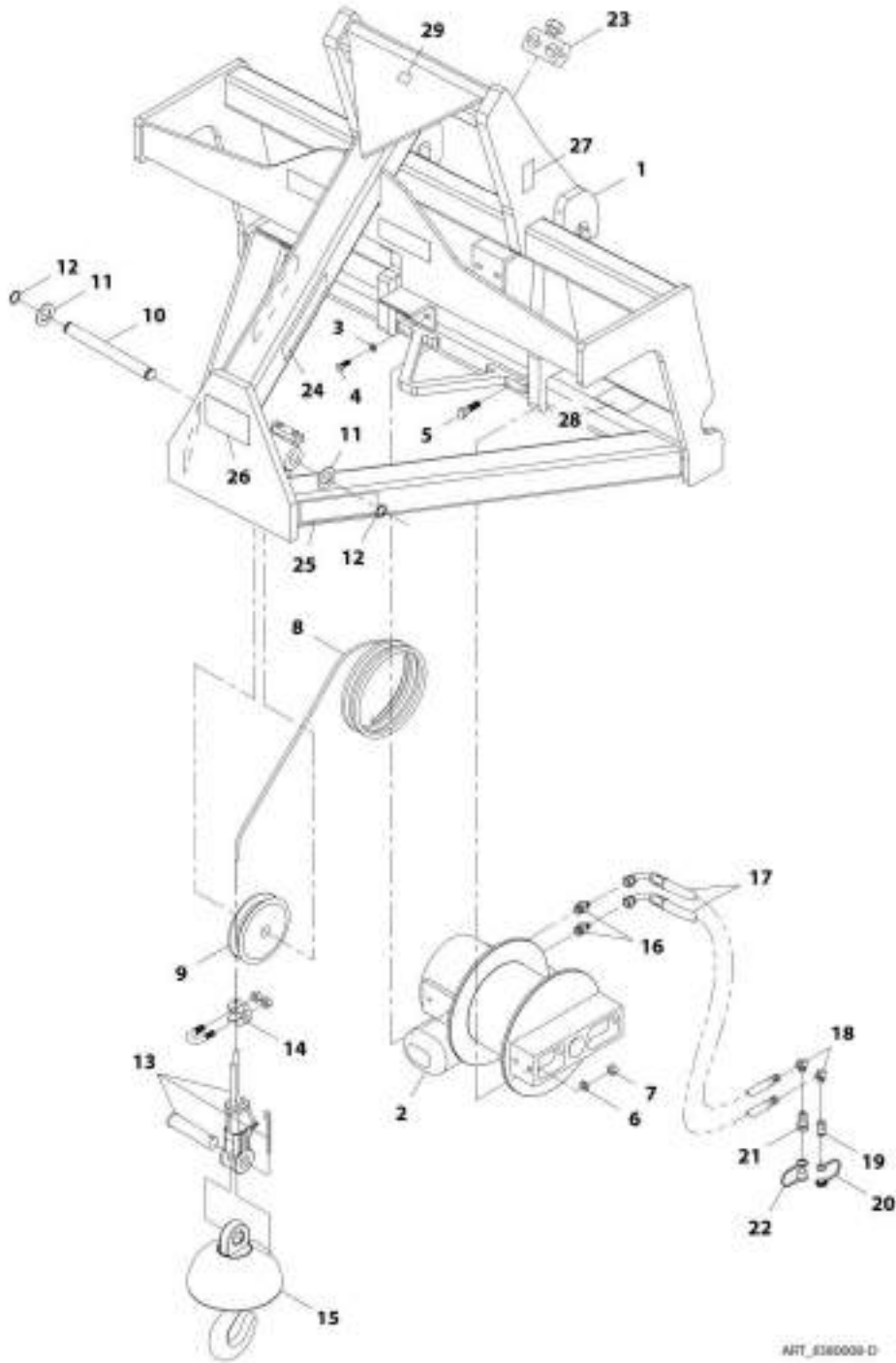
SECTION 3 - ATTACHMENTS

FIGURE 3-36. TRUSS BOOM (1.8 TON - 1M FT WITH WINCH)

ITEM	PART NUMBER	QTY	DESCRIPTION	REV
	1001100967	Ref	Truss Boom Assembly (3 Foot with Winch) (includes items 1, 3, 4 & 101 thru 121)	C
1	8380008	NLA	Truss Boom (3 Foot with Winch) (See Separate Breakdown in this Section) (no longer available, use 1001100967 for replacement)	
3	4110422	2	Decal, Danger, Swinging Loads	
4	N.S.S.	1	Plate, Serial Number	
101	N.S.S.	1	Truss Boom Frame	
102	90554016	1	Decal	
103	70021349	4	Bolt	
103	90554042	4	Washer	
104	70021921	1	Winch, Truss Boom	
105	70024059	4	Bolt	
105	90554054	4	Nut	
105	90554020	4	Washer	
106	70021415	2	Fitting	
107	70021977	2	Hose	
108	70022527	2	Fitting, 90	
109	91403414	1	Fitting, Straight	
110	8420053	1	Cap	
111	91403413	1	Fitting, Straight	
112	8420055	1	Plug	
113	70021387	1	Clamp	
114	70021978	1	Ball Swivel Safety Hook	
115	70021979	1	Assembly, Socket	
116	70022528	2	Clamp	
117	70021935	1	Pulley	
118	70022028	1	Cable	
119	70022529	1	Pin	
120	70027009	2	Washer	
121	70026698	2	Ring, Snap	

SECTION 3 - ATTACHMENTS

FIGURE 3-37. TRUSS BOOM (3 FT WITH WINCH)



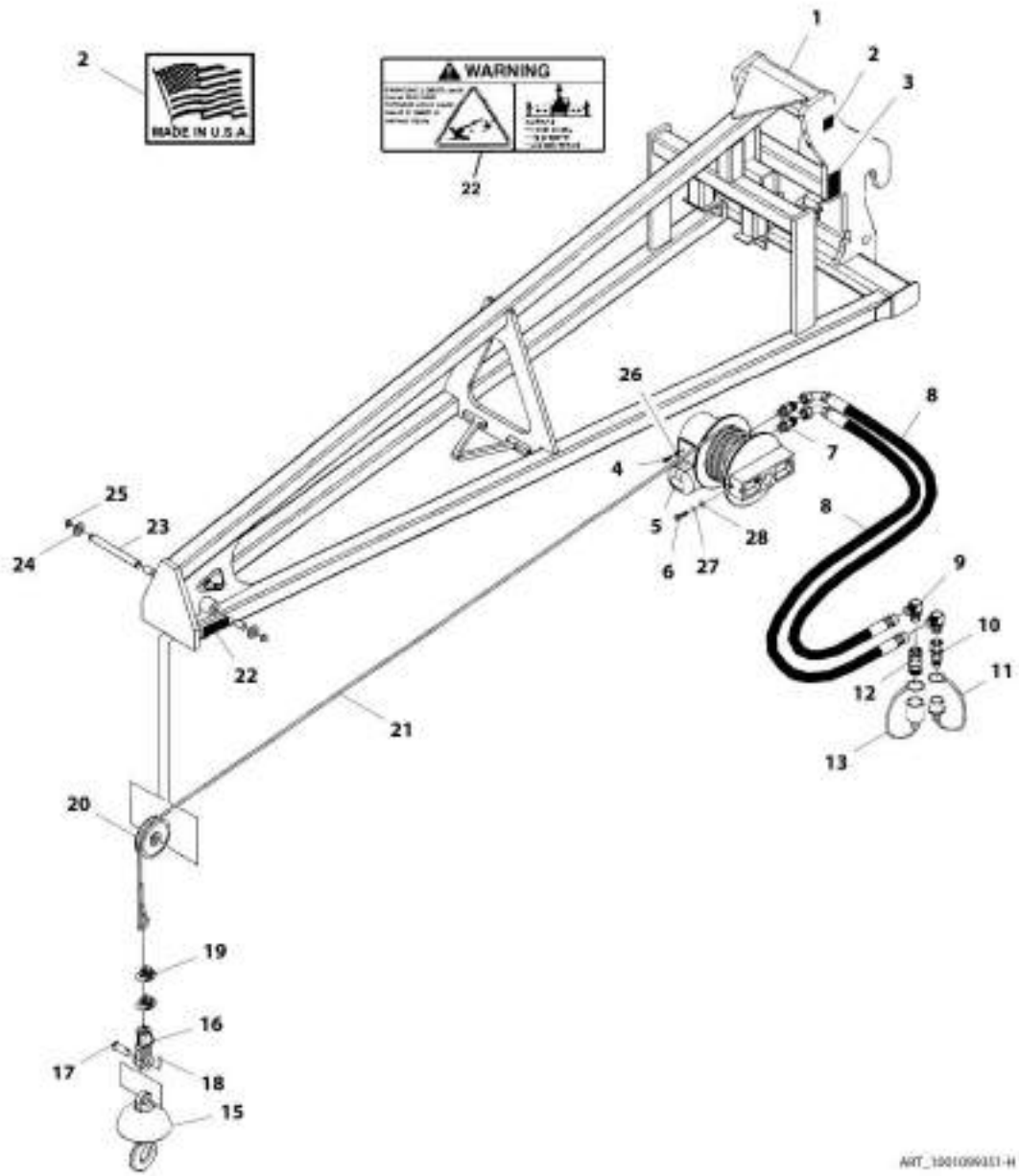
SECTION 3 - ATTACHMENTS

FIGURE 3-37. TRUSS BOOM (3 FT WITH WINCH)

ITEM	PART NUMBER	QTY	DESCRIPTION	REV
	8380008	1	Truss Boom (3 Foot with Winch) (no longer available, use 1001100967 for replacement)	D
1	N.S.S.	1	Weldment	
2	70021921	1	Winch	
3	90554042	4	Washer, Lock 3/8	
4	70021349	4	Bolt, 3/8X1	
5	70024059	2	Bolt, 1/2X1-3/4	
6	90554020	2	Washer, Lock 1/2	
7	90554054	2	Nut, 1/2	
8	70022028	1	Cable	
9	70021935	1	Pulley	
10	70022529	1	Pin	
11	70024060	2	Washer	
12	70024061	2	Ring, Snap	
13	70021979	1	Assembly, Socket (includes pin and cotter pin)	
14	70022528	1	Clamp	
15	70021978	1	Hook	
16	2220371	2	Connector	
17	70021977	2	Hose	
18	2220628	2	Fitting, 90 JIC	
19	91403413	1	Coupler, Quick Disconnect	
20	8420055	1	Plug, Dust	
21	91403414	1	Coupler, Quick Disconnect	
22	8420053	1	Plug, Dust	
23	70021387	1	Clamp	
24	70024062	2	Decal, Capacity	
25	70024063	4	Decal, Rotating Part	
26	70024064	1	Decal, Do Not Tow	
27	N.S.S.	1	Plate, Serial Number	
28	90554018	1	Decal, High Pressure Warning	
29	90554016	1	Decal, Made In USA	

SECTION 3 - ATTACHMENTS

FIGURE 3-38. TRUSS BOOM (0.9 TON - 3.7M WITH WINCH)



ART_1001099351-H

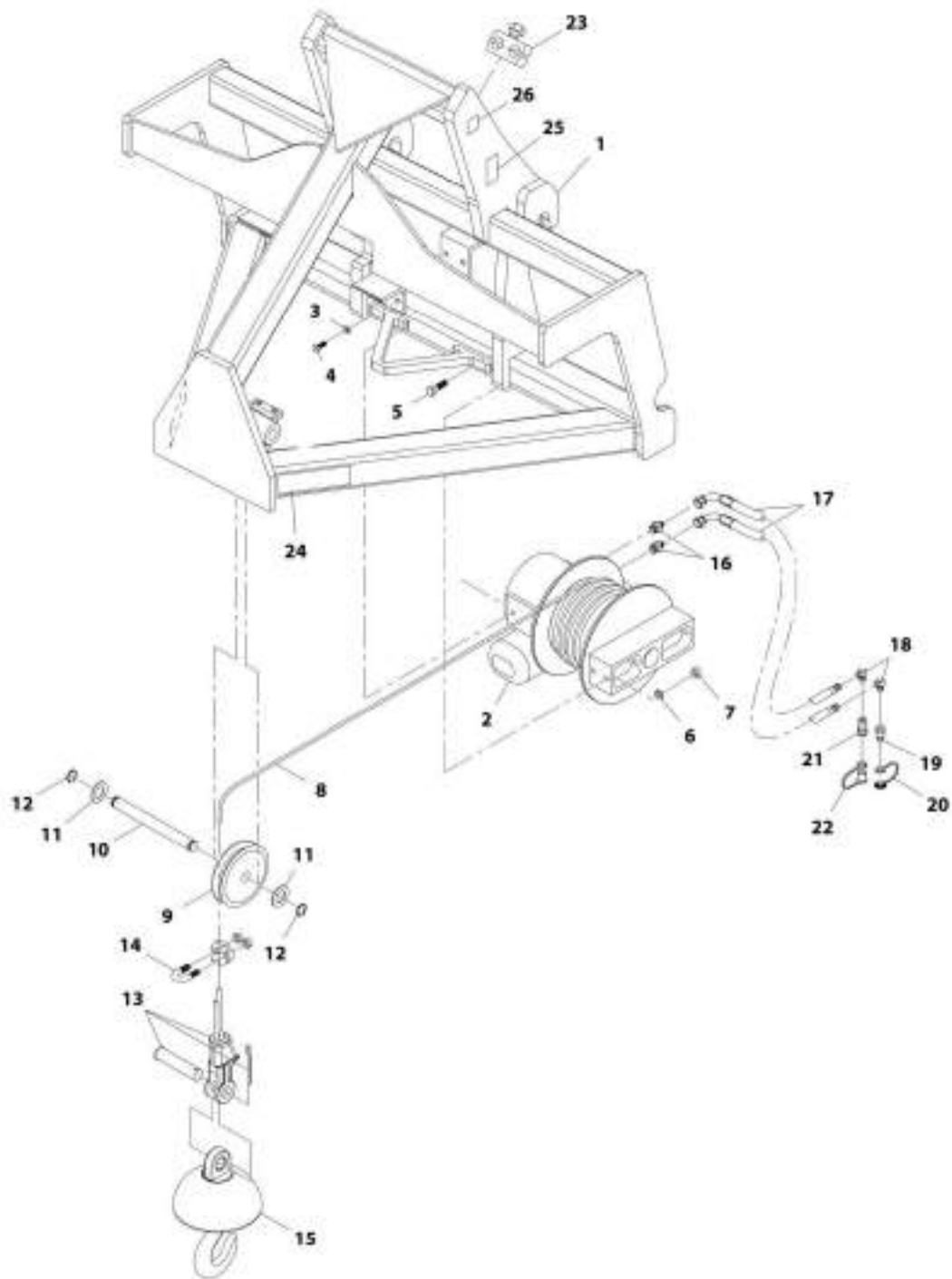
SECTION 3 - ATTACHMENTS

FIGURE 3-38. TRUSS BOOM (0.9 TON - 3.7M WITH WINCH)

ITEM	PART NUMBER	QTY	DESCRIPTION	REV
	1001099351	1	Truss Boom (0.9 Ton - 3.7M with Winch)	H
1	N.S.S.	1	Frame, Truss Boom	
2	90554016	1	Decal, Made in USA	
3	N.S.S.	1	Plate, Serial Number	
4	70021349	4	Bolt, 3/8X1	
5	70021921	1	Motor, Truss Boom Winch	
6	70024059	2	Bolt, 1/2X1-3/4	
7	70021415	2	Connector	
8	70021977	2	Hose	
9	70022527	2	Fitting, 90	
10	7029692	1	Fitting, Straight	
11	90554062	1	Cap, Dust	
12	70021342	1	Fitting, Straight	
13	90554076	1	Cap, Dust	
15	70021978	1	Ball Swivel with Safety Hook	
16	70021979	1	Assembly, Socket (includes items 17 thru 18)	
17	N.S.S.	1	Pin	
18	N.S.S.	1	Pin, Cotter	
19	70022528	2	Clamp	
20	70021935	1	Pulley	
21	70022028	1	Cable	
22	4110422	2	Decal, Warning Swinging Loads	
23	70022529	1	Pin	
24	70024060	2	Washer	
25	70026698	2	Ring, Snap	
26	90554042	4	Washer, Lock 3/8	
27	90554020	2	Washer, Lock 1/2	
28	90554054	2	Nut, 1/2	

SECTION 3 - ATTACHMENTS

FIGURE 3-39. TRUSS BOOM (1.8 TON - 3 FT WITH WINCH)



ART_100120660-8

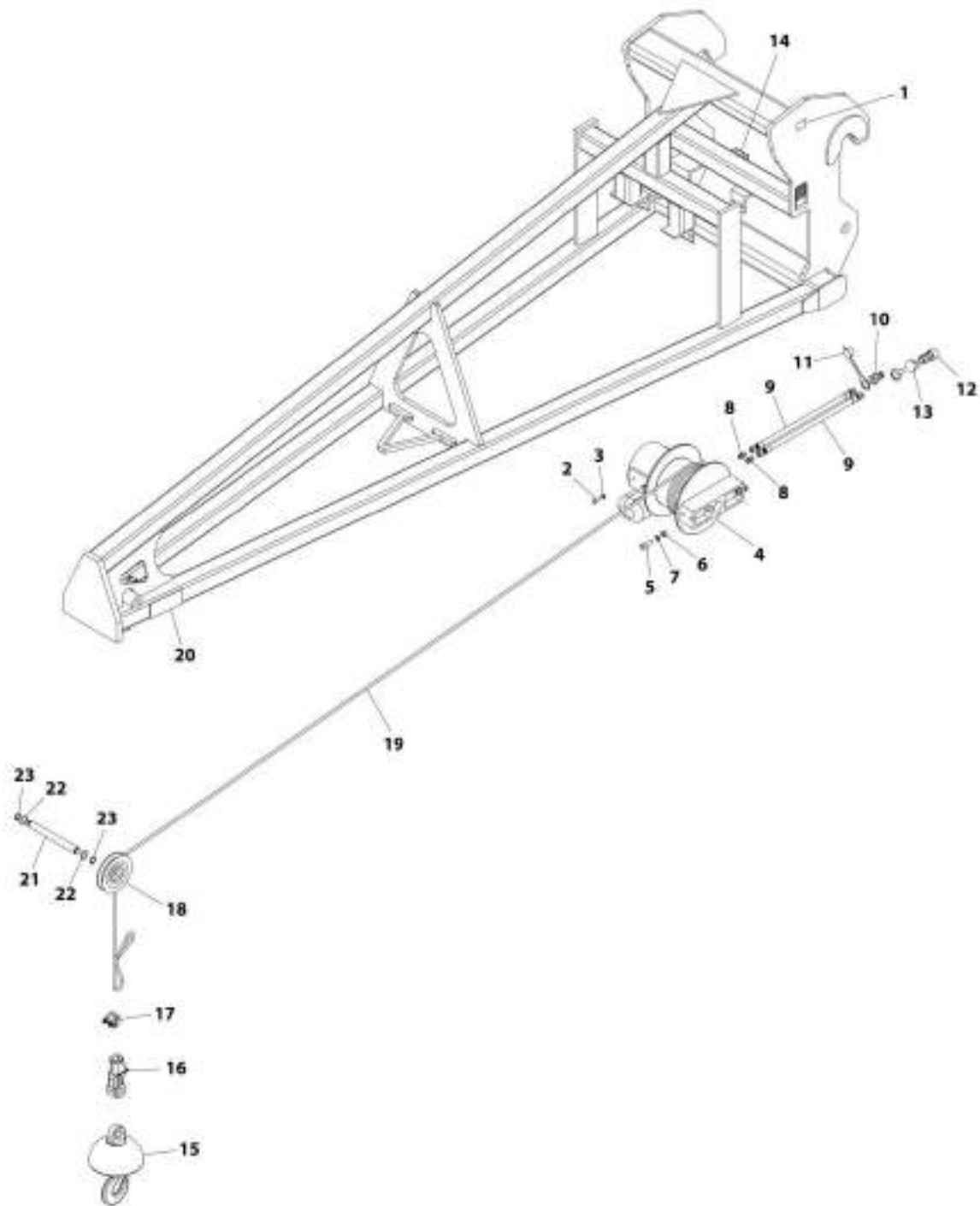
SECTION 3 - ATTACHMENTS

FIGURE 3-39. TRUSS BOOM (1.8 TON - 3 FT WITH WINCH)

ITEM	PART NUMBER	QTY	DESCRIPTION	REV
	1001206669	1	Truss Boom (1.8 Ton - 3 FT with Winch)	B
1	N.S.S.	1	Weldment, Truss Boom Frame	
2	70021921	1	Winch	
3	90554042	4	Washer	
4	70021349	4	Bolt	
5	70024059	2	Bolt	
6	90554020	2	Washer	
7	90554054	2	Nut	
8	70022028	1	Cable	
9	70021935	1	Pulley	
10	70022529	1	Pin	
11	70027009	2	Washer	
12	70026698	2	Ring, Snap	
13	70021979	1	Assembly, Socket (includes Pin & Cotter Pin)	
14	70022528	1	Clamp	
15	70021978	1	Hook, Ball Swivel	
16	70021415	2	Fitting	
17	70021977	2	Hose	
18	70022527	2	Fitting, 90	
19	7029692	1	Coupler, Male Quick	
20	1001003475	1	Cap, Dust	
21	70021342	1	Coupler, Female Quick	
22	1001003474	1	Plug, Dust	
23	70021387	1	Clamp, Hose	
24	4110422	2	Decal, Swinging Loads Danger	
25	N.S.S.	1	Plate, Serial Number	
26	90554016	1	Decal, Made in USA	

SECTION 3 - ATTACHMENTS

FIGURE 3-40. TRUSS BOOM (0.9 TON - 12 FT WITH WINCH)



ARC_100/306071-0

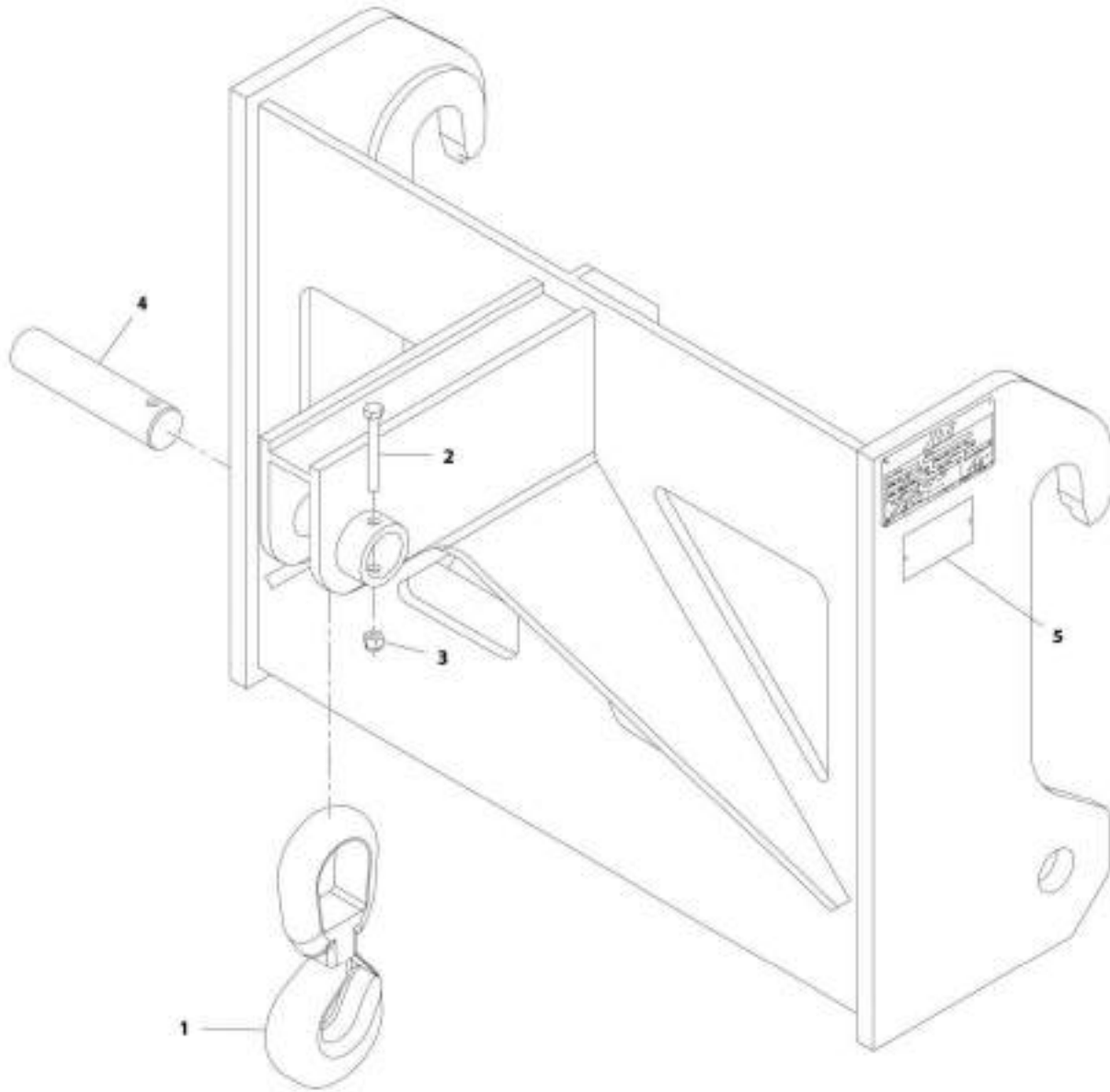
SECTION 3 - ATTACHMENTS

FIGURE 3-40. TRUSS BOOM (0.9 TON - 12 FT WITH WINCH)

ITEM	PART NUMBER	QTY	DESCRIPTION	REV
	1001206671	1	Truss Boom (1.8 Ton - 3 FT with Winch)	B
1	90554016	1	Decal	
2	70021349	4	Bolt	
3	90554042	4	Washer	
4	70021921	1	Winch, Truss Boom, Assembly	
5	70024059	2	Bolt	
6	90554054	2	Nut	
7	90554020	2	Washer	
8	70021415	2	Fitting	
9	70026702	2	Hose	
10	1001101041	1	Hydraulic Couplier, Male	
11	1001093826	1	Dust Cap, Male	
12	1001101042	1	Hydraulic Couplier, Female	
13	1001093827	1	Plug, Dust, Female	
14	70021387	1	Hose Clamp	
15	70021978	1	Ball Swivel Safety Hook	
16	70021979	1	Wedge Socket Assembly	
17	70022528	1	Clamp, Cable	
18	70021935	1	Sheave, Grooved Pulley	
19	70022028	1	Cable	
20	70027790	2	Decal	
21	70022529	1	Pin	
22	70027009	2	Washer	
23	70026698	2	Ring, Snap	

SECTION 3 - ATTACHMENTS

FIGURE 3-41. CRANE HOOK (CE AND AUS)



ART_1170056-C

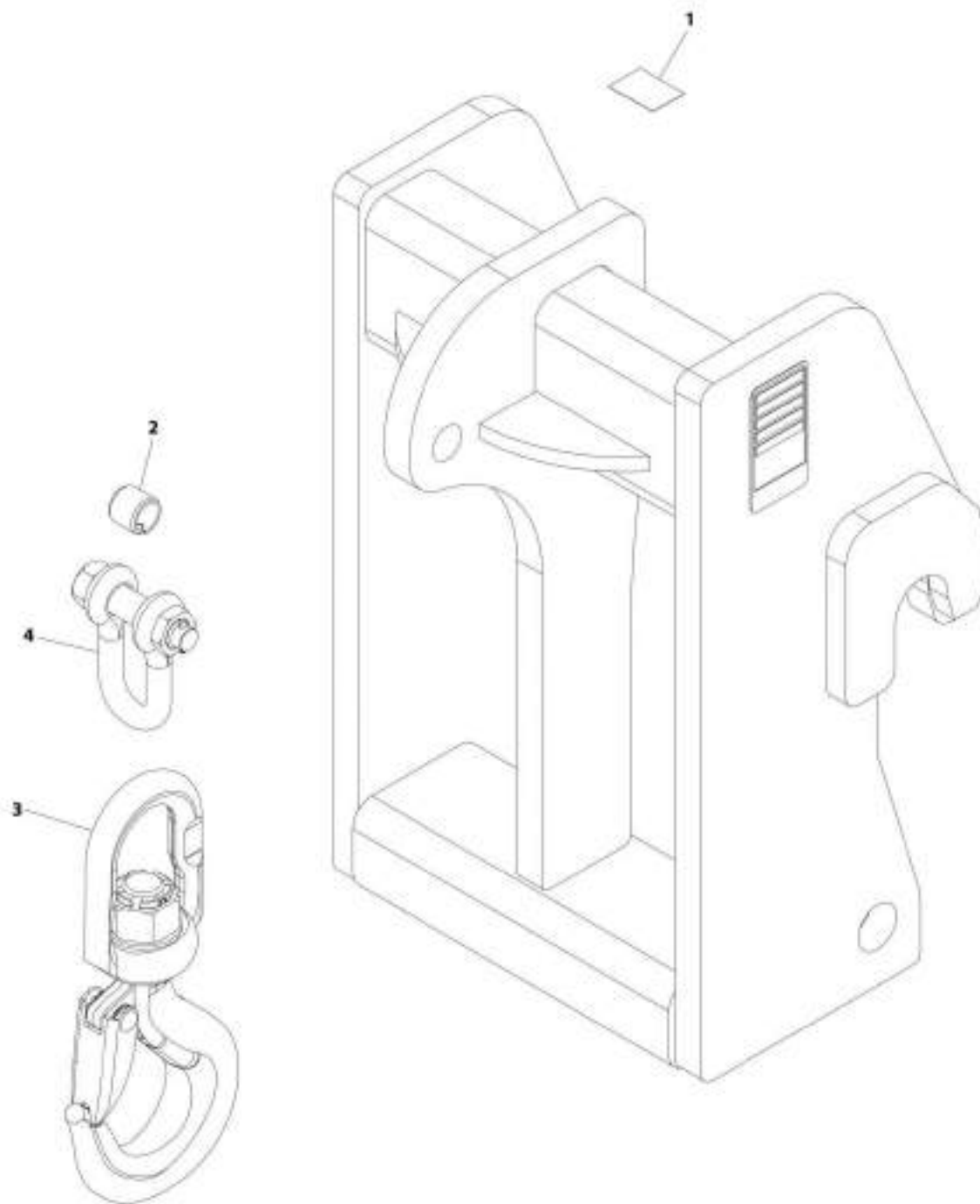
SECTION 3 - ATTACHMENTS

FIGURE 3-41. CRANE HOOK (CE AND AUS)

ITEM	PART NUMBER	QTY	DESCRIPTION	REV
	1170058	1	Crane Hook	C
1	70020417	1	Hook	
2	70020205	1	Bolt	
3	70020206	1	Nut, Locking	
4	70020201	1	Pin	
5	N.S.S.	1	Plate, Serial Number	

SECTION 3 - ATTACHMENTS

FIGURE 3-42. CRANE HOOK



ART_1001257606-8

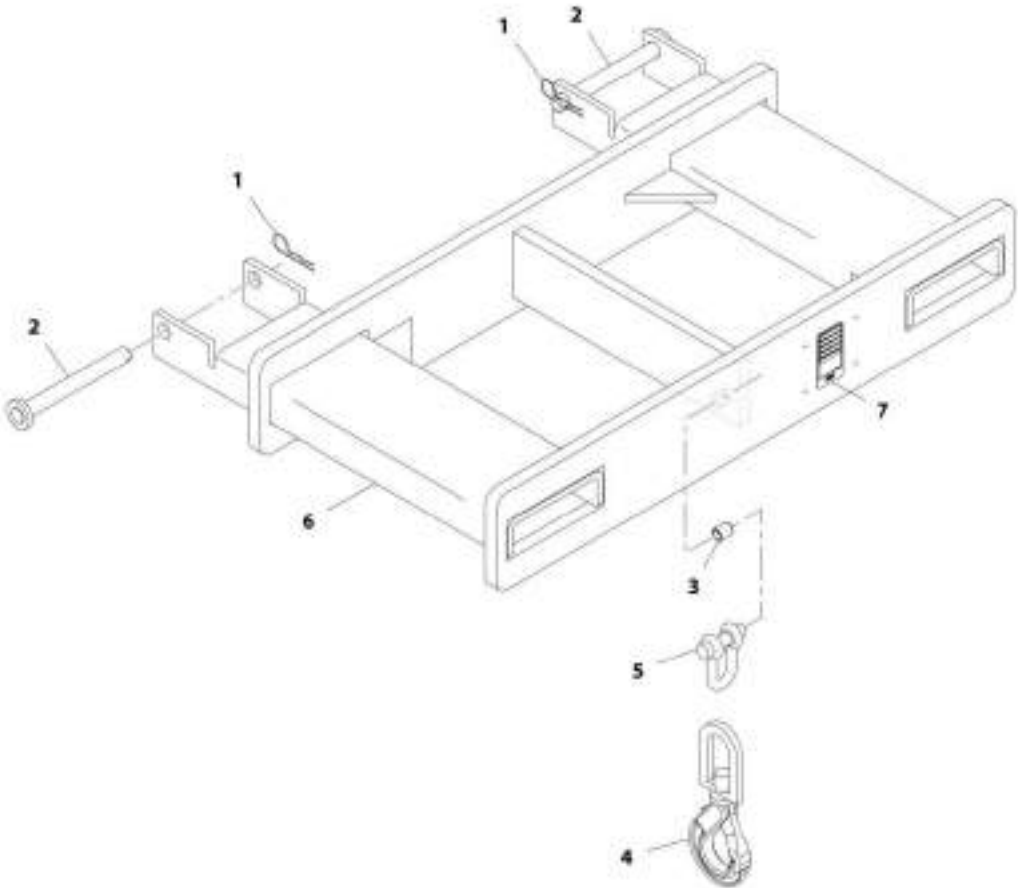
SECTION 3 - ATTACHMENTS

FIGURE 3-42. CRANE HOOK

ITEM	PART NUMBER	QTY	DESCRIPTION	REV
	1001207606	Ref	Crane Hook	B
1	90554016	1	Decal	
2	70020555	1	Bushing	
3	70026745	1	Hook Swivel	
4	70026746	1	Shackle Chain	

SECTION 3 - ATTACHMENTS

FIGURE 3-43. FORK MOUNTED HOOK (4 TON)



ART_100197205-G

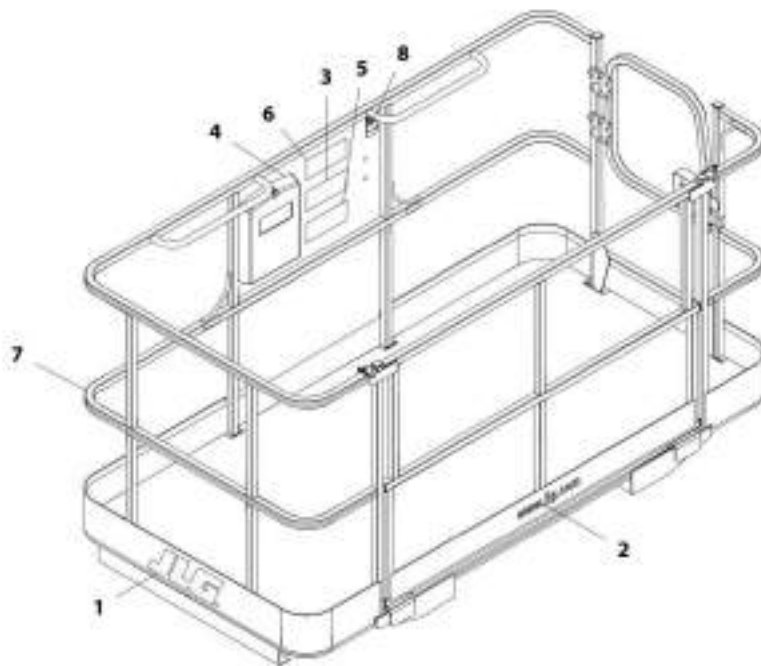
SECTION 3 - ATTACHMENTS

FIGURE 3-43. FORK MOUNTED HOOK (4 TON)

ITEM	PART NUMBER	QTY	DESCRIPTION	REV
	1001097205	1	Fork Mounted Hook (4 Ton)	G
1	7029520	2	Pin, Cotter	
2	1001093171	2	Pin	
3	70020555	1	Bushing	
4	90554080	1	Hook	
5	7029521	1	Shackle	
6	N.S.S.	1	Weldment, Hook	
7	N.S.S.	1	Plate, Serial Number	

SECTION 3 - ATTACHMENTS

FIGURE 3-44. FORK MOUNTED BASKET



ART_3001103437-F

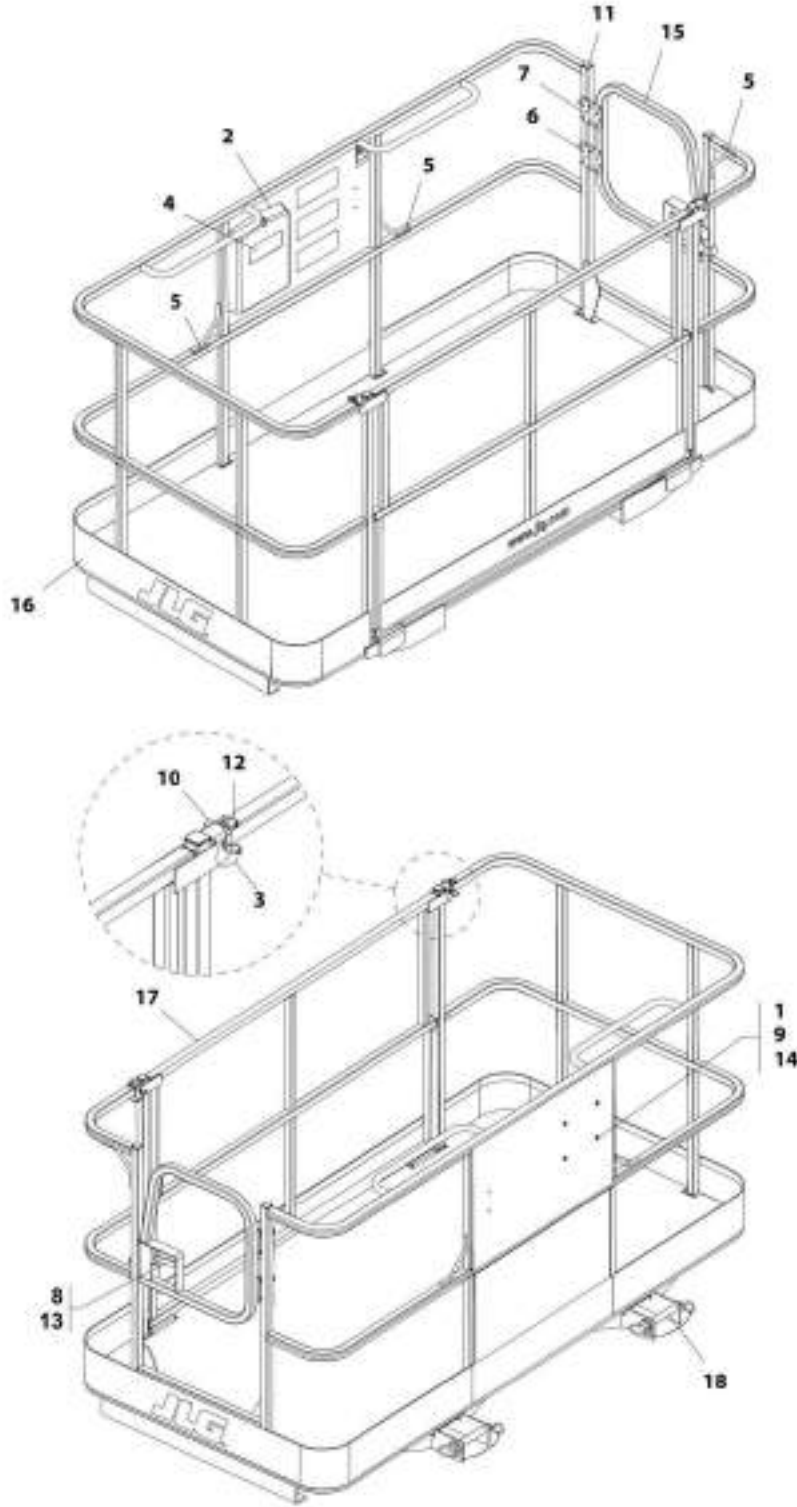
SECTION 3 - ATTACHMENTS

FIGURE 3-44. FORK MOUNTED BASKET

ITEM	PART NUMBER	QTY	DESCRIPTION	REV
	1001103637	1	Fork Mounted Basket (ANSI)	F
1	1702773	2	Decal, JLG	
2	1704885	1	Decal, Website	
3	1706892	1	Decal, Platform Warning	
4	31200160	1	Manual, Personnel Work Platform Operation and Safety	
5	1001092481	1	Decal, Warning Attachment	
6	1001092482	1	Decal, Platform Capacity	
7	1001096162	1	Platform, Fork Mounted (ANSI) (See Separate Breakdown in this Section)	
8	N.S.S.	1	Plate, Serial Number	

SECTION 3 - ATTACHMENTS

FIGURE 3-45. FORK MOUNTED PLATFORM



ART_1001085162_I

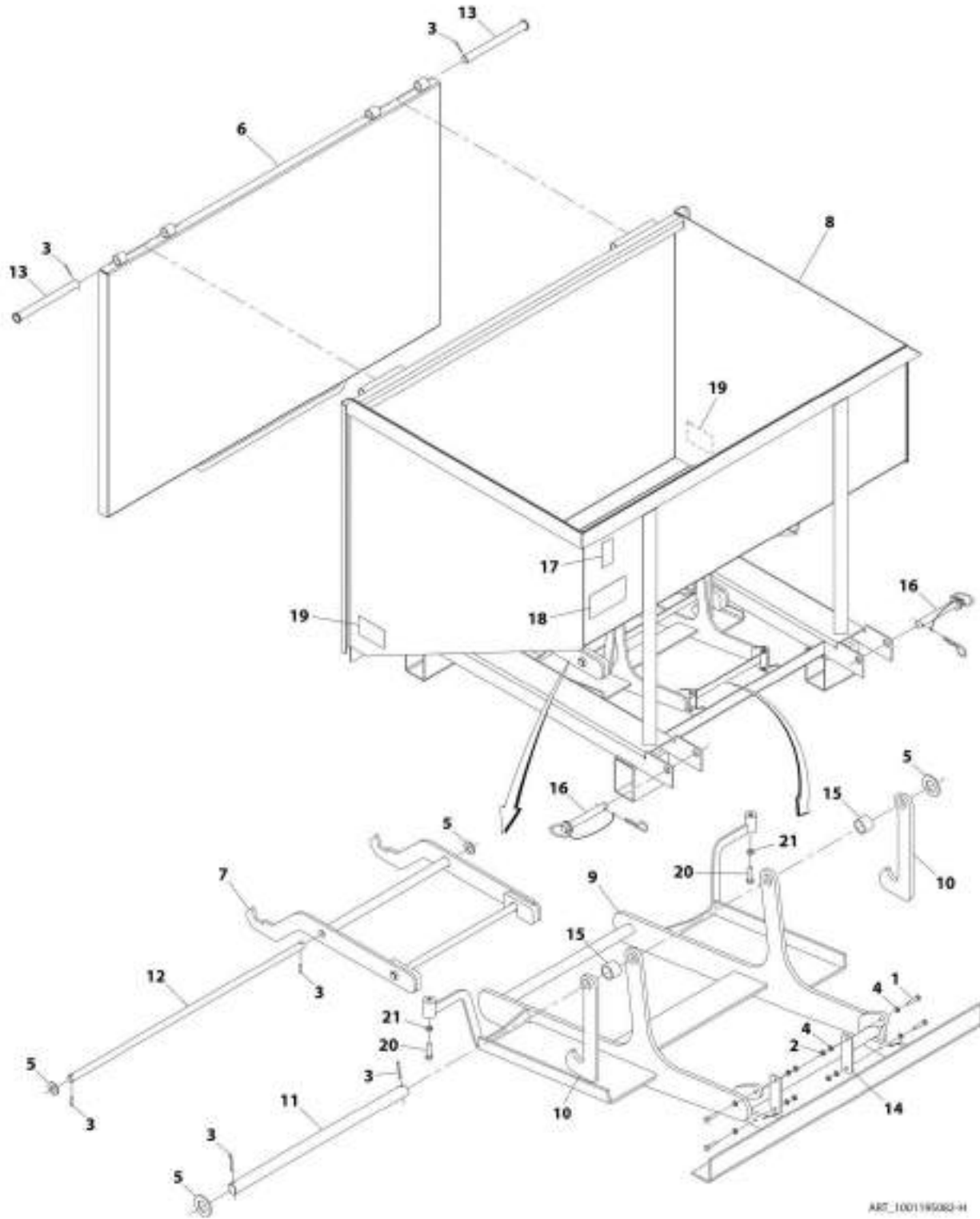
SECTION 3 - ATTACHMENTS

FIGURE 3-45. FORK MOUNTED PLATFORM

ITEM	PART NUMBER	QTY	DESCRIPTION	REV
	1001096162	Ref	Fork Mounted Platform (ANSI)	J
1	0641405	4	Bolt, 1/4-20X5/8	
2	0860520	1	Box, Manual Storage	
3	1060379	2	Cable, Lanyard	
4	1701509	1	Decal, Manual	
5	1704277	3	Decal, Lanyard Attach	
6	2080040	16	Fastener	
7	2600281	2	Hinge	
8	2940074	1	Latch	
9	3311405	4	Nut, Lock 1/4-20	
10	3421453	2	Pin	
11	3520072	10	Plug	
12	3760170	4	Ring	
13	3820020	4	Rivet	
14	4711400	8	Washer, 1/4	
15	4846452	1	Weldment, Gate	
16	N.S.S.	1	Platform, Fork Mounted	
17	1001095810	1	Weldment, Gate	
18	1001102813	2	Pin, Hitch	

SECTION 3 - ATTACHMENTS

FIGURE 3-46. FORK MOUNTED TRASH HOPPER



ART_100119583-H

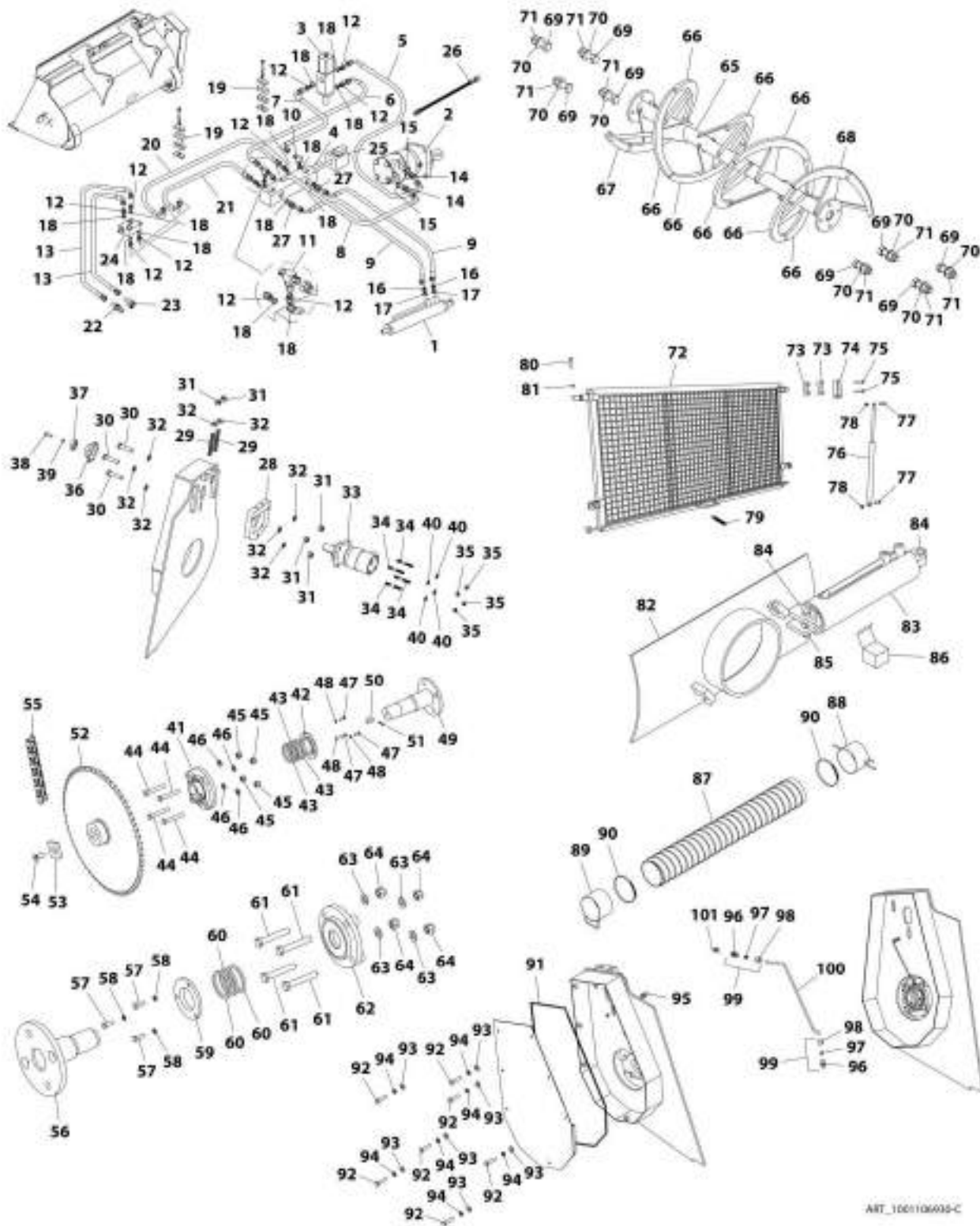
SECTION 3 - ATTACHMENTS

FIGURE 3-46. FORK MOUNTED TRASH HOPPER

ITEM	PART NUMBER	QTY	DESCRIPTION	REV
	1001195082	1	Fork Mounted Trash Hopper	H
1	0700614	4	Bolt, M6X30	
2	3290601	4	Nut, M6X1 Grade 8	
3	3391410	6	Pin	
4	4811700	8	Washer, M6	
5	5242400	4	Washer, M24	
6	1001192711	1	Door Assembly	
7	1001192720	1	Hook Assembly	
8	N.S.S.	1	Weldment, Trash Hopper	
9	1001192875	1	Tray Assembly	
10	1001192876	2	Arm, Swing	
11	1001192877	1	Rod, Swing	
12	1001193525	1	Bar	
13	1001193540	2	Pin	
14	1001193729	2	Plate	
15	1001198355	2	Spacer	
16	1001102813	2	Pin	
17	N.S.S.	1	Plate, Serial Number	
18	1001203503	1	Decal, Trash Hopper Operation	
19	1706302	2	Decal, Pinch Point	
20	0641510	2	Bolt, 5/16-18 x 1-1/4	
21	3311502	2	Nut, 5/16-18	

SECTION 3 - ATTACHMENTS

FIGURE 3-47. CONCRETE BUCKET



ART_1001106005-C

SECTION 3 - ATTACHMENTS

FIGURE 3-47. CONCRETE BUCKET

ITEM	PART NUMBER	QTY	DESCRIPTION	REV
	1001106930	1	Concrete Bucket	C
1	70024436	1	Cylinder, Concrete Bucket	
2	70024437	1	Engine, Hydraulic	
3	70024438	1	Valve, Flow Divisor	
4	70024439	1	Valve, Solenoid	
5	70024440	1	Pipe	
6	70024441	1	Pipe	
7	70024442	1	Pipe	
8	70024443	1	Pipe	
9	70024444	2	Pipe	
10	70024445	1	Fitting, 90	
11	70024446	1	Fitting, Tee	
12	70024447	10	Fitting, Straight	
13	70024448	2	Pipe	
14	70024449	2	Fitting, Straight	
15	70024450	2	Gasket	
16	1001104958	2	Fitting, Straight	
17	1001103531	2	Gasket	
18	70022927	2	Gasket	
19	70024452	2	Clamp	
20	70024453	1	Pipe	
21	70024454	1	Pipe	
22	1001101041	1	Coupling, Male Quick Disconnect	
23	1001101042	1	Coupling, Female Quick Disconnect	
24	70027990	1	Valve	
25	70024455	1	Coil	
26	70024456	1	Electric Cable	
27	70027991	2	Fitting, Straight	
28	70027992	1	Regulation plate	
29	70027993	2	Stud	
30	70027994	3	Bolt	
31	70027995	5	Nut , Self Locking	
32	70020728	8	Washer	
33	70024437	1	Hydraulic Engine	
34	70027996	4	Stud	
35	70027997	4	Nut , Self Locking	
36	70027998	1	Pinion	
37	70027999	1	Pinion cover	
38	70028000	1	Bolt	
39	70028001	1	Grower	
40	70028002	4	Washer	
41	70028003	1	Support Flange bearing	
42	70028004	1	Cover seal press	
43	70028005	3	Rope Fat	
44	70020724	4	Bolt	
45	70020726	4	Nut , Self Locking	
46	70020725	4	Washer	
47	70028006	3	Bolt	
48	70028007	3	Grower	
49	70028008	1	Pin	

SECTION 3 - ATTACHMENTS

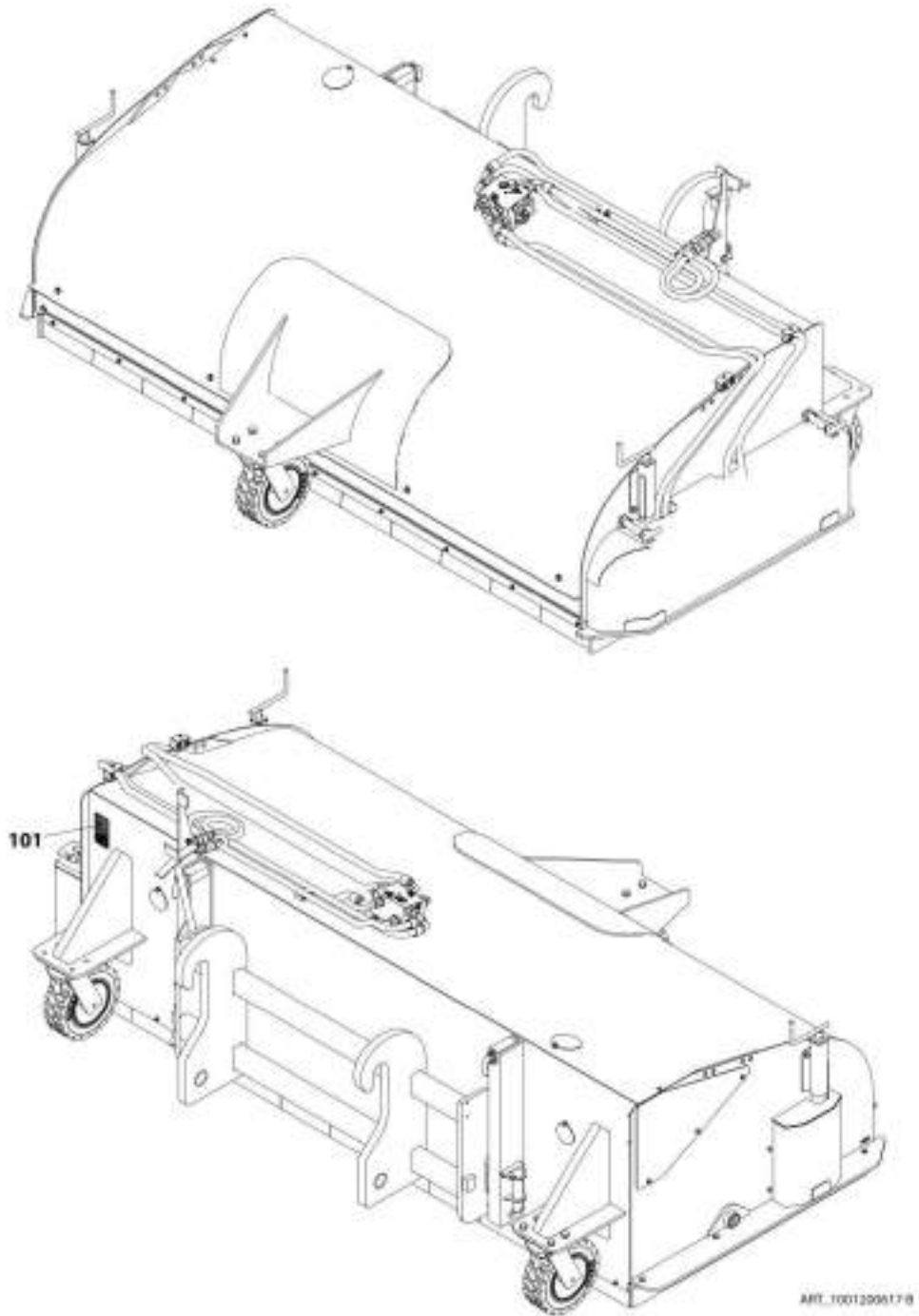
ITEM	PART NUMBER	QTY	DESCRIPTION	REV
50	70028009	1	Tab	
51	70028010	1	Bolt	
52	70028011	1	Koruna Wheels	
53	70028012	1	Fixing Koruna Wheels	
54	70028013	1	Bolt	
55	70028014	1	Track	
56	70028015	1	Pin	
57	70028006	3	Bolt	
58	70028007	3	Grower	
59	70028016	1	Cover seal press	
60	70028017	3	Rope Fat	
61	70028018	4	Bolt	
62	70028019	1	Support flange bearing	
63	70028002	4	Washer	
64	70027997	4	Nut , Self Locking	
65	70028020	1	Helical mixer only carpentry	
66	70028021	8	Central Sector	
67	70028022	1	Left Sector	
68	70028023	1	Right Sector	
69	70028024	8	Bolt	
70	70020728	8	Washer	
71	70027995	8	Nut , Self Locking	
72	70028025	1	Grid only carpentry	
73	70028026	4	Clamp heavy	
74	70028027	2	Pull nitrogen absorber	
75	70028028	4	Bolt	
76	70028029	2	Nitrogen absorber	
77	70028030	4	Bolt	
78	1001103201	4	Nut , Self Locking	
79	70028031	1	Return spring	
80	70028032	1	Bolt	
81	70028033	1	Nut	
82	70028034	1	Sliding door only carpentry	
83	70024436	1	Cylinder	
84	70028035	2	Bolt	
85	1001103201	2	Nut , Self Locking	
86	70028036	1	Gasket Kit	
87	70028037	1	Dump tube	
88	70028038	1	Tube with clevis door blocking	
89	70028039	1	Tube with clevis move	
90	70028040	2	Hose Clamp	
91	70028041	1	Gasket carter	
92	70028042	7	Bolt	
93	70028087	7	Washer	
94	70028007	7	Grower	
95	70021242	1	Greaser	
96	70028043	2	Link	
97	70028044	2	Sleeve	
98	70028046	2	Nut	
99	70028045	2	Link, sleeve, nut	
100	70028047	1	Pipe	

SECTION 3 - ATTACHMENTS

ITEM	PART NUMBER	QTY	DESCRIPTION	REV
101	70021242	1	Greaser	

SECTION 3 - ATTACHMENTS

FIGURE 3-48. SWEEPER



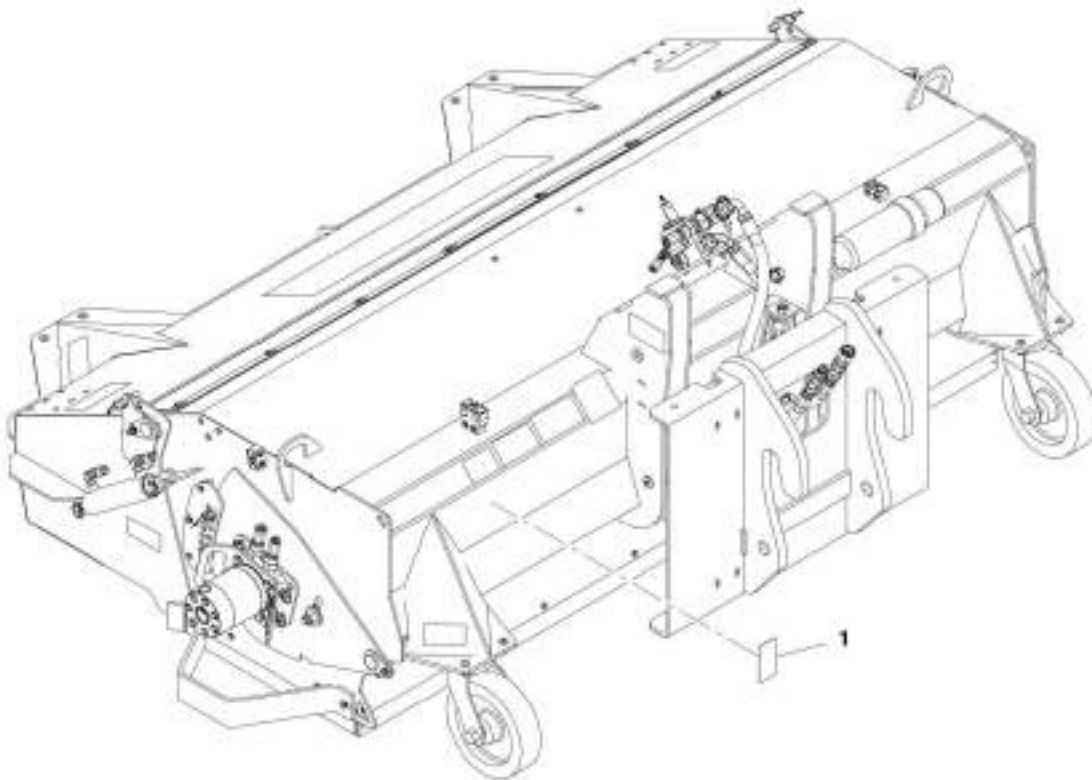
SECTION 3 - ATTACHMENTS

FIGURE 3-48. SWEEPER

ITEM	PART NUMBER	QTY	DESCRIPTION	REV
101	1001200617 N.S.S.	1 1	Sweeper Plate, Serial Number	B

SECTION 3 - ATTACHMENTS

FIGURE 3-49. SWEEPER



ART_3001202904-B

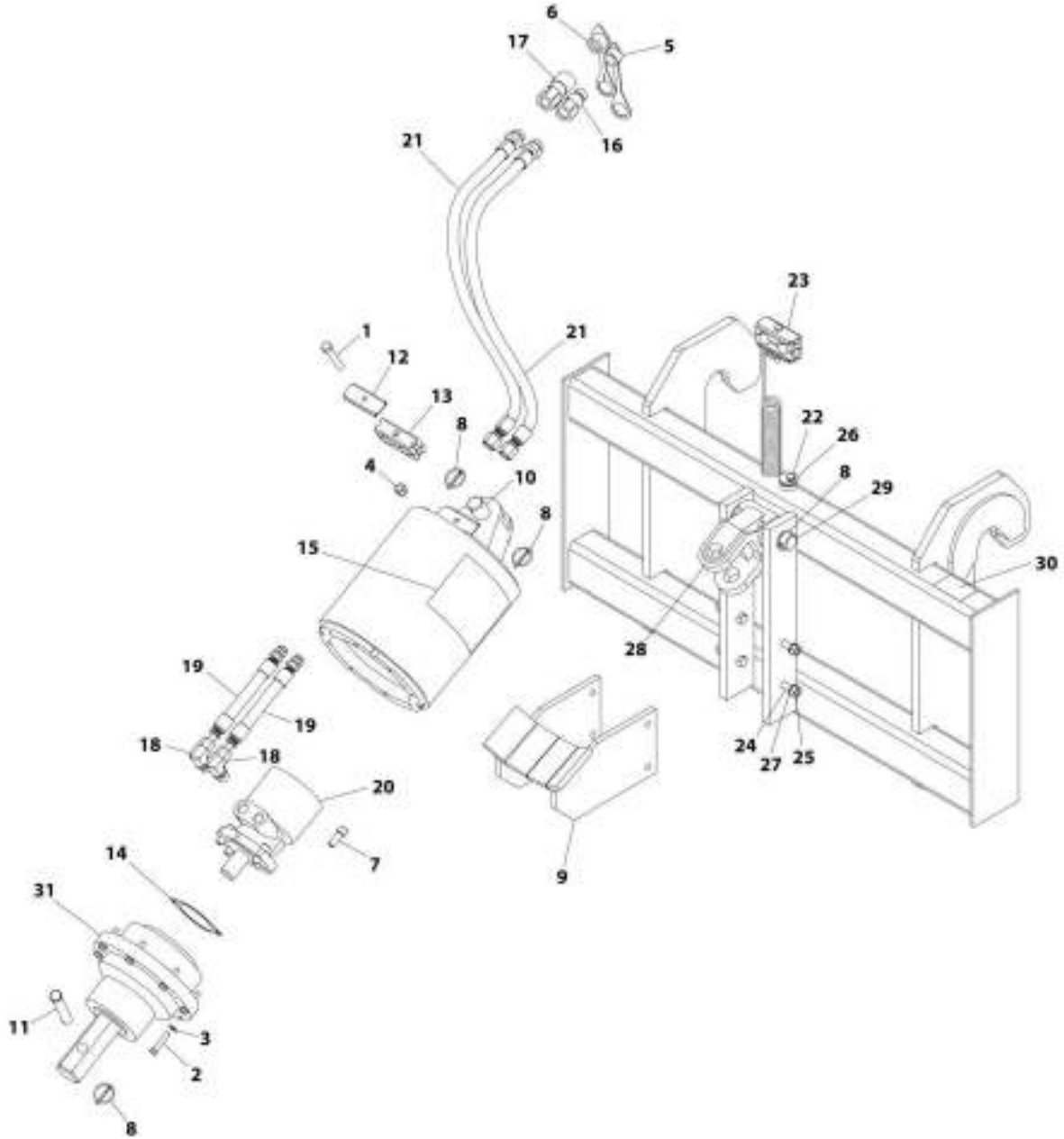
SECTION 3 - ATTACHMENTS

FIGURE 3-49. SWEEPER

ITEM	PART NUMBER	QTY	DESCRIPTION	REV
1	1001202904 N.S.S.	1 1	Sweeper Assembly Plate, Serial Number	B

SECTION 3 - ATTACHMENTS

FIGURE 3-50. AUGER (COUPLER MOUNTED)



ART_1001206173-B

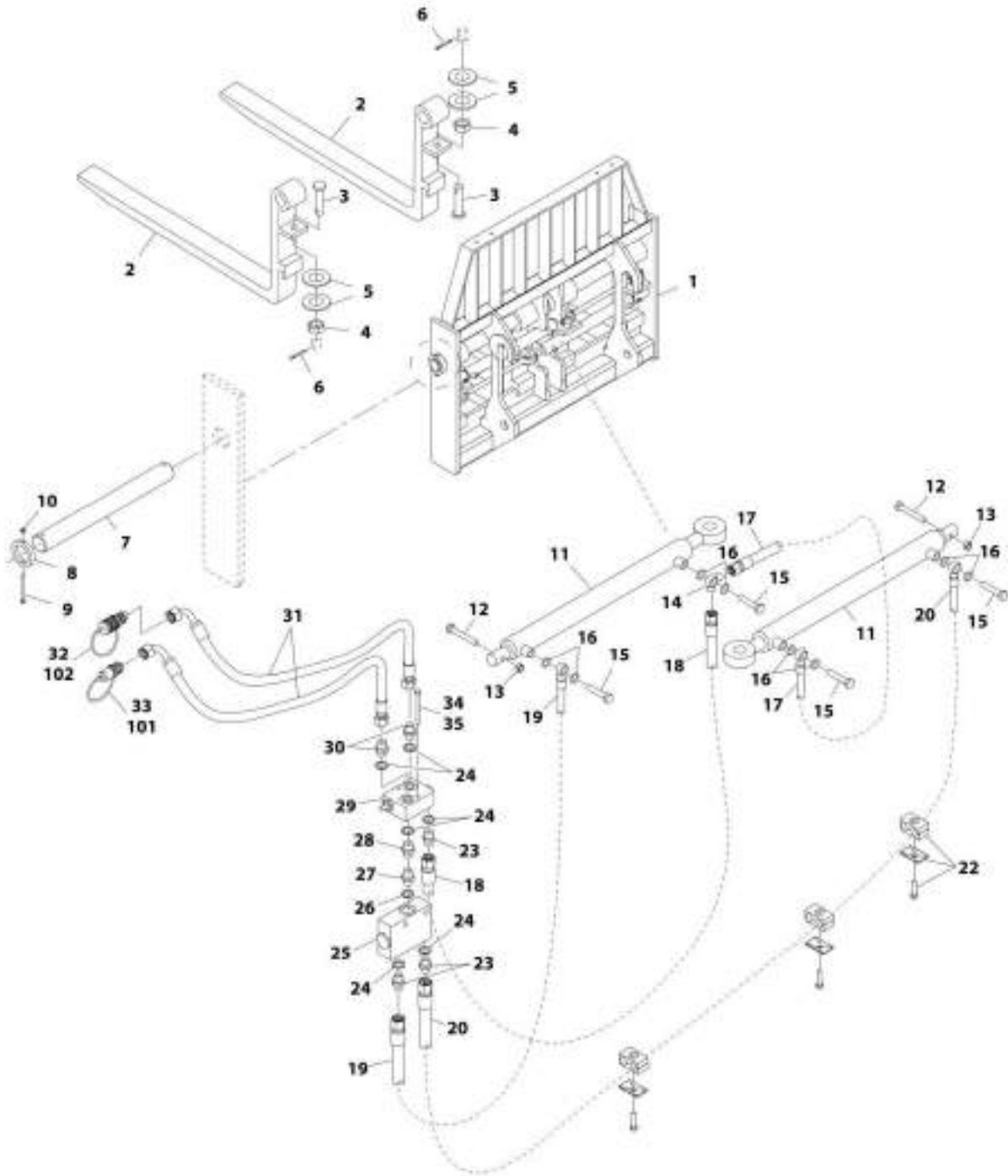
SECTION 3 - ATTACHMENTS

FIGURE 3-50. AUGER (COUPLER MOUNTED)

ITEM	PART NUMBER	QTY	DESCRIPTION	REV
	1001206173	1	Auger (Coupler Mounted)	B
1	90554070	1	Bolt	
2	70027774	8	Bolt	
3	90554042	8	Washer, Lock	
4	70027775	1	Nut, Lock	
5	1001093826	1	Cap, Male Dust	
6	1001093827	1	Cap, Female Dust	
7	70027776	4	Bolt	
8	70027777	5	Pin	
9	70027778	1	Bracket, Cradle	
10	70027781	1	Pin	
11	70027782	1	Pin	
12	70027783	1	Plate, Hose Cushion	
13	70027784	1	Block, Hose Cushion	
14	70027785	1	Gasket, Motor	
15	70027787	2	Decal, Danger	
16	1001101041	1	Coupler, Male Hydraulic	
17	1001101042	1	Coupler, Female Hydraulic	
18	70027788	2	Fitting	
19	70027789	2	Hose	
20	70027791	1	Motor	
21	70027794	2	Hose	
22	70027773	1	Bolt	
23	70027792	1	Clamp, Hose	
24	90554019	4	Bolt	
25	90554054	4	Nut	
26	90554067	1	Washer, Lock	
27	90554020	4	Washer, Lock	
28	70027779	1	Swivel	
29	70027780	1	Pin	
30	70027786	1	Decal, Warning	
31	70027793	1	Gearbox, Planetary	
101	N.S.S.	1	Plate, Serial Number	

SECTION 3 - ATTACHMENTS

FIGURE 3-51. FORK POSITIONING CARRIAGE WITH FORKS (4.0 TON)



ART_1001091313-A

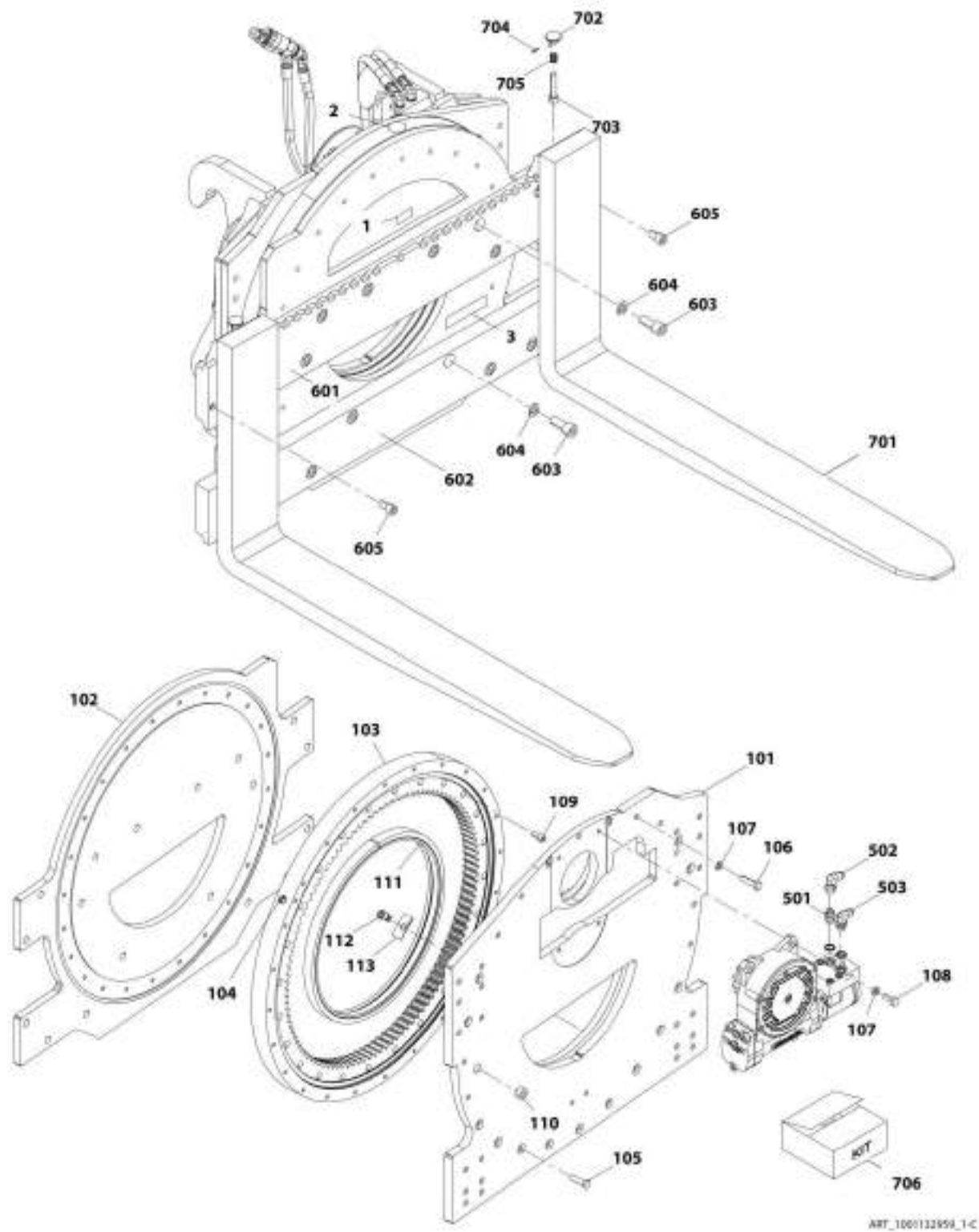
SECTION 3 - ATTACHMENTS

FIGURE 3-51. FORK POSITIONING CARRIAGE WITH FORKS (4.0 TON)

ITEM	PART NUMBER	QTY	DESCRIPTION	REV
	1001091313	1	Fork Positioning Carriage with Forks (4.0 ton)	A
1	N.S.S.	1	Weldment	
2	70022922	2	Forks, (100X50X1200), (2000kg per fork)	
3	70021835	2	Rod Pin	
4	70026018	2	Nut	
5	70028978	4	Washer	
6	70021836	2	Split Pin	
7	70022923	2	Carriage Shaft	
8	70022924	4	Shaft Collar	
9	70028979	4	Bolt	
10	70021241	4	Hex Locknut, M12	
11	70023276	2	Cylinder	
11	70023278	AR	Seal Kit, (use with cylinders marked 1.3351.01C.02.01)	
11	70023277	AR	Seal Kit, (use with cylinders marked 1.3351.01C.02.02)	
13	70028031	2	Locknut	
12	70028028	2	Bolt	
14	70022925	1	Elbow, 90	
15	1001103530	4	Bolt	
16	70020730	8	O-Ring	
17	70021838	1	Hose	
18	70021839	1	Hose	
19	70021840	1	Hose	
20	70021841	1	Hose	
22	1001103533	3	Clamp Set, (includes screw and plate)	
23	70020731	3	Fitting	
24	70022907	6	O-Ring	
25	70021842	1	Counter Valve	
26	70022927	1	O-Ring	
27	70022928	1	Fitting	
28	70022929	1	Fitting	
29	70021843	1	Pressure Valve	
30	70022906	2	Adapter	
31	70022930	2	Pipe	
32	1001094555	1	Female Quick Disconnect Coupling	
33	1001094556	1	Male Quick Disconnect Coupling	
34	70028980	2	Bolt	
35	70022912	2	Nut	
101	1001093826	1	Dust Cap	
102	1001093827	1	Dust Plug	

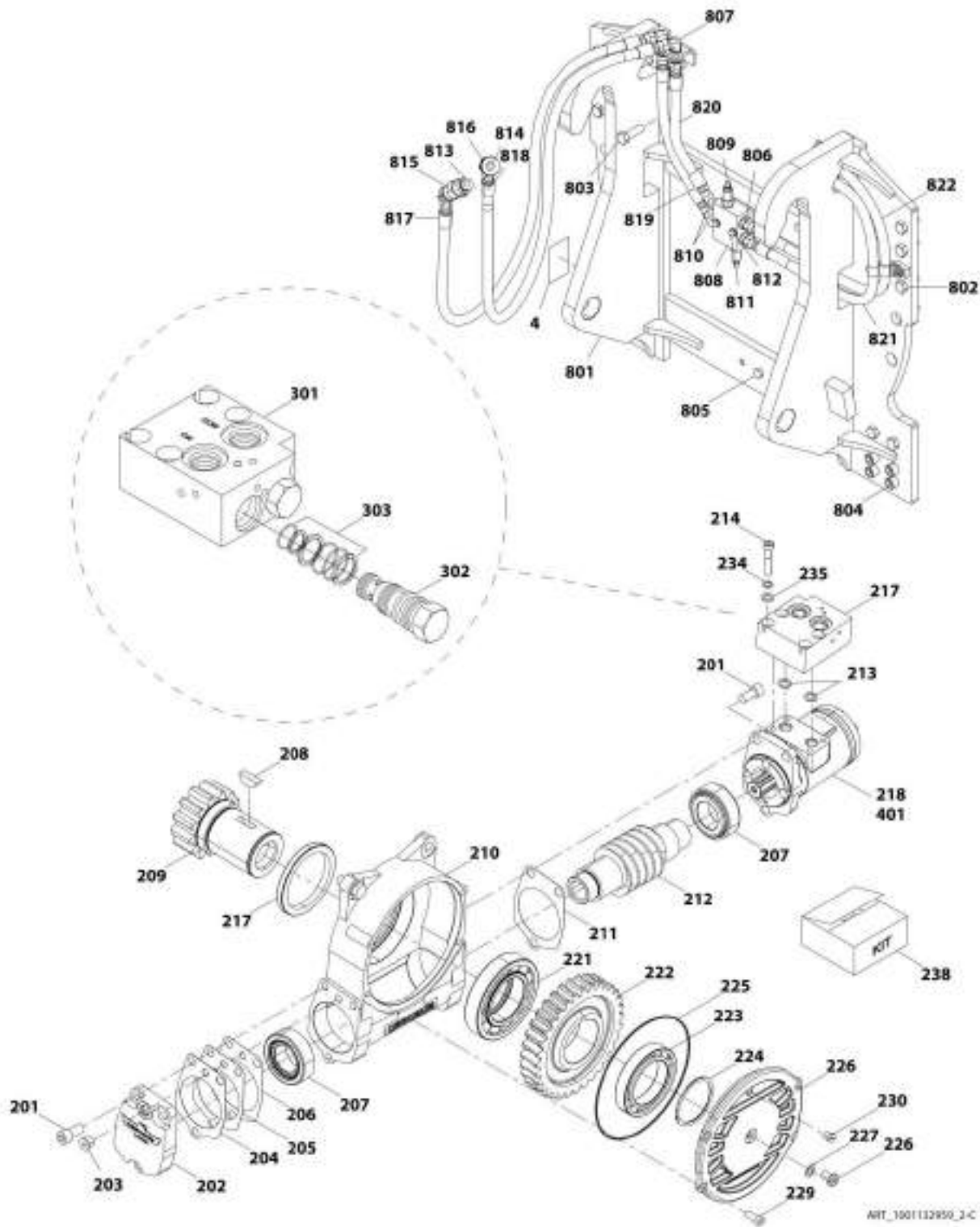
SECTION 3 - ATTACHMENTS

FIGURE 3-52. FORK ROTATING CARRIAGE (4.5 TON - 1270 MM)



ART_100132858_1-C

SECTION 3 - ATTACHMENTS



SECTION 3 - ATTACHMENTS

FIGURE 3-52. FORK ROTATING CARRIAGE (4.5 TON - 1270 MM)

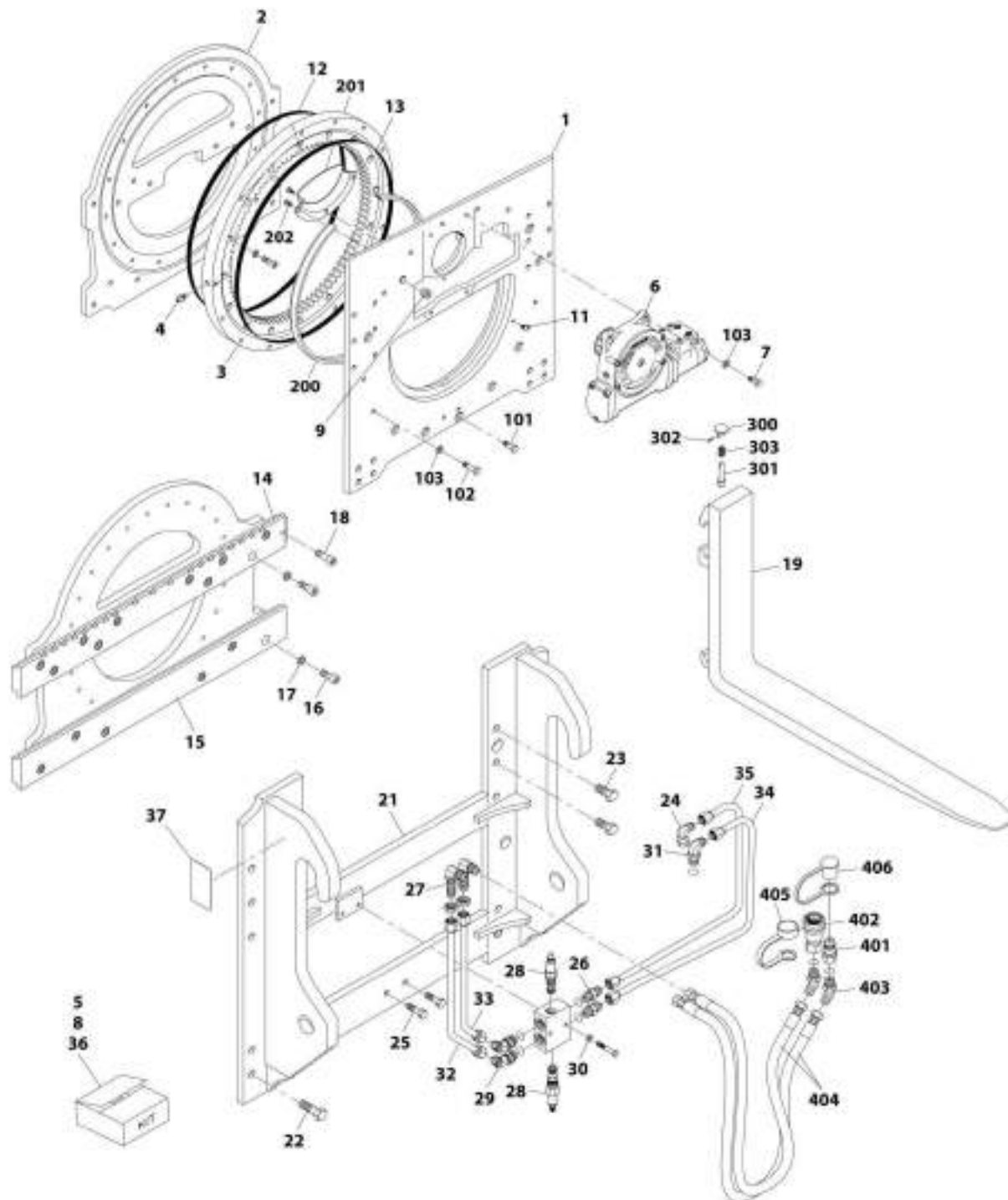
ITEM	PART NUMBER	QTY	DESCRIPTION	REV
	1001132959	NLA	Fork Rotating Carriage (4.5 ton - 1270 MM), (no longer available, see items below for service or 1001218835 for replacement)	C
1	70024538	1	Decal, Pinch Point	
2	70024787	1	Decal, No Step	
3	70024788	1	Decal, Capacity	
4	N.S.S.	Ref	Plate, Serial Number	
101	70024676	1	Baseplate	
102	70024677	1	Faceplate	
103	70024678	1	Bearing	
104	70024679	1	Fitting, Grease	
105	70024680	13	Bolt, M12X40	
106	70024681	11	Bolt, M12X45	
107	70024682	15	Washer, Lock M12	
108	70024683	4	Bolt, M12X30	
109	70024684	24	Bolt, M12X40	
110	70024685	1	Plug	
111	70024686	1	Seal	
112	70024687	1	Bolt, M12X20	
113	70024688	1	Plate	
201	70024690	6	Bolt, M12X25	
202	70024691	1	Cover	
203	70024692	1	Fitting	
204	Kit	AR	Shim, 0.10	
205	Kit	AR	Shim, 0.15	
206	Kit	1	Shim, 0.20	
207	70024696	2	Bearing	
208	70024697	1	Key	
209	70024698	1	Pinion	
210	70024699	1	Housing	
211	Kit	1	Gasket	
212	70024701	1	Worm	
213	70024702	2	O-Ring	
214	70024703	4	Bolt, M8X40	
217	70024731	1	Assembly, Check Valve (includes items 301 thru 303)	
218	70024744	1	Motor, Drive (includes item 401)	
220	70024706	1	Seal	
221	70024713	1	Bearing	
222	70024707	1	Gear, Worm	
223	70024708	1	Bearing	
224	70024709	1	Ring, Snap	
225	Kit	1	O-Ring	
226	70024711	1	Cover	
227	70024712	1	Seal	
228	70024714	1	Bolt, M10X16	
229	70024715	4	Bolt, M8X20	
230	70024716	1	Fitting	
234	70024720	4	Washer, M8	
235	70024721	4	Washer, M8	
237	Kit	1	Sealant	
238	70024724	1	Kit, Shim Service	

SECTION 3 - ATTACHMENTS

ITEM	PART NUMBER	QTY	DESCRIPTION	REV
301	N.S.S.	Ref	Valve, Body	
302	70024733	2	Valve, Check	
303	70024734	2	Kit, Service	
401	70024745	1	Kit, Service	
501	70024748	1	Fitting	
502	70024749	1	Fitting	
503	70024750	1	Fitting	
601	70024752	1	Bar, Upper Fork	
602	70024753	1	Bar, Lower Fork	
603	70024754	18	Bolt, M20X45	
604	70024755	18	Washer, Lock M20	
605	70024756	2	Bolt, M16X25	
700	70024757	1	Assembly, Fork (includes items 701 thru 705)	
701	70024758	1	Fork	
702	Kit	1	Knob	
703	Kit	1	Pin	
704	Kit	1	Pin, Coiled Spring	
705	Kit	1	Spring	
706	70024786	1	Kit, Pin (includes items 702 thru 705)	
801	N.S.S.	Ref	Plate, Mounting	
802	70024765	12	Bolt, M16X40	
803	70024766	4	Bolt, M16X35	
804	70024767	8	Bolt, M16X40	
805	70024768	2	Bolt	
806	70024748	2	Fitting	
807	70024770	2	Fitting	
808	70024771	1	Body, Valve	
809	70024772	2	Valve, Relief	
810	70024773	2	Fitting	
811	70024774	2	Washer	
812	70024775	2	Bolt	
813	70024776	1	Coupler, Male	
814	70024777	1	Coupler, Female	
815	70024778	1	Fitting	
816	70024779	1	Fitting	
817	70024780	1	Hose	
818	70024781	1	Hose	
819	70024782	1	Hose	
820	70024783	1	Hose	
821	70024784	1	Hose	
822	70024785	1	Hose	

SECTION 3 - ATTACHMENTS

FIGURE 3-53. FORK ROTATING CARRIAGE (2.05 TON - 990 MM)



ART_10012588S-9

SECTION 3 - ATTACHMENTS

FIGURE 3-53. FORK ROTATING CARRIAGE (2.05 TON - 990 MM)

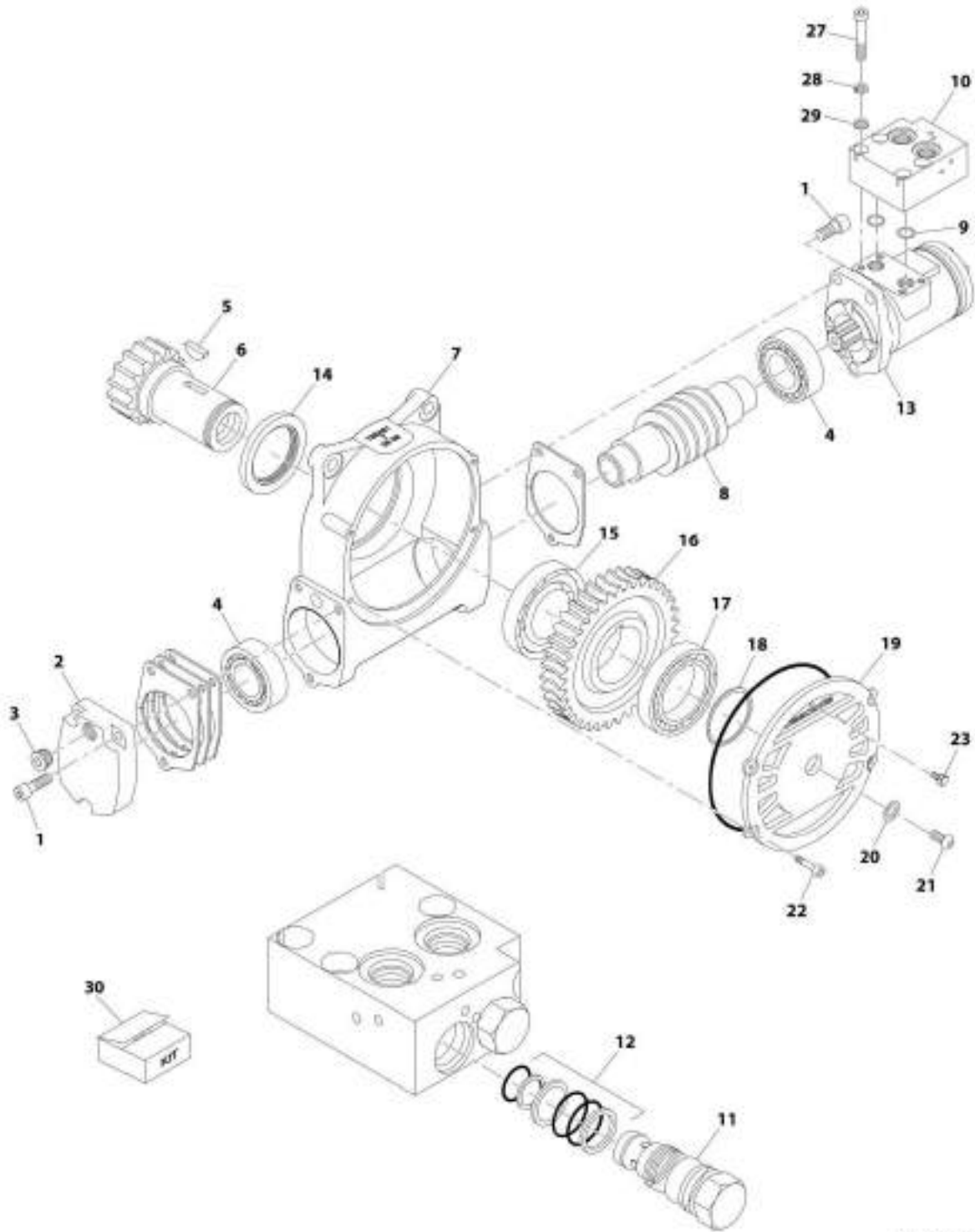
ITEM	PART NUMBER	QTY	DESCRIPTION	REV
	1001218835	Ref	Fork Rotating Carriage (2.05 ton - 990 MM)	B
1	70028156	1	Baseplate	
2	70028157	1	Faceplate	
3	70028134	1	Bearing	
4	70024679	1	Fitting, Grease	
5	70028172	1	Kit, Baseplate Servies (includes items 101 thru 103)	
6	70028118	Ref	Drive Group Motor (See Separate Breakdown in this Section)	
7	70028129	4	Bolt, M12X30	
8	70028158	1	Kit, Faceplate Service	
9	70024685	1	Plug	
11	70028113	1	Fitting, Grease	
12	70028121	1	Seal	
13	70028165	1	Seal	
14	70028140	1	Bar, Upper	
15	70028141	1	Bar, Lower	
16	70028133	16	Bolt, M16X35	
17	70028127	16	Washer, Lock M16	
18	70024756	2	Bolt, M16X25	
19	70028139	1	Fork	
21	70028167	1	Plate, Mounting	
22	70024765	16	Bolt, M16X40	
23	70024766	4	Bolt, M16X35	
24	70024749	1	Fitting	
25	70024768	2	Bolt	
26	70024748	2	Fitting	
27	70024770	2	Fitting	
28	70024772	2	Valve, Relief	
29	70024773	2	Fitting	
30	70024774	2	Washer	
31	70024750	1	Fitting	
32	70028171	1	Tube	
33	70028170	1	Tube	
34	70028169	1	Tube	
35	70028168	1	Tube	
36	70028166	2	Kit, Seal	
37	N.S.S.	AR	SN Plate	
101	Kit	8	Bolt, M12X35	
102	Kit	8	Bolt, M12X45	
103	Kit	12	Washer, Lock M12	
200	Kit	1	Seal	
201	Kit	1	Cover, Plate	
202	Kit	3	Bolt, M8X16	
300	Kit	1	Knob	
301	Kit	1	Pinion	
302	Kit	1	Pin, Coiled Spring	
303	Kit	1	Spring	
401	Kit	1	Coupler, Male	
402	Kit	1	Coupler, Female	
403	Kit	2	Fitting	
404	Kit	2	Hose	

SECTION 3 - ATTACHMENTS

ITEM	PART NUMBER	QTY	DESCRIPTION	REV
405	Kit	1	Cap, Female	
406	Kit	1	Cap, Male	

SECTION 3 - ATTACHMENTS

FIGURE 3-54. DRIVE GROUP MOTOR



AWT_30026118

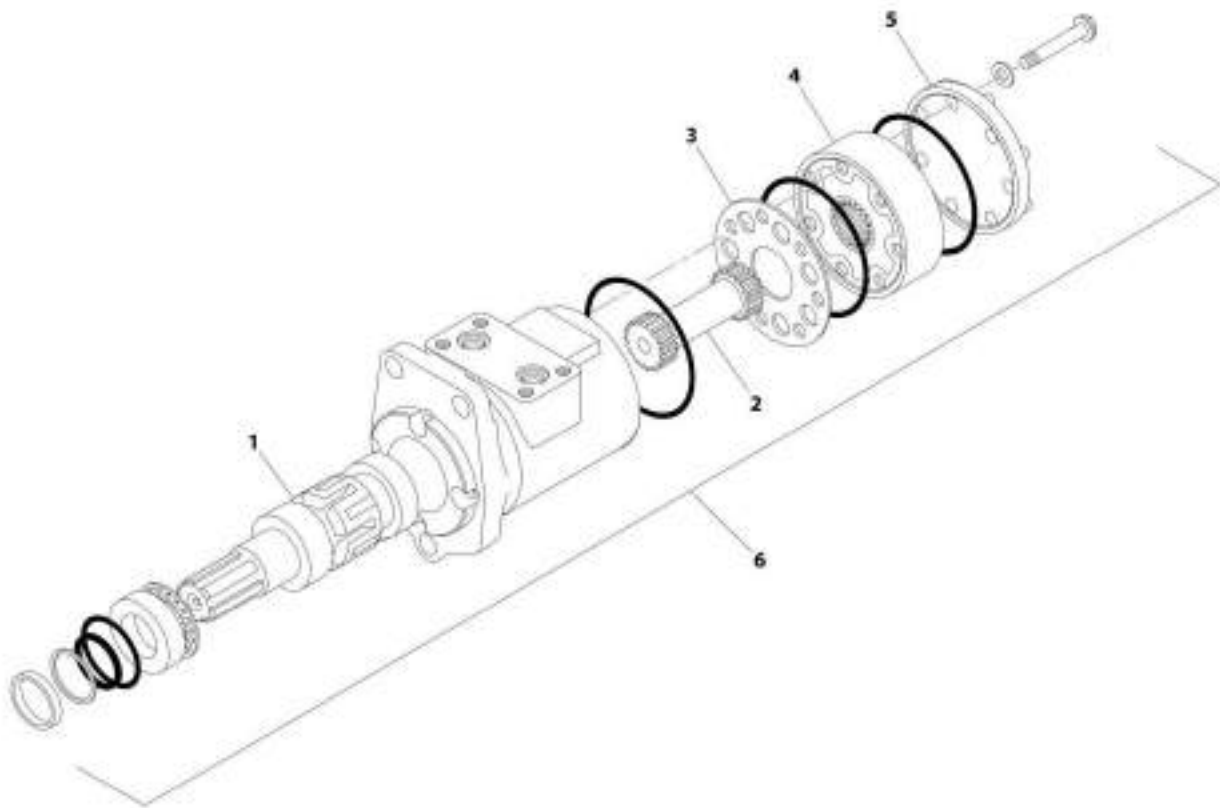
SECTION 3 - ATTACHMENTS

FIGURE 3-54. DRIVE GROUP MOTOR

ITEM	PART NUMBER	QTY	DESCRIPTION	REV
	70028118	Ref	Drive Group Motor	
1	70024690	6	Bolt, M12X25	
2	70024691	1	Cover	
3	70024692	1	Fitting	
4	70024696	2	Bearing	
5	70024697	1	Key	
6	70028120	1	Pinion	
7	70024699	1	Housing	
8	70024701	1	Worm	
9	70028112	2	O-Ring	
10	70024731	1	Assembly, Check Valve	
11	70024733	2	Valve, Check	
12	70024734	2	Kit, Service	
13	70028144	Ref	Drive Motor (See Separate Breakdown in this Section)	
14	70024706	1	Seal	
15	70028136	1	Bearing	
16	70024707	1	Gear, Worm	
17	70024708	1	Bearing	
18	70024709	1	Ring, Snap	
19	70024711	1	Cover	
20	70024712	1	Seal	
21	70024714	1	Bolt, M10X16	
22	70024715	4	Bolt, M8X20	
23	70024716	1	Fitting	
27	70024703	4	Bolt, M8X40	
28	70024720	4	Washer, M8	
29	70024721	4	Washer, M8	
30	70024724	1	Kit, Shim Service	

SECTION 3 - ATTACHMENTS

FIGURE 3-55. DRIVE MOTOR



ARI_700281-44

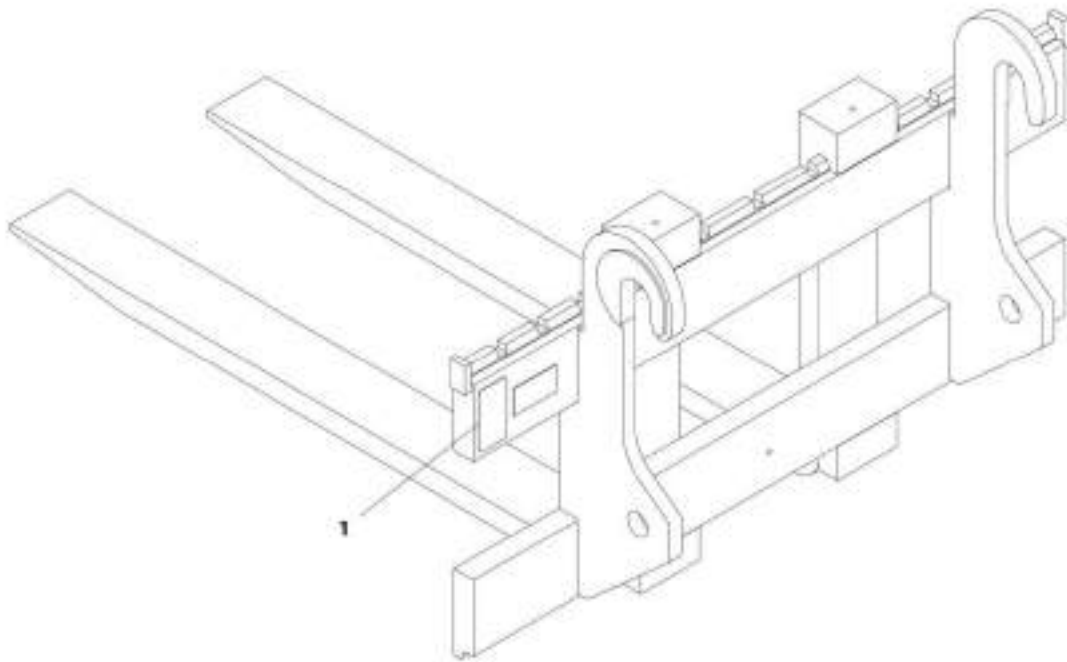
SECTION 3 - ATTACHMENTS

FIGURE 3-55. DRIVE MOTOR

ITEM	PART NUMBER	QTY	DESCRIPTION	REV
	70028144	Ref	Drive Motor	
1	70028123	1	Shaft	
2	70028122	1	Coupler, Drive	
3	70028124	1	Spacer	
4	70028128	1	Rotor	
5	70028125	1	End Cap	
6	70028114	1	Kit, Service	

SECTION 3 - ATTACHMENTS

FIGURE 3-56. FEM CARRIAGE AND FORKS



WIT_1001172607-B

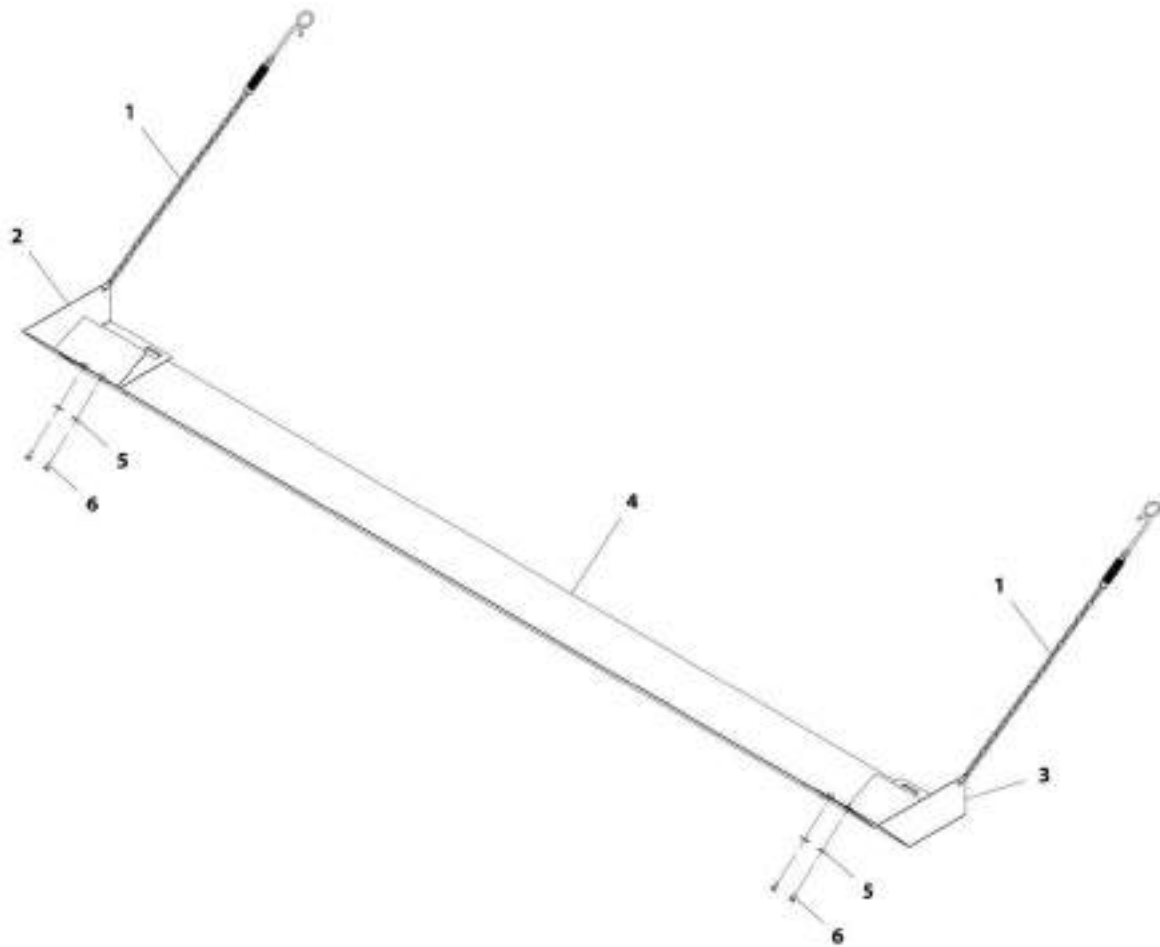
SECTION 3 - ATTACHMENTS

FIGURE 3-56. FEM CARRIAGE AND FORKS

ITEM	PART NUMBER	QTY	DESCRIPTION	REV
1	1001172667	1	FEM Carriage and Forks	B
	N.S.S.	1	Plate, Serial Number	

SECTION 3 - ATTACHMENTS

FIGURE 3-57. BUCKET GUARD



ART_1001004620-8

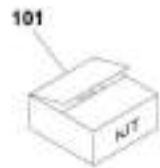
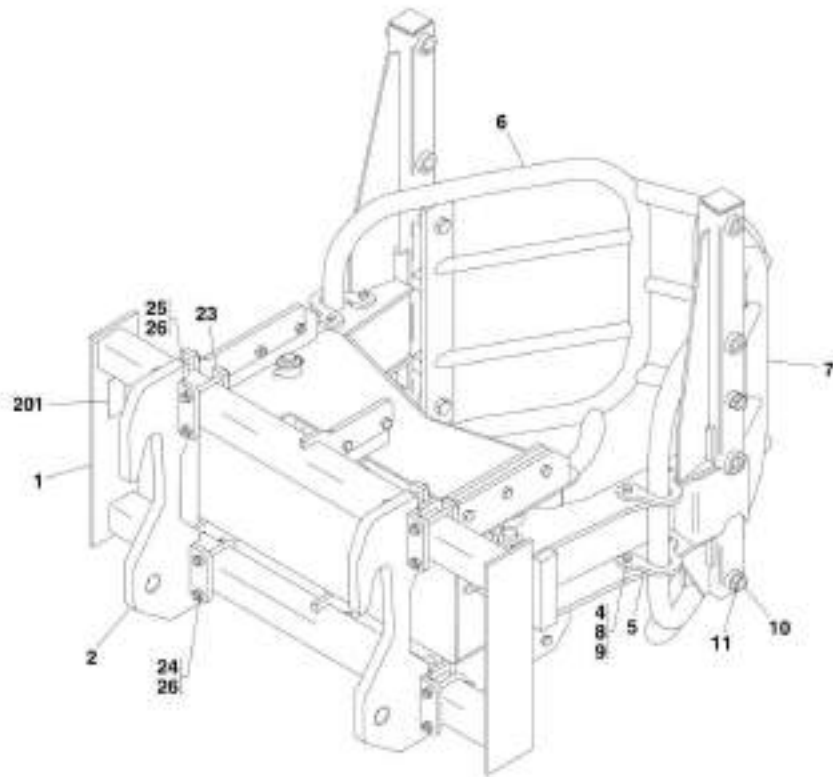
SECTION 3 - ATTACHMENTS

FIGURE 3-57. BUCKET GUARD

ITEM	PART NUMBER	QTY	DESCRIPTION	REV
	1001004620	1	Bucket Guard	B
1	1001003064	2	Assembly, Retainer	
2	1001004617	1	Plate	
3	1001004618	1	Plate	
4	1001004619	1	Plate	
5	1001008665	4	Washer	
6	1001009105	4	Bolt, M6X1	

SECTION 3 - ATTACHMENTS

FIGURE 3-58. BALE HANDLER (TUBE CLAMP)



REV. 02/21/11

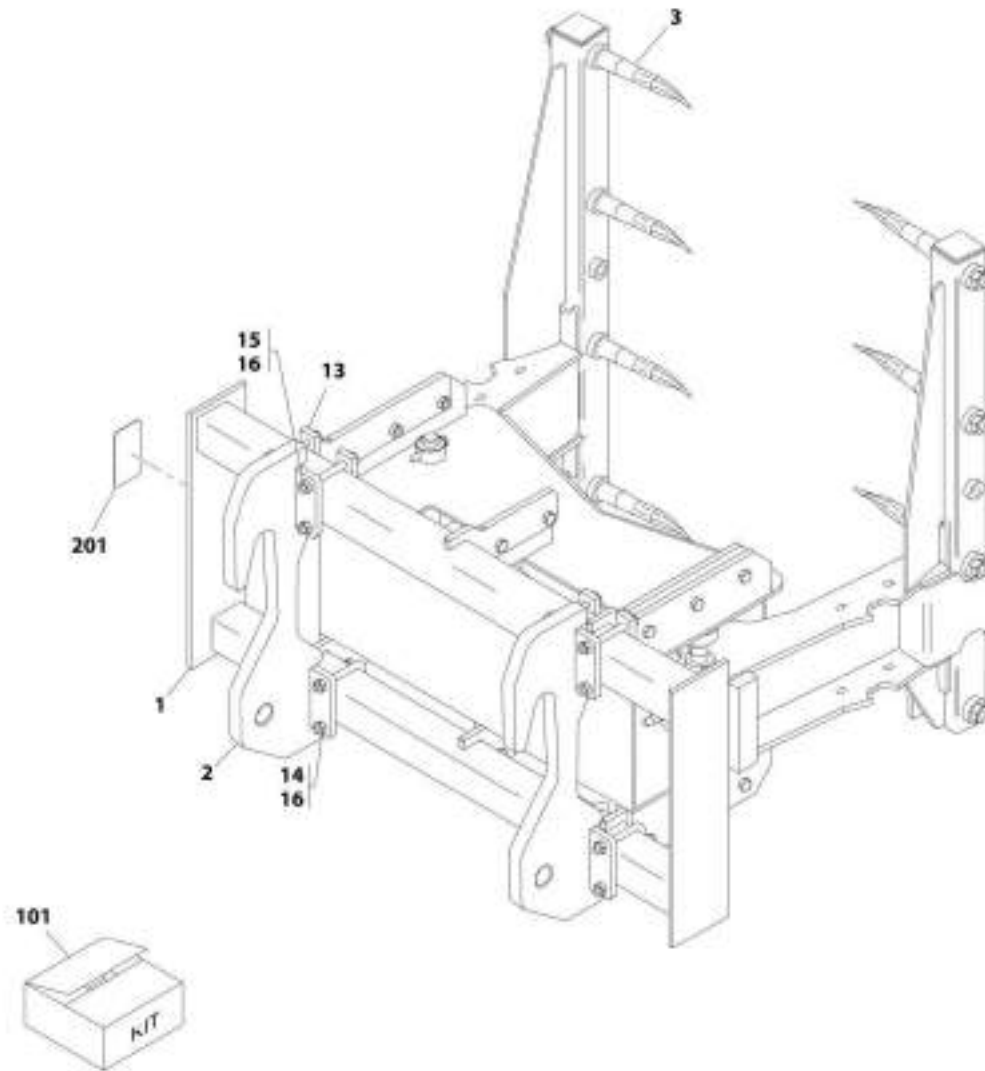
SECTION 3 - ATTACHMENTS

FIGURE 3-58. BALE HANDLER (TUBE CLAMP)

ITEM	PART NUMBER	QTY	DESCRIPTION	REV
	0240117	1	Bale Handler (Tube Clamp)	E
1	N.S.S.	1	Weldment	
2	7029344	1	Weldment, Attach (includes items 23 thru 26)	
4	7029345	8	Bolt, M12X45	
5	7029346	4	Strap	
6	7029347	1	Arm, Left Tube	
7	7029348	1	Arm, Right Tube	
8	7029349	8	Washer, M12	
9	7029350	8	Locknut, M12X8	
10	7029351	4	Bolt, M22X180	
11	7029352	4	Locknut, M22X8	
23	7029353	4	Plate	
24	7029354	4	U-Bolt	
25	7029355	8	Bolt, M16X130	
26	7029356	16	Locknut, M16X8	
101	2902440	1	Kit, Bale Handler (Spikes to Tube) (CE & AUS) (includes items 4 thru 11) (See Separate Breakdown in this Section)	
201	N.S.S.	AR	SN Plate	

SECTION 3 - ATTACHMENTS

FIGURE 3-59. BALE HANDLER (SPIKE CLAMP)



AIT_0240118-E

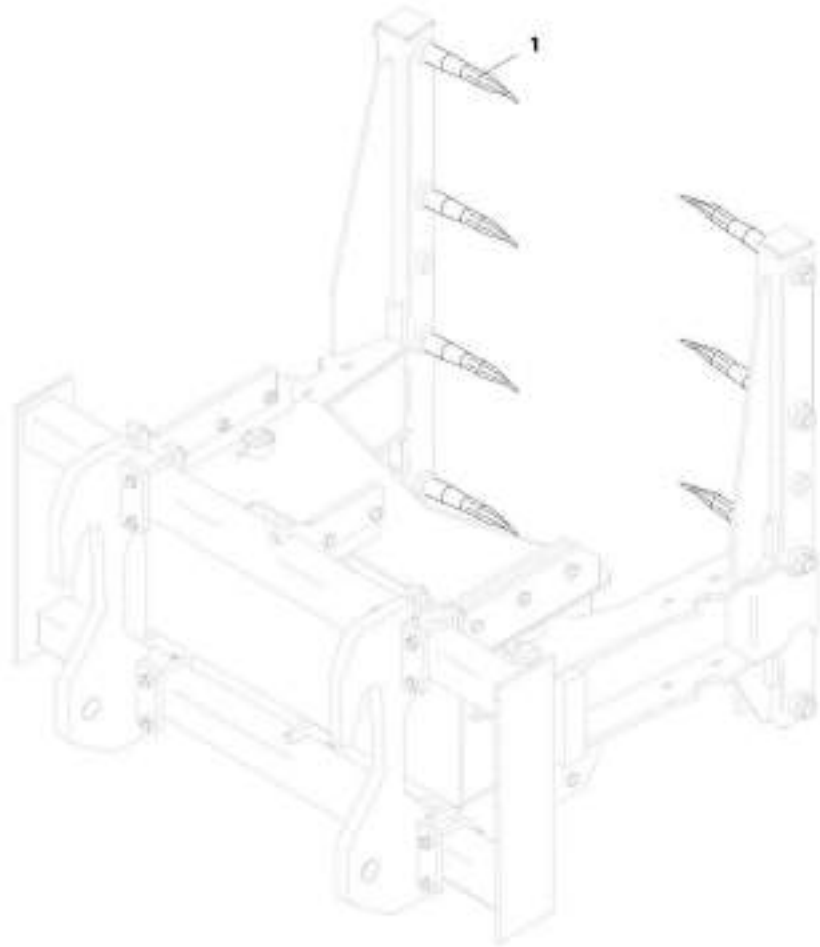
SECTION 3 - ATTACHMENTS

FIGURE 3-59. BALE HANDLER (SPIKE CLAMP)

ITEM	PART NUMBER	QTY	DESCRIPTION	REV
	0240118	1	Bale Handler (Spike Clamp)	E
1	N.S.S.	1	Weldment	
2	7029344	1	Weldment, Attach (includes items 13 thru 16)	
3	7029357	8	Spike	
13	7029353	4	Plate	
14	7029354	4	U-Bolt	
15	7029355	8	Bolt, M16X130	
16	7029356	16	Locknut, M16X8	
101	2902441	1	Kit, Bale Handler Kit (Spikes) (CE & AUS) (includes item 3) (See Separate Breakdown in this Section)	
201	N.S.S.	AR	SN Plate	

SECTION 3 - ATTACHMENTS

FIGURE 3-60. BALE HANDLER KIT (SPIKES)



ART. 2902441-A

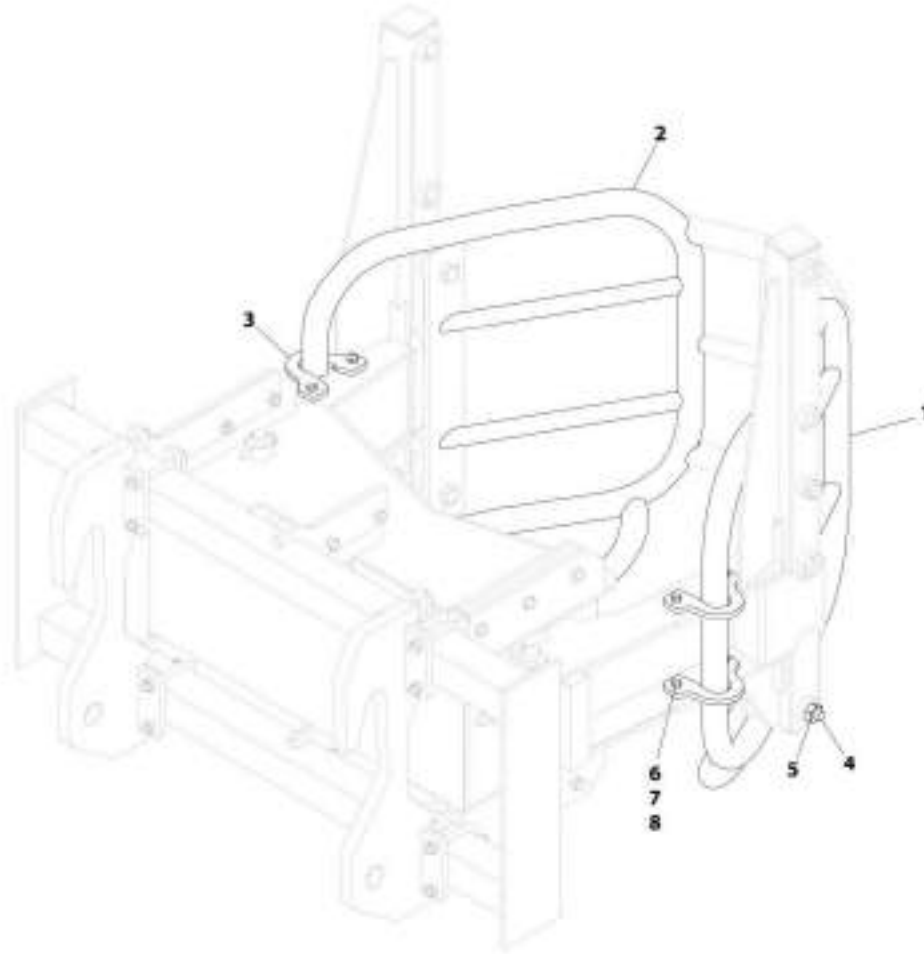
SECTION 3 - ATTACHMENTS

FIGURE 3-60. BALE HANDLER KIT (SPIKES)

ITEM	PART NUMBER	QTY	DESCRIPTION	REV
	2902441	1	Bale Handler Kit (Spikes)	A
1	Kit	1	Kit	

SECTION 3 - ATTACHMENTS

FIGURE 3-61. BALE HANDLER KIT (SPIKES TO TUBE)



ART. 2952445-A

SECTION 3 - ATTACHMENTS

FIGURE 3-61. BALE HANDLER KIT (SPIKES TO TUBE)

ITEM	PART NUMBER	QTY	DESCRIPTION	REV
	2902440	Ref	Bale Handler Kit (Spikes to Tube)	A
1	7029348	1	Bent Arm, Right	
2	7029347	1	Bent Arm, Left	
3	7029346	4	Strap	
4	7029351	4	Bolt, M22X180-8.8	
5	7029352	4	Locknut, M22-8	
6	7029345	8	Bolt, M12X45-8.8	
7	7029350	8	Locknut, M12-8	
8	7029349	8	Washer, M12	

SECTION 3 - ATTACHMENTS

FIGURE 3-62. FORK EXTENSION (50X100X1910)



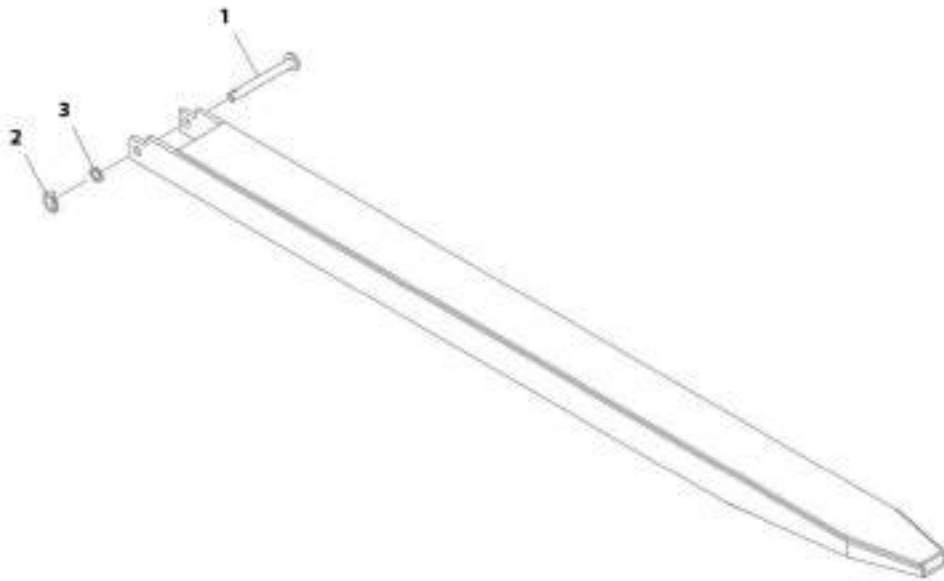
SECTION 3 - ATTACHMENTS

FIGURE 3-62. FORK EXTENSION (50X100X1910)

ITEM	PART NUMBER	QTY	DESCRIPTION	REV
	1001112559	1	Fork Extension (50X100X1910)	C
1	70022831	1	Kit, Pin	
2	N.S.S.	1	Pin, Locking	
3	N.S.S.	1	Washer	

SECTION 3 - ATTACHMENTS

FIGURE 3-63. FORK EXTENSION (60X100X1920)



ART. 100112500-B

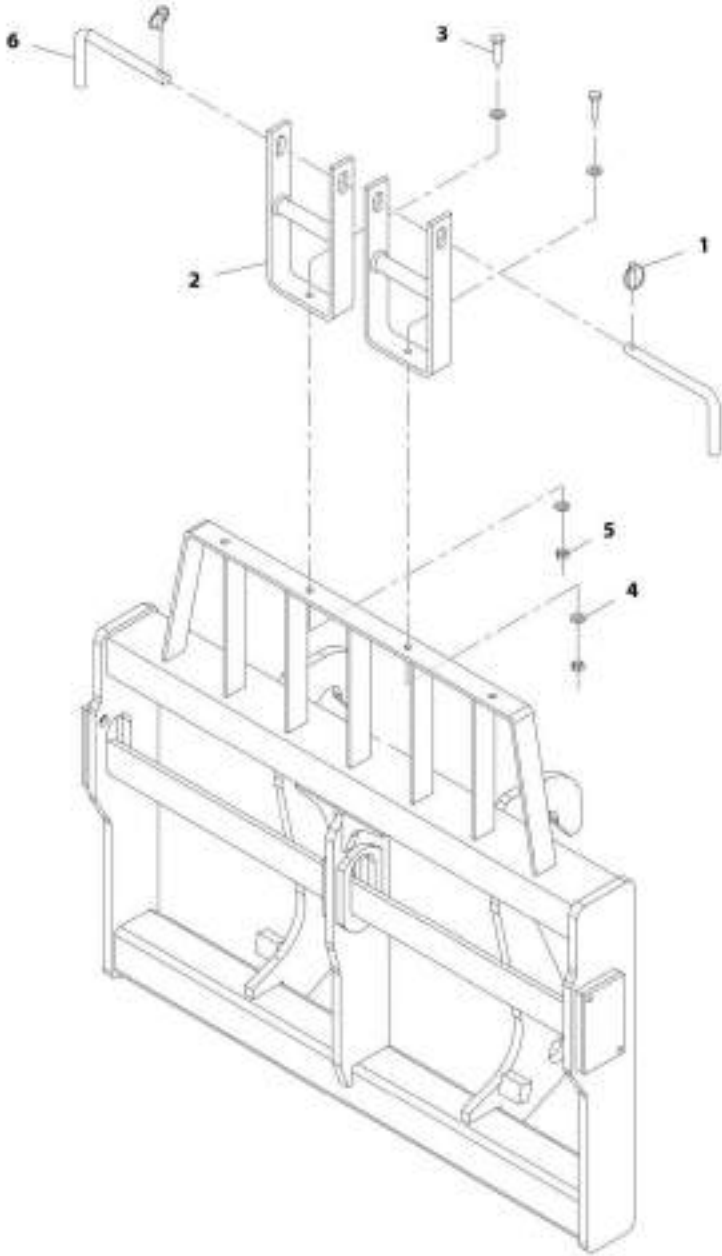
SECTION 3 - ATTACHMENTS

FIGURE 3-63. FORK EXTENSION (60X100X1920)

ITEM	PART NUMBER	QTY	DESCRIPTION	REV
	1001112560	1	Fork Extension (60X100X1920)	B
1	70022831	1	Kit, Pin	
2	N.S.S.	1	Pin, Locking	
3	N.S.S.	1	Washer	

SECTION 3 - ATTACHMENTS

FIGURE 3-64. TRANSPORT LATCHES



WIT_1001181070-F

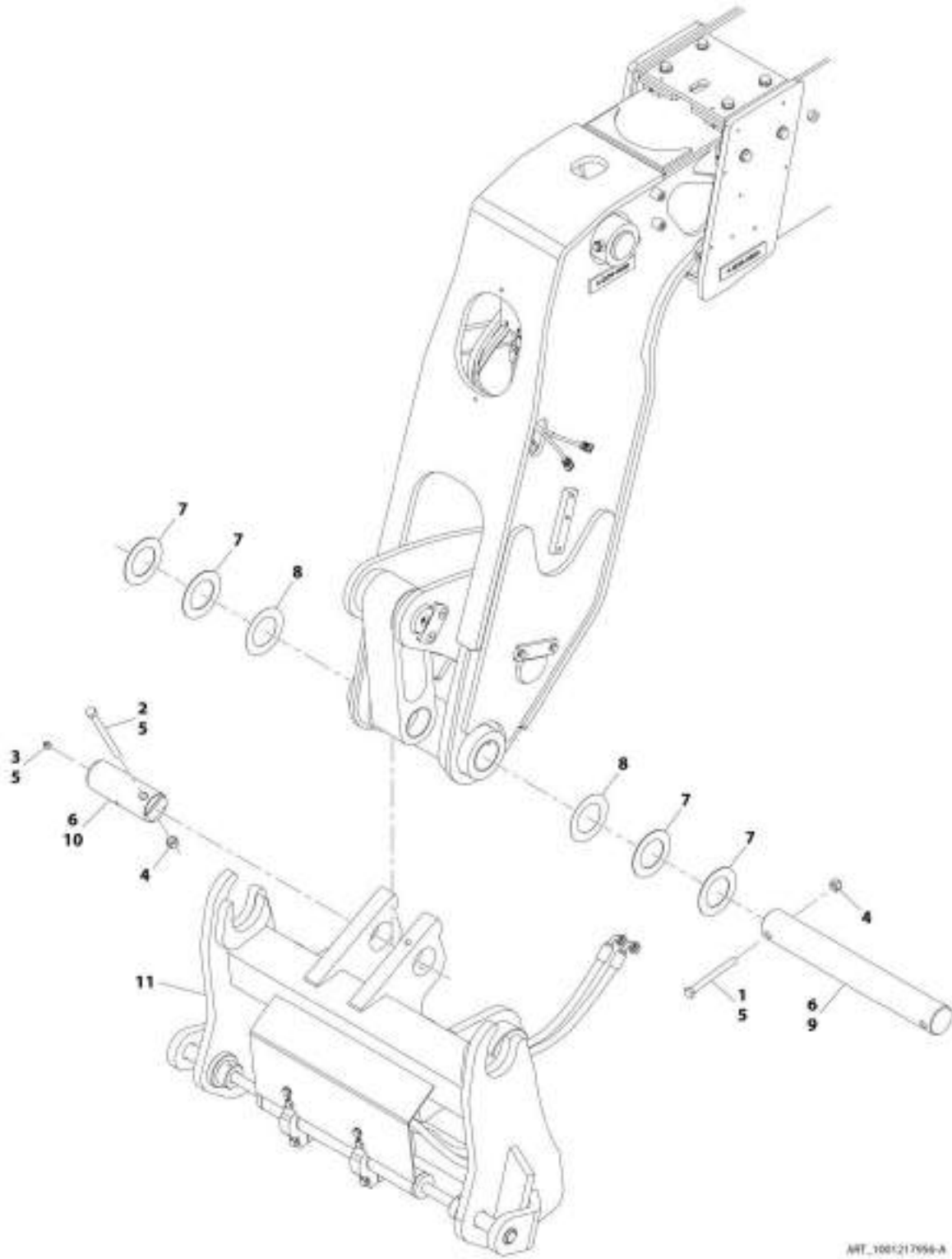
SECTION 3 - ATTACHMENTS

FIGURE 3-64. TRANSPORT LATCHES

ITEM	PART NUMBER	QTY	DESCRIPTION	REV
	1001101070	1	Transport Latches	F
1	1001109387	2	Pin	
2	1001130822	2	Bracket	
3	0701217	2	Bolt, M12X45	
4	5241200	4	Washer, M12	
5	3291201	2	Nut, M12X1.75	
6	1001100262	1	Pin	

SECTION 3 - ATTACHMENTS

FIGURE 3-65. MANITOU HYDRAULIC COUPLING



ART_1001217956-A

SECTION 3 - ATTACHMENTS

FIGURE 3-65. MANITOU HYDRAULIC COUPLING

ITEM	PART NUMBER	QTY	DESCRIPTION	REV
	1001217956	Ref	Manitou Hydraulic Coupling Installation	A
1	0701229	1	Bolt, M12X120	
2	0701232	1	Bolt, M12X150	
3	2160016	1	Fitting, Grease	
4	3291205	2	Nut, Lock, M12X1.75 Grade 8	
5	1001095650	AR	Compound, Locking	
6	1001098457	AR	Lube, Lithium Grease	
7	1001117382	AR	Washer, Shim M62X100X2	
8	1001117383	AR	Washer, Shim M62X100X0.5	
9	1001172950	1	Pin	
10	1001197479	1	Pin	
11	1001217972	Ref	Manitou Hydraulic Coupling (See Separate Breakdown in this Section)	

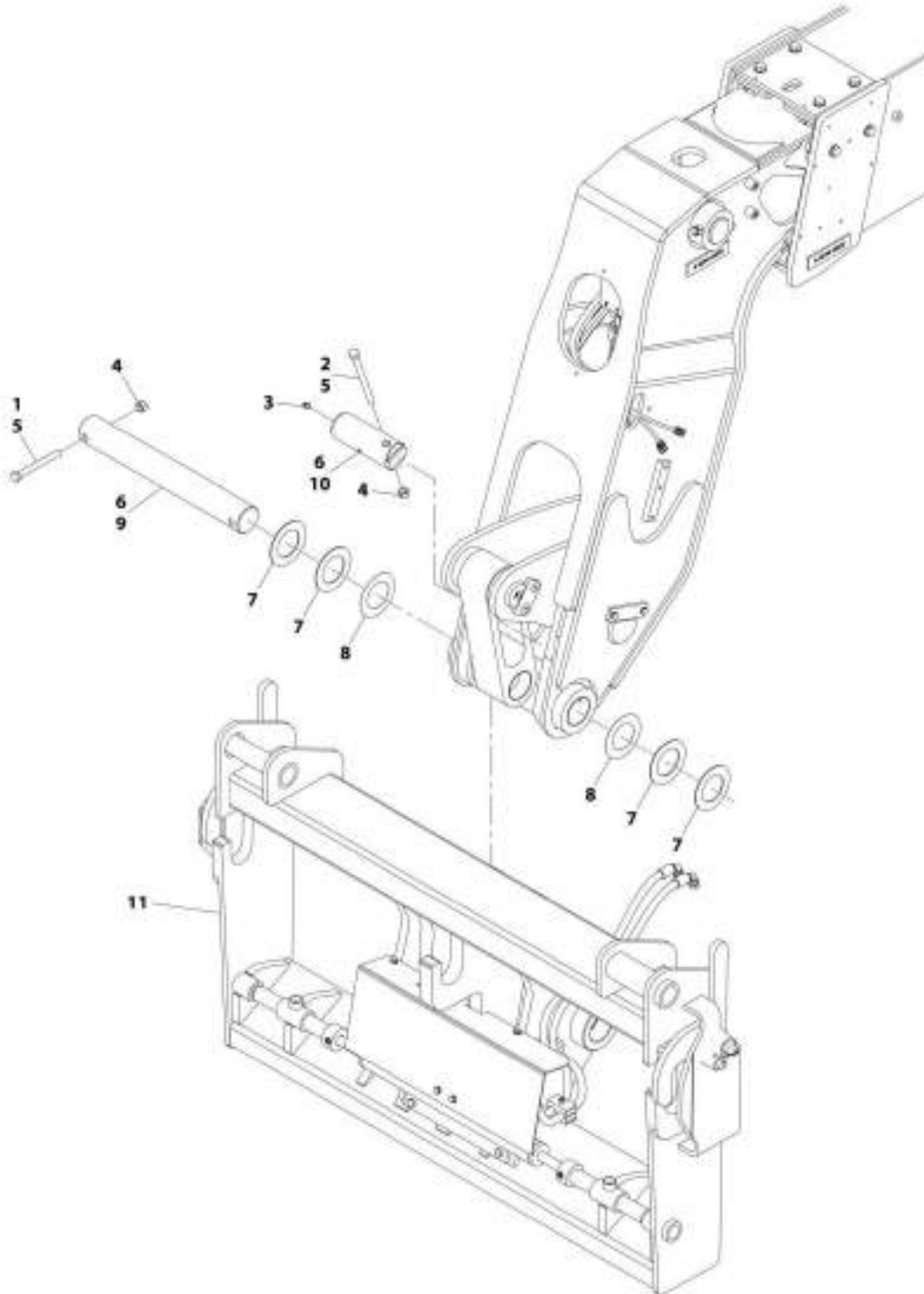
SECTION 3 - ATTACHMENTS

FIGURE 3-66. MANITOU HYDRAULIC COUPLING

ITEM	PART NUMBER	QTY	DESCRIPTION	REV
	1001217972	Ref	Manitou Hydraulic Coupling	A
1	1001103522	1	Cylinder	
2	1001103523	2	Pin	
3	1001103524	2	Bolt	
4	1001104957	2	Nut, Self Locking	
5	70028048	2	Clamp	
6	1001103202	6	Bolt	
7	1001103203	4	Grower	
8	1001103531	5	Gasket	
9	70028049	2	Adapter	
10	70028050	1	Pipe	
11	70028051	1	Pipe	
12	70028052	1	Adapter	
13	1001104960	1	Valve	
14	1001103529	1	Adapter	
15	1001104958	2	Adapter	
16	70028434	2	Flexible Pipe	
17	70028053	1	Carter	
18	1001103533	1	Pipe Clamp	
19	70028054	2	Washer	

SECTION 3 - ATTACHMENTS

FIGURE 3-67. JCB HYDRAULIC COUPLING INSTALLATION



ART_1001217952-A

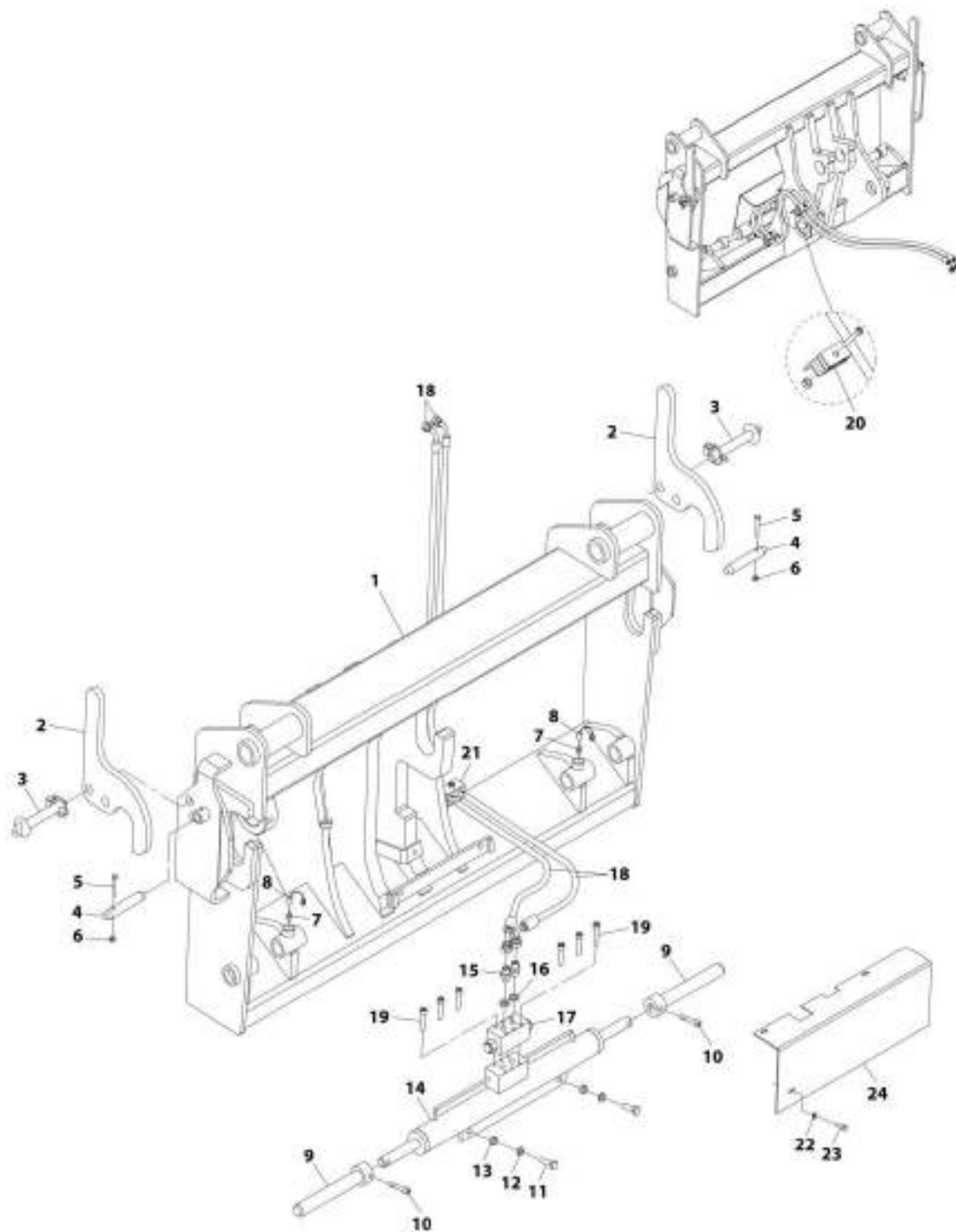
SECTION 3 - ATTACHMENTS

FIGURE 3-67. JCB HYDRAULIC COUPLING INSTALLATION

ITEM	PART NUMBER	QTY	DESCRIPTION	REV
	1001217958	Ref	JCB hydraulic Coupling Installation	A
1	0701229	1	Bolt, M12X120	
2	0701232	1	Bolt, M12X150	
3	2160016	1	Fitting, Grease	
4	3291205	2	Nut, Lock M12X1.75 Grade 8	
5	1001095650	AR	Compound, Locking	
6	1001098457	AR	Lube, Lithium Grease	
7	1001117382	AR	Washer, Shim M62X100X2	
8	1001117383	AR	Washer, Shim M62X100X0.5	
9	1001172950	1	Pin	
10	1001197479	1	Pin	
11	1001217974	Ref	JCB Hydraulic Coupling, (See Separate Breakdown in this Section)	

SECTION 3 - ATTACHMENTS

FIGURE 3-68. JCB HYDRAULIC COUPLING



AMT_1001217974-A

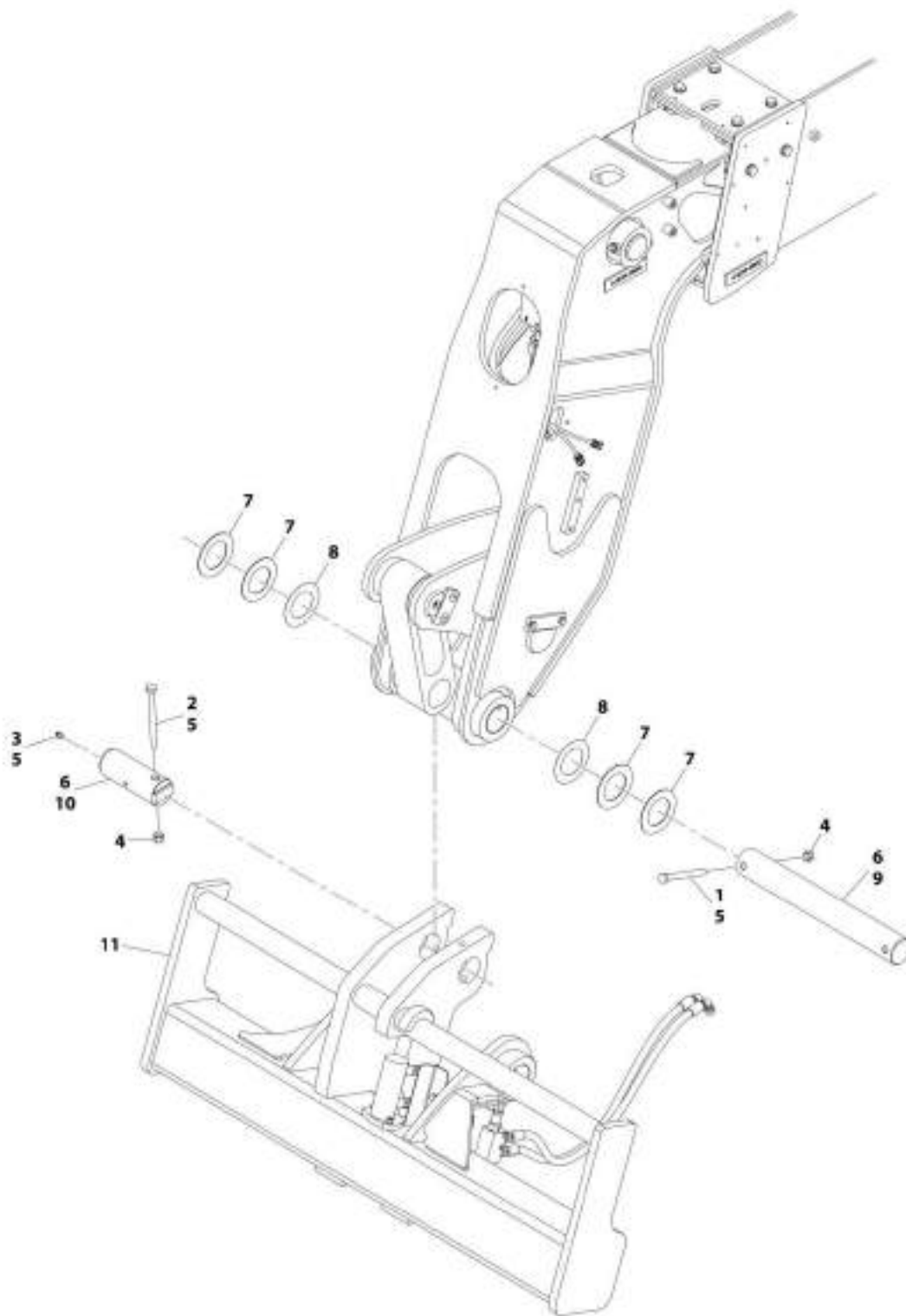
SECTION 3 - ATTACHMENTS

FIGURE 3-68. JCB HYDRAULIC COUPLING

ITEM	PART NUMBER	QTY	DESCRIPTION	REV
	1001217974	Ref	JCB hydraulic Coupling	A
1	N.S.S.	1	Weldment	
2	1001103192	2	Lock handle	
3	1001103193	2	Pin	
4	1001103194	2	Pin	
5	1001103195	2	Bolt, M6X45	
6	1001103196	2	Nut, M6	
7	70021242	2	Fitting, Grease	
8	70021243	2	Cover, Grease Fitting	
9	1001103199	2	Pin	
10	1001103200	2	Bolt, M10X65	
11	1001103202	2	Bolt, M10X35	
12	1001103203	2	Washer, M10	
13	1001103204	2	Nut, M10	
14	1001103198	1	Cylinder	
15	1001104958	2	Fitting, Straight	
16	1001103531	4	Bonded	
17	70028423	1	Valve	
18	70028424	2	Pipe	
19	70028425	6	Bolt	
20	70028426	1	Clamp	
21	1001103533	2	Clamp Set, (includes screw and plate)	
22	70028069	3	Washer	
23	70028070	3	Bolt	
24	70028071	1	Valve Protection	

SECTION 3 - ATTACHMENTS

FIGURE 3-69. MERLO HYDRAULIC COUPLING INSTALLATION



ART_1001217857-A

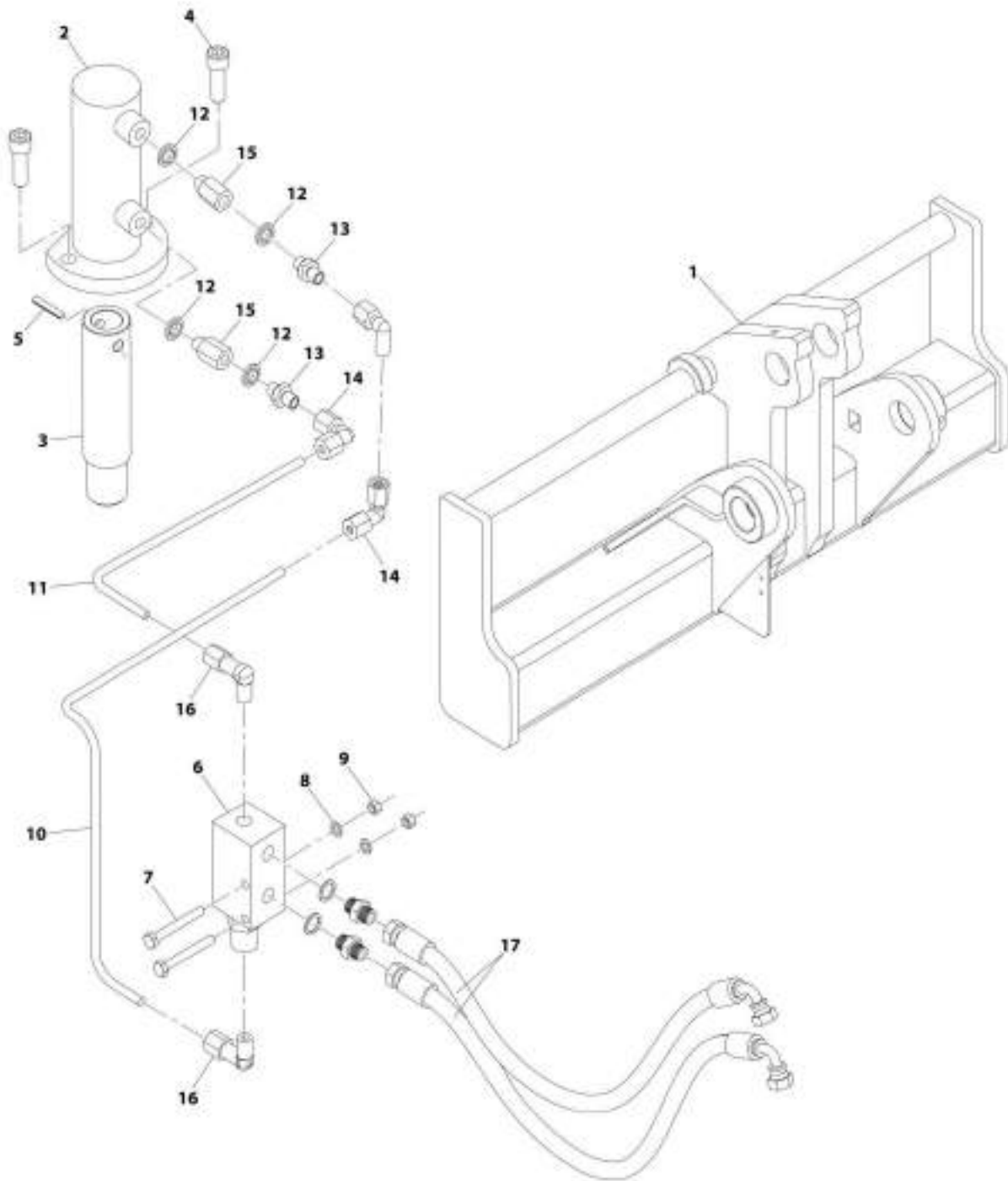
SECTION 3 - ATTACHMENTS

FIGURE 3-69. MERLO HYDRAULIC COUPLING INSTALLATION

ITEM	PART NUMBER	QTY	DESCRIPTION	REV
	1001217957	Ref	Merlo Hydraulic Coupling Installation	A
1	0701229	1	Bolt, M12X120	
2	0701232	1	Bolt, M12X150	
3	2160016	1	Fitting, Grease	
4	3291205	2	Nut, Lock, M12X1.75 Grade 8	
5	1001095650	AR	Compound, Locking	
6	1001098457	AR	Lube, Lithium Grease	
7	1001117382	AR	Washer, Shim M62X100X2	
8	1001117383	AR	Washer, Shim M62X100X0.5	
9	1001172950	1	Pin	
10	1001197479	1	Pin	
11	1001217973	Ref	Merlo Hydraulic Coupling (See Separate Breakdown in this Section)	

SECTION 3 - ATTACHMENTS

FIGURE 3-70. MERLO HYDRAULIC COUPLING



ART_1001217003-A

SECTION 3 - ATTACHMENTS

FIGURE 3-70. MERLO HYDRAULIC COUPLING

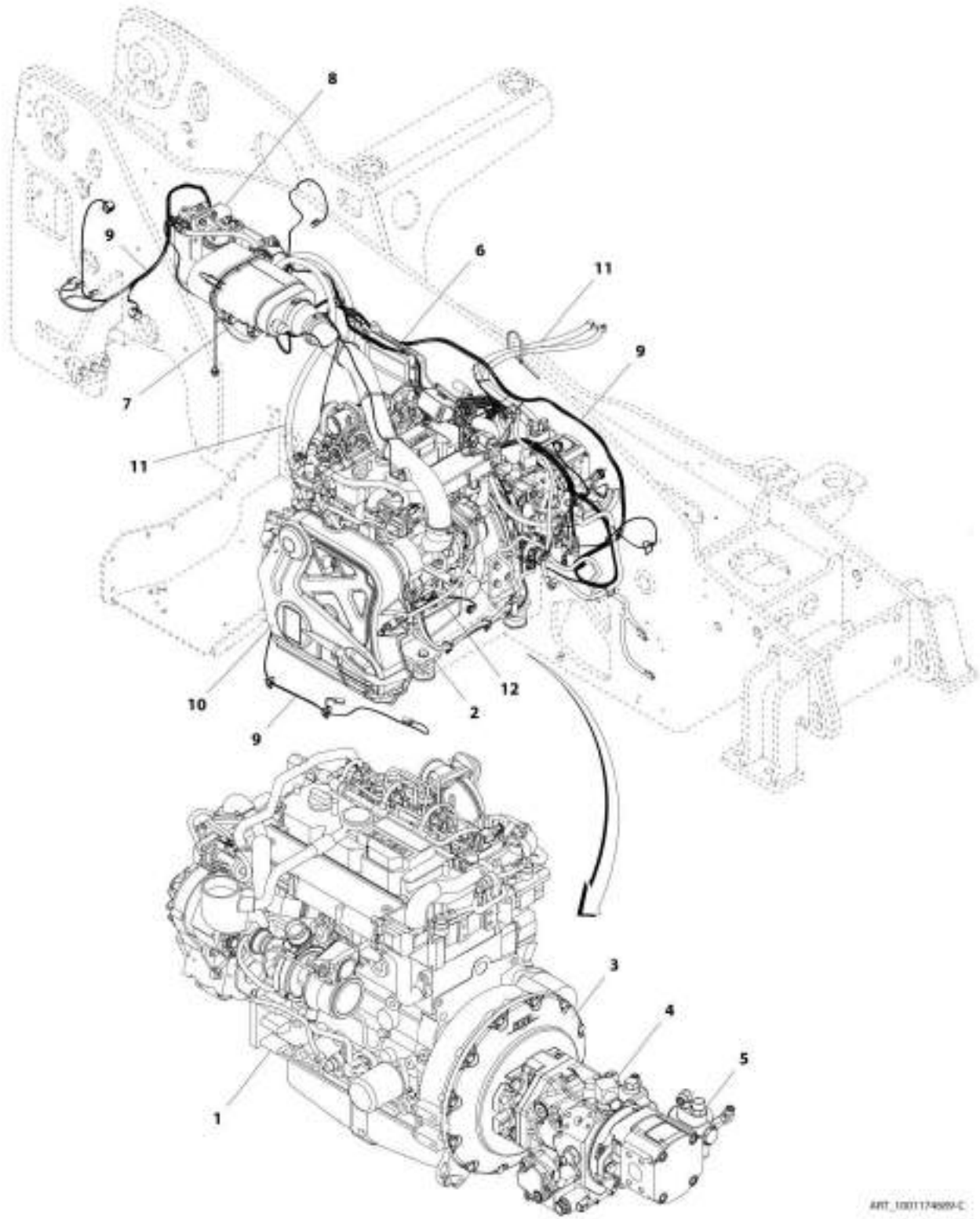
ITEM	PART NUMBER	QTY	DESCRIPTION	REV
	1001217973	Ref	Merlo hydraulic Coupling	A
1	N.S.S.	1	Weldment	
2	70028072	1	Cylinder	
3	70028073	1	Pin	
4	70028074	2	Bolt	
5	70028075	1	Plit Pin	
6	1001104960	1	Valve	
7	70028076	2	Bolt	
8	70028077	2	Washer	
9	1001103196	2	Nut , Self Locking	
10	70028427	1	Iron Pipe	
11	70028428	1	Iron Pipe	
12	70028080	4	Gasket	
13	70028429	2	Connector	
14	70028430	2	Fitting, 90 ORFS	
15	70028431	2	Connector	
16	70028432	2	Connector	
17	70028433	2	Hose	

SECTION 4 - ENGINE AND ATTACHING PARTS

SECTION 4 - ENGINE AND ATTACHING PARTS

SECTION 4 - ENGINE AND ATTACHING PARTS

FIGURE 4-1. ENGINE INSTALLATION (74.4KW - ULS)



ART_1001174009-C

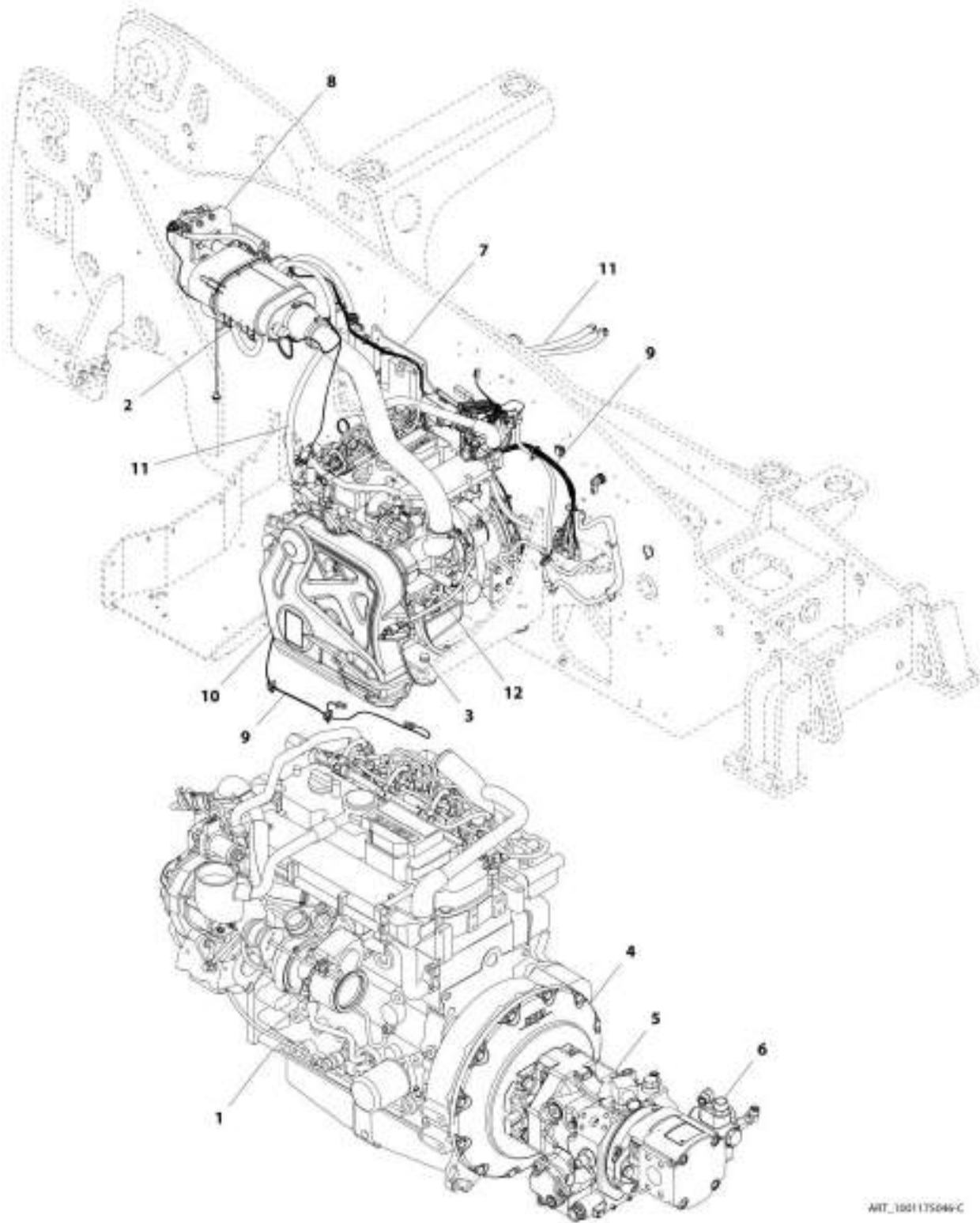
SECTION 4 - ENGINE AND ATTACHING PARTS

FIGURE 4-1. ENGINE INSTALLATION (74.4KW - ULS)

ITEM	PART NUMBER	QTY	DESCRIPTION	REV
	1001174689	Ref	Engine Installation (74.4KW - ULS)	C
1	1001171563	1	Engine, 74.4KW (ULS) (See Separate Breakdown in this Section)	
2	1001176969	Ref	Installation, Engine Mounting (See Separate Breakdown in this Section)	
3	1001178422	Ref	Installation, Transmission Hydrostatic Adapter (See Separate Breakdown in this Section)	
4	1001178926	Ref	Installation, Transmission Hydrostatic Drive Pump (See Separate Breakdown in this Section)	
5	1001178946	Ref	Installation, Implement Pump (See Separate Breakdown in this Section)	
6	1001180659	Ref	Installation, Engine ECU (See Separate Breakdown in Electrical Section)	
7	1001182044	Ref	Installation, Air Cleaner (ULS) (See Separate Breakdown in this Section)	
8	1001182163	Ref	Installation, Primary Fuel Filter (ULS) (See Separate Breakdown in this Section)	
9	1001184851	Ref	Installation, Engine Wiring (ULS) (See Separate Breakdown in Electrical Section)	
10	1001186577	Ref	Installation, Pulley Cover (See Separate Breakdown in this Section)	
11	1001185190	Ref	Installation, Fuel Lines (ULS) (See Separate Breakdown in this Section)	
12	1001209433	Ref	Dipstick Installation (See Separate Breakdown in this Section)	

SECTION 4 - ENGINE AND ATTACHING PARTS

FIGURE 4-2. ENGINE INSTALLATION (74.4KW - LS)



WIT_1001175049-C

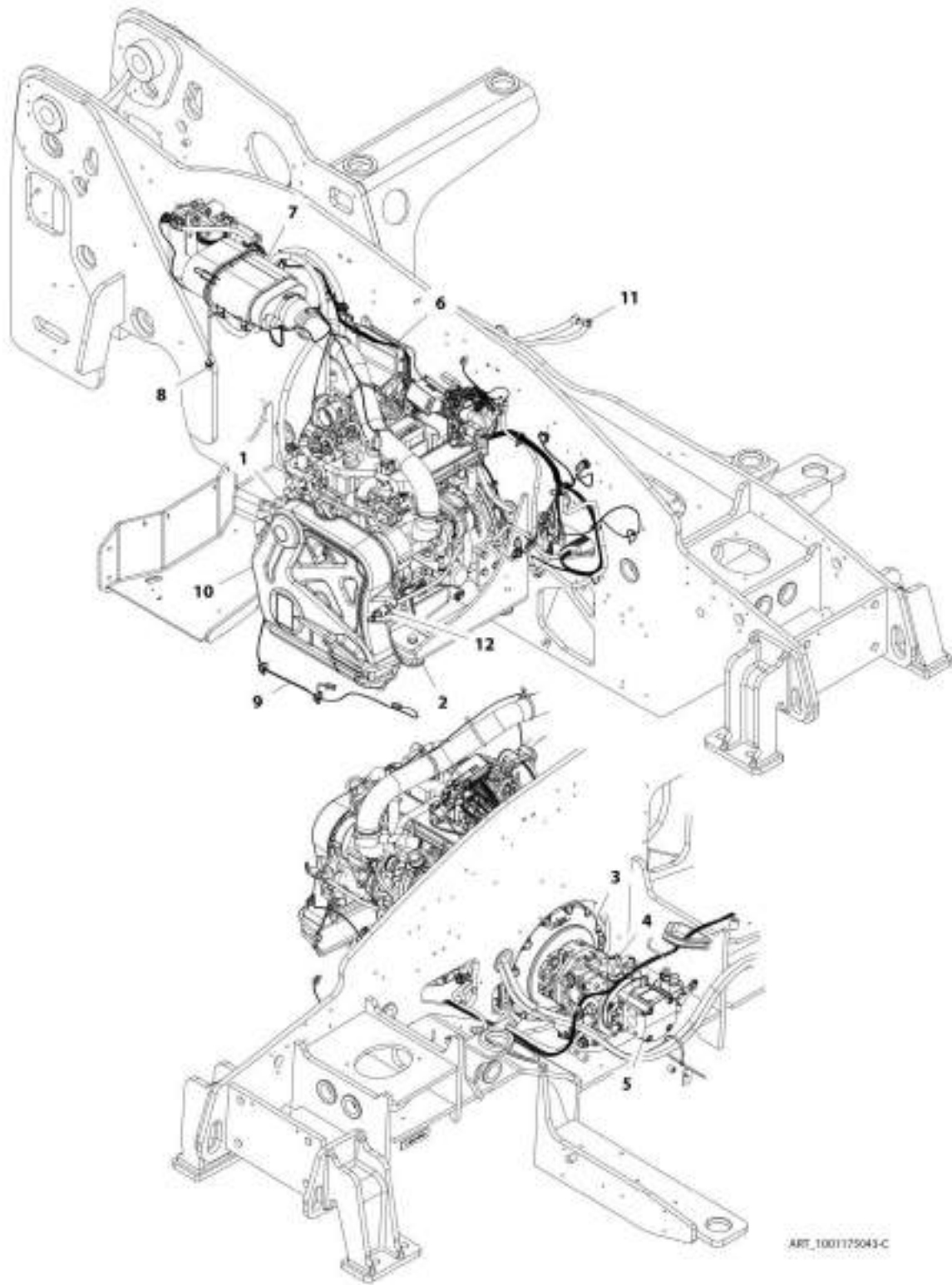
SECTION 4 - ENGINE AND ATTACHING PARTS

FIGURE 4-2. ENGINE INSTALLATION (74.4KW - LS)

ITEM	PART NUMBER	QTY	DESCRIPTION	REV
	1001175046	Ref	Engine Installation (74.4KW - LS)	C
1	1001171565	Ref	Engine, 74.4KW (LS) (See Separate Breakdown in this Section)	
2	1001174694	Ref	Installation, Air Cleaner (LS) (See Separate Breakdown in this Section)	
3	1001176969	Ref	Installation, Engine Mounting (See Separate Breakdown in this Section)	
4	1001178422	Ref	Installation, Transmission Hydrostatic Adapter (See Separate Breakdown in this Section)	
5	1001178926	Ref	Installation, Transmission Hydrostatic Adapter (See Separate Breakdown in this Section)	
6	1001178946	Ref	Installation, Implement Pump (See Separate Breakdown in this Section)	
7	1001180678	Ref	Installation, Engine ECU (See Separate Breakdown in Electrical Section)	
8	1001182164	Ref	Installation, Primary Fuel Filter (LS) (See Separate Breakdown in this Section)	
9	1001184935	Ref	Installation, Engine Wiring (LS) (See Separate Breakdown in Electrical Section)	
10	1001186577	Ref	Installation, Pulley Cover (See Separate Breakdown in this Section)	
11	1001185191	Ref	Installation, Fuel Lines (LS) (See Separate Breakdown in this Section)	
12	1001209433	Ref	Dipstick Installation (See Separate Breakdown in this Section)	

SECTION 4 - ENGINE AND ATTACHING PARTS

FIGURE 4-3. ENGINE INSTALLATION (85KW - ULS)



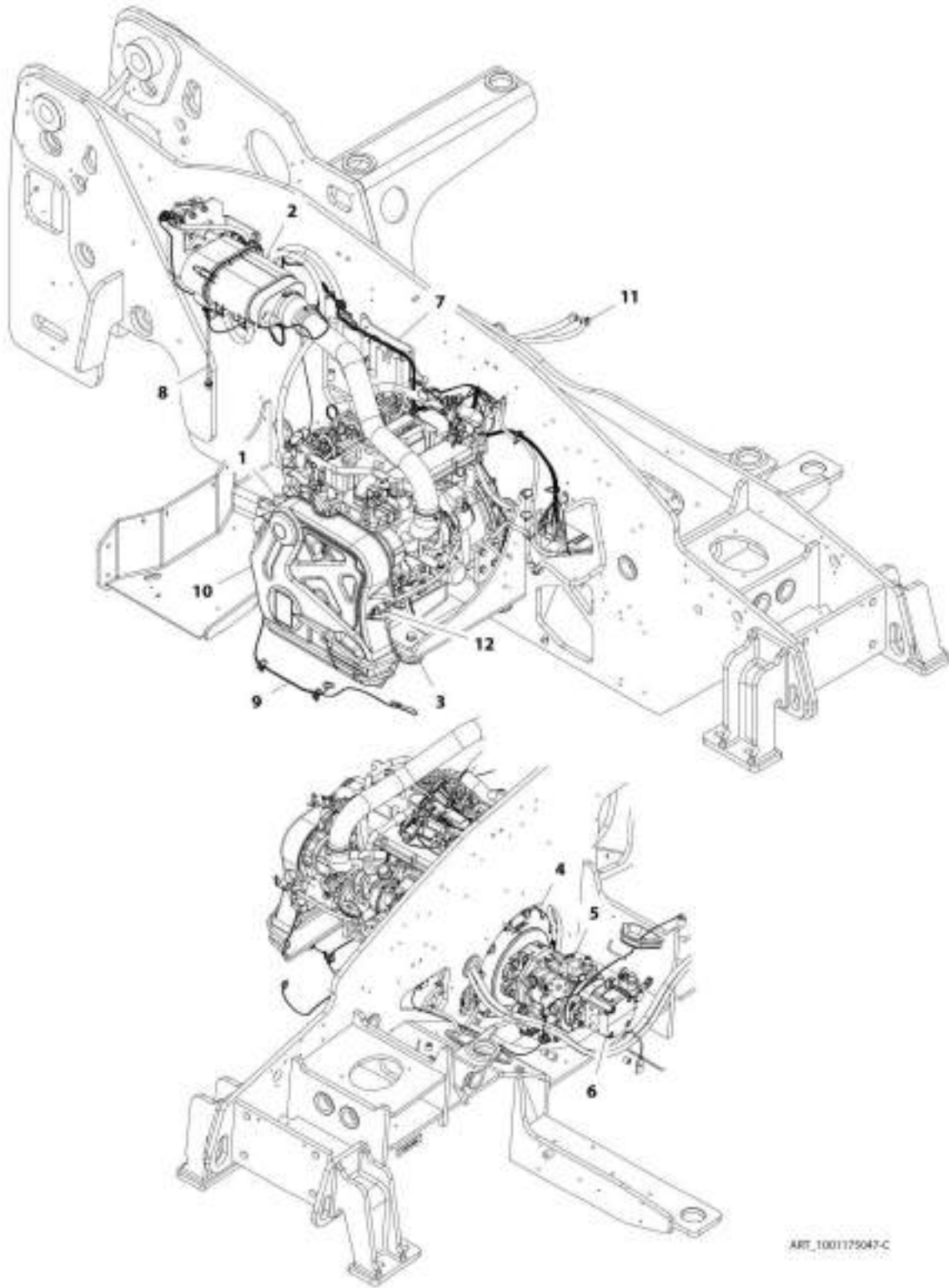
SECTION 4 - ENGINE AND ATTACHING PARTS

FIGURE 4-3. ENGINE INSTALLATION (85KW - ULS)

ITEM	PART NUMBER	QTY	DESCRIPTION	REV
	1001175043	Ref	Engine Installation (85KW - ULS)	C
1	1001171564	1	Engine, 85KW (ULS) (See Separate Breakdown in this Section)	
2	1001176969	Ref	Installation, Engine Mounting (See Separate Breakdown in this Section)	
3	1001178422	Ref	Installation, Transmission Hydrostatic Adapter (See Separate Breakdown in this Section)	
4	1001178926	Ref	Installation, Transmission Hydrostatic Drive Pump (See Separate Breakdown in this Section)	
5	1001178946	Ref	Installation, Implement Pump (See Separate Breakdown in this Section)	
6	1001180659	Ref	Installation, Engine ECU (See Separate Breakdown in Electrical Section)	
7	1001182044	Ref	Installation, Air Cleaner (ULS) (See Separate Breakdown in this Section)	
8	1001182163	Ref	Installation, Primary Fuel Filter (ULS) (See Separate Breakdown in this Section)	
9	1001184851	Ref	Installation, Engine Wiring (ULS) (See Separate Breakdown in Electrical Section)	
10	1001186577	Ref	Installation, Pulley Cover (See Separate Breakdown in this Section)	
11	1001185190	Ref	Installation, Fuel Lines (ULS) (See Separate Breakdown in this Section)	
12	1001209433	Ref	Dipstick Installation (See Separate Breakdown in this Section)	

SECTION 4 - ENGINE AND ATTACHING PARTS

FIGURE 4-4. ENGINE INSTALLATION (85KW - LS)



ART_1001175047-C

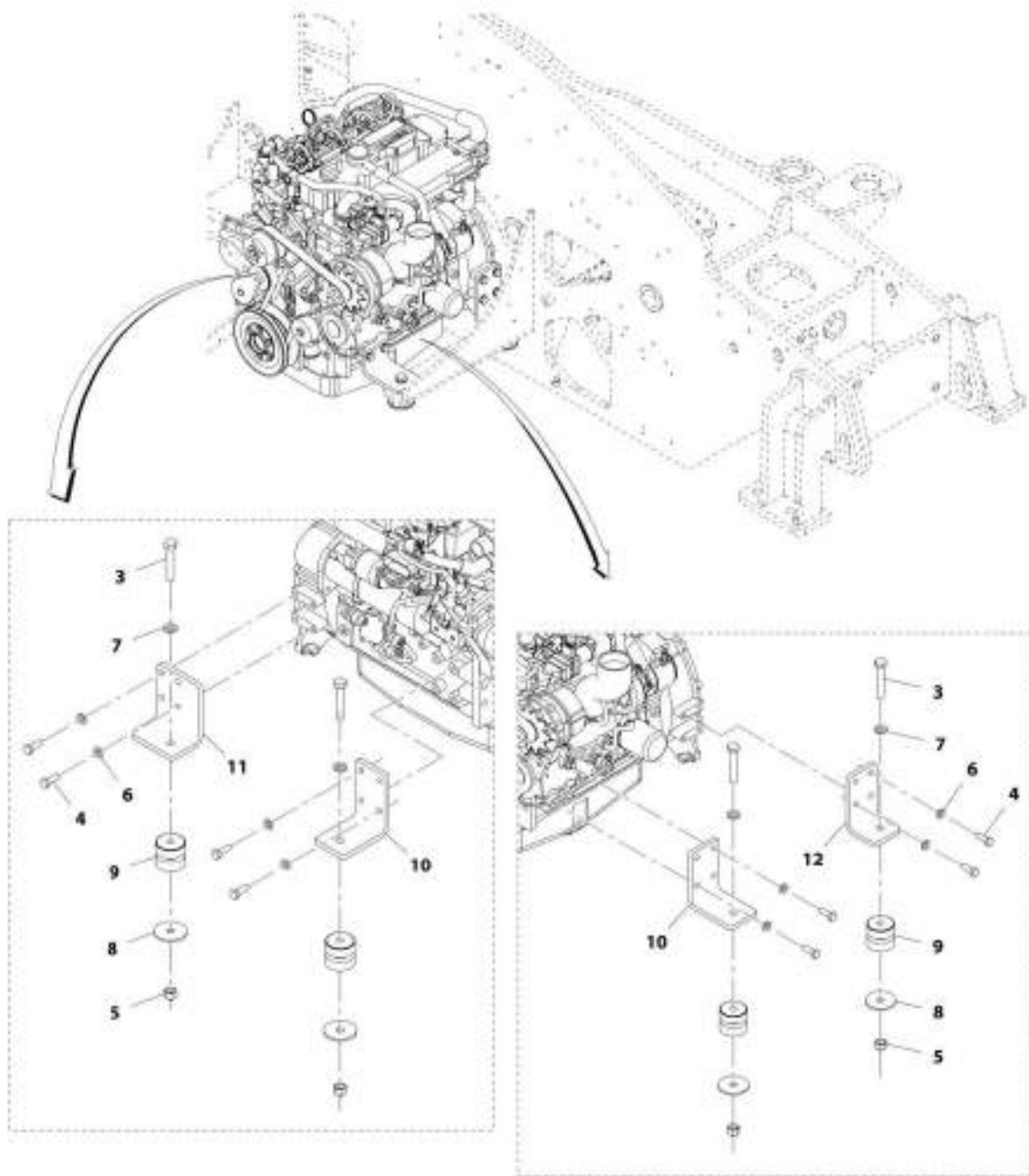
SECTION 4 - ENGINE AND ATTACHING PARTS

FIGURE 4-4. ENGINE INSTALLATION (85KW - LS)

ITEM	PART NUMBER	QTY	DESCRIPTION	REV
	1001175047	Ref	Engine Installation (85KW - LS)	C
1	1001171566	1	Engine, 85KW (LS) (See Separate Breakdown in this Section)	
2	1001174694	Ref	Installation, Air Cleaner (LS) (See Separate Breakdown in this Section)	
3	1001176969	Ref	Installation, Engine Mounting (See Separate Breakdown in this Section)	
4	1001178422	Ref	Installation, Transmission Hydrostatic Adapter (See Separate Breakdown in this Section)	
5	1001178926	Ref	Installation, Transmission Hydrostatic Adapter (See Separate Breakdown in this Section)	
6	1001178946	Ref	Installation, Implement Pump (See Separate Breakdown in this Section)	
7	1001180678	Ref	Installation, Engine ECU (See Separate Breakdown in Electrical Section)	
8	1001182164	Ref	Installation, Primary Fuel Filter (LS) (See Separate Breakdown in this Section)	
9	1001184935	Ref	Installation, Engine Wiring (LS) (See Separate Breakdown in Electrical Section)	
10	1001186577	Ref	Installation, Pulley Cover (See Separate Breakdown in this Section)	
11	1001185191	Ref	Installation, Fuel Lines (LS) (See Separate Breakdown in this Section)	
12	1001209433	Ref	Dipstick Installation (See Separate Breakdown in this Section)	

SECTION 4 - ENGINE AND ATTACHING PARTS

FIGURE 4-5. ENGINE MOUNTING INSTALLATION



MT_100117695-D

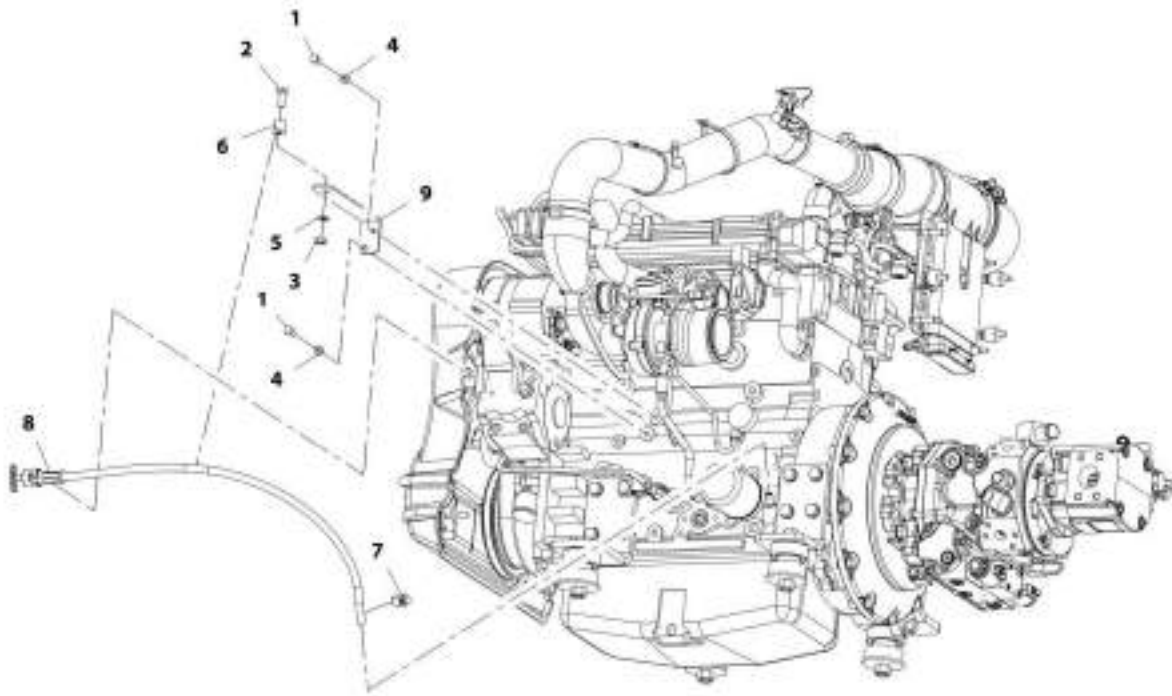
SECTION 4 - ENGINE AND ATTACHING PARTS

FIGURE 4-5. ENGINE MOUNTING INSTALLATION

ITEM	PART NUMBER	QTY	DESCRIPTION	REV
	1001176969	Ref	Engine Mounting Installation	D
3	0701626	4	Bolt, M16X90	
4	0761215	16	Bolt M12X35	
5	3291605	4	Nut, Lock M16X2	
6	4812100	16	Washer, M12	
7	4812300	4	Washer, M16	
8	7300435	4	Washer	
9	1001176355	4	Mount, Engine	
10	1001175367	2	Bracket	
11	1001175369	1	Bracket	
12	1001175370	1	Bracket	

SECTION 4 - ENGINE AND ATTACHING PARTS

FIGURE 4-6. DIPSTICK INSTALLATION



AWT_1001209433-A

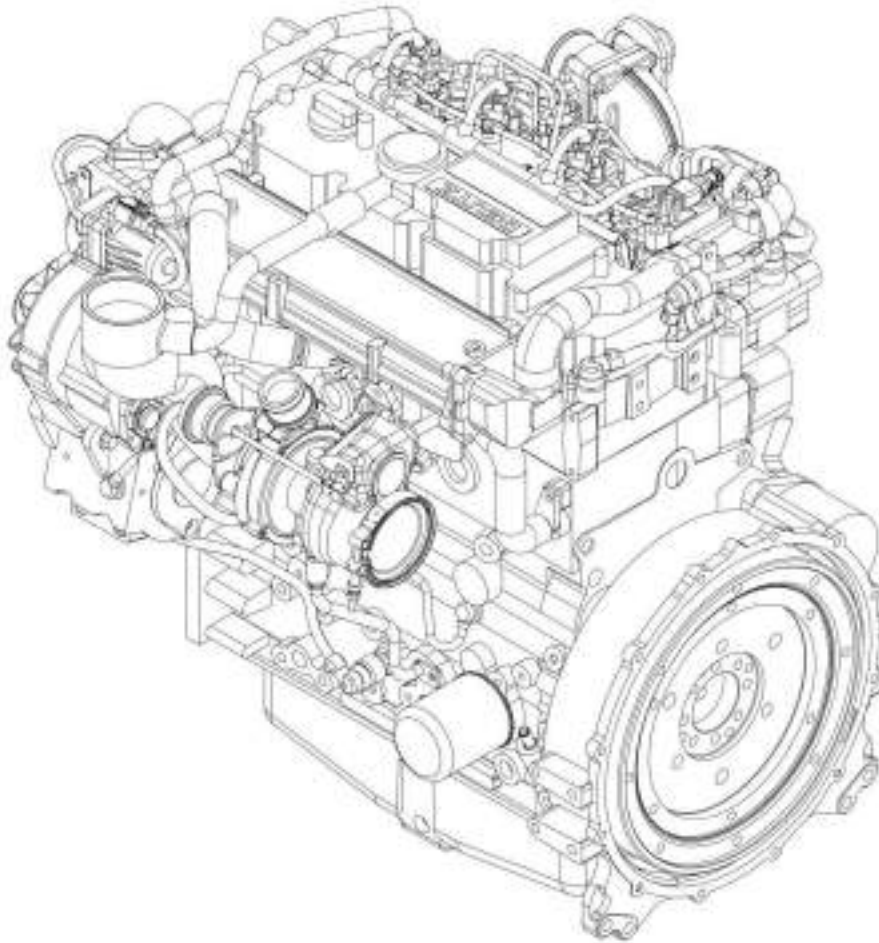
SECTION 4 - ENGINE AND ATTACHING PARTS

FIGURE 4-6. DIPSTICK INSTALLATION

ITEM	PART NUMBER	QTY	DESCRIPTION	REV
	1001209433	Ref	Dipstick Installation	A
1	0760808	2	Bolt, M8X16	
2	0761012	1	Bolt, M10X25	
3	3291001	1	Nut, M10X1.5 Grade 8	
4	4811900	2	Washer, M8	
5	4812000	2	Washer, M10	
6	8406110	1	Clamp, Hose	
7	8410013	1	Clamp, Gear Hose	
8	1001188377	1	Dipstick	
9	1001206246	1	Bracket	

SECTION 4 - ENGINE AND ATTACHING PARTS

FIGURE 4-7. 3.6L ENGINE (85KW - ULS)



ART_1001171564-0

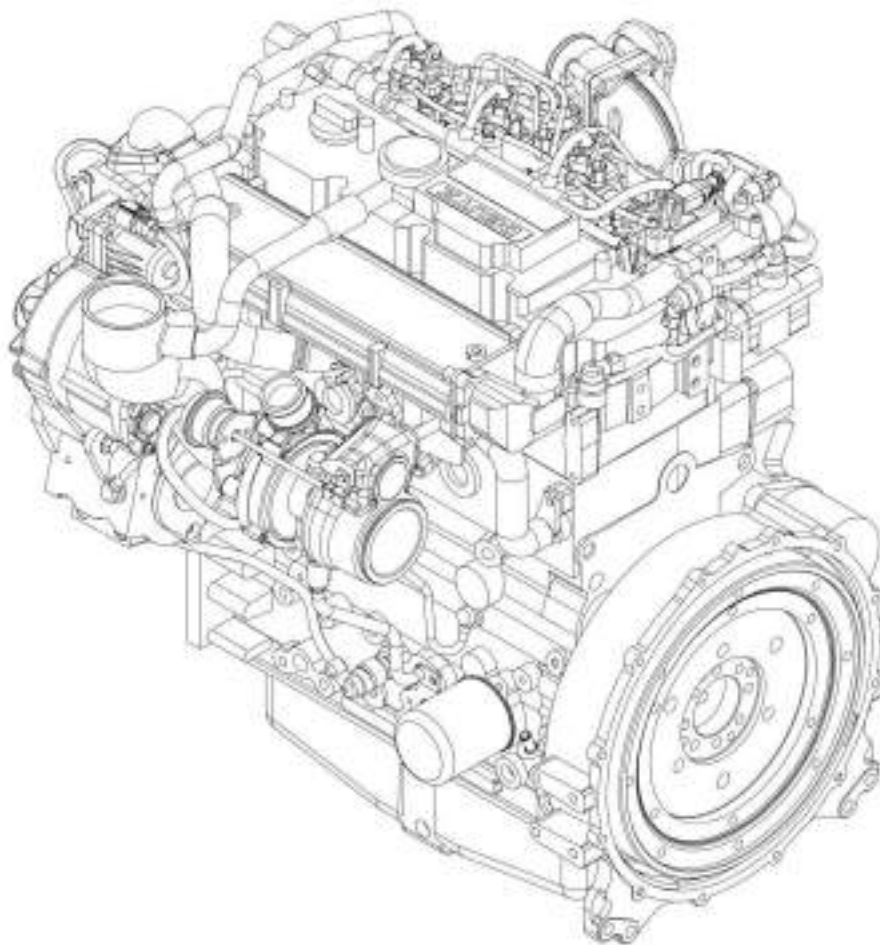
SECTION 4 - ENGINE AND ATTACHING PARTS

FIGURE 4-7. 3.6L ENGINE (85KW - ULS)

ITEM	PART NUMBER	QTY	DESCRIPTION	REV
	1001171564	1	3.6L Engine (85KW - ULS)	G
	7020465	1	Cap, Filler	
	70025205	1	Gasket	
	70004280	1	Seal, Rotating Shaft Lip	
	7016331	1	Filter, Oil	
	70026011	1	Pump, Water	
	70005515	1	Turbocharger	
	70024480	1	Gasket	
	70024509	1	Gasket	
	70027403	1	V-Belt	
	70027404	1	Generator	
	70004520	1	Starter	
	70026210	1	Tacho-Generator	
	70005191	1	O-Ring	
	70024918	1	Sensor, Temperature	
	70024504	1	Sensor, Fuel Pressure	
	70024920	1	Seal	
	70005504	1	Sensor, Fuel Pressure	
	70005505	1	O-Seal	
	70027405	1	Sensor, Temperature	
	70005556	1	Sensor, Temperature	
	70005559	1	Sensor, Temperature	
	70005507	1	O-Seal	
	70024485	1	Injector, Fuel	
	70011901	1	Pump, High Pressure	
	70024494	1	Cooler, Oil	
	70024495	1	Gasket	

SECTION 4 - ENGINE AND ATTACHING PARTS

FIGURE 4-8. 3.6L ENGINE (74.4KW - ULS)



ART_1061171583-0

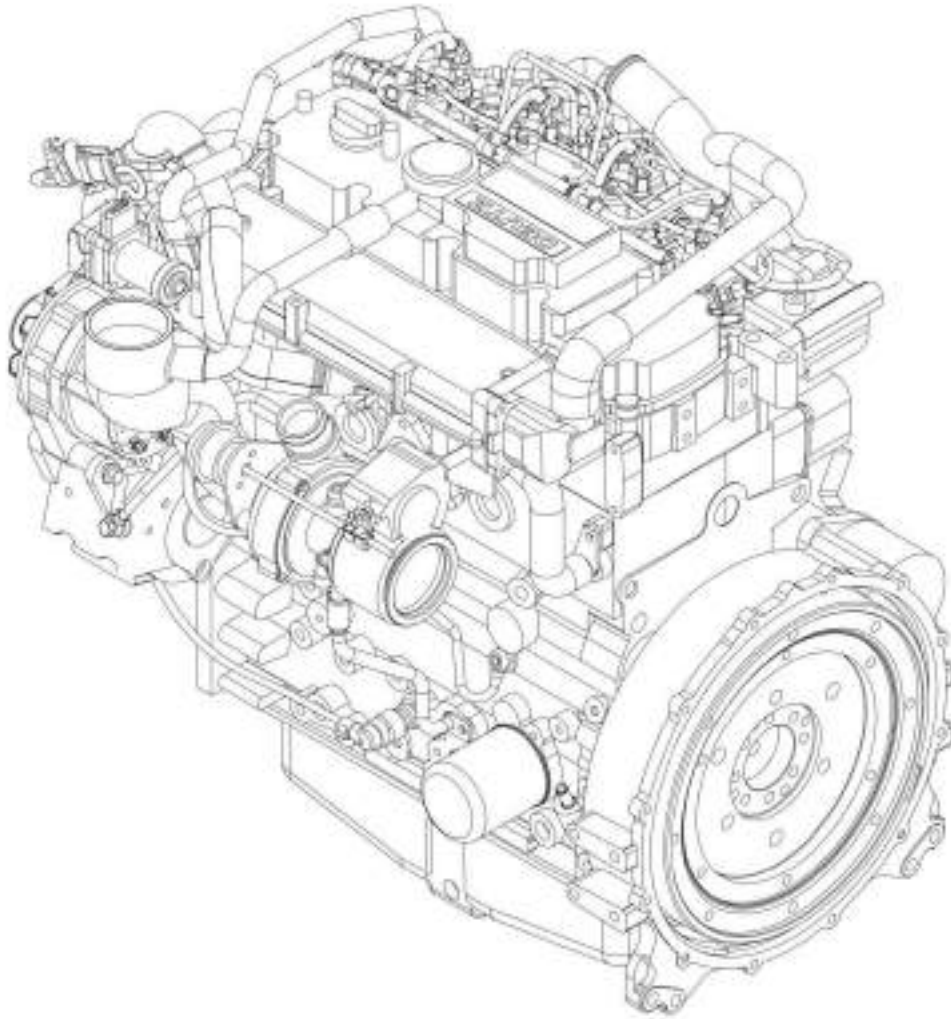
SECTION 4 - ENGINE AND ATTACHING PARTS

FIGURE 4-8. 3.6L ENGINE (74.4KW - ULS)

ITEM	PART NUMBER	QTY	DESCRIPTION	REV
	1001171563	1	3.6L Engine (74.4KW - ULS)	G
	7020465	1	Cap, Filler	
	70025205	1	Gasket	
	70004280	1	Seal, Rotating Shaft Lip	
	7016331	1	Filter, Oil	
	70026011	1	Pump, Water	
	70005515	1	Turbocharger	
	70024480	1	Gasket	
	70024509	1	Gasket	
	70027403	1	V-Belt	
	70027404	1	Generator	
	70004520	1	Starter	
	70026210	1	Tacho-Generator	
	70005191	1	O-Ring	
	70024918	1	Sensor, Temperature	
	70024504	1	Sensor, Fuel Pressure	
	70024920	1	Seal	
	70005504	1	Sensor, Fuel Pressure	
	70005505	1	O-Seal	
	70027405	1	Sensor, Temperature	
	70005556	1	Sensor, Temperature	
	70005559	1	Sensor, Temperature	
	70005507	1	O-Seal	
	70024485	1	Injector, Fuel	
	70011901	1	Pump, High Pressure	
	70024494	1	Cooler, Oil	
	70024495	1	Gasket	

SECTION 4 - ENGINE AND ATTACHING PARTS

FIGURE 4-9. 3.6L ENGINE (85KW - LS)



ART_1061171586-D

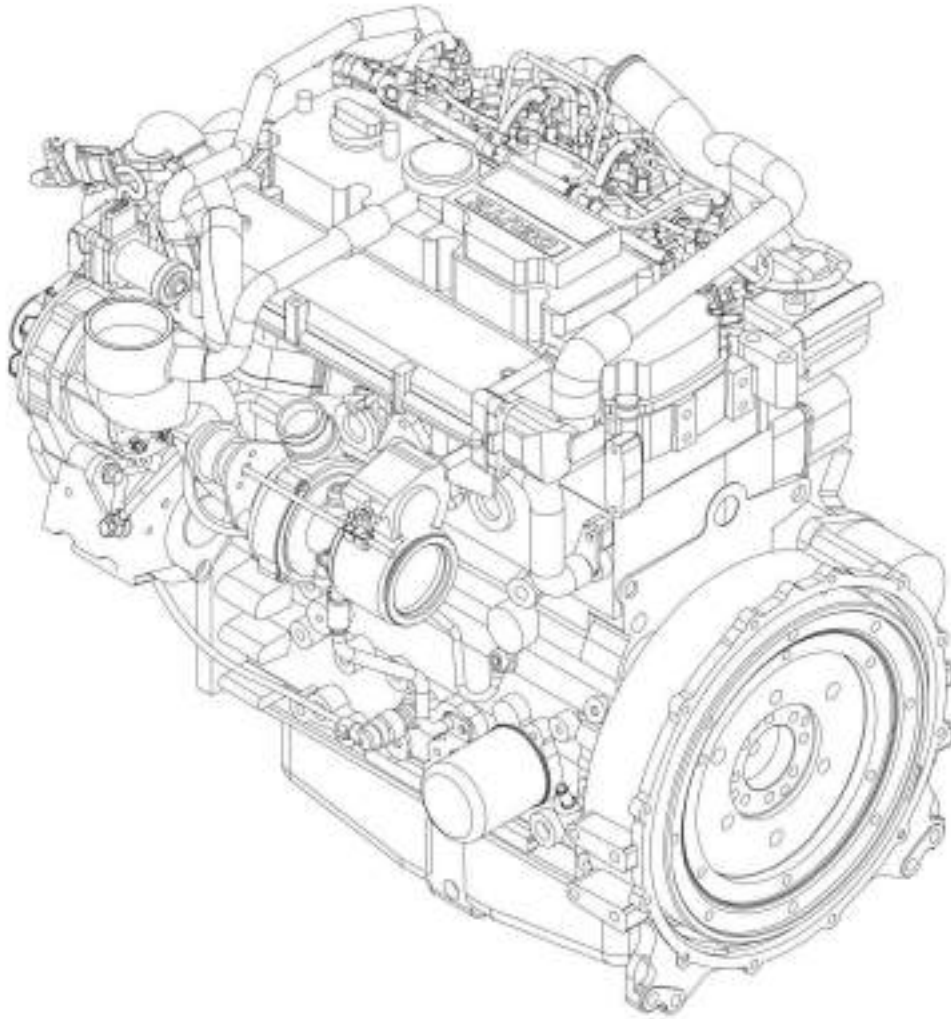
SECTION 4 - ENGINE AND ATTACHING PARTS

FIGURE 4-9. 3.6L ENGINE (85KW - LS)

ITEM	PART NUMBER	QTY	DESCRIPTION	REV
	1001171566	Ref	3.6L Engine (85KW - LS)	D
	7020465	1	Cap, Filler	
	70025205	1	Gasket	
	70004280	1	Seal, Rotating Shaft Lip	
	7016331	1	Filter, Oil	
	70026011	1	Pump, Water	
	70004518	1	Turbocharger	
	70024480	1	Gasket	
	70024509	1	Gasket	
	70025478	1	V-Belt	
	70025533	1	Generator	
	70004520	1	Starter	
	70026210	1	Tacho-Generator	
	70005191	1	O-Ring	
	70024918	1	Sensor, Temperature	
	70024504	1	Sensor, Fuel Pressure	
	70024920	1	Seal	
	70024485	1	Injector, Fuel	
	70011901	1	Pump, High Pressure	
	70024494	1	Cooler, Oil	
	70024495	1	Gasket	

SECTION 4 - ENGINE AND ATTACHING PARTS

FIGURE 4-10. 3.6L ENGINE (74.4KW - LS)



ART_1001171585-E

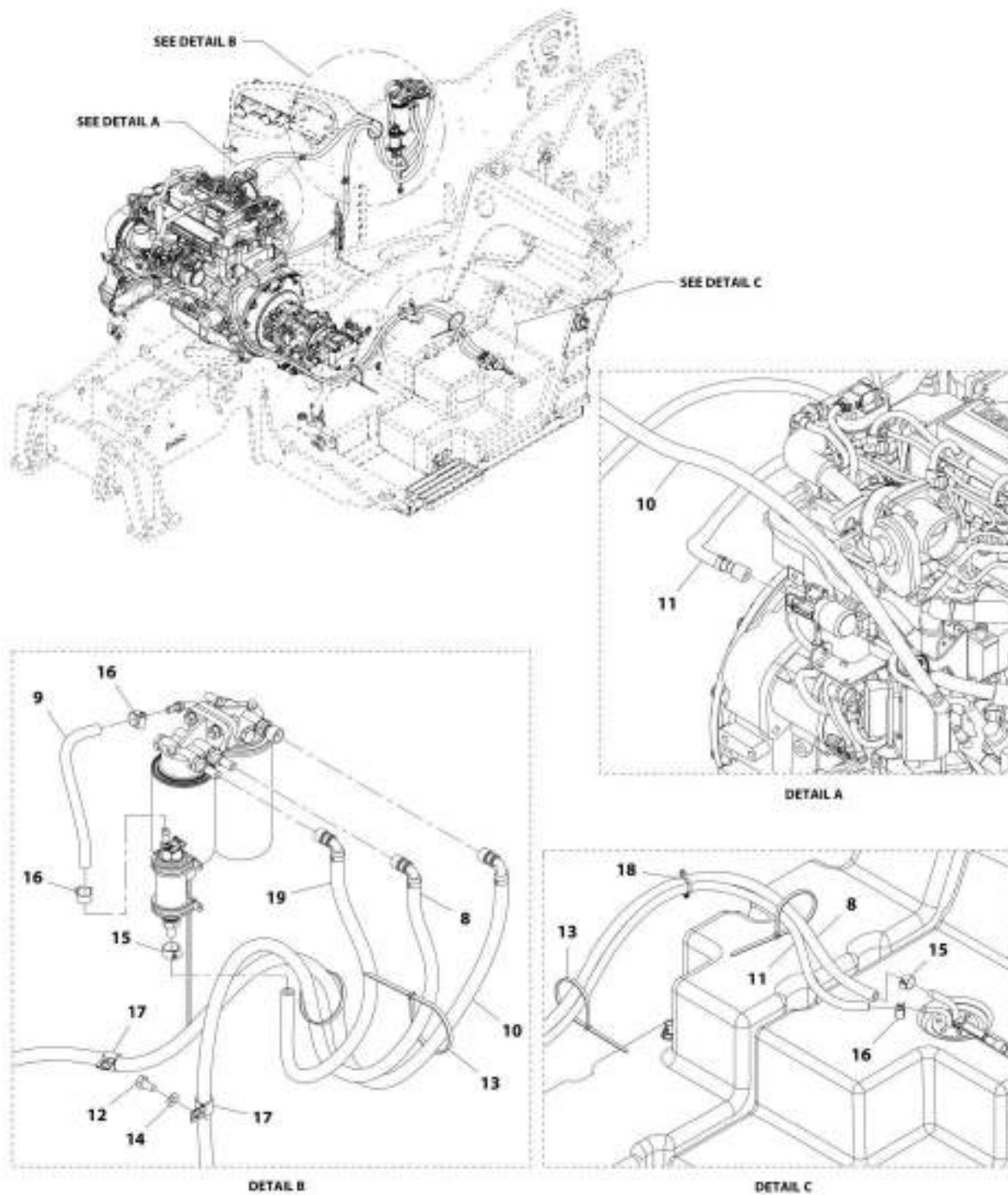
SECTION 4 - ENGINE AND ATTACHING PARTS

FIGURE 4-10. 3.6L ENGINE (74.4KW - LS)

ITEM	PART NUMBER	QTY	DESCRIPTION	REV
	1001171565	1	3.6L Engine (74.4KW - LS)	E
	7020465	1	Cap, Filler	
	70025205	1	Gasket	
	70004280	1	Seal, Rotating Shaft Lip	
	7016331	1	Filter, Oil	
	70026011	1	Pump, Water	
	70004518	1	Turbocharger	
	70024480	1	Gasket	
	70024509	1	Gasket	
	70025478	1	V-Belt	
	70025533	1	Generator	
	70004520	1	Starter	
	70026210	1	Tacho-Generator	
	70005191	1	O-Ring	
	70024918	2	Sensor, Temperature	
	70024504	1	Sensor, Fuel Pressure	
	70024920	1	Seal	
	70024485	1	Injector, Fuel	
	70011901	1	Pump, High Pressure	
	70024494	1	Cooler, Oil	
	70024495	1	Gasket	

SECTION 4 - ENGINE AND ATTACHING PARTS

FIGURE 4-11. FUEL LINES INSTALLATION (ULS)



ART_100138190-C

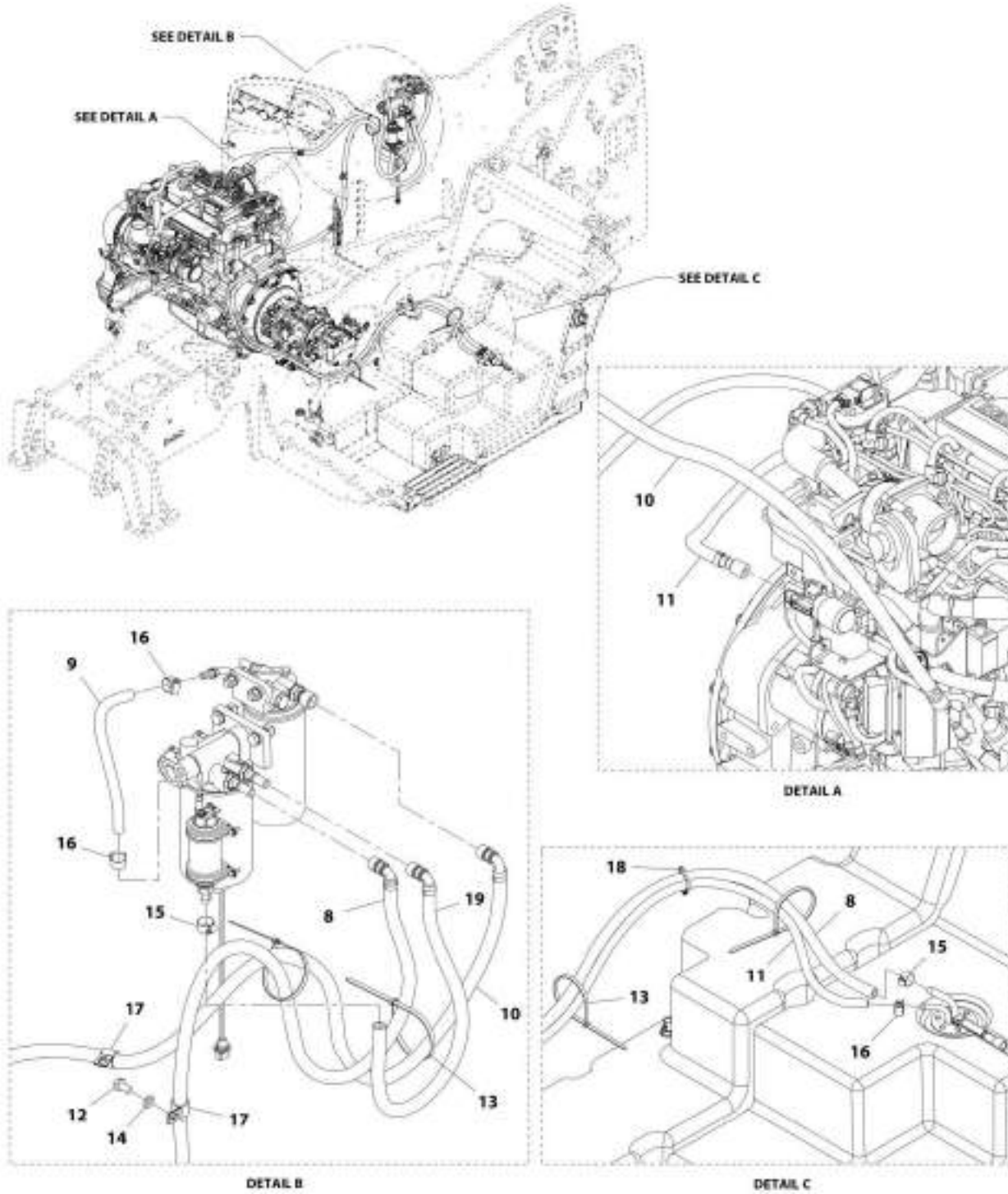
SECTION 4 - ENGINE AND ATTACHING PARTS

FIGURE 4-11. FUEL LINES INSTALLATION (ULS)

ITEM	PART NUMBER	QTY	DESCRIPTION	REV
	1001185190	Ref	Fuel Lines Installation (ULS)	C
8	1001214665	1	Hose	
9	1001200188	1	Hose	
10	1001200189	1	Hose	
11	1001200193	1	Hose	
12	0761010	1	Bolt, M10X20	
13	1062255	AR	Strap, Tie	
14	4812000	1	Washer, M10	
15	8405006	2	Gear, Clamp	
16	8410013	3	Gear, Clamp	
17	1001004144	2	Clip	
18	1001146588	1	Strap, Cable	
19	1001214666	1	Hose	

SECTION 4 - ENGINE AND ATTACHING PARTS

FIGURE 4-12. FUEL LINES INSTALLATION (LS)



ART_1001185191-C

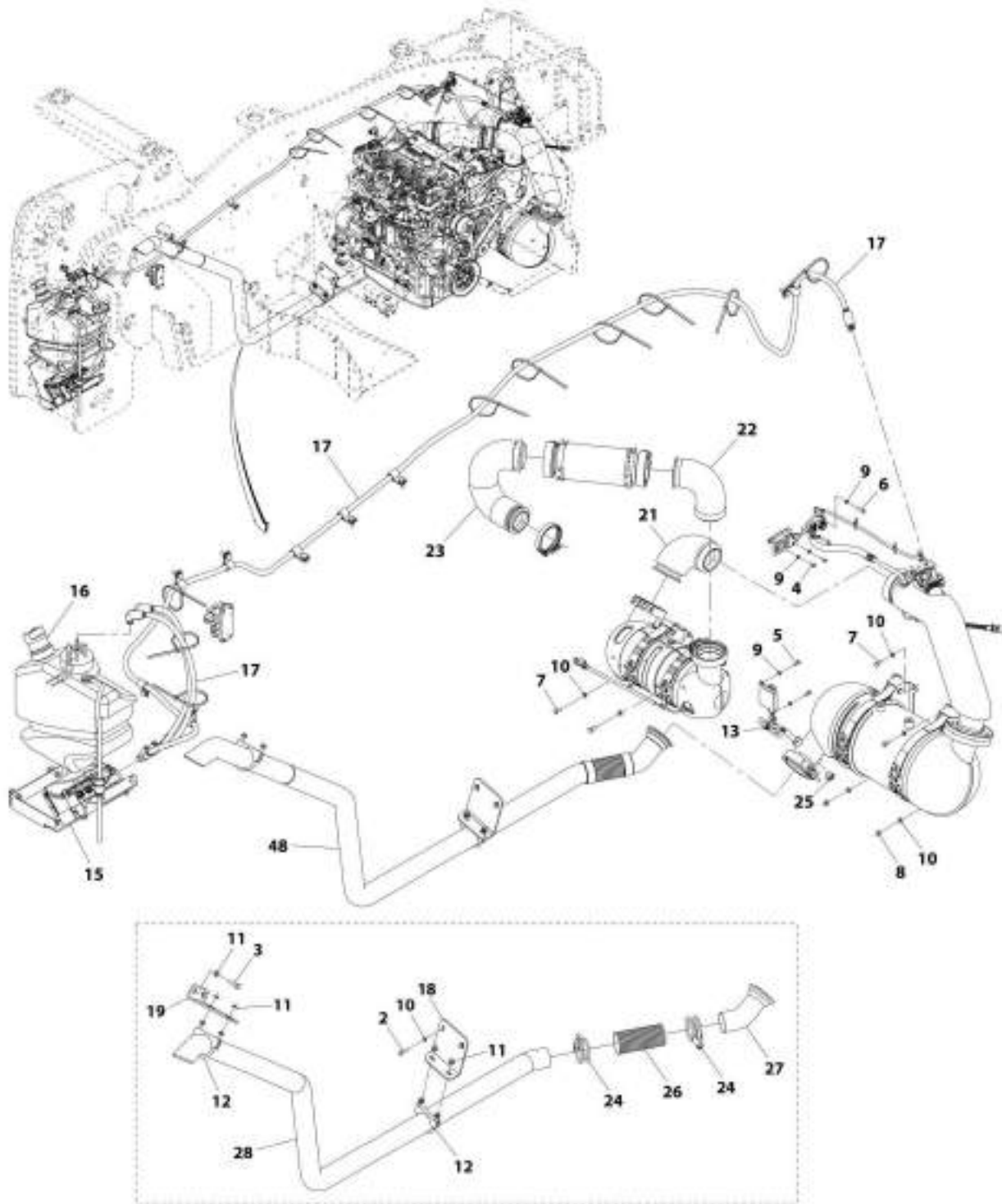
SECTION 4 - ENGINE AND ATTACHING PARTS

FIGURE 4-12. FUEL LINES INSTALLATION (LS)

ITEM	PART NUMBER	QTY	DESCRIPTION	REV
	1001185191	Ref	Fuel Lines Installation (LS)	C
8	1001214665	1	Hose	
9	1001200188	1	Hose	
10	1001200189	1	Hose	
11	1001200193	1	Hose	
12	0761010	1	Bolt, M10X20	
13	1062255	AR	Strap, Tie	
14	4812000	1	Washer, M10	
15	8405006	2	Gear, Clamp	
16	8410013	3	Gear, Clamp	
17	1001004144	2	Clip	
18	1001146588	1	Strap, Cable	
19	1001214666	1	Hose	

SECTION 4 - ENGINE AND ATTACHING PARTS

FIGURE 4-13. EXHAUST INSTALLATION (ULS)



PRIOR TO SN 0160079089, EXCLUDING 0160079084, 0160079085 AND 0160079086

ART_1001174002-F

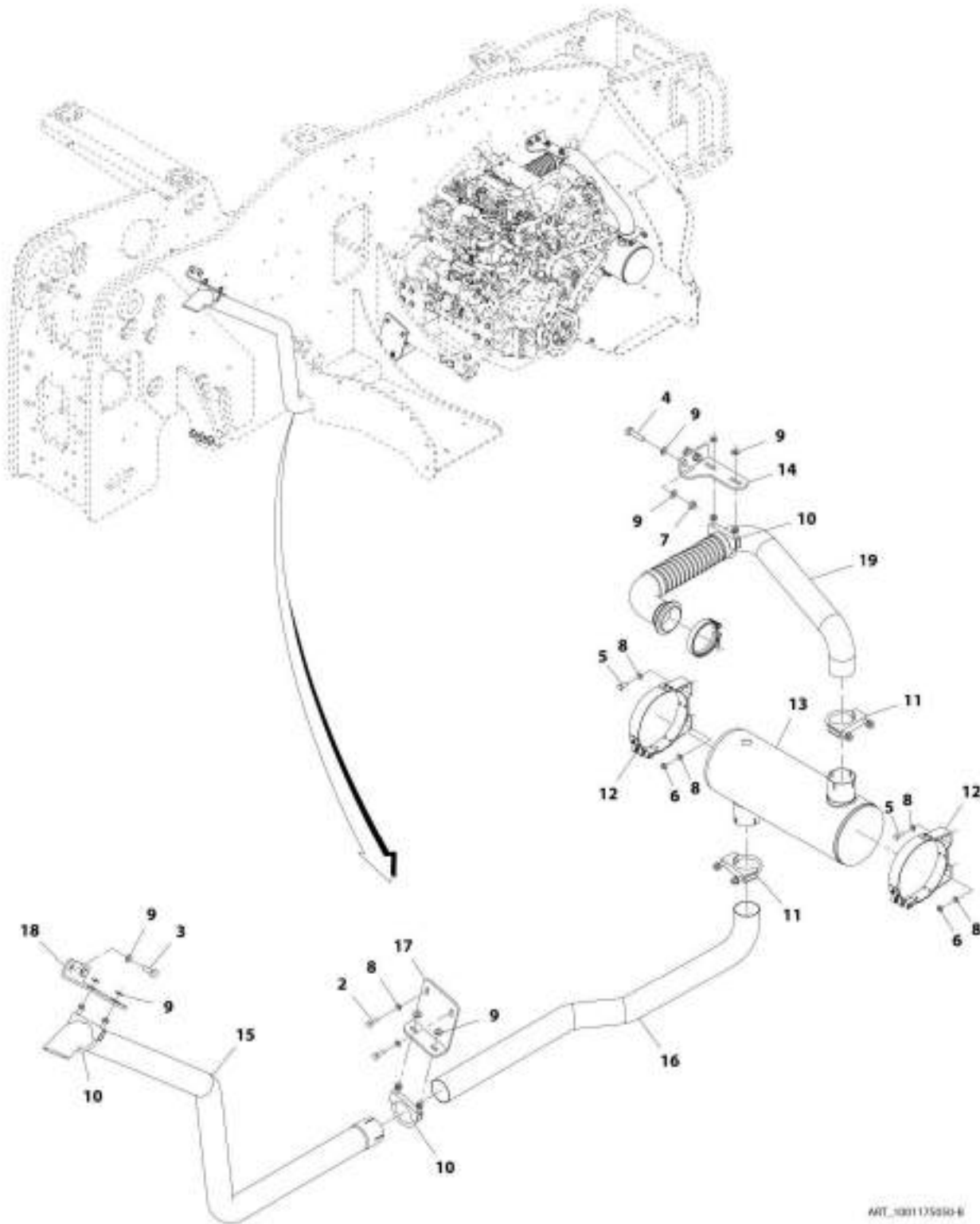
SECTION 4 - ENGINE AND ATTACHING PARTS

FIGURE 4-13. EXHAUST INSTALLATION (ULS)

ITEM	PART NUMBER	QTY	DESCRIPTION	REV
	1001174692	Ref	Exhaust Installation (ULS)	F
2	0700812	2	Bolt, M8X25	
3	0701014	2	Bolt, M10X30 (Prior to SN 0160079089, Excluding 0160079084, 0160079085 and 0160079086)	
4	0760607	2	Bolt, M6X14	
5	0760608	2	Bolt, M6X16	
6	0760612	2	Bolt, M6X25	
7	0760810	12	Bolt, M8X20	
8	3290801	4	Nut, M8X1.25	
9	4811700	6	Washer, M6	
10	4811900	18	Washer, M8	
11	4812000	6	Washer, M10 (Prior to SN 0160079089, Excluding 0160079084, 0160079085 and 0160079086)	
12	8275212	2	Clamp, Exhaust	
13	1001146588	1	Strap	
15	1001182341	Ref	Installation, DEF Pump and Control (See Separate Breakdown in this Section)	
16	1001183454	Ref	Installation, DEF Tank (See Separate Breakdown in this Section)	
17	1001183807	Ref	Installation, DEF Pump Lines (See Separate Breakdown in this Section)	
18	1001184958	1	Bracket, Exhaust	
19	1001184966	1	Bracket, Tail Pipe (Prior to SN 0160079089, Excluding 0160079084, 0160079085 and 0160079086)	
21	1001186239	1	Pipe	
22	1001184566	1	Pipe	
23	1001184567	1	Pipe	
24	91163268	2	Clamp, Pipe (Prior to SN 0160079089, Excluding 0160079084, 0160079085 and 0160079086)	
25	1001171959	1	Plug	
26	1001201766	1	Pipe (Prior to SN 0160079089, Excluding 0160079084, 0160079085 and 0160079086)	
27	1001201927	1	Pipe (Prior to SN 0160079089, Excluding 0160079084, 0160079085 and 0160079086)	
28	1001202312	1	Pipe (Prior to SN 0160079089, Excluding 0160079084, 0160079085 and 0160079086)	
48	1001224926	1	Pipe Assembly (SN 0160079089 to Present, Including 0160079084, 0160079085 and 0160079086)	

SECTION 4 - ENGINE AND ATTACHING PARTS

FIGURE 4-14. EXHAUST INSTALLATION (LS) (Prior to SN 0160079089, Excluding 0160079084, 0160079085 and 0160079086)



ART_1001175030-B

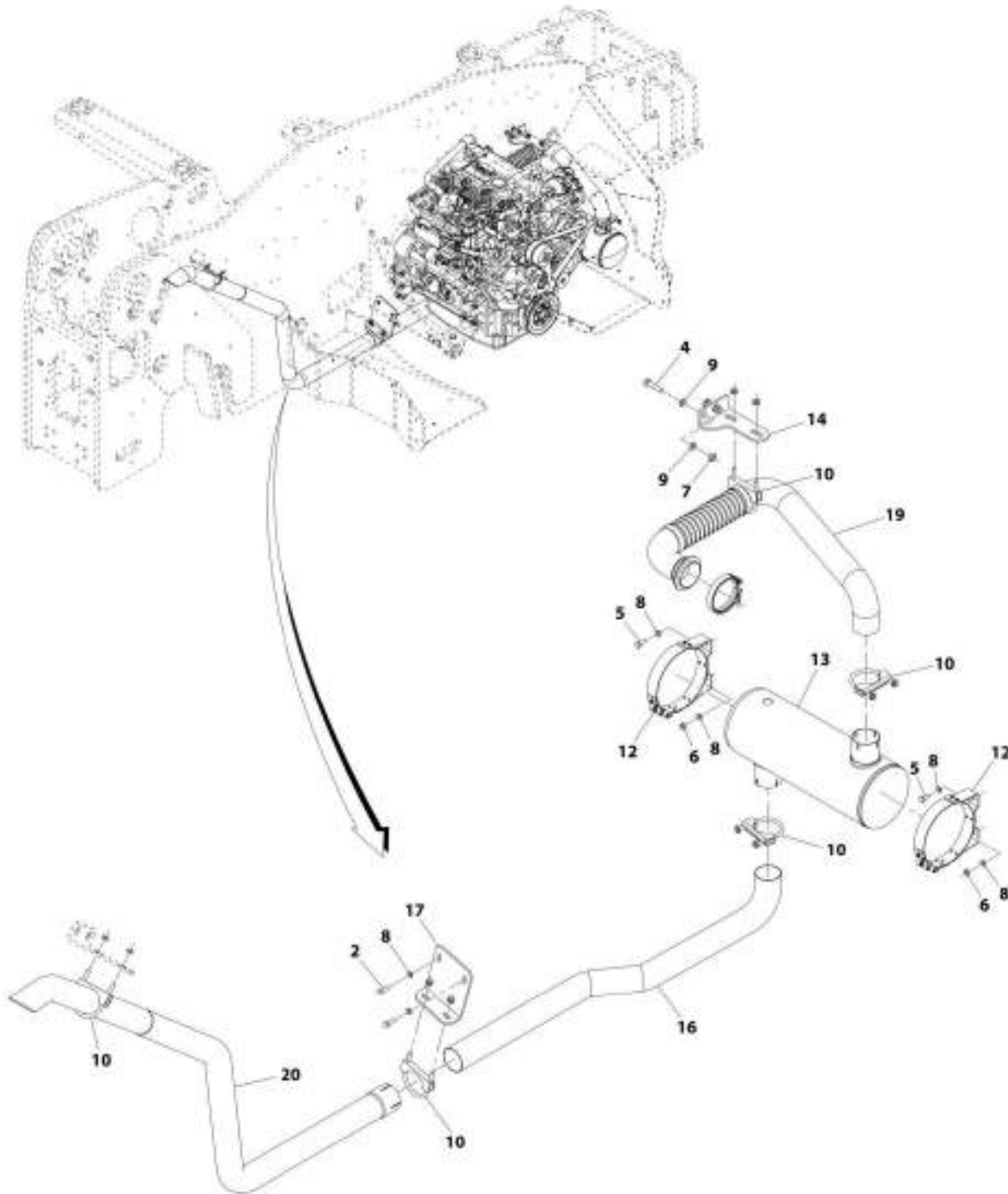
SECTION 4 - ENGINE AND ATTACHING PARTS

FIGURE 4-14. EXHAUST INSTALLATION (LS) (Prior to SN 0160079089, Excluding 0160079084, 0160079085 and 0160079086)

ITEM	PART NUMBER	QTY	DESCRIPTION	REV
	1001175050	Ref	Exhaust Installation (LS)	B
2	0700812	2	Bolt, M8X25	
3	0701014	2	Bolt, M10X30	
4	0701017	2	Bolt, M10X45	
5	0760810	2	Bolt, M8X20	
6	3290801	2	Nut, M8X1.25	
7	3291001	2	Nut, M10X1.5	
8	4811900	6	Washer, M8	
9	4812000	12	Washer, M10	
10	8275212	3	Clamp, Exhaust	
11	1001111116	2	Clamp, Exhaust	
12	1001119727	2	Clamp, Exhaust	
13	1001151432	Ref	Installation, Muffler (See Separate Breakdown in this Section)	
14	1001162281	1	Pipe, Exhaust	
15	1001181702	1	Pipe, Exhaust	
16	1001184724	1	Pipe, Exhaust	
17	1001184958	1	Pipe, Exhaust	
18	1001184966	1	Bracket, Tail Pipe	
19	1001181813	1	Pipe, Exhaust	

SECTION 4 - ENGINE AND ATTACHING PARTS

FIGURE 4-15. EXHAUST INSTALLATION (LS) (SN 0160079089 to Present, Including 0160079084, 0160079085 and 0160079086)



ART_100113500-C

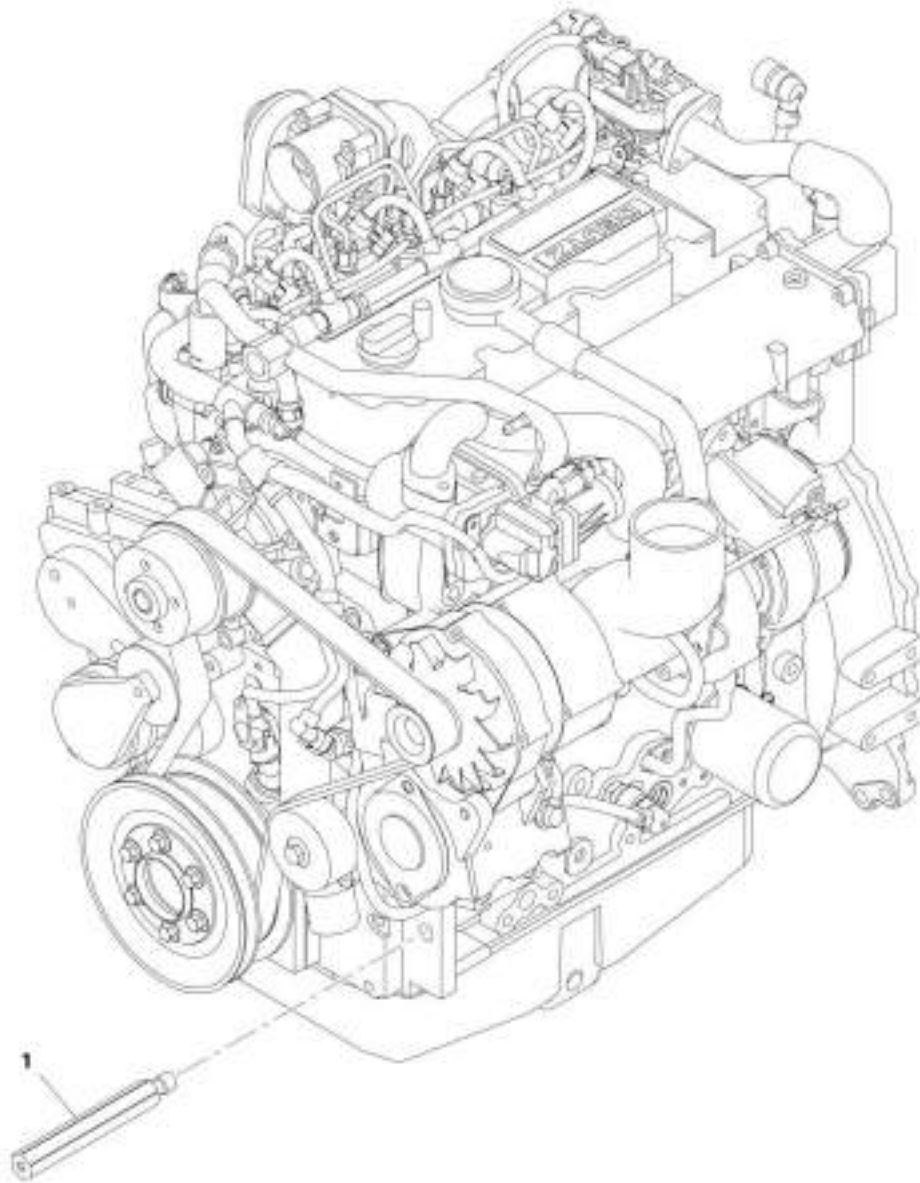
SECTION 4 - ENGINE AND ATTACHING PARTS

FIGURE 4-15. EXHAUST INSTALLATION (LS) (SN 0160079089 to Present, Including 0160079084, 0160079085 and 0160079086)

ITEM	PART NUMBER	QTY	DESCRIPTION	REV
	1001175050	1	Exhaust Installation (LS)	C
2	0700812	2	Bolt, M8X25	
4	0701017	2	Bolt, M10X45	
5	0760810	2	Bolt, M8X20	
6	3290801	2	Nut, M8X1.25	
7	3291001	2	Nut, M10X1.5	
8	4811900	6	Washer, M8	
9	4812000	4	Washer, M10	
10	8275212	5	Clamp, Exhaust	
12	1001119727	2	Clamp, Exhaust	
13	1001151432	Ref	Installation, Muffler (See Separate Breakdown in this Section)	
14	1001162281	1	Pipe, Exhaust	
16	1001184724	1	Pipe, Exhaust	
17	1001184958	1	Pipe, Exhaust	
19	1001181813	1	Pipe, Exhaust	
20	1001225168	1	Pipe, Exhaust	

SECTION 4 - ENGINE AND ATTACHING PARTS

FIGURE 4-16. ENGINE PARTS INSTALLATION (NO A/C)



ART. 1001205852-A

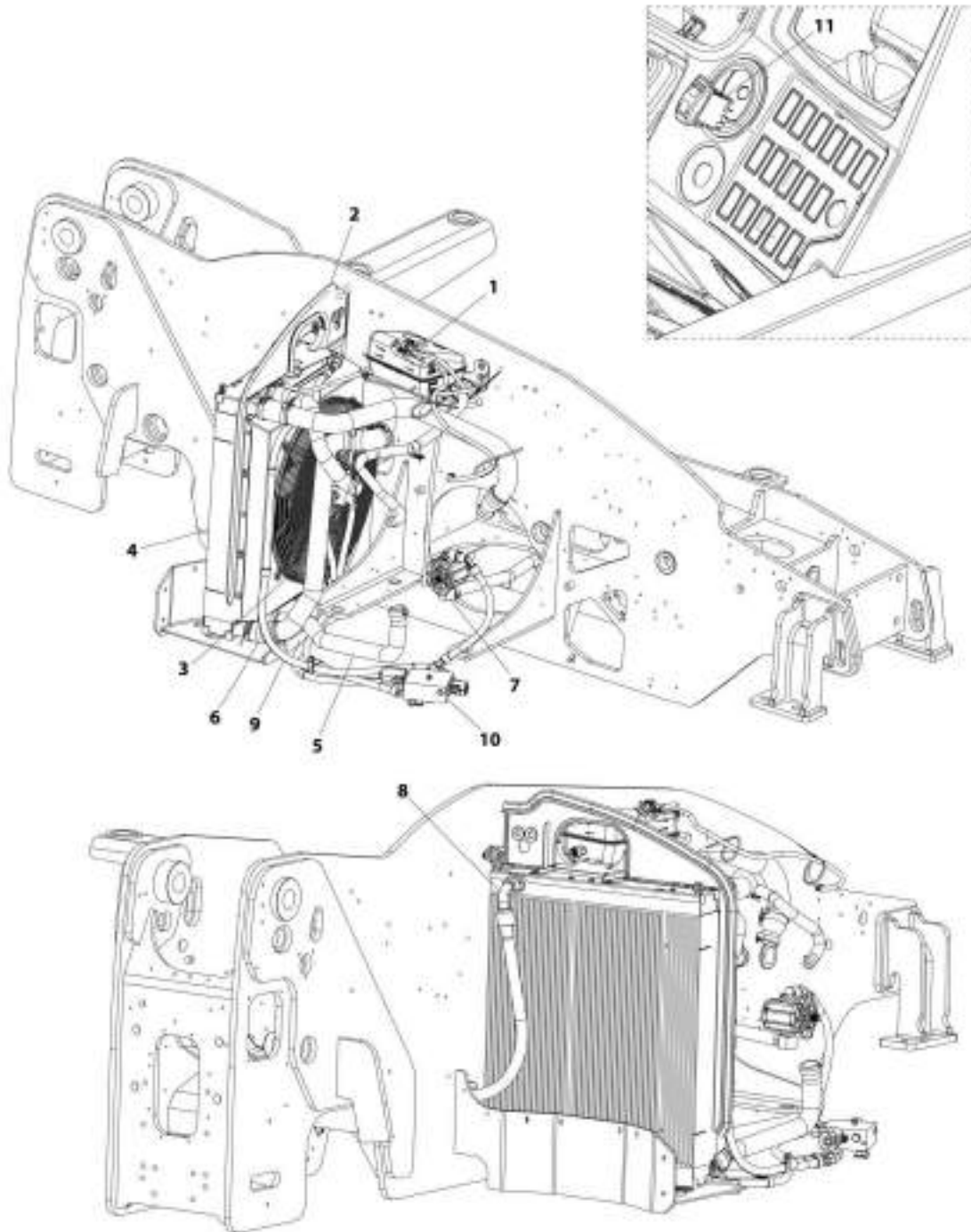
SECTION 4 - ENGINE AND ATTACHING PARTS

FIGURE 4-16. ENGINE PARTS INSTALLATION (NO A/C)

ITEM	PART NUMBER	QTY	DESCRIPTION	REV
1	1001203852 1001206356	Ref 1	Engine Parts Installation (No A/C) Brace, Pulley Cover	A

SECTION 4 - ENGINE AND ATTACHING PARTS

FIGURE 4-17. COOLING PACKAGE INSTALLATION (ULS)



ART_100174691-E

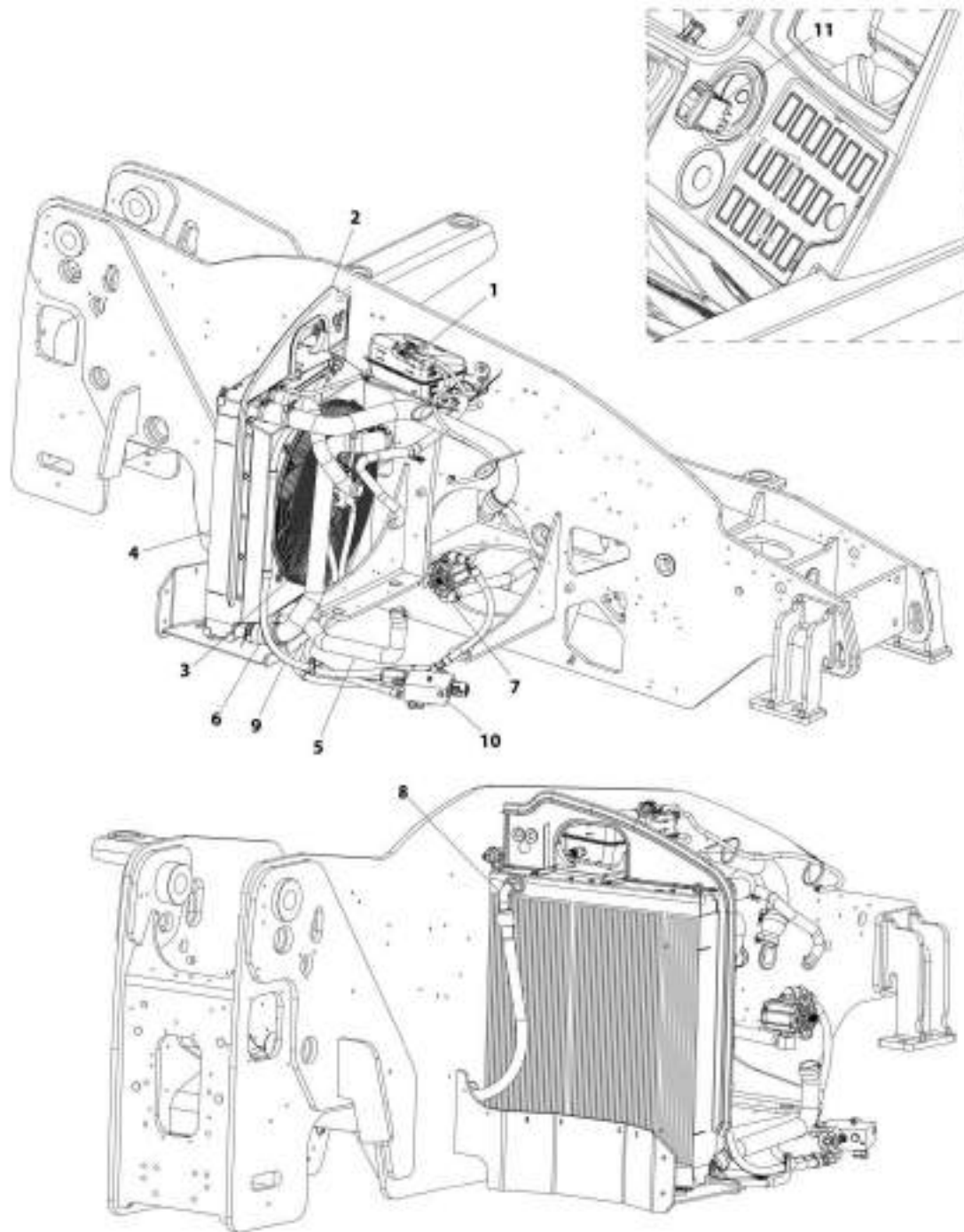
SECTION 4 - ENGINE AND ATTACHING PARTS

FIGURE 4-17. COOLING PACKAGE INSTALLATION (ULS)

ITEM	PART NUMBER	QTY	DESCRIPTION	REV
	1001174691	Ref	Cooling Package Installation (ULS)	E
1	1001181354	Ref	Installation, Surge Tank (See Separate Breakdown in this Section)	
2	1001182531	Ref	Installation, Bulkhead (See Separate Breakdown in this Section)	
3	1001183330	Ref	Installation, Fan (See Separate Breakdown in this Section)	
4	1001183564	Ref	Installation, Radiator Cooling Package (See Separate Breakdown in this Section)	
5	1001184446	Ref	Installation, Coolant Lines (See Separate Breakdown in this Section)	
6	1001184447	Ref	Installation, CAC Lines (ULS) (See Separate Breakdown in this Section)	
7	1001185861	Ref	Installation, Hydraulic Fan Pump (See Separate Breakdown in this Section)	
8	1001184340	Ref	Installation, Cooler Lines (See Separate Breakdown in this Section)	
9	1001185937	Ref	Installation, Fan Lines (See Separate Breakdown in this Section)	
10	1001202648	Ref	Installation, Fan Valve (See Separate Breakdown in this Section)	
11	1001145204	1	Switch	

SECTION 4 - ENGINE AND ATTACHING PARTS

FIGURE 4-18. COOLING PACKAGE INSTALLATION (LS)



ART_1001187125-E

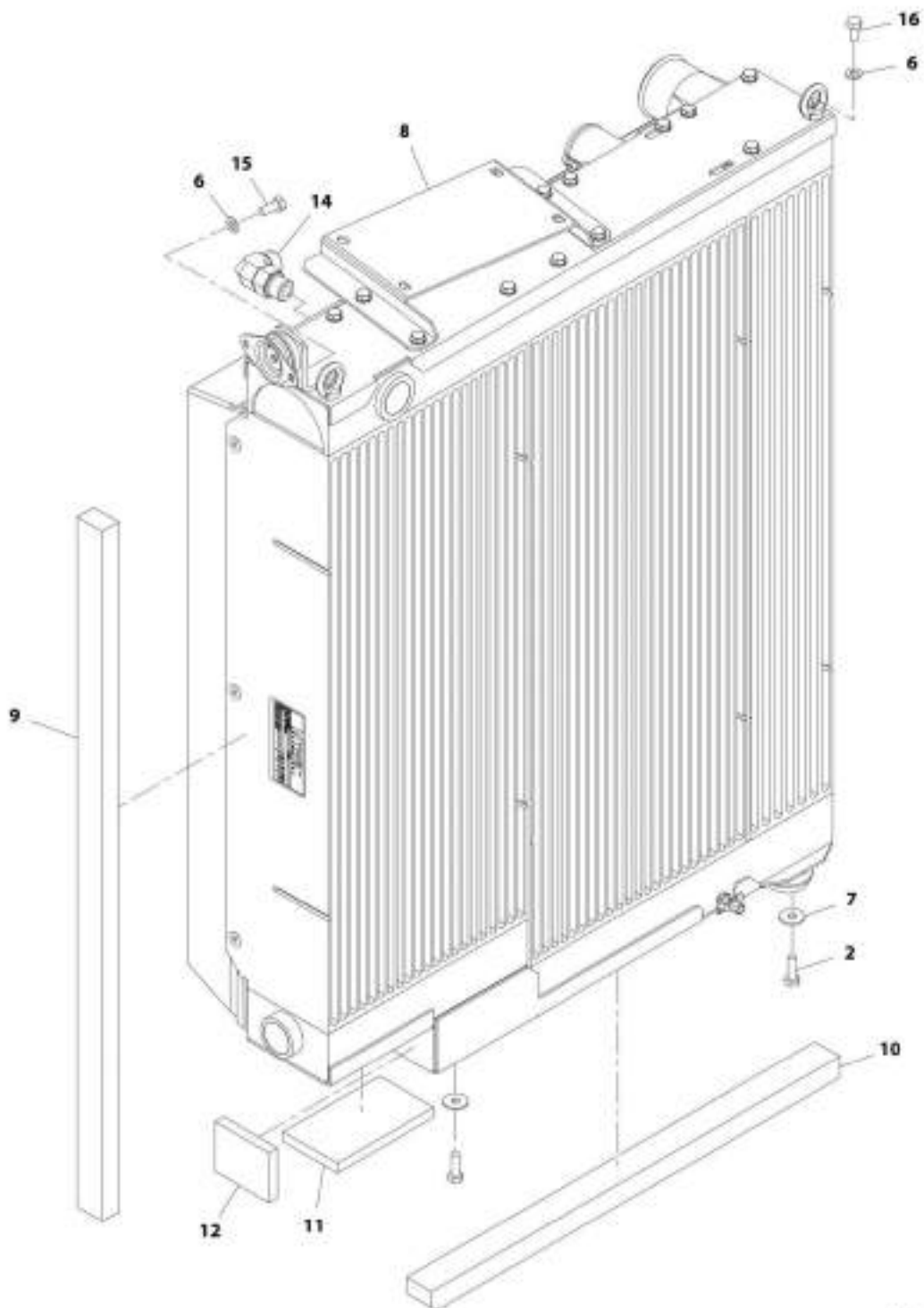
SECTION 4 - ENGINE AND ATTACHING PARTS

FIGURE 4-18. COOLING PACKAGE INSTALLATION (LS)

ITEM	PART NUMBER	QTY	DESCRIPTION	REV
	1001187125	Ref	Cooling Package Installation (LS)	E
1	1001181354	Ref	Installation, Surge Tank (See Separate Breakdown in this Section)	
2	1001182531	Ref	Installation, Bulkhead (See Separate Breakdown in this Section)	
3	1001183330	Ref	Installation, Fan (See Separate Breakdown in this Section)	
4	1001183564	Ref	Installation, Radiator Cooling Package (See Separate Breakdown in this Section)	
5	1001184446	Ref	Installation, Coolant Lines (See Separate Breakdown in this Section)	
6	1001184448	Ref	Installation, CAC Lines (LS) (See Separate Breakdown in this Section)	
7	1001185861	Ref	Installation, Hydraulic Fan Pump (See Separate Breakdown in this Section)	
8	1001184340	Ref	Installation, Cooler Lines (See Separate Breakdown in this Section)	
9	1001185937	Ref	Installation, Fan Lines (See Separate Breakdown in this Section)	
10	1001202648	Ref	Installation, Fan Valve (See Separate Breakdown in this Section)	
11	1001145204	1	Switch	

SECTION 4 - ENGINE AND ATTACHING PARTS

FIGURE 4-19. RADIATOR COOLING PACKAGE INSTALLATION



ART_1001161564E

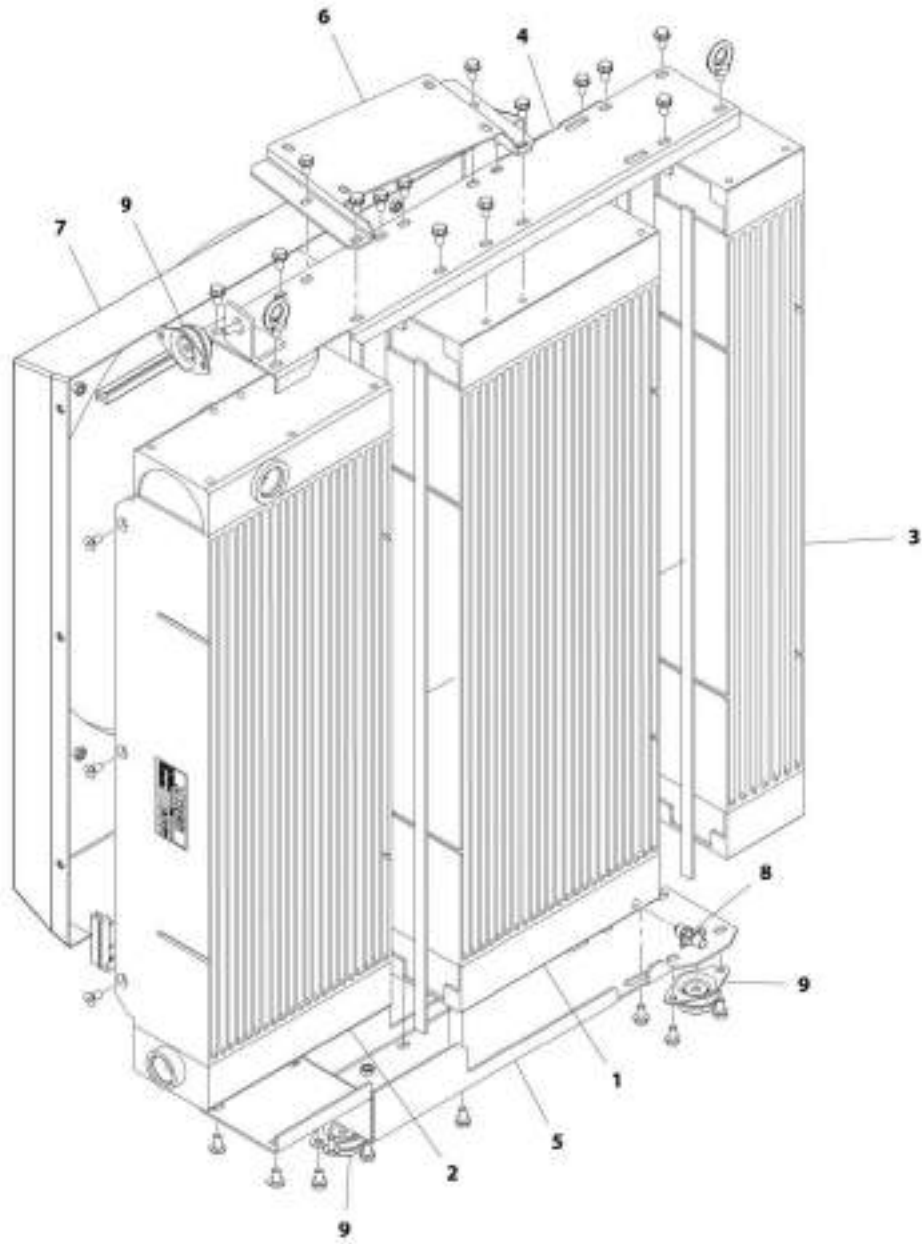
SECTION 4 - ENGINE AND ATTACHING PARTS

FIGURE 4-19. RADIATOR COOLING PACKAGE INSTALLATION

ITEM	PART NUMBER	QTY	DESCRIPTION	REV
	1001183564	Ref	Radiator Cooling Package Installation	E
2	0760812	2	Bolt, M8X25	
6	4811900	4	Washer, M8	
7	4811902	2	Washer, M8	
8	1001182560	1	Radiator (See Separate Breakdown in this Section)	
9	1001182993	1	Seal	
10	1001183064	1	Seal	
11	1001183102	1	Seal	
12	1001183103	1	Seal	
14	2131010	1	Fitting, 90 ORFS	
15	0760810	2	Bolt, M8X20	
16	0700808	2	Bolt, M8X16	

SECTION 4 - ENGINE AND ATTACHING PARTS

FIGURE 4-20. RADIATOR



MR_100182560-D

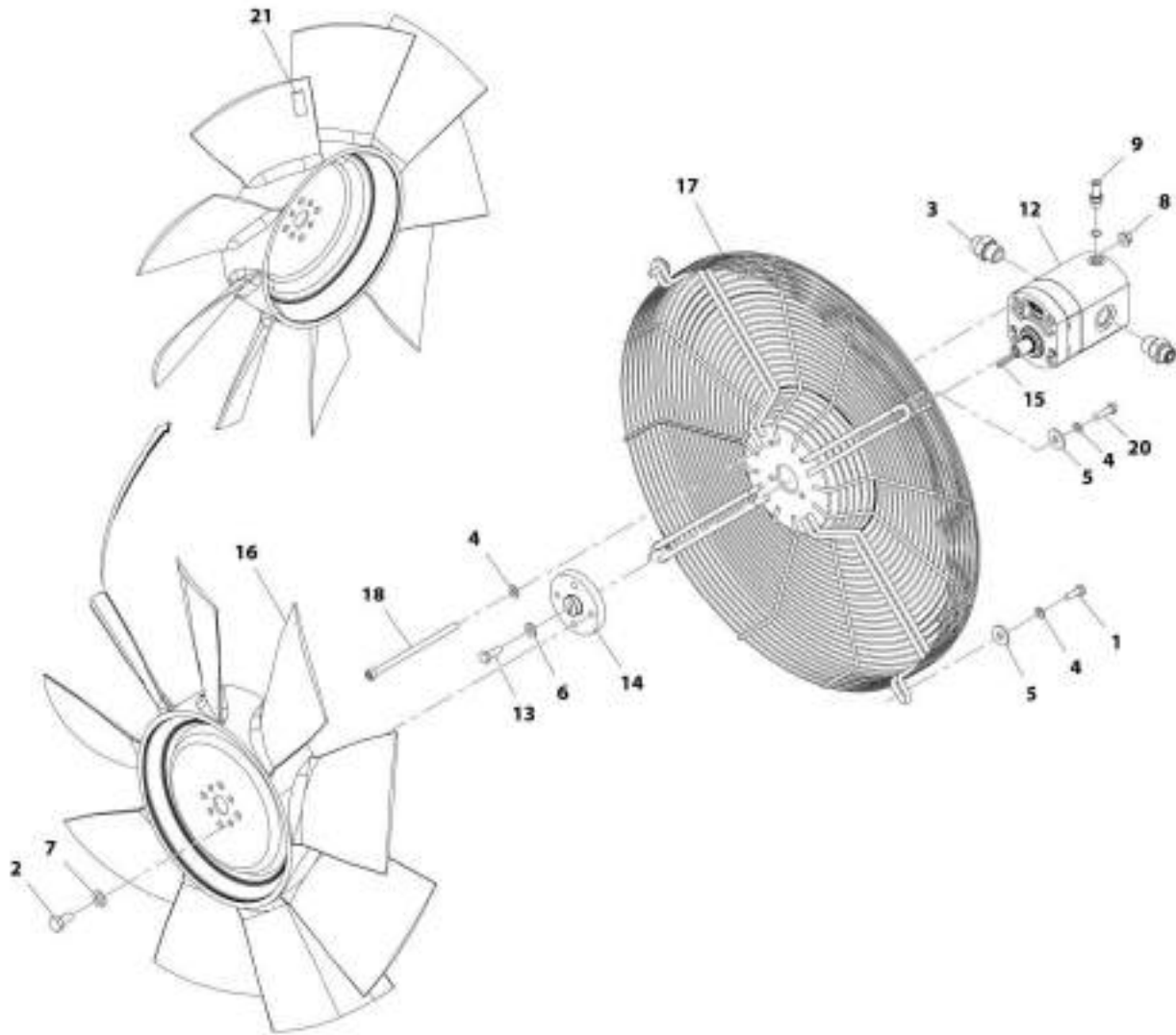
SECTION 4 - ENGINE AND ATTACHING PARTS

FIGURE 4-20. RADIATOR

ITEM	PART NUMBER	QTY	DESCRIPTION	REV
	1001182560	Ref	Radiator	D
1	70027181	1	Cooler, Water	
2	70027182	1	Cooler, Oil	
3	70027183	1	Cooler, Water	
4	70027185	1	Bracket, Mounting	
5	70027186	1	Bracket, Mounting	
6	70027187	1	Bracket, Mounting	
7	70027184	1	Shroud	
8	70025644	1	Valve, Drain	
9	1001184609	3	Mount, Isolator	

SECTION 4 - ENGINE AND ATTACHING PARTS

FIGURE 4-21. FAN INSTALLATION



ART_300118330-E

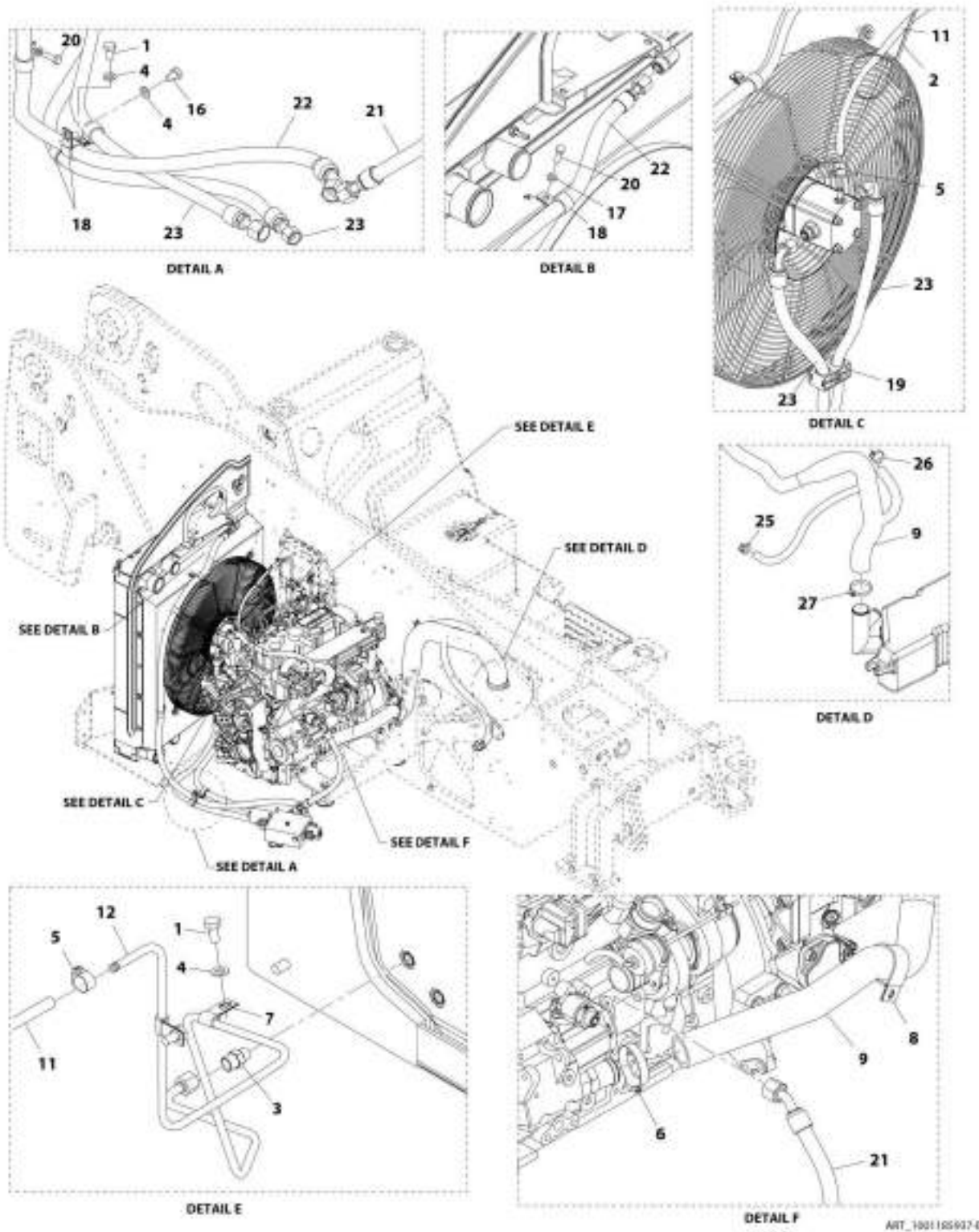
SECTION 4 - ENGINE AND ATTACHING PARTS

FIGURE 4-21. FAN INSTALLATION

ITEM	PART NUMBER	QTY	DESCRIPTION	REV
	1001183330	Ref	Fan Installation	E
1	0760812	3	Bolt, M8X25	
2	0761010	4	Bolt, M10X20	
3	2110810	2	Fitting, Straight ORFS	
4	4811900	8	Washer, M8	
5	4812002	4	Washer, M10	
6	5240800	1	Washer, M8	
7	5241000	4	Washer, M10	
8	5260800	4	Nut, M8	
9	1001093401	1	Fitting, Straight ORFS	
12	1001132236	1	Motor, Fan	
13	1001139034	1	Screw	
14	1001145871	1	Adapter	
15	1001152940	1	Key, Fan Hub	
16	1001181682	1	Fan	
17	1001183329	1	Shield, Fan	
18	1001183833	4	Bolt, M8X145	
20	0760814	1	Bolt, M8X30	
21	1001222573	AR	Tape, Reflective Tape	

SECTION 4 - ENGINE AND ATTACHING PARTS

FIGURE 4-22. FAN LINES INSTALLATION



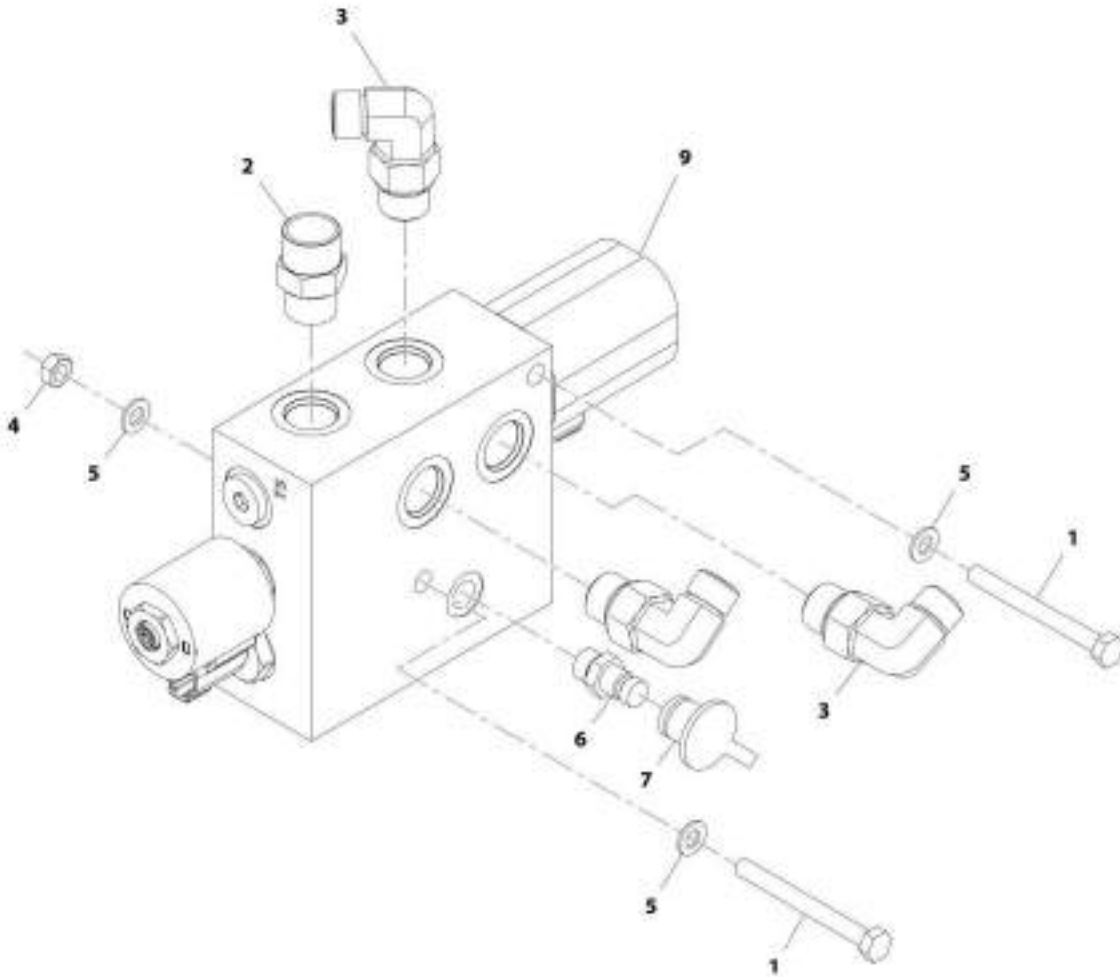
SECTION 4 - ENGINE AND ATTACHING PARTS

FIGURE 4-22. FAN LINES INSTALLATION

ITEM	PART NUMBER	QTY	DESCRIPTION	REV
	1001185937	Ref	Fan Lines Installation	E
1	0761010	3	Bolt, M10X20	
2	1062255	1	Strap, Tie	
3	2110606	1	Fitting, Straight ORFS	
4	4812000	4	Washer, M10	
5	8410013	2	Clamp, Gear	
6	8405201	1	Clamp, Hose	
7	1001008773	2	Clip	
8	1001025902	1	Clip	
9	1001217493	1	Hose	
11	1001186261	1	Hose	
12	1001196905	1	Pipe	
16	0761008	1	Bolt, M10X16	
17	4811900	3	Washer, M8	
18	1001009384	6	Clip	
19	1001214894	1	Clamp	
20	0760812	2	Bolt, M8X14	
21	1001199856	1	Hose	
22	1001199857	1	Hose	
23	1001214892	1	Hose	
25	8405101	1	Clamp, Gear	
26	8405103	1	Clamp, Gear	
27	8405204	1	Clamp, Gear	

SECTION 4 - ENGINE AND ATTACHING PARTS

FIGURE 4-23. FAN VALVE INSTALLATION



ART_1001200946-D

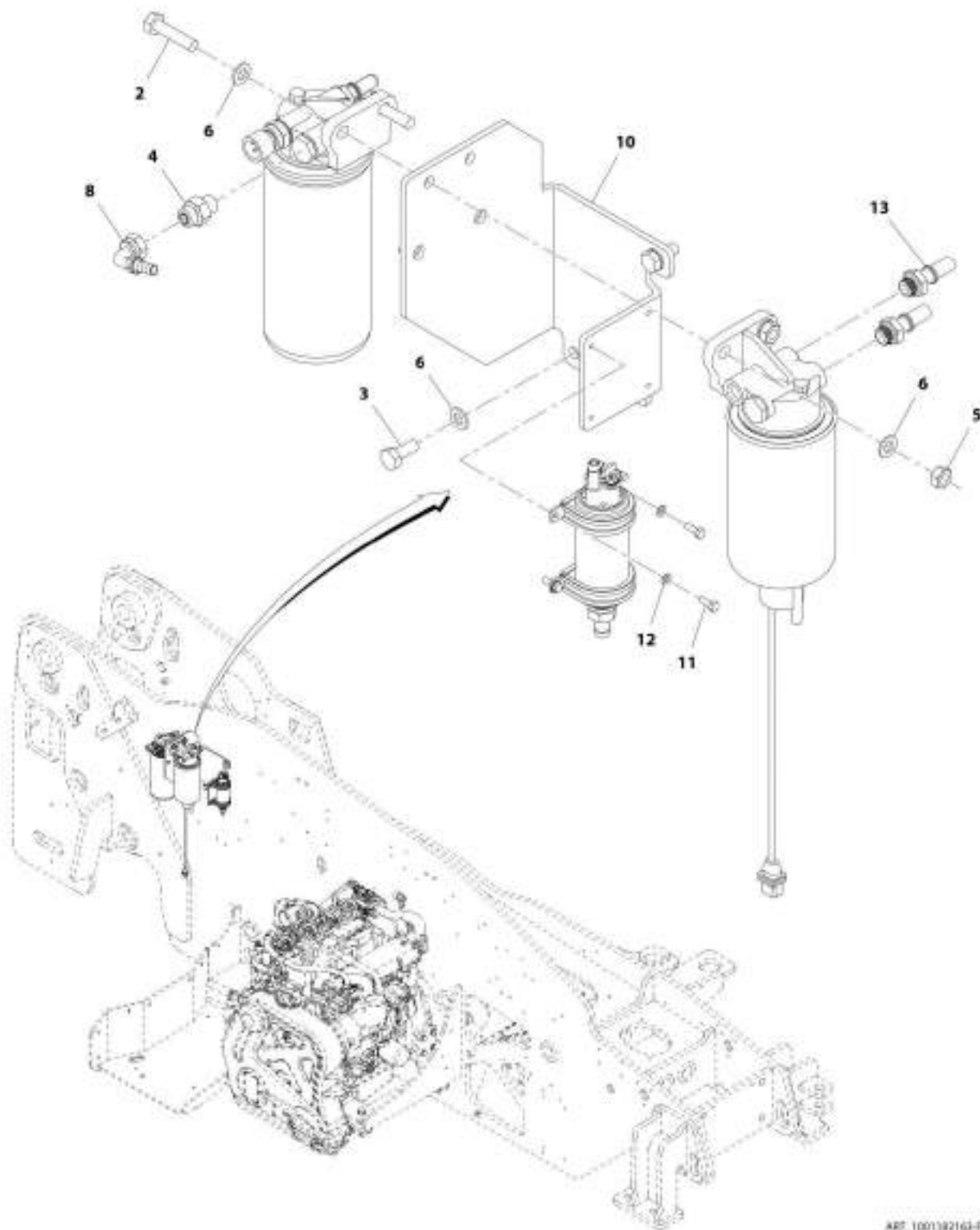
SECTION 4 - ENGINE AND ATTACHING PARTS

FIGURE 4-23. FAN VALVE INSTALLATION

ITEM	PART NUMBER	QTY	DESCRIPTION	REV
	1001202648	Ref	Fan Valve Installation	D
1	0700824	2	Bolt, M8X80	
2	2111010	1	Fitting, Straight ORFS	
3	2130810	3	Fitting, 90 ORFS	
4	3290801	1	Nut, M8X1.25	
5	4811900	3	Washer, M8	
6	1001003590	1	Fitting, Straight	
7	1001008761	1	Cap, Dust	
9	1001200907	1	Valve, Fan Motor Control	

SECTION 4 - ENGINE AND ATTACHING PARTS

FIGURE 4-24. PRIMARY FUEL FILTER INSTALLATION (ULS)



ARS_100182163-F

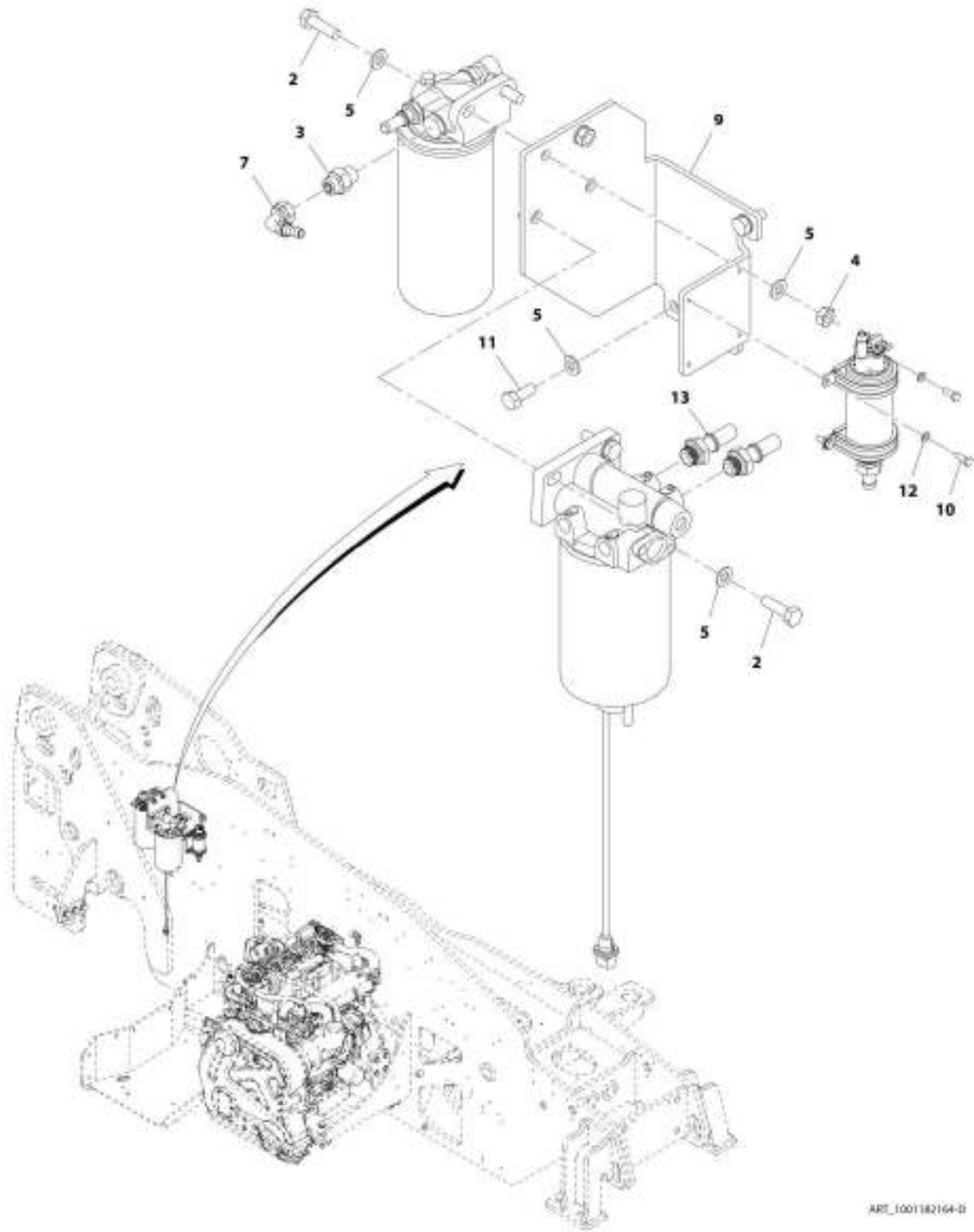
SECTION 4 - ENGINE AND ATTACHING PARTS

FIGURE 4-24. PRIMARY FUEL FILTER INSTALLATION (ULS)

ITEM	PART NUMBER	QTY	DESCRIPTION	REV
	1001182163	Ref	Primary Fuel Filter Installation (ULS)	F
2	0701017	2	Bolt, M10X45	
3	0761012	3	Bolt, M10X25	
4	2144606	1	Fitting, Straight ORFS	
5	3291001	2	Nut, M10X1.5 Grade 8	
6	4812000	7	Washer, M10	
8	1001133793	1	Fitting, 90 ORFS	
10	1001186562	1	Bracket, Fuel Filter	
11	0760507	4	Bolt, M5X14	
12	4811600	4	Washer, M5	
13	1001133690	2	Coupling, M16X1.5	

SECTION 4 - ENGINE AND ATTACHING PARTS

FIGURE 4-25. PRIMARY FUEL FILTER INSTALLATION (LS)



ART_1001182164-D

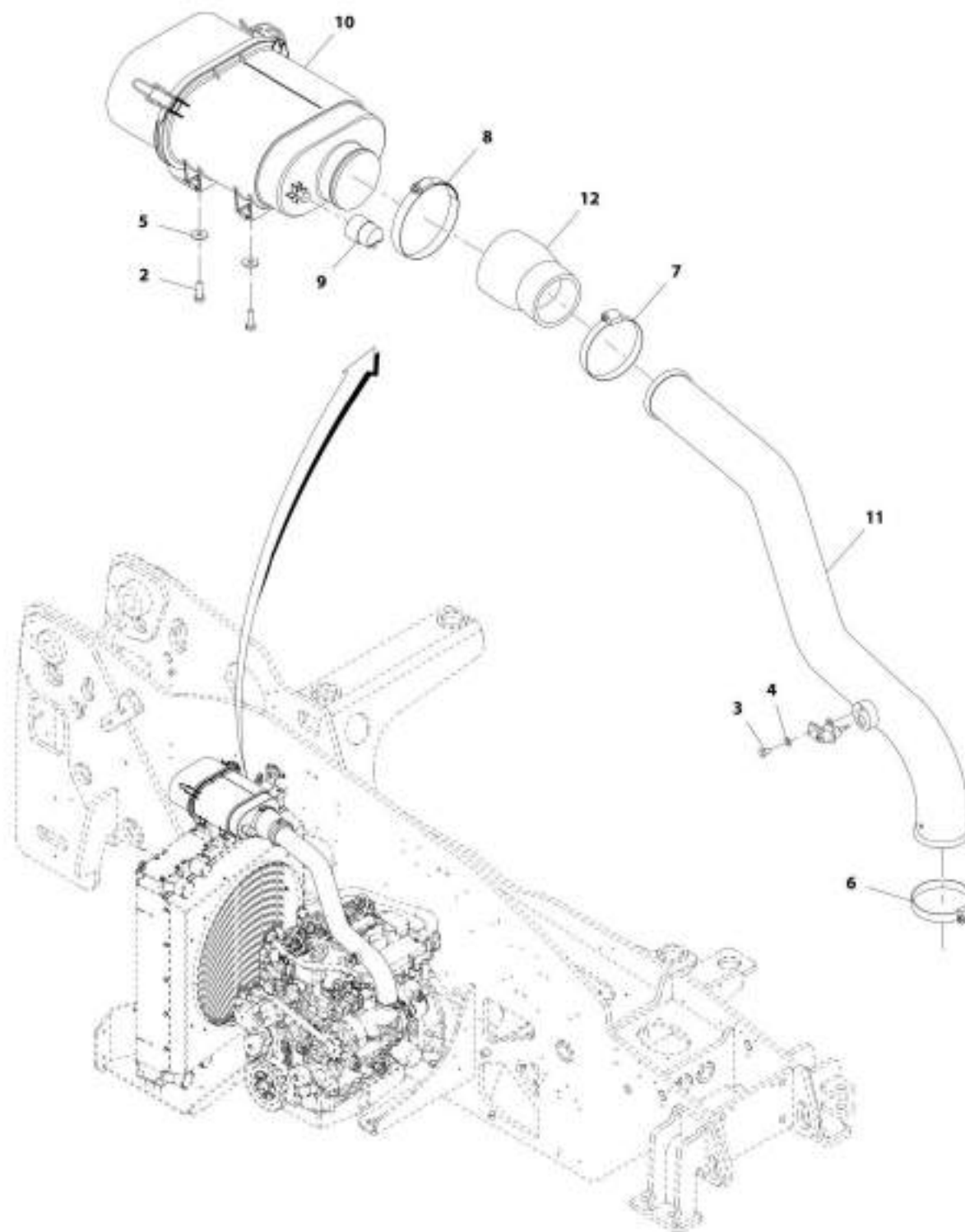
SECTION 4 - ENGINE AND ATTACHING PARTS

FIGURE 4-25. PRIMARY FUEL FILTER INSTALLATION (LS)

ITEM	PART NUMBER	QTY	DESCRIPTION	REV
	1001182164	Ref	Primary Fuel Filter Installation (LS)	D
2	0761015	4	Bolt, M10X35	
3	2144606	1	Fitting, Straight ORFS	
4	3291001	2	Nut, M10X1.5 Grade 8	
5	4812000	9	Washer, M10	
7	1001133793	1	Fitting, 90 ORFS	
9	1001186562	1	Bracket, Fuel Filter	
10	0760507	4	Bolt, M5X14	
11	0761012	3	Bolt, M10X25	
12	4811600	4	Washer, M5	
13	1001133690	2	Coupling, M16X1.5	

SECTION 4 - ENGINE AND ATTACHING PARTS

FIGURE 4-26. AIR CLEANER INSTALLATION (ULS)



ART_1001192044-0

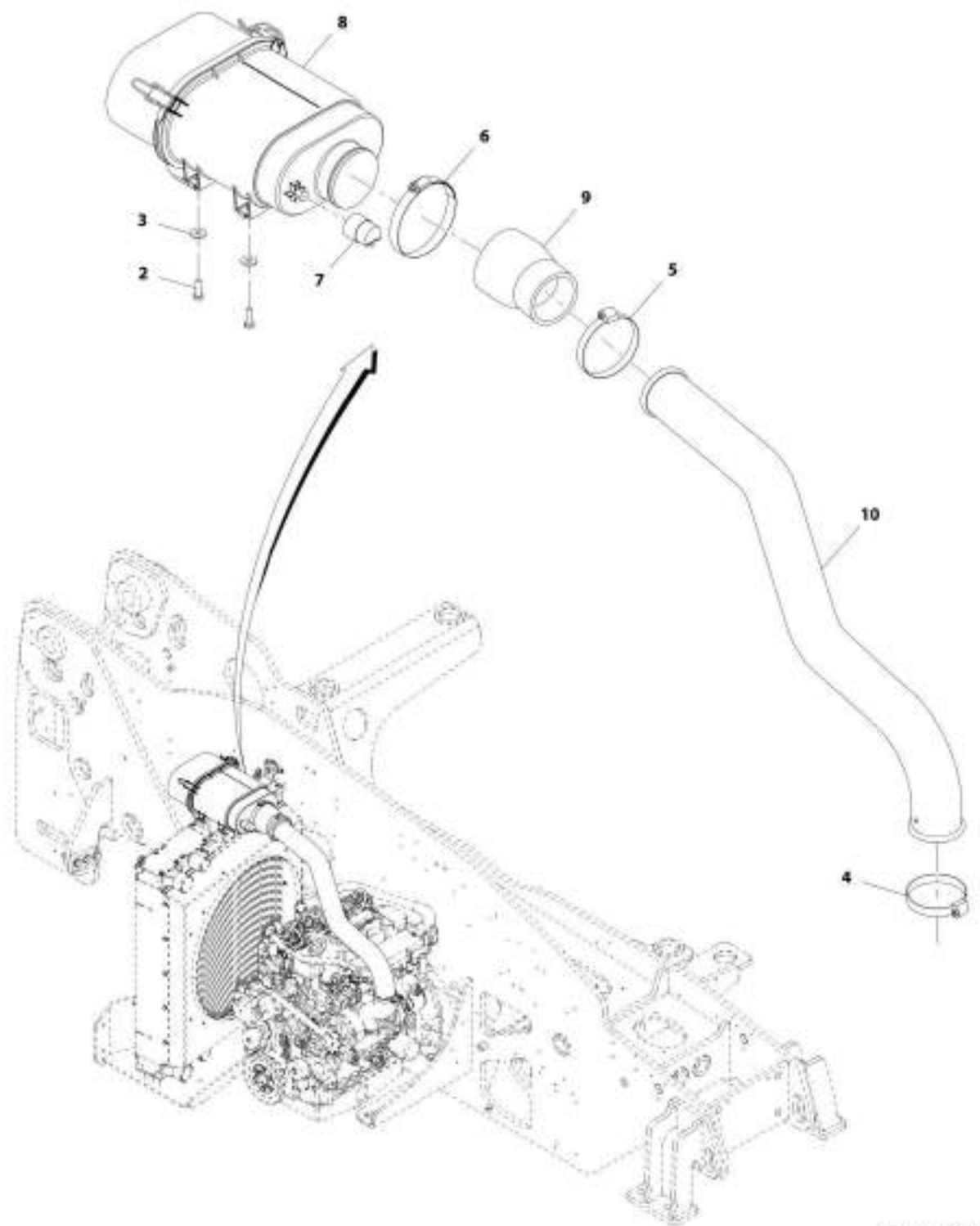
SECTION 4 - ENGINE AND ATTACHING PARTS

FIGURE 4-26. AIR CLEANER INSTALLATION (ULS)

ITEM	PART NUMBER	QTY	DESCRIPTION	REV
	1001182044	Ref	Air Cleaner Installation (ULS)	D
2	0700610	4	Bolt, M6X20	
3	0760605	1	Bolt, M6X10	
4	4811700	1	Washer, M6	
5	4811702	4	Washer, M6	
6	8405204	1	Clamp, Hose	
7	8410011	1	Clamp, Hose	
8	10719267	1	Clamp, Hose	
9	1001141952	1	Indicator, Restriction	
10	1001181154	1	Filter, Air Cleaner (See Separate Breakdown in this Section)	
11	1001183475	1	Tube, Air Intake	
12	1001183476	1	Hose, Air Intake	

SECTION 4 - ENGINE AND ATTACHING PARTS

FIGURE 4-27. AIR CLEANER INSTALLATION (LS)



ART_1001174694-01

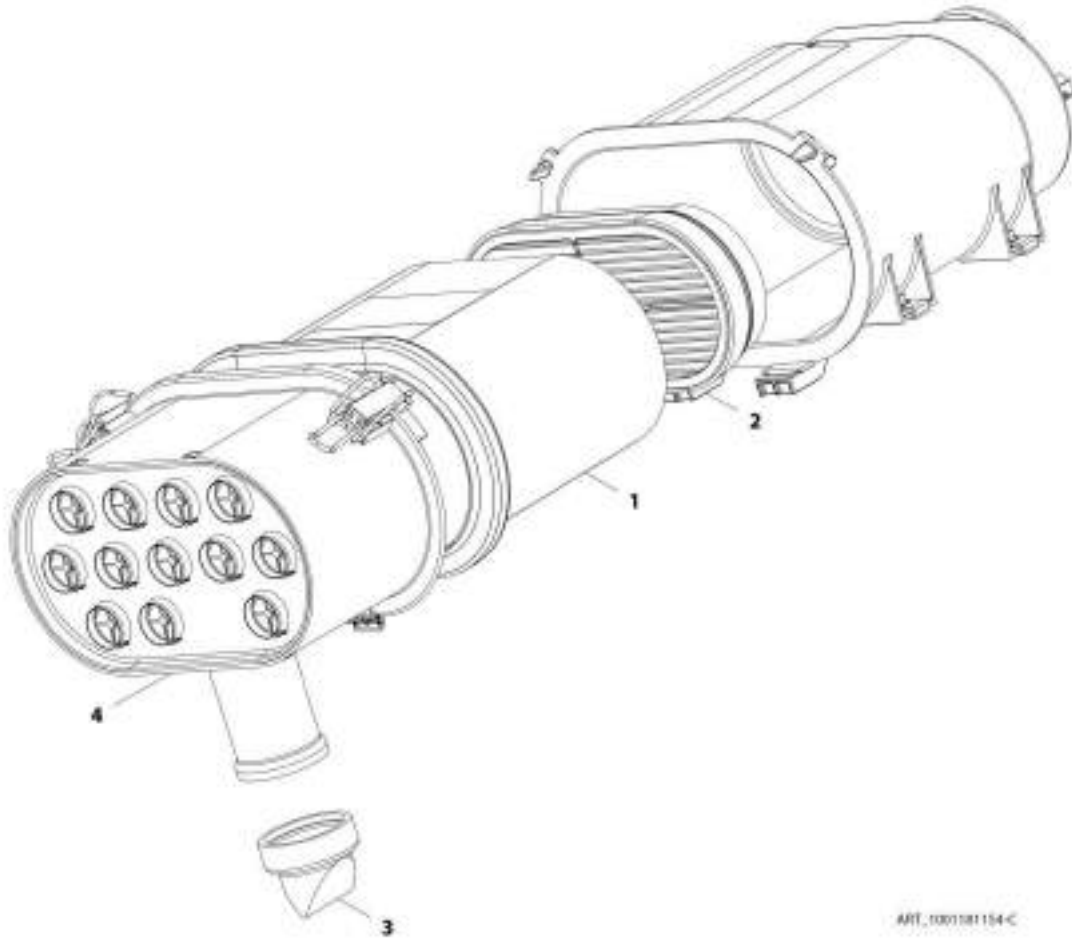
SECTION 4 - ENGINE AND ATTACHING PARTS

FIGURE 4-27. AIR CLEANER INSTALLATION (LS)

ITEM	PART NUMBER	QTY	DESCRIPTION	REV
	1001174694	Ref	Air Cleaner Installation (LS)	B
2	0700610	4	Bolt, M6X20	
3	4811702	4	Washer, M6	
4	8405204	1	Clamp, Hose	
5	8410011	1	Clamp, Hose	
6	10719267	1	Clamp, Hose	
7	1001141952	1	Indicator, Restriction	
8	1001181154	1	Filter, Air Cleaner (See Separate Breakdown in this Section)	
9	1001183476	1	Hose, Air Intake	
10	1001183613	1	Tube, Air Intake	

SECTION 4 - ENGINE AND ATTACHING PARTS

FIGURE 4-28. AIR CLEANER FILTER



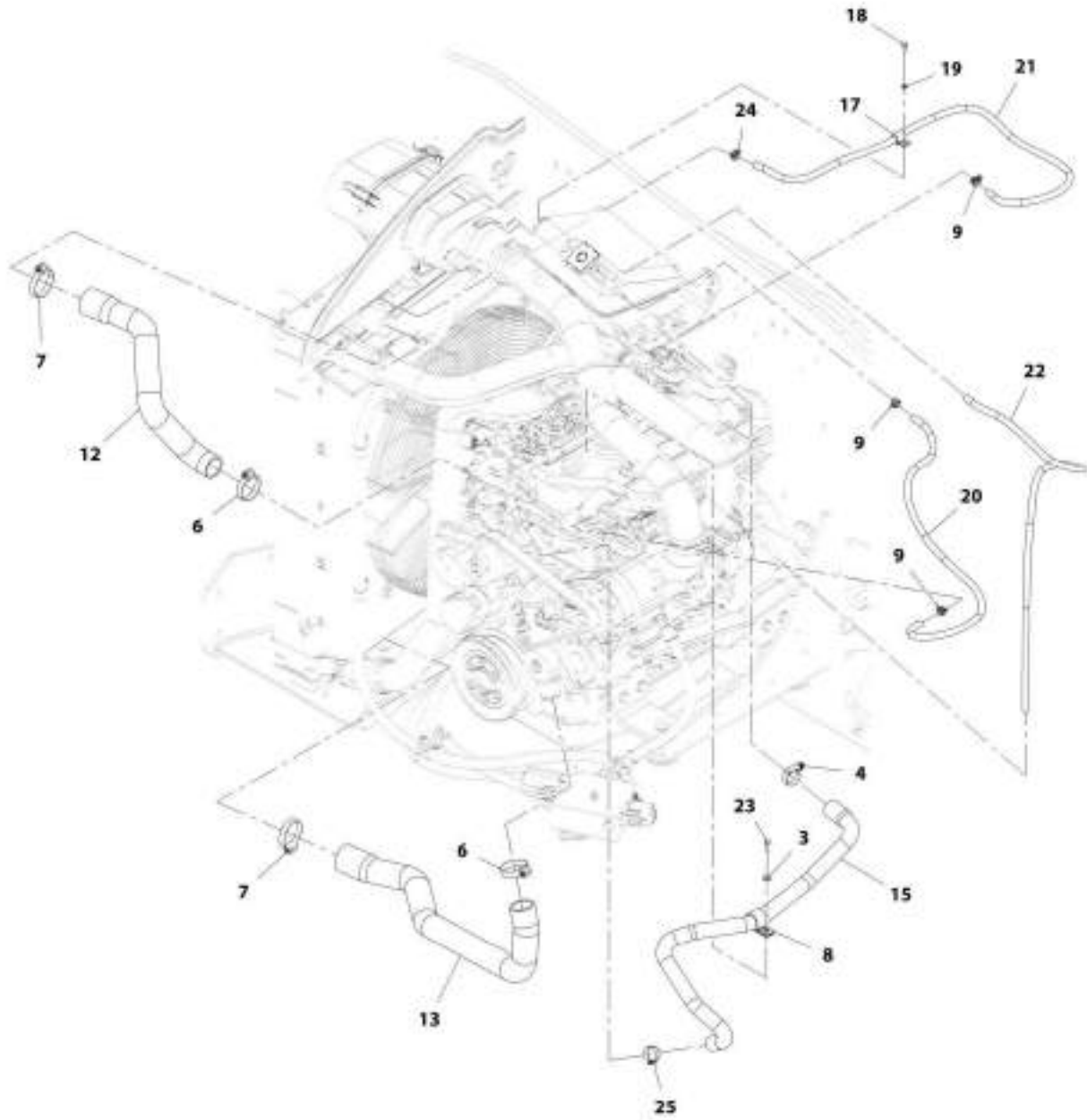
SECTION 4 - ENGINE AND ATTACHING PARTS

FIGURE 4-28. AIR CLEANER FILTER

ITEM	PART NUMBER	QTY	DESCRIPTION	REV
	1001181154	Ref	Air Cleaner Filter	C
1	70026007	1	Element, Main	
2	70026008	1	Element, Safety	
3	10733183	1	Valve, Vacuator	
4	70027274	1	Pre Cleaner	

SECTION 4 - ENGINE AND ATTACHING PARTS

FIGURE 4-29. COOLANT LINES INSTALLATION



ART_1001184495-H

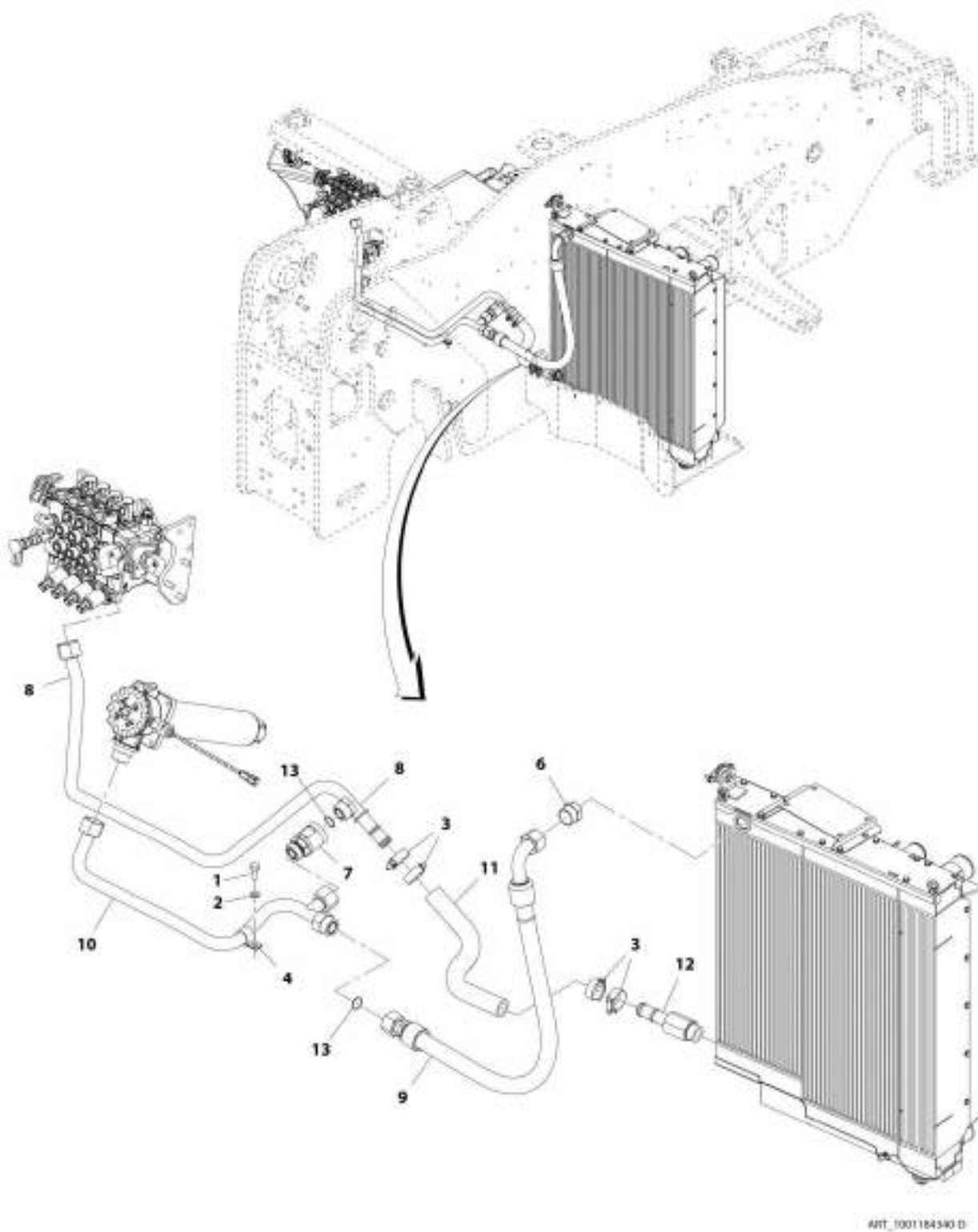
SECTION 4 - ENGINE AND ATTACHING PARTS

FIGURE 4-29. COOLANT LINES INSTALLATION

ITEM	PART NUMBER	QTY	DESCRIPTION	REV
	1001184446	Ref	Coolant Lines Installation	H
3	4811702	1	Washer, M6	
4	1001200709	1	Clamp, Hose	
6	8405104	2	Clamp, Hose	
7	8405201	2	Clamp, Hose	
8	8406302	1	Clamp, Hose	
9	1001195443	3	Clamp, Hose	
12	1001183389	1	Hose	
13	1001183390	1	Hose	
15	1001187417	1	Hose, Radiator Fill	
17	1001003048	1	Clip	
18	0760608	1	Bolt, M6X16	
19	4811700	1	Washer, M6	
20	1001203307	1	Hose	
21	1001203308	1	Hose	
22	1001203309	1	Hose	
23	0700610	1	Bolt, M6X20	
24	1001140296	1	Clamp	
25	8405007	1	Clamp	

SECTION 4 - ENGINE AND ATTACHING PARTS

FIGURE 4-30. COOLER LINES INSTALLATION (Prior to SN 1160008371)



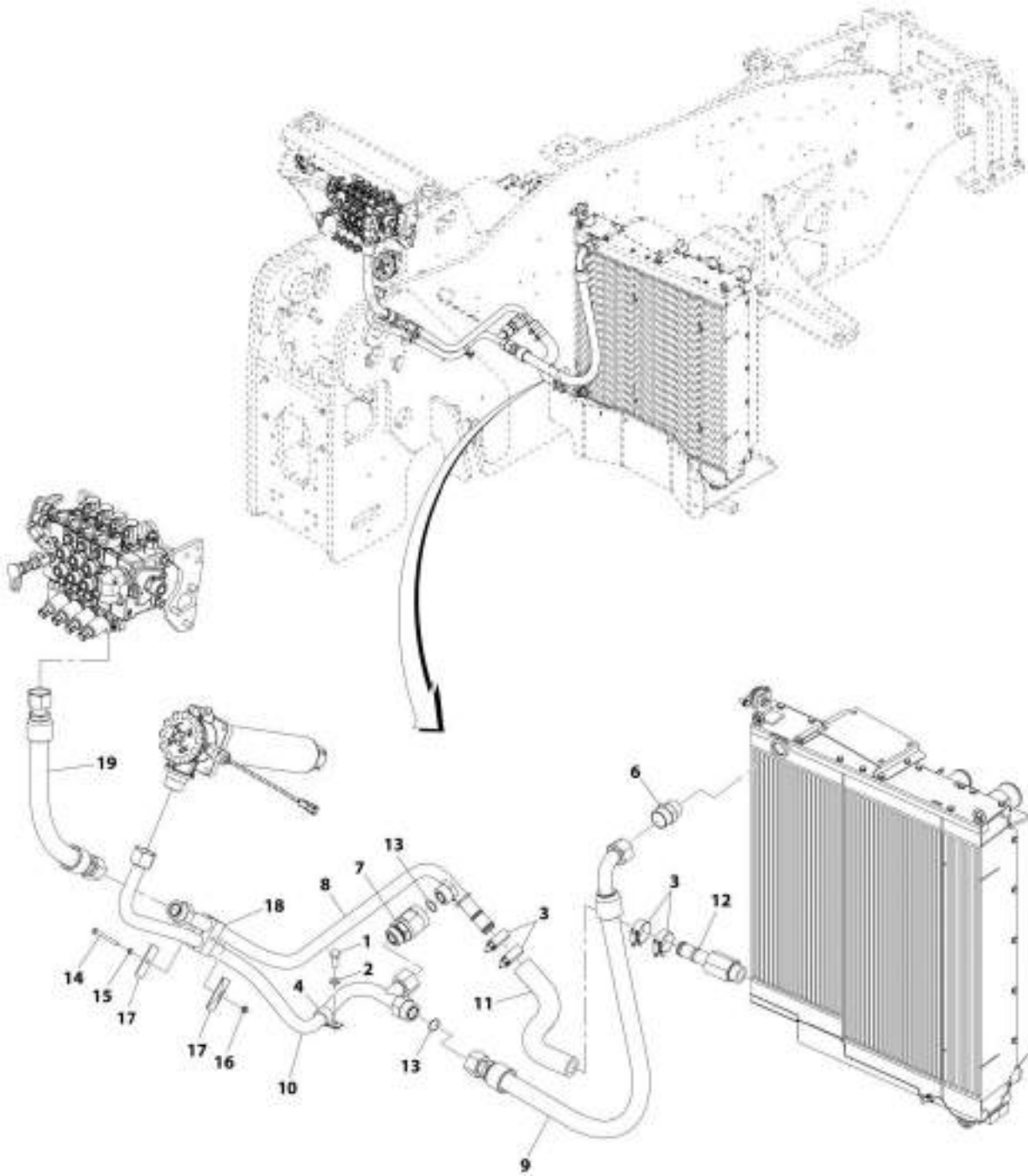
SECTION 4 - ENGINE AND ATTACHING PARTS

FIGURE 4-30. COOLER LINES INSTALLATION (Prior to SN 1160008371)

ITEM	PART NUMBER	QTY	DESCRIPTION	REV
	1001184340	Ref	Cooler Lines Installation	D
1	0761012	1	Bolt, M10X25	
2	4812000	1	Washer, M10	
3	1001214520	4	Clamp, Hose	
4	1001008910	1	Clip	
6	2111616	1	Fitting, Straight ORFS	
7	1001185871	1	Valve, Check ORFS	
8	1001197213	1	Pipe, ORFS	
9	1001197214	1	Hose, ORFS	
10	1001197215	1	Pipe, ORFS	
11	1001197216	1	Hose	
12	1001197425	1	Fitting, Straight	
13	1001010240	2	O-Ring	

SECTION 4 - ENGINE AND ATTACHING PARTS

FIGURE 4-31. COOLER LINES INSTALLATION (SN 1160008371 to Present)



4RT_1001184380.E

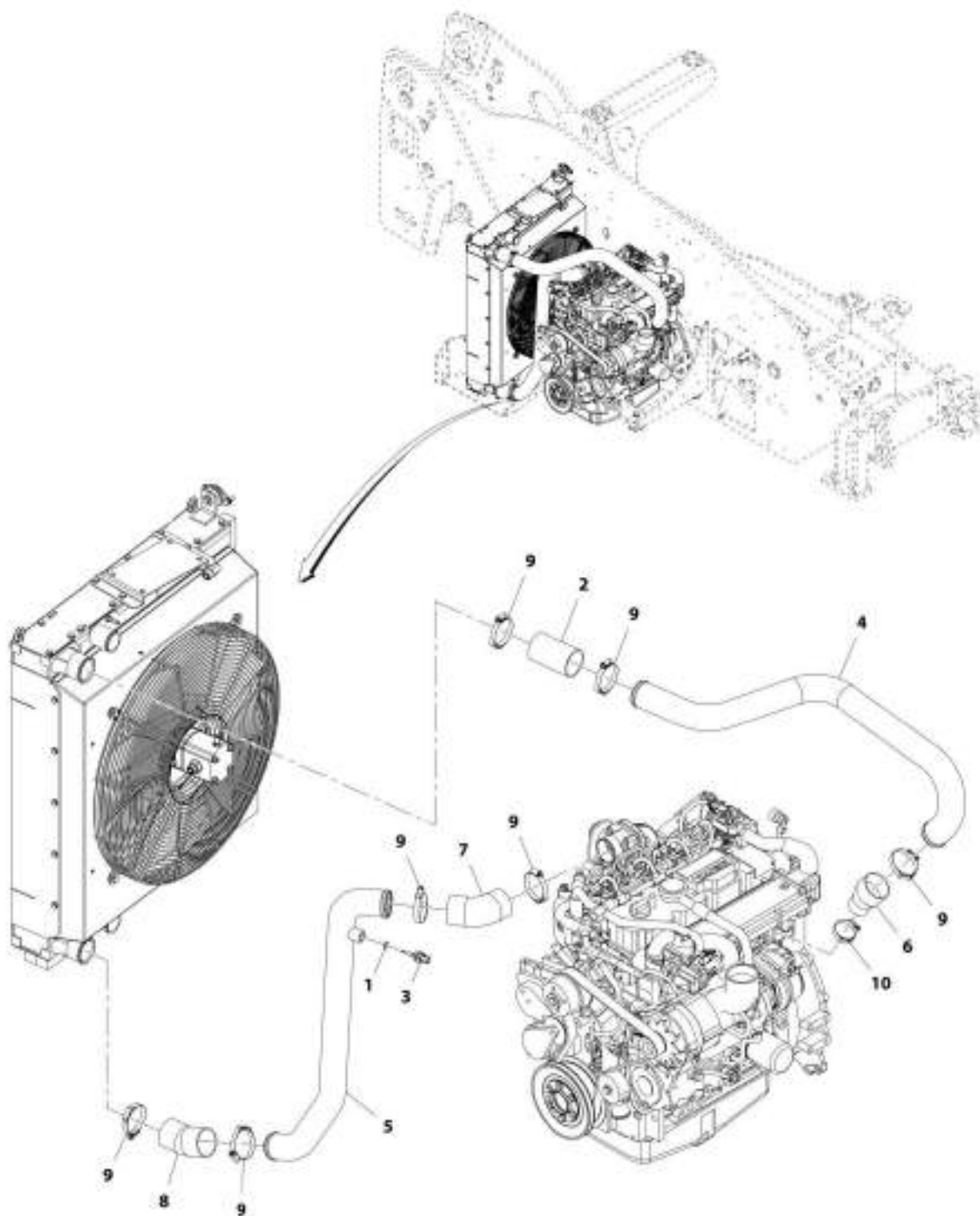
SECTION 4 - ENGINE AND ATTACHING PARTS

FIGURE 4-31. COOLER LINES INSTALLATION (SN 1160008371 to Present)

ITEM	PART NUMBER	QTY	DESCRIPTION	REV
	1001184340	Ref	Cooler Lines Installation	E
1	0761012	1	Bolt, M10X25	
2	4812000	1	Washer, M10	
3	1001214520	4	Clamp, Hose	
4	1001008910	1	Clip	
6	2111616	1	Fitting, Straight ORFS	
7	1001185871	1	Valve, Check ORFS	
8	1001226250	1	Pipe, ORFS	
9	1001197214	1	Hose, ORFS	
10	1001226265	1	Pipe, ORFS	
11	1001197216	1	Hose	
12	1001197425	1	Fitting, Straight	
13	1001010240	2	O-Ring	
14	0700620	1	Bolt, M6X60	
15	4811700	1	Washer, M6	
16	5220600	1	Nut, M6	
17	77133137	2	Cover, Plate	
18	77133279	1	Clamp	
19	1001226295	1	Hose, ORFS	

SECTION 4 - ENGINE AND ATTACHING PARTS

FIGURE 4-32. CAC LINES INSTALLATION (ULS)



ART_100158447-C

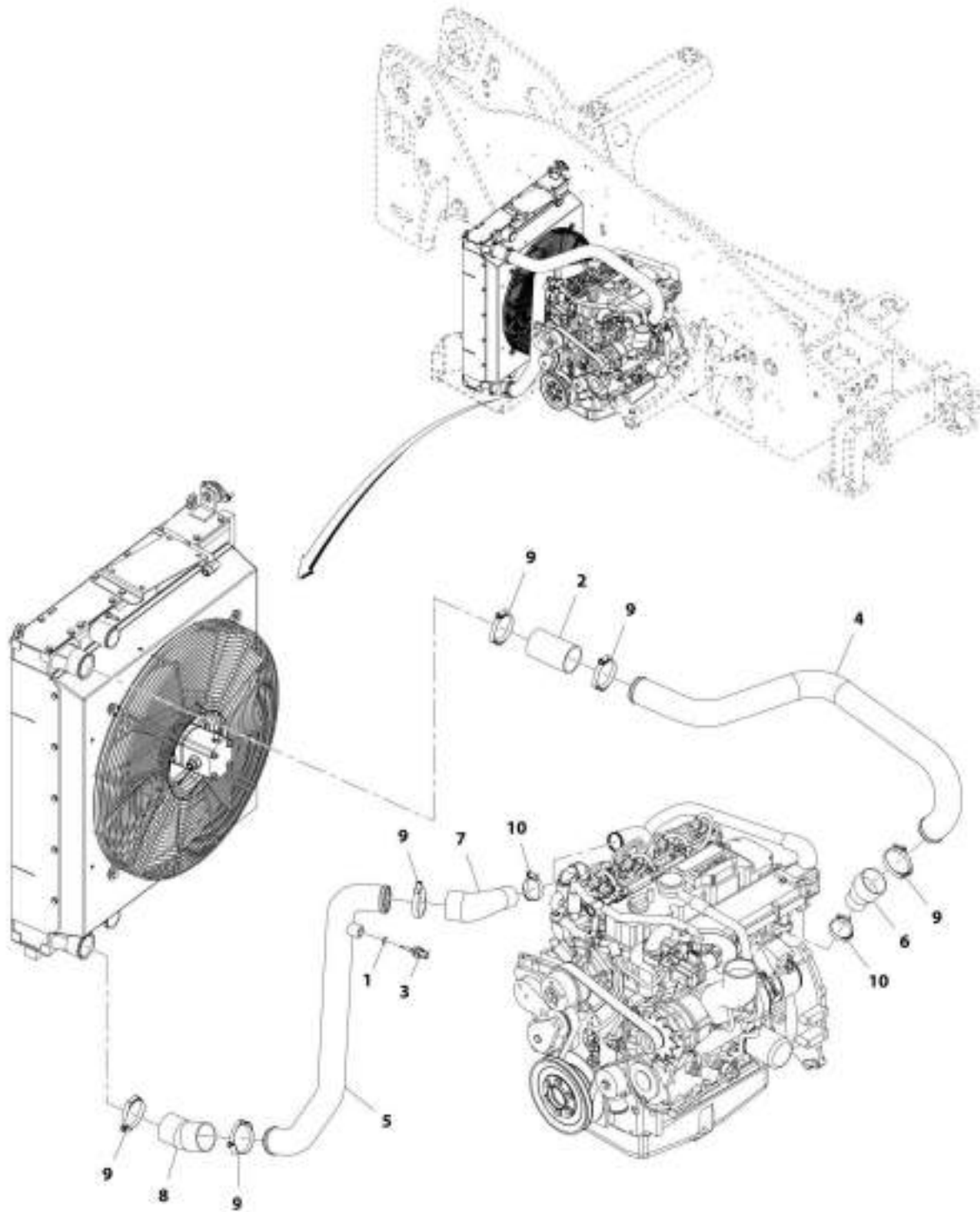
SECTION 4 - ENGINE AND ATTACHING PARTS

FIGURE 4-32. CAC LINES INSTALLATION (ULS)

ITEM	PART NUMBER	QTY	DESCRIPTION	REV
	1001184447	Ref	CAC Lines Installation (ULS)	C
1	1001009163	1	O-Ring	
2	1001114495	1	Hose	
3	1001128478	1	Sensor, Temperature	
4	1001183387	1	Pipe, Charge Air	
5	1001183388	1	Pipe, Charge Air	
6	1001183391	1	Sleeve, Pipe Reducer	
7	1001183392	1	Sleeve, Pipe Reducer	
8	1001183394	1	Sleeve, Pipe Reducer	
9	1001215022	7	Clamp, T-Bolt	
10	1001215024	1	Clamp, T-Bolt	

SECTION 4 - ENGINE AND ATTACHING PARTS

FIGURE 4-33. CAC LINES INSTALLATION (LS)



ART_100184448-C

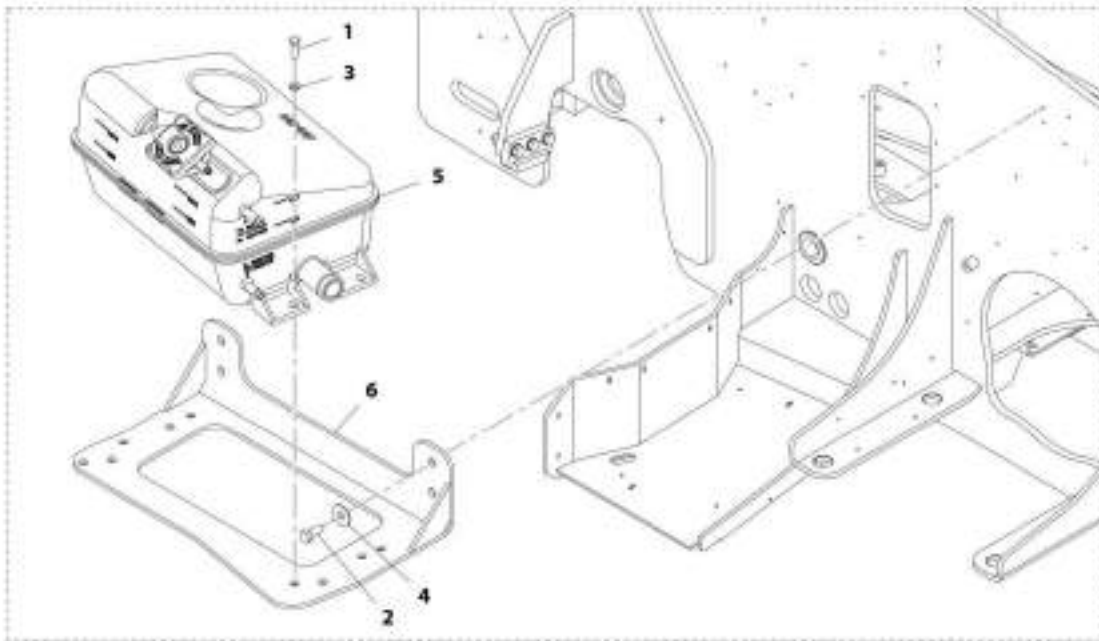
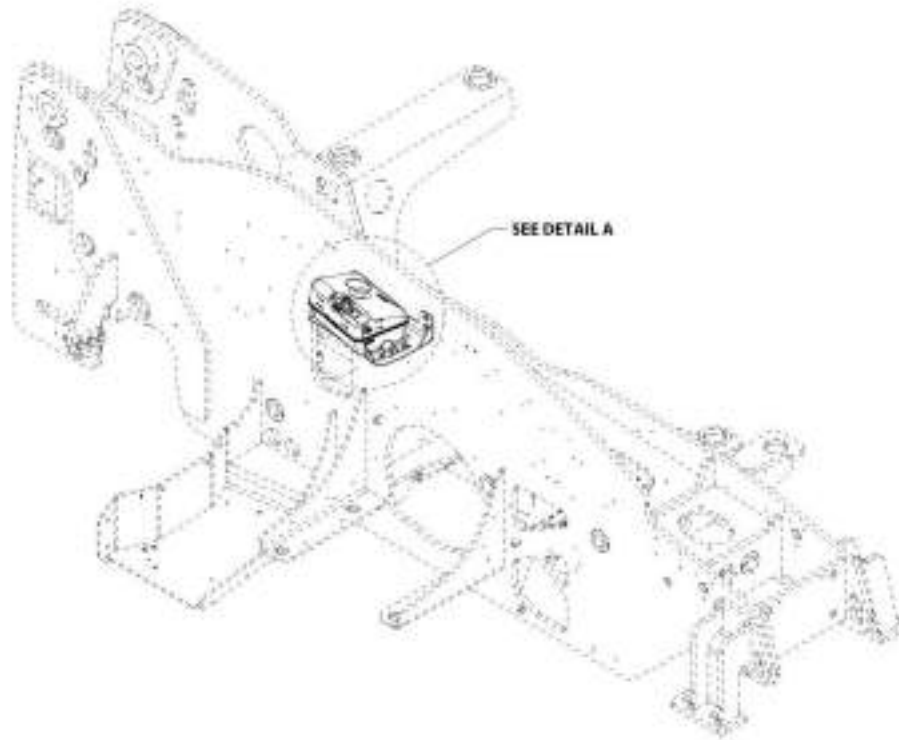
SECTION 4 - ENGINE AND ATTACHING PARTS

FIGURE 4-33. CAC LINES INSTALLATION (LS)

ITEM	PART NUMBER	QTY	DESCRIPTION	REV
	1001184448	Ref	CAC Lines Installation (LS)	C
1	1001009163	1	O-Ring	
2	1001114495	1	Hose	
3	1001128478	1	Sensor, Temperature	
4	1001183387	1	Pipe, Charge Air	
5	1001183388	1	Pipe, Charge Air	
6	1001183391	1	Sleeve, Pipe Reducer	
7	1001183393	1	Sleeve, Pipe Reducer	
8	1001183394	1	Sleeve, Pipe Reducer	
9	1001215022	6	Clamp, T-Bolt	
10	1001215024	2	Clamp, T-Bolt	

SECTION 4 - ENGINE AND ATTACHING PARTS

FIGURE 4-34. SURGE TANK INSTALLATION



DETAIL A

ART_1001181354-C

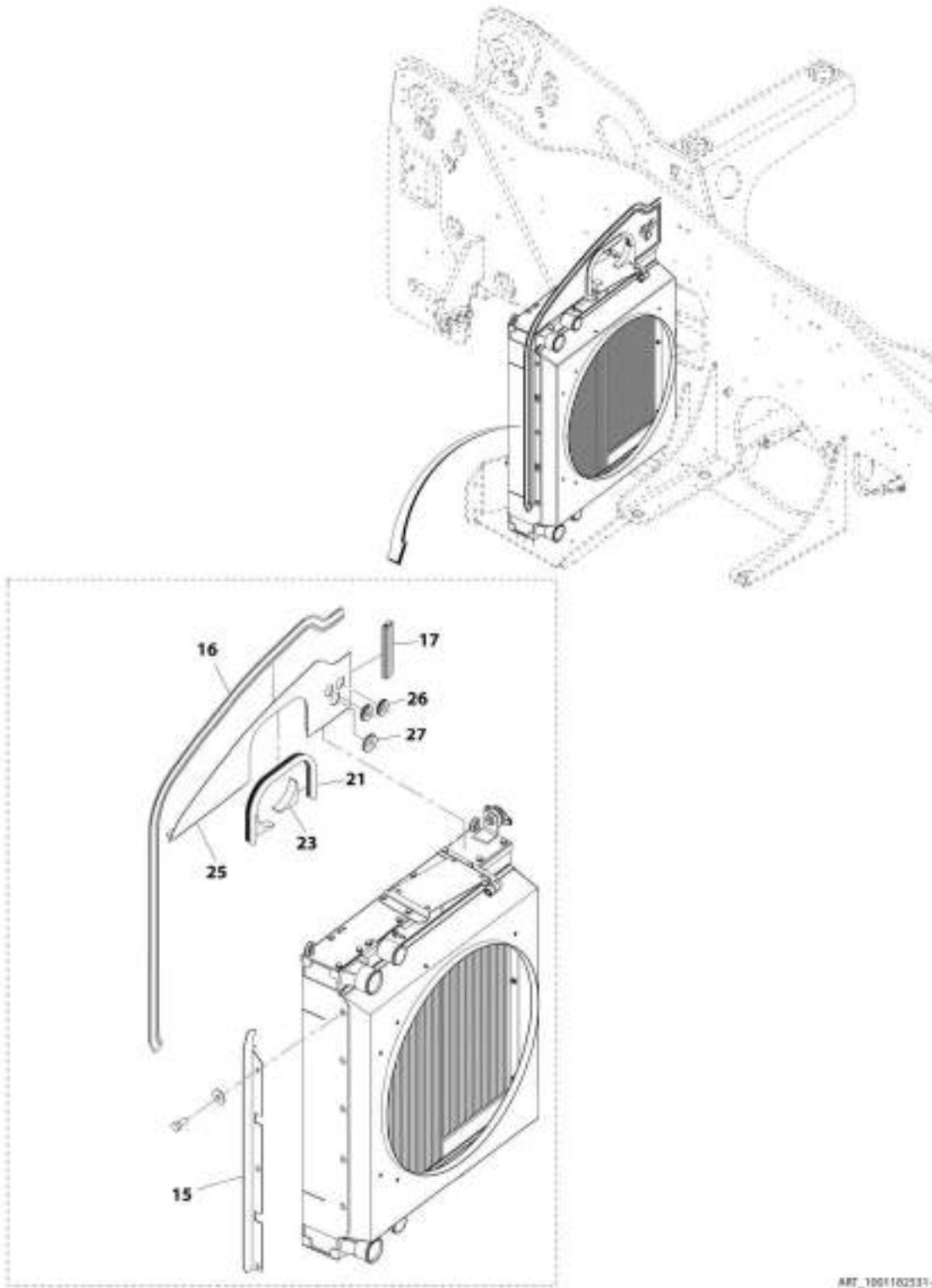
SECTION 4 - ENGINE AND ATTACHING PARTS

FIGURE 4-34. SURGE TANK INSTALLATION

ITEM	PART NUMBER	QTY	DESCRIPTION	REV
	1001181354	Ref	Surge Tank Installation	C
1	0700610	4	Bolt, M6X20	
2	0760810	4	Bolt, M8X20	
3	4811700	4	Washer, M6	
4	4811902	4	Washer, M8	
5	1001149375	1	Tank, Expansion	
6	1001188407	1	Bracket	

SECTION 4 - ENGINE AND ATTACHING PARTS

FIGURE 4-35. BULKHEAD INSTALLATION



ART_1001102331-D

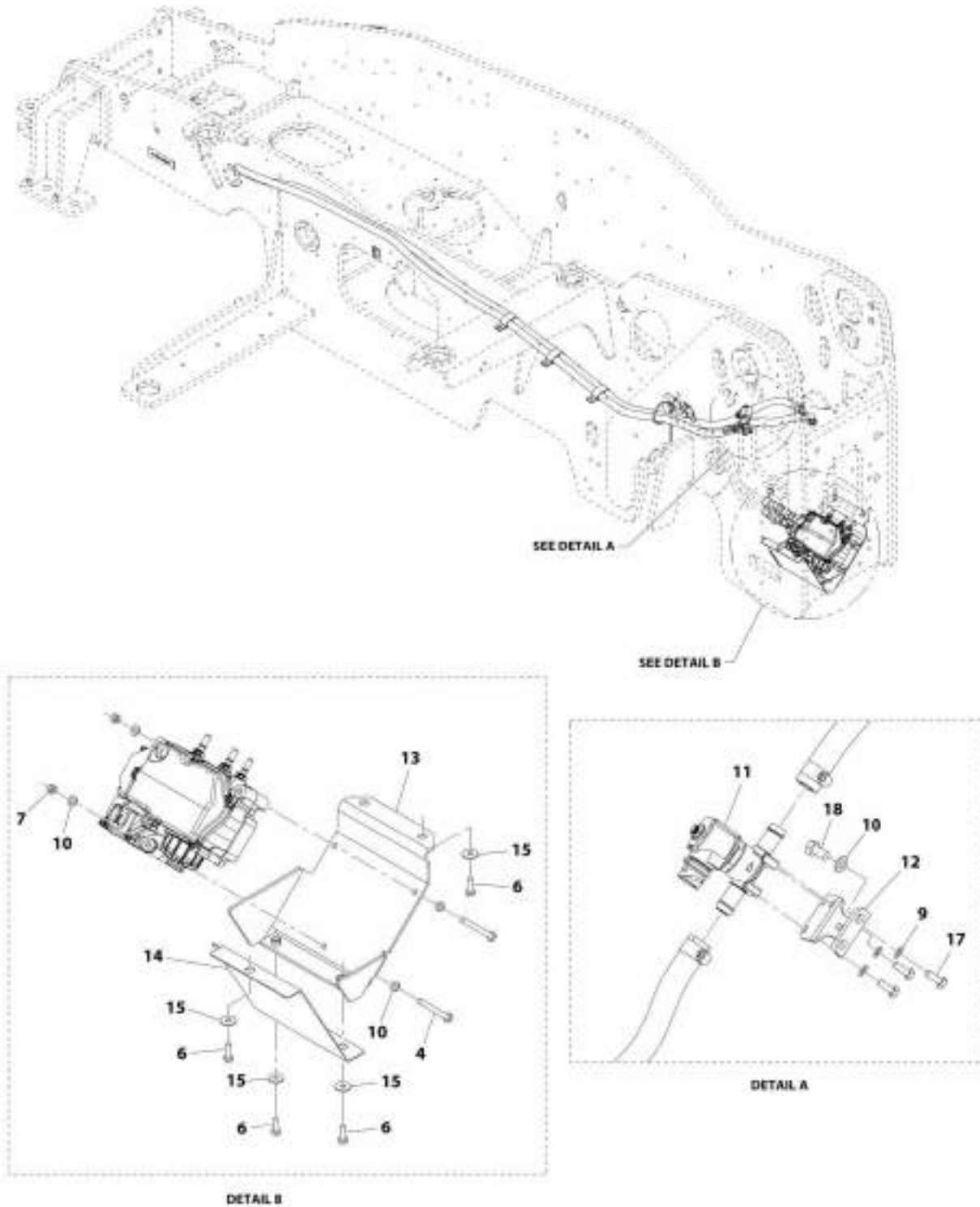
SECTION 4 - ENGINE AND ATTACHING PARTS

FIGURE 4-35. BULKHEAD INSTALLATION

ITEM	PART NUMBER	QTY	DESCRIPTION	REV
	1001182531	Ref	Bulkhead Installation	D
15	1001182493	1	Plate	
16	1001182540	1	Seal	
17	1001182565	1	Seal	
21	1001183418	1	Seal	
23	1001185586	2	Seal	
25	1001202614	1	Plate	
26	2540049	2	Grommet	
27	1001215358	1	Grommet	

SECTION 4 - ENGINE AND ATTACHING PARTS

FIGURE 4-36. DEF PUMP AND CONTROL INSTALLATION



ART. 1001182541-K

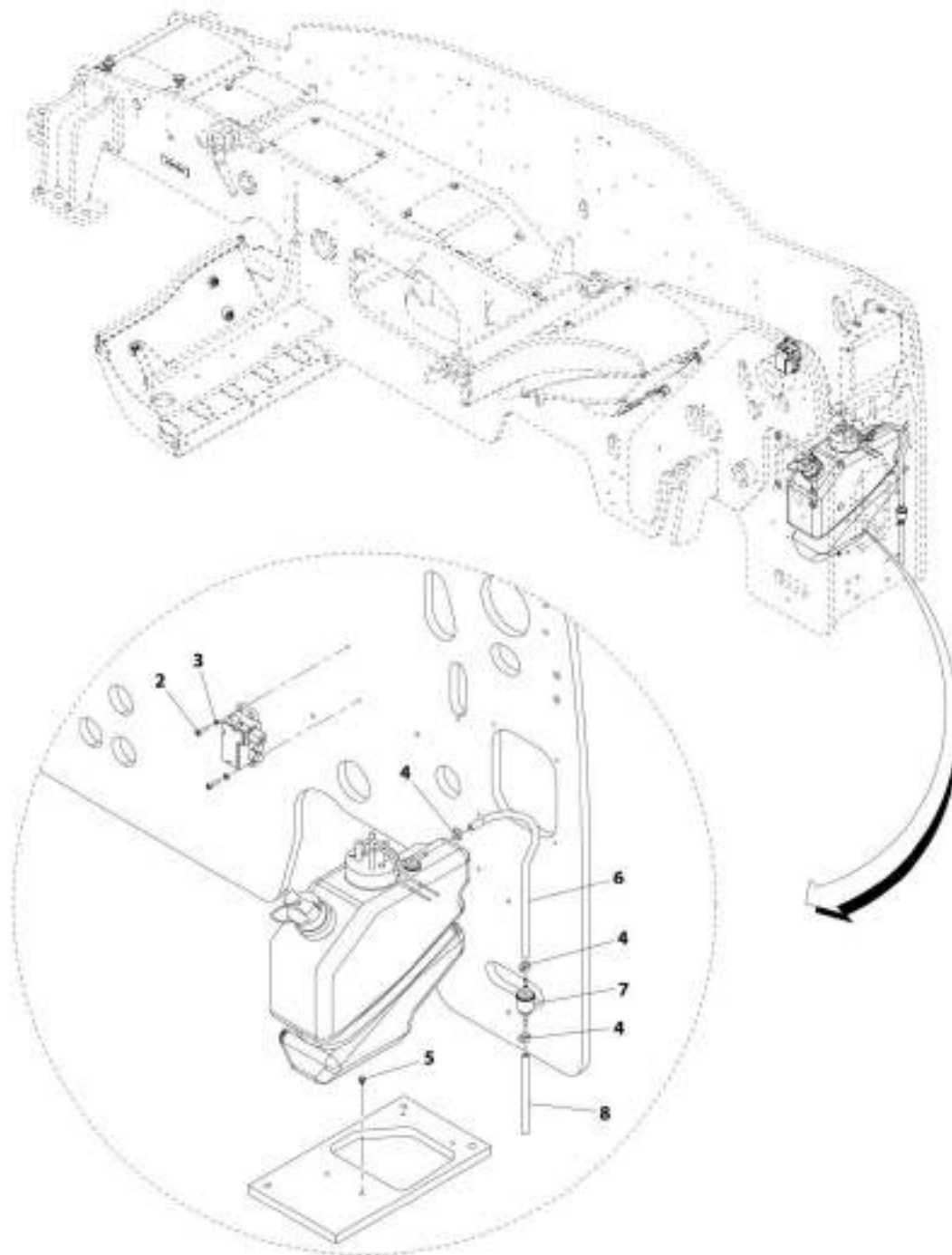
SECTION 4 - ENGINE AND ATTACHING PARTS

FIGURE 4-36. DEF PUMP AND CONTROL INSTALLATION

ITEM	PART NUMBER	QTY	DESCRIPTION	REV
	1001182341	Ref	DEF Pump and Control Installation	K
4	0700826	3	Bolt, M8X90	
6	0760812	5	Bolt, M8X25	
7	3290801	3	Nut, M8X1.25	
9	4811700	3	Washer, M6	
10	4811900	8	Washer, M8	
11	1001199670	1	Valve, DEF Tank Coolant Flow	
12	1001214091	1	Bracket	
13	1001211513	1	Bracket	
14	1001211512	1	Bracket	
15	4811902	5	Washer, M8	
17	0760608	3	Bolt, M6X16	
18	0760808	2	Bolt, M8X16	

SECTION 4 - ENGINE AND ATTACHING PARTS

FIGURE 4-37. DEF TANK INSTALLATION



ART_100180454-F

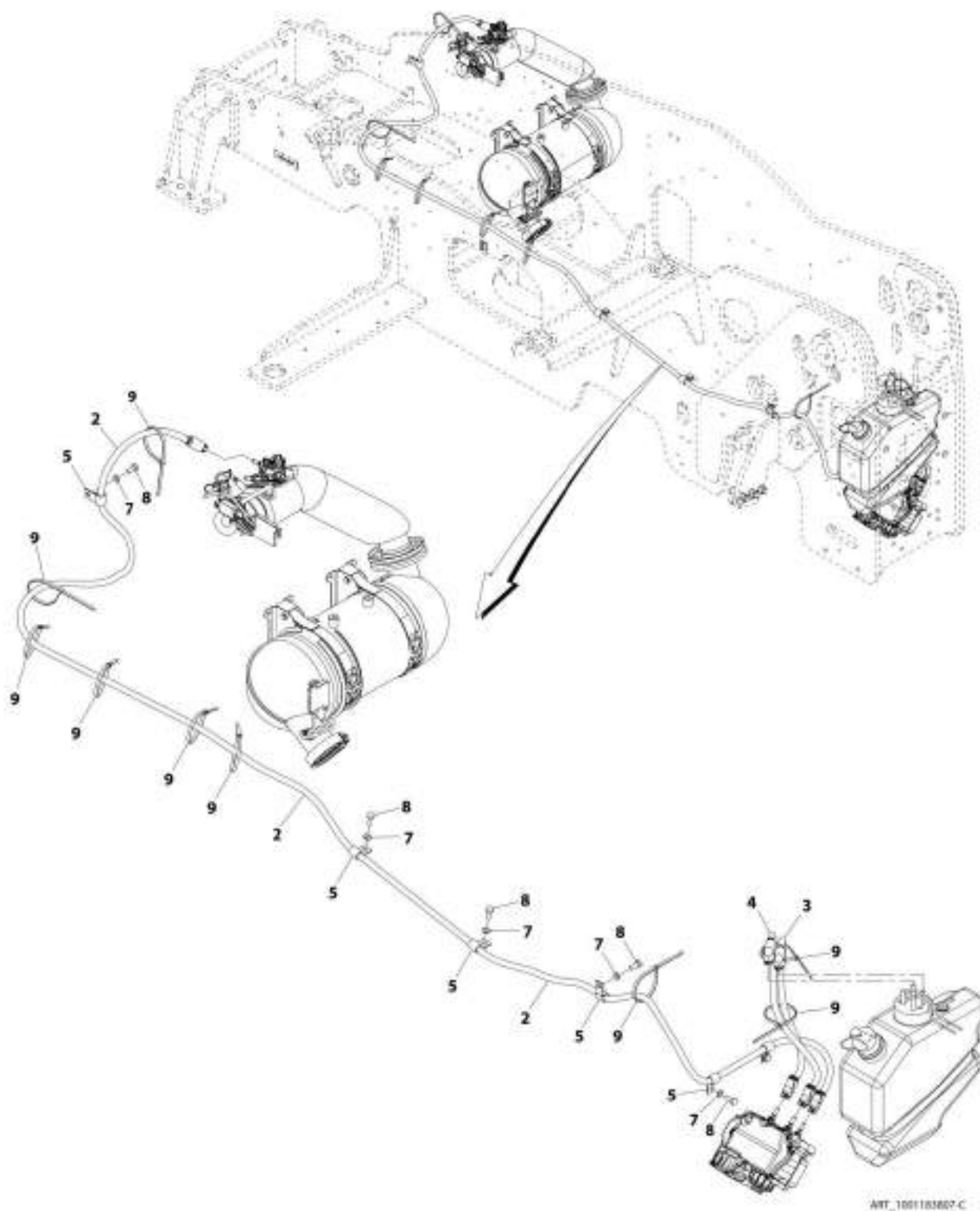
SECTION 4 - ENGINE AND ATTACHING PARTS

FIGURE 4-37. DEF TANK INSTALLATION

ITEM	PART NUMBER	QTY	DESCRIPTION	REV
	1001183454	Ref	DEF Tank Installation	F
2	4031708	2	Bolt, M6X20	
3	4811700	2	Washer, M6	
4	1001004141	3	Clamp, Hose	
5	1001183453	2	Retainer, Bumper	
6	1001183957	1	Hose	
7	1001191472	1	Filter, DEF Tank Vent	
8	1001202277	1	Hose, DEF Tank Vent	

SECTION 4 - ENGINE AND ATTACHING PARTS

FIGURE 4-38. DEF PUMP LINES INSTALLATION



ART_1001183607-C

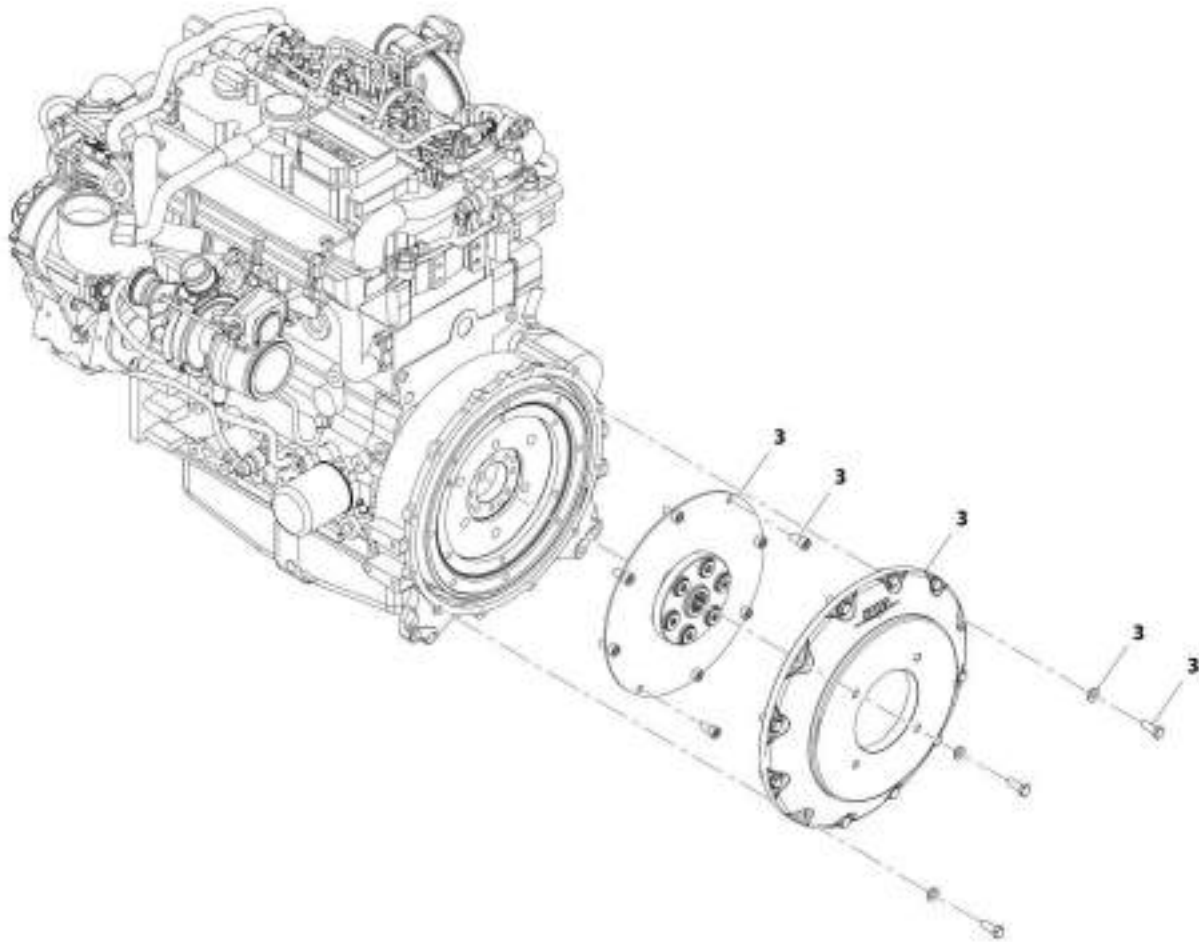
SECTION 4 - ENGINE AND ATTACHING PARTS

FIGURE 4-38. DEF PUMP LINES INSTALLATION

ITEM	PART NUMBER	QTY	DESCRIPTION	REV
	1001183807	Ref	DEF Pump Lines Installation	C
2	1001183804	1	Hose, DEF Pump DOS	
3	1001202284	1	Hose, DEF Pump Tank	
4	1001202285	1	Hose, DEF Pump Tank	
5	1001008574	6	Clip	
7	4812000	6	Washer, M10	
8	0761012	6	Bolt, M10X25	
9	1062255	9	Tie, Strap	

SECTION 4 - ENGINE AND ATTACHING PARTS

FIGURE 4-39. TRANSMISSION HYDROSTATIC ADAPTER INSTALLATION



ART_1001170422-C

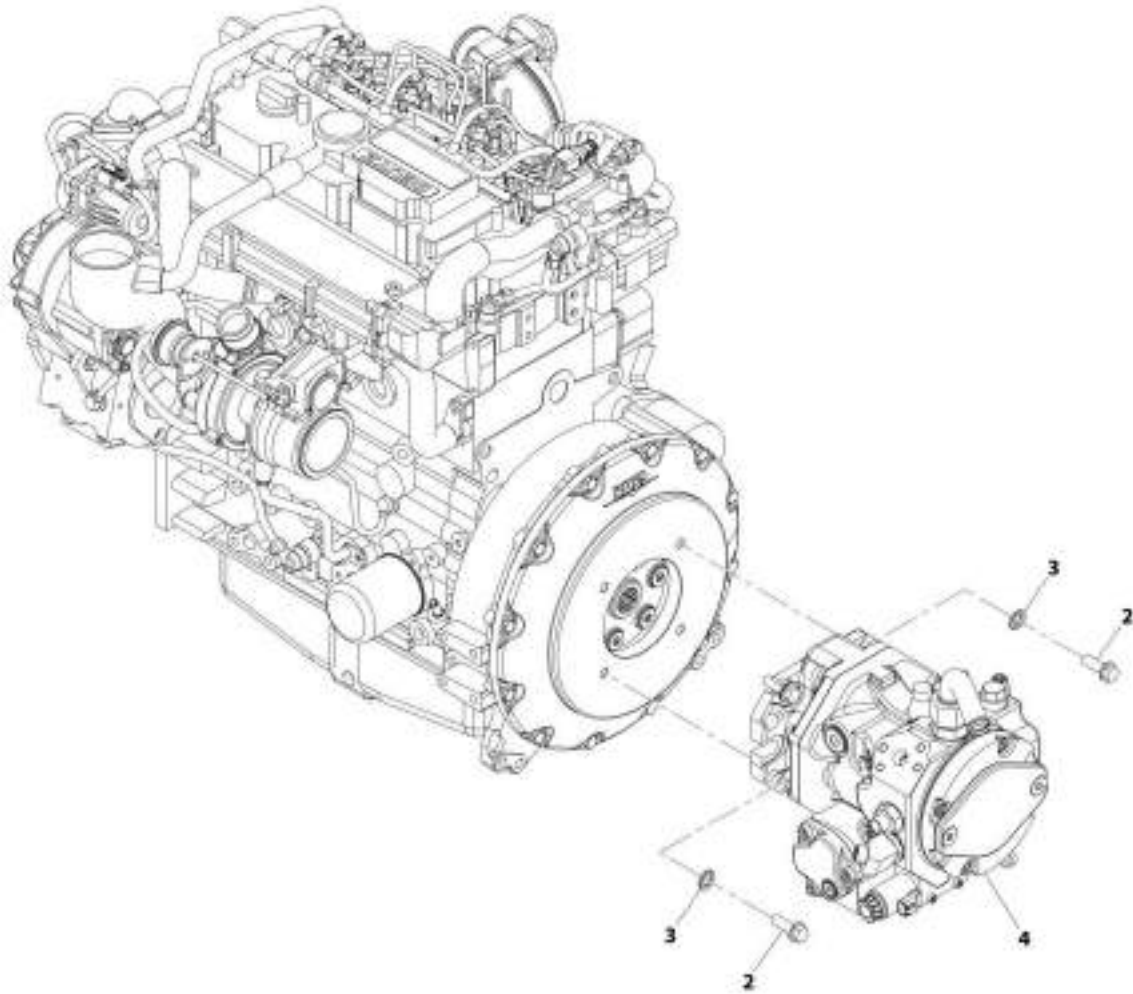
SECTION 4 - ENGINE AND ATTACHING PARTS

FIGURE 4-39. TRANSMISSION HYDROSTATIC ADAPTER INSTALLATION

ITEM	PART NUMBER	QTY	DESCRIPTION	REV
3	1001178422	Ref	Transmission Hydrostatic Adapter Installation	C
	1001181172	1	Coupling, Flywheel	

SECTION 4 - ENGINE AND ATTACHING PARTS

FIGURE 4-40. TRANSMISSION HYDROSTATIC DRIVE PUMP INSTALLATION



ART_100176036-D

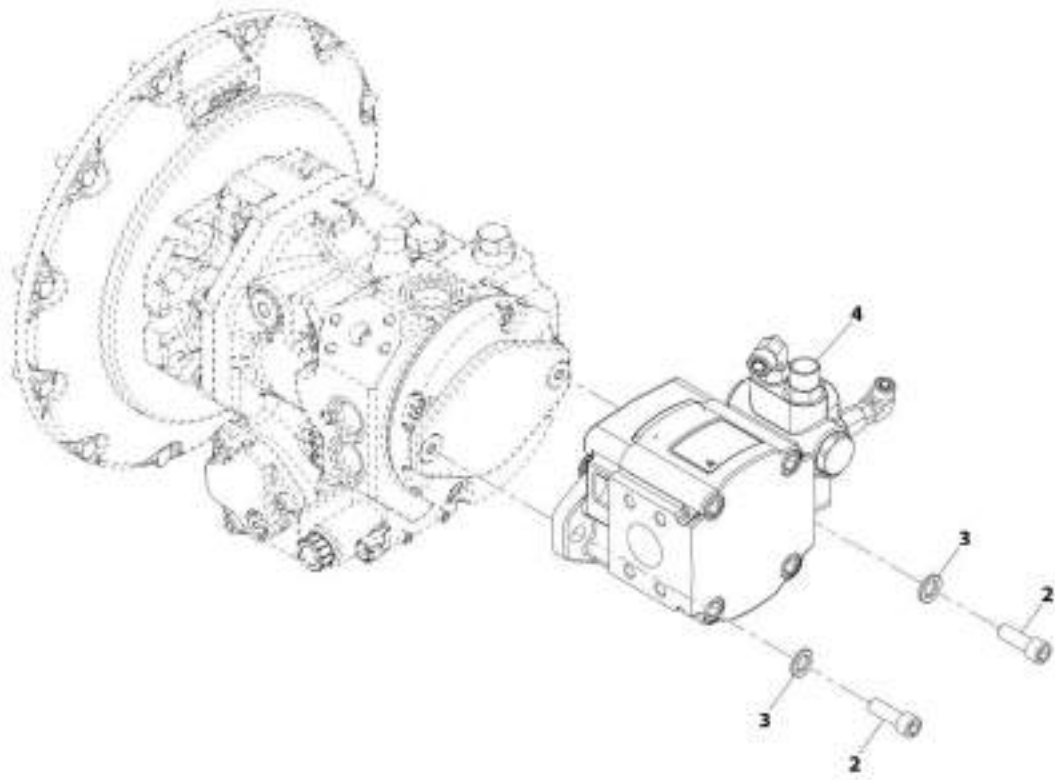
SECTION 4 - ENGINE AND ATTACHING PARTS

FIGURE 4-40. TRANSMISSION HYDROSTATIC DRIVE PUMP INSTALLATION

ITEM	PART NUMBER	QTY	DESCRIPTION	REV
	1001178926	Ref	Transmission Hydrostatic Drive Pump Installation	D
2	0711216	4	Bolt, M12X40 Grade 10.9 (Prior to SN 1160008627)	
2	5201215	4	Bolt, M12X35 (SN 1160008627 to Present)	
3	4740532	4	Washer, M12	
4	1001174076	1	Installation, Hydrostatic Pump (See Separate Breakdown in this Section)	

SECTION 4 - ENGINE AND ATTACHING PARTS

FIGURE 4-41. IMPLEMENT PUMP INSTALLATION



ART_101178946-C

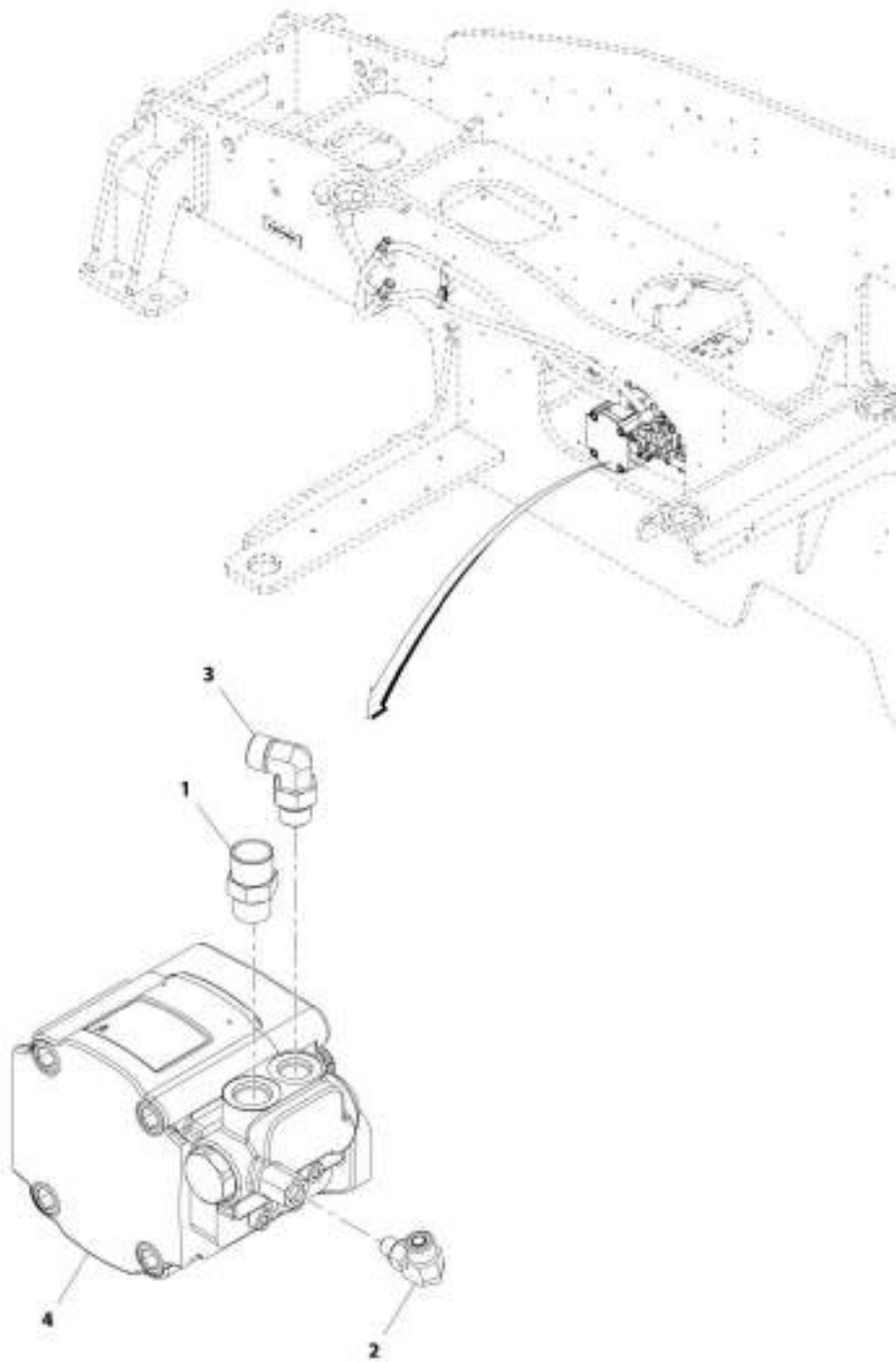
SECTION 4 - ENGINE AND ATTACHING PARTS

FIGURE 4-41. IMPLEMENT PUMP INSTALLATION

ITEM	PART NUMBER	QTY	DESCRIPTION	REV
	1001178946	Ref	Implement Pump Installation	C
2	0761215	2	Bolt, M12X35 (Prior to SN 1160008627)	
2	4032111	2	Screw, M12X35 (SN 1160008627 to Present)	
3	4740532	2	Washer, M12	
4	1001174070	1	Assembly, Implement Pump (See Separate Breakdown in this Section)	

SECTION 4 - ENGINE AND ATTACHING PARTS

FIGURE 4-42. IMPLEMENT PUMP ASSEMBLY



ART. 300134070-B

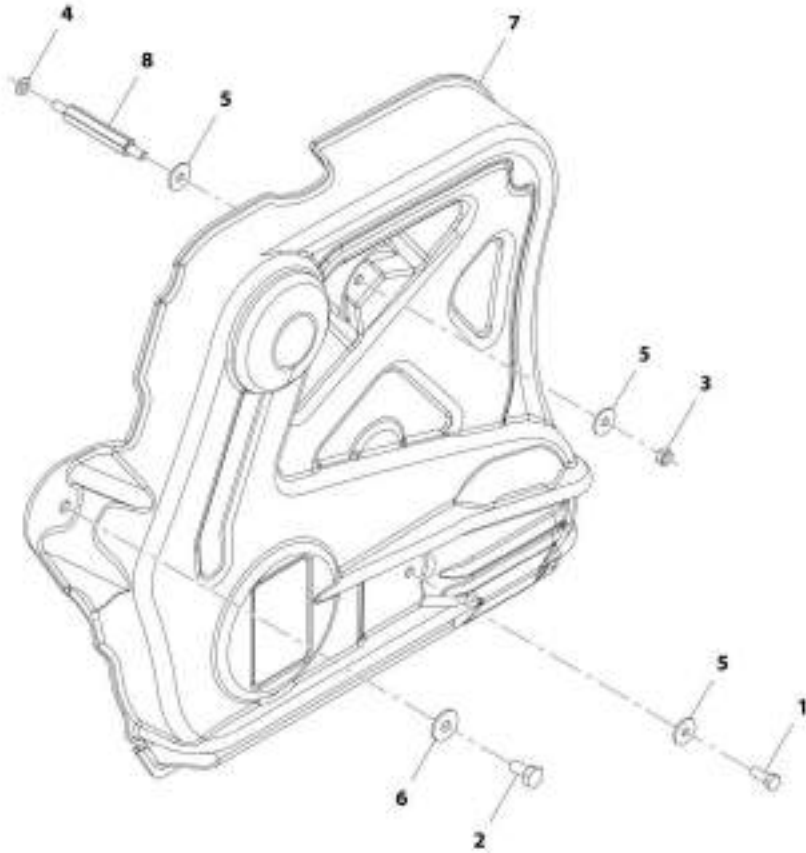
SECTION 4 - ENGINE AND ATTACHING PARTS

FIGURE 4-42. IMPLEMENT PUMP ASSEMBLY

ITEM	PART NUMBER	QTY	DESCRIPTION	REV
	1001174070	Ref	Implement Pump Assembly	B
1	2111010	1	Fitting, Straight ORFS	
2	2130604	1	Fitting, 90 ORFS	
3	2130808	1	Fitting, 90 ORFS	
4	1001175838	1	Pump, Implement	

SECTION 4 - ENGINE AND ATTACHING PARTS

FIGURE 4-43. PULLEY COVER INSTALLATION



MTT_3001186577-A

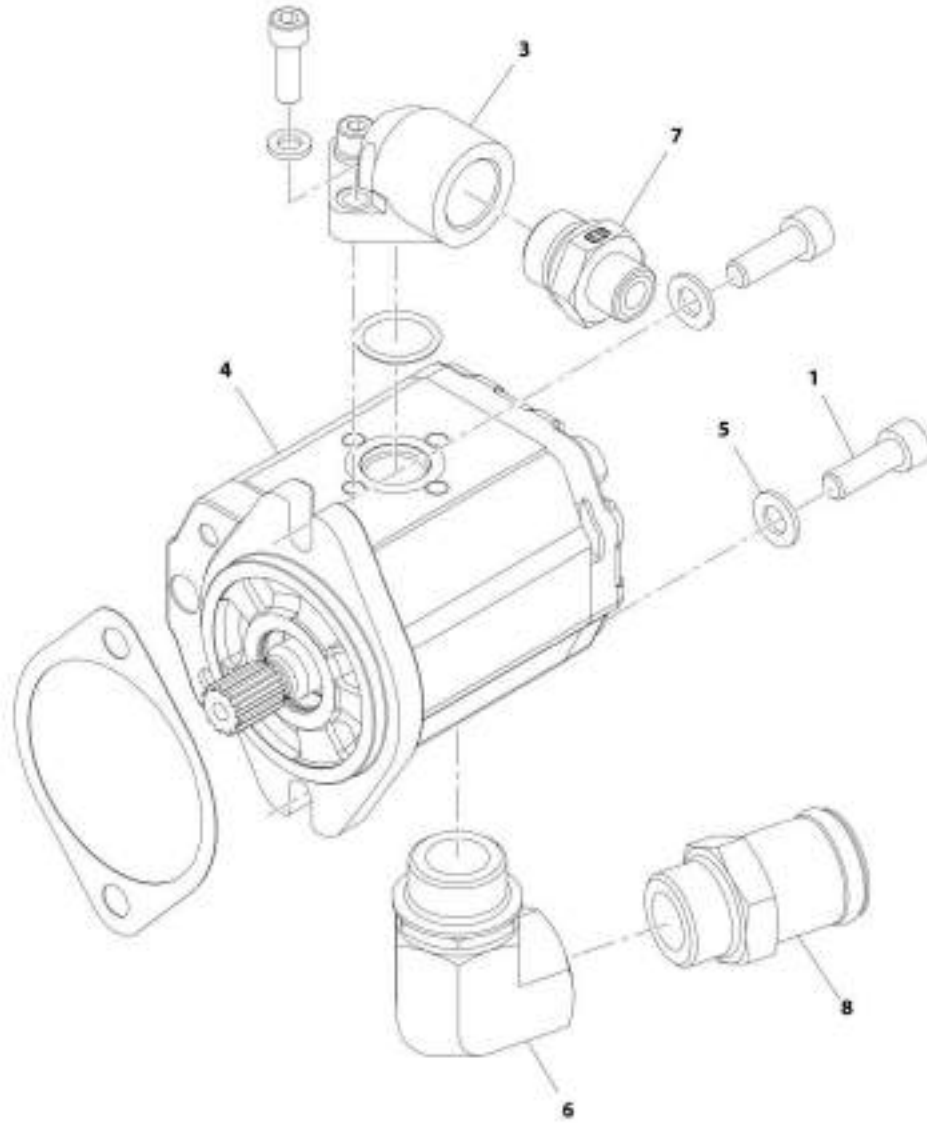
SECTION 4 - ENGINE AND ATTACHING PARTS

FIGURE 4-43. PULLEY COVER INSTALLATION

ITEM	PART NUMBER	QTY	DESCRIPTION	REV
	1001186577	Ref	Pulley Cover Installation	A
1	0760810	1	Bolt, M8X20	
2	0761010	1	Bolt, M10X20	
3	3290801	1	Nut, M8X1.25	
4	4811900	1	Washer, M8	
5	4811902	3	Washer, M8	
6	4812002	1	Washer, M10	
7	1001203551	1	Cover, Engine	
8	1001203601	1	Brace	

SECTION 4 - ENGINE AND ATTACHING PARTS

FIGURE 4-44. HYDRAULIC FAN PUMP INSTALLATION



ART_300185861-E

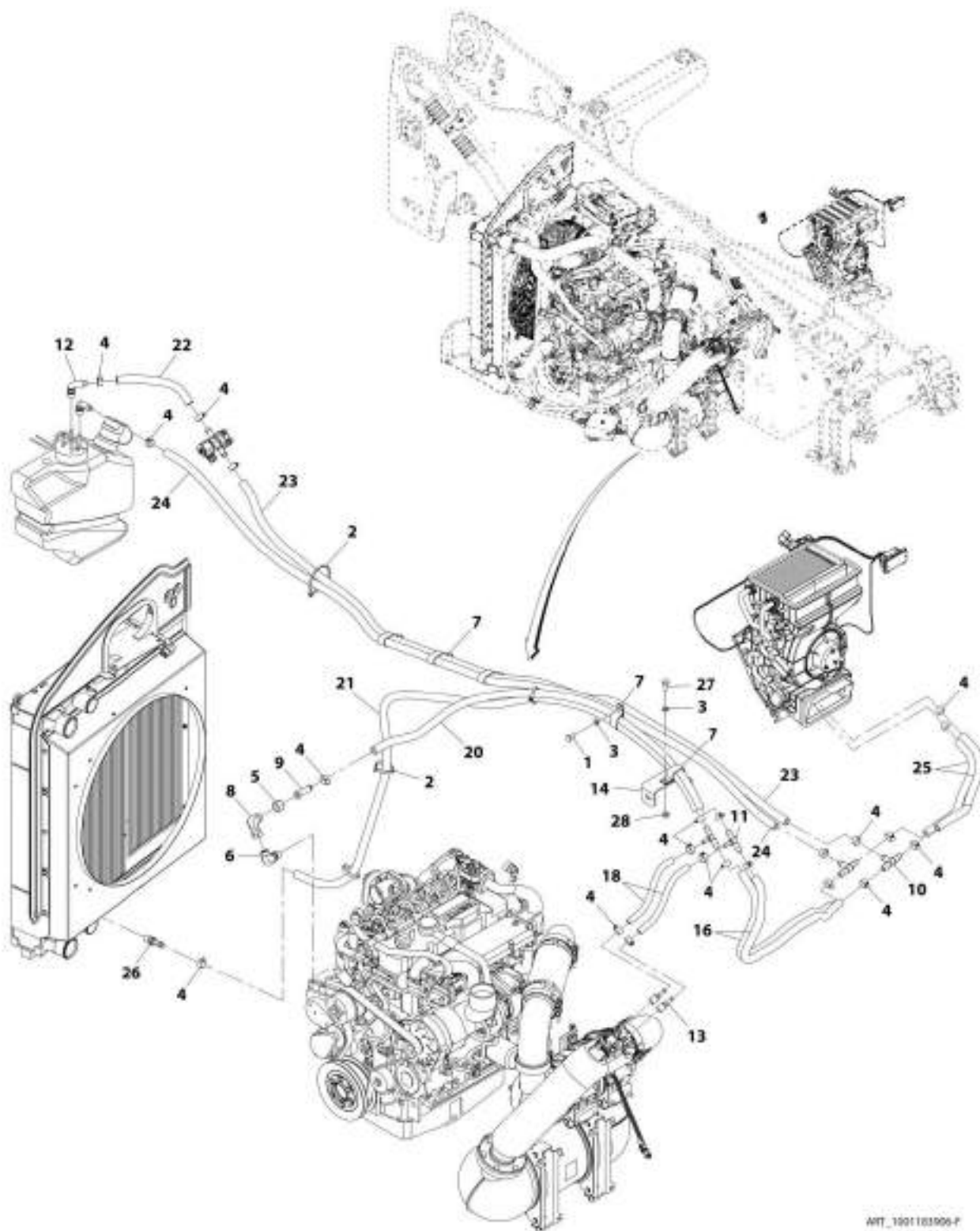
SECTION 4 - ENGINE AND ATTACHING PARTS

FIGURE 4-44. HYDRAULIC FAN PUMP INSTALLATION

ITEM	PART NUMBER	QTY	DESCRIPTION	REV
	1001185861	Ref	Hydraulic Fan Pump Installation	E
1	4032010	2	Bolt, M10X30	
3	1001135245	1	Elbow, 3/4IN	
4	1001182945	1	Pump	
5	4812000	2	Washer, M10	
6	1001143936	1	Fitting, 90 ORFS	
7	1001192411	1	Fitting, Straight ORFS	
8	1001217930	1	Fitting, Straight ORB	

SECTION 4 - ENGINE AND ATTACHING PARTS

FIGURE 4-45. HEATER LINES INSTALLATION (ULS)



AWT_1001103906-P

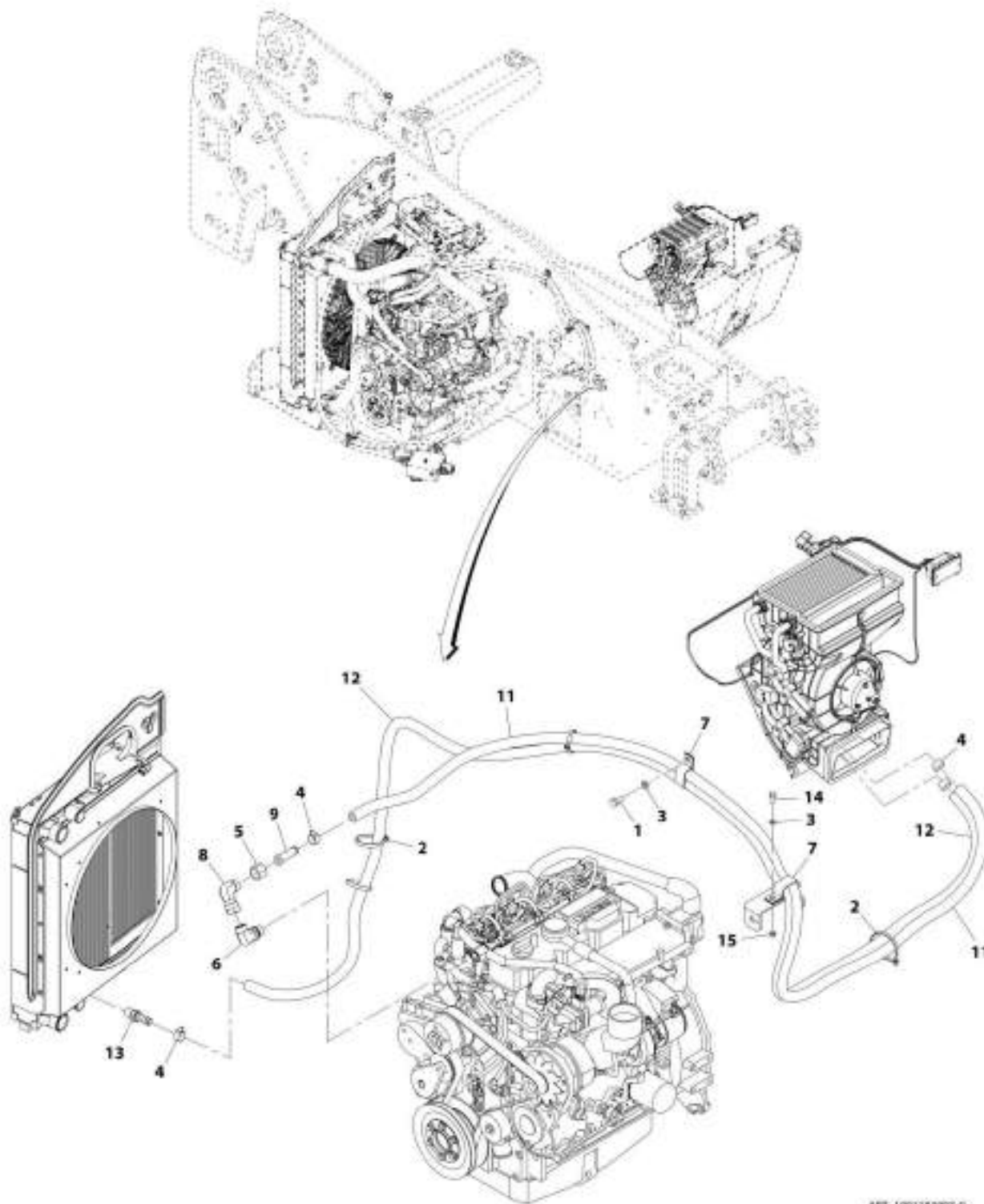
SECTION 4 - ENGINE AND ATTACHING PARTS

FIGURE 4-45. HEATER LINES INSTALLATION (ULS)

ITEM	PART NUMBER	QTY	DESCRIPTION	REV
	1001183906	Ref	Heater Lines Installation (ULS)	F
1	0761010	1	Bolt, M10X20	
2	1062255	4	Tie, Strap	
3	4812000	2	Washer, M10	
4	8410009	22	Clamp, Hose	
5	8770143	1	Nut, FORFS	
6	8770246	1	Fitting, 90 ORFS	
7	1001008720	5	Clip	
8	2172110	1	Fitting, 90 ORFS	
9	1001125409	1	Fitting, Barb Stem (ORFS)	
10	1001183125	2	Fitting, T Barb	
11	1001183149	2	Fitting, T Barb	
12	1001183183	2	Fitting, 90	
13	1001183357	2	Fitting, Straight 3/8IN	
14	1001228619	1	Bracket, Isolator Switch	
16	1001183893	2	Hose	
18	1001183895	2	Hose	
20	1001214732	1	Hose	
21	1001214733	NLA	Hose (no longer available, use 1001218939 for replacement)	
21	1001218939	1	Hose	
22	1001201898	1	Hose	
23	1001201899	1	Hose	
24	1001201900	1	Hose	
25	1001199913	2	Hose	
26	1001104685	1	Fitting, Barbed	
27	0761012	1	Bolt, M10X25	
28	3291001	1	Nut, M10X1.5	

SECTION 4 - ENGINE AND ATTACHING PARTS

FIGURE 4-46. HEATER LINES INSTALLATION (LS)



ART_100189K07-0

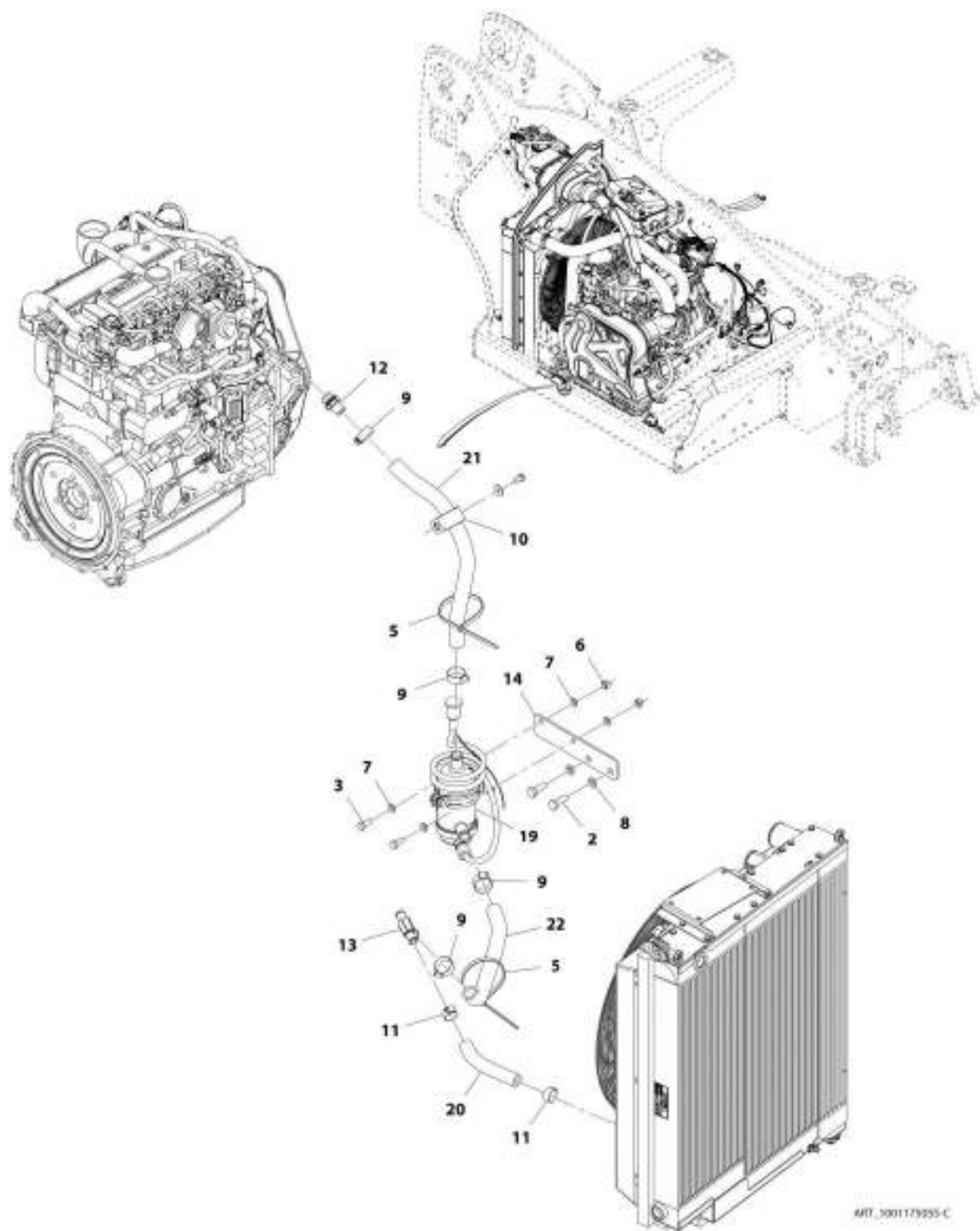
SECTION 4 - ENGINE AND ATTACHING PARTS

FIGURE 4-46. HEATER LINES INSTALLATION (LS)

ITEM	PART NUMBER	QTY	DESCRIPTION	REV
	1001183907	Ref	Heater Lines Installation (LS)	G
1	0761010	1	Bolt, M10X20	
2	1062255	4	Strap, Tie	
3	4812000	2	Washer, M10	
4	8410009	4	Clamp, Hose	
5	8770143	1	Nut, FORFS	
6	8770246	1	Fitting, 90 ORFS	
7	1001008720	2	Clip	
8	2172110	1	Fitting, 90 ORFS	
9	1001125409	1	Fitting, Barb Stem ORFS	
11	1001214734	1	Hose	
12	1001214735	NLA	Hose (no longer available, use 1001218934 for replacement)	
12	1001218934	1	Hose	
13	1001104685	1	Fitting, Barbed	
14	0761012	1	Bolt, M10X25	
15	3291001	1	Nut, M10X1.5	

SECTION 4 - ENGINE AND ATTACHING PARTS

FIGURE 4-47. BLOCK HEATER INSTALLATION (230V)



MT_3001129255-C

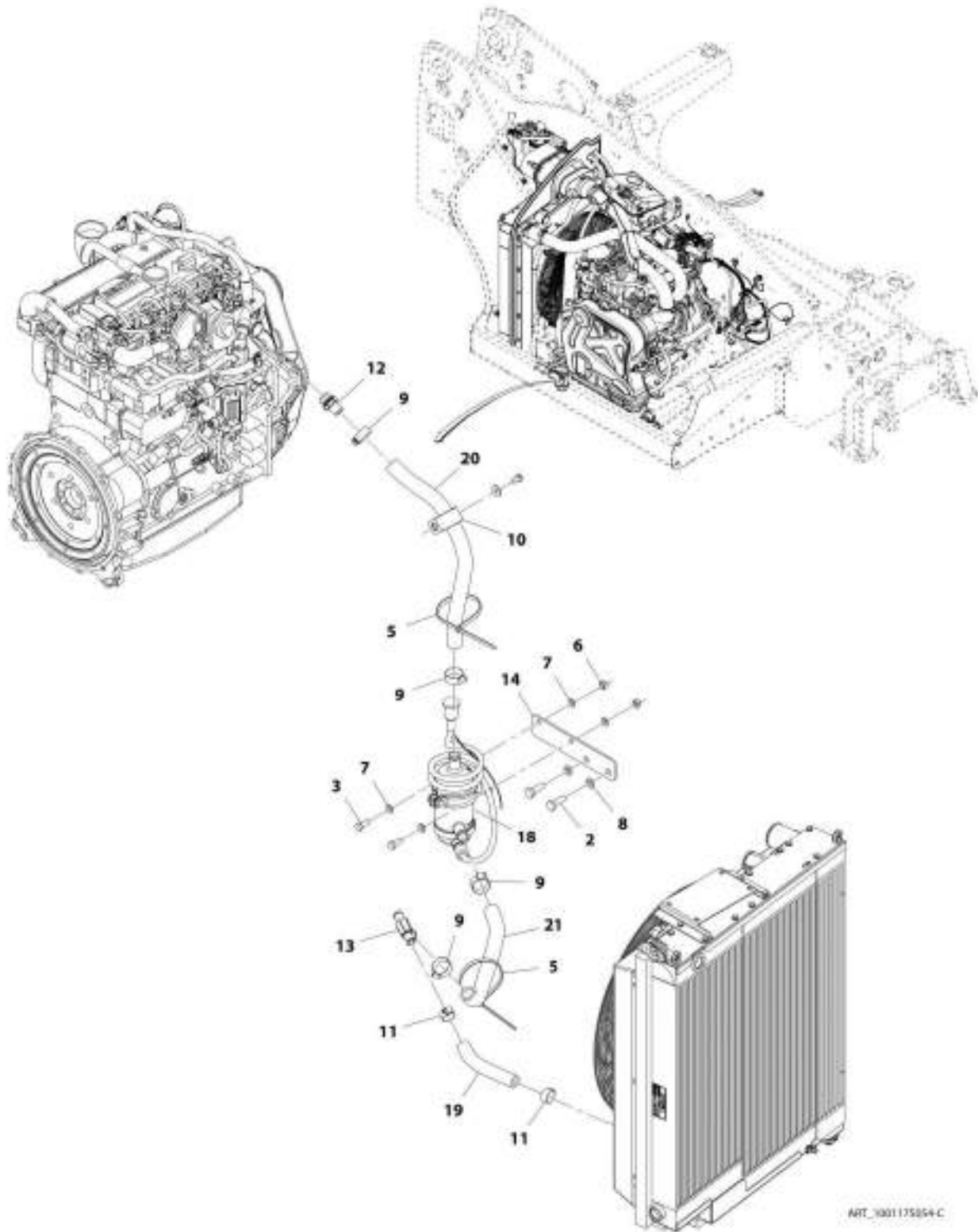
SECTION 4 - ENGINE AND ATTACHING PARTS

FIGURE 4-47. BLOCK HEATER INSTALLATION (230V)

ITEM	PART NUMBER	QTY	DESCRIPTION	REV
	1001175055	Ref	Block Heater Installation (230V)	C
2	0701014	2	Bolt, M10X30	
3	0760810	2	Bolt, M8X20	
5	1062255	2	Tie, Strap	
6	3290805	2	Nut, Lock M8X1.25 Grade 8	
7	4811900	4	Washer, M8	
8	4832000	2	Washer, Lock M10	
9	8405007	4	Clamp, Hose	
10	8406302	1	Clamp, Hose	
11	8410009	2	Clamp, Hose	
12	1001167408	1	Fitting, Straight Barb	
13	1001167773	1	Fitting, T-Barb	
14	1001189019	1	Bracket	
19	1001165069	1	Heater, Block (230V) (See Separate Breakdown in this Section)	
20	1001197806	1	Hose, Heater	
21	1001197807	1	Hose, Heater	
22	1001197808	1	Hose, Heater	

SECTION 4 - ENGINE AND ATTACHING PARTS

FIGURE 4-48. BLOCK HEATER INSTALLATION (120V)



ART_1001175054-C

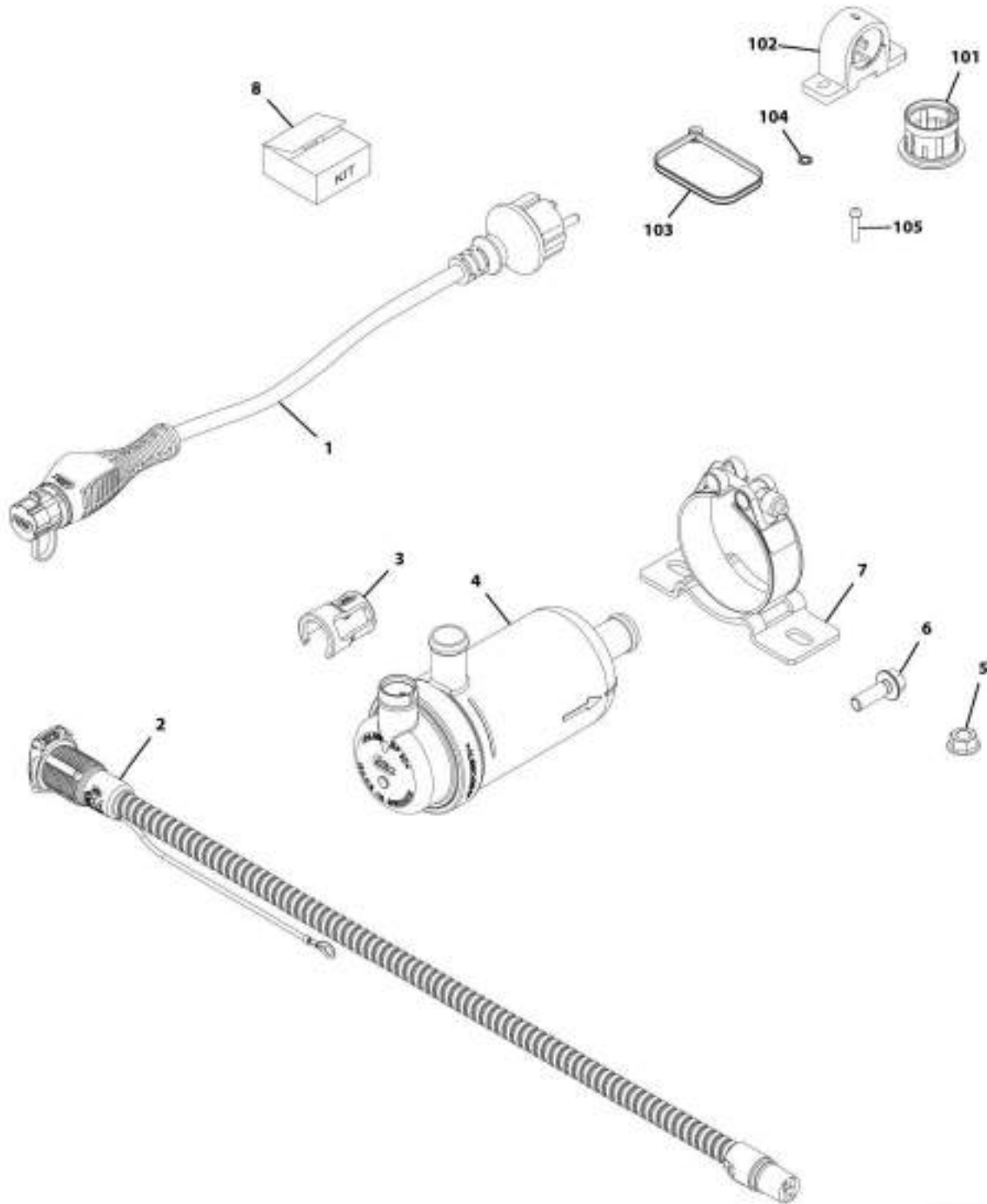
SECTION 4 - ENGINE AND ATTACHING PARTS

FIGURE 4-48. BLOCK HEATER INSTALLATION (120V)

ITEM	PART NUMBER	QTY	DESCRIPTION	REV
	1001175054	Ref	Block Heater Installation (120V)	C
2	0701014	2	Bolt, M10X30	
3	0760810	2	Bolt, M8X20	
5	1062255	2	Tie, Strap	
6	3290805	2	Nut, Lock M8X1.25 Grade 8	
7	4811900	4	Washer, M8	
8	4832000	2	Washer, Lock M10	
9	8405007	4	Clamp, Hose	
10	8406302	1	Clamp, Hose	
11	8410009	2	Clamp, Hose	
12	1001167408	1	Fitting, Straight Barb	
13	1001167773	1	Fitting, T-Barb	
14	1001189019	1	Bracket	
18	1001179910	1	Heater, Block (120V) (See Separate Breakdown in this Section)	
19	1001197806	1	Hose, Heater	
20	1001197807	1	Hose, Heater	
21	1001197808	1	Hose, Heater	

SECTION 4 - ENGINE AND ATTACHING PARTS

FIGURE 4-49. BLOCK HEATER (ULS)



MT_1001165089-B

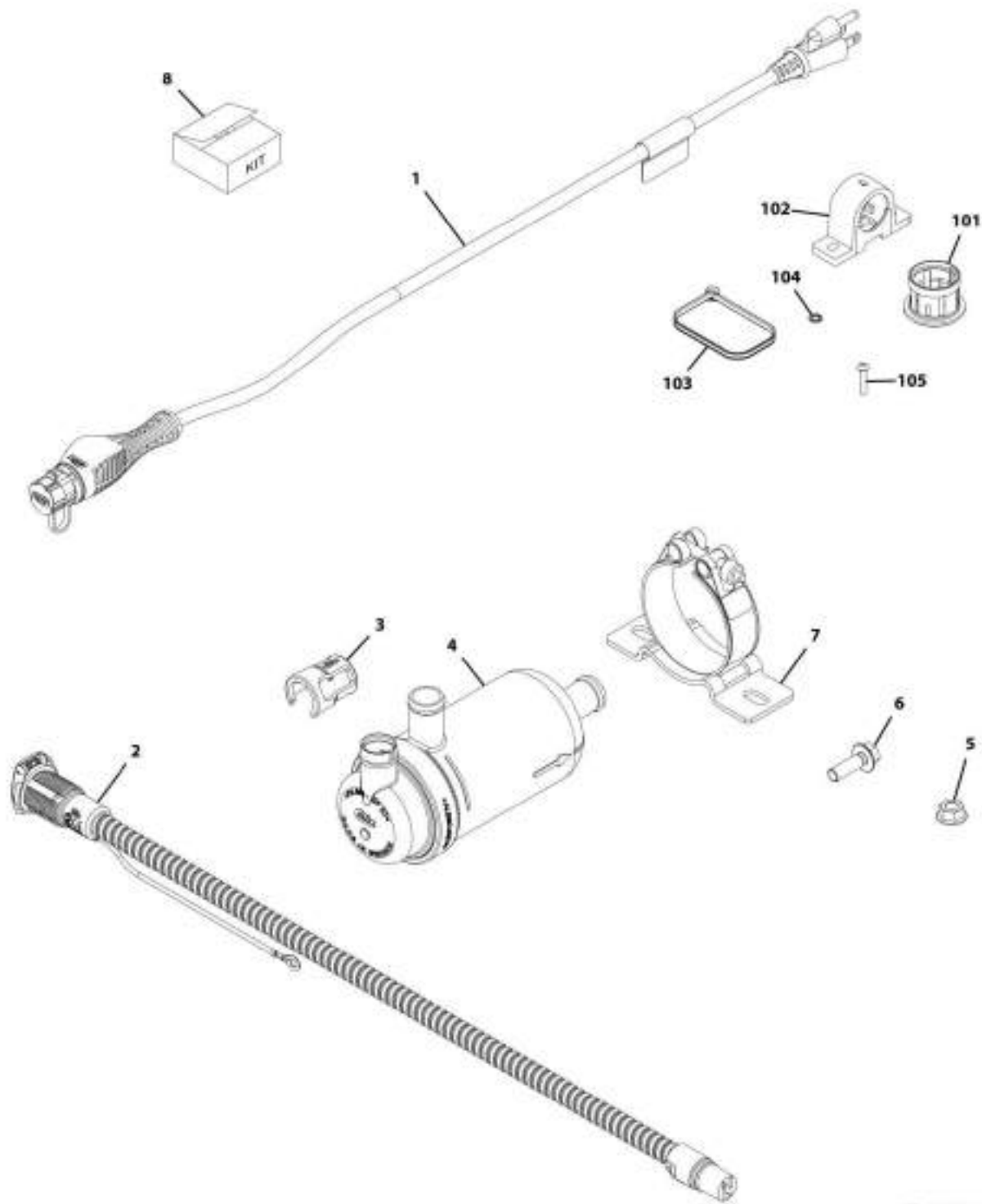
SECTION 4 - ENGINE AND ATTACHING PARTS

FIGURE 4-49. BLOCK HEATER (ULS)

ITEM	PART NUMBER	QTY	DESCRIPTION	REV
	1001165069	Ref	Block Heater (ULS)	B
1	70026718	1	Cable, Supply	
2	70026717	1	Cable, Inlet	
3	70026720	1	Clip, Safety	
4	70026721	1	Heater	
5	70026722	2	Nut, Flange M8X8	
6	70026723	2	Screw, Flange M8X25	
7	70026724	1	Clamp	
8	70026719	1	Kit, MK Assembly	
101	Kit	1	Expander	
102	Kit	1	Clamp	
103	Kit	5	Wrap, Tie	
104	Kit	2	Washer, Lock	
105	Kit	3	Screw	

SECTION 4 - ENGINE AND ATTACHING PARTS

FIGURE 4-50. BLOCK HEATER (LS)



MT_1001179810-B

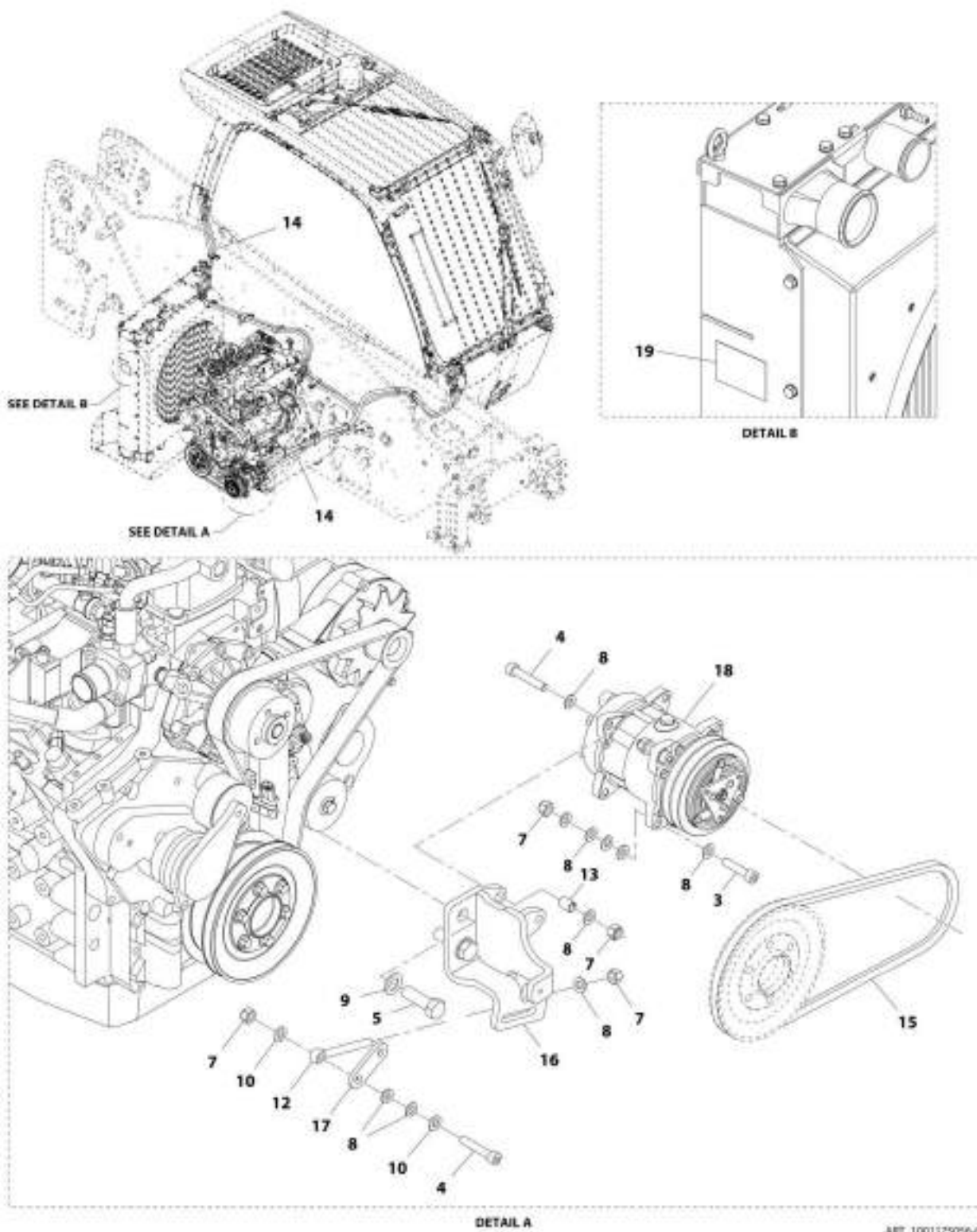
SECTION 4 - ENGINE AND ATTACHING PARTS

FIGURE 4-50. BLOCK HEATER (LS)

ITEM	PART NUMBER	QTY	DESCRIPTION	REV
	1001179910	Ref	Block Heater (LS)	B
1	70026725	1	Cable, Supply	
2	70026726	1	Cable, Inlet	
3	70026720	1	Clip, Safety	
4	70026721	1	Heater	
5	70026722	2	Nut, Flange M8X8	
6	70026723	2	Screw, Flange M8X25	
7	70026724	1	Clamp	
8	70026719	1	Kit, MK Assembly	
101	Kit	1	Expander	
102	Kit	1	Clamp	
103	Kit	5	Wrap, Tie	
104	Kit	2	Washer, Lock	
105	Kit	3	Screw	

SECTION 4 - ENGINE AND ATTACHING PARTS

FIGURE 4-51. A/C PUMP INSTALLATION



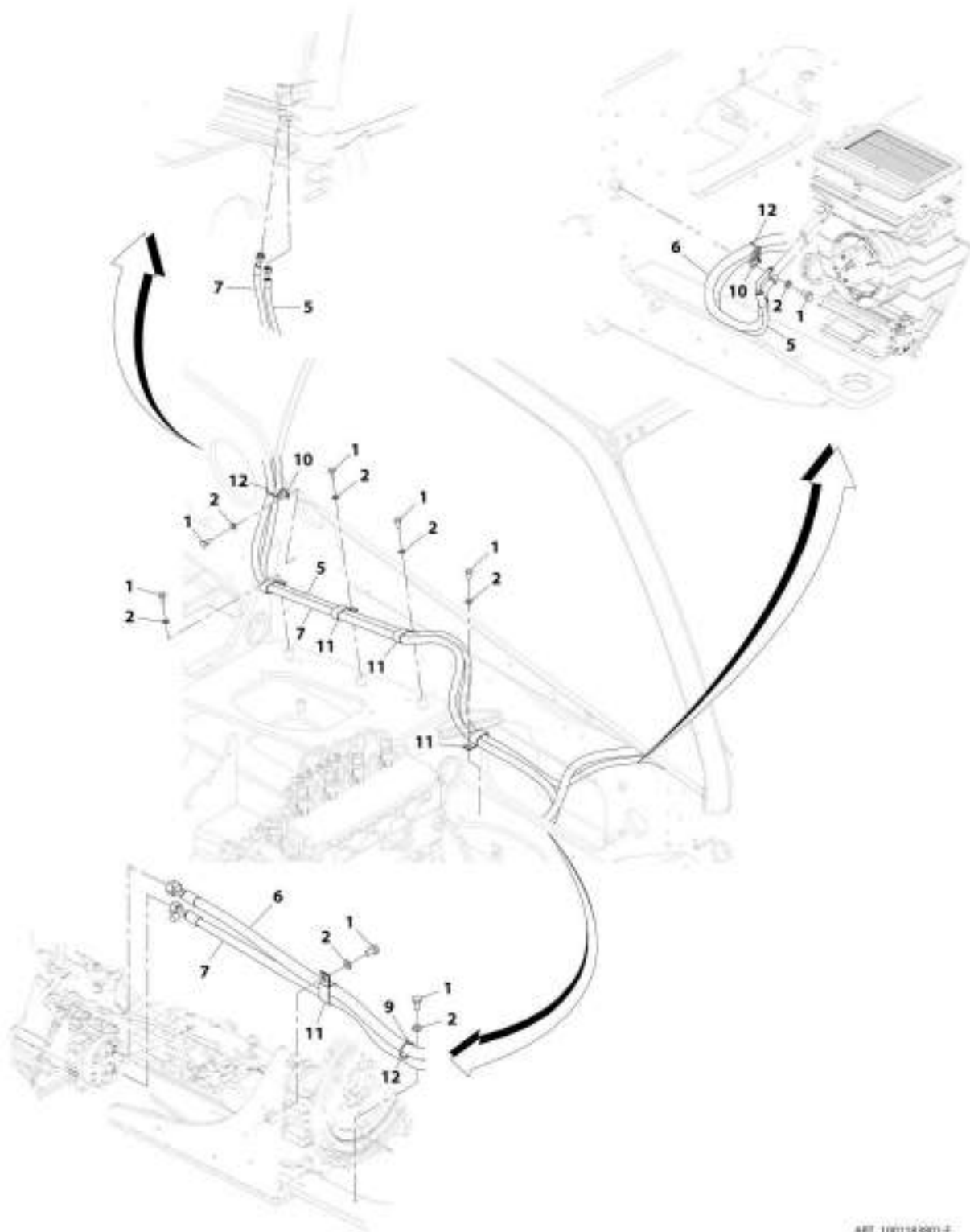
SECTION 4 - ENGINE AND ATTACHING PARTS

FIGURE 4-51. A/C PUMP INSTALLATION

ITEM	PART NUMBER	QTY	DESCRIPTION	REV
	1001175056	Ref	A/C Pump Installation	G
3	4032013	2	Bolt, M10X45	
4	4032015	2	Bolt, M10X55	
5	0701618	2	Bolt, M16X50	
7	3291005	5	Nut, M10X1.5 Grade 8	
8	4812000	12	Washer, M10	
9	4812300	2	Washer, M16	
10	5241000	2	Washer, M10	
12	8310737	1	Rod, End M10X1.5X100	
13	1001131818	1	Bushing	
14	1001183801	Ref	Installation, A/C Lines (See Separate Breakdown in this Section)	
15	1001189201	1	Belt, A/C Drive	
16	1001189206	1	Bracket, A/C Compressor	
17	1001189222	1	Plate	
18	1001119220	1	Compressor	
19	1001227090	1	Decal, A/C Refrigerant	

SECTION 4 - ENGINE AND ATTACHING PARTS

FIGURE 4-52. A/C LINES INSTALLATION



ARJ_1101149001-E

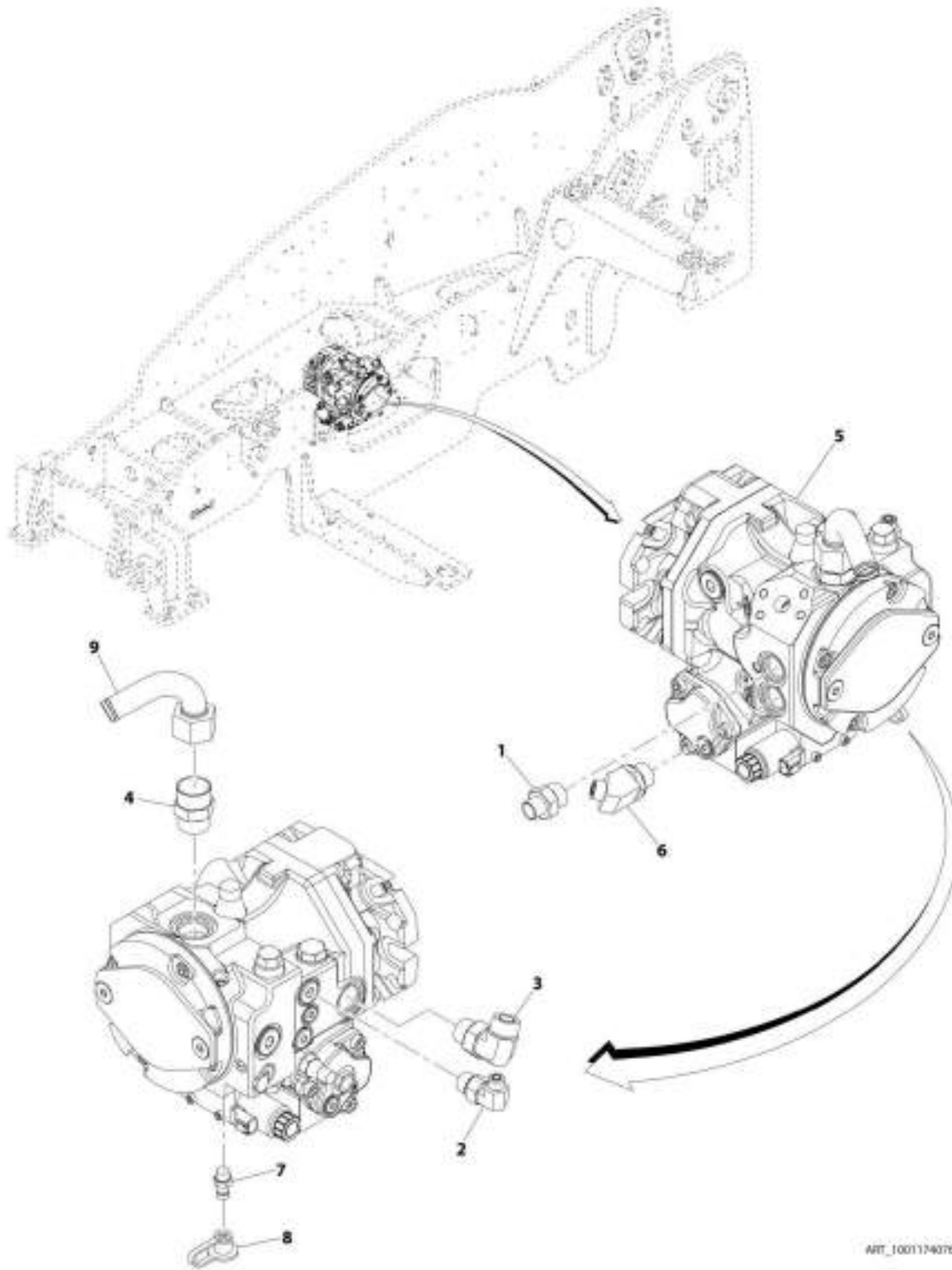
SECTION 4 - ENGINE AND ATTACHING PARTS

FIGURE 4-52. A/C LINES INSTALLATION

ITEM	PART NUMBER	QTY	DESCRIPTION	REV
	1001183801	Ref	A/C Lines Installation	E
1	0761010	8	Bolt, M10X20	
2	4812000	8	Washer, M10	
5	1001218250	NLA	Hose, 6MM (no longer available, use 1001226330 for replacement)	
5	1001226330	1	Hose, 10MM	
6	1001218249	NLA	Hose, 10MM (no longer available, use 1001226331 for replacement)	
6	1001226331	1	Hose, 16MM	
7	1001183799	NLA	Hose (no longer available, use 1001226332 for replacement)	
7	1001226332	1	Hose	
9	1001003305	1	Clip	
10	1001008593	2	Clip	
11	1001008720	5	Clip	
12	1001008559	3	Tie, Strap	

SECTION 4 - ENGINE AND ATTACHING PARTS

FIGURE 4-53. HYDROSTATIC PUMP INSTALLATION



ART_1001174076-D

SECTION 4 - ENGINE AND ATTACHING PARTS

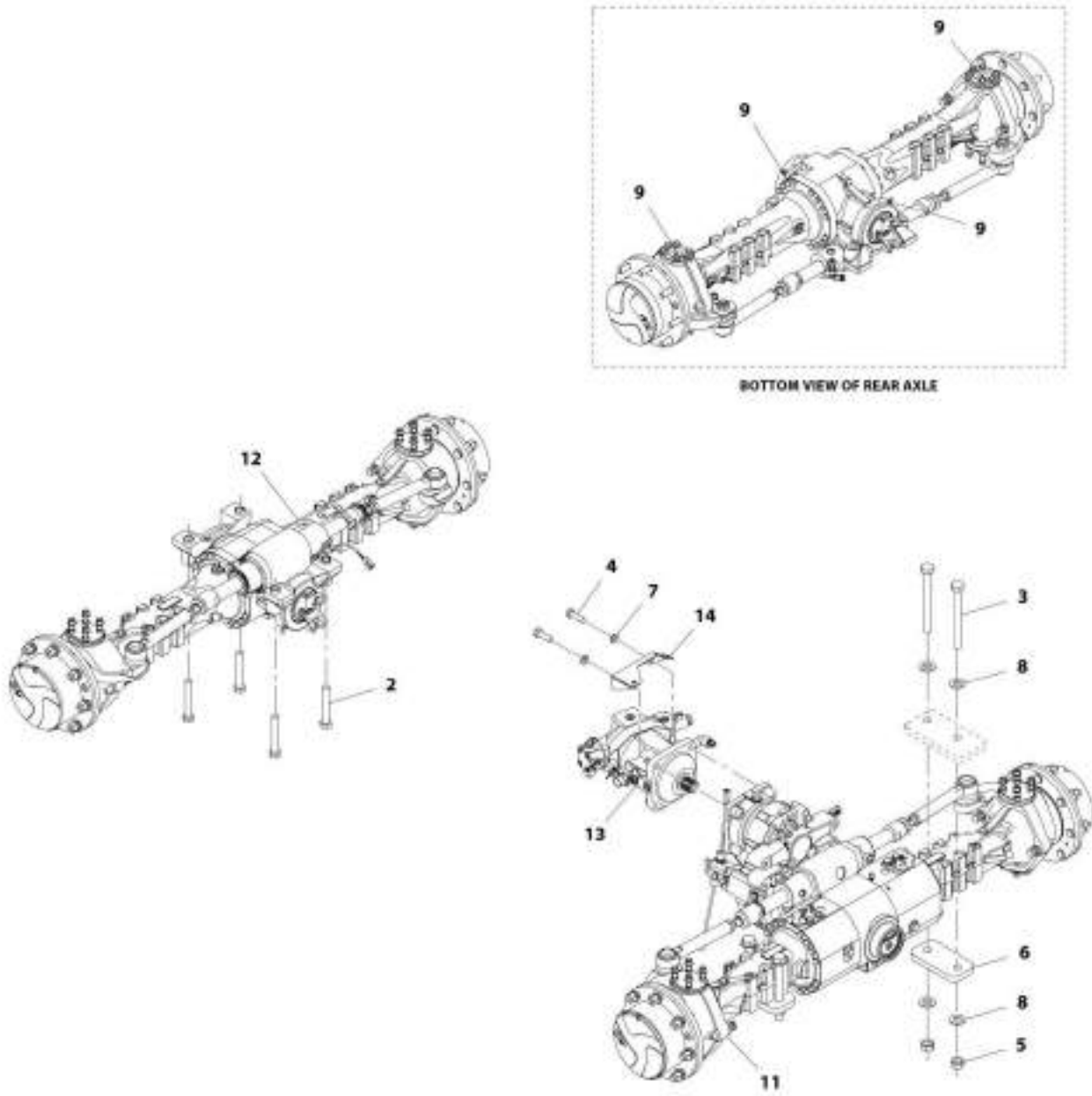
FIGURE 4-53. HYDROSTATIC PUMP INSTALLATION

ITEM	PART NUMBER	QTY	DESCRIPTION	REV
	1001174076	Ref	Hydrostatic Pump Installation	D
1	2110812	1	Fitting, Straight ORFS	
2	2130610	1	Fitting, 90 ORFS	
3	2131212	1	Fitting, 90 ORFS	
4	1001143936	1	Fitting, 90 ORFS (Prior to SN 1160008627)	
4	2111616	1	Fitting, Straight ORFS (SN 1160008627 to Present)	
5	1001179021	1	Pump, Hydrostatic (See Separate Breakdown in Drivetrain Section)	
6	1001183748	1	Fitting, 45 ORFS	
7	1001003590	1	Fitting, Straight	
8	1001008761	1	Cap, Dust	
9	1001185073	1	Fitting, Straight (Prior to SN 1160008627)	
9	1001223087	1	Pipe (SN 1160008627 to Present)	

SECTION 5 - DRIVE TRAIN

SECTION 5 - DRIVE TRAIN

FIGURE 5-1. AXLES INSTALLATION (20IN WHEEL)



ART_1001174689-G

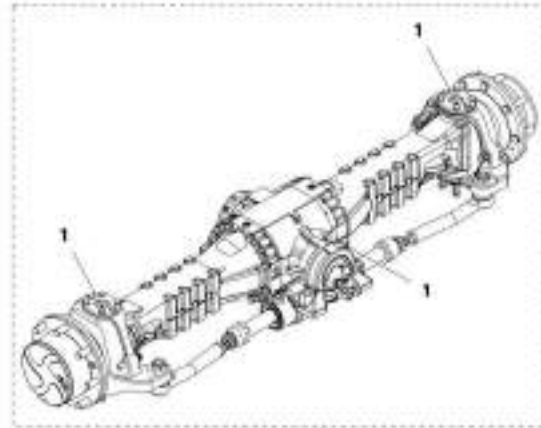
SECTION 5 - DRIVE TRAIN

FIGURE 5-1. AXLES INSTALLATION (20IN WHEEL)

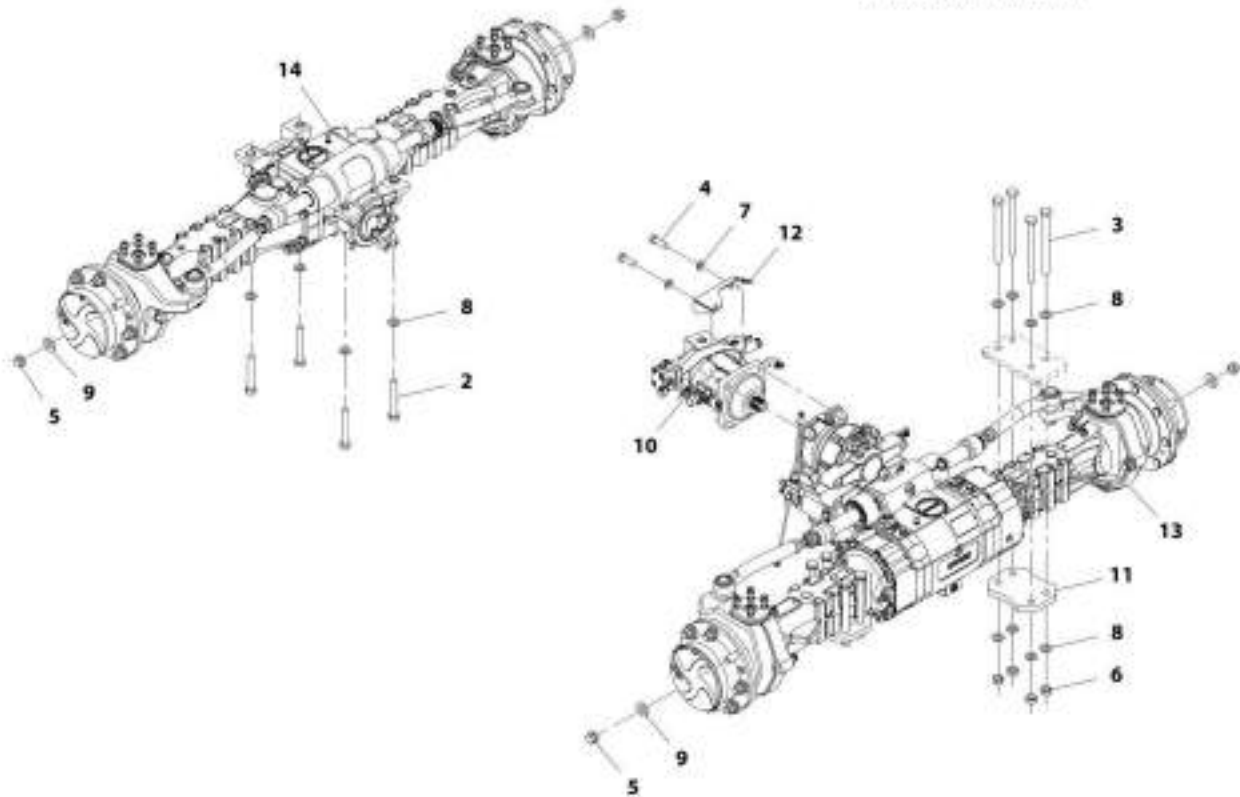
ITEM	PART NUMBER	QTY	DESCRIPTION	REV
	1001174688	Ref	Axles Installation (20IN Wheel)	G
2	0712030	4	Bolt, M20X130 Grade 10.9	
3	0712439	4	Bolt, M24X220 Grade 10.9	
4	0771618	4	Bolt, M16X50 Grade 10.9	
5	3332411	4	Nut, M24X3	
6	1001190513	2	Plate	
7	4812300	4	Washer, M16	
8	5242400	8	Washer, M24	
9	1001008462	AR	Grease	
11	1001214517	1	Axle, Front (20IN Wheel) (See Separate Breakdown in this Section)	
12	1001214518	1	Axle, Rear (20IN Wheel) (See Separate Breakdown in this Section)	
13	1001174077	Ref	Installation, Hydrostatic Motor (See Separate Breakdown in this Section)	
14	1001195777	1	Bracket, Brake/Steer	

SECTION 5 - DRIVE TRAIN

FIGURE 5-2. AXLES INSTALLATION (24IN WHEEL)



BOTTOM VIEW OF REAR AXLE



ART_100100665-A

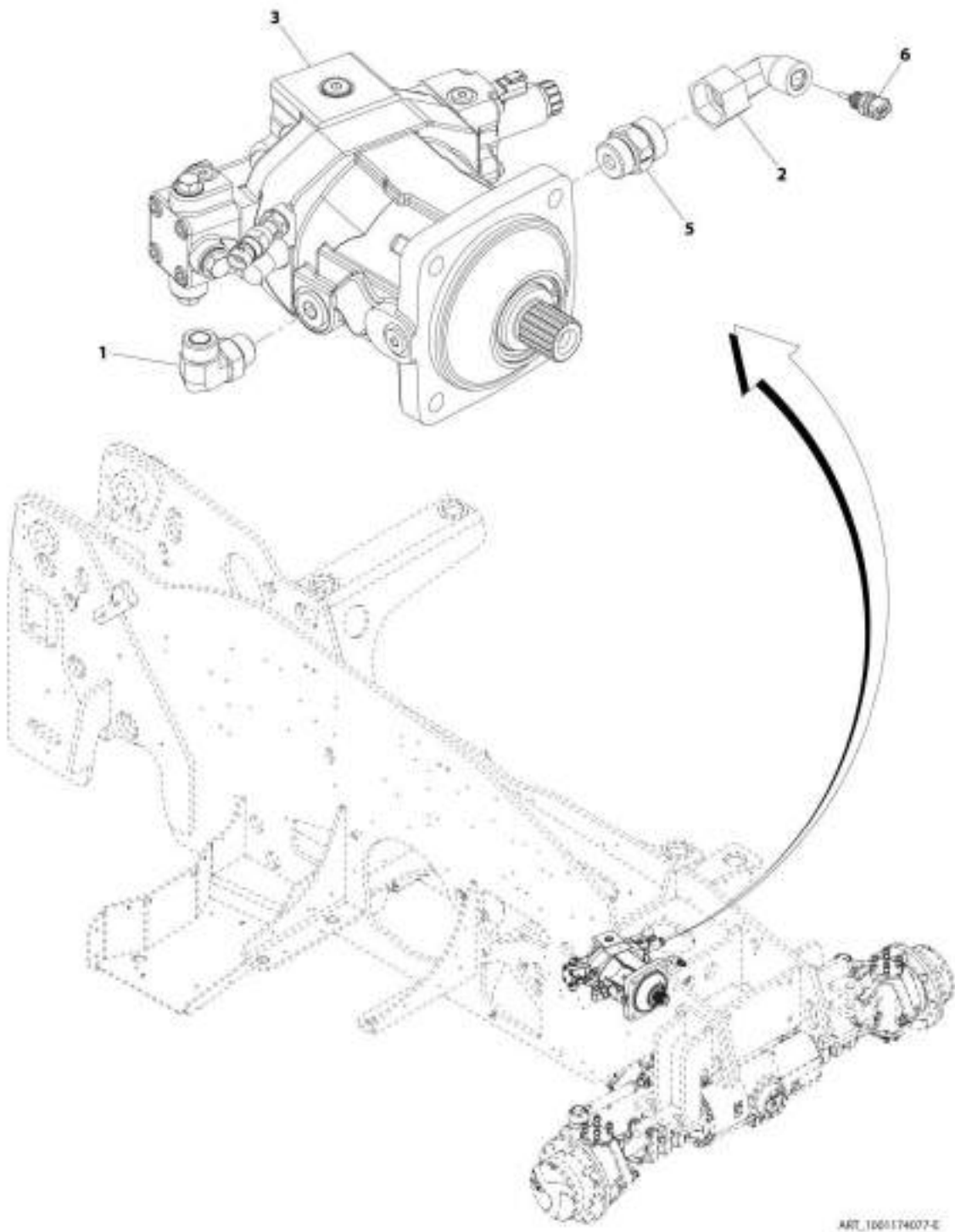
SECTION 5 - DRIVE TRAIN

FIGURE 5-2. AXLES INSTALLATION (24IN WHEEL)

ITEM	PART NUMBER	QTY	DESCRIPTION	REV
	1001199665	Ref	Axles Installation (24IN Wheel)	A
1	1001008462	AR	Grease	
2	0712030	4	Bolt, M20X130 Grade 10.9	
3	0712040	8	Bolt, M20X230	
4	0771618	4	Bolt, M16X50 Grade 10.9	
5	3300479	32	Nut, M22X1.5	
6	3332011	8	Nut, M20X2.5	
7	4812300	4	Washer, M16	
8	8310620	20	Washer, M20	
9	1001114802	32	Washer	
10	1001174077	Ref	Installation, Hydrostatic Motor (See Separate Breakdown in this Section)	
11	1001190542	2	Plate	
12	1001195777	1	Bracket, Brake/Steer	
13	1001202651	1	Axle, Front (24IN Wheel) (See Separate Breakdown in this Section)	
14	1001202652	1	Axle, Rear (24IN Wheel) (See Separate Breakdown in this Section)	

SECTION 5 - DRIVE TRAIN

FIGURE 5-3. HYDROSTATIC MOTOR INSTALLATION



ART_106174007-E

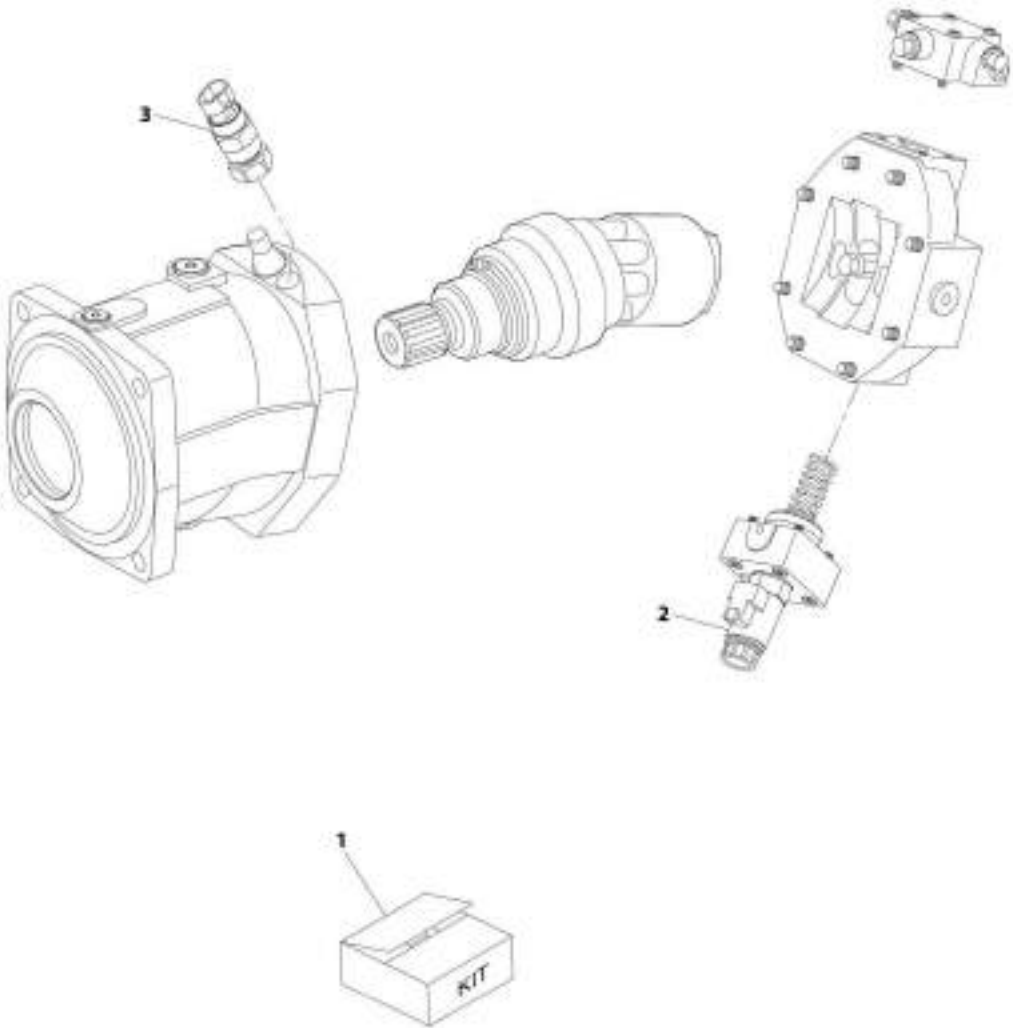
SECTION 5 - DRIVE TRAIN

FIGURE 5-3. HYDROSTATIC MOTOR INSTALLATION

ITEM	PART NUMBER	QTY	DESCRIPTION	REV
	1001174077	Ref	Hydrostatic Motor Installation	E
1	2111212	1	Fitting, Straight ORFS (Prior to SN 1160008627)	
1	2131212	1	Fitting, 90 ORFS (SN 1160008627 to Present)	
2	1001204194	1	Pipe 90 ORFS Sensor	
3	1001179022	1	Motor, Hydrostatic Drive (See Separate Breakdown in this Section)	
5	1001200385	1	Valve, Check	
6	1001206613	1	Sensor, Temperature Oil	

SECTION 5 - DRIVE TRAIN

FIGURE 5-4. HYDROSTATIC DRIVE MOTOR



ART_3001179022-E

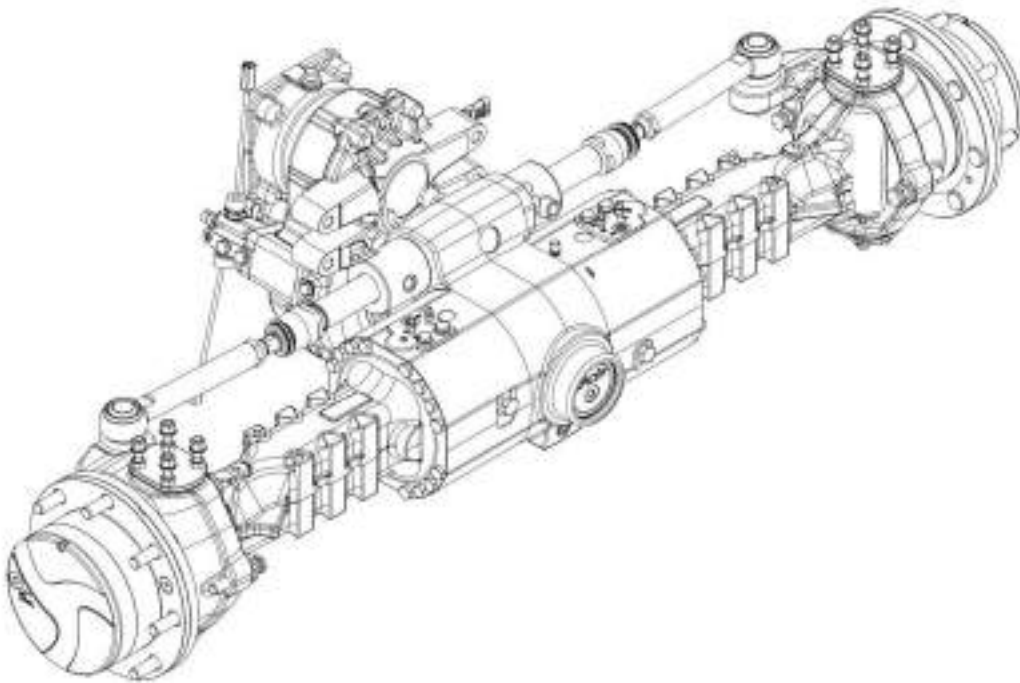
SECTION 5 - DRIVE TRAIN

FIGURE 5-4. HYDROSTATIC DRIVE MOTOR

ITEM	PART NUMBER	QTY	DESCRIPTION	REV
	1001179022	Ref	Hydrostatic Drive Motor	E
1	Kit	1	Kit, Seal	
	Kit	1	Lip, Rotary Shaft	
	Kit	1	O-Ring	
	Kit	2	Nut	
	Kit	7	O-Ring	
	Kit	1	O-Ring	
	Kit	2	O-Ring	
	Kit	2	O-Ring	
	Kit	3	O-Ring	
	Kit	2	O-Ring	
	Kit	2	Ring, Thrust	
	Kit	1	Nut	
	Kit	1	O-Ring	
	Kit	2	O-Ring	
	Kit	1	O-Ring	
	Kit	1	O-Ring	
	Kit	1	O-Ring	
	Kit	1	O-Ring	
	Kit	1	O-Ring	
	Kit	1	O-Ring	
	Kit	1	O-Ring	
	Kit	1	O-Ring	
	Kit	1	O-Ring	
	Kit	1	O-Ring	
	Kit	1	O-Ring	
	Kit	1	Ring, Seal	
2	70003170	1	Coil	
3	70027602	1	Sensor	

SECTION 5 - DRIVE TRAIN

FIGURE 5-5. FRONT AXLE (20IN WHEEL)



ART_1001214513-K

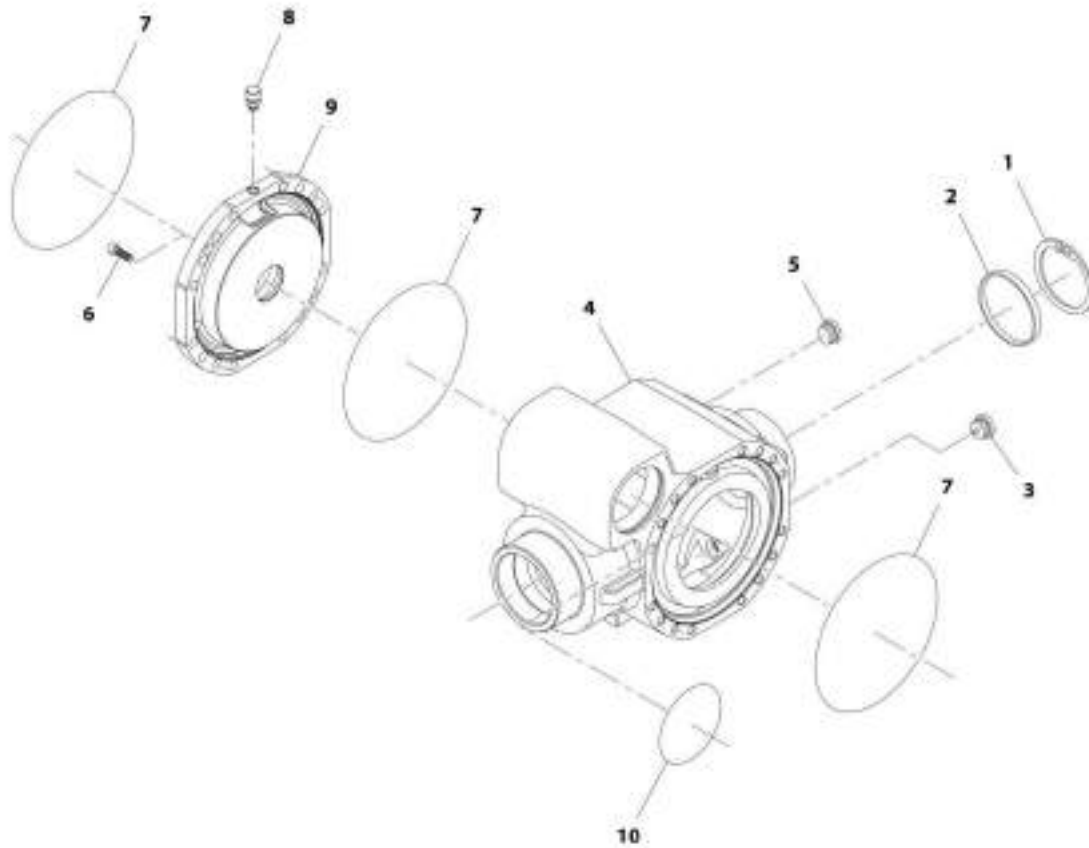
SECTION 5 - DRIVE TRAIN

FIGURE 5-5. FRONT AXLE (20IN WHEEL)

ITEM	PART NUMBER	QTY	DESCRIPTION	REV
	1001214517	Ref	Front Axle (20IN Wheel)	A
		Ref	Front Axle, Central Housing (20IN Wheel) (See Separate Breakdown in this Section)	
		Ref	Front Axle, Differential (20IN Wheel) (See Separate Breakdown in this Section)	
		Ref	Front Axle, Hub Reduction (20IN Wheel) (See Separate Breakdown in this Section)	
		Ref	Front Axle, Brakes (20IN Wheel) (See Separate Breakdown in this Section)	
		Ref	Front Axle, Steering (20IN Wheel) (See Separate Breakdown in this Section)	
		Ref	Front Axle, Gear Box (20IN Wheel) (See Separate Breakdown in this Section)	

SECTION 5 - DRIVE TRAIN

FIGURE 5-6. FRONT AXLE, CENTRAL HOUSING (20IN WHEEL)



WRT_3001214517_1-A

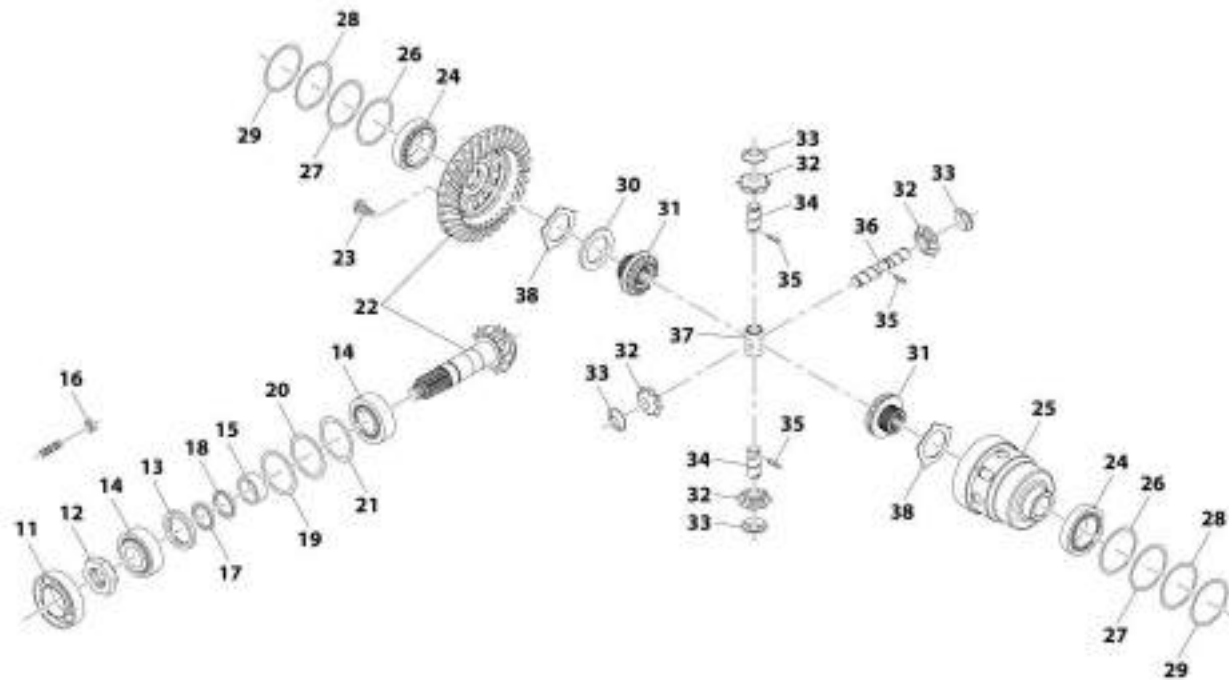
SECTION 5 - DRIVE TRAIN

FIGURE 5-6. FRONT AXLE, CENTRAL HOUSING (20IN WHEEL)

ITEM	PART NUMBER	QTY	DESCRIPTION	REV
1	80204005	1	Circlip	
2	70026858	1	Plug	
3	70021177	1	Plug	
4	70026859	1	Housing	
5	91514087	1	Plug	
6	70026860	2	Bolt	
7	70021147	3	O-Ring	
8	91474512	1	Vent	
9	70026861	1	Cover	
10	70026862	1	O-Ring	

SECTION 5 - DRIVE TRAIN

FIGURE 5-7. FRONT AXLE, DIFFERENTIAL (20IN WHEEL)



ART_1001254517_2-A

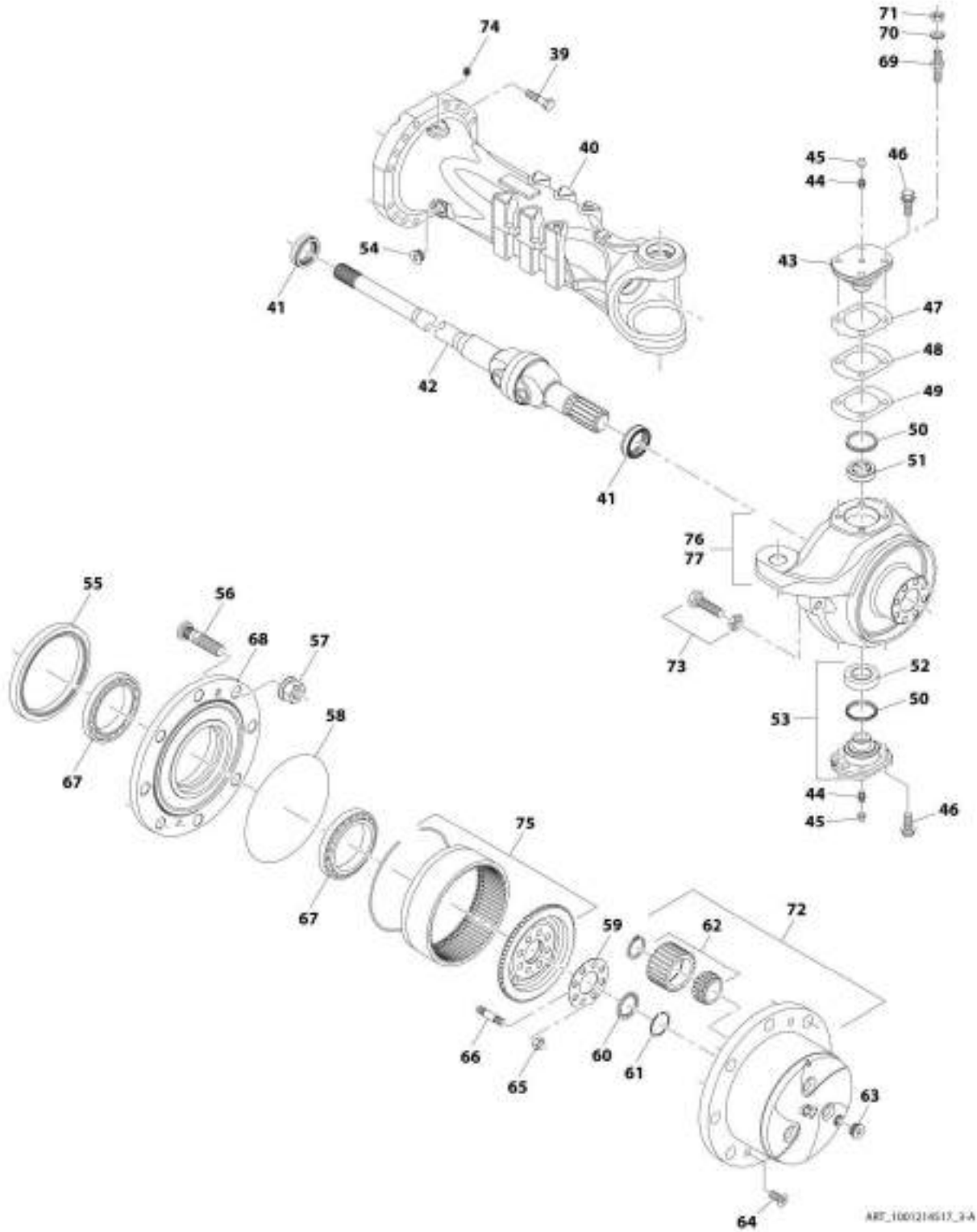
SECTION 5 - DRIVE TRAIN

FIGURE 5-7. FRONT AXLE, DIFFERENTIAL (20IN WHEEL)

ITEM	PART NUMBER	QTY	DESCRIPTION	REV
11	91514146	1	Bearing, Ball	
12	70026863	1	Nut, Ring	
13	80204275	1	Seal	
14	70020234	2	Bearing	
15	70020233	1	Spacer	
16	70026865	8	Nut	
17	70020236	1	Ring	
18	70024865	1	Ring	
19	70026866	1	Shim	
20	70026867	1	Shim	
21	70020237	1	Shim	
22	70026868	1	Gear Set, Bevel	
23	70020251	12	Bolt	
24	70020240	2	Bearing, Taper Roller	
25	70026869	1	Carrier, Differential	
26	70024868	2	Shim	
27	70024869	2	Shim	
28	70020239	2	Shim	
29	70024870	2	Shim	
30	70020242	1	Washer	
31	70020243	2	Gear, Side Differential	
32	70020244	4	Pinion, Differential	
33	70020245	4	Washer	
34	70021929	2	Pin	
35	70020247	3	Dowel	
36	70021928	1	Pin	
37	70020249	1	Retainer	
38	70020271	2	Disc, Clutch	

SECTION 5 - DRIVE TRAIN

FIGURE 5-8. FRONT AXLE, HUB REDUCTION (20IN WHEEL)



ARE_1001214517_3-A

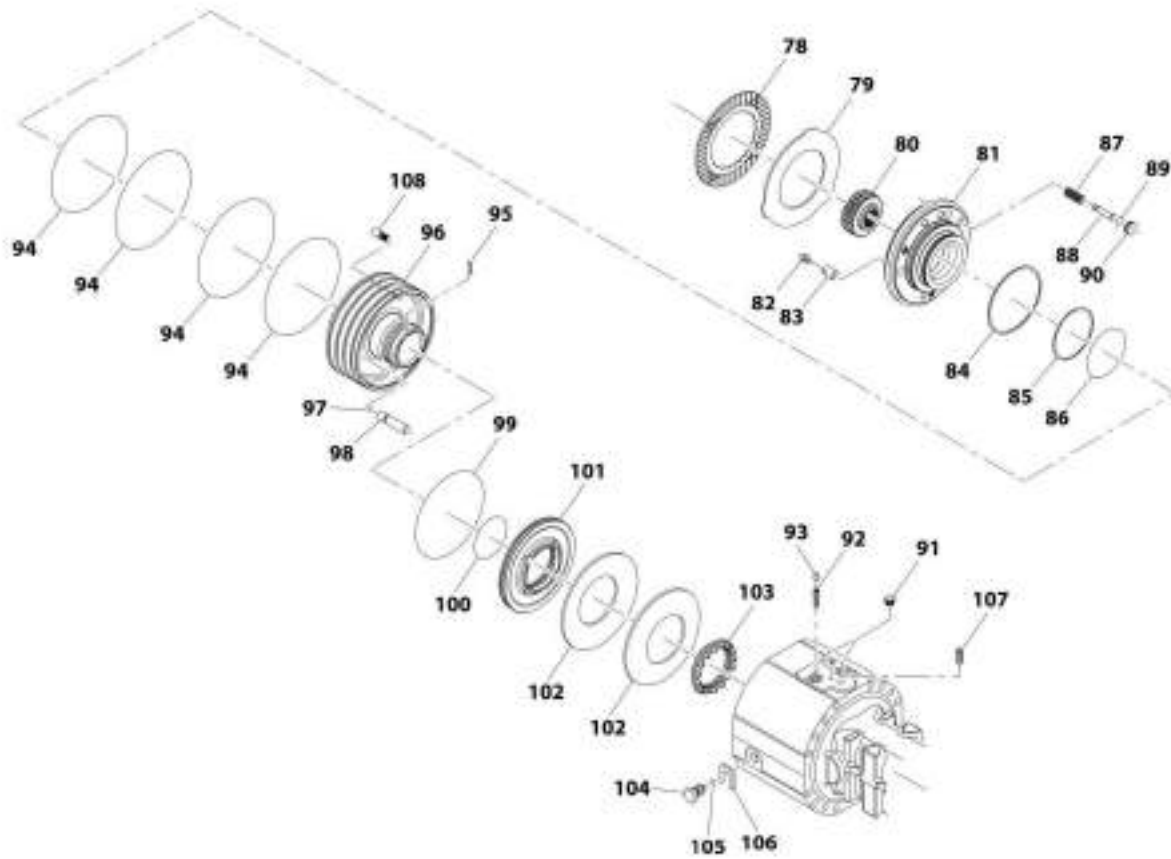
SECTION 5 - DRIVE TRAIN

FIGURE 5-8. FRONT AXLE, HUB REDUCTION (20IN WHEEL)

ITEM	PART NUMBER	QTY	DESCRIPTION	REV
39	70026870	32	Bolt	
40	70026871	2	Case, Axle	
41	70021151	4	Seal	
42	70026872	2	Joint, Double Universal	
43	70021153	2	Pin, Pivot	
44	91514099	4	Fitting, Grease	
45	80204117	4	Plug	
46	91514123	12	Bolt	
47	70026873	2	Shim	
48	70026874	2	Shim	
49	70021154	2	Shim	
50	70021155	2	Seal	
51	70020173	2	Bushing	
52	70021156	2	Joint	
53	70021157	2	Pin, Pivot	
54	91514188	2	Plug	
55	70026002	2	Seal	
56	70027149	16	Stud, Wheel	
57	70026875	16	Nut	
58	91474507	2	O-Ring	
59	70024885	2	Plate, Locking	
60	70024886	2	Spacer	
61	70024887	2	Circlip	
62	70023900	6	Kit, Planet Gear (See Separate Breakdown in this Section)	
63	91514087	1	Plug	
64	91514189	4	Bolt	
65	70024889	16	Nut	
66	70024890	16	Stud	
67	70021181	4	Bearing	
68	70024891	2	Hub, Wheel	
69	70025819	8	Stud	
70	91514119	8	Washer	
71	91514120	8	Nut	
72	70024892	2	Kit, Planet Gear Carrier (See Separate Breakdown in this Section)	
73	7028733	4	Kit, Steering Adjust Bolt (See Separate Breakdown in this Section)	
74	70020282	4	Plug	
75	70024894	2	Kit, Ring Gear Support (See Separate Breakdown in this Section)	
76	70026876	1	Kit, Steering Case (LF, RR) (See Separate Breakdown in this Section)	
77	70026877	1	Kit, Steering Case (RF, LR) (See Separate Breakdown in this Section)	

SECTION 5 - DRIVE TRAIN

FIGURE 5-9. FRONT AXLE, BRAKES (20IN WHEEL)



ART_1000214517_4-A

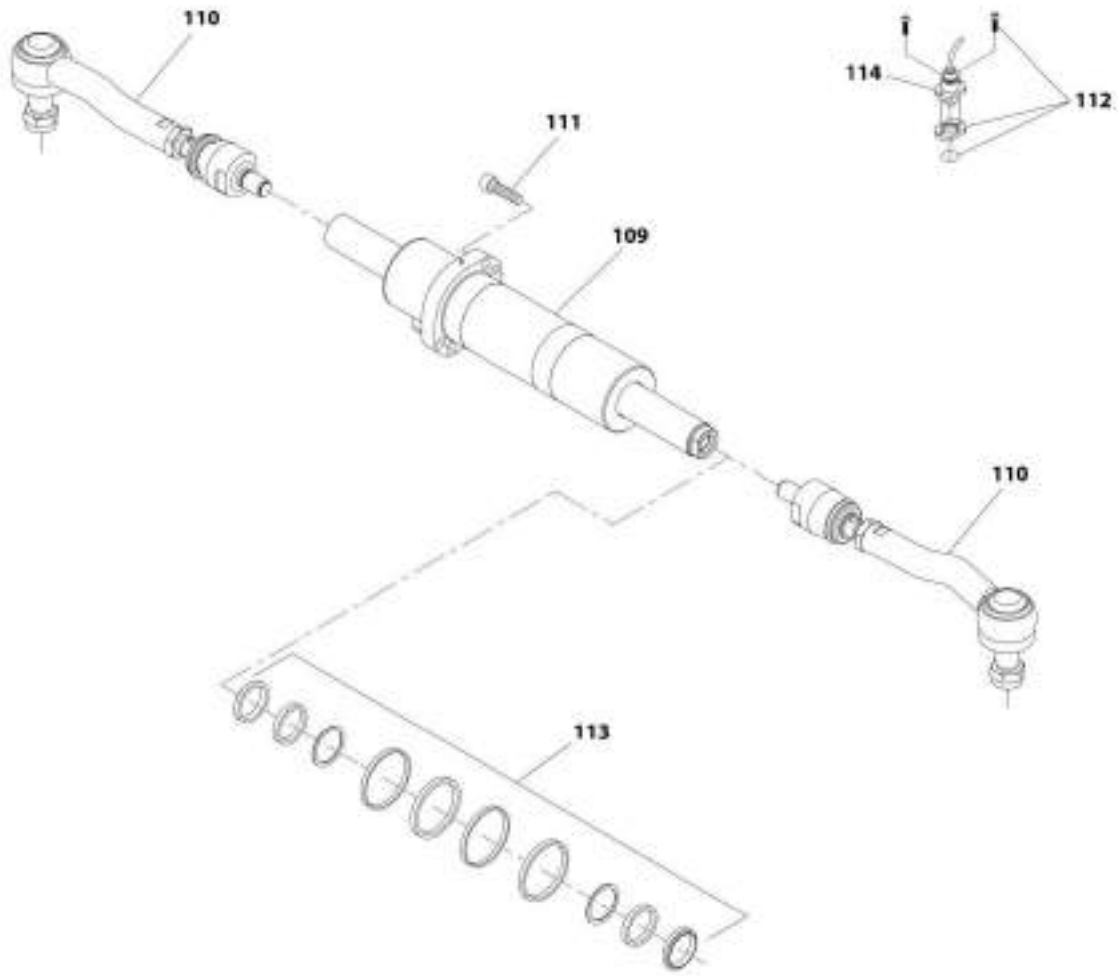
SECTION 5 - DRIVE TRAIN

FIGURE 5-9. FRONT AXLE, BRAKES (20IN WHEEL)

ITEM	PART NUMBER	QTY	DESCRIPTION	REV
78	70026878	6	Disc	
79	70024528	8	Disc, Intermediate Brake	
80	70026879	2	Bushing, Reduction	
81	70026880	2	Piston	
82	7029788	6	Bolt, Adjusting	
83	91514165	6	Spring	
84	70026263	2	Seal	
85	70020283	2	Ring, Backup	
86	70020281	2	O-RING	
87	70026881	6	Spring	
88	70026882	6	Bolt, Adjusting	
89	91514109	6	O-Ring	
90	70026883	6	Plug	
91	91514154	4	Bolt	
92	80204281	4	Bleeding Bolt	
93	80204117	4	Plug	
94	70026747	8	Seal	
95	70020247	2	Dowel	
96	70026884	2	Piston	
97	70020290	6	O-Ring	
98	70026885	6	Pin	
99	70020292	2	O-Ring	
100	70020293	2	O-Ring	
101	70024897	2	Piston	
102	70020295	4	Spring	
103	70020296	2	Nut, Ring	
104	70020297	4	Bolt	
105	80204111	4	O-Ring	
106	70020298	4	Spacer	
107	70020299	2	Bolt	
108	70021613	2	Bolt	

SECTION 5 - DRIVE TRAIN

FIGURE 5-10. FRONT AXLE, STEERING (20IN WHEEL)



ART_1001214517_5-A

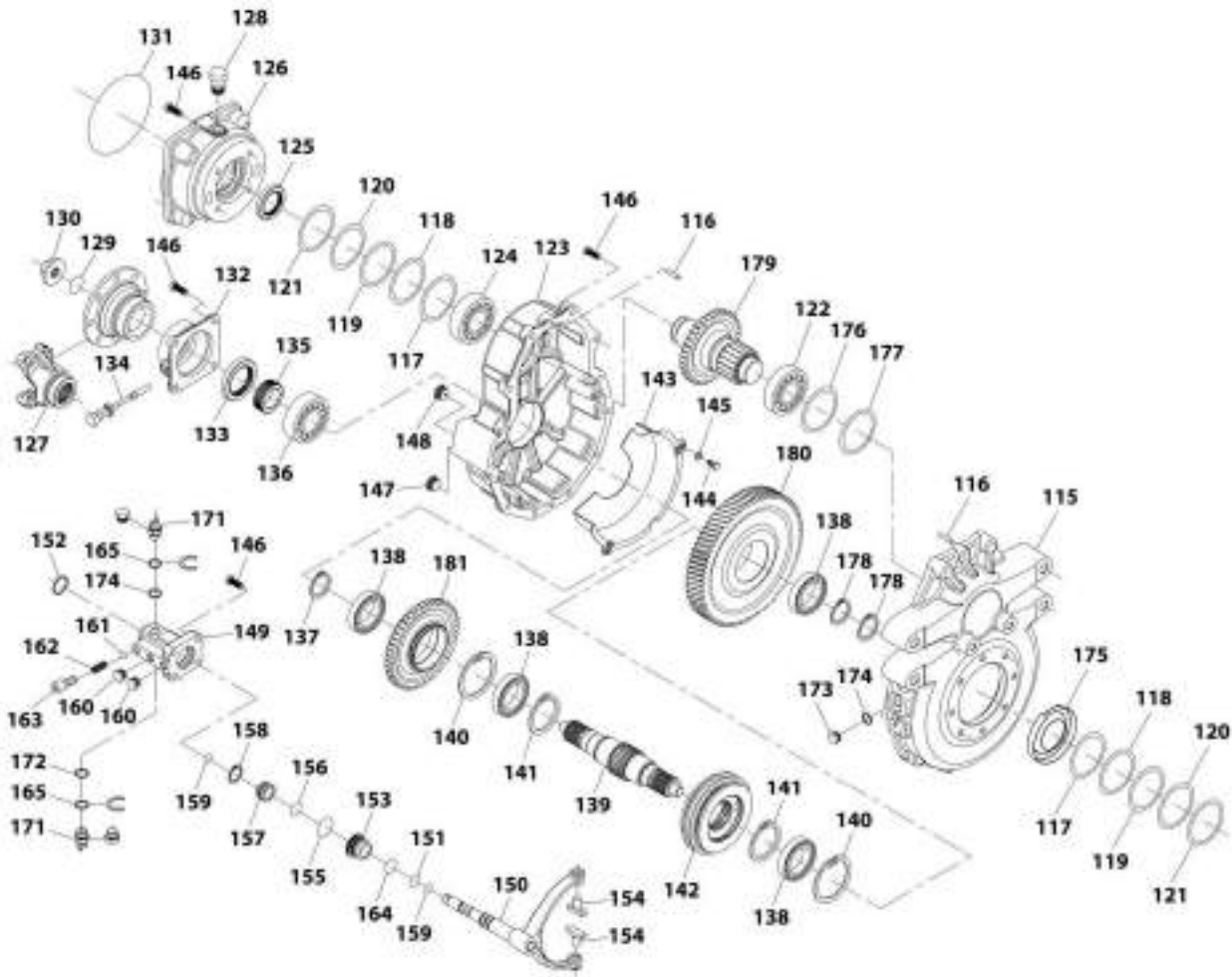
SECTION 5 - DRIVE TRAIN

FIGURE 5-10. FRONT AXLE, STEERING (20IN WHEEL)

ITEM	PART NUMBER	QTY	DESCRIPTION	REV
109	70026886	1	Cylinder	
110	70026887	2	Rod	
110	70022773	2	Nut	
111	70020269	4	Bolt	
112	70026888	1	Spacer	
113	70026889	1	Kit, Seal	
114	70026808	1	Sensor	

SECTION 5 - DRIVE TRAIN

FIGURE 5-11. FRONT AXLE, GEAR BOX (20IN WHEEL)



AWT_3001214517_6-A

SECTION 5 - DRIVE TRAIN

FIGURE 5-11. FRONT AXLE, GEAR BOX (20IN WHEEL)

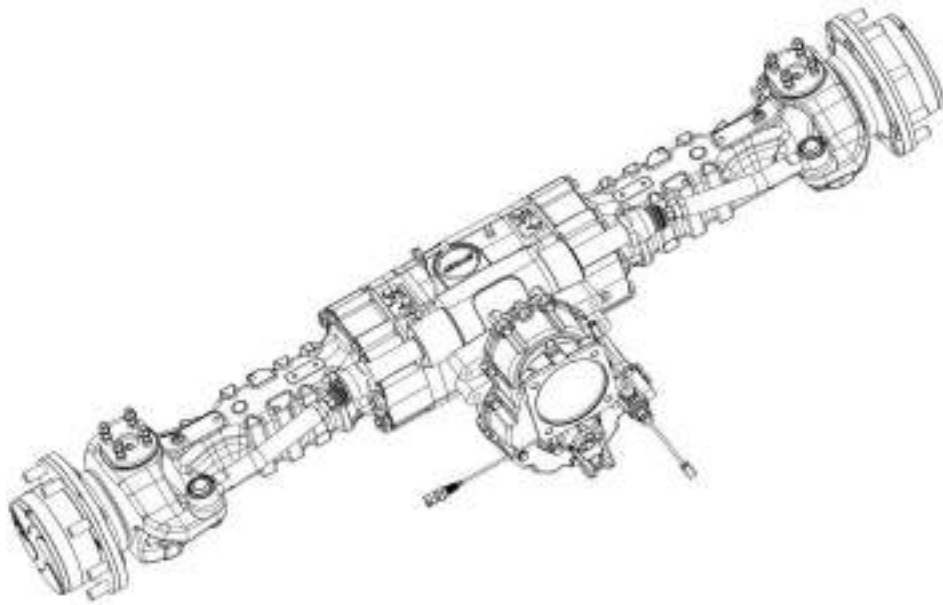
ITEM	PART NUMBER	QTY	DESCRIPTION	REV
115	70026891	1	Housing	
116	70026892	2	Dowel	
117	80204207	1	Shim	
118	8034641	1	Shim	
119	8020420	1	Shim	
120	80204209	1	Shim	
121	80204210	1	Shim	
122	70026904	1	Bearing, Ball	
123	70026894	1	Cover	
124	91514146	1	Bearing, Ball	
125	70026896	1	Seal	
126	70026897	1	Cover	
127	70026898	1	Flange	
128	70026899	1	Vent	
129	80204215	1	O-Ring	
130	91474528	1	Nut	
131	1001081085	1	O-Ring	
132	70026900	1	Cover	
133	70026901	1	Seal	
134	70026902	1	Sensor	
135	70026903	1	Wheel, Phonic	
136	91474364	1	Bearing	
137	80204071	1	Circlip	
138	70026895	4	Bearing, Ball	
139	70026905	1	Shaft, Output	
140	80204071	3	Circlip	
141	70026906	2	Circlip	
142	70026907	1	Synchronizer	
143	70026908	1	Sheet	
144	70026909	2	Bolt	
145	70027110	2	Washer, Lock	
146	70026911	12	Bolt	
147	80204016	1	Plug	
148	80204007	1	Plug	
149	70026912	1	Cylinder	
150	70026913	1	Shaft	
151	70026914	1	O-Ring	
152	70026915	1	Seal	
153	70026916	1	Bushing, Reduction	
154	70026917	2	Pin	
155	70026918	1	O-Ring	
156	70026919	1	O-Ring	
157	70026920	1	Piston	
158	70026921	2	Circlip	
159	70026922	2	O-Ring	
160	91514154	2	Bolt	
161	70020276	1	Ball, Detend	
162	80203021	1	Spring	
163	70026923	1	Bolt	
164	70026924	1	O-Ring	

SECTION 5 - DRIVE TRAIN

ITEM	PART NUMBER	QTY	DESCRIPTION	REV
165	70026925	1	Kit, Shim	
166	70026926	2	Switch	
167	70026927	1	Seal	
168	70024877	1	Bolt	
169	70024876	2	Washer	
170	70026928	1	Catcher, Oil	
171	70026929	1	Shim	
172	70026930	1	Shim	
173	70026931	2	Circlip	
174	70026932	1	Input, Shaft	
175	70026933	1	Gear	
176	70026934	1	Gear	

SECTION 5 - DRIVE TRAIN

FIGURE 5-12. FRONT AXLE (24IN WHEEL)



ART_1001202651-8

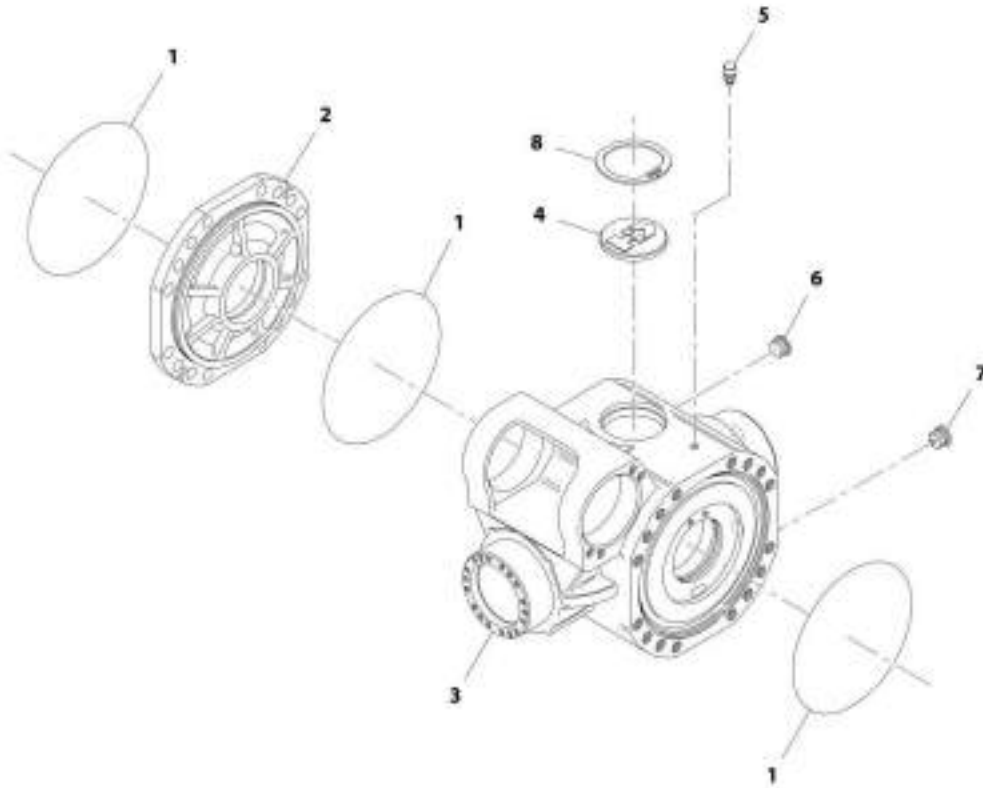
SECTION 5 - DRIVE TRAIN

FIGURE 5-12. FRONT AXLE (24IN WHEEL)

ITEM	PART NUMBER	QTY	DESCRIPTION	REV
	1001202651	Ref	Front Axle (24IN Wheel)	B
		Ref	Front Axle, Central Housing (24IN Wheel) (See Separate Breakdown in this Section)	
		Ref	Front Axle, Differential (24IN Wheel) (See Separate Breakdown in this Section)	
		Ref	Front Axle, Hub Reduction (24IN Wheel) (See Separate Breakdown in this Section)	
		Ref	Front Axle, Brakes (24IN Wheel) (See Separate Breakdown in this Section)	
		Ref	Front Axle, Steering (24IN Wheel) (See Separate Breakdown in this Section)	
		Ref	Front Axle, Gear Box (24IN Wheel) (See Separate Breakdown in this Section)	

SECTION 5 - DRIVE TRAIN

FIGURE 5-13. FRONT AXLE, CENTRAL HOUSING (24IN WHEEL)



ART_100(2025)_1-B

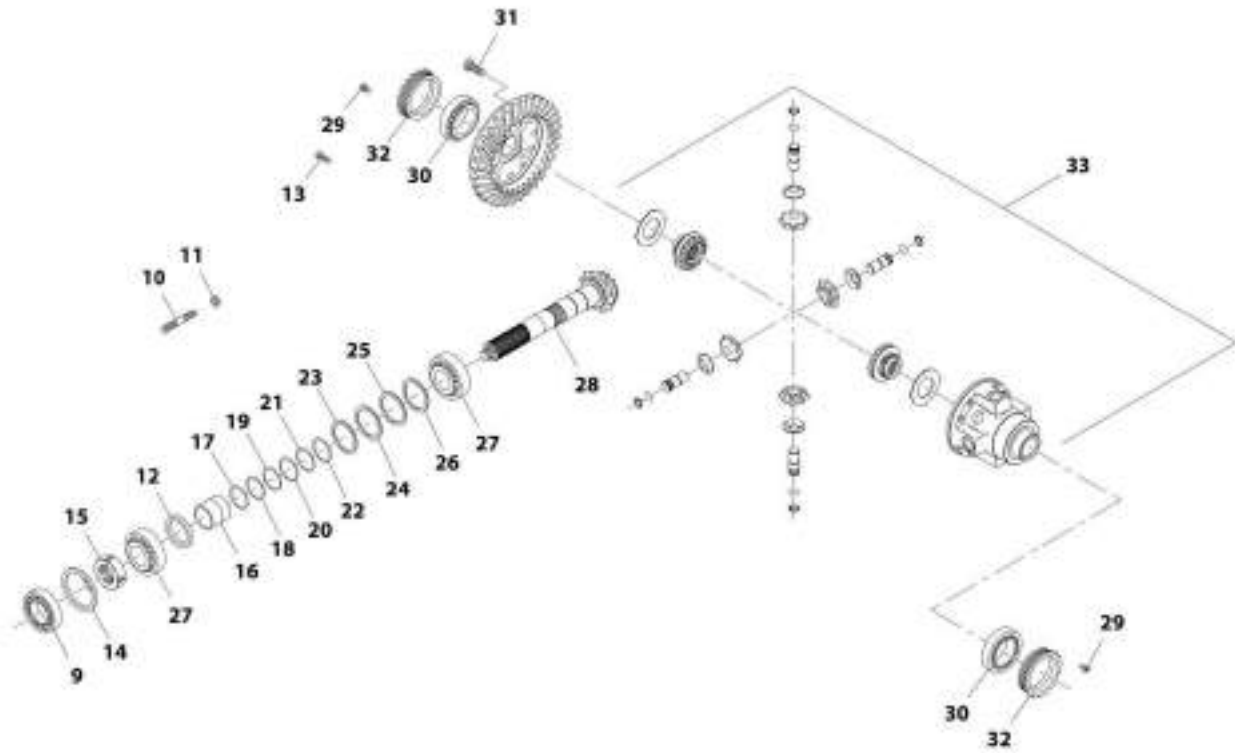
SECTION 5 - DRIVE TRAIN

FIGURE 5-13. FRONT AXLE, CENTRAL HOUSING (24IN WHEEL)

ITEM	PART NUMBER	QTY	DESCRIPTION	REV
1	91474507	3	O-Ring	
2	70024872	1	Cover	
3	70027115	1	Housing	
4	91514098	1	Plug	
5	91474512	1	Vent	
6	91514188	1	Plug	
7	91474513	1	Plug, Magnet	
8	80204005	1	Circlip	

SECTION 5 - DRIVE TRAIN

FIGURE 5-14. FRONT AXLE, DIFFERENTIAL (24IN WHEEL)



ART_1061202651_2-B

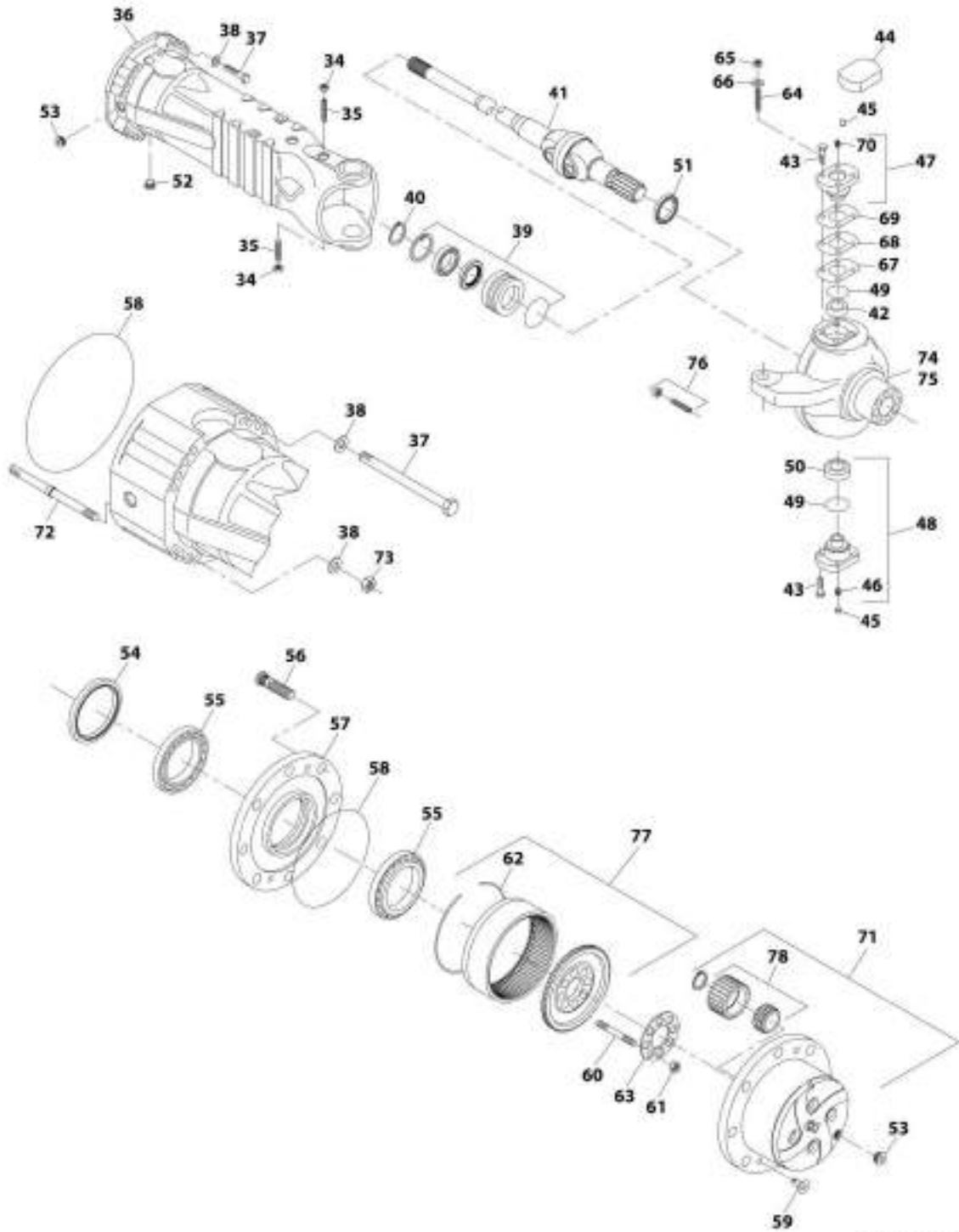
SECTION 5 - DRIVE TRAIN

FIGURE 5-14. FRONT AXLE, DIFFERENTIAL (24IN WHEEL)

ITEM	PART NUMBER	QTY	DESCRIPTION	REV
9	91514146	1	Bearing, Ball	
10	70026864	8	Stud	
11	70026865	8	Nut	
12	7028076	1	Seal	
13	91474591	4	Bolt	
14	80204005	1	Circlip	
15	91474533	1	Nut, Ring	
16	70027112	1	Spacer	
17	91474535	1	Shim	
18	91474536	1	Shim	
19	91474537	1	Shim	
20	91474538	1	Shim	
21	70024520	1	Shim	
22	70024521	1	Shim	
23	91474540	1	Shim	
24	91474541	1	Shim	
25	91474542	1	Shim	
26	91474543	1	Shim	
27	3968141	2	Bearing, Taper Roller	
28	70027113	1	Gear Set, Bevel	
29	91514134	2	Bolt	
30	70026031	2	Bearing, Taper Roller	
31	91514123	12	Bolt	
32	91474547	2	Nut, Ring	
33	7028710	1	Kit, Differential (See Separate Breakdown in this Section)	

SECTION 5 - DRIVE TRAIN

FIGURE 5-15. FRONT AXLE, HUB REDUCTION (24IN WHEEL)



AHT_1001202651_3-8

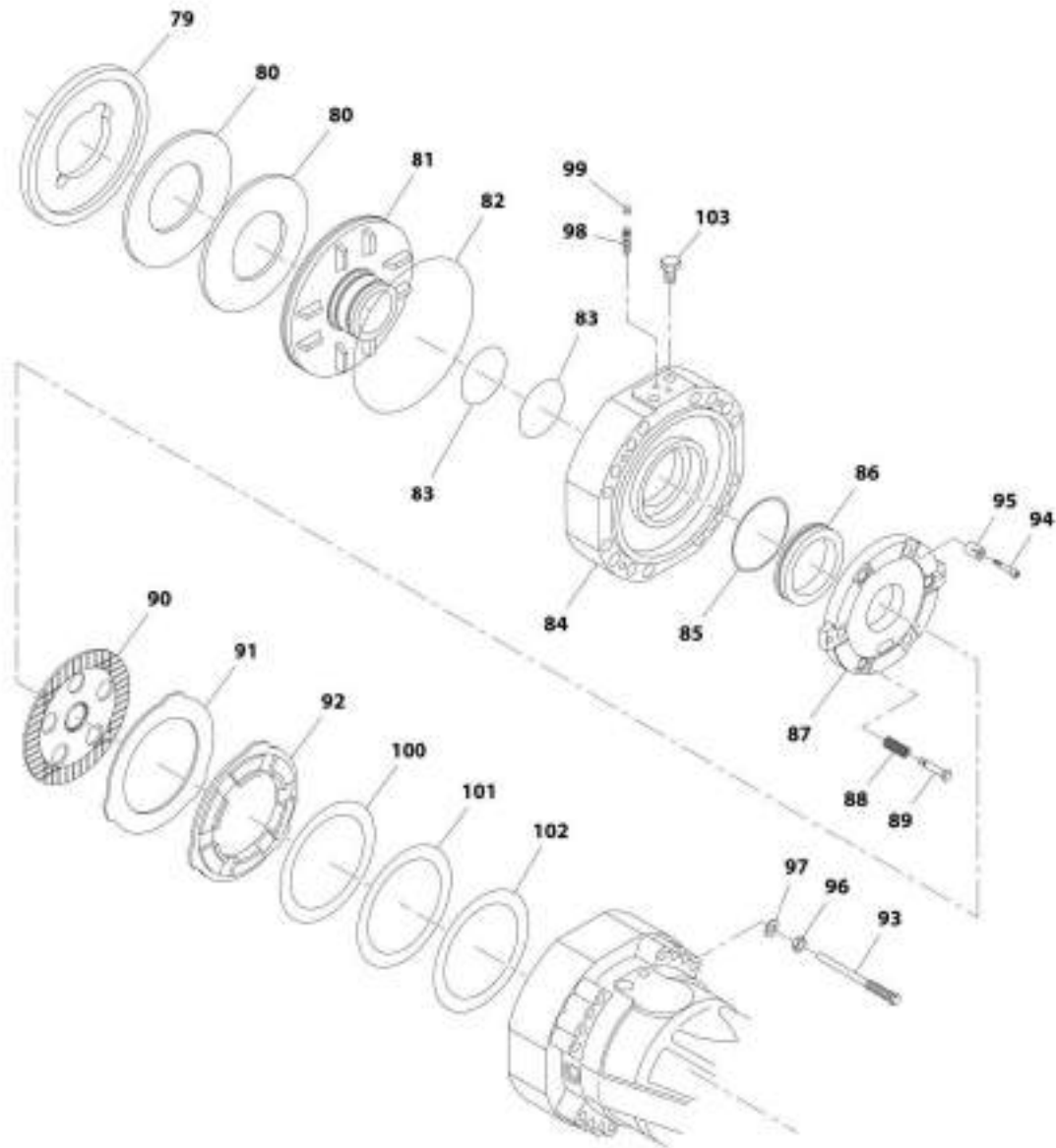
SECTION 5 - DRIVE TRAIN

FIGURE 5-15. FRONT AXLE, HUB REDUCTION (24IN WHEEL)

ITEM	PART NUMBER	QTY	DESCRIPTION	REV
34	91514082	2	Nut	
35	2400600	2	Bolt	
36	70027116	2	Case, Axle	
37	70025012	24	Bolt	
38	91514084	8	Washer	
39	91514149	2	Kit, Reduction Bushing (See Separate Breakdown in this Section)	
40	80204071	2	Circlip	
41	70025928	2	Joint, Double Universal	
42	70020173	2	Bushing	
43	70025562	12	Bolt	
44	70025549	2	Cover	
45	80204117	4	Plug	
46	91514099	2	Fitting, Grease	
47	70025567	2	Pin, Pivot	
48	8006605	2	Pin, Pivot	
49	2401043	4	Seal	
50	2401258	2	Bearing	
51	8007771	2	Seal	
52	91474513	2	Plug, Magnet	
53	91514188	4	Plug	
54	7029430	2	Seal	
55	3984301	4	Bearing	
56	8000877	16	Stud, Wheel	
57	70026818	2	Hub, Wheel	
58	91474507	4	O-Ring	
59	91514189	4	Bolt, Countersunk	
60	91474583	16	Stud	
61	91474584	16	Nut	
62	91474579	2	Circlip	
63	3983731	2	Plate, Locking	
64	70025819	8	Stud	
65	91514120	8	Nut	
66	91514119	8	Washer	
67	8007779	2	Shim	
68	8007780	2	Shim	
69	8007782	2	Shim	
70	7028115	2	Grease Fitting	
71	70026827	2	Kit, Planet Gear Carrier (See Separate Breakdown in this Section)	
72	70025014	8	Stud	
73	91514083	8	Nut	
74	8007774	1	Kit, Steering Case (LF, RR) (See Separate Breakdown in this Section)	
75	8007777	1	Kit, Steering Case (RF, LR) (See Separate Breakdown in this Section)	
76	7028733	1	Kit, Steering Adjust Bolt (See Separate Breakdown in this Section)	
77	7029432	2	Kit, Ring Gear Support (See Separate Breakdown in this Section)	
78	70027114	8	Kit, Planet Gear (includes Planet Gear and Bearing)	

SECTION 5 - DRIVE TRAIN

FIGURE 5-16. FRONT AXLE, BRAKES (24IN WHEEL)



AKT_100120651_4-8

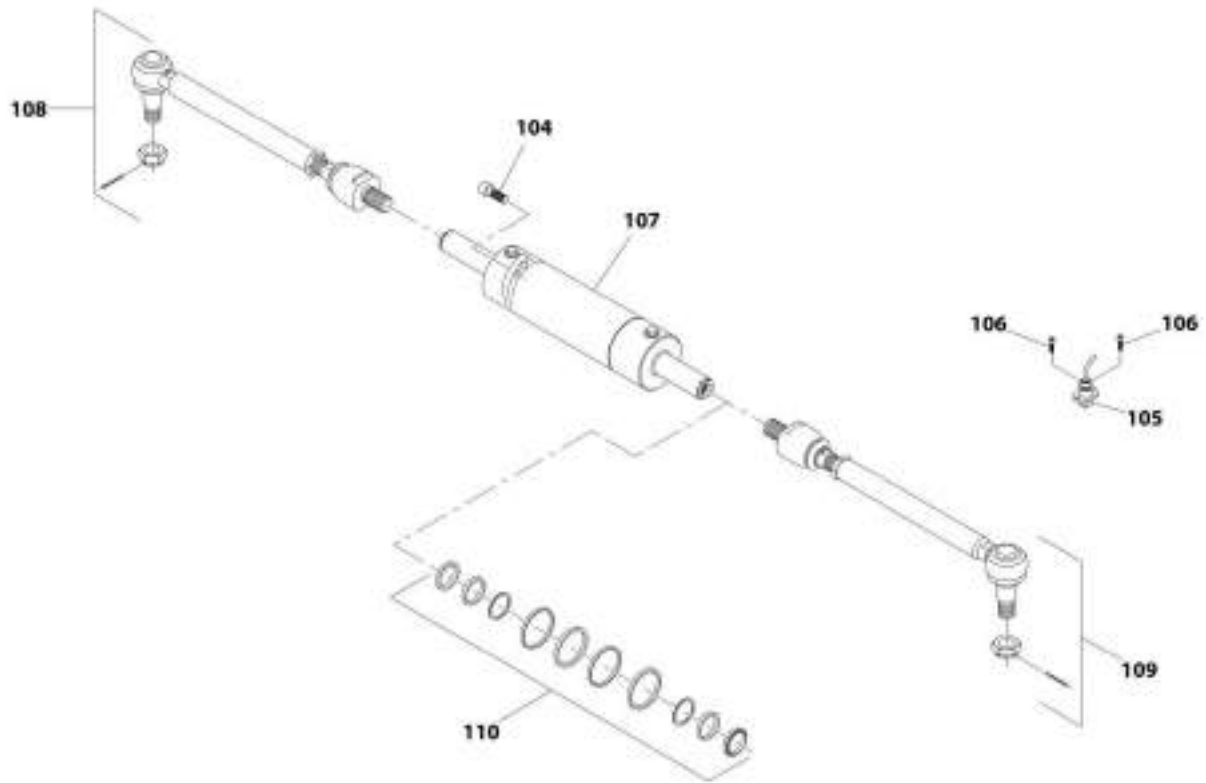
SECTION 5 - DRIVE TRAIN

FIGURE 5-16. FRONT AXLE, BRAKES (24IN WHEEL)

ITEM	PART NUMBER	QTY	DESCRIPTION	REV
79	7028734	1	Spacer	
80	91474559	4	Spring	
81	91474560	2	Piston	
82	91474561	2	O-Ring	
83	70026262	4	Seal	
84	7028735	2	Cover	
85	70026623	2	Seal	
86	91474564	2	Piston	
87	91474565	2	Disc, Intermediate Brake	
88	91514159	6	SPRING	
89	70024210	6	Bolt, Adjusting	
90	91474568	8	Disc	
91	70025823	8	Disc, Intermediate Brake	
92	91474570	2	Spacer	
93	70024213	4	Bolt, M12X122.5	
94	7029789	6	Bolt	
95	91514165	6	Spring	
96	80204060	4	Nut	
97	80204108	4	Washer, Lock	
98	80204281	4	Bolt, Bleeding	
99	80204117	4	Plug	
100	91474571	2	Shim	
101	91474572	2	Shim	
102	91474573	2	Shim	
103	91514154	4	Bolt	

SECTION 5 - DRIVE TRAIN

FIGURE 5-17. FRONT AXLE, STEERING (24IN WHEEL)



APF_1001201001_5-0

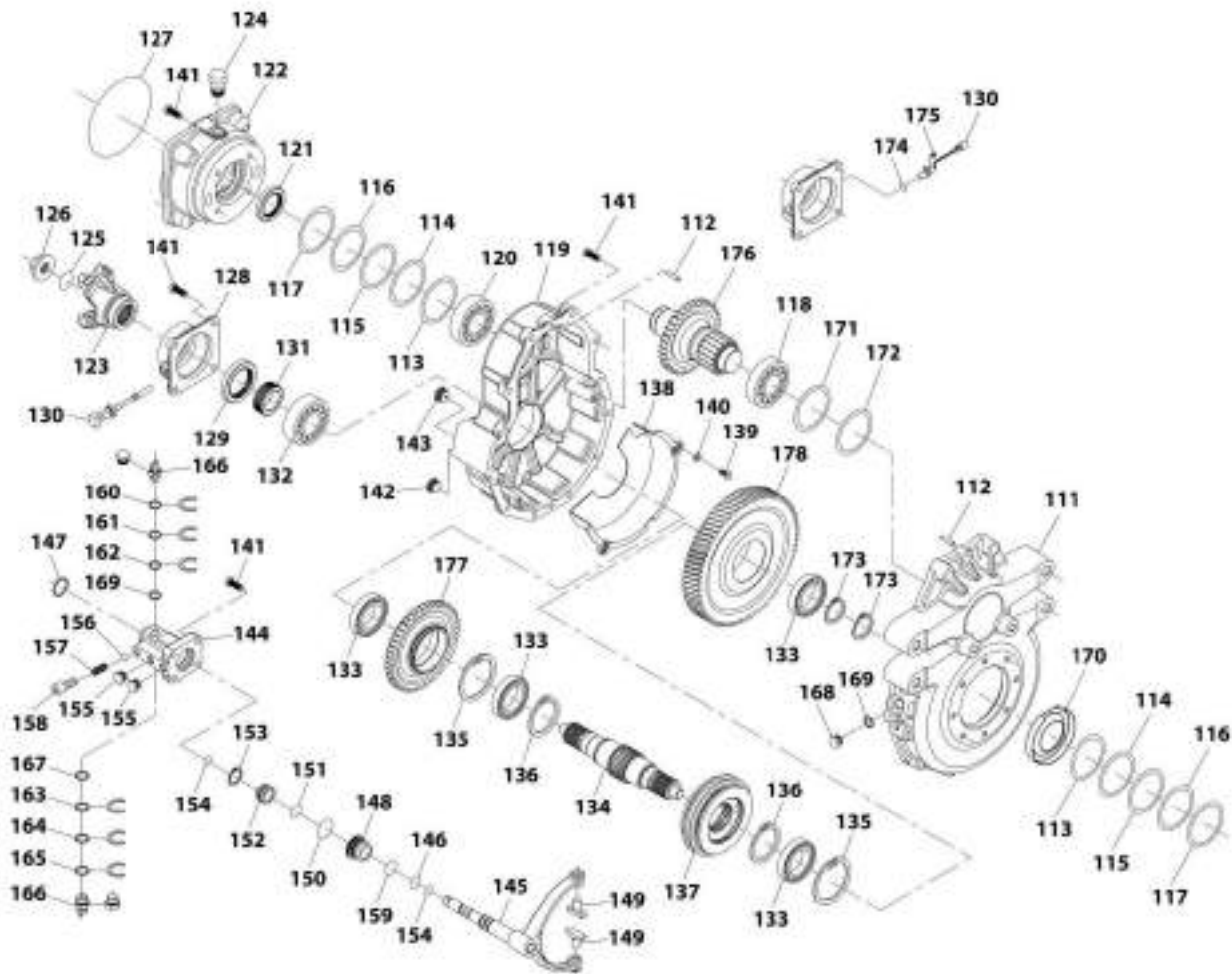
SECTION 5 - DRIVE TRAIN

FIGURE 5-17. FRONT AXLE, STEERING (24IN WHEEL)

ITEM	PART NUMBER	QTY	DESCRIPTION	REV
104	91474522	4	Bolt	
105	70027117	1	Sensor, Optical	
106	8008175	2	Bolt	
107	70026826	1	Cylinder	
108	70026752	1	Bar	
108	70022773	1	Nut	
109	70026751	1	Bar	
109	70022773	1	Nut	
110	70025842	1	Kit, Seal	

SECTION 5 - DRIVE TRAIN

FIGURE 5-18. FRONT AXLE, GEAR BOX (24IN WHEEL)



ART_300120851_6-8

SECTION 5 - DRIVE TRAIN

FIGURE 5-18. FRONT AXLE, GEAR BOX (24IN WHEEL)

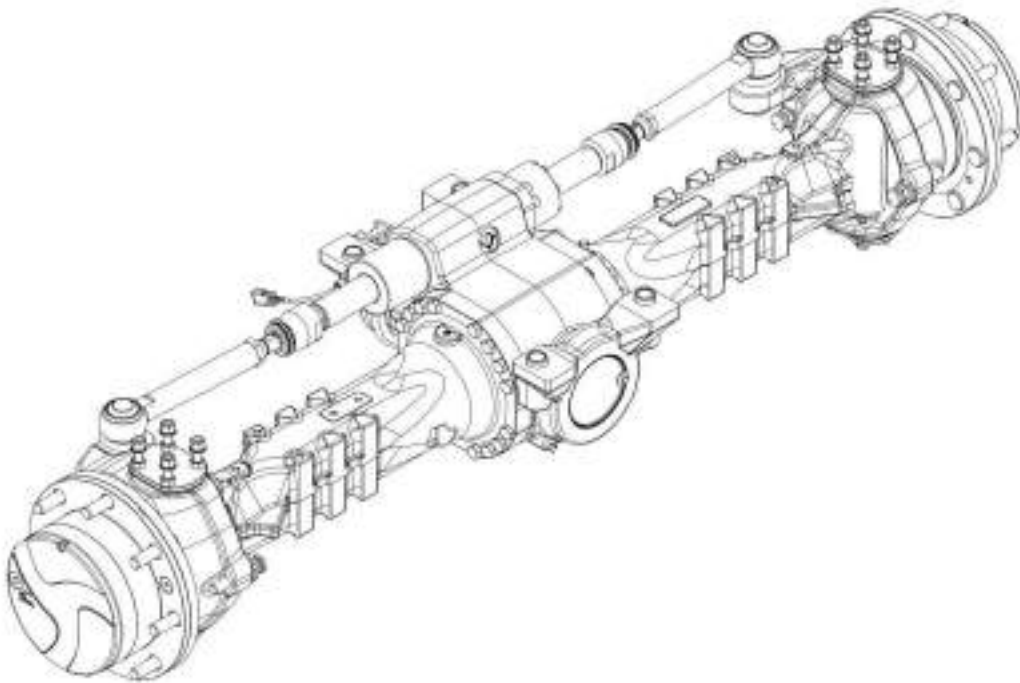
ITEM	PART NUMBER	QTY	DESCRIPTION	REV
111	70026891	1	Housing	
112	70026892	2	Dowel	
113	80204207	1	Shim	
114	80204208	1	Shim	
115	70026893	1	Shim	
116	80204209	1	Shim	
117	80204210	1	Shim	
118	70026904	1	Bearing, Ball	
119	70026894	1	Cover	
120	91514146	1	Bearing, Ball	
121	70026896	1	Seal	
122	70026897	1	Cover	
123	70026898	1	Flange	
124	70026899	1	Vent	
125	80204215	1	O-Ring	
126	70026631	1	Nut	
127	70020268	1	O-Ring	
128	70027119	1	Cover	
129	70026901	1	Seal	
130	70027126	1	Sensor	
131	70026903	1	Phonic Wheel	
132	91474364	1	Bearing, Ball	
133	70026895	4	Ball, Bearing	
134	70027118	1	Shaft, Output	
135	80204071	3	Circlip	
136	70026906	2	Circlip	
137	70026907	1	Synchronizer	
138	70026908	1	Sheet	
139	70026909	2	Bolt	
140	70027110	2	Washer, Lock	
141	70026911	24	Bolt	
142	80204016	1	Plug	
143	80204007	1	Plug, Magnet	
144	70026912	1	Cylinder	
145	70026913	1	Shaft, Selector	
146	70026914	1	O-Ring	
147	70026915	1	Seal	
148	70026916	1	Bushing, Reduction	
149	70026917	2	Pin, Sliding	
150	70026918	1	O-Ring	
151	70026919	1	O-Ring	
152	70026920	1	Piston	
153	70026921	2	Circlip	
154	70026922	2	O-Ring	
155	91514154	2	Plug	
156	70020276	1	Ball, Detend	
157	80203021	1	Spring	
158	70026923	1	Bolt, Grub	
159	70026924	1	O-Ring	
160	70027120	1	Shim	

SECTION 5 - DRIVE TRAIN

ITEM	PART NUMBER	QTY	DESCRIPTION	REV
161	70027121	1	Shim	
162	70027122	1	Shim	
163	70027123	1	Shim	
164	70027124	1	Shim	
165	70027125	1	Shim	
166	70026926	2	Switch, Security	
167	70026927	1	Washer, Seal	
168	70024877	1	Bolt	
169	70024876	2	Washer	
170	70026928	1	Catcher, Oil	
171	70026929	1	Shim	
172	70026930	1	Shim	
173	70026931	2	Circlip	
174	70027109	1	O-Ring	
175	70027111	1	Bolt	
176	70026932	1	Shaft, Input	
177	70026933	1	Gear	
178	70026934	1	Gear	

SECTION 5 - DRIVE TRAIN

FIGURE 5-19. REAR AXLE (20IN WHEEL)



ART_1001214519-A

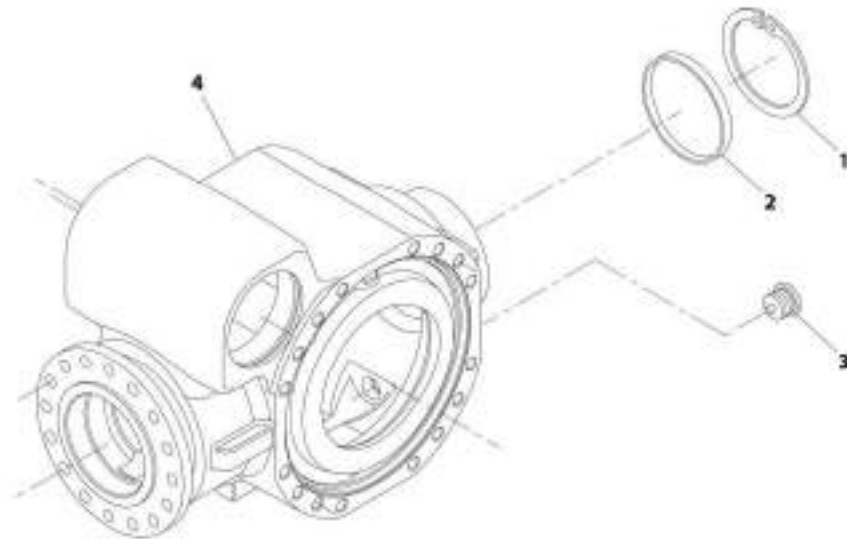
SECTION 5 - DRIVE TRAIN

FIGURE 5-19. REAR AXLE (20IN WHEEL)

ITEM	PART NUMBER	QTY	DESCRIPTION	REV
	1001214518	1	Rear Axle (20IN Wheel)	A
		Ref	Rear Axle, Central Housing (20IN Wheel) (See Separate Breakdown in this Section)	
		Ref	Rear Axle, Differential (20IN Wheel) (See Separate Breakdown in this Section)	
		Ref	Rear Axle, Hub Reduction (20IN Wheel) (See Separate Breakdown in this Section)	
		Ref	Rear Axle, Steering (20IN Wheel) (See Separate Breakdown in this Section)	
		Ref	Rear Axle, Trunnion (20IN Wheel) (See Separate Breakdown in this Section)	

SECTION 5 - DRIVE TRAIN

FIGURE 5-20. REAR AXLE, CENTRAL HOUSING (20IN WHEEL)



AMT_1001214518_1-A

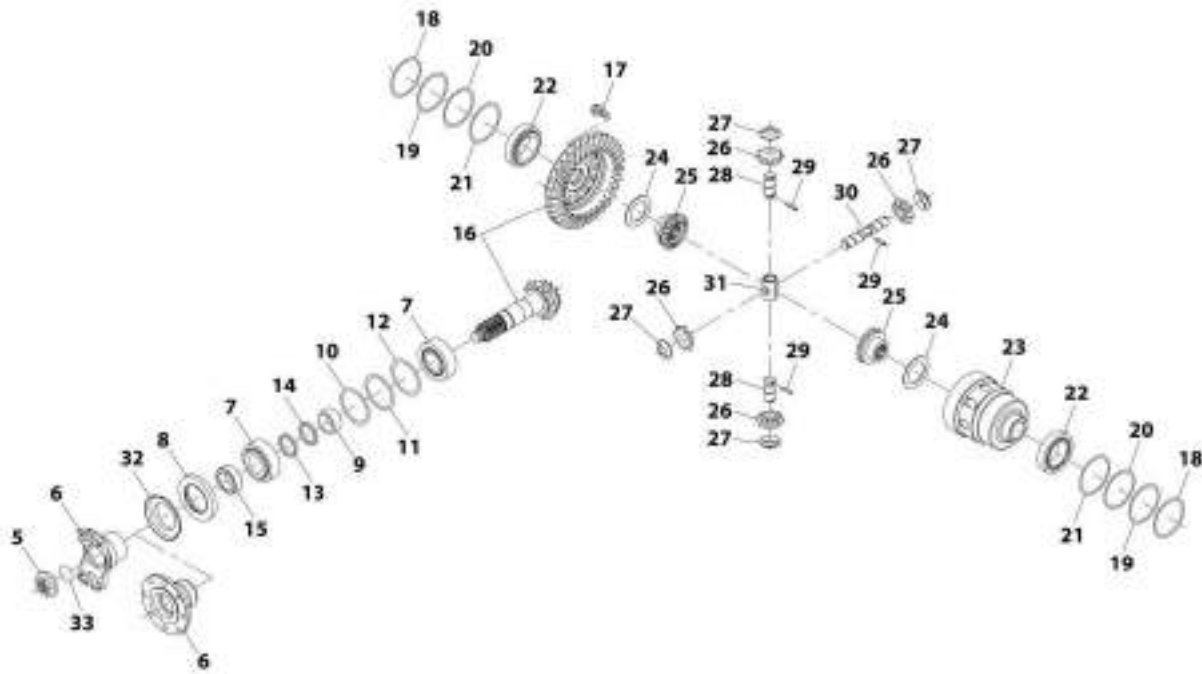
SECTION 5 - DRIVE TRAIN

FIGURE 5-20. REAR AXLE, CENTRAL HOUSING (20IN WHEEL)

ITEM	PART NUMBER	QTY	DESCRIPTION	REV
1	80204005	1	Circlip	
2	91514098	1	Plug	
3	70021177	1	Plug	
4	70026951	1	Housing	

SECTION 5 - DRIVE TRAIN

FIGURE 5-21. REAR AXLE, DIFFERENTIAL (20IN WHEEL)



ART_1001214518_2-A

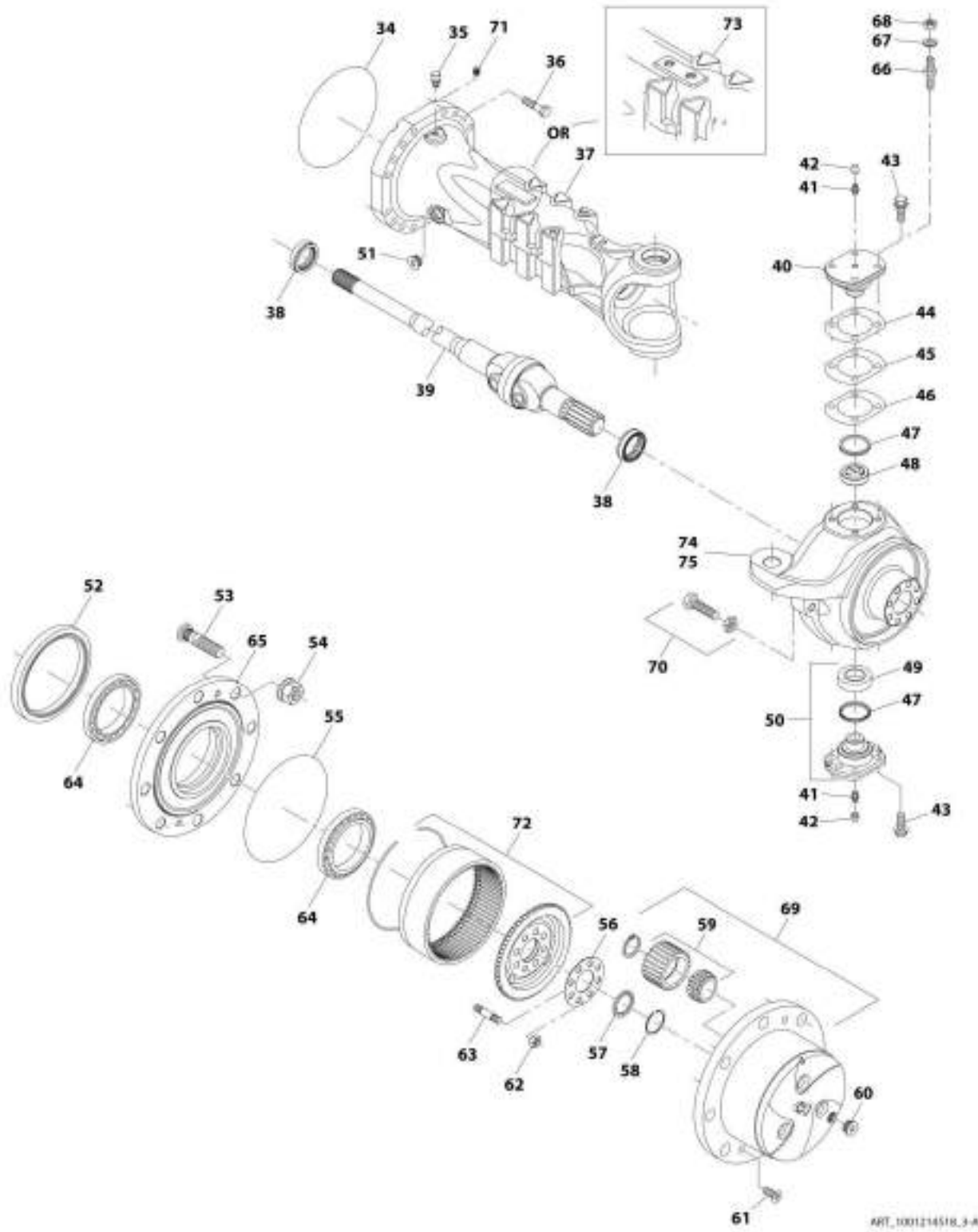
SECTION 5 - DRIVE TRAIN

FIGURE 5-21. REAR AXLE, DIFFERENTIAL (20IN WHEEL)

ITEM	PART NUMBER	QTY	DESCRIPTION	REV
5	80204213	1	Nut	
6	70020288	1	Flange	
7	70020234	2	Bearing	
8	70024522	1	Seal	
9	70020233	1	Spacer	
10	70026866	1	Shim	
11	70026867	1	Shim	
12	70020237	1	Shim	
13	70020236	1	Ring	
14	70024865	1	Ring	
15	70020303	1	Spacer	
16	70026952	1	Set, Bevel Gear	
17	70020251	12	Bolt	
18	70024868	2	Shim	
19	70024869	2	Shim	
20	70020239	2	Shim	
21	70024870	2	Shim	
22	70020240	2	Bearing, Taper Roller	
23	70020346	1	Carrier, Differential	
24	70020242	2	Washer	
25	70021221	2	Gear, Differential Side	
26	70020244	4	Pinion, Differential	
27	70020245	4	Washer	
28	70021929	2	Pin	
29	70020247	3	Dowel	
30	70021928	1	Pin	
31	70020249	1	Retainer	
32	70021076	1	Plate	
33	70021196	1	O-Ring	

SECTION 5 - DRIVE TRAIN

FIGURE 5-22. REAR AXLE, HUB REDUCTION (20IN WHEEL)



ART_1001214518_3-A

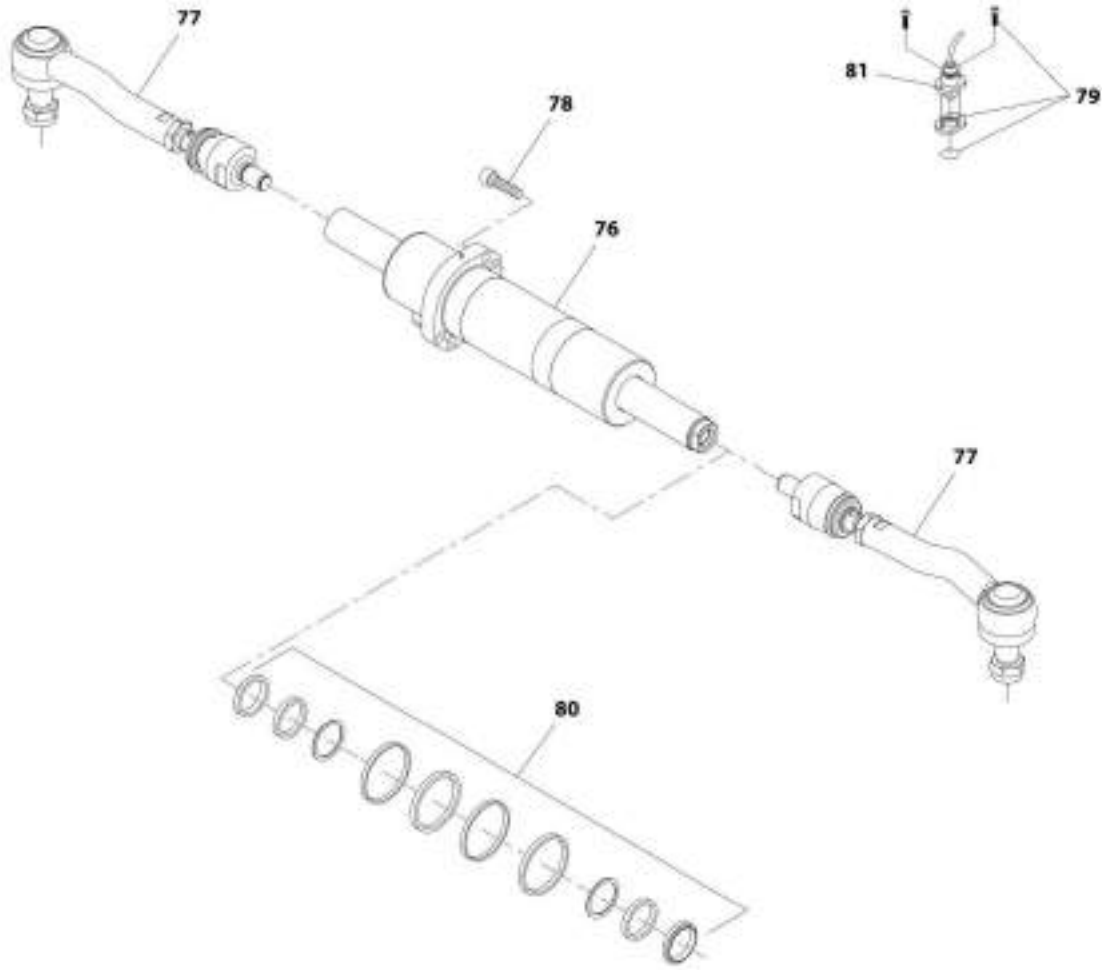
SECTION 5 - DRIVE TRAIN

FIGURE 5-22. REAR AXLE, HUB REDUCTION (20IN WHEEL)

ITEM	PART NUMBER	QTY	DESCRIPTION	REV
34	70021147	2	O-Ring	
35	91474512	1	Vent	
36	70024878	32	Bolt	
37	70026953	1	Case, Axle	
38	70021151	4	Seal	
39	70026954	4	Joint, Double Universal	
40	70021153	2	Pin, Pivot	
41	91514099	4	Fitting, Grease	
42	80204117	4	Plug	
43	91514123	12	Bolt	
44	70026873	2	Shim	
45	70026874	2	Shim	
46	70021154	2	Shim	
47	70021155	2	Seal	
48	70020173	2	Bushing	
49	70021156	2	Joint	
50	70021157	2	Pin, Pivot	
51	91514087	2	Plug	
52	70026002	2	Seal	
53	70027149	16	Stud, Wheel	
54	70026875	16	Nut	
55	91474507	2	O-Ring	
56	70024885	2	Plate	
57	70024886	2	Spacer	
58	70024887	2	Circlip	
59	70023900	6	Kit, Planet Gear (See Separate Breakdown in this Section)	
60	91514188	2	Plug	
61	91514189	4	Bolt	
62	70024889	16	Nut	
63	70024890	16	Stud	
64	70021181	4	Bearing	
65	70024891	2	Hub, Wheel	
66	70025819	8	Stud	
67	91514119	8	Washer	
68	91514120	8	Nut	
69	70024892	2	Kit, Planet Gear Carrier (See Separate Breakdown in this Section)	
70	7028733	4	Kit, Steering Adjust Bolt (See Separate Breakdown in this Section)	
71	80204012	1	Plug	
72	70024894	2	Kit, Ring Gear Support (See Separate Breakdown in this Section)	
73	70026955	1	Case, Axle	
74	70026876	1	Kit, Steering Case (LF, RR) (See Separate Breakdown in this Section)	
75	70026877	1	Kit, Steering Case (RF, LR) (See Separate Breakdown in this Section)	

SECTION 5 - DRIVE TRAIN

FIGURE 5-23. REAR AXLE, STEERING (20IN WHEEL)



ART_1001214518_4-A

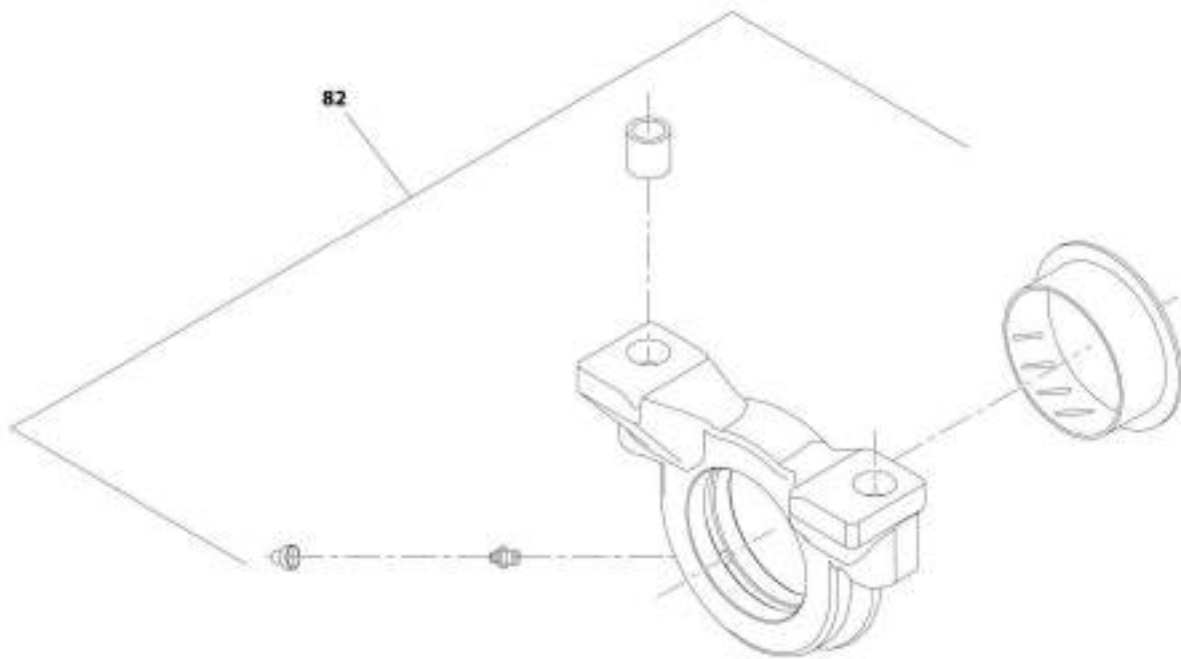
SECTION 5 - DRIVE TRAIN

FIGURE 5-23. REAR AXLE, STEERING (20IN WHEEL)

ITEM	PART NUMBER	QTY	DESCRIPTION	REV
76	70026956	1	Cylinder	
77	70026887	2	Rod	
78	70020269	4	Bolt	
79	70026888	1	Spacer	
80	70026889	1	Kit, Seal	
81	70026808	1	Sensor	

SECTION 5 - DRIVE TRAIN

FIGURE 5-24. TRUNNION



ART_1101214518_5-A

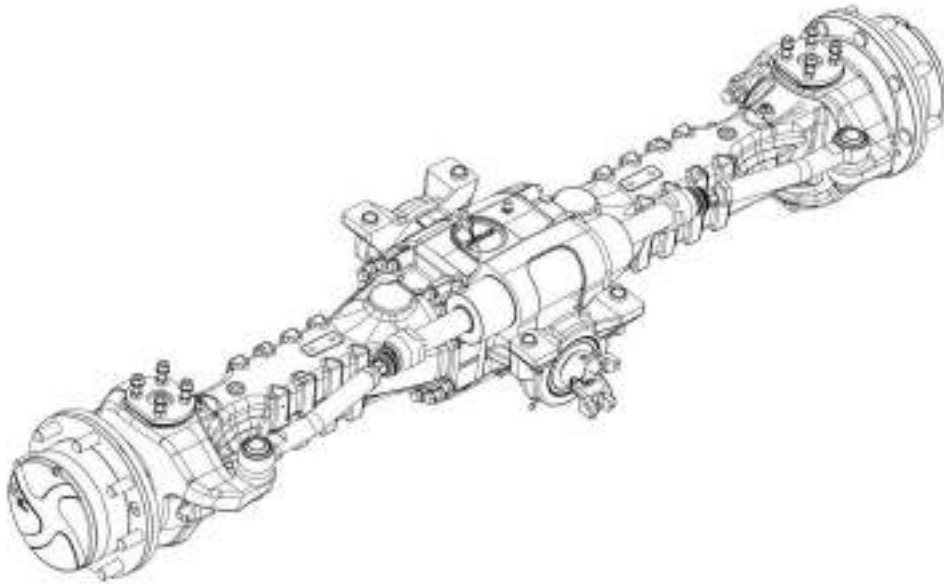
SECTION 5 - DRIVE TRAIN

FIGURE 5-24. TRUNNION

ITEM	PART NUMBER	QTY	DESCRIPTION	REV
82	70021200	2	Kit, Support (See Separate Breakdown in this Section)	

SECTION 5 - DRIVE TRAIN

FIGURE 5-25. REAR AXLE (24IN WHEEL)



ART_1001202652-9

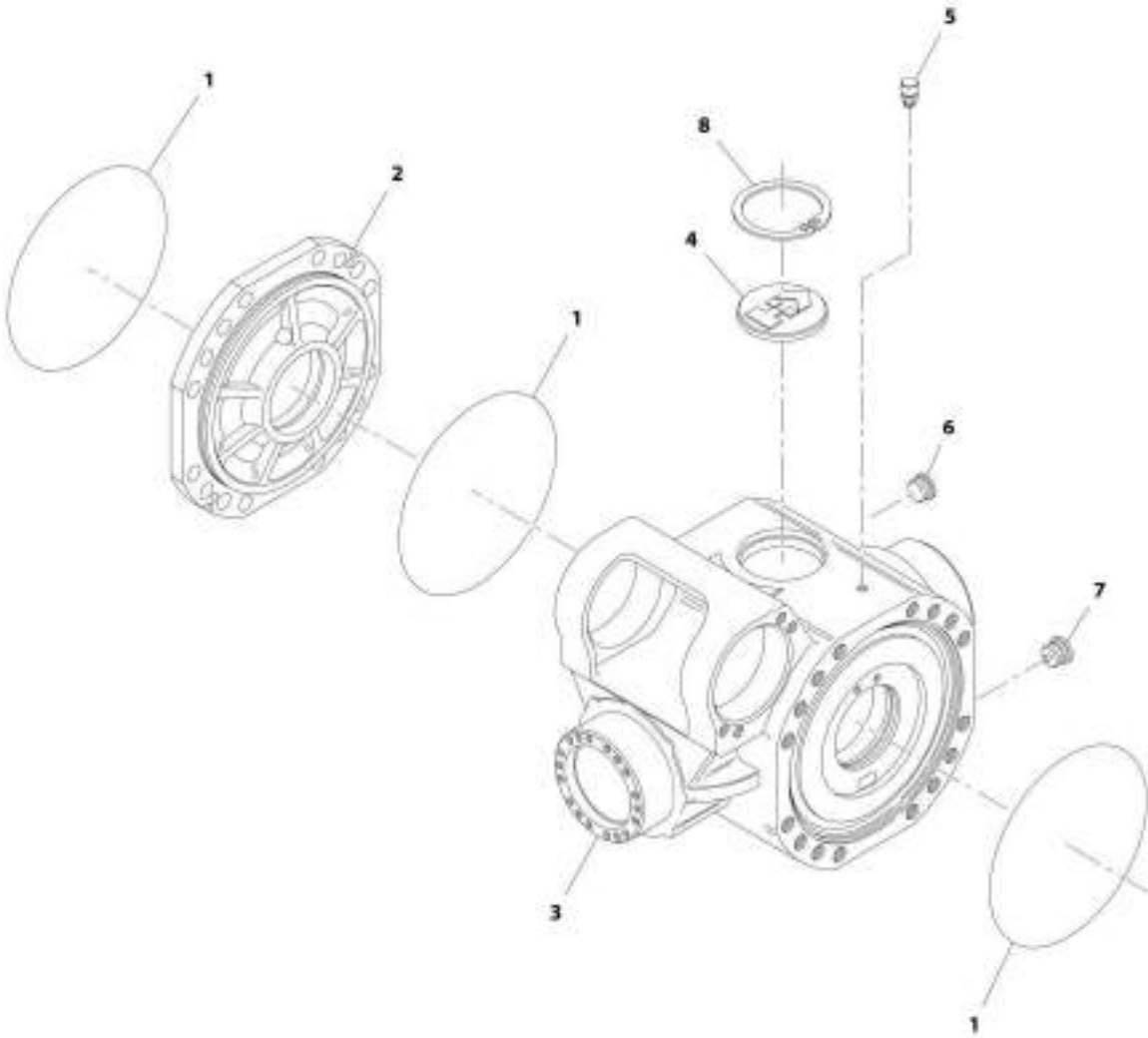
SECTION 5 - DRIVE TRAIN

FIGURE 5-25. REAR AXLE (24IN WHEEL)

ITEM	PART NUMBER	QTY	DESCRIPTION	REV
	1001202652	Ref	Rear Axle (24IN Wheel)	B
		Ref	Rear Axle, Central Housing (24IN Wheel) (See Separate Breakdown in this Section)	
		Ref	Rear Axle, Differential (24IN Wheel) (See Separate Breakdown in this Section)	
		Ref	Rear Axle, Hub Reduction (24IN Wheel) (See Separate Breakdown in this Section)	
		Ref	Rear Axle, Steering (24IN Wheel) (See Separate Breakdown in this Section)	
		Ref	Rear Axle, Trunnion (24IN Wheel) (See Separate Breakdown in this Section)	

SECTION 5 - DRIVE TRAIN

FIGURE 5-26. REAR AXLE, CENTRAL HOUSING (24IN WHEEL)



ART_3001200652_1-8

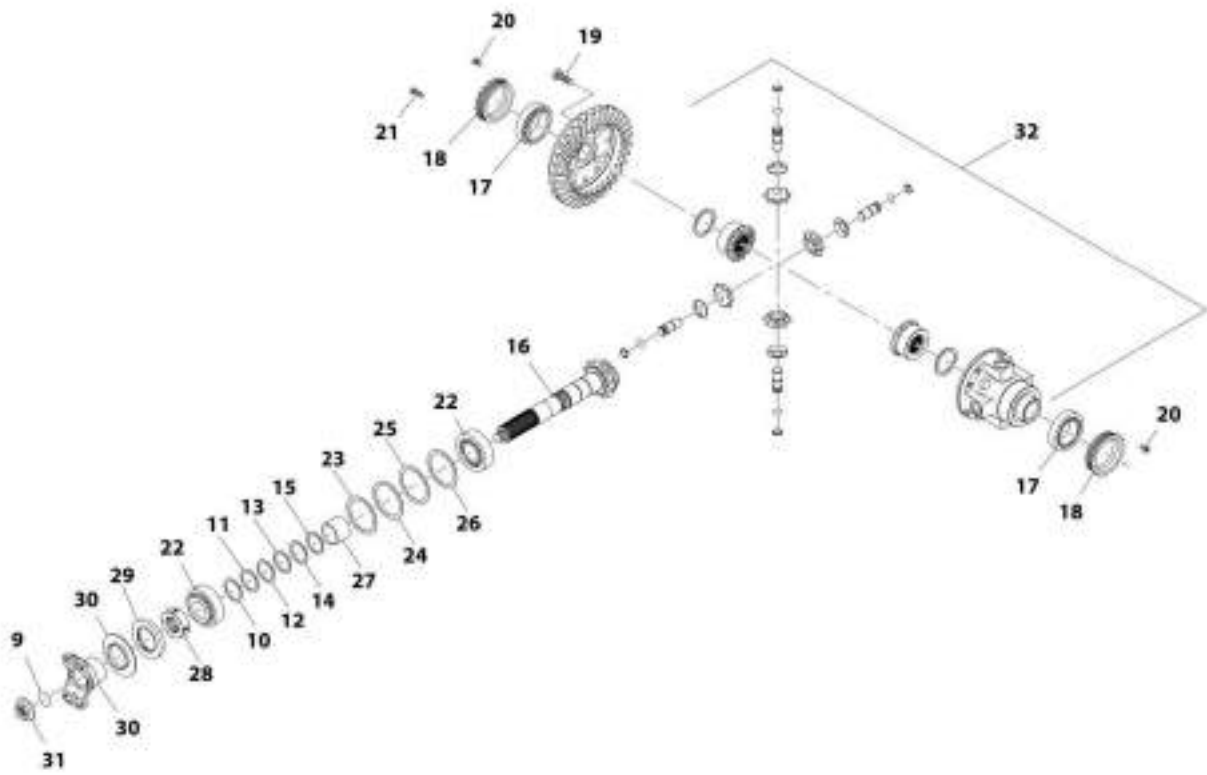
SECTION 5 - DRIVE TRAIN

FIGURE 5-26. REAR AXLE, CENTRAL HOUSING (24IN WHEEL)

ITEM	PART NUMBER	QTY	DESCRIPTION	REV
1	91474507	3	O-Ring	
2	70024519	1	Cover	
3	70026977	1	Housing	
4	91514098	1	Plug	
5	91474512	1	Vent	
6	91514188	1	Plug	
7	91474513	1	Plug, Magnet	
8	80204005	1	Circlip	

SECTION 5 - DRIVE TRAIN

FIGURE 5-27. REAR AXLE, DIFFERENTIAL (24IN WHEEL)



ART_100120262_2-B

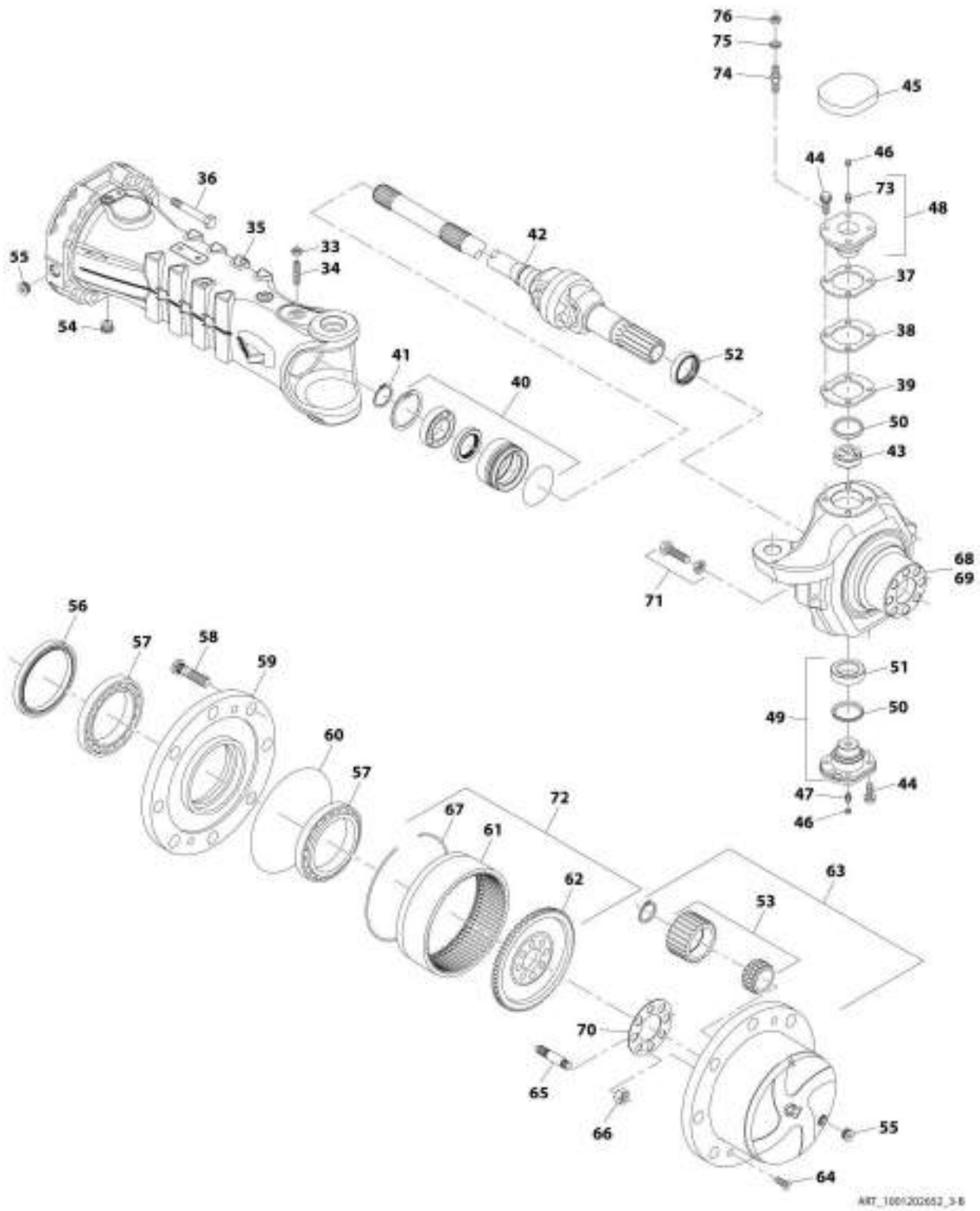
SECTION 5 - DRIVE TRAIN

FIGURE 5-27. REAR AXLE, DIFFERENTIAL (24IN WHEEL)

ITEM	PART NUMBER	QTY	DESCRIPTION	REV
9	91474529	1	O-Ring	
10	91474535	1	Shim	
11	91474536	1	Shim	
12	91474537	1	Shim	
13	91474538	1	Shim	
14	70024520	1	Shim	
15	70024521	1	Shim	
16	70027127	1	Gear Set, Bevel	
17	70026031	2	Bearing, Taper Roller	
18	91474547	2	Nut, Ring	
19	91474591	4	Bolt	
20	91514134	2	Bolt	
21	91514123	12	Bolt	
22	3968141	2	Bearing, Taper Roller	
23	91474540	1	Shim	
24	91474541	1	Shim	
25	91474542	1	Shim	
26	91474543	1	Shim	
27	91474539	1	Spacer	
28	91474533	1	Nut, Ring	
29	70024522	1	Seal	
30	7029427	1	Flange	
31	70026631	1	Nut	
32	70021140	1	Differential Kit, Rear Axle (24IN Wheel) (See Separate Breakdown in this Section)	

SECTION 5 - DRIVE TRAIN

FIGURE 5-28. REAR AXLE, HUB REDUCTION (24IN WHEEL)



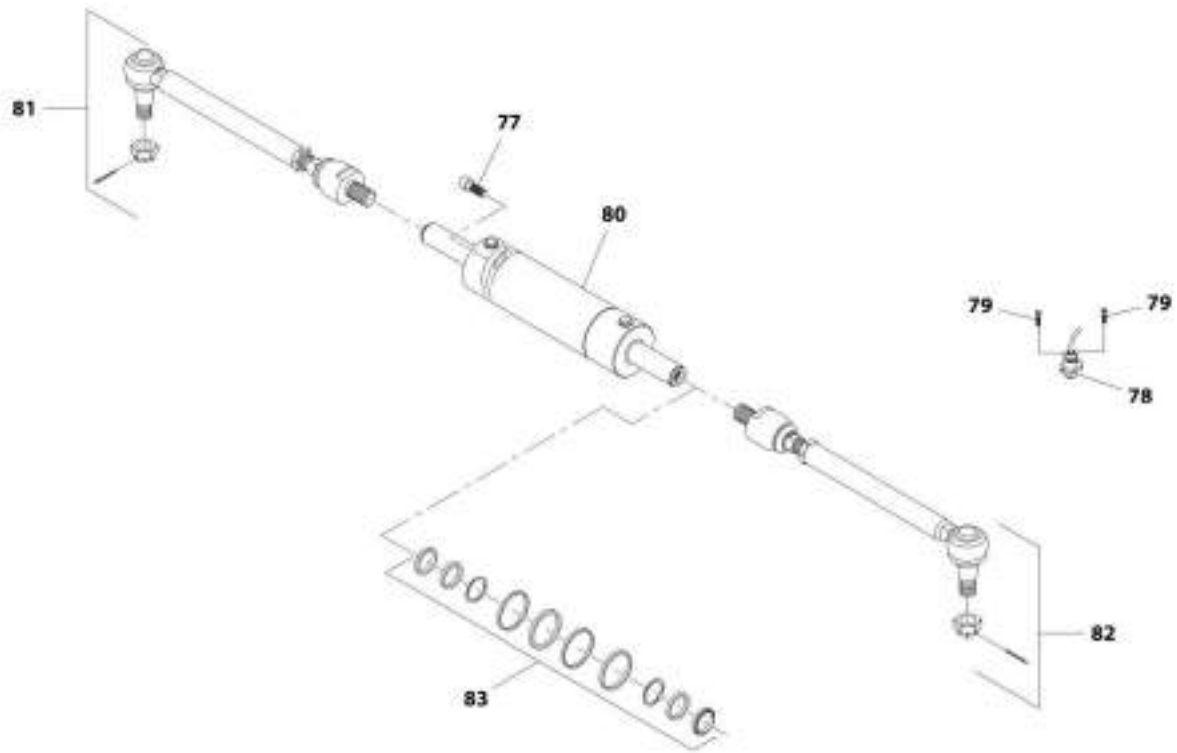
SECTION 5 - DRIVE TRAIN

FIGURE 5-28. REAR AXLE, HUB REDUCTION (24IN WHEEL)

ITEM	PART NUMBER	QTY	DESCRIPTION	REV
33	91514082	2	Nut	
34	2400600	2	Bolt	
35	7028049	2	Case, Axle	
36	7029428	32	Bolt	
37	8007779	2	Shim	
38	8007780	2	Shim	
39	8007782	2	Shim	
40	91514149	2	Kit, Reduction Bushing (24IN Wheel) (See Separate Breakdown in this Section)	
41	80204071	2	Circlip	
42	70025928	2	Joint, Double Universal	
43	70020173	2	Bushing	
44	70025562	12	Bolt	
45	70025549	2	Cover	
46	80204117	4	Plug	
47	91514099	2	Grease Fitting	
48	70025567	2	Pivot Pin	
49	8006605	2	Pivot Pin	
50	2401043	4	Seal	
51	2401258	2	Bearing	
52	8007771	2	Seal	
53	70027114	8	Kit, Planet Gear	
54	91474513	2	Plug, Magnet	
55	91514188	4	Plug	
56	7029430	2	Seal	
57	3984301	4	Bearing	
58	8000877	16	Wheel Stud	
59	70026818	2	Hub, Wheel	
60	91474507	2	O-Ring	
61	91474580	2	Ring Gear	
62	3983720	2	Ring Gear Support	
63	70026827	2	Kit, Planet Gear Carrier (See Separate Breakdown in this Section)	
64	91514189	4	Bolt, Countersunk	
65	91474583	16	Stud	
66	91474584	16	Nut	
67	91474579	2	Circlip	
68	8007774	1	Kit, Steering Case (LF, RR) (See Separate Breakdown in this Section)	
69	8007777	1	Kit, Steering Case (RF, LR) (See Separate Breakdown in this Section)	
70	3983731	2	Plate, Locking	
71	7028733	4	Kit, Steering Adjust Bolt (See Separate Breakdown in this Section)	
72	7029432	2	Kit, Ring Gear Support (See Separate Breakdown in this Section)	
73	7028115	2	Fitting, Grease	
74	70025819	8	Stud	
75	91514119	8	Washer	
76	91514120	8	Nut	

SECTION 5 - DRIVE TRAIN

FIGURE 5-29. REAR AXLE, STEERING (24IN WHEEL)



ARF_1001202652_4-B

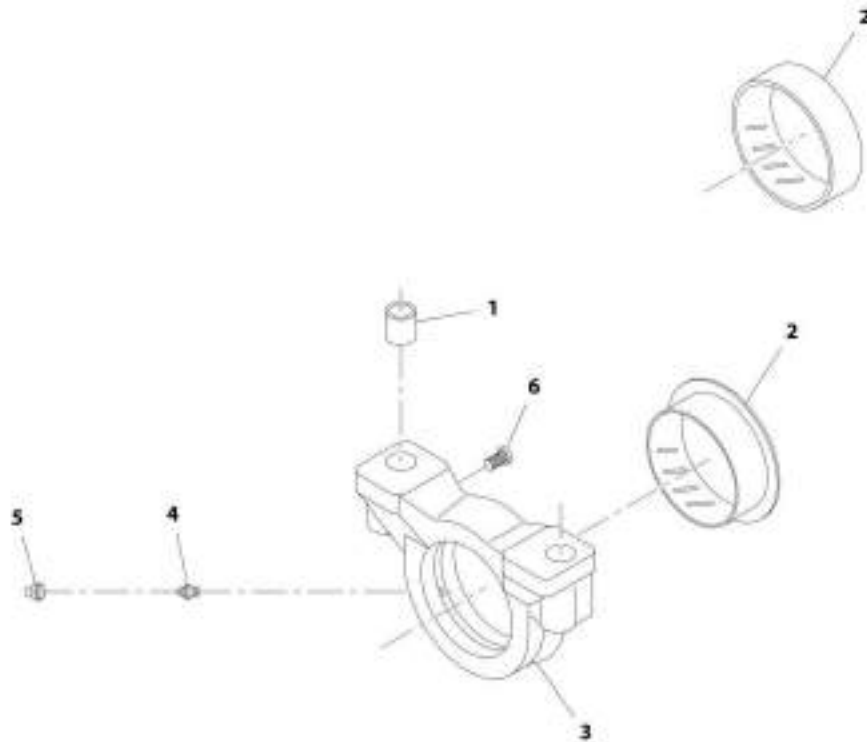
SECTION 5 - DRIVE TRAIN

FIGURE 5-29. REAR AXLE, STEERING (24IN WHEEL)

ITEM	PART NUMBER	QTY	DESCRIPTION	REV
77	91474522	4	Bolt	
78	70027117	1	Sensor, Optical	
79	8008175	2	Bolt	
80	70026826	1	Cylinder	
81	70026752	1	Bar	
81	70022773	1	Nut	
82	70026751	1	Bar	
82	70022773	1	Nut	
83	70025842	1	Kit, Seal	

SECTION 5 - DRIVE TRAIN

FIGURE 5-30. REAR AXLE, TRUNNION KIT (24IN WHEEL)



ART_1001202652_5-8

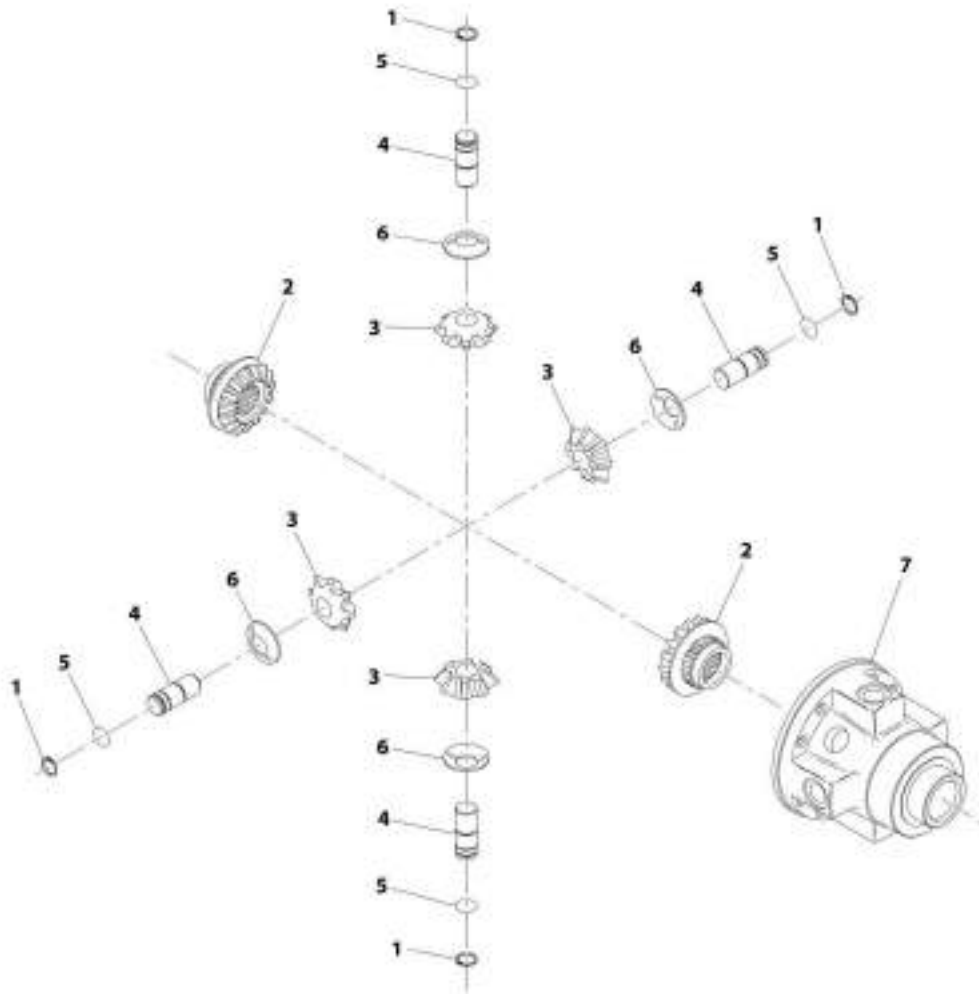
SECTION 5 - DRIVE TRAIN

FIGURE 5-30. REAR AXLE, TRUNNION KIT (24IN WHEEL)

ITEM	PART NUMBER	QTY	DESCRIPTION	REV
	70026630	2	Kit, Trunnion	
1	91474516	4	Bushing, Reduction	
2	91474515	2	Bushing, Thrust	
3	7028083	2	Support	
4	91514099	2	Fitting, Grease	
5	80204117	2	Plug	
6	70025884	2	Bolt	

SECTION 5 - DRIVE TRAIN

FIGURE 5-31. DIFFERENTIAL KIT



ART_7020710

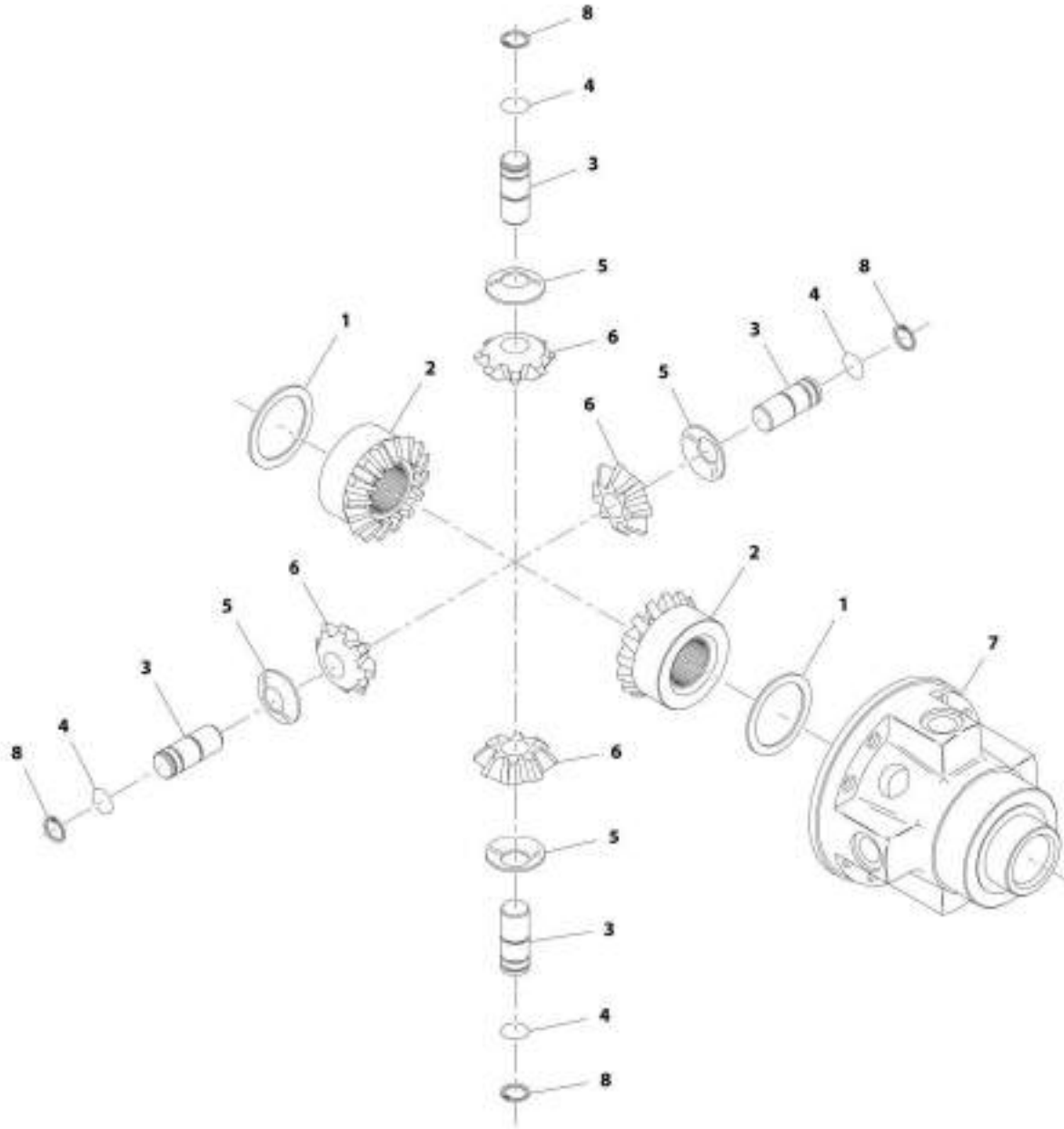
SECTION 5 - DRIVE TRAIN

FIGURE 5-31. DIFFERENTIAL KIT

ITEM	PART NUMBER	QTY	DESCRIPTION	REV
	7028710	Ref	Differential Kit	
1	91474550	4	Circlip	
2	91474549	2	Gear, Differential Side	
3	7029129	4	Pinion, Differential	
4	7029131	4	Pin	
5	91474551	4	Circlip	
6	91474553	4	Washer, Friction	
7	8007751	1	Carrier, Differential	

SECTION 5 - DRIVE TRAIN

FIGURE 5-32. DIFFERENTIAL KIT



ART_70021140

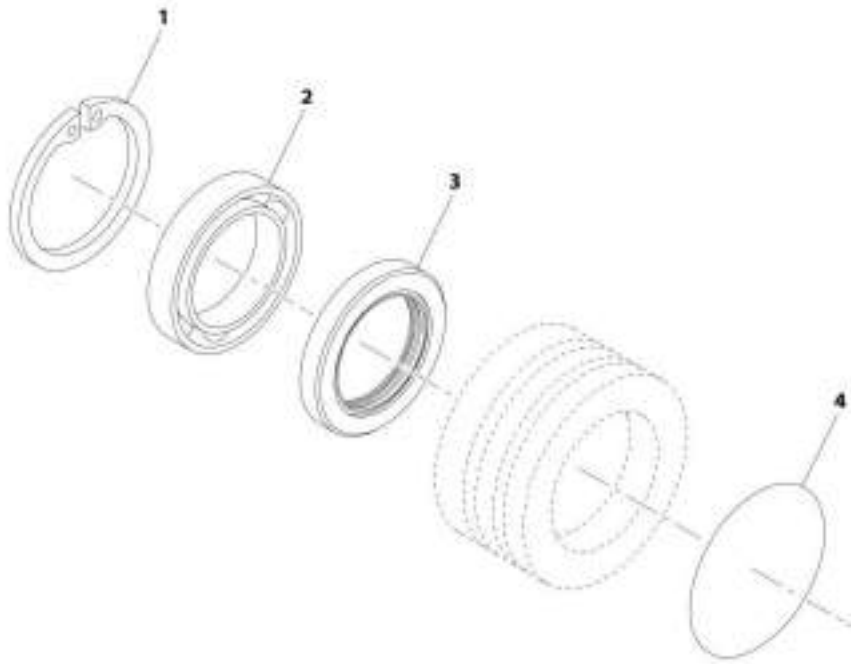
SECTION 5 - DRIVE TRAIN

FIGURE 5-32. DIFFERENTIAL KIT

ITEM	PART NUMBER	QTY	DESCRIPTION	REV
	70021140	Ref	Differential Kit	
1	91474593	2	Washer, Friction	
2	70025569	2	Gear, Differential Side	
3	7029131	4	Pin	
4	91474551	4	Circlip	
5	91474553	4	Washer, Friction	
6	70025570	4	Pinion, Differential	
7	91474595	1	Carrier, Differential	
8	91474550	4	Circlip	

SECTION 5 - DRIVE TRAIN

FIGURE 5-33. REDUCTION BUSHING KIT



ART_81514348

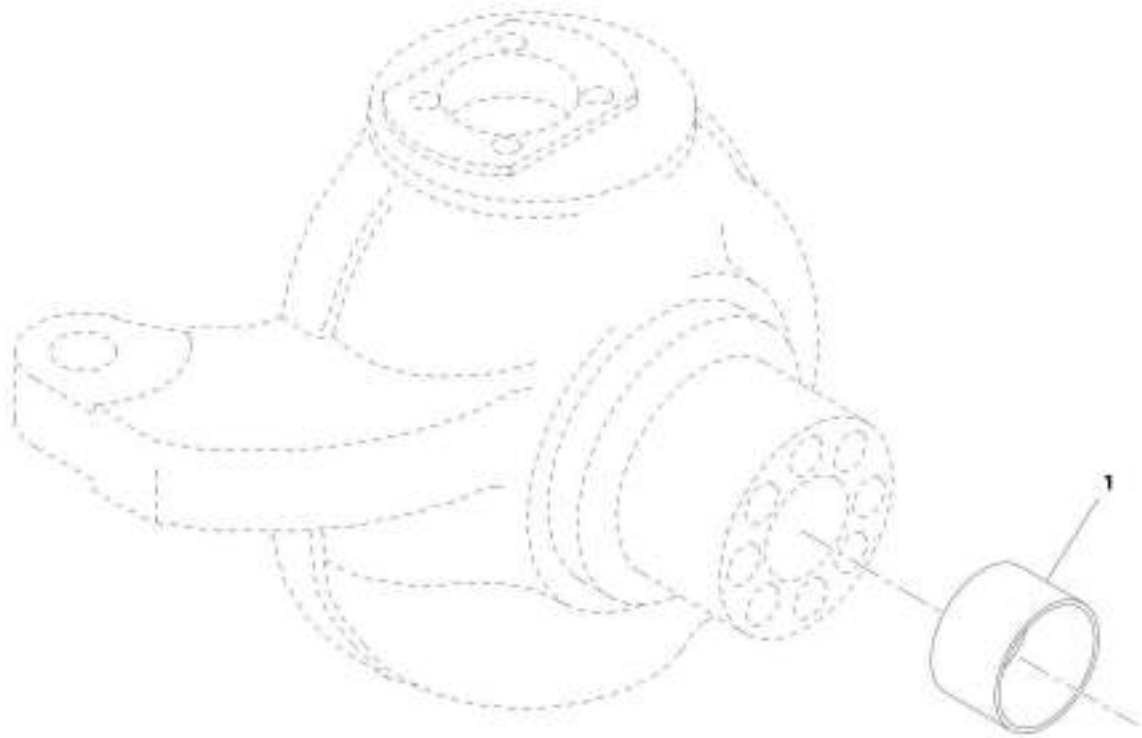
SECTION 5 - DRIVE TRAIN

FIGURE 5-33. REDUCTION BUSHING KIT

ITEM	PART NUMBER	QTY	DESCRIPTION	REV
	91514149	Ref	Reduction Bushing Kit	
1	80204005	2	Circlip	
2	91514146	2	Bearing, Ball	
3	91514147	2	Seal	
4	91514148	2	O-Ring	

SECTION 5 - DRIVE TRAIN

FIGURE 5-34. STEERING CASE KIT, (LF, RR)



ART_6957774

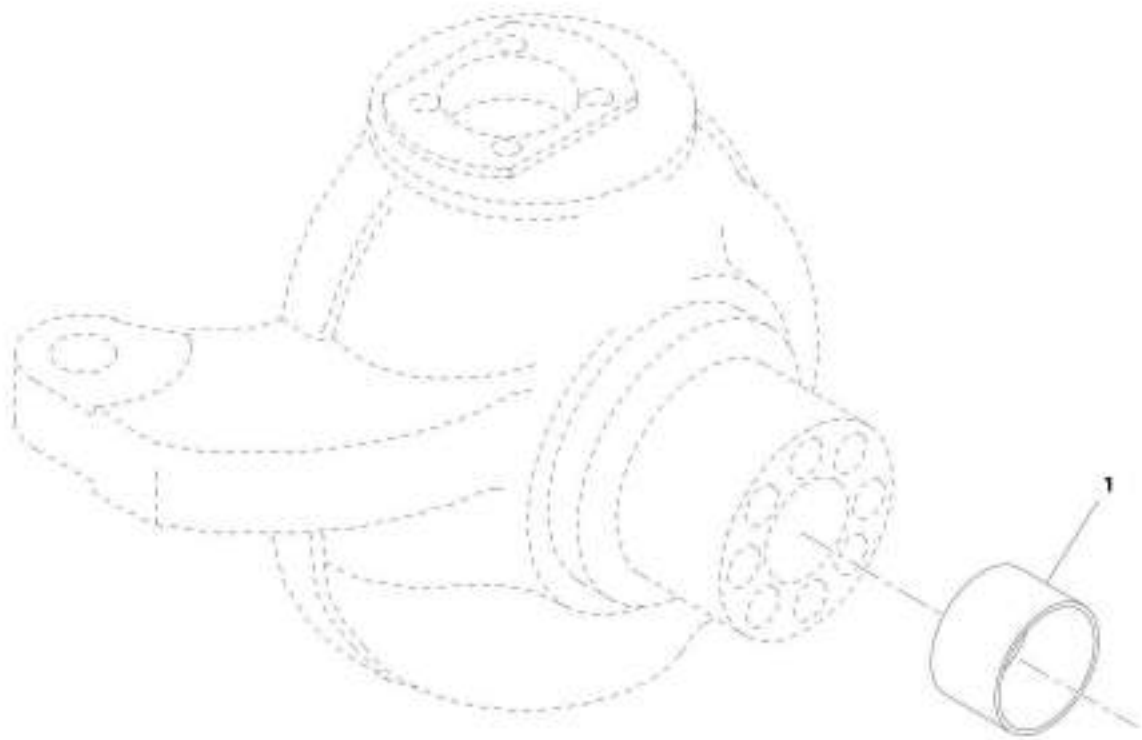
SECTION 5 - DRIVE TRAIN

FIGURE 5-34. STEERING CASE KIT, (LF, RR)

ITEM	PART NUMBER	QTY	DESCRIPTION	REV
1	8007774	Ref	Steering Case Kit, (LF, RR)	
	8004468	1	Bushing, Thrust	

SECTION 5 - DRIVE TRAIN

FIGURE 5-35. STEERING CASE KIT, (RF, LR)



ART_8987777

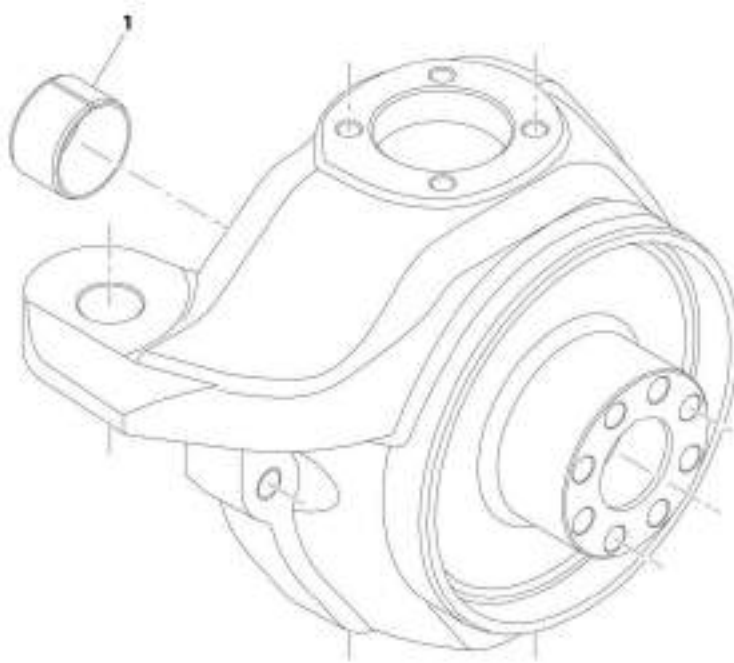
SECTION 5 - DRIVE TRAIN

FIGURE 5-35. STEERING CASE KIT, (RF, LR)

ITEM	PART NUMBER	QTY	DESCRIPTION	REV
1	8007777 8004468	Ref 1	Steering Case Kit, (RF, LR) Bushing, Thrust	

SECTION 5 - DRIVE TRAIN

FIGURE 5-36. STEERING CASE KIT, (LF, RR)



ART_70026476

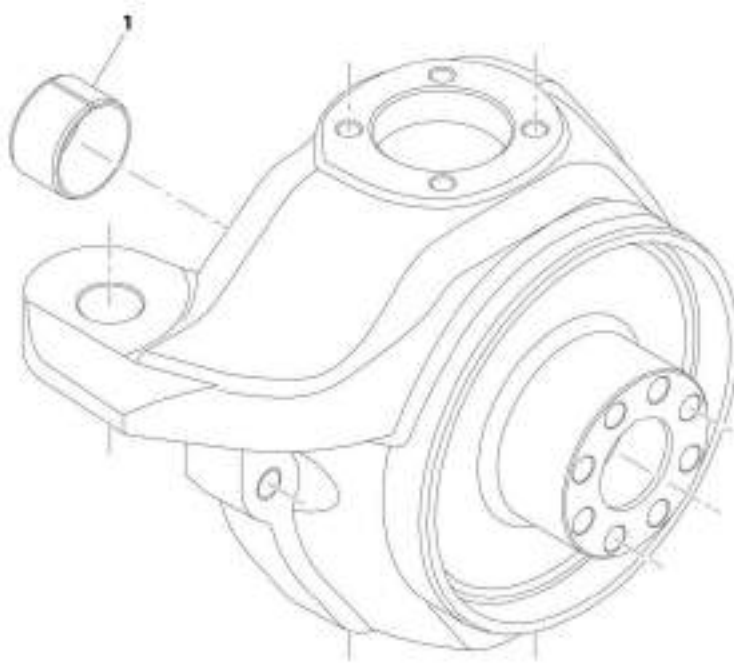
SECTION 5 - DRIVE TRAIN

FIGURE 5-36. STEERING CASE KIT, (LF, RR)

ITEM	PART NUMBER	QTY	DESCRIPTION	REV
1	70026876	Ref	Steering Case Kit, (LF, RR)	
	70021150	4	Bushing, Thrust	

SECTION 5 - DRIVE TRAIN

FIGURE 5-37. STEERING CASE KIT, (RF, LR)



ART_3926877

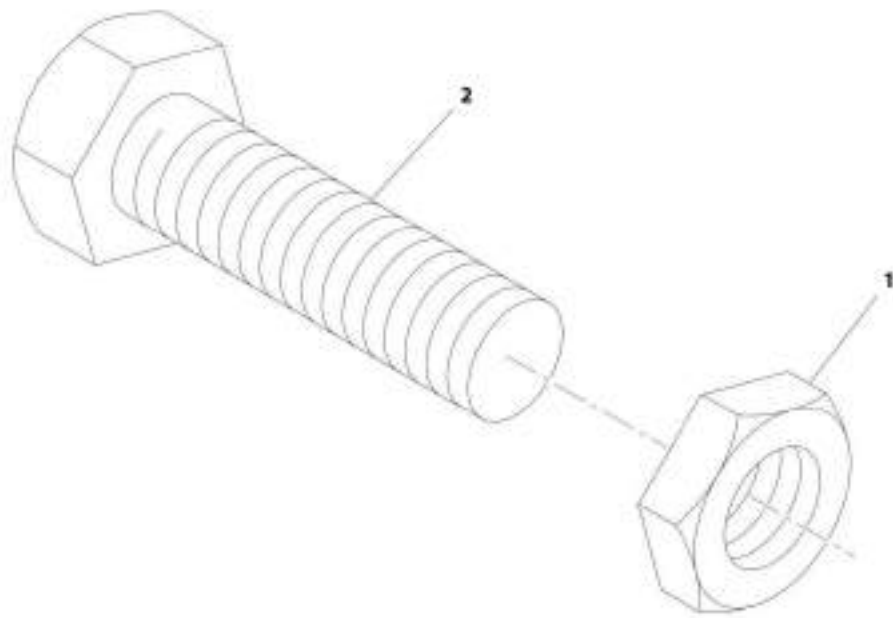
SECTION 5 - DRIVE TRAIN

FIGURE 5-37. STEERING CASE KIT, (RF, LR)

ITEM	PART NUMBER	QTY	DESCRIPTION	REV
1	70026877 70021150	Ref 4	Steering Case Kit, (RF, LR) Bushing, Thrust	

SECTION 5 - DRIVE TRAIN

FIGURE 5-38. STEERING ADJUST BOLT KIT



ART_7126733

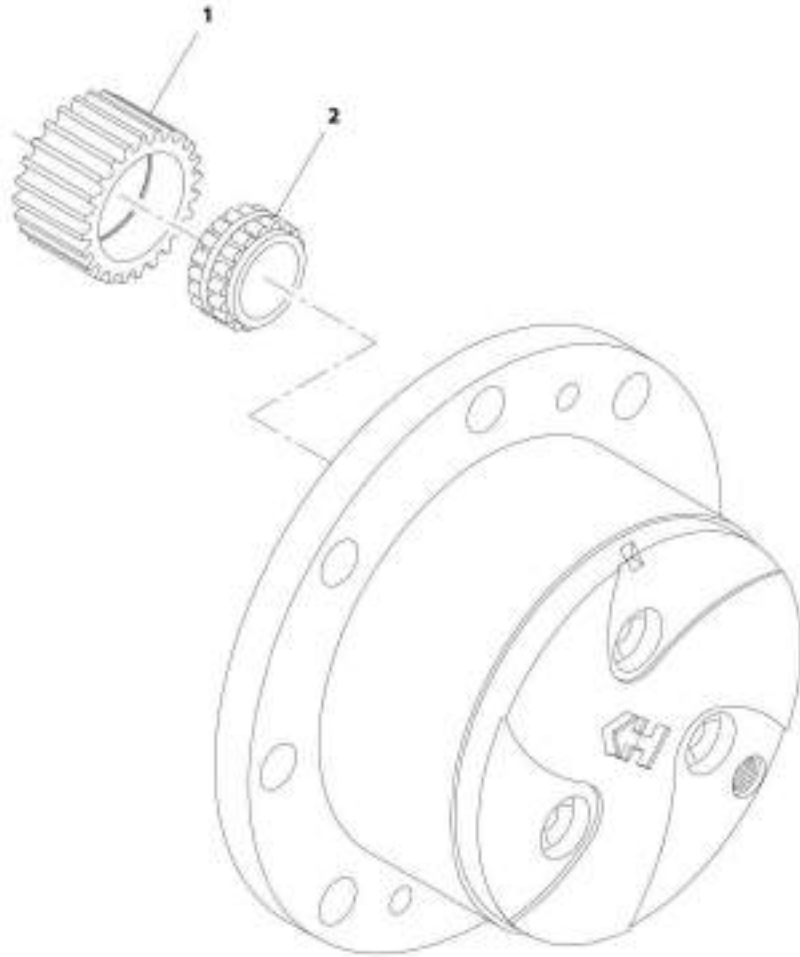
SECTION 5 - DRIVE TRAIN

FIGURE 5-38. STEERING ADJUST BOLT KIT

ITEM	PART NUMBER	QTY	DESCRIPTION	REV
	7028733	Ref	Steering Adjust Bolt Kit	
1	80204065	2	Nut	
2	91514117	2	Bolt	

SECTION 5 - DRIVE TRAIN

FIGURE 5-39. PLANET GEAR KIT



MIT_78529500

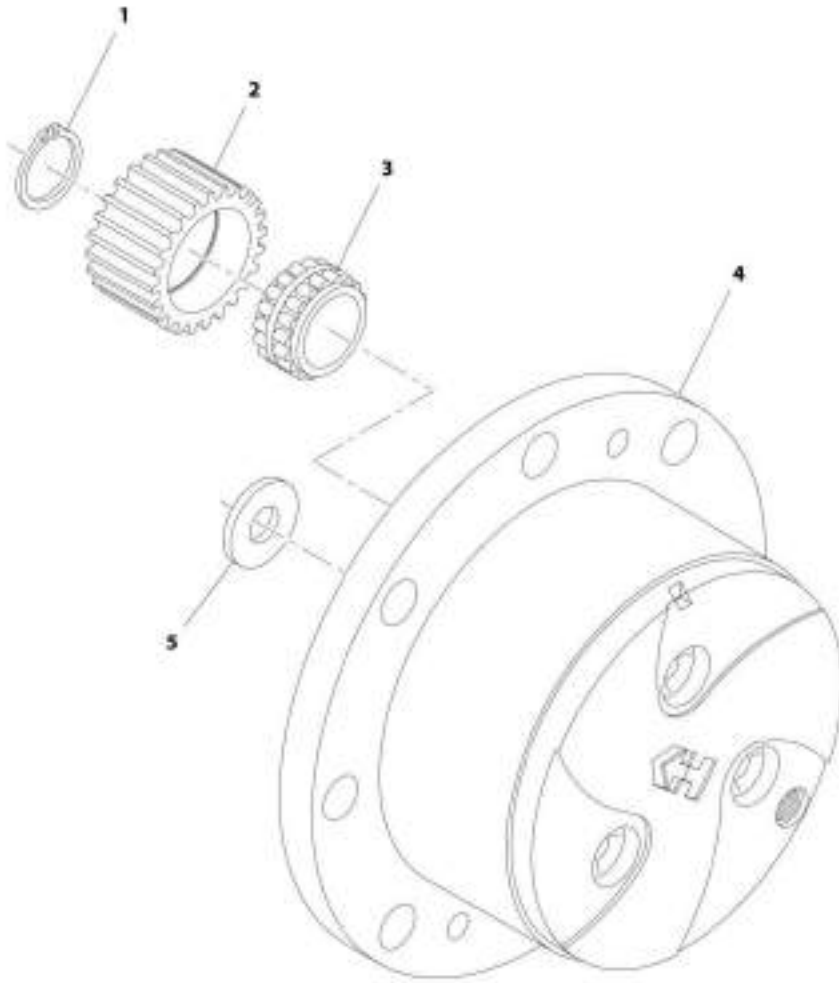
SECTION 5 - DRIVE TRAIN

FIGURE 5-39. PLANET GEAR KIT

ITEM	PART NUMBER	QTY	DESCRIPTION	REV
	70023900	Ref	Planet Gear Kit	
1	91474586	6	Gear, Planet	
2	91474587	6	Bearing	

SECTION 5 - DRIVE TRAIN

FIGURE 5-40. PLANET GEAR CARRIER KIT



ART. 20024892

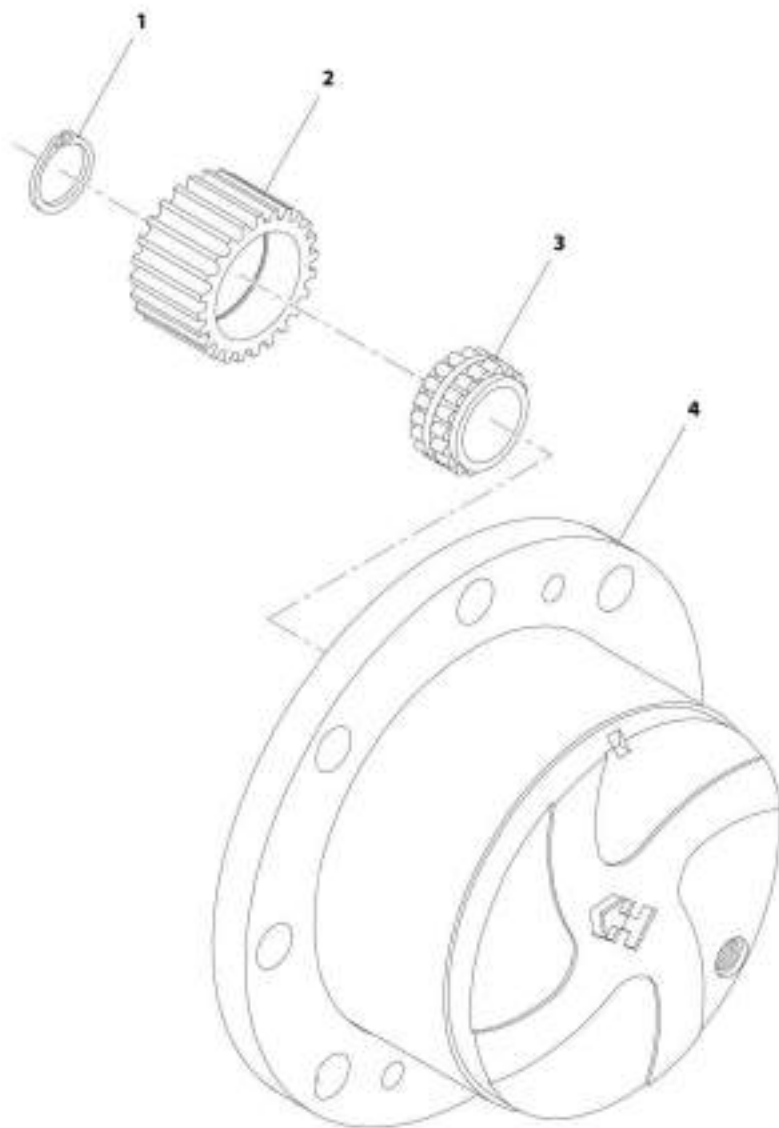
SECTION 5 - DRIVE TRAIN

FIGURE 5-40. PLANET GEAR CARRIER KIT

ITEM	PART NUMBER	QTY	DESCRIPTION	REV
	70024892	Ref	Planet Gear Carrier Kit	
1	91474585	6	Circlip	
2	91474586	6	Gear, Planet	
3	91474587	6	Bearing	
4	70024888	2	Carrier, Planet Gear	
5	70021178	2	Washer	

SECTION 5 - DRIVE TRAIN

FIGURE 5-41. PLANET GEAR CARRIER KIT



ART_70126827-E

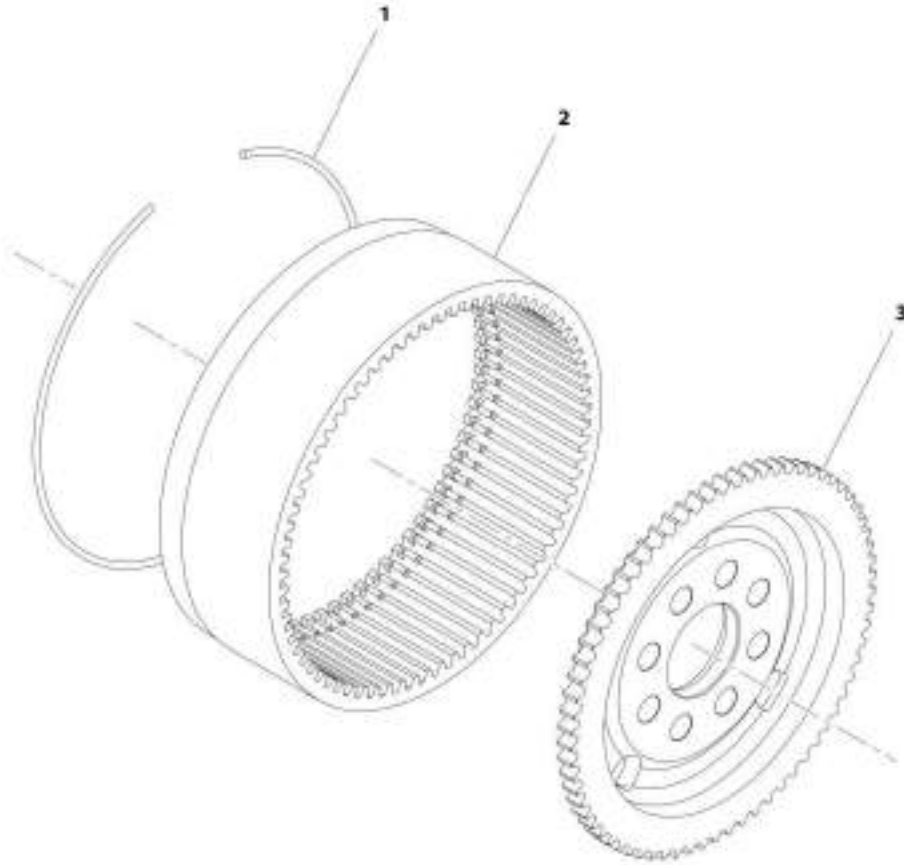
SECTION 5 - DRIVE TRAIN

FIGURE 5-41. PLANET GEAR CARRIER KIT

ITEM	PART NUMBER	QTY	DESCRIPTION	REV
	70026827	Ref	Planet Gear Carrier Kit	
1	91474585	2	Circlip	
2	91474586	4	Gear, Planet	
3	91474587	4	Bearing	
4	70026821	1	Carrier, Planet Gear	

SECTION 5 - DRIVE TRAIN

FIGURE 5-42. RING GEAR SUPPORT KIT



ART_70024004

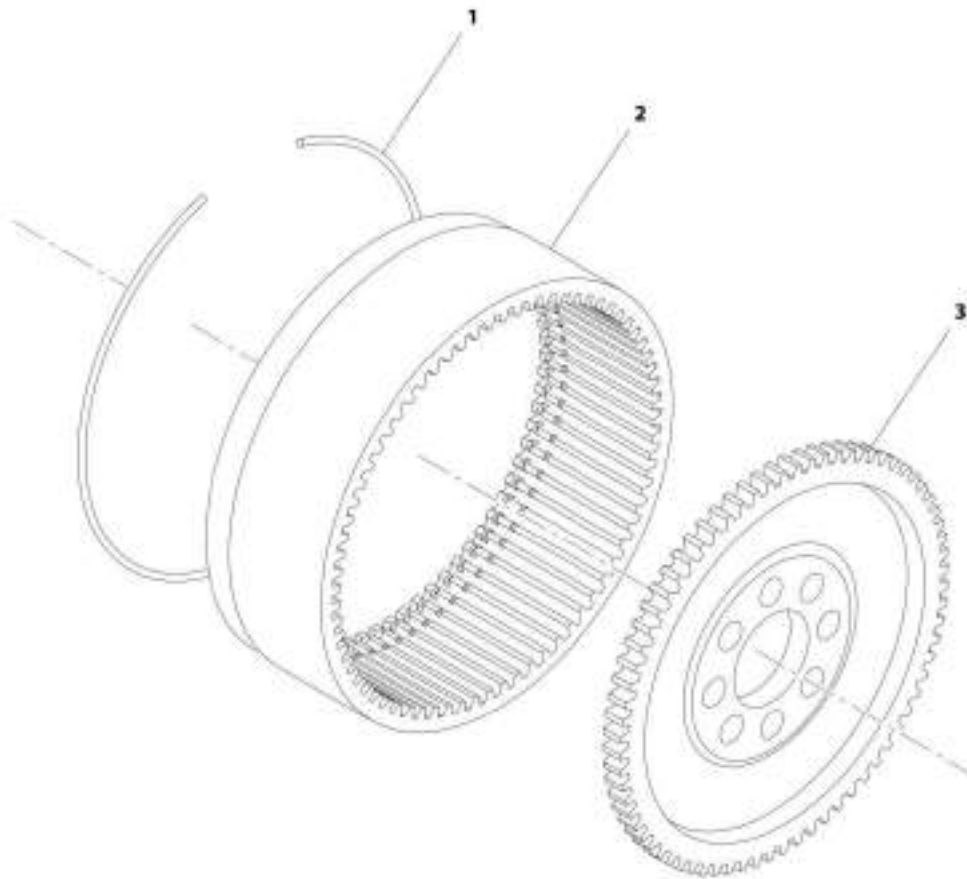
SECTION 5 - DRIVE TRAIN

FIGURE 5-42. RING GEAR SUPPORT KIT

ITEM	PART NUMBER	QTY	DESCRIPTION	REV
	70024894	Ref	Ring Gear Support Kit	
1	91474579	2	Circlip	
2	91474580	2	Gear, Ring	
3	70024884	2	Support, Ring Gear	

SECTION 5 - DRIVE TRAIN

FIGURE 5-43. RING GEAR SUPPORT KIT



ART_7329452

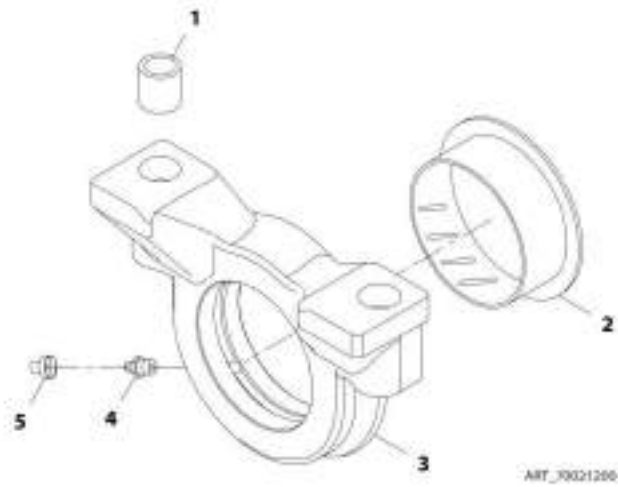
SECTION 5 - DRIVE TRAIN

FIGURE 5-43. RING GEAR SUPPORT KIT

ITEM	PART NUMBER	QTY	DESCRIPTION	REV
	7029432	Ref	Ring Gear Support Kit	
1	91474580	1	Gear, Ring	
2	3983720	1	Support, Ring Gear	
3	91474579	1	Circlip	

SECTION 5 - DRIVE TRAIN

FIGURE 5-44. SUPPORT KIT



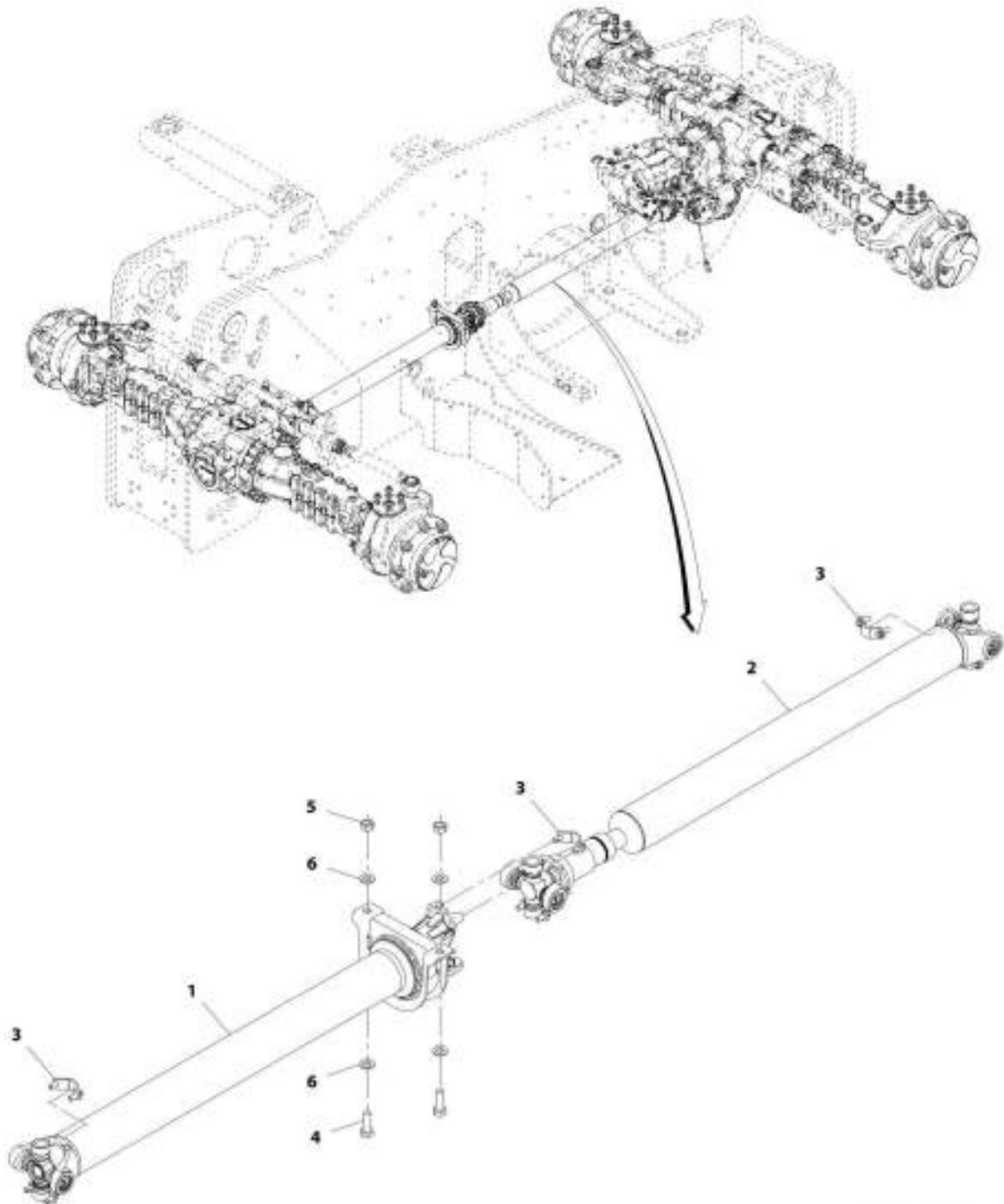
SECTION 5 - DRIVE TRAIN

FIGURE 5-44. SUPPORT KIT

ITEM	PART NUMBER	QTY	DESCRIPTION	REV
	70021200	Ref	Support Kit	
1	91474516	4	Bushing, Reduction	
2	70021198	2	Bushing, Thrust	
3	70021199	2	Support	
4	91514099	2	Fitting, Grease	
5	80204117	2	Plug	

SECTION 5 - DRIVE TRAIN

FIGURE 5-45. DRIVE SHAFTS INSTALLATION



ART_1001172619-8

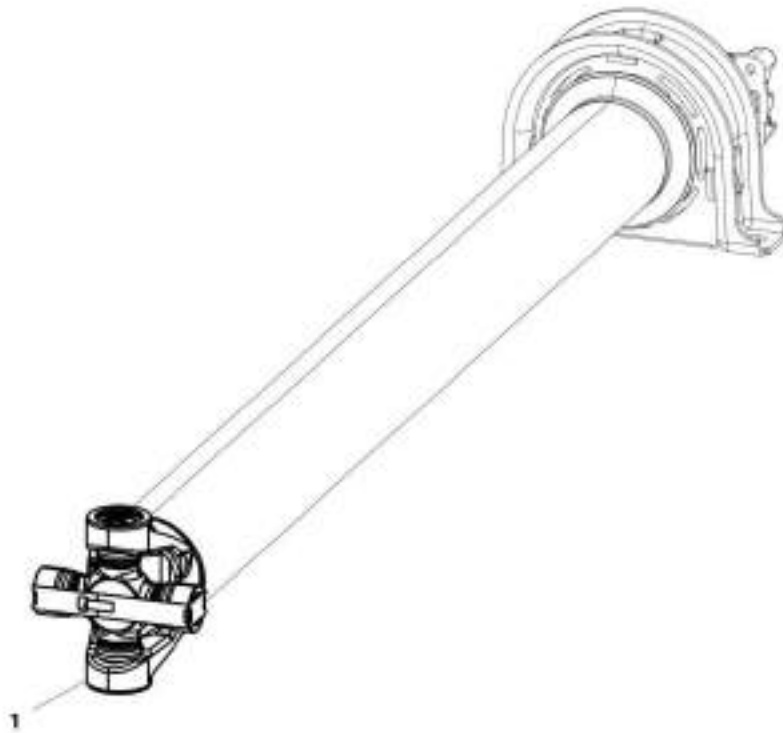
SECTION 5 - DRIVE TRAIN

FIGURE 5-45. DRIVE SHAFTS INSTALLATION

ITEM	PART NUMBER	QTY	DESCRIPTION	REV
1	1001177639	Ref	Drive Shafts Installation	B
	1001176221	Ref	Installation, Front Drive Shaft (See Separate Breakdown in this Section)	
2	1001176222	Ref	Installation, Rear Drive Shaft (See Separate Breakdown in this Section)	
3	8005079	6	Clampset	
4	0761215	2	Bolt, M12X35	
5	3291201	2	Nut, M12X1.75 Grade 8	
6	4812100	4	Washer, M12	

SECTION 5 - DRIVE TRAIN

FIGURE 5-46. FRONT DRIVE SHAFT



ART_1001176221-B

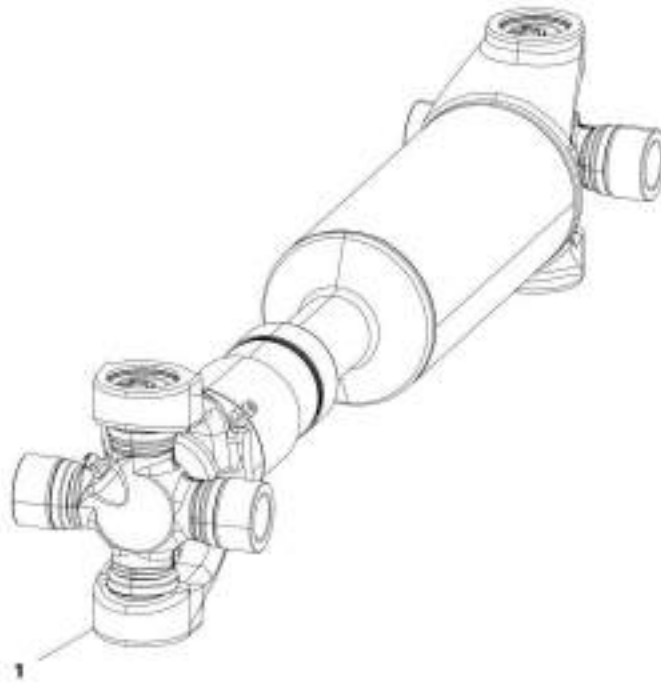
SECTION 5 - DRIVE TRAIN

FIGURE 5-46. FRONT DRIVE SHAFT

ITEM	PART NUMBER	QTY	DESCRIPTION	REV
1	1001176221 7029271	Ref 1	Front Drive Shaft Kit, Cross and Bearing	B

SECTION 5 - DRIVE TRAIN

FIGURE 5-47. REAR DRIVE SHAFT



ART_1001176222-0

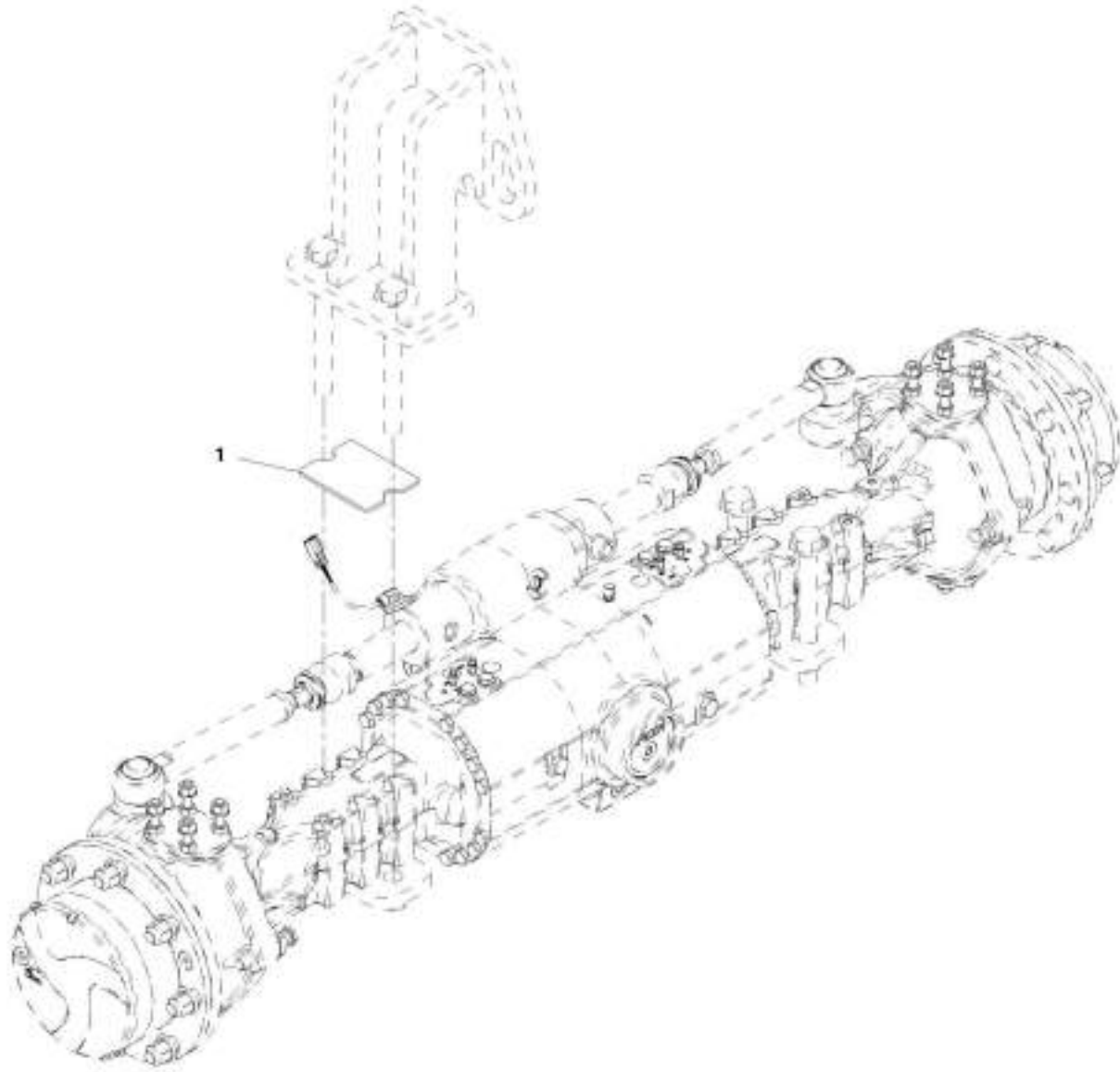
SECTION 5 - DRIVE TRAIN

FIGURE 5-47. REAR DRIVE SHAFT

ITEM	PART NUMBER	QTY	DESCRIPTION	REV
1	1001176222 7029271	Ref 2	Rear Drive Shaft Kit, Cross and Bearing	B

SECTION 5 - DRIVE TRAIN

FIGURE 5-48. AXLE SHIM INSTALLATION (20IN WHEEL)



ART_100106573-C

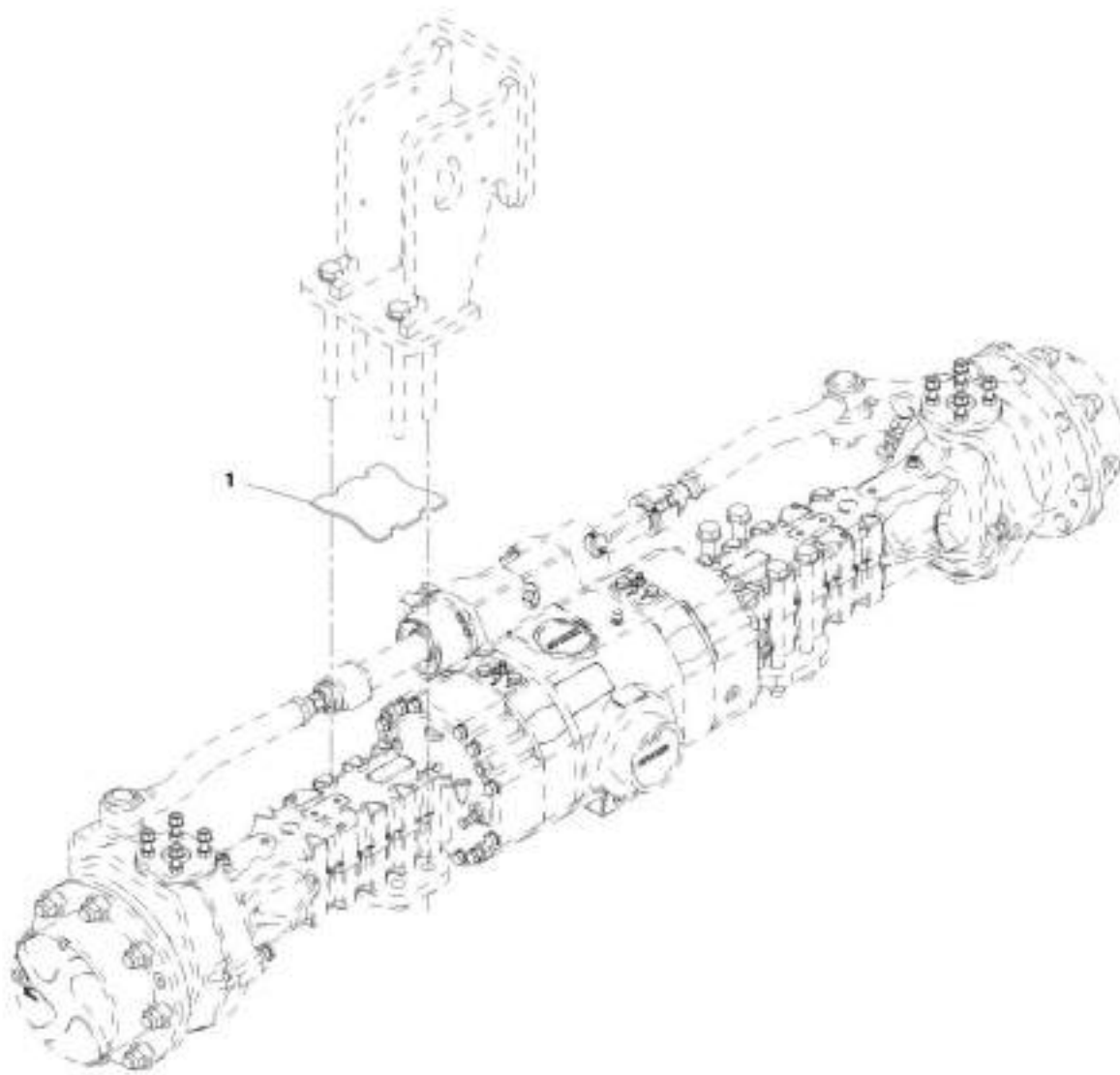
SECTION 5 - DRIVE TRAIN

FIGURE 5-48. AXLE SHIM INSTALLATION (20IN WHEEL)

ITEM	PART NUMBER	QTY	DESCRIPTION	REV
1	1001186573 1001190533	Ref 1	Axle Shim Installation (20IN Wheel) Plate, Axle Shim	C

SECTION 5 - DRIVE TRAIN

FIGURE 5-49. AXLE SHIM INSTALLATION



ART_1001186574-C

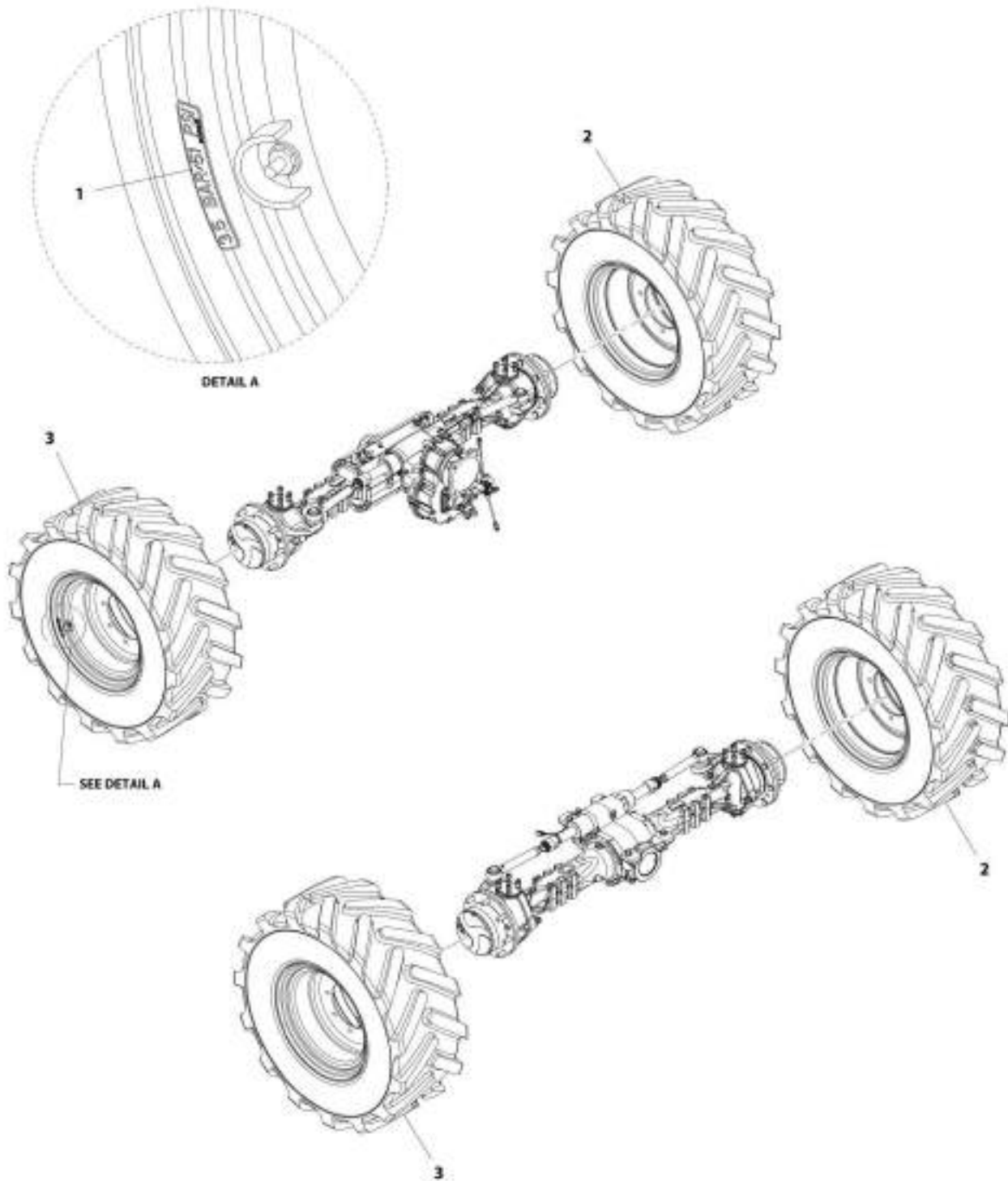
SECTION 5 - DRIVE TRAIN

FIGURE 5-49. AXLE SHIM INSTALLATION

ITEM	PART NUMBER	QTY	DESCRIPTION	REV
1	1001186574 1001190541	Ref 1	Axle Shim Installation (24IN Wheel) Plate, Axle Shim	C

SECTION 5 - DRIVE TRAIN

FIGURE 5-50. TIRE/WHEEL SET (20IN WHEEL - 405/70 - AIR)



ART_100117021-A

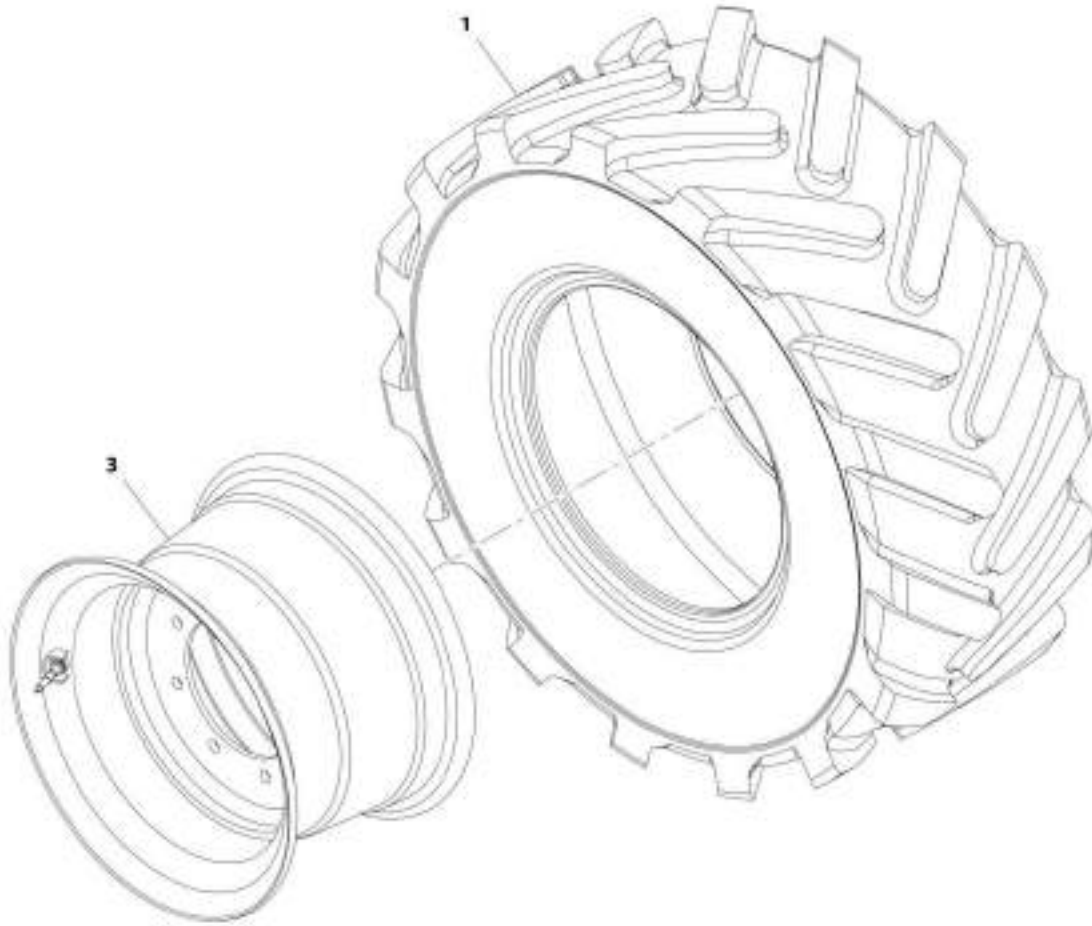
SECTION 5 - DRIVE TRAIN

FIGURE 5-50. TIRE/WHEEL SET (20IN WHEEL - 405/70 - AIR)

ITEM	PART NUMBER	QTY	DESCRIPTION	REV
	1001179721	Ref	Tire/Wheel Set (20IN Wheel - 405/70 - Air)	A
1	8005825	4	Label, 3.5 Bar	
2	1001178287J	2	Assembly, Right Tire/Wheel (20IN Wheel - 405/70 - Air) (See Separate Breakdown in this Section)	
3	1001178288J	2	Assembly, Left Tire/Wheel (20IN Wheel - 405/70 - Air) (See Separate Breakdown in this Section)	

SECTION 5 - DRIVE TRAIN

FIGURE 5-51. RIGHT TIRE/WHEEL ASSEMBLY (20IN WHEEL - 405/70 - AIR)



ART_30011782874-B

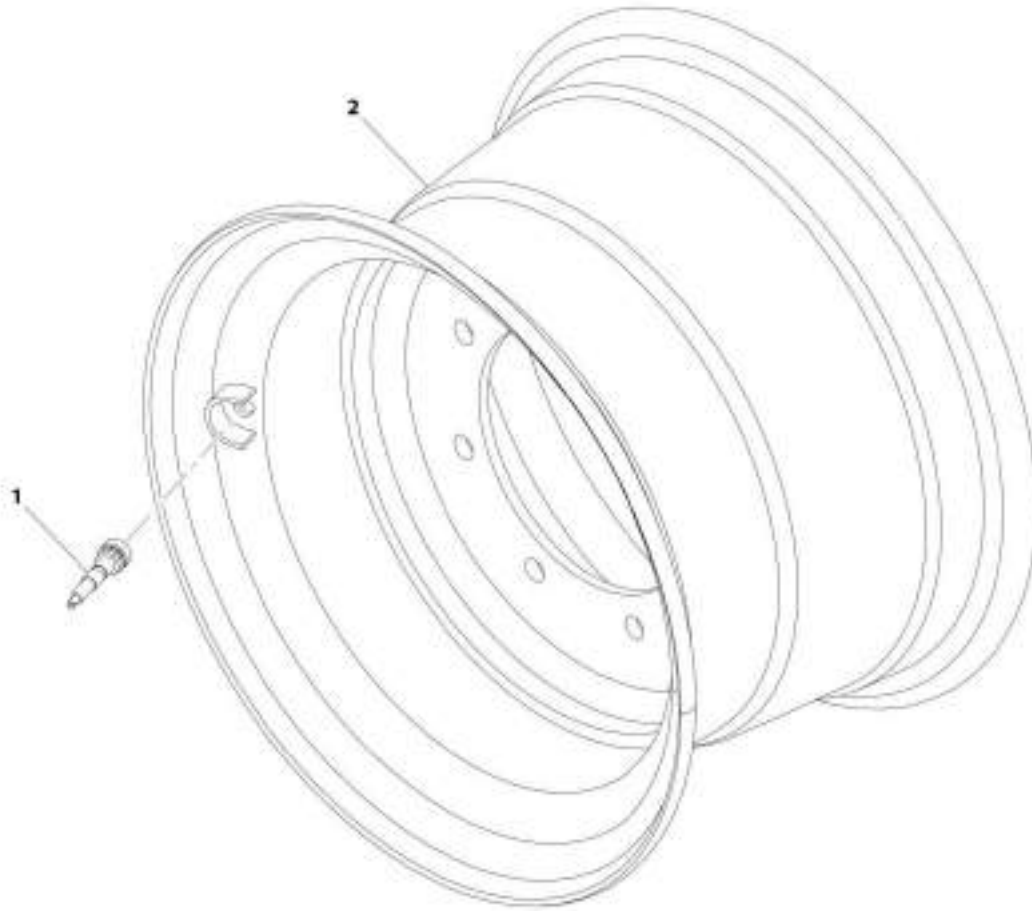
SECTION 5 - DRIVE TRAIN

FIGURE 5-51. RIGHT TIRE/WHEEL ASSEMBLY (20IN WHEEL - 405/70 - AIR)

ITEM	PART NUMBER	QTY	DESCRIPTION	REV
	1001178287J	Ref	Right Tire/Wheel Assembly (20IN Wheel - 405/70 - Air)	B
1	3767853	1	Tire, 20IN - 405/70	
3	1001219731	1	Wheel, RH Rim Assembly (See Separate Breakdown in this Section)	

SECTION 5 - DRIVE TRAIN

FIGURE 5-52. WHEEL, RH RIM ASSEMBLY (20IN WHEEL - 405/70 - AIR)



ART_3001218731-A

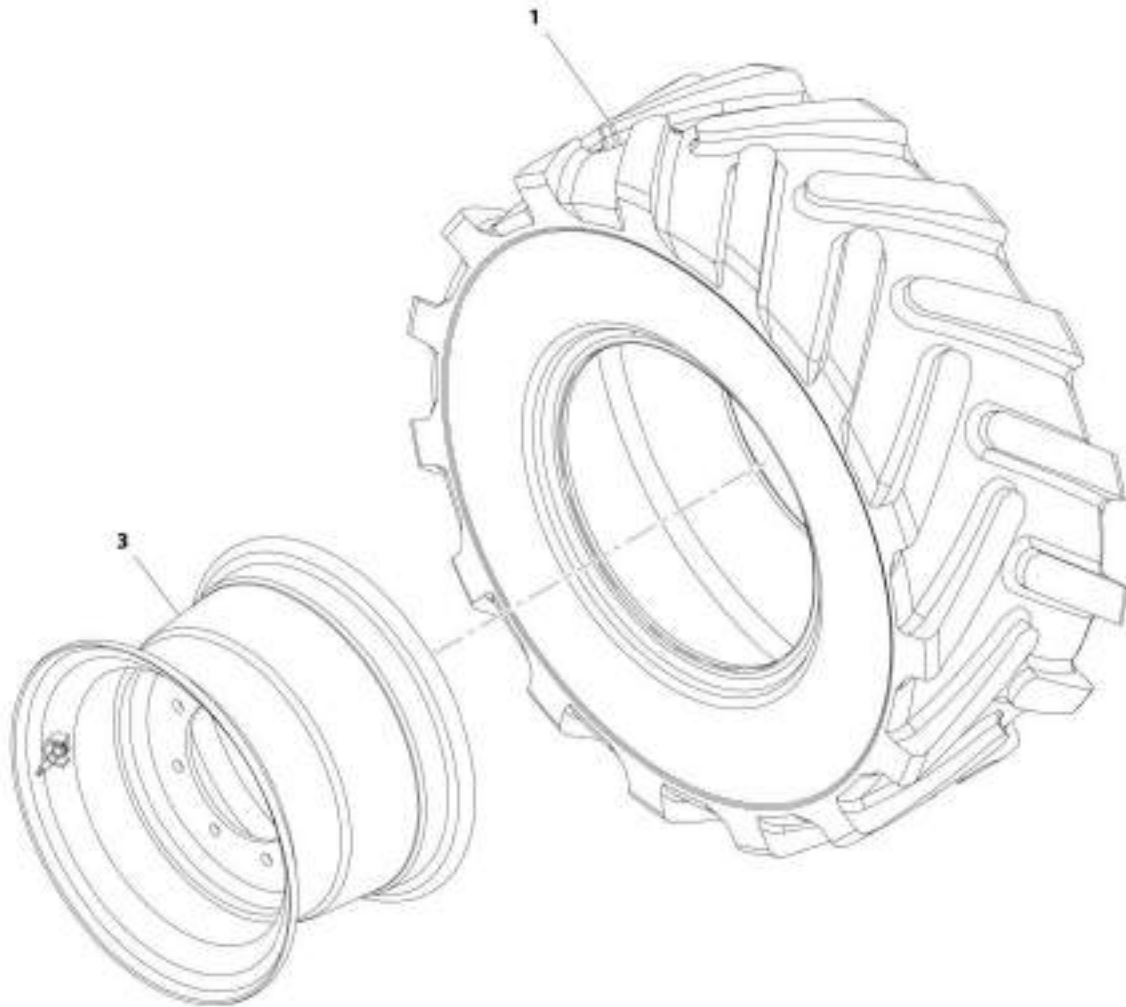
SECTION 5 - DRIVE TRAIN

FIGURE 5-52. WHEEL, RH RIM ASSEMBLY (20IN WHEEL - 405/70 - AIR)

ITEM	PART NUMBER	QTY	DESCRIPTION	REV
1	1001219731	Ref	Wheel, RH Rim Assembly, (20IN Wheel - 405/70 - Air)	A
	1001008719	1	Valve	
	1001176203J	1	Wheel, 13X20	

SECTION 5 - DRIVE TRAIN

FIGURE 5-53. LEFT TIRE/WHEEL ASSEMBLY (20IN WHEEL - 405/70 - AIR)



ART_10011702001-0

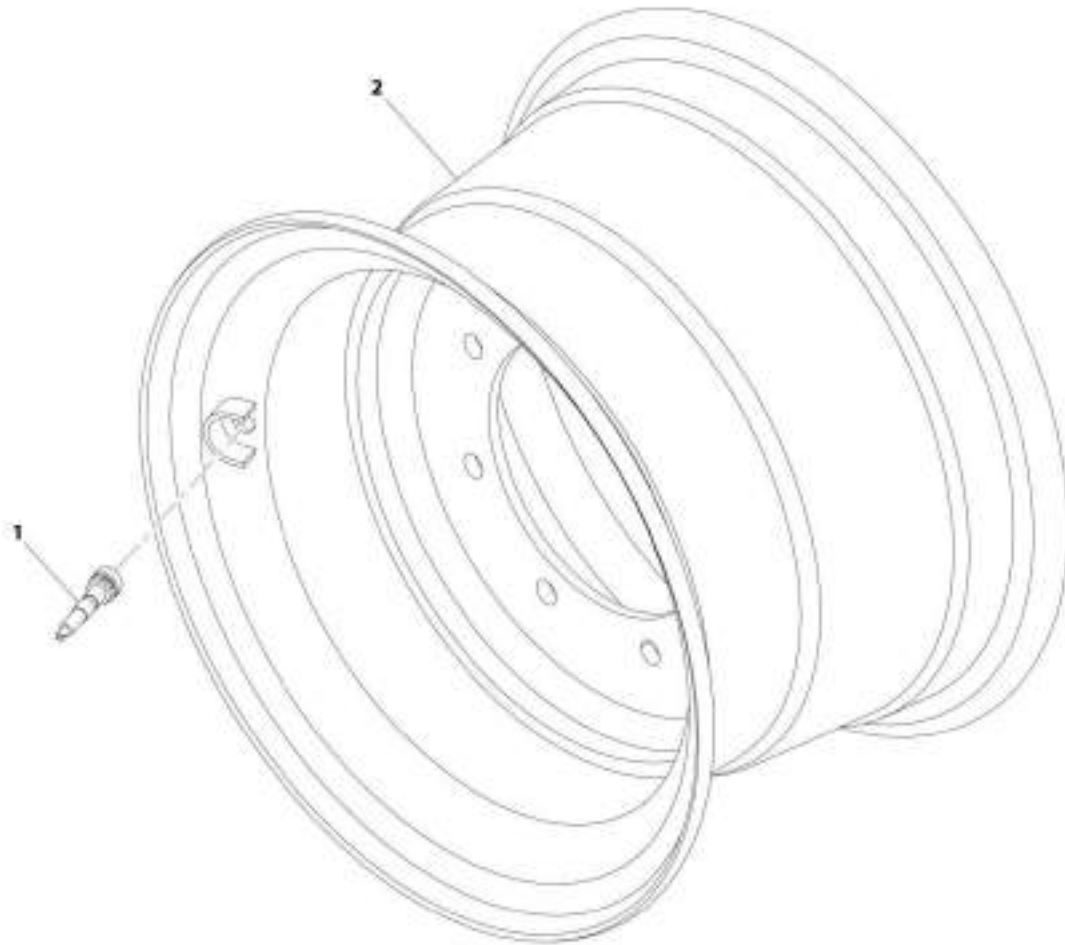
SECTION 5 - DRIVE TRAIN

FIGURE 5-53. LEFT TIRE/WHEEL ASSEMBLY (20IN WHEEL - 405/70 - AIR)

ITEM	PART NUMBER	QTY	DESCRIPTION	REV
	1001178288J	Ref	Left Tire/Wheel Assembly (20IN Wheel - 405/70 - Air)	B
1	3767853	1	Tire, 20IN - 405/70	
3	1001219732	1	Wheel, LH Rim Assembly, (See Separate Breakdown in this Section)	

SECTION 5 - DRIVE TRAIN

FIGURE 5-54. WHEEL, LH RIM ASSEMBLY (20IN WHEEL - 405/70 - AIR)



MIT_1001219710-A

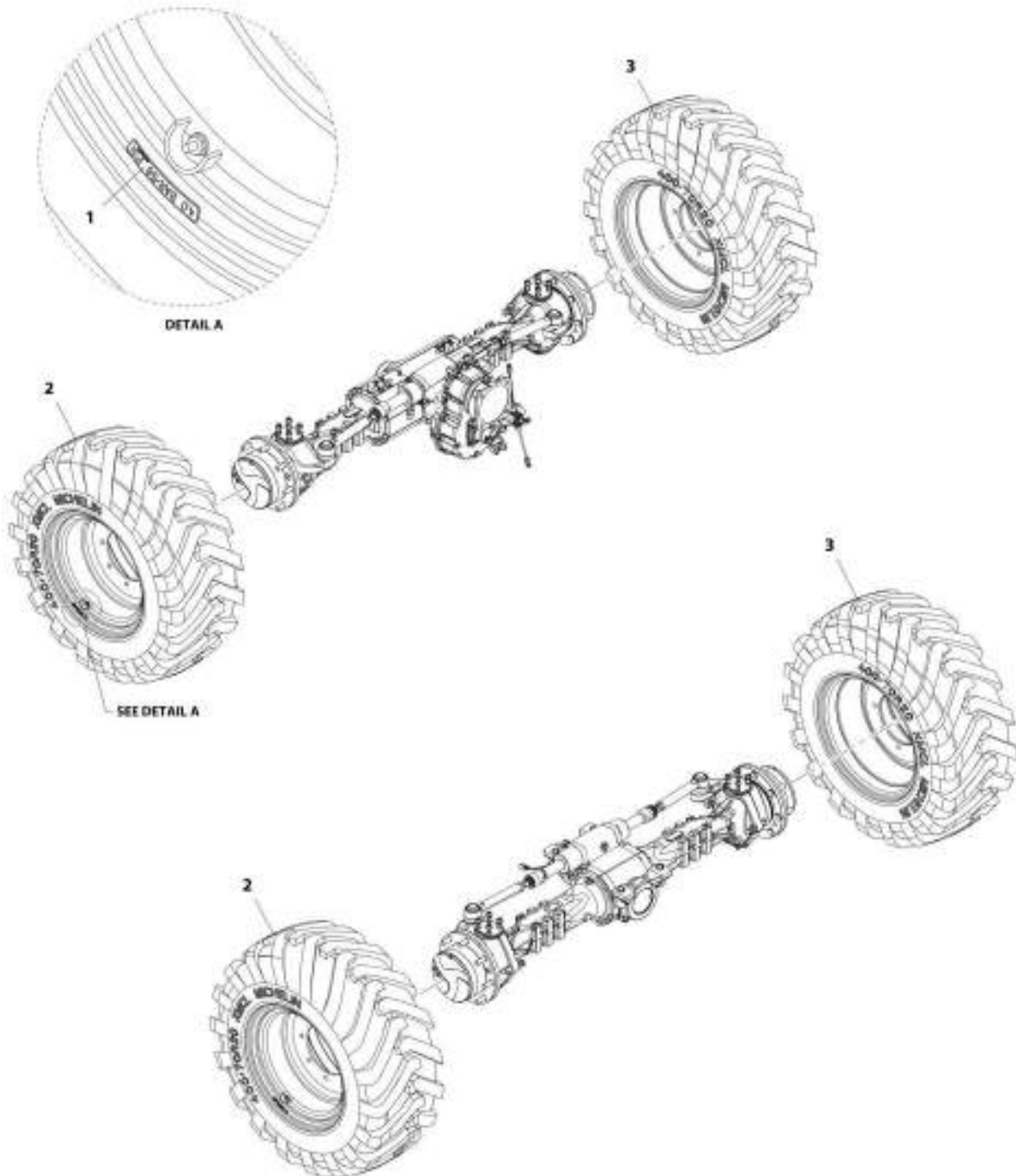
SECTION 5 - DRIVE TRAIN

FIGURE 5-54. WHEEL, LH RIM ASSEMBLY (20IN WHEEL - 405/70 - AIR)

ITEM	PART NUMBER	QTY	DESCRIPTION	REV
1	1001219732	Ref	Wheel, LH Rim Assembly, (20IN Wheel - 405/70 - Air)	A
	1001008719	1	Valve	
	1001176203J	1	Wheel, 13X20	

SECTION 5 - DRIVE TRAIN

FIGURE 5-55. TIRE/WHEEL SET (20IN WHEEL - 400/70 - AIR)



ART_1001178725-A

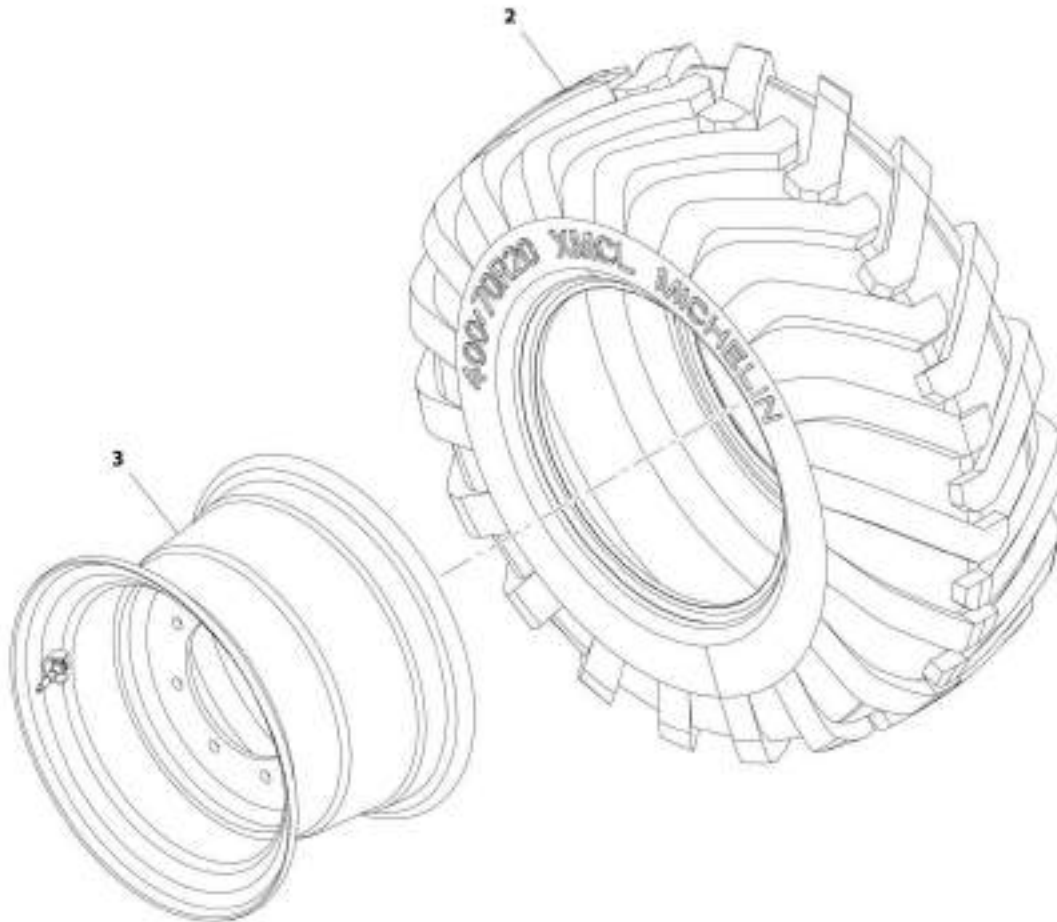
SECTION 5 - DRIVE TRAIN

FIGURE 5-55. TIRE/WHEEL SET (20IN WHEEL - 400/70 - AIR)

ITEM	PART NUMBER	QTY	DESCRIPTION	REV
	1001179725	Ref	Tire/Wheel Set (20IN Wheel - 400/70 - Air)	A
1	8005827	4	Label, 4.0 Bar	
2	1001179960J	2	Assembly, Left Tire/Wheel (20IN Wheel - 400/70 - Air) (See Separate Breakdown in this Section)	
3	1001179961J	2	Assembly, Right Tire/Wheel (20IN Wheel - 400/70 - Air) (See Separate Breakdown in this Section)	

SECTION 5 - DRIVE TRAIN

FIGURE 5-56. RIGHT TIRE/WHEEL ASSEMBLY (20IN WHEEL - 400/70 - AIR)



ART_100179961-0

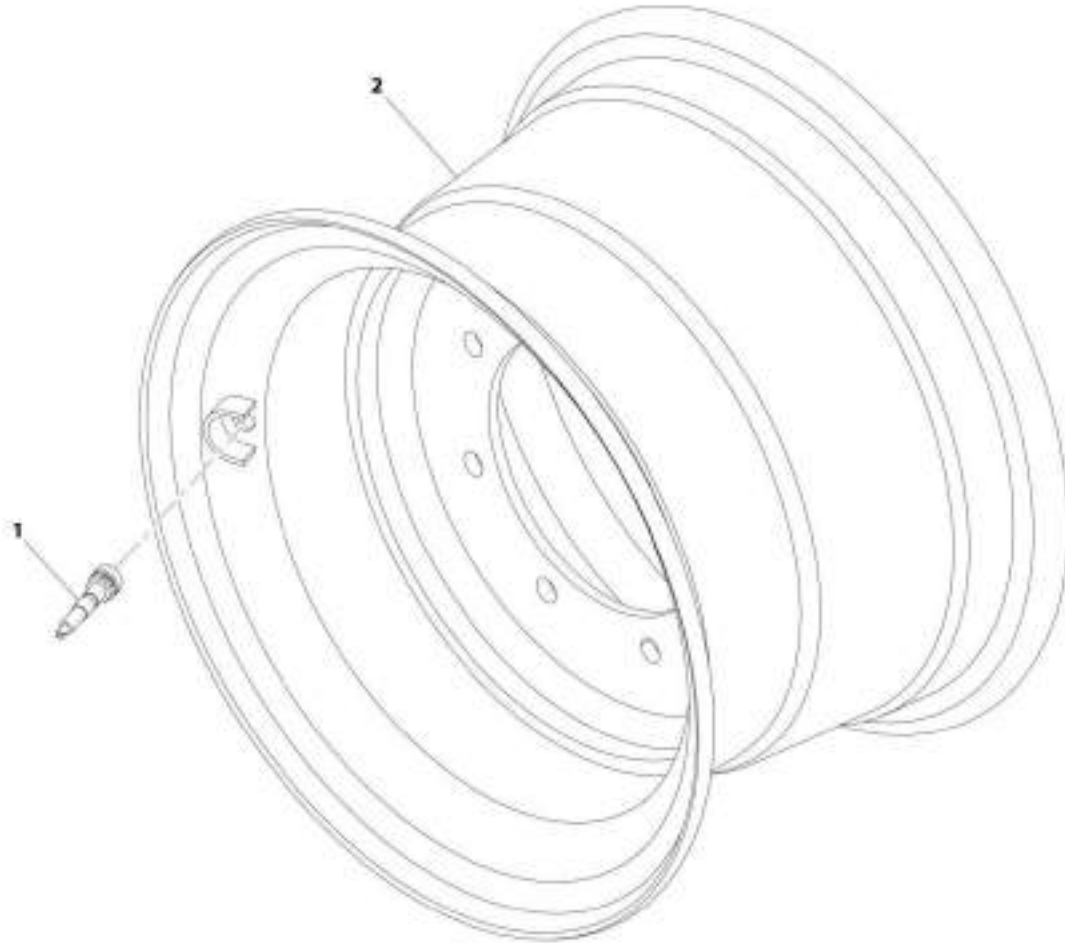
SECTION 5 - DRIVE TRAIN

FIGURE 5-56. RIGHT TIRE/WHEEL ASSEMBLY (20IN WHEEL - 400/70 - AIR)

ITEM	PART NUMBER	QTY	DESCRIPTION	REV
	1001179961J	Ref	Right Tire/Wheel Assembly (20IN Wheel - 400/70 - Air)	B
2	1001110893	1	Tire, 460/70R24 XMCL	
3	1001219738	1	Wheel, RH Rim Assembly (See Separate Breakdown in this Section)	

SECTION 5 - DRIVE TRAIN

FIGURE 5-57. WHEEL, RH RIM ASSEMBLY (20IN WHEEL - 400/70 - AIR)



MIT_1001219736-A

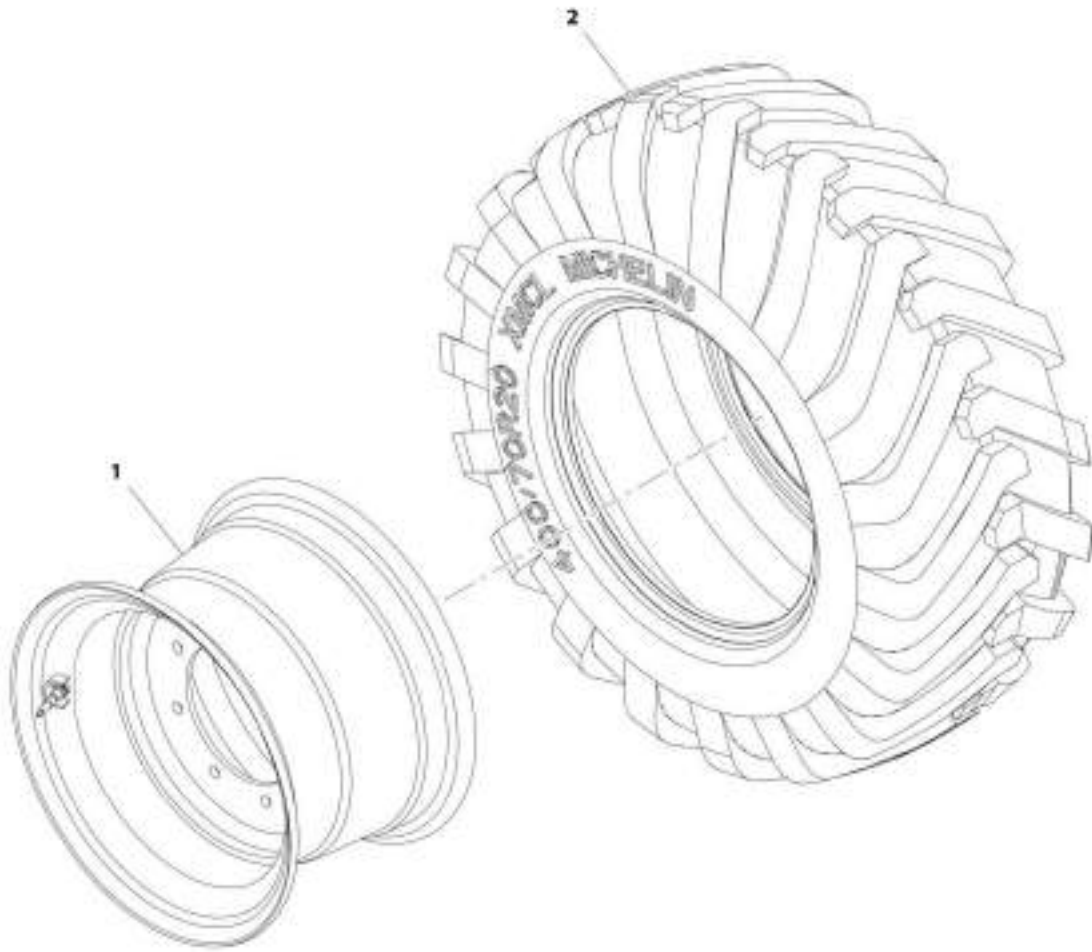
SECTION 5 - DRIVE TRAIN

FIGURE 5-57. WHEEL, RH RIM ASSEMBLY (20IN WHEEL - 400/70 - AIR)

ITEM	PART NUMBER	QTY	DESCRIPTION	REV
1	1001219738	Ref	Wheel, RH Rim Assembly (20IN Wheel - 400/70 - Air)	A
	1001008719	1	Valve	
	1001176203J	1	Wheel, 13X20	

SECTION 5 - DRIVE TRAIN

FIGURE 5-58. LEFT TIRE/WHEEL ASSEMBLY (20IN WHEEL - 400/70 - AIR)



MT_1301179803-E

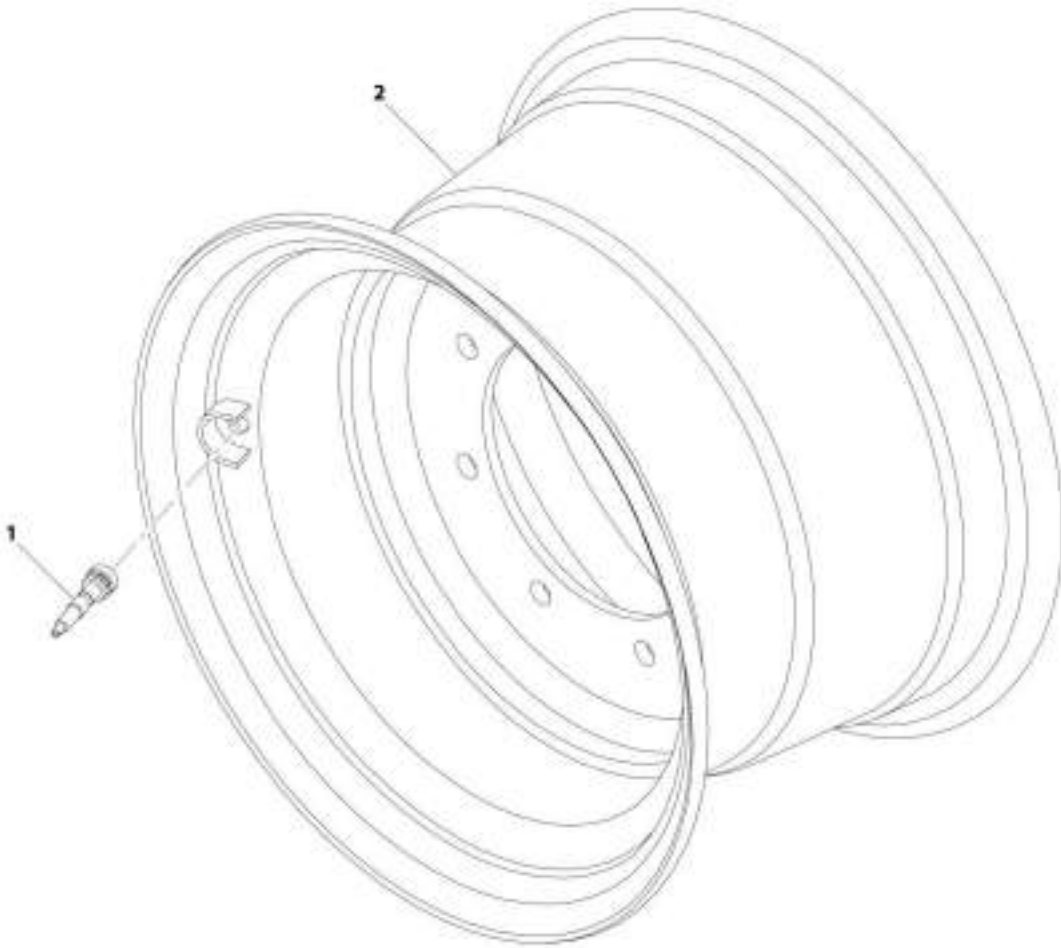
SECTION 5 - DRIVE TRAIN

FIGURE 5-58. LEFT TIRE/WHEEL ASSEMBLY (20IN WHEEL - 400/70 - AIR)

ITEM	PART NUMBER	QTY	DESCRIPTION	REV
1	1001179960J	Ref	Left Tire/Wheel Assembly (20IN Wheel - 400/70 - Air)	B
	1001219758	1	Wheel, LH Rim Assembly (See Separate Breakdown in this Section)	
2	1001110893	1	Tire, 460/70R24 XMCL	

SECTION 5 - DRIVE TRAIN

FIGURE 5-59. WHEEL, LH RIM ASSEMBLY (20IN WHEEL - 400/70 - AIR)



ART_1001210758-A

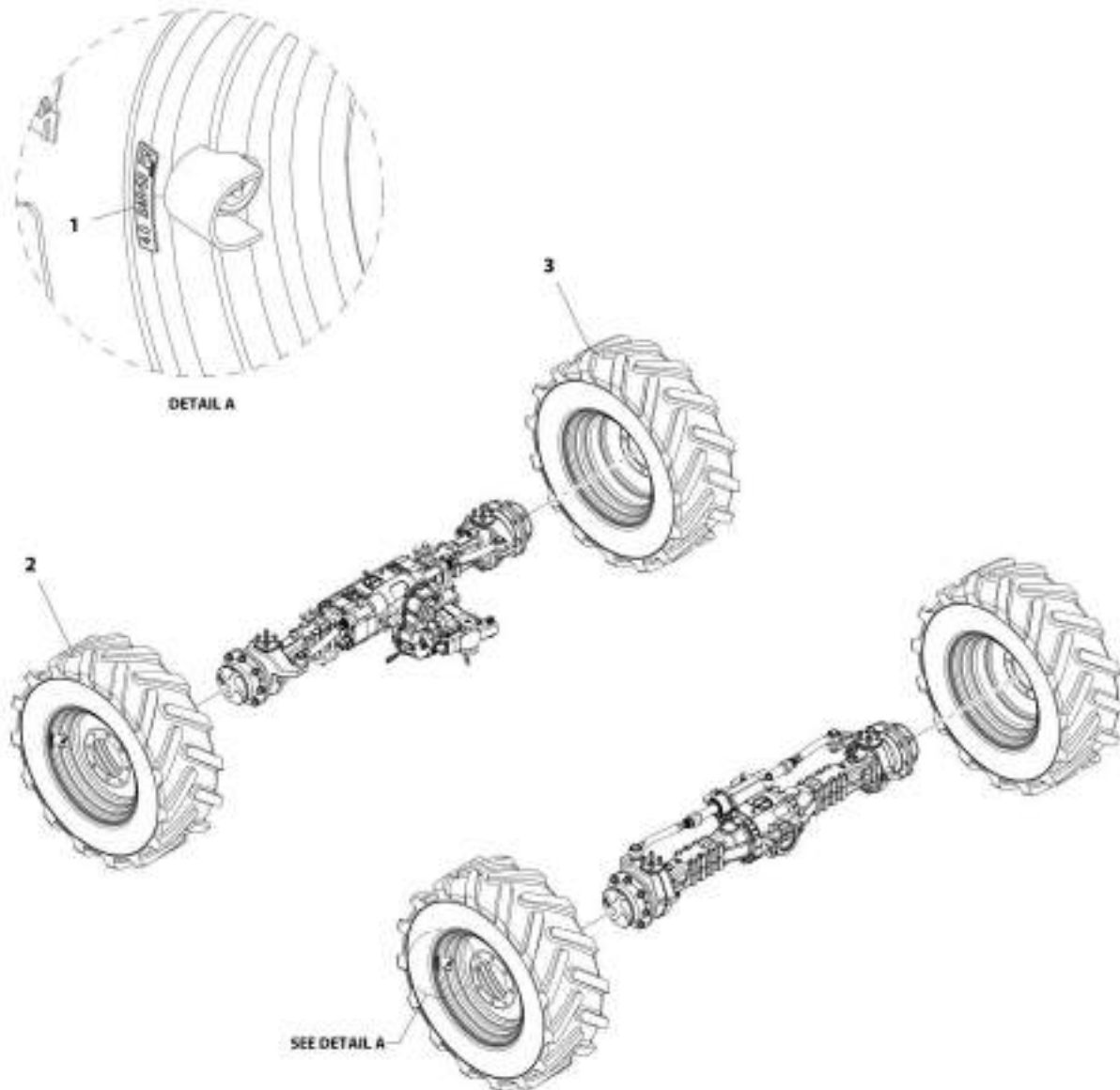
SECTION 5 - DRIVE TRAIN

FIGURE 5-59. WHEEL, LH RIM ASSEMBLY (20IN WHEEL - 400/70 - AIR)

ITEM	PART NUMBER	QTY	DESCRIPTION	REV
	1001219758	Ref	Wheel, LH Rim Assembly, (20IN Wheel - 400/70 - Air)	A
1	1001008719	1	Valve	
2	1001176203C	1	Wheel, 13X20	

SECTION 5 - DRIVE TRAIN

FIGURE 5-60. TIRE/WHEEL SET (24IN WHEEL - 405/70 - AIR)



ART_1001204435-A

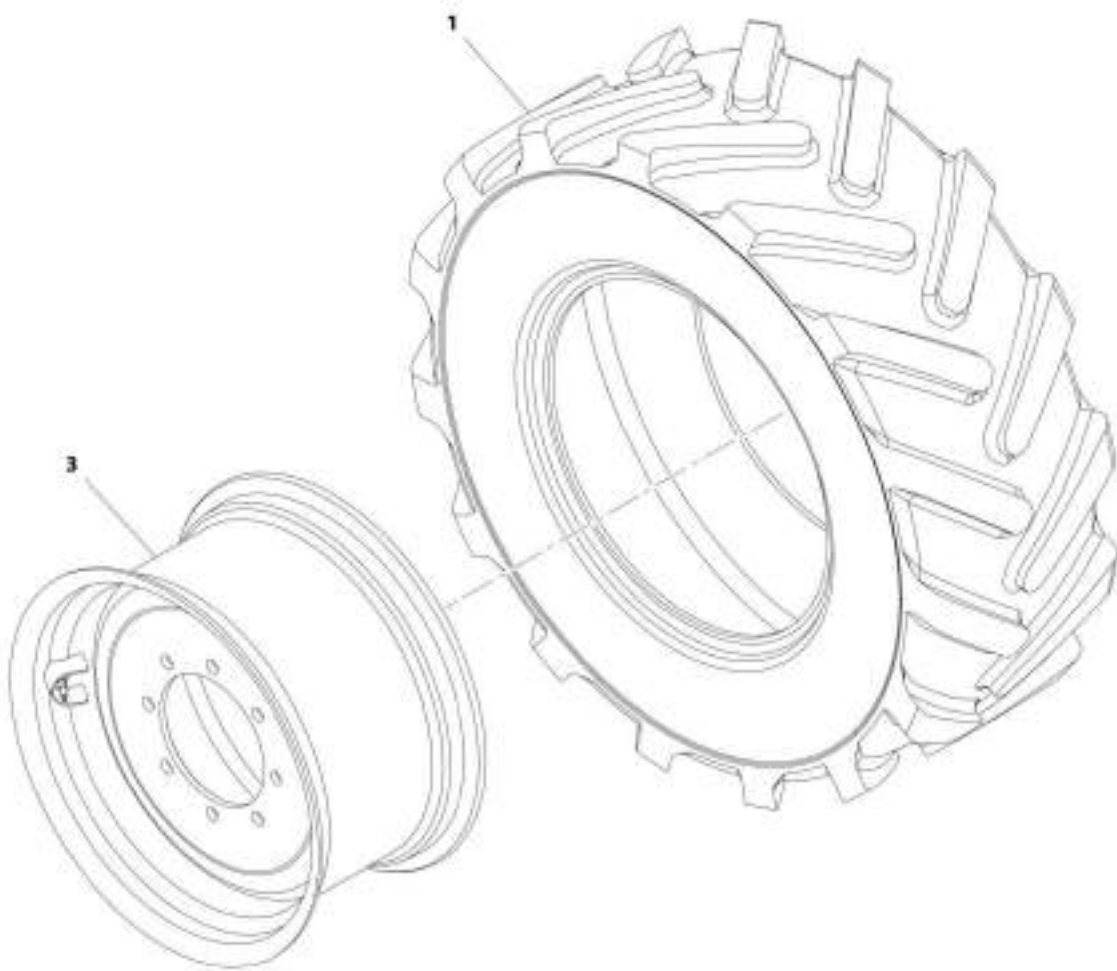
SECTION 5 - DRIVE TRAIN

FIGURE 5-60. TIRE/WHEEL SET (24IN WHEEL - 405/70 - AIR)

ITEM	PART NUMBER	QTY	DESCRIPTION	REV
	1001204475	Ref	Tire/Wheel Set (24IN Wheel - 405/70 - Air)	A
1	8005827	4	Label, 4.0 Bar	
2	1001197608J	2	Assembly, Left Tire/Wheel (24IN Wheel - 405/70 - Air) (See Separate Breakdown in this Section)	
3	1001197609J	2	Assembly, Right Tire/Wheel (24IN Wheel - 405/70 - Air) (See Separate Breakdown in this Section)	

SECTION 5 - DRIVE TRAIN

FIGURE 5-61. RIGHT TIRE/WHEEL ASSEMBLY (24IN WHEEL - 405/70 - AIR)



ART_1001197000-C

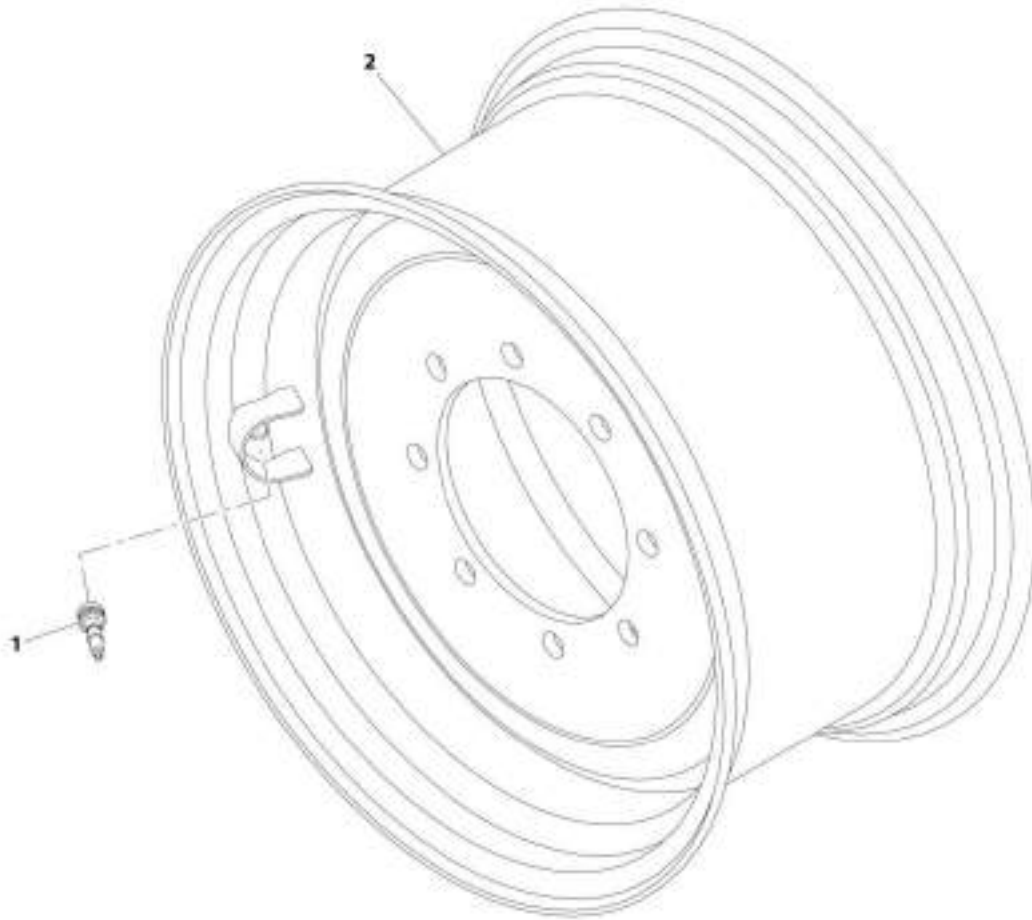
SECTION 5 - DRIVE TRAIN

FIGURE 5-61. RIGHT TIRE/WHEEL ASSEMBLY (24IN WHEEL - 405/70 - AIR)

ITEM	PART NUMBER	QTY	DESCRIPTION	REV
	1001197609J	Ref	Right Tire/Wheel Assembly (24IN Wheel - 405/70 - Air)	C
1	3767864	1	Tire, 405/70 - 24	
3	1001219959	1	Wheel, RH Rim Assembly (See Separate Breakdown in this Section)	

SECTION 5 - DRIVE TRAIN

FIGURE 5-62. WHEEL RH RIM ASSEMBLY (24IN WHEEL - 405/70 - AIR)



ART_1301219929-A

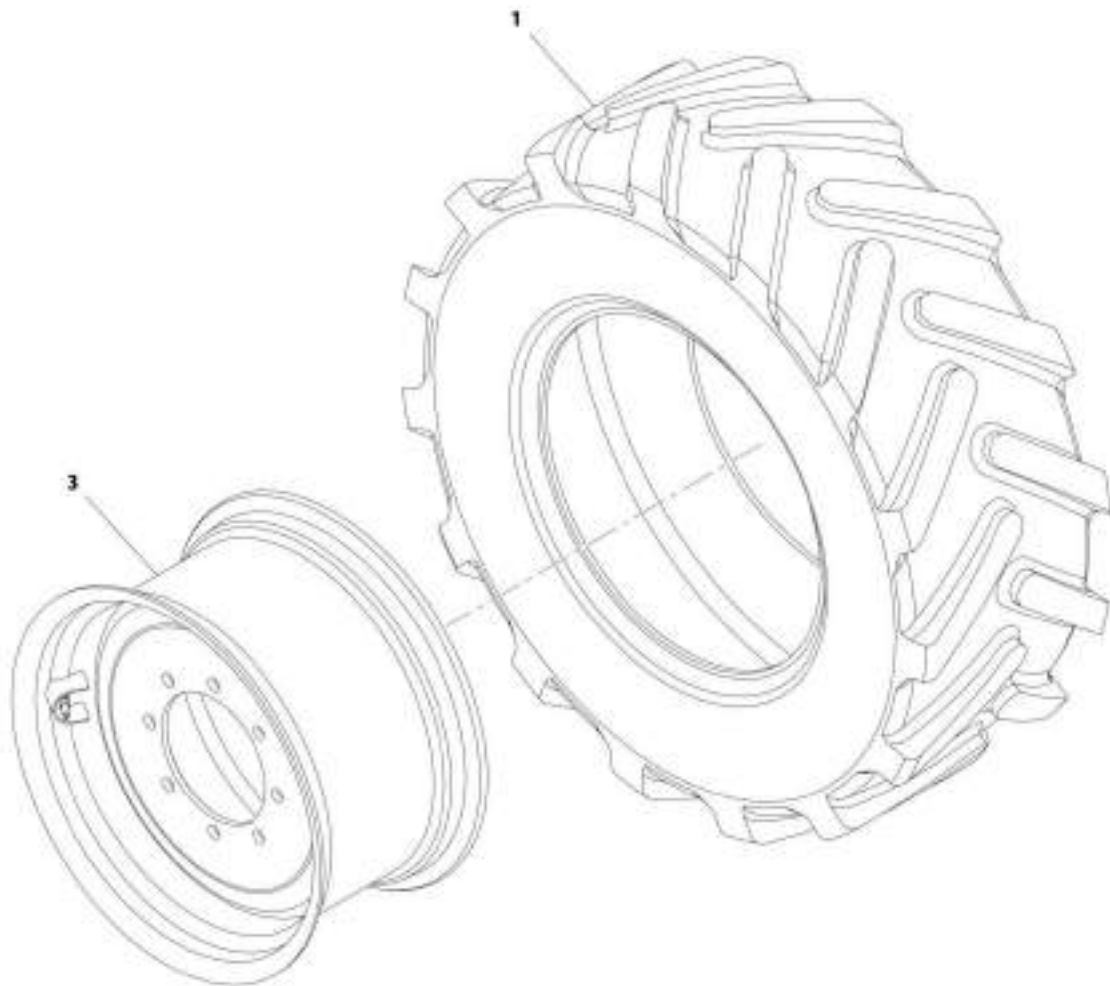
SECTION 5 - DRIVE TRAIN

FIGURE 5-62. WHEEL RH RIM ASSEMBLY (24IN WHEEL - 405/70 - AIR)

ITEM	PART NUMBER	QTY	DESCRIPTION	REV
	1001219959	Ref	Wheel, RH Rim Assembly, (24IN Wheel - 405/70 - Air)	A
1	1001008719	1	Valve	
2	1001214388	1	Wheel, DW 13X24	

SECTION 5 - DRIVE TRAIN

FIGURE 5-63. LEFT TIRE/WHEEL ASSEMBLY (24IN WHEEL - 405/70 - AIR)



ART_1001197902A-C

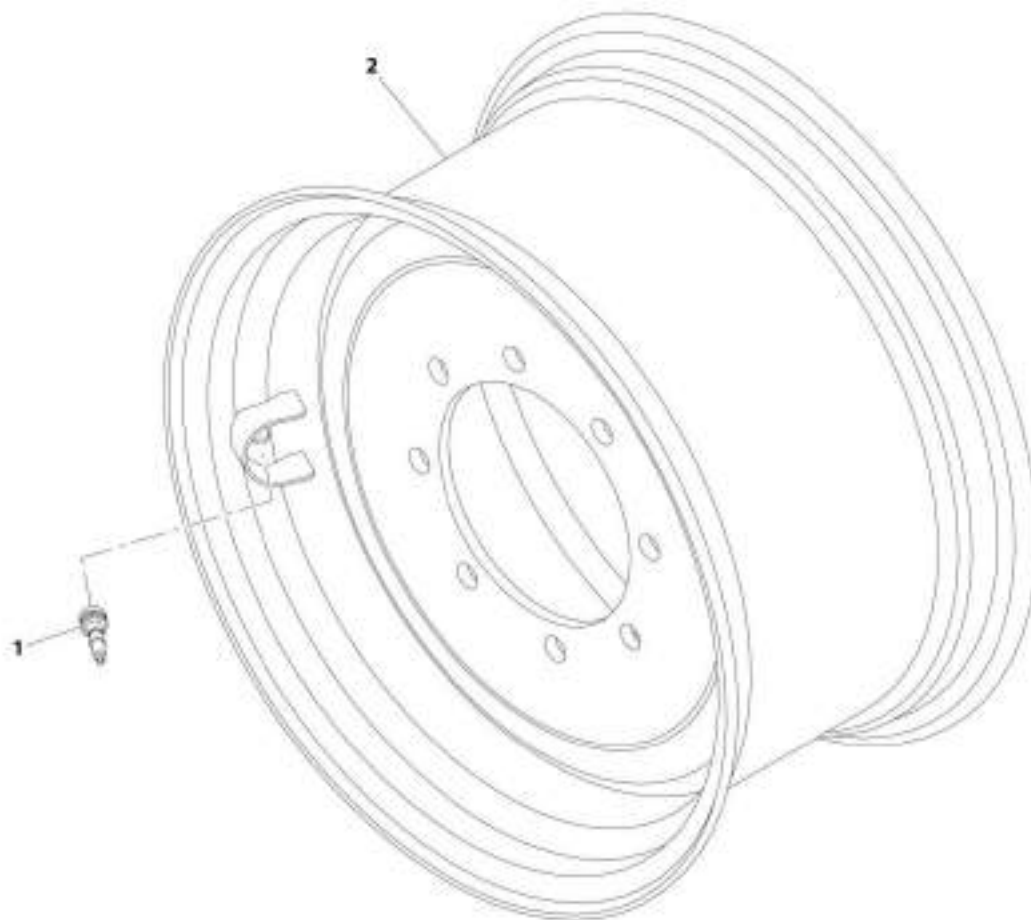
SECTION 5 - DRIVE TRAIN

FIGURE 5-63. LEFT TIRE/WHEEL ASSEMBLY (24IN WHEEL - 405/70 - AIR)

ITEM	PART NUMBER	QTY	DESCRIPTION	REV
	1001197608J	Ref	Left Tire/Wheel Assembly (24IN Wheel - 405/70 - Air)	C
1	3767864	1	Tire, 405/70 - 24	
3	1001219960	1	Wheel, LH Rim Assembly (See Separate Breakdown in this Section)	

SECTION 5 - DRIVE TRAIN

FIGURE 5-64. WHEEL LH RIM ASSEMBLY (24IN WHEEL - 405/70 - AIR)



MIT_1901219903-A

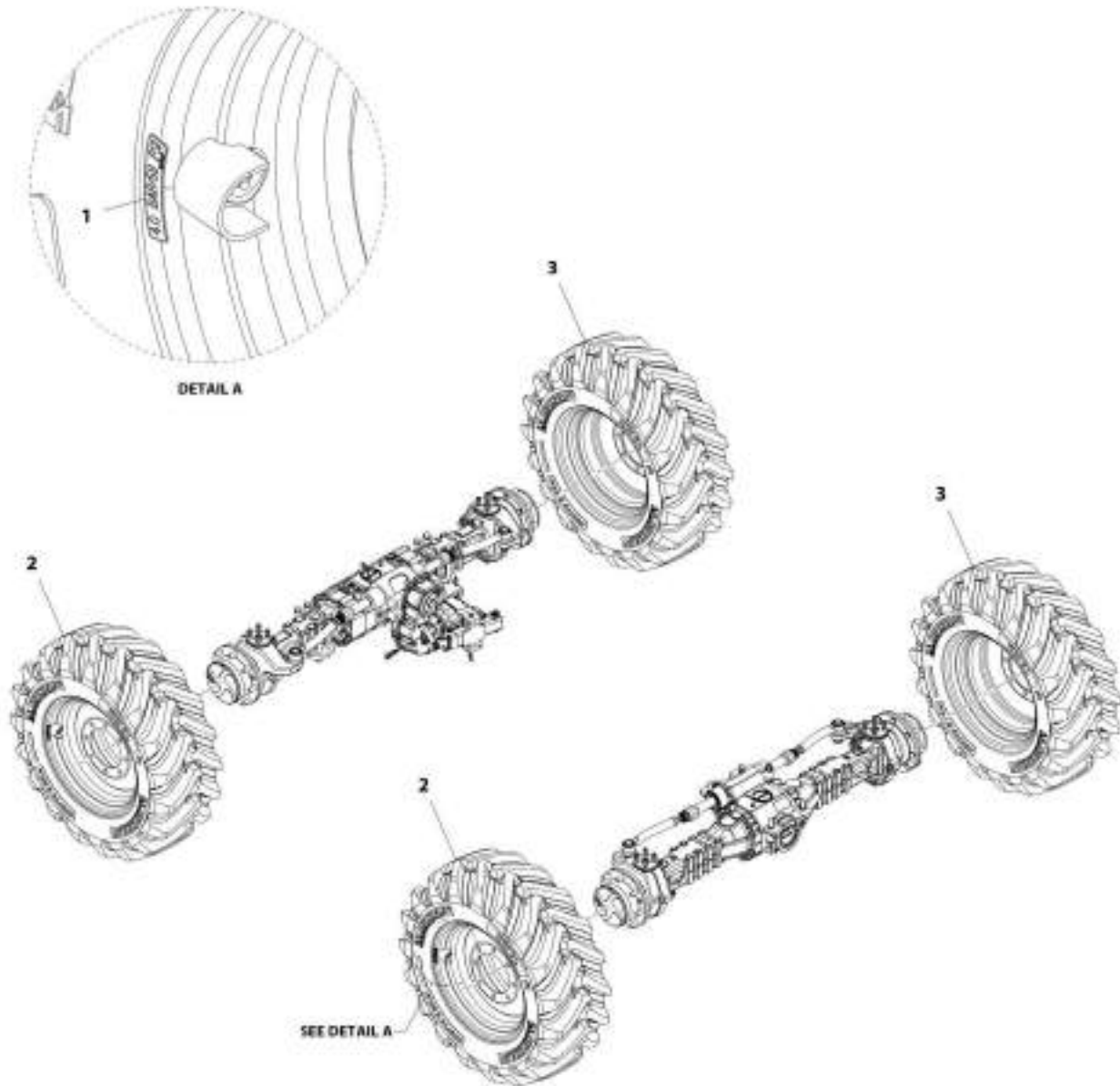
SECTION 5 - DRIVE TRAIN

FIGURE 5-64. WHEEL LH RIM ASSEMBLY (24IN WHEEL - 405/70 - AIR)

ITEM	PART NUMBER	QTY	DESCRIPTION	REV
	1001219960	Ref	Wheel, LH Rim Assembly (24IN Wheel - 405/70 - Air)	A
1	1001008719	1	Valve	
2	1001214388	1	Wheel, DW 13X24	

SECTION 5 - DRIVE TRAIN

FIGURE 5-65. TIRE/WHEEL SET (24IN WHEEL - 400/70 - XMCL - AIR)



ART_1001204471-A

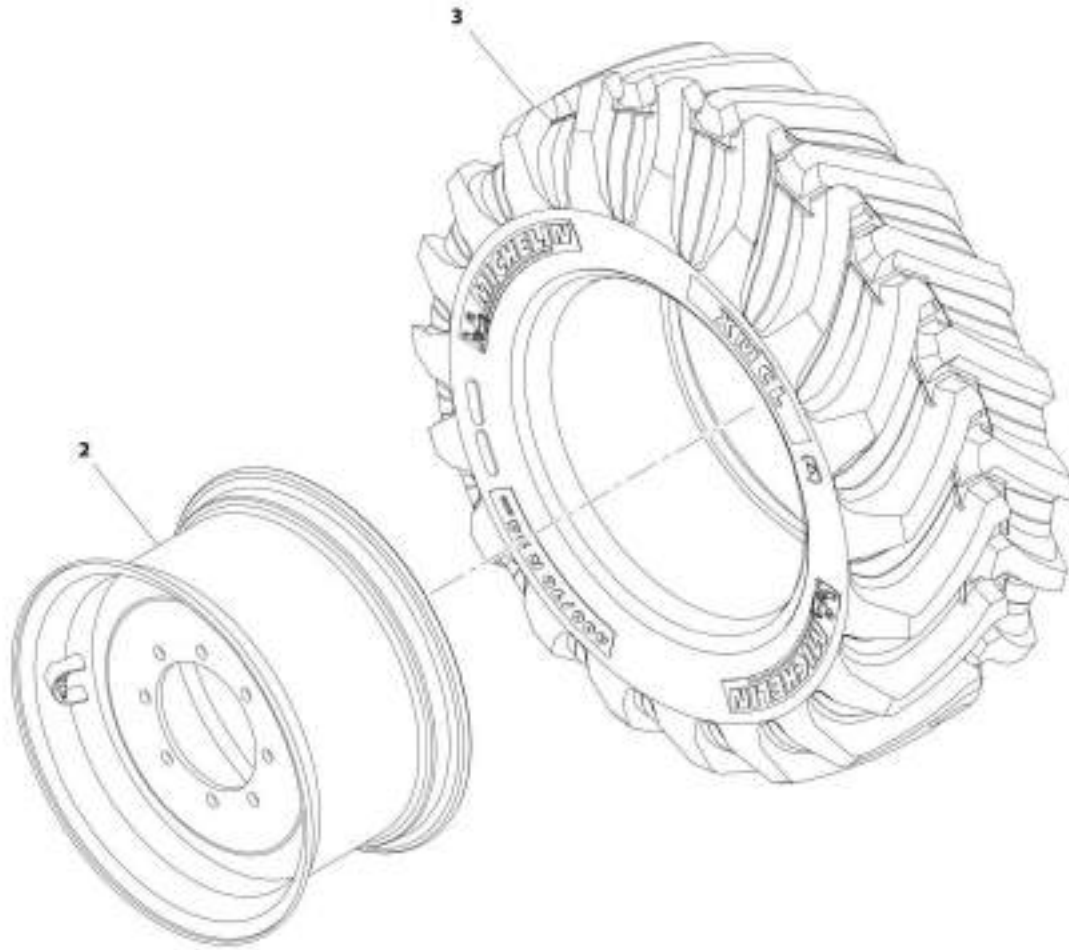
SECTION 5 - DRIVE TRAIN

FIGURE 5-65. TIRE/WHEEL SET (24IN WHEEL - 400/70 - XMCL - AIR)

ITEM	PART NUMBER	QTY	DESCRIPTION	REV
	1001204471	Ref	Tire/Wheel Set (24IN Wheel - 400/70 - XMCL - Air)	A
1	8005827	4	Label, 4.0 Bar	
2	1001197602J	2	Assembly, Left Tire/Wheel (24IN Wheel - 400/70 - XMCL - Air) (See Separate Breakdown in this Section)	
3	1001197603J	2	Assembly, Right Tire/Wheel (24IN Wheel - 400/70 - XMCL - Air) (See Separate Breakdown in this Section)	

SECTION 5 - DRIVE TRAIN

FIGURE 5-66. RIGHT TIRE/WHEEL ASSEMBLY (24IN WHEEL - 400/70 - XMCL - AIR)



ART_10011076023-C

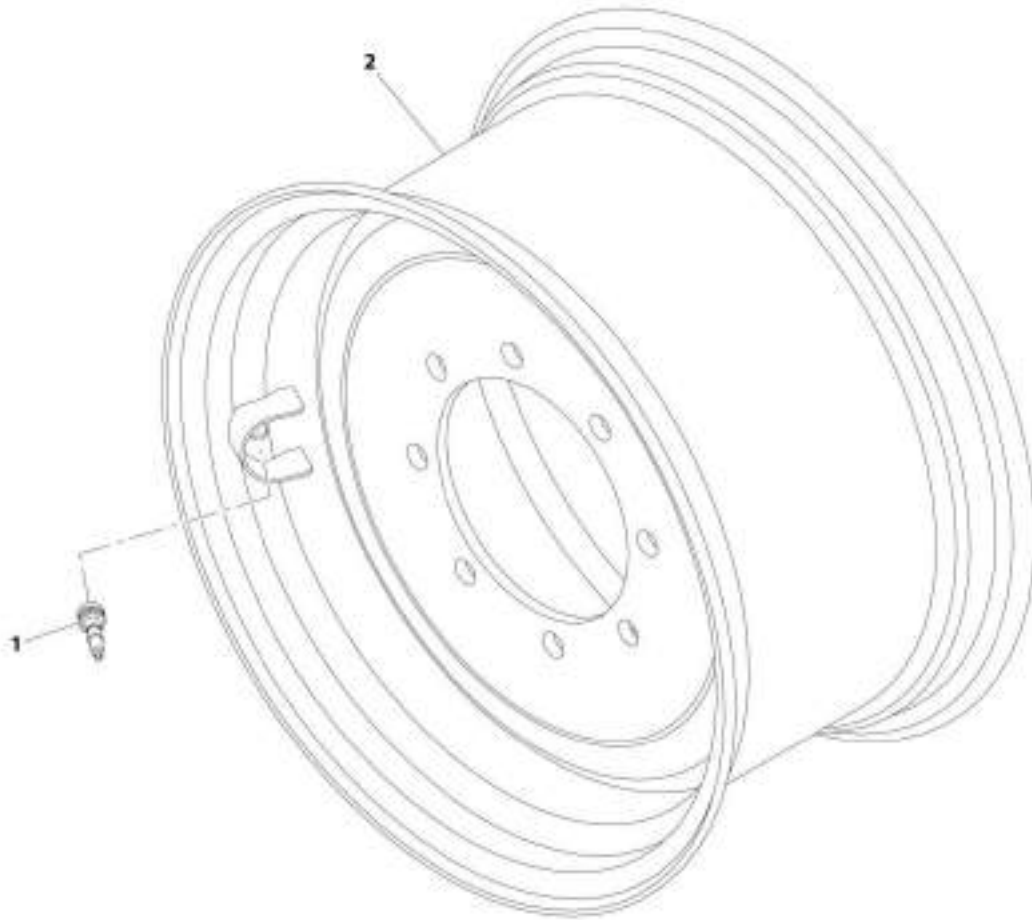
SECTION 5 - DRIVE TRAIN

FIGURE 5-66. RIGHT TIRE/WHEEL ASSEMBLY (24IN WHEEL - 400/70 - XMCL - AIR)

ITEM	PART NUMBER	QTY	DESCRIPTION	REV
2	1001197603J	Ref	Right Tire/Wheel Assembly (24IN Wheel - 400/70 - XMCL - Air)	C
	1001219955	1	Wheel, RH Rim Assembly (See Separate Breakdown in this Section)	
3	1001197611	1	Tire, 400/70R24	

SECTION 5 - DRIVE TRAIN

FIGURE 5-67. WHEEL RH RIM ASSEMBLY (24IN WHEEL - 400/70 - XMCL - AIR)



ART_100121985-A

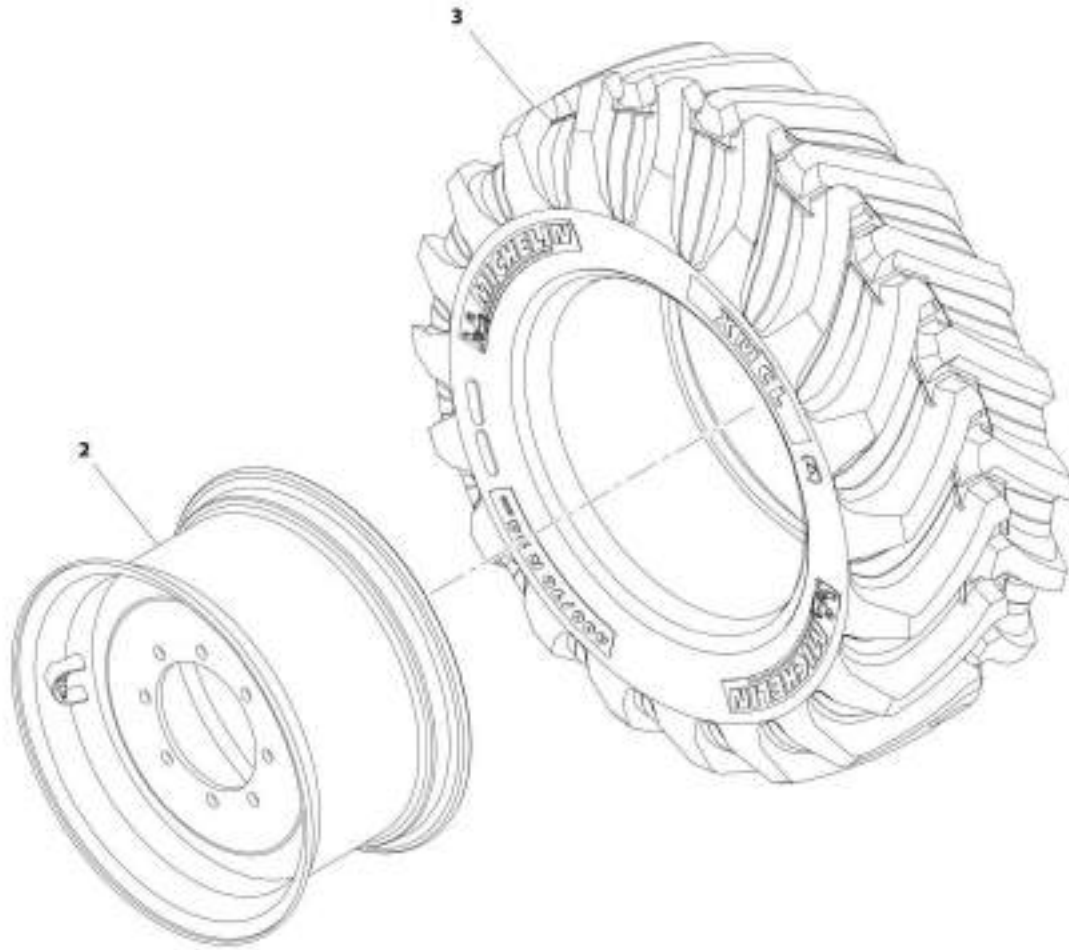
SECTION 5 - DRIVE TRAIN

FIGURE 5-67. WHEEL RH RIM ASSEMBLY (24IN WHEEL - 400/70 - XMCL - AIR)

ITEM	PART NUMBER	QTY	DESCRIPTION	REV
	1001219955	Ref	Wheel, RH Rim Assembly (24IN Wheel - 400/70 - XMCL - Air)	A
1	1001008719	1	Valve	
2	1001214388	1	Wheel, DW 13X24	

SECTION 5 - DRIVE TRAIN

FIGURE 5-68. LEFT TIRE/WHEEL ASSEMBLY (24IN WHEEL - 400/70 - XMCL - AIR)



ART_1001187002A-C

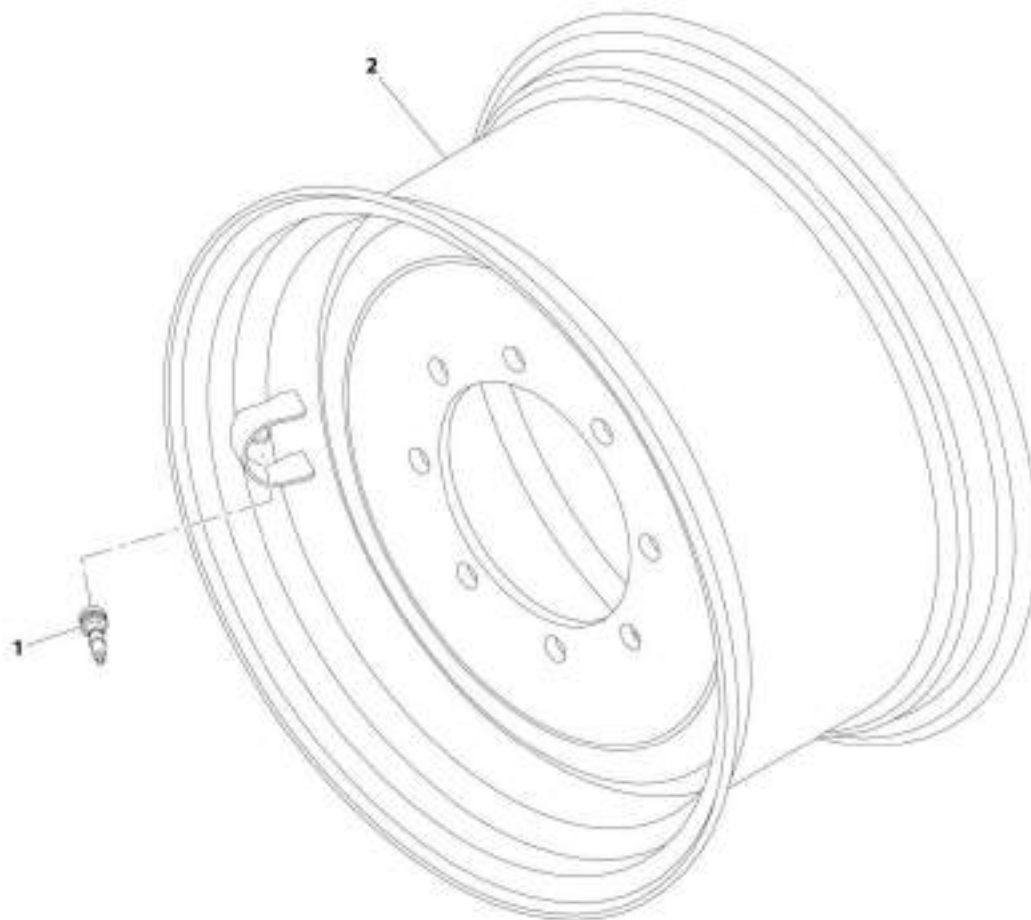
SECTION 5 - DRIVE TRAIN

FIGURE 5-68. LEFT TIRE/WHEEL ASSEMBLY (24IN WHEEL - 400/70 - XMCL - AIR)

ITEM	PART NUMBER	QTY	DESCRIPTION	REV
2	1001197602J	Ref	Left Tire/Wheel Assembly (24IN Wheel - 400/70 - XMCL - Air)	C
	1001219956	1	Wheel, LH Rim Assembly (See Separate Breakdown in this Section)	
3	1001197611	1	Tire, 400/70R24	

SECTION 5 - DRIVE TRAIN

FIGURE 5-69. WHEEL, LH RIM ASSEMBLY (24IN WHEEL - 400/70 - XMCL - AIR)



ART_1001210656-A

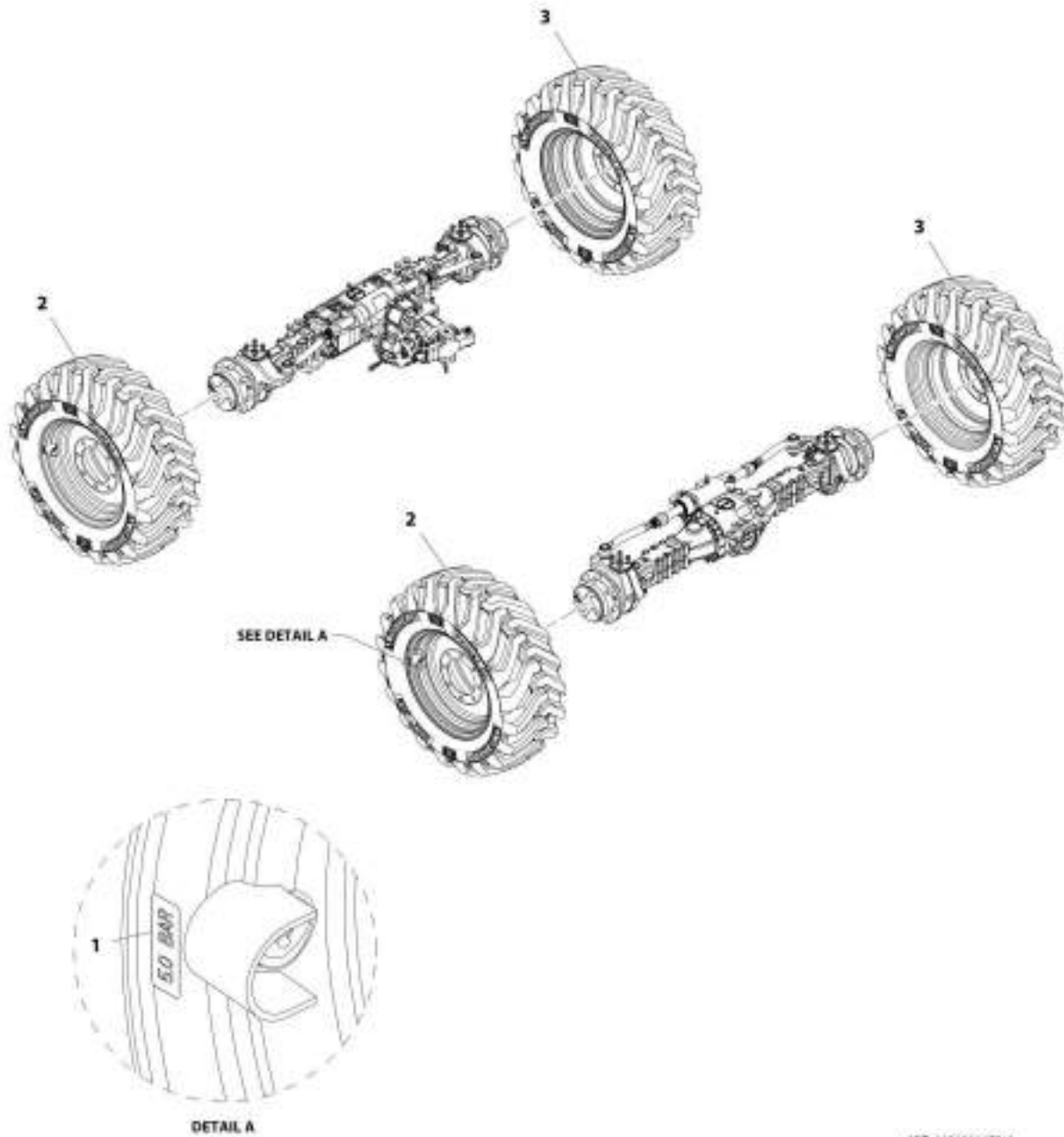
SECTION 5 - DRIVE TRAIN

FIGURE 5-69. WHEEL, LH RIM ASSEMBLY (24IN WHEEL - 400/70 - XMCL - AIR)

ITEM	PART NUMBER	QTY	DESCRIPTION	REV
	1001219956	Ref	Wheel, LH Rim Assembly (24IN Wheel - 400/70 - XMCL - Air)	A
1	1001008719	1	Valve	
2	1001214388	1	Wheel, DW 13X24	

SECTION 5 - DRIVE TRAIN

FIGURE 5-70. TIRE/WHEEL SET (24IN WHEEL - 400/70 - CL - AIR)



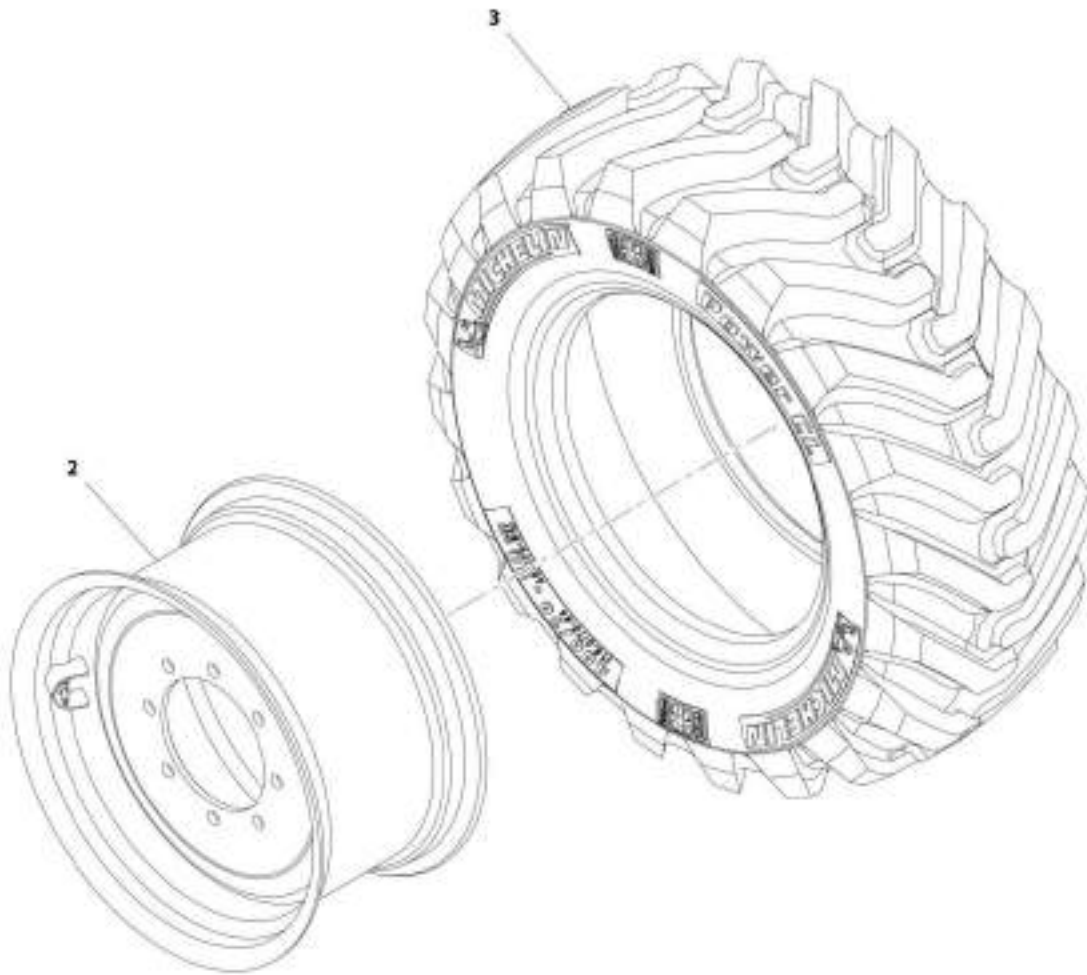
SECTION 5 - DRIVE TRAIN

FIGURE 5-70. TIRE/WHEEL SET (24IN WHEEL - 400/70 - CL - AIR)

ITEM	PART NUMBER	QTY	DESCRIPTION	REV
	1001204473	Ref	Tire/Wheel Set (24IN Wheel - 400/70 - CL - Air)	A
1	1706891	4	Label, 5.0 Bar	
2	1001197604J	2	Assembly, Left Tire/Wheel (24IN Wheel - 400/70 - CL - Air) (See Separate Breakdown in this Section)	
3	1001197605J	2	Assembly, Right Tire/Wheel (24IN Wheel - 400/70 - CL - Air) (See Separate Breakdown in this Section)	

SECTION 5 - DRIVE TRAIN

FIGURE 5-71. RIGHT TIRE/WHEEL ASSEMBLY (24IN WHEEL - 400/70 - CL - AIR)



ART_1001197805J-C

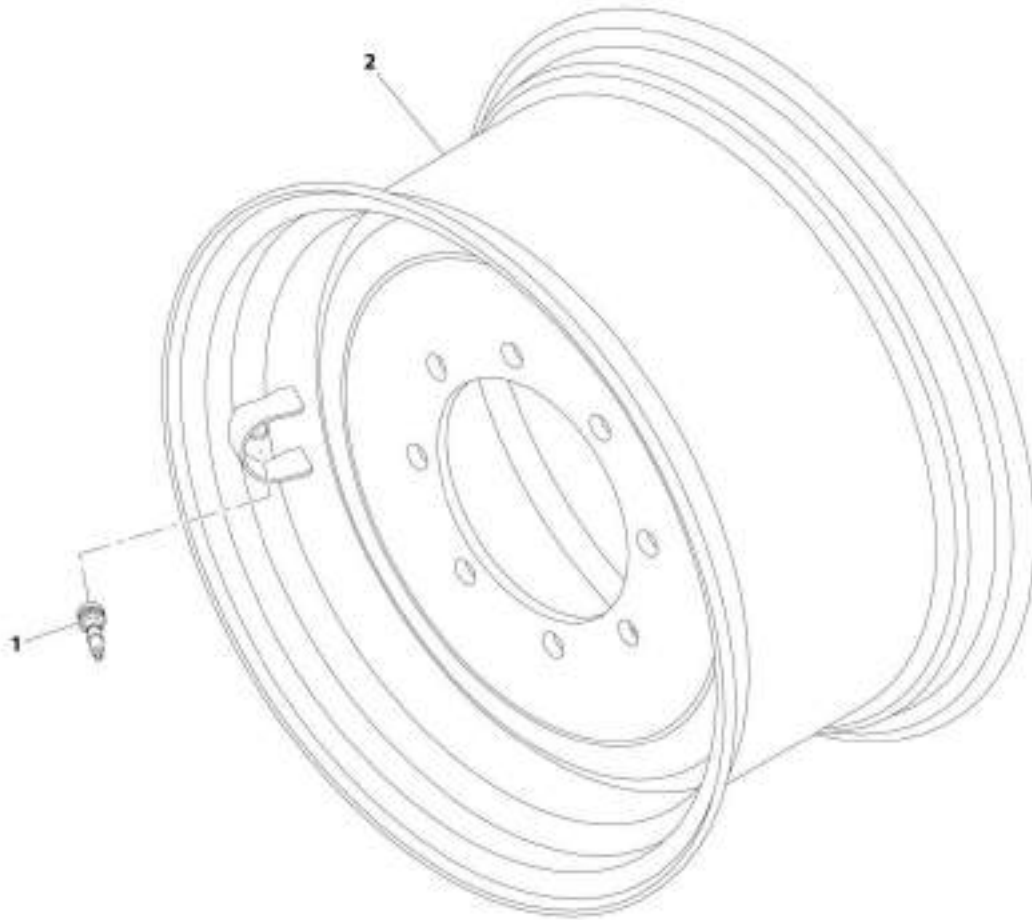
SECTION 5 - DRIVE TRAIN

FIGURE 5-71. RIGHT TIRE/WHEEL ASSEMBLY (24IN WHEEL - 400/70 - CL - AIR)

ITEM	PART NUMBER	QTY	DESCRIPTION	REV
2	1001197605J	Ref	Right Tire/Wheel Assembly (24IN Wheel - 400/70 - CL - Air)	C
	1001219957	1	Wheel, RH Rim Assembly (See Separate Breakdown in this Section)	
3	1001197612	1	Tire, 400/70-24	

SECTION 5 - DRIVE TRAIN

FIGURE 5-72. WHEEL RH RIM ASSEMBLY ASSEMBLY (24IN WHEEL-400/70-CL-AIR)



ART_1001219057-A

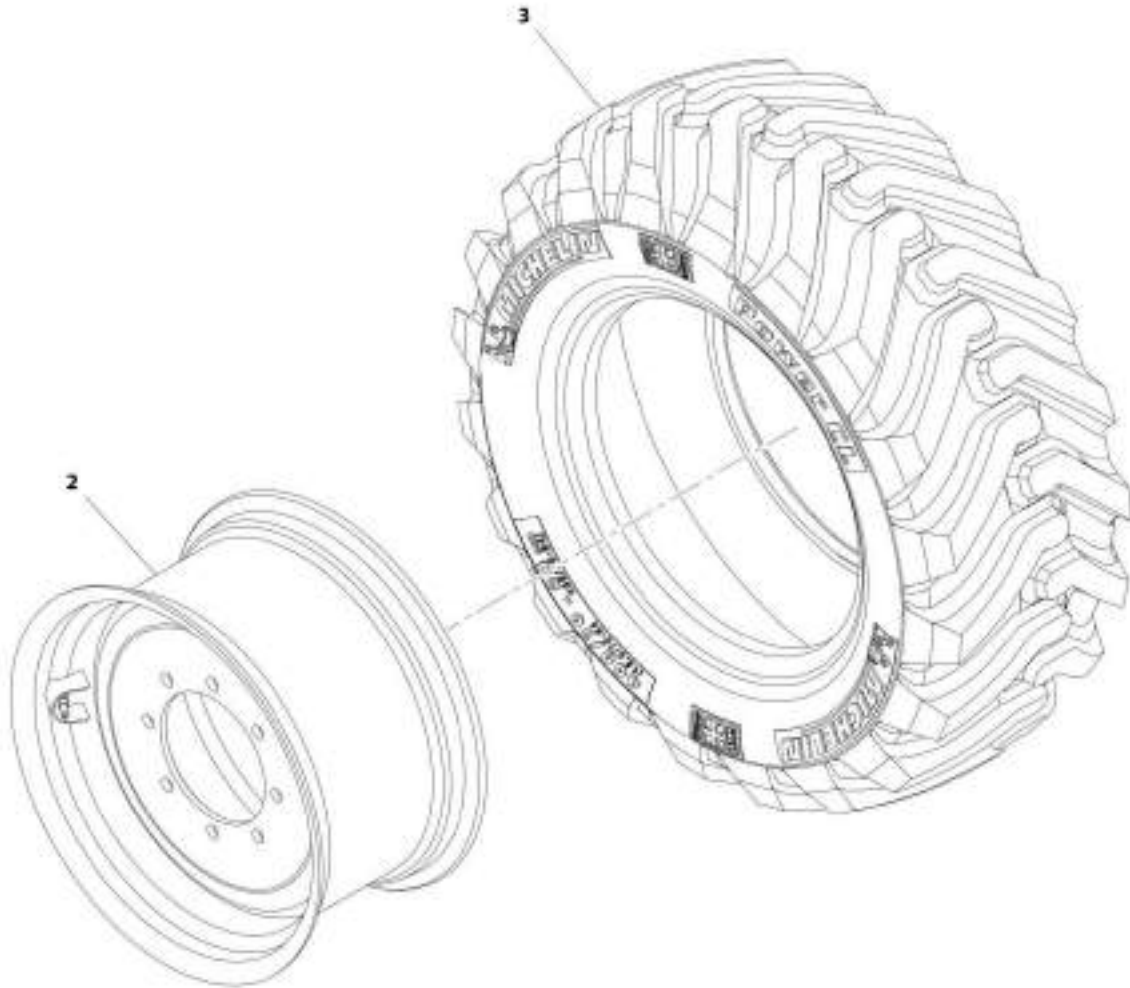
SECTION 5 - DRIVE TRAIN

FIGURE 5-72. WHEEL RH RIM ASSEMBLY ASSEMBLY (24IN WHEEL-400/70-CL-AIR)

ITEM	PART NUMBER	QTY	DESCRIPTION	REV
1	1001219957	Ref	Wheel, RH Rim Assembly (24IN Wheel - 400/70 - CL - Air)	A
	1001008719	1	Valve	
	1001214388	1	Wheel, DW 13X24	

SECTION 5 - DRIVE TRAIN

FIGURE 5-73. LEFT TIRE/WHEEL ASSEMBLY (24IN WHEEL - 400/70 - CL - AIR)



ART_10011976041-C

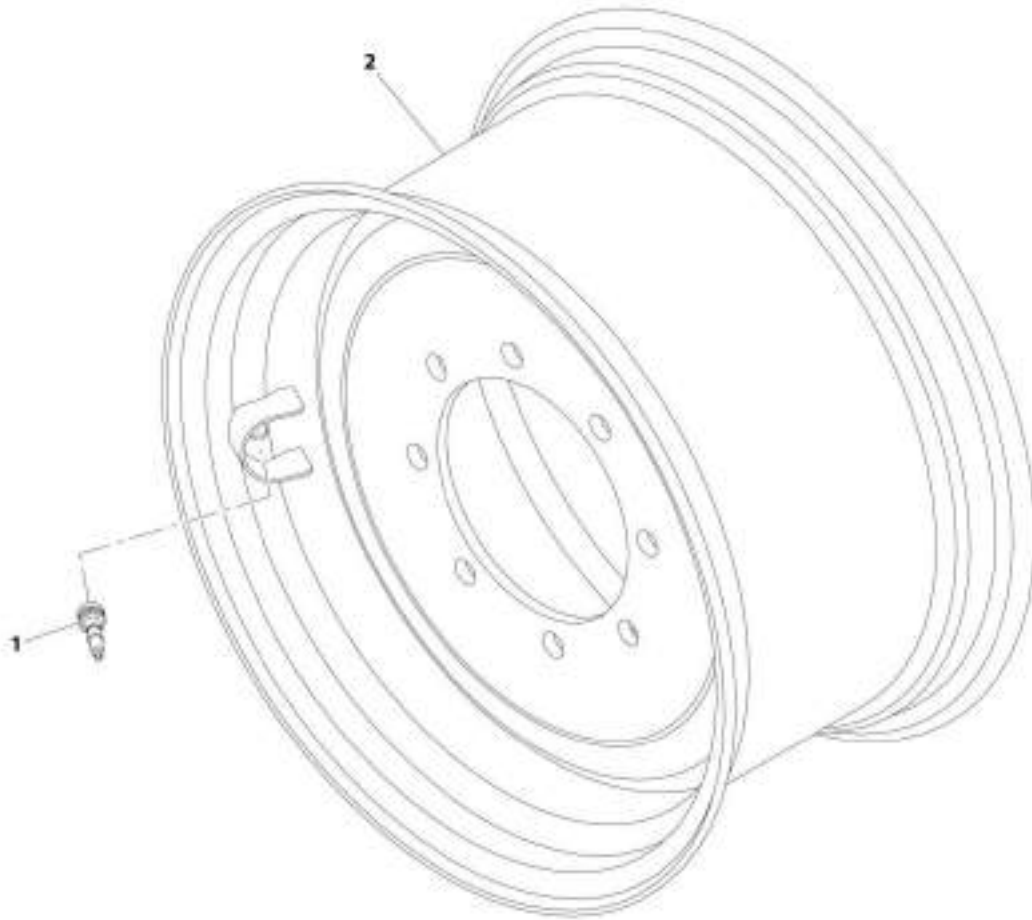
SECTION 5 - DRIVE TRAIN

FIGURE 5-73. LEFT TIRE/WHEEL ASSEMBLY (24IN WHEEL - 400/70 - CL - AIR)

ITEM	PART NUMBER	QTY	DESCRIPTION	REV
2	1001197604J	Ref	Left Tire/Wheel Assembly (24IN Wheel - 400/70 - CL - Air)	C
	1001219958	1	Wheel, LH Rim Assembly (See Separate Breakdown in this Section)	
3	1001197612	1	Tire, 400/70-24	

SECTION 5 - DRIVE TRAIN

FIGURE 5-74. WHEEL LH RIM ASSEMBLY (24IN WHEEL - 400/70 - CL - AIR)



ART_1001210658-A

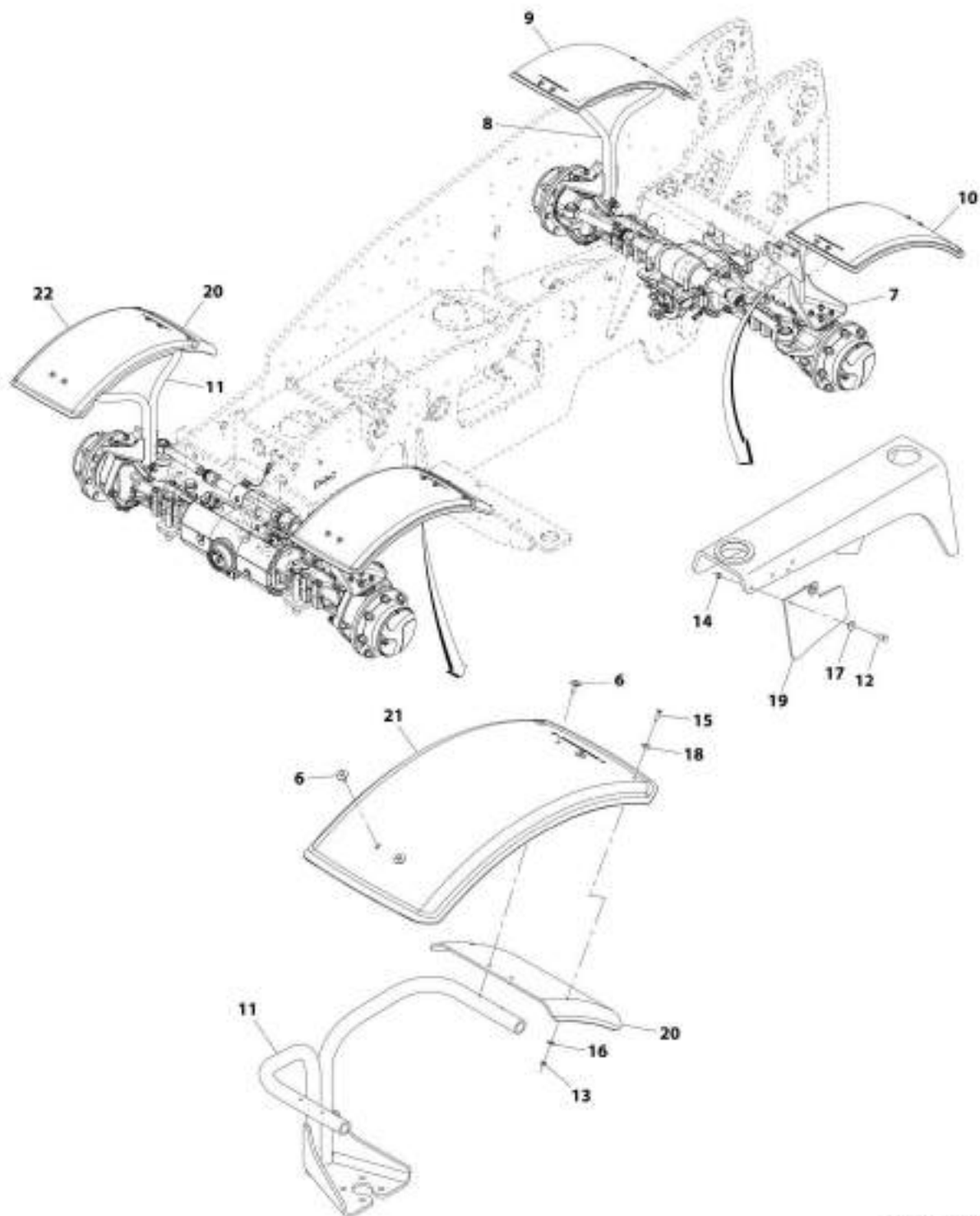
SECTION 5 - DRIVE TRAIN

FIGURE 5-74. WHEEL LH RIM ASSEMBLY (24IN WHEEL - 400/70 - CL - AIR)

ITEM	PART NUMBER	QTY	DESCRIPTION	REV
	1001219958	Ref	Wheel, LH Rim Assembly (24IN Wheel - 400/70 - CL - Air)	A
1	1001008719	1	Valve	
2	1001214388	1	Wheel, DW 13X24	

SECTION 5 - DRIVE TRAIN

FIGURE 5-75. FENDER INSTALLATION (20IN WHEEL)



ART. 3001178823-F

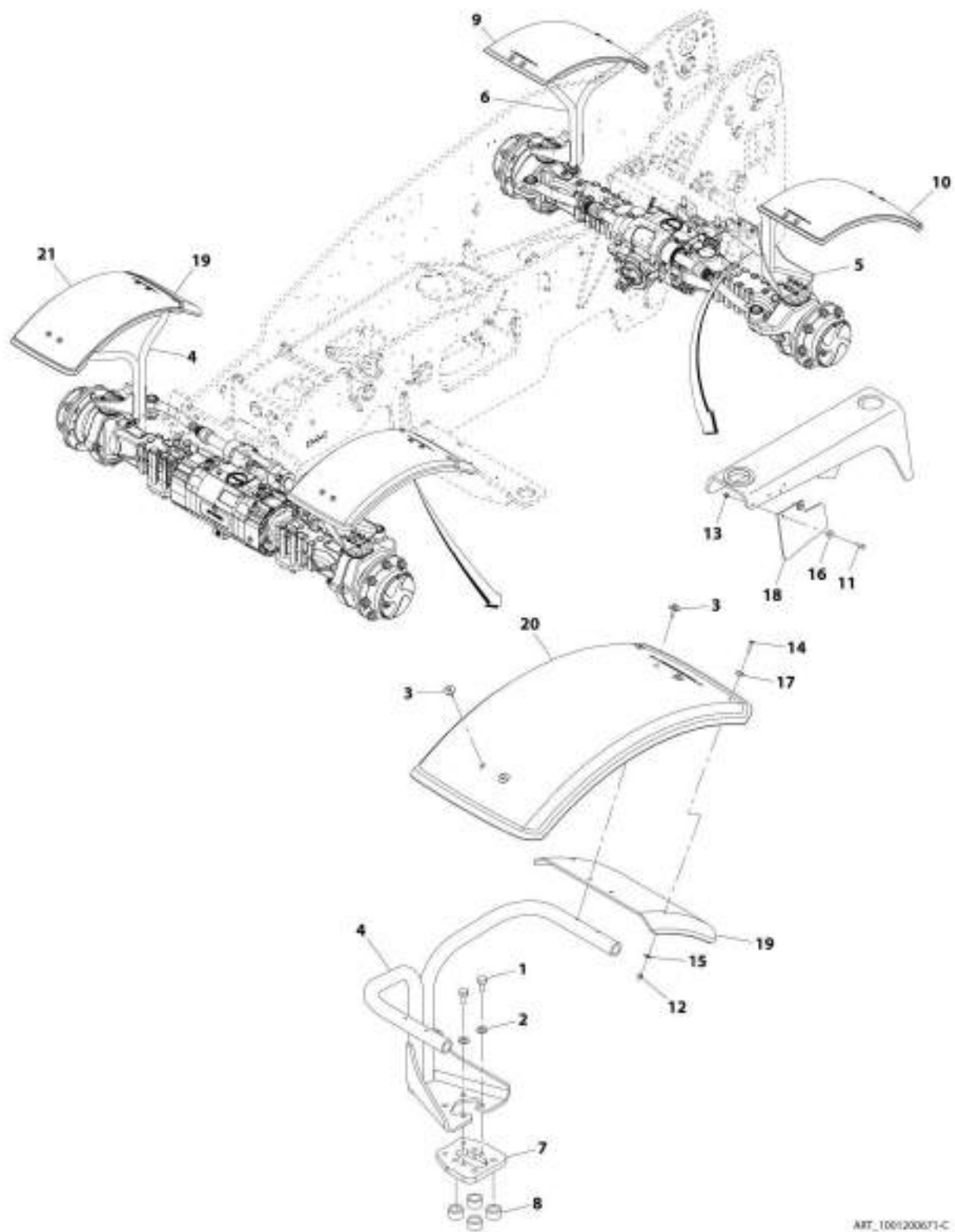
SECTION 5 - DRIVE TRAIN

FIGURE 5-75. FENDER INSTALLATION (20IN WHEEL)

ITEM	PART NUMBER	QTY	DESCRIPTION	REV
	1001178832	Ref	Fender Installation (20IN Wheel)	F
6	1001170697	16	Screw, Self Tapping	
7	1001178836	1	Bracket, Fender Rear Left	
8	1001178837	1	Bracket, Fender Rear Right	
9	1001187541	2	Fender	
10	1001187543	2	Fender	
11	1001194033	2	Bracket, Fender	
12	0760814	2	Bolt, M8X30	
13	3290605	4	Nut, Lock M6X1 Grade 8	
14	3290805	2	Nut, Lock M8X1.25 Grade 8	
15	3900379	4	Screw, M6X24	
16	4811702	4	Washer, M6	
17	4811902	2	Washer, M8	
18	1001097540	4	Washer, M6	
19	1001227470	1	Rear Flap, Fender	
20	1001226001	2	Extension, Fender	
21	1001230128	1	Wheel, Fender	
22	1001230129	1	Wheel, Fender	

SECTION 5 - DRIVE TRAIN

FIGURE 5-76. FENDER INSTALLATION (24IN WHEEL)



ART_1001200671-C

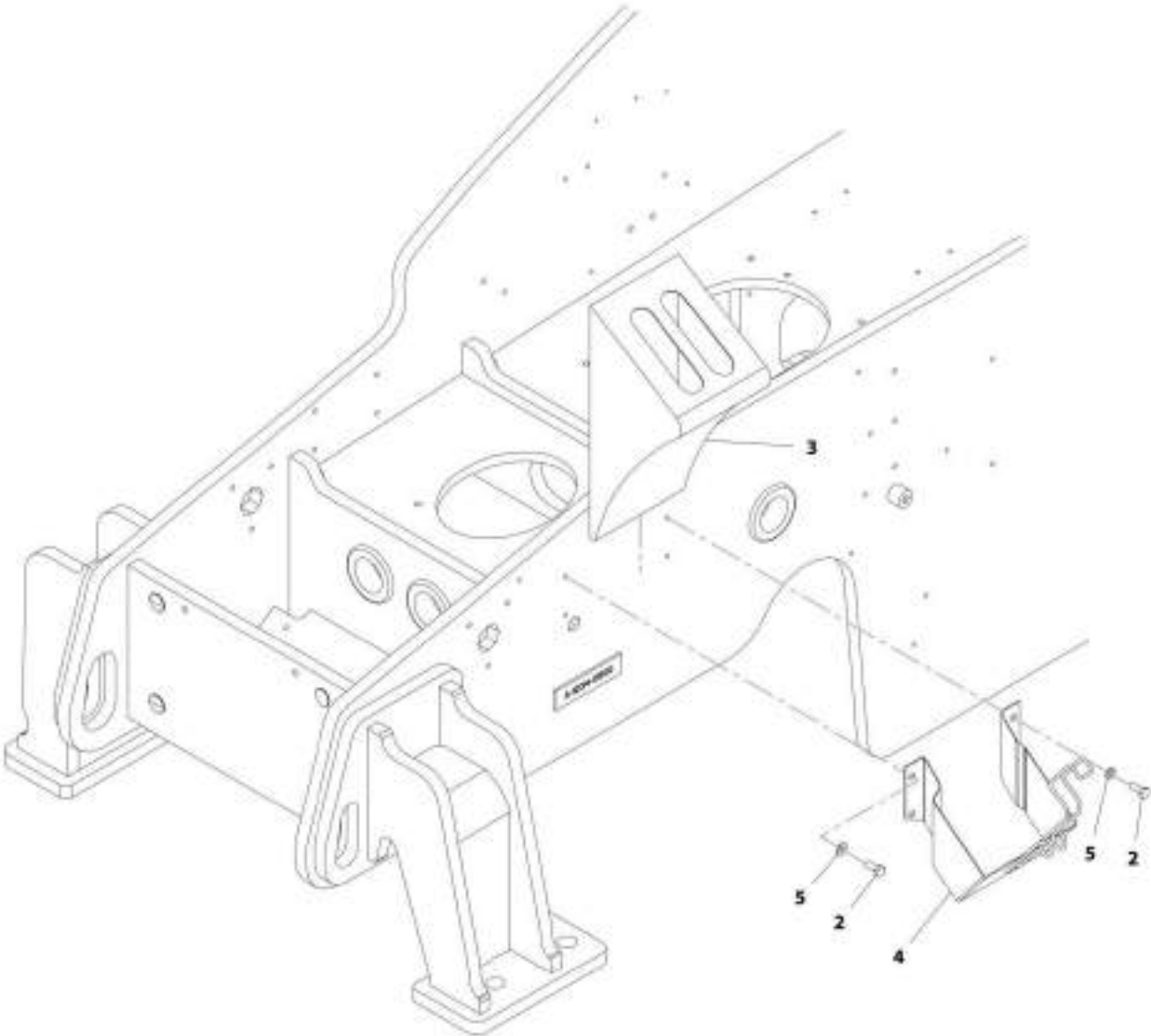
SECTION 5 - DRIVE TRAIN

FIGURE 5-76. FENDER INSTALLATION (24IN WHEEL)

ITEM	PART NUMBER	QTY	DESCRIPTION	REV
	1001200671	Ref	Fender Installation (24IN Wheel)	C
1	0761212	16	Bolt, M12X25	
2	4812100	16	Washer, M12	
3	1001170697	16	Screw, Self Tapping	
4	1001200672	2	Bracket, Fender	
5	1001200673	1	Bracket, Fender	
6	1001200674	1	Bracket, Fender	
7	1001208224	4	Plate, Fender Adapter	
8	1001209530	16	Spacer	
9	1001210343	2	Fender, Wheel (Prior to SN 1160008371)	
9	1001187541	2	Fender, Wheel (SN 1160008371 to Present)	
10	1001210344	2	Fender, Wheel (Prior to SN 1160008371)	
10	1001187543	2	Fender, Wheel (SN 1160008371 to Present)	
11	0760814	2	Bolt, M8X30	
12	3290605	4	Nut, Lock M6X1 Grade 8	
13	3290805	2	Nut, Lock M8X1.25 Grade 8	
14	3900379	4	Screw, M6X24	
15	4811702	4	Washer, M6	
16	4811902	2	Washer, M8	
17	1001097540	4	Washer, M6	
18	1001227470	1	Rear Flap, Fender	
19	1001226001	2	Extension, Fender	
20	1001230128	1	Fender, Wheel	
21	1001230129	1	Fender, Wheel	

SECTION 5 - DRIVE TRAIN

FIGURE 5-77. WHEEL CHOCK INSTALLATION



ART_1001175380-B

SECTION 5 - DRIVE TRAIN

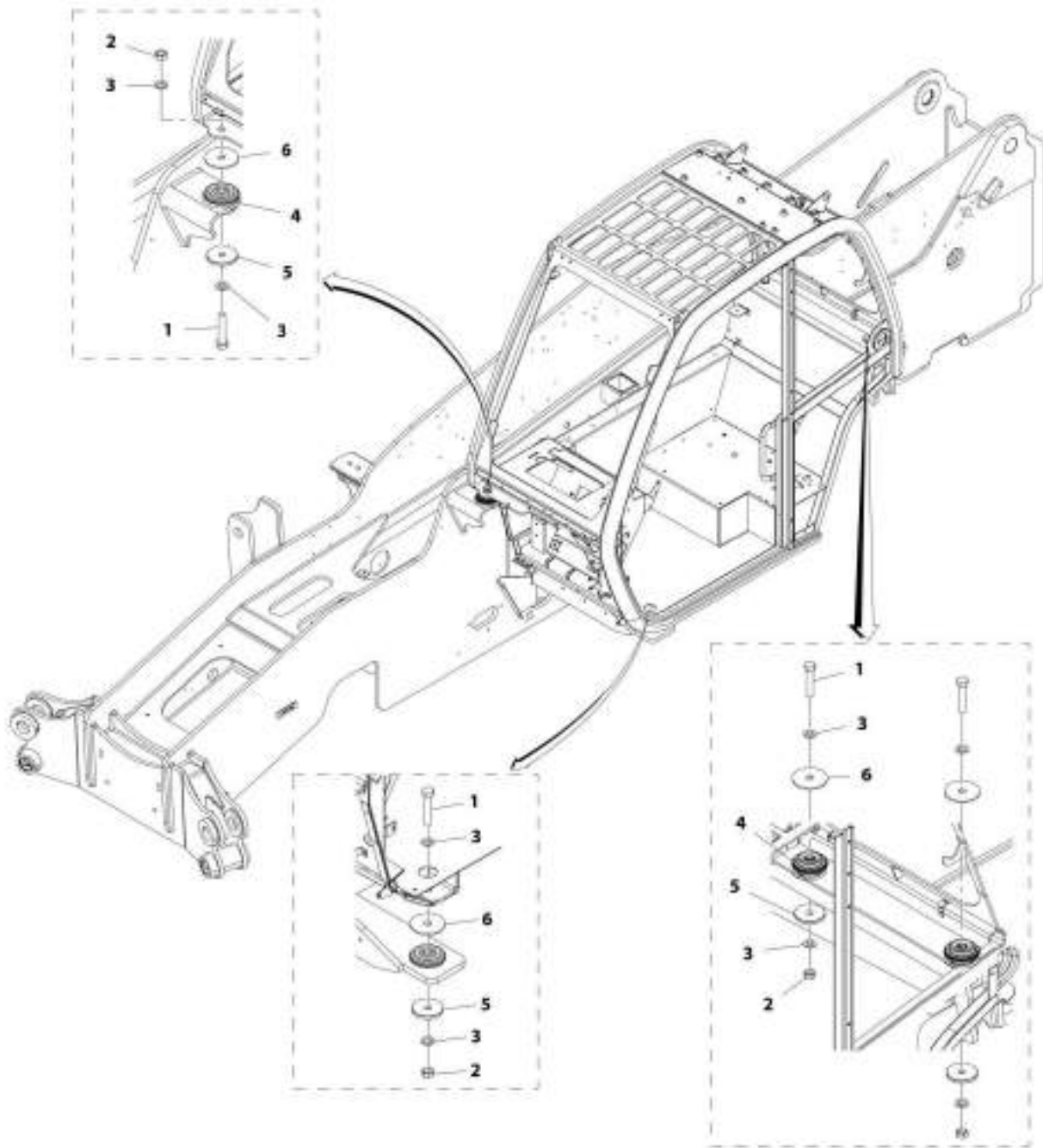
FIGURE 5-77. WHEEL CHOCK INSTALLATION

ITEM	PART NUMBER	QTY	DESCRIPTION	REV
	1001175388	Ref	Wheel Chock Installation	B
2	0760810	4	Bolt, M8X20	
3	806253	1	Wedge	
4	806264	1	Holder, Wedge	
5	4811900	4	Washer, M8	

SECTION 6 - CAB

SECTION 6 - CAB

FIGURE 6-1. CAB MOUNTS INSTALLATION



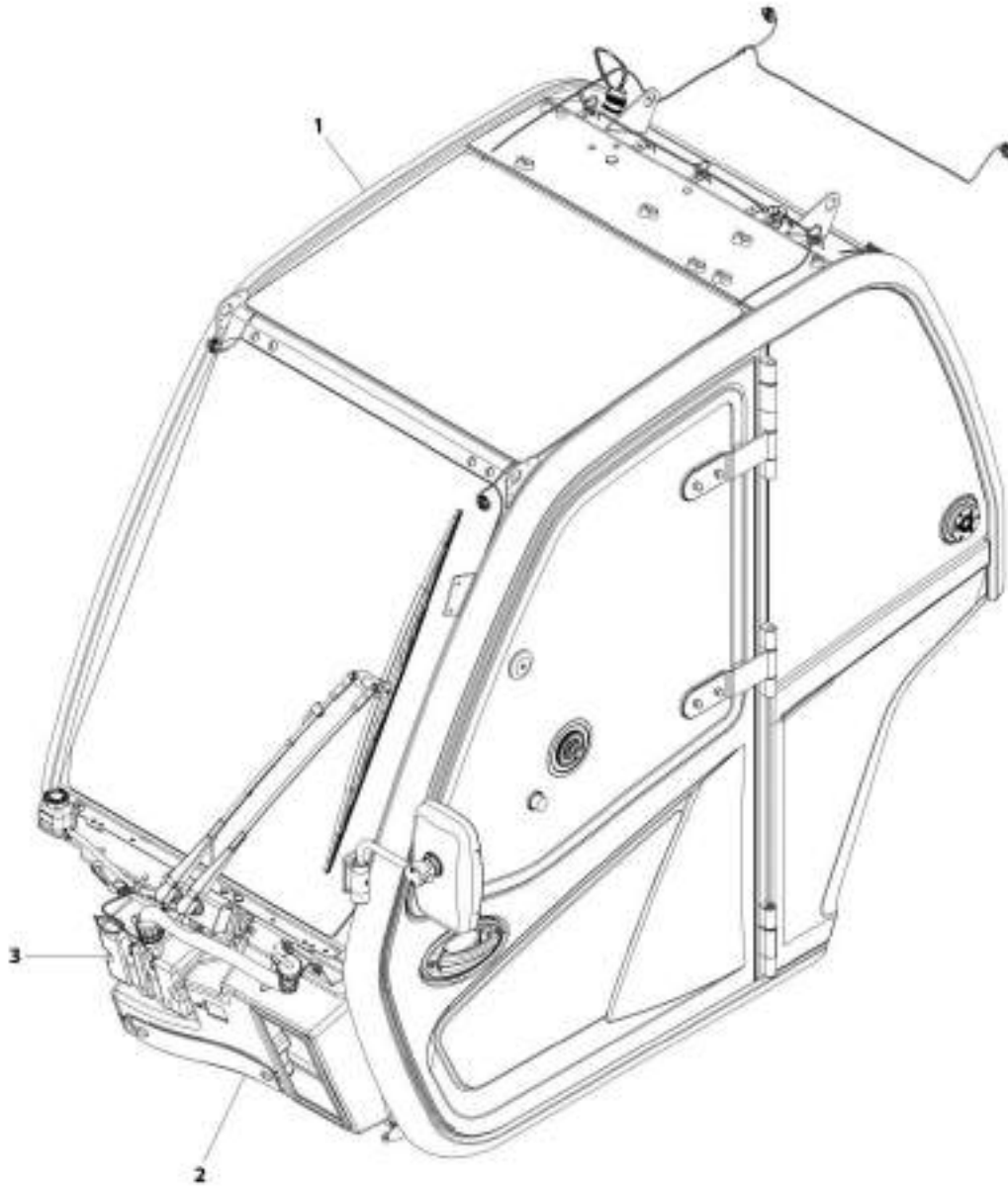
ART_100155446-E

FIGURE 6-1. CAB MOUNTS INSTALLATION

ITEM	PART NUMBER	QTY	DESCRIPTION	REV
	1001155446	Ref	Cab Mounts Installation	E
1	0712027	4	Bolt, M20X100	
2	3332011	4	Nut, M20X2.5	
3	4812500	8	Washer, M20	
4	1001166754	4	Mount, Cab Isolation	
5	1001166755	4	Washer, Cab Rebound	
6	1001220540	4	Washer, Cab Mount	

SECTION 6 - CAB

FIGURE 6-2. ENCLOSED CAB INSTALLATION (20IN WHEEL - JLG)



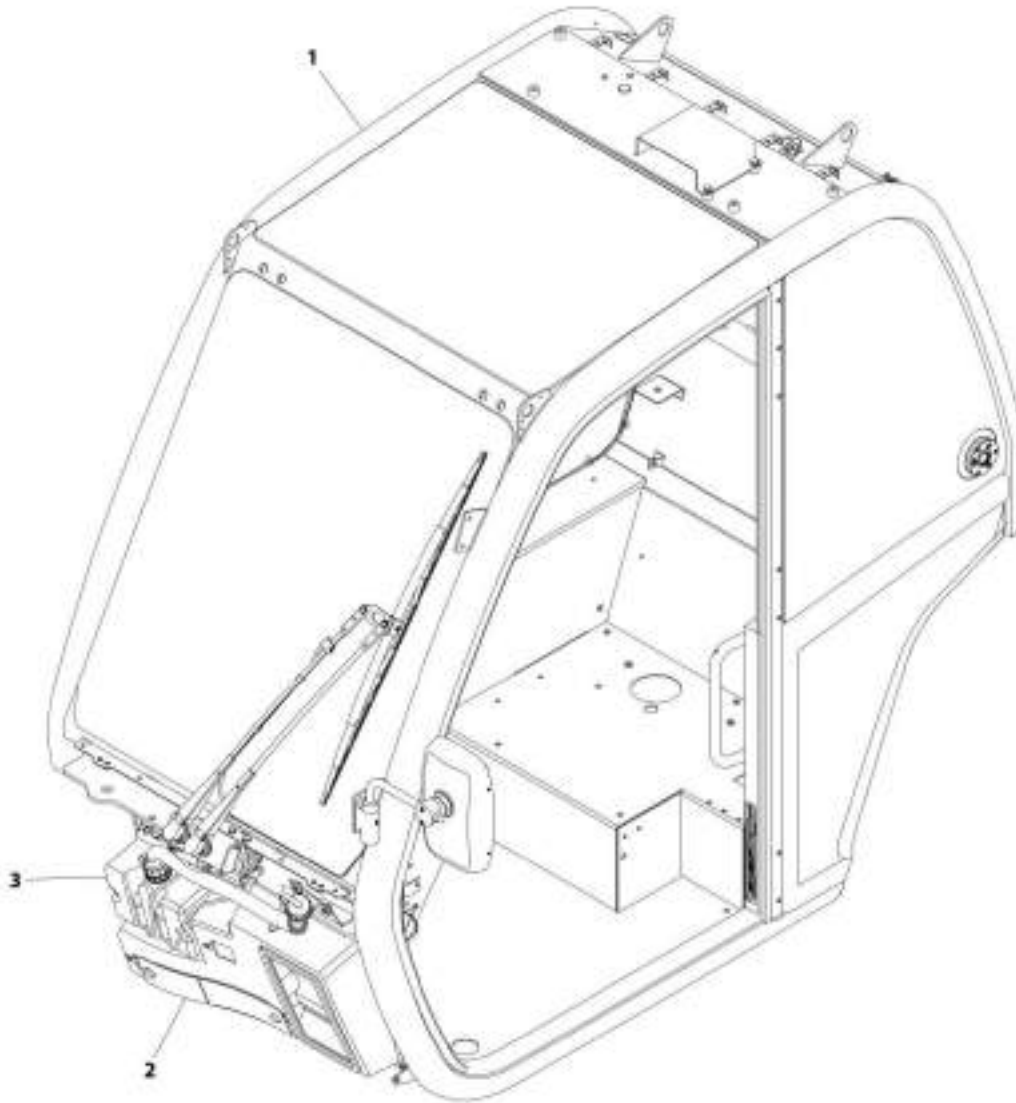
ART_1001202085-C

FIGURE 6-2. ENCLOSED CAB INSTALLATION (20IN WHEEL - JLG)

ITEM	PART NUMBER	QTY	DESCRIPTION	REV
1	1001202085	Ref	Enclosed Cab Installation (20IN Wheel - JLG)	D
	1001196530	Ref	Assembly, Enclosed Cab (20IN Wheel - JLG) (See Separate Breakdown in this Section)	
2	1001170366	Ref	Installation, Front Cover (See Separate Breakdown in this Section)	
3	1001201027	Ref	Installation, Washer Tank (See Separate Breakdown in this Section)	

SECTION 6 - CAB

FIGURE 6-3. ENCLOSED CAB INSTALLATION (24IN WHEEL - JLG)



ART_1001210897.C

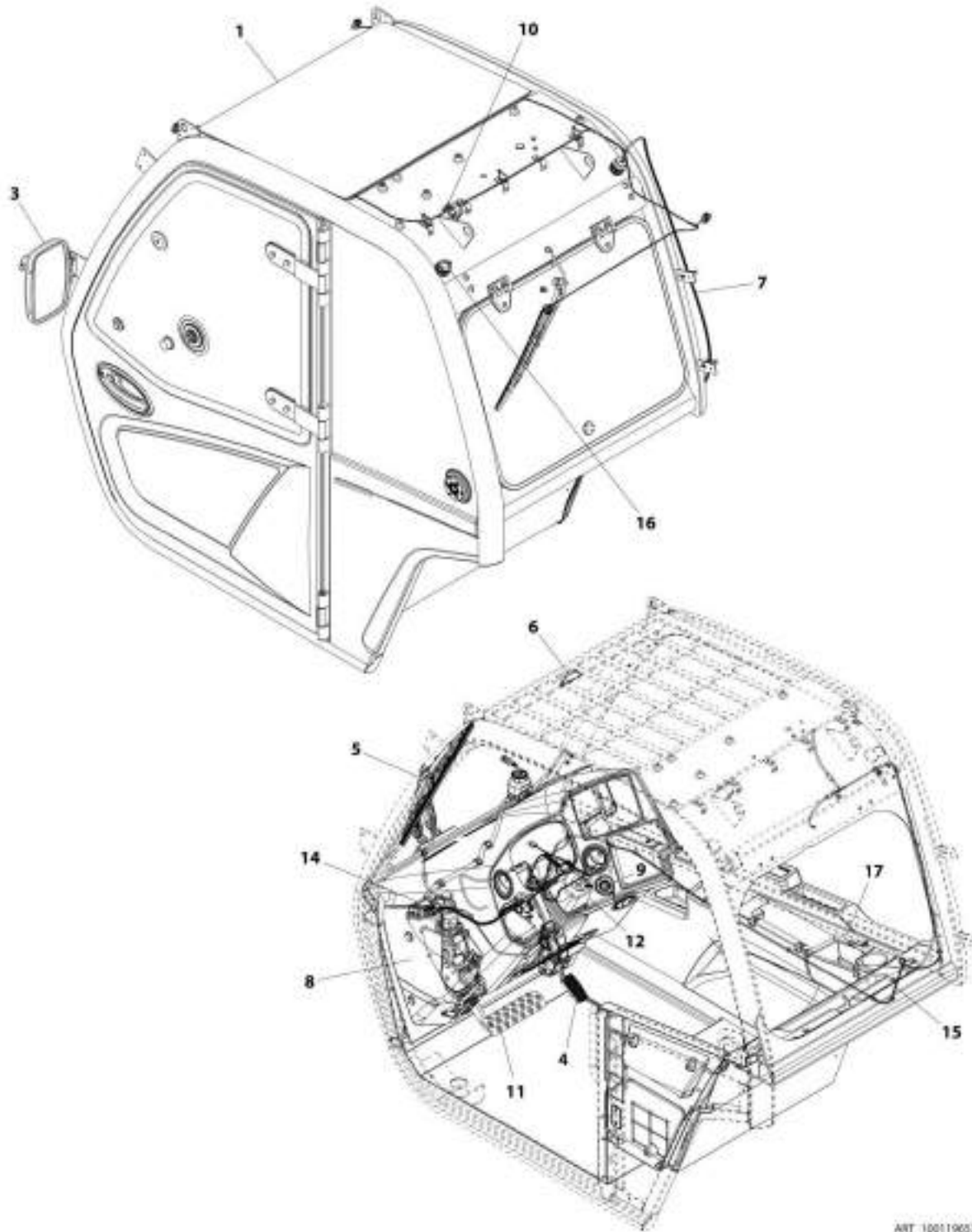
SECTION 6 - CAB

FIGURE 6-3. ENCLOSED CAB INSTALLATION (24IN WHEEL - JLG)

ITEM	PART NUMBER	QTY	DESCRIPTION	REV
1	1001210897	Ref	Enclosed Cab Installation (24IN Wheel - JLG)	C
	1001210894	Ref	Assembly, Enclosed Cab (24IN Wheel - JLG) (See Separate Breakdown in this Section)	
2	1001170366	Ref	Installation, Front Cover (See Separate Breakdown)	
3	1001201027	Ref	Installation, Washer Tank (See Separate Breakdown)	

SECTION 6 - CAB

FIGURE 6-4. ENCLOSED CAB ASSEMBLY (20IN WHEEL - JLG)



ART_1001190330-J

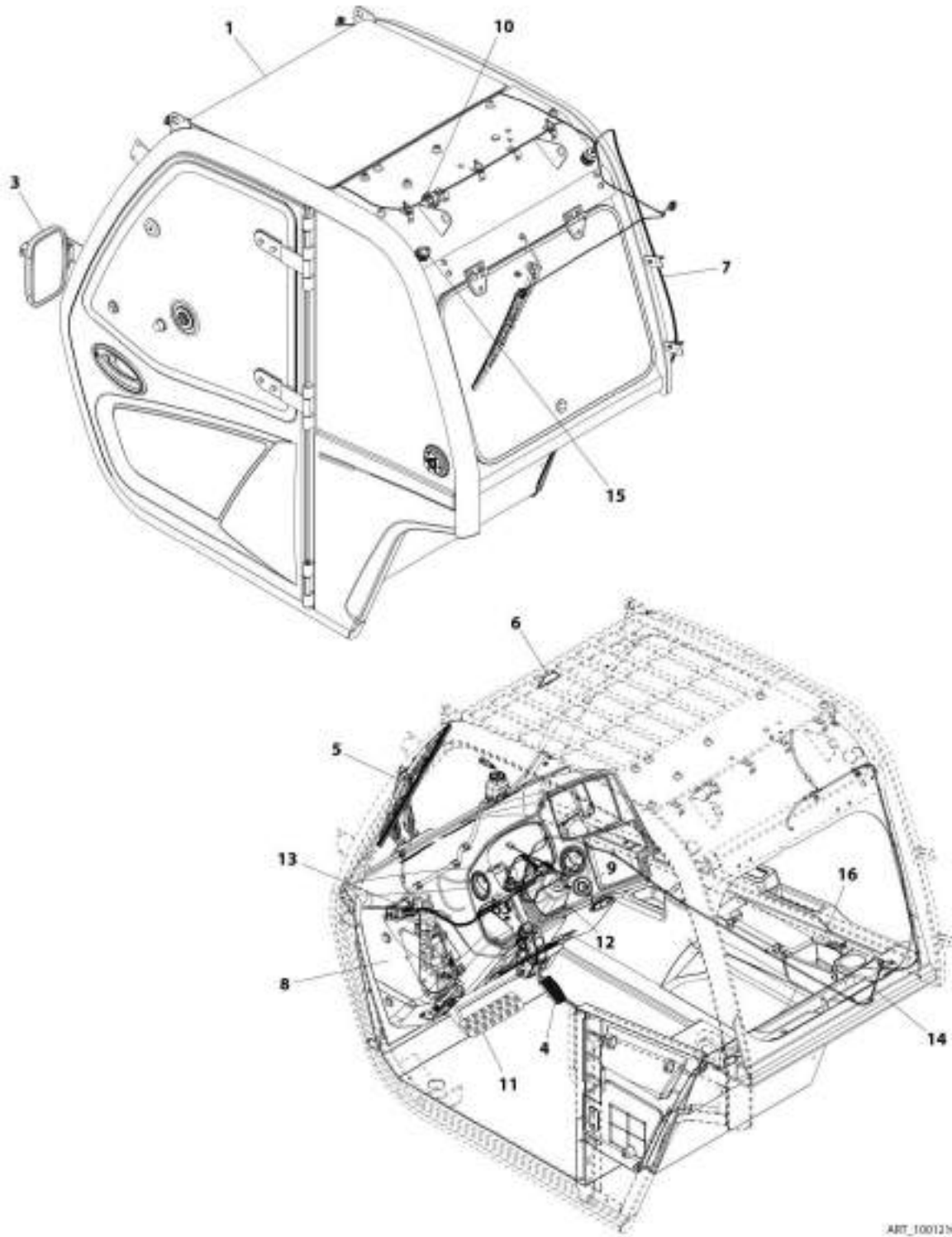
SECTION 6 - CAB

FIGURE 6-4. ENCLOSED CAB ASSEMBLY (20IN WHEEL - JLG)

ITEM	PART NUMBER	QTY	DESCRIPTION	REV
1	1001196530	Ref	Enclosed Cab Assembly (20IN Wheel - JLG)	J
	1001168152	Ref	Group, Enclosed Cab (AG - JLG) (See Separate Breakdown in this Section)	
2	1001166192	Ref	Installation, Interior Mirror (See Separate Breakdown in this Section) (not shown) (Prior to SN 1160008371)	
3	1001204869	Ref	Installation, Rear View Mirror (See Separate Breakdown in this Section)	
4	1001161499	Ref	Installation, Accelerator Pedal (See Separate Breakdown in Controls Section)	
5	1001155447	Ref	Installation, Front Wiper (See Separate Breakdown in this Section)	
6	1001172401	Ref	Installation, Level Indicator (See Separate Breakdown in this Section)	
7	1001184069	Ref	Installation, Cab Electrical (See Separate Breakdown in Electrical Section)	
8	1001167981	Ref	Installation, Enclosed Cab Trim (AG) (See Separate Breakdown in this Section)	
9	1001208518	Ref	Installation, Ignition Switch (AG - JLG) (See Separate Breakdown in Electrical Section)	
10	1001200689	Ref	Installation, Beacon Bracket (See Separate Breakdown in Electrical Section) (Prior to SN 1160008371)	
10	1001218856	Ref	Installation, Beacon Bracket (See Separate Breakdown in Electrical Section) (SN 1160008371 to Present)	
11	1001188261	Ref	Installation, Brake (See Separate Breakdown in Controls Section)	
12	1001162709	Ref	Installation, Steering Column (20IN Wheel) (See Separate Breakdown in Controls Section)	
14	1001201340	Ref	Installation, Cab Heater Harness (See Separate Breakdown in Electrical Section)	
15	1001201520	Ref	Installation, Washer Hoses (AG) (See Separate Breakdown in this Section)	
16	1001201161	Ref	Installation, Telematics Cap (See Separate Breakdown in Electrical Section)	
17	1001210628	Ref	Installation, Hammer (See Separate Breakdown in this Section)	

SECTION 6 - CAB

FIGURE 6-5. ENCLOSED CAB ASSEMBLY (24IN WHEEL - JLG)



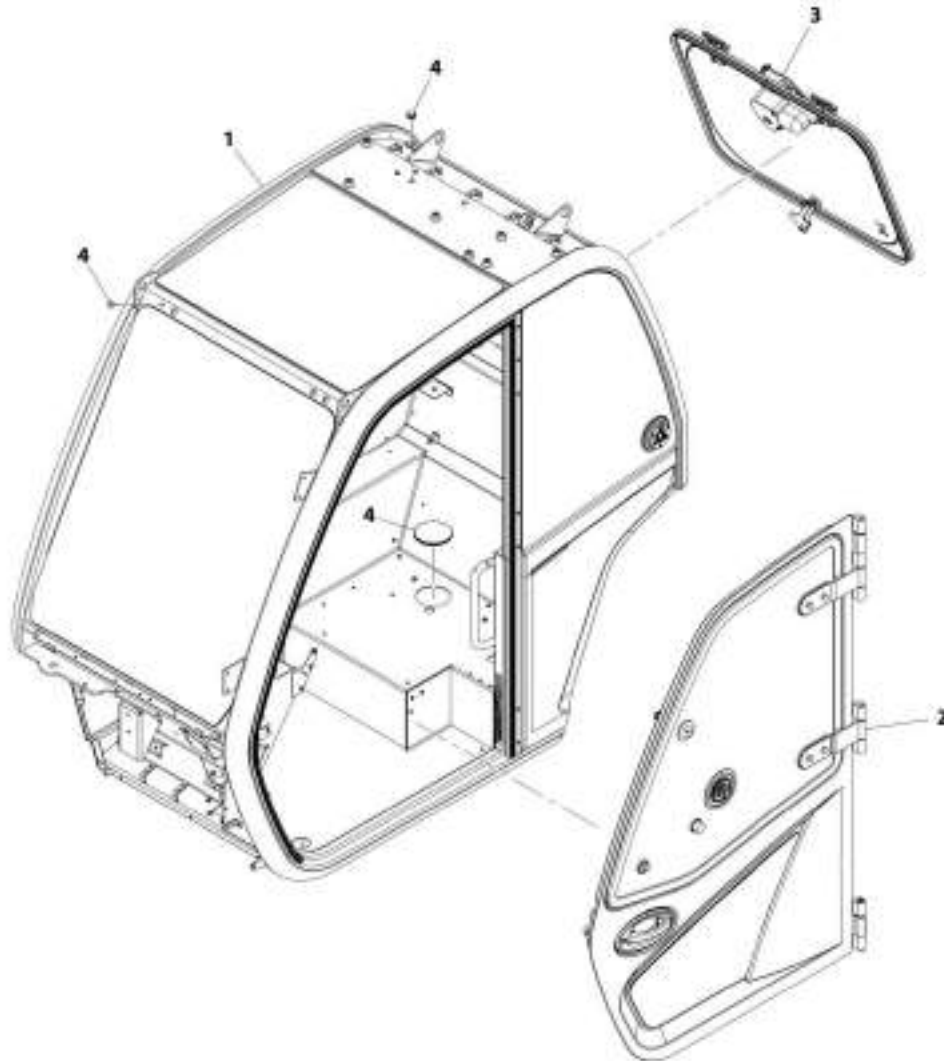
ART_1001210894-1

FIGURE 6-5. ENCLOSED CAB ASSEMBLY (24IN WHEEL - JLG)

ITEM	PART NUMBER	QTY	DESCRIPTION	REV
1	1001210894	Ref	Enclosed Cab Assembly (24IN Wheel - JLG)	I
	1001168152	Ref	Group, Enclosed Cab (AG - JLG) (See Separate Breakdown in this Section)	
2	1001166192	Ref	Installation, Interior Mirror (See Separate Breakdown in this Section) (not shown) (Prior to SN 1160008371)	
3	1001204869	Ref	Installation, Rear View Mirror (See Separate Breakdown in this Section)	
4	1001161499	Ref	Installation, Accelerator Pedal (See Separate Breakdown in Controls Section)	
5	1001155447	Ref	Installation, Front Wiper (See Separate Breakdown in this Section)	
6	1001172401	Ref	Installation, Level Indicator (See Separate Breakdown in this Section)	
7	1001184069	Ref	Installation, Cab Electrical (See Separate Breakdown in Electrical Section)	
8	1001167981	Ref	Installation, Enclosed Cab Trim (AG) (See Separate Breakdown in this Section)	
9	1001208518	Ref	Installation, Ignition Switch (AG - JLG) (See Separate Breakdown in Electrical Section)	
10	1001200689	Ref	Installation, Beacon Bracket (See Separate Breakdown in Electrical Section) (Prior to SN 1160008371)	
10	1001218856	Ref	Installation, Beacon Bracket (See Separate Breakdown in Electrical Section) (SN 1160008371 to Present)	
11	1001209135	Ref	Installation, Brake (24IN Wheel) (See Separate Breakdown in Controls Section)	
12	1001162704	Ref	Installation, Steering Column (24IN Wheel) (See Separate Breakdown in Controls Section)	
13	1001201340	Ref	Installation, Cab Heater Harness (See Separate Breakdown in Electrical Section)	
14	1001201520	Ref	Installation, Washer Hoses (AG) (See Separate Breakdown in this Section)	
15	1001201161	Ref	Installation, Telematics Cap (See Separate Breakdown in Electrical Section)	
16	1001210628	Ref	Installation, Hammer (AG) (See Separate Breakdown in this Section)	

SECTION 6 - CAB

FIGURE 6-6. ENCLOSED CAB GROUP



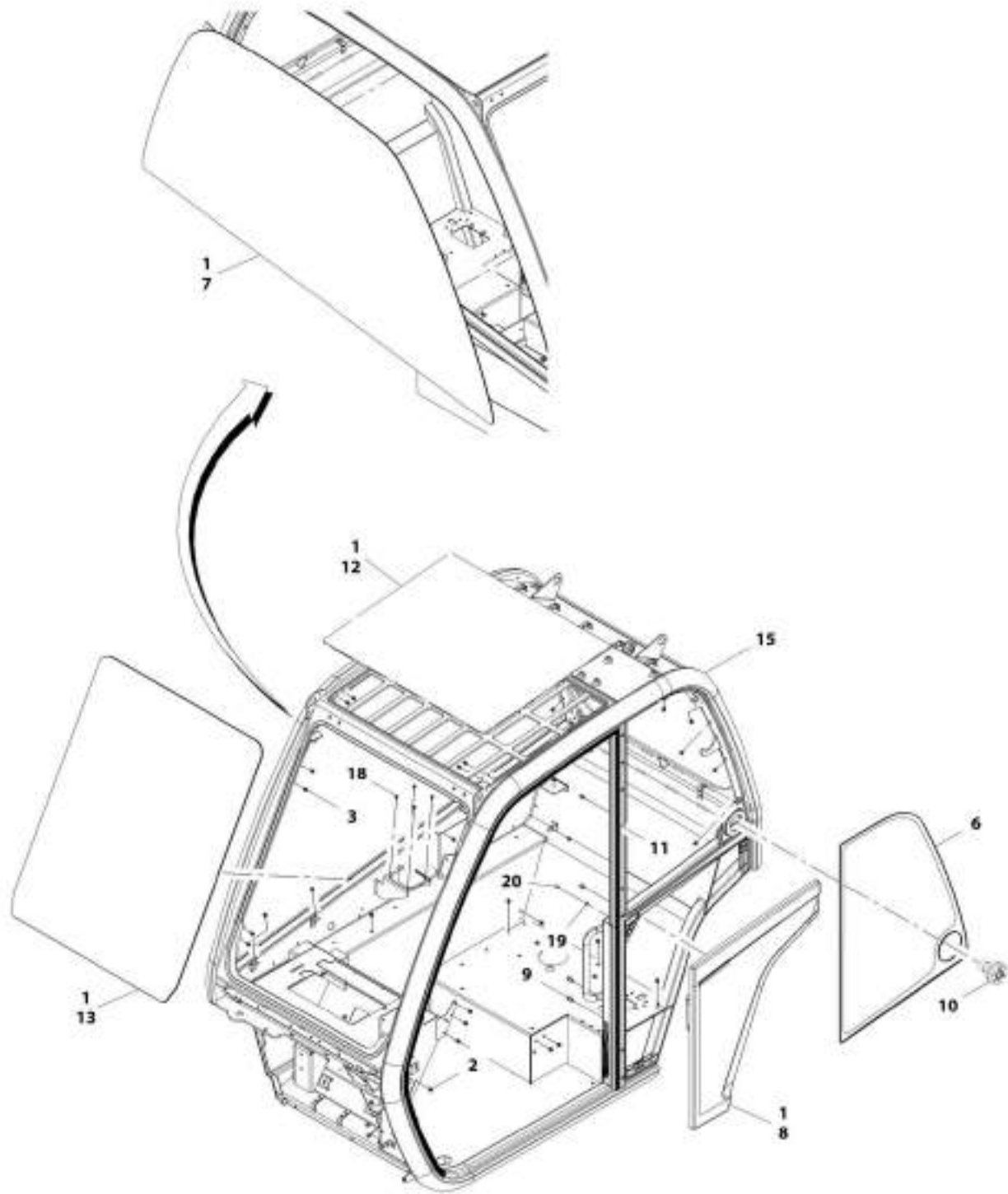
ART_100198152-G

FIGURE 6-6. ENCLOSED CAB GROUP

ITEM	PART NUMBER	QTY	DESCRIPTION	REV
	1001168152	Ref	Enclosed Cab Group	G
1	1001173641	Ref	Cab, Enclosed (JLG) (See Separate Breakdown in this Section)	
2	1001155228	Ref	Installation, Door (JLG) (See Separate Breakdown in this Section)	
3	1001178678	Ref	Installation, Rear Window (See Separate Breakdown in this Section)	
4	1001170603	Ref	Group, Enclosed Cab Plug (See Separate Breakdown in this Section)	

SECTION 6 - CAB

FIGURE 6-7. ENCLOSED CAB (Prior to SN 1160008371)



ART_1001173645-H

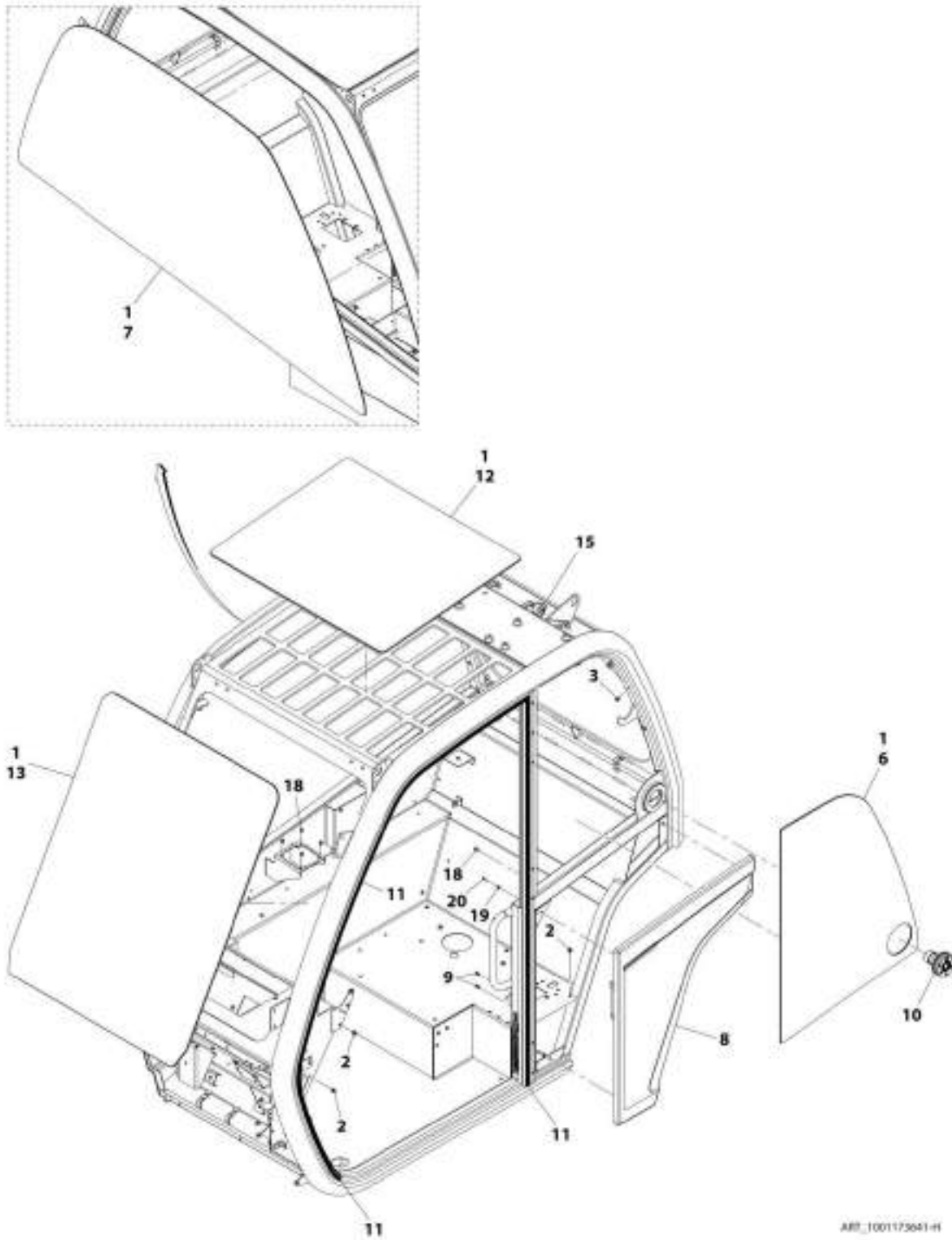
SECTION 6 - CAB

FIGURE 6-7. ENCLOSED CAB (Prior to SN 1160008371)

ITEM	PART NUMBER	QTY	DESCRIPTION	REV
	1001173641	Ref	Enclosed Cab	H
1	1001111317	AR	Compound, Locking	
2	2080086	27	Rivnut, M6X1	
3	2080087	16	Rivnut, M8X1.25	
6	1001152915	1	Glass, LH Screen	
7	1001152947	1	Glass, RH Screen	
8	1001229319	1	Panel, Cab Quarter	
9	1001172193	2	Rivnut, M5X0.8	
10	1001174320	1	Latch, Top Window	
11	1001227186	1	Seal, Cab Door	
12	1001178159	1	Glass, Roof Laminated	
13	1001178160	1	Glass, Front Laminated	
15	1001225176	1	Weldment, Cab	
18	1001195878	7	Rivnut, M5X0.8	
19	4811700	3	Washer, M6	
20	0750804	3	Screw	

SECTION 6 - CAB

FIGURE 6-8. ENCLOSED CAB (SN 1160008371 to Present)



ABT_1001173641-H

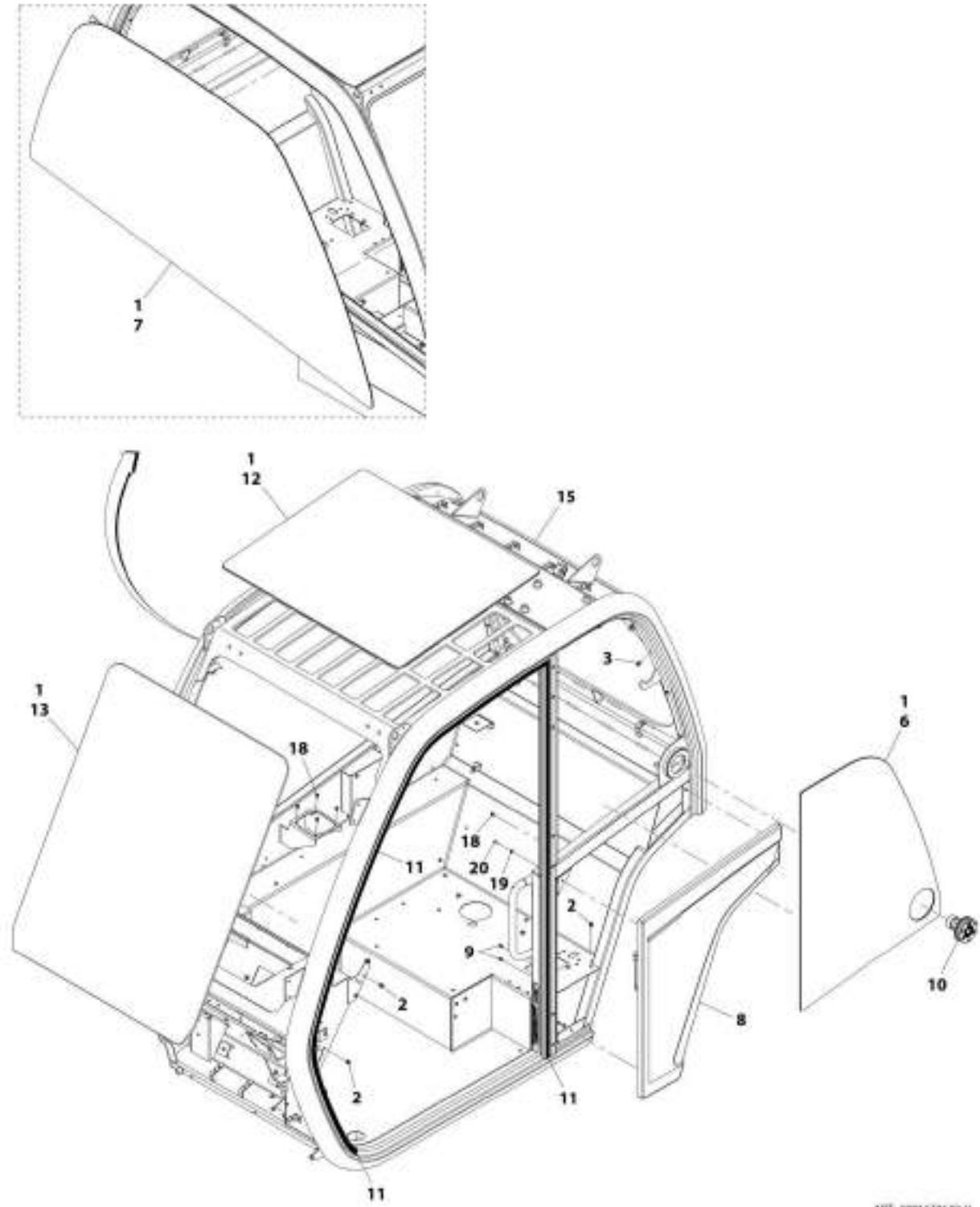
SECTION 6 - CAB

FIGURE 6-8. ENCLOSED CAB (SN 1160008371 to Present)

ITEM	PART NUMBER	QTY	DESCRIPTION	REV
	1001173641	Ref	Enclosed Cab	H
1	1001111317	AR	Compound, Locking	
2	2080086	27	Rivnut, M6X1	
3	2080087	16	Rivnut, M8X1.25	
6	1001152915	1	Glass, LH Screen	
7	1001152947	1	Glass, RH Screen	
8	1001229319	1	Panel, Cab Quarter	
9	1001172193	2	Rivnut, M5X0.8	
10	1001174320	1	Latch, Top Window	
11	1001227186	1	Seal, Cab Door	
12	1001178159	1	Glass, Roof Laminated	
13	1001178160	1	Glass, Front Laminated	
15	1001225176	1	Weldment, Cab	
18	1001195878	7	Rivnut, M5X0.8	
19	4811700	3	Washer, M6	
20	0750804	3	Screw	

SECTION 6 - CAB

FIGURE 6-9. ENCLOSED CAB (SN 1160008371 to Present)



MIT_100117362-H

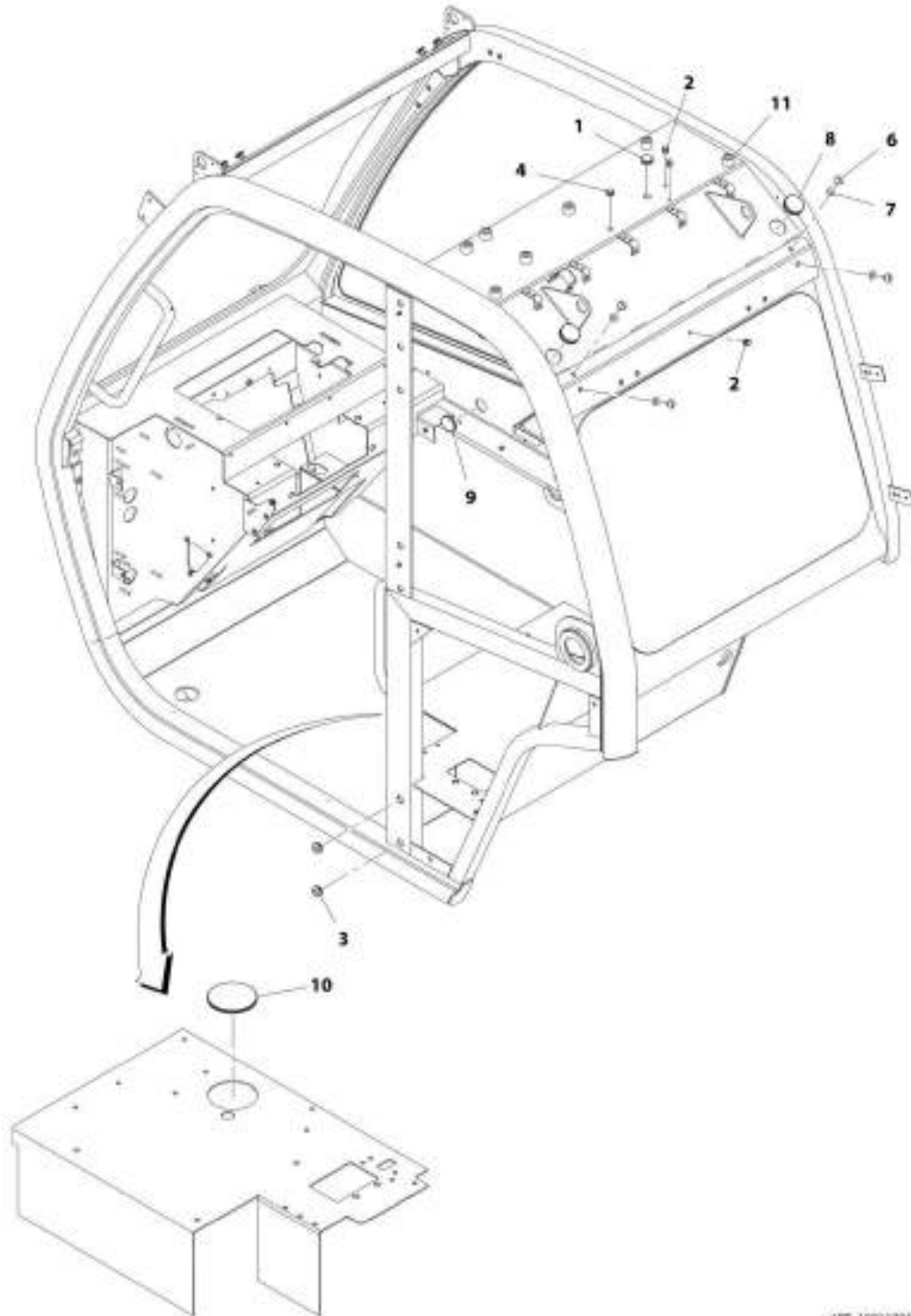
SECTION 6 - CAB

FIGURE 6-9. ENCLOSED CAB (SN 1160008371 to Present)

ITEM	PART NUMBER	QTY	DESCRIPTION	REV
	1001173642	Ref	Enclosed Cab (Deutz-Fahr)	H
1	1001111317	AR	Compound, Locking	
2	2080086	27	Rivnut, M6X1	
3	2080087	16	Rivnut, M8X1.25	
6	1001152915	1	Glass, LH Screen	
7	1001152947	1	Glass, RH Screen	
8	1001229318	1	Panel, Cab Quarter	
9	1001172193	2	Rivnut, M5X0.8	
10	1001174320	1	Latch, Top Window	
11	1001227186	1	Seal, Cab Door	
12	1001178159	1	Glass, Roof Laminated	
13	1001178160	1	Glass, Front Laminated	
15	1001225177	1	Weldment, Cab	
18	1001195878	7	Rivnut, M5X0.8	
19	4811700	3	Washer, M6	
20	0750804	3	Screw	

SECTION 6 - CAB

FIGURE 6-10. ENCLOSED CAB PLUG GROUP



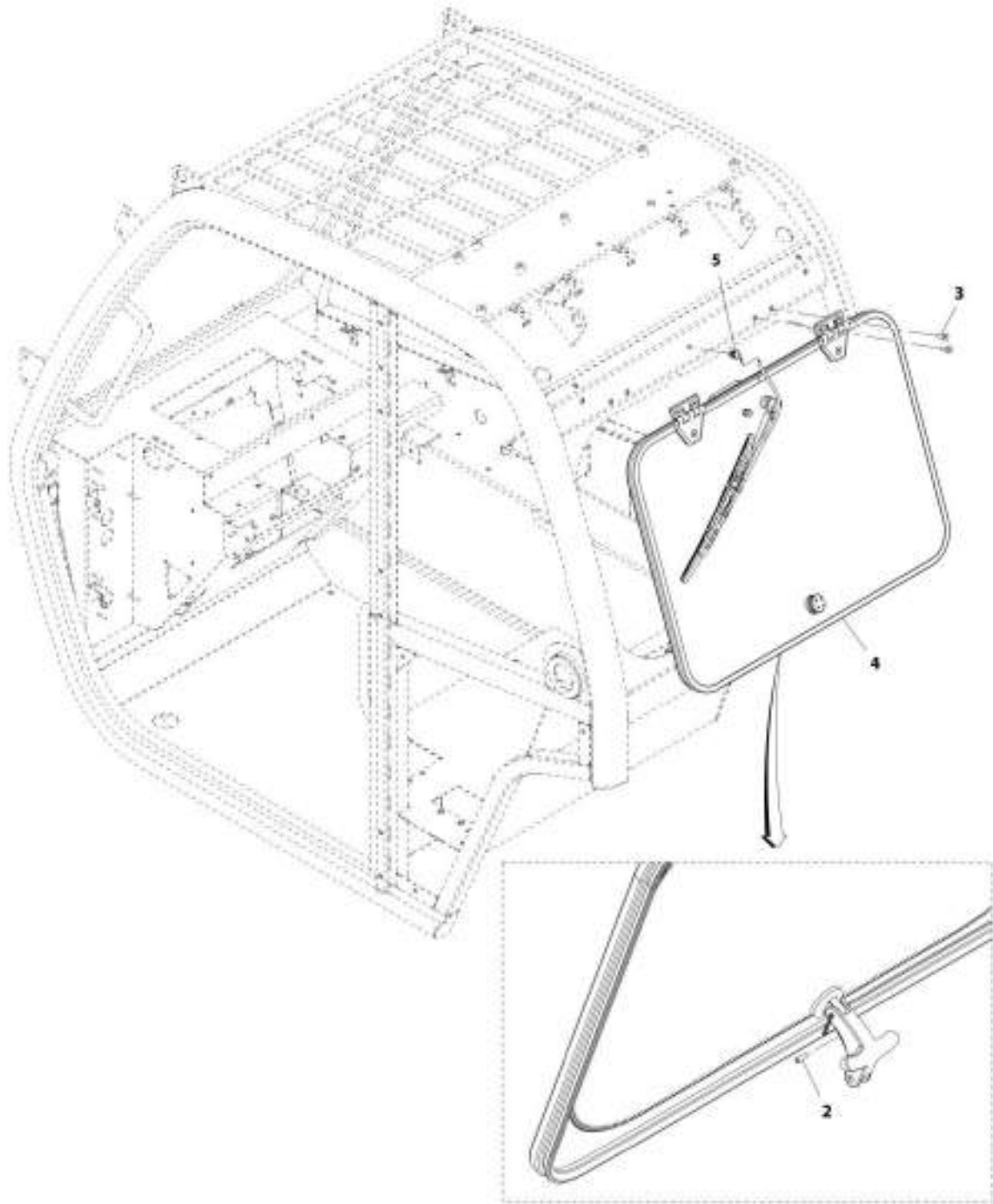
ABT_1001170603-E

FIGURE 6-10. ENCLOSED CAB PLUG GROUP

ITEM	PART NUMBER	QTY	DESCRIPTION	REV
	1001170603	Ref	Enclosed Cab Plug Group	E
1	1001176273	1	Plug	
2	1001176272	3	Plug	
3	1001143200	2	Plug	
4	1001176626	1	Plug	
6	1001181920	8	Screw, M8X16	
7	1001181921	8	Washer, Rubber M8	
8	1001182123	2	Plug	
9	1001182139	1	Plug	
10	1001209899	1	Plug	
11	1001219220	7	Cap, Vinyl Round	

SECTION 6 - CAB

FIGURE 6-11. REAR WINDOW INSTALLATION



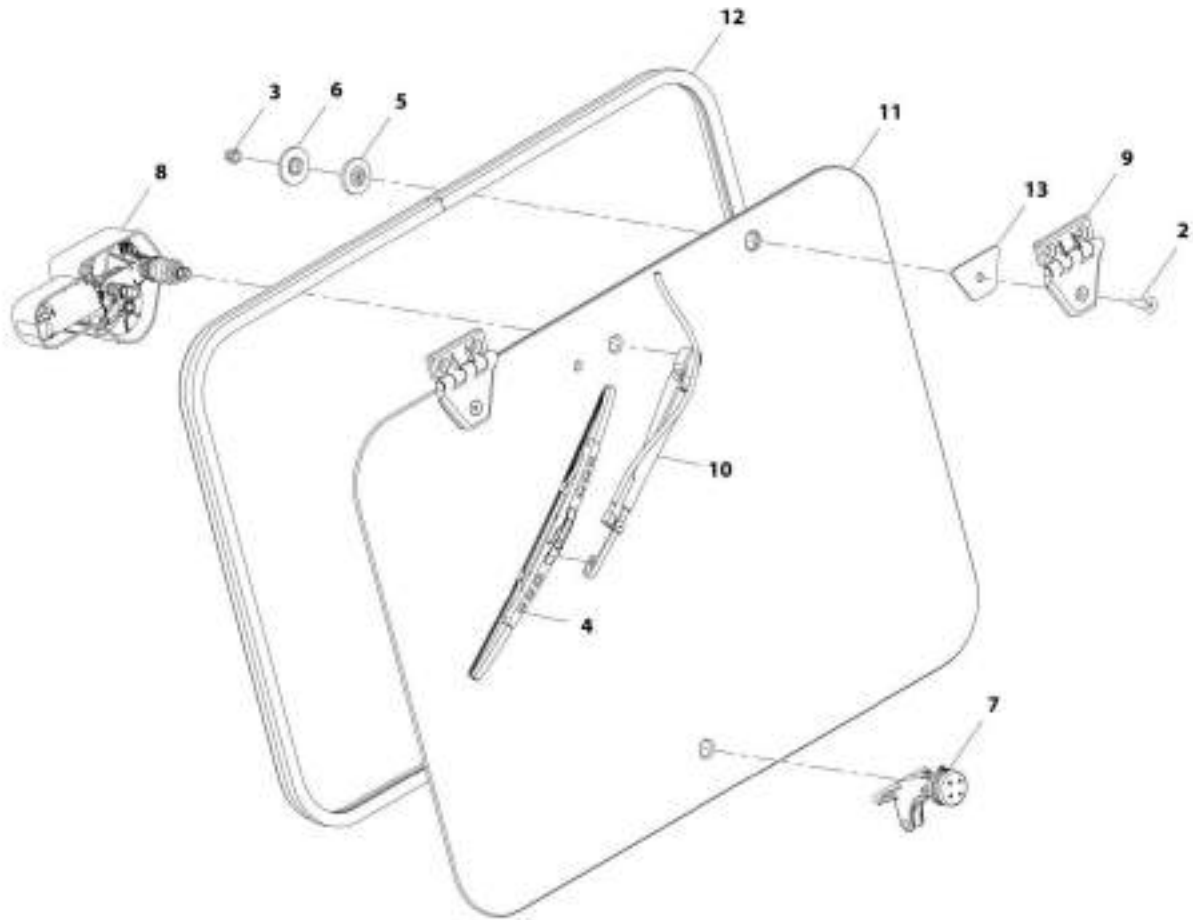
ART_1001178670-C

FIGURE 6-11. REAR WINDOW INSTALLATION

ITEM	PART NUMBER	QTY	DESCRIPTION	REV
	1001178678	Ref	Rear Window Installation	C
2	1001003043	1	Pin, Spring	
3	1001097586	4	Screw, M8X1.25	
4	1001178679	1	Assembly, Rear Window (See Separate Breakdown in this Section)	
5	1001090343	1	Connector	

SECTION 6 - CAB

FIGURE 6-12. REAR WINDOW ASSEMBLY



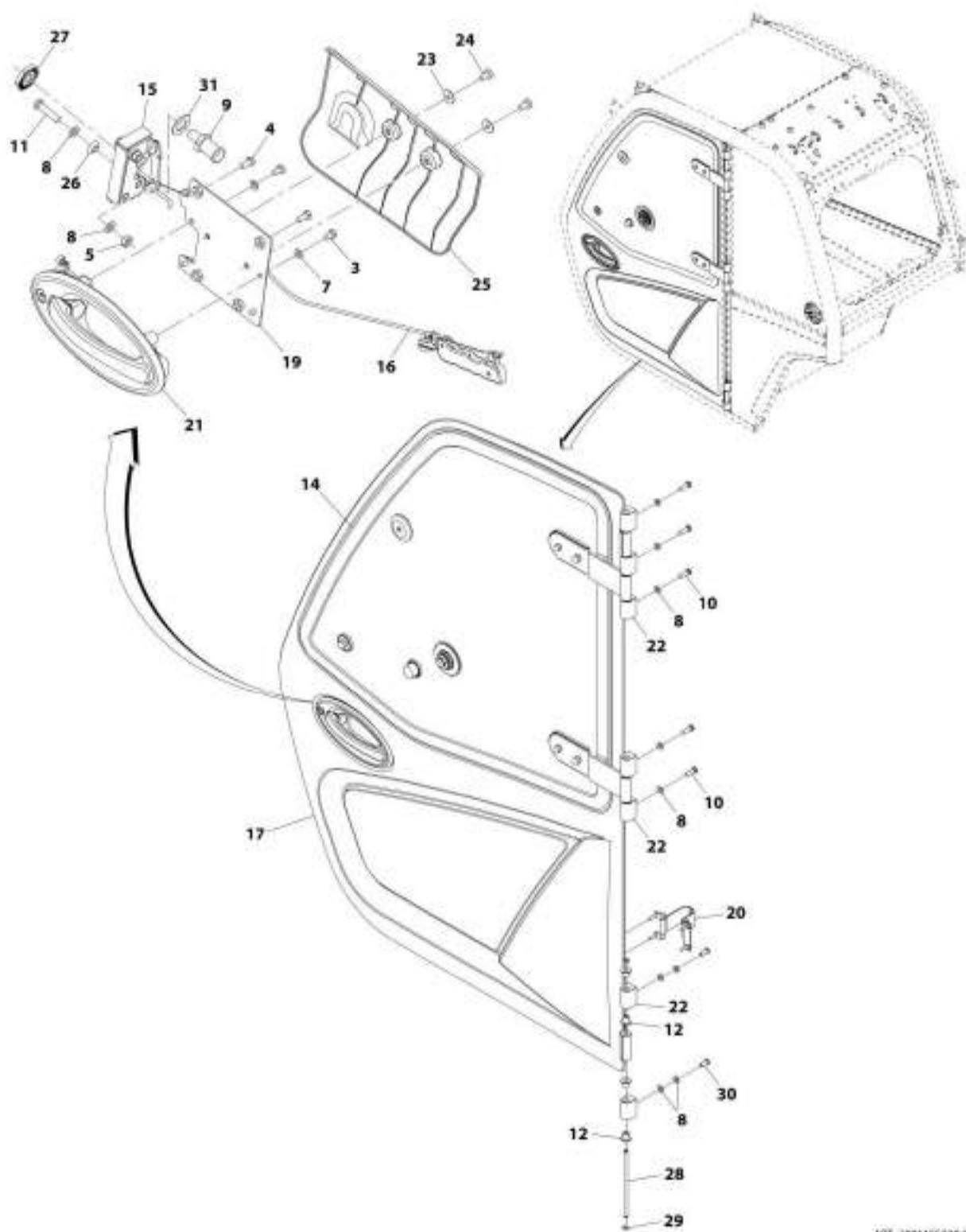
ART_180178629-C

FIGURE 6-12. REAR WINDOW ASSEMBLY

ITEM	PART NUMBER	QTY	DESCRIPTION	REV
	1001178679	Ref	Rear Window Assembly	C
2	2080078	2	Fastener, M8X30	
3	3290806	2	Nut, M8X1.25 Grade 8	
4	4807718	1	Blade, Wiper	
5	8000759	2	Spacer	
6	8004398	2	Spacer	
7	1001005368	1	Latch, Window	
8	1001139552	1	Motor, Rear Wiper	
9	1001139568	2	Hinge	
10	1001141312	1	Arm, Rear Window Wiper	
11	1001178680	1	Glass, Rear Window	
12	1001178681	1	Seal	
13	1001181411	2	Gasket, Rear Window Hinge	

SECTION 6 - CAB

FIGURE 6-13. DOOR INSTALLATION



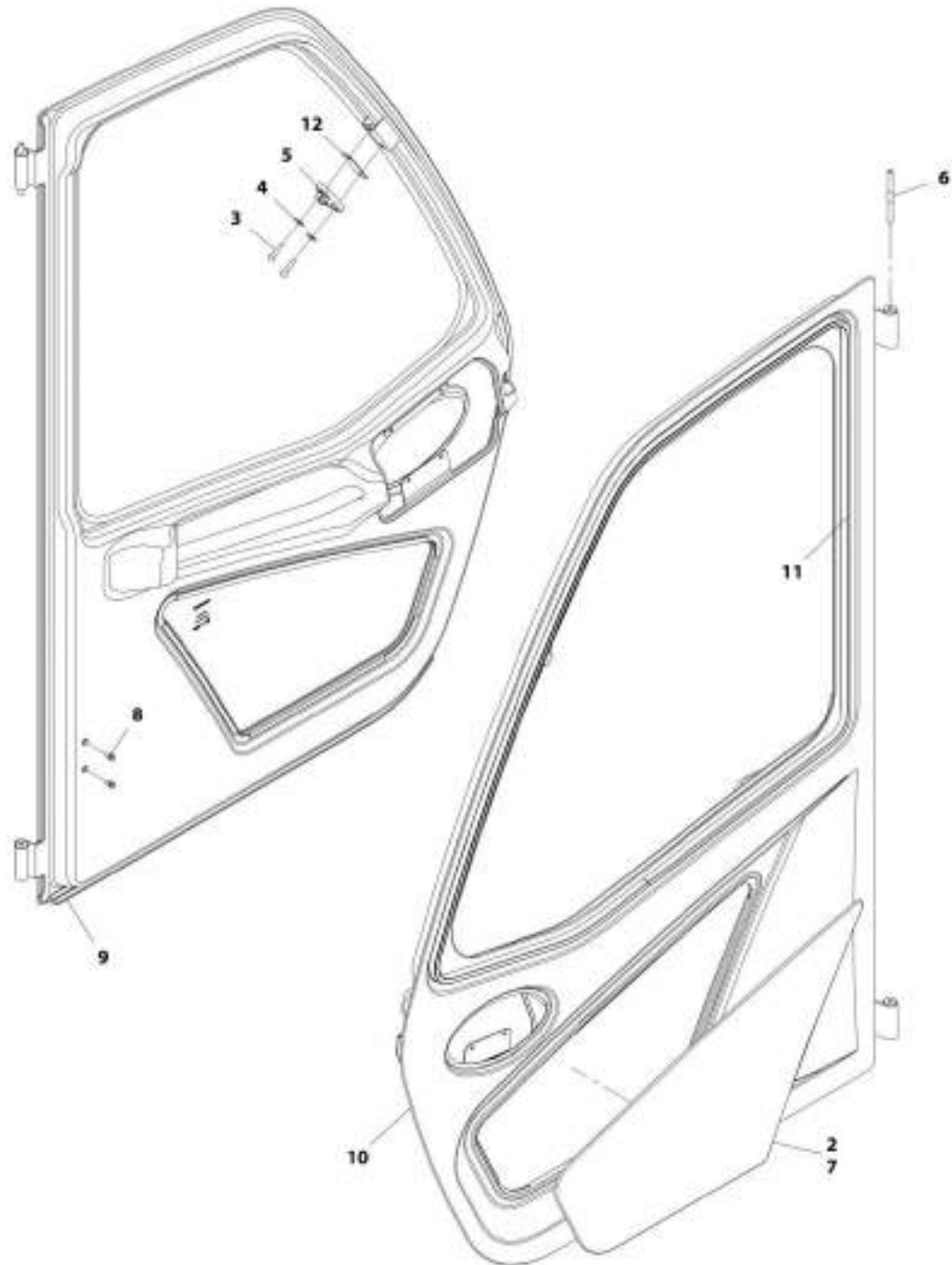
ART_100135228-M

FIGURE 6-13. DOOR INSTALLATION

ITEM	PART NUMBER	QTY	DESCRIPTION	REV
	1001155228	Ref	Door Installation	M
3	0760605	4	Bolt, M6X10	
4	0760607	4	Bolt, M6X14	
5	3290801	2	Nut, M8X1.25 Grade 8	
7	4811700	4	Washer, M6	
8	4811900	13	Washer, M8	
9	8000803	1	Pin, Door Striker	
10	1001008988	5	Screw M8X25	
11	1001047062	2	Screw, M8X35	
12	1001107192	10	Sleeve, Hinge	
14	1001205532	1	Assembly, Door Upper Glass (See Separate Breakdown in this Section)	
15	1001192766	1	Assembly, Cab Latch (See Separate Breakdown in this Section)	
16	1001167958	1	Assembly, Cab Door Trigger (See Separate Breakdown in this Section)	
17	1001170114	1	Assembly, Door (See Separate Breakdown in this Section)	
19	1001173298	1	Bracket	
20	1001174295	1	Installation, Door Strap (See Separate Breakdown in this Section)	
21	1001192646	1	Handle, Exterior Door	
22	1001170601J	7	Lug, Hinge	
23	4811702001	2	Washer, M6	
24	4010608002	2	Screw, Posi-Drive, M6X16	
25	1001175477	1	Cover, Cab Door Interior	
26	1001184439	2	Bushing	
27	1001192309	1	Nut, M12X1	
28	1001213791	1	Pin	
29	0498748	2	Washer, Lock M7	
30	1001164726	2	Bolt, M8X20	
31	1001227802	1	Washer	

SECTION 6 - CAB

FIGURE 6-14. DOOR ASSEMBLY (AG)



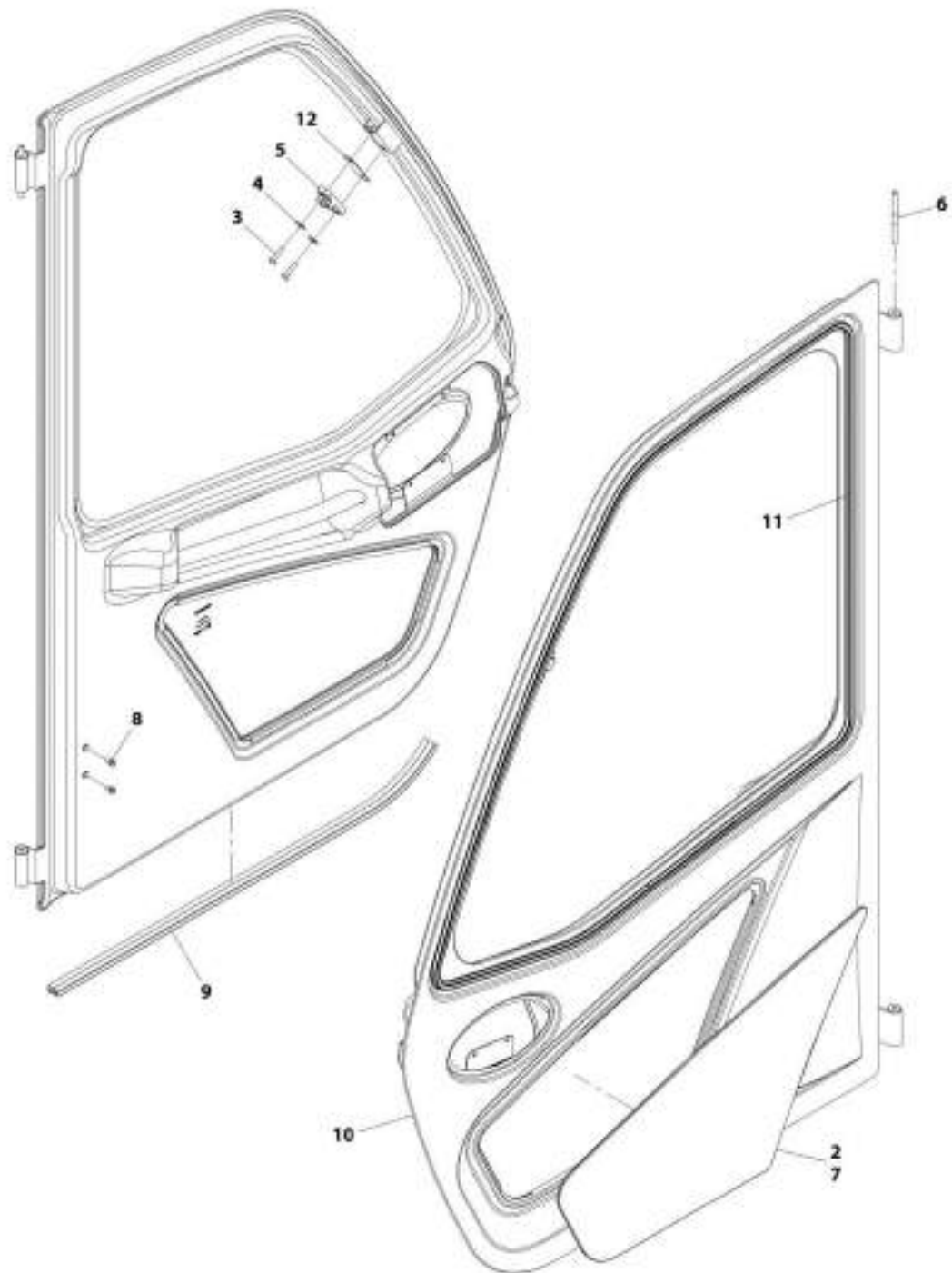
AMT_1001170114-L

FIGURE 6-14. DOOR ASSEMBLY (AG)

ITEM	PART NUMBER	QTY	DESCRIPTION	REV
	1001170114	Ref	Door Assembly	J
2	1001111317	AR	Compound, Locking	
3	4010612002	2	Screw, M6X25	
4	4811702001	2	Washer, 6MM	
5	1001165276	1	Plate, Window Latch Striker	
6	1001166634	1	Pin, Hinge	
7	1001169880	1	Window, Lower Glass	
8	1001172193	2	Rivnut, M5X0.8	
9	1001227188	1	Seal, Cab Door	
10	1001170113J	1	Door, Cab (See Separate Breakdown in this Section)	
11	1001227187	1	Seal, Cab Door Window	
12	1001193210	AR	Shim, Window Latch	

SECTION 6 - CAB

FIGURE 6-15. DOOR ASSEMBLY (AG) (SN 1160008371 to Present)



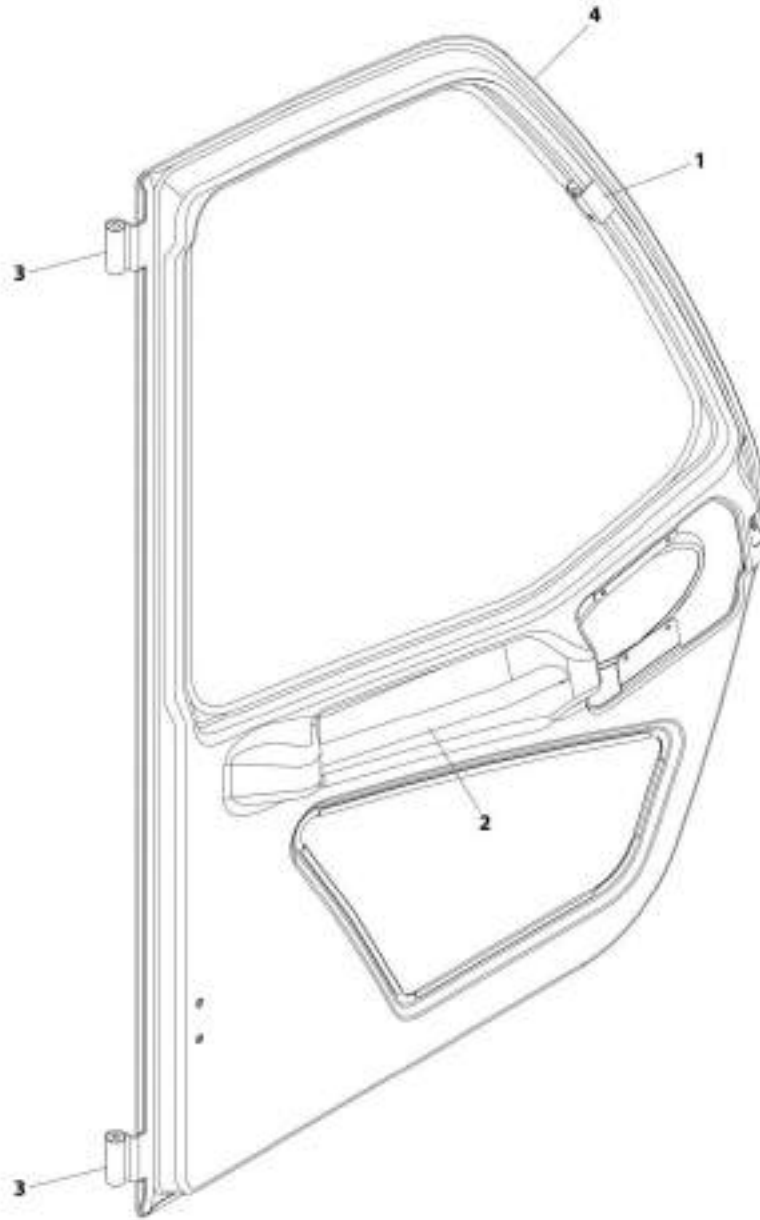
KRT_1061170122-J

SECTION 6 - CAB**FIGURE 6-15. DOOR ASSEMBLY (AG) (SN 1160008371 to Present)**

ITEM	PART NUMBER	QTY	DESCRIPTION	REV
	1001170122	Ref	Door Assembly (Deutz-Fahr)	J
2	1001111317	AR	Compound, Locking	
3	4010612002	2	Bolt, M6X25	
4	4811702001	2	Washer, 6MM	
5	1001165276	1	Plate, Window Latch Striker	
6	1001166634	1	Pin, Hinge	
7	1001169880	1	Window, Lower Glass	
8	1001172193	2	Rivnut, M5X0.8	
9	1001227188	1	Seal, Cab Door	
10	1001170113C	1	Door, Cab (See Separate Breakdown in this Section)	
11	1001227187	1	Seal, Cab Door Window	
12	1001193210	AR	Shim, Window Latch	

SECTION 6 - CAB

FIGURE 6-16. CAB DOOR



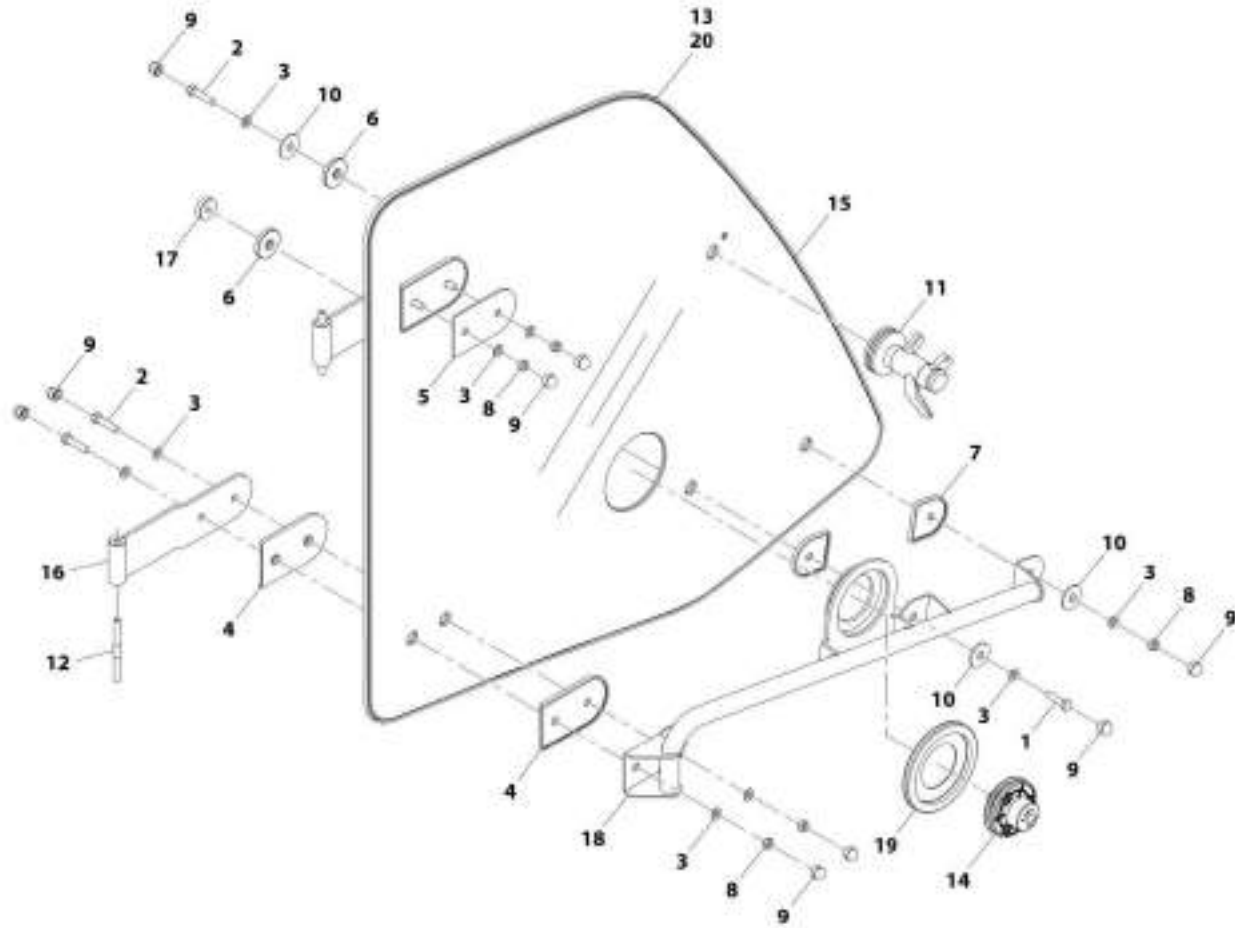
ART_100170113-E

FIGURE 6-16. CAB DOOR

ITEM	PART NUMBER	QTY	DESCRIPTION	REV
	1001170113	Ref	Cab Door	E
1	1001169883	1	Bracket, Window Latch	
2	1001169885	1	Handle, Interior Door	
3	1001171037	1	Plate, Hinge	
4	1001171635	1	Frame, Door	

SECTION 6 - CAB

FIGURE 6-17. DOOR UPPER GLASS ASSEMBLY



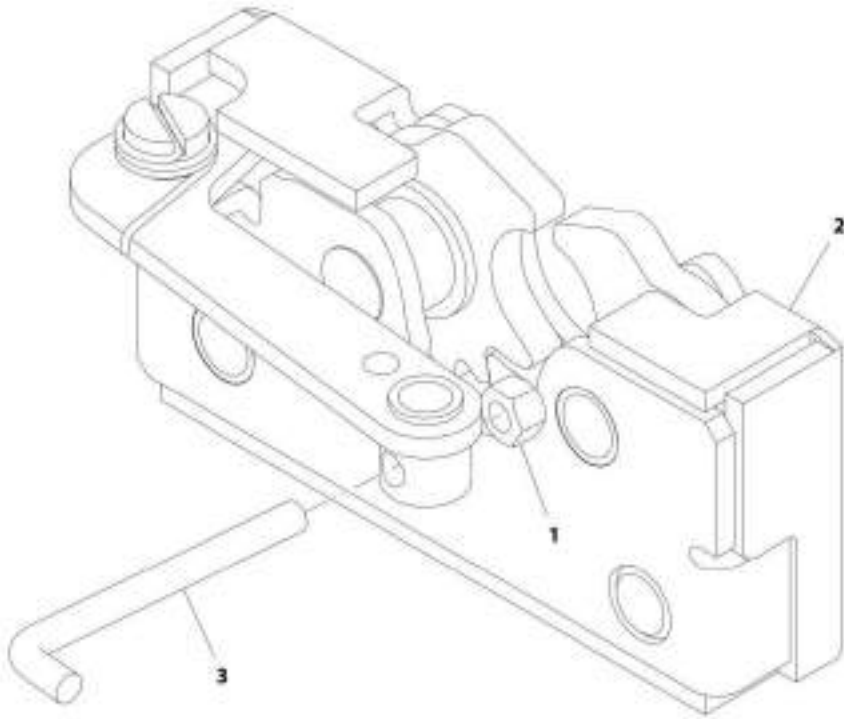
ART_1001205123-E

FIGURE 6-17. DOOR UPPER GLASS ASSEMBLY

ITEM	PART NUMBER	QTY	DESCRIPTION	REV
	1001205532	Ref	Door Upper Glass Assembly	E
1	0760812	1	Bolt, M8X25	
2	0760815	5	Bolt, M8X35	
3	4811900	11	Washer, 8MM	
4	1001002946	4	Mount, Hinge	
5	1001002947	1	Mount, Hinge	
6	1001002953	2	Mount, Rubber	
7	1001002957	2	Mount, Latch	
8	1001008857	5	Nut, Lock	
9	1001096365	11	Cap, M8	
10	1001141246	3	Mount, Rubber	
11	1001165275	1	Latch, Window	
12	1001166634	2	Pin, Hinge	
13	1001170944	1	Panel, Window Surround	
14	1001174321	1	Striker, Top Window	
15	1001204066	1	Glass, Window	
16	1001204115	2	Hinge	
17	1001222741	1	Buffer, Cab	
18	1001204120	1	Handle	
19	1001213331	1	Gasket	
20	1001215531	AR	Adhesive	

SECTION 6 - CAB

FIGURE 6-18. CAB LATCH ASSEMBLY



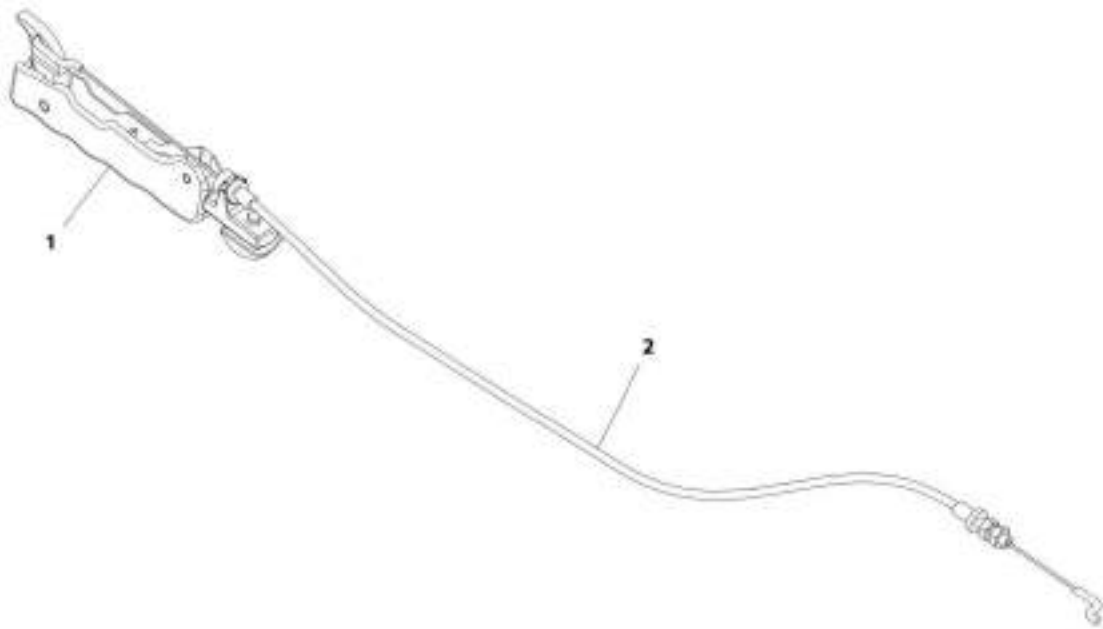
ART_1001182766-A

FIGURE 6-18. CAB LATCH ASSEMBLY

ITEM	PART NUMBER	QTY	DESCRIPTION	REV
	1001192766	Ref	Cab Latch Assembly	A
1	3290405	1	Nut, M4X0.7 Grade 8	
2	1001192643	1	Latch	
3	1001192755	1	Link, Door Handle	

SECTION 6 - CAB

FIGURE 6-19. CAB DOOR TRIGGER ASSEMBLY



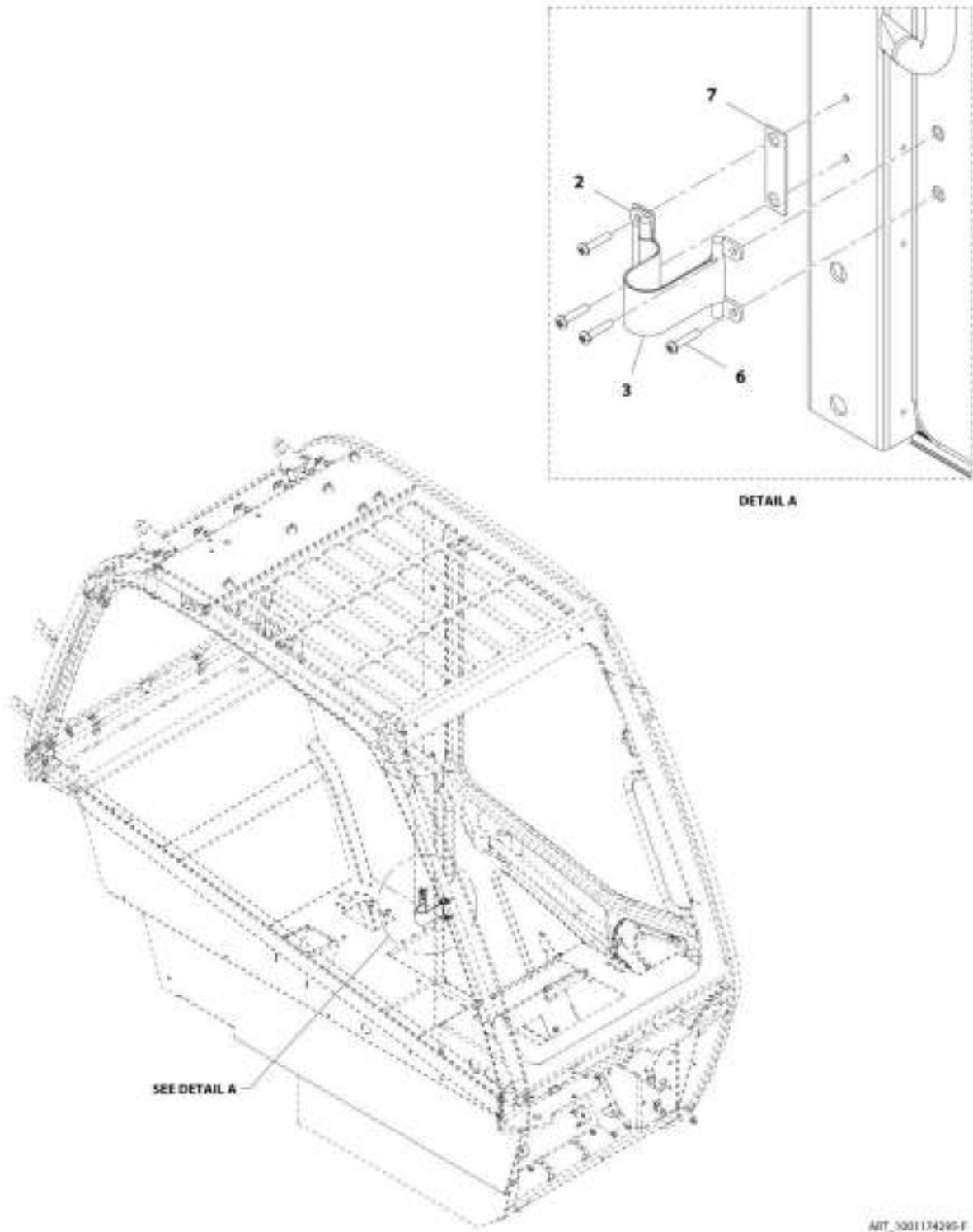
ART_1001107958-E

FIGURE 6-19. CAB DOOR TRIGGER ASSEMBLY

ITEM	PART NUMBER	QTY	DESCRIPTION	REV
	1001167958	Ref	Cab Door Trigger Assembly	E
1	1001167937	1	Trigger, Cab Interior Release	
2	1001192644	1	Cable, Cab Latch Release	

SECTION 6 - CAB

FIGURE 6-20. DOOR STRAP INSTALLATION



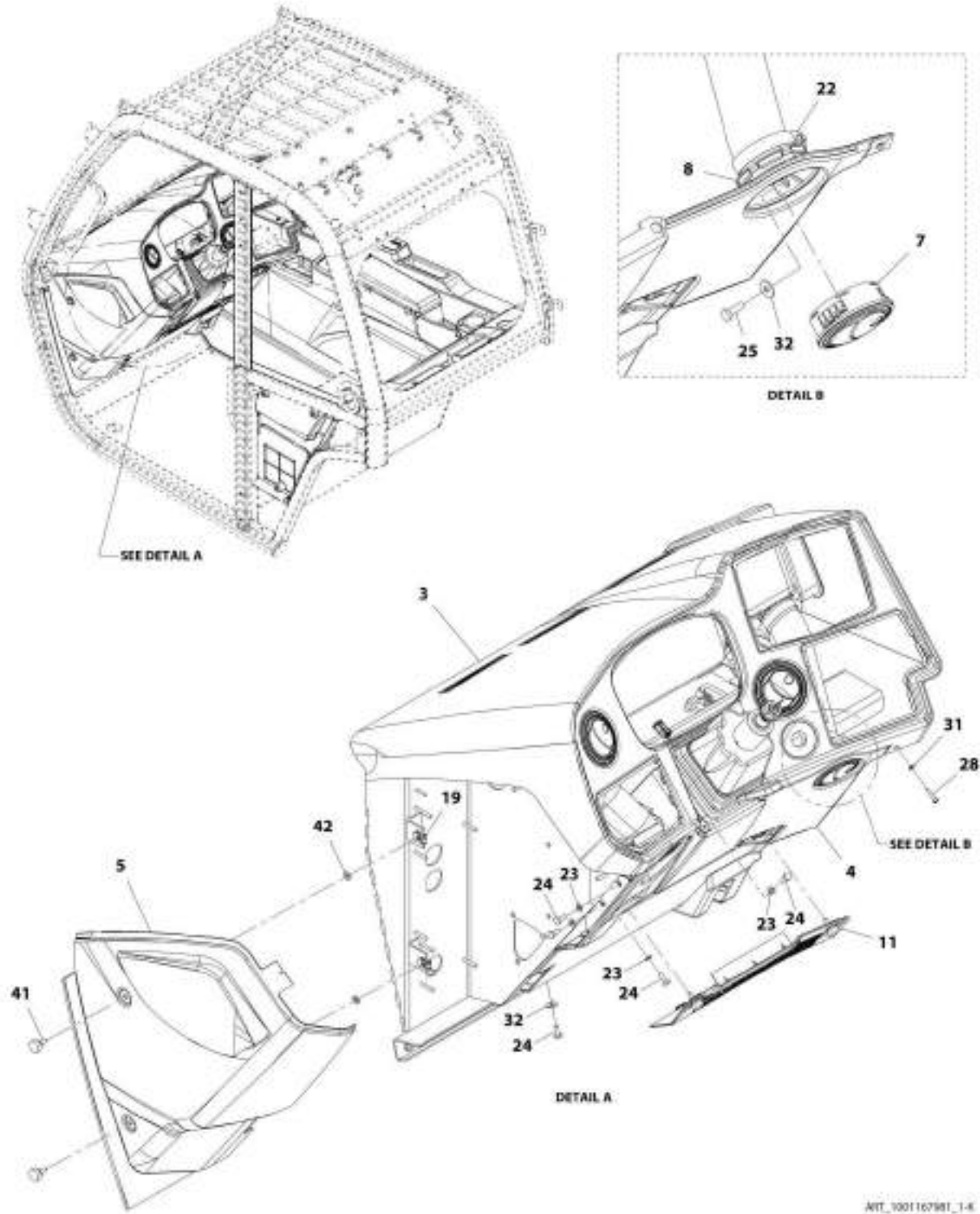
ART_3001174295-F

FIGURE 6-20. DOOR STRAP INSTALLATION

ITEM	PART NUMBER	QTY	DESCRIPTION	REV
	1001174295	Ref	Door Strap Installation	F
2	1001230163	2	Bracket, Strap Holder	
3	1001212011	1	Strap, Door Hold Open	
6	8310559	4	Screw	
7	1001191091	1	Plate, Cab Door Strap	

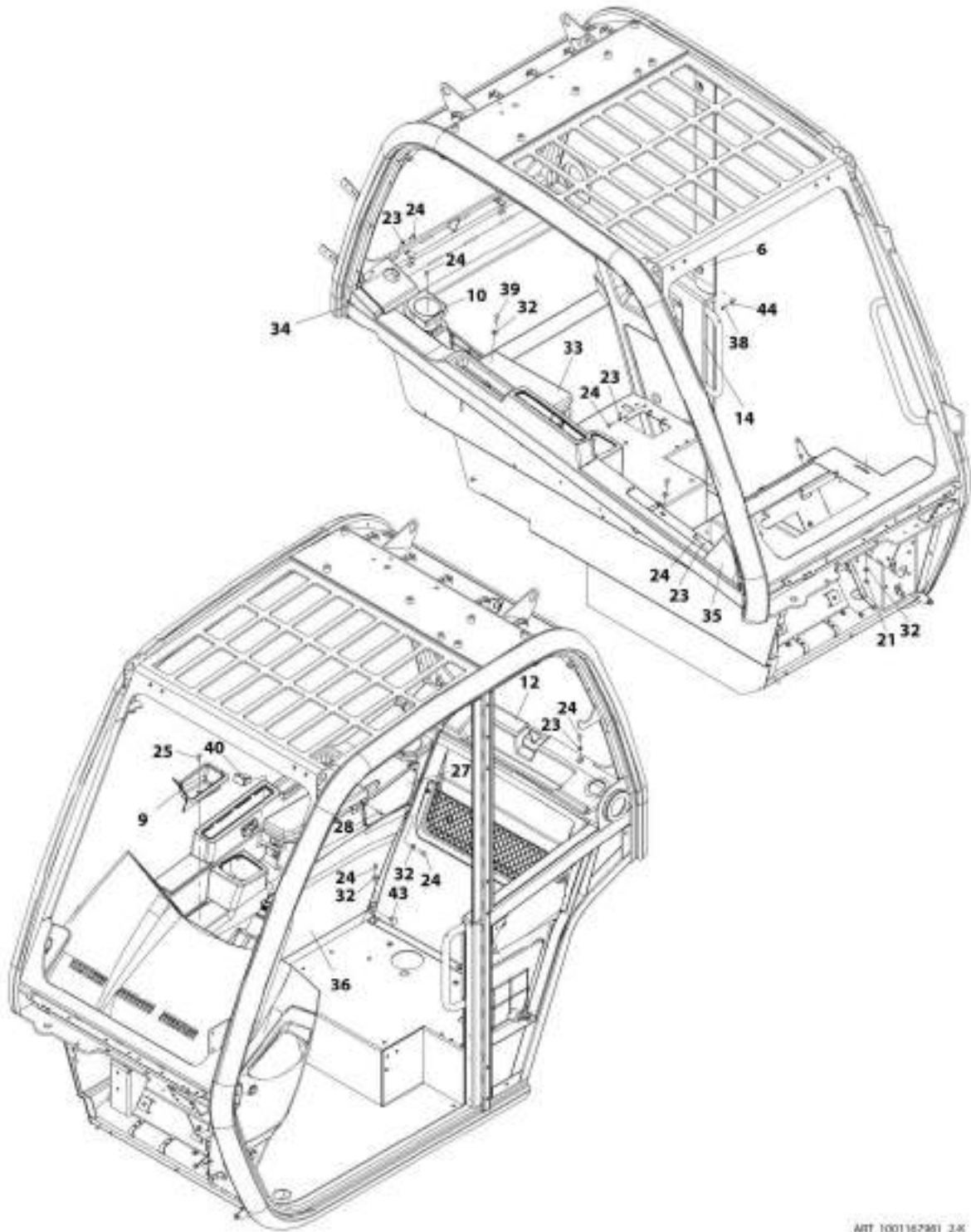
SECTION 6 - CAB

FIGURE 6-21. ENCLOSED CAB TRIM INSTALLATION (Prior to SN 1160008371)



AWT_1001167987_1-4

SECTION 6 - CAB



ART_1001167961_3-R

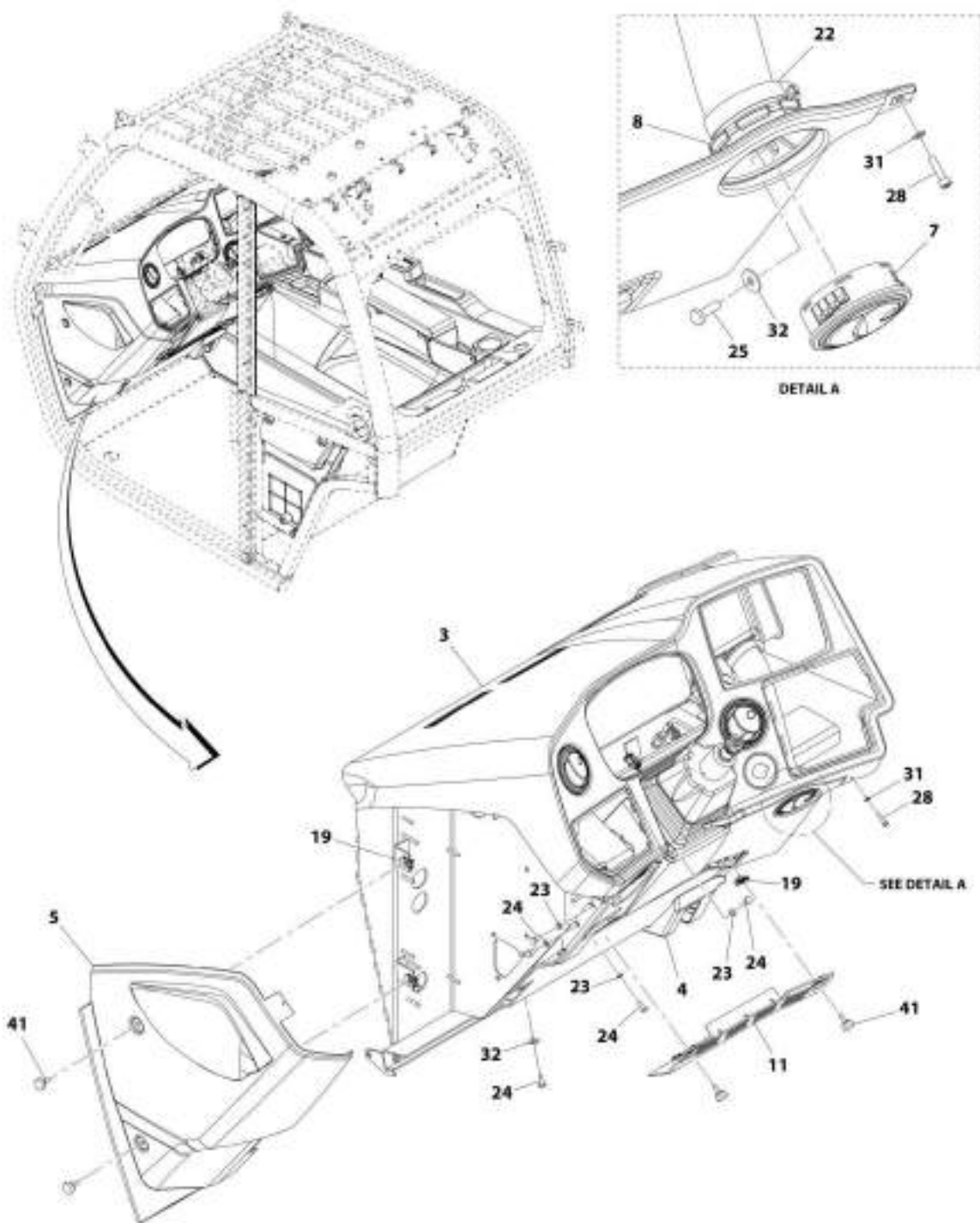
SECTION 6 - CAB

FIGURE 6-21. ENCLOSED CAB TRIM INSTALLATION (Prior to SN 1160008371)

ITEM	PART NUMBER	QTY	DESCRIPTION	REV
	1001167981	Ref	Enclosed Cab Trim Installation	K
3	1001169604	1	Assembly, Dash Cover (See Separate Breakdown in this Section)	
4	1001175903	1	Panel, Lower Dash	
5	1001161855	1	Panel, LH Dash	
6	1001161251	1	Panel, Cover	
7	1001147449	2	Vent, Air	
8	1001149278	2	Vent, Connector	
9	1001169603	1	Panel, Trinket Tray	
10	1001170518	1	Holder, Cup	
11	1001170506	1	Panel, Recirculation Grille Cover (See Separate Breakdown in this Section)	
12	1001170519	1	Assembly, Rear Panel Cover (See Separate Breakdown in this Section)	
14	1001161068	1	Panel, Cover	
19	8305919	2	Nut, M6	
21	3290605	2	Nut, Lock M6X1 Grade 8	
22	8405201	2	Clamp, Gear	
23	4811700	18	Washer, M6	
24	4010608002	20	Screw, M6X16	
25	4010610002	2	Screw, M6X20	
27	1001173965	1	Bezel, RH	
28	4031608	3	Bolt, M5X20	
31	4811600	3	Washer, M5	
32	4811702	12	Washer, M6	
33	1001181726	Ref	Installation, Adjustable Armrest (See Separate Breakdown in this Section)	
34	1001182834	1	Panel, Cover	
35	1001185870	1	Panel, Cover	
36	1001189182	1	Panel, Cover	
38	4031607	2	Bolt, M5-.8X16	
39	4010612002	3	Screw, M6X25	
41	1001208308	2	Bolt, M6X15	
42	1001148557	2	Washer, Star	
43	1001211907	1	Screw, Retainer	
44	4811602	2	Washer, 5M	

SECTION 6 - CAB

FIGURE 6-22. ENCLOSED CAB TRIM INSTALLATION (SN 1160008371 to Present)

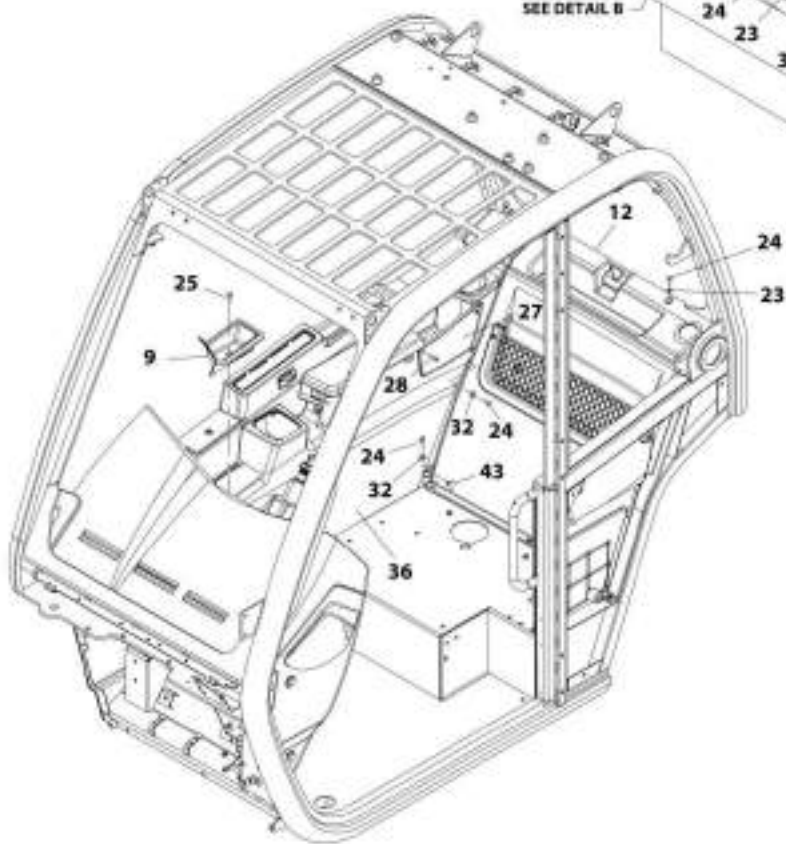
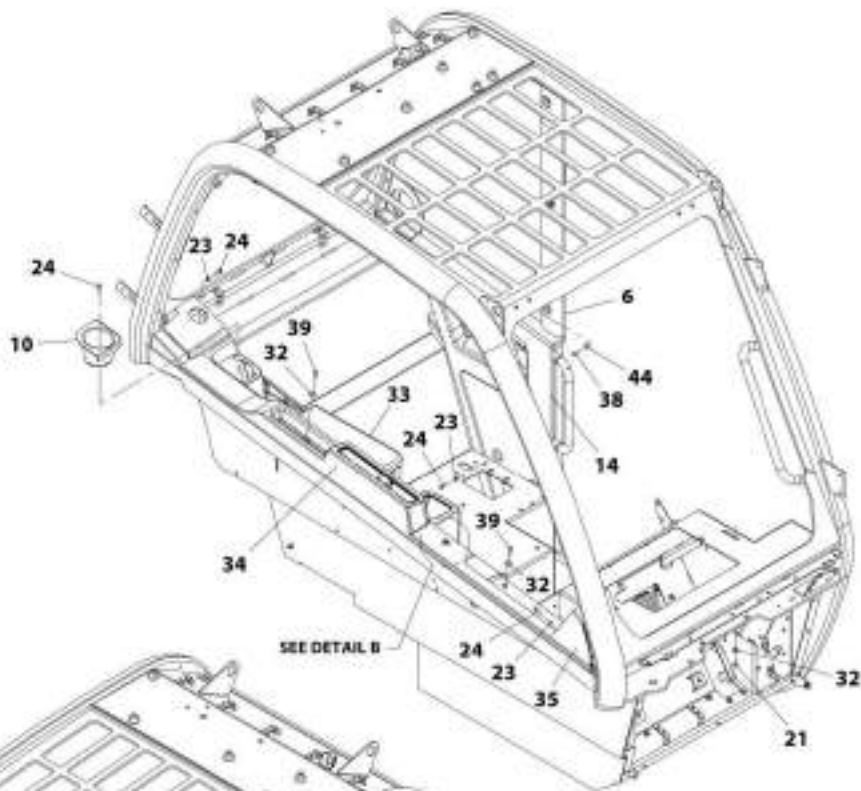


REF_1001167965_1-N

SECTION 6 - CAB



DETAIL B



ART.100167981_2/6

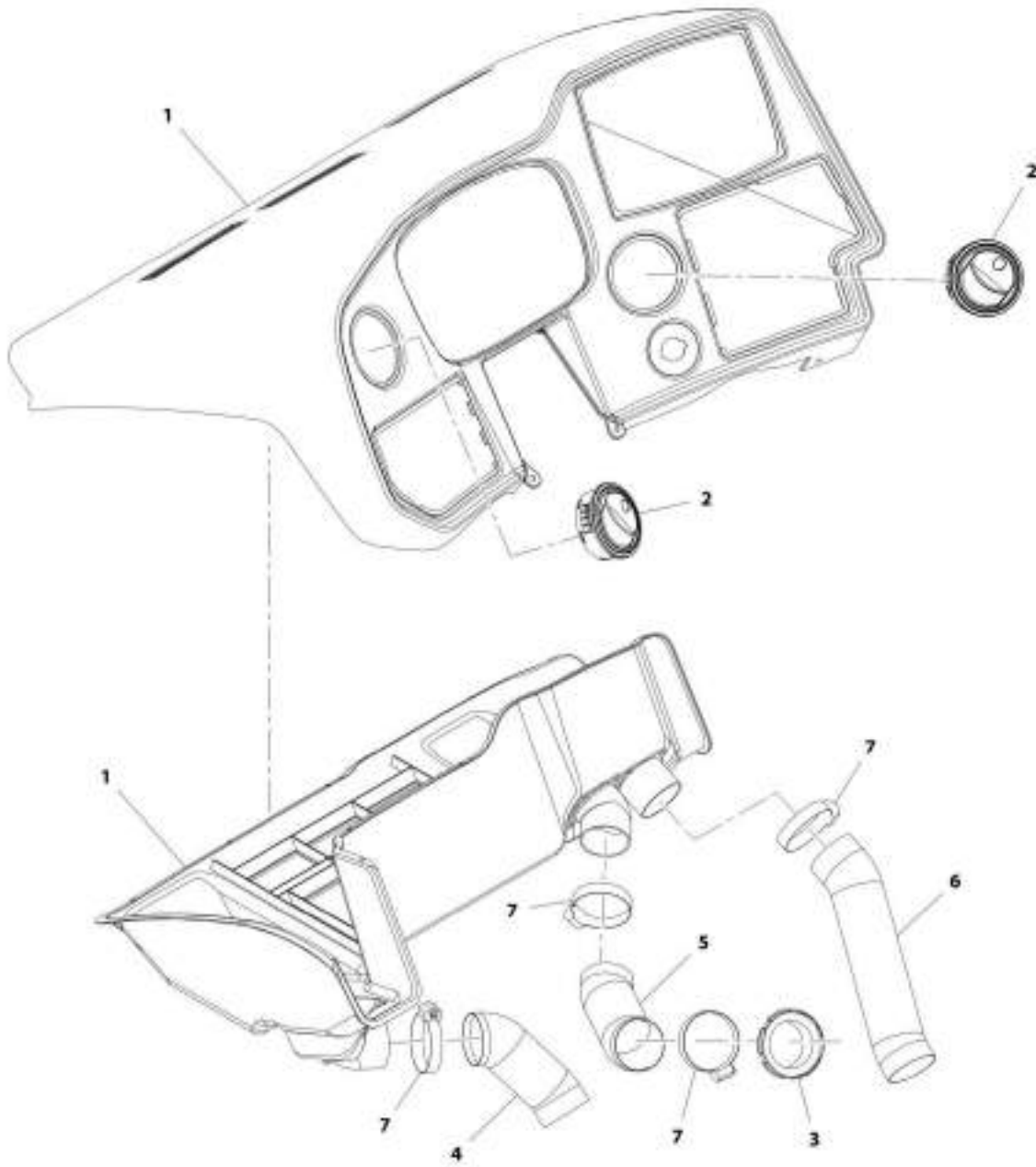
SECTION 6 - CAB

FIGURE 6-22. ENCLOSED CAB TRIM INSTALLATION (SN 1160008371 to Present)

ITEM	PART NUMBER	QTY	DESCRIPTION	REV
	1001167981	Ref	Enclosed Cab Trim Installation	N
3	1001169604	1	Assembly, Dash Cover (See Separate Breakdown in this Section)	
4	1001175903	1	Panel, Lower Dash	
5	1001161855	1	Panel, LH Dash	
6	1001219076	1	Panel, Cover	
7	1001147449	2	Vent, Air	
8	1001149278	2	Vent, Connector	
9	1001169603	1	Panel, Trinket Tray	
10	1001170518	1	Holder, Cup	
11	1001170504	1	Panel, Recirculation Grille Cover	
12	1001170519	1	Assembly, Rear Panel Cover (See Separate Breakdown in this Section)	
14	1001161068	1	Panel, Cover	
19	8305919	5	Nut, M6	
21	3290605	2	Nut, Lock M6X1 Grade 8	
22	8405201	2	Clamp, Gear	
23	4811700001	13	Washer, M6	
24	4010608002	20	Screw, M6X16	
25	4010610002	2	Screw, M6X20	
27	1001173965	1	Bezel, RH	
28	4031608001	3	Bolt, M5X20	
31	4811600	1	Washer, M5	
32	4811702001	12	Washer, M6	
33	1001181726	Ref	Installation, Adjustable Armrest (See Separate Breakdown in this Section)	
34	1001182834	1	Panel, Cover	
35	1001185870	1	Panel, Cover	
36	1001189182	1	Panel, Cover	
38	4010508002	3	Bolt, M5-.8X16	
39	4010612002	3	Screw, M6X25	
41	1001208308	4	Bolt, M6X15	
43	1001211907	1	Screw, Retainer	
44	4811602001	3	Washer, 5M	
45	1001098150	1	Washer, M6	
46	1001132564	1	Screw M6X20	

SECTION 6 - CAB

FIGURE 6-23. DASH COVER ASSEMBLY



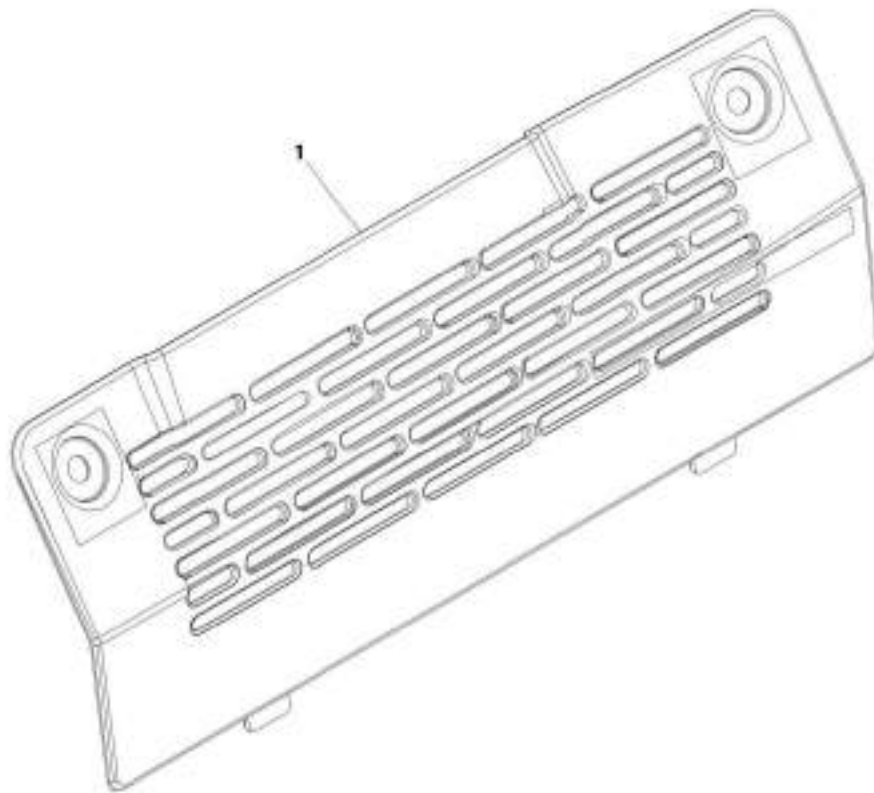
ART. 530118804-C

FIGURE 6-23. DASH COVER ASSEMBLY

ITEM	PART NUMBER	QTY	DESCRIPTION	REV
	1001169604	Ref	Dash Cover Assembly (Construction)	C
1	1001161851	1	Panel, Top Dash	
2	1001147449	2	Vent, Air	
3	1001149278	1	Vent, Connector	
4	1001174652	1	Hose	
5	1001174653	1	Hose	
6	1001174655	1	Hose	
7	8405201	4	Clamp, Gear	

SECTION 6 - CAB

FIGURE 6-24. RECIRCULATION GRILLE COVER PANEL ASSEMBLY (Prior to SN 1160008371)



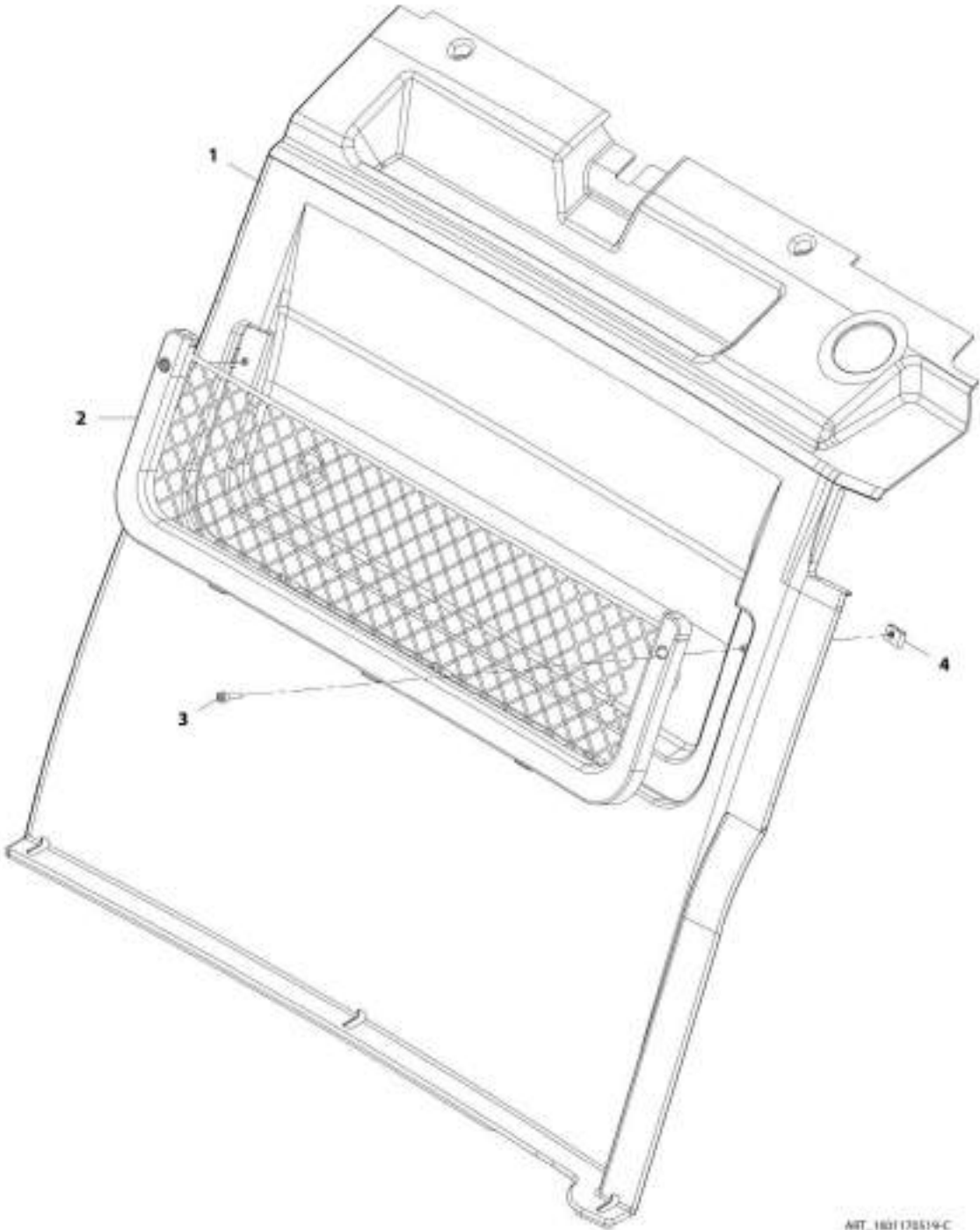
AWT_100170506-F

FIGURE 6-24. RECIRCULATION GRILLE COVER PANEL ASSEMBLY (Prior to SN 1160008371)

ITEM	PART NUMBER	QTY	DESCRIPTION	REV
1	1001170506	1	Recirculation Grille Cover Panel Assembly	F
	1001170504	1	Cover, HVAC Recirc Grille	

SECTION 6 - CAB

FIGURE 6-25. REAR PANEL COVER ASSEMBLY



ART_180178519-C

FIGURE 6-25. REAR PANEL COVER ASSEMBLY

ITEM	PART NUMBER	QTY	DESCRIPTION	REV
	1001170519	Ref	Rear Panel Cover Assembly	C
1	1001161067	1	Panel, Rear	
2	1001170514	1	Storage Net, Rear Panel	
3	4031608	2	Bolt, M5X20	
4	1001183550	2	Nut, Cage M5	

SECTION 6 - CAB

FIGURE 6-26. ADJUSTABLE ARMREST INSTALLATION

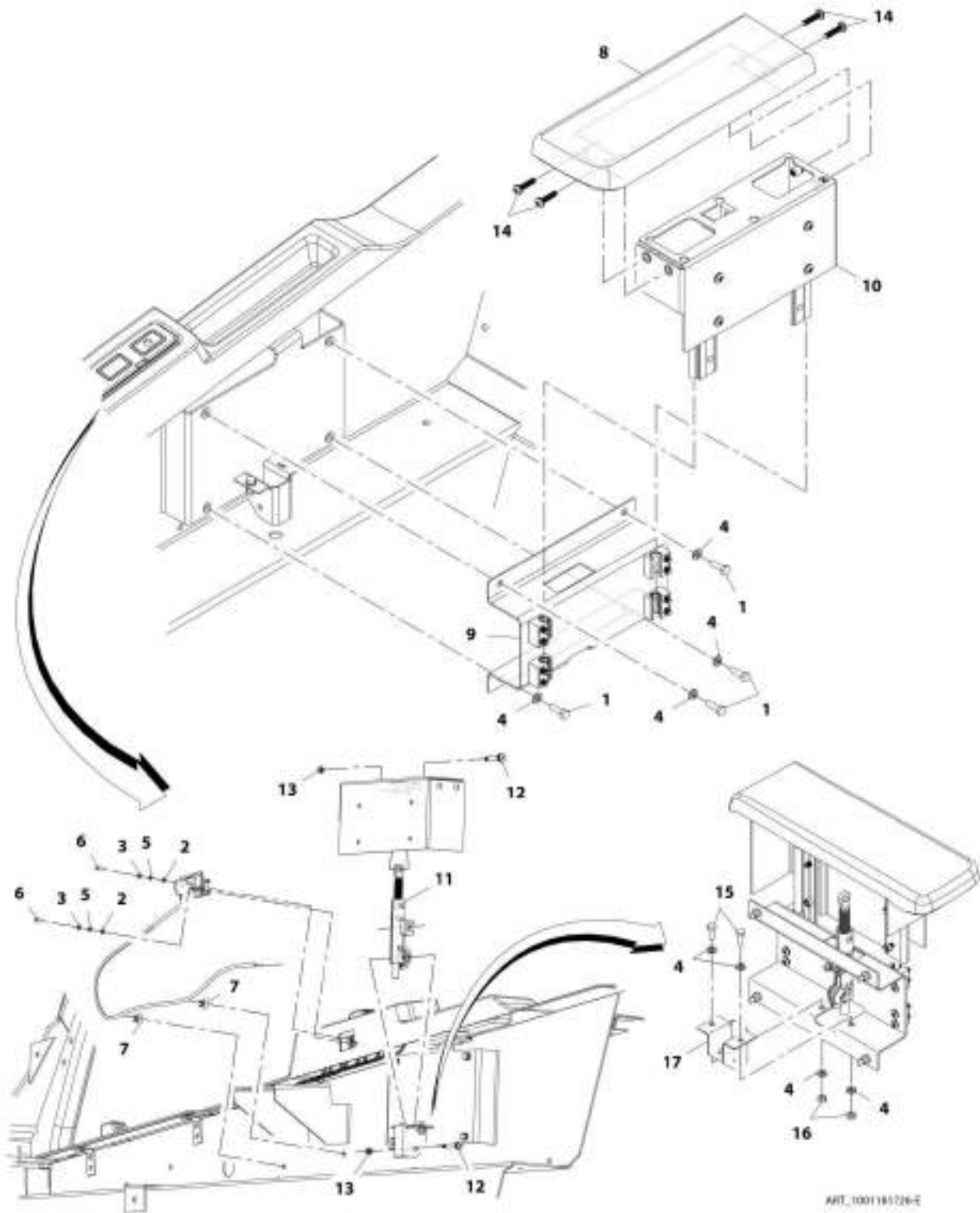
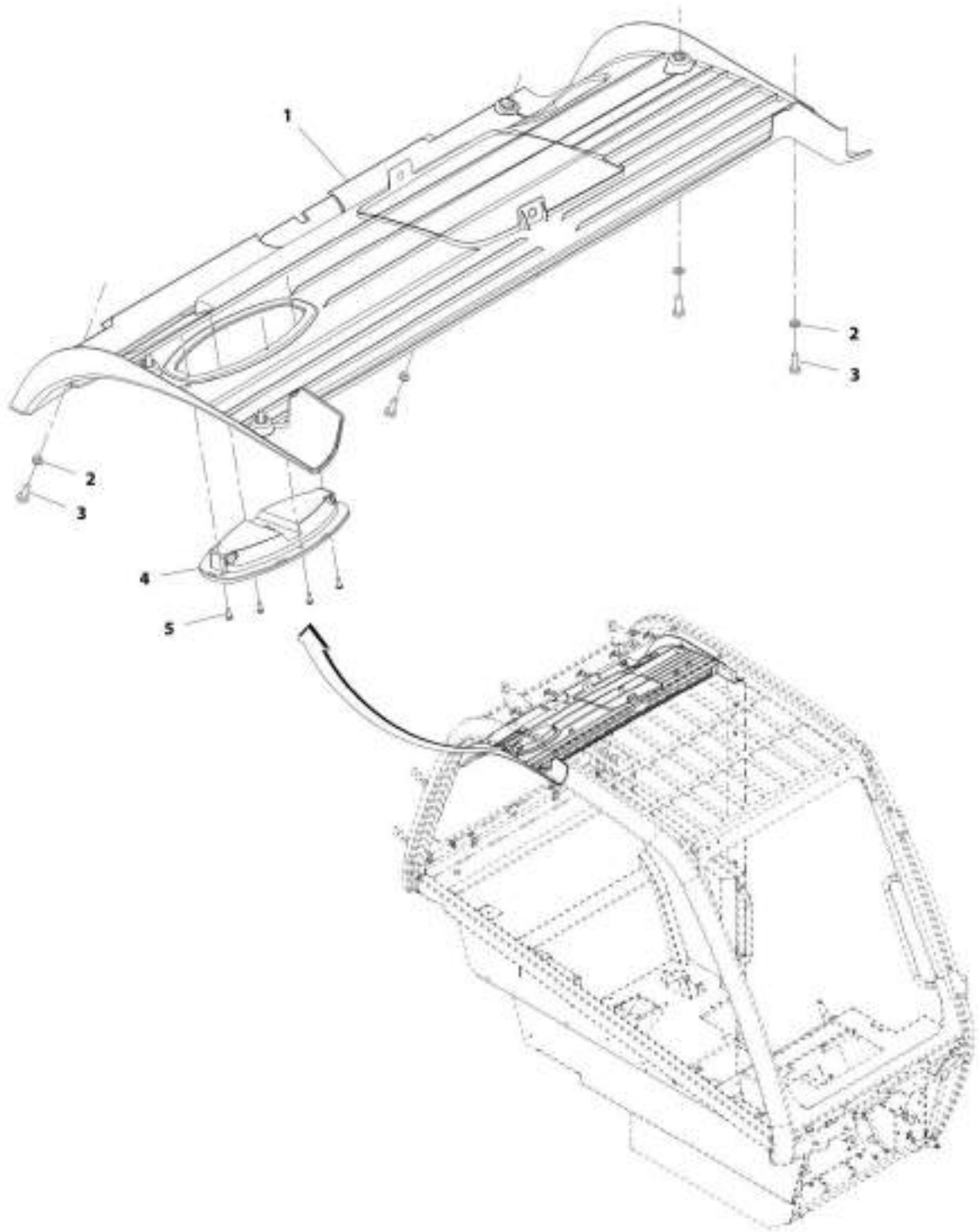


FIGURE 6-26. ADJUSTABLE ARMREST INSTALLATION

ITEM	PART NUMBER	QTY	DESCRIPTION	REV
	1001181726	Ref	Adjustable Armrest Installation	E
1	0700610	4	Bolt, M6X20	
2	3290401	2	Nut, M4X0.7	
3	4811400	2	Washer, M4	
4	4811700	8	Washer, M6	
5	4831400	2	Washer, Lock M4	
6	1001097244	2	Screw, M4X12	
7	1001165458	4	Hose	
8	1001191281	1	Armrest	
9	1001191283	1	Bracket, Fixed Armrest	
10	1001191284	1	Bracket, Moving Armrest	
11	1001191285	1	Spring	
12	1001191370	2	Screw, M6	
13	3290605	2	Nut, M6X1 Grade 8	
14	4010612002	4	Screw, M6X25	
15	0760608	2	Bolt, M6X16	
16	3290601	2	Nut, M6X1	
17	1001212468	1	Bracket, Locking Spring Mount	

SECTION 6 - CAB

FIGURE 6-27. HEADLINER INSTALLATION



MIT_3001179716.C

FIGURE 6-27. HEADLINER INSTALLATION

ITEM	PART NUMBER	QTY	DESCRIPTION	REV
	1001170718	Ref	Headliner Installation	C
1	1001170716	1	Panel, Headliner	
2	4811700	6	Washer, M6	
3	4010610002	6	Screw, M6X20	
4	1001167015	1	Lamp	
5	7029486	4	Screw	

SECTION 6 - CAB

FIGURE 6-28. HEADLINER/RADIO READY INSTALLATION

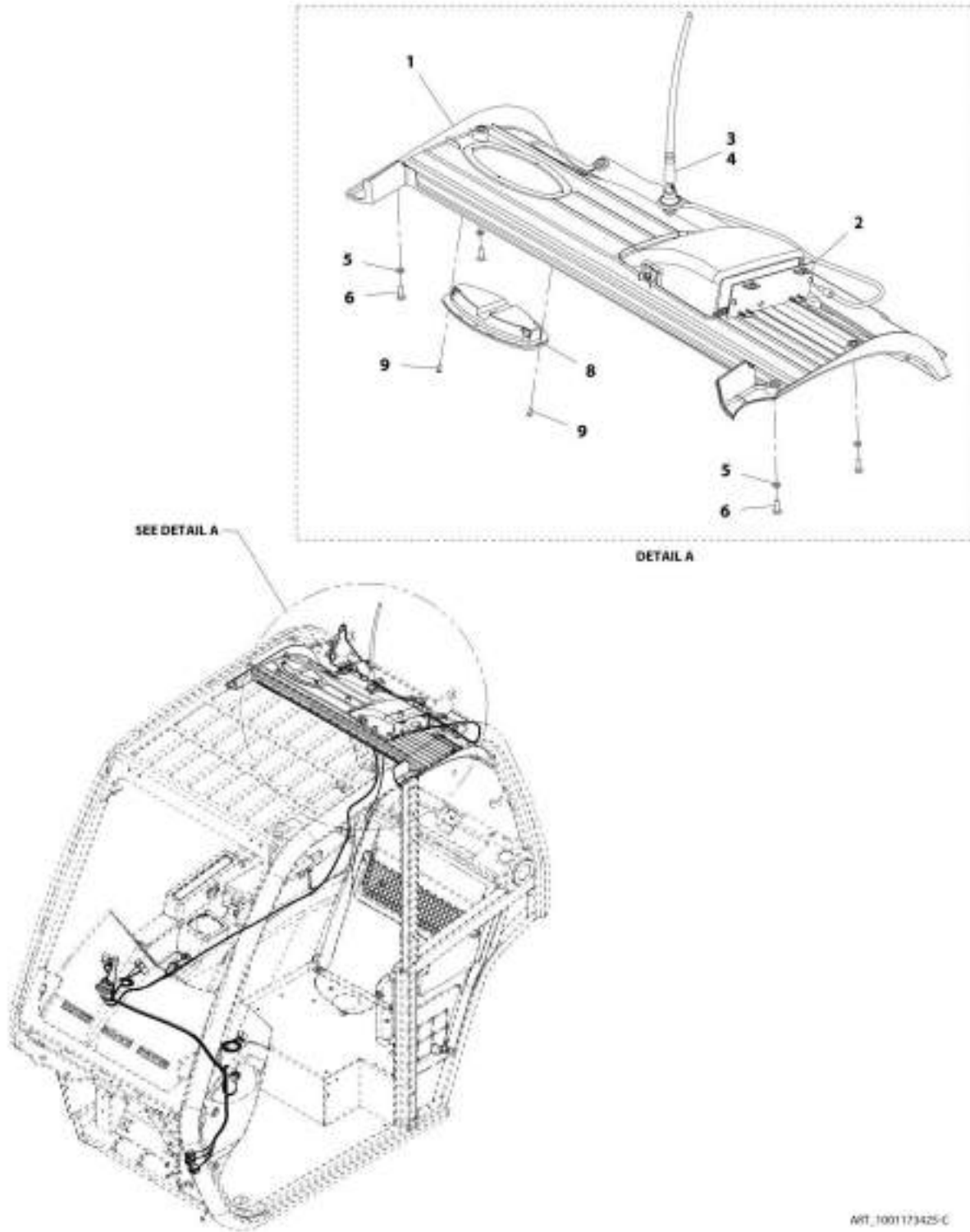
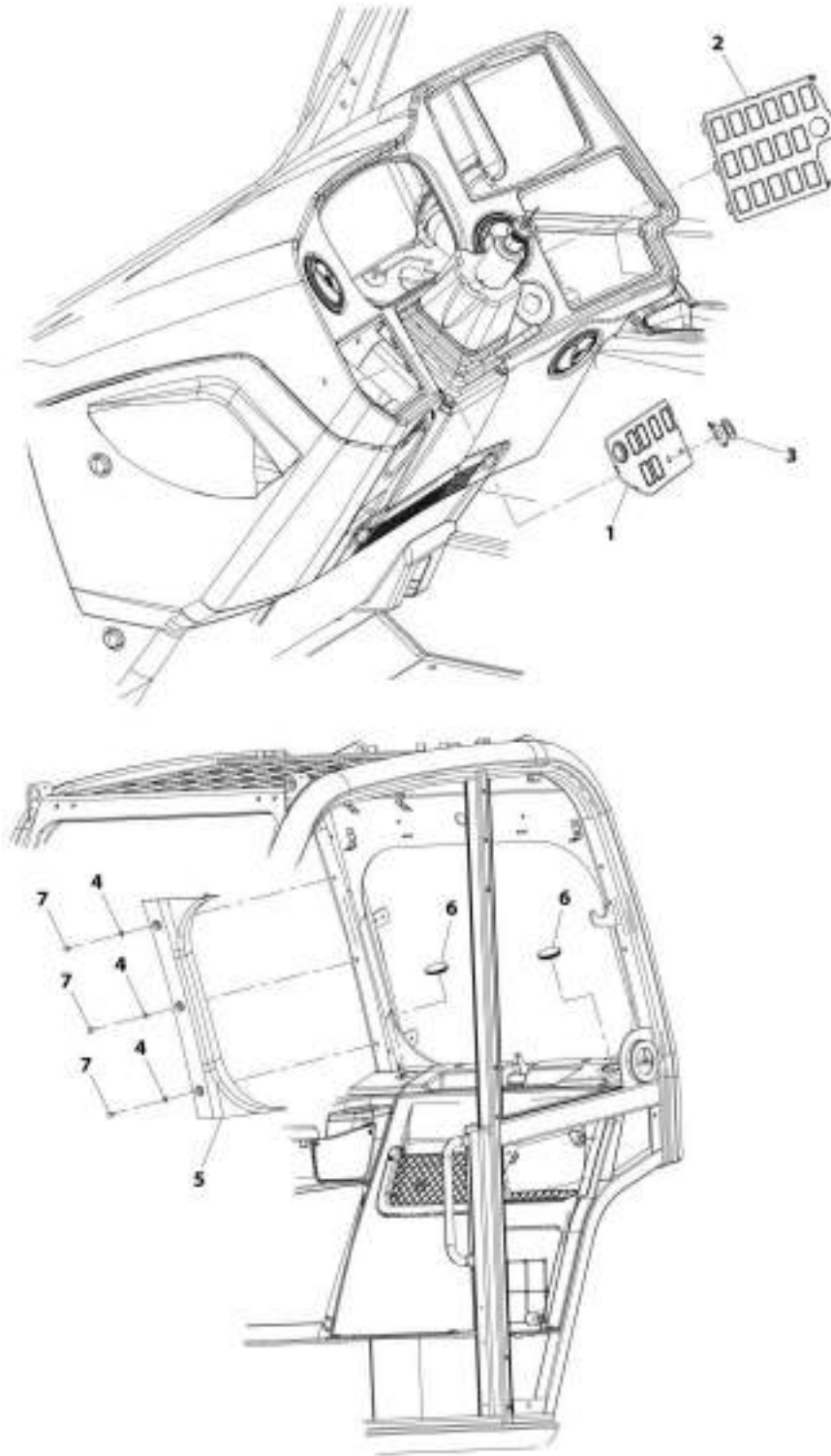


FIGURE 6-28. HEADLINER/RADIO READY INSTALLATION

ITEM	PART NUMBER	QTY	DESCRIPTION	REV
	1001173425	Ref	Headliner/Radio Ready Installation	C
1	1001182836	1	Cover, Headliner	
2	1001200968	1	Plate	
3	8005901	1	Antenna	
4	1001116128	AR	Sealant, Polysiloxane	
5	4811700	6	Washer, 6M	
6	4010610002	6	Screw, M6X20	
8	1001167015	1	Lamp	
9	7029486	4	Screw	

SECTION 6 - CAB

FIGURE 6-29. COMMON CAB TRIM INSTALLATION



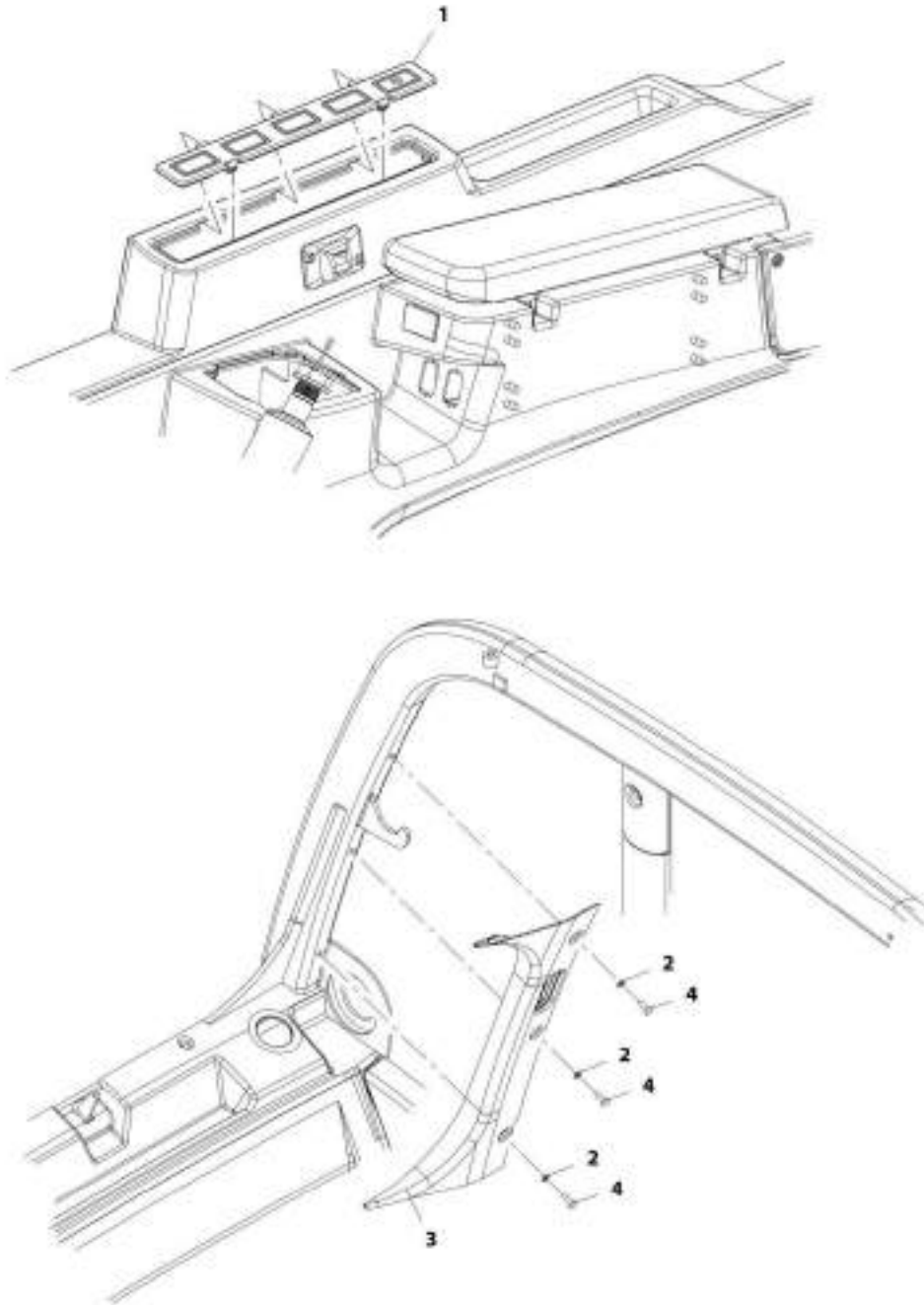
AIT_1001200644-D

FIGURE 6-29. COMMON CAB TRIM INSTALLATION

ITEM	PART NUMBER	QTY	DESCRIPTION	REV
	1001200694	Ref	Common Cab Trim Installation	D
1	1001219864	1	Panel, LH Switch	
2	1001219865	1	Panel, RH Switch	
3	1001184975	1	Decal, HVAC	
4	4811700001	3	Washer, M6	
5	1001161253	1	Panel, Cover	
6	1001223265	2	Grommet	
7	4010608002	3	Screw, M6X16	

SECTION 6 - CAB

FIGURE 6-30. CAB TRIM INSTALLATION (Prior to SN 1160008371)



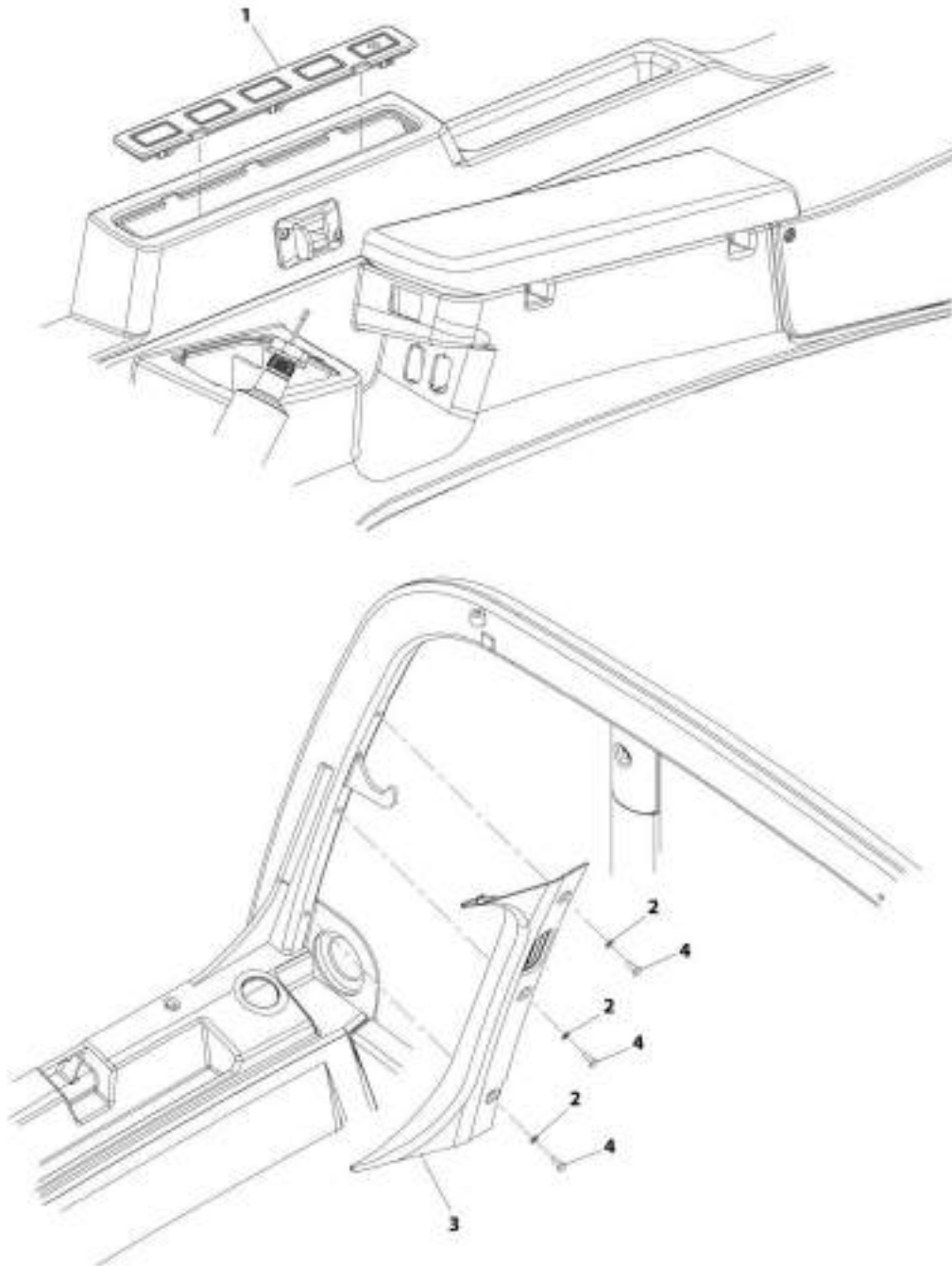
ART_1061201207-B

FIGURE 6-30. CAB TRIM INSTALLATION (Prior to SN 1160008371)

ITEM	PART NUMBER	QTY	DESCRIPTION	REV
	1001201207	Ref	Cab Trim Installation	B
1	1001177464	1	Plate, Switch	
2	4811700	1	Washer, M6	
3	1001161252	1	Panel, Cover	
4	4010608002	3	Screw, M6X16	

SECTION 6 - CAB

FIGURE 6-31. CAB TRIM INSTALLATION (SN 1160008371 to Present)



ART_1001301207-C

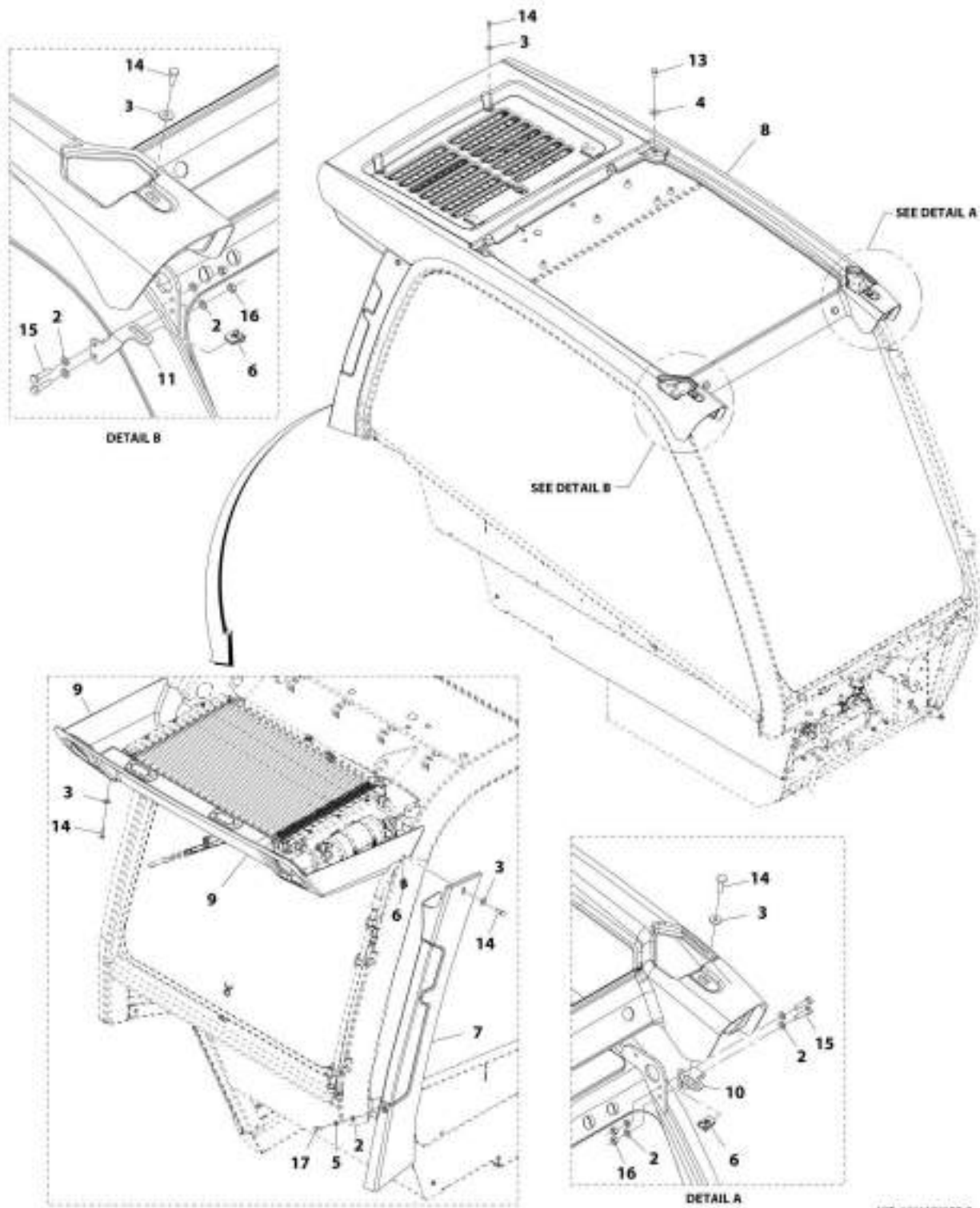
SECTION 6 - CAB

FIGURE 6-31. CAB TRIM INSTALLATION (SN 1160008371 to Present)

ITEM	PART NUMBER	QTY	DESCRIPTION	REV
	1001201207	Ref	Cab Trim Installation	C
1	1001219863	1	Panel, Switch	
2	4811700001	3	Washer, M6	
3	1001161252	1	Panel, Cover	
4	4010608002	3	Screw, M6X16	

SECTION 6 - CAB

FIGURE 6-32. ROOF CAP INSTALLATION (A/C)



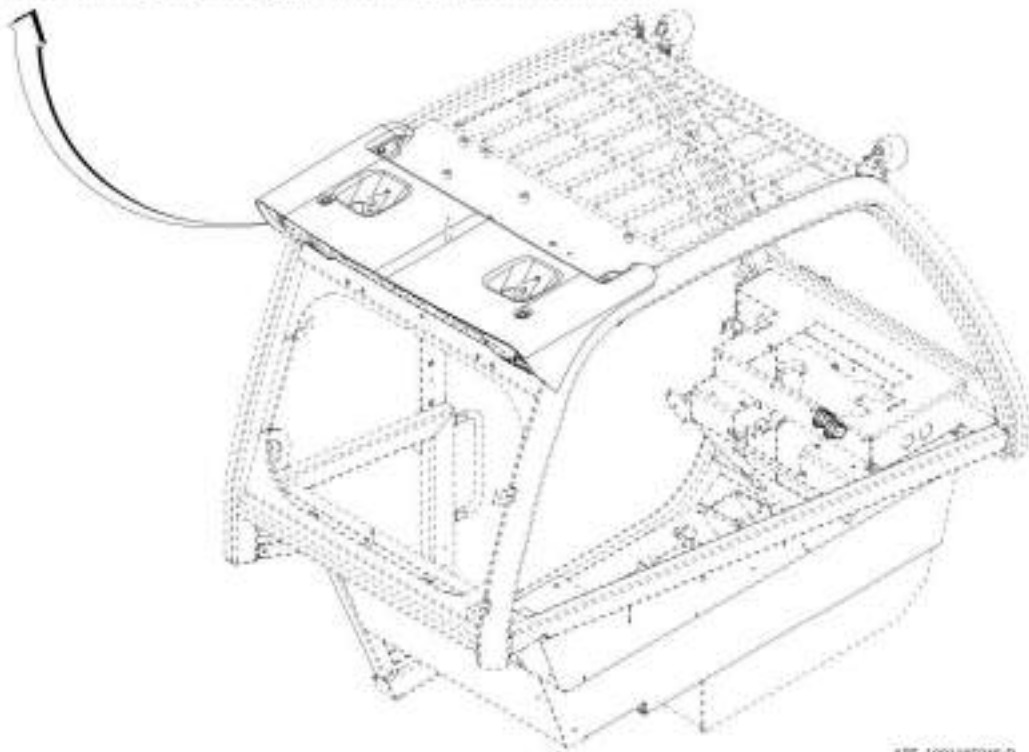
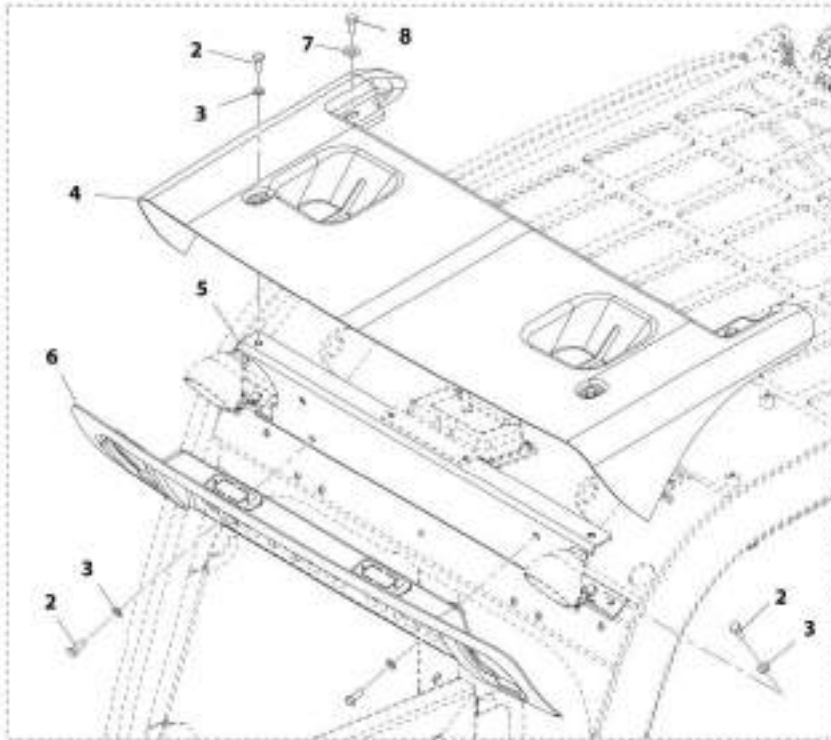
ART 1001176257-G

FIGURE 6-32. ROOF CAP INSTALLATION (A/C)

ITEM	PART NUMBER	QTY	DESCRIPTION	REV
	1001176257	Ref	Roof Cap Installation (A/C)	G
2	4811700	9	Washer, M6	
3	4811702	10	Washer, M6	
4	4811902	2	Washer, M8	
5	4831700	1	Washer, Lock M6	
6	8305919	3	Nut, M6	
7	1001174741	1	Cover	
8	1001176140	1	Cover	
9	1001176318	1	Cover	
10	1001174800	1	Bracket	
11	1001174801	1	Bracket	
13	0760608	2	Bolt, M6X16	
14	4010610002	10	Screw, Posi-Drive M6X20	
15	0700612	4	Bolt, M6X25	
16	3290601	4	Nut, M6X1	
17	4010608002	1	Screw, Posi-Drive, M6X16	

SECTION 6 - CAB

FIGURE 6-33. ROOF CAP INSTALLATION (NO A/C)



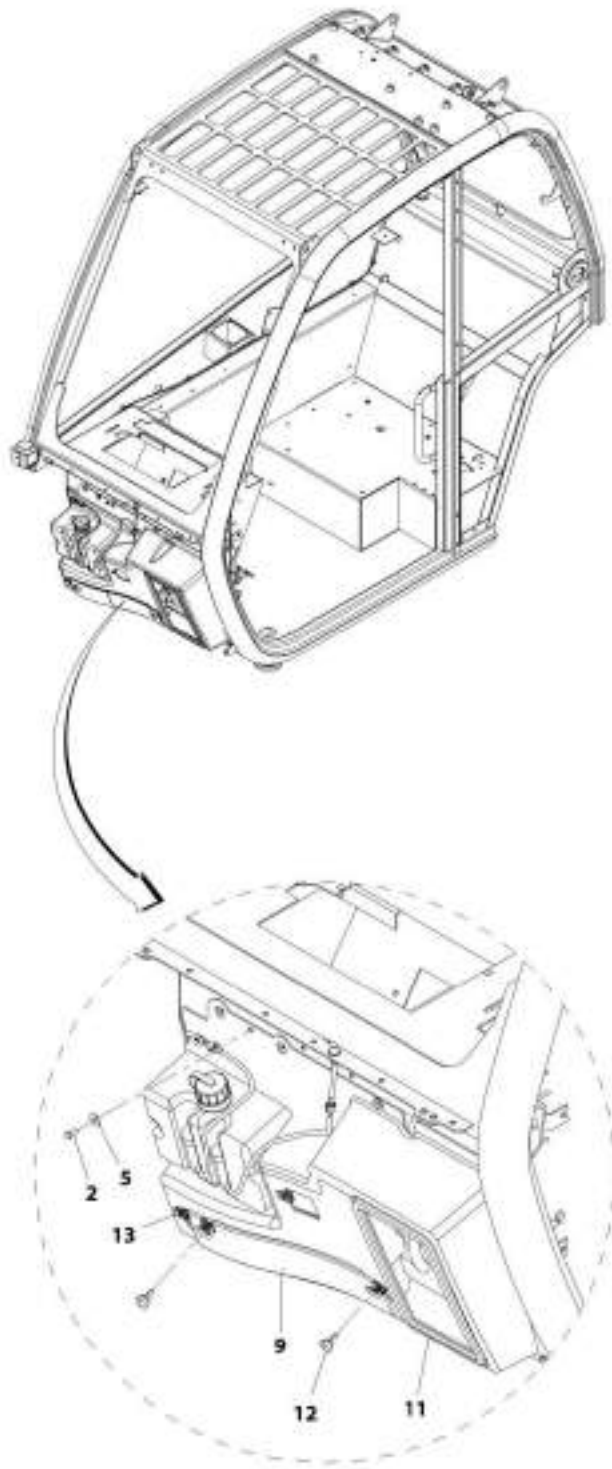
ART_1001185246-D

FIGURE 6-33. ROOF CAP INSTALLATION (NO A/C)

ITEM	PART NUMBER	QTY	DESCRIPTION	REV
	1001185848	Ref	Roof Cap Installation (No A/C - AG)	D
2	0760810	8	Bolt, M8X20	
3	4811900	8	Washer, M8	
4	1001182330	1	Cover, Short Upper Roof Cap	
5	1001185633	1	Bracket, Roof Cap Mount	
6	1001185845	1	Cover, Short Lower Roof Cap	
7	4811902	2	Washer, M8	
8	0760808	2	Bolt, M8X16	

SECTION 6 - CAB

FIGURE 6-34. FRONT COVER INSTALLATION



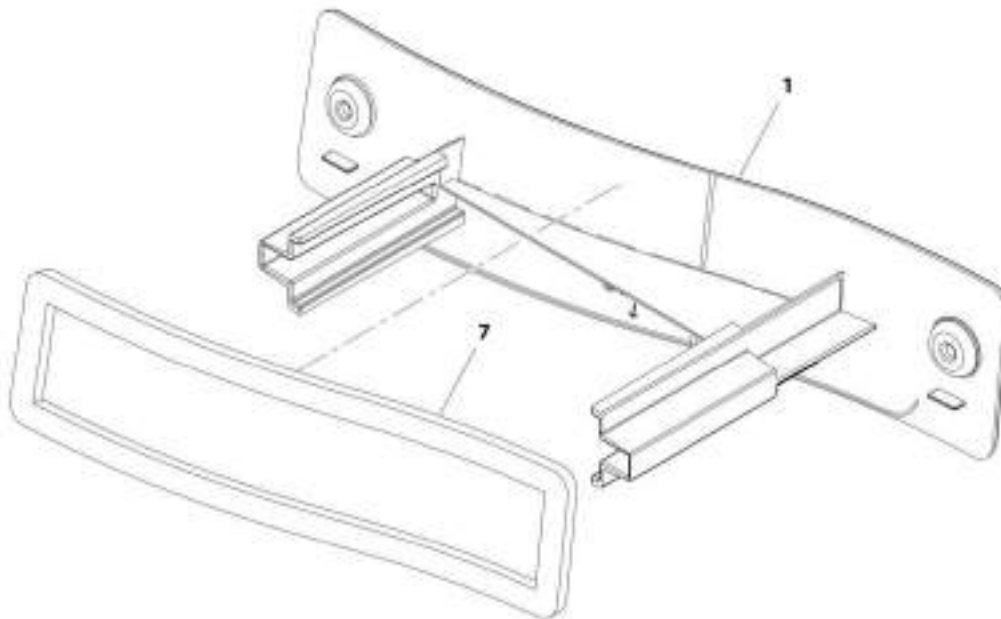
ART_100170M6-G

FIGURE 6-34. FRONT COVER INSTALLATION

ITEM	PART NUMBER	QTY	DESCRIPTION	REV
	1001170366	Ref	Front Cover Installation	G
2	0760608	7	Bolt, M6X16	
5	4811702	7	Washer, M6	
9	1001175471	1	Panel, Filter Tray (See Separate Breakdown in this Section)	
11	1001176121	1	Cover, Front Duct (See Separate Breakdown in this Section)	
12	2080092	2	Thumb Screw, M6X16	
13	8305919	4	Nut, M6	

SECTION 6 - CAB

FIGURE 6-35. FILTER TRAY PANEL



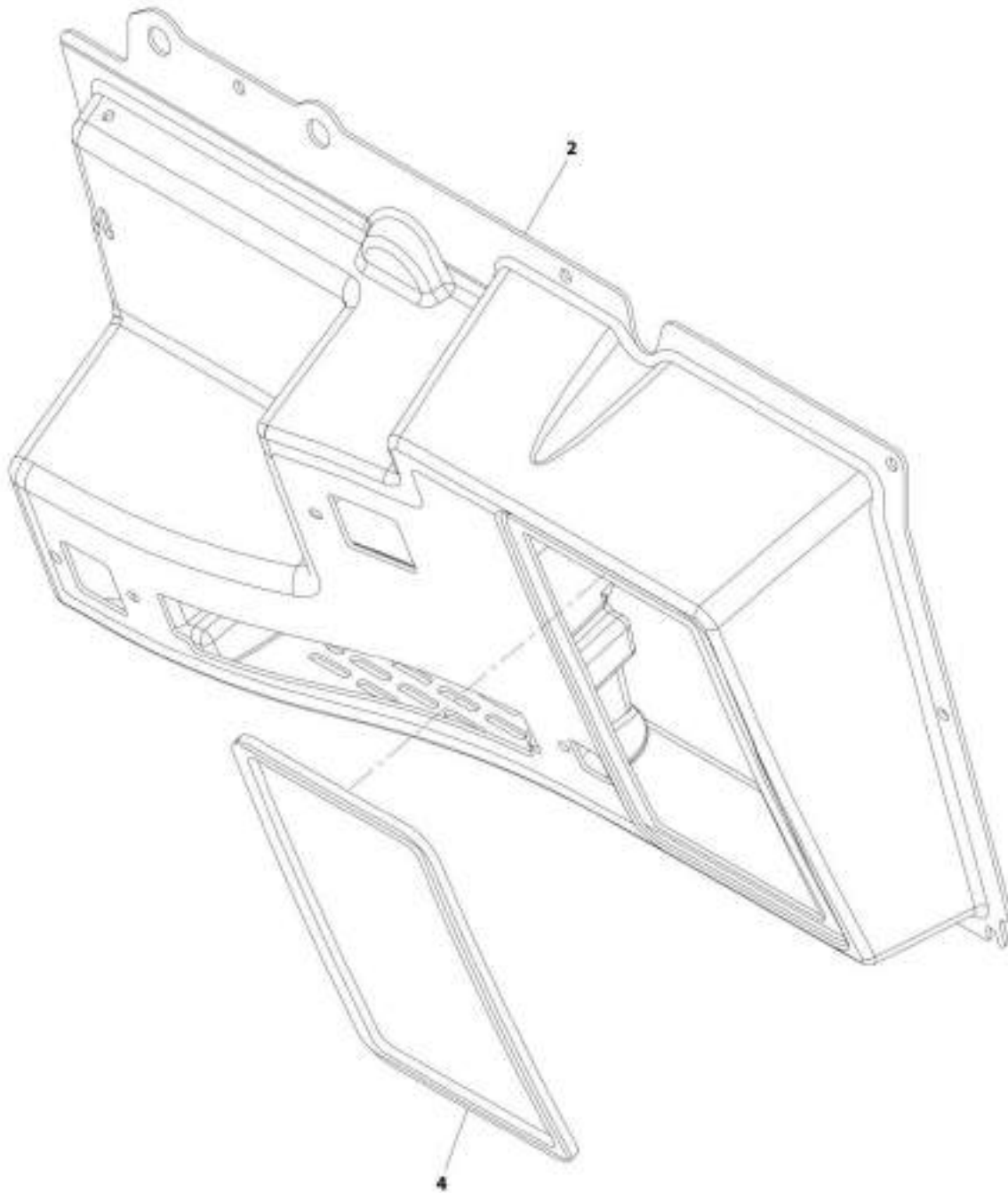
ART_100175471-D

FIGURE 6-35. FILTER TRAY PANEL

ITEM	PART NUMBER	QTY	DESCRIPTION	REV
	1001175471	Ref	Filter Tray Panel	D
1	1001170993	1	Panel, Front Inlet	
7	1001171767	1	Cab, Front Panel Seal	

SECTION 6 - CAB

FIGURE 6-36. FRONT DUCT COVER



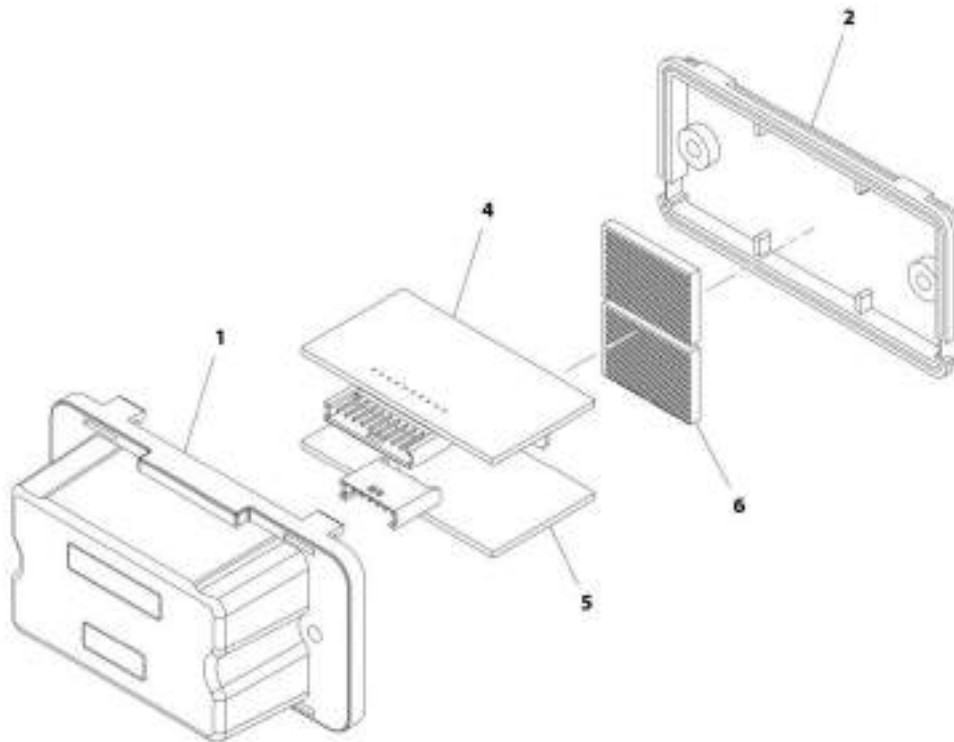
ART_3001176121-G

FIGURE 6-36. FRONT DUCT COVER

ITEM	PART NUMBER	QTY	DESCRIPTION	REV
	1001176121	Ref	Font Duct Cover	G
2	1001170326	1	Cover, Front	
4	1001175470	1	Seal, Front Cab Panel	

SECTION 6 - CAB

FIGURE 6-37. HVAC CAB ACTUATOR



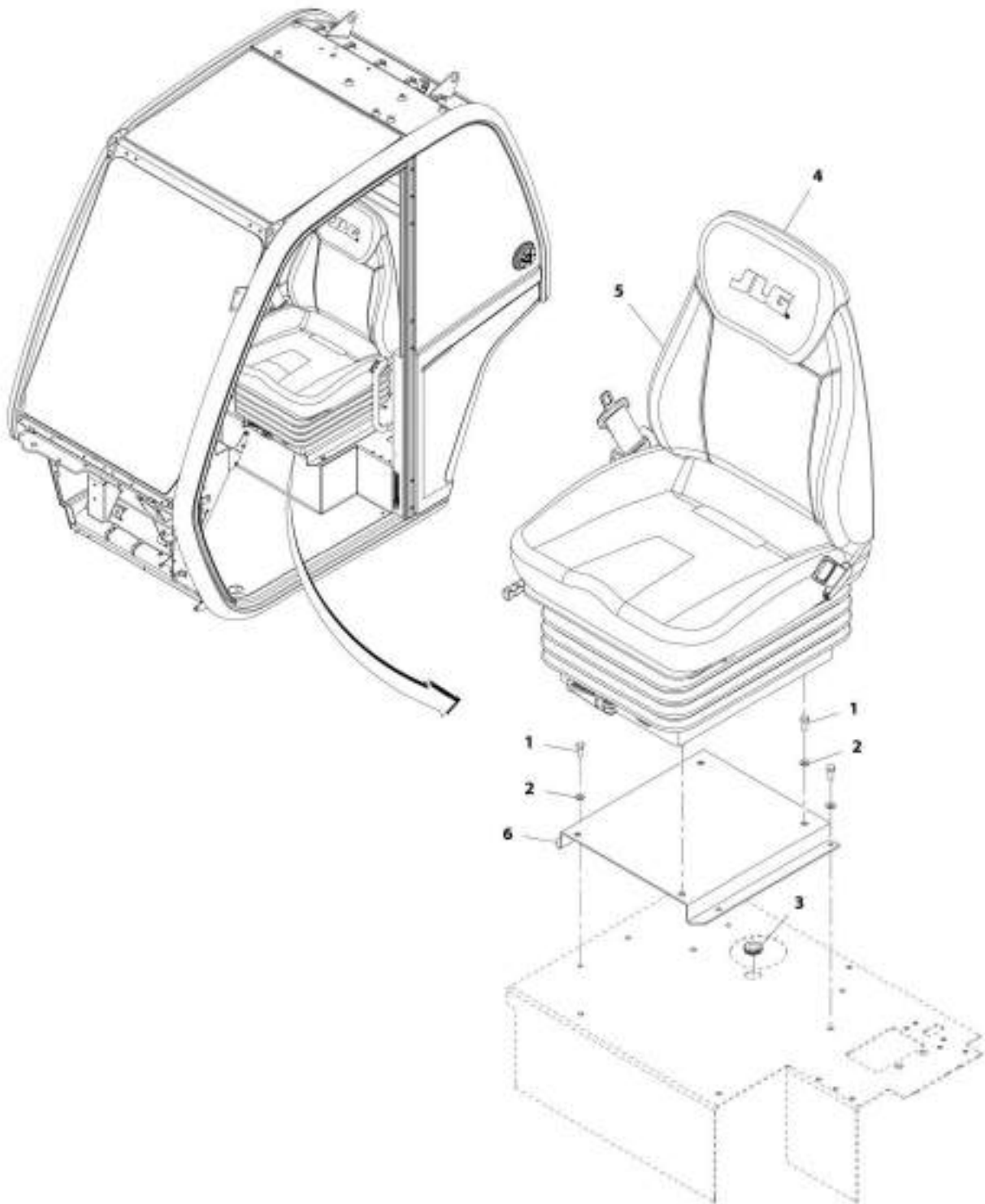
ART_1001172551-C

FIGURE 6-37. HVAC CAB ACTUATOR

ITEM	PART NUMBER	QTY	DESCRIPTION	REV
	1001172551	Ref	HVAC Cab Actuator	C
1	1001184306	1	Box, Heater Controller	
2	1001184307	1	Base, Heater Controller Box	
4	1001184309	1	Board, Heater Control	
5	1001184310	1	Board, Heater Control	
6	1001189980	2	Insulator, Heater Controller Box	

SECTION 6 - CAB

FIGURE 6-38. SEAT INSTALLATION (MECHANICAL)



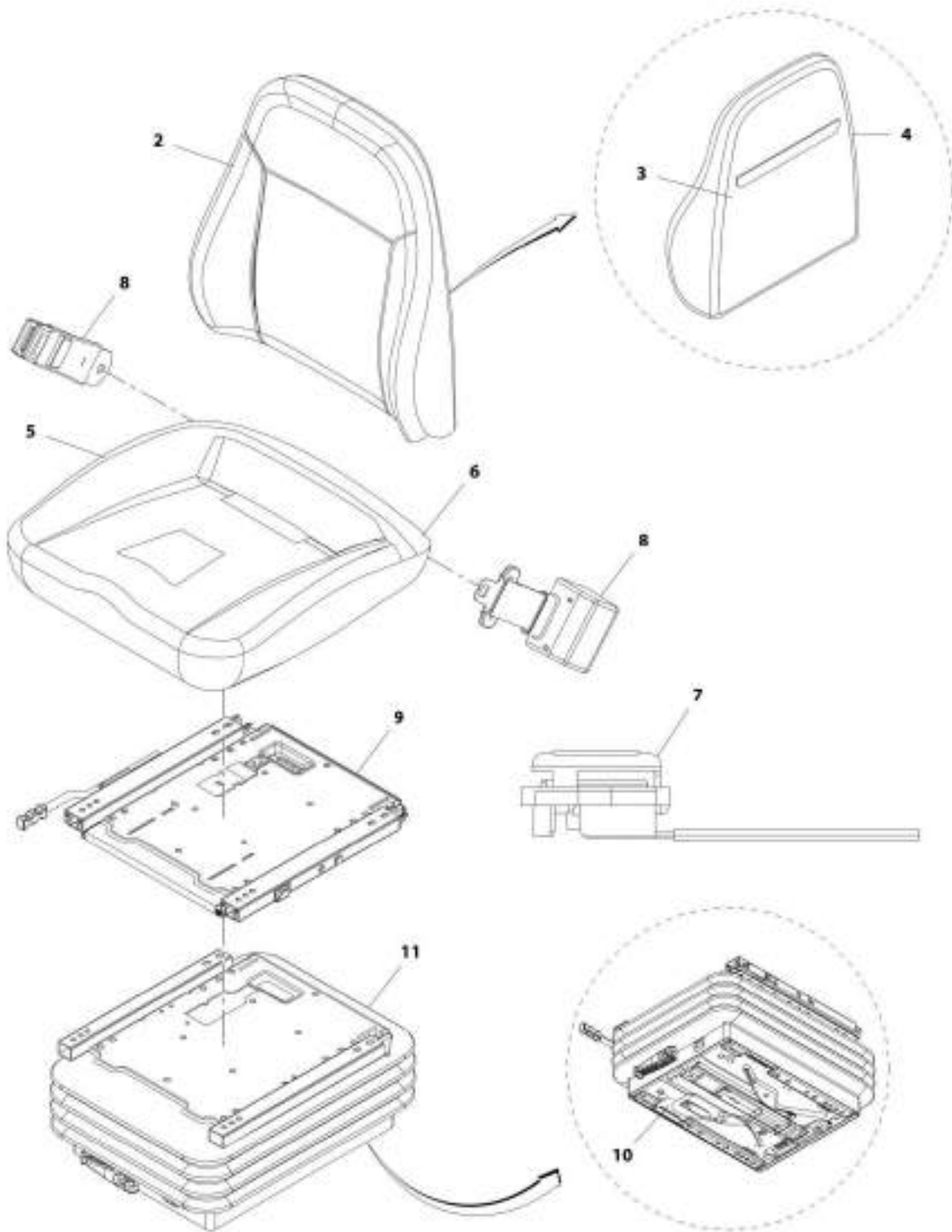
AWT_1001205782-B

FIGURE 6-38. SEAT INSTALLATION (MECHANICAL)

ITEM	PART NUMBER	QTY	DESCRIPTION	REV
	1001205782	Ref	Seat Installation (Mechanical - JLG)	B
1	0760810	8	Bolt, M8X20	
2	4811900	8	Washer, M8	
3	1001216974	1	Grommet	
4	1001119467	1	Headrest, Cloth	
5	1001150294	1	Seat, Assembly (See Separate Breakdown in this Section)	
6	1001205514	1	Plinth, Seat	

SECTION 6 - CAB

FIGURE 6-39. SEAT ASSEMBLY



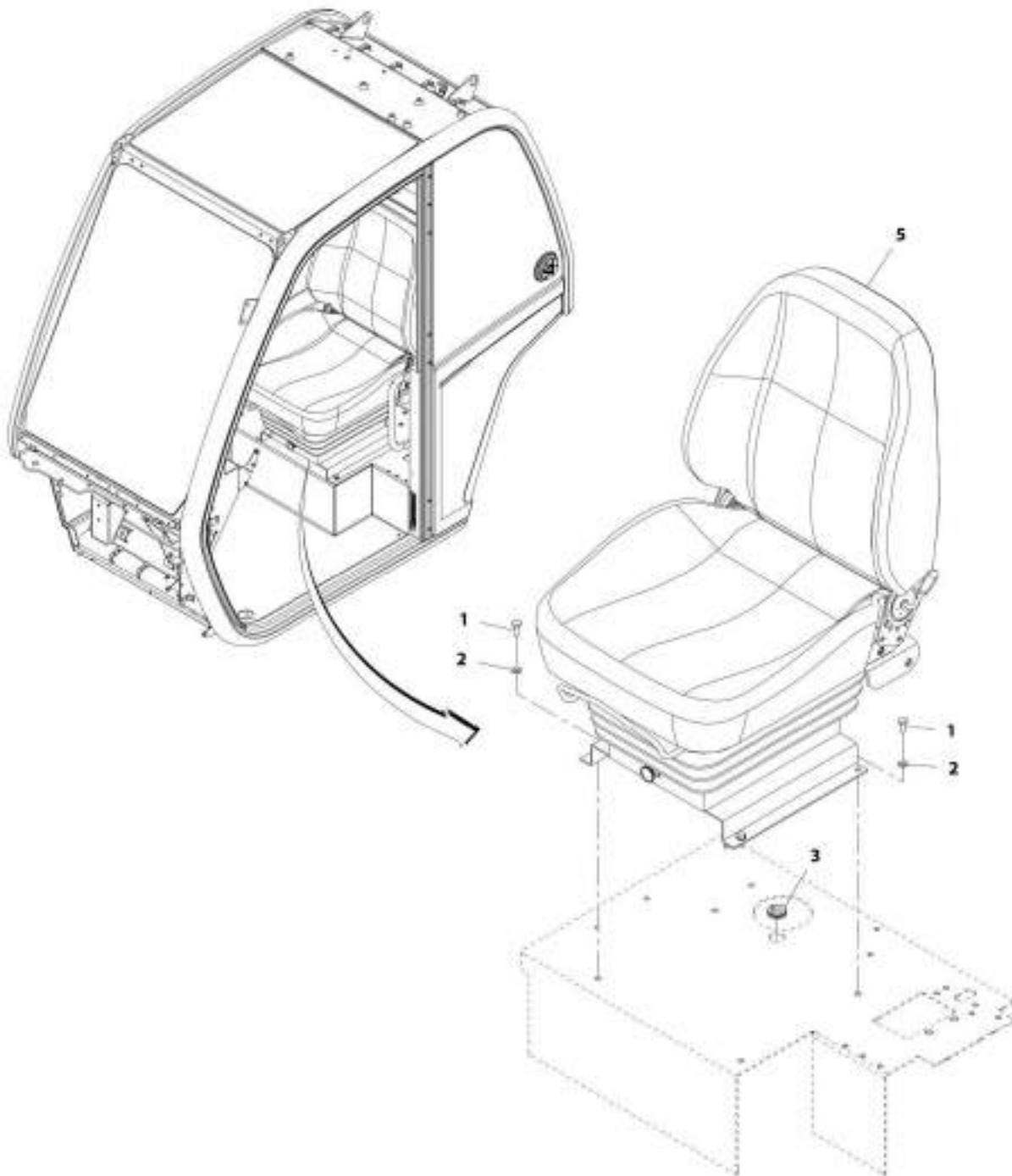
ART_1001190294-E

FIGURE 6-39. SEAT ASSEMBLY

ITEM	PART NUMBER	QTY	DESCRIPTION	REV
	1001150294	1	Seat Assembly	E
2	70025489	1	Fabric, Upper Seat	
3	70025490	1	Cover, Back	
4	70025483	1	Foam, Back	
5	70025491	1	Cover, Seat	
6	70025485	1	Foam, Seat	
7	70025486	1	Switch, Contact	
8	7029767	1	Belt, Seat	
9	70021252	1	Rail, Slide	
10	70021251	1	Unit, Suspension	
11	70022034	1	Cover, Rubber	

SECTION 6 - CAB

FIGURE 6-40. SEAT INSTALLATION (AIR SUSPENSION - STANDARD)



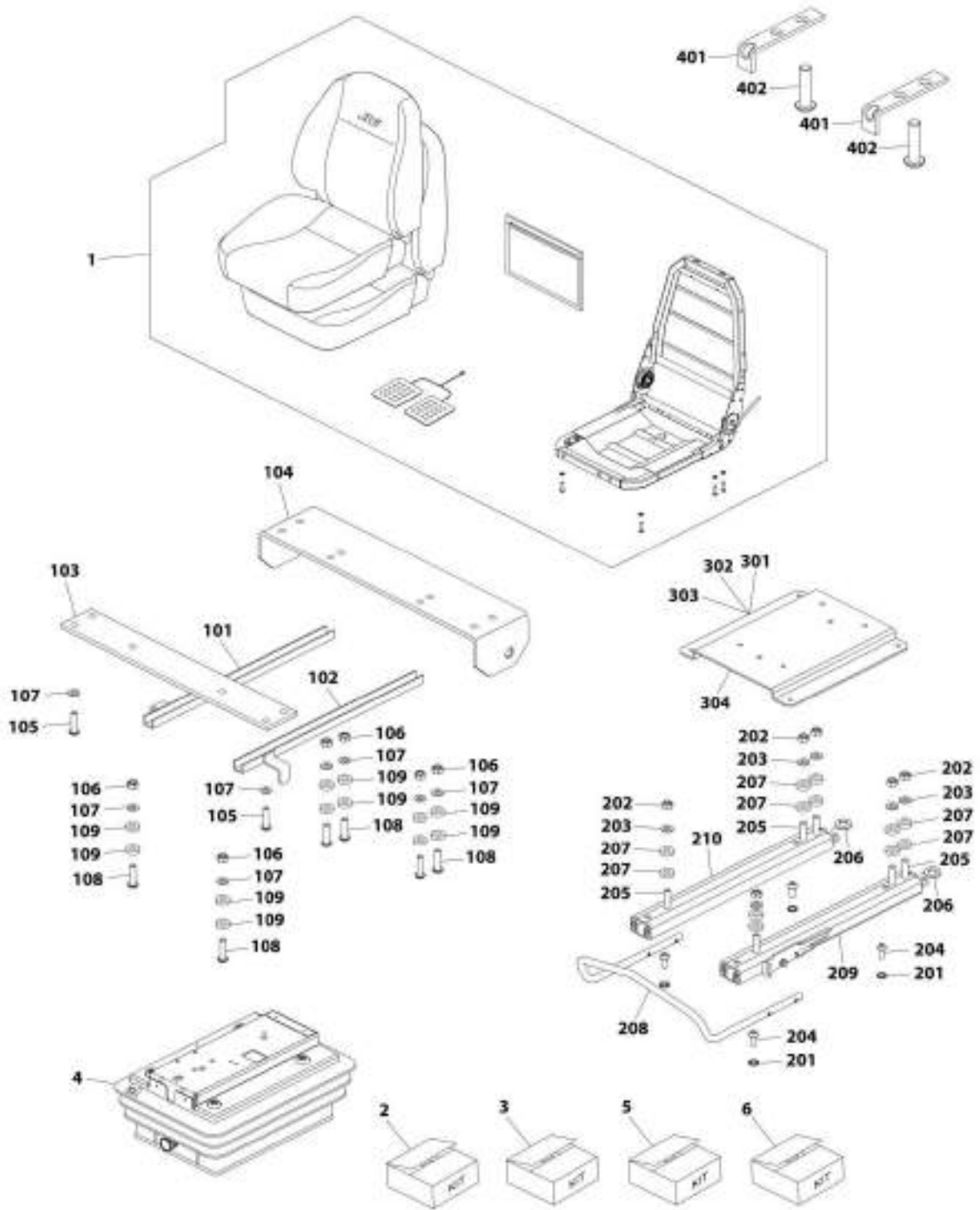
ART_100119836-D

FIGURE 6-40. SEAT INSTALLATION (AIR SUSPENSION - STANDARD)

ITEM	PART NUMBER	QTY	DESCRIPTION	REV
	1001158596	Ref	Seat Installation (Standard)	D
1	0760810	4	Bolt, M8X20	
2	4811900	4	Washer, M8	
3	1001216974	1	Grommet	
5	1001165573	1	Assembly, Seat (See Separate Breakdown in this Section)	

SECTION 6 - CAB

FIGURE 6-41. SEAT ASSEMBLY (AIR SUSPENSION - STANDARD)



ART_1001185575-C

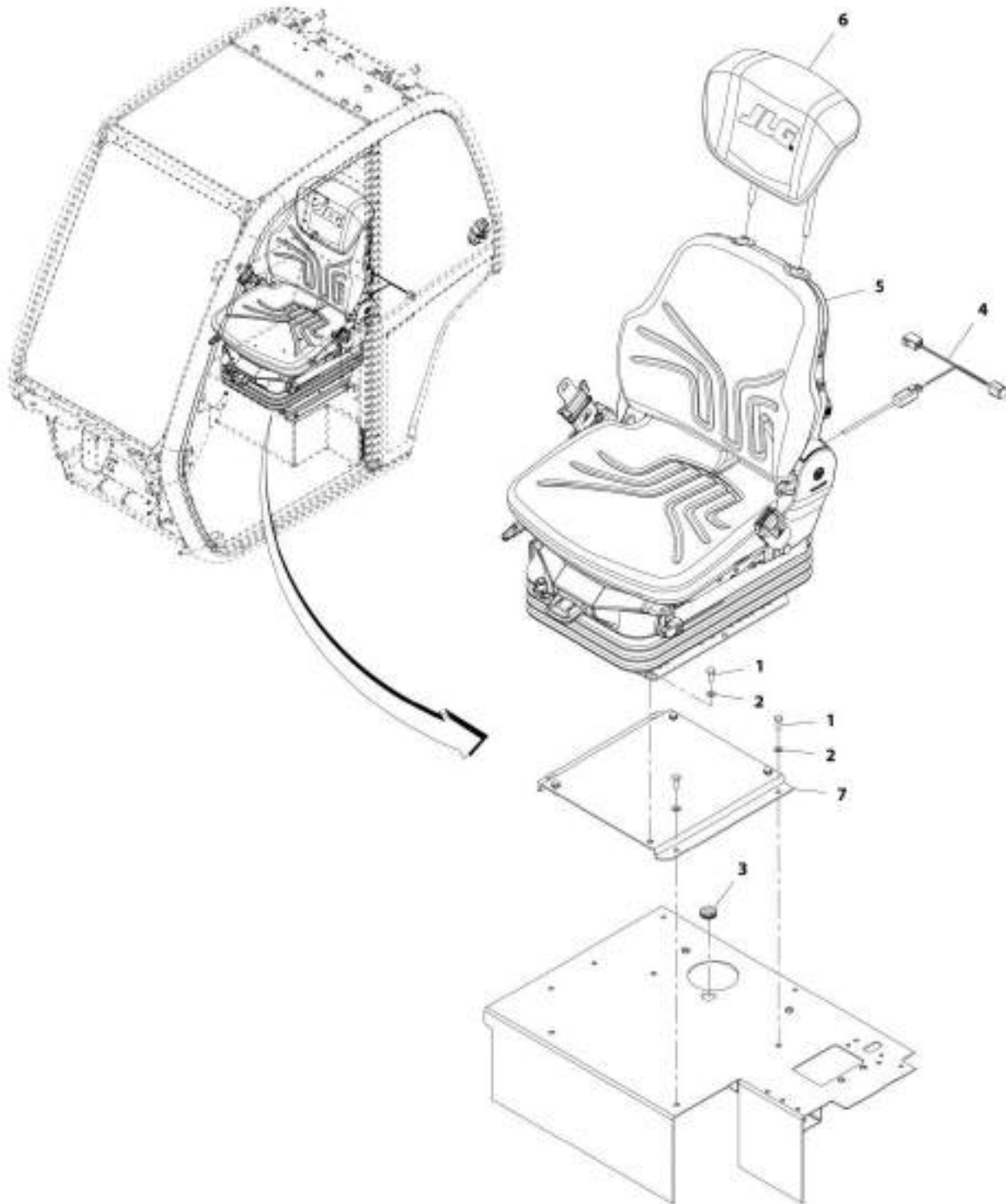
SECTION 6 - CAB

FIGURE 6-41. SEAT ASSEMBLY (AIR SUSPENSION - STANDARD)

ITEM	PART NUMBER	QTY	DESCRIPTION	REV
	1001165573	1	Seat Assembly	C
1	70027392	1	Assembly, Upper Seat (See Separate Breakdown in this Section)	
2	70021317	1	Kit, Cross Strap (includes items 101 thru 109)	
3	70021318	1	Kit, Fore and Aft Adjustment (includes items 201 thru 210)	
4	70021319	1	Kit, Suspension (See Separate Breakdown in this Section)	
5	70027395	1	Kit, Adapter Plate (includes items 301 thru 304)	
6	70021322	1	Kit, Slide Rail Stop (includes items 401 & 402)	
101	N.S.S.	1	Channel	
102	N.S.S.	1	Channel	
103	N.S.S.	1	Plate, Strap	
104	N.S.S.	1	Plate, Strap	
105	N.S.S.	4	Bolt, M8X25	
106	N.S.S.	6	Nut, M8	
107	N.S.S.	10	Washer	
108	N.S.S.	6	Bolt, M8X30	
109	N.S.S.	12	Spacer	
201	N.S.S.	4	Washer, Spring M8	
202	N.S.S.	1	Nut, M8	
203	N.S.S.	1	Washer	
204	N.S.S.	1	Bolt, M8X16	
205	N.S.S.	1	Bolt, M8X30	
206	N.S.S.	1	Washer	
207	N.S.S.	1	Spacer	
208	N.S.S.	1	Handle	
209	N.S.S.	1	Rail, Slide	
210	N.S.S.	1	Rail, Slide	
301	N.S.S.	1	Bolt, M8X25	
302	N.S.S.	1	Bolt, M8X16	
303	N.S.S.	1	Washer	
304	N.S.S.	1	Plate, Adapter	
401	N.S.S.	1	Stop, Sliderrail	
402	N.S.S.	1	Bolt, M8X16	

SECTION 6 - CAB

FIGURE 6-42. SEAT INSTALLATION (PREMIUM)



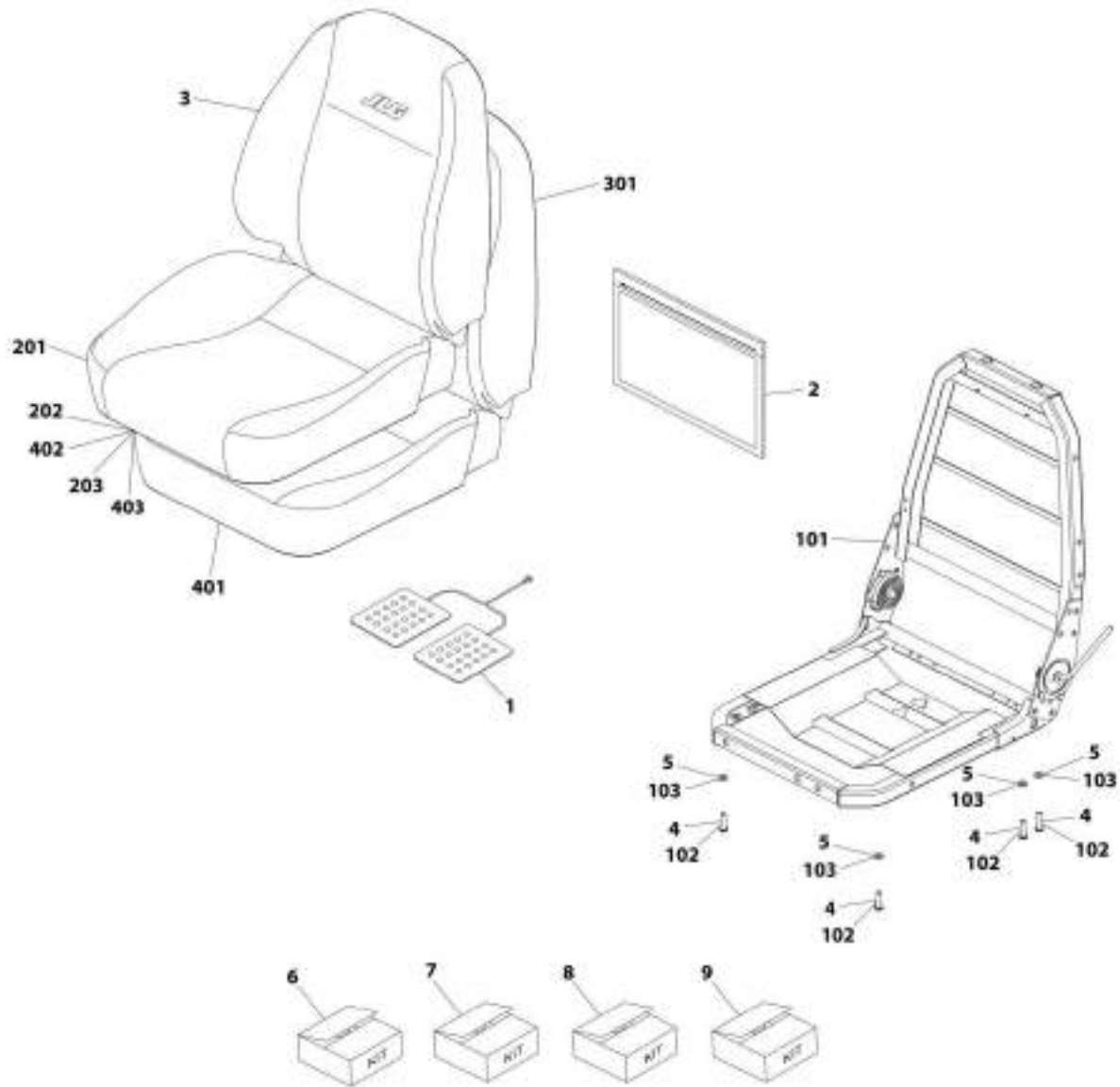
ART_1001206648-0

FIGURE 6-42. SEAT INSTALLATION (PREMIUM)

ITEM	PART NUMBER	QTY	DESCRIPTION	REV
	1001205648	1	Installation, Seat (Premium)	B
1	0760810	8	Bolt, M8X20	
2	4811900	8	Washer, M8	
3	1001216974	1	Grommet	
4	1001168531	1	Harness, Seat Adaptor (See Separate Breakdown in ELECTRICAL Section)	
5	1001169135	1	Assembly, Seat	
6	1001182529	1	Headrest	
7	1001158736C	1	Plinth, Seat	

SECTION 6 - CAB

FIGURE 6-43. UPPER SEAT ASSEMBLY



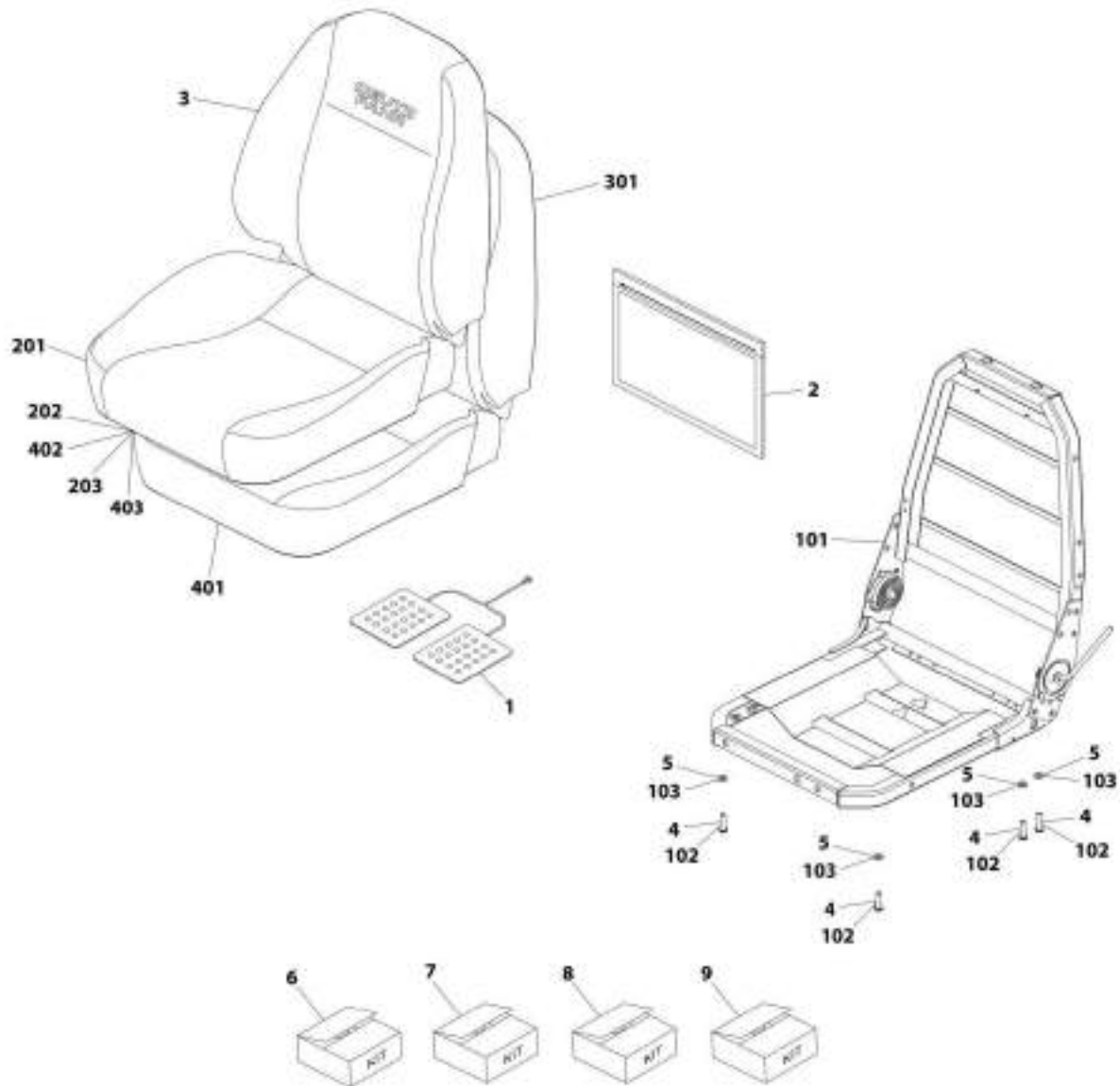
ART_30027182

FIGURE 6-43. UPPER SEAT ASSEMBLY

ITEM	PART NUMBER	QTY	DESCRIPTION	REV
	70027392	Ref	Assembly, Upper Seat	
1	70025539	1	Pad, Sensor	
2	70021316	1	Bag	
3	70027393	1	Cover, Back	
4	N.S.S.	4	Bolt, M8X25	
5	N.S.S.	4	Washer	
6	70021314	1	Kit, Frame (includes items 101 thru 103)	
7	70027394	1	Kit, Bottom Seat Cover (includes items 201 thru 203)	
8	80264002	1	Kit, Back Foam (includes items 301 thru 303)	
9	80264004	1	Kit, Seat Foam (includes items 401 thru 403)	
101	N.S.S.	1	Frame, Seat	
102	N.S.S.	4	Bolt, M8X25	
103	N.S.S.	4	Washer	
201	N.S.S.	1	Cover, Seat	
202	N.S.S.	2	Clip	
203	N.S.S.	17	Clip	
301	N.S.S.	1	Foam, Back	
302	N.S.S.	3	Bar, Trim	
303	N.S.S.	4	Ring	
401	N.S.S.	1	Foam, Seat	
402	N.S.S.	2	Clip	
403	N.S.S.	17	Clip	

SECTION 6 - CAB

FIGURE 6-44. UPPER SEAT ASSEMBLY



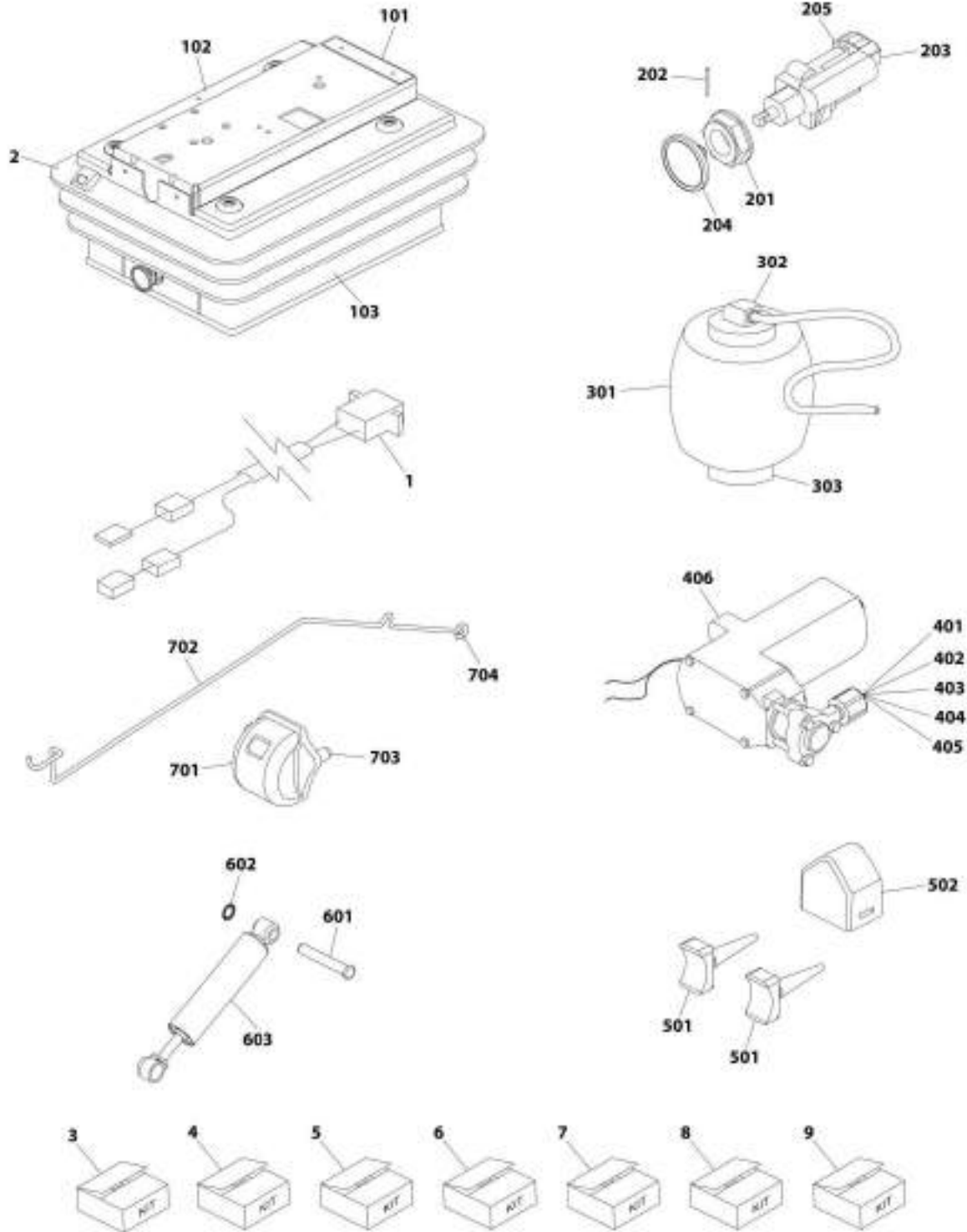
ART_70027396

FIGURE 6-44. UPPER SEAT ASSEMBLY

ITEM	PART NUMBER	QTY	DESCRIPTION	REV
	70027396	Ref	Upper Seat Assembly	
1	70025539	1	Pad, Sensor	
2	70021316	1	Bag	
3	70027397	1	Cover, Back	
4	N.S.S.	4	Bolt, M8X25	
5	N.S.S.	4	Washer	
6	70021314	1	Kit, Frame (includes items 101 thru 103)	
7	70027394	1	Kit, Bottom Seat Cover (includes items 201 thru 203)	
8	80264002	1	Kit, Back Foam (includes items 301 thru 303)	
9	80264004	1	Kit, Seat Foam (includes items 401 thru 403)	
101	N.S.S.	1	Frame	
102	N.S.S.	4	Bolt, M8X25	
103	N.S.S.	4	Washer	
201	N.S.S.	1	Cover, Seat	
202	N.S.S.	2	Clip	
203	N.S.S.	17	Clip	
301	N.S.S.	1	Foam, Back	
302	N.S.S.	3	Bar, Trim	
303	N.S.S.	4	Ring	
401	N.S.S.	1	Foam, Seat	
402	N.S.S.	2	Clip	
403	N.S.S.	17	Clip	

SECTION 6 - CAB

FIGURE 6-45. SUSPENSION KIT



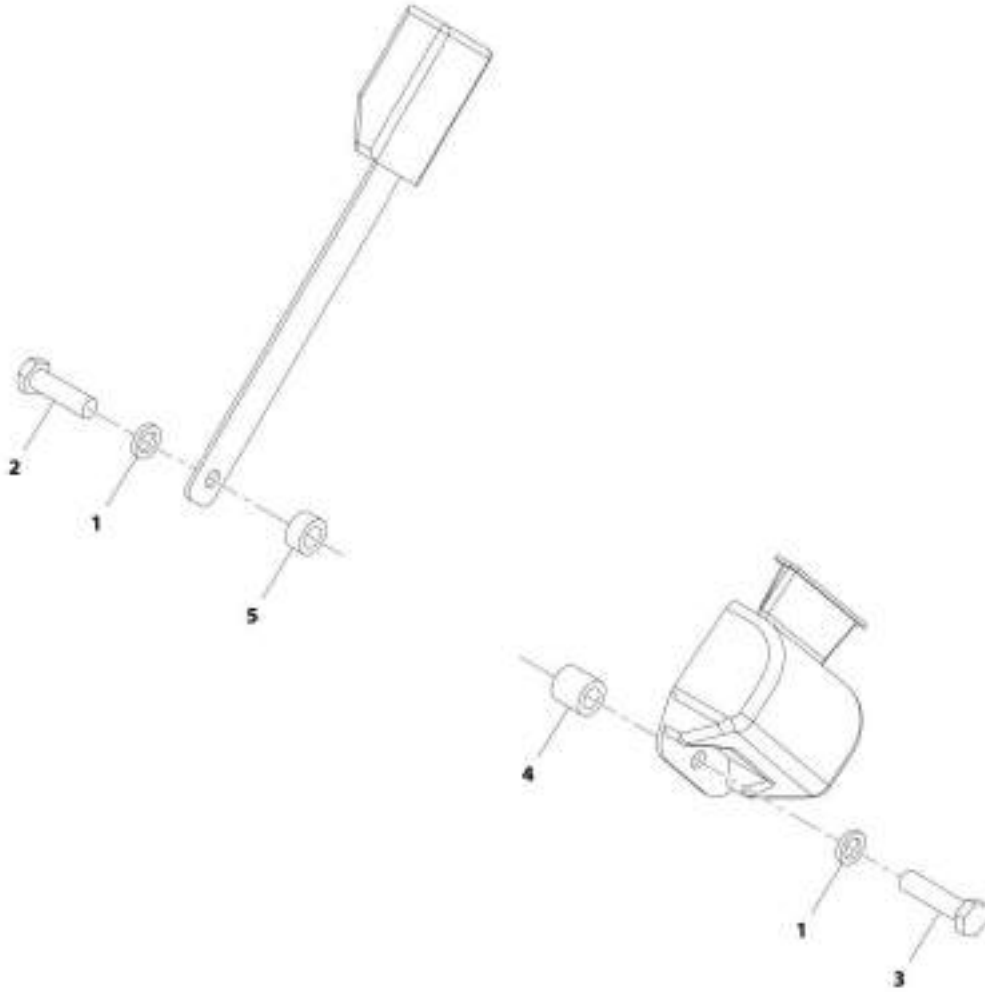
ART_70021313

FIGURE 6-45. SUSPENSION KIT

ITEM	PART NUMBER	QTY	DESCRIPTION	REV
	70021319	Ref	Suspension Kit	
1	70021330	1	Lead, Fly	
2	N.S.S.	1	Suspension	
3	70021321	1	Kit, Suspension Cover (includes items 101 thru 103)	
4	70021323	1	Kit, Air Valve (includes items 201 thru 205)	
5	70021324	1	Kit, Air Spring (includes items 301 thru 303)	
6	70021325	1	Kit, Compressor (includes items 401 thru 406)	
7	70021326	1	Kit, Upstop/Bumpstop (includes items 501 & 502)	
8	70021327	1	Kit, Damper (includes items 601 thru 603)	
9	70021328	1	Kit, Ride Indicator (includes items 701 thru 704)	
101	N.S.S.	6	Clip, Cover	
102	N.S.S.	1	Cover, Suspension	
103	N.S.S.	5	Clip, Cover	
201	N.S.S.	1	Nut, Air Valve	
202	N.S.S.	1	Pin, Retaining	
203	N.S.S.	1	Valve, Combination	
204	N.S.S.	1	Knob	
205	N.S.S.	2	Tie, Plastic	
301	N.S.S.	1	Spring, Air	
302	N.S.S.	1	Clip	
303	N.S.S.	1	Screw, Countersunk Self Tapping	
401	N.S.S.	1	Clip	
402	N.S.S.	1	Pad	
403	N.S.S.	1	Loom	
404	N.S.S.	2	Tie, Cable	
405	N.S.S.	3	Tie, Plastic	
406	N.S.S.	1	Compressor (with Elbow)	
501	N.S.S.	2	Upstop	
502	N.S.S.	1	Bumpstop	
601	N.S.S.	2	Pin	
602	N.S.S.	2	Washer, Starlock	
603	N.S.S.	1	Damper	
701	N.S.S.	1	Indicator, Ride	
702	N.S.S.	1	Wire, Ride Indicator	
703	N.S.S.	2	Washer, Starlock	
704	N.S.S.	1	Washer, Grip M4	

SECTION 6 - CAB

FIGURE 6-46. SEAT BELT INSTALLATION (2IN)



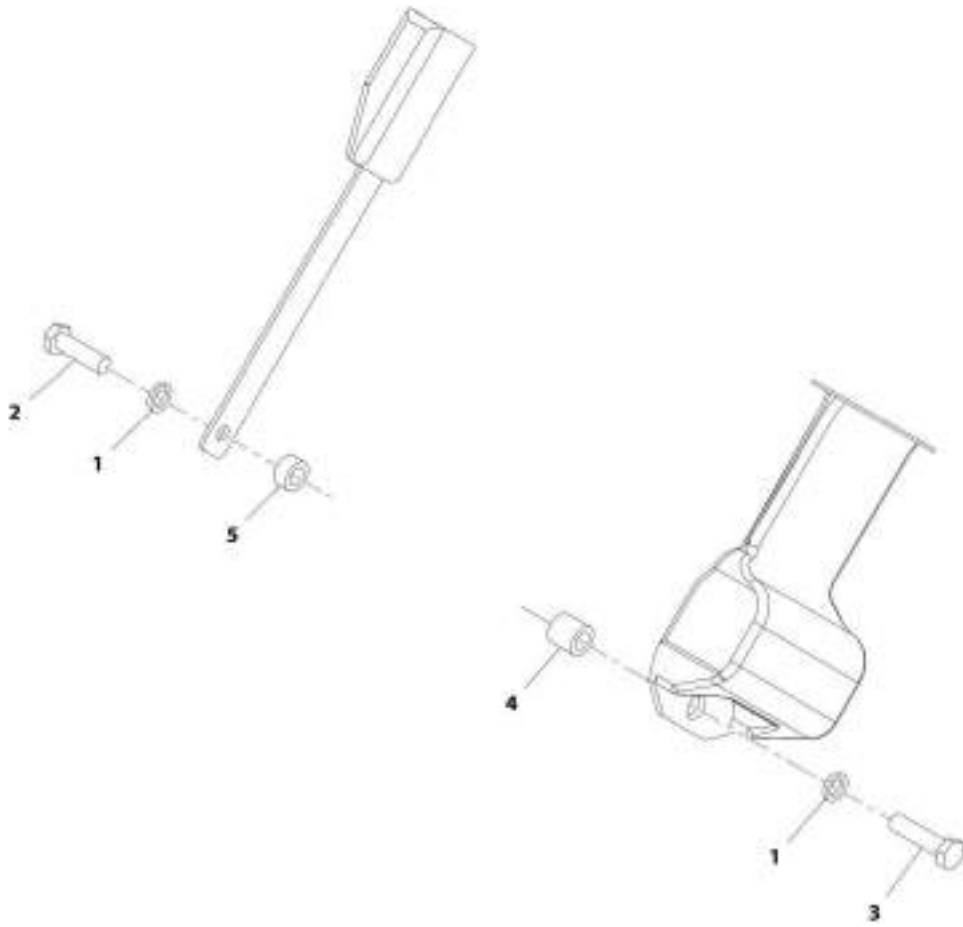
WIT_1001066730-E

FIGURE 6-46. SEAT BELT INSTALLATION (2IN)

ITEM	PART NUMBER	QTY	DESCRIPTION	REV
	1001006730	Ref	Seat Belt Installation (2IN)	E
1	1001010646	2	Washer	
2	1001010647	1	Bolt	
3	1001010648	1	Bolt	
4	1001010649	1	Spacer, Shim	
5	1001010650	1	Spacer, Shim	

SECTION 6 - CAB

FIGURE 6-47. SEAT BELT INSTALLATION (3IN)



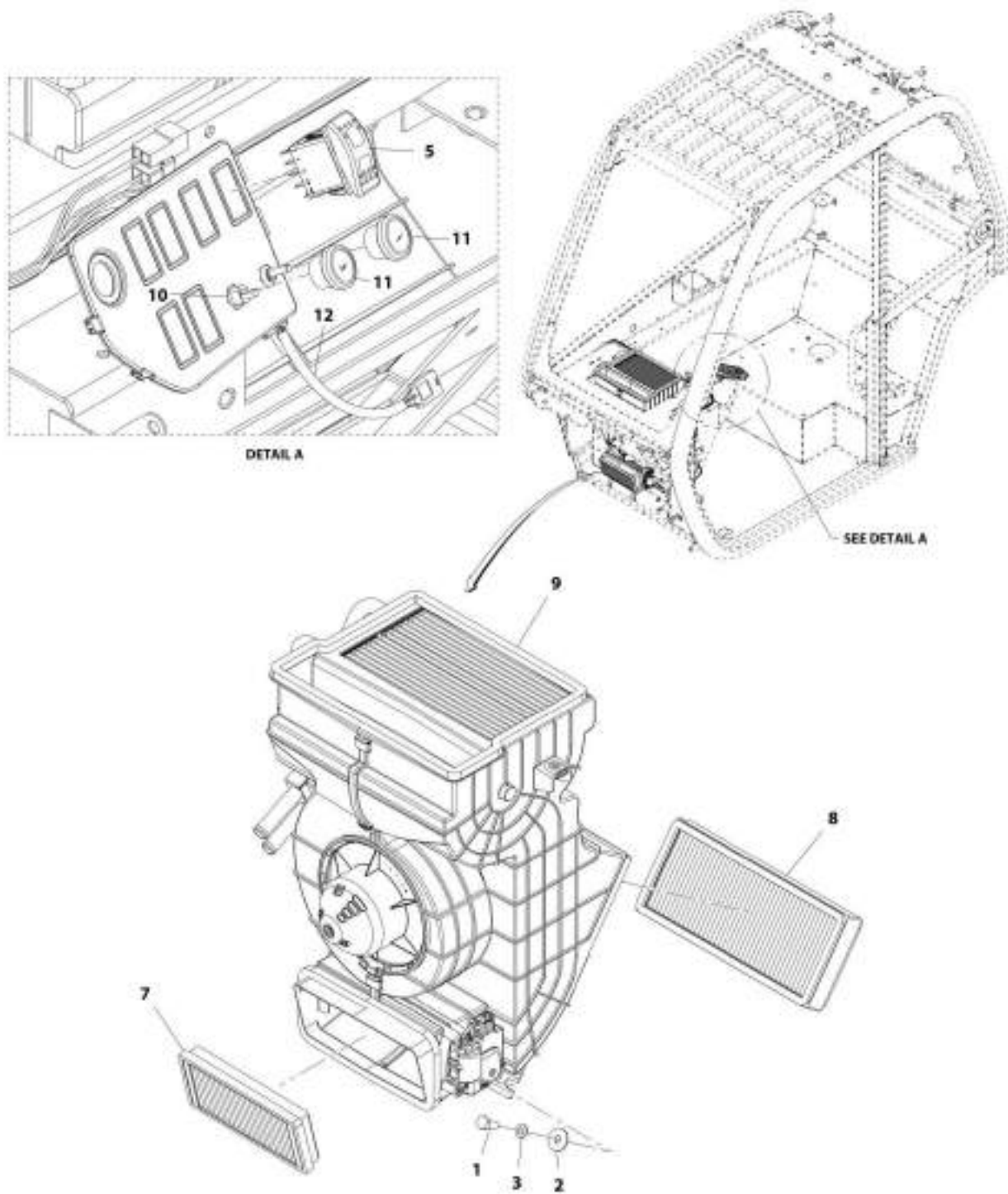
ARC_1001006731-0

FIGURE 6-47. SEAT BELT INSTALLATION (3IN)

ITEM	PART NUMBER	QTY	DESCRIPTION	REV
	1001006731	Ref	Seat Belt Installation (3IN)	B
1	1001010646	2	Washer	
2	1001010647	1	Bolt	
3	1001010648	1	Bolt	
4	1001010649	1	Spacer	
5	1001010650	1	Spacer	

SECTION 6 - CAB

FIGURE 6-48. HEATER INSTALLATION (Prior to SN 1160008371)



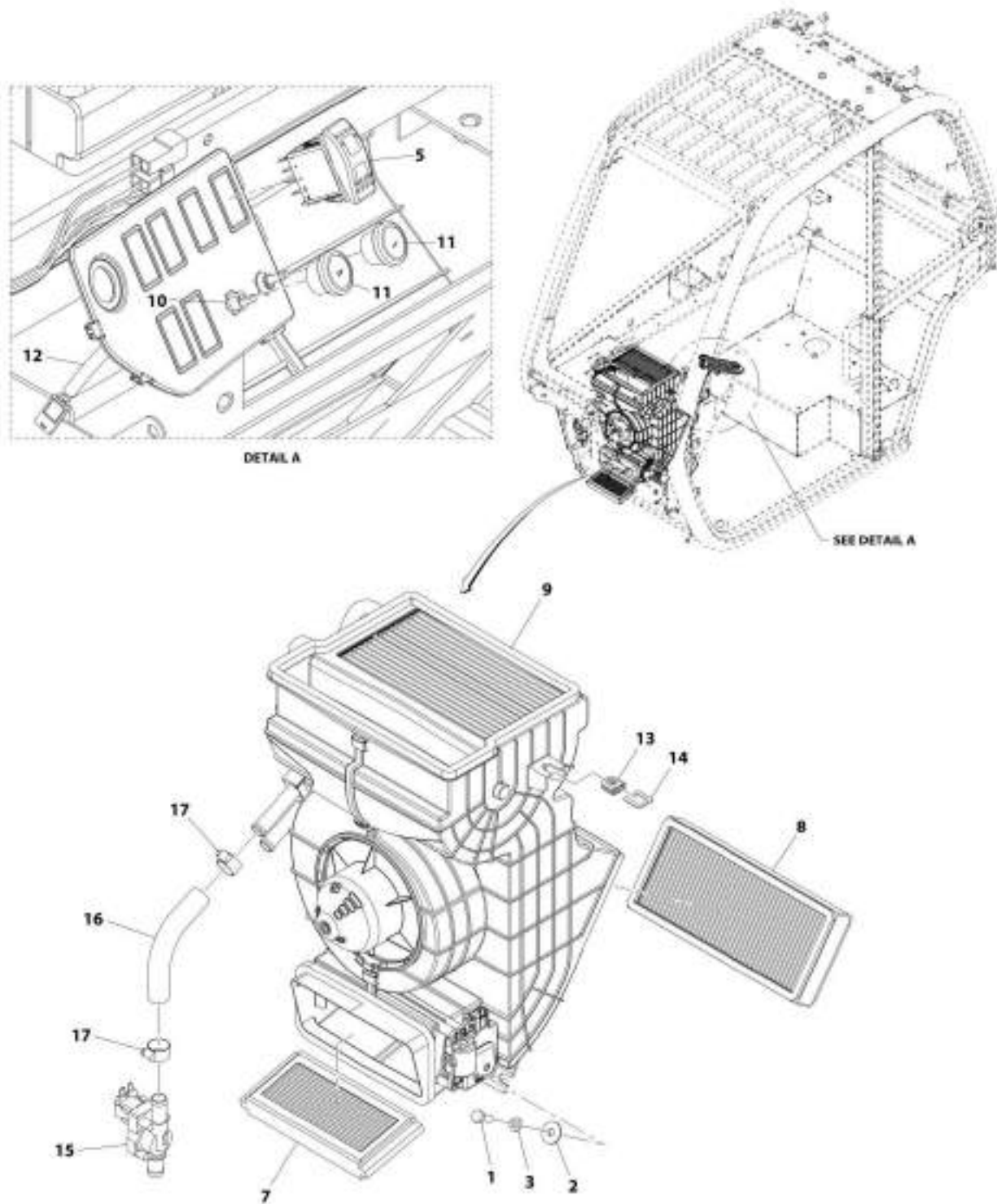
ART_1801201336-C

FIGURE 6-48. HEATER INSTALLATION (Prior to SN 1160008371)

ITEM	PART NUMBER	QTY	DESCRIPTION	REV
	1001201336	Ref	Heater Installation	C
1	0760810	2	Bolt, M8X20	
2	4811902	2	Washer, M8	
3	4831900	2	Washer, Lock M8	
5	1001159925	1	Switch, HVAC Recycle	
7	1001172546	1	Filter, HVAC Air	
8	1001172553	1	Filter, HVAC Recirculation Air	
9	1001201498	1	Assembly, Heater (See Separate Breakdown in this Section)	
10	1001172547	1	Switch	
11	1001172550	2	Knob, HVAC	
12	1001172552	1	Cable, HVAC	

SECTION 6 - CAB

FIGURE 6-49. HEATER INSTALLATION (SN 1160008371 to Present)



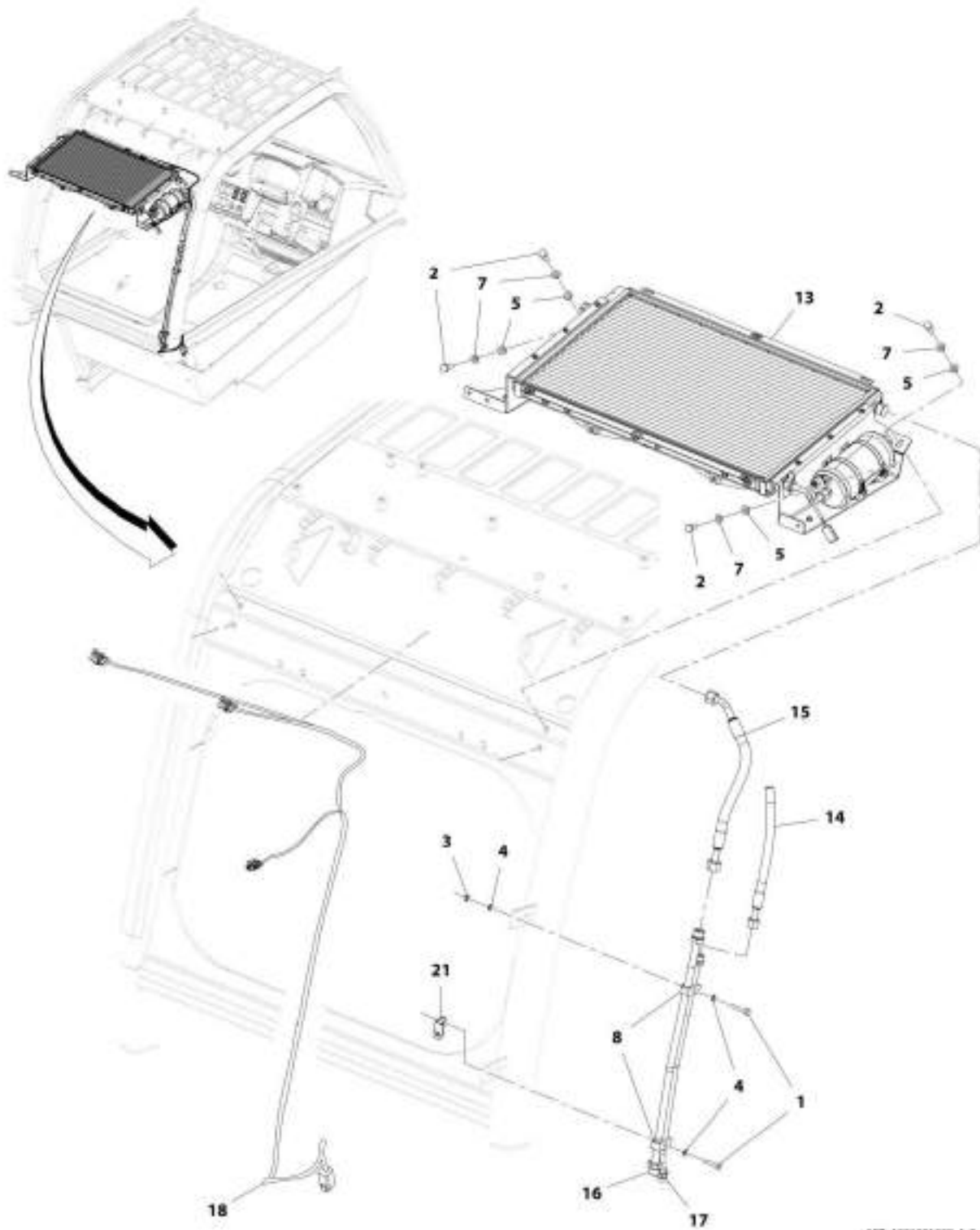
ART_1001201536-F

FIGURE 6-49. HEATER INSTALLATION (SN 1160008371 to Present)

ITEM	PART NUMBER	QTY	DESCRIPTION	REV
	1001201336	Ref	Heater Installation	F
1	0760810	2	Bolt, M8X20	
2	4811902	2	Washer, M8	
3	4831900	2	Washer, Lock M8	
5	1001159925	1	Switch, HVAC Recycle	
7	1001218996	1	Filter, HVAC Air	
8	1001172553	1	Filter, HVAC Recirculation Air	
9	1001221053	1	Assembly, Heater (See Separate Breakdown in this Section)	
10	1001172547	1	Switch	
11	1001172550	2	Knob, HVAC	
12	1001218529	1	Cable, HVAC	
13	1001188590	2	Grommet	
14	1001218542	2	Shim	
15	1001221059	1	Valve, Cab	
16	1001221259	1	Hose	
17	8410009	2	Gear Clamp	

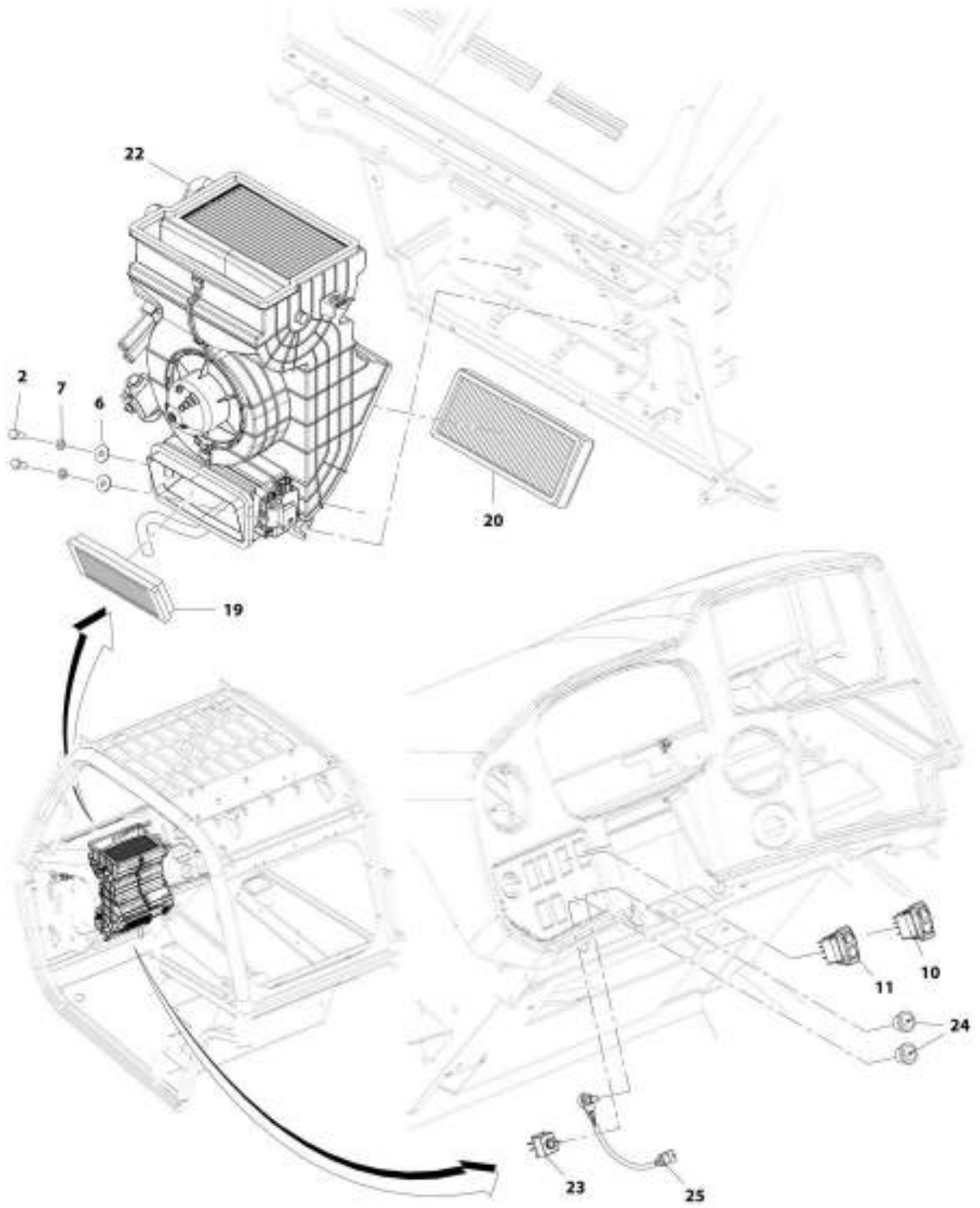
SECTION 6 - CAB

FIGURE 6-50. HEATER AND A/C INSTALLATION (Prior to SN 1160008371)



ART_100130133B_3-C

SECTION 6 - CAB



ART_1001201336_2-C

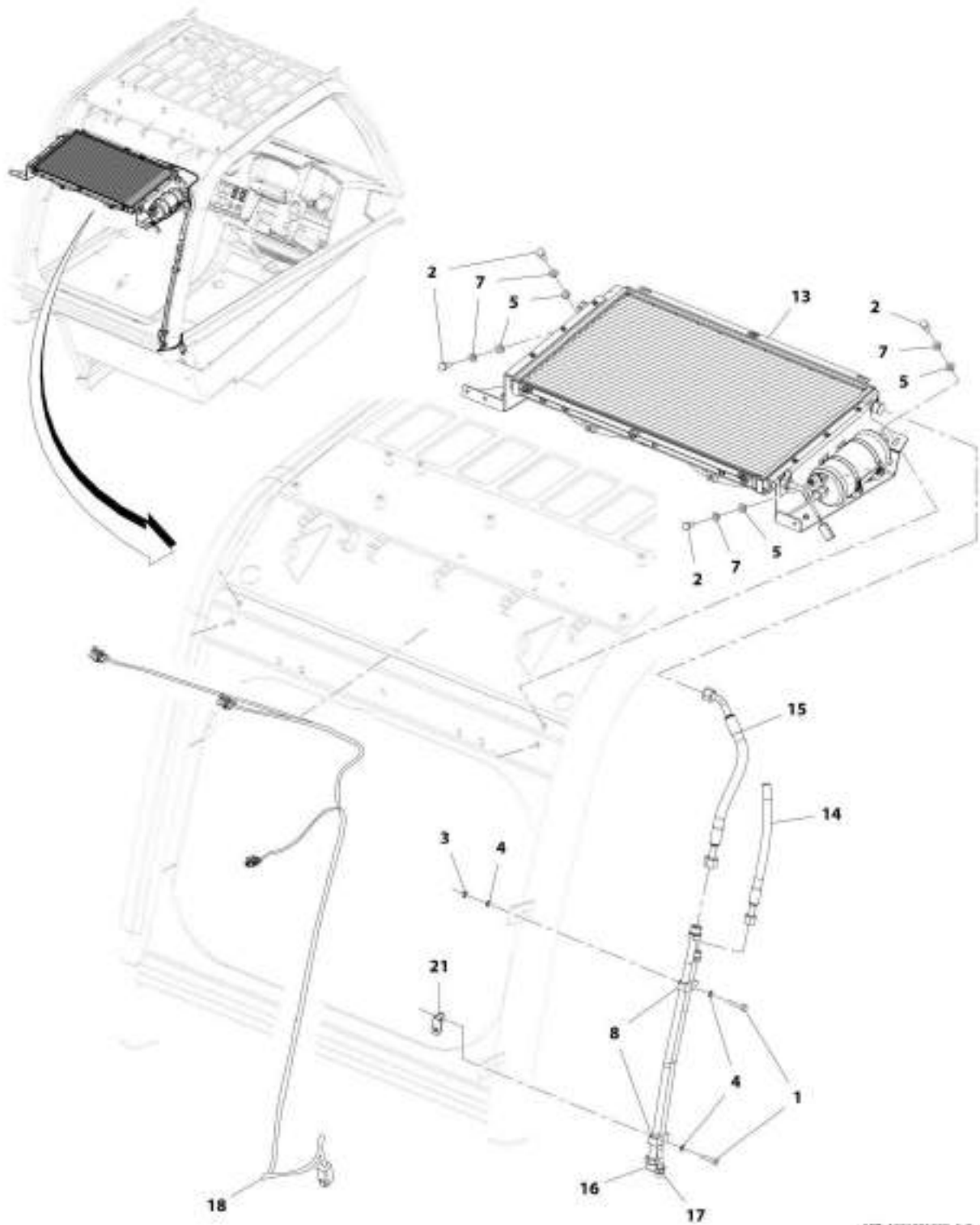
SECTION 6 - CAB

FIGURE 6-50. HEATER AND A/C INSTALLATION (Prior to SN 1160008371)

ITEM	PART NUMBER	QTY	DESCRIPTION	REV
	1001201338	Ref	Heater and A/C Installation	C
1	0700614	2	Bolt, M6X30	
2	0760810	6	Bolt, M8X20	
3	3290601	1	Nut, M6X1	
4	4811700	3	Washer, M6	
5	4811900	4	Washer, M8	
6	4811902	2	Washer, M8	
7	4831900	6	Washer, Lock M8	
8	1001145539	2	Support, Pipe	
10	1001159925	1	Switch, HVAC Recycle	
11	1001160326	1	Switch, HVAC On/Off	
13	1001162953	1	Assembly, Cab Condenser (See Separate Breakdown in this Section)	
14	1001168327	1	Hose	
15	1001168330	1	Hose	
16	1001168331	1	Tube	
17	1001168456	1	Tube	
18	1001169151	1	Harness, A/C Option (See Separate Breakdown in ELECTRICAL Section)	
19	1001172546	1	Filter, HVAC Fresh Air	
20	1001172553	1	Filter, HVAC Air Recirculation	
21	1001178170	1	Bracket	
22	1001201497	1	Assembly, Heater and A/C (See Separate Breakdown in this Section)	
23	1001172547	1	Switch, HVAC Rotary 3 Speed	
24	1001172550	2	Knob, HVAC Control	
25	1001172552	1	Cable, HVAC	

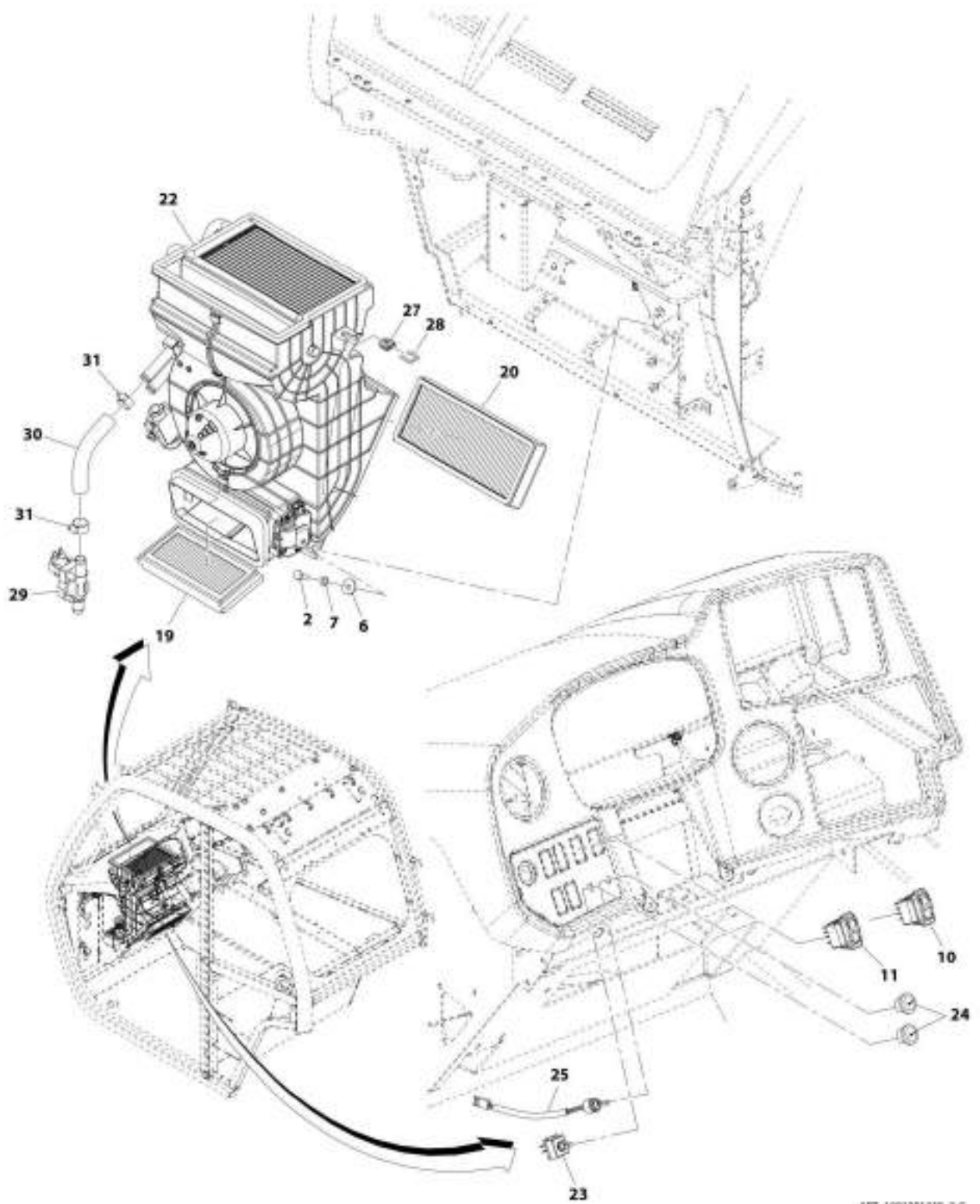
SECTION 6 - CAB

FIGURE 6-51. HEATER AND A/C INSTALLATION (SN 1160008371 to Present)



ART_100130133B_3-G

SECTION 6 - CAB



ART_1001201.338_3-G

SECTION 6 - CAB

FIGURE 6-51. HEATER AND A/C INSTALLATION (SN 1160008371 to Present)

ITEM	PART NUMBER	QTY	DESCRIPTION	REV
	1001201338	Ref	Heater and A/C Installation	G
1	0700614	2	Bolt, M6X30	
2	0760810	6	Bolt, M8X20	
3	3290601	1	Nut, M6X1	
4	4811700	3	Washer, M6	
5	4811900	4	Washer, M8	
6	4811902	2	Washer, M8	
7	4831900	6	Washer, Lock M8	
8	1001145539	2	Support, Pipe	
10	1001159925	1	Switch, HVAC Recycle	
11	1001160326	1	Switch, HVAC On/Off	
13	1001162953	1	Assembly, Cab Condenser (See Separate Breakdown in this Section)	
14	1001168327	1	Hose	
15	1001168330	1	Hose	
16	1001168331	1	Tube	
17	1001168456	1	Tube	
18	1001169151	1	Harness, A/C Option (See Separate Breakdown in ELECTRICAL Section)	
19	1001218996	1	Filter, HVAC Fresh Air	
20	1001172553	1	Filter, HVAC Air Recirculation	
21	1001178170	1	Bracket	
22	1001221055	1	Assembly, Heater and A/C (See Separate Breakdown in this Section)	
23	1001172547	1	Switch, HVAC Rotary 3 Speed	
24	1001172550	2	Knob, HVAC Control	
25	1001218529	1	Cable, HVAC	
27	1001188590	2	Grommet	
28	1001218542	2	Shim	
29	1001221059	1	Valve, Cab	
30	1001221295	1	Hose	
31	8410009	2	Clamp	

SECTION 6 - CAB

FIGURE 6-52. HEATER ASSEMBLY (Prior to SN 1160008371)



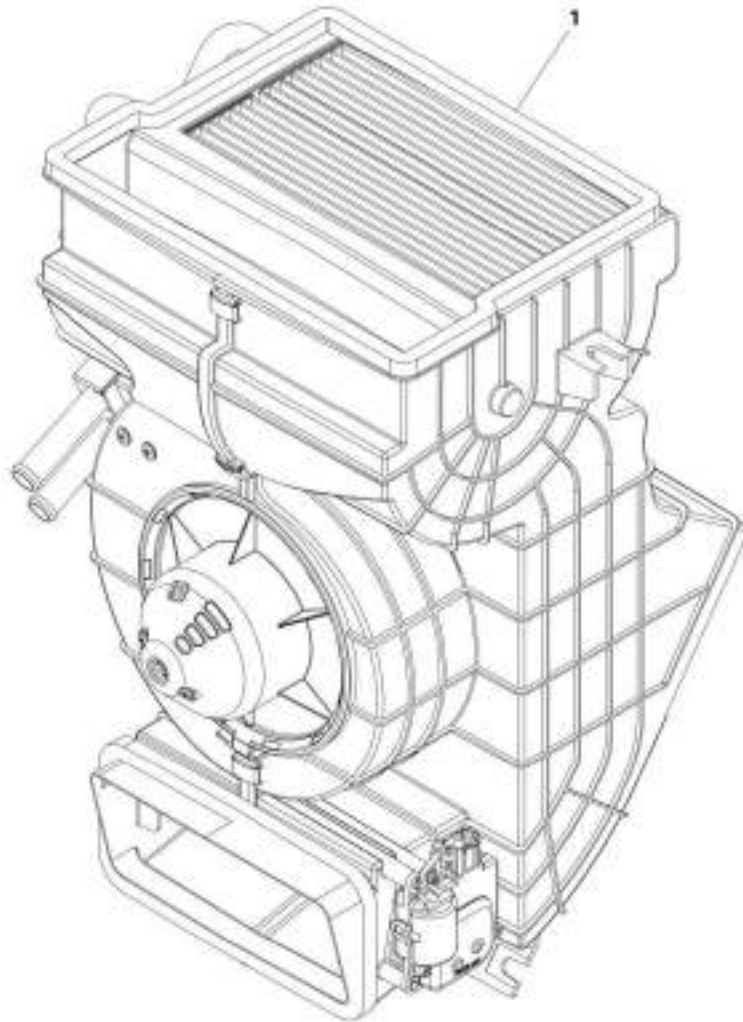
ART_3001201466-C

FIGURE 6-52. HEATER ASSEMBLY (Prior to SN 1160008371)

ITEM	PART NUMBER	QTY	DESCRIPTION	REV
1	1001201498 1001152908	Ref 1	Heater Assembly Heater (See Separate Breakdown in this Section)	C

SECTION 6 - CAB

FIGURE 6-53. HEATER ASSEMBLY (SN 1160008371 to Present)



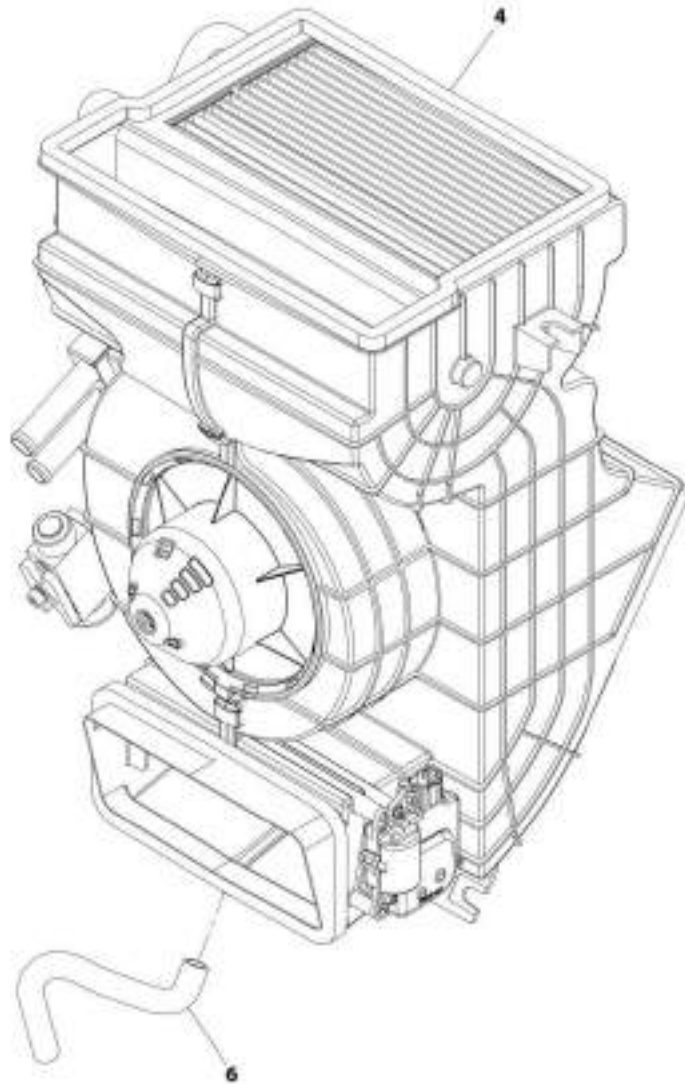
WIT_1991221053-A

FIGURE 6-53. HEATER ASSEMBLY (SN 1160008371 to Present)

ITEM	PART NUMBER	QTY	DESCRIPTION	REV
1	1001221053 1001221052	Ref 1	Heater Assembly Heater (See Separate Breakdown in this Section)	A

SECTION 6 - CAB

FIGURE 6-54. HEATER AND A/C ASSEMBLY (Prior to SN 1160008371)



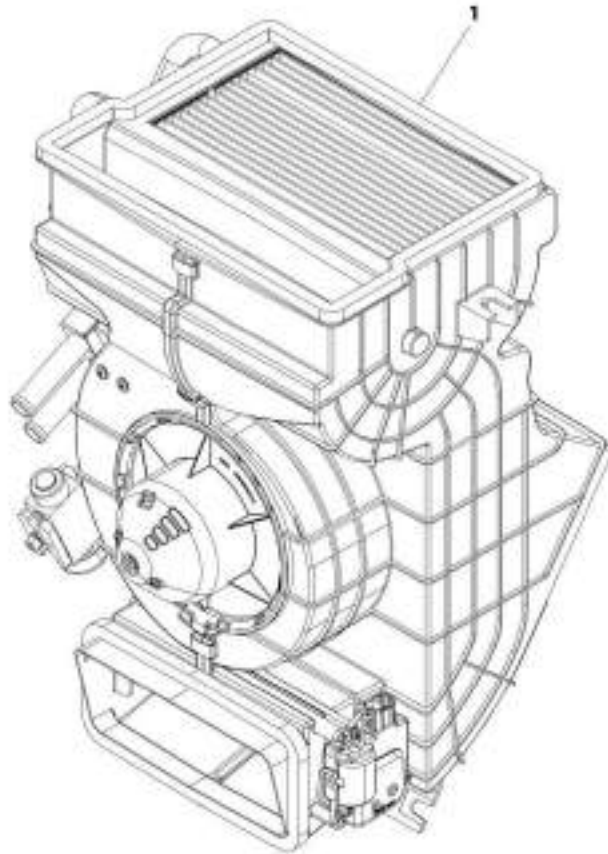
ART_1001301460-E

FIGURE 6-54. HEATER AND A/C ASSEMBLY (Prior to SN 1160008371)

ITEM	PART NUMBER	QTY	DESCRIPTION	REV
	1001201497	Ref	Heater and A/C Assembly	E
4	1001188275	1	Heater and AC (See Separate Breakdown in this Section)	
6	1001161865	1	Hose	

SECTION 6 - CAB

FIGURE 6-55. HEATER AND A/C ASSEMBLY (SN 1160008371 to Present)



AMT_1001221055-A

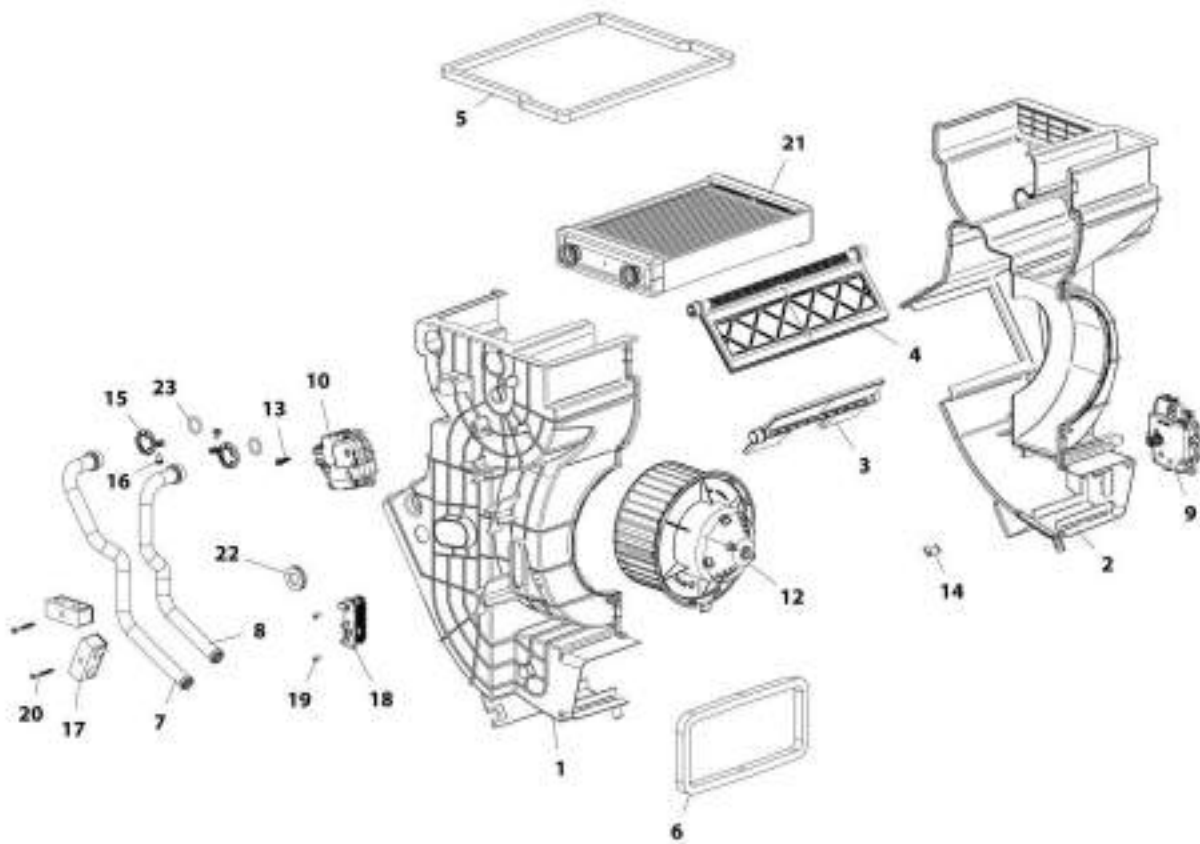
SECTION 6 - CAB

FIGURE 6-55. HEATER AND A/C ASSEMBLY (SN 1160008371 to Present)

ITEM	PART NUMBER	QTY	DESCRIPTION	REV
1	1001221055	Ref	Heater and A/C Assembly	A
	1001221054	1	Heater and AC (See Separate Breakdown in this Section)	

SECTION 6 - CAB

FIGURE 6-56. HEATER



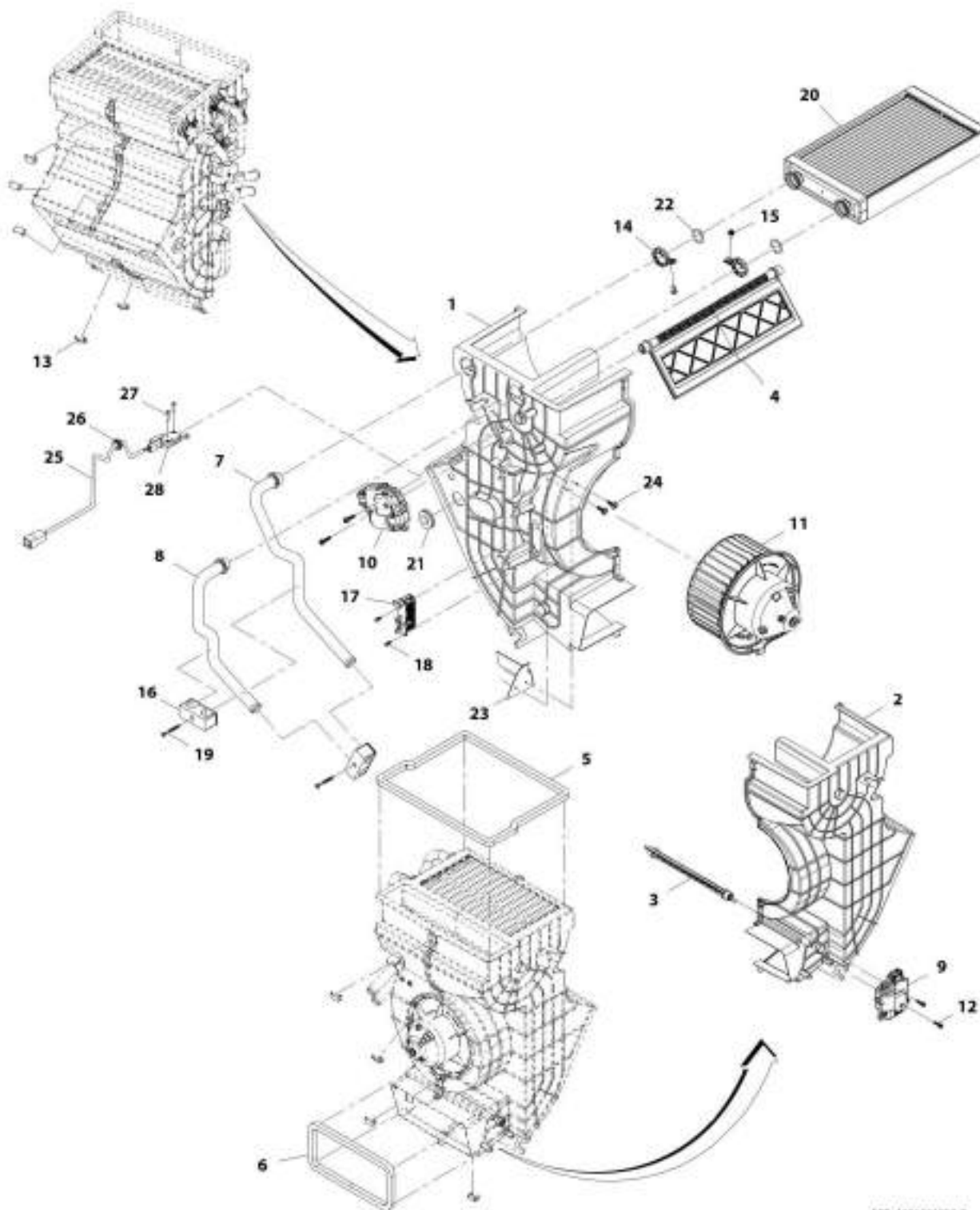
ART_1001152908-E

FIGURE 6-56. HEATER

ITEM	PART NUMBER	QTY	DESCRIPTION	REV
	1001152908	NLA	Heater (no longer available, see items 1 through 23 for service or use 1001221052 for replacement)	E
1	1001166091	1	Housing, RH	
2	1001166092	1	Housing, LH	
3	1001184275	1	Flap, Recirculation with Foam	
4	1001184278	1	Flap, Mixing with Foam	
5	1001184294	1	Foam, Air Outlet	
6	1001184295	1	Foam, Air Inlet	
7	1001184296	1	Pipe, Water	
8	1001184297	1	Pipe, Water	
9	1001188577	1	Actuator, Fresh/Recirculation Air	
10	1001188578	1	Actuator, Hot/Cold	
12	1001188594	1	Fan, 12V	
13	1001188602	4	Screw	
14	1001188603	9	Clamp	
15	1001188604	2	Clamp	
16	1001188610	2	Screw	
17	1001188612	2	Clamp	
18	1001188614	1	Resistor	
19	1001188720	2	Screw	
20	1001188725	2	Screw	
21	1001188729	1	Radiator, Heater Core	
22	1001188733	1	Grommet	
23	1001189025	2	O-Ring	

SECTION 6 - CAB

FIGURE 6-57. HEATER



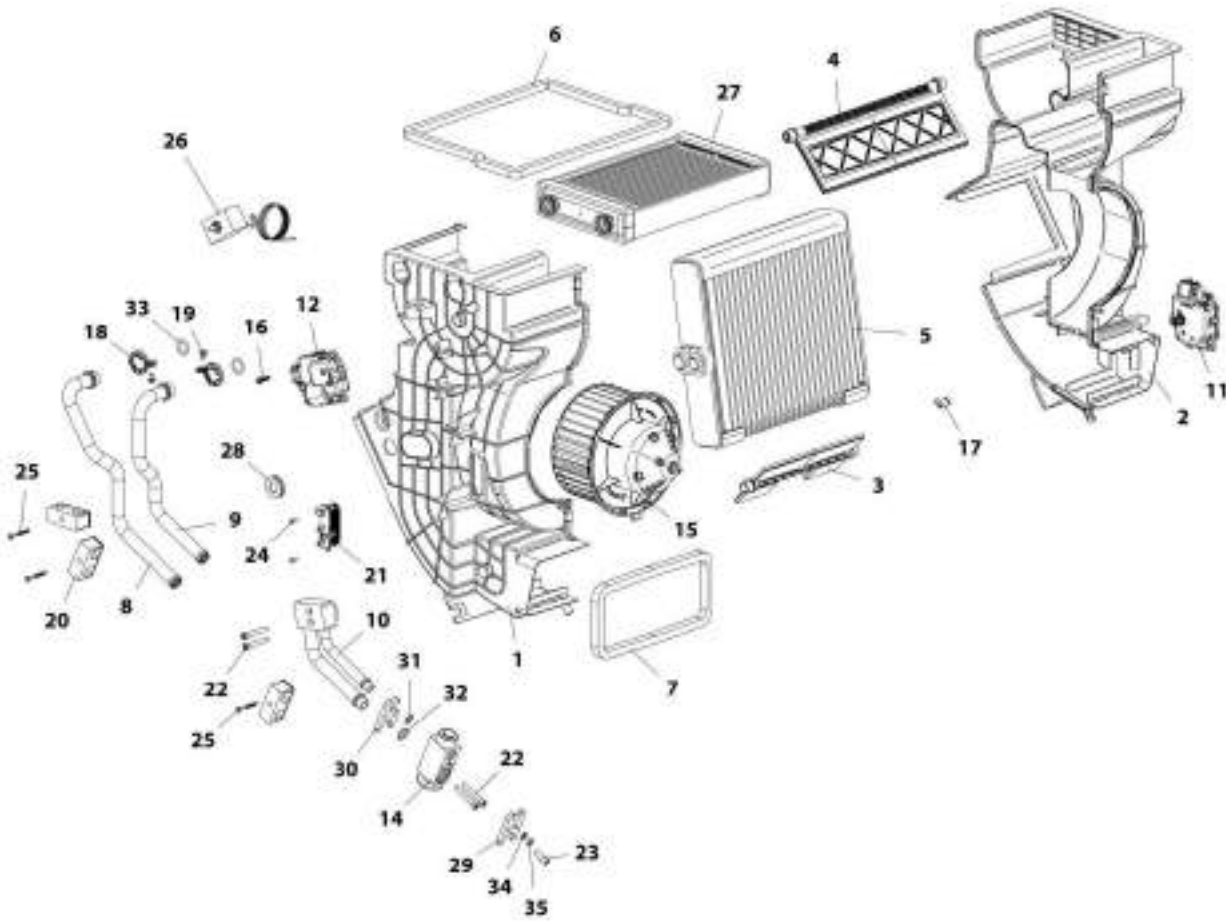
ART_1001221053-B

FIGURE 6-57. HEATER

ITEM	PART NUMBER	QTY	DESCRIPTION	REV
	1001221052	Ref	Heater	B
1	1001166091	1	Housing, RH	
2	1001166092	1	Housing, LH	
3	1001184275	1	Flap, Recirculation with Foam	
4	1001184278	1	Flap, Mixing with Foam	
5	1001184294	1	Foam, Air Outlet	
6	1001184295	1	Foam, Air Inlet	
7	1001184296	1	Pipe, Water	
8	1001184297	1	Pipe, Water	
9	1001188577	1	Actuator, Fresh/Recirculation Air	
10	1001188578	1	Actuator, Hot/Cold	
11	1001188594	1	Fan, 12V	
12	1001188602	4	Screw	
13	1001188603	9	Clamp	
14	1001188604	2	Clamp	
15	1001188610	2	Screw	
16	1001188612	2	Clamp	
17	1001188614	1	Resistor	
18	1001188720	2	Screw	
19	1001188725	2	Screw	
20	1001188729	1	Radiator, Heater Core	
21	1001188733	1	Grommet	
22	1001189025	2	O-Ring	
23	1001221057	1	Plate	
24	1001221058	2	Screw	
25	1001228132	1	Harness, HVAC Sensor	
26	1001228140	1	Grommet	
27	1001228141	2	Screw	
28	1001228147	1	Valve, Water	

SECTION 6 - CAB

FIGURE 6-58. HEATER AND A/C



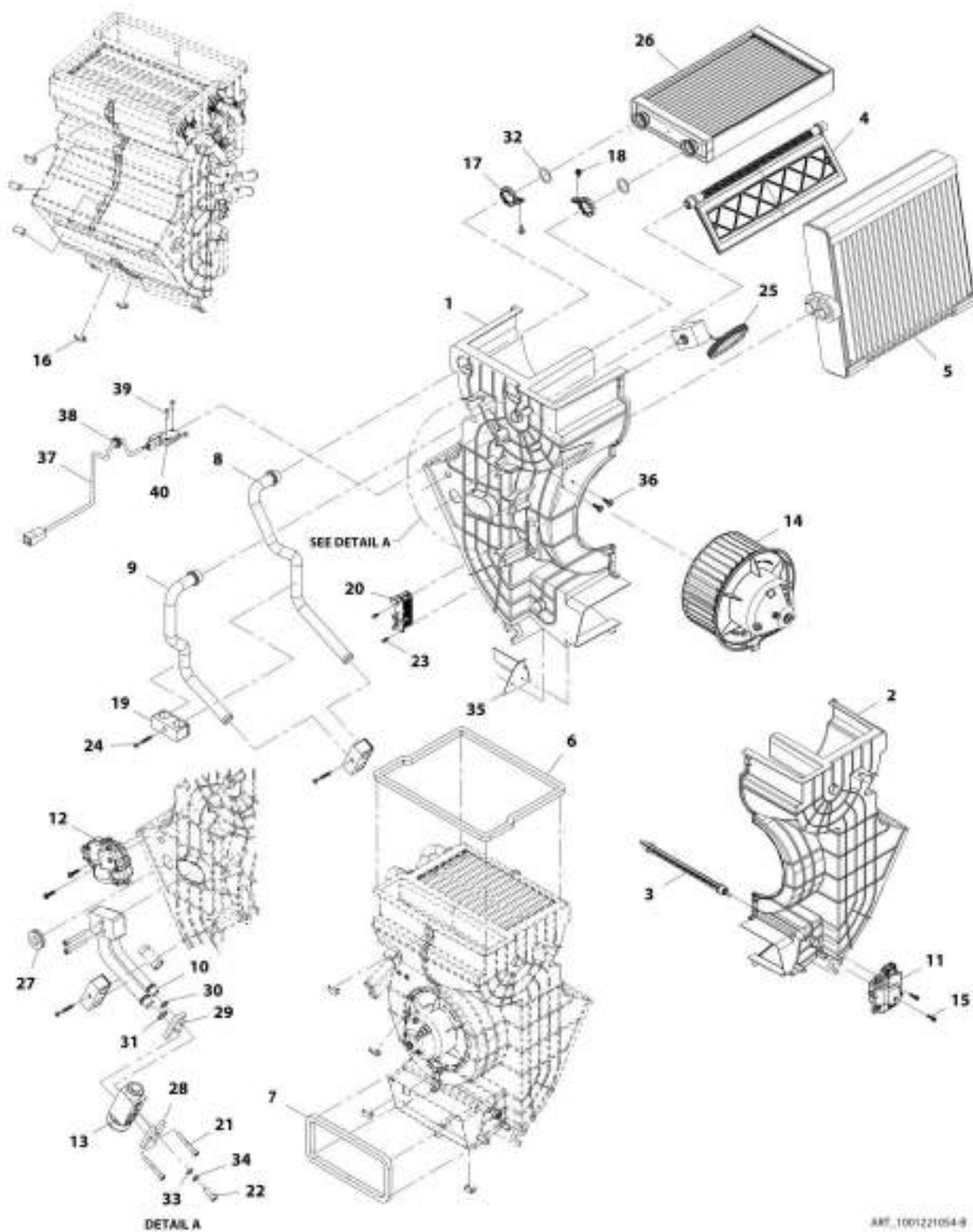
ART_1001180275-D

FIGURE 6-58. HEATER AND A/C

ITEM	PART NUMBER	QTY	DESCRIPTION	REV
	1001188275	NLA	Heater and A/C (no longer available, see items 1 through 35 for service or use 1001221054 for replacement)	D
1	1001166091	1	Housing, HVAC RH	
2	1001166092	1	Housing, HVAC LH	
3	1001184275	1	Foam, Heater Flap	
4	1001184278	1	Foam, Heater Mixing Flap	
5	1001184280	1	Evaporator, Heater	
6	1001184294	1	Seal, Heater Foam	
7	1001184295	1	Seal, Air Inlet Foam	
8	1001184296	1	Pipe, Heater Water	
9	1001184297	1	Pipe, Heater Water	
10	1001184427	1	Pipe, Heater	
11	1001188577	1	Actuator, Fresh/Recirculation Air	
12	1001188578	1	Actuator, Hot/Cold Mixing	
14	1001188592	1	Valve, HVAC Expansion	
15	1001188594	1	Fan, HVAC Centrifugal 12V	
16	1001188602	4	Screw, M4	
17	1001188603	9	Clamp, HVAC Case	
18	1001188604	2	Clamp, HVAC Pipe	
19	1001188610	2	Screw, M4X0.7	
20	1001188612	3	Clamp, Pipe	
21	1001188614	1	Resistor	
22	1001188618	4	Screw, M5	
23	1001188619	1	Screw, M6	
24	1001188720	2	Screw, M2.9X9.5	
25	1001188725	3	Screw, M4X35	
26	1001188728	1	Sensor, HVAC Thermostat	
27	1001188729	1	Radiator, Heater Core	
28	1001188733	1	Grommet	
29	1001188817	1	Clamp, Hose	
30	1001188818	1	Clamp, HVAC EVAP/Valve	
31	1001189023	1	O-Ring	
32	1001189024	1	O-Ring	
33	1001189025	2	O-Ring	
34	1001189048	1	Washer	
35	1001189054	1	Washer, Spring	

SECTION 6 - CAB

FIGURE 6-59. HEATER AND A/C



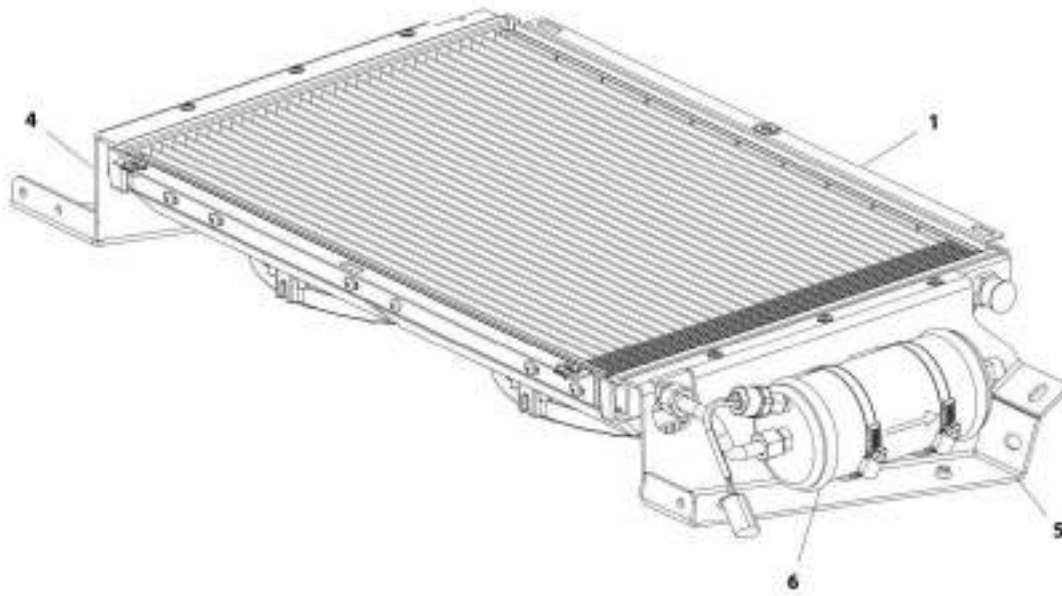
ART. 1001221054-9

FIGURE 6-59. HEATER AND A/C

ITEM	PART NUMBER	QTY	DESCRIPTION	REV
	1001221054	Ref	Heater and A/C	B
1	1001166091	1	Housing, HVAC RH	
2	1001166092	1	Housing, HVAC LH	
3	1001184275	1	Foam, Heater Flap	
4	1001184278	1	Foam, Heater Mixing Flap	
5	1001184280	1	Evaporator, Heater	
6	1001184294	1	Seal, Heater Foam	
7	1001184295	1	Seal, Air Inlet Foam	
8	1001184296	1	Pipe, Heater Water	
9	1001184297	1	Pipe, Heater Water	
10	1001184427	1	Pipe, Heater	
11	1001188577	1	Actuator, Fresh/Recirculation Air	
12	1001188578	1	Actuator, Hot/Cold Mixing	
13	1001188592	1	Valve, HVAC Expansion	
14	1001188594	1	Fan, HVAC Centrifugal 12V	
15	1001188602	4	Screw, M4	
16	1001188603	9	Clamp, HVAC Case	
17	1001188604	2	Clamp, HVAC Pipe	
18	1001188610	2	Screw, M4X0.7	
19	1001188612	3	Clamp, Pipe	
20	1001188614	1	Resistor	
21	1001188618	4	Screw, M5	
22	1001188619	1	Screw, M6	
23	1001188720	2	Screw, M2.9X9.5	
24	1001188725	3	Screw, M4X35	
25	1001188728	1	Sensor, HVAC Thermostat	
26	1001188729	1	Radiator, Heater Core	
27	1001188733	1	Grommet	
28	1001188817	1	Clamp, Hose	
29	1001188818	1	Clamp, HVAC EVAP/Valve	
30	1001189023	1	O-Ring	
31	1001189024	1	O-Ring	
32	1001189025	2	O-Ring	
33	1001189048	1	Washer	
34	1001189054	1	Washer, Spring	
35	1001221057	1	Plate	
36	1001221058	2	Screw	
37	1001228132	1	Harness, HVAC Sensor	
38	1001228140	1	Grommet	
39	1001228141	2	Screw	
40	1001228147	1	Valve, Water Sensor	

SECTION 6 - CAB

FIGURE 6-60. CAB CONDENSER ASSEMBLY



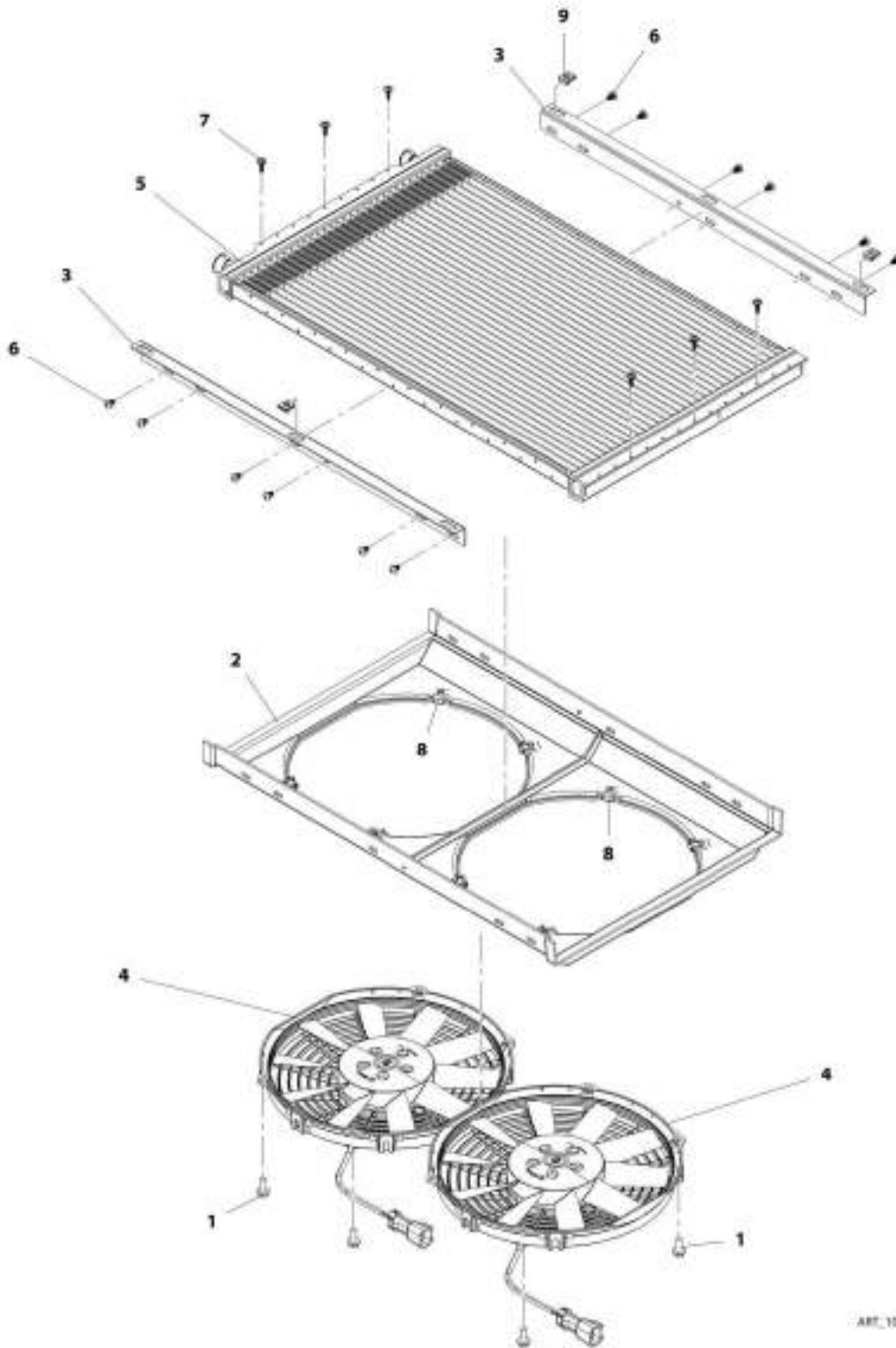
ART_3001162953-F

FIGURE 6-60. CAB CONDENSER ASSEMBLY

ITEM	PART NUMBER	QTY	DESCRIPTION	REV
	1001162953	Ref	Cab Condenser Assembly	F
1	1001167266	1	Condenser (See Separate Breakdown in this Section)	
4	1001179080	1	Bracket	
5	1001179081	1	Bracket	
6	1001179130	1	Drier, A/C Receiver (See Separate Breakdown in this Section)	

SECTION 6 - CAB

FIGURE 6-61. CONDENSER



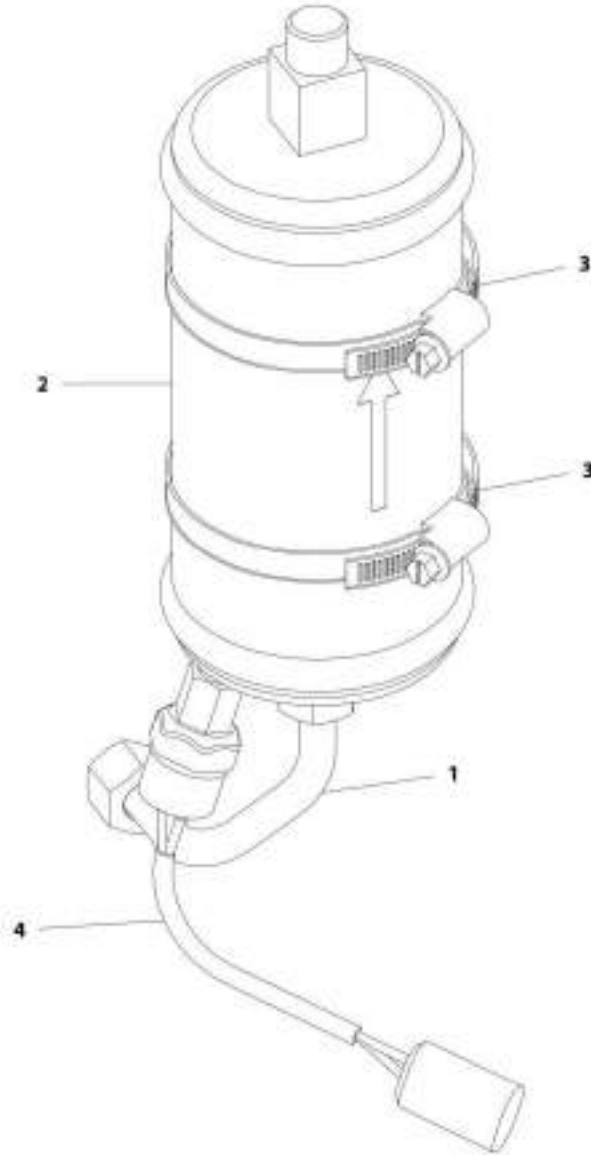
ART. 1001167200 C

FIGURE 6-61. CONDENSER

ITEM	PART NUMBER	QTY	DESCRIPTION	REV
	1001167266	Ref	Condenser	C
1	5250608	8	Bolt, M6X16	
2	1001195342	1	Bracket, Condenser Fan Mount	
3	1001195343	2	Support, Condenser	
4	1001195345	2	Fan, Condenser	
5	1001195346	1	Condenser	
6	1001195385	12	Screw, M3.9X9.5	
7	1001195386	6	Screw, M4.2X16	
8	1001195437	8	Clip, M6X1	
9	1001195438	3	Clip, M6X1	

SECTION 6 - CAB

FIGURE 6-62. A/C RECEIVER DRIER



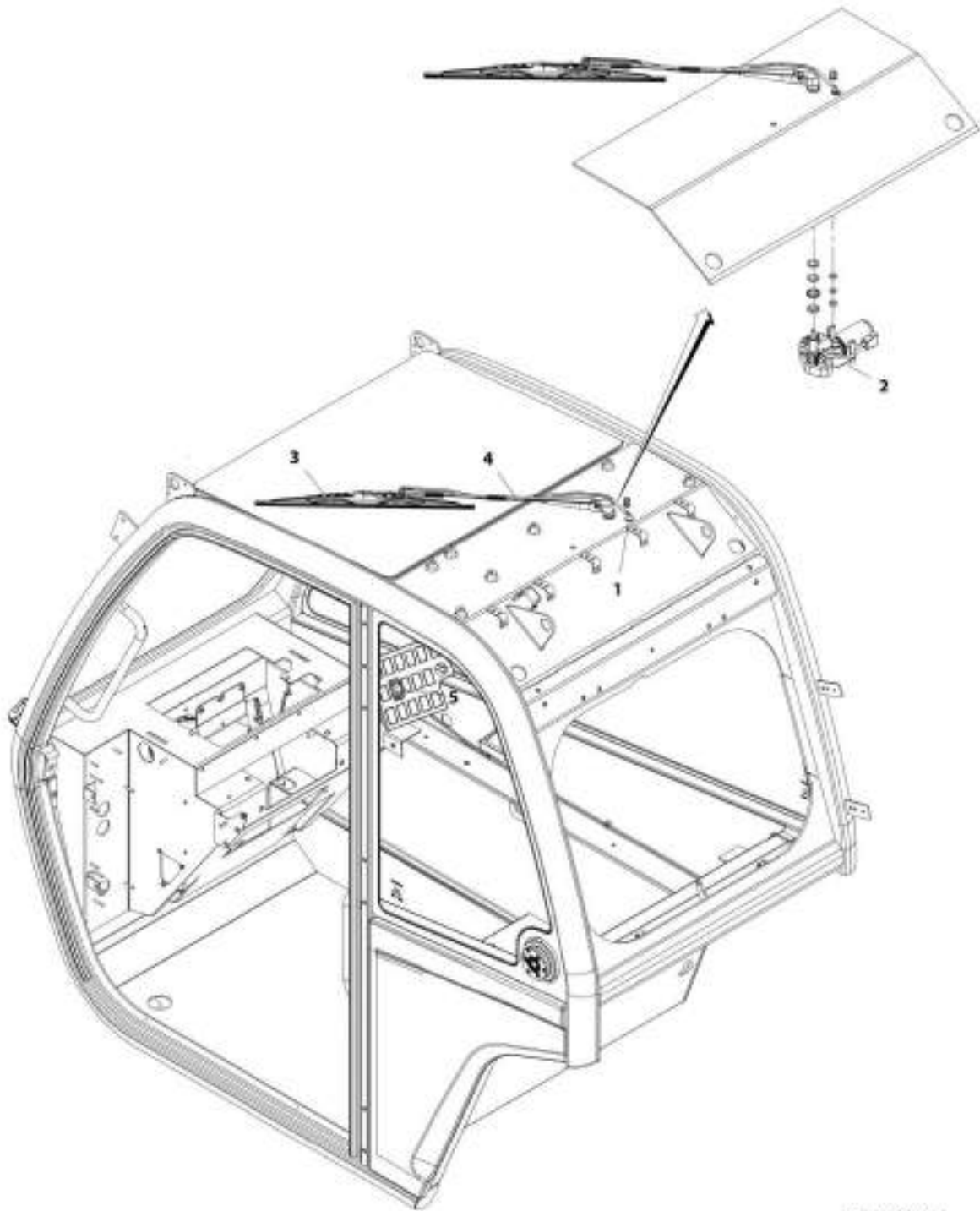
ART_100179130-B

FIGURE 6-62. A/C RECEIVER DRIER

ITEM	PART NUMBER	QTY	DESCRIPTION	REV
	1001179130	Ref	A/C Receiver Drier	B
1	1001184403	1	Tube, Heater	
2	1001184404	1	Receiver, Heater Drier	
3	1001184405	2	Clamp	
4	1001184406	1	Connector, Heater	

SECTION 6 - CAB

FIGURE 6-63. ROOF WIPER INSTALLATION



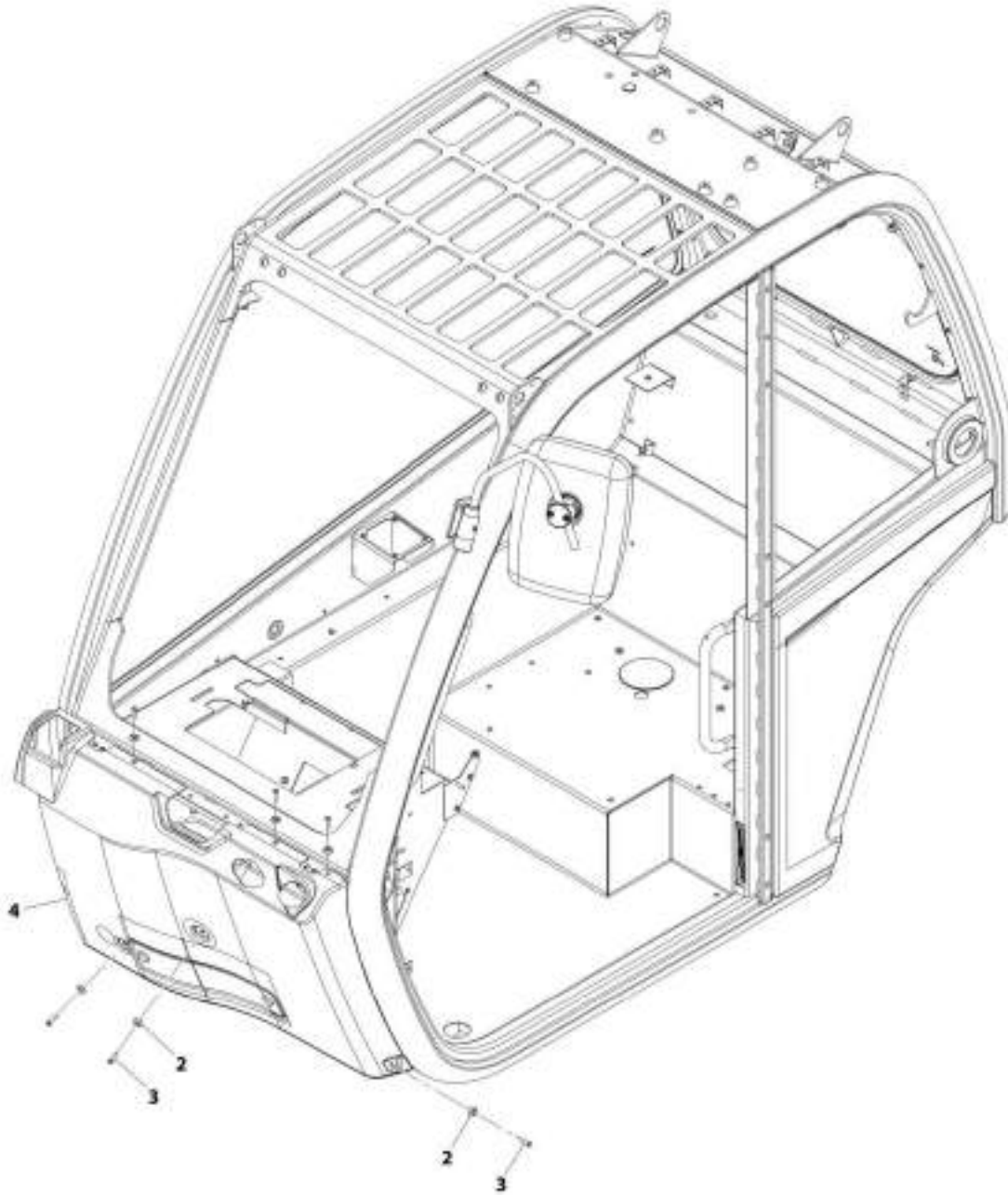
ART_100155486-B

FIGURE 6-63. ROOF WIPER INSTALLATION

ITEM	PART NUMBER	QTY	DESCRIPTION	REV
	1001155486	Ref	Roof Wiper Installation	B
1	1001090343	1	Connector	
2	1001139551	1	Motor, Roof Wiper	
3	1001141313	1	Blade, Roof Wiper	
4	1001141311	1	Arm, Roof Wiper Blade	
5	1001159736	1	Switch, Roof Wiper	

SECTION 6 - CAB

FIGURE 6-64. FRONT NOSE CONE INSTALLATION (ROADLIGHTS)



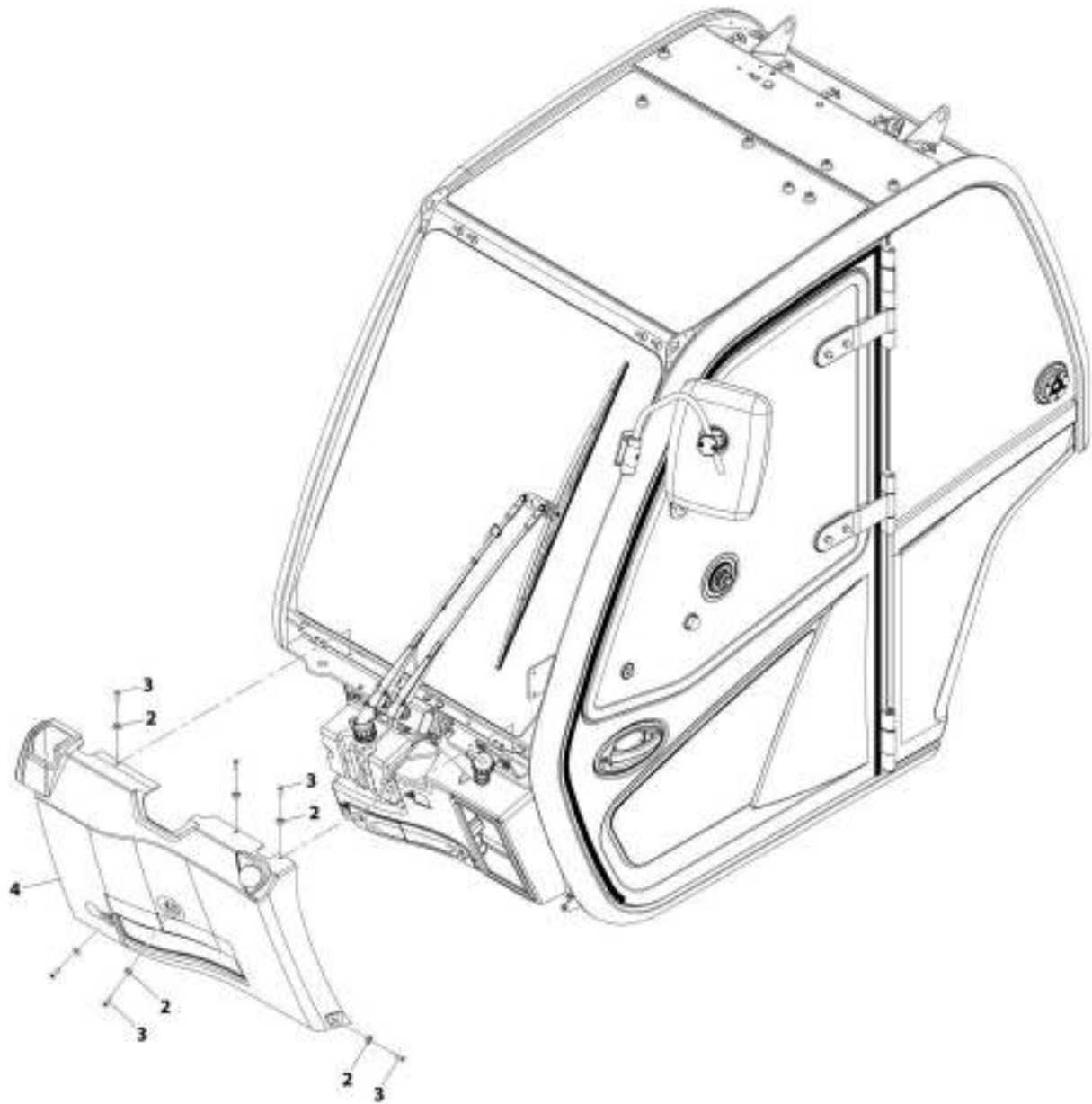
ART_1001100660-E

FIGURE 6-64. FRONT NOSE CONE INSTALLATION (ROADLIGHTS)

ITEM	PART NUMBER	QTY	DESCRIPTION	REV
	1001189660	Ref	Front Nose Cone Installation (Roadlights)	E
2	1001097540	6	Washer, M6	
3	3900379	6	Screw, M6X25	
4	1001189659	1	Cover, Front Nose Cone	

SECTION 6 - CAB

FIGURE 6-65. FRONT NOSE CONE INSTALLATION (NO ROADLIGHTS)



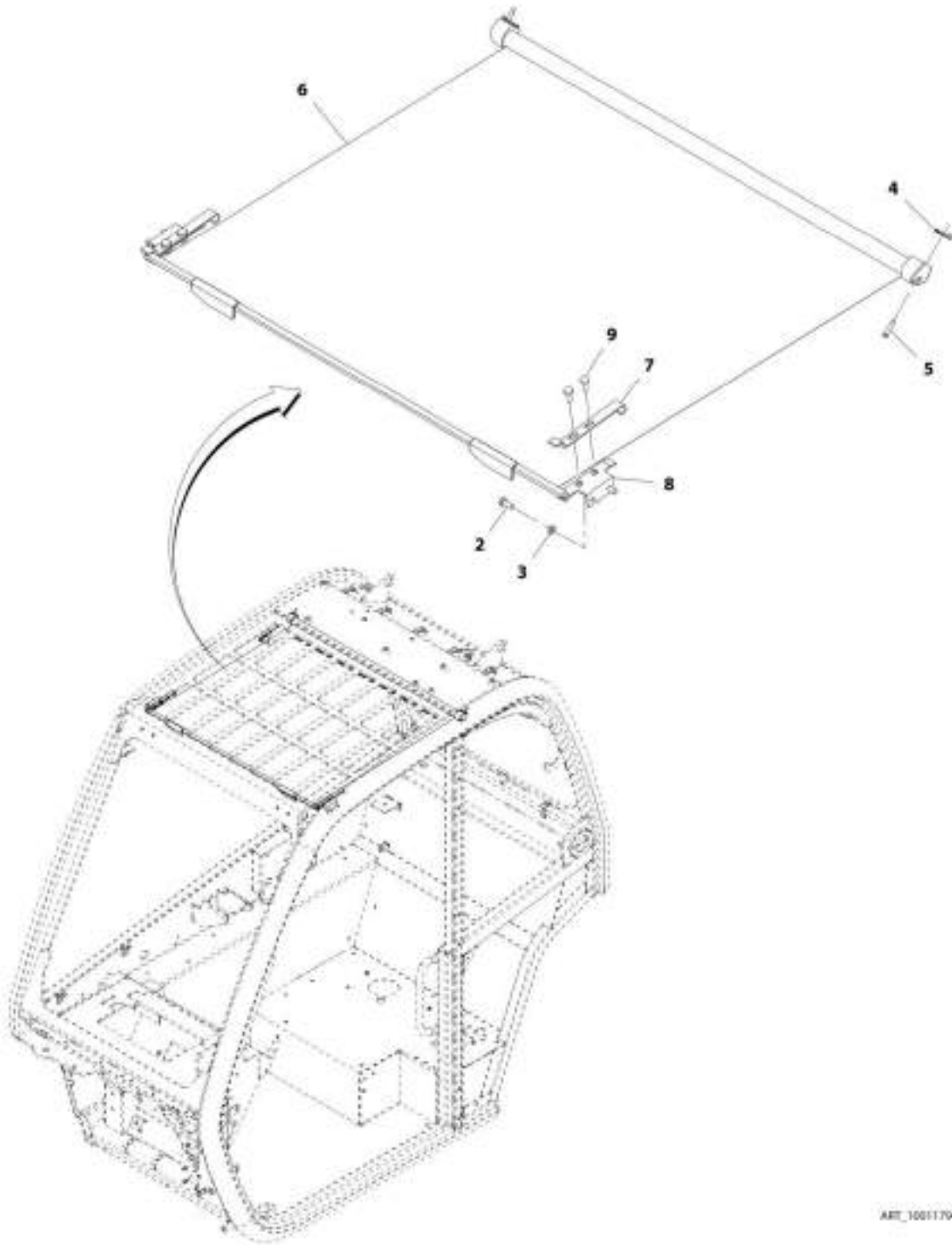
ART_300179896-F

FIGURE 6-65. FRONT NOSE CONE INSTALLATION (NO ROADLIGHTS)

ITEM	PART NUMBER	QTY	DESCRIPTION	REV
	1001179896	Ref	Front Nose Cone Installation (No Roadlights)	F
2	1001097540	6	Washer, M6	
3	3900379	6	Screw, M6X25	
4	1001179899	1	Cover, Front Nose Cone	

SECTION 6 - CAB

FIGURE 6-66. RETRACTABLE SUNSCREEN INSTALLATION



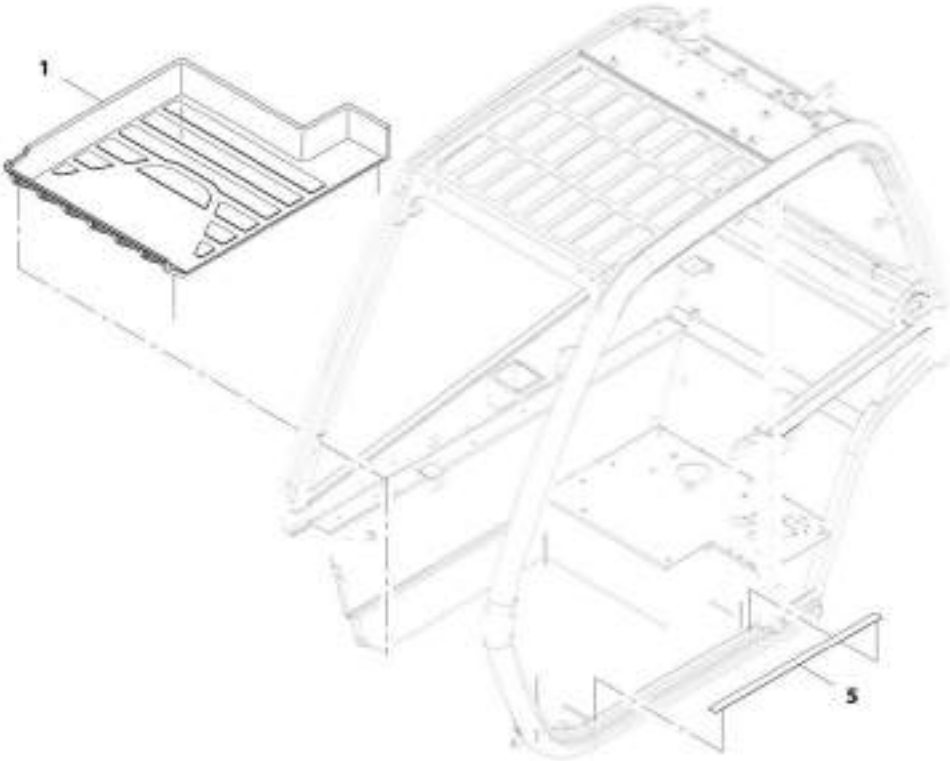
ART_1001170482-D

FIGURE 6-66. RETRACTABLE SUNSCREEN INSTALLATION

ITEM	PART NUMBER	QTY	DESCRIPTION	REV
	1001179482	Ref	Retractable Sunscreen Installation	D
2	0760608	4	Bolt, M6X16	
3	4811700	4	Washer, M6	
4	1001111076	2	Nut, Spire	
5	1001111147	2	Screw, Self Tapping	
6	1001179483	1	Cab, Sun Blind	
7	1001209463	2	Bracket	
8	1001166385	2	Bracket	
9	4010608002	4	Screw, Posi-Drive M6X16	

SECTION 6 - CAB

FIGURE 6-67. FLOOR MAT INSTALLATION



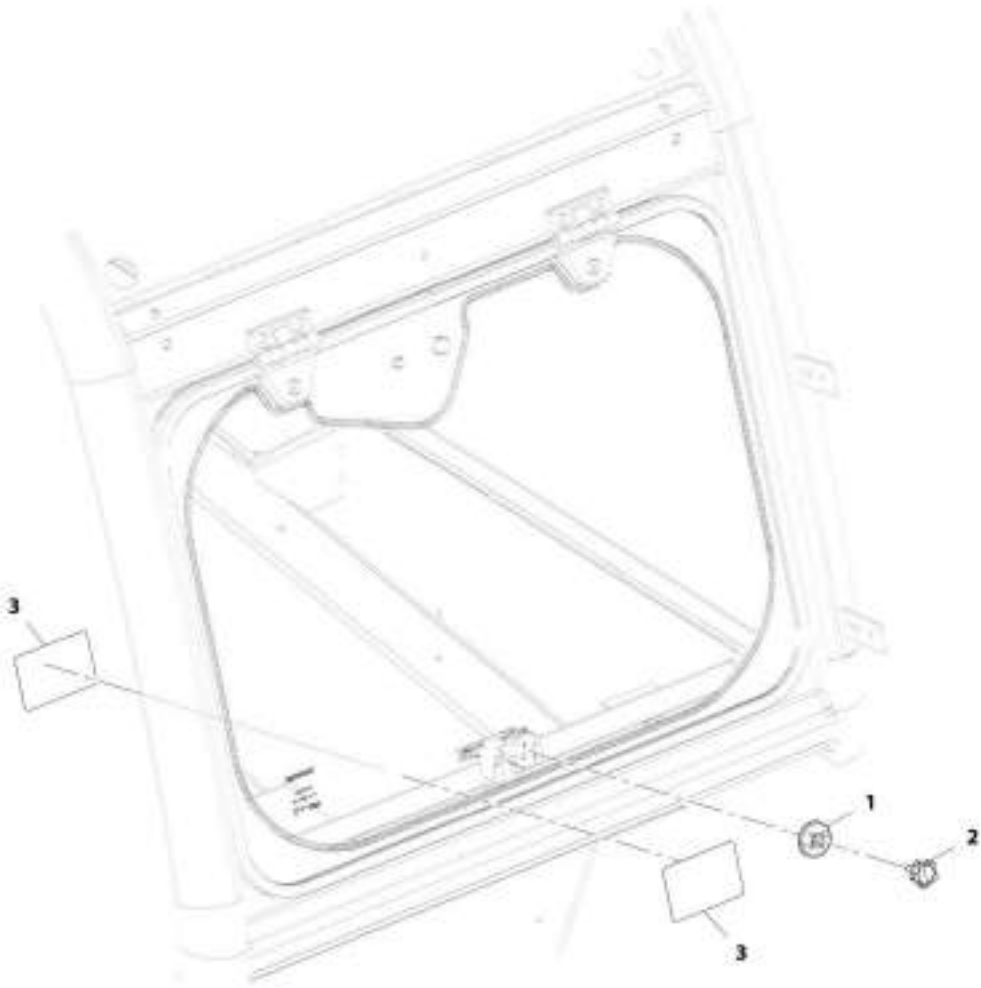
ART_1001561080-E

FIGURE 6-67. FLOOR MAT INSTALLATION

ITEM	PART NUMBER	QTY	DESCRIPTION	REV
	1001161080	Ref	Floor Mat Installation	E
1	1001161078	1	Cab, Floor Mat	
5	1001197259	1	Tape, Frame Non Skid	

SECTION 6 - CAB

FIGURE 6-68. EXTERNAL WINDOW RELEASE INSTALLATION(CAN & ISO)



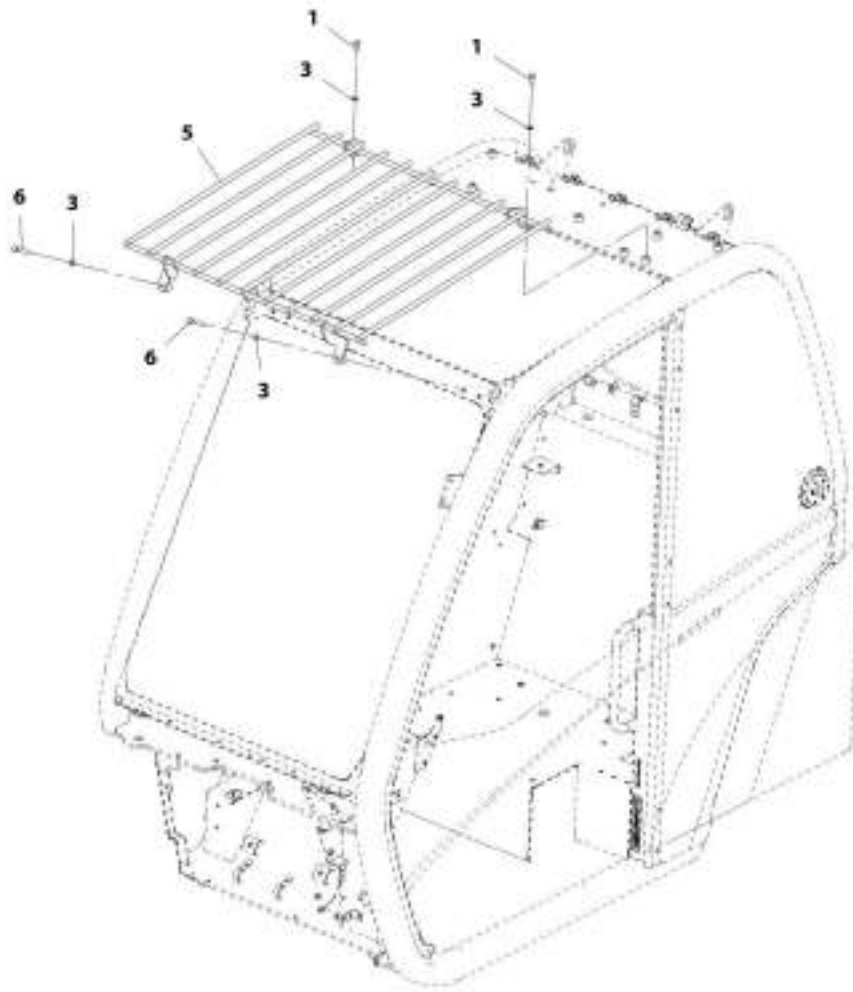
ART_100117826-C

FIGURE 6-68. EXTERNAL WINDOW RELEASE INSTALLATION(CAN & ISO)

ITEM	PART NUMBER	QTY	DESCRIPTION	REV
	1001178826	Ref	Rear Window Installation (WO/Wiper) (CAN & ISO)	C
1	1001179008	1	Cap, Latch Window	
2	1001179009	1	Knob	
3	1001204709	2	Decal, Emergency Exit (English/French)	

SECTION 6 - CAB

FIGURE 6-69. CAB GUARD INSTALLATION (TOP)



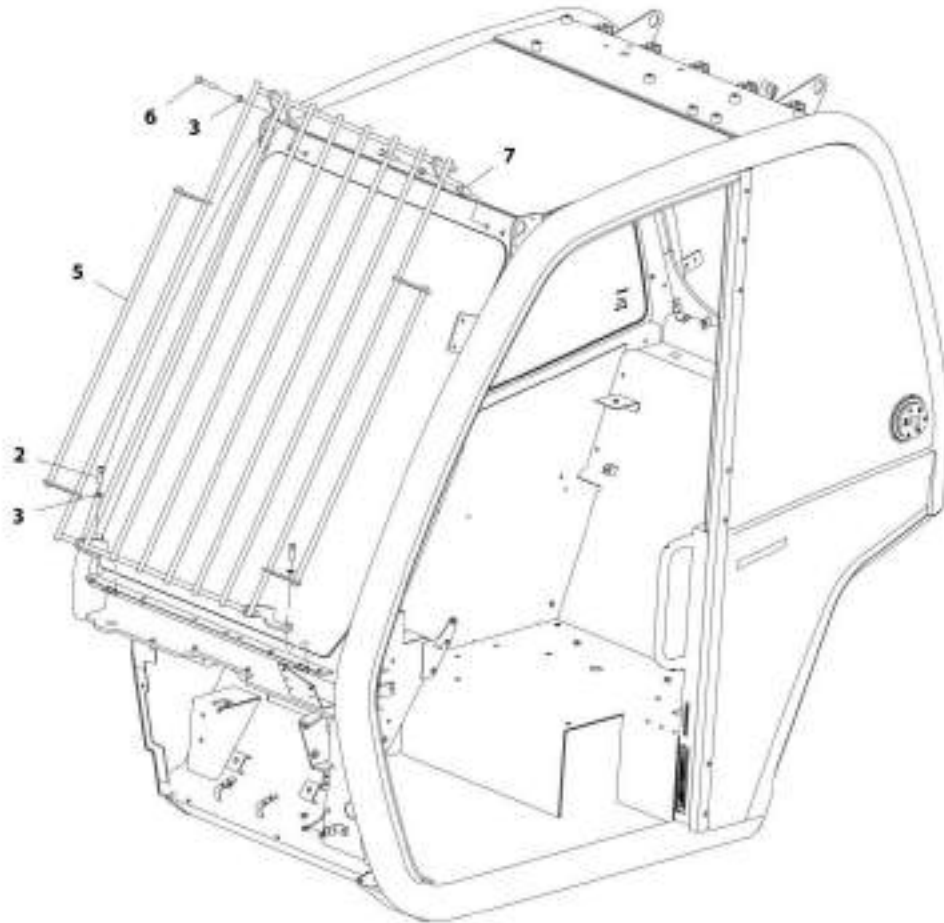
ART_1001100496-F

FIGURE 6-69. CAB GUARD INSTALLATION (TOP)

ITEM	PART NUMBER	QTY	DESCRIPTION	REV
	1001160496	Ref	Cab Guard Installation (Top)	F
1	0760810	2	Bolt, M8X20	
3	4811900	4	Washer, M8	
5	1001160503	1	Guard, Top Screen	
6	0700820	2	Bolt, M8X60	

SECTION 6 - CAB

FIGURE 6-70. CAB GUARD INSTALLATION (FRONT)



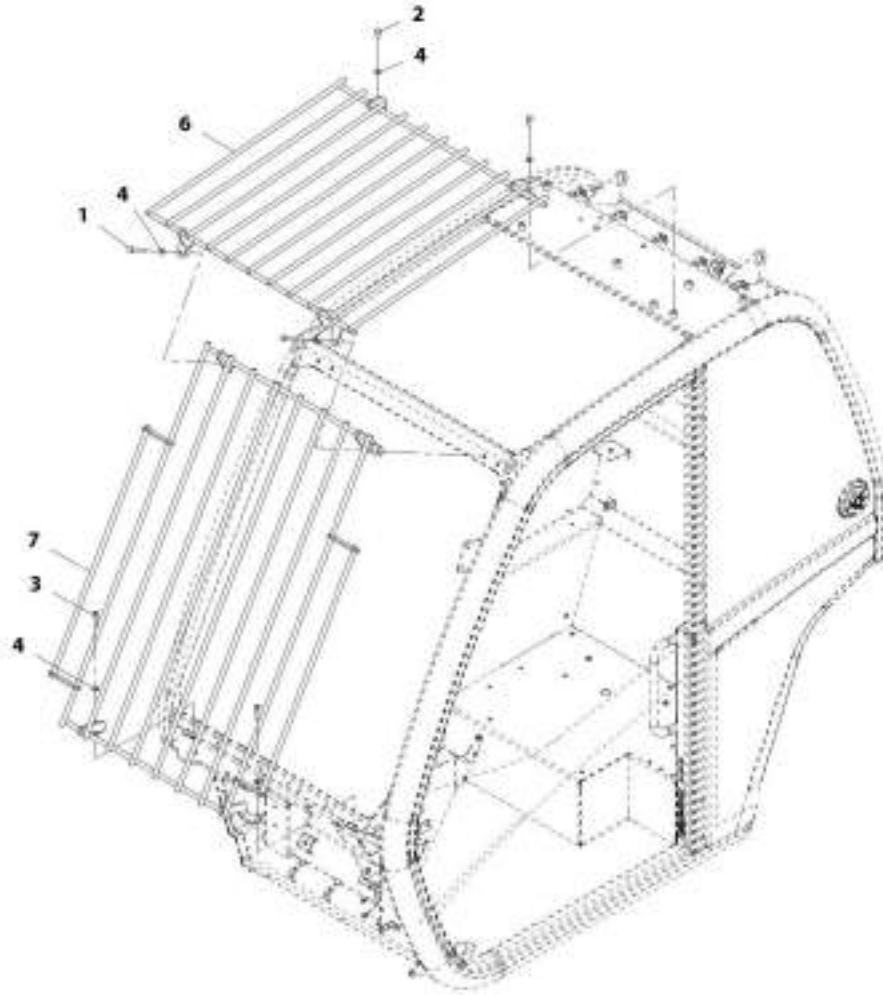
ART_1001590106-G

FIGURE 6-70. CAB GUARD INSTALLATION (FRONT)

ITEM	PART NUMBER	QTY	DESCRIPTION	REV
	1001160506	Ref	Cab Guard Installation (Front)	G
2	4031910	2	Bolt, M8X30	
3	4811900	4	Washer, M8	
5	1001180263	1	Guard, Front Screen	
6	0700820	2	Bolt, M8X60	
7	1001173257	2	Spacer	

SECTION 6 - CAB

FIGURE 6-71. CAB GUARD INSTALLATION (TOP AND FRONT)



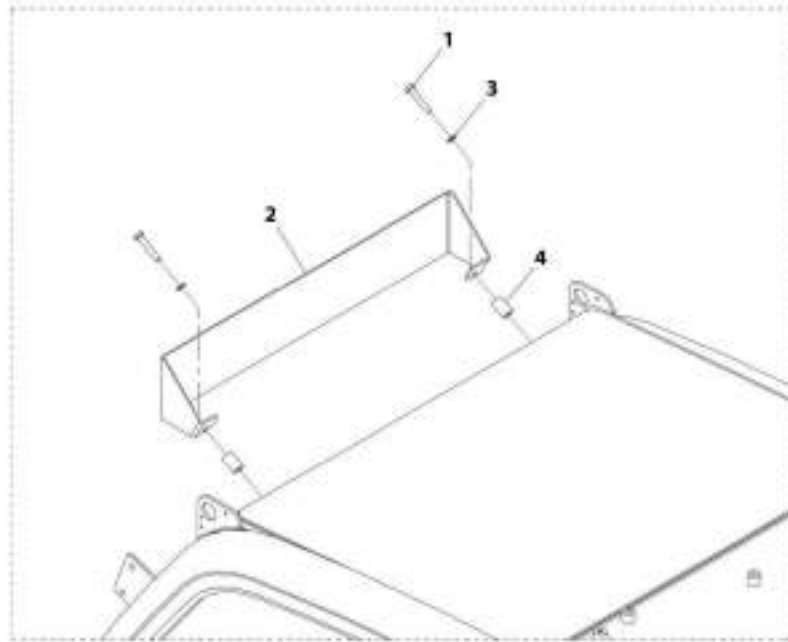
AWT_1001122774-F

FIGURE 6-71. CAB GUARD INSTALLATION (TOP AND FRONT)

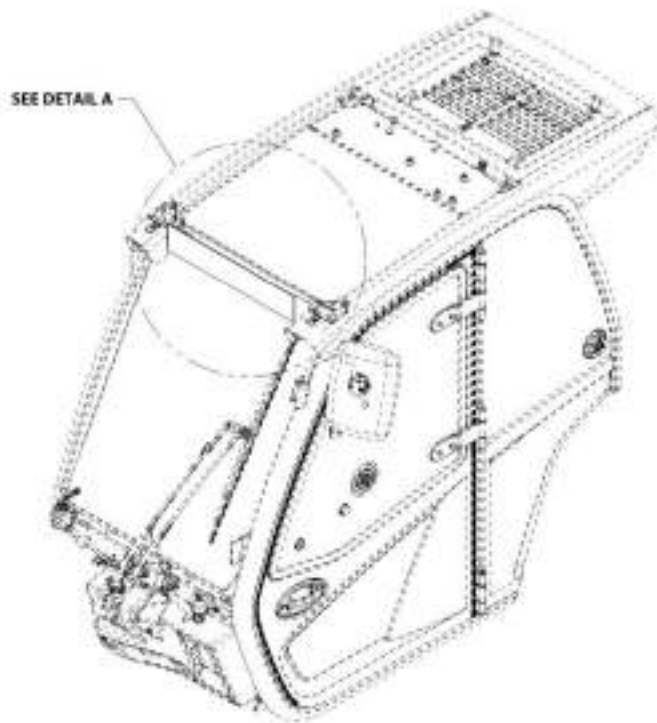
ITEM	PART NUMBER	QTY	DESCRIPTION	REV
	1001172774	Ref	Cab Guard Installation (Top and Front)	F
1	0700820	2	Bolt, M8X60	
2	0760810	2	Bolt, M8X20	
3	4031910	2	Bolt, M8X30	
4	4811900	6	Washer, M8	
6	1001160503	1	Guard, Top Screen	
7	1001180263	1	Guard, Front Screen	

SECTION 6 - CAB

FIGURE 6-72. NUMBER PLATE BRACKET INSTALLATION (NO CAB GUARD)



DETAIL A



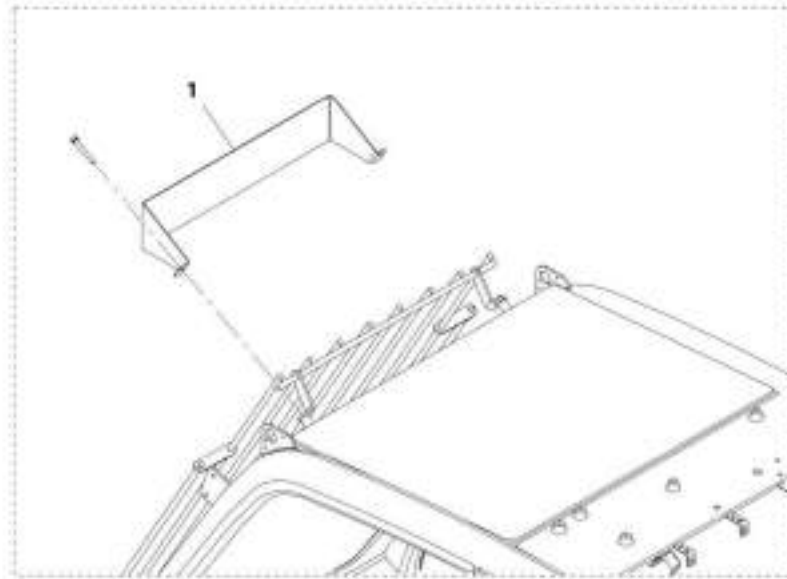
ART_100121804-B

FIGURE 6-72. NUMBER PLATE BRACKET INSTALLATION (NO CAB GUARD)

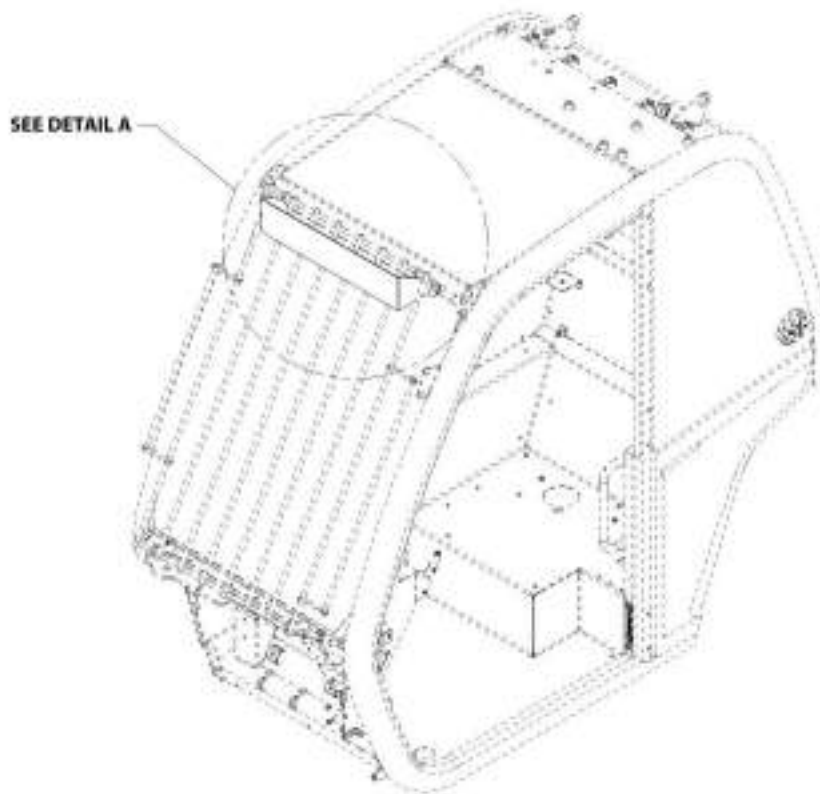
ITEM	PART NUMBER	QTY	DESCRIPTION	REV
	1001210804	Ref	Number Plate Bracket Installation (No Cab Guard)	B
1	0700817	2	Bolt, M8X45	
2	1001210802	1	Bracket, Number Plate (No Cab Guard)	
3	4811900	2	Washer, M8	
4	1001173257	2	Block, Spacer	

SECTION 6 - CAB

FIGURE 6-73. NUMBER PLATE BRACKET INSTALLATION (CAB GUARD)



DETAIL A



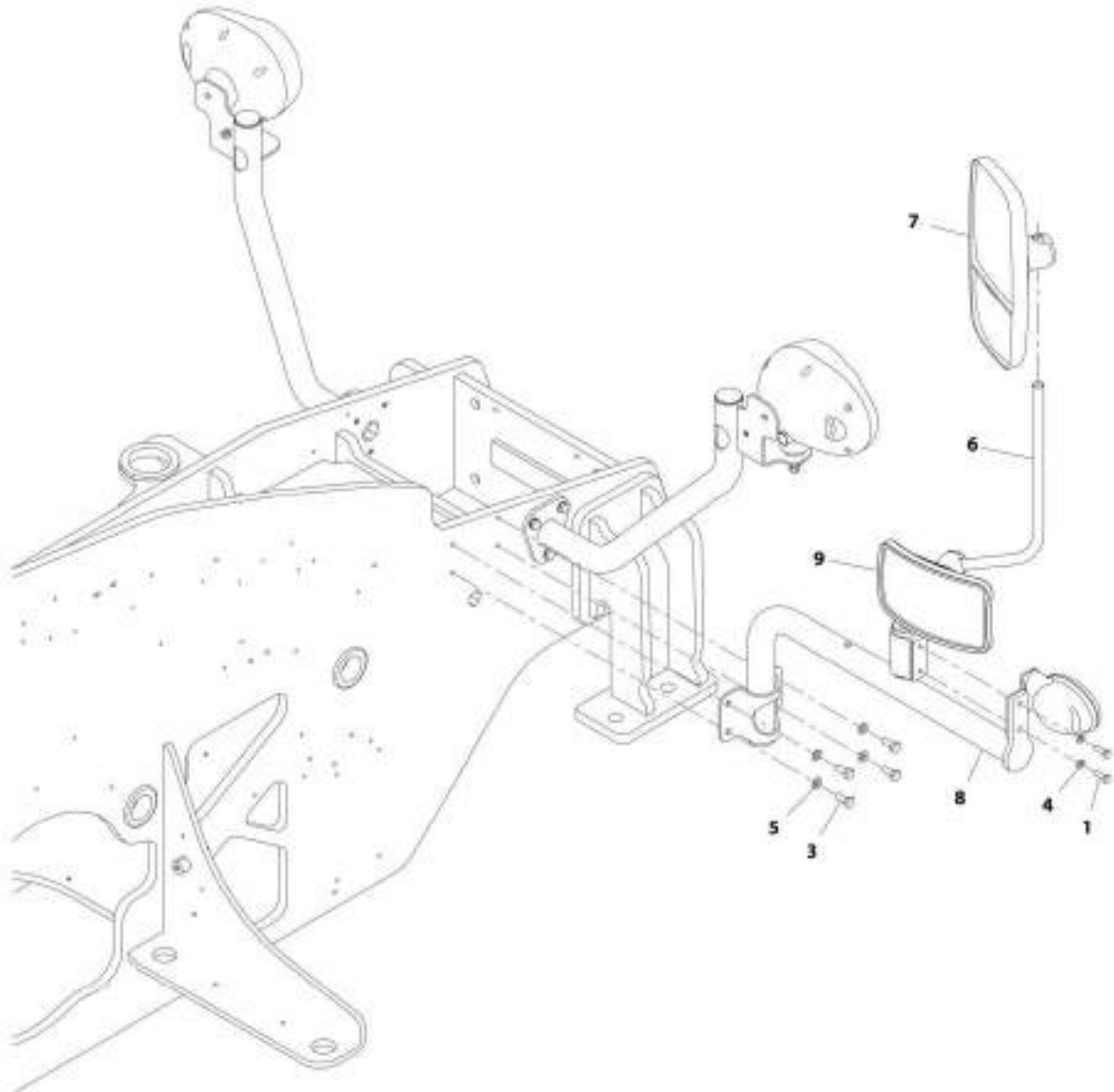
ART_1001210799-A

FIGURE 6-73. NUMBER PLATE BRACKET INSTALLATION (CAB GUARD)

ITEM	PART NUMBER	QTY	DESCRIPTION	REV
1	1001210799 1001210798	Ref 1	Number Plate Bracket Installation (Cab Guard) Bracket	A

SECTION 6 - CAB

FIGURE 6-74. MIRROR INSTALLATION (20IN WHEEL)



ART. 3001175097-D

FIGURE 6-74. MIRROR INSTALLATION (20IN WHEEL)

ITEM	PART NUMBER	QTY	DESCRIPTION	REV
	1001179097	Ref	Mirror Installation (20IN Wheel)	D
1	0760812	2	Bolt, M8X25	
3	0761012	4	Bolt, M10X25	
4	4811900	2	Washer, M8	
5	4812000	4	Washer, M10	
6	1001189193	1	Bracket	
7	1001175812	1	Mirror, Dual Lens	
8	1001181359	1	Bracket	
9	1001142724	1	Mirror, Convex	

SECTION 6 - CAB

FIGURE 6-75. HITCH MIRROR INSTALLATION (FLAT)

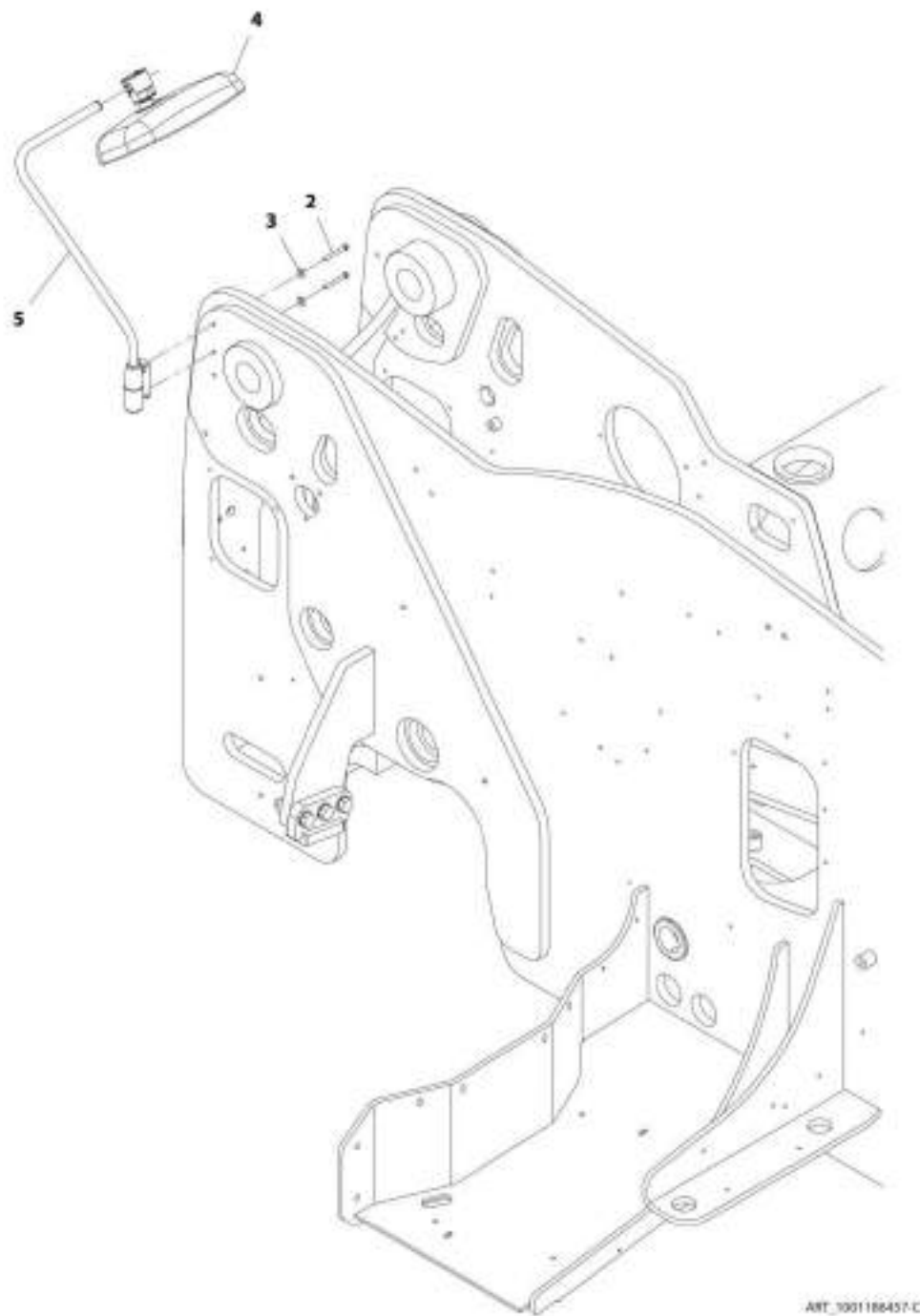


FIGURE 6-75. HITCH MIRROR INSTALLATION (FLAT)

ITEM	PART NUMBER	QTY	DESCRIPTION	REV
	1001186457	Ref	Hitch Mirror Installation (Flat)	C
2	0700618	2	Bolt, M6X50	
3	4811702	2	Washer, M6	
4	1001005981	1	Mirror	
5	1001111900	1	Support, Mirror Mount Arm	

SECTION 6 - CAB

FIGURE 6-76. HITCH MIRROR INSTALLATION (CONVEX)

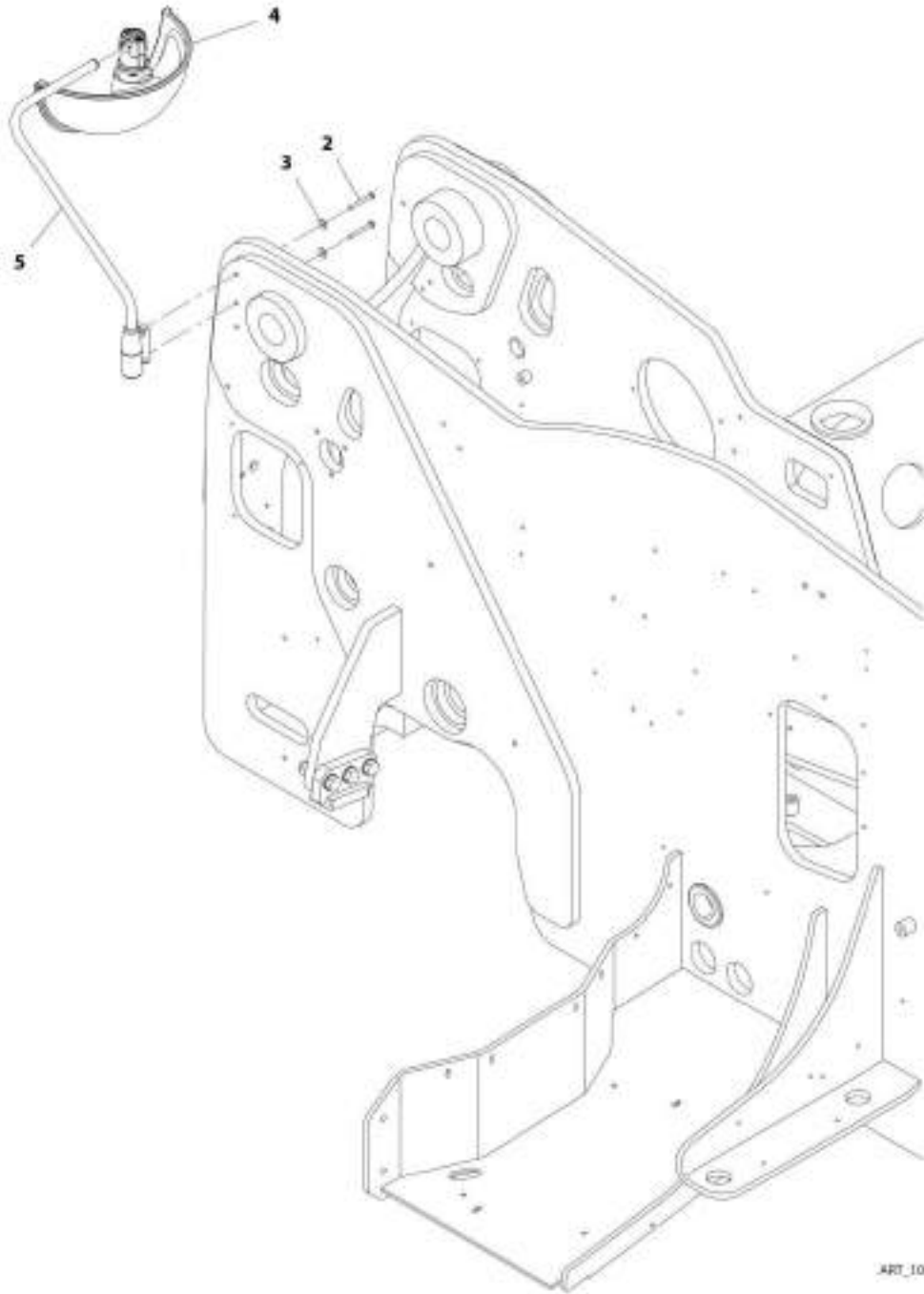
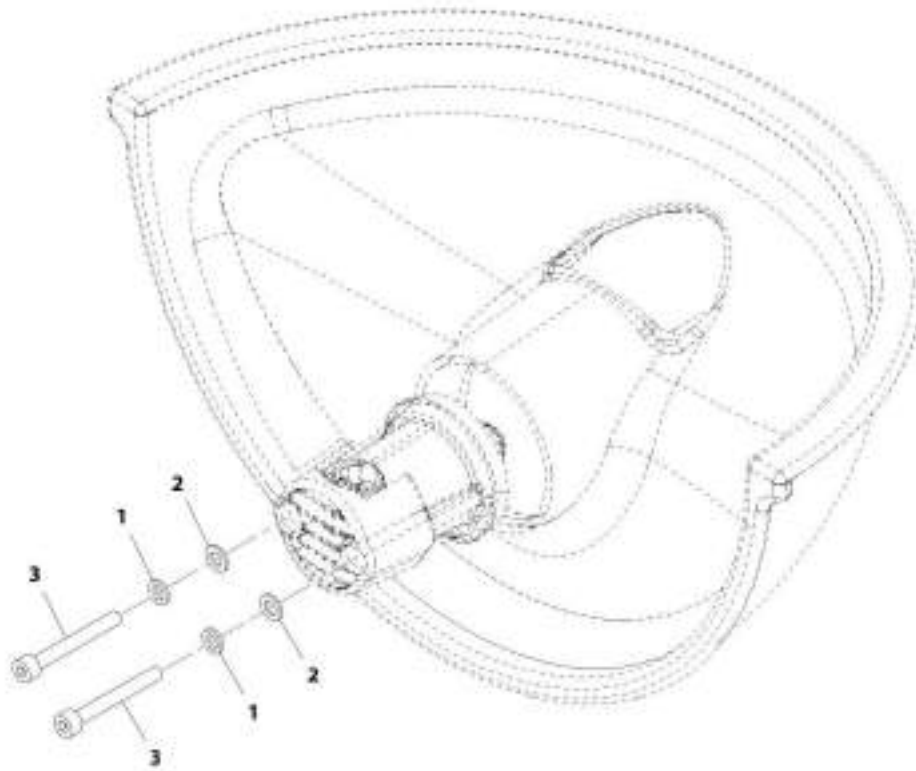


FIGURE 6-76. HITCH MIRROR INSTALLATION (CONVEX)

ITEM	PART NUMBER	QTY	DESCRIPTION	REV
	1001186458	Ref	Hitch Mirror Installation (Convex)	C
2	0700618	2	Bolt, M6X50	
3	4811702	2	Washer, M6	
4	1001008436	1	Assembly, Mirror (Convex) (See Separate Breakdown in this Section)	
5	1001111900	1	Support, Mirror Mount Arm	

SECTION 6 - CAB

FIGURE 6-77. MIRROR ASSEMBLY (CONVEX)



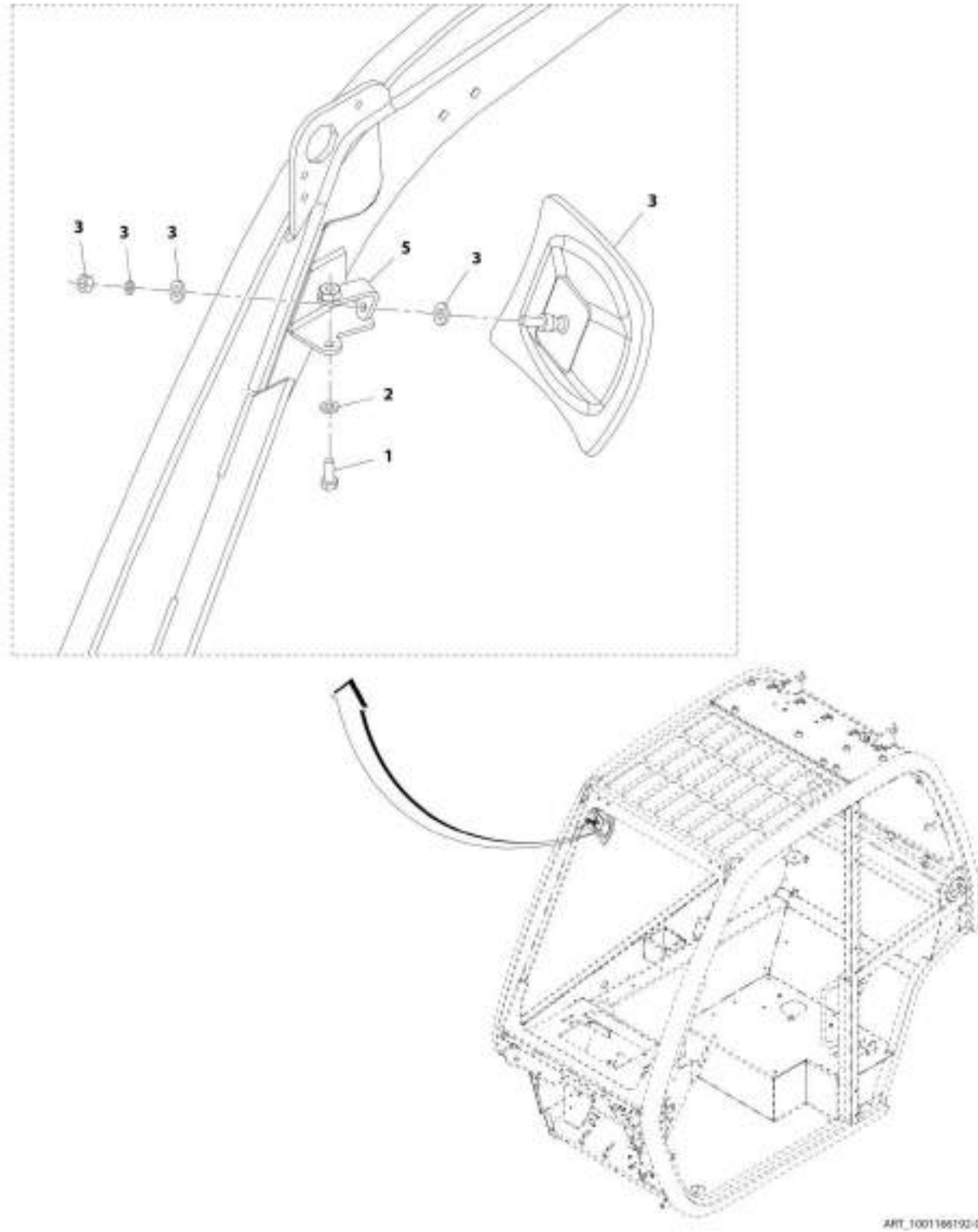
ART_1001008438-D

FIGURE 6-77. MIRROR ASSEMBLY (CONVEX)

ITEM	PART NUMBER	QTY	DESCRIPTION	REV
	1001008436	1	Mirror Assembly (Convex)	D
1	1001008475	2	Washer, Lock	
2	1001009062	2	Washer	
3	1001010838	2	Bolt	

SECTION 6 - CAB

FIGURE 6-78. INTERIOR MIRROR INSTALLATION (Prior to SN 1160008371)



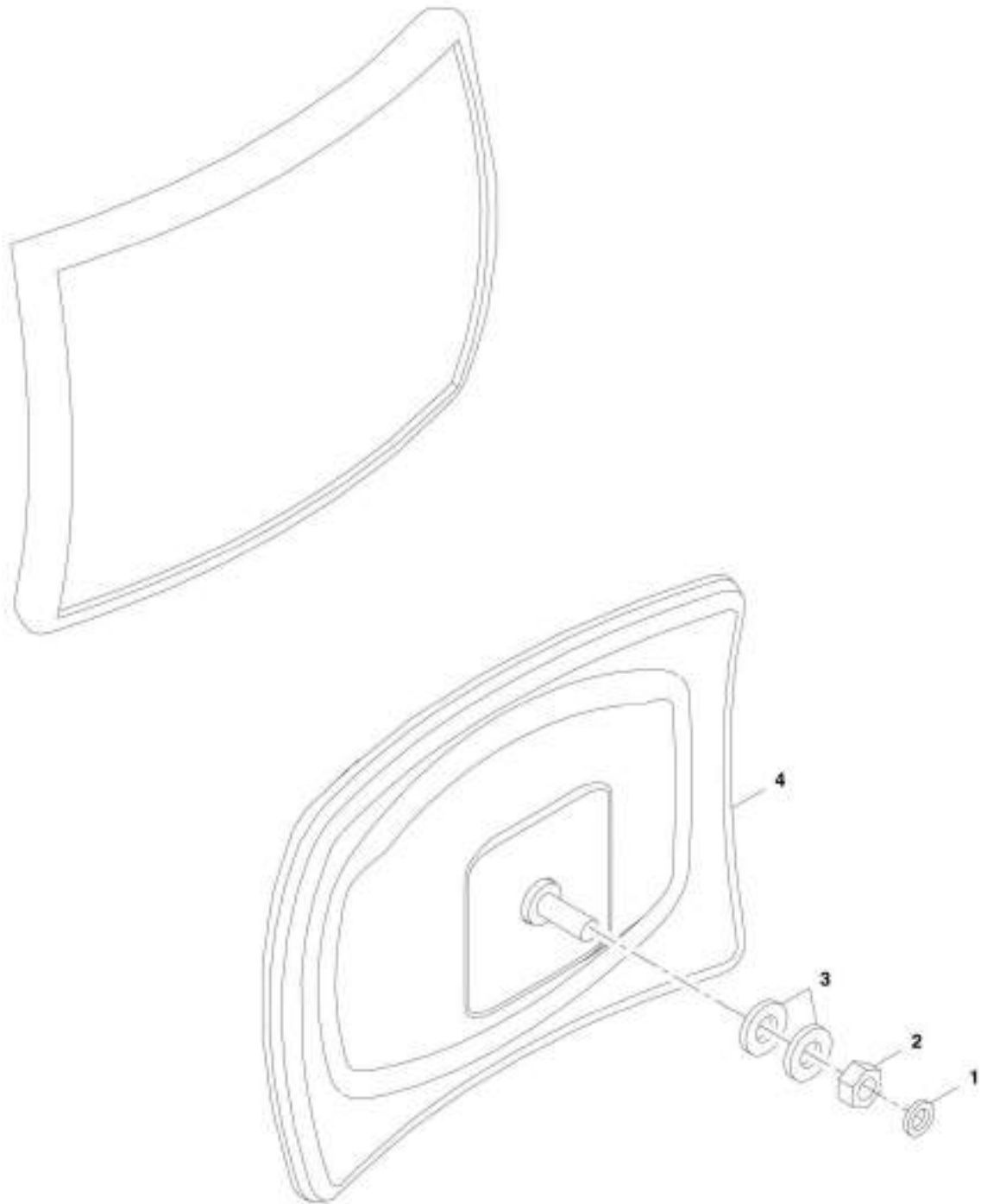
ART_1001166192-C

FIGURE 6-78. INTERIOR MIRROR INSTALLATION (Prior to SN 1160008371)

ITEM	PART NUMBER	QTY	DESCRIPTION	REV
	1001166192	Ref	Interior Mirror Installation	C
1	0760608	1	Bolt, M6X16	
2	4811700	1	Washer, M6	
3	1001007641	1	Mirror, Interior (See Separate Breakdown in this Section)	
5	1001166191	1	Bracket	

SECTION 6 - CAB

FIGURE 6-79. INTERIOR MIRROR (Prior to SN 1160008371)



ART_1069007641-0

FIGURE 6-79. INTERIOR MIRROR (Prior to SN 1160008371)

ITEM	PART NUMBER	QTY	DESCRIPTION	REV
	1001007641	Ref	Mirror, Interior	B
1	1001008475	1	Washer, Lock 12	
2	1001008604	1	Nut	
3	1001009124	2	Washer	
4	1001010839	1	Mirror	

SECTION 6 - CAB

FIGURE 6-80. REAR VIEW MIRROR INSTALLATION

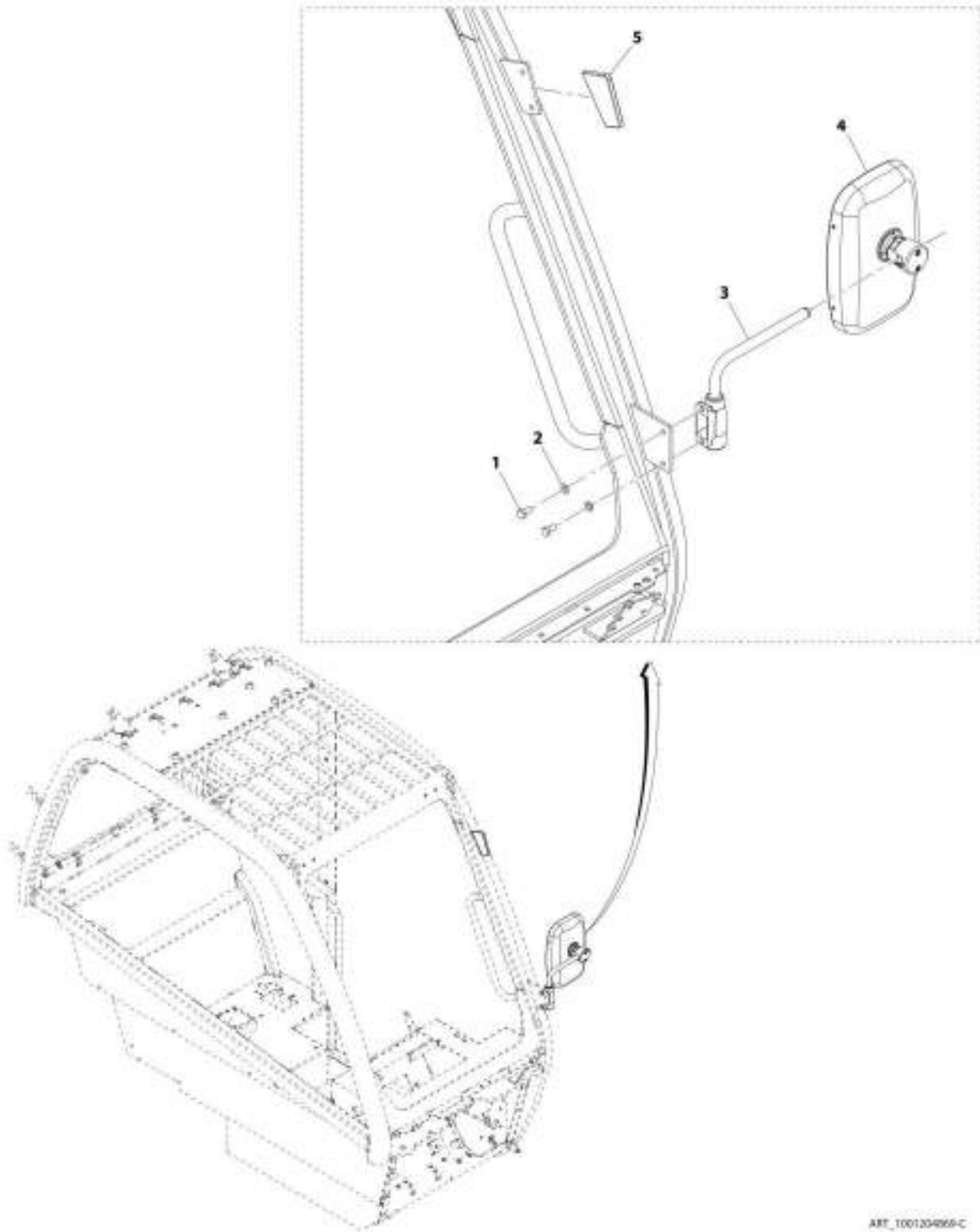
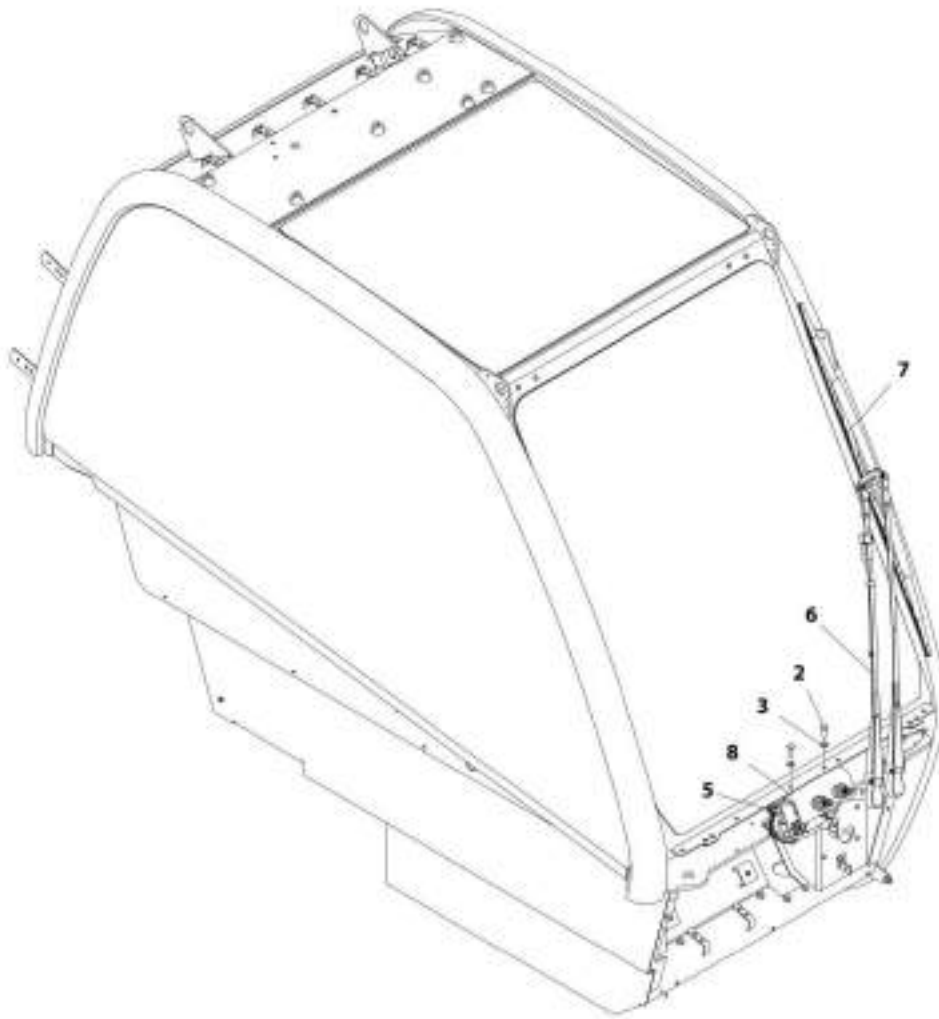


FIGURE 6-80. REAR VIEW MIRROR INSTALLATION

ITEM	PART NUMBER	QTY	DESCRIPTION	REV
	1001204869	Ref	Rear View Mirror Installation	C
1	0760808	2	Bolt, M8X16	
2	4811900	2	Washer, M8	
3	1001205948	1	Arm, Mirror Bracket	
4	1001206155	1	Mirror, Rear View	
5	1001227357	1	Cover, Mirror Bracket	

SECTION 6 - CAB

FIGURE 6-81. FRONT WIPER INSTALLATION



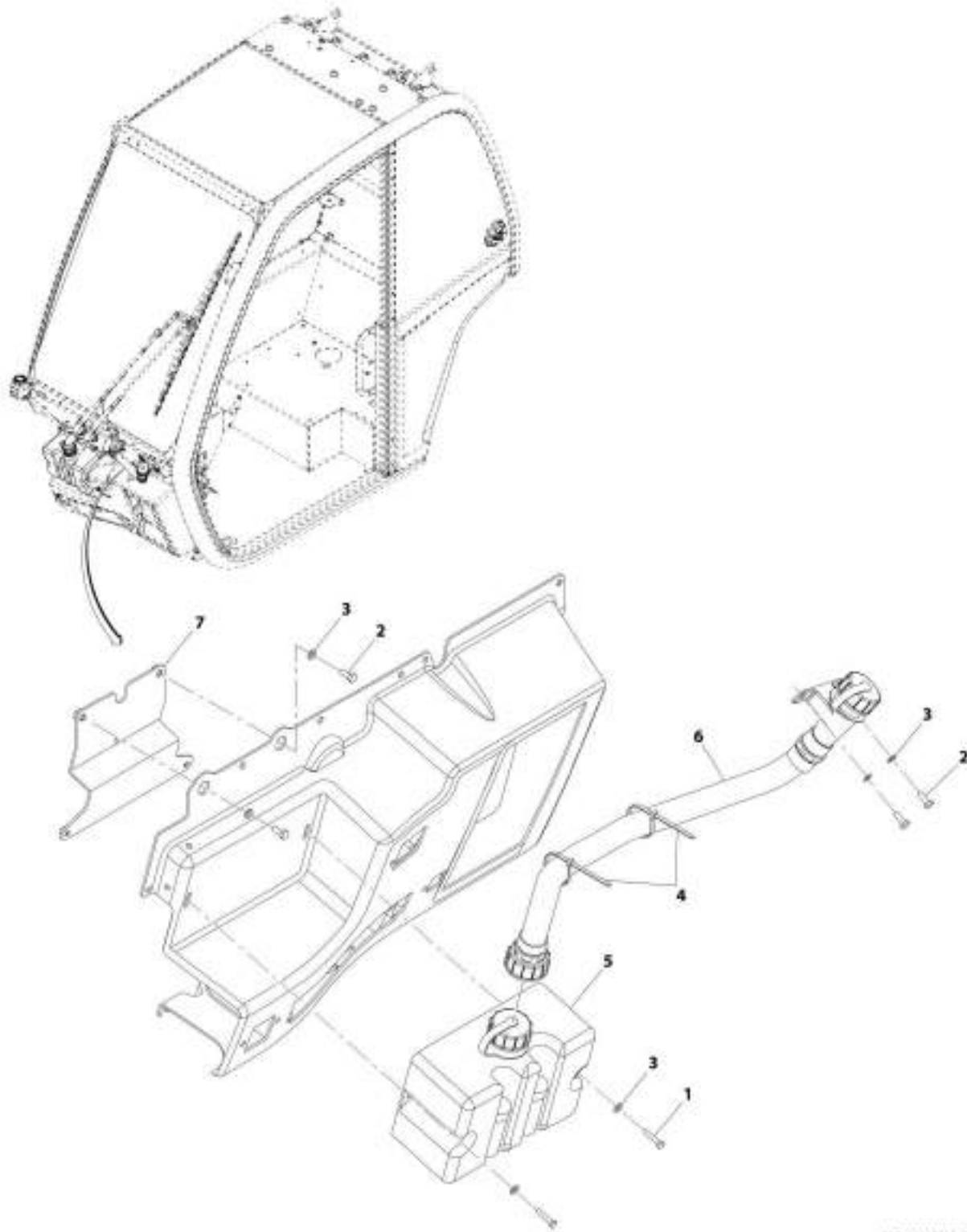
ART_9001155447-G

FIGURE 6-81. FRONT WIPER INSTALLATION

ITEM	PART NUMBER	QTY	DESCRIPTION	REV
	1001155447	Ref	Front Wiper Installation	G
2	0760810	2	Bolt, M8X20	
3	4811900	2	Washer, M8	
5	1001214092	1	Motor, Front Wiper	
6	1001212369	1	Arm, Front Wiper	
7	1001141281	1	Blade, Wiper	
8	1001165637	1	Bracket	

SECTION 6 - CAB

FIGURE 6-82. WASHER TANK INSTALLATION



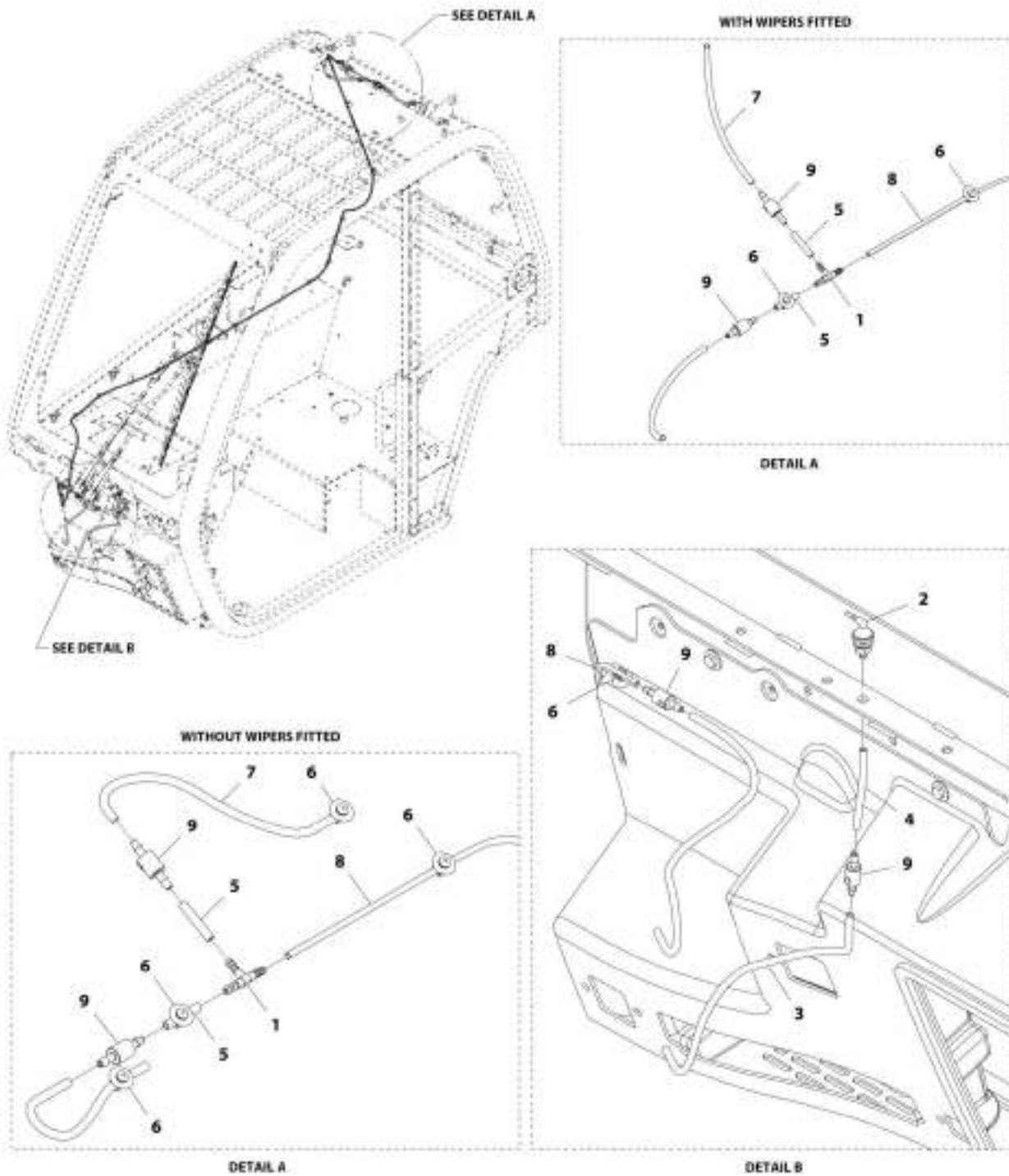
ART_1001261027-C

FIGURE 6-82. WASHER TANK INSTALLATION

ITEM	PART NUMBER	QTY	DESCRIPTION	REV
	1001201027	Ref	Washer Tank Installation	C
1	0760512	2	Bolt M5X25	
2	0760608	4	Bolt, M6X16	
3	4811700	6	Washer, M6	
4	471678	2	Band, Cable	
5	1001165269	1	Bottle, Washer (See Separate Breakdown in this Section)	
6	1001165270	1	Hose, Washer Filler	
7	1001171756	1	Bracket	

SECTION 6 - CAB

FIGURE 6-83. WASHER HOSES INSTALLATION



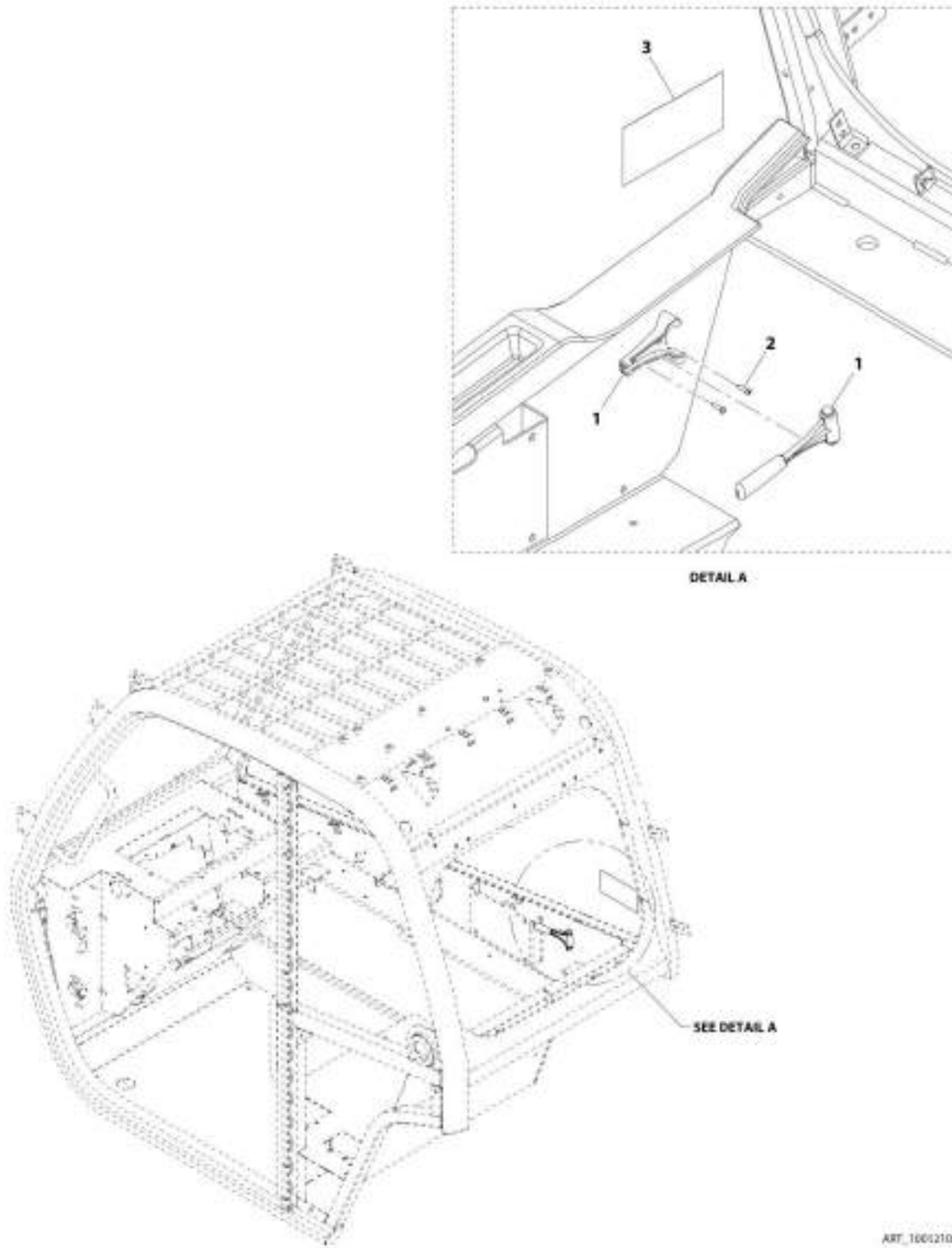
ART_1001201520-B

FIGURE 6-83. WASHER HOSES INSTALLATION

ITEM	PART NUMBER	QTY	DESCRIPTION	REV
	1001201520	Ref	Washer Hoses Installation	B
1	1001008742	1	Coupling, Tee	
2	1001090343	1	Connector	
3	1001165351	2	Hose	
4	1001165416	1	Hose	
5	1001165455	2	Hose	
6	1001165458	16	Mount, Hose	
7	1001178123	2	Hose	
8	1001180045	1	Hose	
9	1001201331	4	Valve, Check	

SECTION 6 - CAB

FIGURE 6-84. HAMMER INSTALLATION



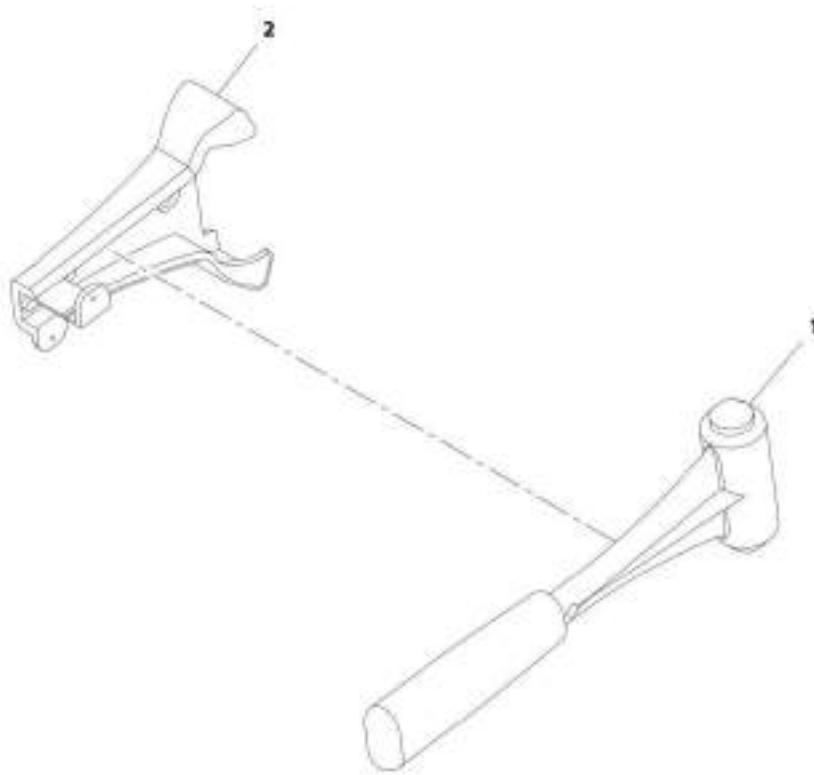
ART_1001210628-B

FIGURE 6-84. HAMMER INSTALLATION

ITEM	PART NUMBER	QTY	DESCRIPTION	REV
	1001210628	Ref	Hammer Installation	B
1	1001005038	1	Assembly, Hammer Attachment (See Separate Breakdown in this Section)	
2	1001005193	2	Screw	
3	1001215804	1	Decal, Emergency Exit	

SECTION 6 - CAB

FIGURE 6-85. HAMMER ATTACHMENT ASSEMBLY



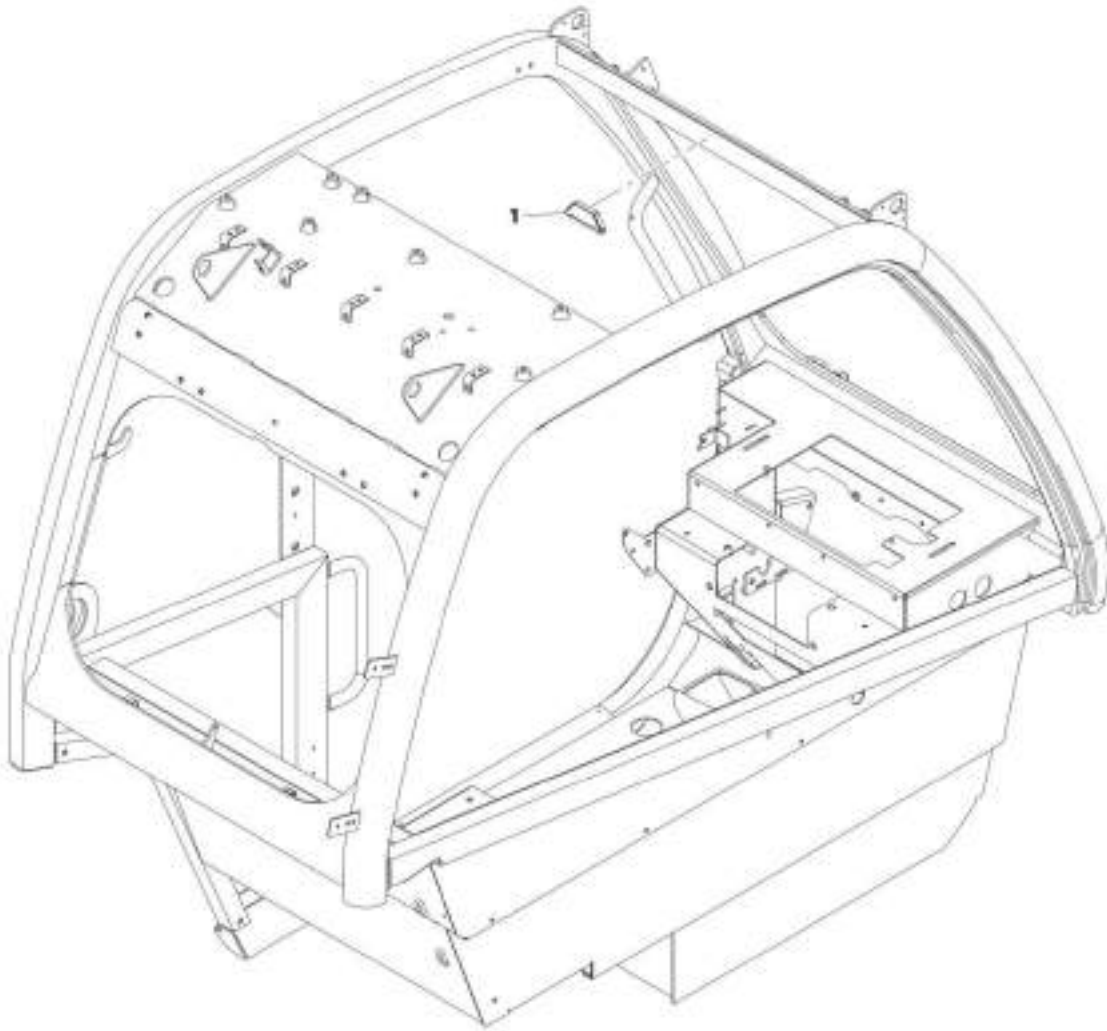
ART_10000018-B

FIGURE 6-85. HAMMER ATTACHMENT ASSEMBLY

ITEM	PART NUMBER	QTY	DESCRIPTION	REV
	1001005038	Ref	Hammer Attachment Assembly	B
1	1001006954	1	Hammer	
2	1001006955	1	Bracket, Hammer	

SECTION 6 - CAB

FIGURE 6-86. LEVEL INDICATOR INSTALLATION



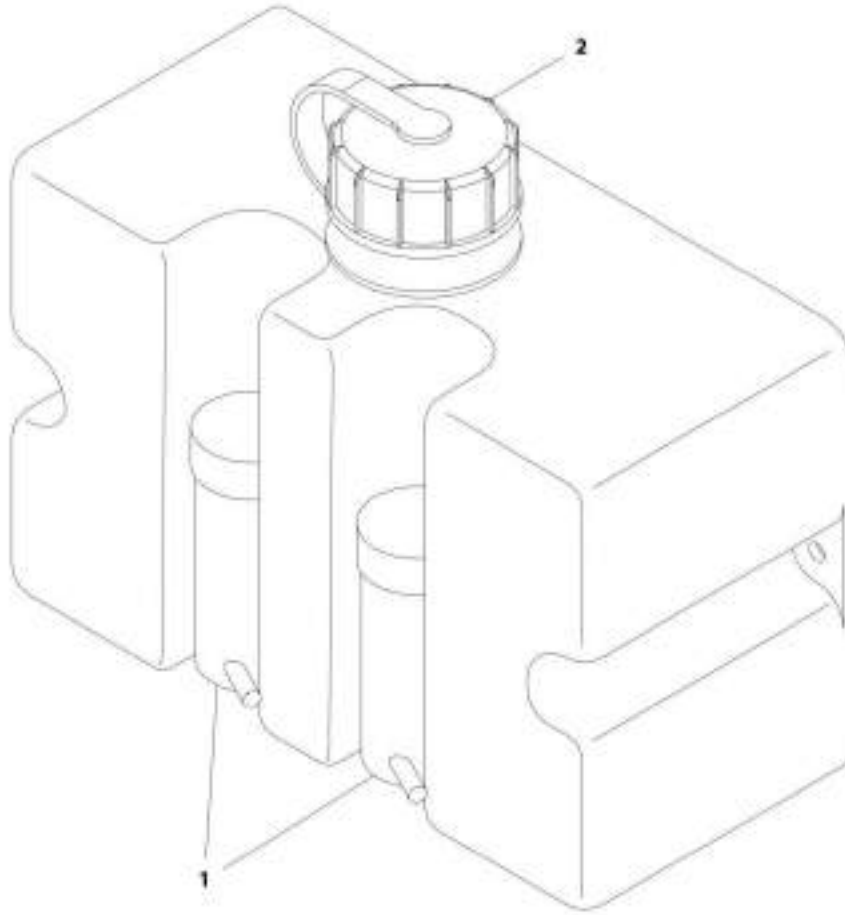
ART_100172401-C

FIGURE 6-86. LEVEL INDICATOR INSTALLATION

ITEM	PART NUMBER	QTY	DESCRIPTION	REV
1	1001172401 8466306	Ref 1	Level Indicator Installation Gauge, Tilt Angle	C

SECTION 6 - CAB

FIGURE 6-87. WASHER BOTTLE



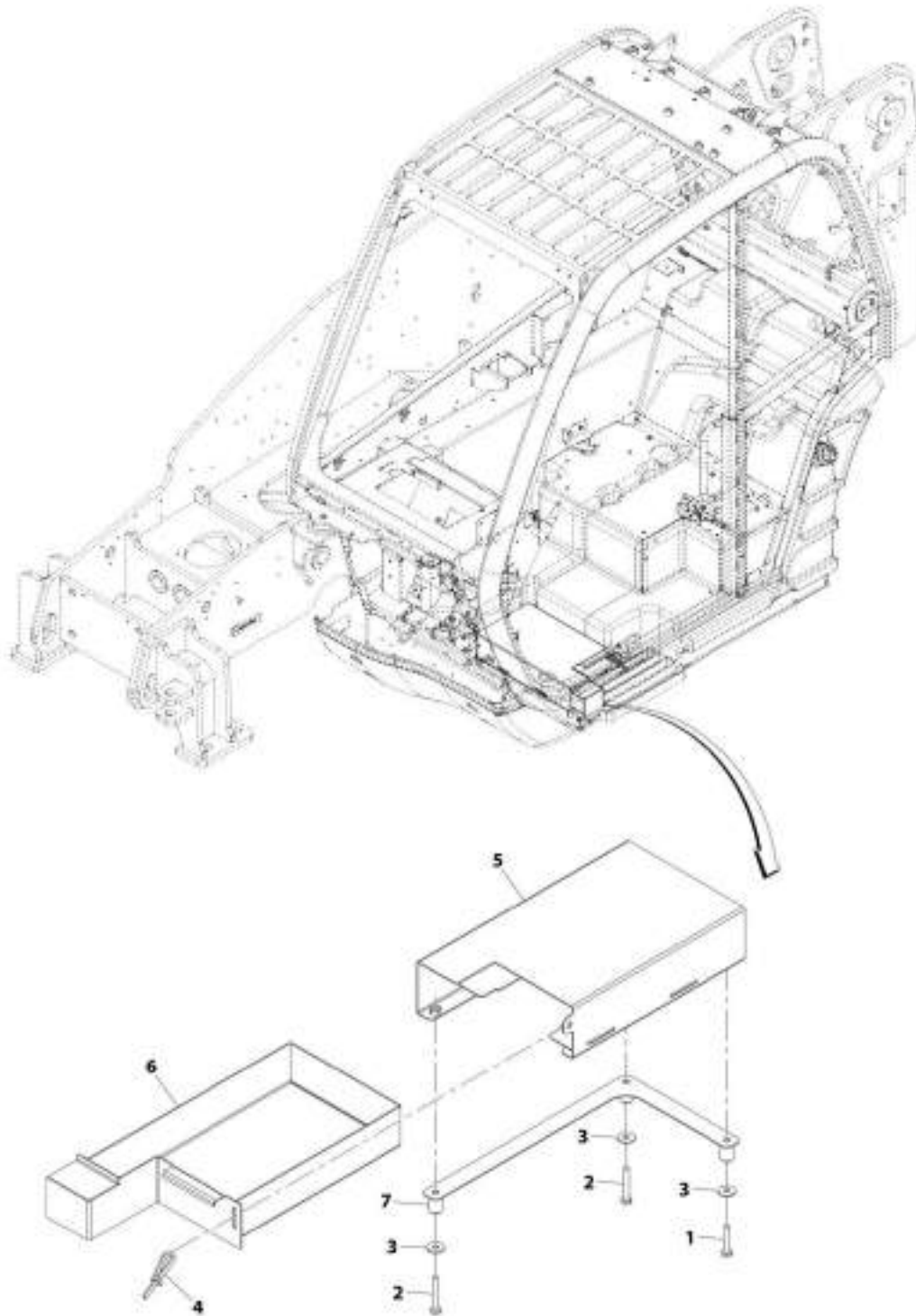
ART. 100193269-8

FIGURE 6-87. WASHER BOTTLE

ITEM	PART NUMBER	QTY	DESCRIPTION	REV
	1001165269	Ref	Washer Bottle	B
1	1001165327	2	Motor, Washer	
2	1001165273	1	Cap, Washer	

SECTION 6 - CAB

FIGURE 6-88. TOOL BOX INSTALLATION



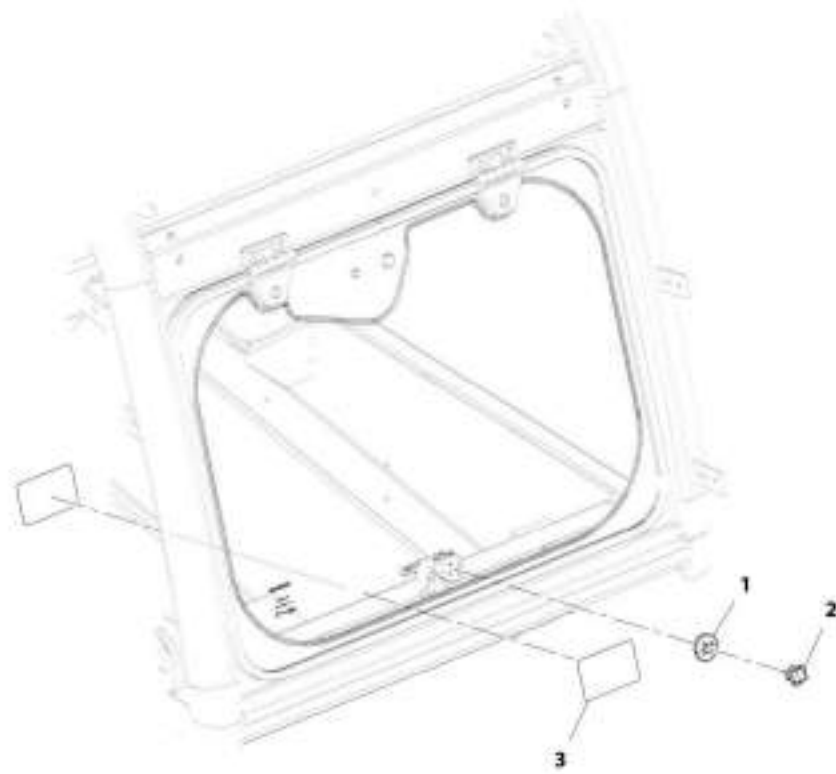
ART_1001175389-A

FIGURE 6-88. TOOL BOX INSTALLATION

ITEM	PART NUMBER	QTY	DESCRIPTION	REV
	1001175389	Ref	Tool Box Installation	A
1	0700817	1	Screw, M8X45	
2	0700819	2	Screw, M8X55	
3	4811902	3	Washer, M8	
4	1001008559	1	Tie Strap	
5	1001218901	1	Housing, Tool Box	
6	1001218902	1	Tray, Tool Box	
7	1001219135	1	Bracket, Tool Box	

SECTION 6 - CAB

FIGURE 6-89. REAR WINDOW INSTALLATION (WO/WIPER) (ANSI)



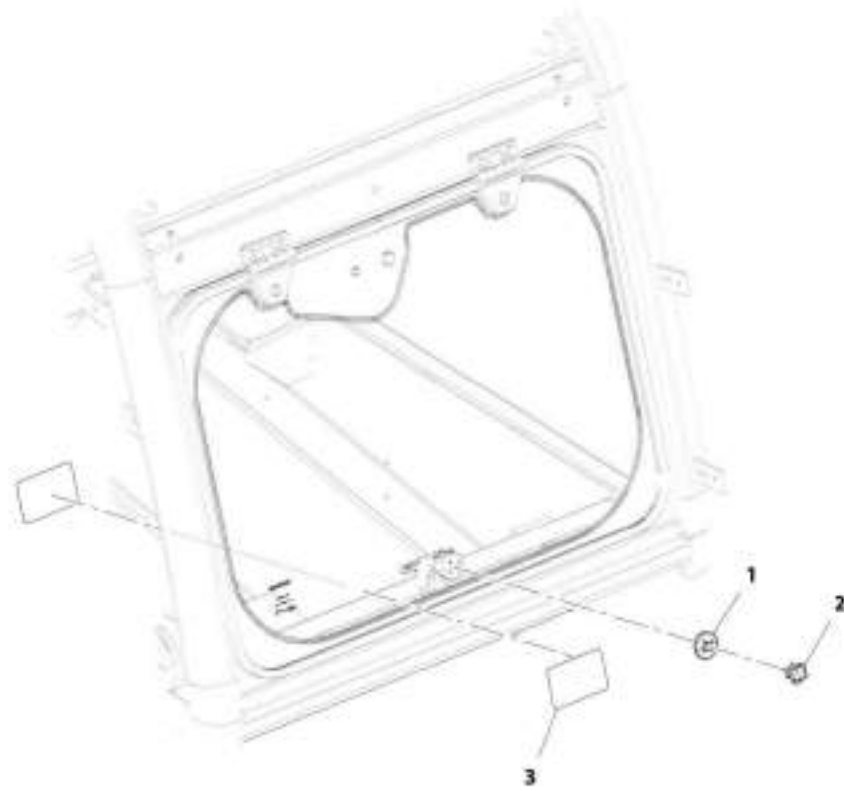
ART_1001212047-A

FIGURE 6-89. REAR WINDOW INSTALLATION (WO/WIPER) (ANSI)

ITEM	PART NUMBER	QTY	DESCRIPTION	REV
	1001212047	Ref	Rear Window Installation (WO/Wiper) (ANSI)	A
1	1001179008	1	Cap, Latch Window	
2	1001179009	1	Cap, Knob M6	
3	1001212049	2	Decal, Emergency Exit	

SECTION 6 - CAB

FIGURE 6-90. REAR WINDOW INSTALLATION (WO/WIPER) (ISO)



ART_1801212540-A

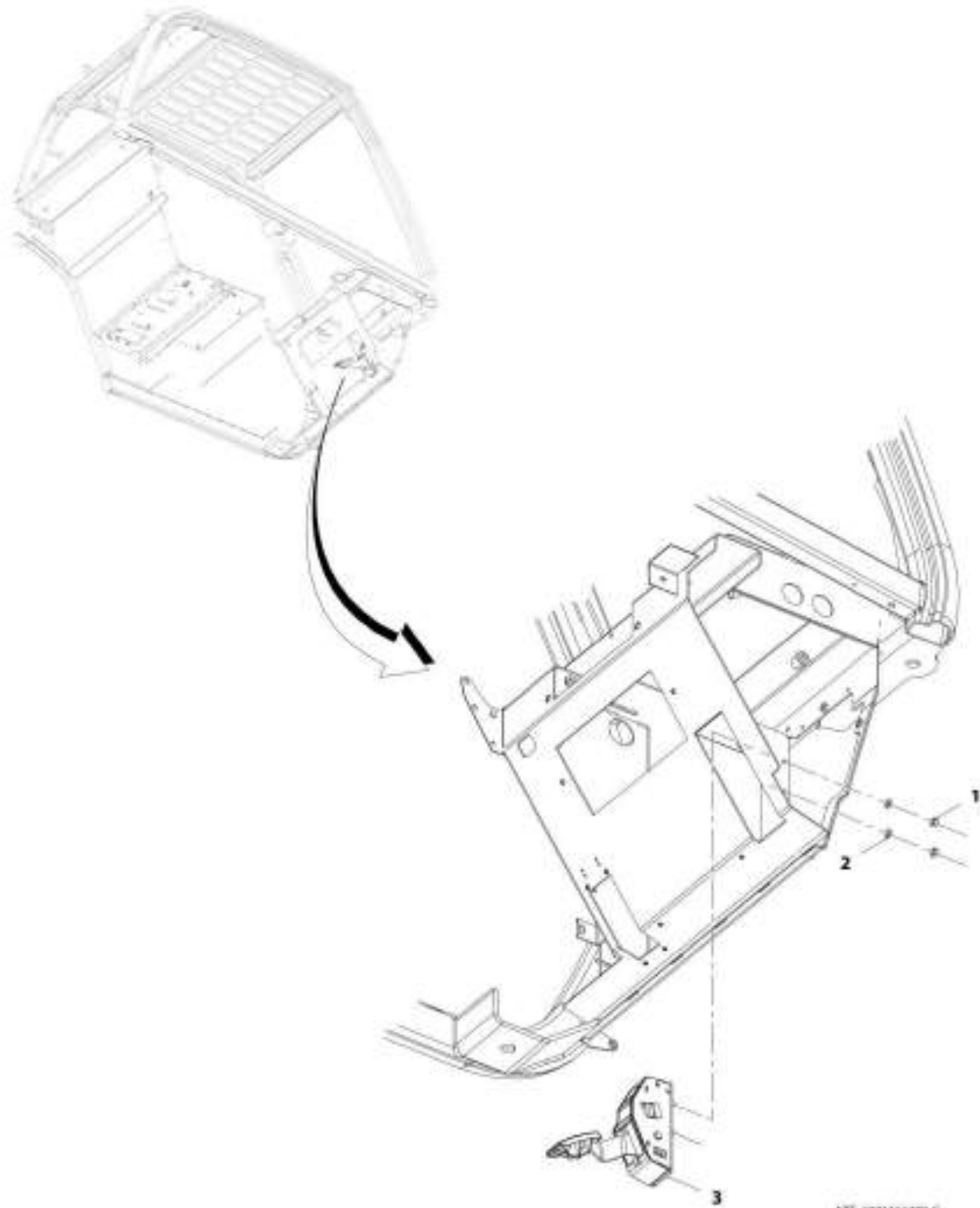
FIGURE 6-90. REAR WINDOW INSTALLATION (WO/WIPER) (ISO)

ITEM	PART NUMBER	QTY	DESCRIPTION	REV
	1001212048	Ref	Rear Window Installation (WO/Wiper) (ISO)	A
1	1001179008	1	Cap, Latch Window	
2	1001179009	1	Cap, Knob M6	
3	1001212050	2	Decal, Emergency Exit	

SECTION 7 - CONTROLS

SECTION 7 - CONTROLS

FIGURE 7-1. ACCELERATOR PEDAL INSTALLATION



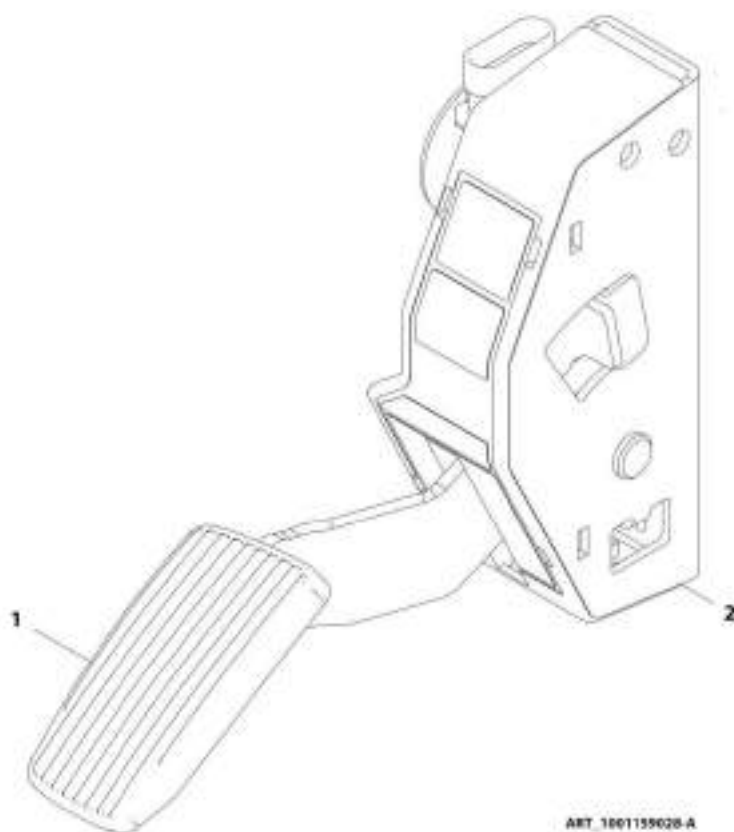
SECTION 7 - CONTROLS

FIGURE 7-1. ACCELERATOR PEDAL INSTALLATION

ITEM	PART NUMBER	QTY	DESCRIPTION	REV
	1001161499	Ref	Accelerator Pedal Installation	C
1	3290801	2	Nut, M8X1.25	
2	4811900	2	Washer, M8	
3	1001159028	1	Pedal, Accelerator (See Separate Breakdown in this Section)	

SECTION 7 - CONTROLS

FIGURE 7-2. ACCELERATOR PEDAL



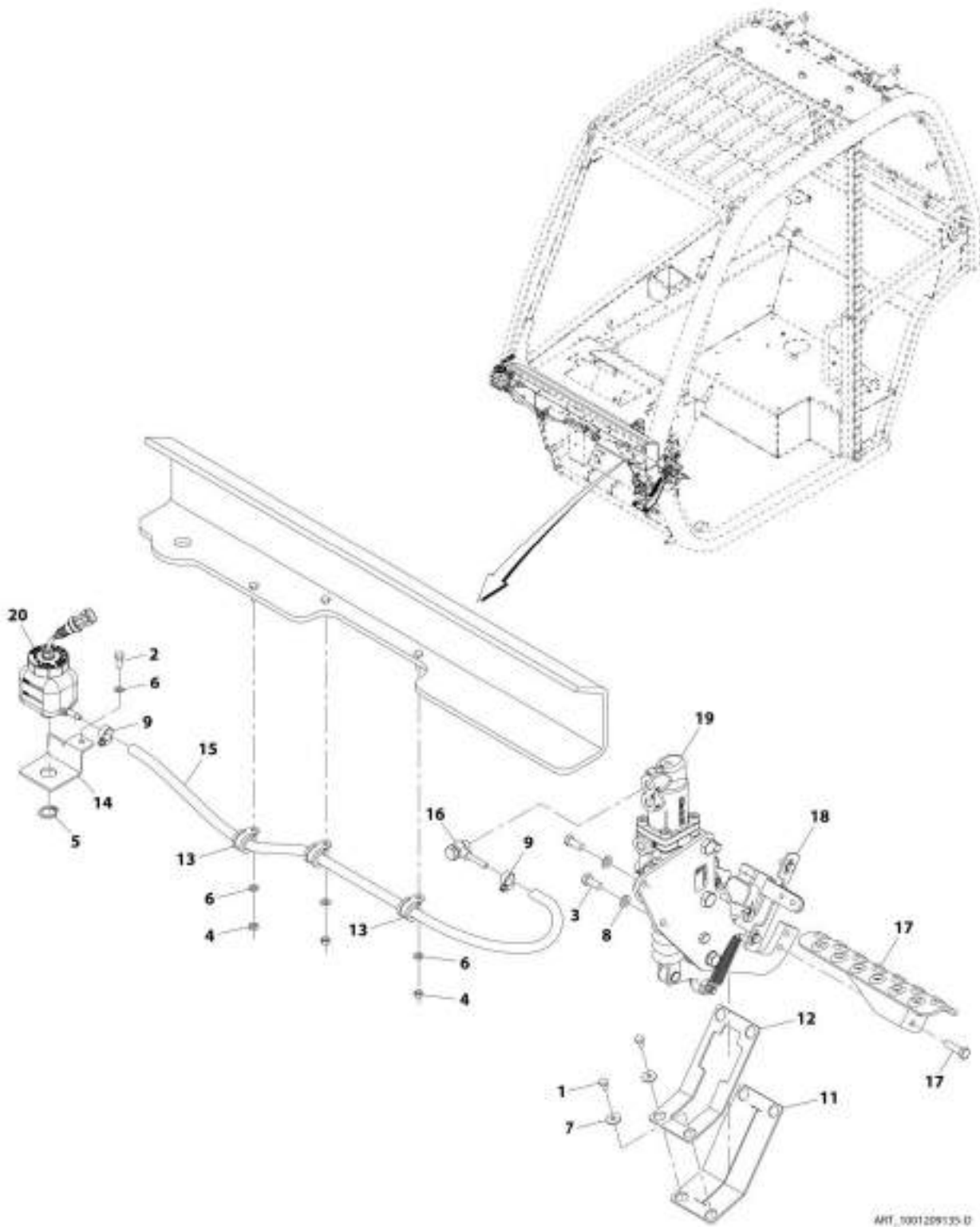
SECTION 7 - CONTROLS

FIGURE 7-2. ACCELERATOR PEDAL

ITEM	PART NUMBER	QTY	DESCRIPTION	REV
	1001159028	Ref	Accelerator Pedal	A
1	70025816	1	Pad, Rubber	
2	70025817	1	Cover, Rubber	

SECTION 7 - CONTROLS

FIGURE 7-3. BRAKE INSTALLATION (24IN WHEEL)



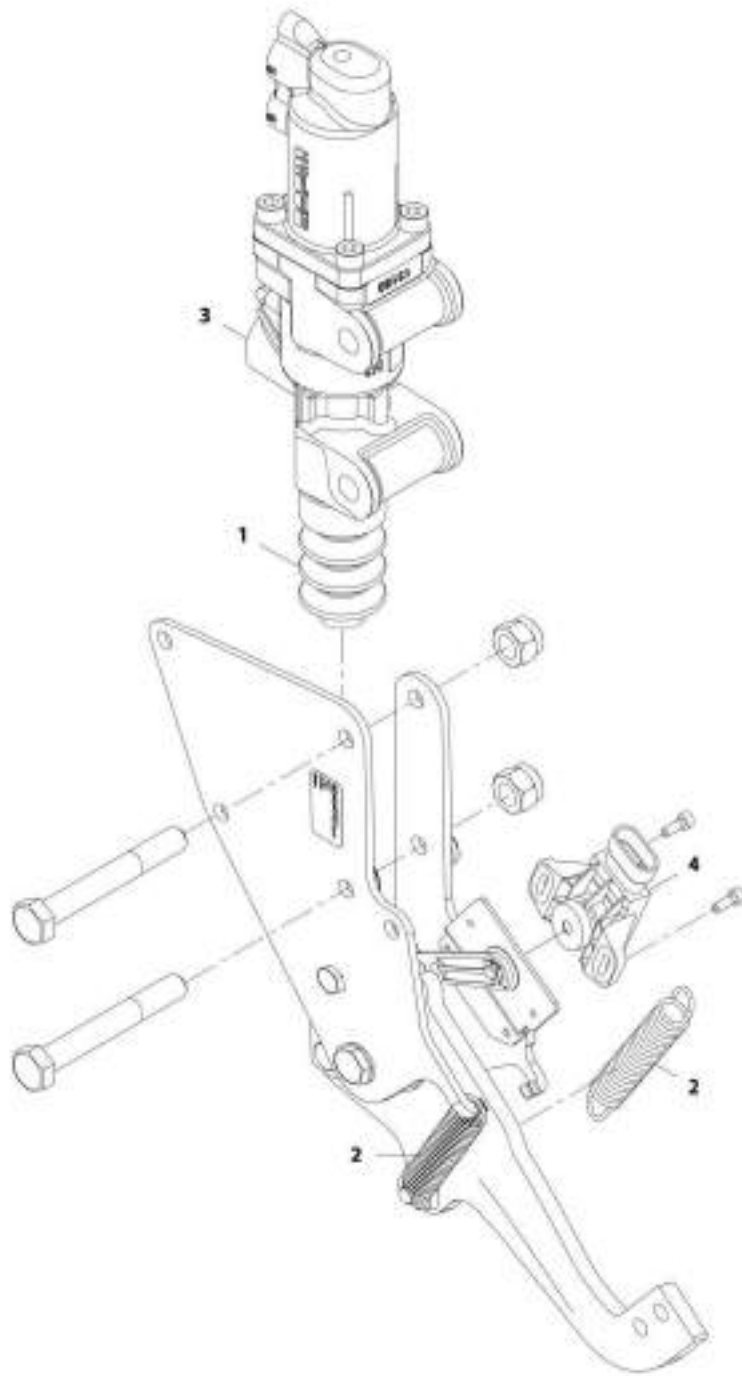
SECTION 7 - CONTROLS

FIGURE 7-3. BRAKE INSTALLATION (24IN WHEEL)

ITEM	PART NUMBER	QTY	DESCRIPTION	REV
	1001209135	Ref	Brake Installation (24IN Wheel)	D
1	0760605	4	Bolt, M6X10	
2	0760608	1	Bolt, M6X16	
3	0760810	3	Bolt, M8X20	
4	3290601	3	Nut, M6X1	
5	3760348	1	Ring, Retaining	
6	4811700	4	Washer, M6	
7	4811702	4	Washer, M6	
8	4811900	3	Washer, M8	
9	8405009	2	Clamp, Gear	
11	1001162920	1	Gasket, Brake Pedal	
12	1001162922	1	Plate	
13	1001170231	3	Clip, M6X15	
14	1001172088	1	Bracket, Brake Reservoir	
15	1001190971	1	Hose	
16	1001191459	1	Adapter	
17	1001197139	1	Plate, Brake Pedal	
18	1001205061	1	Installation, Brake Sensor (See Separate Breakdown in this Section)	
19	1001210441	1	Pedal, Brake (24IN Wheel)	
20	1001214220	1	Reservoir, Brake (Prior to SN 1160008371)	
20	1001228974	1	Reservoir, Brake (SN 1160008371 to Present)	

SECTION 7 - CONTROLS

FIGURE 7-4. BRAKE PEDAL (24IN WHEEL)



ARR_1001210441-A

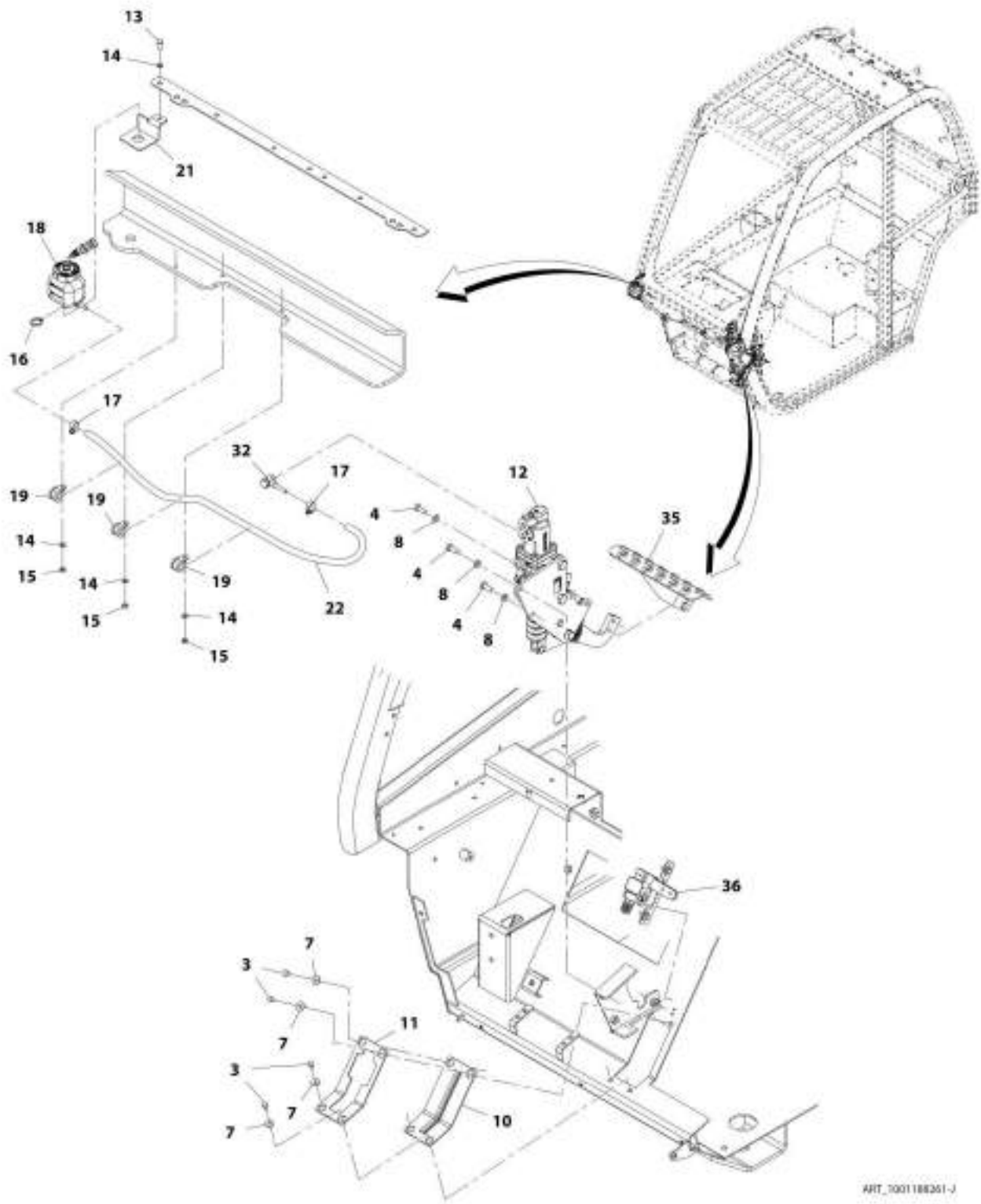
SECTION 7 - CONTROLS

FIGURE 7-4. BRAKE PEDAL (24IN WHEEL)

ITEM	PART NUMBER	QTY	DESCRIPTION	REV
	1001210441	1	Brake Pedal (24IN Wheel)	A
1	70025859	1	Cover, Dust	
2	70025860	1	Spring, Return	
3	70027150	1	Cylinder, Master	
4	4000015	1	Sensor, Angle	

SECTION 7 - CONTROLS

FIGURE 7-5. BRAKE INSTALLATION (20IN WHEEL)



ART_1001188261-J

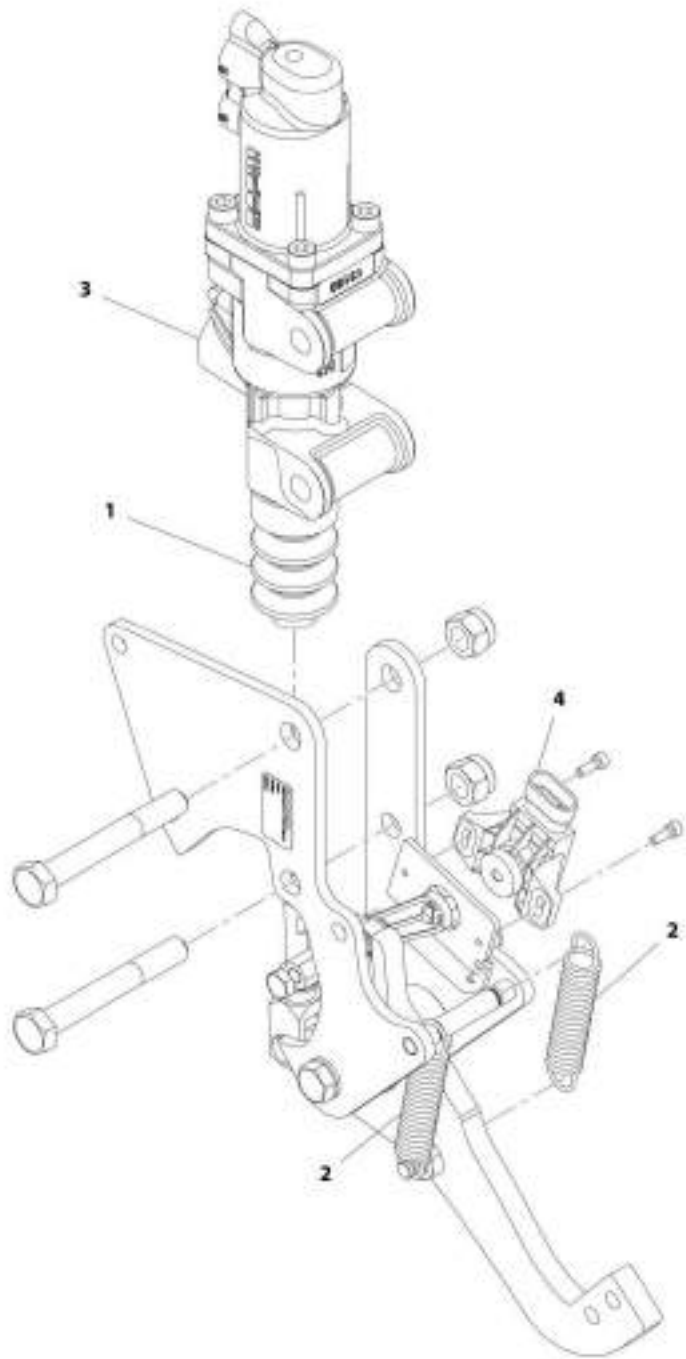
SECTION 7 - CONTROLS

FIGURE 7-5. BRAKE INSTALLATION (20IN WHEEL)

ITEM	PART NUMBER	QTY	DESCRIPTION	REV
	1001188261	Ref	Brake Installation (20IN Wheel)	J
3	0760605	4	Bolt, M6X10	
4	0760810	3	Bolt, M8X20	
7	4811702	4	Washer, M6	
8	4811900	3	Washer, M8	
10	1001162920	1	Gasket, Brake Pedal	
11	1001162922	1	Plate	
12	1001179731	1	Pedal, Brake (20IN Wheel) (See Separate Breakdown in this Section)	
13	0760608	1	Bolt, M6X16	
14	4811700	4	Washer, M6	
15	3290601	3	Nut, M6X1	
16	3760348	1	Ring, Retaining	
17	8405009	2	Clamp, Gear	
18	1001214220	1	Reservoir, Brake (Prior to SN 1160008371)	
18	1001228974	1	Reservoir, Brake (SN 1160008371 to Present)	
19	1001170231	3	Clip, M6X15	
21	1001172088	1	Bracket, Brake Reservoir	
22	1001190971	1	Hose	
32	1001191459	1	Adapter	
35	1001197139	1	Plate, Brake Pedal (See Separate Breakdown in this Section)	
36	1001205061	Ref	Installation, Brake Sensor (See Separate Breakdown in this Section)	

SECTION 7 - CONTROLS

FIGURE 7-6. BRAKE PEDAL (20IN WHEEL)



ARE_1000179731-C

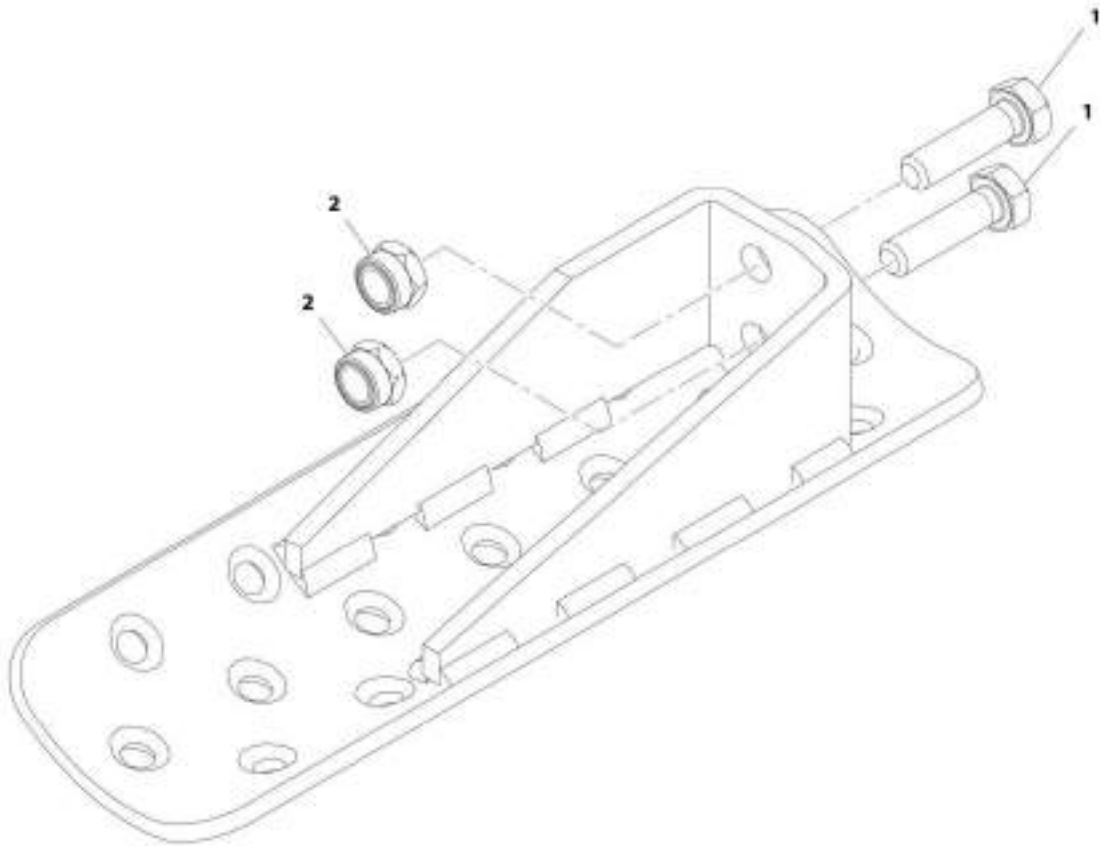
SECTION 7 - CONTROLS

FIGURE 7-6. BRAKE PEDAL (20IN WHEEL)

ITEM	PART NUMBER	QTY	DESCRIPTION	REV
	1001179731	Ref	Brake Pedal (20IN Wheel)	C
1	70025859	1	Cover, Dust	
2	70025860	1	Spring, Return	
3	70027150	1	Cylinder, Master	
4	4000015	1	Sensor, Angle	

SECTION 7 - CONTROLS

FIGURE 7-7. BRAKE PEDAL PLATE



ART_1001197136-A

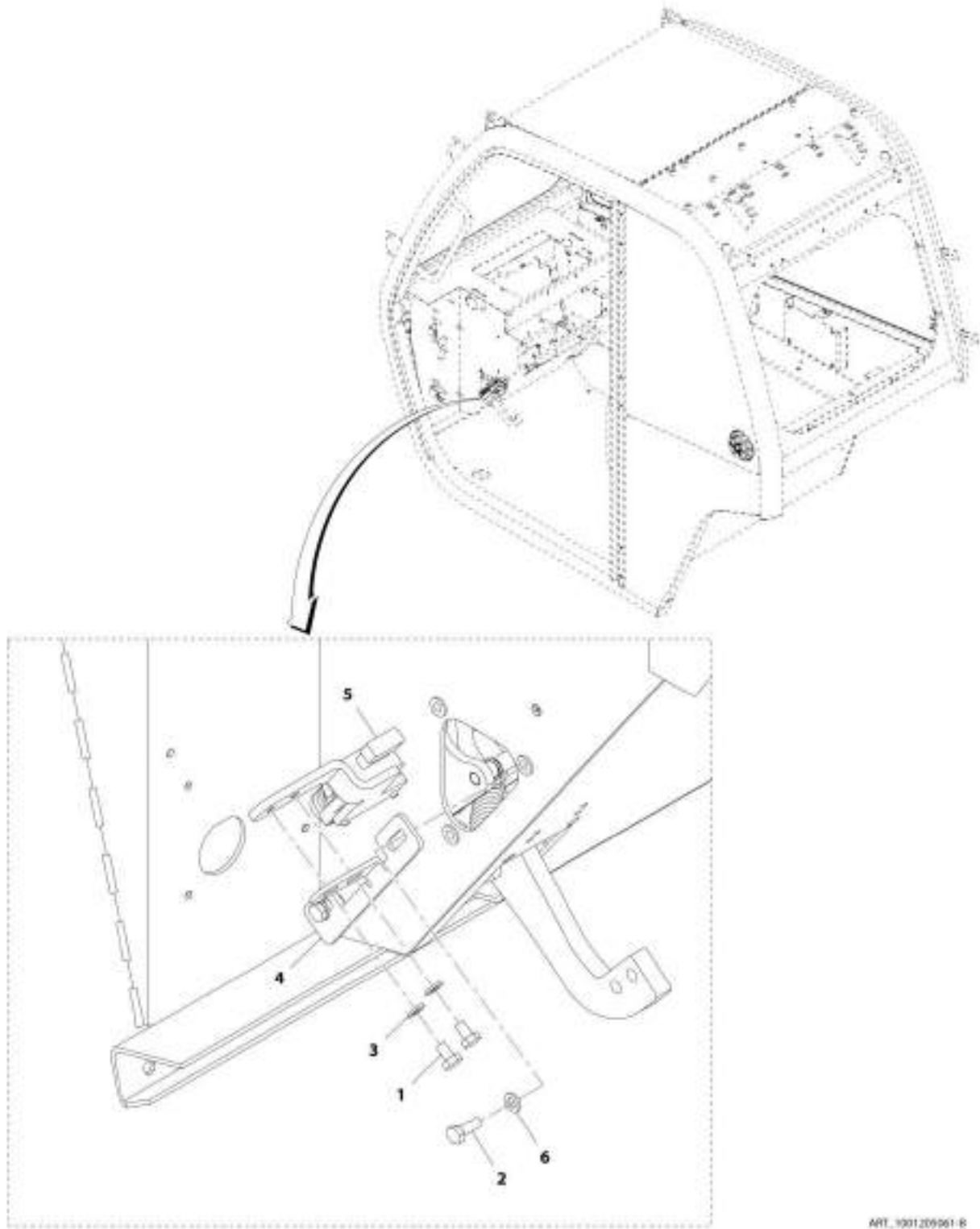
SECTION 7 - CONTROLS

FIGURE 7-7. BRAKE PEDAL PLATE

ITEM	PART NUMBER	QTY	DESCRIPTION	REV
	1001197139	Ref	Brake Pedal Plate	A
1	0770814	1	Bolt, M8X30 Grade 10.9	
2	3290805	1	Nut, Lock M8X1.25 Grade 8	

SECTION 7 - CONTROLS

FIGURE 7-8. BRAKE SENSOR INSTALLATION



ART. 1001209901-R

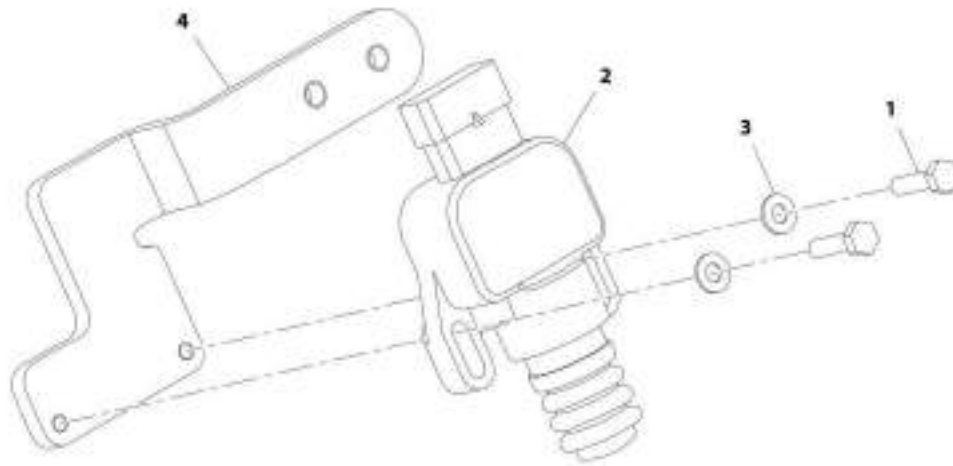
SECTION 7 - CONTROLS

FIGURE 7-8. BRAKE SENSOR INSTALLATION

ITEM	PART NUMBER	QTY	DESCRIPTION	REV
	1001205061	Ref	Brake Sensor Installation	B
1	0760605	2	Bolt, M6X10	
2	0760608	2	Bolt, M6X16	
3	4811700	2	Washer, M6	
4	1001201499	1	Plate, Switch Adjustment	
5	1001201501	1	Assembly, Switch Plate (See Separate Breakdown in this Section)	
6	4811702	2	Washer, M6	

SECTION 7 - CONTROLS

FIGURE 7-9. SWITCH PLATE ASSEMBLY



MFT_1001201301-4

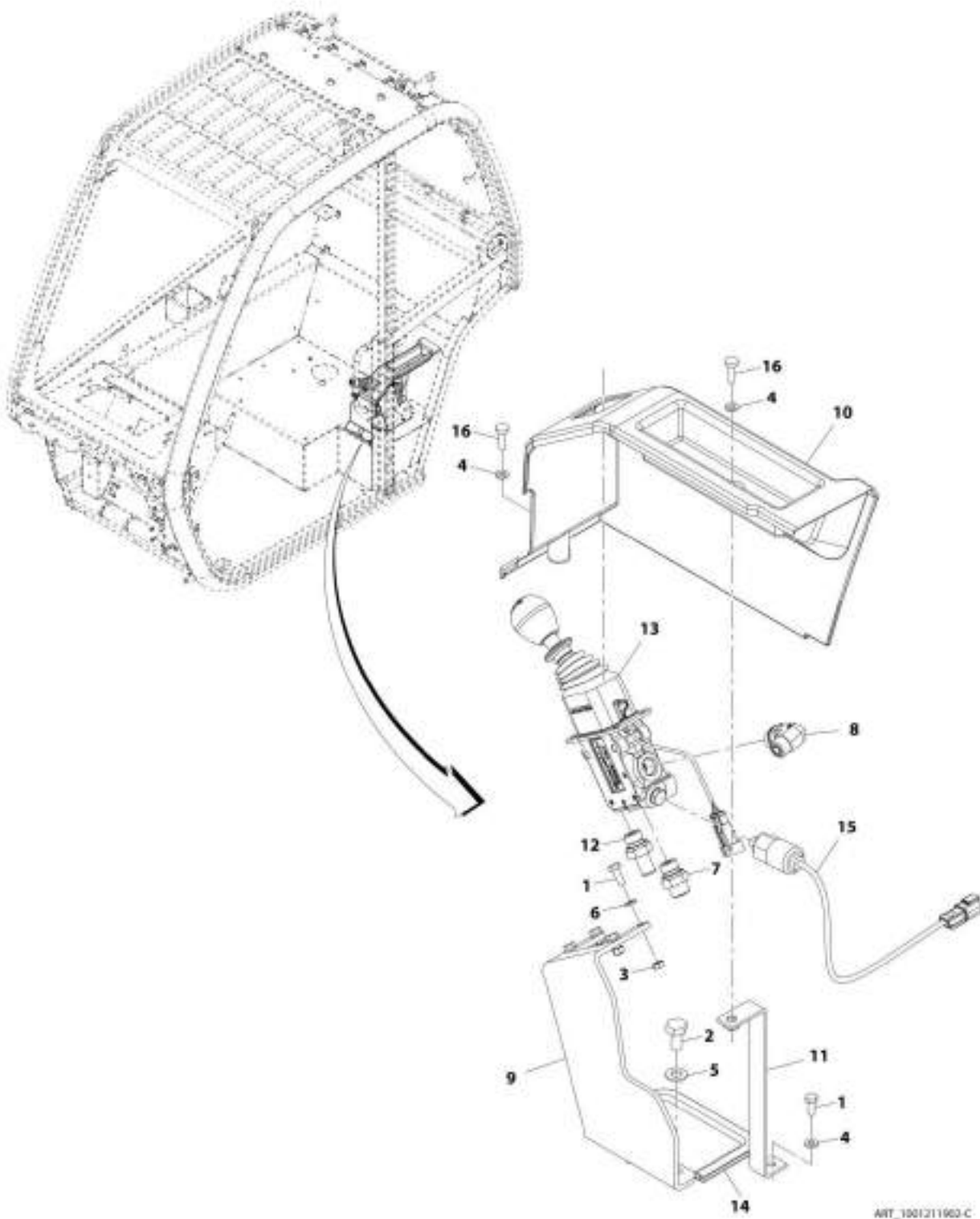
SECTION 7 - CONTROLS

FIGURE 7-9. SWITCH PLATE ASSEMBLY

ITEM	PART NUMBER	QTY	DESCRIPTION	REV
	1001201501	Ref	Switch Plate Assembly	A
1	0700408	2	Bolt, M4X16	
2	4360658	1	Switch, Brake Light	
3	4811400	2	Washer, M4	
4	1001201500	1	Plate	

SECTION 7 - CONTROLS

FIGURE 7-10. PARKING BRAKE INSTALLATION (SAHR)



ART_1001211903-C

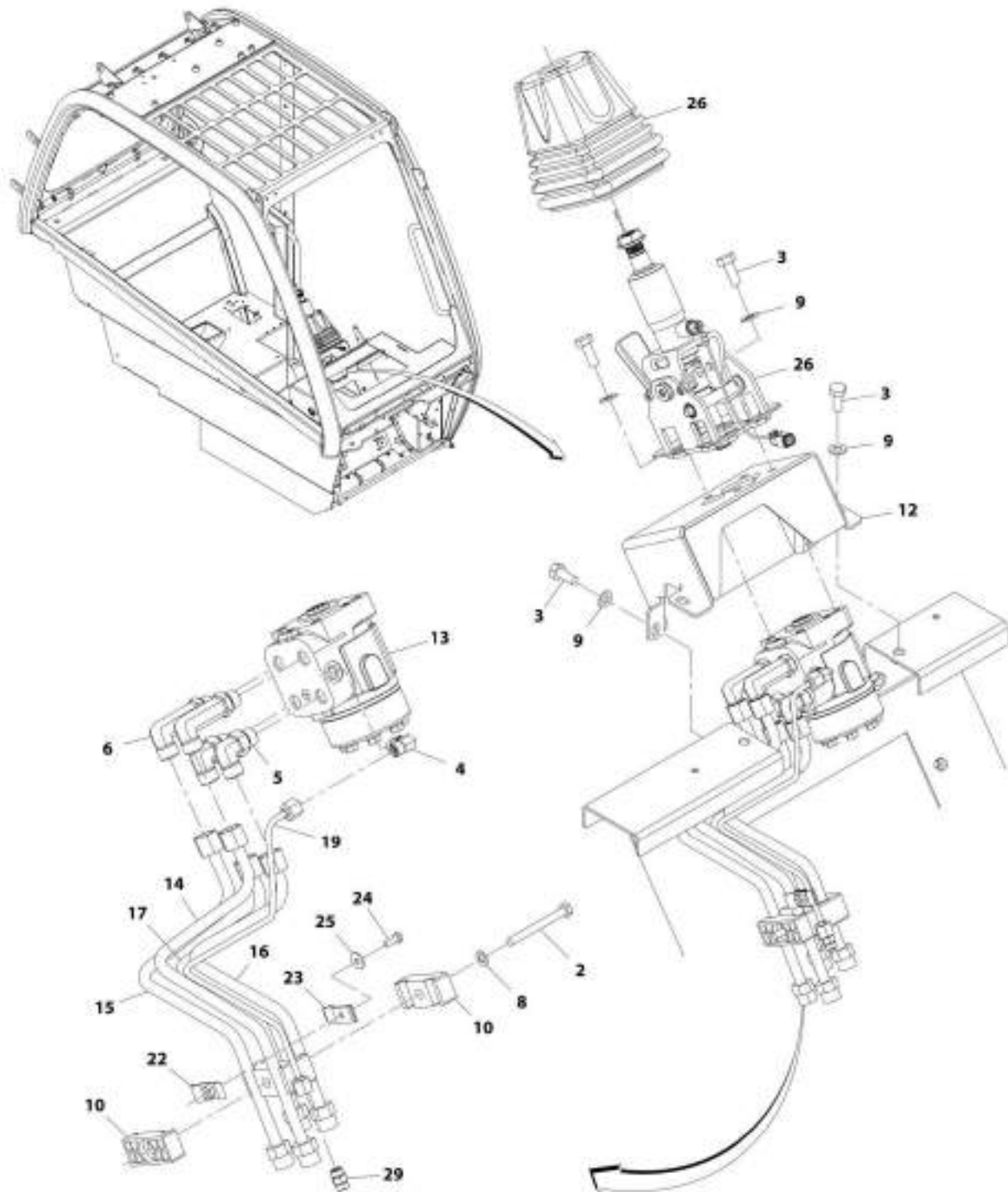
SECTION 7 - CONTROLS

FIGURE 7-10. PARKING BRAKE INSTALLATION (SAHR)

ITEM	PART NUMBER	QTY	DESCRIPTION	REV
	1001211902	Ref	Parking Brake Installation (SAHR)	C
1	0760608	5	Bolt, 6X16	
2	0761010	2	Bolt, M10X20	
3	3290601	4	Nut, M6X1 Grade 8	
4	4811700	3	Washer, M6	
5	4812000	2	Washer, M10	
6	4831700	4	Washer, Lock M6	
7	1001101702	1	Fitting, Straight ORFS	
8	1001125222	1	Fitting, 90 ORFS	
9	1001191915	1	Bracket	
10	1001193474	1	Panel, Brake Cover	
11	1001195254	1	Bracket	
12	1001206744	1	Fitting, Grease	
13	1001207956	1	Valve, Hydraulic Park Brake Release	
14	1001208037	1	Seal	
15	1001211915	1	Switch, Hydraulic Pressure	
16	4010610002	2	Screw, M6X20	

SECTION 7 - CONTROLS

FIGURE 7-11. STEERING COLUMN INSTALLATION (20IN WHEEL)



ART. 10011627094

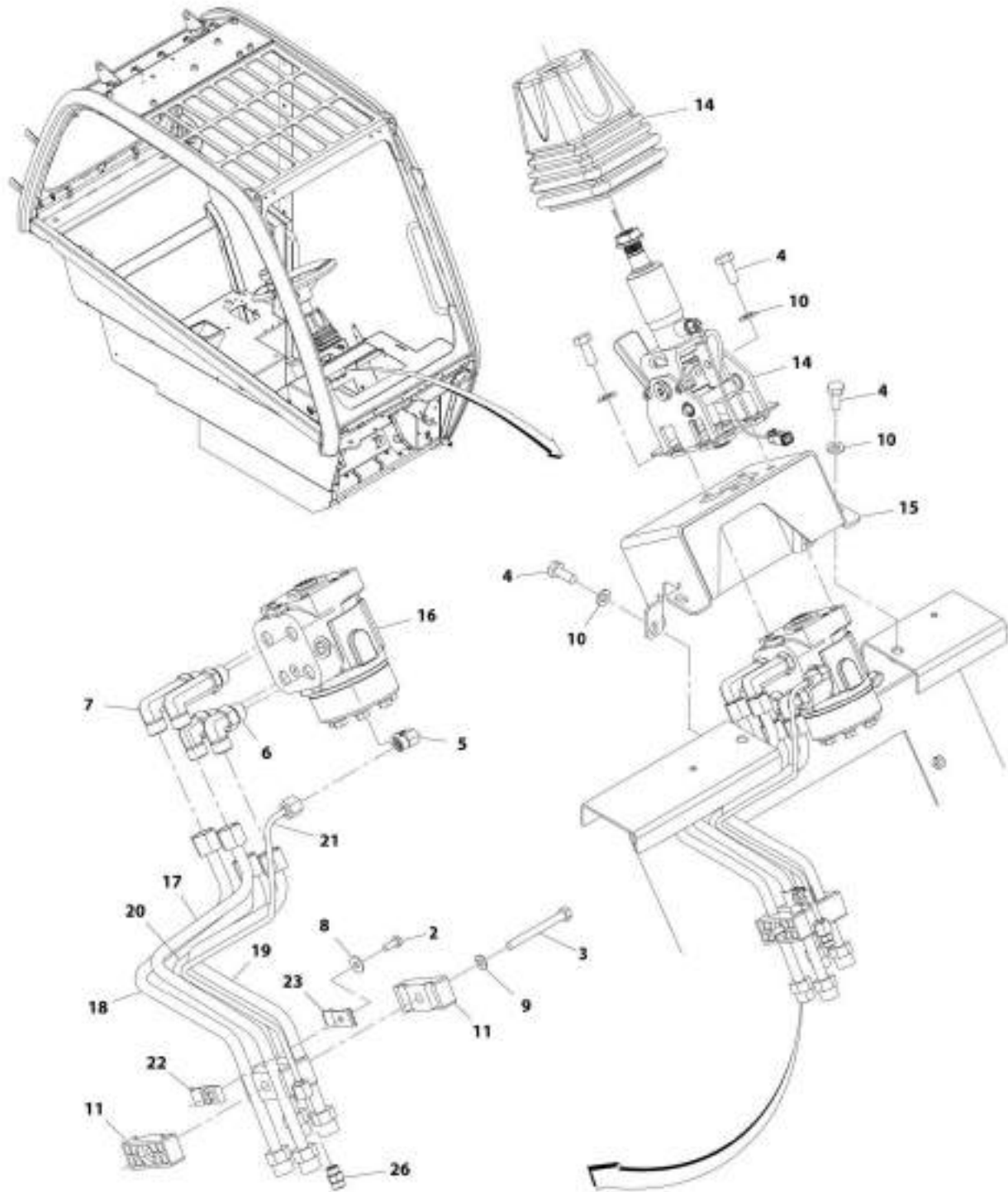
SECTION 7 - CONTROLS

FIGURE 7-11. STEERING COLUMN INSTALLATION (20IN WHEEL)

ITEM	PART NUMBER	QTY	DESCRIPTION	REV
	1001162709	Ref	Steering Column Installation (20IN Wheel)	1
2	0700824	1	Bolt, M8X80	
3	0761012	8	Bolt, M10X25	
4	2130404	1	Fitting, 90 ORFS	
5	2130808	2	Fitting, 90 ORFS	
6	2170208	2	Fitting, 90 ORFS	
8	4811900	1	Washer, M8	
9	4812000	8	Washer, M10	
10	1001004640	4	Clamp	
12	1001156265	1	Bracket, Support	
13	1001215844	1	Valve, Steering Unit (Prior to SN 1160008371)	
13	1001225992	1	Valve, Steering Unit (SN 1160008371 to Present)	
14	1001161672	1	Pipe	
15	1001161896	1	Pipe	
16	1001161897	1	Pipe	
17	1001161898	1	Pipe	
19	1001162979	1	Pipe	
22	1001168142	1	Bracket	
23	1001168151	1	Bracket	
24	0760608	1	Bolt, M6X16	
25	4811702	1	Washer, M6	
26	1001155276	1	Column, Tilt Steering (See Separate Breakdown in this Section)	
29	1001143857	1	Adapter	

SECTION 7 - CONTROLS

FIGURE 7-12. STEERING COLUMN INSTALLATION



AWT_3001162704-H

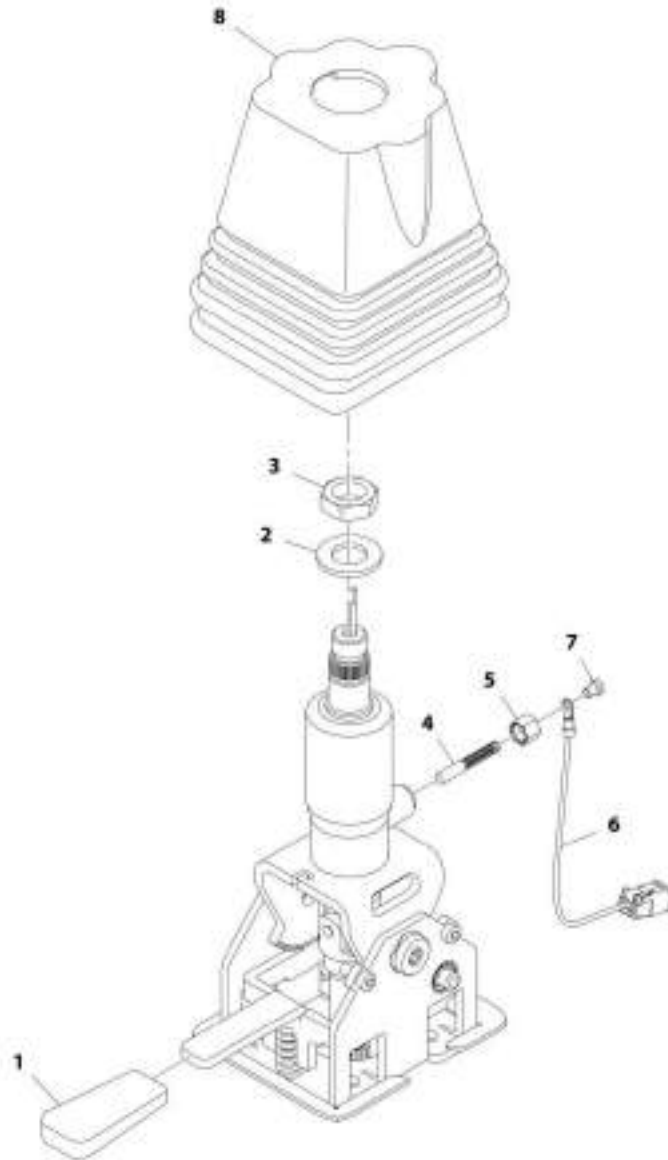
SECTION 7 - CONTROLS

FIGURE 7-12. STEERING COLUMN INSTALLATION

ITEM	PART NUMBER	QTY	DESCRIPTION	REV
	1001162704	Ref	Steering Column Installation	H
2	0760608	1	Bolt, M6X16	
3	0700824	1	Bolt, M8X80	
4	0761012	8	Bolt, M10X25	
5	2130404	1	Fitting, 90 ORFS	
6	2130808	2	Fitting, 90 ORFS	
7	2170208	2	Fitting, 90 ORFS	
8	4811702	1	Washer, M6	
9	4811900	1	Washer, M8	
10	4812000	8	Washer, M10	
11	1001004640	4	Clamp	
14	1001155276	1	Column, Tilt Steering (See Separate Breakdown in this Section)	
15	1001156265	1	Bracket, Support	
16	1001191217	1	Valve, Steering Unit	
17	1001161672	1	Pipe	
18	1001161896	1	Pipe	
19	1001161897	1	Pipe	
20	1001161898	1	Pipe	
21	1001162979	1	Pipe	
22	1001168142	1	Bracket	
23	1001168151	1	Bracket	
26	1001143857	1	Fitting, Straight ORFS	

SECTION 7 - CONTROLS

FIGURE 7-13. TILT STEERING COLUMN



ART_100155234-F

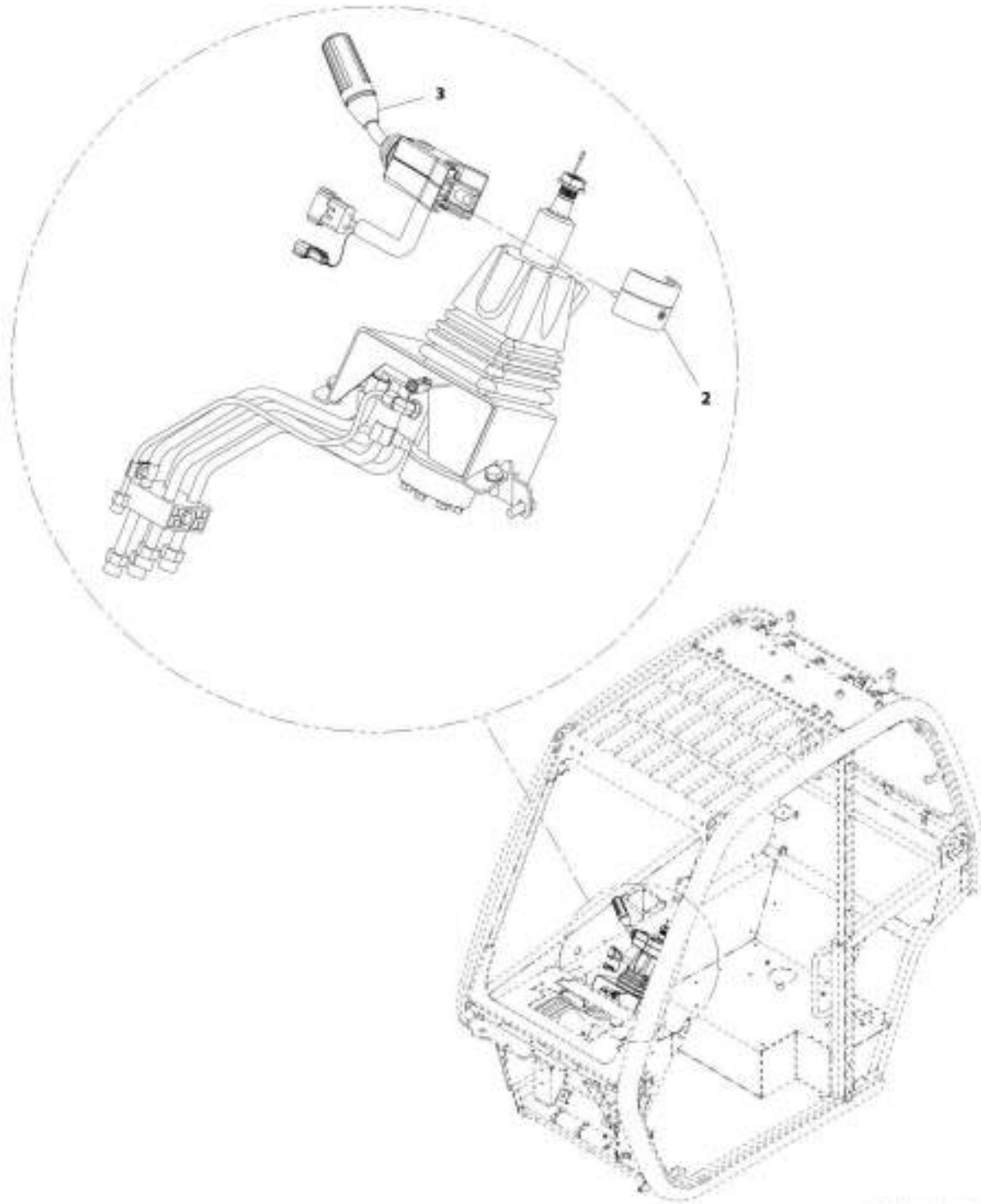
SECTION 7 - CONTROLS

FIGURE 7-13. TILT STEERING COLUMN

ITEM	PART NUMBER	QTY	DESCRIPTION	REV
	1001155276	Ref	Tilt Steering Column	F
1	70026366	1	Knob	
2	70026364	1	Washer	
3	70026363	1	Nut	
4	70026362	1	Contact, Sliding	
5	70026361	1	Cap, Brass	
6	70026367	1	Cable	
7	70026365	1	Screw, Cap	
8	1001184504	1	Gaiter	

SECTION 7 - CONTROLS

FIGURE 7-14. WIPER-TURN SWITCH (NO SPEED)



ARE_1001581928-D

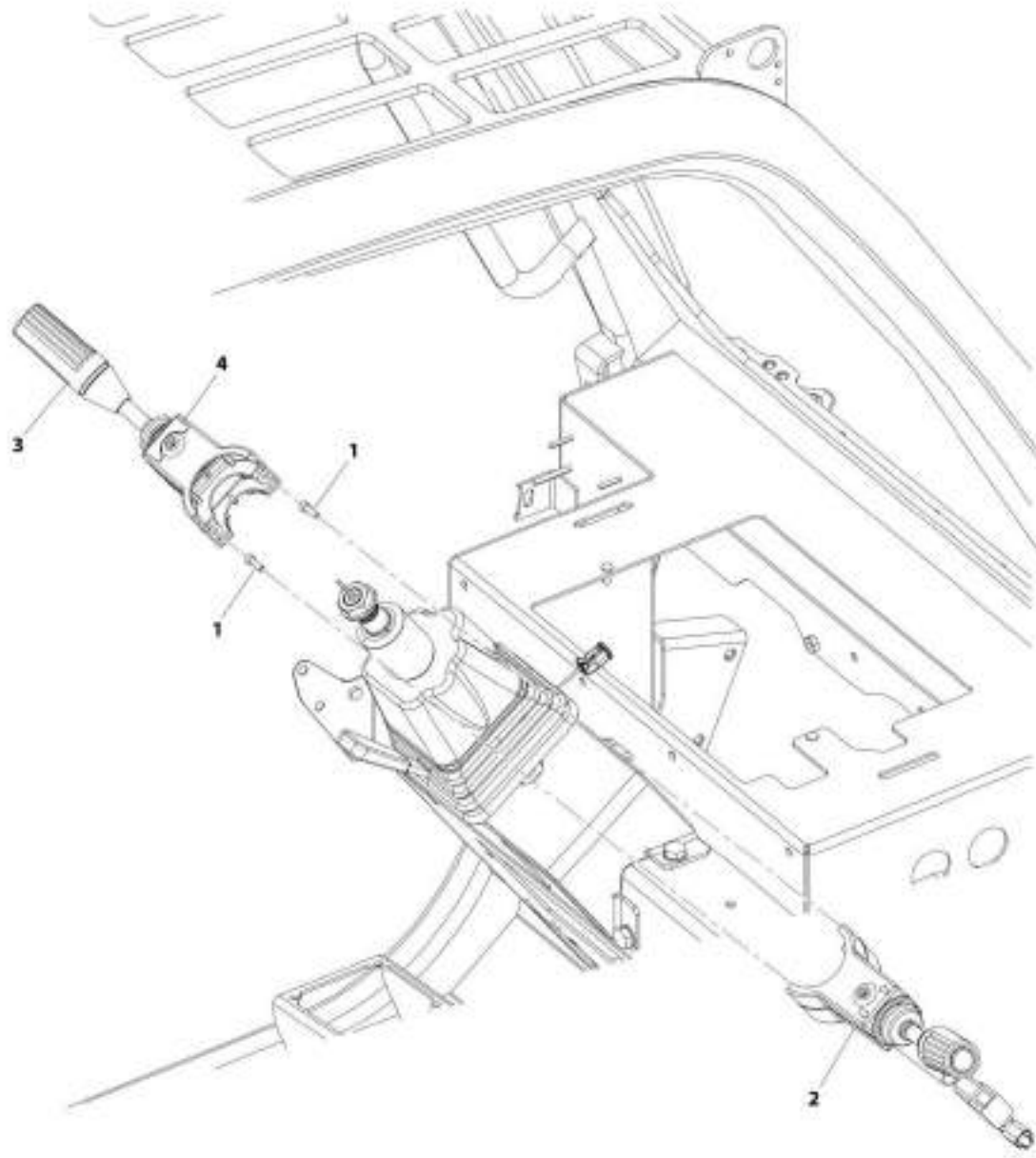
SECTION 7 - CONTROLS

FIGURE 7-14. WIPER-TURN SWITCH (NO SPEED)

ITEM	PART NUMBER	QTY	DESCRIPTION	REV
	1001181928	Ref	Wiper-Turn Switch (No Speed)	D
2	1001146949	1	Clamp	
3	1001214280	1	Switch, Turn-Wiper	

SECTION 7 - CONTROLS

FIGURE 7-15. WIPER-TURN SWITCH (0 SPEED - FNR)



ART_1001181027-E

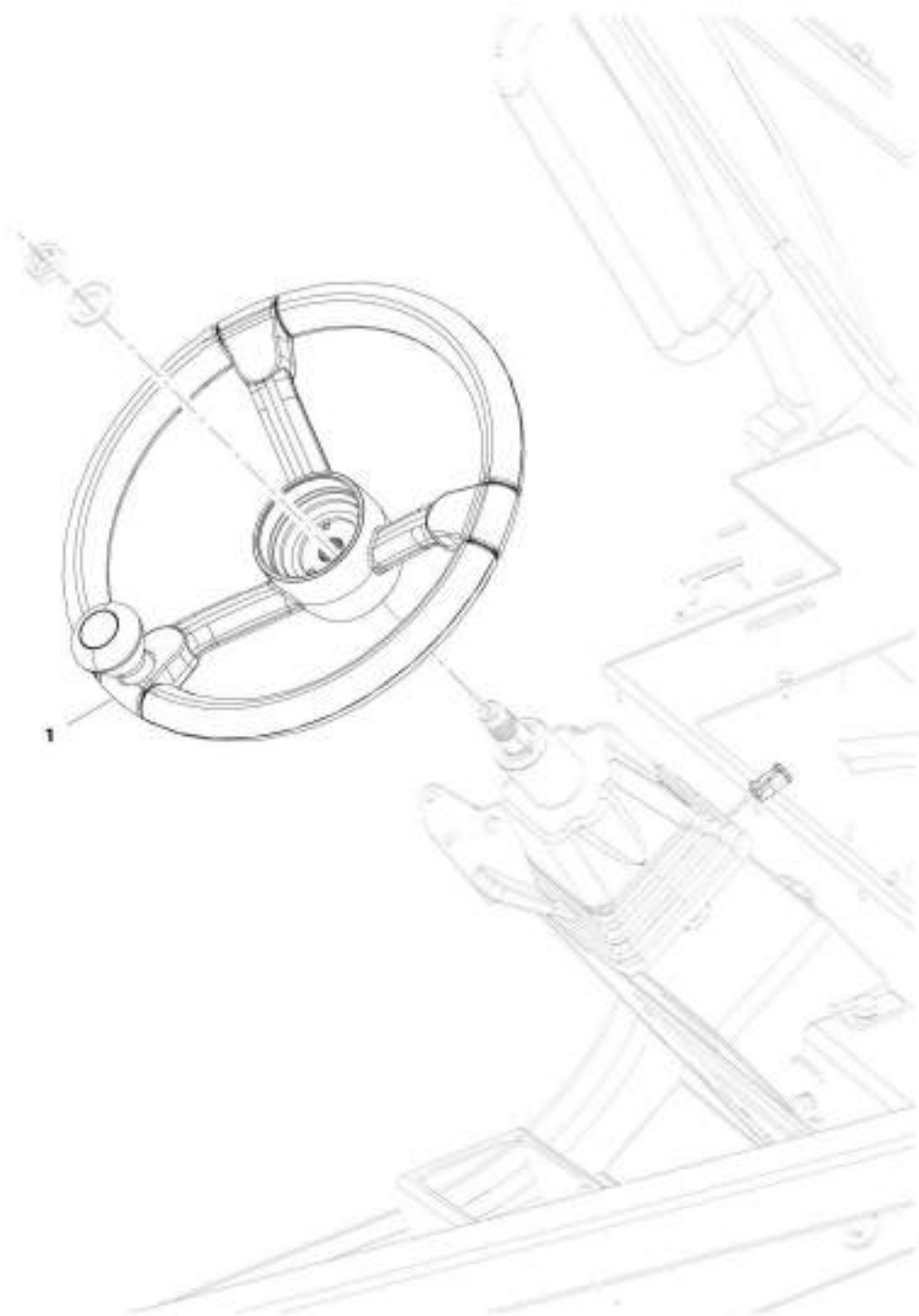
SECTION 7 - CONTROLS

FIGURE 7-15. WIPER-TURN SWITCH (0 SPEED - FNR)

ITEM	PART NUMBER	QTY	DESCRIPTION	REV
	1001181927	Ref	Wiper-Turn Switch (0 Speed - FNR)	E
1	4031607	2	Bolt, M5X16	
2	1001214280	1	Switch, Turn-Wiper	
3	1001163697	1	Switch, Zero Speed	
4	1001236402	1	Decal	

SECTION 7 - CONTROLS

FIGURE 7-16. STEERING WHEEL INSTALLATION (24IN WHEEL)



ART_100168751-C

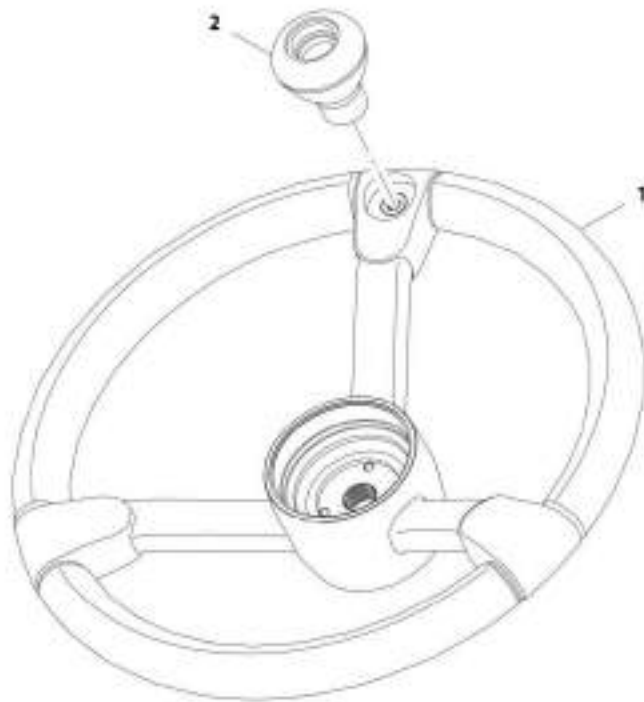
SECTION 7 - CONTROLS

FIGURE 7-16. STEERING WHEEL INSTALLATION (24IN WHEEL)

ITEM	PART NUMBER	QTY	DESCRIPTION	REV
1	1001169751 1001169354	Ref 1	Steering Wheel Installation Wheel, Steering (See Separate Breakdown in this Section)	C

SECTION 7 - CONTROLS

FIGURE 7-17. STEERING WHEEL



ART_1001169354-D

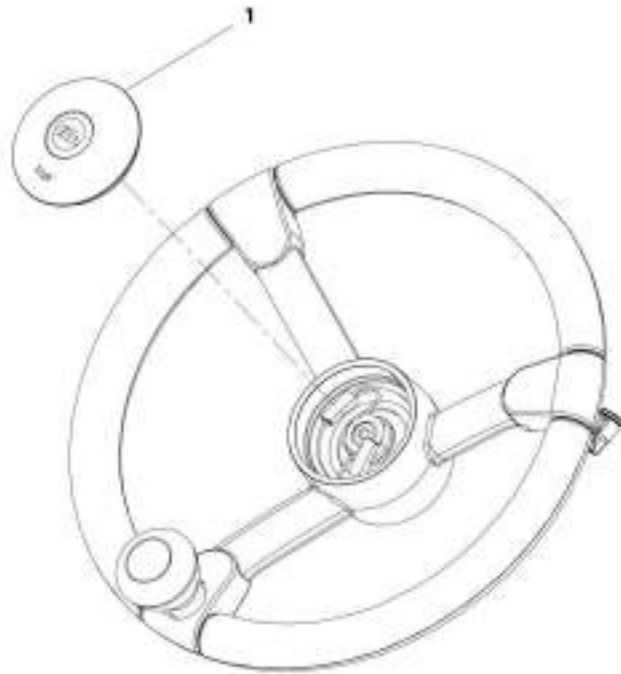
SECTION 7 - CONTROLS

FIGURE 7-17. STEERING WHEEL

ITEM	PART NUMBER	QTY	DESCRIPTION	REV
	1001169354	Ref	Steering Wheel	D
1	1001169367	1	Wheel, Steering	
2	1001169355	1	Handle, Steer Spinner	

SECTION 7 - CONTROLS

FIGURE 7-18. HORN BUTTON INSTALLATION (JLG)



887_100160763-A

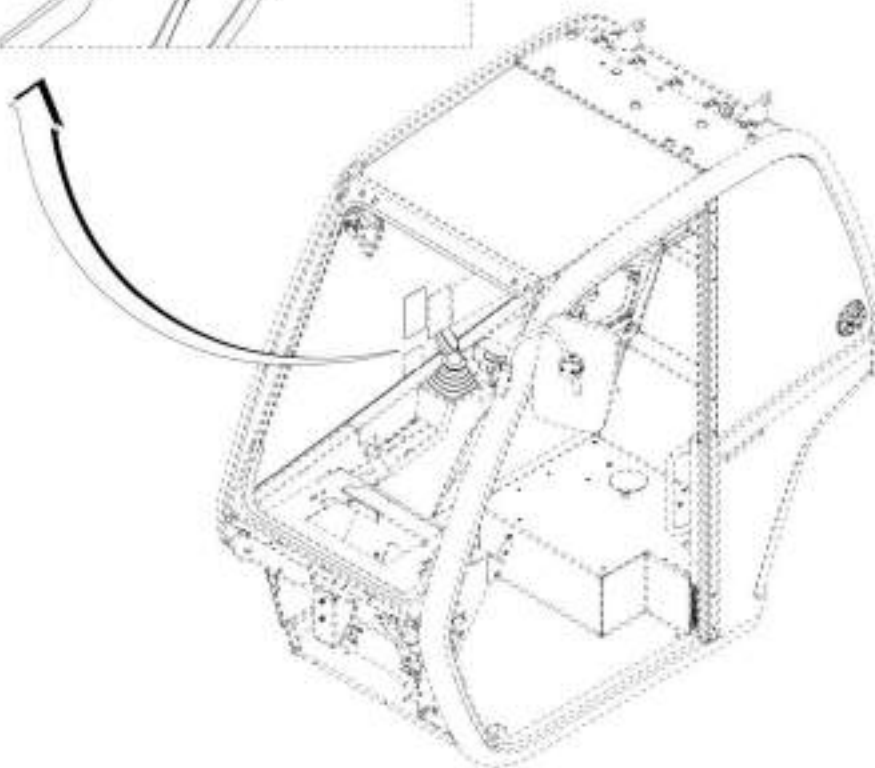
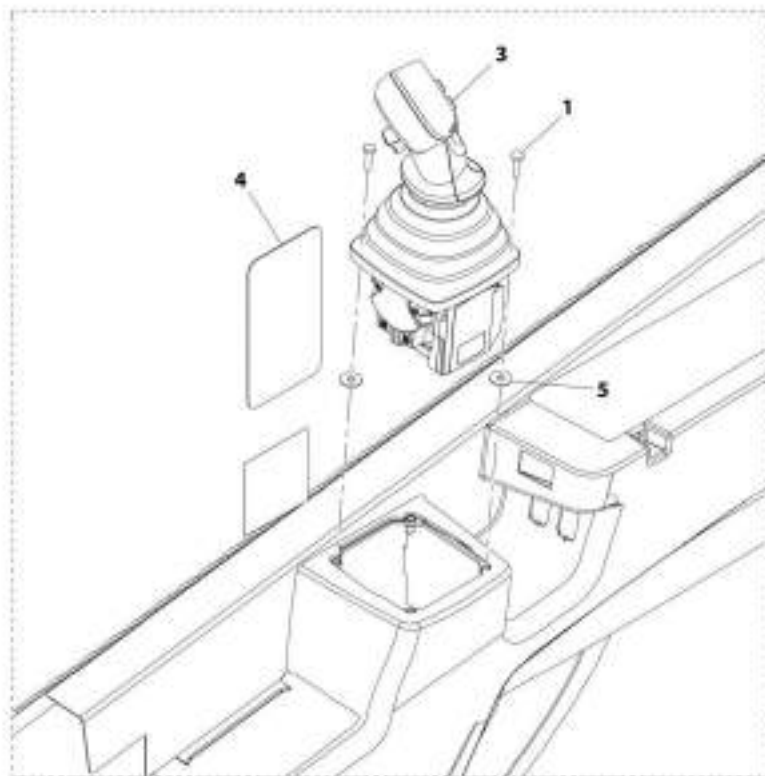
SECTION 7 - CONTROLS

FIGURE 7-18. HORN BUTTON INSTALLATION (JLG)

ITEM	PART NUMBER	QTY	DESCRIPTION	REV
1	1001169763 1001169268	Ref 1	Horn Button Installation Button, Horn	A

SECTION 7 - CONTROLS

FIGURE 7-19. JOYSTICK INSTALLATION



ART. 100197004-F

SECTION 7 - CONTROLS

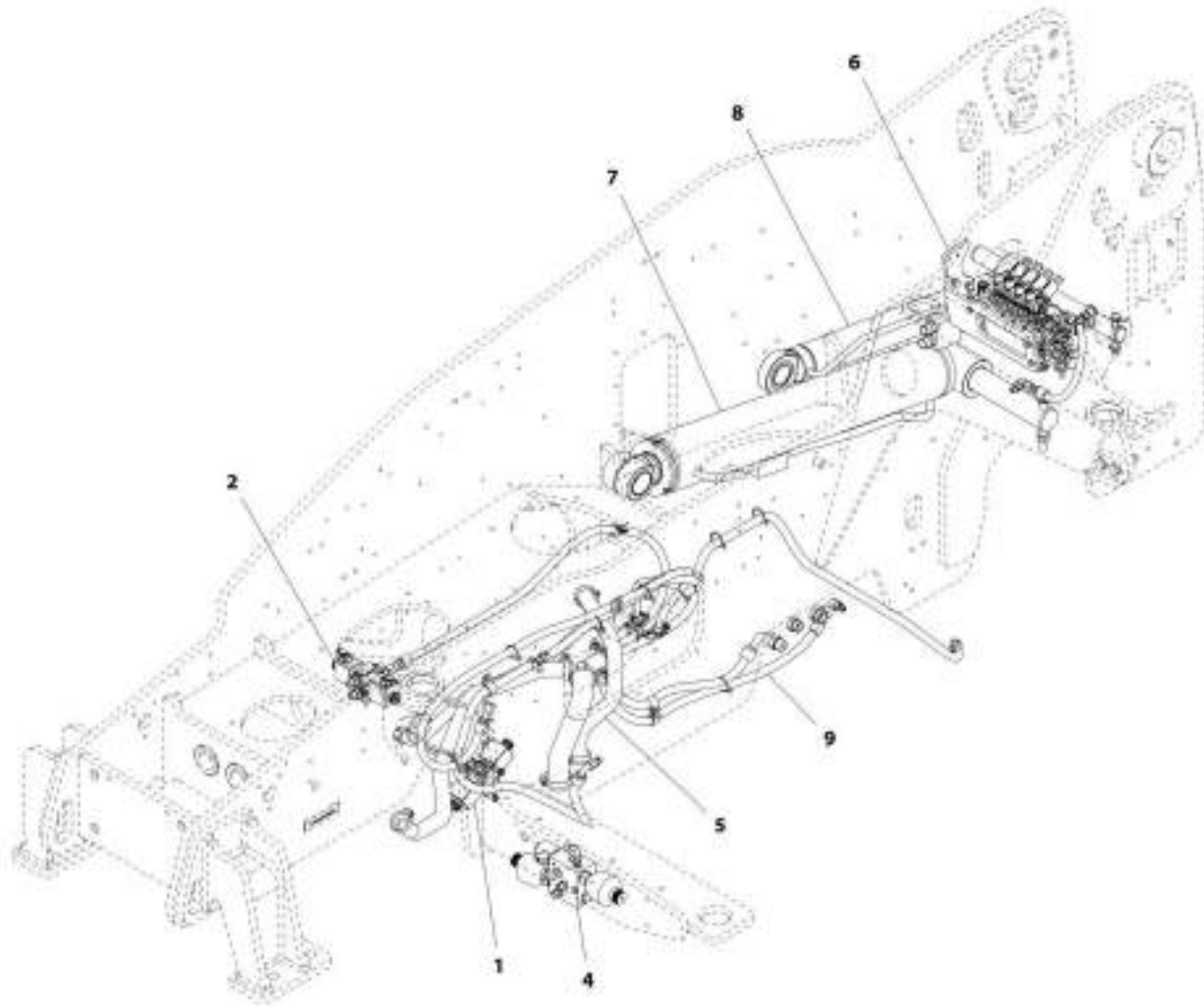
FIGURE 7-19. JOYSTICK INSTALLATION

ITEM	PART NUMBER	QTY	DESCRIPTION	REV
	1001167004	Ref	Joystick Installation	F
1	4010510	4	Screw, M5X20	
3	1001222603	1	Joystick	
4	1001236404	1	Decal, Joystick	
5	4811702001	AR	Washer, M6	

SECTION 8 - HYDRAULIC CIRCUITS

SECTION 8 - HYDRAULIC CIRCUITS

FIGURE 8-1. COMMON HYDRAULICS INSTALLATION



ART_1001174033-C

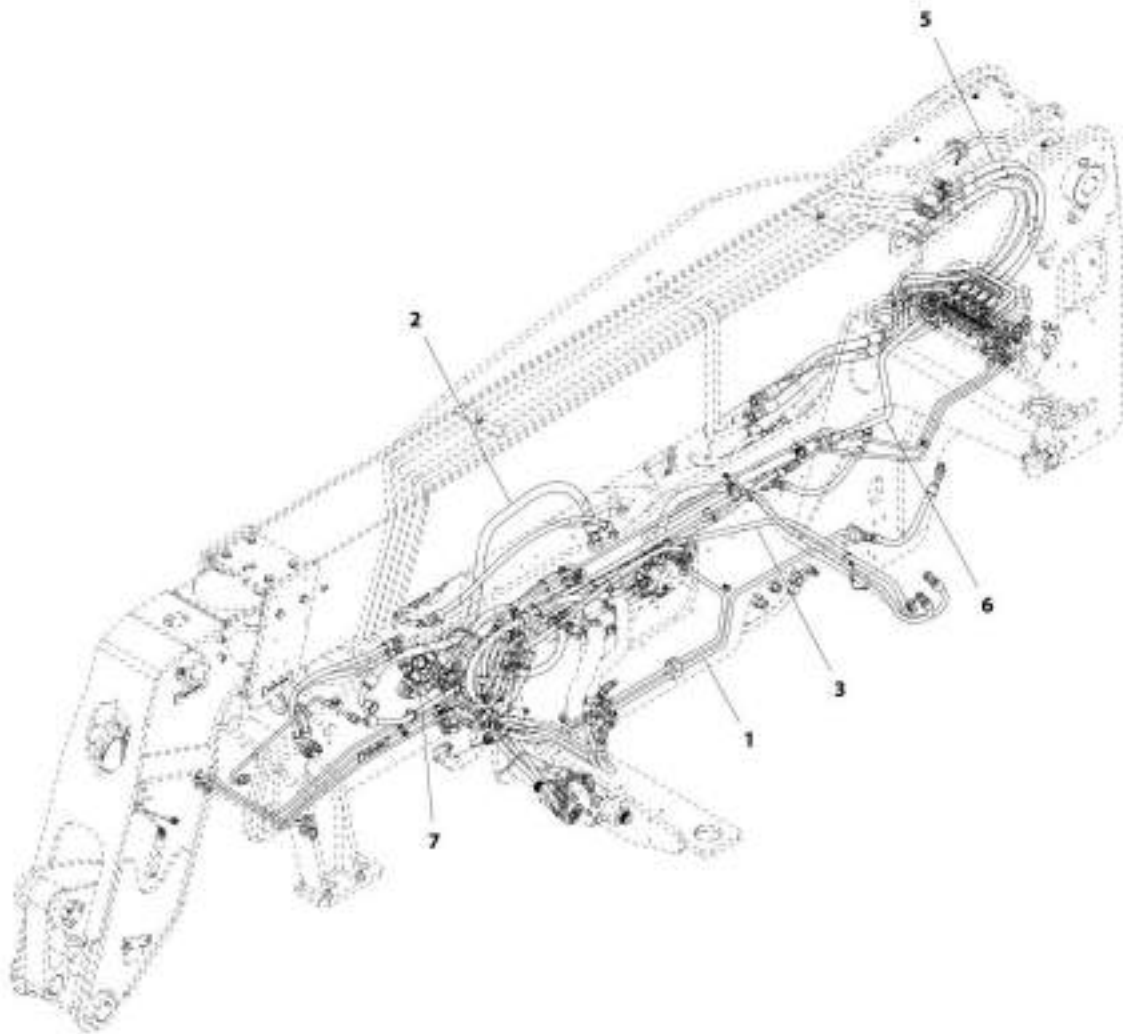
SECTION 8 - HYDRAULIC CIRCUITS

FIGURE 8-1. COMMON HYDRAULICS INSTALLATION

ITEM	PART NUMBER	QTY	DESCRIPTION	REV
1	1001174033	Ref	Common Hydraulics Installation	C
	1001174064	Ref	Installation, Steering Select Valve (See Separate Breakdown in this Section)	
2	1001183071	Ref	Installation, Speed Select Valve (See Separate Breakdown in this Section)	
4	1001206498	Ref	Installation, Brake Accumulator (See Separate Breakdown in this Section)	
5	1001174066	Ref	Installation, Suction Lines (See Separate Breakdown in this Section)	
6	1001174068	Ref	Installation, Main Control Valve (See Separate Breakdown in this Section)	
7	1001174072	Ref	Installation, Lift Cylinder (See Separate Breakdown in this Section)	
8	1001174074	Ref	Assembly, Compensation Cylinder (See Separate Breakdown in Hydraulic Components Section)	
9	1001174080	Ref	Installation, Return Lines (See Separate Breakdown in this Section)	

SECTION 8 - HYDRAULIC CIRCUITS

FIGURE 8-2. HYDRAULICS INSTALLATION (20IN WHEEL)



MIT_1001174058-8

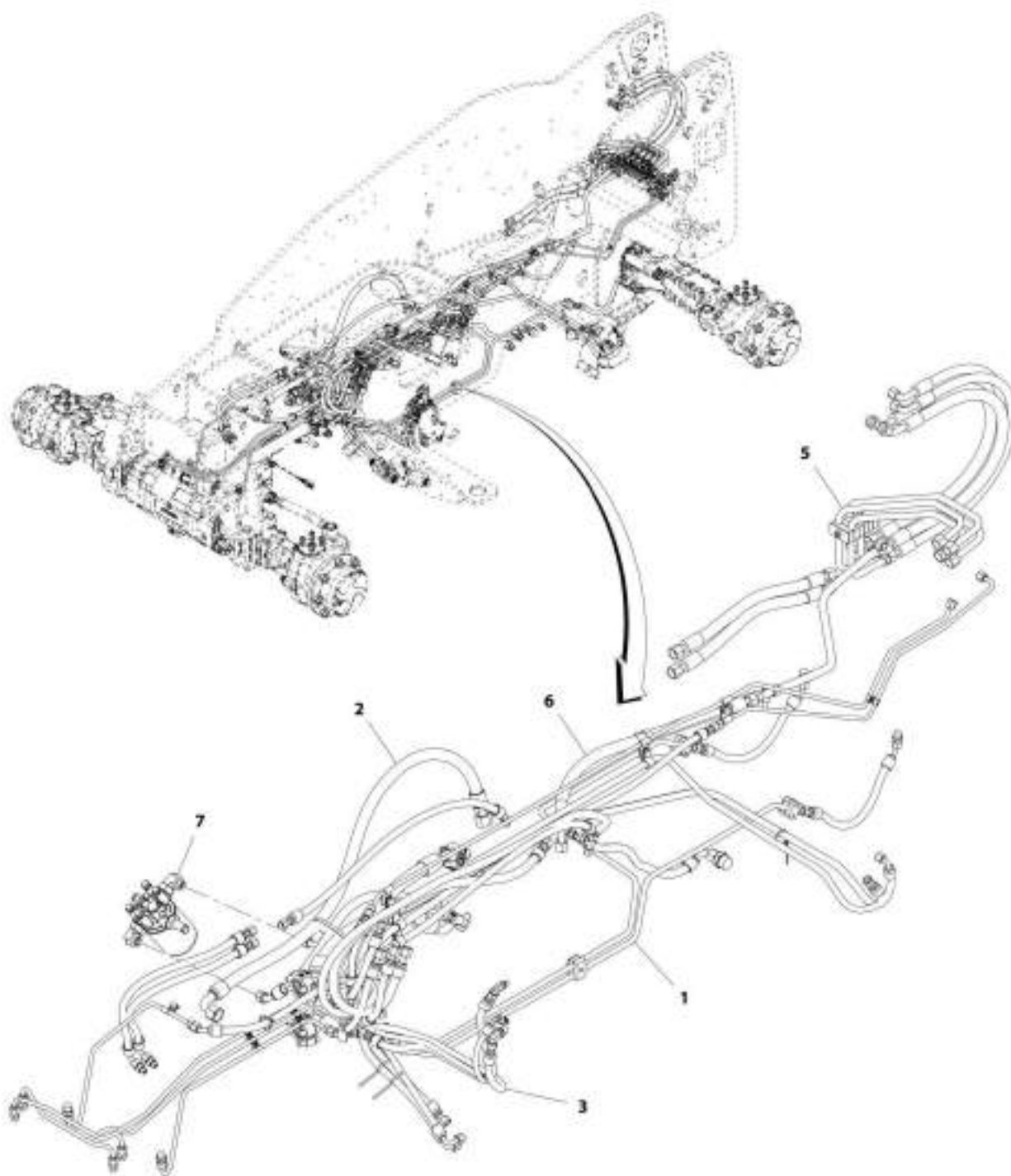
SECTION 8 - HYDRAULIC CIRCUITS

FIGURE 8-2. HYDRAULICS INSTALLATION (20IN WHEEL)

ITEM	PART NUMBER	QTY	DESCRIPTION	REV
1	1001174058	Ref	Hydraulics Installation (20IN Wheel)	B
	1001174081	Ref	Installation, Steering Lines (20IN Wheel) (See Separate Breakdown in this Section)	
2	1001174087	Ref	Installation, Hydrostatic Lines (See Separate Breakdown in this Section)	
3	1001174084	Ref	Installation, Brake Lines (20IN Wheel) (See Separate Breakdown in this Section)	
5	1001184674	Ref	Installation, Main Control Valve Lines (See Separate Breakdown in this Section)	
6	1001174079	Ref	Installation, Implement Lines (See Separate Breakdown in this Section)	
7	1001183386	Ref	Installation, Implement Pump Filter (See Separate Breakdown in this Section)	

SECTION 8 - HYDRAULIC CIRCUITS

FIGURE 8-3. HYDRAULICS INSTALLATION (24IN WHEEL)



AWT_1001205810-A

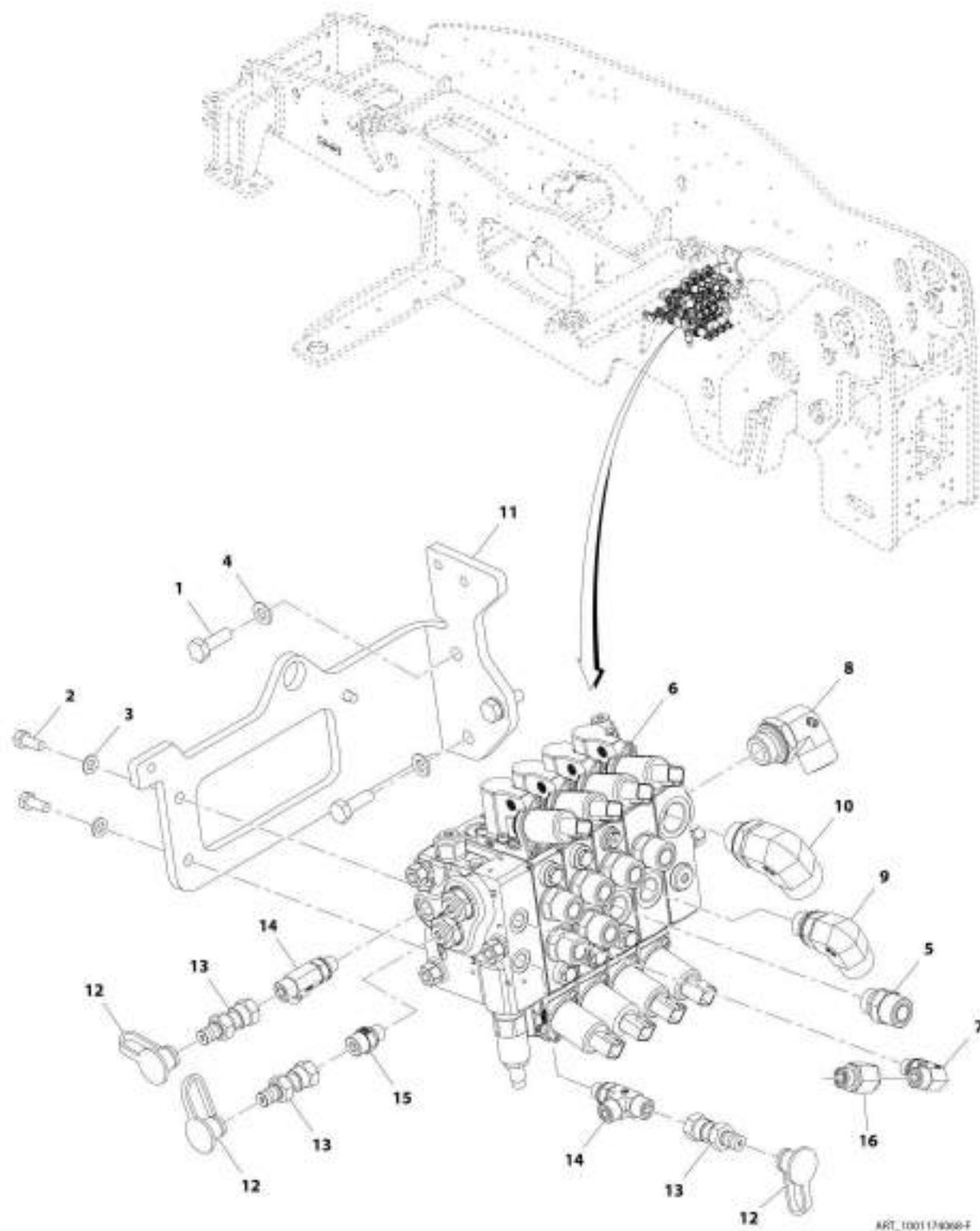
SECTION 8 - HYDRAULIC CIRCUITS

FIGURE 8-3. HYDRAULICS INSTALLATION (24IN WHEEL)

ITEM	PART NUMBER	QTY	DESCRIPTION	REV
1	1001205816	Ref	Hydraulics Installation (24IN Wheel)	A
	1001205817	Ref	Installation, Steering Lines (24IN Wheel) (See Separate Breakdown in this Section)	
2	1001174087	Ref	Installation, Hydrostatic Lines (See Separate Breakdown in this Section)	
3	1001205818	Ref	Installation, Brake Lines (24IN Wheel) (See Separate Breakdown in this Section)	
5	1001184674	Ref	Installation, Main Control Valve Lines (See Separate Breakdown in this Section)	
6	1001174079	Ref	Installation, Implement Lines (See Separate Breakdown in this Section)	
7	1001183386	Ref	Installation, Implement Pump Filter (See Separate Breakdown in this Section)	

SECTION 8 - HYDRAULIC CIRCUITS

FIGURE 8-4. MAIN CONTROL VALVE INSTALLATION (Prior to SN 1160008371)



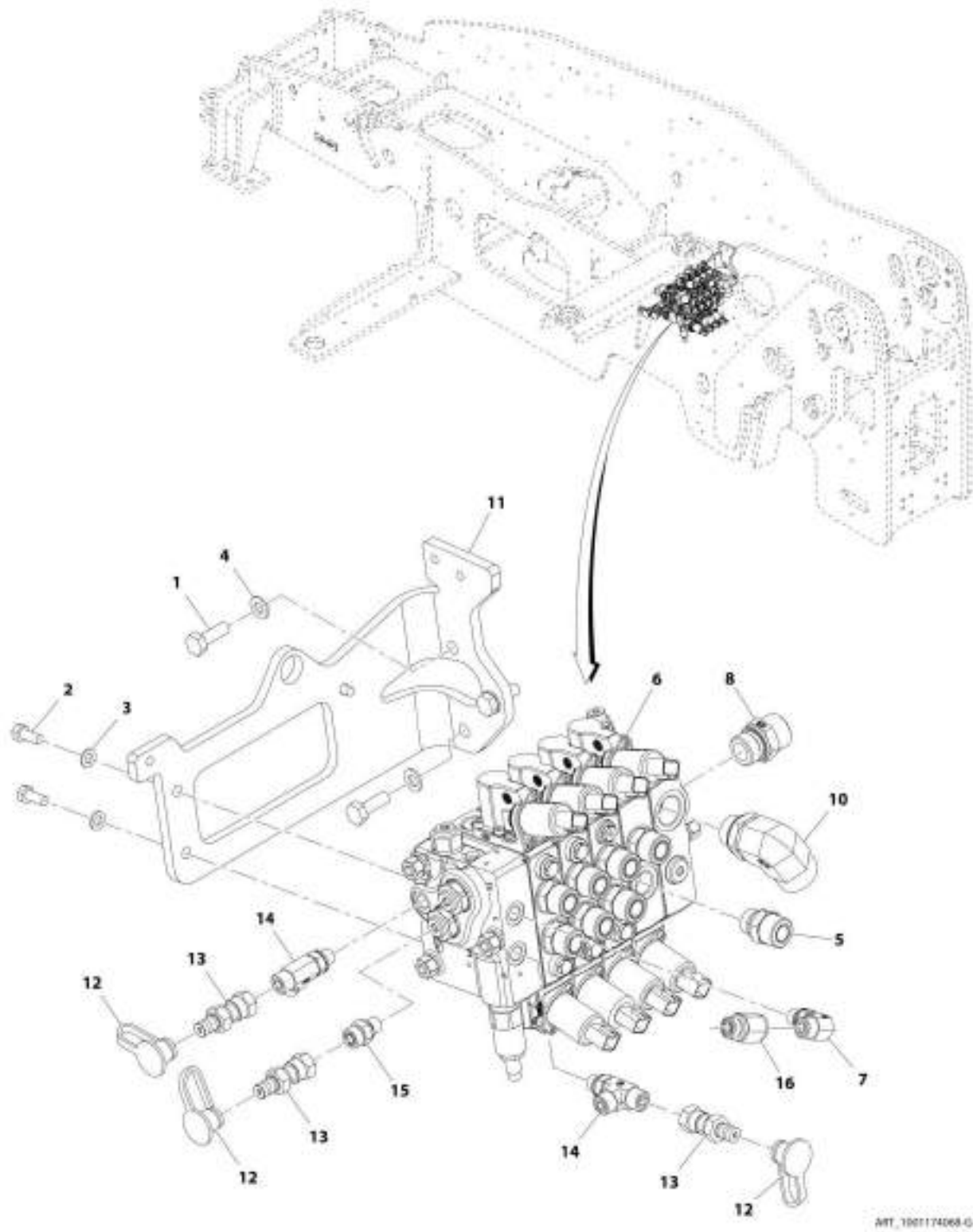
SECTION 8 - HYDRAULIC CIRCUITS

FIGURE 8-4. MAIN CONTROL VALVE INSTALLATION (Prior to SN 1160008371)

ITEM	PART NUMBER	QTY	DESCRIPTION	REV
	1001174068	Ref	Main Control Valve Installation	F
1	0701014	3	Bolt, M10X30	
2	0760810	3	Bolt, M10X20	
3	4811900	3	Washer, M8	
4	4812000	3	Washer, M10	
5	1001142089	7	Fitting, Straight ORFS	
6	1001200899	1	Valve, Main Control(See Separate Breakdown in Hydraulic Components Section)	
7	1001184365	1	Fitting, 90 ORFS	
8	1001193411	1	Fitting, 90 ORFS	
9	1001220724	1	Fitting, 90 ORFS	
10	1001184409	1	Fitting, 90 ORFS	
11	1001194794	1	Bracket	
12	1001008761	3	Cap	
13	8430081	3	Fitting, Straight ORFS	
14	1001169800	2	Fitting, Tee ORFS	
15	1001183293	1	Fitting, Straight ORFS	
16	4641316	1	Check Valve	

SECTION 8 - HYDRAULIC CIRCUITS

FIGURE 8-5. MAIN CONTROL VALVE INSTALLATION (SN 1160008371 to Present)



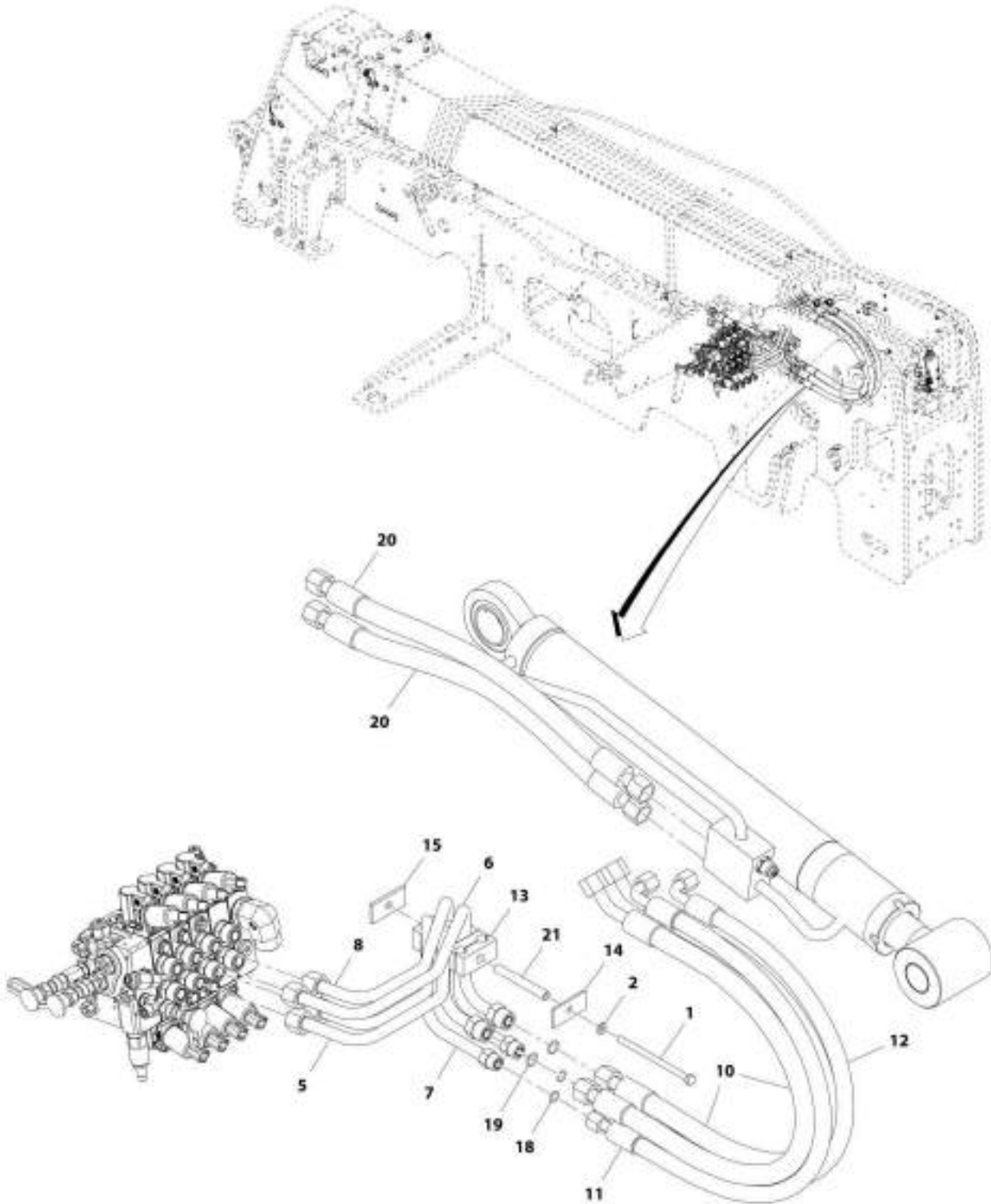
SECTION 8 - HYDRAULIC CIRCUITS

FIGURE 8-5. MAIN CONTROL VALVE INSTALLATION (SN 1160008371 to Present)

ITEM	PART NUMBER	QTY	DESCRIPTION	REV
	1001174068	Ref	Main Control Valve Installation	G
1	0701014	3	Bolt, M10X30	
2	0760810	3	Bolt, M10X20	
3	4811900	3	Washer, M8	
4	4812000	3	Washer, M10	
5	1001142089	8	Fitting, Straight ORFS	
6	1001200899	1	Valve, Main Control(See Separate Breakdown in Hydraulic Components Section)	
7	1001184365	1	Fitting, 90 ORFS	
8	1001169806	1	Fitting, Straight ORFS	
10	1001184409	1	Fitting, 90 ORFS	
11	1001226188	1	Bracket	
12	1001008761	3	Cap	
13	8430081	3	Fitting, Straight ORFS	
14	1001169800	2	Fitting, Tee ORFS	
15	80233218	1	Fitting, Straight ORFS	
16	4641316	1	Check Valve	

SECTION 8 - HYDRAULIC CIRCUITS

FIGURE 8-6. MAIN CONTROL VALVE LINES INSTALLATION



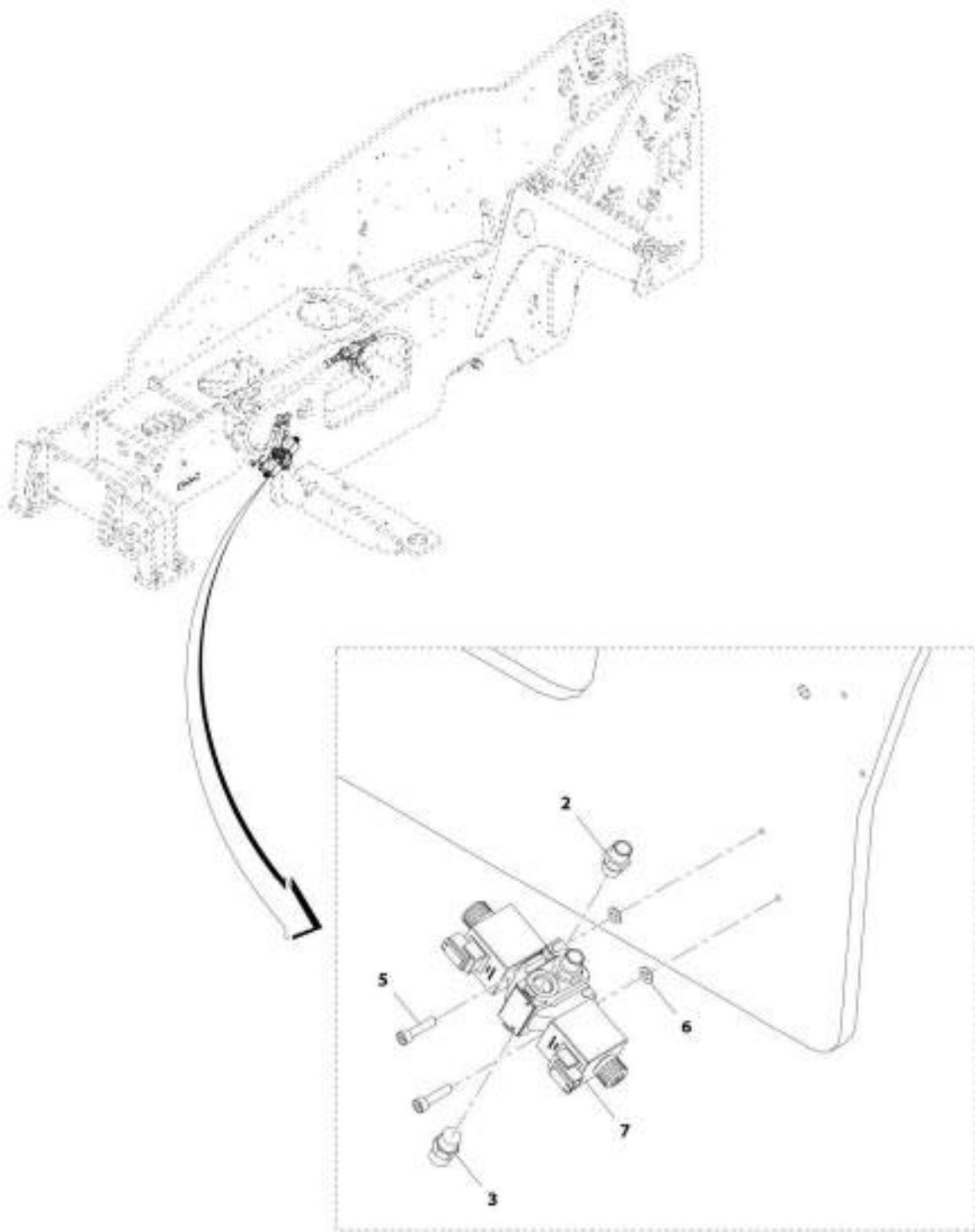
SECTION 8 - HYDRAULIC CIRCUITS

FIGURE 8-6. MAIN CONTROL VALVE LINES INSTALLATION

ITEM	PART NUMBER	QTY	DESCRIPTION	REV
	1001184674	Ref	Main Control Valve Lines Installation	E
1	0700830	1	Bolt, M8X130	
2	4811900	1	Washer, M8	
5	1001184603	1	Pipe	
6	1001184604	1	Pipe	
7	1001184605	1	Pipe	
8	1001184606	1	Pipe	
10	1001184671	2	Hose, ORFS	
11	1001184672	1	Hose, ORFS	
12	1001184673	1	Hose, ORFS	
13	1001202496	6	Clamp, M16	
14	1001184679	1	Plate	
15	1001184686	1	Plate	
18	1001008805	2	Seal	
19	1001008922	2	Seal	
20	1001200714	2	Hose, ORFS	
21	1001202497	1	Tube	

SECTION 8 - HYDRAULIC CIRCUITS

FIGURE 8-7. STEERING SELECT VALVE INSTALLATION



ART. 100174064-C

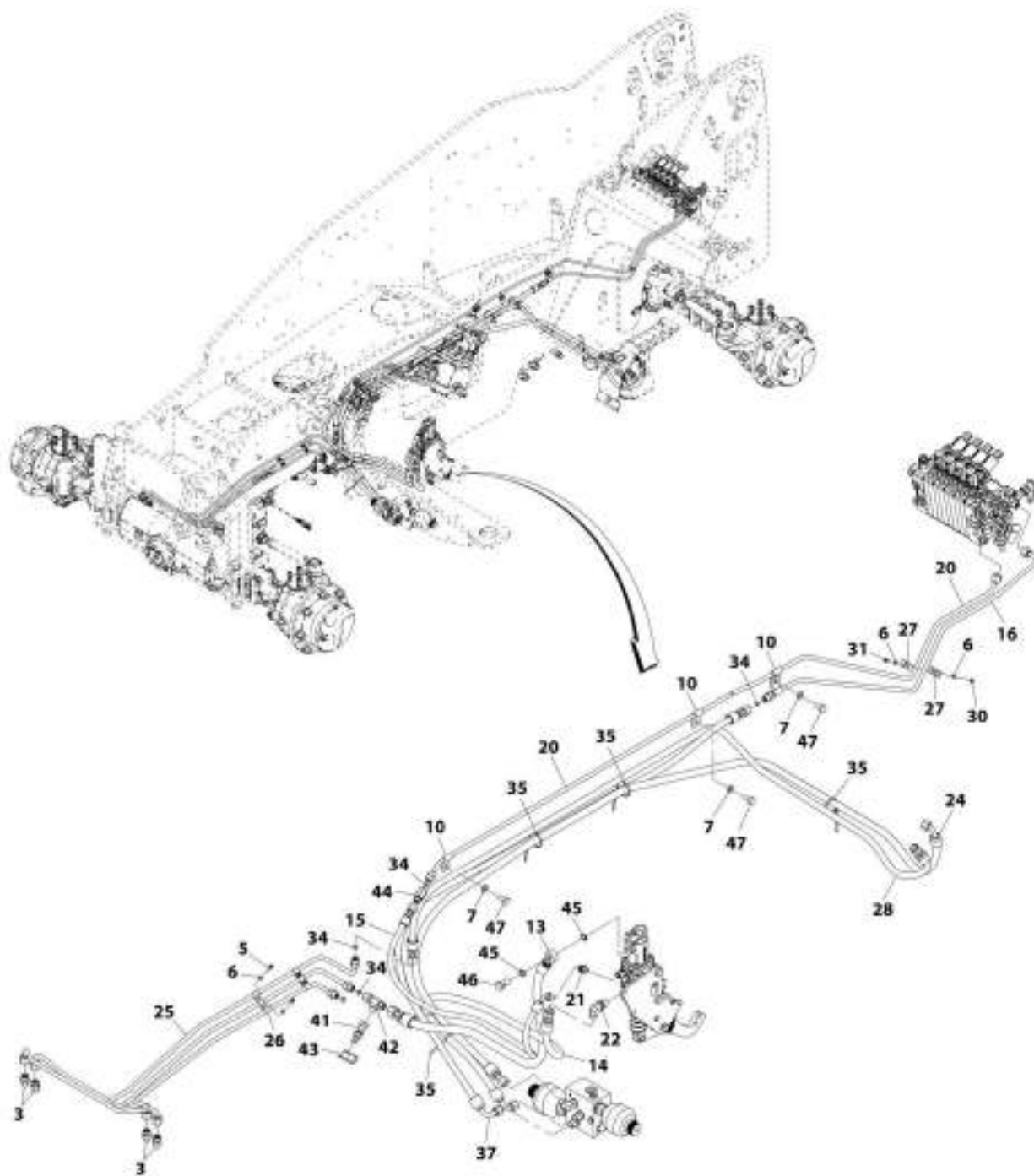
SECTION 8 - HYDRAULIC CIRCUITS

FIGURE 8-7. STEERING SELECT VALVE INSTALLATION

ITEM	PART NUMBER	QTY	DESCRIPTION	REV
	1001174064	Ref	Steering Select Valve Installation	C
2	2110608	2	Fitting, Straight ORFS	
3	2110808	2	Fitting, Straight ORFS	
5	4031911	2	Bolt, M8X35	
6	4811900	2	Washer, M8	
7	1001153748	1	Valve, Steering Select(See Separate Breakdown in Hydraulic Components Section)	

SECTION 8 - HYDRAULIC CIRCUITS

FIGURE 8-8. BRAKE LINES INSTALLATION (20IN WHEEL)



AWT_3001174084-H

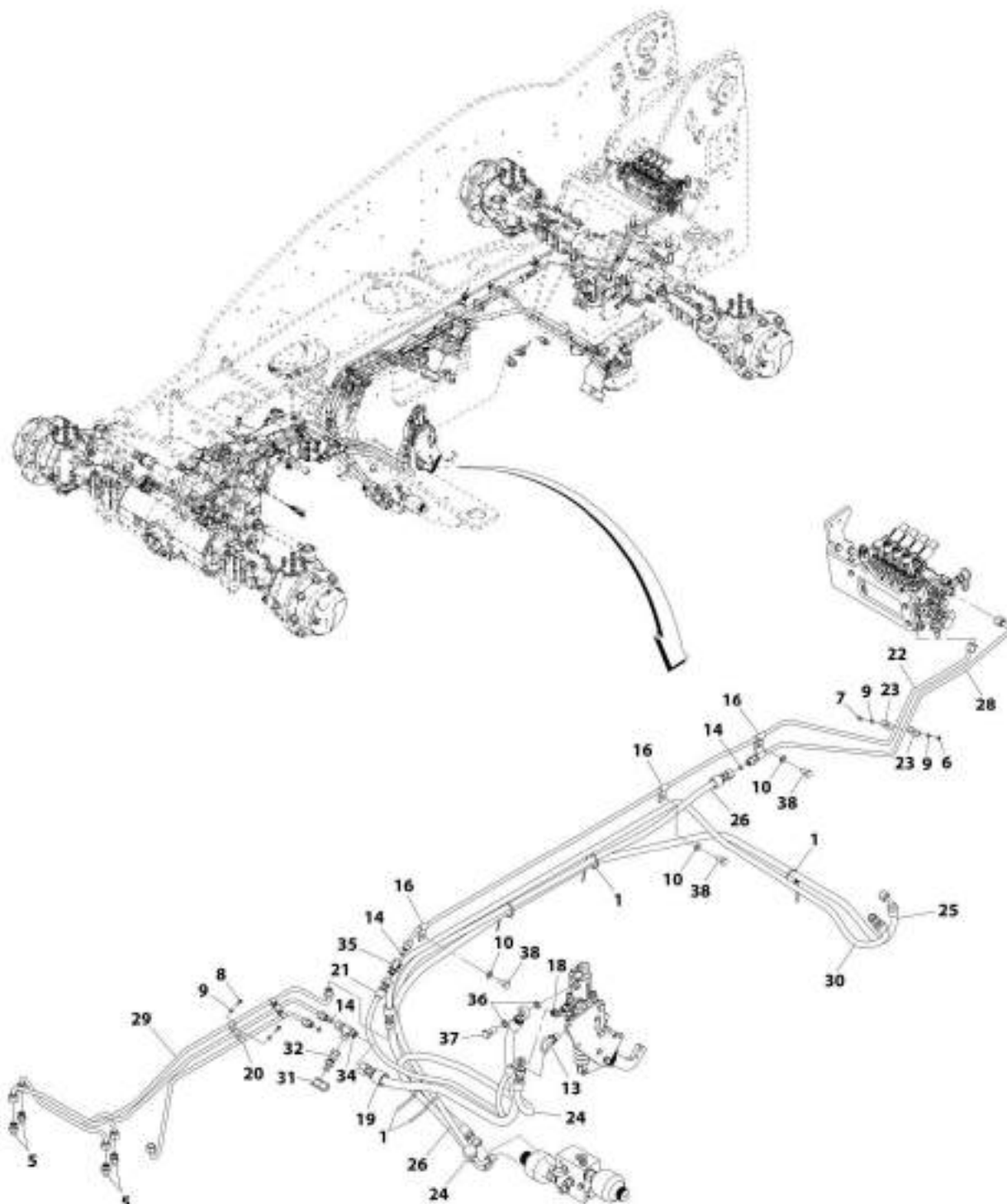
SECTION 8 - HYDRAULIC CIRCUITS

FIGURE 8-8. BRAKE LINES INSTALLATION (20IN WHEEL)

ITEM	PART NUMBER	QTY	DESCRIPTION	REV
	1001174084	Ref	Brake Lines Installation (20IN Wheel)	H
3	2144605	4	Fitting, Straight ORFS	
5	4031608	2	Bolt, M5X20	
6	4811600	4	Washer, M5	
7	4812000	3	Washer, M10	
10	1001025975	4	Clip	
13	1001219460	1	Hose, ORFS	
14	1001205735	1	Hose, ORFS	
15	1001195807	1	Hose, ORFS	
16	1001205842	1	Pipe, ORFS	
20	1001196223	1	Pipe, ORFS	
21	1001081334	1	Valve, Check	
22	80333151	1	Fitting, 90 ORFS	
24	1001214791	1	Hose, ORFS	
25	1001195776	Ref	Installation, Brake and Steering (20IN Wheel) (See Separate Breakdown in this Section)	
26	1001195779	1	Clamp	
27	1001196226	2	Clamp	
28	1001208040	1	Hose, ORFS	
30	3290501	1	Nut, M5X0.8 Grade 8	
31	4031605	1	Bolt, M5X10	
34	1001008804	5	Seal	
35	471678	5	Tie Strap	
37	1001205767	1	Hose, ORFS	
41	1001003590	1	Fitting (Prior to SN 1160008371)	
41	8330081	1	Fitting (SN 1160008371 to Present)	
42	1001033119	1	Fitting, Tee ORFS (Prior to SN 1160008371)	
42	2170706	1	Fitting, Tee ORFS (SN 1160008371 to Present)	
43	1001008761	1	Cap	
44	1001128781	1	Check Valve	
45	1001105639	2	Flat Washer	
46	1001105643	1	Screw	
47	0761010	3	Bolt, M10X20	

SECTION 8 - HYDRAULIC CIRCUITS

FIGURE 8-9. BRAKE LINES INSTALLATION (24IN WHEEL)



AWT_100120813-E

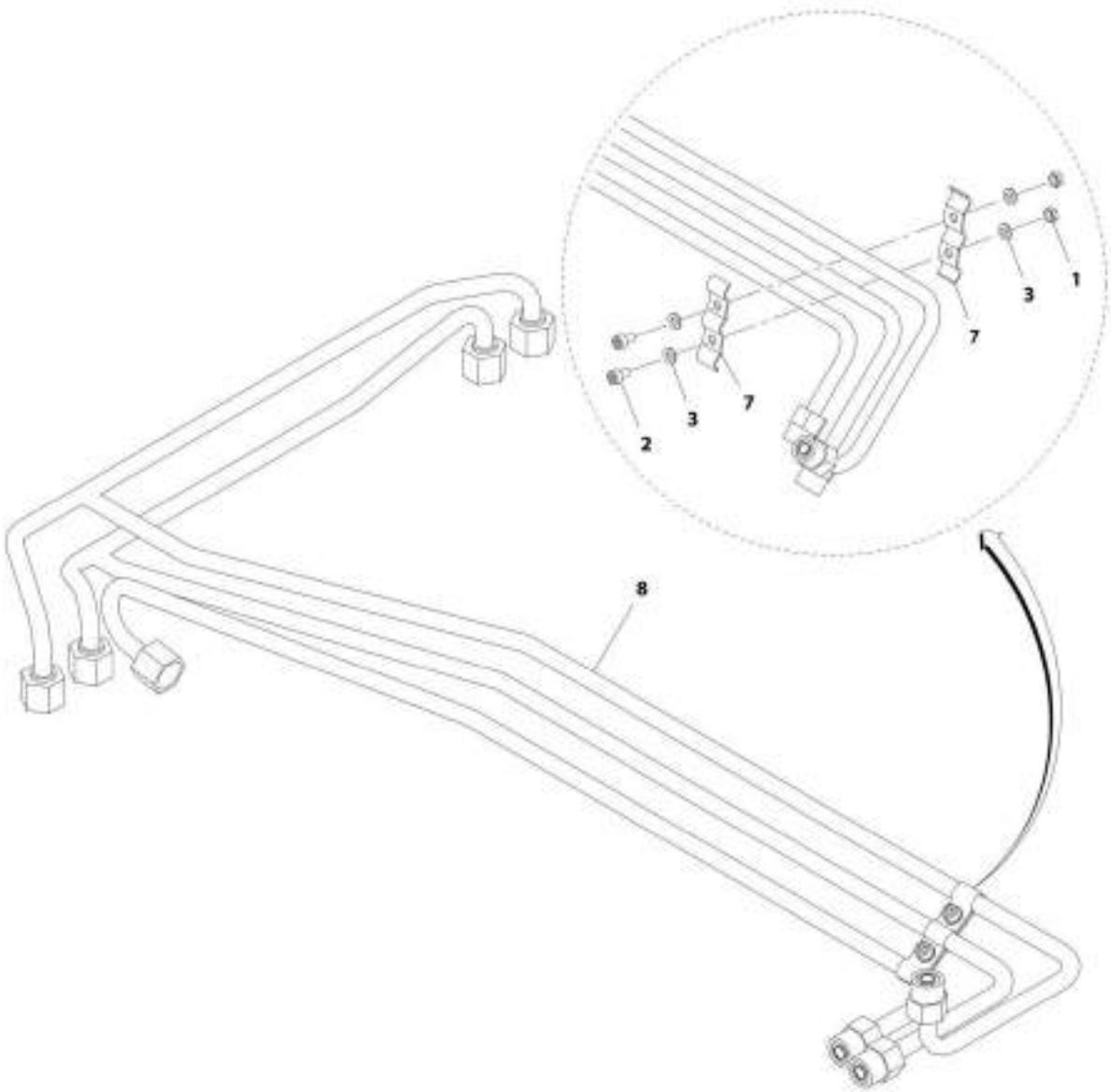
SECTION 8 - HYDRAULIC CIRCUITS

FIGURE 8-9. BRAKE LINES INSTALLATION (24IN WHEEL)

ITEM	PART NUMBER	QTY	DESCRIPTION	REV
	1001205818	Ref	Brake Lines Installation (24IN Wheel)	E
1	471678	5	Tie Strap	
5	2144605	4	Fitting, Straight ORFS	
6	3290501	1	Nut, M5X0.8 Grade 8	
7	4031605	1	Bolt, M5X10	
8	4031608	2	Bolt, M5X20	
9	4811600	4	Washer, M5	
10	4812000	3	Washer, M10	
13	80333151	1	Fitting, 90 ORFS	
14	1001008804	5	Seal	
16	1001025975	4	Clip	
18	1001081334	1	Fitting	
19	1001219460	1	Hose, ORFS	
20	1001195779	1	Clamp	
21	1001195807	1	Hose, ORFS	
22	1001196223	1	Pipe, ORFS	
23	1001196226	2	Clamp	
24	1001205735	1	Hose, ORFS	
25	1001214791	1	Hose, ORFS	
26	1001205767	1	Hose, ORFS	
28	1001205842	1	Pipe, ORFS	
29	1001205858	Ref	Installation, Brake and Steering (24IN Wheel) (See Separate Breakdown in this Section)	
30	1001208040	1	Hose, ORFS	
31	1001008761	1	Cap	
32	1001003590	1	Fitting (Prior to SN 1160008371)	
32	8330081	1	Fitting (SN 1160008371 to Present)	
34	1001033119	1	Fitting, Tee ORFS (Prior to SN 1160008371)	
34	2170706	1	Fitting, Tee ORFS (SN 1160008371 to Present)	
35	1001218781	1	Check Valve	
36	1001105639	2	Washer	
37	1001105643	1	Screw	
38	0761010	3	Bolt, M10X20	

SECTION 8 - HYDRAULIC CIRCUITS

FIGURE 8-10. BRAKE AND STEERING INSTALLATION (20IN WHEEL)



ART_100118576-B

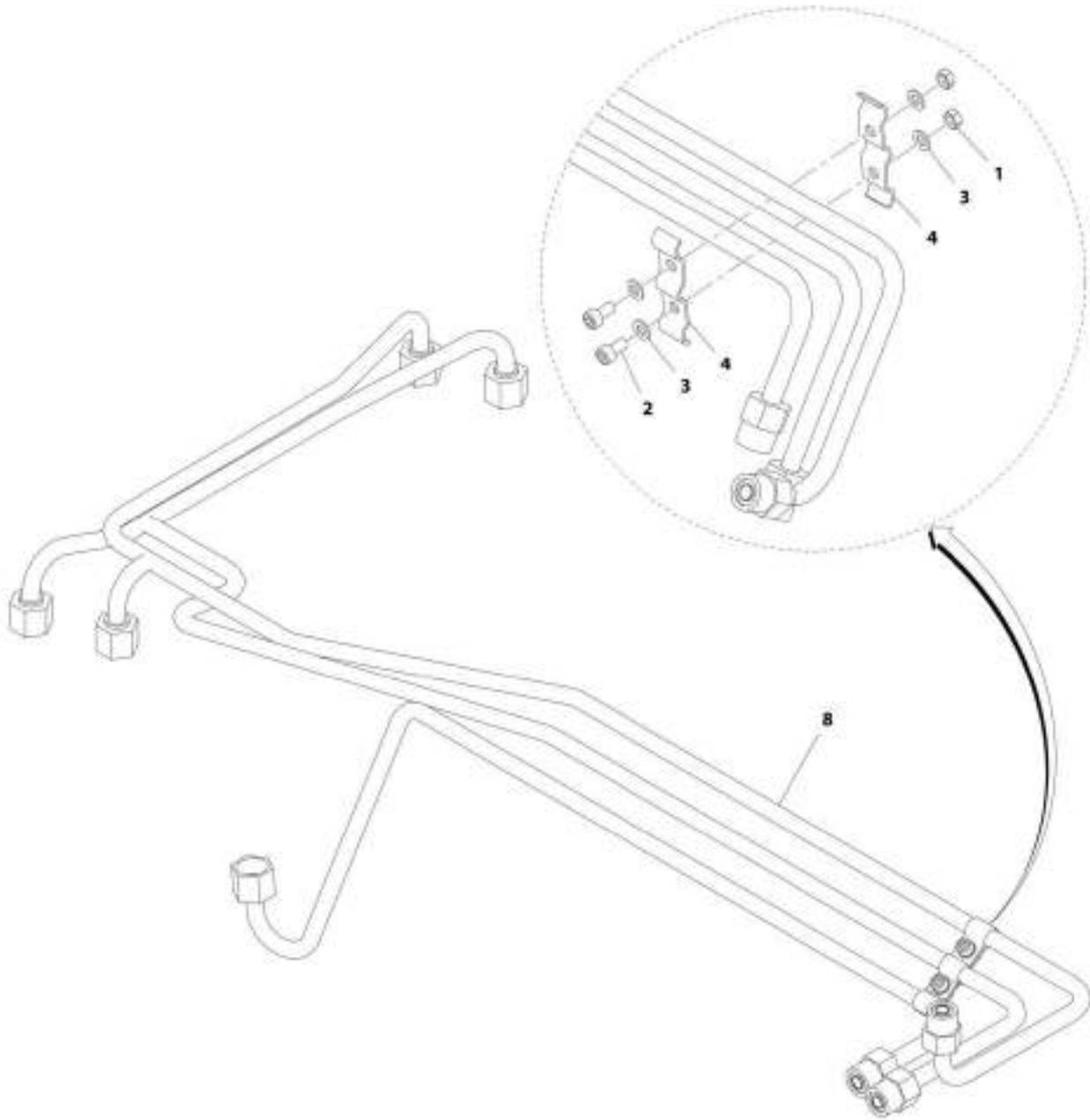
SECTION 8 - HYDRAULIC CIRCUITS

FIGURE 8-10. BRAKE AND STEERING INSTALLATION (20IN WHEEL)

ITEM	PART NUMBER	QTY	DESCRIPTION	REV
	1001195776	Ref	Brake and Steering Installation (20IN Wheel)	B
1	3290501	2	Nut, M5X0.8 Grade 8	
2	4031605	2	Bolt, M5X10	
3	4811600	4	Washer, M5	
7	1001195779	2	Clamp	
8	1001213906	1	Assembly, Brake and Steering Pipe (20IN Wheel) (See Separate Breakdown in this Section)	

SECTION 8 - HYDRAULIC CIRCUITS

FIGURE 8-11. BRAKE AND STEERING INSTALLATION (24IN WHEEL)



INT_1001285556-8

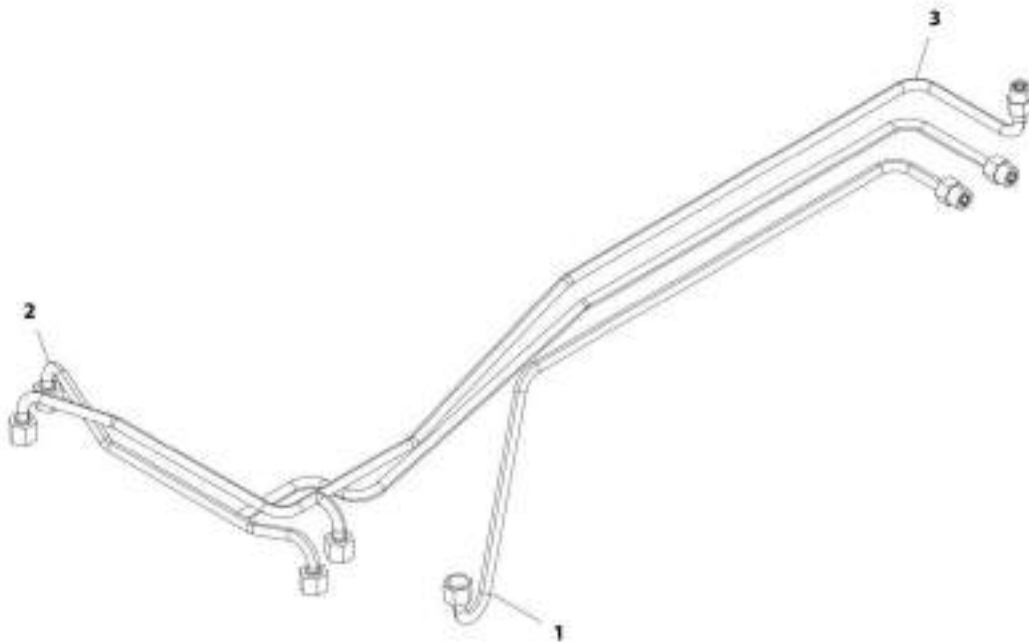
SECTION 8 - HYDRAULIC CIRCUITS

FIGURE 8-11. BRAKE AND STEERING INSTALLATION (24IN WHEEL)

ITEM	PART NUMBER	QTY	DESCRIPTION	REV
	1001205858	Ref	Brake and Steering Installation (24IN Wheel)	B
1	3290501	2	Nut, M5X0.8 Grade 8	
2	4031605	2	Bolt, M5X10	
3	4811600	4	Washer, M5	
4	1001195779	2	Clamp	
8	1001213907	1	Assembly, Brake and Steering Pipe (24IN Wheel) (See Separate Breakdown in this Section)	

SECTION 8 - HYDRAULIC CIRCUITS

FIGURE 8-12. BRAKE AND STEERING PIPE ASSEMBLY (24IN WHEEL)



ART_1001213007-A

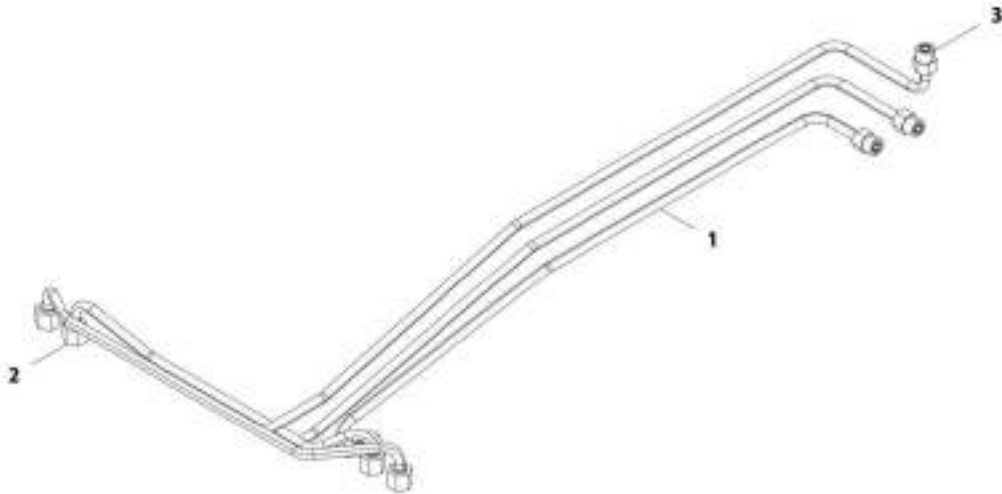
SECTION 8 - HYDRAULIC CIRCUITS

FIGURE 8-12. BRAKE AND STEERING PIPE ASSEMBLY (24IN WHEEL)

ITEM	PART NUMBER	QTY	DESCRIPTION	REV
	1001213907	Ref	Brake and Steering Pipe Assembly (24IN Wheel)	A
1	1001205860	1	Pipe	
2	1001205861	1	Pipe	
3	1001205862	1	Pipe	

SECTION 8 - HYDRAULIC CIRCUITS

FIGURE 8-13. BRAKE AND STEERING PIPE ASSEMBLY (20IN WHEEL)



ART_1001213000-A

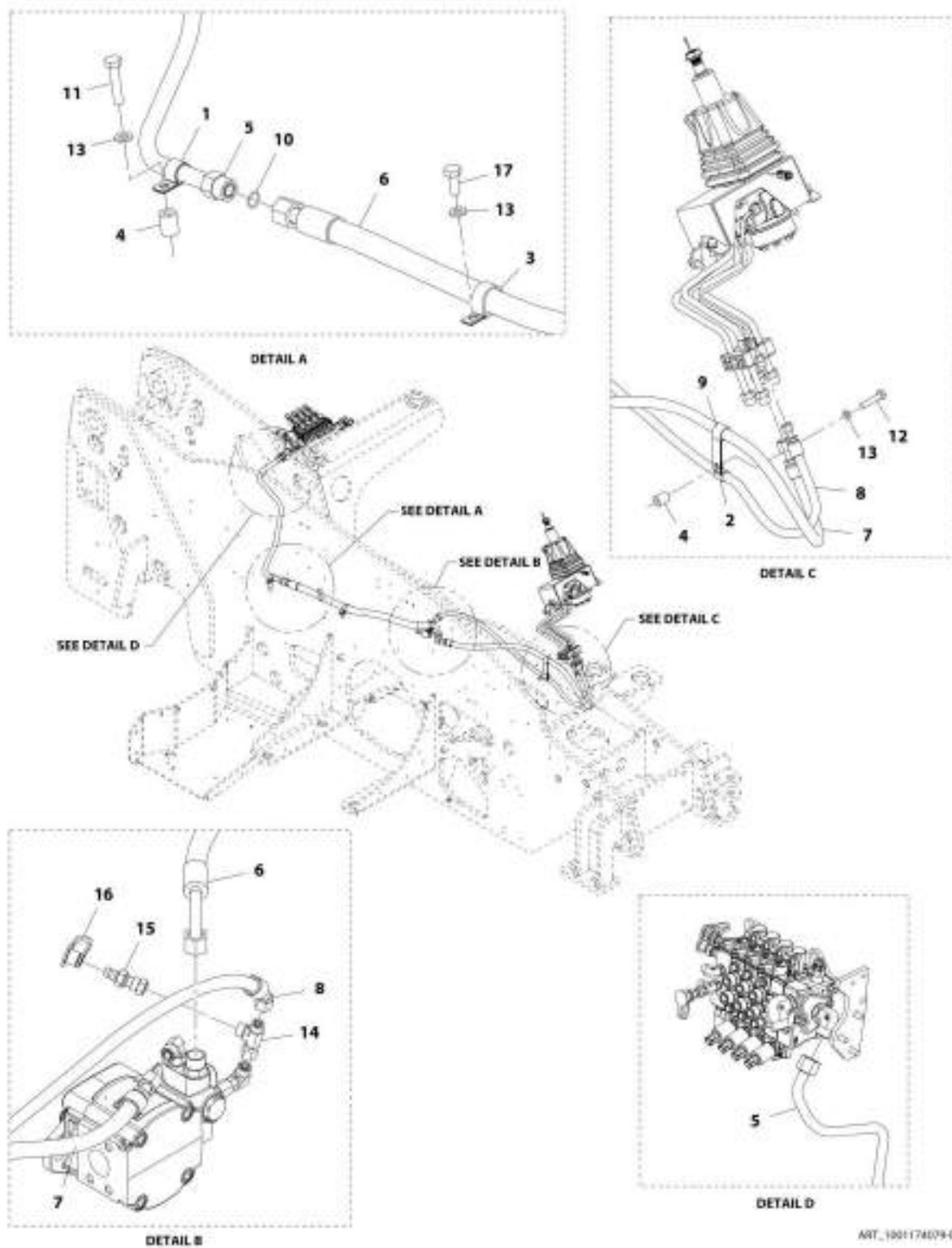
SECTION 8 - HYDRAULIC CIRCUITS

FIGURE 8-13. BRAKE AND STEERING PIPE ASSEMBLY (20IN WHEEL)

ITEM	PART NUMBER	QTY	DESCRIPTION	REV
	1001213906	Ref	Brake and Steering Pipe Assembly (20IN Wheel)	A
1	1001195767	1	Pipe	
2	1001195769	1	Pipe	
3	1001195770	1	Pipe	

SECTION 8 - HYDRAULIC CIRCUITS

FIGURE 8-14. IMPLEMENT LINES INSTALLATION (Prior to SN 1160008371)



ART_1991174074-D

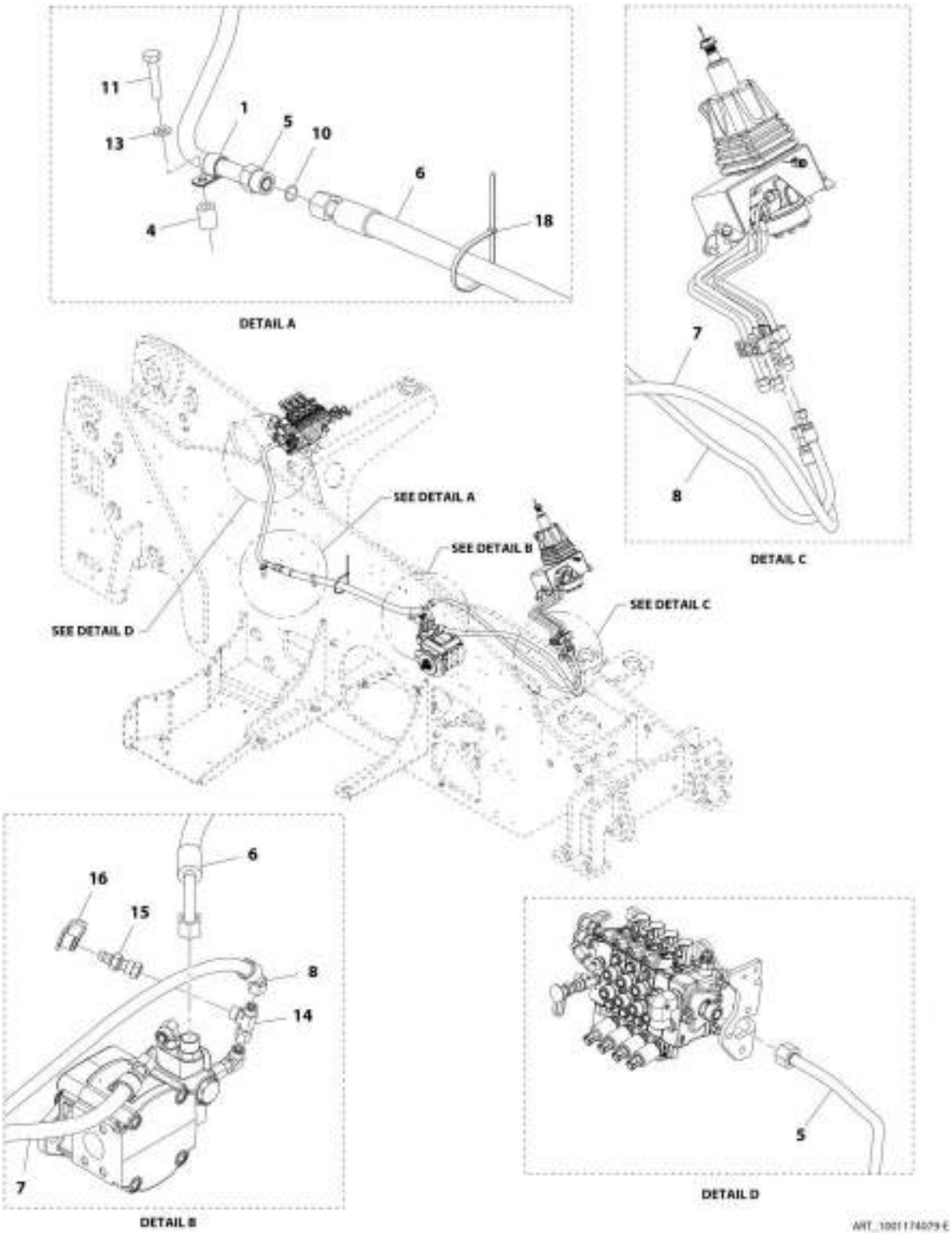
SECTION 8 - HYDRAULIC CIRCUITS

FIGURE 8-14. IMPLEMENT LINES INSTALLATION (Prior to SN 1160008371)

ITEM	PART NUMBER	QTY	DESCRIPTION	REV
	1001174079	Ref	Implement Lines Installation	D
1	91043147	1	Clamp	
2	1001025962	1	Clip	
3	1001009205	1	Clip	
4	1001188548	2	Spacer	
5	1001188940	1	Pipe	
6	1001188941	1	Hose	
7	1001188942	1	Hose	
8	1001195805	1	Hose	
9	1001025932	1	Clip	
10	1001008922	1	Seal	
11	0701018	1	Bolt, M10X50	
12	0761018	1	Bolt, M10X50	
13	4812000	3	Washer, M10	
14	2170706	1	Fitting, Tee ORFS	
15	8430081	1	Fitting, Straight ORFS	
16	1001008761	1	Cap	
17	0761012	1	Bolt, M10X25	

SECTION 8 - HYDRAULIC CIRCUITS

FIGURE 8-15. IMPLEMENT LINES INSTALLATION (SN 1160008371 to Present)



ART_100117409-E

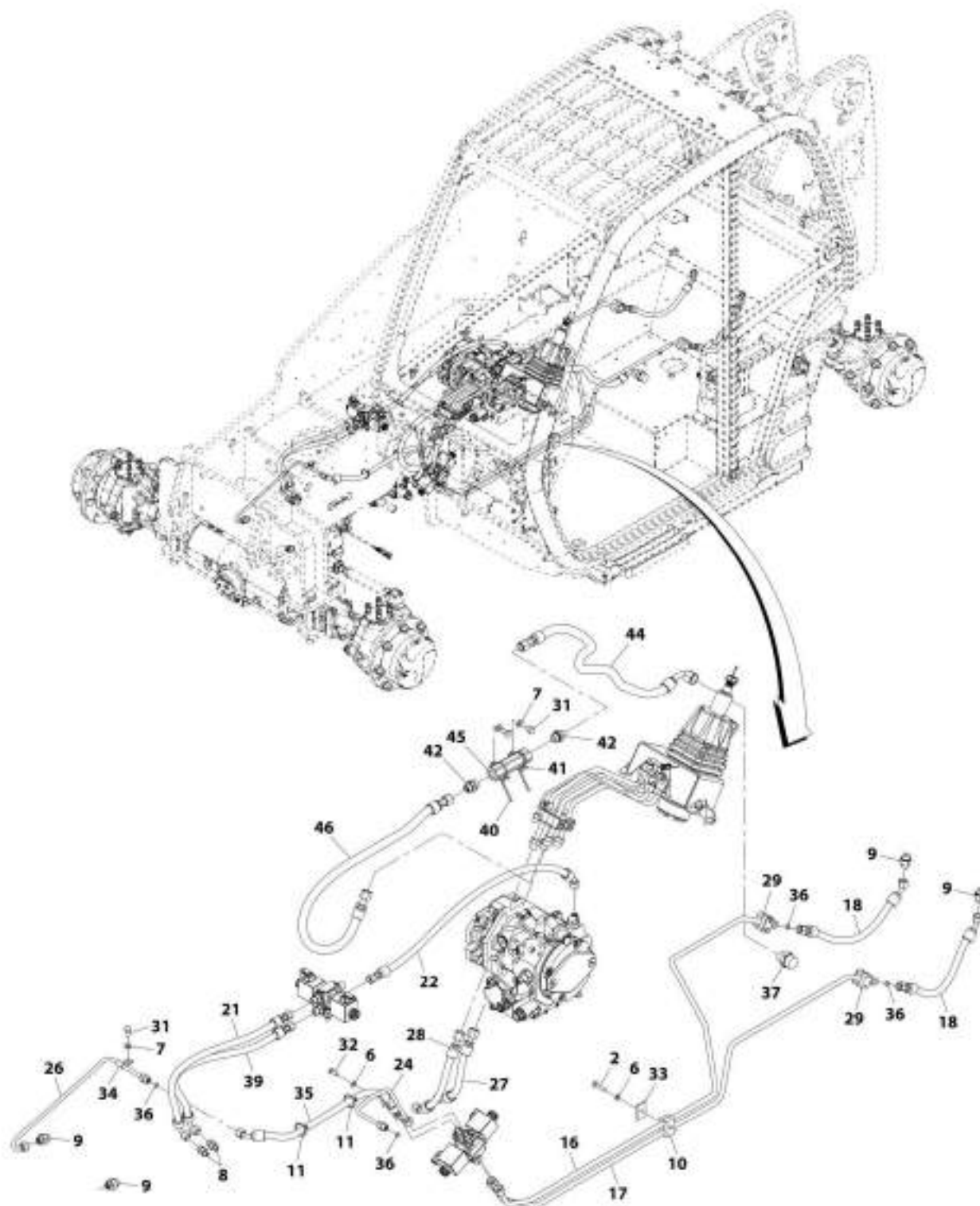
SECTION 8 - HYDRAULIC CIRCUITS

FIGURE 8-15. IMPLEMENT LINES INSTALLATION (SN 1160008371 to Present)

ITEM	PART NUMBER	QTY	DESCRIPTION	REV
	1001174079	Ref	Implement Lines Installation	E
1	91043147	1	Clamp	
4	1001188548	1	Spacer	
5	1001226234	1	Pipe	
6	1001188941	1	Hose	
7	1001188942	1	Hose	
8	1001195805	1	Hose	
10	1001008922	1	Seal	
11	0701018	1	Bolt, M10X50	
13	4812000	1	Washer, M10	
14	2170706	1	Fitting, Tee ORFS	
15	8430081	1	Fitting, Straight ORFS	
16	1001008761	1	Cap	
18	1062255	1	Tie Strap	

SECTION 8 - HYDRAULIC CIRCUITS

FIGURE 8-16. STEERING LINES INSTALLATION (20IN WHEEL)



ART_1001174001-F

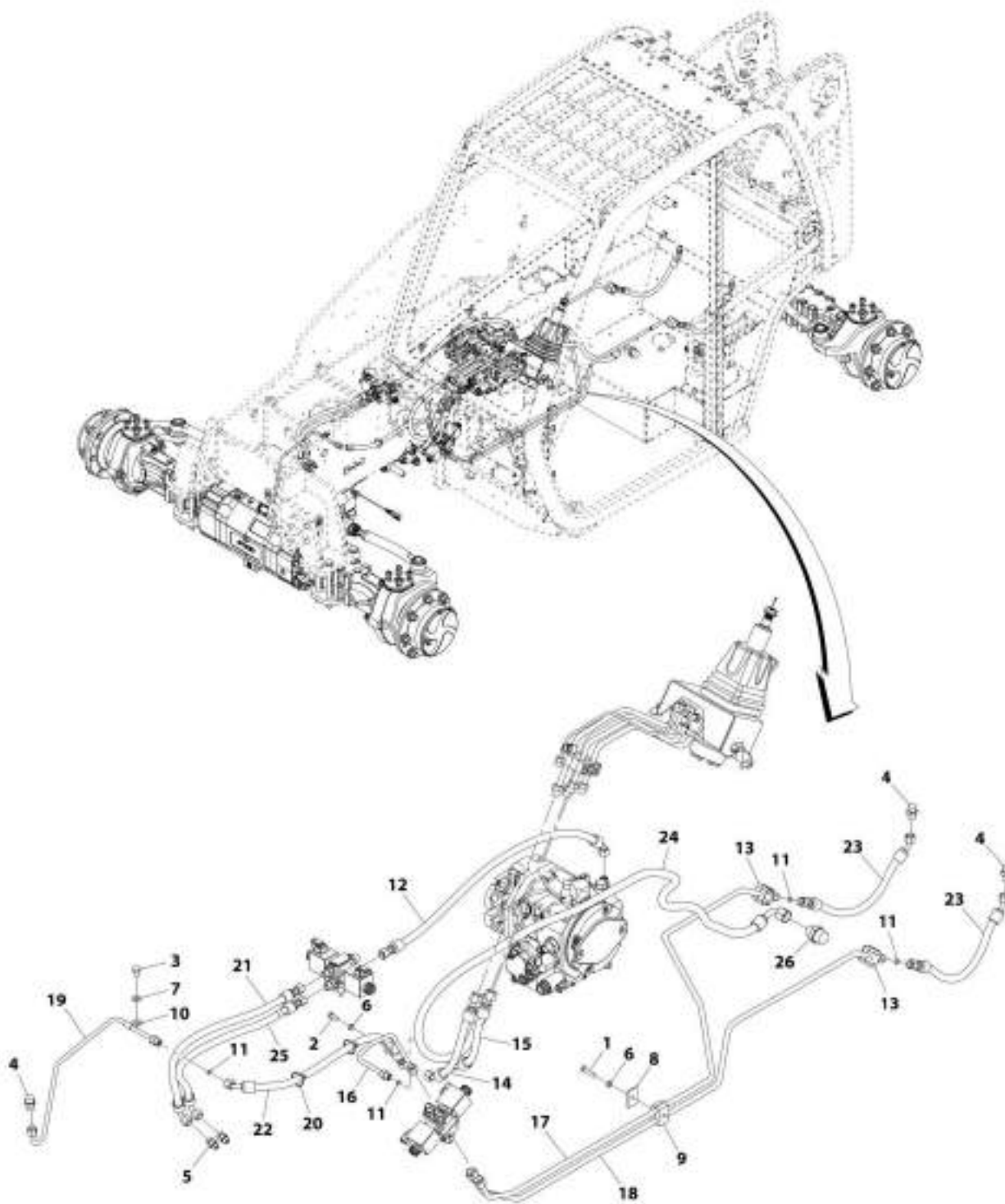
SECTION 8 - HYDRAULIC CIRCUITS

FIGURE 8-16. STEERING LINES INSTALLATION (20IN WHEEL)

ITEM	PART NUMBER	QTY	DESCRIPTION	REV
	1001174081	Ref	Steering Lines Installation (20IN Wheel)	F
2	0700815	1	Bolt, M8X35	
6	4811900	2	Washer, M8	
7	4812000	3	Washer, M10	
8	2144605	2	Fitting, Straight ORFS	
9	8770258	4	Fitting, Straight ORFS	
10	77133168	1	Clamp	
11	1001008559	2	Tie Strap	
16	1001196208	NLA	Pipe, ORFS (no longer available, use 1001225534 for replacement)	
16	1001225534	1	Pipe, ORFS	
17	1001196209	1	Pipe, ORFS	
18	1001183108	2	Hose, ORFS	
21	1001193301	1	Hose, ORFS	
22	1001183134	1	Hose, ORFS	
24	1001195785	1	Pipe, ORFS	
26	1001195768	1	Pipe, ORFS	
27	1001195773	1	Hose, ORFS	
28	1001195772	1	Hose, ORFS	
29	1001183286	2	Clamp	
31	0761008	3	Bolt, M10X16	
32	0760810	1	Bolt, M8X20	
33	77133140	1	Cover Plate	
34	1001008773	1	Clip	
35	1001195771	1	Hose, ORFS	
36	1001008804	4	Seal	
37	2111016	1	Fitting, Straight ORFS	
39	1001214744	1	Hose, ORFS	
40	471678	2	Band, Cable	
41	1001003305	2	Clip	
42	1001121127	2	Fitting, Straight ORFS	
44	1001218180	1	Hose	
45	1001218192	1	Valve, Check Valve	
46	1001218178	1	Hose	

SECTION 8 - HYDRAULIC CIRCUITS

FIGURE 8-17. STEERING LINES INSTALLATION (24IN WHEEL)



AMT_1901205817-C

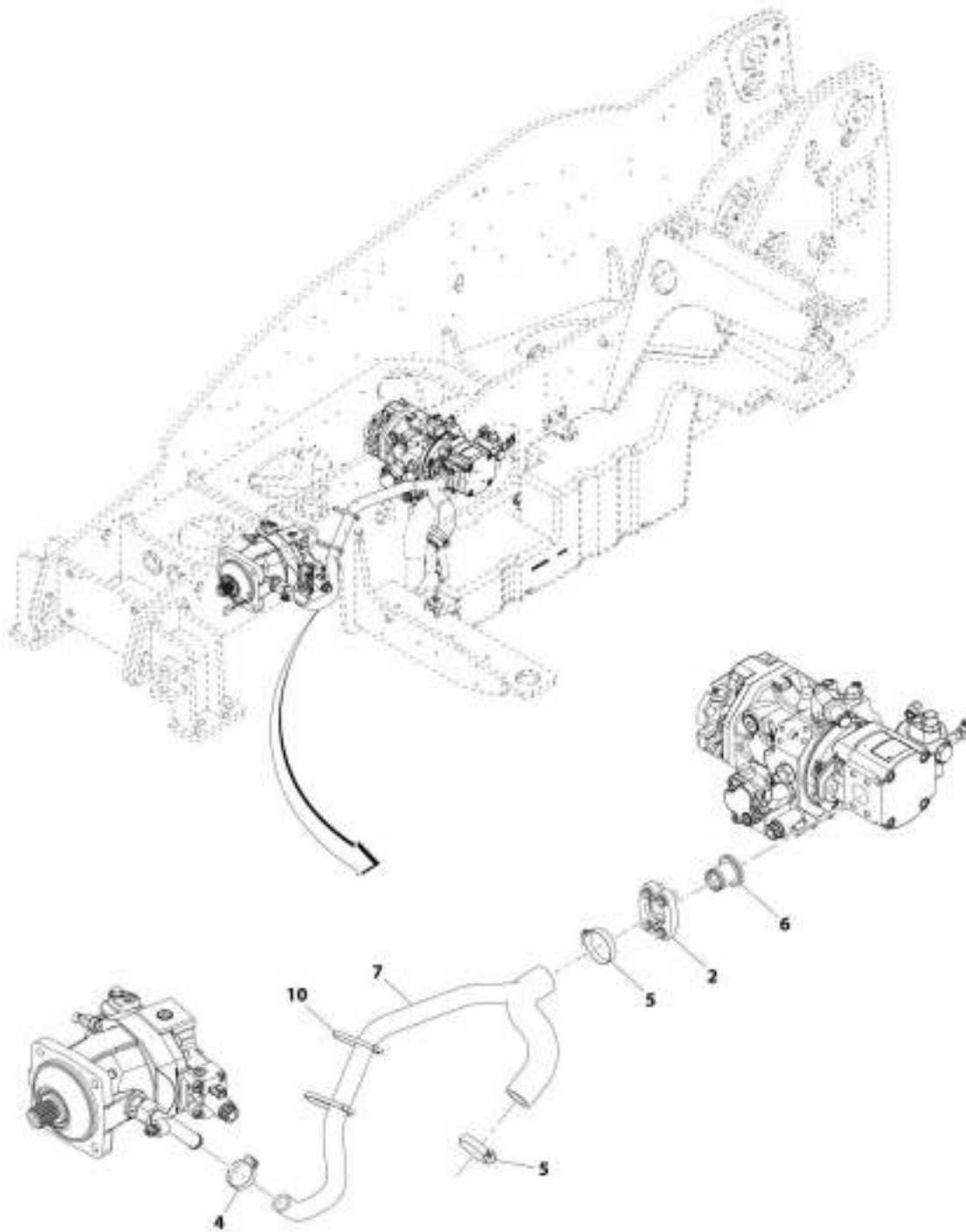
SECTION 8 - HYDRAULIC CIRCUITS

FIGURE 8-17. STEERING LINES INSTALLATION (24IN WHEEL)

ITEM	PART NUMBER	QTY	DESCRIPTION	REV
	1001205817	Ref	Steering Lines Installation (24IN Wheel)	C
1	0700815	1	Bolt, M8X35	
2	0760810	1	Bolt, M8X20	
3	0761008	1	Bolt, M10X16	
4	2110608	4	Fitting, Straight ORFS	
5	2144605	2	Fitting, Straight ORFS	
6	4811900	2	Washer, M8	
7	4812000	1	Washer, M10	
8	77133140	1	Cover Plate	
9	77133168	1	Clamp	
10	1001008773	1	Clip	
11	1001008804	4	Seal	
12	1001183134	1	Hose	
13	1001183286	2	Clamp	
14	1001195772	1	Hose, ORFS	
15	1001195773	1	Hose, ORFS	
16	1001195785	1	Pipe, ORFS	
17	1001196208	NLA	Pipe, ORFS (no longer available, use 1001225534 for replacement)	
17	1001225534	1	Pipe, ORFS	
18	1001196209	1	Pipe, ORFS	
19	1001205859	1	Pipe, ORFS	
20	1001008559	2	Tie Strap	
21	1001193301	1	Hose, ORFS	
22	1001195771	1	Hose, ORFS	
23	1001207184	2	Hose	
24	1001214621	1	Hose, ORFS	
25	1001214744	1	Hose, ORFS	
26	2111016	1	Fitting, Straight ORFS	

SECTION 8 - HYDRAULIC CIRCUITS

FIGURE 8-18. SUCTION LINES INSTALLATION



ART_1001174000-C

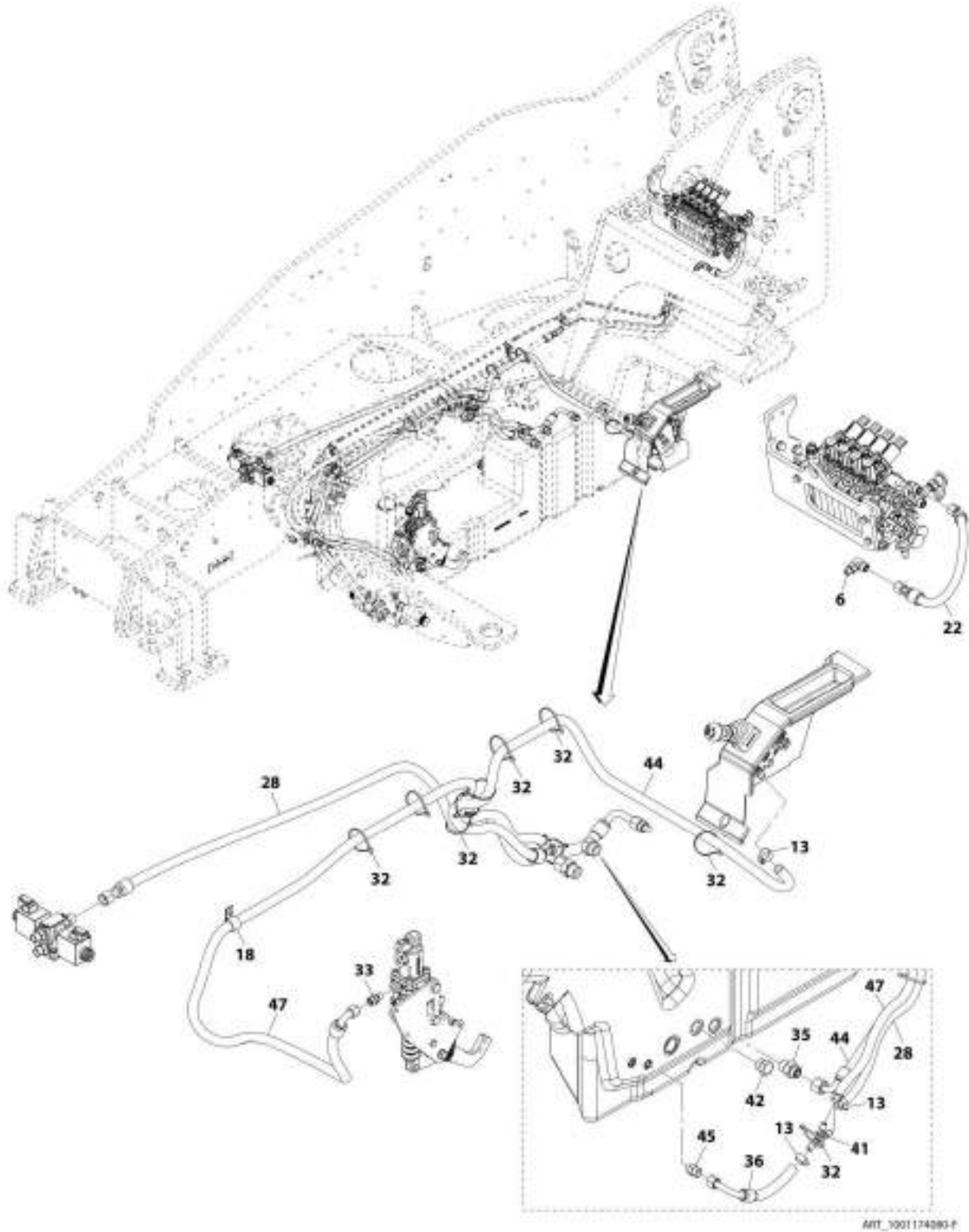
SECTION 8 - HYDRAULIC CIRCUITS

FIGURE 8-18. SUCTION LINES INSTALLATION

ITEM	PART NUMBER	QTY	DESCRIPTION	REV
	1001174066	Ref	Suction Lines Installation	C
2	2171824	1	Fitting, Straight ORFS	
4	8405103	1	Clamp	
5	8405201	2	Clamp	
6	1001002823	1	Fitting, Straight BARB	
7	1001217750	1	Hose	
10	1062255	2	Tie Strap	

SECTION 8 - HYDRAULIC CIRCUITS

FIGURE 8-19. RETURN LINES INSTALLATION



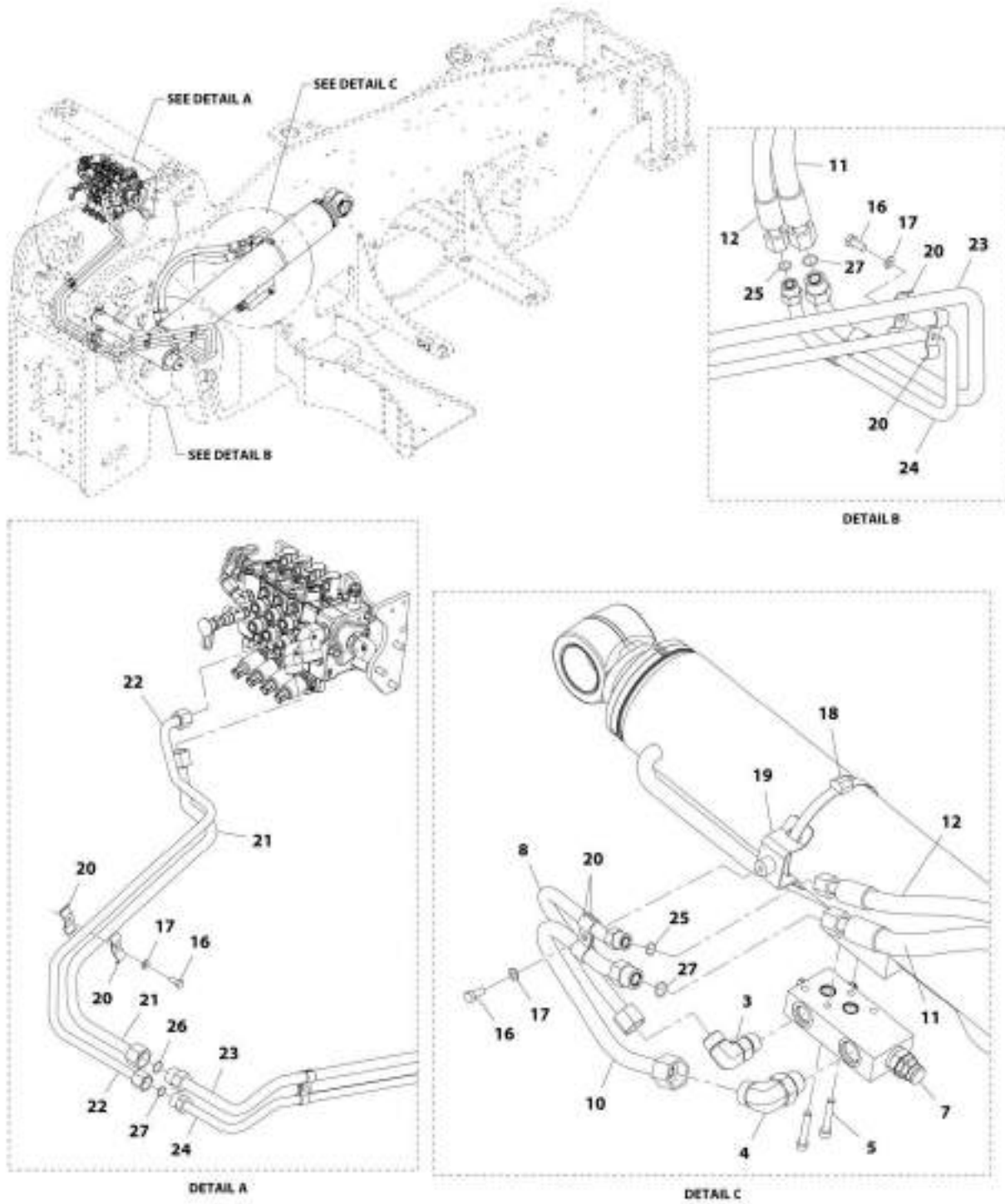
SECTION 8 - HYDRAULIC CIRCUITS

FIGURE 8-19. RETURN LINES INSTALLATION

ITEM	PART NUMBER	QTY	DESCRIPTION	REV
	1001174080	Ref	Return Lines Installation	F
6	2130606	1	Fitting, 90 ORFS	
13	8410009	4	Clamp	
18	1001004144	1	Clip	
22	1001196225	1	Hose, ORFS	
28	1001214619	1	Hose, ORFS	
32	1001008559	9	Tie Strap	
33	80233218	1	Fitting, Straight ORFS	
35	2111012	1	Fitting, Straight ORFS	
36	1001214620	1	Hose, ORFS	
41	1001214746	1	Coupling	
42	2220240	1	Fitting, Straight	
44	1001214622	1	Hose	
45	2130806	1	Fitting, 90 ORFS	
47	1001214618	1	Hose, ORFS	

SECTION 8 - HYDRAULIC CIRCUITS

FIGURE 8-20. BOOM RAISE HOSES INSTALLATION (NO RIDE CONTROL) (Prior to SN 1160008371)



ART_1001179144-C

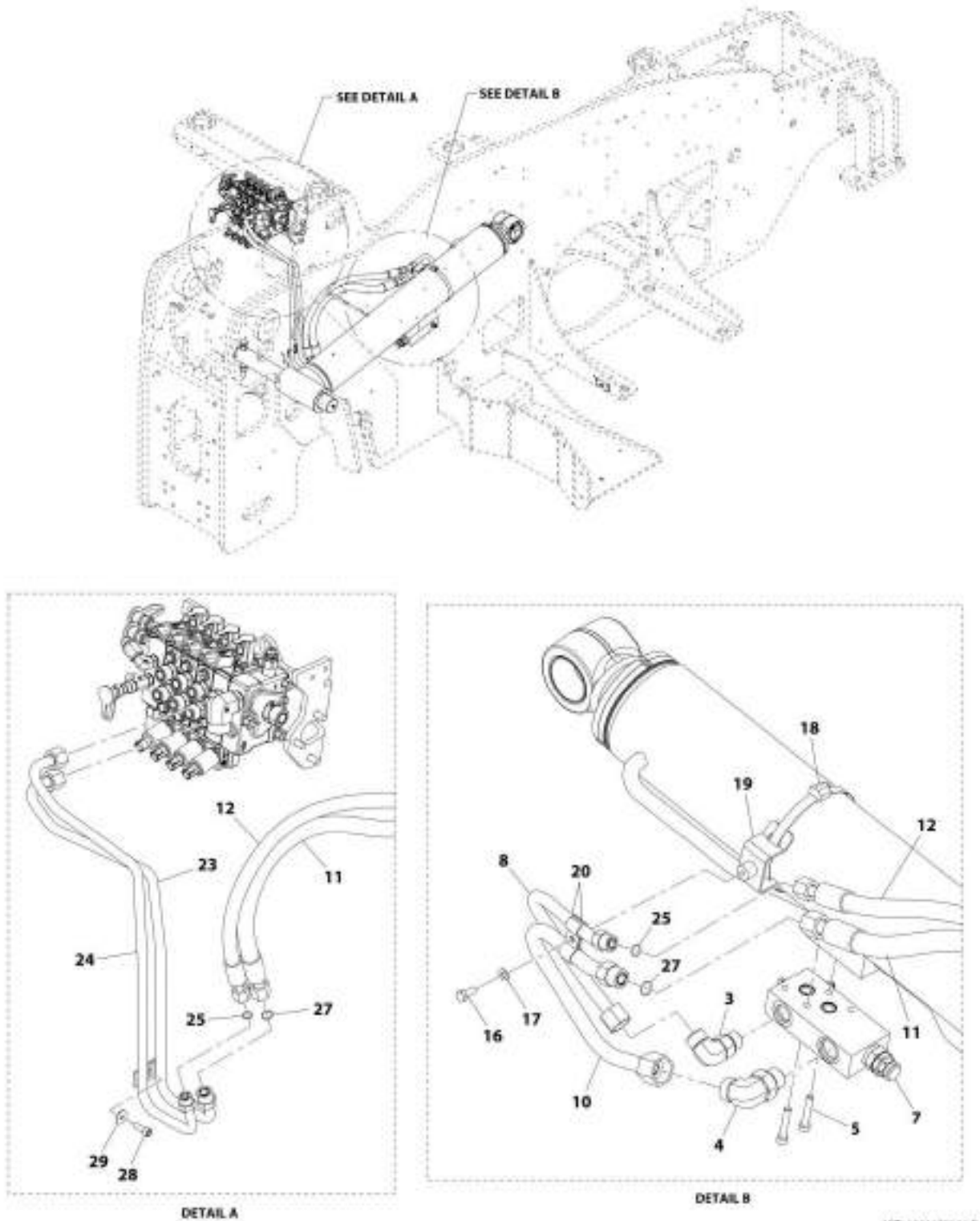
SECTION 8 - HYDRAULIC CIRCUITS

FIGURE 8-20. BOOM RAISE HOSES INSTALLATION (NO RIDE CONTROL) (Prior to SN 1160008371)

ITEM	PART NUMBER	QTY	DESCRIPTION	REV
	1001179144	Ref	Boom Raise Hoses Installation (No Ride Control)	C
3	2131010	1	Fitting, 90 ORFS	
4	2131212	1	Fitting, 90 ORFS	
5	5271814	4	Bolt, M8X50	
7	1001201245	1	Valve	
8	1001198734	1	Pipe	
10	1001198735	1	Pipe	
11	1001199939	1	Hose	
12	1001199940	1	Hose	
16	0760810	5	Bolt, M8X20	
17	4811900	5	Washer, M8	
18	8405502	1	Clamp	
19	1001200038	1	Bracket	
20	1001198331	10	Clamp	
21	1001220217	1	Pipe	
22	1001198740	1	Pipe	
23	1001198741	1	Pipe	
24	1001198742	1	Pipe	
25	1001008805	2	Seal	
26	1001008863	1	Seal	
27	1001008922	3	Seal	

SECTION 8 - HYDRAULIC CIRCUITS

FIGURE 8-21. BOOM RAISE HOSES INSTALLATION (NO RIDE CONTROL) (SN 1160008371 to Present)



ART_1001179548-D

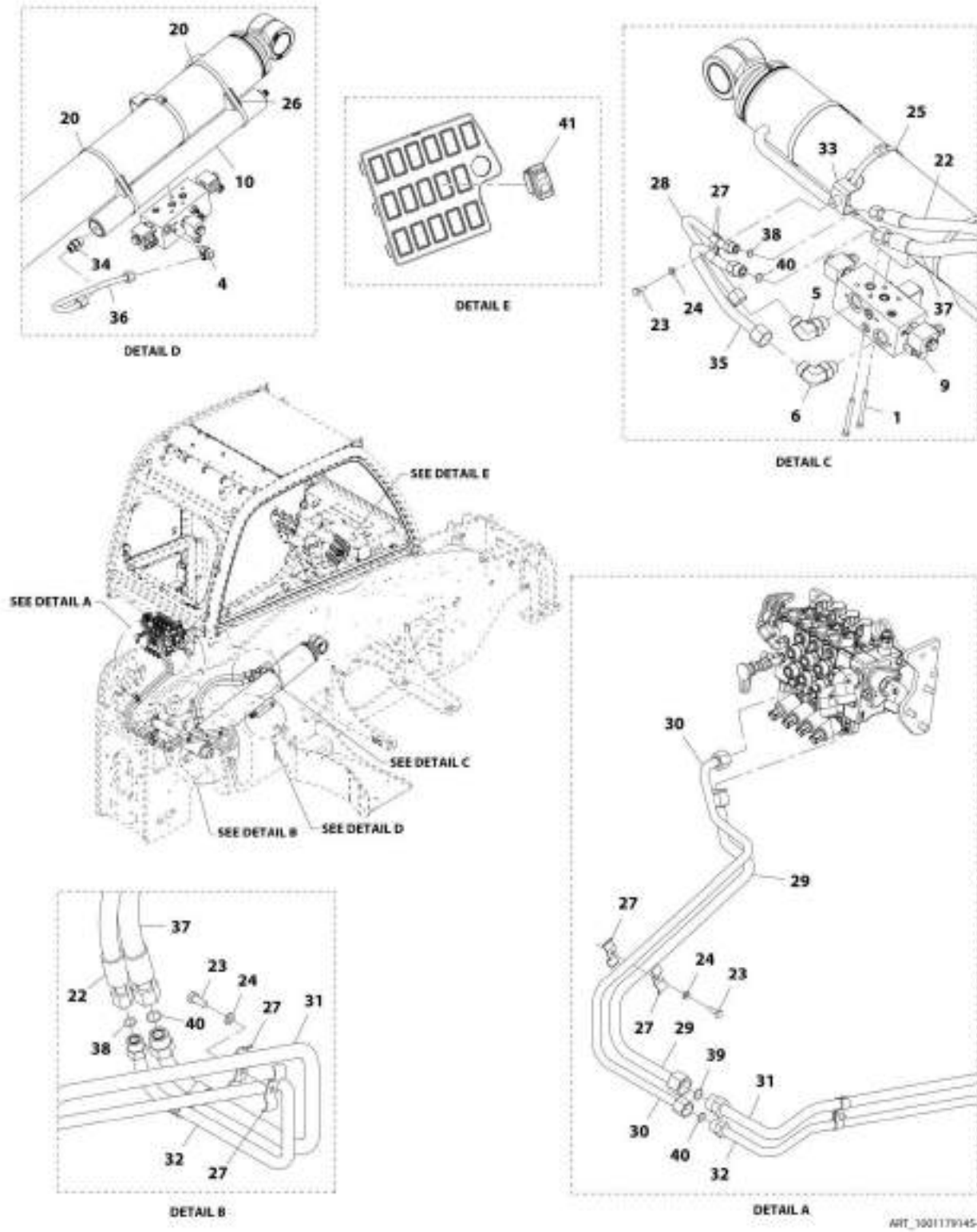
SECTION 8 - HYDRAULIC CIRCUITS

FIGURE 8-21. BOOM RAISE HOSES INSTALLATION (NO RIDE CONTROL) (SN 1160008371 to Present)

ITEM	PART NUMBER	QTY	DESCRIPTION	REV
	1001179144	Ref	Boom Raise Hoses Installation (No Ride Control)	D
3	2131010	1	Fitting, 90 ORFS	
4	2131212	1	Fitting, 90 ORFS	
5	5271814	4	Bolt, M8X50	
7	1001201245	1	Valve	
8	1001198734	1	Pipe	
10	1001198735	1	Pipe	
11	1001199939	1	Hose	
12	1001199940	1	Hose	
16	0760810	1	Bolt, M8X20	
17	4811900	1	Washer, M8	
18	8405502	1	Clamp	
19	1001200038	1	Bracket	
20	1001198331	2	Clamp	
23	1001227523	1	Pipe	
24	1001227522	1	Pipe	
25	1001008805	2	Seal	
27	1001008922	2	Seal	
28	4031909	1	Screw, M8X25	
29	4811902	1	Washer, M8	

SECTION 8 - HYDRAULIC CIRCUITS

FIGURE 8-22. BOOM RAISE HOSES INSTALLATION (RIDE CONTROL) (Prior to SN 1160008371)



WRT_3001179345-G

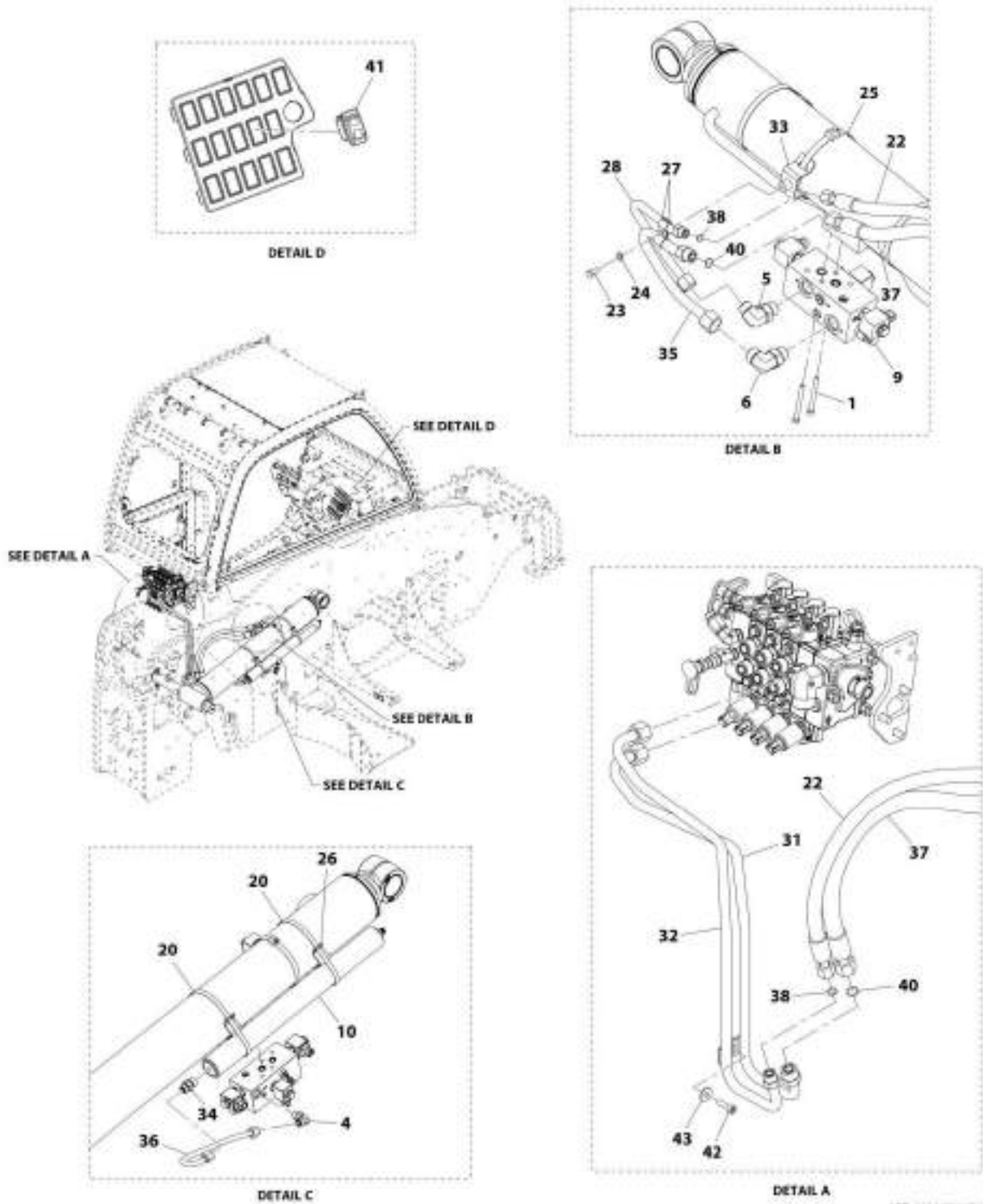
SECTION 8 - HYDRAULIC CIRCUITS

FIGURE 8-22. BOOM RAISE HOSES INSTALLATION (RIDE CONTROL) (Prior to SN 1160008371)

ITEM	PART NUMBER	QTY	DESCRIPTION	REV
	1001179145	Ref	Boom Raise Hoses Installation (Ride Control)	G
1	4031922	4	Bolt, M8X90	
4	2130808	1	Fitting, 90 ORFS	
5	2131012	1	Fitting, 90 ORFS	
6	2131212	1	Fitting, 90 ORFS	
9	1001217378	1	Valve, Ride Control (See Separate Breakdown in Hydraulic Components Section)	
10	1001183319	1	Piston, Cylinder	
20	1001101063	2	Clamp	
22	1001199940	1	Hose	
23	0760810	5	Bolt, M8X20	
24	4811900	5	Washer, M8	
25	8405502	1	Clamp	
26	1001184798	2	Bumper	
27	1001198331	10	Clamp	
28	1001198734	1	Pipe	
29	1001220217	1	Pipe	
30	1001198740	1	Pipe	
31	1001198741	1	Pipe	
32	1001198742	1	Pipe	
33	1001200038	1	Bracket	
34	1001216637	1	Check Valve	
35	1001202647	1	Pipe, ORFS	
36	1001216471	1	Pipe, ORFS	
37	1001199939	1	Hose	
38	1001008805	2	Seal	
39	1001008863	1	Seal	
40	1001008922	3	Seal	
41	1001159745	1	Switch, Boom Ride	

SECTION 8 - HYDRAULIC CIRCUITS

FIGURE 8-23. BOOM RAISE HOSES INSTALLATION (RIDE CONTROL) (SN 1160008371 to Present)



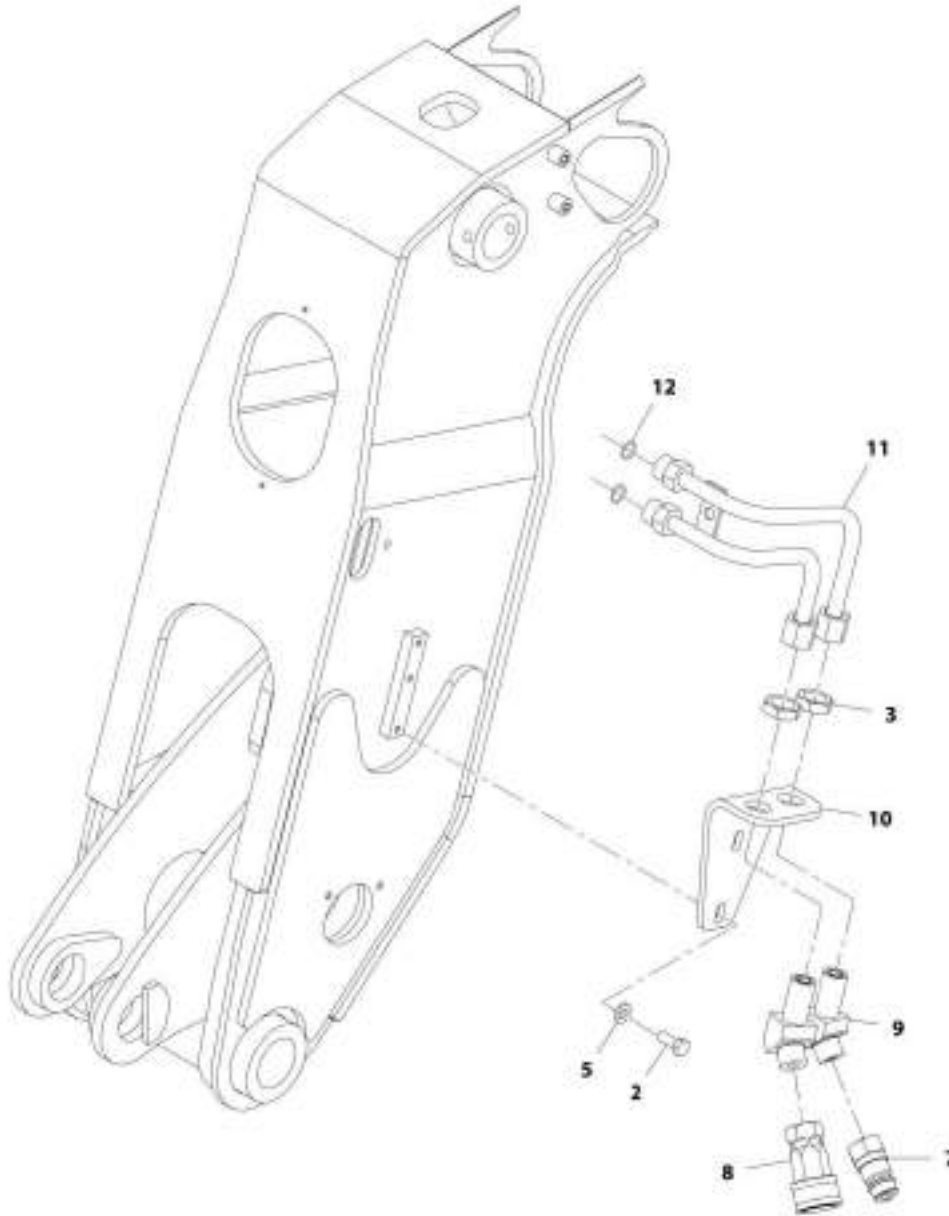
SECTION 8 - HYDRAULIC CIRCUITS

FIGURE 8-23. BOOM RAISE HOSES INSTALLATION (RIDE CONTROL) (SN 1160008371 to Present)

ITEM	PART NUMBER	QTY	DESCRIPTION	REV
	1001179145	Ref	Boom Raise Hoses Installation (Ride Control)	H
1	5271922	4	Bolt, M8X90	
4	2130808	1	Fitting, 90 ORFS	
5	2131012	1	Fitting, 90 ORFS	
6	2131212	1	Fitting, 90 ORFS	
9	1001217378	1	Valve, Ride Control (See Separate Breakdown in Hydraulic Components Section)	
10	1001183319	1	Piston, Cylinder	
20	1001101063	2	Clamp	
22	1001199940	1	Hose	
23	0760810	1	Bolt, M8X20	
24	4811900	1	Washer, M8	
25	8405502	1	Clamp	
26	1001226401	2	Bumper	
27	1001198331	2	Clamp	
28	1001198734	1	Pipe	
31	1001227523	1	Pipe	
32	1001227522	1	Pipe	
33	1001200038	1	Bracket	
34	1001216637	1	Check Valve	
35	1001202647	1	Pipe, ORFS	
36	1001216471	1	Pipe, ORFS	
37	1001199939	1	Hose	
38	1001008805	2	Seal	
40	1001008922	2	Seal	
41	1001159745	1	Switch, Boom Ride	
42	4031909	1	Screw, M8X25	
43	4811902	1	Washer, M8	

SECTION 8 - HYDRAULIC CIRCUITS

FIGURE 8-24. MANUAL COUPLER LINES INSTALLATION (FRONT BOOM - SINGLE)



ART_1001179024-C

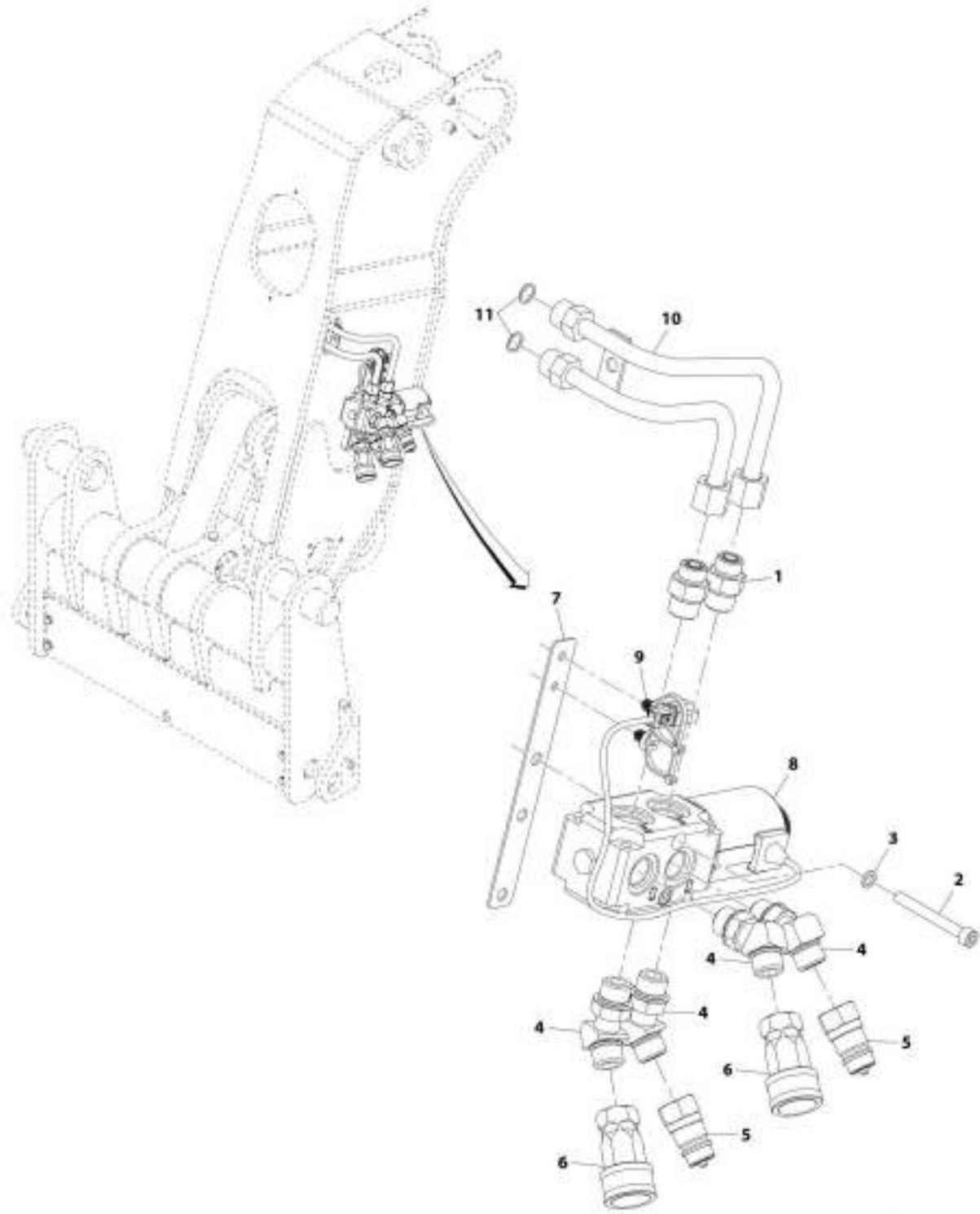
SECTION 8 - HYDRAULIC CIRCUITS

FIGURE 8-24. MANUAL COUPLER LINES INSTALLATION (FRONT BOOM - SINGLE)

ITEM	PART NUMBER	QTY	DESCRIPTION	REV
	1001179054	Ref	Manual Coupler Lines Installation (Front Boom - Single)	C
2	0760810	2	Bolt, M8X20	
3	2172208	2	Nut	
5	5240800	2	Washer, M8	
7	1001101041	1	Adapter, Male Quick Disconnect	
8	1001101042	1	Adapter, Female Quick Disconnect	
9	1001103640	2	Adapter, 45 ORFS	
10	1001202177	1	Plate	
11	1001181161	1	Tube	
12	1001008805	2	Seal	

SECTION 8 - HYDRAULIC CIRCUITS

FIGURE 8-25. MANUAL COUPLER LINES INSTALLATION (FRONT BOOM - TWIN)



ATT_3001201205-B

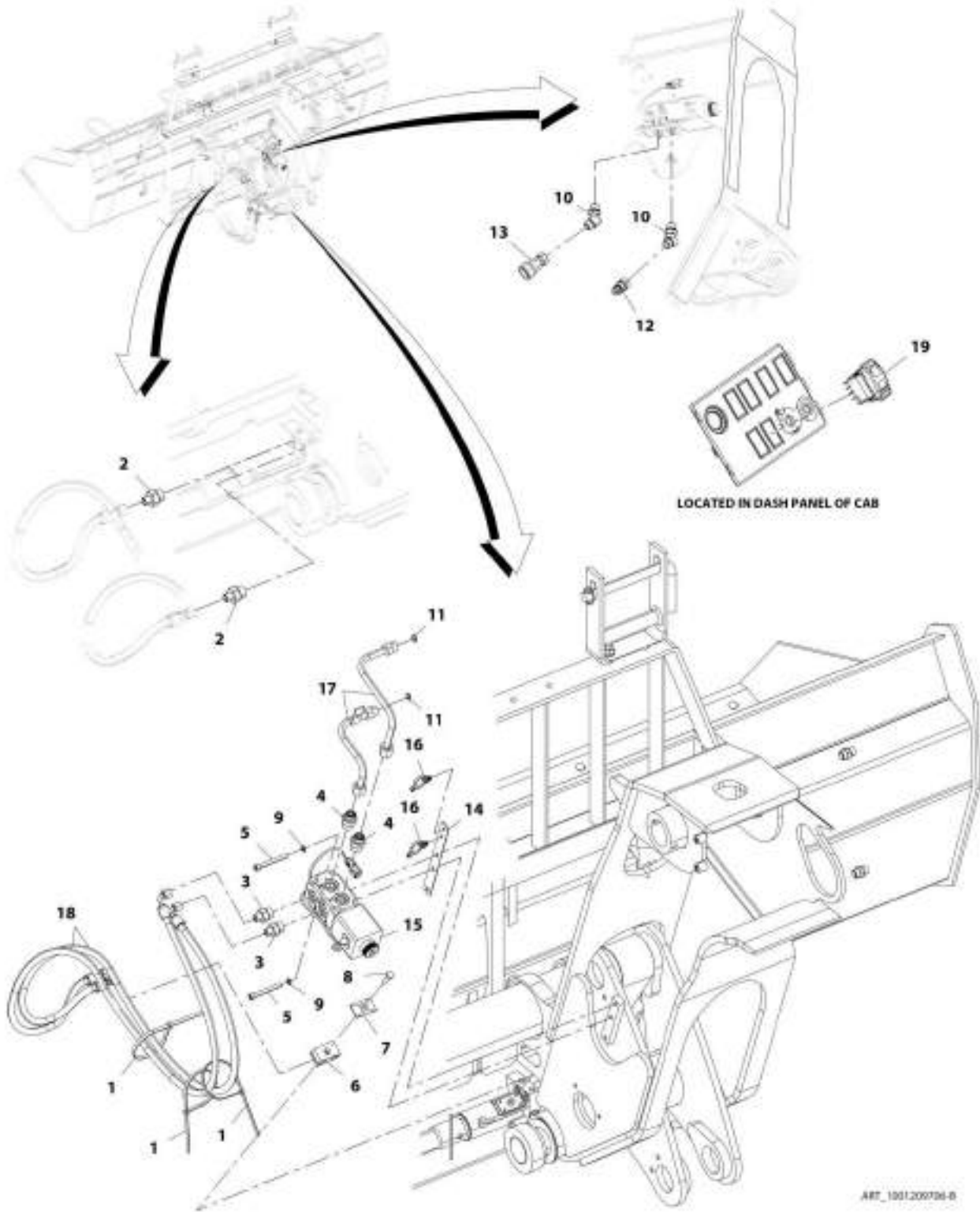
SECTION 8 - HYDRAULIC CIRCUITS

FIGURE 8-25. MANUAL COUPLER LINES INSTALLATION (FRONT BOOM - TWIN)

ITEM	PART NUMBER	QTY	DESCRIPTION	REV
	1001201205	Ref	Manual Coupler Lines Installation (Front Boom - Twin)	B
1	2110810	2	Fitting, Straight ORFS	
2	4031918	2	Bolt, M8X70	
3	1001005262	2	Washer	
4	1001005904	4	Fitting, 45	
5	1001101041	2	Adapter, Male Quick Disconnect	
6	1001101042	2	Adapter, Female Quick Disconnect	
7	1001108918	1	Plate	
8	1001110023	1	Valve, Divertor (See Separate Breakdown in HYDRAULIC COMPONENTS Section)	
9	1001146588	2	Strap, Cable	
10	1001181161	1	Tube	
11	1001008805	2	Seal	

SECTION 8 - HYDRAULIC CIRCUITS

FIGURE 8-26. HYDRAULIC COUPLER LINES INSTALLATION (FRONT BOOM - SINGLE)



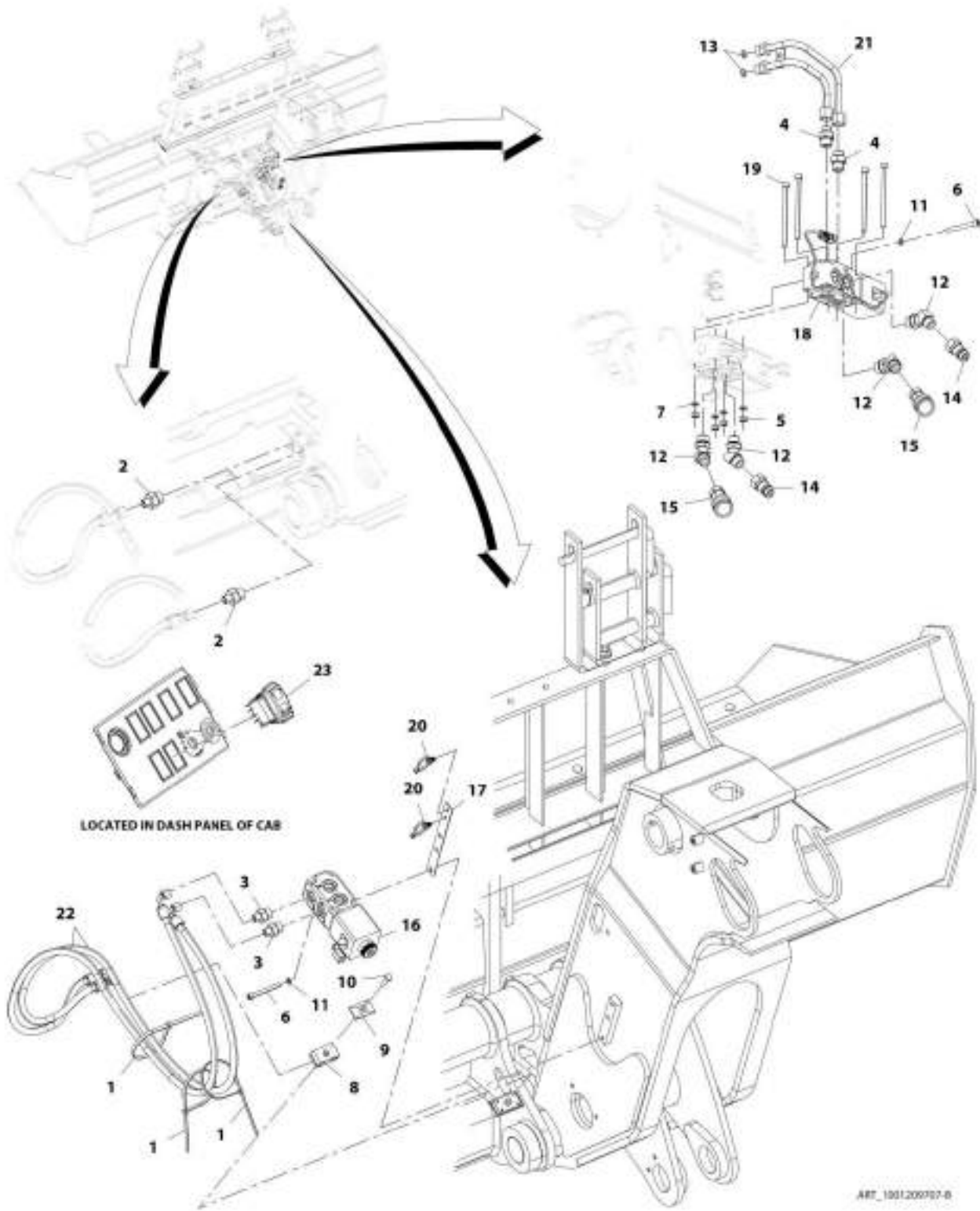
SECTION 8 - HYDRAULIC CIRCUITS

FIGURE 8-26. HYDRAULIC COUPLER LINES INSTALLATION (FRONT BOOM - SINGLE)

ITEM	PART NUMBER	QTY	DESCRIPTION	REV
	1001209706	Ref	Hydraulic Coupler Lines Installation (Front Boom - Single)	B
1	1062255	3	Tie Strap	
2	2110406	2	Fitting, Straight ORFS	
3	2110410	2	Fitting, Straight ORFS	
4	2110810	2	Fitting, Straight ORFS	
5	4031918	2	Bolt, M8X70	
6	8769124	1	Clamp	
7	77133140	1	Cover Plate	
8	77133177	1	Bolt, M5/16X1 3/8	
9	1001005262	2	Washer	
10	1001005904	2	Fitting, 45	
11	1001008805	2	Seal	
12	1001101041	1	Adapter, Male Quick Disconnect	
13	1001101042	1	Adapter, Female Quick Disconnect	
14	1001108918	1	Plate	
15	1001110023	1	Valve, Divertor (See Separate Breakdown in Hydraulic Components Section)	
16	1001146588	2	Strap, Cable	
17	1001181161	1	Tube	
18	1001209575	2	Hose, ORFS	
19	1001080375	1	Switch, Quick Switch	

SECTION 8 - HYDRAULIC CIRCUITS

FIGURE 8-27. HYDRAULIC COUPLER LINES INSTALLATION (FRONT BOOM - TWIN)



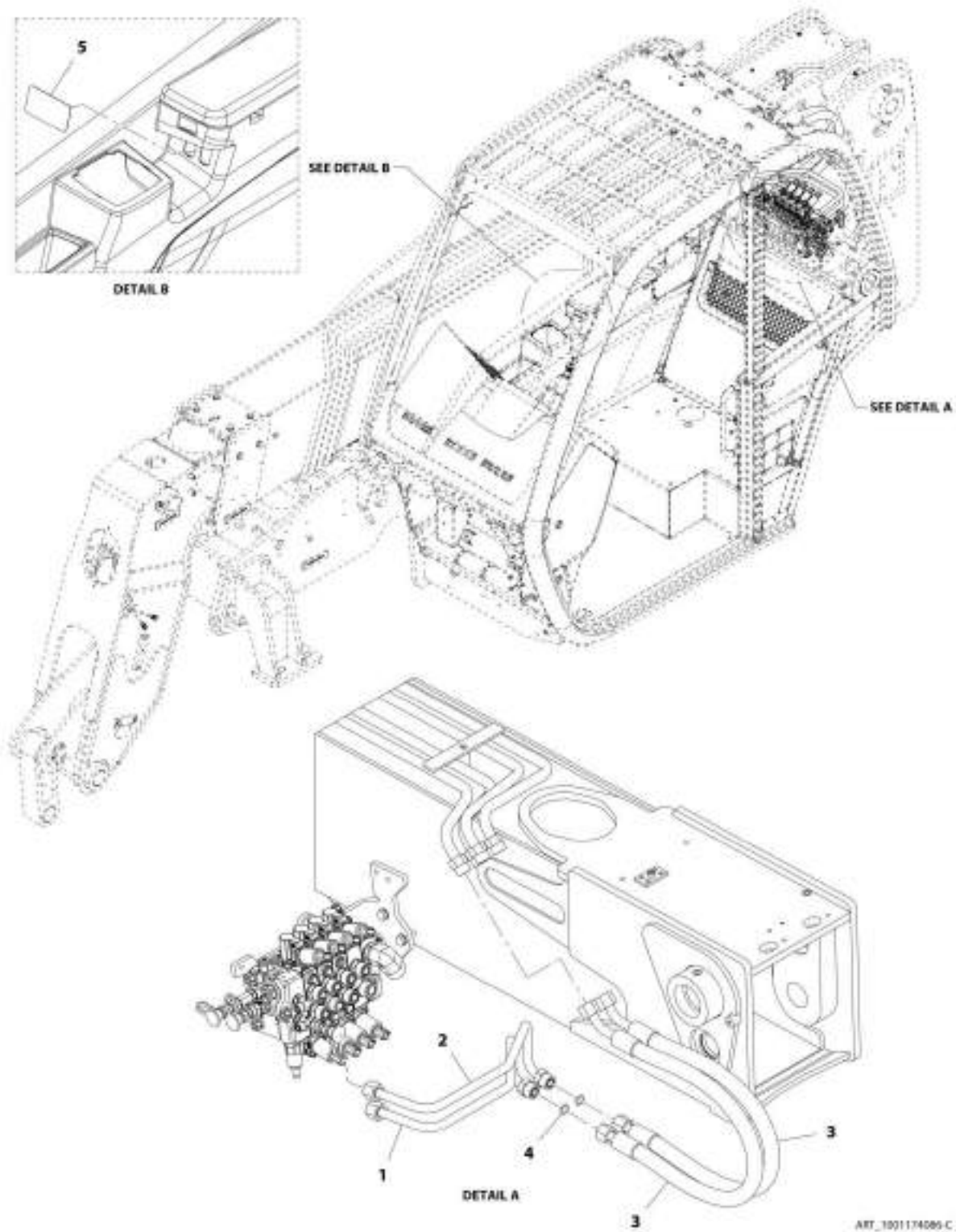
SECTION 8 - HYDRAULIC CIRCUITS

FIGURE 8-27. HYDRAULIC COUPLER LINES INSTALLATION (FRONT BOOM - TWIN)

ITEM	PART NUMBER	QTY	DESCRIPTION	REV
	1001209707	Ref	Hydraulic Coupler Lines Installation (Front Boom - Twin)	B
1	1062255	3	Tie Strap	
2	2110406	2	Fitting, Straight ORFS	
3	2110410	2	Fitting, Straight ORFS	
4	2110810	2	Fitting, Straight ORFS	
5	3290805	4	Nut, M8X1.25 Grade 8	
6	4031918	2	Bolt, M8X70	
7	4831900	4	Washer, Lock M8	
8	8769124	1	Clamp	
9	77133140	1	Cover Plate	
10	77133177	1	Bolt, M5/16X1 3/8	
11	1001005262	2	Washer	
12	1001005904	4	Fitting, 45	
13	1001008805	2	Seal	
14	1001101041	2	Adapter, Male Quick Disconnect	
15	1001101042	2	Adapter, Female Quick Disconnect	
16	1001104477	1	Valve, Divertor (See Separate Breakdown in Hydraulic Components Section)	
17	1001108918	1	Plate	
18	1001110023	1	Valve, Divertor (See Separate Breakdown in Hydraulic Components Section)	
19	1001110115	4	Bolt, M8X100	
20	1001146588	2	Strap, Cable	
21	1001181161	1	Tube	
22	1001209575	2	Hose, ORFS	
23	1001080375	1	Switch, Quick Switch	

SECTION 8 - HYDRAULIC CIRCUITS

FIGURE 8-28. AUX HYDRAULIC LINES INSTALLATION (NO REAR AUX)



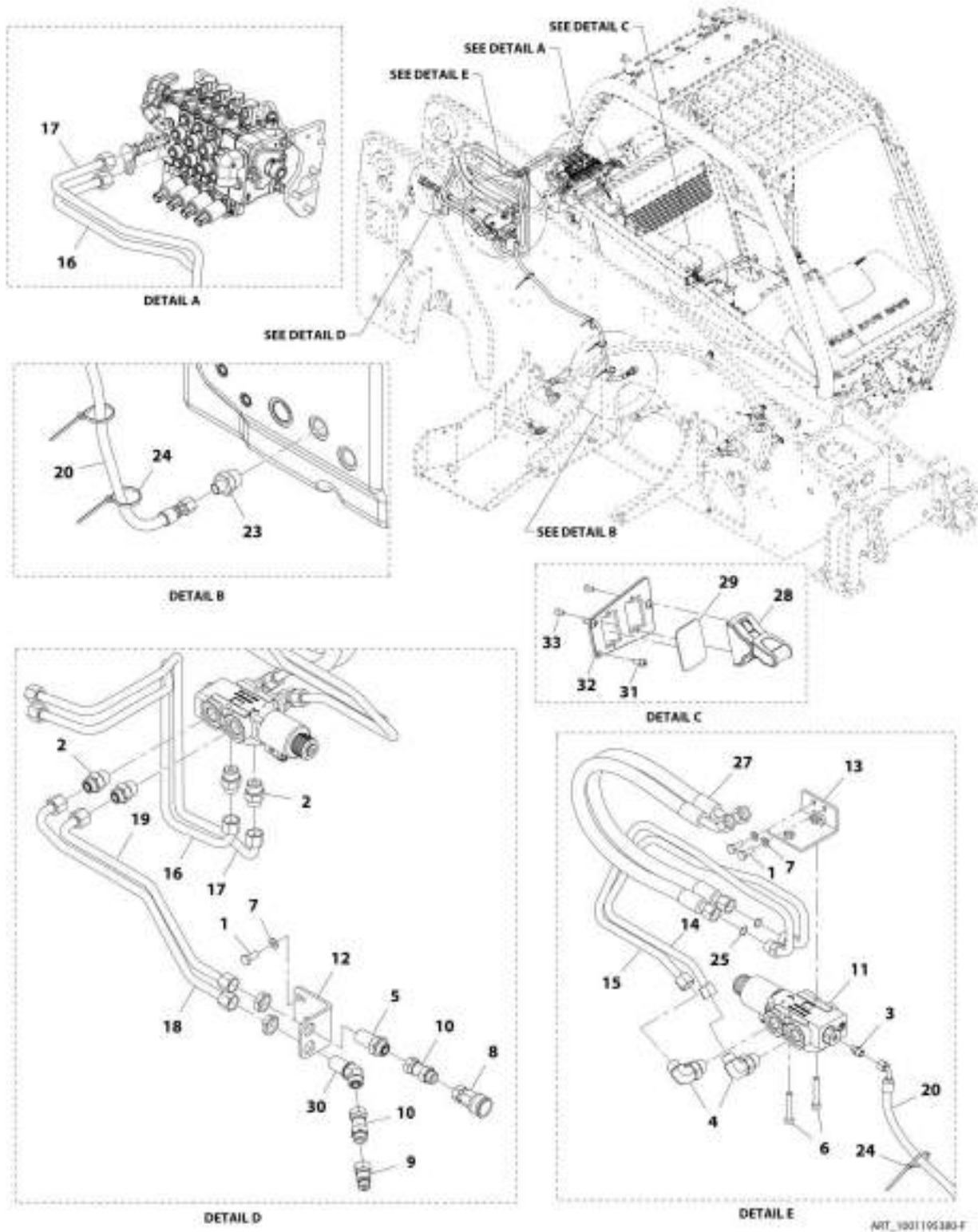
SECTION 8 - HYDRAULIC CIRCUITS

FIGURE 8-28. AUX HYDRAULIC LINES INSTALLATION (NO REAR AUX)

ITEM	PART NUMBER	QTY	DESCRIPTION	REV
	1001174086	Ref	Aux Hydraulic Lines Installation (No Rear Aux)	C
1	1001184601	1	Pipe	
2	1001184602	1	Pipe	
3	1001184670	2	Hose, ORFS	
4	1001008922	2	Seal	
5	1670836	1	Cover, Boom	

SECTION 8 - HYDRAULIC CIRCUITS

FIGURE 8-29. REAR AUX HYDRAULICS INSTALLATION (SINGLE)



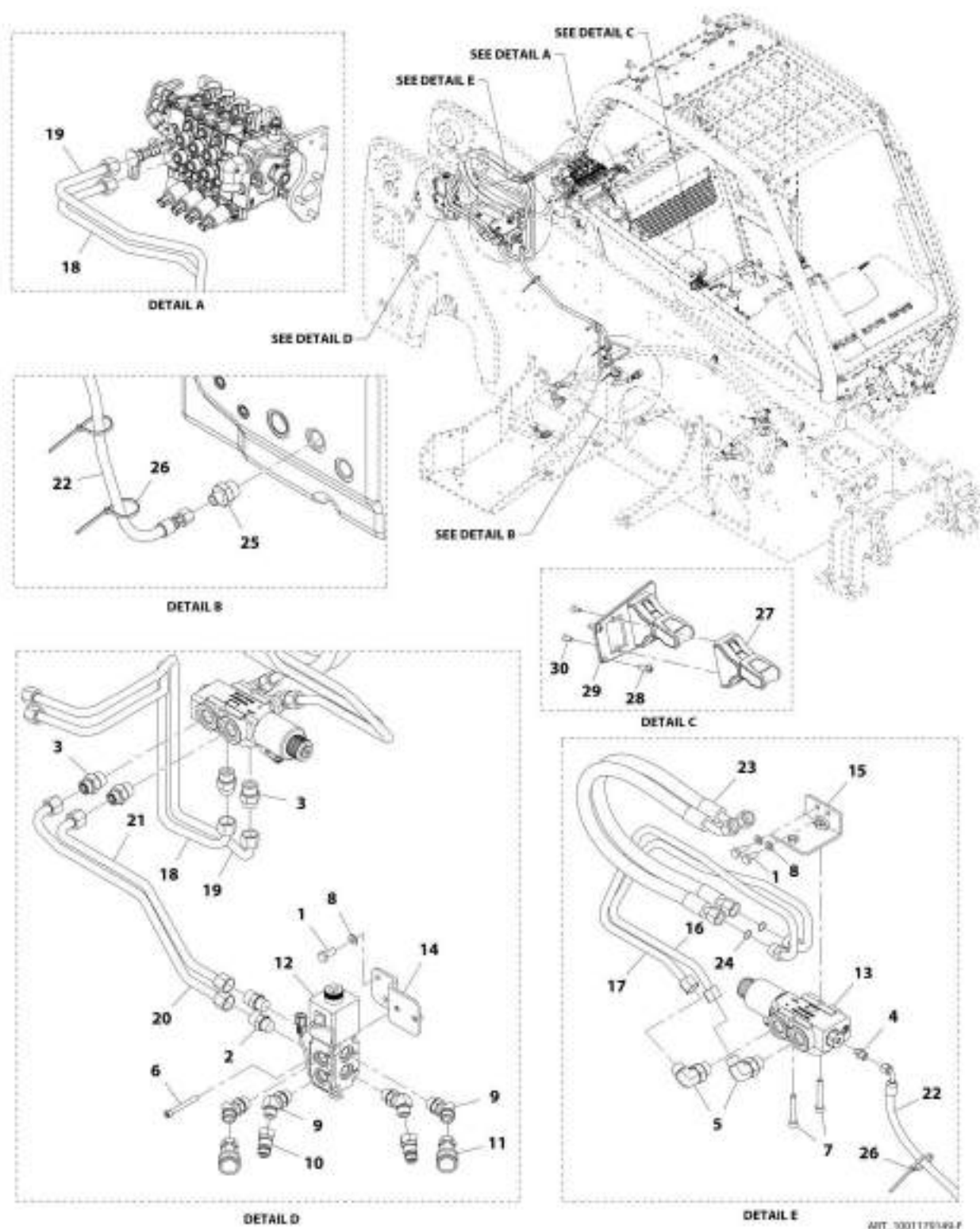
SECTION 8 - HYDRAULIC CIRCUITS

FIGURE 8-29. REAR AUX HYDRAULICS INSTALLATION (SINGLE)

ITEM	PART NUMBER	QTY	DESCRIPTION	REV
	1001195380	Ref	Rear Aux Hydraulics Installation (Single)	F
1	0761012	4	Bolt, M10X25	
2	2111012	4	Fitting, Straight ORFS	
3	2110404	1	Fitting, Straight ORFS	
4	2131012	2	Fitting, 90 ORFS	
5	2171110	1	Fitting, Straight ORFS	
6	4032017	2	Screw	
7	4812000	4	Washer, M10	
8	1001101042	1	Adapter, Female Quick Disconnect	
9	1001101041	1	Adapter, Male Quick Disconnect	
10	1001001556	2	Fitting, Straight ORFS	
11	1001173771	1	Valve, Divertor (See Separate Breakdown in Hydraulic Components Section)	
12	1001216006	1	Bracket	
13	1001216053	1	Bracket	
14	1001213962	1	Tube	
15	1001213963	1	Tube	
16	1001213937	1	Pipe, ORFS	
17	1001213958	1	Pipe, ORFS	
18	1001213930	1	Pipe, ORFS	
19	1001213934	1	Pipe, ORFS	
20	1001213922	1	Hose, ORFS	
23	2110612	1	Fitting, Straight ORFS	
24	471678	4	Tie Strap	
25	1001008922	2	Seal	
27	1001184670	2	Hose, ORFS	
28	1001157919	1	Joystick, Fingertip Control	
29	1001214399	1	Cover	
30	2171310	1	Fitting, 45 ORFS	
31	7029486	3	Screw	
32	1001216163	1	Plate	
33	1001216232	2	Screw	

SECTION 8 - HYDRAULIC CIRCUITS

FIGURE 8-30. REAR AUX HYDRAULICS INSTALLATION (TWIN)



INT_3001175149-F

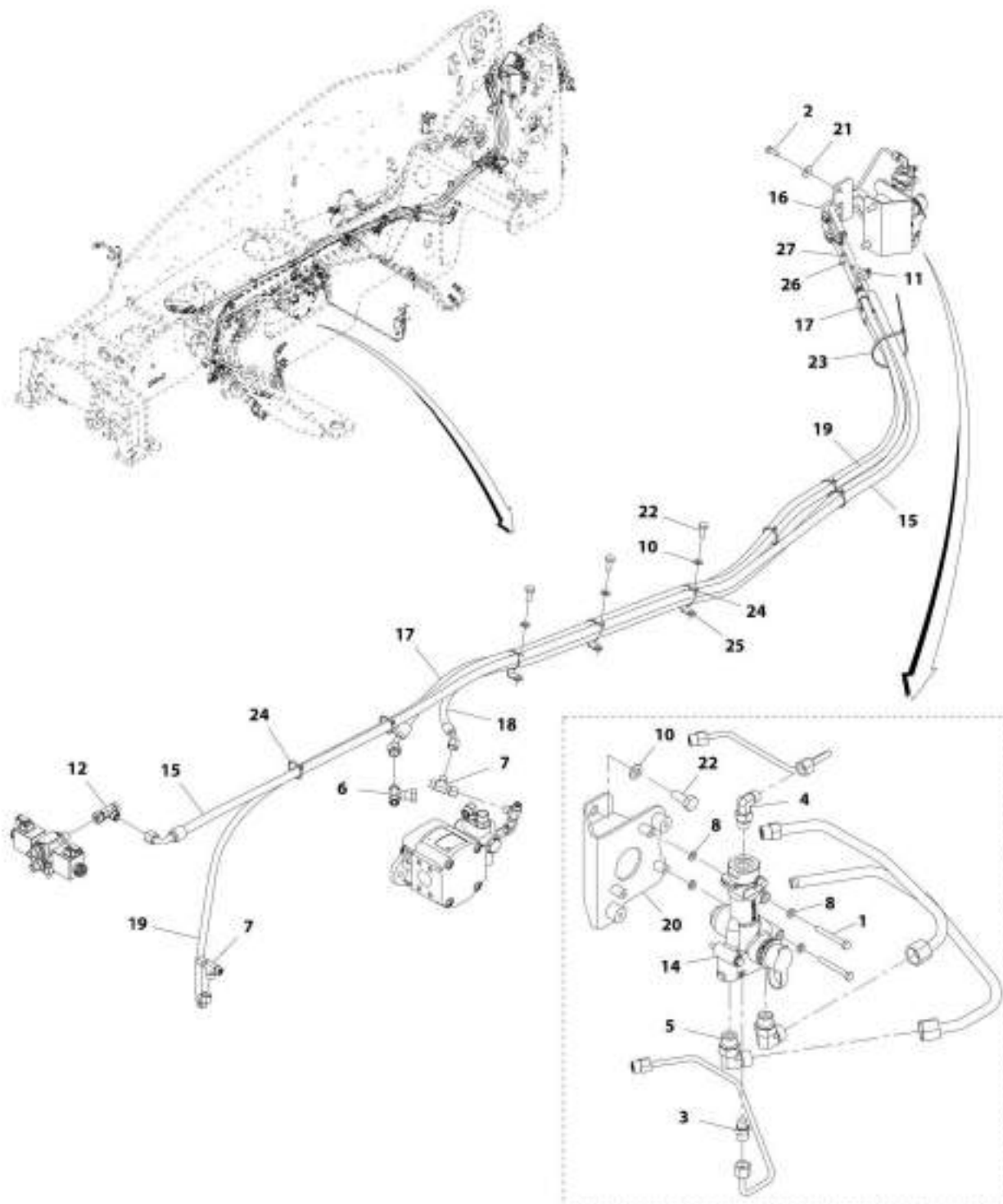
SECTION 8 - HYDRAULIC CIRCUITS

FIGURE 8-30. REAR AUX HYDRAULICS INSTALLATION (TWIN)

ITEM	PART NUMBER	QTY	DESCRIPTION	REV
	1001179149	Ref	Rear Aux Hydraulics Installation (Twin)	F
1	0761012	4	Bolt, M10X25	
2	2111010	2	Fitting, Straight ORFS	
3	2111012	4	Fitting, Straight ORFS	
4	2130404	1	Fitting, 90 ORFS	
5	2131012	2	Fitting, 90 ORFS	
6	4031918	2	Bolt, M8X70	
7	4032017	2	Screw	
8	4812000	4	Washer, M10	
9	1001005904	4	Fitting, 45	
10	1001101041	2	Adapter, Male Quick Disconnect	
11	1001101042	2	Adapter, Female Quick Disconnect	
12	1001110023	1	Valve, Divertor (See Separate Breakdown in Hydraulic Components Section)	
13	1001173771	1	Valve, Divertor (See Separate Breakdown in Hydraulic Components Section)	
14	1001205705	1	Bracket	
15	1001216053	1	Bracket	
16	1001213962	1	Tube	
17	1001213963	1	Tube	
18	1001213937	1	Pipe, ORFS	
19	1001213958	1	Pipe, ORFS	
20	1001213930	1	Pipe, ORFS	
21	1001213934	1	Pipe, ORFS	
22	1001213922	1	Hose, ORFS	
23	1001184670	2	Hose, ORFS	
24	1001008922	2	Seal	
25	2110612	1	Fitting, Straight ORFS	
26	471678	4	Tie Strap	
27	1001157919	2	Joystick, Fingertip Control	
28	7029486	3	Screw	
29	1001216163	1	Plate	
30	1001216232	4	Screw	

SECTION 8 - HYDRAULIC CIRCUITS

FIGURE 8-31. TRAILER BRAKE INSTALLATION (CE)



ART_100103834-D

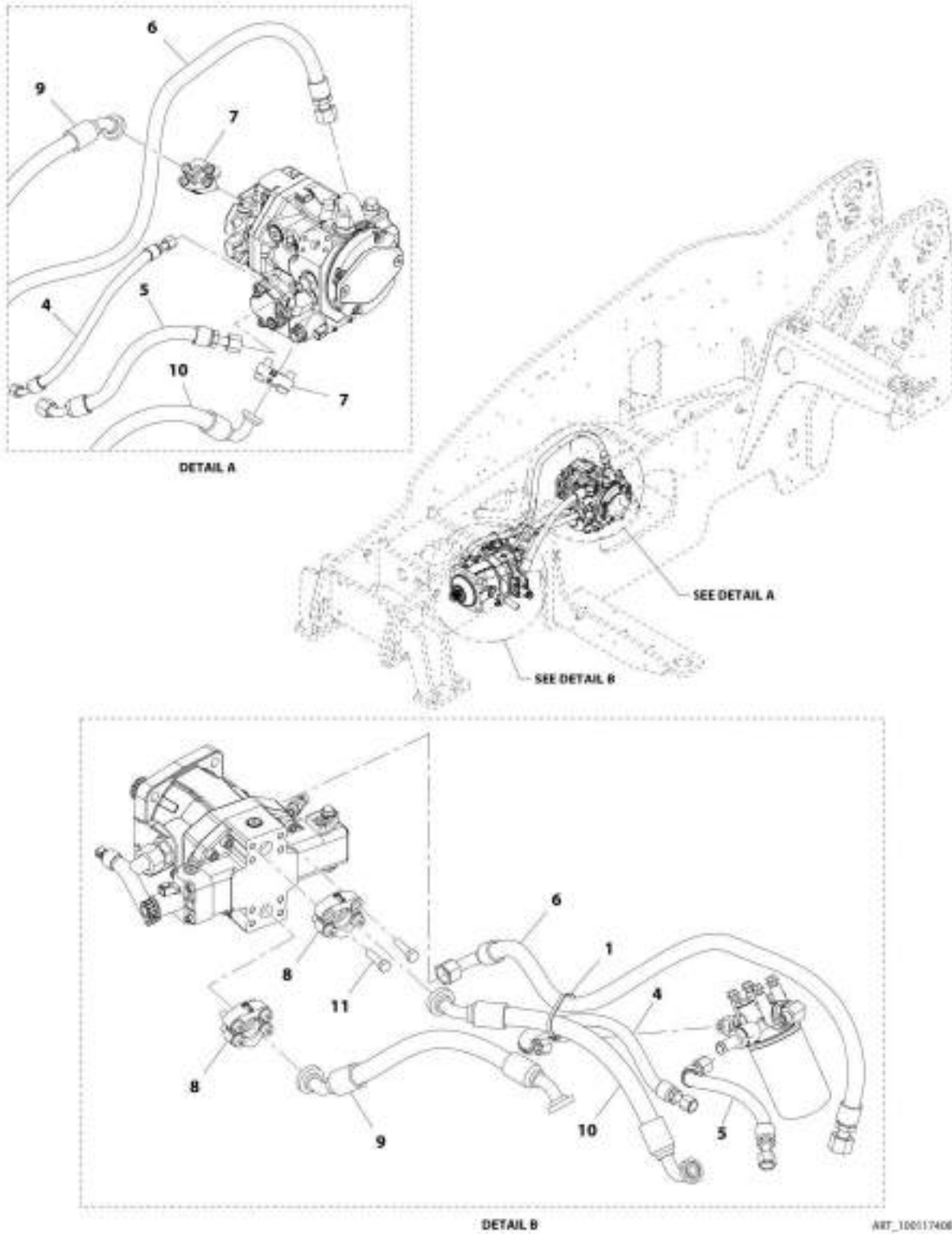
SECTION 8 - HYDRAULIC CIRCUITS

FIGURE 8-31. TRAILER BRAKE INSTALLATION (CE)

ITEM	PART NUMBER	QTY	DESCRIPTION	REV
	1001193834	Ref	Trailer Brake Installation (CE)	D
1	0700618	3	Bolt, M6X50	
2	0760812	1	Bolt, M8X25	
3	1001206179	1	Valve	
4	2130406	1	Fitting, 90 ORFS	
5	2130808	2	Fitting, 90 ORFS	
6	2170808	1	Fitting, Tee ORFS	
7	2170706	2	Fitting, Tee ORFS	
8	4811700	6	Washer, M6	
10	4812000	5	Washer, M10	
11	8405006	1	Clamp	
12	2170708	1	Fitting, Tee ORFS	
14	1001212384	1	Valve, Trailer Brake (CE) (See Separate Breakdown in Hydraulic Components Section)	
15	1001206069	1	Hose, ORFS	
16	1001205866	1	Bracket	
17	1001206070	1	Hose, ORFS	
18	1001206071	1	Hose, ORFS	
19	1001206072	1	Hose, ORFS	
20	1001206022	1	Bracket	
21	4811902	1	Washer, M8	
22	0761012	5	Bolt, M10X25	
23	1062255	1	Tie Strap	
24	1001008559	8	Strap	
25	1001130198	3	Clip	
26	1001008804	1	Seal	
27	1001008586	2	Seal, ORFS	

SECTION 8 - HYDRAULIC CIRCUITS

FIGURE 8-32. HYDROSTATIC LINES INSTALLATION



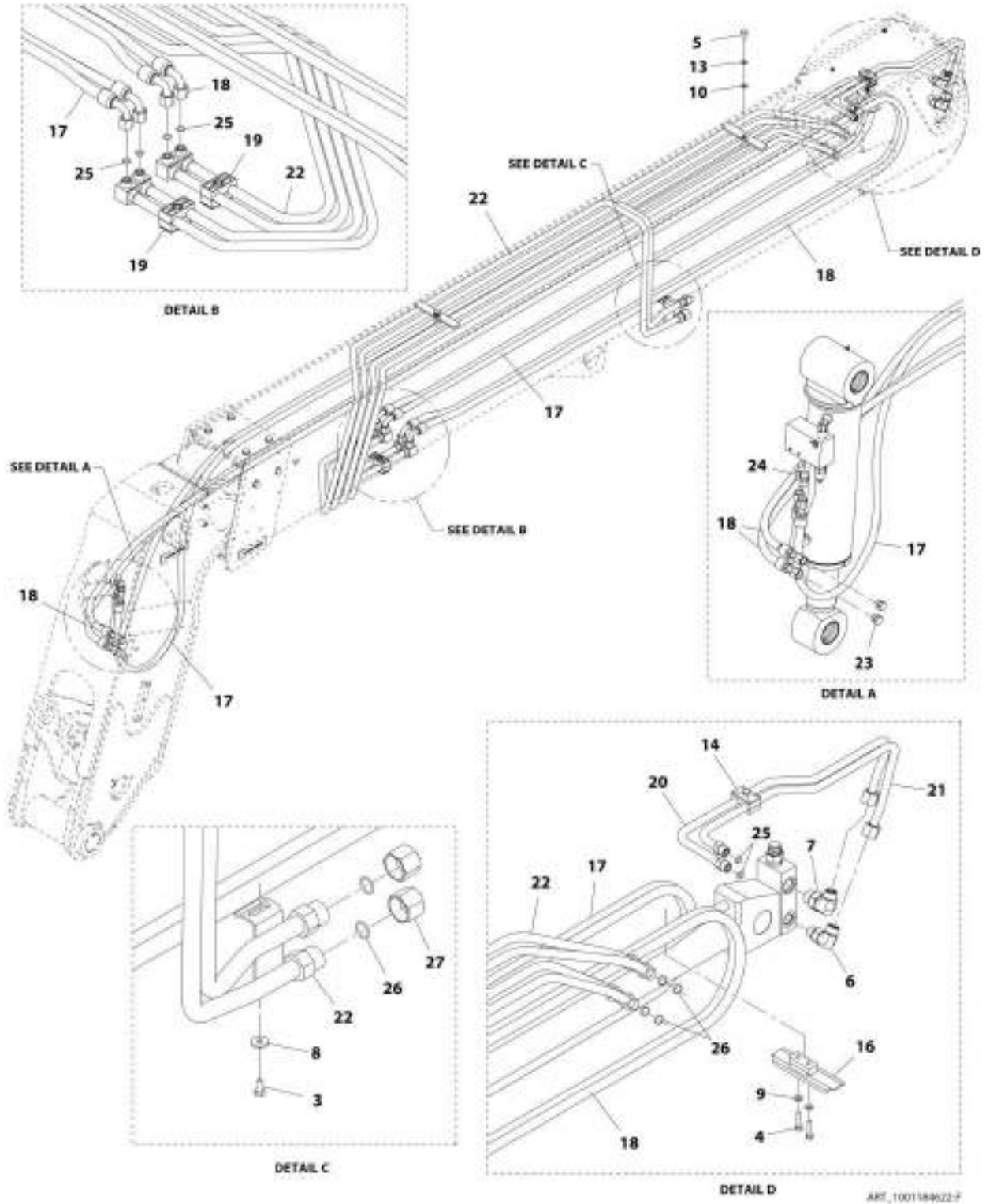
SECTION 8 - HYDRAULIC CIRCUITS

FIGURE 8-32. HYDROSTATIC LINES INSTALLATION

ITEM	PART NUMBER	QTY	DESCRIPTION	REV
	1001174087	Ref	Hydrostatic Lines Installation	C
1	1062255	1	Tie Strap	
4	1001183773	1	Hose	
5	1001183774	1	Hose	
6	1001183775	1	Hose	
7	1001183808	2	Kit, Flange	
8	1001183816	2	Kit, Flange	
9	1001192898	1	Hose	
10	1001192899	1	Hose	
11	0711217	2	Bolt, M12X45	

SECTION 8 - HYDRAULIC CIRCUITS

FIGURE 8-33. BOOM HYDRAULIC TUBES INSTALLATION



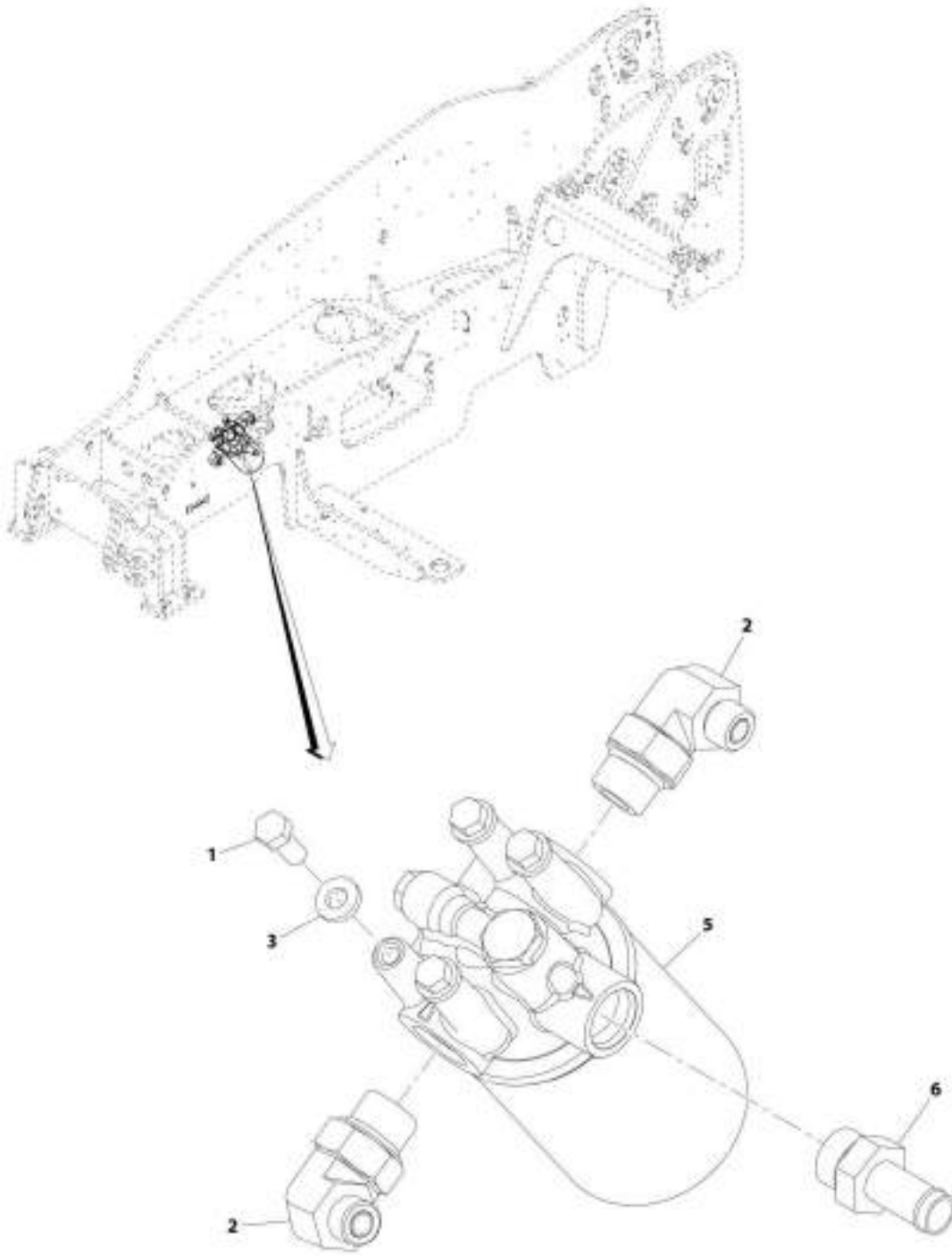
SECTION 8 - HYDRAULIC CIRCUITS

FIGURE 8-33. BOOM HYDRAULIC TUBES INSTALLATION

ITEM	PART NUMBER	QTY	DESCRIPTION	REV
	1001184622	Ref	Boom Hydraulic Tubes Installation	F
3	0760607	1	Bolt, M6X14	
4	0760815	2	Bolt, M8X35	
5	0761012	2	Bolt, M10X25	
6	2131010	1	Fitting, 90 ORFS	
7	2131012	1	Fitting, 90 ORFS	
8	4811702	1	Washer, M6	
9	4811900	2	Washer, M8	
10	4812000	2	Washer, M10	
13	4832000	2	Washer, Lock M10	
14	1001148372	1	Clamp	
16	1001213020	1	Hose Clamp	
17	1001177606	1	Hose	
18	1001177706	1	Hose	
19	1001181455	2	Clamp	
20	1001184265	1	Pipe	
21	1001184266	1	Pipe	
22	1001200710	1	Pipe	
23	2171008	2	Fitting, Straight ORFS	
24	2110808	2	Fitting, Straight ORFS	
25	1001008805	6	Seal	
26	1001008922	6	Seal	
27	2170910	2	Cap	

SECTION 8 - HYDRAULIC CIRCUITS

FIGURE 8-34. IMPLEMENT PUMP FILTER INSTALLATION



MT_1001163386-D

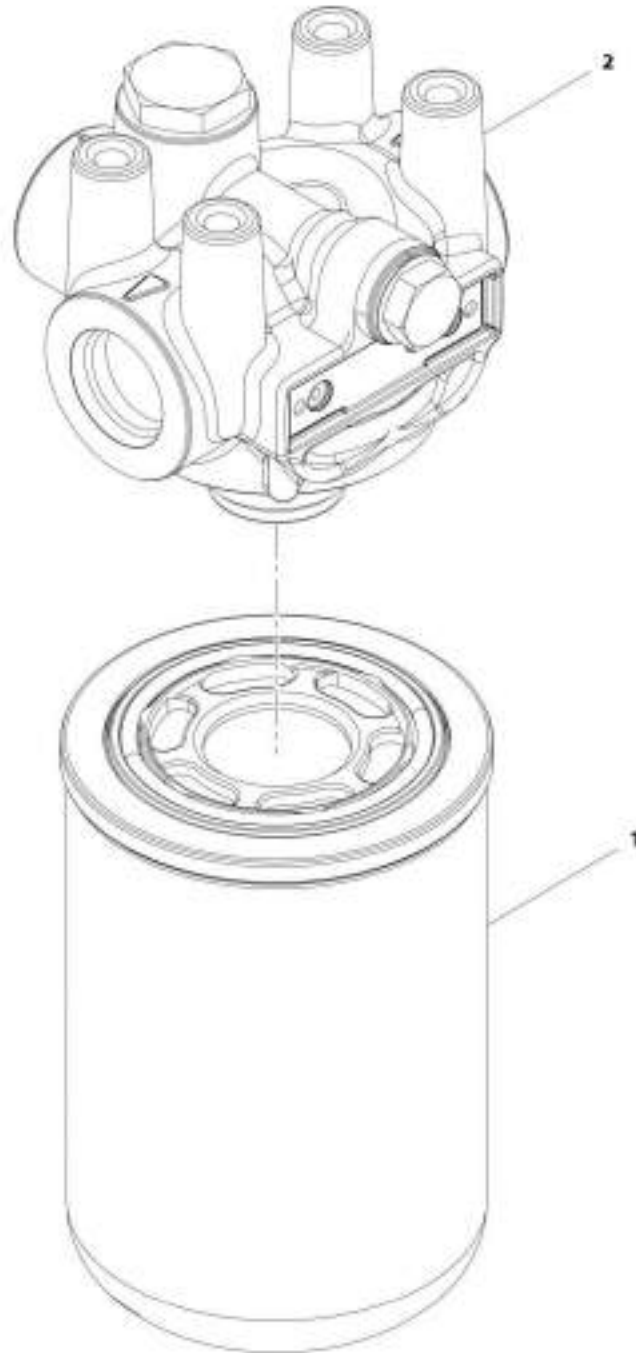
SECTION 8 - HYDRAULIC CIRCUITS

FIGURE 8-34. IMPLEMENT PUMP FILTER INSTALLATION

ITEM	PART NUMBER	QTY	DESCRIPTION	REV
	1001183386	Ref	Implement Pump Filter Installation	D
1	0681607	4	Bolt, M3/8-16X7/8 Grade 8	
2	2130812	2	Fitting, 90 ORFS	
3	4812000	4	Washer, M10	
5	1001141976	1	Assembly, Implement Pump Filter (See Separate Breakdown in this Section)	
6	1001183700	1	Fitting	

SECTION 8 - HYDRAULIC CIRCUITS

FIGURE 8-35. IMPLEMENT PUMP FILTER ASSEMBLY



ART_1001141035-A

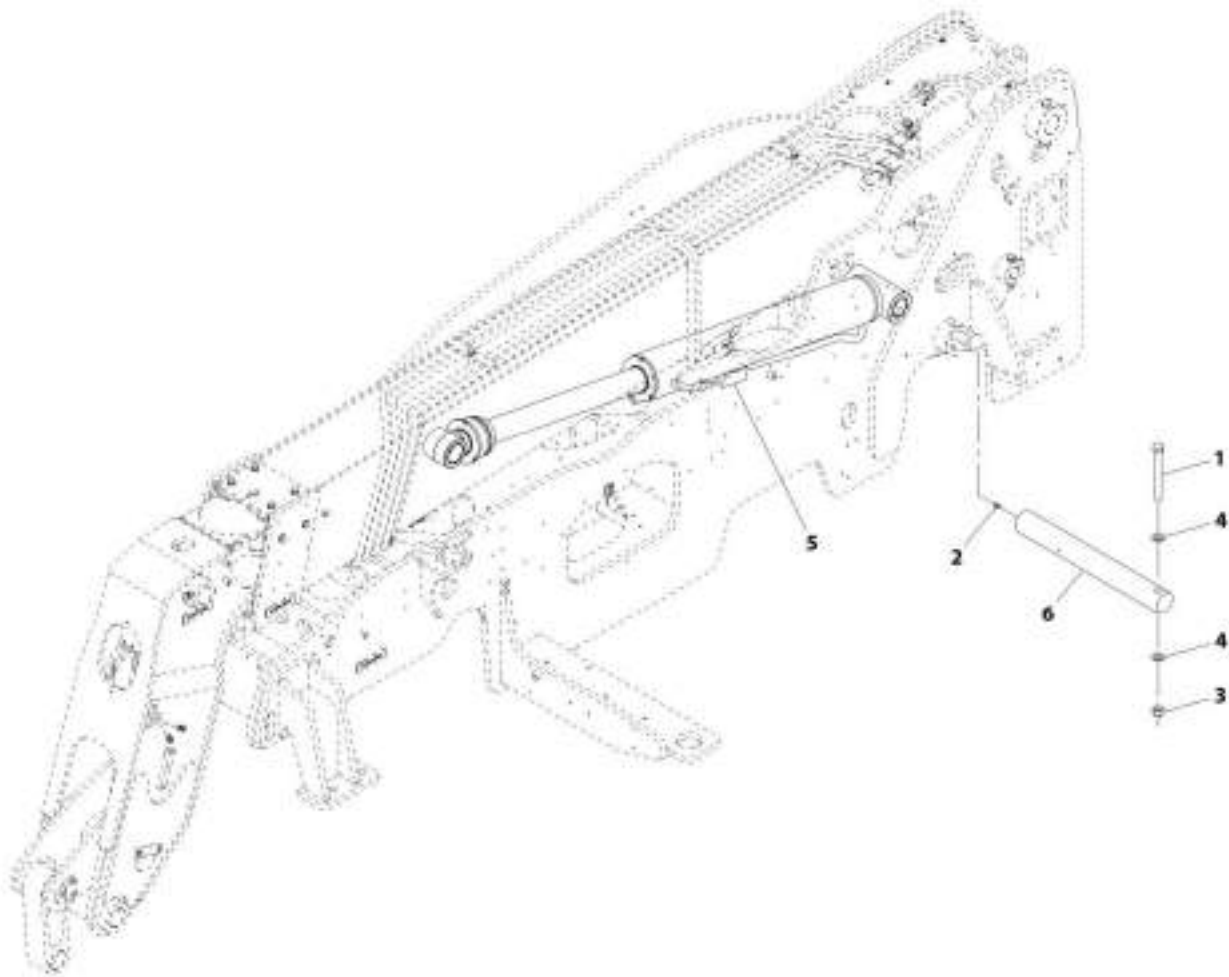
SECTION 8 - HYDRAULIC CIRCUITS

FIGURE 8-35. IMPLEMENT PUMP FILTER ASSEMBLY

ITEM	PART NUMBER	QTY	DESCRIPTION	REV
	1001141976	Ref	Implement Pump Filter Assembly	A
1	1001141461	1	Filter	
2	1001141462	1	Pump, Filter	

SECTION 8 - HYDRAULIC CIRCUITS

FIGURE 8-36. LIFT CYLINDER INSTALLATION



AMT_3001174072-8

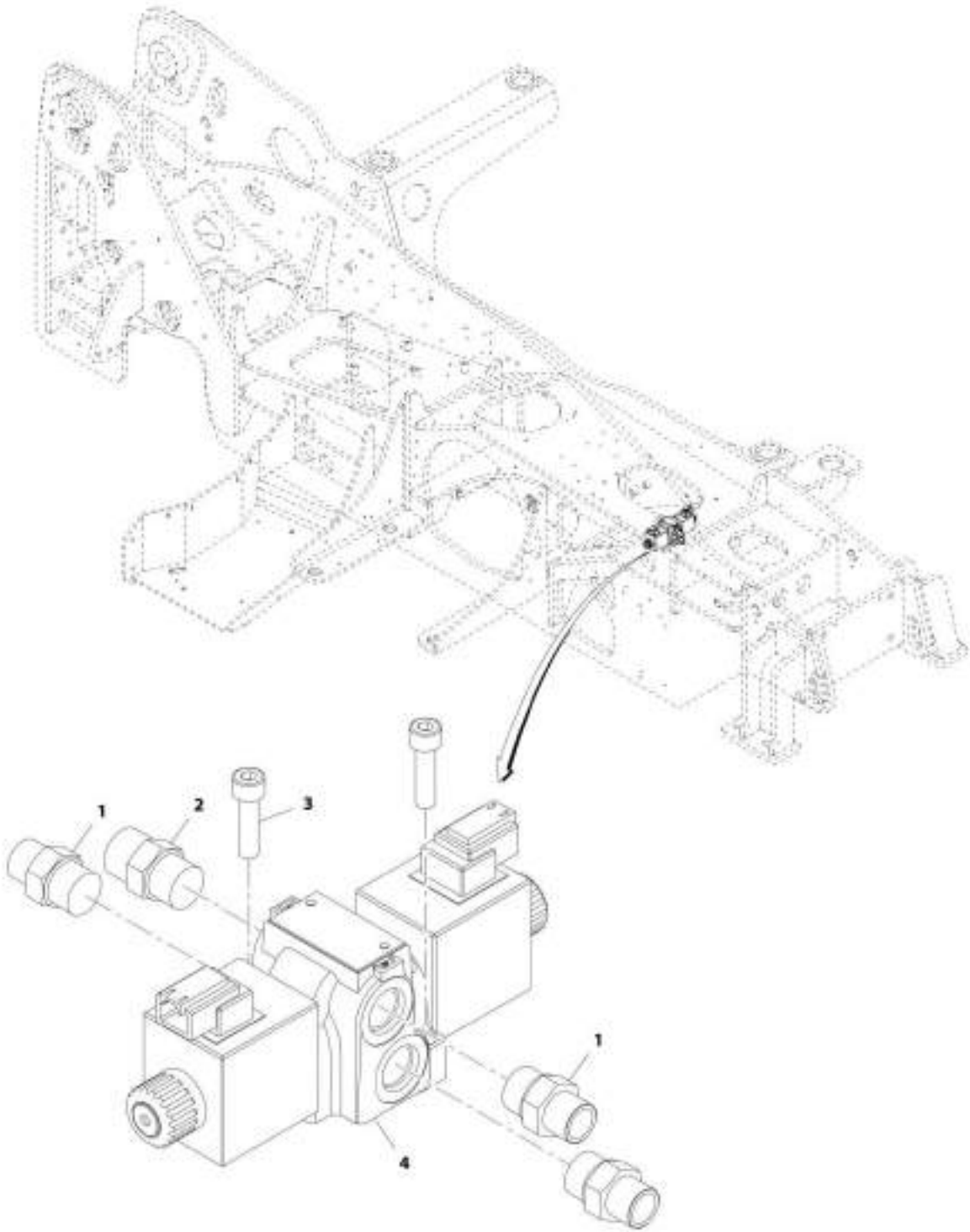
SECTION 8 - HYDRAULIC CIRCUITS

FIGURE 8-36. LIFT CYLINDER INSTALLATION

ITEM	PART NUMBER	QTY	DESCRIPTION	REV
	1001174072	Ref	Lift Cylinder Installation	B
1	0701632	1	Bolt, M16-2X150	
2	2160016	1	Fitting, Grease	
3	3291605	1	Nut, Lock M16X2 Grade 8	
4	4812300	2	Washer, M16	
5	1001175013	1	Cylinder, Lift (See Separate Breakdown in this Section)	
6	1001183437	1	Pin	

SECTION 8 - HYDRAULIC CIRCUITS

FIGURE 8-37. SPEED SELECT VALVE INSTALLATION



ART_1501183071-B

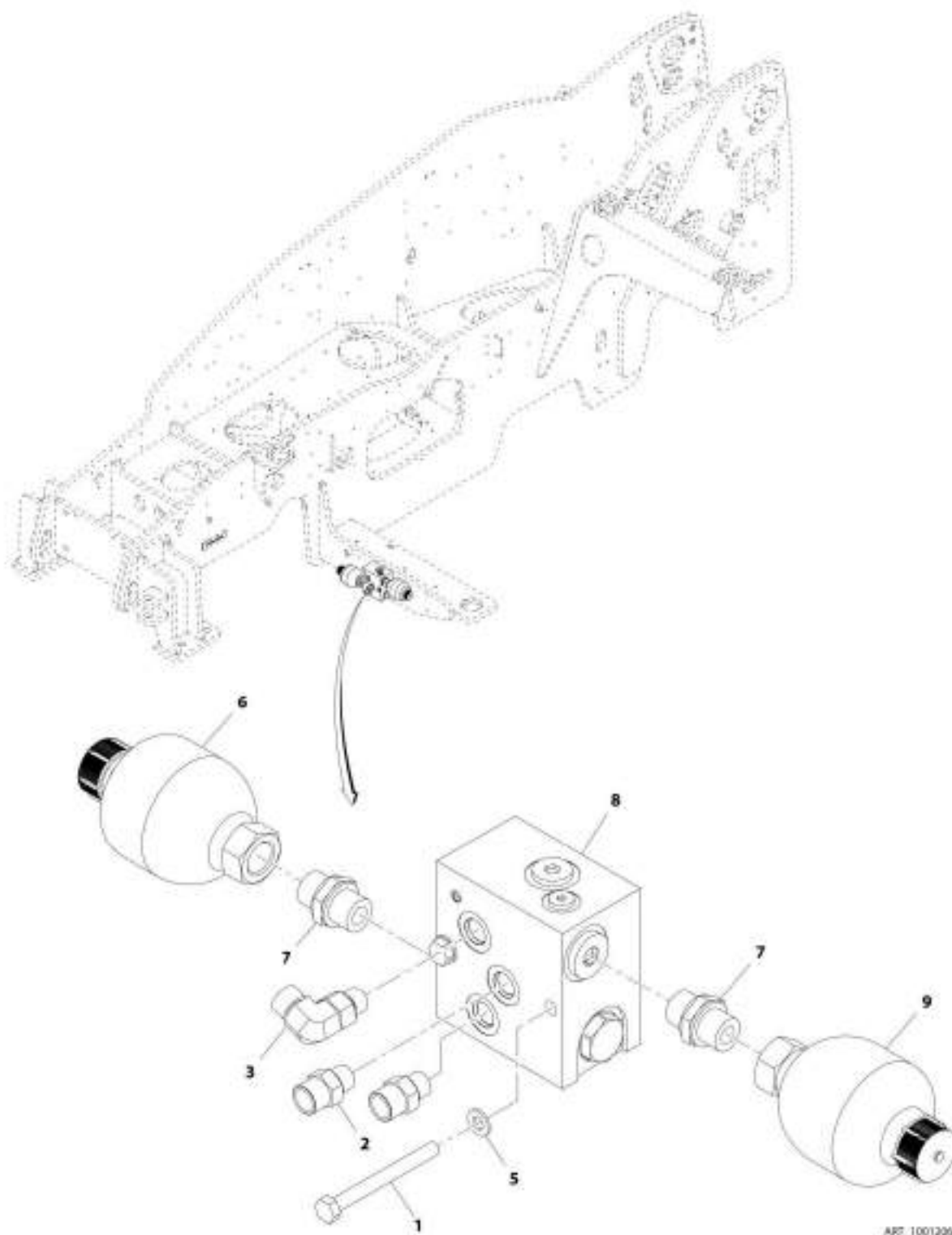
SECTION 8 - HYDRAULIC CIRCUITS

FIGURE 8-37. SPEED SELECT VALVE INSTALLATION

ITEM	PART NUMBER	QTY	DESCRIPTION	REV
	1001183071	Ref	Speed Select Valve Installation	B
1	2110608	3	Fitting, Straight ORFS	
2	2110808	1	Fitting, Straight ORFS	
3	4031910	2	Bolt, M8X30	
4	4641520	1	Valve, Speed Select (See Separate Breakdown in Hydraulic Components Section)	

SECTION 8 - HYDRAULIC CIRCUITS

FIGURE 8-38. BRAKE ACCUMULATOR INSTALLATION



ARS_1001206-406-C

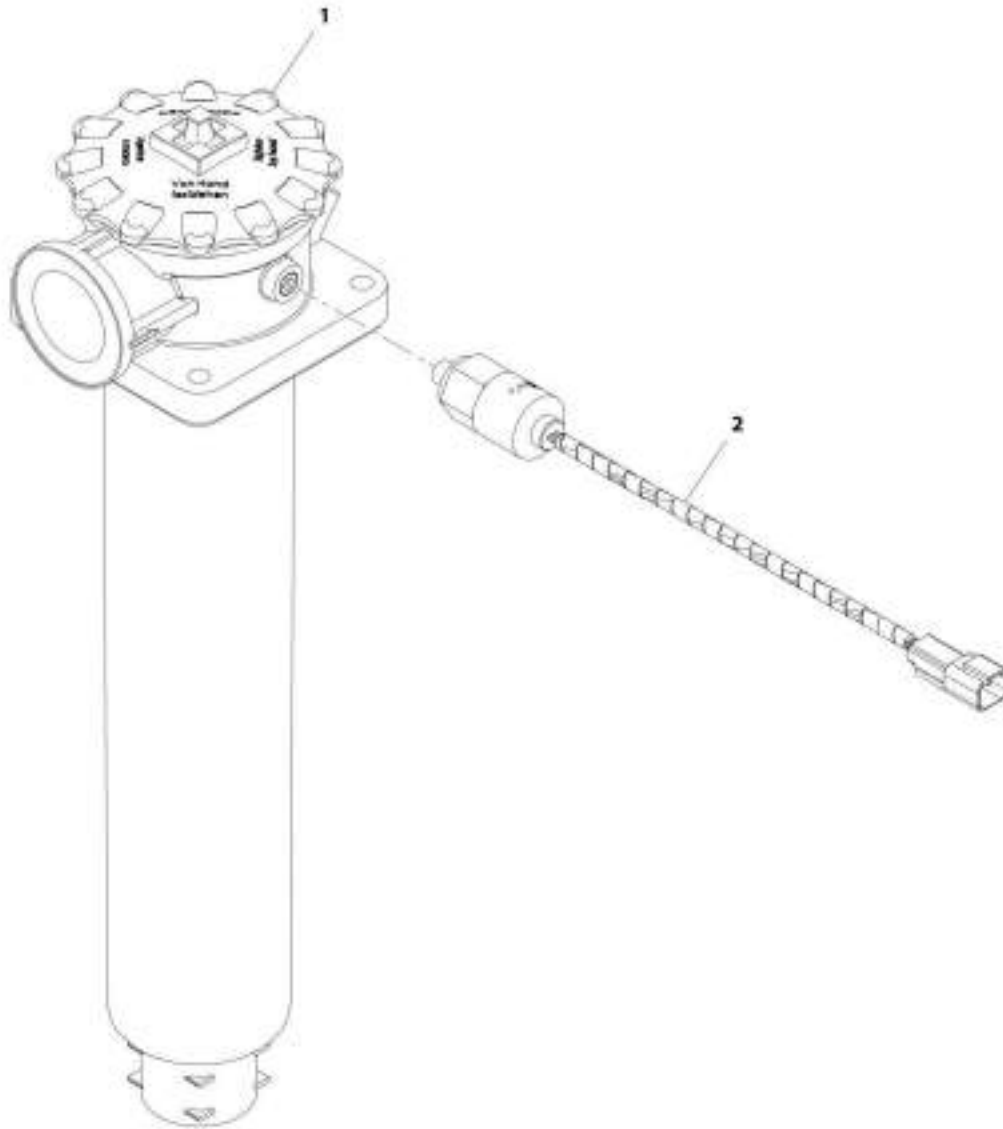
SECTION 8 - HYDRAULIC CIRCUITS

FIGURE 8-38. BRAKE ACCUMULATOR INSTALLATION

ITEM	PART NUMBER	QTY	DESCRIPTION	REV
	1001206498	Ref	Brake Accumulator Installation	C
1	0700822	2	Bolt, M8X70	
2	2110606	2	Fitting, Straight ORFS	
3	2130606	1	Fitting, 90 ORFS	
5	4811900	2	Washer, M8	
6	1001173418	1	Damper, Brake Pressure	
7	1001179926	2	Fitting	
8	1001215589	1	Manifold, SAHR Brake, (See Separate Breakdown in Hydraulic Components Section)	
9	1001209651	1	Damper, Brake	

SECTION 8 - HYDRAULIC CIRCUITS

FIGURE 8-39. HYDRAULIC FILTER ASSEMBLY



ART_100192214-D

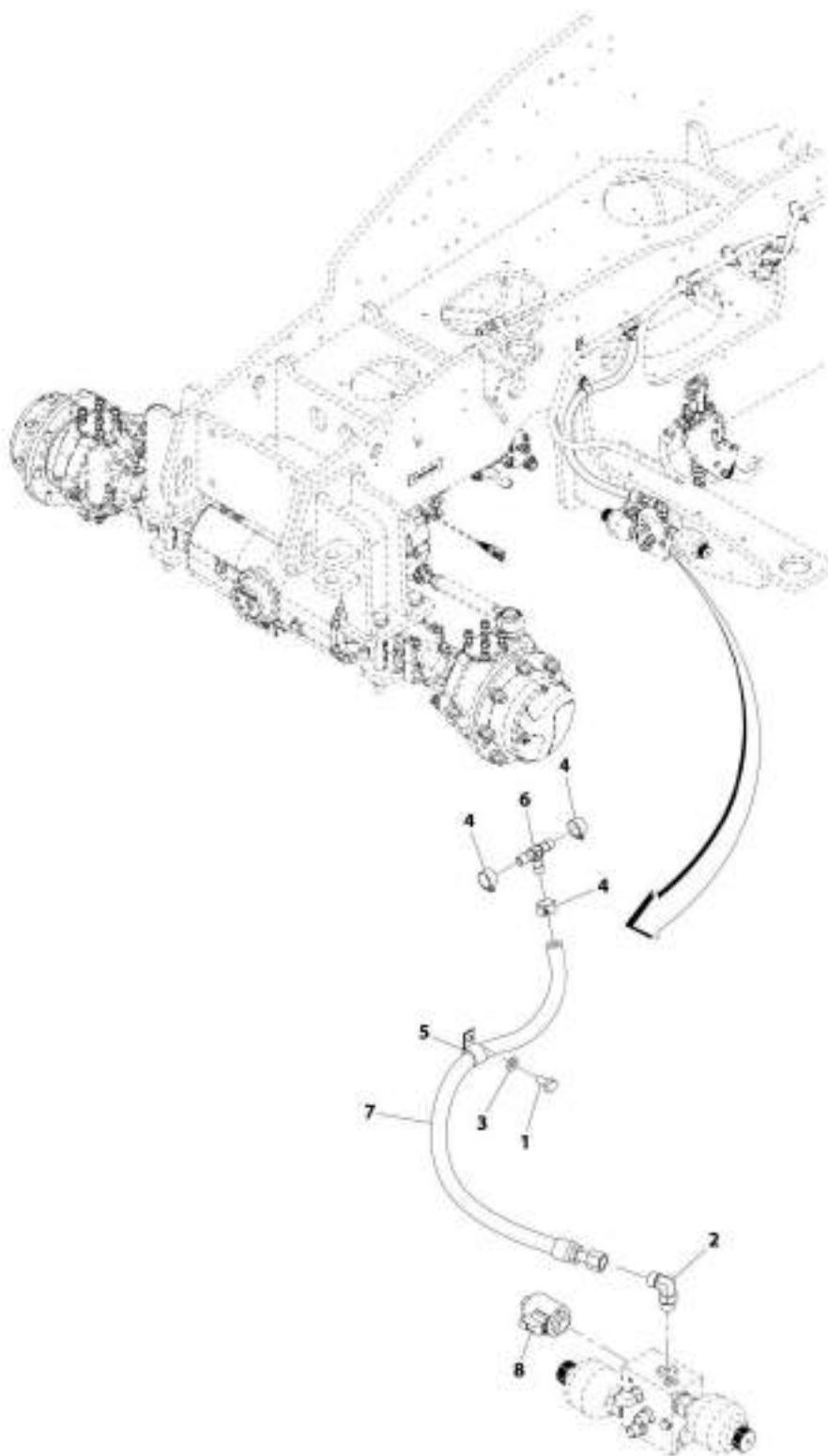
SECTION 8 - HYDRAULIC CIRCUITS

FIGURE 8-39. HYDRAULIC FILTER ASSEMBLY

ITEM	PART NUMBER	QTY	DESCRIPTION	REV
	1001182214	Ref	Hydraulic Filter Assembly	D
1	1001162661	1	Filter, Hydraulic (See Separate Breakdown in this Section)	
2	1001184864	1	Harness, Oil Pressure Switch	

SECTION 8 - HYDRAULIC CIRCUITS

FIGURE 8-40. AUTO APPLY PARK BRAKE INSTALLATION



ART_1001214630-A

SECTION 8 - HYDRAULIC CIRCUITS

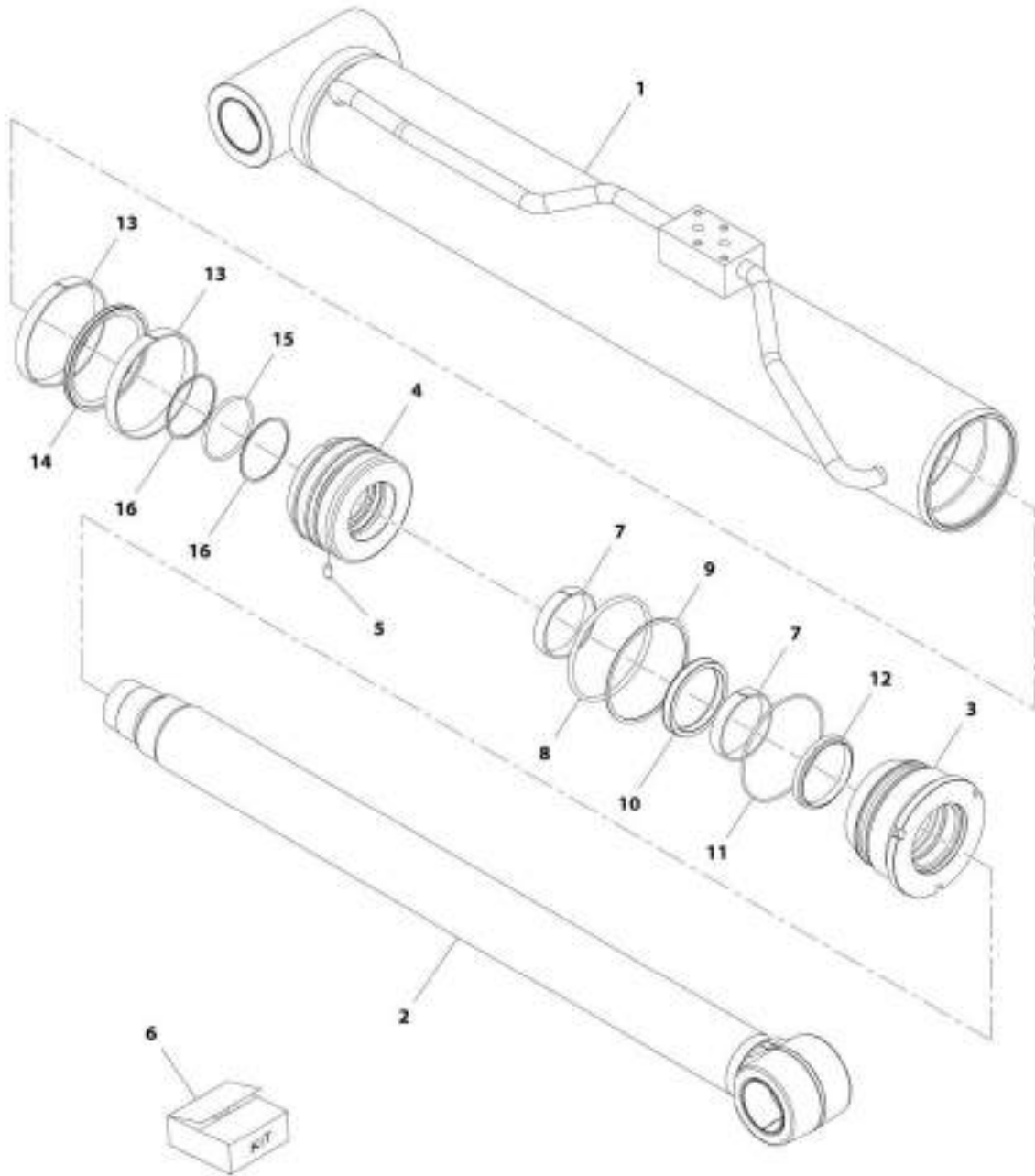
FIGURE 8-40. AUTO APPLY PARK BRAKE INSTALLATION

ITEM	PART NUMBER	QTY	DESCRIPTION	REV
	1001214830	Ref	Auto Apply Park Brake Installation	A
1	0761010	1	Bolt, M10X20	
2	2130808	1	Fitting, 90 ORFS	
3	4812000	1	Washer, M10	
4	8410009	3	Gear Clamp	
5	1001004144	1	Clip	
6	1001176411	1	Fitting Tee	
7	1001205778	1	Hose	
8	1001214843	1	Valve, Divertor (See Separate Breakdown in Hydraulic Components Section)	

SECTION 9 - HYDRAULIC COMPONENTS

SECTION 9 - HYDRAULIC COMPONENTS

FIGURE 9-1. LIFT CYLINDER



ART_1001175013-G

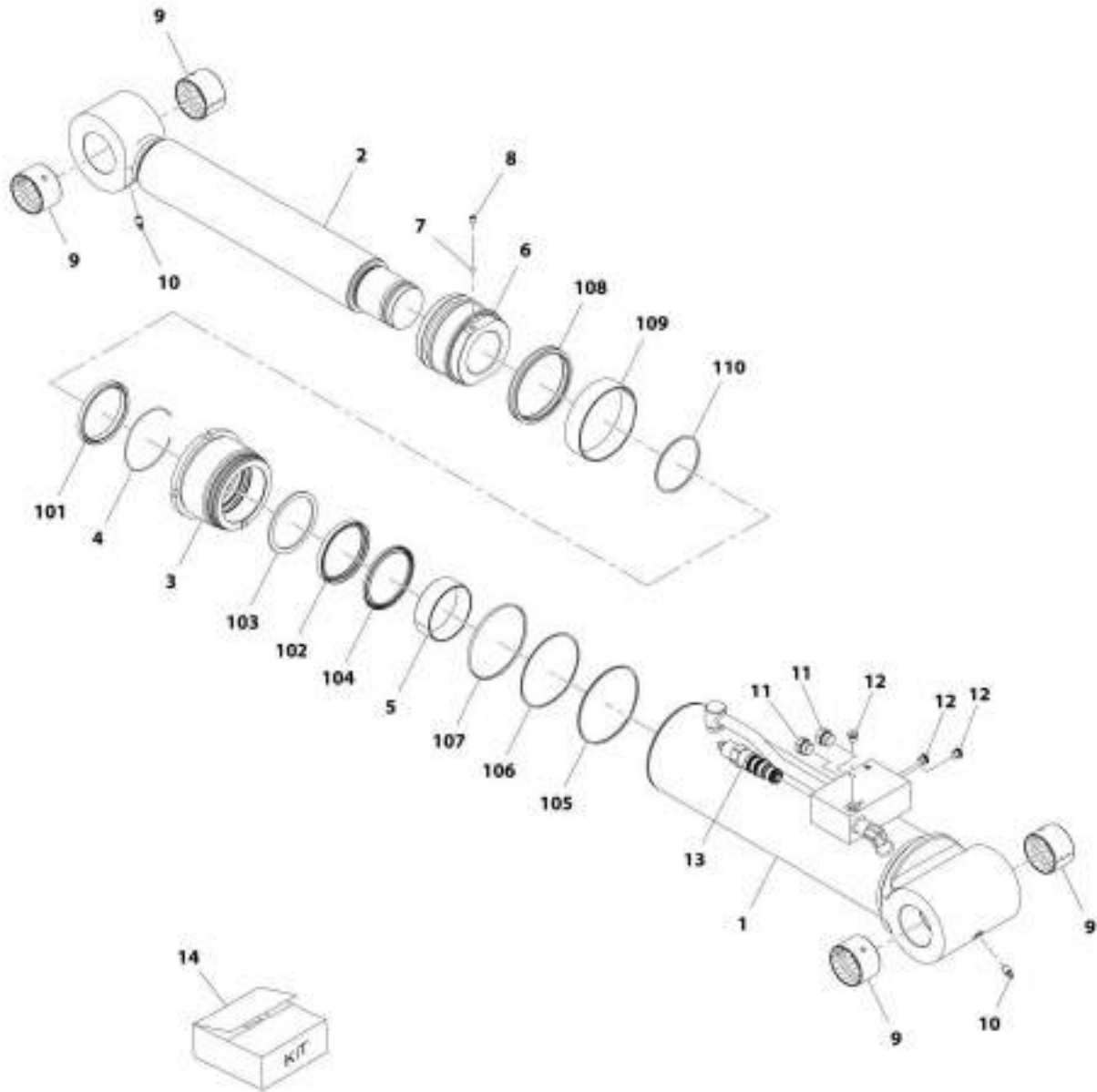
SECTION 9 - HYDRAULIC COMPONENTS

FIGURE 9-1. LIFT CYLINDER

ITEM	PART NUMBER	QTY	DESCRIPTION	REV
	1001175013	Ref	Lift Cylinder	G
1	70026840	1	Barrel	
2	70026841	1	Rod	
3	70026842	1	Guide, Rod	
4	70026843	1	Piston	
5	70020438	1	Screw	
6	70026844	1	Kit, Seal (includes items 7 thru 16)	
7	Kit	2	Bearing	
8	Kit	1	O-Ring	
9	Kit	1	Ring, Backup	
10	Kit	1	Seal, Rod	
11	Kit	1	O-Ring	
12	Kit	1	Wiper	
13	Kit	2	Bearing	
14	Kit	1	Seal, Piston	
15	Kit	1	O-Ring	
16	Kit	2	Ring, Backup	

SECTION 9 - HYDRAULIC COMPONENTS

FIGURE 9-2. TILT CYLINDER



ART_1001195200-C

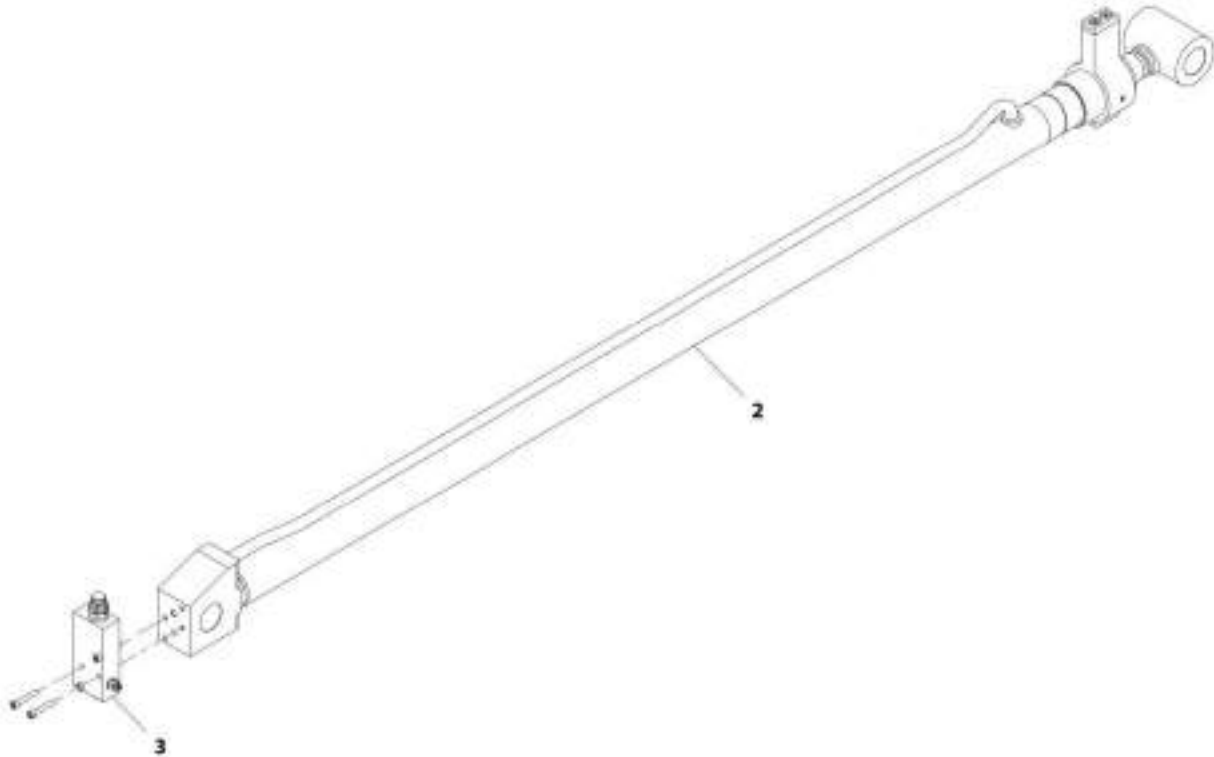
SECTION 9 - HYDRAULIC COMPONENTS

FIGURE 9-2. TILT CYLINDER

ITEM	PART NUMBER	QTY	DESCRIPTION	REV
	1001195800	Ref	Tilt Cylinder	E
1	70027221	1	Barrel	
2	70027216	1	Rod	
3	70027217	1	Gland	
4	70027220	1	Ring, Retaining	
5	70027219	1	Bearing, Dry	
6	70027218	1	Piston	
7	70022564	1	Ball, Steel	
8	70023369	1	Screw, Set	
9	70026543	4	Bearing, Dry	
10	70026308	2	Fitting, Grease	
11	70023372	2	Plug, Hex	
12	70023370	3	Plug, Socket	
13	1001189888	1	Valve, Counterbalance	
14	70027222	1	Kit, Seal	
101	Kit	1	Wiper, Dust	
102	Kit	1	Seal, Rod	
103	Kit	1	Ring, Backup	
104	Kit	1	Ring, Buffer	
105	Kit	1	O-Ring	
106	Kit	1	Ring, Backup	
107	Kit	1	O-Ring	
108	Kit	1	Seal, Piston	
109	Kit	1	Ring, Wear	
110	Kit	1	O-Ring	

SECTION 9 - HYDRAULIC COMPONENTS

FIGURE 9-3. EXTEND/RETRACT CYLINDER ASSEMBLY



MT_1001200314-B

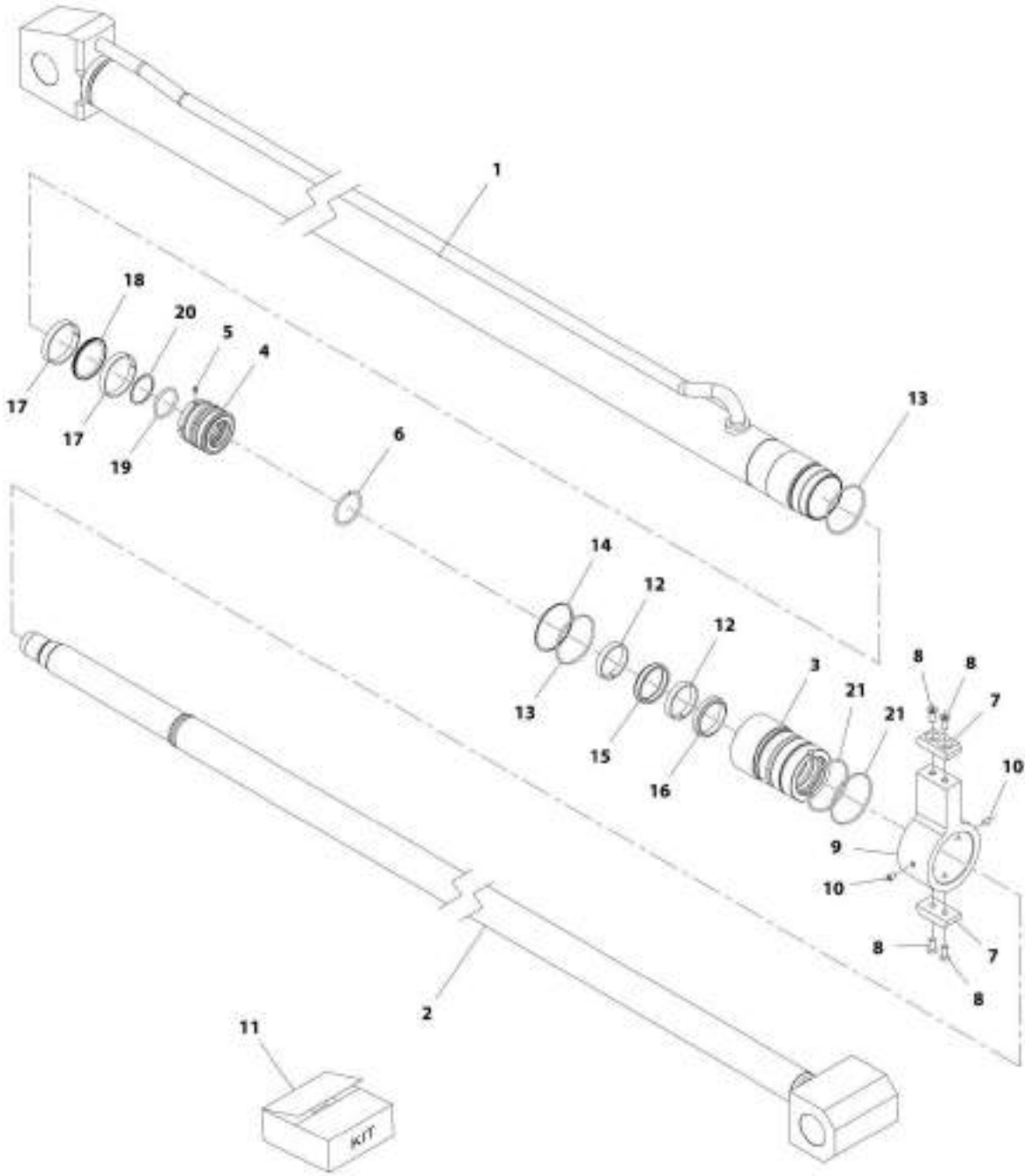
SECTION 9 - HYDRAULIC COMPONENTS

FIGURE 9-3. EXTEND/RETRACT CYLINDER ASSEMBLY

ITEM	PART NUMBER	QTY	DESCRIPTION	REV
2	1001203314	Ref	Extend/Retract Cylinder Assembly	B
	1001197447	1	Cylinder, Extend/Retract (See Separate Breakdown in this Section)	
3	1001201245	1	Valve, Counterbalance	

SECTION 9 - HYDRAULIC COMPONENTS

FIGURE 9-4. EXTEND/RETRACT CYLINDER



AME_1001197447-0

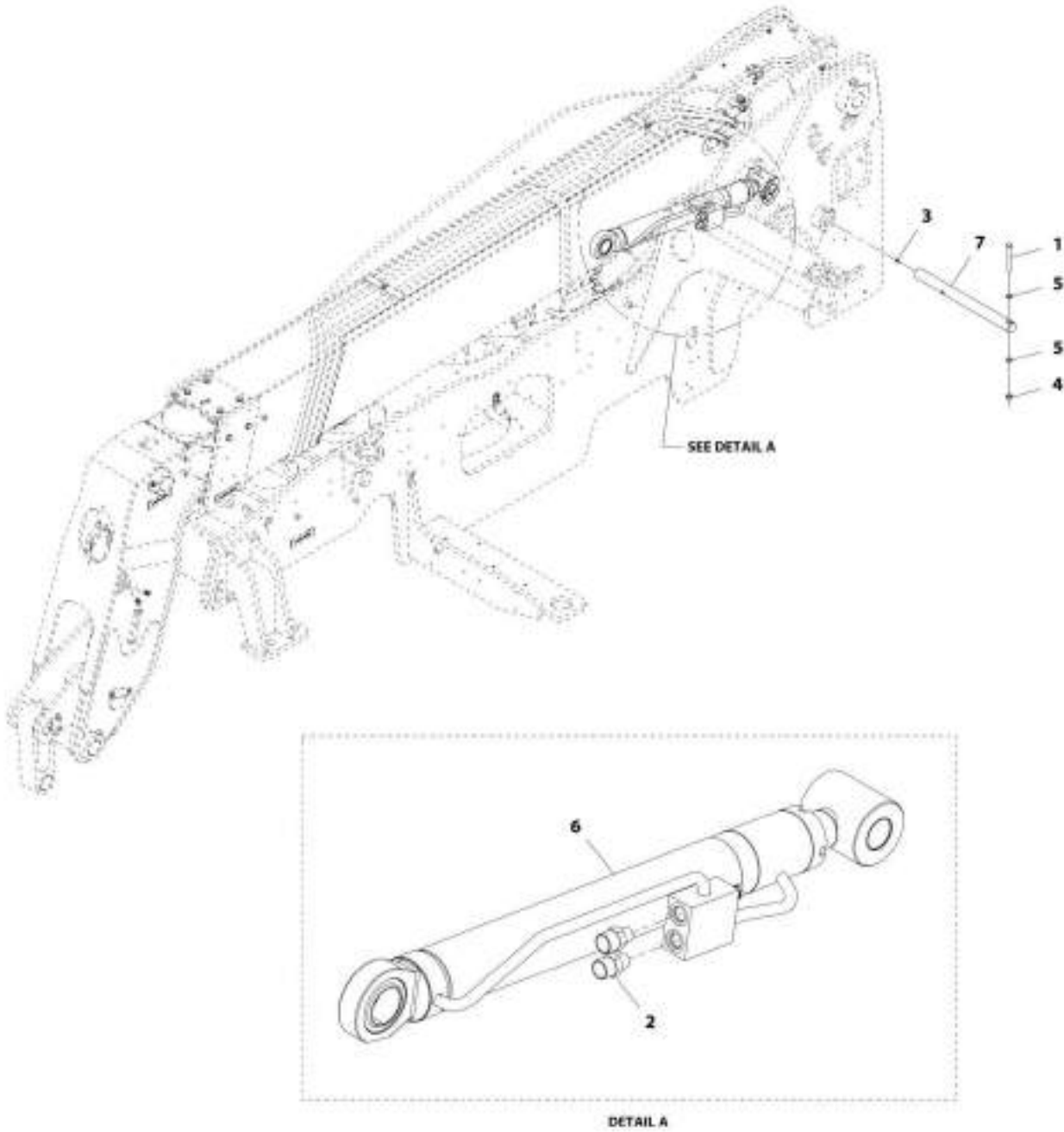
SECTION 9 - HYDRAULIC COMPONENTS

FIGURE 9-4. EXTEND/RETRACT CYLINDER

ITEM	PART NUMBER	QTY	DESCRIPTION	REV
	1001197447	Ref	Extend/Retract Cylinder	D
1	70026830	1	Barrel	
2	70026831	1	Rod	
3	70026832	1	Guide, Rod	
4	70026833	1	Piston	
5	70023915	1	Screw	
6	70026834	1	Ring, Snap	
7	70026835	2	Pad, Wear	
8	70026836	4	Screw	
9	70026837	1	Holder, Wear Pad	
10	70026838	2	Screw	
11	70026839	1	Kit, Seal	
12	Kit	2	Bearing	
13	Kit	2	O-Ring	
14	Kit	1	Ring, Backup	
15	Kit	1	Seal, Rod	
16	Kit	1	Wiper	
17	Kit	2	Bearing	
18	Kit	1	Seal, Piston	
19	Kit	1	O-Ring	
20	Kit	1	Ring, Backup	
21	Kit	2	O-Ring	

SECTION 9 - HYDRAULIC COMPONENTS

FIGURE 9-5. COMPENSATION CYLINDER ASSEMBLY



ART_1001174074-B

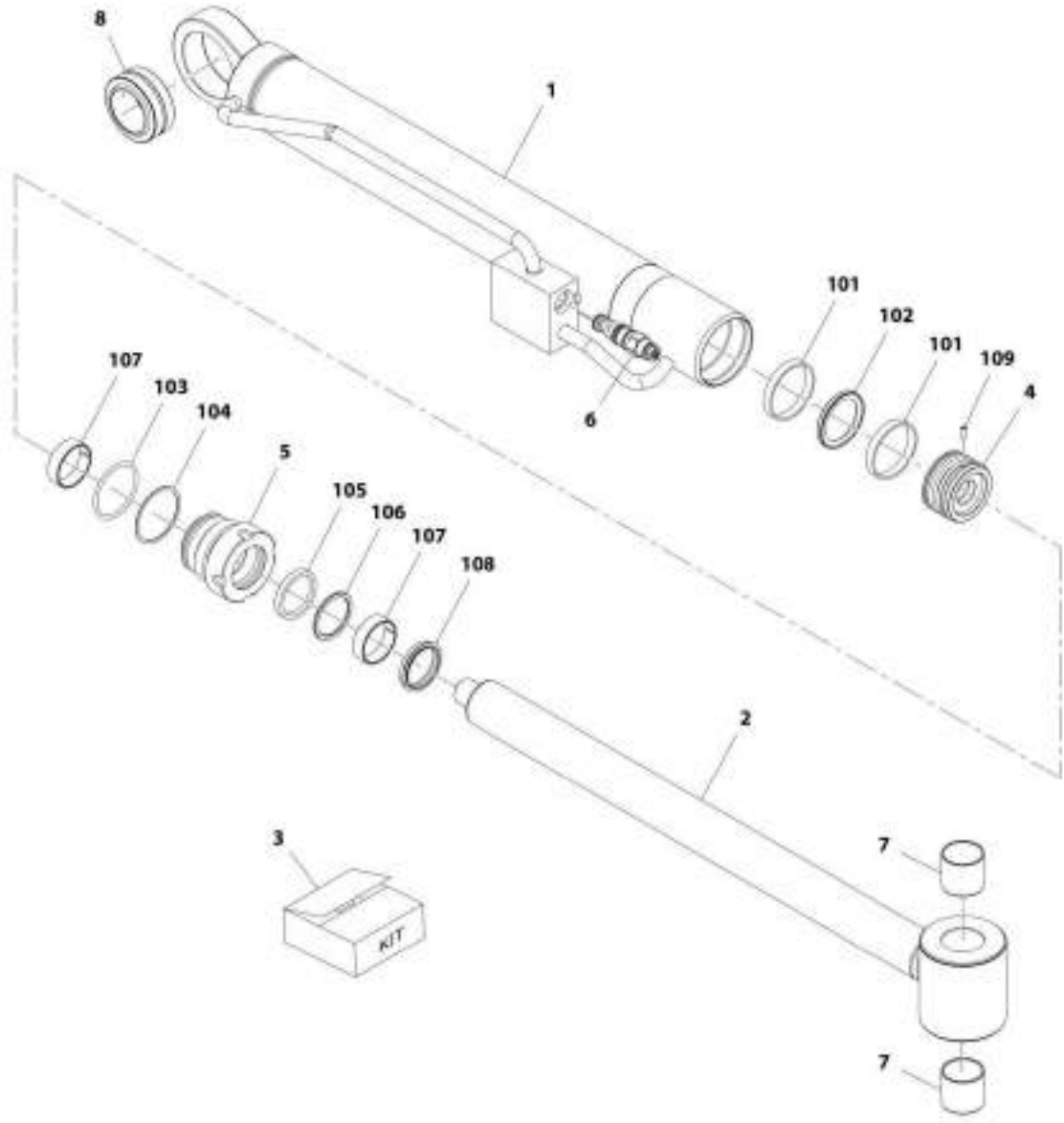
SECTION 9 - HYDRAULIC COMPONENTS

FIGURE 9-5. COMPENSATION CYLINDER ASSEMBLY

ITEM	PART NUMBER	QTY	DESCRIPTION	REV
	1001174074	Ref	Compensation Cylinder Assembly	B
1	0761228	1	Bolt, M12X110	
2	2111008	2	Fitting, Straight ORFS	
3	2160016	1	Fitting, Grease	
4	3291205	1	Nut, Lock M12X1.75 Grade 8	
5	4812100	2	Washer, M12	
6	1001195801	1	Cylinder, Compensation (See Separate Breakdown in this Section)	
7	1001183436	1	Pin	

SECTION 9 - HYDRAULIC COMPONENTS

FIGURE 9-6. COMPENSATION CYLINDER



ART_1001195801-D

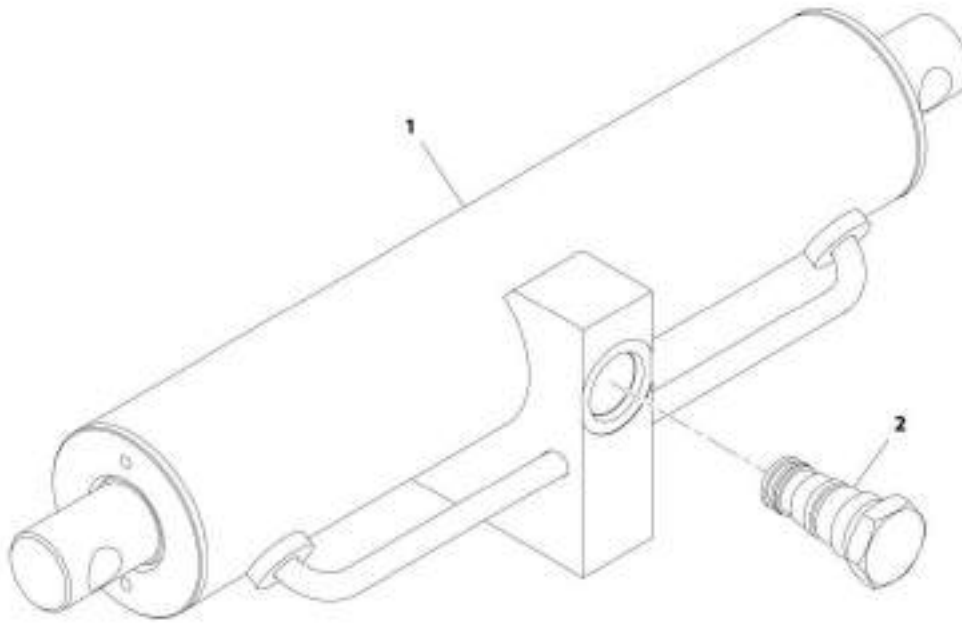
SECTION 9 - HYDRAULIC COMPONENTS

FIGURE 9-6. COMPENSATION CYLINDER

ITEM	PART NUMBER	QTY	DESCRIPTION	REV
	1001195801	Ref	Compensation Cylinder	D
1	70027229	1	Barrel	
2	70027230	1	Rod	
4	70027232	1	Piston	
5	70027233	1	Retainer	
6	1001164336	1	Valve, Counterbalance	
7	70027234	2	Bearing	
8	70027235	1	Bearing, Spherical	
3	70027231	1	Kit, Seal (includes items 101 thru 109)	
101	Kit	2	Ring, Wear	
102	Kit	1	Seal, Piston	
103	Kit	1	O-Ring	
104	Kit	1	Ring, Backup	
105	Kit	1	Seal, Rod	
106	Kit	1	Ring, Nylon	
107	Kit	2	Ring, Wear	
108	Kit	1	Wiper	
109	Kit	1	Screw	

SECTION 9 - HYDRAULIC COMPONENTS

FIGURE 9-7. COUPLER LOCKING CYLINDER ASSEMBLY



ART_100114382-B

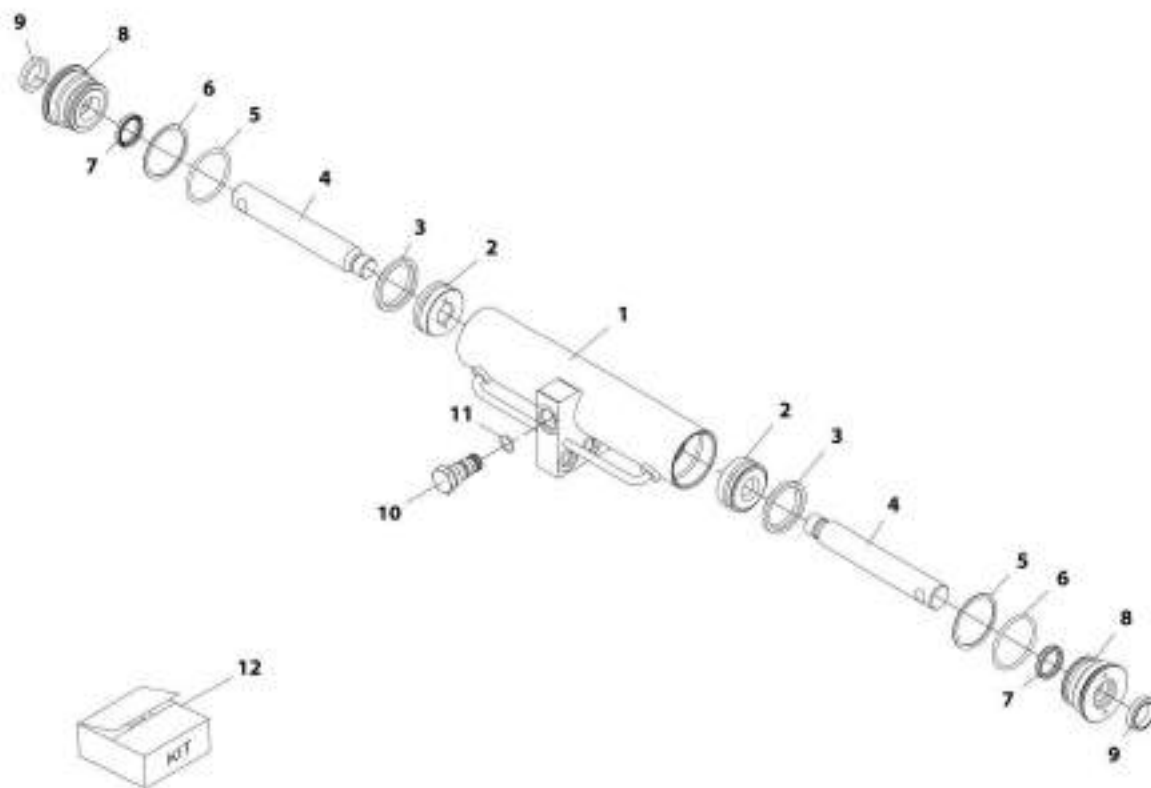
SECTION 9 - HYDRAULIC COMPONENTS

FIGURE 9-7. COUPLER LOCKING CYLINDER ASSEMBLY

ITEM	PART NUMBER	QTY	DESCRIPTION	REV
1	1001114787	Ref	Coupler Locking Cylinder Assembly	B
	1001145390	1	Cylinder, Coupler Locking (See Separate Breakdown in this Section)	
2	1001145444	1	Valve, P.O. Check	

SECTION 9 - HYDRAULIC COMPONENTS

FIGURE 9-8. COUPLER LOCKING CYLINDER



AME_1001345390-A

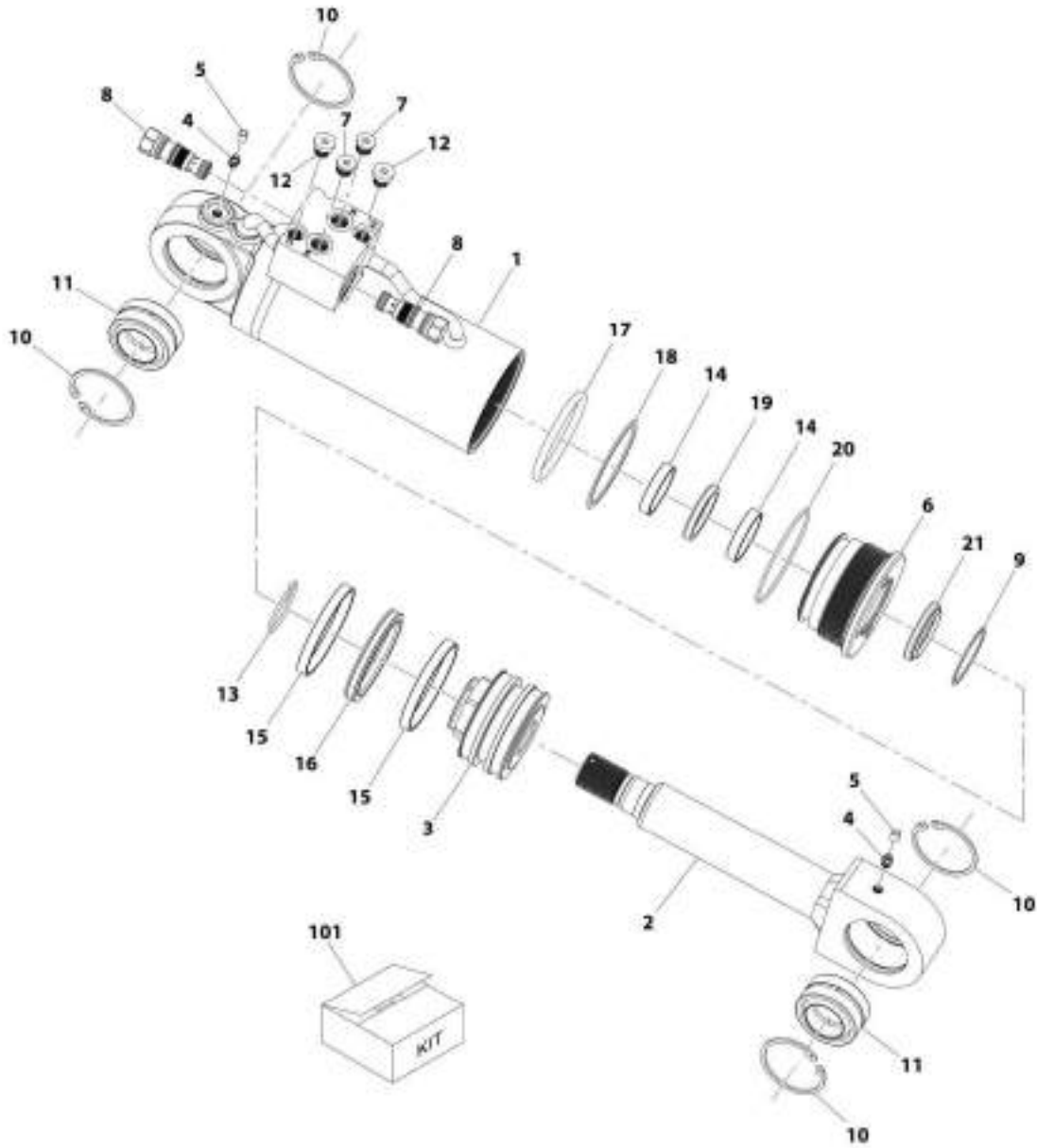
SECTION 9 - HYDRAULIC COMPONENTS

FIGURE 9-8. COUPLER LOCKING CYLINDER

ITEM	PART NUMBER	QTY	DESCRIPTION	REV
	1001145390	Ref	Coupler Locking Cylinder	A
1	70024164	2	Body	
2	70024165	2	Piston	
3	Kit	2	Seal, Piston	
4	70024166	2	Rod	
5	Kit	2	O-Ring	
6	Kit	2	Ring, Backup	
7	Kit	2	Seal, Rod	
8	70024167	2	Gland	
9	Kit	2	Seal, Wiper	
10	1001007056	1	Valve, Check	
11	91574001	1	Seal, Check Valve	
12	70024168	1	Kit, Seal (includes items 3, 5, 6, 7 & 9)	

SECTION 9 - HYDRAULIC COMPONENTS

FIGURE 9-9. SIDE TILT CYLINDER



ART_1001103434-A

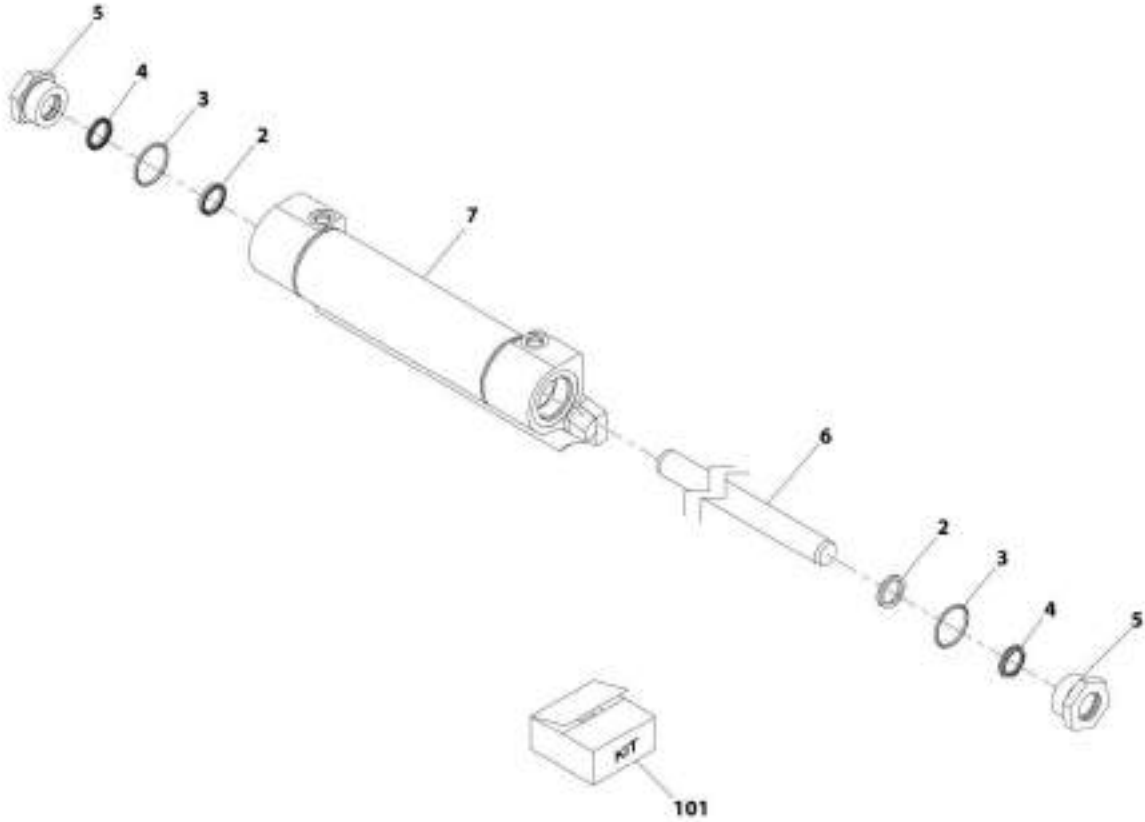
SECTION 9 - HYDRAULIC COMPONENTS

FIGURE 9-9. SIDE TILT CYLINDER

ITEM	PART NUMBER	QTY	DESCRIPTION	REV
	1001163414	Ref	Side Tilt Cylinder	A
1	70026056	1	Barrel	
2	70026057	1	Rod	
3	70026058	1	Head, Piston	
4	70025606	2	Nipple, Grease	
5	70024020	2	Fitting, Grease	
6	70003849	1	Gland	
7	70025959	2	Plug	
8	70026059	2	Valve, P.O. Check	
9	70002219	1	Ring, Internal Snap	
10	70026060	4	Ring, Internal Snap	
11	70026061	2	Bearing, Spherical	
12	70024262	2	Plug	
13	70002224	1	Ring, Locking	
14	Kit	2	Ring, Rod Bearing	
15	Kit	2	Ring, Piston Bearing	
16	Kit	1	Seal, Piston	
17	Kit	1	O-Ring	
18	Kit	1	Ring, Back-Up	
19	Kit	1	Seal, Rod	
20	Kit	1	O-Ring	
21	Kit	1	Seal, Wiper	
101	70026062	1	Kit, Seal (includes items 14 thru 21)	

SECTION 9 - HYDRAULIC COMPONENTS

FIGURE 9-10. SIDE SHIFT CARRIAGE CYLINDER



ART_70024539-B

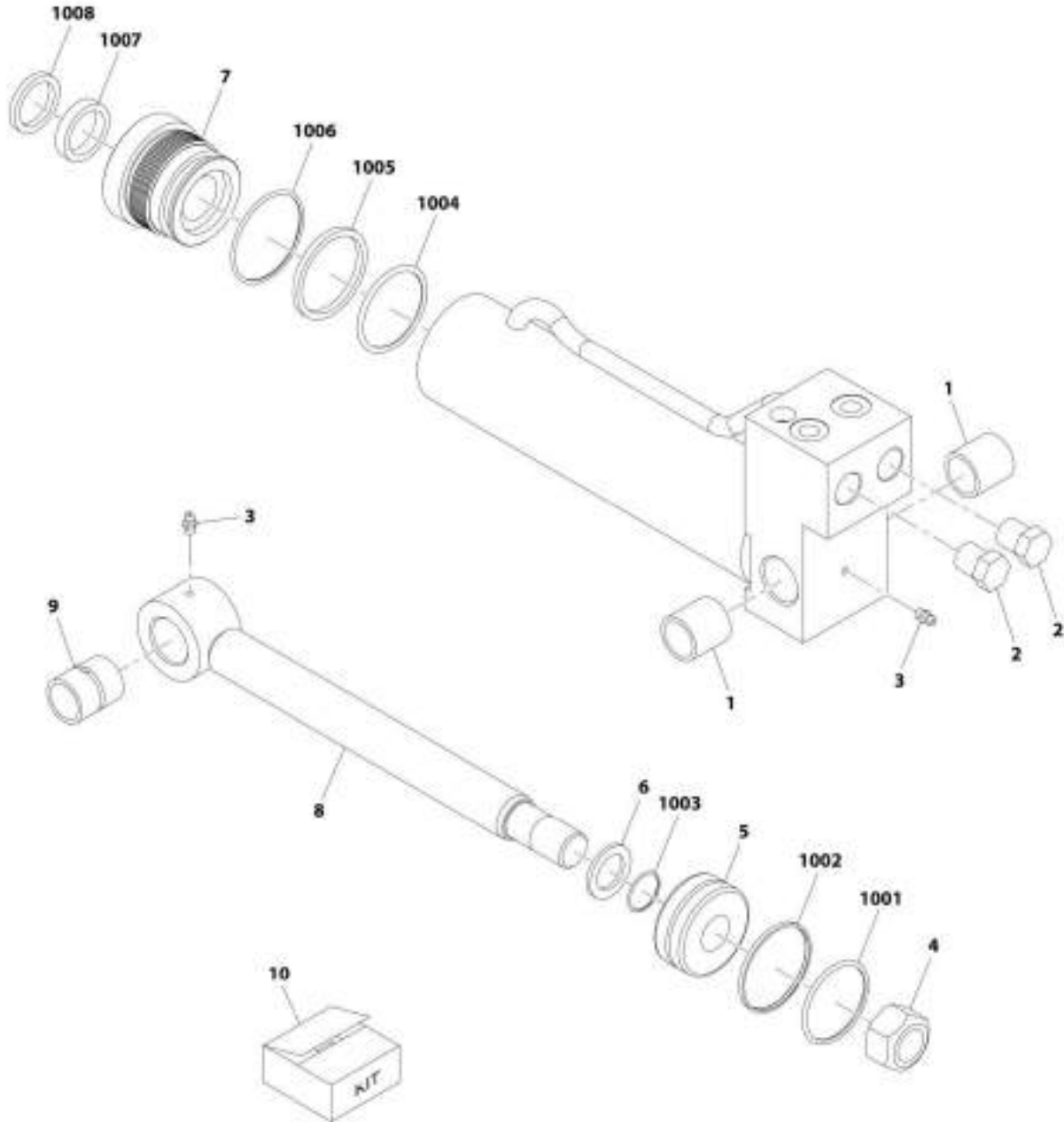
SECTION 9 - HYDRAULIC COMPONENTS

FIGURE 9-10. SIDE SHIFT CARRIAGE CYLINDER

ITEM	PART NUMBER	QTY	DESCRIPTION	REV
	70024539	Ref	Side Shift Carriage Cylinder	B
2	Kit	2	Seal, Rod	
3	70024547	2	O-Ring	
4	Kit	2	Seal, Rod Wiper	
5	70024548	2	Seal, Retainer	
6	N.S.S.	1	Rod	
7	N.S.S.	1	Barrel	
101	70024549	1	Kit, Seal (includes items 2 & 4)	

SECTION 9 - HYDRAULIC COMPONENTS

FIGURE 9-11. MULTI-PURPOSE GRAPPLE BUCKET CYLINDER (1850MM)



ART_70621963

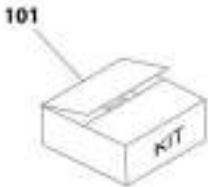
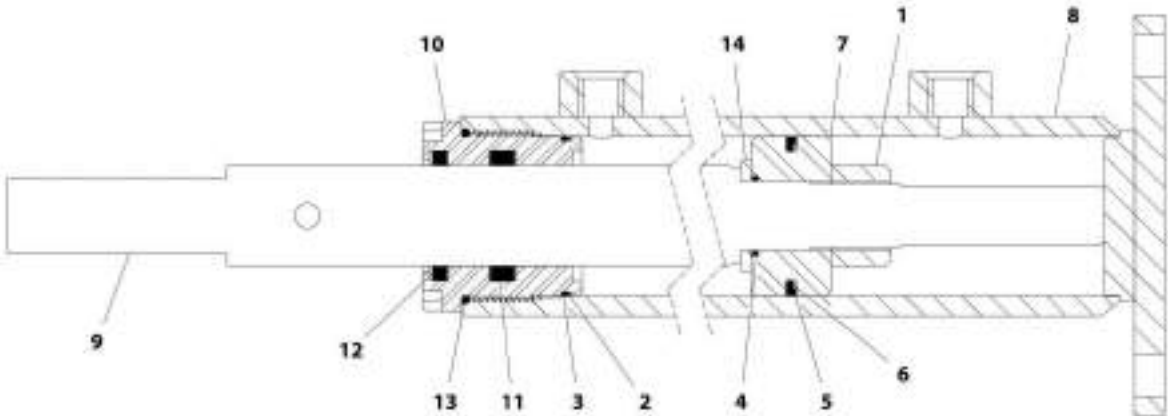
SECTION 9 - HYDRAULIC COMPONENTS

FIGURE 9-11. MULTI-PURPOSE GRAPPLE BUCKET CYLINDER (1850MM)

ITEM	PART NUMBER	QTY	DESCRIPTION	REV
	70021363	Ref	Multi-Purpose Grapple Bucket Cylinder (1850mm)	A
1	70021440	1	Nut	
2	70021444	1	Washer	
3	90554045	2	Fitting, Grease	
4	70021451	1	Piston	
5	70021446	1	Gland, Cylinder	
6	70021447	1	Bushing	
7	70021448	2	Bushing	
8	70021462	1	Rod	
9	70021463	1	Barrel, Cylinder With Valve	
10	70021464	2	Cartridge, Valve	
11	70021452	1	Kit, Seal	

SECTION 9 - HYDRAULIC COMPONENTS

FIGURE 9-12. FORK POSITIONING CYLINDER



ART_2717283-4A

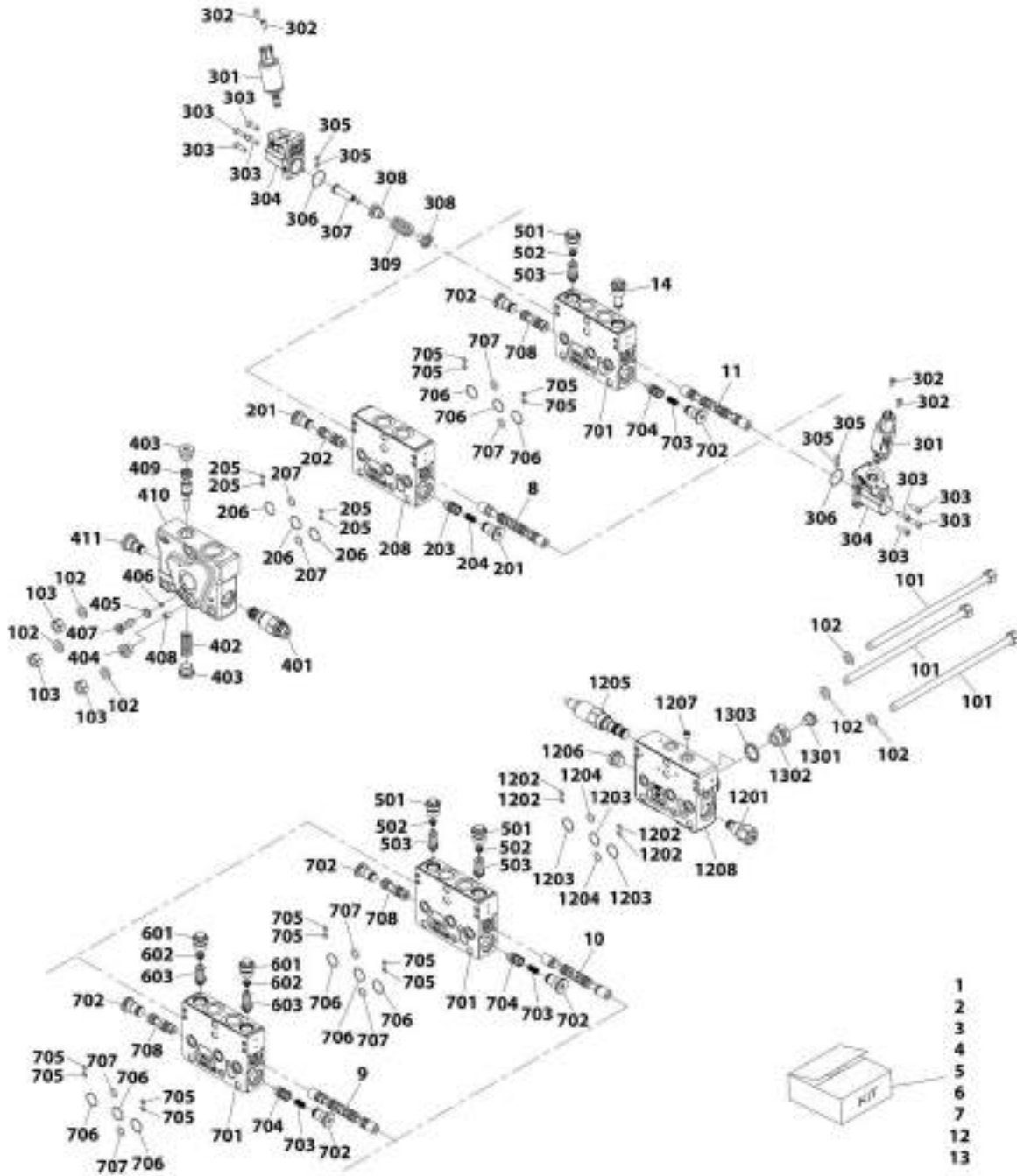
SECTION 9 - HYDRAULIC COMPONENTS

FIGURE 9-12. FORK POSITIONING CYLINDER

ITEM	PART NUMBER	QTY	DESCRIPTION	REV
	2717283	Ref	Fork Positioning Cylinder	AA
1	70026770	1	Nut, Lock	
2	Kit	1	O-Ring	
3	Kit	1	Ring, Back-Up	
4	Kit	1	O-Ring	
5	Kit	1	Ring, Piston	
6	Kit	1	O-Ring	
7	70026771	1	Piston	
8	70026772	1	Barrel, Cylinder	
9	70026773	1	Rod, Cylinder	
10	70026774	1	Gland	
11	Kit	1	Poly-Pak	
12	Kit	1	Wiper, Rod	
13	Kit	1	O-Ring	
14	70026775	1	Washer, Special	
101	8036733	1	Kit, Seal (includes items 2 thru 6 & 11 thru 13)	

SECTION 9 - HYDRAULIC COMPONENTS

FIGURE 9-13. MAIN CONTROL VALVE



AET_1000200099-0

SECTION 9 - HYDRAULIC COMPONENTS

FIGURE 9-13. MAIN CONTROL VALVE

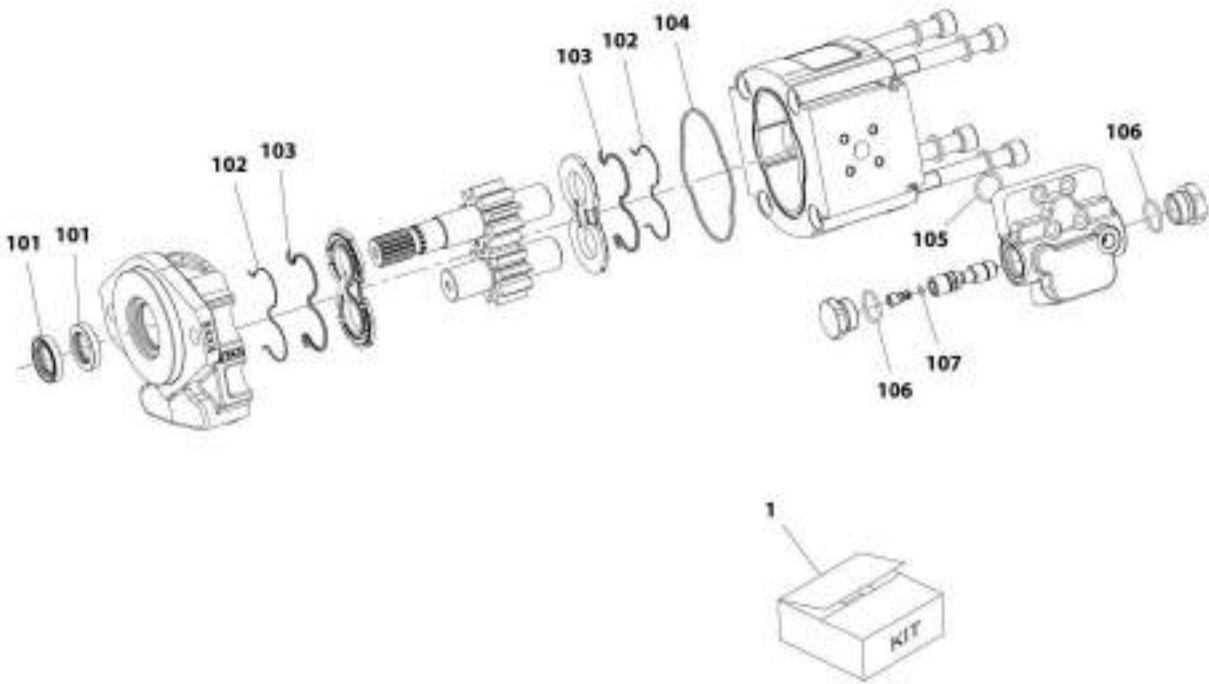
ITEM	PART NUMBER	QTY	DESCRIPTION	REV
	1001200899	Ref	Main Control Valve	B
1	70025840	1	Kit, Tie Rod (includes items 101 thru 103)	
2	70025826	1	Kit, Section, Without Port Relief Cavity (includes items 201 thru 208)	
3	70025827	4	Kit, Electro-Hydraulic (includes items 301 thru 309)	
4	70025829	1	Kit, Main Relief Valve (includes items 401 thru 411)	
5	70025830	1	Kit, Port Relief (includes items 501 thru 503)	
6	70025831	1	Kit, Port Relief (includes items 601 thru 603)	
7	70025832	3	Kit, Section, With Port Relief Cavity (includes items 701 thru 708)	
8	70025833	1	Spool, Lift	
9	70025835	1	Spool, Tilt	
10	70025838	1	Spool, Aux	
11	70027272	1	Spool, Tele	
12	70027273	1	Kit, Bleed Valve (includes items 1201 thru 1208)	
13	70025839	1	Kit, Pressure Gauge Connection (includes items 1301 thru 1303)	
14	70025837	1	Plug	
101	Kit	3	Rod, Tie	
102	Kit	6	Washer, Elastic	
103	Kit	3	Nut	
201	Kit	2	Plug, Compensator	
202	Kit	1	Spool, Compensator	
203	Kit	1	Spool, Selector	
204	Kit	1	Spring	
205	Kit	4	O-Ring	
206	Kit	3	O-Ring	
207	Kit	2	O-Ring	
208	Kit	1	Section, Working	
301	70025828	1	Valve, Solenoid	
302	Kit	4	Screw	
303	Kit	8	Screw	
304	Kit	2	Cylinder	
305	Kit	4	O-Ring	
306	Kit	2	O-Ring	
307	Kit	1	Pin	
308	Kit	2	Bushing	
309	Kit	1	Spring	
401	Kit	1	Valve	
402	Kit	1	Spring	
403	Kit	2	Plug	
404	Kit	1	Plug	
405	Kit	1	Washer	
406	Kit	1	Restriction	
407	Kit	1	Plug	
408	Kit	1	Plug	
409	Kit	1	Spool, Compensator	
410	Kit	1	Section, Inlet	
411	Kit	1	Plug	
501	Kit	1	Plug	
502	Kit	1	Spring	
503	Kit	1	Valve	

SECTION 9 - HYDRAULIC COMPONENTS

ITEM	PART NUMBER	QTY	DESCRIPTION	REV
601	Kit	1	Plug	
602	Kit	1	Spring	
603	Kit	1	Valve	
701	Kit	1	Section, Working	
702	Kit	2	Plug, Compensator	
703	Kit	1	Spring	
704	Kit	1	Spool, Selector	
705	Kit	4	O-Ring	
706	Kit	3	O-Ring	
707	Kit	2	O-Ring	
708	Kit	1	Spool, Compensator	
1201	Kit	1	Regulator, Flow	
1202	Kit	4	O-Ring	
1203	Kit	3	O-Ring	
1204	Kit	2	O-Ring	
1205	Kit	1	Valve	
1206	Kit	1	Plug	
1207	Kit	1	Plug	
1208	Kit	1	Cover, Outlet	
1301	Kit	1	Plug	
1302	Kit	1	Joint	
1303	Kit	1	Washer	

SECTION 9 - HYDRAULIC COMPONENTS

FIGURE 9-14. IMPLEMENT PUMP



ART_100175836-C

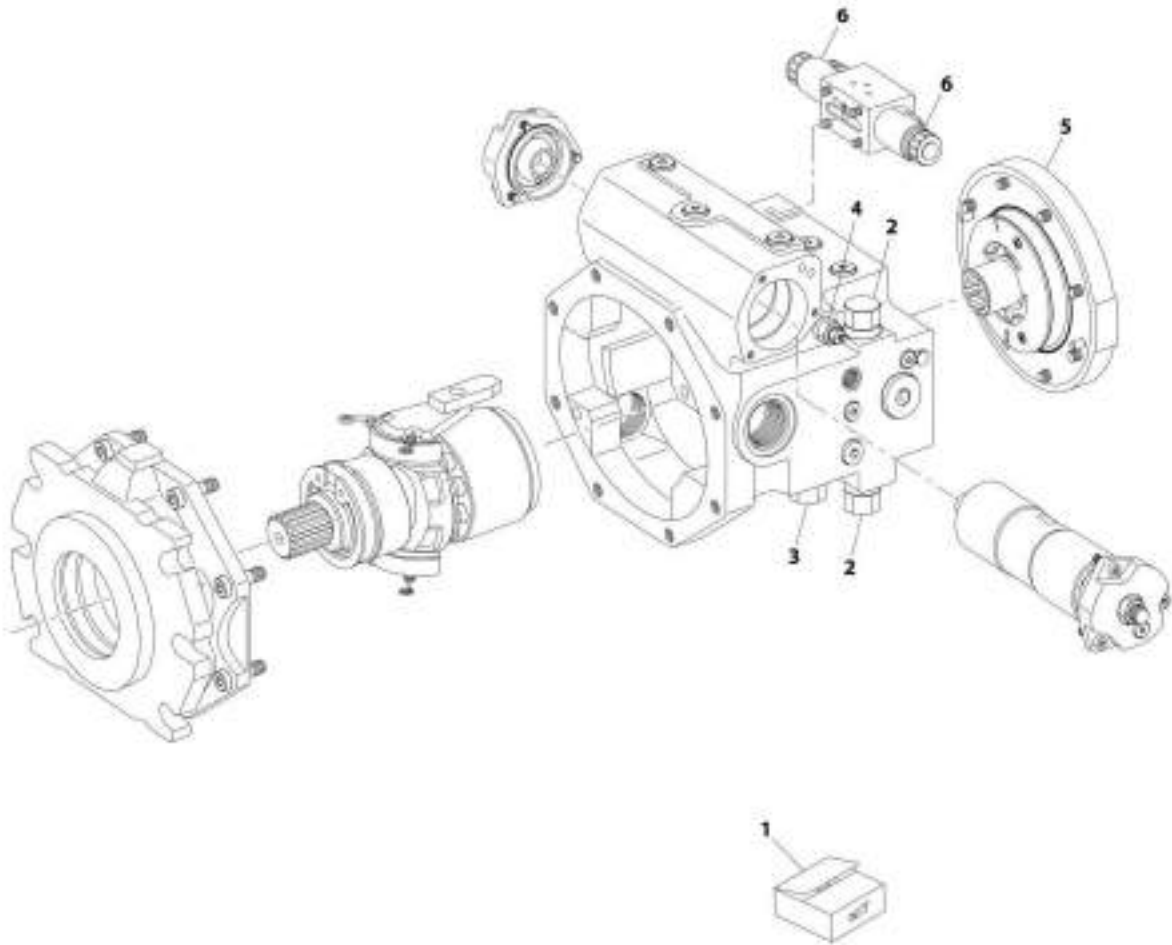
SECTION 9 - HYDRAULIC COMPONENTS

FIGURE 9-14. IMPLEMENT PUMP

ITEM	PART NUMBER	QTY	DESCRIPTION	REV
	1001175838	Ref	Implement Pump	C
1	70027039	1	Kit, Seal	
101	Kit	2	Seal, Shaft	
102	Kit	2	Ring, Antiextrusion	
103	Kit	2	Seal	
104	Kit	1	Seal	
105	Kit	1	O-Ring	
106	Kit	2	O-Ring	
107	Kit	1	O-Ring	

SECTION 9 - HYDRAULIC COMPONENTS

FIGURE 9-15. HYDROSTATIC PUMP



ART_1001179021-E

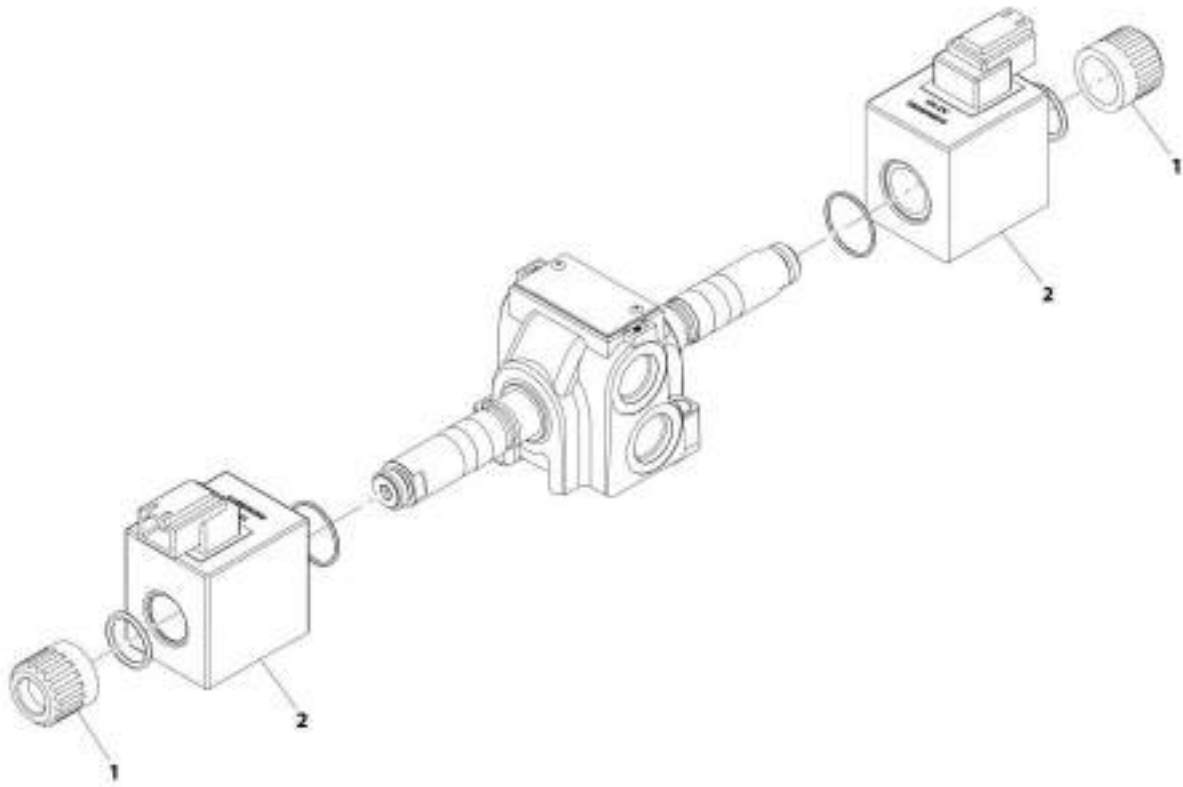
SECTION 9 - HYDRAULIC COMPONENTS

FIGURE 9-15. HYDROSTATIC PUMP

ITEM	PART NUMBER	QTY	DESCRIPTION	REV
	1001179021	1	Hydrostatic Pump	E
1	70027597	1	Kit, Seal	
2	70024945	2	Valve, Pressure Relief	
3	70024946	1	Valve, Relief	
4	70027598	1	Valve, Pressure Override	
5	70027599	1	Pump, Charge	
6	70003170	2	Coil, Solenoid	

SECTION 9 - HYDRAULIC COMPONENTS

FIGURE 9-16. STEERING SELECT VALVE



AMF_1001155748-C

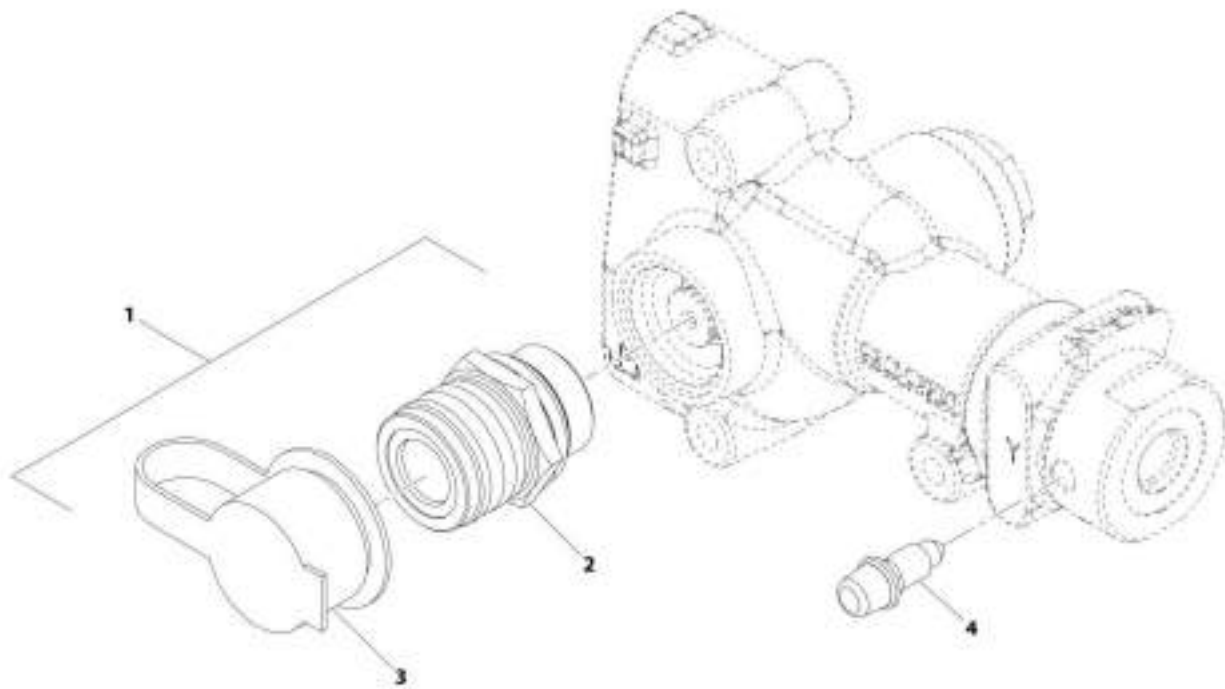
SECTION 9 - HYDRAULIC COMPONENTS

FIGURE 9-16. STEERING SELECT VALVE

ITEM	PART NUMBER	QTY	DESCRIPTION	REV
	1001153748	Ref	Steering Select Valve	C
1	70020867	2	Nut, Coil	
2	70026582	2	Coil	

SECTION 9 - HYDRAULIC COMPONENTS

FIGURE 9-17. TRAILER BRAKE VALVE (CE)



ART_3001212384-A

SECTION 9 - HYDRAULIC COMPONENTS

FIGURE 9-17. TRAILER BRAKE VALVE (CE)

ITEM	PART NUMBER	QTY	DESCRIPTION	REV
	1001212384	Ref	Trailer Brake Valve	A
1	70024401	1	Assembly, Coupling (includes items 2 & 3)	
2	N.S.S.	1	Coupling	
3	70024399	1	Cap	
4	70024400	1	Screw, Bleeding	

SECTION 9 - HYDRAULIC COMPONENTS

FIGURE 9-18. RIDE CONTROL VALVE

INFORMATION IS NOT AVAILABLE AT THE TIME OF PUBLICATION

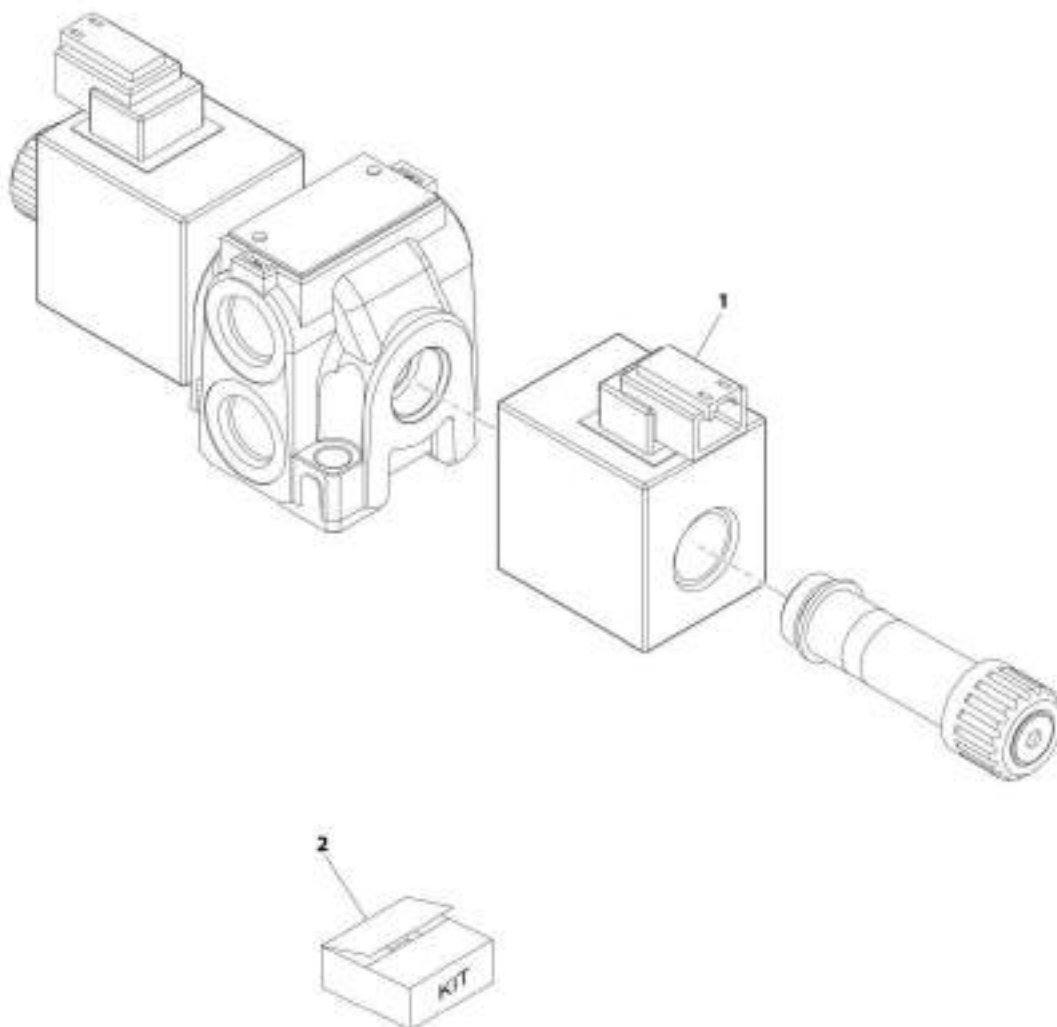
SECTION 9 - HYDRAULIC COMPONENTS

FIGURE 9-18. RIDE CONTROL VALVE

ITEM	PART NUMBER	QTY	DESCRIPTION	REV
	1001217378	Ref	Ride Control Valve	B

SECTION 9 - HYDRAULIC COMPONENTS

FIGURE 9-19. SPEED CONTROL VALVE



WTT_484152D-8

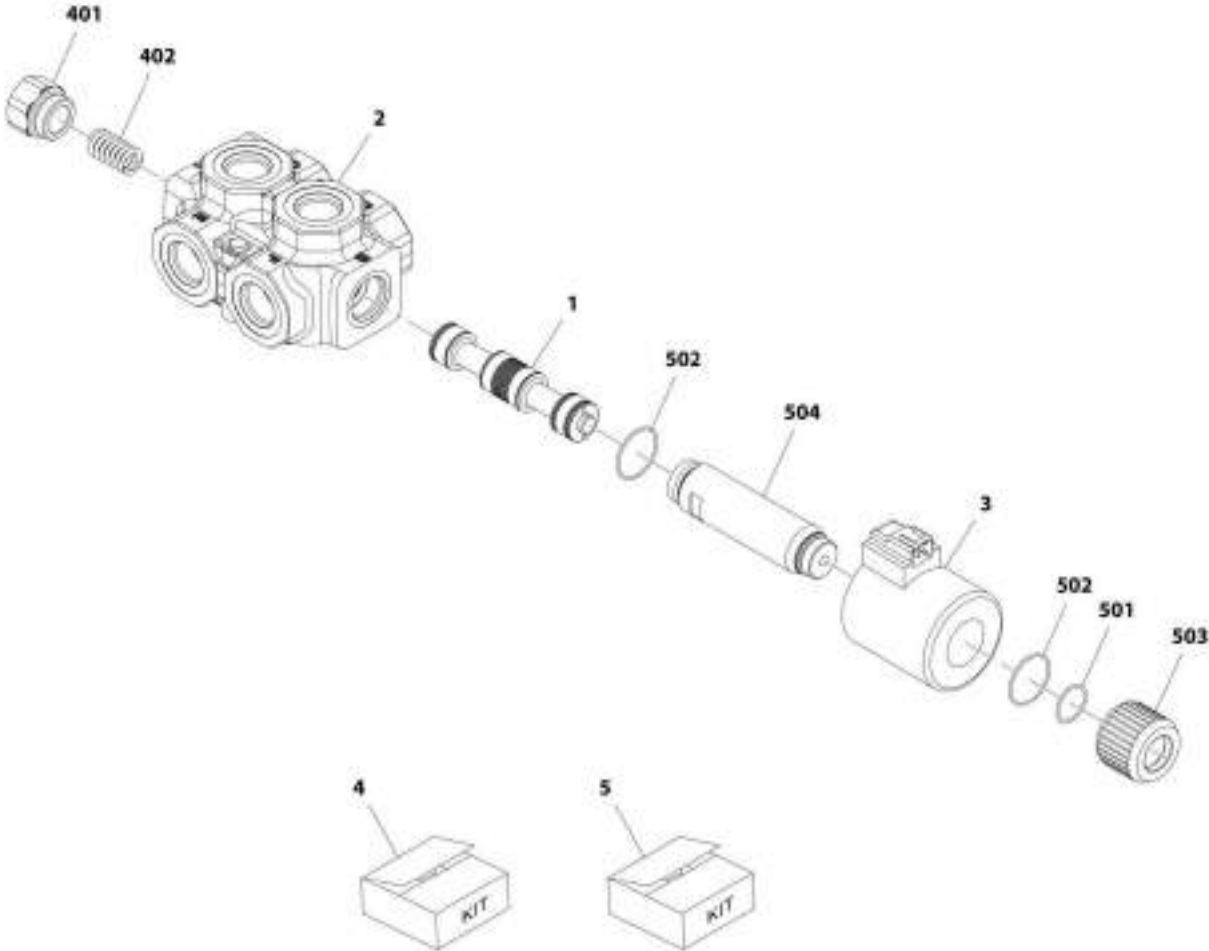
SECTION 9 - HYDRAULIC COMPONENTS

FIGURE 9-19. SPEED CONTROL VALVE

ITEM	PART NUMBER	QTY	DESCRIPTION	REV
	4641520	Ref	Speed Control Valve	B
1	70026582	1	Coil	
2	70020867	1	Kit, Coil Nut	
	N.S.S.	1	Seal	
	N.S.S.	1	Seal	
	N.S.S.	1	Nut, Coil	

SECTION 9 - HYDRAULIC COMPONENTS

FIGURE 9-20. DIVERTOR VALVE



ART_3001173771-D

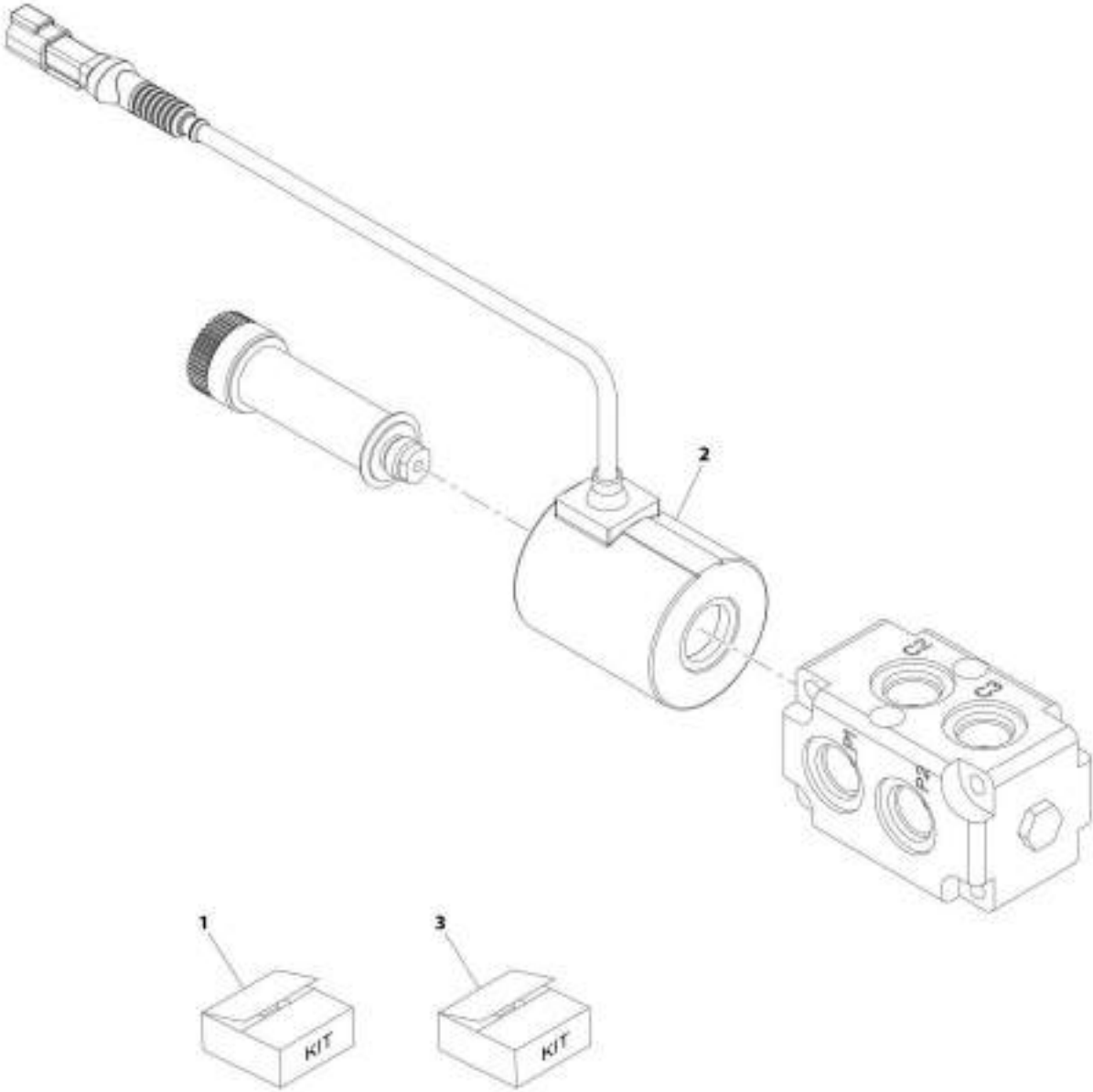
SECTION 9 - HYDRAULIC COMPONENTS

FIGURE 9-20. DIVERTOR VALVE

ITEM	PART NUMBER	QTY	DESCRIPTION	REV
	1001173771	Ref	Divertor Valve	D
1	70027267	1	Spool, Divertor	
2	70027268	1	Body, Divertor	
3	70027269	1	Coil	
4	70027270	1	Kit, Drain Plug	
401	Kit	1	Plug	
402	Kit	1	Spring	
5	70027271	1	Kit, Tube	
501	Kit	1	O-Ring	
502	Kit	2	O-Ring	
503	Kit	1	Plug	
504	Kit	1	Tube	

SECTION 9 - HYDRAULIC COMPONENTS

FIGURE 9-21. DIVERTOR VALVE



ART_1001130023-B

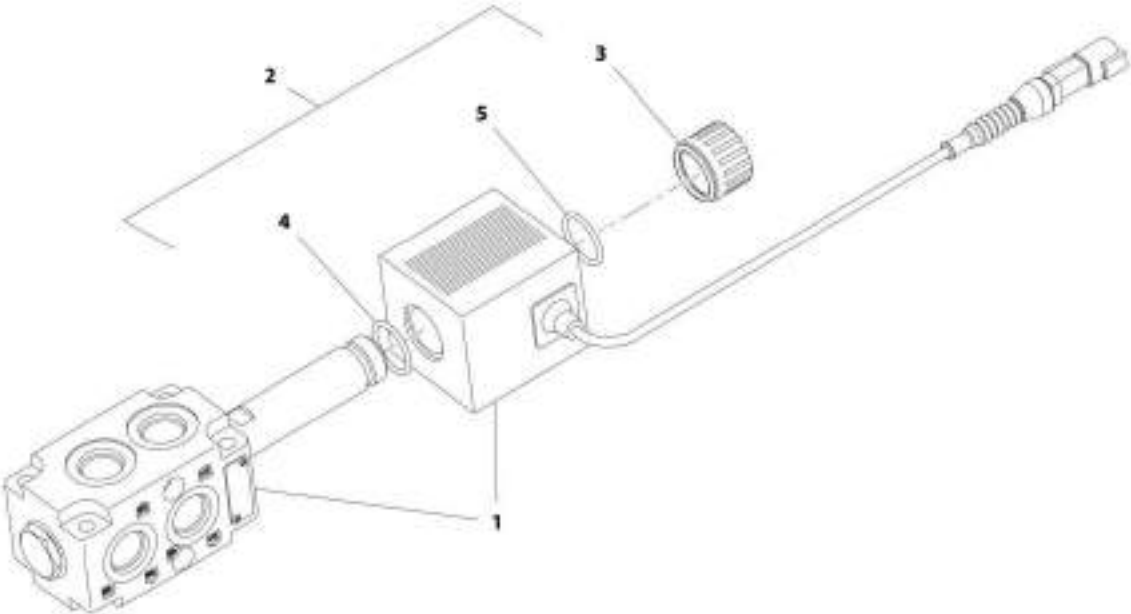
SECTION 9 - HYDRAULIC COMPONENTS

FIGURE 9-21. DIVERTOR VALVE

ITEM	PART NUMBER	QTY	DESCRIPTION	REV
	1001110023	Ref	Divertor Valve	B
1	70027596	1	Kit, Seal	
	Kit	2	O-Ring	
2	70020764	1	Coil	
3	70021531	1	Kit, Coil Nut	
	N.S.S.	1	O-Ring	
	N.S.S.	1	O-Ring	
	N.S.S.	1	Nut	

SECTION 9 - HYDRAULIC COMPONENTS

FIGURE 9-22. DIVERTOR VALVE



ART_100104407-D

SECTION 9 - HYDRAULIC COMPONENTS

FIGURE 9-22. DIVERTOR VALVE

ITEM	PART NUMBER	QTY	DESCRIPTION	REV
	1001104477	Ref	Divertor Valve	D
1	70020764	1	Coil	
2	70021531	1	Kit, Retainer	
3	Kit	1	Nut	
4	Kit	1	O-Ring	
5	Kit	1	O-Ring	

SECTION 9 - HYDRAULIC COMPONENTS

FIGURE 9-23. DIVERTOR VALVE

INFORMATION IS NOT AVAILABLE AT THE TIME OF PUBLICATION

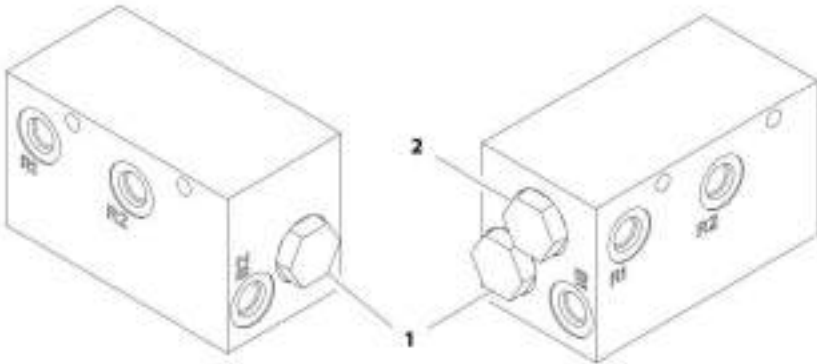
SECTION 9 - HYDRAULIC COMPONENTS

FIGURE 9-23. DIVERTOR VALVE

ITEM	PART NUMBER	QTY	DESCRIPTION	REV
	1001214843	Ref	Divertor Valve	A

SECTION 9 - HYDRAULIC COMPONENTS

FIGURE 9-24. FLOW DIVIDER VALVE



ART_4641500-A

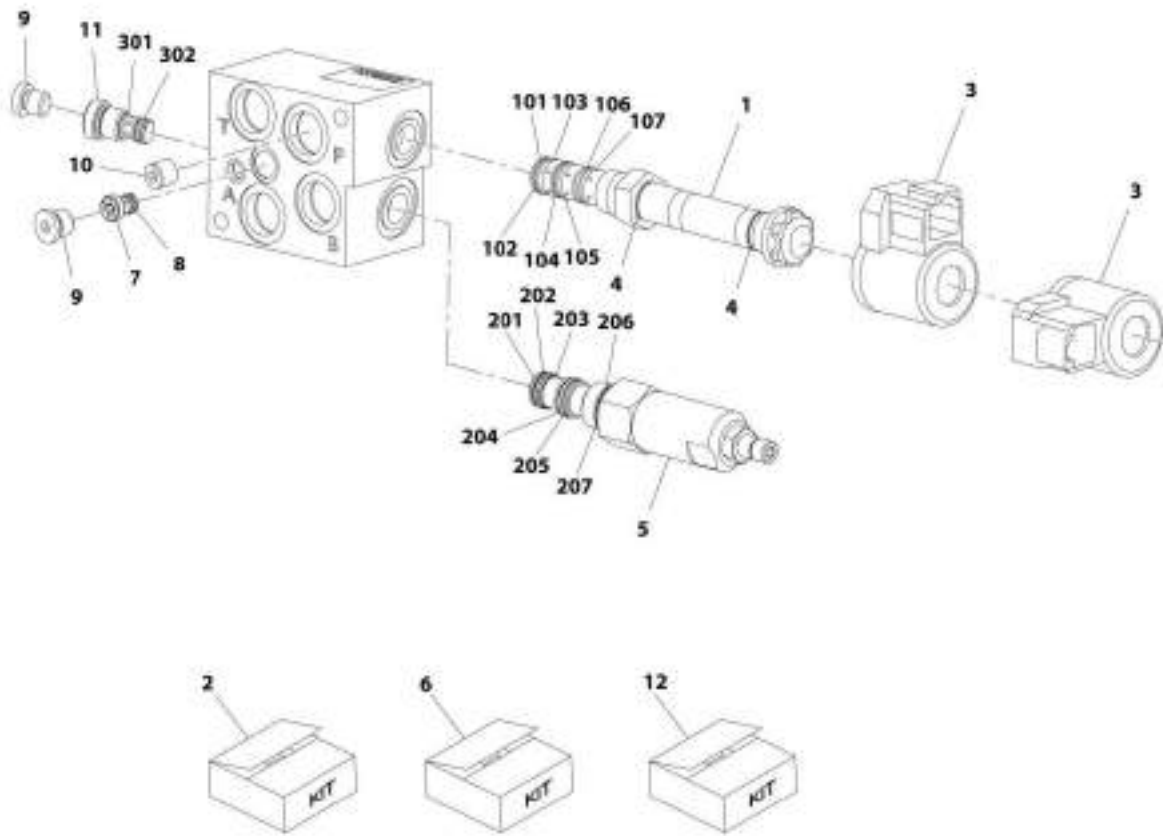
SECTION 9 - HYDRAULIC COMPONENTS

FIGURE 9-24. FLOW DIVIDER VALVE

ITEM	PART NUMBER	QTY	DESCRIPTION	REV
	4641501	Ref	Flow Divider Valve	A
1	70023928	2	Cartridge, PO Check Valve	
2	70023929	1	Cartridge, Valve	

SECTION 9 - HYDRAULIC COMPONENTS

FIGURE 9-25. HYDRAULIC HITCH CONTROL VALVE (Prior to SN 1160008583)



AWT_1001173770-F

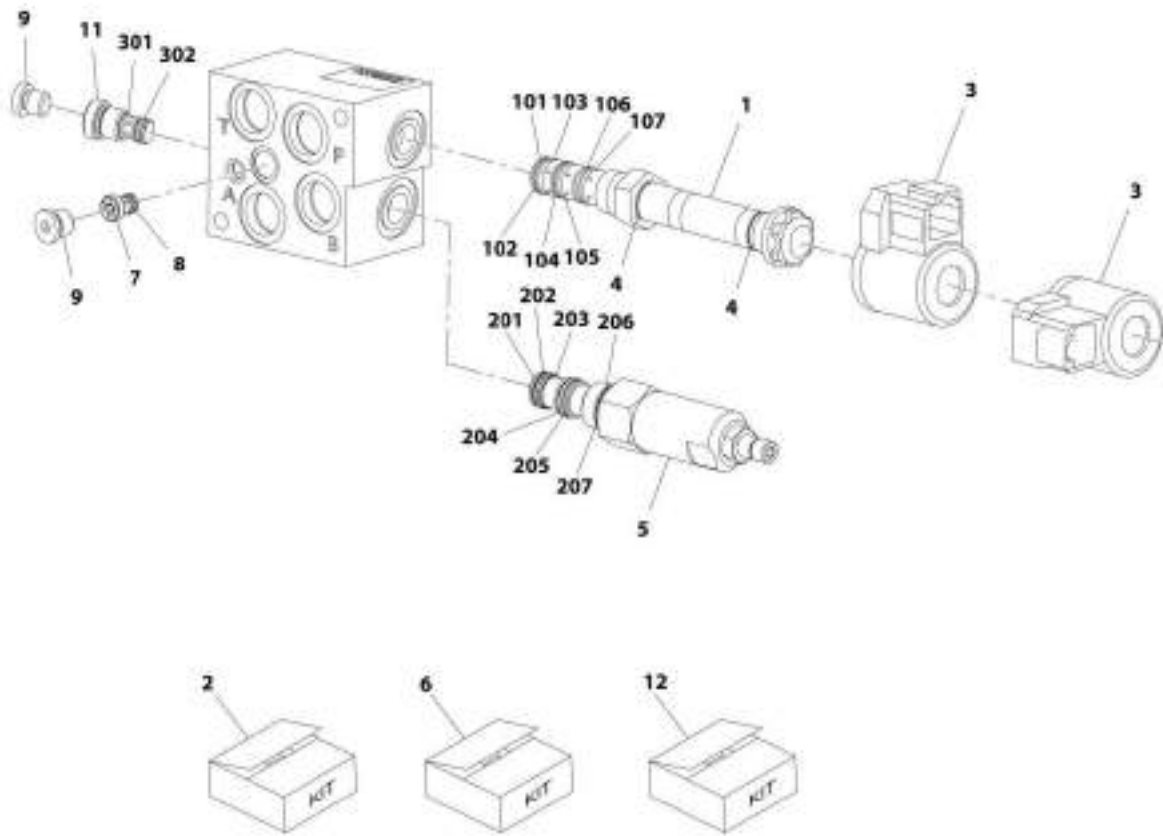
SECTION 9 - HYDRAULIC COMPONENTS

FIGURE 9-25. HYDRAULIC HITCH CONTROL VALVE (Prior to SN 1160008583)

ITEM	PART NUMBER	QTY	DESCRIPTION	REV
	1001173770	Ref	Hydraulic Hitch Control Valve	F
1	70026965	1	Valve	
2	70026966	1	Kit, Seal (includes items 101 thru 107)	
3	70026967	2	Coil	
4	70026968	1	Nut	
5	70026969	1	Valve	
6	70026970	1	Kit, Seal (includes items 201 thru 207)	
7	70026971	1	Valve	
8	70026972	1	Seal	
9	70026973	2	Plug	
10	70026974	1	Orifice	
11	70026975	1	Valve	
12	70026976	1	Kit, Seal (includes items 301 & 302)	
101	Kit	1	O-Ring	
102	Kit	1	O-Ring	
103	Kit	2	Ring, Support	
104	Kit	1	O-Ring	
105	Kit	2	Ring, Support	
106	Kit	1	O-Ring	
107	Kit	2	Ring, Support	
201	Kit	1	O-Ring	
202	Kit	1	O-Ring	
203	Kit	2	Ring, Support	
204	Kit	1	O-Ring	
205	Kit	2	Ring, Support	
206	Kit	1	O-Ring	
207	Kit	2	Ring, Support	
301	Kit	1	O-Ring	
302	Kit	1	O-Ring	

SECTION 9 - HYDRAULIC COMPONENTS

FIGURE 9-26. HYDRAULIC HITCH CONTROL VALVE (SN 1160008583 to Present)



AWT_1001228722-A

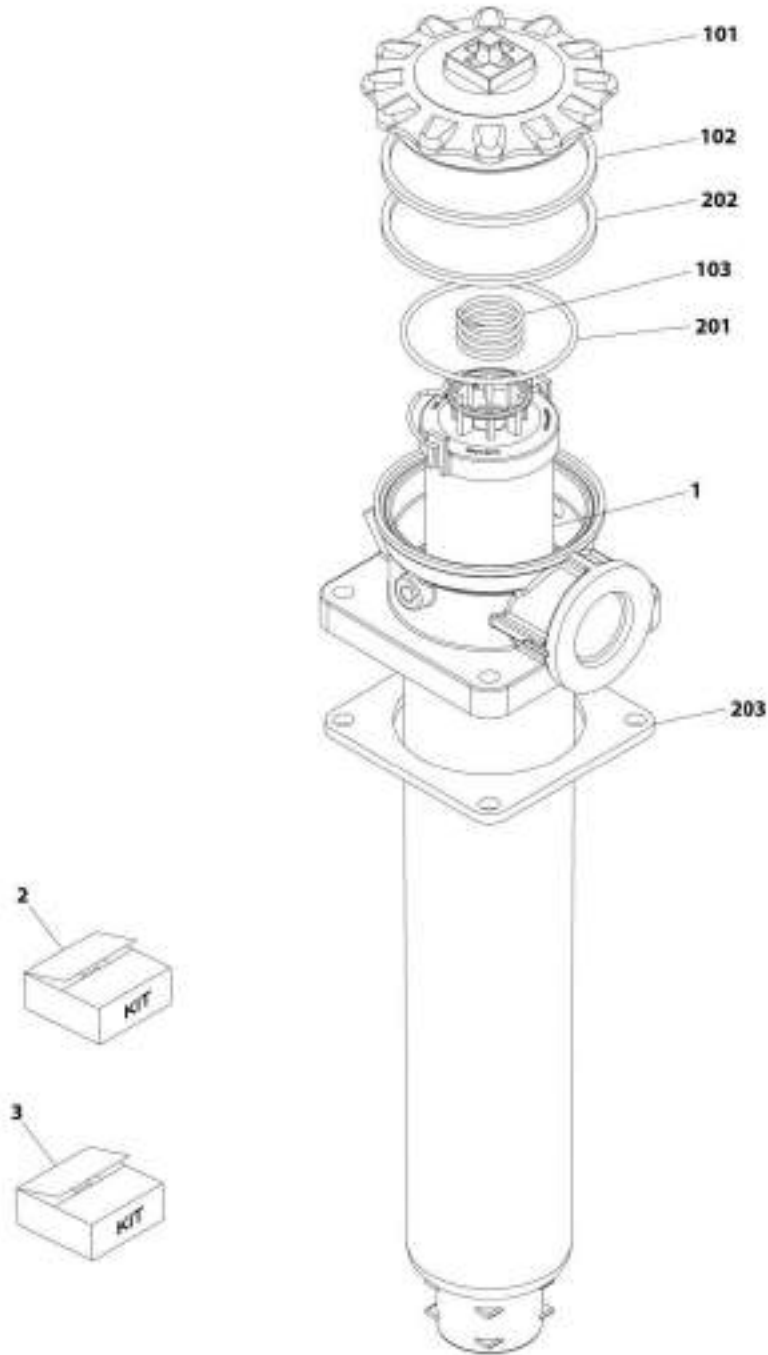
SECTION 9 - HYDRAULIC COMPONENTS

FIGURE 9-26. HYDRAULIC HITCH CONTROL VALVE (SN 1160008583 to Present)

ITEM	PART NUMBER	QTY	DESCRIPTION	REV
	1001226722	Ref	Hydraulic Hitch Control Valve	A
1	70026965	1	Valve	
2	70026966	1	Kit, Seal	
101	Kit	1	O-Ring	
102	Kit	1	O-Ring	
103	Kit	2	Support Ring	
104	Kit	1	O-Ring	
105	Kit	2	Support Ring	
106	Kit	1	O-Ring	
107	Kit	2	Support Ring	
3	70026967	2	Coil	
4	70026968	1	Nut	
5	70026969	1	Valve	
6	70026970	1	Kit, Seal	
201	Kit	1	O-Ring	
202	Kit	1	O-Ring	
203	Kit	2	Support Ring	
204	Kit	1	O-Ring	
205	Kit	2	Support Ring	
206	Kit	1	O-Ring	
207	Kit	2	Support Ring	
7	70026971	1	Valve	
8	70026972	1	Seal	
9	70026973	2	Plug	
11	70026975	1	Valve	
12	70026976	1	Kit, Seal	
301	Kit	1	O-Ring	
302	Kit	1	O-Ring	

SECTION 9 - HYDRAULIC COMPONENTS

FIGURE 9-27. HYDRAULIC FILTER



AHT_1001162861-B

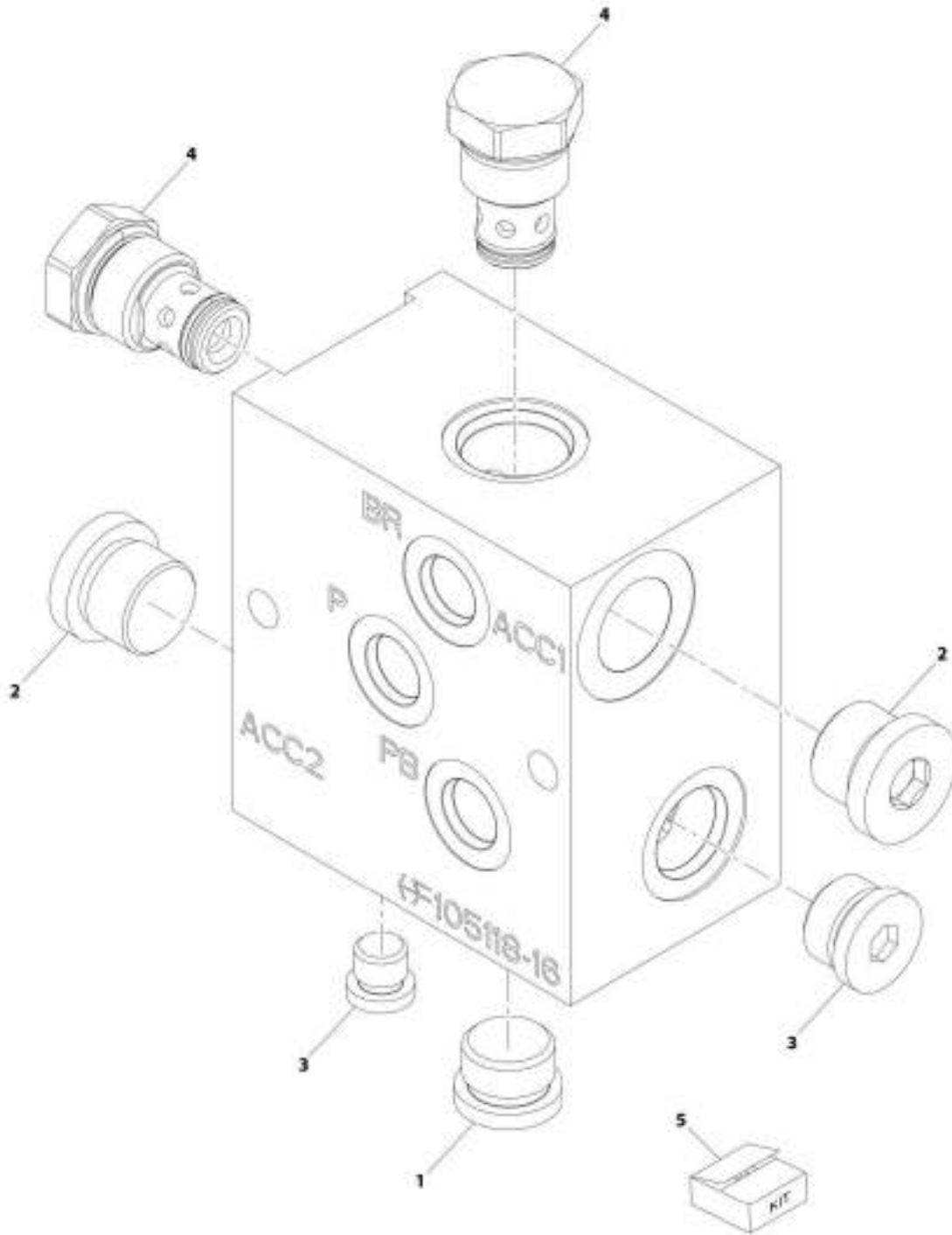
SECTION 9 - HYDRAULIC COMPONENTS

FIGURE 9-27. HYDRAULIC FILTER

ITEM	PART NUMBER	QTY	DESCRIPTION	REV
	1001162661	Ref	Hydraulic Filter	B
1	1001176283	1	Filter, Element	
2	70026816	1	Kit, Lid Assembly (includes items 101 thru 103)	
3	70027241	1	Kit, Seal (includes items 201 thru 203)	
101	Kit	1	Lid	
102	Kit	1	Seal	
103	Kit	1	Spring	
201	Kit	1	O-Ring	
202	Kit	1	Seal	
203	Kit	1	Gasket	

SECTION 9 - HYDRAULIC COMPONENTS

FIGURE 9-28. SAHR BRAKE MANIFOLD



ART_1001215589-8

SECTION 9 - HYDRAULIC COMPONENTS

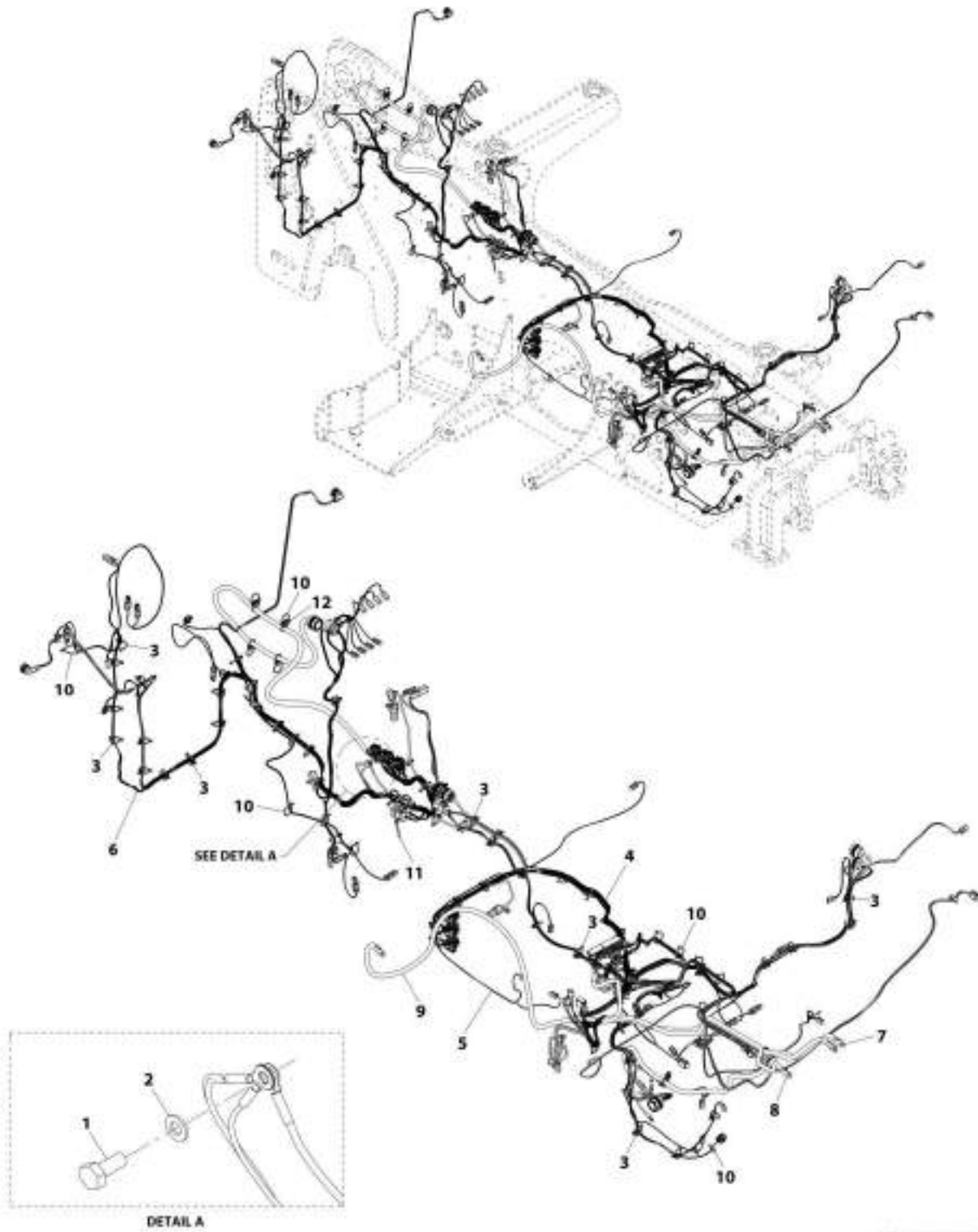
FIGURE 9-28. SAHR BRAKE MANIFOLD

ITEM	PART NUMBER	QTY	DESCRIPTION	REV
	1001215589	Ref	SAHR Brake Manifold	B
1	2220886	2	Port Plug	
2	70027902	2	Port Plug	
3	2220883	2	Port Plug	
4	7017478	2	Check Valve	
5	7017496	1	Seal Kit	
	Kit	1	O-Ring, (not shown)	
	Kit	1	O-Ring, (not shown)	
	Kit	1	Backup Ring, (not shown)	

SECTION 10 - ELECTRICAL

SECTION 10 - ELECTRICAL

FIGURE 10-1. FRAME WIRING INSTALLATION



MIT_100118480-E

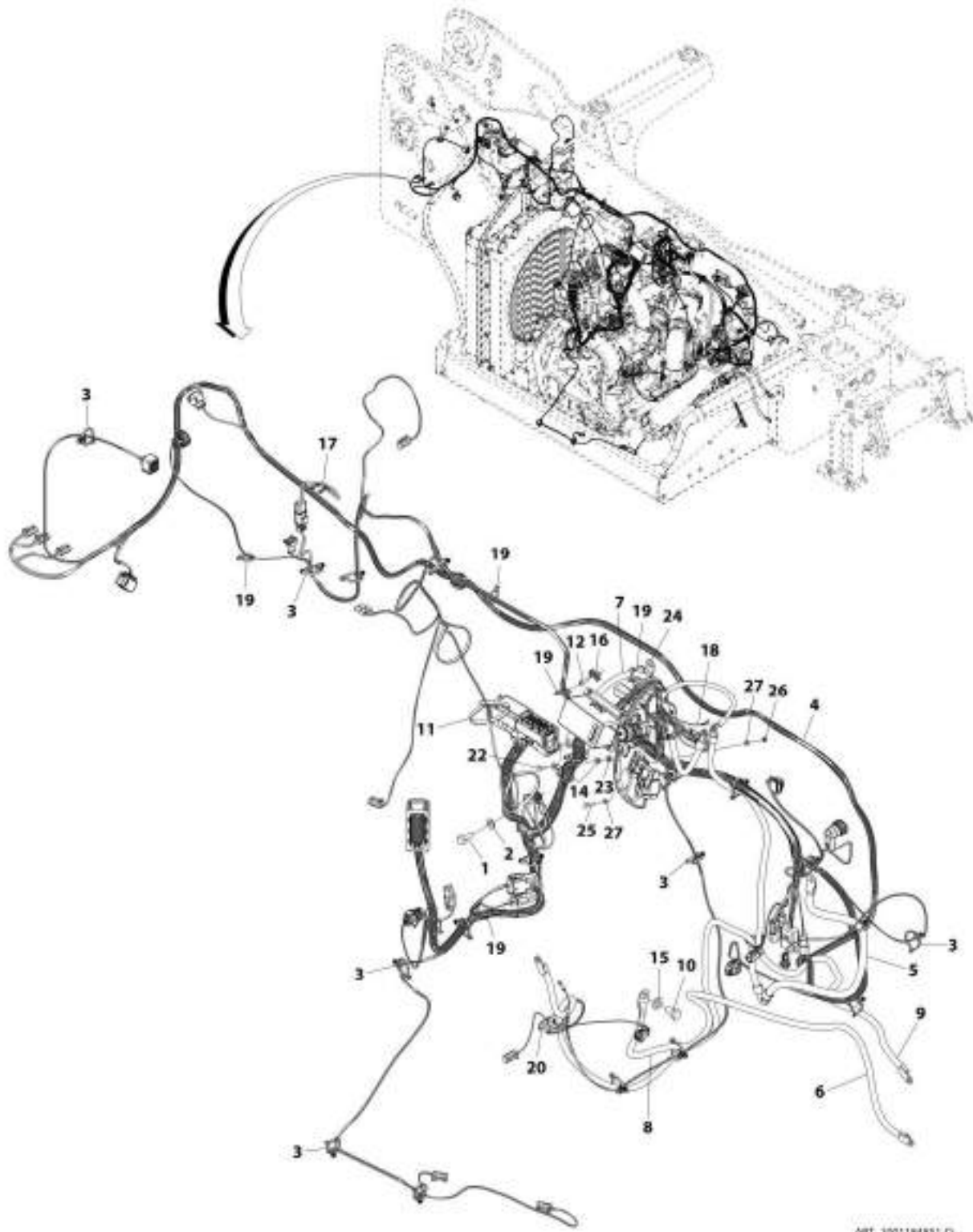
SECTION 10 - ELECTRICAL

FIGURE 10-1. FRAME WIRING INSTALLATION

ITEM	PART NUMBER	QTY	DESCRIPTION	REV
	1001184849	Ref	Frame Wiring Installation	E
1	0701012	3	Bolt, M10X25	
2	4812000	3	Washer, M10	
3	1001146588	55	Strap, Cable	
4	1001183401	Ref	Harness, Front Frame (See Separate Breakdown in this Section) (Prior to SN 1160008371)	
4	1001231708	Ref	Harness, Front Frame (See Separate Breakdown in this Section) (SN 1160008371 to Present)	
5	1001183737	1	Harness, Hydrostatic (See Separate Breakdown in this Section)	
6	1001183848	Ref	Harness, Rear Frame (See Separate Breakdown in this Section) (Prior to SN 1160008371)	
6	1001231709	Ref	Harness, Rear Frame (See Separate Breakdown in this Section) (SN 1160008371 to Present)	
7	1001184528	1	Cable, Battery + to PDM	
8	1001184539	1	Cable, Battery + to Battery Disconnect	
9	1001184564	1	Cable, Starter to Battery	
10	1001008559	31	Tie Strap	
11	1062255	1	Strap, Tie	
12	1001004723	5	Saddle	

SECTION 10 - ELECTRICAL

FIGURE 10-2. ENGINE WIRING INSTALLATION (85KW - ULS)



ART_1001104851-D

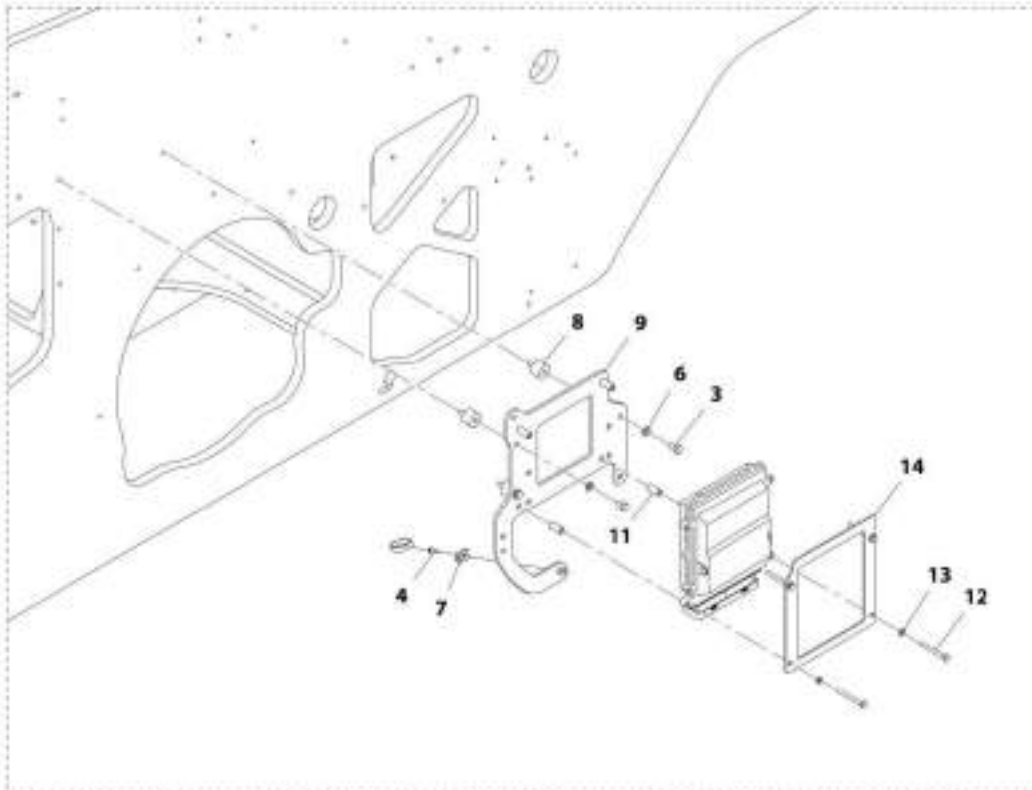
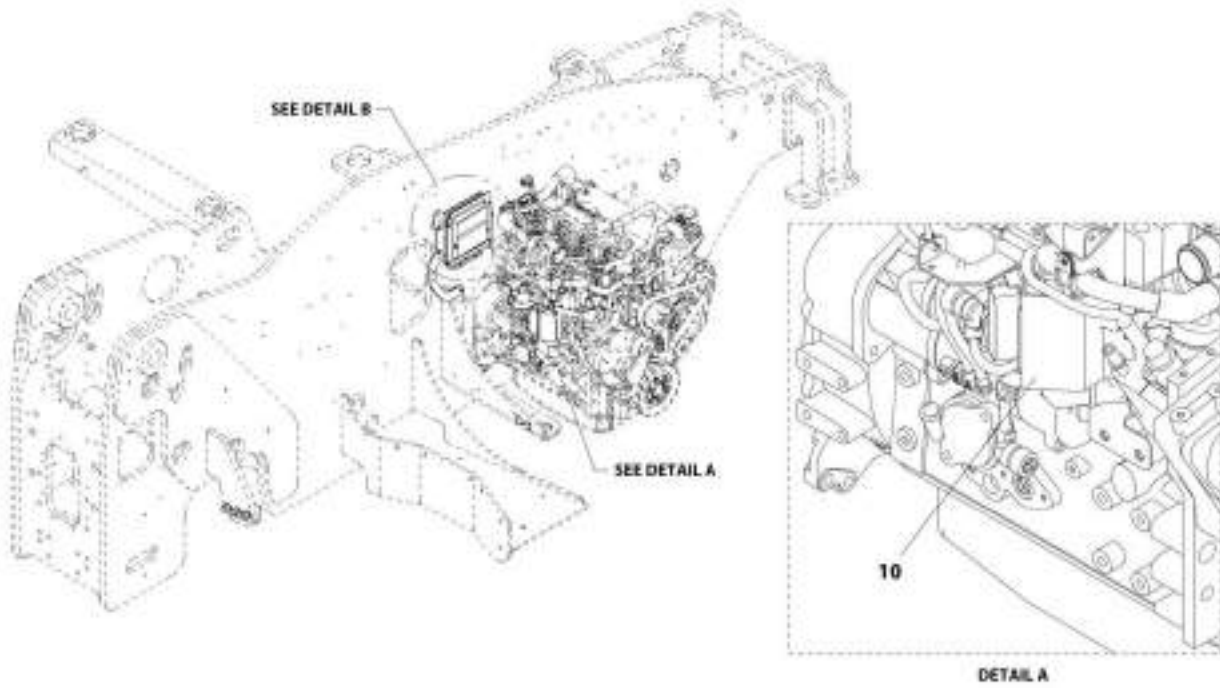
SECTION 10 - ELECTRICAL

FIGURE 10-2. ENGINE WIRING INSTALLATION (85KW - ULS)

ITEM	PART NUMBER	QTY	DESCRIPTION	REV
	1001184851	Ref	Engine Wiring Installation (85KW - ULS)	D
1	0701012	1	Bolt, M10X25	
2	4812000	1	Washer, M10	
3	1001146588	24	Strap, Cable	
4	1001183814	1	Harness, Engine (See Separate Breakdown in this Section)	
5	1001184538	1	Cable, Battery Disconnect to Ground Bus	
6	1001184546	1	Cable, Alternator	
7	1001184555	1	Cable, Glow Plug	
8	1001184558	1	Cable, Ground Bus To Engine Ground	
9	1001184559	1	Cable, Glow Plug Relay to PDM	
10	0761210	1	Bolt, M12X20	
11	1062255	3	Strap, Tie	
12	3900357	2	Screw, M6X16	
14	4811700	2	Washer, M6	
15	4812100	1	Washer, M12	
16	1001138645	2	Mount, Cable Tie	
17	1001182929	1	Harness, Fuel Pump (See Separate Breakdown in this Section)	
18	1001182930	1	Harness, Glow Plug Relay (See Separate Breakdown in this Section)	
19	1001008559	8	Tie Strap	
20	1001025750	1	Clip	
22	0760607	1	Bolt, M6X14	
23	3290601	1	Nut, M6X1	
24	1001003305	1	Clip	
25	0760512	1	Bolt M5X25	
26	3290501	1	Nut, M5X0.8	
27	4811600	2	Washer, M5	

SECTION 10 - ELECTRICAL

FIGURE 10-3. ENGINE ECU INSTALLATION (74.4KW - 85KW - ULS)



DETAIL B

ART_3001180679-D

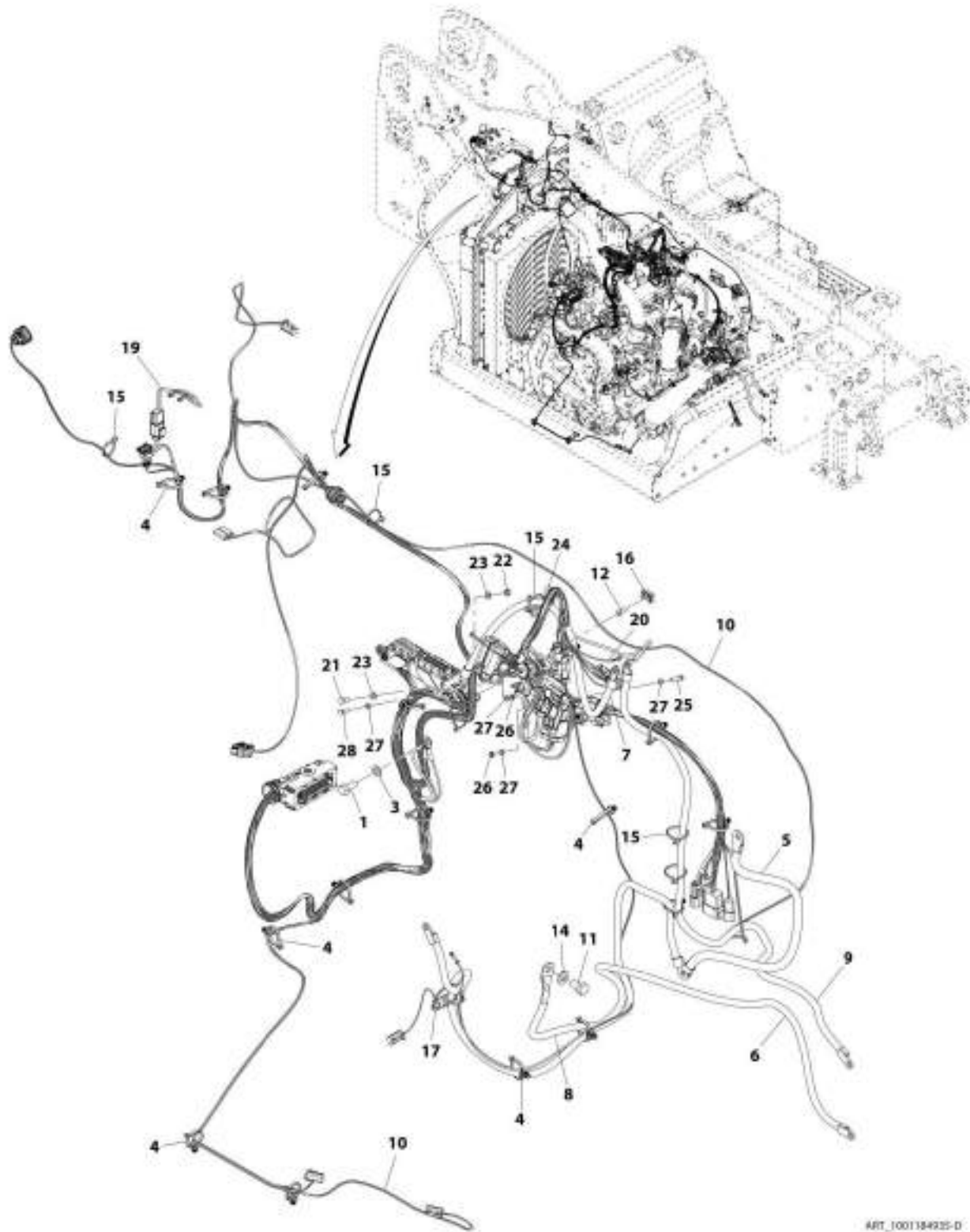
SECTION 10 - ELECTRICAL

FIGURE 10-3. ENGINE ECU INSTALLATION (74.4KW - 85KW - ULS)

ITEM	PART NUMBER	QTY	DESCRIPTION	REV
	1001180659	Ref	Engine ECU Installation (74.4KW - 85KW - ULS)	D
3	0760808	3	Bolt, M8X16	
4	3900357	1	Screw, M6X16	
6	4811900	3	Washer, M8	
7	1001138645	1	Mount, Cable Tie	
8	1001179907	3	Mount	
9	1001180660	1	Bracket	
10	1001183567	1	Bracket	
11	1001196587	4	Sleeve, Spacer	
12	0760619	4	Bolt, M6X55	
13	4811700	4	Washer, M6	
14	1001206120	1	Plate, ECM Frame	

SECTION 10 - ELECTRICAL

FIGURE 10-4. ENGINE WIRING INSTALLATION (74.4KW - 85KW - LS)



ART_100134925-D

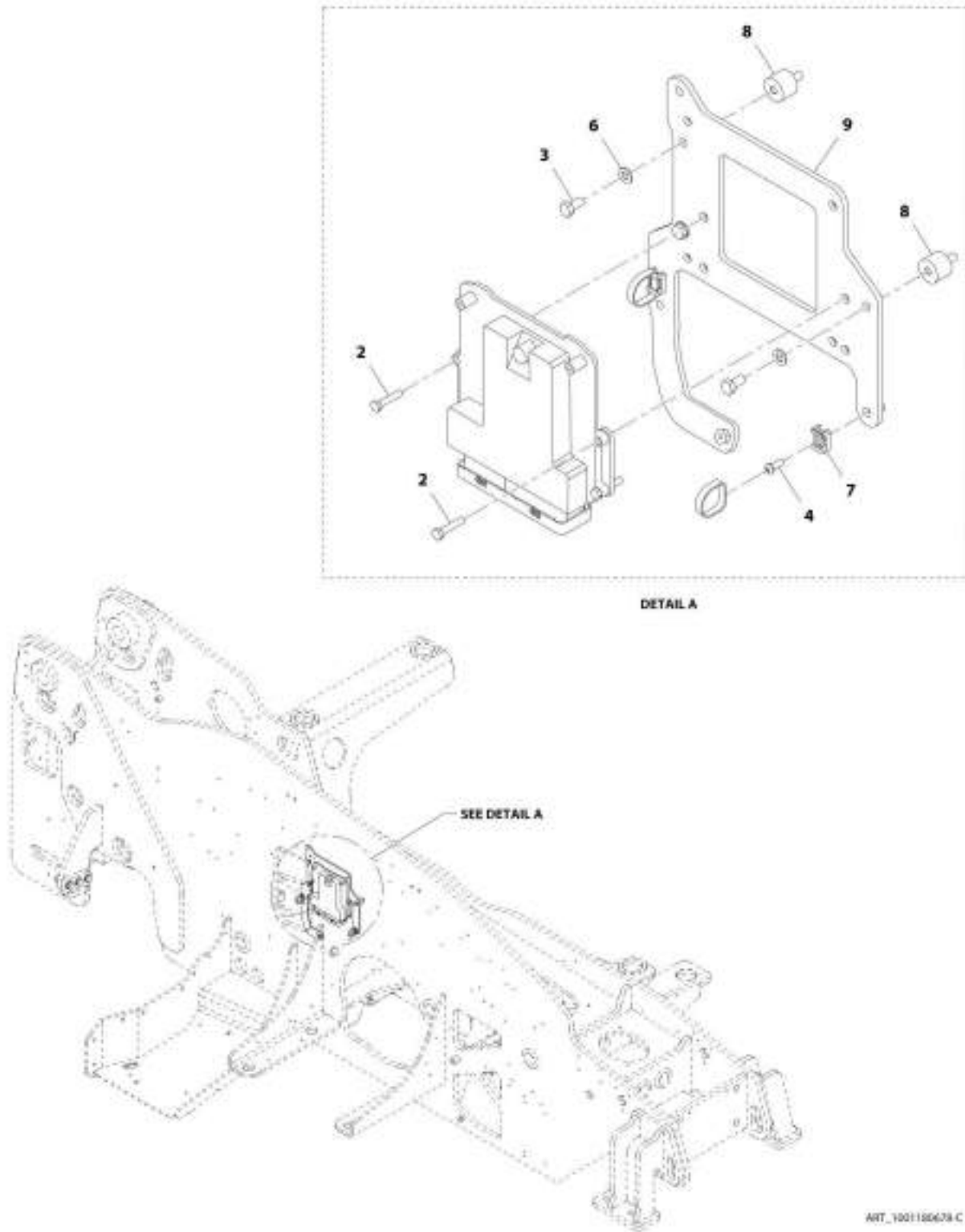
SECTION 10 - ELECTRICAL

FIGURE 10-4. ENGINE WIRING INSTALLATION (74.4KW - 85KW - LS)

ITEM	PART NUMBER	QTY	DESCRIPTION	REV
	1001184935	Ref	Engine Wiring Installation (74.4KW - 85KW - LS)	D
1	0701012	1	Bolt, M10X25	
3	4812000	1	Washer, M10	
4	1001146588	20	Strap, Cable	
5	1001184538	1	Cable, Battery Disconnect to Ground Bus	
6	1001184546	1	Cable, Alternator	
7	1001184555	1	Cable, Glow Plug	
8	1001184558	1	Cable, Ground Bus To Engine Ground	
9	1001184559	1	Cable, Glow Plug Relay to PDM	
10	1001184623	1	Harness, Engine (See Separate Breakdown in this Section)	
11	0761210	1	Bolt, M12X20	
12	3900357	1	Screw, M6X16	
14	4812100	1	Washer, M12	
15	1001008559	7	Strap, Cable	
16	1001138645	1	Mount, Cable Tie	
17	1001025750	1	Clip	
19	1001182929	1	Harness, Fuel Pump (See Separate Breakdown in this Section)	
20	1001182930	1	Harness, Glow Plug Relay (See Separate Breakdown in this Section)	
21	0760607	1	Bolt, M6X14	
22	3290601	1	Nut, M6X1	
23	4811700	2	Washer, M6	
24	1001003305	1	Clip	
25	0760512	1	Bolt M5X25	
26	3290501	3	Nut, M5X0.8	
27	4811600	6	Washer, M5	
28	0760508	2	Bolt, M5X16	

SECTION 10 - ELECTRICAL

FIGURE 10-5. ENGINE ECU INSTALLATION (74.4KW - 85KW - LS)



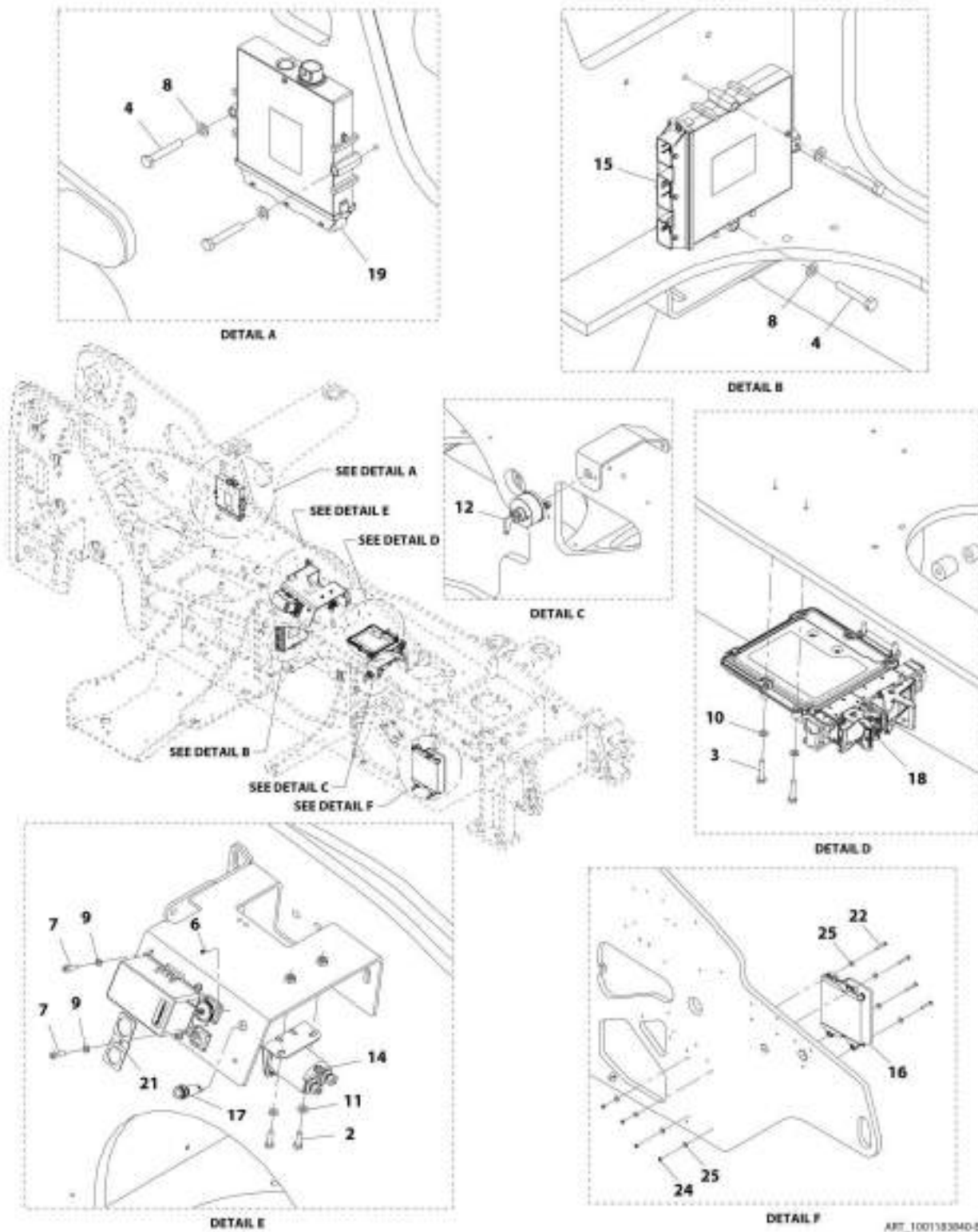
SECTION 10 - ELECTRICAL

FIGURE 10-5. ENGINE ECU INSTALLATION (74.4KW - 85KW - LS)

ITEM	PART NUMBER	QTY	DESCRIPTION	REV
	1001180678	Ref	Engine ECU Installation (74.4KW - 85KW - LS)	C
2	0700614	4	Bolt, M6X30	
3	0760808	3	Bolt, M8X16	
4	3900357	2	Screw, M6X16	
6	4811900	3	Washer, M8	
7	1001138645	2	Mount, Cable Tie	
8	1001179907	3	Mount	
9	1001180660	1	Bracket	

SECTION 10 - ELECTRICAL

FIGURE 10-6. ELECTRICAL COMPONENTS INSTALLATION



ART_100138304D-E

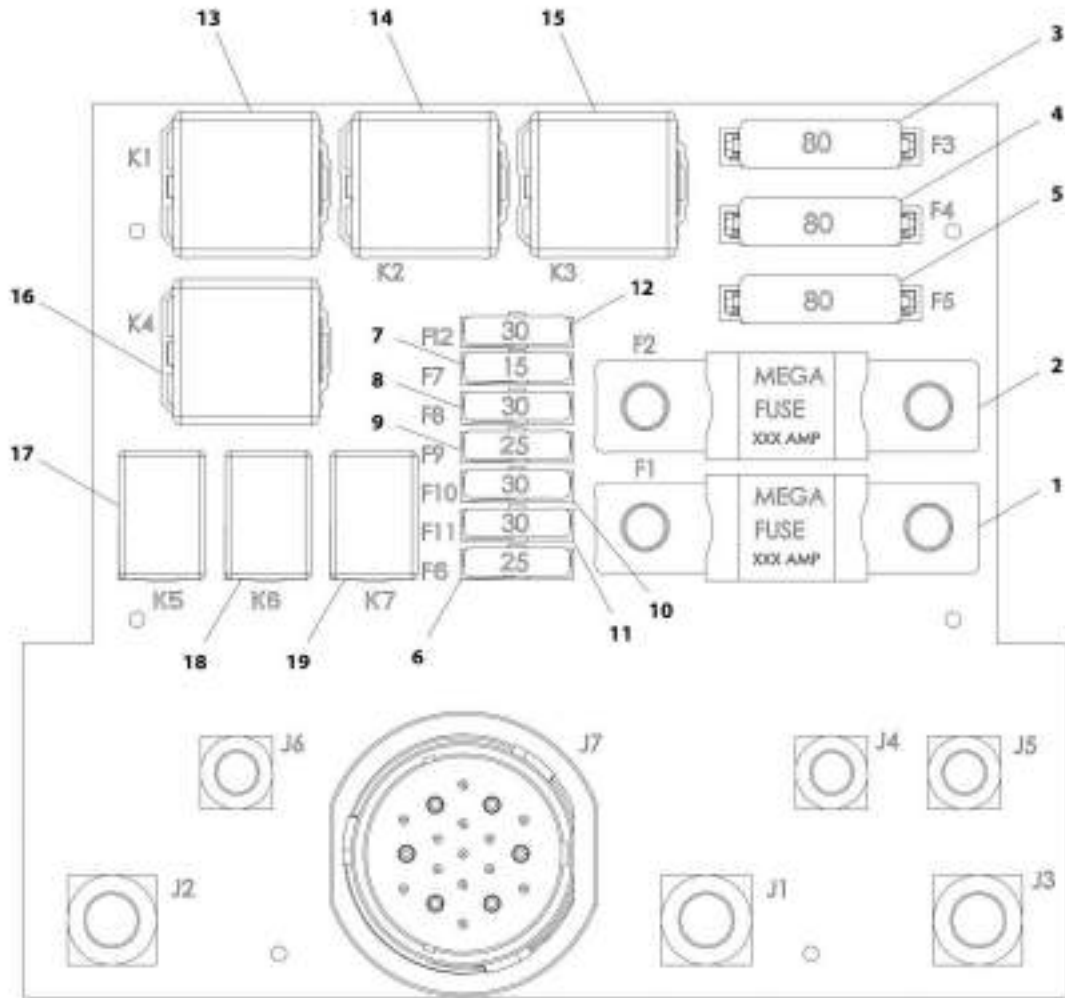
SECTION 10 - ELECTRICAL

FIGURE 10-6. ELECTRICAL COMPONENTS INSTALLATION

ITEM	PART NUMBER	QTY	DESCRIPTION	REV
	1001183840	Ref	Electrical Components Installation	E
2	0700610	2	Bolt, M6X20	
3	0700614	4	Bolt, M6X30	
4	0700818	4	Bolt, M8X50	
6	3900349	1	Screw, M2.5	
7	4031608	5	Bolt, M5X20	
8	4811900	4	Washer, M8	
9	4831600	5	Washer, Lock M5	
10	4831700	4	Washer, Lock M6	
11	5240600	2	Washer, M6	
12	1001008926	NLA	Switch, Disconnect, (no longer available, use 1001192142 for replacement)	
12	1001192142	1	Switch, Disconnect	
14	1001117308	1	Relay, 200 Amp (See Separate Breakdown in this Section)	
15	1001209577	1	Module, Front Frame Control	
16	1001164402	1	Box, Power Distribution Electrical (See Separate Breakdown in this Section)	
16	1001191487	1	Decal, Fuse Panel, (not shown)	
17	1001169825	1	Lamp, 12V Yellow	
18	1001177613	1	Controller, RC28	
19	1001209576	1	Controller, Rear Frame Module	
21	1001186693	1	Plate	
22	0700616	4	Bolt, M6X40	
24	3290601	4	Nut, M6X1 Grade 8	
25	4811702	8	Washer, M6	

SECTION 10 - ELECTRICAL

FIGURE 10-7. POWER DISTRIBUTION ELECTRICAL BOX



AWT_1001104402.F

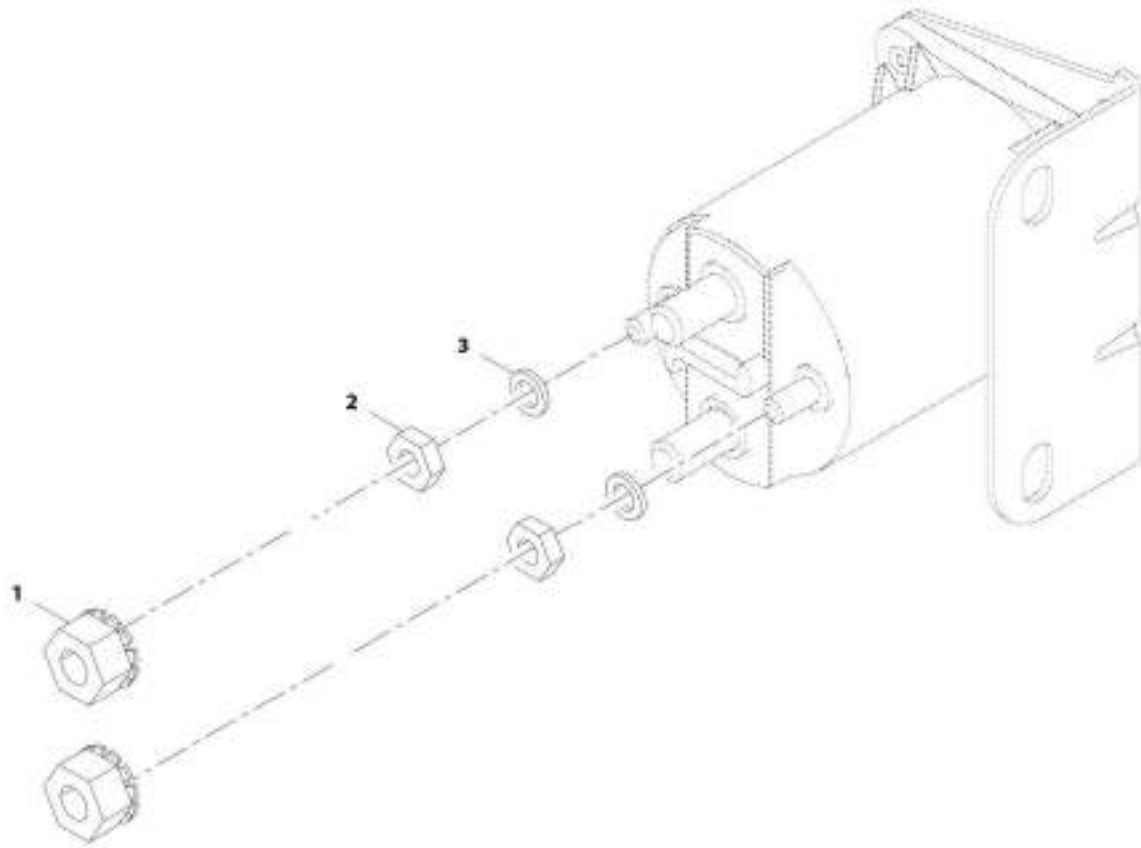
SECTION 10 - ELECTRICAL

FIGURE 10-7. POWER DISTRIBUTION ELECTRICAL BOX

ITEM	PART NUMBER	QTY	DESCRIPTION	REV
	1001164402	Ref	Power Distribution Electrical Box	F
1	1001095336	1	Fuse, 150AMP	
2	70026296	1	Fuse, 200AMP	
3	70026297	1	Fuse, 80AMP	
4	70026297	1	Fuse, 80AMP	
5	70026297	1	Fuse, 80AMP	
6	8229247	1	Fuse, 25AMP	
7	8229244	1	Fuse, 15AMP	
8	8229245	1	Fuse, 30AMP	
9	8229247	1	Fuse, 25AMP	
10	8229245	1	Fuse, 30AMP	
11	8229245	1	Fuse, 30AMP	
12	8229245	1	Fuse, 30AMP	
13	70026294	1	Fuse, 70AMP	
14	70026294	1	Fuse, 70AMP	
15	70026294	1	Fuse, 70AMP	
16	70026294	1	Fuse, 70AMP	
17	70026295	1	Fuse, 35AMP	
18	70026295	1	Fuse, 35AMP	
19	70026295	1	Fuse, 35AMP	

SECTION 10 - ELECTRICAL

FIGURE 10-8. 200 AMP RELAY INSTALLATION



ART_1001117306-B

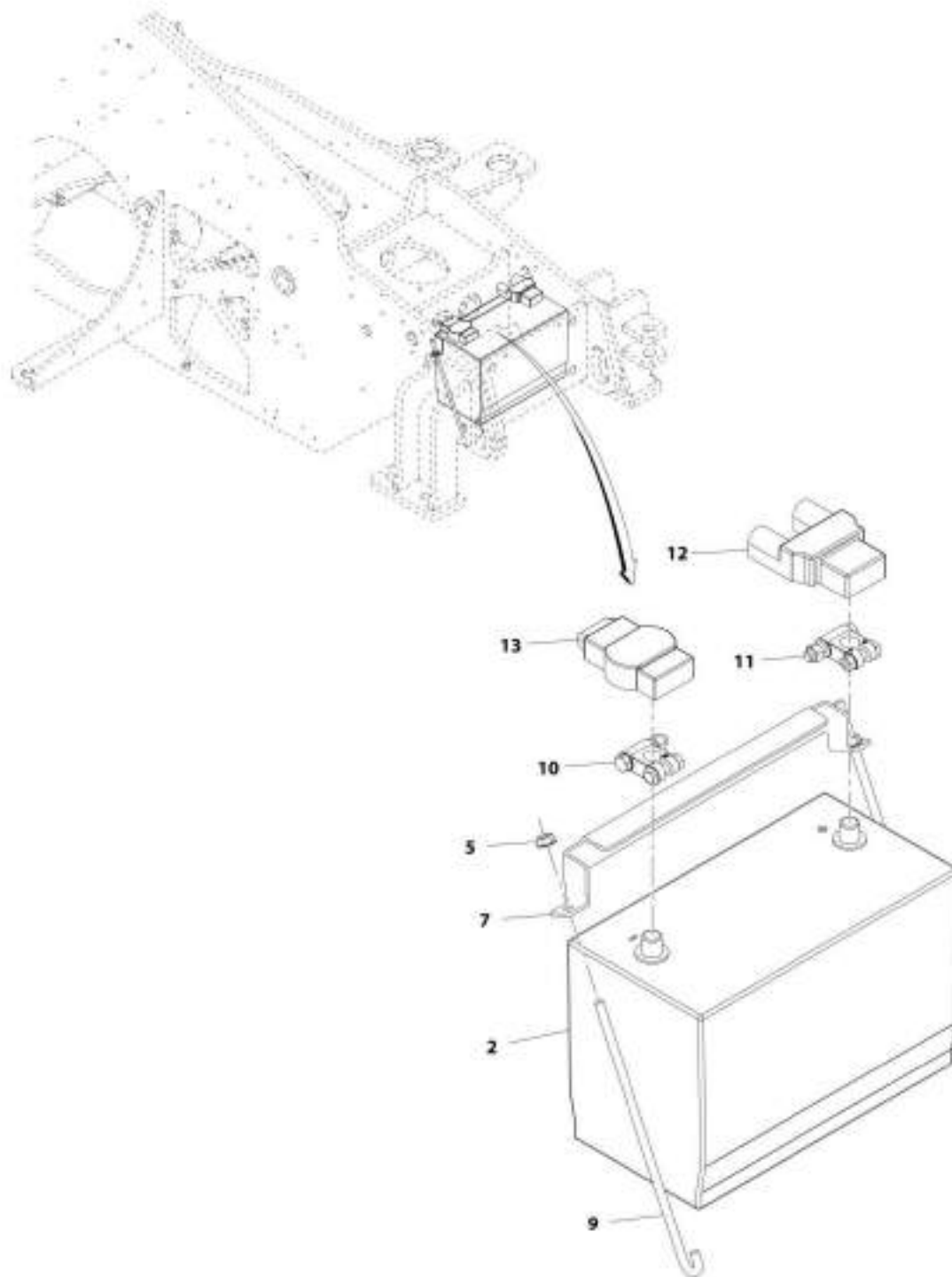
SECTION 10 - ELECTRICAL

FIGURE 10-8. 200 AMP RELAY INSTALLATION

ITEM	PART NUMBER	QTY	DESCRIPTION	REV
	1001117308	Ref	200 AMP Relay Installation	B
1	3300220	2	Nut, Washer	
2	3321001	2	Nut	
3	4761000	2	Washer, Lock	
4	1001111424	2	Washer	

SECTION 10 - ELECTRICAL

FIGURE 10-9. BATTERY INSTALLATION



ART_1001579079-E

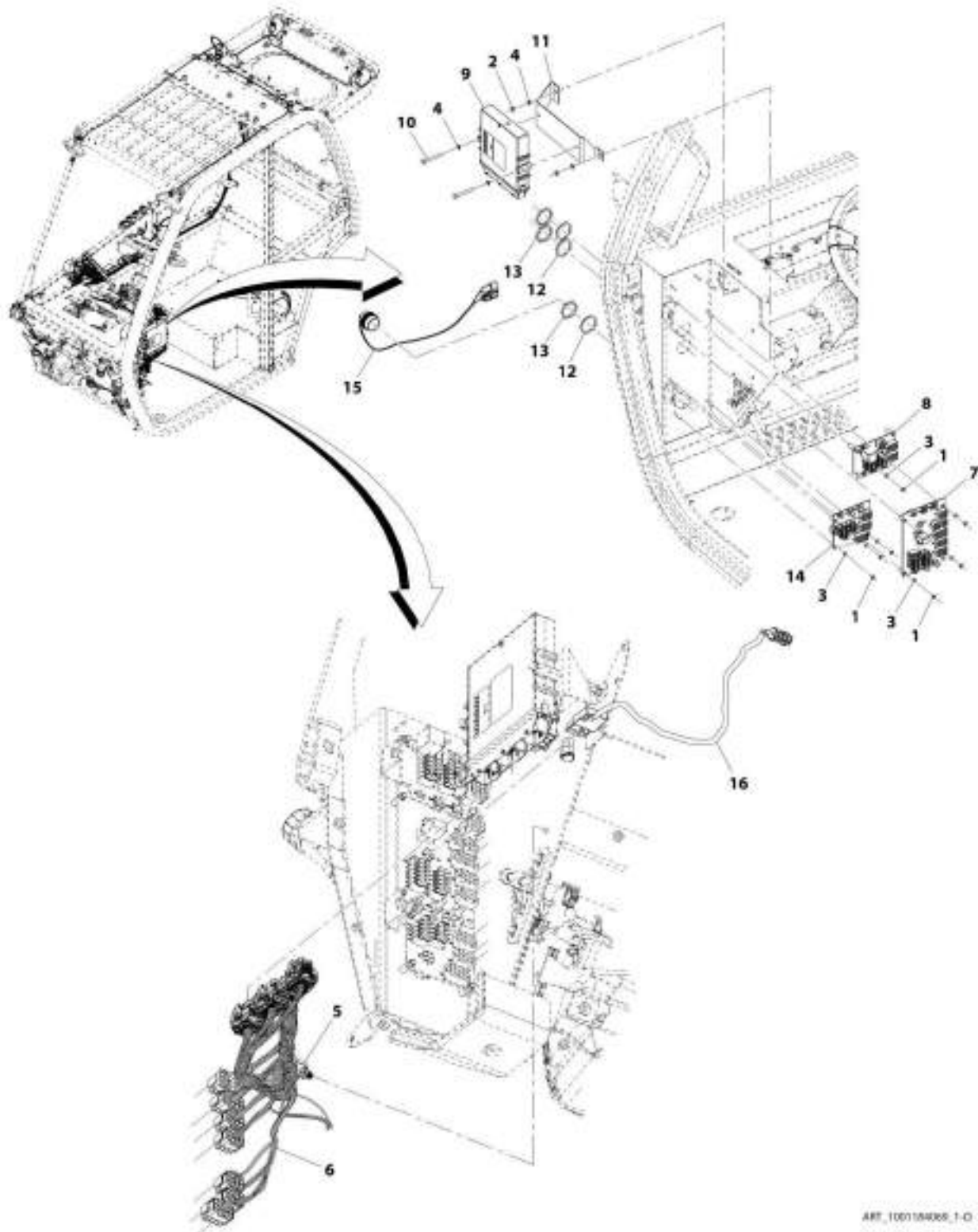
SECTION 10 - ELECTRICAL

FIGURE 10-9. BATTERY INSTALLATION

ITEM	PART NUMBER	QTY	DESCRIPTION	REV
	1001179979	Ref	Battery Installation	E
2	0400075	1	Battery, 12V	
5	5220800	2	Nut, M8	
7	1001141596	1	Plate, Battery Hold Down	
9	1001160928	2	J-Bolt	
10	8270147	1	Clamp, Battery Negative	
11	8270148	1	Clamp, Battery Positive	
12	7301893	NLA	Insulator, Battery Terminal (no longer available, use 1001214663 for replacement)	
12	1001214663	1	Insulator, Battery Terminal	
13	1001145300	1	Boot, Battery Terminal	

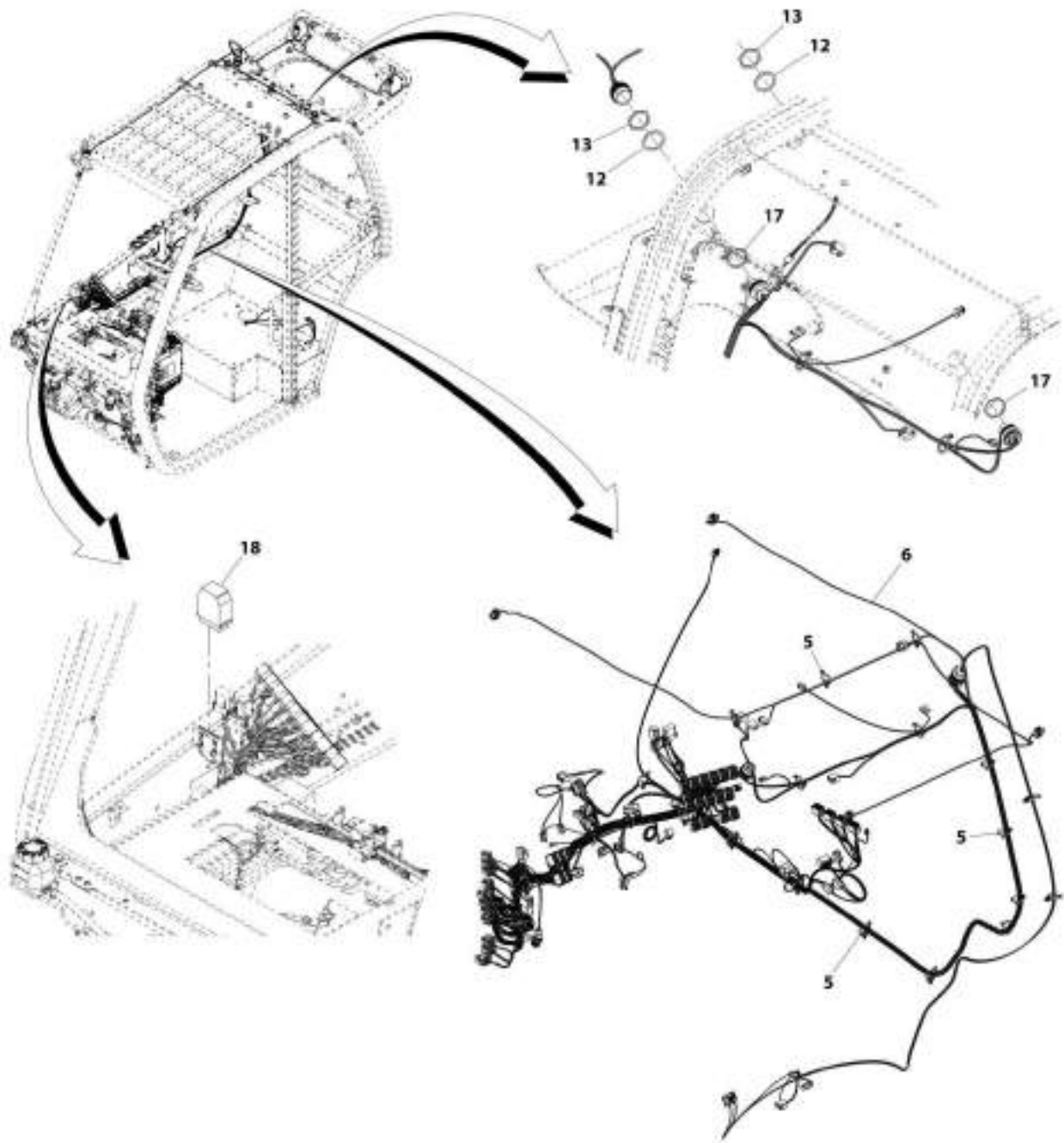
SECTION 10 - ELECTRICAL

FIGURE 10-10. CAB ELECTRICAL INSTALLATION



ART_100154266_1-D

SECTION 10 - ELECTRICAL



ART_1001104068_3-D

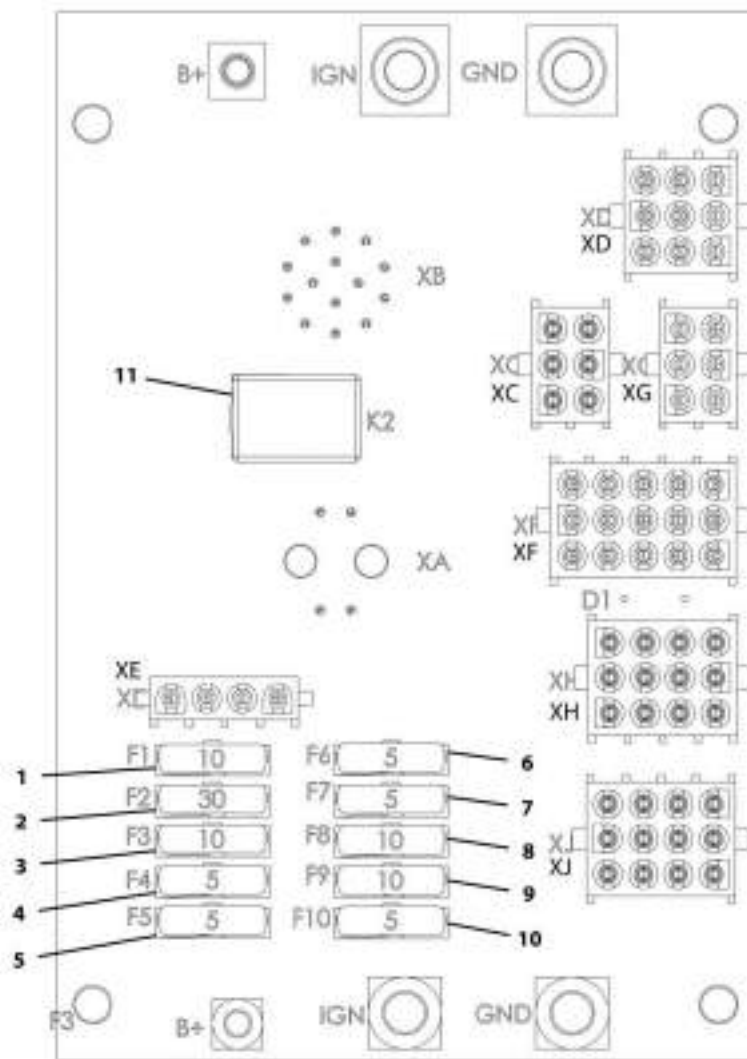
SECTION 10 - ELECTRICAL

FIGURE 10-10. CAB ELECTRICAL INSTALLATION

ITEM	PART NUMBER	QTY	DESCRIPTION	REV
	1001184069	Ref	Cab Electrical Installation	O
1	3290501	7	Nut, M5X0.8 Grade 8	
2	3290601	2	Nut, M6X1 Grade 8	
3	120034	7	Washer, Plastic	
4	4811700	4	Washer, M6	
5	1001146588	23	Strap, Cable Tie	
6	1001184070	1	Harness, Cab (See Separate Breakdown in this Section)	
7	1001161769	1	Assembly, Standard Electrical Board (See Separate Breakdown in this Section)	
8	1001161770	1	Assembly, Option 1 Electrical Board (See Separate Breakdown in this Section)	
9	1001209578	1	Module, Cab Control	
10	0700618	2	Bolt, M6X50	
11	1001178933	1	Bracket	
12	4460496	5	Washer, Terminal Lock	
13	4460497	5	Nut, Terminal	
14	1001161771	1	Assembly, Option 2 Electrical Board (See Separate Breakdown in this Section)	
15	1001181681	1	Harness, Cab Option LBP (See Separate Breakdown in this Section)	
16	1001213988	1	Cable, Communication Analyzer	
17	1001211693	2	Seal	
18	1001214281	1	Connector, Wiper Module	

SECTION 10 - ELECTRICAL

FIGURE 10-11. STANDARD ELECTRICAL BOARD ASSEMBLY



ART_100161709-C

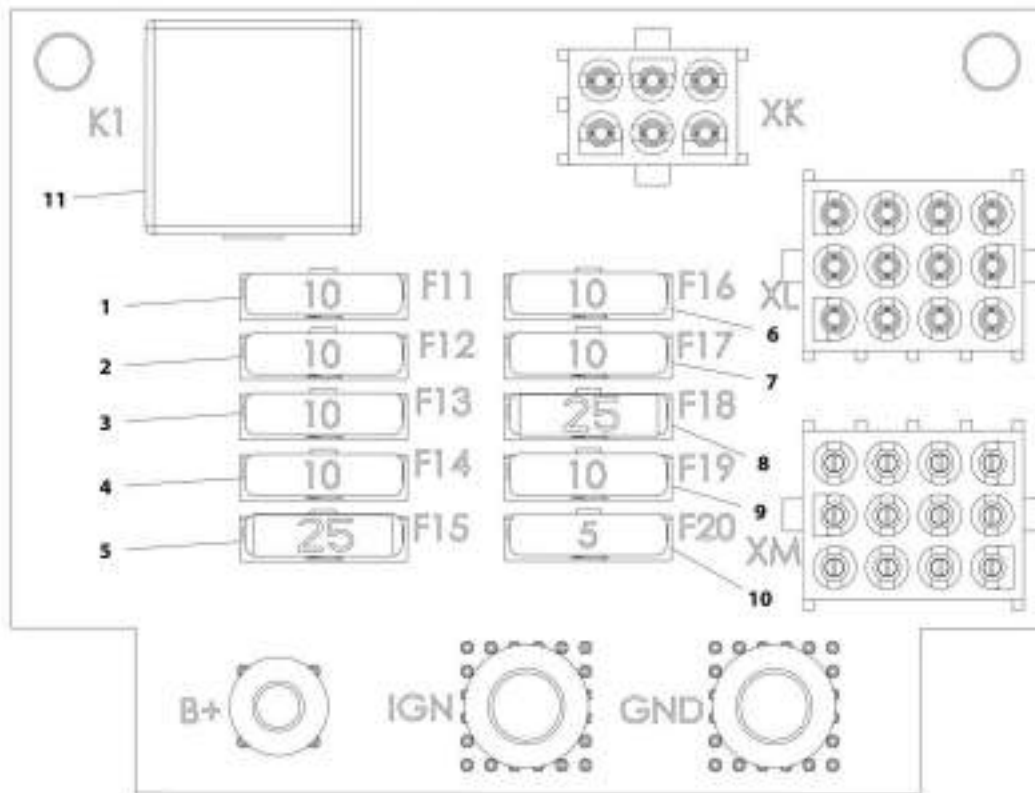
SECTION 10 - ELECTRICAL

FIGURE 10-11. STANDARD ELECTRICAL BOARD ASSEMBLY

ITEM	PART NUMBER	QTY	DESCRIPTION	REV
	1001161769	Ref	Standard Electrical Board Assembly	C
1	80983191	1	Fuse, 10AMP	
2	8229245	1	Fuse, 30AMP	
3	80983191	1	Fuse, 10AMP	
4	8229242	1	Fuse, 5AMP	
5	8229242	1	Fuse, 5AMP	
6	8229242	1	Fuse, 5AMP	
7	8229242	1	Fuse, 5AMP	
8	80983191	1	Fuse, 10AMP	
9	80983191	1	Fuse, 10AMP	
10	8229242	1	Fuse, 5AMP	
11	70026292	1	Fuse, 35AMP	

SECTION 10 - ELECTRICAL

FIGURE 10-12. OPTION 1 ELECTRICAL BOARD ASSEMBLY



ART_100159177D/C

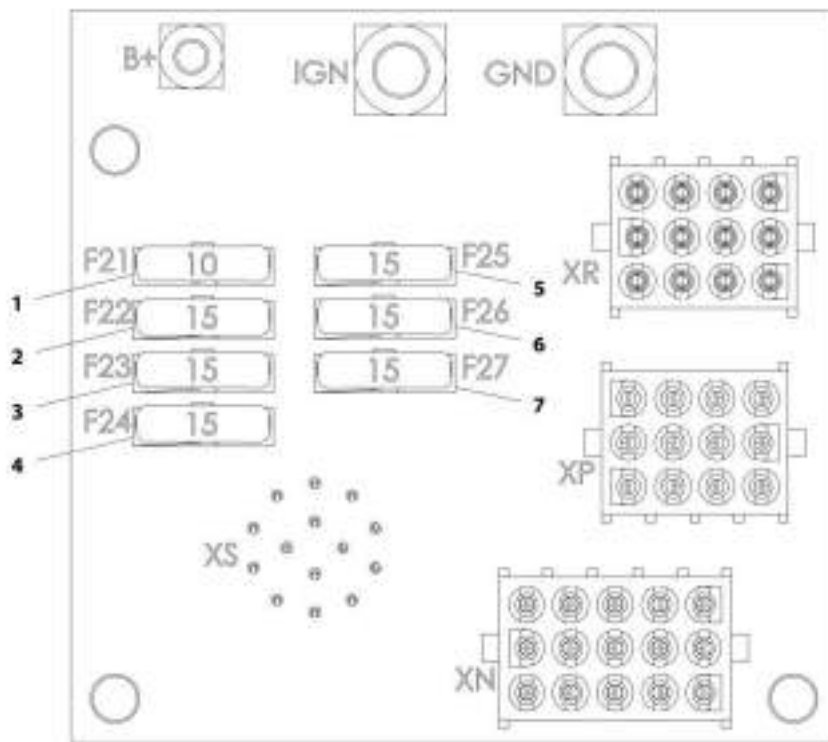
SECTION 10 - ELECTRICAL

FIGURE 10-12. OPTION 1 ELECTRICAL BOARD ASSEMBLY

ITEM	PART NUMBER	QTY	DESCRIPTION	REV
	1001161770	Ref	Option 1 Electrical Board Assembly	C
1	80983191	1	Fuse, 10AMP	
2	80983191	1	Fuse, 10AMP	
3	80983191	1	Fuse, 10AMP	
4	80983191	1	Fuse, 10AMP	
5	8229247	1	Fuse, 25AMP	
6	80983191	1	Fuse, 10AMP	
7	80983191	1	Fuse, 10AMP	
8	8229247	1	Fuse, 25AMP	
9	80983191	1	Fuse, 10AMP	
10	8229242	1	Fuse, 5AMP	
11	70026293	1	Fuse, 50AMP	

SECTION 10 - ELECTRICAL

FIGURE 10-13. OPTION 2 ELECTRICAL BOARD ASSEMBLY



ART_300161771-8

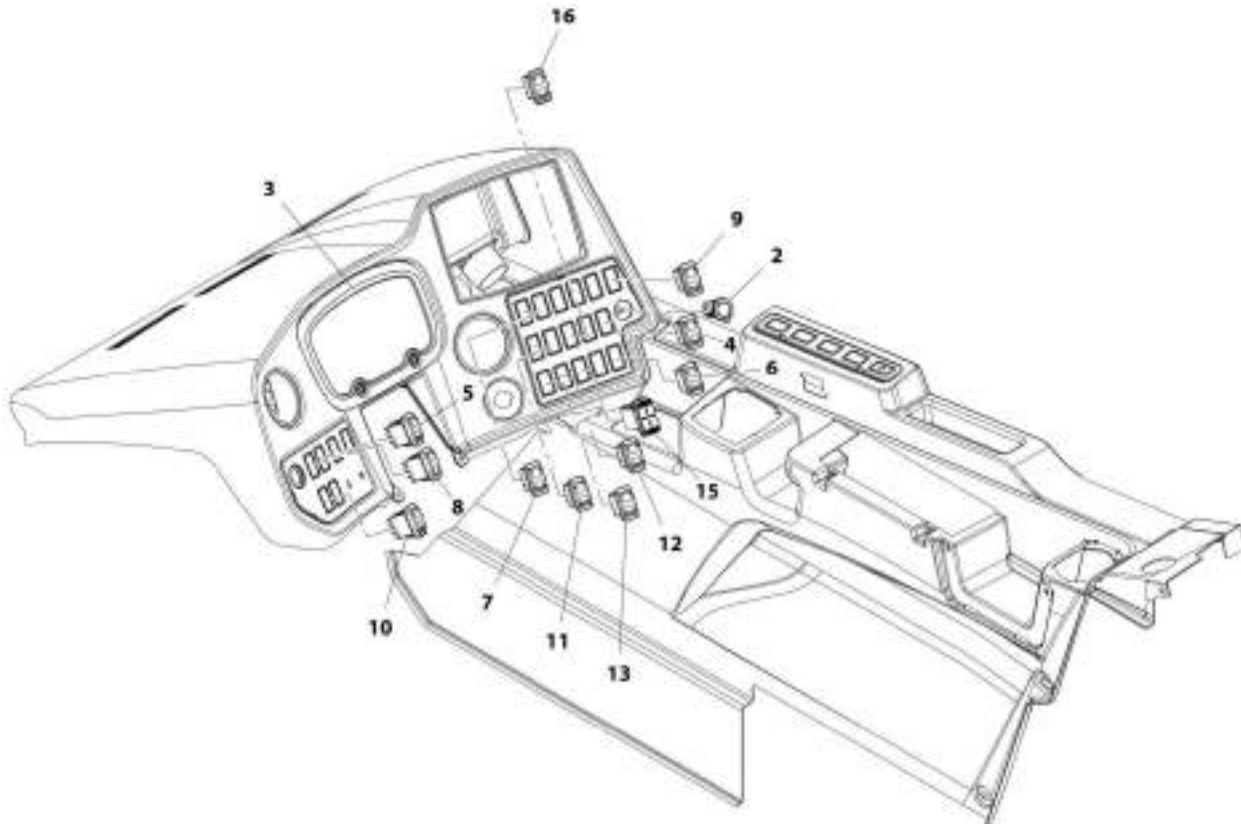
SECTION 10 - ELECTRICAL

FIGURE 10-13. OPTION 2 ELECTRICAL BOARD ASSEMBLY

ITEM	PART NUMBER	QTY	DESCRIPTION	REV
	1001161771	Ref	Option 2 Electrical Board Assembly	B
1	80983191	1	Fuse, 10AMP	
2	8229244	1	Fuse, 15AMP	
3	8229244	1	Fuse, 15AMP	
4	8229244	1	Fuse, 15AMP	
5	8229244	1	Fuse, 15AMP	
6	8229244	1	Fuse, 15AMP	
7	8229244	1	Fuse, 15AMP	

SECTION 10 - ELECTRICAL

FIGURE 10-14. DASH ELECTRICS INSTALLATION (ULS)



ART_1001185809-D

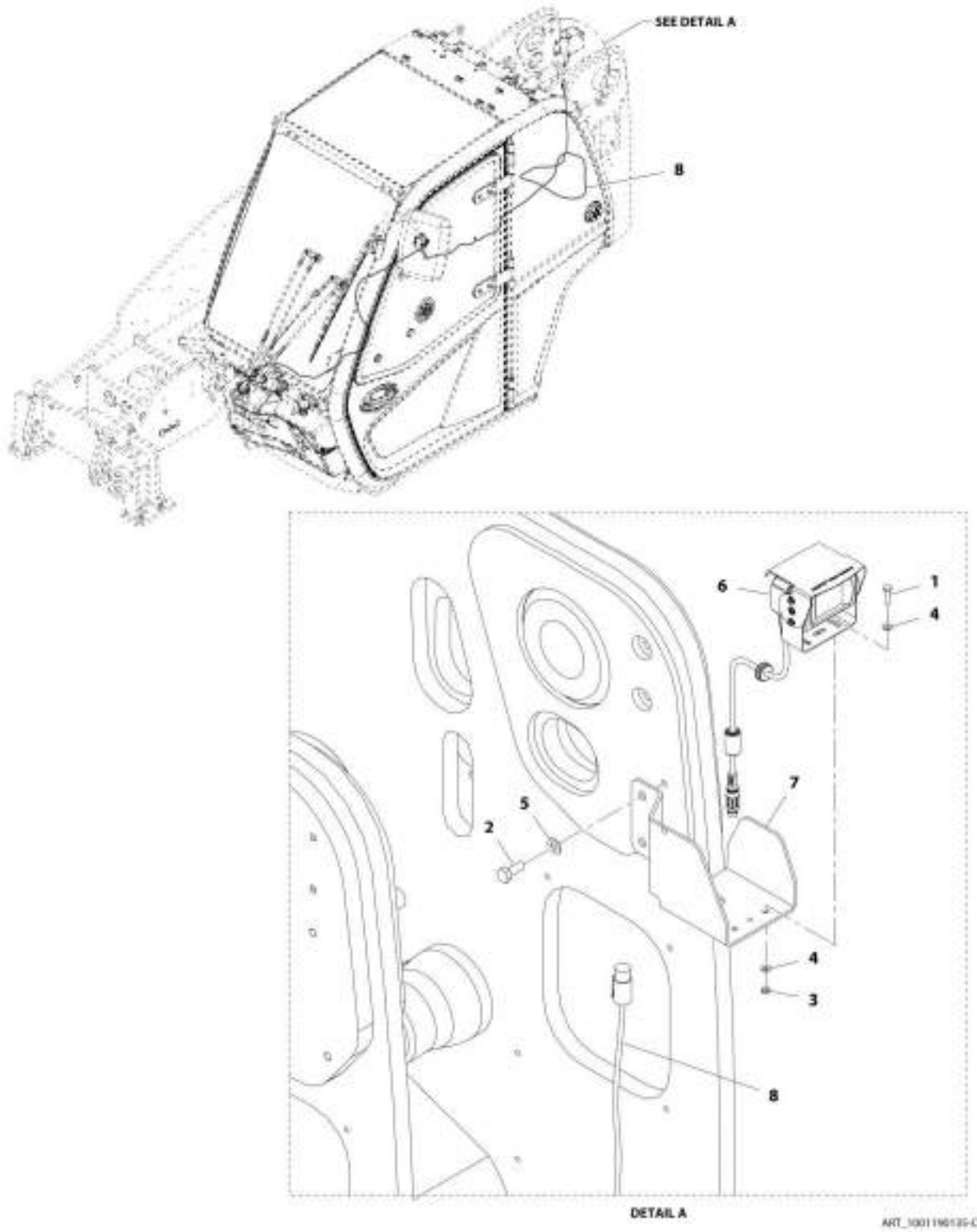
SECTION 10 - ELECTRICAL

FIGURE 10-14. DASH ELECTRICS INSTALLATION (ULS)

ITEM	PART NUMBER	QTY	DESCRIPTION	REV
	1001185809	Ref	Dash Electrics Installation (ULS)	D
2	1001095804	1	Connector, 12V Power Socket	
3	1001158146	1	Cluster, Electrical Gauge	
4	1001104654	1	Switch, AUX Decomp	
5	1001159741	1	Switch, Constanst AUX	
6	1001163639	1	Switch, Driving Lights	
7	1001159737	1	Switch, Fog Lights	
8	1001189898	1	Switch, Framer/Loader	
9	1001159734	1	Switch, Hazard	
10	1001159742	1	Switch, LSI Override	
11	1001159735	1	Switch, Rear Wiper	
12	1001159743	1	Switch, Road Use	
13	1001159849	1	Switch, Steer Mode	
15	1001174712	1	Switch, USB Charger	
16	1001159748	1	Switch, Bucket Mode	

SECTION 10 - ELECTRICAL

FIGURE 10-15. REVERSE CAMERA INSTALLATION (NO HYDRAULIC HITCH)



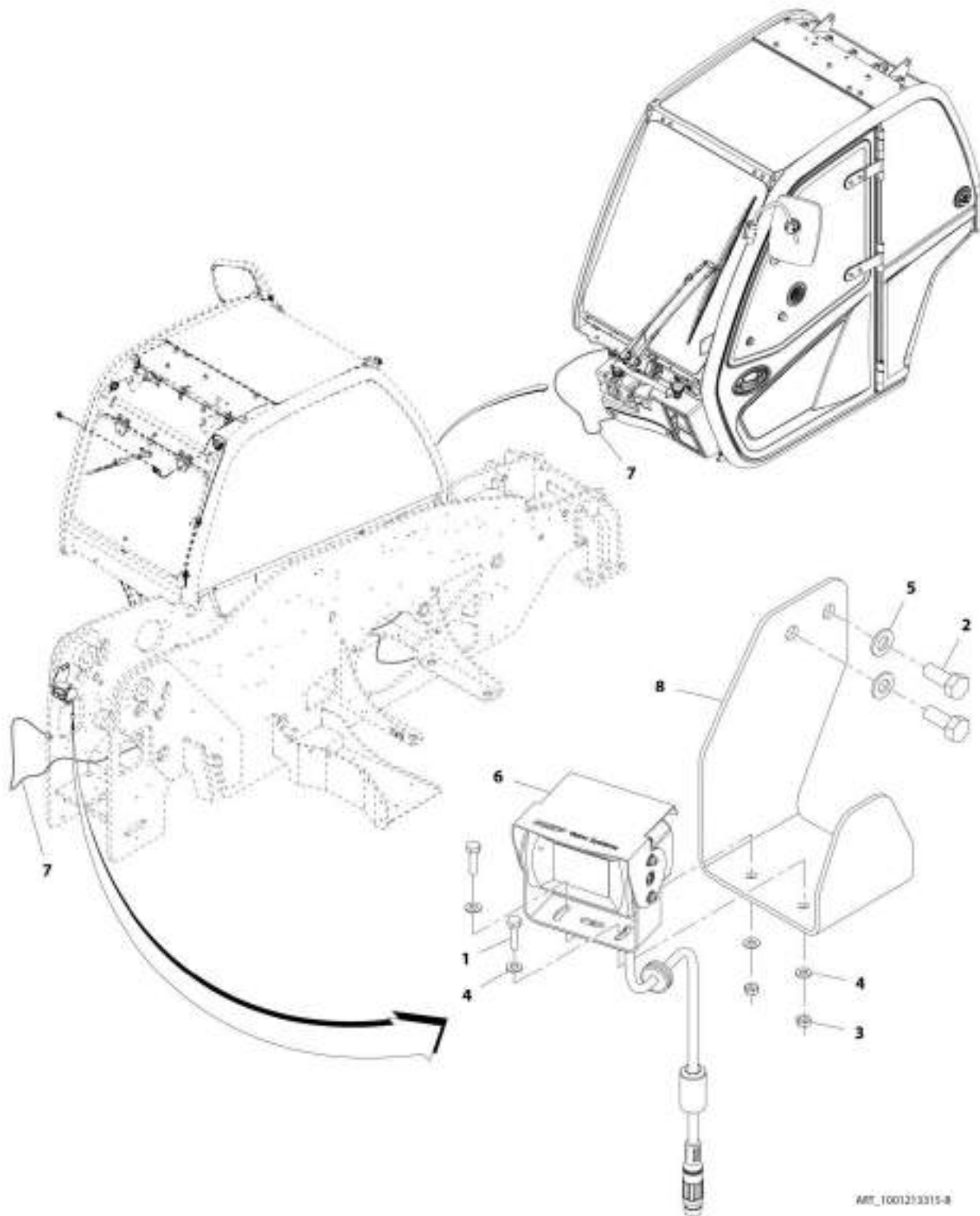
SECTION 10 - ELECTRICAL

FIGURE 10-15. REVERSE CAMERA INSTALLATION (NO HYDRAULIC HITCH)

ITEM	PART NUMBER	QTY	DESCRIPTION	REV
	1001190135	Ref	Reverse Camera Installation (No Hydraulic Hitch)	C
1	0700408	2	Bolt, M4X16	
2	0760810	2	Bolt, M8X20	
3	3290401	2	Nut, M4X0.7 Grade 8	
4	4811400	4	Washer, M4	
5	4811900	2	Washer, M8	
6	1001167017	1	Camera	
7	1001202332	1	Bracket	
8	1001202558	1	Cable, Reverse Camera	

SECTION 10 - ELECTRICAL

FIGURE 10-16. REVERSE CAMERA INSTALLATION (HYDRAULIC HITCH)



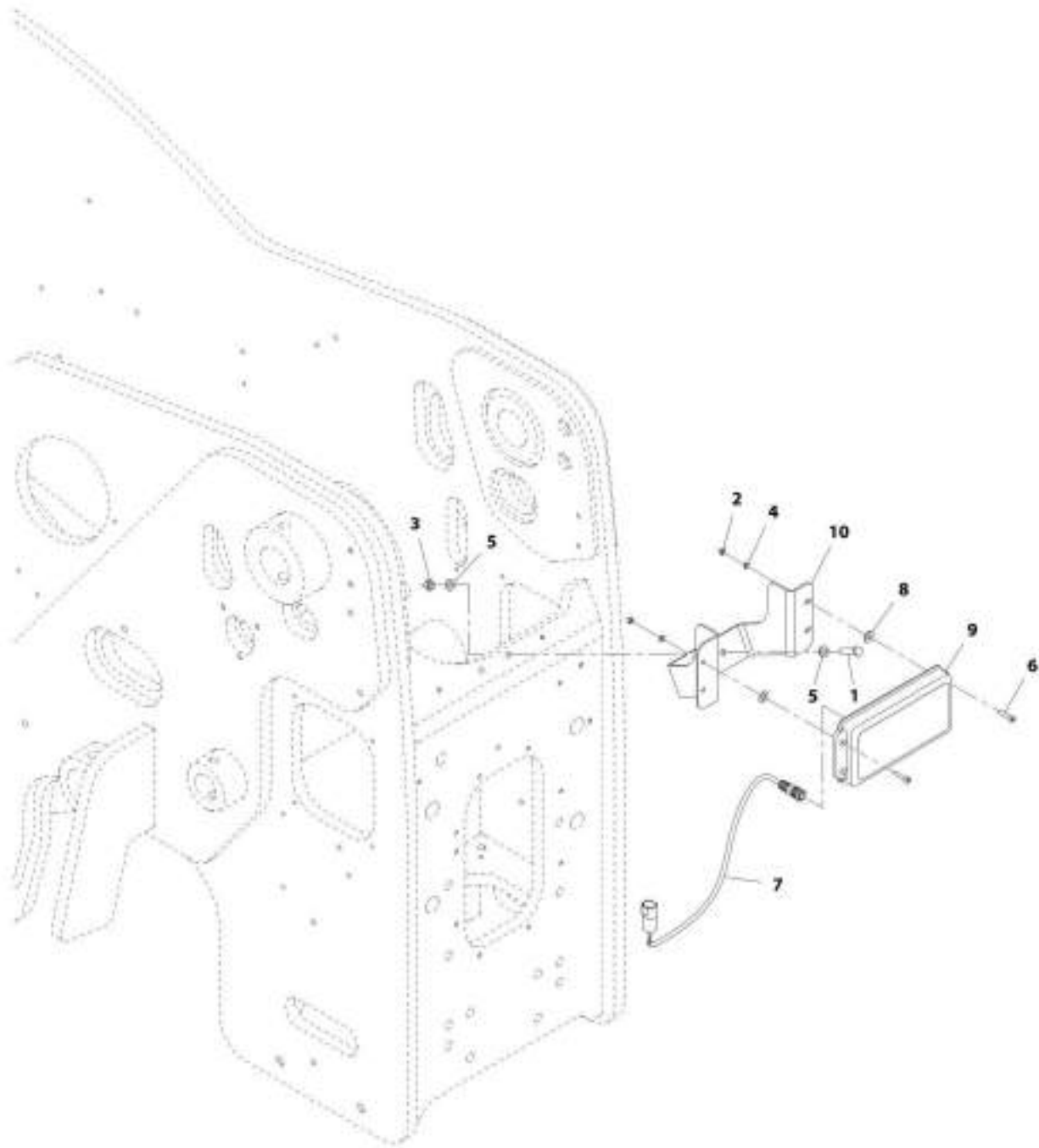
SECTION 10 - ELECTRICAL

FIGURE 10-16. REVERSE CAMERA INSTALLATION (HYDRAULIC HITCH)

ITEM	PART NUMBER	QTY	DESCRIPTION	REV
	1001213315	1	Reverse Camera Installation (Hydraulic Hitch)	B
1	0700408	2	Bolt, M4X16	
2	0760810	2	Bolt, M8X20	
3	3290401	2	Nut, M4X0.7 Grade 8	
4	4811400	4	Washer, M4	
5	4811900	2	Washer, M8	
6	1001167017	1	Camera	
7	1001202558	1	Cable, Reverse Camera	
8	1001214832	1	Bracket	

SECTION 10 - ELECTRICAL

FIGURE 10-17. REVERSE SENSOR INSTALLATION (NO HYDRAULIC HITCH)



APP_1001190139-8

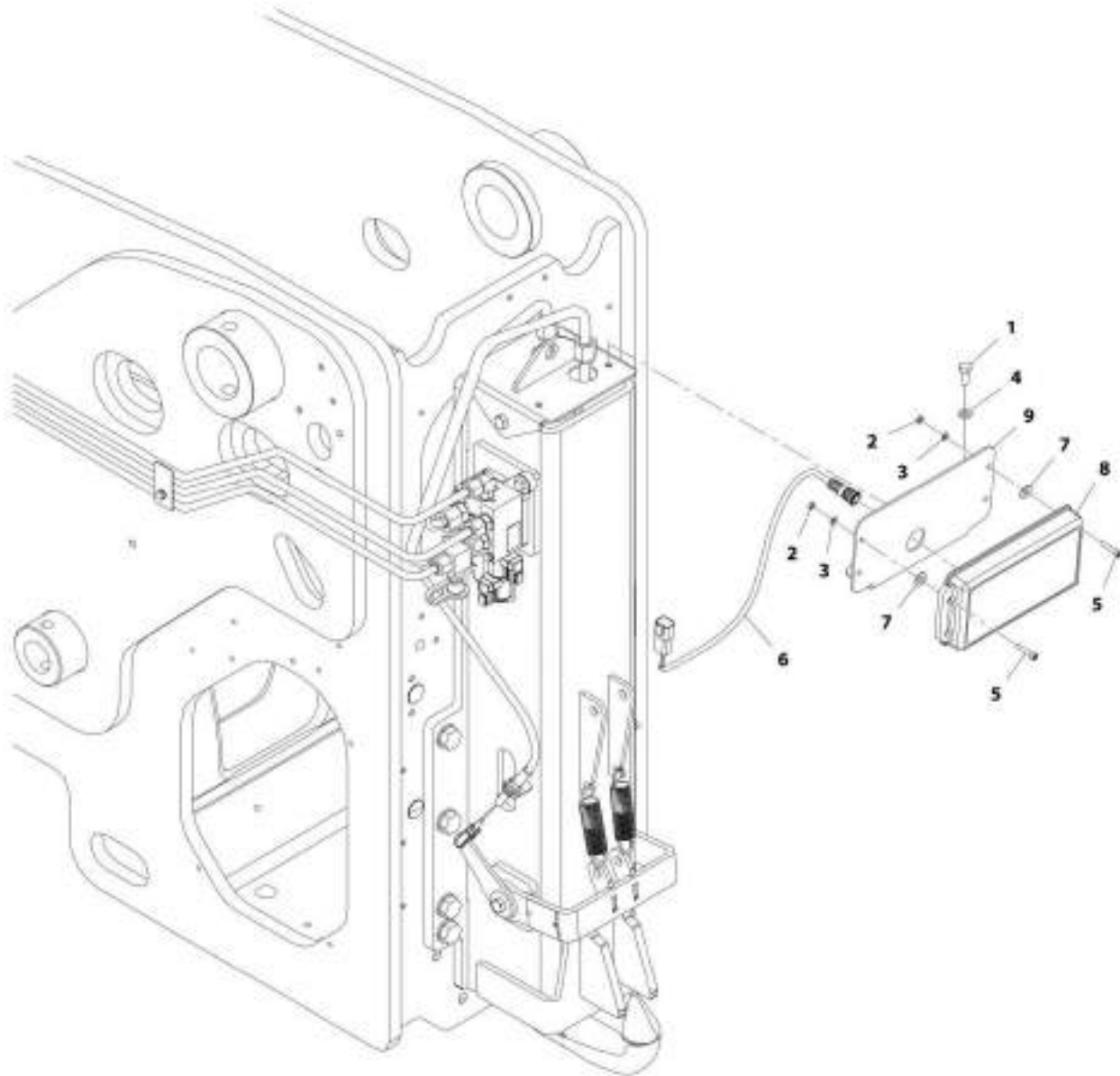
SECTION 10 - ELECTRICAL

FIGURE 10-17. REVERSE SENSOR INSTALLATION (NO HYDRAULIC HITCH)

ITEM	PART NUMBER	QTY	DESCRIPTION	REV
	1001190139	Ref	Reverse Sensor Installation (No Hydraulic Hitch)	B
1	0760815	2	Bolt, M8X35	
2	3290501	4	Nut, M5X0.8 Grade 8	
3	3290801	2	Nut, M8X1.25	
4	4811600	4	Washer, M5	
5	4811900	4	Washer, M8	
6	5271609	4	Screw, M5X25	
7	1001175776	1	Harness, Reverse Sensor (See Separate Breakdown in this Section)	
8	1001181921	4	Washer, M8	
9	1001189997	1	Sensor, Reverse	
10	1001202318	1	Bracket	

SECTION 10 - ELECTRICAL

FIGURE 10-18. REVERSE SENSOR INSTALLATION (HYDRAULIC HITCH)



ART_3001202392-C

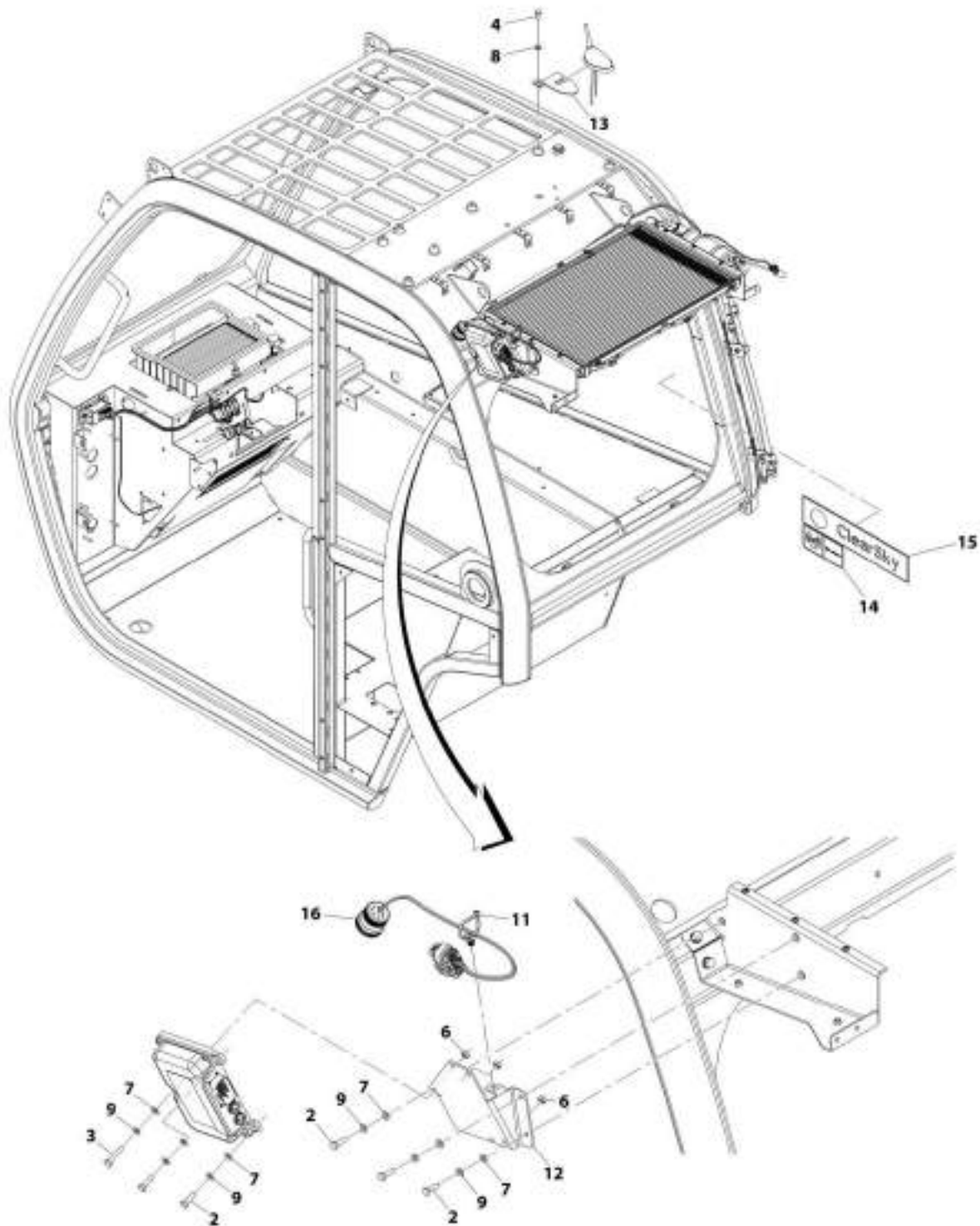
SECTION 10 - ELECTRICAL

FIGURE 10-18. REVERSE SENSOR INSTALLATION (HYDRAULIC HITCH)

ITEM	PART NUMBER	QTY	DESCRIPTION	REV
	1001202395	Ref	Reverse Sensor Installation (Hydraulic Hitch)	C
1	0760810	2	Bolt, M8X20	
2	3290501	4	Nut, M5X0.8 Grade 8	
3	4811600	4	Washer, M5	
4	4811900	2	Washer, M8	
5	5271609	4	Screw, M12.9	
6	1001175776	1	Harness, Reverse Sensor (See Separate Breakdown in this Section)	
7	1001181921	4	Washer, Rubber M8	
8	1001189997	1	Sensor, Reverse	
9	1001202286	1	Bracket	

SECTION 10 - ELECTRICAL

FIGURE 10-19. CLEARSKY INSTALLATION (A/C - LONG ROOF CAP) (Prior to SN 1160008371)



ART_1001174308-G

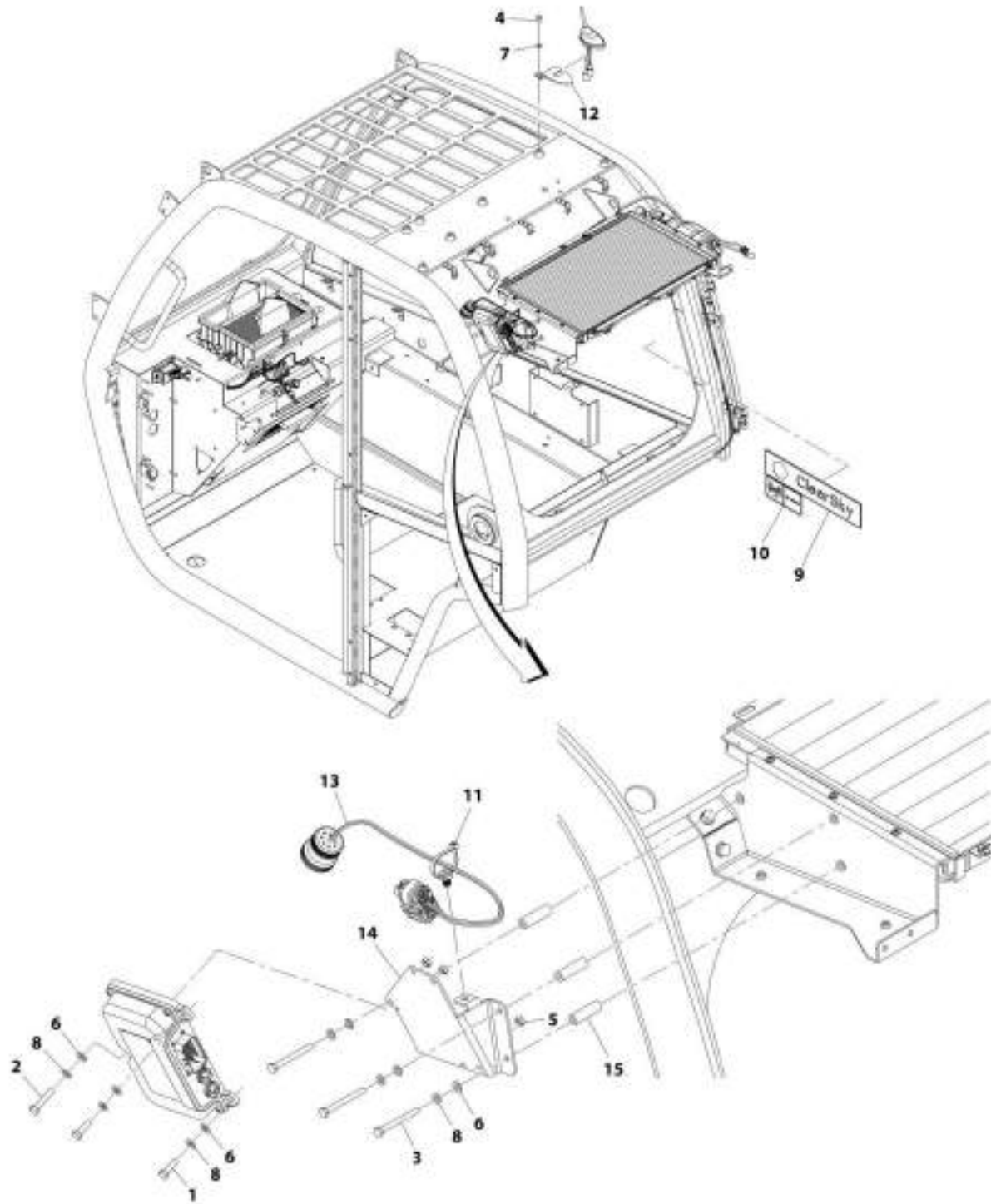
SECTION 10 - ELECTRICAL

FIGURE 10-19. CLEARSKY INSTALLATION (A/C - LONG ROOF CAP) (Prior to SN 1160008371)

ITEM	PART NUMBER	QTY	DESCRIPTION	REV
	1001174368	Ref	Clearsky Installation (A/C - Long Roof Cap)	G
2	0700610	5	Bolt, M6X20	
3	0700614	1	Bolt, M6X30	
4	0760808	1	Bolt, M8X16	
6	3290601	3	Nut, M6X1 Grade 8	
7	4811700	6	Washer, M6	
8	4811900	1	Washer, M8	
9	4831700	6	Washer, Lock M6	
11	1001146588	1	Strap, Cable	
12	1001220947	1	Bracket	
13	1001174372	1	Bracket, Antenna	
14	1001120989	1	Decal, Radio Frequency	
15	1001116208	1	Decal, Clearsky	
16	1001196452	1	Harness, Clearsky (See Separate Breakdown in this Section)	

SECTION 10 - ELECTRICAL

FIGURE 10-20. CLEARSKY INSTALLATION (A/C) (SN 1160008371 to Present)



ART_3001220945-A

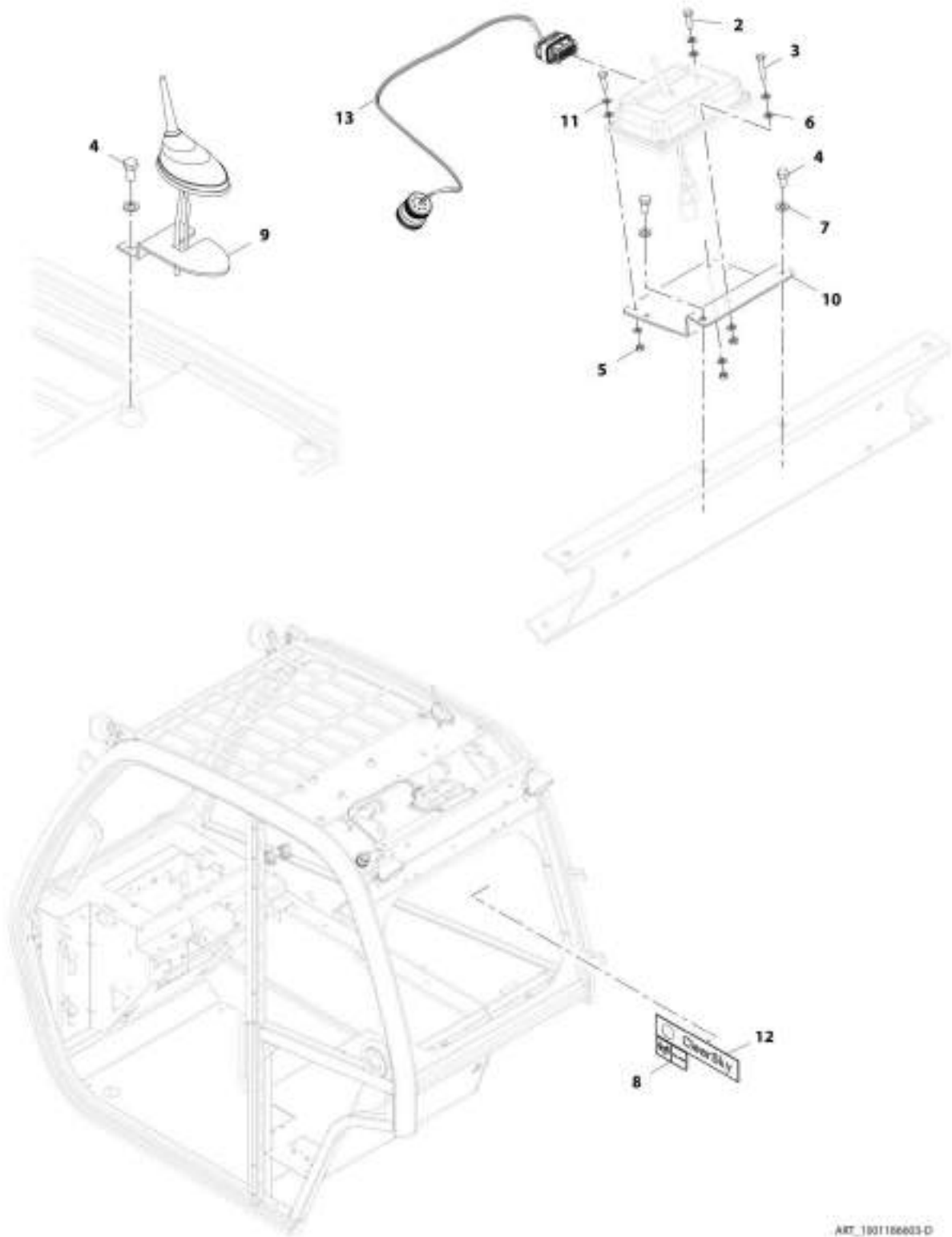
SECTION 10 - ELECTRICAL

FIGURE 10-20. CLEARSKY INSTALLATION (A/C) (SN 1160008371 to Present)

ITEM	PART NUMBER	QTY	DESCRIPTION	REV
	1001220945	Ref	Clearsky Installation (A/C)	A
1	0700610	2	Bolt, M6X20	
2	0700614	1	Bolt, M6X30	
3	0700620	3	Bolt, M6X60	
4	0760808	1	Bolt, M8X16	
5	3290601	3	Nut, M6X1 Grade 8	
6	4811700	6	Washer, M6	
7	4811900	1	Washer, M8	
8	4831700	6	Washer, Lock M6	
9	1001116208	1	Decal, Clearsky	
10	1001120989	1	Decal, Radio Frequency	
11	1001146588	1	Strap, Cable	
12	1001174372	1	Bracket, Antenna	
13	1001196452	1	Harness, Clearsky (See Separate Breakdown in this Section)	
14	1001220947	1	Bracket	
15	1001220948	3	Spacer	

SECTION 10 - ELECTRICAL

FIGURE 10-21. CLEARSKY INSTALLATION (NO A/C - SHORT ROOF CAP)



ART_1931186603-D

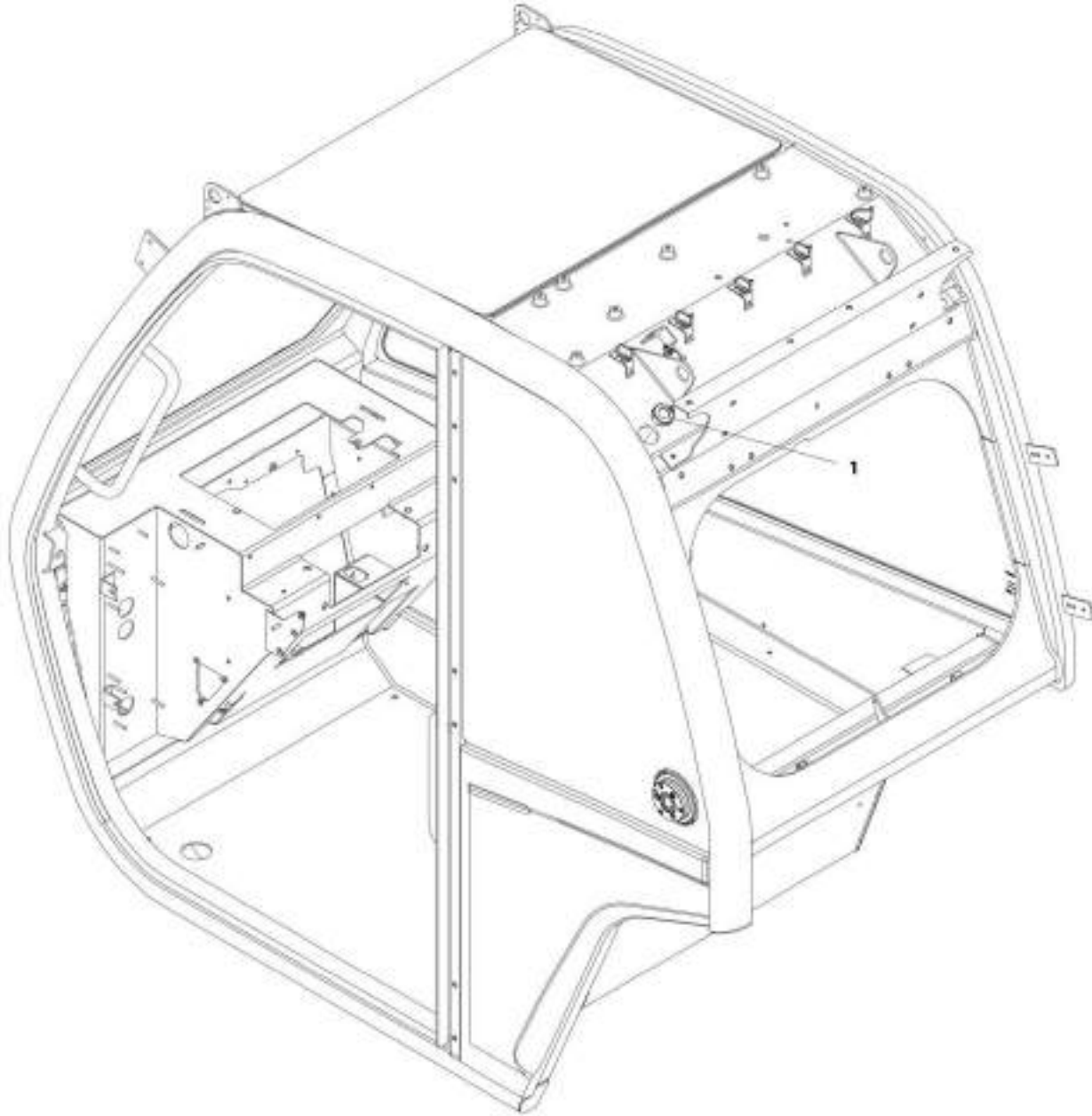
SECTION 10 - ELECTRICAL

FIGURE 10-21. CLEARSKY INSTALLATION (NO A/C - SHORT ROOF CAP)

ITEM	PART NUMBER	QTY	DESCRIPTION	REV
	1001186603	Ref	Clearsky Installation (No A/C - Short Roof Cap)	D
2	0700610	2	Bolt, M6X20	
3	0700614	1	Bolt, M6X30	
4	0760808	3	Bolt, M8X16	
5	3290601	3	Nut, M6X1 Grade 8	
6	4811700	6	Washer, M6	
7	4811900	3	Washer, M8	
8	1001120989	1	Decal, Radio Frequency	
9	1001174372	1	Bracket, Antenna	
10	1001185722	1	Bracket	
11	4831700	3	Washer, Lock M6	
12	1001116208	1	Decal, Clearsky	
13	1001196452	1	Harness, Clearsky (See Separate Breakdown in this Section)	

SECTION 10 - ELECTRICAL

FIGURE 10-22. TELEMATICS CAP INSTALLATION



ART_1001201361-A

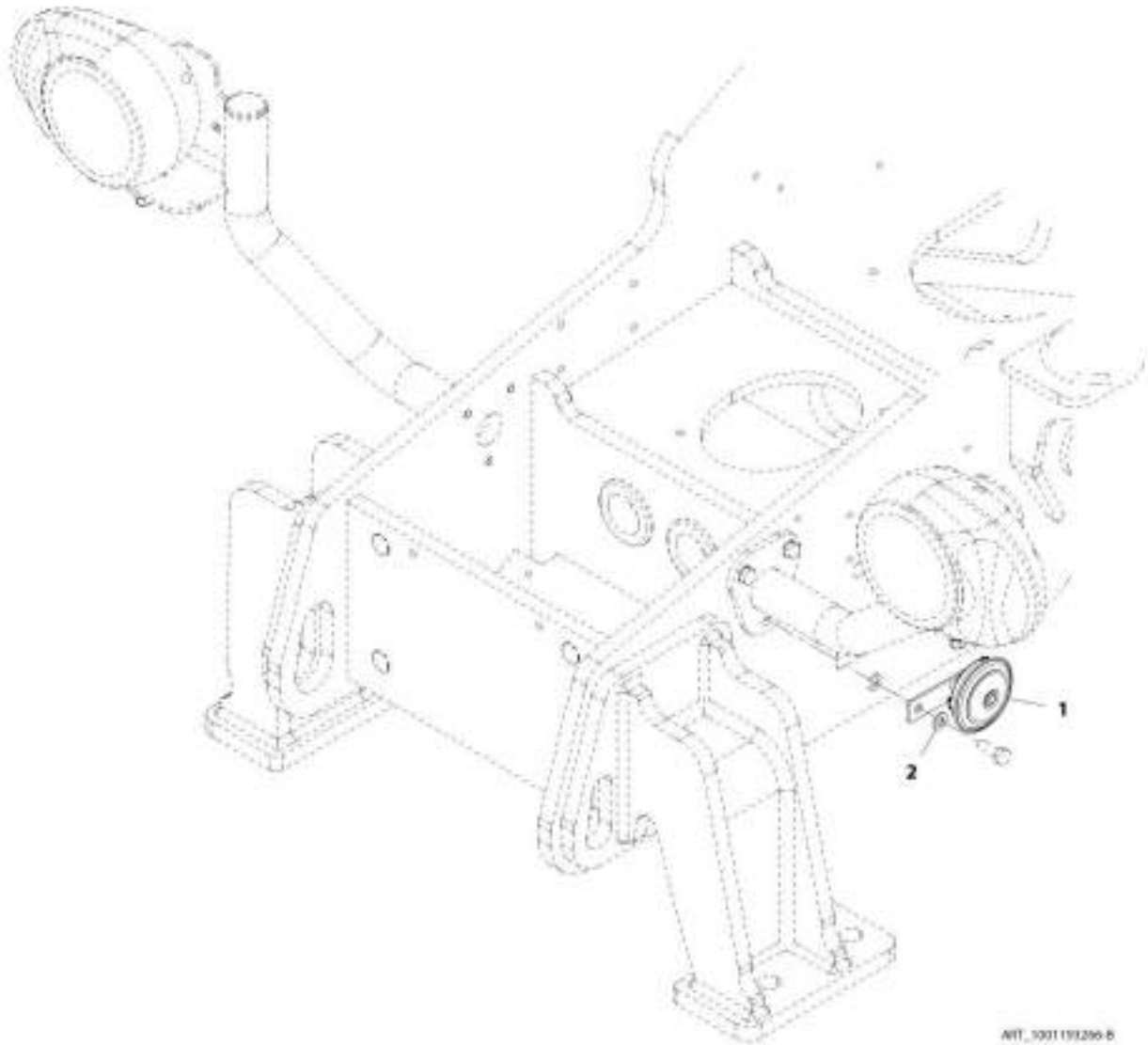
SECTION 10 - ELECTRICAL

FIGURE 10-22. TELEMATICS CAP INSTALLATION

ITEM	PART NUMBER	QTY	DESCRIPTION	REV
1	1001201161 1001201162	Ref 1	Telematics Cap Installation Cap	A

SECTION 10 - ELECTRICAL

FIGURE 10-23. HORN INSTALLATION



WIT_3001193296-B

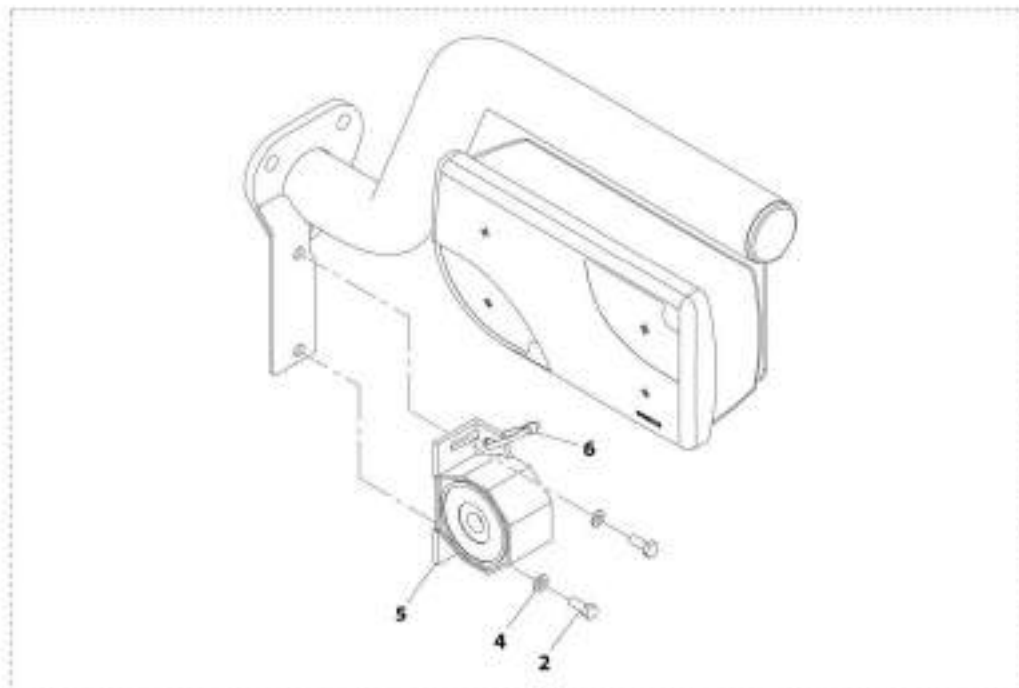
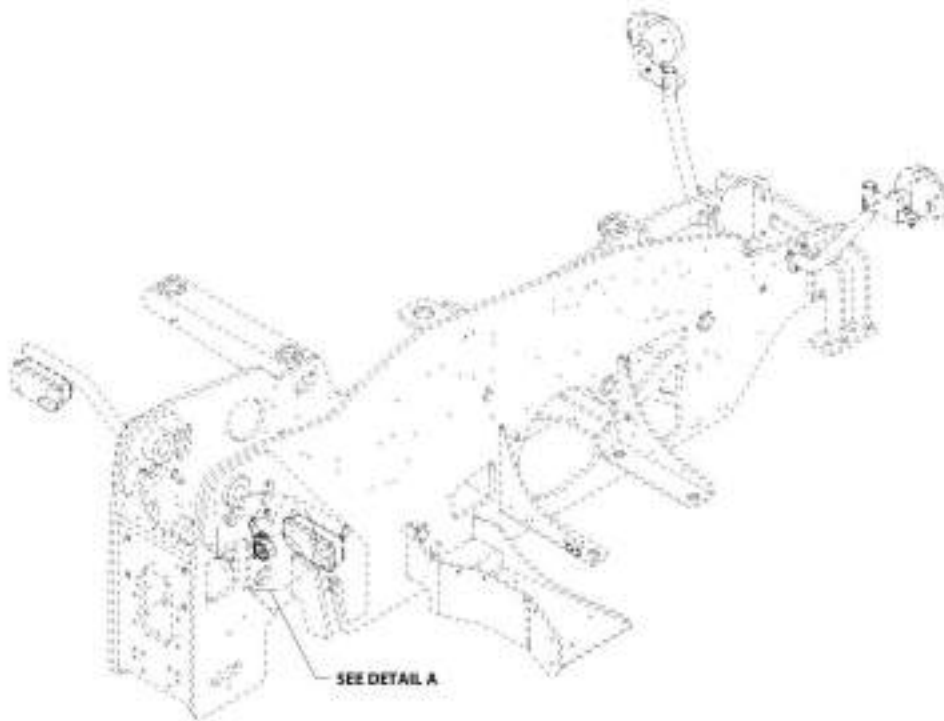
SECTION 10 - ELECTRICAL

FIGURE 10-23. HORN INSTALLATION

ITEM	PART NUMBER	QTY	DESCRIPTION	REV
	1001193266	Ref	Horn Installation	B
1	1001003596	1	Horn	
2	4812000	1	Washer, M10	

SECTION 10 - ELECTRICAL

FIGURE 10-24. REVERSE ALARM INSTALLATION



DETAIL A

ART_1001186737-D

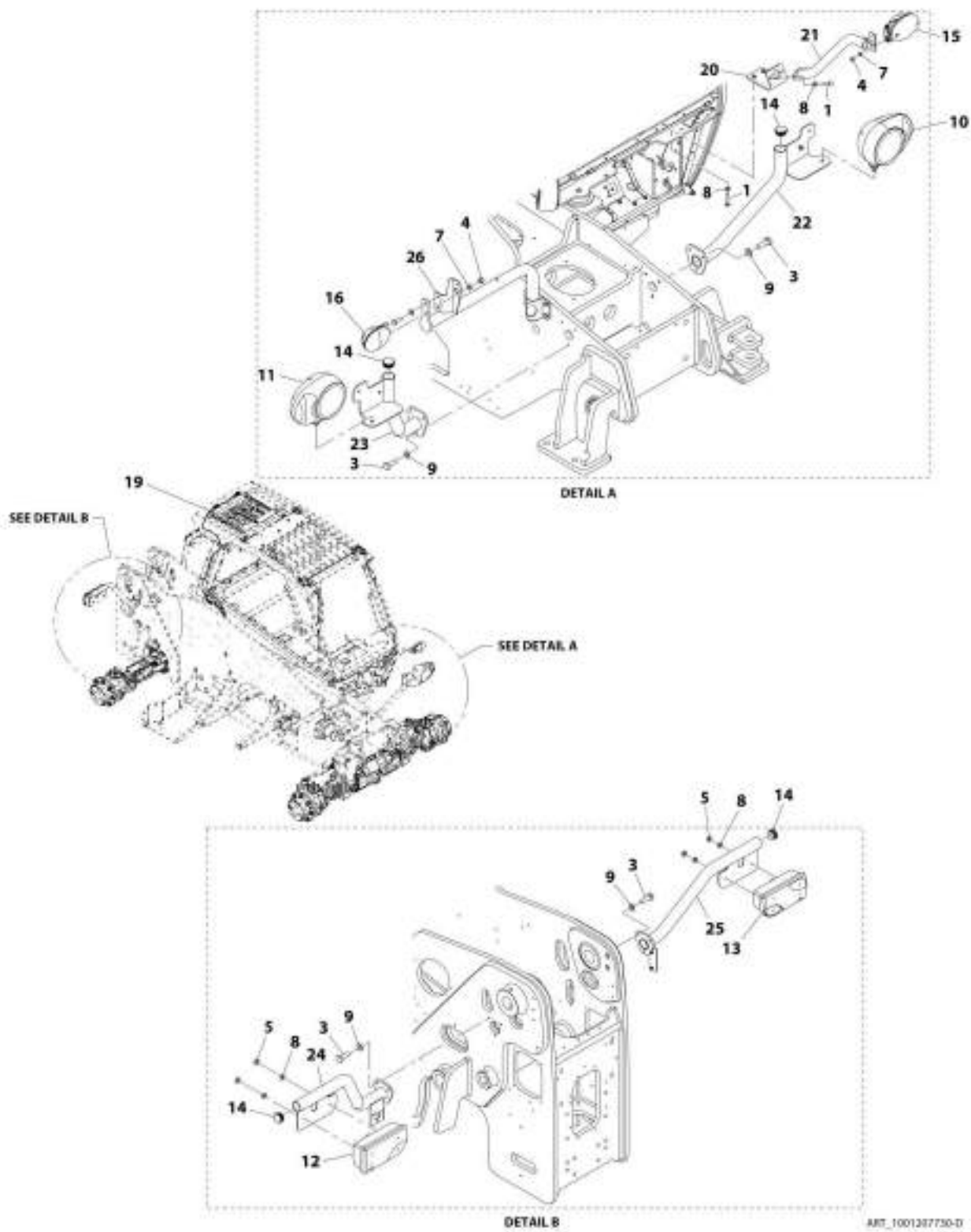
SECTION 10 - ELECTRICAL

FIGURE 10-24. REVERSE ALARM INSTALLATION

ITEM	PART NUMBER	QTY	DESCRIPTION	REV
	1001186737	Ref	Reverse Alarm Installation	D
2	0760608	2	Bolt, M6X16	
4	4811700	2	Washer, M6	
5	1001147060	1	Alarm, Back-Up	
6	1001008559	1	Strap, Cable	

SECTION 10 - ELECTRICAL

FIGURE 10-25. DIP LIGHTS INSTALLATION (RHD)



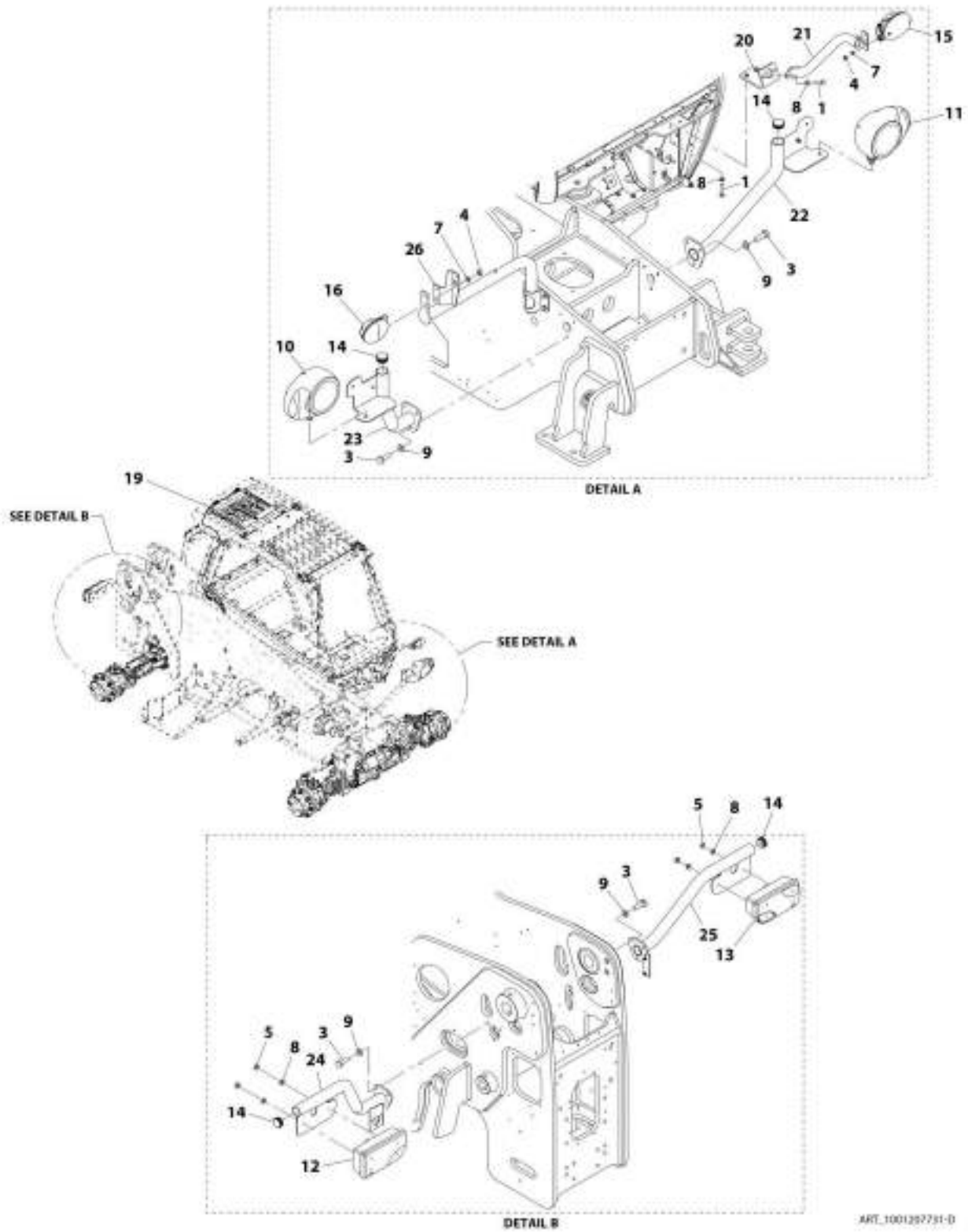
SECTION 10 - ELECTRICAL

FIGURE 10-25. DIP LIGHTS INSTALLATION (RHD)

ITEM	PART NUMBER	QTY	DESCRIPTION	REV
	1001207730	Ref	Dip Lights Installation (RHD)	D
1	0760612	4	Bolt, M6X25	
3	0701014	12	Bolt, M10X30	
4	3290501	4	Nut, M5X0.8 Grade 8	
5	3290601	4	Nut, M6X1 Grade 8	
7	4811600	4	Washer, M5	
8	4811700	8	Washer, M6	
9	4812000	12	Washer, M10	
10	2920208	1	Light, Driving (RHD - RH)	
	7029969	1	Bulb, 4W	
	7029970	1	Bulb, 55W	
	7029971	1	Bulb, 21W	
11	2920207	1	Light, Driving (RHD - LH)	
	7029969	1	Bulb, 4W	
	7029970	1	Bulb, 55W	
	7029971	1	Bulb, 21W	
12	1001091715	1	Lamp, Rear (LH)	
	70021341	1	Bulb, 5W	
	70021340	1	Bulb, 21W	
	7029971	1	Bulb, 21W	
13	1001091716	1	Lamp, Rear (RH)	
	70021341	1	Bulb, 5W	
	70021340	1	Bulb, 21W	
	7029971	1	Bulb, 21W	
14	1001096913	4	Cap, Lamp Bracket	
15	1001105167	1	Sidelight (LH)	
16	1001105168	1	Sidelight (RH)	
19	1001189569	Ref	Installation , License Plate Lamp (See Separate Breakdown in this Section)	
20	1001197015	1	Mount	
21	1001215773	1	Bracket, Direction Indicator	
22	1001207699	1	Bracket, Light Mount LH	
23	1001207700	1	Bracket, Light Mount RH	
24	1001207701	1	Bracket, Rear Light LH	
25	1001219678	1	Bracket, Rear Light RH	
26	1001215756	1	Bracket, Light	

SECTION 10 - ELECTRICAL

FIGURE 10-26. DIP LIGHTS INSTALLATION (LHD)



ART.1001287731-0

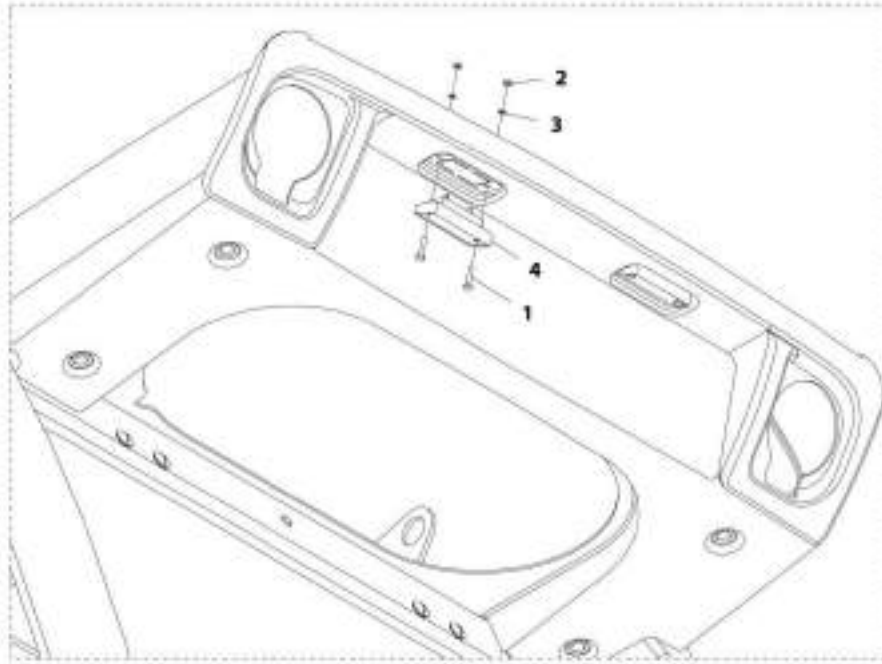
SECTION 10 - ELECTRICAL

FIGURE 10-26. DIP LIGHTS INSTALLATION (LHD)

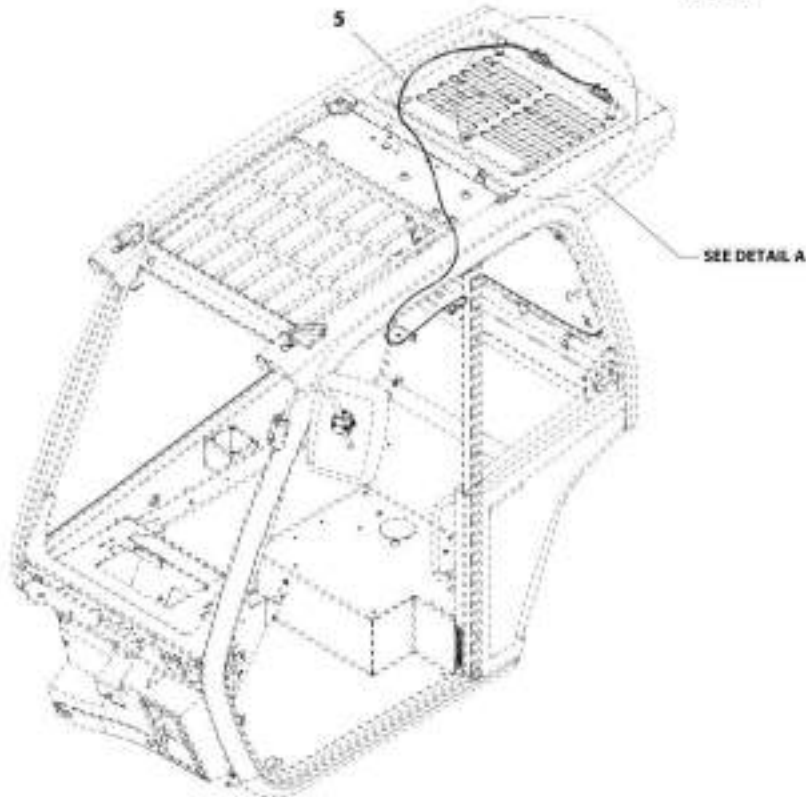
ITEM	PART NUMBER	QTY	DESCRIPTION	REV
	1001207731	Ref	Dip Lights Installation (LHD)	D
1	0760612	4	Bolt, M6X25	
3	0701014	12	Bolt, M10X30	
4	3290501	4	Nut, M5X0.8 Grade 8	
5	3290601	4	Nut, M6X1 Grade 8	
7	4811600	4	Washer, M5	
8	4811700	8	Washer, M6	
9	4812000	12	Washer, M10	
10	1001002778	1	Light, Driving (LHD - RH)	
	7029969	1	Bulb, 4W	
	7029970	1	Bulb, 55W	
	7029971	1	Bulb, 21W	
11	1001002779	1	Light, Driving (LHD - LH)	
	7029969	1	Bulb, 4W	
	7029970	1	Bulb, 55W	
	7029971	1	Bulb, 21W	
12	1001091715	1	Lamp, Rear (LH)	
	70021341	1	Bulb, 5W	
	70021340	1	Bulb, 21W	
	7029971	1	Bulb, 21W	
13	1001091716	1	Lamp, Rear (RH)	
	70021341	1	Bulb, 5W	
	70021340	1	Bulb, 21W	
	7029971	1	Bulb, 21W	
14	1001096913	4	Cap, Lamp Bracket	
15	1001105167	1	Sidelight (LH)	
16	1001105168	1	Sidelight (RH)	
19	1001189569	Ref	Installation , License Plate Lamp (See Separate Breakdown in this Section)	
20	1001197015	1	Mount	
21	1001215773	1	Bracket, Direction Indicator	
22	1001207699	1	Bracket, Light Mount LH	
23	1001207700	1	Bracket, Light Mount RH	
24	1001207701	1	Bracket, Rear Light LH	
25	1001219678	1	Bracket, Rear Light RH	
26	1001215756	1	Bracket, Light	

SECTION 10 - ELECTRICAL

FIGURE 10-27. LICENSE PLATE LAMP INSTALLATION



DETAIL A



ART_1001189569-A

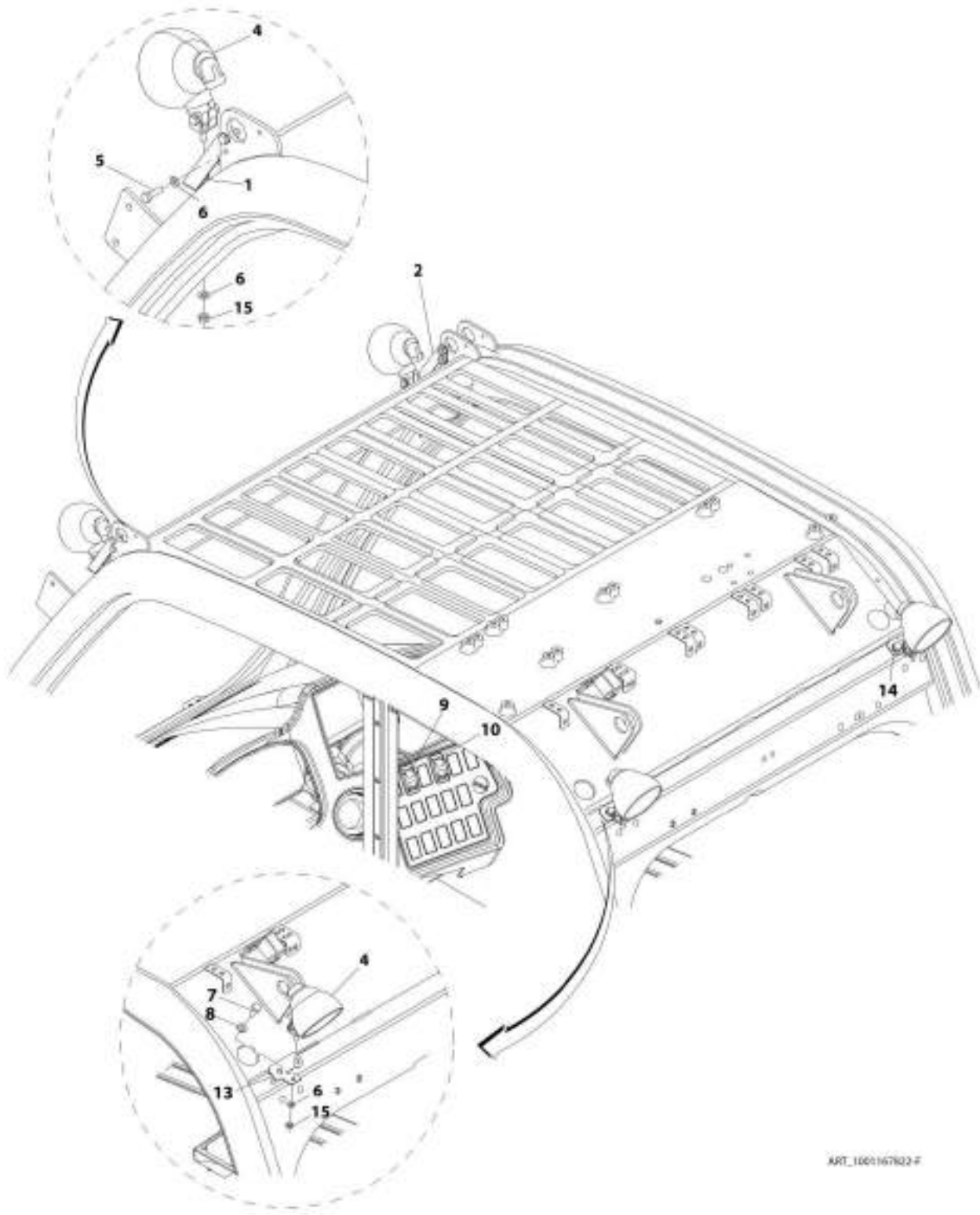
SECTION 10 - ELECTRICAL

FIGURE 10-27. LICENSE PLATE LAMP INSTALLATION

ITEM	PART NUMBER	QTY	DESCRIPTION	REV
	1001189569	Ref	License Plate Lamp Installation	A
1	0760410	4	Bolt, M4X20	
2	3290401	4	Nut, M4X0.7 Grade 8	
3	4831400	4	Washer, Lock M4	
4	1001173829	2	Lamp, License Plate	
5	1001178053	1	Harness, License Light (See Separate Breakdown in this Section)	

SECTION 10 - ELECTRICAL

FIGURE 10-28. CAB WORKLIGHTS INSTALLATION (NO A/C)



ART_1001167822-F

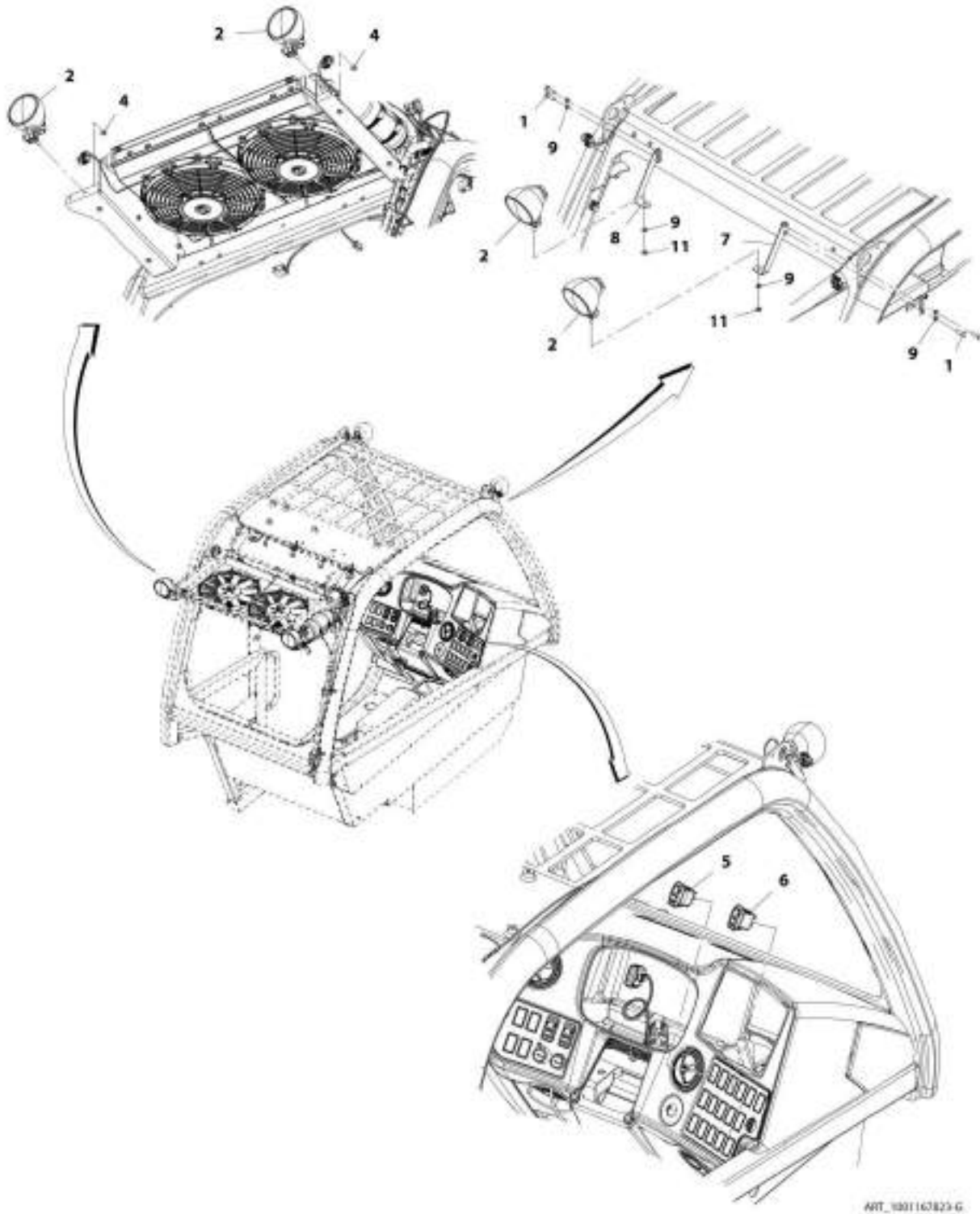
SECTION 10 - ELECTRICAL

FIGURE 10-28. CAB WORKLIGHTS INSTALLATION (NO A/C)

ITEM	PART NUMBER	QTY	DESCRIPTION	REV
	1001167822	Ref	Cab Worklights Installation (No A/C)	F
1	1001186567	1	Bracket, Work Light LH	
2	1001186565	1	Bracket, Work Light RH	
4	2920206	4	Worklight	
5	0700610	4	Bolt, M6X20	
6	4811700	8	Washer, M6	
7	0760810	2	Bolt, M8X20	
8	4811900	2	Washer, M8	
9	1001159845	1	Switch, Front Worklights	
10	1001159846	1	Switch, Rear Worklights	
13	1001183888	1	Bracket, Work Light LH	
14	1001183890	1	Bracket, Work Light RH	
15	3290601	4	Nut, M6X1 Grade 8	

SECTION 10 - ELECTRICAL

FIGURE 10-29. CAB WORKLIGHTS INSTALLATION (A/C)



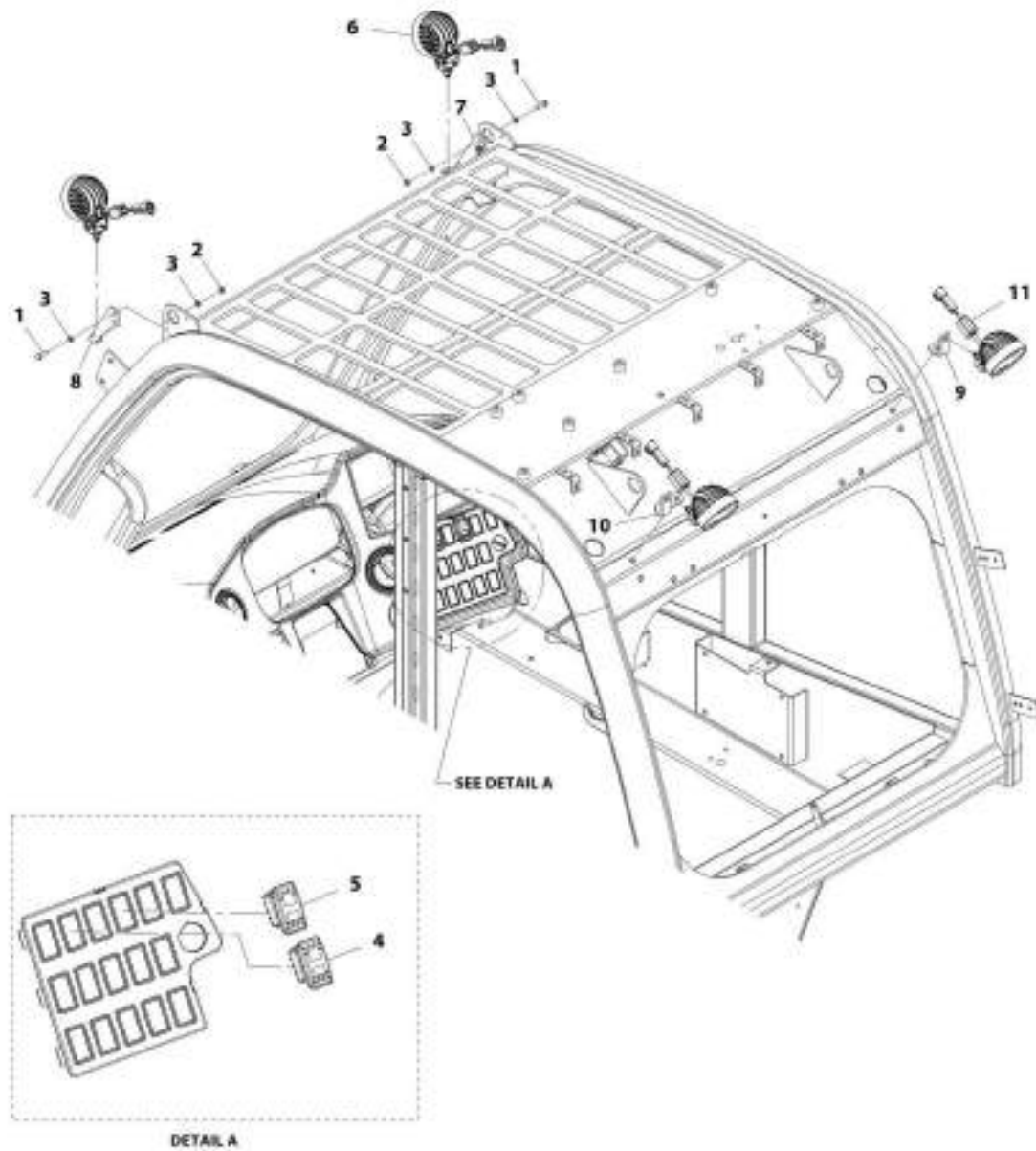
SECTION 10 - ELECTRICAL

FIGURE 10-29. CAB WORKLIGHTS INSTALLATION (A/C)

ITEM	PART NUMBER	QTY	DESCRIPTION	REV
	1001167823	Ref	Cab Worklights Installation (A/C)	G
1	0700610	4	Bolt, M6X20	
2	2920206	4	Worklight	
4	5220600	2	Nut, M6	
5	1001159845	1	Switch, Front Worklights	
6	1001159846	1	Switch, Rear Worklights	
7	1001186567	1	Bracket, Work Light LH	
8	1001186565	1	Bracket, Work Light RH	
9	4811700	6	Washer, M6	
11	3290601	2	Nut, M6X1 Grade 8	

SECTION 10 - ELECTRICAL

FIGURE 10-30. CAB WORKLIGHT INSTALLATION (NO A/C - LED)



ART_1001200538-C

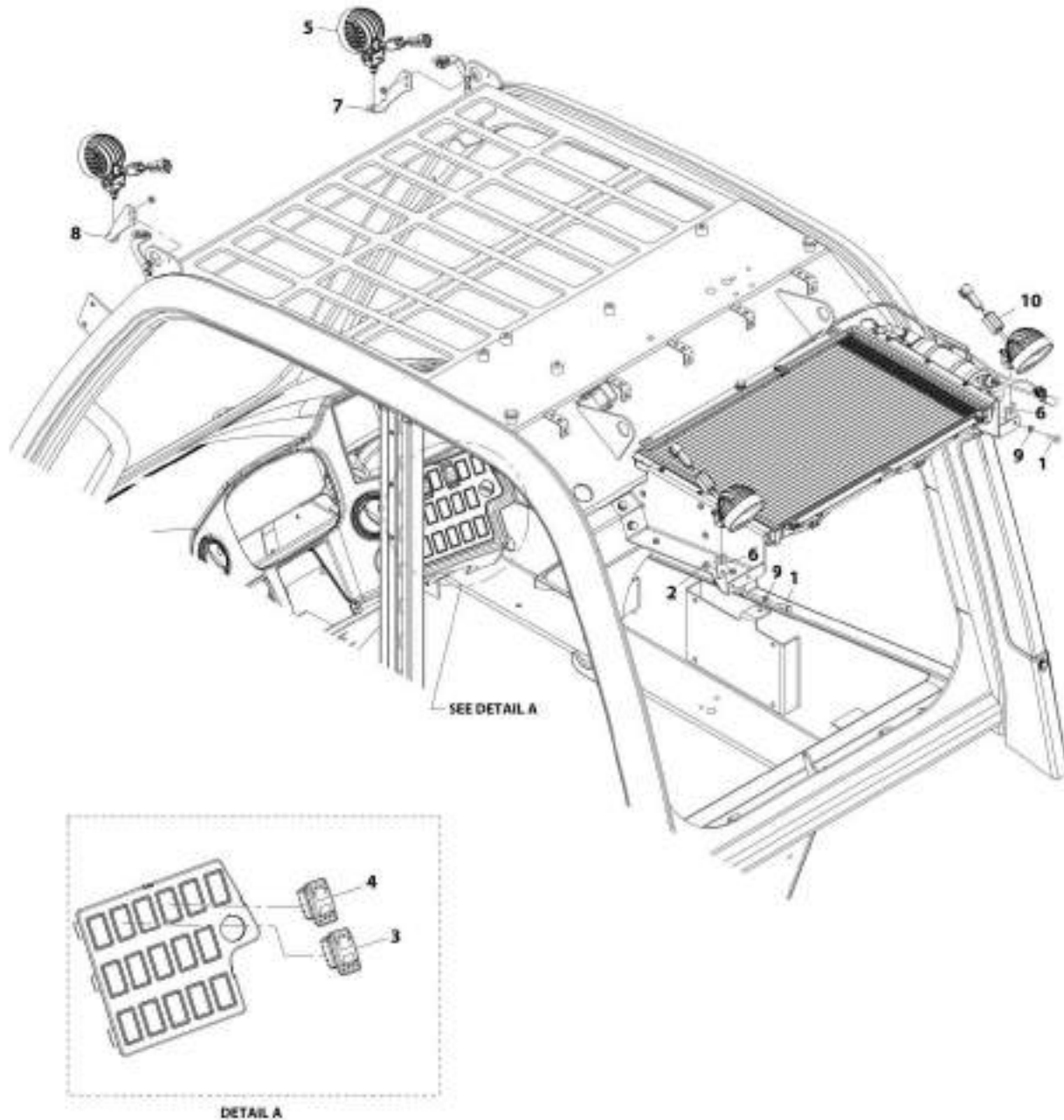
SECTION 10 - ELECTRICAL

FIGURE 10-30. CAB WORKLIGHT INSTALLATION (NO A/C - LED)

ITEM	PART NUMBER	QTY	DESCRIPTION	REV
	1001200538	Ref	Cab Worklights Installation (No A/C - LED)	C
1	0700610	4	Bolt, M6X20	
2	3290601	4	Nut, M6X1	
3	4811700	8	Washer, M6	
4	1001159845	1	Switch, Front Worklights	
5	1001159846	1	Switch, Rear Worklights	
6	1001203640	4	Lamp, LED Work Light	
7	1001204444	1	Support, LED Work Light RH	
8	1001204445	1	Support, LED Work Light LH	
9	1001204528	1	Support, LED Work Light RH	
10	1001204530	1	Support, LED Work Light LH	
11	1001228989	4	Harness, Ferrite	

SECTION 10 - ELECTRICAL

FIGURE 10-31. CAB WORKLIGHT INSTALLATION (A/C - LED)



ART_3001200529-C

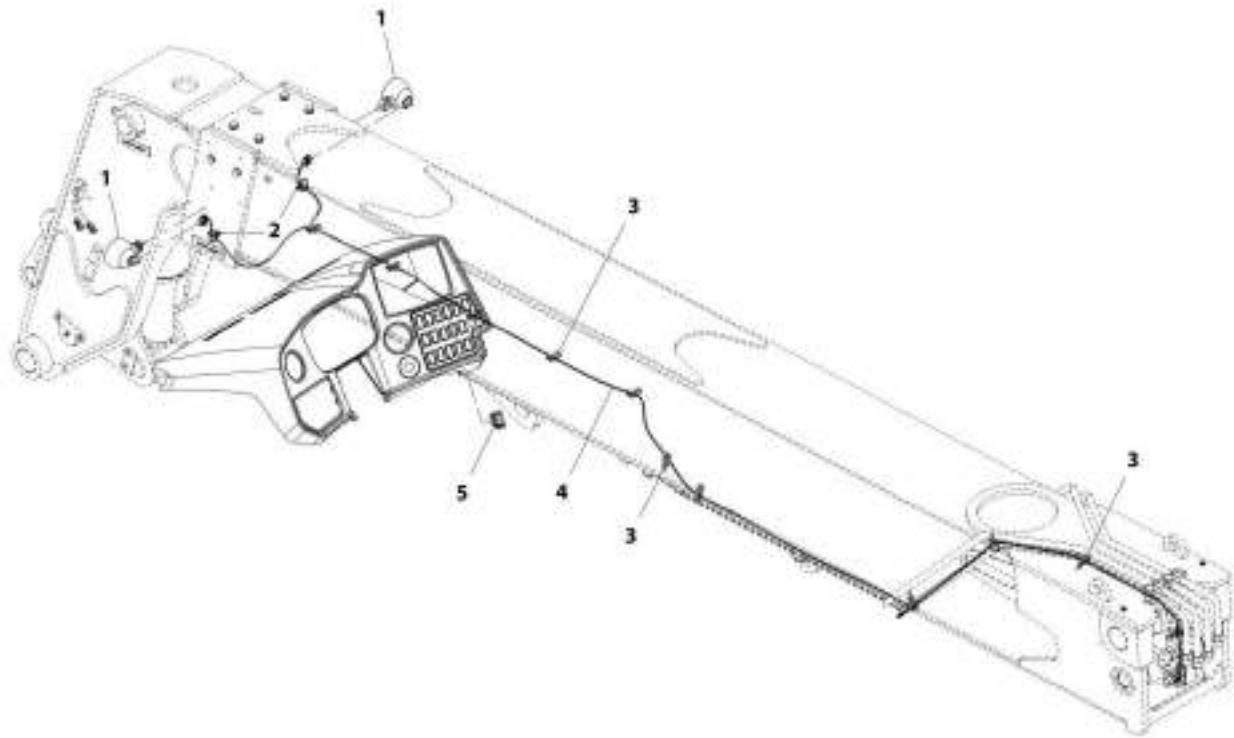
SECTION 10 - ELECTRICAL

FIGURE 10-31. CAB WORKLIGHT INSTALLATION (A/C - LED)

ITEM	PART NUMBER	QTY	DESCRIPTION	REV
	1001200539	Ref	Cab Worklights Installation (A/C - LED)	C
1	0700610	2	Bolt, M6X20	
2	5220600	2	Nut, M6	
3	1001159845	1	Switch, Front Worklights	
4	1001159846	1	Switch, Rear Worklights	
5	1001203640	4	Lamp, LED Work Light	
6	1001204060	2	Bracket	
7	1001204444	1	Support, LED Work Light RH	
8	1001204445	1	Support, LED Work Light LH	
9	4811700	2	Washer, M6	
10	1001228989	4	Harness, Ferrite	

SECTION 10 - ELECTRICAL

FIGURE 10-32. BOOM WORKLIGHTS INSTALLATION



AMT_1001180529-C

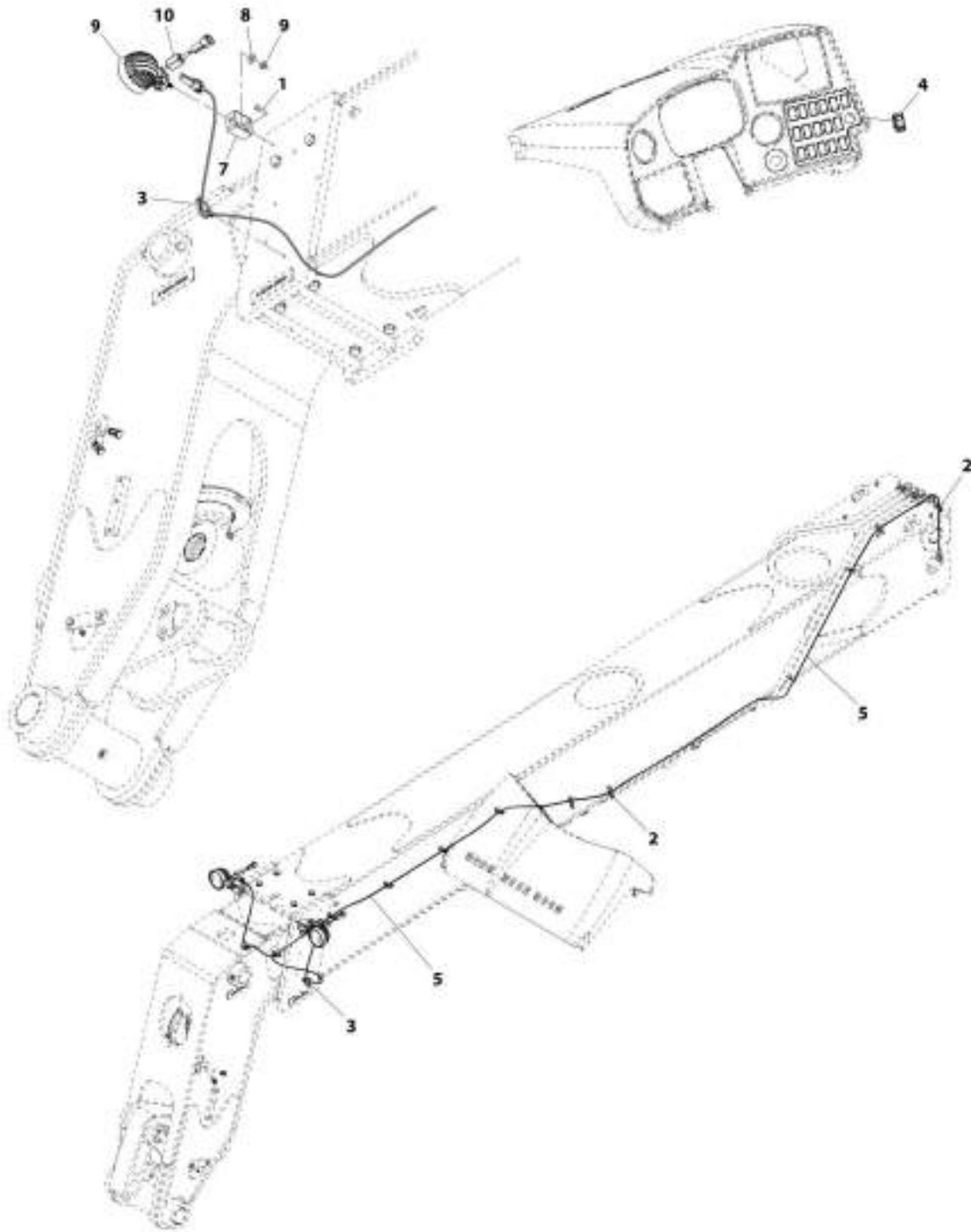
SECTION 10 - ELECTRICAL

FIGURE 10-32. BOOM WORKLIGHTS INSTALLATION

ITEM	PART NUMBER	QTY	DESCRIPTION	REV
	1001180529	Ref	Boom Worklights Installation	C
1	2920206	2	Worklight	
2	1001146588	2	Strap, Cable	
3	1001008923	11	Strap, Cable	
4	1001183297	1	Harness, Boom Worklights (See Separate Breakdown in this Section)	
5	1001159739	1	Switch, Boom Worklights	

SECTION 10 - ELECTRICAL

FIGURE 10-33. BOOM LED WORKLIGHTS INSTALLATION



KBT_1001210961-C

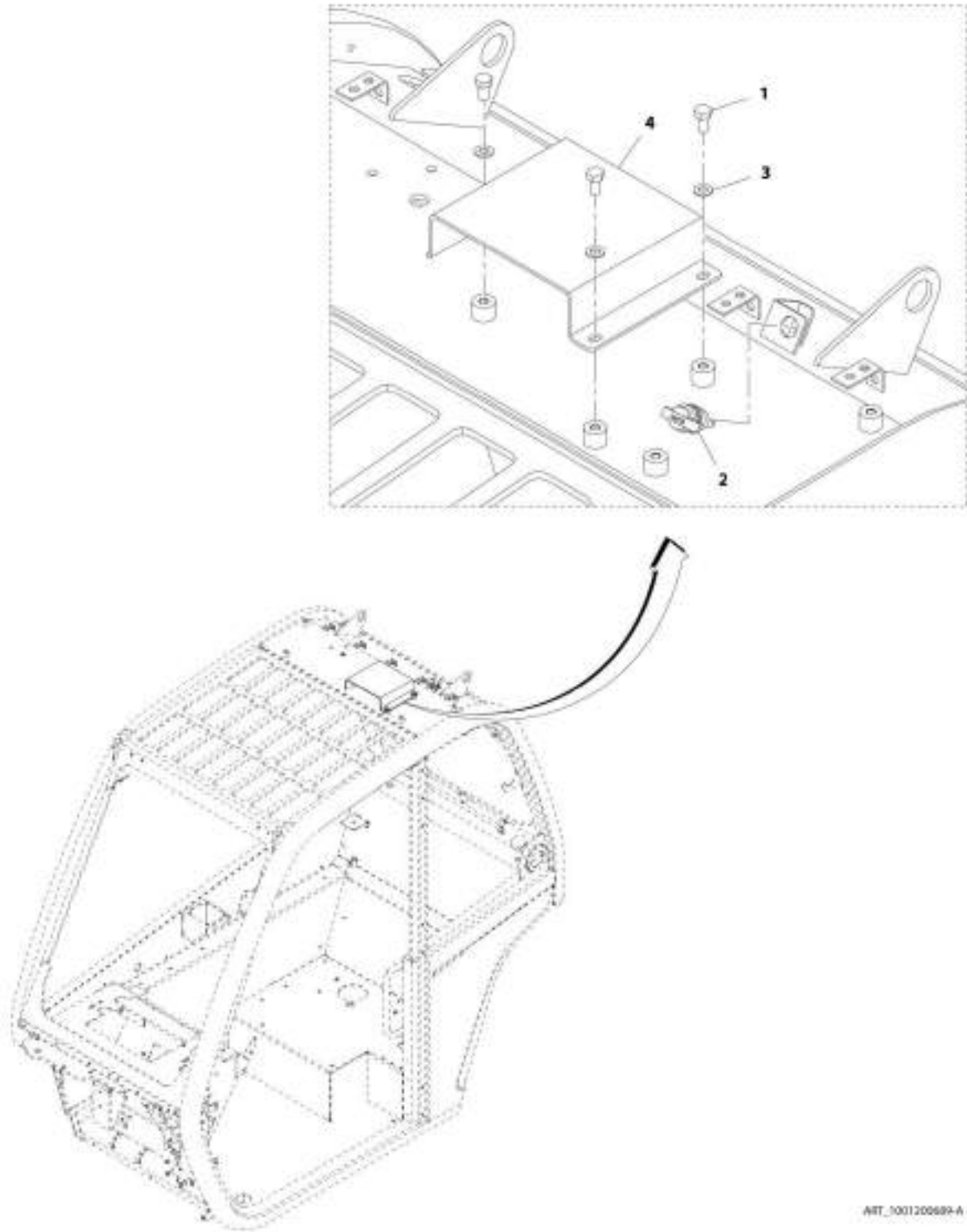
SECTION 10 - ELECTRICAL

FIGURE 10-33. BOOM LED WORKLIGHTS INSTALLATION

ITEM	PART NUMBER	QTY	DESCRIPTION	REV
	1001210961	Ref	Boom LED Worklights Installation	C
1	0760610	2	Bolt, M6X20	
2	1001008923	11	Strap, Cable	
3	1001146588	2	Strap, Tie	
4	1001159739	1	Switch, Boom Worklights	
5	1001183297	1	Harness, Boom Worklights (See Separate Breakdown in this Section)	
7	1001210962	2	Bracket	
8	4812000	2	Washer, M10	
9	1001203640	2	Lamp, LED Worklights	
10	1001228989	2	Harness, Ferrite	

SECTION 10 - ELECTRICAL

FIGURE 10-34. BEACON BRACKET INSTALLATION (Prior to SN 1160008371)



AIT_500120589-A

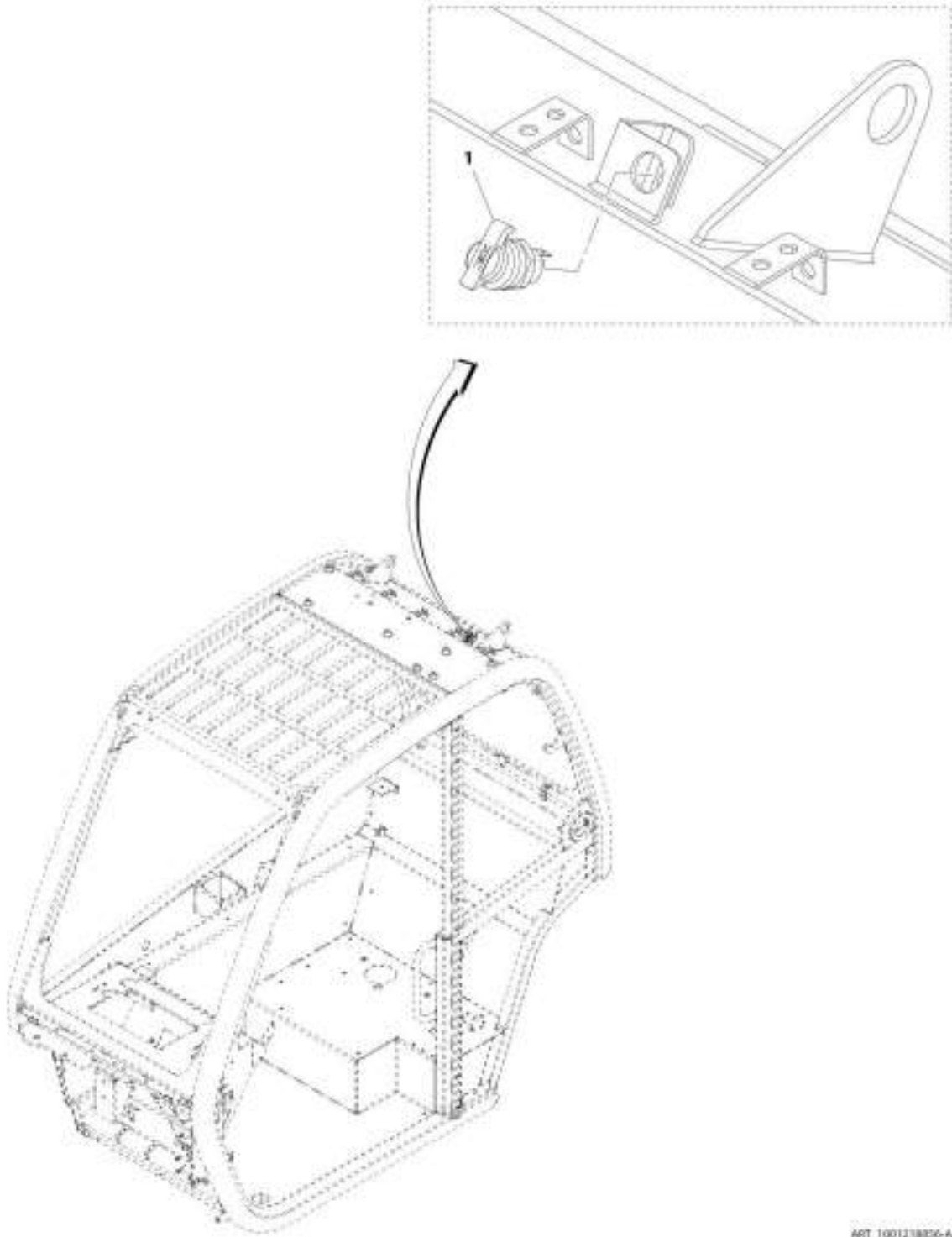
SECTION 10 - ELECTRICAL

FIGURE 10-34. BEACON BRACKET INSTALLATION (Prior to SN 1160008371)

ITEM	PART NUMBER	QTY	DESCRIPTION	REV
	1001200689	Ref	Beacon Bracket Installation	A
1	0760808	3	Bolt, M8X16	
2	4461174	1	Terminal, 12 Volt	
3	4811900	3	Washer, M8	
4	1001174796	1	Bracket, Beacon	

SECTION 10 - ELECTRICAL

FIGURE 10-35. BEACON BRACKET INSTALLATION (AG) (SN 1160008371 to Present)



ART_1001218026-A

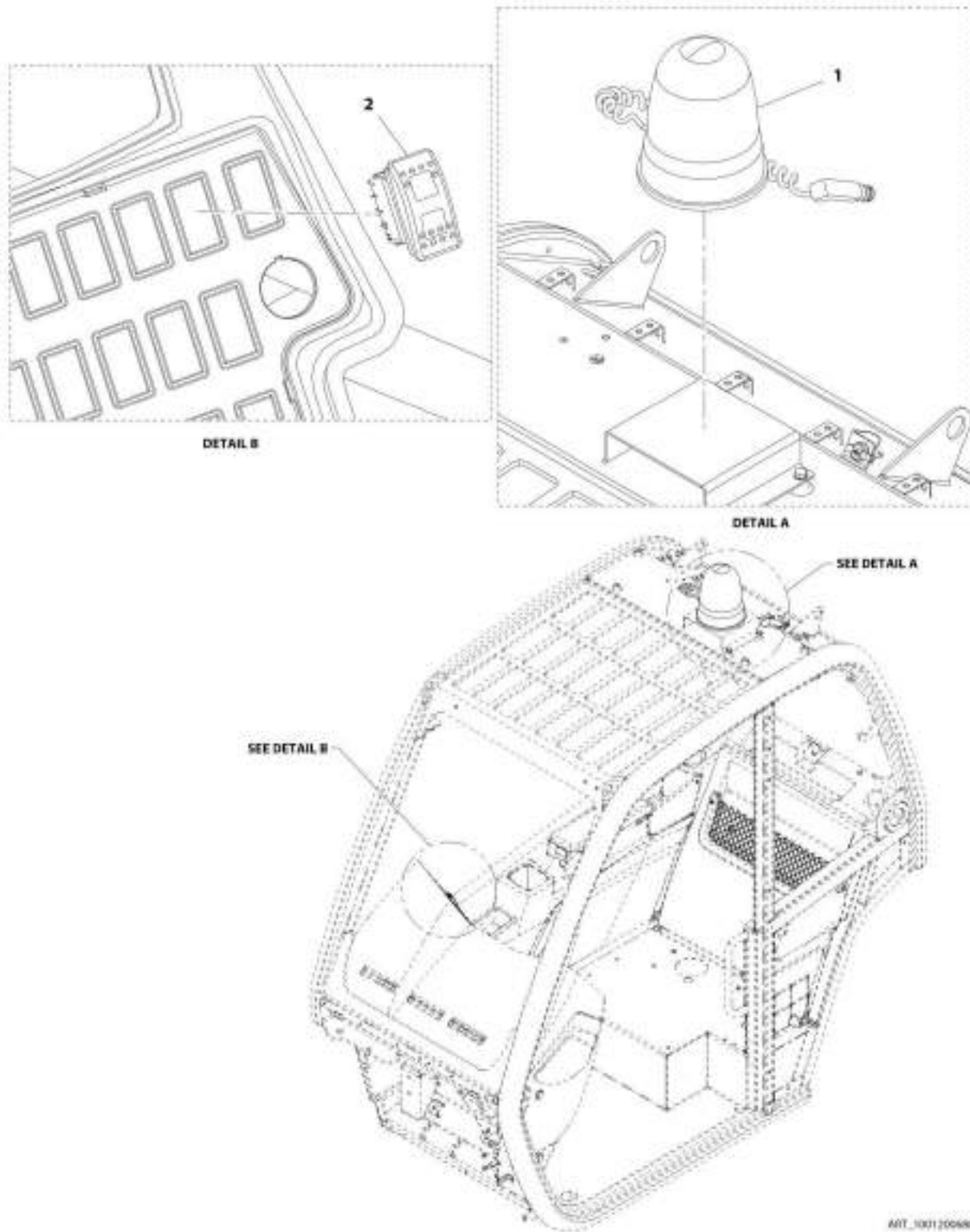
SECTION 10 - ELECTRICAL

FIGURE 10-35. BEACON BRACKET INSTALLATION (AG) (SN 1160008371 to Present)

ITEM	PART NUMBER	QTY	DESCRIPTION	REV
1	1001218856 4461174	Ref 1	Beacon Bracket Installation Terminal, 12 Volt	A

SECTION 10 - ELECTRICAL

FIGURE 10-36. BEACON LIGHT INSTALLATION



SECTION 10 - ELECTRICAL

FIGURE 10-36. BEACON LIGHT INSTALLATION

ITEM	PART NUMBER	QTY	DESCRIPTION	REV
	1001200688	Ref	Beacon Light Installation	B
1	1001217623	1	Light, Warning	
2	1001159738	1	Switch, Beacon	

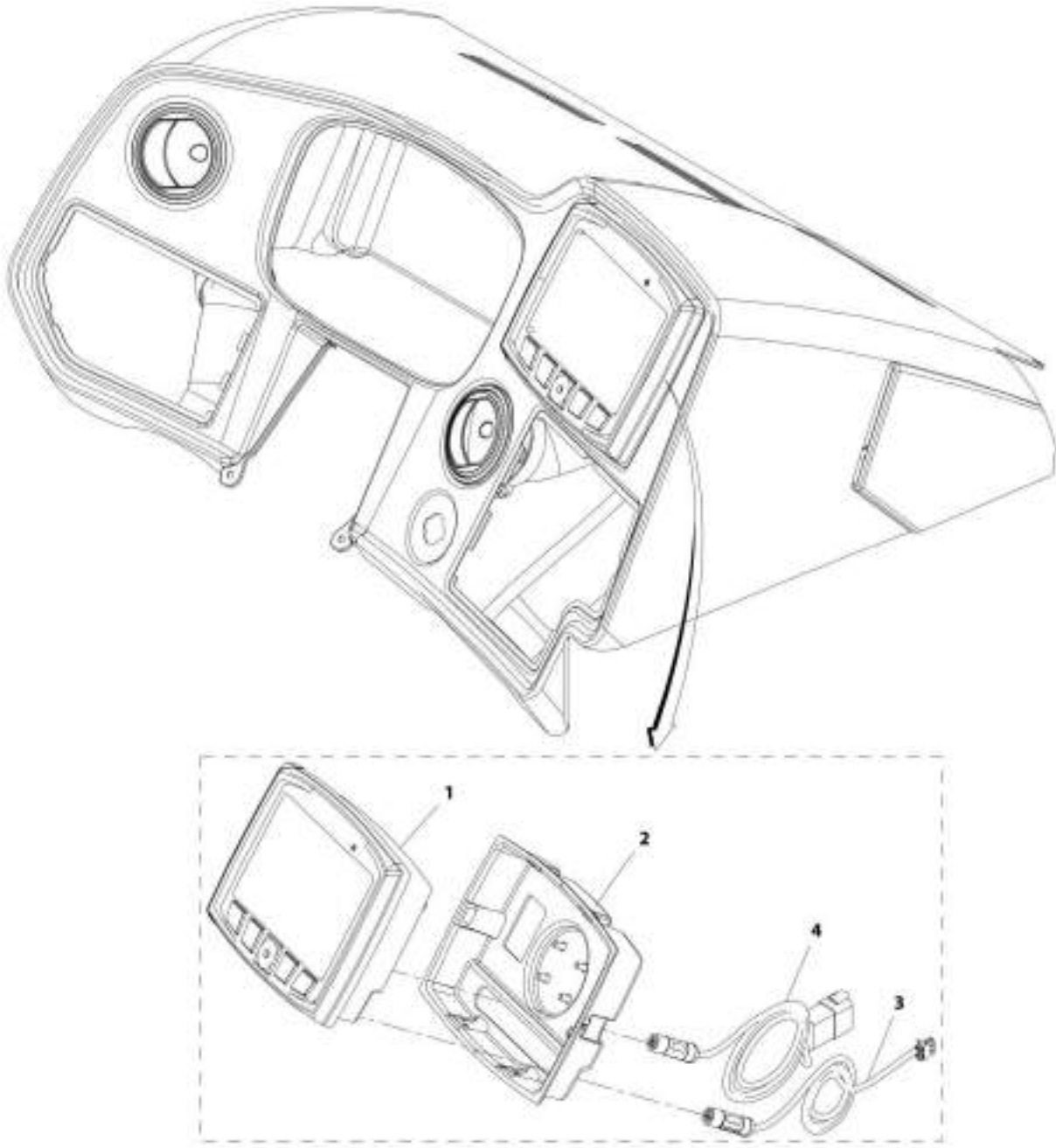
SECTION 10 - ELECTRICAL

FIGURE 10-37. TRAILER ELECTRICS INSTALLATION

ITEM	PART NUMBER	QTY	DESCRIPTION	REV
	1001179146	Ref	Trailer Electrics Installation	C
2	3290501	3	Nut, M5X0.8 Grade 8	
3	4031612	3	Bolt, M5X40	
4	4461170	1	Connector, 7 Pin Trailer	
5	4811600	3	Washer, M5	
6	1001184839	1	Harness, Link Trailer (See Separate Breakdown in this Section)	
7	1001008559	3	Strap, Cable	

SECTION 10 - ELECTRICAL

FIGURE 10-38. MULTIFUNCTION DISPLAY INSTALLATION



APP_1001170338-0

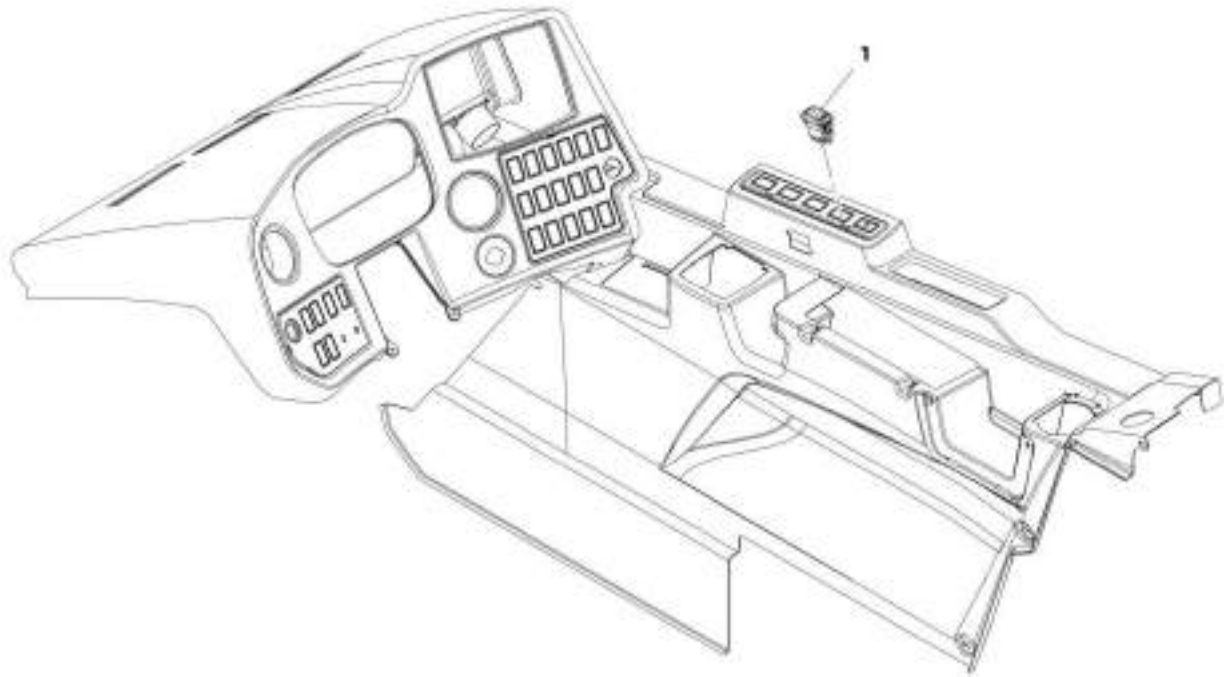
SECTION 10 - ELECTRICAL

FIGURE 10-38. MULTIFUNCTION DISPLAY INSTALLATION

ITEM	PART NUMBER	QTY	DESCRIPTION	REV
	1001176338	Ref	Multifunction Display Installation	B
1	1001211357	1	Display	
2	1001178783	1	Bezel	
3	1001180682	1	Cable	
4	1001180683	1	Cable, Video	

SECTION 10 - ELECTRICAL

FIGURE 10-39. ENGINE SPEED SET SWITCH INSTALLATION



ART_3301197629-8

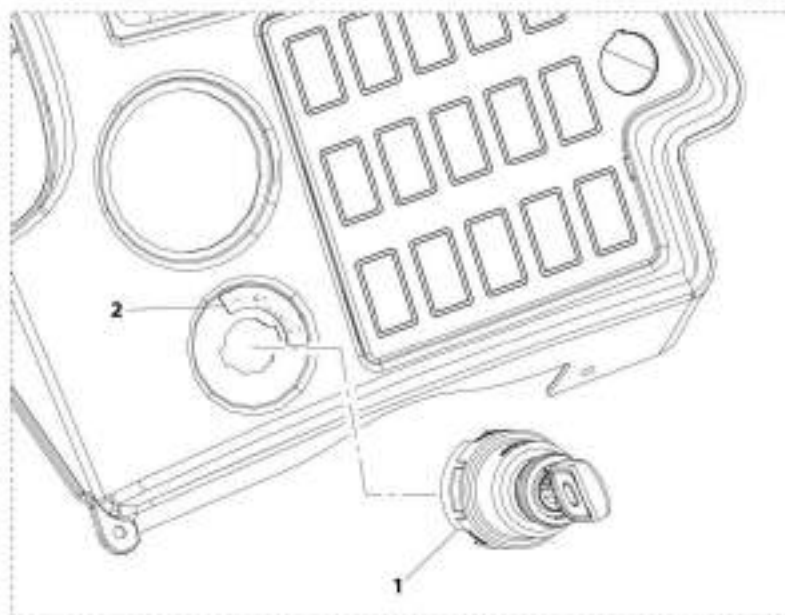
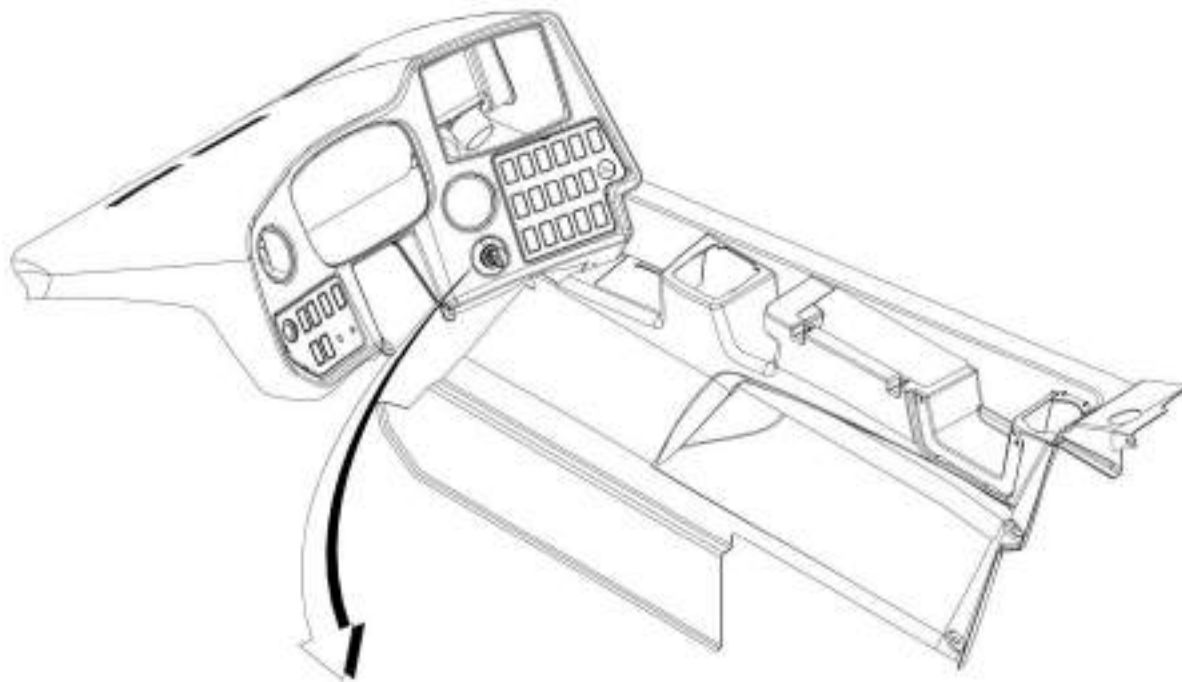
SECTION 10 - ELECTRICAL

FIGURE 10-39. ENGINE SPEED SET SWITCH INSTALLATION

ITEM	PART NUMBER	QTY	DESCRIPTION	REV
1	1001197639	1	Engine Speed Set Switch Installation	B
	1001198932	1	Switch, Engine Speed Set	

SECTION 10 - ELECTRICAL

FIGURE 10-40. IGNITION SWITCH INSTALLATION



ANT_1001208510-A

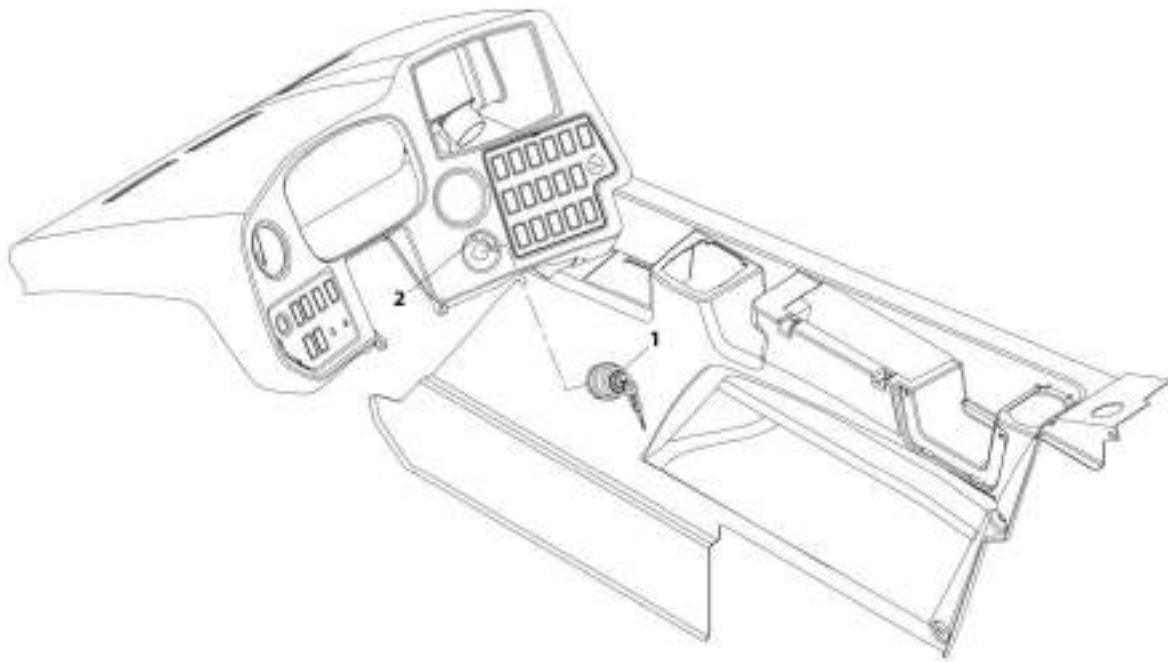
SECTION 10 - ELECTRICAL

FIGURE 10-40. IGNITION SWITCH INSTALLATION

ITEM	PART NUMBER	QTY	DESCRIPTION	REV
	1001208518	Ref	Ignition Switch Installation	A
1	1001102502	1	Switch, 4 Position Key	
1	70022765	1	Key, Ignition	
2	1001181531	1	Decal, Ignition Switch	

SECTION 10 - ELECTRICAL

FIGURE 10-41. IGNITION SWITCH INSTALLATION



ART. 1001201120-B

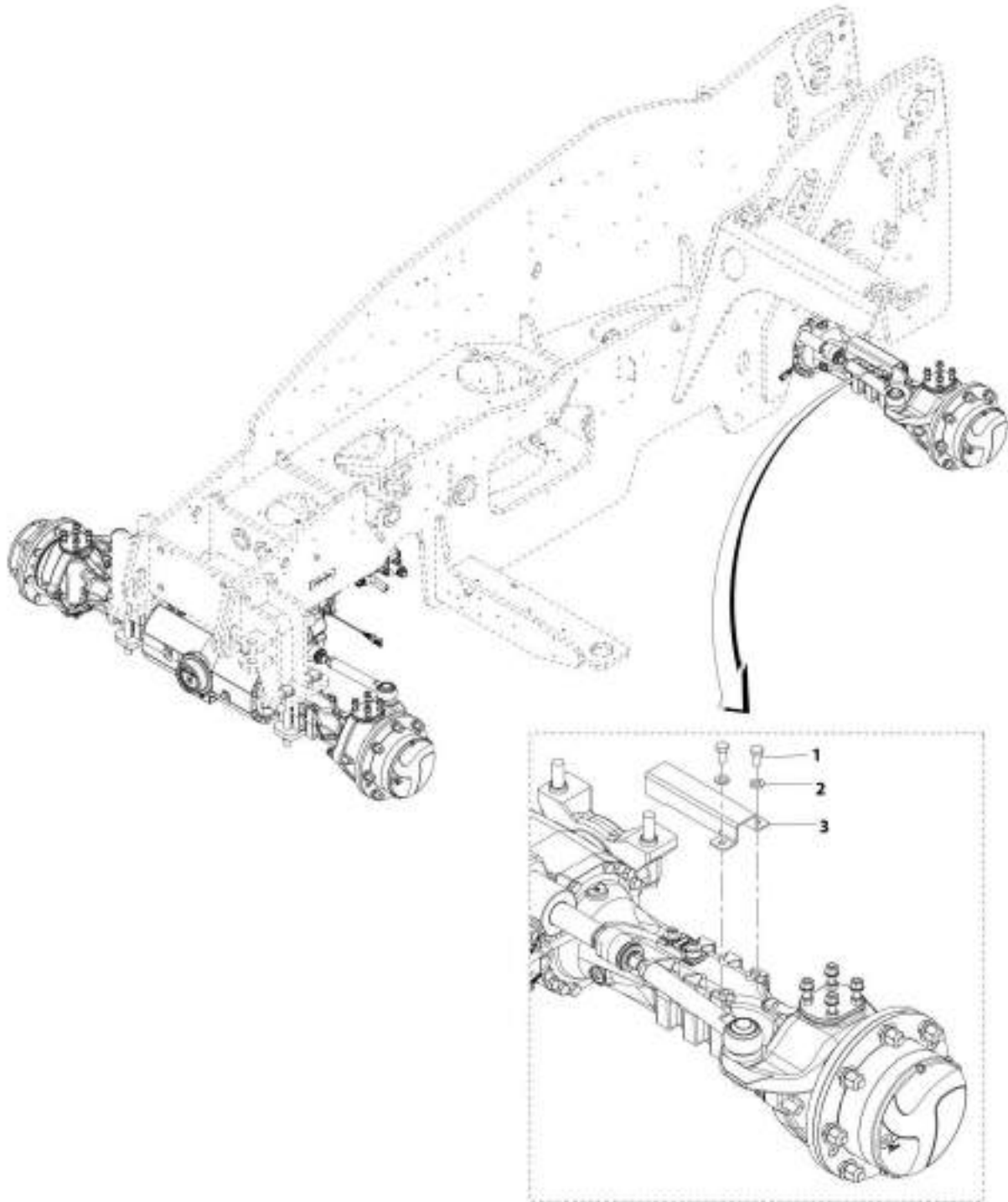
SECTION 10 - ELECTRICAL

FIGURE 10-41. IGNITION SWITCH INSTALLATION

ITEM	PART NUMBER	QTY	DESCRIPTION	REV
	1001201128	Ref	Ignition Switch Installation (Deutz-Fahr)	B
1	1001139707	1	Switch, 5 Position Key	
2	1001181531	1	Decal, Ignition Switch	

SECTION 10 - ELECTRICAL

FIGURE 10-42. LSI SENSOR COVER INSTALLATION (20IN WHEEL)



ART_100122605-A

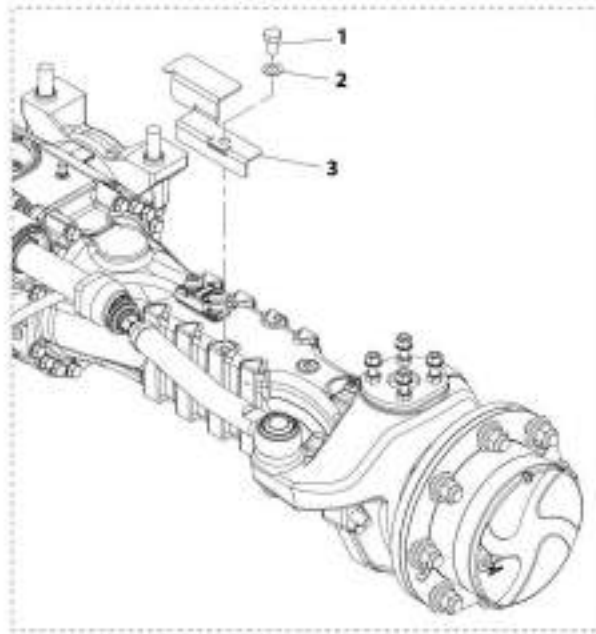
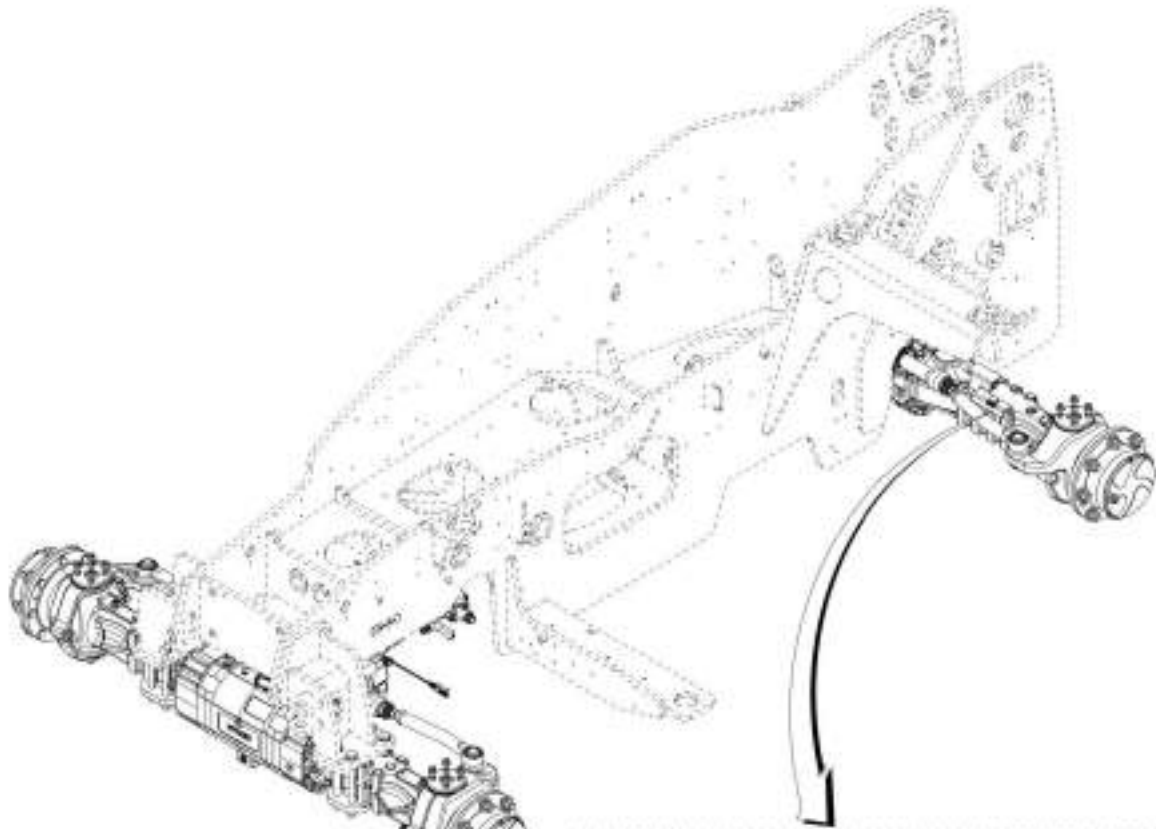
SECTION 10 - ELECTRICAL

FIGURE 10-42. LSI SENSOR COVER INSTALLATION (20IN WHEEL)

ITEM	PART NUMBER	QTY	DESCRIPTION	REV
	1001225305	Ref	LSI Sensor Cover Installation	A
1	0761212	2	Bolt, M12X25	
2	4812100	2	Washer, M12	
3	1001225302	1	Shield, LSI Sensor	

SECTION 10 - ELECTRICAL

FIGURE 10-43. LSI SENSOR COVER INSTALLATION (24IN WHEEL)



MIT_3001225306-A

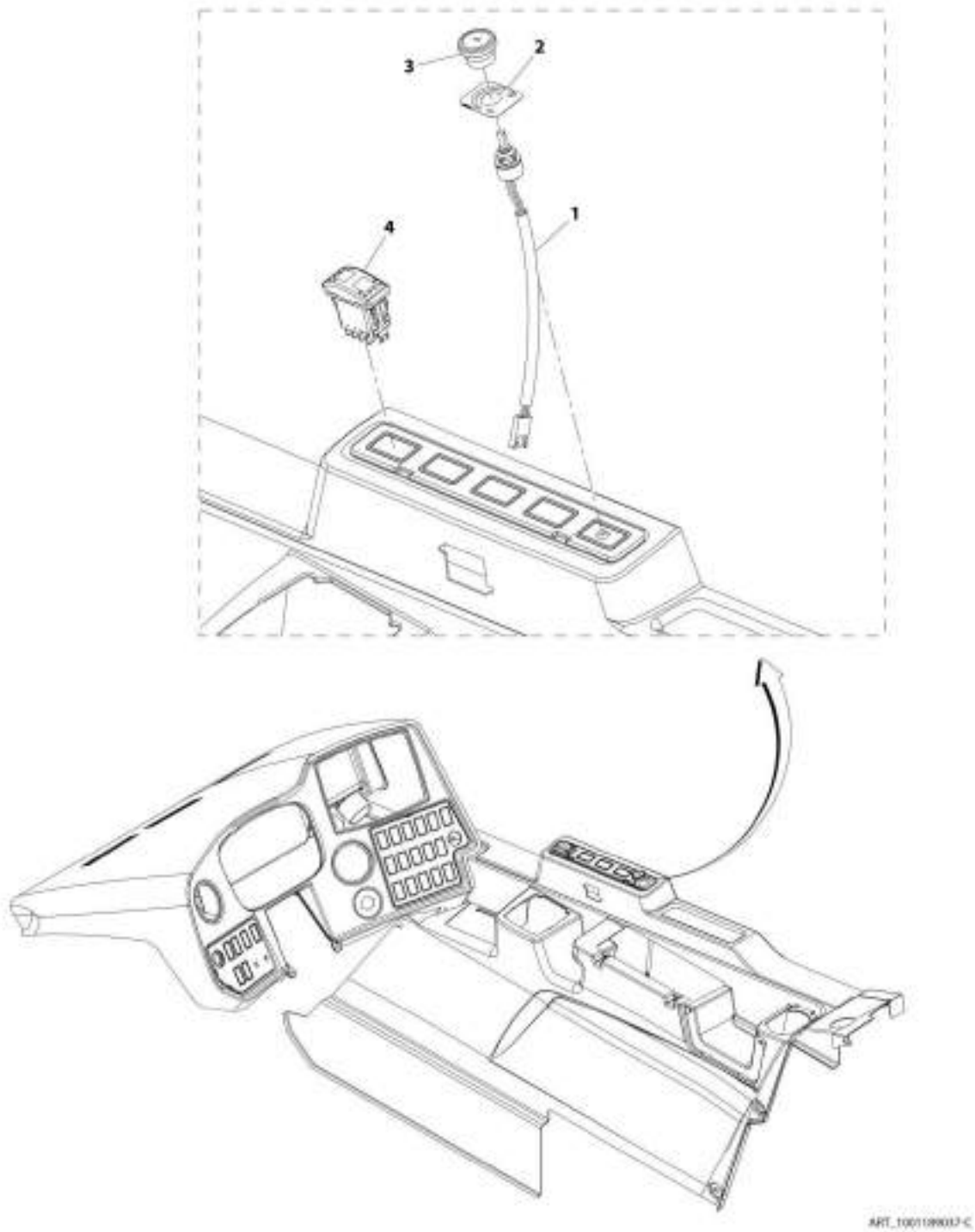
SECTION 10 - ELECTRICAL

FIGURE 10-43. LSI SENSOR COVER INSTALLATION (24IN WHEEL)

ITEM	PART NUMBER	QTY	DESCRIPTION	REV
	1001225306	Ref	LSI Sensor Cover Installation	A
1	0761412	1	Bolt, M14X25	
2	4812200	1	Washer, M14	
3	1001225304	1	Shield, LSI Sensor	

SECTION 10 - ELECTRICAL

FIGURE 10-44. TRAVEL MODE SWITCH INSTALLATION



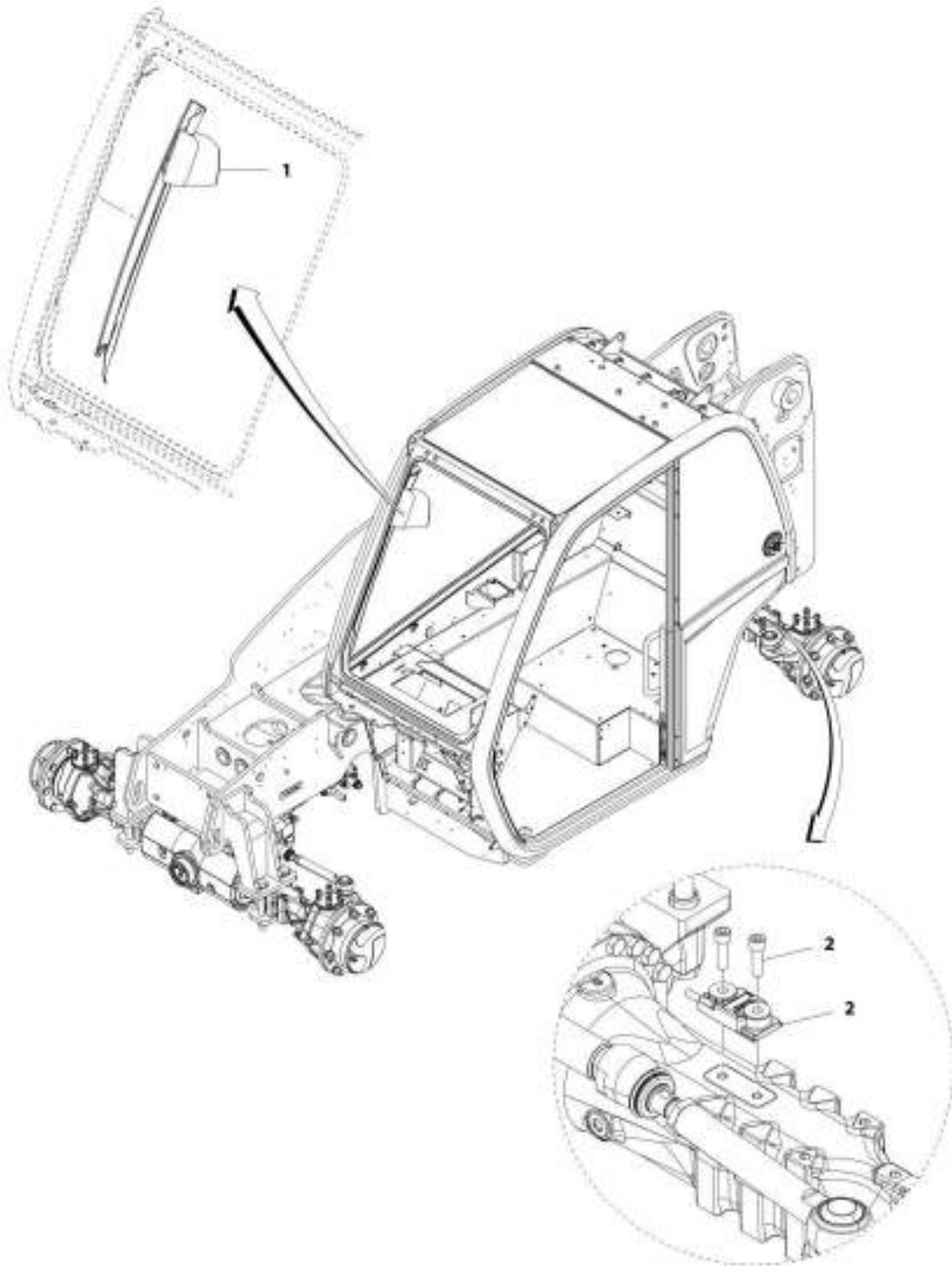
SECTION 10 - ELECTRICAL

FIGURE 10-44. TRAVEL MODE SWITCH INSTALLATION

ITEM	PART NUMBER	QTY	DESCRIPTION	REV
	1001189037	Ref	Travel Mode Switch Installation	C
1	1001222590	1	Switch, Engine Set Speed	
2	1001185193	1	Decal, Speed Control	
3	1001172550	1	Knob, HVAC Control	
4	1001185227	1	Switch, Travel Mode	

SECTION 10 - ELECTRICAL

FIGURE 10-45. LSI SENSOR INSTALLATION (20IN WHEEL)



ART_1001200426-A

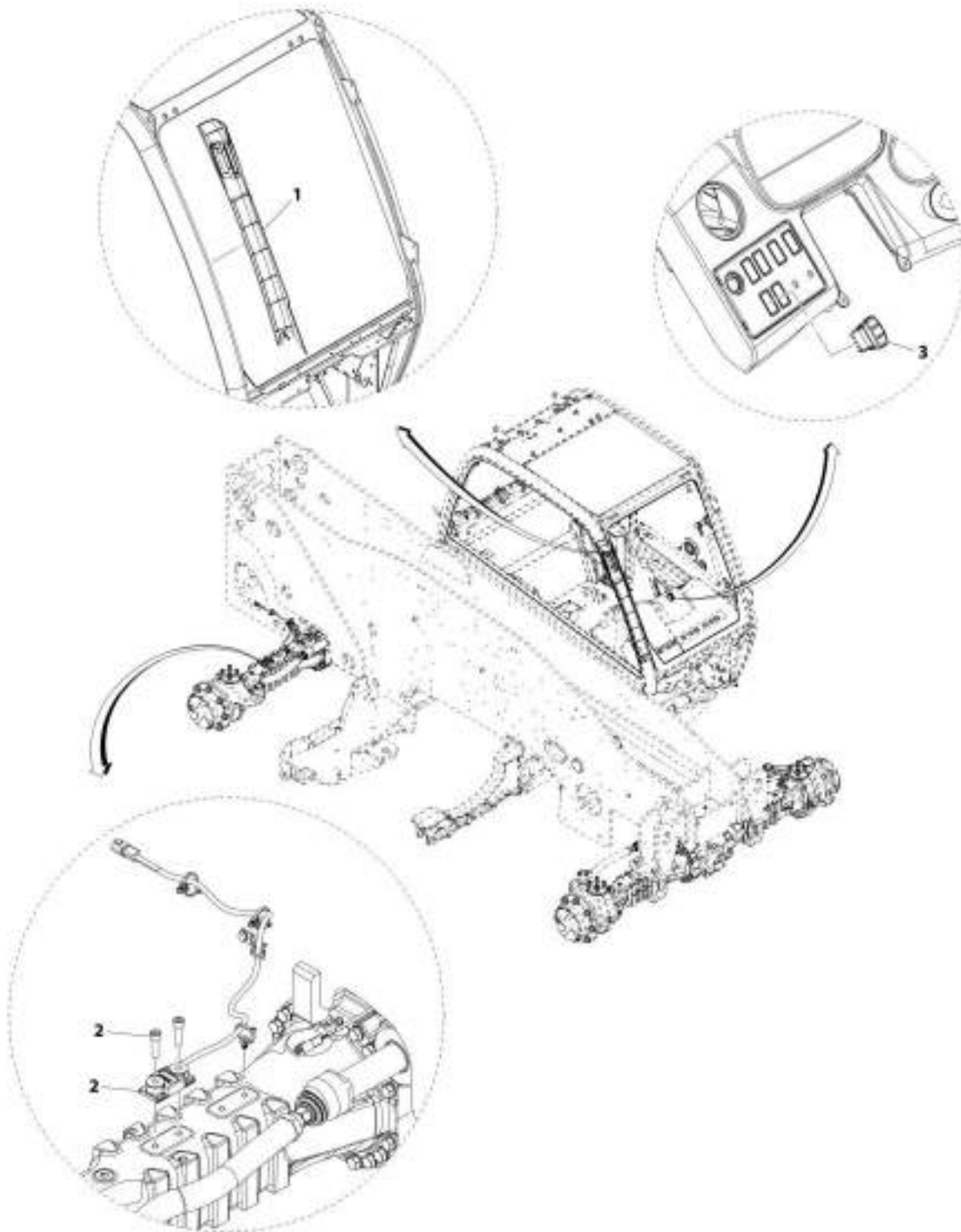
SECTION 10 - ELECTRICAL

FIGURE 10-45. LSI SENSOR INSTALLATION (20IN WHEEL)

ITEM	PART NUMBER	QTY	DESCRIPTION	REV
1	1001200426	Ref	LSI Sensor Installation (20IN Wheel)	A
	1001166293	Ref	Installation, LSI Assembly (See Separate Breakdown in this Section)	
2	1001199936	Ref	Installation, LSI Sensor (20IN Wheel) (See Separate Breakdown in this Section)	

SECTION 10 - ELECTRICAL

FIGURE 10-46. LSI SENSOR INSTALLATION (24IN WHEEL) (Prior to SN 1160008371)



ART_1001107586-D

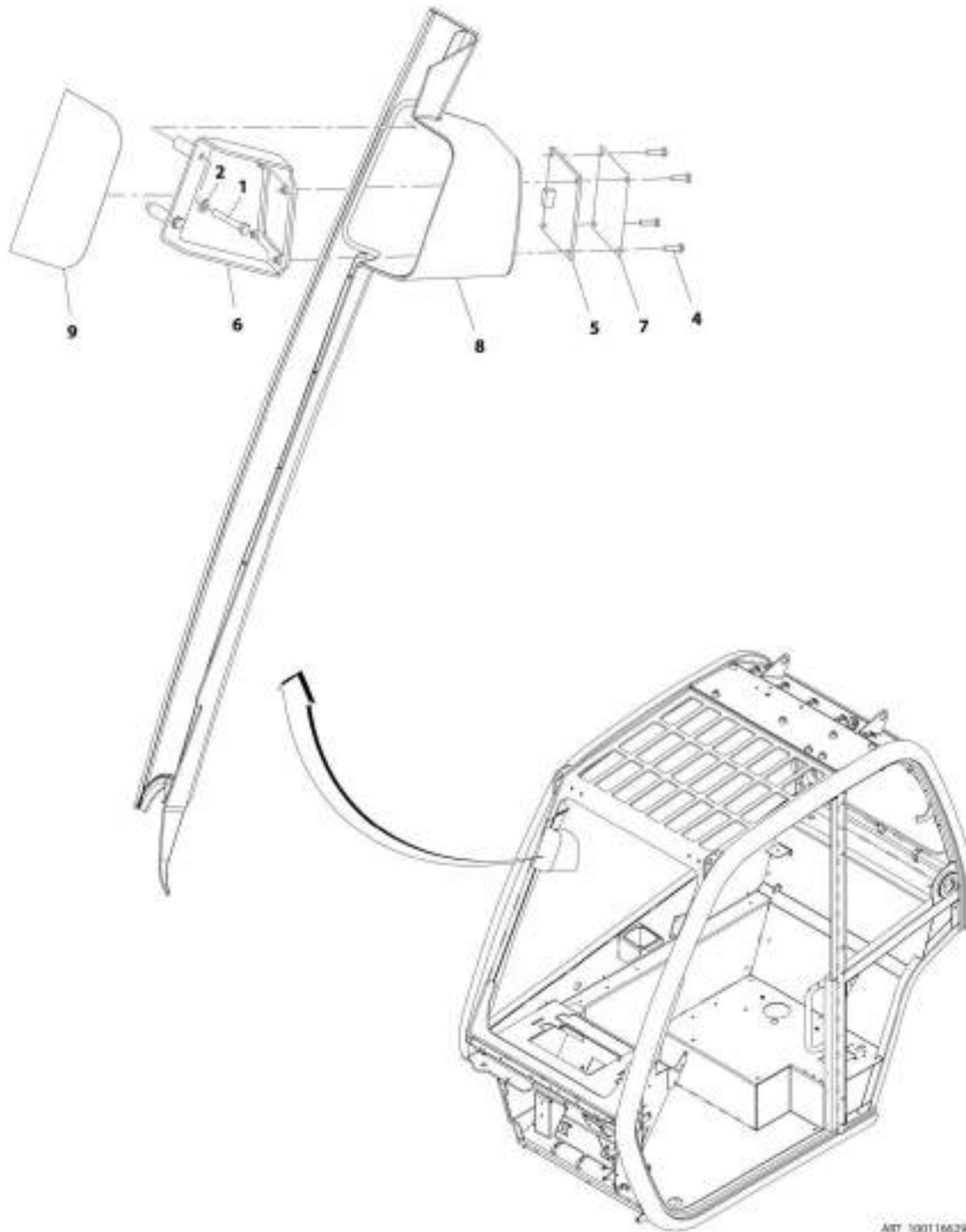
SECTION 10 - ELECTRICAL

FIGURE 10-46. LSI SENSOR INSTALLATION (24IN WHEEL) (Prior to SN 1160008371)

ITEM	PART NUMBER	QTY	DESCRIPTION	REV
1	1001197589	Ref	LSI Sensor Installation (24IN Wheel)	D
	1001207594	Ref	Installation, LSI Assembly (See Separate Breakdown in this Section)	
2	1001199935	Ref	Installation, LSI Sensor (24IN Wheel) (See Separate Breakdown in this Section)	
3	1001233407	Ref	Installation, LSI Switch (See Separate Breakdown in this Section)	

SECTION 10 - ELECTRICAL

FIGURE 10-47. LSI ASSEMBLY



ART_3001166293-C

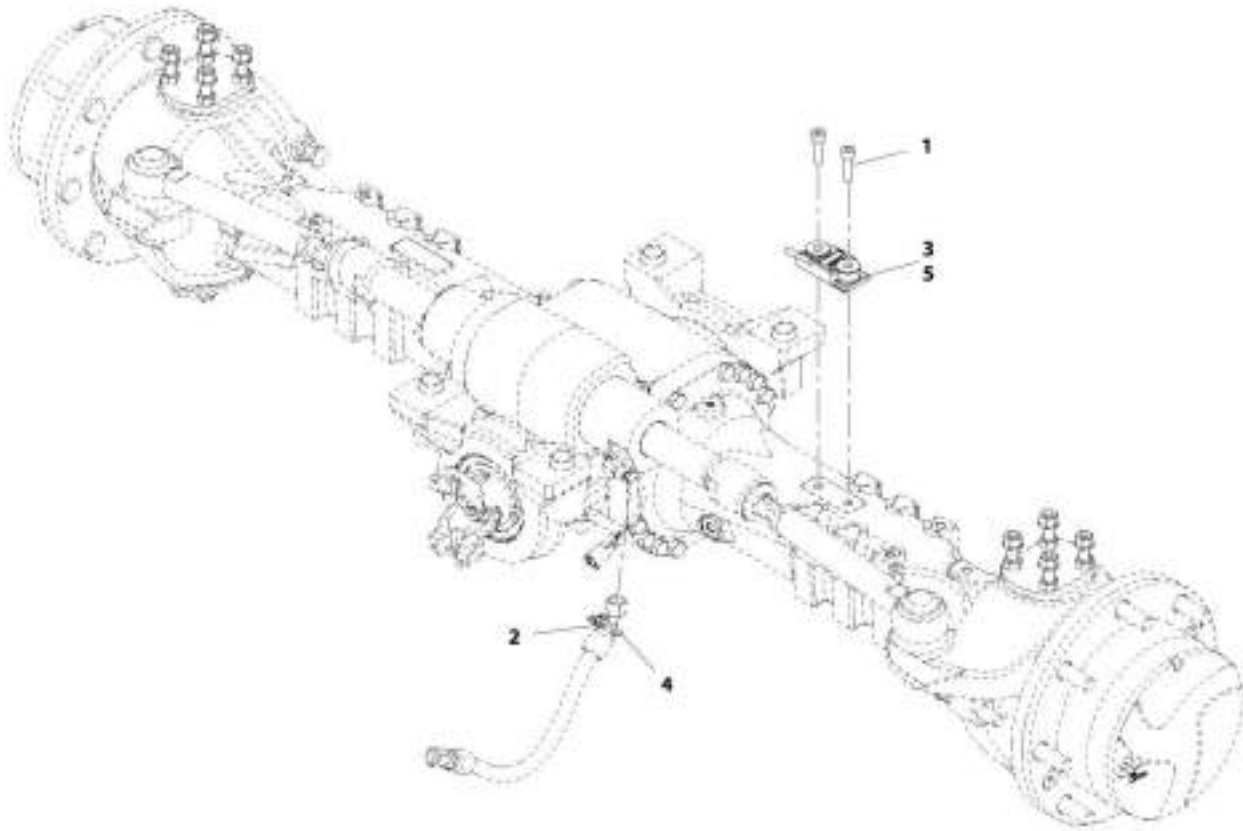
SECTION 10 - ELECTRICAL

FIGURE 10-47. LSI ASSEMBLY

ITEM	PART NUMBER	QTY	DESCRIPTION	REV
	1001166293	Ref	LSI Assembly	C
1	0700616	2	Bolt, M6X40	
2	4811700	2	Washer, M6	
4	1001126837	4	Screw, M4X16	
5	1001166465	1	Gauge, LSI Display	
6	1001166174	1	Bracket, LSI Display Support	
7	1001173343	1	Decal, LSI Display	
8	1001169606	1	Panel	
9	1001207174	1	Decal, LSI Cover	

SECTION 10 - ELECTRICAL

FIGURE 10-48. LSI SENSOR (20IN WHEEL)



AWT_1001100030-C

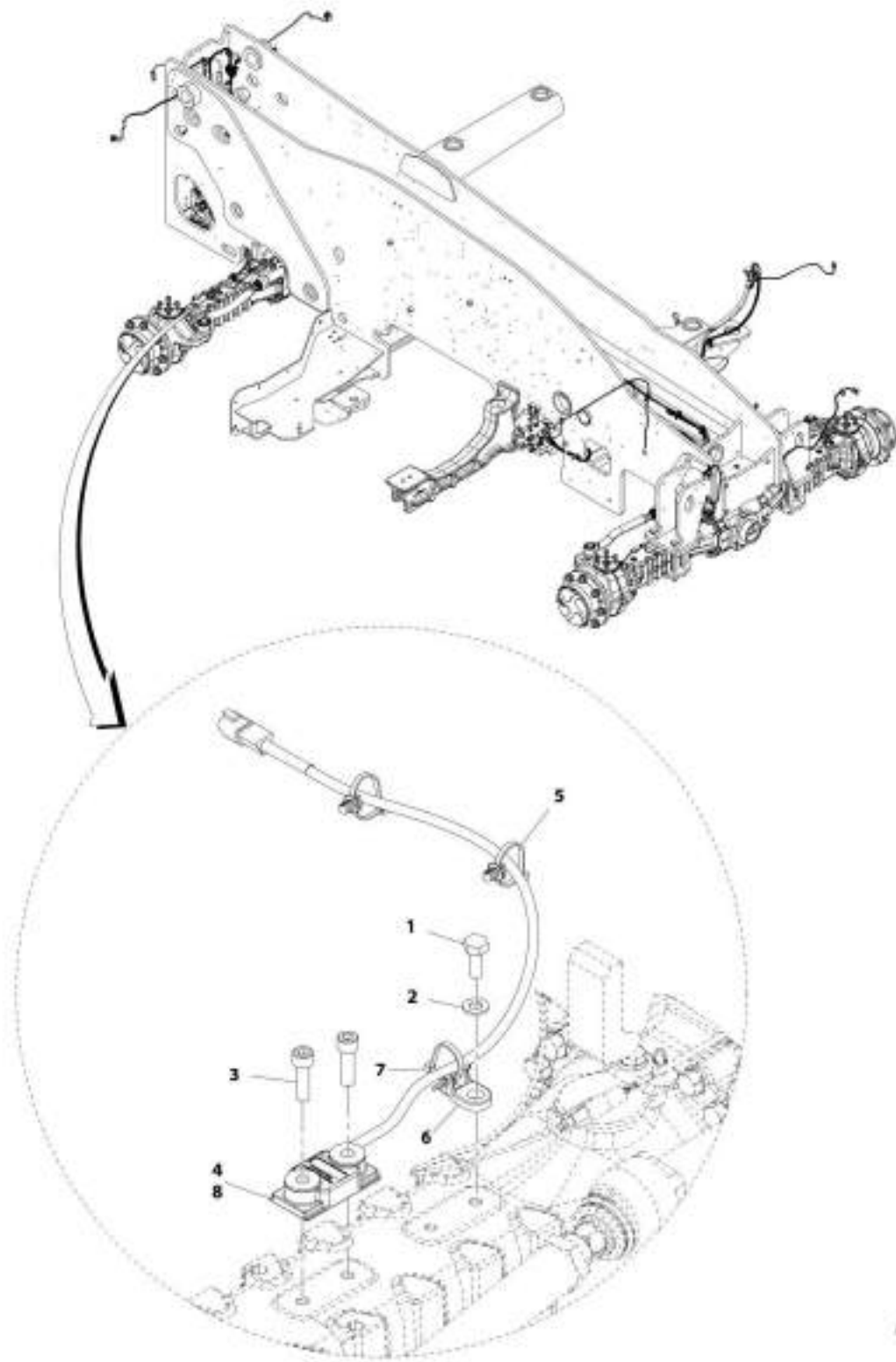
SECTION 10 - ELECTRICAL

FIGURE 10-48. LSI SENSOR (20IN WHEEL)

ITEM	PART NUMBER	QTY	DESCRIPTION	REV
	1001199936	Ref	LSI Sensor (20IN Wheel)	C
1	5272011	2	Screw, M10X35	
2	1001004723	1	Saddle	
3	1001116128	AR	Sealant, Polysiloxane	
4	1001008559	2	Strap, Cable	
5	1001160730	1	Sensor, Rear Axle LSI	

SECTION 10 - ELECTRICAL

FIGURE 10-49. LSI SENSOR (24IN WHEEL) (Prior to SN 1160008371)



ART_100190015-0

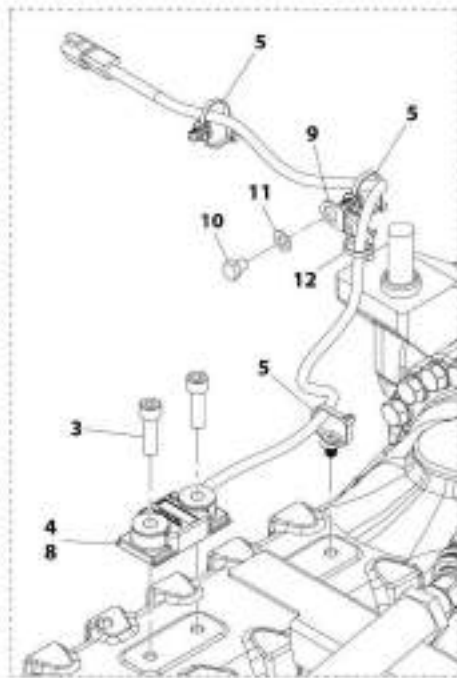
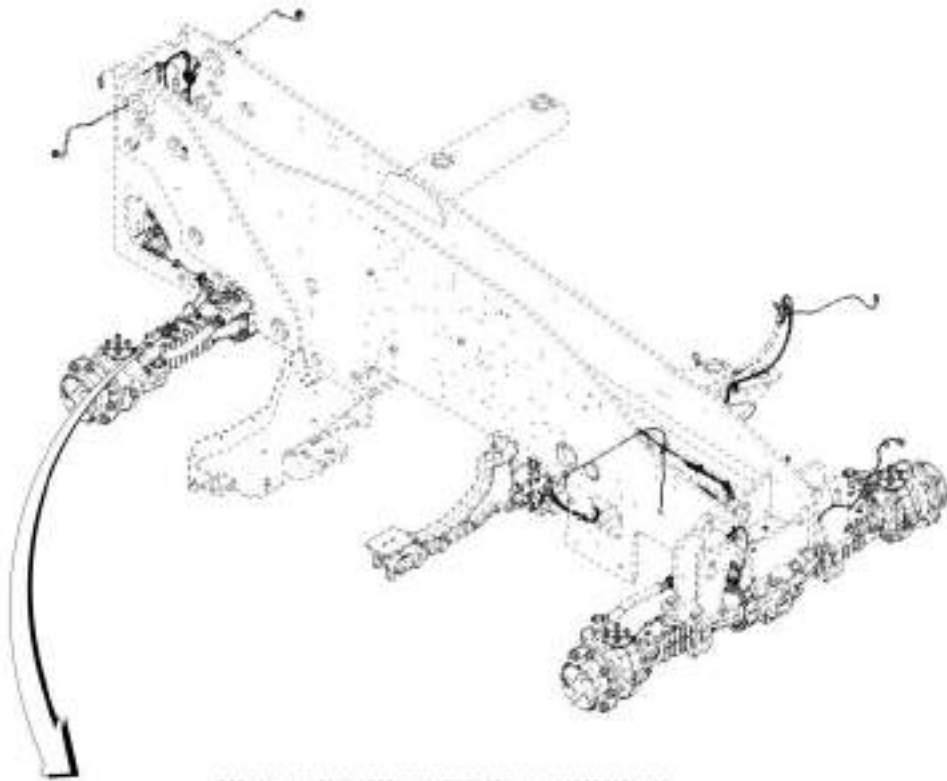
SECTION 10 - ELECTRICAL

FIGURE 10-49. LSI SENSOR (24IN WHEEL) (Prior to SN 1160008371)

ITEM	PART NUMBER	QTY	DESCRIPTION	REV
	1001199935	Ref	LSI Sensor (24IN Wheel)	B
1	0761012	1	Bolt, M10X25	
2	4812000	1	Washer, M10	
3	5272011	2	Screw, M10X35	
4	1001116128	1	Sealant, Polysiloxane	
5	1001146588	2	Strap, Cable	
6	1001169146	1	Mount	
7	1001004720	1	Strap, Cable	
8	1001160730	1	Sensor, Rear Axle LSI	

SECTION 10 - ELECTRICAL

FIGURE 10-50. LSI SENSOR (24IN WHEEL) (SN 1160008371 to Present)



ART_1001199933-E

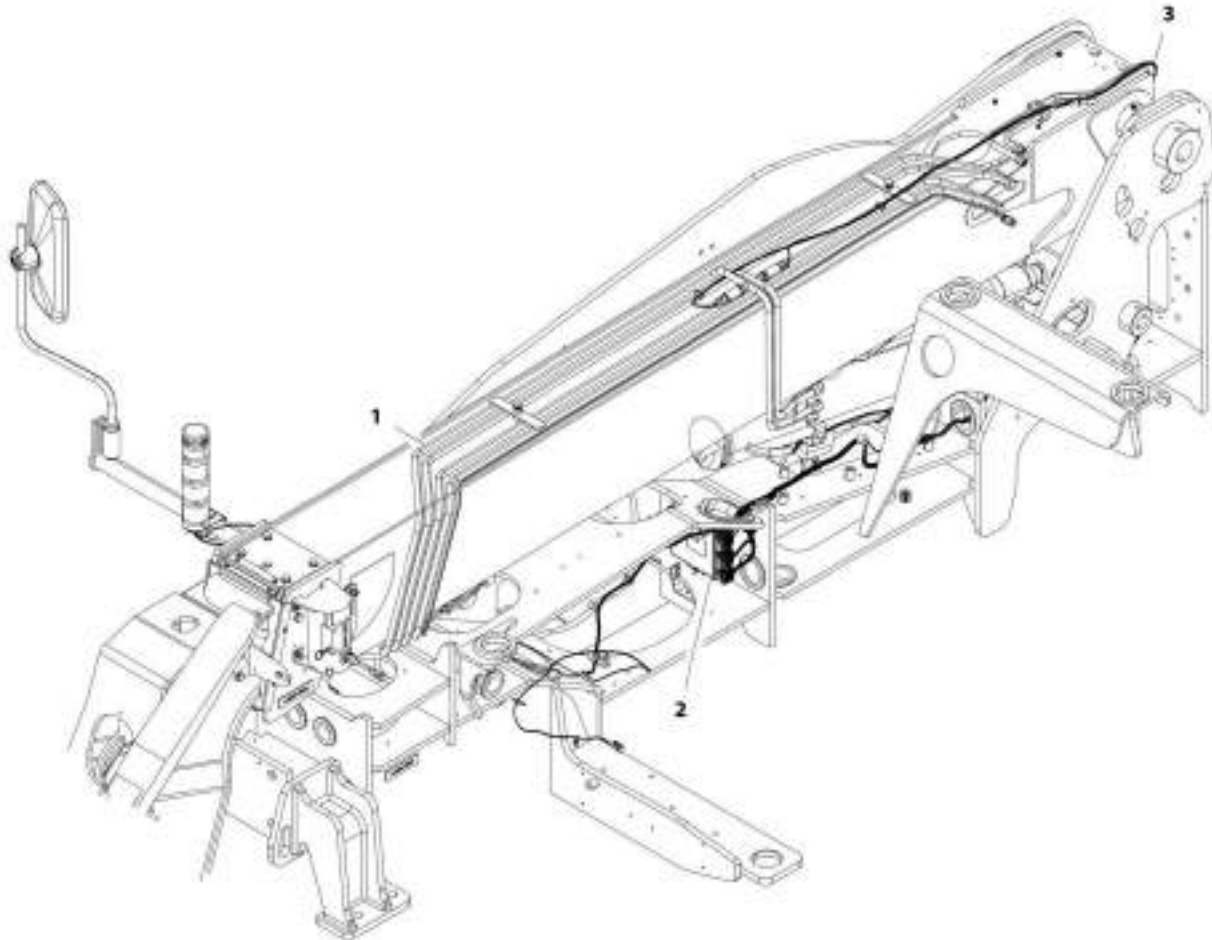
SECTION 10 - ELECTRICAL

FIGURE 10-50. LSI SENSOR (24IN WHEEL) (SN 1160008371 to Present)

ITEM	PART NUMBER	QTY	DESCRIPTION	REV
	1001199935	Ref	LSI Sensor (24IN Wheel)	E
3	5272011	2	Screw, M10X35	
4	1001116128	1	Sealant, Polysiloxane	
5	1001146588	3	Strap, Cable	
8	1001160730	1	Sensor, Rear Axle LSI	
9	1001025750	1	Clip	
10	0760805	1	Screw, 8X10	
11	4811900	1	Washer, 8M	
12	1001008559	1	Strap, Cable	

SECTION 10 - ELECTRICAL

FIGURE 10-51. LMIS INSTALLATION



ART_100138503F-C

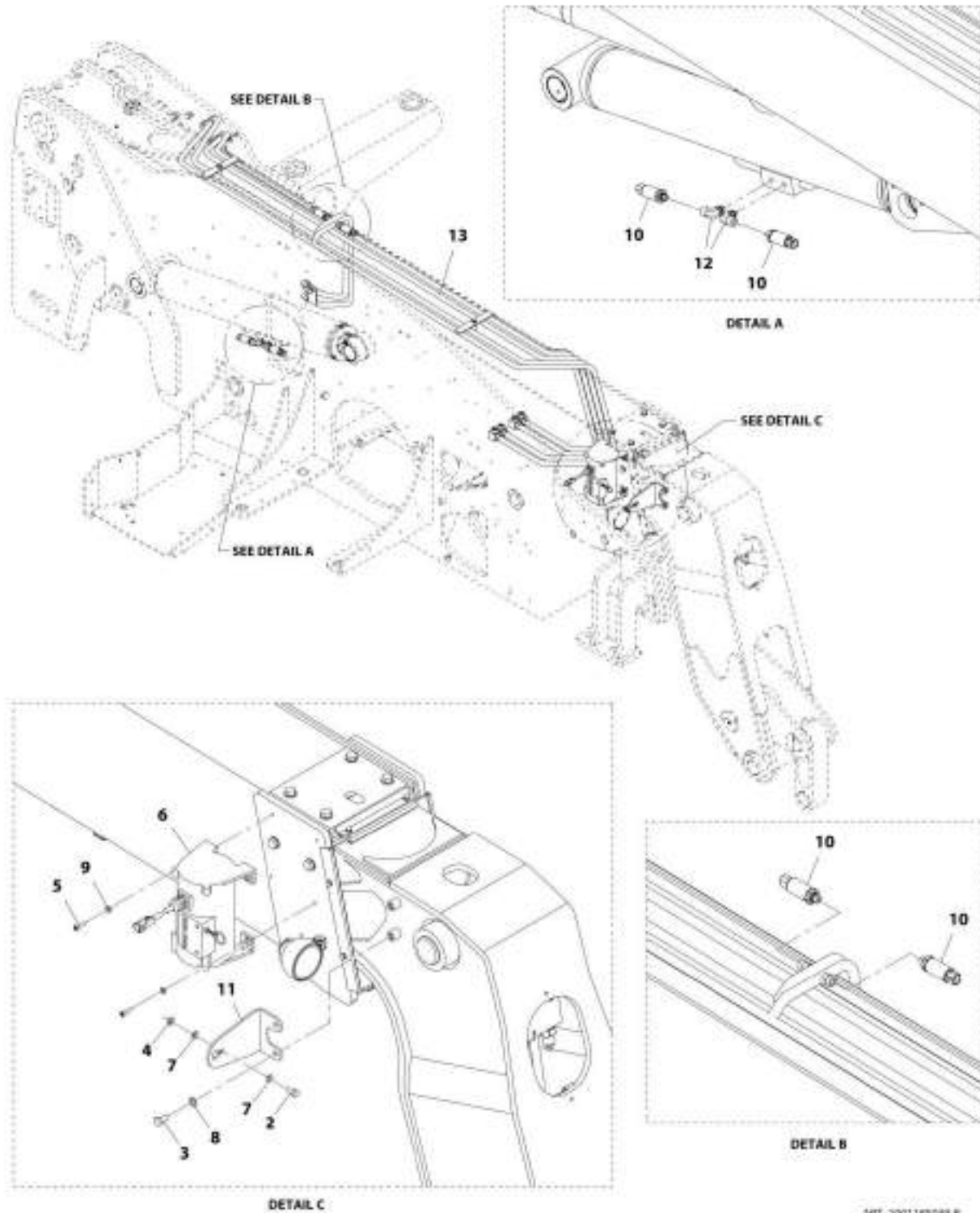
SECTION 10 - ELECTRICAL

FIGURE 10-51. LMIS INSTALLATION

ITEM	PART NUMBER	QTY	DESCRIPTION	REV
	1001185037	Ref	LMIS Installation	C
1	1001185039	Ref	Installation, LMIS Mech (See Separate Breakdown in this Section)	
2	1001185038	Ref	Installation, LMIS Controller (See Separate Breakdown in this Section)	
3	1001186217	Ref	Installation, LMIS Wiring (See Separate Breakdown in this Section)	

SECTION 10 - ELECTRICAL

FIGURE 10-52. LMIS MECHANICAL (Prior to SN 1160008371)



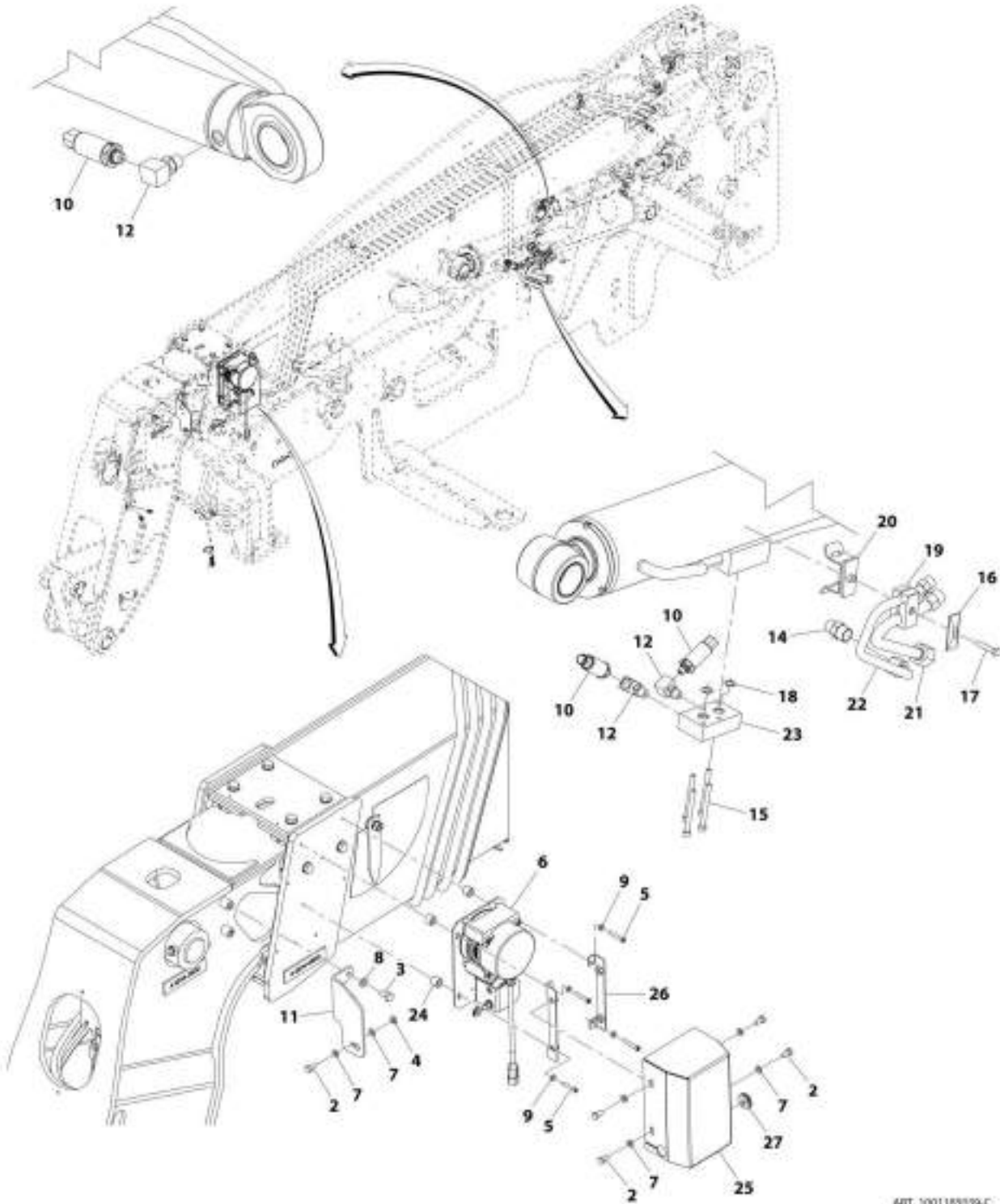
SECTION 10 - ELECTRICAL

FIGURE 10-52. LMIS MECHANICAL (Prior to SN 1160008371)

ITEM	PART NUMBER	QTY	DESCRIPTION	REV
	1001185039	Ref	LMIS Mechanical	B
2	0760808	1	Bolt, M8X16	
3	0761010	2	Bolt, M10X20	
4	3290801	1	Nut, M8X1.25	
5	4031708	4	Bolt, M6X20	
6	4360543	1	Switch, Boom Length	
7	4811900	2	Washer, M8	
8	4812000	2	Washer, M10	
9	5240600	4	Washer, M6	
10	1001162885	4	Sensor, Pressure	
11	1001190657	1	Bracket	
12	1001184172	2	Fitting, 90	
13	1001202918	1	Pipe	

SECTION 10 - ELECTRICAL

FIGURE 10-53. LMIS MECHANICAL (SN 1160008371 to Present)



ART_1001189239-C

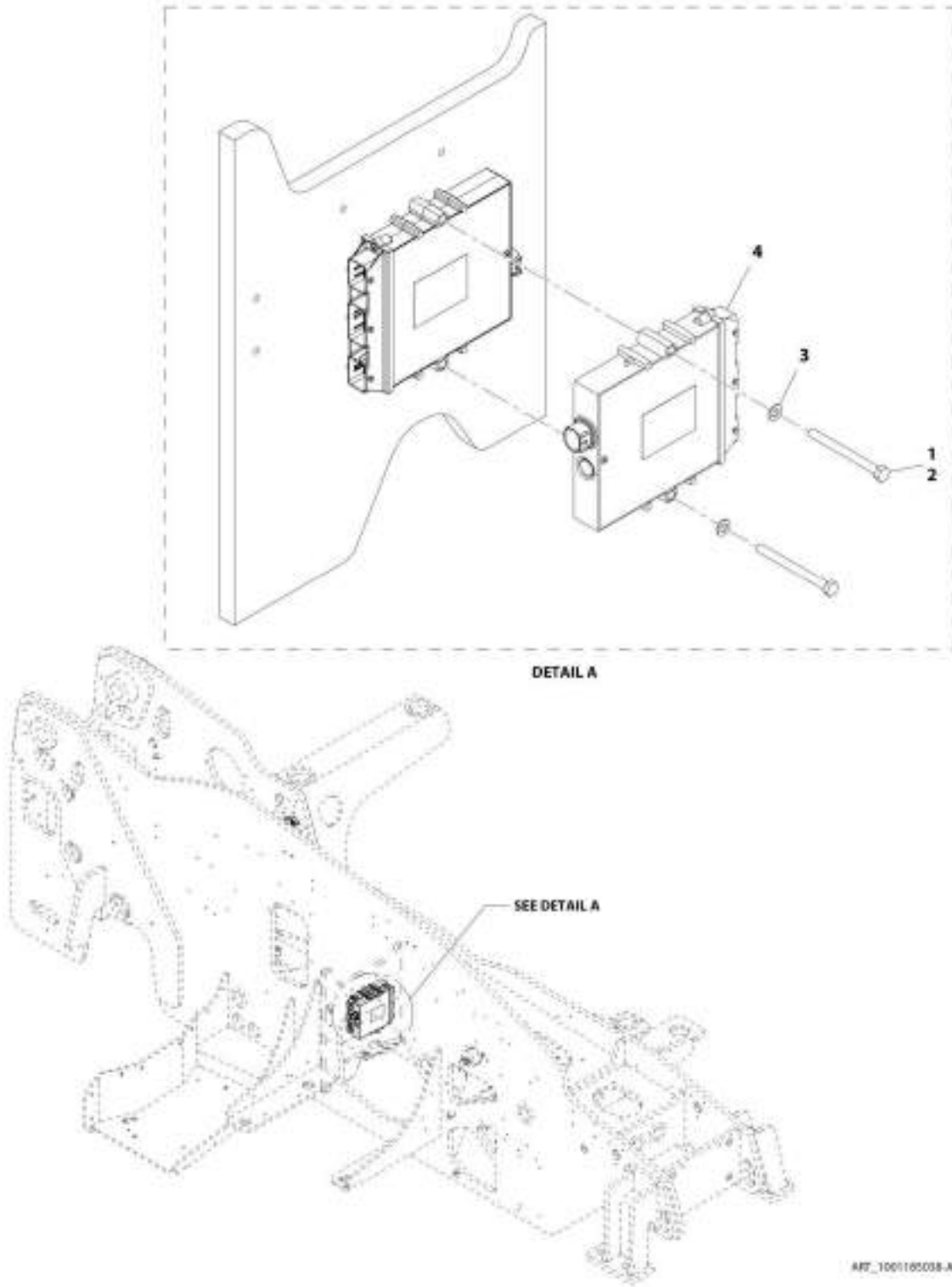
SECTION 10 - ELECTRICAL

FIGURE 10-53. LMIS MECHANICAL (SN 1160008371 to Present)

ITEM	PART NUMBER	QTY	DESCRIPTION	REV
	1001185039	Ref	LMIS Mechanical	C
2	0760808	1	Bolt, M8X16	
3	0761010	2	Bolt, M10X20	
4	3290801	1	Nut, M8X1.25	
5	4031711	4	Bolt, M6X35	
6	1001223903	1	Sensor, Boom Length	
7	4811900	6	Washer, M8	
8	4812000	2	Washer, M10	
9	5240600	4	Washer, M6	
10	1001162885	3	Sensor, Pressure	
11	1001223111	1	Bracket	
12	1001209986	3	Fitting, 90	
14	2111010	1	Fitting, Straight ORFS	
15	5271921	4	Bolt, M8X85	
16	77133137	1	Plate, Cover	
17	88201023	1	Bolt, 5/16-18X1-3/4	
18	1001102080	2	O-Ring	
19	1001209949	1	Clamp, Hose	
20	1001226227	1	Bracket	
21	1001226232	1	Pipe	
22	1001226233	1	Pipe	
23	1001226499	1	Plate	
24	1001222702	4	Mount, Spacer	
25	1001227826	1	Plate, Sensor Reel Cover	
26	1001227956	2	Bracket	
27	1001009375	1	Grommet	

SECTION 10 - ELECTRICAL

FIGURE 10-54. LMIS CONTROLLER



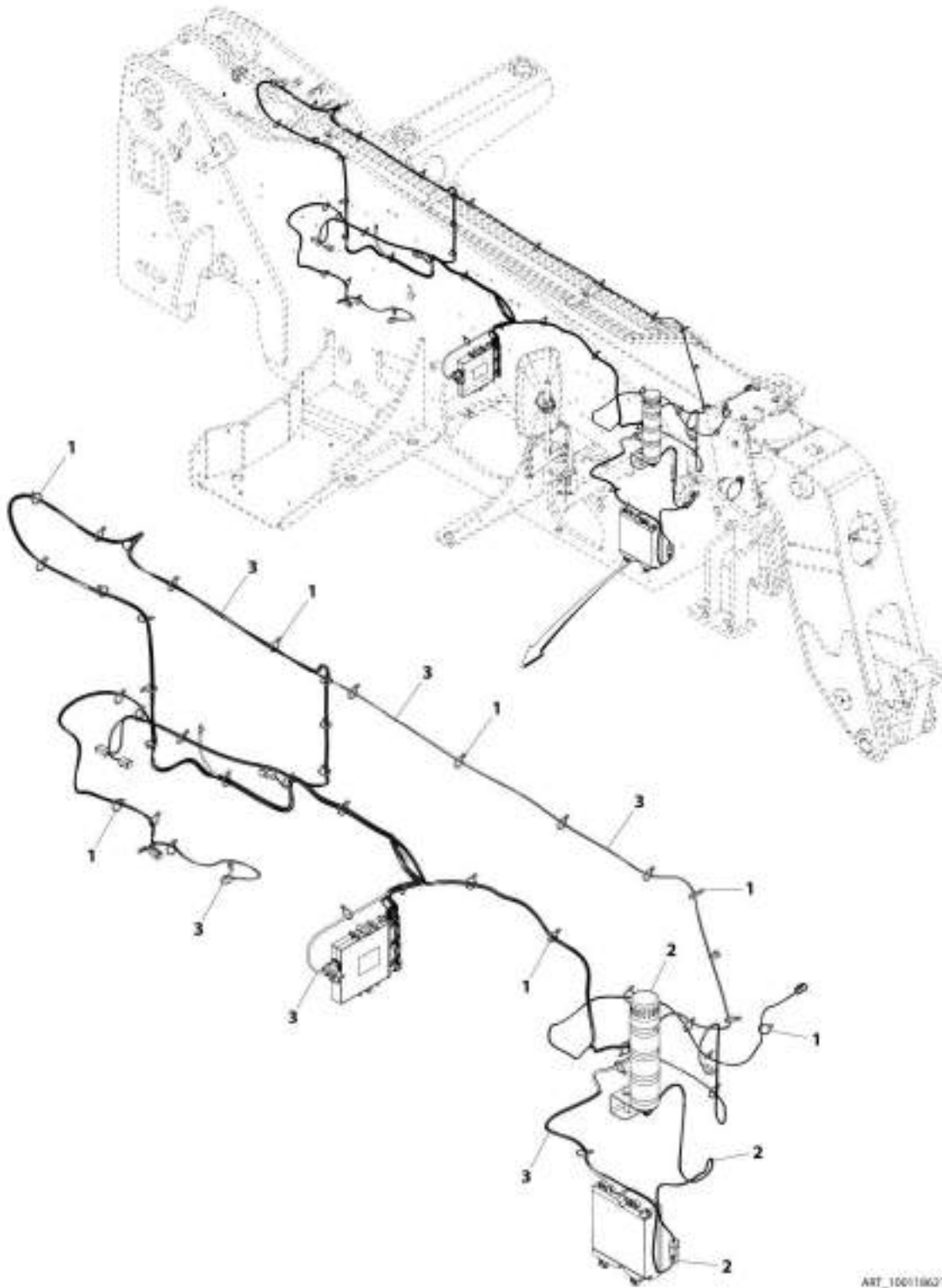
SECTION 10 - ELECTRICAL

FIGURE 10-54. LMIS CONTROLLER

ITEM	PART NUMBER	QTY	DESCRIPTION	REV
	1001185038	Ref	LMIS Controller	A
1	1001095650	AR	Compound, Locking	
2	0700826	2	Bolt, M8X90	
3	4811900	2	Washer, M8	
4	1001179901	1	Control, LMIS Module	

SECTION 10 - ELECTRICAL

FIGURE 10-55. LMIS WIRING INSTALLATION



ART_1001186217-D

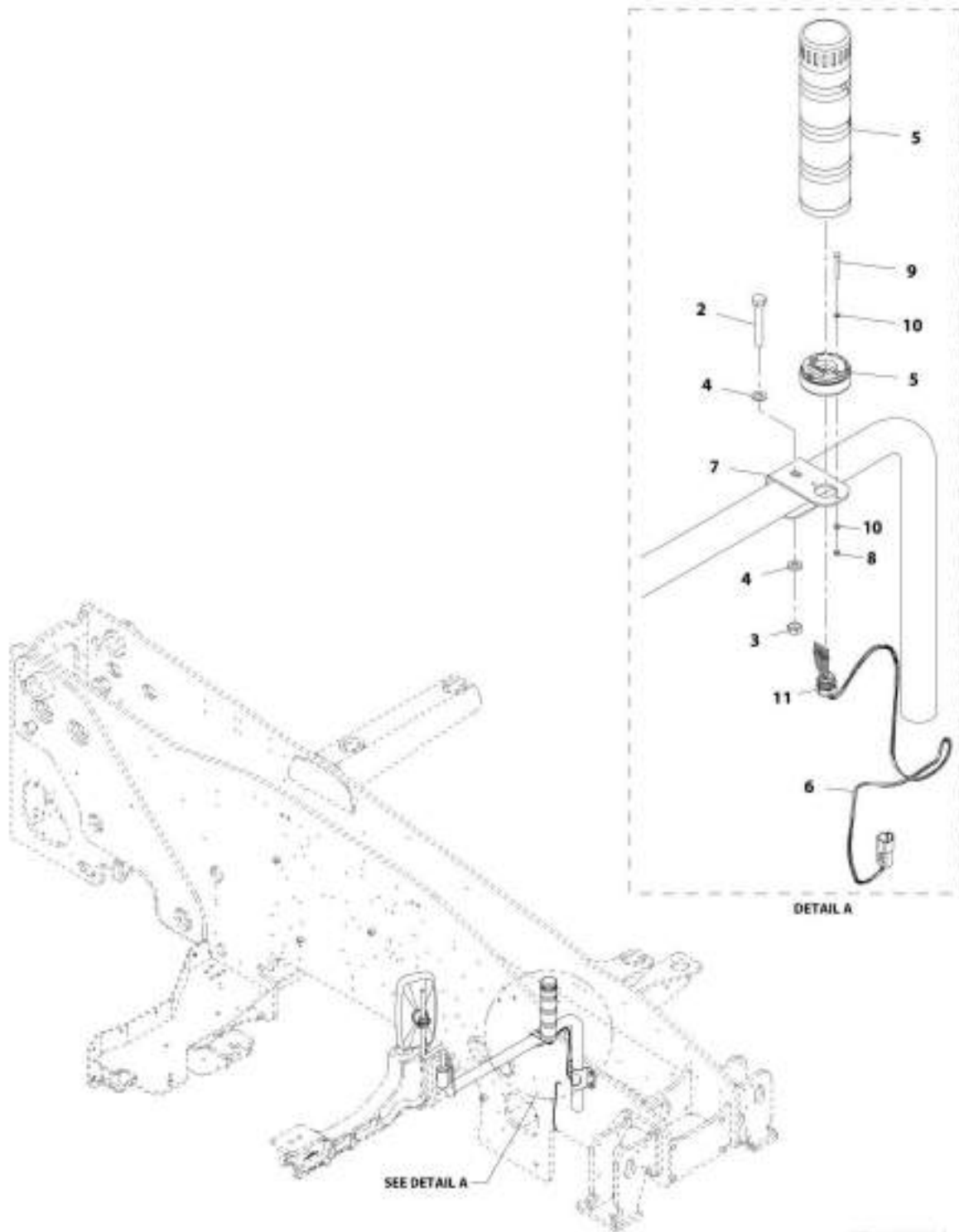
SECTION 10 - ELECTRICAL

FIGURE 10-55. LMIS WIRING INSTALLATION

ITEM	PART NUMBER	QTY	DESCRIPTION	REV
1	1001186217	Ref	LMIS Wiring Installation	D
	1001008559	43	Strap, Cable	
2	1001183832	Ref	Installation, LMIS Beacon (See Separate Breakdown in this Section)	
3	1001185905	Ref	Installation, LMIS Chassis Option Harness (See Separate Breakdown in this Section)	

SECTION 10 - ELECTRICAL

FIGURE 10-56. LMIS BEACON INSTALLATION



WIT_1001183832-C

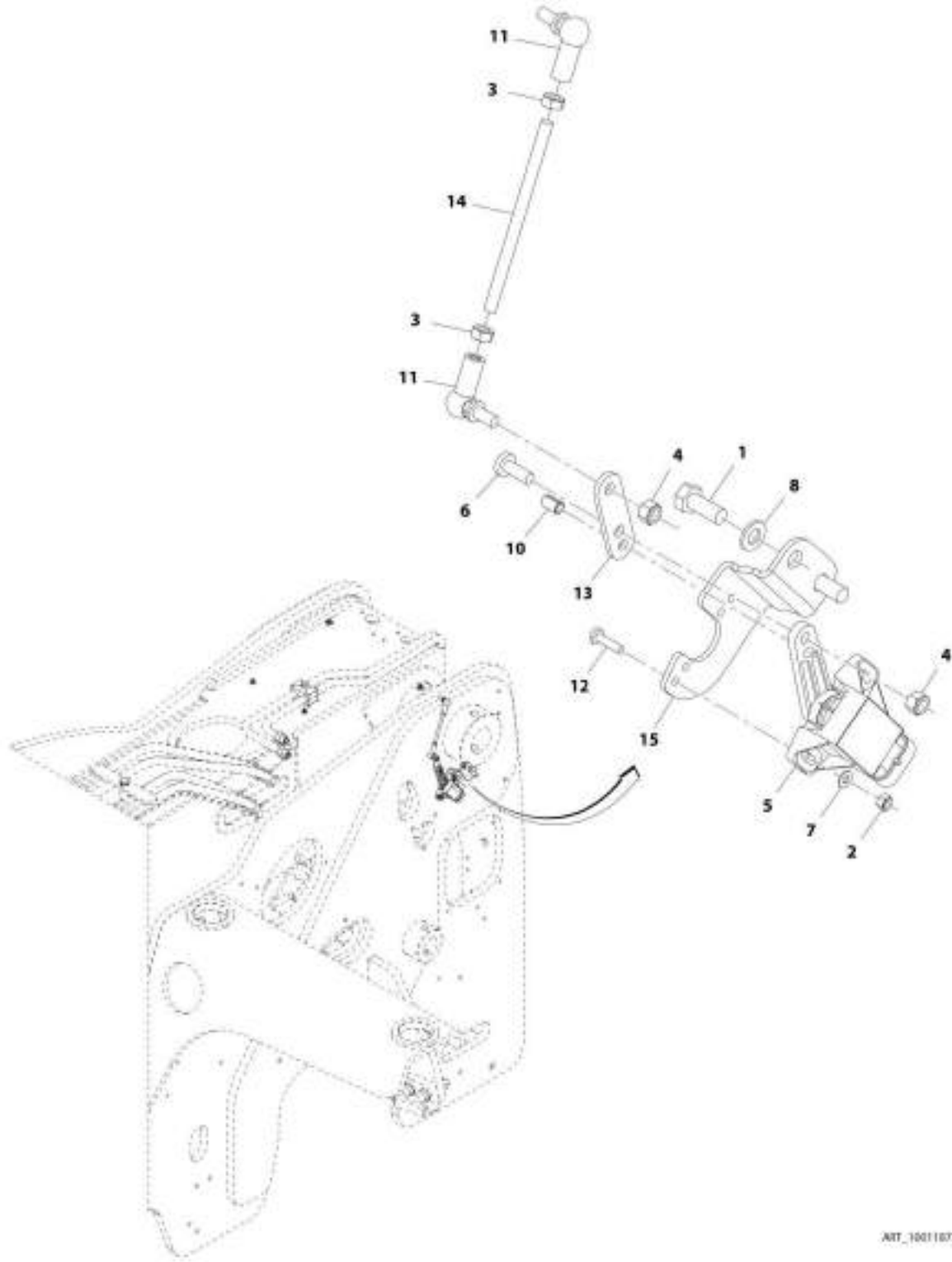
SECTION 10 - ELECTRICAL

FIGURE 10-56. LMIS BEACON INSTALLATION

ITEM	PART NUMBER	QTY	DESCRIPTION	REV
	1001183832	Ref	LMIS Beacon Installation	C
2	0701022	1	Bolt, M10X70	
3	3291001	1	Nut, M10X1.5 Grade 8	
4	4812000	2	Washer, M10	
5	1001108661	1	Lamp, LMIS Beacon Alarm	
6	1001117247	1	Harness, LMIS Beacon Option	
7	1001191259	1	Bracket	
8	3290405	2	Nut, Lock M4X0.7	
9	4010416	2	Screw, Pozidrive M4X40	
10	4811400	4	Washer, M4	
11	E000269	1	Connector, Strain Relief	

SECTION 10 - ELECTRICAL

FIGURE 10-57. BOOM ANGLE SENSOR INSTALLATION



AIT_1001107325-D

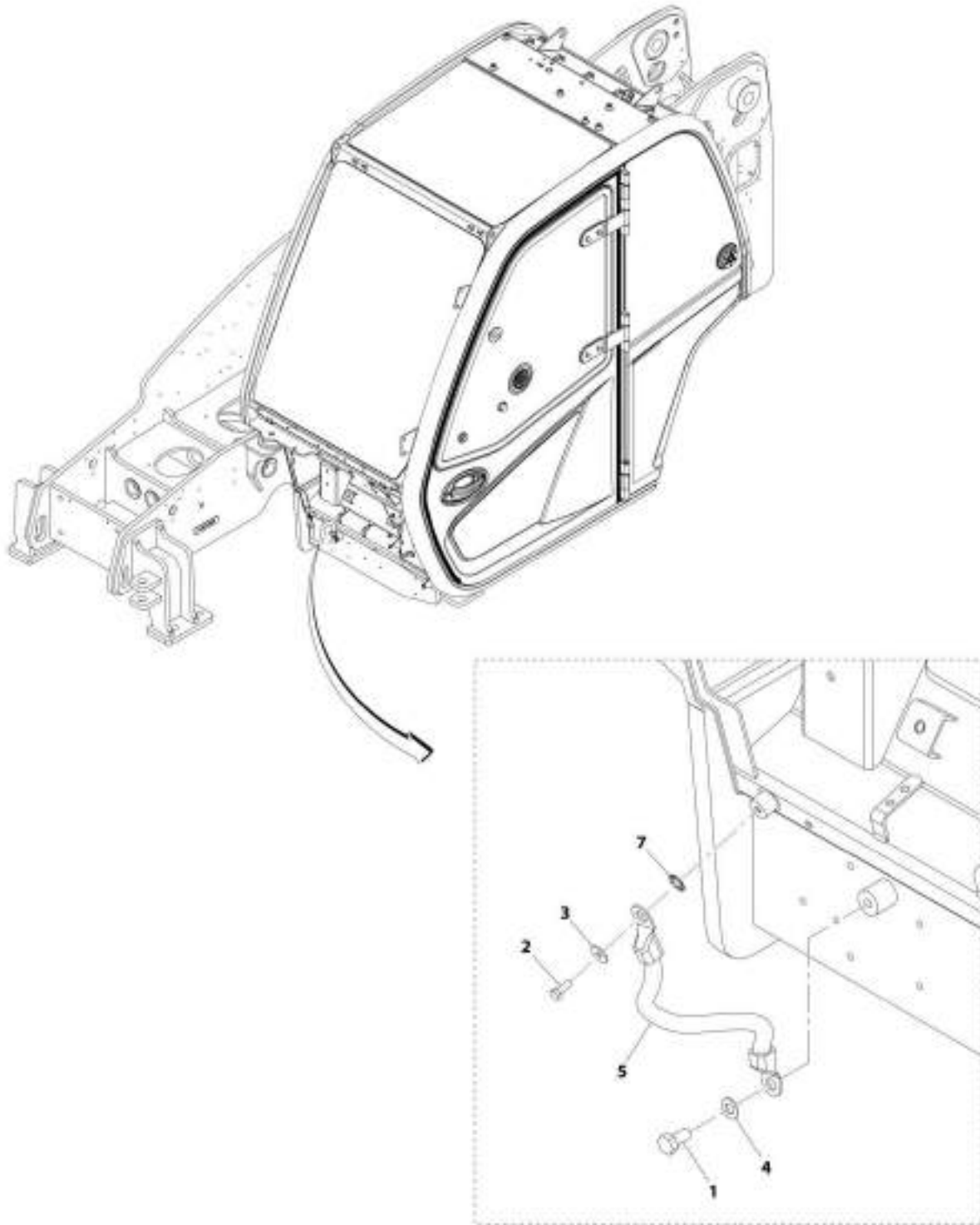
SECTION 10 - ELECTRICAL

FIGURE 10-57. BOOM ANGLE SENSOR INSTALLATION

ITEM	PART NUMBER	QTY	DESCRIPTION	REV
	1001187326	1	Boom Angle Sensor Installation	D
1	0760810	2	Bolt, M8X20	
2	3290405	2	Nut, M4X0.7 Grade 8	
3	3290601	2	Nut, M6X1 Grade 8	
4	3290605	2	Nut, Lock M6X1 Grade 8	
5	4000015	1	Sensor, Angle	
6	4010608	1	Screw, M6X16	
7	4811400	2	Washer, M4	
8	4811900	2	Washer, M8	
10	1001103156	1	Pin, Roll M6X10	
11	1001103300	2	Ball Joint, M6X25	
12	1001126837	2	Screw, M4X16	
13	1001188266	1	Sensor, Boom Angle	
14	1001188267	1	Rod	
15	1001188269	1	Bracket	

SECTION 10 - ELECTRICAL

FIGURE 10-58. EARTH STRAP INSTALLATION



ART_1001186646-D

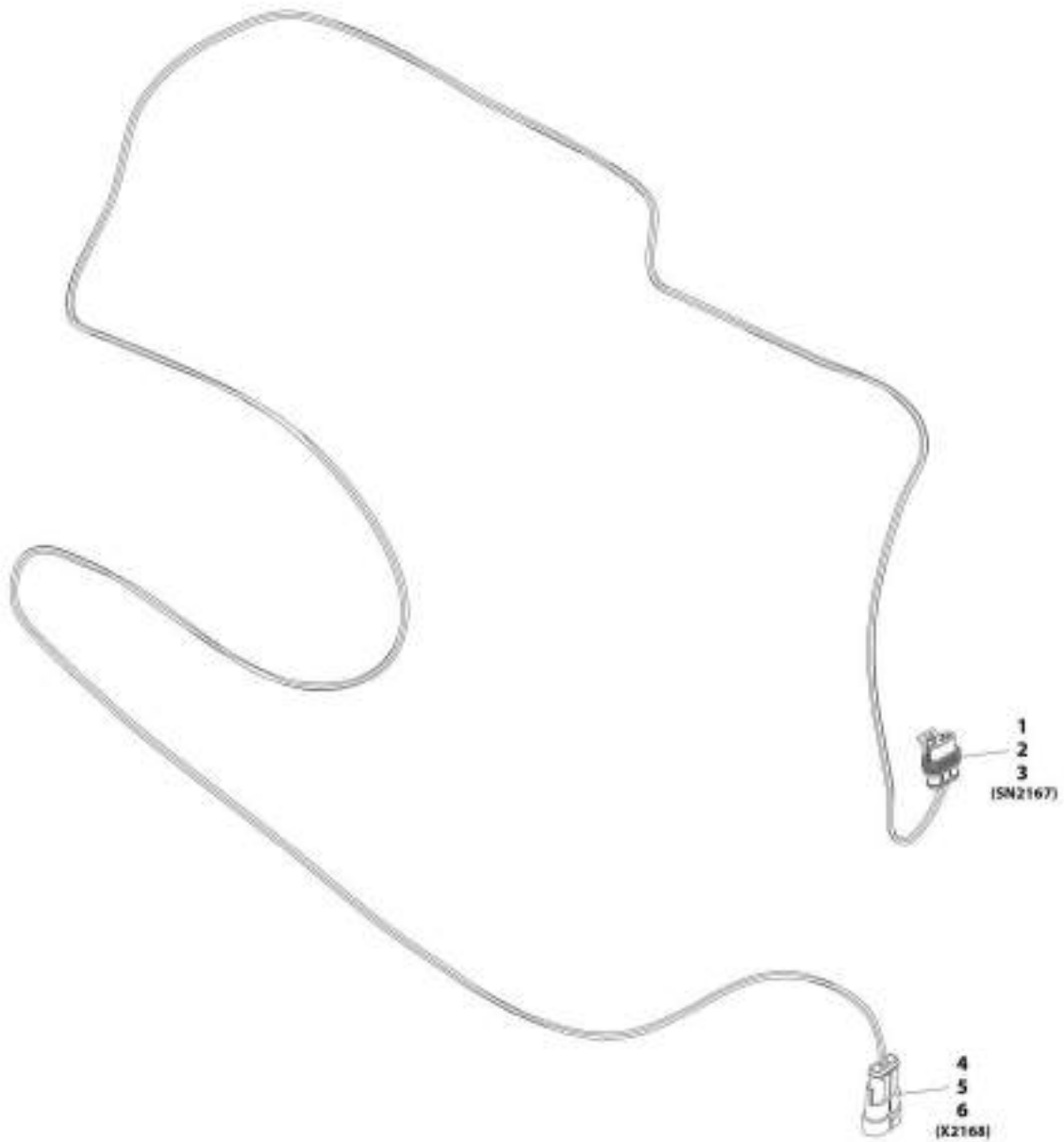
SECTION 10 - ELECTRICAL

FIGURE 10-58. EARTH STRAP INSTALLATION

ITEM	PART NUMBER	QTY	DESCRIPTION	REV
	1001186646	Ref	Earth Strap Installation	D
1	0761010	1	Bolt, M10X20	
2	0760608	1	Bolt, M6X16	
3	4811702	1	Washer, M6	
4	4812000	1	Washer, M10	
5	1001009038	1	Strap, Earth	
7	4872000	1	Washer, M10	

SECTION 10 - ELECTRICAL

FIGURE 10-59. RETRACT SENSOR EXTENSION LEED HARNESS (Prior to SN 1160008371)



AWT_1001224942-B

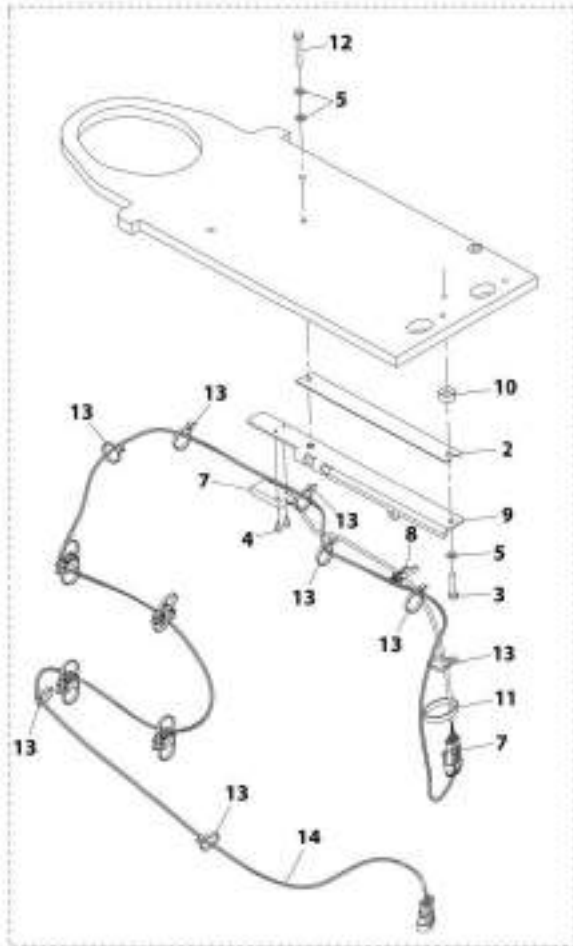
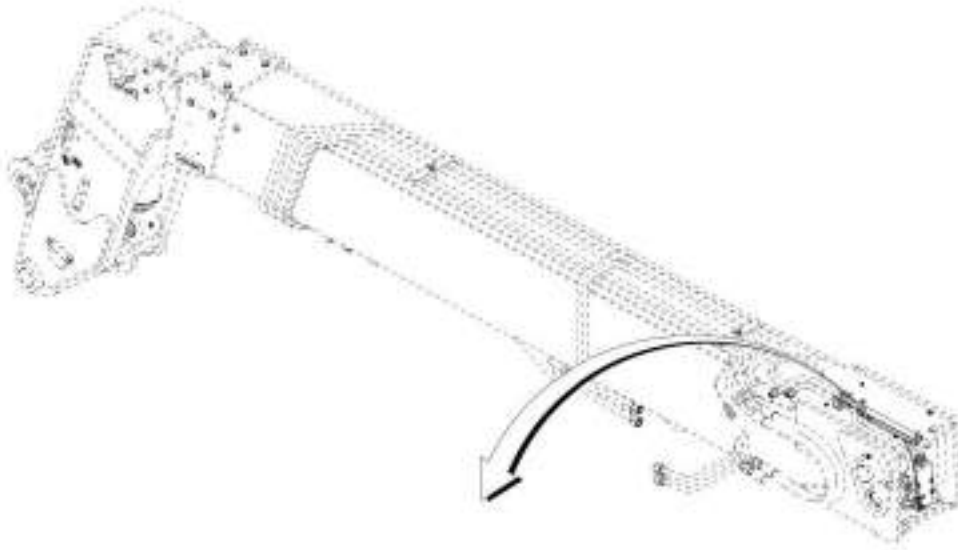
SECTION 10 - ELECTRICAL

FIGURE 10-59. RETRACT SENSOR EXTENSION LEED HARNESS (Prior to SN 1160008371)

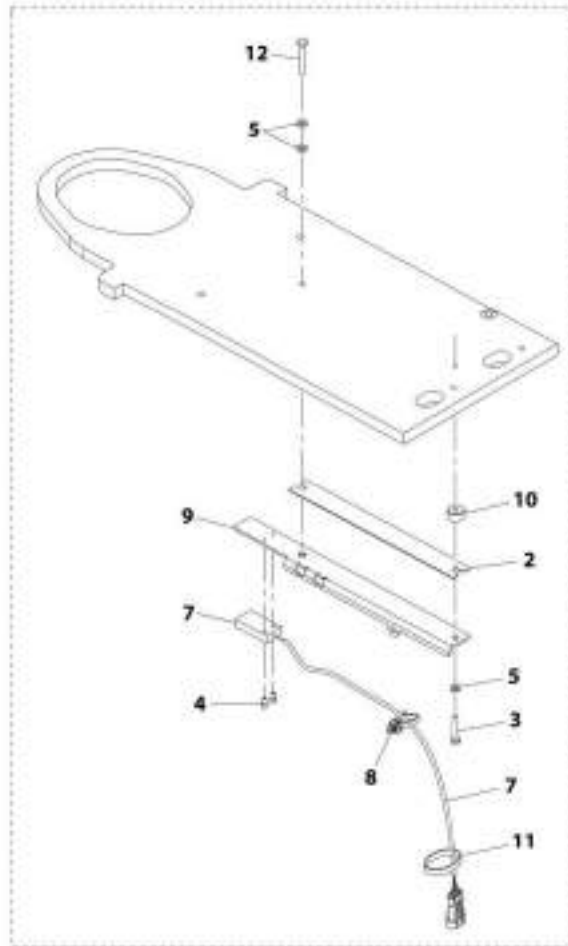
ITEM	PART NUMBER	QTY	DESCRIPTION	REV
	1001224942	Ref	Retract Sensor Extension LEED Harness	B
1	4461262	1	Connector	
2	1001107854	3	Terminal	
3	1001104498	3	Seal	
4	4461119	1	Connector	
5	1001104497	3	Terminal	
6	1001197457	3	Seal	

SECTION 10 - ELECTRICAL

FIGURE 10-60. BOOM RETRACT SENSOR INSTALLATION



PRIOR TO SN 1160008371



APR 1001184857-F

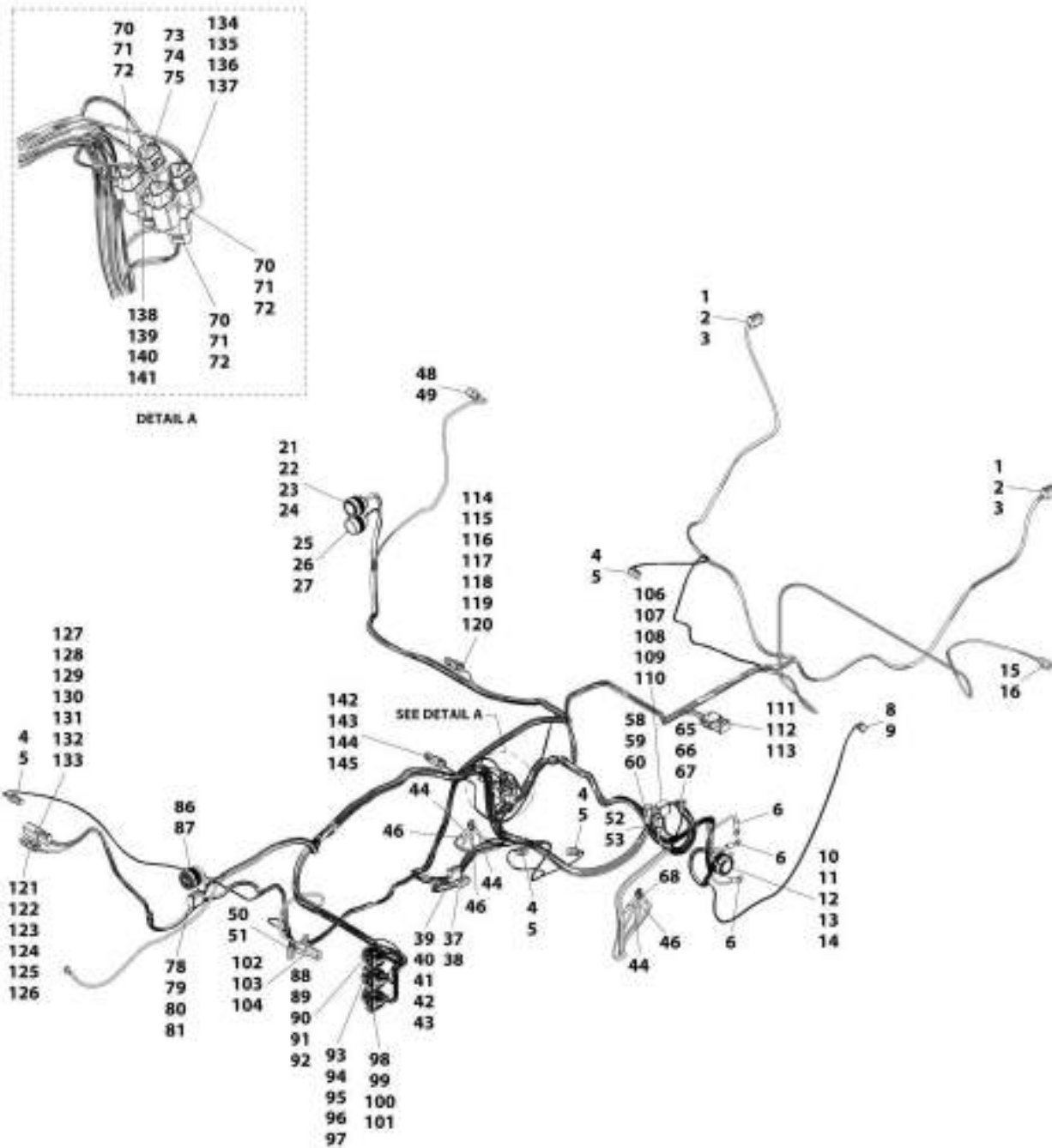
SECTION 10 - ELECTRICAL

FIGURE 10-60. BOOM RETRACT SENSOR INSTALLATION

ITEM	PART NUMBER	QTY	DESCRIPTION	REV
	1001184857	Ref	Boom Retract Sensor Installation	F
2	1001218074	AR	Shim, Retract Sensor	
3	0760614	1	Bolt, M6X30	
4	4031504	2	Bolt, M4X8	
5	4811700	3	Washer, M6	
7	1001121021	1	Sensor, Proximity	
8	1001146588	1	Strap, Cable Tie	
9	1001218073	1	Bracket, Retract Sensor	
10	1001218082	1	Plate	
11	1001008923	1	Strap, Cable	
12	0700616	1	Bolt, M6X40	
13	1001008559	8	Tie, Strap (Prior to SN 1160008371)	
14	1001224942	Ref	Harness, Retract Sensor Extension LEED (See Separate Breakdown in this Section) (Prior to SN 1160008371)	

SECTION 10 - ELECTRICAL

FIGURE 10-61. FRONT FRAME HARNESS (Prior to SN 1160008371)



ART_1001163401-E

SECTION 10 - ELECTRICAL

FIGURE 10-61. FRONT FRAME HARNESS (Prior to SN 1160008371)

ITEM	PART NUMBER	QTY	DESCRIPTION	REV
	1001183401	Ref	Front Frame Harness	E
1	4460894	2	Connector	
2	4460942	5	Terminal	
3	4460466	1	Plug	
4	4460891	4	Connector	
5	4460465	2	Terminal	
6	8220114	3	Terminal, Ring	
8	4460911	1	Connector	
9	1001126008	3	Terminal	
10	1001165309	1	Connector	
11	4460465	7	Terminal	
12	4460942	1	Terminal	
13	4460509	5	Terminal	
14	4460466	6	Plug	
15	4460539	1	Connector	
16	4460942	3	Terminal	
21	1001118323	1	Connector	
22	4460942	3	Terminal	
23	91013192	2	Terminal	
24	4460466	1	Plug	
25	4461015	1	Connector	
26	4460465	8	Terminal	
27	4460466	6	Plug	
37	4460884	1	Connector	
38	4460465	4	Terminal	
39	4460930	1	Connector	
40	1001157890	2	Terminal	
41	4460942	3	Terminal	
42	4460465	2	Terminal	
43	4460466	1	Plug	
44	1001117108	3	Terminal, Ring	
46	1001117110	3	Terminal, Ring	
48	4460539	1	Connector	
49	4460465	3	Terminal	
50	1001116950	1	Connector	
51	4460465	2	Terminal	
52	1001116810	1	Connector	
53	4460509	4	Terminal	
58	1001144147	1	Connector	
59	4460464	2	Terminal	
60	4460466	1	Plug	
65	1001116812	1	Connector	
66	4460465	2	Terminal	
67	4460466	1	Plug	
68	1001128127	1	Terminal, Ring	
70	1001116812	3	Connector	
71	4460944	2	Terminal	
72	4460466	1	Plug	
73	4460539	1	Connector	
74	4460944	2	Terminal	

SECTION 10 - ELECTRICAL

ITEM	PART NUMBER	QTY	DESCRIPTION	REV
75	4460466	1	Plug	
78	4460930	1	Connector	
79	4460465	4	Terminal	
80	4460942	2	Terminal	
81	4460466	2	Plug	
86	1001165310	1	Connector	
87	91013192	2	Terminal	
88	1001161958	1	Connector	
89	1001161095	10	Terminal	
90	1001161100	16	Plug	
91	1001161101	4	Plug	
92	1001161099	2	Plug	
93	1001161964	1	Connector	
94	1001161095	16	Terminal	
95	1001161100	24	Plug	
96	1001161101	2	Plug	
97	1001161099	6	Plug	
98	1001160499	1	Connector	
99	1001161095	8	Terminal	
100	1001161100	16	Plug	
101	1001161099	7	Plug	
102	1001160509	1	Connector	
103	1001160510	1	Terminal	
104	1001175266	1	Seal	
106	4460836	1	Connector	
107	4460942	2	Terminal	
108	4460465	4	Terminal	
109	4460464	5	Terminal	
110	4460941	1	Terminal	
111	4460933	1	Connector	
112	4460465	12	Terminal	
113	1001200206	1	Connector	
114	4460891	1	Connector	
115	1001157890	1	Terminal	
116	4460466	1	Plug	
117	4460897	1	Attach Mating Connector	
118	4460466	1	Attach Mating Plug	
119	4460897	1	Connector	
120	4460466	2	Plug	
121	4460891	1	Connector	
122	4460897	1	Attach Mating Connector	
123	4460466	2	Attach Mating Plug	
124	4460942	2	Terminal	
125	4460897	1	Connector	
126	4460466	2	Plug	
127	4460894	1	Connector	
128	4460899	1	Attach Mating Connector	
129	4460466	2	Attach Mating Plug	
130	4460942	4	Terminal	
131	4460465	2	Terminal	
132	4460899	1	Connector	

SECTION 10 - ELECTRICAL

ITEM	PART NUMBER	QTY	DESCRIPTION	REV
133	4460466	6	Plug	
134	4460539	1	Connector	
135	4460944	2	Terminal	
136	4460466	1	Plug	
137	4460945	1	Terminal	
138	1001116812	1	Connector	
139	4460944	2	Terminal	
140	4460466	1	Plug	
141	4460945	1	Terminal	
142	4460891	1	Connector	
143	4460465	2	Terminal	
144	4460897	1	Connector	
145	4460466	2	Plug	

SECTION 10 - ELECTRICAL

FIGURE 10-62. FRONT FRAME HARNESS (SN 1160008371 to Present)

ITEM	PART NUMBER	QTY	DESCRIPTION	REV
	1001231708	Ref	Front Frame Harness	B
1	4460894	1	Connector	
2	4460942	5	Terminal	
3	4460466	1	Plug	
4	4460894	1	Connector	
5	4460942	5	Terminal	
6	4460466	1	Plug	
7	4460891	1	Connector	
8	4460465	2	Terminal	
9	8220114	1	Connector	
10	8220114	1	Terminal	
11	8220114	1	Connector	
12	8220114	1	Terminal	
13	8220114	1	Connector	
14	8220114	1	Terminal	
15	4460911	1	Connector	
16	1001126008	3	Terminal	
17	1001165309	1	Connector	
18	4460466	6	Plug	
19	4460465	7	Terminal	
20	4460942	1	Terminal	
21	4460509	5	Terminal	
22	4460933	1	Connector	
23	4460942	12	Terminal	
24	1001200206	1	Connector	
25	1001118323	1	Connector	
26	4460942	3	Terminal	
27	91013192	2	Terminal	
28	4460466	1	Plug	
29	4461015	1	Connector	
30	4460465	7	Terminal	
31	4460466	7	Plug	
32	4460891	1	Connector	
33	4460465	2	Terminal	
34	4460891	1	Connector	
35	1001157890	1	Terminal	
36	4460466	1	Plug	
37	4460897	1	Attach Mating Connector	
38	4460466	1	Attach Mating Plug	
39	4460897	1	Connector	
40	4460466	2	Plug	
41	4460891	1	Connector	
42	4460897	1	Attach Mating Connector	
43	4460466	2	Attach Mating Plug	
44	4460942	2	Terminal	
45	4460897	1	Connector	
46	4460466	2	Plug	
47	4460894	1	Connector	
48	4460899	1	Attach Mating Connector	
49	4460466	2	Attach Mating Plug	

SECTION 10 - ELECTRICAL

ITEM	PART NUMBER	QTY	DESCRIPTION	REV
50	4460942	4	Terminal	
51	4460465	2	Terminal	
52	4460899	1	Connector	
53	4460466	6	Plug	
54	4460884	1	Connector	
55	4460465	4	Terminal	
56	4460930	1	Connector	
57	1001157890	3	Terminal	
58	4460942	2	Terminal	
59	4460465	2	Terminal	
60	4460466	1	Plug	
61	1001117108	1	Connector	
62	1001117108	1	Terminal	
63	1001117108	1	Connector	
64	1001117108	1	Terminal	
65	1001117110	1	Connector	
66	1001117110	1	Terminal	
67	1001117110	1	Connector	
68	1001117110	1	Terminal	
69	1001116995	1	Connector	
70	1001118379	1	Terminal	
71	1001116995	1	Connector	
72	1001118379	1	Terminal	
73	4460539	1	Connector	
74	4460942	3	Terminal	
75	1001116950	1	Connector	
76	4460465	2	Terminal	
77	4460891	1	Connector	
78	4460465	2	Terminal	
79	4460466	2	Plug	
80	4460897	1	Connector	
81	1001116810	1	Connector	
82	4460509	4	Terminal	
83	1001144147	1	Connector	
84	4460464	2	Terminal	
85	4460466	1	Plug	
86	4460836	1	Connector	
87	4460942	2	Terminal	
88	4460465	8	Terminal	
89	4460466	1	Plug	
90	1001157890	1	Terminal	
91	1001116812	1	Connector	
92	4460465	2	Terminal	
93	4460466	1	Plug	
94	4460891	1	Connector	
95	4460465	2	Terminal	
96	4460891	1	Connector	
97	4460465	2	Terminal	
98	1001128127	1	Connector	
99	1001128127	2	Terminal	
100	1001117109	1	Connector	

SECTION 10 - ELECTRICAL

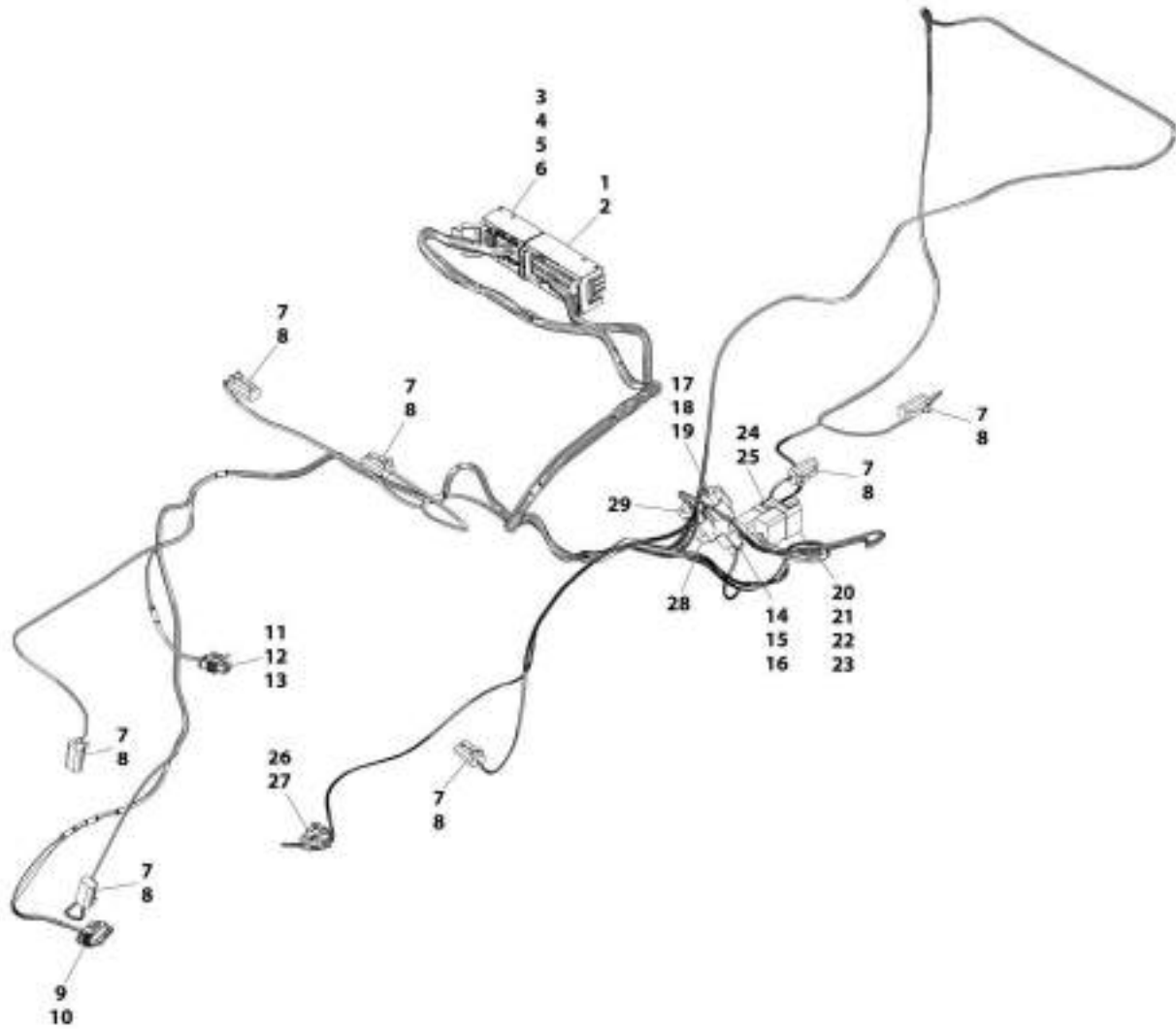
ITEM	PART NUMBER	QTY	DESCRIPTION	REV
101	1001117108	1	Connector	
102	1001117108	1	Terminal	
103	1001117110	1	Connector	
104	1001117110	1	Terminal	
105	3990010	2	Diode	
106	1001116812	1	Connector	
107	4460944	2	Terminal	
108	4460466	1	Plug	
109	1001116812	1	Connector	
110	4460944	2	Terminal	
111	4460466	1	Plug	
112	4460945	1	Terminal	
113	1001116812	1	Connector	
114	4460944	2	Terminal	
115	4460466	1	Plug	
116	1001116812	1	Connector	
117	4460944	2	Terminal	
118	4460466	1	Plug	
119	4460945	1	Terminal	
120	4460539	1	Connector	
121	4460944	2	Terminal	
122	4460466	1	Plug	
123	1001116812	1	Connector	
124	4460944	2	Terminal	
125	4460466	1	Plug	
126	1001117109	1	Connector	
127	4460930	1	Connector	
128	4460465	4	Terminal	
129	4460942	1	Terminal	
130	1001157890	1	Terminal	
131	4460466	2	Plug	
132	1001165310	1	Connector	
133	91013192	2	Terminal	
134	1001161958	1	Connector	
135	1001161100	17	Plug	
136	1001161095	7	Terminal	
137	1001161101	6	Plug	
138	1001161098	2	Terminal	
139	1001161964	1	Connector	
140	1001161095	11	Terminal	
141	1001161097	2	Terminal	
142	1001161100	27	Plug	
143	1001161099	5	Plug	
144	1001161101	2	Plug	
145	1001161098	1	Terminal	
146	1001160499	1	Connector	
147	1001161095	9	Terminal	
148	1001161100	15	Plug	
149	1001161099	7	Plug	
150	1001161101	1	Plug	
151	1001160509	1	Connector	

SECTION 10 - ELECTRICAL

ITEM	PART NUMBER	QTY	DESCRIPTION	REV
152	1001160510	1	Terminal	
153	1001175266	1	Seal	
154	4460539	1	Connector	
155	4460942	3	Terminal	

SECTION 10 - ELECTRICAL

FIGURE 10-63. HYDROSTATIC HARNESS



ART_1001163737-E

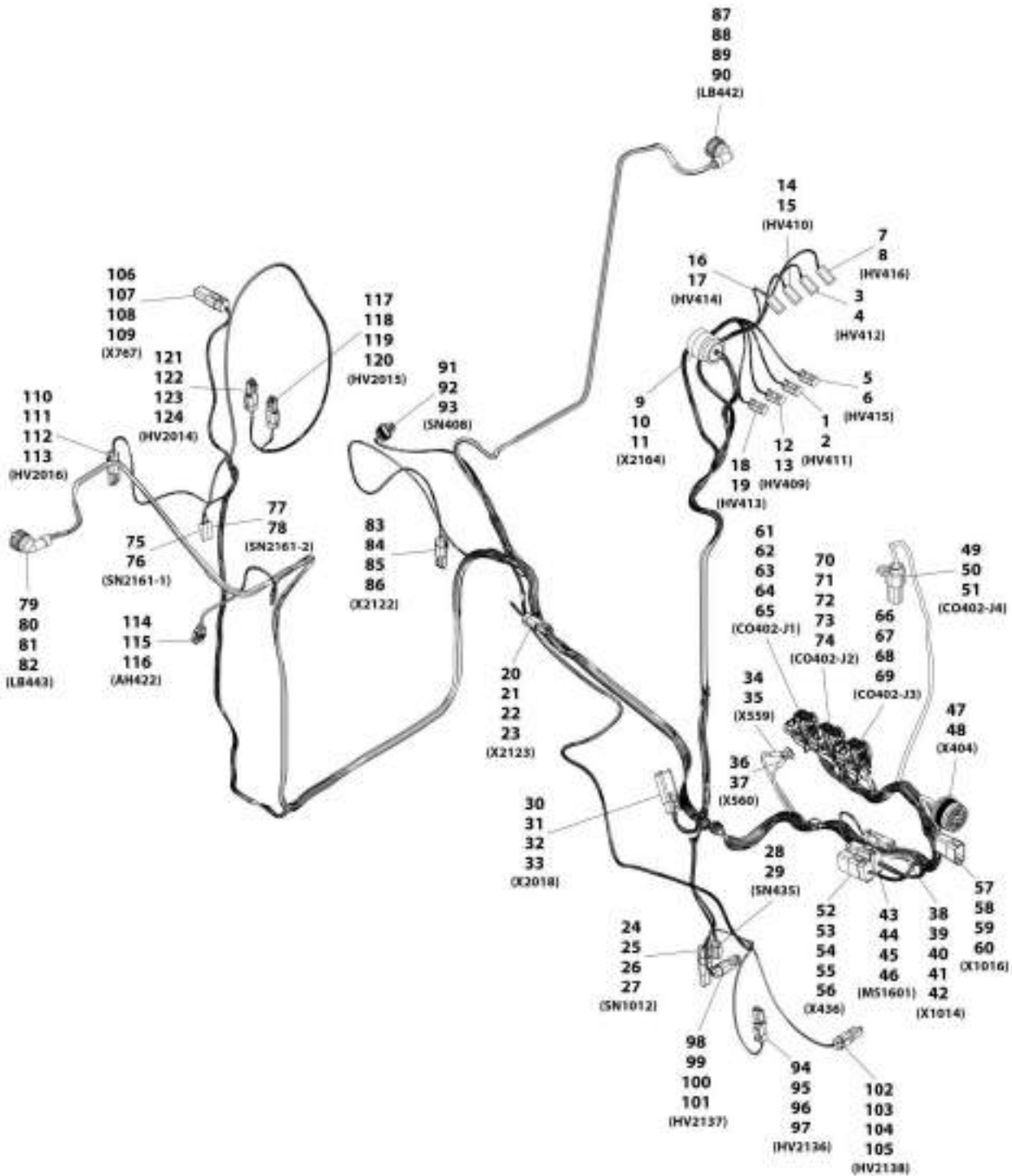
SECTION 10 - ELECTRICAL

FIGURE 10-63. HYDROSTATIC HARNESS

ITEM	PART NUMBER	QTY	DESCRIPTION	REV
	1001183737	Ref	Hydrostatic Harness	E
1	1001182277	1	Connector	
2	1001182367	21	Terminal	
3	1001182265	1	Connector	
4	1001182361	6	Terminal	
5	1001182367	13	Terminal	
6	1001182365	6	Seal	
7	4460891	7	Connector	
8	4460465	2	Terminal	
9	1001103012	1	Connector	
10	1001107854	4	Terminal	
11	4461118	1	Connector	
12	1001107854	2	Terminal	
13	1001116763	2	Seal	
14	1001116812	1	Connector	
15	4460944	2	Terminal	
16	4460466	1	Plug	
17	4460539	1	Connector	
18	4460944	2	Terminal	
19	4460466	1	Plug	
20	4460931	1	Connector	
21	4460941	2	Terminal	
22	4460464	5	Terminal	
23	4460466	1	Plug	
24	4460932	1	Connector	
25	4460464	4	Terminal	
26	1001126487	1	Connector	
27	1001126484	2	Terminal	
28	4460945	1	Connector, 3Way	
29	1001116815	1	Connector	

SECTION 10 - ELECTRICAL

FIGURE 10-64. REAR FRAME HARNESS (Prior to SN 1160008371)



ART_100118394-D

SECTION 10 - ELECTRICAL

FIGURE 10-64. REAR FRAME HARNESS (Prior to SN 1160008371)

ITEM	PART NUMBER	QTY	DESCRIPTION	REV
	1001183848	Ref	Rear Frame Harness	D
1	4460891	1	Connector	
2	4460465	2	Terminal	
3	4460891	1	Connector	
4	4460465	2	Terminal	
5	4460891	1	Connector	
6	4460465	2	Terminal	
7	4460891	1	Connector	
8	4460465	2	Terminal	
9	1001109485	1	Connector	
10	4460465	12	Terminal	
11	4460466	2	Plug	
12	4460891	1	Connector	
13	4460465	2	Terminal	
14	4460891	1	Connector	
15	4460465	2	Terminal	
16	4460891	1	Connector	
17	4460465	2	Terminal	
18	4460891	1	Connector	
19	4460465	2	Terminal	
20	4460891	1	Connector	
21	4460465	2	Terminal	
22	4460897	1	Connector	
23	4460466	2	Plug	
24	4460539	1	Connector	
25	4460465	3	Terminal	
26	4460536	1	Connector	
27	4460466	3	Plug	
28	4460911	1	Connector	
29	1001126008	3	Terminal	
30	4460894	1	Connector	
31	4460942	6	Terminal	
32	4460899	1	Connector	
33	4460466	6	Plug	
34	1001117108	1	Connector	
35	1001117108	2	Terminal	
36	1001117110	1	Connector	
37	1001117110	1	Terminal	
38	4460539	1	Connector	
39	4460944	2	Terminal	
40	4460466	1	Plug	
41	4460536	1	Connector	
42	4460466	3	Plug	
43	4460933	1	Connector	
44	4460465	10	Terminal	
45	4460466	2	Plug	
46	1001125677	1	Connector	
47	1001165311	1	Connector	
48	91013191	2	Terminal	
49	1001160509	1	Connector	

SECTION 10 - ELECTRICAL

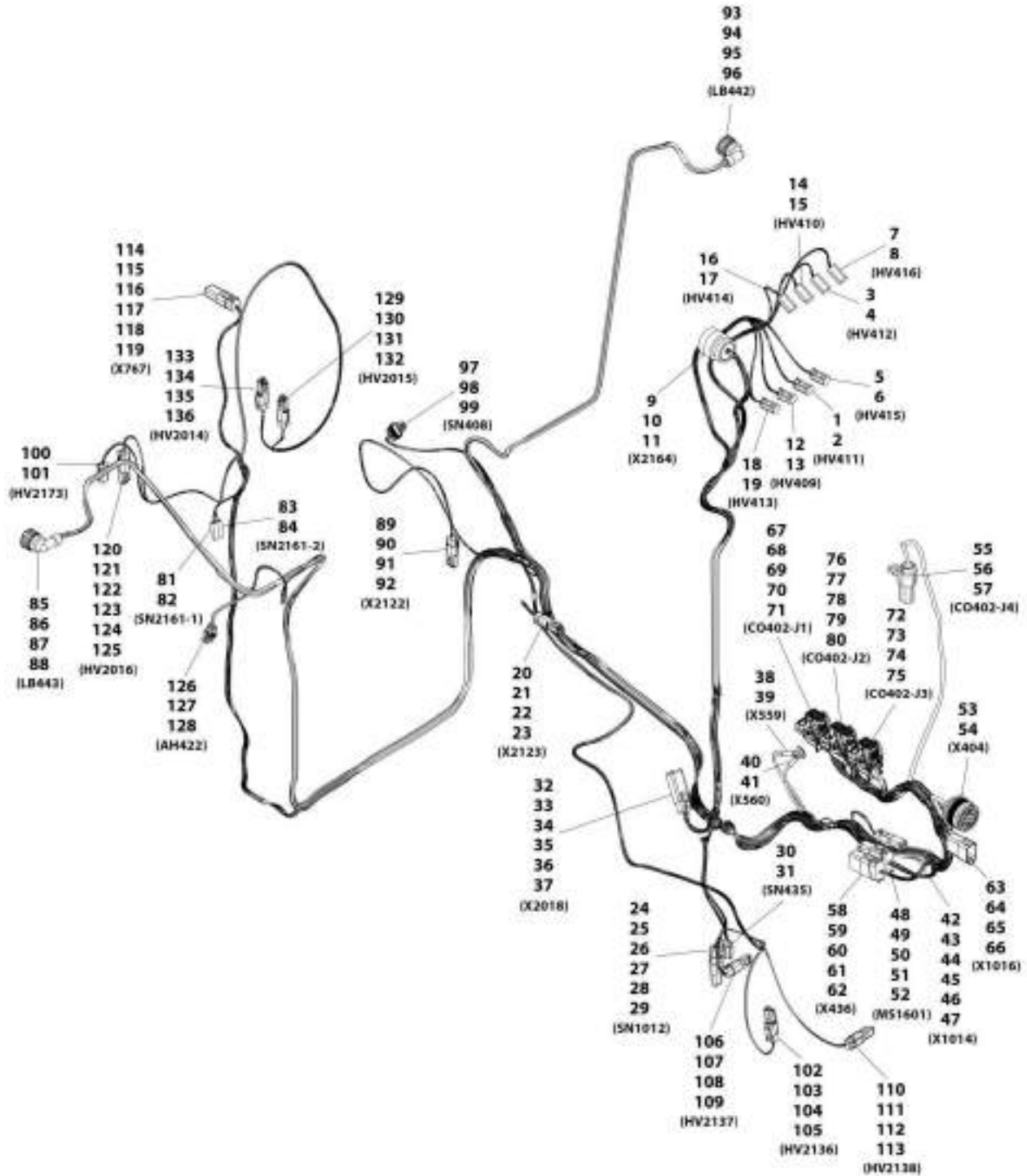
ITEM	PART NUMBER	QTY	DESCRIPTION	REV
50	1001160510	1	Terminal	
51	1001175266	1	Seal	
52	4460930	1	Connector	
52	4460465	6	Terminal	
54	4460466	2	Plug	
55	4460931	1	Connector	
56	4460466	8	Plug	
57	4460931	1	Connector	
58	4460464	4	Terminal	
59	4460941	1	Terminal	
60	4460466	3	Plug	
61	1001161957	1	Connector	
62	1001161095	11	Terminal	
63	1001161100	13	Plug	
64	1001161101	4	Plug	
65	1001161099	4	Terminal	
66	1001160500	1	Connector	
67	1001161095	4	Terminal	
68	1001161100	20	Plug	
69	1001161099	8	Terminal	
70	1001161963	1	Connector	
71	1001161095	28	Terminal	
72	1001161100	12	Plug	
73	1001161099	7	Terminal	
74	1001161101	1	Plug	
75	1001116995	1	Connector	
76	1001118379	1	Terminal	
77	1001116995	1	Connector	
78	1001118379	1	Terminal	
79	1001116996	1	Connector	
80	1001118392	6	Terminal	
81	1001116696	1	Plug	
82	4461054	6	Seal	
83	4460891	1	Connector	
84	4460465	2	Terminal	
85	4460897	1	Connector	
86	4460466	2	Plug	
87	1001116996	1	Connector	
88	1001118392	6	Terminal	
89	1001116696	1	Plug	
90	4461054	6	Seal	
91	4461262	1	Connector	
92	1001107854	3	Terminal	
93	1001104498	3	Seal	
94	4460891	1	Connector	
95	4460465	2	Terminal	
96	4460897	1	Connector	
97	4460466	2	Plug	
98	4460891	1	Connector	
99	4460465	2	Terminal	
100	4460897	1	Connector	

SECTION 10 - ELECTRICAL

ITEM	PART NUMBER	QTY	DESCRIPTION	REV
101	4460466	2	Plug	
102	4460891	1	Connector	
103	4460465	2	Terminal	
104	4460897	1	Connector	
105	4460466	2	Plug	
106	4460884	1	Connector	
107	4460465	4	Terminal	
108	4460932	1	Connector	
109	4460466	4	Plug	
110	4460891	1	Connector	
111	4460465	2	Terminal	
112	4460897	1	Connector	
113	4460466	2	Plug	
114	4461118	1	Connector	
115	1001107854	2	Terminal	
116	1001104498	2	Seal	
117	4460891	1	Connector	
118	4460465	2	Terminal	
119	4460897	1	Connector	
120	4460466	2	Plug	
121	4460891	1	Connector	
122	4460465	2	Terminal	
123	4460897	1	Connector	
124	4460466	2	Plug	

SECTION 10 - ELECTRICAL

FIGURE 10-65. REAR FRAME HARNESS (SN 1160008371 to Present)



ART_1001231706-A

SECTION 10 - ELECTRICAL

FIGURE 10-65. REAR FRAME HARNESS (SN 1160008371 to Present)

ITEM	PART NUMBER	QTY	DESCRIPTION	REV
	1001231709	Ref	Rear Frame Harness	A
1	4460891	1	Connector	
2	4460465	2	Terminal	
3	4460891	1	Connector	
4	4460465	2	Terminal	
5	4460891	1	Connector	
6	4460465	2	Terminal	
7	4460891	1	Connector	
8	4460465	2	Terminal	
9	1001109485	1	Connector	
10	4460465	12	Terminal	
11	4460466	3	Plug	
12	4460891	1	Connector	
13	4460465	2	Terminal	
14	4460891	1	Connector	
15	4460465	2	Terminal	
16	4460891	1	Connector	
17	4460465	2	Terminal	
18	4460891	1	Connector	
19	4460465	2	Terminal	
20	4460891	1	Connector	
21	4460465	2	Terminal	
22	4460897	1	Connector	
23	4460466	2	Plug	
24	4460539	1	Connector	
25	4460536	1	Attach Mating Connector	
26	4460466	3	Attach Mating Plug	
27	4460465	3	Terminal	
28	4460536	1	Connector	
29	4460466	3	Plug	
30	4460911	1	Connector	
31	1001126008	3	Terminal	
32	4460894	1	Connector	
33	4460899	1	Attach Mating Connector	
34	4460466	6	Attach Mating Plug	
35	4460942	6	Terminal	
36	4460899	1	Connector	
37	4460466	6	Plug	
38	1001117108	1	Connector	
39	1001117108	1	Terminal	
40	1001117110	1	Connector	
41	1001117110	1	Terminal	
42	4460539	1	Connector	
43	4460536	1	Attach Mating Connector	
44	4460466	3	Attach Mating Plug	
45	4460944	2	Terminal	
46	4460536	1	Connector	
47	4460466	3	Plug	
48	4460933	1	Connector	
49	1001125677	1	Connector	

SECTION 10 - ELECTRICAL

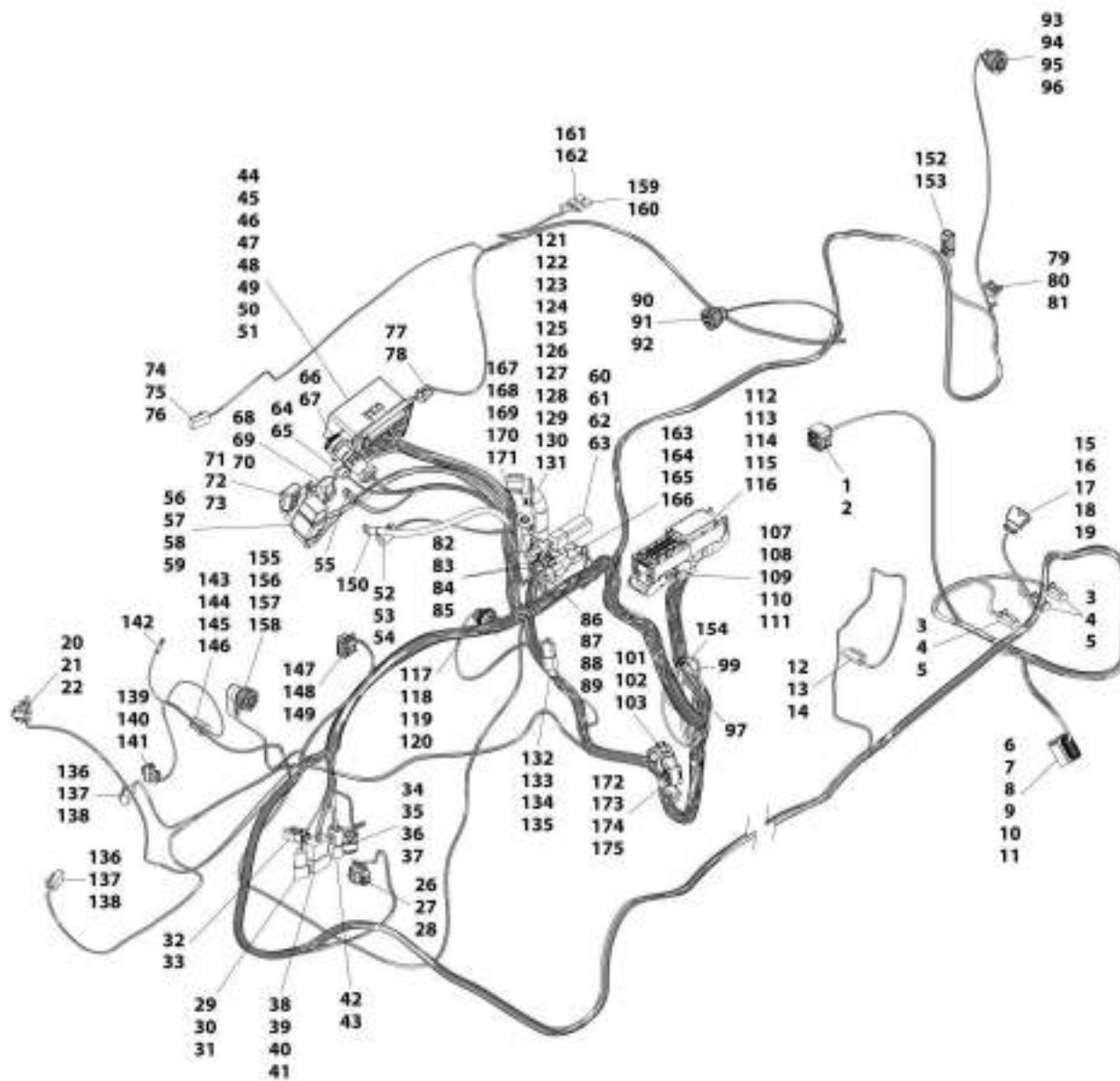
ITEM	PART NUMBER	QTY	DESCRIPTION	REV
50	4460465	10	Terminal	
51	4460466	2	Plug	
52	1001125677	1	Connector	
53	1001165311	1	Connector	
54	91013191	2	Terminal	
55	1001160509	1	Connector	
56	1001160510	1	Terminal	
57	1001175266	1	Seal	
58	4460930	1	Connector	
59	4460465	6	Terminal	
60	4460466	2	Plug	
61	4460466	8	Plug	
62	4460931	1	Connector	
63	4460931	1	Connector	
64	4460464	4	Terminal	
65	4460941	1	Terminal	
66	4460466	3	Plug	
67	1001161957	1	Connector	
68	1001161095	11	Terminal	
69	1001161100	13	Plug	
70	1001161101	4	Plug	
71	1001161099	4	Plug	
72	1001160500	1	Connector	
73	1001161095	5	Terminal	
74	1001161100	19	Plug	
75	1001161099	8	Plug	
76	1001161963	1	Connector	
77	1001161095	28	Terminal	
78	1001161100	12	Plug	
79	1001161099	7	Plug	
80	1001161101	1	Plug	
81	1001116995	1	Connector	
82	1001118379	1	Terminal	
83	1001116995	1	Connector	
84	1001118379	1	Terminal	
85	1001116996	1	Connector	
86	1001118392	6	Terminal	
87	4461054	6	Seal	
88	1001116696	1	Plug	
89	4460891	1	Connector	
90	4460465	2	Terminal	
91	4460897	1	Connector	
92	4460466	2	Plug	
93	1001116996	1	Connector	
94	1001118392	6	Terminal	
95	4461054	6	Seal	
96	1001116696	1	Plug	
97	4461262	1	Connector	
98	1001107854	3	Terminal	
99	1001104498	3	Seal	
100	4460891	1	Connector	

SECTION 10 - ELECTRICAL

ITEM	PART NUMBER	QTY	DESCRIPTION	REV
101	4460465	2	Terminal	
102	4460891	1	Connector	
103	4460465	2	Terminal	
104	4460466	2	Plug	
105	4460897	1	Connector	
106	4460891	1	Connector	
107	4460465	2	Terminal	
108	4460466	2	Plug	
109	4460897	1	Connector	
110	4460891	1	Connector	
111	4460465	2	Terminal	
112	4460897	1	Connector	
113	4460466	2	Plug	
114	4460884	1	Connector	
115	4460932	1	Attach Mating Connector	
116	4460466	4	Attach Mating Plug	
117	4460465	4	Terminal	
118	4460466	4	Plug	
119	4460932	1	Connector	
120	4460891	1	Connector	
121	4460897	1	Attach Mating Connector	
122	4460466	4	Attach Mating Plug	
123	4460465	2	Terminal	
124	4460466	2	Plug	
125	4460897	1	Connector	
126	4461118	1	Connector	
127	1001107854	2	Terminal	
128	1001104498	2	Seal	
129	4460891	1	Connector	
130	4460465	2	Terminal	
131	4460897	1	Connector	
132	4460466	2	Plug	
133	4460891	1	Connector	
134	4460465	2	Terminal	
135	4460897	1	Connector	
136	4460466	2	Plug	

SECTION 10 - ELECTRICAL

FIGURE 10-66. ENGINE HARNESS (ULS)



ART_100110014-E

SECTION 10 - ELECTRICAL

FIGURE 10-66. ENGINE HARNESS (ULS)

ITEM	PART NUMBER	QTY	DESCRIPTION	REV
	1001183814	Ref	Engine Harness (ULS)	E
1	1001167528	1	Connector	
2	1001166704	4	Terminal	
3	4460891	3	Connector	
4	4460942	2	Terminal	
5	80604018	1	Lock, Connector	
6	1001165194	1	Connector	
7	1001126391	2	Terminal	
8	1001166556	8	Terminal	
9	1001166774	2	Terminal	
10	1001166701	8	Seal	
11	1001126393	2	Seal	
12	4460891	1	Connector	
13	4460465	2	Terminal	
14	80604018	1	Lock, Connector	
15	1001167620	1	Connector	
16	1001167622	1	Terminal	
17	1001167624	2	Plug	
18	1001167623	2	Seal	
19	1001116756	1	Terminal	
20	1001126487	1	Connector	
21	1001167635	2	Terminal	
22	1001126485	2	Seal	
26	1001167631	1	Connector	
27	1001167630	4	Terminal	
28	1001126485	4	Seal	
29	1001144147	1	Connector	
30	4460466	1	Plug	
31	4460464	2	Terminal	
32	1001126245	1	Connector	
33	1001126008	2	Terminal	
34	1001116812	1	Connector	
35	4460465	2	Terminal	
36	4460466	1	Plug	
37	91554019	1	Lock, Connector	
38	4460950	1	Connector	
39	4460464	10	Terminal	
40	4460941	2	Terminal	
41	80363179	1	Lock, Connector	
42	1001116811	1	Connector	
43	4460508	4	Terminal	
44	1001167616	1	Box, Main Fuse	
45	4460748	5	Plug	
46	8220097	24	Terminal	
47	1001116725	3	Terminal	
48	8220098	13	Terminal	
49	1001175265	12	Seal	
50	4460458	19	Seal	
51	80963067	3	Seal	
52	4460539	1	Connector	

SECTION 10 - ELECTRICAL

ITEM	PART NUMBER	QTY	DESCRIPTION	REV
53	4460465	3	Terminal	
54	77363244	1	Lock, Connector	
55	8220108	2	Connector, Female Blade	
56	1001118282	1	Connector	
57	1001116733	2	Terminal	
58	1001116734	2	Terminal	
59	1001128128	1	Plug	
60	4460894	1	Connector	
61	4460465	5	Terminal	
62	4460466	1	Plug	
63	4460892	1	Connector	
64	1001182377	1	Connector	
65	1001182468	2	Terminal	
66	2902443	1	Connector	
67	4461071	6	Terminal	
68	1001117018	1	Connector	
69	1001116734	1	Terminal	
70	1001116735	1	Terminal	
71	1001117070	1	Connector	
72	1001116734	1	Terminal	
73	1001116735	1	Terminal	
74	1001167688	1	Connector	
75	1001116734	2	Terminal	
76	1001126485	2	Seal	
77	1001116950	1	Connector	
78	4460465	2	Terminal	
79	1001167636	1	Connector	
80	1001166702	2	Terminal	
81	4461006	2	Seal	
82	1001116812	2	Connector	
83	4460944	2	Terminal	
84	4460466	1	Plug	
85	91554019	1	Lock, Connector	
86	4460539	1	Connector	
87	4460944	2	Terminal	
88	4460466	1	Plug	
89	77363244	1	Lock, Connector	
90	1001133714	1	Connector	
91	1001133715	3	Terminal	
92	1001135650	3	Seal	
93	1001133714	1	Connector	
94	1001133715	3	Terminal	
95	1001135651	1	Plug	
96	1001135650	3	Seal	
97	1001117110	3	Terminal, Ring	
99	1001117110	1	Terminal, Ring	
101	4460933	1	Connector	
102	4460944	12	Terminal	
103	1001125677	1	Connector	
107	1001167615	1	Connector	
108	1001166551	6	Terminal	

SECTION 10 - ELECTRICAL

ITEM	PART NUMBER	QTY	DESCRIPTION	REV
109	1001126353	6	Seal	
110	1001167622	57	Plug	
111	1001167621	18	Terminal	
112	1001167625	1	Connector	
113	1001167623	5	Plug	
114	1001166555	13	Terminal	
115	1001167622	36	Plug	
116	1001167621	51	Terminal	
117	1001148842	1	Connector	
118	1001148841	3	Terminal	
119	1001135651	1	Plug	
120	1001135650	3	Seal	
121	1001126362	1	Connector	
122	1001166556	26	Terminal	
123	1001166774	10	Terminal	
124	1001166541	2	Terminal	
125	1001166543	2	Terminal	
126	1001126391	20	Plug	
127	4461008	2	Plug	
128	1001166701	26	Seal	
129	1001126393	10	Seal	
130	4461006	2	Seal	
131	4461054	2	Seal	
132	4461095	1	Connector	
133	4460465	2	Terminal	
134	4460466	1	Plug	
135	4461070	1	Connector	
136	4460891	2	Connector	
137	4460465	2	Terminal	
138	80604018	1	Wedge Lock	
139	1001126487	1	Connector	
140	1001167634	2	Terminal	
141	1001126485	2	Seal	
142	4460247	1	Terminal, Ring	
143	4460891	1	Connector	
144	4460465	1	Terminal	
145	4460466	1	Plug	
146	80604018	1	Wedge Lock	
147	1001167629	1	Connector	
148	1001167630	4	Terminal	
149	1001126485	4	Seal	
150	8220115	1	Terminal, Ring	
152	4461018	1	Connector	
153	4460509	2	Terminal	
154	4460256	1	Terminal, Ring	
155	1001133714	1	Connector	
156	1001133715	3	Terminal	
157	1001135650	4	Seal	
158	1001201478	1	Connector	
159	1001116995	1	Connector	
160	1001118379	1	Terminal	

SECTION 10 - ELECTRICAL

ITEM	PART NUMBER	QTY	DESCRIPTION	REV
161	1001116995	1	Connector	
162	1001118379	1	Terminal	
163	1001116812	1	Connector	
164	4460944	2	Terminal	
165	4460466	1	Plug	
166	4460945	1	Connector	
167	1001116812	1	Connector	
168	4460944	2	Terminal	
169	4460466	1	Plug	
170	4460945	1	Connector	
171	1001116815	1	Terminal	
172	4461095	1	Connector	
173	4460465	2	Terminal	
174	4460466	1	Plug	
175	4461070	1	Connector	

SECTION 10 - ELECTRICAL

FIGURE 10-67. ENGINE HARNESS (LS)

ITEM	PART NUMBER	QTY	DESCRIPTION	REV
	1001184623	Ref	Engine Harness (LS)	D
1	4460891	2	Connector	
2	4460465	2	Terminal	
6	1001117110	2	Ring, Terminal	
8	1001117109	1	Ring, Terminal	
10	1001126362	1	Connector	
11	1001166556	24	Terminal	
12	1001126391	22	Plug	
13	1001166774	10	Terminal	
14	4461008	4	Plug	
15	1001166543	2	Terminal	
16	1001126349	1	Connector	
17	1001126352	6	Terminal	
18	1001126357	2	Plug	
19	1001126356	64	Plug	
20	1001126384	22	Terminal	
21	1001126353	6	Seal	
22	1001126360	1	Connector	
23	1001126357	11	Plug	
24	1001126351	12	Terminal	
25	1001126356	19	Plug	
26	1001126384	18	Terminal	
36	4461018	1	Connector	
37	4460509	2	Terminal	
39	1001116950	1	Connector	
40	4460465	2	Terminal	
41	1001116983	1	Connector	
42	1001116710	2	Terminal	
43	4461006	2	Seal	
44	1001133714	1	Connector	
45	1001133715	3	Terminal	
46	1001135651	1	Plug	
47	1001135650	3	Seal	
48	1001133714	1	Connector	
49	1001133715	3	Terminal	
50	1001135651	1	Plug	
51	1001135650	3	Seal	
52	1001117022	1	Connector	
53	1001116734	2	Terminal	
54	4460539	1	Connector	
55	4460465	3	Terminal	
56	2902443	1	Connector	
57	4461071	6	Terminal	
58	1001184551	1	Connector	
59	1001116728	8	Terminal	
60	1001117018	1	Connector	
61	1001116734	2	Terminal	
62	1001182377	1	Connector	
63	1001182468	2	Terminal	
64	1001118282	1	Connector	

SECTION 10 - ELECTRICAL

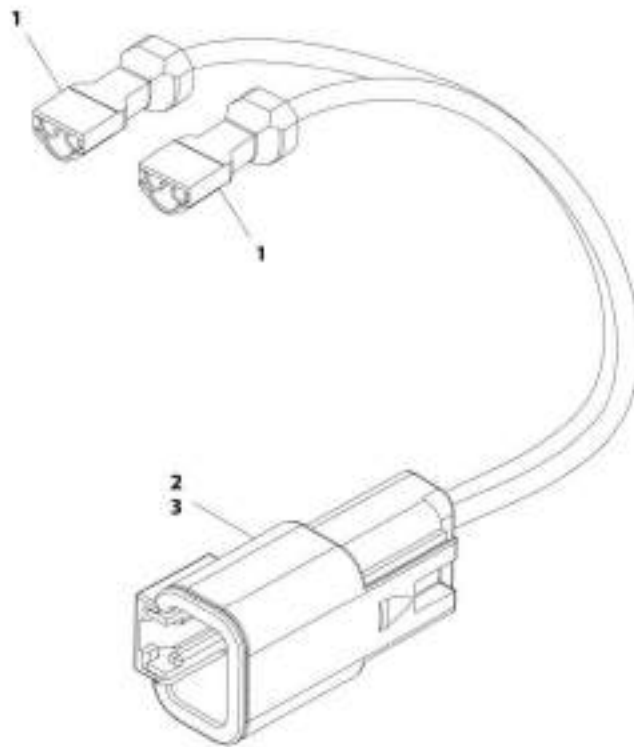
ITEM	PART NUMBER	QTY	DESCRIPTION	REV
65	1001116733	2	Terminal	
66	1001116734	2	Terminal	
67	1001128128	1	Plug	
68	1001119412	1	Connector	
69	1001116734	2	Terminal	
73	4460891	1	Connector	
74	4460465	2	Terminal	
75	1001116811	1	Connector	
76	4460508	4	Terminal	
79	4460950	1	Connector	
80	4460464	4	Terminal	
81	4460466	7	Plug	
82	4460941	1	Terminal	
83	1001144147	1	Connector	
84	4460464	2	Terminal	
85	4460941	2	Terminal	
91	4460247	1	Terminal, Ring	
93	1001117110	1	Terminal, Ring	
95	4460891	1	Connector	
96	4460465	1	Terminal	
97	4460466	1	Plug	
98	1001119412	1	Connector	
99	1001116734	1	Terminal	
100	1001116732	1	Terminal	
101	1001116812	1	Connector	
102	4460944	2	Terminal	
103	4460466	1	Plug	
104	4460945	1	Connector	
105	1001116812	1	Connector	
106	4460944	2	Terminal	
107	4460466	1	Plug	
108	4460945	1	Connector	
109	1001116815	1	Terminal	
110	1001116812	1	Connector	
111	4460944	2	Terminal	
112	4460466	1	Plug	
113	4460945	1	Connector	
114	1001116815	1	Terminal	
115	1001116812	1	Connector	
116	4460944	2	Terminal	
117	4460466	1	Plug	
118	1001116812	1	Connector	
119	4460944	2	Terminal	
120	4460466	1	Plug	
121	1001116812	1	Connector	
122	4460944	2	Terminal	
123	4460466	1	Plug	
124	1001116812	1	Connector	
125	4460944	2	Terminal	
126	4460466	1	Plug	
127	1001116812	1	Connector	

SECTION 10 - ELECTRICAL

ITEM	PART NUMBER	QTY	DESCRIPTION	REV
128	4460944	2	Terminal	
129	4460466	1	Plug	
130	1001116995	1	Connector	
131	1001118379	1	Terminal	
132	1001116995	1	Connector	
133	1001118379	1	Terminal	
134	1001116812	1	Connector	
135	4460944	2	Terminal	
136	4460466	1	Plug	
137	4460945	1	Connector	
138	1001116815	1	Terminal	
139	1001116812	1	Connector	
140	4460944	2	Terminal	
141	4460466	1	Plug	
142	1001116812	1	Connector	
143	4460944	2	Terminal	
144	4460466	1	Plug	
145	4460945	1	Connector	
146	1001116815	1	Terminal	
147	1001116812	1	Connector	
148	4460465	2	Terminal	
149	4460466	1	Plug	

SECTION 10 - ELECTRICAL

FIGURE 10-68. FUEL PUMP HARNESS



APP_1001182926-6

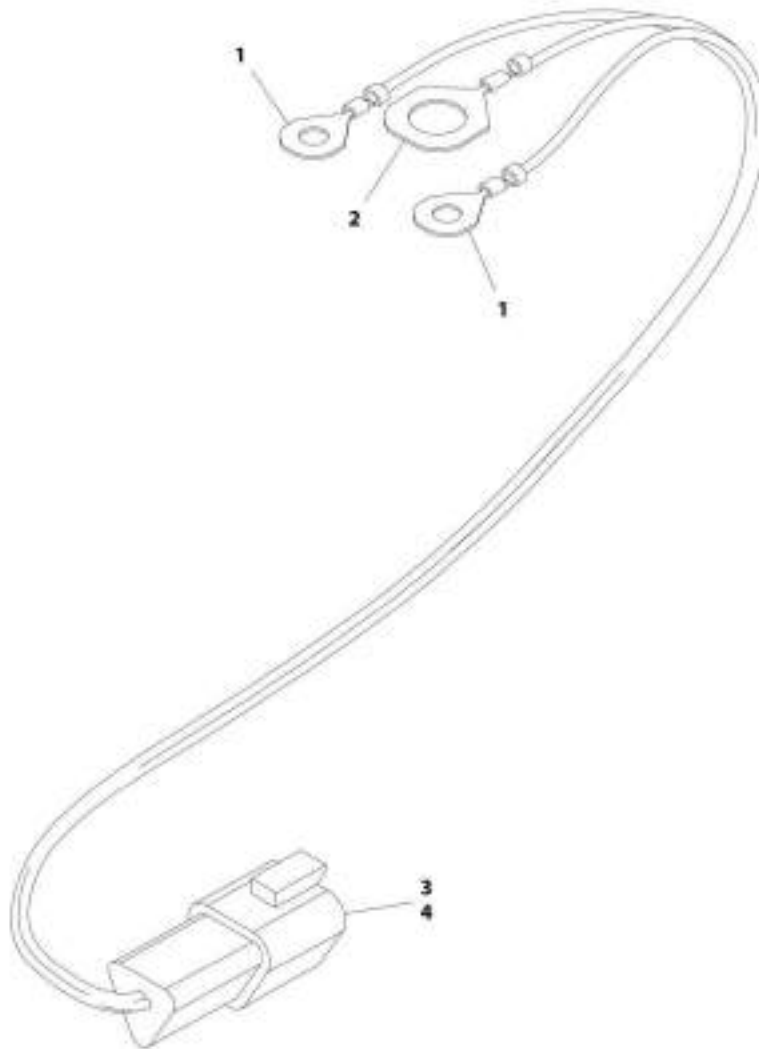
SECTION 10 - ELECTRICAL

FIGURE 10-68. FUEL PUMP HARNESS

ITEM	PART NUMBER	QTY	DESCRIPTION	REV
	1001182929	Ref	Fuel Pump Harness	E
1	8220043	2	Connector	
2	4461017	1	Connector	
3	4460508	2	Terminal	

SECTION 10 - ELECTRICAL

FIGURE 10-69. GLOW PLUG RELAY HARNESS



ART_100118/2930-C

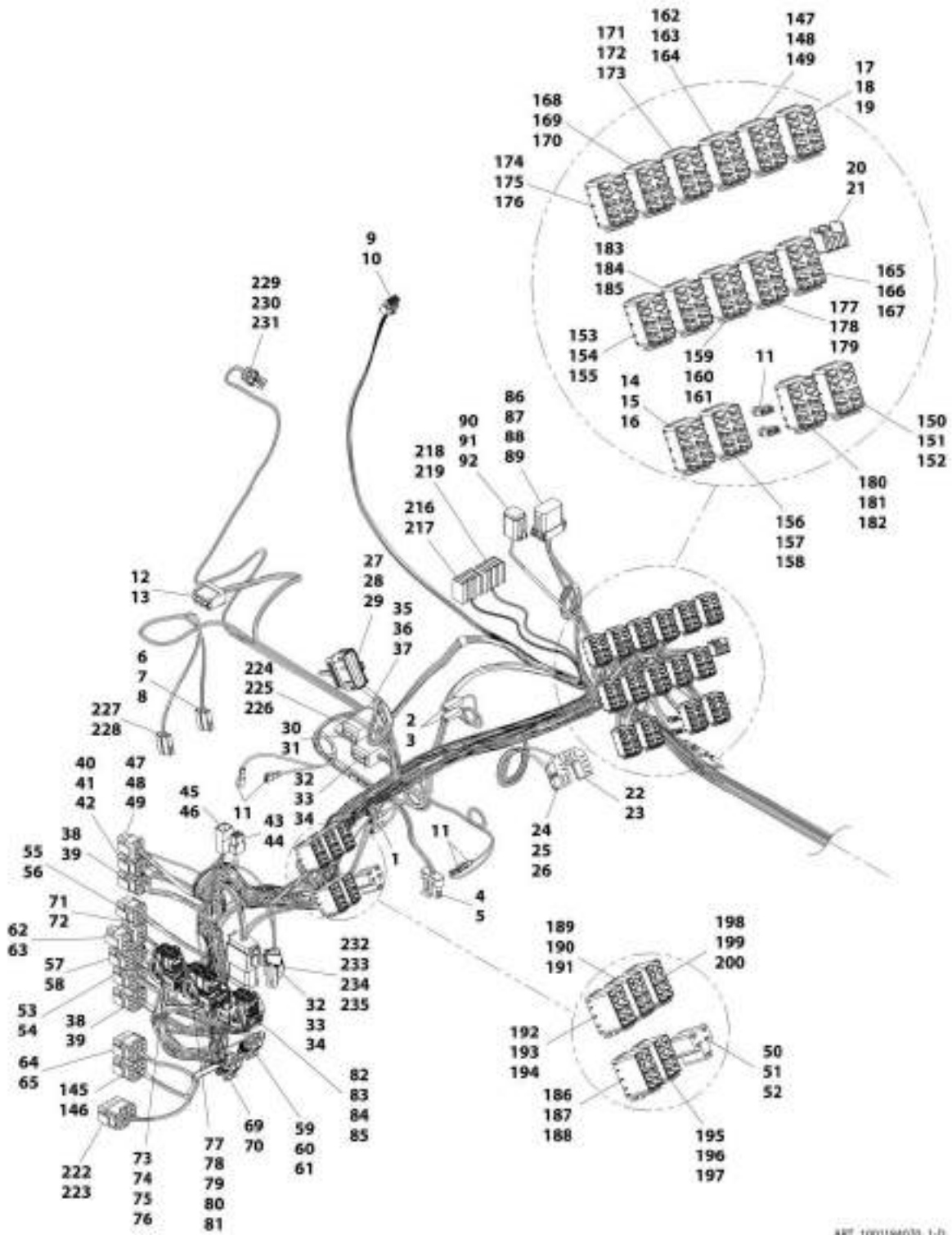
SECTION 10 - ELECTRICAL

FIGURE 10-69. GLOW PLUG RELAY HARNESS

ITEM	PART NUMBER	QTY	DESCRIPTION	REV
	1001182930	Ref	Glow Plug Relay Harness	C
1	1001187070	2	Ring, Terminal	
2	1001187077	1	Ring, Terminal	
3	4460536	1	Connector	
4	4460464	3	Terminal	

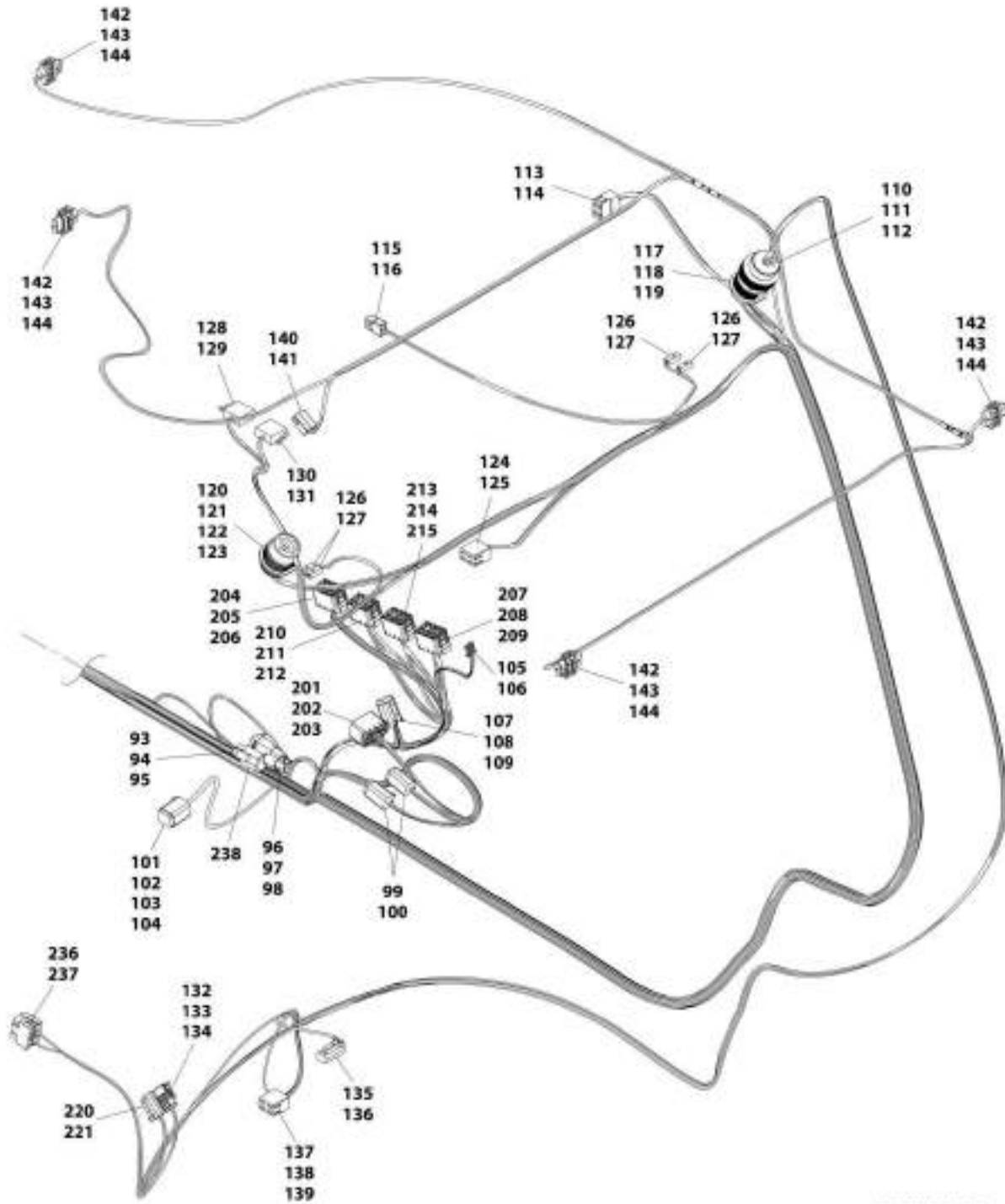
SECTION 10 - ELECTRICAL

FIGURE 10-70. CAB HARNESS



ARC_1001184070_1-D

SECTION 10 - ELECTRICAL



ART_1001194070_3-0

SECTION 10 - ELECTRICAL

FIGURE 10-70. CAB HARNESS

ITEM	PART NUMBER	QTY	DESCRIPTION	REV
	1001184070	Ref	Cab Harness	D
1	8220051	3	Connector	
2	1001116995	2	Connector	
3	1001118379	3	Terminal	
4	1001230931	1	Connector	
5	1001116748	6	Terminal	
6	4460994	1	Connector	
7	1001118384	1	Terminal	
8	1001116723	2	Terminal	
9	1001150735	1	Connector	
10	1001150737	7	Terminal	
11	8220051	6	Connector	
12	1001116997	1	Connector	
13	1001118384	5	Terminal	
14	1001117081	1	Connector	
15	1001118384	5	Terminal	
16	1001116723	6	Terminal	
17	1001117079	1	Connector	
18	1001118384	2	Terminal	
19	1001116723	6	Terminal	
20	1001118684	1	Connector	
21	1001116754	2	Terminal	
22	1001117121	1	Connector	
23	1001104519	1	Terminal	
24	1001118685	1	Connector	
25	1001104519	2	Terminal	
26	1001118383	2	Terminal	
27	1001162886	1	Connector	
28	1001163340	13	Plug	
29	1001162887	7	Terminal	
30	4460897	1	Connector	
31	4460464	1	Terminal	
32	4460933	2	Connector	
33	4460465	21	Terminal	
34	4460466	3	Plug	
35	4460836	1	Connector	
36	4460465	8	Terminal	
37	4460942	4	Terminal	
38	4460343	2	Connector	
39	4460267	15	Terminal	
40	4460343	1	Connector	
41	4460268	8	Terminal	
42	4460906	1	Terminal	
43	1001116991	1	Connector	
44	1001118384	2	Terminal	
45	1001116999	1	Connector	
46	1001116700	4	Terminal	
47	4460225	1	Connector	
48	4460267	5	Terminal	
49	4460906	1	Terminal	

SECTION 10 - ELECTRICAL

ITEM	PART NUMBER	QTY	DESCRIPTION	REV
50	1001173411	1	Connector	
51	1001116716	2	Terminal	
52	1001104519	5	Terminal	
53	4460343	1	Connector	
54	4460268	9	Terminal	
55	4460265	1	Connector	
56	4460268	9	Terminal	
57	4460434	1	Connector	
58	4460268	7	Terminal	
59	1001103012	1	Connector	
60	1001116697	2	Terminal	
61	1001116698	2	Plug	
62	4460225	1	Connector	
63	4460267	3	Terminal	
64	4460434	1	Connector	
65	4460267	3	Terminal	
69	4461262	1	Connector	
70	1001107854	3	Terminal	
71	4460225	1	Connector	
72	4460268	5	Terminal	
73	1001160498	1	Connector	
74	1001161095	24	Terminal	
75	1001161098	6	Terminal	
76	1001161099	1	Terminal	
77	1001160502	1	Connector	
78	1001161095	23	Terminal	
79	1001161097	1	Terminal	
80	1001161098	5	Terminal	
81	1001161099	1	Terminal	
82	1001161959	1	Connector	
83	1001161095	12	Terminal	
84	1001161097	6	Terminal	
85	1001161098	1	Terminal	
86	1001176333	1	Connector	
87	4460465	3	Terminal	
88	4460466	11	Plug	
89	4460994	4	Terminal	
90	4460930	1	Connector	
91	4460465	2	Terminal	
92	4460466	6	Plug	
93	4460539	1	Connector	
94	4460466	1	Plug	
95	4460994	2	Terminal	
96	1001116812	1	Connector	
97	4460466	1	Plug	
98	4460994	2	Terminal	
99	4460884	2	Connector	
100	4460465	8	Terminal	
101	4460894	1	Connector	
102	4460465	3	Terminal	
103	4460466	1	Plug	

SECTION 10 - ELECTRICAL

ITEM	PART NUMBER	QTY	DESCRIPTION	REV
104	4460994	2	Terminal	
105	1001184473	1	Connector	
106	1001184479	3	Terminal	
107	4460884	1	Connector	
108	1001201070	1	Connector	
109	4460465	4	Terminal	
110	1001201080	1	Connector	
111	4460465	7	Terminal	
112	4460942	6	Terminal	
113	1001116986	1	Connector	
114	1001118384	4	Terminal	
115	1001116991	1	Connector	
116	1001118384	2	Terminal	
117	1001201081	1	Connector	
118	4460464	7	Terminal	
119	4460943	6	Terminal	
120	1001112612	1	Connector	
121	4460464	7	Terminal	
122	4460466	3	Plug	
123	4460943	6	Terminal	
124	1001116986	1	Connector	
125	1001118384	4	Terminal	
126	1001116998	4	Connector	
127	1001118387	4	Terminal	
128	1001116985	1	Connector	
129	1001118386	3	Terminal	
130	1001116984	1	Connector	
131	1001118386	4	Terminal	
132	4461262	1	Connector	
133	1001107854	2	Terminal	
134	1001116698	1	Plug	
135	4460891	1	Connector	
136	4460465	2	Terminal	
137	1001116986	1	Connector	
138	1001118384	3	Terminal	
139	1001116723	2	Terminal	
140	4460994	1	Connector	
141	1001118384	2	Terminal	
142	4461115	4	Connector	
143	1001116728	8	Terminal	
144	4460458	8	Seal	
145	4460434	1	Connector	
146	4460268	5	Terminal	
147	1001117081	1	Connector	
148	1001118384	2	Terminal	
149	1001116723	4	Terminal	
150	1001117081	1	Connector	
151	1001118384	10	Terminal	
152	1001116723	1	Terminal	
153	1001117081	1	Connector	
154	1001118384	4	Terminal	

SECTION 10 - ELECTRICAL

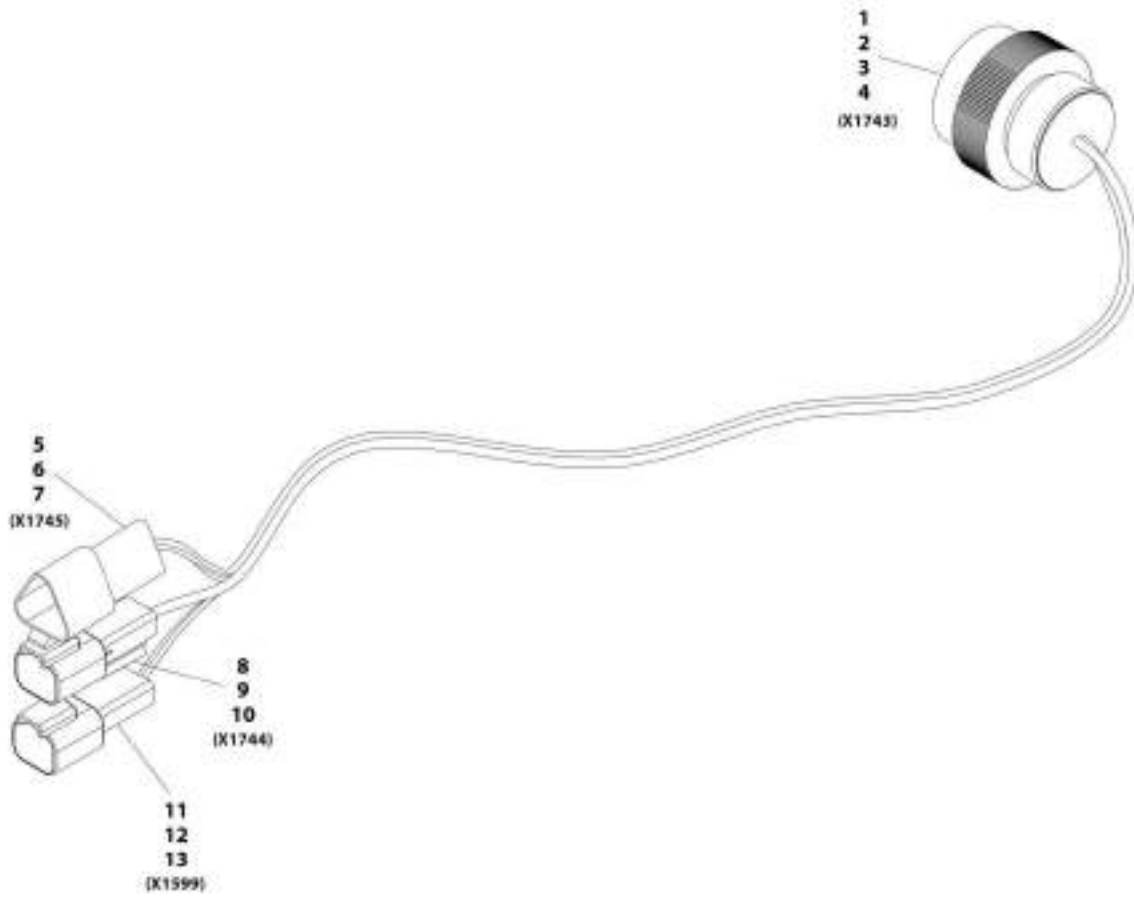
ITEM	PART NUMBER	QTY	DESCRIPTION	REV
155	1001116723	6	Terminal	
156	1001117081	1	Connector	
157	1001118384	1	Terminal	
158	1001116723	6	Terminal	
159	1001117081	1	Connector	
160	1001118384	3	Terminal	
161	1001116723	4	Terminal	
162	1001117081	1	Connector	
163	1001118384	2	Terminal	
164	1001116723	4	Terminal	
165	1001117081	1	Connector	
166	1001118384	1	Terminal	
167	1001116723	6	Terminal	
168	1001117081	1	Connector	
169	1001118384	2	Terminal	
170	1001116723	4	Terminal	
171	1001117081	1	Connector	
172	1001118384	2	Terminal	
173	1001116723	4	Terminal	
174	1001117081	1	Connector	
175	1001118384	1	Terminal	
176	1001116723	6	Terminal	
177	1001117081	1	Connector	
178	1001118384	1	Terminal	
179	1001116723	6	Terminal	
180	1001117081	1	Connector	
181	1001118384	2	Terminal	
182	1001116723	8	Terminal	
183	1001117081	1	Connector	
184	1001118384	3	Terminal	
185	1001116723	4	Terminal	
186	1001117081	1	Connector	
187	1001118384	1	Terminal	
188	1001116723	6	Terminal	
189	1001117081	1	Connector	
190	1001118384	1	Terminal	
191	1001116723	6	Terminal	
192	1001117081	1	Connector	
193	1001118384	1	Terminal	
194	1001116723	6	Terminal	
195	1001117081	1	Connector	
196	1001118384	1	Terminal	
197	1001116723	6	Terminal	
198	1001117081	1	Connector	
199	1001118384	2	Terminal	
200	1001116723	4	Terminal	
201	1001117081	1	Connector	
202	1001118384	4	Terminal	
203	1001116723	2	Terminal	
204	1001117081	1	Connector	
205	1001118384	1	Terminal	

SECTION 10 - ELECTRICAL

ITEM	PART NUMBER	QTY	DESCRIPTION	REV
206	1001116723	12	Terminal	
207	1001117081	1	Connector	
208	1001118384	1	Terminal	
209	1001116723	6	Terminal	
210	1001117081	1	Connector	
211	1001118384	1	Terminal	
212	1001116723	6	Terminal	
213	1001117081	1	Connector	
214	1001118384	1	Terminal	
215	1001116723	6	Terminal	
216	1001214686	1	Connector	
217	1001116753	1	Terminal	
218	1001214687	1	Connector	
219	1001116753	3	Terminal	
220	4460891	1	Connector	
221	4460465	2	Terminal	
222	4460434	1	Connector	
223	4460268	15	Terminal	
224	4460884	1	Connector	
225	4460942	1	Terminal	
226	4460466	2	Plug	
227	4460994	1	Connector	
228	1001118384	2	Terminal	
229	4461118	1	Connector	
230	1001107854	2	Terminal	
231	1001104498	2	Seal	
232	1001116812	1	Connector	
233	4460944	2	Terminal	
234	4460466	1	Plug	
235	1001144296	1	Cap	
236	4460418	1	Connector	
237	4460419	2	Terminal	
238	4460945	1	Connector, 3 Way	

SECTION 10 - ELECTRICAL

FIGURE 10-71. CAB OPTION HARNESS



ART_1001181681-C

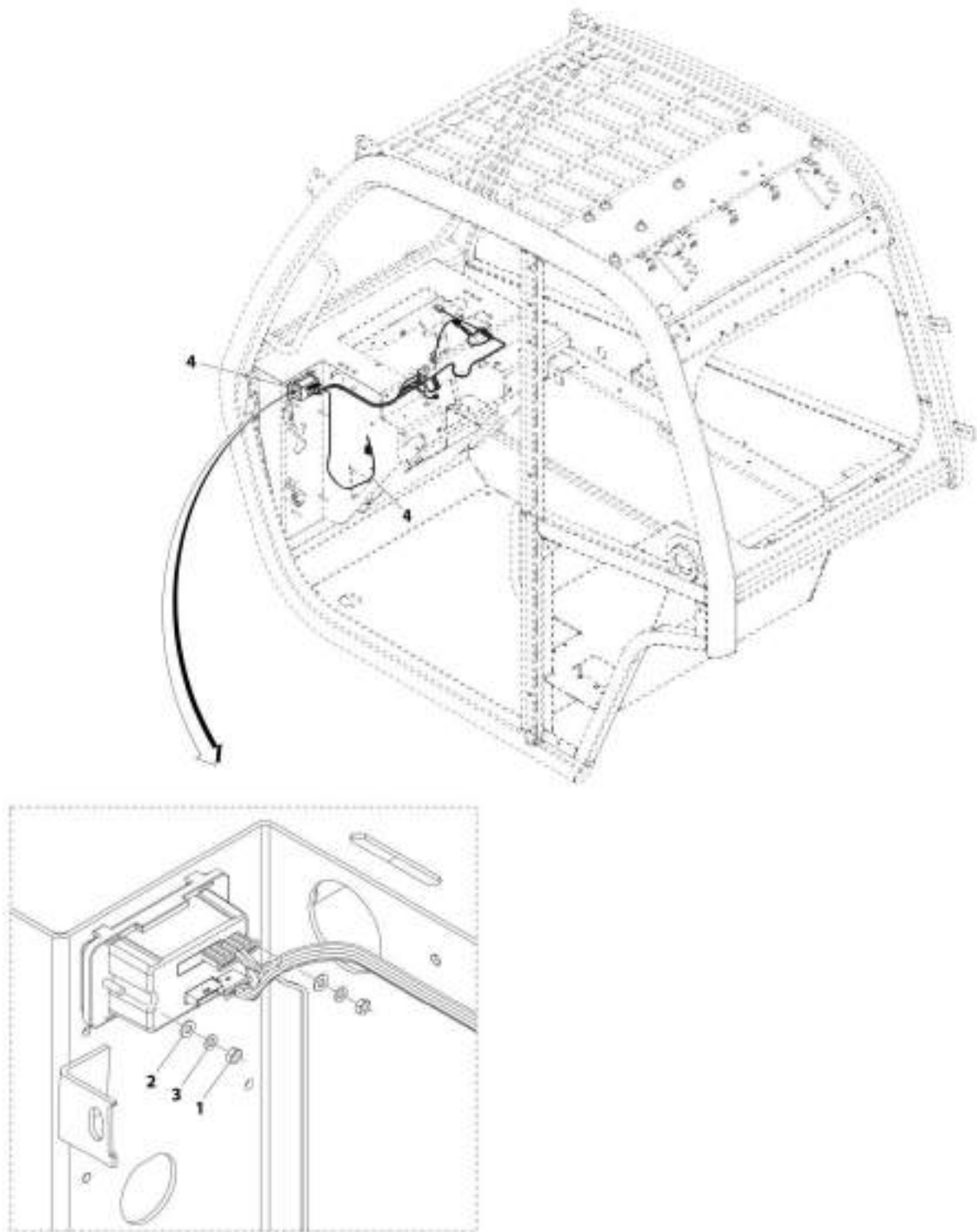
SECTION 10 - ELECTRICAL

FIGURE 10-71. CAB OPTION HARNESS

ITEM	PART NUMBER	QTY	DESCRIPTION	REV
	1001181681	Ref	Cab Option Harness	C
1	4461015	1	Connector	
2	4460465	5	Terminal	
3	4460466	8	Plug	
4	4460942	1	Terminal	
5	1001144147	1	Connector	
6	4460943	2	Terminal	
7	4460466	1	Plug	
8	4460897	1	Connector	
9	4460941	1	Terminal	
10	4460466	1	Plug	
11	4460932	1	Connector	
12	4460464	3	Terminal	
13	4460466	1	Plug	

SECTION 10 - ELECTRICAL

FIGURE 10-72. CAB HEATER HARNESS INSTALLATION



ART_1001301MG-C

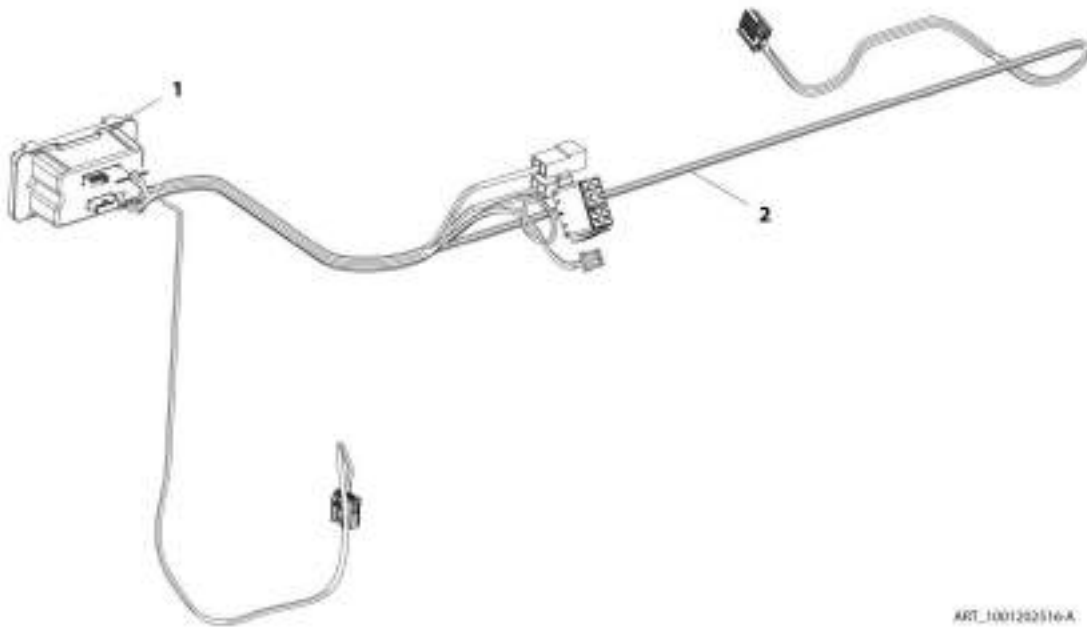
SECTION 10 - ELECTRICAL

FIGURE 10-72. CAB HEATER HARNESS INSTALLATION

ITEM	PART NUMBER	QTY	DESCRIPTION	REV
	1001201340	Ref	Cab Heater Harness Installation	C
1	3290401	2	Nut, M4X0.7 Grade 8	
2	4811400	2	Washer, M4	
3	4831400	2	Washer, Lock M4	
4	1001202516	1	Harness, Cab Heater (See Separate Breakdown in this Section)	

SECTION 10 - ELECTRICAL

FIGURE 10-73. CAB HEATER HARNESS (Prior to SN 1160008371)



ART_1001202516-K

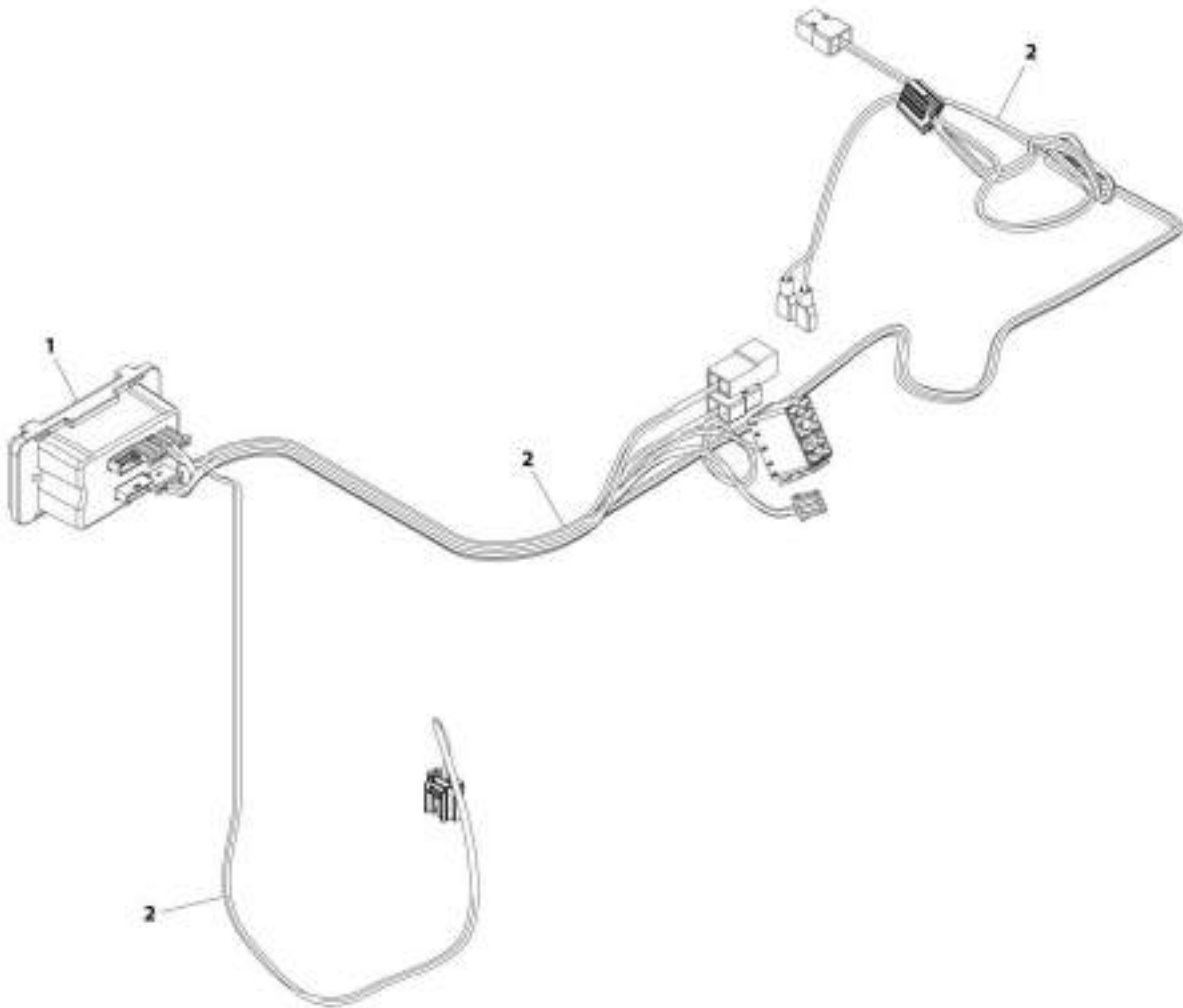
SECTION 10 - ELECTRICAL

FIGURE 10-73. CAB HEATER HARNESS (Prior to SN 1160008371)

ITEM	PART NUMBER	QTY	DESCRIPTION	REV
1	1001202516	Ref	Cab Heater Harness	A
	1001172551	Ref	Actuator, HVAC (See Separate Breakdown in CAB Section)	
	1001173571	Ref	Harness, HVAC Cab Actuator	

SECTION 10 - ELECTRICAL

FIGURE 10-74. CAB HEATER HARNESS (SN 1160008371 to Present)



AMT_1001202516-C

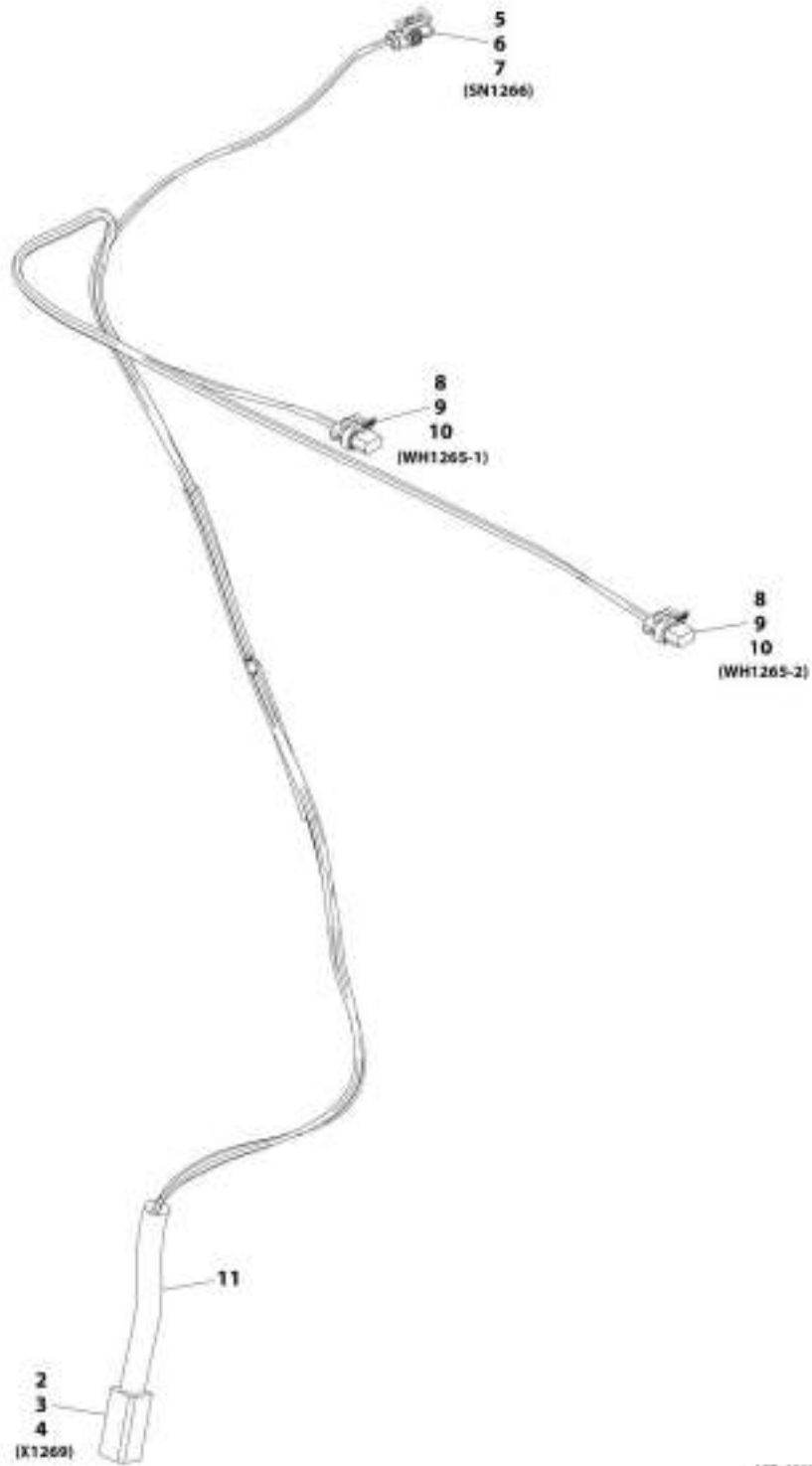
SECTION 10 - ELECTRICAL

FIGURE 10-74. CAB HEATER HARNESS (SN 1160008371 to Present)

ITEM	PART NUMBER	QTY	DESCRIPTION	REV
1	1001202516	Ref	Cab Heater Harness	C
	1001172551	Ref	Actuator, HVAC (See Separate Breakdown in CAB Section)	
	1001221056	Ref	Harness, HVAC Cab Actuator	

SECTION 10 - ELECTRICAL

FIGURE 10-75. A/C OPTION HARNESS



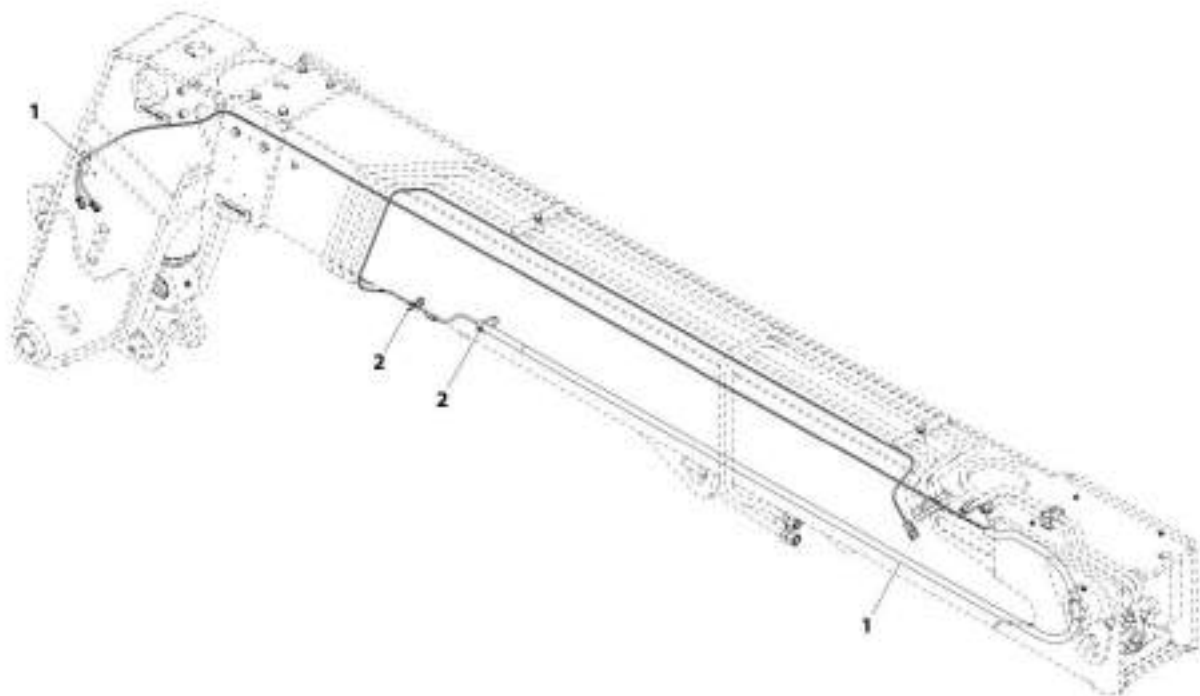
SECTION 10 - ELECTRICAL

FIGURE 10-75. A/C OPTION HARNESS

ITEM	PART NUMBER	QTY	DESCRIPTION	REV
	1001169151	Ref	A/C Option Harness	E
2	4460899	1	Connector	
3	4460941	4	Terminal	
4	4460464	2	Terminal	
5	4461118	1	Connector	
6	1001107854	2	Terminal	
7	1001116763	2	Seal	
8	1001117021	2	Connector	
9	1001116747	4	Terminal	
10	4460789	4	Seal	
11	70028546	1	Backshell	

SECTION 10 - ELECTRICAL

FIGURE 10-76. BOOM HARNESS INSTALLATION (Prior to SN 1160008371)



AWT_1001105734-B

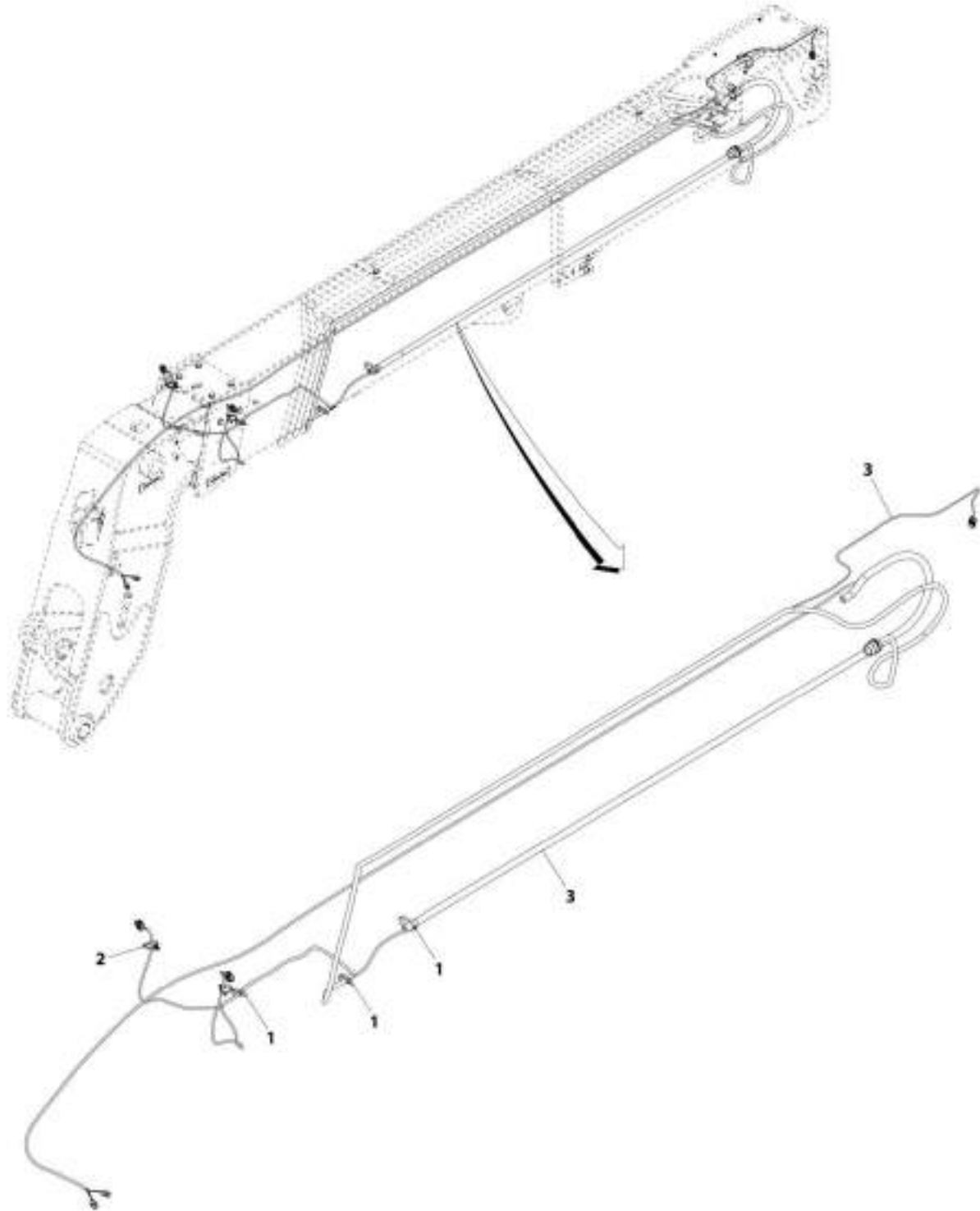
SECTION 10 - ELECTRICAL

FIGURE 10-76. BOOM HARNESS INSTALLATION (Prior to SN 1160008371)

ITEM	PART NUMBER	QTY	DESCRIPTION	REV
1	1001185734	Ref	Boom Harness Installation	B
	1001184624	Ref	Harness, Boom (See Separate Breakdown in this Section)	
2	1001008923	AR	Strap, Cable	

SECTION 10 - ELECTRICAL

FIGURE 10-77. BOOM HARNESS INSTALLATION (SN 1160008371 to Present)



ART_100122645-A

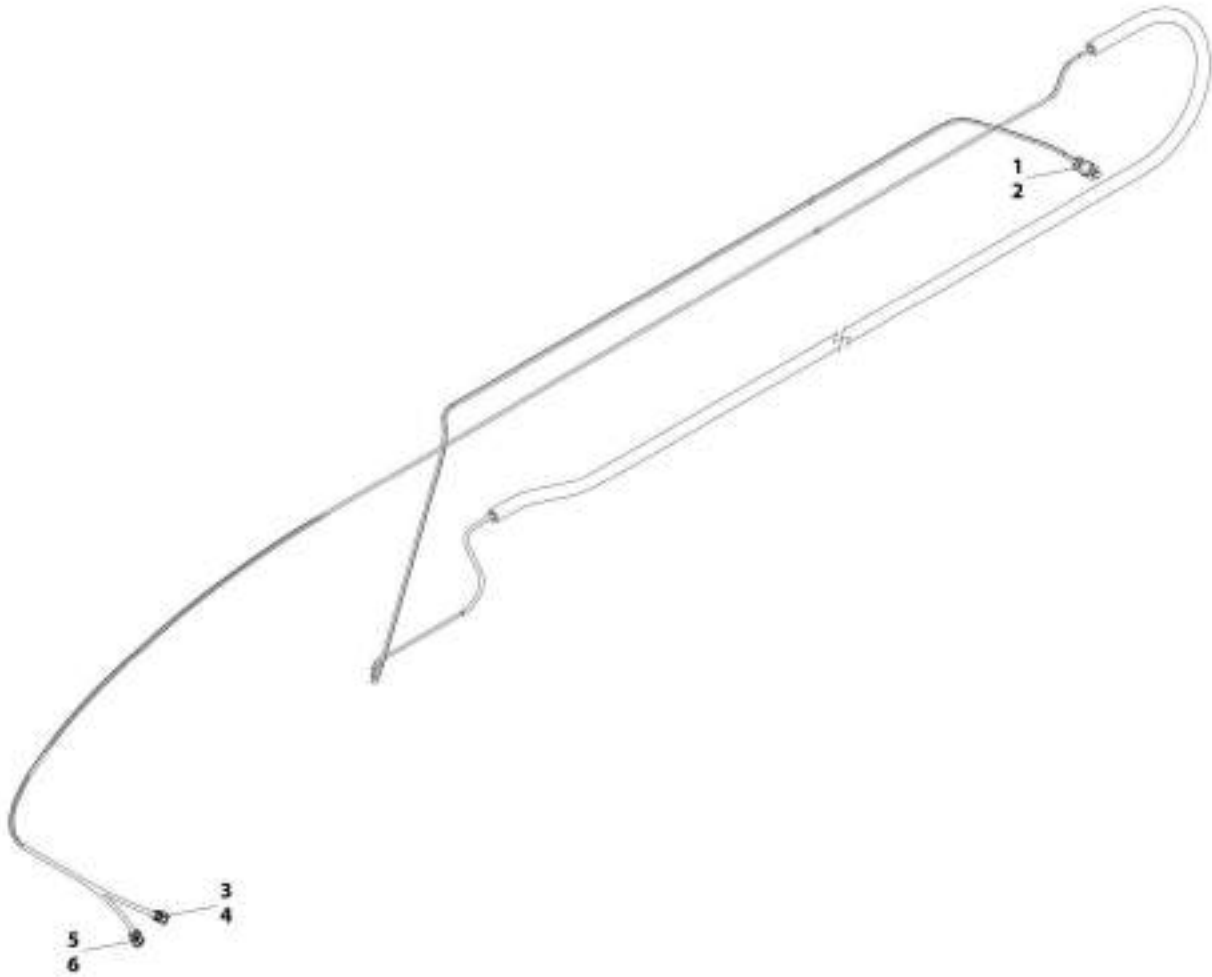
SECTION 10 - ELECTRICAL

FIGURE 10-77. BOOM HARNESS INSTALLATION (SN 1160008371 to Present)

ITEM	PART NUMBER	QTY	DESCRIPTION	REV
	1001226645	Ref	Boom Harness Installation	A
1	1001008923	AR	Strap, Cable	
2	1001146588	2	Strap, Cable	
3	1001224597	Ref	Harness, Boom (See Separate Breakdown in this Section)	

SECTION 10 - ELECTRICAL

FIGURE 10-78. BOOM HARNESS (Prior to SN 1160008371)



ART_1001184624-D

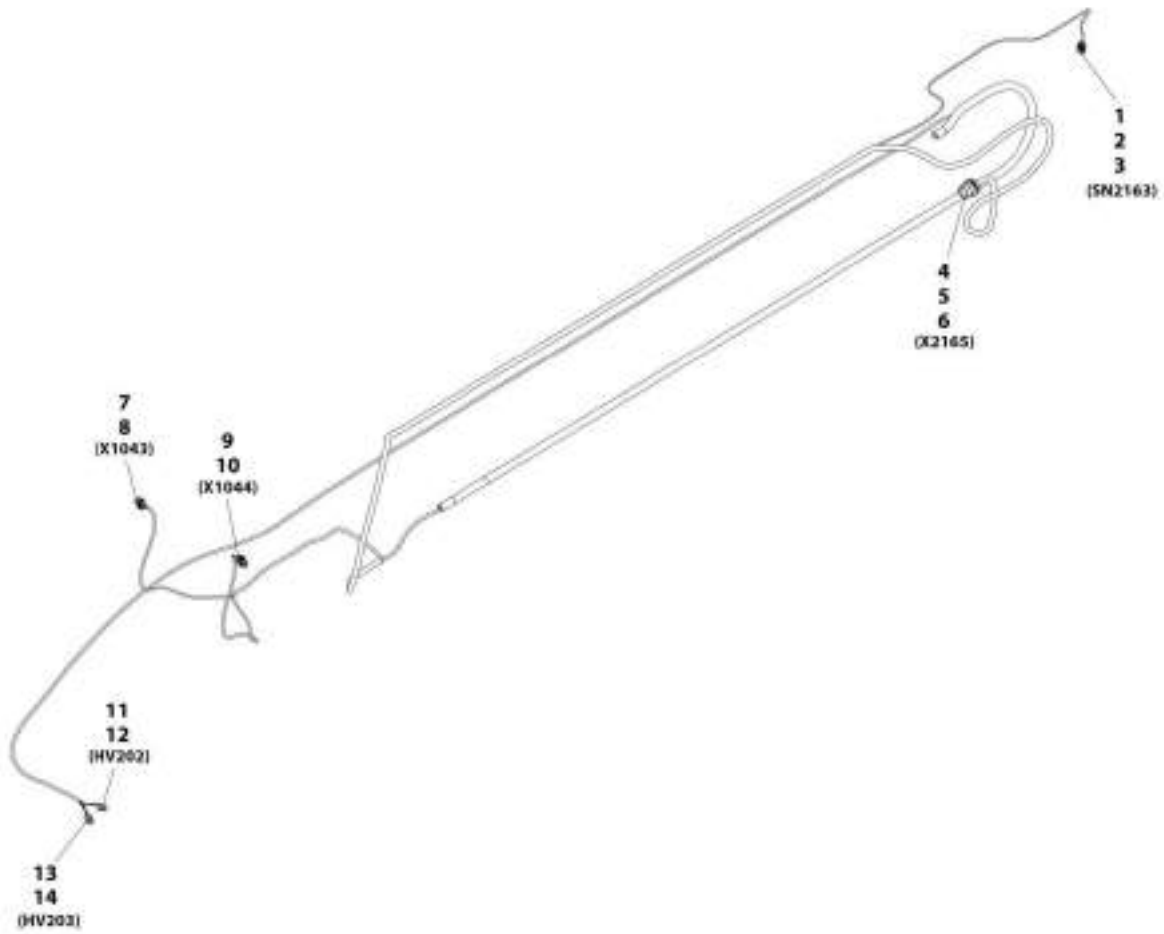
SECTION 10 - ELECTRICAL

FIGURE 10-78. BOOM HARNESS (Prior to SN 1160008371)

ITEM	PART NUMBER	QTY	DESCRIPTION	REV
	1001184624	Ref	Boom Harness	D
1	4460932	1	Connector	
2	4460464	4	Terminal	
3	4460891	1	Connector	
4	4460465	2	Terminal	
5	4460891	1	Connector	
6	4460465	2	Terminal	

SECTION 10 - ELECTRICAL

FIGURE 10-79. BOOM HARNESS (SN 1160008371 to Present)



ART_1001224597-A

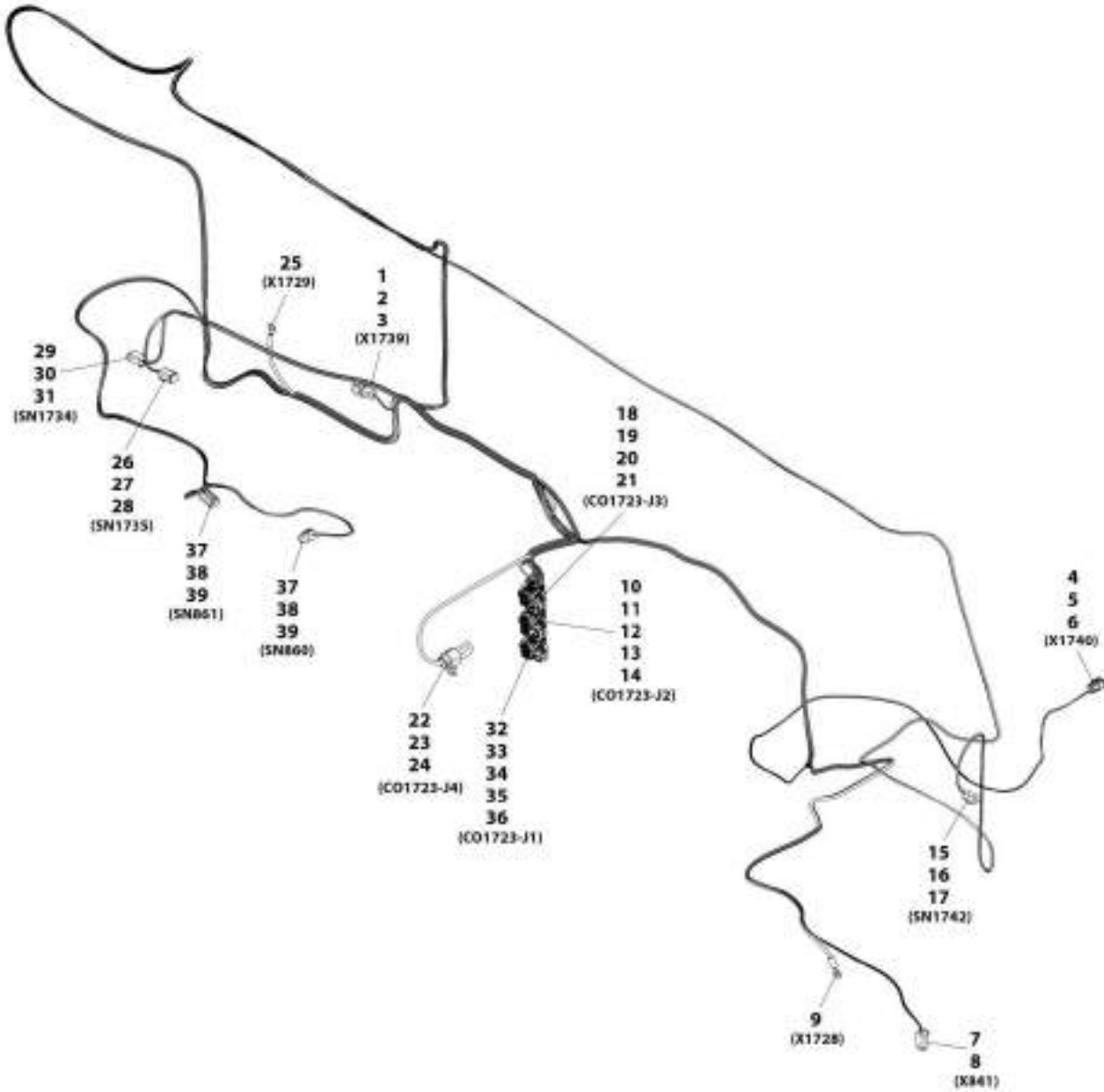
SECTION 10 - ELECTRICAL

FIGURE 10-79. BOOM HARNESS (SN 1160008371 to Present)

ITEM	PART NUMBER	QTY	DESCRIPTION	REV
	1001224597	Ref	Boom Harness	A
1	4461262	1	Connector	
2	1001107854	3	Terminal	
3	1001104498	3	Seal	
4	1001109484	1	Connector	
5	4460464	12	Terminal	
6	4460466	2	Plug	
7	4461115	1	Connector	
8	1001116728	2	Terminal	
9	4461115	1	Connector	
10	1001116728	2	Terminal	
11	4460891	1	Connector	
12	4460465	2	Terminal	
13	4460891	1	Connector	
14	4460465	2	Terminal	

SECTION 10 - ELECTRICAL

FIGURE 10-80. LMIS CHASSIS OPTION HARNESS



AWT_1001105905-C

SECTION 10 - ELECTRICAL

FIGURE 10-80. LMIS CHASSIS OPTION HARNESS

ITEM	PART NUMBER	QTY	DESCRIPTION	REV
	1001185905	Ref	LMIS Chassis Option Harness	C
1	4460536	1	Connector	
2	4460943	2	Terminal	
3	4460466	1	Plug	
4	1001116812	1	Connector	
5	4460944	2	Terminal	
6	4460466	1	Plug	
7	4460884	1	Connector	
8	4460465	4	Terminal	
9	8220114	1	Terminal, Ring	
10	1001161963	1	Connector	
11	1001161095	13	Terminal	
12	1001161100	27	Plug	
13	1001161099	4	Terminal	
14	1001161101	4	Plug	
15	4460539	1	Connector	
16	4460942	1	Terminal	
17	4460465	1	Terminal	
18	1001160500	1	Connector	
19	1001161100	19	Plug	
20	1001161095	4	Terminal	
21	1001161101	8	Plug	
22	1001160509	1	Connector	
23	1001160510	1	Terminal	
24	1001175266	1	Seal	
25	1001117109	1	Terminal, Ring	
26	4460884	1	Connector	
27	4460942	1	Terminal	
28	4460465	3	Terminal	
29	4460884	1	Connector	
30	4460942	1	Terminal	
31	4460465	3	Terminal	
32	1001161957	1	Connector	
33	1001161095	11	Terminal	
34	1001161100	13	Plug	
35	1001161101	4	Plug	
36	1001161099	4	Terminal	
37	4460884	2	Connector	
38	4460942	1	Terminal	
39	4460465	3	Terminal	

SECTION 10 - ELECTRICAL

FIGURE 10-81. REVERSE SENSOR HARNESS



ART_300125734-C

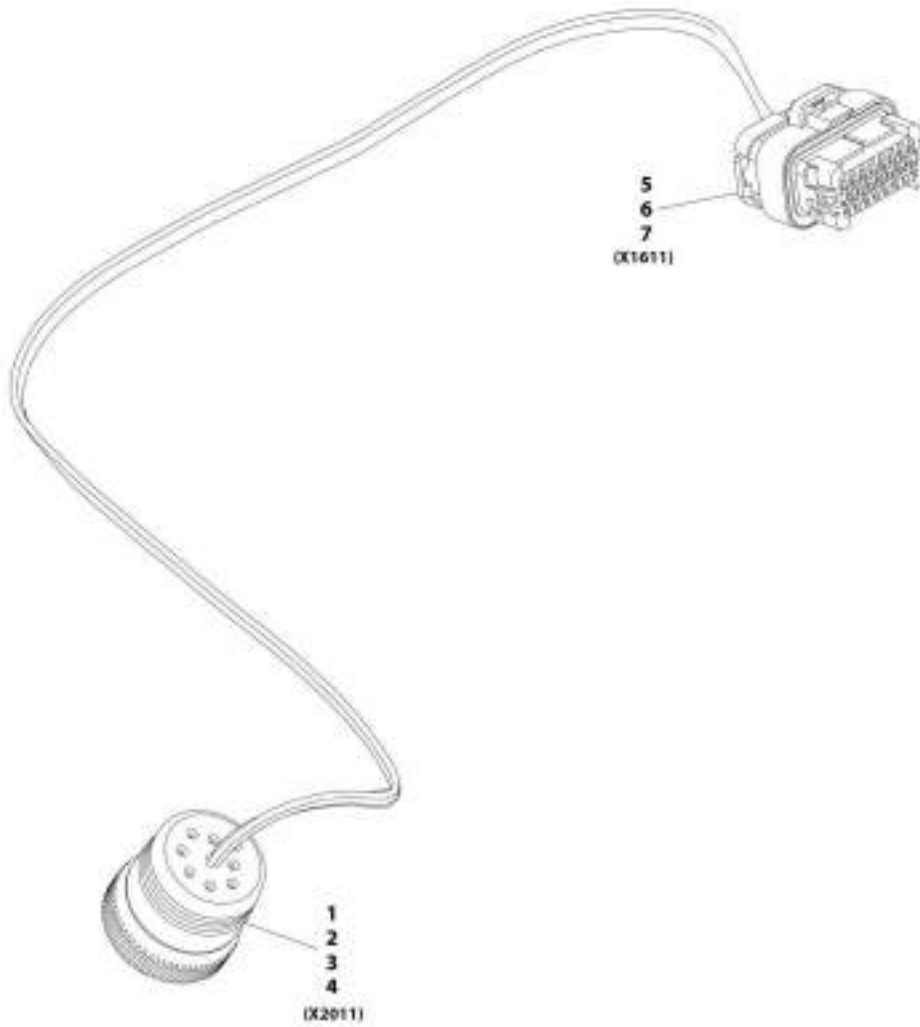
SECTION 10 - ELECTRICAL

FIGURE 10-81. REVERSE SENSOR HARNESS

ITEM	PART NUMBER	QTY	DESCRIPTION	REV
	1001175776	Ref	Reverse Sensor Harness	C
1	4460932	1	Connector	
2	4460464	4	Terminal	
3	1001175733	1	Connector	

SECTION 10 - ELECTRICAL

FIGURE 10-82. CLEARSKY HARNESS (A/C)



ART. 3001196452-A

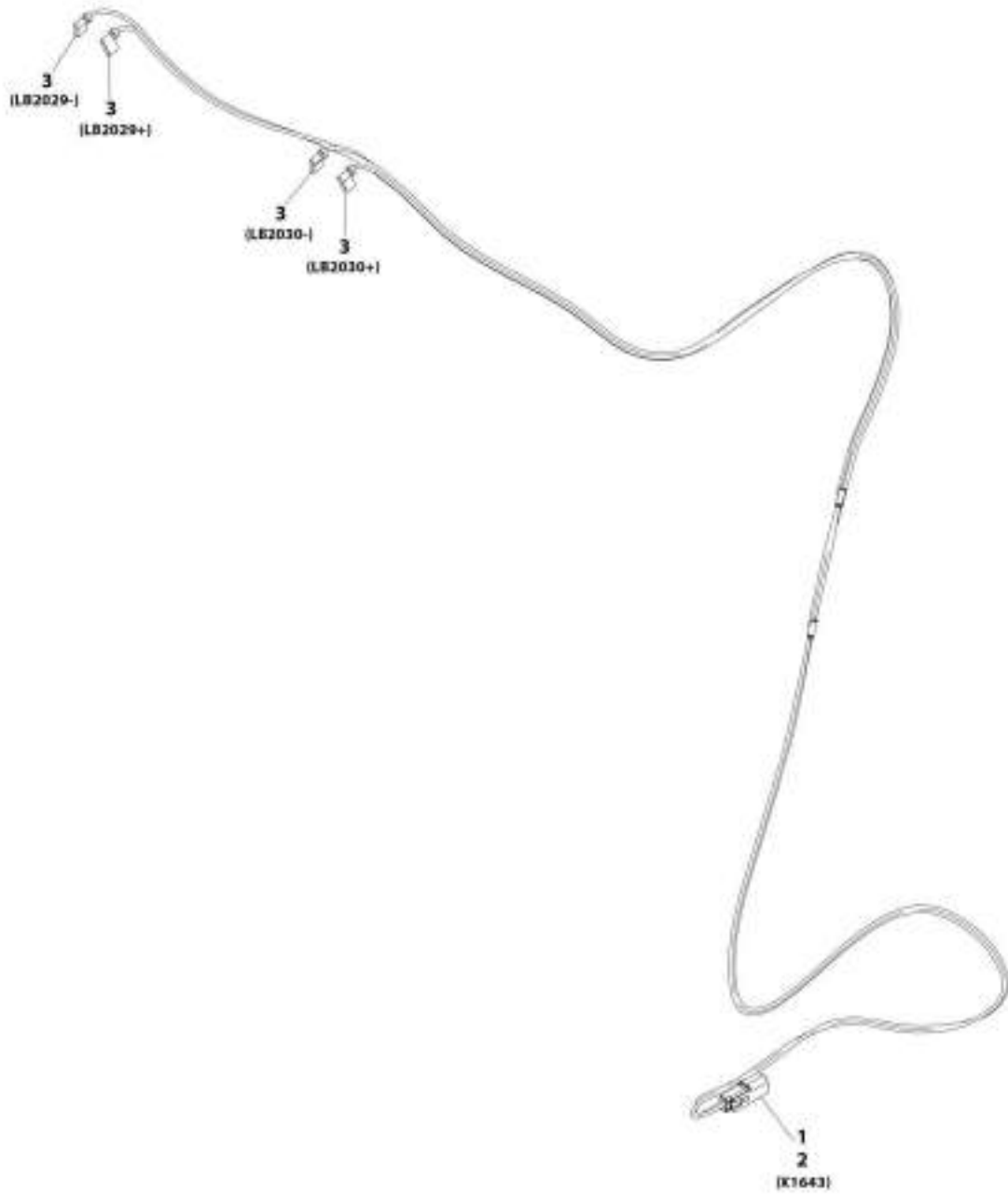
SECTION 10 - ELECTRICAL

FIGURE 10-82. CLEARSKY HARNESS (A/C)

ITEM	PART NUMBER	QTY	DESCRIPTION	REV
	1001196452	Ref	Clearsky Harness (A/C)	A
1	1001112796	1	Connector	
2	4460465	3	Terminal	
3	4460944	2	Terminal	
4	4460466	4	Plug	
5	1001116994	1	Connector	
6	4460871	5	Terminal	
7	4460905	18	Plug	

SECTION 10 - ELECTRICAL

FIGURE 10-83. LICENSE LIGHT HARNESS



ART_1001178055-C

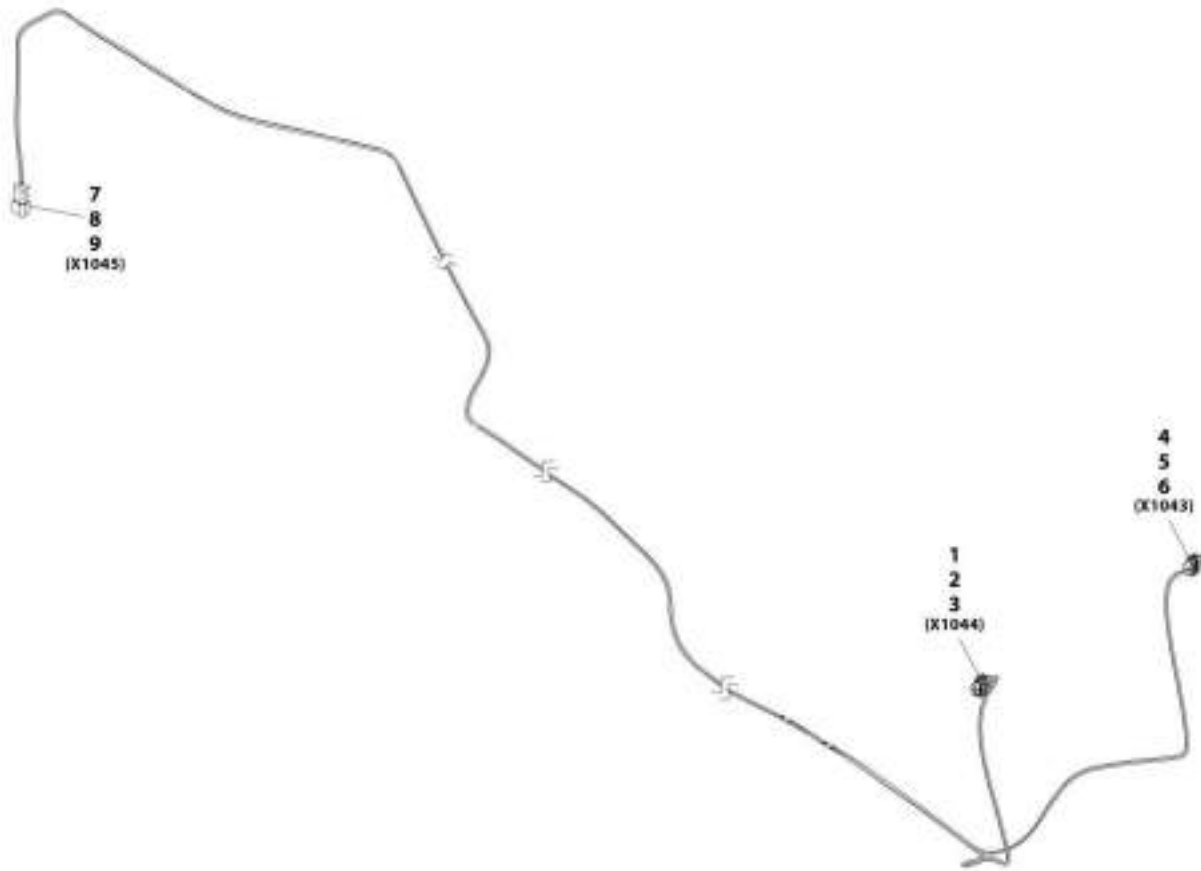
SECTION 10 - ELECTRICAL

FIGURE 10-83. LICENSE LIGHT HARNESS

ITEM	PART NUMBER	QTY	DESCRIPTION	REV
	1001178053	Ref	License Light Harness	C
1	4460897	1	Connector	
2	4460941	2	Terminal	
3	1001190396	4	Connector	

SECTION 10 - ELECTRICAL

FIGURE 10-84. BOOM WORKLIGHTS HARNESS



ART_3001183287-C

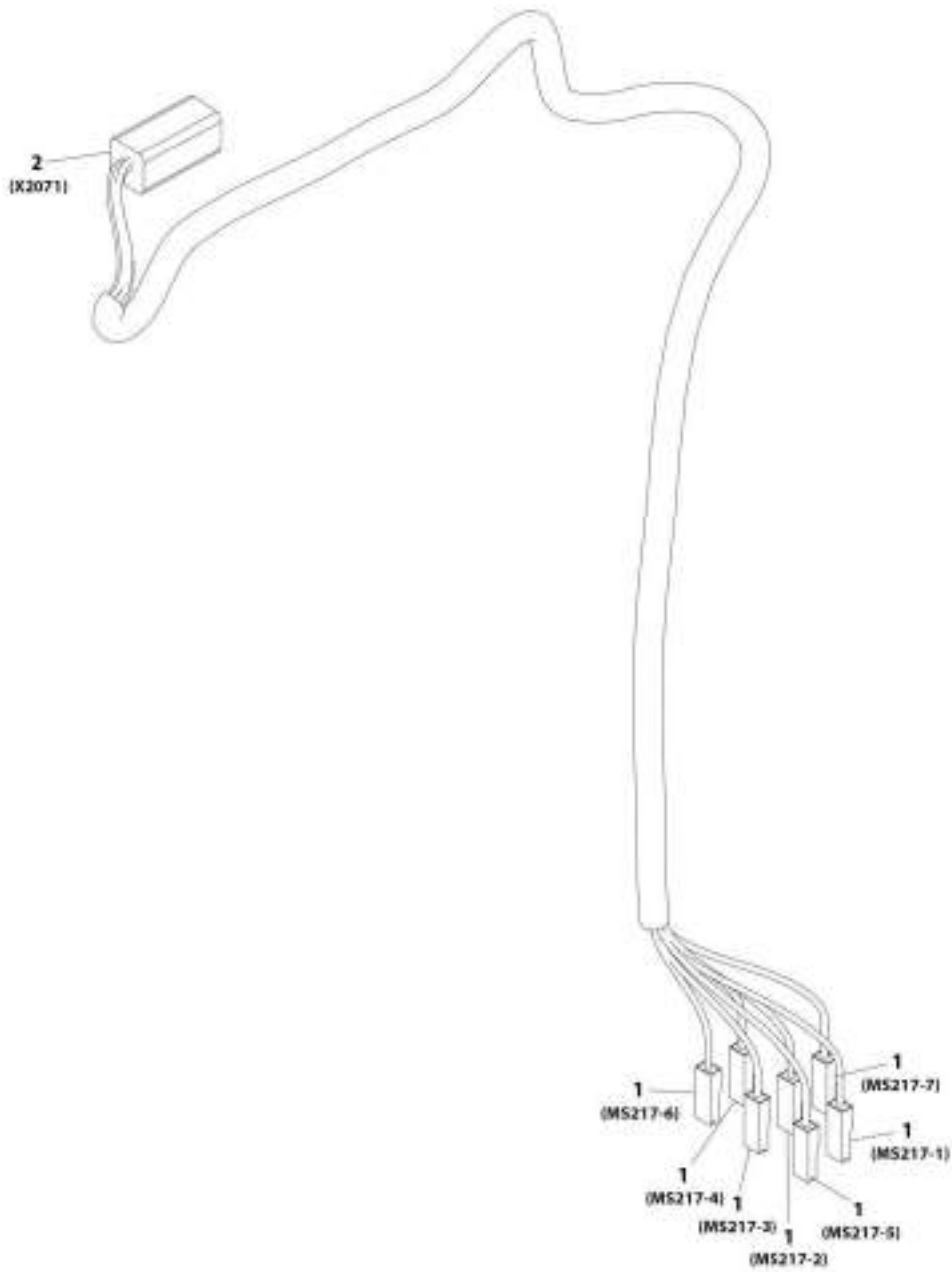
SECTION 10 - ELECTRICAL

FIGURE 10-84. BOOM WORKLIGHTS HARNESS

ITEM	PART NUMBER	QTY	DESCRIPTION	REV
	1001183297	Ref	Boom Worklights Harness	C
1	4461115	1	Connector	
2	1001116728	2	Terminal	
3	4460458	2	Seal	
4	4461115	1	Connector	
5	1001116728	2	Terminal	
6	4460458	2	Seal	
7	4460932	1	Connector	
8	4460464	2	Terminal	
9	4460466	2	Plug	

SECTION 10 - ELECTRICAL

FIGURE 10-85. LINK TRAILER HARNESS



ART_100154459-C

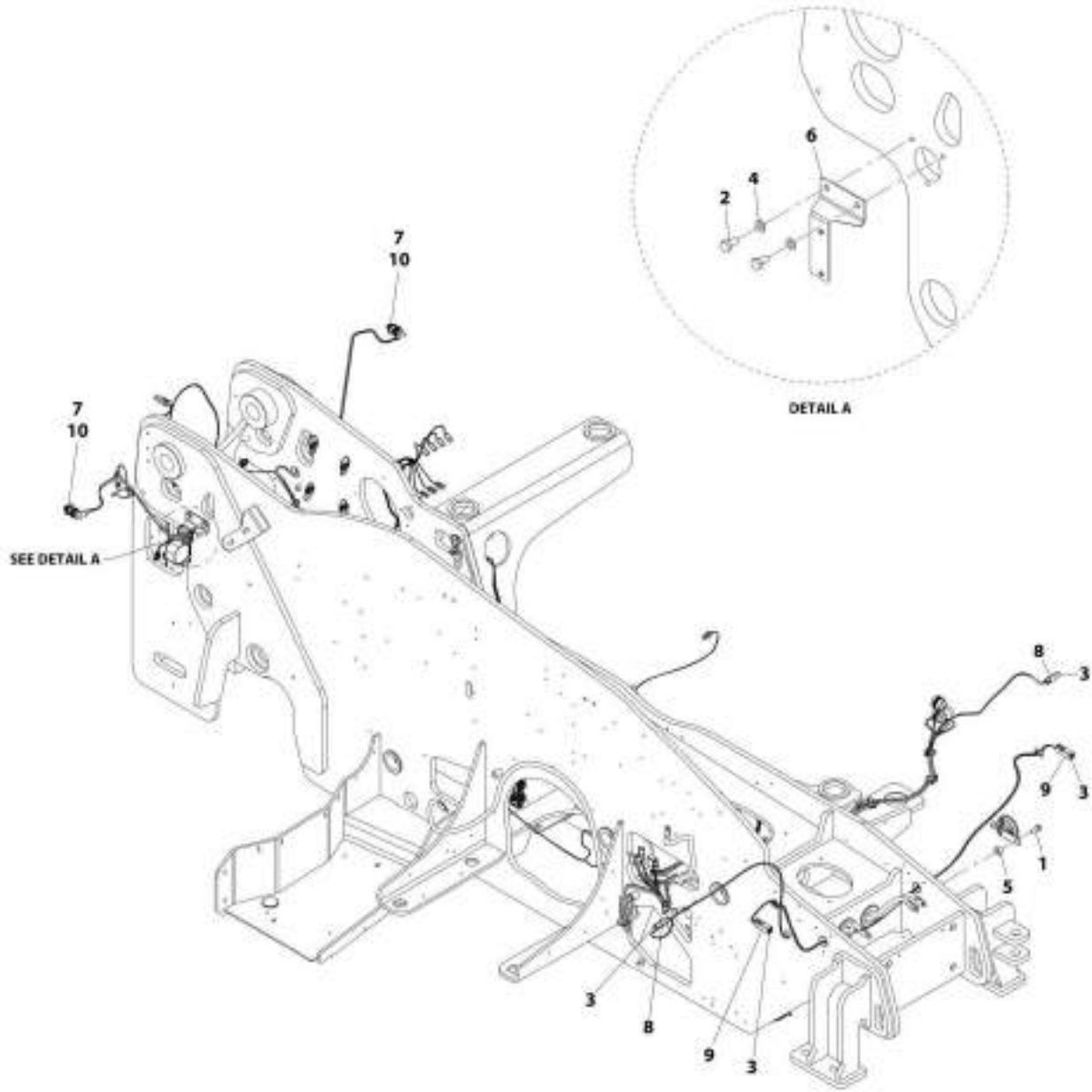
SECTION 10 - ELECTRICAL

FIGURE 10-85. LINK TRAILER HARNESS

ITEM	PART NUMBER	QTY	DESCRIPTION	REV
	1001184839	Ref	Link Trailer Harness	C
1	1001116995	7	Connector	
2	4460899	1	Connector	
2	4460941	6	Terminal	

SECTION 10 - ELECTRICAL

FIGURE 10-86. NO ROAD LIGHTS INSTALLATION



ART. 1001225385-A

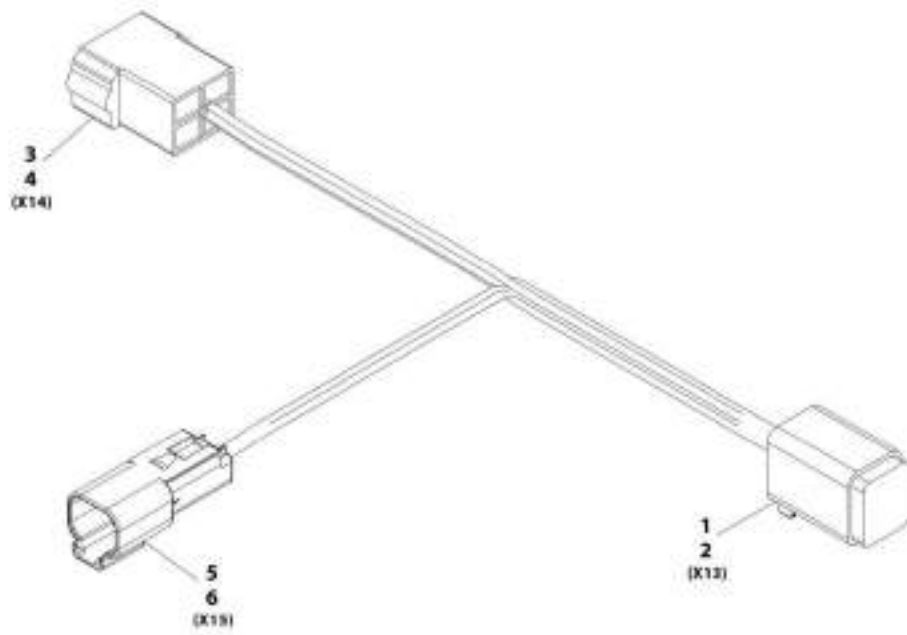
SECTION 10 - ELECTRICAL

FIGURE 10-86. NO ROAD LIGHTS INSTALLATION

ITEM	PART NUMBER	QTY	DESCRIPTION	REV
	1001225383	Ref	No Road Lights Installation	A
1	0761014	1	Bolt, M10X30	
2	0761010	2	Bolt, M10X20	
3	4460466	18	Plug	
4	4812000	2	Washer, M10	
5	1001182495	1	Washer, Spacer	
6	1001225385	1	Mount, Reverse Alarm	
7	1001225658	2	Connector	
8	4460536	2	Connector	
9	4460899	2	Connector	
10	4461008	14	Plug	

SECTION 10 - ELECTRICAL

FIGURE 10-87. SEAT ADAPTOR HARNESS



ART_300168531-A

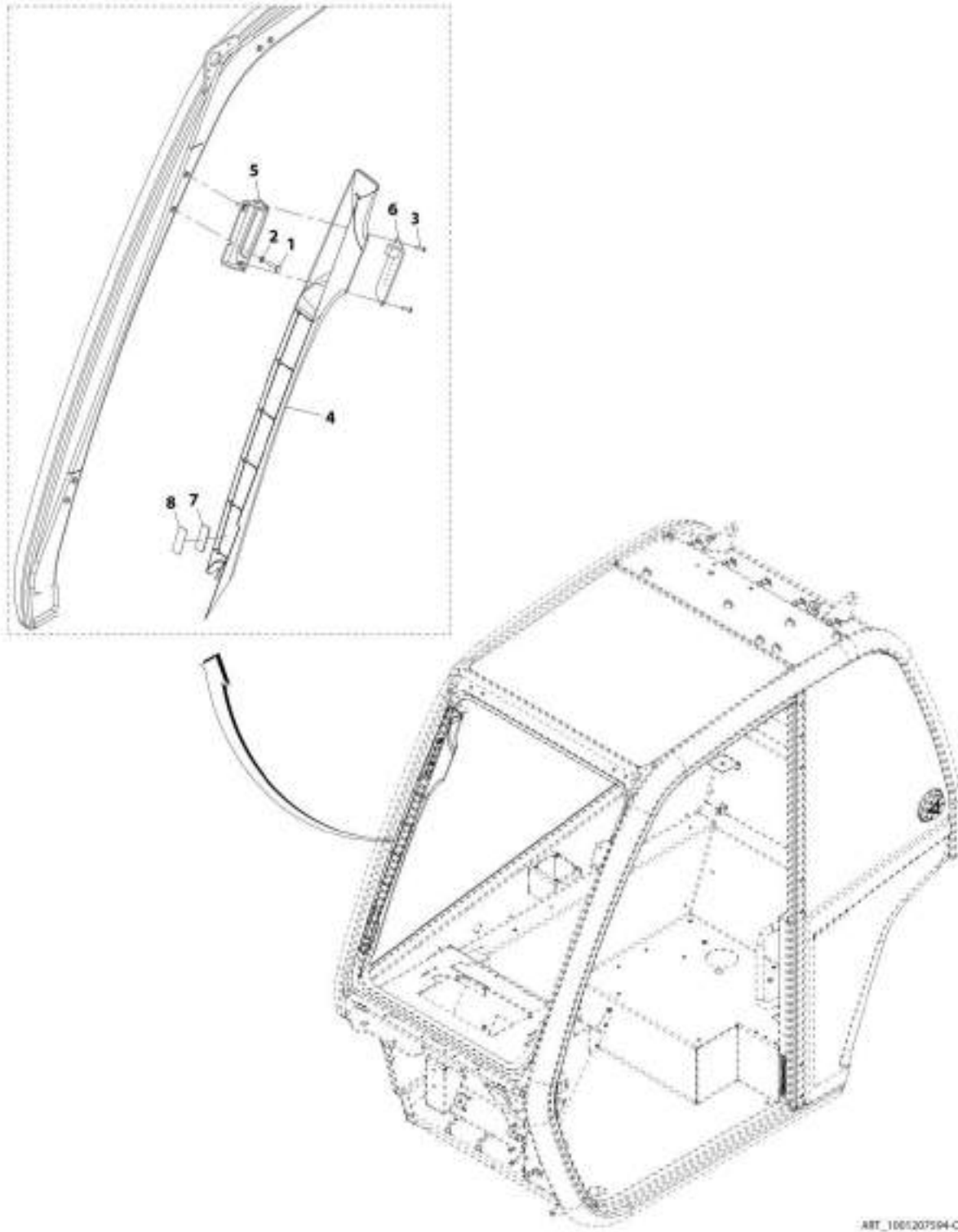
SECTION 10 - ELECTRICAL

FIGURE 10-87. SEAT ADAPTOR HARNESS

ITEM	PART NUMBER	QTY	DESCRIPTION	REV
	1001168531	Ref	Seat Adaptor Harness	A
1	4460894	1	Connector	
2	91504107	1	Lock, Connector	
3	4460465	6	Terminal	
4	1001117011	1	Connector	
5	1001116700	3	Terminal	
6	4460897	1	Connector	
7	80604017	1	Lock, Connector	
8	4460943	2	Terminal	

SECTION 10 - ELECTRICAL

FIGURE 10-88. LSI DISPLAY INSTALLATION (Prior to SN 1160008371)



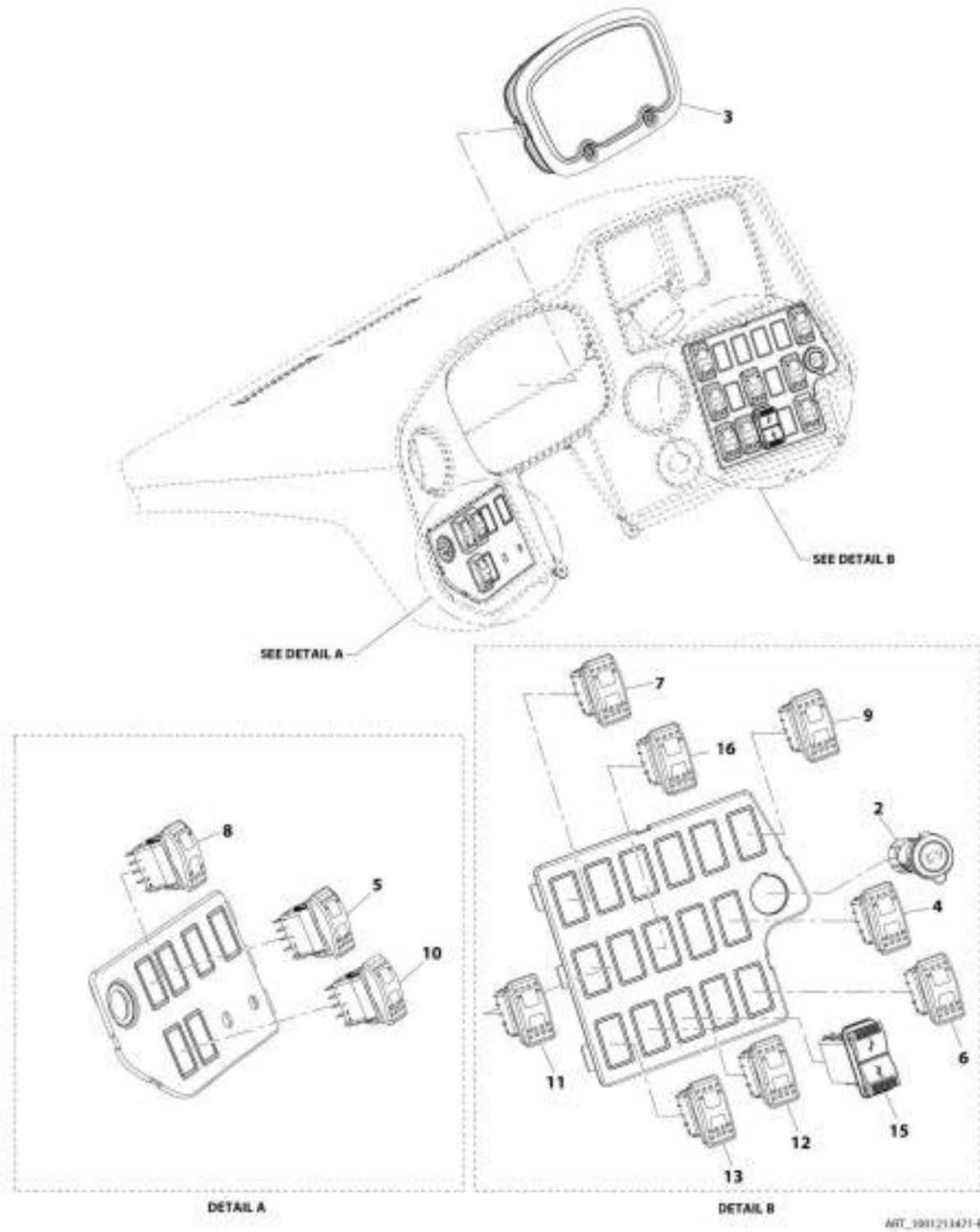
SECTION 10 - ELECTRICAL

FIGURE 10-88. LSI DISPLAY INSTALLATION (Prior to SN 1160008371)

ITEM	PART NUMBER	QTY	DESCRIPTION	REV
	1001207594	Ref	LSI Display Installation	C
1	0760610	2	Bolt, M6X20	
2	4811700	2	Washer, M6	
3	1001126837	2	Screw, M4X16	
4	1001182839	1	Cover	
5	1001214401	1	Bracket	
6	1001213752	1	Display, LSI	
7	1001221318	1	Tape, Hook Fastener	
8	1001221319	1	Tape, Hook Fastener	

SECTION 10 - ELECTRICAL

FIGURE 10-89. DASH ELECTRICS INSTALLATION (LS)



ART_1001211471-0

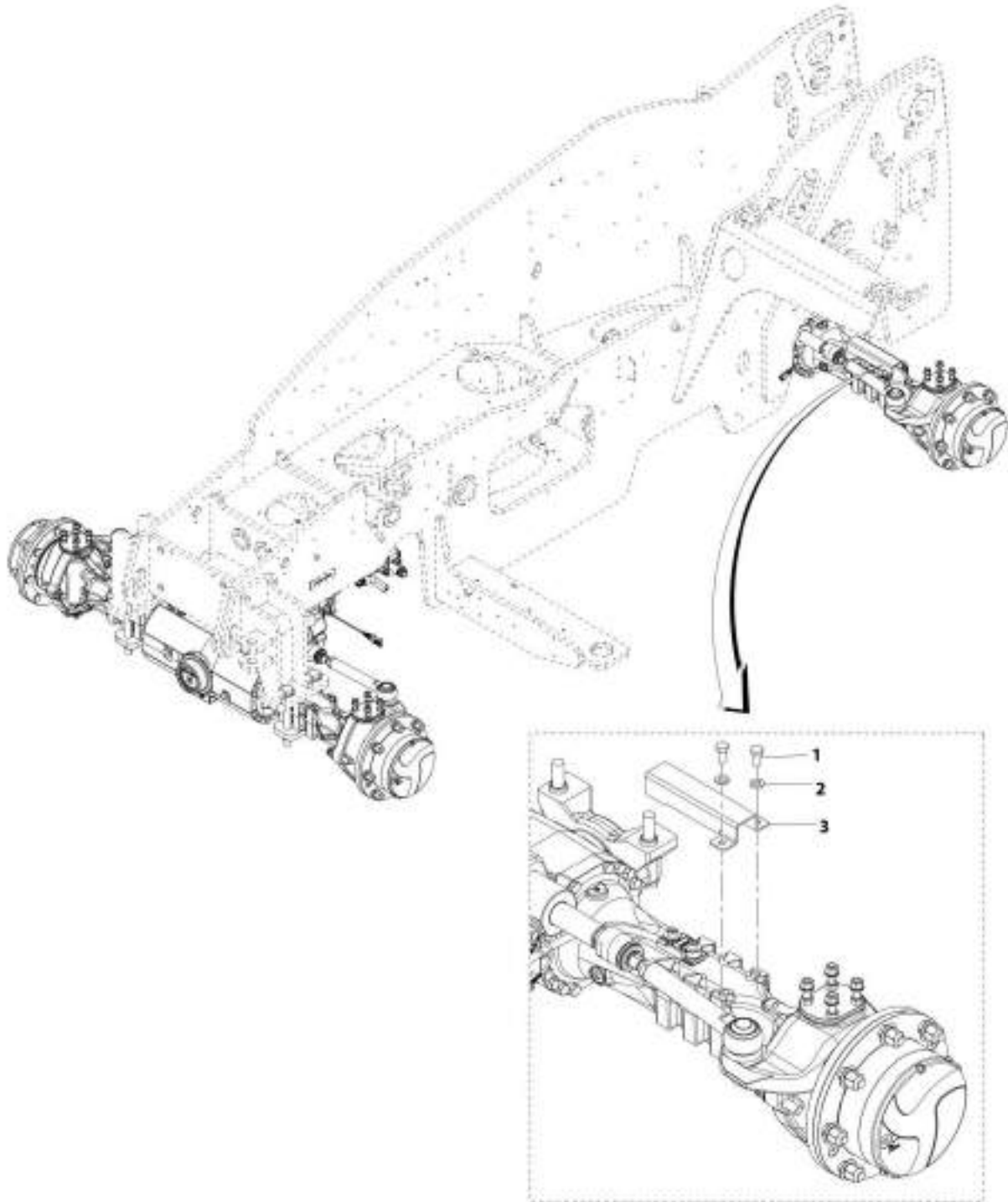
SECTION 10 - ELECTRICAL

FIGURE 10-89. DASH ELECTRICS INSTALLATION (LS)

ITEM	PART NUMBER	QTY	DESCRIPTION	REV
	1001213471	Ref	Dash Electrics Installation (LS)	B
2	1001095804	1	Connector, 12V Power Socket	
3	1001202454	1	Gauge (LS)	
4	1001104654	1	Switch, AUX Decomp	
5	1001159741	1	Switch, Constanst AUX	
6	1001163639	1	Switch, Driving Lights	
7	1001159737	1	Switch, Fog Lights	
8	1001189898	1	Switch, Framer/Loader	
9	1001159734	1	Switch, Hazard	
10	1001159742	1	Switch, LSI Override	
11	1001159735	1	Switch, Rear Wiper	
12	1001159743	1	Switch, Road Use	
13	1001159849	1	Switch, Steer Mode	
15	1001174712	1	Switch, USB Charger	
16	1001159748	1	Switch, Bucket Mode	

SECTION 10 - ELECTRICAL

FIGURE 10-90. LSI SENSOR COVER INSTALLATION (20IN WHEEL)



ART_100120205-A

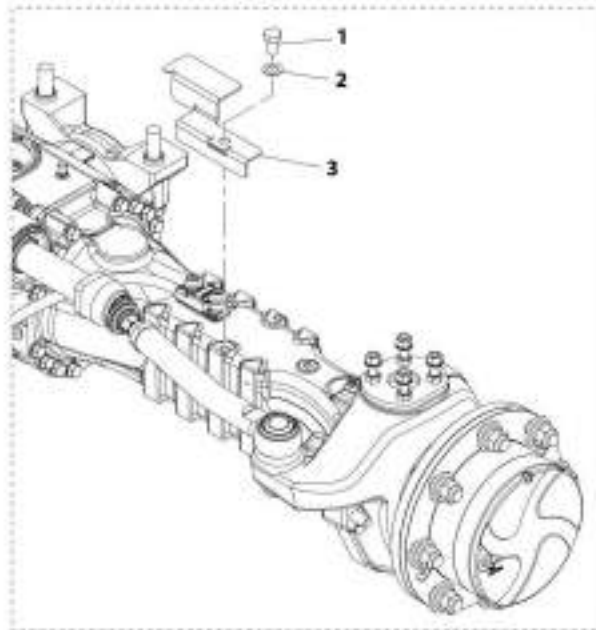
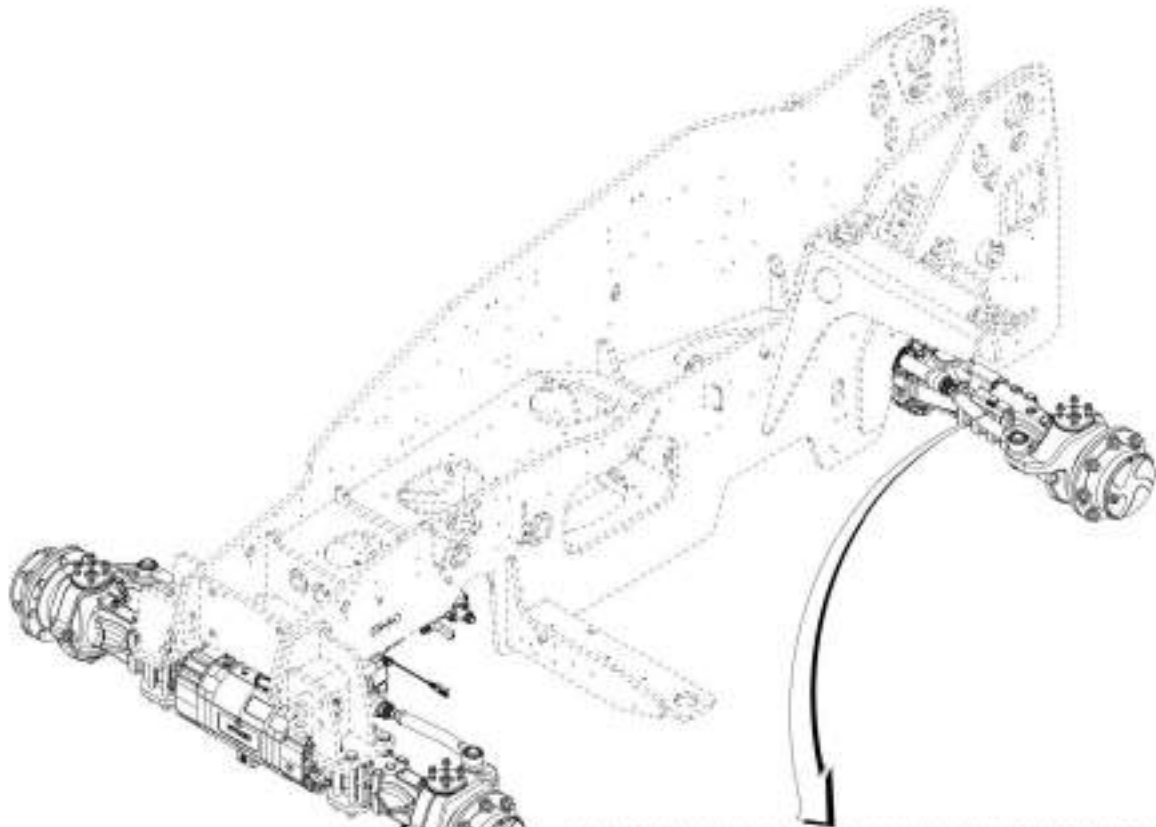
SECTION 10 - ELECTRICAL

FIGURE 10-90. LSI SENSOR COVER INSTALLATION (20IN WHEEL)

ITEM	PART NUMBER	QTY	DESCRIPTION	REV
	1001225305	Ref	LSI Sensor Cover Installation	A
1	0761212	2	Bolt, M12X25	
2	4812100	2	Washer, M12	
3	1001225302	1	Shield, LSI Sensor	

SECTION 10 - ELECTRICAL

FIGURE 10-91. LSI SENSOR COVER INSTALLATION (24IN WHEEL)



MIT_3001225306-A

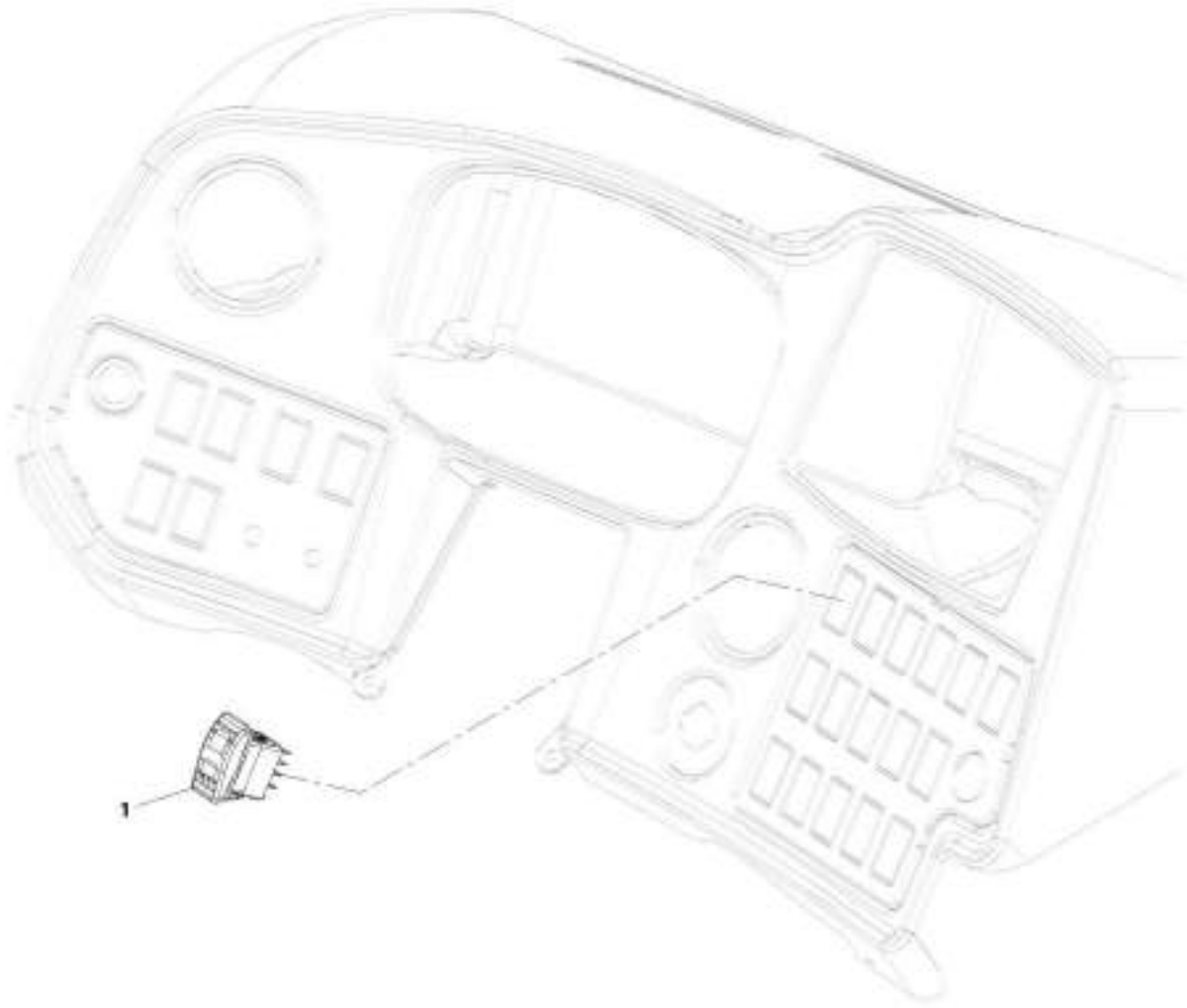
SECTION 10 - ELECTRICAL

FIGURE 10-91. LSI SENSOR COVER INSTALLATION (24IN WHEEL)

ITEM	PART NUMBER	QTY	DESCRIPTION	REV
	1001225306	Ref	LSI Sensor Cover Installation	A
1	0761412	1	Bolt, M14X25	
2	4812200	1	Washer, M14	
3	1001225304	1	Shield, LSI Sensor	

SECTION 10 - ELECTRICAL

FIGURE 10-92. FOG LAMP SWITCH INSTALLATION



ART_1001386714-A

SECTION 10 - ELECTRICAL

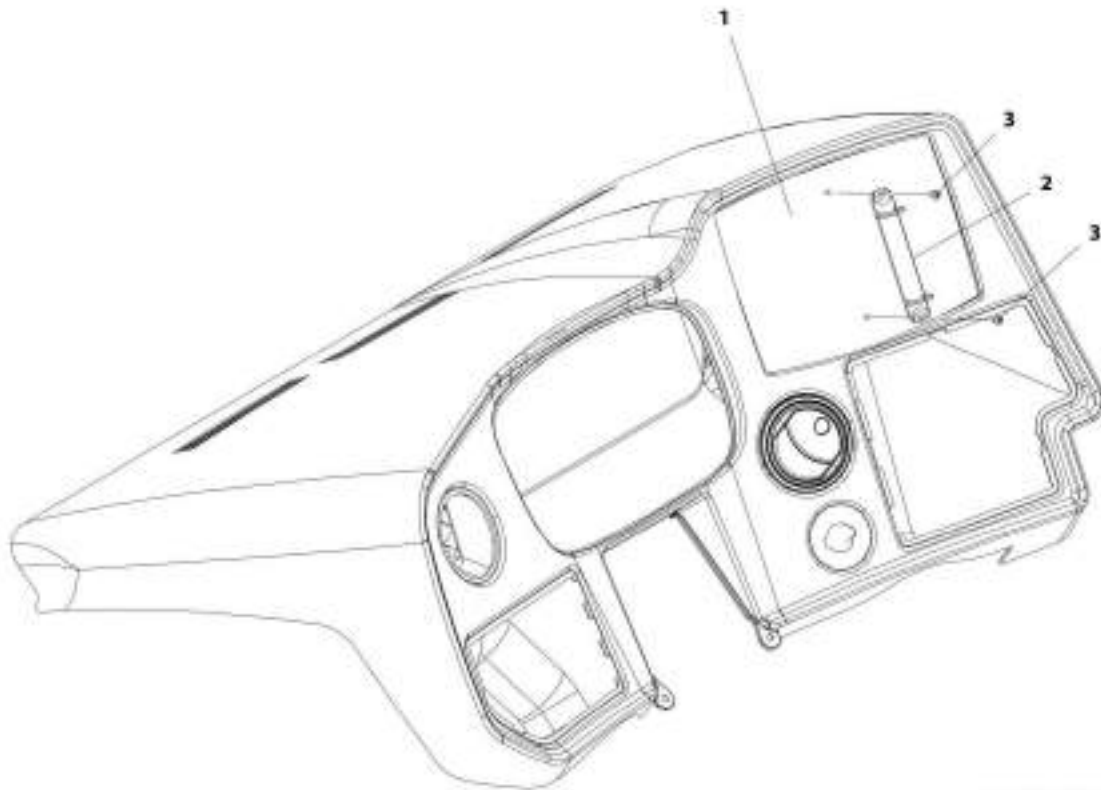
FIGURE 10-92. FOG LAMP SWITCH INSTALLATION

ITEM	PART NUMBER	QTY	DESCRIPTION	REV
1	1001186714 1001159737	Ref 1	Fog Lamp Switch Installation Switch, Fog Lights	A

SECTION 11 - DECALS

SECTION 11 - DECALS

FIGURE 11-1. CAPACITY CHART HOLDER INSTALLATION



ART_1001178200-A

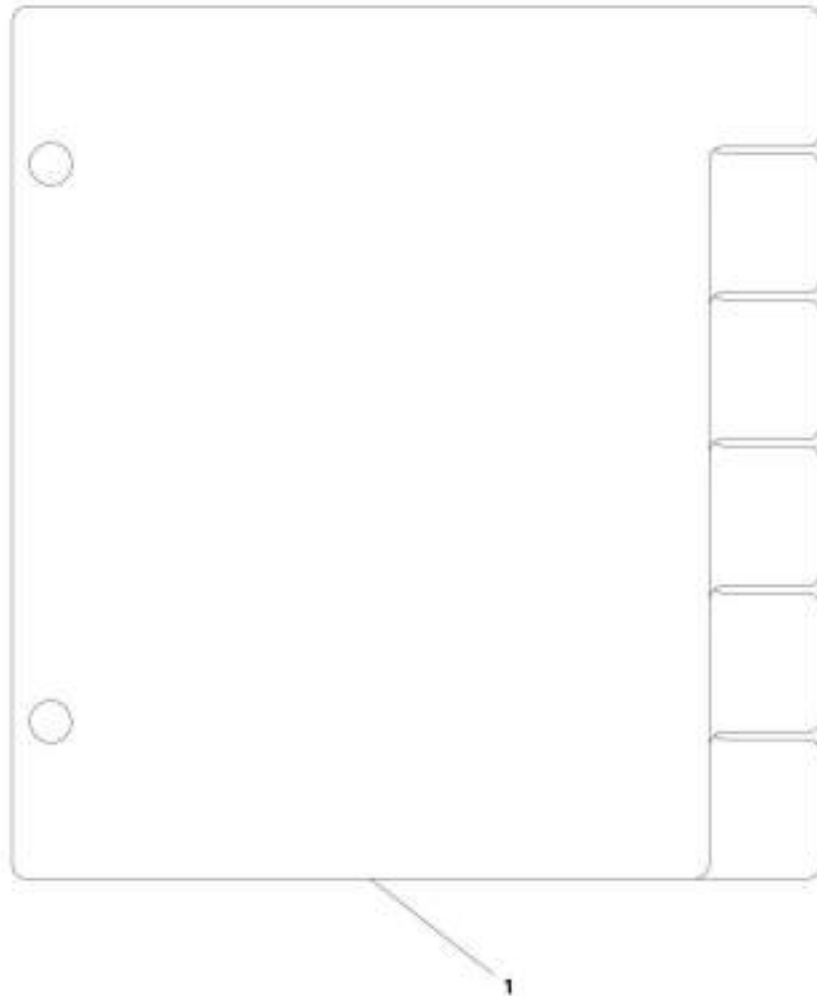
SECTION 11 - DECALS

FIGURE 11-1. CAPACITY CHART HOLDER INSTALLATION

ITEM	PART NUMBER	QTY	DESCRIPTION	REV
	1001178706	Ref	Capacity Chart Holder Installation	A
1	1001179297	1	Load Chart, Bezel	
2	1001005960	1	Holder	
3	7029486	2	Screw	

SECTION 11 - DECALS

FIGURE 11-2. CAPACITY CHART (JLG) (METRIC)



ART_1001174617-B

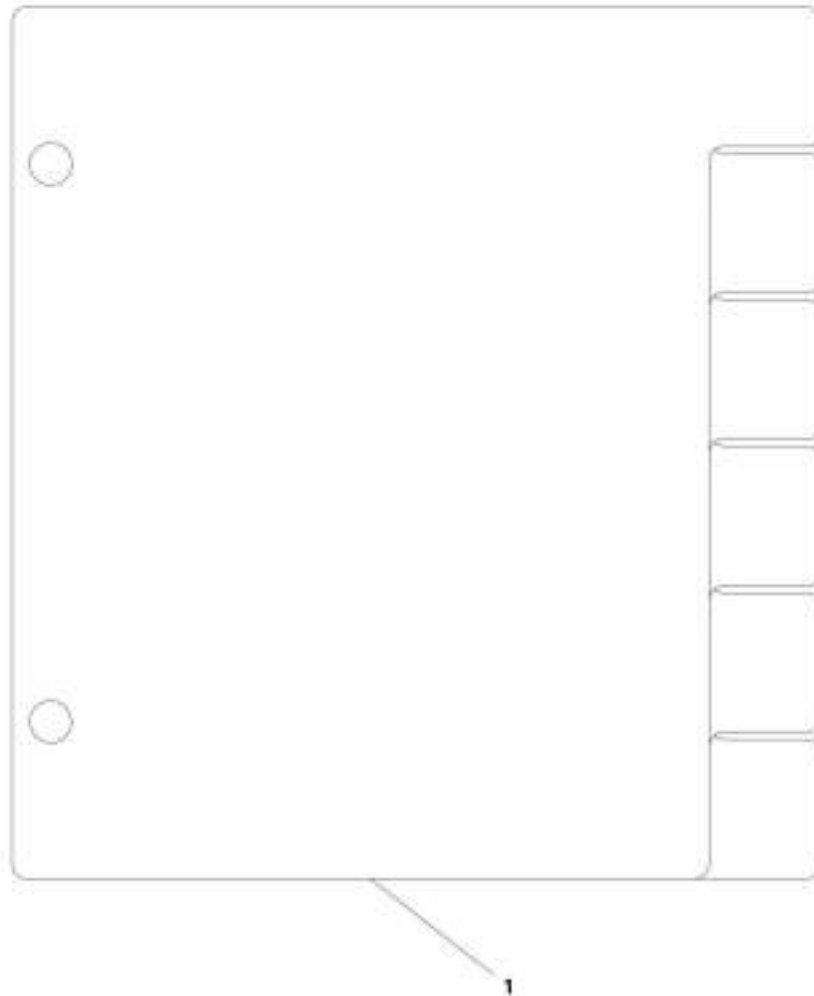
SECTION 11 - DECALS

FIGURE 11-2. CAPACITY CHART (JLG) (METRIC)

ITEM	PART NUMBER	QTY	DESCRIPTION	REV
1	1001174617	1	Capacity Chart (JLG) (Metric)	B

SECTION 11 - DECALS

FIGURE 11-3. CAPACITY CHART (JLG) (ANSI)



ART_1001175320-A

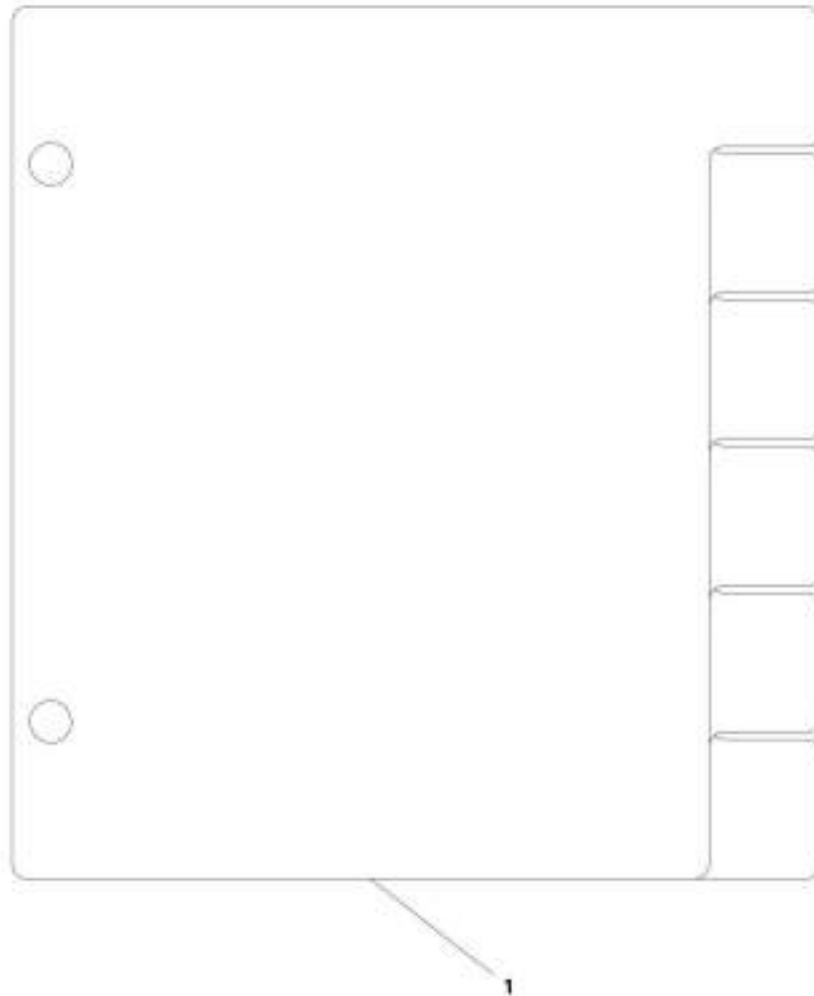
SECTION 11 - DECALS

FIGURE 11-3. CAPACITY CHART (JLG) (ANSI)

ITEM	PART NUMBER	QTY	DESCRIPTION	REV
1	1001175378	1	Capacity Chart (JLG) (ANSI)	A

SECTION 11 - DECALS

FIGURE 11-4. CAPACITY CHART (JLG) (AUS)



ART_1001175329-A

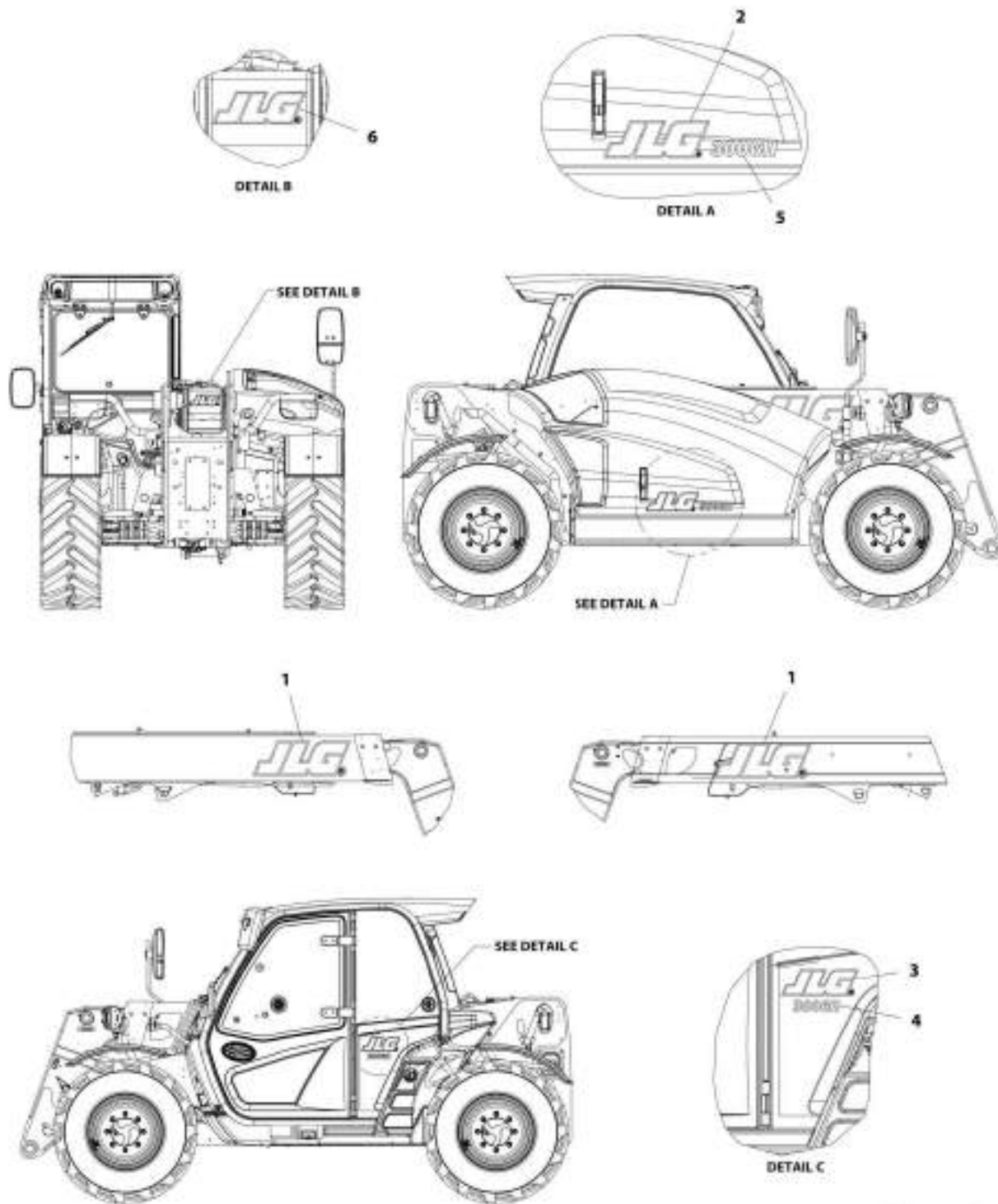
SECTION 11 - DECALS

FIGURE 11-4. CAPACITY CHART (JLG) (AUS)

ITEM	PART NUMBER	QTY	DESCRIPTION	REV
1	1001175379	1	Capacity Chart (JLG) (AUS)	A

SECTION 11 - DECALS

FIGURE 11-5. DECALS INSTALLATION (JLG)



ART_1001174615-A

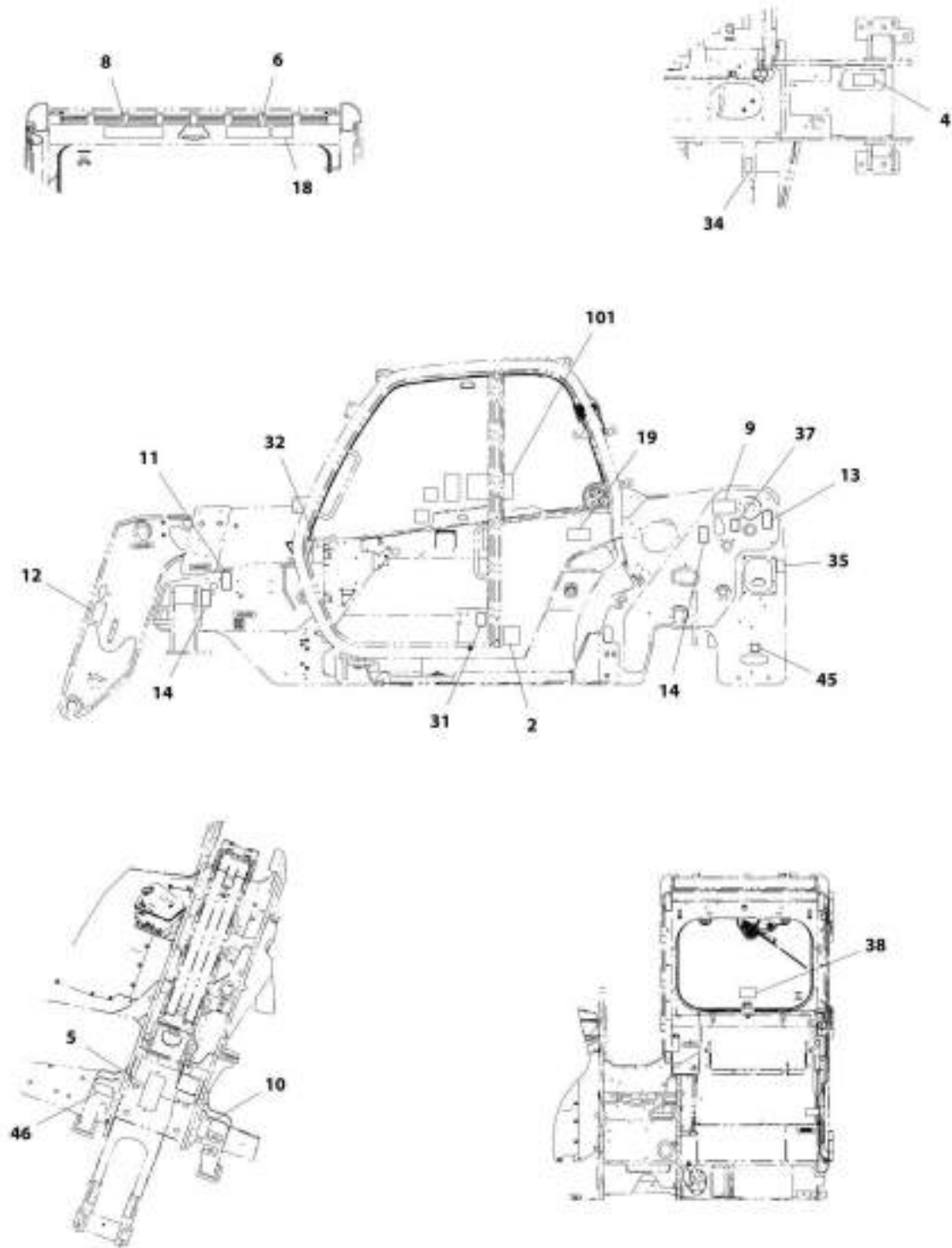
SECTION 11 - DECALS

FIGURE 11-5. DECALS INSTALLATION (JLG)

ITEM	PART NUMBER	QTY	DESCRIPTION	REV
	1001174615	Ref	Decals Installation (JLG)	A
1	1001159728	2	Decal, JLG Logo	
2	1001160775	1	Decal, JLG - 5" Black	
3	1001169674	1	Decal, JLG M100X285	
4	1001206712	1	Decal, JLG 3006H Cab	
5	1001206713	1	Decal, JLG 3006H Hood	
6	1001206818	1	Decal, JLG M75	

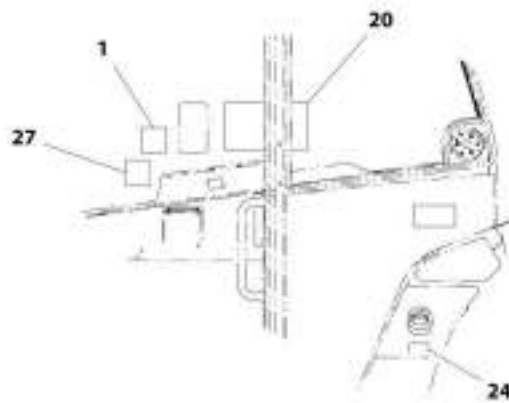
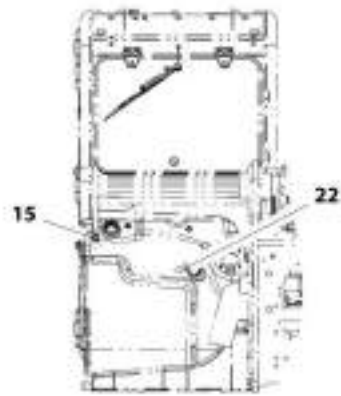
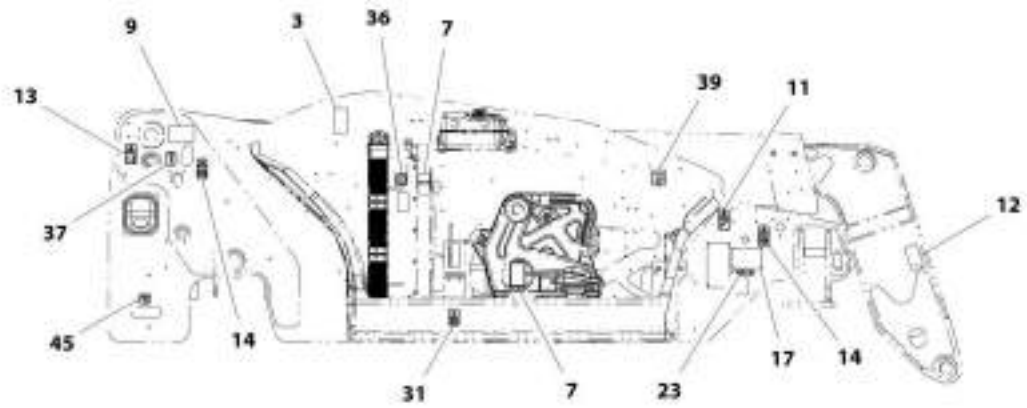
SECTION 11 - DECALS

FIGURE 11-6. DECALS INSTALLATION (ISO - ULS)



ART_1001201H04_1-E

SECTION 11 - DECALS



ART_1001201604_2-E

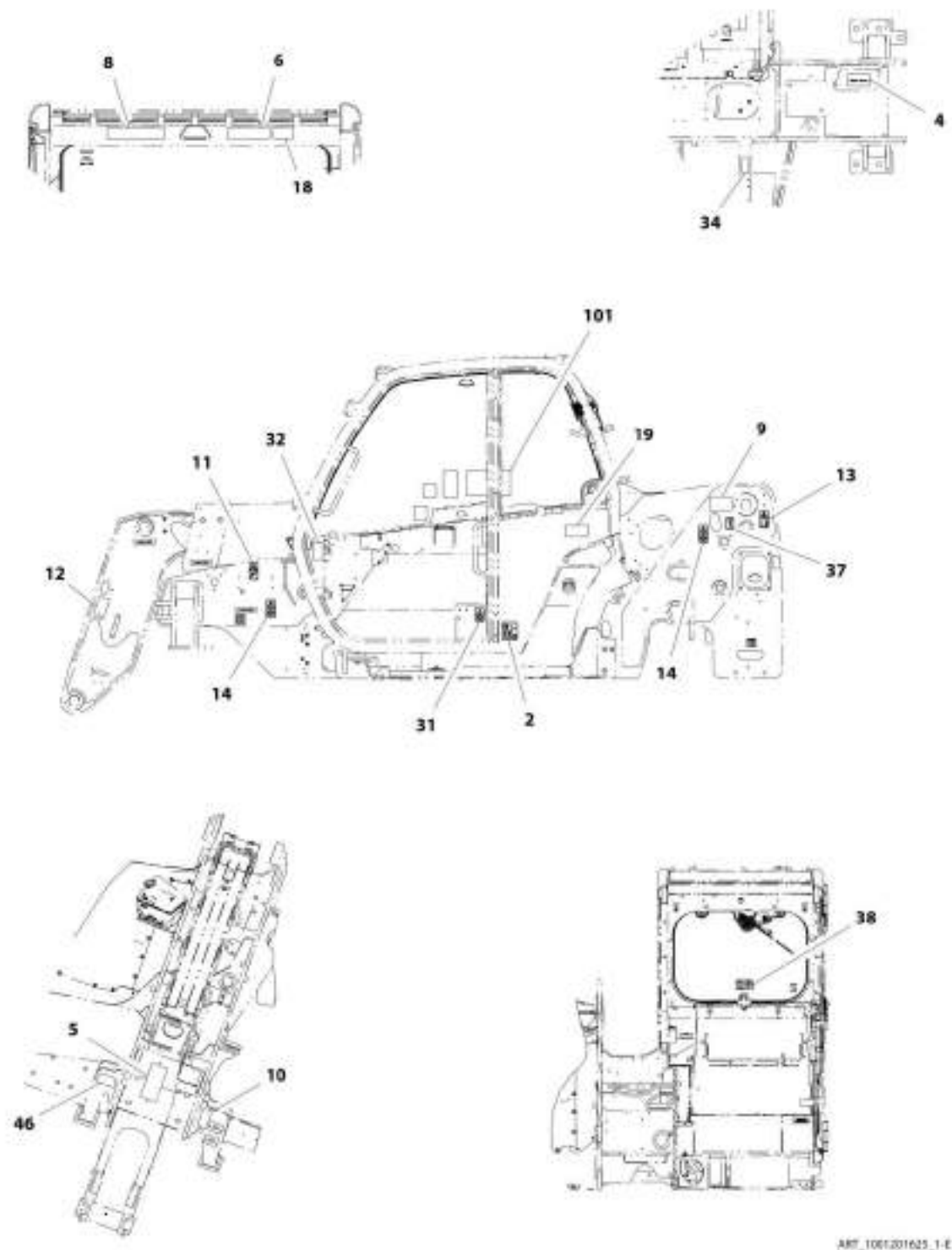
SECTION 11 - DECALS

FIGURE 11-6. DECALS INSTALLATION (ISO - ULS)

ITEM	PART NUMBER	QTY	DESCRIPTION	REV
	1001201604	Ref	Decals Installation (ISO - ULS)	E
1	1001227287	1	Decal, Manual	
2	1705980	1	Decal, Acoustic Power 106db	
3	1706098	1	Decal, Warning Ether Start	
4	1706281	1	Decal, Battery Warning (ISO)	
5	1001223875	1	Decal, Carry Personnel (ISO)	
6	1706284	1	Decal, Electrocution Hazard (ISO)	
7	1706285	2	Decal, Moving Parts (ISO)	
8	1706288	1	Decal, Tip Over Warning (ISO)	
9	1706292	2	Decal, Pinch Point (ISO)	
10	1001100957	1	Decal, Lift/Tie Down Point	
11	8005671	2	Decal, Cylinder Lock Warning	
12	8005675	2	Decal, Watch for Raised Boom Warning	
13	8006612	2	Decal, Stay Clear of Swing Area	
14	8008657	4	Decal, Set Brake Lever Warning	
15	8009816	1	Decal, Hydraulic Oil	
17	1001009178	4	Tack, Metal	
18	1001092877	1	Decal, Crush Hazard Warning (ISO)	
19	1001092878	1	Decal, No Riders (ISO)	
20	1001101895	1	Decal, Cab Warning	
22	1001130323	1	Decal, Oil Level	
23	1001139647	1	Decal, Nameplate	
24	1001139654	1	Decal, Ultra Low Sulphur Fuel	
27	1001172035	1	Decal, No Weld or Drill	
30	1001214206	1	Decal, Park Brake	
31	1001189154	2	Decal, Read Operators Manual	
32	1001191229	1	Decal, Fuse Panel	
34	1001195856	1	Decal, Battery Disconnect	
35	1001196806	1	Decal, Diesel Exhaust Fluid	
36	AU2105	1	Decal, No Karcher	
37	8005616	2	Decal, Lifting Point	
38	8005870	1	Decal, Emergency Exit	
39	1001008540	1	Plate, Battery	
45	4109801	2	Decal, Tie Down Point	
46	1001162864	1	Decal, Lift/Tie Down Point	
101	1001160916	1	Reverse Sensing Decal	

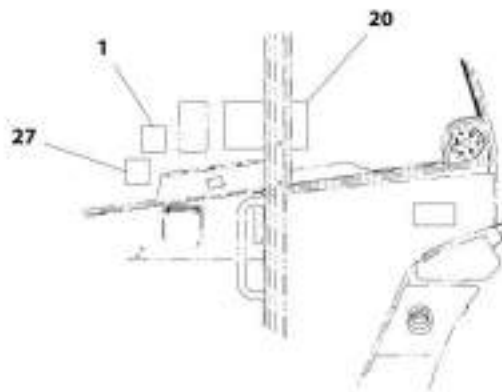
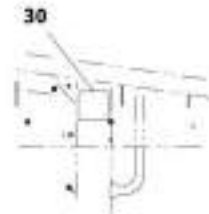
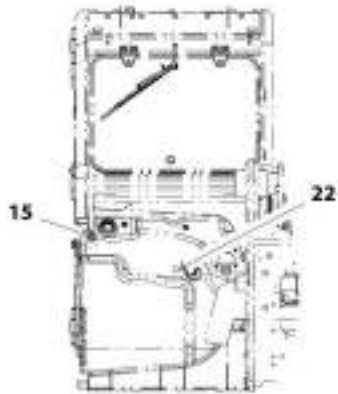
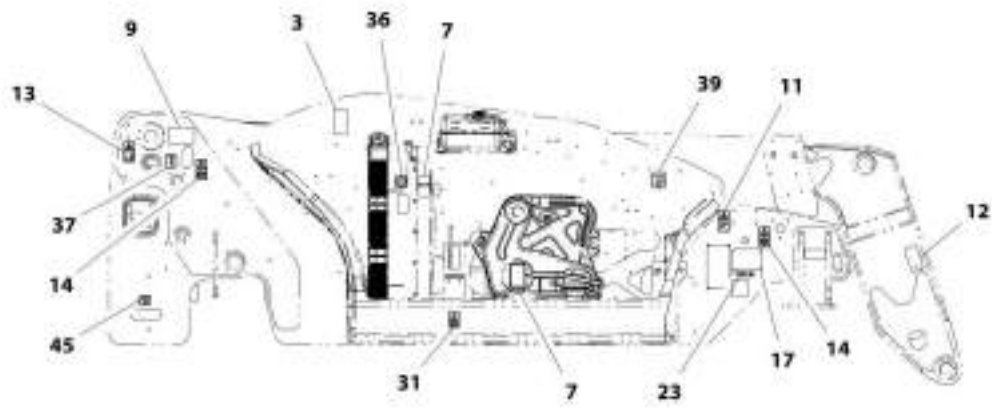
SECTION 11 - DECALS

FIGURE 11-7. DECALS INSTALLATION (ISO - LS)



ART. 1061201625_1-E

SECTION 11 - DECALS



ART_1001201625_2/E

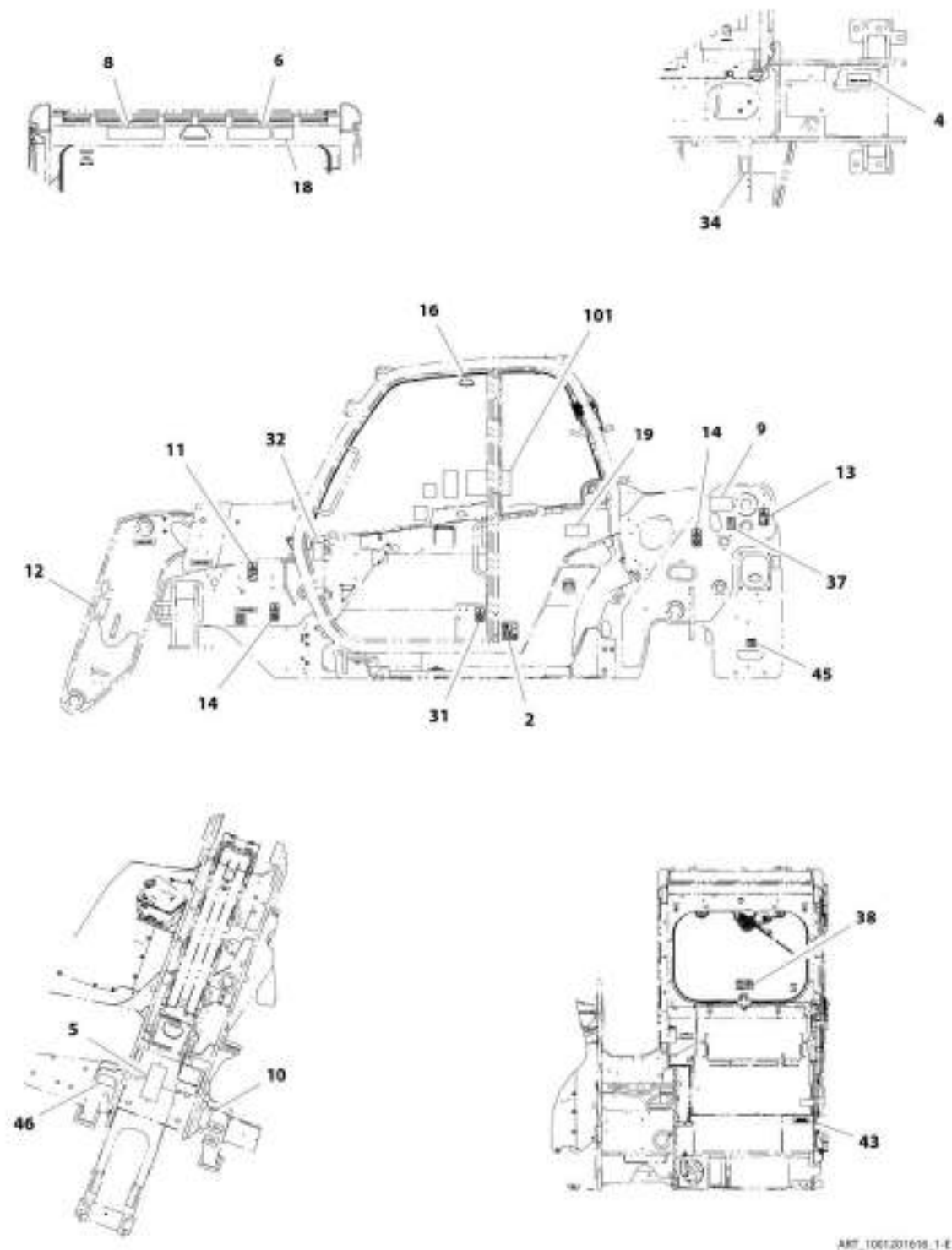
SECTION 11 - DECALS

FIGURE 11-7. DECALS INSTALLATION (ISO - LS)

ITEM	PART NUMBER	QTY	DESCRIPTION	REV
	1001201625	1	Decals Installation (ISO - LS)	E
1	1001227287	1	Decal, Manual	
2	1705980	1	Decal, Acoustic Power 106db	
3	1706098	1	Decal, Warning Ether Start	
4	1706281	1	Decal, Battery Warning (ISO)	
5	1001223875	1	Decal, Carry Personnel (ISO) (SN 0160040120 to Present)	
6	1706284	1	Decal, Electrocutation Hazard (ISO)	
7	1706285	2	Decal, Moving Parts (ISO)	
8	1706288	1	Decal, Tip Over Warning (ISO)	
9	1706292	2	Decal, Pinch Point (ISO) (SN 0160040120 to Present)	
10	1001100957	1	Decal, Lift/Tie Down Point	
11	8005671	2	Decal, Cylinder Lock Warning	
12	8005675	2	Decal, Watch for Raised Boom Warning	
13	8006612	2	Decal, Stay Clear of Swing Area	
14	8008657	4	Decal, Set Brake Lever Warning	
15	8009816	1	Decal, Hydraulic Oil	
17	1001009178	4	Tack, Metal	
18	1001092877	1	Decal, Crush Hazard Warning (ISO)	
19	1001092878	1	Decal, No Riders (ISO)	
20	1001101895	1	Decal, Cab Warning	
22	1001130323	1	Decal, Oil Level	
23	1001139647	1	Plate, Serial Number JLG EUR	
27	1001172035	1	Decal, No Weld or Drill	
30	1001214206	1	Decal, Park Brake	
31	1001189154	2	Decal, Read Operators Manual	
32	1001191229	1	Decal, Fuse Panel	
34	1001195856	1	Decal, Battery Disconnect LBP	
36	AU2105	1	Decal, No Karcher	
37	8005616	2	Decal, Lifting Point	
38	8005870	1	Decal, Emergency Exit	
39	1001008540	1	Plate, Battery	
45	4109801	2	Decal, Tie Down Point	
46	1001162864	1	Decal, Lift/Tie Down Point	
101	1001160916	1	Reverse Sensing Decal	

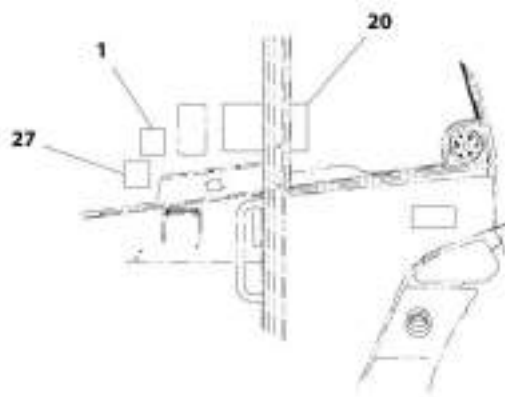
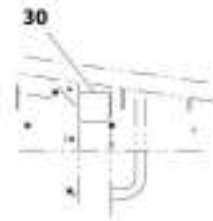
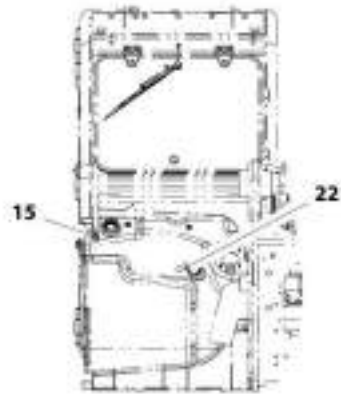
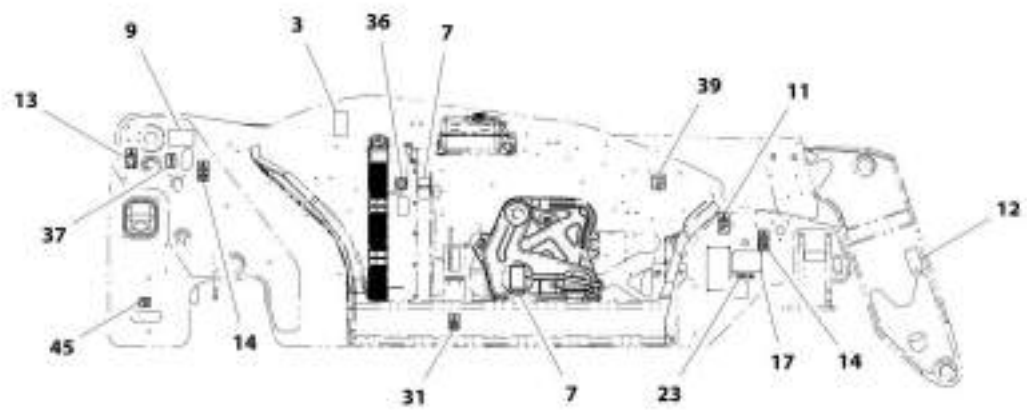
SECTION 11 - DECALS

FIGURE 11-8. DECALS INSTALLATION (AUS - LS)



ART_1061201616_1-E

SECTION 11 - DECALS



ART_1001201616_2.E

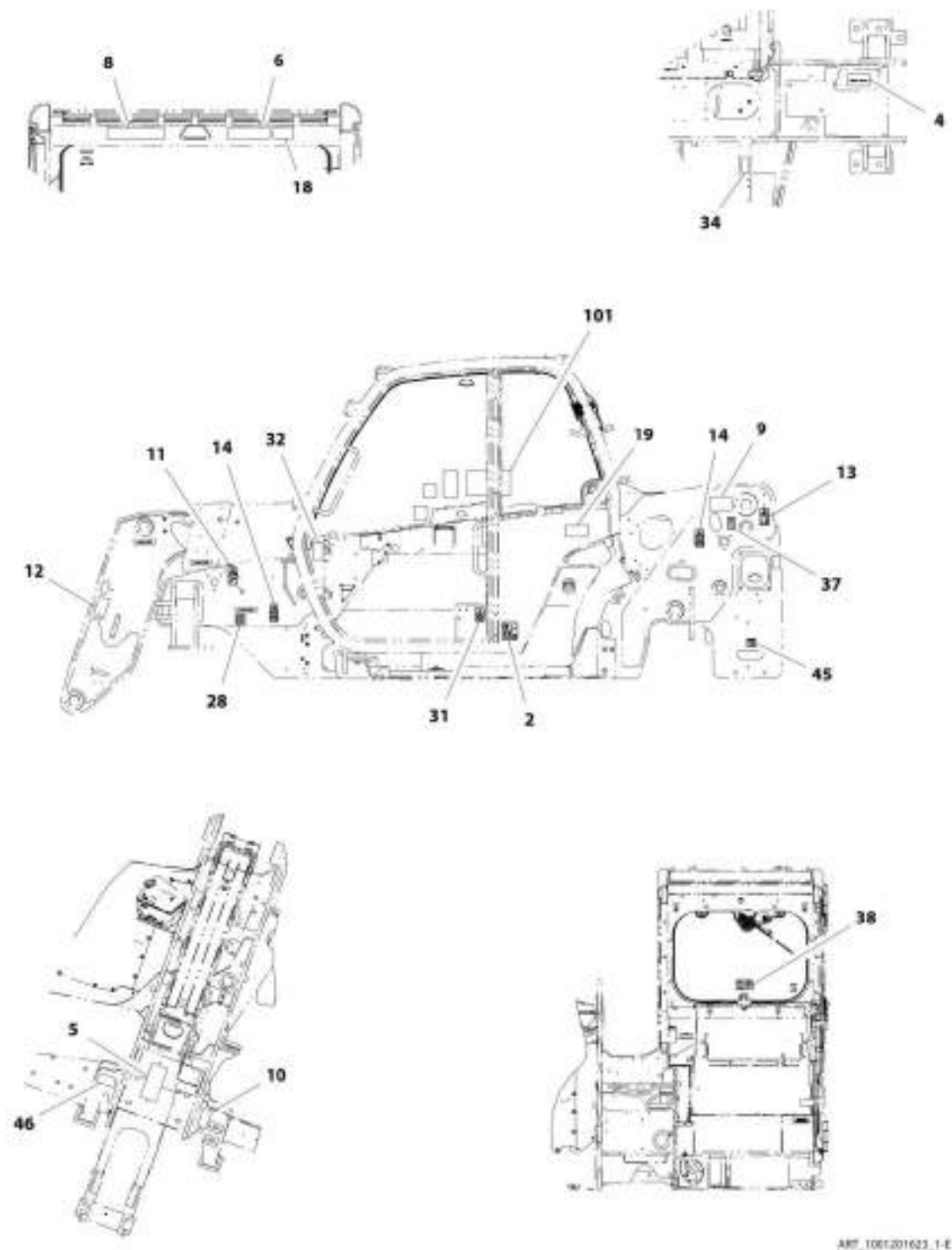
SECTION 11 - DECALS

FIGURE 11-8. DECALS INSTALLATION (AUS - LS)

ITEM	PART NUMBER	QTY	DESCRIPTION	REV
	1001201616	Ref	Decals Installation (AUS - LS)	E
1	1001227287	1	Decal, Manual	
2	1705980	1	Decal, Acoustic Power 106db	
3	1706098	1	Decal, Warning Ether Start	
4	1706281	1	Decal, Battery Warning (ISO)	
5	1001223875	1	Decal, Carry Personnel (ISO)	
6	1706284	1	Decal, Electrocutation Hazard (ISO)	
7	1706285	2	Decal, Moving Parts (ISO)	
8	1706288	1	Decal, Tip Over Warning (ISO)	
9	1706292	2	Decal, Pinch Point (ISO)	
10	1001100957	1	Decal, Lift/Tie Down Point	
11	8005671	2	Decal, Cylinder Lock Warning	
12	8005675	2	Decal, Watch for Raised Boom Warning	
13	8006612	2	Decal, Stay Clear of Swing Area	
14	8008657	4	Decal, Set Brake Lever Warning	
15	8009816	1	Decal, Hydraulic Oil	
16	8466306	1	Gage, Tilt Angle	
17	1001009178	4	Tack, Metal	
18	1001092877	1	Decal, Crush Hazard Warning (ISO)	
19	1001092878	1	Decal, No Riders (ISO)	
20	1001101895	1	Decal, Cab Warning	
22	1001130323	1	Decal, Oil Level	
23	1001155231	1	Decal, SN Plate Australian	
27	1001172035	1	Decal, No Weld or Drill	
30	1001214206	1	Decal, Park Brake	
31	1001189154	2	Decal, Read Operators Manual	
32	1001191229	1	Decal, Fuse Panel	
34	1001195856	1	Decal, Battery Disconnect LBP	
36	AU2105	1	Decal, No Karcher	
37	8005616	2	Decal, Lifting Point	
38	8005870	1	Decal, Emergency Exit	
39	1001008540	1	Plate, Battery	
43	1001155230	1	Decal, Cab AUS Safety	
45	4109801	2	Decal, Tie Down Point	
46	1001162864	1	Decal, Lift/Tie Down Point	
101	1001160916	1	Reverse Sensing Decal	

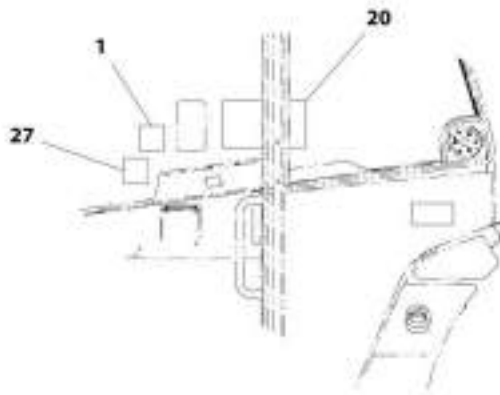
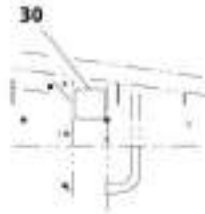
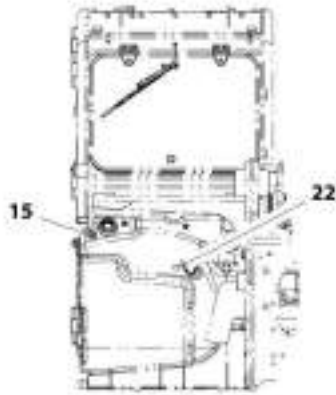
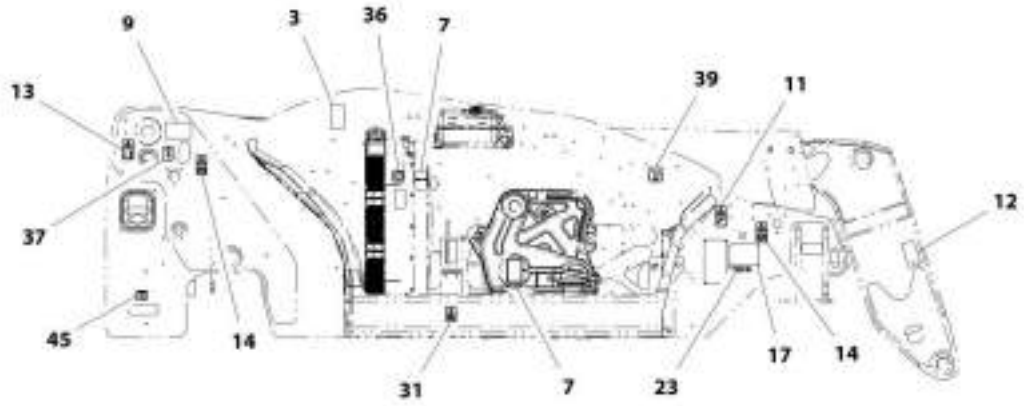
SECTION 11 - DECALS

FIGURE 11-9. DECALS INSTALLATION (RUS - LS)



ART_1001201623_1-E

SECTION 11 - DECALS



ART_1001201623_2.E

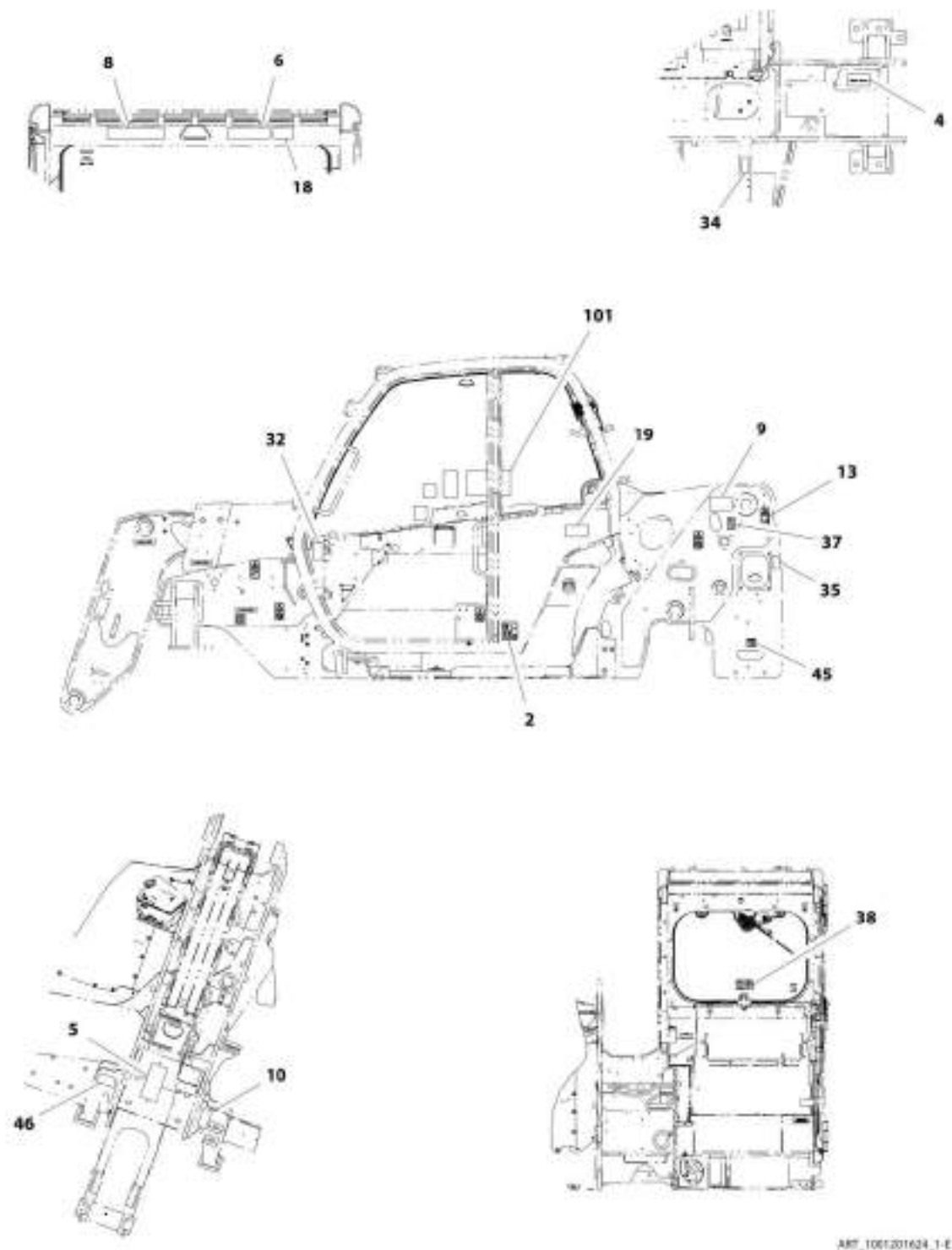
SECTION 11 - DECALS

FIGURE 11-9. DECALS INSTALLATION (RUS - LS)

ITEM	PART NUMBER	QTY	DESCRIPTION	REV
	1001201623	1	Decals Installation (RUS - LS)	E
1	1001227287	1	Decal, Manual	
2	1705980	1	Decal, Acoustic Power 106db	
3	1706098	1	Decal, Warning Ether Start	
4	1706281	1	Decal, Battery Warning (ISO)	
5	1001223875	1	Decal, Carry Personnel (ISO)	
6	1706284	1	Decal, Electrocutation Hazard (ISO)	
7	1706285	2	Decal, Keep Clear Of Rotating Parts Warning (ISO)	
8	1706288	1	Decal, Tip Over Warning (ISO)	
9	1706292	2	Decal, Pinch Point Boom Holes (ISO)	
10	1001100957	1	Decal, Lift/Tie Down Point	
11	8005671	2	Decal, Cylinder Lock Warning	
12	8005675	2	Decal, Watch for Raised Boom Warning	
13	8006612	2	Decal, Stay Clear of Swing Area	
14	8008657	4	Decal, Set Brake Lever Warning	
15	8009816	1	Decal, Hydraulic Oil	
17	1001009178	4	Tack, Metal	
18	1001092877	1	Decal, Crush Hazard Warning (ISO)	
19	1001092878	1	Decal, No Riders (ISO)	
20	1001101895	1	Decal, Cab Warning	
22	1001130323	1	Decal, Oil Level	
23	1001139647	1	Decal, Nameplate Serial No	
27	1001172035	1	Decal, No Weld or Drill	
28	1001173703	1	Decal, EAC	
30	1001214206	1	Decal, Park Brake	
31	1001189154	2	Decal, Read Operators Manual	
32	1001191229	1	Decal, Fuse Panel	
34	1001195856	1	Decal, Battery Disconnect LBP	
36	AU2105	1	Decal, No Karcher	
37	8005616	2	Decal, Lifting Point	
38	8005870	1	Decal, Emergency Exit	
39	1001008540	1	Plate, Battery	
45	4109801	2	Decal, Tie Down Point	
46	1001162864	1	Decal, Lift/Tie Down Point	
101	1001160916	1	Reverse Sensing Decal	

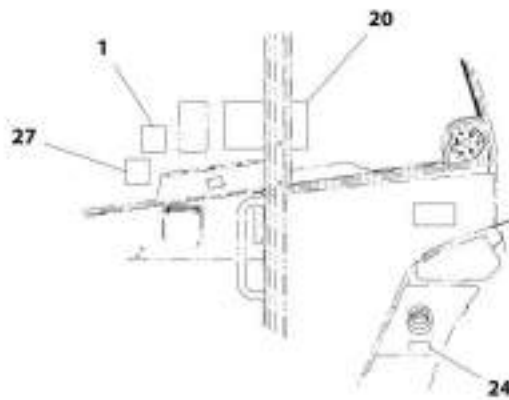
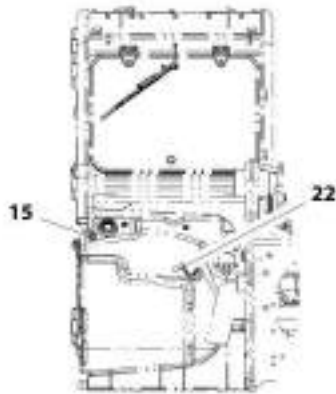
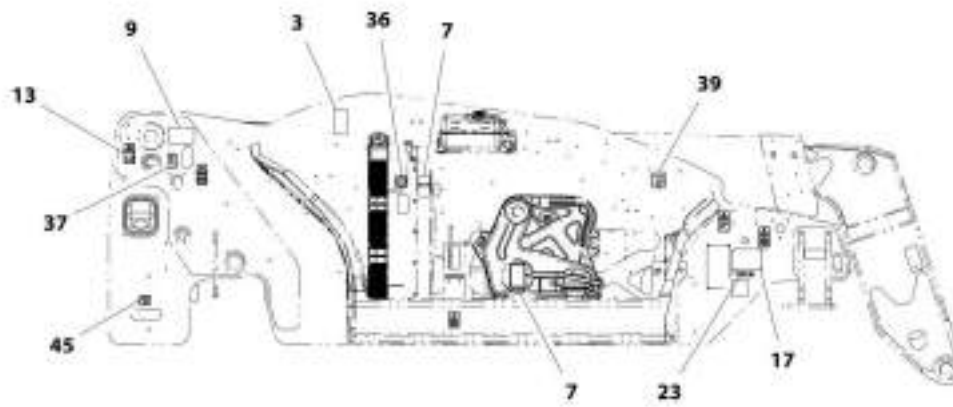
SECTION 11 - DECALS

FIGURE 11-10. DECALS INSTALLATION (NACD - ULS)



ART_1061201624_1-E

SECTION 11 - DECALS



ART_1001201624_2.E

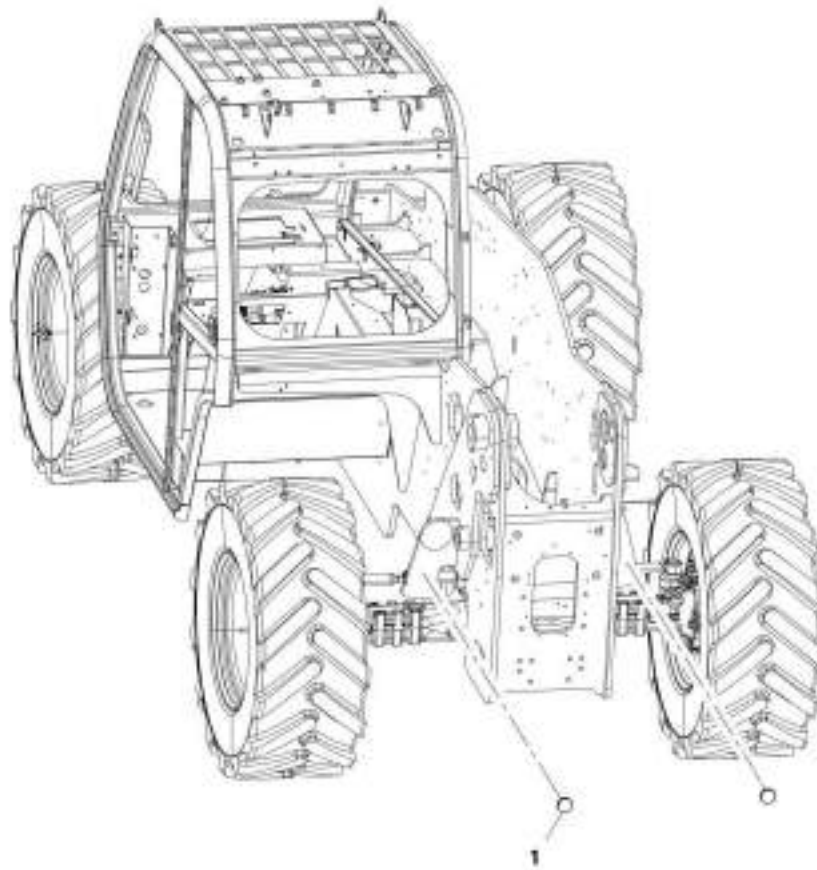
SECTION 11 - DECALS

FIGURE 11-10. DECALS INSTALLATION (NACD - ULS)

ITEM	PART NUMBER	QTY	DESCRIPTION	REV
	1001201624	Ref	Decals Installation (NACD - ULS)	E
1	1001227287	1	Decal, Manual	
2	1705980	1	Decal, Acoustic Power 106db	
3	1706098	1	Decal, Warning Ether Start	
4	1706296	1	Decal, Battery Warning (ANSI)	
5	1001102750	1	Decal, Carry Personnel	
6	1706299	1	Decal, Contacting Power Lines Warning	
7	1706301	2	Decal, Keep Clear Of Rotating Parts Warning	
8	1706306	1	Decal, Tip Over Warning	
9	1706302	2	Decal, Pinch Point Boom Holes	
10	1001100957	1	Decal, Lift/Tie Down Point	
13	8006612	2	Decal, Stay Clear of Swing Area	
15	8009816	1	Decal, Hydraulic Oil	
17	1001009178	4	Tack, Metal	
18	1706850	1	Decal, Crush Hazard Warning	
19	1706768	1	Decal, Vehicle Roll Away	
20	1707078	1	Decal, Warning/Danger	
22	1001130323	1	Decal, Oil Level	
23	1001174911	1	Plate, Serial Number JLG USA	
24	1001125387	1	Decal, Ultra Low Sulfur Diesel	
27	1001172035	1	Decal, No Weld or Drill	
30	1001214206	1	Decal, Park Brake	
32	1001191229	1	Decal, Fuse Panel	
34	1001195856	1	Decal, Battery Disconnect LBP	
35	1001196806	1	Decal, Diesel Exhaust Fluid	
36	AU2105	1	Decal, No Karcher	
37	8005616	1	Decal, Lifting Point	
38	8005870	1	Decal, Emergency Exit	
39	1001008540	1	Plate, Battery	
45	4109801	2	Decal, Tie Down Point	
46	1001162864	1	Decal, Lift/Tie Down Point	
101	1001160072	1	Reverse Sensing Decal	
101	1001160945	1	Reverse Sensing Decal	

SECTION 11 - DECALS

FIGURE 11-11. REFLECTORS INSTALLATION



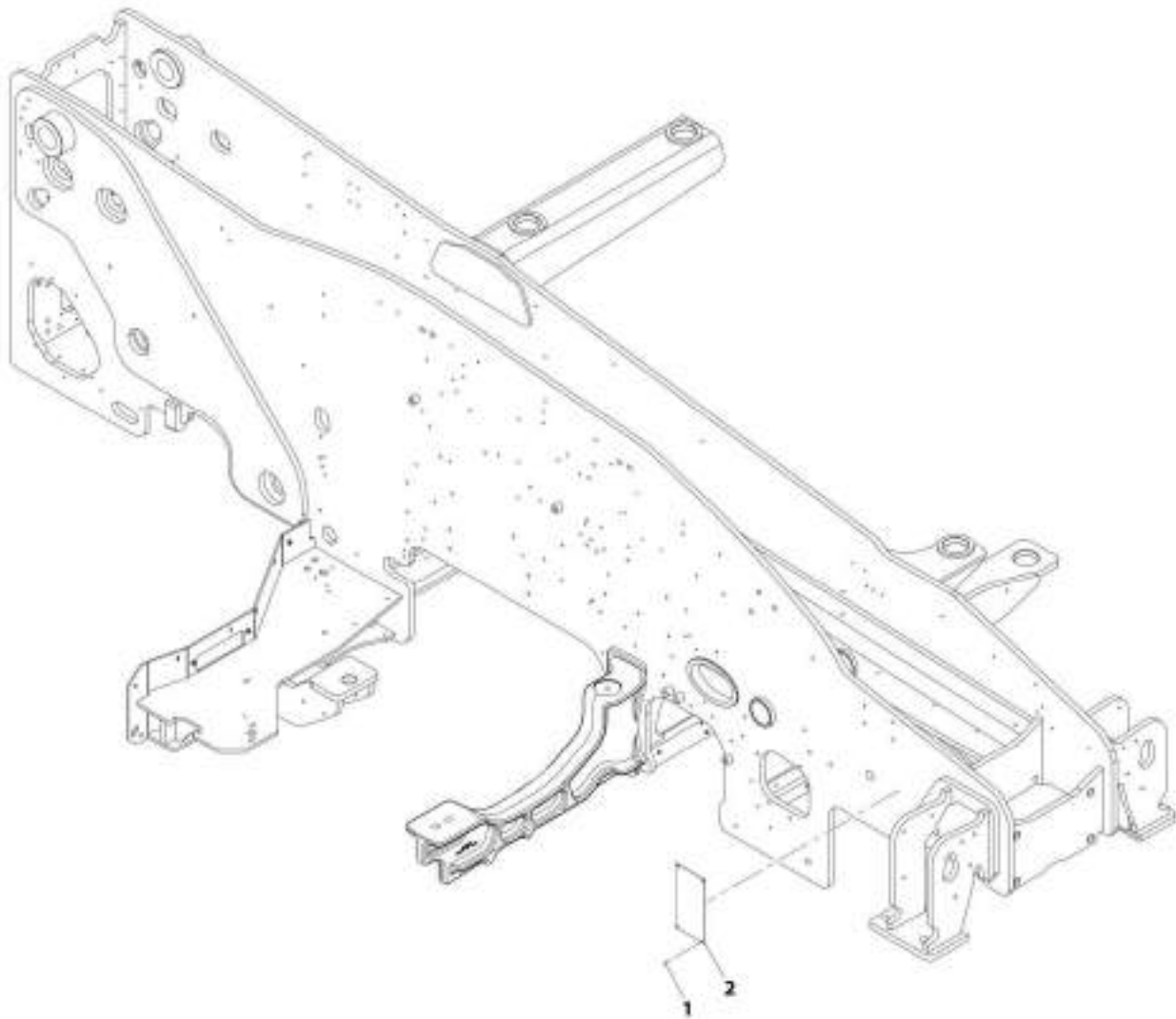
ART_1001213009-A

FIGURE 11-11. REFLECTORS INSTALLATION

ITEM	PART NUMBER	QTY	DESCRIPTION	REV
1	1001213030	1	Reflectors Installation	A
	3700015	2	Reflector, Rear	

SECTION 11 - DECALS

FIGURE 11-12. HOMOLOGATION PLATE INSTALLATION



AWT_1001225457-B

SECTION 11 - DECALS

FIGURE 11-12. HOMOLOGATION PLATE INSTALLATION

ITEM	PART NUMBER	QTY	DESCRIPTION	REV
	1001225657	Ref	Homologation Plate Installation	B
1	1001009178	4	Tack, Metal	
2	1001232659	1	Plate, Homologation	

SECTION 12 - RECOMMENDED SPARE PARTS

SECTION 12 - RECOMMENDED SPARE PARTS

SECTION 12 - RECOMMENDED SPARE PARTS

FIGURE 12-1. RECOMMENDED SPARE PARTS

ITEM	PART NUMBER	QTY	DESCRIPTION	REV
		Ref	Frame & Attaching Parts	
	1001142658	1	Cap, Fuel	
	1001142659	1	Cap, Hydraulic	
		Ref	Boom	
	1001147731	AR	SHIM,1 X 45 X 185,100 HOLE CTRS	
	1001148147	AR	SHIM,1 X 67.5 X 185	
	1001147657	AR	PAD,15 X 45 X 181,NYLUBE	
	1001175949	AR	PAD,43 X 45 X 181MM	
	1001148103	AR	PAD,15 X 67.5 X 181,NYLUBE	
	1001175950	AR	PAD,43 X 67.5 X 181	
		Ref	Engine and Attaching Parts	
	7016331	1	Filter, Oil	
	70004520	1	Starter	
	70026007	1	Element, Main	
	70026008	1	Element, Safety	
	1001191472	1	Filter, Def Tank Vent	
	1001188377	1	Dipstick	
	70027403	1	V-Belt, (ULS)	
	70025478	1	V-Belt (Is)	
		Ref	Cab	
	1001172546	1	Filter, HVAC Air	
	1001172553	1	Filter, HVAC Recirculation Air	
	1001141281	1	Blade, Wiper	
	1001141313	1	Blade, Roof Wiper	
		Ref	Hydraulic Components	
	70026844	1	Kit, Seal, Lift Cylinder	
	70027222	1	Kit, Seal, Tilt Cylinder	
	70026839	1	Kit, Seal, Extend/Retract Cylinder	
	70027231	1	Kit, Seal, Compensation Cylinder	
	70024168	1	Kit, Seal, Coupler Locking Cylinder	
	1001162661	1	Filter, Hydraulic	
		Ref	Electrical	
	0400075	1	Battery, 12V	
	1001218328	1	Key, (JLG)	

PART NUMBER INDEX

PART NUMBER INDEX

0100011.....151	0712027.....543	0761228.....863	1001008540..1136, 1140,
0240063.....193	0712030.....383, 385	0761412.....1001, 1119	1144, 1148, 1152
0240117.....247	0712040.....385	0761612.....129	1001008559.....123, 377,
0240118.....249	0712439.....383	0770814.....745	725, 803, 805, 809,
0400075.....931, 1160	0741610.....151	0771210.....103	833, 915, 917, 921,
0498748.....567	0750804....555, 557, 559	0771212.....103	963, 989, 1011, 1015,
0641405.....215	0760410.....969	0771618.....57, 383, 385	1025, 1035
0641510.....217	0760507....49, 109, 111,	0780814.....25	1001008574.....349
0641612.....151	321, 323	0860520.....215	1001008575.....45
0642032.....147, 151	0760508.....921	0930005.....185	1001008586.....833
0681607.....839	0760512....713, 917, 921	0930006.....175	1001008593.....377
0681810.....151	0760605...325, 567, 737,	1001001556.....829	1001008604.....707
0700408....749, 945, 947	741, 747	1001002778.....967	1001008665.....245
0700610....85, 325, 327,	0760607....85, 299, 567,	1001002779.....967	1001008719....489, 493,
331, 341, 597, 925,	837, 917, 921	1001002823.....807	499, 503, 509, 513,
953, 955, 957, 971,	0760608...121, 299, 331,	1001002946.....575	519, 523, 529, 533
973, 975, 977	345, 597, 609, 613,	1001002947.....575	1001008720.....363, 365,
0700612.....30, 34, 609	681, 705, 713, 737,	1001002953.....575	377
0700614....217, 646, 650,	741, 747, 751, 753,	1001002957.....575	1001008742.....715
923, 925, 953, 955, 957	755, 963, 1031	1001003043.....563	100100876185, 319, 379,
0700616.925, 1009, 1035	0760610.....981, 1113	1001003048.....331	779, 781, 787, 789,
0700618....699, 701, 833,	0760612....25, 299, 965,	1001003064.....245	799, 801
934	967	1001003305....377, 803,	1001008773.....317, 803,
0700620.....85, 335, 955	0760614.....1035	917, 921	805
0700808.....311	0760619.....919	1001003391.....89	1001008804.....787, 789,
0700812....299, 301, 303	0760805.....1015	1001003427.....47, 49	803, 805, 833
0700814.....49	0760808...109, 111, 113,	1001003474.....203	1001008805.....783, 811,
0700815.....803, 805	115, 285, 345, 611,	1001003475.....203	813, 815, 817, 819,
0700817.....693, 725	709, 919, 923, 953,	100100359085, 319, 379,	821, 823, 825, 837
0700818.....925	955, 957, 983, 1019,	787, 789	1001008857.....575
0700819.....725	1021	1001003596.....961	1001008863.....811, 815
0700820....687, 689, 691	0760810...25, 27, 30, 34,	1001003803.....57	1001008910.....333, 335
0700821.....43	37, 53, 55, 85, 299,	1001004141.....347	1001008922.....783, 799,
0700822.....847	301, 303, 311, 341,	1001004144....295, 297,	801, 811, 813, 815,
0700824....319, 753, 755	359, 367, 369, 539,	809, 851	817, 827, 829, 831, 837
0700826.....345, 1023	611, 621, 625, 629,	1001004617.....245	1001008923.....979, 981,
0700830.....783	641, 643, 646, 650,	1001004618.....245	1035, 1089, 1091
0701012....915, 917, 921	687, 691, 711, 737,	1001004619.....245	1001008926.....925
0701014....117, 299, 301,	741, 779, 781, 803,	1001004620.....245	1001008988.....567
367, 369, 779, 781,	805, 811, 813, 815,	1001004640....753, 755	1001009038.....1031
965, 967	817, 819, 945, 947,	1001004720.....1013	1001009062.....703
0701016.....25	951, 971, 1029	1001004723....915, 1011	1001009105.....245
0701017....301, 303, 321	0760812...27, 93, 95, 97,	1001005038....717, 719	1001009124.....707
0701018.30, 34, 799, 801	99, 103, 311, 315, 317,	1001005193.....717	1001009163.49, 337, 339
0701020.....45	345, 575, 697, 833	1001005262....821, 823,	1001009178..1136, 1140,
0701022.....1027	0760814....45, 315, 535,	825	1144, 1148, 1152, 1157
0701024.....45	537	1001005267.....57	1001009205.....799
0701029.....153	0760815....575, 837, 949	1001005368.....565	1001009375.....1021
0701032.....109, 113	0761008....317, 803, 805	1001005904....821, 823,	1001009384.....317
0701217.....259	0761010...25, 30, 34, 85,	825, 831	1001010240.....333, 335
0701224.....39	295, 297, 315, 317,	1001005960.....1125	1001010646.....637, 639
0701229....109, 111, 113,	359, 363, 365, 377,	1001005981.....699	1001010647.....637, 639
115, 261, 265, 269	751, 787, 789, 851,	1001006259.....43	1001010648.....637, 639
0701230.....111, 115	1019, 1021, 1031, 1109	1001006329.....43	1001010649.....637, 639
0701232....261, 265, 269	0761012....25, 285, 321,	1001006730.....637	1001010650.....637, 639
0701616....59, 61, 67, 71,	323, 333, 335, 349,	1001006731.....639	1001010838.....703
75	363, 365, 697, 753,	1001006954.....719	1001010839.....707
0701617.....79	755, 799, 829, 831,	1001006955.....719	1001025750.....917, 921,
0701618.....375	833, 837, 1013	1001007056.....869	1015
0701626.....283	0761014.....1109	1001007539.....139	1001025902.....317
0701632.....93, 843	0761015.....323	1001007543.....141	1001025932.....799
0711215.....101	0761018.....799	1001007641....705, 707	1001025962.....799
0711216.....103, 353	0761210.....917, 921	1001008436....701, 703	1001025975.....787, 789
0711217.....835	0761212..537, 999, 1117	1001008462....383, 385	1001028291.....19, 21
0711228.....95, 97, 99	0761215....43, 283, 355,	1001008475....703, 707	1001028308.....19, 21
0711616.....85	475		1001033119.85, 787, 789

PART NUMBER INDEX

1001047062 567	1001100957.. 1136, 1140, 1144, 1148, 1152	1001107338.....145	1001116815 . 1047, 1060, 1064, 1065
1001080375 823, 825	1001100967..... 197	1001107854..1033, 1047, 1050, 1051, 1054, 1055, 1073, 1074, 1076, 1087, 1095	1001116950 . 1037, 1042, 1058, 1063
1001081085 403	1001101041.....205, 219, 227, 819, 821, 823, 825, 829, 831	1001108661.....1027	1001116983 1063
1001081334 787, 789	1001101042.....205, 219, 227, 819, 821, 823, 825, 829, 831	1001108918.....821, 823, 825	1001116984 1074
1001090063 151	1001101063..... 815, 817	1001109113.....139, 141	1001116985 1074
1001090064 151	1001101070..... 259	1001109387.....259	1001116986 1074
1001090140 151	1001101076..... 259	1001109484..... 1095	1001116991 .. 1072, 1074
1001090343 563, 675, 715	1001101563..... 123	1001109485... 1049, 1053	1001116994 1101
1001091126 19, 21	1001101702.....751	1001110023.....821, 823, 825, 831, 897	1001116995 . 1042, 1050, 1054, 1059, 1060, 1065, 1072, 1107
1001091313 229	1001101895.. 1136, 1140, 1144, 1148	1001110115.....825	1001116996 .. 1050, 1054
1001091715 965, 967	1001102080..... 1021	1001110849.....79, 81	1001116997 1072
1001091716 965, 967	1001102327..... 181	1001110893.....497, 501	1001116998 1074
1001092122 43	1001102378..... 151	1001111076.....681	1001116999 1072
1001092298 107	1001102502.....995	1001111116.....301	1001117011 1111
1001092481 213	1001102750..... 1152	1001111147681	1001117018 .. 1058, 1063
1001092482 213	1001102813..... 215, 217	1001111317.....555, 557, 559, 569, 571	1001117021 1087
1001092877 . 1136, 1140, 1144, 1148	1001103012... 1047, 1073	1001111424.....929	1001117022 1063
1001092878 . 1136, 1140, 1144, 1148	1001103156..... 1029	1001111900.....699, 701	1001117070 1058
1001093171 211	1001103192.....267	1001112426.....27	1001117079 1072
1001093401 315	1001103193.....267	1001112559.....255	1001117081 . 1072, 1074, 1075, 1076
1001093826 175, 205, 227, 229	1001103194.....267	1001112560.....257	1001117108 . 1037, 1042, 1043, 1049, 1053
1001093827 175, 205, 227, 229	1001103195.....267	1001112612.....1074	1001117109 . 1042, 1043, 1063, 1097
1001094555 149, 175, 185, 229	1001103196.....267, 271	1001112796..... 1101	1001117110 . 1037, 1042, 1043, 1049, 1053, 1058, 1063, 1064
1001094556 149, 175, 185, 229	1001103198.....267	1001114495.....337, 339	1001117121 1072
1001095336 927	1001103199.....267	1001114787 113, 115, 867	1001117247 1027
1001095650 261, 265, 269, 1023	1001103200.....267	1001114802.....385	1001117308 925, 929
1001095804 943, 1115	1001103201.....220	1001116128....601, 1011, 1013, 1015	1001117382 109, 111, 113, 115, 261, 265, 269
1001095810 215	1001103202..... 263, 267	1001116208.....953, 955, 957	1001117383 109, 111, 113, 115, 261, 265, 269
1001096162 213, 215	1001103203..... 263, 267	1001116696... 1050, 1054	1001117945 129
1001096365 575	1001103204.....267	10011166971073	1001118282 .. 1058, 1063
1001096726 105	1001103300..... 1029	1001116698... 1073, 1074	1001118323 .. 1037, 1041
1001096870 ... 95, 97, 99, 105	1001103522.....263	1001116700... 1072, 1111	1001118379 . 1042, 1050, 1054, 1059, 1060, 1065, 1072
1001096913 965, 967	1001103523.....263	1001116710..... 1063	1001118383 1072
1001097205 211	1001103524.....263	1001116716..... 1073	1001118384 . 1072, 1074, 1075, 1076
1001097244 597	1001103529.....263	1001116723..1072, 1074, 1075, 1076	1001118386 1074
1001097287 175	1001103530.....229	1001116725.....1057	1001118387 1074
1001097540 . 30, 34, 535, 537, 677, 679	1001103531.....219, 263, 267	1001116734..1058, 1063, 1064	1001118392 .. 1050, 1054
1001097586 563	1001103533.....229, 263, 267	1001116735.....1058	1001118684 1072
1001098150 588	1001103637.....213	10011167471087	1001118685 1072
1001098457 ... 93, 95, 97, 99, 109, 111, 113, 115, 261, 265, 269	1001103640..... 819	1001116748..... 1072	1001119220 375
1001098629 59, 61, 63	1001104477..... 825, 899	1001116753.....1076	1001119412 1064
1001098630 67, 69	1001104497..... 1033	1001116754.....1072	1001119467 621
1001098631 71, 73	1001104498.. 1033, 1050, 1051, 1054, 1055, 1076, 1095	1001116756.....1057	1001119727 301, 303
1001098632 75, 77	1001104519... 1072, 1073	1001116763... 1047, 1087	1001120914 151
1001098636 71, 75	1001104654.... 943, 1115	1001116810... 1037, 1042	1001120915 151
1001098769 117	1001104685..... 363, 365	1001116811... 1057, 1064	1001120989 953, 955, 957
1001099113 151	1001104957.....263	1001116812.. 1037, 1039, 1042, 1043, 1047, 1057, 1058, 1060, 1064, 1065, 1073, 1076, 1097	1001121021 1035
1001099351 201	1001104958.....219, 263, 267	1001116812.. 1037, 1039, 1042, 1043, 1047, 1057, 1058, 1060, 1064, 1065, 1073, 1076, 1097	1001121127 803
1001099902 195	1001104960.....263, 271	1001116812.. 1037, 1039, 1042, 1043, 1047, 1057, 1058, 1060, 1064, 1065, 1073, 1076, 1097	1001125117 101, 103
1001100262 259	1001105167.....965, 967	1001116812.. 1037, 1039, 1042, 1043, 1047, 1057, 1058, 1060, 1064, 1065, 1073, 1076, 1097	1001125222 751
1001100442 105	1001105168.....965, 967	1001116812.. 1037, 1039, 1042, 1043, 1047, 1057, 1058, 1060, 1064, 1065, 1073, 1076, 1097	1001125387 1152
1001100822 165	1001105639..... 787, 789	1001116812.. 1037, 1039, 1042, 1043, 1047, 1057, 1058, 1060, 1064, 1065, 1073, 1076, 1097	1001125409 363, 365
1001100911 127	1001105643..... 787, 789	1001116812.. 1037, 1039, 1042, 1043, 1047, 1057, 1058, 1060, 1064, 1065, 1073, 1076, 1097	
1001100912 131	1001106570.....57	1001116812.. 1037, 1039, 1042, 1043, 1047, 1057, 1058, 1060, 1064, 1065, 1073, 1076, 1097	
	1001106930.....219	1001116812.. 1037, 1039, 1042, 1043, 1047, 1057, 1058, 1060, 1064, 1065, 1073, 1076, 1097	
	1001107192.....567	1001116812.. 1037, 1039, 1042, 1043, 1047, 1057, 1058, 1060, 1064, 1065, 1073, 1076, 1097	
	1001107336..... 145	1001116812.. 1037, 1039, 1042, 1043, 1047, 1057, 1058, 1060, 1064, 1065, 1073, 1076, 1097	

PART NUMBER INDEX

1001125677..1049, 1053, 1054, 1058	1001141596 931	1001155446 543	1001161100..1038, 1043, 1050, 1054, 1097
1001126008..1037, 1041, 1049, 1053, 1057	1001141952 325, 327	1001155447 549, 551, 711	1001161101..1038, 1043, 1050, 1054, 1097
1001126245.....1057	1001141976 839, 841	1001155486 675	1001161251.....584
1001126349.....1063	1001142089 779, 781	1001155958 95, 97, 99	1001161252.....605, 607
1001126351.....1063	1001142658 51, 1160	1001155959 95, 97, 99	1001161253.....603
1001126352.....1063	1001142659 51, 1160	1001155960 95, 97, 99	1001161499.....549, 551, 733
1001126353...1059, 1063	1001142724 697	1001156265 753, 755	1001161672.....753, 755
1001126356.....1063	1001142790 155	1001157890 . 1037, 1038, 1041, 1042, 1043	1001161769.....934, 937
1001126357.....1063	1001143200 561	1001157919 829, 831	1001161770.....934, 939
1001126360.....1063	1001143857 753, 755	1001158146 943	1001161771.....934, 941
1001126362...1059, 1063	1001143936 361, 379	1001158596 625	1001161851.....591
1001126384.....1063	1001144147 . 1037, 1042, 1057, 1064, 1079	1001158736C.....629	1001161855.....584, 588
1001126391..1057, 1059, 1063	1001144296 1076	1001159028 733, 735	1001161865.....657
1001126393...1057, 1059	1001145204 307, 309	1001159728 1133	1001161896.....753, 755
1001126484.....1047	1001145300 931	1001159734 943, 1115	1001161897.....753, 755
1001126485..1057, 1058, 1059	1001145390 867, 869	1001159735 943, 1115	1001161898.....753, 755
1001126487..1047, 1057, 1059	1001145444 867	1001159736 675	1001161957..1050, 1054, 1097
1001126837..1009, 1029, 1113	1001145539 646, 650	1001159737 ... 943, 1115, 1121	1001161958...1038, 1043
1001128127...1037, 1042	1001145871 315	1001159738 987	1001161959.....1073
1001128128...1058, 1064	1001146588 295, 297, 299, 821, 823, 825, 915, 917, 921, 934, 953, 955, 979, 981, 1013, 1015, 1035, 1091	1001159739 979, 981	1001161963..1050, 1054, 1097
1001128478.49, 337, 339	1001146949 759	1001159741 943, 1115	1001161964...1038, 1043
1001128781.....787	1001147060 963	1001159742 943, 1115	1001162281.....301, 303
1001130198.....833	1001147449 584, 588, 591	1001159743 943, 1115	1001162636.....109, 111
1001130323..1136, 1140, 1144, 1148, 1152	1001147657 101, 103, 1160	1001159745 815, 817	1001162661.....849, 909, 1160
1001130822.....259	1001147731 101, 103, 1160	1001159748 943, 1115	1001162662.....49
1001131818.....375	1001148103 103, 1160	1001159845 971, 973, 975, 977	1001162704.....551, 755
1001132236.....315	1001148147 103, 1160	1001159846 971, 973, 975, 977	1001162709.....549, 753
1001132564.....588	1001148372 837	1001159925 641, 643, 646, 650	1001162864..1136, 1140, 1144, 1148, 1152
1001132959.....232	1001148557 584	1001160072 1152	1001162885...1019, 1021
1001133072.....151	1001148557 584	1001160326 646, 650	1001162886.....1072
1001133690.....321, 323	1001148841 1059	1001160496 687	1001162887.....1072
1001133714..1058, 1059, 1063	1001148842 1059	1001160498 1073	1001162920.....737, 741
1001133715..1058, 1059, 1063	1001149278 584, 588, 591	1001160499 .. 1038, 1043	1001162922.....737, 741
1001133793.....321, 323	1001149375 341	1001160500 . 1050, 1054, 1097	1001162953.....646, 650, 669
1001134428.....30, 34	1001149923 109, 111	1001160502 1073	1001162979.....753, 755
1001135245.....361	1001150294 621, 623	1001160503 687, 691	1001163340.....1072
1001135650..1058, 1059, 1063	1001150735 1072	1001160506 689	1001163414.....151, 871
1001135651..1058, 1059, 1063	1001150737 1072	1001160509 . 1038, 1043, 1049, 1054, 1097	1001163639.....943, 1115
1001138645.....917, 919, 921, 923	1001151432 301, 303	1001160510 . 1038, 1044, 1050, 1054, 1097	1001163697.....761
1001139034.....315	1001152908 653, 661	1001160730 . 1011, 1013, 1015	1001164053.....123
1001139551.....675	1001152915 555, 557, 559	1001160775 1133	1001164153J.....19
1001139552.....565	1001152940 315	1001160916 . 1136, 1140, 1144, 1148	1001164166.....19
1001139568.....565	1001152947 555, 557, 559	1001160928 931	1001164336.....865
1001139647..1136, 1140, 1148	1001153748 785, 887	1001160945 1152	1001164402.....925, 927
1001139654.....1136	1001154044 .. 95, 97, 101	1001161067 595	1001164726.....567
1001139707.....997	1001154045 ... 95, 97, 99, 103	1001161068 584, 588	1001165069.....367, 371
1001140296.....331	1001154174 101, 103	1001161078 683	1001165194.....1057
1001141246.....575	1001154176 103	1001161080 683	1001165269.....713, 723
1001141281.....711, 1160	1001154688 25	1001161095 . 1038, 1043, 1050, 1054, 1073, 1097	1001165270.....713
1001141311675	1001155228 553, 567	1001161097 .. 1043, 1073	1001165273.....723
1001141312.....565	1001155230 1144	1001161098 .. 1043, 1073	1001165275.....575
1001141313.....675, 1160	1001155231 1144	1001161099 . 1038, 1043, 1050, 1054, 1073, 1097	1001165276.....569, 571
1001141461841	1001155276 753, 755, 757		1001165309...1037, 1041
1001141462.....841	1001155286 93, 95		1001165310...1038, 1043
	1001155441 107		1001165311...1049, 1054
			1001165327.....723
			1001165351.....715
			1001165416.....715
			1001165455.....715

PART NUMBER INDEX

1001165458 597, 715	1001169146..... 1013	1001172401.....549, 551,	1001174655 591
1001165573 625, 627	1001169151..... 646, 650,	721	1001174688 383
1001165637 711	1087	1001172546.....641, 646,	1001174689 275
1001166091 661, 663,	1001169268..... 767	1160	1001174691 307
665, 667	1001169354..... 763, 765	1001172547641, 643,	1001174692 299
1001166092 661, 663,	1001169355..... 765	646, 650	1001174694 277, 281,
665, 667	1001169367..... 765	1001172550.....641, 643,	327
1001166174 1009	1001169454..... 43	646, 650, 1003	1001174712 943, 1115
1001166191 705	1001169603..... 584, 588	1001172551619, 1083,	1001174741 609
1001166192 549, 551,	1001169604..... 584, 588,	1085	1001174796 983
705	591	1001172552..... 641, 646	1001174800 609
1001166293 .. 1005, 1009	1001169606..... 1009	1001172553.....641, 643,	1001174801 609
1001166385 681	1001169674..... 1133	646, 650, 1160	1001174911 1152
1001166465 1009	1001169751..... 763	1001172667.....243	1001175013 843, 855
1001166541 1059	1001169763..... 767	1001172774691	1001175043 279
1001166543 .. 1059, 1063	1001169800. 85, 779, 781	1001172950..... 109, 111,	1001175046 277
1001166551 1058	1001169806..... 781	113, 115, 261, 265, 269	1001175047 281
1001166555 1059	1001169825..... 925	1001173257689, 693	1001175050 301, 303
1001166556 . 1057, 1059,	1001169880..... 569, 571	1001173298..... 567	1001175054 369
1063	1001169883..... 573	1001173343..... 1009	1001175055 367
1001166634 569, 571,	1001169885..... 573	1001173411..... 1073	1001175056 375
575	1001170113..... 573	1001173418..... 847	1001175243 93
1001166701 .. 1057, 1059	1001170113C..... 571	1001173425601	1001175265 1057
1001166702 1058	1001170113J..... 569	1001173571 1083	1001175266. 1038, 1044,
1001166704 1057	1001170114..... 567, 569	1001173641.....553, 555,	1050, 1054, 1097
1001166754 543	1001170122..... 571	557	1001175367 283
1001166755 543	1001170150J..... 101	1001173642..... 559	1001175369 283
1001166774 . 1057, 1059,	1001170231..... 737, 741	1001173703..... 1148	1001175370 283
1063	1001170283..... 103	1001173770..... 85, 905	1001175378 1129
1001167004 769	1001170326..... 617	1001173771829, 831,	1001175379 1131
1001167015 599, 601	1001170366..... 545, 547,	895	1001175388 539
1001167017 945, 947	613	1001173829..... 969	1001175389 725
1001167266 669, 671	1001170488..... 133	1001173965..... 584, 588	1001175470 617
1001167408 367, 369	1001170504..... 588, 593	1001174033..... 773	1001175471 613, 615
1001167528 1057	1001170506..... 584, 593	1001174058..... 775	1001175477 567
1001167615 1058	1001170514..... 595	1001174064..... 773, 785	1001175733 1099
1001167616 1057	1001170518..... 584, 588	1001174066..... 773, 807	1001175746 ... 95, 97, 99
1001167620 1057	1001170519..... 584, 588,	1001174068..... 773, 779,	1001175747 ... 95, 97, 99
1001167621 1059	595	781	1001175749 ... 95, 97, 99
1001167622 .. 1057, 1059	1001170601J..... 567	1001174070..... 355, 357	1001175751 ... 95, 97, 99
1001167623 .. 1057, 1059	1001170603..... 553, 561	1001174072..... 773, 843	1001175753 ... 95, 97, 99
1001167624 1057	1001170697..... 535, 537	1001174074..... 773, 863	1001175754 93
1001167625 1059	1001170716..... 599	1001174076..... 353, 379	1001175756 ... 95, 97, 99
1001167629 1059	1001170718..... 599	1001174077383, 385,	1001175776 949, 951,
1001167630 .. 1057, 1059	1001170944..... 575	387	1099
1001167631 1057	1001170984..... 113, 115	1001174079..... 775, 777,	1001175812 697
1001167634 1059	1001170993..... 615	799, 801	1001175838 357, 883
1001167635 1057	1001171037..... 573	1001174080..... 773, 809	1001175898 93
1001167636 1058	1001171179..... 45	1001174081 775, 803	1001175903 584, 588
1001167688 1058	1001171390..... 109, 111,	1001174084..... 775, 787	1001175949 101, 1160
1001167773 367, 369	113, 115	1001174086..... 827	1001175950 ... 103, 1160
1001167822 971	1001171563..... 275, 289	1001174087 775, 777,	1001176114 93
1001167823 973	1001171564..... 279, 287	835	1001176121 613, 617
1001167937 579	1001171565..... 277, 293	1001174295..... 567, 581	1001176140 609
1001167958 567, 579	1001171566..... 281, 291	1001174320..... 555, 557,	1001176203C..... 503
1001167981 549, 551,	1001171635..... 573	559	1001176203J ... 489, 493,
584, 588	1001171756..... 713	1001174321 575	499
1001168142 753, 755	1001171767..... 615	1001174366..... 113	1001176221 475, 477
1001168151 753, 755	1001171808..... 117	1001174368..... 953	1001176222 475, 479
1001168152 549, 551,	1001171959..... 299	1001174372..... 953, 955,	1001176257 609
553	1001172035.. 1136, 1140,	957	1001176261 103
1001168327 646, 650	1144, 1148, 1152	1001174608..... 41	1001176262 103
1001168330 646, 650	1001172088..... 737, 741	1001174615..... 1133	1001176272 561
1001168331 646, 650	1001172146..... 45	1001174617 1127	1001176273 561
1001168456 646, 650	1001172147..... 45	1001174624..... 30	1001176283 909
1001168531 629, 1111	1001172193..... 555, 557,	1001174652..... 591	1001176318 609
1001169135 629	559, 569, 571	1001174653..... 591	1001176323 83

PART NUMBER INDEX

1001176333.....1073	1001179483..... 681	1001182277 1047	1001183564.....307, 309, 311
1001176338.....991	1001179608..... 43	1001182330 611	1001183567.....919
1001176355.....283	1001179721..... 485	1001182341 299, 345	1001183613.....327
1001176407.....95, 97, 99, 107	1001179725..... 495	1001182361 1047	1001183676.....121
1001176411.....851	1001179731..... 741, 743	1001182365 1047	1001183700.....839
1001176626.....561	1001179896..... 679	1001182367 1047	1001183737.....915, 1047
1001176780.....49	1001179899..... 679	1001182377 .. 1058, 1063	1001183748.....379
1001176853.....101, 103	1001179901..... 1023	1001182468 .. 1058, 1063	1001183773.....835
1001176860.....45, 49	1001179907..... 919, 923	1001182493 343	1001183774.....835
1001176882.....107	1001179910..... 369, 373	1001182495 1109	1001183775.....835
1001176892.....41, 43	1001179926..... 847	1001182529 629	1001183799.....377
1001176893.....41, 45	1001179960J 495, 501	1001182531 307, 309, 343	1001183801.....375, 377
1001176942.....93	1001179961J 495, 497	1001182540 343	1001183804.....349
1001176969.....275, 277, 279, 281, 283	1001179979..... 931	1001182560 311, 313	1001183807.....299, 349
1001177082.....45	1001180045..... 715	1001182565 343	1001183808.....835
1001177464.....605	1001180186J 30, 34	1001182749 19, 21	1001183814.....917, 1057
1001177606.....837	1001180189J 30, 34	1001182763 85, 87	1001183816.....835
1001177613.....925	1001180191J 37	1001182834 584, 588	1001183832...1025, 1027
1001177639.....475	1001180195..... 85	1001182836 601	1001183833.....315
1001177706.....837	1001180196..... 59	1001182839 1113	1001183840.....925
1001178053.....969, 1103	1001180198..... 67	1001182929 917, 921, 1067	1001183848.....915, 1049
1001178123.....715	1001180199..... 71	1001182930 917, 921, 1069	1001183888.....971
1001178159.....555, 557, 559	1001180200..... 75	1001182945 361	1001183890.....971
1001178160.....555, 557, 559	1001180202..... 61	1001182993 311	1001183893.....363
1001178170.....646, 650	1001180206..... 79	1001183064 311	1001183895.....363
1001178287J.....485, 487	1001180207..... 57	1001183071 773, 845	1001183906.....363
1001178288J.....485, 491	1001180263..... 689, 691	1001183102 311	1001183907.....365
1001178422.....275, 277, 279, 281, 351	1001180529..... 979	1001183103 311	1001183957.....347
1001178524.....109	1001180659..... 275, 279, 919	1001183108 803	1001184041.....149
1001178678.....553, 563	1001180660..... 919, 923	1001183125 363	1001184069.....549, 551, 934
1001178679.....563, 565	1001180678..... 277, 281, 923	1001183134 803, 805	1001184070.....934, 1072
1001178680.....565	1001180682..... 991	1001183149 363	1001184166.....121
1001178681.....565	1001180683..... 991	1001183183 363	1001184170.....121
1001178706.....1125	1001181154..... 325, 327, 329	1001183183 363	1001184172.....1019
1001178742.....99	1001181161..... 819, 821, 823, 825	1001183274 ... 59, 61, 67, 71, 75	1001184265.....837
1001178783.....991	1001181172..... 351	1001183286 803, 805	1001184266.....837
1001178826.....685	1001181172..... 351	1001183293 779	1001184275.....661, 663, 665, 667
1001178832.....535	1001181354..... 307, 309, 341	1001183297 979, 981, 1105	1001184278.....661, 663, 665, 667
1001178836.....535	1001181359..... 697	1001183319 815, 817	1001184280.....665, 667
1001178837.....535	1001181411..... 565	1001183329 315	1001184294.....661, 663, 665, 667
1001178926.....275, 277, 279, 281, 353	1001181455..... 837	1001183330 307, 309, 315	1001184295.....661, 663, 665, 667
1001178933.....934	1001181531..... 995, 997	1001183357 363	1001184296.....661, 663, 665, 667
1001178946.....275, 277, 279, 281, 355	1001181681..... 934, 1079	1001183386 775, 777, 839	1001184297.....661, 663, 665, 667
1001179008.....685, 727, 729	1001181682..... 315	1001183387 337, 339	1001184306.....619
1001179009.....685, 727, 729	1001181702..... 301	1001183388 337, 339	1001184307.....619
1001179021.....379, 885	1001181726..... 584, 588, 597	1001183389 331	1001184309.....619
1001179022.....387, 389	1001181813..... 301, 303	1001183390 331	1001184310.....619
1001179054.....819	1001181920..... 561	1001183391 337, 339	1001184340.....307, 309, 333, 335
1001179080.....669	1001181921..... 561, 949, 951	1001183392 337	1001184365.....779, 781
1001179081.....669	1001181927..... 761	1001183393 339	1001184403.....673
1001179097.....697	1001181928..... 759	1001183394 337, 339	1001184404.....673
1001179130.....669, 673	1001182044..... 275, 279, 325	1001183401 915, 1037	1001184405.....673
1001179144.....811, 813	1001182123..... 561	1001183418 343	1001184406.....673
1001179145.....815, 817	1001182139..... 561	1001183436 863	1001184409.....779, 781
1001179146.....989	1001182163..... 275, 279, 321	1001183437 843	1001184427.....665, 667
1001179149.....831	1001182164..... 277, 281, 323	1001183438 30	1001184439.....567
1001179297.....1125	1001182214..... 49, 849	1001183453 347	1001184446.....307, 309, 331
1001179482.....681	1001182265..... 1047	1001183454 299, 347	
		1001183475 325	
		1001183476 325, 327	
		1001183550 595	

PART NUMBER INDEX

1001184447 307, 337	1001185720..... 85	1001188610.....661, 663,	1001191283 597
1001184448 309, 339	1001185722.....957	665, 667	1001191284 597
1001184473 1074	1001185734..... 95, 1089	1001188612.....661, 663,	1001191285 597
1001184479 1074	1001185809..... 943	665, 667	1001191332 27
1001184504 757	1001185845..... 611	1001188614.....661, 663,	1001191370 597
1001184528 915	1001185848..... 611	665, 667	1001191459 737, 741
1001184538 917, 921	1001185861..... 307, 309,	1001188618..... 665, 667	1001191472 ... 347, 1160
1001184539 915	361	1001188619..... 665, 667	1001191487 925
1001184546 917, 921	1001185870..... 584, 588	1001188720..... 661, 663,	1001191621 ... 93, 95, 97,
1001184551 1063	1001185871..... 333, 335	665, 667	99
1001184555 917, 921	1001185905... 1025, 1097	1001188722..... 85	1001191915 751
1001184558 917, 921	1001185936..... 30, 34	1001188725..... 661, 663,	1001192142 925
1001184559 917, 921	1001185937..... 307, 309,	665, 667	1001192309 567
1001184564 915	317	1001188728..... 665, 667	1001192392 47
1001184566 299	1001186217... 1017, 1025	1001188729..... 661, 663,	1001192411 361
1001184567 299	1001186239..... 299	665, 667	1001192643 577
1001184601 827	1001186261..... 317	1001188733..... 661, 663,	1001192644 579
1001184602 827	1001186457..... 699	665, 667	1001192646 567
1001184603 783	1001186458..... 701	1001188817 665, 667	1001192711 217
1001184604 783	1001186562..... 321, 323	1001188818 665, 667	1001192720 217
1001184605 783	1001186565..... 971, 973	1001188940..... 799	1001192755 577
1001184606 783	1001186567..... 971, 973	1001188941 799, 801	1001192766 567, 577
1001184609 313	1001186573..... 481	1001188942 799, 801	1001192875 217
1001184610 113, 115	1001186574..... 483	1001188971 19, 21	1001192876 217
1001184616 25	1001186577..... 275, 277,	1001189019..... 367, 369	1001192877 217
1001184617 25	279, 281, 359	1001189023..... 665, 667	1001192882 30, 34
1001184622 ... 95, 97, 99,	1001186603..... 957	1001189024..... 665, 667	1001192898 835
837	1001186646..... 1031	1001189025..... 661, 663,	1001192899 835
1001184623 921, 1063	1001186693..... 925	665, 667	1001193210 569, 571
1001184624 .. 1089, 1093	1001186697..... 121	1001189037 1003	1001193218 30, 34
1001184670 827, 829,	1001186714..... 1121	1001189048..... 665, 667	1001193226 30, 34
831	1001186737..... 963	1001189054..... 665, 667	1001193266 961
1001184671 783	1001187070..... 1069	1001189154.. 1136, 1140,	1001193301 803, 805
1001184672 783	1001187077..... 1069	1144, 1148	1001193411 779
1001184673 783	1001187125..... 309	1001189182..... 584, 588	1001193474 751
1001184674 775, 777,	1001187326..... 1029	1001189193..... 697	1001193525 217
783	1001187417..... 331	1001189201..... 375	1001193540 217
1001184679 783	1001187541..... 535, 537	1001189206..... 375	1001193590 30, 34
1001184686 783	1001187543..... 535, 537	1001189222..... 375	1001193594 30, 34
1001184724 301, 303	1001187713..... 49	1001189475..... 119	1001193729 217
1001184798 815	1001187719..... 49	1001189476..... 119	1001193834 833
1001184839 ... 989, 1107	1001188190..... 117	1001189480..... 107	1001194033 535
1001184849 915	1001188261..... 549, 741	1001189569..... 965, 967,	1001194794 779
1001184851 275, 279,	1001188266..... 1029	969	1001195082 217
917	1001188267..... 1029	1001189659..... 677	1001195254 751
1001184857 97, 99, 1035	1001188269..... 1029	1001189660..... 677	1001195339 25
1001184864 849	1001188275..... 657, 665	1001189888..... 857	1001195342 671
1001184935 277, 281,	1001188377..... 285, 1160	1001189898..... 943, 1115	1001195343 671
921	1001188407..... 341	1001189980..... 619	1001195345 671
1001184958 299, 301,	1001188413..... 85	1001189997..... 949, 951	1001195346 671
303	1001188469..... 30, 34	1001190135..... 945	1001195380 829
1001184966 299, 301	1001188548.. 30, 34, 799,	1001190139..... 949	1001195385 671
1001184975 603	801	1001190396..... 1103	1001195386 671
1001185037 1017	1001188577..... 661, 663,	1001190513..... 383	1001195437 671
1001185038 .. 1017, 1023	665, 667	1001190533..... 481	1001195438 671
1001185039 . 1017, 1019,	1001188578..... 661, 663,	1001190541..... 483	1001195443 331
1021	665, 667	1001190542..... 385	1001195559 191
1001185073 379	1001188590..... 643, 650	1001190589..... 93	1001195587 27
1001185190 275, 279,	1001188592..... 665, 667	1001190643..... 30, 34	1001195767 797
295	1001188594..... 661, 663,	1001190657..... 1019	1001195768 803
1001185191 277, 281,	665, 667	1001190971 737, 741	1001195769 797
297	1001188602..... 661, 663,	1001191091..... 581	1001195770 797
1001185193 1003	665, 667	1001191217 755	1001195771 803, 805
1001185227 1003	1001188603..... 661, 663,	1001191229.. 1136, 1140,	1001195772 803, 805
1001185248 61, 65	665, 667	1144, 1148, 1152	1001195773 803, 805
1001185586 343	1001188604..... 661, 663,	1001191259..... 1027	1001195776 787, 791
1001185633 611	665, 667	1001191281 597	1001195777 383, 385

PART NUMBER INDEX

1001195779.....787, 789, 791, 793	1001199076..... 47	1001201499..... 747	1001204471..... 515
1001195785.....803, 805	1001199579..... 25	1001201500..... 749	1001204473..... 525
1001195800.....95, 97, 99, 857	1001199649..... 23, 25	1001201501..... 747, 749	1001204475..... 505
1001195801.....863, 865	1001199665..... 385	1001201520..... 549, 551, 715	1001204528..... 975
1001195805.....799, 801	1001199670..... 345	1001201604..... 1136	1001204530..... 975
1001195807.....787, 789	1001199730..... 95, 97, 99	1001201616..... 1144	1001204535..... 119
1001195856.. 1136, 1140, 1144, 1148, 1152	1001199856..... 317	1001201623..... 1148	1001204709..... 685
1001195878.....555, 557, 559	1001199857..... 317	1001201624..... 1152	1001204869..... 549, 551, 709
1001195970..... 173	1001199913..... 363	1001201625..... 1140	1001205061..... 737, 741, 747
1001196208.....803, 805	1001199935. 1007, 1013, 1015	1001201746J..... 25	1001205080..... 27
1001196209.....803, 805	1001199936.. 1005, 1011	1001201766..... 299	1001205339..... 27
1001196223.....787, 789	1001199939..... 811, 813, 815, 817	1001201898..... 363	1001205341..... 23, 27
1001196225..... 809	1001199940..... 811, 813, 815, 817	1001201899..... 363	1001205514..... 621
1001196226.....787, 789	1001200038..... 811, 813, 815, 817	1001201900..... 363	1001205532..... 567, 575
1001196452.....953, 955, 957, 1101	1001200077..... 27	1001201927..... 299	1001205648..... 629
1001196530.....545, 549	1001200188..... 295, 297	1001202085..... 545	1001205705..... 831
1001196587..... 919	1001200189..... 295, 297	1001202176J..... 25	1001205735..... 787, 789
1001196632..... 109, 113	1001200193..... 295, 297	1001202187J..... 25	1001205767..... 787, 789
1001196806.. 1136, 1152	1001200206.. 1038, 1041	1001202277..... 347	1001205771..... 85
1001196905..... 317	1001200238..... 25	1001202284..... 349	1001205778..... 851
1001197015.....965, 967	1001200385..... 387	1001202285..... 349	1001205782..... 621
1001197139.....737, 741, 745	1001200426..... 1005	1001202286..... 951	1001205816..... 777
1001197213..... 333	1001200538..... 975	1001202312..... 299	1001205817..... 777, 805
1001197214..... 333, 335	1001200539..... 977	1001202318..... 949	1001205818..... 777, 789
1001197215..... 333	1001200617..... 223	1001202332..... 945	1001205842..... 787, 789
1001197216..... 333, 335	1001200671..... 537	1001202395..... 951	1001205858..... 789, 793
1001197259..... 683	1001200672..... 537	1001202454..... 1115	1001205859..... 805
1001197273..... 51	1001200673..... 537	1001202496..... 783	1001205860..... 795
1001197425..... 333, 335	1001200674..... 537	1001202497..... 783	1001205861..... 795
1001197447..... 859, 861	1001200688..... 987	1001202516 . 1081, 1083, 1085	1001205862..... 795
1001197457..... 1033	1001200689..... 549, 551, 983	1001202527..... 53	1001205866..... 833
1001197470J..... 21	1001200694..... 603	1001202529..... 55	1001205948..... 709
1001197479..... 109, 111, 113, 115, 261, 265, 269	1001200709..... 331	1001202558..... 945, 947	1001206022..... 833
1001197589..... 1007	1001200710..... 837	1001202614..... 343	1001206069..... 833
1001197602J..... 515, 521	1001200714..... 783	1001202647..... 815, 817	1001206070..... 833
1001197603J..... 515, 517	1001200897..... 34	1001202648..... 307, 309, 319	1001206072..... 833
1001197604J..... 525, 531	1001200899..... 779, 781, 879	1001202651..... 385, 407	1001206120..... 919
1001197605J..... 525, 527	1001200907..... 319	1001202652..... 385, 435	1001206155..... 709
1001197608J..... 505, 511	1001200926J..... 34	1001202774..... 30, 34	1001206156..... 19, 21
1001197609J..... 505, 507	1001200968..... 601	1001202795..... 37	1001206173..... 227
1001197611..... 517, 521	1001201027..... 545, 547, 713	1001202904..... 225	1001206179..... 833
1001197612..... 527, 531	1001201070..... 1074	1001202918..... 1019	1001206246..... 285
1001197639..... 993	1001201080..... 1074	1001203172..... 23	1001206356..... 305
1001197806..... 367, 369	1001201081..... 1074	1001203307..... 331	1001206454..... 19, 21
1001197807..... 367, 369	1001201128..... 997	1001203308..... 331	1001206498..... 773, 847
1001197808..... 367, 369	1001201161..... 549, 551, 959	1001203309..... 331	1001206613..... 387
1001198331..... 811, 813, 815, 817	1001201162..... 959	1001203314... 95, 97, 99, 859	1001206669..... 203
1001198346..... 39	1001201205..... 821	1001203503..... 217	1001206671..... 205
1001198355..... 217	1001201207..... 605, 607	1001203551..... 359	1001206712..... 1133
1001198369..... 21	1001201245..... 811, 813, 859	1001203601..... 359	1001206713..... 1133
1001198734..... 811, 813, 815, 817	1001201331..... 715	1001203640..... 975, 977, 981	1001206744..... 751
1001198735..... 811, 813	1001201336..... 641, 643	1001203852..... 305	1001206818..... 1133
1001198740..... 811, 815	1001201338..... 646, 650	1001204060..... 977	1001207174..... 1009
1001198741..... 811, 815	1001201340..... 549, 551, 1081	1001204066..... 575	1001207184..... 805
1001198742..... 811, 815	1001201478..... 1059	1001204115..... 575	1001207594.. 1007, 1113
1001198836..... 85	1001201497..... 646, 657	1001204120..... 575	1001207606..... 209
1001198932..... 993	1001201498..... 641, 653	1001204194..... 387	1001207699..... 965, 967
1001199075..... 43, 47		1001204374..... 85	1001207700..... 965, 967
		1001204375..... 85	1001207701..... 965, 967
		1001204444..... 975, 977	1001207730..... 965
		1001204445..... 975, 977	1001207731..... 967
			1001207956..... 751
			1001208037..... 751
			1001208040..... 787, 789

PART NUMBER INDEX

1001208224 537	1001213315..... 947	1001215756..... 965, 967	1001220540 543
1001208308 584, 588	1001213331..... 575	1001215773..... 965, 967	1001220724 779
1001208518 549, 551, 995	1001213471..... 1115	1001215804..... 717	1001220945 955
1001208530J 30, 34	1001213752..... 1113	1001215844..... 753	1001220947 953, 955
1001208533J 30, 34	1001213791..... 567	1001216006..... 829	1001220948 955
1001208606 145	1001213906..... 791, 797	1001216053..... 829, 831	1001221052 655, 663
1001208944 111	1001213907..... 793, 795	1001216163..... 829, 831	1001221053 643, 655
1001208946 115	1001213922..... 829, 831	1001216232..... 829, 831	1001221054 659, 667
1001208948 111, 115	1001213930..... 829, 831	1001216471..... 815, 817	1001221055 650, 659
1001209135 551, 737	1001213934..... 829, 831	1001216637..... 815, 817	1001221056 1085
1001209433 275, 277, 279, 281, 285	1001213937..... 829, 831	1001216974..... 621, 625, 629	1001221057 663, 667
1001209463 681	1001213958..... 829, 831	1001217378..... 815, 817, 891	1001221058 663, 667
1001209530 537	1001213962..... 829, 831	1001217493..... 317	1001221059 643, 650
1001209575 823, 825	1001213963..... 829, 831	1001217548..... 49	1001221259 643
1001209576 925	1001213988..... 934	1001217623..... 987	1001221295 650
1001209577 925	1001214091..... 345	1001217750..... 807	1001221318 1113
1001209578 934	1001214092..... 711	1001217930..... 361	1001221319 1113
1001209651 847	1001214110..... 177	1001217956..... 261	1001222190 47
1001209706 823	1001214206.. 1136, 1140, 1144, 1148, 1152	1001217957..... 269	1001222573 315
1001209707 825	1001214220..... 737, 741	1001217958..... 265	1001222590 1003
1001209899 561	1001214280..... 759, 761	1001217972..... 261, 263	1001222603 769
1001209949 1021	1001214281..... 934	1001217973..... 269, 271	1001222702 1021
1001209986 1021	1001214312..... 121	1001217974..... 265, 267	1001222741 575
1001210343 537	1001214388..... 509, 513, 519, 523, 529, 533	1001218073..... 1035	1001223087 379
1001210344 537	1001214399..... 829	1001218074..... 1035	1001223092 19, 21
1001210394 123	1001214401..... 1113	1001218082..... 1035	1001223111 1021
1001210407 123	1001214449..... 93	1001218178..... 803	1001223265 603
1001210409 123	1001214455..... 93	1001218180..... 803	1001223875.. 1136, 1140, 1144, 1148
1001210441 737, 739	1001214517..... 383, 391	1001218192..... 803	1001223903 1021
1001210628 549, 551, 717	1001214518..... 383, 423	1001218249..... 377	1001224597 .. 1091, 1095
1001210798 695	1001214520..... 333, 335	1001218250..... 377	1001224926 299
1001210799 695	1001214572..... 83	1001218328..... 1160	1001224942 .. 1033, 1035
1001210802 693	1001214600..... 121	1001218529..... 643, 650	1001225168 303
1001210804 693	1001214618..... 809	1001218542..... 643, 650	1001225176 555, 557
1001210894 547, 551	1001214619..... 809	1001218781..... 789	1001225177 559
1001210897 547	1001214620..... 809	1001218835..... 235	1001225302 ... 999, 1117
1001210961 981	1001214621..... 805	1001218856..... 549, 551, 985	1001225304 .. 1001, 1119
1001210962 981	1001214622..... 809	1001218901..... 725	1001225305 ... 999, 1117
1001211357 991	1001214663..... 931	1001218902..... 725	1001225306 .. 1001, 1119
1001211474J 39	1001214665..... 295, 297	1001218934..... 365	1001225383 1109
1001211512 345	1001214666..... 295, 297	1001218939..... 363	1001225385 1109
1001211513 345	1001214686..... 1076	1001218996..... 643, 650	1001225426 30, 34
1001211693 934	1001214687..... 1076	1001219076..... 588	1001225534 803, 805
1001211897 163	1001214732..... 363	1001219135..... 725	1001225657 1157
1001211902 751	1001214733..... 363	1001219220..... 561	1001225658 1109
1001211907 584, 588	1001214734..... 365	1001219260J..... 53	1001225992 753
1001211915 751	1001214735..... 365	1001219443J..... 55	1001226001 535, 537
1001212011 581	1001214744..... 803, 805	1001219460..... 787, 789	1001226188 781
1001212047 727	1001214746..... 809	1001219463..... 53, 55	1001226227 1021
1001212048 729	1001214791..... 787, 789	1001219678..... 965, 967	1001226232 1021
1001212049 727	1001214830..... 851	1001219731..... 487, 489	1001226233 1021
1001212050 729	1001214832..... 947	1001219732..... 491, 493	1001226234 801
1001212215 39	1001214843..... 851, 901	1001219738..... 497, 499	1001226250 335
1001212369 711	1001214863..... 189	1001219758..... 501, 503	1001226265 335
1001212384 833, 889	1001214892..... 317	1001219863..... 607	1001226295 335
1001212468 597	1001214894..... 317	1001219864..... 603	1001226330 377
1001212676 179	1001215017..... 47	1001219865..... 603	1001226331 377
1001212680 187	1001215022..... 337, 339	1001219955..... 517, 519	1001226401 817
1001212685 167	1001215024..... 337, 339	1001219956..... 521, 523	1001226499 1021
1001212687 169	1001215299..... 19, 21	1001219957..... 527, 529	1001226512J 25
1001212689 171	1001215303J..... 25	1001219958..... 531, 533	1001226513 25
1001212733 183	1001215358..... 343	1001219959..... 507, 509	1001226514 25
1001213020 837	1001215531..... 575	1001219960..... 511, 513	1001226645 97, 99, 1091
1001213030 1155	1001215589..... 847, 911	1001220217 811, 815	1001226685 93, 97
	1001215639..... 89		1001226687 99

PART NUMBER INDEX

1001226722.....85, 907	1706285 1136, 1140, 1144, 1148	113, 115, 123, 261, 265, 269, 843, 863	3291005.25, 45, 153, 375
1001227090.....375	1706288 1136, 1140, 1144, 1148	2170208 753, 755	3291201.....259, 475
1001227186.....555, 557, 559	1706292 1136, 1140, 1144, 1148	2170706 ... 787, 789, 799, 801, 833	3291205..95, 97, 99, 109, 111, 113, 115, 261, 265, 269, 863
1001227187.....569, 571	1706296 1152	2170708 833	3291601.....93
1001227188.....569, 571	1706299 1152	2170808 833	3291605.....283, 843
1001227228 103	1706301 1152	2170910 837	3300220.....929
1001227287.. 1136, 1140, 1144, 1148, 1152	1706302 217, 1152	2171008 837	3300240..... 147, 151
1001227357709	1706306 1152	2171110 829	3300479.....385
1001227470.....535, 537	1706768 1152	2171310 829	3311405.....215
1001227522 813, 817	1706850 1152	2171824 807	3311502.....217
1001227523 813, 817	1706891 525	2172106 151	3321001.....929
1001227653 123	1706892 213	2172110 363, 365	3332011.....385, 543
1001227802567	1707078 1152	2172208 819	3332411.....383
10012278261021	1784861 119	2220240 809	3391410.....217
10012279561021	2080040 215	2220371 199	3421453.....215
1001228132.....663, 667	2080078 565	2220628 199	3423275..... 147, 151
1001228140.....663, 667	2080086 ... 555, 557, 559	2220883 911	3423307.....151
1001228141.....663, 667	2080087 ... 555, 557, 559	2220886 911	3520072.....215
1001228147663, 667	2080092 613	2340037 143	3700015.....1155
1001228418.....85	2110404 829	2340038 137	3760170.....215
1001228619.....27, 363	2110406 823, 825	2340045 135	3760348..... 737, 741
1001228974.....737, 741	2110410 823, 825	2400600 413, 441	3767853.....487, 491
1001228989.....975, 977, 981	2110606 85, 151, 161, 317, 847	2401043 413, 441	3767864.....507, 511
1001229318.....559	2110608 ... 785, 805, 845	2401258 413, 441	3820020.....215
1001229319.....555, 557	2110612 829, 831	2540045 25	3841203.....151
1001230128.....535, 537	2110806 85	2540049 343	3900349.....925
1001230129.....535, 537	2110808 ... 151, 785, 837, 845	2600281 215	3900357....917, 919, 921, 923
1001230163.....581	2110810 ... 315, 821, 823, 825	2717160 157, 159	3900379 30, 34, 535, 537, 677, 679
1001230490.....27	2110812 379	2717162 157, 159	3968141..... 411, 439
10012309311072	2111008 863	2717283 ... 157, 159, 877	3983720.....441, 471
1001231708.....915, 1041	2111010 ... 319, 357, 831, 1021	2902440 247, 253	3983731.....413, 441
1001231709.....915, 1053	2111012 809, 829, 831	2902441 249, 251	3984301.....413, 441
10012326591157	2111016 803, 805	2902443 1058, 1063	3990010.....1043
10012334071007	2111212 387	2920206 ... 971, 973, 979	4000015...739, 743, 1029
1001236402761	2111616 49, 333, 335, 379	2920207 965	400095.....30, 34
1001236404.....769	2130404 ... 753, 755, 831	2920208 965	4010416.....1027
1060379.....215	2130406 833	2940074 215	4010508002.....588
1062255....295, 297, 317, 349, 363, 365, 367, 369, 801, 807, 823, 825, 833, 835, 915, 917	2130604 85, 357	3020040 95, 97, 99	4010510.....769
10705034..... 157, 159	2130606 ... 157, 159, 161, 809, 847	31200160 213	4010608.....1029
10719267.....325, 327	2130608 157, 159	314689 95, 97, 99	4010608002.....567, 584, 588, 603, 605, 607, 609, 681
10733183.....329	2130610 379	3290401 ... 597, 945, 947, 969, 1081	4010610002.....584, 588, 599, 601, 609, 751
1170002.....153	2130806 809	3290405 577, 1027, 1029	4010612002.....569, 571, 584, 588, 597
1170012.....147	2130808 ... 357, 753, 755, 815, 817, 833, 851	3290501 ... 787, 789, 791, 793, 917, 921, 934, 949, 951, 965, 967, 989	4031504.....1035
1170021.....147	2130810 319	3290601 ... 121, 217, 597, 609, 646, 650, 737, 741, 751, 917, 921, 925, 934, 953, 955, 957, 965, 967, 971, 973, 975, 1029	4031605....787, 789, 791, 793
1170054.....151	2131010 ... 311, 811, 813, 837	3290605 ... 535, 537, 584, 588, 597, 1029	4031607..... 47, 584, 761
1170058.....207	2131012 ... 815, 817, 829, 831, 837	3290801 25, 43, 299, 301, 303, 319, 345, 359, 567, 733, 949, 1019, 1021	4031608....584, 595, 787, 789, 925
120034.....934	2131212 ... 379, 387, 811, 813, 815, 817	3290805 27, 367, 369, 535, 537, 745, 825	4031608001.....588
1670836.....827	2144605 ... 787, 789, 803, 805	3290806 565	4031612.....989
1701509.....215	2144606 321, 323	3291001 ... 285, 301, 303, 321, 323, 363, 365, 1027	4031708.....347, 1019
1702773.....213	2160016 ... 93, 95, 97, 99, 101, 103, 109, 111,		4031711.....1021
1704277215			4031909.....813, 817
1704885.....213			4031910.....689, 691, 845
1705980..... 1136, 1140, 1144, 1148, 1152			4031911.....785
1706098..... 1136, 1140, 1144, 1148, 1152			4031918....821, 823, 825, 831
1706281 1136, 1140, 1144, 1148			4031922.....815
1706284..... 1136, 1140, 1144, 1148			4032010.....361

PART NUMBER INDEX

4032013 375	4460748 1057	4461015..... 1037, 1041, 1079	650, 687, 689, 691, 693, 697, 709, 711, 733, 737, 741, 753, 755, 779, 781, 783, 785, 803, 805, 811, 813, 815, 817, 837, 847, 919, 923, 925, 945, 947, 949, 951, 953, 955, 957, 971, 983, 1015, 1019, 1021, 1023, 1029
4032015 375	4460789 1087	4461017..... 1067	4811902... 25, 30, 34, 85, 103, 311, 341, 345, 359, 535, 537, 609, 611, 641, 643, 646, 650, 725, 813, 817, 833
4032017 829, 831	4460836 1038, 1042, 1072	4461018..... 1059, 1063	4812000... 25, 30, 34, 45, 85, 117, 285, 295, 297, 299, 301, 303, 317, 321, 323, 333, 335, 349, 361, 363, 365, 375, 377, 697, 751, 753, 755, 779, 781, 787, 789, 799, 801, 803, 805, 829, 831, 833, 837, 839, 851, 915, 917, 921, 961, 965, 967, 981, 1013, 1019, 1021, 1027, 1031, 1109
4032111 355	4460871 1101	4461054..... 1050, 1054, 1059	4812002 45, 315, 359
4105262 117	4460884 1037, 1042, 1051, 1055, 1073, 1074, 1076, 1097	4461070..... 1059, 1060	4812100 43, 283, 475, 537, 863, 917, 921, 999, 1117
4109801 1136, 1140, 1144, 1148, 1152	4460891 1037, 1038, 1039, 1041, 1042, 1047, 1049, 1050, 1051, 1053, 1054, 1055, 1057, 1059, 1063, 1064, 1074, 1076, 1093, 1095	4461071..... 1058, 1063	4812102 39, 43, 119
4110422 ... 195, 197, 201, 203	4460892 1058	4461095..... 1059, 1060	4812200 1001, 1119
4110473 157, 159	4460894 1037, 1038, 1041, 1049, 1053, 1058, 1073, 1111	4461115..... 1074, 1095, 1105	4812300... 59, 61, 67, 71, 75, 79, 85, 283, 375, 383, 385, 843
4360543 1019	4460897 1038, 1039, 1041, 1042, 1049, 1050, 1051, 1053, 1054, 1055, 1072, 1079, 1103, 1111	4461118..... 1047, 1051, 1055, 1076, 1087	4812500 543
4360658 749	4460899 1038, 1041, 1042, 1049, 1053, 1087, 1107, 1109	4461119..... 1033	4831400.. 597, 969, 1081
4360669 83	4460905 1101	4461170..... 989	4831600 49, 925
443630 119	4460906 1072	4461174..... 983, 985	4831700... 609, 751, 925, 953, 955, 957
4460225 1072, 1073	4460911 1037, 1041, 1049, 1053	4461262..... 1033, 1050, 1054, 1073, 1074, 1095	4831900 . 95, 97, 99, 641, 643, 646, 650, 825
4460247 1059, 1064	4460930 1037, 1038, 1042, 1043, 1050, 1054, 1073	4641316..... 779, 781	4832000 367, 369, 837
4460256 1059	4460931 1047, 1050, 1054	4641501..... 161, 903	4846452 215
4460265 1073	4460932 1047, 1051, 1055, 1079, 1093, 1099, 1105	4641502..... 157, 159, 161	4872000 1031
4460267 1072, 1073	4460933 1038, 1041, 1049, 1053, 1058, 1072	4641520..... 845, 893	4891800 151
4460268 1072, 1073, 1074, 1076	4460941 1038, 1047, 1050, 1054, 1057, 1064, 1079, 1087, 1103, 1107	4711400..... 215	5201215 353
4460343 1072, 1073	4460942 1037, 1038, 1041, 1042, 1043, 1044, 1049, 1053, 1057, 1072, 1074, 1076, 1079, 1097	471678..... 713, 787, 789, 803, 829, 831	5220600 335, 973, 977
4460418 1076	4460943 1074, 1079, 1097, 1111	4740532..... 353, 355	5220800 931
4460419 1076	4460944 1037, 1039, 1043, 1047, 1049, 1053, 1058, 1060, 1064, 1065, 1076, 1097, 1101	4761000..... 929	5240600 . 925, 1019, 1021
4460434 1073, 1074, 1076	4460945 1039, 1043, 1047, 1060, 1064, 1065, 1076	4807718..... 565	5240800 315, 819
4460458 1057, 1074, 1105	4460950 1057, 1064	4811400.... 597, 749, 945, 947, 1027, 1029, 1081	5241000 315, 375
4460464 1037, 1038, 1042, 1047, 1050, 1054, 1057, 1064, 1069, 1072, 1074, 1079, 1087, 1093, 1095, 1099, 1105	4460994 1072, 1073, 1074, 1076	4811600.... 321, 323, 584, 588, 787, 789, 791, 793, 917, 921, 949, 951, 965, 967, 989	5241200 259
4460465 1037, 1038, 1039, 1041, 1042, 1043, 1047, 1049, 1050, 1051, 1053, 1054, 1055, 1057, 1058, 1059, 1060, 1063, 1064, 1065, 1072, 1073, 1074, 1076, 1079, 1093, 1095, 1097, 1101, 1111	4461006 1058, 1059, 1063	4811602..... 584	5241600 57
4460466 1037, 1038, 1039, 1041, 1042, 1043, 1047, 1049, 1050, 1051, 1053, 1054, 1055, 1057, 1058, 1059, 1060, 1064, 1065, 1072, 1073, 1074, 1076, 1079, 1095, 1097, 1101, 1105, 1109	4461008 1059, 1063, 1109	4811602001..... 588	5242400 217, 383
4460496 934		4811700.... 25, 30, 34, 85, 121, 217, 299, 325, 331, 335, 341, 345, 347, 555, 557, 559, 567, 584, 597, 599, 601, 605, 609, 646, 650, 681, 705, 713, 737, 741, 747, 751, 833, 917, 919, 921, 934, 953, 955, 957, 963, 965, 967, 971, 973, 975, 977, 1009, 1035, 1113	5250608 671
4460497 934		4811700001..... 588, 603, 607	5251016 25
4460508 1057, 1064, 1067		4811702.. 25, 30, 34, 325, 327, 331, 535, 537, 584, 609, 613, 699, 701, 737, 741, 747, 753, 755, 837, 925, 1031	5260800 315
4460509 1037, 1041, 1042, 1059, 1063		4811702001..... 567, 569, 571, 588, 769	5271609 949, 951
4460536 1049, 1053, 1069, 1097, 1109		4811900.... 25, 27, 30, 34, 37, 45, 49, 53, 55, 93, 109, 111, 113, 115, 285, 299, 301, 303, 311, 315, 317, 319, 345, 359, 367, 369, 539, 567, 575, 611, 621, 625, 629, 646,	5271814 811, 813
4460539 1037, 1039, 1042, 1043, 1044, 1047, 1049, 1053, 1057, 1058, 1063, 1073, 1097			5271921 1021
			5271922 817

PART NUMBER INDEX

5272011.....1011, 1013, 1015	70020724 219	70021364 181	70022823..... 63, 69
70002219.....871	70020725 219	70021365 181	70022824..... 63
70002224.....871	70020726 219	70021366 181	70022825..... 63
70003170.....389, 885	70020728 219, 220	70021367 181	70022826..... 69
70003849.....871	70020730 149, 229	70021368 181	70022831..... 255, 257
70004280..287, 289, 291, 293	70020731 149, 229	70021369 181	70022906.....229
70004518.....291, 293	70020764 897, 899	70021370 181	70022907.....229
70004520..287, 289, 291, 293, 1160	70020867 887, 893	70021387 . 181, 197, 199, 203, 205	70022912.....229
70005191..287, 289, 291, 293	70021076 427	70021399 181	70022922.....229
70005504.....287, 289	70021140 439, 449	70021415 . 197, 201, 203, 205	70022923.....229
70005505.....287, 289	70021147 393, 429	70021440 875	70022924.....229
70005507.....287, 289	70021150 457, 459	70021444 875	70022925.....229
70005515.....287, 289	70021151 397, 429	70021446 875	70022927..... 219, 229
70005556.....287, 289	70021153 397, 429	70021447 875	70022928.....229
70005559.....287, 289	70021154 397, 429	70021448 875	70022929.....229
70011901..287, 289, 291, 293	70021155 397, 429	70021451 875	70022930.....229
70020173..397, 413, 429, 441	70021156 397, 429	70021452 875	70022997.....155
70020201.....207	70021157 397, 429	70021462 875	70023276.....229
70020205.....207	70021177 393, 425	70021463 875	70023277.....229
70020206.....207	70021178 465	70021464 875	70023278.....229
70020233.....395, 427	70021181 397, 429	70021504 145	70023369..... 857
70020234.....395, 427	70021196 427	70021531 897, 899	70023370..... 857
70020236.....395, 427	70021198 473	70021558 153	70023372..... 857
70020237.....395, 427	70021199 473	70021559 153	70023900...397, 429, 463
70020239.....395, 427	70021200 433, 473	70021560 153	70023915.....861
70020240.....395, 427	70021221 427	70021561 153	70023928.....903
70020242.....395, 427	70021238 149	70021562 153	70023929.....903
70020243.....395	70021239 149	70021563 153	70024020..... 871
70020244.....395, 427	70021240 149	70021613 399	70024059..197, 199, 201, 203, 205
70020245.....395, 427	70021241 149, 229	70021835 229	70024060..... 199, 201
70020247...395, 399, 427	70021242 . 149, 220, 221, 267	70021836 229	70024061..... 199
70020249.....395, 427	70021243 149, 267	70021838 229	70024062..... 199
70020251.....395, 427	70021244 149	70021839 229	70024063..... 199
70020268.....419	70021245 149	70021840 229	70024064..... 199
70020269.....401, 431	70021246 149	70021841 229	70024123..... 155
70020271.....395	70021247 149	70021842 229	70024164..... 869
70020276.....403, 419	70021248 149	70021843 229	70024165..... 869
70020281.....399	70021251 623	70021921 . 197, 199, 201, 203, 205	70024166..... 869
70020282.....397	70021252 623	70021928 395, 427	70024167..... 869
70020283.....399	70021314 631, 633	70021929 395, 427	70024168..... 869, 1160
70020288.....427	70021316 631, 633	70021935 . 197, 199, 201, 203, 205	70024210.....415
70020290.....399	70021317 627	70021977 . 197, 199, 201, 203	70024213.....415
70020292.....399	70021318 627	70021978 . 197, 199, 201, 203, 205	70024262..... 871
70020293.....399	70021319 627, 635	70021979 . 197, 199, 201, 203, 205	70024399..... 889
70020295.....399	70021321 635	70022028 . 197, 199, 201, 203, 205	70024400..... 889
70020296.....399	70021322 627	70022034 623	70024401..... 889
70020297.....399	70021323 635	70022527 .. 197, 201, 203	70024436..... 219, 220
70020298.....399	70021324 635	70022528 . 197, 199, 201, 203, 205	70024437.....219
70020299.....399	70021325 635	70022529 . 197, 199, 201, 203, 205	70024438.....219
70020303.....427	70021326 635	70022564 857	70024439.....219
70020346.....427	70021327 635	70022697 149	70024440.....219
70020417.....207	70021328 635	70022765 995	70024441.....219
70020421.....193	70021330 635	70022773 .. 401, 417, 443	70024442.....219
70020422.....193	70021340 965, 967	70022818 73, 77	70024443.....219
70020438.....855	70021341 965, 967	70022819 73, 77	70024444.....219
70020506.....149	70021342 .. 181, 201, 203	70022821 63, 69	70024445.....219
70020507.....149	70021349 . 197, 199, 201, 203, 205	70022822 63	70024446.....219
70020508.....149	70021356 181		70024447.....219
70020555.....209, 211	70021357 181		70024448.....219
70020560.....181	70021358 181		70024449.....219
70020562.....181	70021359 181		70024450.....219
	70021360 181		70024452.....219
	70021361 181		70024453.....219
	70021362 181		70024454.....219
	70021363 181, 875		70024455.....219
			70024456.....219

PART NUMBER INDEX

70024480 . 287, 289, 291, 293	70024713 232	70024920..287, 289, 291, 293	70026293 939
70024485 . 287, 289, 291, 293	70024714 232, 239	70024945.....885	70026294 927
70024494 . 287, 289, 291, 293	70024715 232, 239	70024946.....885	70026295 927
70024495 . 287, 289, 291, 293	70024716 232, 239	70025012.....413	70026296 927
70024504 . 287, 289, 291, 293	70024720 232, 239	70025014.....413	70026297 927
70024509 . 287, 289, 291, 293	70024721 232, 239	70025205..287, 289, 291, 293	70026308 857
70024519 437	70024724 232, 239	70025478.291, 293, 1160	70026361 757
70024520 411, 439	70024731 232, 239	70025483.....623	70026362 757
70024521 411, 439	70024733 233, 239	70025485.....623	70026363 757
70024522 427, 439	70024734 233, 239	70025486.....623	70026364 757
70024528 399	70024744 232	70025489.....623	70026365 757
70024535 155	70024745 233	70025490.....623	70026366 757
70024536 155	70024748 233, 235	70025491.....623	70026367 757
70024537 155	70024749 233, 235	70025499.....623	70026543 857
70024538 155, 232	70024750 233, 235	70025533.....291, 293	70026582 887, 893
70024539 155, 873	70024752 233	70025539.....631, 633	70026623 415
70024540 155	70024753 233	70025549.....413, 441	70026630 445
70024541 155	70024754 233	70025562.....413, 441	70026631 419, 439
70024542 155	70024755 233	70025567.....413, 441	70026698. 197, 201, 203, 205
70024543 155	70024756 233, 235	70025569.....449	70026702 205
70024544 155	70024757 233	70025570.....449	70026717 371
70024545 155	70024758 233	70025606.....871	70026718 371
70024546 155	70024765 233, 235	70025644.....313	70026719 371, 373
70024547 873	70024766 233, 235	70025816.....735	70026720 371, 373
70024548 873	70024767 233	70025817.....735	70026721 371, 373
70024549 873	70024768 233, 235	70025819..397, 413, 429, 441	70026722 371, 373
70024550 155	70024770 233, 235	70025823.....415	70026723 371, 373
70024551 155	70024771 233	70025826.....879	70026724 371, 373
70024552 155	70024772 233, 235	70025827.....879	70026725 373
70024553 155	70024773 233, 235	70025828.....879	70026726 373
70024554 155	70024774 233, 235	70025829.....879	70026745 209
70024555 155	70024775 233	70025829.....879	70026746 209
70024676 232	70024776 233	70025830.....879	70026747 399
70024677 232	70024777 233	70025831.....879	70026751 417, 443
70024678 232	70024778 233	70025832.....879	70026752 417, 443
70024679 232, 235	70024779 233	70025833.....879	70026770 877
70024680 232	70024780 233	70025835.....879	70026771 877
70024681 232	70024781 233	70025837.....879	70026772 877
70024682 232	70024782 233	70025838.....879	70026773 877
70024683 232	70024783 233	70025839.....879	70026774 877
70024684 232	70024784 233	70025840.....879	70026775 877
70024685 232, 235	70024785 233	70025842.....417, 443	70026808 401, 431
70024686 232	70024786 233	70025859.....739, 743	70026816 909
70024687 232	70024787 232	70025860.....739, 743	70026818 413, 441
70024688 232	70024788 232	70025884.....445	70026821 467
70024690 232, 239	70024865 395, 427	70025928.....413, 441	70026826 417, 443
70024691 232, 239	70024868 395, 427	70025959.....871	70026827.. 413, 441, 467
70024692 232, 239	70024869 395, 427	70026002.....397, 429	70026830 861
70024696 232, 239	70024870 395, 427	70026007.....329, 1160	70026831 861
70024697 232, 239	70024872 409	70026008.....329, 1160	70026832 861
70024698 232	70024876 404, 420	70026011..287, 289, 291, 293	70026833 861
70024699 232, 239	70024877 404, 420	70026018.....229	70026834 861
70024701 232, 239	70024878 429	70026031.....411, 439	70026835 861
70024702 232	70024884 469	70026056.....871	70026836 861
70024703 232, 239	70024885 397, 429	70026057.....871	70026837 861
70024706 232, 239	70024886 397, 429	70026058.....871	70026838 861
70024707 232, 239	70024887 397, 429	70026059.....871	70026839 861, 1160
70024708 232, 239	70024888 465	70026060.....871	70026840 855
70024709 232, 239	70024889 397, 429	70026061.....871	70026841 855
70024711 232, 239	70024890 397, 429	70026062.....871	70026842 855
70024712 232, 239	70024891 397, 429	70026062.....871	70026843 855
	70024892 .. 397, 429, 465	70026210..287, 289, 291, 293	70026844 855, 1160
	70024894 .. 397, 429, 469	70026262.....415	70026858 393
	70024897 399	70026263.....399	70026859 393
	70024918 . 287, 289, 291, 293	70026292.....937	70026860 393
			70026861 393

PART NUMBER INDEX

70026862.....393	70026931..... 404, 420	70027179 .. 127, 131, 133	70027779.....227
70026863.....395	70026932..... 404, 420	70027181 313	70027780.....227
70026864.....411	70026933..... 404, 420	70027182 313	70027781.....227
70026865.....395, 411	70026934..... 404, 420	70027183 313	70027782.....227
70026866.....395, 427	70026951..... 425	70027184 313	70027783.....227
70026867.....395, 427	70026952..... 427	70027185 313	70027784.....227
70026868.....395	70026953..... 429	70027186 313	70027785.....227
70026869.....395	70026954..... 429	70027187 313	70027786.....227
70026870.....397	70026955..... 429	70027216 857	70027787.....227
70026871.....397	70026956..... 431	70027217 857	70027788.....227
70026872.....397	70026965..... 905, 907	70027218 857	70027789.....227
70026873.....397, 429	70026966..... 905, 907	70027219 857	70027790.....205
70026874.....397, 429	70026967..... 905, 907	70027220 857	70027791.....227
70026875.....397, 429	70026968..... 905, 907	70027221 857	70027792.....227
70026876...397, 429, 457	70026969..... 905, 907	70027222 857, 1160	70027793.....227
70026877...397, 429, 459	70026970..... 905, 907	70027229 865	70027794.....227
70026878.....399	70026971..... 905, 907	70027230 865	70027902.....911
70026879.....399	70026972..... 905, 907	70027231 865, 1160	70027990.....219
70026880.....399	70026973..... 905, 907	70027232 865	70027991.....219
70026881.....399	70026974..... 905	70027233 865	70027992.....219
70026882.....399	70026975..... 905, 907	70027234 865	70027993.....219
70026883.....399	70026976..... 905, 907	70027235 865	70027994.....219
70026884.....399	70026977..... 437	70027241 909	70027995..... 219, 220
70026885.....399	70027009 .. 197, 203, 205	70027267 895	70027996.....219
70026886.....401	70027039 883	70027268 895	70027997..... 219, 220
70026887.....401, 431	70027109 420	70027269 895	70027998.....219
70026888.....401, 431	70027110 403, 419	70027270 895	70027999.....219
70026889.....401, 431	70027111 420	70027271 895	70028000.....219
70026891.....403, 419	70027112 411	70027272 879	70028001.....219
70026892.....403, 419	70027113 411	70027273 879	70028002..... 219, 220
70026893.....419	70027114 413, 441	70027274 329	70028003.....219
70026894.....403, 419	70027115 409	70027290 183	70028004.....219
70026895.....403, 419	70027116 413	70027293 .. 179, 183, 187	70028005.....219
70026896.....403, 419	70027117 417, 443	70027294 .. 179, 183, 187	70028006..... 219, 220
70026897.....403, 419	70027118 419	70027296 .. 179, 183, 187	70028007..... 219, 220
70026898.....403, 419	70027119 419	70027297 .. 179, 183, 187	70028008.....219
70026899.....403, 419	70027120 419	70027298 .. 179, 183, 187	70028009.....220
70026900.....403	70027121 420	70027301 183	70028010.....220
70026901.....403, 419	70027122 420	70027302 179, 187	70028011.....220
70026902.....403	70027123 420	70027324 187	70028012.....220
70026903.....403, 419	70027124 420	70027325 187	70028013.....220
70026904.....403, 419	70027125 420	70027326 187	70028014.....220
70026905.....403	70027126 419	70027392 627, 631	70028015.....220
70026906.....403, 419	70027127 439	70027393 631	70028016.....220
70026907.....403, 419	70027149 397, 429	70027394 631, 633	70028017.....220
70026908.....403, 419	70027150 739, 743	70027395 627	70028018.....220
70026909.....403, 419	70027158 87	70027396 633	70028019.....220
70026911.....403, 419	70027159 87	70027397 633	70028020.....220
70026912.....403, 419	70027160 87	70027403 287, 289, 1160	70028021.....220
70026913.....403, 419	70027161 87	70027404 287, 289	70028022.....220
70026914.....403, 419	70027162 87	70027405 287, 289	70028023.....220
70026915.....403, 419	70027163 87	70027596 897	70028024.....220
70026916.....403, 419	70027164 87	70027597 885	70028025.....220
70026917.....403, 419	70027165 87	70027598 885	70028026.....220
70026918.....403, 419	70027166 87	70027599 885	70028027.....220
70026919.....403, 419	70027167 87	70027602 389	70028028..... 220, 229
70026920.....403, 419	70027168 87	70027604 149	70028029.....220
70026921.....403, 419	70027169 87	70027605 149	70028030.....220
70026922.....403, 419	70027170 87	70027606 149	70028031..... 220, 229
70026923.....403, 419	70027171 87	70027607 149	70028032.....220
70026924.....403, 419	70027172 87	70027631 163	70028033.....220
70026925.....404	70027173 87	70027773 227	70028034.....220
70026926.....404, 420	70027174 65	70027774 227	70028035.....220
70026927.....404, 420	70027175 65	70027775 227	70028036.....220
70026928.....404, 420	70027176 81	70027776 227	70028037.....220
70026929.....404, 420	70027177 81	70027777 227	70028038.....220
70026930.....404, 420	70027178 81	70027778 227	70028039.....220

PART NUMBER INDEX

70028040 220	70028433 271	7029351 247, 253	8009816 1136, 1140,
70028041 220	70028434 263	7029352 247, 253	1144, 1148, 1152
70028042 220	70028546 1087	7029353 247, 249	80203021 403, 419
70028043 220	70028978 229	7029354 247, 249	80204005 . 393, 409, 411,
70028044 220	70028979 229	7029355 247, 249	425, 437, 451
70028045 220	70028980 229	7029356 247, 249	80204007 403, 419
70028046 220	7016331 ... 287, 289, 291,	7029357 249	80204012 429
70028047 220	293, 1160	7029427 439	80204016 403, 419
70028048 263	7017478 911	7029428 441	80204060 415
70028049 263	7017496 911	7029430 413, 441	80204065 461
70028050 263	7020465 ... 287, 289, 291,	7029432 413, 441, 471	80204071 . 403, 413, 419,
70028051 263	293	7029486 599, 601, 829,	441
70028052 263	7028049 441	831, 1125	80204108 415
70028053 263	7028076 411	7029520 211	80204111 399
70028054 263	7028083 445	7029521 211	80204117 . 397, 399, 413,
70028069 267	7028115 413, 441	7029692 181, 201, 203	415, 429, 441, 445, 473
70028070 267	7028124 185	7029711 181	8020420 403
70028071 267	7028127 ... 179, 183, 185,	7029714 181	80204207 403, 419
70028072 271	187	7029767 623	80204208 419
70028073 271	7028128 185	7029788 399	80204209 403, 419
70028074 271	7028129 185	7029789 415	80204210 403, 419
70028075 271	7028130 185	7029969 965, 967	80204213 427
70028076 271	7028131 175, 185, 187	7029970 965, 967	80204215 403, 419
70028077 271	7028132 185	7029971 965, 967	80204275 395
70028080 271	7028134 185	7139918 157, 159	80204281 399, 415
70028087 220	7028135 185	7300435 283	80233218 85, 781, 809
70028112 239	7028136 153	7301295 157	80264002 631, 633
70028113 235	7028137 153	7301568 159	80264004 631, 633
70028114 241	7028710 411, 447	7301893 931	80333151 787, 789
70028118 235, 239	7028733 ... 397, 413, 429,	77133137 335, 1021	8034641 403
70028120 239	441, 461	77133140 .. 803, 805, 823,	80363179 1057
70028121 235	7028734 415	825	8036733 877
70028122 241	7028735 415	77133168 803, 805	80604017 1111
70028123 241	7028910 175, 185	77133177 823, 825	80604018 1057, 1059
70028124 241	7028911 175	77133279 335	806253 539
70028125 241	7028912 175	77363244 1058	806264 539
70028127 235	7028913 175	8000759 565	80963067 1057
70028128 241	7028914 175	8000803 567	80983191 .. 937, 939, 941
70028129 235	7028915 175	8000877 413, 441	8220043 1067
70028133 235	7028916 175	8004398 565	8220051 1072
70028134 235	7028917 175	8004468 453, 455	8220097 1057
70028136 239	7028918 175, 187	8005079 475	8220098 1057
70028139 235	7028919 175	8005616 1136, 1140,	8220108 1058
70028140 235	7028920 175	1144, 1148, 1152	8220114 1037, 1041,
70028141 235	7028923 175	8005671 1136, 1140,	1097
70028144 239, 241	7028982 175	1144, 1148	8220115 1059
70028156 235	7028983 175	8005675 1136, 1140,	8229242 937, 939
70028157 235	7028984 175, 185	1144, 1148	8229244 927, 941
70028158 235	7028985 175	8005825 485	8229245 927, 937
70028165 235	7028986 185, 187	8005827 495, 505, 515	8229247 927, 939
70028166 235	7028987 185	8005870 1136, 1140,	8270147 931
70028167 235	7028988 185, 187	1144, 1148, 1152	8270148 931
70028168 235	7028989 185	8005901 601	8275212 ... 299, 301, 303
70028169 235	7028990 175	8006605 413, 441	8303634 157, 159
70028170 235	7028991 175	8006612 1136, 1140,	8303658 157, 159
70028171 235	7029129 447	1144, 1148, 1152	8305438 117
70028172 235	7029131 447, 449	8007751 447	8305624 157, 159
70028423 267	7029271 477, 479	8007771 413, 441	8305643 157, 159
70028424 267	7029321 185	8007774 413, 441, 453	8305919 . 25, 30, 34, 584,
70028425 267	7029323 185	8007777 413, 441, 455	588, 609, 613
70028426 267	7029344 247, 249	8007779 413, 441	8310302 157, 159
70028427 271	7029345 247, 253	8007780 413, 441	8310435 157, 159
70028428 271	7029346 247, 253	8007782 413, 441	8310559 581
70028429 271	7029347 247, 253	8008175 417, 443	8310620 385
70028430 271	7029348 247, 253	8008657 1136, 1140,	8310737 375
70028431 271	7029349 247, 253	1144, 1148	8330081 787, 789
70028432 271	7029350 247, 253		8380008 197, 199

PART NUMBER INDEX

8405006.....295, 297, 833	90554017..... 181	91474533 411, 439	91514082.....413, 441
8405007.....331, 367, 369	90554018..... 199	91474535 411, 439	91514083.....413
8405009.....737, 741	90554019..... 227	91474536 411, 439	91514084.....413
8405101.....317	90554020 . 197, 199, 201, 203, 205, 227	91474537 411, 439	91514087...393, 397, 429
8405103.....317, 807	90554022 . 197, 199, 201, 203, 205, 227	91474538 411, 439	91514098... 409, 425, 437
8405104.....331	90554042..... 875	91474539 439	91514099..397, 413, 429, 441, 445, 473
8405201....317, 331, 584, 588, 591, 807	90554054 . 197, 199, 201, 203, 205, 227	91474540 411, 439	91514109.....399
8405204.....317, 325, 327	90554062..... 181, 201	91474541 411, 439	91514117.....461
8405502....811, 813, 815, 817	90554065..... 181	91474542 411, 439	91514119..397, 413, 429, 441
8406110.....285	90554066..... 227	91474543 411, 439	91514120..397, 413, 429, 441
8406302.....331, 367, 369	90554067..... 227	91474544 411, 439	91514123..397, 411, 429, 439
8410009....363, 365, 367, 369, 643, 650, 809, 851	90554070..... 227	91474545 411, 439	91514134.....411, 439
8410011.....325, 327	90554076..... 181, 201	91474546 411, 439	91514146..395, 403, 411, 419, 451
8410013....285, 295, 297, 317	90554080..... 211	91474547 411, 439	91514147.....451
8420053.... 151, 155, 157, 159, 197, 199	91013191 1049, 1054	91474548 411, 439	91514148.....451
8420055.... 151, 155, 157, 159, 197, 199	91013192.... 1037, 1038, 1041, 1043	91474549 447	91514149...413, 441, 451
8430081....779, 781, 799, 801	91043147 799, 801	91474550 447, 449	91514154..399, 403, 415, 419
8466306.....721, 1144	91163268 299	91474551 447, 449	91514159.....415
8630003..... 157, 159	91403413 . 151, 155, 157, 159, 197, 199	91474552 415	91514165.....399, 415
8769124.....823, 825	91403414 . 151, 155, 157, 159, 197, 199	91474553 415	91514166.....399, 415
8770143.....363, 365	91474364 403, 419	91474554 415	91514188..397, 409, 413, 429, 437, 441
8770246.....363, 365	91474507 . 397, 409, 413, 429, 437, 441	91474555 415	91514189..397, 413, 429, 441
8770258.....803	91474512 . 393, 409, 429, 437	91474556 415	91554019.....1057, 1058
88201023.....1021	91474513 . 409, 413, 437, 441	91474557 415	91574001.....869
88671001..... 151	91474515 445	91474572 415	AU2105..... 1136, 1140, 1144, 1148, 1152
90200003..147, 151, 157, 159	91474516 445, 473	91474573 415	E000269 1027
90451058..... 157, 159	91474522 417, 443	91474574 415	
90554016..197, 199, 201, 203, 205, 209	91474528 403	91474575 415	
	91474529 439	91474576 415	
		91474577 415	
		91474578 .. 463, 465, 467	
		91474579 . 413, 441, 469, 471	
		91474580 .. 441, 469, 471	
		91474581 413, 441	
		91474582 413, 441	
		91474583 413, 441	
		91474584 413, 441	
		91474585 465, 467	
		91474586 .. 463, 465, 467	
		91474587 .. 463, 465, 467	
		91474588 411, 439	
		91474589 411, 439	
		91474590 411, 439	
		91474591 411, 439	
		91474592 411, 439	
		91474593 449	
		91474594 449	
		91474595 449	
		91504107 1111	



31211226



An Oshkosh Corporation Company

Corporate Office
JLG Industries, Inc.
1 JLG Drive
McConnellsburg, PA 17233-9533 USA
☎ **(717) 485-5161 (Corporate)**
☎ **(877) 554-5438 (Customer Support)**
☎ **(717) 485-6417**

Visit our website for JLG Worldwide Locations.
www.jlg.com