



Illustrated Parts Manual

Models
3369LE
4069LE
M3369
M4069

Prior to
SN 0200230092

P/N
3121123

August 31, 2016

ANSI



An Oshkosh Corporation Company

REVISION LOG

Note: Belgium production of 3369/4069LE & M3369/4069 models started in May 2002 and ceased in January 2003. SN range is SN 1200000398 through 1200000844.

January 1, 2001 - Original Issue of Manual (Edited to 0010572 Revision 3)
April 15, 2001 - Revised Manual (Edited to 0010572 Revision 8)
June 17, 2002 - Revised Manual (Edited to 0010572 Revision 16)
November 30, 2002 - Revised Manual (Edited to 0010572 Revision 19)
June 30, 2003 - Revised Manual (Edited to 0010572 Revision 24)
November 1, 2003 - Revised Manual (Edited to 0010572 Revision 27)
April 8, 2004 - Revised Manual (Edited to 0010572 Revision 27)
September 20, 2004 - Revised Manual (Edited to 0010572 Revision 29)
January 27, 2005 - Revised Manual (Edited to 0010572 Revision 29)
May 15, 2006 - Revised Manual (Edited to 0010572 Revision 42)
October 1, 2006 - Revised Manual (Edited to 0010572 Revision 46)
February 16, 2007 - Revised Manual (Edited to 0010572 Revision 46)
August 23, 2007 - Revised Manual (Edited to 0010572 Revision 50)
September 16, 2008 - Revised Manual (Edited to 0010572 Revision 52)
May 15, 2009 - Revised Manual (Edited to 0010572 Revision 53)
December 31, 2010 - Revised Manual (Edited to 0010572 Revision 53)
April 20, 2011 - Revised Manual (Edited to 0010572 Revision 58)
July 12, 2011 - Revised Manual (Edited to 0010572 Revision 59)
October 3, 2011 - Revised Manual (Edited to 0010572 Revision 59)
February 1, 2012 - Revised Manual (Edited to 0010572 Revision C)
June 22, 2012 - Revised Manual (Edited to 0010572 Revision D)
August 22, 2012 - Revised Manual (Edited to 0010572 Revision D)
January 14, 2013 - Revised Manual (Edited to 0010572 Revision D)
April 15, 2013 - Revised Manual (Edited to 0010572 Revision E)
July 11, 2013 - Revised Manual (Edited to 0010572 Revision E)
October 9, 2013 - Revised Manual (Edited to 0010572 Revision E)
September 19, 2014 - Revised Manual (Edited to 0010572 Revision M)
September 30, 2015 - Revised Manual (Edited to 0010572 Revision M)
August 31, 2016 - Revised Manual (Edited to 0010572 Revision M)

GENERAL INFORMATION

SECTION 6 CYLINDER

FIGURE 6-3. LIFT CYLINDER ASSEMBLY

PG# Model Designation Manual #

SECTION 6 CYLINDER

FIGURE 6-3. LIFT CYLINDER ASSEMBLY

ITEM #	PART NUMBER	QTY.	DESCRIPTION	REV.
	1001140104	Ref	LIFT CYLINDER ASSEMBLY	B
1	0100011	AR	Compound, Locking	
2	0630535	3	Capscrew 1/4-20 x 1-1/8	
3	0791003	1	Screw #10-24 x 3/8	
4	0961897	1	Bushing, Tapered	
5	1320136	1	Clamp, Cable	
6	1663063	1	Head	
7	2220883	1	Plug, O-Ring	
8	2220885	2	Plug, O-Ring	
9	2220886	1	Plug, O-Ring	
10	3020039	AR	Lubricant	
11	3480282	1	Piston	
12	3760371	1	Ring, Washer	
13	3931420	8	Capscrew 1/4-20 x 1-1/4	
14	3931824	8	Capscrew 1/2-13 x 1-1/2	
15	3951003	1	Setcrew #10-24 x 3/8	
16	4100099	1	Spacer	
17	4640999	1	Cartridge, Holding Valve (Non Vented)	
17	2900792	1	Kit, Seal - 4640999 Cartridge Valve	
18	4641248	1	Cartridge, Countbalance Valve (Non Vented)	
18	70004186	1	Kit, Seal - 4641248 Cartridge Valve	
19	1001117991	1	Sensor, Cylinder Length	
20	1001118070	1	Cap, Retainer	
21	1001118084	1	Barrel	
21A	0961950	2	Bushing	
22	1001118086	1	Rod	
22A	0961950	2	Bushing	
100	1001139996	1	Kit, Seal (Includes Items 101-109)	
101	See Note	2	Ring, Wear (Note: Use p/n 1001139996)	
102	See Note	1	Ring, Back-Up (Note: Use p/n 1001139996)	
103	See Note	2	Ring, Lock (Note: Use p/n 1001139996)	
104	See Note	2	Ring, Back-Up (Note: Use p/n 1001139996)	
105	See Note	2	O-Ring (Note: Use p/n 1001139996)	
106	See Note	1	O-Ring (Note: Use p/n 1001139996)	
107	See Note	1	Seal (Note: Use p/n 1001139996)	
108	See Note	1	Wiper, Rod (Note: Use p/n 1001139996)	
109	See Note	2	Seal (Note: Use p/n 1001139996)	
200	1001119105	1	Kit, Sensor Magnet (Includes Items 201-203)	
201	See Note	NSS	Sleeve, Spacer (Note: Use p/n 1001119105)	
202	1001118066	1	Magnet, Sensor	
203	1001118069	1	Ring, Internal Retaining	

Manual # Model Designation PG#

1) MACHINE IDENTIFICATION

Machines are identified by model and in some cases a combination of models, serial number (SN) or regional standard (i.e. ANSI, CE, CSA). Components may also be identified by SN or manufacturer. Common components that may be identified by these characteristics are engines and hydraulic components.

2) PARTS MANUAL ORGANIZATION

Product information in this manual is organized under section titles. Frame, Cylinder, Hydraulic and Electrical are a few examples. Each section is organized by figure and page number. The information within the Figure is then organized by item number, part number, description and corresponding illustration(s).

3) TABLE OF CONTENTS

A table of contents is found toward the beginning of the manual. Figure number, description and page number are provided for quick reference to the page containing the related information.

4) RECOMMENDED SPARE PARTS

The Recommended Spare Parts, located near the end of the manual, reference most frequently used maintenance parts.

5) PART NUMBER INDEX

A numerical index listing all part numbers and the corresponding page number(s) appears at the back of the manual.

GENERAL INFORMATION

6) NON-SERVICED PARTS

In some instances, it is necessary to display non-serviced parts, assemblies or installations. In the case of assemblies and installations there will be a Ref in the Qty column. In case of parts that are not available for service within assemblies or components, there will be a NSS (Not Sold Separately) or NLA (No Longer Available) listed in the Qty. column of the manual.

7) PARTS LIST ITEM NUMBERS

Numbers shown in the item# column correspond to numbers used in the associated illustration (s). Item numbers which are missing from the sequence in the parts list are not used on that page

8) INDENTED PARTS DESCRIPTION

An indented part description is included in the item under which it is indented.

9) ABB REVIATION AND SYMBOLS

AC.....	.. Alternating Current	LCD Liquid Crystal Display
ADE.....	..Advanced Design Electronics	LED Light Emitting Diodes
ANSIAmerican National Standards Institute	LH.....	.. Left Hand
AR.....	..As Required	LSSLoad Sensing System
ASSY Assembly	M(m).....	.. Metric/Meter
AUX.....	..Auxiliary	MM (mm)Milimeter
AWG.....	..American WireGauge	mA.....	.. Miliamps
B/M.....	.. Bill of Material	NLA.....	..No Longer Available
CE.....	..European Conformity	NPT National Pipe Threads
CCWCounter Clockwise	NSSNot So Id Separately
cm.....	..Centimeter	OD.....	..Outside Diameter
CWClockwise	ORB.....	.. O-Ring Boss
CSA.....	..Canadian Standards Association	ORFS.....	.. O-Ring Face Seal
CYL.....	..Cylinder	OZ (oz).....	..Ounces
DIA.....	..Diameter	PGPage
DC.....	..Direct Current	P/N.....	..Part Number
EMS Emergency Stop	qt.....	..Quarts
ENGEngine	QTY.....	..Quantity
FT (ft).....	..Feet	REFReference
GA (Ga).....	..Gauge	REVRevision Level
HYD.....	..Hydraulic	RH.....	.. Right Hand
Hz.....	..Hertz	SAE.....	.. Society of Automotive Engineers
ID.....	..Inside Diameter	SN.....	..Serial Number
in.....	..inches	SPEC(S).....	..Specifications
ISOInternational Organization for Standards	T/T.....	..Turntable
JIC.....	..Joint Industry Council	UGMUniversal Ground Module
KGKilogram	V.....	..Volts
L.....	..Liter	W.....	..Watts
LB.....	..Pounds	#.....	..Number

10) ILLUSTRATION REFERENCE LETTERS

When necessary, illustrations may contain reference letters that are intended to track information (i. e. hoses, harnesses) from one point to another or to track visual enlargement of components to show details that may be located in another area on the illustration.

Note: Due to continuous product improvements, JLG Industries, Inc. reserves the right to make specification changes without prior notification. Contact JLG Industries, Inc. for updated information.

TABLE OF CONTENTS

SECTION 1 - FRAME.....	9
FIGURE 1-1. FRAME AND STEERING INSTALLATION - 2WD	10
FIGURE 1-2. FRAME AND STEERING INSTALLATION - 4WD	12
FIGURE 1-3. DRIVE VALVE ASSEMBLY (4WD ONLY)	14
FIGURE 1-4. REAR AXLE INSTALLATION	16
FIGURE 1-5. TIRE AND WHEEL DRIVE INSTALLATION	20
FIGURE 1-6. DRIVE HUB ASSEMBLY (USA BUILT MACHINES AND ALL BELGIUM BUILT MACHINES) (Prior to SN 0200174517)	24
FIGURE 1-7. DRIVE HUB ASSEMBLY (USA BUILT MACHINES) (SN 0200174517 through 0200230091)	28
FIGURE 1-8. DRIVE MOTOR ASSEMBLY (REAR)	32
FIGURE 1-9. FRONT DRIVE MOTOR ASSEMBLY (4WD ONLY)	34
FIGURE 1-10. YANMAR MOTOR/GENERATOR AND BATTERY CHARGER INSTALLATION (M3369 AND M4069 ONLY)	38
FIGURE 1-11. KUBOTA MOTOR/GENERATOR AND BATTERY CHARGER INSTALLATION (M3369 AND M4069 ONLY).....	44
FIGURE 1-12. BATTERY CHARGER INSTALLATIONS (3369LE AND 4069LE ONLY).....	50
FIGURE 1-13. BATTERY CHARGER ASSEMBLY (MAC CHARGER)	54
FIGURE 1-14. BATTERY CHARGER ASSEMBLY (DELTA-Q CHARGER).....	58
FIGURE 1-15. INVERTER INSTALLATIONS (3369LE AND 4069LE ONLY).....	60
FIGURE 1-16. ELECTRICAL COMPONENTS INSTALLATIONS (FRAME MOUNTED).....	62
FIGURE 1-17. LADDER AND BEACON INSTALLATIONS	64
FIGURE 1-18. LEVELING JACKS INSTALLATION (OPTIONAL)	66
FIGURE 1-19. COVERS INSTALLATION (FRAME MOUNTED).....	70
SECTION 2 - GROUND CONTROLS	73
FIGURE 2-1. RIGHT SIDE COMPONENTS INSTALLATION	74
FIGURE 2-2. MAIN CONTROL VALVE ASSEMBLY	78
FIGURE 2-3. GROUND CONTROL BOX ASSEMBLY	80
FIGURE 2-4. LEFT SIDE COMPONENTS INSTALLATION.....	84
FIGURE 2-5. PUMP ASSEMBLY	86
FIGURE 2-6. BATTERY BOX INSTALLATIONS	88
SECTION 3 - SCISSORS ARMS	91
FIGURE 3-1. SCISSORS ARMS INSTALLATION - 3369LE AND M3369 (USA BUILT MACHINES AND ALL BELGIUM BUILT MACHINES) (Prior to SN 0200152398).....	92
FIGURE 3-2. SCISSORS ARMS INSTALLATION - 3369LE AND M3369 (USA BUILT MACHINES) (SN 0200152398 through 0200230091)	96
FIGURE 3-3. SCISSORS ARMS INSTALLATION - 4069LE AND M4069 (USA BUILT MACHINES AND ALL BELGIUM BUILT MACHINES) (Prior to SN 0200152398).....	100
FIGURE 3-4. SCISSORS ARMS INSTALLATION - 4069LE AND M4069 (USA BUILT MACHINES) (SN 0200152398 through 0200230091)	104
SECTION 4 - PLATFORM.....	107
FIGURE 4-1. PLATFORM AND ACCESSORIES INSTALLATION.....	108
FIGURE 4-2. FOLDDOWN HANDRAILS AND EXTENSION INSTALLATION (MANUALLY OPERATED PLATFORM)	112
FIGURE 4-3. PLATFORM CONSOLE BOX ASSEMBLY	116
FIGURE 4-4. DRIVE/STEER CONTROLLER ASSEMBLY (Prior to SN 0200142020, SN 1200000100 to Present).....	120
FIGURE 4-5. DRIVE/STEER CONTROLLER ASSEMBLY (SN 0200142020 through 0200230091)	122
SECTION 5 - CYLINDER.....	125
FIGURE 5-1. AXLE LOCKOUT CYLINDER ASSEMBLY	126
FIGURE 5-2. LEVELING JACK CYLINDER ASSEMBLY (USA BUILT MACHINES) (Prior to SN 0200104829).....	128
FIGURE 5-3. LEVELING JACK CYLINDER ASSEMBLY (USA BUILT MACHINES AND ALL BELGIUM BUILT MACHINES) (SN 0200104829 through 0200112734).....	130
FIGURE 5-4. LEVELING JACK CYLINDER ASSEMBLY (USA BUILT MACHINES) (ORIGINAL EQUIPMENT) (SN 0200112735 through 0200214443)	132
FIGURE 5-5. LEVELING JACK CYLINDER ASSEMBLY (USA BUILT MACHINES) (SERVICE REPLACEMENT) (SN 0200214444 through 0200230091).....	134
FIGURE 5-6. LIFT CYLINDER COMPONENTS ASSEMBLY - 3369LE AND M3369.....	136
FIGURE 5-7. LIFT CYLINDER COMPONENTS ASSEMBLY - 4069LE AND M4069.....	138
FIGURE 5-8. STEER CYLINDER ASSEMBLY	142
SECTION 6 - HYDRAULIC	145

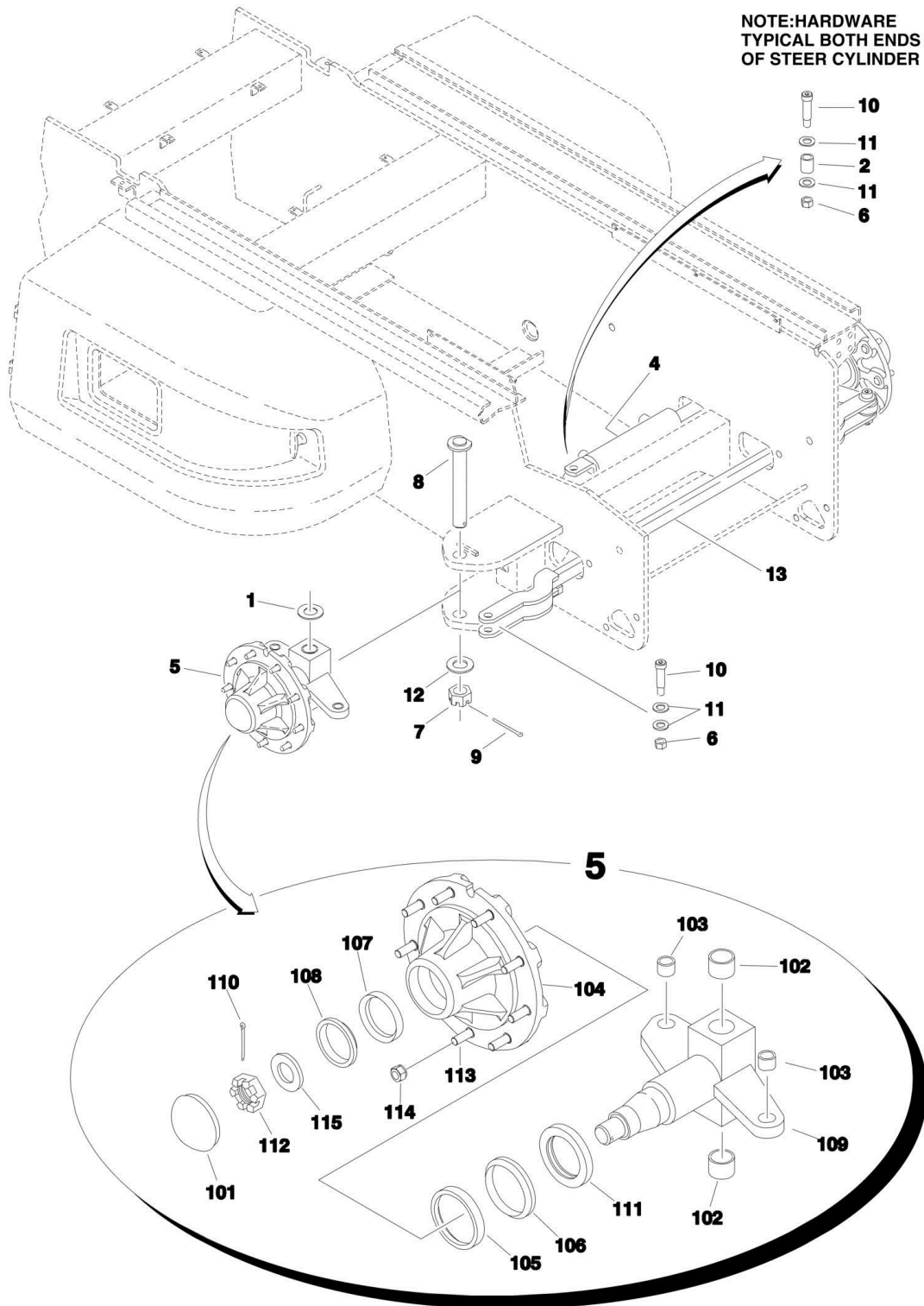
TABLE OF CONTENTS

FIGURE 6-1. HYDRAULIC DIAGRAM - FIXED AXLE	146
FIGURE 6-2. HYDRAULIC DIAGRAM - OSCILLATING AXLE	148
FIGURE 6-3. HYDRAULIC DIAGRAM - 4WD (OPTIONAL).....	152
FIGURE 6-4. HYDRAULIC DIAGRAM - LEVELING JACKS (OPTIONAL).....	154
FIGURE 6-5. HYDRAULIC DIAGRAM LIST.....	156
SECTION 7 - ELECTRICAL.....	157
FIGURE 7-1. ELECTRICAL SCHEMATIC	158
FIGURE 7-2. STANDARD ELECTRICAL COMPONENTS INSTALLATION (WITH MAC CHARGER).....	160
FIGURE 7-3. STANDARD ELECTRICAL COMPONENTS INSTALLATION (WITH DELTA-Q CHARGER).....	168
FIGURE 7-4. OPTIONAL ELECTRICAL COMPONENTS INSTALLATION	176
SECTION 8 - DECALS	181
FIGURE 8-1. DECAL INSTALLATION - ANSI SPECS.....	182
FIGURE 8-2. DECAL INSTALLATION - ANSI EXPORT SPECS.....	186
SECTION 9 - RECOMMENDED SERVICE PARTS STOCK	191
FIGURE 9-1. MODELS 3369LE/M3369/4069LE/M4069	192
FIGURE 9-2. MODELS 3369LE/M3369/4069LE/M4069	194
SECTION 10 - SPECIAL OPTIONS	195
FIGURE 10-1. SPECIAL OPTIONS	196
PART NUMBER INDEX.....	199

SECTION 1 - FRAME

SECTION 1 - FRAME

FIGURE 1-1. FRAME AND STEERING INSTALLATION - 2WD



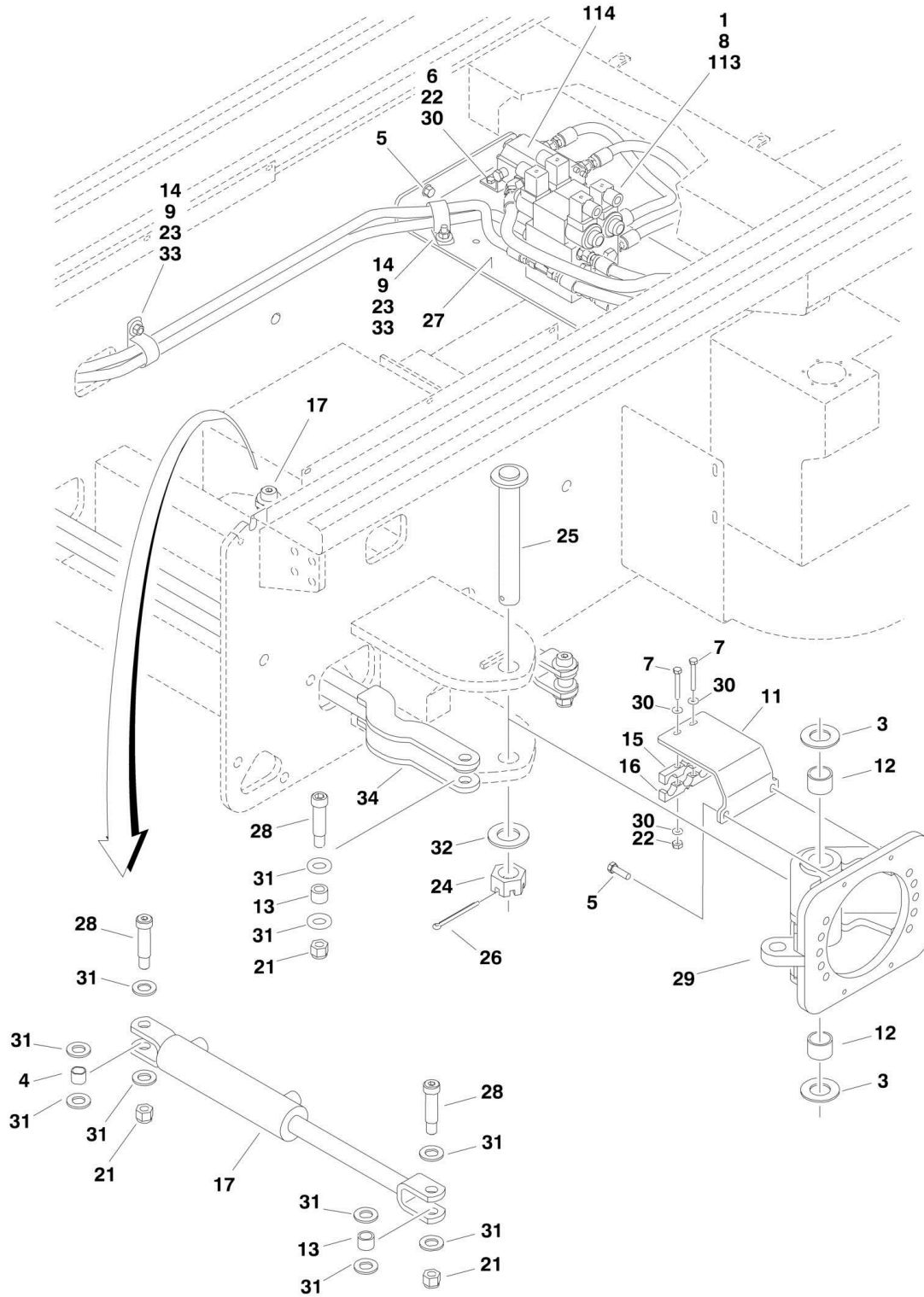
SECTION 1 - FRAME

FIGURE 1-1. FRAME AND STEERING INSTALLATION - 2WD

ITEM	PART NUMBER	QTY	DESCRIPTION	REV
	0270519	Ref	STEERING AND SPINDLES INSTALLATIONS	F
1	0440162	2	Bearing, Thrust	
2	0440247	1	Bearing	
4	1683994	1	Steer Cylinder Assembly (See CYLINDER SECTION for Breakdown)	
5	2780234	2	Hub/Spindle Assembly (See Items 101-115 for Breakdown)	
6	3300240	4	Locknut 5/8in-18NC	
7	3313003	2	Nut, Slotted 1-1/4in-7NC	
8	3422897	2	Kingpin	
9	3450812	2	Pin, Cotter 1/4in x 3in	
10	3900266	4	Screw, Shoulder	
11	4712200	16	Flatwasher 3/4in Thin	
12	4713000	2	Flatwasher 1-1/4in Thin	
13	4846301	1	Tie-Rod	
	2780234	Ref	HUB/SPINDLE ASSEMBLY	E
101	7020033	2	Cap, Dust (1 per Assembly)	
102	0961951	4	Bushing (2 Per Assembly)	
103	0962140	4	Bearing (2 per Assembly)	
104	7020035	2	Hub (1 Per Assembly)	
105	7020036	2	Cup, Bearing (Inner) (1 per Assembly)	
106	7020037	2	Cone, Bearing (Inner) (1 per Assembly)	
107	7020038	2	Cup, Bearing (Outer) (1 per Assembly)	
108	7020039	2	Cone, Bearing (Outer) (1 per Assembly)	
109	7020148	2	Spindle (1 per Assembly)	
110	7020140	2	Pin, Cotter (1 per Assembly)	
111	7020040	2	Seal (1 Per Assembly)	
112	7020054	2	Nut, Castle 1 1/4in-12 (1 per Assembly)	
113	7020041	18	Stud 5/8in-18NF (9 per Assembly)	
114	7020042	18	Lugnut 5/8in-18NF (9 per Assembly)	
115	7020055	2	Washer, Tanged 1-1/4in (1 per Assembly)	

SECTION 1 - FRAME

FIGURE 1-2. FRAME AND STEERING INSTALLATION - 4WD



SECTION 1 - FRAME

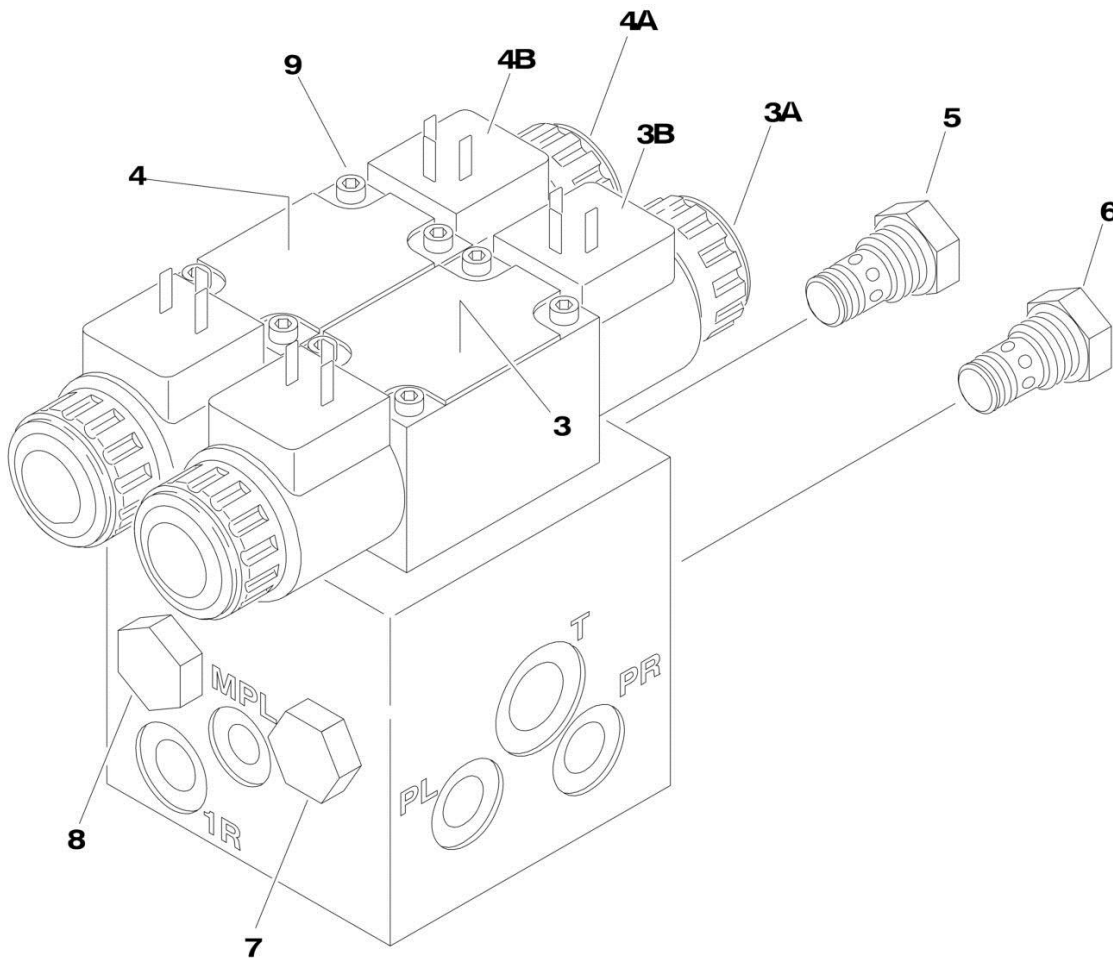
FIGURE 1-2. FRAME AND STEERING INSTALLATION - 4WD

ITEM	PART NUMBER	QTY	DESCRIPTION	REV
	0270992	Ref	STEERING INSTALLATIONS	H
1	0100011	AR	Compound, Locking	
3	0440162	4	Bearing, Thrust	
4	0440247	1	Bearing	
5	0630549	8	Bolt 3/8in-16NC x 1 1/4in	
6	0641406	4	Bolt 1/4in-20NC x 3/4in	
7	0641418	4	Bolt 1/4in-20NC x 2 1/4in	
8	0641506	4	5/16in-18NC x 3/4in	
9	0641610	4	Bolt 3/8in-16NC x1 1/4in	
11	0902704	2	Bracket, Clamp Mounting	
12	0961951	4	Bushing	
13	0962140	3	Bushing	
14	1320095	4	Clamp	
15	1320285	2	Clamp (Top)	
16	1320286	2	Clamp (Bottom)	
17	1683994	1	Steer Cylinder Assembly (See CYLINDER SECTION for Breakdown)	
21	3300240	4	Locknut	
22	3311405	8	Locknut 1/4in-20NC	
23	3311605	4	Locknut 3/8in-16NC	
24	3313003	2	Nut, Slotted 1 1/4in-7NC	
25	3422897	2	Kingpin	
26	3450812	2	Pin, Cotter 1/4in x 3in	
27	3572850	1	Plate, Valve Mounting	
28	3900266	4	Screw, Shoulder	
29	4130386	NLA	Spindle (Use p/n 1001097815)	
30	4711400	12	Flatwasher 1/4in Narrow	
31	4712200	16	Flatwasher 3/4in Narrow	
32	4713000	2	Flatwasher 1 1/4in Narrow	
33	4751600	6	Flatwasher 3/8in	
34	4846301	1	Tie-Rod	
35		Ref	Harness, Front Wheel Assist Options (Not Shown - See ELECTRICAL SECTION for Breakdown)	
35	4922551	1	Harness USA Built Machines (Prior to SN 0200196451)	
35	1001101989	1	Harness USA Built Machines (SN 0200196451 through 0200230091)	
35	4922551	1	Harness Belgium Built Machines	
36	1704998	2	Decal - All Wheel Drive (Not Shown - Located on Platform)	
	0270991	Ref	VALVES INSTALLATIONS	E
113		Ref	Valve Assembly - Drive (See DRIVE VALVE ASSEMBLY (4WD ONLY) for Breakdown)	
113	4641127	NLA	USA Built Machines (Use p/n 1001092586) (Prior to SN 0200156383)	
113	1001092586	1	USA Built Machines (SN 0200156383 through 0200230091)	
113	4641127	NLA	Belgium Built Machines (Use p/n 1001092586)	
114	4641148	1	Flow Divider Assembly	
114	Not Available		Seal Kit - 4641148 Valve	

SECTION 1 - FRAME

FIGURE 1-3. DRIVE VALVE ASSEMBLY (4WD ONLY)

NOTE: TORQUE ITEM#9
TO 60 IN/LBS



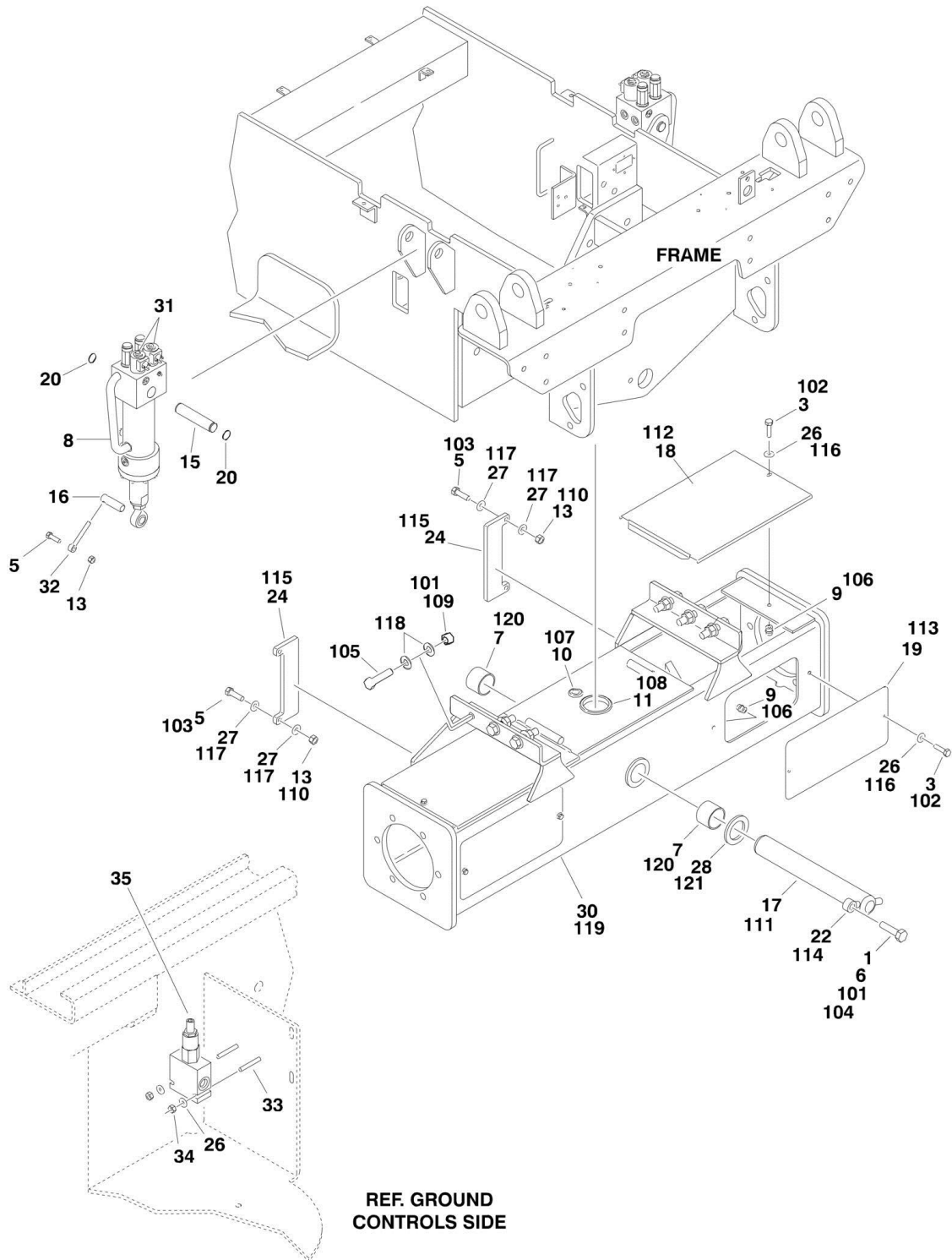
SECTION 1 - FRAME

FIGURE 1-3. DRIVE VALVE ASSEMBLY (4WD ONLY)

ITEM	PART NUMBER	QTY	DESCRIPTION	REV
		Ref	DRIVE VALVE ASSEMBLY	
	4641127	Ref	USA Built Machines (Prior to SN 0200156383)	D
	1001092586	Ref	USA Built Machines (SN 0200156383 through 0200230091)	B
	4641127	Ref	Belgium Built Machines	D
		Ref	Note: Original Equipment p/n 4641127 may have been replaced with Service Replacement p/n 1001092586. Identify p/n stamped on valve block before ordering parts.	
2		Ref	Manifold Options:	
2	Not Available		p/n 4641127 Valve	
2	1001092586	1	p/n 1001092586 Valve	
3		Ref	Control Valve Assembly	
3	7024011	1	p/n 4641127 Valve	
3	70001422	1	p/n 1001092586 Valve	
3	7012773	1	Seal Kit	
3A	7021375	2	Nut	
3B		Ref	Coil	
3B	7024013	2	p/n 4641127 Valve	
3B	70002947	2	p/n 1001092586 Valve	
4		Ref	Control Valve Assembly	
4	7024011	1	p/n 4641127 Valve	
4	70001422	1	p/n 1001092586 Valve	
4	7012773	1	Seal Kit	
4A	7021375	2	Nut	
4B		Ref	Coil	
4B	7024013	2	p/n 4641127 Valve	
4B	70002947	2	p/n 1001092586 Valve	
5	4641129	1	Cartridge, Check	
5	7012540	1	Seal Kit - 4641129 Valve	
6	4641129	1	Cartridge, Check	
6	7012540	1	Seal Kit - 4641129 Valve	
7	4641129	1	Cartridge, Check	
7	7012540	1	Seal Kit - 4641129 Valve	
8	4641129	1	Cartridge, Check	
8	7012540	1	Seal Kit - 4641129 Valve	
9	7018942	8	Capscrew #10-24NC x 2in	

SECTION 1 - FRAME

FIGURE 1-4. REAR AXLE INSTALLATION



SECTION 1 - FRAME

FIGURE 1-4. REAR AXLE INSTALLATION

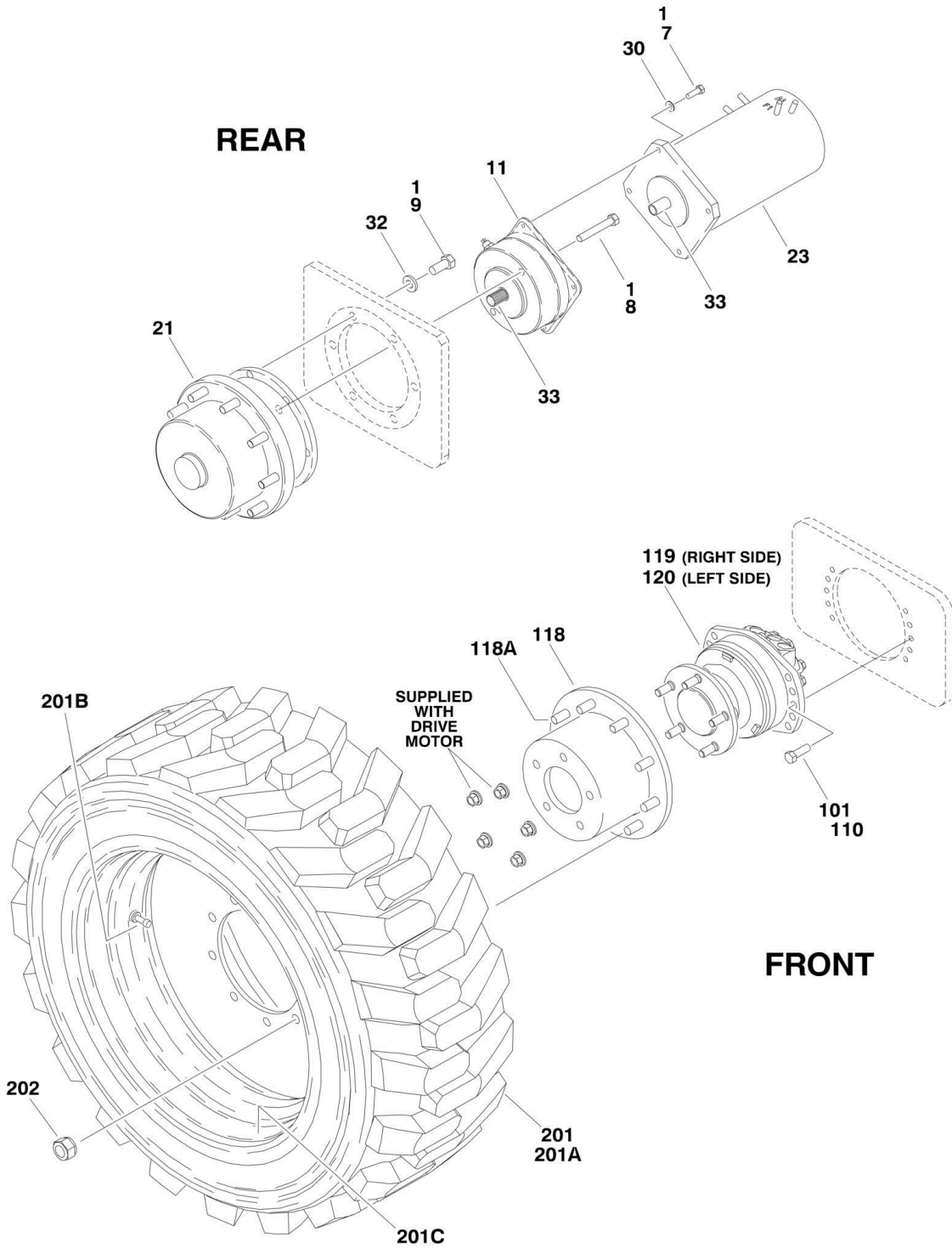
ITEM	PART NUMBER	QTY	DESCRIPTION	REV
	0270533	Ref	OSCILLATING AXLE INSTALLATION	K
1	0100011	AR	Compound, Locking	
3	0641408	6	Bolt 1/4in-20NC x 1in	
5	0641610	6	Bolt 3/8in-16NC x 1-1/4in	
6	0642012	1	Bolt 5/8in-11NC x 1 1/2in	
7	0961950	2	Bushing	
8	1684064	2	Oscillating Axle Cylinder Assembly (See CYLINDER SECTION for Breakdown)	
9	2080061	6	Fastener, Insert	
10	2540038	1	Grommet	
11	2540039	1	Grommet	
13	3311605	6	Locknut 3/8in-16NC	
15	3422745	2	Pin (Top)	
16	3422899	2	Pin (Bottom)	
17	3422900	1	Pin, Axle Pivot	
18	3572553	2	Cover (Top)	
19	3572554	2	Cover (Side)	
20	3760115	4	Ring, Retaining	
22	3841258	1	Keeper, Pin	
24	4071008	2	Shim	
26	4711400	8	Flatwasher 1/4in Narrow	
27	4711600	8	Flatwasher 3/8in Narrow	
28	4740158	1	Washer, Thrust	
30	4846299	1	Axle Weldment	
31	4641173	4	Solenoid Valve Assembly	
31	70000898	4	Cartridge, Solenoid Valve	
31	7024502	4	Seal Kit - 70000898 Valve (1 per Valve)	
31	7024501	4	Coil (1 per Valve)	
32	3841143	2	Keeper, Pin	
33	0641416	4	Bolt 1/4in-20NC x 2in	
34	3311405	4	Locknut 1/4in-20NC	
35	4641182	1	Valve, Pressure Reducing	
35	7021661	1	Seal Kit - 4641182 Valve	
	0270568	Ref	FIXED AXLE INSTALLATION	B
101	0100011	AR	Compound, Locking	
102	0641408	6	Bolt 1/4in-20NC x 1in	
103	0641610	4	Bolt 3/8in-16NC x 1-1/4in	
104	0642012	1	Bolt 5/8in-11NC x 1-1/2in	
105	0682020	6	Bolt 5/8in-11NC x 2-1/2in (Grade 8)	
106	2080061	6	Fastener, Insert	
107	2540038	1	Grommet	
108	2540039	1	Grommet	
109	3272001	6	Nut 5/8in-11NC (Grade 8)	
110	3311605	4	Locknut 3/8in-16NC	
111	3422900	1	Pin, Axle Pivot	
112	3572553	2	Cover (Top)	
113	3572554	2	Cover (Side)	
114	3841258	1	Keeper, Pin	
115	4071008	2	Shim	
116	4711400	14	Flatwasher 1/4in Narrow	

SECTION 1 - FRAME

ITEM	PART NUMBER	QTY	DESCRIPTION	REV
117	4711600	8	Flatwasher 3/8in Narrow	
118	4712000	12	Flatwasher 5/8in Narrow	
119	4846333	1	Axle Weldment	
120	0961950	2	Bushing	
121	4740158	1	Washer, Thrust	

SECTION 1 - FRAME

FIGURE 1-5. TIRE AND WHEEL DRIVE INSTALLATION



SECTION 1 - FRAME

FIGURE 1-5. TIRE AND WHEEL DRIVE INSTALLATION

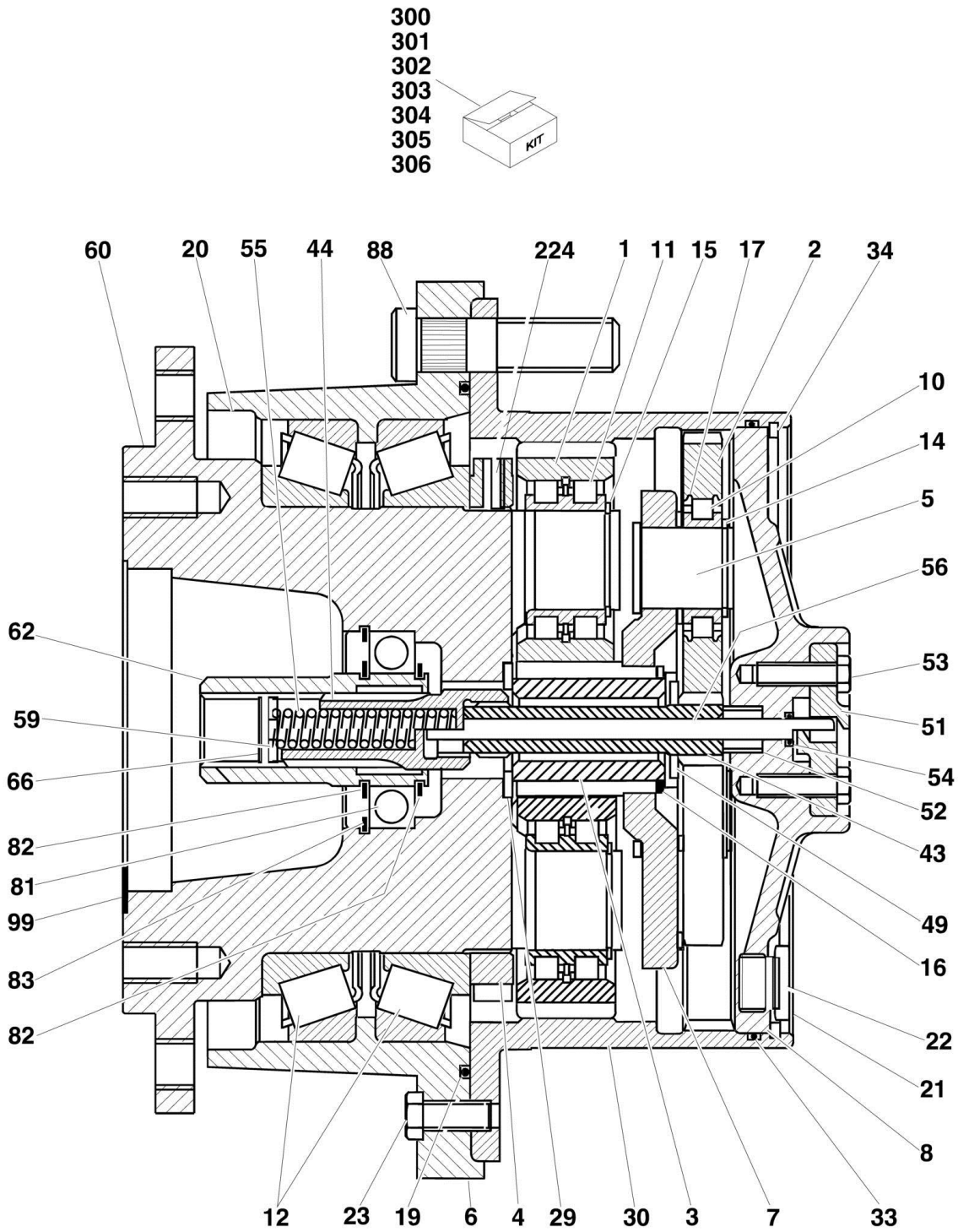
ITEM	PART NUMBER	QTY	DESCRIPTION	REV
		Ref	REAR WHEEL DRIVE INSTALLATIONS	
	0270473	Ref	USA Built Machines (Prior to SN 0200174517)	H
	1001099375	Ref	USA Built Machines (SN 0200174517 through 0200230091)	C
	0270473	Ref	Belgium Built Machines	H
1	0100019	AR	Compound, Locking	
7	0641609	8	Bolt 3/8in-16NC x 1-1/8in	
8	0641826	4	Bolt 1/2in-13NC x 3-1/4in	
9		Ref	Bolt Options:	
9	0682011	12	Bolt 5/8in-11NC x 1-3/8in (Grade 8)	
9	0682012	12	Bolt 5/8in-11NC x 1-1/2in (Grade 8)	
11	0920118	2	Drive Brake Assembly	C
11	Not Available	1	Ring, Sensor (was p/n 7027275 which is No Longer Available. Replace Complete Brake.)	
11	7007977	2	Ring, Bearing Retaining (Large) (1 per Assembly)	
11	7011716	2	Ring, Bearing Retaining (Small) (1 per Assembly)	
11	7007913	4	Bolt	
11	7011757	2	Complete Repair Kit (Includes Case and Oil Seals, O-Rings, Back-up Rings, Stator and Rotor Discs, Return Plate, Springs, Bearing and Brake To Hub Gasket) (1 Per Assembly)	
11	2900768	2	Bearing Kit (1 per Assembly)	
11	7007900	2	Seal, Oil - Front (1 per Assembly)	
11	7007933	2	Gasket, Brake to Hub (1 Per Assembly)	
11	70002408	2	Gasket, Brake to Motor (1 Per Assembly) (Not Included in Repair Kit)	
21		Ref	Drive Hub Assembly Options:	
21	2780236	2	USA Built Machines (See DRIVE HUB ASSEMBLY for Breakdown) (Prior to SN 0200174517)	
21	2780282	2	USA Built Machines (See DRIVE HUB ASSEMBLY for Breakdown) (SN 0200174517 through 0200230091)	
21	2780236	2	Belgium Built Machines (See DRIVE HUB ASSEMBLY for Breakdown)	
22	3020008	AR	Lubricant, Mobilube HD 80W-90 (Not Shown)	
23	3160256	2	Drive Motor Assembly (See DRIVE MOTOR ASSEMBLY (REAR) for Breakdown)	
30	4711600	8	Flatwasher 3/8in Narrow	
32	4892000	12	Washer, Hardened 5/8in	
33	3020037	AR	Grease, Coupling	
	0270992	Ref	FRONT WHEEL DRIVE INSTALLATION (4WD ONLY)	H
101	0100019	AR	Compound, Locking	
110	0681809	20	Bolt 1/2in-13NC x 1-1/8in	
118	2780260	2	Drive Hub Assembly	
118A	4300145	18	Bolt, Wheel (9 per Hub)	
119	3160245	1	Drive Motor Assembly (Right Side) (See FRONT DRIVE MOTOR ASSEMBLY (4WD ONLY) for Breakdown)	
120		Ref	Drive Motor Assembly (Left Side) Options (See FRONT DRIVE MOTOR ASSEMBLY (4WD ONLY) for Breakdown):	
120	3160267	1	USA Built Machines (Prior to SN 0200196451)	
120	1001101934	1	USA Built Machines (SN 0200196451 through 0200230091)	
120	3160267	1	Belgium Built Machines	
		Ref	TIRE AND WHEEL INSTALLATIONS	
	0270570	Ref	IN240/55 x 17.5 (Foam-Filled Tire with JLG in Tread Pattern)	C
	0270581	Ref	IN240/55 x 17.5 (Non-Marking Foam-Filled Tire with JLG in	A

SECTION 1 - FRAME

ITEM	PART NUMBER	QTY	DESCRIPTION	REV
	0273477	Ref	Tread Pattern) (Prior to SN 0200114833) IN240/55 x 17.5 (Non-Marking Foam-Filled Tire with Lightning in Tread Pattern) (SN 0200114833 through 0200230091)	B
	0270523	NLA	240/55 x D17.5 R4 Tread (Non-Marking Foam-Filled All Lug Tire) (4069LE/M3369/M4069 Only) (No Longer Available - Use p/n 0273477 as Replacement)	D
	0271690	NLA	240/55 x D17.5 R4 Tread (Non-Marking Foam-Filled All Lug Tire) (3369LE Only) (No Longer Used - Use p/n 0273477 as Replacement)	C
	0270627	Ref	27.2/10.5LL - 15.0 (Turf Tire)	C
201		Ref	Tire and Wheel Assembly Options:	
201	0258997	4	IN240/55 x 17.5 (Foam-Filled - See Note) (JLG in Tread Pattern)	E
201	0270417	4	IN240/55 x 17.5 (Non-Marking Foam-Filled - See Note) (JLG in Tread Pattern) (Prior to SN 0200114833)	2/B
201	0273468	4	IN240/55 x 17.5 (Non-Marking Foam-Filled - See Note) (Lightning Tread Pattern) (SN 0200114833 through 0200230091)	G
201	0271948	NLA	240/55 x D17.5 R4 Tread (Left Side) (Non-Marking Foam-Filled All Lug Tire) (Use p/n 0273468) (See Assembly Note Also)	
201	0271949	NLA	240/55 x D17.5 R4 Tread (Right Side) (Non-Marking Foam-Filled Tire All Lug Tire) (Use p/n 0273468) (See Assembly Note Also)	
201	0270530	4	27.2/10.5LL - 15.0 (Turf Tire)	E
		Ref	Note: Assemblies may require ballast/foam filling to manufacturer's specification prior to installing on a machine. Refer to Operation and Safety or Service and Maintenance Manuals. Purchase individual tire and/or rim only if able to foam fill tire and wheel assembly, otherwise, purchase complete assembly.	
201A		Ref	Tire Options (See Note):	
201A	4520209	4	IN240/55 x 17.5 (JLG in Tread Pattern)	
201A	4520247	4	IN240/55 x 17.5 (Non-Marking Foam-Filled Tire with JLG in Tread Pattern) (Prior to SN 0200114833)	
201A	4520269	4	IN240/55 x 17.5 (Non-Marking Foam-Filled Tire with Lightning Tread Pattern) (SN 0200114833 through 0200230091)	
201A	4520260	NLA	240/55 x D17.5 R4 Tread (Non-Marking Foam-Filled All Lug Tire) (Use p/n 0273468)	
201A	4520249	4	27.2/10.5LL - 15.0 (Turf Tire)	
201B		Ref	Valve, Air Options:	
201B	4640392	4	Valve (0258997, 0270417 & 0273477 Installations)	
201B	4640113	4	Valve (0270523, 0270627 & 0271690 Installations)	
201C		Ref	Rim, Wheel Options (See Note):	
201C	4860222	4	6.75 x 17.5	
201C	4860191	4	6.812 x 17.5	
201C	4860221	4	8.0 x 15.0	
202	3300426	36	Lugnut	

SECTION 1 - FRAME

FIGURE 1-6. DRIVE HUB ASSEMBLY (USA BUILT MACHINES AND ALL BELGIUM BUILT MACHINES)
(Prior to SN 0200174517)



SECTION 1 - FRAME

**FIGURE 1-6. DRIVE HUB ASSEMBLY (USA BUILT MACHINES AND ALL BELGIUM BUILT MACHINES)
(Prior to SN 0200174517)**

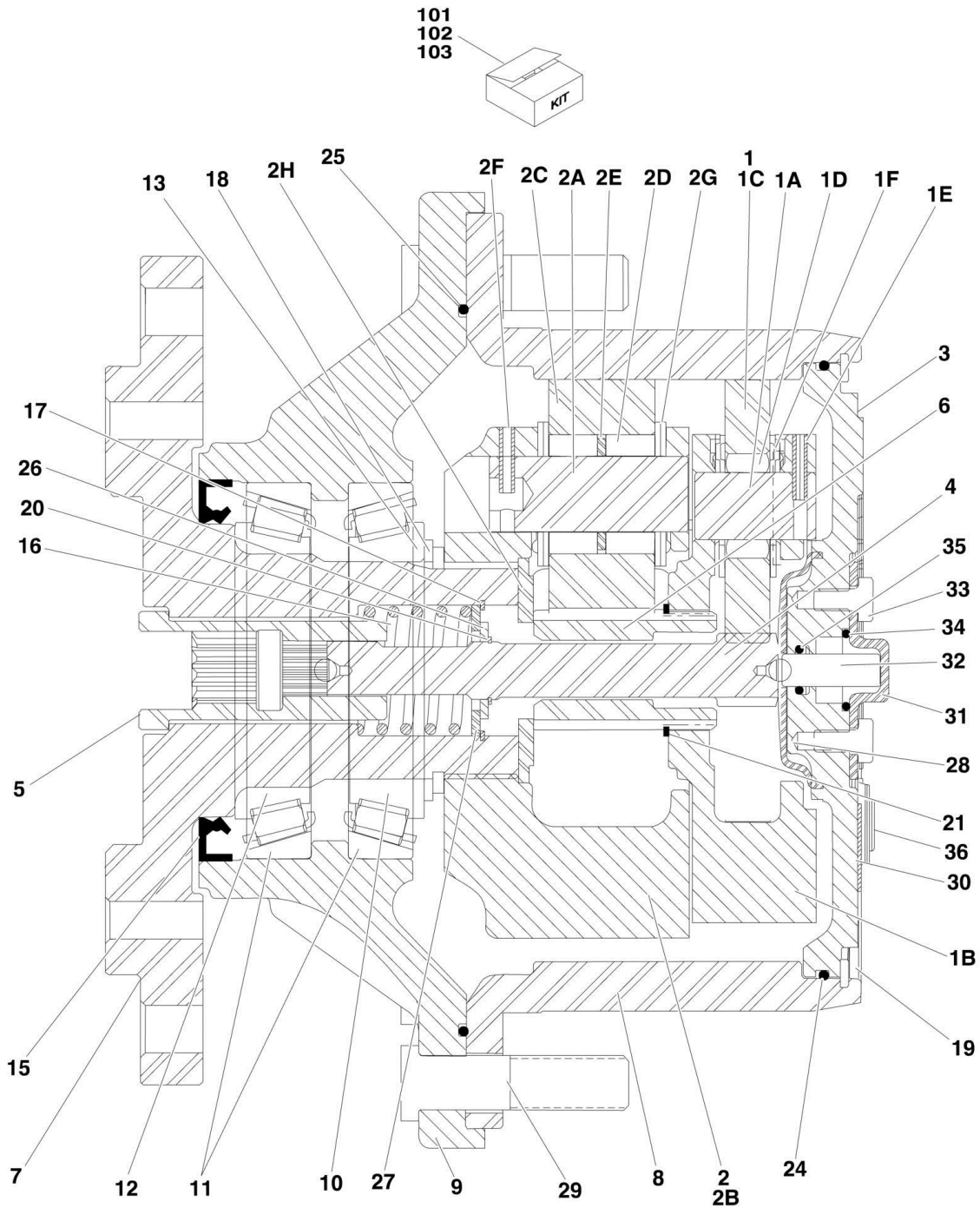
ITEM	PART NUMBER	QTY	DESCRIPTION	REV
	2780236	Ref	DRIVE HUB ASSEMBLY	E
1	7021323	4	Gear, Planet	
2	7021324	3	Gear, Planet	
3	7021325	1	Gear, Sun	
4	7023803	1	Nut, Shaft	
		Ref	Note: Unless there is capability to torque shaft nut (Item 4) to 625 ft/lbs (850Nm) Repair beyond this level is NOT advised.	
5	7021326	3	Bolt, Planet	
6	7021327	1	Ring, Support	
7	7021328	1	Carrier, Planet	
8	70003711	1	Cover	
10	70003712	3	Bearing, Roller	
11	70003713	4	Bearing, Roller	
12	70003714	2	Bearing, Roller	
14	70003715	3	Ring, Retaining	
15	70003716	4	Ring, Retaining	
16	7021341	1	Ring, Retaining	
17	70003717	3	Disk, Support	
19	See Note	1	O-Ring (Note: Use Items 300 & 303)	
20	See Note	1	Seal, Ring (Note: Use Items 300 & 303)	
21	See Note	3	Plug (Note: Use Items 300 & 303)	
22	See Note	3	Seal, Ring (Note: Use Items 300 & 303)	
23	7021342	3	Bolt	
29	7024049	1	Washer, Housing	
30	7021335	1	Gear, Ring	
33	See Note	1	O-Ring (Note: Use Items 300, 303 & 304)	
34	70003718	1	Ring, Retaining	
43	7021336	1	Shaft, Sun Gear	
44	7021337	1	Shaft, Input	
49	7024051	1	Washer, Thrust	
51	70003719	1	Cover	
52	70003720	1	Disk	
53	70003721	2	Bolt	
54	See Note	1	O-Ring (Note: Use Items 300, 304, 305 & 306)	
55	7024053	1	Spring, Pressure	
56	70003722	1	Rod, Shaft	
59	70003723	1	Disk, Rotor	
60	7021339	1	Spindle	
62	7021340	1	Coupler	
66	70003724	1	Ring, Retaining	
81	7024983	1	Bearing, Ball	
82	7021341	2	Ring, Retaining	
83	7024931	1	Ring, Retaining	
88	7021344	9	Stud, Wheel (was p/n 7024984)	
99	7024985	1	Plug	
224		Ref	Component Options:	
224	See Note	2	Ball (Note: Not Available - Use Slotted Pin in Item 303) (Prior to SN 0200141266)	
224	See Note	2	Expander (Note: Not Available - Use Slotted Pin in Item 303)	

SECTION 1 - FRAME

ITEM	PART NUMBER	QTY	DESCRIPTION	REV
224	See Note	2	(Prior to SN 0200141266) Plug (Note: Not Available - Use Slotted Pin in Item 303) (Prior to SN 0200141266)	
224	70003725	2	Pin, Slotted (SN 0200141266 through 0200230091)	
		Ref	KIT OPTIONS:	
		Ref	Seal Kit Options:	
300	7021333	1	Seal Kit (Includes Items 19-22, 33 & 54)	
		Ref	Repair Kit Options:	
301	7024981	1	Planet Gear Kit 1 (Includes Items 1, 11 & 15)	
302	7024986	1	Planet Gear Kit 2 (Includes Items 2, 10, 14 & 17)	
303	7024047	1	Bearing Kit (Includes Items 4, 12, 19, 20, 23, 33 & 224)	
		Ref	Note: Unless there is capability to torque shaft nut (Item 4) to 625 ft/lbs (850Nm) Repair beyond this level is NOT advised.	
304	7021329	1	Cover Kit (Includes Items 8, 21, 22, 33, 34 & 51-54)	
305	7021338	1	Mechanical Disconnect Kit 1 (Includes Items 54-56, 59 & 66)	
306	7024054	1	Mechanical Disconnect Kit 2 (Includes Items 51, 53, 54 & 56)	

SECTION 1 - FRAME

FIGURE 1-7. DRIVE HUB ASSEMBLY (USA BUILT MACHINES) (SN 0200174517 through 0200230091)



SECTION 1 - FRAME

FIGURE 1-7. DRIVE HUB ASSEMBLY (USA BUILT MACHINES) (SN 0200174517 through 0200230091)

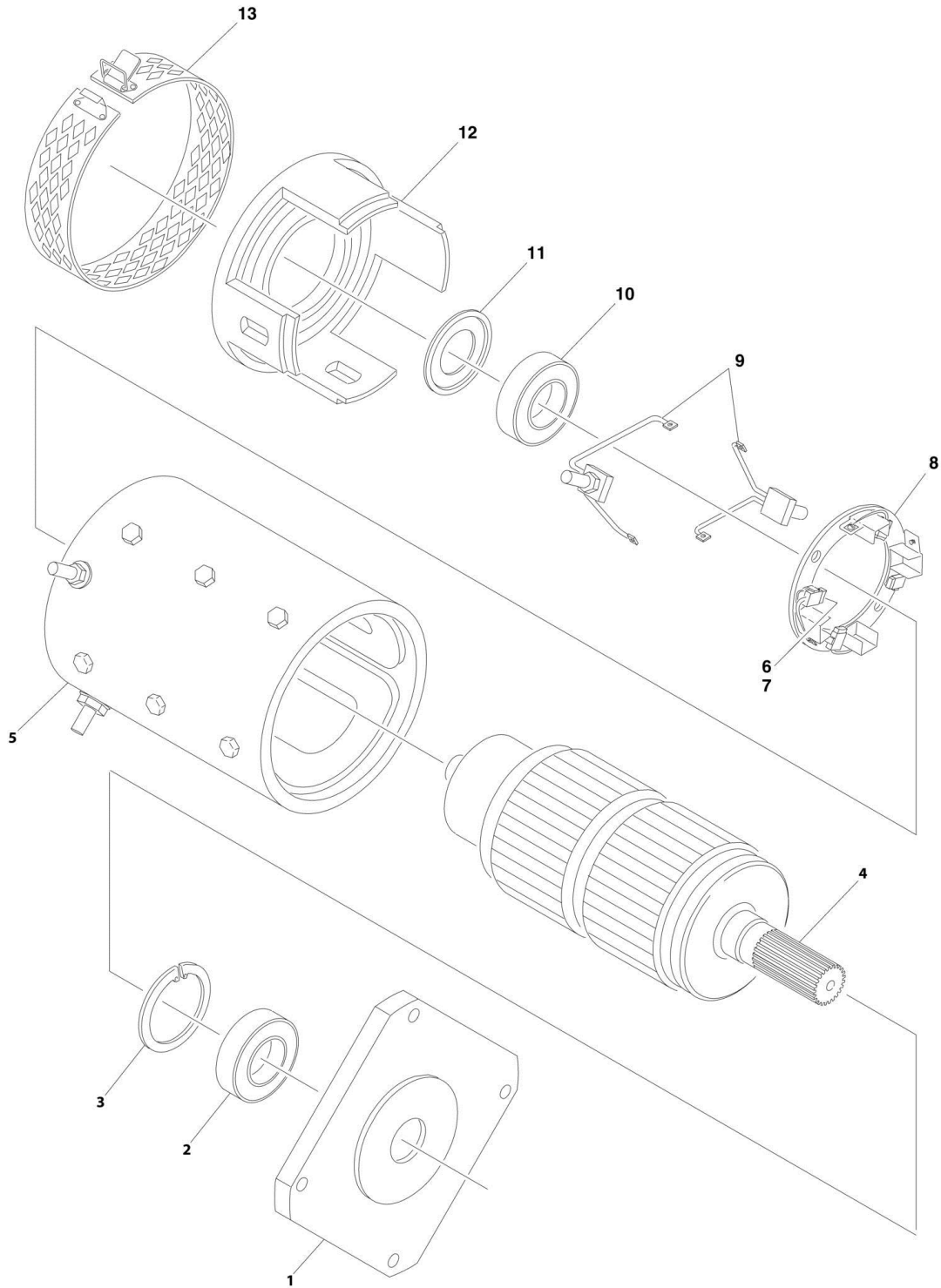
ITEM	PART NUMBER	QTY	DESCRIPTION	REV
	2780282	Ref	DRIVE HUB ASSEMBLY	C
1	70001366	1	Carrier, Sub Assembly	
1A	See Note	NSS	Shaft, Planet (Note: Use Item 1)	
1B	See Note	NSS	Carrier (Note: Use Item 1)	
1C	See Note	NSS	Gear, Planet (Note: Use Item 1)	
1D	See Note	NSS	Bearing, Needle (Note: Use Item 1)	
1E	See Note	NSS	Pin, Roll (Note: Use Item 1)	
1F	See Note	NSS	Washer, Thrust (Note: Use Item 1)	
2	70001367	1	Carrier, Input (Purchase p/n 70001367 for items 2A-2H)	
2A	See Note	NSS	Shaft, Planet (Note: Use Item 2)	
2B	See Note	NSS	Carrier (Note: Use Item 2)	
2C	See Note	NSS	Gear, Planet (Note: Use Item 2)	
2D	See Note	NSS	Bearing, Needle (Note: Use Item 2)	
2E	See Note	NSS	Spacer, Thrust (Note: Use Item 2)	
2F	See Note	NSS	Pin, Roll (Note: Use Item 2)	
2G	See Note	NSS	Washer, Thrust (Note: Use Item 2)	
2H	See Note	NSS	Washer, Thrust (Note: Use Item 2)	
3	See Note	NSS	Cover (Note: Use Item 103)	
4	70001369	1	Shaft, Input	
5	70001370	1	Coupling	
6	70001371	1	Shaft, Sun Gear	
7	70001372	1	Spindle	
8	70001373	1	Gear, Ring	
9	See Note	NSS	Housing (Note: Not Available - Purchase Complete Assembly)	
10	See Note	NSS	Bearing, Tapered-Cone (Note: Use Item 101)	
11	See Note	NSS	Bearing, Tapered-Cup (Note: Use Item 101)	
12	See Note	NSS	Bearing, Tapered-Cone (Note: Use Item 101)	
13	7017009	1	Washer, Thrust	
15	See Note	NSS	Seal, Lip (Note: Use Item 102)	
16	70001374	1	Spring	
17	70001375	1	Ring, Retaining (Internal)	
18	See Note	NSS	Ring, Retaining (External) (Note: Use Item 102)	
19	7024738	1	Ring, Retaining (Internal)	
20	70001376	1	Ring, Retaining (External)	
21	70001377	1	Ring, Retaining (External)	
22	7000281	4	Screw (Not Shown - ID plate screws)	
23	7017022	3	Bolt, Flathead (Not Shown - Located on front of hub)	
24	See Note	NSS	O-Ring (Note: Use Item 102)	
25	See Note	NSS	O-Ring (Note: Use Item 102)	
26	70001378	1	Spacer, Thrust	
27	70001379	1	Washer, Thrust	
28	7024741	1	Spacer, Thrust	
29	7007640	9	Stud, Wheel	
30	See Note	NSS	Flange, Plate (Note: Use Item 103)	
31	See Note	NSS	Cap, Disengage (Note: Use Item 103)	
32	See Note	NSS	Pin, Dowel (Note: Use Item 103)	
33	See Note	NSS	Bolt (Note: Use Item 103)	
34	See Note	NSS	O-Ring (Note: Use Item 103)	
35	See Note	NSS	O-Ring (Note: Use Item 103)	
36	See Note	NSS	Plug (Note: Use Item 103)	

SECTION 1 - FRAME

ITEM	PART NUMBER	QTY	DESCRIPTION	REV
		Ref	KIT OPTIONS	
101	7017007	1	Planet Gear Bearing Kit (Includes Items 10-12)	
102	70001380	1	Planet Gear Seal Kit (Includes Items 15, 18, 24 & 25)	
103	70001368	1	Cap/Disengage Kit (Includes Items 3, 30-36)	

SECTION 1 - FRAME

FIGURE 1-8. DRIVE MOTOR ASSEMBLY (REAR)



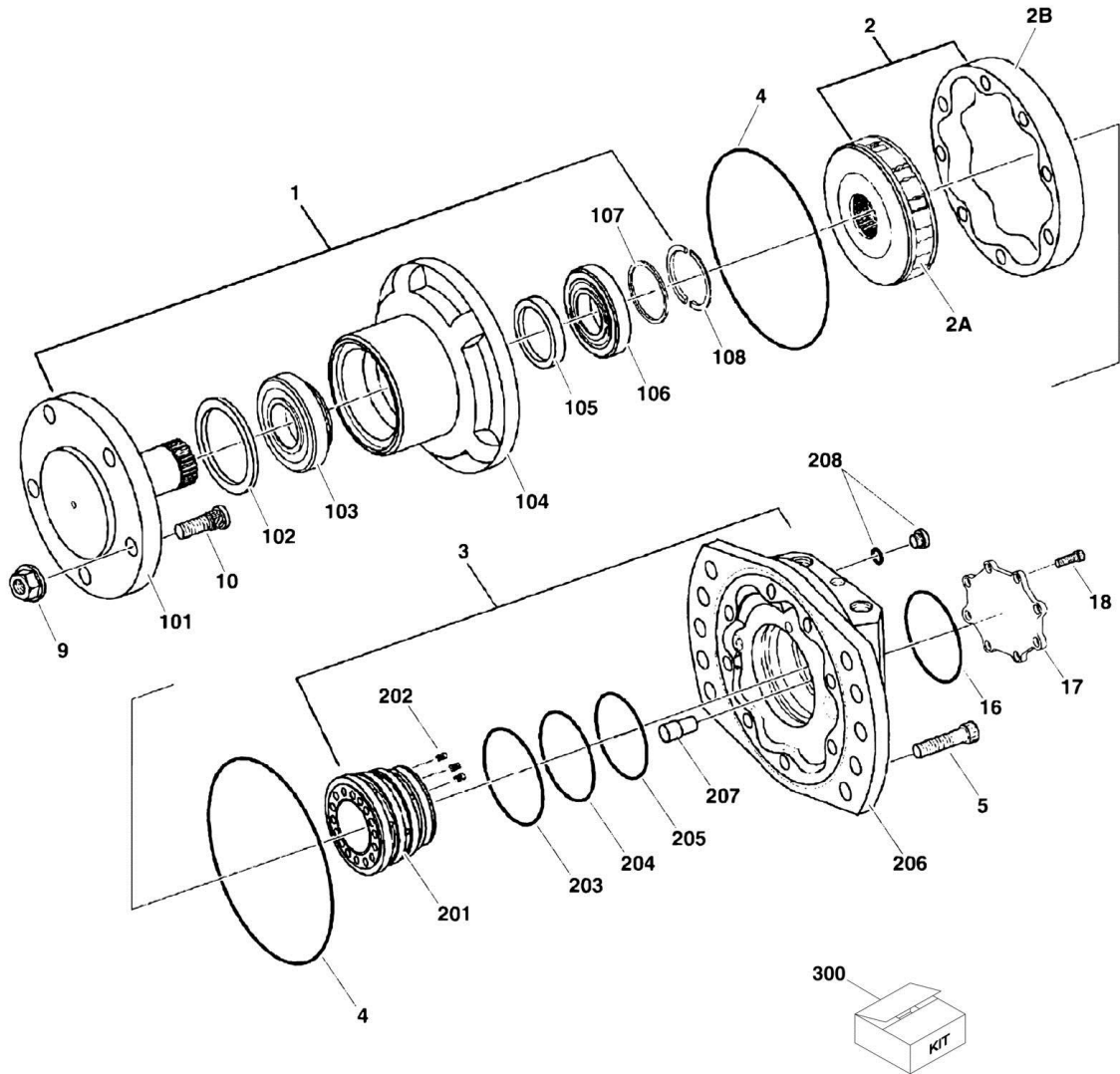
SECTION 1 - FRAME

FIGURE 1-8. DRIVE MOTOR ASSEMBLY (REAR)

ITEM	PART NUMBER	QTY	DESCRIPTION	REV
	3160256	Ref	DRIVE MOTOR ASSEMBLY	D
1	7020184	1	Plate, Drive End	
2	7012545	1	Bearing	
3	7020185	1	Ring, Retaining	
4	7023343	1	Armature	
5	See Note	NSS	Frame and Field Assembly (Note: Not Available - Purchase Complete Assembly)	
6	7012548	4	Spring, Brush	
7	7012547	4	Brush	
8	7023344	1	Holder, Brush	
9	7023229	2	Brush Lead Assembly Kit	
10	7012545	1	Bearing	
11	7012549	1	Washer, Wavy	
12	7020189	1	End, Commutator	
13	7019609	1	Headband Assembly	

SECTION 1 - FRAME

FIGURE 1-9. FRONT DRIVE MOTOR ASSEMBLY (4WD ONLY)



SECTION 1 - FRAME

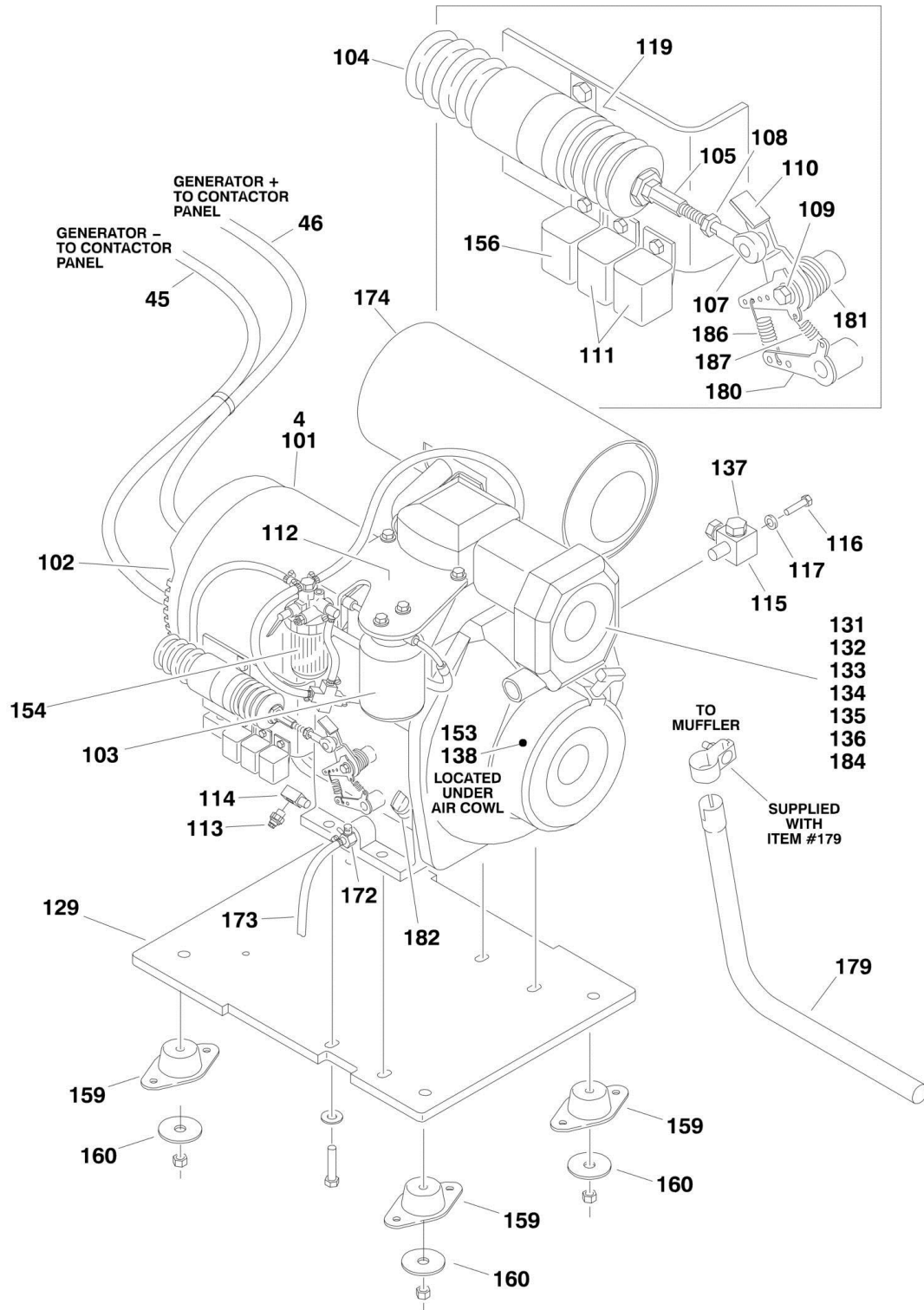
FIGURE 1-9. FRONT DRIVE MOTOR ASSEMBLY (4WD ONLY)

ITEM	PART NUMBER	QTY	DESCRIPTION	REV
		Ref	DRIVE MOTOR ASSEMBLY	
	3160245	Ref	Right Side	E
		Ref	Left Side Options:	
	3160267	Ref	USA Built Machines (Prior to SN 0200196451)	F
	1001101934	Ref	USA Built Machines (SN 0200196451 through 0200230091)	D
	3160267	Ref	Belgium Built Machines	F
1		Ref	Front Housing Assembly	
1	See Note	NSS	3160245 & 3160267 Motors (Note: See Items 101-108 for Breakdown)	
1	7024963	1	1001101934 Motor (Note: See Items 101-108 for Breakdown)	
2		Ref	Rotary Assembly Options:	
2	See Note	NSS	Assembly for 3160245 & 3160267 Motors (Note: Purchase Complete Motor Assembly)	
2	70002261	1	Assembly for 1001101934 Motor	
2A	See Note	NSS	Rotary without Cam (Note: See Item 2)	
2B		Ref	Cam Options:	
2B	See Note	NSS	Cam for 3160245 & 3160267 Motors (Note: See Item 2)	
2B	70002262	1	Cam for 1001101934 Motor	
3		Ref	Rear Housing Assembly	
3	See Note	NSS	3160245 & 3160267 Motors (Note: See Items 201-208 for Breakdown)	
3	70002263	1	1001101934 Motor (Note: See Items 201-208 for Breakdown)	
4	See Note	2	Seal, Square (Note: Use Item 300)	
5		Ref	Capscrew	
5	See Note	NSS	3160245 & 3160267 Motors (Note: Purchase Locally)	
5	70001091	6	1001101934 Motor	
9	7023806	5	Lugnut	
10	7023807	5	Stud, Wheel	
16	7024008	1	Seal, Square	
17	7024007	1	Plate, Rear Cover	
18		Ref	Capscrew Options:	
18	7024009	8	3160245 & 3160267 Motors	
18	70002264	8	1001101934 Motor	
19		Ref	Sensor, Speed Options (Not Shown - Left Hub Only):	
19		Ref	Sensor Options for 3160267 Motors:	
19	7024033	1	Sensor with 3 Pin Connector	
19	7024928	1	Sensor with 4 Pin Connector	
19	70002265	1	Sensor for 1001101934 Motor	
		Ref	FRONT HOUSING ASSEMBLY	
101		Ref	Shaft Options:	
101	7022586	1	3160245 & 1001101934 Motors	
101	See Note	NSS	3160267 Motor (Note: Purchase Complete Motor Assembly)	
102	See Note	1	Seal, Face (Note: Use Item 300)	
103		Ref	Bearing, Front Options:	
103	7022587	1	3160245 & 1001101934 Motors	
103	See Note	NSS	3160267 Motor (Note: Purchase Complete Motor Assembly)	
104		Ref	Casting, Front Options:	
104	See Note	NSS	3160245 & 3160267 Motors (Note: Purchase Complete Motor Assembly)	
104	See Note	NSS	1001101934 Motor (Note: Use p/n 7024963)	

SECTION 1 - FRAME

ITEM	PART NUMBER	QTY	DESCRIPTION	REV
105	See Note	NSS	Seal, Shaft (Note: Use Item 300)	
106		Ref	Bearing, Rear Options:	
106	7022588	1	3160245 & 1001101934 Motors	
106	See Note	NSS	3160267 Motor (Note: Purchase Complete Motor Assembly)	
107	See Note	NSS	Washer (Note: Not Available for Purchase)	
108	7022589	1	Ring, Split	
		Ref	REAR HOUSING ASSEMBLY	
201		Ref	Ring, Distributor Options:	
201	See Note	NSS	3160245 & 3160267 Motors (Note: Purchase Complete Motor Assembly)	
201	70002267	1	1001101934 Motor	
202		Ref	Spring Options:	
202	See Note	NSS	3160245 & 3160267 Motors (Note: Purchase Complete Motor Assembly)	
202	7023872	9	1001101934 Motor	
203	See Note	1	Seal, Nylon (Note: Use Item 300)	
204	See Note	AR	Seal, Nylon (Note: Use Item 300)	
205	See Note	1	Seal, Nylon (Note: Use Item 300)	
206		Ref	Housing, Rear	
206	See Note	NSS	3160245 & 3160267 Motors (Note: Purchase Complete Motor Assembly)	
206	See Note	1	1001101934 Motor (Note: Use p/n 70002263)	
207		Ref	Pin, Stop Options:	
207	7022590	1	3160245 & 3160267 Motors	
207	70002268	1	1001101934 Motor	
208		Ref	Plug (O-Ring Supplied with Plug)	
208	7022591	1	3160245 & 3160267 Motors	
208	2220890	1	1001101934 Motor	
		Ref	KIT OPTIONS	
300		Ref	Seal Kit Options (Includes Items 4, 102, 105 & 203 - 205):	
300	7023801	1	3160245 & 3160267 Motors	
300	70002269	1	1001101934 Motor	

SECTION 1 - FRAME



SECTION 1 - FRAME

FIGURE 1-10. YANMAR MOTOR/GENERATOR AND BATTERY CHARGER INSTALLATION (M3369 AND M4069 ONLY)

ITEM	PART NUMBER	QTY	DESCRIPTION	REV
	0270788	Ref	ENGINE INSTALLATION - YANMAR DIESEL (M3369 AND M4069 ONLY)	K
1	0100011	AR	Compound, Locking	
4	0270787	1	Generator Assembly (See Items 101-187 for Breakdown)	
5	0400201	1	Battery	
6	3960418	2 ft/61cm	Seal	
7	0641418	4	Bolt 1/4in-20NC x 2-1/4in	
10	0641632	2	Bolt 3/8in-16NC x 4in	
11	0641660	2	Bolt 3/8in-16NC x 7-1/2in	
12	0902659	1	Bracket, Battery	
13		Ref	Cable, Battery (-) Options:	
13	1060819	1	USA Manufactured (Prior to SN 0200102732)	
13	1060950	1	USA Manufactured (SN 0200102732 through 0200230091)	
13	1060950	1	Belgium Manufactured (SN 1200000398 to Present)	
14	1060820	1	Cable, Battery (+)	
17	1671010	1	Cover, Engine	
20	2680491	NLA	Cover, Front (Use p/n 2902141)	
22	2820134	1	Insulation (Front Cover)	
23	2820135	1	Insulation (Engine Cover)	
24	2820136	1	Insulation (Frame Left Side)	
25	2820137	1	Insulation (Engine Cover)	
26	2820138	1	Insulation (Frame Right Side)	
27	2940137	1	Latch	
28	3300374	1	Nut, Binding	
29	3311405	8	Locknut 1/4in-20NC	
31	3311605	4	Locknut 3/8in-16NC	
32	3322202	4	Nut, Jam 3/4in	
33	3760348	4	Ring, Retaining	
34	3841233	4	Rod, Roller	
35	3860059	4	Roller, Extension	
36	3900184	1	Screw, Button Head #10-24NC x 5/8in	
37	4160189	1	Spring, Extension	
39	4711400	16	Flatwasher 1/4in Narrow	
42	4751600	6	Flatwasher 3/8in	
43	4752200	4	Flatwasher 3/4in	
45	1060916	1	Cable, Battery (-)	
46	1060917	1	Cable, Battery (+)	
47	3960389	2 ft/61cm	Seal	
49	0641604	2	Bolt 3/8in-16NC x 1/2in	
50	1701505	2	Decal - Diesel Fuel (Not Shown - Located on Hood)	
51	4922602	1	Harness, Generator (Not Shown - See ELECTRICAL SECTION for Breakdown) (USA Manufactured Only) (Prior to SN 0200100178)	
52		Ref	Fitting, Straight Barb	
52	2220315	1	USA Manufactured Only (SN 0200097450 through 0200230091)	
52	2220315	1	Belgium Manufactured Only (SN 1200000398 to Present)	
54		Ref	LED PC Board Assembly	
54	0610131	1	USA Manufactured Only (SN 0200104581 through 0200230091)	
54	0610131	1	Belgium Manufactured Only (SN 1200000398 to Present)	
	2902141	1	Kit, Generator Hood/PC (Includes Items 20 & 54)	

SECTION 1 - FRAME

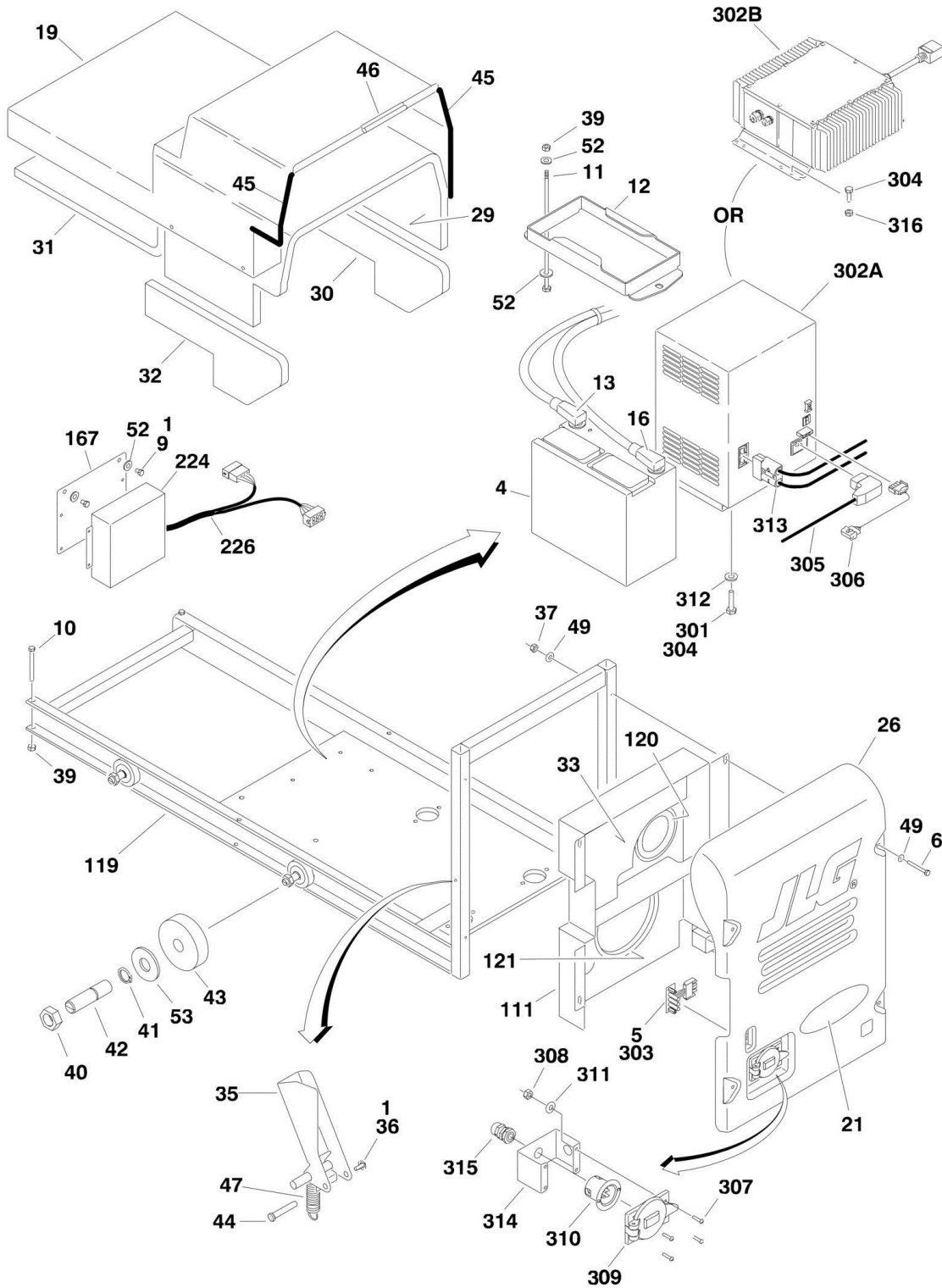
ITEM	PART NUMBER	QTY	DESCRIPTION	REV
	2902423	1	Kit, Service Addition of Separate Fuse Engine Control Mechron	
	0270787	Ref	GENERATOR ASSEMBLY	F
101	Not Available	1	Engine, Yanmar Diesel	
102	7023485	1	Alternator	
103	7023489	1	Filter, Oil	
103	70000319	1	Element, Oil Filter (was p/n 7027280)	
104	7020167	1	Solenoid, Throttle	
105	7020166	1	Swivel	
107	Not Available	1	Joint, Ball	
108	3321402	1	Nut, Jam 1/4in-28NF	
109	Not Available	1	Screw 1/4in-28NF x 3/4in	
110	7018125	1	Arm, Regulator	
111	70000323	2	Relay (was p/n 7020207)	
112	0902728	1	Bracket, Oil Filter Mounting	
113	7018127	1	Switch, Oil Pressure	
114	7020164	1	Fitting	
115	7020163	1	Adapter, Drain Port	
116	Not Available	1	Bolt, Banjo	
117	Not Available	3	Washer, Copper	
118	0902727	1	Bracket, Fuel Pump	
119	7020161	1	Bracket, Solenoid	
129	4846410	1	Plate, Engine Mounting	
131	Not Available	1	Flange, Air Intake (Air Filter End)	
132	7020159	1	Flange, Air Intake (Engine End)	
133	7020165	1	Heater, Air Intake	
134	Not Available	2	Gasket, Air Cleaner	
135	Not Available	2	Gasket, Air Adapter	
136	7018124	1	Cover, Air Cleaner	
137	7020158	1	Probe, Temperature	
138	7020157	1	Bracket, Magnetic Pickup Mounting	
145	7020156	1	Module, Engine Control	
146	7023486	1	Harness, Engine	
153	7020206	1	Sensor, Speed	
154	7018141	1	Filter, Fuel	
154	7018143	1	Element, Fuel Filter	
155	7023218	1	Pump, Fuel	
156	7023274	1	Relay (Cold Start)	
157	4846317	1	Tray Weldment	
158	4846327	1	Baffle, Weldment	
159	Not Available	4	Mount, Rubber Engine	
160	Not Available	4	Washer, Snubbing	
161	Not Available	4 ft/1.2m	Seal	
167	3572780	1	Plate, Control Mounting	
172	7023211	1	Valve, Engine Oil	
173	Not Available	AR	Hose	
174	3220121	1	Muffler	
179	4568271	1	Tube, Exhaust	
179	7023496	1	Clamp	
180	7020197	1	Lever	
181	7020198	1	Spring	
182	7020199	1	Dipstick	

SECTION 1 - FRAME

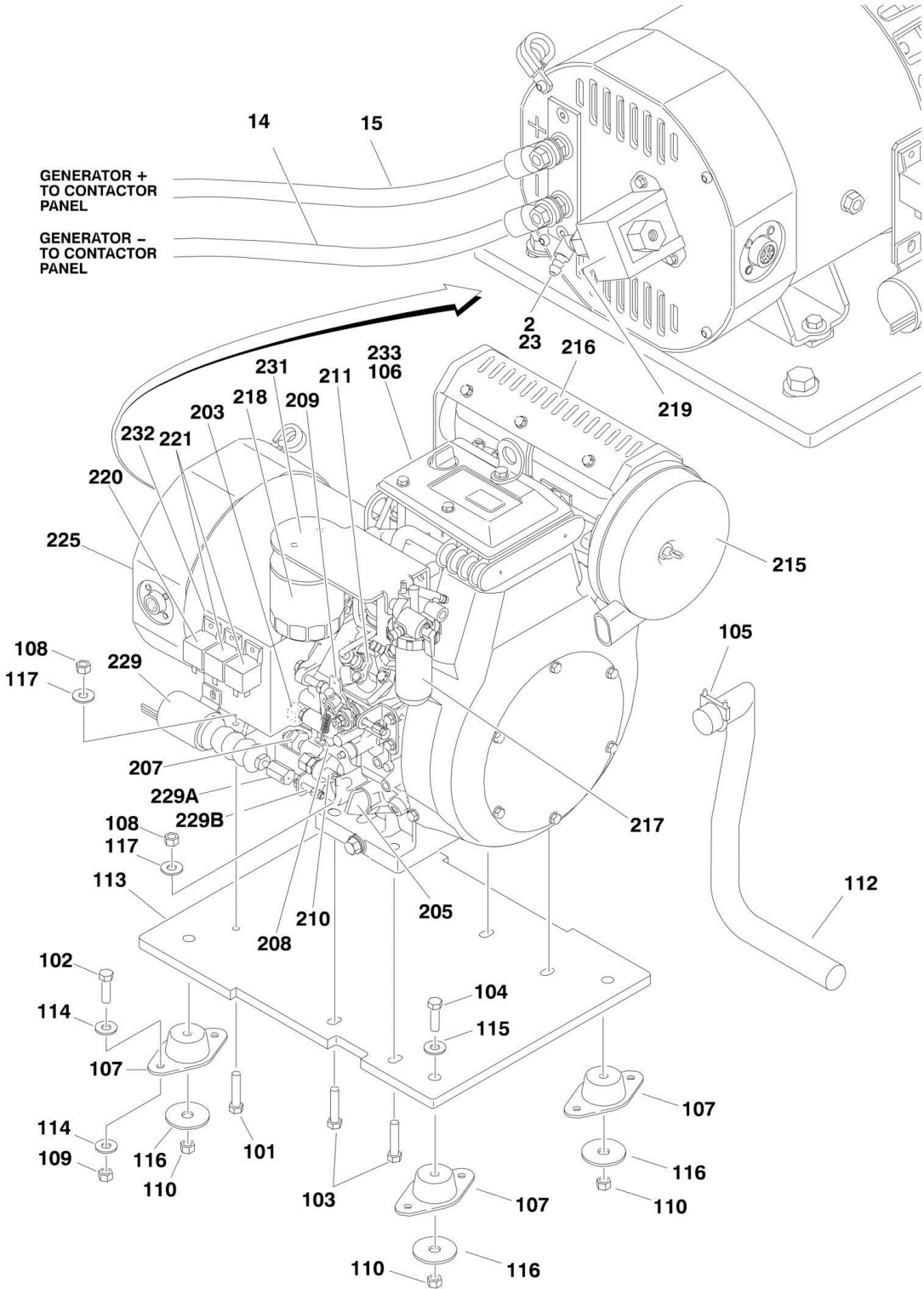
ITEM	PART NUMBER	QTY	DESCRIPTION	REV
183	7020202	1	Starter (Not Shown - Located Below Muffler)	
184	7020217	1	Element, Air Filter	
185	7020200	1	Regulator, Voltage (Not Shown)	
186	7026669	1	Spring, Governor	
187	7026670	1	Spring, Return	
		Ref	BATTERY CHARGER INSTALLATION	
	0270840	Ref	110VAC/60Hz (ANSI Spec)	C
	0270841	Ref	120V-240VAC/50-60Hz (ANSI Export Spec)	C
	0270842	Ref	250VAC/50Hz (ANSI Export Spec)	C
	0270843	Ref	100VAC 50/60Hz (Japanese Spec)	B
201	0100011	AR	Compound, Locking	
202		Ref	Battery Charger Options (See BATTERY CHARGER ASSEMBLY (MAC CHARGER) for Breakdown):	
202	0400188	1	110VAC/60Hz (ANSI Spec)	
202	0400190	1	120V-240VAC/50-60Hz (ANSI Export)	
202	0400191	1	250VAC/50Hz (ANSI Export)	
202	0400189	1	100VAC 50/60Hz (Japanese Spec)	
203		Ref	LED PC Board Assembly	
203	0610131	1	USA Manufactured Only (Prior to SN 0200104581)	
204	0641407	4	Bolt 1/4in-20NC x 7/8in	
205		Ref	Cable, Electrical Options:	
205	1060751	1	110VAC/60Hz (ANSI Spec)	
205	1060759	1	120V-240VAC/50-60Hz (ANSI Export)	
205	1060759	1	250VAC/50Hz (ANSI Export)	
205	1060751	1	100VAC 50/60Hz (Japanese Spec)	
206	1060913	1	Cable, Harness - LED Light	
207	0721008	4	Screw #10-24NC x 1in	
208	3311005	4	Locknut #10-24NC	
209	4460802	1	Cover, Plug	
210		Ref	Plug Options:	
210	4460803	1	110VAC/60Hz (ANSI Spec)	
210	Not Available		120V-240VAC/50-60Hz (ANSI Export)	
210	4460805	1	250VAC/50Hz (ANSI Export)	
210	4460803	1	100VAC 50/60Hz (Japanese Spec)	
211	4751000	4	Flatwasher #10	
212	4751400	4	Flatwasher 1/4in	
213		Ref	Harness, Battery Charger Options (See ELECTRICAL SECTION for Breakdown):	
213	4922518	1	USA Built Machines (Prior to SN 0200097450)	
213	4922628	1	USA Built Machines (SN 0200097450 through 0200230091)	
213	4922628	1	Belgium Built Machines	
214	3571584	1	Plate, Plug Inlet	
215	4460428	1	Connector, Strain Relief	

SECTION 1 - FRAME

FIGURE 1-11. KUBOTA MOTOR/GENERATOR AND BATTERY CHARGER INSTALLATION (M3369 AND M4069 ONLY)



SECTION 1 - FRAME



SECTION 1 - FRAME

FIGURE 1-11. KUBOTA MOTOR/GENERATOR AND BATTERY CHARGER INSTALLATION (M3369 AND M4069 ONLY)

ITEM	PART NUMBER	QTY	DESCRIPTION	REV
		Ref	Note: Only used on USA Built Machines.	
	0274684	Ref	ENGINE INSTALLATION - KUBOTA DIESEL (Prior to SN 0200225601)	G
	1001159360	Ref	ENGINE INSTALLATION - KUBOTA DIESEL (SN 0200225601 through 0200230091)	B
1	0100011	AR	Compound, Locking	
2	0100020	AR	Sealant	
4	0400201	1	Battery	
5	0610131	1	LED PC Board Assembly	
6	0641418	4	Bolt 1/4in-20NC x 2-1/4in	
9	0641604	2	Bolt 3/8in-16NC x 1/2in	
10	0641632	2	Bolt 3/8in-16NC x 4in	
11	0641660	2	Bolt 3/8in-16NC x 7-1/2in	
12	0902659	1	Bracket, Battery	
13	1060820	1	Cable, Battery (+)	
14	1060916	1	Cable, Battery (-)	
15	1060917	1	Cable, Battery (+)	
16	1060950	1	Cable, Battery (-)	
19	1671010	1	Cover, Engine	
21	1704830	1	Decal - Battery Charger (Prior to SN 0200199013)	
23	2220805	1	Fitting, 90 Coupling	
26	2680491	NLA	Kit, Front Cover (Use p/n 2902141) (Includes Items 5)	
29	2820135	1	Insulation (Engine Cover)	
30	2820136	1	Insulation (Frame Left Side)	
31	2820137	1	Insulation (Engine Cover)	
32	2820138	1	Insulation (Frame Right Side)	
33	2820228	1	Insulation (Front Cover)	
35	2940137	1	Latch	
36	3300374	1	Nut, Binding	
37	3311405	4	Locknut 1/4in-20NC	
39	3311605	4	Locknut 3/8in-16NC	
40	3322202	4	Nut, Jam 3/4in	
41	3760348	4	Ring, Retaining	
42	3841233	4	Rod, Roller	
43	3860059	4	Roller, Extension	
44	3900184	1	Screw, Button Head #10-24NC x 5/8in	
45	3960389	2 ft/61cm	Seal	
46	3960418	2 ft/61cm	Seal	
47	4160189	1	Spring, Extension	
49	4711400	8	Flatwasher 1/4in Narrow	
52	4751600	6	Flatwasher 3/8in Regular	
53	4752200	6	Flatwasher 3/4in Regular	
	2000327	Ref	GENERATOR ASSEMBLY (Prior to SN 0200225601)	F
	1001159358	Ref	GENERATOR ASSEMBLY (SN 0200225601 through 0200230091)	B
101	0641410	2	Bolt 1/4in-20NC x 1-1/4in	
102	0641609	8	Bolt 3/8in-16NC x 1-1/8in	
103	0641616	4	Bolt 3/8in-16NC x 2in	
104	0641820	4	Bolt 1/2in-13NC x 2-1/2in	
105	1320135	1	Clamp, Muffler	

SECTION 1 - FRAME

ITEM	PART NUMBER	QTY	DESCRIPTION	REV
106	2000332	NLA	Engine, Kubota (Use p/n 1001159355) (See Items 201-233 for Breakdown) (Prior to SN 0200225601)	
106	1001159355	1	Engine, Kubota (See Items 201-233 for Breakdown) (SN 0200225601 through 0200230091)	
107	3200425	4	Mount, Motor	
108	3311405	2	Locknut 1/4in-20NC	
109	3311605	12	Locknut 3/8in-16NC	
110	3311805	4	Locknut 1/2in-13NC	
111	3380609	1	Baffle	
112	3460475	1	Tube, Exhaust	
113	4341095	1	Plate, Engine Mounting	
114	4711600	16	Flatwasher 3/8in Narrow	
115	4711800	4	Flatwasher 1/2in Narrow	
116	4740274	4	Washer, Snubbing	
117	4751400	4	Flatwasher 1/4in Regular	
118	4751600	8	Flatwasher 3/8in Regular	
119	4846317	1	Tray	
120	3960389	18 in /46cm	Seal	
121	3960418	28 in /71cm	Seal	
	2000332	Ref	KUBOTA ENGINE COMPONENTS (Prior to SN 0200225601)	D
	1001159355	Ref	KUBOTA ENGINE COMPONENTS (SN 0200225601 through 0200230091)	A
201	70000289	1	Regulator, Voltage (Not Shown - Located on Opposite Side of Engine)	
202	70000290	1	Glow Plug (Not Shown)	
202	70000291	1	Harness, Glow Plug (Not Shown)	
203	70000292	1	Screen, Oil Sump (Includes O-Ring)	
204	70000293	1	Plug, Oil Filler (Includes O-Ring) (Located on Side of Engine - Not Shown)	
205	70000294	1	Dipstick	
206	70000295	1	Pump, Oil Rotor (Not Shown - Located Beside Item 207)	
206	70000296	1	O-Ring, Oil Rotor Pump (Not Shown)	
207	70000297	1	Switch, Oil	
208	70000298	1	Lever, Governor	
208	70000299	1	Pin, Governor Lever	
208	70000300	1	Spring, Governor Lever	
209	70000301	1	Spring, Idling	
209	70000304	1	Lever, Spring Control	
209	70000305	1	Spring, Stop (Speed Control Lever)	
210	70000302	1	Valve, Fuel Limit (Not Shown)	
210	70000303	1	Gasket, Fuel Limit Valve (Not Shown)	
211	70000306	1	Pump, Injection	
211	70000307	1	Kit, Pump Adjustment Shim	
212	70000308	1	Flywheel/Ring Gear Assembly (Not Shown - Located Behind Front Collar)	
212	70000309	1	Ring Gear (Not Shown)	
212	70001121	1	Stator, Engine (Not Shown - Located Behind Flywheel) (Includes Coil and Grommet)	
213	70000310	1	Starter (Not Shown - Located on Opposite Side of Engine)	
214	70000311	1	Solenoid, Starter (Not Shown - Located on Opposite Side of Engine)	
215	70000312	1	Air Cleaner Assembly	

SECTION 1 - FRAME

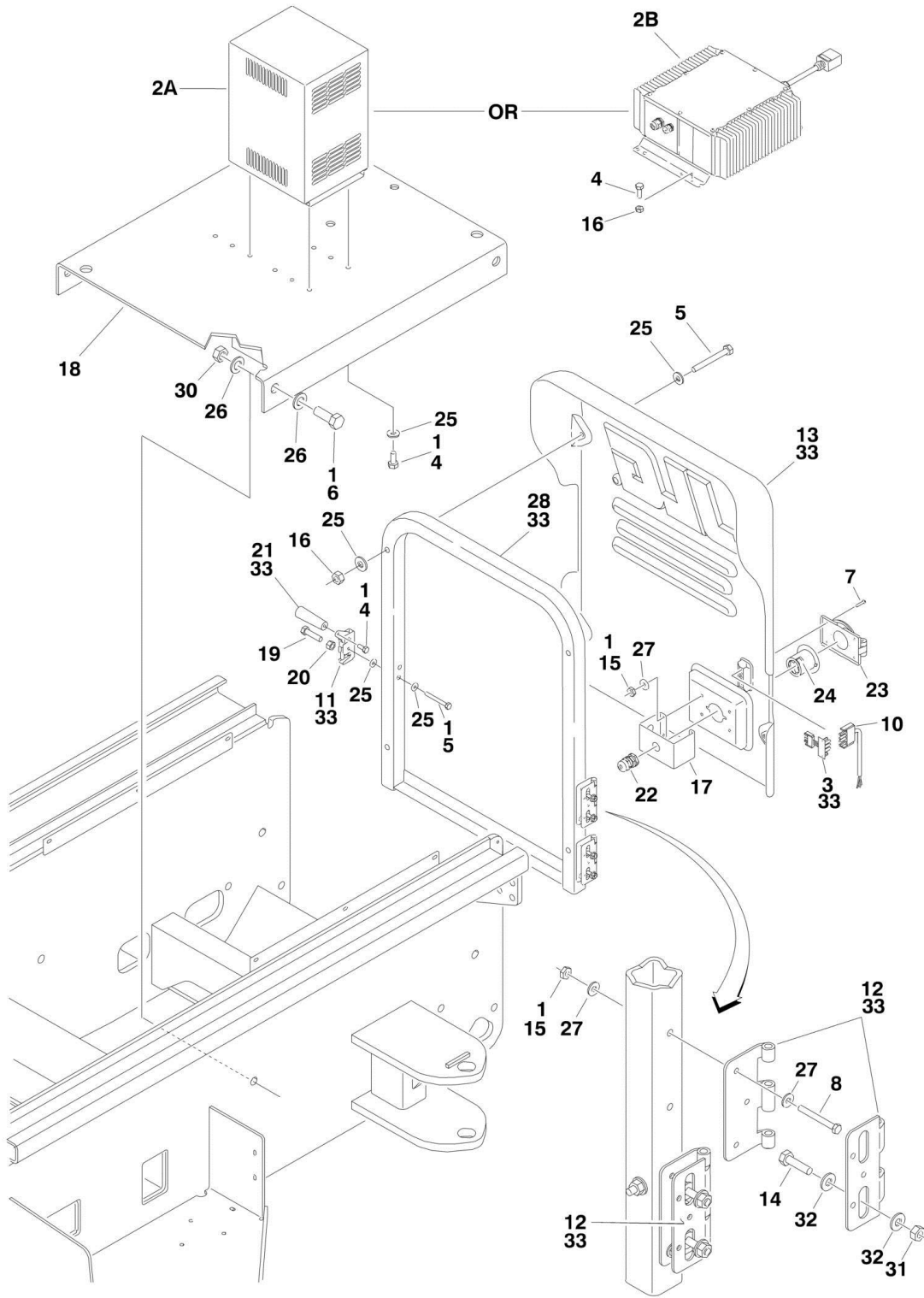
ITEM	PART NUMBER	QTY	DESCRIPTION	REV
215	7000313	1	Element, Air Cleaner	
215	7000314	1	Gasket, Air Cleaner	
216	7000315	1	Muffler Assembly	
216	7000316	1	Gasket, Muffler	
217	7000317	1	Inline Fuel Check Valve Assembly (Not Shown)	
217	7000967	1	Fuel Filter Assembly	
217	7000318	1	Element, Fuel Filter	
218	7000319	1	Element, Oil Filter	
218	70001144	1	Head, Oil Filter Head (Note: Does not Include element)	
219	7000320	1	Pump, Fuel	
220	7000322	1	Relay	
221	7000323	2	Relay	
222	7000324	1	Sensor, Speed (Not Shown - Located Inside Front Cover)	
223	7000325	1	Sensor, Oil Temperature (Not Shown - Located on Opposite Side of Engine on Base)	
224	7000326	1	Module, Engine Control	
225	7000327	1	Alternator	
225	7000382	1	Stator, Alternator	
225	70004394	1	Wire, Lead with Diode	
226	7000328	1	Harness, Engine	
227	7000329	1	Fuse 15Amp (Not Shown)	
228	7000330	1	Fuse 20Amp (Not Shown)	
229	7000321	1	Solenoid, Fuel	
229A	70003618	1	Adapter, Solenoid Cable	
229B	70003619	1	Screw	
230	70002244	1	Plug, Oil Filler (Includes O-Ring) (Located on Top of Engine - Not Shown)	
231	70002545	1	Bracket, Oil Filler	
232	70002083	1	Bracket, Relay	
233	70002543	1	Engine, Kubota (Without Generator)	
234	70004265	1	Bracket, Speed Sensor (Not Shown - Located Inside Front Cover)	
		Ref	BATTERY CHARGER INSTALLATION	
	0270840	Ref	110VAC/60Hz (ANSI Spec)	E
	0270841	Ref	120V-240VAC/50-60Hz (ANSI Export Spec)	E
	0270842	Ref	250VAC/50Hz (ANSI Export Spec)	E
	0270843	Ref	100VAC 50/60Hz (Japanese Spec) (Prior to SN 0200199013)	C
	0270840	Ref	110VAC 60Hz (Japanese Spec) (SN 0200199013 through 0200230091)	E
301	0100011	AR	Compound, Locking	
302		Ref	Battery Charger Options:	
302A		Ref	MAC Battery Charger Options (See BATTERY CHARGER ASSEMBLY (MAC CHARGER) for Breakdown):	
302A	0400188	1	110VAC/60Hz (ANSI Spec)	
302A	0400190	1	120V-240VAC/50-60Hz (ANSI Export)	
302A	0400191	1	250VAC/50Hz (ANSI Export)	
302A	0400189	1	100VAC 50/60Hz (Japanese Spec)	
302B	1001103105	1	Delta-Q Battery Charger (See BATTERY CHARGER ASSEMBLY (DELTA-Q CHARGER) for Breakdown)	
303	0610131	1	LED PC Board Assembly	
304	0641407	4	Bolt 1/4in-20NC x 7/8in	
305		Ref	Cable, Electrical Options (Not Shown - See ELECTRICAL SECTION for Breakdown):	
305		Ref	Machines with MAC Battery Charger:	

SECTION 1 - FRAME

ITEM	PART NUMBER	QTY	DESCRIPTION	REV
305	1060751	1	110VAC/60Hz (ANSI Spec)	
305	1060759	1	120V-240VAC/50-60Hz (ANSI Export)	
305	1060759	1	250VAC/50Hz (ANSI Export)	
305	1060751	1	100VAC 50/60Hz (Japanese Spec)	
305	1060689	1	Machines with Delta-Q Battery Charger	
306		Ref	Cable, Harness - LED Light Options (See ELECTRICAL SECTION for Breakdown)	
306	1060913	1	Machines with MAC Battery Charger:	
306	Not Required	0	Machines with Delta-Q Battery Charger	
307	0721008	4	Screw #10-24NC x 1in	
308	3311005	4	Locknut #10-24NC	
309	4460802	1	Cover, Plug	
310		Ref	Plug Options:	
310	4460803	1	110VAC/60Hz (ANSI Spec)	
310	Not Available		120V-240VAC/50-60Hz (ANSI Export)	
310	4460805	1	250VAC/50Hz (ANSI Export)	
310	4460803	1	100VAC 50/60Hz (Japanese Spec)	
311	4751000	4	Flatwasher #10 Regular	
312	4751400	4	Flatwasher 1/4in Regular	
313		Ref	Harness, Battery Charger (Not Shown - See ELECTRICAL SECTION for Breakdown)	
313	4922628	1	Machines with MAC Battery Charger	
313	Not Required	0	Machines with Delta-Q Battery Charger	
314	3571584	1	Plate, Plug Inlet	
315	4460428	1	Connector, Strain Relief	
316	3311405	4	Locknut 1/4in-20NC	

SECTION 1 - FRAME

FIGURE 1-12. BATTERY CHARGER INSTALLATIONS (3369LE AND 4069LE ONLY)



SECTION 1 - FRAME

FIGURE 1-12. BATTERY CHARGER INSTALLATIONS (3369LE AND 4069LE ONLY)

ITEM	PART NUMBER	QTY	DESCRIPTION	REV
		Ref	BATTERY CHARGER INSTALLATION (3369LE AND 4069LE ONLY)	
	0270618	Ref	110VAC/60Hz (ANSI Spec)	H
	0270619	Ref	120V-240VAC/50-60Hz (ANSI Export Spec)	H
	0270620	Ref	250VAC/50Hz (ANSI Export Spec)	H
	0270621	Ref	100VAC 50/60Hz (Japanese Spec) (Prior to SN 0200199013)	F
	0270618	Ref	110VAC 60Hz (Japanese Spec) (SN 0200199013 through 0200230091)	H
1	0100011	AR	Compound, Locking	
2		Ref	Battery Charger Options:	
2A		Ref	MAC Battery Charger Options (See BATTERY CHARGER ASSEMBLY (MAC CHARGER) for Breakdown):	
2A	0400188	1	110VAC/60Hz (ANSI Spec)	
2A	0400190	1	120V-240VAC/50-60Hz (ANSI Export)	
2A	0400191	1	250VAC/50Hz (ANSI Export)	
2A	0400189	1	100VAC 50/60Hz (Japanese Spec)	
2B	1001103105	1	Delta-Q Battery Charger (See BATTERY CHARGER ASSEMBLY (DELTA-Q CHARGER) for Breakdown)	
3	0610131	1	LED PC Board Assembly	
4	0641405	5	Bolt 1/4in-20NC x 5/8in	
5	0641418	6	Bolt 1/4in-20NC x 2 1/4in	
6	0642016	4	Bolt 5/8in-11NC x 2in	
7	0721008	4	Screw #10-24NC x 1in	
8	0721016	4	Screw #10-24NC x 2in	
9		Ref	Cable, Electrical Options (Not Shown - See ELECTRICAL SECTION for Breakdown):	
9		Ref	Machines with MAC Battery Charger:	
9	1060751	1	110VAC/60Hz (ANSI Spec)	
9	1060759	1	120V-240VAC/50-60Hz (ANSI Export)	
9	1060759	1	250VAC/50Hz (ANSI Export)	
9	1060751	1	100VAC 50/60Hz (Japanese Spec)	
9	1060689	1	Machines with Delta-Q Battery Charger	
10		Ref	Cable, Harness - LED Light Options (See ELECTRICAL SECTION for Breakdown)	
10	1060913	1	Machines with MAC Battery Charger:	
10	Not Required	0	Machines with Delta-Q Battery Charger	
11	2940098	1	Latch	
12	2600258	2	Hinge, Hood	
13	2680486	1	Hood	
14	0641509	4	Bolt 5/16in-18NC x 1 1/8in	
15	3311001	8	Nut #10-24NC	
16	3311405	4	Locknut 1/4in-20NC	
17	3571584	1	Plate, Plug Inlet	
18	4846365	1	Plate, Battery Charger Mounting	
19	0641612	1	Bolt 3/8in-16NC x 1 1/2in	
20	3311605	1	Locknut 3/8in-16NC	
21	2560137	1	Handle, Tapered	
22	4460428	1	Connector, Strain Relief	
23	4460802	1	Cover, Plug	
24		Ref	Plug Options:	
24	4460803	1	110VAC/60Hz (ANSI Spec)	

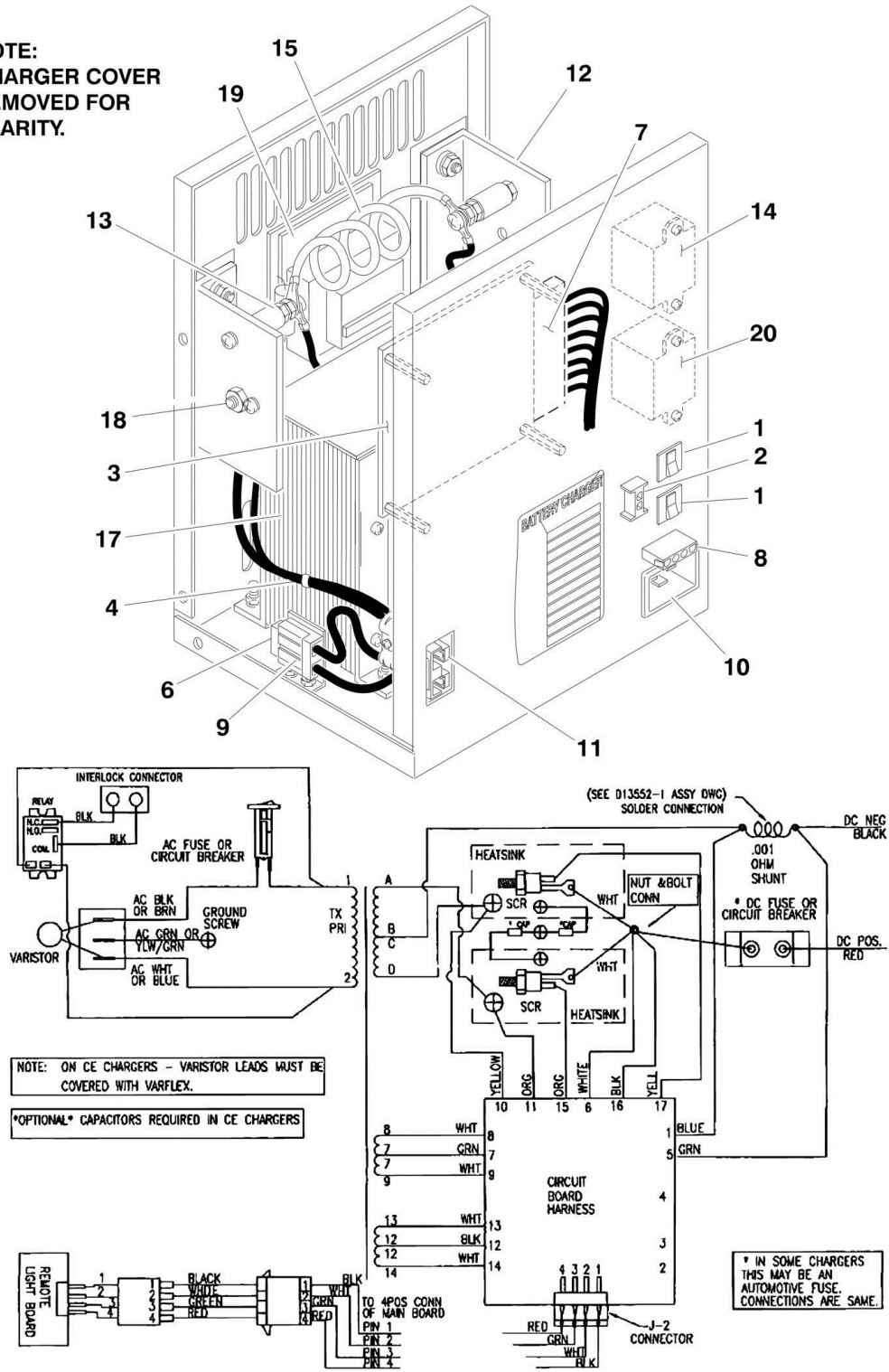
SECTION 1 - FRAME

ITEM	PART NUMBER	QTY	DESCRIPTION	REV
24	Not Available		120V-240VAC/50-60Hz (ANSI Export)	
24	4460805	1	250VAC/50Hz (ANSI Export)	
24	4460803	1	100VAC 50/60Hz (Japanese Spec)	
25	4711400	16	Flatwasher 1/4in Narrow	
26	4712000	8	Flatwasher 5/8in Narrow	
27	4751000	12	Flatwasher #10	
28	4846330	1	Support, Front Cover	
29		Ref	Harness, Battery Charger (Not Shown - See ELECTRICAL SECTION for Breakdown)	
29	4922518	1	Machines with MAC Battery Charger:	
29	Not Required	0	Machines with Delta-Q Battery Charger	
30	3312005	4	Locknut 5/8in-11NC	
31	3311505	4	Nut 5/16in-18NC	
32	4751500	8	Flatwasher 5/16in	
33	2902140	1	Kit, Battery Charger (Hood) (Includes Items 3, 4, 5, 8, 11, 12, 13, 16, 19, 20, 21, 25 & 28)	

SECTION 1 - FRAME

FIGURE 1-13. BATTERY CHARGER ASSEMBLY (MAC CHARGER)

NOTE:
CHARGER COVER
REMOVED FOR
CLARITY.



SECTION 1 - FRAME

FIGURE 1-13. BATTERY CHARGER ASSEMBLY (MAC CHARGER)

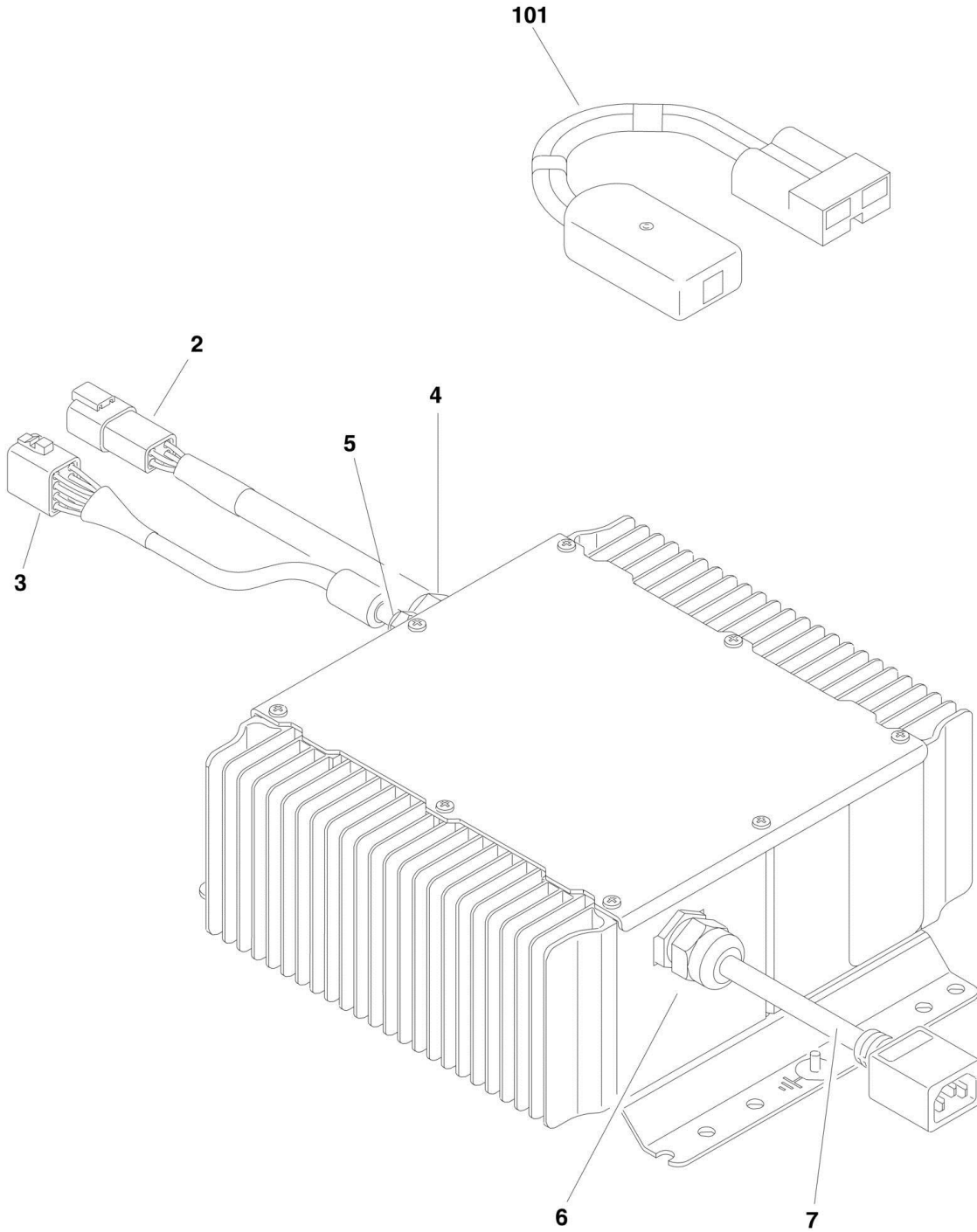
ITEM	PART NUMBER	QTY	DESCRIPTION	REV
		Ref	MAC BATTERY CHARGER ASSEMBLIES	
	0400188	Ref	110V/60Hz (ANSI Spec)	C
	0400190	Ref	110-230V/50-60Hz (ANSI Export Spec Option)	B
	0400191	Ref	250V/50Hz (ANSI Export Spec Option)	C
	0400189	Ref	100V/50-60Hz (Japanese Spec)	B
1		Ref	Breaker, Circuit - 20Amp Options:	
1	7020642	1	110V/60Hz (ANSI Spec)	
1	7020653	2	110-230V/50-60Hz (ANSI Export Spec Option)	
1	7020653	2	250V/50Hz (ANSI Export Spec Option)	
1	7020642	1	100V/50-60Hz (Japanese Spec)	
2	7011621	1	Connector - 2 Position	
3		Ref	PC Board Options:	
3	7022906	1	110V/60Hz (ANSI Spec) (was p/n 7020643)	
3	7022924	1	110-230V/50-60Hz (ANSI Export Spec Option)	
3	7022906	1	250V/50Hz (ANSI Export Spec Option) (was p/n 7020643)	
3	7020689	1	100V/50-60Hz (Japanese Spec)	
4	7020644	1	Cord, DC	
5		Ref	Holder, Fuse Options: (Not Shown)	
5	7018571	1	110V/60Hz (ANSI Spec)	
5	7018571	1	110-230V/50-60Hz (ANSI Export Spec Option)	
5	7018571	1	250V/50Hz (ANSI Export Spec Option)	
5	7020690	1	100V/50-60Hz (Japanese Spec)	
6		Ref	Fuse - 80 DC Amp Options:	
6	7018570	1	110V/60Hz (ANSI Spec)	
6	7018570	1	110-230V/50-60Hz (ANSI Export Spec Option)	
6	7018570	1	250V/50Hz (ANSI Export Spec Option)	
6	7020691	1	100V/50-60Hz (Japanese Spec)	
7		Ref	Harness - 17 Position Options:	
7	7020645	1	110V/60Hz (ANSI Spec)	
7	7020645	1	110-230V/50-60Hz (ANSI Export Spec Option)	
7	7020645	1	250V/50Hz (ANSI Export Spec Option)	
7	7020692	1	100V/50-60Hz (Japanese Spec)	
8		Ref	Harness - 4 Position Options:	
8	7020646	1	110V/60Hz (ANSI Spec)	
8	7020646	1	110-230V/50-60Hz (ANSI Export Spec Option)	
8	7020646	1	250V/50Hz (ANSI Export Spec Option)	
8	7020693	1	100V/50-60Hz (Japanese Spec)	
9	7018571	1	Holder, Fuse	
10	7020648	1	Plug, AC Inlet	
11	7011590	1	Plug, DC	
12	7020649	2	Rectifier, Replacement	
13	7020650	2	SCR, Replacement	
14		Ref	Relay Options:	
14	7018506	1	110V/60Hz (ANSI Spec)	
14	7020654	1	110-230V/50-60Hz (ANSI Export Spec Option)	
14	7018535	1	250V/50Hz (ANSI Export Spec Option)	
14	7018506	1	100V/50-60Hz (Japanese Spec)	
15	7020651	1	Shunt Assembly	
16	7011529	2	Connector, Strain Relief (Not Shown)	
17		Ref	Transformer Options:	

SECTION 1 - FRAME

ITEM	PART NUMBER	QTY	DESCRIPTION	REV
17	7020652	1	110V/60Hz (ANSI Spec)	
17	7020662	1	110-230V/50-60Hz (ANSI Export Spec Option)	
17	7020683	1	250V/50Hz (ANSI Export Spec Option)	
17	7020694	1	100V/50-60Hz (Japanese Spec)	
18		Ref	Varistor Options:	
18	7020603	1	110V/60Hz (ANSI Spec)	
18	7018537	1	110-230V/50-60Hz (ANSI Export Spec Option)	
18	7018537	1	250V/50Hz (ANSI Export Spec Option)	
18	7020603	1	100V/50-60Hz (Japanese Spec)	
19		Ref	Controller Options:	
19	Not Required	0	110V/60Hz (ANSI Spec)	
19	7020640	1	110-230V/50-60Hz (ANSI Export Spec Option)	
19	Not Required	0	250V/50Hz (ANSI Export Spec Option)	
19	Not Required	0	100V/50-60Hz (Japanese Spec)	
20		Ref	Relay Options:	
20	Not Required	0	110V/60Hz (ANSI Spec)	
20	7018564	1	110-230V/50-60Hz (ANSI Export Spec Option)	
20	Not Required	0	250V/50Hz (ANSI Export Spec Option)	
20	Not Required	0	100V/50-60Hz (Japanese Spec)	

SECTION 1 - FRAME

FIGURE 1-14. BATTERY CHARGER ASSEMBLY (DELTA-Q CHARGER)



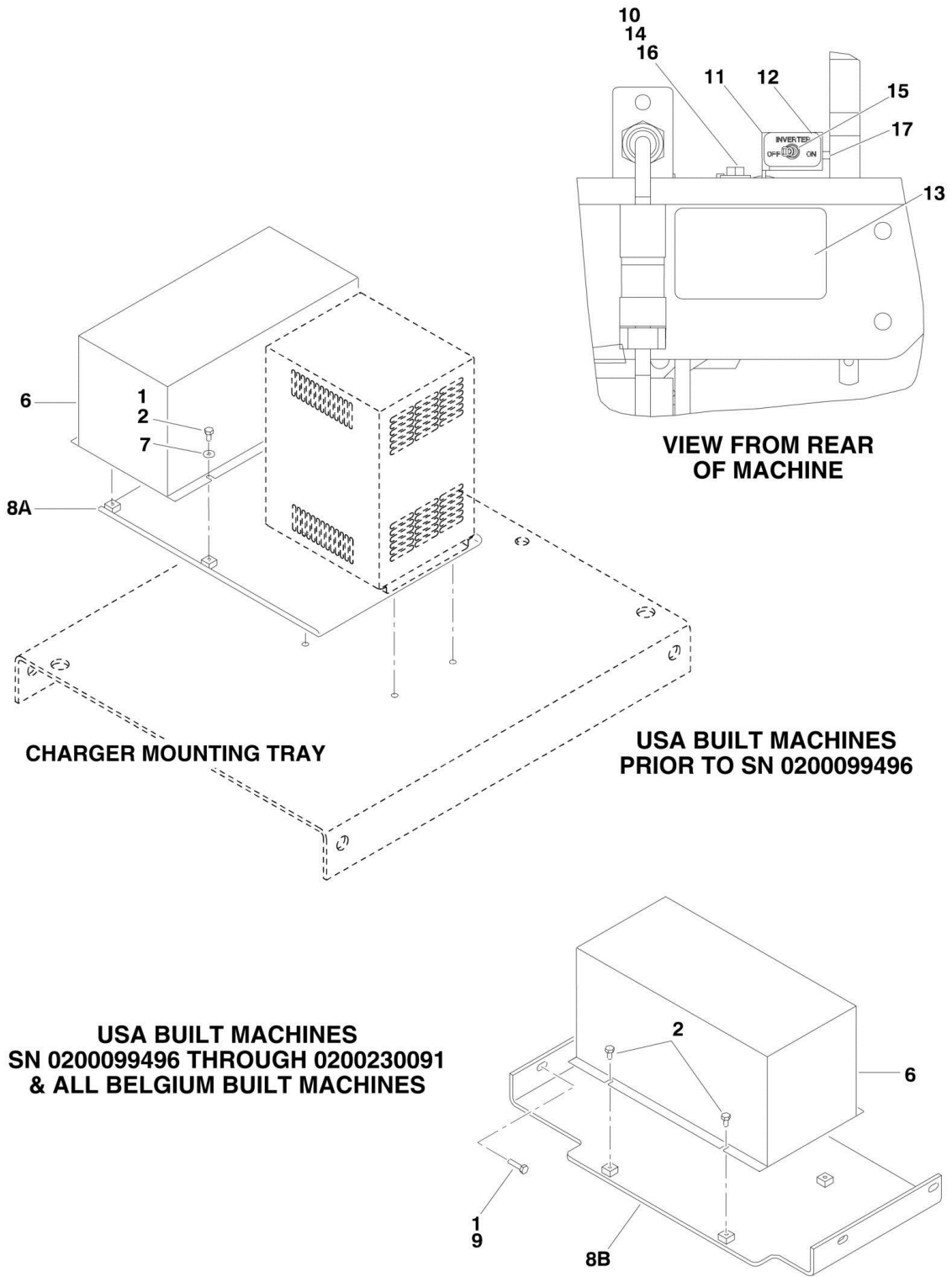
SECTION 1 - FRAME

FIGURE 1-14. BATTERY CHARGER ASSEMBLY (DELTA-Q CHARGER)

ITEM	PART NUMBER	QTY	DESCRIPTION	REV
	1001103105	Ref	BATTERY CHARGER ASSEMBLY	A
2	Not Available	1	Harness with Connector	
2	1001116811	1	Receptacle, Female - 4 Position	
2	4460508	4	Pin, Male	
3	Not Available	1	Harness with Connector	
3	4460930	1	Plug, Male - 8 Position	
3	4460464	7	Socket, Female	
4	Not Available	1	Connector, Strain Relief	
5	Not Available	1	Connector, Strain Relief	
6	Not Available	1	Connector, Strain Relief	
7	Not Available	1	Harness with Connector	
101	2915230	1	BATTERY CHARGER REPROGRAM CONTROLLER (was p/n 1600466)	

SECTION 1 - FRAME

FIGURE 1-15. INVERTER INSTALLATIONS (3369LE AND 4069LE ONLY)



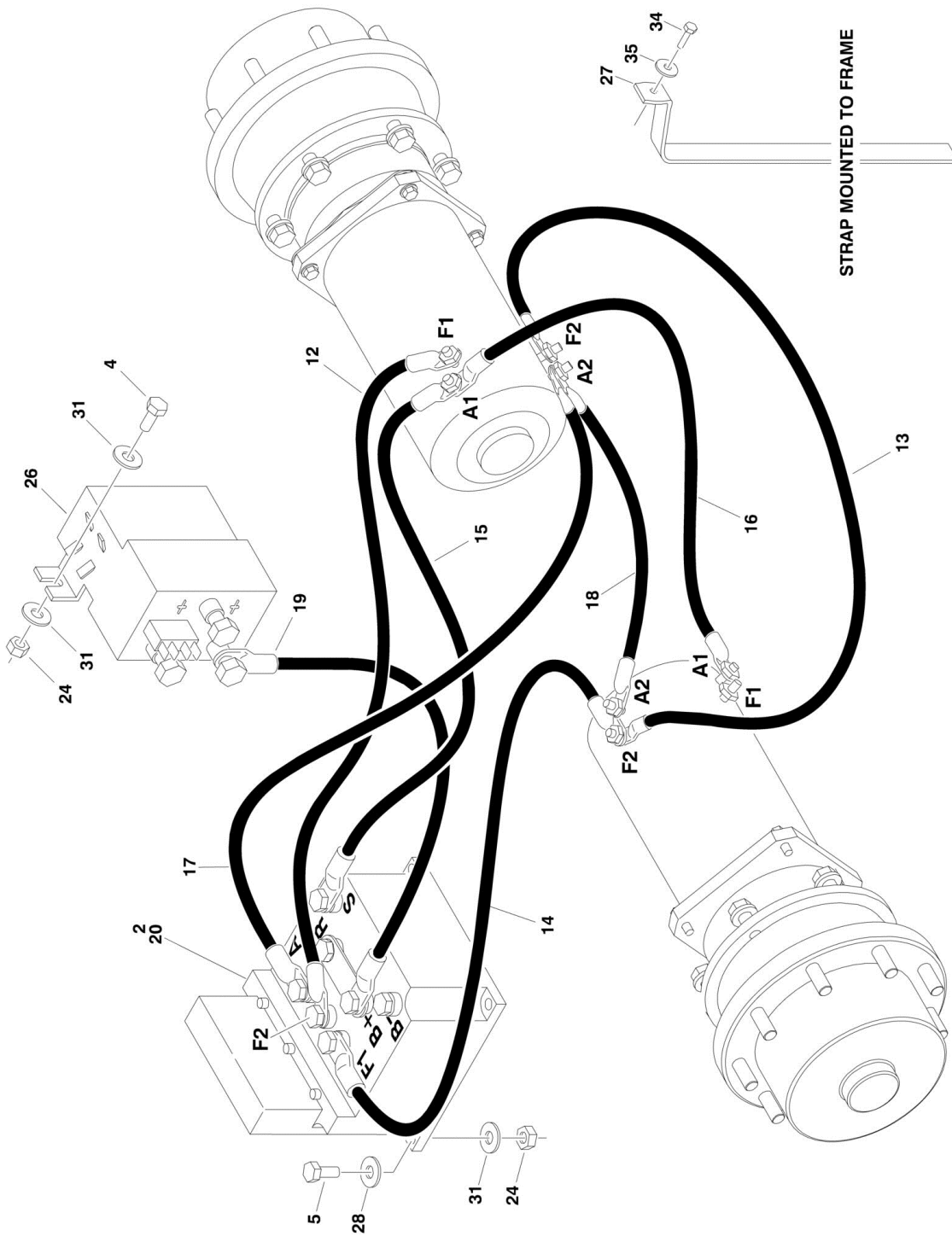
SECTION 1 - FRAME

FIGURE 1-15. INVERTER INSTALLATIONS (3369LE AND 4069LE ONLY)

ITEM	PART NUMBER	QTY	DESCRIPTION	REV
	0271344	Ref	INVERTER INSTALLATION (OPTIONAL)	D
1	0100011	AR	Compound, Locking	
2	0641404	4	Bolt 1/4in-20NC x 1/2in	
3		Ref	AC Cable Assembly Options (Not Shown - See ELECTRICAL SECTION for Breakdown):	
3	1060910	1	USA Built Machines (Prior to SN 0200099496)	
3	1060933	1	USA Built Machines (SN 0200099496 through 0200230091)	
3	1060933	1	Belgium Built Machines	
4		Ref	Cable, Positive Options (Not Shown - See ELECTRICAL SECTION for Breakdown):	
4	1060911	1	USA Built Machines (Prior to SN 0200099496)	
4	1060934	1	USA Built Machines (SN 0200099496 through 0200230091)	
4	1060934	1	Belgium Built Machines	
5		Ref	Cable, Negative Options (Not Shown - See ELECTRICAL SECTION for Breakdown):	
5	1060912	1	USA Built Machines (Prior to SN 0200099496)	
5	1060935	1	USA Built Machines (SN 0200099496 through 0200230091)	
5	1060935	1	Belgium Built Machines	
6	2460037	1	Inverter	
7	4711400	4	Flatwasher 1/4in Narrow	
8		Ref	Plate, Mounting Options:	
8A	4846411	1	USA Built Machines (Prior to SN 0200099496)	
8B	4846520	1	USA Built Machines (SN 0200099496 through 0200230091)	
8B	4846520	1	Belgium Built Machines	
9	0630549	4	Bolt 3/8in-16NC x 1 1/4in	
10	0641608	1	Bolt 3/8in-16NC x 1in	
11	0902780	1	Bracket, Switch Mount	
12	1705052	1	Decal - Inverter ON/OFF	
13	1705051	1	Decal - Inverter	
14	3311604	1	Locknut 3/8in-16NC	
15	4360482	1	Switch, Toggle	
16	4751600	1	Flatwasher 3/8in (Wide)	
17	4922668	1	Cable	

SECTION 1 - FRAME

FIGURE 1-16. ELECTRICAL COMPONENTS INSTALLATIONS (FRAME MOUNTED)



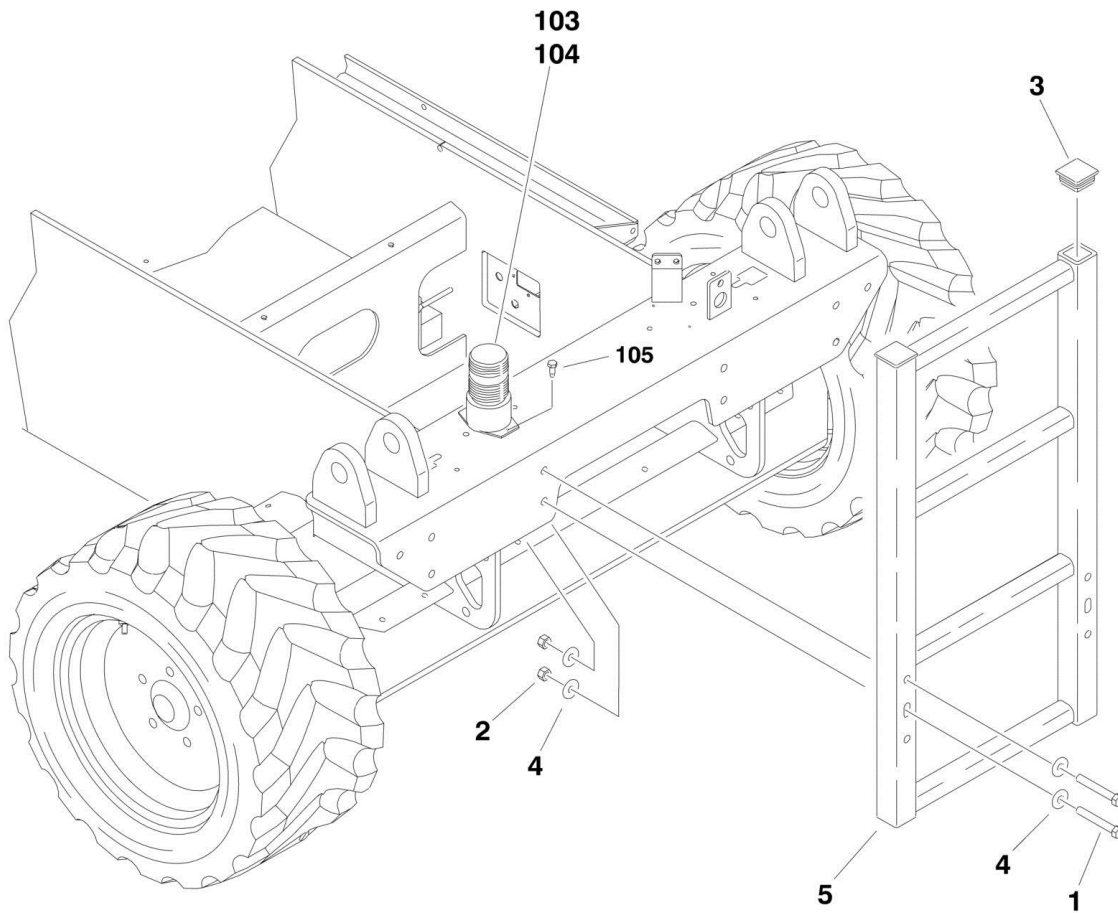
SECTION 1 - FRAME

FIGURE 1-16. ELECTRICAL COMPONENTS INSTALLATIONS (FRAME MOUNTED)

ITEM	PART NUMBER	QTY	DESCRIPTION	REV
		Ref	ELECTRICAL DRIVE COMPONENTS INSTALLATIONS	
	0270473	Ref	USA Built Machines (Prior to SN 0200174517)	H
	1001099375	Ref	USA Built Machines (SN 0200174517 through 0200230091)	C
	0270473	Ref	Belgium Built Machines	H
2	0100083	AR	Grease, Heat Transfer	
4	0641406	2	Bolt 1/4in-20NC x 3/4in	
5	0641412	4	Bolt 1/4in-20NC x 1 1/2in	
12	1060888	1	Cable, Electrical (Controller F2 to Right Motor S1)	
13	1060889	1	Cable, Electrical (Right Motor S2 to Left Motor S2)	
14	1060890	1	Cable, Electrical (Controller F1 to Left Motor S2)	
15	1060891	1	Cable, Electrical (Controller S to Right Motor A1)	
16	1060892	1	Cable, Electrical (Left Motor A1 to Right Motor A1)	
17	1060893	1	Cable, Electrical (Controller A to Right Motor A2)	
18	1060894	1	Cable, Electrical (Left Motor A2 to Right Motor A2)	
19	1060895	1	Cable, Electrical (Contactor to Controller B+)	
20		Ref	Controller, Sevcon Options:	
20	1600311	NLA	USA Built Machines (Use p/n 1600421) (Prior to SN 0200130959)	
20	1600421	1	USA Built Machines (SN 0200130959 through 0200230091)	
20	1600311	NLA	Belgium Built Machines (Use p/n 1600421)	
24	3311405	6	Locknut 1/4in-20NC	
26	3740135	1	Contactor	
27	4240084	1	Strap, Anti-Static	
28	4711400	4	Flatwasher 1/4in Narrow	
31	4751400	8	Flatwasher 1/4in	
34	3941606	1	Screw, Self-Tapping 3/8in-16NC x 3/4in	
35	4751600	1	Flatwasher 3/8in	

SECTION 1 - FRAME

FIGURE 1-17. LADDER AND BEACON INSTALLATIONS



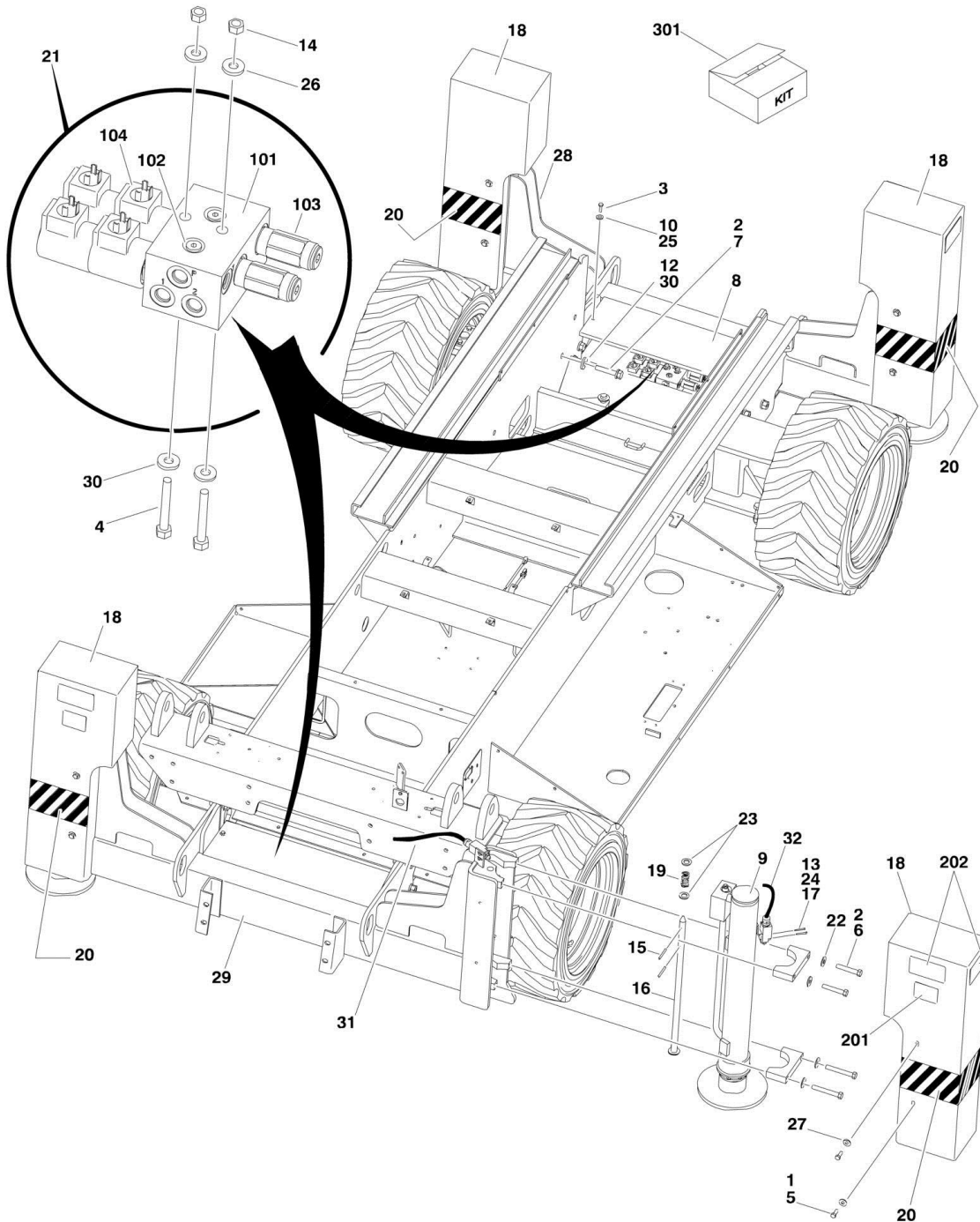
SECTION 1 - FRAME

FIGURE 1-17. LADDER AND BEACON INSTALLATIONS

ITEM	PART NUMBER	QTY	DESCRIPTION	REV
		Ref	LADDER INSTALLATION	
	0259576	Ref	3369LE & M3369 without Leveling Jacks	F
	0270514	Ref	3369LE & M3369 with Leveling Jacks	B
	0259577	Ref	4069LE & M4069 without Leveling Jacks	F
	0270514	Ref	4069LE & M4069 with Leveling Jacks	B
1	0641828	4	Bolt 1/2in 13NC x 3 1/2in	
1	0641824	4	Bolt 1/2in 13NC x 3in	
2	3311805	4	Nut 1/2in -16NC	
3	3520071	NLA	Cap (Use p/n 1001109533)	
4	4751800	8	Flatwasher 1/2in	
5		Ref	Ladder Options:	
5	4846159	1	Without Leveling Jacks	
5	4846282	1	With Leveling Jacks	
	0259593	Ref	BEACON LIGHT INSTALLATION (OPTIONAL)	C
103	2820018	AR	Tube, Heat Shrink (Not Shown)	
104	2920146	1	Beacon Light Assembly	
104	7016319	1	Tube, Flash	
104	7016372	1	Lens, Replacement Amber	
105	3941004	2	Screw, Self-Tapping #10-24NC x 1/2in	
111	4922426	1	Harness, Beacon (Not Shown - See ELECTRICAL SECTION for Breakdown)	

SECTION 1 - FRAME

FIGURE 1-18. LEVELING JACKS INSTALLATION (OPTIONAL)



SECTION 1 - FRAME

FIGURE 1-18. LEVELING JACKS INSTALLATION (OPTIONAL)

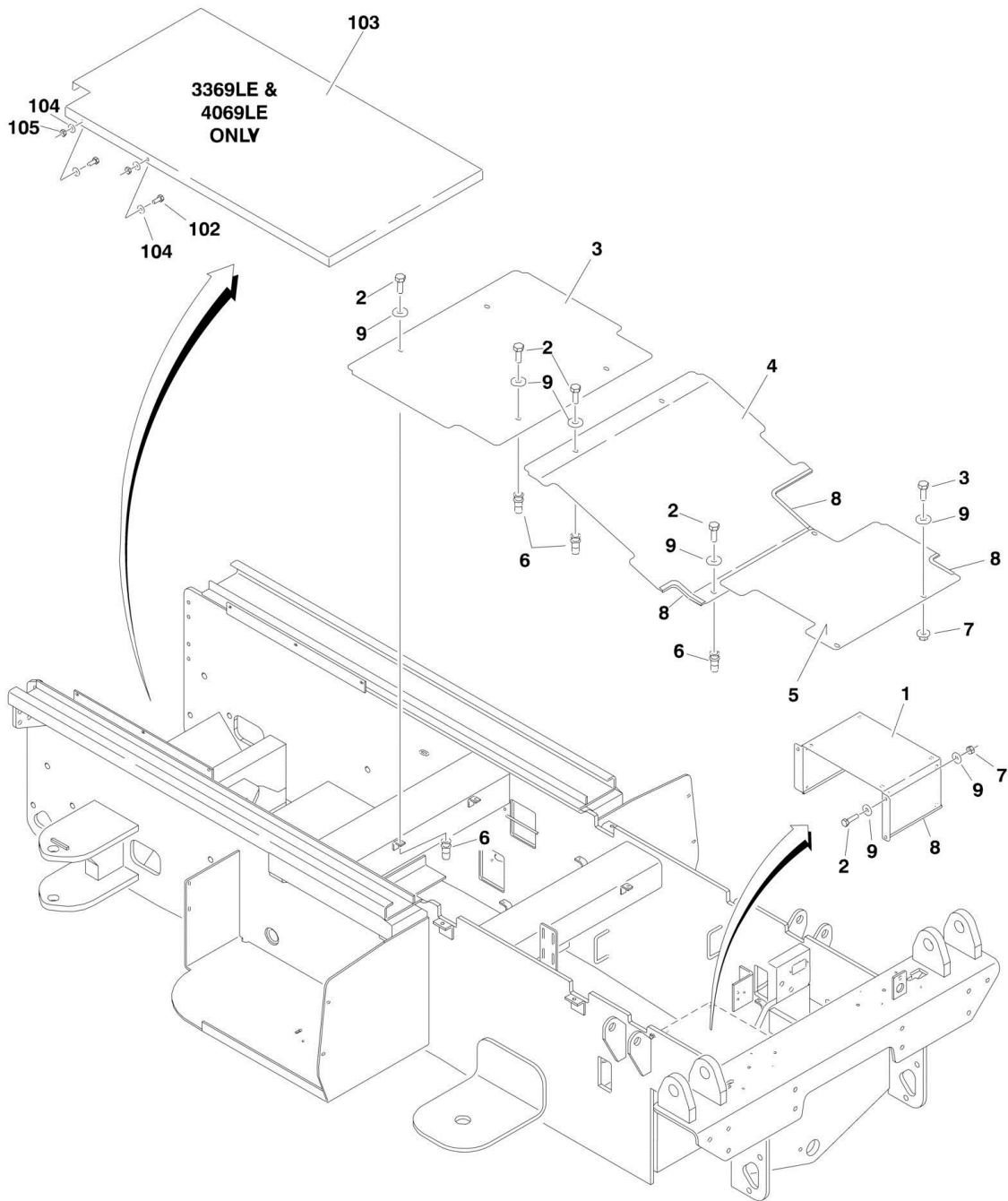
ITEM	PART NUMBER	QTY	DESCRIPTION	REV
	0271238	Ref	LEVELING JACKS INSTALLATION	K
1	0100011	AR	Compound, Locking	
2	0100019	AR	Compound, Locking	
3	0641406	4	Bolt 1/4in-20NC x 3/4in	
4	0641528	4	Bolt 5/16in-18NC x 3-1/2in	
5	0641608	16	Bolt 3/8in-16NC x 1in	
6	0641828	16	Bolt 1/2in-13NC x 3-1/2in	
7	0682016	12	Bolt 5/8in-11NC x 2in	
8	1670971	2	Cover, Valve	
9		Ref	Jack Cylinder Assembly Options (See CYLINDER SECTION for Breakdown):	
9	1683966	NLA	USA Built Machines (Use p/n 1684217) (Prior to SN 0200104829)	
9	1684217	4	USA Built Machines (SN 0200104829 through 0200112734)	
9	1684291	NLA	USA Built Machines (Use p/n 1001140600) (SN 0200112735 through 0200214443)	
9	1001140600	4	USA Built Machines (SN 0200214444 through 0200230091)	
9	1684217	4	Belgium Built Machines	
10	2080052	4	Fastener, Insert	
12	3272001	12	Nut 5/8in-11NC	
13	3310805	16	Locknut #8-32NC	
14	3311505	4	Locknut 5/16in-18NC	
15	3440420	8	Pin, Roll	
16		Ref	Rod Options:	
16	3841326	4	USA Built Machines (Prior to SN 0200202249)	
16	1001128736	4	USA Built Machines (SN 0200202249 through 0200230091)	
16	3841326	4	Belgium Built Machines	
17	3930820	16	Bolt #8-32NC x 1-1/4in	
18	4061003	4	Cover	
19		Ref	Spring Options:	
19	4160116	4	USA Built Machines (Prior to SN 0200202249)	
19	1001128890	4	USA Built Machines (SN 0200202249 through 0200230091)	
19	4160116	4	Belgium Built Machines	
20		Ref	Tape, Safety Options:	
20	4420052	8.3 ft /2.5m	5in Width (No Longer Available - Use p/n 4420051) (USA Built Machines) (Prior to SN 0200149814)	
20	4420052	8.3 ft /2.5m	5in Width (No Longer Available - Use p/n 4420051) (All Belgium Built Machines)	
20	4420051	8.3 ft /2.5m	2in Width (USA Built Machines) (SN 0200149814 through 0200230091)	
21	4641150	2	Leveling Jack Control Valve Assembly (See Items 101-104 for Breakdown)	
22	4711800	16	Flatwasher 1/2in (Narrow)	
23	4740415	4	Washer	
24	4750800	16	Flatwasher #8 (Wide)	
25	4751400	4	Flatwasher 1/4in (Wide)	
26	4751500	4	Flatwasher 5/16in (Wide)	
27	4751600	16	Flatwasher 3/8in (Wide)	
28	4846224	1	Weldment, Leveling Jack (Front)	
29	4846225	1	Weldment, Leveling Jack (Rear)	
30	4892000	16	Flatwasher 5/8in (Hardened)	

SECTION 1 - FRAME

ITEM	PART NUMBER	QTY	DESCRIPTION	REV
31	4922454	2	Harness (See ELECTRICAL SECTION for Breakdown)	
32	4922455	2	Harness (See ELECTRICAL SECTION for Breakdown)	
33	4922456	1	Harness (Not Shown - See ELECTRICAL SECTION for Breakdown)	
	4641150	Ref	LEVELING JACK CONTROL VALVE ASSEMBLY	B
101	0561407	1	Valve, Jack Control	
102	2220883	2	Plug	
103	4641151	2	Cartridge, Relief Valve	
103	7021653	2	Seal Kit - 4641151 Valve (1 Per Cartridge)	
104	4641152	2	Valve, 4-Way	
104	7012903	2	Seal Kit - 4641152 Valve (1 Per Cartridge)	
104	7012943	4	Coil (2 Per Cartridge)	
	0010572	Ref	LEVELING JACK DECALS INSTALLATION	
201		Ref	Decal - Load Options:	
201	1704955	4	Decal - Load (3369LE & M3369)	
201	1704954	4	Decal - Load (4069LE & M4069)	
202		Ref	Decal - Crush Warning Options:	
202	1701214	8	ANSI and ANSI Export Specs	
202	1704698	8	Brazilian Spec	
202	1704690	8	CSA Spec	
202	1704536	8	Japanese Spec	
202	1704697	8	Latin American Spec	
301	1001131751	Ref	ROD REPLACEMENT KIT (INCLUDES ITEMS 1, 2, 6, 15, 16, 19 & 23)	A

SECTION 1 - FRAME

FIGURE 1-19. COVERS INSTALLATION (FRAME MOUNTED)



SECTION 1 - FRAME

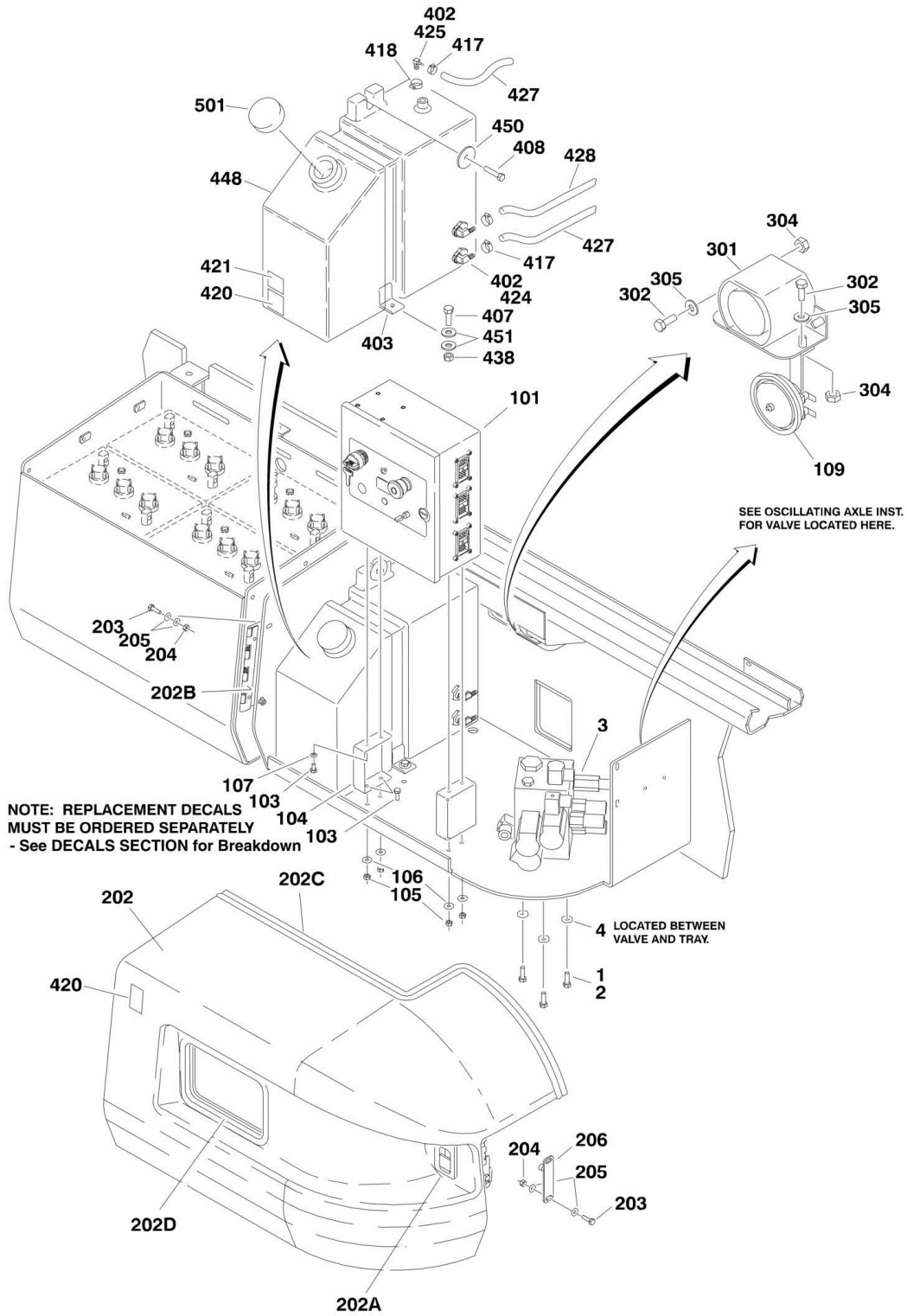
FIGURE 1-19. COVERS INSTALLATION (FRAME MOUNTED)

ITEM	PART NUMBER	QTY	DESCRIPTION	REV
	0270740	Ref	FRAME AXLE COVERS INSTALLATION	C
1	0271009	1	Cover Assembly	
2	0641408	13	Bolt 1/4in-20NC x 1in	
3	1670979	1	Cover	
4	1670980	1	Cover	
5		Ref	Cover Options:	
5	1670981	1	Without Leveling Jacks	
5	1671009	1	With Leveling Jacks	
6	2080052	8	Fastener, Insert	
7	3311405	5	Locknut 1/4in-20NC	
8	4060803	AR	Flex-Trim	
9	4751400	18	Flatwasher 1/4in Regular	
	0270576	Ref	ENGINE COVER INSTALLATION (3369LE & 4069LE ONLY)	B
102	0641406	4	Bolt 1/4in-20NC x 3/4in	
103	1670990	1	Cover, Front	
104	4711400	8	Flatwasher 1/4in Thin	
105	3311405	4	Locknut 1/4in-20NC	

SECTION 2 - GROUND CONTROLS

SECTION 2 - GROUND CONTROLS

FIGURE 2-1. RIGHT SIDE COMPONENTS INSTALLATION



SECTION 2 - GROUND CONTROLS

FIGURE 2-1. RIGHT SIDE COMPONENTS INSTALLATION

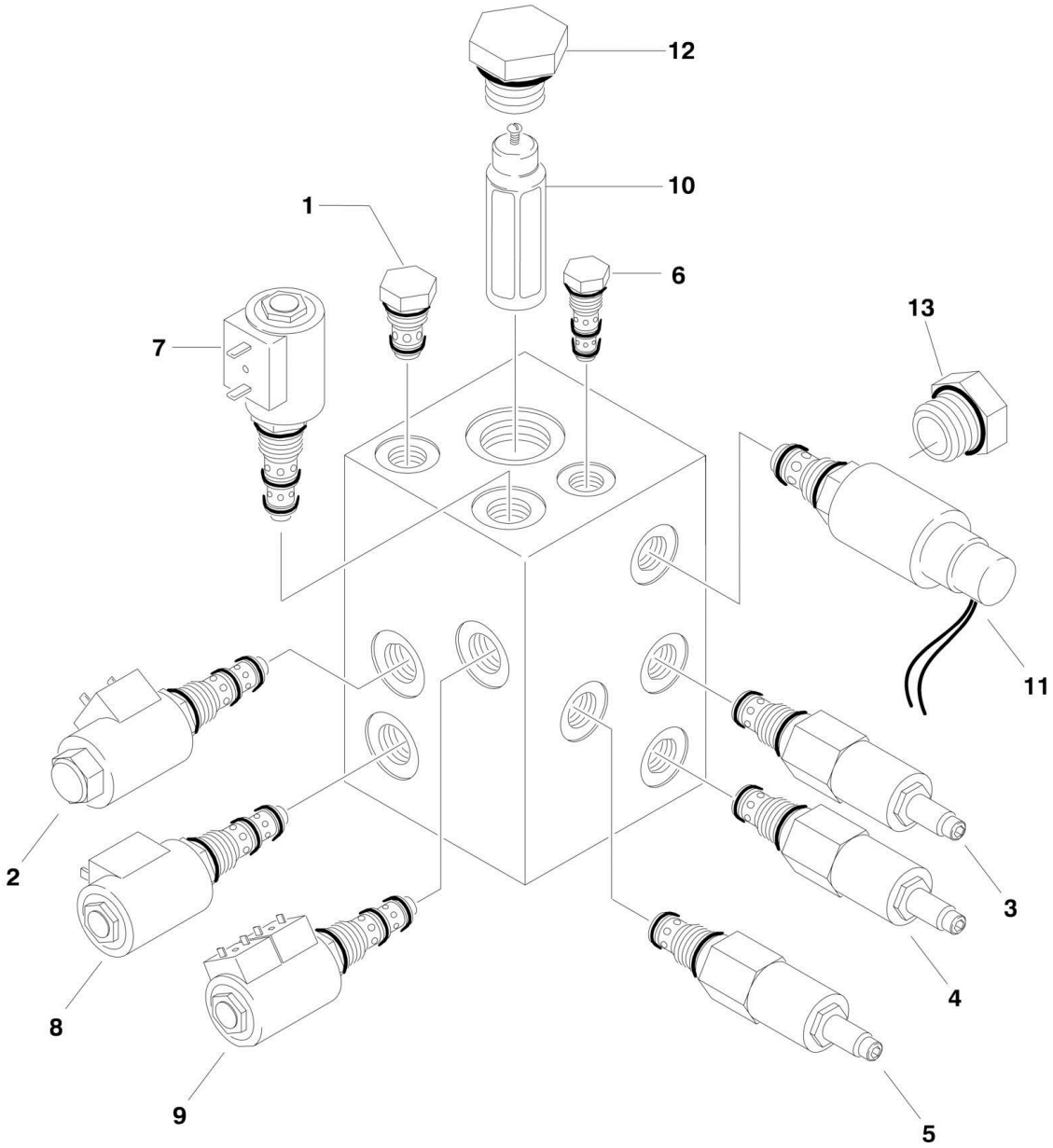
ITEM	PART NUMBER	QTY	DESCRIPTION	REV
	0270692	Ref	HYDRAULIC VALVE INSTALLATION	C
1	0100011	AR	Compound, Locking	
2	0641508	3	Bolt 5/16in-18NC x 1in	
3	4641178	1	Main Valve Assembly (See MAIN CONTROL VALVE ASSEMBLY for Breakdown)	
4	4891600	3	Washer, Hardened 3/8in	
		Ref	GROUND CONTROL BOX INSTALLATION	
	0270582	Ref	Ground Control Box Installation 3369LE & 4069LE without Leveling Jacks	D
	0270583	Ref	Ground Control Box Installation 3369LE & 4069LE with Leveling Jacks	D
	0270999	Ref	Ground Control Box Installation M3369 & M4069 with Leveling Jacks - 4WD	C
	0270998	Ref	Ground Control Box Installation M3369 & M4069 without Leveling Jacks - 2WD	B
101		Ref	Ground Control Box Assembly Options (See GROUND CONTROL BOX ASSEMBLY for Breakdown):	
101	0270544	1	Ground Control Box Assembly 3369LE & 4069LE	
101	0271442	1	Ground Control Box Assembly M3369 & M4069	
102		Ref	Leveling Jack Harness Assembly Options (Not Shown) (See ELECTRICAL SECTION for Breakdown):	
102	Not Required	0	Without Leveling Jacks	
102	4922529	1	With Leveling Jacks	
103	0641406	9	Bolt 1/4in-20NC x 3/4in	
104	0902696	2	Bracket, Mounting	
105	3311405	5	Locknut 1/4in-20NC	
106	4751400	6	Flatwasher 1/4in	
107	4761400	4	Lockwasher 1/4in	
108		Ref	Valve Harness Assembly Options (Not Shown) (See ELECTRICAL SECTION for Breakdown):	
108	4922528	1	Machines with Mac Charger	
108	1001105438	1	Machines with Delta-Q Charger	
109	0140028	1	Horn	
110	4922602	1	Harness, Generator (Not Shown) (See ELECTRICAL SECTION for Breakdown)	
	0270683	Ref	HOOD INSTALLATION	D
202	0270940	1	Hood Assembly	E
202A	2940135	1	Latch	
202B	2600275	1	Hinge	
202C	3960389	4 ft/1.2m	Flex-Trim	
202D	3960418	3 ft/.9m	Flex-Trim	
203	0641407	4	Bolt 1/4in-20NCx 7/8in	
204	3311405	4	Locknut 1/4in-20NC	
205	4751400	8	Flatwasher 1/4in	
206	4846359	1	Plate, Latch	
		Ref	ALARMS INSTALLATIONS (OPTIONAL)	
	0270941	Ref	Descent (USA Built Machines) (Prior to SN 0200115473)	A
	0270941	Ref	Descent (All Belgium Built Machines)	A
	0270942	Ref	Motion (USA Built Machines) (Prior to SN 0200115473)	C
	0270942	Ref	Motion (All Belgium Built Machines)	C
	0273049	Ref	Load (Optional) (USA Built Machines) (Prior to SN 0200115473)	A

SECTION 2 - GROUND CONTROLS

ITEM	PART NUMBER	QTY	DESCRIPTION	REV
	0273049	Ref	Load (Optional) (All Belgium Built Machines)	A
	0270942	Ref	All Functions (USA Built Machines) (SN 0200115473 through 0200230091)	B
301	0140032	1	Alarm (Remove ground strap before installation)	
302	0641508	2	Bolt 5/16in-18NC x 1in	
303	2820018	AR	Tubing, Heat Shrink (Not Shown)	
304	3311505	2	Locknut 5/16in-18NC	
305	4711500	4	Flatwasher 5/16in Narrow	
306	4922517	1	Harness, Alarm (See ELECTRICAL SECTION for Breakdown) (Not Shown)	
		Ref	TANK INSTALLATION (M3369 & M4069 ONLY)	
	0270788	Ref	Yanmar Engine	K
	0274684	Ref	Kubota Engine (Prior to SN 0200225601)	F
	1001159360	Ref	Kubota Engine (SN 0200225601 through 0200230091)	A
402	0100020	AR	Sealant, Pipe	
403	0182014	1	Angle	
407	0641508	1	Bolt 5/16in-18NC x 1in	
408	0641512	1	Bolt 5/16in-18NC x 1-1/2in	
408	0641514	1	Bolt 5/16in-18NC x 1-3/4in	
417	1320022	5	Clamp, Hose	
418		Ref	Clamp, Hose Options:	
418	1320030	1	Clamp, Hose (Prior to SN 0200215462)	
418	1320033	1	Clamp Hose (SN 0200215462 through 0200230091)	
420	1701505	1	Decal - Diesel Fuel	
421	1001108923	1	Decal - Fuel Specification (ANSI and CSA Specs Only)	
424	2221046	2	Fitting, 90	
425	2221047	2	Fitting, 90	
427	2720058	10 ft/3.5m	Hose	
428	2720271	10 ft/3.5m	Hose	
438	3311505	1	Locknut 5/16in-18NC	
448	4400434	1	Tank	
450	4740076	1	Washer, Fender	
451	4751500	2	Flatwasher 5/16in	
501		Ref	FUEL CAP INSTALLATIONS	
501		Ref	Standard Non-Locking Fuel Cap	
501	7013614	1	Cap, Non-Locking	
501	0259613	Ref	Protectoseal Locking Fuel Cap	B
501	1120485	1	Cap, Protectoseal Locking	

SECTION 2 - GROUND CONTROLS

FIGURE 2-2. MAIN CONTROL VALVE ASSEMBLY



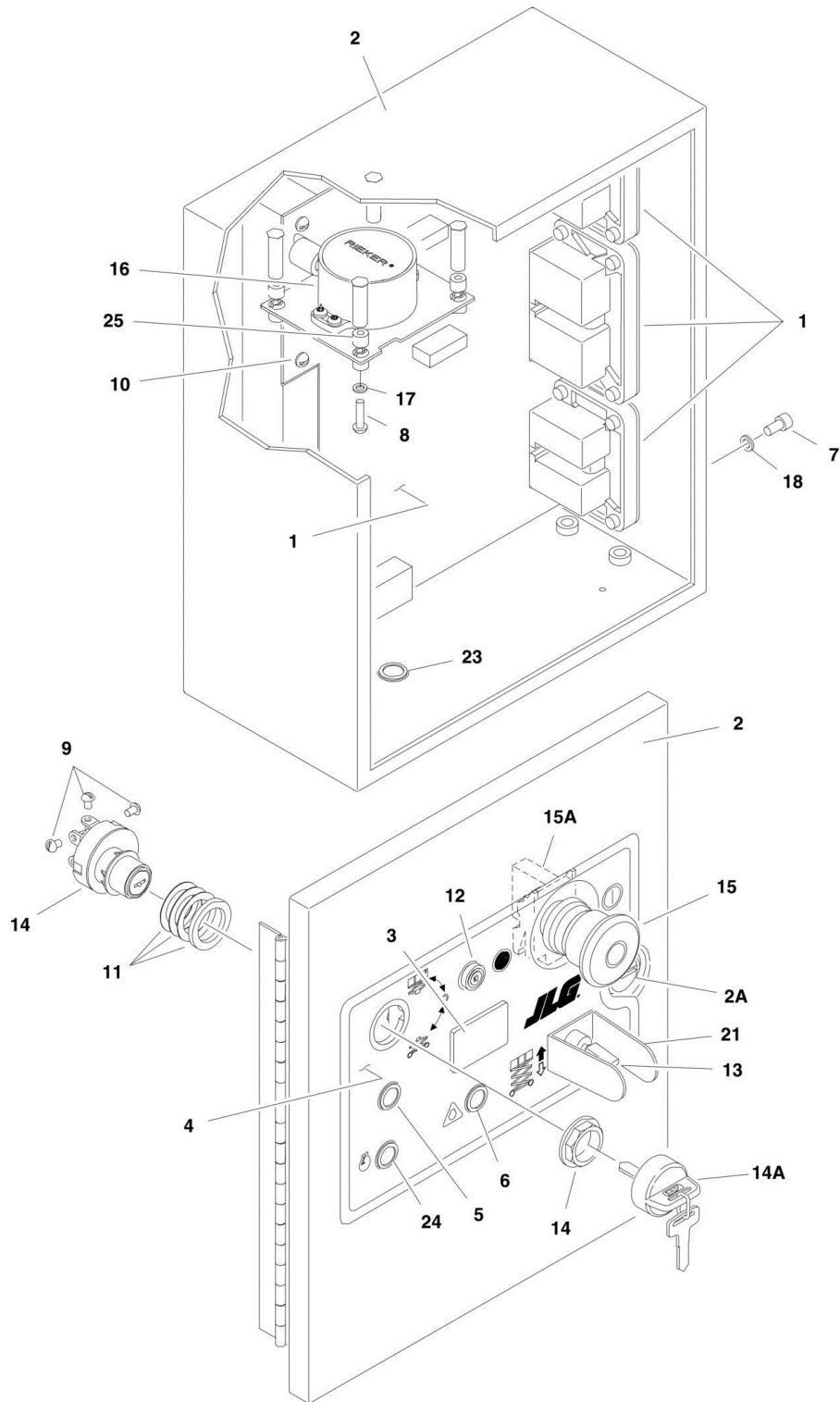
SECTION 2 - GROUND CONTROLS

FIGURE 2-2. MAIN CONTROL VALVE ASSEMBLY

ITEM	PART NUMBER	QTY	DESCRIPTION	REV
	4641178	Ref	VALVE ASSEMBLY	G
1	7022391	1	Cartridge, Check (Brake)	
1	7012967	1	Seal Kit - 7022391 Cartridge	
2	7023904	1	Cartridge, Solenoid (Flow Control) (Cartridge Only)	
2	7012518	1	Seal Kit - 7023904 Cartridge	
2	7017451	1	Coil	
3	7022392	1	Cartridge, Relief (Main)	
3	7017496	1	Seal Kit - 7022392 Cartridge	
4	7023931	1	Cartridge, Relief (Lift)	
4	7017496	1	Seal Kit - 7023931 Cartridge	
5	7023932	1	Cartridge, Relief (Steer)	
5	7012998	1	Seal Kit - 7023932 Cartridge	
6	7010542	1	Cartridge, Shuttle (Steer)	
6	7010543	1	Seal Kit - 7010542 Cartridge	
7	7012941	1	Cartridge, Solenoid (Brake) (Cartridge Only)	
7	7010543	1	Seal Kit - 7022391 Cartridge	
7	7012944	1	Coil	
8	7022394	1	Cartridge, Solenoid (Lift) (Cartridge Only)	
8	7012518	1	Seal Kit - 7022394 Cartridge	
8	7012943	1	Coil	
9	7017433	1	Cartridge, Check (Steer) (Cartridge Only)	
9	7017402	1	Seal Kit - 7017433 Cartridge	
9	7012944	2	Coil	
10	7021616	1	Cartridge, Filter	
11	7021619	1	Cartridge, Pressure Switch	
12	7024832	1	Plug	
13	70004264	1	Plug	

SECTION 2 - GROUND CONTROLS

FIGURE 2-3. GROUND CONTROL BOX ASSEMBLY



SECTION 2 - GROUND CONTROLS

FIGURE 2-3. GROUND CONTROL BOX ASSEMBLY

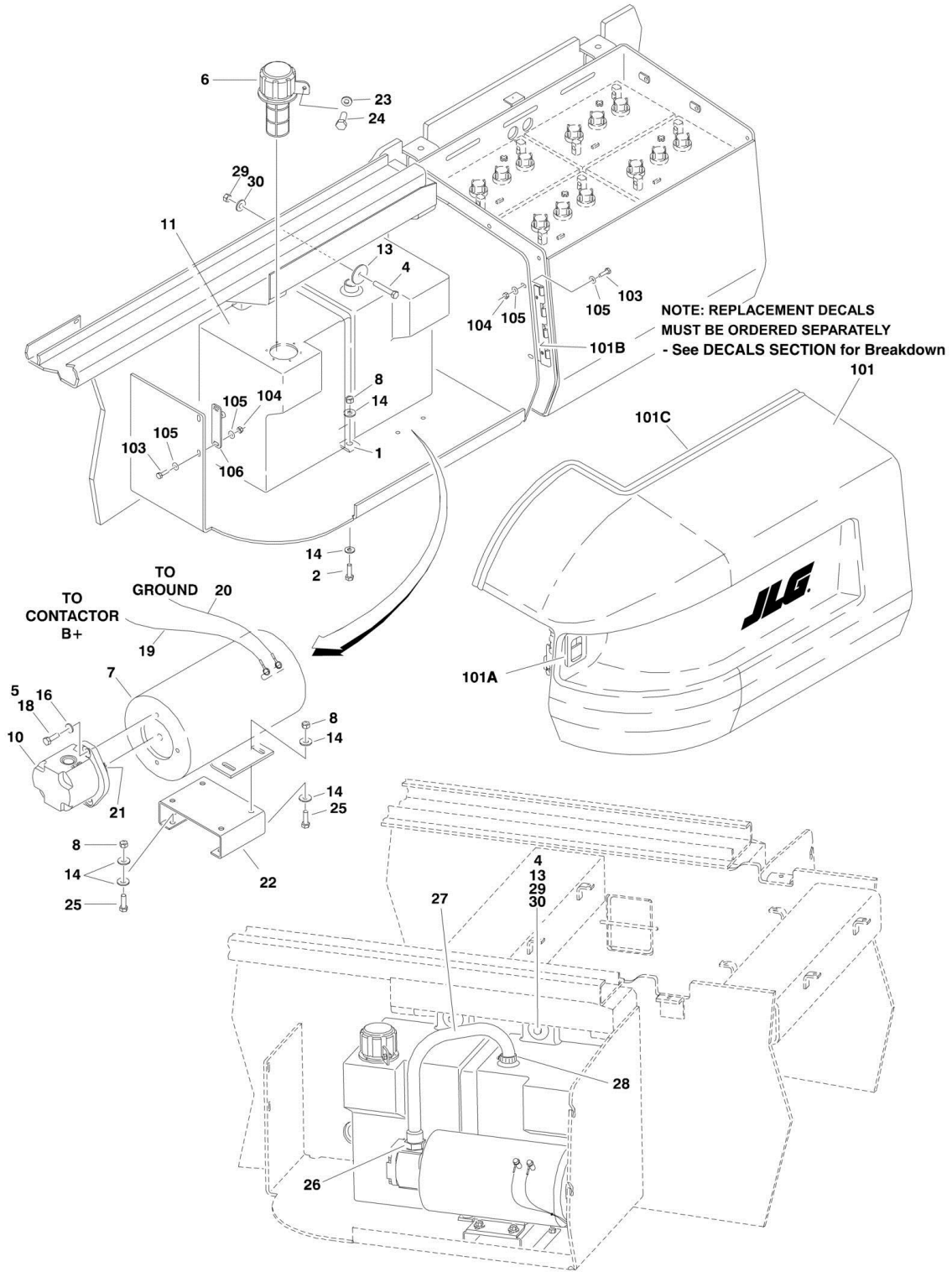
ITEM	PART NUMBER	QTY	DESCRIPTION	REV
		Ref	GROUND CONTROL BOX ASSEMBLY	
	0270544	Ref	Ground Control Box Assembly 3369LE & 4069LE	Y
	0271442	Ref	Ground Control Box Assembly M3369 & M4069	V
1	0610143	NLA	Board, PC (Use p/n 1001155878)	
1	1001099429	NLA	Board, PC (Use p/n 1001155878)	
1	1001091644	NLA	Board, PC (Use p/n 1001155878)	
1	1001099428	NLA	Board, PC (Use p/n 1001155878)	
1		Ref	Note: Control System Must be Re-calibrated when replaced.	
1	1001155878	1	Board, PC	
2	0861385	1	Box (SN 0200230092 through 0200243014)	
2A	7023212	1	Latch (SN 0200230092 through 0200243014)	
2	1001181087	1	Box (SN 0200243015 to Present)	
3	2420172	1	Hourmeter	
4		Ref	Nameplate Options:	
4	3252759	1	USA Built (Prior to SN 0200112230)	
4	1705710	1	USA Built (SN 0200112230 through 0200230091)	
4	3252759	1	Belgium Built Machines	
5		Ref	Plug, Hole Options:	
5	3520026	1	5/8in Dia - USA Built (Prior to SN 0200112230)	
5	3520193	1	7/8in Dia - USA Built (SN 0200112230 through 0200230091)	
5	3520026	1	5/8in Dia - Belgium Built Machines	
6		Ref	Component Options:	
6	3520028	1	Components 3369LE & 4069LE (Plug, Hole) (Prior to SN 0200125304)	
6	3520079	1	Component 3369LE & 4069LE (Plug, Hole) (SN 0200125304 through 0200230091)	
6	2920151	1	Component M3369 & M4069 (Light, LED)	
7	3900300	12	Screw, Socket Head	
8	3910616	4	Screw, Machine #6-32NC x 1in	
9	3910804	3	Screw, Machine #8 x 1/4in	
10	3911014	2	Screw #10-24 x 7/8 (SN 0200230092 through 0200243014)	
10	3900128	2	Screw #10-32 x 7/8 (SN 0200243015 to Present)	
11	4070987	3	Shim .015	
11	4070991	1	Shim .125	
12	4360069	1	Breaker, Circuit - 10Amp	
13	4360328	1	Switch, Toggle	
14	4360469	1	Switch, Key	
14A	2860030	1 Set	Key, Replacement	
15	4360475	1	Switch, Emergency Stop	
15	7020175	1	Cap	
15A	7020176	1	Block, Contact	
16		Ref	Switch, Dual Axis Options:	
16	4360481	NLA	Switch, Dual Axis (Use p/n 1001102811) (Prior to SN 0200125304)	
16	4000006	NLA	Switch, Dual Axis (Use p/n 1001102811) (SN 0200125304 through 0200182597)	
16	1810140	NLA	Switch, Dual Axis (Use p/n 1001102811) (SN 0200182598 through 0200230091)	
16		Ref	Note: Control System Must be Re-calibrated when replaced.	
17	4760600	4	Lockwasher #6	
18	4761000	14	Lockwasher #10	

SECTION 2 - GROUND CONTROLS

ITEM	PART NUMBER	QTY	DESCRIPTION	REV
19	4922339	1	Harness, Tilt (Not Shown - See ELECTRICAL SECTION for Breakdown) (Prior to SN 0200125304)	
20		Ref	Harness, Ground Control Box Options (Not Shown - See ELECTRICAL SECTION for Breakdown):	
20	4922480	1	Harness, Ground Control Box 3369LE & 4069LE	
20	4922604	1	Harness, Ground Control Box M3369 & M4069	
21	4060802	1	Guard, Switch	
23	3520030	1	Plug, Hole	
24		Ref	Component Options:	
24	3520080	1	Component 3369LE & 4069LE (Plug, Hole)	
24	4360387	1	Component M3369 & M4069 (Switch, Push Button)	
25	1001102512	4	Washer, Nylon (Prior to SN 0200182604)	

SECTION 2 - GROUND CONTROLS

FIGURE 2-4. LEFT SIDE COMPONENTS INSTALLATION



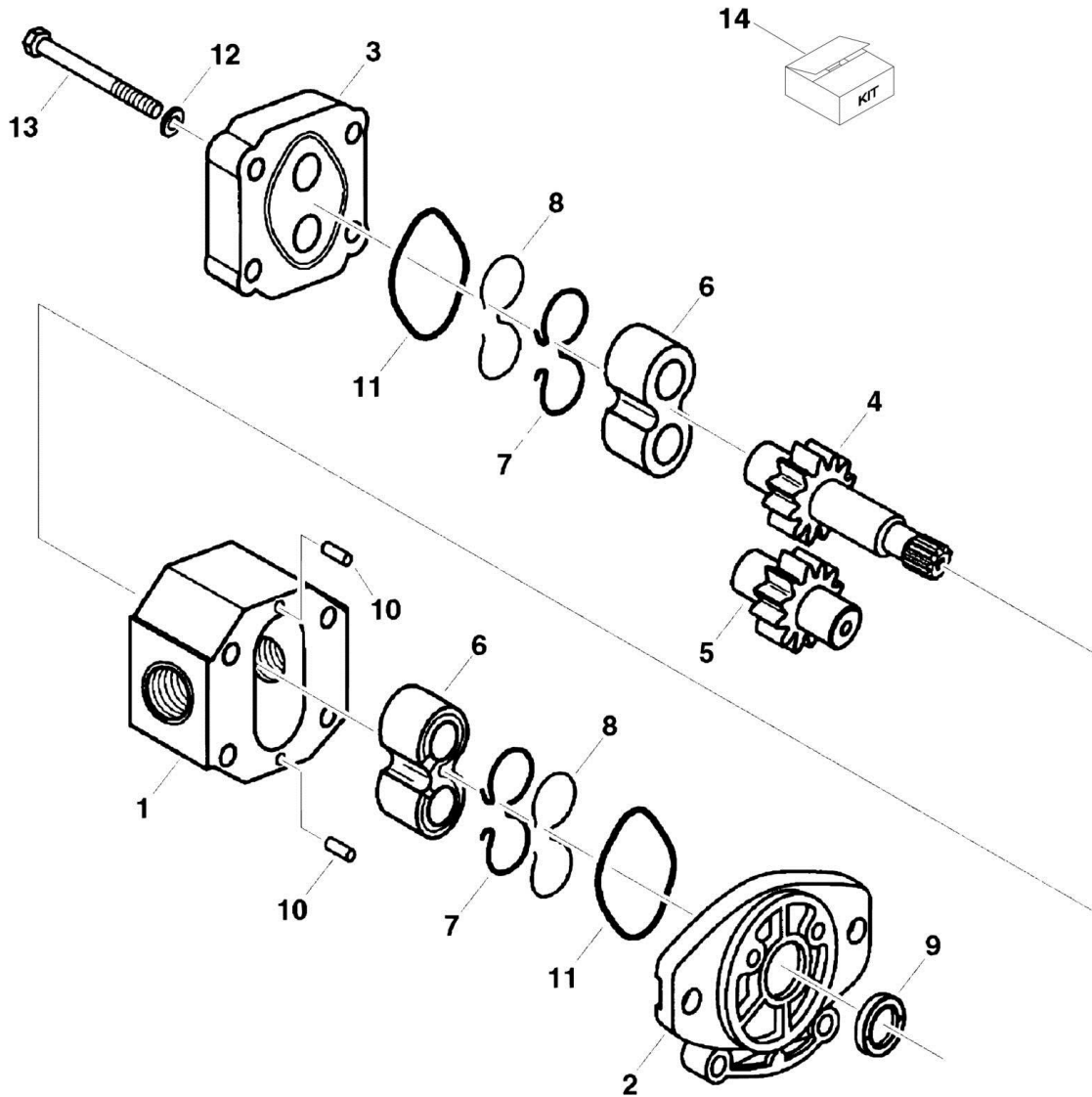
SECTION 2 - GROUND CONTROLS

FIGURE 2-4. LEFT SIDE COMPONENTS INSTALLATION

ITEM	PART NUMBER	QTY	DESCRIPTION	REV
	0270518	Ref	HYDRAULIC TANK AND PUMP/MOTOR INSTALLATION	I
1	0182014	1	Angle, Tank Retaining	
2	0641507	4	Bolt 5/16in-18NC x 7/8in	
4	0641618	2	Bolt 3/8in-16NC x 2 1/4in	
5	0700812	2	Capscrew, Metric M8 x 25mm	
6	1120534	1	Cap, Filler/Breather	
7	3160252	1	Motor Assembly	C
7	7020292	1	Bearing (Shaft End)	
7	7012548	4	Spring, Brush	
7	7020297	4	Brush	
7	7020298	1	Box Assembly, Brush	
7	7020299	1	Wire Lead, Brush	
7	7020295	1	Armature Assembly	
7	7020294	1	Fan	
7	7020296	1	Coil Kit, Field	
7	7012545	1	Bearing (Commutator End)	
8	3311505	9	Locknut 5/16in-18NC	
10		Ref	Pump Assembly Options (See PUMP ASSEMBLY for Breakdown):	
10	3600319	1	Pump - USA Built Machines (Prior to SN 0200115069)	
10	3600367	1	Pump - USA Built Machines (SN 0200115069 through 0200230091)	
10	3600319	1	Pump - All Belgium Machines	
11	4400433	1	Tank, Hydraulic	
13	4740076	2	Washer, Fender	
14	4751500	10	Flatwasher 5/16in	
16	4891500	2	Washer, Hardened	
18	0100011	AR	Compound, Locking	
19	1060900	1	Cable, Electrical (Pump to Contactor B+)	
20	1060901	1	Cable, Electrical (Pump to Ground)	
21	3020037	AR	Grease, Coupling	
22	0902701	1	Bracket, Mounting	
23	3311401	1	Nut 1/4in-20NC	
24	0641404	1	Bolt 1/4in-20NC x 1/2in	
25	0641506	8	Bolt 5/16in-18NC x 3/4in	
26	2220377	1	Fitting	
27	4568203	1	Tube	
28	1320033	1	Clamp, Hose	
29	3311605	2	Locknut 3/8in-16NC	
30	4711600	2	Flatwasher 3/8in Narrow	
	0270683	Ref	HOOD INSTALLATION	D
101	0270939	1	Hood Assembly	D
101A	2940135	1	Latch	
101B	2600275	1	Hinge	
101C	3960389	4 ft/1.2m	Flex-Trim	
103	0641407	4	Bolt 1/4in-20NCx 7/8in	
104	3311405	4	Locknut 1/4in-20NC	
105	4751400	8	Flatwasher 1/4in	
106	4846359	1	Plate, Latch	

SECTION 2 - GROUND CONTROLS

FIGURE 2-5. PUMP ASSEMBLY



SECTION 2 - GROUND CONTROLS

FIGURE 2-5. PUMP ASSEMBLY

ITEM	PART NUMBER	QTY	DESCRIPTION	REV
		Ref	GEAR PUMP ASSEMBLY	
	3600319	Ref	USA Built Machines (Prior to SN 0200115069)	B
	3600367	Ref	USA Built Machines (SN 0200115069 through 0200230091)	A
	3600319	Ref	All Belgium Built Machines	B
1	See Note	NSS	Body (Note: Purchase Complete Assembly)	
2	See Note	NSS	Cover, Front (Note: Purchase Complete Assembly)	
3	See Note	NSS	Cover, Rear (Note: Purchase Complete Assembly)	
4	See Note	NSS	Gear, Drive (Note: Purchase Complete Assembly)	
5	See Note	NSS	Gear, Idler (Note: Purchase Complete Assembly)	
6	See Note	2	Block, Bearing (Note: Use Item 14)	
7	See Note	2	Seal, Load (Note: Use Item 14)	
8	See Note	2	Seal, Anti-Extrusion (Note: Use Item 14)	
9	See Note	1	Seal, Shaft (Note: Use Item 14)	
10	See Note	2	Pin, Dowel (Note: Purchase Locally)	
11	See Note	2	Ring, Square (Note: Use Item 14)	
12	See Note	4	Washer (Note: Purchase Locally)	
13	See Note	4	Cap, Screw (Note: Purchase Locally)	
14		Ref	Seal Kit Options:	
14		Ref	Minor Seal Kit Options (Includes Items 7, 8, 9 & 11):	
14	7023808	1	3600319 Pump	
14	7024960	1	3600367 Pump	
14		Ref	Major Seal Kit Options (Includes Items 6, 7, 8, 9 & 11):	
14	7023819	1	3600319 Pump	
14	7024961	NLA	3600367 Pump (Note: Use Minor Seal Kit or Replace Complete Assembly)	

SECTION 2 - GROUND CONTROLS

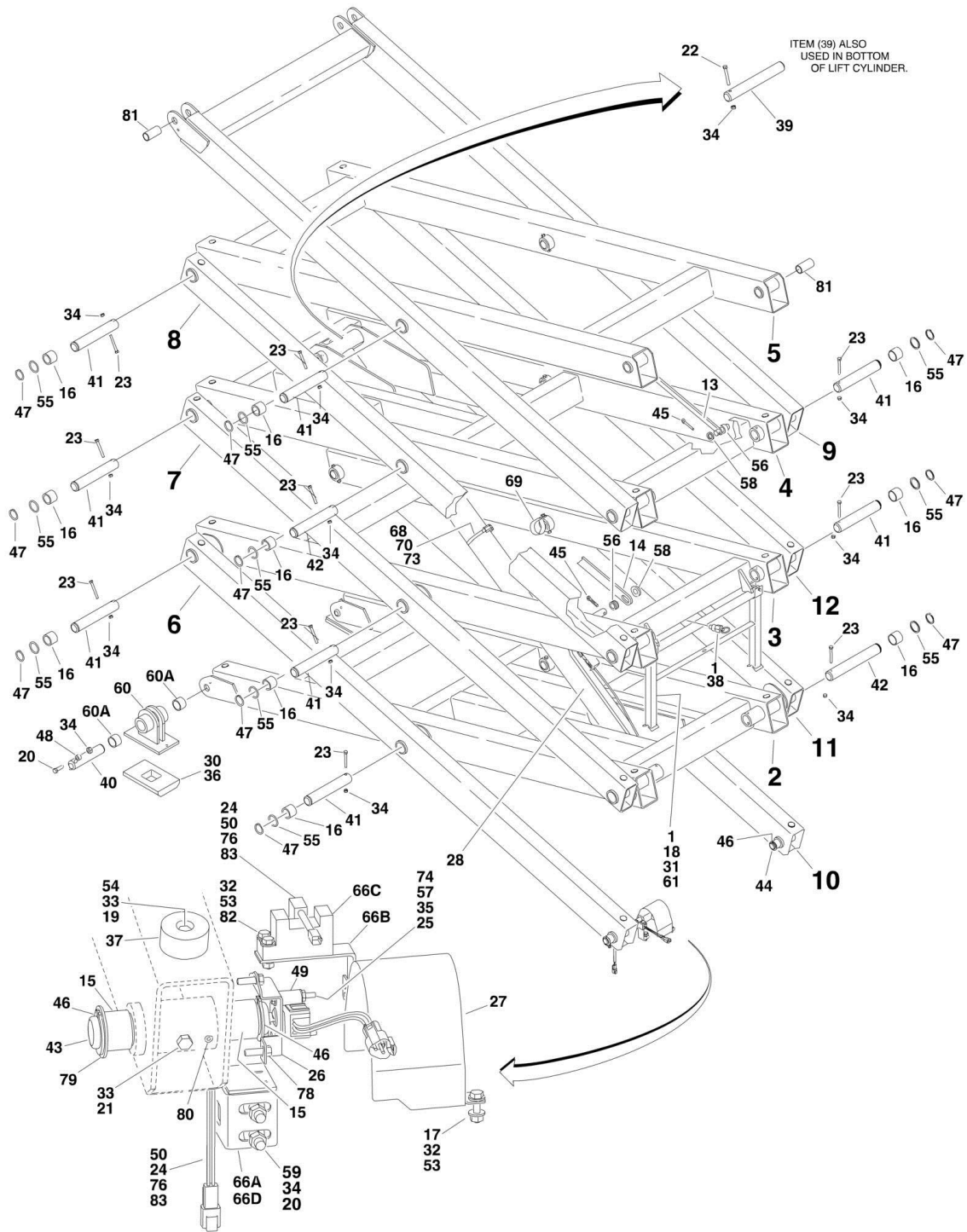
FIGURE 2-6. BATTERY BOX INSTALLATIONS

ITEM	PART NUMBER	QTY	DESCRIPTION	REV
		Ref	BATTERY BOX INSTALLATIONS	
	0270524	Ref	370A-HR Batteries	H
	1001104956	Ref	390A-HR AGM Batteries	C
1	0100051	AR	Grease, Terminal	
2	0182017	4	Angle, Battery Hold-Down	
3		Ref	Battery Options:	
3	0400055	8	370A-HR Wet Battery (Standard)	
3	7016177	8	370A-HR Dry Battery (Optional)	
3	1001102534	8	390A-HR AGM Wet Battery (Standard)	
3	Not Available		390A-HR AGM Dry Battery (Optional)	
4	0630526	16	Bolt, Special (Used on 370A-HR Batteries Only)	
5	0630549	4	Bolt 3/8in-16NC x 1-1/4in	
6	0641504	8	Bolt 5/16in -18NC x 1/2in	
7	0840048	AR	Boot, Terminal - "d" Shaped	
8	0840049	AR	Boot, Terminal - "b" Shaped	
9	0940087	4	Bumper (Used on 370A-HR Batteries Only)	
10	1060884	4	Cable, Battery (Battery - to Battery +)	
11		Ref	Cable, Battery Options (Battery - to Battery +):	
11	1060885	2	Cable (With 90 Ring Terminal) (370A-HR Batteries)	
11	1060884	2	Cable (390A-HR AGM Batteries)	
12	1060886	2	Cable, Battery (Batteries to Anderson Connector)	
13	1060887	1	Cable, Battery (Anderson Connector to Contactor)	
15	1670972	2	Cover, Battery Box	
16	2540038	4	Grommet	
17	2940133	2	Latch, Draw	
18	3000018	2	Liner, Battery Box	
19	3300429	16	Nut, Special	
20	4740474	16	Lockwasher, Stainless Steel 5/16in	
21	3310801	8	Nut #8-32NC	
22	3311401	4	Nut 1/4in-20NC	
23	3311505	4	Locknut 5/16in	
24	3340903	4	Pad, Slide	
25	3900190	4	Screw, Shoulder	
27	3900305	8	Screw #8-32NC	
28	3931430	4	Capscrew, Socket Head 1/4in-20NC x 1-7/8in	
29	4711500	8	Flatwasher 5/16in Narrow	
30	4740480	4	Washer, Plastic Insert	
34		Ref	Battery Box Weldment Options:	
34	4846297	2	Box (370A-HR Batteries)	
34	1001105085	2	Box (390A-HR AGM Batteries)	
35	0100011	AR	Compound, Locking	
36	1001114496	1	Sensor, Battery Temperature (Machines with Delta-Q Charger)	

SECTION 3 - SCISSORS ARMS

SECTION 3 - SCISSORS ARMS

FIGURE 3-1. SCISSORS ARMS INSTALLATION - 3369LE AND M3369 (USA BUILT MACHINES AND ALL BELGIUM BUILT MACHINES) (Prior to SN 0200152398)



SECTION 3 - SCISSORS ARMS

FIGURE 3-1. SCISSORS ARMS INSTALLATION - 3369LE AND M3369 (USA BUILT MACHINES AND ALL BELGIUM BUILT MACHINES) (Prior to SN 0200152398)

ITEM	PART NUMBER	QTY	DESCRIPTION	REV
		Ref	SCISSOR ARMS INSTALLATION - 3369LE AND M3369	
	0270853	Ref	USA Built Machines (Prior to SN 0200112285)	H
	0272932	Ref	USA Built Machines (SN 0200112285 through 0200152398)	D
	0270853	Ref	Belgium Built Machines	H
1	0100011	AR	Compound, Locking	
2	0200654	1	Arm Weldment (Bottom Inboard)	
3	0200655	1	Arm Weldment (Lower Mid Inboard)	
4	0200656	1	Arm Weldment (Upper Mid Inboard)	
5		Ref	Arm Weldment (Top Inboard) Options:	
5	0200657	1	0270853 Installation	
5	0200724	1	0272932 Installation	
6	0200658	1	Arm Weldment (Bottom Left Side Outboard)	
7	0200659	1	Arm Weldment (Lower Mid Left Side Outboard)	
8	0200660	1	Arm Weldment (Upper Mid Left Side Outboard)	
9		Ref	Arm Weldment (Top Outboard) Options:	
9	0200661	1	0270853 Installation	
9	0200725	1	0272932 Installation	
10	0200667	1	Arm Weldment (Bottom Right Side Outboard)	
11	0200668	1	Arm Weldment (Lower Mid Right Side Outboard)	
12	0200669	1	Arm Weldment (Upper Mid Right Side Outboard)	
13	0362840	1	Bar, Cable Carrier	
14	0362841	1	Bar, Cable Carrier	
15	0440234	4	Bushing	
16	0440236	40	Bushing	
17	0641408	2	Bolt 1/4in-20NC x 1in	
18	0641418	2	Bolt 1/4in-20NC x 2 1/4in	
19	0641510	24	Bolt 5/16in-18NC x 1 1/4in	
20	0641610	2	Bolt 3/8in-16NC x 1 1/4in	
21	0681520	2	Bolt 5/16in-18NC x 2 1/2in (Grade 8)	
22	0681622	2	Bolt 3/8in-16NC x 2 3/4in (Grade 8)	
23	0681624	20	Bolt 3/8in-16NC x 3in (Grade 8)	
24	3900325	2	Screw, Machine #10-24NC x 1/2in	
25	0721014	2	Screw, Machine #10-24NC	
26	0902713	1	Bracket, Limit Switch	
27	1670965	1	Cover, Limit Switch	
28		Ref	Lift Cylinder Assembly Options (See CYLINDER SECTION for Breakdown):	
28	1683858	1	USA Built Machines (Prior to SN 0200100577)	
28	1684119	1	USA Built Machines (SN 0200100577 through 0200152398)	
28	1684119	1	Belgium Built Machines	
30	3020022	AR	Grease, Lithium	
31	3300151	2	Nut, Acorn 1/4in-20NC	
32	3311405	4	Locknut 1/4in-20NC	
33	3311505	26	Locknut 5/16in-18NC	
34	3311605	24	Locknut 3/8in-16NC	
35	3311001	2	Nut #10-32NF	
36	3340856	2	Pad, Slide	
37	3340866	24	Pad, Arm	
38	3422369	1	Pin, Plunger	

SECTION 3 - SCISSORS ARMS

ITEM	PART NUMBER	QTY	DESCRIPTION	REV
39	3422778	2	Pin, Pivot	
40	3422822	2	Pin, Pivot	
41	3422825	16	Pin, Pivot	
42	3422826	4	Pin, Pivot	
43	3422905	1	Pin, Pivot	
44	3422907	1	Pin, Pivot	
45	3450304	4	Pin, Cotter 3/32in x 1in	
46	3760387	4	Ring, Retaining	
47	3760420	20	Ring, Retaining	
48	3841143	2	Keeper, Pin	
49	4360500	1	Switch, Rotary Angle Sensor	
50	4360502	1	Switch, Proximity Sensor	
53	4711400	10	Flatwasher 1/4in Narrow	
54	4711500	24	Flatwasher 5/16in Narrow	
55	4740332	20	Washer, Special	
56	4740480	4	Washer, Plastic Insert	
57	4751000	4	Flatwasher #10	
58	4751500	4	Flatwasher 5/16in	
59	4711600	1	Flatwasher 3/8in Narrow	
60	4845986	NLA	Slider Weldment (Bottom) (Use p/n 1001099550)	
60	4630012	NLA	Slider Weldment (Bottom) (Use p/n 1001099550)	
60A	0440234	4	Bushing (2 Per Assembly)	
61	4846020	1	Prop, Safety	
62	4922544	1	Harness, Lift Down (Not Shown - See ELECTRICAL SECTION for Breakdown)	
66		Ref	Bracket/Block Options:	
66A	0902703	1	Bracket for USA Built Machines (Prior to SN 0200138293)	
66B	0903273	1	Bracket for USA Built Machines (SN 0200138293 through 0200152398)	
66C	3200453	1	Block for USA Built Machines (SN 0200138293 through 0200152398)	
66D	0902703	1	Bracket for Belgium Built Machines	
68	1320122	1	Clamp	
69	1320110	1	Clamp, Support	
70	1670995	1	Cover, Hose/Cable	
73	4280295	6 in/15cm	Strip, Protective	
74	0100035	AR	Compound, Locking	
75	4922543	1	Harness, Lift Down (Not Shown - See ELECTRICAL SECTION for Breakdown)	
76	3300455	2	Locknut #10-24NC (Stainless Steel)	
78	0630550	3	Capscrew 1/4in-20NC x 3/4in	
79	4740438	2	Washer, Special	
80	3422927	1	Rollpin	
81		Ref	Bushing Options:	
81	0440234	4	0270853 Installation	
81	0440250	4	0272932 Installation	
82	0641410	2	Bolt 1/4in-20NC x 1 1/4in	
83	4740506	2	Flatwasher #10 (Stainless Steel)	
		Ref	Arm Kit Options (Includes Items 2-12, 15-16, 19, 33, 37, 54, 81):	
	2901930	1	0270853 Installation	
	2902253	1	0272932 Installation	

SECTION 3 - SCISSORS ARMS

FIGURE 3-2. SCISSORS ARMS INSTALLATION - 3369LE AND M3369 (USA BUILT MACHINES) (SN 0200152398 through 0200230091)

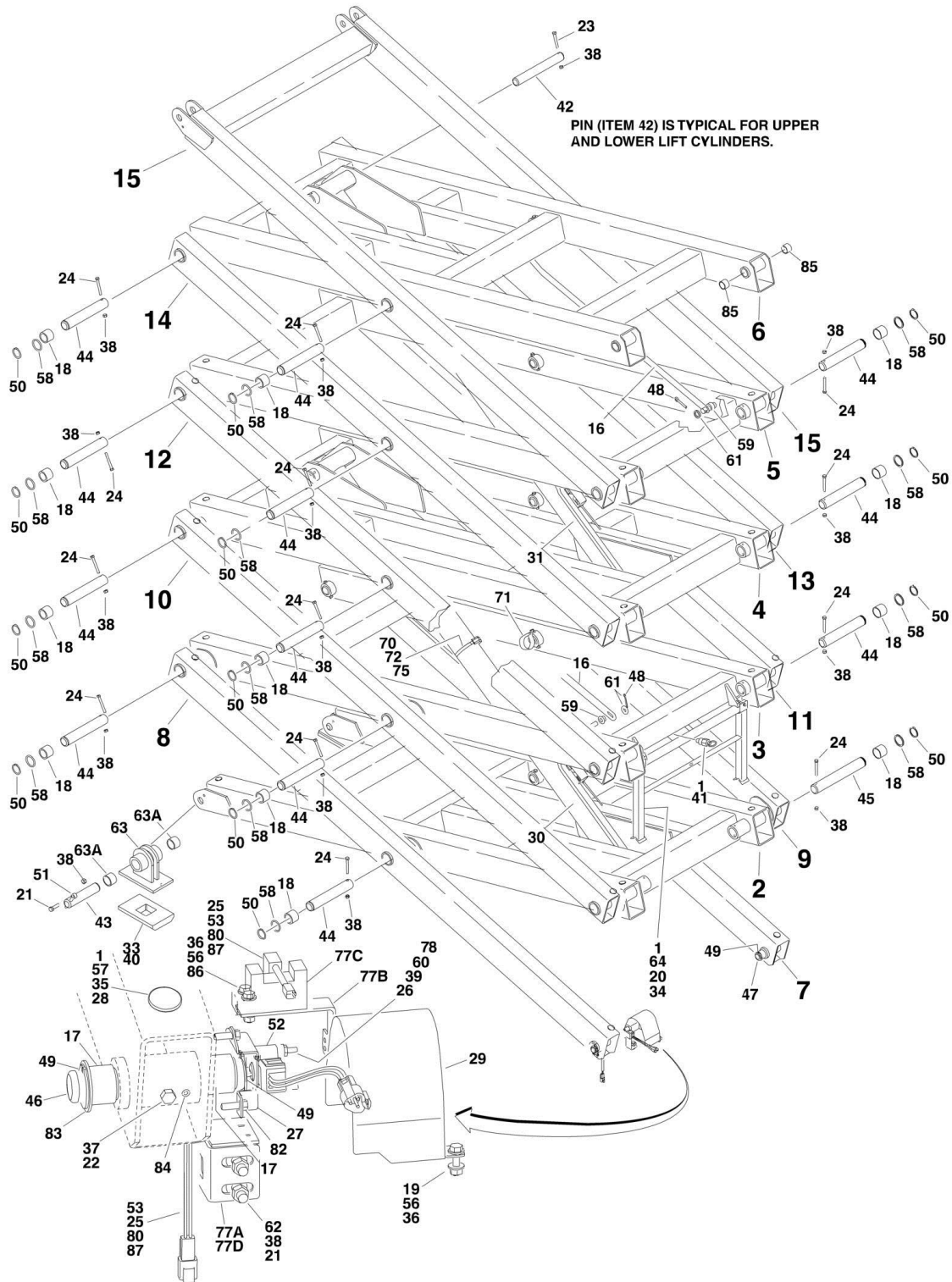
ITEM	PART NUMBER	QTY	DESCRIPTION	REV
		Ref	SCISSOR ARMS ASSEMBLY - 3369LE AND M3369	
	0275481	Ref	ANSI and ANSI Export Specs	A
	0275525	Ref	ANSI Export and Japanese Specs	A
1	0200654	1	Arm Weldment (Bottom Inboard)	
2	0200655	1	Arm Weldment (Lower Mid Inboard)	
3	0200656	1	Arm Weldment (Upper Mid Inboard)	
4	0200724	1	Arm Weldment (Top Inboard)	
5	0200658	1	Arm Weldment (Bottom Left Side Outboard)	
6	0200659	1	Arm Weldment (Lower Mid Left Side Outboard)	
7	0200660	1	Arm Weldment (Upper Mid Left Side Outboard)	
8	0200725	1	Arm Weldment (Top Outboard)	
9	0200667	1	Arm Weldment (Bottom Right Side Outboard)	
10	0200668	1	Arm Weldment (Lower Mid Right Side Outboard)	
11	0200669	1	Arm Weldment (Upper Mid Right Side Outboard)	
12	0440250	4	Bushing	
13	0440236	40	Bushing	
14	0641510	24	Bolt 5/16in-18NC x 1 1/4in	
15	3311505	24	Locknut 5/16in-18NC	
16	3340866	24	Pad, Arm	
17	4711500	24	Flatwasher 5/16in Narrow	
20	0100011	AR	Compound, Locking	
21	0362840	1	Bar, Cable Carrier	
22	0362841	1	Bar, Cable Carrier	
23	0641418	2	Bolt 1/4in-20NC x 2 1/4in	
25	0681622	2	Bolt 3/8in-16NC x 2 3/4in (Grade 8)	
26	0681624	20	Bolt 3/8in-16NC x 3in (Grade 8)	
29	1060866	1	Cable, Electrical - 12/3 (Not Shown - See ELECTRICAL SECTION for Breakdown)	
30	1320110	1	Clamp, Support	
31	1320122	1	Clamp	
32	1670995	1	Cover, Hose/Cable	
33	1684119	1	Lift Cylinder Assembly (See CYLINDER SECTION for Breakdown)	
38	3300151	2	Nut, Acorn 1/4in-20NC	
39	3311605	22	Locknut 3/8in-16NC	
41	3422369	1	Pin, Plunger	
42	3422778	2	Pin, Pivot	
43	3422825	16	Pin, Pivot	
44	3422826	4	Pin, Pivot	
45	3450304	4	Pin, Cotter 3/32in x 1in	
47	3760420	20	Ring, Retaining	
48	4280295	6 in/15cm	Strip, Protective	
52	4711600	1	Flatwasher 3/8in Narrow	
53	4740332	20	Washer, Special	
54	4740480	4	Washer, Plastic Insert	
55	4751500	4	Flatwasher 5/16in	
56	4846020	1	Prop, Safety	
57	4922477	1	Platform Harness (Not Shown - See ELECTRICAL SECTION for Breakdown)	

SECTION 3 - SCISSORS ARMS

ITEM	PART NUMBER	QTY	DESCRIPTION	REV
58	4922544	1	Lift Down Harness (Upper) (Not Shown - See ELECTRICAL SECTION for Breakdown)	
	2902253	1	Arm Kit (Includes Items 1 -17)	C
		Ref	SCISSOR ARMS INSTALLATION	
	0272932	Ref	ANSI and ANSI Export Specs	J
	0275552	Ref	ANSI Export and Japanese Specs	F
101	0100035	AR	Compound, Locking	
103	0440234	4	Bushing	
104	0791406	3	Screw 1/4in-20NC x 3/4in	
105	0641408	2	Bolt 1/4in-20NC x 1in	
106	0641410	2	Bolt 1/4in-20NC x 1 1/4in	
107	0641610	2	Bolt 3/8in-16NC x 1 1/4in	
108	0681520	2	Bolt 5/16in-18NC x 2 1/2in (Grade 8)	
109	0721014	2	Screw, Machine #10-24NC	
110	0902713	1	Bracket, Limit Switch	
111	1670965	1	Cover, Limit Switch	
112	3020022	AR	Grease, Lithium	
113		Ref	Bracket/Block Components	
113A	0903273	1	Bracket	
113B	3200453	1	Block	
114	3300455	2	Locknut #10-24NC (Stainless Steel)	
115	3311001	2	Nut #10-32NF	
116	3311405	4	Locknut 1/4in-20NC	
117	3311505	2	Locknut 5/16in-18NC	
118	3311605	2	Locknut 3/8in-16NC	
119	3340856	2	Pad, Slide	
120	3422822	2	Pin, Pivot	
121	3422905	1	Pin, Pivot	
122	3422907	1	Pin, Pivot	
123	3422927	1	Rollpin	
124	3760387	4	Ring, Retaining	
125	3841143	2	Keeper, Pin	
126	3900325	2	Screw, Machine #10-24NC x 1/2in	
127	4360500	1	Switch, Rotary Angle Sensor	
128	4360502	1	Switch, Proximity Sensor	
129	4845986	NLA	Slider Weldment (Bottom) (Use p/n 1001099550)	
129	4630012	NLA	Slider Weldment (Bottom) (Use p/n 1001099550)	
129A	0440234	4	Bushing (2 Per Assembly)	
130	4711400	8	Flatwasher 1/4in Narrow	
131	4740438	2	Washer, Special	
132	4740506	2	Flatwasher (Stainless Steel)	
133	4751000	4	Flatwasher #10	
134	4922543	1	Harness, Lift Down (Lower) (Not Shown - See ELECTRICAL SECTION for Breakdown)	
136	1001125245	1	Decal Kit - Calibration (Includes 2 Decals) (USA Built Machines Only) (SN 0200199170 through 0200230091)	

SECTION 3 - SCISSORS ARMS

FIGURE 3-3. SCISSORS ARMS INSTALLATION - 4069LE AND M4069 (USA BUILT MACHINES AND ALL BELGIUM BUILT MACHINES) (Prior to SN 0200152398)



SECTION 3 - SCISSORS ARMS

FIGURE 3-3. SCISSORS ARMS INSTALLATION - 4069LE AND M4069 (USA BUILT MACHINES AND ALL BELGIUM BUILT MACHINES) (Prior to SN 0200152398)

ITEM	PART NUMBER	QTY	DESCRIPTION	REV
		Ref	SCISSOR ARMS INSTALLATION - 4069LE AND M4069	
	0270854	Ref	USA Built Machines (Prior to SN 0200112285)	H
	0272933	Ref	USA Built Machines (SN 0200112285 through 0200152398)	D
	0270854	Ref	Belgium Built Machines	H
1	0100011	AR	Compound, Locking	
2	0200683	1	Arm Weldment (Bottom Inboard)	
3	0200684	1	Arm Weldment (Lower Mid Inboard)	
4	0200685	1	Arm Weldment (Center Mid Inboard)	
5	0200686	1	Arm Weldment (Upper Mid Inboard)	
6		Ref	Arm Weldment (Top Inboard) Options:	
6	0200687	1	0270854 Installation	
6	0200726	1	0272933 Installation	
7	0200688	1	Arm Weldment (Bottom Right Side Outboard)	
8	0200689	1	Arm Weldment (Bottom Left Side Outboard)	
9	0200690	1	Arm Weldment (Lower Mid Right Side Outboard)	
10	0200691	1	Arm Weldment (Lower Mid Left Side Outboard)	
11	0200692	1	Arm Weldment (Center Mid Right Side Outboard)	
12	0200693	1	Arm Weldment (Center Mid Left Side Outboard)	
13	0200694	1	Arm Weldment (Upper Mid Right Side Outboard)	
14	0200695	1	Arm Weldment (Upper Mid Left Side Outboard)	
15		Ref	Arm Weldment (Top Outboard) Options:	
15	0200696	1	0270854 Installation	
15	0200727	1	0272933 Installation	
16	0362841	2	Bar, Cable Carrier	
17	0440234	4	Bushing	
18	0440236	52	Bushing	
19	0641408	2	Bolt 1/4in-20NC x 1in	
20	0641418	2	Bolt 1/4in-20NC x 2 1/4in	
21	0641610	2	Bolt 3/8in-16NC x 1 1/4in	
22	0681520	2	Bolt 5/16in-18NC x 2 1/2in (Grade 8)	
23	0681622	4	Bolt 3/8in-16NC x 2 3/4in (Grade 8)	
24	0681624	26	Bolt 3/8in-16NC x 3in (Grade 8)	
25	3900325	2	Screw, Machine #10-24NC	
26	0721014	2	Screw, Machine #10-24NC	
27	0902713	1	Bracket, Limit Switch	
28	0940090	32	Bumper, Arm Spacer	
29	1670965	1	Cover, Limit Switch	
30	1684120	1	Lift Cylinder Assembly - Lower (See CYLINDER SECTION for Breakdown)	
31	1684121	1	Lift Cylinder Assembly - Upper (See CYLINDER SECTION for Breakdown)	
33	3020022	AR	Lube, Lithium Grease	
34	3300151	2	Nut, Acorn 1/4in-20NC	
35	3311401	32	Nut 1/4in-20NC	
36	3311405	4	Locknut 1/4in-20NC	
37	3311505	2	Locknut 5/16in-18NC	
38	3311605	32	Locknut 3/8in-16NC	
39	3311001	4	Locknut #10-32NF	
40	3340856	2	Pad, Slide	

SECTION 3 - SCISSORS ARMS

ITEM	PART NUMBER	QTY	DESCRIPTION	REV
41	3422369	1	Pin, Plunger	
42	3422778	4	Pin, Pivot	
43	3422822	2	Pin, Pivot	
44	3422825	24	Pin, Pivot	
45	3422826	2	Pin, Pivot	
46	3422905	1	Pin, Pivot	
47	3422907	1	Pin, Pivot	
48	3450304	4	Pin, Cotter 3/32in x 1in	
49	3760387	4	Ring, Retaining	
50	3760420	26	Ring, Retaining	
51	3841143	2	Keeper, Pin	
52	4360500	1	Switch, Rotary Angle Sensor	
53	4360502	1	Switch, Proximity Sensor	
56	4711400	10	Flatwasher 1/4in Narrow	
57	4711500	32	Flatwasher 5/16in Narrow	
58	4740332	26	Washer, Special	
59	4740480	4	Washer, Plastic Insert	
60	4751000	8	Flatwasher #10	
61	4751500	4	Flatwasher 5/16in	
62	4711600	1	Flatwasher 3/8in Narrow	
63	4845986	NLA	Slider Weldment (Bottom) (Use p/n 1001099550)	
63	4630012	NLA	Slider Weldment (Bottom) (Use p/n 1001099550)	
63A	0440234	4	Bushing	
64	4846020	1	Prop, Safety	
65	4922545	1	Harness, Lift Down (Not Shown - See ELECTRICAL SECTION for Breakdown)	
70	1320122	1	Clamp	
71	1320110	1	Clamp, Support	
72	1670995	1	Cover, Hose/Cable	
75	4280295	6 in/15cm	Strip, Protective	
77		Ref	Bracket/Block Options:	
77A	0902703	1	Bracket for USA Built Machines (Prior to SN 0200138293)	
77B	0903273	1	Bracket for USA Built Machines (SN 0200138293 through 0200152398)	
77C	3200453	1	Block for USA Built Machines (SN 0200138293 through 0200152398)	
77D	0902703	1	Bracket for All Belgium Built Machines	
78	0100035	AR	Compound, Locking	
79	4922543	1	Harness, Lift Down (Not Shown - See ELECTRICAL SECTION for Breakdown)	
80	3300455	2	Locknut #10-24NC (Stainless Steel)	
82	0630550	3	Capscrew 1/4in0NC x 3/4in	
83	4740438	2	Washer, Special	
84	3422927	1	Rollpin	
85		Ref	Bushing Options:	
85	0440234	4	0270853 Installation	
85	0440250	4	0272932 Installation	
86	0641410	2	Bolt 1/4in-20NC x 1 1/4in	
87	4740506	2	Flatwasher #10 (Stainless Steel)	
		Ref	Arm Kit Options (Includes Items 2-15, 17, 18, 28, 35, 57 & 81)	
	2901931	1	0270854 Installation	
	2902254	1	0272933 Installation	

SECTION 3 - SCISSORS ARMS

FIGURE 3-4. SCISSORS ARMS INSTALLATION - 4069LE AND M4069 (USA BUILT MACHINES) (SN 0200152398 through 0200230091)

ITEM	PART NUMBER	QTY	DESCRIPTION	REV
		Ref	SCISSOR ARMS ASSEMBLY - 4069LE AND M4069	
	0275482	Ref	ANSI and ANSI Export Specs	A
	0275526	Ref	ANSI Export and Japanese Specs	B
1	0200683	1	Arm Weldment (Bottom Inboard)	
2	0200684	1	Arm Weldment (Lower Mid Inboard)	
3	0200685	1	Arm Weldment (Center Mid Inboard)	
4	0200686	1	Arm Weldment (Upper Mid Inboard)	
5	0200726	1	Arm Weldment (Top Inboard)	
6	0200688	1	Arm Weldment (Bottom Right Side Outboard)	
7	0200689	1	Arm Weldment (Bottom Left Side Outboard)	
8	0200690	1	Arm Weldment (Lower Mid Right Side Outboard)	
9	0200691	1	Arm Weldment (Lower Mid Left Side Outboard)	
10	0200692	1	Arm Weldment (Center Mid Right Side Outboard)	
11	0200693	1	Arm Weldment (Center Mid Left Side Outboard)	
12	0200694	1	Arm Weldment (Upper Mid Right Side Outboard)	
13	0200695	1	Arm Weldment (Upper Mid Left Side Outboard)	
14	0200727	1	Arm Weldment (Top Outboard)	
15	0440250	4	Bushing	
16	0440236	52	Bushing	
17	0940090	32	Bumper, Arm Spacer	
18	3311401	32	Nut 1/4in-20NC	
19	4711500	32	Flatwasher 5/16in Narrow	
22	0100011	AR	Compound, Locking	
23	0362841	2	Bar, Cable Carrier	
24	0641418	2	Bolt 1/4in-20NC x 2 1/4in	
26	0681622	4	Bolt 3/8in-16NC x 2 3/4in (Grade 8)	
27	0681624	26	Bolt 3/8in-16NC x 3in (Grade 8)	
31	1320110	1	Clamp, Support	
32	1320122	1	Clamp	
33	1670995	1	Cover, Hose/Cable	
34	1684120	1	Lift Cylinder Assembly - Lower (See CYLINDER SECTION for Breakdown)	
35	1684121	1	Lift Cylinder Assembly - Upper (See CYLINDER SECTION for Breakdown)	
44	3300151	2	Nut, Acorn 1/4in-20NC	
45	3311605	30	Locknut 3/8in-16NC	
47	3422369	1	Pin, Plunger	
48	3422778	4	Pin, Pivot	
49	3422825	24	Pin, Pivot	
50	3422826	2	Pin, Pivot	
51	3450304	4	Pin, Cotter 3/32in x 1in	
53	3760420	26	Ring, Retaining	
54	4280295	6 in/15cm	Strip, Protective	
59	4711600	1	Flatwasher 3/8in Narrow	
60	4740332	26	Washer, Special	
61	4740480	4	Washer, Plastic Insert	
62	4751500	4	Flatwasher 5/16in	
63	4846020	1	Prop, Safety	
64	4922478	1	Platform Harness (Not Shown - See ELECTRICAL SECTION for	

SECTION 3 - SCISSORS ARMS

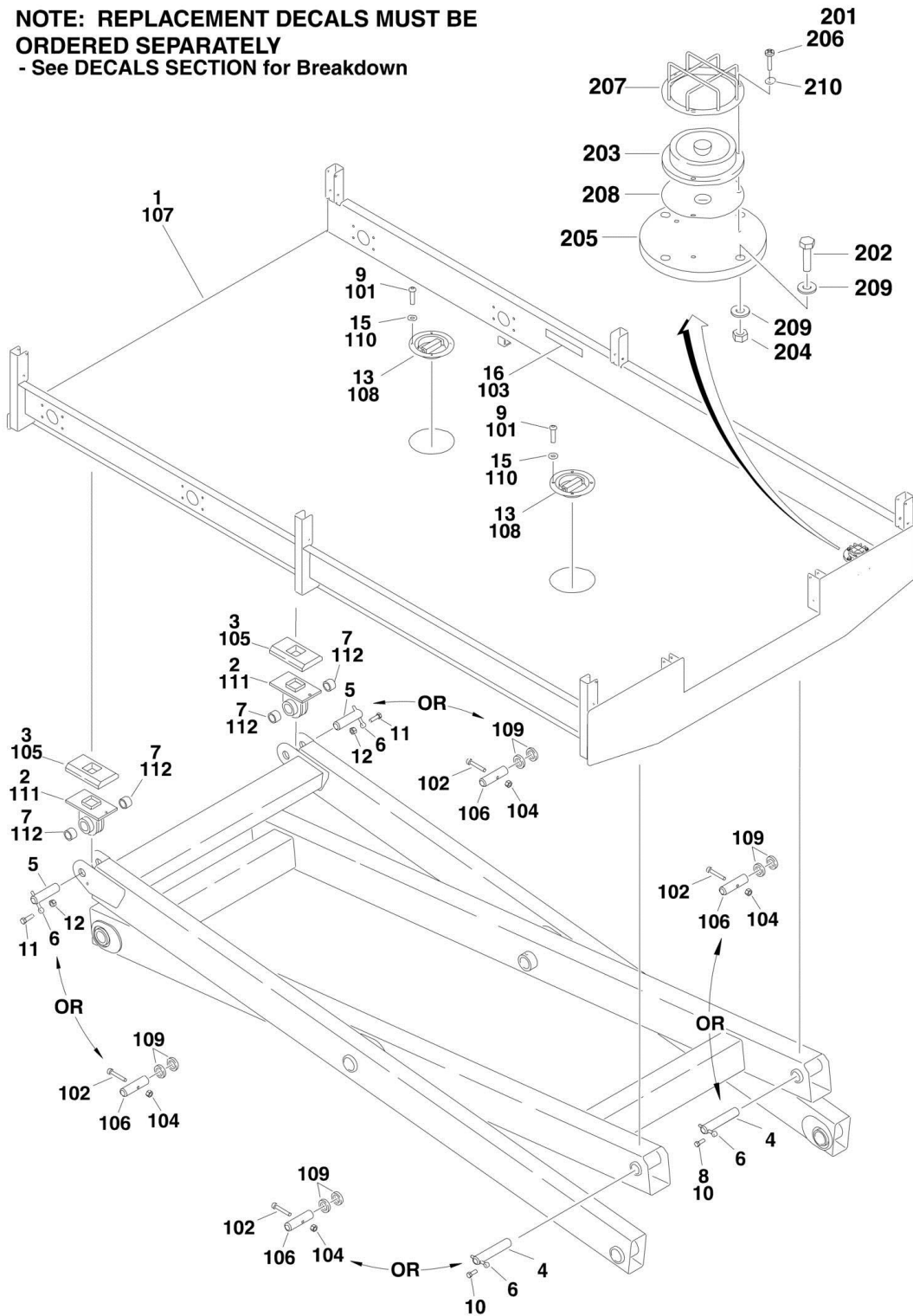
ITEM	PART NUMBER	QTY	DESCRIPTION	REV
65	4922545	1	Breakdown) Lift Down Harness (Upper) (Not Shown - ELECTRICAL SECTION for Breakdown)	
	2902254	1	Arm Kit Options (Includes Items 1-19)	
		Ref	SCISSOR ARMS INSTALLATION	
	0272933	Ref	ANSI and ANSI Export Specs	J
	0275553	Ref	ANSI Export and Japanese Specs	G
101	0100035	AR	Compound, Locking	
103	0440234	4	Bushing	
104	0791406	3	Screw 1/4in-20NC x 3/4in	
105	0641408	2	Bolt 1/4in-20NC x 1in	
106	0641410	2	Bolt 1/4in-20NC x 1 1/4in	
107	0641610	2	Bolt 3/8in-16NC x 1 1/4in	
108	0681520	2	Bolt 5/16in-18NC x 2 1/2in (Grade 8)	
109	0721014	2	Screw, Machine #10-24NC	
110	0902713	1	Bracket, Limit Switch	
111	1670965	1	Cover, Limit Switch	
112	3020022	AR	Lube, Lithium Grease	
113		Ref	Bracket/Block Components	
113A	0903273	1	Bracket	
113B	3200453	1	Block	
114	3300455	2	Locknut #10-24NC (Stainless Steel)	
115	3311001	2	Locknut #10-32NF	
116	3311405	4	Locknut 1/4in-20NC	
117	3311505	2	Locknut 5/16in-18NC	
118	3311605	2	Locknut 3/8in-16NC	
119	3340856	2	Pad, Slide	
120	3422822	2	Pin, Pivot	
121	3422905	1	Pin, Pivot	
122	3422907	1	Pin, Pivot	
123	3422927	1	Rollpin	
124	3760387	4	Ring, Retaining	
125	3841143	2	Keeper, Pin	
126	3900325	2	Screw #10-24 (Stainless Steel)	
127	4360500	1	Switch, Rotary Angle Sensor	
128	4360502	1	Switch, Proximity Sensor	
129	4845986	NLA	Slider Weldment (Bottom) (Use p/n 1001099550)	
129	4630012	NLA	Slider Weldment (Bottom) (Use p/n 1001099550)	
129A	0440234	4	Bushing	
130	4711400	8	Flatwasher 1/4in Narrow	
131	4740438	2	Washer, Special	
132	4740506	2	Flatwasher #10 (Stainless Steel)	
133	4751000	8	Flatwasher #10	
134	4922543	1	Harness, Lift Down (Lower) (Not Shown - See ELECTRICAL SECTION for Breakdown)	
136	1001125244	1	Decal Kit - Calibration (Includes 2 Decals) (USA Built Machines Only) (SN 0200199170 through 0200230091)	

SECTION 4 - PLATFORM

SECTION 4 - PLATFORM

FIGURE 4-1. PLATFORM AND ACCESSORIES INSTALLATION

NOTE: REPLACEMENT DECALS MUST BE ORDERED SEPARATELY
- See DECALS SECTION for Breakdown



SECTION 4 - PLATFORM

FIGURE 4-1. PLATFORM AND ACCESSORIES INSTALLATION

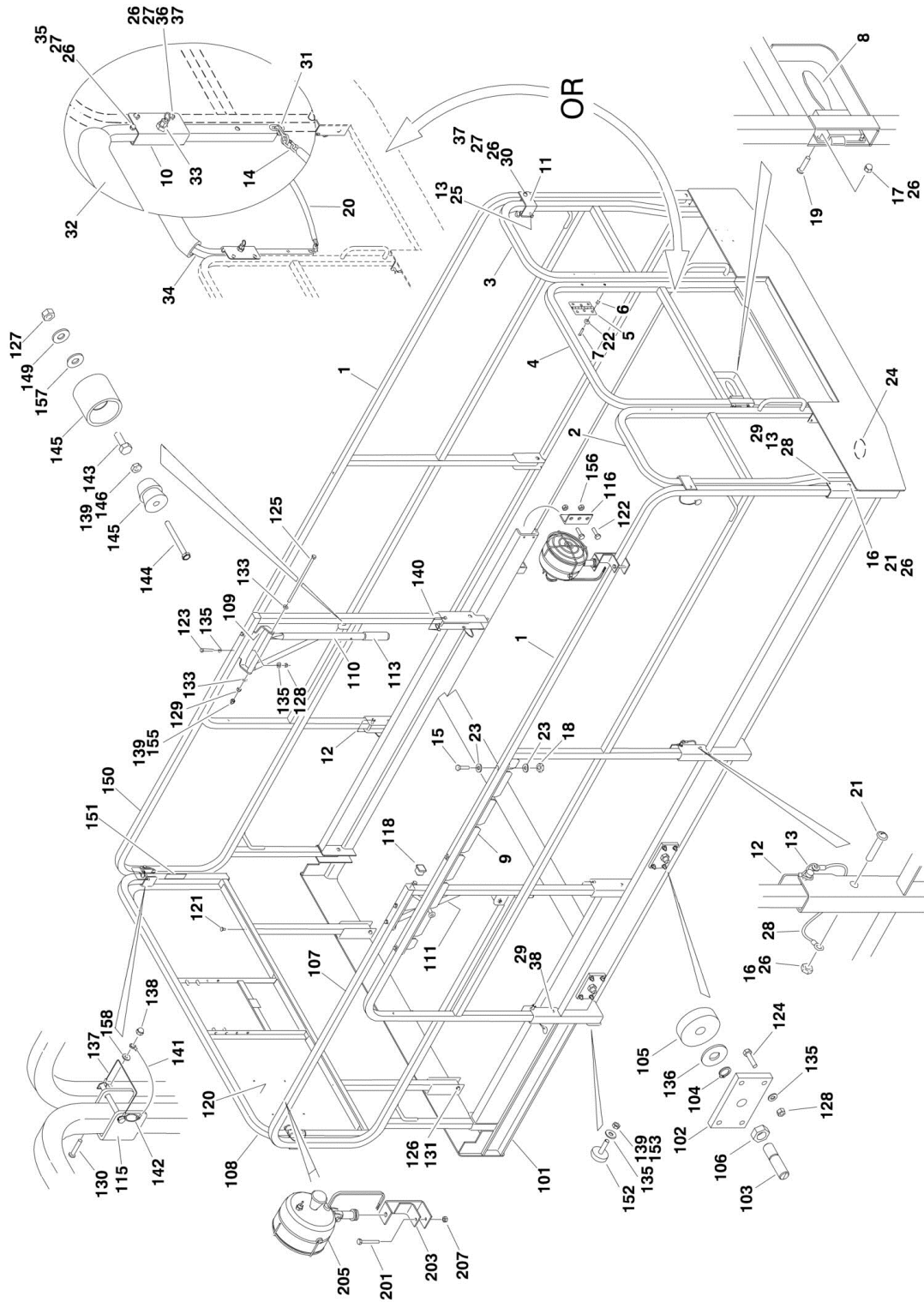
ITEM	PART NUMBER	QTY	DESCRIPTION	REV
		Ref	PLATFORM INSTALLATION ON USA BUILT MACHINES (Prior to SN 0200112285)	
		Ref	PLATFORM INSTALLATION ON ALL BELGIUM BUILT MACHINES	
	0259563	Ref	Platform without D-Rings	B
	0259564	Ref	Platform with D-Rings	C
1		Ref	Platform Weldment Options:	
1	3510723	1	Platform without D-Rings	
1	3510734	1	Platform with D-Rings	
2	4845987	2	Slider Weldment	
3	3340856	2	Block, Slide Pad	
4	3422823	2	Pin, Pivot	
5	3422824	2	Pin, Slider	
6	3841143	4	Keeper, Pin	
7	0440234	4	Bearing	
8	0100011	AR	Compound, Locking	
9	0630476	AR	Screw, Button Head	
10	0641608	2	Bolt 3/8in-16NC x 1in	
11	0641610	2	Bolt 3/8in-16NC x 1-1/4in	
12	3311605	2	Locknut 3/8in-16NC	
13	3760321	2	D-Ring, Swivel (Platform with D-Rings Only)	
15	4711500	AR	Flatwasher 5/16in	
16	1703175	2	Decal - Lanyard (Platforms with D-Rings Only)	
		Ref	PLATFORM INSTALLATION ON USA BUILT MACHINES (SN 0200112285 through 0200230091)	
	0272959	Ref	Platform without D-Rings (All Machines except Japanese Spec)	E
	0272960	Ref	Platform with D-Rings (All Machines except Japanese Spec)	E
	See Note	Ref	All Platforms with Load Sensing (Note: For Machines with Load Sensing Refer to JLG Supplement p/n 3124288 for Components.)	
101	0630476	AR	Screw, Button Head (Platform with D-Rings Only)	
102		Ref	Capscrew, Socket Head Options:	
102	3931648	4	Capscrew, Socket Head 3/8in-16NC x 3in	
102	4032022	4	Capscrew, Socket Head M10 x 90mm	
103	1703175	2	Decal - Lanyard (Platforms with D-Rings Only)	
104		Ref	Locknut Options:	
104	3311605	4	Locknut 3/8in-16NC	
104	3291005	4	Locknut M10	
105	3340856	2	Pad, Slide	
106		Ref	Pin Options:	
106	3422962	4	Pin (SN 0200112285 through 0200152400)	
106	3423049	4	Pin (SN 0200152401 through 0200230091)	
107		Ref	Platform Weldment Options:	
107	3510795	1	Platform without D-Rings	
107	3510796	1	Platform with D-Rings	
108	3760321	2	D-Ring, Swivel (Platform with D-Rings Only)	
109	4568295	4	Tube, Spacer	
110	4711500	AR	Flatwasher 5/16in	
111	4846416	NLA	Slider (Use p/n 1001099533) (Prior to SN 0200194520)	
111	1001099533	2	Slider (SN 0200194520 through 0200230091)	

SECTION 4 - PLATFORM

ITEM	PART NUMBER	QTY	DESCRIPTION	REV
112	0440250	4	Bushing (Part of Arms Assembly)	A
	0270543	Ref	BUBBLE LEVEL INSTALLATION (OPTIONAL)	
201	0100011	AR	Compound, Locking	
202	0641408	4	Bolt 1/4in-20NC x 1in	
203	2420038	1	Level, Bubble	
204	3311405	4	Locknut 1/4in-20NC	
205	3572527	1	Plate, Mounting	
206	3900297	3	Screw #6-32 x 5/8in	
207	4061011	1	Cover	
208	4130383	1	Washer, Spring	
209	4711400	8	Flatwasher 1/4in Narrow	
210	4770600	3	Starwasher #6	

SECTION 4 - PLATFORM

FIGURE 4-2. FOLDDOWN HANDRAILS AND EXTENSION INSTALLATION (MANUALLY OPERATED PLATFORM)



SECTION 4 - PLATFORM

FIGURE 4-2. FOLDDOWN HANDRAILS AND EXTENSION INSTALLATION (MANUALLY OPERATED PLATFORM)

ITEM	PART NUMBER	QTY	DESCRIPTION	REV
		Ref	FOLDDOWN HANDRAILS INSTALLATIONS OPTIONS:	
	0259566	Ref	Chain Gate	H
	0259568	Ref	Self-Closing Welded Gate	J
1	4846123	2	Side Rail Weldment	
2	4846124	1	Rear Rail Weldment (Left Side)	
3	4846125	1	Rear Rail Weldment (Right Side)	
4	4846122	1	Gate Weldment (Self-Closing Gate Only)	
5	2600253	2	Hinge (Self-Closing Gate Only)	
6	2080069	12	Fastener #10-32NF (Self-Closing Gate Only)	
7	3900267	12	Screw, Socket Head (Self-Closing Gate Only)	
8	2940074	1	Latch (Self-Closing Gate Only)	
9	3571829	1	Plate, Latch	
10	4845829	2	Retainer, Rail (Chain Gate Only)	
11	0901870	2	Bracket	
12	3421565	AR	Pin, Snap	
13	3760170	AR	Ring, Split	
14	1260136	2 ft/61cm	Chain (Chain Gate Only)	
14	3010088	2	Link (Chain Gate Only)	
15	0641516	3	Bolt 5/16in-18NC x 2in	
16		Ref	Nut Options:	
16	3300356	10	Nut, Acorn 5/16in-18NC	
16	2080064	10	Nut, Nylon Lock 5/16in-18NC	
17	3300432	4	Nut, Acorn #10-24NC (Self-Closing Gate Only)	
18	3311505	3	Locknut 5/16in-18NC	
19	3911010	4	Screw #10-24NC x 3/4in (Self-Closing Gate Only)	
20	2820097	2 ft/.6m	Tubing, Mesh (Chain Gate Only)	
21	3911532	NLA	Screw 5/16in-18NC x 2in (Use p/n 3900323)	
22	4751000	12	Flatwasher #10 Regular (Self-Closing Gate Only)	
23	4751500	6	Flatwasher 5/16in Regular	
24	2540020	1	Grommet	
25	3422219	2	Pin, Snap	
26	0100011	AR	Compound, Locking	
27		Ref	Nut Options:	
27	3300151	AR	Nut, Acorn 1/4in-20NC	
27	2080063	AR	Nut, Nylon Lock 1/4in-20NC	
28	1060808	AR	Lanyard	
29	3911536	1	Screw 5/16in-18NC x 2-1/4in	
30		Ref	Screw Options:	
30	3911428	2	Screw, Hex 1/4in-20NC x 1-3/4in	
30	3900318	2	Screw, Torx Drive 1/4in-20NC x 1-3/4in	
31	2940064	NLA	Latch Kit, Snap (Use p/n 1001101076)	
32	3340612	18 in /46cm	Pad (Chain Gate Only)	
33	3422369	2	Pin, Plunger (Chain Gate Only)	
34	3641310	1	Rail Weldment (Chain Gate Only)	
35	3911424	2	Screw 1/4in-20NC x 1-1/2in (Chain Gate Only)	
36		Ref	Screw Options (Chain Gate Only):	
36	3911432	4	Screw 1/4in-20NC x 2in	
36	3900318	4	Screw, Torx Drive 1/4in-20NC x 2in	

SECTION 4 - PLATFORM

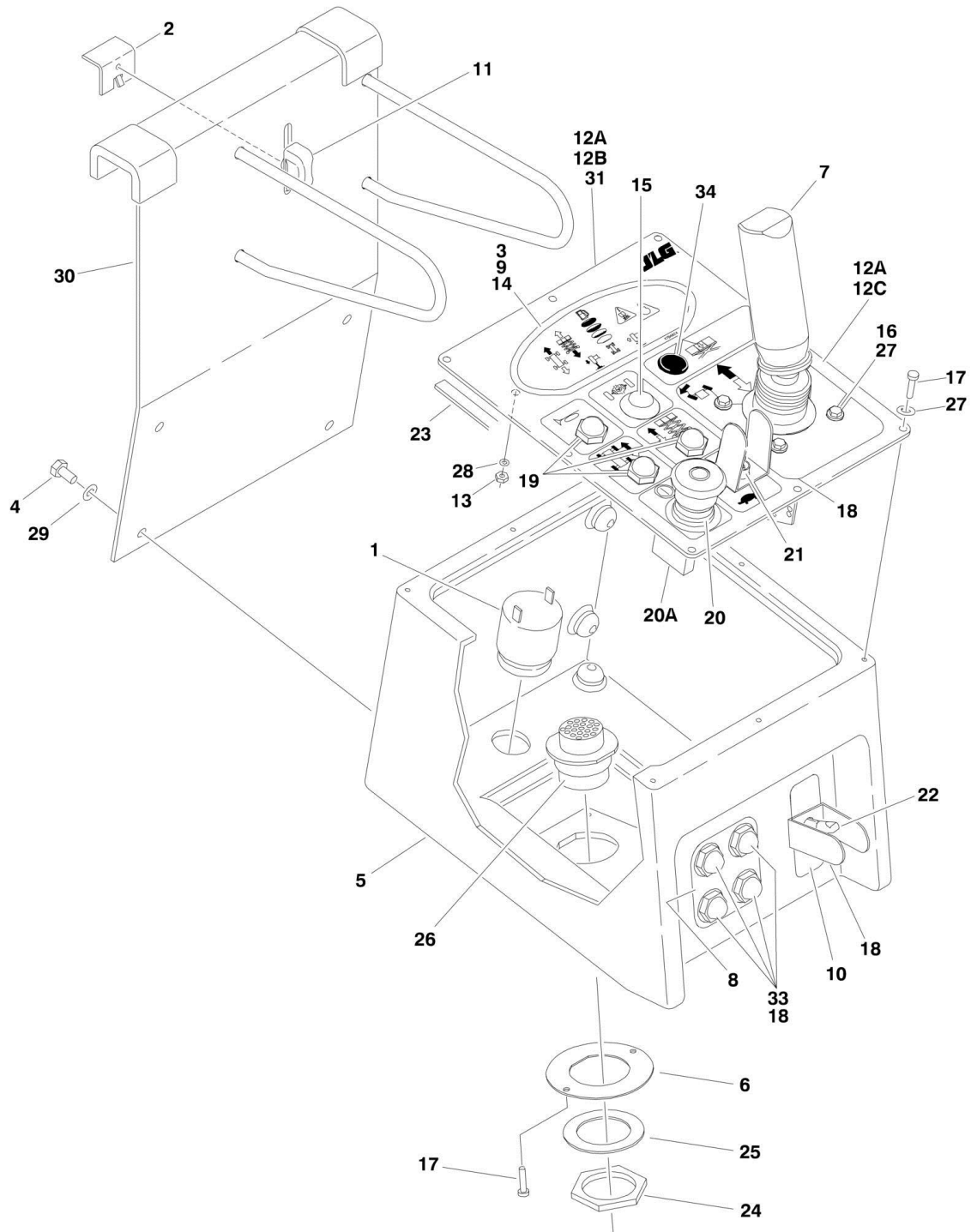
ITEM	PART NUMBER	QTY	DESCRIPTION	REV
37	4711400	AR	Flatwasher 1/4in Thin	
38	1320061	AR	Clamp	
	0259565	Ref	PLATFORM EXTENSION INSTALLATION	L
101	4846117	1	Extension Weldment	
102	3537619	4	Mounting Weldment - Roller	
103	3841233	4	Rod, Roller	
104	3760348	4	Ring, Retaining	
105	3860059	4	Roller, Extension	
106	3322202	4	Nut, Jam 3/4in	
107	4846121	1	Side Rail Weldment (Left Side)	
108	4846120	1	Front Rail Weldment	
109	3537609	2	Plate, Pivot	
110	4846191	1	Handle Weldment (Right Side)	
111	4846181	1	Handle Weldment (Left Side)	
113	2560088	2	Handle	
115	0901870	2	Bracket	
116		Ref	Angle, Extension Stop Options:	
116	0181684	2	USA Manufactured (Prior to SN 0200106147)	
116	0182035	2	USA Manufactured (SN 0200106147 through 0200230091)	
116	0182035	2	Belgium Manufactured (SN 1200000398 to Present)	
117	3020022	AR	Grease, Lithium (Not Shown)	
118	3520072	4	Cap-Plug	
120	3571862	1	Plate, Placard	
121	3820020	7	Rivet	
122		Ref	Bolt Options:	
122	0641407	4	Bolt 1/4in-20NC x 7/8in	
122	0681508	4	Bolt 5/16in-18NC x 1in	
123	0641516	4	Bolt 5/16in-18NC x 2in	
124	0641510	16	Bolt 5/16in-18NC x 1-1/4in	
125	0641676	2	Bolt 3/8in-16NC x 9-1/2in	
126		Ref	Nut Options:	
126	3300356	6	Nut, Acorn 5/16in-18NC	
126	2080064	6	Nut, Nylon Lock 5/16in-18NC	
127	3311405	2	Locknut 1/4in-20NC	
128	3311505	20	Locknut 5/16in-18NC	
129	3311605	AR	Locknut 3/8in-16NC	
130		Ref	Screw Options:	
130	3911428	2	Screw, Hex 1/4in-20NC x 1-3/4in	
130	3900318	2	Screw, Torx Drive 1/4in-20NC x 2in	
131	3911532	NLA	Screw 5/16in-18NC x 2in (Use p/n 3900323)	
133	4711600	4	Flatwasher 3/8in Thin	
135	4711500	26	Flatwasher 5/16in Thin	
136	4752200	4	Flatwasher 3/4in Regular	
137	3422219	2	Pin, Snap	
138		Ref	Nut Options:	
138	3300151	2	Nut, Acorn 1/4in-20NC	
138	2080063	2	Nut, Nylon Lock 1/4in-20NC	
139	0100011	AR	Compound, Locking	
140	3421565	2	Pin, Snap	
141	1060808	4	Lanyard	
142	3760170	4	Ring, Split	

SECTION 4 - PLATFORM

ITEM	PART NUMBER	QTY	DESCRIPTION	REV
143	0641406	2	Bolt 1/4in-20NC x 3/4in	
144	0700619	2	Screw M6 x 55mm	
145	2940127	2	Latch, Rubber	
146	3290601	2	Nut M6	
149	4751400	2	Flatwasher 1/4in Regular	
150	4846256	1	Side Rail Weldment (Right Side)	
151	4420055	10 in /25cm	Tape (USA Built Machines) (Prior to SN 0200149014)	
152	0940090	2	Bumper	
153	3311401	2	Nut 1/4in-20NC	
154	0100048	AR	Grease (Not Shown) (USA Built Machines) (Prior to SN 0200162855)	
155		Ref	Nut, Acorn 3/8in-16NC Options:	
155	3300420	2	USA Built Machines (Prior to SN 0200162855)	
155	3300467	2	USA Built Machines (SN 0200162855 through 0200230091)	
156	3271505	AR	Locknut 5/16in-18NC	
157	4751600	2	Flatwasher 3/8in Regular	
158	4711400	2	Flatwasher 1/4in Thin	
		Ref	WORKLIGHT INSTALLATIONS OPTIONS:	
	0271125	Ref	Worklight Installation 3369LE/M3369	B
	0271126	Ref	Worklight Installation 4069LE/M4069	B
201	0641416	2	Bolt 1/4in-20NC x 2in	
202	0840026	2	Boot, Cable (Not Shown - Located on Frame)	
203	0901930	2	Bracket	
204	2820025	1 ft/0.3m	Plastic, Guard (Not Shown - Located on Frame)	
205	2920095	2	Lamp, 48Volt	
206	3311005	2	Locknut #10-24NC (Not Shown - Located on Frame)	
207	3311405	2	Locknut 1/4in-20NC	
209	3911006	2	Screw (Not Shown - Located on Frame)	
210	4360164	1	Breaker, Circuit 5Amp (Not Shown - Located on Frame)	
214		Ref	Harness, Worklights (Not Shown - See ELECTRICAL SECTION for Breakdown)	
214	4922585	1	Harness, Worklights 3369LE/M3369	
214	4922586	1	Harness, Worklights 4069LE/M4069	

SECTION 4 - PLATFORM

FIGURE 4-3. PLATFORM CONSOLE BOX ASSEMBLY



SECTION 4 - PLATFORM

FIGURE 4-3. PLATFORM CONSOLE BOX ASSEMBLY

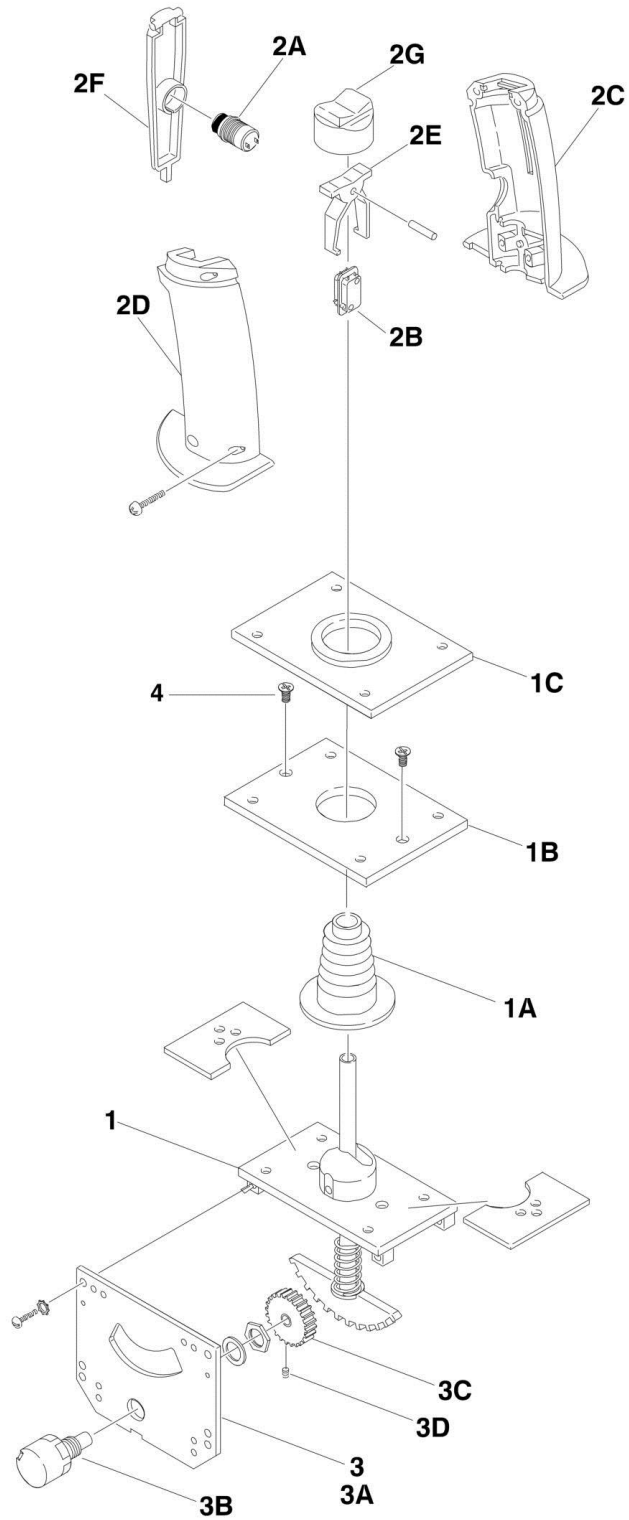
ITEM	PART NUMBER	QTY	DESCRIPTION	REV
		Ref	CONSOLE BOX ASSEMBLY OPTIONS:	
	0270579	Ref	Console Box Assembly 3369LE & 4069LE without Leveling Jacks	G
	0270580	Ref	Console Box Assembly 3369LE & 4069LE with Leveling Jacks	G
	0270995	Ref	Console Box Assembly M3369 & M4069 2WD without Leveling Jacks	H
	0270996	Ref	Console Box Assembly M3369 & M4069 2WD with Leveling Jacks	H
	0270476	Ref	Console Box Assembly M3369 & M4069 4WD without Leveling Jacks	G
	0270477	Ref	Console Box Assembly M3369 & M4069 4WD with Leveling Jacks	G
1	0140011	1	Alarm	
2	0181847	1	Angle, Latch	
3		Ref	Display, PC Control Console Options:	
3	0610145	NLA	USA Built Machines (Use p/n 0610169) (Prior to SN 0200121050)	
3	0610145	NLA	All Belgium Built Machines (Use p/n 0610169)	
3	0610169	1	Display, PC Control Console (SN 0200121050 through 0200230091)	
4	0641404	4	Bolt 1/4in-20NC x 1/2in	
5	0861357	1	Box	
6	0902499	1	Bracket, "D" Slot	
7		Ref	Drive/Steer Controller Assembly Options:	
7	1600308	NLA	USA Built Machines (Use p/n 1600403) (See DRIVE/STEER CONTROLLER ASSEMBLY for Breakdown) (Prior to SN 0200142020)	
7	1600403	1	USA Built Machines (See DRIVE/STEER CONTROLLER ASSEMBLY for Breakdown) (SN 0200142020 through 0200230091)	
7	1600308	NLA	Belgium Built Machines (Use p/n 1600403) (See DRIVE/STEER CONTROLLER ASSEMBLY for Breakdown)	
8		Ref	Decal - Outrigger Select Options:	
8	Not Required	0	Decal - Without Leveling Jacks	
8	1704574	1	Decal - With Leveling Jacks	
9		Ref	Decal - Platform Display Options:	
9	1704893	NLA	Decal - Platform Display (Use Item 12B) (Prior to SN 0200121050)	
9	1705911	1	Decal - Platform Display (SN 0200121050 through 0200230091)	
10		Ref	Decal - Generator Enable Options:	
10	Not Required	0	Decal - Generator Enable 3369LE & 4069LE	
10	1704921	1	Decal - Generator Enable M3369 & M4069	
11	2560141	1	Thumbscrew	
12		Ref	Nameplate Options:	
12A	3252766	1	Nameplate - USA Built (Prior to SN 0200112230)	
12A	3252766	1	Nameplate - All Belgium Built Machines	
12A	1705700	NLA	Nameplate - USA Built (Use p/n 2900971 Kit Includes Items 12B & 12C) (SN 0200112230 through 0200121050)	
12B	1705911	1	Nameplate - USA Built (Top Half of 2 pc Decal) (SN 0200121050 through 0200230091)	
12C	1705912	1	Nameplate - USA Built (Bottom Half of 2 pc Decal) (SN 0200121050 through 0200230091)	

SECTION 4 - PLATFORM

ITEM	PART NUMBER	QTY	DESCRIPTION	REV
13	3310601	4	Nut #6-32NC	
14	3340895	1	Pad, Spacer (USA Built Machines) (Prior to SN 0200121050)	
15		Ref	Control Options:	
15	3520080	1	Plug, Hole (2WD)	
15	4360387	1	Switch, Push Button (4WD)	
16	3900178	4	Screw, Plastite #10-32 x 1/2in	
17	3900265	10	Screw, Self-Tapping #8-18 x 3/4in	
18	4060802	AR	Guard, Switch	
19	4360387	3	Switch, Push Button	
20	4360475	1	Switch, Emergency Stop	
20	7020175	1	Cap	
20A	7020176	1	Block, Contact	
21	4360482	1	Switch, Toggle	
22		Ref	Control Options:	
22	3520079	1	Plug, Hole (3369LE & 4069LE)	
22	4360482	1	Switch, Toggle (M3369 & M4069)	
23	4420008	38 in /96cm	Tape, Insulation	
24	4460470	1	Nut, Terminal	
25	4460471	1	Lockwasher, Terminal	
26	4460480	1	Connector, Terminal	
27	4740120	12	Washer, Nylon	
28	4760600	4	Lockwasher #6	
29	4791400	4	Starwasher 1/4in	
30	4845938	1	Bracket, Box Hanger	
31	4846249	1	Lid	
32		Ref	Harness, Platform Console Box (Not Shown - See ELECTRICAL SECTION for Breakdown)	
32	4922526	1	Harness - Without Leveling Jacks	
32	4922527	1	Harness - With Leveling Jacks	
33		Ref	Control Options:	
33	3520080	4	Plug, Hole (Without Leveling Jacks)	
33	4360387	4	Switch, Push Button (With Leveling Jacks)	
34		Ref	Component Options:	
34	3520193	1	Plug	
34	2920026	1	Lamp, Indicator	
34	2920029	1	Bulb, Light	

SECTION 4 - PLATFORM

FIGURE 4-4. DRIVE/STEER CONTROLLER ASSEMBLY (Prior to SN 0200142020, SN 1200000100 to Present)



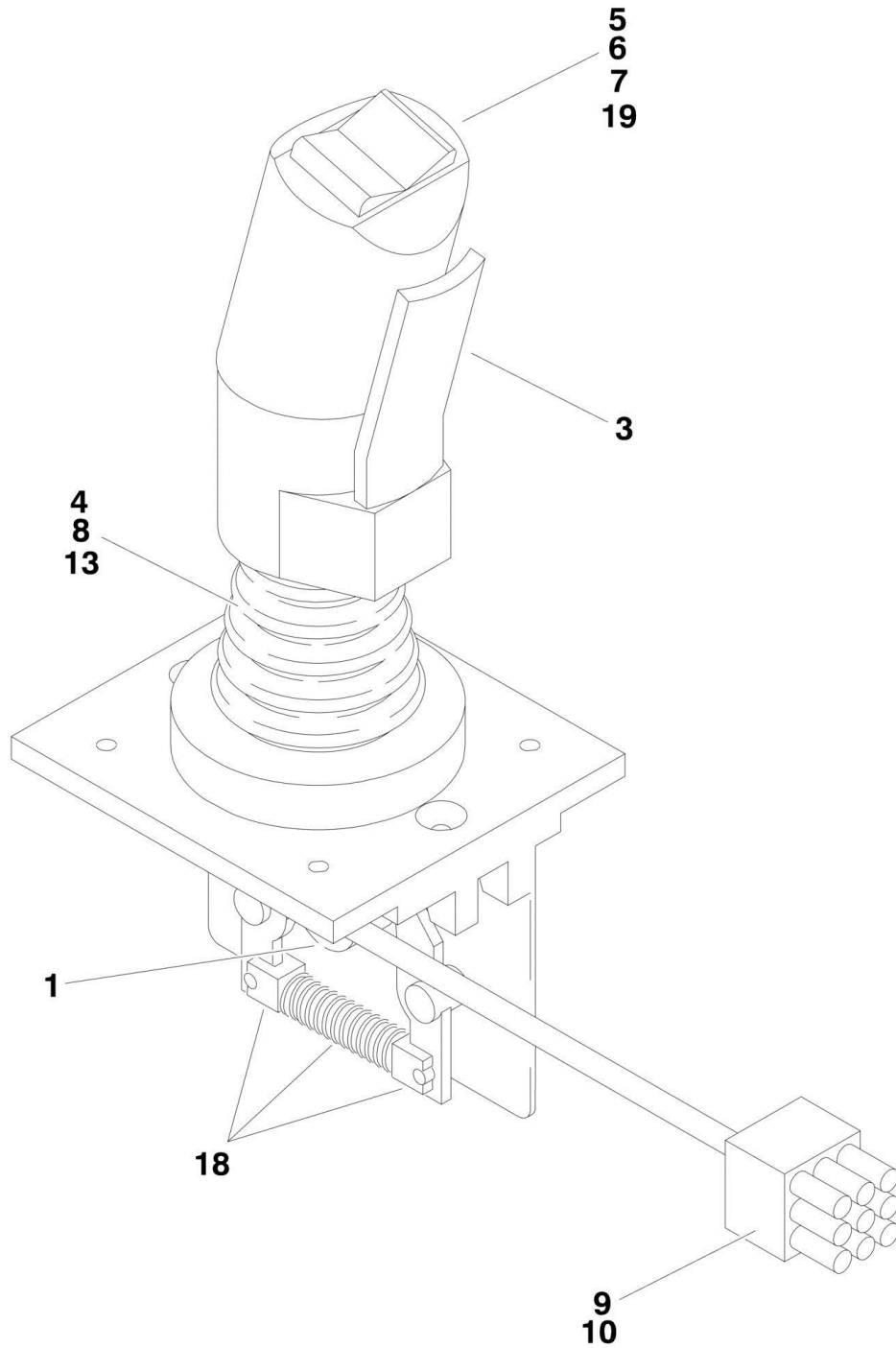
SECTION 4 - PLATFORM

FIGURE 4-4. DRIVE/STEER CONTROLLER ASSEMBLY (Prior to SN 0200142020, SN 1200000100 to Present)

ITEM	PART NUMBER	QTY	DESCRIPTION	REV
	1600308	Ref	CONTROLLER ASSEMBLY	D
		Ref		
			Note: Original Equipment Assembly p/n 1600308 may have been replaced with p/n 1600403 as Service Replacement Assembly. Identify p/n before ordering replacement components. If equipped with p/n 1600403 refer to next figure.	
	7020527	1	Mechanical Assembly	
1	7020503	1	Handle/Housing Assembly	
1A	7020520	1	Housing	
1B	7020504	1	Plate, Mounting	
1C	7020502	1	Gasket	
2	7020529	1	Grip Assembly	
2A	7020501	1	Switch, Push Button	
2A	7020530	1	Switch, Push Button with wires	
2B	7020500	1	Switch, Micro	
2C	7020541	1	Grip - Right Half (was p/n 7020531)	
2D	7020541	1	Grip - Left Half (was p/n 7020532)	
		Ref	Note: Handle Kit p/n 7020541 includes both right side and left side grips.	
2E	7027365	1	Actuator, Switch (was p/n 7003791)	
2F	7011997	1	Trigger	
2G	7003790	1	Cap, Rubber	
3	7020533	1	Electrical Assembly	
3	7020535	2	Resistor	
3A	7020509	1	Plate, Mounting - Potentiometer	
3B	7020534	1	Potentiometer	
3C	7011940	1	Gear, Pinion	
3D	7020511	1	Setscrew #6-32 x 1/8in	
3	4460265	1	Plug, Male - 9 Pin (Not Shown)	
3	4460268	8	Socket, Female (Not Shown)	
3	4460266	1	Connector, Receptacle - 9 Pin (Not Shown - Part of Console Harness)	
3	4460267	8	Pin, Male (Not Shown - Part of Console Harness)	
4	7020528	2	Screw #10-32NF x 3/8in	

SECTION 4 - PLATFORM

FIGURE 4-5. DRIVE/STEER CONTROLLER ASSEMBLY (SN 0200142020 through 0200230091)



SECTION 4 - PLATFORM

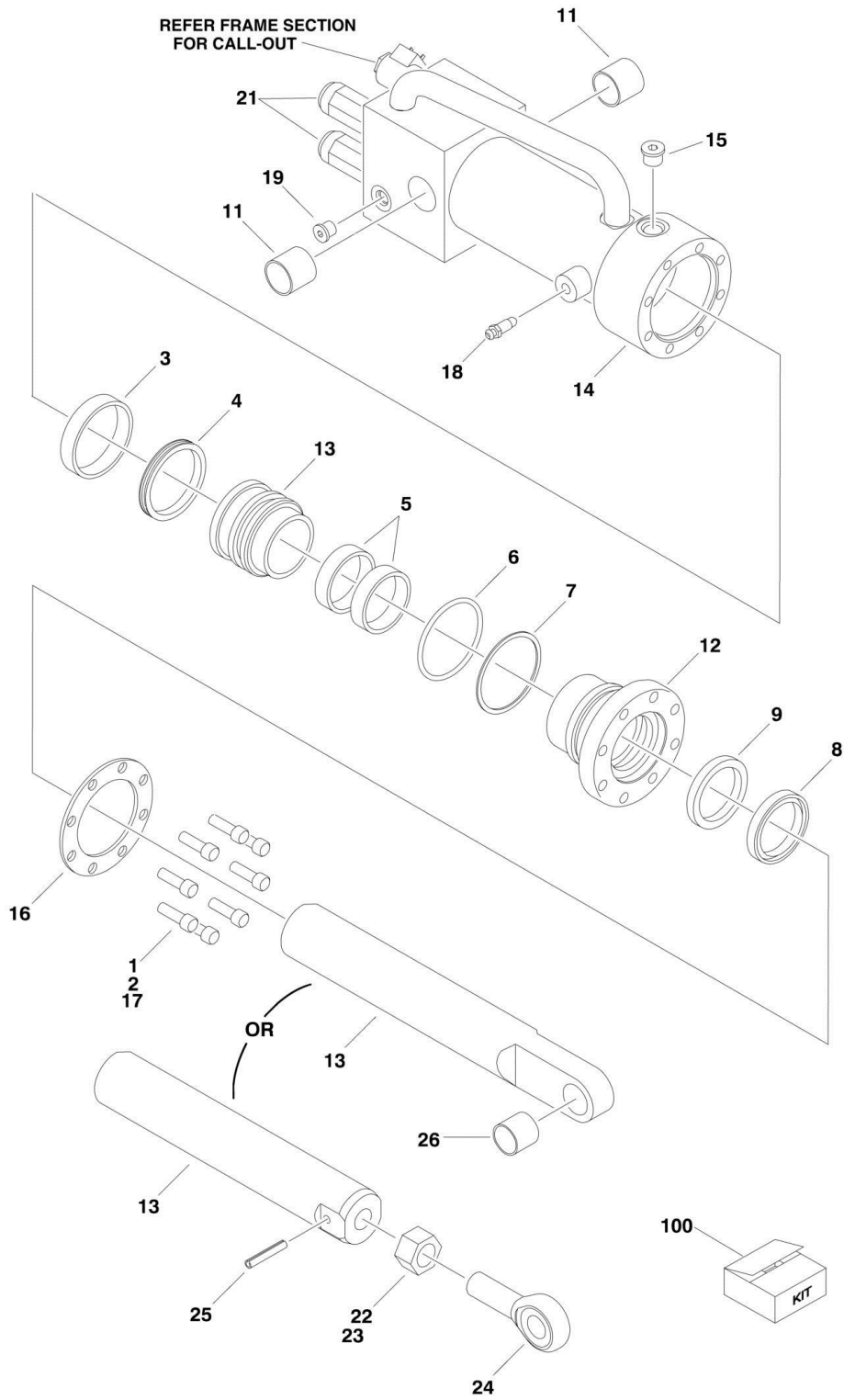
FIGURE 4-5. DRIVE/STEER CONTROLLER ASSEMBLY (SN 0200142020 through 0200230091)

ITEM	PART NUMBER	QTY	DESCRIPTION	REV
	1600403	Ref	CONTROLLER ASSEMBLY	G
1	70000081	1	Potentiometer	
2	7027367	1	Switch, Push Button (Not Shown - Located Behind #3)	
3	7027765	1	Lever, Enabler	
4	7027766	1	Ring, Retaining	
5	70000082	1	Microswitch	
6	70000083	1	Coupler, Microswitch	
7	70000084	1	Cap, Rubber	
8	70000085	1	Boot, Rubber	
9	4460265	1	Plug, Male - 9 Pin	
10	4460226	8	Socket, Female	
11	4460266	1	Connector, Receptacle - 9 Pin (Not Shown - Part of Console Harness)	
12	4460267	8	Pin, Male (Not Shown - Part of Console Harness)	
13	70000685	1	Washer, Plastic Bushing	
14	70000684	AR	Screw, Handle (Not Shown)	
15	Not Available	AR	Nut, Handle (Not Shown)	
16	70000683	AR	Washer, Neoprene (Not Shown)	
17	70000686	AR	Screw, Handle (Not Shown)	
18	70004194	1	Return Spring Kit	
19	7027365	1	Actuator, Switch	
	70003650	1	Handle Repair Kit (Includes handle gasket, push button, lever, front handle half, back handle half, top actuator, boot and hardware.	

SECTION 5 - CYLINDER

SECTION 5 - CYLINDER

FIGURE 5-1. AXLE LOCKOUT CYLINDER ASSEMBLY



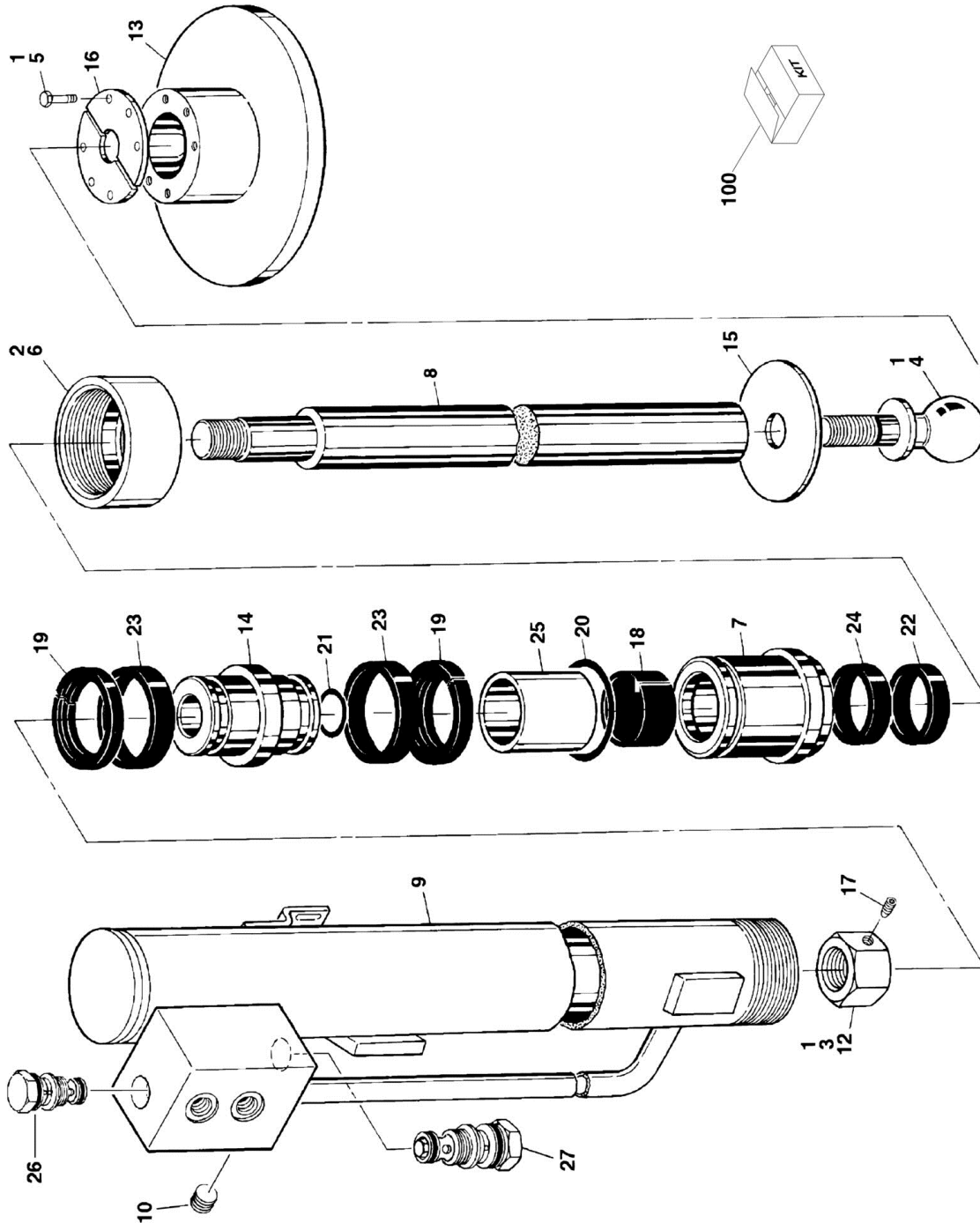
SECTION 5 - CYLINDER

FIGURE 5-1. AXLE LOCKOUT CYLINDER ASSEMBLY

ITEM	PART NUMBER	QTY	DESCRIPTION	REV
	1684064	Ref	AXLE LOCKOUT CYLINDER ASSEMBLY	J
1	0100011	AR	Compound, Locking	
2	0100038	AR	Primer, Locking	
3	See Note	NSS	Ring, Wear (Note: Use Item 100)	
4	See Note	NSS	T-Seal (Note: Use Item 100)	
5	See Note	NSS	Ring, Wear (Note: Use Item 100)	
6	See Note	NSS	O-Ring (Note: Use Item 100)	
7	See Note	NSS	Ring, Back-up (Note: Use Item 100)	
8	See Note	NSS	Seal, Wiper (Note: Use Item 100)	
9	See Note	NSS	Seal, Rod (Note: Use Item 100)	
11		Ref	Bushing	
11	0961890	2	USA Built Machines (Prior to SN 0200108543)	
11	0962474	2	USA Built Machines (SN 0200108543 through 0200230091)	
11	0961890	2	Belgium Built Machines (Prior to SN 1200000459)	
11	0962474	2	Belgium Built Machines (SN 1200000459 to Present)	
12	1683076	1	Head	
13		Ref	Rod/Piston Options:	
13	1684072	1	USA Built Machines (Prior to SN 0200103611)	
13	1684138	1	USA Built Machines (SN 0200103611 through 0200230091)	
13	1684138	1	Belgium Built Machines (SN 1200000398 to Present)	
14	1684063	1	Barrel Weldment	
15	2220885	1	Plug, O-Ring #6	
16	3760367	1	Ring, Washer	
17	3931516	8	Capscrew, Socket Head 5/16in-18NC x 1in	
18	4640858	2	Valve, Bleeder	
19	2220883	2	Plug, O-Ring #4	
20	2220886	2	Plug, O-Ring #8 (Not Shown - Used for Shipping Only)	
21	4641174	2	Valve, Counter Balance	
21	7023902	2	Seal Kit - 4641174 Valve (1 per Assembly)	
22	0100019	AR	Compound, Locking (USA Manufactured Only) (Prior to SN 0200103611)	
23	3322201	1	Nut, Jam 3/4in-16NF (USA Manufactured Only) (Prior to SN 0200103611)	
24	3841517	1	End, Rod (USA Built Machines Only) (Prior to SN 0200103611)	
25	3440824	1	Rollpin (USA Built Machines Only) (Prior to SN 0200103611)	
26		Ref	Bearing	
26	0962140	1	USA Built Machines Only (SN 0200103611 through 0200230091)	
26	0962140	1	Belgium Built Machines Only (SN 1200000398 to Present)	
		Ref	KIT OPTIONS:	
100	2901548	1	Seal Kit (Includes Items 3-9)	

SECTION 5 - CYLINDER

FIGURE 5-2. LEVELING JACK CYLINDER ASSEMBLY (USA BUILT MACHINES) (Prior to SN 0200104829)



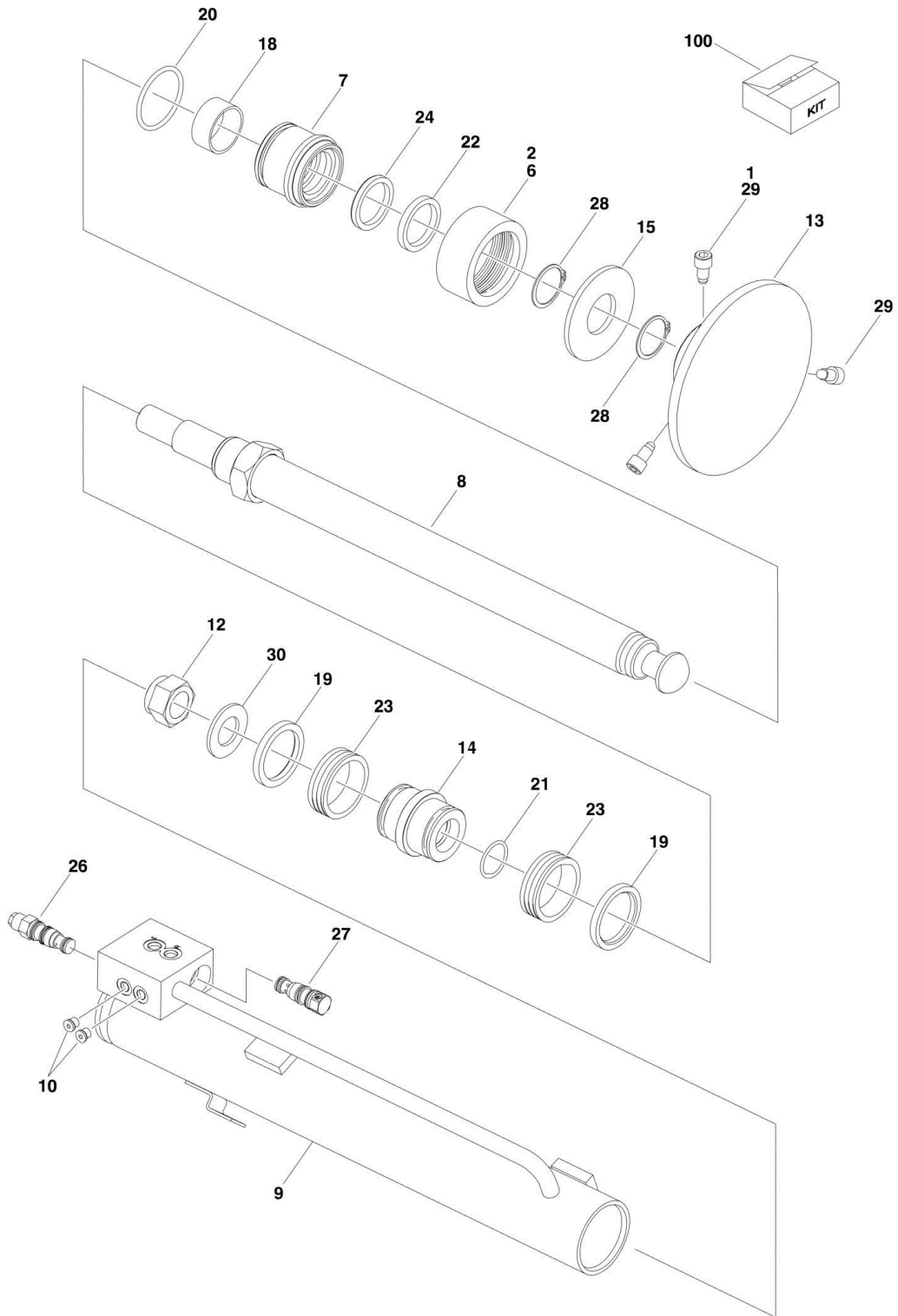
SECTION 5 - CYLINDER

FIGURE 5-2. LEVELING JACK CYLINDER ASSEMBLY (USA BUILT MACHINES) (Prior to SN 0200104829)

ITEM	PART NUMBER	QTY	DESCRIPTION	REV
		Ref	Note: Original Equipment Cylinder may have been replaced with Service Replacement p/n 1684217 - see next figure. Identify p/n stamped on cylinder before ordering parts.	
	1683966	Ref	LEVELING JACK CYLINDER ASSEMBLY	G
1	0100011	AR	Compound, Locking	
2	0100035	AR	Compound, Locking	
3	0100038	AR	Primer, Locking	
4	0320015	1	Ball, Trailer	
5	0681606	6	Bolt 3/8in-16NC x 3/4in Grade 8	
6	1120108	1	Cap	
7	1681283	1	Head	
8	1682723	1	Rod	
9	1683967	1	Barrel	
10	2220883	2	Plug	
12	3300281	1	Nut	
13	3340904	NLA	Pad, Jack Kit (Includes Items 5, 13 & 16) (Use p/n 2902023)	
14	3480092	1	Piston	
15	3536708	1	Plate	
16	3760453	1	Ring, Retainer	
17	3900170	1	Screw, Locking	
18	See Note	NSS	Ring, Wear (Note: Use Item 100)	
19	See Note	NSS	Guidelock (Note: Use Item 100)	
20	See Note	NSS	O-Ring (Note: Use Item 100)	
21	See Note	NSS	O-Ring (Note: Use Item 100)	
22	See Note	NSS	Seal, Wiper (Note: Use Item 100)	
23	See Note	NSS	Polysea (Note: Use Item 100)	
24	See Note	NSS	Hydrolock (Note: Use Item 100)	
25	4565647	1	Tube, Spacer	
26	4640495	1	Valve, Counter Balance	
26	2900770	1	Seal Kit - 4640495 Valve	
27	4641156	1	Valve, Check	
27	2900770	1	Seal Kit - 4641156 Valve	
		Ref	KIT OPTIONS:	
100	2901941	1	Seal Kit (Includes Items 18-24)	

SECTION 5 - CYLINDER

FIGURE 5-3. LEVELING JACK CYLINDER ASSEMBLY (USA BUILT MACHINES AND ALL BELGIUM BUILT MACHINES) (SN 0200104829 through 0200112734)



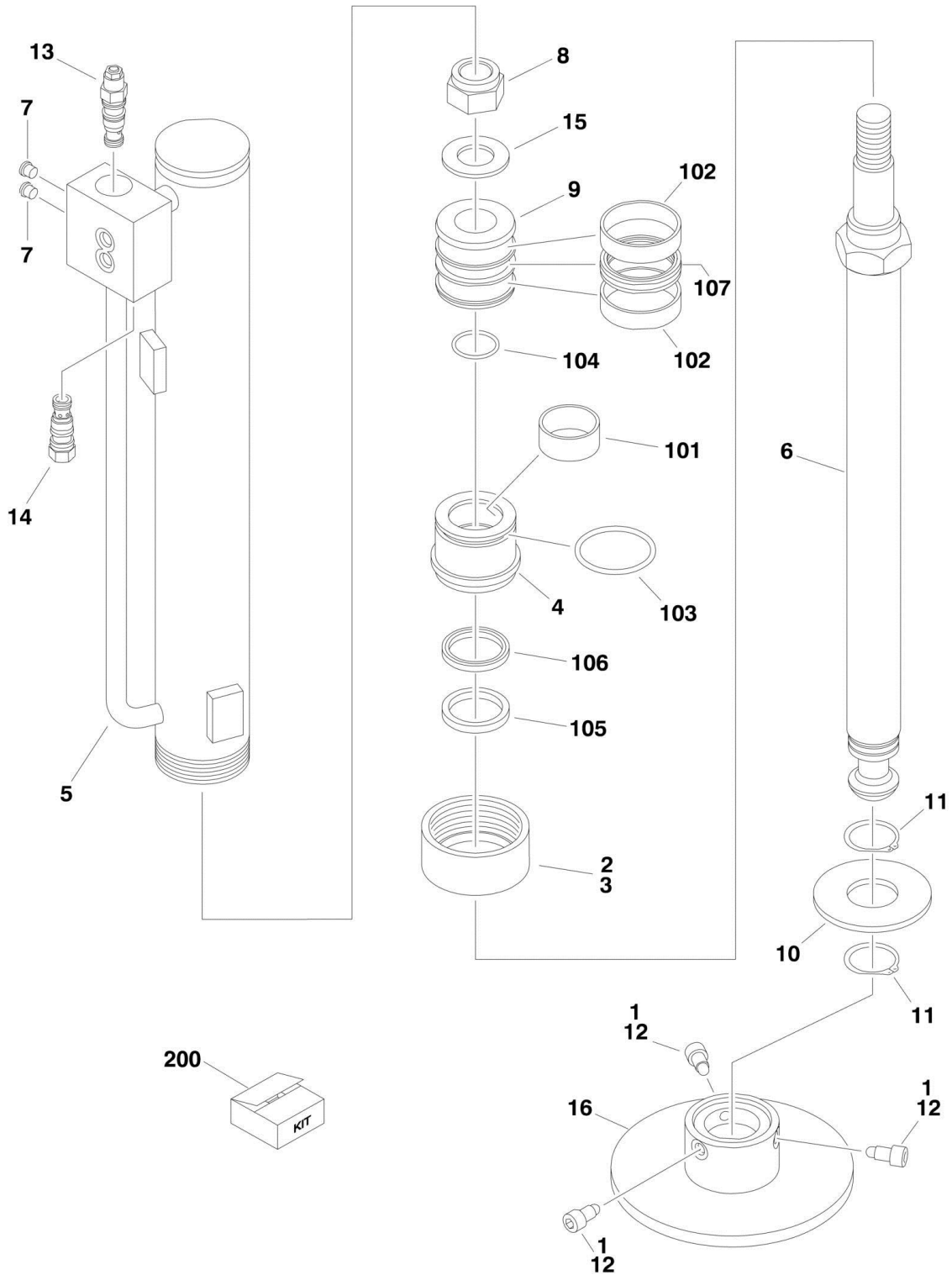
SECTION 5 - CYLINDER

FIGURE 5-3. LEVELING JACK CYLINDER ASSEMBLY (USA BUILT MACHINES AND ALL BELGIUM BUILT MACHINES) (SN 0200104829 through 0200112734)

ITEM	PART NUMBER	QTY	DESCRIPTION	REV
	1684217	Ref	LEVELING JACK CYLINDER ASSEMBLY	A
1	0100011	AR	Compound, Locking	
2	0100035	AR	Compound, Locking	
6	1120108	1	Cap, End	
7	1681283	1	Head	
8	1684206	1	Rod, Cylinder	
9	1683967	1	Barrel, Cylinder	
10	2220883	2	Plug	
12	3300465	1	Locknut 1-1/4in-12NC	
13	4846584	1	Pad, Jack	
14	3480092	1	Piston	
15	3573513	1	Plate	
18	See Note	NSS	Ring, Wear (Note: Use Item 100)	
19	See Note	NSS	Guidelock (Note: Use Item 100)	
20	See Note	NSS	O-Ring (Note: Use Item 100)	
21	See Note	NSS	O-Ring (Note: Use Item 100)	
22	See Note	NSS	Seal, Wiper (Note: Use Item 100)	
23	See Note	NSS	Polyseal (Note: Use Item 100)	
24	See Note	NSS	Hydrolock (Note: Use Item 100)	
26	4640495	1	Valve, Counter Balance	
26	2900770	1	Seal Kit - 4640495 Valve	
27	4641156	1	Valve, Check	
27	2900770	1	Seal Kit - 4641156 Valve	
28	3760460	2	Ring, Retaining	
29	3900321	3	Screw, Special 1/2in-13NC x 1-1/4	
30	4713000	1	Flatwasher 1-1/4in	
		Ref	KIT OPTIONS:	
100	2901941	1	Seal Kit (Includes Items 18-24)	

SECTION 5 - CYLINDER

FIGURE 5-4. LEVELING JACK CYLINDER ASSEMBLY (USA BUILT MACHINES) (ORIGINAL EQUIPMENT) (SN 0200112735 through 0200214443)



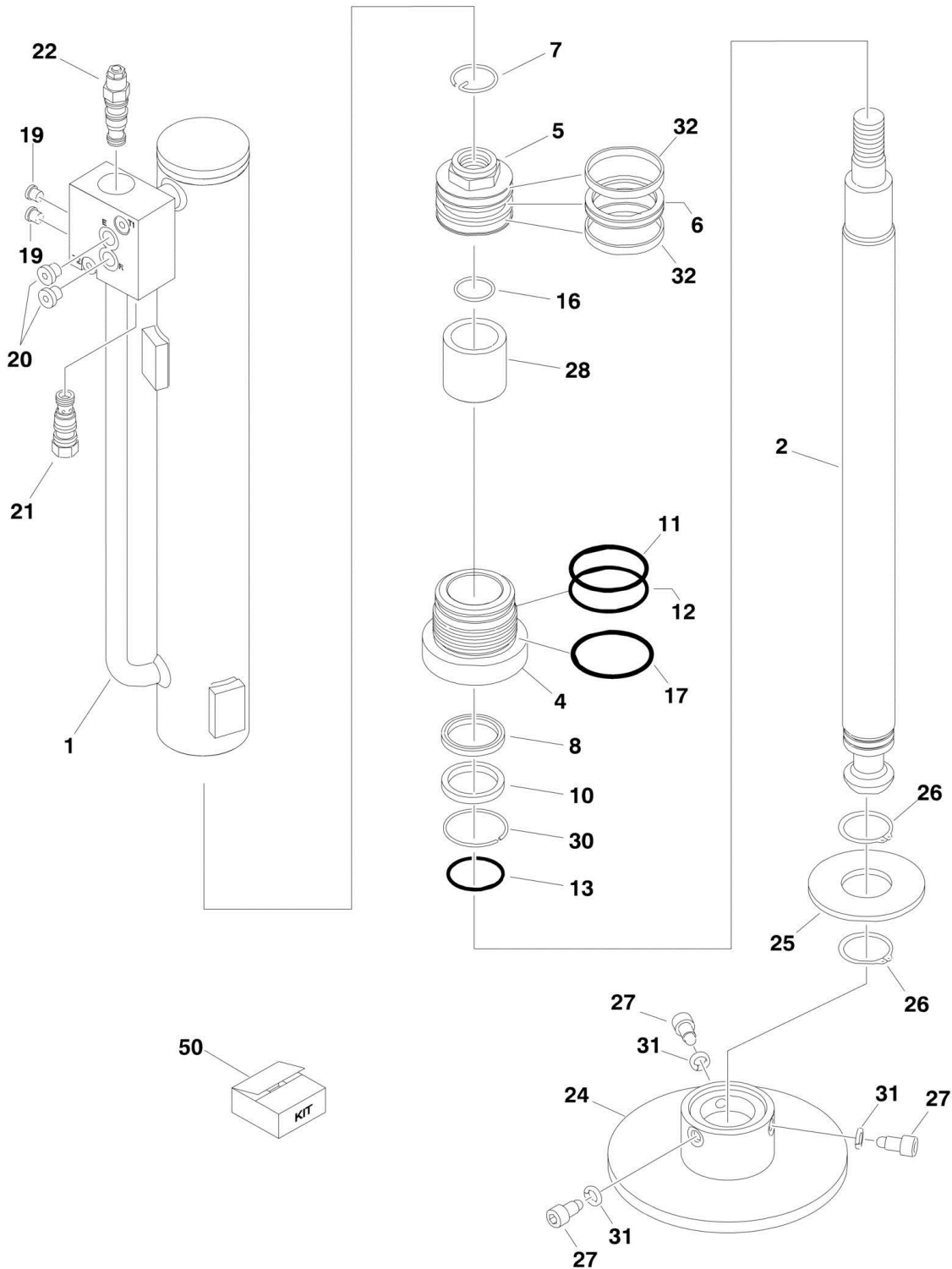
SECTION 5 - CYLINDER

FIGURE 5-4. LEVELING JACK CYLINDER ASSEMBLY (USA BUILT MACHINES) (ORIGINAL EQUIPMENT) (SN 0200112735 through 0200214443)

ITEM	PART NUMBER	QTY	DESCRIPTION	REV
		Ref	Note: Original Equipment Cylinder may have been replaced with Service Replacement Cylinder. Identify p/n stamped on cylinder before ordering parts.	
	1684291	Ref	LEVELING JACK CYLINDER ASSEMBLY	D
1	0100011	AR	Compound, Locking	
2	0100035	AR	Compound, Locking	
3	1120108	1	Cap, End	
4	1681283	1	Head	
5	1683967	1	Barrel, Cylinder	
6	1684206	1	Rod, Cylinder	
7	2220883	2	Plug	
8	3300465	1	Locknut 1-1/4in-12NC	
9	3480279	1	Piston	
10	3573513	1	Plate	
11	3760460	2	Ring, Retaining	
12	3900321	3	Screw, Special 1/2in-13NC x 1-1/4in	
13	4640495	1	Valve, Counter Balance	
13	2900770	1	Seal Kit - 4640495 Valve	
14	4641156	1	Valve, Check	
14	2900770	1	Seal Kit - 4641156 Valve	
15	4713000	1	Flatwasher 1-1/4in	
16	4846584	1	Pad, Jack	
101	See Note	NSS	Ring, Wear (Note: Use Item 200)	
102	See Note	NSS	Ring, Wear (Note: Use Item 200)	
103	See Note	NSS	O-Ring (Note: Use Item 200)	
104	See Note	NSS	O-Ring (Note: Use Item 200)	
105	See Note	NSS	Seal, Wiper (Note: Use Item 200))	
106	See Note	NSS	Polyseal (Note: Use Item 200)	
107	See Note	NSS	Seal, Piston (Note: Use Item 200)	
		Ref	KIT OPTIONS:	
200	2902264	1	Seal Kit (Includes Items 101-107)	

SECTION 5 - CYLINDER

FIGURE 5-5. LEVELING JACK CYLINDER ASSEMBLY (USA BUILT MACHINES) (SERVICE REPLACEMENT) (SN 0200214444 through 0200230091)



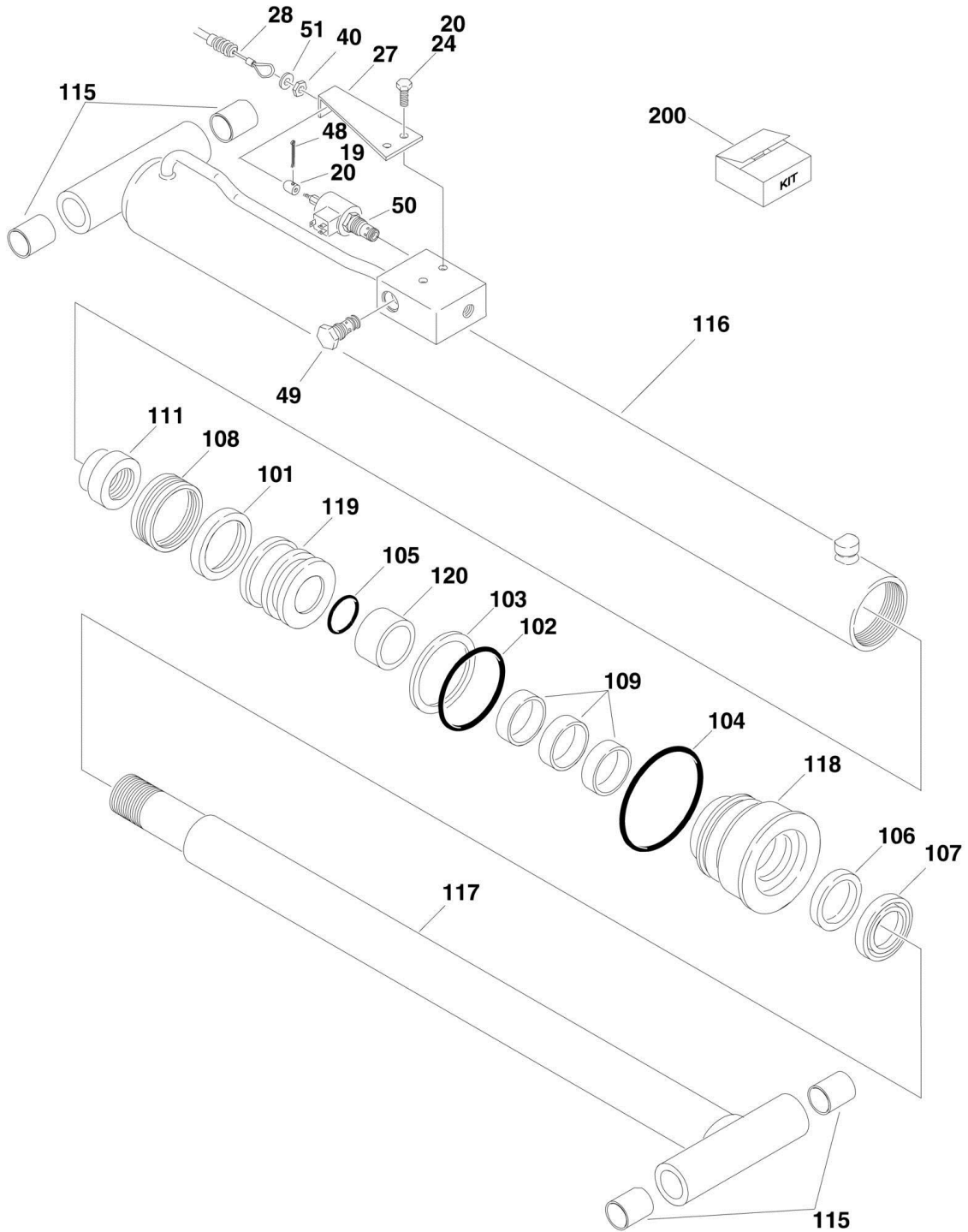
SECTION 5 - CYLINDER

FIGURE 5-5. LEVELING JACK CYLINDER ASSEMBLY (USA BUILT MACHINES) (SERVICE REPLACEMENT) (SN 0200214444 through 0200230091)

ITEM	PART NUMBER	QTY	DESCRIPTION	REV
	1001140600	Ref	LEVELING JACK CYLINDER ASSEMBLY	B
1	70003826	1	Barrel	
2	70003827	1	Rod	
4	70003818	1	Head	
5	70003819	1	Piston	
6	See Note	NSS	Seal, Piston (Note: Use Item 50)	
7	70002216	1	Retainer	
8	See Note	NSS	Seal, Rod (Note: Use Item 50)	
10	See Note	NSS	Seal, Wiper (Note: Use Item 50)	
11	See Note	NSS	O-Ring (Note: Use Item 50)	
12	See Note	NSS	Ring, Back-up (Note: Use Item 50)	
13	70003820	1	O-Ring	
16	See Note	NSS	O-Ring (Note: Use Item 50)	
17	See Note	NSS	O-Ring (Note: Use Item 50)	
19	7017406	2	Plug	
20	7024844	2	Plug	
21	4641156	1	Valve, Check	
21	2900770	1	Seal Kit - 4641156 Valve	
22	4640495	1	Valve, Counter Balance	
22	2900770	1	Seal Kit - 4640495 Valve	
24	70003828	1	Pad, Jack	
25	70003821	1	Plate	
26	70003822	2	Ring, Retaining	
27	70003823	3	Screw, Special 1/2in-13NC x 1-1/4in	
28	70003824	1	Spacer	
30	70002219	1	Ring, Retaining	
31	70003825	3	Lockwasher	
32	See Note	NSS	Ring, Wear (Note: Use Item 50)	
50	70003829	1	Seal Kit (Includes Items 6, 8-12, 16, 17 & 32)	

SECTION 5 - CYLINDER

FIGURE 5-6. LIFT CYLINDER COMPONENTS ASSEMBLY - 3369LE AND M3369



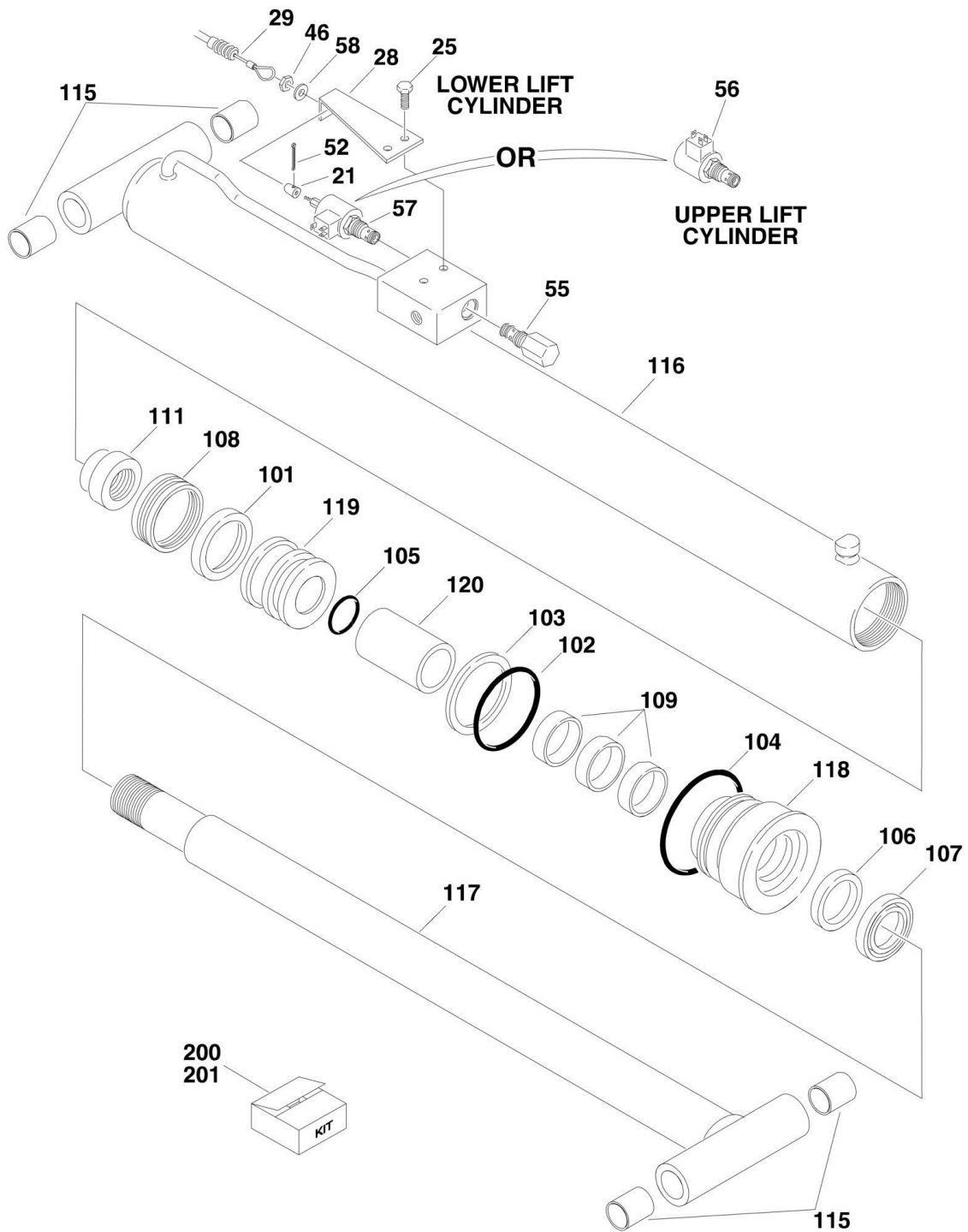
SECTION 5 - CYLINDER

FIGURE 5-6. LIFT CYLINDER COMPONENTS ASSEMBLY - 3369LE AND M3369

ITEM	PART NUMBER	QTY	DESCRIPTION	REV
		Ref	LIFT CYLINDER SUB-ASSEMBLY - 3369LE AND M3369	
	0270853	Ref	USA Built Machines (Prior to SN 0200112285)	H
	0272932	Ref	USA Built Machines (SN 0200112285 through 0200152397)	D
	0275481	Ref	USA Built ANSI and ANSI Export Spec Machines (SN 0200152398 through 0200230091)	A
	0275525	Ref	USA Built ANSI Export (SN 0200152398 through 0200230091)	A
	0275525	Ref	Japanese Spec Machines	A
	0270853	Ref	Belgium Built Machines	H
19	0080228	1	Adapter	
20	0100011	AR	Compound, Locking	
24	0641506	2	Bolt 5/16in-18NC x 3/4in	
27	0902421	1	Bracket	
28	1060846	1	Cable, Manual Descent	
40	3321402	2	Nut, Jam 1/4in-28NF	
48	3450405	1	Pin, Cotter 1/8in x 1 1/4in	
49	4641002	1	Valve, Check/Restrictor	
49	7012953	1	Seal Kit - 4641002 Valve	
50	4641172	1	Valve, Solenoid	
50	7017445	1	Cartridge, Valve	
50	7012967	1	Seal Kit - Valve	
50	7012943	1	Coil	
51	4711400	2	Flatwasher 1/4in Narrow	
		Ref	LIFT CYLINDER ASSEMBLIES	
	1683858	Ref	USA Built Machines (Prior to SN 0200100577)	C
	1684119	Ref	USA Built Machines (SN 0200100577 through 0200230091)	D
	1684119	Ref	Belgium Built Machines	D
101	See Note	NSS	Seal (Note: Use Item 200)	
102	See Note	NSS	O-Ring (Note: Use Item 200)	
103	See Note	NSS	Ring, Back-up (Note: Use Item 200)	
104	See Note	NSS	O-Ring (Note: Use Item 200)	
105	See Note	NSS	O-Ring (Note: Use Item 200)	
106	See Note	NSS	Seal (Note: Use Item 200)	
107	See Note	NSS	Wiper (Note: Use Item 200)	
108	See Note	NSS	Ring, Wear (Note: Use Item 200)	
109	See Note	NSS	Ring, Wear (Note: Use Item 200)	
111	7003226	1	Locknut	
115	0962012	4	Bushing	
116	7019898	1	Barrel Weldment	
117	70001358	1	Rod Weldment	
118	7019886	1	Head	
119	7024101	1	Piston	
120	70001357	1	Spacer	
		Ref	KIT OPTIONS:	
200	7024103	1	Seal Kit (Includes Items 101-109)	

SECTION 5 - CYLINDER

FIGURE 5-7. LIFT CYLINDER COMPONENTS ASSEMBLY - 4069LE AND M4069



SECTION 5 - CYLINDER

FIGURE 5-7. LIFT CYLINDER COMPONENTS ASSEMBLY - 4069LE AND M4069

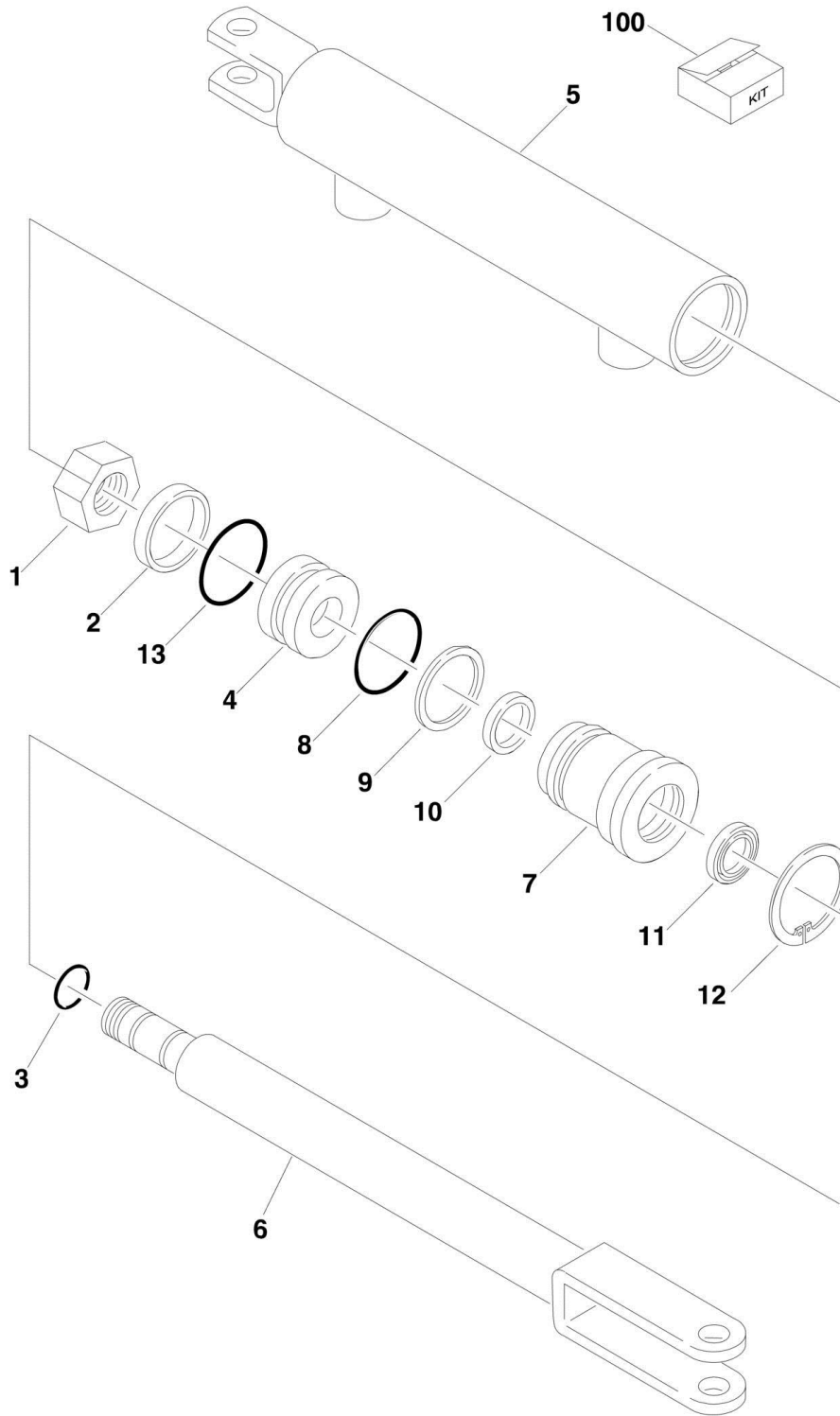
ITEM	PART NUMBER	QTY	DESCRIPTION	REV
		Ref	LIFT CYLINDER SUB-ASSEMBLY - 4069LE AND M4069	
	0270854	Ref	USA Manufactured (Prior to SN 0200112285)	H
	0272933	Ref	USA Manufactured (SN 0200112285 through 0200152397)	D
	0275482	Ref	USA Built ANSI and ANSI Export Spec Machines (SN 0200152398 through 0200230091)	A
	0275526	Ref	USA Built ANSI Export (SN 0200152398 through 0200230091)	A
	0275526	Ref	Japanese Spec Machines	A
	0270854	Ref	Belgium Built Machines	H
21	0080228	1	Adapter (Lower Cylinder)	
25	0641506	2	Bolt 5/16in-18NC x 3/4in (Lower Cylinder)	
28	0902421	1	Bracket (Lower Cylinder)	
29	1060846	1	Cable, Manual Descent (Lower Cylinder)	
46	3321402	2	Nut, Jam 1/4in-28NF (Lower Cylinder)	
52	3450405	1	Pin, Cotter 1/8in x 1 1/4in (Lower Cylinder)	
55	4641118	2	Valve, Relief (Lower and Upper Cylinders) (1 Per Cylinder)	
55	7012998	1	Seal Kit - 4641118 Valve	
56	4641168	1	Cartridge, Solenoid Valve (Upper Cylinder)	
56	7017467	1	Seal Kit - Valve	
56	7012944	1	Coil	
57	4641172	1	Valve, Solenoid (Lower Cylinder)	
57	7017445	1	Cartridge, Valve	
57	7012967	1	Seal Kit - Valve	
57	7012943	1	Coil	
58	4711400	2	Flatwasher 1/4in Narrow (Lower Cylinder)	
		Ref	LIFT CYLINDER ASSEMBLY	
	1684120	Ref	Lower Cylinder	C
	1684121	Ref.	Upper Cylinder	C
101	See Note	NSS	Seal (Note: Use Items 200 & 201)	
102	See Note	NSS	O-Ring (Note: Use Items 200 & 201)	
103	See Note	NSS	Ring, Back-up (Note: Use Items 200 & 201)	
104	See Note	NSS	O-Ring (Note: Use Items 200 & 201)	
105	See Note	NSS	O-Ring (Note: Use Items 200 & 201)	
106	See Note	NSS	Seal (Note: Use Items 200 & 201)	
107	See Note	NSS	Wiper (Note: Use Items 200 & 201)	
108	See Note	NSS	Ring, Wear (Note: Use Items 200 & 201)	
109	See Note	NSS	Ring, Wear (Note: Use Items 200 & 201)	
111		Ref	Locknut Options:	
111	7003226	1	1684120 Cylinder	
111	7003212	1	1684121 Cylinder	
115	7019889	4	Bushing	
116		Ref	Barrel Weldment Options:	
116	7019888	1	1684120 Cylinder	
116	7019895	1	1684121 Cylinder	
117		Ref	Rod Weldment Options:	
117	7023505	1	1684120 Cylinder	
117	7023508	1	1684121 Cylinder	
118		Ref	Head Options:	
118	7019886	1	1684120 Cylinder	
118	7019893	1	1684121 Cylinder	
119		Ref	Piston Options:	

SECTION 5 - CYLINDER

ITEM	PART NUMBER	QTY	DESCRIPTION	REV
119	7024101	1	1684120 Cylinder	
119	7019862	1	1684121 Cylinder	
120		Ref	Spacer Options:	
120	7023509	1	1684120 Cylinder	
120	7023510	1	1684121 Cylinder	
		Ref	KIT OPTIONS:	
		Ref	Seal Kit Options (Includes Items 101-109):	
200	7024103	1	1684120 Cylinder	
201	7024102	1	1684121 Cylinder	

SECTION 5 - CYLINDER

FIGURE 5-8. STEER CYLINDER ASSEMBLY



SECTION 5 - CYLINDER

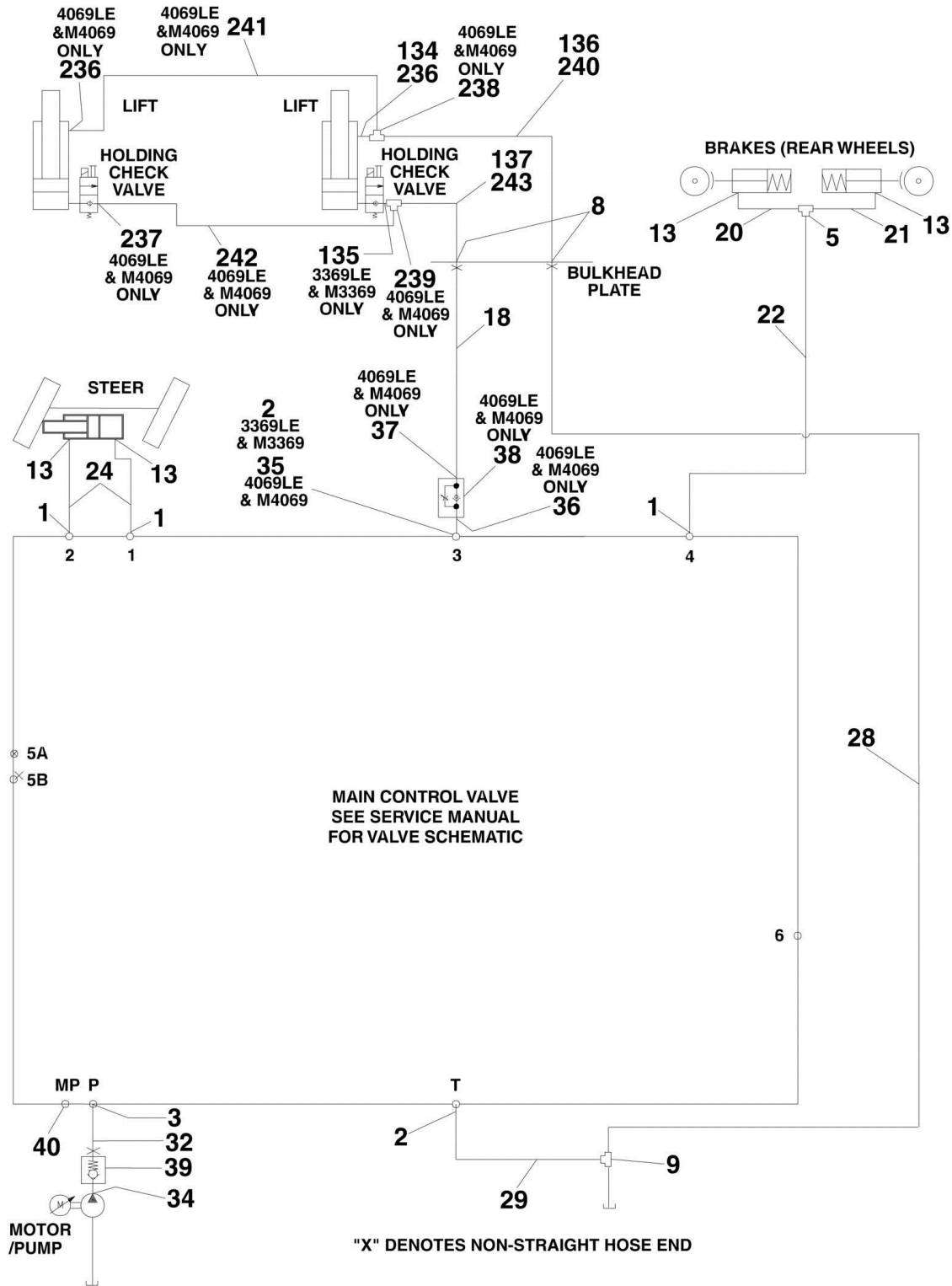
FIGURE 5-8. STEER CYLINDER ASSEMBLY

ITEM	PART NUMBER	QTY	DESCRIPTION	REV
	1683994	Ref	STEER CYLINDER ASSEMBLY	D
1	7001626	1	Locknut	
2	See Note	NSS	Seal, Piston (Note: Use Item 100)	
3	See Note	NSS	O-Ring (Note: Use Item 100)	
4	70002518	1	Piston (was p/n 7017291)	
5	7023022	1	Barrel	
6	7023021	1	Rod	
7	7017294	1	Guide	
8	See Note	NSS	O-Ring (Note: Use Item 100)	
9	See Note	NSS	Ring, Back-up (Note: Use Item 100)	
10	See Note	NSS	Seal (Note: Use Item 100)	
11	See Note	NSS	Wiper (Note: Use Item 100)	
12	See Note	NSS	Ring, Retainer (Note: Use Item 100)	
13	See Note	NSS	O-Ring (Note: Use Item 100)	
		Ref	KIT OPTIONS:	
100	70002517	1	Seal Kit Options (Includes Items 2, 3 & 8-13) (was p/n 7017290)	

SECTION 6 - HYDRAULIC

SECTION 6 - HYDRAULIC

FIGURE 6-1. HYDRAULIC DIAGRAM - FIXED AXLE



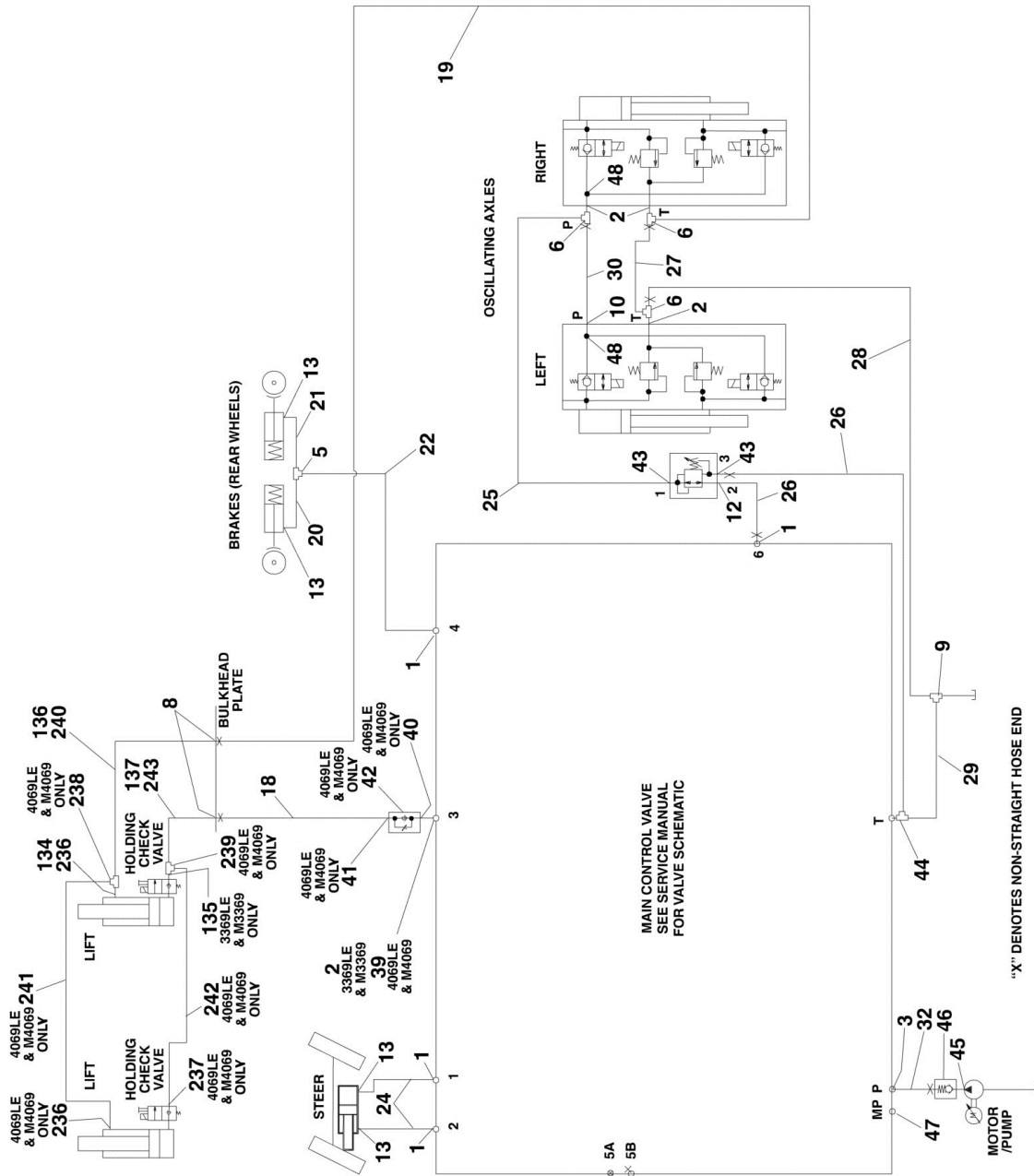
SECTION 6 - HYDRAULIC

FIGURE 6-1. HYDRAULIC DIAGRAM - FIXED AXLE

ITEM	PART NUMBER	QTY	DESCRIPTION	REV
		Ref	HYDRAULIC DIAGRAMS	
	2792443	Ref	Hydraulic Diagrams 3369LE & M3369	E
	2792445	Ref	Hydraulic Diagrams 4069LE & M4069	F
1	2220415	3	Fitting, Straight	
2	2220371	2	Fitting, Straight	
3	2220373	1	Fitting, Straight	
5	2220504	1	Fitting, Tee	
8	2230024	2	Fitting, Bulkhead	
9	2221041	1	Fitting, Tee	
13	2220466	4	Fitting, 90	
18	2752958	1	Hose	
20	2752593	1	Hose	
21	2752444	1	Hose	
22	2750905	1	Hose	
24	2752983	2	Hose	
28	2753527	1	Hose	
29	2753528	1	Hose	
32		Ref	Hose Options:	
32	2750766	1	Hose 3369LE & M3369	
32	2753187	1	Hose 4069LE & M4069	
34	2220810	1	Fitting, Straight	
35	2220600	1	Fitting, Straight (4069LE & M4069 Only)	
36	2220651	1	Fitting, Straight (4069LE & M4069 Only)	
37	2221044	1	Fitting, 45 (4069LE & M4069 Only)	
38	4640757	1	Valve, Color Flow (4069LE & M4069 Only)	
39	4640744	1	Valve, Inline Check	
40	2221086	1	Fitting, Nipple	
	0275481	Ref	HYDRAULIC COMPONENTS FROM ARMS INSTALLATION - 3369LE & M3369	A
134	2220371	1	Fitting, Straight	
135	2220473	1	Fitting, 90	
136	2753137	1	Hose	
137	2753526	1	Hose	
	0275482	Ref	HYDRAULIC COMPONENTS FROM ARMS INSTALLATION - 4069LE & M4069	A
236	2220371	2	Fitting, Straight	
237	2220473	1	Fitting, 90	
238	2220635	1	Fitting, Tee	
239	2220899	1	Fitting, Tee	
240	2753137	1	Hose	
241	2753414	1	Hose	
242	2753415	1	Hose	
243	2753526	1	Hose	

SECTION 6 - HYDRAULIC

FIGURE 6-2. HYDRAULIC DIAGRAM - OSCILLATING AXLE



SECTION 6 - HYDRAULIC

FIGURE 6-2. HYDRAULIC DIAGRAM - OSCILLATING AXLE

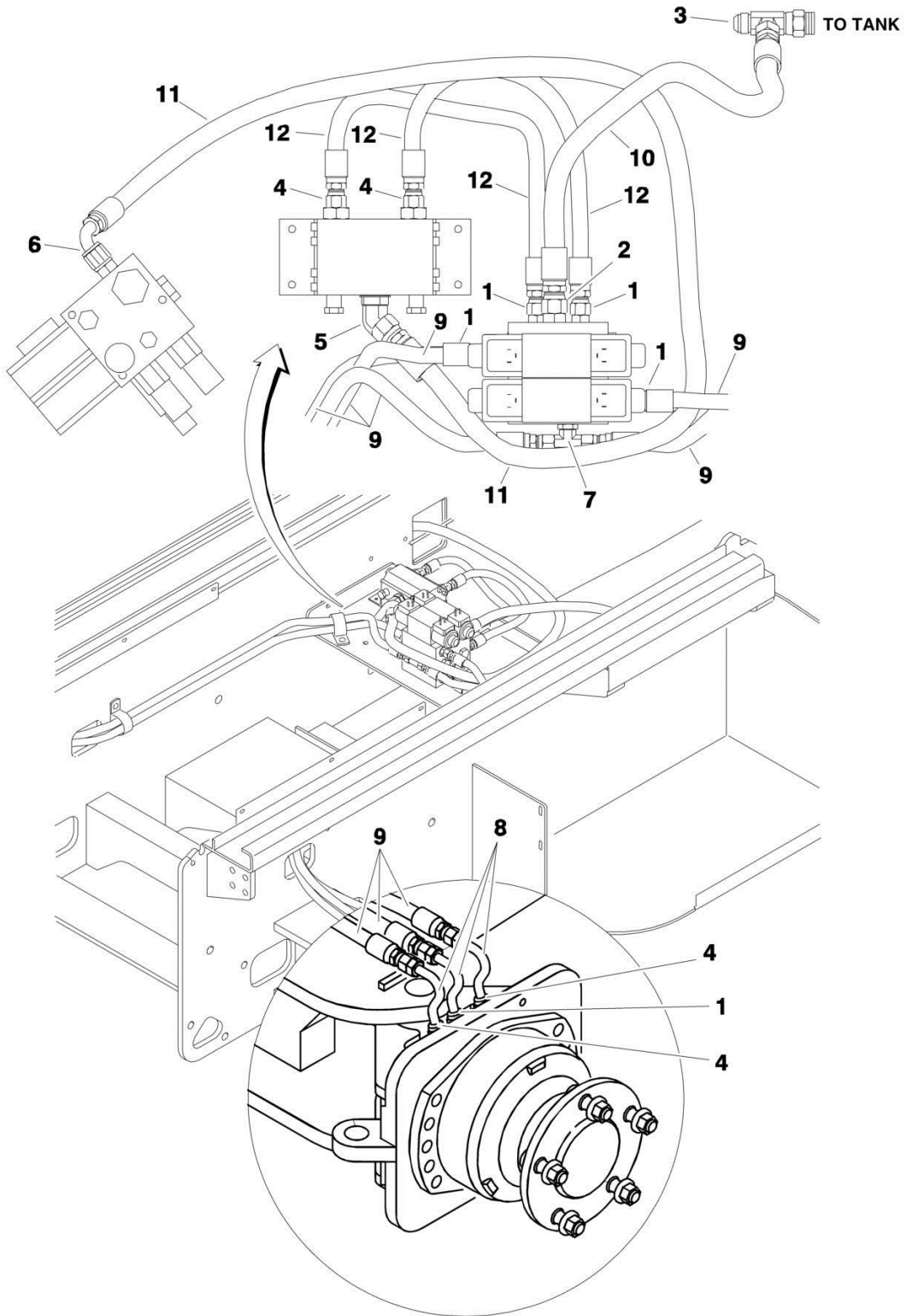
ITEM	PART NUMBER	QTY	DESCRIPTION	REV
		Ref	HYDRAULIC DIAGRAMS	
	2792444	Ref	Hydraulic Diagrams 3369LE & M3369	G
	2792446	Ref	Hydraulic Diagrams 4069LE & M4069	H
1	2220415	4	Fitting, Straight	
2	2220371	4	Fitting, Straight	
3	2220373	1	Fitting, Straight	
5	2220504	1	Fitting, Tee	
6	2220635	3	Fitting, Tee	
8	2230024	2	Fitting, Bulkhead	
9	2221041	1	Fitting, Tee	
10	2220819	1	Fitting, 90	
12	2220473	1	Fitting, 90	
13	2220466	4	Fitting, 90	
18	2752958	1	Hose	
19	2753389	1	Hose	
20	2752593	1	Hose	
21	2752444	1	Hose	
22	2750905	1	Hose	
24	2752983	2	Hose	
25	2753530	1	Hose	
26	2753531	2	Hose	
27	2753327	1	Hose	
28	2753523	1	Hose	
29	2753528	1	Hose	
30	2753529	1	Hose	
32	2753187	1	Hose	
39	2220600	1	Fitting, Straight (4069LE & M4069 Only)	
40	2220651	1	Fitting, Straight (4069LE & M4069 Only)	
41	2221044	1	Fitting, 45 (4069LE & M4069 Only)	
42	4640757	1	Valve, Color Flow (4069LE & M4069 Only)	
43	2220582	2	Fitting, Straight	
44	2220606	1	Fitting, Tee	
45	2220810	1	Fitting, Straight	
46	4640744	1	Valve, Inline Check	
47	2221086	1	Fitting, Nipple	
48	2221115	2	Fitting, Restrictor .022	
	0275481	Ref	HYDRAULIC COMPONENTS FROM ARMS INSTALLATION - 3369LE & M3369	A
134	2220371	1	Fitting, Straight	
135	2220473	1	Fitting, 90	
136	2753137	1	Hose	
137	2753526	1	Hose	
	0275482	Ref	HYDRAULIC COMPONENTS FROM ARMS INSTALLATION - 4069LE & M4069	A
236	2220371	2	Fitting, Straight	
237	2220473	1	Fitting, 90	
238	2220635	1	Fitting, Tee	
239	2220899	1	Fitting, Tee	
240	2753137	1	Hose	
241	2753414	1	Hose	

SECTION 6 - HYDRAULIC

ITEM	PART NUMBER	QTY	DESCRIPTION	REV
242	2753415	1	Hose	
243	2753526	1	Hose	

SECTION 6 - HYDRAULIC

FIGURE 6-3. HYDRAULIC DIAGRAM - 4WD (OPTIONAL)



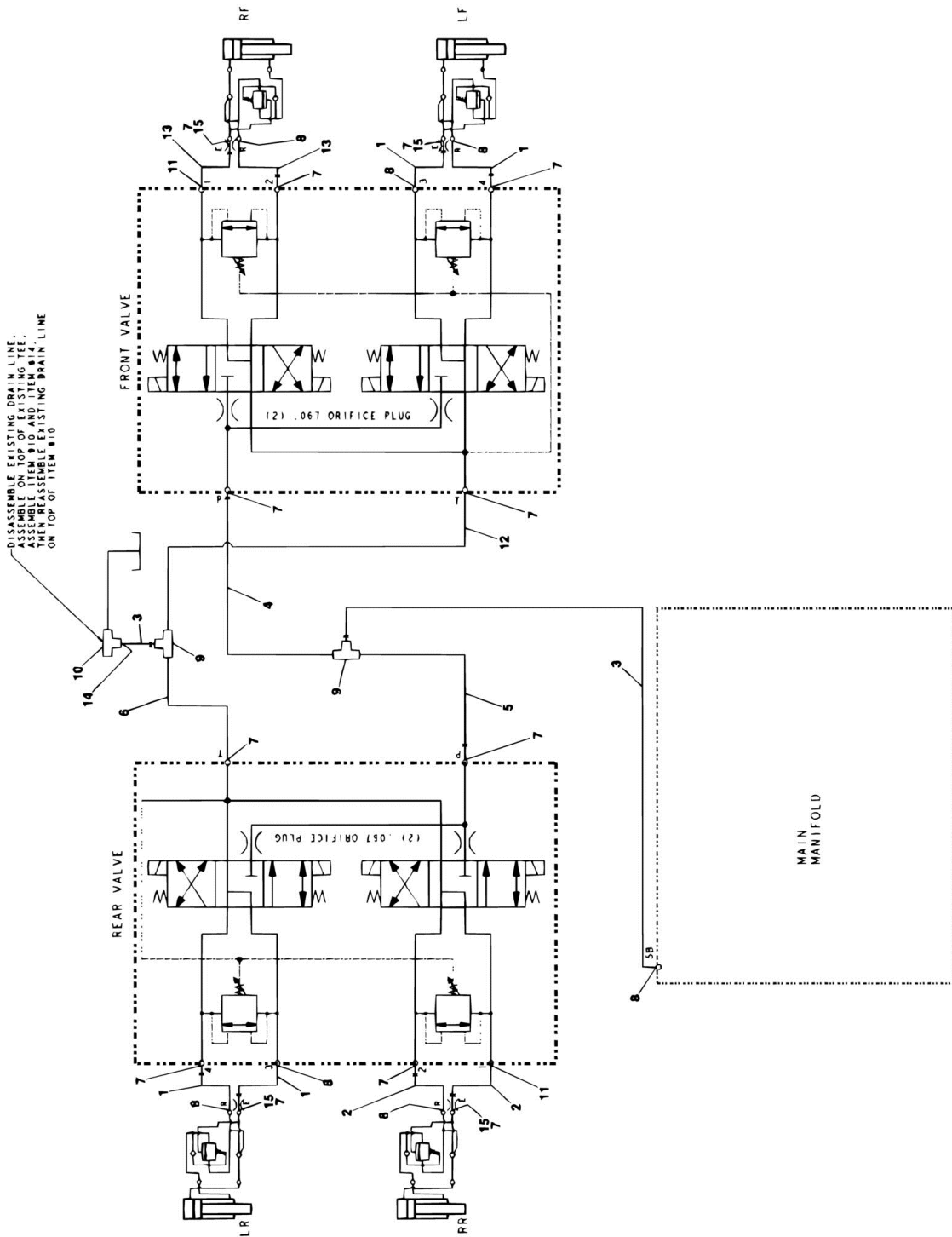
SECTION 6 - HYDRAULIC

FIGURE 6-3. HYDRAULIC DIAGRAM - 4WD (OPTIONAL)

ITEM	PART NUMBER	QTY	DESCRIPTION	REV
	0270991	Ref	HYDRAULIC DIAGRAM	E
1	2220371	8	Fitting, Straight	
2	2220373	1	Fitting, Straight	
3	2220385	1	Fitting, Tee	
4	2220497	6	Fitting, Straight	
5	2220499	1	Fitting, 45	
6	2220600	1	Fitting, Straight	
7	2220899	1	Fitting, Tee	
8	2230087	6	Fitting, Special	
9	2752966	6	Hose	
10	2752516	1	Hose	
11	2752497	1	Hose	
12	2753118	2	Hose	

SECTION 6 - HYDRAULIC

FIGURE 6-4. HYDRAULIC DIAGRAM - LEVELING JACKS (OPTIONAL)



SECTION 6 - HYDRAULIC

FIGURE 6-4. HYDRAULIC DIAGRAM - LEVELING JACKS (OPTIONAL)

ITEM	PART NUMBER	QTY	DESCRIPTION	REV
	2792494	Ref	HYDRAULIC DIAGRAM	E
1	2753532	4	Hose	
2	2753529	2	Hose	
3	2753397	2	Hose	
4	2753059	1	Hose	
5	2750908	1	Hose	
6	2750915	1	Hose	
7	2220371	12	Fitting, Straight	
8	2220473	7	Fitting, 90	
9	2220490	2	Fitting, Tee	
10	2220385	1	Fitting, Straight	
11	2220819	2	Fitting, 90	
12	2753120	1	Hose	
13	2753524	2	Hose	
14	2220619	1	Fitting, Reducer	
15	2221089	4	Orifice (.0625)	

SECTION 6 - HYDRAULIC

FIGURE 6-5. HYDRAULIC DIAGRAM LIST

ITEM	PART NUMBER	QTY	DESCRIPTION	REV
		Ref	Note: Information on diagrams not shown is available from JLG service/parts departments.	
	0270991	Ref	Hydraulic Diagram - 4WD (Optional)	
	2792494	Ref	Hydraulic Diagram - Leveling Jacks (Optional)	
		Ref	Hydraulic Diagram - Scissors Arms	
	0275481	Ref	Scissors Arms 3369LE & M3369	
	0275482	Ref	Scissors Arms 4069LE & M4069	
		Ref	Hydraulic Diagram - Standard	
	2792443	Ref	Hydraulic Diagram - Standard 3369LE & M4069 with Fixed Axle	
	2792444	Ref	Hydraulic Diagram - Standard 3369LE & M4069 with Oscillating Axle	
	2792445	Ref	Hydraulic Diagram - Standard 4069LE & M4069 with Fixed Axle	
	2792446	Ref	Hydraulic Diagram - Standard 4069LE & M4069 with Oscillating Axle	
	2792442	Ref	Hydraulic Schematic	

SECTION 7 - ELECTRICAL

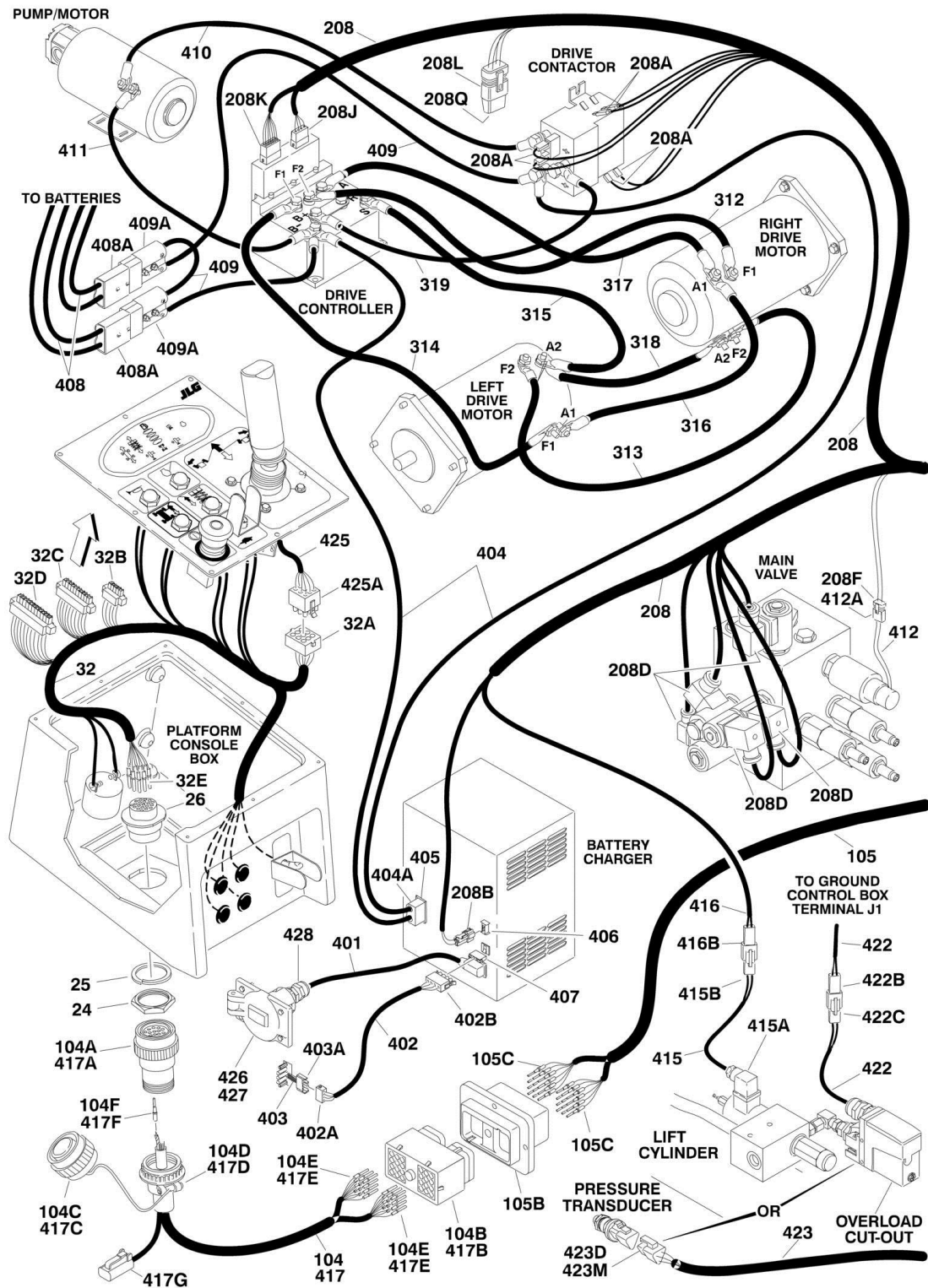
SECTION 7 - ELECTRICAL

FIGURE 7-1. ELECTRICAL SCHEMATIC

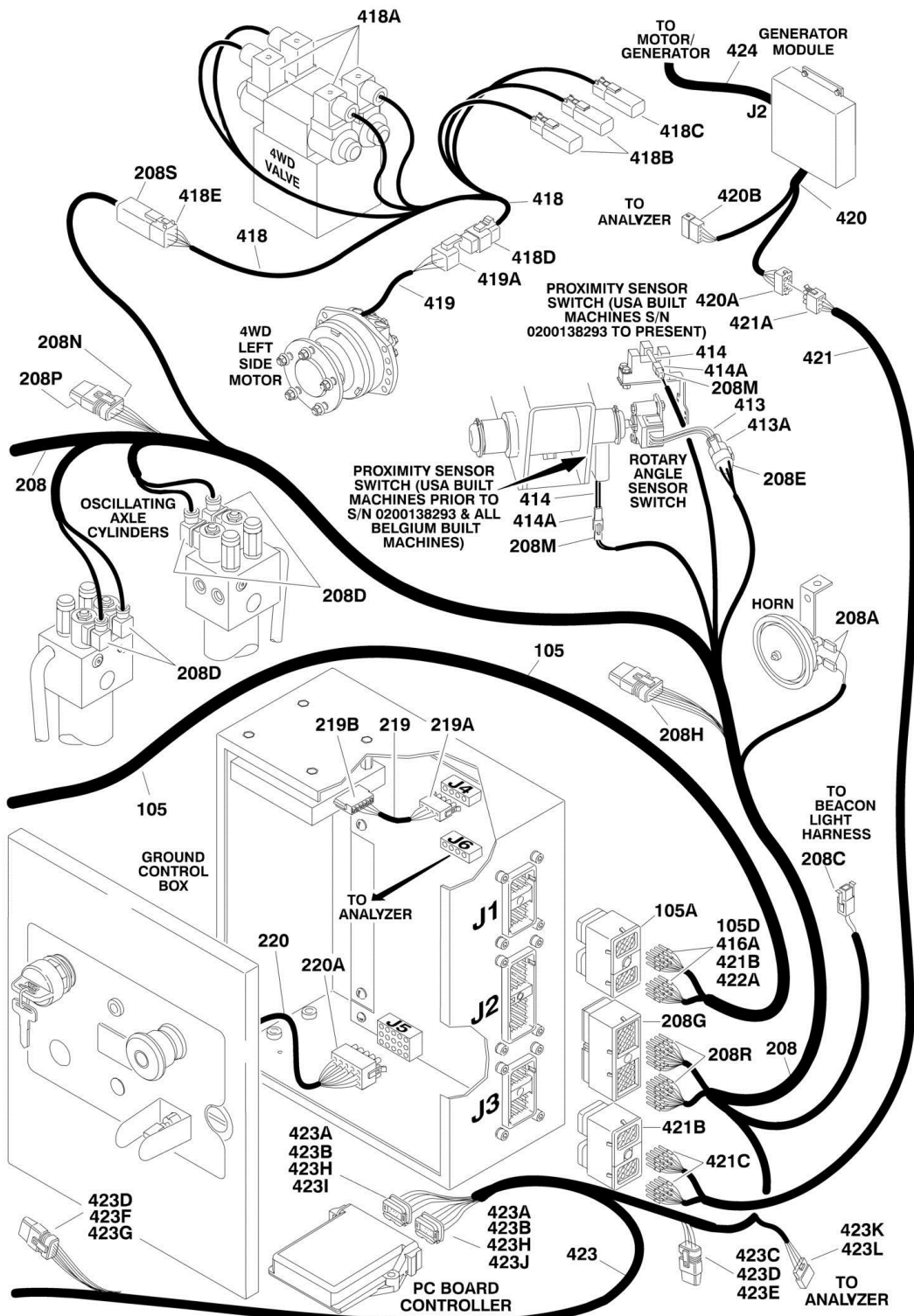
ITEM	PART NUMBER	QTY	DESCRIPTION	REV
		Ref	ELECTRICAL DIAGRAM LIST	
		Ref	Note: See Service Manual for schematics. For information on diagrams, contact JLG Service Parts Department.	
	1870130	Ref	Electrical Schematic - Standard	
	2000327	Ref	Electrical Schematic - Kubota (M3369/M4069)	
	0270787	Ref	Electrical Schematic - Yanmar (M3369/M4069)	

SECTION 7 - ELECTRICAL

FIGURE 7-2. STANDARD ELECTRICAL COMPONENTS INSTALLATION (WITH MAC CHARGER)



SECTION 7 - ELECTRICAL



SECTION 7 - ELECTRICAL

FIGURE 7-2. STANDARD ELECTRICAL COMPONENTS INSTALLATION (WITH MAC CHARGER)

ITEM	PART NUMBER	QTY	DESCRIPTION	REV
		Ref	CONSOLE BOX COMPONENTS	
24	4460470	1	Nut, Terminal	
25	4460471	1	Lockwasher, Terminal	
26	4460480	1	Connector, Terminal	
32		Ref	Harness, Console Box Options:	
32	4922526	1	Without Leveling Jacks	D
32	4922527	1	With Leveling Jacks	C
32A	4460266	1	Receptacle - 9 Pin	
32A	4460267	8	Pin, Male	
32B	4460817	1	Plug, Male - 5 Position	
32C	4460818	1	Plug, Male - 10 Position	
32D	4460895	1	Plug, Male - 12 Position	
32E	4460465	18	Socket, Female	
		Ref	PLATFORM CABLES INSTALLATION	
	0270572	Ref	Platform Cables Installation (3369LE & M3369)	C
	0270573	Ref	Platform Cables Installation (4069LE & M4069)	C
104		Ref	Harness Assembly (Routed Through Scissor Arms) (Part of Cables Installation) (Prior to SN 0200152398)	
104	4922477	1	Harness Assembly (3369LE & M3369)	A
104	4922478	1	Harness Assembly (4069LE & M4069)	A
104	1060899	AR	Cable, Electrical - 16/20	
104	1060899	81 ft /24.7m	Cable, Electrical - 16/20 (3369LE & M3369)	
104	1060899	88.1 ft /26.9m	Cable, Electrical - 16/20 (4069LE & M4069)	
104A	4460481	1	Plug, Male	
104B	4460812	1	Plug, Male - 24 Position	
104C	4460468	1	Cap, Dust	
104D	4460473	1	Clamp	
104E	4460465	19	Socket, Female	
104F	4460464	18	Pin, Male	
105	4922479	1	Harness Assembly (Ground Control Box to Item 104)	D
105	1060815	7 ft/2.13m	Cable, Electrical - 16/18	
105A	4460812	1	Plug, Male - 24 Position	
105B	4460846	1	Receptacle, Female - 24 Position	
105C	4460464	21	Pin, Male	
105D	4460465	21	Socket, Female	
105E	1060899	7 ft /2.1m	Cable (Not Shown)	
		Ref	GROUND CONTROL BOX ASSEMBLY AND INSTALLATIONS	
208	4922528	1	Harness, Valve	E
208A	4460260	8	Connector	
208A	4460259	8	Terminal	
208A	3990010	1	Diode 6A 600V (Located at Horn Only)	
208B	4460320	1	Plug, Male, 2 Position	
208B	4460465	2	Socket, Female	
208C	4460424	1	Connector, Female - 2 Position	
208C	4460267	2	Pin, Male	
208D	4460499	9	Connector, DIN	
208E	4460539	1	Plug, Male - 3 Position	
208E	4460465	3	Socket, Female	

SECTION 7 - ELECTRICAL

ITEM	PART NUMBER	QTY	DESCRIPTION	REV
208F	4460742	1	Plug, Male - 2 Position	
208F	4460743	2	Socket, Female	
208G	4460814	1	Connector, Female - 40 Position	
208H	4460836	1	Connector - 12 Position	
208H	4460837	1	Housing, Connector - 12 Position	
208H	4460465	5	Socket, Female	
208J	4460868	1	Plug, Male - 6 Position	
208J	4460877	2	Socket, Female	
208K	4460870	1	Plug, Male - 12 Position	
208K	4460877	4	Socket, Female	
208L	4460884	1	Connector - 4 Position	
208L	4460465	4	Socket, Female	
208M	4460891	1	Plug, Male - 2 Position	
208M	4460465	2	Socket, Female	
208N	4460894	1	Plug, Male - 6 Position	
208N	4460466	1	Plug, Sealing	
208P	4460892	1	Connector, Female - 6 Position Buss Bar	
208Q	4460893	1	Connector, Female - 4 Position Buss Bar	
208R	4460465	24	Socket, Female	
208S		Ref	Connector Options:	
208S	4460899	1	Receptacle, Female - 6 Position	
208S	4460930	1	Plug, Male - 8 Position	
208S	4460464	AR	Pin, Male	
208S	4460465	AR	Socket, Female	
208S	4460466	AR	Plug, Sealing	
219		Ref	Harness, Tilt Options:	
219	4922339	1	Harness, Tilt (Prior to SN 0200125304)	C
219	Not Available		Harness, Tilt (Part of Tilt Sensor p/n 4000006) (SN 0200125304 through 0200230091)	
219A	4460321	1	Plug, Male - 6 Position	
219A	4460267	4	Socket, Female	
219B	4460824	1	Connector, Female - 4 Position	
219B	4460825	4	Socket, Female	
220		Ref	Harness, Ground Control Box Options:	
220	4922480	1	Harness, Ground Control Box (3369LE & 4069LE)	B
220	4922604	1	Harness, Ground Control Box (M3369 & M4069)	A
220A	4460434	1	Plug, Male - 15 Position	
220A	4460268	8	Socket, Female	
		Ref	ELECTRICAL DRIVE COMPONENTS INSTALLATIONS	
	0270473	Ref	USA Built Machines (Prior to SN 0200174517)	H
	1001099375	Ref	USA Built Machines (SN 0200174517 through 0200230091)	C
	0270473	Ref	Belgium Built Machines	H
312	1060888	1	Cable, Electrical (Controller F2 to Right Motor F1)	
313	1060889	1	Cable, Electrical (Right Motor F2 to Left Motor F2)	
314	1060890	1	Cable, Electrical (Controller F1 to Left Motor F1)	
315	1060891	1	Cable, Electrical (Controller S to Right Motor A2)	
316	1060892	1	Cable, Electrical (Left Motor A1 to Right Motor A1)	
317	1060893	1	Cable, Electrical (Controller A to Right Motor A1)	
318	1060894	1	Cable, Electrical (Left Motor A2 to Right Motor A2)	
319	1060895	1	Cable, Electrical (Contactor to Controller B+)	
		Ref	STANDARD HARNESS COMPONENTS	
401		Ref	Cable, Electrical - Battery Charger Options:	

SECTION 7 - ELECTRICAL

ITEM	PART NUMBER	QTY	DESCRIPTION	REV
401	1060751	1	ANSI Spec	
401	1060759	1	ANSI Export Spec	
402	1060913	1	Cable, Remote LED Light	C
402A	4460761	1	Connector, Female - 4 Position	
402A	4460226	4	Socket, Female	
402B	4460321	1	Plug, Male - 4 Position	
402B	4460226	4	Socket, Female	
403	Not Available	1	LED Light Harness Assembly - Battery Condition (Purchase Complete p/n 0610131)	
403A	4460321	1	Plug, Male - 4 Position	
403A	4460227	4	Pin, Male	
404		Ref	Harness, Battery Charger Options:	
404	4922518	1	USA Built Machines (Prior to SN 0200097450)	B
404	4922628	1	USA Built Machines (SN 0200097450 through 0200230091)	B
404	4922628	1	Belgium Built Machines (SN 1200000398 to Present)	B
404A	4460444	1	Connector, Anderson	
405	7020644	1	Harness, Internal Charger DC	
405	7011590	1	Plug, DC	
406		Ref	Harness, Internal Charger PC Board - 17 Position Options:	
406	7020645	1	All except Japanese Spec	
406	7020692	1	Japanese Spec	
406	7011621	1	Connector - 2 Position	
407		Ref	Harness, Internal Charger LED - 4 Position Options:	
407	7020646	1	All except Japanese Spec	
407	7020693	1	Japanese Spec	
408	1060886	2	Cable, Battery - Batteries to Connector	C
408A	7023345	2	Connector, Anderson (1 Per Cable)	
409	1060887	1	Cable, Battery - Connector to Contactor	C
409A	7023345	2	Connector, Anderson	
410	1060900	1	Cable, Electrical (Pump to Contactor B+)	B
411	1060901	1	Cable, Electrical (Pump to Ground)	B
412	Not Available	1	Harness - Pressure Switch (Purchase Complete Switch)	
412A	Not Available	1	Connector, Female - 2 Position (Purchase Complete Switch)	
412A	Not Available	2	Pin, Male	
413	Not Available	1	Harness - Angle Sensor (Purchase Complete Switch)	
413A	Not Available	1	Connector, Female - 3 Position (Purchase Complete Switch)	
413A	4460464	3	Pin, Male	
414	Not Available	1	Harness - Proximity Sensor (Purchase Complete Switch)	
414A	4460897	1	Connector, Female - 2 Position	
414A	4460464	2	Pin, Male	
415		Ref	Harness, Lift Down (Upper) Options:	
415	4922544	1	Harness, Lift Down (Upper) (3369LE & M3369)	B
415	4922545	1	Harness, Lift Down (Upper) (4069LE & M4069) (Not Shown)	B
415	1060680	AR	Cable, Electrical - 18/2	
415	1060680	12.5 ft /3.8m	Cable, Electrical - 18/2 (3369LE & M3369)	
415	1060680	36.5 ft /11.1m	Cable, Electrical - 18/2 (4069LE & M4069)	
415A	4460499	AR	Connector, DIN	
415B	4460891	1	Plug, Male - 2 Position	
415B	4460465	2	Socket, Female	
416	4922543	1	Harness, Lift Down (Lower)	B

SECTION 7 - ELECTRICAL

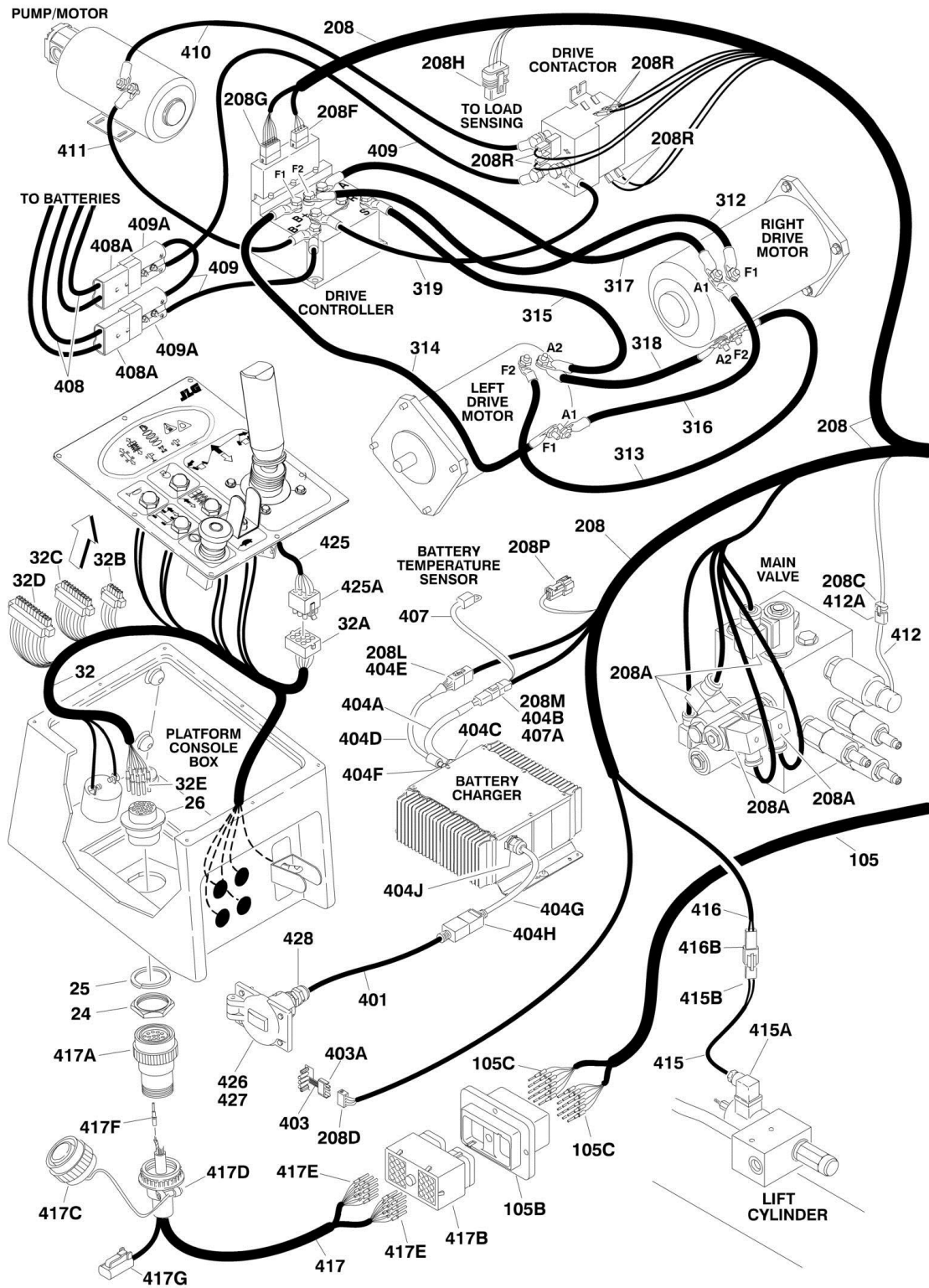
ITEM	PART NUMBER	QTY	DESCRIPTION	REV
416	1060680	6 ft/1.8m	Cable, Electrical - 18/2	
416A	4460465	2	Socket, Female	
416B	4460897	1	Connector, Female - 2 Position	
416B	4460464	2	Pin, Male	
417		Ref	Harness Assembly (Routed Through Scissor Arms) (Part of Scissors Arms Installation) (SN 0200152398 through 0200230091)	
417	4922477	1	Harness Assembly (3369LE & M3369)	B
417	4922478	1	Harness Assembly (4069LE & M4069)	B
417	1060899	AR	Cable, Electrical - 16/20	
417	1060899	81 ft /24.7m	Cable, Electrical -16/20 (3369LE & M3369)	
417	1060899	88.1 ft /26.9m	Cable, Electrical -16/20 (4069LE & M4069)	
417A	4460481	1	Plug, Male	
417B	4460812	1	Plug, Male - 24 Position	
417C	4460468	1	Cap, Dust	
417D	4460473	1	Clamp	
417E	4460465	19	Socket, Female	
417F	4460464	18	Pin, Male	
417G	4460891	1	Plug, Male - 2 Position	
417G	4460465	2	Socket, Female	
418		Ref	Harness, 4WD Options:	
418	4922551	1	USA Built Machines (Prior to SN 0200196451)	D
418	1001101989	1	USA Built Machines (SN 0200196451 through 0200230091)	B
418	4922551	1	Belgium Built Machines	D
418A	4460499	4	Connector, DIN	
418B	4460884	2	Plug, Male - 4 Position	
418B	4460893	2	Buss Bar - 4 Position	
418B	4460465	8	Socket, Female	
418C	4460894	1	Plug, Male - 6 Position	
418C	4460892	1	Buss Bar - 6 Position	
418C	4460465	6	Socket, Female	
418D		Ref	Connector, Male Options:	
418D	4460539	1	3 Pin Connector Kit	
418D	4460884	1	4 Pin Connector Kit	
418D	4460465	AR	Socket, Female	
418E		Ref	Connector Options:	
418E	4460894	1	Plug, Male - 6 Position	
418E	4460931	1	Receptacle, Female - 8 Position	
418E	4460464	AR	Pin, Male	
418E	4460465	AR	Socket, Female	
418E	4460466	AR	Plug, Sealing	
419	Not Available	1	Harness, Speed Sensor (4WD Only)	
419A		Ref	Connector, Female Options:	
419A	7024033	1	3 Pin Connector Kit	
419A	7024928	1	4 Pin Connector Kit	
420	Not Available	1	Harness, Generator Control (M3369 & M4069)	
420A	4460224	1	Connector, Female - 6 Position	
420A	4460226	5	Socket, Female	
420B	4460761	1	Connector, Female - 4 Position	
420B	4460227	4	Pin, Male	

SECTION 7 - ELECTRICAL

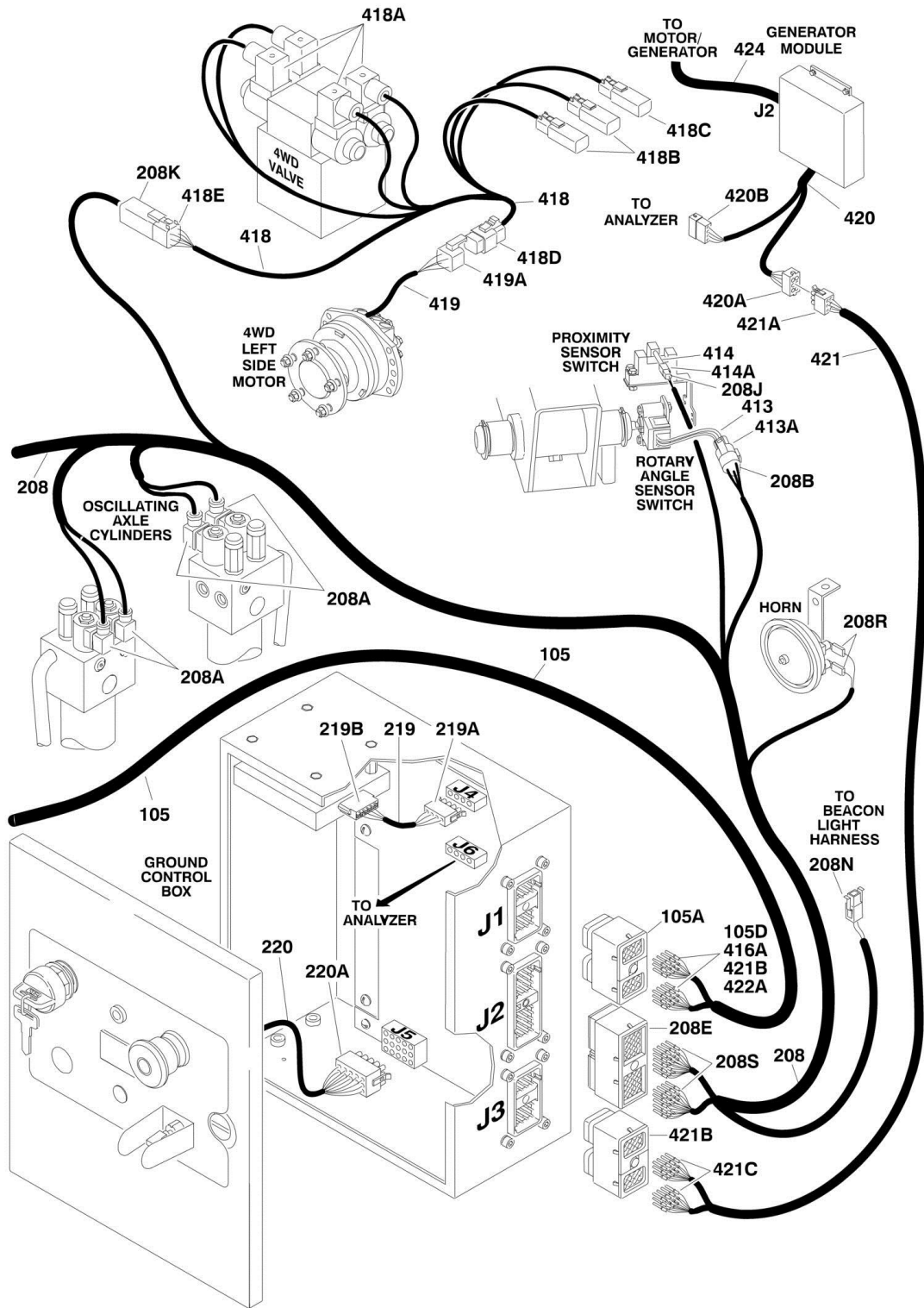
ITEM	PART NUMBER	QTY	DESCRIPTION	REV
421		Ref	Harness, Generator Options:	
421	4922529	1	Harness, Generator (M3369 & M4069 with Leveling Jacks) (See OPTIONAL ELECTRICAL COMPONENTS INSTALLATION for Breakdown)	
421	4922602	1	Harness, Generator (M3369 & M4069 without Leveling Jacks)	A
421A	4460225	1	Plug, Male - 6 Position	
421A	4460227	4	Pin, Male	
421B	4460896	1	Plug, Male - 24 Position	
421C	4460465	4	Socket, Female	
424		Ref	Harness, Motor/Generator Options:	
424	7023486	1	Yanmar Engine	
424	70000328	1	Kubota Engine	
424	70000329	1	Fuse 15Amp (Kubota Engine)	
424	70000330	1	Fuse 20Amp (Kubota Engine)	
425	Not Available	1	Harness, Controller (Part of Electrical Assembly)	
425A	4460265	1	Plug, Male - 9 Position	
425A	4460268	8	Socket, Female	
426		Ref	Plug Options:	
426	4460803	1	110VAC/60Hz (ANSI Spec)	
426	Not Available		120V-240VAC/50-60Hz (ANSI Export)	
426	4460805	1	250VAC/50Hz (ANSI Export)	
426	4460803	1	100VAC 50/60Hz (Japanese Spec)	
427	4460802	1	Cover, Plug	
428	4460428	1	Connector, Strain Relief	

SECTION 7 - ELECTRICAL

FIGURE 7-3. STANDARD ELECTRICAL COMPONENTS INSTALLATION (WITH DELTA-Q CHARGER)



SECTION 7 - ELECTRICAL



SECTION 7 - ELECTRICAL

FIGURE 7-3. STANDARD ELECTRICAL COMPONENTS INSTALLATION (WITH DELTA-Q CHARGER)

ITEM	PART NUMBER	QTY	DESCRIPTION	REV
		Ref	CONSOLE BOX COMPONENTS	
24	4460470	1	Nut, Terminal	
25	4460471	1	Lockwasher, Terminal	
26	4460480	1	Connector, Terminal	
32		Ref	Harness, Console Box Options:	
32	4922526	1	Without Leveling Jacks	D
32	4922527	1	With Leveling Jacks	C
32A	4460266	1	Receptacle - 9 Pin	
32A	4460267	8	Pin, Male	
32B	4460817	1	Plug, Male - 5 Position	
32C	4460818	1	Plug, Male - 10 Position	
32D	4460895	1	Plug, Male - 12 Position	
32E	4460465	18	Socket, Female	
		Ref	PLATFORM CABLES INSTALLATION	
	0270572	Ref	Platform Cables Installation (3369LE & M3369)	C
	0270573	Ref	Platform Cables Installation (4069LE & M4069)	C
105	4922479	1	Harness Assembly	D
105	1060815	7 ft/2.13m	Cable, Electrical - 16/18	
105A	4460812	1	Plug, Male - 24 Position	
105B	4460846	1	Receptacle, Female - 24 Position	
105C	4460464	21	Pin, Male	
105D	4460465	21	Socket, Female	
105E	1060899	7 ft /2.1m	Cable (Not Shown)	
105F	4460121	1	Cap, Terminal (Not Shown) (SN 0200241795 to Present)	
105G	1001103012	1	Connector (Not Shown) (SN 0200241795 to Present)	
105H	4922099	9.5 ft /2.9m	Cable (Not Shown) (SN 0200241795 to Present)	
105I	4921488	7.6 ft /2.3m	Cable (Not Shown) (SN 0200241795 to Present)	
105J	4921489	7.6 ft /2.3m	Cable (Not Shown) (SN 0200241795 to Present)	
105K	4460897	1	Connector (Not Shown) (SN 0200241795 to Present)	
105L	4461095	1	Plug (Not Shown) (SN 0200241795 to Present)	
105M	4461070	1	Connector (Not Shown) (SN 0200241795 to Present)	
105N	4460945	1	Receptacle, 3 Way T type (Not Shown) (SN 0200241795 to Present)	
105P	1001116812	2	Plug, 3-Pin (Not Shown) (SN 0200241795 to Present)	
105Q	4460035	3	Terminal (Not Shown) (SN 0200241795 to Present)	
105R	1001130615	1	Plug, 3 Position (Not Shown) (SN 0200241795 to Present)	
105S	4460944	8	Socket (Not Shown) (SN 0200241795 to Present)	
105T	1001107854	4	Socket (Not Shown) (SN 0200241795 to Present)	
105U	1001197457	4	Wire Seal (Not Shown) (SN 0200249094 to Present)	
		Ref	GROUND CONTROL BOX ASSEMBLY AND INSTALLATIONS	
208	1001105438	1	Harness, Valve	B
208A	4460499	9	Connector, DIN	
208B	4460539	1	Plug, Male - 3 Position	
208B	4460465	3	Socket, Female	
208C	4460742	1	Plug, Male - 2 Position	
208C	4460743	2	Socket, Female	
208D	4460761	1	Connector, Female - 4 Position	

SECTION 7 - ELECTRICAL

ITEM	PART NUMBER	QTY	DESCRIPTION	REV
208D	4460226	4	Socket, Female	
208E	4460814	1	Connector, Female - 40 Position	
208F	4460868	1	Plug, Male - 6 Position	
208F	4460877	2	Socket, Female	
208G	4460870	1	Plug, Male - 12 Position	
208G	4460877	4	Socket, Female	
208H	4460884	1	Connector - 4 Position	
208H	4460465	4	Socket, Female	
208J	4460891	1	Plug, Male - 2 Position	
208J	4460465	2	Socket, Female	
208K	4460930	1	Plug, Male - 8 Position	
208K	4460465	1	Socket, Female	
208K	4460466	AR	Plug, Sealing	
208L	4460931	1	Receptacle, Female - 8 Position	
208L	4460465	6	Socket, Female	
208L	4460466	2	Plug, Sealing	
208M	1001116810	1	Plug, Male - 4 Position	
208M	4460465	2	Socket, Female	
208N	4460424	1	Connector, Female - 2 Position	
208N	4460267	2	Pin, Male	
208P	4460320	1	Plug, Male, 2 Position	
208P	4460465	2	Socket, Female	
208R	4460260	8	Connector	
208R	4460259	8	Terminal	
208R	3990010	1	Diode 6A 600V (Located at Horn Only)	
208S	4460465	24	Socket, Female	
219	Not Available	1	Harness, Tilt (Part of Tilt Sensor p/n 4000006)	
219A	4460321	1	Plug, Male - 6 Position	
219A	4460267	4	Socket, Female	
219B	4460824	1	Connector, Female - 4 Position	
219B	4460825	4	Socket, Female	
220		Ref	Harness, Ground Control Box Options:	
220	4922480	1	Harness, Ground Control Box (3369LE & 4069LE)	B
220	4922604	1	Harness, Ground Control Box (M3369 & M4069)	A
220A	4460434	1	Plug, Male - 15 Position	
220A	4460268	8	Socket, Female	
	1001099375	Ref	ELECTRICAL DRIVE COMPONENTS INSTALLATIONS	C
312	1060888	1	Cable, Electrical (Controller F2 to Right Motor F1)	
313	1060889	1	Cable, Electrical (Right Motor F2 to Left Motor F2)	
314	1060890	1	Cable, Electrical (Controller F1 to Left Motor F1)	
315	1060891	1	Cable, Electrical (Controller S to Right Motor A2)	
316	1060892	1	Cable, Electrical (Left Motor A1 to Right Motor A1)	
317	1060893	1	Cable, Electrical (Controller A to Right Motor A1)	
318	1060894	1	Cable, Electrical (Left Motor A2 to Right Motor A2)	
319	1060895	1	Cable, Electrical (Contactor to Controller B+)	
		Ref	STANDARD HARNESS COMPONENTS	
401	1060689	1	Cable, Electrical - Battery Charger	
402B	4460321	1	Plug, Male - 4 Position	
402B	4460226	4	Socket, Female	
403	Not Available	1	LED Light Harness Assembly - Battery Condition (Purchase Complete p/n 0610131)	
403A	4460321	1	Plug, Male - 4 Position	

SECTION 7 - ELECTRICAL

ITEM	PART NUMBER	QTY	DESCRIPTION	REV
403A	4460227	4	Pin, Male	
404		Ref	Battery Charger Components	
404A	Not Available	1	Harness, Battery Charger Power	
404B	1001116811	1	Receptacle, Female - 4 Position	
404B	4460508	4	Pin, Male	
404C	Not Available	1	Connector, Strain Relief	
404D	Not Available	1	Harness, Battery Charger Signal	
404E	4460930	1	Plug, Male - 8 Position	
404E	4460464	7	Socket, Female	
404F	Not Available	1	Connector, Strain Relief	
404G	Not Available	1	Harness, Battery Charger AC Plug	
404H	Not Available	1	Connector, Plug	
404J	Not Available	1	Connector, Strain Relief	
407	1001114496	1	Harness, Battery Temperature Sensor (Includes Sensor)	
407A	4460509	2	Socket, Female	
408	1060886	2	Cable, Battery - Batteries to Connector	C
408A	7023345	2	Connector, Anderson (1 Per Cable)	
409	1060887	1	Cable, Battery - Connector to Contactor	C
409A	7023345	2	Connector, Anderson	
410	1060900	1	Cable, Electrical (Pump to Contactor B+)	B
411	1060901	1	Cable, Electrical (Pump to Ground)	B
412	Not Available	1	Harness - Pressure Switch (Purchase Complete Switch)	
412A	Not Available	1	Connector, Female - 2 Position (Purchase Complete Switch)	
412A	Not Available	2	Pin, Male	
413	Not Available	1	Harness - Angle Sensor (Purchase Complete Switch)	
413A	Not Available	1	Connector, Female - 3 Position (Purchase Complete Switch)	
413A	4460464	3	Pin, Male	
414	Not Available	1	Harness - Proximity Sensor (Purchase Complete Switch)	
414A	4460897	1	Connector, Female - 2 Position	
414A	4460464	2	Pin, Male	
415		Ref	Harness, Lift Down (Upper) Options:	
415	4922544	1	Harness, Lift Down (Upper) (3369LE & M3369)	B
415	4922545	1	Harness, Lift Down (Upper) (4069LE & M4069) (Not Shown)	B
415	1060680	AR	Cable, Electrical - 18/2	
415	1060680	12.5 ft /3.8m	Cable, Electrical - 18/2 (3369LE & M3369)	
415	1060680	36.5 ft /11.1m	Cable, Electrical - 18/2 (4069LE & M4069)	
415A	4460499	AR	Connector, DIN	
415B	4460891	1	Plug, Male - 2 Position	
415B	4460465	2	Socket, Female	
416	4922543	1	Harness, Lift Down (Lower)	B
416	1060680	6 ft/1.8m	Cable, Electrical - 18/2	
416A	4460465	2	Socket, Female	
416B	4460897	1	Connector, Female - 2 Position	
416B	4460464	2	Pin, Male	
417		Ref	Harness Assembly	
417	4922477	1	Harness Assembly (3369LE & M3369)	B
417	4922478	1	Harness Assembly (4069LE & M4069)	B
417	1060899	AR	Cable, Electrical - 16/20	
417	1060899	81 ft /24.7m	Cable, Electrical -16/20 (3369LE & M3369)	

SECTION 7 - ELECTRICAL

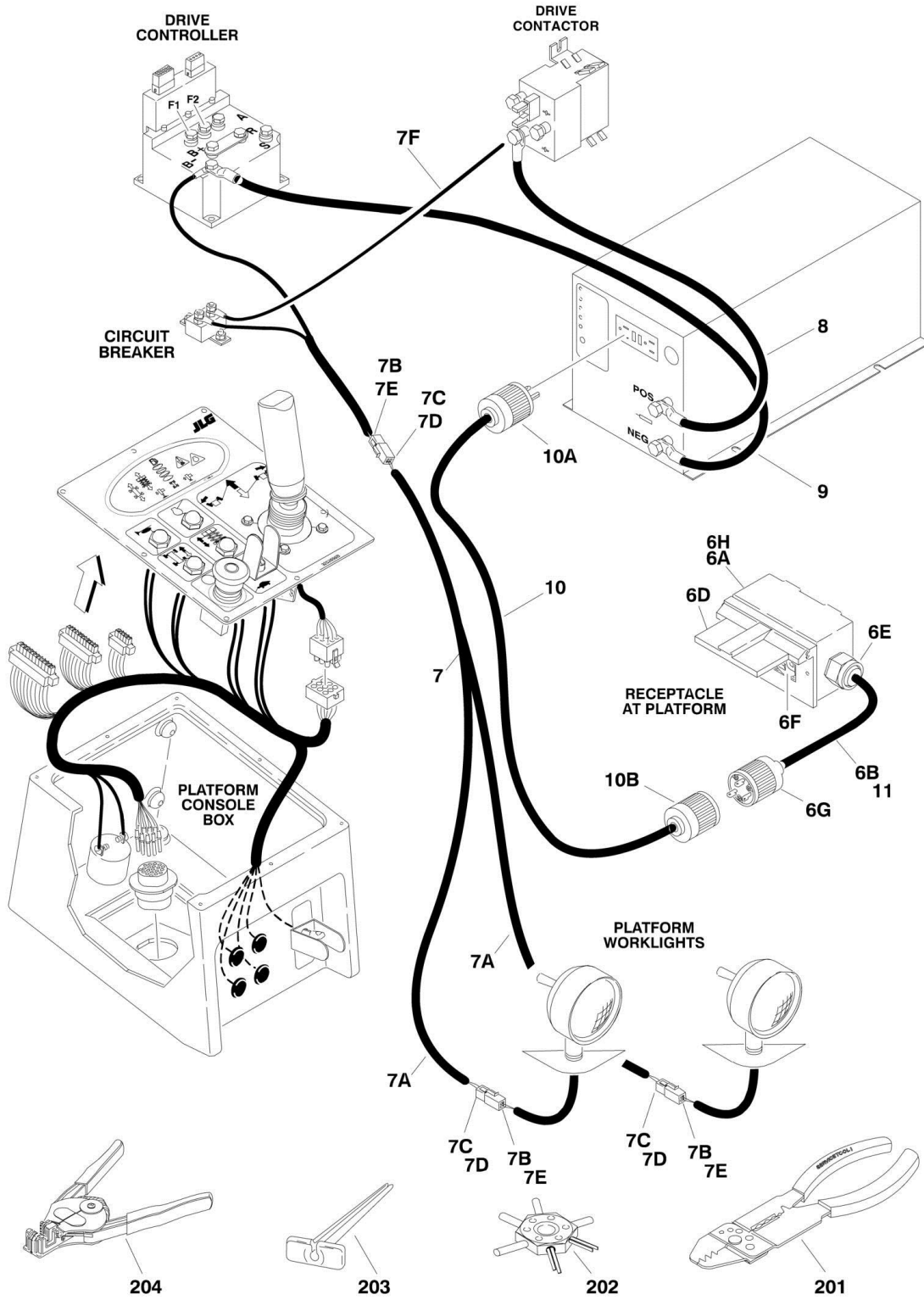
ITEM	PART NUMBER	QTY	DESCRIPTION	REV
417	1060899	88.1 ft /26.9m	Cable, Electrical - 16/20 (4069LE & M4069)	
417A	4460481	1	Plug, Male	
417B	4460812	1	Plug, Male - 24 Position	
417C	4460468	1	Cap, Dust	
417D	4460473	1	Clamp	
417E	4460465	19	Socket, Female	
417F	4460464	18	Pin, Male	
417G	4460891	1	Plug, Male - 2 Position	
417G	4460465	2	Socket, Female	
418	1001101989	1	Harness, 4WD	B
418A	4460499	4	Connector, DIN	
418B	4460884	2	Plug, Male - 4 Position	
418B	4460893	2	Buss Bar - 4 Position	
418B	4460465	8	Socket, Female	
418C	4460894	1	Plug, Male - 6 Position	
418C	4460892	1	Buss Bar - 6 Position	
418C	4460465	6	Socket, Female	
418D	4460884	1	Plug, Male - 4 Position	
418D	4460465	AR	Socket, Female	
418E		Ref	Connector Options:	
418E	4460894	1	Plug, Male - 6 Position	
418E	4460931	1	Receptacle, Female - 8 Position	
418E	4460464	AR	Pin, Male	
418E	4460465	AR	Socket, Female	
418E	4460466	AR	Plug, Sealing	
419	Not Available	1	Harness, Speed Sensor (4WD Only)	
419A	7024928	1	Receptacle, Female - 4 Position	
419A	4460464	AR	Pin, Male	
420	70000328	1	Harness, Generator Control (M3369 & M4069)	
420A	4460224	1	Connector, Female - 6 Position	
420A	4460226	5	Socket, Female	
420B	4460761	1	Connector, Female - 4 Position	
420B	4460227	4	Pin, Male	
421		Ref	Harness, Generator Options:	
421	4922529	1	M3369 & M4069 with Leveling Jacks (See OPTIONAL ELECTRICAL COMPONENTS INSTALLATION for Breakdown)	
421	4922602	1	M3369 & M4069 without Leveling Jacks	A
421A	4460225	1	Plug, Male - 6 Position	
421A	4460227	4	Pin, Male	
421B	4460896	1	Plug, Male - 24 Position	
421C	4460465	4	Socket, Female	
424		Ref	Harness, Motor/Generator Options:	
424	7023486	1	Yanmar Engine	
424	70000328	1	Kubota Engine	
424	70000329	1	Fuse 15Amp (Kubota Engine)	
424	70000330	1	Fuse 20Amp (Kubota Engine)	
425	Not Available	1	Harness, Controller (Part of Electrical Assembly)	
425A	4460265	1	Plug, Male - 9 Position	
425A	4460268	8	Socket, Female	
426		Ref	Plug Options:	
426	4460803	1	110VAC/60Hz (ANSI Spec)	

SECTION 7 - ELECTRICAL

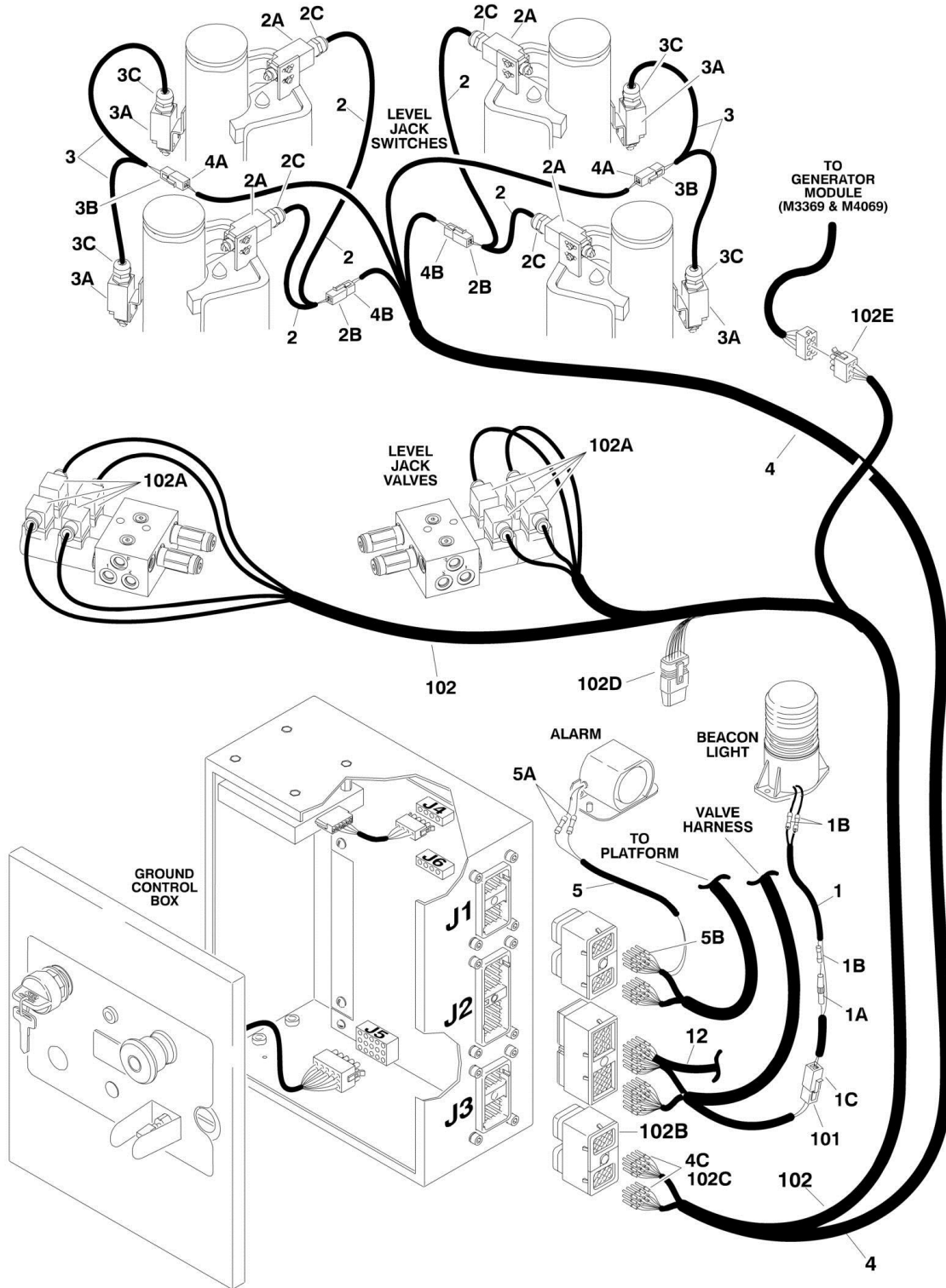
ITEM	PART NUMBER	QTY	DESCRIPTION	REV
426	Not Available		120V-240VAC/50-60Hz (ANSI Export)	
426	4460805	1	250VAC/50Hz (ANSI Export)	
426	4460803	1	100VAC 50/60Hz (Japanese Spec)	
427	4460802	1	Cover, Plug	
428	4460428	1	Connector, Strain Relief	

SECTION 7 - ELECTRICAL

FIGURE 7-4. OPTIONAL ELECTRICAL COMPONENTS INSTALLATION



SECTION 7 - ELECTRICAL



SECTION 7 - ELECTRICAL

FIGURE 7-4. OPTIONAL ELECTRICAL COMPONENTS INSTALLATION

ITEM	PART NUMBER	QTY	DESCRIPTION	REV
		Ref	OPTIONAL HARNESS COMPONENTS	
1	4922426	1	Harness - Beacon	A
1	1060680	8 ft/2.5m	Cable, Electrical - 18/2	
1A	2400056	1	Fuse - 5A	
1A	4460044	1	Fuseholder	
1B	4460248	3	Terminal, Butt	
1C	4460268	2	Socket, Female	
1C	4460320	1	Plug, Male - 2 Position	
2	4922454	2	Harness - Leveling Jacks (N.O. Limit Switches)	D
2	1060680	8.5 ft /2.6m	Cable, Electrical - 18/2	
2A		Ref	Switch, Limit Options:	
2A	4360321	NLA	USA Built Machines (Use p/n 4360548) (Prior to SN 0200115206)	
2A	4360548	2	Switch, Limit (SN 0200115206 through 0200230091)	
2A	4360321	NLA	All Belgium Built Machines (Use p/n 4360548)	
2B	4460424	1	Connector, Female - 2 Position	
2B	4460267	2	Pin, Male	
2C		Ref	Connector, Strain Relief Options:	
2C	4460428	2	Connector used with (#2A) p/n 4360321	
2C	4460968	2	Connector used with (#2A) p/n 4360548	
3	4922455	2	Harness - Leveling Jacks (N.C. Limit Switches)	D
3	1060680	9.9 ft /3.1m	Cable, Electrical - 18/2	
3A		Ref	Switch, Limit Options:	
3A	4360321	NLA	USA Built Machines (Use p/n 4360548) (Prior to SN 0200115206)	
3A	4360548	2	Switch, Limit (SN 0200115206 through 0200230091)	
3A	4360321	NLA	All Belgium Built Machines (Use p/n 4360548)	
3B	4460320	1	Plug, Male - 2 Position	
3B	4460268	2	Socket, Female	
3C		Ref	Connector, Strain Relief Options:	
3C	4460428	2	Connector used with (#3A) p/n 4360321	
3C	4460968	2	Connector used with (#3A) p/n 4360548	
4	4922456	1	Harness, Connecting - Leveling Jacks	B
4	1060680	30 ft/9.1m	Cable, Electrical - 18/2	
4A	4460424	2	Connector, Female - 2 Position	
4A	4460267	4	Pin, Male	
4B	4460320	2	Plug, Male - 2 Position	
4B	4460268	4	Socket, Female	
4C	4460465	3	Socket, Female	
5	4922517	1	Harness - Alarm	B
5	1060680	7 ft/2.2m	Cable, Electrical - 18/2	
5A	4460248	2	Terminal	
5B	4460465	2	Socket, Female	
6		Ref	AC to Platform Receptacle Components Options:	
6	0259587	Ref	110V GFI Receptacle (ANSI and ANSI Export Specs 3369LE & M3369)	J
6	0270109	Ref	110V GFI Receptacle (ANSI and ANSI Export Specs 4069LE & M4069)	I
6	0259589	Ref	220V Receptacle (ANSI Export 3369LE & M3369)	F

SECTION 7 - ELECTRICAL

ITEM	PART NUMBER	QTY	DESCRIPTION	REV
6	0270111	Ref	220V Receptacle (ANSI Export 4069LE & M4069)	G
6A	0860038	1	Box, Switch (110V) (Prior to SN 0200194604)	
6A	0861731	1	Box, Switch (110V) (SN 0200194604 through 0200230091)	
6A	See Note	1	Box, Switch (220V) (Note: Purchase Locally)	
6B		Ref	Harness/Cable, Electrical - 12/3 (Part of Receptacle Installation) (Prior to SN 0200152398)	
6B	4922592	1	110V (3369LE & M3369)	B
6B	4922593	1	110V (4069LE & M4069)	B
6B	1060866	1	220V (3369LE & M3369)	C
6B	1060867	1	220V (4069LE & M4069)	C
6C		Ref	Decal - AC Power Options: (Not Shown)	
6C	1703464	1	110V	
6C	3252507	1	220V	
6D	4060700	1	Shield, Cover (110V) (Prior to SN 0200194604)	
6D	1671207	1	Shield, Cover (110V) (SN 0200194604 through 0200230091)	
6D	See Note	1	Shield, Cover (220V) (Note: Purchase Locally)	
6E		Ref	Connector, Strain Relief Option:	
6E	4460051	1	110V (Standard) (Prior to SN 0200119593)	
6E	4460071	1	110V (Water Tight) (SN 0200119593 through 0200230091)	
6E	4460328	1	220V (Standard) (Prior to SN 0200125740)	
6E	4460071	1	220V (Water Tight) (SN 0200125740 through 0200230091)	
6F		Ref	Receptacle Options:	
6F	4460346	1	110V GFI Receptacle	
6F	See Note	1	220V (Note: Purchase Locally)	
6G		Ref	Plug, Male Options:	
6G	4460138	1	110V	
6G	See Note	1	220V (Note: Purchase Locally)	
6H	See Note	1	Receptacle Box Kit (110V) (Note: Not Available - Purchase Individual Components) (Prior to SN 0200194604)	
6H	2902431	1	Receptacle Box Kit (110V) (Includes Items 6A, 6D, 6E & 6F) (SN 0200194604 through 0200230091)	
6H	See Note	1	Receptacle Box Kit (220V) (Note: Not Available for Purchase)	
7		Ref	Harness - Worklights	
7	4922585	1	Harness -Worklights (3369LE/M3369)	
7	4922586	1	Harness -Worklights (4069LE/M4069)	
7A	1060341	AR	Cable - 16/2	
7A	1060341	84 ft /25.6m	Cable - 16/2 (3369LE/M3369)	
7A	1060341	92 ft /28.0m	Cable - 16/2 (4069LE/M4069)	
7B	4460267	6	Pin, Male	
7C	4460268	6	Socket, Female	
7D	4460320	3	Plug, Male, 2 Position	
7E	4460424	3	Connector, Female - 2 Position	
7F	4922431	1	Cable, Worklights (Circuit Breaker to Contactor)	
8	1060911	1	Cable, Inverter (+)	
9	1060912	1	Cable, Inverter (-)	
10	1060910	1	Cable, AC	A
10A	4460138	1	Plug, Male	
10B	4460779	1	Receptacle, Female	
11		Ref	AC to Platform Receptacle Harness - 12/3 Options (Part of Scissors Arms Installation): (SN 0200152398 through 0200230091)	

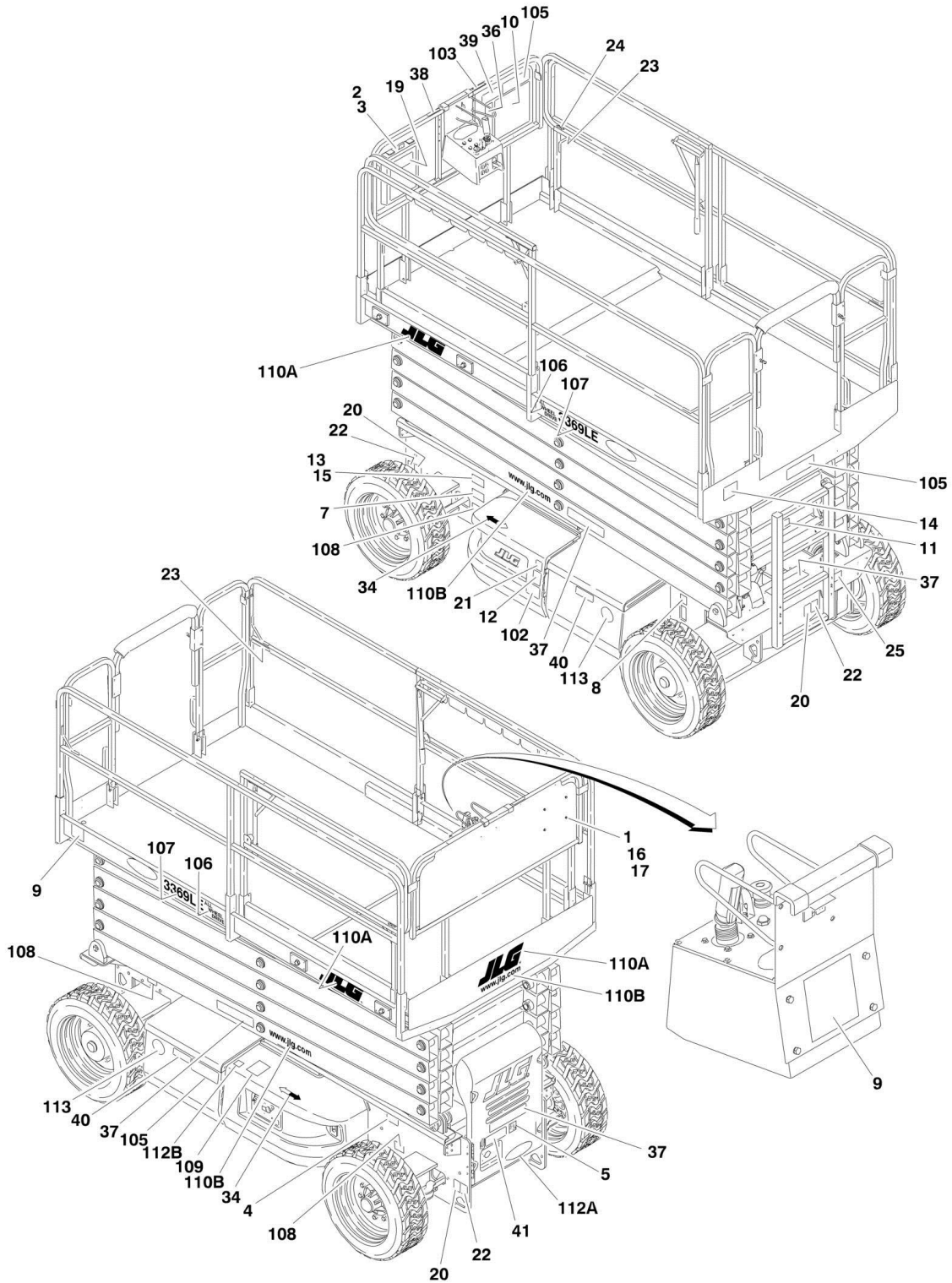
SECTION 7 - ELECTRICAL

ITEM	PART NUMBER	QTY	DESCRIPTION	REV
11	1060866	1	AC to Platform Receptacle Harness - 12/3 (3369LE & M3369)	E
11	1060867	1	AC to Platform Receptacle Harness - 12/3 (4069LE & M4069)	E
12	1001185245	Ref	Soft Touch Ground Harness Installation	A
12	1001185244	1	Harness, Soft Touch Ground	
		Ref	GROUND CONTROL BOX ASSEMBLY AND INSTALLATIONS	
101		Ref	Beacon Harness Components from Valve Harness	
101	4460424	1	Connector, Female - 2 Position	
101	4460267	2	Pin, Male	
102		Ref	Harness, Leveling Jack Valves Options:	
102		Ref	Without Leveling Jack (See ELECTRICAL SCHEMATIC - KUBOTA ENGINE (M3369 & M4069 ONLY) for Breakdown)	
102	4922529	1	With Leveling Jack	B
102A	4460499	8	Connector, DIN	
102B	4460896	1	Plug, Male - 24 Position	
102C	4460465	10	Socket, Female	
102D	4460836	1	Connector - 12 Position	
102D	4460837	1	Housing, Connector - 12 Position	
102D	4460465	8	Socket, Female	
102E	4460225	1	Plug, Male - 6 Position	
102E	4460227	4	Pin, Male	
		Ref	TOOLS	
201	7002821	1	Crimper (For Wire to Pin/Socket Connections)	
202	7002823	1	Extractor (For Removal of Pin/Socket from Connectors)	
203	4460467	1	Extractor, Pin (Blue 16-18 Gauge) (For Removal of Pin/Socket from Connectors)	
203	4460510	1	Extractor, Pin (Yellow 12-14 Gauge) (For Removal of Pin/Socket from Connectors)	
204	7002828	1	Stripper, Wire	
205	2901443	1	Analyzer Kit (Not Shown)	

SECTION 8 - DECALS

SECTION 8 - DECALS

FIGURE 8-1. DECAL INSTALLATION - ANSI SPECS



SECTION 8 - DECALS

FIGURE 8-1. DECAL INSTALLATION - ANSI SPECS

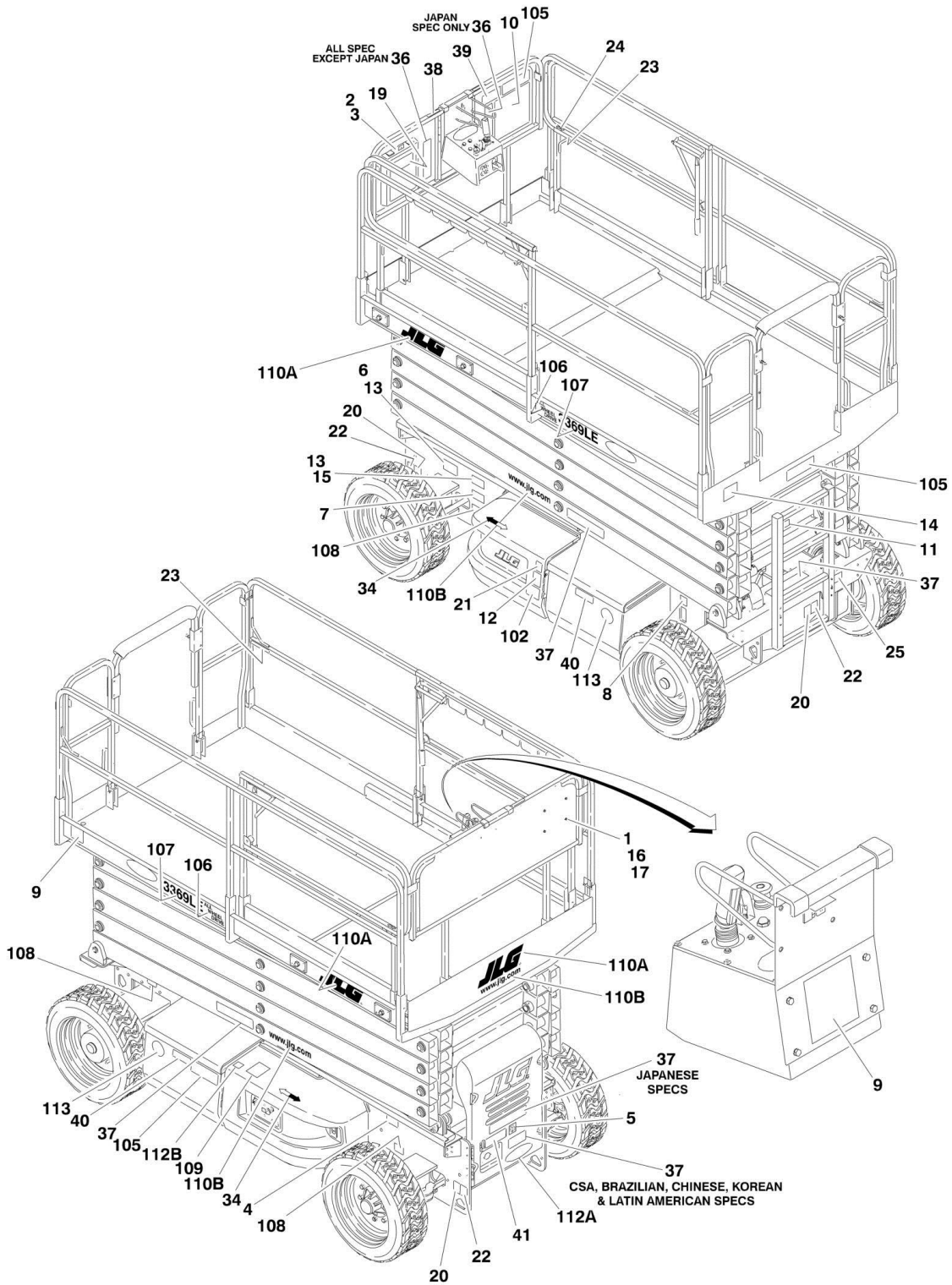
ITEM	PART NUMBER	QTY	DESCRIPTION	REV
	0270591	Ref	DECAL INSTALLATION	B
1	0641405	4	Bolt 1/4in-20NC x 5/8in	
2	0860520	1	Box, Manual Storage	
3	1060279	1	Cable, Lanyard	
4		Ref	Decal - Patent Options:	
4	1700584	1	Decal, Patent (Prior to SN 0200205400)	
4	1001131270	1	Decal, Patent (SN 0200205400 through 0200230091)	
5	1701644	1	Decal - Battery Charger	
7	1702153	1	Decal - Inspection	
8	1702155	1	Decal - Battery Disconnect	
9	Not Available	1	Decal - Bar Code	
10	1703816	1	Decal - Danger/Warning	
11	1704211	1	Decal - Safety Prop	
12	1704412	1	Decal - Hydraulic Oil	
13	2080057	4	Fastener	
14	3251813	1	Decal - USA	
15	Not Available	1	Nameplate - Serial Number	
16	3311405	4	Locknut 1/4in-20NC	
17	4711400	8	Flatwasher 1/4in Narrow	
19		Ref	Decal - Manual Reference Options:	
19	1703788	1	USA Built Machines (Prior to SN 0200101481)	
19	1701509	1	USA Built Machines (SN 0200101481 through 0200230091)	
19	1701509	1	Belgium Built Machines (SN 1200000398 to Present)	
20	1701500	4	Decal - Lifting Lugs	
21	1703812	1	Decal - Hydraulic Oil	
22	1703814	4	Decal - Tie Down	
23	1704277	4	Decal - Attach Lanyard Here	
24	1703819	2	Decal - Directional Arrow	
25	1703822	1	Decal - Manual Descent	
34	1703687	2	Decal - Directional Arrow	
36	1704911	1	Decal - Legend	
37	1703818	4	Decal - Warning Crushing Hazard/Danger Electrocutation	
38	1703821	1	Decal - Control Box Location	
39	1704903		Decal - Gradeability	
40	1703813	1	Decal - Battery Warning	
41	1704248	1	Decal - Battery Charger Instructions	
		Ref	Decal Kit Options:	
	2901912	1	Master Kit (Includes Items 19-25)	
	2902040	1	Multi-Color Kit (Includes Items 36-41)	
	0010572	Ref	OPTIONAL DECAL INSTALLATIONS	
		Ref	Note: Refer to Outrigger Installation in Section 1 for Outrigger Decals.	
102	1704174	1	Decal - Biodegradable Oil (Optional)	
103	1702962	1	Decal - Warning Prop 65 (M3369 & M4069 ANSI California Spec Only)	
105		Ref	Decal - Capacity Options:	
105	3252591	3	Decal 3369LE & M3369 USA Built Machines (1000lbs/455Kg) (Prior to SN 0200198930)	
105	1001125438	3	Decal 3369LE & M3369 USA Built Machines (1000lbs/454Kg) (SN 0200198930 through 0200230091)	

SECTION 8 - DECALS

ITEM	PART NUMBER	QTY	DESCRIPTION	REV
105	3252591	3	Decal 3369LE & M3369 Belgium Built Machines (1000lbs/455Kg)	
105	3252694	3	Decal 4069LE & M4069 USA Built Machines (800lbs/365Kg) (Prior to SN 0200198930)	
105	1001125437	3	Decal 4069LE & M4069 USA Built Machines (800lbs/363Kg) (SN 0200198930 through 0200230091)	
105	3252694	3	Decal 4069LE & M4069 Belgium Built Machines (800lbs/365Kg)	
106	1704998	2	Decal - All Wheel Drive (4WD Only)	
107		Ref	Decal - Model Options:	
107	1704783	2	Decal 3369LE	
107	1704784	2	Decal 4069LE	
107	1704908	2	Decal M3369	
107	1704909	2	Decal M4069	
108		Ref	Decal - Maximum Tire Load Options:	
108	1703490	4	Decal 3369LE & M3369	
108	1704953	4	Decal 4069LE & M4069	
109	1704286	1	Decal - Generator (M3369 & M4069 Only)	
110	0270262	Ref	JLG Decals Installation	B
110A	1702773	3	Decal - JLG	
110B	1704885	3	Decal - Web Page	
112	0270788	Ref	Decal M3369 & M4069 Decal Installation	J-C
112A	1704830	1	Decal - Battery Charger	
112B	1701505	1	Decal - Diesel Fuel	
113	1001121510	2	Decal - Hybrid (USA Built Machines) (SN 0200199013 through 0200230091)	

SECTION 8 - DECALS

FIGURE 8-2. DECAL INSTALLATION - ANSI EXPORT SPECS



SECTION 8 - DECALS

FIGURE 8-2. DECAL INSTALLATION - ANSI EXPORT SPECS

ITEM	PART NUMBER	QTY	DESCRIPTION	REV
		Ref	DECAL INSTALLATIONS	
	0270601	Ref	Brazilian Spec (Dual Language -Portuguese/Spanish)	B
	0272005	Ref	Chinese Spec (Dual Language - English/Chinese)	B
		Ref	CSA Spec (Dual Language - English/French) Options:	
	0270594	Ref	USA Built Machines (Prior to SN 0200108331)	4
	0272653	Ref	USA Built Machines (SN 0200108331 through 0200230091)	B
	0270594	Ref	Belgium Built Machines (Prior to SN 1200000459)	4
	0272653	Ref	Belgium Built Machines (SN 1200000459 to Present)	B
	0270602	Ref	Japanese Spec	B
	0275688	Ref	Korean Spec (Dual Language -English/Korean)	B
	0270600	Ref	Latin American Spec (Dual Language -English/Spanish)	B
1	0641405	4	Bolt 1/4in-20NC x 5/8in	
2	0860520	1	Box, Manual Storage	
3	1060279	1	Cable, Lanyard	
4		Ref	Decal - Patent Options:	
4	1700584	1	All Specs except Brazilian (Prior to SN 0200205400)	
4	1702573	1	Brazilian Spec Only (Prior to SN 0200205400)	
5	1701644	1	Decal - Battery Charger	
6		Ref	Nameplate - CSA/Ontario Options:	
6	Not Required	0	All Spec except CSA Spec	
6		Ref	CSA Spec Options:	
6	3252191	1	USA Built Machines (Prior to SN 0200108331)	
6	1705303	1	USA Built Machines (SN 0200108331 through 0200230091)	
6	3252191	1	Belgium Built Machines (Prior to SN 1200000459)	
6	1705303	1	Belgium Built Machines (SN 1200000459 through 1200000844)	
7		Ref	Decal - Inspection Options:	
7	1704008	1	Brazilian Spec	
7	1704607	1	Chinese Spec	
7		Ref	CSA Spec Options:	
7	1704007	1	USA Built Machines (Prior to SN 0200108331)	
7	1704006	1	USA Built Machines (SN 0200108331 through 0200205400)	
7	1704007	1	Belgium Built Machines (Prior to SN 1200000459)	
7	1704006	1	Belgium Built Machines (SN 1200000459 through 1200000844)	
7	1701621	1	Japanese Spec	
7	1703962	1	Korean Spec	
7	1704007	1	Latin American Spec (Prior to SN 0200205400)	
8	1702155	1	Decal - Battery Disconnect	
9	Not Available	1	Decal - Bar Code	
10		Ref	Decal - Danger/Warning Options:	
10	1704699	1	Brazilian Spec	
10	1705195	1	Chinese Spec	
10	1704684	1	CSA Spec	
10	1704278	1	Japanese Spec	
10	1707021	1	Korean Spec	
10	1704691	1	Latin American Spec	
11	1704211	1	Decal - Safety Prop	
12	1704412	1	Decal - Hydraulic Oil	
13	2080057	AR	Fastener	

SECTION 8 - DECALS

ITEM	PART NUMBER	QTY	DESCRIPTION	REV
14	3251813	1	Decal - USA	
15	Not Available	1	Nameplate - Serial Number	
16	3311405	4	Locknut 1/4in-20NC	
17	4711400	8	Flatwasher 1/4in Narrow	
19		Ref	Decal - Manual Reference Options:	
19	1703788	1	USA Built Machines (Prior to SN 0200101481)	
19	1701509	1	USA Built Machines (SN 0200101481 through 0200230091)	
19	1701509	1	Belgium Built Machines (SN 1200000398 through 1200000844)	
20	1703811	4	Decal - Lifting Lugs	
21	1703812	1	Decal - Hydraulic Oil	
22	1703814	4	Decal - Tie Down	
23	1704277	4	Decal - Attach Lanyard Here	
24	1703819	2	Decal - Directional Arrow	
25	1703822	1	Decal - Manual Descent	
34	1703687	2	Decal - Directional Arrow	
36		Ref	Decal - Legend Options:	
36	1704915	1	Brazilian Spec	
36	1705097	1	Chinese Spec	
36	1704904	1	CSA Spec	
36	1704917	1	Japanese Spec	
36	1707026	1	Korean Spec	
36	1704913	1	Latin American Spec	
37		Ref	Decal - Warning Crushing Hazard/Danger Electrocution Options:	
37	1704701	4	Brazilian Spec	
37	1705193	4	Chinese Spec	
37	1704686	4	CSA Spec	
37	1705394	4	Japanese Spec	
37	1707018	4	Korean Spec	
37	1704693	4	Latin American Spec	
38		Ref	Decal - Control Box Location Options:	
38	1704702	1	Brazilian Spec	
38	1705194	1	Chinese Spec	
38	1704687	1	CSA Spec	
38	1705398	1	Japanese Spec	
38	1707020	1	Korean Spec	
38	1704694	1	Latin American Spec	
39		Ref	Decal - Gradeability	
39	1704916	1	Brazilian Spec	
39	1705098	1	Chinese Spec	
39	1704912	1	CSA Spec	
39	1704918	1	Japanese Spec	
39	1707024	1	Korean Spec	
39	1704914	1	Latin American Spec	
40		Ref	Decal - Battery Warning	
40	1704341	1	Brazilian Spec	
40	1704344	1	Chinese Spec	
40	1704340	1	CSA Spec	
40	1704342	1	Japanese Spec	
40	1707022	1	Korean Spec	
40	1704339	1	Latin American Spec	
41		Ref	Decal - Battery Charger Instructions	

SECTION 8 - DECALS

ITEM	PART NUMBER	QTY	DESCRIPTION	REV
41	1704330	1	Brazilian Spec	
41	1704333	1	Chinese Spec	
41	1704329	1	CSA Spec	
41	1704331	1	Japanese Spec	
41	1707025	1	Korean Spec	
41	1704328	1	Latin American Spec	
		Ref	Decal Kit Options:	
	2901912	1	Master Kit (Includes Items 19-25)	1
		Ref	Multi-Color Kit Options (Includes Items 36-41):	
	2902043	1	Brazilian Spec	2
	2902124	1	Chinese Spec	2
	2902041	1	CSA Spec	2
	2902045	1	Japanese Spec	2
	2902553	1	Korean Spec	1
	2902042	1	Latin American Spec	2
	0010572	Ref	OPTIONAL DECAL INSTALLATIONS	58
		Ref	Note: Refer to Outrigger Installation in Section 1 for Outrigger Decals.	
102	1704174	1	Decal - Biodegradable Oil (Optional)	
105		Ref	Decal - Capacity Options:	
105	3252591	3	Decal 3369LE & M3369 USA Built Machines (1000lbs/455Kg) (Prior to SN 0200198930)	
105	1001125438	3	Decal 3369LE & M3369 USA Built Machines (1000lbs/454Kg) (SN 0200198930 through 0200230091)	
105	3252591	3	Decal 3369LE & M3369 Belgium Built Machines (1000lbs/455Kg)	
105	3252694	3	Decal 4069LE & M4069 USA Built Machines (800lbs/365Kg) (Prior to SN 0200198930)	
105	1001125437	3	Decal 4069LE & M4069 USA Built Machines (800lbs/363Kg) (SN 0200198930 through 0200230091)	
105	3252694	3	Decal 4069LE & M4069 Belgium Built Machines (800lbs/365Kg)	
106	1704998	2	Decal - All Wheel Drive (4WD Only)	
107		Ref	Decal - Model Options:	
107	1704783	2	Decal 3369LE	
107	1704784	2	Decal 4069LE	
107	1704908	2	Decal M3369	
107	1704909	2	Decal M4069	
108		Ref	Decal - Maximum Tire Load Options:	
108	1703490	4	Decal 3369LE & M3369	
108	1704953	4	Decal 4069LE & M4069	
109		Ref	Decal - Generator Options (M3369 & M4069 Only):	
109	1704373	1	Brazilian Spec	
109	1704368	1	CSA Spec	
109	1704369	1	Japanese Spec (USA Built Machines) (Prior to SN 0200169458)	
109	1001093687	1	Japanese Spec (USA Built Machines) (SN 0200169458 through 0200230091)	
109	Not Available		Korean Spec	
109	1704371	1	Latin American Spec	
110	0270262	Ref	JLG Decals Installation	B
110A	1702773	3	Decal - JLG	
110B	1704885	3	Decal - Web Page	
112	0270788	Ref	Decal M3369 & M4069 Decal Installation	J/C
112A	1704830	1	Decal - Battery Charger	
112B	1701505	1	Decal - Diesel Fuel	

SECTION 8 - DECALS

ITEM	PART NUMBER	QTY	DESCRIPTION	REV
113	1001121510	2	Decal - Hybrid (USA Built Machines) (SN 0200199013 through 0200230091)	

SECTION 9 - RECOMMENDED SERVICE PARTS STOCK

SECTION 9 - RECOMMENDED SERVICE PARTS STOCK

SECTION 9 - RECOMMENDED SERVICE PARTS STOCK

FIGURE 9-1. MODELS 3369LE/M3369/4069LE/M4069

ITEM	PART NUMBER	QTY	DESCRIPTION	REV
	Note	Ref	Note: The following list will service one machine (built to current production per date on the front cover) with emergency repair parts which can be installed in the field. Parts from the list should be replaced when inventory is depleted to keep service parts stock supplied. For further information, contact your JLG dealer or the JLG Industries Parts Department.	
		Ref	STANDARD PARTS	
	7024013	1	Coil	
	7012944	1	Coil	
	7017451	1	Coil	
	7021619	1	Switch, Pressure	
	7021616	1	Filter, Cartridge	
	4360069	1	Breaker, Circuit - 10Amp	
	4360328	1	Switch, Toggle	
	4360469	1	Switch, Key	
	2860030	1	Key, Replacement	
	4360475	1	Switch, Emergency Stop	
	7020176	1	Block, Contact	
	1001102811	1	Switch, Dual Axis	
	1120534	1	Cap, Filler/Breather	
	4360500	1	Switch, Rotary Angle Sensor	
	4360502	1	Switch, Proximity Sensor	
	2940074	1	Latch, Platform	
	1600403	1	Controller Assembly	
	4360387	1	Switch, Push Button	
	4360475	1	Switch Assembly	
	4360482	1	Switch, Toggle	
	70000081	1	Potentiometer	
	7017445	1	Coil	
	3990010	2	Diode	

SECTION 9 - RECOMMENDED SERVICE PARTS STOCK

FIGURE 9-2. MODELS 3369LE/M3369/4069LE/M4069

ITEM	PART NUMBER	QTY	DESCRIPTION	REV
	Note	Ref	Note: The following list will service one machine (built to current production per date on the front cover) with emergency repair parts which can be installed in the field. Parts from the list should be replaced when inventory is depleted to keep service parts stock supplied. For further information, contact your JLG dealer or the JLG Industries Parts Department.	
		Ref	VARIABLE PARTS	
	7027280	1 doz	Filter, Oil - Yanmar Engine (M3369 & M4069 Only)	
	7018141	12	Filter, Fuel - Yanmar Engine (M3369 & M4069 Only)	
	7020217	12	Filter, Air - Yanmar Engine (M3369 & M4069 Only)	
	7020200	1	Regulator, Voltage for Yanmar Engine (M3369 & M4069 Only)	
	7020156	1	Module, Control for Yanmar Engine (M3369 & M4069 Only)	
	70000323	1	Relay - Yanmar Engine (M3369 & M4069 Only)	
	7023274	1	Relay - Yanmar Engine (M3369 & M4069 Only)	
	70000319	1 doz	Filter, Oil - Kubota Engine (M3369 & M4069 Only)	
	70000318	12	Filter, Fuel - Kubota Engine (M3369 & M4069 Only)	
	70000313	12	Filter, Air - Kubota Engine (M3369 & M4069 Only)	
	70000289	1	Regulator, Voltage for Kubota Engine (M3369 & M4069 Only)	
	70000326	1	Module, Control for Kubota Engine (M3369 & M4069 Only)	
	70000322	1	Relay - Kubota Engine (M3369 & M4069 Only)	
	70000323	1	Relay - Kubota Engine (M3369 & M4069 Only)	
	70000329	2	Fuse 15Amp - Kubota Engine (M3369 & M4069 Only)	
	70000330	2	Fuse 120Amp - Kubota Engine (M3369 & M4069 Only)	
	1600421	1	Module, Sevcon	
	7012943	1	Coil (Machines with Leveling Jacks)	
	1001155878	1	Module, Ground Control	
	4360164	1	Breaker, Circuit 5Amp (With Worklights Options)	
	0610169	1	Module, Platform	
	2400056	2	Fuse - 5Amp (Machines with Beacon Option)	
	4360548	1	Limit Switch	

SECTION 10 - SPECIAL OPTIONS

SECTION 10 - SPECIAL OPTIONS

FIGURE 10-1. SPECIAL OPTIONS

ITEM	PART NUMBER	QTY	DESCRIPTION	REV
		Ref	MISCELLANEOUS SPECIAL OPTIONS	
	Note	1	Note: This list is to accommodate machines ordered with special equipment. Options may not be applicable to all models. For more specific parts information contact JLG Parts Department.	
		Ref	Airline Installations	
	0274808	Ref	Airline Installations 3369LE & M3369	
	1001096087	Ref	Airline Installations 4069LE & M4069	
	1001181152	Ref	Combine Filter Service Kit	
		Ref	Decal Installations	
	0251642	Ref	Corner Stripes Installation	
	0274829	Ref	FedEx Decals Installation	
	0273258	Ref	Hertz Decals Installation (USA Built Machines) (Prior to SN 0200142378)	
	0274686	Ref	Hertz Decals Installation (USA Built Machines) (SN 0200142378 through 0200210667)	
	1001142273	Ref	Hertz Decals Installation (USA Built Machines) (SN 0200210668 through 0200230091)	
	0274531	Ref	Head and Engquist Equipment Decals Installation	
	0270624	Ref	Nations Rent Decals Installation (USA Built Machines) (Prior to SN 0200115573)	
	0273374	Ref	Nations Rent Decals Installation (USA Built Machines) (SN 0200115573 through 0200230091)	
	0274249	Ref	National Equipment Services (NES) Decals Installation	
	0275899	Ref	RSC Equipment Rental Decals Installation	
	0270625	Ref	Sunbelt Decals Installation	
	1001151165	Ref	Titan Rentals Decals Installation	
	0270623	Ref	United Rentals Decals Installation (USA Built Machines) (Prior to SN 0200108875)	
	0271666	Ref	United Rentals Decals Installation (USA Built Machines) (SN 0200108875 through 0200230091)	
	1001141643	Ref	Volvo Rentals Decals Installation	
		Ref	Decal Kits:	
	1001125245	Ref	Decal Kit - Calibration (3369LE/M3369)	
	1001125244	Ref	Decal Kit - Calibration (4069LE/M4069)	
	2901912	Ref	Decal Kit - Master	
	2902040	Ref	Decal Kit - Multi-Color	
		Ref	Electrical Connector Kits	
	1001148902	Ref	Amp/Tyco Electrical Connector Kit	
	1001148903	Ref	Deutsch DT Electrical Connector Kit	
	1001148904	Ref	Deutsch HD Electrical Connector Kit	
	1001148905	Ref	Packard Electrical Connector Kit	
	1001148906	Ref	Various Electrical Connectors Kit	
		Ref	Filter Kits:	
		Ref	Yanmar Engine	
	1001111699	1	Combined Filter Kit (Hydraulic/Air and Fuel/Engine Oil)	
	1001111673	1	Hydraulic/Air Filter	
	1001111683	1	Fuel/Engine Oil Filter	
		Ref	Kubota Engine	
	1001111710	1	Combined Filter Kit (Hydraulic/Air and Fuel/Engine Oil)	
	1001111672	1	Hydraulic/Air Filter	

SECTION 10 - SPECIAL OPTIONS

ITEM	PART NUMBER	QTY	DESCRIPTION	REV
	1001111687	1	Fuel/Engine Oil Filter	
	0274849	Ref	Fire Extinguisher Installation	
		Ref	Fluids Options	
		Ref	Hydraulic Oil Options:	
	2300028	Ref	Mobil DTE 10 Excel 15 (Bulk Drum)	
	70010346	Ref	Mobil DTE 10 Excel 15 (1 Gallon)	
	2300016	Ref	Mobil DTE 10 EXCEL 32	
	2300029	Ref	Mobil EAL ISO 46 Biodegradable	
		Ref	Lift Overload Installations (Japanese Spec Only)	
		Ref	Note: Used on USA Built Machines SN 0200098313 through 0200112285 & Belgium Built Machines SN 1200000398 through 1200000844. For Machines with Overload/Load Sensing Refer to JLG Supplement p/n 3124288.	
	0271651	Ref	Lift Overload Installations 3369LE & M3369 Spec	
	0271652	Ref	Lift Overload Installations 4069LE & M4069 Spec	
		Ref	Platform Padding Installations	
	0274793	Ref	Rail Padding Installation	
	0274794	Ref	Rail Padding and Deck Bumpers Installation	
	1001177623	Ref	Rail Padding and Deck Bumpers Installation with Soft Touch	
		Ref	Platform Worklights Installations	
	0271125	Ref	Platform Worklights Installations 3369LE & M3369	
	0271126	Ref	Platform Worklights Installations 4069LE & M4069	
	1001185245	Ref	Soft Touch Ground Harness Installation	
		Ref	Tie Strap Installations	
		Ref	Tie Strap Installations 3369LE & M3369	
	0270606	Ref	USA Built Machines (Prior to SN 0200112285)	
	0272946	Ref	USA Built Machines (SN 0200112285 through 0200230091)	
	0270606	Ref	Belgium Built Machines (Prior to SN 1200001088)	
	0272946	Ref	Belgium Built Machines (SN 1200001088 to Present)	
		Ref	Belgium Built Machines 4069LE & M4069	
	0270607	Ref	USA Built Machines (Prior to SN 0200112285)	
	0272947	Ref	USA Built Machines (SN 0200112285 through 0200230091)	
	0270607	Ref	Belgium Built Machines (Prior to SN 1200001088)	
	0272947	Ref	Belgium Built Machines (SN 1200001088 to Present)	
	1001197711	Ref	Telematics Harness	
		Ref	Tools For Service:	
	7002828	1	Wire Stripper	
	7002821	1	Wire Crimper (To install wire ends to wires)	
	7002823	1	Pin/Socket Extractor - Universal (To Remove Pins/Sockets from Connectors)	
	4460467	1	Extractor - 16-18 Gauge (For Removal of Pins/Sockets for Deutsch Connectors)	
	4460510	1	Extractor - 12-14 Gauge (For Removal of Pins/Sockets for Deutsch Connectors)	
	7002822	1	Screwdriver, Potentiometer (To Adjust Drive Controller)	
	7016654	1	Screwdriver, Magnetic	
	7004275	1	Seal Installation Tool - 1in	
	7004276	1	Seal Installation Tool - 1-1/2in	
	7002826	1	Seal Installation Tool - 2in	
	2901443	1	Analyzer Kit	
	2915230	1	Battery Charger Reprogram Controller	
	1001137005	1	Software USB Cable Kit	

PART NUMBER INDEX

PART NUMBER INDEX

0010572.....68, 183, 189	0270109.....178	0271344.....61	0641404.....61, 85, 117
0080228.....137, 139	0270111.....179	0271442.....75, 81	0641405.....51, 183, 187
0100011....13, 17, 40, 42, 46, 48, 51, 61, 67, 75, 85, 89, 93, 97, 101, 105, 109, 110, 113, 114, 127, 129, 131, 133, 137	0270262.....184, 189	0271651.....197	0641406....13, 63, 67, 71, 75, 115
0100019.....21, 67, 127	0270417.....22	0271652.....197	0641407....42, 48, 75, 85, 114
0100020.....46, 76	0270473.....21, 63, 163	0271666.....196	0641408....17, 71, 93, 98, 101, 106, 110
0100035 94, 98, 102, 106, 129, 131, 133	0270476.....117	0271690.....22	0641410..46, 94, 98, 102, 106
0100038.....127, 129	0270477.....117	0271948.....22	0641412.....63
0100048.....115	0270514.....65	0271949.....22	0641416.....17, 115
0100051.....89	0270518.....85	0272005.....187	0641418....13, 40, 46, 51, 93, 97, 101, 105
0100083.....63	0270519.....11	0272653.....187	0641504.....89
0140011.....117	0270523.....22	0272932.....93, 98, 137	0641506.13, 85, 137, 139
0140028.....75	0270524.....89	0272933101, 106, 139	0641507.....85
0140032.....76	0270530.....22	0272946.....197	0641508.....75, 76
0181684.....114	0270533.....17	0272947.....197	0641509.....51
0181847.....117	0270543.....110	0272959.....109	0641510.....93, 97, 114
0182014.....76, 85	0270544.....75, 81	0272960.....109	0641512.....76
0182017.....89	0270568.....17	0273049.....75, 76	0641514.....76
0182035.....114	0270570.....21	0273258.....196	0641516.....113, 114
0200654.....93, 97	0270572.....162, 170	0273374.....196	0641528.....67
0200655.....93, 97	0270573.....162, 170	0273468.....22	0641604.....40, 46
0200656.....93, 97	0270576.....71	0273477.....22	0641608.....61, 67, 109
0200657.....93	0270579.....117	0274249.....196	0641609.....21, 46
0200658.....93, 97	0270580.....117	0274531.....196	0641610....13, 17, 93, 98, 101, 106, 109
0200659.....93, 97	0270581.....21	0274684.....46, 76	0641612.....51
0200660.....93, 97	0270582.....75	0274686.....196	0641616.....46
0200661.....93	0270583.....75	0274793.....197	0641618.....85
0200667.....93, 97	0270591.....183	0274794.....197	0641632.....40, 46
0200668.....93, 97	0270594.....187	0274808.....196	0641660.....40, 46
0200669.....93, 97	0270600.....187	0274829.....196	0641676.....114
0200683.....101, 105	0270601.....187	0274849.....197	0641820.....46
0200684.....101, 105	0270602.....187	027548197, 137, 147, 149, 156	0641824.....65
0200685.....101, 105	0270606.....197	0275482 ...105, 139, 147, 149, 156	0641826.....21
0200686.....101, 105	0270607.....197	0275525.....97, 137	0641828.....65, 67
0200687.....101	0270618.....51	0275526.....105, 139	0642012.....17
0200688.....101, 105	0270619.....51	0275552.....98	0642016.....51
0200689.....101, 105	0270620.....51	0275553.....106	0681508.....114
0200690.....101, 105	0270623.....196	0275688.....187	0681520.93, 98, 101, 106
0200691.....101, 105	0270624.....196	0275899.....196	0681606.....129
0200692.....101, 105	0270625.....196	0320015.....129	0681622.93, 97, 101, 105
0200693.....101, 105	0270627.....22	0362840.....93, 97	0681624.93, 97, 101, 105
0200694.....101, 105	0270683.....75, 85	0362841 93, 97, 101, 105	0681809.....21
0200695.....101, 105	0270692.....75	0400055.....89	0682011.....21
0200696.....101	0270740.....71	040018842, 48, 51, 55	0682012.....21
0200724.....93, 97	0270787.....40, 41, 158	040018942, 48, 51, 55	0682016.....67
0200725.....93, 97	0270788.40, 76, 184, 189	040019042, 48, 51, 55	0682020.....17
0200726.....101, 105	0270840.....42, 48	040019142, 48, 51, 55	0700619.....115
0200727.....101, 105	0270841.....42, 48	0400201.....40, 46	0700812.....85
0251642.....196	0270842.....42, 48	0440162.....11, 13	0721008.....42, 49, 51
0258997.....22	0270843.....42, 48	0440234 .93, 94, 98, 101, 102, 106, 109	0721014.93, 98, 101, 106
0259563.....109	0270853.....93, 137	0440236 93, 97, 101, 105	0721016.....51
0259564.....109	0270854.....101, 139	0440247.....11, 13	0791406.....98, 106
0259565.....114	0270939.....85	0440250 94, 97, 102, 105, 110	0840026.....115
0259566.....113	0270940.....75	0561407.....68	0840048.....89
0259568.....113	0270941.....75	0610131 ...40, 42, 46, 48, 51	0840049.....89
0259576.....65	0270942.....75, 76	0610143.....81	0860038.....179
0259577.....65	027099113, 153, 156	0610145.....117	0860520.....183, 187
0259587.....178	0270992.....13, 21	0610169.....117, 194	0861357.....117
0259589.....178	0270995.....117	0630476.....109	0861385.....81
0259593.....65	0270996.....117	0630526.....89	0861731.....179
0259613.....76	0270998.....75	0630549.....13, 61, 89	0901870.....113, 114
	0270999.....75	0630550.....94, 102	
	0271009.....71		
	0271125.....115, 197		
	0271126.....115, 197		
	0271238.....67		

PART NUMBER INDEX

0901930	115	1001148902.....	196	1320122.94, 97, 102, 105	1704211	183, 187
0902421	137, 139	1001148903.....	196	1320135.....	1704248	183
0902499	117	1001148904.....	196	1320285.....	1704277	183, 188
0902659	40, 46	1001148905.....	196	1320286.....	1704278	187
0902696	75	1001148906.....	196	1600308.....	1704286	184
0902701	85	1001151165.....	196	1600311.....	1704328	189
0902703	94, 102	1001155878.....	81, 194	1600403.....	1704329	189
0902704	13	1001159355.....	47	1600421.....	1704330	189
0902713 93, 98, 101, 106		1001159358.....	46	1670965.93, 98, 101, 106	1704331	189
0902727	41	1001159360.....	46, 76	1670971.....	1704333	189
0902728	41	1001177623.....	197	1670972.....	1704339	188
0902780	61	1001181087.....	81	1670979.....	1704340	188
0903273 94, 98, 102, 106		1001181152.....	196	1670980.....	1704341	188
0920118	21	1001185244.....	180	1670981.....	1704342	188
0940087	89	1001185245.....	180, 197	1670990.....	1704344	188
0940090	101, 105, 115	1001197457.....	170	1670995.94, 97, 102, 105	1704368	189
0961890	127	1001197711.....	197	1671009.....	1704369	189
0961950	17, 18	1060279	183, 187	1671010.....	1704371	189
0961951	11, 13	1060341	179	1671207.....	1704373	189
0962012	137	1060680 ...	164, 165, 172, 178	1681283.....	1704412	183, 187
0962140	11, 13, 127	1060689	49, 51, 171	1682723.....	1704536	68
0962474	127	1060751 ..	42, 49, 51, 164	1683076.....	1704574	117
1001091644	81	1060759 ..	42, 49, 51, 164	1683858.....	1704607	187
1001092586	13, 15	1060808	113, 114	1683966.....	1704684	187
1001093687	189	1060815	162, 170	1683967.....	1704686	188
1001096087	196	1060819	40	1683994.....	1704687	188
1001099375 .	21, 63, 163, 171	1060820	40, 46	1684063.....	1704690	68
1001099428	81	1060846	137, 139	1684064.....	1704691	187
1001099429	81	1060866	97, 179, 180	1684072.....	1704693	188
1001099533	109	1060867	179, 180	1684119.....	1704694	188
1001101934	21, 35	1060884	89	1684120.....	1704697	68
1001101989	13, 165, 173	1060885	89	1684121.....	1704698	68
1001102512	82	1060886	89, 164, 172	1684138.....	1704699	187
1001102534	89	1060887	89, 164, 172	1684206.....	1704701	188
1001102811	192	1060888	63, 163, 171	1684217.....	1704702	188
1001103012	170	1060889	63, 163, 171	1684291.....	1704783	184, 189
1001103105	48, 51, 59	1060890	63, 163, 171	1700584.....	1704784	184, 189
1001104956	89	1060891	63, 163, 171	1701214.....	1704830	46, 184, 189
1001105085	89	1060892	63, 163, 171	1701500.....	1704885	184, 189
1001105438	75, 170	1060893	63, 163, 171	1701505.40, 76, 184, 189	1704893	117
1001107854	170	1060894	63, 163, 171	1701509.....	1704903	183
1001108923	76	1060894	63, 163, 171	1701621.....	1704904	188
1001111672	196	1060895	63, 163, 171	1701644.....	1704908	184, 189
1001111673	196	1060899 ...	162, 165, 170, 172, 173	1702153.....	1704909	184, 189
1001111683	196	1060900	85, 164, 172	1702155.....	1704911	183
1001111687	197	1060901	85, 164, 172	1702573.....	1704912	188
1001111699	196	1060910	61, 179	1702773.....	1704913	188
1001111710	196	1060911	61, 179	1702962.....	1704914	188
1001114496	89, 172	1060912	61, 179	1703175.....	1704915	188
1001116810	171	1060913 ..	42, 49, 51, 164	1703464.....	1704916	188
1001116811	59, 172	1060916	40, 46	1703490.....	1704917	188
1001116812	170	1060917	40, 46	1703687.....	1704918	188
1001121510	184, 190	1060933	61	1703788.....	1704921	117
1001125244	106, 196	1060934	61	1703811.....	1704953	184, 189
1001125245	98, 196	1060935	61	1703812.....	1704954	68
1001125437	184, 189	1060950	40, 46	1703813.....	1704955	68
1001125438	183, 189	1120108	129, 131, 133	1703814.....	1704998	13, 184, 189
1001128736	67	1120485	76	1703816.....	1705051	61
1001128890	67	1120534	85, 192	1703818.....	1705052	61
1001130615	170	1260136	113	1703819.....	1705097	188
1001131270	183	1320022	76	1703821.....	1705098	188
1001131751	68	1320030	76	1703822.....	1705193	188
1001137005	197	1320033	76, 85	1703962.....	1705194	188
1001140600	67, 135	1320061	114	1704006.....	1705195	187
1001141643	196	1320095	13	1704007.....	1705303	187
1001142273	196	1320110 94, 97, 102, 105		1704008.....	1705394	188
				1704174.....	1705398	188

PART NUMBER INDEX

1705700.....	117	2540039.....	17	2901930.....	94	3310601.....	118
1705710.....	81	2560088.....	114	2901931.....	102	3310801.....	89
1705911.....	117	2560137.....	51	2901941.....	129, 131	3310805.....	67
1705912.....	117	2560141.....	117	2902040.....	183, 196	3311001..	51, 93, 98, 101, 106
1707018.....	188	2600253.....	113	2902041.....	189	3311005.....	42, 49, 115
1707020.....	188	2600258.....	51	2902042.....	189	3311401	85, 89, 101, 105, 115
1707021.....	187	2600275.....	75, 85	2902043.....	189	3311405....	13, 17, 40, 46, 47, 49, 51, 63, 71, 75, 85, 93, 98, 101, 106, 110, 114, 115, 183, 188
1707022.....	188	2680486.....	51	2902045.....	189	3311505....	52, 67, 76, 85, 89, 93, 97, 98, 101, 106, 113, 114
1707024.....	188	2680491.....	40, 46	2902124.....	189	3311604.....	61
1707025.....	189	2720058.....	76	2902140.....	52	3311605....	13, 17, 40, 46, 47, 51, 85, 93, 97, 98, 101, 105, 106, 109, 114
1707026.....	188	2720271.....	76	2902141.....	40	3311805.....	47, 65
1810140.....	81	2750766.....	147	2902253.....	94, 98	3312005.....	52
1870130.....	158	2750905.....	147, 149	2902254.....	102, 106	3313003.....	11, 13
2000327.....	46, 158	2750908.....	155	2902264.....	133	3321402.....	41, 137, 139
2000332.....	47	2750915.....	155	2902423.....	41	3322201.....	127
2080052.....	67, 71	2752444.....	147, 149	2902431.....	179	3322202.....	40, 46, 114
2080057.....	183, 187	2752497.....	153	2902553.....	189	3340612.....	113
2080061.....	17	2752516.....	153	2915230.....	59, 197	3340856	93, 98, 101, 106, 109
2080063.....	113, 114	2752593.....	147, 149	2920026.....	118	3340866.....	93, 97
2080064.....	113, 114	2752958.....	147, 149	2920029.....	118	3340895.....	118
2080069.....	113	2752966.....	153	2920095.....	115	3340903.....	89
2220315.....	40	2752983.....	147, 149	2920146.....	65	3340904.....	129
2220371....	147, 149, 153, 155	2753059.....	155	2920151.....	81	3380609.....	47
2220373....	147, 149, 153	2753118.....	153	2940064.....	113	3421565.....	113, 114
2220377.....	85	2753120.....	155	2940074.....	113, 192	3422219.....	113, 114
2220385.....	153, 155	2753137.....	147, 149	2940098.....	51	3422369	93, 97, 102, 105, 113
2220415.....	147, 149	2753187.....	147, 149	2940127.....	115	3422745.....	17
2220466.....	147, 149	2753327.....	149	2940133.....	89	3422778.	94, 97, 102, 105
2220473....	147, 149, 155	2753389.....	149	2940135.....	75, 85	3422822.	94, 98, 102, 106
2220490.....	155	2753397.....	155	2940137.....	40, 46	3422823.....	109
2220497.....	153	2753414.....	147, 149	3000018.....	89	3422824.....	109
2220499.....	153	2753415.....	147, 150	3010088.....	113	3422825.	94, 97, 102, 105
2220504.....	147, 149	2753523.....	149	3020008.....	21	3422826.	94, 97, 102, 105
2220582.....	149	2753524.....	155	3020022	93, 98, 101, 106, 114	3422892.....	11, 13
2220600....	147, 149, 153	2753526....	147, 149, 150	3020037.....	21, 85	3422899.....	17
2220606.....	149	2753527.....	147	3160245.....	21, 35	3422900.....	17
2220619.....	155	2753528.....	147, 149	3160252.....	85	3422905.	94, 98, 102, 106
2220635.....	147, 149	2753529.....	149, 155	3160256.....	21, 33	3422907.	94, 98, 102, 106
2220651.....	147, 149	2753530.....	149	3160267.....	21, 35	3422927.	94, 98, 102, 106
2220805.....	46	2753531.....	149	3200425.....	47	3422962.....	109
2220810.....	147, 149	2753532.....	155	3200453	94, 98, 102, 106	3423049.....	109
2220819.....	149, 155	2780234.....	11	3220121.....	41	3440420.....	67
2220883....	68, 127, 129, 131, 133	2780236.....	21, 25	3251813.....	183, 188	3440824.....	127
2220885.....	127	2780260.....	21	3252191.....	187	3450304.	94, 97, 102, 105
2220886.....	127	2780282.....	21, 29	3252507.....	179	3450405.....	137, 139
2220890.....	36	2792442.....	156	3252591....	183, 184, 189	3450812.....	11, 13
2220899....	147, 149, 153	2792443.....	147, 156	3252694.....	184, 189	3460475.....	47
2221041.....	147, 149	2792444.....	149, 156	3252759.....	81	3480092.....	129, 131
2221044.....	147, 149	2792445.....	147, 156	3252766.....	117	3480279.....	133
2221046.....	76	2792446.....	149, 156	3271505.....	115	3510723.....	109
2221047.....	76	2792494.....	155, 156	3272001.....	17, 67	3510734.....	109
2221086.....	147, 149	2820018.....	65, 76	3290601.....	115	3510795.....	109
2221089.....	155	2820025.....	115	3291005.....	109	3510796.....	109
2221115.....	149	2820097.....	113	3300151	93, 97, 101, 105, 113, 114	3520026.....	81
2230024.....	147, 149	2820134.....	40	3300240.....	11, 13	3520028.....	81
2230087.....	153	2820135.....	40, 46	3300281.....	129	3520030.....	82
2300016.....	197	2820136.....	40, 46	3300356.....	113, 114		
2300028.....	197	2820137.....	40, 46	3300374.....	40, 46		
2300029.....	197	2820138.....	40, 46	3300420.....	115		
2400056.....	178, 194	2820228.....	46	3300426.....	22		
2420038.....	110	2860030.....	81, 192	3300429.....	89		
2420172.....	81	2900768.....	21	3300432.....	113		
2460037.....	61	2900770...	129, 131, 133, 135	3300455	94, 98, 102, 106		
2540020.....	113	2901443.....	180, 197	3300465.....	131, 133		
2540038.....	17, 89	2901548.....	127	3300467.....	115		
		2901912....	183, 189, 196				

PART NUMBER INDEX

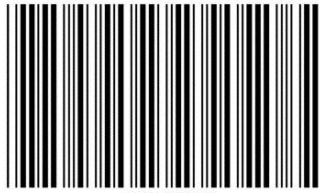
3520071 65	3941606 63	4460320.... 162, 171, 178, 179	4460930 59, 163, 171, 172
3520072 114	3960389 ... 40, 46, 47, 75, 85	4460321..... 163, 164, 171	4460931 165, 171, 173
3520079 81, 118	3960418 ... 40, 46, 47, 75	4460328..... 179	4460944 170
3520080 82, 118	3990010 ... 162, 171, 192	4460346..... 179	4460945 170
3520193 81, 118	4000006 81	4460424.... 162, 171, 178, 179, 180	4460968 178
3536708 129	4032022 109	4460428.. 42, 49, 51, 166, 174, 178	4461070 170
3537609 114	4060700 179	4460434..... 163, 171	4461095 170
3537619 114	4060802 82, 118	4460444..... 164	4520209 22
3571584 42, 49, 51	4060803 71	4460464..... 59, 162, 163, 164, 165, 170, 172, 173	4520247 22
3571829 113	4061003 67	4460465.... 162, 163, 164, 165, 166, 170, 171, 172, 173, 178, 180	4520249 22
3571862 114	4061011 110	4460466.... 163, 165, 171, 173	4520260 22
3572527 110	4070987 81	4460467..... 180, 197	4520269 22
3572553 17	4070991 81	4460468.... 162, 165, 173	4565647 129
3572554 17	4071008 17	4460470..... 118, 162, 170	4568203 85
3572780 41	4130383 110	4460471..... 118, 162, 170	4568271 41
3572850 13	4130386 13	4460473.... 162, 165, 173	4568295 109
3573513 131, 133	4160116 67	4460480.... 118, 162, 170	4630012 .94, 98, 102, 106
3600319 85, 87	4160189 40, 46	4460481..... 162, 165, 173	4640113 22
3600367 85, 87	4240084 63	4460499.... 162, 164, 165, 170, 172, 173, 180	4640392 22
3641310 113	4280295 94, 97, 102, 105	4460508..... 59, 172	4640495 ... 129, 131, 133, 135
3740135 63	4300145 21	4460509..... 172	4640744 147, 149
3760115 17	4341095 47	4460510..... 180, 197	4640757 147, 149
3760170 113, 114	4360069 81, 192	4460519.... 162, 165, 170	4640858 127
3760321 109	4360164 115, 194	4460742..... 163, 170	4641002 137
3760348 40, 46, 114	4360321 178	4460743..... 163, 170	4641002 137
3760367 127	4360328 81, 192	4460761.... 164, 165, 170, 173	4641118 139
3760387 94, 98, 102, 106	4360387 82, 118, 192	4460779..... 179	4641127 13, 15
3760420 94, 97, 102, 105	4360469 81, 192	4460802.. 42, 49, 51, 166, 174	4641129 15
3760453 129	4360475 81, 118, 192	4460803... 42, 49, 51, 52, 166, 173, 174	4641148 13
3760460 131, 133	4360481 81	4460805.. 42, 49, 52, 166, 174	4641150 67, 68
3820020 114	4360482 61, 118, 192	4460812.... 162, 165, 170, 173	4641151 68
3841143 . 17, 94, 98, 102, 106, 109	4360500 94, 98, 102, 106, 192	4460814..... 163, 171	4641152 68
3841233 40, 46, 114	4360502 94, 98, 102, 106, 192	4460817..... 162, 170	4641156 ... 129, 131, 133, 135
3841258 17	4360548 178, 194	4460818..... 162, 170	4641168 139
3841326 67	4400433 85	4460824..... 163, 171	4641172 137, 139
3841517 127	4400434 76	4460825..... 163, 171	4641173 17
3860059 40, 46, 114	4420008 118	4460836..... 163, 180	4641174 127
3900128 81	4420051 67	4460837..... 163, 180	4641178 75, 79
3900170 129	4420052 67	4460846..... 162, 170	4641182 17
3900178 118	4420055 115	4460868..... 163, 171	4711400 ... 13, 17, 40, 46, 52, 61, 63, 71, 94, 98, 102, 106, 110, 114, 115, 137, 139, 183, 188
3900184 40, 46	4460035 170	4460870..... 163, 171	4711500 ... 76, 89, 94, 97, 102, 105, 109, 114
3900190 89	4460044 178	4460877 163, 171	4711600 ... 17, 18, 21, 47, 85, 94, 97, 102, 105, 114
3900265 118	4460051 179	4460884.... 163, 165, 171, 173	4711800 47, 67
3900266 11, 13	4460071 179	4460891.... 163, 164, 165, 171, 172, 173	4712000 18, 52
3900267 113	4460121 170	4460892... 163, 165, 173	4712200 11, 13
3900297 110	4460138 179	4460893.... 163, 165, 173	4713000 .11, 13, 131, 133
3900300 81	4460224 165, 173	4460894.... 163, 165, 173	4740076 76, 85
3900305 89	4460225 ... 166, 173, 180	4460895..... 162, 170	4740120 118
3900318 113, 114	4460226 ... 123, 164, 165, 171, 173	4460896.... 166, 173, 180	4740158 17, 18
3900321 131, 133	4460227 ... 164, 165, 166, 172, 173, 180	4460897.... 164, 165, 170, 172	4740274 47
3900325 93, 98, 101, 106	4460248 178	4460899..... 163	4740332 .94, 97, 102, 105
3910616 81	4460259 162, 171		4740415 67
3910804 81	4460260 162, 171		4740438 .94, 98, 102, 106
3911006 115	4460265 ... 121, 123, 166, 173		4740474 89
3911010 113	4460266 ... 121, 123, 162, 170		4740480 .89, 94, 97, 102, 105
3911014 81	4460267 ... 121, 123, 162, 163, 170, 171, 178, 179, 180		4740506 .94, 98, 102, 106
3911424 113	4460268 ... 121, 163, 166, 171, 173, 178, 179		4750800 67
3911428 113, 114			
3911432 113			
3911532 113, 114			
3911536 113			
3930820 67			
3931430 89			
3931516 127			
3931648 109			
3941004 65			

PART NUMBER INDEX

4751000....42, 49, 52, 94, 98, 102, 106, 113	4922478 ... 105, 162, 165, 172	70000326 48, 194	70003721.....25
4751400....42, 47, 49, 63, 67, 71, 75, 85, 115	4922479 162, 170	70000327 48	70003722.....25
4751500....52, 67, 76, 85, 94, 97, 102, 105, 113	4922480 82, 163, 171	70000328 ... 48, 166, 173	70003723.....25
4751600....13, 40, 46, 47, 61, 63, 67, 115	4922517 76, 178	70000329 ... 48, 166, 173, 194	70003724.....25
4751800.....65	4922518 42, 52, 164	70000330 ... 48, 166, 173, 194	70003725.....26
4752200.....40, 46, 114	4922526 118, 162, 170	70000382 48	70003818.....135
4760600.....81, 118	4922527 ... 118, 162, 170	70000683 123	70003819.....135
4761000.....81	4922528 75, 162	70000684 123	70003820.....135
4761400.....75	4922529 75, 166, 173, 180	70000685 123	70003821.....135
4770600.....110	4922543 94, 98, 102, 106, 164, 172	70000686 123	70003822.....135
4791400.....118	4922544 .94, 98, 164, 172	70000898 17	70003823.....135
4845829.....113	4922545 ... 102, 106, 164, 172	70000967 48	70003824.....135
4845938.....118	4922551 13, 165	70001091 35	70003825.....135
4845986.94, 98, 102, 106	4922585 115, 179	70001121 47	70003826.....135
4845987.....109	4922586 115, 179	70001144 48	70003827.....135
4846020.94, 97, 102, 105	4922592 179	70001357 137	70003828.....135
4846117.....114	4922593 179	70001358 137	70003829.....135
4846120.....114	4922602 .40, 75, 166, 173	70001366 29	70004194.....123
4846121.....114	4922604 82, 163, 171	70001367 29	70004264.....79
4846122.....113	4922628 42, 49, 164	70001368 30	70004265.....48
4846123.....113	4922668 61	70001369 29	70004394.....48
4846124.....113	70000081 123, 192	70001370 29	70010346.....197
4846125.....113	70000082 123	70001371 29	7001626.....143
4846159.....65	70000083 123	70001372 29	7002821.....180, 197
4846181.....114	70000084 123	70001373 29	7002822.....197
4846191.....114	70000085 123	70001374 29	7002823.....180, 197
4846224.....67	70000289 47, 194	70001375 29	7002826.....197
4846225.....67	70000290 47	70001376 29	7002828.....180, 197
4846249.....118	70000291 47	70001377 29	7003212.....139
4846256.....115	70000292 47	70001378 29	7003226.....137, 139
4846282.....65	70000293 47	70001379 29	7003790.....121
4846297.....89	70000294 47	70001380 30	7004275.....197
4846299.....17	70000295 47	70001422 15	7004276.....197
4846301.....11, 13	70000296 47	70002083 48	7007640.....29
4846317.....41, 47	70000297 47	70002216 135	7007900.....21
4846327.....41	70000298 47	70002219 135	7007913.....21
4846330.....52	70000299 47	70002244 48	7007933.....21
4846333.....18	70000300 47	70002261 35	7007977.....21
4846359.....75, 85	70000301 47	70002262 35	7010542.....79
4846365.....51	70000302 47	70002263 35	7010543.....79
4846410.....41	70000303 47	70002264 35	7011529.....55
4846411.....61	70000304 47	70002265 35	7011590.....55, 164
4846416.....109	70000305 47	70002267 36	7011621.....55, 164
4846520.....61	70000306 47	70002268 36	7011716.....21
4846584.....131, 133	70000307 47	70002269 36	7011757.....21
4860191.....22	70000308 47	70002408 21	7011940.....121
4860221.....22	70000309 47	70002517 143	7011997.....121
4860222.....22	70000310 47	70002518 143	7012518.....79
4891500.....85	70000311 47	70002543 48	7012540.....15
4891600.....75	70000312 47	70002545 48	7012545.....33, 85
4892000.....21, 67	70000313 48, 194	7000281 29	7012547.....33
4921488.....170	70000314 48	70002947 15	7012548.....33, 85
4921489.....170	70000315 48	70003618 48	7012549.....33
4922099.....170	70000316 48	70003619 48	7012773.....15
4922339.....82, 163	70000317 48	70003650 123	7012903.....68
4922426.....65, 178	70000318 48, 194	70003711 25	7012941.....79
4922431.....179	70000319 41, 48, 194	70003712 25	7012943 68, 79, 137, 139, 194
4922454.....68, 178	70000320 48	70003713 25	7012944.....79, 139, 192
4922455.....68, 178	70000321 48	70003714 25	7012953.....137
4922456.....68, 178	70000322 48, 194	70003715 25	7012967.....79, 137, 139
4922477.....97, 162, 165, 172	70000323 41, 48, 194	70003716 25	7012998.....79, 139
	70000324 48	70003717 25	7013614.....76
	70000325 48	70003718 25	7016177.....89
		70003719 25	7016319.....65
		70003720 25	7016372.....65
			7016654.....197

PART NUMBER INDEX

7017007.....	30	7020166.....	41	7020689.....	55	7023496.....	41
7017009.....	29	7020167.....	41	7020690.....	55	7023505.....	139
7017022.....	29	7020175.....	81, 118	7020691.....	55	7023508.....	139
7017294.....	143	7020176.....	81, 118, 192	7020692.....	55, 164	7023509.....	140
7017402.....	79	7020184.....	33	7020693.....	55, 164	7023510.....	140
7017406.....	135	7020185.....	33	7020694.....	56	7023801.....	36
7017433.....	79	7020189.....	33	7021323.....	25	7023803.....	25
7017445.....	137, 139, 192	7020197.....	41	7021324.....	25	7023806.....	35
7017451.....	79, 192	7020198.....	41	7021325.....	25	7023807.....	35
7017467.....	139	7020199.....	41	7021326.....	25	7023808.....	87
7017496.....	79	7020200.....	42, 194	7021327.....	25	7023819.....	87
7018124.....	41	7020202.....	42	7021328.....	25	7023872.....	36
7018125.....	41	7020206.....	41	7021329.....	26	7023902.....	127
7018127.....	41	7020217.....	42, 194	7021333.....	26	7023904.....	79
7018141.....	41, 194	7020292.....	85	7021335.....	25	7023931.....	79
7018143.....	41	7020294.....	85	7021336.....	25	7023932.....	79
7018506.....	55	7020295.....	85	7021337.....	25	7024007.....	35
7018535.....	55	7020296.....	85	7021338.....	26	7024008.....	35
7018537.....	56	7020297.....	85	7021339.....	25	7024009.....	35
7018564.....	56	7020298.....	85	7021340.....	25	7024011.....	15
7018570.....	55	7020299.....	85	7021341.....	25	7024013.....	15, 192
7018571.....	55	7020500.....	121	7021342.....	25	7024033.....	35, 165
7018942.....	15	7020501.....	121	7021344.....	25	7024047.....	26
7019609.....	33	7020502.....	121	7021375.....	15	7024049.....	25
7019862.....	140	7020503.....	121	7021616.....	79, 192	7024051.....	25
7019886.....	137, 139	7020504.....	121	7021619.....	79, 192	7024053.....	25
7019888.....	139	7020509.....	121	7021653.....	68	7024054.....	26
7019889.....	139	7020511.....	121	7021661.....	17	7024101.....	137, 140
7019893.....	139	7020520.....	121	7022391.....	79	7024102.....	140
7019895.....	139	7020527.....	121	7022392.....	79	7024103.....	137, 140
7019898.....	137	7020528.....	121	7022394.....	79	7024501.....	17
7020033.....	11	7020529.....	121	7022586.....	35	7024502.....	17
7020035.....	11	7020530.....	121	7022587.....	35	7024738.....	29
7020036.....	11	7020533.....	121	7022588.....	36	7024741.....	29
7020037.....	11	7020534.....	121	7022589.....	36	7024832.....	79
7020038.....	11	7020535.....	121	7022590.....	36	7024844.....	135
7020039.....	11	7020541.....	121	7022591.....	36	7024928.....	35, 165, 173
7020040.....	11	7020603.....	56	7022906.....	55	7024931.....	25
7020041.....	11	7020640.....	56	7022924.....	55	7024960.....	87
7020042.....	11	7020642.....	55	7023021.....	143	7024961.....	87
7020054.....	11	7020644.....	55, 164	7023022.....	143	7024963.....	35
7020055.....	11	7020645.....	55, 164	7023211.....	41	7024981.....	26
7020140.....	11	7020646.....	55, 164	7023212.....	81	7024983.....	25
7020148.....	11	7020648.....	55	7023218.....	41	7024985.....	25
7020156.....	41, 194	7020649.....	55	7023229.....	33	7024986.....	26
7020157.....	41	7020650.....	55	7023274.....	41, 194	7026669.....	42
7020158.....	41	7020651.....	55	7023343.....	33	7026670.....	42
7020159.....	41	7020652.....	56	7023344.....	33	7027280.....	194
7020161.....	41	7020653.....	55	7023345.....	164, 172	7027365.....	121, 123
7020163.....	41	7020654.....	55	7023485.....	41	7027367.....	123
7020164.....	41	7020662.....	56	7023486.....	41, 166, 173	7027765.....	123
7020165.....	41	7020683.....	56	7023489.....	41	7027766.....	123



3121123



An Oshkosh Corporation Company

JLG Industries, Inc.
1 JLG Drive
McConnellsburg PA. 17233-9533
USA
Phone: +1-717-485-5161
Customer Support Toll Free: 1-877-554-5438
Fax: +1-717-485-6417

JLG Worldwide Locations

JLG Industries (Australia)
P.O. Box 5119
11 Bolwarra Road
Port Macquarie
N.S.W. 2444
Australia
Phone: +61 2 65811111
Fax: +61 2 65813058

JLG Latino Americana Ltd.
Rua Antonia Martins Luiz, 580
Distrito Industrial João Narezzi
13347-404 Indaiatuba - SP
Brazil
Phone: +55 19 3936 8870
Fax: +55 19 3935 2312

JLG Industries (UK) Ltd
Bentley House
Bentley Avenue
Middleton
Greater Manchester
M24 2GP
England
Phone: +44 (0)161 654 1000
Fax: +44 (0)161 654 1001

JLG France SAS
Z.I. de Baulieu
47400 Fauillet
France
Phone: +33 (0)5 53 88 31 70
Fax: +33 (0)5 53 88 31 79

JLG Deutschland GmbH
Max-Planck-Str. 21
D - 27721 Ritterhude-Ihlpohl
Germany
Phone: +49 (0)421 69 350 20
Fax: +49 (0)421 69 350 45

JLG Equipment Services Ltd.
Rm 1107 Landmark North
39 Lung Sum Avenue
Sheung Shui N.T.
Hong Kong
Phone: +852 2639 5783
Fax: +852 2639 5797

JLG Industries (Italia) s.r.l.
Via Po, 22
20010 Pregnana Milanese - MI
Italy
Phone: +39 029 359 5210
Fax: +39 029 359 5845

JLG Europe B.V.
Polaris Avenue 63
2132 JH Hoofddorp
The Netherlands
Phone: +31 (0)23 565 5665
Fax: +31 (0)23 557 2493

JLG Polska
Ul. Krolewska
00-060 Warszawa
Poland
Phone: +48 (0)914 320 245
Fax: +48 (0)914 358 200

Plataformas Elevadoras
JLG Iberica, S.L.
Trapadella, 2
P.I. Castellbisbal Sur
08755Castellbisbal, Barcelona
Spain
Phone: +34 93 772 4 700
Fax: +34 93 771 1762

JLG Sverige AB
Enkopingsvagen 150
Box 704
SE - 176 27 Jarfalla
Sweden
Phone: +46 (0)850 659 500
Fax: +46 (0)850 659 534

www.jlg.com